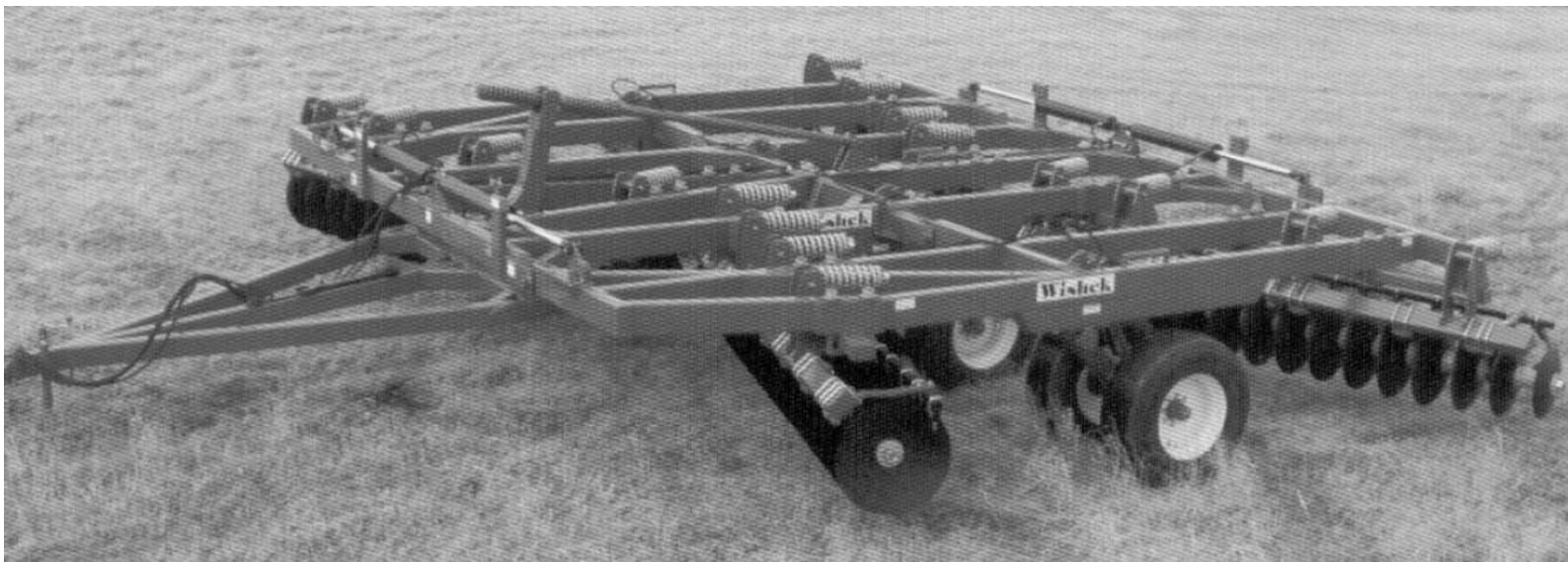


# Parts Book

612N, 812N, 642N, 842N, 862N  
714NT, 814NT, 742NT, 842NT, 862NT



Wishek Mfg. LLC  
112 South 2nd Street  
PO Box 185  
Wishek, ND 58495  
(701) 452-2449  
[www.wishekmfg.com](http://www.wishekmfg.com)

# WARRANTY/ PARTS RETURN POLICY

## WISHEK WARRANTY PROGRAM

Dealer or distributor understands and agrees that Manufacturer extends only the following warranty to customers. In the event Dealer or Distributor extends any additional warranty (such as by enlarging the scope or period of warranty or undertaking a warranty of merchantability or fitness for any particular purpose) or any other obligation whatsoever, Dealer or Distributor shall: (1) be solely responsible therefore; (2) have no recourse against Manufacturer thereof and (3) defend, indemnify and hold Manufacturer harmless against any claim or cause of action whatsoever arising out of, or occasioned by, Dealer or Distributor's extension of said additional warranty or obligation.

## CERTIFICATE OF GENERAL EQUIPMENT WARRANTY

Wishek Mfg. L.L.C. warrants new products sold by it to be free from defects in material or workmanship for a period of one (1) year after date of delivery to the first user and subject to the following conditions: Wishek Mfg. L.L.C. obligation and liability under this warranty is expressly limited to repairing or replacing at Wishek Mfg. L.L.C. option any parts that appear to Wishek Mfg. L.L.C. upon inspection to have been defective in material or workmanship. Such parts shall be provided at no cost to the user, at the business establishment of the authorized Wishek Mfg. L.L.C. dealer or distributor of the product during regular business hours. This warranty shall not apply to component parts or accessories of products not manufactured by Wishek Mfg. L.L.C. and which carry the warranty of the manufacturer thereof, or to normal maintenance (such as tune up) or to normal maintenance parts (such as oil filters).

Replacement or repair parts installed in the product covered by this warranty are warranted only for the remainder of this warranty as if such parts were original of said product. **WISHEK MFG. MAKES NO OTHER WARRANTY, EXPRESSED OR IMPLIED, AND MAKES NO WARRANTY OF MERCHANTABILITY OR FITNESS FOR ANY PARTICULAR PURPOSE.**

Wishek Mfg. L.L.C. obligation under this warranty shall not include any transportation charges, cost of installation, duty taxes or any other charges whatsoever, or any liability for direct, indirect, incidental or consequential damage or delay. If requested by Wishek Mfg. L.L.C., products or parts for which warranty claim is made are to be returned transportation prepaid to Wishek Mfg. L.L.C. Any improper use, including operation after discovery of defective or worn parts, operation beyond rated capacity, substitution or parts not approved by Wishek Mfg. L.L.C. or any alteration or repair by others in such a manner as in Wishek Mfg. L.L.C. judgment affects the product materially and adversely, shall void this warranty.

**NO EMPLOYEE OR REPRESENTATIVE IS AUTHORIZED TO CHANGE THIS WARRANTY IN ANY WAY OR GRANT ANY OTHER WARRANTY UNLESS SUCH CHANGE IS MADE IN WRITING, AND SIGNED BY AN OFFICER OF WISHEK MFG. L.L.C. AT ITS HOME OFFICE.**

## LIABILITY FOR DELAYS

No liability shall attach to Manufacturer for direct, indirect, incidental or consequential damages or expenses due to loss, damage, detention or delays in delivery of products resulting from acts or delays beyond its control.

## WARRANTY CLAIMS AND RETURN OF GOODS:

1. The dealer shall submit each warranty claim to the Company within 30 days after the defective part has been replaced.
2. The dealer shall furnish the company definite proof of delivery date of the machine to the purchaser prior to the Company's honoring any warranty claim.
3. All parts alleged to be defective under the Company's warranty policy shall be made available for examination by the Company, either at the dealer's place of business or factory of the Company, at the Company's option. If examination is to be at the factory, the part shall be returned to the Company with transportation charge prepaid only after the dealer receives specific shipping instructions from the Company.
4. Goods authorized for return to the factory are to be returned by dealer within 30 days from authorization date. Failure to return within the 30-day period will invalidate the warranty claim.

In order to be protected under the terms of the Warranty of Wishek Manufacturing L.L.C., and to avoid delay in processing warranty claims, the original owners name, address and identification numbers of the machine should be registered at the office of Wishek Mfg. L.L.C. within 30 days from from the date of purchase. A registration card is furnished with each machine and can be found on the last page of this booklet.

# Orientation

Any reference to left (L) or right (R) sides of the frame of the disc is to be understood as viewing from the rear of the unit looking forward. References to gang components (scrapers) as to left hand (LH) or right hand (RH) is to be understood as the direction material is deflected off the blade. On offset models, RH would refer to the front gang and LH would refer to the rear gang. On tandem models, RH would refer to right side front gangs and left side rear gangs: LH would refer to left side front gangs and right side rear gangs.

# Serial Numbers

Every disc has a serial number plate attached to the front frame tube. These serial numbers are consecutively assigned to each unit as it is manufactured. To aid in parts ordering, always reference the serial number plate to provide an accurate means of determining the proper parts.

# Modifications

It is the policy of Wishek Mfg. LLC to improve its products whenever possible or practical to do so. Wishek Mfg. LLC reserves the right to make changes , improvements, and modifications at any time without incurring the obligation to make such changes, improvements, and modifications on any equipment sold previously.

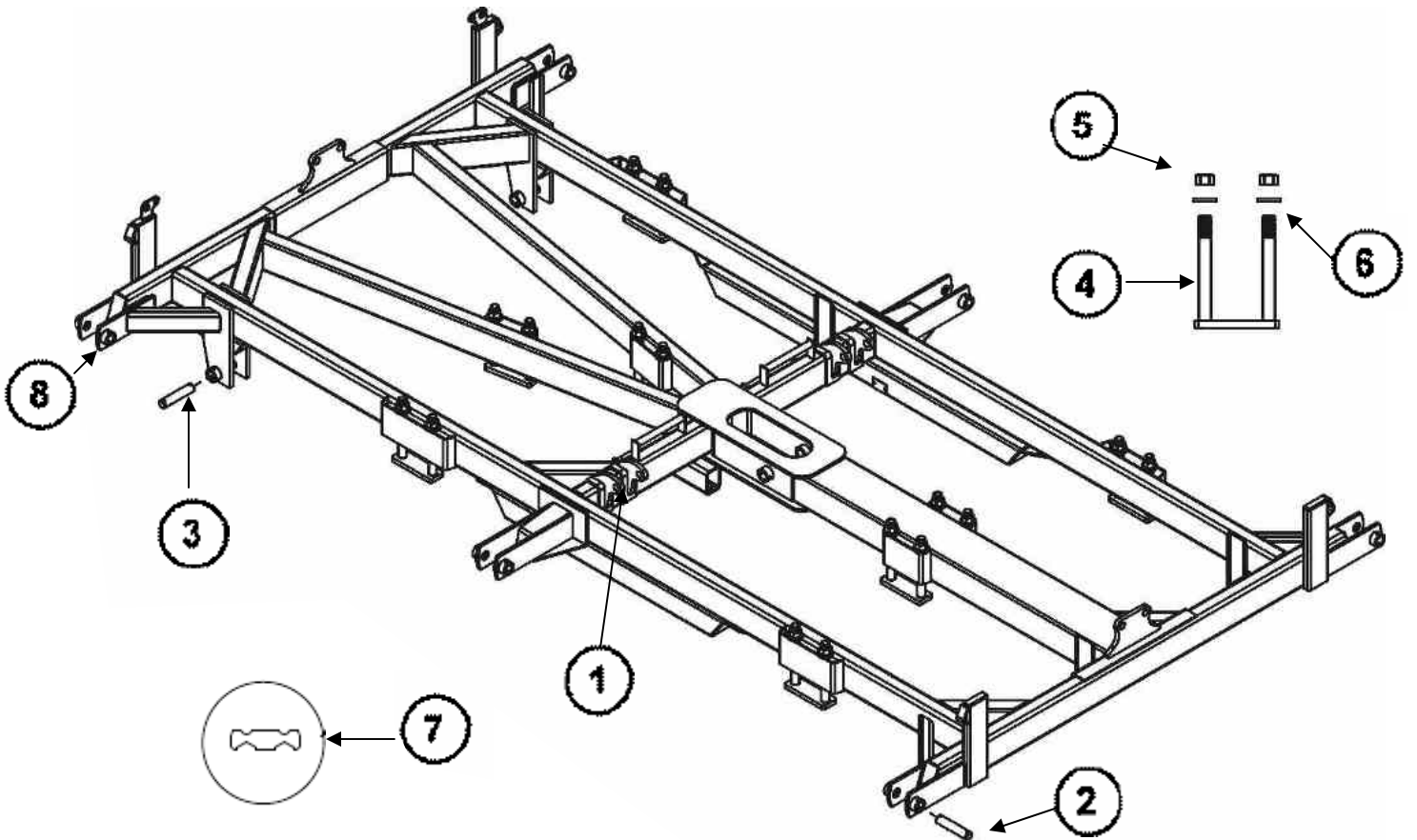
# Abbreviations

|           |                        |
|-----------|------------------------|
| ASSY..... | Assembly               |
| GR.....   | Grade of Bolt          |
| HD.....   | Heavy Duty             |
| LH.....   | Left Hand              |
| LNT.....  | Lowered Wing Tandem    |
| MF.....   | Main Frame             |
| MTG.....  | Mounting               |
| N.....    | Offset Model           |
| NC.....   | National Coarse Thread |
| NF.....   | National Fine Thread   |
| NT.....   | Tandem Model           |
| OAL.....  | Over All Length        |
| OCL.....  | Over Center Lockdown   |
| RH.....   | Right Hand             |
| W.....    | With                   |
| W/O.....  | Without                |

# CONTENTS

|                                       |    |
|---------------------------------------|----|
| Main Frame.....                       | 5  |
| Hitch.....                            | 6  |
| Hitch Parts.....                      | 7  |
| Leveling Assembly.....                | 8  |
| Hydraulic Leveling.....               | 9  |
| Running Gear.....                     | 10 |
| H611 - 6 Bolt Hub.....                | 11 |
| H618 - 6 Bolt Hub.....                | 12 |
| 8 Bolt Hub.....                       | 13 |
| 10 Bolt Hub.....                      | 14 |
| Gang.....                             | 15 |
| Gang Bearings.....                    | 16 |
| Spring Cushion.....                   | 17 |
| Disc Blades.....                      | 18 |
| Standard Scrapers.....                | 19 |
| Bearing Standard Scrapers.....        | 20 |
| Spool Scrapers.....                   | 21 |
| Rotary Scrapers.....                  | 22 |
| 4" X 12" Non Phasing Cylinder.....    | 23 |
| 4 1/2" X 12" Phasing Cylinder.....    | 24 |
| 4" X 12" Phasing Cylinder.....        | 25 |
| Cylinder Stops.....                   | 26 |
| Wing Fold Cylinder--5" X 44".....     | 27 |
| Wing Fold Cylinder--5" X 36".....     | 28 |
| Wheels & Tires.....                   | 29 |
| OCL Wing Lock--Small (20' & 22')..... | 30 |
| OCL Wing Lock--Common Parts .....     | 31 |
| OCL Wing Lock--Large.....             | 32 |
| OCL Cylinder.....                     | 33 |
| Wing Leveling (Lollipop).....         | 34 |
| Light Kit.....                        | 35 |
| Decals.....                           | 36 |
| Misc.....                             | 37 |

# MAIN FRAME

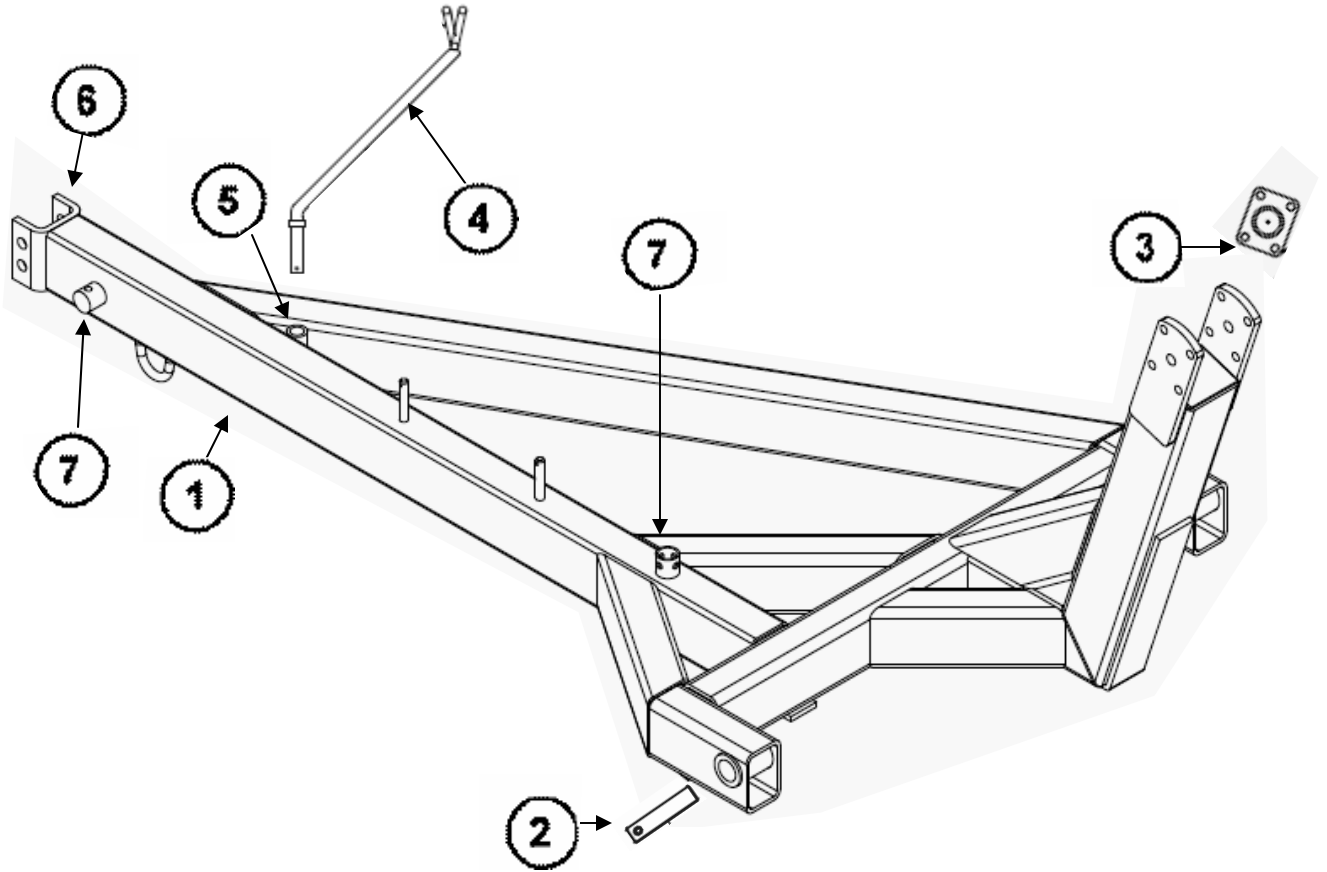


| ITEM | PART # | DESCRIPTION                    | QTY | NOTES |
|------|--------|--------------------------------|-----|-------|
| 1    | 106283 | Lift Cylinder Mount            |     | 1     |
| 2    | 106376 | Pin-Wing To Main Frame         | 6   | 2, 3  |
| 3    | 106099 | Pin- Hitch To Main Frame       | 2   |       |
| 4    | 105865 | U-Clamp 1 3/4" (4" X 8" Frame) |     | 1     |
|      | 1108   | U-Clamp 1 3/4" (4" X 6" Frame) |     | 1     |
| 5    | 1105   | Nut (1 3/4")                   |     | 1     |
| 6    | 1106   | Washer (1 3/4")                |     | 1     |
| 7    | 105784 | Hose Clamp                     |     | 1     |
| 8    | 105372 | Collar With Hole               | 6   | 2     |

Notes:

1. Quantity depends on size and model
2. Winged models only
3. Over center lockdown models-See OCL Pages 30 & 32-Note 3

# HITCH

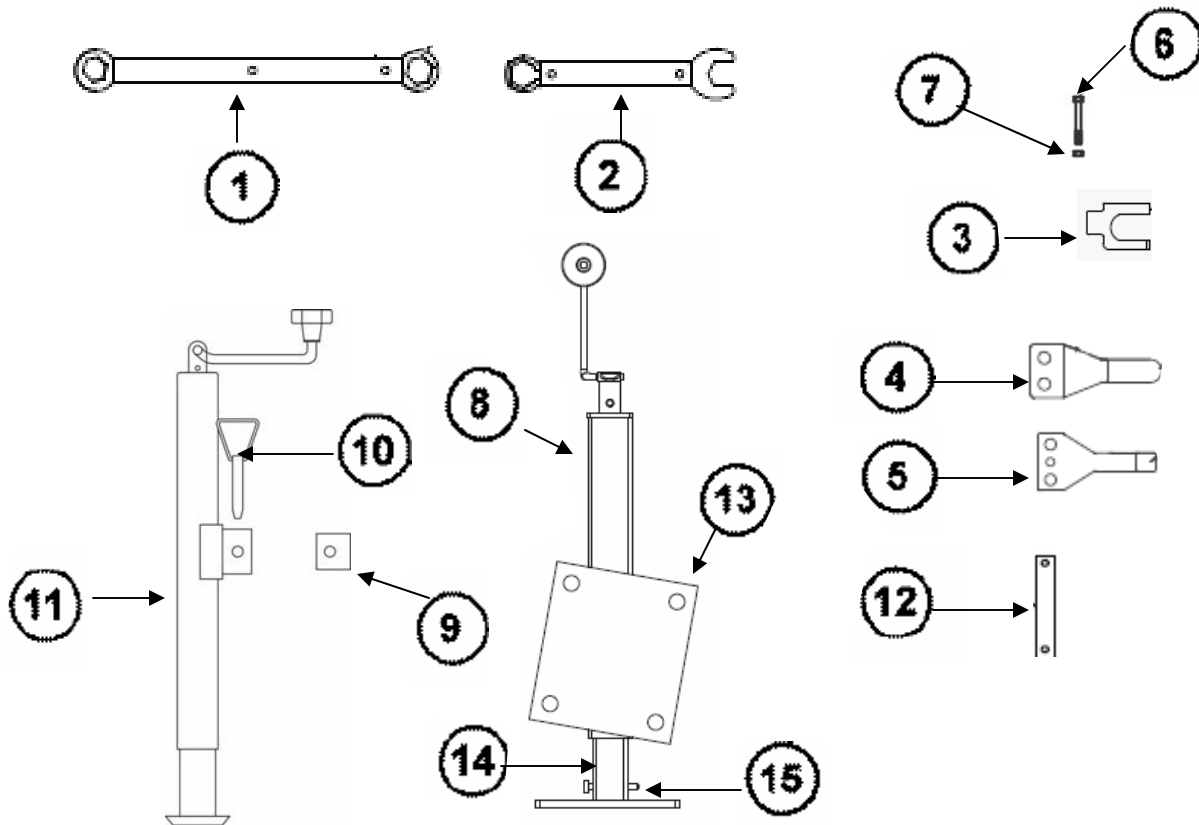


| ITEM | PART # | DESCRIPTION                          | QTY | NOTES |
|------|--------|--------------------------------------|-----|-------|
| 1    | 1809   | Hitch Assembly-- Specify Model       | 1   |       |
| 2    | 106099 | Pin--Hitch to Main Frame             | 2   | 1     |
| 3    | 105676 | Flange Weld                          | 1   | 2     |
| 4    | 104165 | Hose Holder Weldment                 | 1   |       |
| 5    | 106052 | Hose Holder Bracket                  | 1   |       |
| 6    | 107194 | Weld On Bracket--2 1/4" Hole Spacing | 1   |       |
|      | 104934 | Weld On Bracket--3" Hole Spacing     | 1   |       |
| 7    | 1800   | Hitch Jack Mount--Weld On            | 1   |       |

**Notes:**

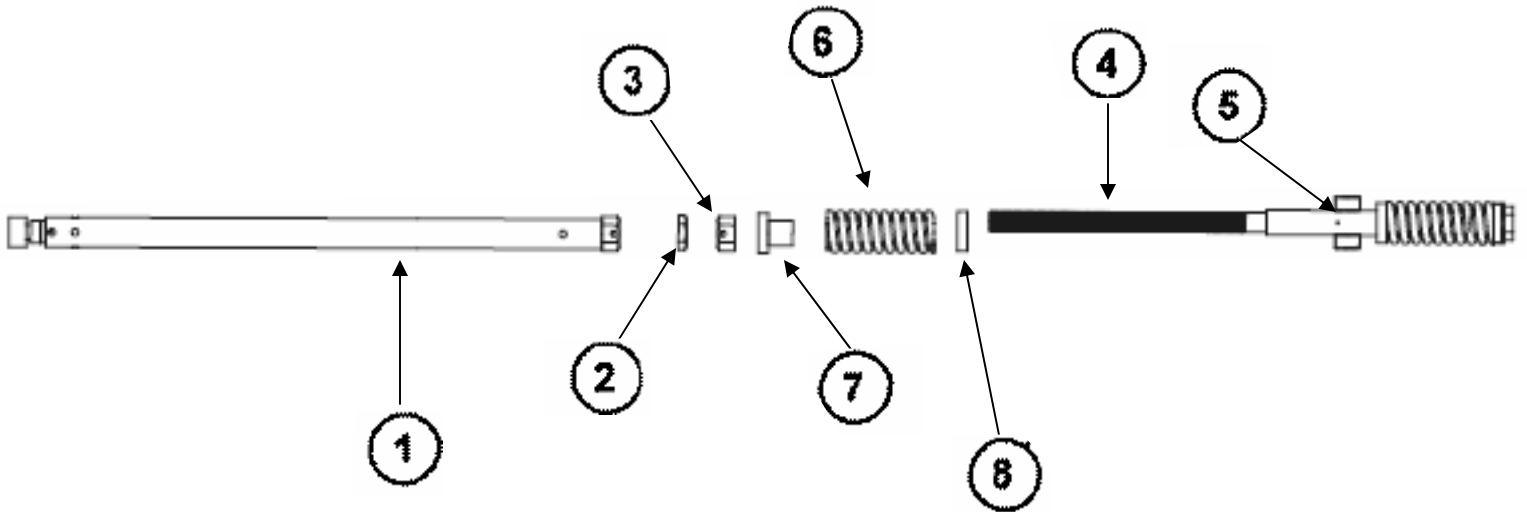
1. 9 1/8" OAL X 1 5/16" Diameter
2. Used on units built after 2000

# HITCH PARTS



| ITEM | PART # | DESCRIPTION                            | QTY | NOTES |
|------|--------|--|-----|-------|
| 1    | 1560   | Long Wrench                            | 1   |       |
| 2    | 1562   | Short Wrench                           | 1   |       |
| 3    | 104936 | Clevis Option (Transport Only)         | 1   |       |
| 4    | 107193 | Ag Hitch 2 1/4" Hole Spacing           | 1   |       |
| 5    | 104935 | Ag Hitch 3" Hole Spacing               | 1   |       |
| 6    | 105038 | Bolt 3/4" X 5 1/2"                     | 1   |       |
| 7    | 1213   | 3/4" Nut                               | 1   |       |
|      | 1212   | 3/4" Lockwasher                        | 1   |       |
| 8    | 107555 | Jack--8000 lb Dropleg                  | 1   |       |
| 9    | 1800   | Hitch Jack Mount Weld On               | 1   |       |
| 10   | 1799   | Pin, Hitch Jack                        | 1   |       |
| 11   | 1803   | Hitch Jack Complete (Includes 9 & 10)  | 1   |       |
| 12   | 105109 | Pin, Ag Hitch--1" X 7 1/4"             | 2   |       |
|      | 106053 | Washer--2"OD X 1"ID X 1/4" (Not Shown) | 4   |       |
|      | 105404 | Cotter Pin 3/8" X 2" ( Not Shown)      | 4   |       |
| 13   | 107554 | Jack Plate                             | 1   |       |
| 14   | 108178 | Jack Leg                               | 1   |       |
| 15   | 108279 | Pin                                    | 1   |       |

# LEVELING ASSEMBLY



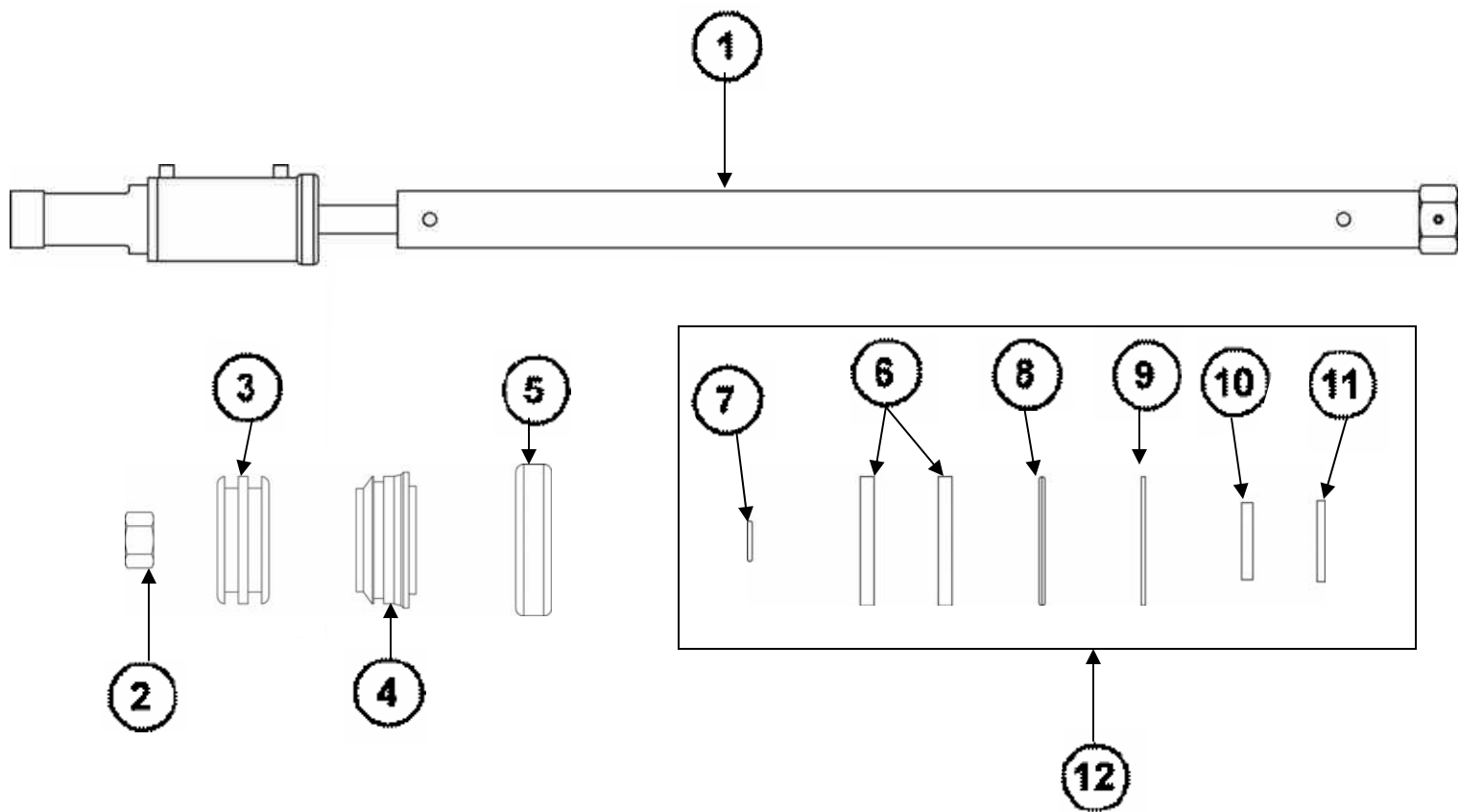
| ITEM | PART # | DESCRIPTION                  | QTY | NOTES |
|------|--------|------------------------------|-----|-------|
| 1    | 104699 | Adjustment Tube-Specify Unit | 1   |       |
| 2    | 107195 | Jam Nut-2" Half Nut          | 1   |       |
| 3    | 1506   | 2" Nut W/Set Screw           | 2   |       |
| 4    | 1403   | 2" Adjustment Screw-52" Long | 1   |       |
|      | 105896 | 2" Adjustment Screw-56" Long | 1   |       |
| 5    | 105707 | Trunion Weld Assembly        | 1   | 1     |
|      | 104568 | Pivot Assembly               | 1   | 2     |
|      | 104571 | Pivot Assembly               | 1   | 3     |
| 6    | 1402   | Spring 10" OAL               | 2   | 2     |
|      | 103645 | Spring 14 1/4" OAL           | 2   | 3, 4  |
|      | 105924 | Spring 16 1/4" OAL           | 2   | 5     |
| 7    | 103644 | Washer Weld Assembly         | 1   |       |
| 8    | 103480 | Large Spring Washer          | 1   |       |

Notes:

1. Units built after 2000
2. 18 foot and smaller units built before 2000
3. 20 foot and larger units built before 2000
4. 18 foot and smaller unit built after 2000
5. 20 foot and larger units built after 2000



# HYDRAULIC LEVELING

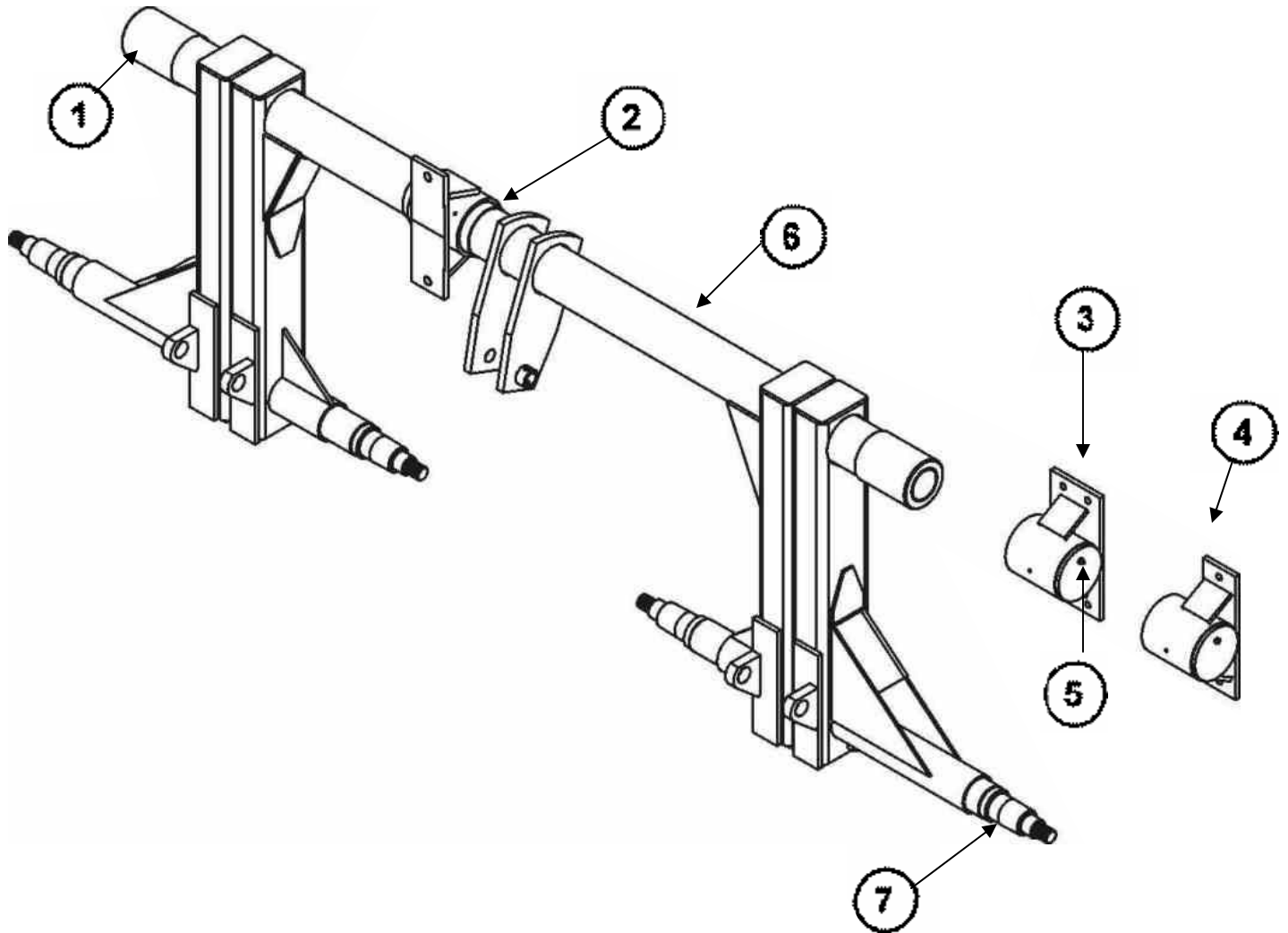


| ITEM | PART # | DESCRIPTION                      | QTY | NOTES |
|------|--------|----------------------------------|-----|-------|
| 1    | 107440 | Hydraulic Leveling Complete Unit | 1   | 1     |
| 2    | 1904   | Shaft Lock Nut--1-14             | 1   |       |
| 3    | 1966   | Piston                           | 1   |       |
| 4    | 1967   | Headland                         | 1   |       |
| 5    | 1968   | Nut--Cylinder Tube               | 1   |       |
| 6    | 1965   | U Cup                            | 2   | 2     |
| 7    | 1908   | O-Ring                           | 1   | 2     |
| 8    | 1969   | O-Ring                           | 1   | 2     |
| 9    | 1970   | Back-Up Ring                     | 1   | 2     |
| 10   | 1912   | Rod Seal U Cup                   | 1   | 2     |
| 11   | 1913   | Rod Wiper                        | 1   | 2     |
| 12   | 1962   | Seal Kit                         | 1   |       |

**Notes:**

1. Specify model and cutting width
2. Included in seal kit (1962)

# RUNNING GEAR

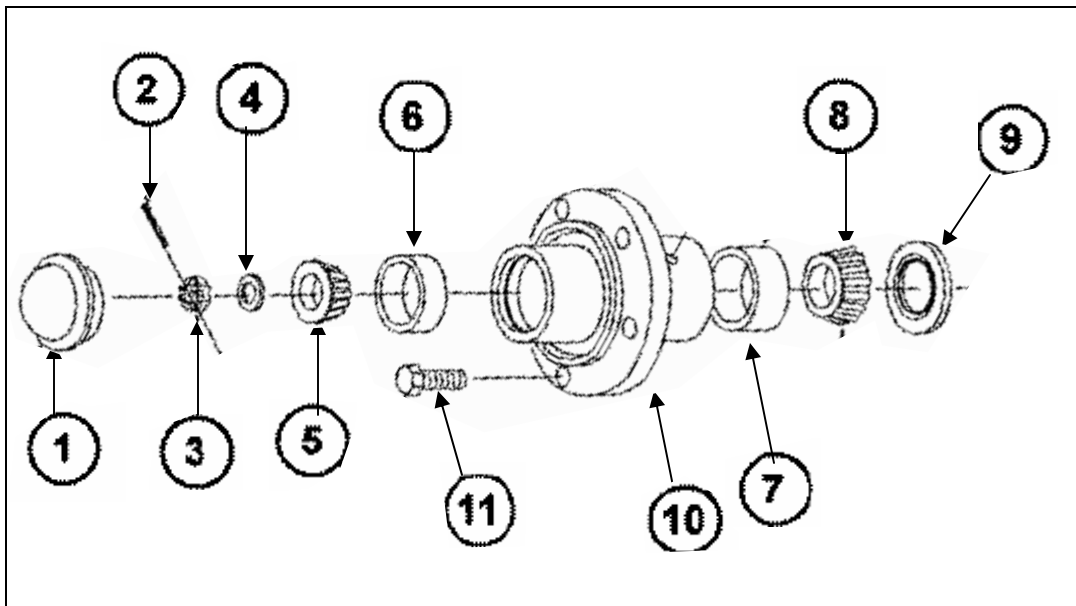


| ITEM | PART # | DESCRIPTION                     | QTY | NOTES |
|------|--------|---------------------------------|-----|-------|
| 1    | 2026   | Wear Sleeve                     | 2   |       |
| 2    | 105647 | Wear Sleeve                     | 1   |       |
| 3    | 1816   | Main Frame Running Gear End Cap | 2   |       |
| 4    | 103654 | Wing Running Gear End Cap       | 2   |       |
| 5    | 104258 | Grease Zerk--1/4 X 28           | 2   |       |
| 6    | 1214   | Running Gear--General           | 1   | 1     |
| 7    |        | Spindle                         | 2   | 2     |

Notes:

1. Specify model and serial number
2. See hub page

# H611-6 BOLT HUB



Hub Repair  
Kit Includes  
1,5,6,7,8& 9

13

12

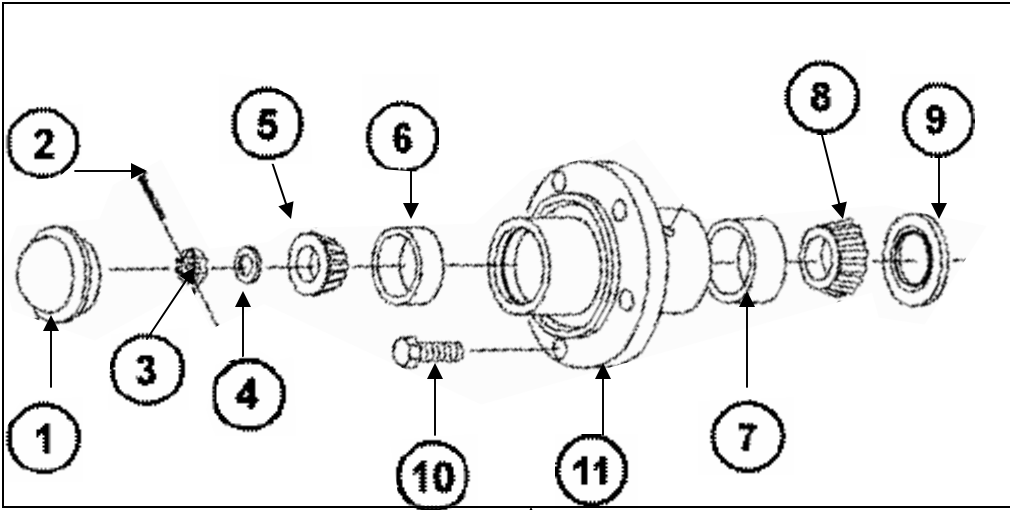


| ITEM | PART # | DESCRIPTION               | QTY | NOTES |
|------|--------|---------------------------|-----|-------|
| 1    | 1528   | Dust Cap (DC 13)          | 1   | 1,2   |
| 2    | 103586 | Cotter Pin 3/16" X 1 1/2" | 1   | 2     |
| 3    | 1531   | Spindle Nut 1-14          | 1   | 2     |
| 4    | 1532   | Spindle Washer (WA17)     | 1   | 2     |
| 5    | 1533   | Outer Bearing (LM67048)   | 1   | 1,2   |
| 6    | 1536   | Outer Cup (LM67010)       | 1   | 1,2   |
| 7    | 1539   | Inner Cup (LM29710)       | 1   | 1,2   |
| 8    | 1542   | Inner Bearing (LM29749)   | 1   | 1,2   |
| 9    | 1545   | Dust Seal (SE13)          | 1   | 1,2   |
| 10   | 1548   | Hub Only--6 Bolt          | 1   | 2     |
| 11   | 1551   | Wheel Bolt 1/2"-20NF      | 6   | 2     |
| 12   | 1525   | Complete Hub--6 Bolt      | 1   |       |
| 13   | 3078   | Hub Repair Kit            | 1   |       |
| 14   | 1972   | Spindle--32"              | 1   |       |

Notes:

1. Included in hub repair kit (Part # 3078)
2. Included in complete hub (Part # 1525)

# H618-6 BOLT HUB



Hub Repair  
Kit Includes  
1,5,6,7,8 & 9

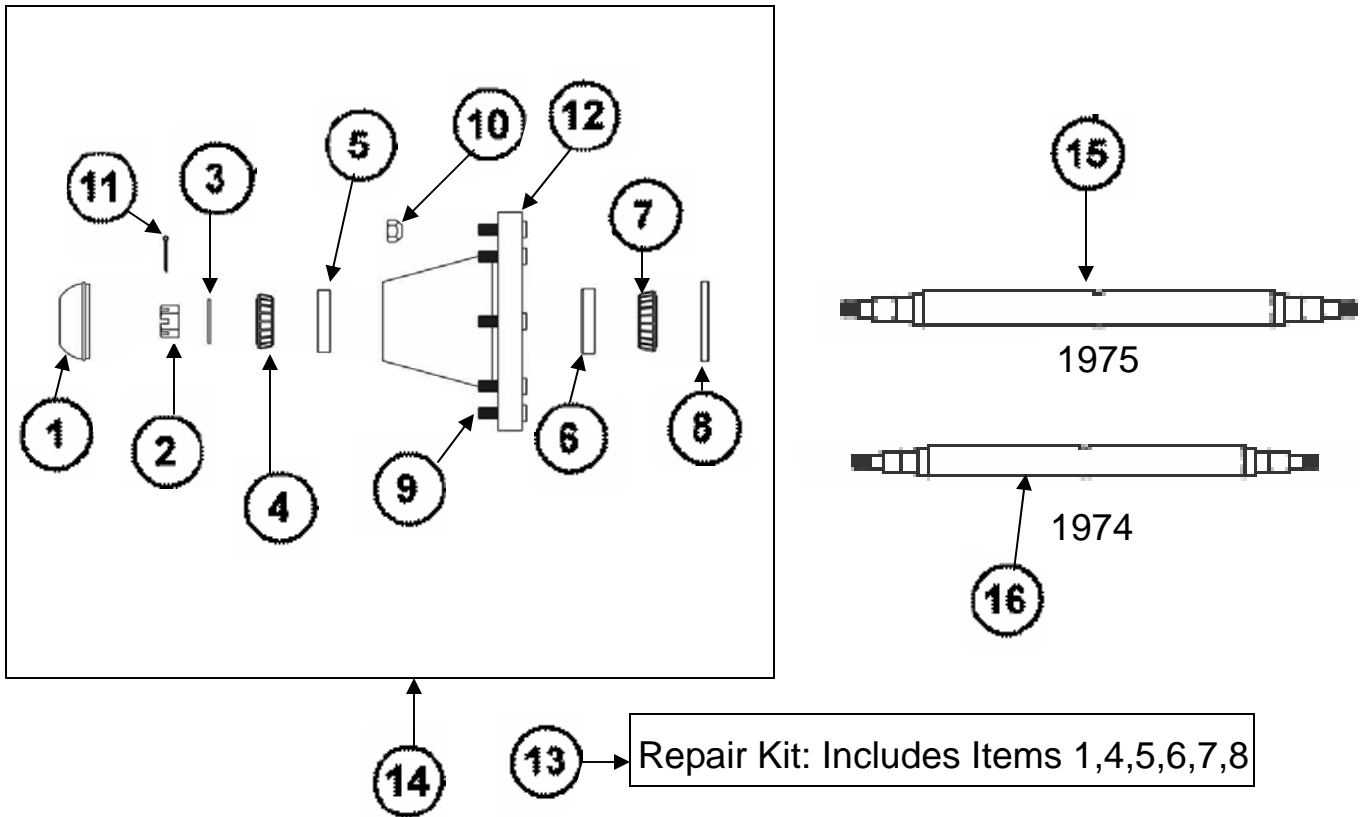


| ITEM | PART # | DESCRIPTION                | QTY | NOTES |
|------|--------|----------------------------|-----|-------|
| 1    | 1529   | Dust Cap--DC 15            | 1   | 1, 2  |
| 2    | 103586 | Cotter Pin--3/16" X 1 1/2" | 1   | 2     |
| 3    | 1531   | Spindle Nut-- 1-14         | 1   | 2     |
| 4    | 1532   | Spindle Washer--WA 17      | 1   | 2     |
| 5    | 1534   | Outer Bearing (LM48548)    | 1   | 1, 2  |
| 6    | 1537   | Outer Cup (LM48510)        | 1   | 1, 2  |
| 7    | 1540   | Inner Cup (25520)          | 1   | 1, 2  |
| 8    | 1543   | Inner Bearing (25580)      | 1   | 1, 2  |
| 9    | 1546   | Dust Seal--193353-TA       | 1   | 1, 2  |
| 10   | 1552   | Wheel Bolt--9/16-18NF      | 6   | 2     |
| 11   | 1549   | Hub Only (Includes 6 & 7)  | 1   | 2     |
| 12   | 1526   | Complete Hub (H618)        | 1   |       |
| 13   | 3077   | Hub Repair Kit             | 1   |       |
| 14   | 1973   | Spindle--37"               | 1   |       |

**Notes:**

- 1. Included in hub repair kit (Part # 3077)
- 2. Included in complete hub (Part # 1526)

# 8 BOLT HUB

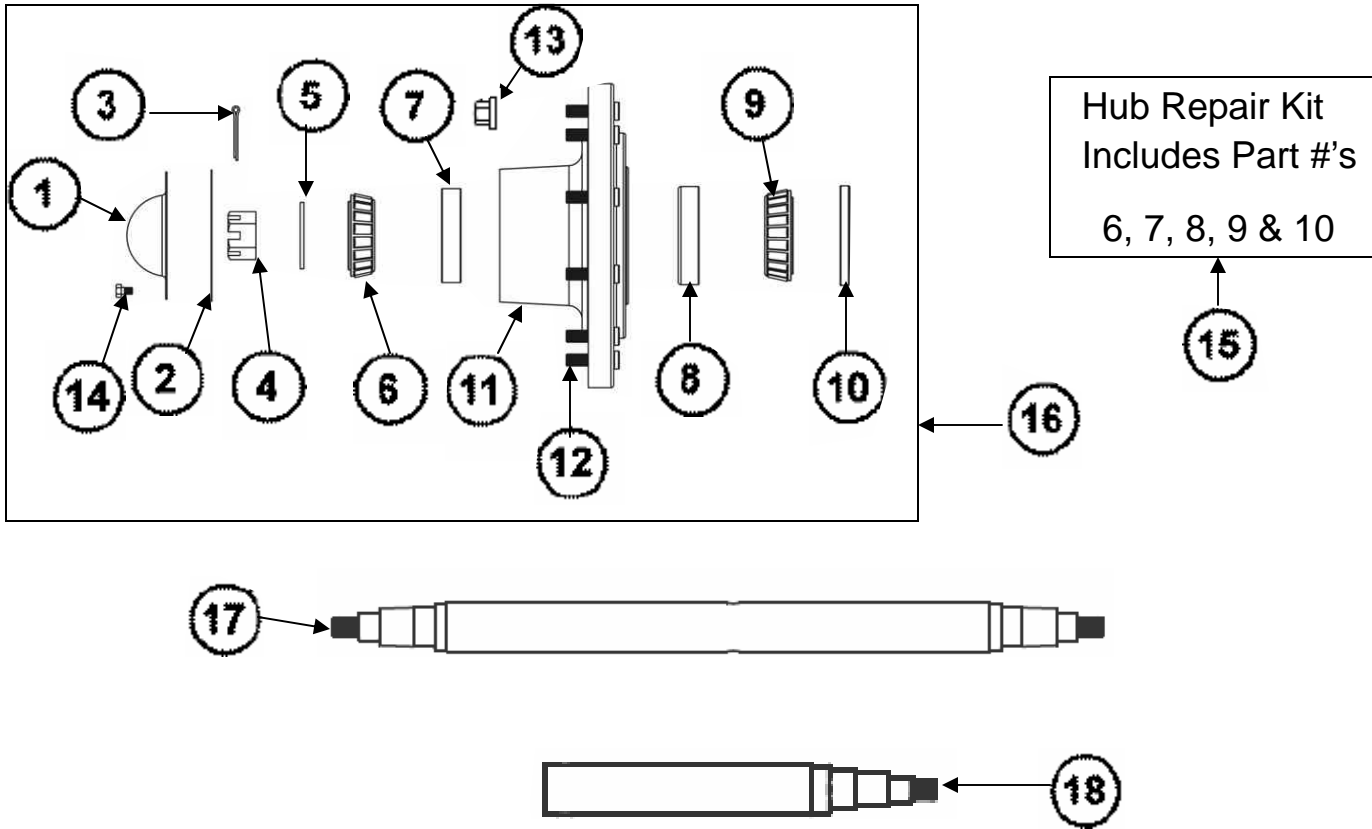


| ITEM | PART # | DESCRIPTION                          | QTY | NOTES |
|------|--------|--------------------------------------|-----|-------|
| 1    | 1530   | Dust Cap                             | 1   | 1,2   |
| 2    | 1531   | Spindle Nut 1-14                     | 1   | 2     |
| 3    | 1532   | Spindle Washer                       | 1   | 2     |
| 4    | 1535   | Outer Bearing (2790)                 | 1   | 1,2   |
| 5    | 1538   | Outer Bearing Cup (2720)             | 1   | 1,2   |
| 6    | 1541   | Inner Bearing Cup (3720)             | 1   | 1,2   |
| 7    | 1544   | Inner Bearing (3780)                 | 1   | 1,2   |
| 8    | 1547   | Dust Seal (25091)                    | 1   | 1,2   |
| 9    | 104213 | Stud Bolt--9/16 -18NF                | 8   | 2     |
| 10   | 103636 | Stud Nut--9/16-18NF                  | 8   | 2     |
| 11   | 103586 | Cotter Pin 3/16 X 1 1/2              | 1   | 2     |
| 12   | 1550   | Hub Only (Includes 5 & 6)            | 1   | 2     |
| 13   | 3076   | Hub Repair Kit (See Note 1)          | 1   |       |
| 14   | 1527   | Complete Hub ( See Note 2)           | 1   |       |
| 15   | 1975   | Spindle--49" OAL (Centerfold Models) | 1   |       |
| 16   | 1974   | Spindle--42" OAL                     | 1   |       |

**Notes:**

1. Items included in hub repair kit (Part # 3076)
2. Items included in complete hub (Part # 1527)

# 10 BOLT HUB

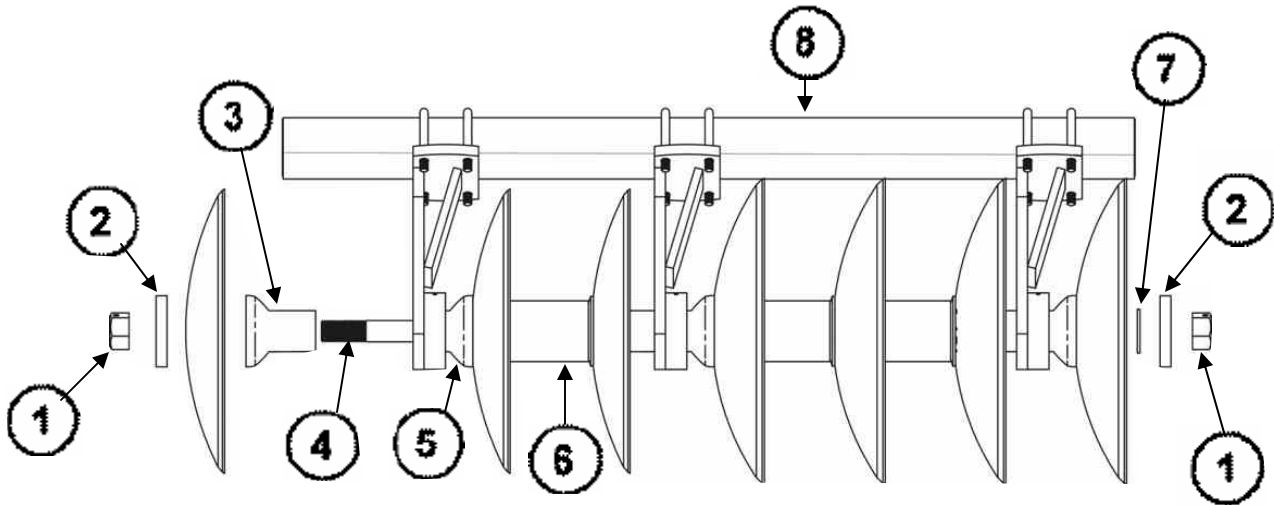


| ITEM | PART # | DESCRIPTION                      | QTY | NOTES |
|------|--------|----------------------------------|-----|-------|
| 1    | 106395 | Dust Cap                         | 1   | 2     |
| 2    | 106459 | Gasket                           | 1   | 2     |
| 3    | 107663 | Cotter Pin--1/4" X 2 1/2"        | 1   | 2     |
| 4    | 106396 | Spindle Nut--1 1/4-12            | 1   | 2     |
| 5    | 106397 | Spindle Washer--3/8" X 3"        | 1   | 2     |
| 6    | 106398 | Outer Bearing (460)              | 1   | 1, 2  |
| 7    | 106399 | Outer Cup (453A)                 | 1   | 1, 2  |
| 8    | 106400 | Inner Cup (39520)                | 1   | 1, 2  |
| 9    | 106451 | Inner Bearing (39585)            | 1   | 1, 2  |
| 10   | 106452 | Dust Seal (CR30087)              | 1   | 1, 2  |
| 11   | 106455 | Hub Only (Includes 7 & 8)        | 1   | 2     |
| 12   | 106453 | Stud Bolt--3/4-16                | 10  | 2     |
| 13   | 106454 | Stud Nut--3/4-16 Flange          | 10  | 2     |
| 14   | 106460 | Bolt-Dust Cap--5/16" X 1/2"      |     |       |
| 15   | 106457 | Hub Repair Kit                   | 1   |       |
| 16   | 106456 | Complete Hub                     | 1   |       |
| 17   | 106159 | Spindle--50" Long--Dual Wheels   | 1   |       |
| 18   | 106840 | Spindle--34" Long--Single Wheels | 1   |       |

**Notes:**

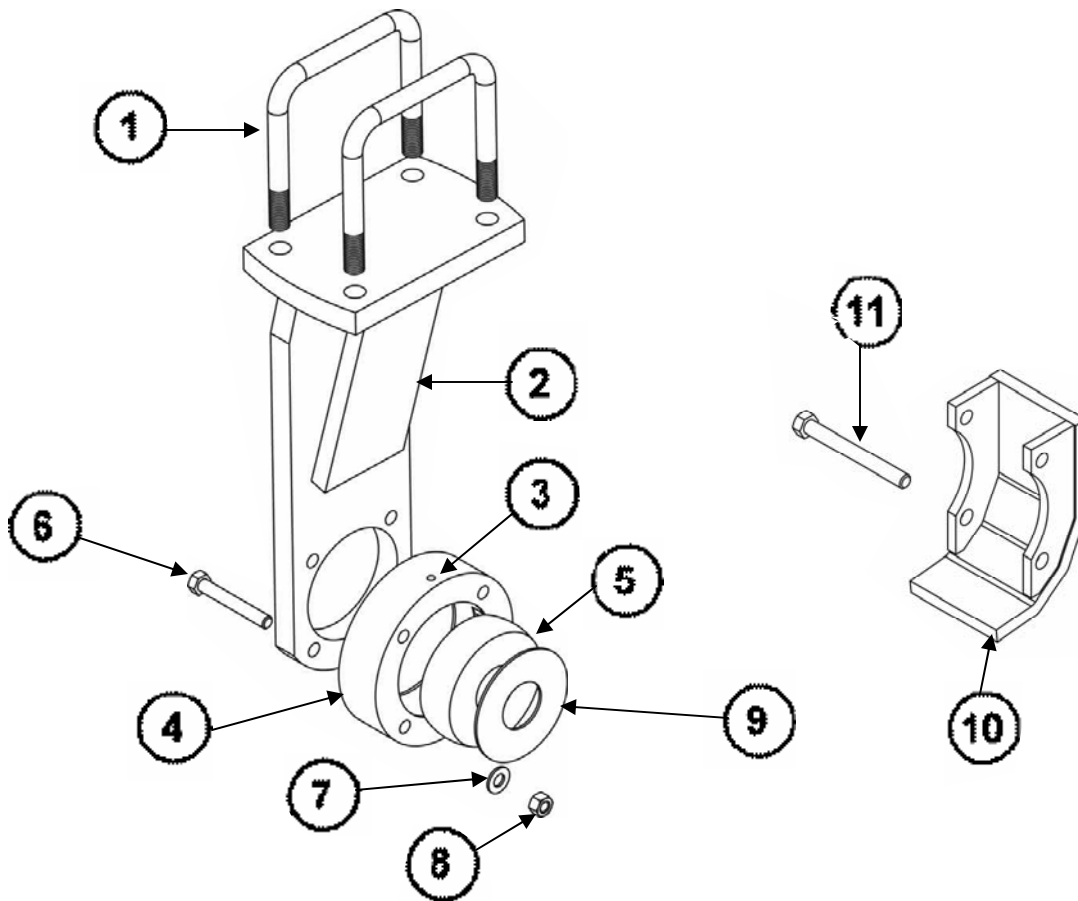
1. Included in hub repair kit (Part # 106457)
2. Included in complete hub (Part # 106456)

# Gang



| ITEM | PART # | DESCRIPTION                               | QTY | NOTES |
|------|--------|---|-----|-------|
| 1    | 1506   | Nut W/Set Screw                           | 2   |       |
|      | 105516 | Set Screw (9/16" X 1")                    | 2   |       |
| 2    | 106923 | End Washer (Replaces 1507)                | 2   |       |
| 3    | 107933 | 1/2 Spacer--13" Spacing (8 3/8" OAL)      | 1   |       |
|      | 105740 | 1/2 Spacer--11" Spacing (6 3/8" OAL)      | 1   |       |
|      | 106804 | 1/2 Spacer--10" Spacing (5 3/8" OAL)      | 1   |       |
|      | 1207   | 1/2 Spacer--9" Spacing (4 3/8" OAL)       | 1   |       |
| 4    | 1502   | Gang Shaft (1 15/16" Dia)--Specify Length | 1   |       |
| 5    | 105283 | Cast 1/2 Spacer (2 3/4" OAL)              | 1   |       |
| 6    | 107670 | Spacer--13" Spacing (12 1/2" OAL)         | 1   |       |
|      | 1202   | Spacer--11" Spacing (10 1/2" OAL)         | 1   |       |
|      | 1203   | Spacer--10" Spacing (9 1/2" OAL)          | 1   |       |
|      | 1201   | Spacer--9" Spacing (8 1/2" OAL)           | 1   |       |
| 7    | 104274 | End Washer (1/4")                         | 1   |       |
| 8    |        | Gang Tube (Specify Size & Length)         | 1   |       |

# GANG BEARINGS



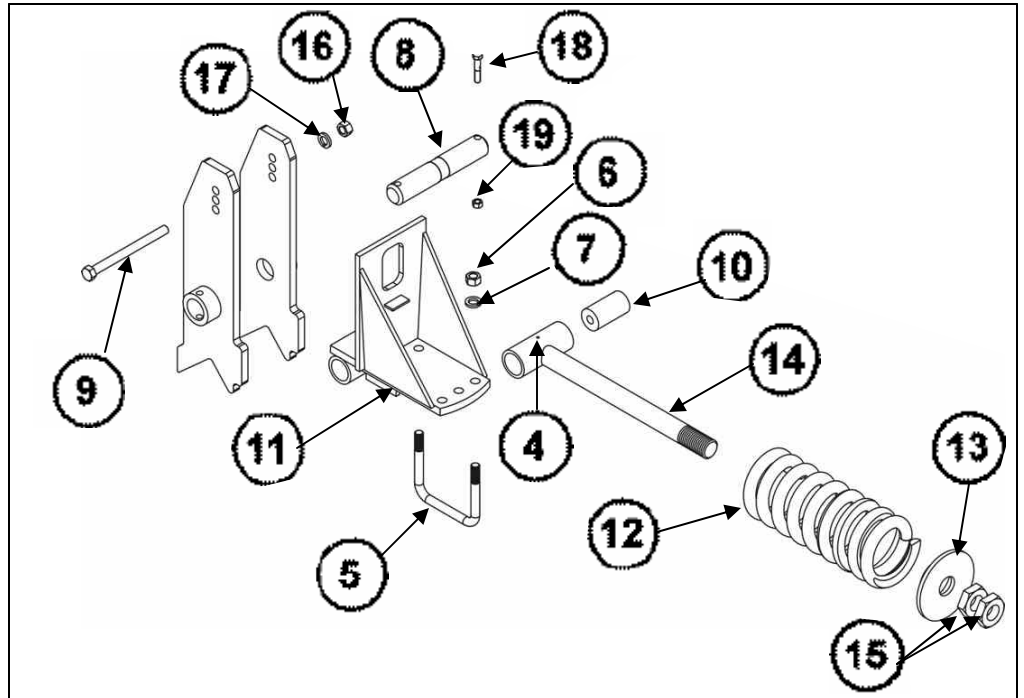
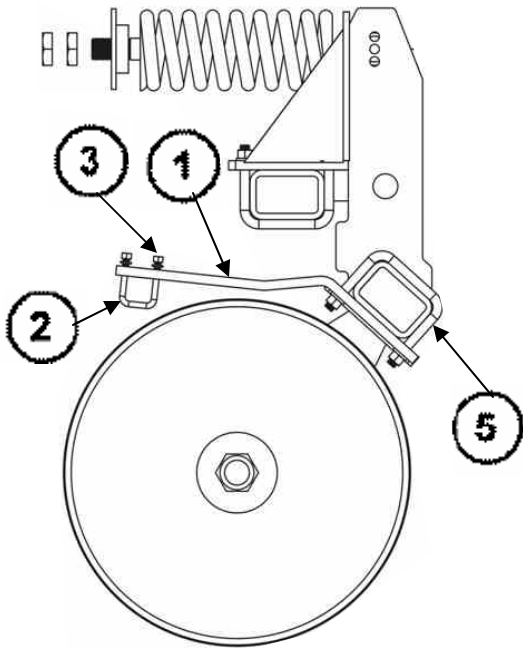
| ITEM | PART#    | DESCRIPTION                         | QTY | NOTES |
|------|----------|-------------------------------------|-----|-------|
| 1    | 1702     | U-Clamp--3/4" X 6" X 6"             | 1   |       |
|      | 1212     | Lockwasher--3/4" (Not Shown)        | 2   |       |
|      | 1213     | Nut--3/4" (Not Shown)               | 2   |       |
| 2    | 103504   | Bearing Standard (28" & 30" Blades) | 1   |       |
|      | 103500   | Bearing Standard (24" & 26" Blades) | 1   |       |
| 3    | 103588   | 1/8" NPT 90 Degree Zerk             | 1   |       |
| 4    | 1103-214 | 214 Bearing Housing                 | 1   |       |
| 5    | 1102-214 | 214 Bearing (2" Bore X 4.9" OD)     | 1   |       |
| 6    | 1220     | Bolt--1/2" x 3 1/2" NC              | 4   |       |
| 7    | 1217     | Lockwasher--1/2"                    | 4   |       |
| 8    | 1216     | Nut--1/2"                           | 1   |       |
| 9    | 104884   | Bearing Guard Washer                | 2   | 1     |
| 10   | 108336   | Bearing Guard                       | 1   | 1, 2  |
| 11   | 108335   | Bolt--1/2"x4 1/2"NC                 | 2   | 1     |

Notes:

1. Optional equipment
2. Replaces 104693 LH bearing guard and 108030 RH bearing guard

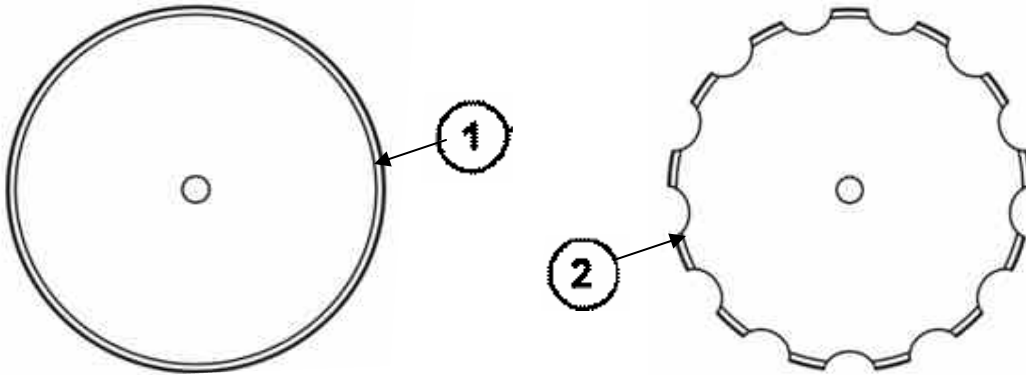


# SPRING CUSHION



| ITEM | PART # | DESCRIPTION                         | QTY | NOTES |
|------|--------|-------------------------------------|-----|-------|
| 1    | 1950   | Scraper Bar Bracket--24" Blades     | 1   |       |
|      | 104788 | Scraper Bar Bracket--26" Blades     | 1   |       |
|      | 103608 | Scraper Bar Bracket--28" Blades     | 1   |       |
|      | 107183 | Scraper Bar Bracket--30" Blades     | 1   |       |
| 2    | 106084 | U-Clamp--5/8" X 2" X 3 7/8"         | 1   |       |
| 3    | 108149 | Flange Nut--5/8"                    | 2   |       |
| 4    | 104258 | Grease Zerck--1/4 X 28              | 1   |       |
| 5    | 1702   | U-Clamp--3/4" X 6" X 6"             | 1   |       |
| 6    | 1213   | Nut--3/4"                           | 2   |       |
| 7    | 1212   | Lockwasher--3/4" (Not Shown)        | 2   |       |
| 8    | 1949   | Pin--1 15/16" X 10 3/4"             | 1   |       |
| 9    | 1948   | Bolt--3/4" X 9"                     | 1   |       |
| 10   | 103514 | Bushing--T-Bolt                     | 1   |       |
| 11   | 103448 | Spring Bucket--24"-26" Blade Models | 1   |       |
|      | 103440 | Spring Bucket--28"-30" Blade Models | 1   |       |
| 12   | 1946   | Spring--6 1/2" X 15 3/8"            | 1   |       |
| 13   | 103511 | Spring End Cap                      | 1   |       |
| 14   | 1947   | T-Bolt--1 3/4" X 19 1/2"            | 1   |       |
| 15   | 1404   | Half Nut--1 3/4"                    | 2   |       |
| 16   | 1213   | Nut--3/4"                           | 1   |       |
| 17   | 1212   | Lockwasher--3/4"                    | 1   |       |
| 18   | 104947 | Bolt--1/2" X 3"                     | 2   |       |
| 19   | 104946 | Nut--1/2" Top Lock                  | 2   |       |

# BLADES



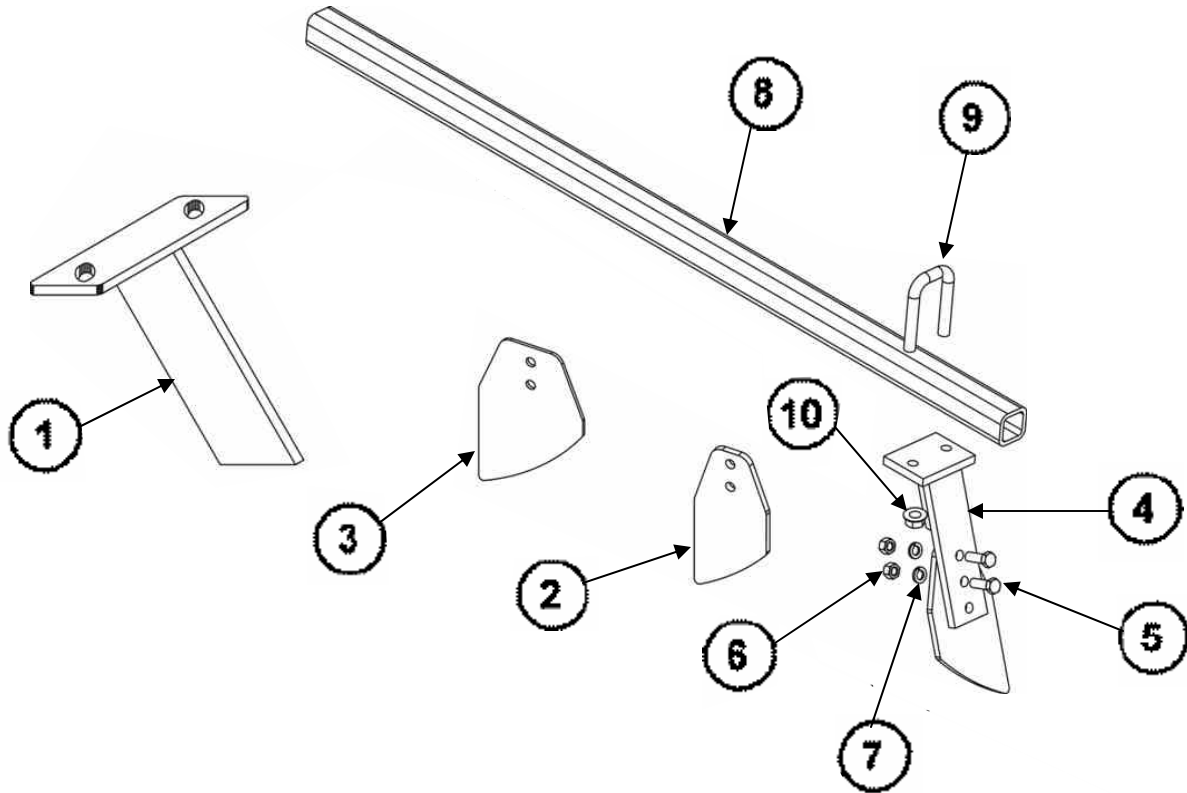
| ITEM | PART # | DESCRIPTION       | QTY | NOTES |
|------|--------|-------------------|-----|-------|
| 1    | 142-18 | 3/16" X 18" Blade | 1   | 1     |
|      | 107270 | 1/4" X 20" Blade  | 1   | 1     |
|      | 142-22 | 1/4" X 22" Blade  | 1   | 1     |
|      | 516-24 | 5/16" X 24" Blade | 1   | 1     |
|      | 104553 | 5/16" X 26" Blade | 1   | 1     |
|      | 106075 | 5/16" X 28" Blade | 1   | 1     |
|      | 106021 | 5/16" X 30" Blade | 1   | 1     |
|      | 106475 | 5/16" X 32" Blade | 1   | 2     |

| ITEM | PART #  | DESCRIPTION               | QTY | NOTES |
|------|---------|---------------------------|-----|-------|
| 2    | 516-24N | 5/16" X 24" Notched Blade | 1   | 1     |
|      | 105325  | 5/16" X 26" Notched Blade | 1   | 1     |
|      | 106100  | 5/16" X 28" Notched Blade | 1   | 1     |
|      | 105470  | 5/16" X 30" Notched Blade | 1   | 1     |
|      | 106527  | 5/16" X 32" Notched Blade | 1   | 2     |
|      | 105240  | 1/2" X 36" Notched Blade  | 1   | 2     |

Notes:

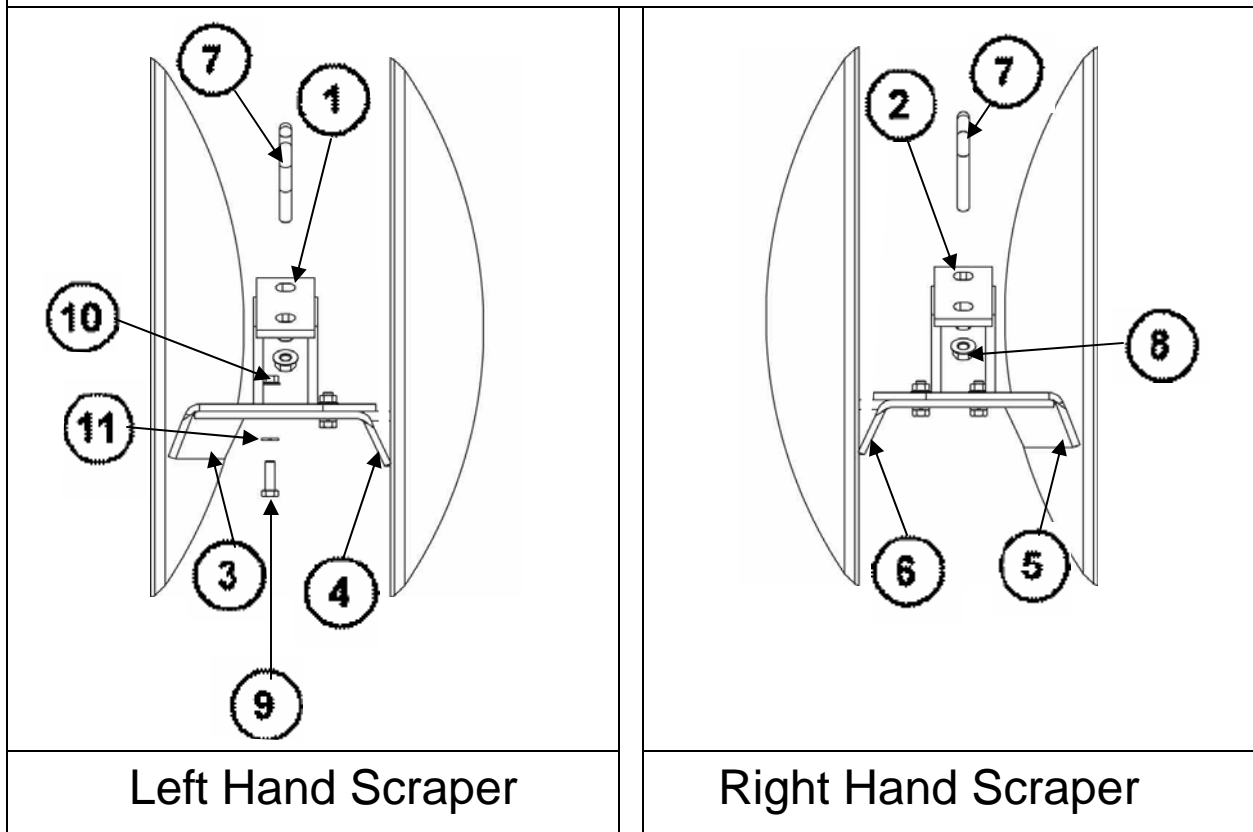
1. 2" center hole
2. 2 3/4" center hole

# STANDARD SCRAPERS



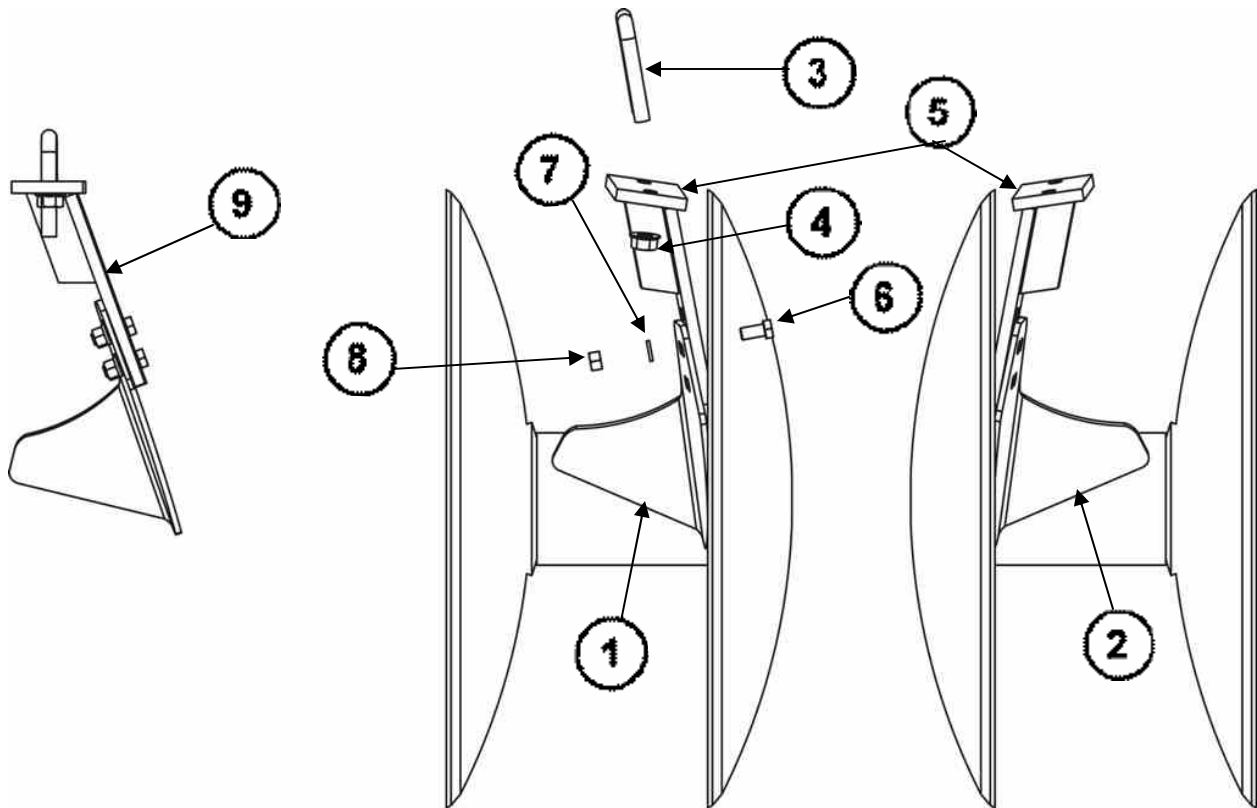
| ITEM | PART # | DESCRIPTION                          | QTY | NOTES |
|------|--------|--------------------------------------|-----|-------|
| 1    | 1993   | Mud Scrapers--RH--24" Blade          | 1   |       |
|      | 108032 | Mud Scrapers--LH--24" Blade          | 1   |       |
|      | 108031 | Mud Scrapers--RH--28" Blade          | 1   |       |
|      | 108033 | Mud Scrapers--LH--28" Blade          | 1   |       |
| 2    | 105216 | Standard Scraper Blade--3/8" Thick   | 1   |       |
| 3    | 1302   | Standard Scraper Blades--3/16" Thick | 1   |       |
| 4    | 105304 | Scraper Mount                        | 1   |       |
| 5    | 1219   | Bolt--1/2" X 1 1/2"                  | 2   |       |
| 6    | 1216   | Nut--1/2"                            | 2   |       |
| 7    | 1217   | Lockwasher--1/2"                     | 2   |       |
| 8    | 1304   | 2" X 2" Scraper Tube--Specify Length | 1   |       |
| 9    | 106084 | U-Clamp--5/8"                        | 1   |       |
| 10   | 108149 | Flange Nut--5/8"                     | 2   |       |

# BEARING STD SCRAPER



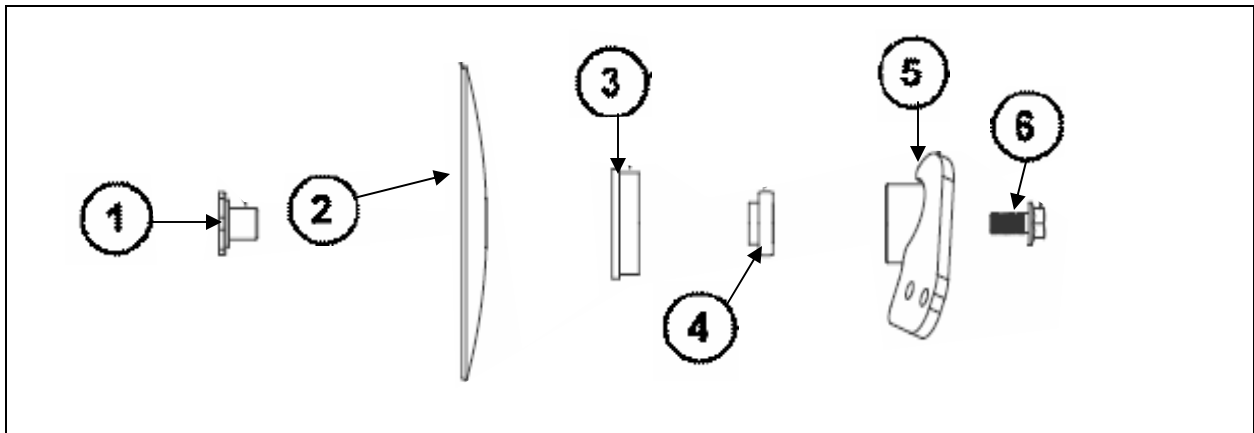
| ITEM | PART # | DESCRIPTION                                | QTY | NOTES |
|------|--------|--|-----|-------|
| 1    | 107715 | Left Hand Scraper Complete--13" Spacing    | 1   | 1     |
|      | 105920 | Left Hand Scraper Complete--11" Spacing    | 1   | 1     |
|      | 107199 | Left Hand Scraper Complete--10" Spacing    | 1   | 1     |
| 2    | 107716 | Right Hand Scraper Complete--13" Spacing   | 1   | 1     |
|      | 105917 | Right Hand Scraper Complete--11" Spacing   | 1   | 1     |
|      | 107200 | Right Hand Scraper Complete--10" Spacing   | 1   | 1     |
| 3    | 105919 | Left Hand Weldment--11" & 13" Spacing      | 1   |       |
|      | 107197 | Left Hand Weldment--10" Spacing            | 1   |       |
| 4    | 107714 | Left Hand Adjust Plate--13" Spacing        | 1   |       |
|      | 107196 | Left Hand Adjust Plate--10" & 11" Spacing  | 1   |       |
| 5    | 105918 | Right Hand Weldment--11" & 13" Spacing     | 1   |       |
|      | 107198 | Right Hand Weldment--10" Spacing           | 1   |       |
| 6    | 107713 | Right Hand Adjust Plate--13" Spacing       | 1   |       |
|      | 105916 | Right Hand Adjust Plate--10" & 11" Spacing | 1   |       |
| 7    | 106084 | 5/8" U-Clamp                               | 1   |       |
| 8    | 108149 | Flange Nut--5/8"                           | 2   |       |
| 9    | 1219   | Bolt--1/2" X 1 1/2"                        | 2   |       |
| 10   | 2084   | Flange Nut--1/2"                           | 2   |       |
| 11   | 107208 | Flat Washer--1/2"                          | 2   |       |

# SPOOL SCRAPER



| ITEM | PART # | DESCRIPTION                         | QTY | NOTES |
|------|--------|-------------------------------------|-----|-------|
| 1    | 106471 | Spool Scraper--Left Hand            | 1   |       |
| 2    | 106472 | Spool Scraper--Right Hand           | 1   |       |
| 3    | 106084 | U-Clamp--5/8"                       | 1   |       |
| 4    | 108149 | Flange Nut--5/8"                    | 2   |       |
| 5    | 105304 | Scraper Mount                       | 1   |       |
| 6    | 1219   | Bolt--1/2" X 1 1/2"                 | 2   |       |
| 7    | 1217   | Lockwasher--1/2"                    | 2   |       |
| 8    | 1216   | Nut--1/2"                           | 2   |       |
| 9    | 106907 | Complete Assembly--Specify RH or LH | 1   |       |

# ROTARY SCRAPER



| ITEM | PART # | DESCRIPTION                     | QTY | NOTES |
|------|--------|---------------------------------|-----|-------|
| 1    | 107155 | Nut                             | 1   |       |
| 2    | 104322 | Blade                           | 1   |       |
| 3    | 108066 | Washer Assembly                 | 1   |       |
| 4    | 7095   | Bearing                         | 1   |       |
| 5    | 108065 | Bearing Bracket RH (Pictured)   | 1   |       |
|      | 108099 | Bearing Bracket LH (Not Shown)  | 1   |       |
| 6    | 108045 | Bolt--5/8" X 1 1/2" Flange Head | 1   |       |
| 7    | 108062 | Complete Assembly--RH           | 1   | 1     |
| 8    | 108061 | Complete Assembly--LH           | 1   | 1     |

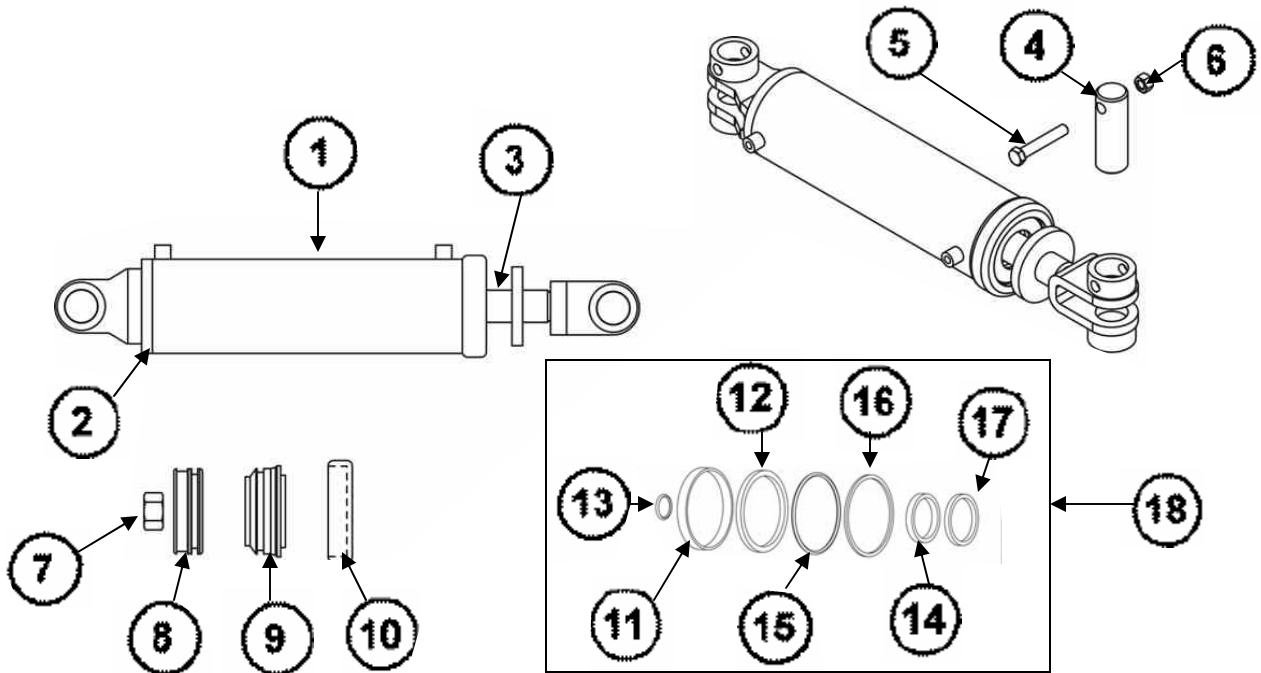
**Notes:**

1. Includes Part #'s 1, 2, 3, 4, 5, & 6

# 4" X 12" CYLINDER

18 FOOT & SMALLER MAIN FRAME

106069 (1 1/2" CYLINDER PINS)



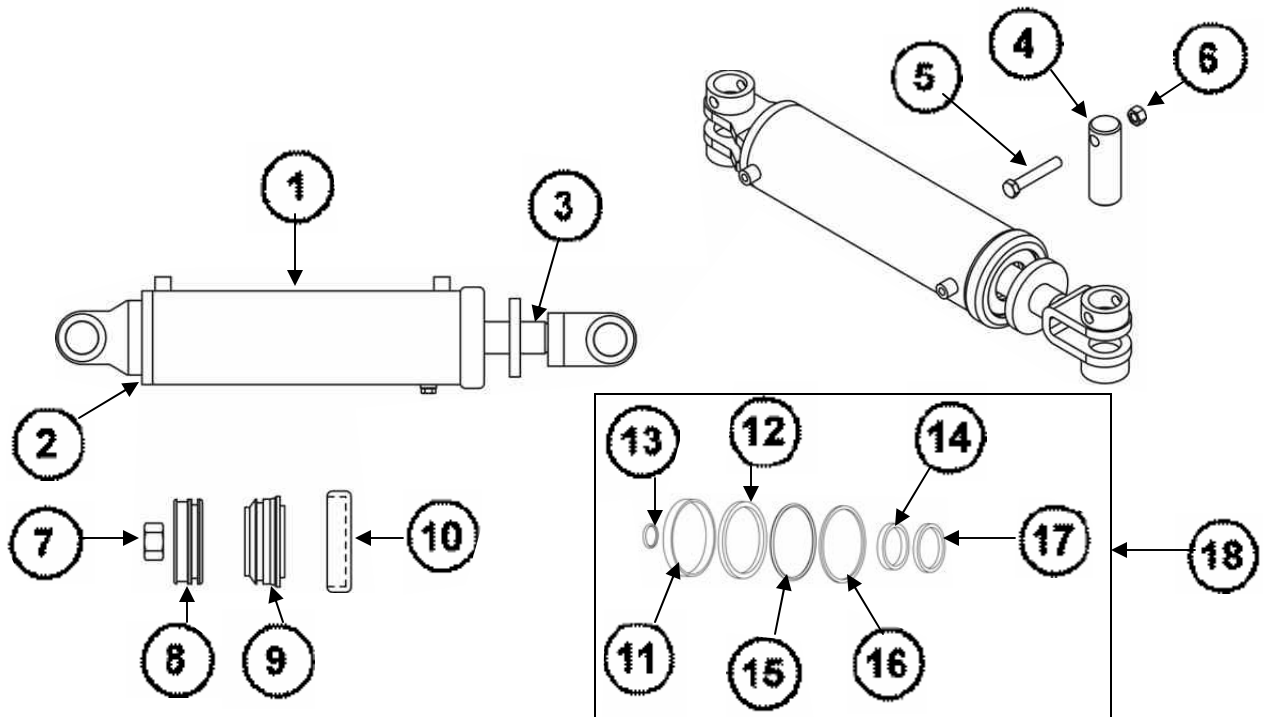
| ITEM | PART # | DESCRIPTION                 | QTY | NOTES |
|------|--------|-----------------------------|-----|-------|
| 1    | 106069 | Complete Cylinder--4" X 12" | 1   |       |
| 2    | 106070 | Barrell Only                | 1   |       |
| 3    | 104992 | Rod Only                    | 1   |       |
| 4    | 104654 | Pin--1 1/2" X 4 1/4"        | 2   |       |
| 5    | 104947 | Bolt--1/2" X 3"             | 2   |       |
| 6    | 104946 | Nut--1/2" Top Lock          | 2   |       |
| 7    | 1904   | Shaft Lock Nut--1-14        | 1   |       |
| 8    | 103173 | Piston--4" Phasing          | 1   |       |
| 9    | 103224 | Headland--4" Phasing        | 1   |       |
| 10   | 1968   | Cylinder Tube Nut--4"       | 1   |       |
| 11   | 103175 | Wear Ring                   | 1   | 1     |
| 12   | 103174 | Piston Seal                 | 1   | 1     |
| 13   | 1908   | O Ring                      | 1   | 1     |
| 14   | 1912   | Rod Seal U Cup              | 1   | 1     |
| 15   | 1969   | O Ring                      | 1   | 1     |
| 16   | 1970   | Back Up Ring                | 1   | 1     |
| 17   | 103225 | Rod Wiper                   | 1   | 1     |
| 18   | 103218 | Seal Kit--4" Phasing        | 1   |       |

Notes:

1. Included in seal kit

# 4 1/2" X 12" PHASING CYLINDER

20 FOOT & LARGER MAIN FRAME  
104941 (1 1/2" CYLINDER PINS)



| ITEM | PART # | DESCRIPTION                             | QTY | NOTES |
|------|--------|---|-----|-------|
| 1    | 104941 | Complete Cylinder--4 1/2" X 12" Phasing | 1   |       |
| 2    | 104993 | Barrell Only                            | 1   |       |
| 3    | 104992 | Shaft Only                              | 1   |       |
| 4    | 104654 | Pin--1 1/2" X 4 1/4"                    | 2   |       |
| 5    | 104947 | Bolt--1/2" X 3"                         | 2   |       |
| 6    | 104946 | Nut--1/2" Top Lock                      | 2   |       |
| 7    | 1904   | Shaft Lock Nut--1-14                    | 1   |       |
| 8    | 103246 | Piston--4 1/2" Phasing                  | 1   |       |
| 9    | 103245 | Headgland--4 1/2" Phasing               | 1   |       |
| 10   | 103255 | Cylinder Tube Nut--4 1/2"               | 1   |       |
| 11   | 103247 | Wear Ring                               | 1   | 1     |
| 12   | 103248 | Piston Seal                             | 1   | 1     |
| 13   | 1908   | O Ring                                  | 1   | 1     |
| 14   | 1912   | Rod Seal U Cup                          | 1   | 1     |
| 15   | 103249 | O Ring                                  | 1   | 1     |
| 16   | 103250 | Back Up Ring                            | 1   | 1     |
| 17   | 103225 | Rod Wiper                               | 1   | 1     |
| 18   | 104097 | Seal Kit--4 1/2" Phasing                | 1   |       |

Notes:

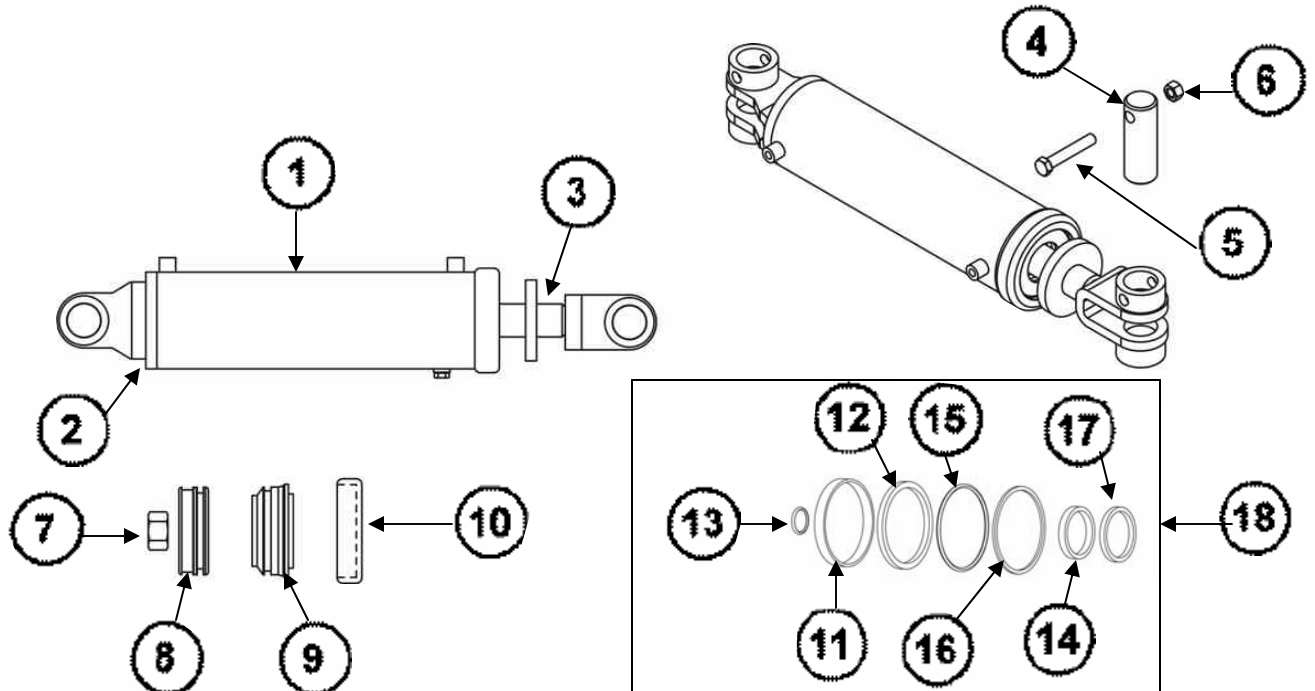
1. Included in seal kit



# 4" X 12" PHASING CYLINDER

20 FOOT & LARGER WING CYLINDER

104940 (1 1/2" CYLINDER PINS)

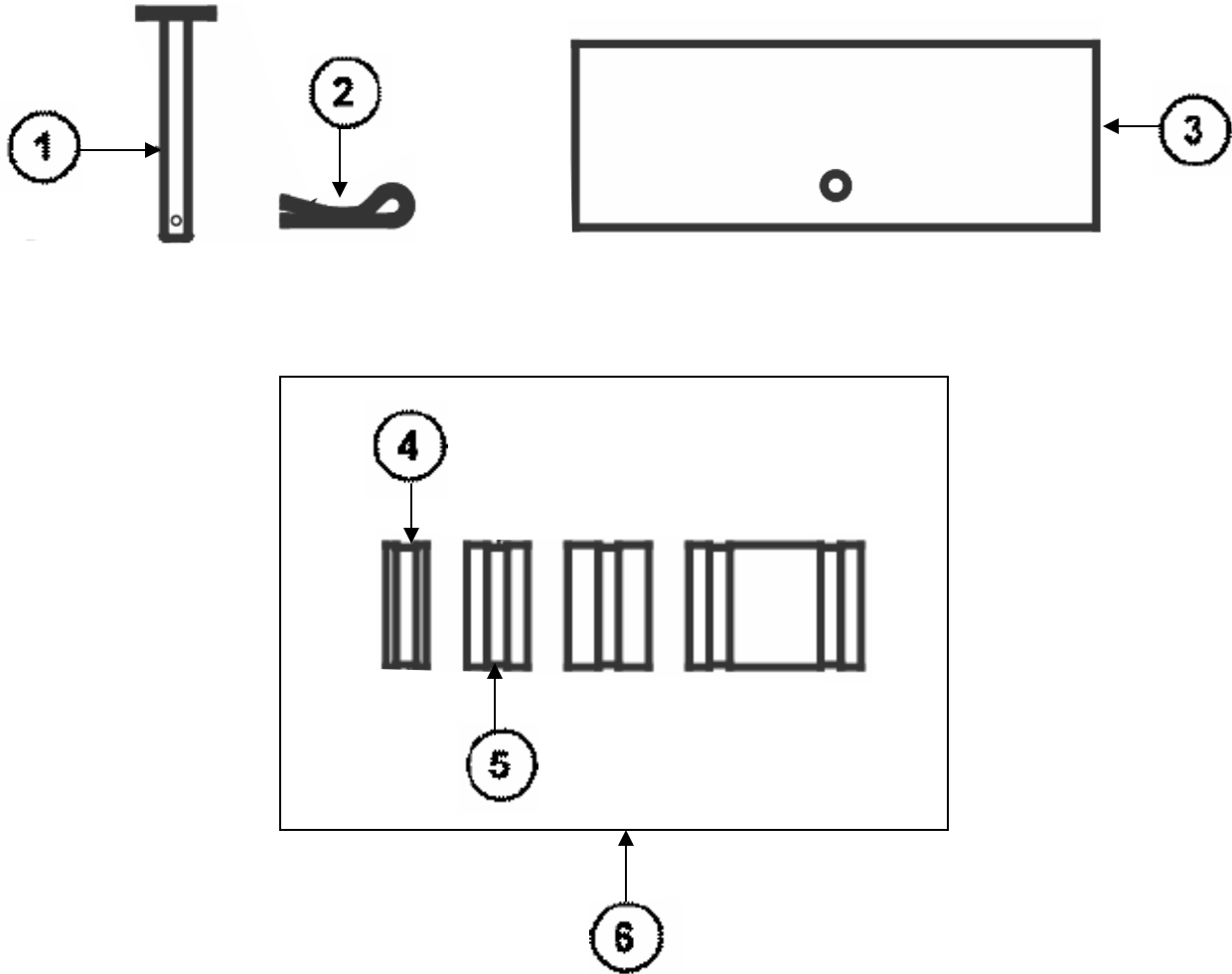


| ITEM | PART # | DESCRIPTION                         | QTY | NOTES |
|------|--------|-------------------------------------|-----|-------|
| 1    | 104940 | Cylinder Complete--4" X 12" Phasing | 1   |       |
| 2    | 104994 | Barrell Only (1 1/2" Pins)          | 1   |       |
| 3    | 104992 | Shaft Only (1 1/2" Pins)            | 1   |       |
| 4    | 104654 | Pin--1 1/2" X 4 1/4"                | 2   |       |
| 5    | 104947 | Bolt--1/2" X 3"                     | 2   |       |
| 6    | 104946 | Nut--1/2" Top Lock                  | 2   |       |
| 7    | 1904   | Shaft Lock Nut--1-14                | 1   |       |
| 8    | 103173 | Piston--4" Phasing                  | 1   |       |
| 9    | 103224 | Headgland--4" Phasing               | 1   |       |
| 10   | 1968   | Nut--Cylinder Tube--4"              | 1   |       |
| 11   | 103175 | Wear Ring                           | 1   | 1     |
| 12   | 103174 | Piston Seal                         | 1   | 1     |
| 13   | 1908   | O Ring                              | 1   | 1     |
| 14   | 1912   | Rod Seal U Cup                      | 1   | 1     |
| 15   | 1969   | O Ring                              | 1   | 1     |
| 16   | 1970   | Back Up Ring                        | 1   | 1     |
| 17   | 103225 | Rod Wiper                           | 1   | 1     |
| 18   | 103218 | Seal Kit--4" Phasing                | 1   |       |

Notes:

1. Included in seal kit

# CYLINDER STOPS



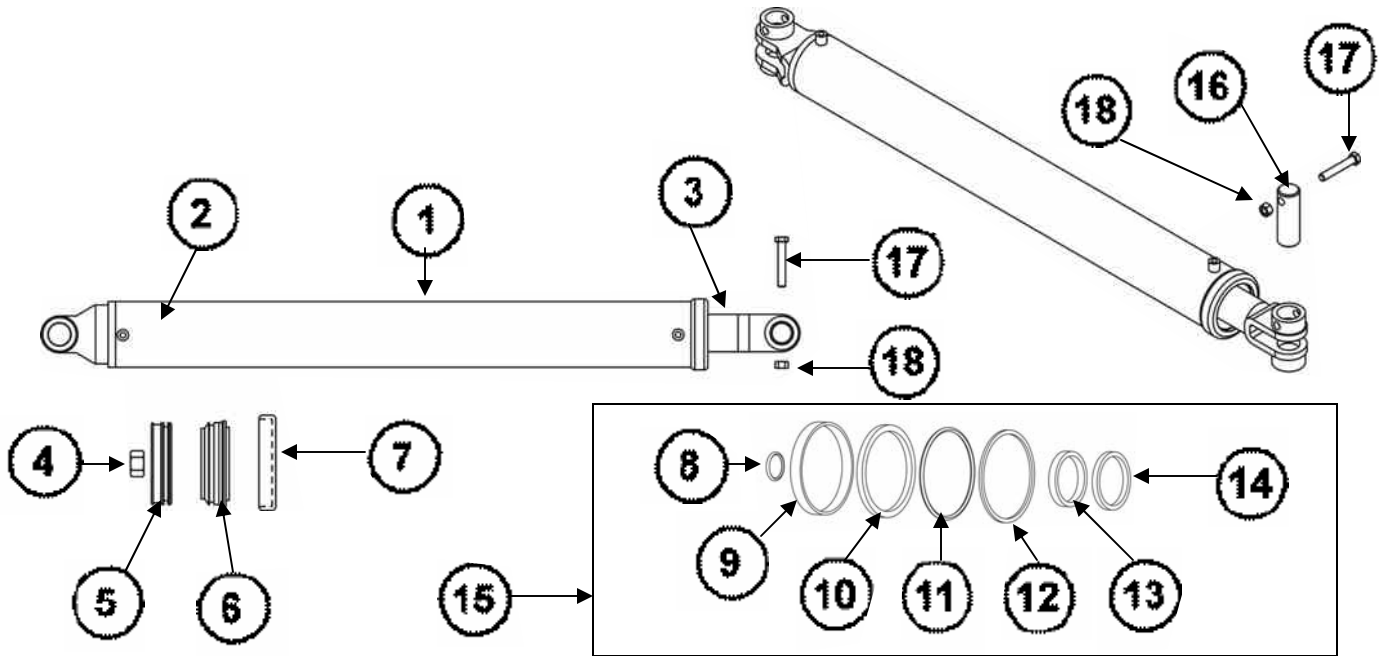
| ITEM | PART # | DESCRIPTION                | QTY | NOTES |
|------|--------|----------------------------|-----|-------|
| 1    | 1979   | Pin--1/2" X 4 3/4"         | 1   |       |
| 2    | 1980   | Hair Pin Clip              | 1   |       |
| 3    | 1978   | Transport Lockup Bracket   | 1   | 1     |
| 4    | 105996 | 1" Segment Only            | 1   | 2     |
| 5    | 105997 | 1 1/2" Segment Only        | 1   | 2     |
| 6    | 1920   | Depth Control Kit Complete | 1   | 2     |

**Notes:**

1. Includes pin (1979) and clip (1980)
2. 2" cylinder shaft

# WING FOLD CYLINDER

106174 (5" X 44" CYLINDER - 20' TO 26'  
WINGED MODELS - 2000 & NEWER)



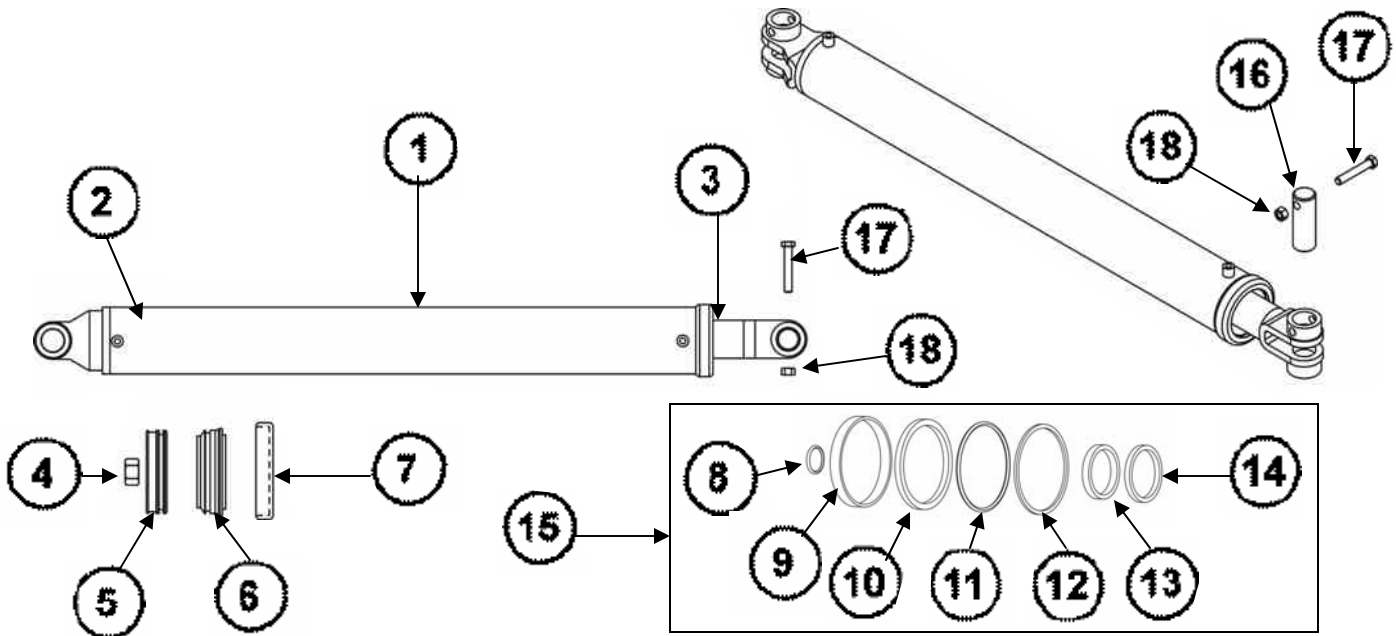
| ITEM | PART # | DESCRIPTION                 | QTY | NOTES |
|------|--------|-----------------------------|-----|-------|
| 1    | 106174 | Complete Cylinder--5' X 44" | 1   |       |
| 2    | 107724 | Barrell Only                | 1   |       |
| 3    | 107703 | Shaft Only                  | 1   |       |
| 4    | 103166 | Shaft Lock Nut--1-14        | 1   |       |
| 5    | 104583 | Piston                      | 1   |       |
| 6    | 104582 | Headland                    | 1   |       |
| 7    | 104584 | Cylinder Nut                | 1   |       |
| 8    | 103176 | O-Ring--Piston              | 1   | 1     |
| 9    | 104622 | Wear Ring                   | 1   | 1     |
| 10   | 104621 | Piston Seal                 | 1   | 1     |
| 11   | 104624 | O-Ring                      | 1   | 1     |
| 12   | 104623 | Back-Up Ring                | 1   | 1     |
| 13   | 104057 | Rod Seal                    | 1   | 1     |
| 14   | 104056 | Rod Wiper                   | 1   | 1     |
| 15   | 104625 | Seal Kit                    | 1   |       |
| 16   | 104654 | Pin--1 1/2" X 4 1/4"        | 2   |       |
| 17   | 104947 | Bolt--1/2" X 3"             | 2   |       |
| 18   | 104946 | Nut--1/2" Top Lock          | 2   |       |

Notes:

1. Included in seal kit (104625)

# WING FOLD CYLINDER

106386 (5" x 36" CYLINDER - 28' TO 38'  
WINGED MODELS - 2000 & NEWER)

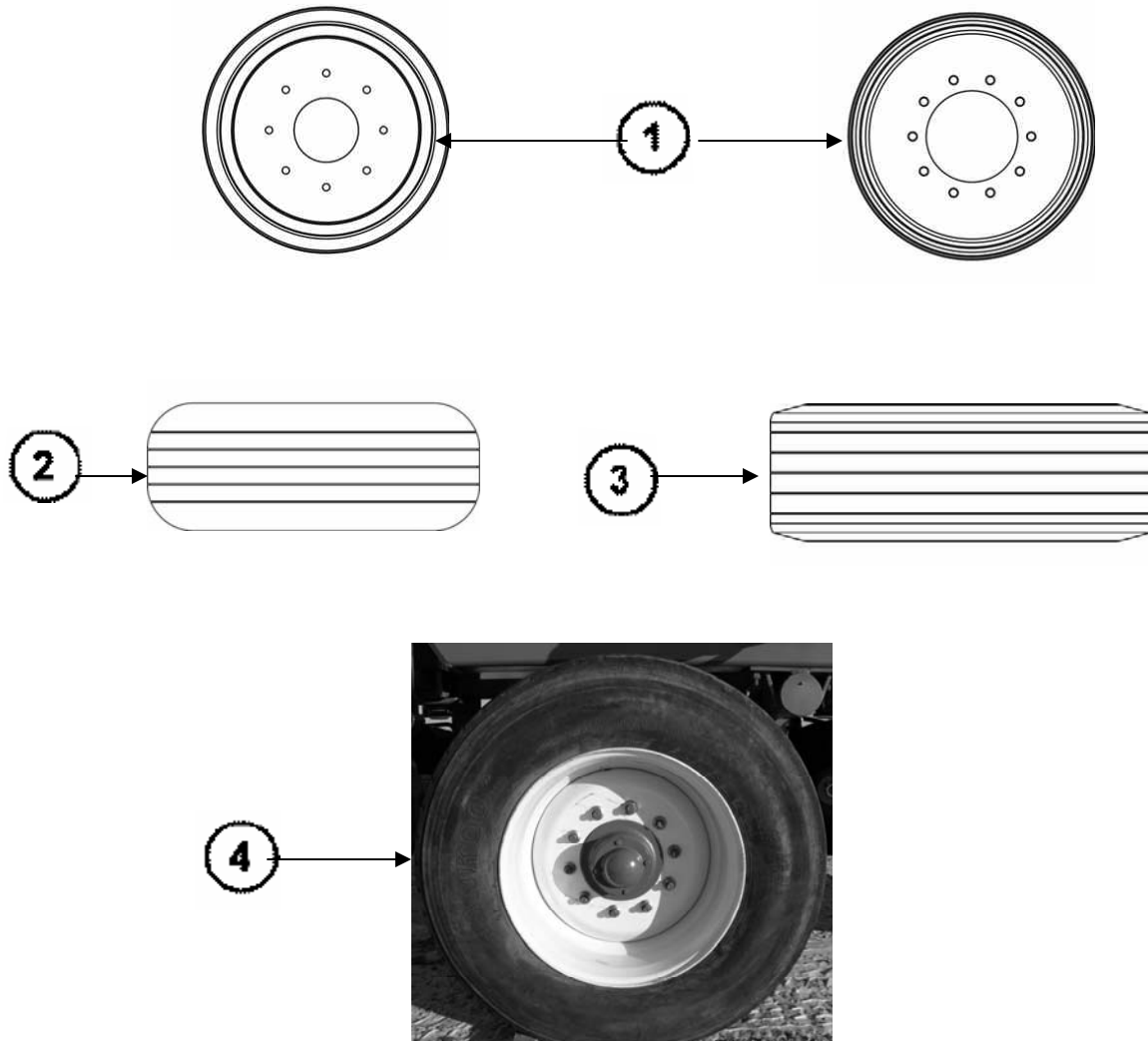


| ITEM | PART # | DESCRIPTION                 | QTY | NOTES |
|------|--------|-----------------------------|-----|-------|
| 1    | 106386 | Complete Cylinder--5" X 36" | 1   |       |
| 2    | 107704 | Barrell Only                | 1   |       |
| 3    | 107705 | Shaft Only                  | 1   |       |
| 4    | 103166 | Shaft Lock Nut--1-14        | 1   |       |
| 5    | 104583 | Piston                      | 1   |       |
| 6    | 104582 | Headgland                   | 1   |       |
| 7    | 104584 | Cylinder Nut                | 1   |       |
| 8    | 103176 | O-Ring--Piston              | 1   | 1     |
| 9    | 104622 | Wear Ring                   | 1   | 1     |
| 10   | 104621 | Piston Seal                 | 1   | 1     |
| 11   | 104624 | O-Ring--Piston              | 1   | 1     |
| 12   | 104623 | Back-Up Ring                | 1   | 1     |
| 13   | 104057 | Rod Seal                    | 1   | 1     |
| 14   | 104056 | Rod Wiper                   | 1   | 1     |
| 15   | 104625 | Seal Kit                    | 1   |       |
| 16   | 104654 | Pin--1 1/2" X 4 1/4"        | 2   |       |
| 17   | 104947 | Bolt--1/2" X 3"             | 2   |       |
| 18   | 104946 | Nut--1/2" Top Lock          | 2   |       |

Notes:

1. Included in seal kit (104625)

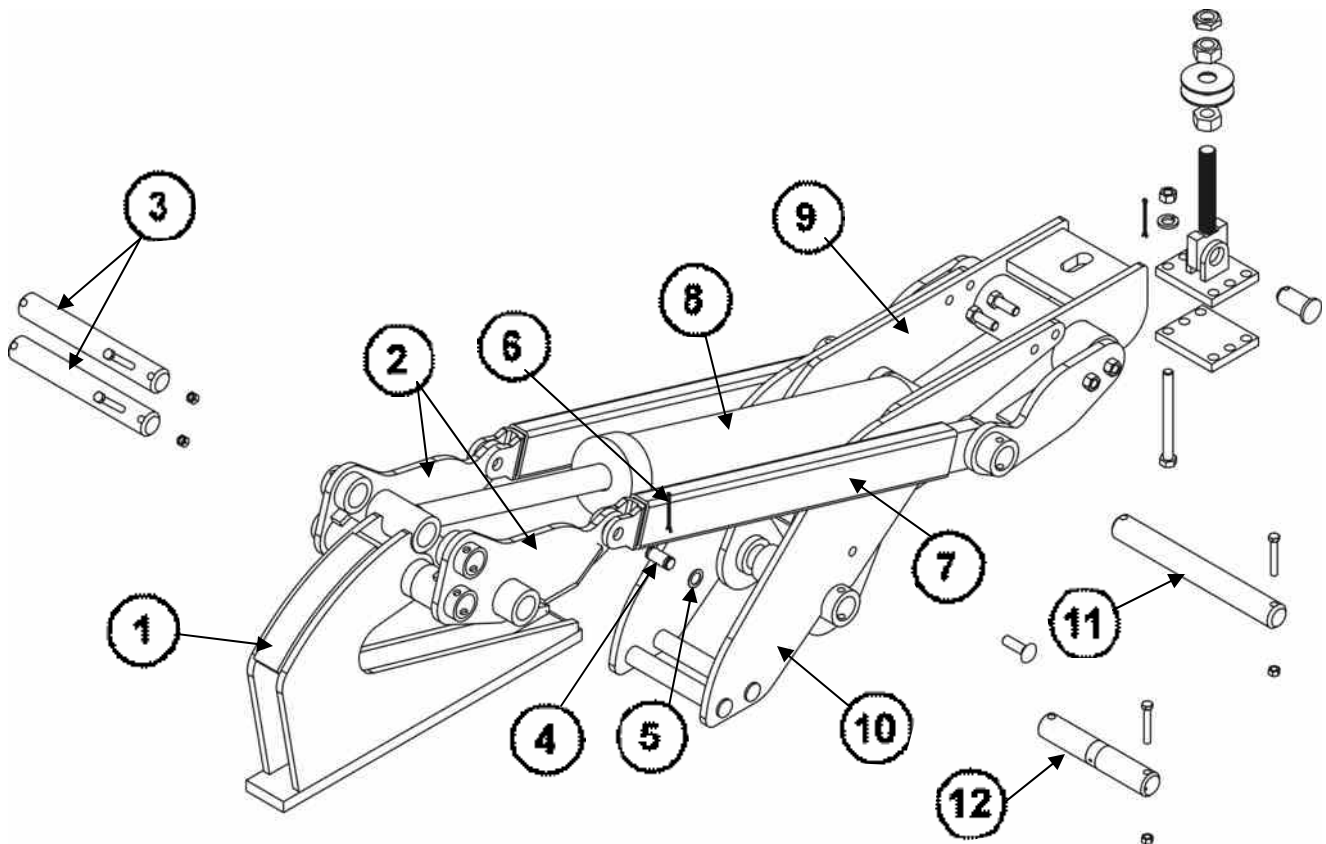
# WHEELS & TIRES



| ITEM | PART # | DESCRIPTION                                | QTY | NOTES |
|------|--------|--|-----|-------|
| 1    | 1804   | Rim--15" X 8" X 6 Hole (11L X 15" Tire)    | 1   |       |
|      | 104214 | Rim--15" X 10" X 6 Hole (12.5L X 15" Tire) | 1   |       |
|      | 105313 | Rim--15" X 10" X 8 Hole (12.5L X 15" Tire) | 1   |       |
|      | 106014 | Rim--11.75 X 22.5 X 8 Hole (385/65R22.5)   | 1   |       |
|      | 107238 | Rim--11.75 X 22.5 X 10 Hole (385/65R22.5)  | 1   |       |
| 2    | 1520   | 11L X 15" Tire                             | 1   |       |
|      | 105314 | 12.5L X 15" Tire                           | 1   |       |
| 3    | 106013 | 385/65R22.5" Tire                          | 1   |       |
| 4    | 105282 | Assembly--8 Bolt Rim W/12.5L X 15" Tire    | 1   |       |
|      | 106012 | Assembly--8 Bolt Rim W/385/65R22.5 Tire    | 1   |       |
|      | 107239 | Assembly--10 Bolt Rim W/385/65R22.5 Tire   | 1   |       |

# OCL WING LOCK (SMALL)

20' TO 22' MODELS



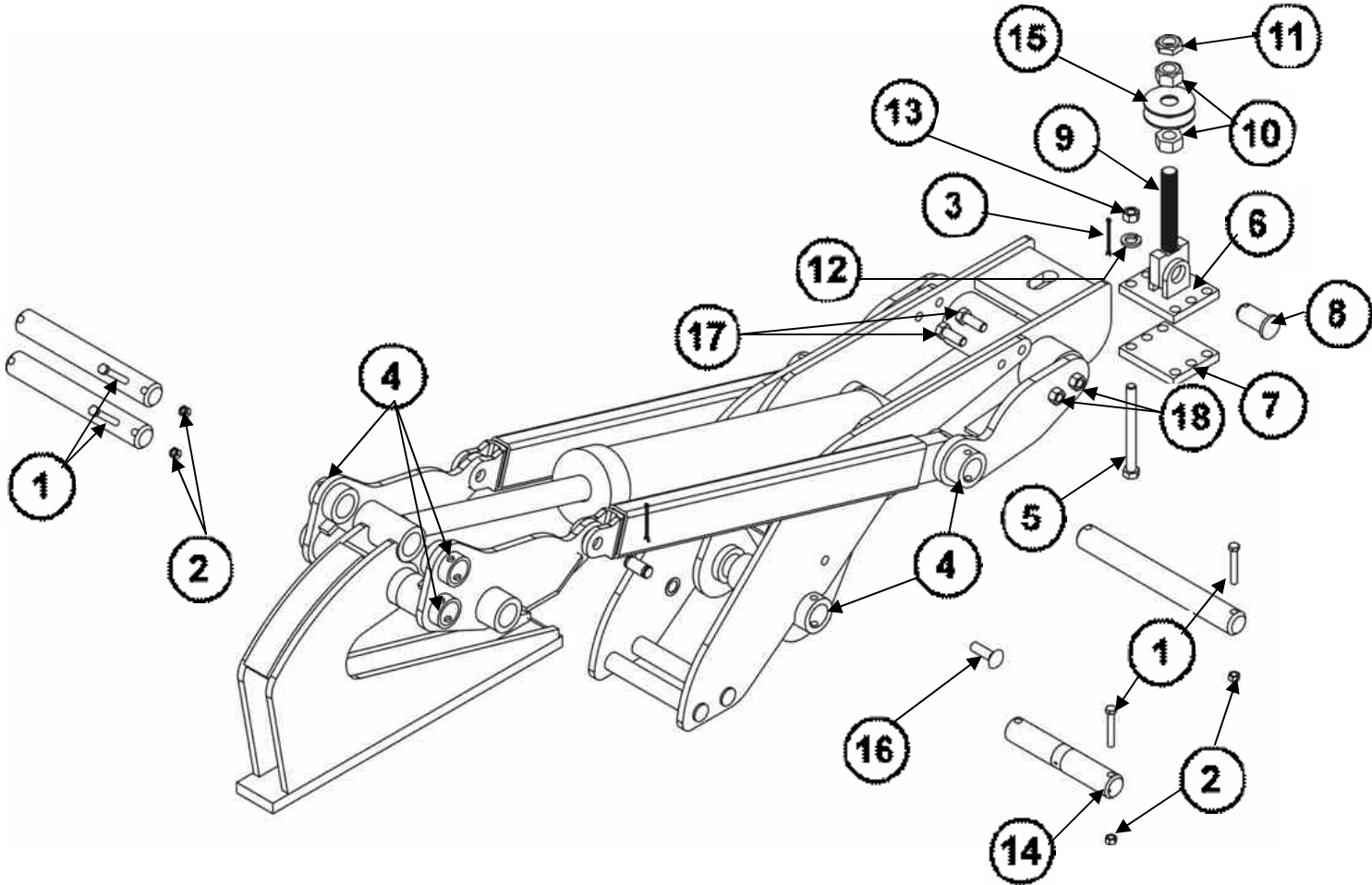
| ITEM | PART # | DESCRIPTION                      | QTY | NOTES |
|------|--------|----------------------------------|-----|-------|
| 1    | 105848 | Tower Assembly--Weldment         | 1   |       |
| 2    | 105343 | Bellcrank Assembly               | 1   | 1     |
| 3    | 105357 | Pin--14 5/8" Long                | 2   |       |
| 4    | 1903   | Pin--1" Dia X 2 1/4" Long        | 2   |       |
| 5    | 107593 | Washer--1" ID X 1 1/2" OD 18 ga  | 2   |       |
| 6    | 103586 | Cotter Pin--3/16" X 1 1/2"       | 2   |       |
| 7    | 105334 | Control Arm                      | 2   |       |
| 8    | 105356 | Cylinder--5" X 20 1/8"           | 1   |       |
| 9    | 105348 | Cylinder Anchor--Weldment        | 1   |       |
| 10   | 105321 | Side Plate                       | 2   |       |
| 11   | 105358 | Pin--17 1/16" Long               | 1   |       |
| 12   | 105359 | Pin--11 1/4" Long W/ Grease Zerk | 1   | 2, 3  |

Notes:

1. Specify front or rear & LH or RH
2. Center wing pivot pin with grease zerk
3. Front & rear wing pivot pins with grease zerk 8 3/8" long--Part # 104771

# OCL WING LOCK

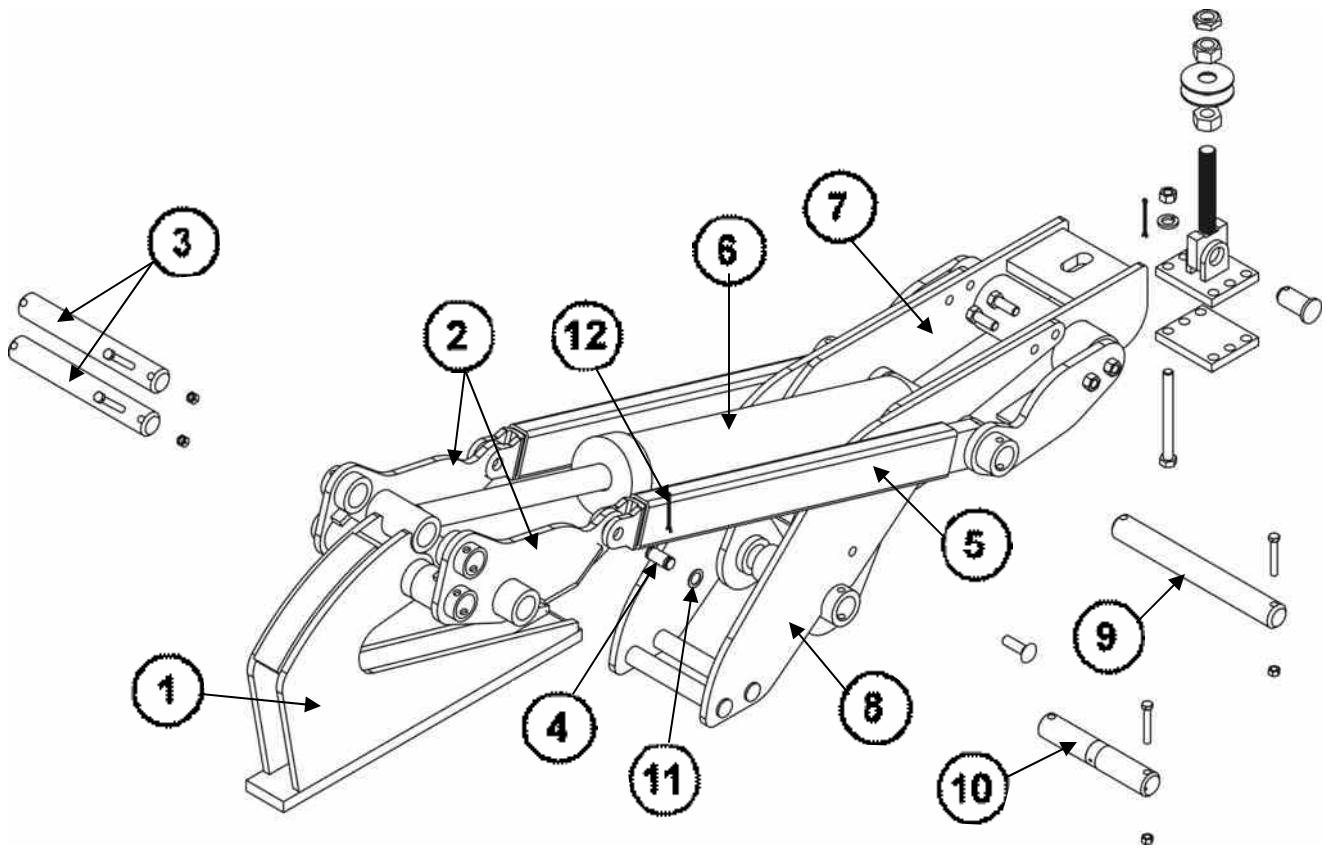
## COMMON PARTS (ALL OCL UNITS)



| ITEM | PART # | DESCRIPTION                | QTY | NOTES |
|------|--------|----------------------------|-----|-------|
| 1    | 104947 | Bolt--1/2" X 3"            | 8   |       |
| 2    | 104946 | Nut--1/2" Top Lock         | 8   |       |
| 3    | 103690 | Cotter Pin--3/8" X 3"      | 1   |       |
| 4    | 105345 | Collar--Weldment           | 2   |       |
| 5    | 1948   | Bolt--3/4" X 9"            | 6   |       |
| 6    | 104678 | Adjust Base                | 1   |       |
| 7    | 108346 | Attaching Plate            | 1   |       |
| 8    | 104653 | Pin                        | 1   |       |
| 9    | 104608 | Adjustment Bolt (Lollipop) | 1   |       |
| 10   | 104728 | Nut--1 1/4"                | 2   |       |
| 11   | 104780 | Jam Nut--1 1/4"            | 1   |       |
| 12   | 1212   | Lockwasher--3/4"           | 6   |       |
| 13   | 1213   | Nut--3/4"                  | 6   |       |
| 14   | 104258 | Grease Zerk--1/4 X 28      | 1   |       |
| 15   | 104781 | Washer--1 1/4"             | 2   |       |
| 16   | 107609 | Carriage Bolt--3/4" X 2"   | 2   |       |
| 17   | 104338 | Bolt--3/4" X 2"            | 4   |       |
| 18   | 107188 | Lock Nut--3/4"             | 6   |       |

# OCL WING LOCK (LARGE)

## 24' TO 26' MODELS



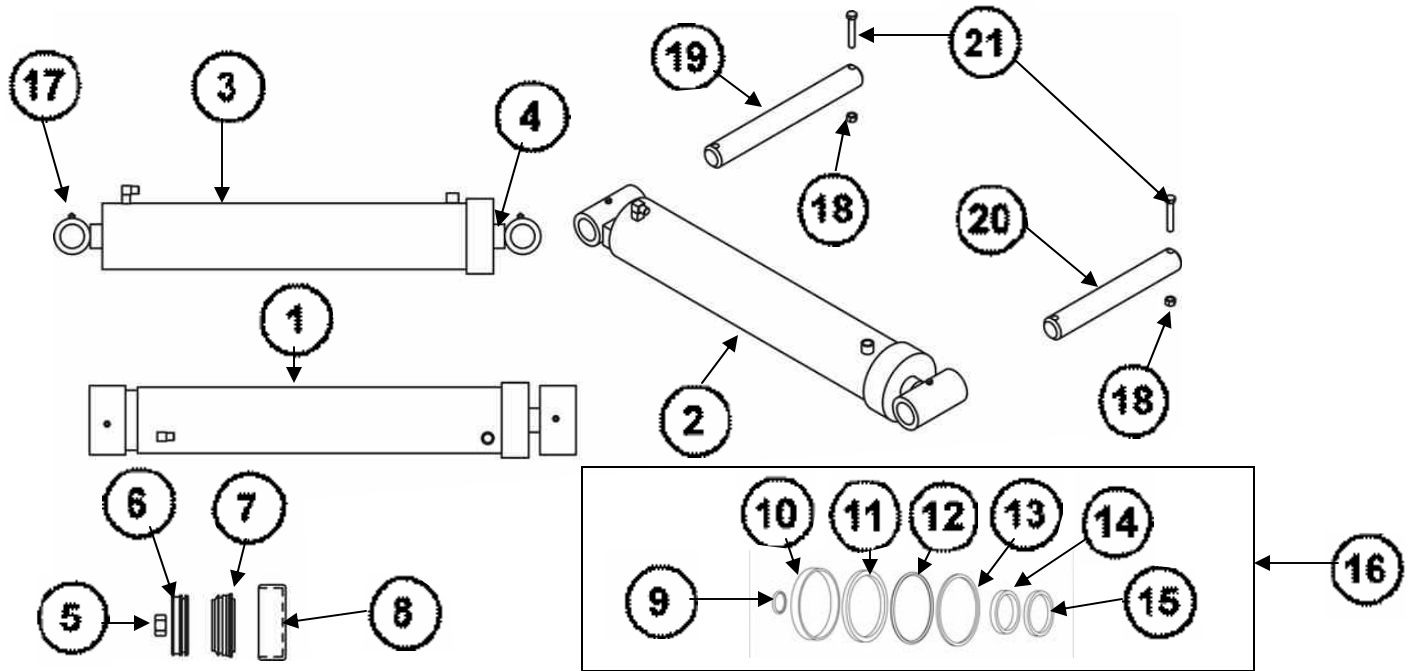
| ITEM | PART # | DESCRIPTION                      | QTY | NOTES |
|------|--------|----------------------------------|-----|-------|
| 1    | 104713 | Tower Assembly--Weldment         | 1   |       |
| 2    | 104720 | Bellcrank                        | 1   | 1     |
| 3    | 105357 | Pin--14 5/8" Long                | 2   |       |
| 4    | 1903   | Pin--1" Dia X 2 1/4" Long        | 2   |       |
| 5    | 104725 | Control Arm                      | 2   |       |
| 6    | 104692 | Cylinder--5" X 24 3/4"           | 1   |       |
| 7    | 104741 | Cylinder Anchor--Weldment        | 1   |       |
| 8    | 104844 | Side Plate                       | 2   |       |
| 9    | 105358 | Pin--17 1/16" Long               | 1   |       |
| 10   | 105359 | Pin--11 1/4" Long W/ Grease Zerk | 1   | 2, 3  |
| 11   | 107593 | Washer--1" ID X 1 1/2" OD 18 ga  | 2   |       |
| 12   | 103586 | Cotter Pin--3/16" X 1 1/2"       | 2   |       |

### Notes:

1. Specify front or rear & LH or RH
2. Center wing pivot pin with grease zerk
3. Front & rear wing pivot pins with grease zerk--8 3/8" long--Part # 104771



# OCL CYLINDER-5" BORE



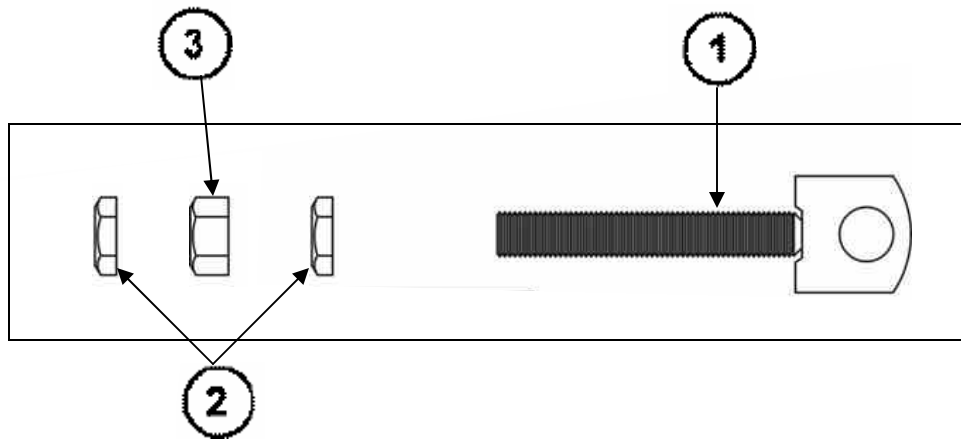
| ITEM | PART # | DESCRIPTION                     | QTY | NOTES |
|------|--------|---------------------------------|-----|-------|
| 1    | 104692 | Complete Cylinder--5" X 24 3/4" | 1   | 1     |
| 2    | 105356 | Complete Cylinder--5" X 20 1/8" | 1   | 2     |
| 3    | 107722 | Barrell Only--5" X 24 3/4"      | 1   | 1     |
|      | 106087 | Barrell Only--5" X 20 1/8"      | 1   | 2     |
| 4    | 108342 | Shaft Only--2 1/2" X 29 3/8"    | 1   | 1     |
|      | 108341 | Shaft Only--2 1/2" X 24 1/2"    | 1   | 2     |
| 5    | 107254 | Lock Nut--1 1/4"                | 1   |       |
| 6    | 107255 | Piston                          | 1   |       |
| 7    | 104582 | Headland                        | 1   |       |
| 8    | 104584 | Cylinder Nut                    | 1   |       |
| 9    | 107256 | O-Ring--Piston                  | 1   | 3     |
| 10   | 104622 | Wear Ring                       | 1   | 3     |
| 11   | 104621 | Piston Seal                     | 1   | 3     |
| 12   | 104624 | O-Ring--Piston                  | 1   | 3     |
| 13   | 104623 | Back Up Ring                    | 1   | 3     |
| 14   | 104057 | Rod Seal                        | 1   | 3     |
| 15   | 104056 | Rod Wiper                       | 1   | 3     |
| 16   | 107721 | Seal Kit                        | 1   |       |
| 17   | 104258 | Grease Zerk--1/4-28             | 2   |       |
| 18   | 104946 | Nut--1/2" Top Lock              | 2   |       |
| 19   | 105358 | Pin--17 1/16" Long              | 1   |       |
| 20   | 105357 | Pin--14 5/8" Long               | 1   |       |
| 21   | 104947 | Bolt--1/2" X 3"                 | 2   |       |

**Notes:**

1. Large over center lockdown units (24'-26')
2. Small over center lockdown units (20'-22')
3. Included in seal kit (107721)

# WING LEVELING

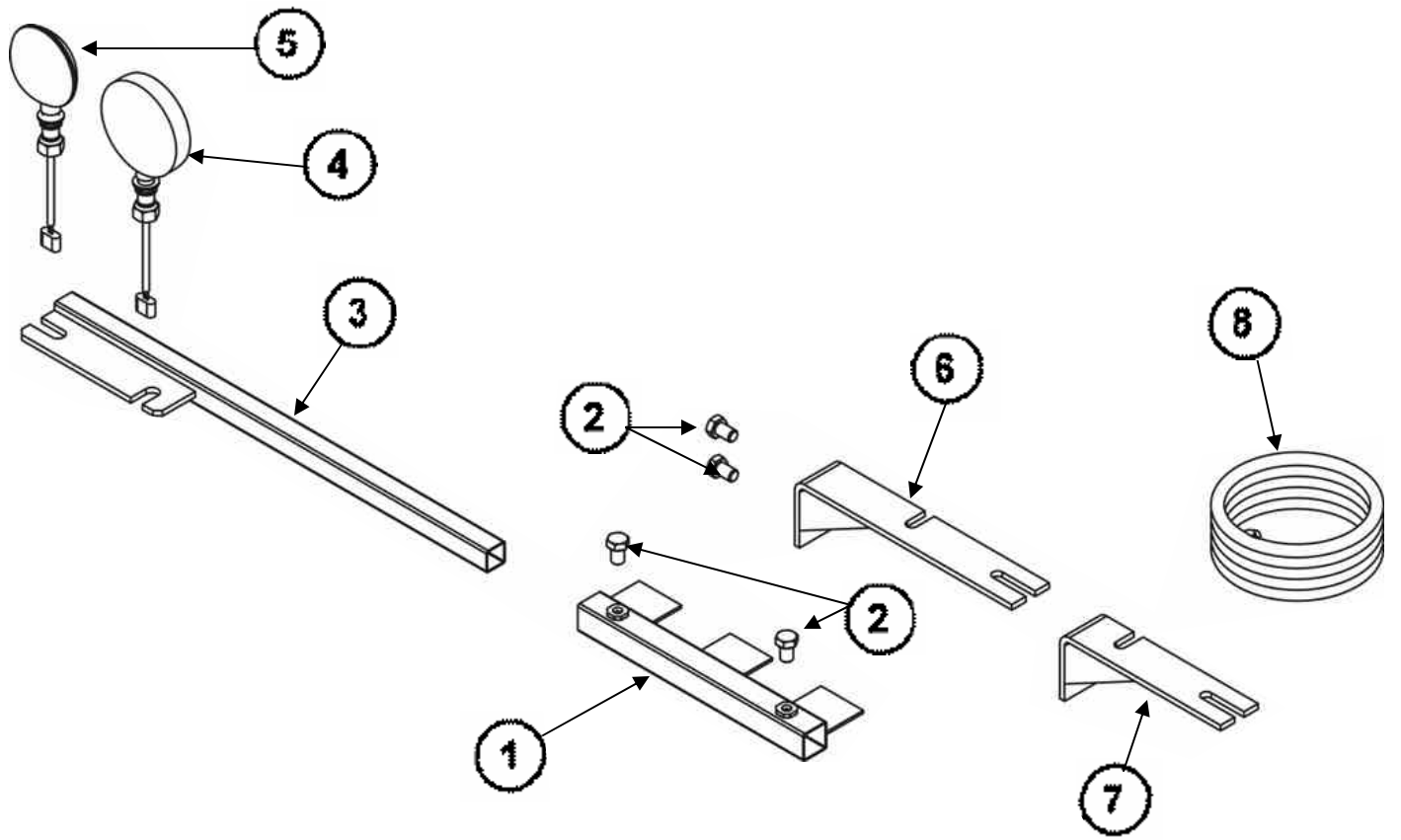
## (LOLLIPOP)



For Units With 1 1/2" Cylinder Pins

| ITEM | PART # | DESCRIPTION           | QTY | NOTES |
|------|--------|-----------------------|-----|-------|
| 1    | 104608 | Screw Only (Lollipop) | 1   |       |
| 2    | 104780 | Jam Nut--1 1/4"       | 2   |       |
| 3    | 104728 | Nut--1 1/4"           | 1   |       |

# LIGHT KIT

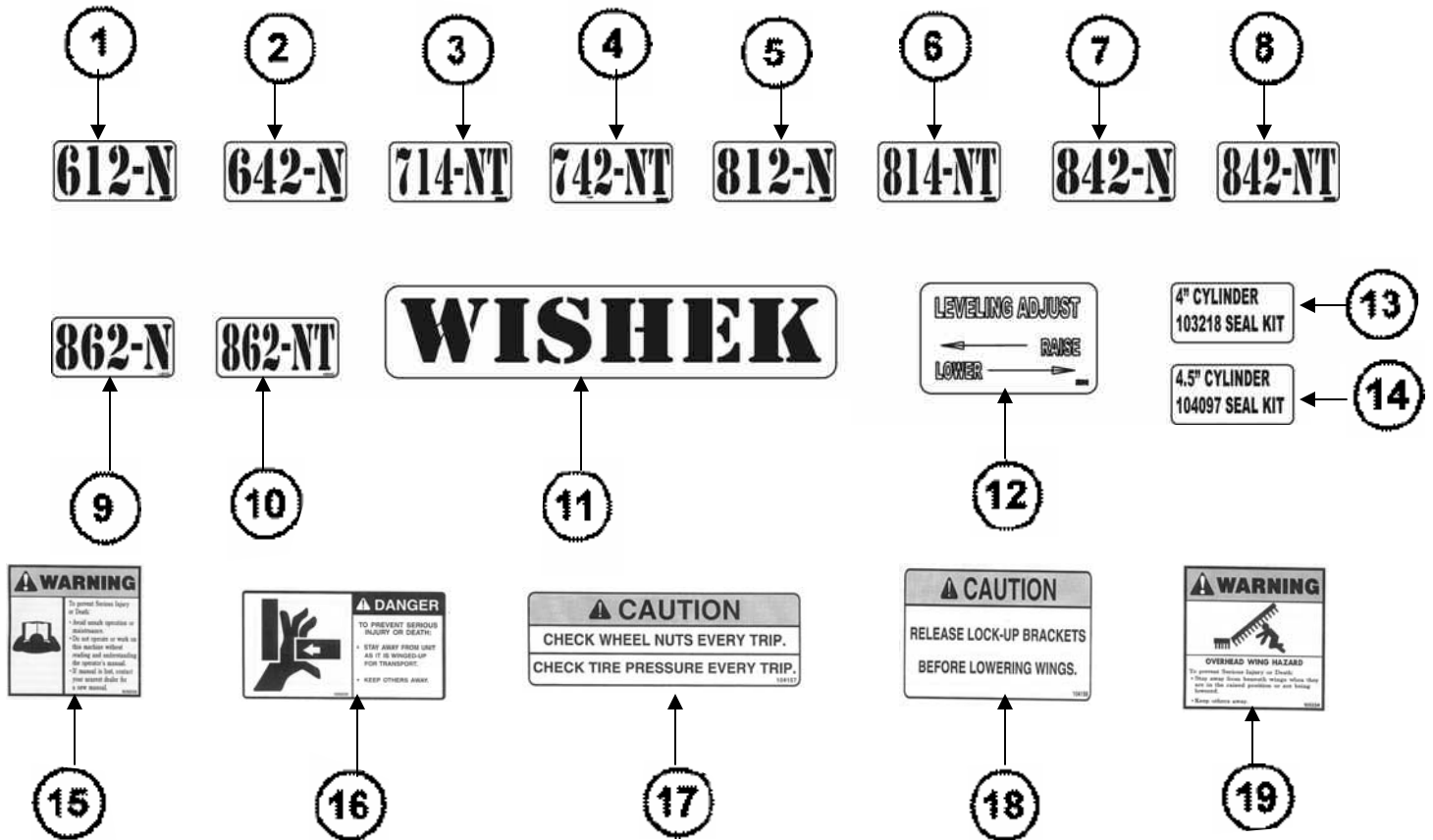


| ITEM | PART # | DESCRIPTION               | QTY | NOTES |
|------|--------|---------------------------|-----|-------|
| 1    | 108085 | Light Bracket Weldment    | 1   | 1     |
| 2    | 107602 | Bolt--3/8" X 1"           | 2   | 2     |
| 3    | 108080 | Sliding Light Bracket--RH | 1   | 1     |
|      | 108081 | Sliding Light Bracket--LH | 1   | 1     |
| 4    | 108343 | Warning Light--Amber      | 1   |       |
| 5    | 108344 | Warning Light--Red        | 1   |       |
| 6    | 108071 | Light Bracket--Long       | 1   | 3     |
| 7    | 108070 | Light Bracket--Short      | 1   | 3     |
| 8    | 108345 | Wiring Harness            | 1   | 4     |

**Notes:**

- 1. Winged models only
- 2. 2 used per bracket
- 3. Non-Winged models only
- 4. Specify model & size

# DECALS



| ITEM | PART # | DESCRIPTION                     | QTY | NOTES |
|------|--------|---------------------------------|-----|-------|
| 1    | 108237 | Decal--612N                     | 1   |       |
| 2    | 108239 | Decal--642N                     | 1   |       |
| 3    | 108240 | Decal--714NT                    | 1   |       |
| 4    | 108242 | Decal--742NT                    | 1   |       |
| 5    | 108238 | Decal--812N                     | 1   |       |
| 6    | 108241 | Decal--814NT                    | 1   |       |
| 7    | 105897 | Decal--842N                     | 1   |       |
| 8    | 108243 | Decal--842NT                    | 1   |       |
| 9    | 108245 | Decal--862N                     | 1   |       |
| 10   | 108244 | Decal--862NT                    | 1   |       |
| 11   | 103581 | Decal--Wishek--5" X 24 1/2"     | 1   |       |
|      | 104585 | Decal--Wishek--3" X 15"         | 1   |       |
| 12   | 105441 | Decal--Leveling Adjust          | 1   |       |
| 13   | 104986 | Decal--4" Cylinder              | 1   |       |
| 14   | 107373 | Decal--4.5" Cylinder            | 1   |       |
| 15   | 105235 | Decal--Warning                  | 1   |       |
| 16   | 105233 | Decal--Danger                   | 1   |       |
| 17   | 104157 | Decal--Check Wheels             | 1   |       |
| 18   | 104158 | Decal--Caution--Lock Up Bracket | 1   |       |
| 19   | 105234 | Decal--Overhead Wing Hazard     | 1   |       |

# MISC



| ITEM | PART#  | DESCRIPTION            | QTY | NOTES |
|------|--------|------------------------|-----|-------|
| 1    | 103612 | Green Paint            | 1   |       |
| 2    | 104446 | Yellow Paint           | 1   |       |
| 3    | 107660 | Black Paint            | 1   |       |
| 4    | 107633 | Red Paint              | 1   |       |
| 5    | 240799 | 460ep Grease (10 Pack) | 1   |       |