



PARTS CATALOG

2010/2015/2020/2027/2030 3-PT MOUNTED CONVENTIONAL DRILL

LITHO IN U.S.A.

FORM NO. 79017821
OCTOBER, 1998

Tye

2010 / 2015 / 2020 / 2027 / 2030 3 PT. CONVENTIONAL DRILL

79017820

PUBLICATION INFORMATION

Page0

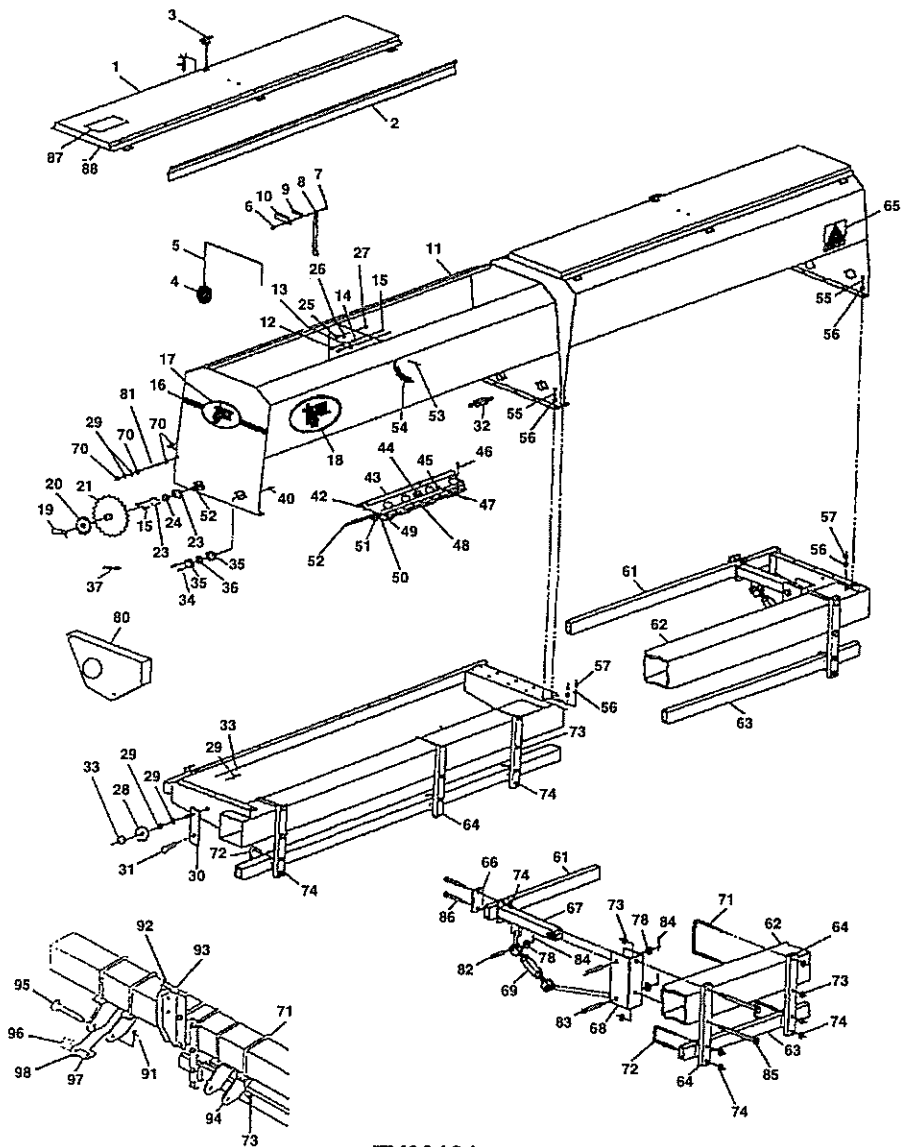
Part Number	Description
79017820	MICROFICHE NUMBER
79017821	PUBLICATION FORM NUMBER
	OCTOBER 1998 / PUBLICATION DATE
	LAST ILLUSTRATION 86

A-9

8

2010, 2015, 2020, 2027 & 2030 CONVENTIONAL DRILL
FRAMES

DRILL FRAME & BOX ASSEMBLY



TY00131

FRAMES - DRILL FRAME & BOX ASSEMBLY

Item	Part Number	Description
1	531-783	LID ASSEMBLY, 80" 2 BU BOX
	531-726	LID ASSEMBLY, 90" 2.8 BU BOX
	531-727	LID ASSEMBLY, 120", 2.8 BU BOX
	531-785	LID ASSEMBLY, 120", 2 BU BOX
	501-001	HINGE
2	511-372	DEFLECTOR SEED, 80", 2.0 BU BOX
	511-337	DEFLECTOR SEED, 90", 2.8 BU BOX
	511-338	DEFLECTOR SEED, 120", 2.8 BU BOX
	511-374	DEFLECTOR SEED, 120", 2.0 BU BOX
3	501-423	LID LATCH E3-41-15
4	501-429	FLOAT, 4" X 5" OBRound
5	511-342	FLOAT ROD, LONG (2010, 2015, 2020)
	511-379	FLOAT ROD, SHORT (2027 & 2030)
6	70923362	NUT, LOCK 5/16-18 CL 2-WAY PL
7	902-0506	BOLT, HEX HD. 5/16 - 18 X 3/4 GR2
8	530-967	SUPPORT, LID ARM
9	569-032	SPRING, IDLER
10	510-583	SUPPORT, MOUNT LID
11	531-745	BOX ASSEMBLY 80"/2 BU. BOX
	531-766	BOX ASSEMBLY 120"/2 BU. BOX
	531-728	BOX ASSEMBLY 90"/2.8 BU. BOX
	531-730	BOX ASSEMBLY 120"/2.8 BU. BOX
12	920-0400	NUT, LOCK 14/-20 CL 2-WAY PL
13	510-584	CAP, LATCH SUPPORT
14	568-076	FERRULE .269" X .405" X .500"
15	902-0410	BOLT, HEX HD 1/4-20 X 1-1/4" PL
16	575-115	ACCENT STRIPE
17	575-114	DECAL, TYE OVAL W/EARS (2027 & 2030)
	575-314	DECAL, TYE OVAL (2010, 2015, & 2020)
18	575-058	DECAL, TYE OVAL, 21.4 X 13.1
19	511-256	HANDLE, LOCKING 5/8-11
20	550-109	HANDWHEEL
21	560-181	SPROCKET, #40B70T 5/8 SQ. BORE
23	711952	FLANGETTE, 47MST2 "ZP"
24	711762	BEARING, RA012RRB
25	943-0305	SCREW, PAN HD PHL #10-24 X 5/8" PL
26	501-427	CLAMP, 1/4" NYLON LOOP
27	903-0300	NUT, HEX 10-24 GR 2
28	560-118	SPROCKET, #41A18T 1/2" BORE W/BRG
29	930-0800	WASHER, FLAT 1/2 (RS) PL
30	530-859	BRACKET, IDLER W/STUD
31	902-0812	BOLT, HEX HD 1/2-13 X 1-1/2 GR 2 PL
32	541-001	COUPLER, SEEDER SHAFT
33	920-0800	NUT, LOCK 1/2-13 CL 2-WAY PL
34	902-0508	BOLT, HEX HD 5/16-18 X 1" GR 2 PL (2027 & 2030)
35	553-041	FLANGETTE, 52MST "ZP"
36	71308951	BEARING, RA100 W/LOCKCOLLAR
37	79009424	CHAIN, #40 (91-1/2 LINKS) (2010, 15, 20)
	580-0030	CHAIN, #40 (3 LINKS) (2027 & 2030)
	580-1230	CHAIN, #40 (123 LINKS) (2027 & 2030)

DRILL FRAME & BOX ASSEMBLY

38	510-829	CAP, 1X2-1/2X11-7/8, 8"BAR (NOT SHOWN)
39	901-1696	BOLT, HEX HD 1 - 8 X 12 (NOT SHOWN)
	70931390	NUT, LOCK 1-8 CL3-WAY (NOT SHOWN)
40	903-0500	NUT, HEX 5/16-18 PL (2010, 2015, 2020)
41	575-220	DECAL, DANGER ATTACHING (NOT SHOWN)
42	510-789	INSERT, 80/6
	510-791	INSERT, 80/7
	510-608	INSERT, 80/8
	510-756	INSERT, 90/4
	510-754	INSERT, 90/6
	510-737	INSERT, 90/6.9
	510-786	INSERT, 90/7.5

FRAMES - DRILL FRAME & BOX ASSEMBLY

Item	Part Number	Description
	510-621	INSERT, 90/8.2
	510-666	INSERT, 120/4
	510-614	INSERT, 120/6
	510-750	INSERT, 120/7
	510-784	INSERT, 120/7.5
	510-639	INSERT, 120/8
43	510-790	MOUNT, INSERT 80/6
	510-792	MOUNT, INSERT 80/7
	510-607	MOUNT, INSERT 80/8
	510-757	MOUNT, INSERT 90/4
	510-755	MOUNT, INSERT 90/6
	510-738	MOUNT, INSERT 90/6.9
	510-787	MOUNT, INSERT 90/7.5
	510-620	MOUNT, INSERT 90/8.2
	510-667	MOUNT, INSERT 120/4
	510-613	MOUNT, INSERT 120/6
	510-751	MOUNT, INSERT 120/7
	510-785	MOUNT, INSERT 120/7.5
	510-638	MOUNT, INSERT 120/8
44	204-133	PLUG, SEEDER
45	903-0400	NUT, HEX 1/4-20 PL
46	943-0405	SCREW, PAN HD PHL 1/4-20 X 5/8
47	943-0404	SCREW, PAN HD PHL 1/4-20 X 1/2
48	540-036	CLAMP ASY, SEEDER SHAFT (INCL. FOLLOWING ITEMS)
	510-100	CLAMP, SEEDER SHAFT X3-1/16
	903-0300	NUT, HEX 10-24
	943-0310	SCREW, SOC HD. CAP, #10 - 24 X 1-1/4
49	540-537	SEEDER ASY (INCL. FOLLOWING ITEMS)
	545-061	HOUSING ASY, SEEDER
	550-204	CYLINDER, DRILL SEEDER
	550-206	SLIDE, DRILL SEEDER
	550-207	WASHER, DRILL SEEDER
	550-225	WHEEL, 9-LUG
50	568-038	FERRULE, .760" X 1" X .500"
51	569-012	SPRING, SEEDER SHAFT DRILL

DRILL FRAME & BOX ASSEMBLY

52	510-274	SHAFT, SEEDER X 80
	510-450	SHAFT, SEEDER X 89-3/4
	510-544	SHAFT, SEEDER X 123-1/2"
	510-545	SHAFT, SEEDER SHAFT X 93-3/4"
	511-308	SHAFT, SEEDER SHAFT X 118-1/2"
53	501-428	GROMMET, 3/16
54	575-262	DECAL, FLOAT GAUGE
55	901-0610	BOLT, HEX HD 3/8-16 X 1-1/4" GR 5
56	930-0600	WASHER, FLAT 3/8 (RS) PL
57	Y704635	NUT, LOCK 3/8-16 CL 2-WAY PL
58	575-304	DECAL, 2010 (NOT SHOWN)
	575-305	DECAL, 2015 (NOT SHOWN)
	575-306	DECAL, 2020 (NOT SHOWN)
	575-301	DECAL, 2027 (NOT SHOWN)
	575-295	DECAL, 2030 (NOT SHOWN)
59	575-308	DECAL, TYE DRILL (NOT SHOWN)
60	575-258	DECAL, IMPORTANT (NOT SHOWN)
61	531-725	TUBE, REAR X 120"
	531-735	TUBE, REAR X 180"
	531-737	TUBE, REAR X 240"
	531-825	TUBE, REAR X 320"
62	531-744	FRAME ASY X 120"
	531-729	FRAME ASY X 185"
	531-731	FRAME ASY X 244"
	531-828	FRAME ASY X 324"
	531-829	FRAME ASY X 360"
63	530-668	TUBE, BOTTOM X 121"

FRAMES - DRILL FRAME & BOX ASSEMBLY

Item	Part Number	Description
	530-665	TUBE, BOTTOM X 182"
	530-761	TUBE, BOTTOM X 241"
	531-280	TUBE, BOTTOM 2" SQ. X 120"
	531-199	TUBE, BOTTOM 2" SQ. X 182
	531-122	TUBE, BOTTOM 2" SQ. X 240"
	530-979	TUBE, BOTTOM X 321"
	530-968	TUBE, BOTTOM X 360"
64	531-359	MOUNT, FRONT TUBE
	511-038	MOUNT, FRONT TUBE 4"
	531-424	MOUNT, ASY FRONT TUBE 8 X 8 BAR
65	575-240	DECAL, AGCO 5"
66	511-345	CAP, 1/2" X 2" X 5-1/4"
67	531-738	MOUNT, TURNBUCKLE ASY
68	531-739	SUPPORT, TURNBUCKLE ASY
	531-815	SUPPORT, TURNBUCKLE ASY, 8" (2027 & 2030)
69	541-095	TURNBUCKLE ASY
70		NOT ILLUSTRATED
71	918-1205	U-BOLT, 3/4" FOR 7" X 7" TUBE
72	918-1004	U-BOLT, 5/8" FOR 3" BAR
	918-1007	U-BOLT, 5/8" FOR 2" SQ. TUBE (2010, 2015 2020 W/4" SP)
73	920-1200	NUT, LOCK 3/4-10 CL 2-WAY PL
74	70923353	NUT, LOCK 5/8-11 CL 2-WAY PL
75	575-113	DECAL, TYE OVAL 26 X 16 W/EARS (NOT SHOWN) (2010, 2015, 2020)
76	575-179	DECAL, TYE OVAL 15.5 X 10.25 (NOT SHOWN) (2027 & 2030)
77	575-236	DECAL, CAUTION READ MANUAL (NOT SHOWN)
78	930-1200	WASHER, FLAT 3/4" (RS) PL
79	575-178	CHART, NARROW ROW SOYBEAN (NOT SHOWN)
80	511-350	SHIELD, 2000 NO TILL
81	511-149	STUD, 1/2" X 4" (FULL THREAD)
82	567-035	PIN, 3/4" X 2-1/2"
83	567-036	PIN, 3/4" X 4"
84	950-0410	PIN, COTTER 1/8" X 1-1/4" PL
85	901-1280	BOLT, HEX HD 3/4-10 X 10" GR 5 PL (2010, 2015, 2020)
	901-1288	BOLT, HEX HD 3/4-10 X 11" GR 5 PL (2027 & 2030)
86	901-1032	BOLT, HEX HD 5/8-11 X 4" GR 5 PL
87	575-119	DECAL, SEED RATE CHART 10"/9.5L
	575-120	DECAL, SEED RATE CHART 8"/9.5L
	575-121	DECAL, SEED RATE CHART 7.5"/9.5L
	575-122	DECAL, SEED RATE CHART 7"/9.5L
	575-123	DECAL, SEED RATE CHART 6"/9.5L
	575-131	DECAL, SEED RATE CHART 4"/9.5L
	575-125	DECAL, SEED RATE CHART 10"/11L
	575-126	DECAL, SEED RATE CHART 8"/11L
	575-127	DECAL, SEED RATE CHART 7.5"/11L
	575-128	DECAL, SEED RATE CHART 7"/11L
	575-129	DECAL, SEED RATE CHART 6"/11L
	575-132	DECAL, SEED RATE CHART 4"/11L
88	501-217	GASKET STRIP 3/8 X 1/8
89	575-090	DECAL, SEEDER SLIDE (NOT SHOWN) (2010, 2015, 2020)
90	575-249	DECAL, WARNING SHIELD (NOT SHOWN) (2010, 2015, 2020)
91	501-008	PIN, KLINK (HITCH)
92	511-388	HITCH, TOP R.H.
	530-973	HITCH, TOP R.H. 8" BAR
93	511-389	HITCH, TOP L.H.
	530-974	HITCH, TOP L.H. 8" BAR
94	530-977	HITCH, BOTTOM 7"
	530-963	HITCH, BOTTOM 8" BAR
95	567-007	PIN, PULL CAT2-3 (8-3/4)
	567-002	PIN, PULL DRILL
96	568-018	FERRULE, 1.125 X 1.4375 X 2.875
97	568-025	FERRULE, 1.125 X 1.437 X 2.5
98	934-1800	WASHER, 1.19 X 2.25 X .25
99	304-448	SMV & REFLECTOR BUNDLE (NOT SHOWN)
	501-324	REFLECTOR, RED, STICK ON, 2-1/8
	501-325	REFLECTOR, AMBER, STICK ON, 2-1/8

Tye

2010 / 2015 / 2020 / 2027 / 2030 3 PT. CONVENTIONAL DRILL

79017820

FRAMES - DRILL FRAME & BOX ASSEMBLY

Page8

Item	Part Number	Description
	501-327	SMV EMBLEM, STICK ON, #101303

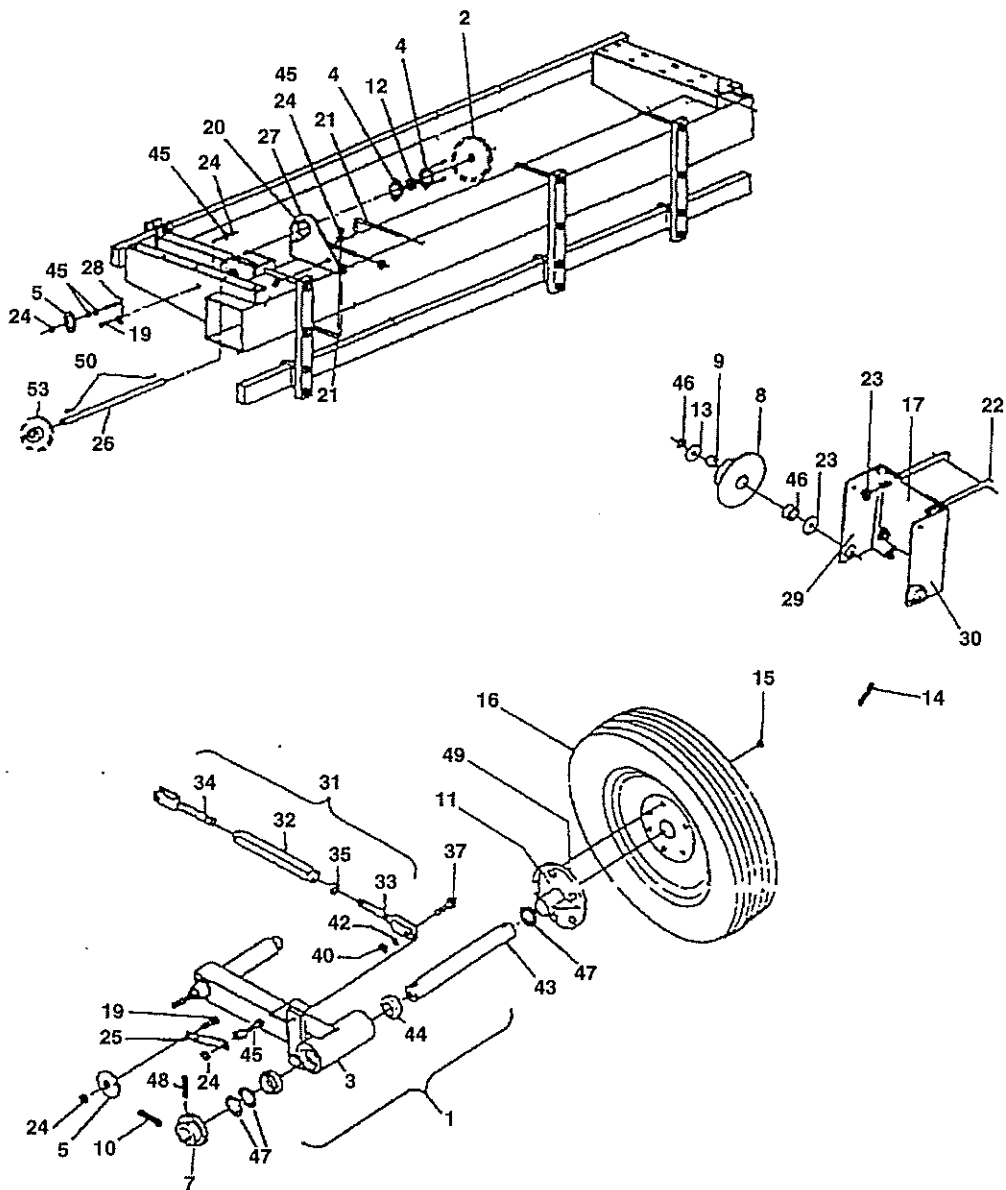
TY00131

A-17

16

2010, 2015, 2020, 2027 & 2030 CONVENTIONAL DRILL
FRAME

GAUGE WHEEL ASY



TY00133

FRAME - GAUGE WHEEL ASY

Item	Part Number	Description
1	541-135	GAUGE WHEEL ARM & SPINDLE ASY. (INCL. ITEMS 3, 43 & 44)
2	560-212	SPROCKET, #40B26T, 1B, 1/4 KEYWAY
3	531-834	GAUGE WHEEL ARM ASY.
4	553-041	FLANGETTE, HEX BRG., 52 MST
5	560-118	SPROCKET, IDLER #41A18T
6	560-211	SPROCKET, #40B40T 1B, 1/4 KEYWAY (NOT SHOWN)
7	560-214	SPROCKET, #40B20T (R.H.)
	510-899	COLLAR X 1-1/4, GAUGE WHEEL (L.H.) (10', 15', & 20')
	70922645	CAPSCREW, HEX HD, 1/2 - 13 X 2-1/4 (L.H.) (10', 15', & 20')
8	560-217	SPROCKET, #40DBL20T-40T W/OUT BEARING
9	552-501	BEARING, INNER RING 3/4B
10	581-0455	CHAIN, #2040 45-1/2 LINKS
11	550-141	HUB, GAUGE WHEEL F&H, 108876
12	71308951	BEARING, RA100 W/LOCKCOLLAR
13	552-500	BEARING, SCE1616PP
14	581-0630	CHAIN, #2040 63 LINKS W/CONNECTOR (10', 15', & 20')
	581-0510	CHAIN, #2040 51 LINKS
15	908-0810	BOLT, LUG 1/2-20 X 1-1/4" 90 DEG. PL
16	540-337	WHEEL & TIRE ASY, 9.5L X 15 (10' & 15')
	562-011	TIRE, 9.5L X 15
	563-010	WHEEL, 15 X 6
	540-325	WHEEL & TIRE ASY, 11L X 15(20',27'&30')
	562-014	TIRE, 11L X 15
	563-011	WHEEL, 15 X 8
17	510-647	SPACER, PLATE (10', 15', & 20')
	510-767	SPACER, PLATE 8"BAR (27' & 30')
18	902-0506	CAPSCREW, HEX HD 5/16-18X3/4 (NOT SHOWN)
19	902-0812	CAPSCREW, HEX HD 1/2 - 13 X 1-1/2 (RH)
20	903-0500	NUT, HEX 5/16 - 18PL (10', 15', & 20')
21	918-0802	U-BOLT, 1/2 FOR 7 X 7 TUBE (10',15'&20')
22	918-1205	U-BOLT, 3/4 FOR 7X7 TUBE (10',15',&20')
23	920-1200	NUT, LOCK 3/4 - 10 CL 2-WAY PL (10', 15', & 20')
24	920-0800	NUT, LOCK 1/2 - 13 CL 2-WAY PL (R.H.)
25	510-654	BRACKET, SPROCKET IDLER OFFSET
26	511-161	JACKSHAFT, X 28
27	511-399	MOUNT, JACKSHAFT R.H. (10' & 15')
	511-413	MOUNT, JACKSHAFT L.H. (20')
	510-768	MOUNT, JACKSHAFT OUTER 8"BAR (27' & 30')
	510-769	MOUNT, JACKSHAFT R.H. 8" BAR (27'&30')
	510-770	MOUNT, JACKSHAFT L.H. 8" BAR (27'&30')
28	530-859	BRACKET, IDLER W/STUD (10',15',& 20')
29	530-867	ANGLE, R.H GAUGE WHEEL (10', 15', & 20')
	530-961	ANGLE, R.H GAUGE WHEEL 8" BAR (27'&30')
30	530-868	ANGLE, L.H. GAUGE WHEEL (10', 15', & 20')
	530-962	ANGLE, L.H. GAUGE WHEEL 8" BAR (27'&30')
31	540-547	TURNBUCKLE ASY (INCL. ITEMS 32 - 35) (10', 15', & 20')
	540-740	TURNBUCKLE ASY , SLOTTED (INCL. ITEMS 32 - 42) (10' - 30')
32	530-864	TURNBUCKLE BODY
33	530-865	CLEVIS, L.H. ADJ. LINK
	531-115	CLEVIS, L.H. W/ADJ. SLOT
34	531-110	CLEVIS, R.H ADJ. LINK
35	942-1600	NUT, JAM 1 - 8 PL
36	568-015	FERRULE, .640 X .840 (NOT SHOWN)
37	902-1016	BOLT, HEX HD. 5/8 - 11 X 2 GR2 (10', 15', & 20')
38	902-1028	BOLT, HEX HD. 5/8 - 11 X 3-1/2 (NOT SHOWN)
39	903-1000	NUT, HEX 5/8 - 11 PL (NOT SHOWN)
40	70923353	NUT, LOCK 5/8 - 11 (10',15 ,& 20')
41	930-1000	WASHER, FLAT 5/8 (NOT SHOWN)
42	931-1000	WASHER, LOCK 5/8
43	511-410	SPINDLE, X 15-5/8 (ETD150)
44	843273M1	BEARING, BCA, NPC108RPC
45	930-0800	WASHER, FLAT 1/2 RS (R.H.)
46	930-1200	WASHER, FLAT 3/4 RS (10', 15', & 20')
47	934-2600	WASHER, 1-5/8 X 2-1/4 X 3/64 PL
48	951-1220	PIN, EXP ROLL 3/8 X 2-1/2 PL (R.H.)

FRAME - GAUGE WHEEL ASY

Item	Part Number	Description
49	70920145	PIN, EXP ROLL 1/2 X 3 PL
50	961-0412	KEY, SQUARE 1/4 X 1-1/2
51	70923362	NUT, LOCK 5/16-18 (27'&30') (NOT SHOWN)
52	901-1696	BOLT, HEX HD. 1 - 8 X 12 (27' & 30') (NOT SHOWN)
	70931390	NUT, LOCK 1-8 CL 3-WAY (27' & 30') (NOT SHOWN)
	931-1600	WASHER, LOCK 1" (27' & 30') (NOT SHOWN)
53	560-213	SPROCKET, #40B13T
54	902-0876	BOLT, HEX HD. 1/2 - 13 X 9-1/2 (27' & 30') (NOT SHOWN)
55	510-829	CAP, 1 X 2-1/2 X 11-7/8, 8-BAR (27' & 30') (NOT SHOWN)
56	510-830	CAP, 3/8 X 1-1/2 X 10, 8-BAR (27' & 30') (NOT SHOWN)
57	901-0608	BOLT, HEX HD. 3/8 - 16 X 1 (27' & 30') (NOT SHOWN)
	Y704635	NUT, LOCK 3/8 - 16 (27' & 30') (NOT SHOWN)
	930-0600	WASHER, FLAT 3/8 (27' & 30') (NOT SHOWN)

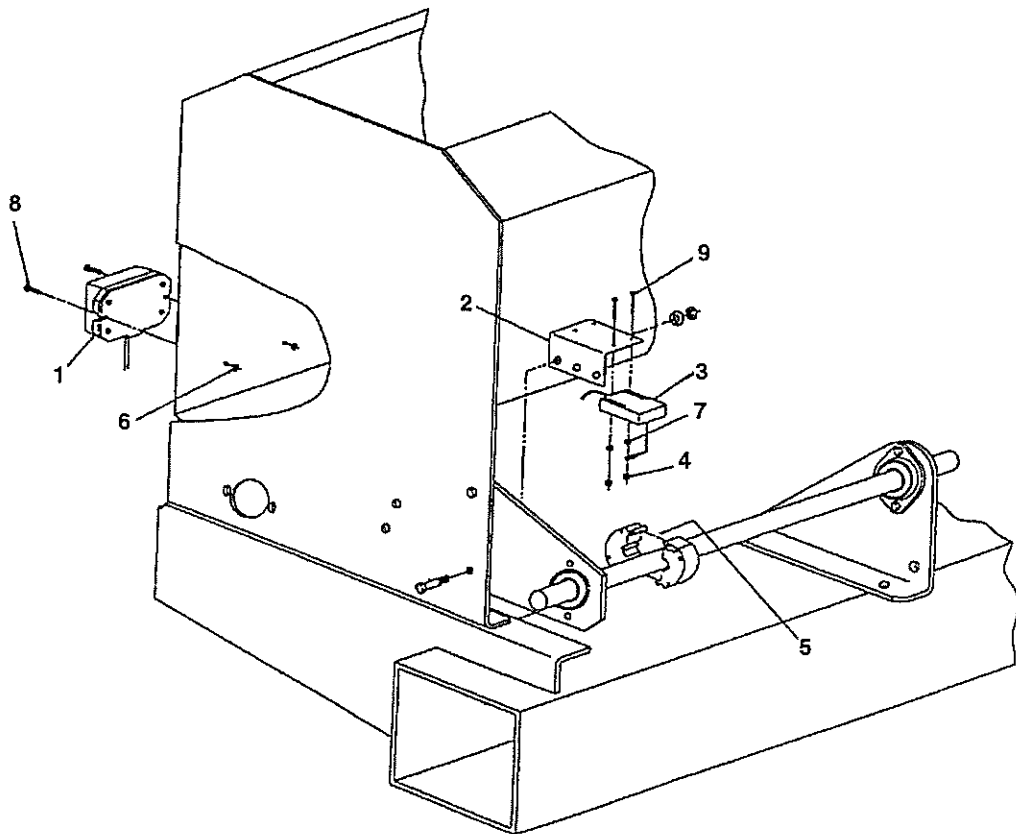
TY00133

A-21

20

2010, 2015, 2020, 2027 & 2030 CONVENTIONAL DRILL
ACREMETER

ELECTRONIC ACREMETER



TY00130

ACREMETER - ELECTRONIC ACREMETER

Item	Part Number	Description
1	501-466	ACREMETER MONITOR
2	511-408	MOUNT, SENSOR
3	501-465	SENSOR
4	903-0100	NUT, HEX 6-32 PL
5	501-464	ACTUATOR
6	920-0301	NUT, LOCK NYLON 10/32PL
7	930-0100	WASHER, FLAT #6 PL
8	943-0206	SCREW, PAN HD PHL #10 - 32 X 3/4PL
9	943-0108	SCREW, PAN HD PHL #6 - 32 X 1PL

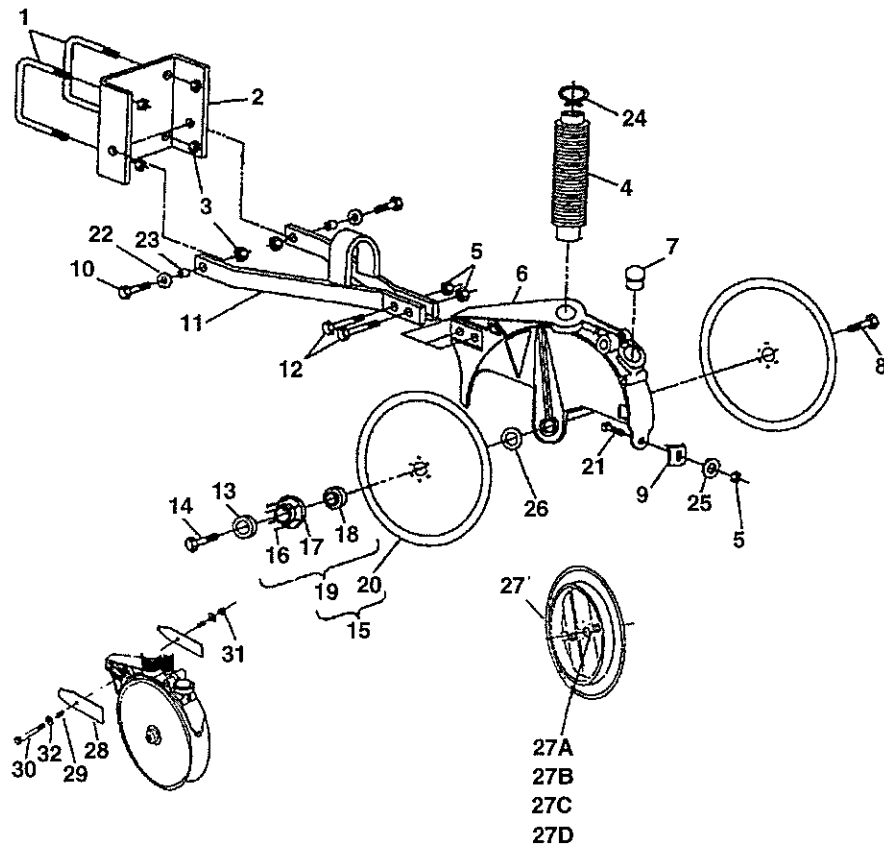
TY00130

A-23

22

2010, 2015, 2020, 2027 & 2030 CONVENTIONAL DRILL
DOUBLE DISC

DOUBLE DISC ASSEMBLY



TY00134

Item	Part Number	Description
	314-046	DISC ASY LONG W/WELDED YOKE (INCL. ITEMS 2, 3, 5 - 15, 21 -23, 25 & 26)
	314-048	DISC ASY SHORT W/WELDED YOKE (INCL. ITEMS 2, 3, 5-15, 21 - 23, 25 & 26)
	314-051	DISC 4" (INCL. ITEMS 5 - 9, 11 - 15, 21, 22, 25 & 26)
	204-059	KIT, EXTERNAL SCRAPER (INCL. ITEMS 28 - 32)
	204-261	KIT, DEPTH BAND SCRAPER (INCL. ITEMS 28, 29, & 31 - 40)
1	918-0702	U-BOLT, 7/16" 3" X 1-1/2" BAR
	918-1007	U-BOLT, 5/8 FOR 2" SQ. TUBE
2	510-434	YOKE, FRONT
	531-277	YOKE, FRONT 4"
	531-278	YOKE, FRONT 4" L.H. MT
3	920-0707	NUT, LOCK CRN 7/16-14PL
	70923353	NUT, LOCK 5/8 - 11 CL 2-WAY PL
	920-0803	NUT, LOCK 1/2 - 3 ESNA
4	562-201	TUBE, SEED
5	920-0700	NUT, LOCK 7/16-14 CL 2-WAY PL
6	550-156	BOOT, DOUBLE DISC
7	501-157	PLUG, SEED TUBE
	501-163	PLUG, W/HOLE FOR LEGUME
8	901-1010	BOLT, 5/8-11 X 1-1/4" R.H.
9	550-003	SCRAPER, INTERNAL
10	901-0025	BOLT, HEX HD 7/16 - 14 X 1-1/2
	901-0812	BOLT, HEX HD 1/2 - 13 X 1-1/2
11	531-710	YOKE, SHORT (2 HOLE)
	531-709	YOKE, LONG (2 HOLE)
	531-711	YOKE, 4" BOOT (2 HOLE)
12	901-0718	BOLT, HEX HD 7/16-14 X 2-1/4"
13	561-027	SHIELD, DUST
14	901-1011	BOLT, 5/8-11 X 1-1/4" L.H.
15	540-647	DISC ASY W/SHORT CAP (INCL. ITEMS 16, 19 & 20)
16	941-0357	RIVET
17	561-025	BEARING CAP, SHORT
18	552-302	BEARING, DOUBLE DISC
19	540-646	HUB ASY W/SHORT CAP(INCL. ITEMS 17 & 18)
20	555-002	DISC ASY
21	902-0716	BOLT, HEX HD 7/16-14 X 2"
22	70920159	WASHER, .495" X 1.25" X .14"
23	568-102	FERRULE, .437" X .739" X .460"
	568-086	FERRULE, .50 X .75 X .396
24	572-020	CLAMP, SEED TUBE
25	930-0700	WASHER, FLAT 7/16 (RS) PL
26	932-1000	SHIM, .656" X 1.062" X .015" (AS REQ'D)
27	531-129	DEPTH BAND X 5/8
	530-422	DEPTH BAND X 1"
	531-477	DEPTH BAND X 1-1/2"
	530-985	DEPTH BAND X 2"
27A	907-0508	BOLT, CARR. 5/16 - 18 X 1
27B	903-0500	NUT, HEX 5/16 - 18PL
27C	930-0500	WASHER, FLAT 5/16 (RS) PL
27D	931-0500	WASHER, LOCK 5/16 (RS) PL
28	510-174	BLADE, EXT. DD SCRAPER X 7-3/4
29	569-020	SPRING, EXTERNAL SCRAPER
30	902-0436	BOLT, HEX HD. 1/4 - 20 X 4-1/2
31	903-0400	NUT, HEX 1/4 - 20PL
32	930-0400	WASHER, FLAT 1/4
33	510-472	CLAMP, SEED PLACEMENT (NOT SHOWN)
34	511-023	MOUNT, DEPTH BAND SCRAPER (NOT SHOWN)
35	530-741	SUPPORT, DEPTH BAND SCRAPER (NOT SHOWN)
36	901-0510	BOLT, HEX HD. 5/16-18X1-1/4 (NOT SHOWN)
	903-0500	NUT, HEX 5/16 - 18PL
	931-0500	WASHER, LOCK 5/16 (RS) PL
37	902-0420	BOLT, HEX HD. 1/4-20 X 2-1/2(NOT SHOWN)
38	902-0424	BOLT, HEX HD. 1/4 - 20 X 3 (NOT SHOWN)
39	902-0720	BOLT, HEX HD. 7/16-14 X 2-1/2(NOT SHOWN)
	903-0700	NUT, HEX 7/16 - 14PL
	931-0700	WASHER, LOCK 7/16 (RS) PL

Tye

2010 / 2015 / 2020 / 2027 / 2030 3 PT. CONVENTIONAL DRILL

79017820

DOUBLE DISC - DOUBLE DISC ASSEMBLY

Page22

Item	Part Number	Description
40	920-0400	NUT, LOCK 1/4-20 CL2-WAY PL (NOT SHOWN)

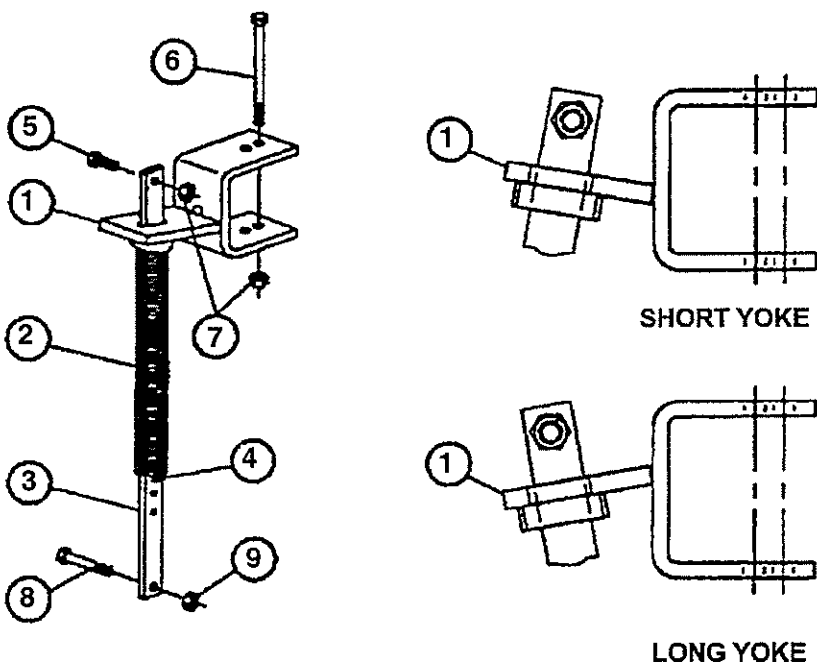
TY00134

B-3

26

2010, 2015, 2020, 2027 & 2030 CONVENTIONAL DRILL
PRESSURE SPRING

PRESSURE ROD MOUNT ASSEMBLY



TY00042

PRESSURE SPRING - PRESSURE ROD MOUNT ASSEMBLY

Item	Part Number	Description
1	531-734	MOUNT, PRESSURE ROD (SHORT)
	531-736	MOUNT, PRESSURE ROD (LONG)
	531-848	MOUNT, PRESSURE ROD (STRAIGHT)
2	569-063	SPRING, PRESSURE ROD PL
3	511-341	PRESSURE ROD X 23-1/4"
4	501-201	CLOVER CLIP
5	902-0606	BOLT, HEX HD 3/8-16 X 3/4" GR. 2 PL
6	901-0636	BOLT, HEX HD 3/8-16 X 4-1/2" GR. 5 PL
7	Y704635	NUT, LOCK 3/8-16 CL 2-WAY PL
8	902-0716	BOLT, HEX HD 7/16-14 X 2 GR. 2 PL
9	920-0707	NUT, LOCK CRN 7/16-14 PL
10	531-849	ROD, SINGLE PRESSURE 2" OFFSET (NOT SHOWN)

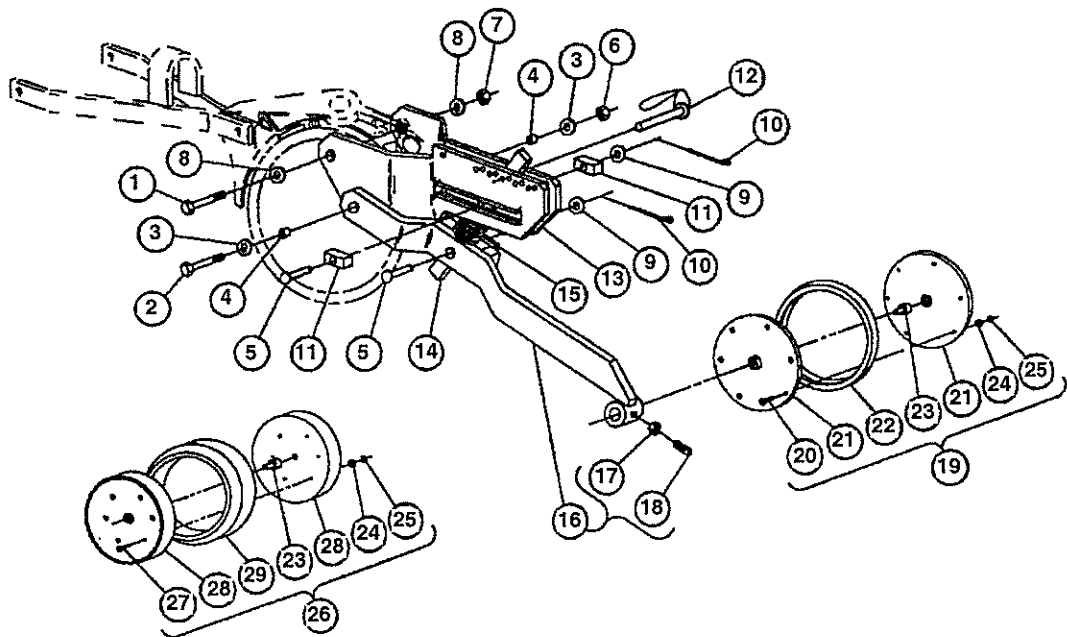
TY00042

B-5

28

2010, 2015, 2020, 2027 & 2030 CONVENTIONAL DRILL
WHEELS

E-Z ADJUST PRESSWHEEL



TY00052

WHEELS - E-Z ADJUST PRESSWHEEL

Item	Part Number	Description
	204-303SS	E-Z ADJUST PRESSWHEEL ASY. 1 X 12 SM SD
	204-299SS	E-Z ADJUST PRESSWHEEL ASY. 2 X 13 SM SD
	204-316SS	E-Z ADJUST PRESSWHEEL ASY. 4 X 12 SM SD
	204-336SS	E-Z ADJUST PRESSWHEEL ASY. 1 X 12 W/4 X 12 FRAME
	204-337SS	E-Z ADJUST PRESSWHEEL ASY. 2 X 13 W/4 X 12 FRAME
	204-303	E-Z ADJ. PRESSWHEEL ASY. 1 X 12 SINGLE
	204-299	E-Z ADJ. PRESSWHEEL ASY. 2 X 13 SINGLE
	204-316	E-Z ADJ. PRESSWHEEL ASY. 4 X 12 SINGLE
	304-574	LEVER & SPRING W/PINS & BLOCKS (INCL. ITEMS 5, 9 - 11, 14 & 15)
	304-573	LEVER & SPRING W/HARDWARE (INCL. ITEMS 1 - 11, 14 & 15)
	304-575	BLOCK SLIDE W/HARDWARE (INCL. ITEMS 5, 9 - 11)
	304-577	ATTACHING BOLT KIT (INCL. ITEMS 1 - 4 & 6 - 8)
1	901-0832	BOLT, HEX HD 1/2-13 X 4" GR. 5 PL
2	901-0638	BOLT, HEX HD 3/8-16 X 4-3/4" GR 5 PL
3	930-0601	WASHER, FLAT 3/8" SAE GR 8 PL
4	568-105	FERRULE, .390" X .750" X .594" HRC 58
5	567-032	PIN, 7/16" X 2"
6	369064X1	NUT, LOCK CRN UNITORQUE 3/8-16 PL
7	920-0807	NUT, LOCK CRN UNITORQUE 1/2-13 PL
8	930-0801	WASHER, FLAT 1/2" SAE GR 8 PL
9	930-0700	WASHER, FLAT 7/16" RS PL
10	950-0406	PIN, COTTER 1/8 X 3/4 PL
11		BLOCK SLIDE (ORDER 304-575 FOR REPAIR)
12	501-298	PIN, 1/4" SNAPPER WIRE
13	531-146	MOUNT, ADJUSTABLE PRESSWHEEL
14		LEVER - EZ ADJUST PRESSWHEEL (ORDER 304-574 FOR REPAIR)
15	569-049	SPRING, - EZ ADJUST PRESSWHEEL
16	531-147	FRAME, 2" X 13" & 1" X 12"
	531-374	FRAME, 4" X 12"
17	903-0600	NUT, HEX 3/8-16 PL
18	910-0608	SCREW, SQ. HD SET 3/8-16 X 1" PL
19	304-364SS	WHEEL ASY. 1 X 12 CROWN SM SD
	304-388SS	WHEEL ASY. 2 X 13, CROWN, SM SD
	304-364	WHEEL ASY. 1 X 12 (CROWN) (INCL. ITEMS 20 - 25)
	304-388	WHEEL ASY. 2 X 13 (STEEL) (INCL. ITEMS 20 - 25)
20	902-0506	BOLT, 5/16-18 X 3/4" GR 2 PL
21	563-024	WHEEL HALF, 1 X 12 NYLON SM SD
	563-023	WHEEL HALF, STEEL 2 X 13 SM SD
	563-020	WHEEL HALF, STEEL 2 X 13
	563-016	WHEEL HALF, STEEL 1 X 12
22	562-028	TIRE, 1 X 12 SS
	562-025	TIRE, 2 X 13 SS
	562-106	TIRE, 2 X 13
	562-019	TIRE, 1 X 12 CROWN PRESS
23	552-216	BEARING (IB06930SSRR2)
24	931-0500	WASHER, LOCK 5/16" (RS) PL
25	903-0500	NUT, HEX 5/16-18 PL
26	304-475SS	WHEEL ASY. 4 X 12 DC SM SD
	304-475	WHEEL ASY. 4 X 12 DEPRESS CENTER (INCL. ITEMS 23 - 25 & 27 - 29)
27	70917457	SCREW, RD HD 5/16-18 X 5/8" PL
28	563-025	WHEEL HALF, BLK. NYL. SM SD, 4 X 12
	563-013	WHEEL HALF, STEEL 4 X 12
29	562-112	TIRE, 4 X 12 DC
30	575-237	DECAL, TORQUE SPECS (NOT SHOWN)

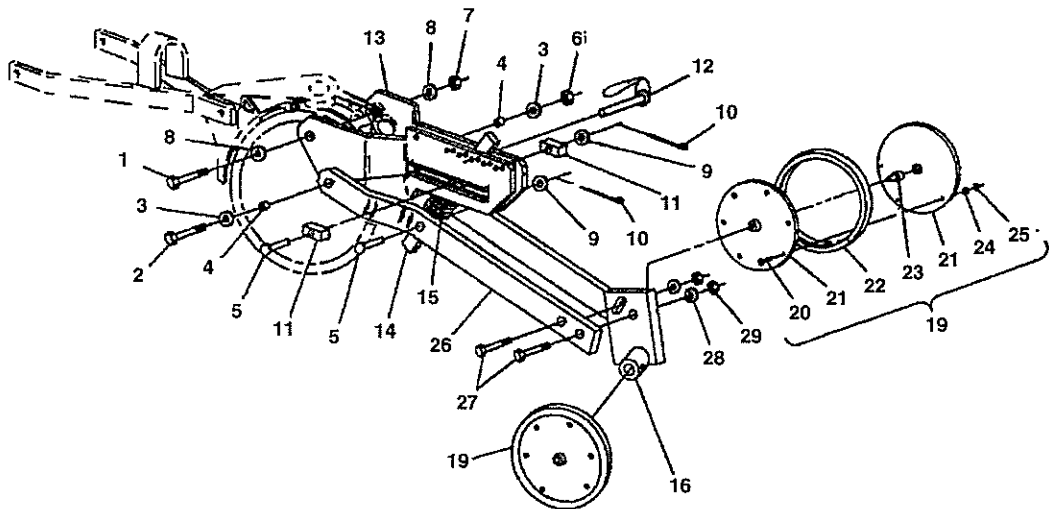
TY00052

B-9

32

2010, 2015, 2020, 2027 & 2030 CONVENTIONAL DRILL
WHEELS

V E-Z ADJUST PRESSWHEEL



TY00135

WHEELS - V E-Z ADJUST PRESSWHEEL

Item	Part Number	Description
	204-313SS	V E-Z ADJ. PRESSWHEEL ASY. (1 X 12)SM SD
	204-314SS	V E-Z ADJ. PRESSWHEEL ASY. (2 X 13)SM SD
	204-313	V E-Z ADJ. PRESSWHEEL, 1 X 12
	204-314	V E-Z ADJ. PRESSWHEEL, 2 X 13
	304-574	LEVER & SPRING W/PINS & BLOCKS (INCL. ITEMS 5, 9 - 11, 14 & 15)
	304-575	BLOCK SLIDE W/HARDWARE (INCL. ITEMS 5, 9 - 11)
1	901-0832	BOLT, HEX HD 1/2-13 X 4" GR 5 PL
2	901-0638	BOLT HEX HD 3/8-16 X 4-3/4" GR 5 PL
3	930-0601	WASHER, FLAT 3/8" SAE GR 8 PL
4	568-105	FERRULE, .390" X .750" X .594" HRC 58
5	567-032	PIN, 7/16" X 2"
6	369064X1	NUT, LOCK CRN UNITORQUE 3/8-16 PL
7	920-0807	NUT, LOCK CRN UNITORQUE 1/2-13 PL
8	930-0801	WASHER, FLAT 1/2" SAE GR 8 PL
9	930-0700	WASHER, FLAT 7/16" RS PL
10	950-0406	PIN, COTTER 1/8" X 3/4" PL
11		BLOCK SLIDE (ORDER 304-575 FOR REPAIR)
12	501-298	PIN, 1/4" SNAPPER WIRE
13	531-146	MOUNT, ADJUSTABLE PRESSWHEEL
14		LEVER - EZ ADJUST PRESSWHEEL (ORDER 304-574 FOR REPAIR)
15	569-049	SPRING - EZ ADJUST PRESSWHEEL
16	531-297	AXLE, MOUNTING 1" X 12"
	531-314	AXLE, MOUNTING 2" X 13"
17	575-237	DECAL, TORQUE SPECS (NOT SHOWN)
19	304-364SS	WHEEL ASY. 1 X 12 CROWN SM SD
	304-388SS	WHEEL ASY. 2 X 13 CROWN SM SD
	304-364	WHEEL ASY. 1 X 12 (CROWN) (INCL. ITEMS 20 - 25)
	304-388	WHEEL ASY. 2 X 13 (STEEL) (INCL. ITEMS 20 - 25)
20	902-0506	BOLT, 5/16-18 X 3/4" GR 2 PL
21	563-024	WHEEL HALF, 1 X 12 NYLON SS
	563-023	WHEEL HALF, STEEL 2 X 13 SS
	563-016	WHEEL HALF, (STEEL) 1 X 12
	563-020	WHEEL HALF, (STEEL) 2 X 13
22	562-028	TIRE, 1 X 12 SS
	562-025	TIRE, 2 X 13 SS
	562-019	TIRE, 1 X 12 CROWN PRESS
	562-106	TIRE, 2 X 13
23	552-216	BEARING (IB06930SSRR2)
24	931-0500	WASHER, LOCK 5/16" (RS) PL
25	903-0500	NUT, HEX 5/16-18 PL
26	511-059	FRAME, SIDE VEE ADJUST
27	902-0816	BOLT, HEX HD 1/2-13 X 2" GR 2 PL (USED W/ 204-313 & 204-314)
	901-0814	BOLT, HEX HD 1/2 - 13 X 1-3/4 (USED W/ 204-313SS & 204-314SS)
28	931-0800	WASHER, LOCK 1/2 (RS) PL (USED W/ 204-313 & 204-314)
29	903-0800	NUT, HEX 1/2-13PL (USED W/ 204-313 & 204-314)
	942-0800	NUT, HEX JAM 1/2 - 13 PL (USED W/ 204313SS & 204-314SS)

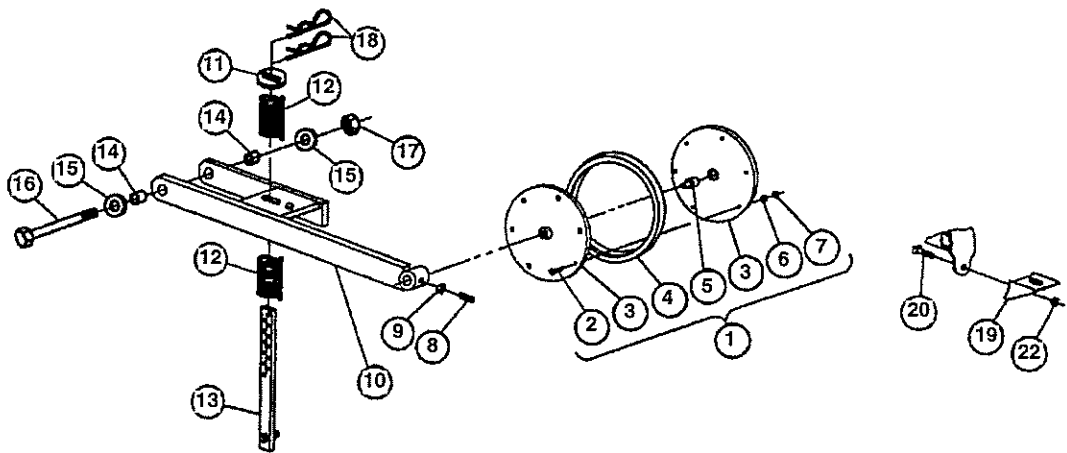
TY00135

B-11

34

2010, 2015, 2020, 2027 & 2030 CONVENTIONAL DRILL
WHEELS

DEPTH STRAP PRESSWHEEL



TY00041

WHEELS - DEPTH STRAP PRESSWHEEL

Item	Part Number	Description
	204-330SS	DEPTH STRAP PRESSWHEEL W/SPRING CUSHION (2 X 13) SM SD
	204-330	PRESSWHEEL (2 X 13)
1	304-388SS	PRESSWHEEL ASY., 2 X 13 CROWN, SM SD
	304-388	PRESSWHEEL ASY., 2 X 13 (STEEL)
2	902-0506	BOLT, 5/16-18 X 3/4" GR 2 PL
3	563-020	WHEEL HALF, STEEL 2 X 13
4	562-106	TIRE, 2 X 13
5	552-216	BEARING, (IB06930SSRR2)
6	931-0500	WASHER, LOCK 5/16 (RS) PL
7	903-0500	NUT, HEX 5/16-18 PL
8	70923362	SCREW, SQ. HD SET 3/8-16 X 1" PL
9	903-0600	NUT, HEX 3/8-16 PL
10	531-553	FRAME, 2 X 13 PRESSWHEEL
11	511-211	WASHER, DEPTH ADJ.
12	569-046	SPRING, 2 X 13
13	540-922	DEPTH STRAP ASY. X9
	511-130	STRAP, DEPTH X9 PRESSWHEEL
	902-0505	BOLT, HEX HD. 5/16 - 18 X 5/8 GR2
	903-0500	NUT, HEX 5/16 - 18PL
	931-0500	WASHER, LOCK, 5/16
14	568-095	FERRULE, .505" X .750" X .531"
15	930-0800	WASHER, FLAT 1/2" (RS) PL
16	902-0836	BOLT, HEX HD 1/2-13 X 4-1/2" GR 2 PL
17	920-0807	NUT, LOCK CRN UNITORQUE 1/2-13 PL
18	501-010	PIN, CLIP
19	530-604	L-CLIP, W/GUSSET
20	902-0716	BOLT, HEX HD 7/16-14 X 2"
22	920-0700	NUT, LOCK 7/16-14 PL

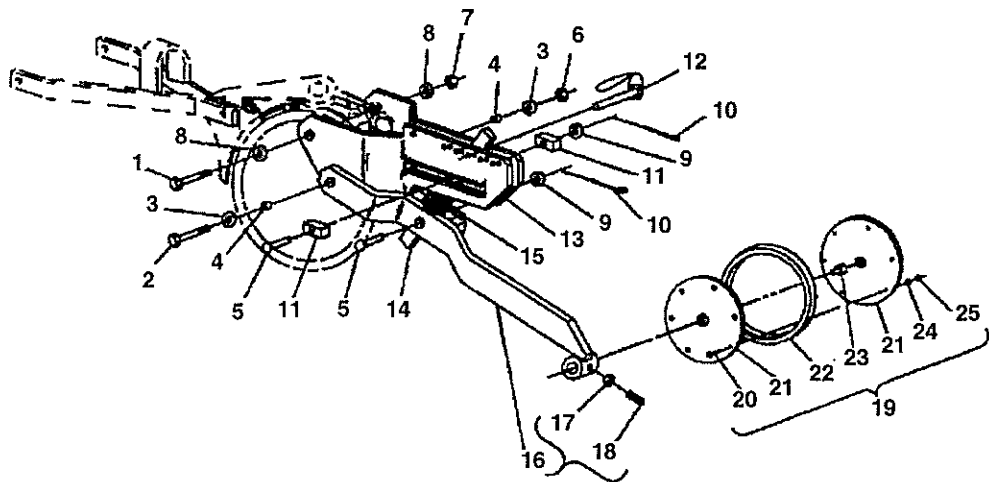
TY00041

B-13

36

2010, 2015, 2020, 2027 & 2030 CONVENTIONAL DRILL
WHEELS

E-Z ADJ. PRESSWHEEL W/SINGLE OFFSET



TY00076

Item	Part Number	Description
	204-312SS	E-Z ADJUST PRESSWHEEL ASY 1 X 12, SM SD 4" (INCL. ITEMS 1-19 & 26)
	204-311	E-Z ADJ. PRESSWHEEL , 2 X 13, SINGLE OFFSET, 4"
	204-312	E-Z ADJ. PRESSWHEEL, 1 X 12, SINGLE OFFSET, 4"
	304-460	KIT, CONVERSION 1 X 12 & 2 X 13 (LESS WHEEL & TIRE) (INCL. ITEMS 1 - 18)
	304-500	KIT, CONVERSION 4 X 12 (LESS WHEEL & TIRE) (INCL. ITEMS 1 - 18)
	304-574	KIT, LEVER E-Z ADJUST (INCL. ITEMS 5, 9 - 11, 14, & 15)
	304-573	KIT, HARDWARE E-Z ADJUST (INCL. ITEMS 1 - 11 & 14 - 15)
	304-575	KIT, BLOCK SLIDE E-Z ADJUST (INCL. ITEMS 5 & 9 - 11)
	304-577	KIT, E-Z ADJUST BOLT BOOT (INCL. ITEMS 1 - 4 & 6 - 8)
1	901-0832	BOLT, HEX HD. 1/2 - 13 X 4
2	901-0638	BOLT, HEX HD. 3/8 - 16 X 4-3/4
3	930-0601	WASHER, FLAT, 3/8
4	568-105	FERRULE, .390 X .750 X .594
5	567-032	PIN, 7/16 X 2
6	369064X1	NUT, LOCK CRN UNITORQUE 3/8 - 16
7	920-0807	NUT, LOCK CRN UNITORQUE 1/2 - 13
8	930-0801	WASHER, FLAT 1/2
9	930-0700	WASHER, FLAT 7/16
10	950-0406	PIN, COTTER 1/8 X 3/4
11		SLIDE, BLOCK (SERVICE W/KIT 304-575)
12	501-298	PIN, 1/4 SNAPPER WIRE
13	531-146	MOUNT, ADJUSTABLE PRESSWHEEL
14		LEVER, E-Z ADJ. PRESSWHEEL (SERVICE W/ KIT 304-574)
15	569-049	SPRING, E-Z ADJ. PRESSWHEEL
16	531-279	FRAME, P/W OFFSET ADJ.
17	903-0600	NUT, HEX 3/8 - 16
18	910-0608	SCREW, SQ. HD SET, 3/8 - 16 X 1
19	304-364	WHEEL ASY., 1 X 12 (CROWN)
	304-364SS	WHEEL ASY., 1 X 12 CROWN, SM SD
	304-388	WHEEL ASY., 2 X 13 (STEEL)
	304-388SS	WHEEL ASY., 2 X 13 CROWN, SM SD
20	902-0506	BOLT, 5/16 - 18 X 3/4
21	563-016	WHEEL, HALF 1 X 12 (STEEL)
	563-024	WHEEL, HALF 1 X 12 SS
	563-020	WHEEL, HALF 2 X 13 (STEEL)
	563-023	WHEEL, HALF 2 X 13 SS
22	562-019	TIRE, 1 X 12 CROWN PRESS
	562-028	TIRE, 1 X 12 SS
	562-106	TIRE, 2 X 13
	562-025	TIRE, 2 X 13 SS
23	552-216	BEARING (IB06930SSRR2)
24	931-0500	WASHER, LOCK 5/16
25	903-0500	NUT, HEX 5/16 - 18
26	575-237	DECAL, TORQUE SPEC E-Z ADJ. (NOT SHOWN)

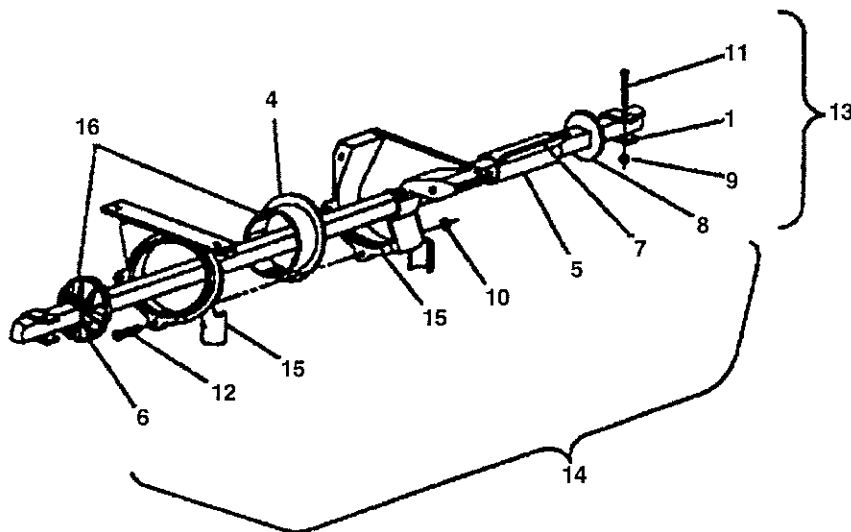
TY00076

B-15

38

2010, 2015, 2020, 2027 & 2030 CONVENTIONAL DRILL
SEEDER

SEEDER ASSEMBLY



TY00040

SEEDER - SEEDER ASSEMBLY

Item	Part Number	Description
1	510-100	CLAMP, SEEDER SHAFT X 3-1/16
2	930-0400	WASHER, FLAT 1/4 (NOT SHOWN)
4	550-222	RING, SEEDER
5	550-204	CYLINDER, SEEDER
6	550-225	WHEEL, SEEDER
7	550-206	SLIDE, SEEDER
8	550-207	WASHER, SEEDER
9	903-0300	NUT, HEX 10-24 GR 2 PL
10	903-0400	NUT, HEX 1/4-20 PL
11	943-0310	SCREW, 10-24 X 1-1/4"
12	943-0405	SCREW, 1/4-20 X 5/8"
13	540-036	CLAMP ASY.(INCL. ITEMS 1, 9 & 11)
14	540-537	SEEDER ASY.(INCL. ITEMS 5 - 8 & 15)
15	545-061	HOUSING, SEEDER ASY. 9/LUG
16	550-250	SEEDER WHEEL & RING (INCL. ITEMS 4 & 6)
17	511-206	SHED, SEED (NOT SHOWN)

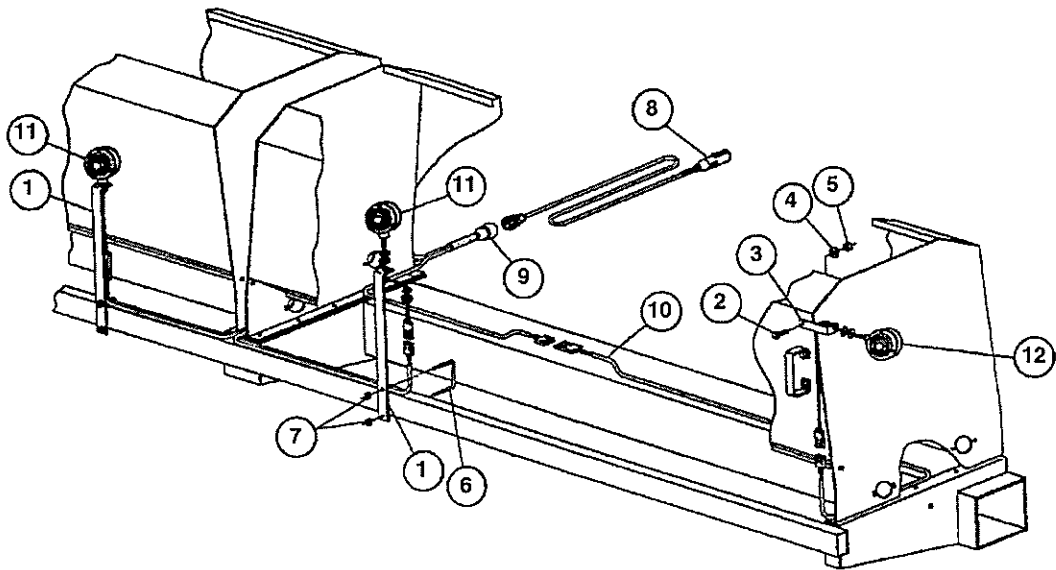
TY00040

B-17

40

2010, 2015, 2020, 2027 & 2030 CONVENTIONAL DRILL
LIGHTS

LIGHT KIT ASSEMBLY



TY00062

LIGHTS - LIGHT KIT ASSEMBLY

Item	Part Number	Description
1	511-348	BRACKET, LIGHT (LONG)
2	901-0608	BOLT, HEX HD 3/8-16 X 1 GR. 5 PL
3	511-349	BRACKET, LIGHT (SHORT)
4	930-0600	WASHER, FLAT 3/8 (RS) PL
5	Y704635	NUT, LOCK 3/8-16 CL 2-WAY PL
6	918-0707	U-BOLT, 7/16 FOR 3 X 1-1/2 TUBE
7	920-0700	NUT, LOCK 7/16-14 CL 2-WAY PL
8	N855804	HARNESS, MAIN 6' 6-COND.
9	501-433	HARNESS, SAE LIGHT 2000 DRILL
10	364606	HARNESS EXTENSION, 36" (2010)
	364605	HARNESS EXTENSION, 72" (2015)
	N855772	HARNESS EXTENSION, 108" (2020)
	364607	HARNESS EXTENSION (2027 & 2030)
11	364594	LAMP ASY., RED
12	364593	LAMP ASY., AMBER

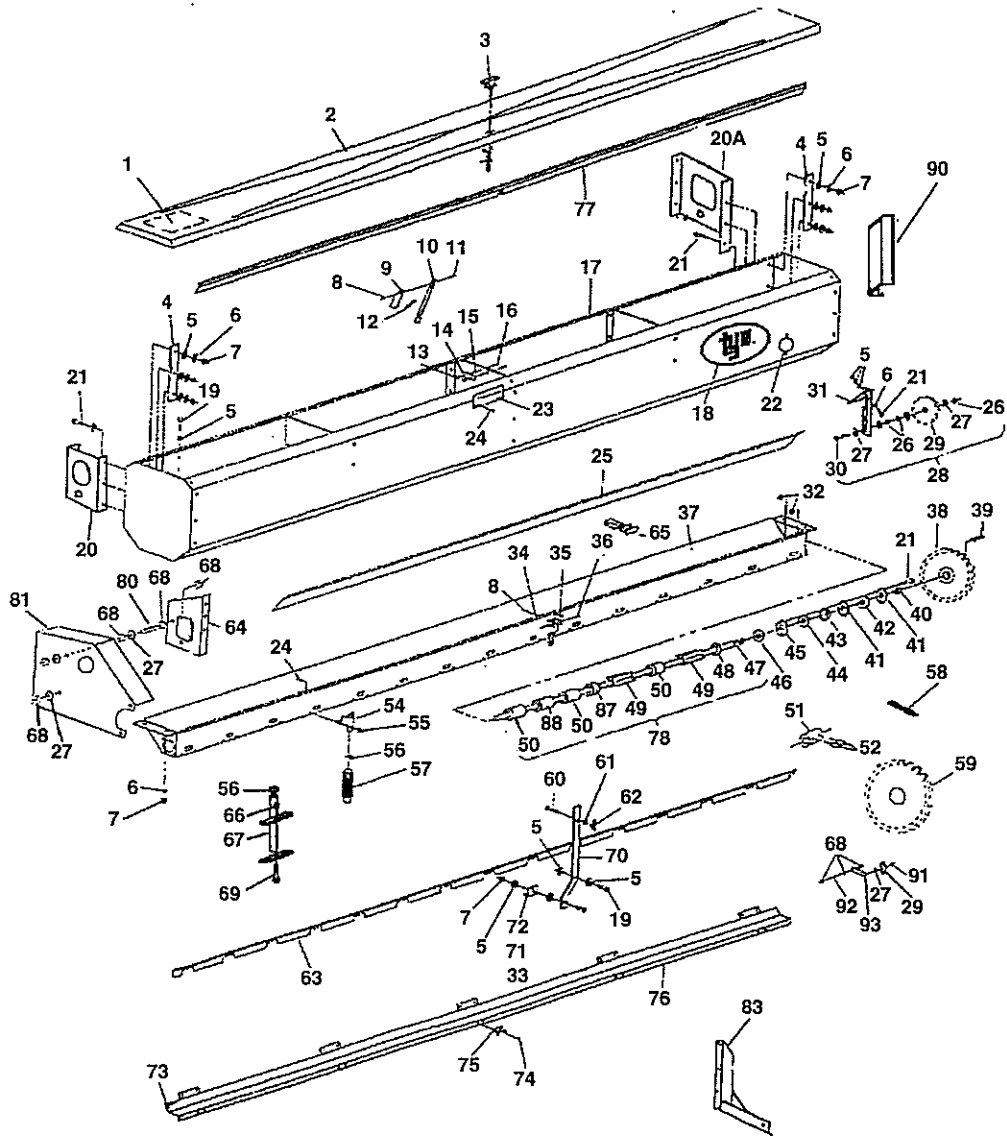
TY00062

B-19

42

2010, 2015, 2020, 2027 & 2030 CONVENTIONAL DRILL
ATTACHMENTS

FERTILIZER ATTACHMENT
REAR MOUNT



TY00136

ATTACHMENTS - FERTILIZER ATTACHMENT, REAR MOUNT

Item	Part Number	Description
1	575-196	DECAL, FERT RATE CHART SER V 3 PT DRILL
	575-224	DECAL, FERT RATE CHART SYSTEM 2000
2	540-695	LID, FERT ASY REAR R.H. DR 120/10 (INCL. ITEMS 3, 5-19, 22-25,33, 37, 55, 60-62, 70-72, 74, 77 & 91-93)
	531-809	LID ASY, FERT BOX X90
	531-810	LID ASY, FERT BOX X120
	501-001	HINGE
	540-696	LID, FERT ASY REAR L.H. DR 120/10 (INCL. ITEMS 3, 5-19, 22, 23-25, 33, 37, 55, 60-62, 65, 70-72, 74, 77 & 91-93)
	530-586	LID ASY, FERT. BOX X120
	501-001	HINGE
3	501-423	LATCH, LID E3-41-15
4	510-594	STRAP, BOX SUPPORT X 9 1/2
	511-400	STRAP, FERT. BOX SUPPORT X 9 1/2
5	930-0600	WASHER, FLAT 3/8
6	931-0600	WASHER, LOCK 3/8
7	903-0600	NUT, HEX 3/8-16
8	70923362	NUT, LOCK 5/16-18
9	510-583	SUPPORT, LID MOUNT
10	530-787	ARM, LID SUPPORT
11	902-0506	BOLT, HEX HD 5/16-18 X 3/4
12	569-032	SPRING, IDLER
13	920-0400	NUT, LOCK 1/4-20
14	510-584	SUPPORT, CAP LATCH
15	568-076	FERRULE, .269 X .405 X .50
16	902-0410	BOLT, HEX HD 1/4-20 X 1-1/4
17	540-531	BOX, FERT ASY 90" (INCL. FOLLOWING ITEMS & ITEMS 7, 24, & 55)
	540-529	BOX, FERT ASY 120" (INCL. FOLLOWING ITEMS & ITEMS 7, 24, & 55)
	510-070	BOX, DIVIDER X 14-1/2
	510-071	BOX, END X 16-1/2
	510-580	BOX, FERT LAYOUT, 90"
	510-581	BOX, FERT LAYOUT 120"
	510-603	BOX, PARTITION, FERT. (120" ONLY)
	943-0604	SCREW, PAN HD PHL 3/8-16 X 1/2
18	575-085	DECAL, TYE OVAL 11.4 X 7.5
19	902-0608	BOLT, HEX HD 3/8-16 X 1
20	530-940	BRACKET, ASY REAR MOUNT L.H. (27' & 30')
	531-817	BRACKET, ASY REAR MOUNT L.H. (10', 15' & 20' W/LEGUME)
20A	531-114	BRACKET, ASY REAR MOUNT R.H. (27' & 30')
	531-816	BRACKET, ASY REAR MOUNT, R.H., (10', 15' & 20' W/LEGUME)

FERTILIZER ATTACHMENT, REAR MOUNT

21	901-0610	BOLT, HEX HD 3/8-16 X 1-1/4
22	510-823	COVER, SIGHT GLASS
	501-022	GLASS, SIGHT
23	530-796	BRACKET, SLIDE ADJUSTMENT
24	943-0404	SCREW, PAN HD PHL 1/4-20 X 1/2
25	510-577	BAFFLE, X 85-3/4
	510-578	BAFFLE, X 115-1/4
26	942-0800	NUT, HEX JAM 1/2-13
	903-0800	NUT, HEX 1/2 - 13PL
27	930-0800	WASHER, FLAT 1/2
28	540-463	SPROCKET, IDLER ASY (INCL. ITEMS 26, 27, 29 & 30)
29	560-118	SPROCKET, IDLER #41A18T 1/2B W/BRG
30	907-0824	BOLT, CARR 1/2-13 X 3, GR2
31	530-947	BRACKET, IDLER R.H. REAR
	530-949	BRACKET, IDLER L.H. REAR
32	501-243	NUTSERT, ADVEL 3/8-16
33	70926673	NUT, LOCK #10-24
34	568-009	FERRULE, .364 X .540 X .438
	510-636	FERRULE, X.438
35	902-0508	BOLT, HEX HD 5/16-18 X 1
36	902-0314	BOLT, HEX HD #10-24 X 1-3/4

ATTACHMENTS - FERTILIZER ATTACHMENT, REAR MOUNT

Item	Part Number	Description
37	540-593	BOTTOM, FERT. R.H. DR 120/10 (INCL. ITEMS 8, 21, 24, 32-36, 40-46, 53-55, 63, 73-76, 78, & 82)
	540-594	BOTTOM, FERT., L.H. DR 120/10
	540-592	BOTTOM, FERT., L.H. DR 120/8 (INCL. ITEMS 8, 21, 24, 32-36, 40-46, 53-55, 63, 73-76, 78, & 82)
	530-928	BOTTOM, FERT WELDMENT 120/10
	530-790	BOTTOM, FERT WELDMENT 120/8
	531-700	BOTTOM, FERT WELDMENT 120/7.5
	531-549	BOTTOM, FERT WELDMENT 120/7
	530-927	BOTTOM, FERT WELDMENT 120/6
	531-127	BOTTOM, FERT WELDMENT 120/4
	530-944	BOTTOM, FERT WELDMENT 90/8.2
	531-691	BOTTOM, FERT WELDMENT 90/7.5
	530-786	BOTTOM, FERT WELDMENT 90/6.9
	531-128	BOTTOM, FERT WELDMENT 90/6
38	560-218	SPROCKET, #40B/30T W/3/4 B
39	961-0312	KEY, SQUARE 3/16 X 1-1/2
40	552-112	LOCKCOLLAR, (FOR 711762)
41	553-247	FLANGETTE
42	711762	BEARING, RA012RRB
43	510-575	SEAL, GLAND X 1/2
44	501-244	SEAL, FERT SHAFT
45	510-576	COVER, BEARING
46	930-1200	WASHER, FLAT 3/4

FERTILIZER ATTACHMENT, REAR MOUNT

47	510-685	SHAFT, FERT X 92-1/8 W/KEYWAY
	510-686	SHAFT, FERT X 123 W/KEYWAY
48	501-245	RING, RETAINING
49	530-791	PADDLE, FERT HEX 7/8
50	501-269	SPACER, PVC X 6.562
	501-277	SPACER, PVC X .437
	501-270	SPACER, PVC X 6.00
	501-285	SPACER, PVC X 4.20
	501-260	SPACER, PVC X 1.906
	501-248	SPACER, PVC X 2.687
	501-256	SPACER, PVC X 4.000
	501-255	SPACER, PVC X 3.50
	501-261	SPACER, PVC X 2.968
	501-262	SPACER, PVC X 2.857
	501-271	SPACER, PVC X 2.437
	501-284	SPACER, PVC X 2.20
	501-279	SPACER, PVC X 2.00
	501-259	SPACER, PVC X 1.873
	501-278	SPACER, PVC X 1.281
	501-371	SPACER, PVC X 1.25
	501-283	SPACER, PVC X 1.00
51	510-586	COLLAR, CONNECTOR X 1-3/4
52	951-0812	PIN, EXP. ROLL 1/4 X 1-1/2 PL
53	521-038	BRACKET, ANCHOR (NOT SHOWN)
54	530-798	SPOUT, FERT WELDMENT
55	903-0400	NUT, HEX 1/4-20
56	572-020	CLAMP, SEED TUBE
57	562-210	TUBE, SEED FERT.
58	580-0855	CHAIN, #40 85-1/2 LINKS
	580-1270	CHAIN, #40 127 LINKS (W/LEGUME)
	580-0995	CHAIN, #40 99-1/2 LINKS (W/O LEGUME)
59	560-318	SPROCKET, 41 DBL 20-20T 7/8 SQ. B
	560-316	SPROCKET, #41C20T 7/8 SQ. B
60	907-0508	BOLT, CARR 5/16-18 X 1
61	934-0500	WASHER, .344 X 1.25
62	70918468	NUT, WING 5/16-18
63	510-840	SLIDE, 120/4
	510-691	SLIDE, 120/6
	511-209	SLIDE, 120/7

ATTACHMENTS - FERTILIZER ATTACHMENT, REAR MOUNT

Item	Part Number	Description
	511-321	SLIDE, 120/7.5
	510-592	SLIDE, 120/8
	510-692	SLIDE, 120/10
	510-841	SLIDE, 90/6
	510-589	SLIDE, 90/6.9
	511-313	SLIDE, 90/7.5
	510-739	SLIDE, 90/8.2
64	511-401	ANGLE, SHIELD MOUNT (10', 15', & 20') (W/O LEGUME)
65	540-213	LID HOOK & ANCHOR BRACKET ASY (USED ON L.H. DR)
	501-145	LATCH, LID, RUBBER
	501-153	FASTENING, CHERRYMATE
	561-021	BRACKET, ANCHOR
66	920-0707	NUT, LOCK CRN 7/16 - 14PL
67	530-292	SPOUT, SEED PLACEMENT
68	903-0800	NUT, HEX, 1/2 - 13PL
69	901-0712	BOLT, 7/16 - 14 X 1-1/2PL
70	510-623	SLIDE, LEVER ADJUSTMENT
71	943-0305	SCREW, PAN HD PHL #10-24 X 5/8
72	510-624	SLIDE, MOUNT ADJUSTMENT
73	501-217	STRAP, GASKET 3/8 X 1/8
74	501-147	POPRIVETS, 3/16 X .575
75	501-149	LATCH, KEEPER
76	530-794	DOOR, CLEAN OUT 90"
	530-795	DOOR, CLEAN OUT 120"
77	510-650	DEFLECTOR, SEED X 116-1/2
	510-736	DEFLECTOR, SEED X 87
78	540-664	SHAFT, FERT ASY 120/10 (INCL. ITEMS 47-50, 87-88 & 934-1401 WASHER)
79	510-777	PLATE, FERT. OPENER COVER (NOT SHOWN)
80	901-0046	BOLT, STUD 1/2 - 13 X 6-3/4
81	511-387	SHIELD, FERT. (10',15', & 20' W/LEGUME)
	511-404	SHIELD, FERT. (10',15',& 20' W/O LEGUME)
82	501-242	LATCH, LID (NOT SHOWN)
83	531-820	MOUNT, HINGE ASY. FERT (W/O LEGUME)
	531-802	MOUNT, HINGE ASY. LONG (W/LEGUME)
84	530-988	MOUNT, WALKBOARD (NOT SHOWN)
85	575-092	DECAL, ROTATION (NOT SHOWN)
86	575-093	DECAL, FERT. ADJ. SCALE (NOT SHOWN)
87	501-250	BEARING, INSIDE CENTER
88	501-251	BEARING, OUTSIDE CENTER
90	511-384	BRACKET, REAR MOUNT (10', 15' & 20' W/O LEGUME)
91	920-0800	NUT, LOCK 1/2 - 13 CL 2-WAY PL
92	511-149	STUD X4, FULL THREAD (10', 15' & 20' W/O LEGUME)
93	530-859	BRACKET, IDLER W/STUD (10', 15', & 20' W/O LEGUME)

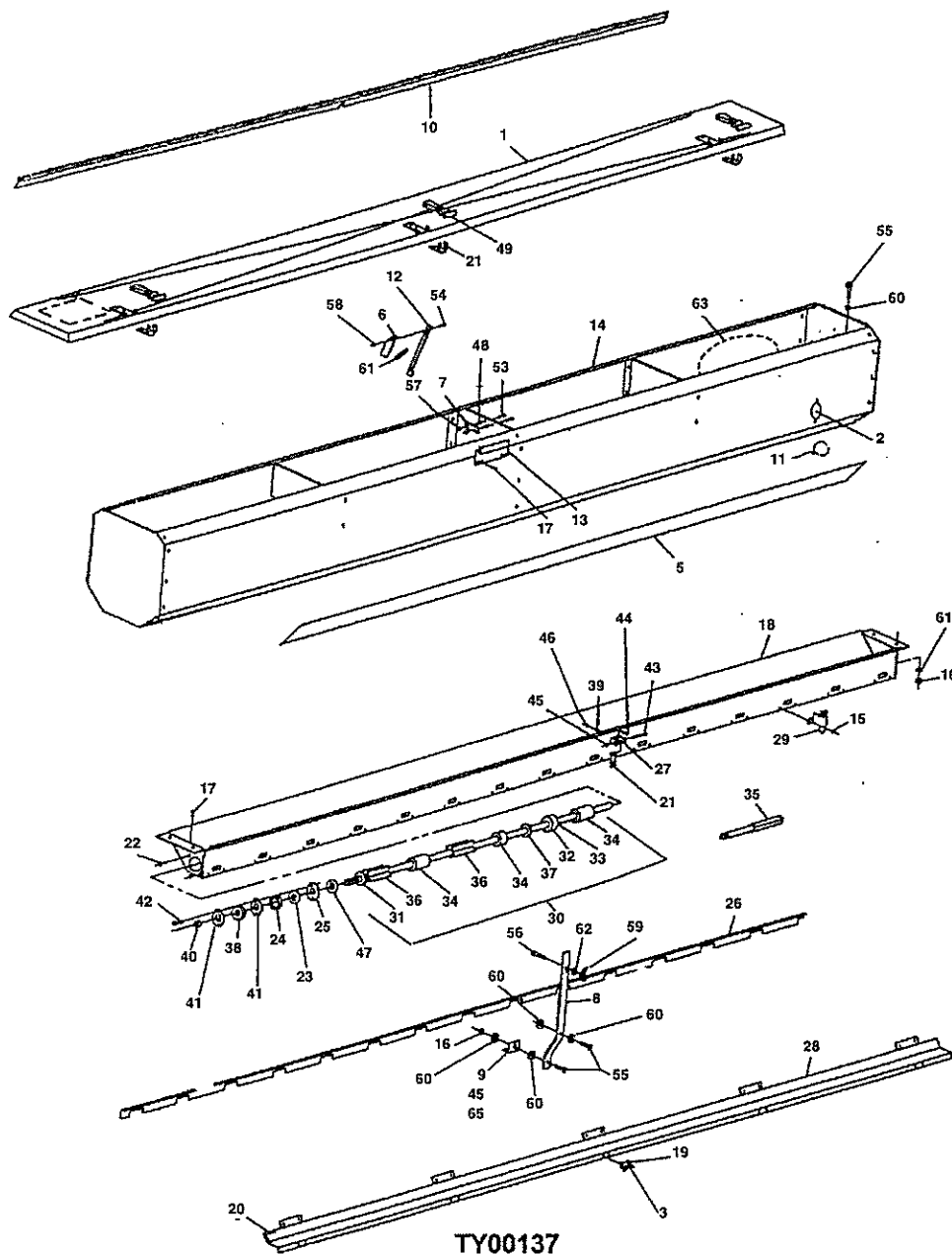
TY00136

C-3

50

2010, 2015, 2020, 2027 & 2030 CONVENTIONAL DRILL
ATTACHMENTS

FERTILIZER ATTACHMENT
REAR MOUNT
FERT. LID, REAR SLAVE ASY.



Item	Part Number	Description
		REAR SLAVE ASY.
1	540-667	LID, FERT. REAR SLAVE 80/6-2/3
	540-673	LID, FERT. REAR SLAVE 80/8
	540-679	LID, FERT. REAR SLAVE 80/10 (INCL. ITEMS 2, 3, 5 - 18, 45, & 48 - 65)
	530-037	LID ASY., FERT. BOX 80"
	531-806	LID ASY., FERT. BOX 80"
	531-833	LID ASY., FERT. BOX 80"
	531-809	LID ASY., FERT. BOX 90"
	530-586	LID ASY., FERT. BOX 120"
	531-810	LID ASY., FERT. BOX 120"
	501-001	HINGE
2	501-022	GLASS, SIGHT
3	501-147	RIVET, POP 3/16 X .575
5	510-574	BAFFLE, X 75-1/4, 80" BOX
	510-577	BAFFLE, X 85-3/4, 90" BOX
	510-578	BAFFLE, X 115-1/4
6	510-586	MOUNT, LID SUPPORT
7	510-584	CAP, LATCH SUPPORT
8	510-623	LEVER, SLIDE ADJ. FERT.
9	510-624	MOUNT, SLIDE ADJ. FERT.
10	510-622	DEFLECTOR, SEED X 76-1/2
	510-736	DEFLECTOR, SEED X 87
	510-650	DEFLECTOR, SEED X 116-1/2
11	510-823	COVER, SIGHT GLASS
12	530-787	ARM, LID SUPPORT
13	530-796	BRACKET, SLIDE ADJUSTMENT
14	540-525	BOX, FERT. ASY. 80"
	540-531	BOX, FERT. ASY. 90"
	540-529	BOX, FERT. ASY. 120" (INCL. FOLLOWING ITEMS & 15 - 17)
	510-070	DIVIDER, BOX X 14-1/2
	510-071	END, BOX X 16-1/2
	510-579	BOX, FERT. LAYOUT 80"
	510-580	BOX, FERT. LAYOUT 90"
	510-581	BOX, FERT. LAYOUT 120"
	510-603	BOX, PARTITION
	943-0604	SCREW, PAN HD. 3/8 - 16 X 1/2
15	903-0400	NUT, HEX 1/4 - 20
16	903-0600	NUT, HEX 3/8 - 16
17	943-0404	SCREW, PAN HD. 1/4 - 20 X 1/2
18	540-590	BOTTOM, FERT. SLAVE 80/10 (INCL. ITEMS 3, 15, 17, 19 - 30, & 38 - 47)
	531-551	BOTTOM, FERT. WELDMENT 80/6
	530-784	BOTTOM, FERT. WELDMENT 80/6-2/3
	530-785	BOTTOM, FERT. WELDMENT 80/8
	530-851	BOTTOM, FERT. WELDMENT 80/10
	531-128	BOTTOM, FERT. WELDMENT 90/6
	530-786	BOTTOM, FERT. WELDMENT 90/6.9
	531-691	BOTTOM, FERT. WELDMENT 90/7.5
		FERTILIZER ATTACHMENT, REAR MOUNT, FERT. LID, REAR SLAVE ASY.
18	530-944	BOTTOM, FERT. WELDMENT 90/8.2
	530-927	BOTTOM, FERT. WELDMENT 120/6
	531-549	BOTTOM, FERT. WELDMENT 120/7
	531-700	BOTTOM, FERT. WELDMENT 120/7.5
	530-790	BOTTOM, FERT. WELDMENT 120/8
	530-928	BOTTOM, FERT. WELDMENT 120/10
19	501-149	LATCH KEEPER
20	501-217	STRAP, GASKET 3/8 X 1/8
21	501-242	LATCH, LID
22	501-243	NUTSERT, AVDEL 3/8 - 16 UNC
23	501-244	SEAL, FERT. SHAFT
24	510-575	SEAL, GLAND X 1/2
25	510-576	COVER, BEARING

Item	Part Number	Description
26	511-210	SLIDE, FERT. 80/6
	510-587	SLIDE, FERT. 80/6-2/3
	510-588	SLIDE, FERT. 80/8
	510-640	SLIDE, FERT. 80/10
	510-841	SLIDE, FERT. 90/6
	510-589	SLIDE, FERT. 90/6.9
	511-313	SLIDE, FERT. 90/7.5
	510-739	SLIDE, FERT. 90/8.2
	510-691	SLIDE, FERT. 120/6
	511-209	SLIDE, FERT. 120/7
	511-321	SLIDE, FERT. 120/7.5
	510-592	SLIDE, FERT. 120/8
	510-692	SLIDE, FERT. 120/10
27	521-038	BRACKET, ANCHOR
28	530-793	DOOR, CLEANOUT 80"
	530-794	DOOR, CLEANOUT 90"
	530-795	DOOR, CLEANOUT 120"
	501-001	HINGE
29	530-798	SPOUT WLDMT. FERT.
30	540-544	SHAFT ASY., FERT. 80/8
	540-546	SHAFT ASY., FERT. 80/10
	540-794	SHAFT ASY., FERT. 120/8 (INCL. ITEMS 31 - 37)
31	501-245	RING, RETAINING #5100-100
32	501-250	BEARING, INSIDE CENTER
33	501-251	BEARING, OUTSIDE CENTER
34	501-256	SPACER, PVC X 4.0
	501-283	SPACER, PVC X 1.0
	501-284	SPACER, PVC X 2.2
	501-285	SPACER, PVC X 4.2
	501-255	SPACER, PVC X 3.5
	501-261	SPACER, PVC X 2.968
	501-371	SPACER, PVC X 1.25
	501-259	SPACER, PVC X 1.87
	501-260	SPACER, PVC X 1.91
	501-278	SPACER, PVC X 1.28
	501-279	SPACER, PVC X 2.0
	501-269	SPACER, PVC X 6.56
	501-270	SPACER, PVC X 6.0
	501-271	SPACER, PVC X 2.44
	501-262	SPACER, PVC X 2.86
	501-248	SPACER, PVC X 2.69
	501-277	SPACER, PVC X .44
	501-247	SPACER, PVC X 1.44
	501-246	SPACER, PVC X .75
35	510-600	SHAFT, SLAVE FERT. X 90-3/8
	510-601	SHAFT, SLAVE FERT. X 119-7/8
	510-599	SHAFT, SLAVE FERT. X 79-7/8
36	530-791	PADDLE, FERT. 7/8 HEX
37	934-1401	WASHER, HEX .875 X 2.00 X .048
38	711762	BEARING, RA012RRB
39	510-636	FERRULE, X .438
	568-009	FERRULE, .364 X .540 X .438
40	552-112	COLLAR, LOCK
41	553-247	FLANGETTE, "ZP"
42	901-0610	BOLT, HEX HD. 3/8 - 16 X 1-1/4
43	902-0314	BOLT, HEX HD. #10 - 24 X 1-3/4 PL
44	902-0508	BOLT, HEX HD. 5/16 - 18 X 1
45	70926673	NUT, LOCK #10 - 24, NYLON
46	70923362	NUT, LOCK 5/16 - 18 CL, 2-WAY PL
47	930-1200	WASHER, FLAT 3/4
48	568-076	FERRULE, .27 X .41 X .5
49	540-213	LID HOOK & ANCHOR BRACKET ASY.
	501-145	LATCH, LID RUBBER
	501-153	FASTENING, CHERRYMATE
	561-021	BRACKET, ANCHOR

Item	Part Number	Description
50	501-158	BRACKET, HOOD (NOT SHOWN)
51	569-032	SPRING, IDLER
52	575-093	DECAL, FERT. ADJ. SCALE (NOT SHOWN)
53	902-0410	BOLT, HEX HD. 1/4 - 20 X 1-1/4
54	902-0506	BOLT, HEX HD. 5/16 - 18 X 3/4
55	902-0608	BOLT, HEX HD. 3/8 - 16 X 1
56	907-0508	BOLT, CARRIAGE 5/16 - 18 X 1
57	920-0400	NUT, LOCK 1/4 - 20 CL2-WAY PL
58	70923362	NUT, LOCK 5/16 - 18 CL, 2-WAY PL
59	70918468	NUT, WING 5/16 - 18
60	930-0600	WASHER, FLAT 3/8
61	931-0600	WASHER, LOCK 3/8
62	934-0500	WASHER, .344 X 1.25 X .06 PL
63	575-085	DECAL, TYE OVAL 11.4 X 7.5
64	575-092	DECAL, ROTATION (NOT SHOWN)
65	943-0305	SCREW, PAN HD. #10 - 24 X 5/8

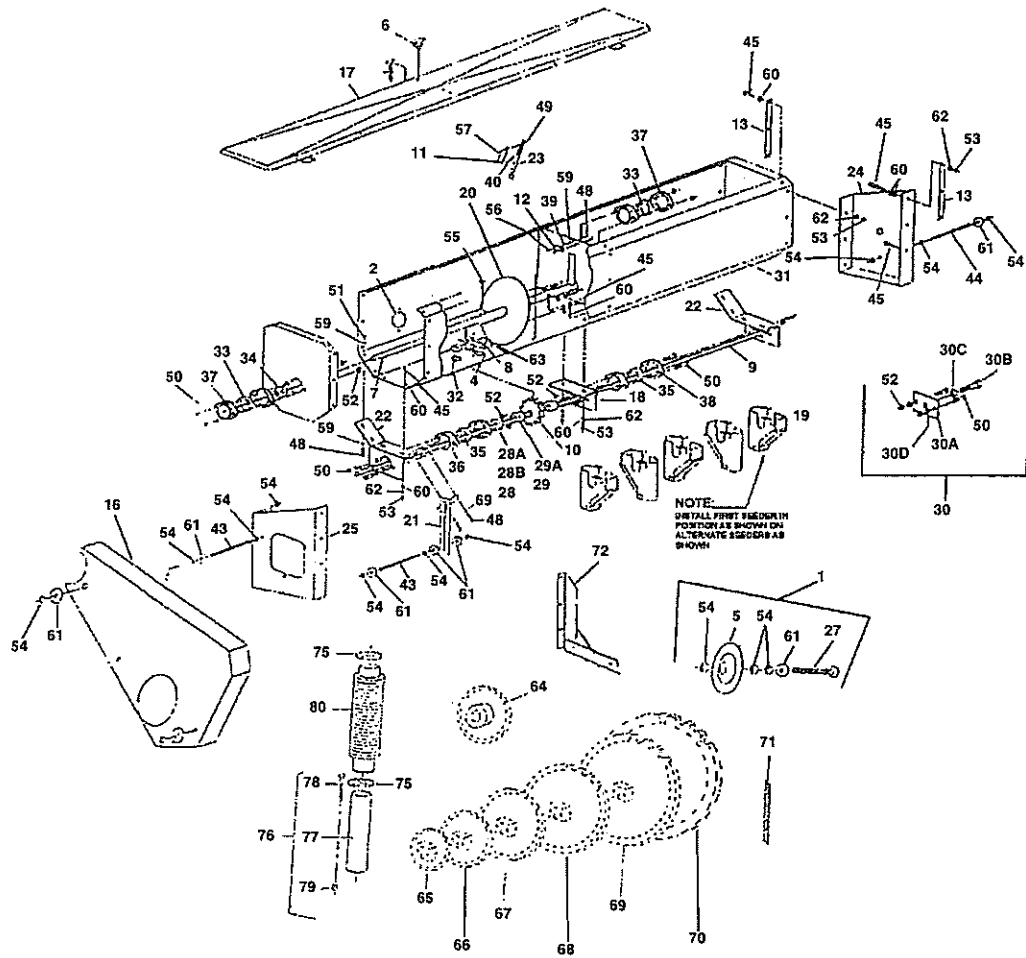
TY00137

C-9

56

2010, 2015, 2020, 2027 & 2030 CONVENTIONAL DRILL
ATTACHMENTS

NATIVE GRASS ATTACHMENT



TY00132

ATTACHMENTS - NATIVE GRASS ATTACHMENT

Item	Part Number	Description
1	540-304	IDLER ASY, SPROCKET (INCL. ITEMS 5, 27, 54, & 61)
2	501-022	GLASS, SIGHT 2 X 2
3	501-147	RIVETS, POP, 3/16 X .575 (NOT SHOWN)
4	501-164	NUTSERT, AVDEL 1/4 - 20
5	560-118	SPROCKET, IDLER 41A18T 1/2 B W/BRG
6	501-423	LID, LATCH E3-41-15
7	510-420	SHAFT, AGITATOR X 123
	510-879	SHAFT, AGITATOR X 100-1/2
	510-883	SHAFT, AGITATOR X 90
	511-036	SHAFT, SLAVE BLUESTEM X 120
	510-878	SHAFT, SLAVE BLUESTEM X 90-1/2
	510-882	SHAFT, SLAVE BLUESTEM X 80
	511-037	SHAFT, AGITATOR BLUESTEM X 130
	510-891	SHAFT, AGITATOR BLUESTEM X 113
	510-880	SHAFT, AGITATOR SLAVE X 82-1/2
8	510-334	PLATE, RESTRICTOR X 5-3/4
9	510-402	SHAFT, HEX 7/8 X 123
	510-371	SHAFT, HEX 7/8 X 93-1/2
10	510-372	WHEEL PICKER
11	510-583	SUPPORT, MOUNT LID
12	510-584	SUPPORT, CAP LATCH
13	510-594	SUPPORT, STRAP BOX X 9-1/2
14	510-650	DEFLECTOR, SEED X 116-1/2 (NOT SHOWN)
	510-622	DEFLECTOR, SEED X 76-1/2 (NOT SHOWN)
	510-736	DEFLECTOR, SEED X 87 (NOT SHOWN)
16	511-386	SHIELD, LEGUME (10', 15' & 20')
17	531-810	LID ASY, FERT BOX 120"
	530-586	LID ASY, FERT BOX 120"
	531-809	LID ASY, FERT BOX 90"
	531-833	LID ASY, FERT BOX 80"
18	530-298	SUPPORT, FERT. BEARING
19	530-418	SPOUT, BLUESTEM
20	530-420	AGITATOR ASY, 8" 80" BLUESTEM
	531-162	AGITATOR, 10" 90" BLUESTEM
	531-255	AGITATOR, 8" 90" BLUESTEM
	530-416	AGITATOR WHEEL ASY., 10" 80" BLUESTEM
	917-0700	NUT, SQ. 7/16 - 14 BLK
21	530-947	BRACKET, IDLER R.H. REAR
	530-949	BRACKET, IDLER L.H. REAR (20,27&30 FT)
22	530-948	MOUNT, BEARING
23	530-967	SUPPORT, LID ASY

NATIVE GRASS ATTACHMENT

24	531-509	BRACKET, MOUNT ASY. REAR L.H. (27' & 30')
	531-850	BRACKET, MOUNT ASY. REAR L.H. (27' & 30')
	531-817	BRACKET, MOUNT ASY. REAR L.H. (10', 15' & 20')
25	531-510	BRACKET, MOUNT ASY. REAR R.H. (27'&30')
	531-816	BRACKET, MOUNT ASY. REAR R.H. (10', 15' & 20')
26	510-881	COUPLER X 4-3/8 (NOT SHOWN)
27	907-0832	BOLT, CARR. 1/2 - 13 X 4 GR2
28	540-178	COLLAR, LOCK 7/8 HEX (INCL. ITEMS 28A & 28B)
28A	511-325	COLLAR, LOCK X 3/4
28B	70921263	SCREW, AL HD SET 5/16 - 18 X 3/8
29	540-398	COLLAR ASY., PICKER WHEEL (INCL. ITEMS 28B & 29A)
29A	511-326	COLLAR X 1-1/2
30	540-852	PLATE ASY., STOP ADJ. SDR SHAFT (10' & 15') (INCL. ITEMS 30A-30D, 50 & 52)
30A	531-210	STOP, PLATE SEEDER SHAFT
30B	902-0710	BOLT, HEX HD. 7/16 - 14 X 1-1/4
30C	903-0700	NUT, HEX 7/16 - 14
30D	931-0500	WASHER, LOCK, 5/16
31	540-222	BOX ASY., BLUESTEM 8IN
	540-170	BOX ASY., BLUESTEM 80/10
	540-865	BOX ASY., BLUESTEM 90/8.2
	540-773	BOX ASY., BLUESTEM 90/10

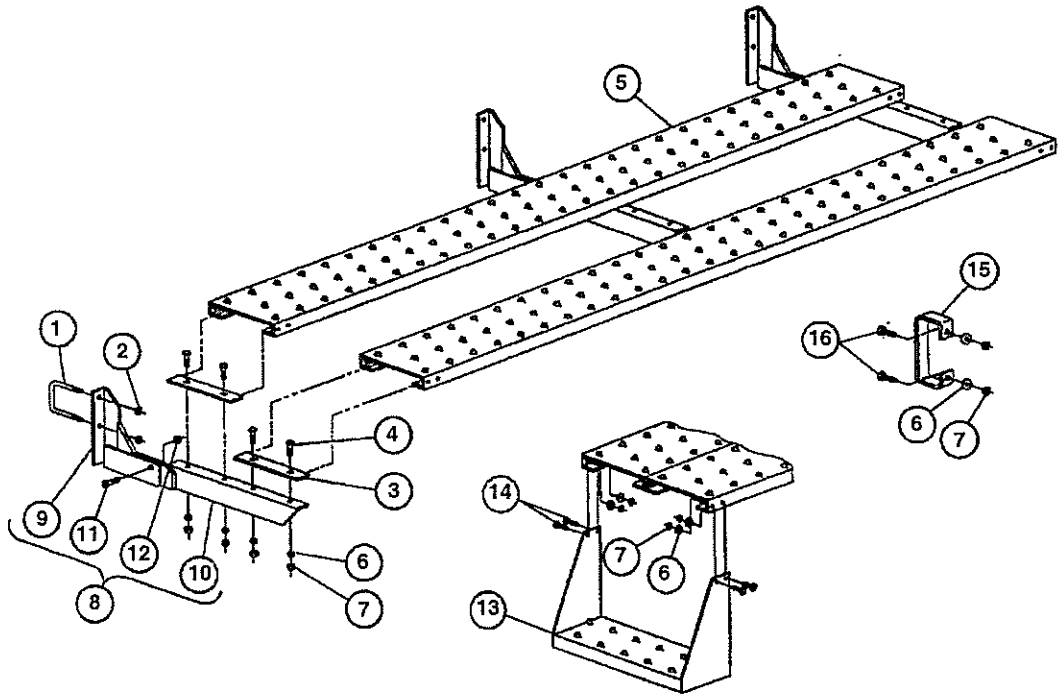
Item	Part Number	Description
	540-742	BOX ASY., BLUESTEM 120/10
	540-388	BOX ASY., BLUESTEM 120/8 (ALL ABOVE INCL. 3 FOLLOWING ITEMS & ITEMS 51, 53 & 63)
	510-227	BOX, END X 16-1/2
	510-228	BOX, DIVIDER X 14-1/2
	943-0604	SCREW, PAN HD PHL 3/8 - 16 X 1/2
32	204-133	PLUG, HOLE
33	711762	BEARING, RA012RRB
34	552-112	COLLAR, LOCK
35	552-212	BEARING, 205KRRB2 7/8 HEX
36	553-041	FLANGETTE, (HEX BRG) 52MST
37	711952	FLANGETTE, 47MST2 ZP
38	553-241	FLANGETTE, MDFD ZP
39	568-076	FERRULE, .269 X .405 X .50
40	569-032	SPRING, IDLER
41	575-010	DECAL, SEED CLEANOUT (NOT SHOWN)
42	575-085	DECAL, TYE OVAL (NOT SHOWN)
43	901-0046	BOLT, STUD 1/2 - 13 X 6-3/4
44	901-0047	BOLT, STUD 1/2 - 13 X 8 (10',15,& 20')
45	901-0610	BOLT, HEX HD. 3/8 - 16 X 1-1/4
46	540-213	LID HOOK & ANCHOR BRACKET ASY (NOT SHOWN) (20')
47	901-0808	BOLT, HEX HD. 1/2 - 13 X 1 (NOT SHOWN)
48	902-0410	BOLT, HEX HD. 1/4 - 20 X 1-1/4
49	902-0506	BOLT, HEX HD. 5/16 - 18 X 3/4
50	902-0508	BOLT, HEX HD. 5/16 - 18 X 1
51	903-0400	NUT, HEX 1/4 - 20
52	903-0500	NUT, HEX 5/16 - 18
53	903-0600	NUT, HEX 3/8 - 16
54	903-0800	NUT, HEX 1/2 - 13
55	910-0706	SCREW, SQ. HD SET 7/16 - 14 X 3/4
56	920-0400	NUT, LOCK 1/4 - 20
57	70923362	NUT, LOCK 5/16 - 18
58	510-468	PLATE, BEARING MOUNT (NOT SHOWN) (27' & 30')
59	930-0400	WASHER, FLAT 1/4
60	930-0600	WASHER, FLAT 3/8
61	930-0800	WASHER, FLAT 1/2
62	931-0600	WASHER, LOCK 3/8
63	943-0404	SCREW, PAN HD PHL, 1/4 - 20 X 1/2 PL
64	560-130	SPROCKET, #41B30T 3/4B 2-SS
65	560-310	SPROCKET, #41A15T 7/8 SQB
66	560-311	SPROCKET, #41A20T 7/8 SQB
67	560-312	SPROCKET, #41A25T 7/8 SQB
68	560-313	SPROCKET, #41A30T 7/8 SQB
69	560-314	SPROCKET, #41A40T 7/8 SQB
70	560-317	SPROCKET, #41A54T 7/8 SQB
71	580-901	KIT, CHAIN #40 5 LINKS
	580-0095	CHAIN, #40 9-1/2 LINKS
	580-0110	CHAIN, #40 11 LINKS
	580-1230	CHAIN, #40 123 LINKS (27' & 30')
	580-1395	CHAIN, #40 139-1/2 LINKS(10',15' & 20')
72	531-802	HINGE ASY., MOUNT, LONG
73	511-387	SHIELD, FERT.(NOT SHOWN)(10', 15' & 20')
74	511-400	STRAP, FERT. BOX SUPPORT X 9-1/2 (NOT SHOWN) (10', 15' & 20')
75	501-086	CLAMP, HOSE
76	540-219	SPOUT, ASY (INCL. ITEMS 77-79)
77	530-419	SPOUT, DELIVERY
78	901-0712	BOLT, 7/16 - 14 X 1-1/2
79	920-0700	NUT, LOCK 7/16 - 14
80	562-206	TUBE, SEED
81	510-472	CLAMP, SEED PLACEMENT (NOT SHOWN)(20')

C-15

62

2010, 2015, 2020, 2027 & 2030 CONVENTIONAL DRILL
ATTACHMENTS

WALKBOARD ATTACHMENT



TY00066

ATTACHMENTS - WALKBOARD ATTACHMENT

Item	Part Number	Description
	214-068	FOLDING DBL. WALKBOARD KIT 90" (INCL. ITEMS 1 - 8 & 17)(ORD. THRU LOCKNEY)
	214-069	FOLDING DBL. WALKBOARD KIT 120" (INCL. ITEMS 1 - 8 & 17)(ORD. THRU LOCKNEY)
1	918-0702	U-BOLT, 7/16 FOR 3 X 1-1/2 BAR
	918-0707	U-BOLT, 7/16 FOR 3 X 1-1/2 TUBE
2	920-0707	NUT, LOCK 7/16-14 PL
3	511-123	CLAMP, WALKBOARD
4	907-0608	BOLT, CARRIAGE 3/8-16 X 1" GR. 2 PL
5	510-455	WALKBOARD, 90" (W/HOLES)
	510-422	WALKBOARD, 120" (W/HOLES)
	510-175	WALKBOARD, 80" (W/O HWD)
6	930-0600	WASHER, FLAT 3/8 (RS) PL
7	Y704635	NUT, LOCK 3/8-16 CL 2-WAY PL
8	541-045	MOUNT, WALKBOARD HINGE ASY. (INCL. ITEMS 9 - 12)
9	531-617	MOUNT ASY., HINGE
10	531-618	HINGE ASY.
11	901-0033	BOLT, HEX HD 5/8-11 X 2-1/2" GR. 8 PL
12	70923353	NUT, LOCK 5/8-11 CL 2-WAY PL
13	531-743	STEP ASY., WALKBOARD
14	902-0606	BOLT, HEX HD 3/8-16 X 3/4" GR. 2 PL
15	511-343	HANDLE, WALKBOARD
16	902-0608	BOLT, HEX HD 3/8-16 X 1" GR. 2 PL
17	575-255	DECAL, WARNING (NOT SHOWN)

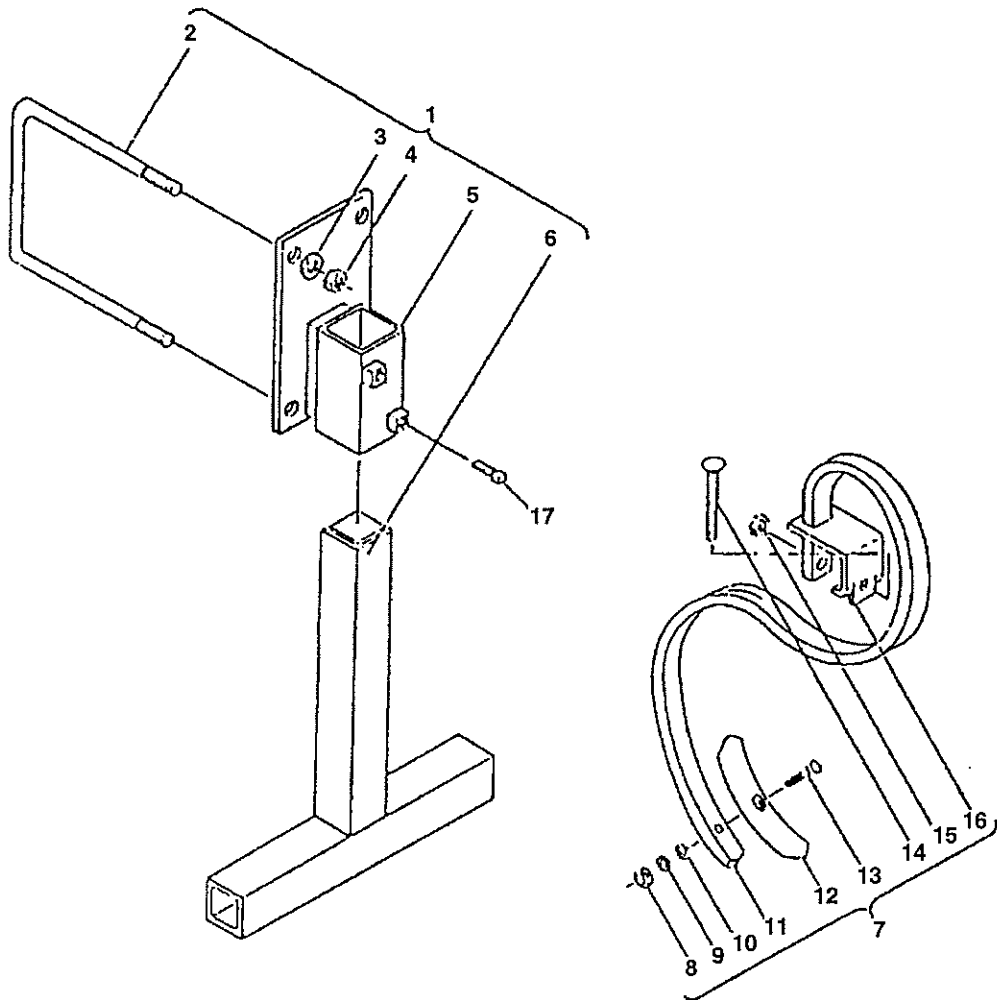
TY00066

C-17

64

2010, 2015, 2020, 2027 & 2030 CONVENTIONAL DRILL
ATTACHMENTS

TINE PLOW-OUT ASSEMBLY



TY00129

ATTACHMENTS - TINE PLOW-OUT ASSEMBLY

Item	Part Number	Description
	204-278	TRACK PLOW OUT, 7" BAR
	204-298	TRACK PLOW OUT, 8" BAR
1	540-629	TINE TUBE & MOUNT ASY., 7" BAR (INCL. ITEMS 2 - 6)
	540-743	TINE TUBE & MOUNT ASY., 8" BAR (INCL. ITEMS 2 - 6)
2	918-0802	U-BOLT, 1/2 FOR 7X7 TUBE
	510-830	CAP, 3/8 X 1-1/2 X 10, 8" BAR
	902-0876	BOLT, HEX HD. 1/2 - 13 X 9-1/2, 8" BAR
3	931-0800	WASHER, LOCK 1/2"
4	903-0800	NUT, HEX 1/2 - 13
5	530-950	BRACKET, TINE MOUNT 7" BAR
	531-124	BRACKET, TINE MOUNT 8" BAR
6	530-951	TUBE, TINE MOUNT
7	304-077	TINE WITH POINT & CLAMP (INCL. ITEMS 8 - 16)
8	903-0600	NUT, HEX 3/8 - 16 PL
9	931-0600	WASHER, LOCK 3/8 (RS)
10	930-0600	WASHER, FLAT 3/8 (RS)
11	406-014	TINE, VIBRA
12	501-092	TINE POINT, REVERSABLE
13	906-0612	BOLT, PLOW #3HD 3/8 - 16 X 1-1/2
14	907-0728	BOLT, CARR. 7/16 - 14 X 3-1/2
15	903-0700	NUT, HEX 7/16 - 14PL
16	561-016	CLAMP, TINE

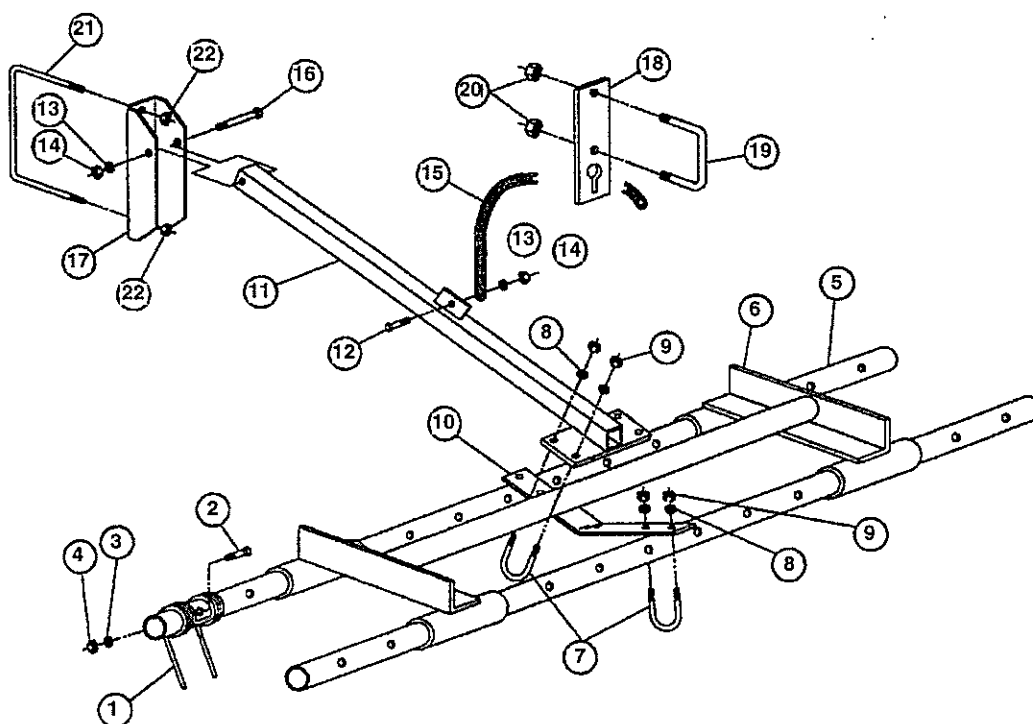
TY00129

C-19

66

2010, 2015, 2020, 2027 & 2030 CONVENTIONAL DRILL
ATTACHMENTS

HARROW ATTACHMENT



TY00067

ATTACHMENTS - HARROW ATTACHMENT

Item	Part Number	Description
	214-120	HARROW, 10' 30 TINES
	214-121	HARROW, 14' (ORDER 2 PER 27' DRILL)
	214-122	HARROW, 15' 48 TINES
	214-123	HARROW, 20' 60 TINES
1	501-372	SPRING, TINE
2	70929600	BOLT, HEX HD 5/16" X 2"
3	931-0500	WASHER, LOCK 5/16"
4	903-0500	NUT, HEX 5/16"
5	TB93	TINE BAR, 93"
	TB117	TINE BAR, 117"
6	CB7325	CROSS BAR, 73-1/4"
7	918-0807	U-BOLT, 1/2"
8	931-0800	WASHER, LOCK 1/2"
9	903-0800	NUT, HEX 1/2"
10	AB1125	ADJUSTMENT TIE BAR
11	PB55	PULL BAR, STRAIGHT
12	902-0608	BOLT, HEX HD 3/8" X 1"
13	70916803	WASHER, LOCK 3/8"
14	903-0600	NUT, HEX 3/8"
15		CHAIN, 3/16" X 28"
16	70921972	BOLT, HEX HD 3/8" X 2-1/2"
17	ABT	BRACKET, ATTACHING
18	TKB	BRACKET, KEYHOLE
19	918-0702	U-BOLT, 7/16" FOR 3" X 1-1/2" BAR
20	920-0700	NUT, LOCK 7/16-14 CL 2-WAY PL
21	918-0802	U-BOLT, 1/2" FOR 7" X 7" TUBE
22	903-0800	NUT, HEX 1/2-13 PL

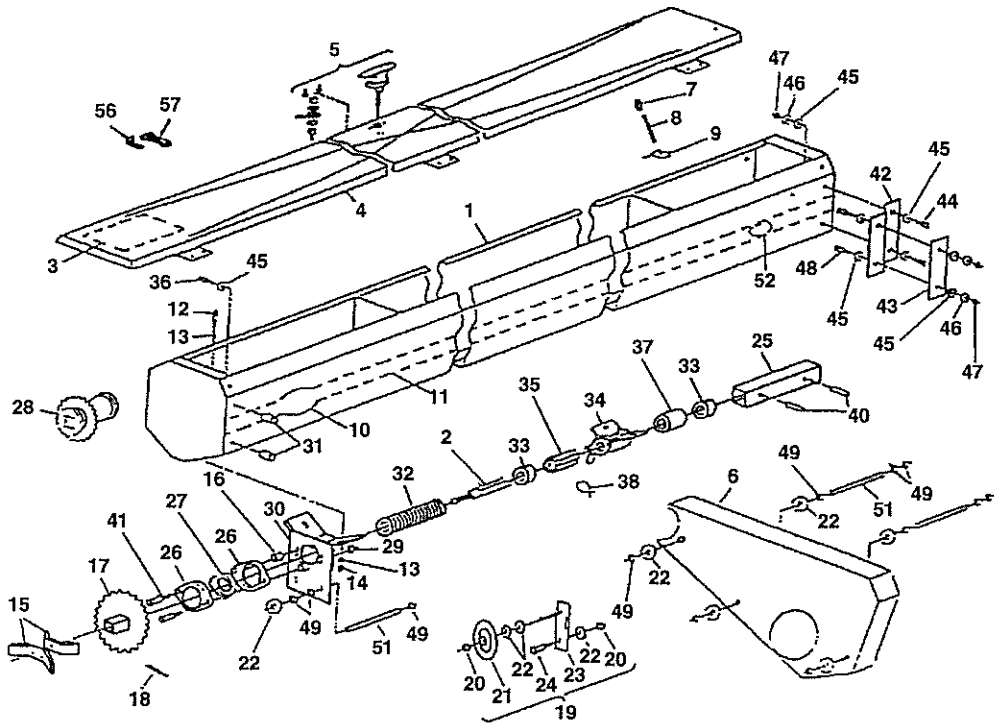
TY00067

C-21

68

2010, 2015, 2020, 2027 & 2030 CONVENTIONAL DRILL
LEGUME

LEGUME BOX ATTACHMENT



TY00138

LEGUME - LEGUME BOX ATTACHMENT

Item	Part Number	Description
1	540-662	BOX ASY., 80/6
	540-661	BOX ASY., 80/7
	540-501	BOX ASY., 80/8
	540-502	BOX ASY., 80/10
	540-909	BOX ASY., 90/4
	540-482	BOX ASY., 90/6
	540-503	BOX ASY., 90/6.9
	540-483	BOX ASY., 90/7-1/2
	540-484	BOX ASY., 90/8.2
	540-485	BOX ASY., 90/10
	540-633	BOX ASY., 120/4
	540-486	BOX ASY., 120/6
	540-663	BOX ASY., 120/7
	540-487	BOX ASY., 120/7-1/2
	540-488	BOX ASY., 120/8
	540-489	BOX ASY., 120/10
	510-530	BOX, LEGUME END
	510-821	BOX, LEGUME LAYOUT (80/6)
	510-798	BOX, LEGUME LAYOUT (80/7)
	510-552	BOX, LEGUME LAYOUT (80/8)
	510-553	BOX, LEGUME LAYOUT (80/10)
	511-094	BOX, LEGUME LAYOUT (90/4)
	510-531	BOX, LEGUME LAYOUT (90/6)
	510-554	BOX, LEGUME LAYOUT (90/6.9)
	510-532	BOX, LEGUME LAYOUT (90/7-1/2)
	510-533	BOX, LEGUME LAYOUT (90/8.2)
	510-534	BOX, LEGUME LAYOUT (90/10)
	510-758	BOX, LEGUME LAYOUT (120/4)
	510-535	BOX, LEGUME LAYOUT (120/6)
	510-797	BOX, LEGUME LAYOUT (120/7)
	510-536	BOX, LEGUME LAYOUT (120/7-1/2)
	510-537	BOX, LEGUME LAYOUT (120/8)
	510-538	BOX, LEGUME LAYOUT (120/10)
	510-540	DIVIDER, LEGUME BOX
	903-0400	NUT, HEX 1/4 - 20PL
	903-0600	NUT, HEX 3/8 - 16PL
	943-0404	SCREW, PAN HD 1/4 - 20 X 1/2 PL
	943-0604	SCREW, PAN HD 3/8 - 16 X 1/2 PL
2	510-345	SHAFT, SEEDER (79-1/4")
	530-555	SHAFT, SEEDER (94-1/2")
	510-835	SHAFT, SEEDER (119-1/4")
	530-592	SHAFT, SEEDER (124")
	568-096	FERRULE, .546 X .840 X .500
	510-381	SHAFT, SLAVE (89-3/4")
	511-320	SHAFT, SLAVE (118-1/2")
		LEGUME BOX ATTACHMENT
3	575-217	DECAL, SEED RATE 6"
	575-299	DECAL, SEED RATE 7"
	575-209	DECAL, SEED RATE 7-1/2"
	575-215	DECAL, SEED RATE 8"
	575-239	DECAL, SEED RATE 10"
4	530-343	LID ASY., LEGUME BOX 80"
	531-807	LID ASY., LEGUME BOX 90"
	531-808	LID ASY., LEGUME BOX 120"
	530-591	LID ASY., LEGUME 120"
	530-554	LID ASY., LEGUME 90"
	501-001	HINGE
5	501-423	LATCH, LID E3-41-15
6	511-386	SHIELD, LEGUME
7	501-013	LINK, LAP
8	501-049	CHAIN, LID
9	510-004	HANGER, CHAIN
10	575-068	DECAL, TYE 4" OVAL

LEGUME - LEGUME BOX ATTACHMENT

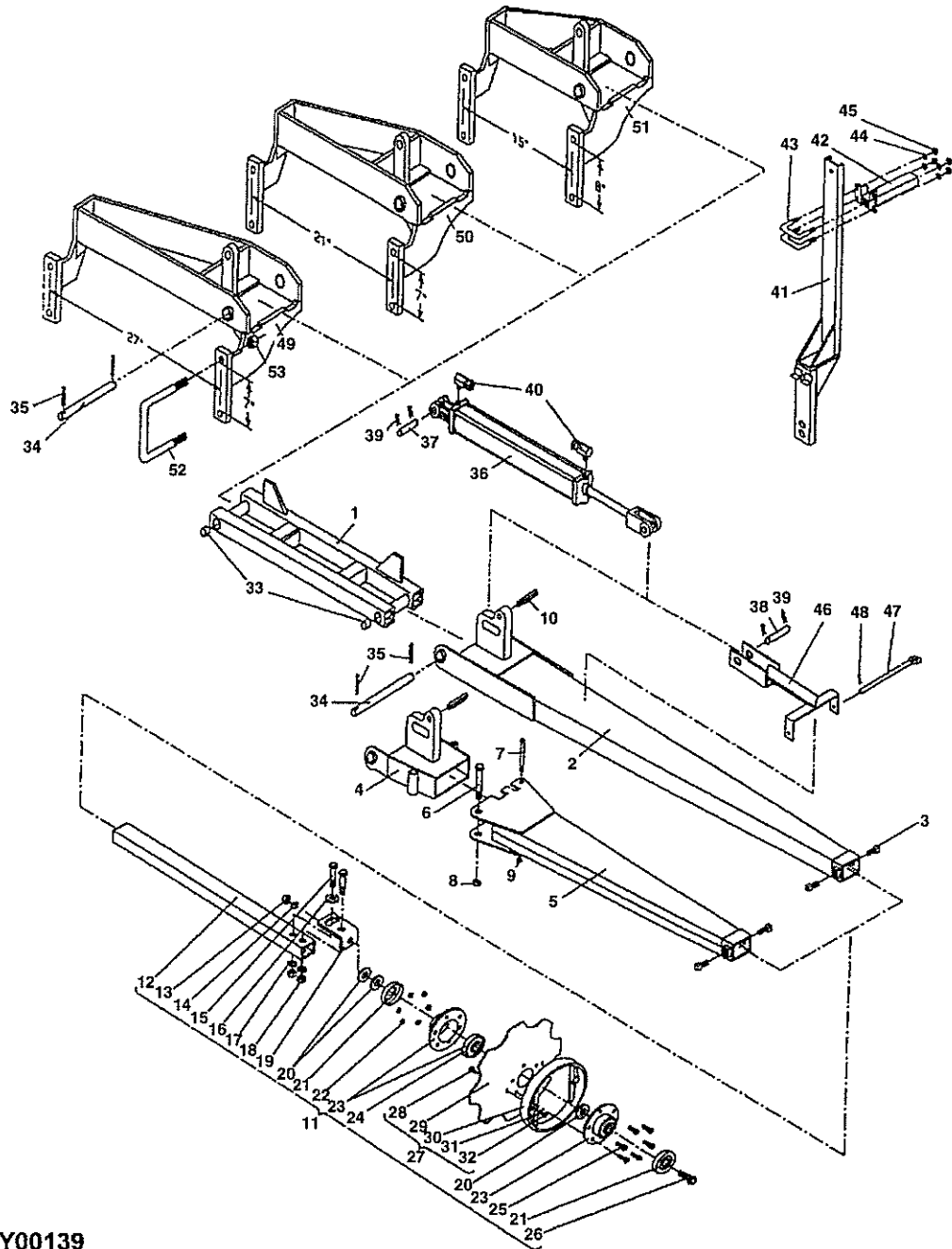
Item	Part Number	Description
11	575-067	DECAL, ACCENT STRIPE, 1.25 X BULK
12	901-0022	BOLT, HEX HD. 1/4 - 20 X 3/4 GR5
13	930-0400	WASHER, FLAT 1/4
14	920-0400	NUT, LOCK 1/4 - 20 CL, 2-WAY PL
15	511-268	HANDLE, LOCKING 3/8
16	568-026	FERRULE, .375 X .750 X .625
17	560-234	SPROCKET, #41B20T 3/8 SQ. B
18	580-1035	CHAIN, #40 103-1/2 LINKS
	79009424	CHAIN, #40 101-1/2 LINKS
	580-1150	CHAIN, #40 115 LINKS
19	540-895	IDLER ASY., (INCL. ITEMS 20 - 24)
20	920-0800	NUT, LOCK 1/2 - 13 CL 2-WAY PL
21	560-118	SPROCKET, #41A18T 1/2 B W/BEARING
22	930-0800	WASHER, FLAT 1/2
23	530-859	BRACKET, IDLER W/STUD
24	902-0814	BOLT, HEX HD. 1/2 - 13 X 1-3/4, GR2
25	510-346	COUPLER, 3/8 SQ. X 2-1/2
26	553-040	FLANGETTE, (40MST2)
27	552-008	BEARING, (RA008RRB)
28	560-316	SPROCKET, #41C20T 7/8 SQ. B 1-1/8 ST
29	903-0400	NUT, HEX 1/4 - 20PL
30	531-317	MOUNT, LEGUME BOX BEARING R.H.
	531-318	MOUNT, LEGUME BOX BEARING L.H.
31	568-042	FERRULE, .546 X .840 X 1.00 (27' & 30')
32	569-015	SPRING, SEEDER SHAFT
33	540-136	CLAMP, SEEDER SHAFT
	568-036	COLLAR, .546 X .840
	70915794	SCREW, 1/4 - 20 X 1/4
34	545-060	SEEDER SUB ASY.
35	550-215	DRIVE, SEEDER SERRATED
36	901-0616	BOLT, HEX HD. 3/8 - 16 X 2 GR5 PL
37	550-214	SLEEVE, SMOOTH
38	572-021	CLAMP, SEED TUBE
39	501-027	TUBING, PVC 5/8 ID X 1/8 W (NOT SHOWN)
40	501-029	PIN, ROLL EXP 1/8 X 1/2 BLK
41	902-0412	CAPSCREW, HEX HD. 1/4 - 20 X 1-1/2 GR2
42	511-385	BRACKET, REAR MOUNT (10', 15', & 20')
43	511-390	STRAP, BOX SUPPORT X5-1/2
44	901-0608	CAPSCREW, HEX HD. 3/8 - 16 X 1 GR5
45	930-0600	WASHER, FLAT 3/8
46	931-0600	WASHER, LOCK 3/8
47	903-0600	NUT, HEX 3/8 - 16PL
48	901-0610	BOLT, HEX HD. 3/8 - 16 X 1-1/4 GR5
49	903-0800	NUT, HEX 1/2 - 13PL
50	501-158	BRACKET, HOOD (NOT SHOWN)
	501-147	RIVET, POP 3/16 X .575
51	901-0046	STUD, BOLT 1/2 - 13 X 6-3/4
52	501-163	PLUG WITH HOLE
53	575-069	DECAL, LEGUME RATE CHART (10/9.5) (NOT SHOWN)
	575-174	DECAL, LEGUME RATE CHART(7.5, 9.5 & 11L)
	575-070	DECAL, LEGUME RATE CHART (8/9.5)
	575-087	DECAL, LEGUME RATE CHART (7/9.5L)
	575-136	DECAL, LEGUME RATE CHART (6/9.5 & 11L)
	575-310	DECAL, LEGUME RATE CHART (4/11L X 15)
	575-052	DECAL, LEGUME RATE CHART (8/12.5L)
54	575-090	DECAL, SEEDER SLIDE (NOT SHOWN)
55	575-232	DECAL, LEGUME SER V/SYSTEM 2000 (NOT SHOWN)
56	540-213	LID HOOK & ANCHOR BRACKET ASY. (INCL. ITEM 57 & 501-153 FASTENING & 561021 BRACKET)
57	501-145	LID LATCH, RUBBER
58	Y704635	NUT, LOCK 3/8-16 CL2-WAY PL (NOT SHOWN)

D-3

74

2010, 2015, 2020, 2027 & 2030 CONVENTIONAL DRILL
ROW MARKER

FLAT FOLD



TY00139

ROW MARKER - FLAT FOLD

Item	Part Number	Description
	214-058	15' MARKER
	214-059	20' MARKER
	214-062	27' & 30' MARKER
1	531-634	FRAME, 37" 1ST SECTION
2	531-632	ARM, MARKER 64" 2ND SECTION R.H.
	531-633	ARM, MARKER 64" 2ND SECTION L.H. (FOR 27' & 30' DRILLS)
3	910-1012	SCREW, SQ. HD SET 5/8-11 X 1-1/2" PL
4	531-630	HINGE, 45" R.H. BREAK AWAY
	531-631	HINGE, 45" L.H. BREAK AWAY
5	531-628	TUBE, 45" R.H. BREAK AWAY
	531-629	TUBE, 45" L.H. BREAK AWAY (45" 2ND SEC. FOR 15' & 20' DRILLS)
6	70924742	BOLT, HEX HD 5/8-11 X 4-1/2" GR. 5 PL
7	902-0430	BOLT, HEX HD 1/4-20 X 3-3/4" GR. 2 PL
8	920-1002	NUT, LOCK HEX 5/8-11 NYLOCK PL
9	920-0401	NUT, LOCK HEX NYLOCK ZP 1/4"
10	951-1216	PIN, ROLL 3/8" X 2"
11	541-049	EXTENSION TUBE & DISC ASY. 48" (15')
	541-048	EXTENSION TUBE & DISC ASY. 80" (20')
	541-047	EXTENSION TUBE & DISC ASY. 120" (27' & 30')
12	531-627	TUBE, 2" X 3" X 48" MARKER (15')
	531-602	TUBE, 2" X 3" X 80" MARKER (20')
	531-626	TUBE, 2" X 3" X 120" MARKER (27' & 30')
13	903-1000	NUT, HEX 5/8-11 PL
14	931-1000	WASHER, LOCK 5/8" (RS) PL
15	901-0826	BOLT, HEX HD 1/2-13 X 3-1/4" GR. 5 PL
16	930-0800	WASHER, FLAT 1/2 (RS) PL
17	931-0800	WASHER, LOCK 1/2" (RS) PL
18	903-0800	NUT, HEX 1/2-13 PL
19	511-271	PLATE, PIVOT
20	933-1201	BUSHING, MACHINED .750 X 1.250 X 10GA.
21	561-027	HUB CAP
22	920-0301	NUT, LOCK NYLON 10/32 PL
23	540-573	HUB & BEARING MARKER (INCL. ITEMS 24 & 561-025 BEARING CAP, SHORT)
24	552-302	BEARING, MARKER DISC
25	943-0307	BOLT, SOCKET HEAD ZP #10/32 X 7/8"
26	901-1026	BOLT, HEX HD 5/8-11 X 3-1/4" GR. 5 PL
27	531-613	BLADE, DEPTH RING 14" NOTCHED
28	907-0508	BOLT, CARR. 5/16-18 X 1" GR. 5 PL
29	555-009	BLADE, 14" NOTCHED MARKER DISC
30	531-625	DEPTH RING, BOLT ON (14" DISC)
31	931-0500	WASHER, LOCK 5/16 (RS) PL
32	903-0500	NUT, HEX 5/16-18 PL
33	570-019	BEARING, BRONZE 1-5/16" X 1-1/2"
34	511-255	PIN, CLEVIS LONG X 11-3/8"
35	951-1418	PIN, ROLL 7/16" X 2-1/4" PL
36	573-224	CYLINDER, HYDRAULIC 2-1/2" X 18" TIE ROD
	573-226	SEAL KIT, 2-1/2" X 18 CROSS
	573-225	SEAL KIT, 2-1/2" X 18 MONARCH
37	567-027	PIN, CLEVIS ZP 1" X 3"
38	511-270	PIN, CLEVIS ZP 1" X 2-1/4"
39	501-378	HAIRPIN, 1/8" X 2-1/4"
40	511-253	RESTRICTOR, 6MP-8FPX90 .045
41	541-006	STAND, FLAT FOLD MARKER
42	541-005	ARM REST, BOLT-ON 12"
43	918-0708	U-BOLT, 7/16" FOR 3 X 1-1/2" STAND
44	931-0700	WASHER, LOCK 7/16 (RS) PL
45	903-0700	NUT, HEX 7/16-14 PL
46	531-554	BRACKET, CYLINDER STOP
47	501-377	PIN, CLEVIS 1/2" X 10"
48	501-379	HAIRPIN, 3/16" X 1-1/2"
49	531-540	MOUNT, MARKER TYE R.H. (15')
	531-539	MOUNT, MARKER TYE L.H. (15')
50	541-033	MOUNT, MARKER TYE R.H. (20')
	541-034	MOUNT, MARKER TYE L.H. (20')
51	531-623	MOUNT, MARKER TYE R.H. (27' & 30')

Tye

2010 / 2015 / 2020 / 2027 / 2030 3 PT. CONVENTIONAL DRILL

79017820

ROW MARKER - FLAT FOLD

Page74

Item	Part Number	Description
	531-624	MOUNT, MARKER TYE L.H. (27' & 30')
52	918-1205	U-BOLT, 3/4" FOR 7" X 7" TUBE
53	931-1200	WASHER, LOCK 3/4" (RS) PL
	903-1200	NUT, HEX 3/4-10 PL

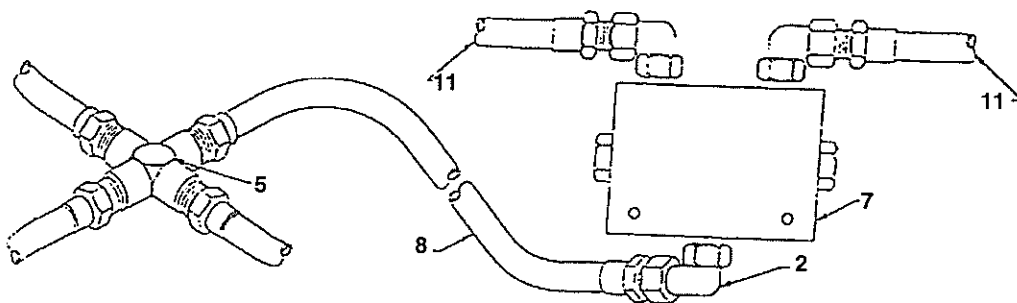
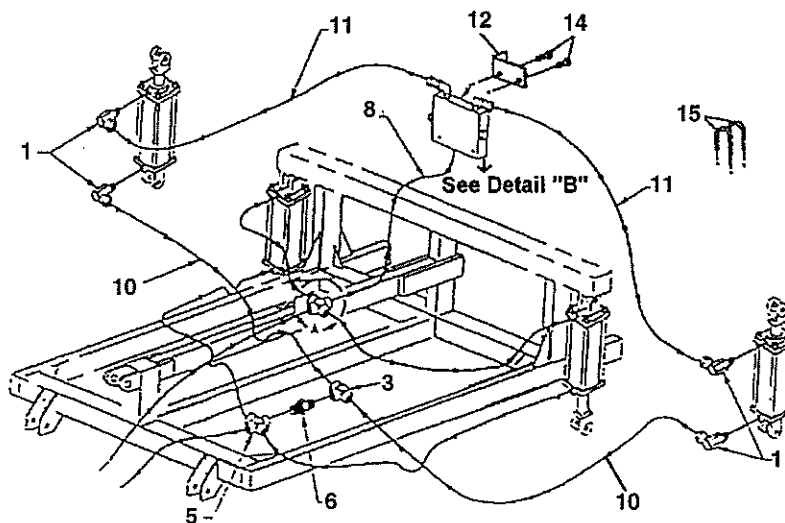
TY00139

D-7

78

2010, 2015, 2020, 2027 & 2030 CONVENTIONAL DRILL
ROW MARKER

HYDRAULICS
HOSES



DETAIL "A"

DETAIL "B"

TY00140

ROW MARKER - FLAT FOLD, HYDRAULICS, HOSES

Item	Part Number	Description
1	571-510	ADAPTOR, SWV 6MP-8FPX90
2	571-544	ADAPTOR, SWV 8MB-8FPX90
3	571-508	ADAPTOR, SWV 8FP-8FPXT
4	901-1288	BOLT, HEX HD. 3/4 - 10 X 11 (NOT SHOWN) (27' & 30')
	930-1200	WASHER, FLAT 3/4 (NOT SHOWN)(27&30)
	920-1200	NUT, LOCK 3/4 - 10 (NOT SHOWN) (27' & 30')
5	574-029	CROSS, 8FP
6	574-010	NIPPLE, CLOSE 8MP-8MP
	571-303	HOSE, HYD. 3/8 X 36
7	573-126	VALVE, SEQUENCING 3061, #8 SAE
	511-236	BRACKET, VALVE (NOT SHOWN) (27' & 30')
8	571-303	HOSE, HYD. 3/8 X 36
10	571-312	HOSE, HYD. 3/8 X 108 1/2M NPT (15')
	571-313	HOSE, HYD. 3/8 X 128 1/2M NPT (20')
	571-314	HOSE, HYD. 3/8 X 198 (27' & 30')
11	571-313	HOSE, HYD. 3/8 X 128 1/2M NPT (15')
	571-311	HOSE, HYD. 3/8 X 148 1/2M NPT (20')
	571-315	HOSE, HYD. 3/8 X 218 (27' & 30')
12	511-156	BRACKET, X 6-7/16 (15' & 20')
13	510-829	CAP, 1 X 2-1/2 X 11-7/8 (NOT SHOWN) (27' & 30')
14	902-0608	BOLT, HEX HD 3/8-16 X 1 GR. 2 PL
	903-0600	NUT, HEX 3/8 - 16 PL
	931-0600	WASHER, LOCK 3/8
15	918-1205	U-BOLT, 3/4 FOR 7 X 7 TUBE (15' & 20')
	903-1200	NUT, HEX 3/4 - 10PL
	931-1200	WASHER, LOCK 3/4

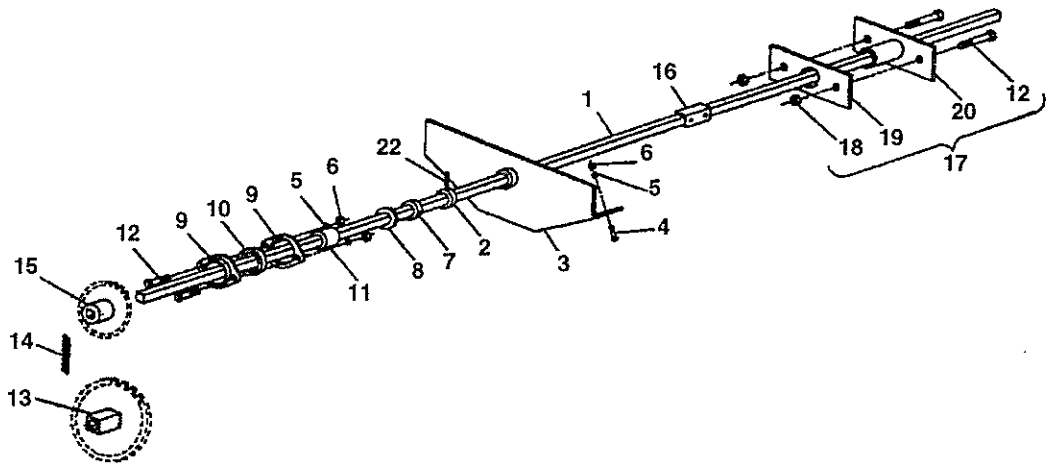
TY00140

D-11

82

2010, 2015, 2020, 2027 & 2030 CONVENTIONAL DRILL
AGITATOR

AGITATOR KIT



TY00036

AGITATOR - AGITATOR KIT

Item	Part Number	Description
1	510-161	SHAFT, AGITATOR 3/8" SQ. X 122" (10' & 20')
	511-014	SHAFT, AGITATOR 3/8" SQ. X 185" (15')
	511-319	SLAVE SHAFT, X 120-1/2 (20')
2	540-154	COLLAR, SHAFT (INCL. 568-036, & ITEMS 6 & 22)
3	531-242	MOUNT, AGITATOR
4	943-0404	SCREW, PAN HD PHL 1/4" X 1/2" PL
5	930-0400	WASHER, FLAT 1/4" (RS) PL
6	903-0400	NUT, HEX 1/4-20 PL
7	540-136	CLAMP, SEEDER SHAFT
	568-036	COLLAR, .546 X .840
	70915794	SCREW, SET HD., 1/4 - 20 X 1/4
8	501-044	WASHER, PLASTIC
9	553-040	FLANGETTE, 40MST2
10	552-008	BEARING, RA008RRB
11	568-030	FERRULE, .375" X .375" X .812"
12	902-0412	BOLT, HEX HD 1/4-20 X 1-1/2" PL
13	560-277	SPROCKET, #40B35T W/ 5/8" SQ. BORE
14	580-0510	CHAIN, #40 (51 LINKS)
15	560-234	SPROCKET, #41B20T W/ 3/8" SQ. BORE
16	510-346	COUPLER, (3/8 SQ.) X 2-1/2
17	540-139	HANGER, BOX END (15' & 20')(INCL. ITEMS 12, 18 - 20)
18	920-0400	NUT, LOCK 1/4-20 CL 2-WAY PL
19	511-307	STRAP, X 3-3/4"
20	530-252	HANGER, BOX
21	560-316	SPROCKET, #41C20T 7/8 SQB (NOT SHOWN)
22	910-0412	SCREW, SQ. HD. SET 1/4 - 20 X 1-1/2
23	501-029	PIN, ROLL 1/8 X 1/2 BLK (NOT SHOWN)

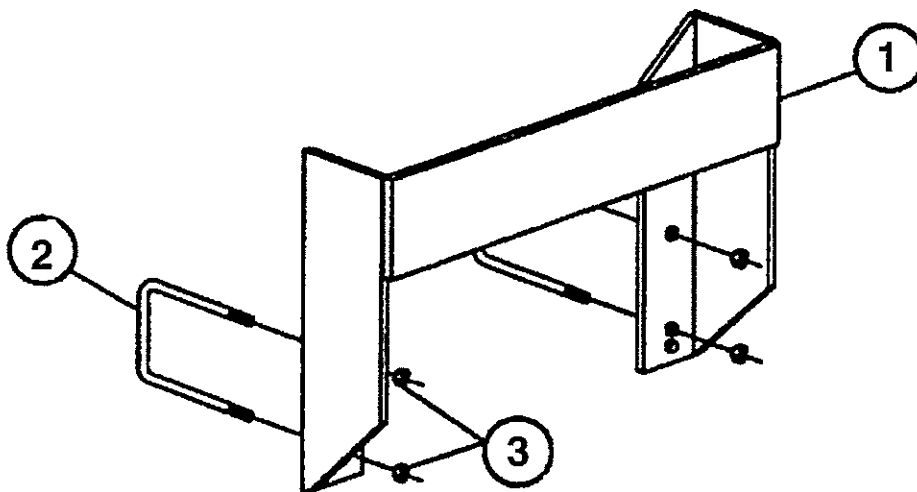
TY00036

D-13

84

2010, 2015, 2020, 2027 & 2030 CONVENTIONAL DRILL
ACCESSORIES

WEIGHT



TY00070

Tye

2010 / 2015 / 2020 / 2027 / 2030 3 PT. CONVENTIONAL DRILL

79017820

ACCESSORIES - WEIGHT

Page84

Item	Part Number	Description
	214-065	WEIGHT BRACKET ASSEMBLY
1	531-605	BRACKET, WEIGHT
2	918-1205	U-BOLT, 3/4" FOR 7 X 7 TUBE
3	920-1200	NUT, LOCK 3/4-10 CL 2-WAY PL

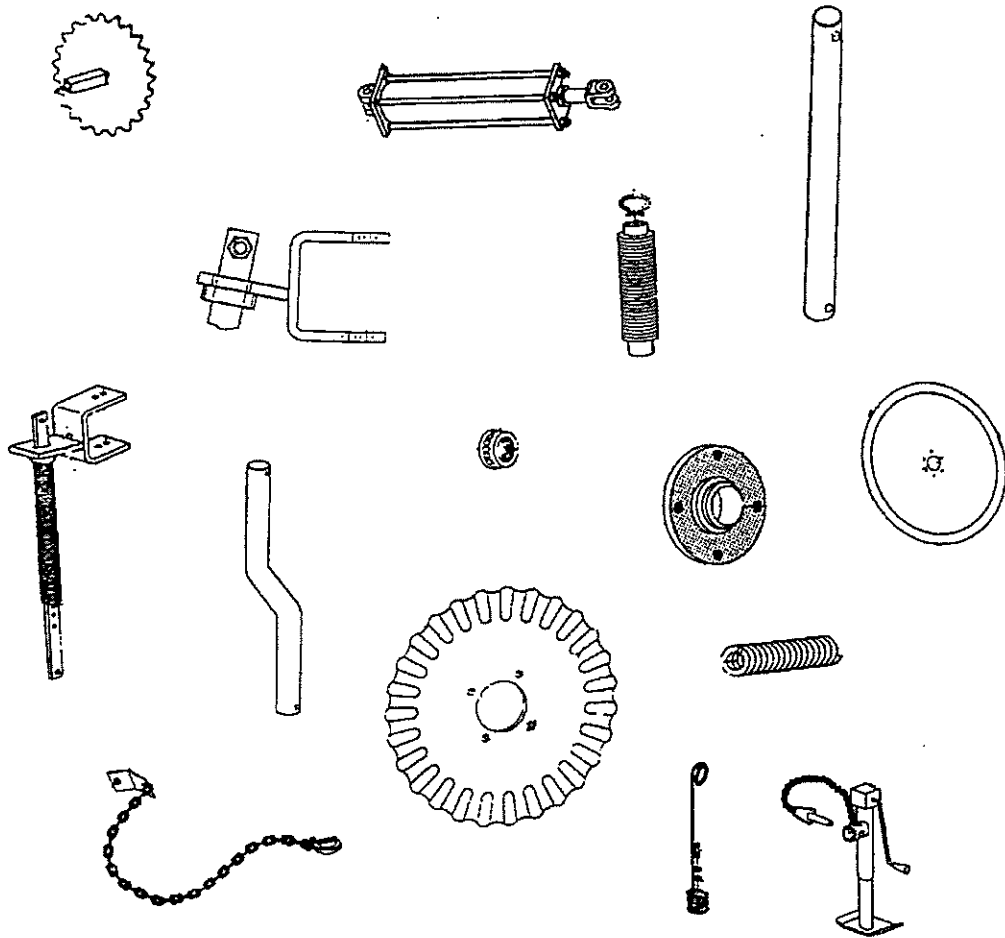
TY00070

D-15

86

2010, 2015, 2020, 2027 & 2030 CONVENTIONAL DRILL
RECOMMENDED DEALER STOCK

RECOMMENDED DEALER STOCK



TYRDL

RECOMMENDED DEALER STOCK

Part Number	Qty	Description
501-372	50	TOOTH, HARROW
540-647	35	DISC ASY W/SHOE
304-575	30	KIT, BLOCK SLIDE
569-049	25	SPRING, E-Z ADJUST
568-102	20	FERRULE, .437 X .739 X .460
561-027	20	SHIELD, DUST
569-046	20	SPRING, 2 X 13
540-537	15	ASSEMBLY, SEEDER
568-105	15	FERRULE, .390 X .750 X .594
511-211	15	WASHER, DEPTH
204-133	15	PLUG, SEEDER
550-003	10	SCRAPER, INTERNAL
562-201	10	TUBE, SEED
568-009	10	FERRULE, .364 X .540 X .438
501-201	10	CLOVER, CLIP
550-250	7	RING & WHEEL SEEDER
530-604	7	L CLIP W/GUSSET
501-298	5	PIN 1/4 SNAPPER WIRE
540-036	6	CLAMP, SEEDER SHAFT
71308951	6	BEARING KIT
79009424	6	ROLLER CHAIN, 10FT
540-646	5	HUB ASY W/SHORT CAP
852270	5	BEARING
555-002	5	DISC, 13-1/2"
552-216	5	BEARING
572-020	5	TUBE, SEED CLAMP
561-025	4	CAP, BEARING
304-574	4	KIT, LEVER E-Z ADJUST
501-092	3	TINE, POINT
562-206	3	TUBE, SEED
304-364	3	WHEEL ASY
510-100	2	CLAMP, SHAFT
501-163	5	PLUG W/HOLE
550-206	2	SLIDE, DRILL SEEDER
550-225	2	WHEEL, DRILL SEEDER
550-204	2	CYLINDER, DRILL SEEDER
545-060	2	SUB-ASSEMBLY, SEEDER
530-791	1	PADDLE, FERT
550-222	2	RING, DRILL SEEDER
918-0702	2	U-BOLT, 7/16
304-388	1	WHEEL ASY
304-573	1	KIT, E-Z ADJUST
545-061	1	HOUSING ASY
843273M1	2	BEARING
560-118	1	SPROCKET, IDLER

TYERDL