



SUNFLOWER®

9130 & 9230

***Air Cart
Parts Manual***

997727
SFN34240

IMPORTANT:

ALL ITEMS ARE IDENTIFIED WITH A PART NUMBER. Some of the smaller parts such as bolts, nuts, washers, etc. are not all shown, however, the quantity used are listed in the text for that section which they fit into. That particular quantity is always the quantity required for one complete assembly.

Smaller parts, which are welded together to construct a larger part, are not to be ordered as individual pieces, unless they have a part number to identify them.

Contact your nearest dealer for genuine repair parts. Dealers carry ample stock and are backed by the manufacturer and regional associations.

Original Issue Date of Manual

March 1, 2002

Any updated pages after this date will have the revision date printed on the bottom of the pages.

Table of Contents

Section 1:	
Hopper & Frame	1-1
9130 Hopper Assembly	1-2
9230 Hopper Assembly	1-4
9130 Tow Between Frame Assembly	1-6
9230 Tow Between Frame Assembly	1-8
Section 2:	
Metering	2-1
Metering Drive Assembly	2-2
Coated Metering Bodies	2-6
Optional Fertilizer Clutch Assembly	2-8
Remote Clutch Switch	2-10
Section 3:	
Wheel & Hub	3-1
Wheel Assembly	3-2
Section 4:	
Distribution	4-1
Tow Between Single Shoot	4-2
Divider Head	4-4
Section 5:	
Fan & Auger Drives	5-1
Auger Hydraulics w/Hydraulic Fan Drive (Prior to October 2005)	5-2
Auger Hydraulics w/Hydraulic Fan Drive (From October 2005)	5-4
Section 6:	
Auger	6-1
9130 - 7" Auger Assembly Front Mount	6-2
9230 - 7" Auger Assembly Front Mount	6-4
9230 - 8" Auger Assembly Front Mount	6-6
Section 7:	
Fan	7-1
Crary Hydraulic Fan	7-2
Section 8:	
Monitor & Blockage Module	8-1
Monitor and Blockage Module Assembly	8-2
Section 9:	
Three Point Hitch	9-1
Three Point Hitch Assembly	9-2
Three Point Hitch Hydraulics	9-4
Gland-Bypass Cylinder	9-6
Section 10:	
Safety Lights	10-1
Safety Lighting	10-2
Index	Index-i

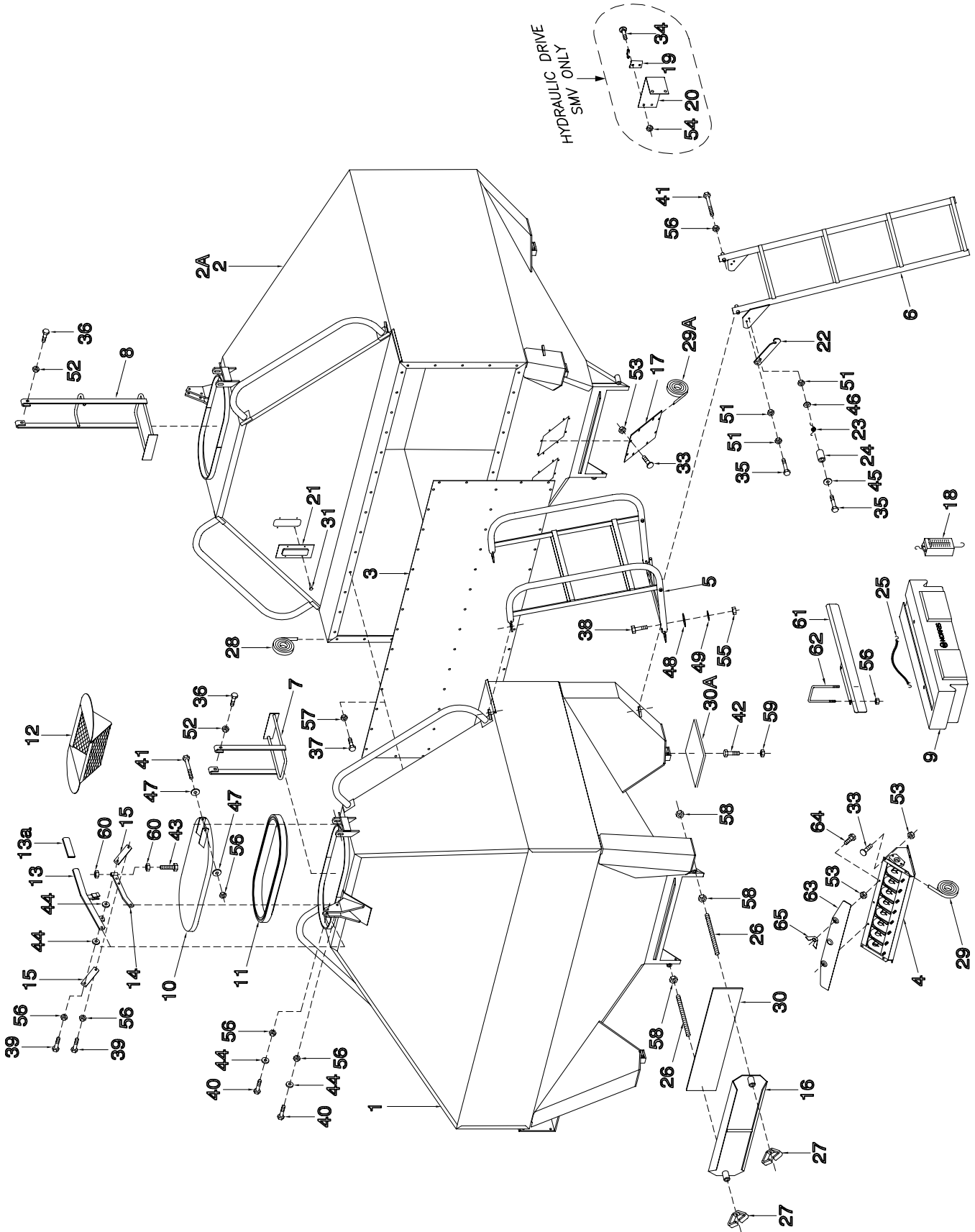
Notes

Section 1: Hopper & Frame

Section Contents

9130 Hopper Assembly	1-2
9230 Hopper Assembly	1-4
9130 Tow Between Frame Assembly	1-6
9230 Tow Between Frame Assembly	1-8

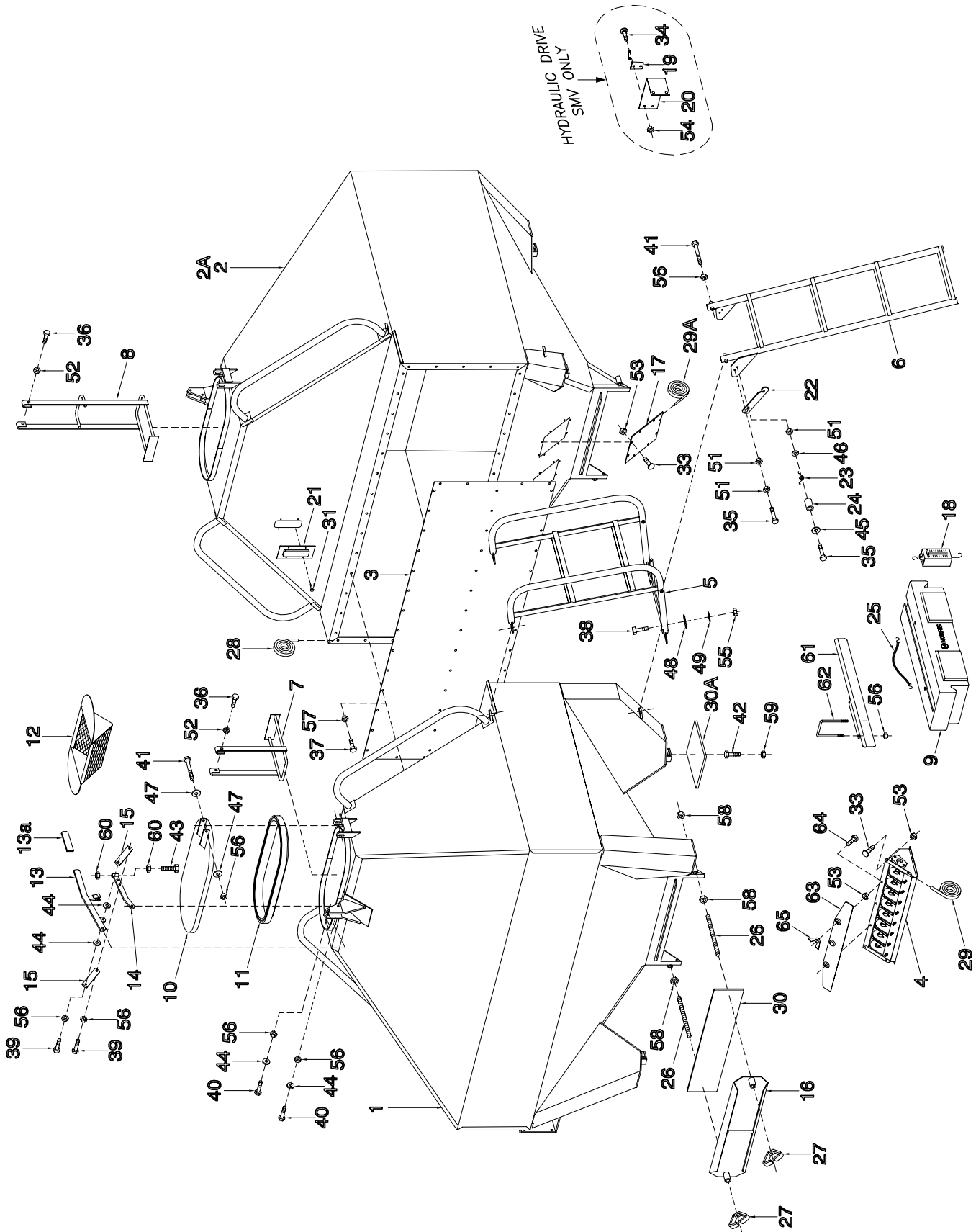
Hopper & Frame 9130 Hopper Assembly



Hopper & Frame - 9130 Hopper Assembly

Item	Part No.	Description	Qty	Item	Part No.	Description	Qty
1	N27191	Hopper - Front.....	1	42	W-490	Hex Bolt - 1/2 x 2 1/2 Lg	8
2	N27192	Hopper - Rear.....	1	43	N19127	Lid Bolt - 1/2 x 2 3/4 Lg	2
3	N27337	Tank Panel.....	1	44	N21266	Washer - Wear - 1/4 x 1 1/2 Dia	8
4		Metering Body - 8 Outlet (See Section 2 page 6)	2	45	D-5488	Flatwasher - 5/16 x 1 1/16 OD	1
5	N27475	Handrail - Tank	1	46	W-522	Lockwasher - 5/16	1
6	N24792	Ladder 4 Step	1	47	D-5489	Flatwasher - 3/8 x 13/16 OD	4
7	N27375	Ladder - Inner - Front Tank	1	48	D-5579	Flatwasher - 3/8 x 1 OD	4
8	N27380	Ladder - Inner - Rear Tank	1	49	W-523	Lockwasher - 3/8	4
9	N27005	Sample Collector	1	50		
10	N27715	Lid	2	51	W-513	Hex Nut - 5/16	3
11	N19496	Lid Seal	2	52	D-5272	Locknut - 5/16 Unitorque	4
12	N19726	Screen	2	53	D-5278	Locknut - 5/16 Serrated	46
13	N32770	Handle - Tank Lid	2	54	D-5278	Locknut - 5/16 Serrated	2
13A	N32769	Vinyl Grip - Tank Lid Handle	2	55	W-514	Hex Nut - 3/8	4
14	N19108	Link	2	56	M-3388	Locknut - 3/8 Unitorque	16
15	N19109	Link	4	57	D-5279	Locknut - 3/8 Serrated	52
16	N27080	Door - Cleanout	2	58	W-516	Hex Nut - 1/2	8
17	N27455	Plate - Cover - Dual Outlet	4	59	F-3405	Locknut - 1/2 Unitorque	8
18	N29280	Scale (0 to 50 lb Capacity)	1	60	S-1292	Jam Nut - 1/2	4
19	W-1558	Slow Moving Sign Socket	1	61	N27856MR	Bracket - Sampler	1
20	N21475	Slow Moving Sign Bracket	1	62	N19723	U-Bolt - 3/8 x 4 1/16 x 7 3/8	2
21	N19791	Sight Glass	2	63	N28831	Cover Plate - Meterbody (For Fine Seeds)	1
22	N19211	Ladder Lock Arm	1	64	N29048	Hex Bolt - 5/16 x 1 Lg Stainless Steel	2
23	D-5098	Spring	1	65	N29049	Wingnut - 5/16 Stainless Steel	2
24	N19366	Bushing - 1/2 OD x 0.334 ID x 5/8 Lg	1			
25	N19563	Rubber Tie Strap - 10"	2			
26	N27155	Redi-Rod - 1/2 x 7 1/2 Lg	4			
27	N27360	Wing Locknut - 1/2	4			
28	N13900	Seal Strip - 3/16 x 1 3/4 (Bulk/Ft)	35.5 Ft			
29	N15716	Seal Strip - 1/4 x 1 x 152 Lg (Bulk/Ft)	2			
29A	N15716	Seal Strip - 1/4 x 1 x 38 Lg (Bulk/Ft)	4			
30	N19437	Seal Strip - 3/8 x 7 x 26 1/2 Lg (Bulk/Ft)	2			
30A	N19437	Seal Strip - 3/8 x 7 x 8 Lg (Bulk/Ft)	8			
31	N21450	Pop Rivet - 1/8 x 1/2 Lg - Closed Head	8			
32		
33	D-5259	Carriage Bolt - 5/16 x 3/4 Lg	44			
34	D-5259	Carriage Bolt - 5/16 x 3/4 Lg	2			
35	W-472	Hex Bolt - 5/16 x 1 1/4 Lg	2			
36	W-473	Hex Bolt - 5/16 x 1 1/2 Lg	4			
37	W-475	Hex Bolt - 3/8 x 1 Lg	52			
38	W-187	Hex Bolt - 3/8 x 1 1/4 Lg	4			
39	W-619	Hex Bolt - 3/8 x 1 3/4 Lg	4			
40	W-479	Hex Bolt - 3/8 x 2 1/4 Lg	4			
41	C-3918	Hex Bolt - 3/8 x 5 Lg	4			

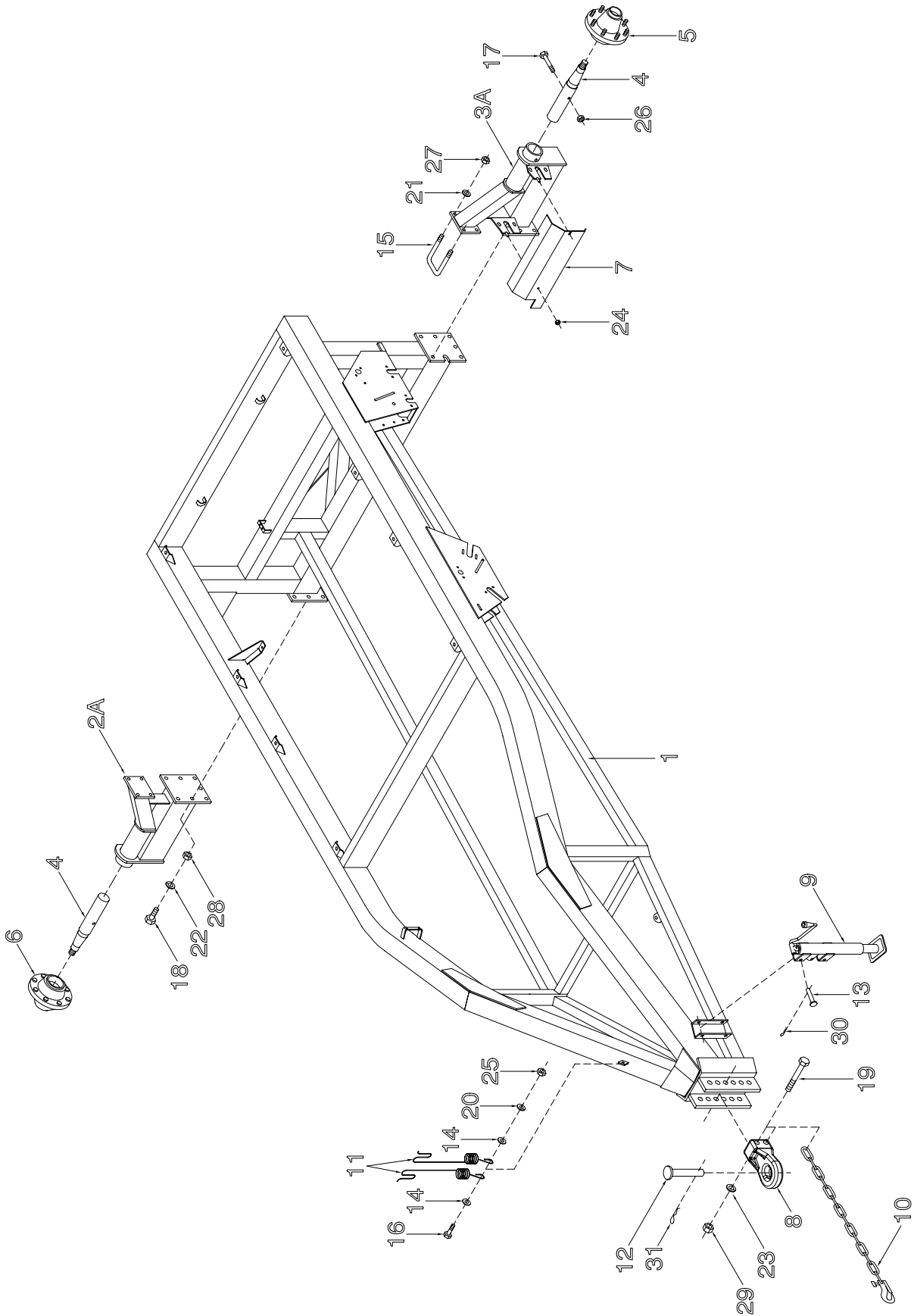
Hopper & Frame 9230 Hopper Assembly



Hopper & Frame - 9230 Hopper Assembly

Item	Part No.	Description	Qty	Item	Part No.	Description	Qty
1	N27251	Hopper - Front.....	1	42	W-490	Hex Bolt - 1/2 x 2 1/2 Lg	8
2	N27252	Hopper - Rear.....	1	43	N19127	Lid Bolt - 1/2 x 2 3/4 Lg	2
3	N27338	Tank Panel.....	1	44	N21266	Washer - Wear - 1/4 x 1 1/2 Dia	8
4		Metering Body - 8 Outlet (See Section 2 page 6)	2	45	D-5488	Flatwasher - 5/16 x 1 1/16 OD	1
5	N27480	Handrail - Tank	1	46	W-522	Lockwasher - 5/16	1
6	N24792	Ladder - 4 Step	1	47	D-5489	Flatwasher - 3/8 x 13/16 OD	4
7	N27385	Ladder - Inner - Front Tank	1	48	D-5579	Flatwasher - 3/8 x 1 OD	4
8	N27390	Ladder - Inner - Rear Tank	1	49	W-523	Lockwasher - 3/8	4
9	N27005	Sample Collector	1	50		4
10	N27715	Lid	2	51	W-513	Hex Nut - 5/16	3
11	N19496	Lid Seal	2	52	D-5272	Locknut - 5/16 Unitorque	4
12	N19726	Screen	2	53	D-5278	Locknut - 5/16 Serrated	46
13	N32770	Handle - Tank Lid	2	54	D-5278	Locknut - 5/16 Serrated	2
13A	N32769	Vinyl Grip - Tank Lid Handle	2	55	W-514	Hex Nut - 3/8	4
14	N19108	Link	2	56	M-3388	Locknut - 3/8 Unitorque	16
15	N19109	Link	4	57	D-5279	Locknut - 3/8 Serrated	52
16	N27080	Door - Cleanout	2	58	W-516	Hex Nut - 1/2	8
17	N27455	Plate - Cover - Dual Outlet	4	59	F-3405	Locknut - 1/2 Unitorque	8
18	N29280	Scale (0 to 50 lb Capacity)	1	60	S-1292	Jam Nut - 1/2	4
19	W-1558	Slow Moving Sign Socket	1	61	N27856MR	Bracket - Sampler	1
20	N21475	Slow Moving Sign Bracket	1	62	N25457	U-Bolt - 3/8 x 4 1/16 x 8 15/16	2
21	N19791	Sight Glass	2	63	N28831	Cover Plate - Meterbody (For Fine Seeds)	1
22	N19211	Ladder Lock Arm	1	64	N29048	Hex Bolt - 5/16 x 1 Lg Stainless Steel	2
23	D-5098	Spring	1	65	N29049	Wingnut - 5/16 Stainless Steel	2
24	N19366	Bushing - 1/2 OD x 0.334 ID x 5/8 Lg	1	SFN34235	Decal - STRIPE with SUNFLOWER (Not Shown)	3	
25	N19563	Rubber Tie Strap - 10"	2	SFN34236	Decal - STRIPE (Not Shown)	2	
26	N27155	Redi-Rod - 1/2 x 7 1/2 Lg	4	SFN34237	Decal - "9230" (Not Shown)	2	
27	N27360	Wing Locknut - 1/2	4	N34474	Decal - Slow Moving Vehicle	1	
28	N13900	Seal Strip - 3/16 x 1 3/4 (Bulk/Ft)	37 Ft	N34476	Reflector (Red) (Not Shown)	2	
29	N15716	Seal Strip - 1/4 x 1 x 152 Lg (Bulk/Ft)	2	N34477	Reflector (Amber) (Not Shown)	4	
29A	N15716	Seal Strip - 1/4 x 1 x 38 Lg (Bulk/Ft)	4	N34478	Reflector (Orange) (Not Shown)	2	
30	N19437	Seal Strip - 3/8 x 7 x 26 1/2 Lg (Bulk/Ft)	2	N15094	Decal - Caution (Not Shown)	2	
30A	N19437	Seal Strip - 3/8 x 7 x 8 Lg (Bulk/Ft)	8	N21604	Decal - Important "CORROSION" (Not Shown)	2	
31	N21450	Pop Rivet - 1/8 x 1/2 Lg - Closed Head	8	N27851	Rate Chart Decal - Slow Speed (Not Shown)	1	
32			N27852	Rate Chart Decal - Seed (Not Shown)	1	
33	D-5259	Carriage Bolt - 5/16 x 3/4 Lg	44	N27853	Rate Chart Decal - Fertilizer (Not Shown)	1	
34	D-5259	Carriage Bolt - 5/16 x 3/4 Lg	2	N28667	Rate Chart Decal - Soybeans (Not Shown)	1	
35	W-472	Hex Bolt - 5/16 x 1 1/4 Lg	2	N34281	Rate Chart Decal - Sunflowers (Not Shown)	1	
36	W-473	Hex Bolt - 5/16 x 1 1/2 Lg	4	N29063	Decal - Cover Plate (Not Shown)	1	
37	W-475	Hex Bolt - 3/8 x 1 Lg	52				
38	W-187	Hex Bolt - 3/8 x 1 1/4 Lg	4				
39	W-619	Hex Bolt - 3/8 x 1 3/4 Lg	4				
40	W-479	Hex Bolt - 3/8 x 2 1/4 Lg	4				
41	C-3918	Hex Bolt - 3/8 x 5 Lg	4				

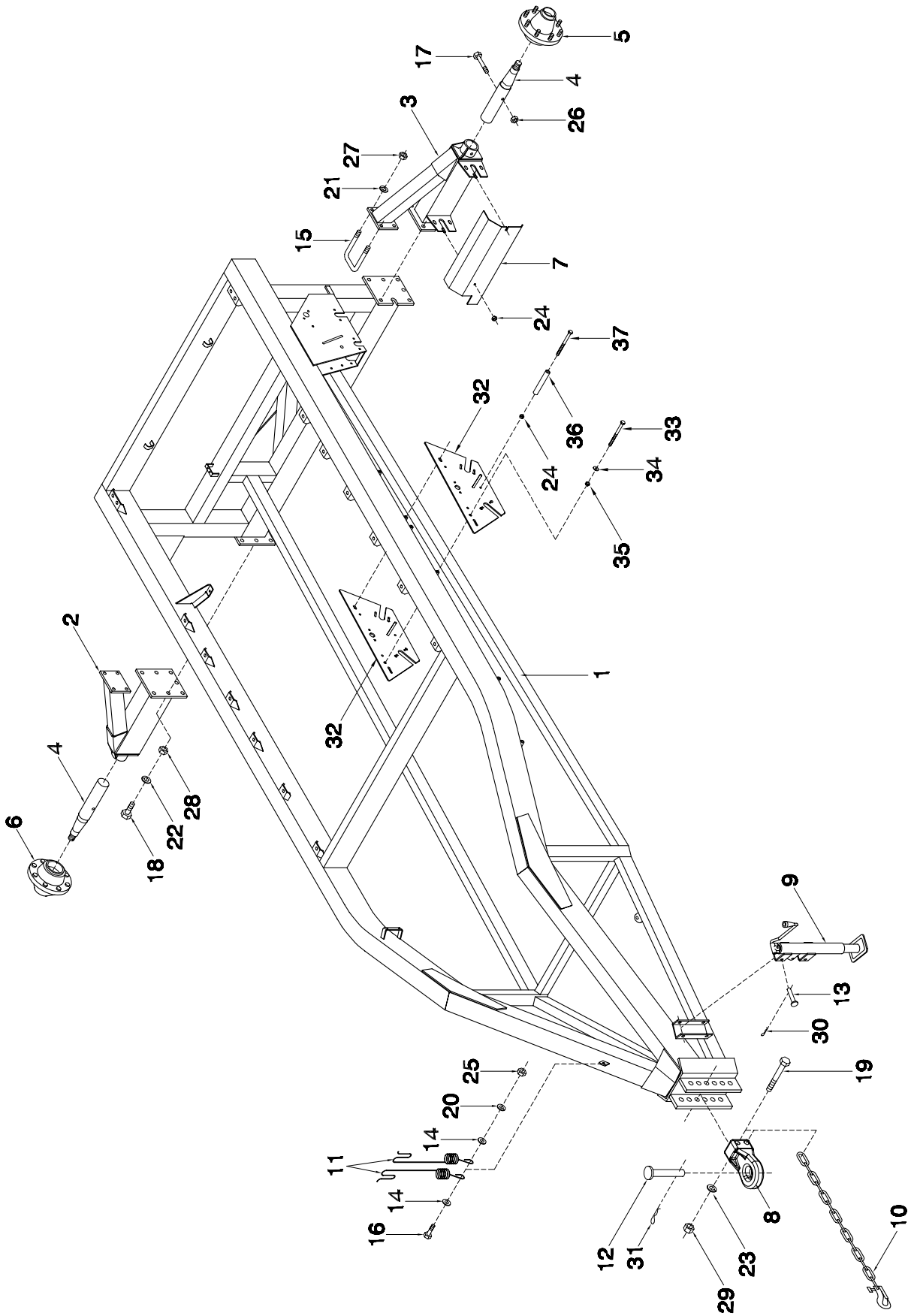
Hopper & Frame 9130 Tow Between Frame Assembly



Hopper & Frame - 9130 Tow Between Frame Assembly

Item	Part No.	Description	Qty
1	N28370MR	Frame - Tow Between (Three Point Hitch)	1
2	N27041MR	Axle Extension - Right	1
3	N27042MR	Axle Extension - Left	1
4	N24775	Spindle - 3 Dia	2
5		Drive Hub Assembly (See Section 3)	1
6		Non-Drive Hub Assembly (See Section 3)	1
7	N27070MR	Jackshaft Guard	1
8	N33748MR	Clevis - Cast	1
9	H27963	Hitch Jack - Top Wind - 7000 lb	1
10	C18761	Safety Chain - 3/8 P-7 AG (30 000 lb)	1
11	W-7MR	Hose Holder	2
12	N15049	Hitch Pin - 1 1/2 x 6 1/2 UL	1
13	H10462	Clevis Pin - 0.612 x 3 5/8 UL	2
14	C-333	Hose Holder Washer	2
15	C-219	U-Bolt - 5/8 x 4 x 5 9/16 UL	4
16	W-488	Hex Bolt - 1/2 x 2 Lg	1
17	S-951	Hex Bolt - 1/2 x 4 1/2 Lg	2
18	C-695	Hex Bolt - 3/4 x 2 Lg	13
19	D12903	Hex Bolt - 1 x 7 Lg	3
20	W-525	Lockwasher - 1/2	1
21	W-526	Lockwasher - 5/8	8
22	W-527	Lockwasher - 3/4	13
23	C-705	Lockwasher - 1	3
24	D-5279	Serrated Locknut - 3/8	2
25	W-516	Hex Nut - 1/2	1
26	F-3405	Unitorque Locknut - 1/2	2
27	W-517	Hex Nut - 5/8	8
28	W-518	Hex Nut - 3/4	13
29	W-520	Hex Nut - 1	3
30	W-131	Hairpin - #9 - 0.148 x 3 5/16	2
31	P1318510	Hairpin - #19- 0.243 x 4 3/8	1
	N19029	Decal - "Crank Rotation Arrow" (Not Shown)	1
	N24301	Decal - "Caution - Read Manual" (Not Shown)	1
	N24412	Decal - "Important - Torque Nuts" (Not Shown)	1
	N27864	Decal - "Slow Speed Hairpin Location" (Not Shown)	1
	C31394	Decal - Warning "Unhitching Hazard" (Not Shown)	1
	N34367	Decal - "Manufactured by Morris Industries Ltd."	1

Hopper & Frame 9230 Tow Between Frame Assembly



Hopper & Frame - 9230 Tow Between Frame Assembly

Item	Part No.	Description	Qty
1	N28375MR	Frame - Tow Between (Three Point Hitch)	1
2	N27041MR	Axle Extension - Right	1
3	N27042MR	Axle Extension - Left	1
4	N24775	Spindle - 3 Dia	2
5		Drive Hub Assembly (See Section 3)	1
6		Non-Drive Hub Assembly (See Section 3)	1
7	N27070MR	Jackshaft Guard	1
8	N33748MR	Clevis - Cast	1
9	H27963	Hitch Jack - Top Wind - 7000 lb	1
10	C18761	Safety Chain - 7/16 P-7 AG (30 000 lb)	1
11	W-7MR	Hose Holder	2
12	N15049	Hitch Pin - 1 1/2 x 6 1/2 UL	1
13	H10462	Clevis Pin - 0.612 x 3 5/8 UL	2
14	C-333	Hose Holder Washer	2
15	C-219	U-Bolt - 5/8 x 4 x 5 9/16 UL	4
16	W-488	Hex Bolt - 1/2 x 2 Lg	1
17	S-951	Hex Bolt - 1/2 x 4 1/2 Lg	2
18	C-695	Hex Bolt - 3/4 x 2 Lg	14
19	D12903	Hex Bolt - 1 x 7 Lg	3
20	W-525	Lockwasher - 1/2	1
21	W-526	Lockwasher - 5/8	8
22	W-527	Lockwasher - 3/4	14
23	C-705	Lockwasher - 1	3
24	D-5279	Serrated Locknut - 3/8	3
25	W-516	Hex Nut - 1/2	1
26	F-3405	Unitorque Locknut - 1/2	2
27	W-517	Hex Nut - 5/8	8
28	W-518	Hex Nut - 3/4	14
29	W-520	Hex Nut - 1	3
30	W-131	Hairpin - #9 - 0.148 x 3 5/16	2
31	P1318510	Hairpin - #19 - 1/4 x 4 3/8	1
32	N27021	Transmission Plate	2
33	W-496	Hex Bolt - 1/2 x 5 1/2 Lg	2
34	S-1925	Flatwasher - 0.531 ID x 1.062 OD x 13 Ga	2
35	D14565	Locknut - 1/2 - Serrated	2
36	N31535	Spacer - 5/8 OD x 0.385 ID x 4 Lg	1
37	C-3918	Hex Bolt - 3/8 x 5 Lg	1
	N19029	Decal - "Crank Rotation Arrow" (Not Shown)	1
	N24301	Decal - "Caution - Read Manual" (Not Shown)	1
	N24412	Decal - "Important - Torque Nuts" (Not Shown)	1
	N27864	Decal - "Slow Speed Hairpin Location" (Not Shown)	1
	C31394	Decal - Warning "Unhitching Hazard" (Not Shown)	1
	N34367	Decal - "Manufactured by Morris Industries Ltd."	1

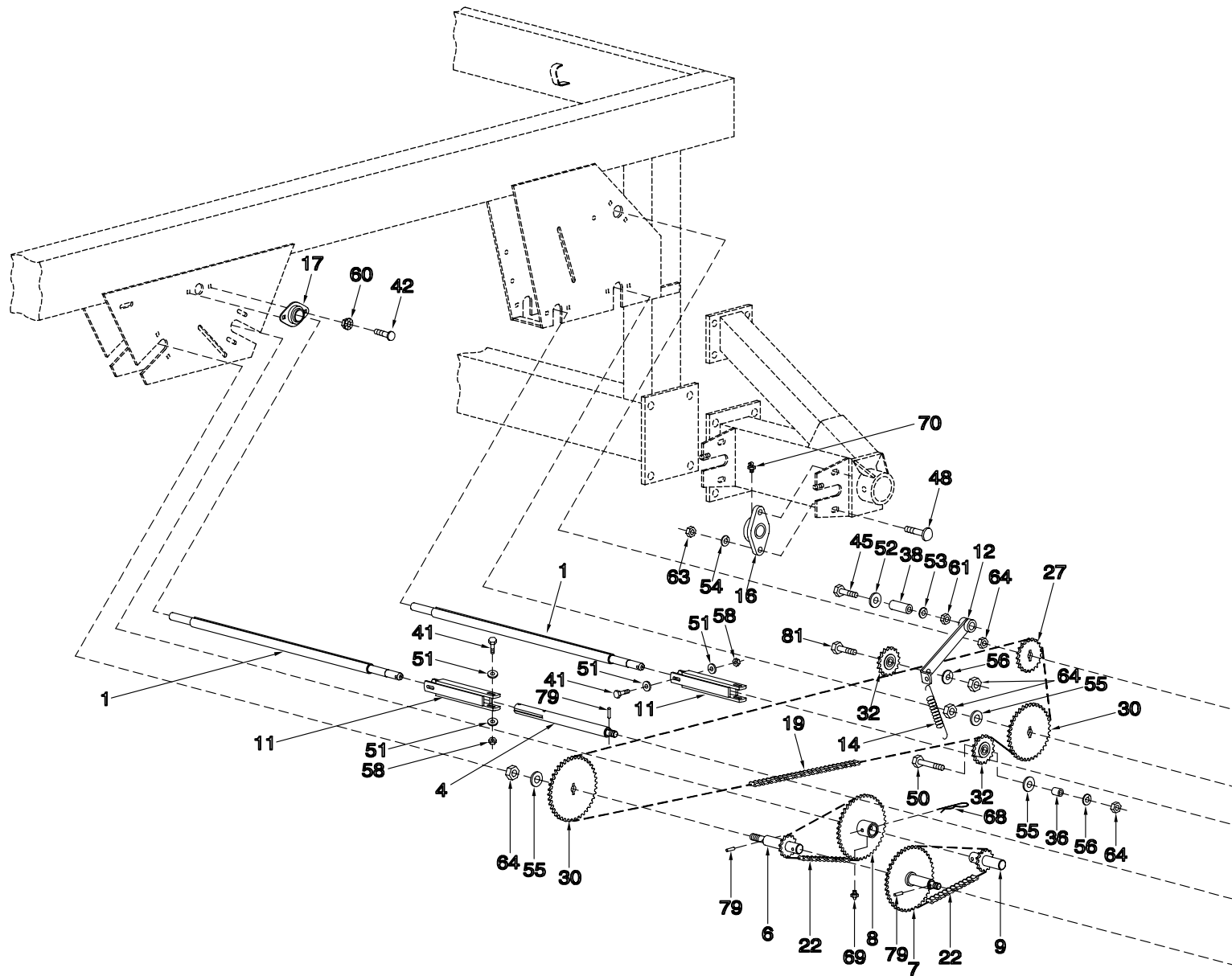
Notes

Section 2: Metering

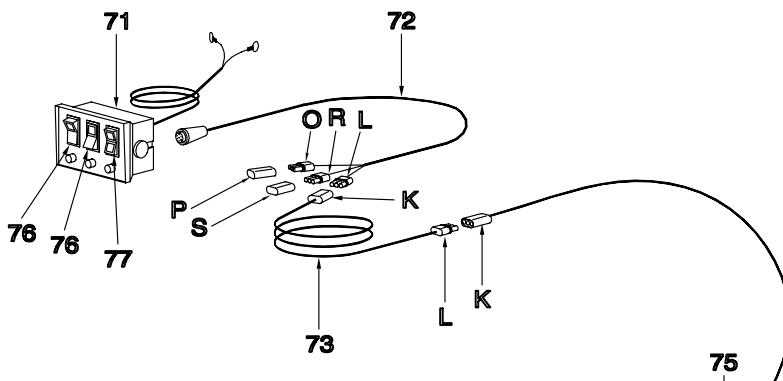
Section Contents

Metering Drive Assembly	2-2
Coated Metering Bodies	2-6
Optional Fertilizer Clutch Assembly	2-8
Remote Clutch Switch	2-10

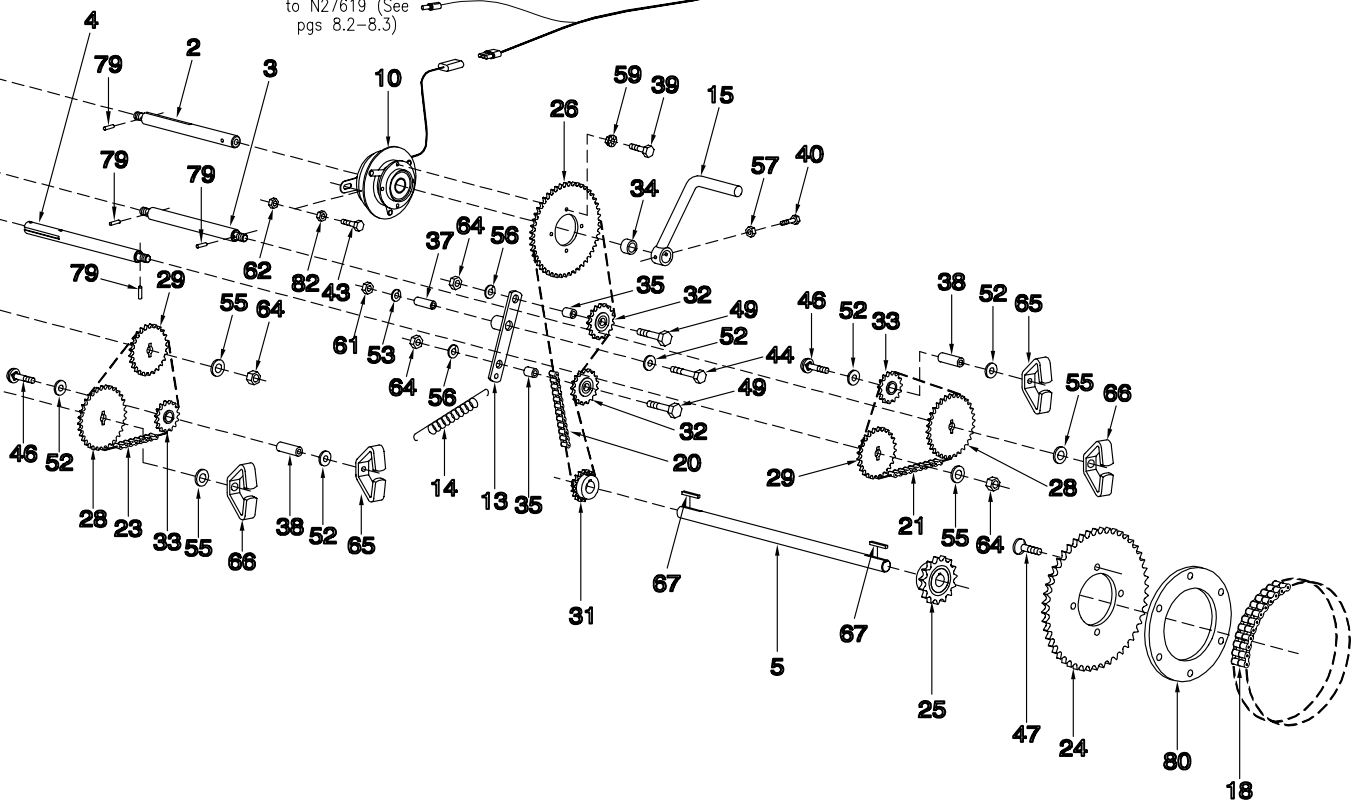
Metering Metering Drive Assembly



Metering Metering Drive Assembly



NOTE:
This end connects
to N27619 (See
pgs 8.2-8.3)



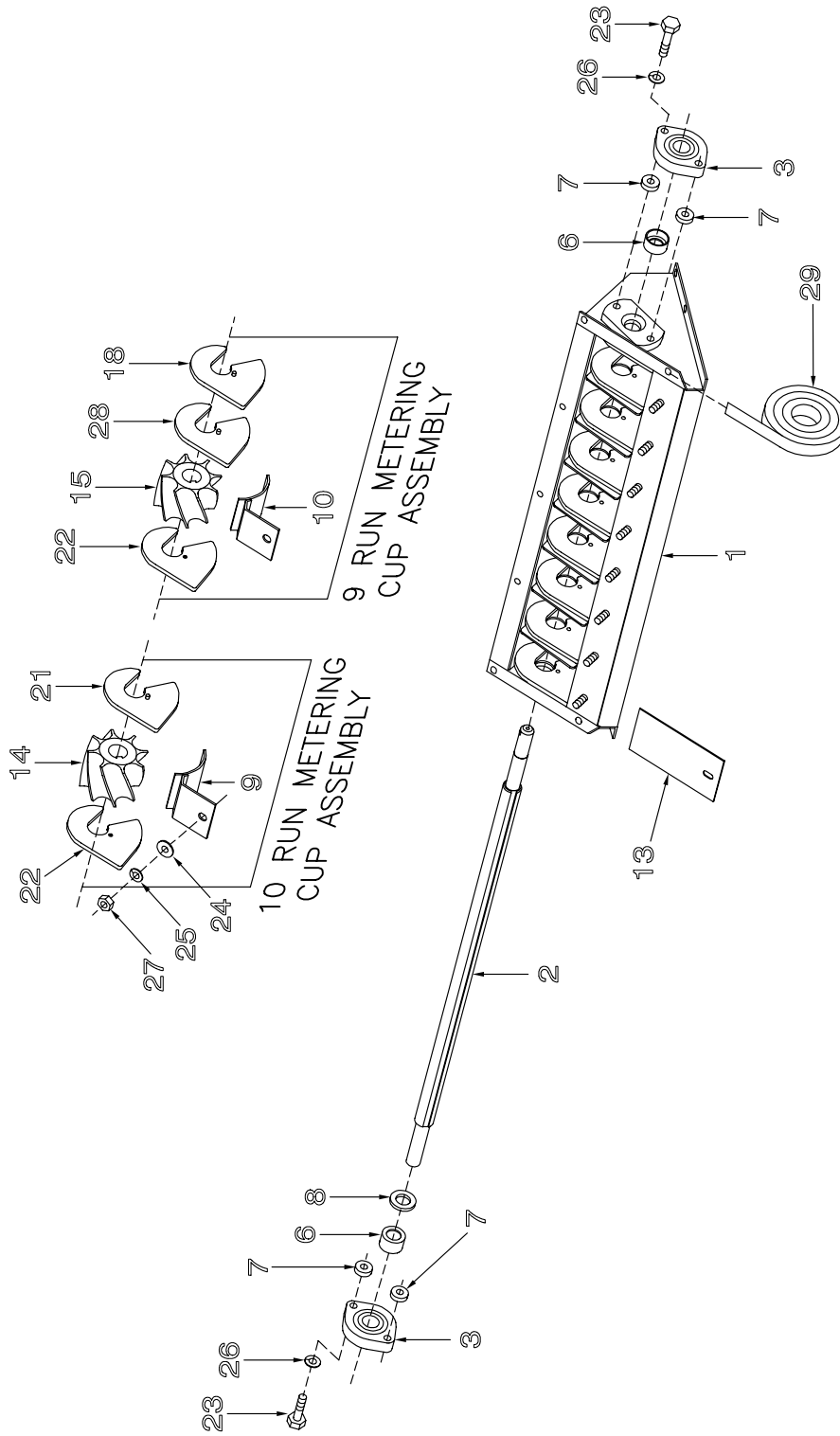
Metering - Metering Drive Assembly

Item	Part No.	Description	Qty
1	N19687	Metering Shaft - 8 Outlet	2
2	N27400	Shaft - Clutch - (P-Drive)	1
3	N27401	Shaft - Rate Change - (P-Drive)	1
4	N27402	Shaft - Meter End - (P-Drive)	2
5	N24782MR	Jackshaft - 23 3/4 Lg	1
6	N27403	Shaft - Slow Speed - 13T - (P-Drive)	1
7	N27404	Shaft - Slow Speed - 40T - (P-Drive)	1
8	N27406	Shaft - Reducer - 40T - (P-Drive)	1
9	N27405	Shaft - Reducer - 13T - (P-Drive)	1
10	N16862	Electric Clutch - 12 Volt	1
11	N21288MR	Coupler - Metering - 7 15/16 Lg	2
12	N19261MR	Arm - Idler	1
13	N19288MR	Arm - Idler	1
14	W-1663MR	Spring - 23/32 OD x 7 9/16 Lg	2
15	N27600	Crank - Calibration (Zinc Plated)	1
16	N19224	Bearing - 2 Bolt Flushmount	2
17	N27411	Flangette Bearing - 1" Bore - (SP)	12
18	N19220	Chain - #60 x 48 Link w/Connector - Double Strand	1
	N19221	Chain Connector - #60 - Double Strand	1
19	N27627	Chain - #40 x 307 Link w/Connector & Offset Link 9130	1
	N27629	Chain - #40 x 347 Link w/Connector & Offset Link 9230	1
20	N27626	Chain - #40 x 134 Link w/Connector 9130	1
	N27630	Chain - #40 x 115 Link w/Connector & Offset Link 9230	1
21	N16903	Chain - #40 x 70 Link w/Connector	1
22	N16113	Chain - #40 x 69 Link w/Connector & Offset Link	2
23	N19258	Chain - #40 x 64 Link w/Connector	1
24	N24774	Sprocket - 60A48 - 6 Dia Bore	1
25	N19223	Sprocket - 60B15	1
26	N27410	Sprocket - 40A48 (Clutch)	1
27		See NOTE "A"	
28		See NOTE "B"	
29	N27425	Sprocket - 40A25 - (P-Drive)	2
30	N27426	Sprocket - 40A26 - (P-Drive)	2
31	N19237	Sprocket - 40B18 - (Drive)	1
32	D17808	Idler Sprocket - 40A17 w/5/8 Bore	4
33	D-5234	Nylon Idler - 40B15	2
34	N19232	Spacer - 23/32 Lg	1
35	N19577	Bushing - 7/8 Lg	2
36	D-5011	Bushing - Spacer - 1 9/16 Lg	1
37	N16156	Spacer - 2 1/8 Lg	1
38	N19460	Bushing - 2 1/2 Lg	3
39	W-469	Hex Bolt - 1/4 x 3/4 Lg	4
40	W-1540	Hex Bolt - 1/4 x 2 Lg	1
41	N22777	Hex Bolt - 1/4 x 2 1/4 Lg - Gr8	4
42	D-5259	Carriage Bolt - 5/16 x 3/4 Lg	24
43	W-187	Hex Bolt - 3/8 x 1 1/4 Lg	1
44	W-1854	Hex Bolt - 3/8 x 3 Lg	1
45	D-5249	Hex Bolt - 3/8 x 3 1/4 Lg	1
46	N19283	Carriage Bolt - 3/8 x 3 1/2 Lg	2
47	N24780	Countersunk Machine Screw - 1/2-20 UNF x 1 3/4 Lg	4
48	H-4584	Carriage Bolt - 1/2 x 1 1/2 Lg	4
49	W-501	Hex Bolt - 5/8 x 2 1/2 Lg	2
50	W-503	Hex Bolt - 5/8 x 3 1/2 Lg	1
51	S-1198	Flatwasher - 1/4	8
52	N19706	Flatwasher - 3/8	6
53	W-523	Lockwasher - 3/8	2
54	W-525	Lockwasher - 1/2	4
55	W-793	Flatwasher - 5/8	7
56	W-526	Lockwasher - 5/8	4
57	N15757	Locknut - 1/4	1

Metering - Metering Drive Assembly

Item	Part No.	Description	Qty
58	N22778	Locknut - 1/4 w/Nylon Insert	4
59	D-5277	Serrated Locknut - 1/4	4
60	D-5278	Serrated Locknut - 5/16	24
61	W-514	Hex Nut - 3/8	2
62	M-3388	Unitorque Locknut - 3/8	1
63	W-516	Hex Nut - 1/2	4
64	W-517	Hex Nut - 5/8	9
65	N27350	Wing Nut - 3/8	2
66	N27370	Wing Nut - 5/8	2
67	S10730	Key - 1/4 x 1/4 x 1 1/4 Lg	2
68	P1318510	Hair Pin - 0.019 - 1/4 x 4 3/8 Lg	1
69	S-752	Grease Zerk - 1/4 Straight	2
70	F-3056	Grease Zerk - 1/4 x 90	2
71	SFN37006	Clutch Switch - Main	1
72	N27012	Clutch Wire - Extension - 8'	1
73	N32456	Clutch Wire - Extension - 16' (Weather Pak)	1
74		1
75	N32466	Clutch Wire(Weather Pak) 9130	1
	N32467	Clutch Wire(Weather Pak) 9230	1
76	N29382	Clutch Rocker Switch - 2 Way - #83301	1
77	N29383	Granular Rocker Switch - 3 Way - #200301	2
78		1
79	N27395	Drive Pin - 3/16 x 1 Lg	7
80	N24779	Spacer Ring - Drive Sprocket (Three Point Hitch)	1
81	W-498	Hex Bolt - 5/8 x 1 3/4 Lg	7
82	S-748	Jam Nut - 3/8	1
	K N28901	Weather Pak Conn - BLUE - 3 Pin Plug	
	L N28902	Weather Pak Conn - BLUE- 3 Pin Socket	
	O N28904	Weather Pak Conn - RED - 3 Pin Socket	
	P N29144	Seal Conn - RED - 3 Pin	
	R N28906	Weather Pak Conn - WHITE - 3 Pin Socket	
	S N28145	Seal Conn - WHITE - 3 Pin	
		See Pg. 8.3 for a complete list of Replacement Connectors	
		 NOTE "A": Drill Opener Spacing Sprockets	
		7 1/2" Spacing Use N27412	
		10" Spacing Use N27417	
		 NOTE "B": Metering Rate Change Sprockets	
	N27412	40A12	N27425 40A25
	N27413	40A13	N27426 40A26
	N27414	40A14	N27427 40A27
	N27415	40A15	N27428 40A28
	N27416	40A16	N27429 40A29
	N27417	40A17	N27431 40A31
	N27418	40A18	N27432 40A32
	N27419	40A19	N27435 40A35
	N27420	40A20	N27438 40A38
	N27421	40A21	N27440 40A40
	N27422	40A22	N27444 40A44
	N27423	40A23	N27445 40A45
	N27424	40A24	
		 NOTE "C": Optional Rate Change Sprockets Offered Through Parts Dept Only	
	N27430	... 40A30	N27437 ... 40A37
	N27433	... 40A33	N27439 ... 40A39
	N27434	... 40A34	N27441 ... 40A41
	N27436	... 40A36	N27442 ... 40A42
	N27443	... 40A43	

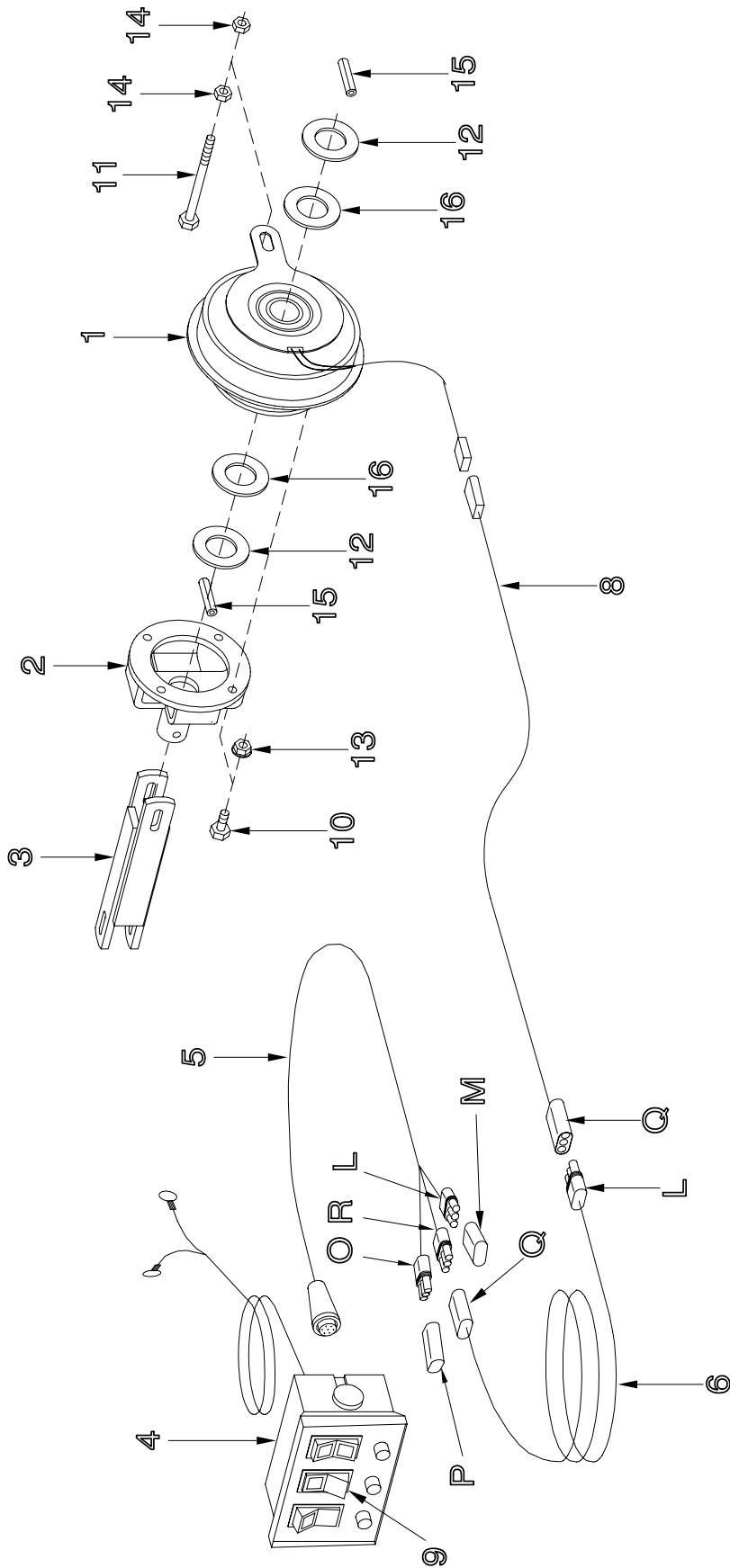
Metering Coated Metering Bodies



Metering - Coated Metering Bodies

Item	Part No.	Description	Qty
1	N28928	Metering Body	1
2	N19687	Metering Shaft - 8 Outlet	1
3	N19269	Bearing Assembly - NTN - 2 Bolt Flange	2
6	N21659	Seal	2
7	N21602	Spacer	4
8	N21612	Backing Washer	1
9	N27090	Slider - #10 Wheel	As req
10	N27089	Slider - #9 Wheel	As req
11		
12		
13	N27605	Cover - Blank Off	As req
14	N42130	Wheel - #10 Metering (Cream Colored) (2.50 width)	As req
15	N42129	Wheel - #9 Metering (Cream Colored) (2.25 width)	As req
16		
17		
18	N27099	Spacer Plate - #9 Wheel (Single - Left)	As req
19		
20		
21	N28927	Plastic Spacer - Wheel (Left)	8
22	N28929	Plastic Spacer - Wheel (Right)	1
	N28492	Roll Pin - 0.188 x 0.5625 MDP - Used in Spacers (Not Shown)	As req
23	W-477	Hex Bolt - 3/8 x 1 1/2 Lg	4
24	D-5488	Flatwasher - 5/16	8
25	W-522	Lockwasher - 5/16	8
26	W-523	Lockwasher - 3/8	4
27	N15114	Hex Nut - 5/16 Stainless Steel	8
28	N28924	Plastic Spacer - Wheel (Without Pin)	7
29	N15716	Seal Strip - 1/4 x 1 x 152 Lg (Bulk/Ft)	8 ft
	N29457	Kit Coated Metering Body Assy (Includes 1, 2, 3, 6, 21, 22, 28)	

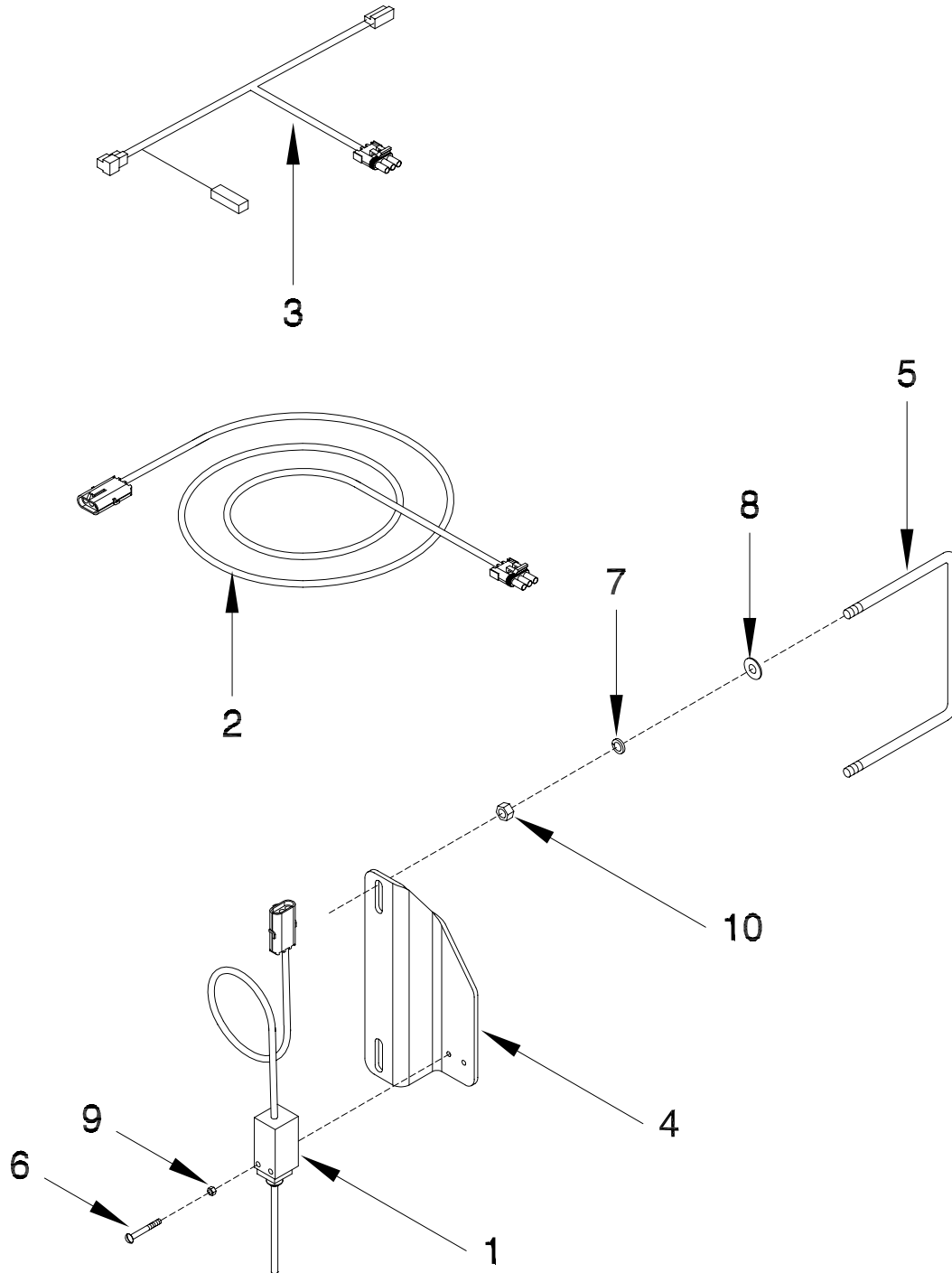
Metering Optional Fertilizer Clutch Assembly



Metering - Optional Fertilizer Clutch Assembly

Item	Part No.	Description	Qty
1	N16862	Electric Clutch - 12 Volt	1
2	N19470	Coupler - Fertilizer Clutch	1
3	N21287MR	Coupler - Metering - 5 5/8 Lg	1
4	SFN37006	Clutch Switch - Main -Sunflower (Fuse 7.5 amp - N30594)	1
5	N27012	Clutch Wire - Extension - 8' (Brylite)	1
6	N32458	Wire - Clutch Extension (Aux) - 16' (Weather Pak)	1
7		
8	N32459	Clutch Wire (Aux)(Weather Pak)	1
	N24583	Clutch Wire (Bulk/Ft)	
9	N29382	Clutch Rocker Switch - 2 Way - #83301	1
10	W-469	Hex Bolt - 1/4 x 3/4 Lg	4
11	C-1550	Hex Bolt - 3/8 x 4 Lg	1
12	H18268	Flatwasher - 1	2
13	D-5277	Serrated Locknut - 1/4	4
14	W-514	Hex Nut - 3/8	2
15	S-4781	Spiral Pin - 1/4 x 1 1/2 Lg	2
16	N31040	Washer - 1 3/4 OD x 16 Ga Thick (As Req'd)	2
		See Pg. 8-3 for a complete list of Replacement Connectors	
L	N28902	Weather Pak Connector - 3 Pin Socket - Blue	
M	N29143	Weather Pak Connector - 3 Pin Seal Plug - Blue	
O	N28904	Weather Pak Connector - 3 Pin Socket - Red	
P	N29144	Weather Pak Connector - 3 Pin Seal Plug - Red	
Q	N28905	Weather Pak Connector - 3 Pin Plug - White	
R	N28906	Weather Pak Connector - 3 Pin Socket - White	

Metering Remote Clutch Switch



Metering - Remote Clutch Switch

Item	Part No.	Description	Qty
1	N32481	Work Switch & Wire - Aircart	1
2	N32457	Wire Clutch Extension (Main) 37 1/2 Ft	1
3	N32483	Connector 'Y' Wire Tow Between	1
4	N34359	Bracket - Switch	1
5	N31209	U-Bolt 3/8 x 7 1/16 x 8	1
6	N32101	Stove Bolt Plated 3/16 x 1 1/2.....	2
7	W-523	Lockwasher - 3/8	2
8	W-538	Flatwasher - 3/8	2
9	N32102	Hex Nut - 3/16	2
10	W-514	Hex Nut - 3/8	2

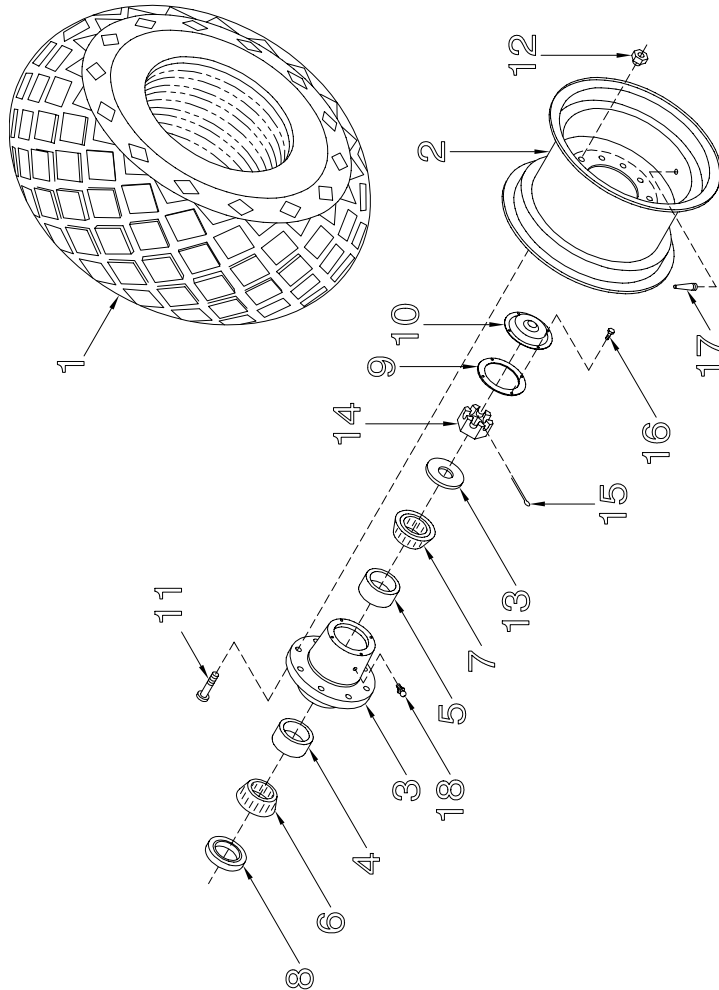
Notes

Section 3: Wheel & Hub

Section Contents

Wheel Assembly	3-2
----------------------	-----

Wheel & Hub Wheel Assembly



Wheel & Hub - Wheel Assembly

Item	Part No.	Description	Qty
1	N25617	Tire (AWT) - 23.1 x 26 (12 Ply Rating)	1
2	SFN34246	Rim - DW20 x 26	1
3	N13950MR	Hub - Non-Drive Wheel (Includes Items 4, 5 & 11)	1
3A	N25479MR	Hub - Drive Wheel (Includes Items 4, 5 & 11)	1
4	N13951	Bearing Cup	1
5	N13952	Bearing Cup	1
6	N13954	Inner Bearing Cone	1
7	N13955	Outer Bearing Cone	1
8	N13956	Seal	1
9	N13959	Gasket	1
10	N13957MR	Dust Cap	1
11	N13953	Wheel Stud Bolt	10
12	N13958	Wheel Nut - 3/4 UNF Flanged	10
13	N13962	Flatwasher	1
14	N19484	Castle Nut - 1 1/4-12 UNF	1
15	N13965	Cotter Pin - 3/16 x 2 1/2	1
16	D-5247	Hex Bolt - 5/16 x 1/2	4
17	N13968	Valve Stem	1
18	S-752	Grease Nipple	1

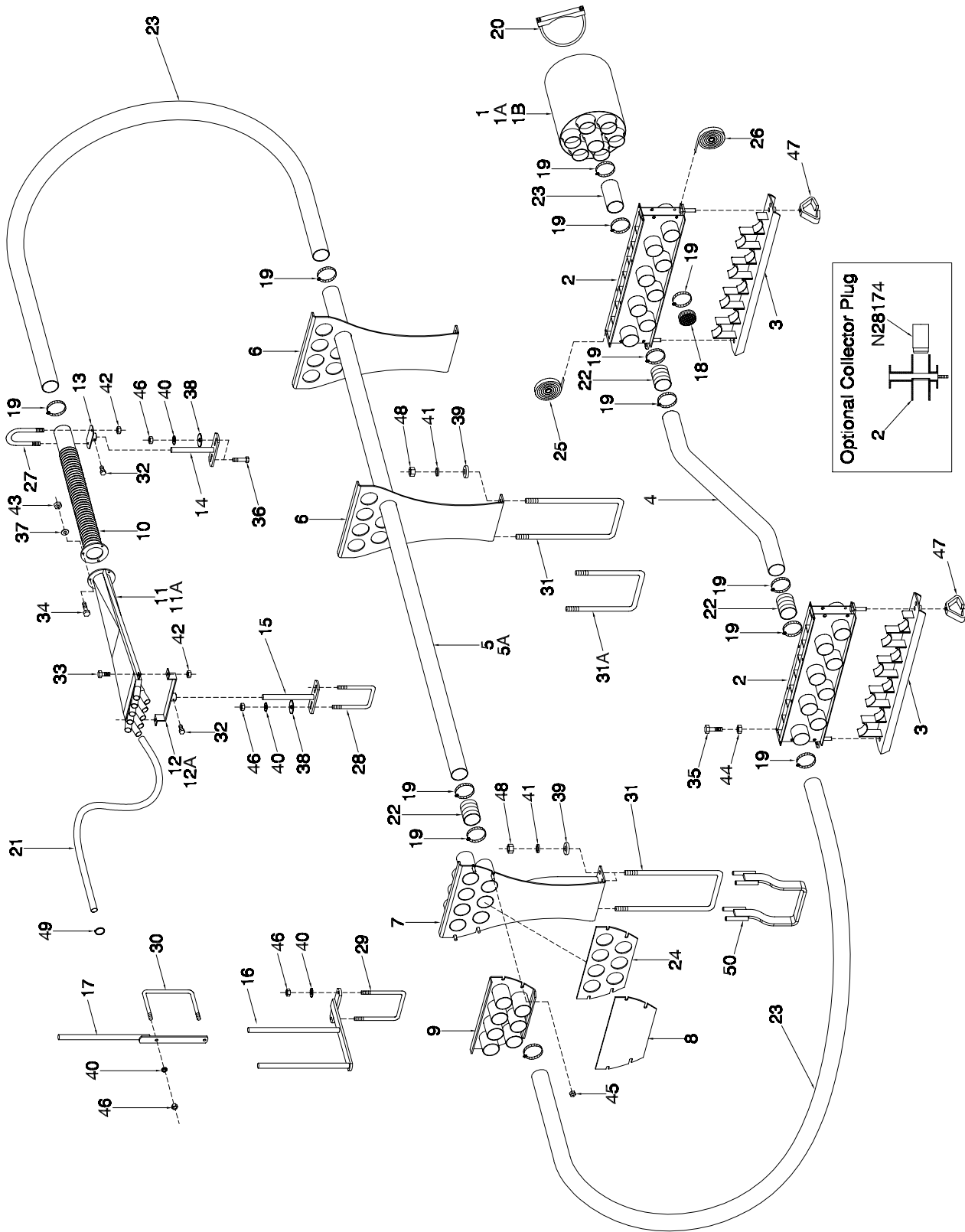
Notes

Section 4: Distribution

Section Contents

Tow Between Single Shoot	4-2
Divider Head	4-4

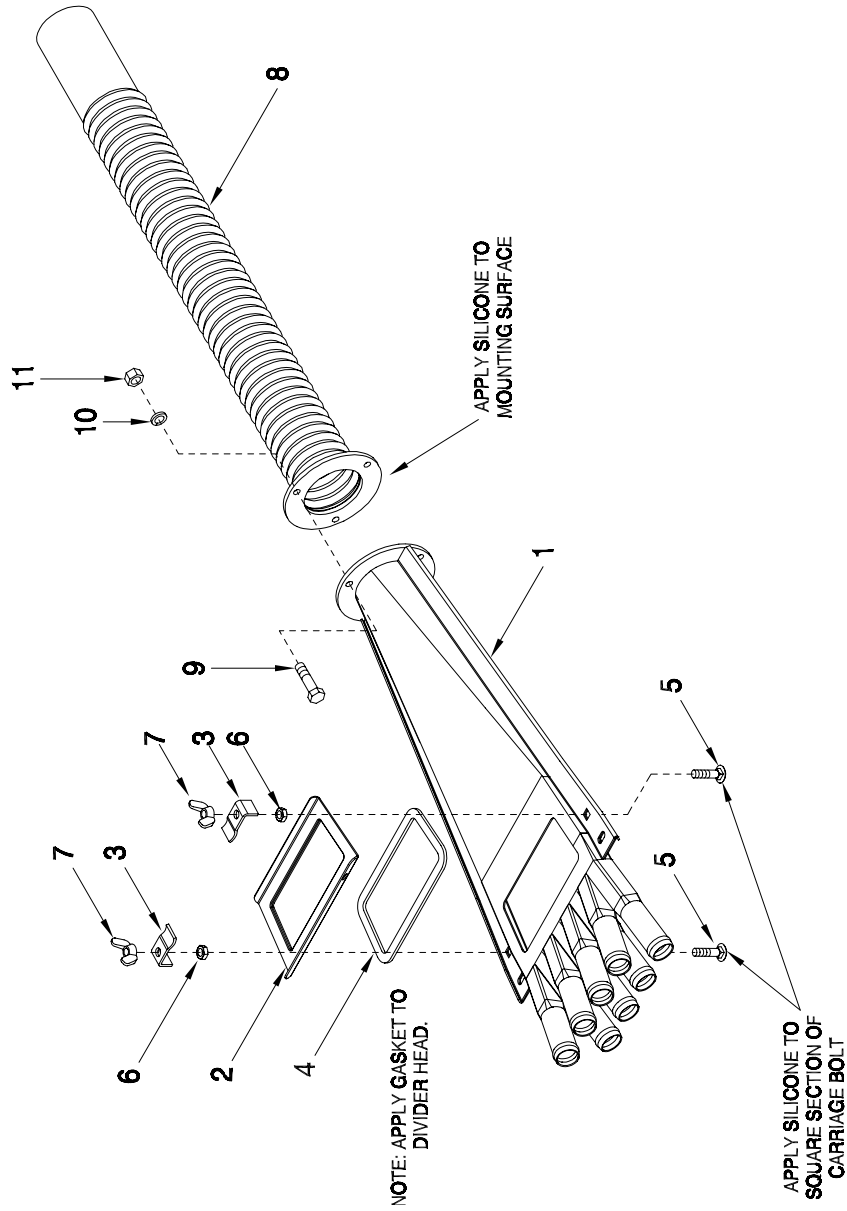
Distribution Tow Between Single Shoot



Distribution - Tow Between Single Shoot

Item	Part No.	Description	No: Used		
			36 R	48 R	64 R
1	N19039MR	Plenum - 7 Outlet	1	0	0
1A	N19042MR	Plenum - 9 Outlet	0	1	0
1B	N19700MR	Plenum - 11 Outlet	0	0	1
2	N19690	Collector - 8 Outlet	2	2	2
3	N19693	Cover - Cleanout - 8 Outlet	2	2	2
4	N27045MR	Tube - Primary - 43 3/4" 9130	4	5	7
	N27050MR	Tube - Primary - 55 3/4" 9230	4	5	7
5	N34033	Tube - Primary - 168" (30 ft Drill Unit)	4	5	7
	N34021	Tube - Primary - 240" (40 ft Drill Unit)	4	5	7
6	N34010	Support - Hose	2	2	2
7	N34012	Coupler - Hose	1	1	1
8	N34011	Blank Off Plate	2	2	2
9	N34008	Coupler - Hose	1	1	1
10	N15135	Pipe - Corr Diff - Divider Head	4	5	7
11	N31190	Divider Assembly - 10 Outlet	0	3	1
11A	N31189	Divider Assembly - 9 Outlet	4	2	6
12	N19406	Support - 10 Outlet	0	3	1
12A	N15595	Support - 9 Outlet	4	2	6
13	N15102	Support - Rear	4	5	7
14	N34355	Support - Bottom - 6 1/4	0	1	1
15	N34356	Support - Bottom - 7 1/2	0	1	1
16	N34015	Support - Bottom	2	2	2
17	N34056	Support - Bottom	4	4	8
18	N11907	Plastic Cap - 2 1/2	19	16	8
19	N11905	Hose Clamp - 2 1/2	67	76	92
20	N15930	U-Clamp - 6 Dia Heavy Duty Flat	1	1	1
21	R480034	Hose - 0.929 ID x 1.169 OD/ft (75 ft roll)	225 ft	375 ft	525 ft
22	N19428	Hose - 2.52 ID x 2.77 OD x 5 Lg	12	15	21
23	R480055	Hose - 2 1/2 ID/ft (50 or 100 ft rolls)	100 ft	125 ft	175 ft
24	N19030	Seal Strip - 1/16 x 6 1/2 x 13 (Bulk/Ft)	1	1	1
25	N15716	Seal Strip - 1/4 x 1 (Bulk/Ft)	10 ft	10 ft	10 ft
26	N19449	Seal Strip - 3/8 x 1 (Bulk/Ft)	10 ft	10 ft	10 ft
27	N15096	U-Bolt - 1/4 x 2 9/16	4	5	7
28	N34024	U-Bolt - 3/8 x 2 x 6	0	1	1
29	N34025	U-Bolt - 3/8 x 5 x 8	2	2	2
30	N31209	U-Bolt - 3/8 x 7 x 8	4	4	8
31	N34023	U-Bolt - 1/2 x 6 x 11 (40 ft Drill Unit)	4	4	4
31A	N34291	U-Bolt - 1/2 x 6 x 8 (30 ft Drill Unit)	2	2	2
32	N24396	Setscrew - 1/4 x 1/2	8	10	14
33	K-3830	Hex Bolt - 1/4 x 1/2 Lg	8	10	14
34	W-469	Hex Bolt - 1/4 x 3/4 Lg	12	15	21
35	F-1767	Hex Bolt - 5/16 x 3/4 Lg	16	16	16
36	W-480	Hex Bolt - 3/8 x 2 1/2 Lg	0	2	2
37	W-521	Lockwasher - 1/4	12	15	21
38	D-5579	Flatwasher - 3/8	4	4	4
39	S-751	Flatwasher - 1/2	6	6	6
40	W-523	Lockwasher - 3/8	12	16	24
41	W-525	Lockwasher - 1/2	6	6	6
42	D-5277	Serrated Locknut - 1/4	16	20	28
43	W-512	Hex Nut - 1/4	12	15	21
44	D-5278	Serrated Locknut - 5/16	16	16	16
45	D-5279	Serrated Locknut - 3/8	4	4	4
46	W-514	Hex Nut - 3/8	12	16	24
47	N27360	Wing Nut - 1/2	4	4	4
48	W-516	Hex Nut - 1/2	6	6	6
49	N11470	Hose Clamp	36	48	64
50	N34290	U-Bolt Mount Strap (30 ft Drill Unit)	1	1	1
	N19000	Decal - "AIRFLOW ARROW"	4	4	4

Distribution Divider Head



Distribution - Divider Head

Item	Part No.	Description	Qty
NINE OUTLET DIVIDER HEAD			
1	N31179	Divider Head - 9 Outlet	1
2	N31162	Access Door - 9 Outlet	1
3	N31165	Clip	2
4	N31173	Gasket - 9 Outlet	1
5	N31012	Carriage Bolt - 5/16 x 1 1/4	2
6	N31014	Hex Jam Nut - 5/16	2
7	N31016	Wing Nut - 5/16	2
	N31189	9 Outlet Divider Head Assembly (Includes All Above Items)	
TEN OUTLET DIVIDER HEAD			
1	N31180	Divider Head - 10 Outlet	1
2	N31163	Access Door - 10 Outlet	1
3	N31165	Clip	2
4	N31174	Gasket - 10 Outlet	1
5	N31012	Carriage Bolt - 5/16 x 1 1/4	2
6	N31014	Hex Jam Nut - 5/16	2
7	N31016	Wing Nut - 5/16	2
	N31190	10 Outlet Divider Head Assembly (Includes All Above Items)	
CORRUGATED DIFFUSER PIPE			
8	N15135	Pipe - Corr Diff - Divider Head	1
9	W-469	Hex Bolt - 1/4 x 3/4	3
10	W-521	Lock Washer - 1/4	3
11	W-512	Hex Nut - 1/4	3

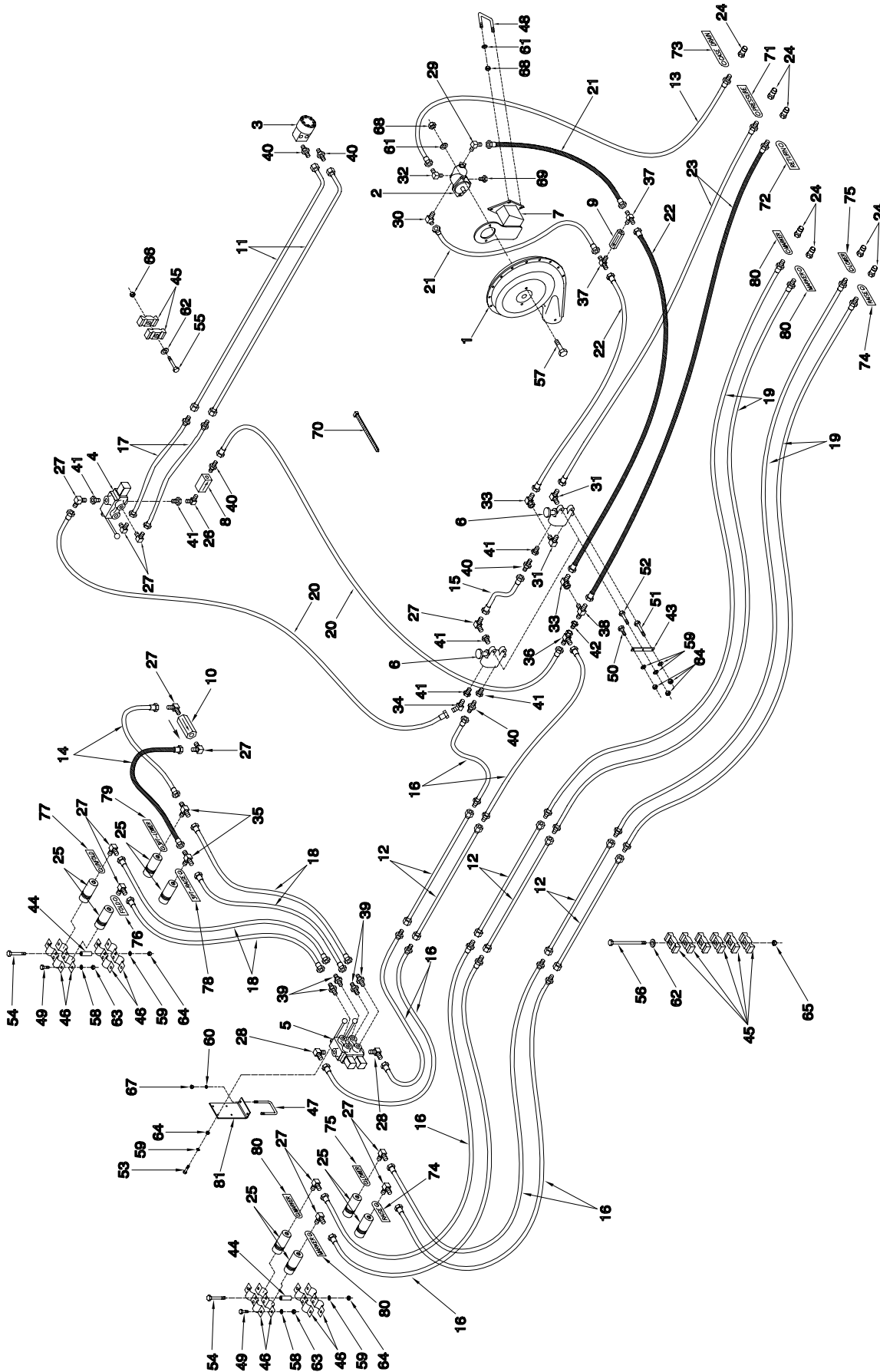
Notes

Section 5: Fan & Auger Drives

Section Contents

Auger Hydraulics w/Hydraulic Fan Drive (Prior to July 2005)	5-2
Auger Hydraulics w/Hydraulic Fan Drive (From July 2005)	5-4

Fan & Auger Drives Auger Hydraulics w/Hydraulic Fan Drive (Prior to October 2005)

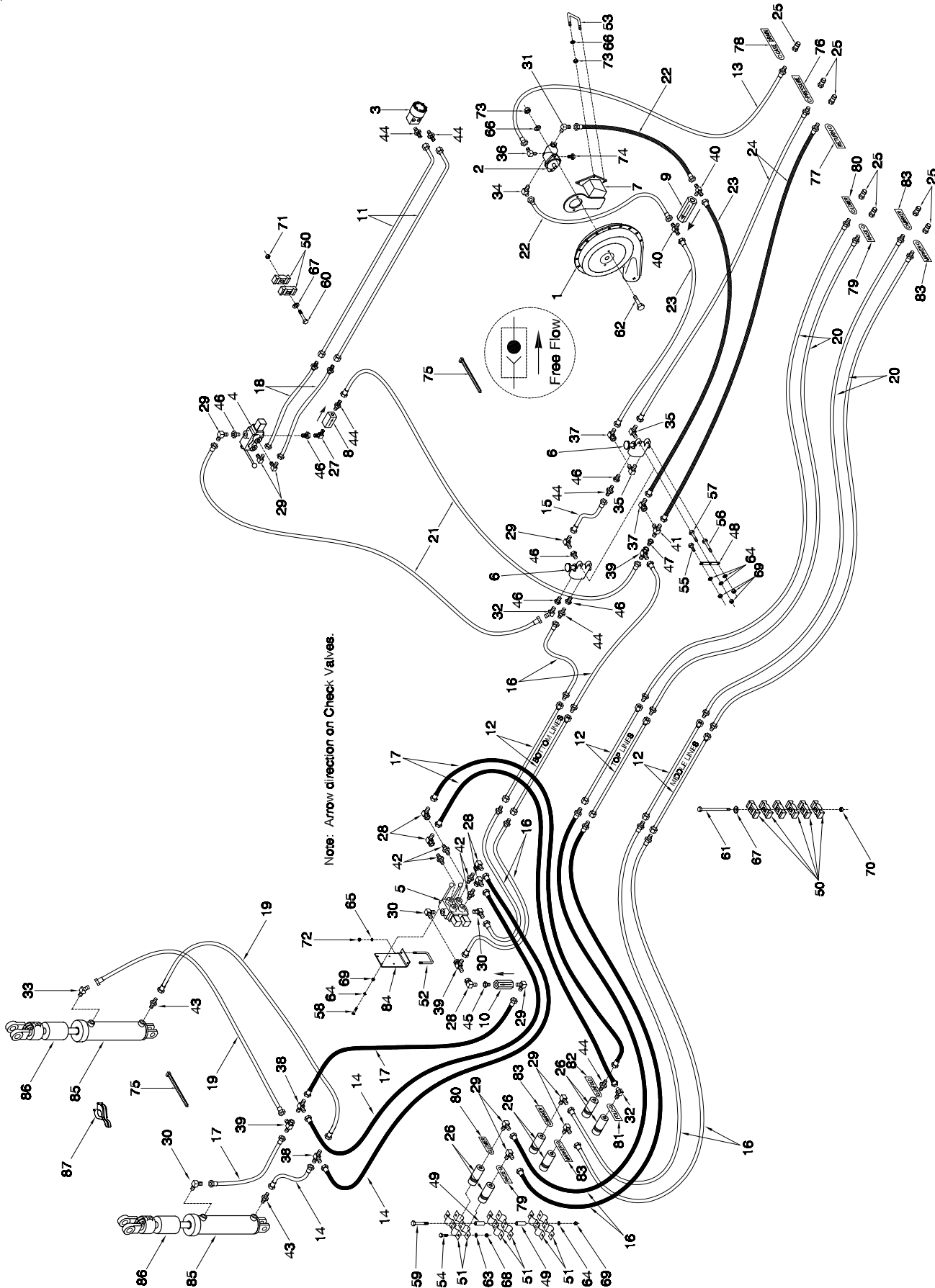


Auger Hydraulics with Hydraulic Fan Drive (Prior to October 2005)

Item	Part No.	Description	Qty	Item	Part No.	Description	Qty
1	N16263	Fan (See pg 72)	1	36	H18746	Swivel Tee - (2) 7/8-14 MJIC x 7/8-14 FJIC	1
2	N29372	Hydraulic Motor - Rexroth - 12cc	1	37	N16388	Male Tee - (2) 1 1/16-12 JIC x (1) 1 1/16-12 ORB	2
	N25508	Seal Kit for Rexroth Motors - 12cc		38	N19549	Male Tee - (3) 1 1/16-12 JIC	1
	N25507	Seal Only for Rexroth Motors 12cc		39	N34047	Connector - 7/8-14 MJIC x 3/4-16 ORB	4
3	N15982	Orbit Motor	1	40	C-4399	Connector - 7/8-14 MJIC x 1/2 MNPT	3
	N16731	Seal Kit for N15982		41	N15032	Reducer - 3/4 MNPT x 1/2 FNPT	6
	N25319	Shaft for N15982	1	42	N19337	Reducer - 7/8-14 MJIC x 1 1/16-12 FJIC	1
4	N15024MR	Control Valve	1	43	N19713MR	Strap	2
	N31605	Seal Kit for N15024		44	N19458	Spacer - 2"	4
	N24595	Handle for N15024	1	45	C-4698	Nylon Oil Line Clamp	16
5	N34048MR	Control Valve - Double Spool	1	46	N16608	Coupler Clamp - Female Pioneer	8
	N34087	Seal Kit for N34048		47	N15098	U-Bolt - 3/8 x 4 x 5	1
	N34051	Handle for N34048	1	48	H21351	U-Bolt - 1/2 x 6 1/16 x 5 1/16 9130	2
6	N19340MR	Selector Valve - 3/4 FNPT	2	49	N31034	U-Bolt - 1/2 x 8 1/16 x 5 1/16 9230	2
	N31603	Seal Kit for N19340		50	W-469	Hex Bolt - 1/4 x 3/4 Lg	8
	C36358	Knob for N19340	2	51	F-1767	Hex Bolt - 5/16 x 3/4 Lg	2
7	N31032MR	Fan Mount Bracket 9130	1	52	C-3035	Hex Bolt - 5/16 x 1 3/4 Lg	2
	N31033MR	Fan Mount Bracket 9230	1	53	S-1303	Hex Bolt - 5/16 x 2 Lg	2
8	N15023	Check Valve - 1/2 FNPT	1	54	S-1302	Hex Bolt - 5/16 x 2 1/2 Lg	3
9	N16399	Check Valve - 0 PSI - 1 1/16-12 ORB	1	55	N28332	Hex Bolt - 5/16 x 3 1/2 Lg	4
10	H-5545	Check Valve - 1/2 FNPT	1	56	W-479	Hex Bolt - 3/8 x 2 1/4 Lg	2
11	F-4560	Oil Line - 5/8 x 99 Lg w/90 Bend	2	57	C-3664	Hex Bolt - 3/8 x 5 Lg	2
12	C-4367	Oil Line - 5/8 x 80 Lg 9130	6	58	S-1189	Hex Bolt - 1/2 x 1 3/4 Lg	2
	C-4369	Oil Line - 5/8 x 96 Lg 9230	6	59	W-521	Lockwasher - 1/4	8
13	N16181	Hyd Hose - 3/8 x 156 Lg w/9/16-18 FJIC x 1/2 MNPT	1	60	W-522	Lockwasher - 5/16	13
14	N34366	Hyd Hose - 1/2 x 12 Lg w/7/8-14 FJIC	2	61	W-523	Lockwasher - 3/8	2
15	C-4383	Hyd Hose - 1/2 x 20 Lg w/7/8-14 FJIC	1	62	W-525	Lockwasher - 1/2	6
16	C-4385	Hyd Hose - 1/2 x 24 Lg w/7/8-14 MJIC x 7/8-14 FJIC	8	63	W-538	Flatwasher - 3/8	4
17	C-4387	Hyd Hose - 1/2 x 36 Lg w/7/8-14 MJIC x 7/8-14 FJIC	2	64	W-513	Hex Nut - 1/4	8
	C-4389	Hyd Hose - 1/2 x 60 Lg w/7/8-14 MJIC x 7/8-14 FJIC	2	65	W-513	Hex Nut - 5/16	13
18	K-5685	Hyd Hose - 1/2 x 24 Lg w/7/8-14 MJIC x 7/8-14 FJIC	4	66	M-3388	Locknut - 3/8 Unitorque	2
19	N19548	Hyd Hose - 1/2 x 132 Lg w/7/8-14 MJIC x 1/2 MNPT	4	67	D-5279	Serrated Locknut - 3/8	2
20	N19365	Hyd Hose - 1/2 x 140 Lg w/7/8-14 MJIC x 7/8-14 FJIC 9130	2	68	W-514	Hex Nut - 3/8	2
	N21721	Hyd Hose - 1/2 x 180 Lg w/7/8-14 MJIC x 7/8-14 FJIC 9230	2	69	W-516	Hex Nut - 1/2	6
21	N25644	Hyd Hose - 3/4 x 35 Lg w/1 1/16-12 FJIC	2	70	N16621	Plug - 9/16-18 UNF ORB	1
22	N25644	Hyd Hose - 3/4 x 35 Lg w/1 1/16-12 FJIC	2	71	D-4838	Nylon Tie Strap (black) - 14 1/2 Lg	8
23	N16454	Hyd Hose - 3/4 x 130 w/1 1/16-12 FJIC x 1/2 MNPT	2	72	N29962	Tag - Hose ID - Air Tank - Fan/Auger - PRESSURE	1
24	C-817	Male Pioneer Tip - 1/2 FNPT	7	73	N29963	Tag - Hose ID - Air Tank - Fan/Auger - RETURN	1
25	C-818	Pioneer Coupler - 1/2 FNPT	8	74	N29964	Tag - Hose ID - Air Tank - Fan/Auger - CASE DRAIN	1
26	N15033	90 Male Elbow - 1/2 MNPT	1	75	S29958	Tag - Hose ID - Depth Control - RAISE	2
27	C-4400	90 Male Elbow - 7/8-14 MJIC x 1/2 MNPT	12	76	S29959	Tag - Hose ID - Depth Control - LOWER	2
28	C24585	90 Male Elbow - 7/8-14 MJIC x 3/4-16 ORB	2	77	S29960	Tag - Hose ID - Wing Lift - FOLD	1
29	N16359	90 Male Elbow - 1 1/16-12 MJIC x 1 1/16-12 ORB	1	78	S29961	Tag - Hose ID - Wing Lift - UNFOLD	1
30	N31096	45 Male Elbow - 1 1/16-12 MJIC x 1 1/16-12 ORB	1	79	N34362	Tag - Hose ID - Three Point Hitch - RAISE	1
31	N19341	90 Male Elbow - 1 1/16-12 MJIC x 3/4 MNPT	2	80	N34363	Tag - Hose ID - Three Point Hitch - LOWER	1
32	N16143	90 Male Elbow - 9/16-18 MJIC x 9/16-18 ORB	1	81	N34364	Tag - Hose ID - Wheel Marker	2
33	N21189	90 Male Elbow - 1 1/16-12 MJIC x 1 1/16-12 FJIC	1		N34052MR	Mounting Plate - Control Valve	1
34	C-4402	45 Male Elbow - 7/8-14 MJIC x 1/2 MNPT	2				
35	C-4396	Male Tee - (2) 7/8-14 MJIC x (1) 1/2 MNPT	1				

Fan & Auger Drives

Auger Hydraulics w/Hydraulic Fan Drive (From October 2005)



Auger Hydraulics with Hydraulic Fan Drive (From October 2005)

Item	Part No.	Description	Qty	Item	Part No.	Description	Qty
1	N16263	Fan (See pg 7-2)	1	40	N16388	Male Tee - (2) 1 1/16-12 JIC x (1) 1 1/16-12 ORB	2
2	N29372	Hydraulic Motor - Rexroth - 12cc	1	41	N19549	Male Tee - (3) 1 1/16-12 JIC	1
	N25508	Seal Kit for Rexroth Motors - 12cc		42	N34047	Connector - 7/8-14 MJIC x 9/16-18 MORB	4
3	N25507	Seal Only for Rexroth Motors 12cc	1	43	C14840	Connector - 7/8-14 MJIC x 3/4-16 MORB	2
	N15982	Orbit Motor		44	C-4399	Connector - 7/8-14 MJIC x 1/2 MNPT	5
	N16731	Seal Kit for N15982	1	45	N40509	Connector - 7/8-14 FJIC x 1/2 MNPT	1
4	N25319	Shaft for N15982	1	46	N15032	Reducer - 3/4 MNPT x 1/2 FNPT	6
	N15024	Control Valve	1	47	N19337	Reducer - 7/8-14 MJIC x 1 1/16-12 FJIC	1
	N31605	Seal Kit for N15024		48	N19713	Strap	2
	N24595	Handle for N15024	1	49	N19458	Spacer - 2"	4
5	N34048	Control Valve - Dbl Spool	1	50	C-4698	Nylon Oil Line Clamp	16
	N34087	Seal Kit for N34048		51	N16608	Coupler Clamp - Female Pioneer	6
	N34051	Handle for N34048	1	52	N15098	U-Bolt - 3/8 x 4 x 5	1
6	N19340	Selector Valve - 3/4 FNPT	2	53	H21351	U-Bolt - 1/2 x 6 1/16 x 5 1/16 (7180)	2
	N31603	Seal Kit for N19340			N31034	U-Bolt - 1/2 x 8 1/16 x 5 1/16 (7240)	2
	C36358	Knob for N19340	2	54	W-469	Hex Bolt - 1/4 x 3/4 Lg	6
7	N31032	Fan Mount Bracket 7180	1	55	F-1767	Hex Bolt - 5/16 x 3/4 Lg	2
	N31033	Fan Mount Bracket 7240	1	56	C-3035	Hex Bolt - 5/16 x 1 3/4 Lg	2
8	N15023	Check Valve - 1/2 FNPT	1	57	S-1303	Hex Bolt - 5/16 x 2 Lg	2
9	N16399	Check Valve - 0 PSI - 1 1/16-12 ORB	1	58	S-1302	Hex Bolt - 5/16 x 2 1/2 Lg	3
10	H-5545	Check Valve - 1/2 FNPT	1	59	N31314	Hex Bolt - 5/16 x 5 1/2 Lg	2
11	F-4560	Oil Line - 5/8 x 99 Lg w/90 Bend	1	60	W-479	Hex Bolt - 3/8 x 2 1/4 Lg	2
12	C-4367	Oil Line - 5/8 x 80 Lg (7180)	6	61	C-3664	Hex Bolt - 3/8 x 5 Lg	2
	C-4369	Oil Line - 5/8 x 96 Lg (7240)	6	62	S-1189	Hex Bolt - 1/2 x 1 3/4 Lg	2
13	N16181	Hyd Hose - 3/8 x 156 Lg w/9/16-18 FJIC x 1/2 MNPT	1	63	W-521	Lockwasher - 1/4	8
14	N34366	Hyd Hose - 1/2 x 12 Lg w/7/8-14 FJIC	3	64	W-522	Lockwasher - 5/16	13
15	C-4383	Hyd Hose - 1/2 x 20 Lg w/7/8-14 FJIC	1	65	W-523	Lockwasher - 3/8	2
16	C-4385	Hyd Hose - 1/2 x 24 Lg w/7/8-14 MJIC x 7/8-14 FJIC	8	66	W-525	Lockwasher - 1/2	6
17	C-4468	Hyd Hose - 1/2 x 24 Lg w/7/8-14 FJIC x 7/8-14 FJIC	4	67	W-538	Flatwasher - 3/8	4
18	C-4387	Hyd Hose - 1/2 x 36 Lg w/7/8-14 MJIC x 7/8-14 FJIC (7180)	2	68	W-512	Hex Nut - 1/4	8
	C-4389	Hyd Hose - 1/2 x 60 Lg w/7/8-14 MJIC x 7/8-14 FJIC (7240)	2	69	W-513	Hex Nut - 5/16	13
19	C-18779	Hyd Hose - 1/2 x 72 Lg w/7/8-14 FJIC x 7/8-14 FJIC	2	70	M-3388	Locknut - 3/8 Unitorque	2
20	N19548	Hyd Hose - 1/2 x 132 Lg w/7/8-14 MJIC x 1/2 MNPT	4	71	D-5279	Serrated Locknut - 3/8	2
21	N19365	Hyd Hose - 1/2 x 140 Lg w/7/8-14 MJIC x 7/8-14 FJIC (7180)	2	72	W-514	Hex Nut - 3/8	2
	N21721	Hyd Hose - 1/2 x 180 Lg w/7/8-14 MJIC x 7/8-14 FJIC (7240)	2	73	W-516	Hex Nut - 1/2	6
22	N25644	Hyd Hose - 3/4 x 35 Lg w/1 1/16-12 FJIC	2	74	N16621	Plug - 9/16-18 UNF ORB	1
23	N25644	Hyd Hose - 3/4 x 35 Lg w/1 1/16-12 FJIC	2	75	D-4838	Nylon Tie Strap (black) - 14 1/2 Lg	12
24	N16454	Hyd Hose - 3/4 x 130 w/1 1/16-12 FJIC x 1/2 MNPT	2	76	N29962	Tag - Hose ID - Air Tank - Fan/Auger - PRESSURE	1
25	C-817	Male Pioneer Tip - 1/2 FNPT	7	77	N29963	Tag - Hose ID - Air Tank - Fan/Auger - RETURN	1
26	C-818	Pioneer Coupler - 1/2 FNPT	6	78	N29964	Tag - Hose ID - Air Tank - Fan/Auger - CASE DRAIN	1
27	N15033	90 Male Elbow - 1/2 MNPT	1	79	S29958	Tag - Hose ID - Depth Control - RAISE	2
28	K-5806	90 Elbow - 7/8-14 FJIC x 7/8-14 MJIC	1	80	S29959	Tag - Hose ID - Depth Control - LOWER	2
29	C-4400	90 Male Elbow - 7/8-14 MJIC x 1/2 MNPT	5	81	S29960	Tag - Hose ID - Wing Lift - FOLD	1
30	C24585	90 Male Elbow - 7/8-14 MJIC x 3/4-16 ORB	9	82	S29961	Tag - Hose ID - Wing Lift - UNFOLD	1
31	N16359	90 Male Elbow - 1 1/16-12 MJIC x 1 1/16-12 ORB	3	83	N34364	Tag - Hose ID - Wheel Marker	4
32	C-4402	45 Male Elbow - 1/2 MNPT x 7/8-14 MJIC	2	84	N34052	Mounting Plate - Control Valve	1
33	C-26333	45 Male Elbow - 3/4-16 MORB x 7/8-14 MJIC	1	85	C26300	Cylinder - 4 x 12 Lg	1
34	N31096	45 Male Elbow - 1 1/16-12 MJIC x 1 1/16-12 ORB	1	86	N32069	Spacer - Stroke Control 1.375 ID (Aluminum)	2
35	N19341	90 Male Elbow - 1 1/16-12 MJIC x 3/4 MNPT	2	87	S25939	Spacer - Cylinder Stroke (Aluminum) Not included with cylin	2
36	N16143	90 Male Elbow - 9/16-18 MJIC x 9/16-18 ORB	1		N19031	Decal - Auger/Fan (Not Shown)	1
37	N21189	90 Male Elbow - 1 1/16-12 MJIC x 1 1/16-12 FJIC	2		N34026	Decal - Auger/Aux Hyd (Not Shown)	1
38	C-4994	Male Tee - (3) 7/8-14 MJIC	2		N34288	Decal - Fold/Unfold (Not Shown)	1
39	H18746	Swivel Tee - (2) 7/8-14 MJIC x 7/8-14 FJIC	3				

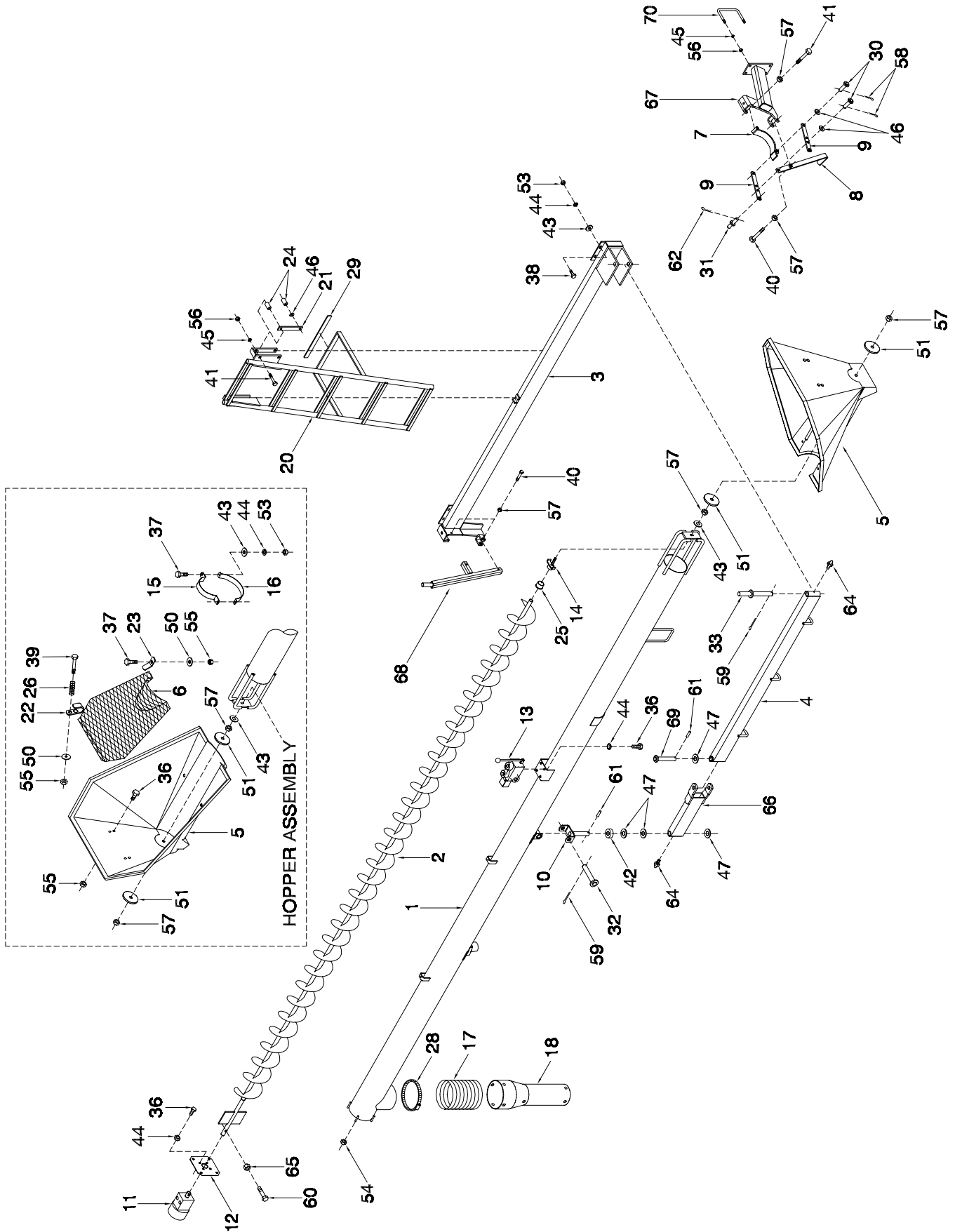
Notes

Section 6: Auger

Section Contents

9130 - 7" Auger Assembly Front Mount	6-2
9230 - 7" Auger Assembly Front Mount	6-4
9230 - 8" Auger Assembly Front Mount	6-6

Auger 9130 - 7" Auger Assembly Front Mount

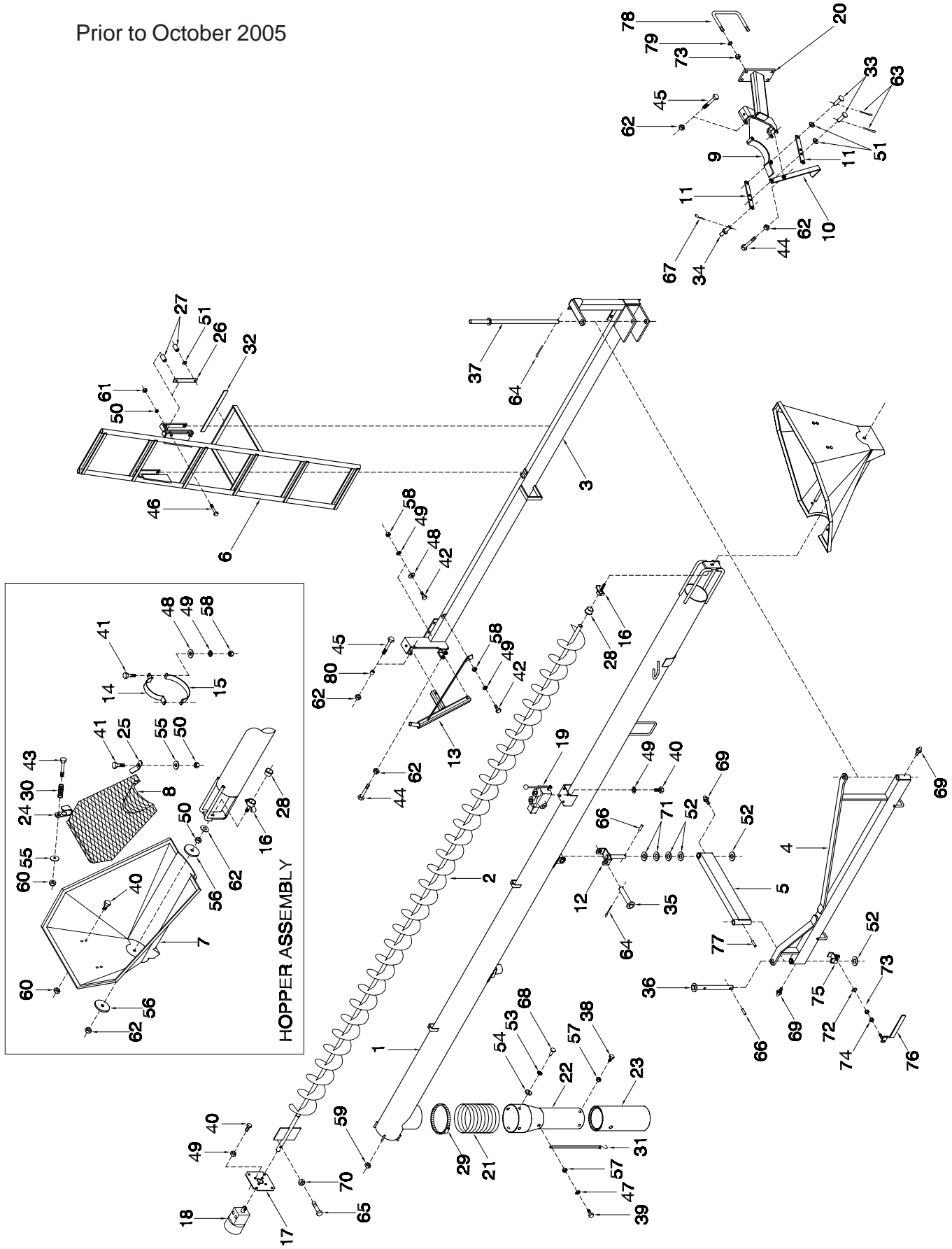


Auger - 9130 - 7" Auger Assembly Front Mount

Item	Part No.	Description	Qty	Item	Part No.	Description	Qty
1	N34049MR	Auger Housing - 7 x 222 Lg 9130	1	41	W-495	Hex Bolt - 1/2 x 4 Lg	5
2	N25544MR	Flyteing - 7 x 219 1/2 Lg 9130	1	42	N19192	Bushing - 1 ID x 1 1/2 OD x 1/2	1
3	N27645MR	Auger Mount Bracket	1	43	W-538	Flatwasher - 3/8	10
4	N27680MR	Auger Arm - 63 1/2	1	44	W-523	Lockwasher - 3/8	18
5	N19784	Auger Hopper - 44	1	45	W-525	Lockwasher - 1/2	8
6	N31020MR	Screen	1	46	W-539	Washer - 9/16 ID x 1 3/8 OD x 12 Ga	4
7	N28915MR	Cradle - 7"	1	47	D10803	Flatwasher - 1	4
8	N33553MR	Handle w/Grip	1	48	D-5487	Outside Washer - 1/2 OD x 3/16 ID	4
	N32769	Grip for N33553	1	49	D10788	Inside Washer - 7/8 OD x 3/16 ID	4
9	N19737MR	Handle for N33553	2	50	W14504	Flatwasher - 1 1/2 OD	4
10	N19195MR	Link	1	51	N17232MR	Flatwasher - 4 1/8 OD	2
11	N15982MR	Saddle - Auger Pivot	1	52			
	N16731	Orbit Motor	1	53	W-514	Hex Nut 3/8	10
	N25319	Seal Kit for N15982		54	D-5279	Serrated Locknut - 3/8	4
12	N19480MR	Shaft for N15982	1	55	M-3388	Locknut - 3/8 Unitorque	6
13	N15024MR	Mount Plate	1	56	W-516	Hex Nut - 1/2	8
	N31605	Control Valve	1	57	F-3405	Locknut - 1/2 Unitorque	5
	N24595	Seal Kit for N15024		58	W-907	Cotter Pin - 5/32 x 3/4 Lg	2
14	N22809MR	Handle for N15024	1	59	W-535	Cotter Pin - 1/4 x 1 1/2 Lg	2
15	N21293MR	Bearing Support	1	60	S-1303	Hex Bolt - 5/16 x 2 Lg	1
16	N21294MR	Strap - Upper - 3 1/2	1	61	W-1002	Spiral Pin - 5/16 x 2 Lg	2
17	N22802	Strap - Lower - 4 3/4	1	62	W-131	Hairpin - #9 - 0.148 x 3 5/16 Lg	1
18	N22799	Hose - Flex - 7 Dia x 12 Lg	1	63	D-4945	Pop Rivet - 3/16 x 3/8 GRIP	4
19		Auger Spout	1	64	S-752	Grease Zerk - 1/4 Straight	2
20	N27755	Ladder - Auger Access 9130	1	65	D-5278	5/16" Serrated Locknut	1
21	N27761	Wear Plate - Ladder	2	66	N34020MR	Outer Auger Arm	1
22	N27705	Latch - Auger Screen - Lower	2	67	N34000MR	Auger Latch Support	1
23	N27706	Latch - Auger Screen - Upper	2	68	N34005MR	Auger Support	1
24	N27759	Bushing - 3/4 OD x 1 7/8 Lg	4	69	N31628	Pin - 1 x 5 29/32	1
25	C22785	Bushing (Blue) - 1 5/8 OD x 3/4 Lg	1	70	H21351	U-Bolt - 1/2 x 6 x 5	2
26	N15045MR	Spring - 0.59 OD x 1 1/4 Lg	2				
27							
28	N15462	Hose Clamp - 8 Dia	1		N34477	Reflector - AMBER (Not Shown)	2
29	N19449	Seal Strip - 3/8 x 1 (Bulk/Ft)	15"		N19031	Decal - Information (Not Shown)	1
30	BW-8	Pin - 1/2 x 1 1/32 UL	2		N19032	Decal - Information (Not Shown)	1
31	N19745	Lock Pin - 1/2 x 1 1/32 UL	1		N19033	Decal - Danger (Not Shown)	1
32	N17217	Pin - 1 x 4 3/4 UL	1		N19034	Decal - Danger (Not Shown)	1
33	N27700	Pin - Auger Pivot - 1 Dia	1				
36	W-867	Hex Bolt - 3/8 x 3/4 Lg	10				
37	W-475	Hex Bolt - 3/8 x 1 Lg	4				
38	W-187	Hex Bolt - 3/8 x 1 1/4 Lg	8				
39	W-478	Hex Bolt - 3/8 x 2 Lg	2				
40	W-492	Hex Bolt - 1/2 x 3 Lg	3				

Auger 9230 - 7" Auger Assembly Front Mount

Prior to October 2005

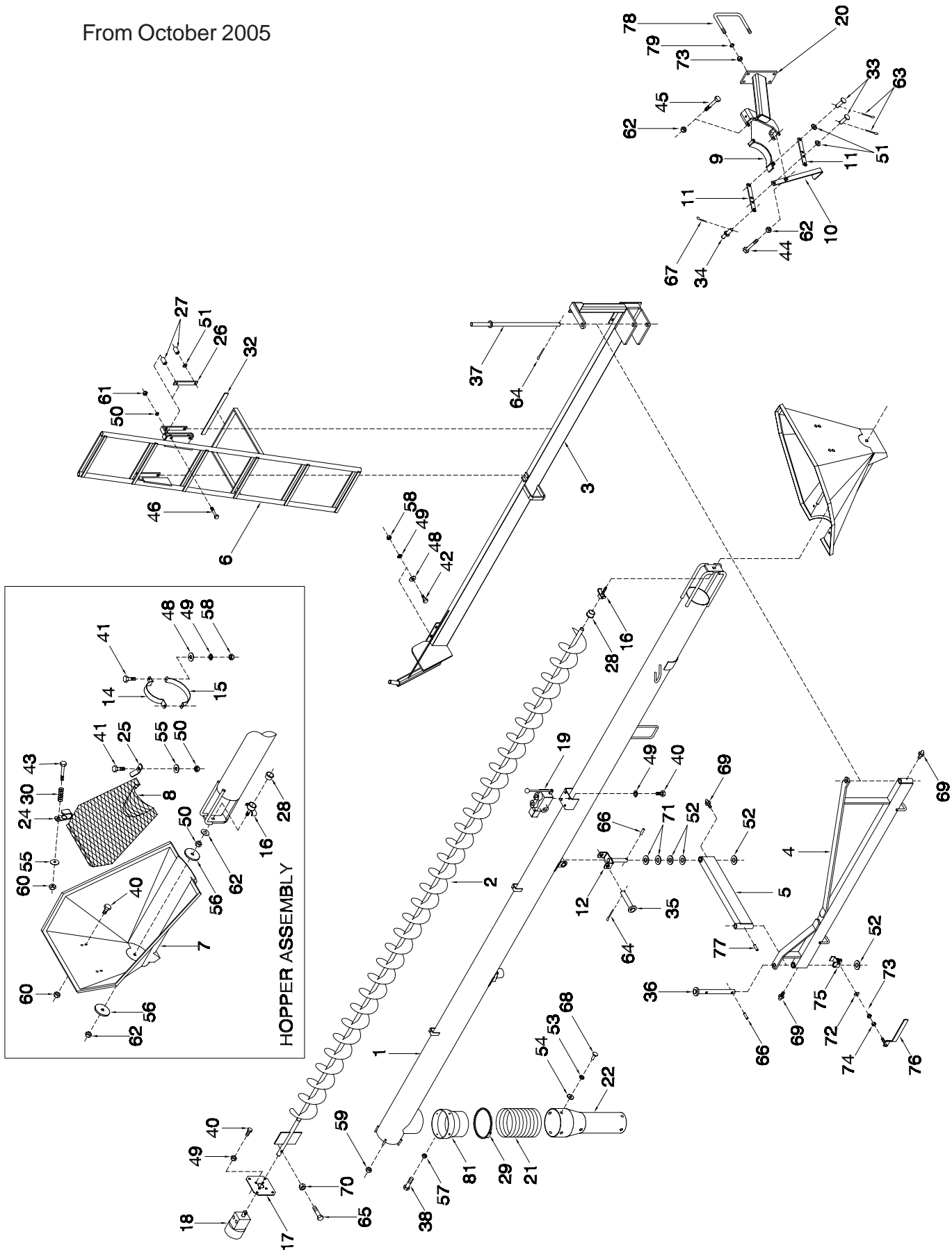


Auger - 9230 - 7" Auger Assembly Front Mount

Item	Part No.	Description	Qty	Item	Part No.	Description	Qty
1	N34069MR	Auger Housing - 7" x 240 Lg	1	42	W-187	Hex Bolt - 3/8 x 1 1/4 Lg	4
2	N27675MR	Flyfeing - 7" x 237 1/2 Lg	1	43	W-478	Hex Bolt - 3/8 x 2 Lg	9
3	N27650MR	Auger Mount Bracket	1	44	W-492	Hex Bolt - 1/2 x 3 Lg	2
4	N21735MR	Arm - Auger - 72"	1	45	W-493	Hex Bolt - 1/2 x 3 1/2 Lg	2
5	N28328MR	Arm - Auger - 26"	1	46	W-1575	Hex Bolt - 1/2 x 5 Lg	2
6	N27760	Ladder - Auger Access	1	47			
7	N19784	Auger Hopper - 44"	1	48	W-538	Flatwasher - 3/8	10
8	N31020MR	Screen	1	49	W-523	Lockwasher - 3/8	19
9	N34067MR	Cradle - Auger - 7"	1	50	W-525	Lockwasher - 1/2	4
10	N33553MR	Handle w/grip	1	51	W-539	Washer - 9/16 OD x 1 3/8 ID x 12 Ga	4
	N32769	Grip for N33553	1	52	D10803	Flatwasher - 1	4
11	N19737MR	Handle for N33553	1	53	D-5487	Outside Washer - 1/2 OD x 3/16 ID	4
12	N19736MR	Link	1	54	D10788	Inside Washer - 7/8 OD x 3/16 ID	4
13	N29395MR	Saddle - Auger Pivot	2	55	W14504	Flatwasher - 1 1/2 OD	4
14	N34045MR	Auger Support	1	56	N17232MR	Flatwasher - 4 1/8 OD	2
15	N21293MR	Strap - Upper Auger Hopper - 3 1/2"	1	58	W-514	Hex Nut - 3/8	11
16	N21294MR	Strap - Lower Auger Hopper - 4 3/4"	1	59	D-5279	Locknut - 3/8 Serrated	4
17	N22809MR	Pin - Auger Bearing Support	1	60	M-3388	Locknut - 3/8 Unitorque	6
18	N19480MR	Plate - Mount	1	61	W-516	Hex Nut - 1/2	4
	N15982MR	Orbit Motor	1	62	F-3405	Locknut - 1/2 Unitorque	5
	N16731	Seal Kit for N15982	1	63	W-907	Cotter Pin - 5/32 x 3/4 Lg	2
19	N25319	Shaft for N15982	1	64	W-535	Cotter Pin - 1/4 x 1 1/2 Lg	2
	N15024MR	Control Valve	1	65	S-1303	Hex Bolt - 5/16 x 2 Lg	1
	N31605	Seal Kit for N15024	1	66	J12281	Spiral Pin - 5/16 x 2 Lg	2
	N24595	Handle for N15024	1	67	W-131	Hair Pin - #9 - 0.148 x 3 5/16 Lg	1
20	N34041MR	Auger Latch Support	1	68	D-4945	Pop Rivet - 3/16 x 3/8 GRIP	4
21	N22802	Flex Hose - 7" Dia x 12 Lg	1	69	S-752	Grease Zerk - 1/4 Straight	3
22	N22799	Auger Spout	1	70	D-5278	Locknut - 5/16 Serrated	1
23			1	71	N19192	Bushing - 1 1/2 OD x 1 ID	2
24	N27705	Latch - Auger Screen - Lower	1	72	W-793	Flatwasher - 5/8	1
25	N27706	Latch - Auger Screen - Upper	2	73	W-517	Hex Nut - 5/8	5
26	N27761	Wear Plate - Ladder	2	74	C-1472	Jam Nut - 5/8	1
27	N27759	Bushing - 3/4 OD x 1 7/8 Lg	2	75	N31775	Lock - Auger Arm	1
28	C22785	Bushing - 1 5/8 OD x 3/4 Lg (Blue)	4	76	N31763	Handle	1
29	N15462	Hose Clamp - 8" Dia	1	77	N15983	Spiral Pin - 5/16 x 1 1/2 Lg	1
30	N15045MR	Spring - 0.59 OD x 1 1/4 Lg	1	78	C29610	U-Bolt - 5/8 x 8 x 5 1/2	2
31			1	79	W-526	Lockwasher - 5/8	4
32	N19449	Seal Strip - 3/8 x 1 (Bulk/Ft)	1	80	N34072	Bushing - 5/8 ID x 1 OD x 5/8 Lg	1
33	BW-8	Pin - 1/2 x 1 1/32 UL	15"				
34	N19745	Lock Pin - 1/2 x 1 1/32 UL	2	N34477	Reflector - AMBER (Not Shown)		2
35	N17217	Pin - 1 x 4 3/4 UL	1	N19031	Decal - Information (Not Shown)		1
36	N31765	Pin - Auger Pivot - 1 x 12 23/32 UL	1	N19032	Decal - Information (Not Shown)		1
37	N28327	Pin - Auger Pivot - 1 x 22 7/8 UL	1	N19033	Decal - Danger (Not Shown)		1
38			1	N19034	Decal - Danger (Not Shown)		1
39			1	N31774	Decal - Information - Auger Arm Lock (Not Shown)		1
40	W-867	Hex Bolt - 3/8 x 3/4 Lg	1	N19020	Decal - Caution (Not Shown)		1
41	W-475	Hex Bolt - 3/8 x 1 Lg	10				

Auger 9230 - 8" Auger Assembly Front Mount

From October 2005



Auger - 9230 - 8" Auger Assembly Front Mount

Item	Part No.	Description	Qty	Item	Part No.	Description	Qty
1	N34779MR	Auger Housing - 8" x 240 Lg	1	43	W-478	Hex Bolt - 3/8 x 2 Lg	9
2	N27689MR	Flyteing - 8" x 237 1/2 Lg	1	44	W-492	Hex Bolt - 1/2 x 3 Lg	1
3	N37570MR	Auger Mount Bracket	1	45	W-493	Hex Bolt - 1/2 x 3 1/2 Lg	1
4	N21735MR	Arm - Auger - 72"	1	46	W-1575	Hex Bolt - 1/2 x 5 Lg	2
5	N28328MR	Arm - Auger - 26"	1	47			
6	N27760	Ladder - Auger Access	1	48	W-538	Flatwasher - 3/8	10
7	N19784	Auger Hopper - 44"	1	49	W-523	Lockwasher - 3/8	19
8	N31020MR	Screen	1	50	W-525	Lockwasher - 1/2	4
9	N34788MR	Cradle - Auger - 8"	1	51	W-539	Washer - 9/16 OD x 1 3/8 ID x 12 Ga	4
10	N33553MR	Handle	1	52	D10803	Flatwasher - 1	4
	N32769	Grip for Handle N33553	1	53	D-5487	Outside Washer - 1/2 OD x 3/16 ID	4
	N19737MR	Handle for N33553	1	54	D10788	Inside Washer - 7/8 OD x 3/16 ID	4
11	N19736MR	Link	2	55	W14504	Flatwasher - 4 1/8 OD	4
12	N29395MR	Saddle - Auger Pivot	1	56	N17232MR	Flatwasher - 1/4 w/Nylon Insert	2
13	N34045MR	Auger Support	1	57	N22778	Locknut - 1/2	3
14	N25668MR	Strap - Upper Auger Hopper	1	58	W-514	Hex Nut - 3/8	11
15	N21294MR	Strap - Lower Auger Hopper - 4 3/4"	1	59	D-5279	Locknut - 3/8 Serrated	4
16	N22809MR	Pin - Auger Bearing Support	1	60	M-3388	Locknut - 3/8 Uitorque	6
17	N19480MR	Plate - Mount	1	61	W-516	Hex Nut - 1/2	4
18	N15982MR	Orbit Motor	1	62	F-3405	Locknut - 1/2 Uitorque	3
	N16731	Seal kit for N15982	1	63	W-907	Cotter Pin - 5/32 x 3/4 Lg	2
	N25319	Shaft for N15982	1	64	W-535	Cotter Pin - 1/4 x 1 1/2 Lg	2
19	N15024MR	Control Valve	1	65	S-1303	Hex Bolt - 5/16 x 2 Lg	1
	N31605	Seal kit for N15204	1	66	J12281	Spiral Pin - 5/16 x 2 Lg	2
	N24595	Handle for N15204	1	67	W-131	Hair Pin - #9 - 0.148 x 3 5/16 Lg	1
20	N34041MR	Auger Latch Support	1	68	D-4945	Pop Rivet - 3/16 x 3/8 GRIP	4
21	N22802	Flex Hose - 7" Dia x 12 Lg	1	69	S-752	Grease Zerk - 1/4 Strait	3
22	N22799	Auger Spout	1	70	D-5278	Locknut - 5/16 Serrated	2
23			1	71	N19192	Bushing - 1 1/2 OD x 1 ID	1
24	N27705	Latch - Auger Screen - Lower	2	72	W-793	Flatwasher - 5/8	1
25	N27706	Latch - Auger Screen - Upper	2	73	W-517	Hex Nut - 5/8	5
26	N27761	Wear Plate - Ladder	2	74	C-1472	Jam Nut - 5/8	1
27	N27759	Bushing - 3/4 OD x 1 7/8 Lg	4	75	N31775	Lock - Auger Arm	1
28	C22785	Bushing - 1 5/8 OD x 3/4 Lg (Blue)	1	76	N31763	Handle	1
29	N15462	Hose Clamp - 8" Dia	1	77	N15983	Spiral Pin - 5/16 x 1 1/2 Lg	1
30	N15045MR	Spring -0.59 OD x 1 1/4 Lg	2	78	C29610	U-Bolt - 5/8 x 8 x 5 1/2	2
31			15"	79	W-526	Lockwasher - 5/8	4
32	N19449	Seal Strip - 3/8 x 1 (Bulk/Ft)	15"	80	N34072	Bushing - 5/8 ID x 1 OD x 5/8 Lg	1
33	BW-8	Pin - 1/2 x 1 1/32 UL	2	81	N21706	Reducer	1
34	N19745	Lock Pin - 1/2 x 1 1/32 UL	1				
35	N17217	Pin - 1 x 4 3/4 UL	1	N34477	Reflector - AMBER (Not Shown)		2
36	N31765	Pin - Auger Pivot - 1 x 12 23/32 UL (Current)	1	N19031	Decal - Information (Not Shown)		1
37	N37569	Pin - Auger Pivot - 1 x 22 7/8 UL	1	N19032	Decal - Information (Not Shown)		1
38	W-469	Hex Bolt - 1/4 x 3/4 Lg	3	N19033	Decal - Danger (Not Shown)		1
39				N19034	Decal - Danger (Not Shown)		1
40	W-867	Hex Bolt - 3/8 x 3/4 Lg	6	N31774	Decal - Information - Auger Arm Lock (Not Shown)		1
41	W-475	Hex Bolt - 3/8 x 1 Lg	4	N19020	Decal - Caution (Not Shown)		1
42	W-187	Hex Bolt - 3/8 x 1 1/4 Lg	11				

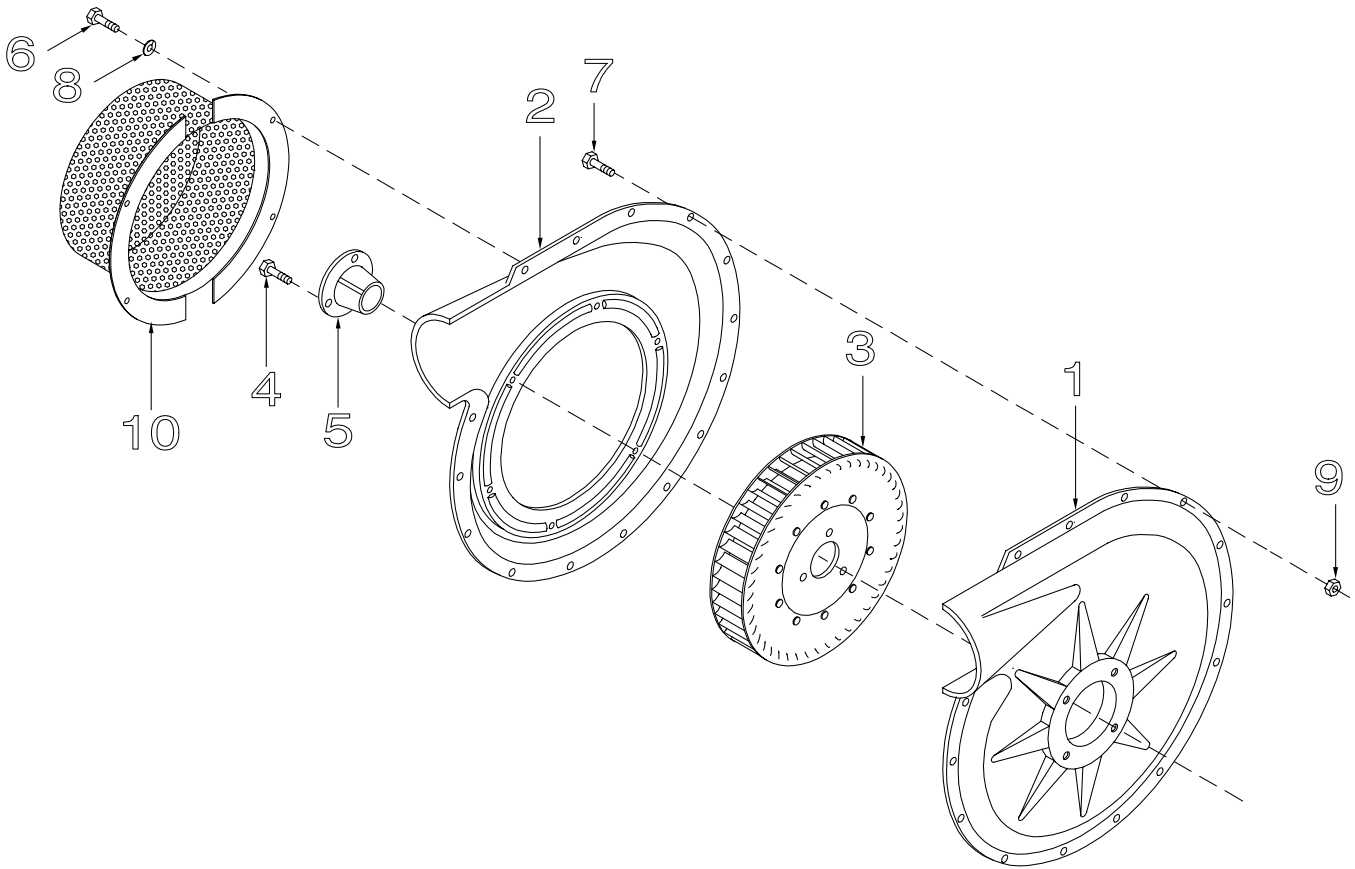
Notes

Section 7: Fan

Section Contents

Crary Hydraulic Fan	7-2
---------------------------	-----

Fans Crary Hydraulic Fan



Fans - Crary Hydraulic Fan

Item	Part No.	Description	Qty
1	N16708	Bearing Plate Casting	1
2	N16709	Inlet Casting	1
3	N16710	Rotor	1
4	N16716	Machine Screw - #10-24 x 1	3
5	N16712	Tapered Bushing (Includes Hardware)	1
6	W-469	Hex Bolt - 1/4 x 3/4 Lg	6
7	W-1552	Hex Bolt - 1/4 x 1 Lg	15
8	S-4747	Flatwasher - 1/4	6
9	D-5277	Lock Nut - 1/4 Serrated	15
10	N28190MR	Screen - Fan Inlet	1
	N29373	Key - 6 mm SQ x 15 (Not Shown)	1
	N16263	Fan (Includes All Above Items Except for #10)	

Notes

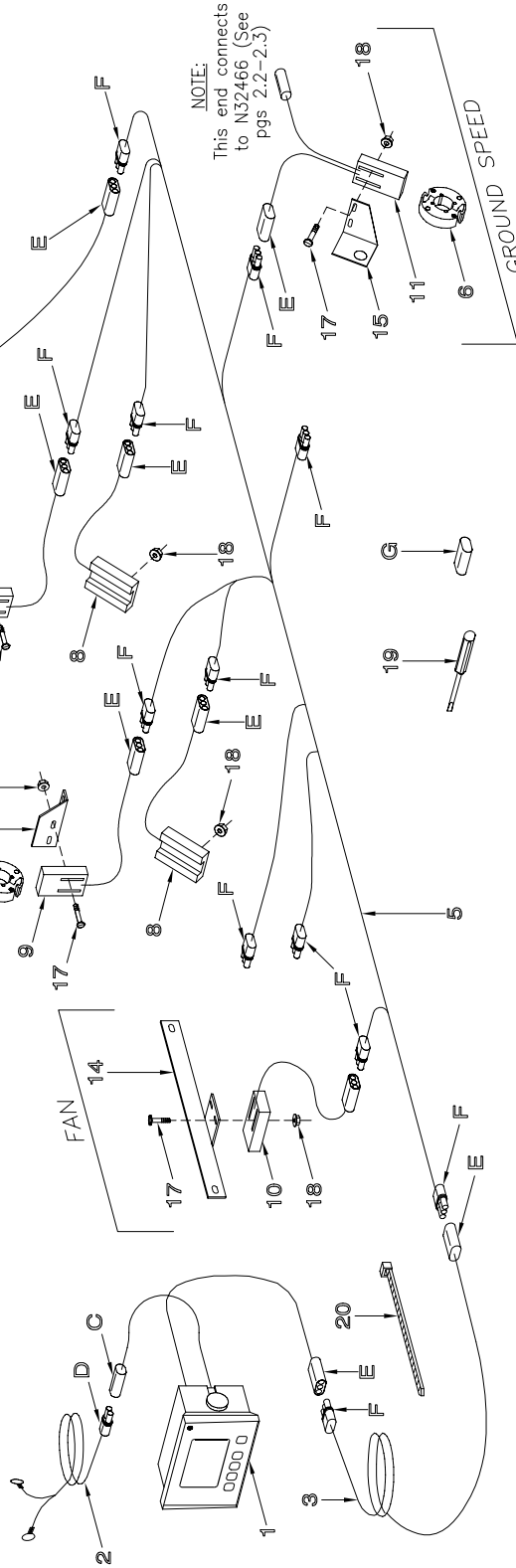
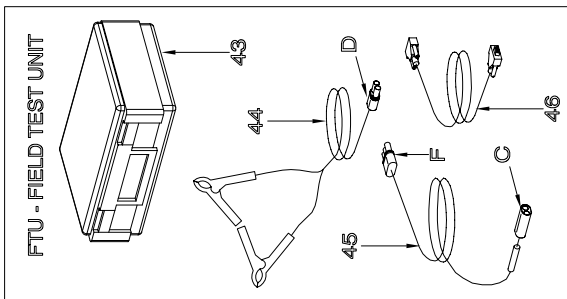
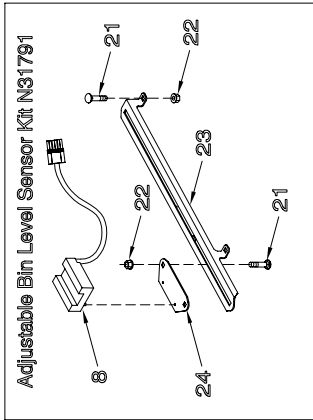
Section 8:

Monitor & Blockage Module

Section Contents

Monitor and Blockage Module Assembly	8-2
--	-----

Monitor System Monitor and Blockage Module Assembly



Monitor System - Monitor and Blockage Module Assembly

Item	Part No.	Description	Qty
Monitor Assembly			
1	SFN37005	Monitor - NEW	1
2	N27609	Power Cable - Monitor	1
3	N32470	Wire - Monitor Extension - 21' (Weather Pak)	1
5	N32473	Harness - Monitor (Weather Pak) 9130	1
4		
5	N32475	Harness - Monitor (Weather Pak) 9230	1
6	N16471	Reed Switch Actuator - 4 Magnet	2
8	N27616	Sensor - Bin Level c/w Gasket	2
9	N27617	Reed Switch	2
10	N27618	Magnetic Sensor - Fan	1
11	N27619	Reed Switch - Ground	1
12	N19450	Sensor Mount - Metershaft - Main	2
13	N21671	Sensor Mount - Metershaft - Granular	1
14	N16565MR	Sensor Mount - Fan	1
15	N27621	Sensor Mount - Main Switch - Ground	1
16	N19599	Bushing - Spacer	2
17	N16563	Machine Screw - #8 - 32 UNC x 1 1/4" Lg	12
18	N16564	Serrated Locknut - #8 - 32 UNC	17
19	N27625	Assembly Tool - Packard Connector	1
20	D-4838	Nylon Tie Strap - 14 1/2 Lg (Black)	1
21	D-5259	Carriage Head Bolt - 5/16 x 3/4	6
22	D-5278	Serrated Nut - 5/16	6
23	N31792	Adjustment Plate	1
24	N31790	Base Plate	1
25	C-4698	Nylon Clamp	2
26	W-479	Hex Head Bolt - 3/8 x 2 1/4	1
27	W-538	Flat Washer - 3/8	1
28	M-3388	Lock Nut - 3/8	1
Blockage Module Assembly			
29	N27624	Module - Blockage	As req
30	N34258	Wire - Blockage Module (Required for 1st Module ONLY)	1
31	N16474	Wire - Connector - Blockage Module (Req'd for subsequent Module)	As req
32	N28487	Pin Sensor - 5 Ft Lg	As req
32A	N28488	Pin Sensor - 10 Ft Lg	As req
32B	N28489	Pin Sensor - 15 Ft Lg	As req
32C	N28490	Pin Sensor - 20 Ft Lg	As req
32D	N28491	Pin Sensor - 30 Ft Lg	As req
33	N34263	Nylon Tie Strap - 11 1/2" Lg (Qty per Pin Sensor)	1
34	N21520	Bracket - Mount (Qty per Blockage Module)	2
35	N21654	Female Connector - 18 Ga Fast-On (Qty per Blockage Module)	6
36	N21653	Module Wire Retainer (Qty per Blockage Module)	2
37	W-469	Hex Bolt - 1/4 x 3/4 Lg (Qty per Blockage Module)	2
38	D-5277	Serrated Locknut - 1/4 (Qty per Blockage Module)	2
39	N31049	Wire - Ground - Blockage Module (Qty per Blockage Module)	1
40	N16698	Screw - 1/4 x 3/4 Self Tapping (Qty per Blockage Module)	1
41	N29735	Sensor Bubble w/hose clamps item 42	As req
42	N11470	Clamp	As req
FTU - Field Test Unit			
43	SFN37007	FTU - Field Test Unit	1
44	N32492	Power Cable - FTU - 10 ft - Test Clip	1
45	N32491	Power Cable - 3 ft - Main	1
46	N32494	Adaptor Cable - FTU - for PC	1
Blockage Module Kits and Replacement Parts on Next Page			

Monitor System - Monitor and Blockage Module Assembly

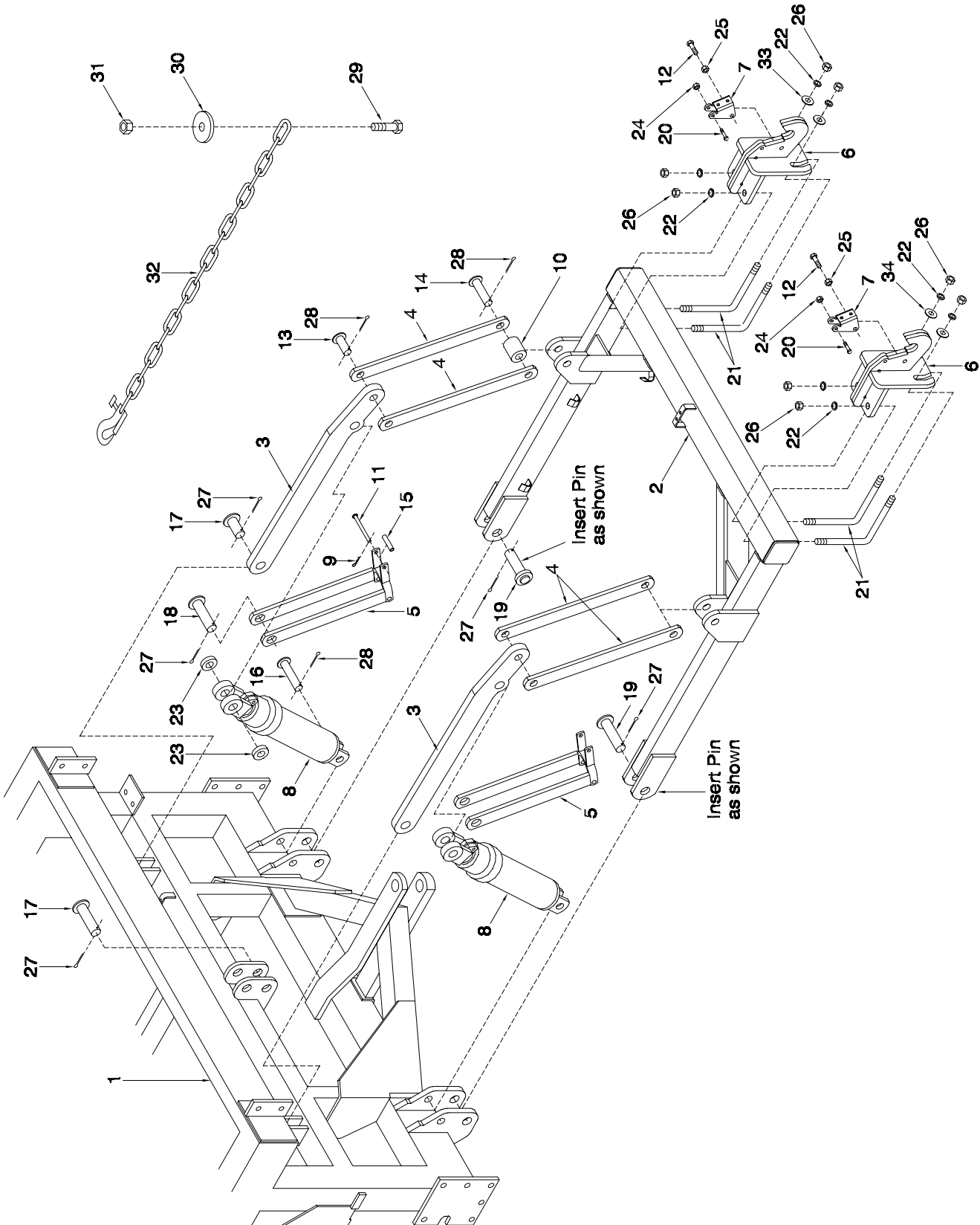
Item	Part No.	Description	Qty
		Replacement Connectors	
C	N29384	Weather Pak Connector - BLACK - 2 Pin Plug	
D	N29385	Weather Pak Connector - BLACK - 2 Pin Socket	
E	N27613	Weather Pak Connector - BLACK - 3 Pin Plug	
F	N27614	Weather Pak Connector - BLACK - 3 Pin Socket	
G	N27615	Seal Connector - BLACK - 3 Pin	
H	N29151	Weather Pak Connector - BLACK - 4 Pin Plug	
I	N29152	Weather Pak Connector - BLACK - 4 Pin Socket	
J	N29153	Seal Connector - BLACK - 4 Pin	
K	N28901	Weather Pak Connector - BLUE - 3 Pin Plug	
L	N28902	Weather Pak Connector - BLUE - 3 Pin Socket	
M	N29143	Seal Connector - BLUE - 3 Pin	
N	N28903	Weather Pak Connector - RED - 3 Pin Plug	
O	N28904	Weather Pak Connector - RED - 3 Pin Socket	
P	N29144	Seal Connector - RED - 3 Pin	
Q	N28905	Weather Pak Connector - WHITE - 3 Pin Plug	
R	N28906	Weather Pak Connector - WHITE - 3 Pin Socket	
S	N29145	Seal Connector - WHITE - 3 Pin	
	N29147	Seal - Weather Pak - Cavity Plug (Not Shown)	
	N29148	Seal - Weather Pak - Wire Plug (Not Shown)	
	N29149	Terminal - Weather Pak - Male End (Not Shown)	
	N29150	Terminal - Weather Pak - Female End (Not Shown)	
		Replacement Parts (Not Shown)	
	N24391	Fuse Holder & Cap (Installed in Clutch Switch Box N27011)	
	N30575	Circuit Breaker FC-191-05-15-P (Installed in Item #1, Versions	
	N24302	Magnet Only - 1/4 Round x 3/4 Lg (Installed in Items #6 & 7)	
	N28671	Mount Bracket - Monitor - #VM253501	
	N29833	Knob for Monitor Mount Bracket - #103302	
		Pin Sensor Kits	
	N35530	Kit 5 FT Pin Sensor w/ Bubble (Includes Items #32, 33 & 41)	
	N35531	Kit 10 FT Pin Sensor w/ Bubble (Includes Items #32A, 33 & 41)	
	N35532	Kit 15 FT Pin Sensor w/ Bubble (Includes Items #32B, 33 & 41)	
	N35533	Kit 20 FT Pin Sensor w/ Bubble (Includes Items #32C, 33 & 41)	
	N35534	Kit 30 FT Pin Sensor w/ Bubble (Includes Items #32D, 33 & 41)	
		Blockage Module Kits	
	N34259	Kit - Blockage Module - 12 Runs (Includes 1 blockage modules)	
	N34260	Kit - Blockage Module - 36 Runs (Includes 4 blockage modules)	
	N34261	Kit - Blockage Module - 48 Runs (Includes 5 blockage modules)	
	N34262	Kit - Blockage Module - 64 Runs (Includes 7 blockage modules)	

Section 9: Three Point Hitch

Section Contents

Three Point Hitch Assembly	9-2
Three Point Hitch Hydraulics	9-4
Gland-Bypass Cylinder	9-6

Three Point Hitch Three Point Hitch Assembly

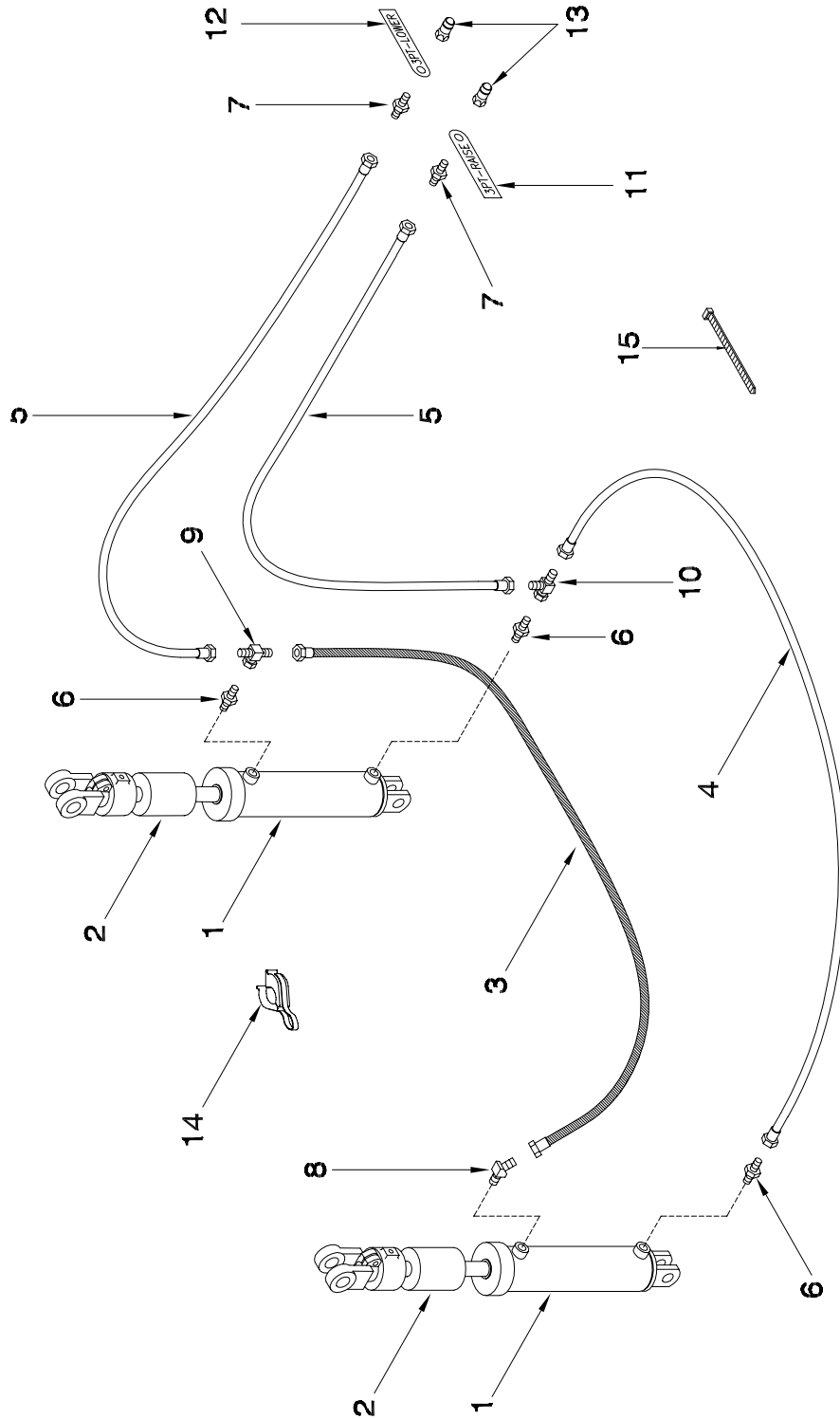


Three Point Hitch - Three Point Hitch Assembly

Item	Part No.	Description	Qty
1	N28370	Frame -7180 Tow Between/Three Point Hitch	1
	N28375	Frame - 7240 Tow Between/Three Point Hitch	1
2	N28960	Three Point Hitch Frame	1
3	N28954	Lever Arm	2
4	N28962	Lift Arm	4
5	N28390	Transport Lock	2
6	N34550	Lower Link	2
7	N28966	Rocker Plate	2
8	C26300	Cylinder - 4 x 12 Lg See Page 9-6	2
9	D17315	Hairpin -#3 - 0.094 x 1 21/32 Lg.....	2
10	N34361	Bushing	2
11	N28953	Pin - 3/8 x 4 1/4 UL	2
12	W-489	Hex Bolt - 1/2 x 2 1/4 Lg	2
13	W-558	Pin - 1 x 2 1/4 UL	2
14	W-1429	Pin - 1 x 3 3/8 UL	2
15	N31313	Sleeve - Transport Lock Pin.....	2
16	F-3645	Pin - 1 x 5 1/4 UL	2
17	N28997	Pin - 1 1/4 x 2 1/4 UL	2
18	N28994	Pin - 1 1/4 x 4 1/4 UL	2
19	N32735	Pin - 1 1/4 x 5 1/4 UL	2
20	W-479	Hex Bolt - 3/8 x 2 1/4 Lg	2
21	N34554	L-Bolt - 3/4 x 4 x 4 LL.....	4
22	W-527	Lockwasher - 3/4	8
23	N13962	Washer - 2 1/2 OD x 1281 ID x 1/4	4
24	M-3388	Locknut - 3/8 Unitorque	2
25	F-3405	Lock Nut - 1/2	2
26	W-518	Hex Nut - 3/4	8
27	D-5239	Cotter Pin - 1/4 x 2 1/4 Lg	6
28	W-535	Cotter Pin - 1/4 x 1 1/2 Lg	6
29	C12609	Hex Bolt - 1 x 4 1/2 Lg	1
30	N19605	Washer	1
31	T-5276	Lock Nut	1
32	C18761	Chain - Safety - 3/8 P-7 AG - 30,000 lb	1
33	W-541	Washer - 2" OD x 0.813" ID x 10GA	1

Three Point Hitch Three Point Hitch Hydraulics

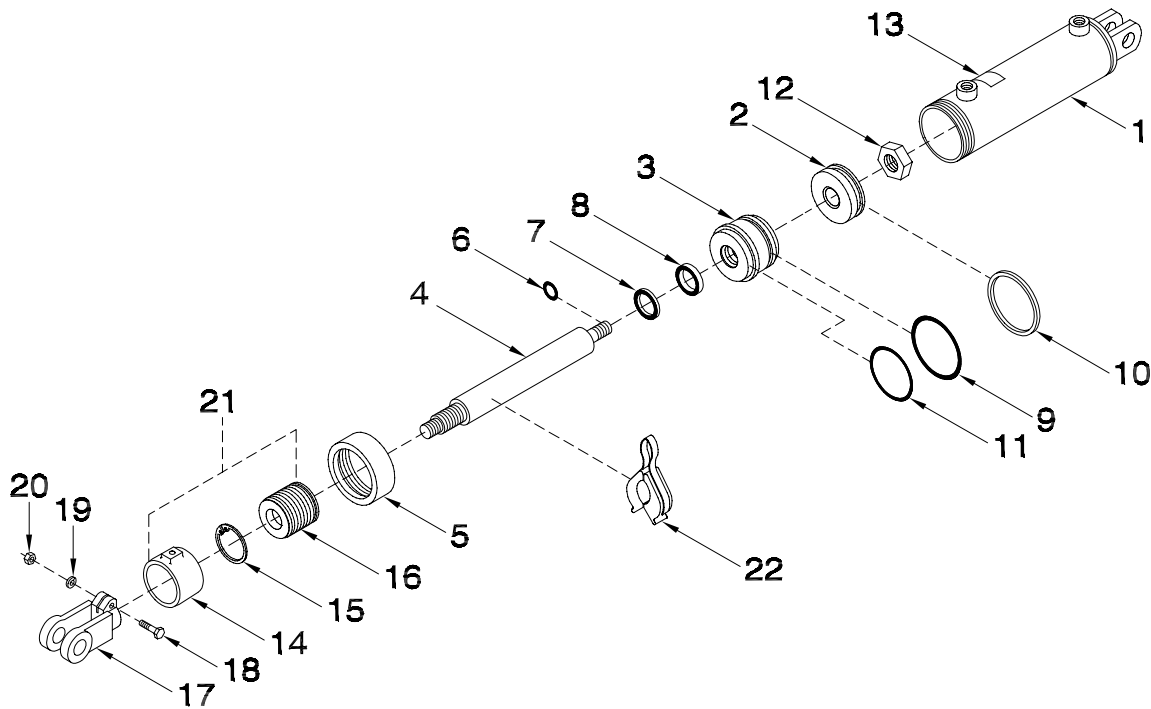
Prior to October 2005



Three Point Hitch - Three Point Hitch Hydraulics

Item	Part No.	Description	Qty
1	C26300	Cylinder - 4 x 12 Lg	2
2	N32069	Spacer - Stroke Control 1.375 ID (Aluminum)	2
3	H-4408	Hyd Hose - 1/2 x 84 Lg w/7/8-14 FJIC x 7/8-14 FJIC	1
4	C18779	Hyd Hose - 1/2 x 72 Lg w/7/8-14 FJIC x 7/8-14 FJIC	1
5	K-5685	Hyd Hose - 1/2 x 24 Lg w/7/8-14 MJIC x 7/8-14 FJIC	2
6	C14840	Male Connector - 1/2 ORB x 5/8 MJIC	3
7	C-4399	Male Connector - 7/8-14 MJIC & 1/2 MNPT	2
8	C26333	45 Male Elbow - 7/8-14 MJIC x 3/4-16 ORB	1
9	F24559	Swivel Tee - 7/8-14 FJIC x (2) 7/8-14 MJIC	1
10	H18746	Swivel Tee - (2) 7/8-14 MJIC x 7/8-14 FJIC	1
11	N34362	Tag - Hose ID - Three Point Hitch - RAISE	1
12	N34363	Tag - Hose ID - Three Point Hitch - LOWER	1
13	C-817	Male Pioneer Tip - 1/2 FNPT	2
14	S25999	Spacer - Cylinder Stroke (Aluminum) Not included with cylinder	2
15	D-4838	Tie Strap	4

Three Point Hitch Gland-Bypass Cylinder



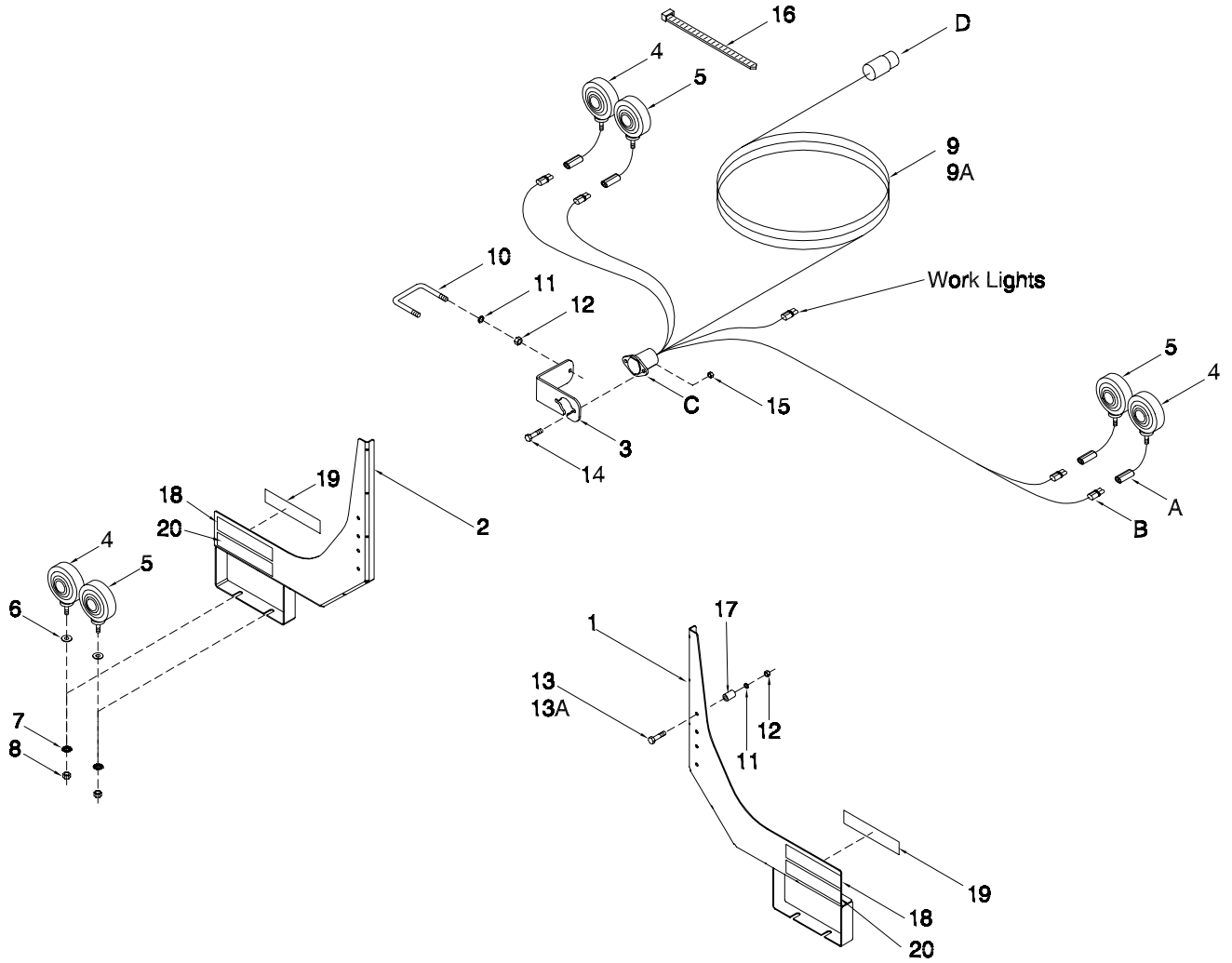
Item	Part No.	Description	Qty
C26300 - 4 x12 - GLAND-BYPASS CYLINDER			
1	C26238	Barrel - 4 x 12 Gland-Bypass	1
2	C-2031	Piston - 4 Dia - 7/8 Shaft	1
3	C26290	Gland - 4 Dia - 1 3/8 Shaft	1
4	C26187	Cylinder Shaft - 1 3/8 Dia	1
5	C-2023	Collar - 4" Cylinder	1
6	C-2187	1 OD x 1/16 C/S 90D BUNA O-RING	1
7	C26265	1 3/8 ID x 3/16 C/S 90D URTH WIPER	1
8	C26264	1 3/8 ID x 5/16 90D URTH U-CUP	1
9	C-2030	4 OD x 3/16 C/S 90D BUNA O-RING	1
10	C-2025	4 OD x 3/16 C/S 90D URTH O-RING	1
11	C-2215	3 7/8 OD x 1/16 C/S 70A BUNA-N O-RING	1
12	C-2017	Locknut - 7/8 UNF Uunitorque	1
13	C26304	Part # Plate for C26300	1
14	C22361	Sleeve - Outer	1
15	C10466	Snap Ring - Waldes #5100-212	1
16	C-2004	Inner Stroke Control Sleeve	1
17	C26188	Cast Clevis - 1 1/4 Dia Pin	1
18	W-477	Hex Bolt - 3/8 x 1 1/2 Lg	1
19	W-523	Lockwasher - 3/8	1
20	W-514	Hex Nut - 3/8	1
	C26300	Cylinder Assembly (Includes All Above Items)	
	C26308	Seal Kit (Includes Items #6, 7, 8, 9, 10 & 11)	
21	C-2001	Stroke Control Collar Assembly (Includes items #14, 15 & 16)	1
22	S25999	Spacer - Cylinder Stroke - Aluminum	1

Section 10: Safety Lights

Section Contents

Safety Lighting	10-2
-----------------------	------

Safety Lights Safety Lighting



Safety Lights- Safety Lighting

Item	Part No.	Description	Qty
1	N32041	Bracket - Mounting Left	1
2	N32040	Bracket - Mounting Right	1
3	N32001	Bracket - Mounting	1
4	C32765	Light - Amber	2
5	C32766	Light - Red.....	1
6	W-539	Flat Washer - 1/2	3
7	D-5280	Star Washer - 1/2	3
8	W-516	Hex Nut - 1/2	3
9	C32051	Wiring Harness - Main Tow Behind	1
9A	C31497	Wiring Harness - Main Tow Between	1
10	N15098	U - Bolt - 3/8 x 4 x 5	1
11	W-523	Lockwasher - 3/8	6
12	W-514	Hex Nut - 3/8	6
13	W-1854	Hex Bolt - 3/8 x 3 lg (9130).....	4
13A	W-475	Hex Bolt - 3/8 x 1 lg (9230)	4
14	N29048	Carriage Head Bolt - 5/16 x 1 lg	2
15	D-5278	Serrated Nut - 5/16	2
16	D-4951	Nylon Tie Strap - 7 3/8 lg	14
17	N19058	Spacer Bushing (9130)	4
18	N34476	Reflector (Red) (Not Shown)	2
19	N34477	Reflector (Amber) (Not Shown)	2
20	N34478	Reflector (Orange) (Not Shown)	2
	C32761	Red Acrylic Lens	
	C32762	Amber Acrylic Lens	
	C32515	Bulb - #1156	
A	C32681	Receptacle Connector Assembly - GRAY - 2 Pin	
B	C32682	Plug Connector Assembly - GRAY - 2 Pin	
C	C32686	Connector Assembly - 7 Pin Socket	
	C32684	Interior - Socket - 7 Pin Connector	
	C32685	Protective Boot - Socket - 7 Pin Connector	
D	C32690	Connector Assembly - 7 Pin Plug (Complete with Cable Protector Spring)	
	C32688	Interior - Plug - 7 Pin Connector	
	C32689	Cable Protector Spring - Plug - 7 Pin Connector	
		ORDER KITS THROUGH WHOLE GOODS ONLY	
	N30746	Air Cart Light Kit (Tow Between) Includes item 1-17 except 9	

Notes

Index

B		C26333	5-5, 9-4	8, 6-2, 6-4, 6-7, 9-2	N15096	4-3	
BW-8	6-2, 6-4, 6-7	C29610	6-4, 6-7	F-3645	9-2	N15098	5-2, 5-5, 10-3
C		C31394	1-6, 1-8	F-4560	5-2, 5-5	N15102	4-3
C-1472	6-4, 6-7	C31497	10-3	F24559	9-4	N15114	2-6
C-1550	2-8	C32051	10-3	H		N15135	4-3, 4-4
C-2001	9-6	C32515	10-3	H-4408	9-4	N15462	6-2, 6-4, 6-7
C-2004	9-6	C32681	10-3	H-4584	2-5	N15595	4-3
C-2017	9-6	C32682	10-3	H-5545	5-2, 5-5	N15716	1-2, 1-4, 2-6, 4-3
C-2023	9-6	C32684	10-3	H10462	1-6, 1-8	N15757	2-5
C-2025	9-6	C32685	10-3	H18268	2-8	N15930	4-3
C-2030	9-6	C32686	10-3	H18746	5-2, 5-5, 9-4	N15982	5-2, 5-5
C-2031	9-6	C32688	10-3	H21351	5-2, 5-5, 6-2	N15982MR	6-2, 6-4, 6-7
C-2187	9-6	C32689	10-3	H27963	1-6, 1-8	N15983	6-4, 6-7
C-219	1-6, 1-8	C32690	10-3	J		N16113	2-5
C-2215	9-6	C32761	10-3	J12281	6-4, 6-7	N16143	5-2, 5-5
C-3035	5-2, 5-5	C32762	10-3	K		N16156	2-5
C-333	1-6, 1-8	C32765	10-3	K-3830	4-3	N16181	5-2, 5-5
C-3664	5-2, 5-5	C32766	10-3	K-5685	5-2, 9-4	N16263	5-2, 5-5, 7-2
C-3918	1-2, 1-4, 1-8	C36358	5-2, 5-5	K-5806	5-5	N16359	5-2, 5-5
C-4367	5-2, 5-5	D		M		N16388	5-2, 5-5
C-4369	5-2, 5-5	D-4838	5-2, 5-5, 8-2, 9-4	M-3388	1-2, 1-4, 2-4, 5-2, 5-5, 6-2, 6-4, 6-7, 8-2, 9-2	N16399	5-2, 5-5
C-4383	5-2, 5-5	D-4945	6-2, 6-4, 6-7	N		N16454	5-2, 5-5
C-4385	5-2, 5-5	D-4951	8-2, 10-3	N11470	4-3, 8-2	N16471	8-2
C-4387	5-2, 5-5	D-5011	2-5	N11905	4-3	N16474	8-2
C-4389	5-2, 5-5	D-5098	1-2, 1-4	N11907	4-3	N16563	8-2
C-4396	5-2	D-5098	1-2, 1-4	N13900	1-2, 1-4	N16564	8-2
C-4399	5-2, 5-5, 9-4	D-5234	2-5	N13950MR	3-2	N16565MR	8-2
C-4400	5-2, 5-5	D-5239	9-2	N13951	3-2	N16608	5-2, 5-5
C-4402	5-2, 5-5	D-5247	3-2	N13952	3-2	N16621	5-2, 5-5
C-4468	5-5	D-5249	2-5	N13953	3-2	N16698	8-2
C-4698	5-2, 5-5, 8-2	D-5259	1-2, 1-4, 2-5, 8-2	N13954	3-2	N16708	7-2
C-4994	5-5	D-527	1-4	N13955	3-2	N16709	7-2
C-695	1-6, 1-8	D-5272	1-2, 1-4	N13956	3-2	N16710	7-2
C-705	1-6, 1-8	D-5277	2-4, 2-8, 4-3, 7-2, 8-2	N13957MR	3-2	N16712	7-2
C-817	5-2, 5-5, 9-4	D-5278	1-2, 1-4, 2-4, 4-3, 6-2, 6-4, 6-7, 8-2, 10-3	N13958	3-2	N16716	7-2
C-818	5-2, 5-5	D-5279	1-2, 1-6, 1-8, 4-3, 5-2, 5-5, 6-2, 6-4, 6-7	N13959	3-2	N16731	5-2, 5-5, 6-2, 6-4, 6-7
C10466	9-6	D-5280	10-3	N13962	3-2, 9-2	N16862	2-5, 2-8
C12609	9-2	D-5487	6-2, 6-4, 6-7	N13965	3-2	N16903	2-5
C14840	5-5, 9-4	D-5488	1-2, 1-4, 2-6	N13968	3-2	N17217	6-2, 6-4, 6-7
C18761	1-6, 1-8, 9-2	D-5489	1-2, 1-4	N15023	5-2, 5-5	N17232MR	6-2, 6-4, 6-7
C18779	5-5, 9-4	D-5579	1-2, 1-4, 4-3	N15024	5-5	N19000	4-3
C22361	9-6	D10788	6-2, 6-4, 6-7	N15024MR	5-2, 6-2, 6-4, 6-7	N19020	6-4, 6-7
C22785	6-2, 6-4, 6-7	D10803	6-2, 6-4, 6-7	N15032	5-2, 5-5	N19029	1-6, 1-8
C24585	5-2, 5-5	D12903	1-6, 1-8	N15033	5-2, 5-5	N19030	4-3
C26187	9-6	D14565	1-8	N15045MR	6-2, 6-4, 6-7	N19031	5-5, 6-2, 6-4, 6-7
C26188	9-6	D17315	9-2	N15049	1-6, 1-8	N19032	6-2, 6-4, 6-7
C26238	9-6	D17808	2-5	N15094	1-2, 1-4	N19033	6-2, 6-4, 6-7
C26264	9-6	F				N19034	6-2, 6-4, 6-7
C26265	9-6	F-1767	4-3, 5-2, 5-5			N19039MR	4-3
C26290	9-6	F-3056	2-4			N19042MR	4-3
C26300	5-5, 9-2, 9-4, 9-6	F-3405	1-2, 1-4, 1-6, 1-8			N19058	10-3
C26304	9-6					N19108	1-2, 1-4
C26308	9-6					N19109	1-2, 1-4

N19127	1-2, 1-4	N21294MR	6-2, 6-4, 6-7	N27252	1-4	N27605	2-6
N19192	6-2, 6-4, 6-7	N21450	1-2, 1-4	N27337	1-2	N27609	8-2
N19195MR	6-2	N21475	1-2, 1-4	N27338	1-4	N27613	8-4
N19211	1-2, 1-4	N21520	8-2	N27350	2-4	N27614	8-4
N19220	2-5	N21602	2-6	N27360	1-2, 1-4, 4-3	N27615	8-4
N19221	2-5	N21604	1-2, 1-4	N27370	2-4	N27616	8-2
N19223	2-5	N21612	2-6	N27375	1-2	N27617	8-2
N19224	2-5	N21653	8-2	N27380	1-2	N27618	8-2
N19232	2-5	N21654	8-2	N27385	1-4	N27619	8-2
N19237	2-5	N21659	2-6	N27390	1-4	N27621	8-2
N19258	2-5	N21671	8-2	N27395	2-4	N27624	8-2
N19261MR	2-5	N21706	6-7	N27400	2-5	N27625	8-2
N19269	2-6	N21721	5-2, 5-5	N27401	2-5	N27626	2-5
N19283	2-5	N21735MR	6-4, 6-7	N27402	2-5	N27627	2-5
N19288MR	2-5	N22777	2-5	N27403	2-5	N27629	2-5
N19337	5-2, 5-5	N22778	2-4, 6-7	N27404	2-5	N27630	2-5
N19340	5-5	N22799	6-2, 6-4, 6-7	N27405	2-5	N27645MR	6-2
N19340MR	5-2	N22802	6-2, 6-4, 6-7	N27406	2-5	N27650MR	6-4
N19341	5-2, 5-5	N22809MR	6-2, 6-4, 6-7	N27410	2-5	N27675MR	6-4
N19365	5-2, 5-5	N24301	1-6, 1-8	N27411	2-5	N27680MR	6-2
N19366	1-2, 1-4	N24302	8-4	N27412	2-4	N27689MR	6-7
N19406	4-3	N24391	8-4	N27413	2-4	N27700	6-2
N19428	4-3	N24396	4-3	N27414	2-4	N27705	6-2, 6-4, 6-7
N19437	1-2, 1-4	N24412	1-6, 1-8	N27415	2-4	N27706	6-2, 6-4, 6-7
N19449	4-3, 6-2, 6-4, 6-7	N24583	2-8	N27416	2-4	N27715	1-2, 1-4
N19450	8-2	N24595	5-2, 5-5, 6-2, 6-4, 6-7	N27417	2-4	N27755	6-2
N19458	5-2, 5-5	N24774	2-5	N27418	2-4	N27759	6-2, 6-4, 6-7
N19460	2-5	N24775	1-6, 1-8	N27419	2-4	N27760	6-4, 6-7
N19470	2-8	N24779	2-4	N27420	2-4	N27761	6-2, 6-4, 6-7
N19480MR	6-2, 6-4, 6-7	N24780	2-5	N27421	2-4	N27851	1-2, 1-4
N19484	3-2	N24782MR	2-5	N27422	2-4	N27852	1-2, 1-4
N19496	1-2, 1-4	N24792	1-2, 1-4	N27423	2-4	N27853	1-2, 1-4
N19548	5-2, 5-5	N25319	5-2, 5-5, 6-2, 6-4, 6-7	N27424	2-4	N27856MR	1-2, 1-4
N19549	5-2, 5-5	N25457	1-4	N27425	2-4, 2-5	N27864	1-6, 1-8
N19563	1-2, 1-4	N25479MR	3-2	N27426	2-4, 2-5	N28145	2-4
N19577	2-5	N25507	5-2, 5-5	N27427	2-4	N28190MR	7-2
N19599	8-2	N25508	5-2, 5-5	N27428	2-4	N28327	6-4
N19605	9-2	N25617	3-2	N27429	2-4	N28328MR	6-4, 6-7
N19687	2-5, 2-6	N25644	5-2, 5-5	N27430	2-4	N28332	5-2
N19690	4-3	N25668MR	6-7	N27431	2-4	N28370	9-2
N19693	4-3	N27005	1-2, 1-4	N27432	2-4	N28370MR	1-6
N19700MR	4-3	N27012	2-4, 2-8	N27433	2-4	N28375	9-2
N19706	2-5	N27021	1-8	N27434	2-4	N28375MR	1-8
N19713	5-5	N27041MR	1-6, 1-8	N27435	2-4	N28390	9-2
N19713MR	5-2	N27042MR	1-6, 1-8	N27436	2-4	N28487	8-2
N19723	1-2	N27045MR	4-3	N27437	2-4	N28488	8-2
N19726	1-2, 1-4	N27050MR	4-3	N27438	2-4	N28489	8-2
N19736MR	6-2, 6-4, 6-7	N27070MR	1-6, 1-8	N27439	2-4	N28490	8-2
N19737MR	6-2, 6-4, 6-7	N27080	1-2, 1-4	N27440	2-4	N28491	8-2
N19745	6-2, 6-4, 6-7	N27089	2-6	N27441	2-4	N28492	2-6
N19784	6-2, 6-4, 6-7	N27090	2-6	N27442	2-4	N28667	1-2, 1-4
N19791	1-2, 1-4	N27099	2-6	N27443	2-4	N28671	8-4
N21189	5-2, 5-5	N27155	1-2, 1-4	N27444	2-4	N28831	1-2, 1-4
N21266	1-2, 1-4	N27191	1-2	N27445	2-4	N28901	2-4, 8-4
N21287MR	2-8	N27192	1-2	N27455	1-2, 1-4	N28902	2-4, 2-8, 8-4
N21288MR	2-5	N27251	1-4	N27475	1-2	N28903	8-4
N21293MR	6-2, 6-4			N27480	1-4	N28904	2-4, 2-8, 8-4
				N27600	2-5	N28905	2-8, 8-4

N28906	2-4, 2-8, 8-4	N31174	4-4	N34033	4-3	R480055	4-3
N28915MR	6-2	N31179	4-4	N34041MR	6-4, 6-7	S	
N28924	2-6	N31180	4-4	N34045MR	6-4, 6-7	S-1189	5-2, 5-5
N28927	2-6	N31189	4-3, 4-4	N34047	5-2, 5-5	S-1198	2-5
N28928	2-6	N31190	4-3, 4-4	N34048	5-5	S-1292	1-2, 1-4
N28929	2-6	N31209	2-10, 4-3	N34048MR	5-2	S-1302	5-2, 5-5
N28953	9-2	N31313	9-2	N34049MR	6-2	S-1303	5-2, 5-5, 6-2, 6-4, 6-7
N28954	9-2	N31314	5-5	N34051	5-2, 5-5	S-1925	1-8
N28960	9-2	N31535	1-8	N34052	5-5	S-4747	7-2
N28962	9-2	N31603	5-2, 5-5	N34052MR	5-2	S-4781	2-8
N28966	9-2	N31605	5-2, 5-5, 6-2, 6-4, 6-7	N34056	4-3	S-748	2-4
N28994	9-2	N31628	6-2	N34067MR	6-4	S-751	4-3
N28997	9-2	N31763	6-4, 6-7	N34069MR	6-4	S-752	2-4, 3-2, 6-2, 6-4, 6-7
N29048	1-2, 1-4, 10-3	N31765	6-4, 6-7	N34072	6-4, 6-7	S-951	1-6, 1-8
N29049	1-2, 1-4	N31765	6-4, 6-7	N34087	5-2, 5-5	S10730	2-4
N29063	1-2, 1-4	N31774	6-4, 6-7	N34258	8-2	S25999	5-5, 9-4, 9-6
N29143	2-8, 8-4	N31775	6-4, 6-7	N34259	8-4	S29958	5-2, 5-5
N29144	2-4, 2-8, 8-4	N31790	8-2	N34260	8-4	S29959	5-2, 5-5
N29145	8-4	N31792	8-2	N34261	8-4	S29960	5-2, 5-5
N29147	8-4	N32001	10-3	N34262	8-4	S29961	5-2, 5-5
N29148	8-4	N32040	10-3	N34281	1-2, 1-4	SFN34235	1-2, 1-4
N29149	8-4	N32041	10-3	N34288	5-5	SFN34236	1-2, 1-4
N29150	8-4	N32069	5-5, 9-4	N34290	4-3	SFN34237	1-4
N29151	8-4	N32101	2-10	N34291	4-3	SFN34238	1-2
N29152	8-4	N32102	2-10	N34355	4-3	SFN34246	3-2
N29153	8-4	N32456	2-4	N34356	4-3	SFN37005	8-2
N29280	1-2, 1-4	N32457	2-10	N34359	2-10	SFN37006	2-4, 2-8
N29372	5-2, 5-5	N32458	2-8	N34361	9-2	SFN37007	8-2
N29373	7-2	N32459	2-8	N34362	5-2, 9-4	T	
N29382	2-4, 2-8	N32466	2-4	N34363	5-2, 9-4	T-5276	9-2
N29383	2-4	N32467	2-4	N34364	5-2, 5-5	W	
N29384	8-4	N32470	8-2	N34366	5-2, 5-5	W-1002	6-2
N29385	8-4	N32473	8-2	N34367	1-6, 1-8	W-131	1-6, 1-8, 6-2, 6-4, 6-7
N29395MR	6-4, 6-7	N32475	8-2	N34474	1-2, 1-4	W-1429	9-2
N29457	2-6	N32481	2-10	N34476	1-2, 1-4, 10-3	W-1540	2-5
N29735	8-2	N32483	2-10	N34477	1-2, 1-4, 6-2, 6-4, 6-7, 10-3	W-1552	7-2
N29833	8-4	N32491	8-2	N34478	1-2, 1-4, 10-3	W-1558	1-2, 1-4
N29962	5-2, 5-5	N32492	8-2	N34550	9-2	W-1575	6-4, 6-7
N29963	5-2, 5-5	N32494	8-2	N34554	9-2	W-1663MR	2-5
N29964	5-2, 5-5	N32735	9-2	N34779MR	6-7	W-1854	2-5, 10-3
N30575	8-4	N32769	1-2, 1-4, 6-2, 6-4, 6-7	N34788MR	6-7	W-187	1-2, 1-4, 2-5, 6-2, 6-4, 6-7
N30746	10-3	N32770	1-2, 1-4	N35530	8-4	W-469	2-5, 2-8, 4-3, 4-4, 5-2, 5-5, 6-7, 7-2, 8-2
N31012	4-4	N33553MR	6-2, 6-4, 6-7	N35531	8-4	W-472	1-2, 1-4
N31014	4-4	N33748MR	1-6, 1-8	N35532	8-4	W-473	1-2, 1-4
N31016	4-4	N34000MR	6-2	N35533	8-4	W-475	1-2, 1-4, 6-2, 6-4, 6-7
N31020MR	6-2, 6-4, 6-7	N34005MR	6-2	N35534	8-4	W-477	2-6, 9-6
N31032	5-5	N34008	4-3	N37569	6-7	W-478	6-2, 6-4, 6-7
N31032MR	5-2	N34010	4-3	N37570MR	6-7	W-479	1-2, 1-4, 5-2, 5-5
N31033	5-5	N34011	4-3	N40509	5-5		
N31033MR	5-2	N34012	4-3	N42129	2-6		
N31034	5-2, 5-5	N34015	4-3	N42130	2-6		
N31040	2-8	N34020MR	6-2	P			
N31049	8-2	N34021	4-3	P1318510	1-6, 1-8, 2-4		
N31096	5-2, 5-5	N34023	4-3	R			
N31162	4-4	N34024	4-3	R480034	4-3		
N31163	4-4	N34025	4-3				
N31165	4-4	N34026	5-5				
N31173	4-4						

5, 8-2, 9-2
 W-480 4-3
 W-488 1-6, 1-8
 W-489 9-2
 W-490 1-2, 1-4
 W-492 6-2, 6-4, 6-7
 W-493 6-4, 6-7
 W-495 6-2
 W-496 1-8
 W-498 2-4
 W-501 2-5
 W-503 2-5
 W-512 4-3, 4-4, 5-2, 5-5
 W-513 1-2, 1-4, 5-2, 5-5
 W-514 1-2, 1-4, 2-4, 2-
 8, 2-10, 4-3, 5-2, 5-5, 6-
 2, 6-4, 6-7, 9-6, 10-3
 W-516 1-2, 1-4, 1-6, 1-
 8, 2-4, 4-3, 5-2, 5-5, 6-2, 6-
 4, 6-7, 10-3
 W-517 1-6, 1-8, 2-4, 6-
 4, 6-7
 W-518 1-6, 1-8, 9-2
 W-520 1-6, 1-8
 W-521 4-3, 4-4, 5-2, 5-5
 W-522 1-2, 1-4, 2-6, 5-
 2, 5-5
 W-523 1-2, 1-4, 2-5, 2-
 6, 2-10, 4-3, 5-2, 5-5, 6-
 2, 6-4, 6-7, 9-6, 10-3
 W-525 1-6, 1-8, 2-5, 4-
 3, 5-2, 5-5, 6-2, 6-4, 6-7
 W-526 1-6, 1-8, 2-5, 6-
 4, 6-7
 W-527 1-6, 1-8, 9-2
 W-535 6-2, 6-4, 6-7, 9-2
 W-538 2-10, 5-2, 5-5, 6-
 2, 6-4, 6-7, 8-2
 W-539 6-2, 6-4, 6-7, 10-
 3
 W-541 9-2
 W-558 9-2
 W-619 1-2, 1-4
 W-793 2-5, 6-4, 6-7
 W-7MR 1-6, 1-8
 W-867 6-2, 6-4, 6-7
 W-907 6-2, 6-4, 6-7
 W14504 6-2, 6-4, 6-7

--	--	--	--

SUNFLOWER[®]