

GRAIN DRILLS



PARTS CATALOG

SUNFLOWER®
9433 THREE - SECTION FOLDING GRAIN
DRILL

ALPHABETICAL INDEX

The complete alphabetical index appears at the beginning of this publication. It is used to locate major groups, assemblies and components.

NUMERICAL INDEX

The numerical index of this publication follows the Alphabetical Index at the beginning of the publication and indicates at which grid location and page number a part number appears.

ILLUSTRATIONS

All illustrations are located on the left hand page with the text on the right. Except for some common hardware, all parts are identified with an item number which corresponds to the item column on the text page. This is followed by the parts number, quantity and description.

HARDWARE

Common hardware not identified such as bolts, nuts, cotter pins and lube fittings, are listed indented in the text beneath the item to which they attach or fit. Common hardware listed indented beneath an item is NOT included unless specified. Example: (Incl. BOLT, LOCKWASHER AND NUT).

ORDERING PARTS

Be sure to refer to both the text and the illustration to assure ordering the correct part.

RECOMMENDED DEALER STOCK

A recommended dealer stock listing appears at the end of this publication.



RECOMMENDED DEALER LIST

RECOMMENDED DEALER STOCK 127

SERVICE PARTS

ALL PURPOSE HEADS UP OPENER 75
 ALL PURPOSE HEADS UP OPENER PRESS WHEEL ASSEMBLY 79
 CENTER FRAME FOLD HYDRAULICS 69
 CENTER FRAME LIFT HYDRAULICS 35
 CENTER LIFT ASSEMBLY 25
 CENTER LIFT SPINDLE & WHEEL ASSEMBLY 27
 DECAL PLACEMENT 123
 DRILL SHAFT ASSEMBLY WHEN USING GRASS SEEDER 121
 ELECTRIC CLUTCH KIT 105
 ELECTRIC CLUTCH KIT ASSEMBLY 107
 FRAME ASSEMBLY 11
 GRASS SEEDER AGITATOR ASSEMBLY 119
 GRASS SEEDER HOPPER ASSEMBLY (OPTIONAL) 115
 GRASS SEEDER SHAFT ASSEMBLY 117
 HYDRAULIC SHUT-OFF ASSEMBLY 99
 LEFT WING FRAME ASSEMBLY 17
 LIGHT KIT ASSEMBLY 109
 LOWER HALF OF THE CENTER SECTION GAUGE WHEEL ASSEMBLY 59
 LOWER HALF OF THE WING GAUGE WHEEL ASSEMBLY 63
 MAIN FRAME ASSEMBLY 15
 MAIN FRAME FOLD HYDRAULICS 67
 MAIN FRAME LIFT HYDRAULICS 33
 OPENER SHIELD ASSEMBLY 83
 OUTER WING LIFT HYDRAULICS 37
 PRESS WHEEL & TIRE ASSEMBLY 81
 RIGHT WING FRAME ASSEMBLY 19
 ROW MARKER ASSEMBLY 85
 ROW MARKER HYDRAULICS ON MAIN FRAME 89
 ROW MARKER HYDRAULICS ON THE CENTER FRAME 91
 ROW MARKER MOUNT ASSEMBLY 87
 SAFETY SIGN PLACEMENT 125
 SEED METER SHAFT ASSEMBLY 13
 SHAFT & BIN LEVEL MONITOR KIT (OPTIONAL) 111
 SHAFT & BIN LEVEL MONITOR MOUNTING (OPTIONAL) 113
 SLIDE LOCK ASSEMBLY 23
 TOP HALF OF THE CENTER SECTION GAUGE WHEEL ASSEMBLY 57
 TOP HALF OF THE WING GAUGE WHEEL ASSEMBLY 61
 TRANSPORT LOCK ASSEMBLY 55
 TURNBUCKLE ASSEMBLY ON GAUGE WHEELS 65
 WING FRAME ROW MARKER HYDRAULICS 93
 WING LIFT ASSEMBLY 29
 WING LIFT SPINDLE & TIRE ASSEMBLY 31
 10' HOPPER ASSEMBLY 9
 2 1/2" X 8" CYLINDER (DR55002) VERSION 1, PRIOR TO 6/23/03 101
 2 1/2" X 8" CYLINDER (12051R) VERSION 2, 6/23/03 & LATER 103
 2-POINT HITCH ASSEMBLY 21
 3 3/4" X 10" CYLINDER (10815R) VERSION 2, 4/9/03 & LATER 41
 3 3/4" X 10" HYDRAULIC CYLINDER (4431R) VERSION 1, PRIOR TO 4/9/03 39
 3" X 20" HYDRAULIC CYLINDER (12024R) VERSION 2, 8/28/03 & LATER 97
 3" X 20" HYDRAULIC CYLINDER (6633R) VERSION 1, PRIOR TO 8/28/03 95
 4 1/2" X 10" CYLINDER (12014R) VERSION 2, 12/12/03 & LATER 53
 4 1/2" X 10" CYLINDER (7419R) VERSION 1, PRIOR TO 12/12/03 51
 4 1/4" X 10" CYLINDER (12013R) VERSION 2, 1/19/04 & LATER 49
 4 1/4" X 10" CYLINDER (7104R) VERSION 1, PRIOR TO 1/19/04 47
 4" X 10" HYDRAULIC CYLINDER (10814R) VERSION 2, 6/23/03 & LATER 45
 4" X 10" HYDRAULIC CYLINDER (4430R) VERSION 1, PRIOR TO 6/23/03 43

9433 THREE-SECTION FOLDING GRAIN DRILL

**III
INDEX**

SERVICE PARTS (CONTINUED)

4" X 16" HYDRAULIC CYLINDER 12012R (VERSION 2, 8/22/03 & LATER)	73
4" X 16" HYDRAULIC CYLINDER 9725R (VERSION 1, PRIOR TO 8/22/03)	71
7 1/2' HOPPER ASSEMBLY	7

IV

9433 THREE-SECTION FOLDING GRAIN DRILL

INDEX

Part No.	Page	Grid	Part No.	Page	Grid	Part No.	Page	Grid	Part No.	Page	Grid
SNA0007	7	1-B 6	SNDR40506	129	1-B 18	SNHEN3410	99	1-B 15	SN1193	75	1-B 13
SNA0007	9	1-B 6	SNDR41007	57	1-B 11	SN10050	107	1-B 16	SN1193	129	1-B 18
SNA0007	115	1-B 17	SNDR41007	59	1-B 11	SN10050	127	1-B 18	SN12009	53	1-B 11
SNA0007	127	1-B 18	SNDR41007	61	1-B 12	SN10051	107	1-B 16	SN12011	73	1-B 13
SNA0012	13	1-B 7	SNDR41007	63	1-B 12	SN10051	127	1-B 18	SN12012	69	1-B 12
SNA0012	121	1-B 18	SNDR41008	57	1-B 11	SN10052	107	1-B 16	SN12013	29	1-B 8
SNA0012	131	1-B 19	SNDR41008	59	1-B 11	SN10052	127	1-B 18	SN12014	25	1-B 8
SNA0119	117	1-B 17	SNDR41008	61	1-B 12	SN10053	107	1-B 16	SN12021	97	1-B 15
SNBP10030	115	1-B 17	SNDR41008	63	1-B 12	SN10054	107	1-B 16	SN12022	97	1-B 15
SNBP10031	115	1-B 17	SNDR41506	13	1-B 7	SN10055	105	1-B 16	SN12023	97	1-B 15
SNBP10041	117	1-B 17	SNDR41506	121	1-B 18	SN10055	107	1-B 16	SN12024	87	1-B 14
SNBP10065	115	1-B 17	SNDR41509	13	1-B 7	SN10055	127	1-B 18	SN12051	99	1-B 15
SNBP10074	115	1-B 17	SNDR41509	117	1-B 17	SN10056	105	1-B 16	SN12188	25	1-B 8
SNBP10076	115	1-B 17	SNDR41509	119	1-B 17	SN10056	107	1-B 16	SN12188	29	1-B 8
SNBP10296	115	1-B 17	SNDR41518	59	1-B 11	SN10056	127	1-B 18	SN1220	77	1-B 13
SNBT10258	11	1-B 7	SNDR41518	63	1-B 12	SN10126	77	1-B 13	SN12348	77	1-B 13
SNBT10258	127	1-B 18	SNDR41518	127	1-B 18	SN10126	129	1-B 18	SN12360	59	1-B 11
SNBT10275	13	1-B 7	SNDR55002	99	1-B 15	SN10127	77	1-B 13	SN12361	59	1-B 11
SNBT10275	121	1-B 18	SNDR56006	91	1-B 15	SN10127	129	1-B 18	SN1243	13	1-B 7
SNB1127	77	1-B 13	SNDR56006	129	1-B 18	SN1021	75	1-B 13	SN1243	87	1-B 14
SNB1127	129	1-B 18	SNDR80011	77	1-B 13	SN10292	57	1-B 11	SN1243	121	1-B 18
SNB1141	91	1-B 15	SNDR80011	129	1-B 18	SN10294	61	1-B 12	SN1283	17	1-B 7
SNB1142	117	1-B 17	SNDR80018	57	1-B 11	SN10296	65	1-B 12	SN1283	19	1-B 7
SNB1540	13	1-B 7	SNDR80018	61	1-B 12	SN10296	129	1-B 18	SN1283	21	1-B 8
SNB1540	121	1-B 18	SNDR80018	131	1-B 19	SN10321R	15	1-B 7	SN1283	57	1-B 11
SNB1540	127	1-B 18	SNDR80019	87	1-B 14	SN10325	59	1-B 11	SN1298	57	1-B 11
SNB1598	13	1-B 7	SNDR80019	131	1-B 19	SN10325	63	1-B 12	SN1298	61	1-B 12
SNB1598	121	1-B 18	SNDR80029	57	1-B 11	SN10325	129	1-B 18	SN1300	15	1-B 7
SNB1599	13	1-B 7	SNDR80029	59	1-B 11	SN10326	7	1-B 6	SN1300	23	1-B 8
SNB1599	121	1-B 18	SNDR80029	61	1-B 12	SN10326	9	1-B 6	SN1300	87	1-B 14
SNB2610	65	1-B 12	SNDR80029	63	1-B 12	SN10326	13	1-B 7	SN1345	65	1-B 12
SNB2620	13	1-B 7	SNDR80029	131	1-B 19	SN10326	121	1-B 18	SN140	15	1-B 7
SNB2620	121	1-B 18	SNDR80044	15	1-B 7	SN10333	75	1-B 13	SN140	27	1-B 8
SNB2632	85	1-B 14	SNDR80044	17	1-B 7	SN10355	59	1-B 11	SN1507	11	1-B 7
SNB30001	21	1-B 8	SNDR80044	19	1-B 7	SN10355	63	1-B 12	SN1507	85	1-B 14
SNB4103	65	1-B 12	SNDR80044	131	1-B 19	SN10356	59	1-B 11	SN155	21	1-B 8
SNDR10025	7	1-B 6	SNDR81044	77	1-B 13	SN10356	63	1-B 12	SN1550	13	1-B 7
SNDR10025	9	1-B 6	SNDR81044	129	1-B 18	SN10357	59	1-B 11	SN1550	121	1-B 18
SNDR10025	117	1-B 17	SNFK150025	55	1-B 11	SN10357	63	1-B 12	SN156	11	1-B 7
SNDR10026	13	1-B 7	SNFK150144	17	1-B 7	SN10358	59	1-B 11	SN156	57	1-B 11
SNDR10026	121	1-B 18	SNFK150144	19	1-B 7	SN10358	63	1-B 12	SN156	61	1-B 12
SNDR10506	13	1-B 7	SNFK150157	17	1-B 7	SN10359	59	1-B 11	SN159	85	1-B 14
SNDR10506	117	1-B 17	SNFK150157	19	1-B 7	SN10359	63	1-B 12	SN159	99	1-B 15
SNDR10506	121	1-B 18	SNFK150172	23	1-B 8	SN1040	29	1-B 8	SN159	117	1-B 17
SNDR10524	11	1-B 7	SNFK150172	65	1-B 12	SN1040	87	1-B 14	SN1599	65	1-B 12
SNDR10524	87	1-B 14	SNFK150172	69	1-B 12	SN10463	77	1-B 13	SN1605	27	1-B 8
SNDR11502	11	1-B 7	SNFK150189	117	1-B 17	SN10479	77	1-B 13	SN1605	31	1-B 9
SNDR11502	131	1-B 19	SNFK150221	115	1-B 17	SN10479	131	1-B 19	SN1605	127	1-B 18
SNDR11507	11	1-B 7	SNFK150261	21	1-B 8	SN10542	77	1-B 13	SN1606	27	1-B 8
SNDR11507	131	1-B 19	SNFK150272	17	1-B 7	SN106	29	1-B 8	SN1606	31	1-B 9
SNDR12003	117	1-B 17	SNFK150272	19	1-B 7	SN106	87	1-B 14	SN1606	127	1-B 18
SNDR12006	117	1-B 17	SNFK150274	23	1-B 8	SN10764	111	1-B 17	SN1609	27	1-B 8
SNDR12011	75	1-B 13	SNFK150283	75	1-B 13	SN10771	113	1-B 17	SN1609	85	1-B 14
SNDR12011	131	1-B 19	SNFK310062	27	1-B 8	SN10814	25	1-B 8	SN1610	27	1-B 8
SNDR12016	7	1-B 6	SNFK310062	127	1-B 18	SN10815	29	1-B 8	SN1610	31	1-B 9
SNDR12016	9	1-B 6	SNFK310063	27	1-B 8	SN10853	113	1-B 17	SN1610	127	1-B 18
SNDR12017	13	1-B 7	SNFK310063	127	1-B 18	SN110	17	1-B 7	SN1611	59	1-B 11
SNDR12017	121	1-B 18	SNFK310064	27	1-B 8	SN110	19	1-B 7	SN1611	63	1-B 12
SNDR12017	129	1-B 18	SNFK310064	127	1-B 18	SN110	21	1-B 8	SN1611	131	1-B 19
SNDR12031	17	1-B 7	SNFK340162	27	1-B 8	SN110	57	1-B 11	SN1675	99	1-B 15
SNDR12034	115	1-B 17	SNFK340162	127	1-B 18	SN112	61	1-B 12	SN1678	19	1-B 7
SNDR12046	7	1-B 6	SNFK340163	27	1-B 8	SN112	85	1-B 14	SN175	81	1-B 14
SNDR12046	9	1-B 6	SNFK340165	27	1-B 8	SN112	87	1-B 14	SN175	85	1-B 14
SNDR20004	75	1-B 13	SNFK340165	129	1-B 18	SN1122	25	1-B 8	SN175	115	1-B 17
SNDR20004	131	1-B 19	SNFK340167	27	1-B 8	SN1122	29	1-B 8	SN176	33	1-B 9
SNDR20005	117	1-B 17	SNFK340167	131	1-B 19	SN1122	87	1-B 14	SN176	93	1-B 15
SNDR30009	13	1-B 7	SNFK340168	27	1-B 8	SN113	27	1-B 8	SN177	13	1-B 7
SNDR30009	117	1-B 17	SNFK340168	131	1-B 19	SN113	57	1-B 11	SN177	117	1-B 17
SNDR30009	119	1-B 17	SNFK800384	27	1-B 8	SN113	61	1-B 12	SN177	121	1-B 18
SNDR30009	121	1-B 18	SNFK800384	127	1-B 18	SN113	85	1-B 14	SN178	11	1-B 7
SNDR30009	129	1-B 18	SNHEN3410	23	1-B 8	SN114	27	1-B 8	SN178	83	1-B 14
SNDR30022	59	1-B 11	SNHEN3410	25	1-B 8	SN114	57	1-B 11	SN178	91	1-B 15
SNDR30022	63	1-B 12	SNHEN3410	65	1-B 12	SN114	61	1-B 12	SN178	115	1-B 17
SNDR30022	129	1-B 18	SNHEN3410	75	1-B 13	SN114	85	1-B 14	SN1823	59	1-B 11
SNDR40506	13	1-B 7	SNHEN3410	85	1-B 14	SN1193	11	1-B 7	SN1823	63	1-B 12

9433 THREE-SECTION FOLDING GRAIN DRILL

V
INDEX

Part No.	Page	Grid	Part No.	Page	Grid	Part No.	Page	Grid	Part No.	Page	Grid
SN1823	99	1-B 15	SN317	7	1-B 6	SN3881	7	1-B 6	SN4458	73	1-B 13
SN1860	21	1-B 8	SN317	9	1-B 6	SN3881	9	1-B 6	SN4458	95	1-B 15
SN1918	17	1-B 7	SN317	11	1-B 7	SN3881	13	1-B 7	SN4458	97	1-B 15
SN1918	19	1-B 7	SN317	13	1-B 7	SN3881	55	1-B 11	SN4458	101	1-B 16
SN1935	27	1-B 8	SN317	77	1-B 13	SN3881	57	1-B 11	SN4458	103	1-B 16
SN1935	31	1-B 9	SN317	91	1-B 15	SN3881	61	1-B 12	SN4460	35	1-B 9
SN1935	127	1-B 18	SN317	115	1-B 17	SN3881	75	1-B 13	SN4466	69	1-B 12
SN1936	27	1-B 8	SN317	117	1-B 17	SN3881	81	1-B 14	SN4623	29	1-B 8
SN1936	31	1-B 9	SN317	121	1-B 18	SN3881	109	1-B 16	SN4738	11	1-B 7
SN1936	127	1-B 18	SN3253	33	1-B 9	SN3881	113	1-B 17	SN4738	15	1-B 7
SN1937	31	1-B 9	SN3253	67	1-B 12	SN3881	117	1-B 17	SN474	7	1-B 6
SN1978	15	1-B 7	SN3253	89	1-B 14	SN3881	119	1-B 17	SN474	91	1-B 15
SN1978	21	1-B 8	SN3253	99	1-B 15	SN3881	121	1-B 18	SN4843	11	1-B 7
SN1978	29	1-B 8	SN3298	31	1-B 9	SN3938	19	1-B 7	SN4843	131	1-B 19
SN2045	57	1-B 11	SN3298	129	1-B 18	SN3938	21	1-B 8	SN486	11	1-B 7
SN2045	61	1-B 12	SN330	59	1-B 11	SN3938	85	1-B 14	SN486	57	1-B 11
SN2045	85	1-B 14	SN330	63	1-B 12	SN396	15	1-B 7	SN486	61	1-B 12
SN2045	131	1-B 19	SN330	87	1-B 14	SN396	17	1-B 7	SN486	85	1-B 14
SN2079	15	1-B 7	SN3300	31	1-B 9	SN396	19	1-B 7	SN506	7	1-B 6
SN2079	21	1-B 8	SN3300	127	1-B 18	SN397	15	1-B 7	SN506	9	1-B 6
SN2085	29	1-B 8	SN3301	27	1-B 8	SN397	17	1-B 7	SN506	113	1-B 17
SN2089	57	1-B 11	SN3301	31	1-B 9	SN397	19	1-B 7	SN506	117	1-B 17
SN2096	11	1-B 7	SN3301	129	1-B 18	SN3984	7	1-B 6	SN5094	31	1-B 9
SN2098-1	15	1-B 7	SN3302	27	1-B 8	SN3984	9	1-B 6	SN5151	59	1-B 11
SN2098-6	31	1-B 9	SN3302	31	1-B 9	SN3984	33	1-B 9	SN5151	63	1-B 12
SN2148	23	1-B 8	SN3302	127	1-B 18	SN3984	117	1-B 17	SN5152	31	1-B 9
SN2316	85	1-B 14	SN3303	27	1-B 8	SN4060002	69	1-B 12	SN5201	87	1-B 14
SN2355	35	1-B 9	SN3303	31	1-B 9	SN4065005	35	1-B 9	SN5201	129	1-B 18
SN2355	131	1-B 19	SN3303	85	1-B 14	SN4066002	69	1-B 12	SN5228	27	1-B 8
SN2425	67	1-B 12	SN3303	129	1-B 18	SN4094003	67	1-B 12	SN5230	87	1-B 14
SN2426	33	1-B 9	SN3371	11	1-B 7	SN4100006	33	1-B 9	SN5252	99	1-B 15
SN2429	69	1-B 12	SN3411	65	1-B 12	SN4112012	89	1-B 14	SN5290	11	1-B 7
SN245	99	1-B 15	SN3485	21	1-B 8	SN4155012	99	1-B 15	SN5302	33	1-B 9
SN2486	119	1-B 17	SN3557	11	1-B 7	SN4167003	67	1-B 12	SN5302	67	1-B 12
SN2487	65	1-B 12	SN3564	17	1-B 7	SN4168006	33	1-B 9	SN5302	89	1-B 14
SN2487	67	1-B 12	SN3564	21	1-B 8	SN4178011	91	1-B 15	SN5302	93	1-B 15
SN2487	75	1-B 13	SN3564	131	1-B 19	SN4178011	93	1-B 15	SN5302	99	1-B 15
SN2487	81	1-B 14	SN3565	7	1-B 6	SN4185012	89	1-B 14	SN5339	25	1-B 8
SN2487	85	1-B 14	SN3565	9	1-B 6	SN4188012	99	1-B 15	SN5339	29	1-B 8
SN2487	89	1-B 14	SN3566	7	1-B 6	SN4196011	99	1-B 15	SN5339	87	1-B 14
SN2487	93	1-B 15	SN3566	9	1-B 6	SN4198005	33	1-B 9	SN5341	17	1-B 7
SN2557	79	1-B 13	SN3566	11	1-B 7	SN4198005	35	1-B 9	SN5341	19	1-B 7
SN2561	15	1-B 7	SN3567	7	1-B 6	SN4200002	67	1-B 12	SN5502	87	1-B 14
SN2561	23	1-B 8	SN3567	9	1-B 6	SN4200002	69	1-B 12	SN5555	27	1-B 8
SN2561	87	1-B 14	SN3567	11	1-B 7	SN4200011	89	1-B 14	SN5578	27	1-B 8
SN2566	11	1-B 7	SN3567	15	1-B 7	SN4200011	91	1-B 15	SN5621	27	1-B 8
SN2566	127	1-B 18	SN3567	65	1-B 12	SN4200011	93	1-B 15	SN5621	129	1-B 18
SN2568	113	1-B 17	SN3567	75	1-B 13	SN4224005	35	1-B 9	SN5838	109	1-B 16
SN2585	31	1-B 9	SN3567	83	1-B 14	SN4224005	37	1-B 9	SN5844	109	1-B 16
SN2587	37	1-B 9	SN3567	85	1-B 14	SN4234011	89	1-B 14	SN5844	127	1-B 18
SN2587	109	1-B 16	SN3567	91	1-B 15	SN4234011	91	1-B 15	SN5845	109	1-B 16
SN2750	7	1-B 6	SN3567	115	1-B 17	SN4240011	91	1-B 15	SN5845	127	1-B 18
SN2750	9	1-B 6	SN3577	27	1-B 8	SN4240011	93	1-B 15	SN5846	109	1-B 16
SN2750	57	1-B 11	SN3577	31	1-B 9	SN4248011	99	1-B 15	SN5846	127	1-B 18
SN2750	61	1-B 12	SN3577	59	1-B 11	SN4255005	35	1-B 9	SN5847	109	1-B 16
SN2750	109	1-B 16	SN3577	63	1-B 12	SN4255005	37	1-B 9	SN5847	127	1-B 18
SN302	31	1-B 9	SN3578	59	1-B 11	SN4263011	91	1-B 15	SN5848	109	1-B 16
SN303	31	1-B 9	SN3578	63	1-B 12	SN4263011	93	1-B 15	SN5848	127	1-B 18
SN3051	23	1-B 8	SN3579	31	1-B 9	SN4285005	35	1-B 9	SN5849	109	1-B 16
SN3065	17	1-B 7	SN3581	27	1-B 8	SN4285005	37	1-B 9	SN5849	127	1-B 18
SN3065	19	1-B 7	SN3683	27	1-B 8	SN4294005	35	1-B 9	SN5857	109	1-B 16
SN3066	27	1-B 8	SN3683	127	1-B 18	SN4294005	37	1-B 9	SN5934	75	1-B 13
SN3066	31	1-B 9	SN3684	27	1-B 8	SN4430R	25	1-B 8	SN5934	87	1-B 14
SN3117	31	1-B 9	SN3684	127	1-B 18	SN4431R	29	1-B 8	SN5934	129	1-B 18
SN3117	131	1-B 19	SN3685	27	1-B 8	SN4457	35	1-B 9	SN5935	77	1-B 13
SN3118	31	1-B 9	SN3686	27	1-B 8	SN4457	37	1-B 9	SN6155	29	1-B 8
SN3118	131	1-B 19	SN3686	127	1-B 18	SN4458	39	1-B 9	SN6177	89	1-B 14
SN3164	17	1-B 7	SN3688Y	27	1-B 8	SN4458	41	1-B 10	SN6177	99	1-B 15
SN3164	19	1-B 7	SN3722	117	1-B 17	SN4458	43	1-B 10	SN6282	87	1-B 14
SN3164	23	1-B 8	SN3722	119	1-B 17	SN4458	45	1-B 10	SN6301	29	1-B 8
SN3164	25	1-B 8	SN3750	11	1-B 7	SN4458	47	1-B 10	SN6376	13	1-B 7
SN3164	29	1-B 8	SN3758	87	1-B 14	SN4458	49	1-B 10	SN6376	57	1-B 11
SN3164	69	1-B 12	SN3765	11	1-B 7	SN4458	51	1-B 11	SN6376	61	1-B 12
SN3164	87	1-B 14	SN3806	75	1-B 13	SN4458	53	1-B 11	SN6376	77	1-B 13
SN3164	99	1-B 15	SN3806	99	1-B 15	SN4458	71	1-B 13	SN6376	117	1-B 17

**VI
INDEX**

9433 THREE-SECTION FOLDING GRAIN DRILL

Part No.	Page	Grid	Part No.	Page	Grid	Part No.	Page	Grid	Part No.	Page	Grid
SN6376	119	1-B 17	SN6779	23	1-B 8	SN7222	83	1-B 14	SN7953	117	1-B 17
SN6376	121	1-B 18	SN6782	23	1-B 8	SN7223	83	1-B 14	SN7954	117	1-B 17
SN6377	13	1-B 7	SN6785	17	1-B 7	SN7224	83	1-B 14	SN7955R	117	1-B 17
SN6377	57	1-B 11	SN6785	19	1-B 7	SN7229	83	1-B 14	SN7956	115	1-B 17
SN6377	61	1-B 12	SN6795	11	1-B 7	SN7230	83	1-B 14	SN7957	117	1-B 17
SN6377	117	1-B 17	SN6799	23	1-B 8	SN7266	77	1-B 13	SN7958	117	1-B 17
SN6377	119	1-B 17	SN6800	23	1-B 8	SN7325	25	1-B 8	SN8273-1	73	1-B 13
SN6377	121	1-B 18	SN6815	85	1-B 14	SN7375	79	1-B 13	SN840	77	1-B 13
SN6378	13	1-B 7	SN6817	21	1-B 8	SN7407	81	1-B 14	SN8610-1	39	1-B 9
SN6378	57	1-B 11	SN6818R	21	1-B 8	SN7407	131	1-B 19	SN8610-1	41	1-B 10
SN6378	61	1-B 12	SN6866	79	1-B 13	SN7408	81	1-B 14	SN8610-1	43	1-B 10
SN6378	77	1-B 13	SN6867	79	1-B 13	SN7408	131	1-B 19	SN8610-1	45	1-B 10
SN6378	117	1-B 17	SN6868	79	1-B 13	SN7409	81	1-B 14	SN8610-1	47	1-B 10
SN6378	119	1-B 17	SN6869	79	1-B 13	SN7409	131	1-B 19	SN8610-1	95	1-B 15
SN6378	121	1-B 18	SN6935	91	1-B 15	SN7410	81	1-B 14	SN8610-1	97	1-B 15
SN6381	7	1-B 6	SN6935	93	1-B 15	SN7410	131	1-B 19	SN8612-1	73	1-B 13
SN6381	9	1-B 6	SN6935	99	1-B 15	SN7411	81	1-B 14	SN8612-1	129	1-B 18
SN6425	29	1-B 8	SN6939	11	1-B 7	SN7412	81	1-B 14	SN8617-1	51	1-B 11
SN6436	7	1-B 6	SN6940	11	1-B 7	SN7413	81	1-B 14	SN8618-1	71	1-B 13
SN6436	9	1-B 6	SN6941	11	1-B 7	SN7415	81	1-B 14	SN8618-1	73	1-B 13
SN6440	75	1-B 13	SN6942	11	1-B 7	SN7416	81	1-B 14	SN8629-1	101	1-B 16
SN6470	21	1-B 8	SN6943	59	1-B 11	SN7419	25	1-B 8	SN8629-1	103	1-B 16
SN6477	15	1-B 7	SN6943	63	1-B 12	SN7445	85	1-B 14	SN8631-1	39	1-B 9
SN6478	15	1-B 7	SN6943	127	1-B 18	SN7445	127	1-B 18	SN8631-1	41	1-B 10
SN6506	19	1-B 7	SN6955	11	1-B 7	SN7446	85	1-B 14	SN8631-1	43	1-B 10
SN6555	27	1-B 8	SN6958R	11	1-B 7	SN7446	127	1-B 18	SN8631-1	45	1-B 10
SN6555	129	1-B 18	SN6959R	11	1-B 7	SN7448	87	1-B 14	SN8631-1	47	1-B 10
SN6569	117	1-B 17	SN6991	99	1-B 15	SN7449	87	1-B 14	SN8631-1	51	1-B 11
SN6581	13	1-B 7	SN7001	11	1-B 7	SN7450	87	1-B 14	SN8631-1	71	1-B 13
SN6581	121	1-B 18	SN7001	127	1-B 18	SN7451	87	1-B 14	SN8631-1	73	1-B 13
SN6581	127	1-B 18	SN7024	75	1-B 13	SN7452	87	1-B 14	SN8631-1	95	1-B 15
SN6618	75	1-B 13	SN7024	129	1-B 18	SN7459	119	1-B 17	SN8631-1	97	1-B 15
SN6619	75	1-B 13	SN7026	77	1-B 13	SN7517	65	1-B 12	SN8631-1	101	1-B 16
SN6633	87	1-B 14	SN7026	131	1-B 19	SN7518	65	1-B 12	SN8631-1	103	1-B 16
SN6643	87	1-B 14	SN7027	77	1-B 13	SN7519	65	1-B 12	SN8653-1	45	1-B 10
SN6646	85	1-B 14	SN7028	77	1-B 13	SN7638R	65	1-B 12	SN8654-1	41	1-B 10
SN6649	87	1-B 14	SN7029	77	1-B 13	SN7667	85	1-B 14	SN8654-1	45	1-B 10
SN6651	87	1-B 14	SN7030	77	1-B 13	SN7733	55	1-B 11	SN8655-1	41	1-B 10
SN6652	85	1-B 14	SN7032	75	1-B 13	SN7748	85	1-B 14	SN8656-10	41	1-B 10
SN6656	87	1-B 14	SN7033B	75	1-B 13	SN7749	85	1-B 14	SN8670-10	45	1-B 10
SN6673	11	1-B 7	SN7034	75	1-B 13	SN7750	85	1-B 14	SN8671-1	39	1-B 9
SN6675	11	1-B 7	SN7034B	75	1-B 13	SN7751	85	1-B 14	SN8671-1	41	1-B 10
SN6676	87	1-B 14	SN7040	75	1-B 13	SN7752	85	1-B 14	SN8671-1	43	1-B 10
SN6682	83	1-B 14	SN7040	127	1-B 18	SN7753	85	1-B 14	SN8671-1	45	1-B 10
SN669-1	17	1-B 7	SN7041	75	1-B 13	SN7754	85	1-B 14	SN8671-1	47	1-B 10
SN669-1	19	1-B 7	SN7042	75	1-B 13	SN7755	85	1-B 14	SN8671-1	51	1-B 11
SN669-1	23	1-B 8	SN7043	75	1-B 13	SN776	85	1-B 14	SN8671-1	71	1-B 13
SN669-1	57	1-B 11	SN7043	129	1-B 18	SN776	127	1-B 18	SN8671-1	73	1-B 13
SN669-1	61	1-B 12	SN7044B	75	1-B 13	SN777	85	1-B 14	SN8671-1	95	1-B 15
SN669-1	75	1-B 13	SN7068	11	1-B 7	SN777	127	1-B 18	SN8671-1	97	1-B 15
SN669-1	79	1-B 13	SN7069	11	1-B 7	SN7771	55	1-B 11	SN8671-1	101	1-B 16
SN669-1	87	1-B 14	SN7070	57	1-B 11	SN7772	87	1-B 14	SN8671-1	103	1-B 16
SN6694	117	1-B 17	SN7070	131	1-B 19	SN7773	85	1-B 14	SN8675-10	47	1-B 10
SN6695	117	1-B 17	SN7077	91	1-B 15	SN7773	127	1-B 18	SN8675-10	49	1-B 10
SN6696	119	1-B 17	SN7083	75	1-B 13	SN7775	85	1-B 14	SN8679-10	51	1-B 11
SN6697	119	1-B 17	SN7083	129	1-B 18	SN7775	127	1-B 18	SN8679-10	53	1-B 11
SN6698	119	1-B 17	SN7084	75	1-B 13	SN7778	85	1-B 14	SN8680-10	103	1-B 16
SN6699	119	1-B 17	SN7085	75	1-B 13	SN7778	127	1-B 18	SN8681-1	71	1-B 13
SN670	57	1-B 11	SN71L-2701	11	1-B 7	SN7779	85	1-B 14	SN8681-1	73	1-B 13
SN6700	119	1-B 17	SN7104	29	1-B 8	SN7779	127	1-B 18	SN8681-1	95	1-B 15
SN6701	119	1-B 17	SN7179	11	1-B 7	SN7780	85	1-B 14	SN8681-1	97	1-B 15
SN6702	119	1-B 17	SN7193	55	1-B 11	SN7780	127	1-B 18	SN8681-1	101	1-B 16
SN6703	119	1-B 17	SN7197	55	1-B 11	SN7781	85	1-B 14	SN8681-1	103	1-B 16
SN6704	121	1-B 18	SN7198	55	1-B 11	SN7781	127	1-B 18	SN8682-1	73	1-B 13
SN6707	121	1-B 18	SN7198	129	1-B 18	SN7782	85	1-B 14	SN8683-1	39	1-B 9
SN6709	119	1-B 17	SN7201	77	1-B 13	SN7784	59	1-B 11	SN8683-1	41	1-B 10
SN6710	117	1-B 17	SN7201	131	1-B 19	SN7784	63	1-B 12	SN8683-1	43	1-B 10
SN6711	117	1-B 17	SN7203	77	1-B 13	SN7784	131	1-B 19	SN8683-1	45	1-B 10
SN6711	121	1-B 18	SN7204	77	1-B 13	SN7788	87	1-B 14	SN8683-1	47	1-B 10
SN6713	117	1-B 17	SN7205	77	1-B 13	SN7789	87	1-B 14	SN8683-1	49	1-B 10
SN6714	119	1-B 17	SN7218	79	1-B 13	SN7825	85	1-B 14	SN8685-1	51	1-B 11
SN6757	17	1-B 7	SN7218	81	1-B 14	SN7825	129	1-B 18	SN8685-1	53	1-B 11
SN6757	19	1-B 7	SN7218	131	1-B 19	SN7859	77	1-B 13	SN8689-1	101	1-B 16
SN6776	17	1-B 7	SN7219	11	1-B 7	SN7859	131	1-B 19	SN8690-10	101	1-B 16
SN6776	19	1-B 7	SN7221	83	1-B 14	SN7952	117	1-B 17	SN8692-10	71	1-B 13

9433 THREE-SECTION FOLDING GRAIN DRILL

VII
INDEX

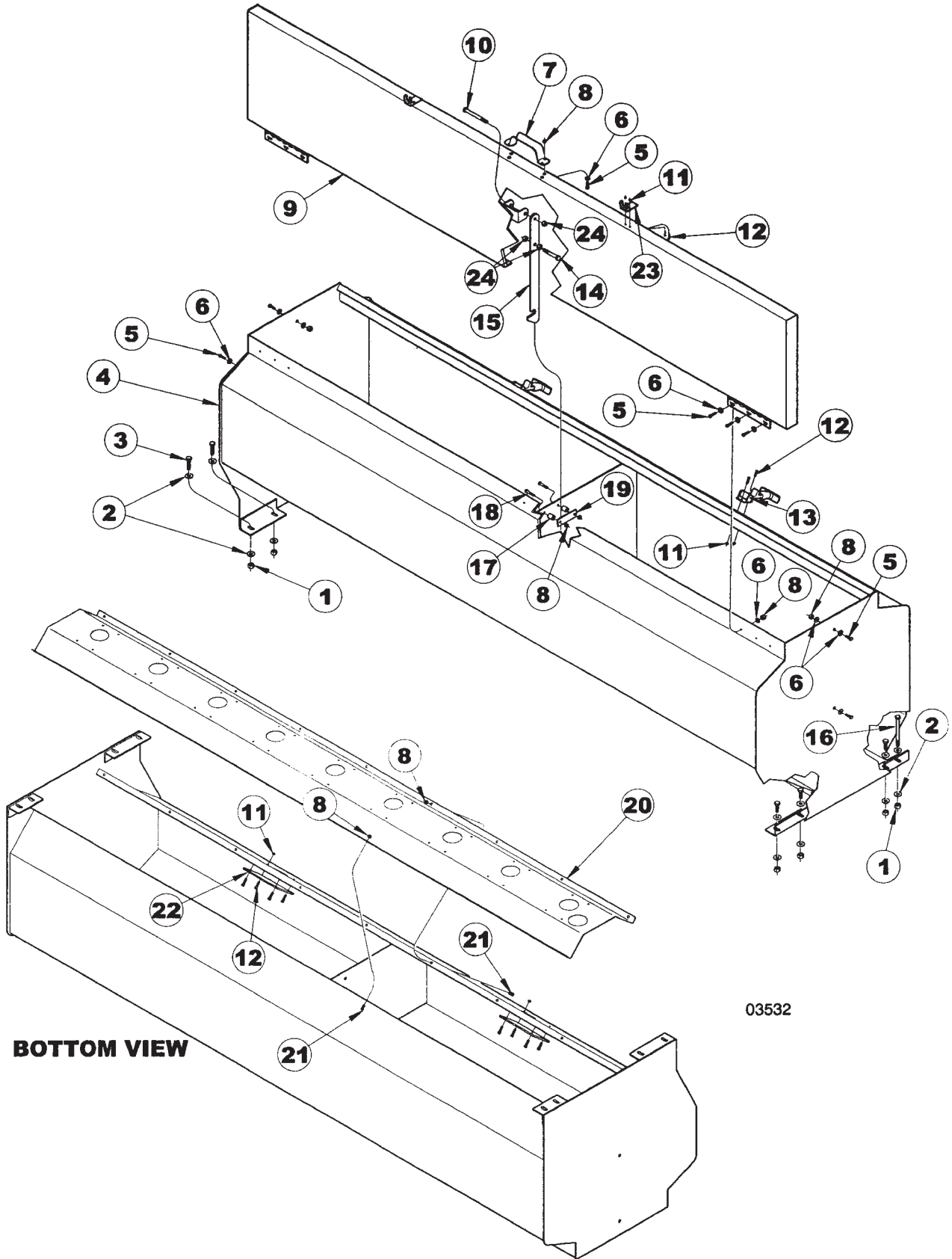
Part No.	Page	Grid	Part No.	Page	Grid	Part No.	Page	Grid	Part No.	Page	Grid
SN8695-1	47	1-B 10	SN8873-1	51	1-B 11	SN9128	11	1-B 7	SN9875	107	1-B 16
SN8698-10	39	1-B 9	SN8873-1	53	1-B 11	SN9129	57	1-B 11	SN9878	57	1-B 11
SN8699-10	43	1-B 10	SN8877-1	71	1-B 13	SN9129	61	1-B 12	SN9879	77	1-B 13
SN8701-10	95	1-B 15	SN8878-1	95	1-B 15	SN9130	61	1-B 12	SN9880	77	1-B 13
SN8711-1	95	1-B 15	SN8879-1	101	1-B 16	SN9131	57	1-B 11	SN9881	59	1-B 11
SN8713-1	71	1-B 13	SN8879-1	103	1-B 16	SN9135	61	1-B 12	SN9881	63	1-B 12
SN8714-1	103	1-B 16	SN8899-1	39	1-B 9	SN9136	59	1-B 11	SN9882	59	1-B 11
SN8717-1	39	1-B 9	SN8899-1	43	1-B 10	SN9136	63	1-B 12	SN9882	63	1-B 12
SN8718-1	43	1-B 10	SN8901-1	51	1-B 11	SN9136	129	1-B 18	SN9883	59	1-B 11
SN8720-1	51	1-B 11	SN8901-1	53	1-B 11	SN9137	57	1-B 11	SN9883	63	1-B 12
SN8721-10	101	1-B 16	SN8925-1	41	1-B 10	SN9137	61	1-B 12	SN9884	59	1-B 11
SN8722-10	95	1-B 15	SN8925-1	45	1-B 10	SN9140	17	1-B 7	SN9884	63	1-B 12
SN8730-10	51	1-B 11	SN893	87	1-B 14	SN9140	19	1-B 7	SN9886	59	1-B 11
SN8731-10	103	1-B 16	SN893	99	1-B 15	SN9151	61	1-B 12	SN9886	63	1-B 12
SN8736-10	39	1-B 9	SN8931-10	97	1-B 15	SN916	99	1-B 15	SN9887	59	1-B 11
SN8736-10	41	1-B 10	SN8937-1	97	1-B 15	SN9161	57	1-B 11	SN9887	63	1-B 12
SN8739-10	43	1-B 10	SN8938-10	97	1-B 15	SN9161	61	1-B 12	SN9888	63	1-B 12
SN8739-10	45	1-B 10	SN8939-1	97	1-B 15	SN9163	65	1-B 12	SN9889	21	1-B 8
SN8741-10	47	1-B 10	SN8939-1	129	1-B 18	SN9164	65	1-B 12	SN9894R	25	1-B 8
SN8741-10	49	1-B 10	SN8951-1	53	1-B 11	SN9166R	57	1-B 11	SN9895R	15	1-B 7
SN8744-10	71	1-B 13	SN8951-1	129	1-B 18	SN9166R	61	1-B 12	SN9896	15	1-B 7
SN8756-1	103	1-B 16	SN8953-1	53	1-B 11	SN9170	57	1-B 11	SN9897	15	1-B 7
SN8756-1	129	1-B 18	SN8956-10	53	1-B 11	SN9172	61	1-B 12	SN9898	25	1-B 8
SN8762-1	95	1-B 15	SN8958-1	49	1-B 10	SN9173	61	1-B 12	SN9900	15	1-B 7
SN8762-1	129	1-B 18	SN8961-1	49	1-B 10	SN9176	13	1-B 7	SN9903R	19	1-B 7
SN8776-1	39	1-B 9	SN8961-1	53	1-B 11	SN9176	57	1-B 11	SN9904R	17	1-B 7
SN8776-1	41	1-B 10	SN8963-1	49	1-B 10	SN9176	121	1-B 18	SN9905R	19	1-B 7
SN8776-1	129	1-B 18	SN8963-1	53	1-B 11	SN9178	59	1-B 11	SN9906R	17	1-B 7
SN8780-1	47	1-B 10	SN8966-1	47	1-B 10	SN9178	63	1-B 12	SN9907	17	1-B 7
SN8780-1	49	1-B 10	SN8966-1	49	1-B 10	SN9179	7	1-B 6	SN9907	19	1-B 7
SN8780-1	129	1-B 18	SN8968-1	49	1-B 10	SN9179	9	1-B 6	SN9908	29	1-B 8
SN8781-1	43	1-B 10	SN8970-1	73	1-B 13	SN9180	7	1-B 6	SN9909	15	1-B 7
SN8781-1	45	1-B 10	SN8971-10	73	1-B 13	SN9180	9	1-B 6	SN9910	69	1-B 12
SN8781-1	129	1-B 18	SN9028	11	1-B 7	SN9181	7	1-B 6	SN9914	21	1-B 8
SN8789-1	71	1-B 13	SN9029	57	1-B 11	SN9181	9	1-B 6	SN9915	15	1-B 7
SN8789-1	129	1-B 18	SN9045	7	1-B 6	SN9182	9	1-B 6	SN9937	75	1-B 13
SN8799-1	51	1-B 11	SN9045	9	1-B 6	SN9185	7	1-B 6	SN9937	131	1-B 19
SN8799-1	129	1-B 18	SN9045	13	1-B 7	SN9186	9	1-B 6	SN9937	131	1-B 19
SN8800-1	101	1-B 16	SN9046	7	1-B 6	SN9188	13	1-B 7	SN9939	59	1-B 11
SN8800-1	129	1-B 18	SN9047	9	1-B 6	SN9188	121	1-B 18	SN9939	63	1-B 12
SN8804-1	51	1-B 11	SN9049	7	1-B 6	SN9189	13	1-B 7	SN997002	123	1-B 18
SN8804-1	53	1-B 11	SN9051	7	1-B 6	SN9189	121	1-B 18	SN997040	125	1-B 18
SN8805-1	47	1-B 10	SN9052	9	1-B 6	SN9190	13	1-B 7	SN997041	125	1-B 18
SN8805-1	49	1-B 10	SN9054	9	1-B 6	SN9190	121	1-B 18	SN997043	125	1-B 18
SN8806-1	95	1-B 15	SN9076	7	1-B 6	SN9191	13	1-B 7	SN997052	39	1-B 9
SN8809-1	101	1-B 16	SN9076	9	1-B 6	SN9191	121	1-B 18	SN997052	41	1-B 10
SN8809-1	103	1-B 16	SN9076	13	1-B 7	SN9192R	13	1-B 7	SN997052	43	1-B 10
SN8826-1	43	1-B 10	SN9076	121	1-B 18	SN9201	61	1-B 12	SN997052	45	1-B 10
SN8826-1	45	1-B 10	SN9077	57	1-B 11	SN9203	61	1-B 12	SN997052	47	1-B 10
SN8828-1	39	1-B 9	SN9077	61	1-B 12	SN9249	99	1-B 15	SN997052	49	1-B 10
SN8828-1	41	1-B 10	SN9077	129	1-B 18	SN9250	99	1-B 15	SN997052	51	1-B 11
SN8833-1	71	1-B 13	SN9078	59	1-B 11	SN9261	15	1-B 7	SN997052	53	1-B 11
SN8833-1	73	1-B 13	SN9078	63	1-B 12	SN9268	15	1-B 7	SN997052	125	1-B 18
SN8849-1	39	1-B 9	SN9078	105	1-B 16	SN9271	15	1-B 7	SN997246	123	1-B 18
SN8849-1	43	1-B 10	SN9078	129	1-B 18	SN9680	75	1-B 13	SN997309	49	1-B 10
SN8854-1	71	1-B 13	SN9079	59	1-B 11	SN9682	75	1-B 13	SN997309	53	1-B 11
SN8864-1	39	1-B 9	SN9079	63	1-B 12	SN9683	59	1-B 11	SN997309	71	1-B 13
SN8864-1	41	1-B 10	SN9079	105	1-B 16	SN9683	63	1-B 12	SN997309	73	1-B 13
SN8864-1	43	1-B 10	SN9079	129	1-B 18	SN9683	75	1-B 13	SN997311	125	1-B 18
SN8864-1	45	1-B 10	SN9081	57	1-B 11	SN9706	69	1-B 12	SN997313	125	1-B 18
SN8864-1	71	1-B 13	SN9081	61	1-B 12	SN9708	75	1-B 13	SN997318	125	1-B 18
SN8864-1	73	1-B 13	SN9081	129	1-B 18	SN9708	129	1-B 18	SN997319	125	1-B 18
SN8864-1	101	1-B 16	SN9082	57	1-B 11	SN9725	69	1-B 12	SN997320	125	1-B 18
SN8864-1	103	1-B 16	SN9082	61	1-B 12	SN9727	23	1-B 8	SN997321	125	1-B 18
SN8865-1	47	1-B 10	SN9083	57	1-B 11	SN9728	23	1-B 8	SN997322	125	1-B 18
SN8865-1	49	1-B 10	SN9083	59	1-B 11	SN9729	23	1-B 8	SN997323	125	1-B 18
SN8865-1	51	1-B 11	SN9083	61	1-B 12	SN9730	23	1-B 8	SN997324	125	1-B 18
SN8865-1	53	1-B 11	SN9083	63	1-B 12	SN9731	23	1-B 8	SN997325	125	1-B 18
SN8866-1	95	1-B 15	SN9083	105	1-B 16	SN9732	23	1-B 8	SN997326	123	1-B 18
SN8866-1	97	1-B 15	SN9083	129	1-B 18	SN9733	23	1-B 8	SN997327	123	1-B 18
SN8870-1	101	1-B 16	SN9101	75	1-B 13	SN9753N	77	1-B 13	SN997339	125	1-B 18
SN8870-1	103	1-B 16	SN9102	75	1-B 13	SN9780	77	1-B 13	SN997340	125	1-B 18
SN8872-1	95	1-B 15	SN9102	129	1-B 18	SN9785	13	1-B 7	SN997407	79	1-B 13
SN8873-1	47	1-B 10	SN9109	81	1-B 14	SN9786	13	1-B 7	SN997408	125	1-B 18
SN8873-1	49	1-B 10	SN9126	11	1-B 7	SN9874	107	1-B 16	SN997459	123	1-B 18

9433 THREE-SECTION FOLDING GRAIN DRILL

**IX
INDEX**

Part No.	Page	Grid	Part No.	Page	Grid	Part No.	Page	Grid	Part No.	Page	Grid
----------	------	------	----------	------	------	----------	------	------	----------	------	------

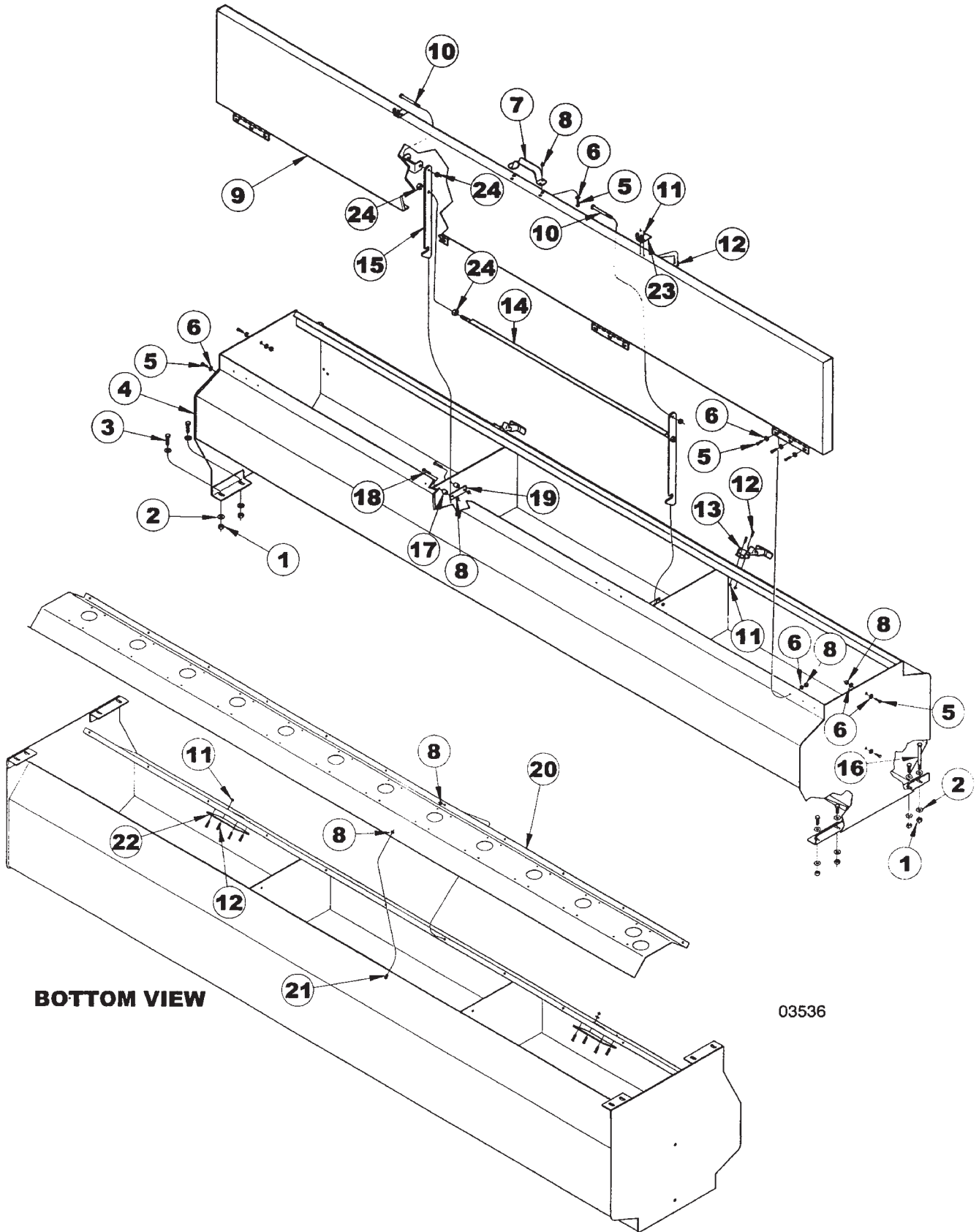
7 1/2' HOPPER ASSEMBLY



ITEM	NUMBER	QTY	DESCRIPTION
1	SN3567		LOCK NUT, 3/8"-16 HEX NYLON INSERT, GR 2, Y/D
2	SN317		FLAT WASHER, 3/8", Y/D
3	SN3984		HEX BOLT, 3/8"-16 X 1 1/4",GR 5, Y/D
4	SN9046		HOPPER BOX, 7 1/2', 2.4 BU
5	SNDR10025		HEX BOLT, 1/4"-20 X 5/8", GR 5, Y/D
6	SN506		FLAT WASHER, 1/4", Y/D
7	SN6436		HANDLE
8	SN3881		LOCK NUT, 1/4"-20 HEX NYLON INSERT, GR 2, Y/D
9	SN9185		HOPPER LID, 7 1/2'
10	SN3565		HEX BOLT, 3/8"-16 X 3 1/2", GR 5, Y/D
11	SN10326		NUT, 10-24 UNC HEX HEAD W/LOCKWASHER
12	SN9076		HEX BOLT, NO. 10-24 X 1/2", GR 2, Y/D
13	SNA0007		HOPPER LATCH ASSEMBLY
14	SN474		HEX BOLT, 3/8"-16 X 2", GR 5 Y/D
15	SN9180		LID LOCK
16	SN6381		HEX BOLT, 3/8"-16 X 4 1/2", GR 5, Y/D
17	SN9181		SPACER, LID LOCK, 5/8"L
18	SN2750		HEX BOLT, 1/4"-20 X 1 1/4", GR 2, Y/D
19	SN9179		LID LOCK PLATE
20	SN9049		HOPPER BOTTOM PLATE, 7 1/2', 7 1/2" SP
	SN9051		HOPPER BOTTOM PLATE, 7 1/2', 10" SP
21	SN9045		HEX BOLT, 1/4"-20 X 1/2" GR 5, Y/D
22	SNDR12016		SIGHT GLASS
23	SNDR12046		LATCH BRACKET
24	SN3566		LOCK NUT, 3/8"-16 HEX CENTER, GR 2,Y/D

I0003532
PR: t05g30n06d0001

10' HOPPER ASSEMBLY



BOTTOM VIEW

03536

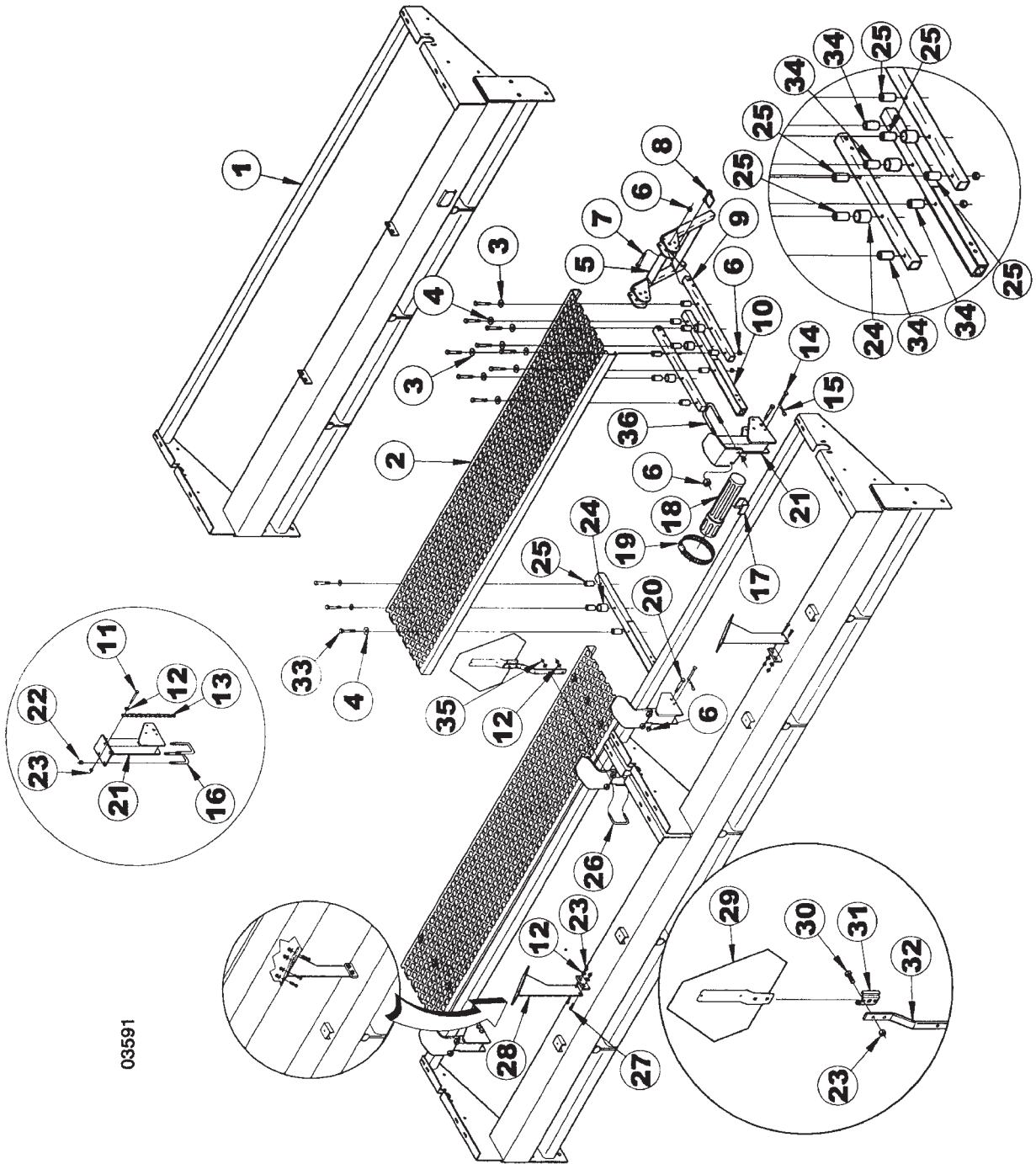
10' HOPPER ASSEMBLY

ITEM	NUMBER	QTY	DESCRIPTION
1	SN3567		LOCK NUT, 3/8"-16 HEX NYLON INSERT, GR 2, Y/D
2	SN317		FLAT WASHER, 3/8", Y/D
3	SN3984		HEX BOLT, 3/8"-16 X 1 1/4", GR 5, Y/D
4	SN9047		HOPPER BOX, 10', 2.4 BU
5	SNDR10025		HEX BOLT, 1/4"-20 X 5/8", GR 5, Y/D
6	SN506		FLAT WASHER, 1/4", Y/D
7	SN6436		HANDLE
8	SN3881		LOCK NUT, 1/4"-20 HEX NYLON INSERT, GR 2, Y/D
9	SN9186		HOPPER LID, 10'
10	SN3565		HEX BOLT, 3/8"-16 X 3 1/2", GR 5, Y/D
11	SN10326		NUT, 10-24 UNC HEX HEAD W/LOCKWASHER
12	SN9076		HEX BOLT, NO. 10-24 X 1/2", GR 2, Y/D
13	SNA0007		HOPPER LATCH ASSEMBLY
14	SN9182		LOCKING ROD, 10'
15	SN9180		LID LOCK
16	SN6381		HEX BOLT, 3/8"-16 X 4 1/2", GR 5, Y/D
17	SN9181		SPACER, LID LOCK, 5/8"L
18	SN2750		HEX BOLT, 1/4"-20 X 1 1/4", GR 2, Y/D
19	SN9179		LID LOCK PLATE
20	SN9052		HOPPER BOTTOM PLATE, 10', 7 1/2" SP
	SN9054		HOPPER BOTTOM PLATE, 10', 10" SP
21	SN9045		HEX BOLT, 1/4"-20 X 1/2" GR 5, Y/D
22	SNDR12016		SIGHT GLASS
23	SNDR12046		LATCH BRACKET
24	SN3566		LOCK NUT, 3/8"-16 HEX CENTER, GR 2,Y/D

I0003536
PR: t05g30n06d0002

FRAME ASSEMBLY

Version 1 Walkboard Bracket
Inside Circle



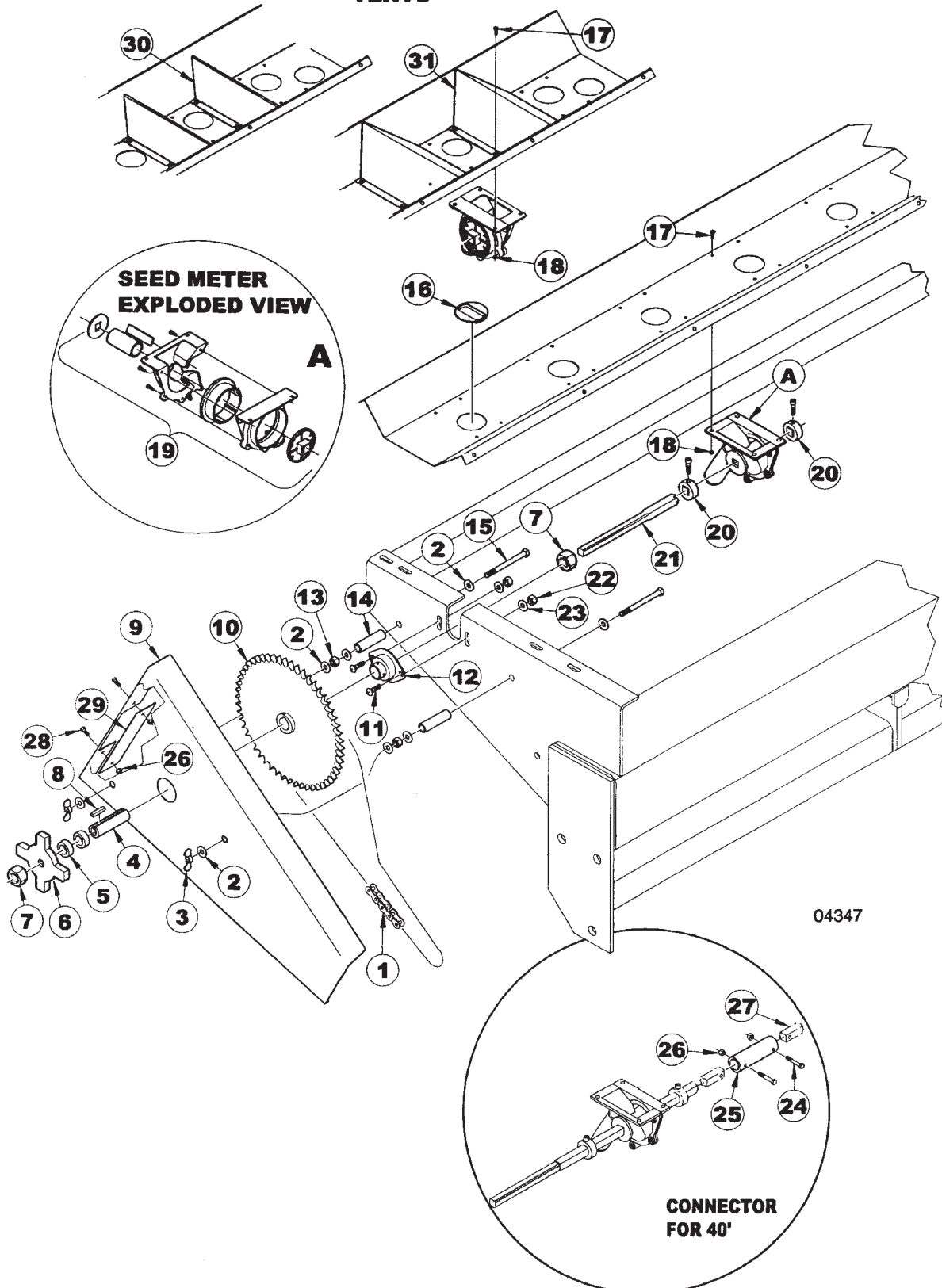
03591

ITEM	NUMBER	QTY	DESCRIPTION
1	SN9126		FRAME, GRAIN DRILL, 10'@7 1/2" & 10" SP (30' & 40')
	SN9128		FRAME, GRAIN DRILL, 15'@7 1/2" & 10" SP (40')
2	SN6939		WALKBOARD, 120" (30' & 40')
	SN6940		WALKBOARD, 112" (30')
	SN6941		WALKBOARD, 90" (40')
	SN6942		WALKBOARD, 84" (40')
3	SN5290		FLAT WASHER, 1/2", 3/16" THICK, Y/D
4	SN486		FLAT WASHER, 1/2", Y/D
5	SN7069		WALKBOARD STEP, 18"
6	SN2096		LOCK NUT, 1/2"-13 HEX NYLON INSERT
7	SN156		HEX BOLT, 1/2"-13 X 3", GR 5 Y/D
8	SN3557		QUICK PIN, 3/8" DIA X 2 1/2"
9	SN7068		WALKBOARD STEP MOUNT
10	SN6955		WALKBOARD ARM, 27 1/4" L
11	SN4738		HEX BOLT, 3/8"-16 X 2 3/4", GR 5, Y/D
12	SN317		FLAT WASHER, 3/8", Y/D
13	SN6675		CHAIN, 13" W/S-HOOK
14	SN6795		PIN, 3/8" X 3 1/4" (3 1/64"), Z/P
15	SN71L-2701		PIN CLIP, 1/2"-5/8" SHAFT, .120" DIA, 1 5/8" L
16	SNDR11507		U-BOLT, 7/16"-14 X 4" X 2 1/2"W, GR 5, Y/D
17	SN7219		MOUNT, OPERATOR'S MANUAL TUBE
18	SN3750		OPERATOR'S MANUAL TUBE
19	SN3765		HOSE CLAMP, 3 1/2"
20	SN1507		HEX BOLT, 1/2"-13 X 3 1/2", GR 5, Y/D
21	SN6673		WALKBOARD BRACKET
22	SNDR10524		LOCK NUT, 7/16"-14 HEX NYLON INSERT, Y/D
23	SN3567		LOCK NUT, 3/8"-16 HEX NYLON INSERT, GR 2, Y/D
24	SN6958R		SPACER, 1.500" OD X 1.125" ID, 1 9/16" L
25	SN6959R		SPACER, 1.00" OD X .563" ID, 1 3/4" L
26	SNDR11502		U-BOLT, 3/8"-16 X 2 5/8" X 3 1/2" W, GR 5, Y/D
27	SN178		HEX BOLT, 3/8"-16 X 1", GR 5, Y/D
28	SN9028		HOPPER BRACE
29	SN7001		SMV EMBLEM
30	SN1193		HEX BOLT, 3/8"-16 X 3/4", GR 5, Y/D
31	SN2566		S.M.V. SOCKET
32	SNBT10258		SMV BRACKET
33	SN3371		HEX BOLT, 1/2"-13 X 4", GR 5, Y/D
34	SN7179		SPACER, 1.00" OD X .563" ID, 1 5/8" L
35	SN3566		LOCK NUT, 3/8"-16 HEX CENTER, GR 2, Y/D
36	SN4843		U-BOLT, 1/2"-13 X 5 1/4" X 2 1/2" W, GR 5, Y/D

I0003591
PR: t05g30n06d0003

SEED METER SHAFT ASSEMBLY

OPTIONAL HOPPER
TENTS

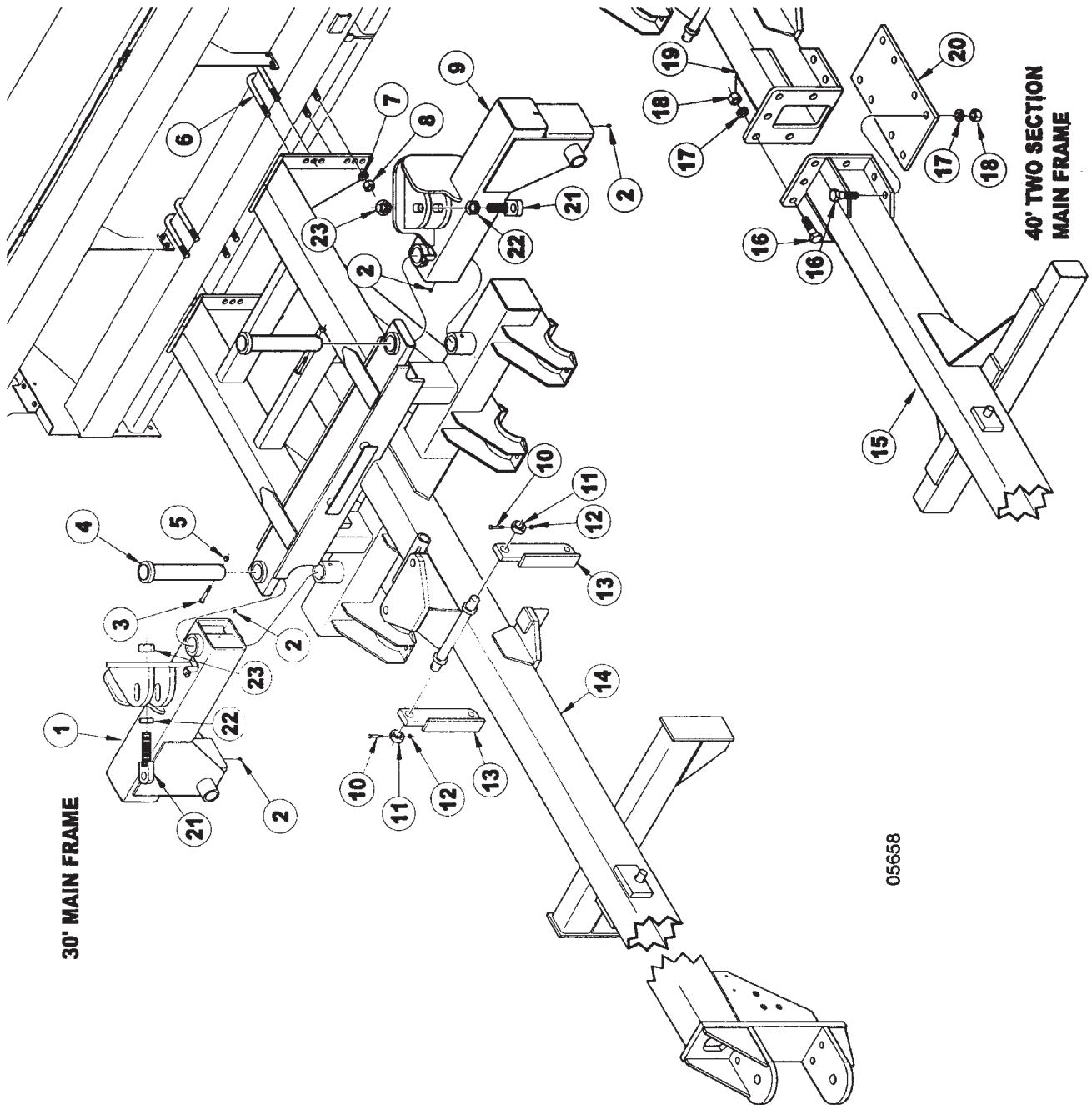


SEED METER SHAFT ASSEMBLY

ITEM	NUMBER	QTY	DESCRIPTION
1	SN9176		CHAIN, 79 3/8" L NO. 50
2	SN317		FLAT WASHER, 3/8", Y/D
3	SNDR10506		WING NUT, 3/8"-16, Y/D
4	SNDR41506		BUSHING, KEYED 1.000"OD X .630"SQ ID, 3 1/4" L, Y/D
5	SNBT10275		SPACER, 1.250" OD X .781" ID, .234" WALL, 15/32" L, Y/D
6	SNB1540		ADJUSTMENT KNOB, Y/D
7	SN1243		JAM NUT, 3/4"-10 HEX, GR 2, Y/D
8	SNDR41509		KEY, 1/4" X 1 1/4" SPROCKET
9	SN9190		CHAIN GUARD, RIGHT
	SN9191		CHAIN GUARD, LEFT
10	SNDR40506		SPROCKET, 54 TOOTH, 1" BORE #50 CHAIN
11	SN6376		CARRIAGE BOLT, 5/16"-18 X 1" GR 5, Y/D
12	SNDR30009		BEARING, 1" LFST
13	SN177		HEX NUT, 3/8"-16 FULL, GR 2, Y/D
14	SNB2620		SPACER, .750" OD X .500" ID, .125" WALL, 2 5/8" L
15	SNDR10026		HEX BOLT, 3/8"-16 X 4" GR 5, Y/D
16	SNDR12017		PLUG, SEED METER
17	SN9076		HEX BOLT, NO. 10-24 X 1/2", GR 2, Y/D
18	SN10326		NUT, 10-24 UNC HEX HEAD W/LOCKWASHER
19	SNA0012		SEED METER ASSEMBLY
20	SN6581		LOCKING COLLAR, 1 1/2" OD X 7/8" ID X 9/16" L W/CAP SCREW
21	SNB1598		SHAFT, 94", 5/8" SQ
	SN9188		SHAFT, 124 3/4", 5/8" SQ
22	SN6378		LOCK NUT, 5/16" HEX NYLON INSERT GR 5, Y/D
23	SN6377		FLAT WASHER, 5/16" Y/D
24	SN1550		HEX BOLT, 1/4"-20 X 2", GR 2 Y/D
25	SN9189		CONNECTOR, METER SHAFT, 5" L
26	SN3881		LOCK NUT, 1/4"-20 HEX NYLON INSERT, GR 2, Y/D
27	SNB1599		SHAFT, 88 1/4", 5/8" SQ
28	SN9045		HEX BOLT, 1/4"-20 X 1/2" GR 5, Y/D
29	SN9192R		COVER PLATE, CHAIN GUARD
30	SN9785		SEED BOX TENT, 7 1/2" SP
31	SN9786		SEED BOX TENT, 10" SP

I0004347
PR: t05g30n06d0004

MAIN FRAME ASSEMBLY

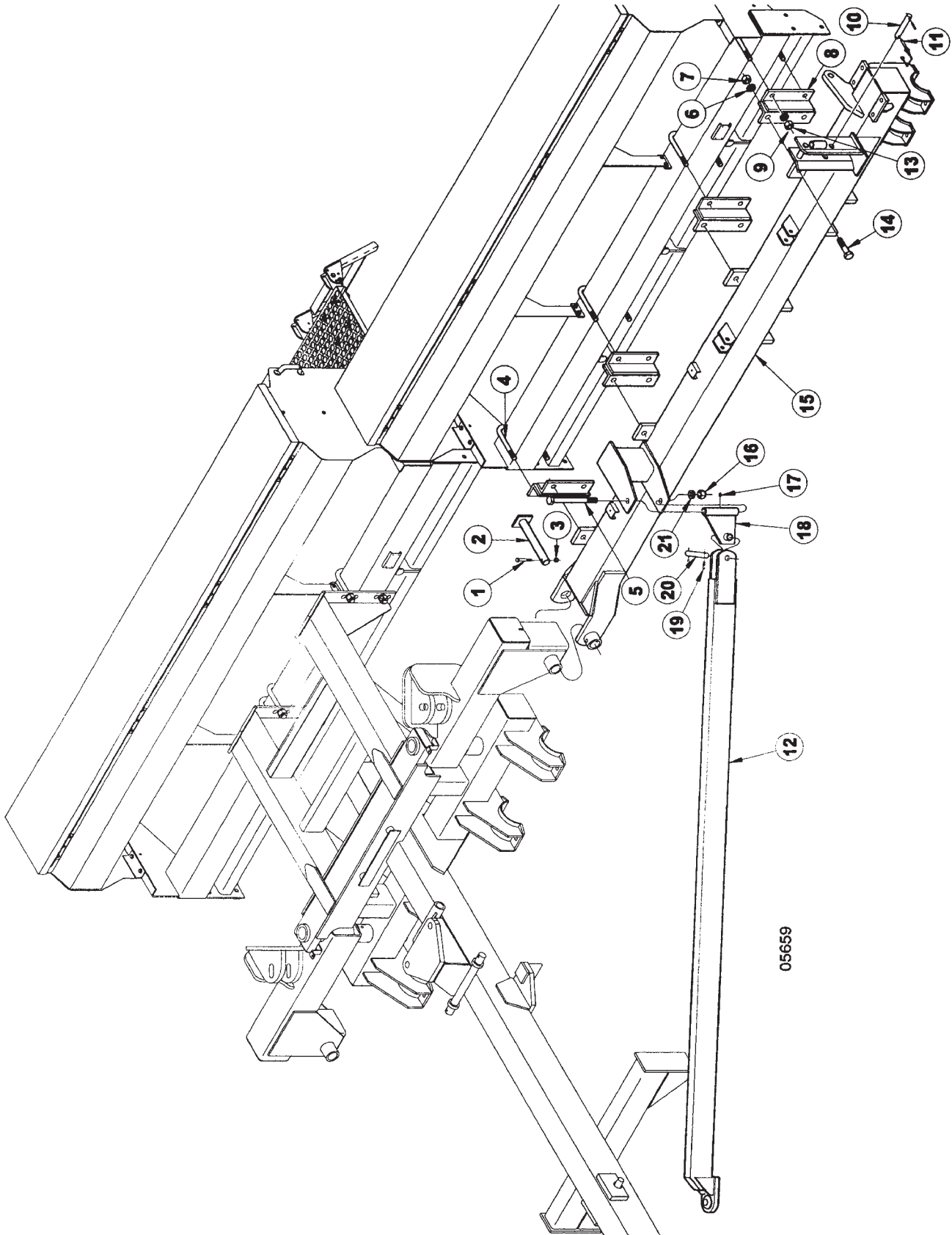


05658

ITEM	NUMBER	QTY	DESCRIPTION
1	SN9896		SHORT WING, 9433, RIGHT
2	SN2098-1		GREASE ZERK, 1/8" NPTF, 5/8" L
3	SN140		HEX BOLT, 1/2"-13 X 4 1/2", GR 5, Y/D
4	SN6477		PIN, 2 1/2" X 14 1/4"
5	SN2096		LOCK NUT, 1/2"-13 HEX NYLON INSERT
6	SNDR80044		U-BOLT, 7/8"-9 X 8 3/4" X 7 15/16" W, GR 5, Y/D
7	SN396		LOCK WASHER, 7/8" SPLIT TYPE MED, Y/D
8	SN397		HEX NUT, 7/8"-9 FULL, GR 2, Y/D
9	SN9897		SHORT WING, 9433, LEFT
10	SN4738		HEX BOLT, 3/8"-16 X 2 3/4", GR 5, Y/D
11	SN6478		COLLAR, 3/4"
12	SN3567		LOCK NUT, 3/8"-16 HEX NYLON INSERT, GR 2, Y/D
13	SN10321R		CYLINDER LINK (USED ON 30' MODELS)
	SN9261		CYLINDER LINK (USED ON 40' MODELS)
14	SN9909		MAIN FRAME, 9433-30, GRAIN DRILL
15	SN9895R		MAIN FRAME, FRONT, 9433-40
16	SN9271		HEX BOLT, 1 1/8"-7 X 3 1/2" GR5, Y/D
17	SN2561		LOCK WASHER, 1 1/8" SPLIT TYPE MED, Y/D
18	SN1300		HEX NUT, 1 1/8"-7 FULL, GR 2, Y/D
19	SN9900		MAIN FRAME, BACK, 9433-40
20	SN9268		TIE PLATE
21	SN9915		ADJUSTABLE CYLINDER STOP
22	SN2079		JAM NUT, 1 1/2"-6 HEX, GR 2, Y/D
23	SN1978		HEX NUT, 1 1/2"-6 FULL, GR 2, Y/D

I0005658
PR: t05g30n06d0005

LEFT WING FRAME ASSEMBLY



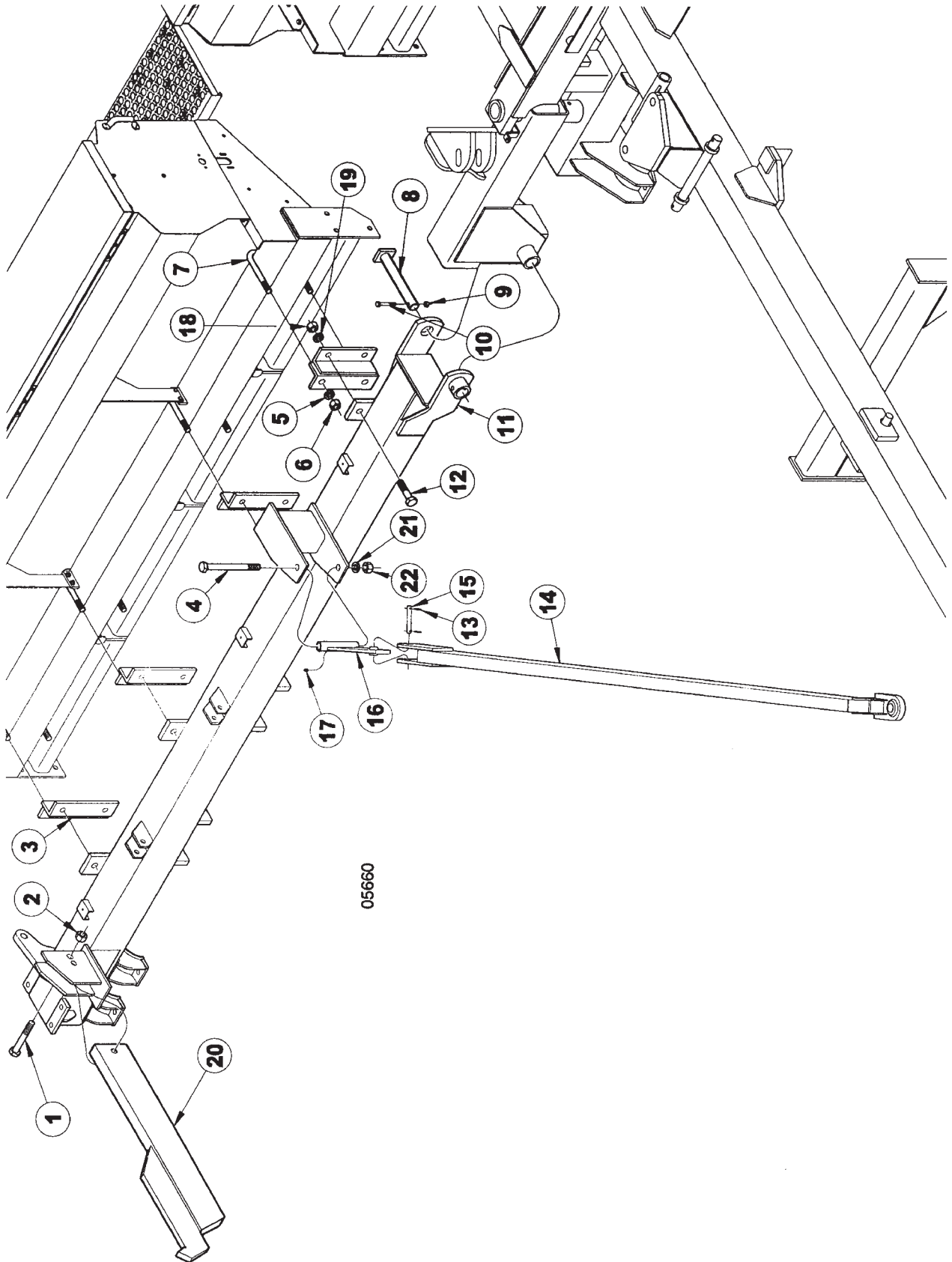
05659

LEFT WING FRAME ASSEMBLY

ITEM	NUMBER	QTY	DESCRIPTION
1	SN3065		HEX BOLT, 5/8"-11 X 4", GR 5, Y/D
2	SN9140		PIN, 2" X 15 3/4" (13 1/4")SQ HEADED
3	SN669-1		LOCK NUT, 5/8" HEX NYLON INSERT, GR 5, Y/D
4	SNDR80044		U-BOLT, 7/8"-9 X 8 3/4" X 7 15/16" W, GR 5, Y/D
5	SNFK150272		HEX BOLT, 1 1/4"-7 X 10", GR 5, Y/D
6	SN1283		LOCK WASHER, 1" SPLIT TYPE MED, Y/D
7	SN110		HEX NUT, 1"-8 FULL, GR 5, Y/D
8	SN6757		MOUNTING BRACKET
9	SN396		LOCK WASHER, 7/8" SPLIT TYPE MED, Y/D
10	SNDR12031		PIN, 1" X 6" (4 1/4"), Y/D W/ROLL PIN
11	SN3564		WIRE LOCK PIN, 3/8" X 1 1/2"
12	SN9907		WING BRACE, 9433-30
	SN6776		WING BRACE, 40'
13	SN397		HEX NUT, 7/8"-9 FULL, GR 2, Y/D
14	SN1918		HEX BOLT, 1"-8 X 2 1/2", GR 5 Y/D
15	SN9906R		WING FRAME, 9433-30 GRAIN DRILL, LT
	SN9904R		WING FRAME, 9433-40 GRAIN DRILL, LT
16	SNFK150144		HEX NUT, 1 1/4"-7, GR 2, Y/D
17	SN2098-1		GREASE ZERK, 1/8" NPTF, 5/8" L
18	SN6785		WING BRACE SWIVEL
19	SN3164		ROLL PIN, 5/16" X 2" SPIRAL MEDIUM DUTY, Y/D
20	SN5341		PIN, 1 1/4" X 4 5/16" (3 1/4") Y/D
21	SNFK150157		LOCK WASHER, 1 1/4", Y/D

I0005659
PR: t05g30n06d0006

RIGHT WING FRAME ASSEMBLY

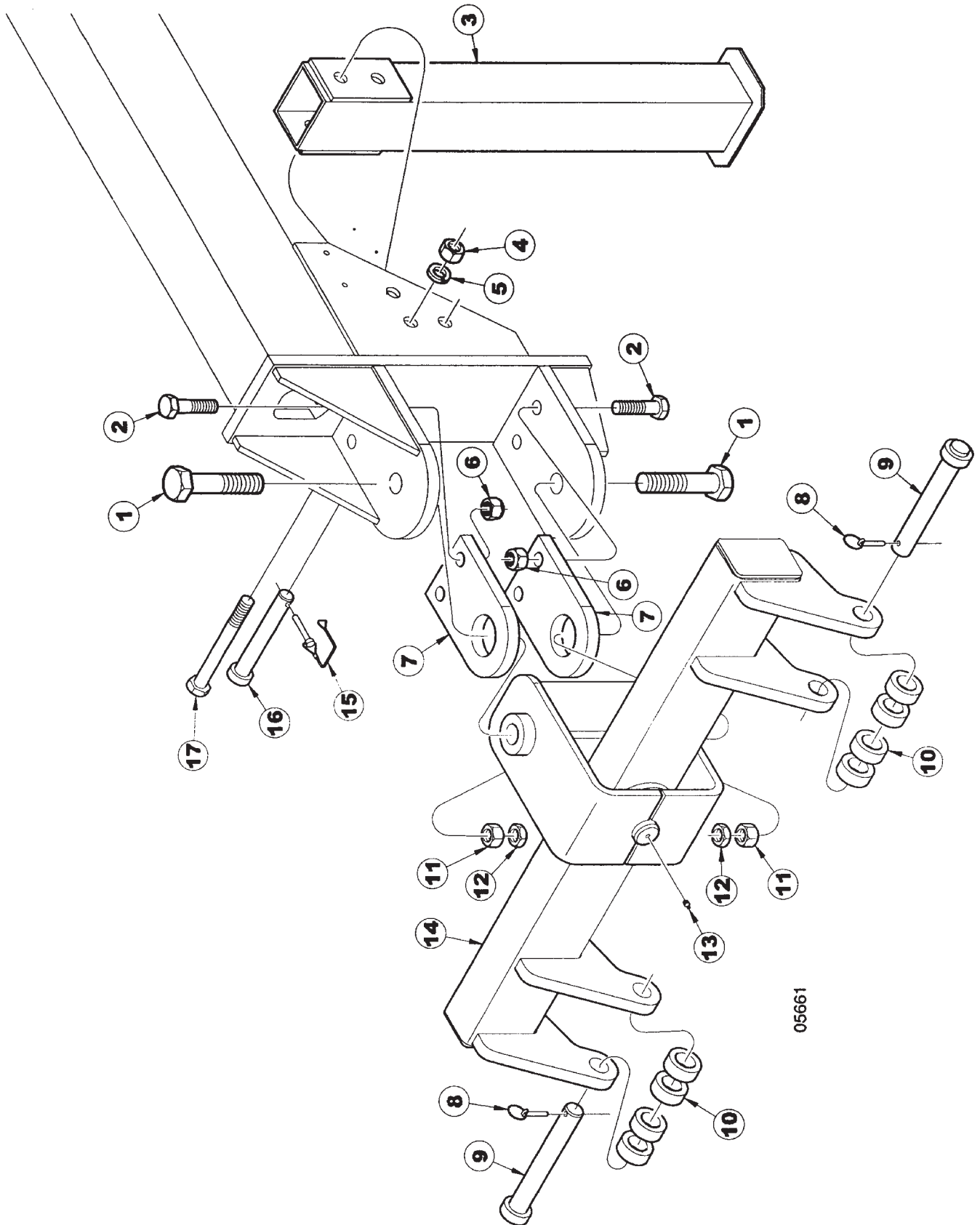


RIGHT WING FRAME ASSEMBLY

ITEM	NUMBER	QTY	DESCRIPTION
1	SN1678		HEX BOLT, 1"-8 X 4 1/2", GR 5 Y/D
2	SN3938		LOCK NUT, 1"-8 HEX NYLON
3	SN6757		MOUNTING BRACKET
4	SNFK150272		HEX BOLT, 1 1/4"-7 X 10", GR 5, Y/D
5	SN396		LOCK WASHER, 7/8" SPLIT TYPE MED, Y/D
6	SN397		HEX NUT, 7/8"-9 FULL, GR 2, Y/D
7	SNDR80044		U-BOLT, 7/8"-9 X 8 3/4" X
8	SN9140		PIN, 2" X 15 3/4" (13 1/4")SQ HEADED
9	SN669-1		LOCK NUT, 5/8" HEX NYLON
10	SN3065		HEX BOLT, 5/8"-11 X 4", GR 5, Y/D
11	SN9905R		WING FRAME, 9433-30 GRAIN DRILL, RT
	SN9903R		WING FRAME, 9433-40 GRAIN DRILL, RT
12	SN1918		HEX BOLT, 1"-8 X 2 1/2", GR 5 Y/D
13	SN3164		ROLL PIN, 5/16" X 2" SPIRAL MEDIUM DUTY, Y/D
14	SN9907		WING BRACE, 9433-30
	SN6776		WING BRACE, 40'
15	SN5341		PIN, 1 1/4" X 4 5/16" (3 1/4") Y/D
16	SN6785		WING BRACE SWIVEL
17	SN2098-1		GREASE ZERK, 1/8" NPTF, 5/8" L
18	SN110		HEX NUT, 1"-8 FULL, GR 5, Y/D
19	SN1283		LOCK WASHER, 1" SPLIT TYPE MED, Y/D
20	SN6506		TRANSPORT BAR
21	SNFK150157		LOCK WASHER, 1 1/4", Y/D
22	SNFK150144		HEX NUT, 1 1/4"-7, GR 2, Y/D

I0005660
PR: t05g30n06d0007

2-POINT HITCH ASSEMBLY



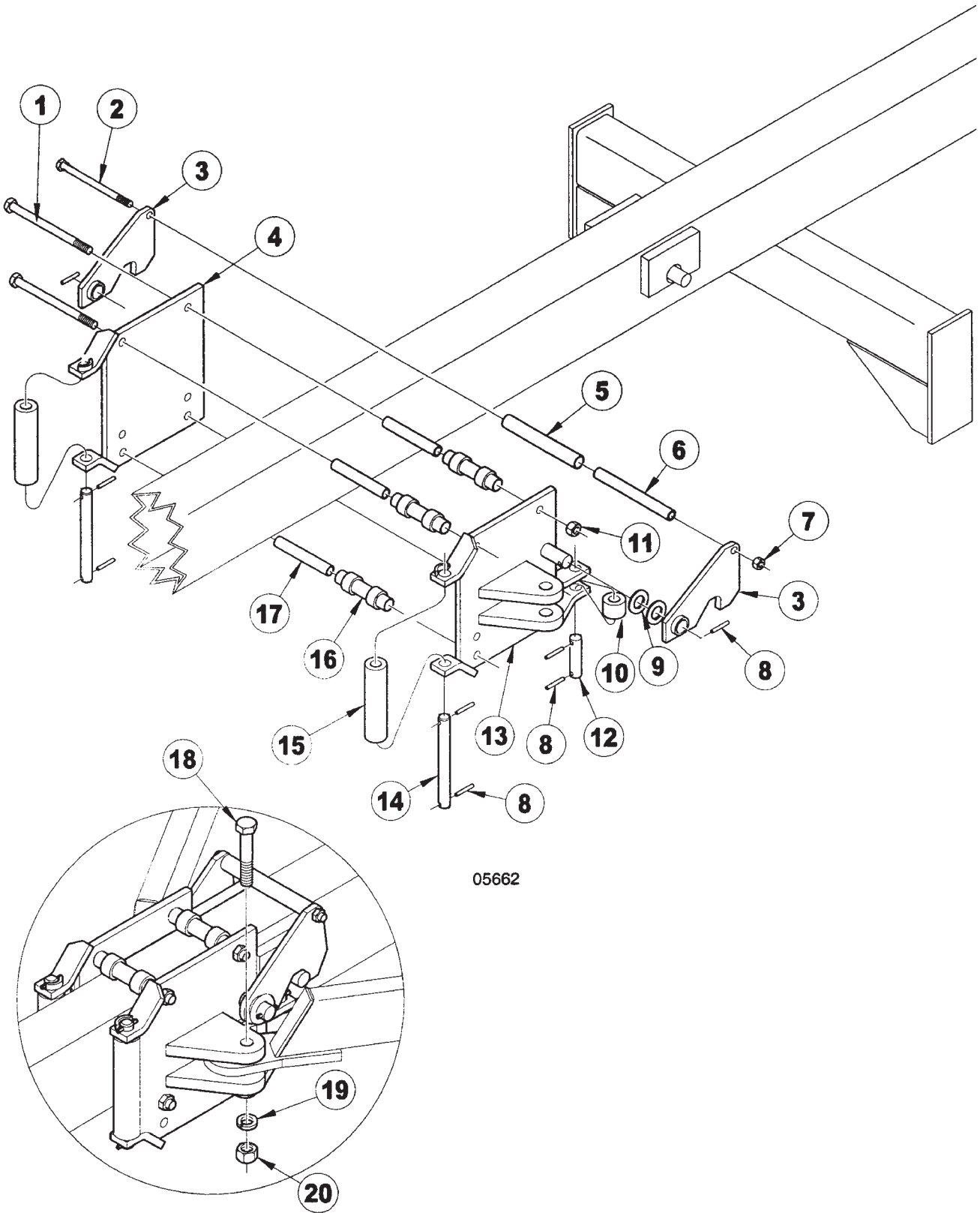
05661

2-POINT HITCH ASSEMBLY

ITEM	NUMBER	QTY	DESCRIPTION
1	SNFK150261		HEX BOLT, 1 1/2"-6 X 6" GR 5, Y/D
2	SN155		HEX BOLT, 1"-8 X 3 1/2", GR 5 Y/D
3	SN6470		PARKING STAND, 30' & 40'
4	SN110		HEX NUT, 1"-8 FULL, GR 5, Y/D
5	SN1283		LOCK WASHER, 1" SPLIT TYPE MED, Y/D
6	SN3938		LOCK NUT, 1"-8 HEX NYLON
7	SN9914		HITCH MOUNTING PLATE
8	SN1860		PIN, 7/16" X 11/32" DIA, 2" L, KLIK
9	SN6817		PIN, 1 7/16" X 10 3/8"
10	SN6818R		SPACER, 2.500" OD X 1.532" ID, 1" L
11	SN1978		HEX NUT, 1 1/2"-6 FULL, GR 2, Y/D
12	SN2079		JAM NUT, 1 1/2"-6 HEX, GR 2, Y/D
13	SN2098-1		GREASE ZERK, 1/8" NPTF, 5/8" L
14	SN9889		TWO POINT HITCH, 2" DIA PIN
15	SN3564		WIRE LOCK PIN, 3/8" X 1 1/2"
16	SNB30001		PIN, 1" X 8 3/8" (6 15/16")
17	SN3485		HEX BOLT, 1"-8 X 8", GR 5, Y/D

I0005661
PR: t05g30n06d0008

SLIDE LOCK ASSEMBLY



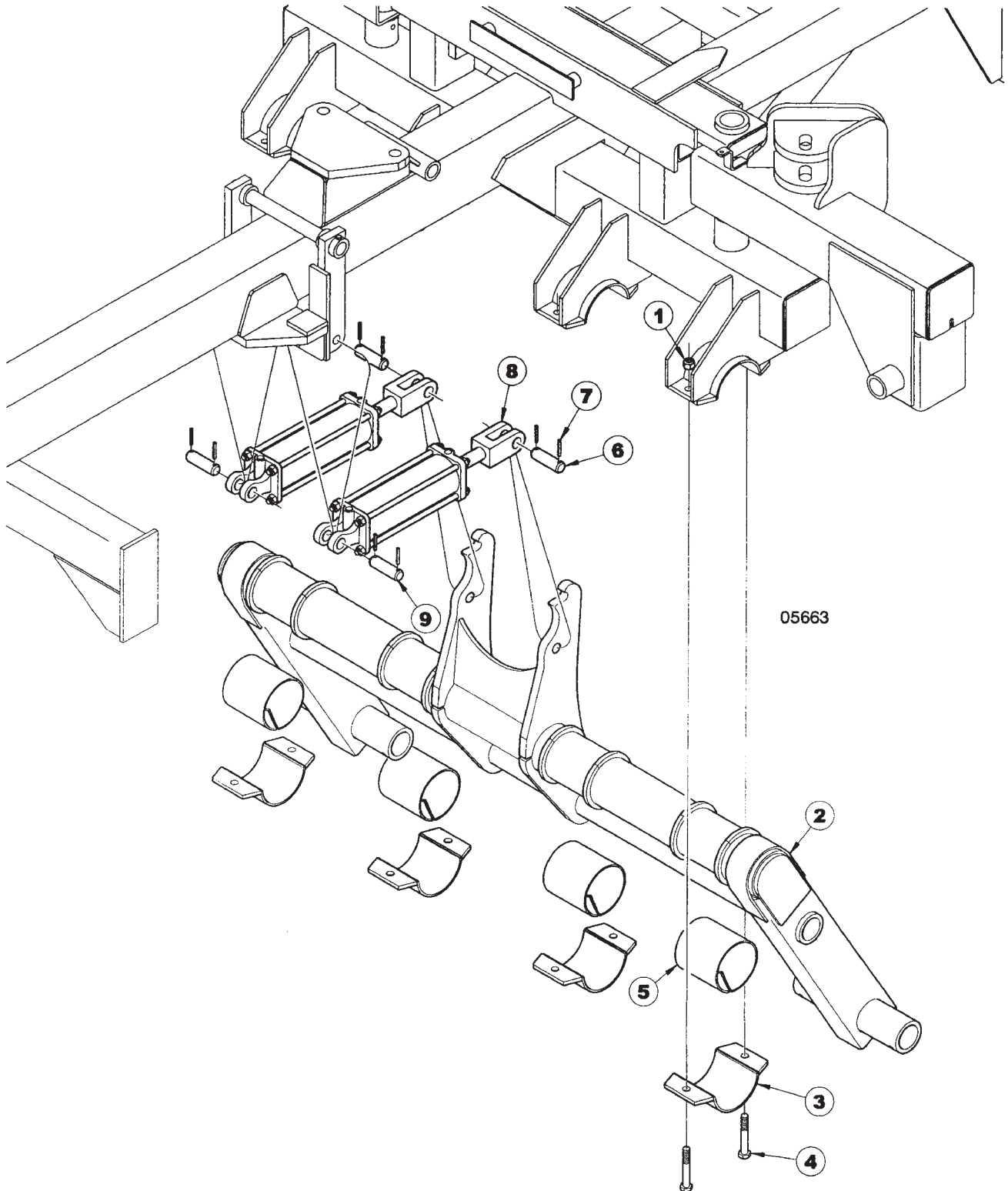
05662

SLIDE LOCK ASSEMBLY

ITEM	NUMBER	QTY	DESCRIPTION
1	SN2148		HEX BOLT, 3/4"-10 X 8 1/2", GR 5, Y/D
2	SNFK150274		HEX BOLT, 5/8"-11 X 11" GR 5, Y/D
3	SN9729		SLIDE HOOK
4	SN9727		SLIDE LOCK PLATE, RIGHT
5	SN6799		SLIDE LOCK ROLLER, 9"
6	SN6800		CLAMP BUSHING, 9 1/4"
7	SN669-1		LOCK NUT, 5/8" HEX NYLON
8	SN3164		ROLL PIN, 5/16" X 2" SPIRAL MEDIUM DUTY, Y/D
9	SNFK150172		FLAT WASHER, 1 1/4" SAE, Y/D
10	SN9731		SLIDE LOCK ROLLER, 3 7/16"
11	SNHEN3410		LOCK NUT, 3/4" HEX NYLON
12	SN9730		ROLLER SHAFT, SHORT
13	SN9728		SLIDE LOCK PLATE, LEFT
14	SN9732		ROLLER SHAFT, LONG
15	SN9733		SLIDE LOCK ROLLER, 9"
16	SN6779		SLIDE LOCK ROLLER, 6 1/8"
17	SN6782		CLAMP BUSHING, 6 3/8"
18	SN3051		HEX BOLT, 1 1/8"-7 X 5 1/4", GR 5, Y/D
19	SN2561		LOCK WASHER, 1 1/8" SPLIT TYPE MED, Y/D
20	SN1300		HEX NUT, 1 1/8"-7 FULL, GR 2, Y/D

I0005662
PR: t05g30n06d0009

CENTER LIFT ASSEMBLY

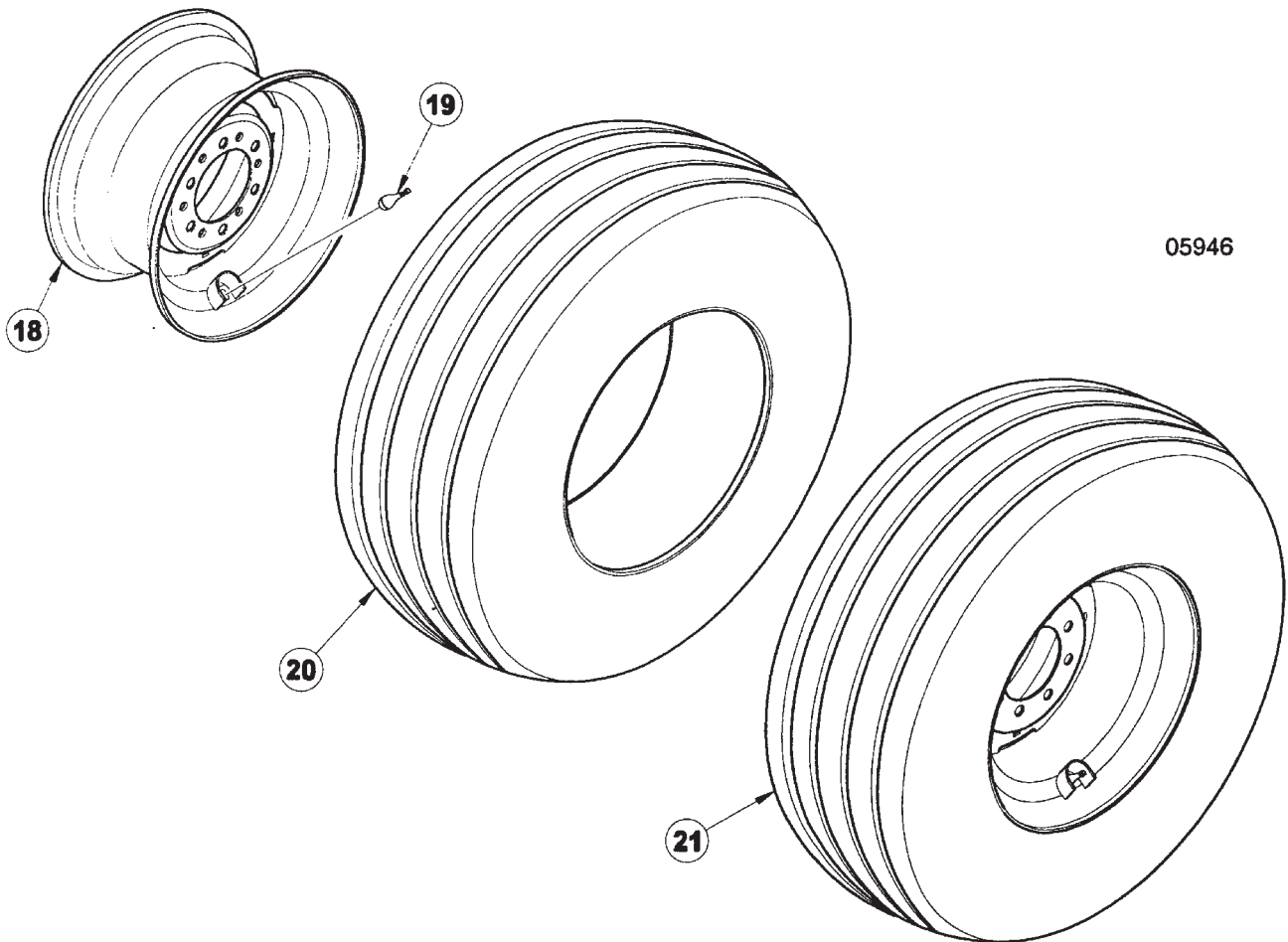
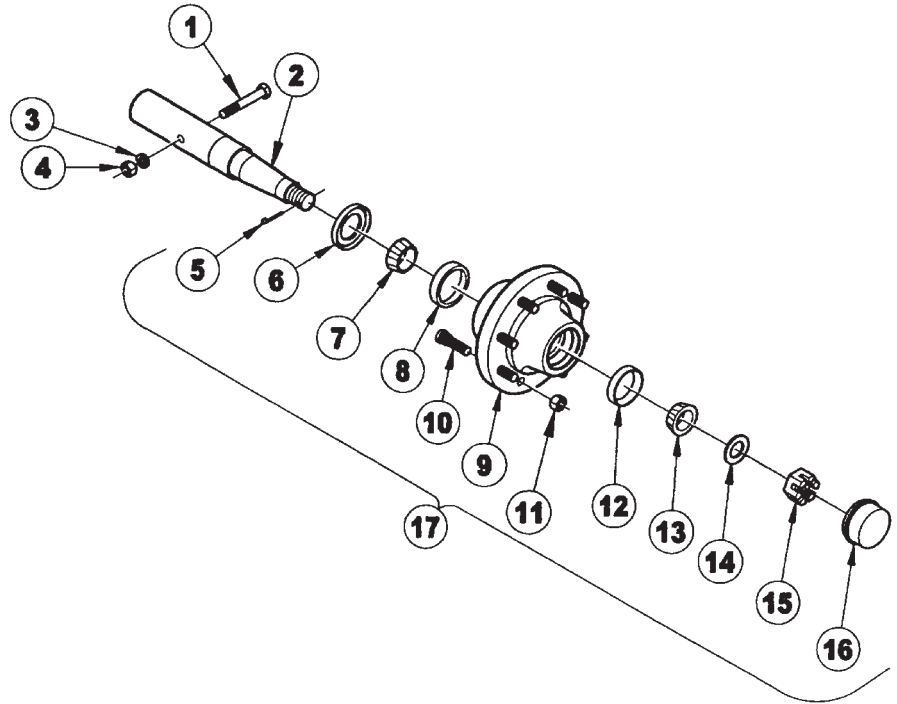


ITEM	NUMBER	QTY	DESCRIPTION
1	SNHEN3410		LOCK NUT, 3/4" HEX NYLON
2	SN9894R		CENTER LIFT,9433-30 & 40 GRAIN DRILL
3	SN9898		BEARING CAP
4	SN1122		HEX BOLT, 3/4"-10 X 2 1/2", GR 5, Y/D
5	SN7325		BEARING, LIFT (SPLIT) 6" WIDE
6	SN5339		PIN, 1" X 4 1/16" (3"), Y/D (USED WITH VERSION 1, & 10814R CYLINDERS)
	SN12188		PIN, 1" X 4 9/16" (3 1/2"), Y/D (USED WITH 12014R VERSION 2 CYLINDERS)
7	SN3164		ROLL PIN, 5/16" X 2" SPIRAL MEDIUM DUTY, Y/D
8	SN4430R		CYLINDER, 4" X 10" REPH (22 1/4" CPC) CROSS 30' (*VERSION 1, PRIOR TO 6/23/03)
	SN10814		CYLINDER, 4" X 10" REPH (22 1/4" CPC) CROSS, 3000 PSI 30' (*VERSION 2, 6/23/03 & LATER)
	SN7419		CYLINDER, 4 1/2" X 10" REPH (22 1/4" CPC) ORB CROSS 40' (*VERSION 1, PRIOR TO 12/12/03)
	SN12014		CYLINDER, 4 1/2" X 10" REPH (22 1/4" CPC), 3000 PSI 40' (*VERSION 2, 12/12/03 & LATER)
9	SN5339		PIN, 1" X 4 1/16" (3"), Y/D

NOTE: *WHEN ORDERING HYDRAULIC CYLINDER COMPONENTS, BE SURE TO NOTE THE PART # AND THE CYLINDER PSI. (LOCATED ON THE CYLINDER DECAL) AS THEY CONTAIN DIFFERENT COMPONENTS. OLDER CYLINDERS WERE 2500 PSI. AND THE NEWER CYLINDERS ARE 3000 PSI. IDENTIFYING THE PART # OF THE CYLINDER IS EXTREMELY IMPORTANT WHEN ORDERING PARTS TO ENSURE PROPER OPERATION OF THE HYDRAULIC CYLINDER.

I0005663
PR: t05g30n06d0010

CENTER LIFT SPINDLE & WHEEL ASSEMBLY



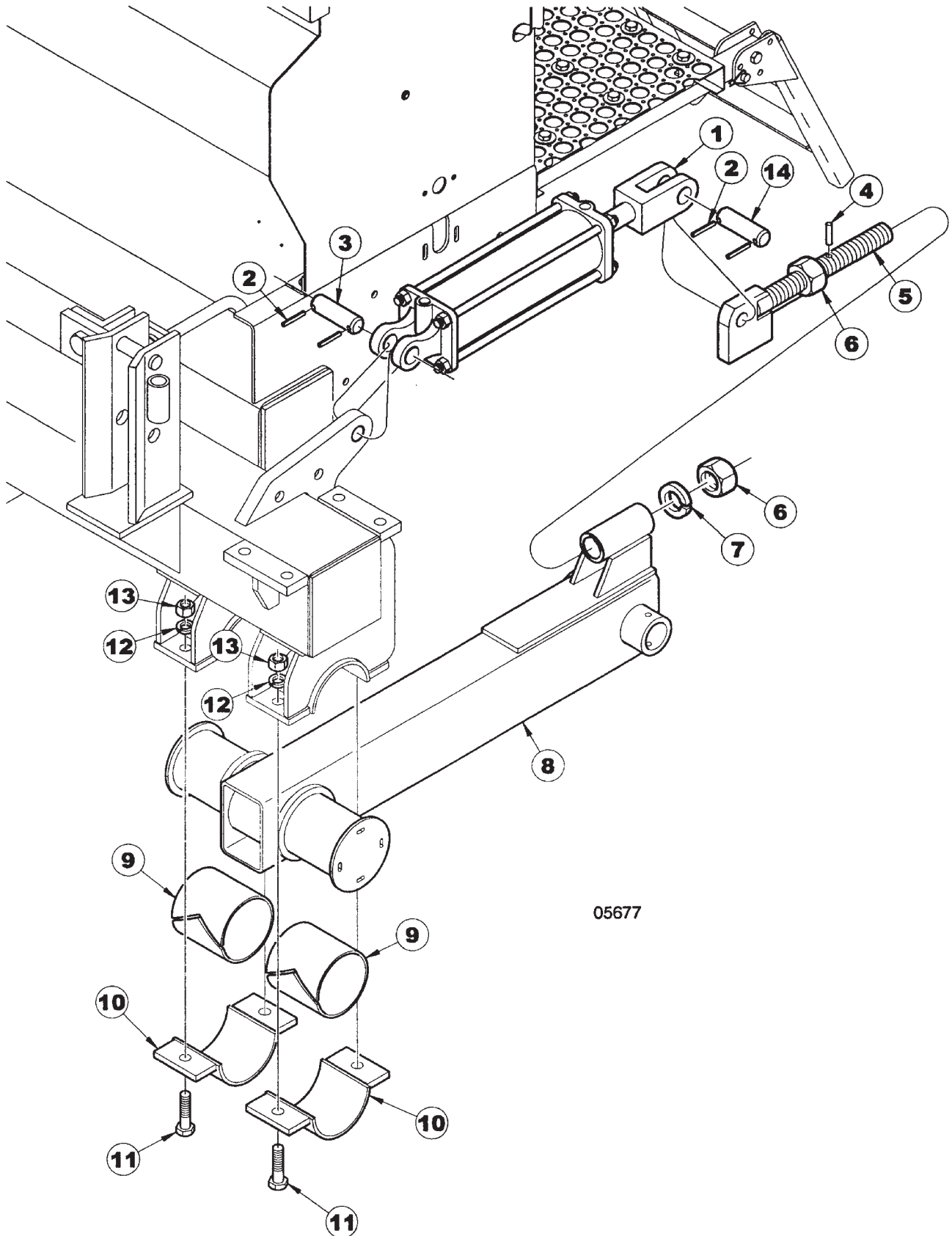
05946

CENTER LIFT SPINDLE & WHEEL ASSEMBLY

ITEM	NUMBER	QTY	DESCRIPTION
1	SN140		HEX BOLT, 1/2"-13 X 4 1/2", GR 5, Y/D
2	SN6555		SPINDLE, 2 3/4" X 14 47/64" L (30')
	SN5621		SPINDLE, 2 3/4" X 15 5/16"L (40')
3	SN113		LOCK WASHER, 1/2" SPLIT TYPE MED, Y/D
4	SN114		HEX NUT, 1/2"-13 FULL, GR 2, Y/D
5	SN3066		COTTER PIN, 7/32" X 1 1/2" (30')
	SN1609		COTTER PIN, 3/16" X 1 1/2" (40')
6	SN3301		TRIPLE LIP SEAL (30')
	SNFK310064		SEAL, 8-BOLT (40')
7	SN3683		BEARING(LM603049) (30')
	SNFK310062		BEARING (JLM506849) (40')
8	SN3684		RACE (LM603011) (30')
	SNFK310063		RACE (JLM506810) (40')
9	SN3685		EIGHT BOLT HUB, STUDDED W/CUPS ZERK AND LUG NUTS, PAINTED (30')
	SNFK340163		EIGHT BOLT HUB, STUDDED W/CUPS AND LUG NUTS, PAINTED (40')
10	SNFK340167		LUG BOLT, 5/8"-18 X 2 1/4"
11	SNFK340168		LUG NUT, 5/8"-18, GR 5, 90 DEGTAPER, Y/D
12	SN1605		RACE (LM67010) (30')
	SN1936		RACE (LM501310) (40')
13	SN1606		BEARING (LM67048) (30')
	SN1935		BEARING (LM501349) (40')
14	SN3303		WASHER, 1 1/32" ID X 1 3/4" ODX 1/8" THICK, PLAIN (30')
	SNFK340165		WASHER, 1 1/16" ID X 2 1/8" OD X 1/4" THICK, PLAIN (40')
15	SN3302		HEX NUT, 1"-14 FULL SLOTTED GR 2, PLAIN
16	SN1610		DUST CAP, 2.448" OD, Y/D (30')
	SNFK340162		DUST CAP, 3.125" OD, Y/D (40')
17	SN3686		8 BOLT HUB ASSEMBLY (30') (INCLUDES ITEMS 5-16)
	SNFK800384		EIGHT BOLT HUB ASSY. (40') (INCLUDES ITEMS 5-16)
18	SN3688Y		WHEEL, 15 X 10, 8 BOLT
19	SN3577		VALVE STEM (30' ONLY)
20	SN3581		TIRE, 11L X 15, 12-PLY (30')
	SN5578		TIRE, 12.5L X 15, (GY-FI-F) (40')
21	SN5228		TIRE, 11L 12 PLY TUBELESS W/15 X 10 WHEEL ASSY 8 BOLT (30')
	SN5555		TIRE, 12.5L (GY-FI-F) W/15X10 WH ASSY 8 BT (40')

I0005946
PR: t05g30n06d0011

WING LIFT ASSEMBLY



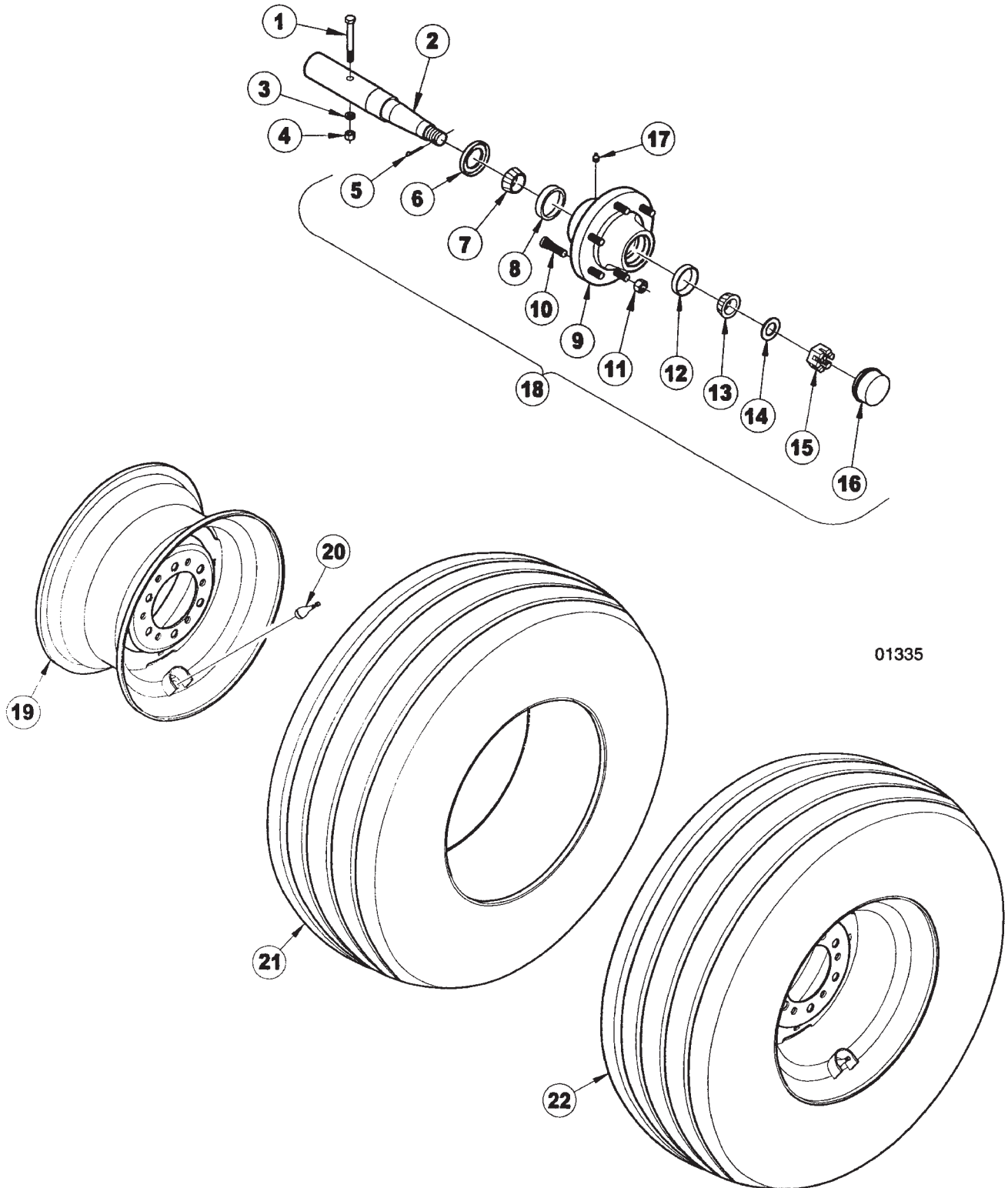
05677

ITEM	NUMBER	QTY	DESCRIPTION
1	SN4431R		CYLINDER, 3 3/4" X 10" REPH. (22 1/4" CPC) CROSS (30') (*VERSION 1, PRIOR TO 4/09/03)
	SN10815		CYLINDER, 3 3/4" X 10" REPH (22 1/4" CPC) CROSS,3000 PSI (30') (*VERSION 2, 4/09/03 & LATER)
	SN7104		CYLINDER, 4 1/4" X 10" REPHAS-ING (22 1/4" CPC) ORB(40') (*VERSION 1, PRIOR TO 1/19/04)
	SN12013		CYLINDER, 4 1/4" X 10" REPH (22 1/4" CPC) ORB, 3000 PSI (40') (*VERSION 2, 1/19/04 & LATER)
2	SN3164		ROLL PIN, 5/16" X 2" SPIRAL MEDIUM DUTY, Y/D
3	SN5339		PIN, 1" X 4 1/16" (3"), Y/D
4	SN4623		GUIDE PIN
5	SN6155		ADJUSTMENT BOLT
6	SN1978		HEX NUT, 1 1/2"-6 FULL, GR 2, Y/D
7	SN2085		LOCK WASHER, 1 1/2" SPLIT TYPE MED, Y/D
8	SN9908		LIFT ARM, 9433-30 & 40, GRAIN DRILL
9	SN6425		BEARING, LIFT (SPLIT)
10	SN6301		BEARING CAP
11	SN1122		HEX BOLT, 3/4"-10 X 2 1/2", GR 5, Y/D
12	SN1040		LOCK WASHER, 3/4" SPLIT TYPE MED, Y/D
13	SN106		HEX NUT, 3/4"-10 FULL, GR 5, Y/D
14	SN5339		PIN, 1" X 4 1/16" (3"), Y/D (USED WITH VERSION 1 & 10815R CYLINDERS)
	SN12188		PIN, 1" X 4 9/16" (3 1/2"), Y/D (USED WITH 12013R VERSION 2 CYLINDERS)

NOTE: *WHEN ORDERING HYDRAULIC CYLINDER COMPONENTS, BE SURE TO NOTE THE PART # AND THE CYLINDER PSI. (LOCATED ON THE CYLINDER DECAL) AS THEY CONTAIN DIFFERENT COMPONENTS. OLDER CYLINDERS WERE 2500 PSI. AND THE NEWER CYLINDERS ARE 3000 PSI. IDENTIFYING THE PART # OF THE CYLINDER IS EXTREMELY IMPORTANT WHEN ORDERING PARTS TO ENSURE PROPER OPERATION OF THE HYDRAULIC CYLINDER.

I0005677
PR: t05g30n06d0012

WING LIFT SPINDLE & TIRE ASSEMBLY

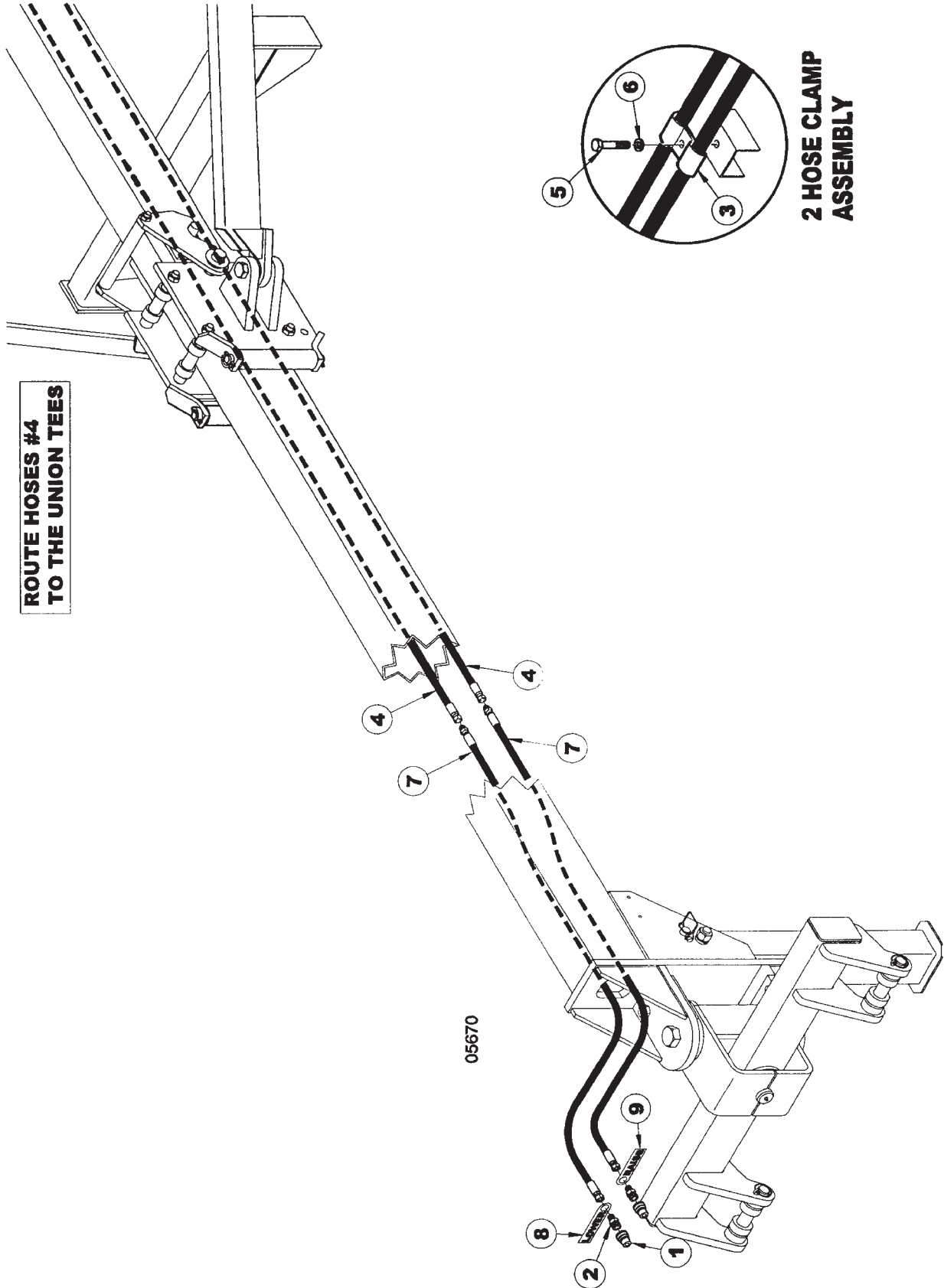


WING LIFT SPINDLE & TIRE ASSEMBLY

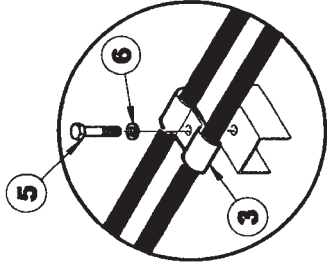
ITEM	NUMBER	QTY	DESCRIPTION
1	SN2585		HEX BOLT, 7/16"-14 X 3 1/2", GR 5, Y/D
2	SN3298		SPINDLE, 2" X 11 1/4"
3	SN302		LOCK WASHER, 7/16" SPLIT TYPE MED, Z
4	SN303		HEX NUT, 7/16"-14 FULL, GR 2, Y/D
5	SN3066		COTTER PIN, 7/32" X 1 1/2"
6	SN3301		TRIPLE LIP SEAL
7	SN1935		BEARING (LM501349)
8	SN1936		RACE (LM501310)
9	SN1937		SIX BOLT HUB, STUDDED W/CUPS AND LUG NUTS, PAINTED
10	SN3118		LUG BOLT, 9/16"-18 X 1 7/8" PRESS IN, PL
11	SN3117		LUG NUT, 9/16"-18, GR 5, 90 DEG TAPER, Y/D
12	SN1605		RACE (LM67010)
13	SN1606		BEARING (LM67048)
14	SN3303		WASHER, 1 1/32" ID X 1 3/4" ODX 1/8" THICK, PLAIN
15	SN3302		HEX NUT, 1"-14 FULL SLOTTED GR 2, PLAIN
16	SN1610		DUST CAP, 2.448" OD, Y/D
17	SN2098-6		GREASE ZERK, 1/4"-28, 17/32" L
18	SN3300		SIX BOLT HUB ASSEMBLY W/3301 SEAL (INCLUDES ITEMS 5-16)
19	SN5094		WHEEL, 15 X 6, 6-BOLT
20	SN3577		VALVE STEM
21	SN3579		TIRE, 9.5L X 15, 12 PLY,
22	SN5152		TIRE, 9.5L 12 PLY TUBELESS W/ 15 X 6 WH ASSY 6 BT

I0001335
PR: t05g30n06d0013

MAIN FRAME LIFT HYDRAULICS



ROUTE HOSES #4
TO THE UNION TEES



2 HOSE CLAMP
ASSEMBLY

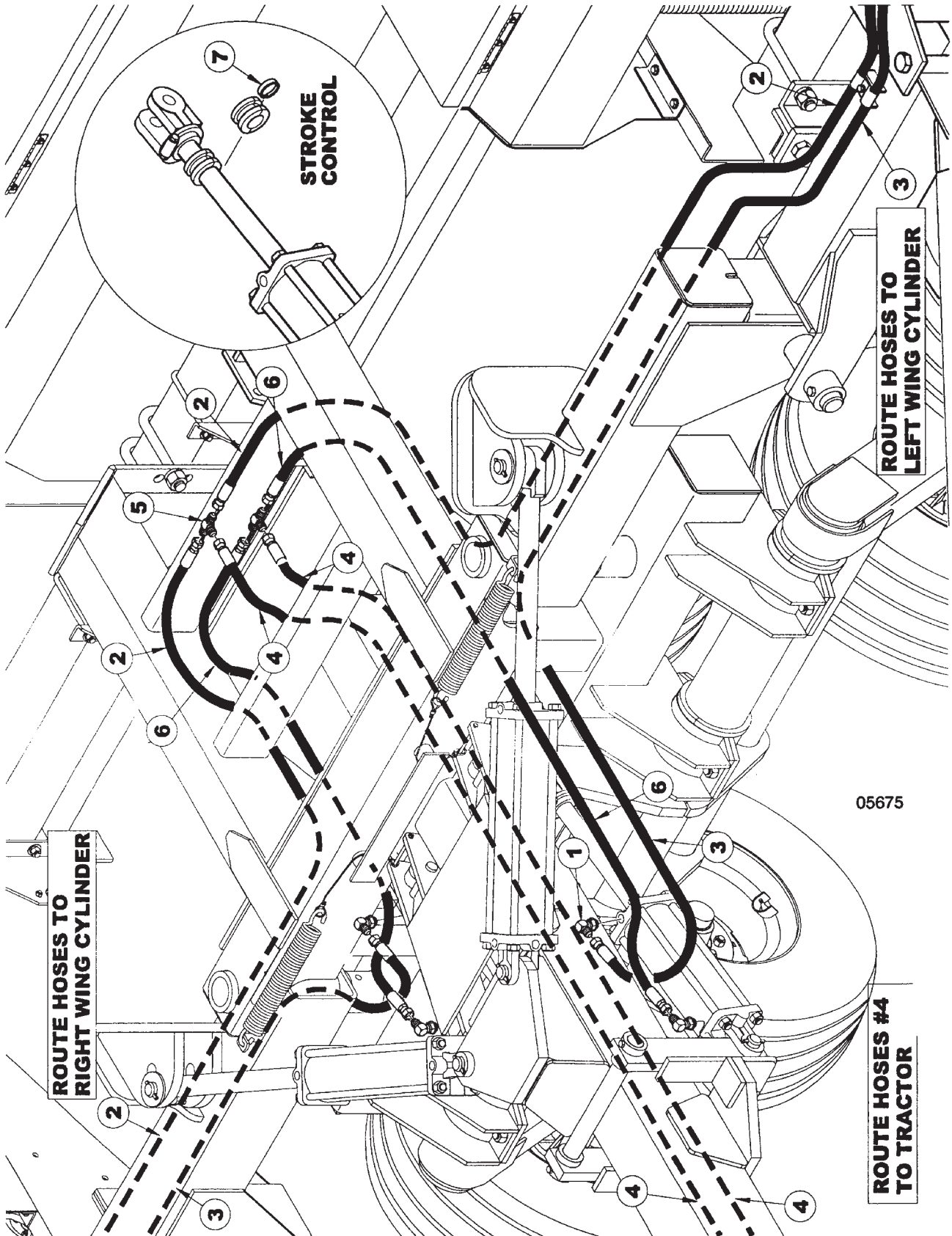
05670

ITEM	NUMBER	QTY	DESCRIPTION
1	SN3253		HYDRAULIC COUPLER, MALE HALF
2	SN2426		MALE CONNECTOR, 7/8"-14 MF X 1/2-14 MPT
3	SN5302		PIPE CLAMP, 3/8" BOLT HOLE
4	SN4198005		HOSE, 1/2" X 198" L, FEMALE ENDS
5	SN3984		HEX BOLT, 3/8"-16 X 1 1/4", GR 5, Y/D
6	SN176		LOCK WASHER, 3/8" SPLIT TYPE MED, Y/D
7	SN4100006		HOSE, 1/2" X 100" L, M/F ENDS (30')
	SN4168006		HOSE, 1/2" X 168" L, M/F ENDS (40')

WARNING
THESE PARTS ARE IMPORTANT TO THE SAFETY OF THIS EQUIPMENT AND THOSE WHO OPERATE IT. USE ONLY EXACT REPLACEMENT PARTS TO PREVENT HYDRAULIC FAILURE. BEFORE REPLACING THESE PARTS, REVIEW AND FOLLOW THE INSTRUCTIONS IN THE SAFETY AND OPERATING SECTIONS OF THIS MANUAL.

I0005670
PR: t05g30n06d0014

CENTER FRAME LIFT HYDRAULICS



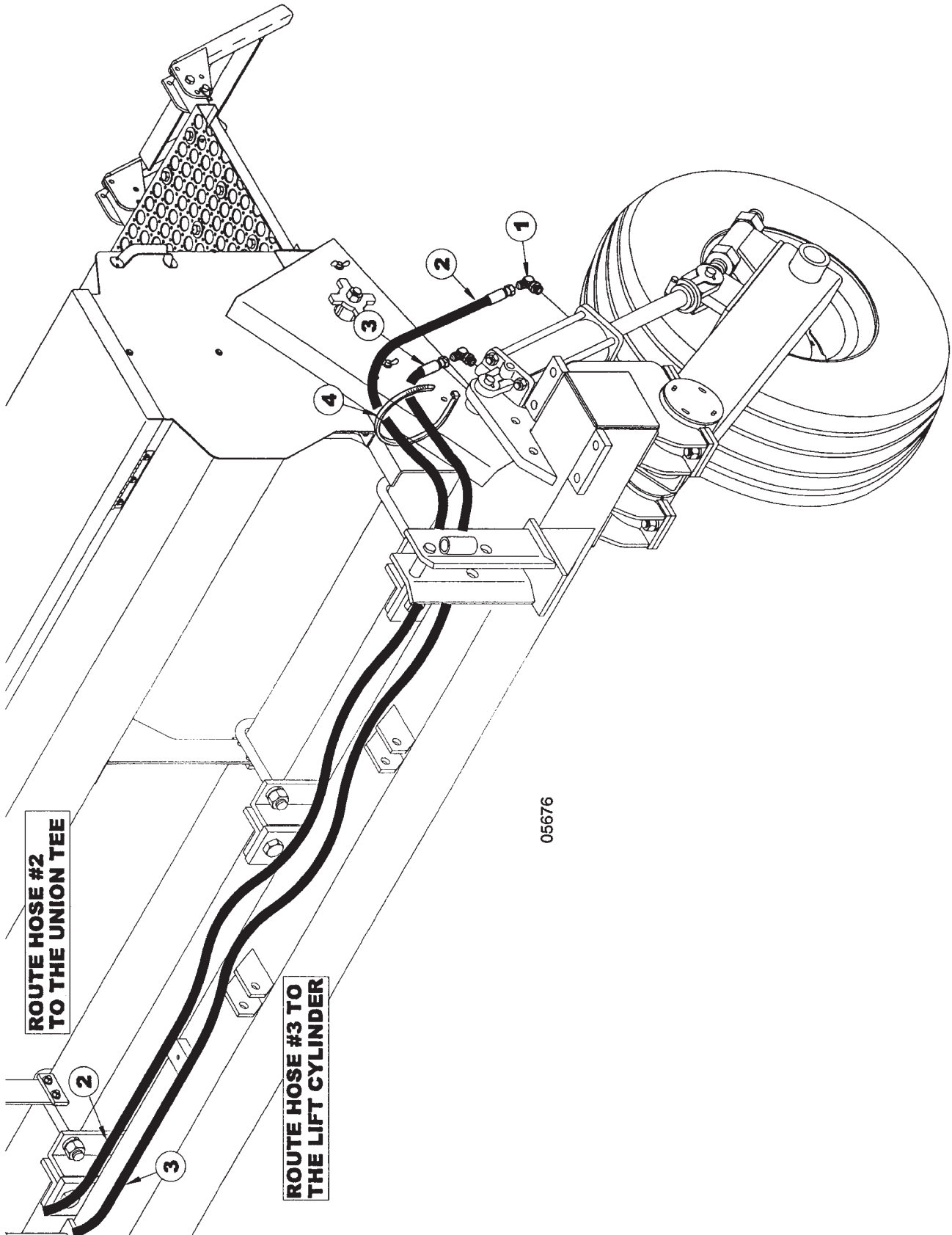
CENTER FRAME LIFT HYDRAULICS

ITEM	NUMBER	QTY	DESCRIPTION
1	SN4457		90 DEG STRAIGHT THD ELBOW, 7/8"-14 MF X 3/4"-16 MOR
2	SN4224005		HOSE, 1/2" X 224" L, FEMALE ENDS (30')
	SN4285005		HOSE, 1/2" X 285" L, FEMALE ENDS (40')
3	SN4255005		HOSE, 1/2" X 255" L, FEMALE ENDS (30')
	SN4294005		HOSE, 1/2" X 294" L, FEMALE ENDS (40')
4	SN4198005		HOSE, 1/2" X 198" L, FEMALE ENDS
5	SN4460		UNION TEE, 7/8"-14 MF
6	SN4065005		HOSE, 1/2" X 65" L, FEMALE ENDS
7	SN2355		STROKE CONTROL SEGMENTS, 1 1/2" DIAMETER

WARNING
THESE PARTS ARE IMPORTANT TO THE SAFETY
OF THIS EQUIPMENT AND THOSE WHO OPERATE
IT. USE ONLY EXACT REPLACEMENT PARTS TO
PREVENT HYDRAULIC FAILURE. BEFORE
REPLACING THESE PARTS, REVIEW AND
FOLLOW THE INSTRUCTIONS IN THE SAFETY
AND OPERATING SECTIONS OF THIS MANUAL.

I0005675
PR: t05g30n06d0015

OUTER WING LIFT HYDRAULICS



ROUTE HOSE #2
TO THE UNION TEE

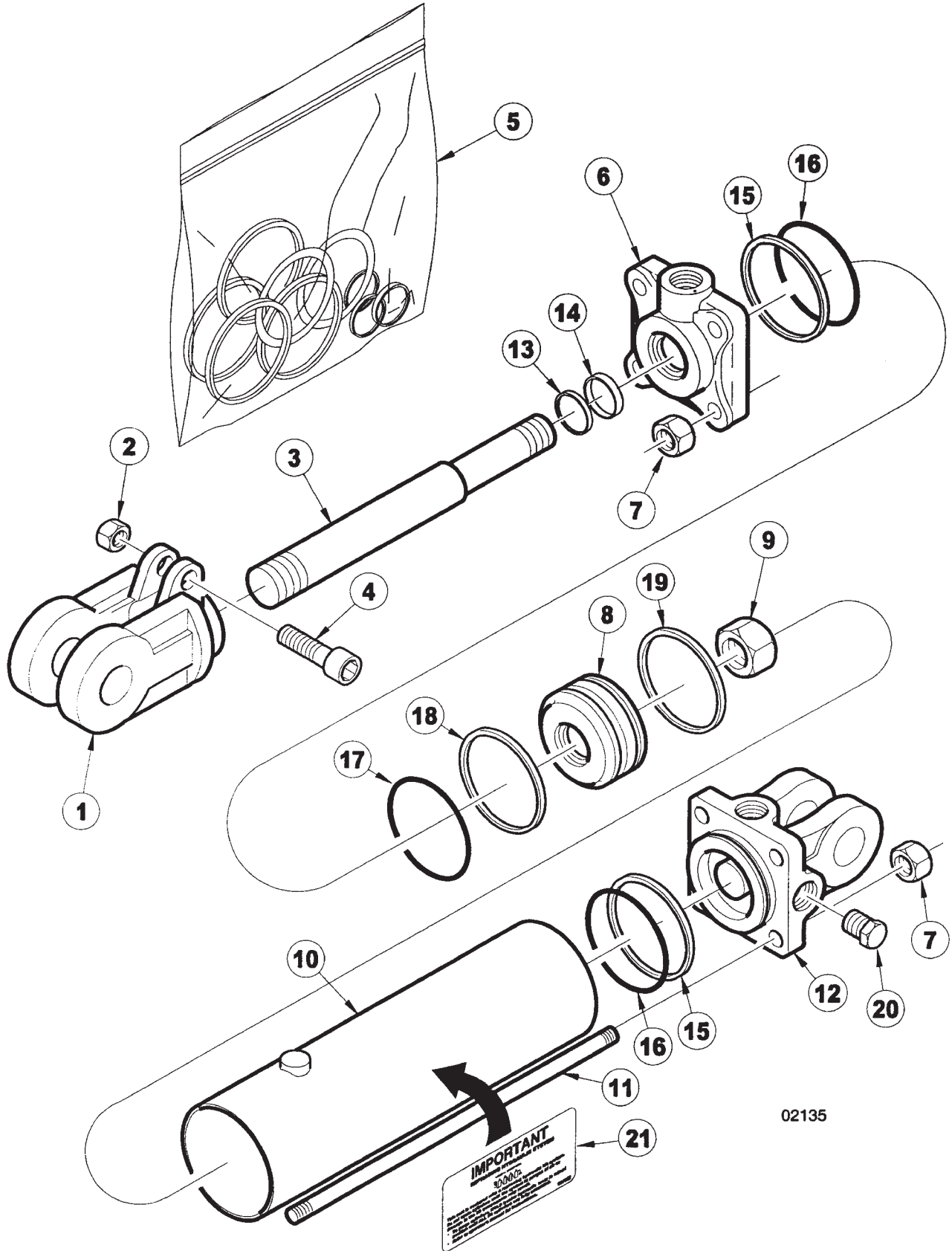
ROUTE HOSE #3 TO
THE LIFT CYLINDER

05676

ITEM	NUMBER	QTY	DESCRIPTION
1	SN4457		90 DEG STRAIGHT THD ELBOW, 7/8"-14 MF X 3/4"-16 MOR
2	SN4224005		HOSE, 1/2" X 224" L, FEMALE ENDS (30')
	SN4285005		HOSE, 1/2" X 285" L, FEMALE ENDS (40')
3	SN4255005		HOSE, 1/2" X 255" L, FEMALE ENDS (30')
	SN4294005		HOSE, 1/2" X 294" L, FEMALE ENDS (40')
4	SN2587		PLASTIC HOSE STRAP, 21 1/2" L
			WARNING
			THESE PARTS ARE IMPORTANT TO THE SAFETY OF THIS EQUIPMENT AND THOSE WHO OPERATE IT. USE ONLY EXACT REPLACEMENT PARTS TO PREVENT HYDRAULIC FAILURE. BEFORE REPLACING THESE PARTS, REVIEW AND FOLLOW THE INSTRUCTIONS IN THE SAFETY AND OPERATING SECTIONS OF THIS MANUAL.

I0005676
PR: t05g30n06d0016

3 3/4" X 10" HYDRAULIC CYLINDER
(4431R) VERSION 1, PRIOR TO 4/9/03



02135

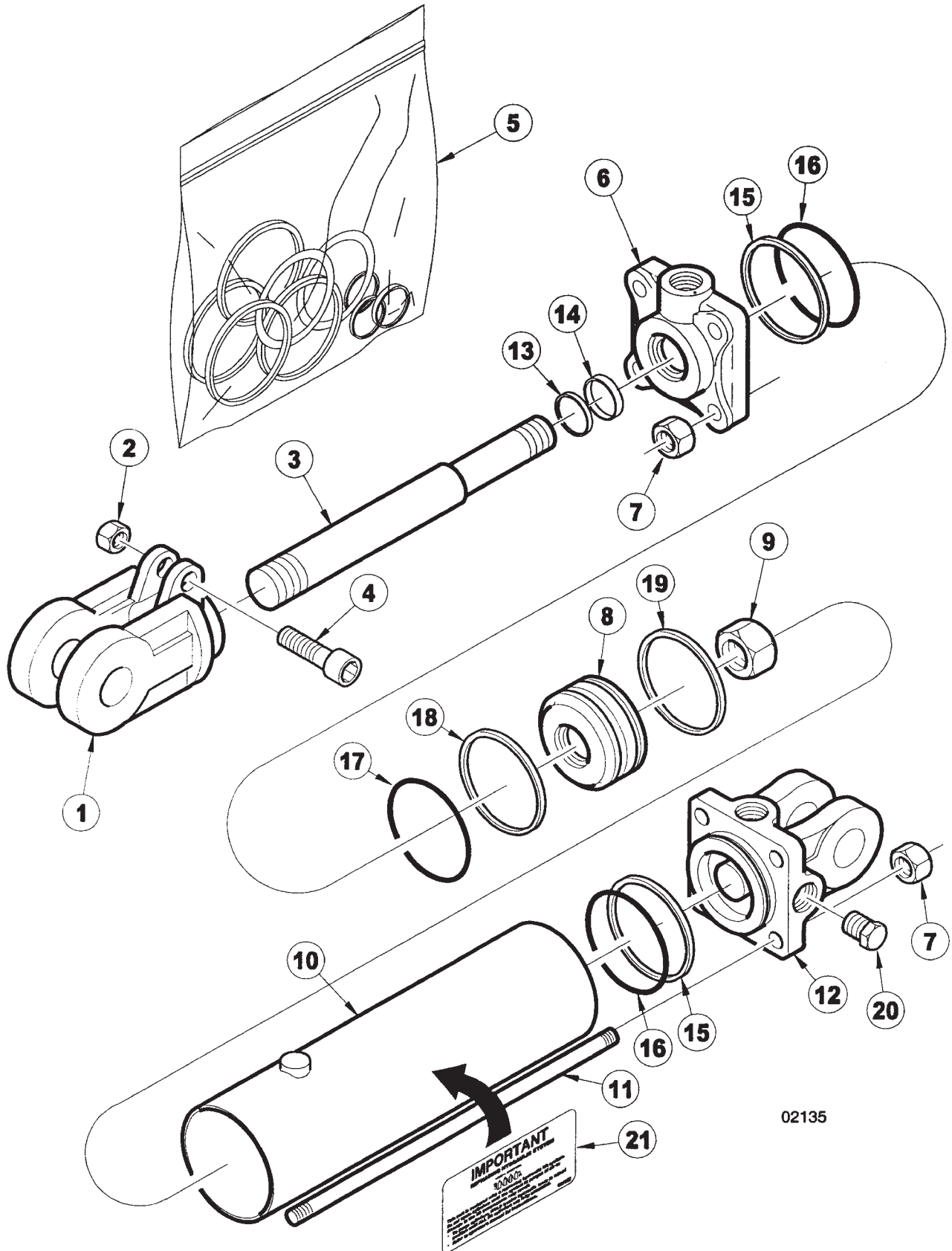
3 3/4" X 10" HYDRAULIC CYLINDER
(4431R) VERSION 1, PRIOR TO 4/9/03

ITEM	NUMBER	QTY	DESCRIPTION
1	SN8610-1		CLEVIS, 1 1/4" THREADS, 1" PIN W/BUSHING, CROSS
2	SN8671-1		CAPSCREW NUT, 5/16" THREADS CROSS
3	SN8899-1		ROD, 1 3/8" DIA, 10" REPHASING CROSS
4	SN8631-1		CAPSCREW, CROSS
5	SN8776-1		SEAL KIT, 3 3/4", 1 3/8" ROD, REPHASING CROSS
6	SN8736-10		HEAD, 3 3/4", 1 3/8" ROD
7	SN8864-1		TIE ROD NUT, 5/8" THREADS
8	SN8717-1		PISTON, 3 3/4" W/1" HOLE
9	SN8683-1		PISTON NUT, 1" CROSS
10	SN8828-1		TUBE, 3 3/4" X 10" REPHASING CROSS
11	SN8849-1		TIE ROD BOLT, 4" X 10" CROSS
12	SN8698-10		BASE, 3 3/4" (ORB), 1" PIN REPHASING CROSS
13			* WIPER
14			* U-CUP
15			* BACKUP
16			* O-RING
17			* O-RING
18			* TEFLON RING
19			* WEAR RING
20	SN4458		PLUG, 3/4"-16 MOR
21	SN997052		SYSTEMS MUST BE BLED OF AIR

NOTE: * AVAILABLE IN THE SEAL KIT ONLY
WHEN ORDERING HYDRAULIC CYLINDER
COMPONENTS, BE SURE TO NOTE THE PART #
AND THE CYLINDER PSI. (LOCATED ON THE
CYLINDER DECAL) AS THEY CONTAIN
DIFFERENT COMPONENTS. OLDER CYLINDERS
WERE 2500 PSI. AND THE NEWER CYLINDERS
ARE 3000 PSI. IDENTIFYING THE PART # OF
THE CYLINDER IS EXTREMELY IMPORTANT WHEN
ORDERING PARTS TO ENSURE PROPER
OPERATION OF THE HYDRAULIC CYLINDER.

I0002135
PR: t05g30n06d0017

3 3/4" X 10" CYLINDER (10815R)
VERSION 2, 4/9/03 & LATER



02135

**9433 OPERATOR'S MANUAL
SERVICE PARTS**

41

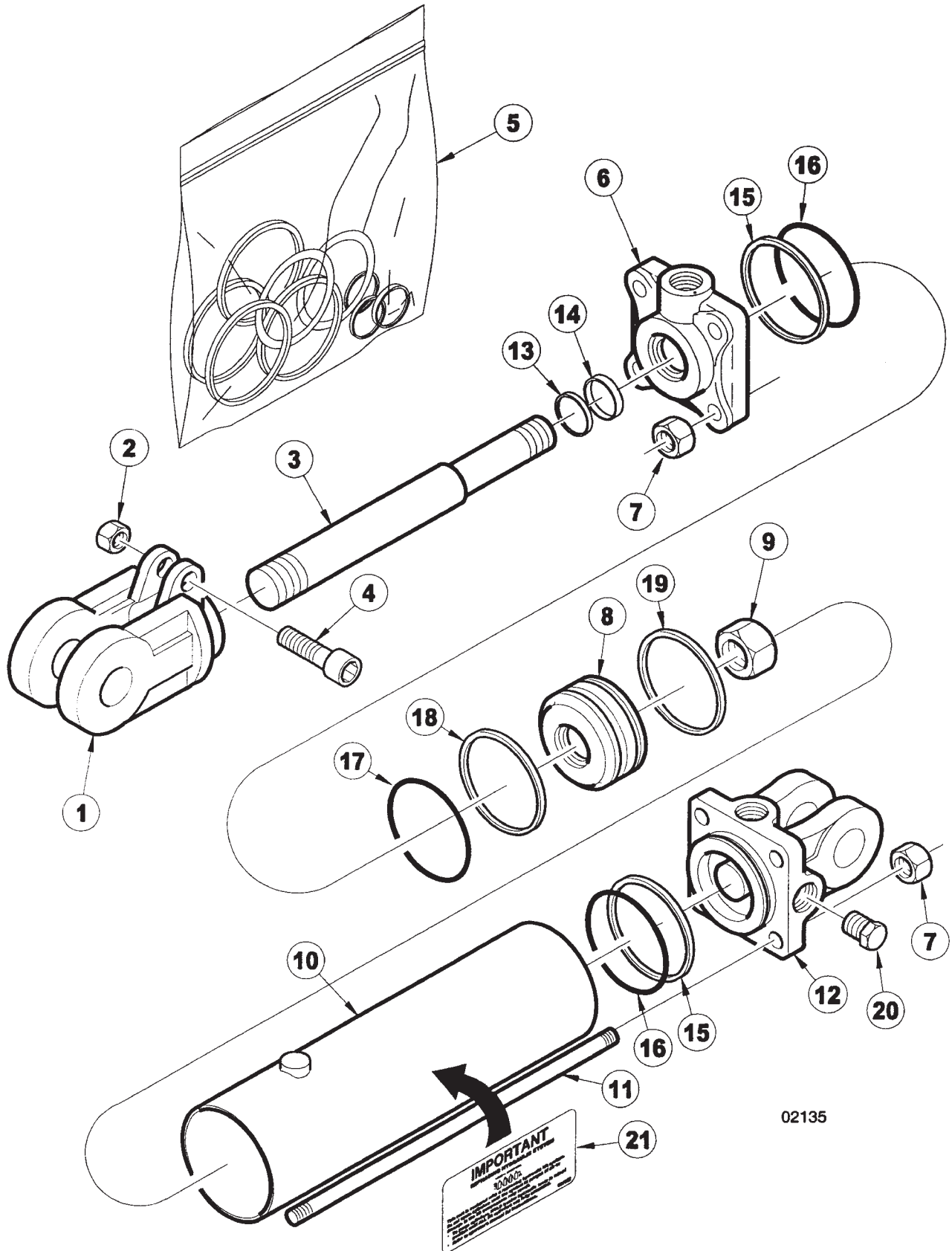
**3 3/4" X 10" CYLINDER (10815R)
VERSION 2, 4/9/03 & LATER**

ITEM	NUMBER	QTY	DESCRIPTION
1	SN8610-1		CLEVIS, 1 1/4" THREADS, 1" PIN W/BUSHING, CROSS
2	SN8671-1		CAPSCREW NUT, 5/16" THREADS CROSS
3	SN8925-1		ROD, 1 3/8" DIA, 10" REPHASING CROSS
4	SN8631-1		CAPSCREW, CROSS
5	SN8776-1		SEAL KIT, 3 3/4", 1 3/8" ROD, REPHASING CROSS
6	SN8736-10		HEAD, 3 3/4", 1 3/8" ROD
7	SN8864-1		TIE ROD NUT, 5/8" THREADS
8	SN8655-1		PISTON, 3 3/4" W/1" HOLE REPHASING, CROSS
9	SN8683-1		PISTON NUT, 1" CROSS
10	SN8828-1		TUBE, 3 3/4" X 10" REPHASING CROSS E
11	SN8654-1		TIE ROD BOLT, 4" X 10" REPHASING, CROSS
12	SN8656-10		BASE, 3 3/4" (ORB), 1" PIN REPHASING, CROSS
13			* WIPER
14			* U-CUP
15			* BACKUP
16			* O-RING
17			* O-RING
18			* TEFLON RING
19			* WEAR RING
20	SN4458		PLUG, 3/4"-16 MOR
21	SN997052		SYSTEMS MUST BE BLED OF AIR

NOTE: *ITEMS ARE AVAILABLE IN THE SEAL
KIT ONLY.
WHEN ORDERING HYDRAULIC CYLINDER
COMPONENETS, BE SURE TO NOTE THE PART #
AND THE CYLINDER PSI. (LOCATED ON THE
CYLINDER DECAL) AS THEY CONTAIN
DIFFERENT COMPONENTS. OLDER CYLINDERS
WERE 2500 PSI. AND THE NEWER CYLINDERS
ARE 3000 PSI. IDENTIFYING THE PART # OF
THE CYLINDER IS EXTREMELY IMPORTANT WHEN
ORDERING PARTS TO ENSURE PROPER
OPERATION OF THE HYDRAULIC CYLINDER.

I0002135
PR: t05g30n06d0018

4" X 10" HYDRAULIC CYLINDER (4430R)
VERSION 1, PRIOR TO 6/23/03



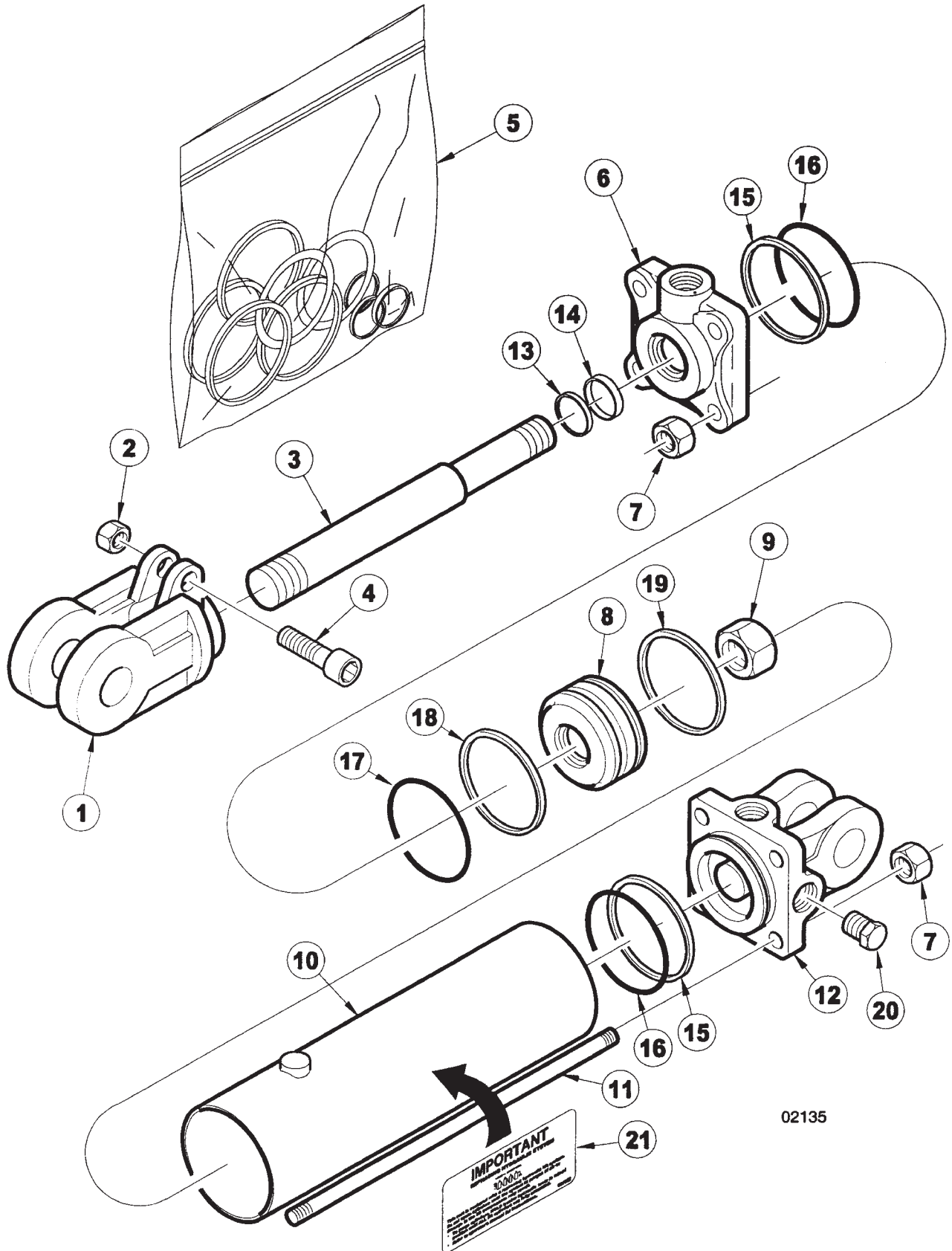
02135

ITEM	NUMBER	QTY	DESCRIPTION
1	SN8610-1		CLEVIS, 1 1/4" THREADS, 1" PIN W/BUSHING, CROSS
2	SN8671-1		CAPSCREW NUT, 5/16" THREADS CROSS
3	SN8899-1		ROD, 1 3/8" DIA, 10" REPHASING CROSS
4	SN8631-1		CAPSCREW, CROSS
5	SN8781-1		SEAL KIT, 4", 1 3/8" ROD REPHASING CROSS
6	SN8739-10		HEAD, 4" 1 3/8" ROD, REPHASING CROSS
7	SN8864-1		TIE ROD NUT, 5/8" THREADS
8	SN8718-1		PISTON, 4" W/1" HOLE REPHASING CROSS
9	SN8683-1		PISTON NUT, 1" CROSS
10	SN8826-1		TUBE, 4" X 10" REPHASING CROSS
11	SN8849-1		TIE ROD BOLT, 4" X 10" CROSS
12	SN8699-10		BASE, 4" REPHASING, CROSS
13			* WIPER
14			* U-CUP
15			* BACKUP
16			* O-RING
17			* O-RING
18			* TEFLON RING
19			* WEAR RING
20	SN4458		PLUG, 3/4"-16 MOR
21	SN997052		SYSTEMS MUST BE BLED OF AIR

NOTE: * AVAILABLE IN THE SEAL KIT ONLY
WHEN ORDERING HYDRAULIC CYLINDER
COMPONENTS, BE SURE TO NOTE THE PART #
AND THE CYLINDER PSI. (LOCATED ON THE
CYLINDER DECAL) AS THEY CONTAIN
DIFFERENT COMPONENTS. OLDER CYLINDERS
WERE 2500 PSI. AND THE NEWER CYLINDER
ARE 3000 PSI. IDENTIFYING THE PART # OF
THE CYLINDER IS EXTREMELY IMPORTANT WHEN
ORDERING PARTS TO ENSURE PROPER
OPERATION OF THE HYDRAULIC CYLINDER.

I0002135
PR: t05g30n06d0019

4" X 10" HYDRAULIC CYLINDER (10814R)
VERSION 2, 6/23/03 & LATER



02135

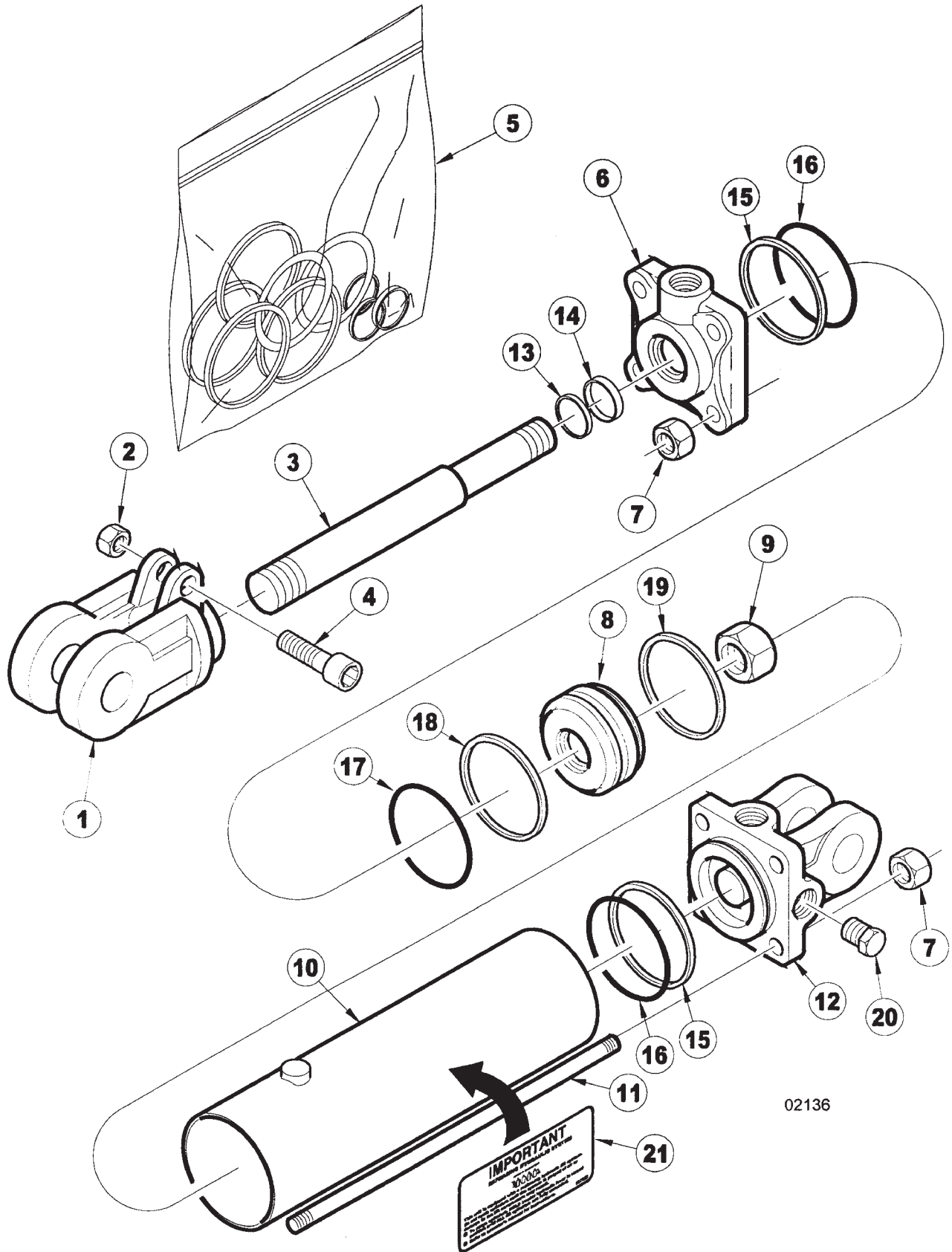
4" X 10" HYDRAULIC CYLINDER (10814R)
VERSION 2, 6/23/03 & LATER

ITEM	NUMBER	QTY	DESCRIPTION
1	SN8610-1		CLEVIS, 1 1/4" THREADS, 1" PIN W/BUSHING, CROSS
2	SN8671-1		CAPSCREW NUT, 5/16" THREADS CROSS
3	SN8925-1		ROD, 1 3/8" DIA, 10" REPHASING CROSS
4	SN8631-1		CAPSCREW, CROSS
5	SN8781-1		SEAL KIT, 4", 1 3/8" ROD
6	SN8739-10		HEAD, 4" 1 3/8" ROD, REPHASING CROSS
7	SN8864-1		TIE ROD NUT, 5/8" THREADS
8	SN8653-1		PISTON, 4" W/1" HOLE, REPHASING CROSS
9	SN8683-1		PISTON NUT, 1" CROSS
10	SN8826-1		TUBE, 4" X 10" REPHASING CROSS
11	SN8654-1		TIE ROD BOLT, 4" X 10" REPHASING, CROSS
12	SN8670-10		BASE, 4" (ORB) CROSS
13			* WIPER
14			* U-CUP
15			* BACKUP
16			* O-RING
17			* O-RING
18			* TEFLON RING
19			* WEAR RING
20	SN4458		PLUG, 3/4"-16 MOR
21	SN997052		SYSTEMS MUST BE BLED OF AIR

NOTE: *AVAILABLE IN THE SEAL KIT ONLY
WHEN ORDERING HYDRAULIC CYLINDER
COMPONENTS, NOTE THE PART # AND THE
CYLINDER PSI. (LOCATED ON THE CYLINDER
DECAL) AS THEY CONTAIN DIFFERENT
COMPONENTS. OLDER CYLINDERS WERE 2500
PSI. AND THE NEWER CYLINDERS ARE 3000
PSI. IDENTIFYING THE PART # OF THE
CYLINDER IS EXTREMELY IMPORTANT WHEN
ORDERING PARTS TO ENSURE PROPER
OPERATION OF THE HYDRAULIC CYLINDER.

I0002135
PR: t05g30n06d0020

4 1/4" X 10" CYLINDER (7104R) VERSION 1,
PRIOR TO 1/19/04



02136

9433 OPERATOR'S MANUAL
SERVICE PARTS

47

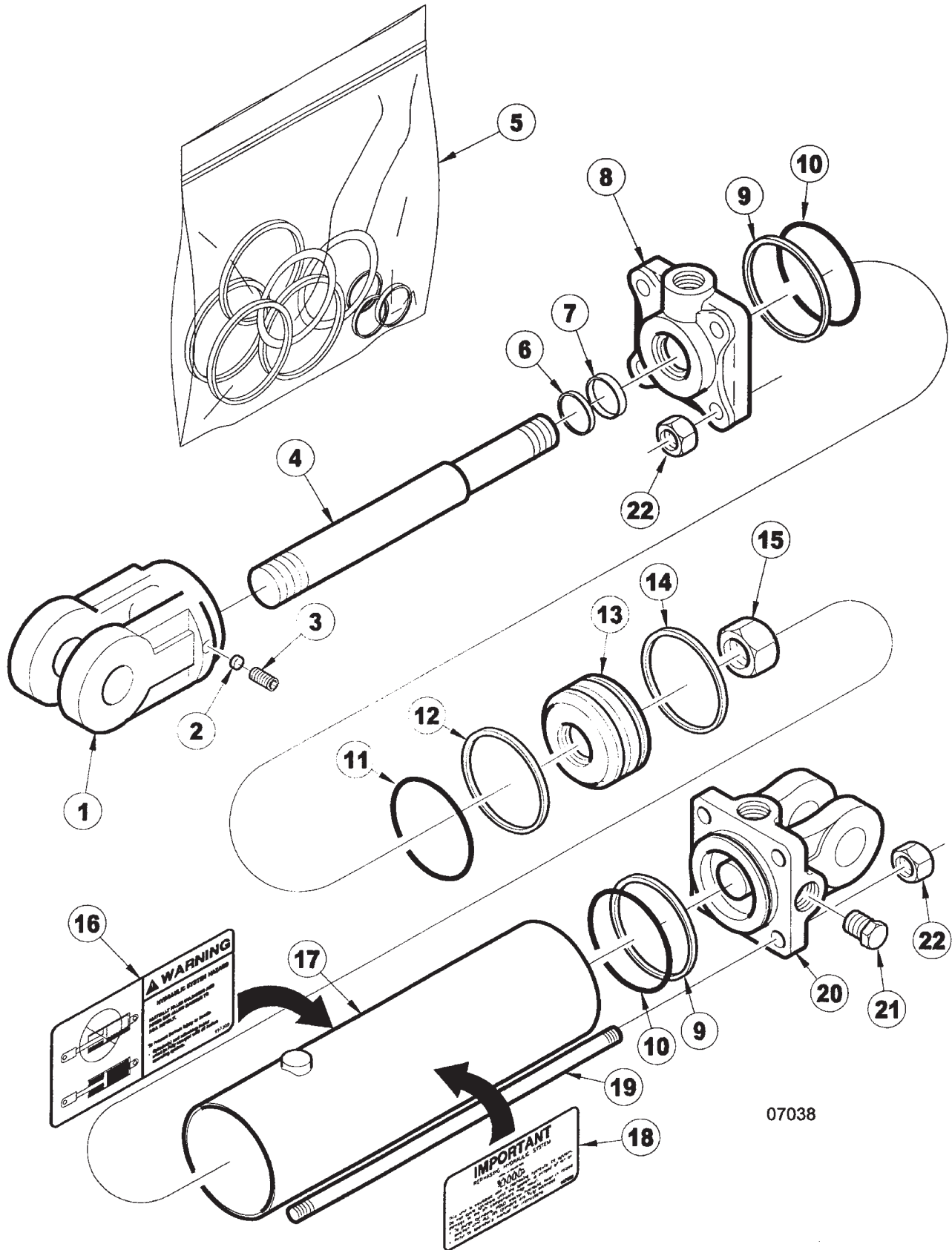
4 1/4" X 10" CYLINDER (7104R) VERSION 1,
PRIOR TO 1/19/04

ITEM	NUMBER	QTY	DESCRIPTION
1	SN8610-1		CLEVIS, 1 1/4" THREADS, 1" PIN W/BUSHING, CROSS
2	SN8671-1		CAPSCREW NUT, 5/16" THREADS CROSS
3	SN8966-1		ROD, 1 3/8" DIA, 10" CROSS
4	SN8631-1		CAPSCREW, CROSS
5	SN8780-1		SEAL KIT, 4 1/4", 1 3/8" ROD REPHASING CROSS
6	SN8741-10		HEAD, 4 1/4", 1 3/8" ROD
7	SN8865-1		TIE ROD NUT, 3/4" THREADS
8	SN8695-1		PISTON, 4 1/4" W/1 1/4" HOLE REPHASING, CROSS
9	SN8683-1		PISTON NUT, 1" CROSS
10	SN8805-1		TUBE, 4 1/4" X 10", CROSS
11	SN8873-1		TIE ROD BOLT, 4 1/4" X 10",CROSS
12	SN8675-10		BASE, 4 1/4" (ORB), 1" PIN,CROSS
13			* WIPER
14			* U-CUP
15			* BACK-UP
16			* O-RING
17			* O-RING
18			* TEFLON RING
19			* WEAR RING
20	SN4458		PLUG, 3/4"-16 MOR
21	SN997052		SYSTEMS MUST BE BLED OF AIR

NOTE: * AVAILABLE IN THE SEAL KIT ONLY
 WHEN ORDERING HYDRAULIC CYLINDER
 COMPONENTS, BE SURE TO NOTE THE PART #
 AND THE CYLINDER PSI. (LOCATED ON THE
 CYLINDER DECAL) AS THEY CONTAIN
 DIFFERENT COMPONENTS. OLDER CYLINDERS
 WERE 2500 PSI. AND THE NEWER CYLINDERS
 ARE 3000 PSI. IDENTIFYING THE PART # OF
 THE CYLINDER IS EXTREMELY IMPORTANT WHEN
 ORDERING PARTS TO ENSURE PROPER
 OPERATION OF THE HYDRAULIC CYLINDER.

I0002136
 PR: t05g30n06d0021

4 1/4" X 10" CYLINDER (12013R)
VERSION 2, 1/19/04 & LATER



07038

**9433 OPERATOR'S MANUAL
SERVICE PARTS**

49

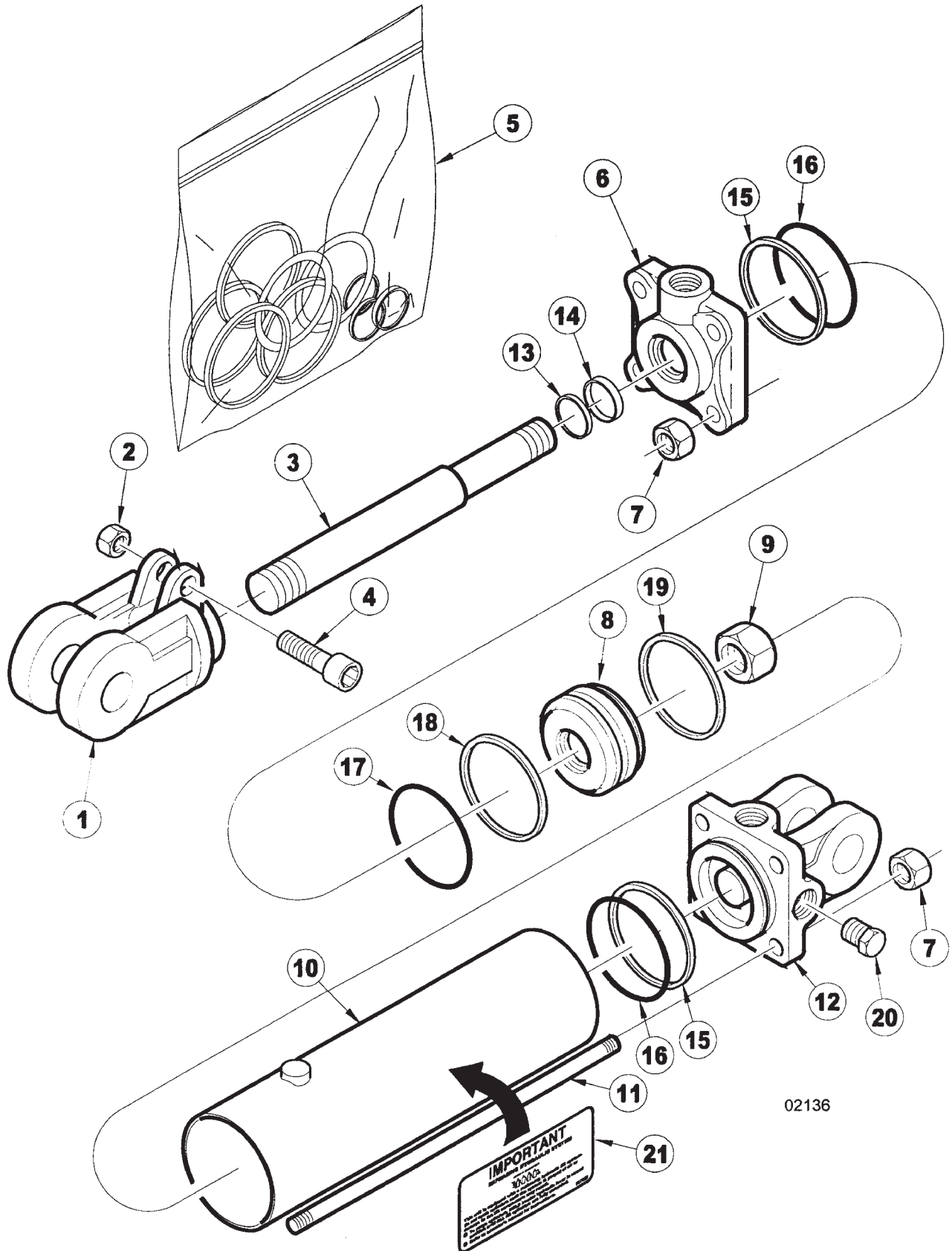
**4 1/4" X 10" CYLINDER (12013R)
VERSION 2, 1/19/04 & LATER**

ITEM	NUMBER	QTY	DESCRIPTION
1	SN8968-1		CLEVIS, 1 1/4" THREADS, 1" PIN W/BUSHING, CROSS
2	SN8961-1		PLUG, NYLON, CROSS
3	SN8963-1		SET SCREW, 3/8"-16 X 7/8" L, SHSS W/NYLOK, CROSS
4	SN8966-1		ROD, 1 3/8" DIA, 10" CROSS
5	SN8780-1		SEAL KIT, 4 1/4", 1 3/8" ROD REPHASING, CROSS
6			* WIPER
7			* U-CUP
8	SN8741-10		HEAD, 4 1/4", 1 3/8" ROD REPHASING CROSS
9			* BACK-UP
10			* O-RING
11			* O-RING
12			* TEFLON RING
13	SN8958-1		PISTON, 4 1/4" W/1 1/4" HOLE REPHASING, CROSS
14			* WEAR RING
15	SN8683-1		PISTON NUT, 1" CROSS
16	SN997309		ON HYDRAULIC SYSTEM HAZARD
17	SN8805-1		TUBE, 4 1/4" X 10", CROSS
18	SN997052		SYSTEMS MUST BE BLED OF AIR
19	SN8873-1		TIE ROD BOLT, 4 1/4" X 10",CROSS
20	SN8675-10		BASE, 4 1/4" (ORB), 1" PIN,CROSS
21	SN4458		PLUG, 3/4"-16 MOR
22	SN8865-1		TIE ROD NUT, 3/4" THREADS

NOTE: *AVAILABLE IN THE SEAL KIT ONLY.
WHEN ORDERING HYDRAULIC CYLINDER
COMPONENTS, BE SURE TO NOTE THE PART
NUMBER AND THE CYLINDER PSI. (LOCATED
ON THE CYLINDER DECAL) AS THEY CONTAIN
DIFFERENT COMPONENTS. OLDER CYLINDERS
WERE 2500 PSI. AND THE NEWER CYLINDERS
ARE 3000 PSI. IDENTIFYING THE PART # OF
THE CYLINDER IS EXTREMELY IMPORTANT WHEN
ORDERING PARTS TO ENSURE PROPER
OPERATION OF THE HYDRAULIC CYLINDERS.

I0007038
PR: t05g30n06d0022

4 1/2" X 10" CYLINDER (7419R)
VERSION 1, PRIOR TO 12/12/03



02136

9433 OPERATOR'S MANUAL
SERVICE PARTS

51

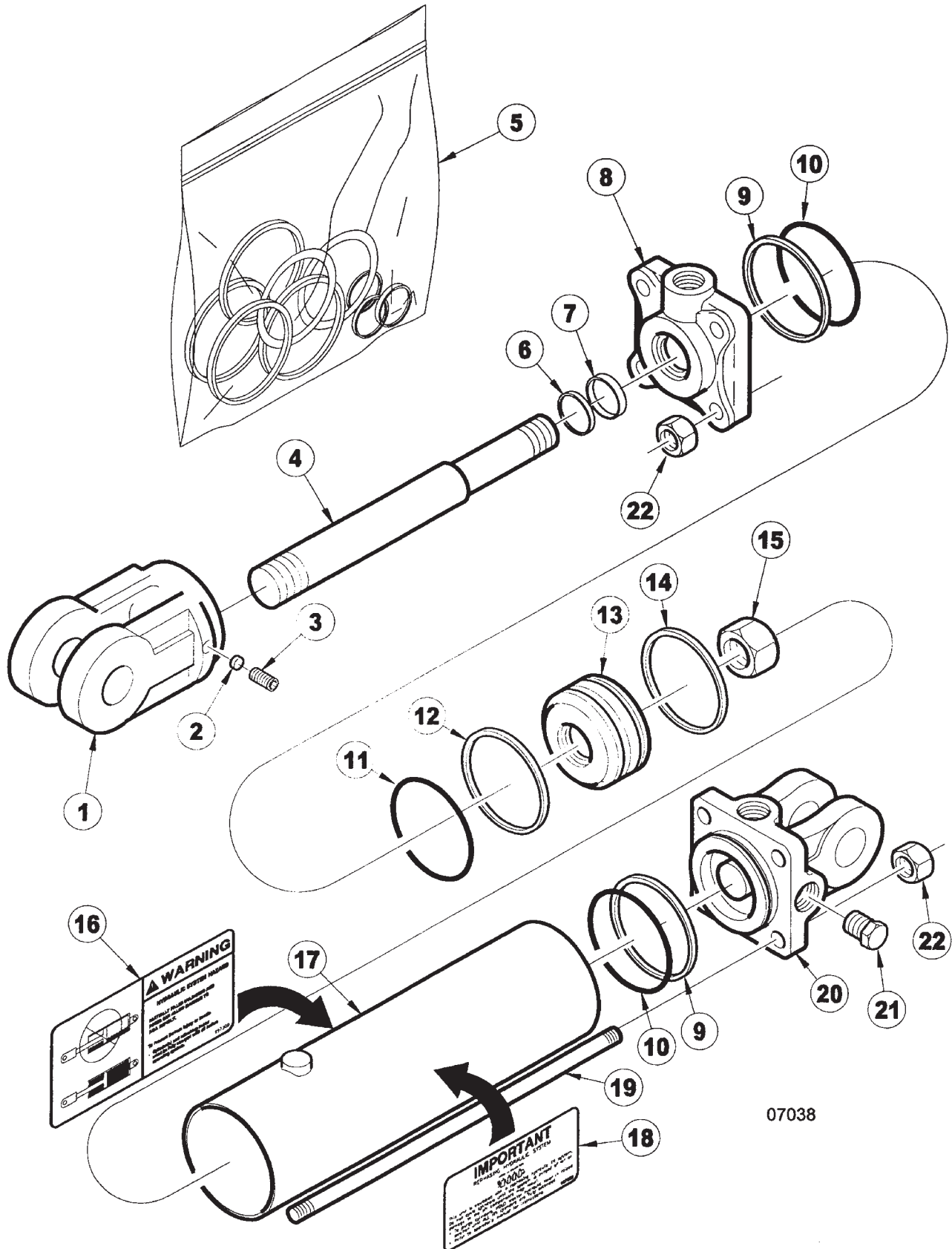
4 1/2" X 10" CYLINDER (7419R)
VERSION 1, PRIOR TO 12/12/03

ITEM	NUMBER	QTY	DESCRIPTION
1	SN8617-1		CLEVIS, 1 1/2" THREADS, CROSS
2	SN8671-1		CAPSCREW NUT, 5/16" THREADS CROSS
3	SN8901-1		ROD, 1 1/2" DIA, 10" REPHASING CROSS
4	SN8631-1		CAPSCREW, CROSS
5	SN8799-1		SEAL KIT, 4 1/2", 1 1/2" ROD, CROSS
6	SN8730-10		HEAD, 4 1/2", 1 1/2" ROD
7	SN8865-1		TIE ROD NUT, 3/4" THREADS
8	SN8720-1		PISTON, 4 1/2" REPHASING CROSS
9	SN8685-1		PISTON NUT, 1 1/4" THREAD, CROSS
10	SN8804-1		TUBE, 4 1/2" X 10" REPHASING CROSS
11	SN8873-1		TIE ROD BOLT, 4 1/4" X 10",CROSS
12	SN8679-10		BASE, 4 1/2" (ORB), 1" PIN CROSS
13			* WIPER
14			* U-CUP
15			* BACKUP
16			* O-RING
17			* O-RING
18			* TEFLON RING
19			* WEAR RING
20	SN4458		PLUG, 3/4"-16 MOR
21	SN997052		SYSTEMS MUST BE BLED OF AIR

NOTE: * AVAILABLE IN THE SEAL KIT ONLY
WHEN ORDERING HYDRAULIC CYLINDER
COMPONENTS, BE SURE TO NOTE THE PART #
AND THE CYLINDER PSI. (LOCATED ON THE
CYLINDER DECAL) AS THEY CONTAIN
DIFFERENT COMPONENTS. OLDER CYLINDERS
WERE 2500 PSI. AND THE NEWER CYLINDERS
ARE 3000 PSI. IDENTIFYING THE PART # OF
THE CYLINDER IS EXTREMELY IMPORTANT WHEN
ORDERING PARTS TO ENSURE PROPER
OPERATION OF THE HYDRAULIC CYLINDER.

I0002136
PR: t05g30n06d0023

4 1/2" X 10" CYLINDER (12014R)
VERSION 2, 12/12/03 & LATER



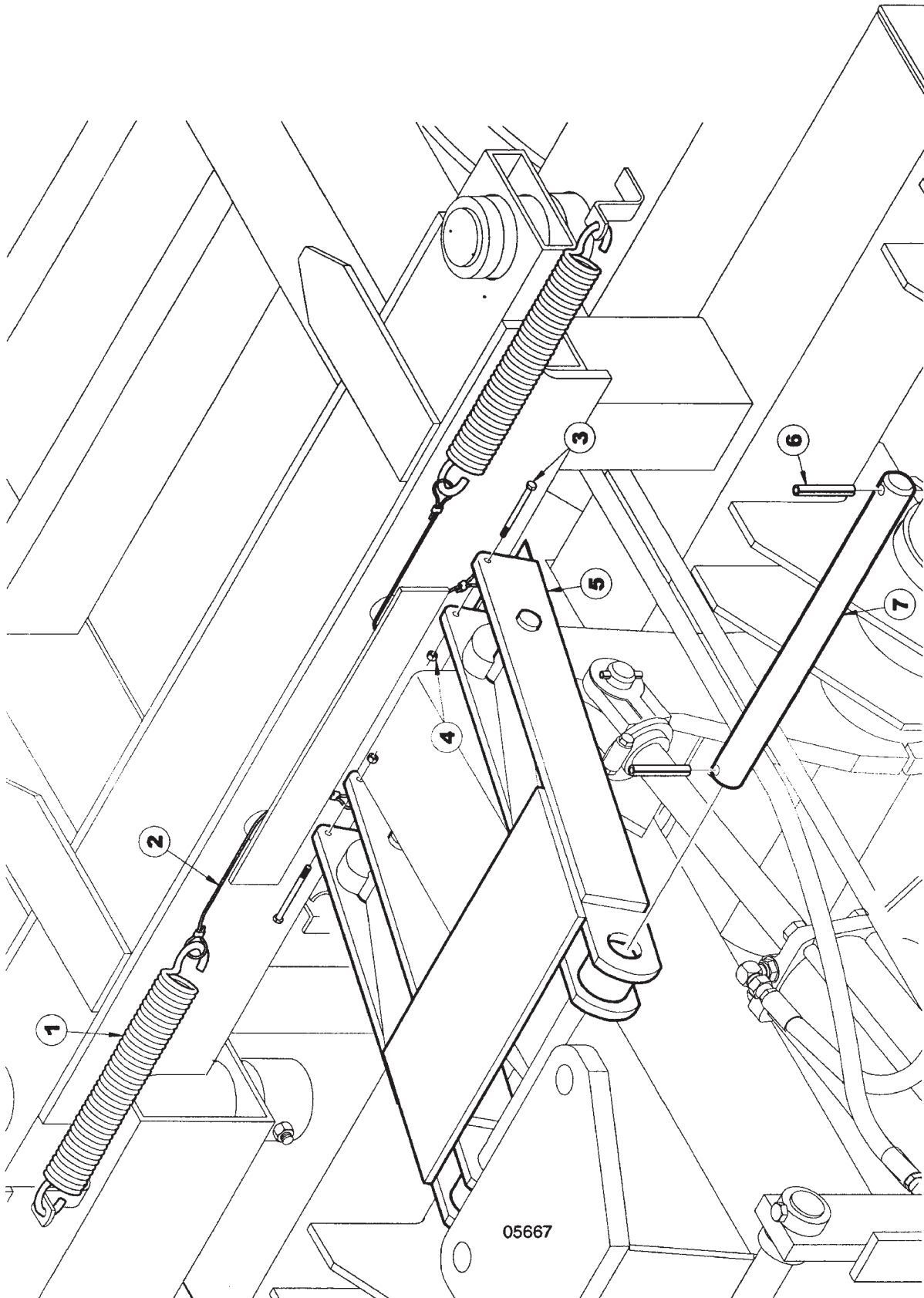
07038

ITEM	NUMBER	QTY	DESCRIPTION
1	SN12009		CLEVIS, 1 1/2" THREADS, CROSS
2	SN8961-1		PLUG, NYLON, CROSS
3	SN8963-1		SET SCREW, 3/8"-16 X 7/8" L, SHSS W/NYLOK, CROSS
4	SN8901-1		ROD, 1 1/2" DIA, 10" REPHASING CROSS
5	SN8951-1		SEAL KIT, 4 1/2", 1 1/2" ROD, CROSS
6			* WIPER
7			* U-CUP
8	SN8956-10		HEAD, 4 1/2", 1 1/2" ROD REPHASING, CROSS
9			* BACK-UP
10			* O-RING
11			* O-RING
12			* TEFLON RING
13	SN8953-1		PISTON, 4 1/2" REPHASING CROSS
14			* WEAR RING
15	SN8685-1		PISTON NUT, 1 1/4" THREAD, CROSSING CROSS
16	SN997309		ON HYDRAULIC SYSTEM HAZARD
17	SN8804-1		TUBE, 4 1/2" X 10" REPHASING CROSS E
18	SN997052		SYSTEMS MUST BE BLED OF AIR
19	SN8873-1		TIE ROD BOLT, 4 1/4" X 10",CROSS
20	SN8679-10		BASE, 4 1/2" (ORB), 1" PIN CROSSING, CROSS
21	SN4458		PLUG, 3/4"-16 MOR
22	SN8865-1		TIE ROD NUT, 3/4" THREADS

NOTE: AVAILABLE IN THE SEAL KIT ONLY
WHEN ORDERING HYDRAULIC CYLINDER
COMPONENTS, BE SURE TO NOTE THE PART #
AND THE CYLINDER PSI. (LOCATED ON THE
CYLINDER DECAL) AS THEY CONTAIN
DIFFERENT COMPONENTS. OLDER CYLINDERS
WERE 2500 PSI. AND THE NEWER CYLINDERS
ARE 3000 PSI. IDENTIFYING THE PART # OF
THE CYLINDER IS EXTREMELY IMPORTANT WHEN
ORDERING PARTS TO ENSURE PROPER
OPERATION OF THE HYDRAULIC CYLINDER.

I0007038
PR: t05g30n06d0024

TRANSPORT LOCK ASSEMBLY



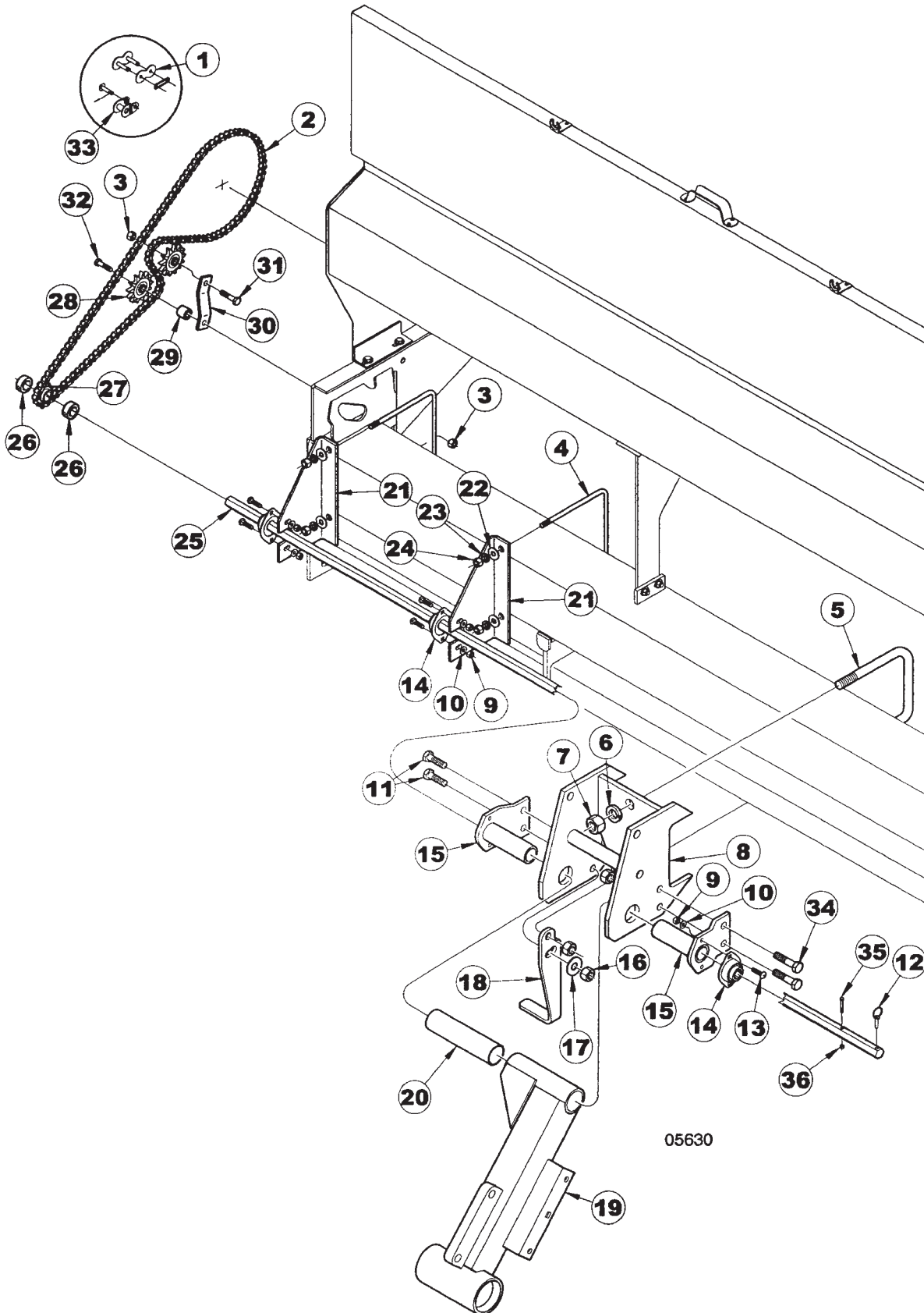
05667

TRANSPORT LOCK ASSEMBLY

ITEM	NUMBER	QTY	DESCRIPTION
1	SN7198		SPRING, 1.250" OD X 1.020" ID, 6" L EXTENSION
2	SN7197		CABLE, 17"
3	SN7771		HEX BOLT, 1/4"-20 X 4 1/2", GR 5, Y/D
4	SN3881		LOCK NUT, 1/4"-20 HEX NYLON INSERT, GR 2, Y/D
5	SN7733		TRANSPORT LOCK
6	SNFK150025		ROLL PIN, 1/2" X 3 1/2" Y/D
7	SN7193		PIN, 1 1/2" X 18" (16")

I0005667
PR: t05g30n06d0025

TOP HALF OF THE CENTER SECTION GAUGE
WHEEL ASSEMBLY



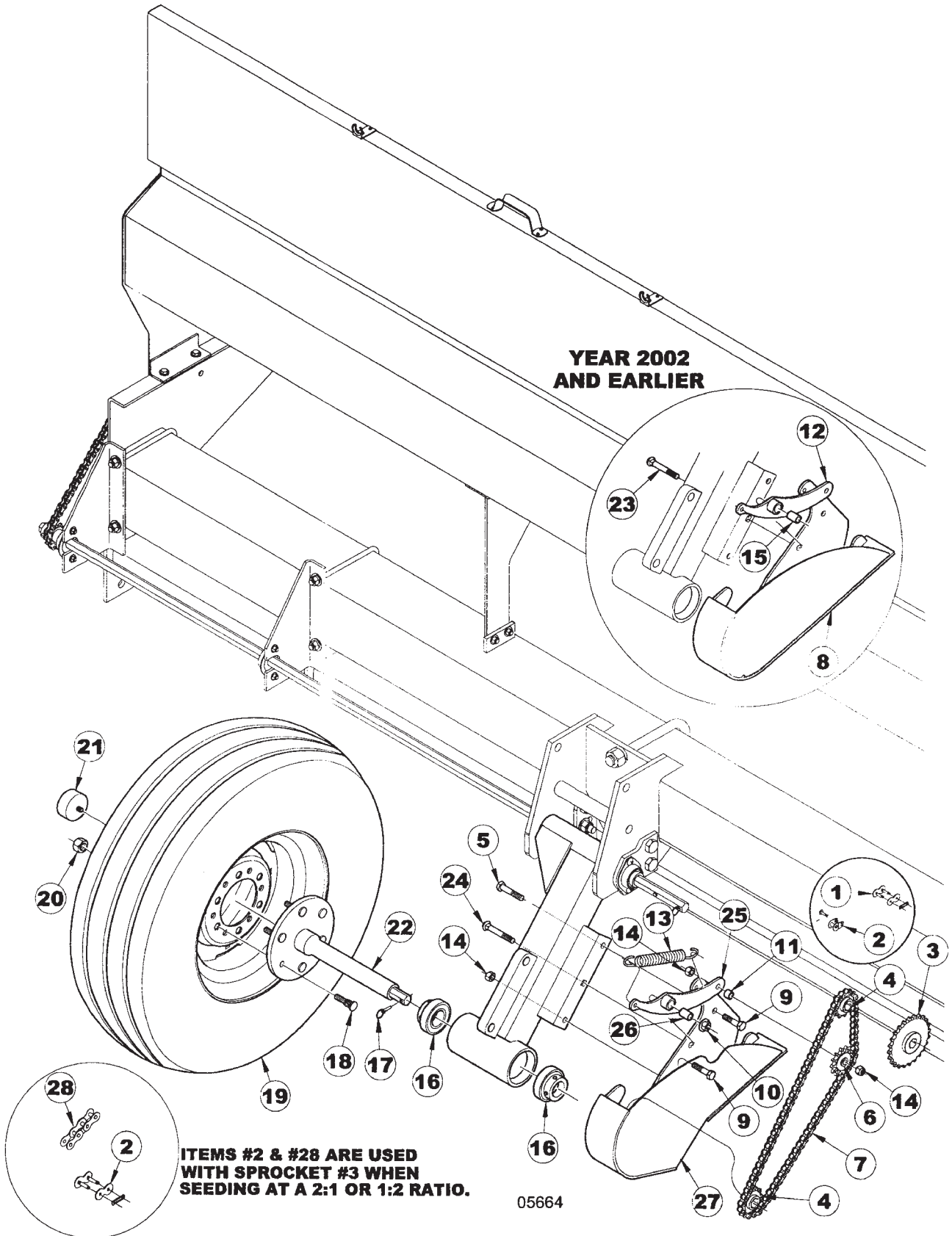
05630

TOP HALF OF THE CENTER SECTION GAUGE
WHEEL ASSEMBLY

ITEM	NUMBER	QTY	DESCRIPTION
1	SNDR41008		LINK, SINGLE CONNECTING #50 CHAIN
2	SN9176		CHAIN, 79 3/8" L NO. 50
3	SN2096		LOCK NUT, 1/2"-13 HEX NYLON INSERT
4	SNDR80018		U-BOLT, 1/2"-13 X 8 1/4" X 7 5/8" W, GR 5, Y/D
5	SN7070		U-BOLT, 1"-8 X 9" X 8 1/16" W, GR 5, Y/D
6	SN1283		LOCK WASHER, 1" SPLIT TYPE MED, Y/D
7	SN110		HEX NUT, 1"-8 FULL, GR 5, Y/D
8	SN9131		MOUNT, GAUGE WHEEL
9	SN6378		LOCK NUT, 5/16" HEX NYLON
10	SN6377		FLAT WASHER, 5/16" Y/D
11	SN1298		HEX BOLT, 5/8"-11 X 2 1/2", GR 5, Y/D
12	SN9083		KLIK PIN, 1/4" DIA X 2 1/8"
13	SN6376		CARRIAGE BOLT, 5/16"-18 X 1" GR 5, Y/D
14	SN9081		BEARING, 7/8" HEX BORE
15	SN9029		PIVOT BRACKET, GAUGE WHEEL
16	SN669-1		LOCK NUT, 5/8" HEX NYLON
17	SN2089		FLAT WASHER, 5/8", Y/D
18	SN10292		ARM, WHEEL STOP RIGHT
19	SN9129		GAUGE WHEEL AXLE, RT
20	SN9137		BUSHING, 2" OD X 1 3/4" ID, 8"L, PLASTIC
21	SN9170		BEARING BRACKET, RT
22	SN486		FLAT WASHER, 1/2", Y/D
23	SN113		LOCK WASHER, 1/2" SPLIT TYPE MED, Y/D
24	SN114		HEX NUT, 1/2"-13 FULL, GR 2, Y/D
25	SN9878		JACKSHAFT, 7/8" HEX, 75" L
26	SN9082		SET COLLAR, 7/8" HEX BORE, Y/D
27	SN9077		SPROCKET, 10 TOOTH, 7/8" HEX BORE
28	SNDR80029		SPROCKET, IDLER
29	SN9166R		SPACER, IDLER SPROCKET, UPPER, 7/8"L
30	SN9161		IDLER BRACKET, UPPER
31	SN2045		HEX BOLT, 1/2"-13 X 1 3/4", GR5, Y/D
32	SN156		HEX BOLT, 1/2"-13 X 3", GR 5 Y/D
33	SNDR41007		LINK, SINGLE OFFSET #50 CHAIN
34	SN670		HEX BOLT, 5/8"-11 X 2", GR 5, Y/D
35	SN2750		HEX BOLT, 1/4"-20 X 1 1/4", GR 2, Y/D
36	SN3881		LOCK NUT, 1/4"-20 HEX NYLON INSERT, GR 2, Y/D

I0005630
PR: t05g30n06d0026

LOWER HALF OF THE CENTER SECTION GAUGE
WHEEL ASSEMBLY

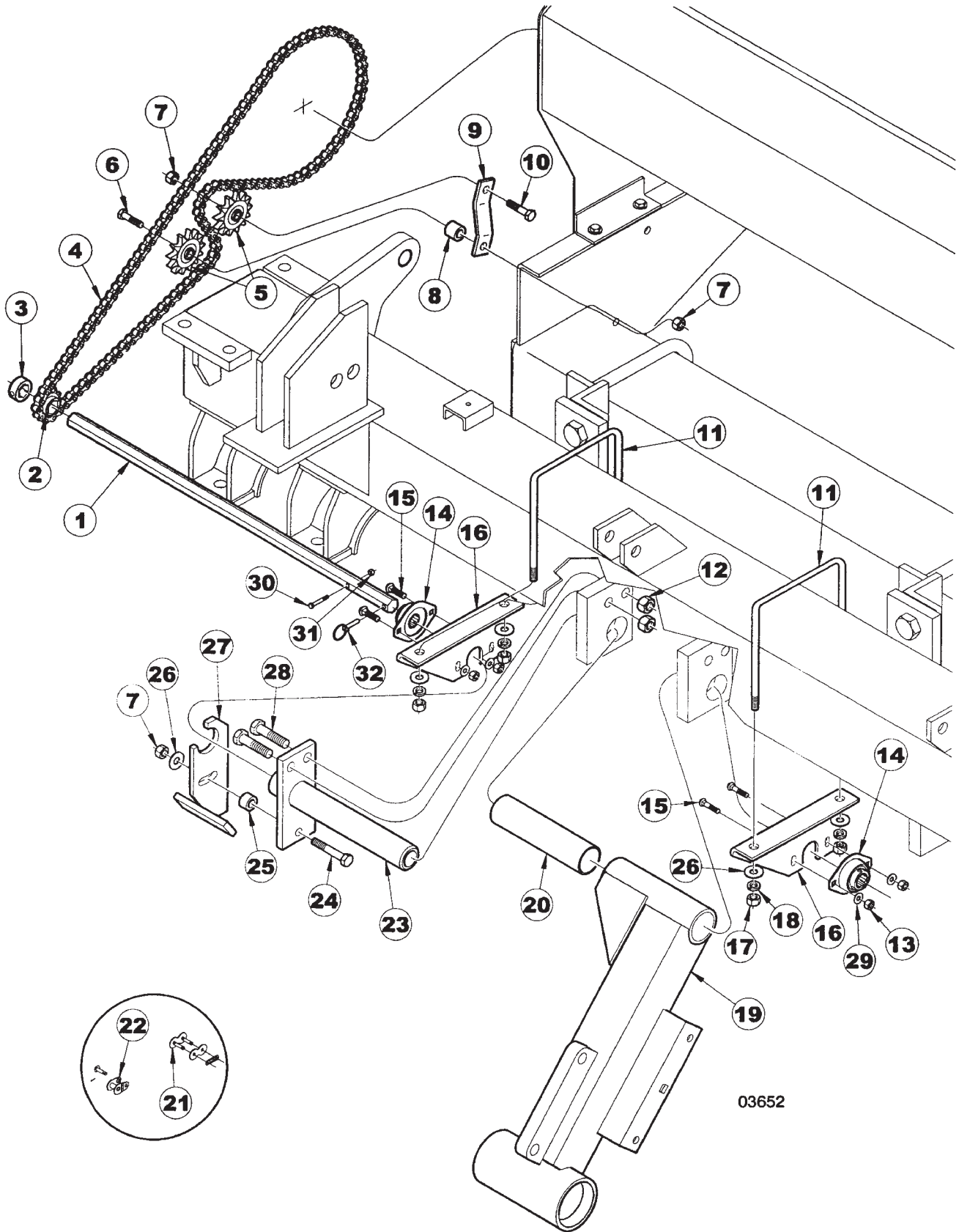


LOWER HALF OF THE CENTER SECTION GAUGE
WHEEL ASSEMBLY

ITEM	NUMBER	QTY	DESCRIPTION
1	SNDR41008		LINK, SINGLE CONNECTING #50 CHAIN
2	SNDR41007		LINK, SINGLE OFFSET #50 CHAIN
3	SN9079		SPROCKET, 24 TOOTH, 7/8" HEX BORE
4	SN9078		SPROCKET, 12 TOOTH, 7/8" HEX BORE
5	SN330		HEX BOLT, 1/2"-13 X 2" GR 5, Y/D
6	SNDR80029		SPROCKET, IDLER
7	SN12360		CHAIN, 48 11/16" L NO. 50
8	SN9882		CHAIN GUARD, GW, LT
	SN9881		CHAIN GUARD, GW, RT
9	SN1823		HEX BOLT, 1/2"-13 X 1 1/4", GR 5, Y/D
10	SN9683		1/2-13 FLANGE TOPLOCK NUT GR G CAD/ WAX
11	SN9886		BUSHING, 3/4" OD X 1/2" ID, 17/32" L
12	SN9884		IDLER BRACKET, LEFT
	SN9883		IDLER BRACKET, RIGHT
13	SN10325		SPRING, .105" WIRE DIA X 4 3/4" L EXTENSION Y/D
14	SN2096		LOCK NUT, 1/2"-13 HEX NYLON INSERT
15	SN9887		BUSHING, 3/4" OD X 1/2" ID, 1 1/16" L
16	SNDR30022		BEARING, 1 1/2" BORE W/LOCK COLLAR
17	SN9083		KLIK PIN, 1/4" DIA X 2 1/8"
18	SN7784		SHOULDER BOLT, 1/2"-20 X 1 7/8" PRESS IN, 3/8" SHOULDER
19	SN5151		TIRE, 9.5L 8 PLY TUBELESS W/15 X 6 WHEEL ASSY 6 BOLT
	SN3578		TIRE, 9.5L X 15, 8 PLY, TUBELESS
	SN5094		WHEEL, 15 X 6, 6-BOLT
	SN3577		VALVE STEM
20	SN1611		LUG NUT, 1/2"-20, GR 5, 90 DEG TAPER, Y/D
21	SNDR41518		ACREMETER, 9.5L/11L-15 X 30'
	SN6943		ACREMETER, 9.5L X 40'
22	SN9136		SPINDLE, GAUGE WHEEL, 6 BOLT HUB
23	SN9939		CARRIAGE BOLT, 1/2"-13 X 2 1/2", GR 5, Y/D
24	SN9178		CARRIAGE BOLT, 1/2"-13 X 3", GR 5, Y/D
25	SN10357		IDLER WELDMENT, CHAIN LEFT
	SN10356		IDLER WELDMENT, CHAIN RIGHT
26	SN10355		BUSHING, IDLER .750" OD X .532" ID, 1 9/16" L
27	SN10359		GUARD, CHAIN LEFT
	SN10358		GUARD, CHAIN RIGHT
28	SN12361		CHAIN, 2 7/16" L NO. 50

I0005664
PR: t05g30n06d0027

TOP HALF OF THE WING GAUGE WHEEL
ASSEMBLY



03652

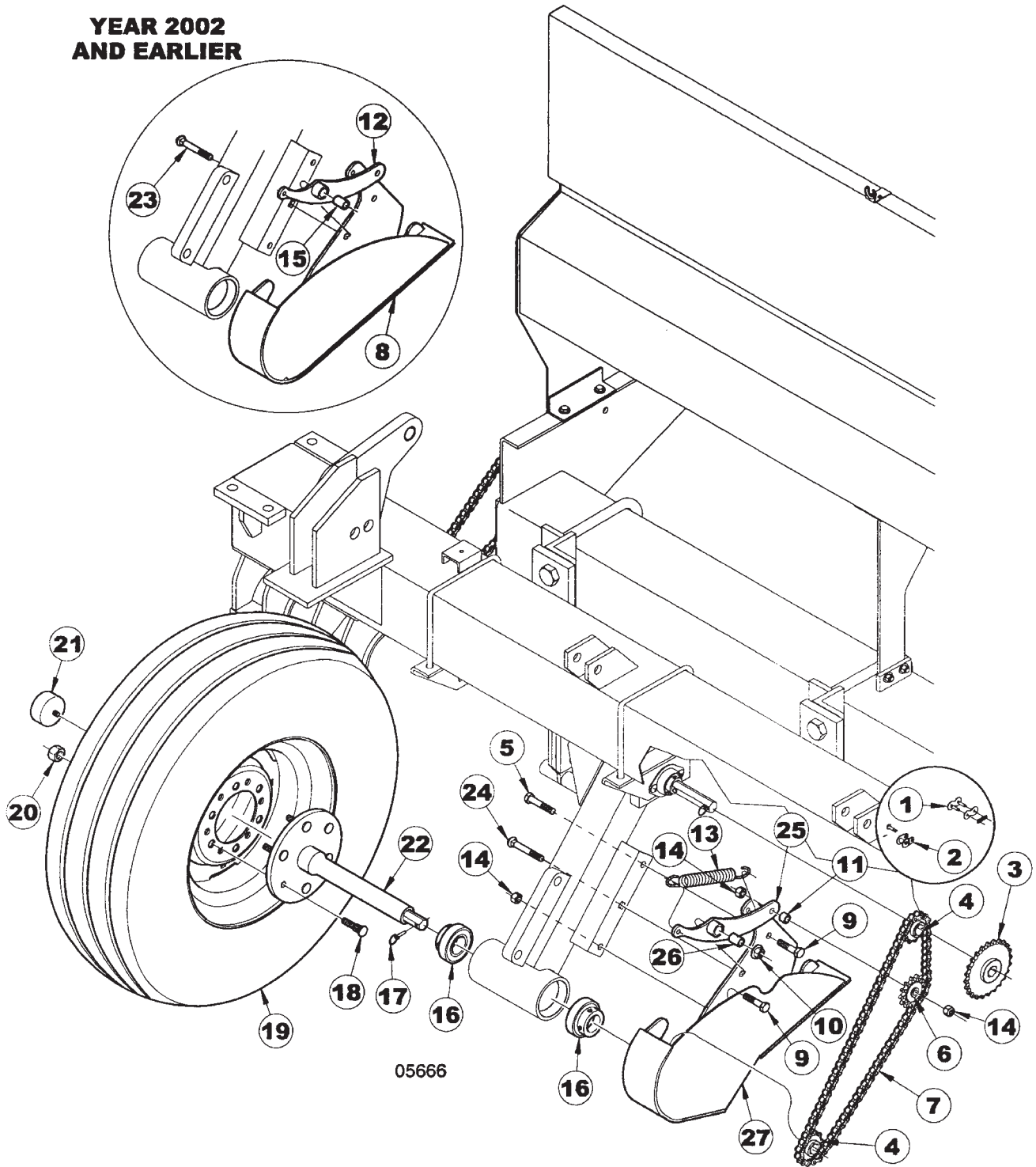
TOP HALF OF THE WING GAUGE WHEEL
ASSEMBLY

ITEM	NUMBER	QTY	DESCRIPTION
1	SN9151		JACKSHAFT, 7/8" HEX, 33 1/2" L
2	SN9077		SPROCKET, 10 TOOTH, 7/8" HEX BORE
3	SN9082		SET COLLAR, 7/8" HEX BORE, Y/D
4	SN9203		CHAIN, 83 1/8"L NO.50
5	SNDR80029		SPROCKET, IDLER
6	SN156		HEX BOLT, 1/2"-13 X 3", GR 5 Y/D
7	SN2096		LOCK NUT, 1/2"-13 HEX NYLON INSERT
8	SN9166R		SPACER, IDLER SPROCKET, UPPER, 7/8"L
9	SN9161		IDLER BRACKET, UPPER
10	SN2045		HEX BOLT, 1/2"-13 X 1 3/4", GR5, Y/D
11	SNDR80018		U-BOLT, 1/2"-13 X 8 1/4" X 7 5/8" W, GR 5, Y/D
12	SN669-1		LOCK NUT, 5/8" HEX NYLON
13	SN6378		LOCK NUT, 5/16" HEX NYLON
14	SN9081		BEARING, 7/8" HEX BORE
15	SN6376		CARRIAGE BOLT, 5/16"-18 X 1" GR 5, Y/D
16	SN9172		BEARING BRACKET, RT
	SN9173		BEARING BRACKET, LT
17	SN114		HEX NUT, 1/2"-13 FULL, GR 2, Y/D
18	SN113		LOCK WASHER, 1/2" SPLIT TYPE MED, Y/D
19	SN9129		GAUGE WHEEL AXLE, RT (SHOWN)
	SN9130		GAUGE WHEEL AXLE, LT
20	SN9137		BUSHING, 2" OD X 1 3/4" ID, 8"L, PLASTIC
21	SNDR41008		LINK, SINGLE CONNECTING #50 CHAIN
22	SNDR41007		LINK, SINGLE OFFSET #50 CHAIN
23	SN9135		PIN, GAUGE WHEEL, 12"L
24	SN112		HEX BOLT, 1/2"-13 X 2 1/2", GR 5, Y/D
25	SN9201		SPACER TUBE, 5/8"L
26	SN486		FLAT WASHER, 1/2", Y/D
27	SN10294		STOP, WHEEL
28	SN1298		HEX BOLT, 5/8"-11 X 2 1/2", GR 5, Y/D
29	SN6377		FLAT WASHER, 5/16" Y/D
30	SN2750		HEX BOLT, 1/4"-20 X 1 1/4", GR 2, Y/D
31	SN3881		LOCK NUT, 1/4"-20 HEX NYLON INSERT, GR 2, Y/D
32	SN9083		KLIK PIN, 1/4" DIA X 2 1/8"

I0003652
PR: t05g30n06d0028

LOWER HALF OF THE WING GAUGE WHEEL
ASSEMBLY

YEAR 2002
AND EARLIER

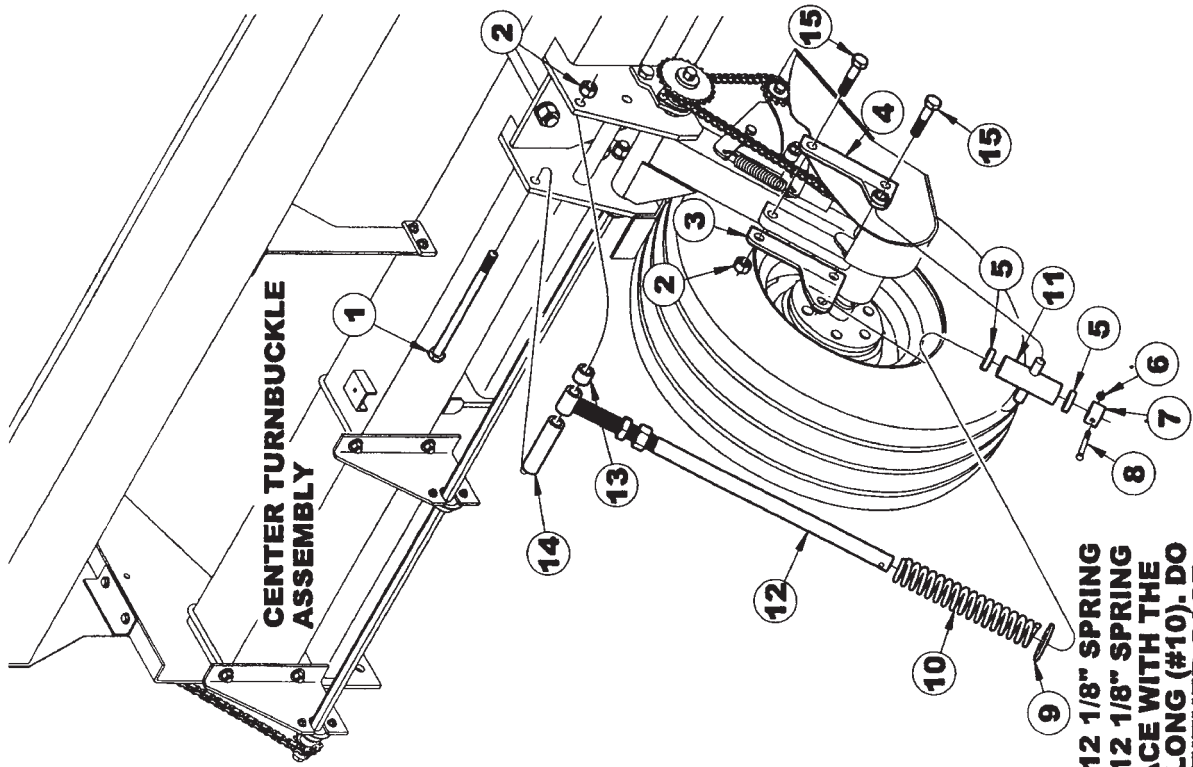


LOWER HALF OF THE WING GAUGE WHEEL
ASSEMBLY

ITEM	NUMBER	QTY	DESCRIPTION
1	SNDR41008		LINK, SINGLE CONNECTING #50 CHAIN
2	SNDR41007		LINK, SINGLE OFFSET #50 CHAIN
3	SN9079		SPROCKET, 24 TOOTH, 7/8" HEX BORE
4	SN9078		SPROCKET, 12 TOOTH, 7/8" HEX BORE
5	SN330		HEX BOLT, 1/2"-13 X 2" GR 5, Y/D
6	SNDR80029		SPROCKET, IDLER
7	SN9888		CHAIN, 51" L NO. 50
8	SN9882		CHAIN GUARD, GW, LT
	SN9881		CHAIN GUARD, GW, RT (SHOWN)
9	SN1823		HEX BOLT, 1/2"-13 X 1 1/4", GR 5, Y/D
10	SN9683		1/2-13 FLANGE TOPLOCK NUT GR G CAD/ WAX
11	SN9886		BUSHING, 3/4" OD X 1/2" ID, 17/32" L
12	SN9884		IDLER BRACKET, LEFT
	SN9883		IDLER BRACKET, RIGHT
13	SN10325		SPRING, .105" WIRE DIA X 4 3/4" L EXTENSION Y/D
14	SN2096		LOCK NUT, 1/2"-13 HEX NYLON INSERT
15	SN9887		BUSHING, 3/4" OD X 1/2" ID, 1 1/16" L
16	SNDR30022		BEARING, 1 1/2" BORE W/LOCK COLLAR
17	SN9083		KLIK PIN, 1/4" DIA X 2 1/8"
18	SN7784		SHOULDER BOLT, 1/2"-20 X 1 7/8" PRESS IN, 3/8" SHOULDER
19	SN5151		TIRE, 9.5L 8 PLY TUBELESS W/15 X 6 WHEEL ASSY 6 BOLT
	SN3578		TIRE, 9.5L X 15, 8 PLY, TUBELESS
	SN5094		WHEEL, 15 X 6, 6-BOLT
	SN3577		VALVE STEM
20	SN1611		LUG NUT, 1/2"-20, GR 5, 90 DEG TAPER, Y/D
21	SNDR41518		ACREMETER, 9.5L/11L-15 X 30'
	SN6943		ACREMETER, 9.5L X 40'
22	SN9136		SPINDLE, GAUGE WHEEL, 6 BOLT HUB
23	SN9939		CARRIAGE BOLT, 1/2"-13 X 2 1/2", GR 5, Y/D
24	SN9178		CARRIAGE BOLT, 1/2"-13 X 3", GR 5, Y/D
25	SN10357		IDLER WELDMENT, CHAIN LEFT
	SN10356		IDLER WELDMENT, CHAIN RIGHT
26	SN10355		BUSHING, IDLER .750" OD X .532" ID, 1 9/16" L
27	SN10359		GUARD, CHAIN LEFT
	SN10358		GUARD, CHAIN RIGHT

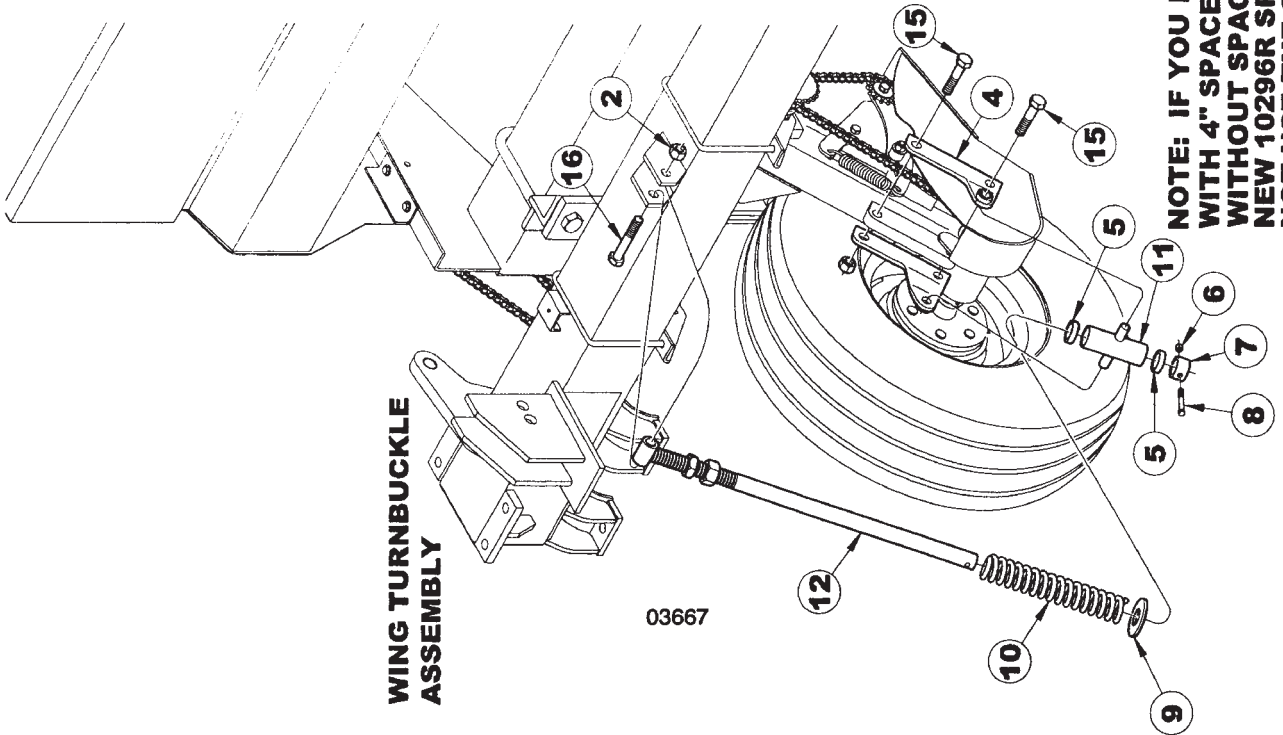
I0005666
PR: t05g30n06d0029

TURNBUCKLE ASSEMBLY ON GAUGE WHEELS



CENTER TURNBUCKLE
ASSEMBLY

NOTE: IF YOU HAVE THE 12 1/8" SPRING WITH 4" SPACER OR THE 12 1/8" SPRING WITHOUT SPACER, REPLACE WITH THE NEW 10296R SPRING 15" LONG (#10). DO NOT USE THE SPACER IN EITHER CASE.



WING TURNBUCKLE
ASSEMBLY

03667

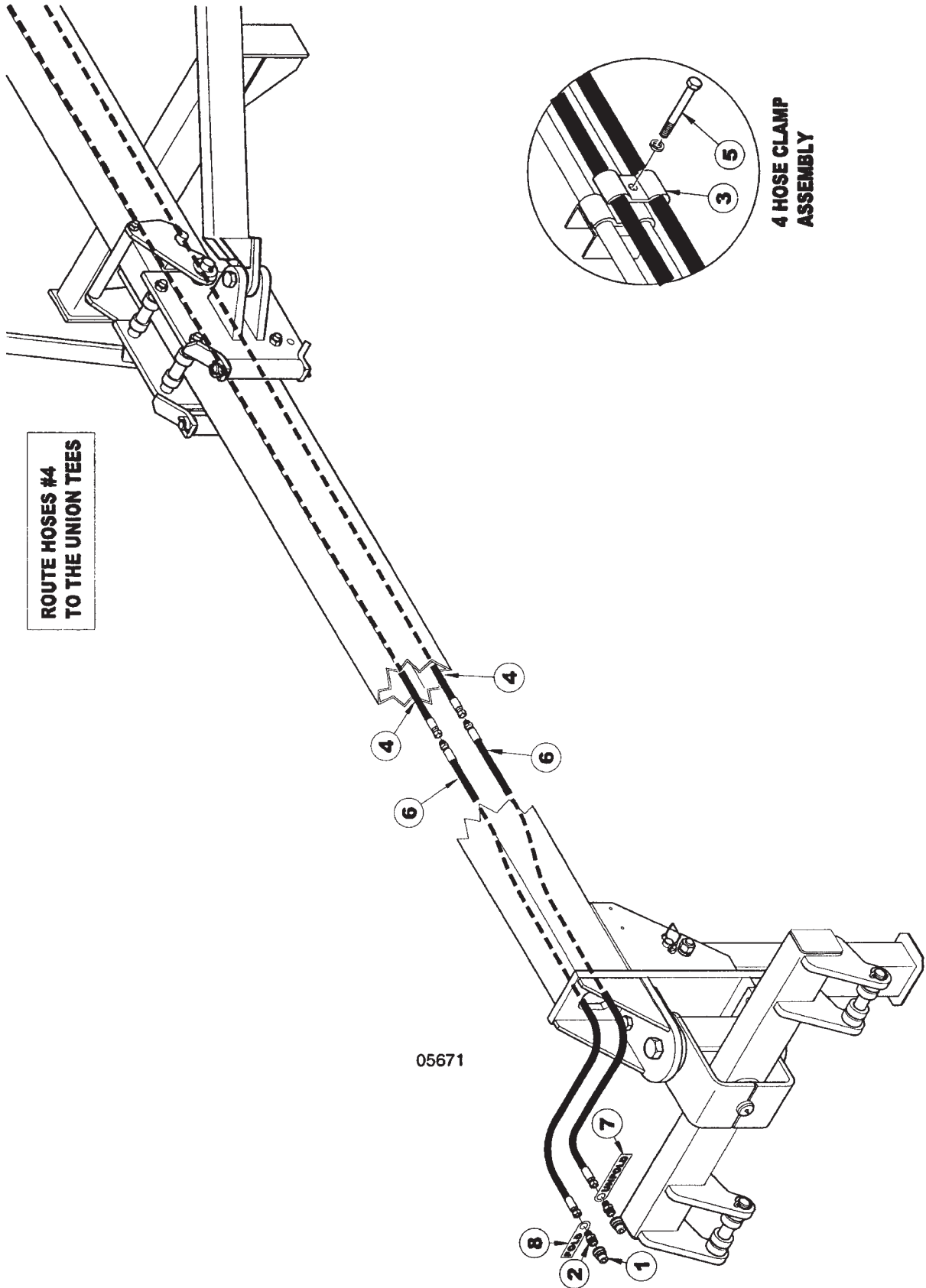
TURNBUCKLE ASSEMBLY ON GAUGE WHEELS

ITEM	NUMBER	QTY	DESCRIPTION
1	SN3411		HEX BOLT, 3/4"-10 X 11", GR 5, Y/D
2	SNHEN3410		LOCK NUT, 3/4" HEX NYLON
3	SN7518		BRACKET, GAUGE WHEEL RIGHT
4	SN7519		BRACKET, GAUGE WHEEL LEFT
5	SN7638R		SPACER TUBE, 1/2"
6	SN3567		LOCK NUT, 3/8"-16 HEX NYLON INSERT, GR 2, Y/D
7	SNB2610		COLLAR, 1.750" OD X 1.270" ID, 1" L
8	SN2487		HEX BOLT, 3/8"-16 X 2 1/2", GR 5, Y/D
9	SNFK150172		FLAT WASHER, 1 1/4" SAE, Y/D
10	SN10296		SPRING, 2.1875" OD X 1.4375" ID X 15" L, COMPRESSION .375" DIA
11	SN7517		CROSS, GAUGE WHEEL
12	SNB4103		TURNBUCKLE SCREW, Y/D
13	SN9164		SPACER, GW MOUNT, 1" L
14	SN9163		SPACER, GW MOUNT, 5 1/8" L
15	SN1345		HEX BOLT, 3/4"-10 X 3", GR 5, Y/D
16	SN1599		HEX BOLT, 3/4"-10 X 4", GR 5, Y/D

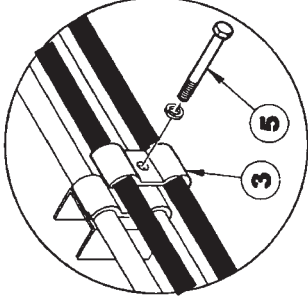
NOTE: IF YOU HAVE THE 12 1/8" SPRING WITH 4" SPACER, OR THE 12 1/8" SPRING WITHOUT SPACER, REPLACE WITH THE NEW 10296R SPRING 15" LONG (#10). DO NOT USE THE SPACER IN EITHER CASE.

I0003667
PR: t05g30n06d0030

MAIN FRAME FOLD HYDRAULICS



ROUTE HOSES #4
TO THE UNION TEES



4 HOSE CLAMP
ASSEMBLY

05671

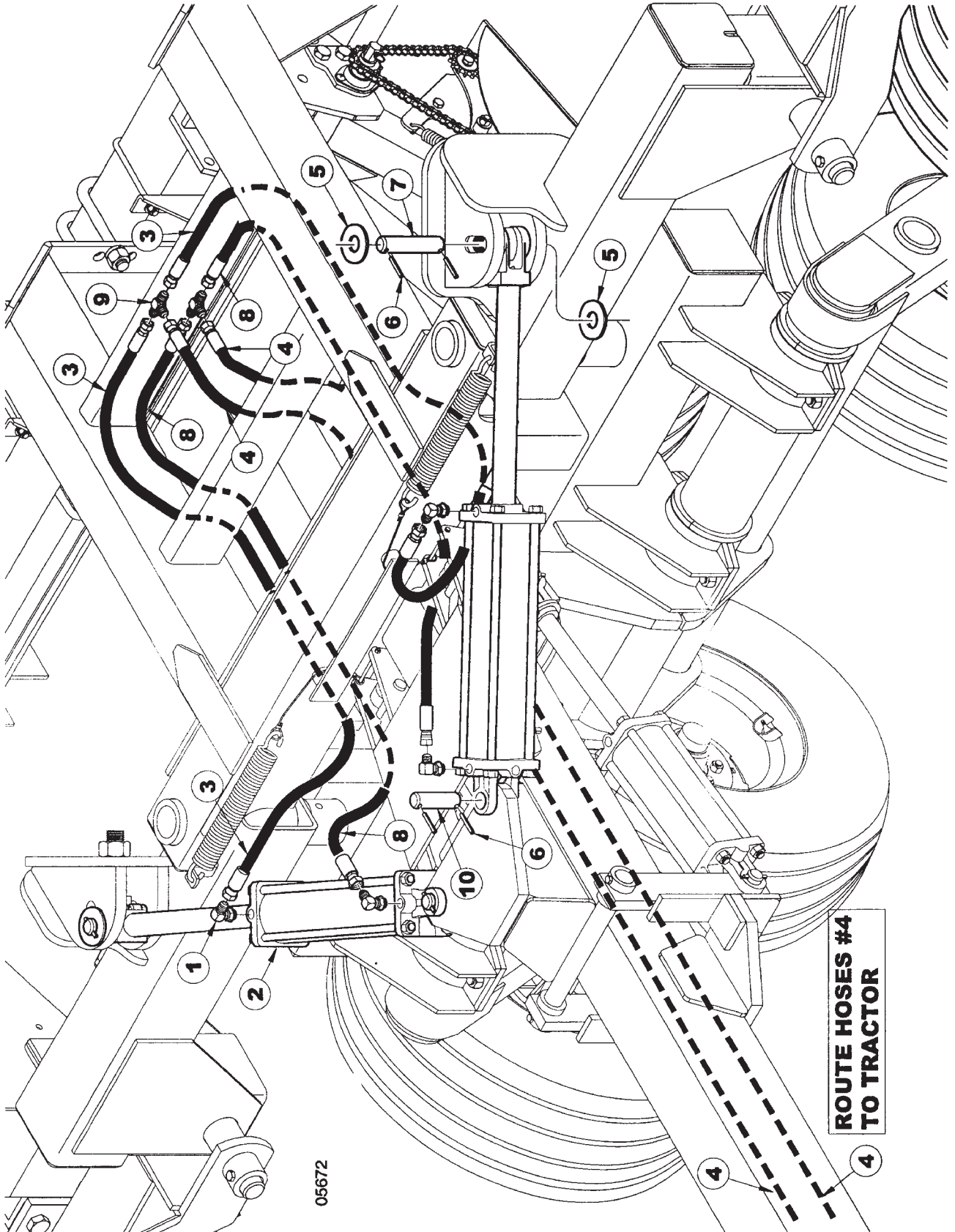
MAIN FRAME FOLD HYDRAULICS

ITEM	NUMBER	QTY	DESCRIPTION
1	SN3253		HYDRAULIC COUPLER, MALE HALF
2	SN2425		MALE CONNECTOR, 3/4"-16 MF X 1/2-14 MPT
3	SN5302		PIPE CLAMP, 3/8" BOLT HOLE
4	SN4200002		HOSE, 3/8" X 200" L, FEMALE ENDS
5	SN2487		HEX BOLT, 3/8"-16 X 2 1/2", GR 5, Y/D
6	SN4094003		HOSE, 3/8" X 94" L, M/F ENDS (30')
	SN4167003		HOSE, 3/8" X 167" L, M/F ENDS (40')

WARNING
THESE PARTS ARE IMPORTANT TO THE SAFETY
OF THIS EQUIPMENT AND THOSE WHO OPERATE
IT. USE ONLY EXACT REPLACEMENT PARTS TO
PREVENT HYDRAULIC FAILURE. BEFORE
REPLACING THESE PARTS, REVIEW AND FOLLOW
THE INSTRUCTIONS IN THE SAFETY AND
OPERATING SECTIONS OF THIS MANUAL.

I0005671
PR: t05g30n06d0031

CENTER FRAME FOLD HYDRAULICS



05672

ROUTE HOSES #4
TO TRACTOR

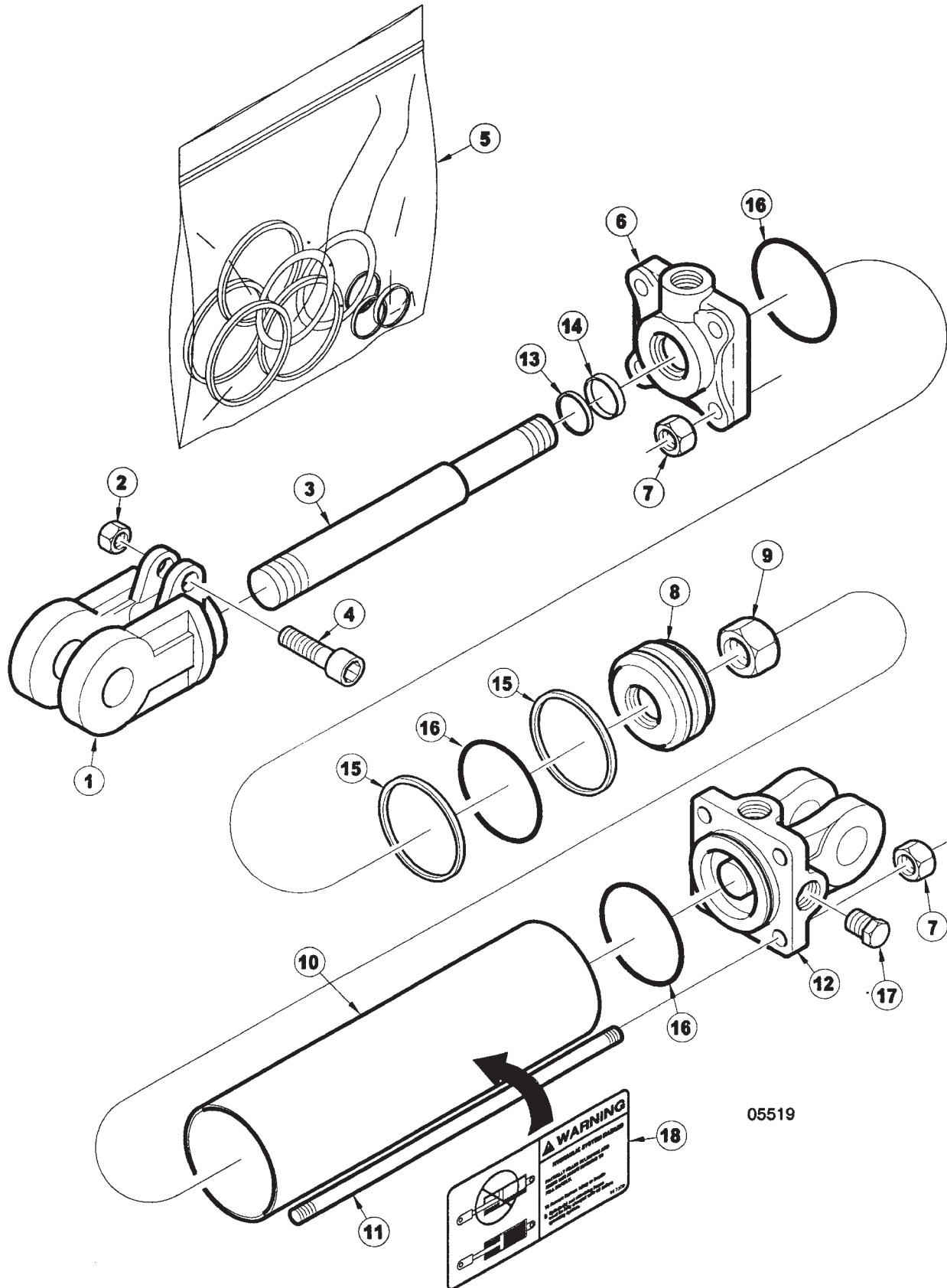
ITEM	NUMBER	QTY	DESCRIPTION
1	SN4466		90 DEG STR THD ELBOW, 3/4"-16 MF
2	SN9725		CYLINDER, 4" X 16" W/8618-1 CLEVIS (*VERSION 1, PRIOR TO 8/22/03)
	SN12012		CYLINDER, 4" X 16" W/8618-1 CLEVIS 3000 PSI (*VERSION 2, 8/22/03 & LATER)
3	SN4066002		HOSE, 3/8" X 66" L, FEMALE ENDS
4	SN4200002		HOSE, 3/8" X 200" L, FEMALE ENDS
5	SNFK150172		FLAT WASHER, 1 1/4" SAE, Y/D
6	SN3164		ROLL PIN, 5/16" X 2" SPIRAL MEDIUM DUTY, Y/D
7	SN9910		PIN, 1 1/4" X 6 3/8"
8	SN4060002		HOSE, 3/8" X 60" L, FEMALE ENDS
9	SN2429		UNION TEE, 3/4"-16 MF
10	SN9706		PIN, 1.243" X 4 1/16" (3"),Y/D

NOTE: *WHEN ORDERING HYDRAULIC CYLINDER COMPONENTS, BE SURE TO NOTE THE PART # AND THE CYLINDER PSI. (LOCATED ON THE CYLINDER DECAL) AS THEY CONTAIN DIFFERENT COMPONENTS. OLDER CYLINDERS WERE 2500 PSI. AND THE NEWER CYLINDERS ARE 3000 PSI. IDENTIFYING THE PART # OF THE CYLINDER IS EXTREMELY IMPORTANT WHEN ORDERING PARTS TO ENSURE PROPER OPERATION OF THE HYDRAULIC CYLINDER.

WARNING
THESE PARTS ARE IMPORTANT TO THE SAFETY OF THIS EQUIPMENT AND THOSE WHO OPERATE IT. USE ONLY EXACT REPLACEMENT PARTS TO PREVENT HYDRAULIC FAILURE. BEFORE REPLACING THESE PARTS, REVIEW AND FOLLOW THE INSTRUCTIONS IN THE SAFETY AND OPERATING SECTIONS OF THIS MANUAL.

I0005672
PR: t05g30n06d0032

4" X 16" HYDRAULIC CYLINDER 9725R
(VERSION 1, PRIOR TO 8/22/03)



05519

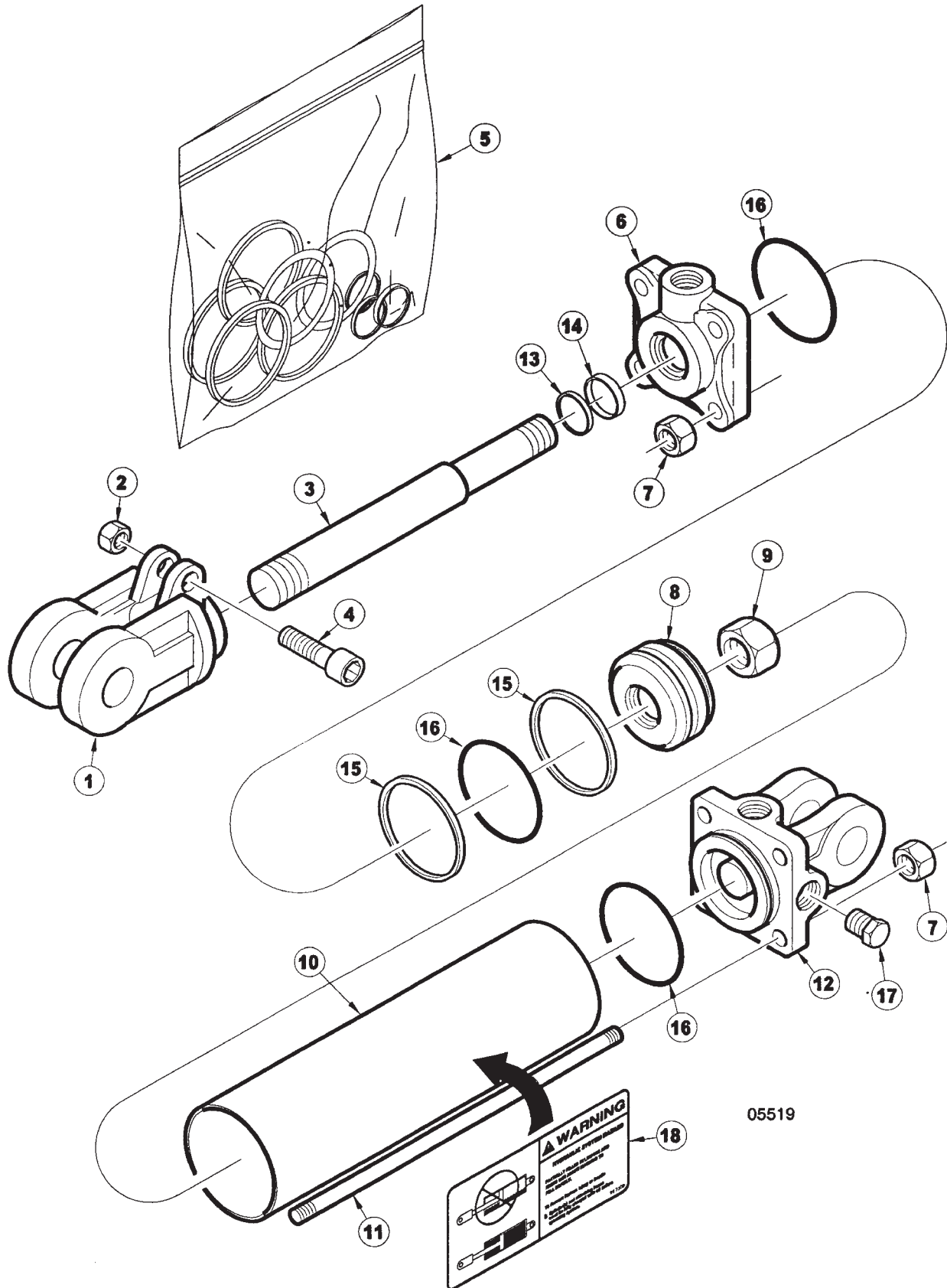
4" X 16" HYDRAULIC CYLINDER 9725R
(VERSION 1, PRIOR TO 8/22/03)

ITEM	NUMBER	QTY	DESCRIPTION
1	SN8618-1		CLEVIS, 1 1/4" THREADS, 1 1/4" PIN W/BUSHING, CROSS
2	SN8671-1		CAPSCREW NUT, 5/16" THREADS CROSS
3	SN8877-1		ROD, 1 1/2" DIA, 16" CROSS
4	SN8631-1		CAPSCREW, CROSS
5	SN8789-1		SEAL KIT, 4", 1 1/2" ROD REPHASING CROSS
6	SN8744-10		HEAD, 4", 1 1/2" ROD, CROSS (ORB)
7	SN8864-1		TIE ROD NUT, 5/8" THREADS
8	SN8713-1		PISTON, 4" W/1" HOLE CROSS
9	SN8681-1		PISTON NUT, 3/4" CROSS
10	SN8833-1		TUBE, 4" X 16" CROSS
11	SN8854-1		TIE ROD BOLT, 4" X 16" CROSS
12	SN8692-10		BASE, 4" (ORB), 1 1/4" PIN CROSS
13			* WIPER
14			* U-CUP
15			* BACKUP
16			* O-RING
17	SN4458		PLUG, 3/4"-16 MOR
18	SN997309		HYDRAULIC SYSTEM HAZARD

NOTE: * AVAILABLE IN THE SEAL KIT ONLY
WHEN ORDERING HYDRAULIC CYLINDER
COMPONENTS, BE SURE TO NOTE THE PART #
AND THE CYLINDER PSI. (LOCATED ON THE
CYLINDER DECAL) AS THEY CONTAIN
DIFFERENT COMPONENTS. OLDER CYLINDERS
WERE 2500 PSI. AND THE NEWER CYLINDERS
ARE 3000 PSI. IDENTIFYING THE PART # OF
THE CYLINDER IS EXTREMELY IMPORTANT WHEN
ORDERING PARTS TO ENSURE PROPER
OPERATION OF THE HYDRAULIC CYLINDER.

I0005519
PR: t05g30n06d0033

4" X 16" HYDRAULIC CYLINDER 12012R
(VERSION 2, 8/22/03 & LATER)



05519

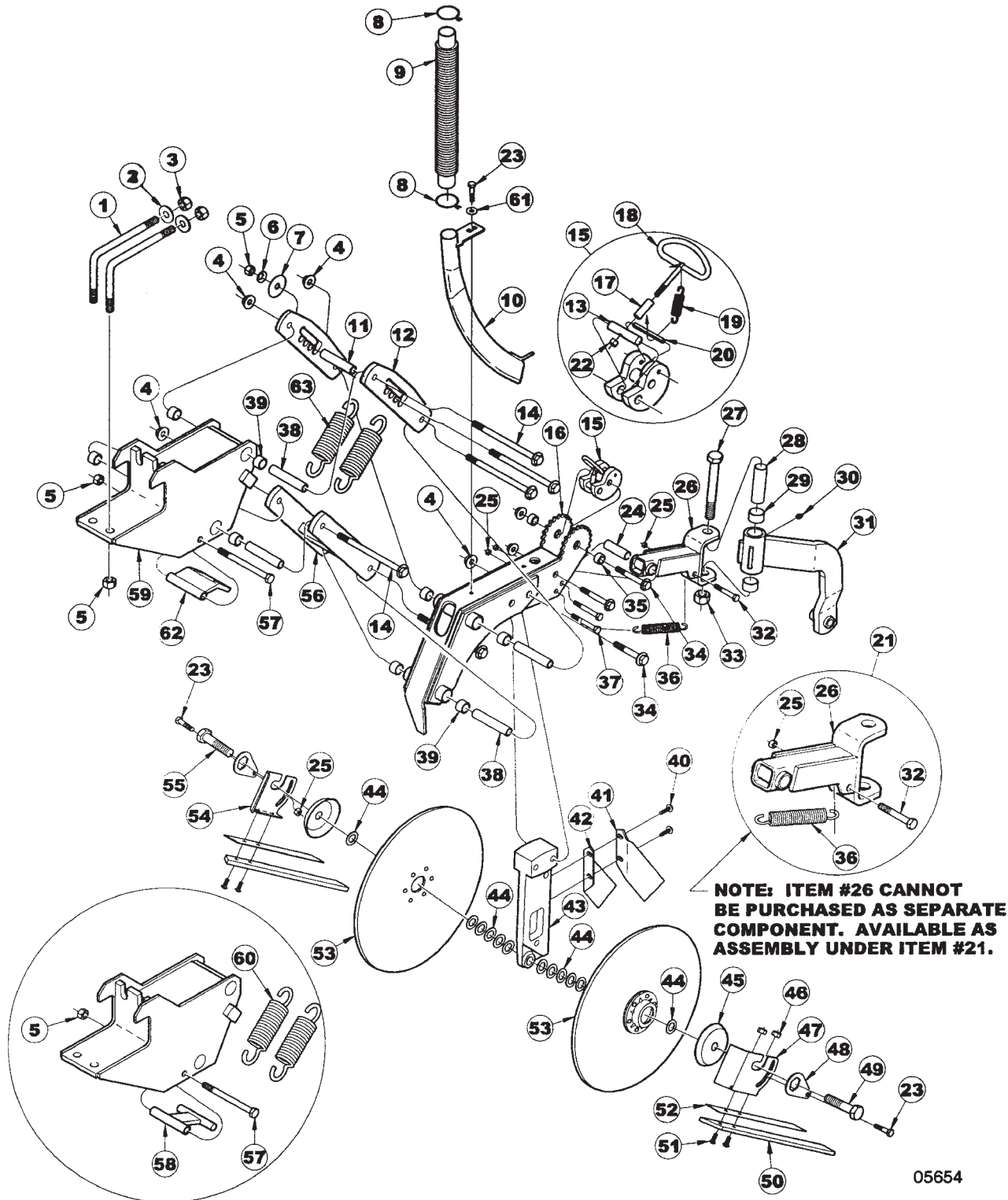
4" X 16" HYDRAULIC CYLINDER 12012R
(VERSION 2, 8/22/03 & LATER)

ITEM	NUMBER	QTY	DESCRIPTION
1	SN8618-1		CLEVIS, 1 1/4" THREADS, 1 1/4" PIN W/BUSHING, CROSS
2	SN8671-1		CAPSCREW NUT, 5/16" THREADS CROSS
3	SN12011		ROD, 1 1/2" DIA, 16" CROSS
4	SN8631-1		CAPSCREW, CROSS
5	SN8612-1		SEAL KIT, 4", 1 1/2" ROD, CROSS
6	SN8273-1		HEAD, 4", 1 1/2" ROD, CROSS
7	SN8864-1		TIE ROD NUT, 5/8" THREADS
8	SN8682-1		PISTON, 4" W/1" HOLE, CROSS
9	SN8681-1		PISTON NUT, 3/4" CROSS
10	SN8833-1		TUBE, 4" X 16" CROSS
11	SN8970-1		TIE ROD BOLT, 3 3/4" X 16" CROSS
12	SN8971-10		BASE, 4" (ORB), 1 1/4" PIN, REPHASING CROSS
13			* WIPER
14			* U-CUP
15			* BACKUP
16			* O-RING
17	SN4458		PLUG, 3/4"-16 MOR
18	SN997309		HYDRAULIC SYSTEM HAZARD

NOTE: *AVAILABLE IN THE SEAL KIT ONLY
WHEN ORDERING HYDRAULIC CYLINDER
COMPONENTS, BE SURE TO NOTE THE PART #
AND THE CYLINDER PSI. (LOCATED ON THE
CYLINDER DECAL) AS THEY CONTAIN
DIFFERENT COMPONENTS. OLDER CYLINDERS
WERE 2500 PSI. AND THE NEWER CYLINDERS
ARE 3000 PSI. IDENTIFYING THE PART # OF
THE CYLINDER IS EXTREMELY IMPORTANT WHEN
ORDERING PARTS TO ENSURE PROPER
OPERATION OF THE HYDRAULIC CYLINDER.

I0005519
PR: t05g30n06d0034

ALL PURPOSE HEADS UP OPENER



05654

SERIAL # 09433L20020107 & EARLIER

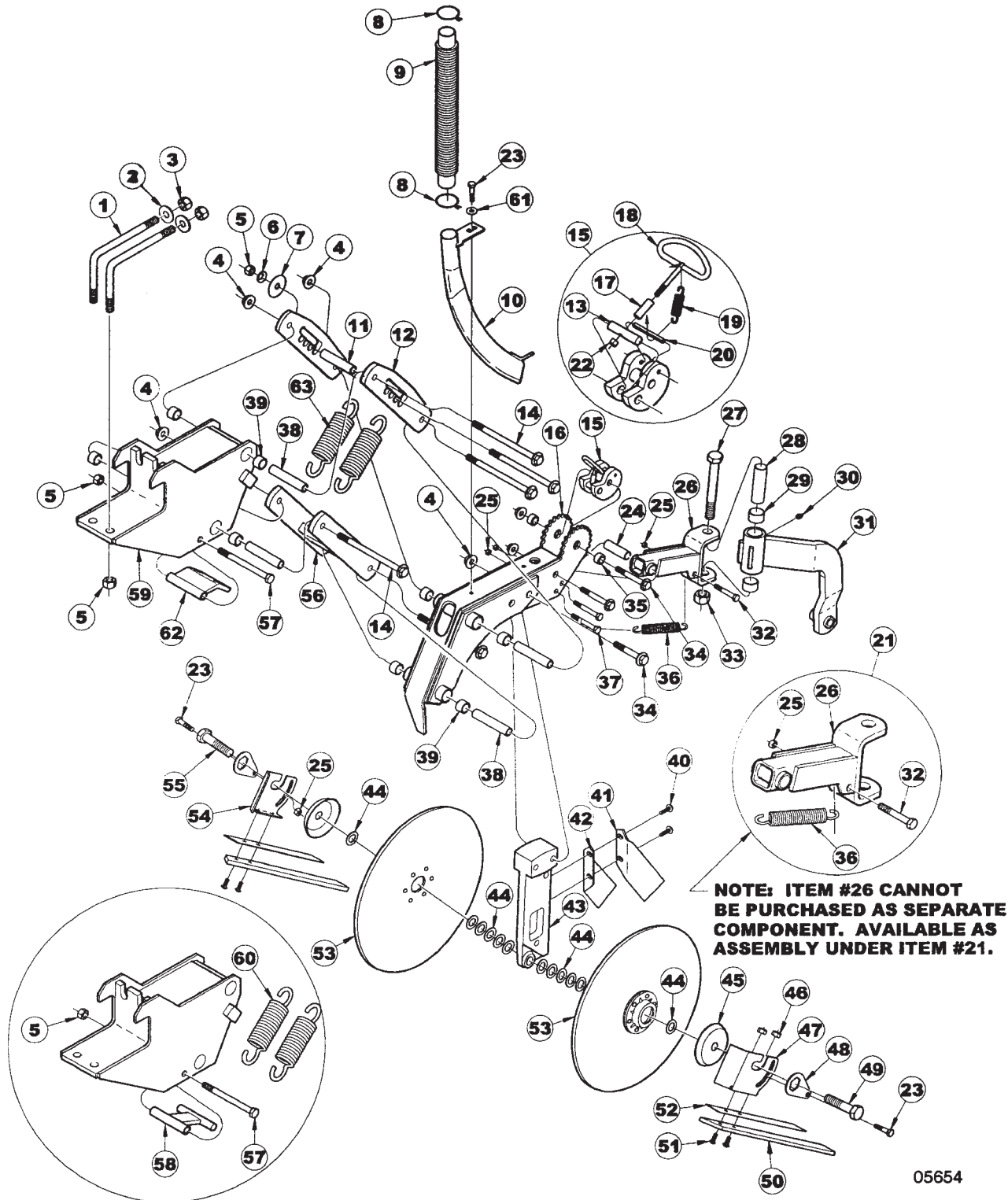
ALL PURPOSE HEADS UP OPENER

ITEM	NUMBER	QTY	DESCRIPTION
1	SN7024		L-BOLT, 5/8"-11 X 4 5/8" X 6 5/8", Y/D
2	SNFK150283		FLAT WASHER, 5/8" SAE, Y/D
3	SN669-1		LOCK NUT, 5/8" HEX NYLON
4	SN9683		1/2-13 FLANGE TOPLOCK NUT GR G CAD/ WAX
5	SN2096		LOCK NUT, 1/2"-13 HEX NYLON INSERT
6	SN6618		WASHER, .531"ID X .813"OD, .129" CROWN HEIGHT, CURVED SPRING
7	SN6619		WASHER, .531" ID X 2.000" OD X .058" THICK, Y/D
8	SNDR12011		CLAMP, SEED TUBE
9	SNDR20004		SEED TUBE, RUBBER
10	SN9937		SEED TUBE, ALL PURPOSE HEADS UP
11	SN7033B		SPACER TUBE, 4 1/2" L,
12	SN7032		PARALLEL LINKAGE, 11" TOP, ALL PURPOSE
13	SN7084		DEPTH LOCK PIN, Y/D
14	SN9680		HHFS 1/2"-13 X 6 1/2" GR5 Y/D
15	SN9102		DEPTH CAM ASSY, ALL PURPOSE
16	SN7034B		OPENER FRAME, ALL PURPOSE
17	SN7085		SPACER, DEPTH LOCK, Y/D
18	SN7040		DEPTH LOCK, ALL PURPOSE, Y/D
19	SN7083		SPRING, .500" OD X .375" ID, 1 1/2" L EXTENSION
20	SN6440		ROLL PIN, 1/4" X 1 3/4" MEDIUM DUTY, Y/D
21	SN10333		PRESS WHEEL FRAME SWIVEL, W/SPRING, ALL PURPOSE
22	SN3881		LOCK NUT, 1/4"-20 HEX NYLON INSERT, GR 2, Y/D
23	SN1193		HEX BOLT, 3/8"-16 X 3/4", GR 5, Y/D
24	SN7042		CLAMP BUSHING, .750" OD X .532" ID, .109 W, 2 5/64" L
25	SN3567		LOCK NUT, 3/8"-16 HEX NYLON INSERT, GR 2, Y/D
26	SN7041		PRESS WHEEL FRAME, SWIVEL, ALL PURPOSE
27	SN1021		HEX BOLT, 3/4"-10 X 5 1/2", GR 5, Y/D
28	SN7043		CLAMP BUSHING, 1" OD X .760"ID, .120" W, 3 5/8" L
29	SN5934		BUSHING, 1 1/4" OD X 1" ID, 5/8" L (HARD) SPRING
30	SN2098-1		GREASE ZERK, 1/8" NPTF, 5/8" L
31	SN9101		PRESS WHEEL FRAME, REAR ALL PURPOSE (SERIAL# 09433F20020043 & EARLIER)
	SN7044B		PRESS WHEEL FRAME, REAR ALL PURPOSE (SERIAL# 09433F20020044 & LATER)
32	SN2487		HEX BOLT, 3/8"-16 X 2 1/2", GR 5, Y/D
33	SNHEN3410		LOCK NUT, 3/4" HEX NYLON
34	SN9682		HHFS 1/2"-13 X 3 3/4" GR5 Y/D
35	SN7034		BUSHING, DEPTH CONTROL, 1/2"
36	SN9708		SPRING, .162" WIRE DIA X 5" L EXTENS
37	SN3806		HEX BOLT, 3/8"-16 X 3", GR 5, Y/D

CONTINUED

I0005654
PR: t05g30n06d0035

ALL PURPOSE HEADS UP OPENER



05654

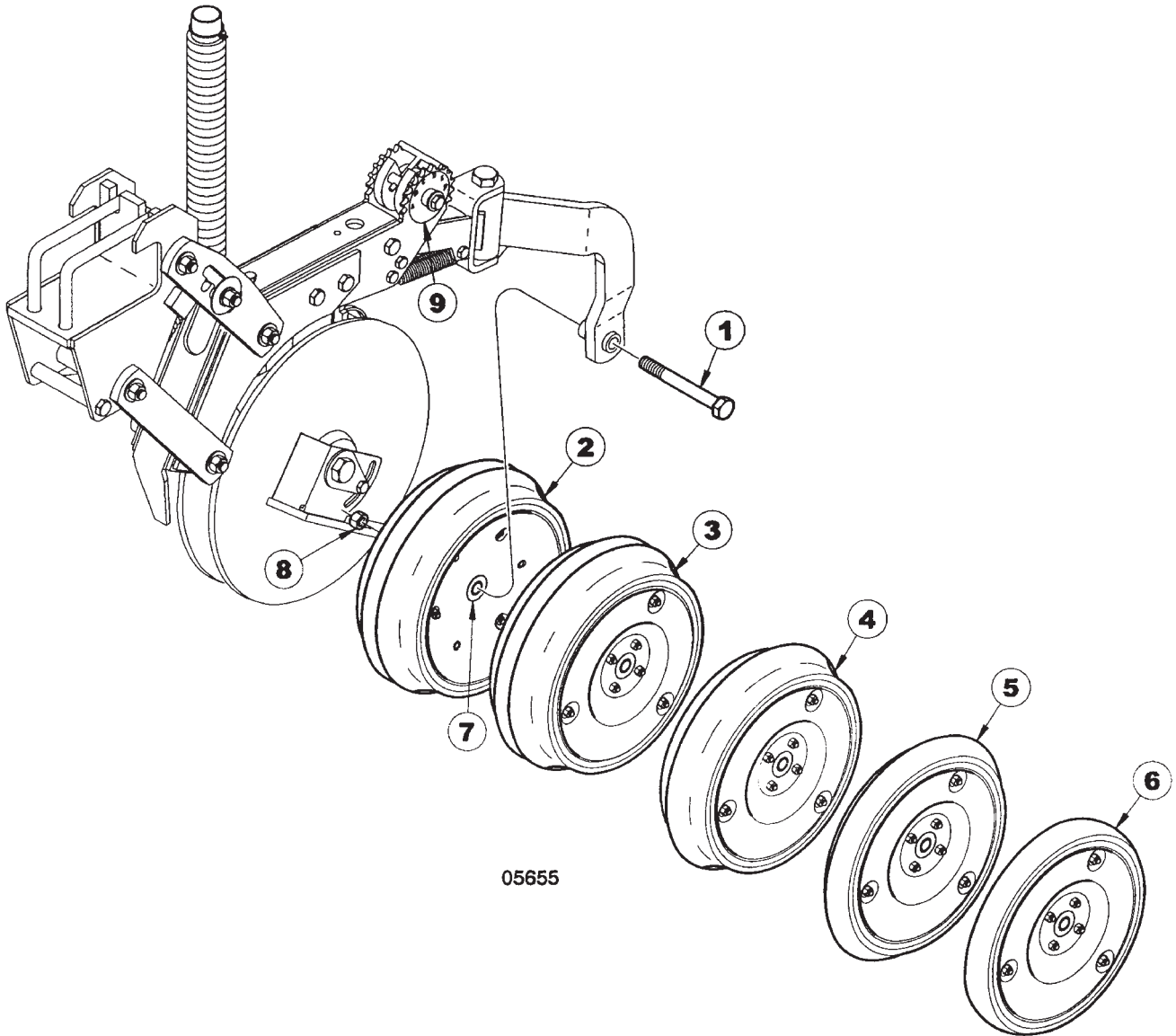
SERIAL # 09433L20020107 & EARLIER

ALL PURPOSE HEADS UP OPENER

ITEM	NUMBER	QTY	DESCRIPTION
38	SN7029		CLAMP BUSHING, 4 21/32"
39	SN5935		BUSHING, 1" OD X 3/4" ID, 5/8" L (HARD) SPRING
40	SN10463		HEX FLANGE BOLT, 5/16"-18 X 3/4" GR5, Y/D
41	SN10127		SCRAPER, OPENER LEFT
42	SN10126		SCRAPER, OPENER RIGHT
43	SN9780		OPENER BAR, ALL PURPOSE, HEADS UP
44	SNDR80011		WASHER, MACHINE
45	SNB1127		DUST CAP
46	SN6378		LOCK NUT, 5/16" HEX NYLON
47	SN7205		MOUNTING BRACKET, SOIL CONTROL DEVIC
48	SN7203		LOCKING ARM
49	SNDR81044		HEX BOLT, 3/4"-10 LH X 2", GR 5, Y/D
50	SN7201		SOIL CONTROL STRIP
51	SN6376		CARRIAGE BOLT, 5/16"-18 X 1" GR 5, Y/D
52	SN7859		SUPPORT, SOIL CONTROL STRIP
53	SN9753N		OPENER BLADE & BRG ASSEMBLY,HEADS UP
54	SN7204		MOUNTING BRACKET, SOIL CONTROL DEVIC
55	SN1220		HEX BOLT, 3/4"-10 X 2", GR 5 Y/D
56	SN10542		PARALLEL LINKAGE, 11" LOWER, ALL PURPOSE
57	SN840		HEX BOLT, 1/2"-13 X 5 1/2", GR 5, Y/D
58	SN7030		SPRING ANCHOR, ALL PURPOSE (SERIAL # 09433L20020107 & EARLIER)
59	SN7028		OPENER MOUNT, LONG, ALL
	SN7027		OPENER MOUNT, SHORT, ALL
60	SN7026		SPRING, 1.6875" OD X 1.1635" ID, 7 5/16" L, EXTENSION BLACK (SERIAL # 09433L20020107 & EARLIER)
61	SN317		FLAT WASHER, 3/8", Y/D
62	SN12348		SPRING ANCHOR,56 DEG ALL PURPOSE,Y/D (SERIAL # 09433L20020108 & LATER)
63	SN10479		SPRING, 2.125"OD X 1.513"ID, 8 3/8" L, EXTENSION BLACK (SERIAL # 09433L20020108 & LATER)
	SN7266		SOIL CONTROL DEVICE ASSY
	SN9879		ALL PURPOSE OPENER ASSEMBLY, HEADS UP, SHORT
	SN9880		ALL PURPOSE OPENER ASSEMBLY, HEADS UP, LONG

I0005654
PR: t05g30n06d0035

ALL PURPOSE HEADS UP OPENER PRESS WHEEL
ASSEMBLY



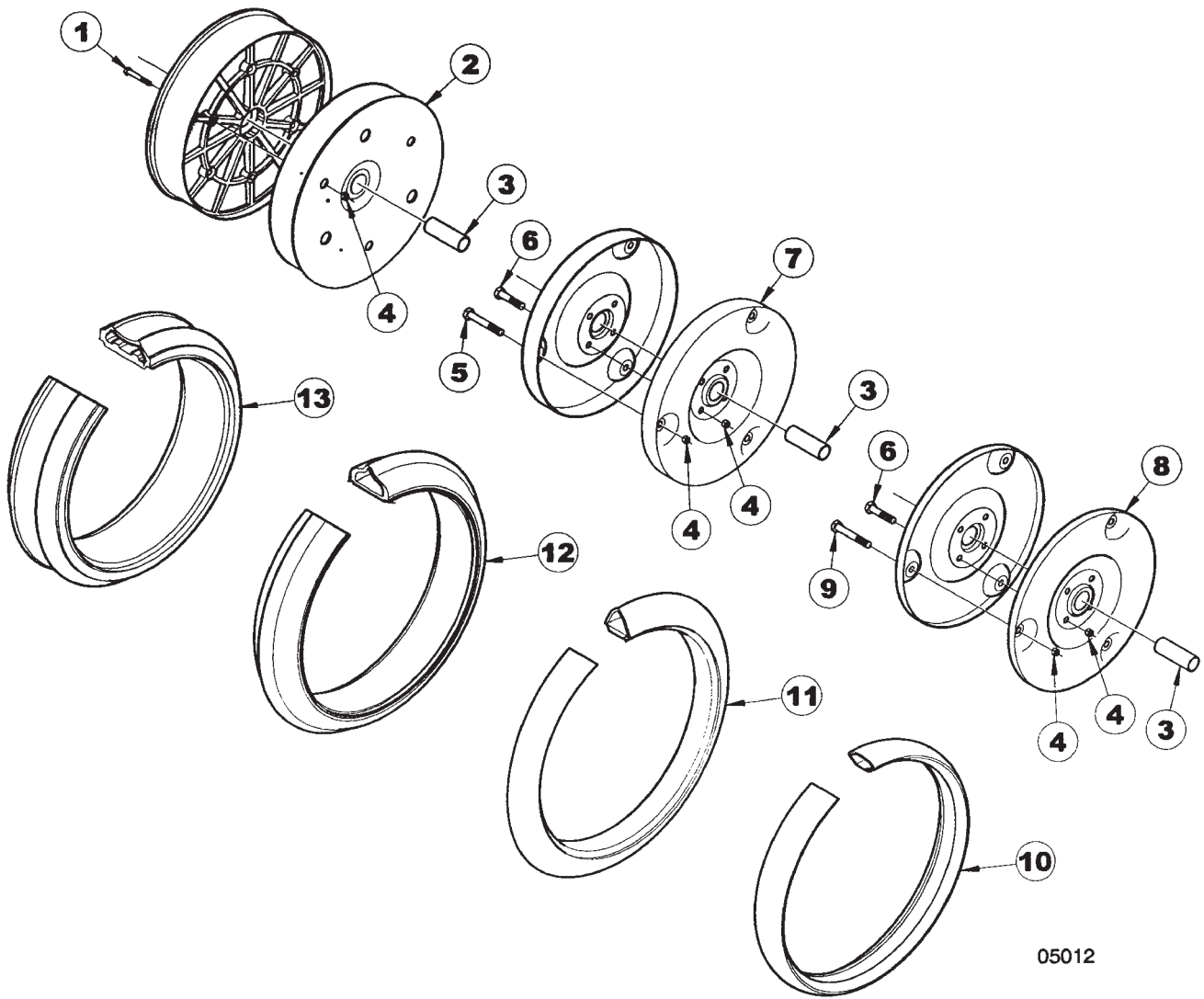
05655

ALL PURPOSE HEADS UP OPENER PRESS WHEEL
ASSEMBLY

ITEM	NUMBER	QTY	DESCRIPTION
1	SN2557		HEX BOLT, 5/8"-11 X 4 1/2", GR 5, Y/D
2	SN6869		PRESS WHEEL ASSY, 4" X 12" DOUBLE RIB NYLON RIM
3	SN7375		PRESS WHEEL ASSY, 3" X 13" DOUBLE RIB STEEL RIM
4	SN6866		PRESS WHEEL ASSY, 3" X 13" CENTER RIB STEEL RIM
5	SN6868		PRESS WHEEL ASSY, 2" X 13" V-CROWN STEEL RIM
6	SN6867		PRESS WHEEL ASSY, 2" X 13" SMOOTH CROWN STEEL RIM
7	SN7218		BEARING, 40MM
8	SN669-1		LOCK NUT, 5/8" HEX NYLON
9	SN997407		DEPTH DECAL

I0005655
PR: t05g30n06d0036

PRESS WHEEL & TIRE ASSEMBLY



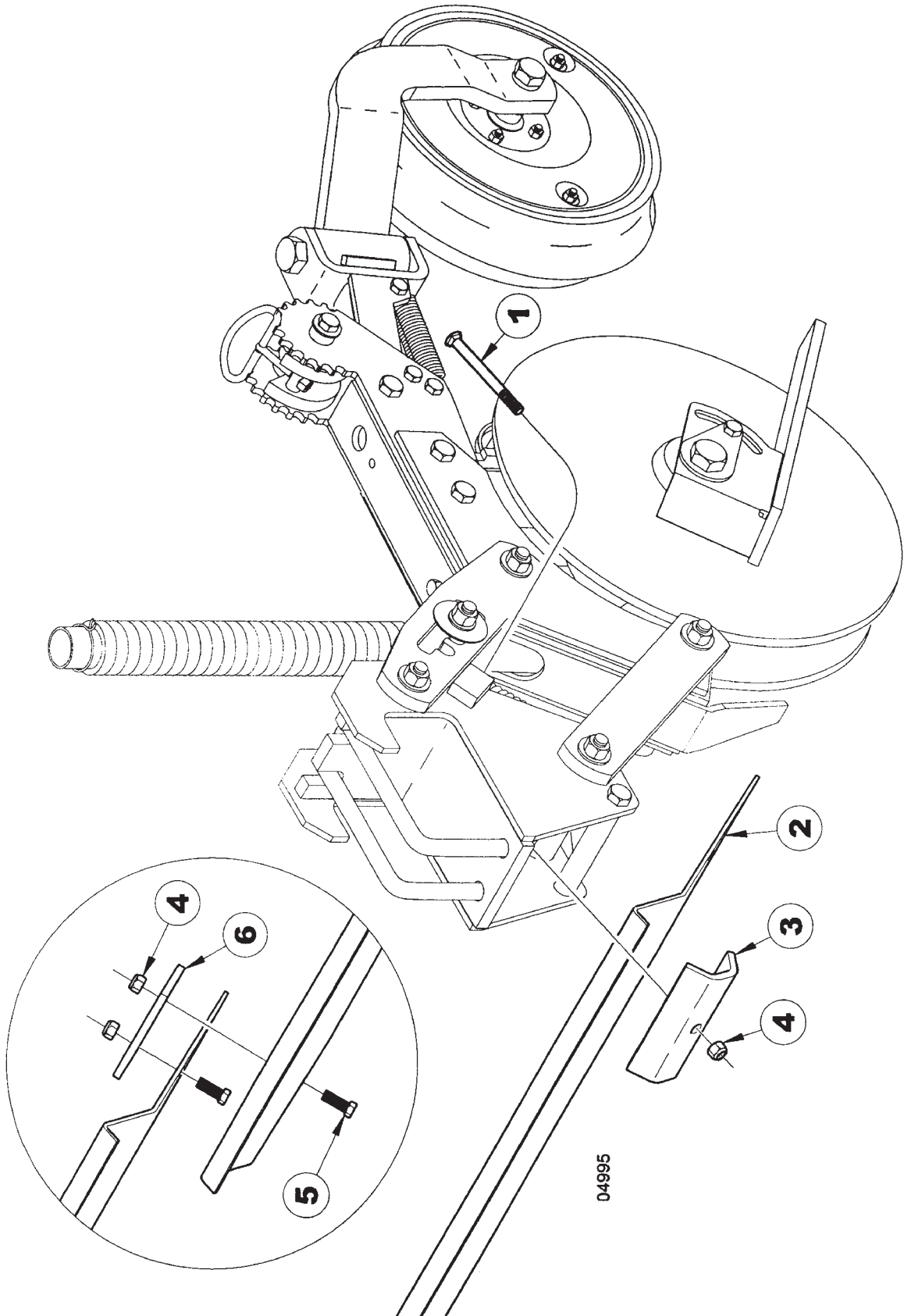
05012

PRESS WHEEL & TIRE ASSEMBLY

ITEM	NUMBER	QTY	DESCRIPTION
1	SN7416		HEX BOLT, 1/4"-20 X 2", GR 5, Y/D
2	SN9109		RIM, 4" X 12" NYLON HALF F/40 MM BRG
3	SN7218		BEARING, 40MM
4	SN3881		LOCK NUT, 1/4"-20 HEX NYLON INSERT, GR 2, Y/D
5	SN2487		HEX BOLT, 3/8"-16 X 2 1/2", GR 5, Y/D
6	SN7415		HEX BOLT, 3/8"-16 X 1 3/8" GR 5, Y/D
7	SN7412		RIM, 3" X 13" 13 GA CLINCHER HALF
8	SN7413		RIM, 2" X 13" 13 GA CLINCHER HALF FOR 40MM
9	SN175		HEX BOLT, 3/8"-16 X 1 1/2", GR 5, Y/D
10	SN7411		TIRE, 2" X 13" SMOOTH CROWN CLINCHER
11	SN7409		TIRE, 2" X 13" V-CROWN
12	SN7410		TIRE, 3" X 13" CENTER RIB
13	SN7408		TIRE, 4" X 12" DOUBLE RIB
	SN7407		TIRE, 3" X 13" DOUBLE RIB CLINCHER

I0005012
PR: t05g30n06d0037

OPENER SHIELD ASSEMBLY

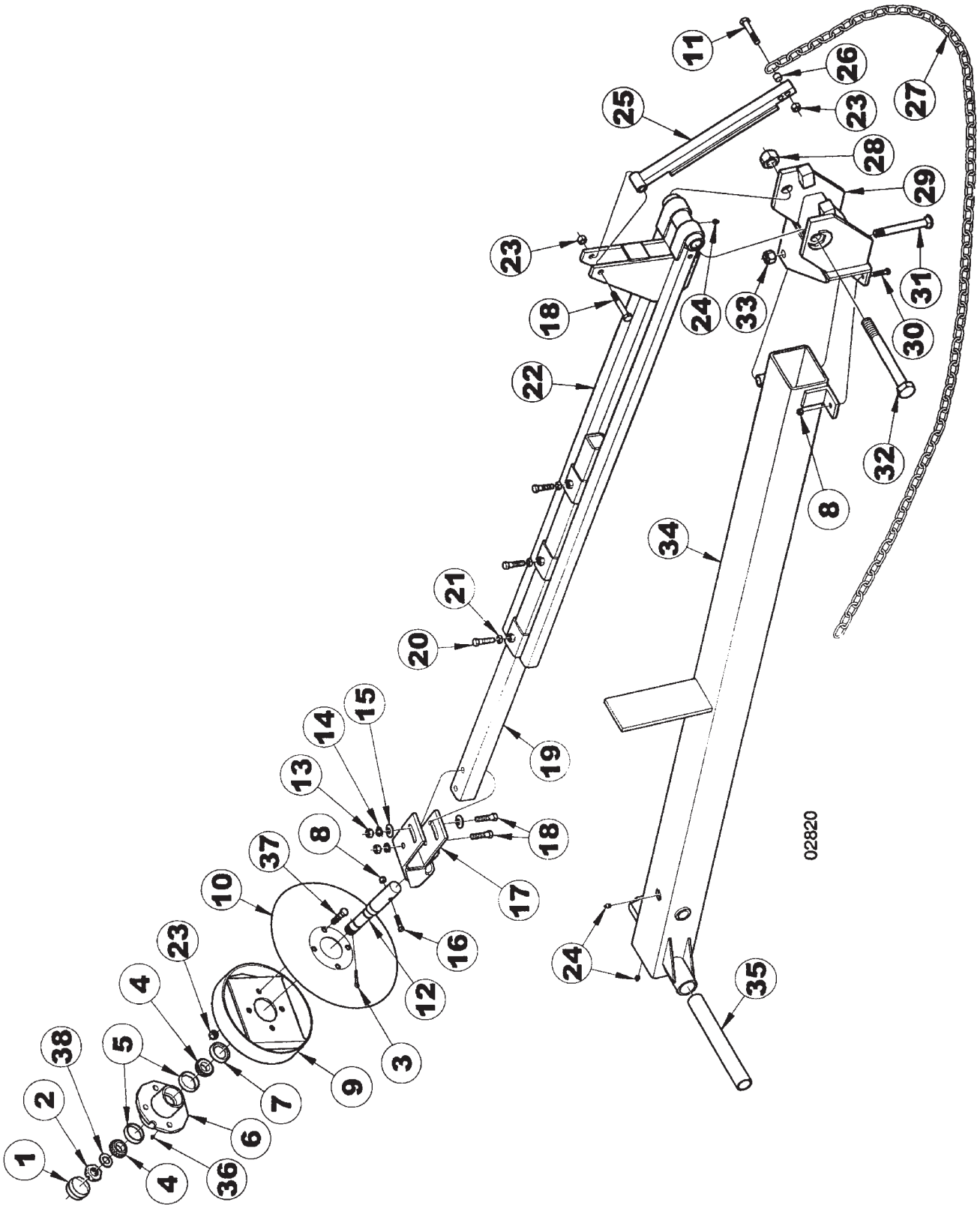


OPENER SHIELD ASSEMBLY

ITEM	NUMBER	QTY	DESCRIPTION
1	SN6682		CARRIAGE BOLT, 3/8"-16 X
2	SN7223		OPENER SHIELD, 5' (30' & 40' DRILL)
	SN7224		OPENER SHIELD, 7.5' (40' DRILL)
3	SN7221		MOUNTING CLIP
4	SN3567		LOCK NUT, 3/8"-16 HEX NYLON INSERT, GR 2, Y/D
5	SN178		HEX BOLT, 3/8"-16 X 1", GR 5, Y/D
6	SN7222		TIE STRAP
	SN7229		OPENER SHIELD ASSY, 30' DRILL
	SN7230		OPENER SHIELD ASSY, 40' DRILL

I0004995
PR: t05g30n06d0038

ROW MARKER ASSEMBLY

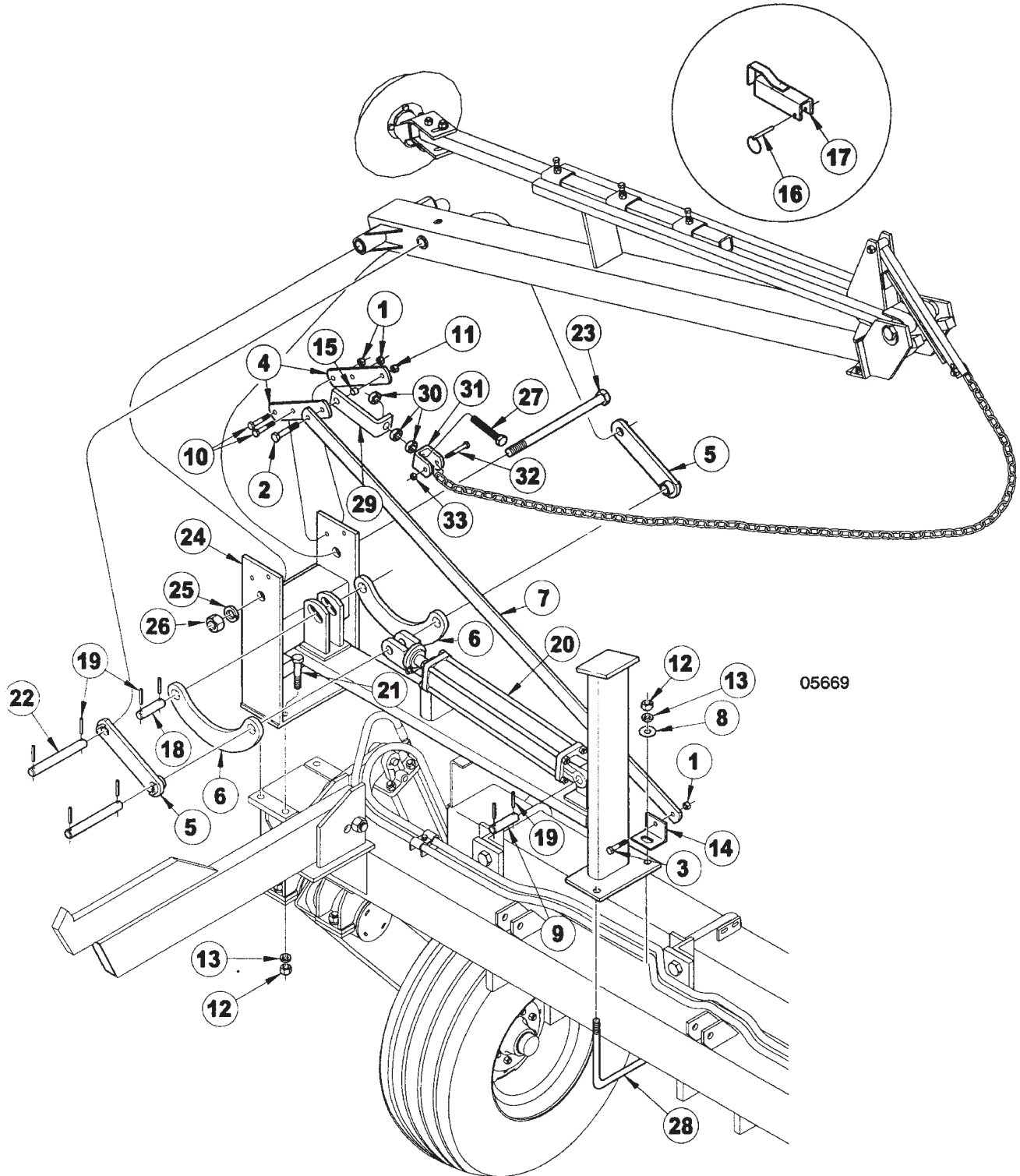


ROW MARKER ASSEMBLY

ITEM	NUMBER	QTY	DESCRIPTION
1	SN7779		DUST CAP, 1.986" OD X .032" TH Y/D
2	SN7778		HEX NUT, 1"-14 SLOTTED .531" TH GR 2, PLAIN
3	SN1609		COTTER PIN, 3/16" X 1 1/2"
4	SN776		BEARING (L44643)
5	SN777		RACE (L44610)
6	SN7780		FOUR BOLT HUB W/CUPS & ZERK
7	SN7775		SEAL, SINGLE LIP
8	SN3567		LOCK NUT, 3/8"-16 HEX NYLON INSERT, GR 2, Y/D
9	SN7781		MARKER ARM DEPTH BAND
10	SN7773		14" BLADE, 4 BOLT, .138" THICK .78" CONCAVITY
11	SN112		HEX BOLT, 1/2"-13 X 2 1/2", GR 5, Y/D
12	SN7825		SPINDLE, 1 1/4" X 8 5/8"(1"-14 UNS THD)
13	SN114		HEX NUT, 1/2"-13 FULL, GR 2, Y/D
14	SN113		LOCK WASHER, 1/2" SPLIT TYPE MED, Y/D
15	SN486		FLAT WASHER, 1/2", Y/D
16	SN2487		HEX BOLT, 3/8"-16 X 2 1/2", GR 5, Y/D
17	SN7782		HUB BRACKET
18	SN1507		HEX BOLT, 1/2"-13 X 3 1/2", GR 5, Y/D
19	SNB2632		EXTENSION ARM, 48"L
20	SN2045		HEX BOLT, 1/2"-13 X 1 3/4", GR5, Y/D
21	SN159		JAM NUT, 1/2"-13, GR 2, Y/D
22	SN6646		MARKER ARM, 30' OUTER
	SN6815		MARKER ARM, 40' OUTER
23	SN2096		LOCK NUT, 1/2"-13 HEX NYLON INSERT
24	SN2098-1		GREASE ZERK, 1/8" NPTF, 5/8" L
25	SN7755		MARKER LINKAGE ARM, OUTER
26	SN7667		SPACER, .750"OD X .532"ID, 3/8"L
27	SN7445		CHAIN, 5/16" PROOF, 78 3/4" L
	SN7446		CHAIN, 5/16" PROOF, 109 1/8" L
28	SN3938		LOCK NUT, 1"-8 HEX NYLON
29	SN7752		MARKER PIVOT HEAD, RIGHT
	SN7753		MARKER PIVOT HEAD, LEFT
30	SN175		HEX BOLT, 3/8"-16 X 1 1/2", GR 5, Y/D
31	SN7754		CARRIAGE BOLT, 3/4"-10 X 6", GR 5, Y/D
32	SN2316		HEX BOLT, 1"-8 X 8 1/2", GR 5, Y/D
33	SNHEN3410		LOCK NUT, 3/4" HEX NYLON INSERT, GR 5, Y/D
34	SN7748		MARKER ARM, 30' INNER RIGHT
	SN7749		MARKER ARM, 30' INNER LEFT
	SN7750		MARKER ARM, 40' INNER RIGHT
	SN7751		MARKER ARM, 40' INNER LEFT
35	SN6652		BUSHING, 1.500" OD X 1.156" ID 1 7/16" L
36	SN2098-6		GREASE ZERK, 1/4"-28, 17/32" L
37	SN2045		HEX BOLT, 1/2"-13 X 1 3/4", GR5, Y/D
38	SN3303		WASHER, 1 1/32" ID X 1 3/4" ODX 1/8" THICK, PLAIN

I0002820
PR: t05g30n06d0039

ROW MARKER MOUNT ASSEMBLY



05669

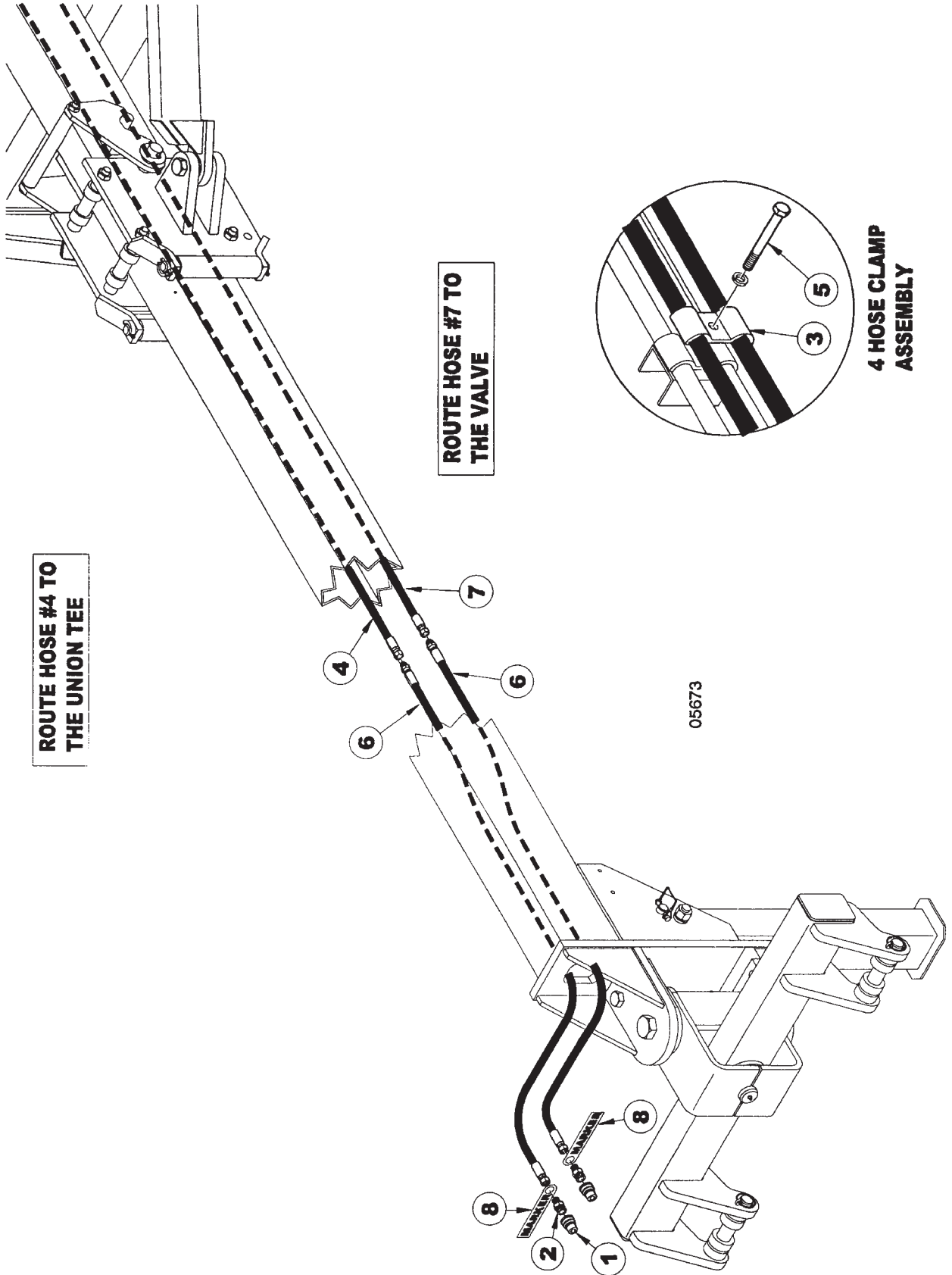
ROW MARKER MOUNT ASSEMBLY

ITEM	NUMBER	QTY	DESCRIPTION
1	SN2096		LOCK NUT, 1/2"-13 HEX NYLON INSERT
2	SN3758		HEX BOLT, 5/8"-11 X 3", GR 5, Y/D
3	SN330		HEX BOLT, 1/2"-13 X 2" GR 5, Y/D
4	SN7450		MARKER LINKAGE ARM, 12" L
5	SN6651		FOLD LINK, 30' & 40' MARKER
6	SN6649		MARKER LINKAGE, CURVED
	SN5934		BUSHING, 1 1/4" OD X 1" ID, 5/8" L (HARD) SPRING
7	SN7448		MARKER LINKAGE ARM, 49 7/8" L
8	SN893		FLAT WASHER, 3/4" Y/D
9	SN5339		PIN, 1" X 4 1/16" (3"), Y/D
10	SN112		HEX BOLT, 1/2"-13 X 2 1/2", GR 5, Y/D
11	SN669-1		LOCK NUT, 5/8" HEX NYLON
12	SN106		HEX NUT, 3/4"-10 FULL, GR 5, Y/D
13	SN1040		LOCK WASHER, 3/4" SPLIT TYPE MED, Y/D
14	SN6656		MARKER LINKAGE MOUNT
15	SN7449		BUSHING, CLAMP
16	SN5201		BALL LOCK PIN, 3/8" X 3"
17	SN6676		CYLINDER STOP, MARKER
18	SN5502		PIN, 1" X 5 1/16" (4") Y/D
19	SN3164		ROLL PIN, 5/16" X 2" SPIRAL MEDIUM DUTY, Y/D
20	SN6633		CYLINDER, 3" X 20" (30 1/4" CPC) ORB (*VERSION 1, PRIOR TO 8/28/03)
	SN12024		CYLINDER, 3" X 20" (30 1/4" CPC) ORB 3000 PSI (*VERSION 2, 8/28/03 & LATER)
21	SN1122		HEX BOLT, 3/4"-10 X 2 1/2", GR 5, Y/D
22	SN6643		PIN, 1" X 8" (6 11/16"), Y/D
23	SN5230		HEX BOLT, 1 1/8"-7 X 14 1/2", Y/D
24	SN7772		MARKER MOUNT, 30' & 40'
25	SN2561		LOCK WASHER, 1 1/8" SPLIT TYPE MED, Y/D
26	SN1300		HEX NUT, 1 1/8"-7 FULL, GR 2, Y/D
27	SN7789		HEX BOLT, 3/4"-10 X 4" FULL THD, GR 5, Y/D
28	SNDR80019		U-BOLT, 3/4"-10 X 8 3/4" X 7 13/16" W, GR 5, Y/D
29	SN7451		MARKER CHAIN PIVOT, RIGHT
	SN7452		MARKER CHAIN PIVOT, LEFT
30	SN1243		JAM NUT, 3/4"-10 HEX, GR 2, Y/D
31	SN7788		CLEVIS
32	SN6282		HEX BOLT, 7/16"-14 X 3", GR 5, Y/D
33	SNDR10524		LOCK NUT, 7/16"-14 HEX NYLON INSERT, Y/D

NOTE: WHEN ORDERING HYDRAULIC CYLINDER COMPONENTS, BE SURE TO NOTE THE PART # AND THE CYLINDER PSI. (LOCATED ON THE CYLINDER DECAL) AS THEY CONTAIN DIFFERENT COMPONENTS. OLDER CYLINDERS WERE 2500 PSI. AND THE NEWER CYLINDERS ARE 3000 PSI. IDENTIFYING THE PART # OF THE CYLINDER IS EXTREMELY IMPORTANT WHEN ORDERING PARTS TO ENSURE PROPER OPERATION OF THE HYDRAULIC CYLINDER.

I0005669
PR: t05g30n06d0040

ROW MARKER HYDRAULICS ON MAIN FRAME



ROUTE HOSE #4 TO
THE UNION TEE

ROUTE HOSE #7 TO
THE VALVE

4 HOSE CLAMP
ASSEMBLY

05673

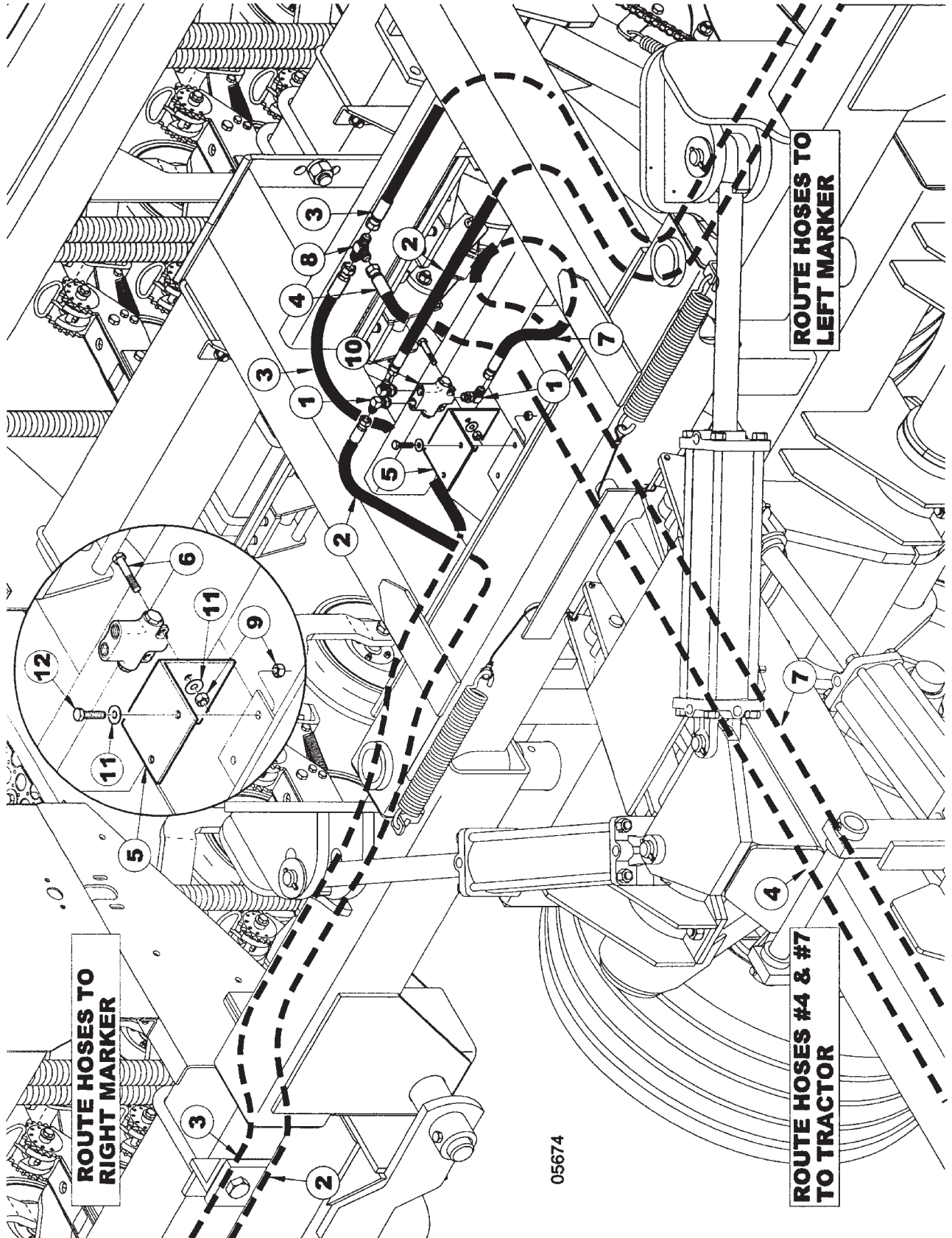
ROW MARKER HYDRAULICS ON MAIN FRAME

ITEM	NUMBER	QTY	DESCRIPTION
1	SN3253		HYDRAULIC COUPLER, MALE HALF
2	SN6177		MALE CONNECTOR, 9/16"-18 MF X 1/2-14 MPT
3	SN5302		PIPE CLAMP, 3/8" BOLT HOLE
4	SN4200011		HOSE, 1/4" X 200" L, 9/16"-18 F/ENDS (30' & 40')
5	SN2487		HEX BOLT, 3/8"-16 X 2 1/2", GR 5, Y/D
6	SN4112012		HOSE, 1/4" X 112"L,9/16"-18 M/F ENDS (30')
	SN4185012		HOSE, 1/4" X 185"L,9/16"-18 M/F ENDS (40')
7	SN4234011		HOSE, 1/4" X 234" L, 9/16"-18 F/ENDS (30' & 40')

WARNING
THESE PARTS ARE IMPORTANT TO THE SAFETY
OF THIS EQUIPMENT AND THOSE WHO OPERATE
IT. USE ONLY EXACT REPLACEMENT PARTS TO
PREVENT HYDRAULIC FAILURE. BEFORE
REPLACING THESE PARTS, REVIEW AND FOLLOW
THE INSTRUCTIONS IN THE SAFETY AND
OPERATING SECTIONS OF THIS MANUAL.

I0005673
PR: t05g30n06d0041

ROW MARKER HYDRAULICS ON THE CENTER
FRAME



05674

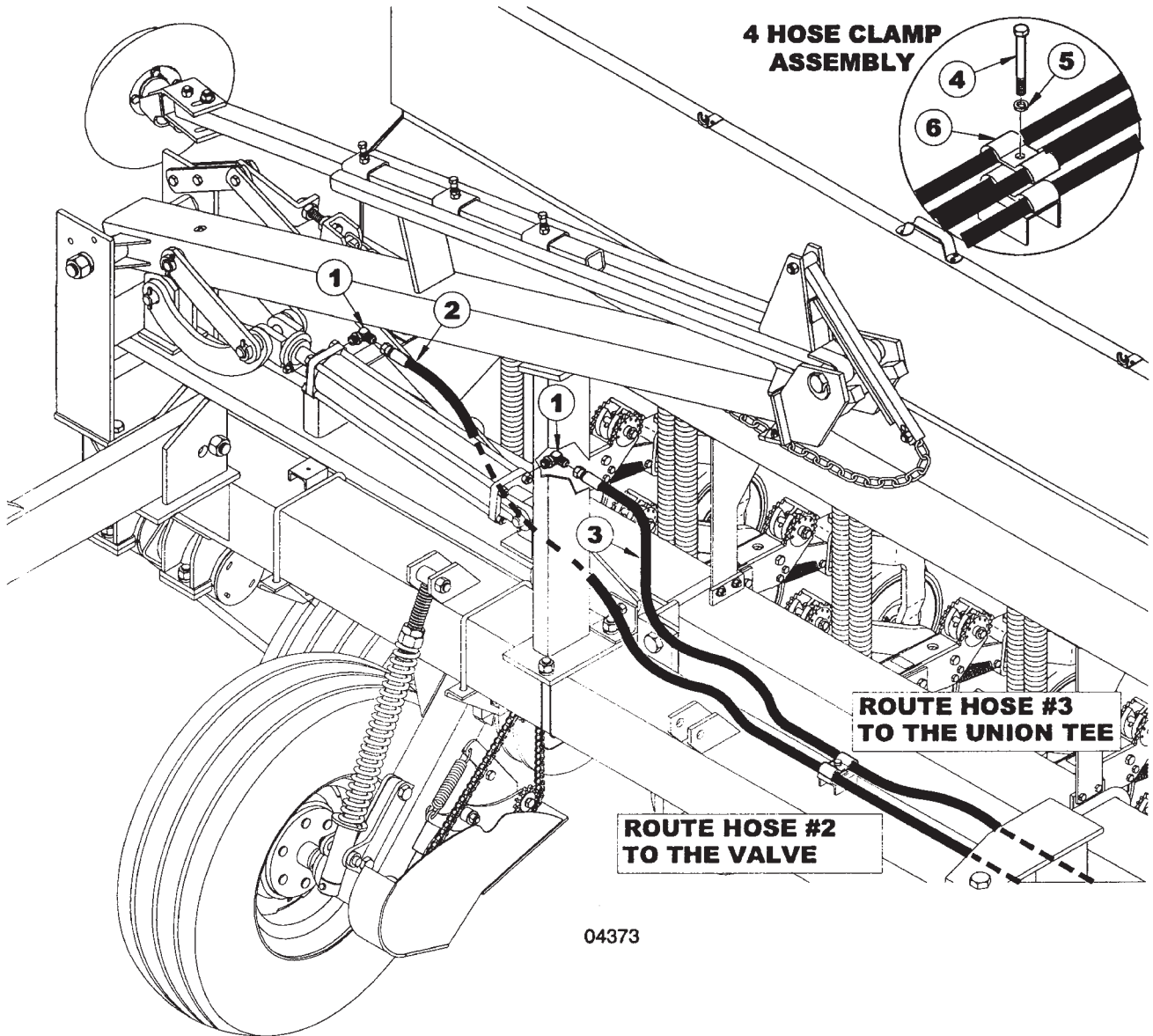
ROW MARKER HYDRAULICS ON THE CENTER
FRAME

ITEM	NUMBER	QTY	DESCRIPTION
1	SN6935		90 DEG STR THD ELBOW, 9/16"-18 MF X 3/4"-16 MOR
2	SN4200011		HOSE, 1/4" X 200" L, 9/16"-18 F/ENDS (30)
	SN4263011		HOSE, 1/4" X 263" L, 9/16"-18 F/ENDS (40)
3	SN4178011		HOSE, 1/4" X 178" L, 9/16"-18 F/ENDS (30)
	SN4240011		HOSE, 1/4" X 240" L, 9/16"-18 F/ENDS (40)
4	SN4200011		HOSE, 1/4" X 200" L, 9/16"-18 F/ENDS (30' & 40')
5	SNB1141		VALVE MOUNT
6	SN474		HEX BOLT, 3/8"-16 X 2", GR 5 Y/D
7	SN4234011		HOSE, 1/4" X 234" L, 9/16"-18 F/ENDS
8	SN7077		UNION TEE, 9/16"-18 MF
9	SN3567		LOCK NUT, 3/8"-16 HEX NYLON INSERT, GR 2, Y/D
10	SNDR56006		VALVE, 3/4-16 OR SEQUENCE
11	SN317		FLAT WASHER, 3/8", Y/D
12	SN178		HEX BOLT, 3/8"-16 X 1", GR 5, Y/D

WARNING
THESE PARTS ARE IMPORTANT TO THE SAFETY
OF THIS EQUIPMENT AND THOSE WHO OPERATE
IT. USE ONLY EXACT REPLACEMENT PARTS TO
PREVENT HYDRAULIC FAILURE. BEFORE
REPLACING THESE PARTS, REVIEW AND FOLLOW
THE INSTRUCTIONS IN THE SAFETY AND
OPERATING SECTIONS OF THIS MANUAL.

I0005674
PR: t05g30n06d0042

WING FRAME ROW MARKER HYDRAULICS



04373

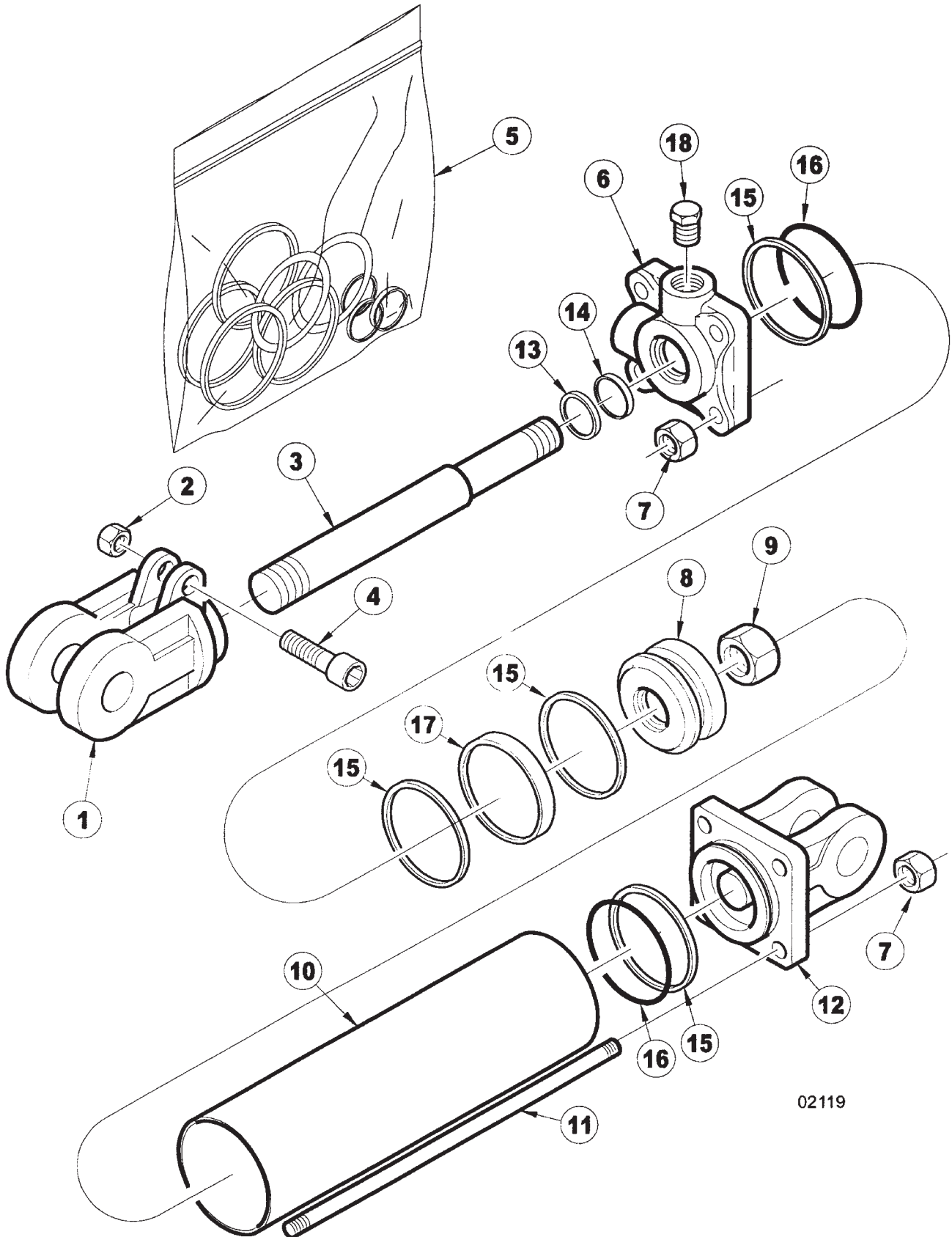
WING FRAME ROW MARKER HYDRAULICS

ITEM	NUMBER	QTY	DESCRIPTION
1	SN6935		90 DEG STR THD ELBOW, 9/16"-18 MF X 3/4"-16 MOR
2	SN4200011		HOSE, 1/4" X 200" L, 9/16"-18 F/ENDS (30)
	SN4263011		HOSE, 1/4" X 263" L, 9/16"-18 F/ENDS (40)
3	SN4178011		HOSE, 1/4" X 178" L, 9/16"-18 F/ENDS (30)
	SN4240011		HOSE, 1/4" X 240" L, 9/16"-18 F/ENDS (40)
4	SN2487		HEX BOLT, 3/8"-16 X 2 1/2", GR 5, Y/D
5	SN176		LOCK WASHER, 3/8" SPLIT TYPE MED, Y/D
6	SN5302		PIPE CLAMP, 3/8" BOLT HOLE

WARNING
THESE PARTS ARE IMPORTANT TO THE SAFETY
OF THIS EQUIPMENT AND THOSE WHO OPERATE
IT. USE ONLY EXACT REPLACEMENT PARTS TO
PREVENT HYDRAULIC FAILURE. BEFORE
REPLACING THESE PARTS, REVIEW AND
FOLLOW THE INSTRUCTIONS IN THE SAFETY
AND OPERATING SECTIONS OF THIS MANUAL.

I0004373
PR: t05g30n06d0043

3" X 20" HYDRAULIC CYLINDER (6633R)
VERSION 1, PRIOR TO 8/28/03



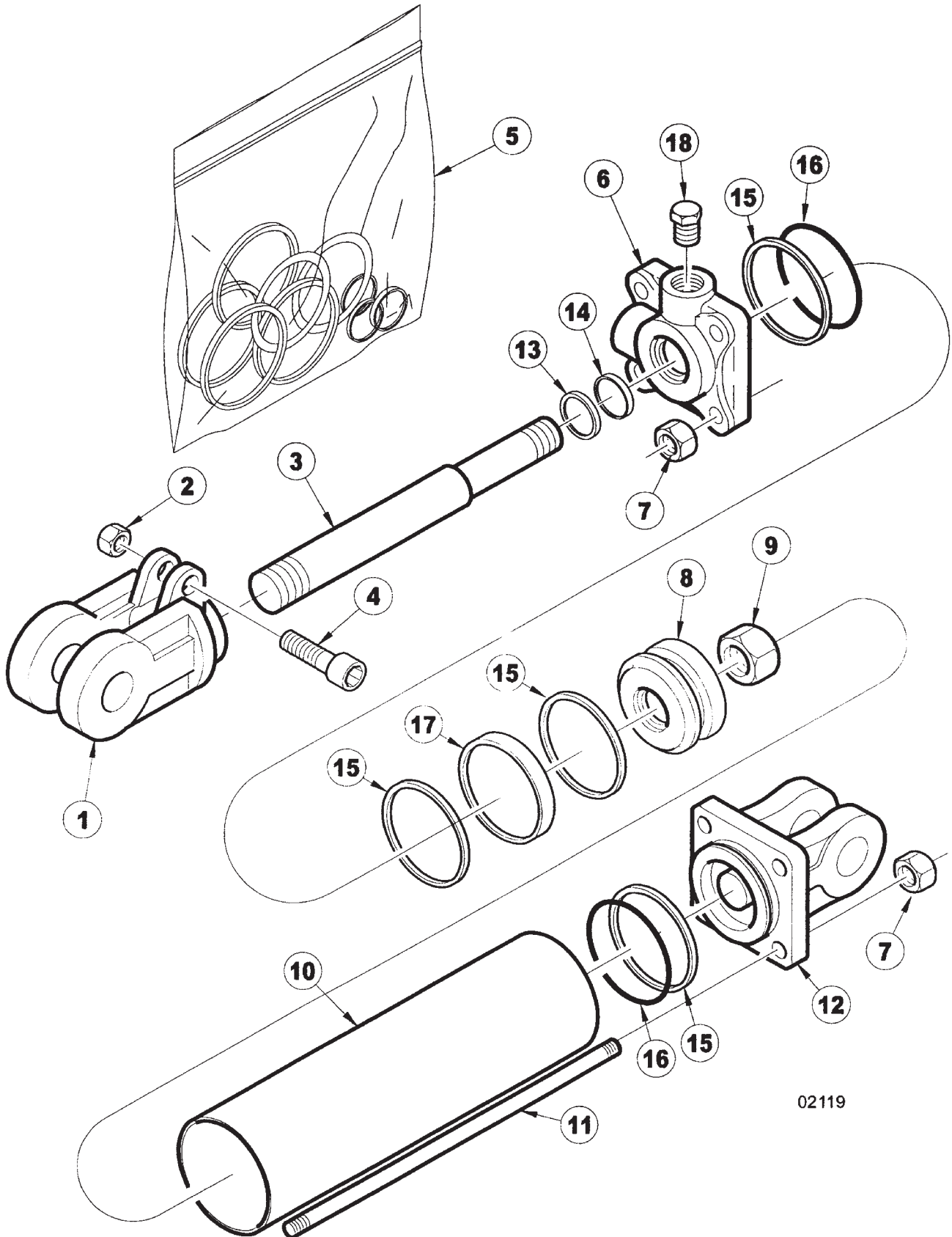
3" X 20" HYDRAULIC CYLINDER (6633R)
VERSION 1, PRIOR TO 8/28/03

ITEM	NUMBER	QTY	DESCRIPTION
1	SN8610-1		CLEVIS, 1 1/4" THREADS, 1" PIN W/BUSHING, CROSS
2	SN8671-1		CAPSCREW NUT, 5/16" THREADS CROSS
3	SN8878-1		ROD, 1 1/4" DIA, 20" CROSS
4	SN8631-1		CAPSCREW, CROSS
5	SN8762-1		SEAL KIT, 3", 1 1/4" ROD, CROSS
6	SN8722-10		HEAD, 3", 1 1/4" ROD, CROSS (ORB)
7	SN8866-1		TIE ROD NUT, 1/2"-13 UNC CROSS
8	SN8711-1		PISTON, 3" W/3/4" HOLE CROSS
9	SN8681-1		PISTON NUT, 3/4" CROSS
10	SN8806-1		TUBE, 3" X 20" CROSS
11	SN8872-1		TIE ROD BOLT, 3" X 20", CROSS
12	SN8701-10		BASE, 3" (ORB) CROSS
13			* WIPER
14			* U-CUP
15			* BACKUP
16			* O-RING
17			* TEFLON RING
18	SN4458		PLUG, 3/4"-16 MOR

NOTE: * AVAILABLE IN THE SEAL KIT ONLY
WHEN ORDERING HYDRAULIC CYLINDER
COMPONENTS, BE SURE TO NOTE THE PART #
AND THE CYLINDER PSI. (LOCATED ON THE
CYLINDER DECAL) AS THEY CONTAIN
DIFFERENT COMPONENTS. OLDER CYLINDERS
WERE 2500 PSI. AND NEWER CYLINDERS ARE
3000 PSI. IDENTIFYING THE PART # OF THE
CYLINDER IS EXTREMELY IMPORTANT WHEN
ORDERING PARTS TO ENSURE PROPER
OPERATION OF THE HYDRAULIC CYLINDER.

I0002119
PR: t05g30n06d0044

3" X 20" HYDRAULIC CYLINDER (12024R)
VERSION 2, 8/28/03 & LATER



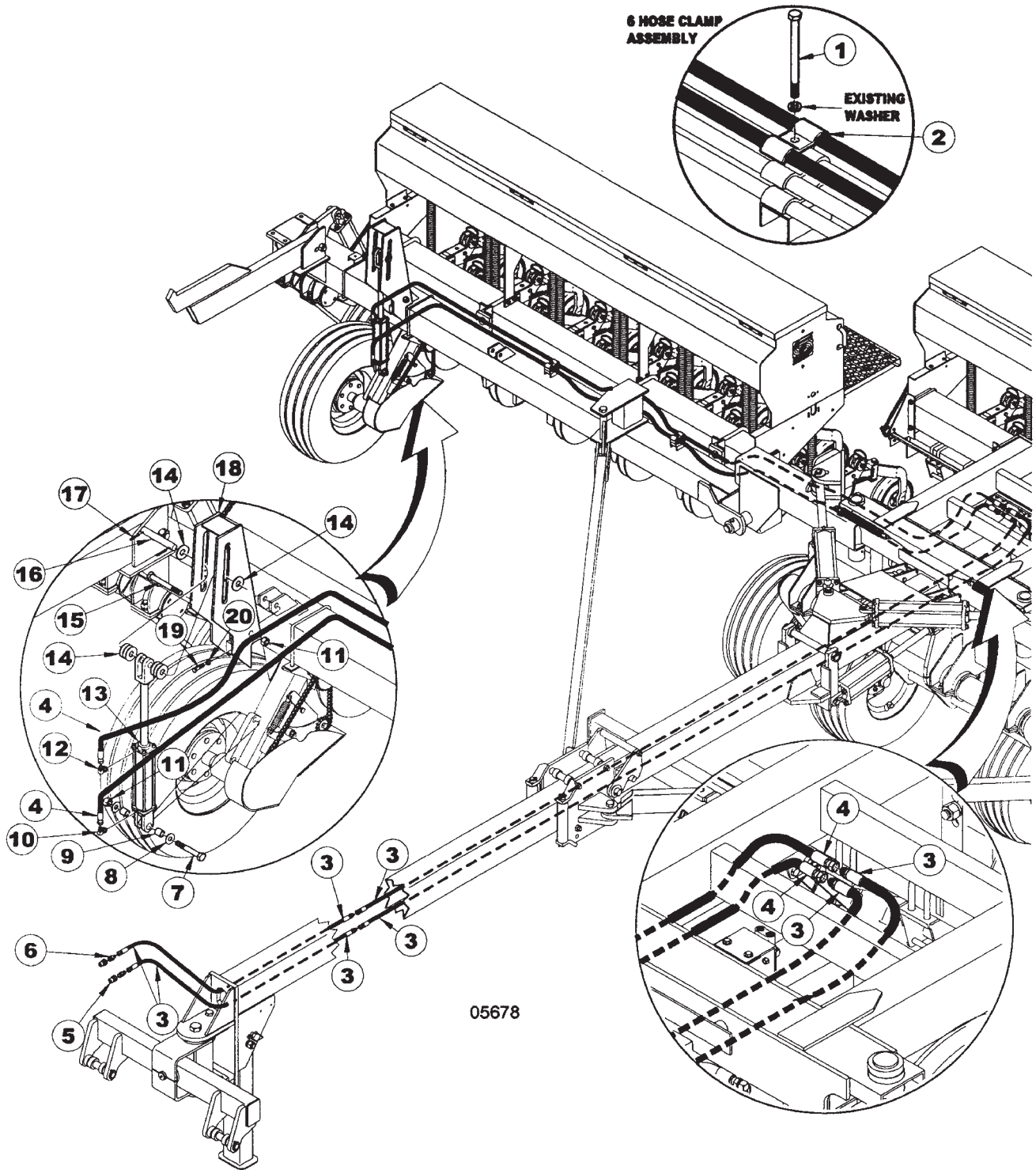
3" X 20" HYDRAULIC CYLINDER (12024R)
VERSION 2, 8/28/03 & LATER

ITEM	NUMBER	QTY	DESCRIPTION
1	SN8610-1		CLEVIS, 1 1/4" THREADS, 1" PIN W/BUSHING, CROSS
2	SN8671-1		CAPSCREW NUT, 5/16" THREADS CROSS
3	SN12022		ROD, 1 1/4" DIA, 20" CROSS
4	SN8631-1		CAPSCREW, CROSS
5	SN8939-1		SEAL KIT, 3", 1 1/4" ROD, CROSS
6	SN8931-10		HEAD, 3", 1 1/4" ROD, CROSS (ORB)
7	SN8866-1		TIE ROD NUT, 1/2"-13 UNC CROSS
8	SN8937-1		PISTON, 3" W/3/4" HOLE, CROSS
9	SN8681-1		PISTON NUT, 3/4" CROSS
10	SN12021		TUBE, 3" X 20" CROSS
11	SN12023		TIE ROD BOLT, 3" X 20", CROSS
12	SN8938-10		BASE, 3" (ORB) CROSS
13			* WIPER
14			* U-CUP
15			* BACKUP
16			* O-RING
17			* TEFLON RING
18	SN4458		G, 3/4"-16 MOR

NOTE: *AVAILABLE IN THE SEAL KIT ONLY.
WHEN ORDERING HYDRAULIC CYLINDER
COMPONENTS, BE SURE TO NOTE THE PART #
AND THE CYLINDER PSI. (LOCATED ON THE
CYLINDER DECAL) AS THEY CONTAIN
DIFFERENT COMPONENTS. OLDER CYLINDERS
WERE 2500 PSI. AND NEWER CYLINDERS ARE
3000 PSI. IDENTIFYING THE PART # OF THE
CYLINDER IS EXTREMELY IMPORTANT WHEN
ORDERING PARTS TO ENSURE PROPER
OPERATION OF THE HYDRAULIC CYLINDER.

I0002119
PR: t05g30n06d0045

HYDRAULIC SHUT-OFF ASSEMBLY



05678

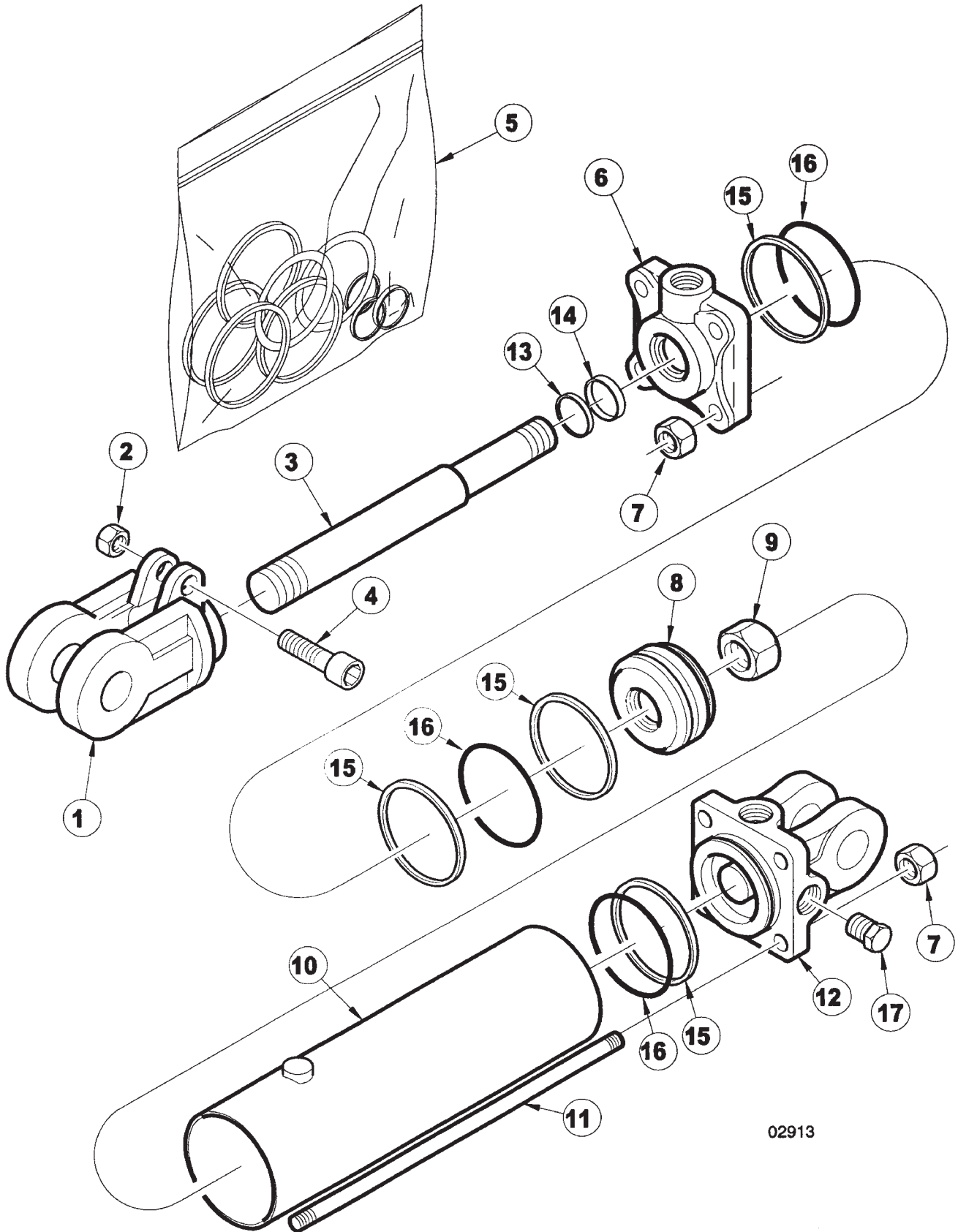
ITEM	NUMBER	QTY	DESCRIPTION
1	SN3806		HEX BOLT, 3/8"-16 X 3", GR 5, Y/D
2	SN5302		PIPE CLAMP, 3/8" BOLT HOLE
3	SN4155012		HOSE, 1/4" X 155"L, 9/16"-18 M/F ENDS (30)
	SN4188012		HOSE, 1/4" X 188" L, 9/16"-18 M/F ENDS (40)
4	SN4196011		HOSE, 1/4" X 196" L, 9/16"-18 F/ENDS (30)
	SN4248011		HOSE, 1/4" X 248" L, 9/16"-18 F/ENDS (40)
5	SN3253		HYDRAULIC COUPLER, MALE HALF
6	SN6177		MALE CONNECTOR, 9/16"-18 MF X 1/2-14 MPT
7	SN1675		HEX BOLT, 3/4"-10 X 4 1/2", GR 5, Y/D
8	SN893		FLAT WASHER, 3/4" Y/D
9	SN9250		SPACER, 1.00"OD X .760"ID, 1"L
10	SN6991		90 DEG STR THD ELBOW, 9/16"-18 MF X 3/4"-16 MOR W/1/32" REST
11	SNHEN3410		LOCK NUT, 3/4" HEX NYLON
12	SN6935		90 DEG STR THD ELBOW, 9/16"-18 MF X 3/4"-16 MOR
13	SNDR55002		CYLINDER, 2 1/2" X 8" (20 1/4" CPC) ORB CROSS (*VERSION 1, PRIOR TO 6/23/03)
	SN12051		CYLINDER, 2 1/2" X 8" (20 1/4" CPC) CROSS, 3000 PSI (*VERSION 2, 6/23/03 & LATER)
14	SN245		FLAT WASHER, 1" WIDE RIM, Y/D
15	SN916		HEX BOLT, 3/4"-10 X 6", GR 5, Y/D
16	SN5252		PIN, 1" X 6 9/16" (5 1/4") Y/D
17	SN3164		ROLL PIN, 5/16" X 2" SPIRAL MEDIUM DUTY, Y/D
18	SN9249		HYDRAULIC SHUT OFF TOWER
19	SN1823		HEX BOLT, 1/2"-13 X 1 1/4", GR 5, Y/D
20	SN159		JAM NUT, 1/2"-13, GR 2, Y/D

NOTE: WHEN ORDERING HYDRAULIC CYLINDER COMPONENTS, BE SURE TO NOTE THE PART # AND THE CYLINDER PSI. (LOCATED ON THE CYLINDER DECAL) AS THEY CONTAIN DIFFERENT COMPONENTS. OLDER CYLINDERS WERE 2500 PSI. AND THE NEWER CYLINDERS ARE 3000 PSI. IDENTIFYING THE PART # OF THE CYLINDER IS EXTREMELY IMPORTANT WHEN ORDERING PARTS TO ENSURE PROPER OPERATION OF THE HYDRAULIC CYLINDER.

WARNING
THESE PARTS ARE IMPORTANT TO THE SAFETY OF THIS EQUIPMENT AND THOSE WHO OPERATE IT. USE ONLY EXACT REPLACEMENT PARTS TO PREVENT HYDRAULIC FAILURE. BEFORE REPLACING THESE PARTS, REVIEW AND FOLLOW THE INSTRUCTIONS IN THE SAFETY AND OPERATING SECTIONS OF THIS MANUAL.

I0005678
PR: t05g30n06d0046

2 1/2" X 8" CYLINDER (DR55002)
VERSION 1, PRIOR TO 6/23/03



9433 OPERATOR'S MANUAL
SERVICE PARTS

101

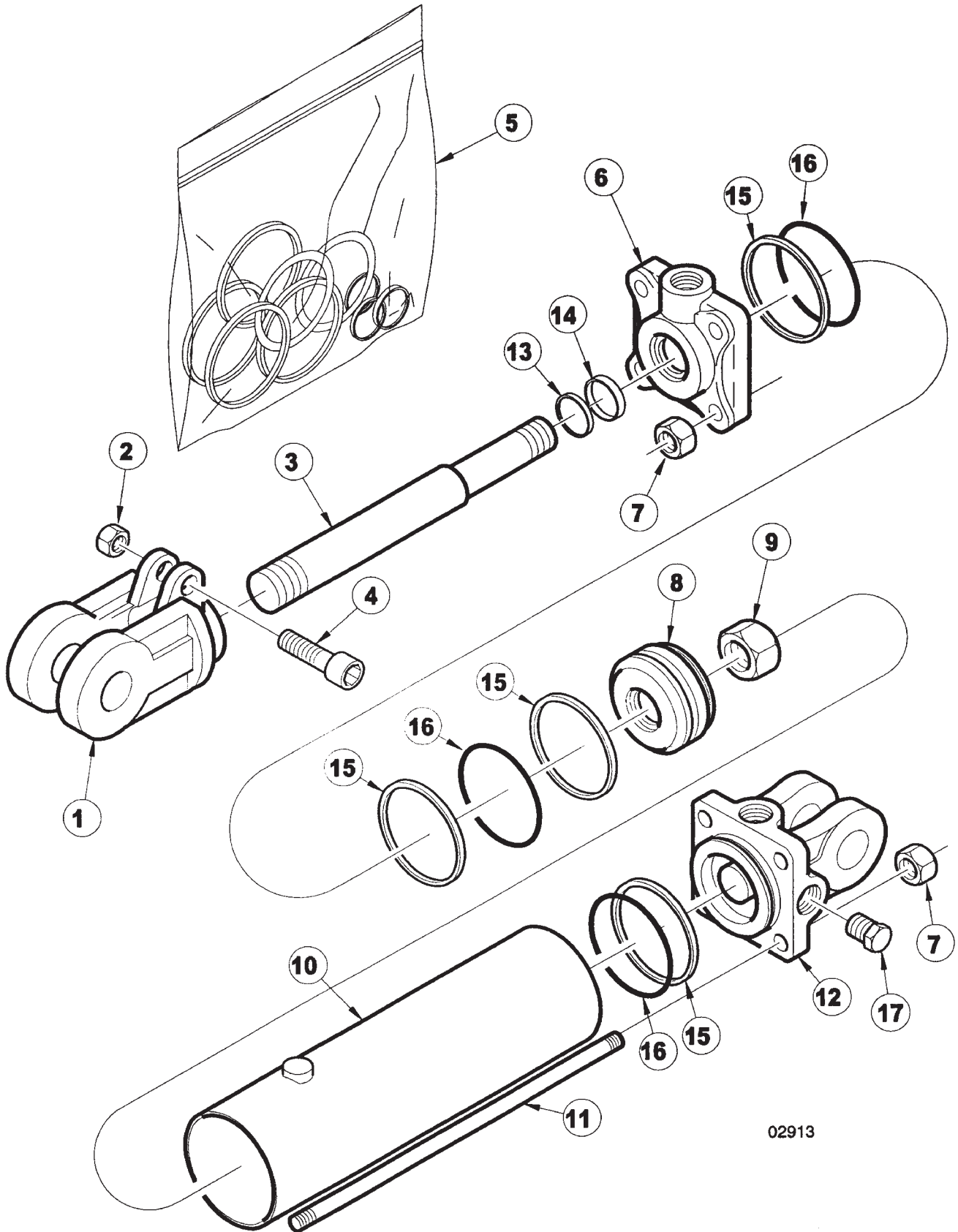
2 1/2" X 8" CYLINDER (DR55002)
VERSION 1, PRIOR TO 6/23/03

ITEM	NUMBER	QTY	DESCRIPTION
1	SN8629-1		CLEVIS, 1 1/16" THD, 1" PIN CROSS
2	SN8671-1		CAPSCREW NUT, 5/16" THREADS CROSS
3	SN8879-1		ROD, 1" DIA, 8" CROSS
4	SN8631-1		CAPSCREW, CROSS
5	SN8800-1		SEAL KIT, 2 1/2" X 8" CROSS
6	SN8721-10		HEAD, 2 1/2", 1" ROD, CROSS (ORB)
7	SN8864-1		TIE ROD NUT, 5/8" THREADS
8	SN8689-1		PISTON, 2 1/2"
9	SN8681-1		PISTON NUT, 3/4" CROSS
10	SN8809-1		TUBE, 2 1/2" X 8", CROSS
11	SN8870-1		TIE ROD BOLT, 2 1/2" X 8", CROSS
12	SN8690-10		BASE, 2 1/2" (ORB), 1" PIN CROSS
13			* WIPER
14			* U-CUP
15			* BACKUP
16			* O-RING
17	SN4458		PLUG, 3/4"-16 MOR

NOTE: * AVAILABLE IN THE SEAL KIT ONLY
WHEN ORDERING HYDRAULIC CYLINDER
COMPONENTS, BE SURE TO NOTE THE PART #
AND THE CYLINDER PSI. (LOCATED ON THE
CYLINDER DECAL) AS THEY CONTAIN
DIFFERENT COMPONENTS. OLDER CYLINDERS
WERE 2500 PSI. AND THE NEWER CYLINDERS
ARE 3000 PSI. IDENTIFYING THE PART # OF
THE CYLINDER IS EXTREMELY IMPORTANT WHEN
ORDERING PARTS TO ENSURE PROPER
OPERATION OF THE HYDRAULIC CYLINDER.

I0002913
PR: t05g30n06d0047

2 1/2" X 8" CYLINDER (12051R) VERSION 2,
6/23/03 & LATER

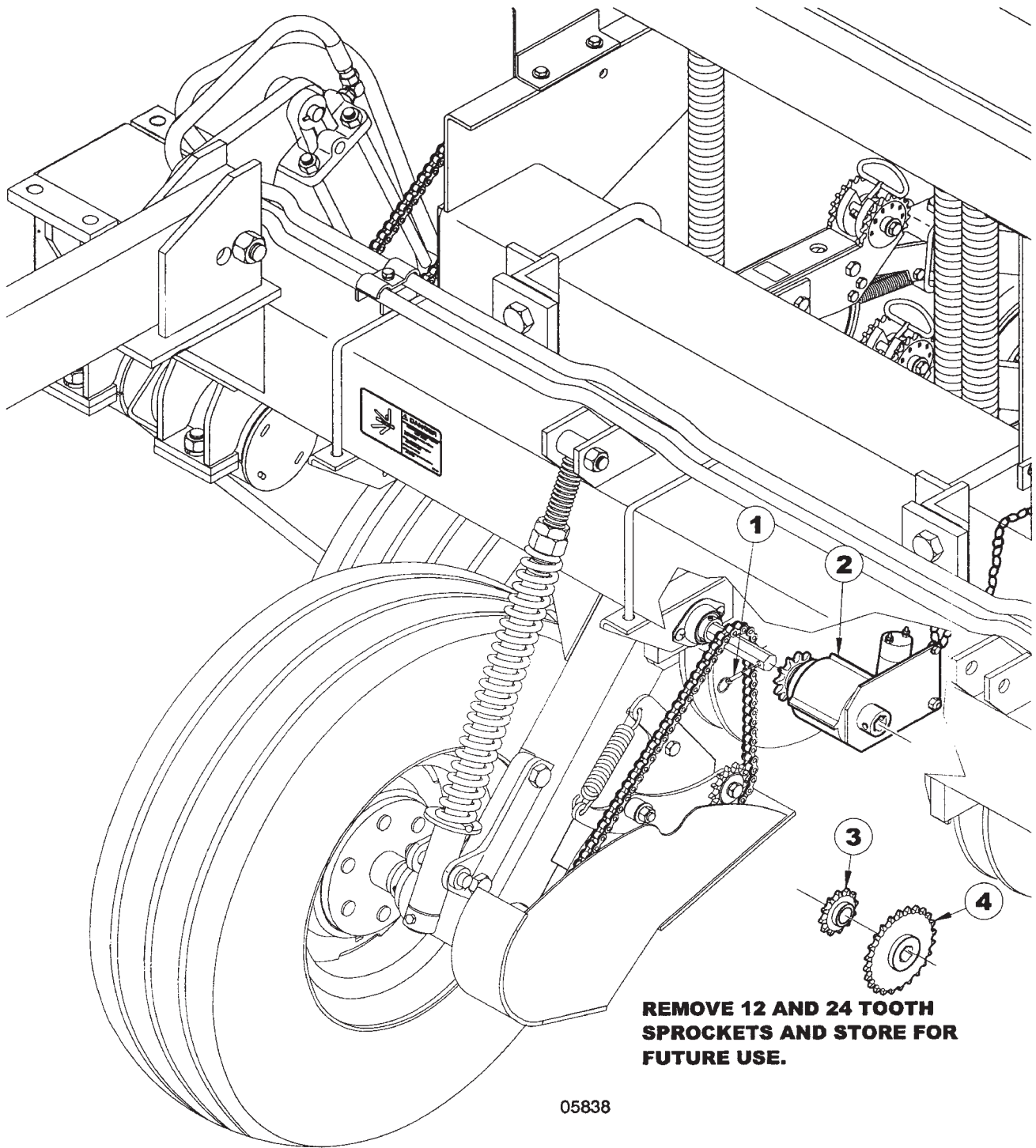


ITEM	NUMBER	QTY	DESCRIPTION
1	SN8629-1		CLEVIS, 1 1/16" THD, 1" PIN CROSS RINCE
2	SN8671-1		CAPSCREW NUT, 5/16" THREADS CROSS
3	SN8879-1		ROD, 1" DIA, 8" CROSS
4	SN8631-1		CAPSCREW, CROSS
5	SN8756-1		SEAL KIT, 2 1/2", 1 1/16" ROD, CROSS
6	SN8731-10		HEAD, 2 1/2", 1 1/16" ROD, CROSS (ORB)
7	SN8864-1		TIE ROD NUT, 5/8" THREADS
8	SN8714-1		PISTON, 2 1/2" W/3/4" HOLE, CROSS
9	SN8681-1		PISTON NUT, 3/4" CROSS
10	SN8809-1		TUBE, 2 1/2" X 8", CROSS
11	SN8870-1		TIE ROD BOLT, 2 1/2" X 8", CROSSING CROSS
12	SN8680-10		BASE, 2 1/2" (ORB), 1" PIN, CROSS
13			* WIPER
14			* U-CUP
15			* BACKUP
16			* O-RING
17	SN4458		PLUG, 3/4"-16 MOR

NOTE: *AVAILABLE IN THE SEAL KIT ONLY.
WHEN ORDERING HYDRAULIC CYLINDER
COMPONENTS, BE SURE TO NOTE THE PART #
AND THE CYLINDER PSI. (LOCATED ON THE
CYLINDER DECAL) AS THEY CONTAIN
DIFFERENT COMPONENTS. OLDER CYLINDERS
WERE 2500 PSI. AND NEWER CYLINDERS ARE
3000 PSI. IDENTIFYING THE PART # OF THE
CYLINDER IS EXTREMELY IMPORTANT WHEN
ORDERING PARTS TO ENSURE PROPER
OPERATION OF THE HYDRAULIC CYLINDER.

I0002913
PR: t05g30n06d0048

ELECTRIC CLUTCH KIT



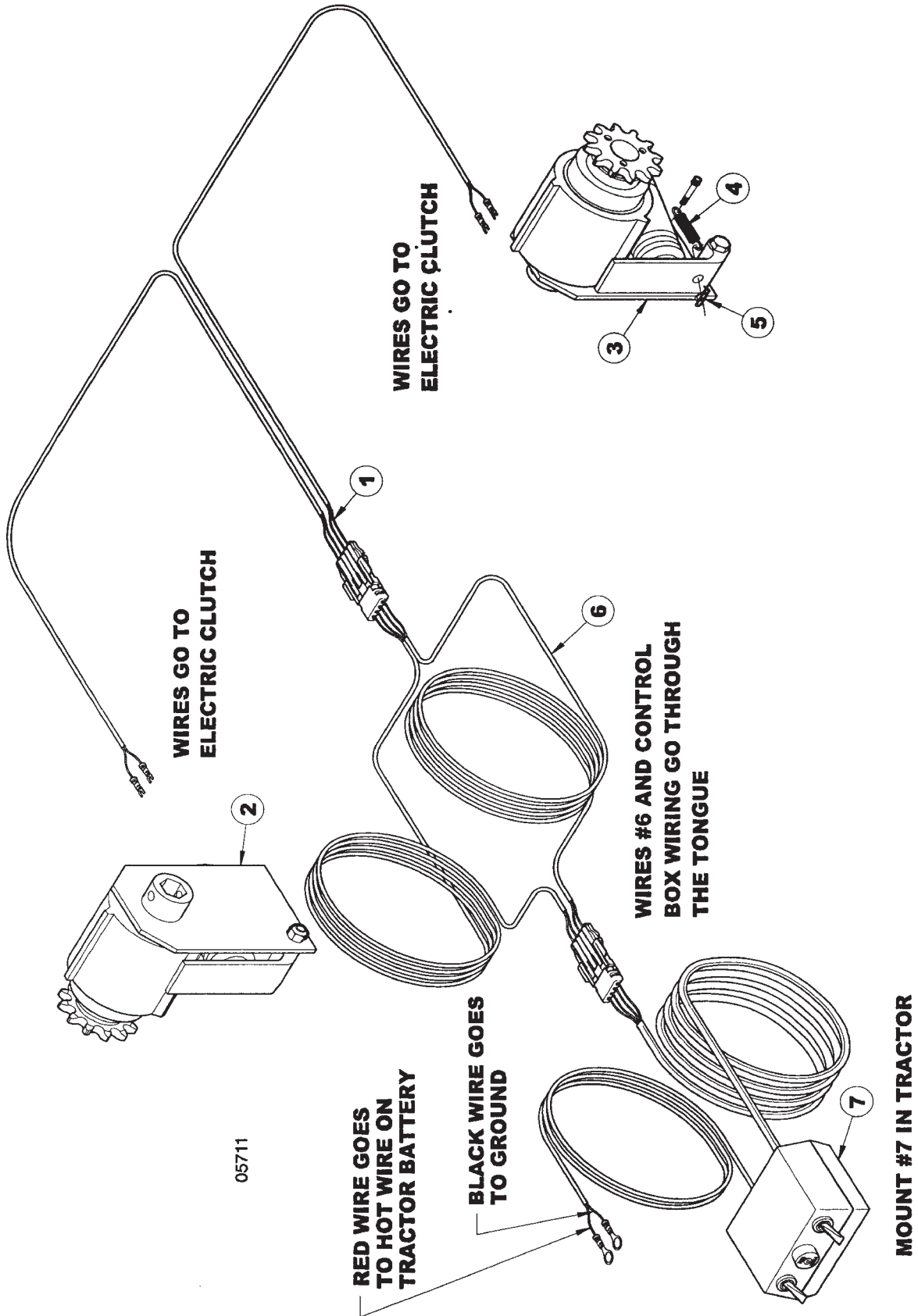
05838

ELECTRIC CLUTCH KIT

ITEM	NUMBER	QTY	DESCRIPTION
1	SN9083		KLIK PIN, 1/4" DIA X 2 1/8"
2	SN10055		CLUTCH, RIGHT
	SN10056		CLUTCH, LEFT
3	SN9078		SPROCKET, 12 TOOTH, 7/8" HEX BORE
4	SN9079		SPROCKET, 24 TOOTH, 7/8" HEX BORE

I0005838
PR: t05g30n06d0049

ELECTRIC CLUTCH KIT ASSEMBLY

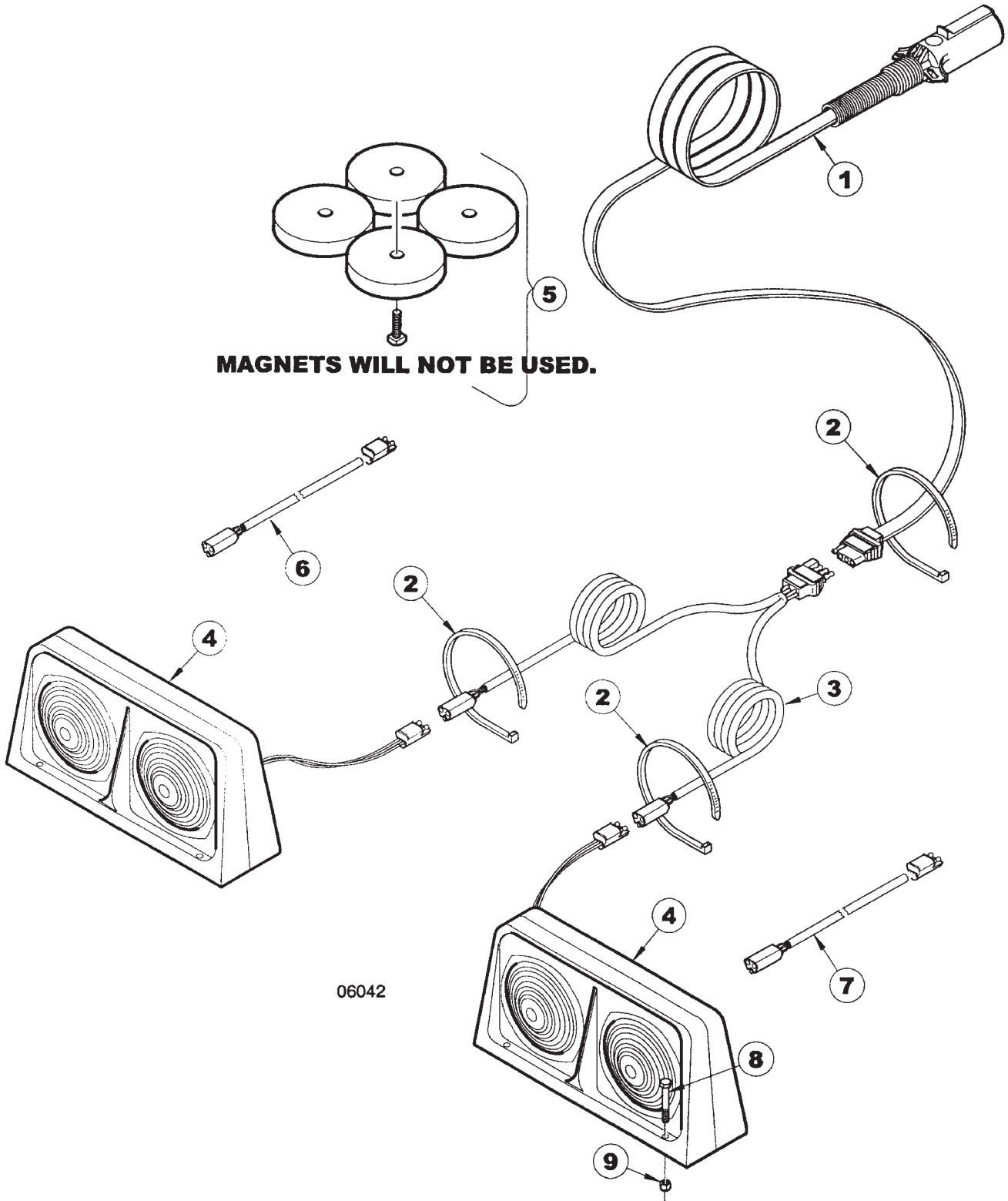


ELECTRIC CLUTCH KIT ASSEMBLY

ITEM	NUMBER	QTY	DESCRIPTION
1	SN10050		HARNESS, EXTENSION 20'
2	SN10055		CLUTCH, RIGHT
3	SN10056		CLUTCH, LEFT
4	SN10053		EXTENSION SPRING
5	SN10054		CLIP
6	SN10051		HARNESS, PLANTER
7	SN10052		CONTROL BOX ASSY
	SN9874		CLUTCH KIT, SINGLE
	SN9875		CLUTCH KIT, DOUBLE

I0005711
PR: t05g30n06d0050

LIGHT KIT ASSEMBLY

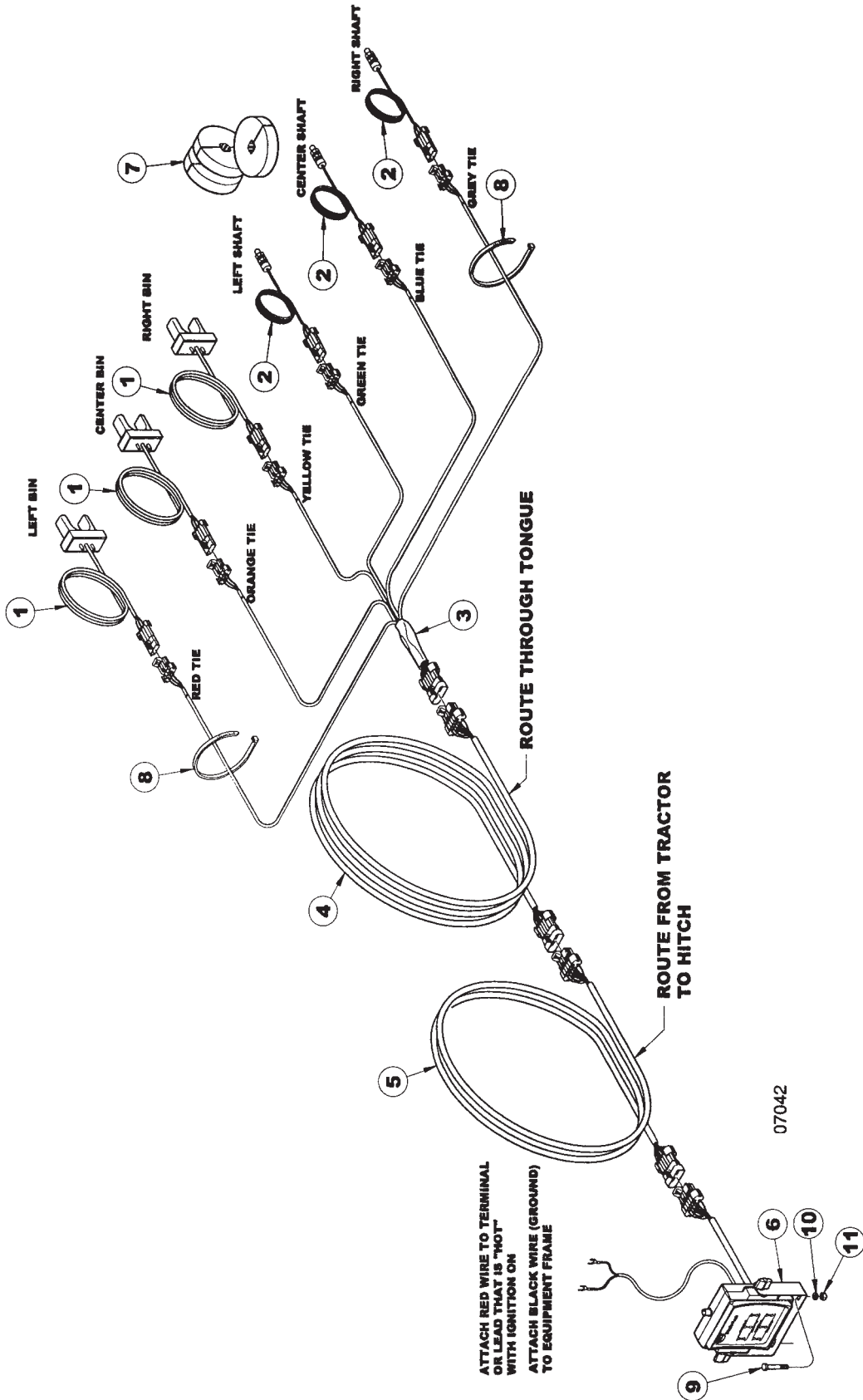


LIGHT KIT ASSEMBLY

ITEM	NUMBER	QTY	DESCRIPTION
1	SN5846		HARNESS, 25' STR SEC, SHIELDED FESTOON CABLE W/CONNECTORS
2	SN2587		PLASTIC HOSE STRAP, 21 1/2" L
3	SN5847		HARNESS, 15' WISHBONE W/FLAT & TRIANGULAR CONNECTORS
4	SN5844		DUAL LAMP, AMBER FT/REAR & RED REAR, RIGHT
	SN5845		DUAL LAMP, AMBER FT/REAR & RED REAR, LEFT
5	SN5857		MAGNET KIT
6	SN5849		HARNESS, 5' EXTENSION W/TRIAN-GULAR CONNECTORS, LEFT
7	SN5848		HARNESS, 5' EXTENSION W/TRIAN-GULAR CONNECTORS, RIGHT
8	SN2750		HEX BOLT, 1/4"-20 X 1 1/4", GR 2, Y/D
9	SN3881		LOCK NUT, 1/4"-20 HEX NYLON INSERT, GR 2, Y/D
	SN5838		LIGHT KIT W/HARDWARE (INCLUDES ITEMS 1-5)

I0006042
PR: t05g30n06d0051

SHAFT & BIN LEVEL MONITOR KIT (OPTIONAL)

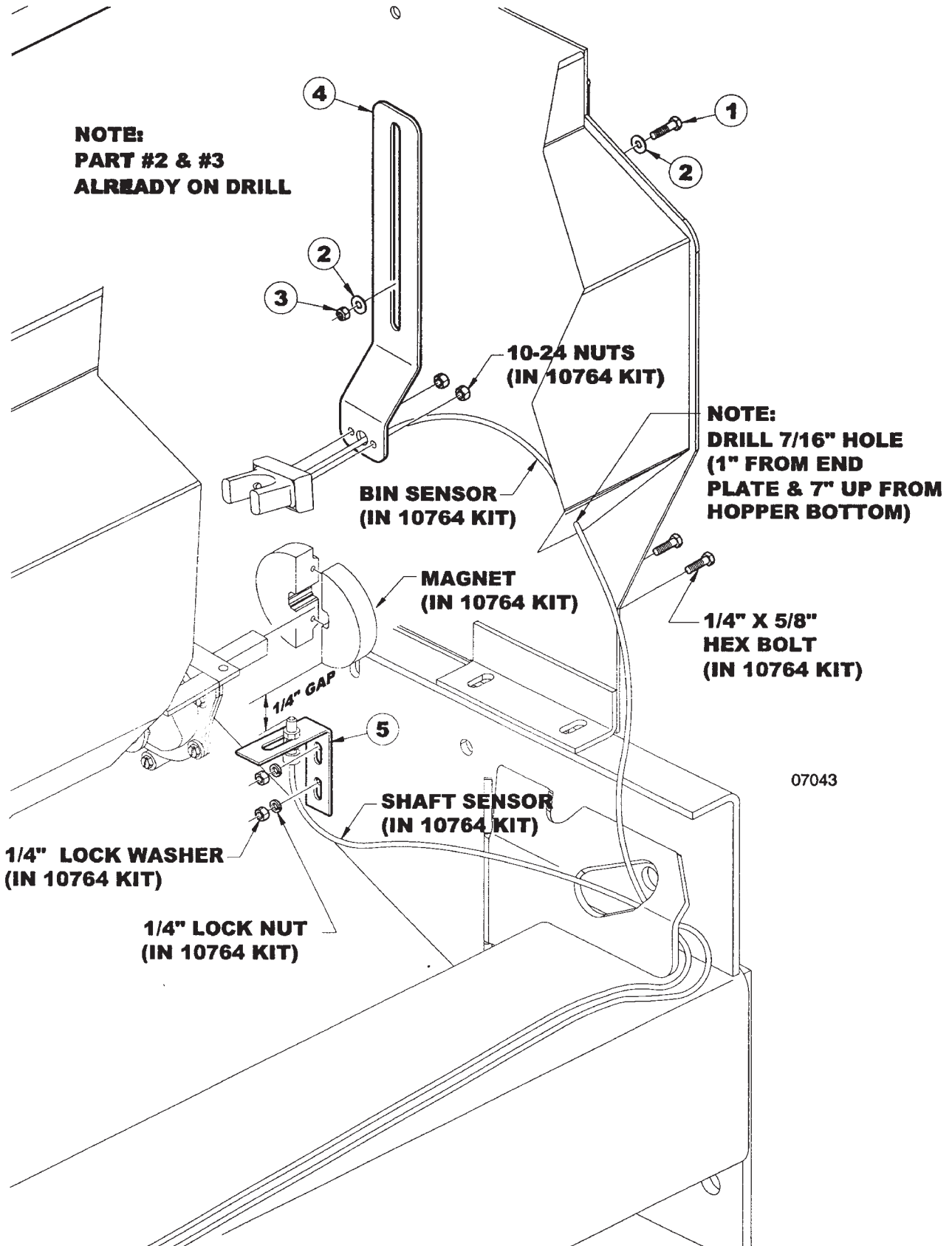


SHAFT & BIN LEVEL MONITOR KIT (OPTIONAL)

ITEM	NUMBER	QTY	DESCRIPTION
1			* BIN SENSOR & WIRING
2			* SHAFT SENSOR & WIRING
3			* MAIN HARNESS
4			* 25' 10 PIN EXTENSION
5			* 15' 10 PIN EXTENSION
6			* MONITOR
7			* MAGNETS
	SN10764		DRILL SHAFT/BIN MONITOR, 30'-40' (INCLUDES ITEMS 1-7)

I0007042
PR: t05g30n06d0052

**SHAFT & BIN LEVEL MONITOR MOUNTING
(OPTIONAL)**

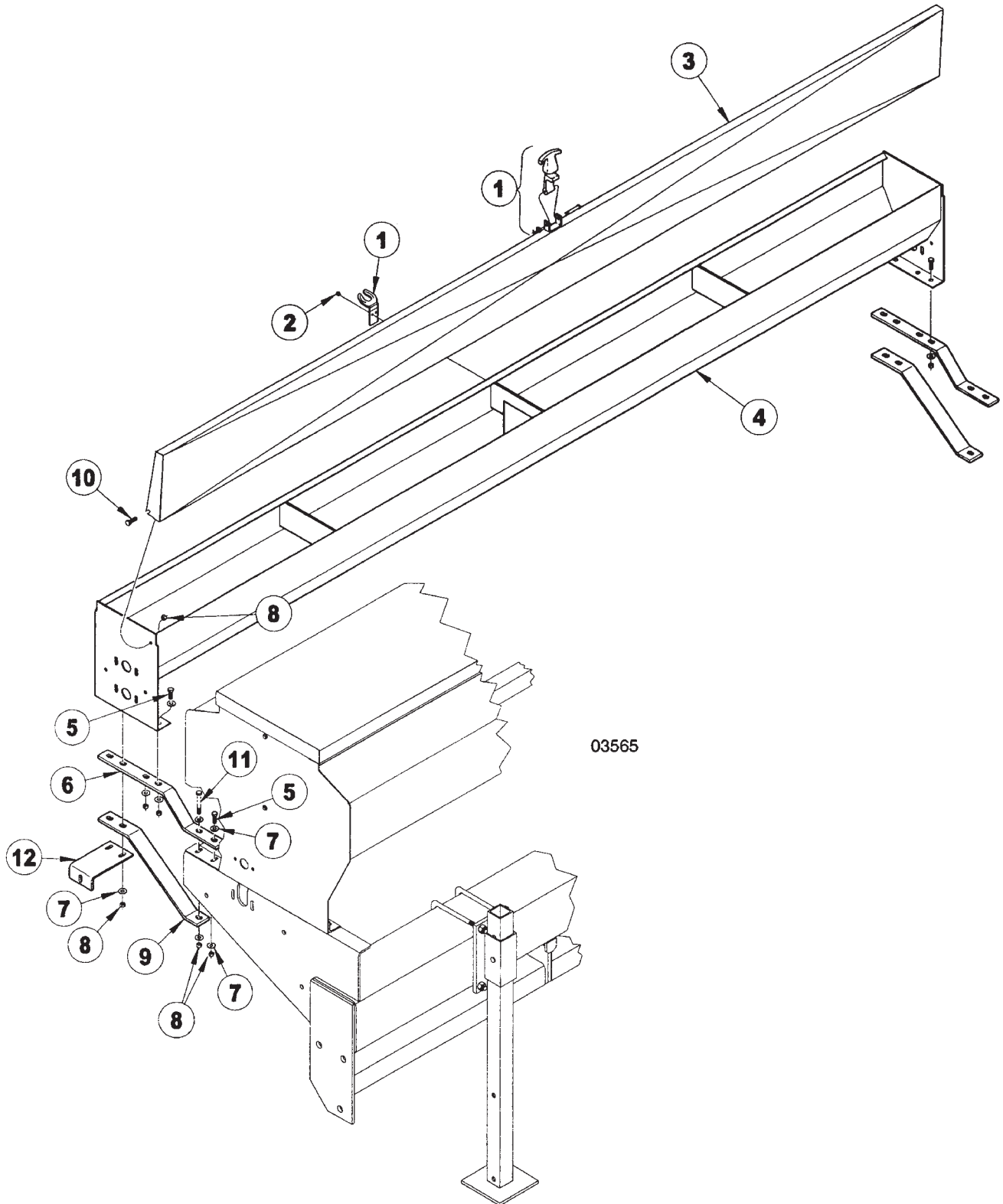


SHAFT & BIN LEVEL MONITOR MOUNTING
(OPTIONAL)

ITEM	NUMBER	QTY	DESCRIPTION
1	SN2568		HEX BOLT, 1/4"-20 X 3/4", GR 2 Y/D
2	SN506		FLAT WASHER, 1/4", Y/D
3	SN3881		LOCK NUT, 1/4"-20 HEX NYLON INSERT
4	SN10771		BRACKET, BIN SENSOR
5	SN10853		SHAFT, MONITOR MAGNET STRAP

I0007043
PR: t05g30n06d0053

GRASS SEEDER HOPPER ASSEMBLY (OPTIONAL)



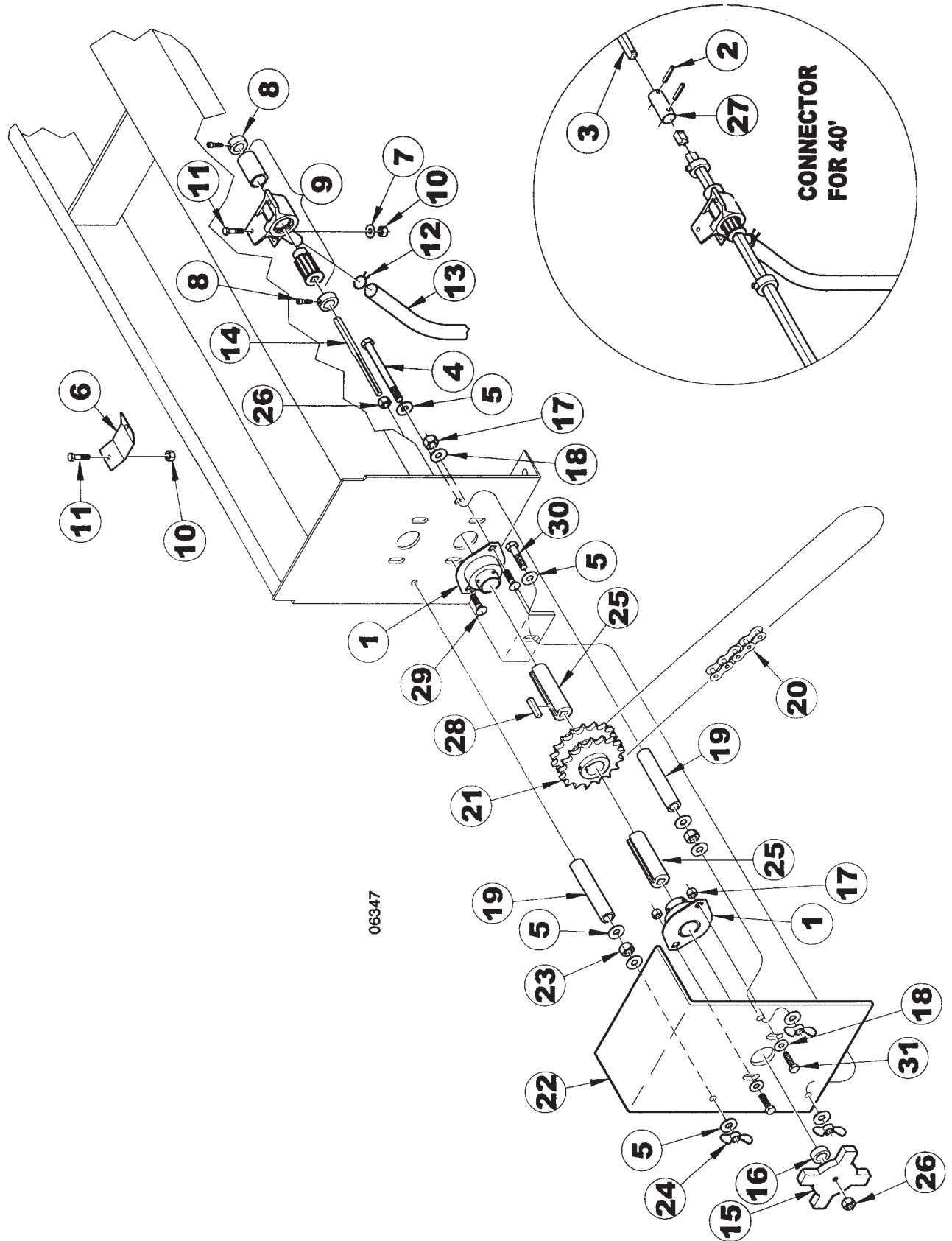
GRASS SEEDER HOPPER ASSEMBLY (OPTIONAL)

ITEM	NUMBER	QTY	DESCRIPTION
1	SNA0007		HOPPER LATCH ASSEMBLY
2	SNDR12034		RIVET, 3/16" X 1/4"
3	SNBP10065		HOPPER LID, 7 1/2' GRASS SEED (40')
	SNBP10076		HOPPER LID, 10' GRASS SEED (30' & 40')
4	SNBP10296		HOPPER BOX, 7 1/2' GRASS SEED (40')
	SNBP10074		HOPPER BOX, 10' GRASS SEED (30' & 40')
5	SN175		HEX BOLT, 3/8"-16 X 1 1/2", GR 5, Y/D
6	SNBP10030		BRACKET, UPPER GRASS
7	SN317		FLAT WASHER, 3/8", Y/D
8	SN3567		LOCK NUT, 3/8"-16 HEX NYLON INSERT, GR 2, Y/D
9	SNBP10031		BRACKET, LOWER GRASS
10	SN178		HEX BOLT, 3/8"-16 X 1", GR 5, Y/D
11	SNFK150221		HEX BOLT, 3/8"-16 X 5" GR 5, Y/D
12	SN7956		BRACKET, LOWER CHAIN GUARD

I0003565

PR: t05g30n06d0054

GRASS SEEDER SHAFT ASSEMBLY

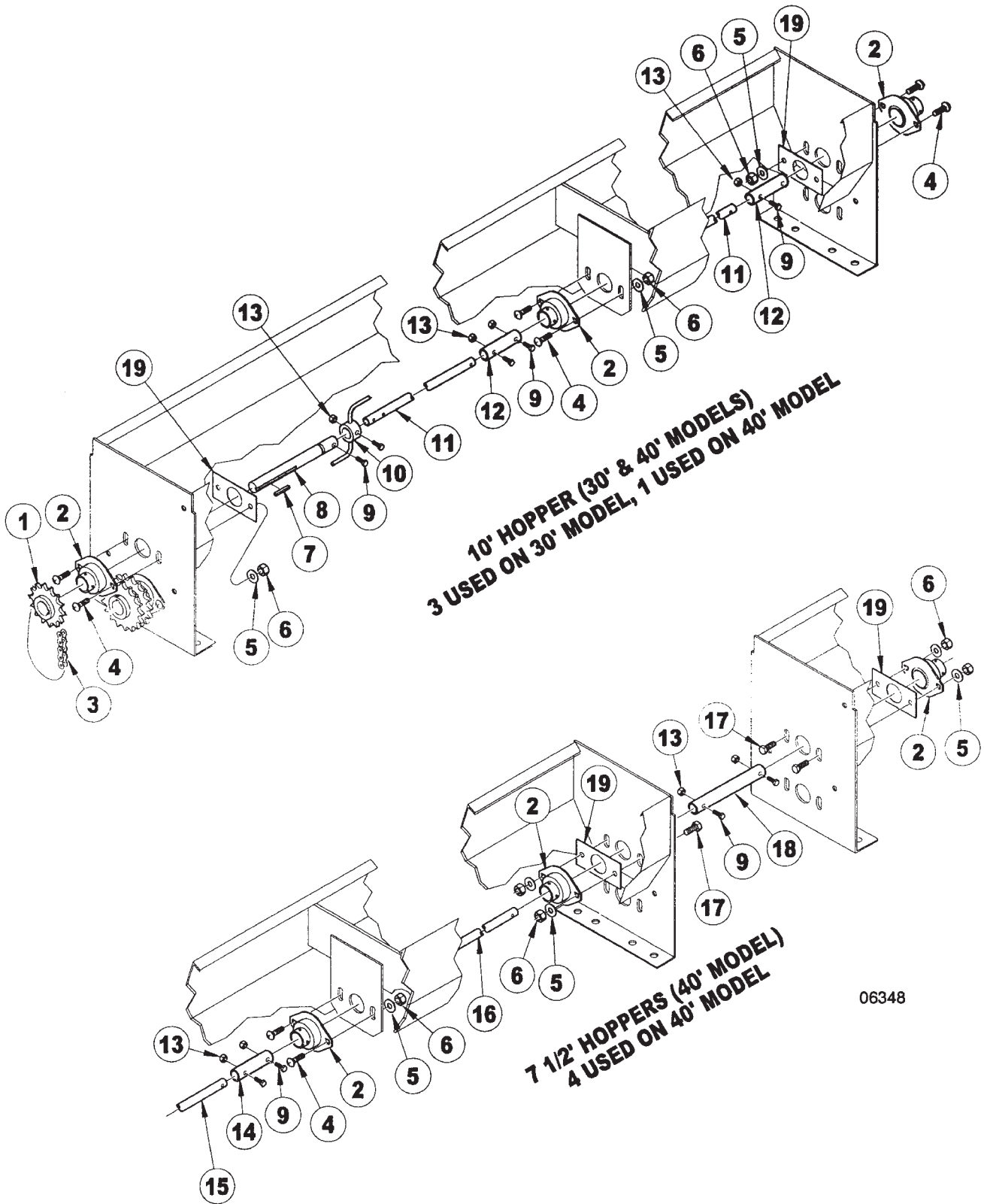


GRASS SEEDER SHAFT ASSEMBLY

ITEM	NUMBER	QTY	DESCRIPTION
1	SNDR30009		BEARING, 1" LFST
2	SNFK150189		ROLL PIN, 1/8" X 1 1/4" (40')
3	SN6694		SHAFT, 88 1/4", 3/8" SQ, Y/D (40')
4	SN7952		HEX BOLT, 3/8"-16 X 5 1/2",GR 5, Y/D
5	SN317		FLAT WASHER, 3/8", Y/D
6	SNBP10041		PLUG, SEED METER
7	SN506		FLAT WASHER, 1/4", Y/D
8	SNDR12006		LOCKING COLLAR, 9/16"
9	SNA0119		SEED METER ASSEMBLY, GRASS SEED
10	SN3881		LOCK NUT, 1/4"-20 HEX NYLON INSERT, GR 2, Y/D
11	SNDR10025		HEX BOLT, 1/4"-20 X 5/8", GR 5, Y/D
12	SNDR12003		CLAMP, GRASS SEED TUBE
13	SNDR20005		SEED TUBE, .875" OD X .625" ID.125" W, 48" L
14	SN6694		SHAFT, 88 1/4", 3/8" SQ, Y/D (40')
	SN7953		SHAFT, 96 1/2", 3/8" SQ, Y/D (40')
	SN7954		SHAFT, 126 1/2", 3/8" SQ, Y/D (30' & 40')
15	SNB1142		ADJUSTMENT KNOB, Y/D
16	SN6713		SPACER,1.00" OD X .563" ID,1" L,Y/D
17	SN6378		LOCK NUT, 5/16" HEX NYLON
18	SN6377		FLAT WASHER, 5/16" Y/D
19	SN7955R		SPACER, .750" OD X .437 ID, 4" L
20	SN6711		CHAIN, 48 1/8" W/HALF LINK NO. 50
21	SN6710		SPROCKET, DOUBLE (2) 17 TOOTH, 1" BORE #50 CHAIN
22	SN7957		CHAIN GUARD BEARING BRACKET, RIGHT GRASS SEEDER
	SN7958		CHAIN GUARD BEARING BRACKET, LEFT GRASS SEEDER
23	SN177		HEX NUT, 3/8"-16 FULL, GR 2, Y/D
24	SNDR10506		WING NUT, 3/8"-16, Y/D
25	SN6569		BUSHING, KEYED 1" OD X .380" SQ ID, 2 1/2" L, Y/D
26	SN159		JAM NUT, 1/2"-13, GR 2, Y/D
27	SN6695		CONNECTOR, METER SHAFT (3/8")
28	SNDR41509		KEY, 1/4" X 1 1/4" SPROCKET
29	SN6376		CARRIAGE BOLT, 5/16"-18 X 1" GR 5, Y/D
30	SN3984		HEX BOLT, 3/8"-16 X 1 1/4",GR 5, Y/D
31	SN3722		HEX BOLT, 5/16"-18 X 1", GR 5, Y/D

I0006347
PR: t05g30n06d0055

GRASS SEEDER AGITATOR ASSEMBLY

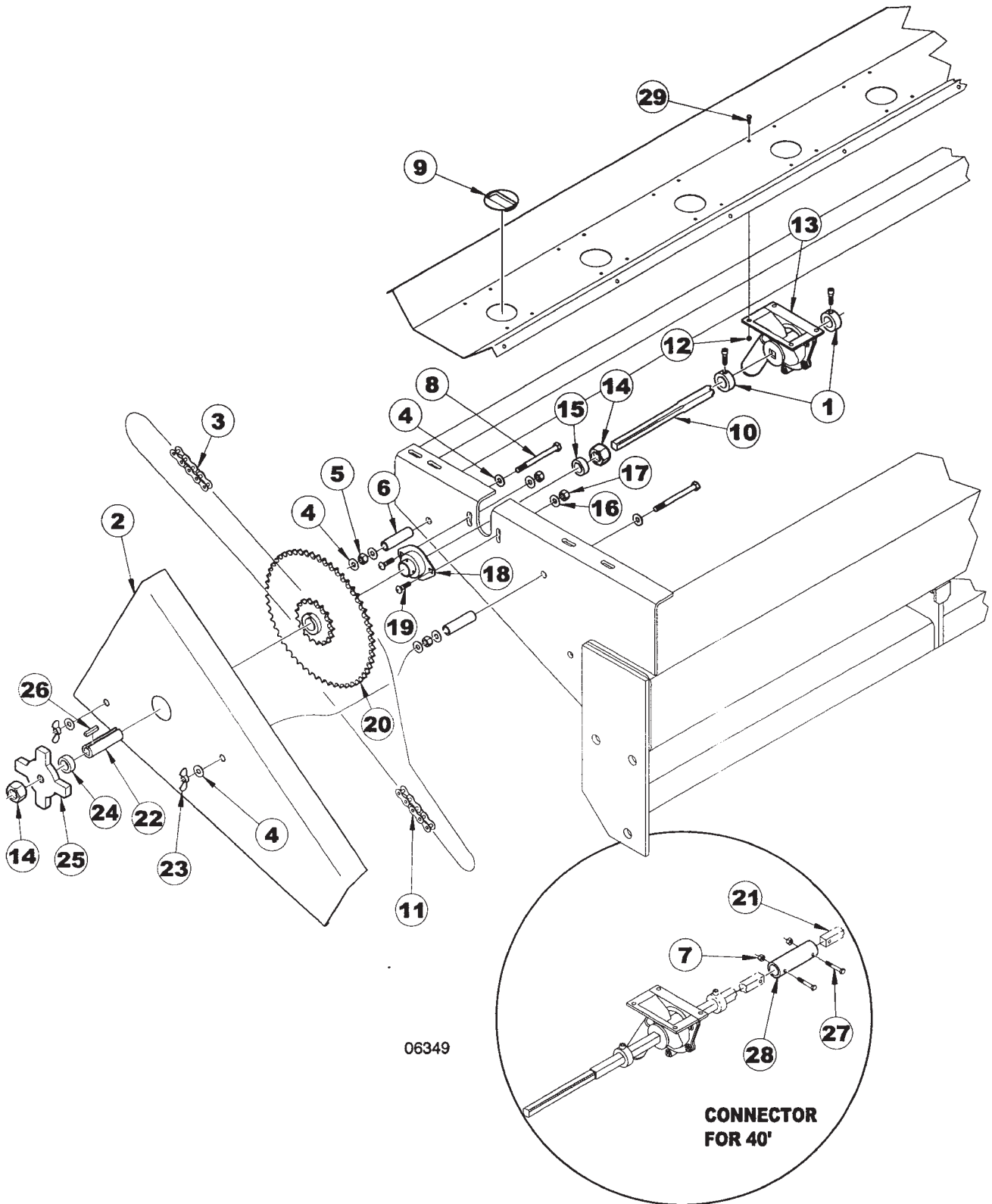


GRASS SEEDER AGITATOR ASSEMBLY

ITEM	NUMBER	QTY	DESCRIPTION
1	SN6714		SPROCKET, 14 TOOTH, 1" BORE #50 CHAIN
2	SNDR30009		BEARING, 1" LFST
3	SN6709		CHAIN, 16 7/8" NO. 50
4	SN6376		CARRIAGE BOLT, 5/16"-18 X 1" GR 5, Y/D
5	SN6377		FLAT WASHER, 5/16" Y/D
6	SN6378		LOCK NUT, 5/16" HEX NYLON
7	SNDR41509		KEY, 1/4" X 1 1/4" SPROCKET
8	SN6699		AGITATOR SHAFT, 7 3/8", Y/D
9	SN2486		HEX BOLT, 1/4"-20 X 1 1/2", GR 2, Y/D
10	SN6703		AGITATOR
11	SN6696		AGITATOR SHAFT, 55 1/2"
12	SN6701		AGITATOR CONNECTOR, 5 1/8", Y/D
13	SN3881		LOCK NUT, 1/4"-20 HEX NYLON INSERT , GR 2, Y/D
14	SN6702		AGITATOR CONNECTOR, 3 3/4", Y/D
15	SN6697		AGITATOR SHAFT, 43 3/8"
16	SN6698		AGITATOR SHAFT, 40 1/16"
17	SN3722		HEX BOLT, 5/16"-18 X 1", GR 5, Y/D
18	SN6700		AGITATOR CONNECTOR, 7 1/2", Y/D
19	SN7459		BEARING PLATE, AGITATOR

I0006348
PR: t05g30n06d0056

DRILL SHAFT ASSEMBLY WHEN USING GRASS
SEEDER

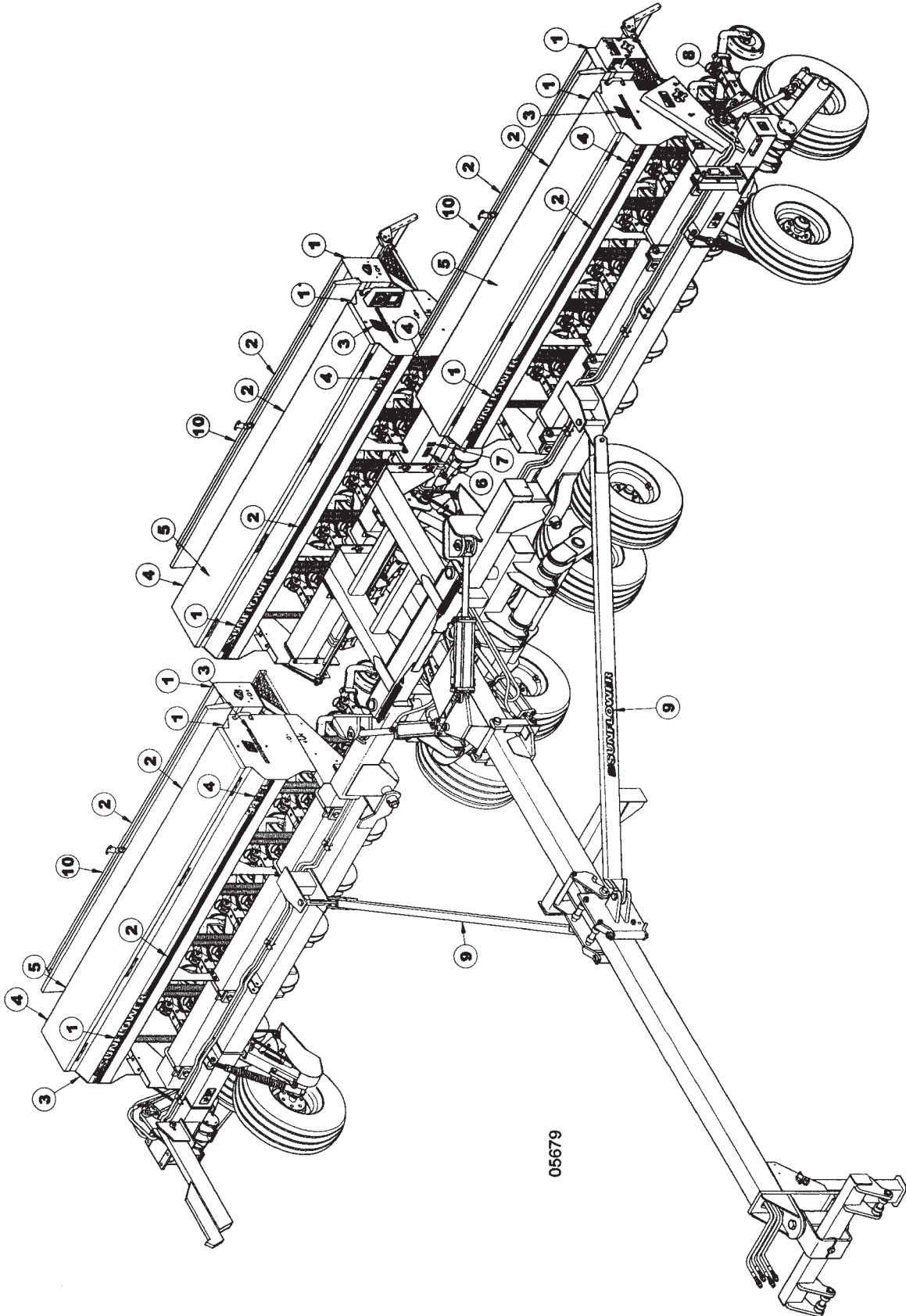


DRILL SHAFT ASSEMBLY WHEN USING GRASS
SEEDER

ITEM	NUMBER	QTY	DESCRIPTION
1	SN6581		LOCKING COLLAR, 1 1/2" OD X .6325 SQ. W/CAP SCREW
2	SN9190		CHAIN GUARD, RIGHT
	SN9191		CHAIN GUARD, LEFT
3	SN6711		CHAIN, 48 1/8" W/HALF LINK NO. 50
4	SN317		FLAT WASHER, 3/8", Y/D
5	SN177		HEX NUT, 3/8"-16 FULL, GR 2, Y/D
6	SNB2620		SPACER, .750" OD X .500" ID, .125" WALL, 2 5/8" L
7	SN3881		LOCK NUT, 1/4"-20 HEX NYLON INSERT, GR 2, Y/D
8	SNDR10026		HEX BOLT, 3/8"-16 X 4" GR 5, Y/D
9	SNDR12017		PLUG, SEED METER
10	SNB1598		SHAFT, 94", 5/8" SQ, Y/D
	SN9188		SHAFT, 124 3/4", 5/8" SQ, Y/D
11	SN9176		CHAIN, 79 3/8" L NO. 50
12	SN10326		NUT, 10-24 UNC HEX HEAD W/LOCKWASHER
13	SNA0012		SEED METER ASSEMBLY
14	SN1243		JAM NUT, 3/4"-10 HEX, GR 2, Y/D
15	SN6704		SPACER, 1.250"OD X .875"ID, .188" W, 3/4" L
16	SN6377		FLAT WASHER, 5/16" Y/D
17	SN6378		LOCK NUT, 5/16" HEX NYLON
18	SNDR30009		BEARING, 1" LFST
19	SN6376		CARRIAGE BOLT, 5/16"-18 X 1" GR 5, Y/D
20	SN6707		SPROCKET, DOUBLE (1) 54 TOOTH (1)17 TOOTH, 1" BORE #50 CHAIN
21	SNB1599		SHAFT, 88 1/4", 5/8" SQ, Y/D
22	SNDR41506		BUSHING, KEYED 1.000"OD X .630"SQ ID, 3 1/4" L, Y/D
23	SNDR10506		WING NUT, 3/8"-16, Y/D
24	SNBT10275		SPACER, 1.250" OD X .781" ID, .234" WALL, 15/32" L, Y/D
25	SNB1540		ADJUSTMENT KNOB, Y/D
26	SNDR41506		BUSHING, KEYED 1.000"OD X .630"SQ ID, 3 1/4" L, Y/D
27	SN1550		HEX BOLT, 1/4"-20 X 2", GR 2 Y/D
28	SN9189		CONNECTOR, METER SHAFT, 5" L
29	SN9076		HEX BOLT, NO. 10-24 X 1/2",GR 2, Y/D

I0006349
PR: t05g30n06d0057

DECAL PLACEMENT



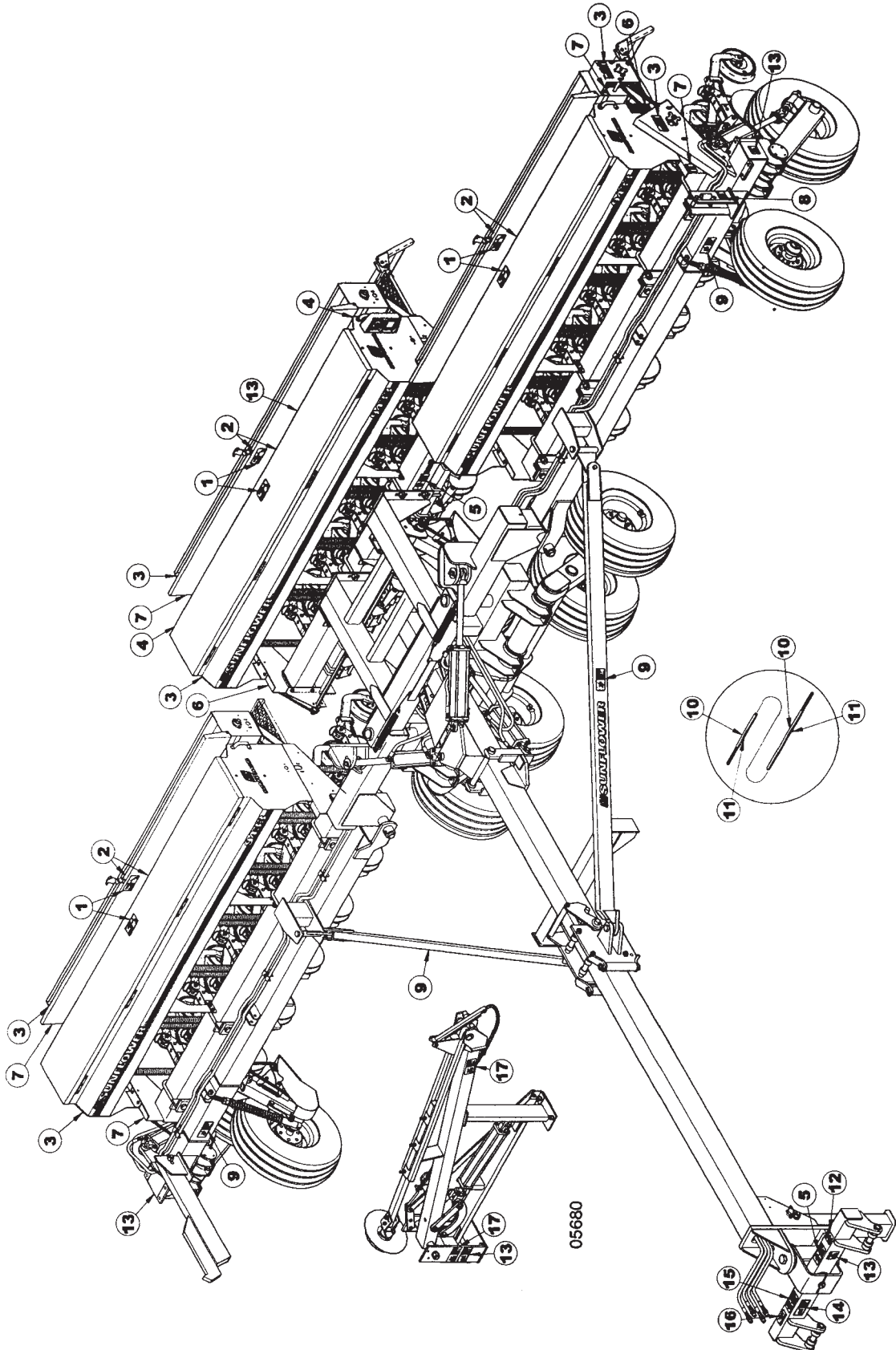
05679

DECAL PLACEMENT

ITEM	NUMBER	QTY	DESCRIPTION
1	SN997701		3 1/2" X 36 1/2" L SUNFLOWER/GRAIN DRILL DECAL
2	SN997707		STRIPE, 2 1/8" X 76" L, YELLOW/BLACK
3	SN997708		SUNFLOWER DECAL - END PANEL
4	SN997706		9433 DECAL
5	SN997327		SEED CHART DECAL, GRAIN DRILL
6			SERIAL NUMBER PLATE
7	SN997246		FEMA DECAL
8	SN997459		PATENT DECAL, #5,626,196
9	SN997002		SUNFLOWER DECAL
10	SN997326		SEED CHART DECAL, GRASS SEED

I0005679
PR: t05g30n06d0058

SAFETY SIGN PLACEMENT



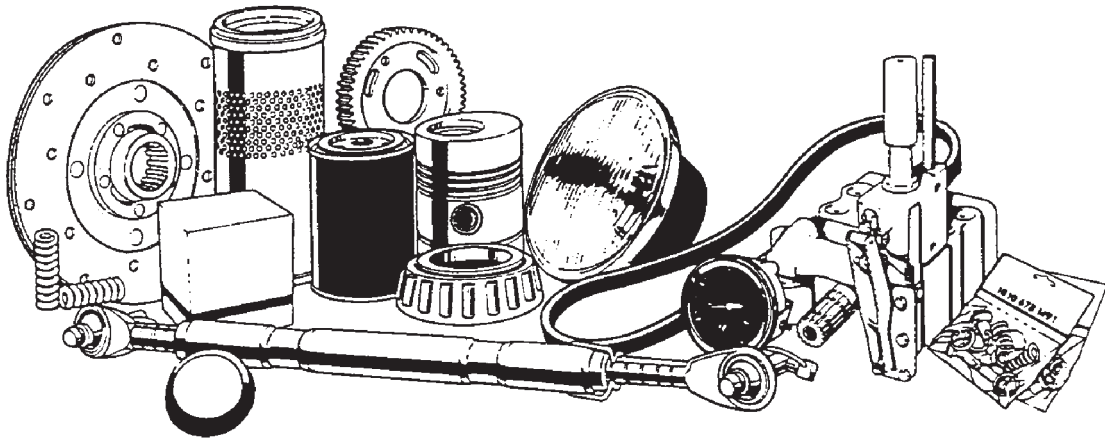
SAFETY SIGN PLACEMENT

ITEM	NUMBER	QTY	DESCRIPTION
1	SN997320		WARNING - FALLING HAZARD
2	SN997325		WARNING - CHEMICAL HAZARD
3	SN997319		WARNING - MOVING PART HAZARD
4	SN997040		RED REFLECTIVE TAPE
5	SN997043		READ OPERATORS MANUAL
6	SN997041		AMBER REFLECTIVE TAPE
7	SN997321		WARNING - GUARD MISSING
8	SN997313		CAUTION - INSTALL LOCK PINS BEFORE TRANSPORTING
9	SN997322		DANGER - FRAME PINCH POINT
10	SN997339		RED REFLECTIVE TAPE, 1/2" X 3" L
11	SN997340		YELLOW REFLECTIVE TAPE, 1/2" X 3" L
12	SN997318		WARNING - 20 MPH MAX TRANSPORT SPEED
13	SN997408		TRANSPORTING HAZARD
14	SN997323		DANGER - ELECTROCUTION HAZARD
15	SN997311		HIGH PRESSURE FLUID HAZARD
16	SN997052		SYSTEMS MUST BE BLED OF AIR
17	SN997324		DANGER - OVERHEAD MARKER HAZARD

I0005680
PR: t05g30n06d0059

RECOMMENDED DEALER STOCK

RECOMMENDED DEALER'S STOCK



RECOMMENDED DEALER STOCK

ITEM	NUMBER	QTY	DESCRIPTION
-	SN7773	1	14" BLADE, 4 BOLT, .138" THICK .78"
-	SN3686	1	8 BOLT HUB ASSEMBLY (30') (INCLUDES
-	SN6943	1	ACREMETER, 9.5L X 40'
-	SNDR41518	1	ACREMETER, 9.5L/11L-15 X 30'
-	SNB1540	1	ADJUSTMENT KNOB, Y/D
-	SNFK310062	1	BEARING (JLM506849) (40')
-	SN776	1	BEARING (L44643)
-	SN1935	1	BEARING (LM501349) (40')
-	SN1606	1	BEARING (LM67048) (30')
-	SN3683	1	BEARING(LM603049) (30')
-	SN7446	1	CHAIN, 5/16" PROOF, 109 1/8" L
-	SN7445	1	CHAIN, 5/16" PROOF, 78 3/4" L
-	SN10056	1	CLUTCH, LEFT
-	SN10055	1	CLUTCH, RIGHT
-	SN10052	1	CONTROL BOX ASSY
-	SN7040	1	DEPTH LOCK, ALL PURPOSE, Y/D
-	SN5844	1	DUAL LAMP, AMBER FT/REAR & RED REAR,
-	SN5845	1	DUAL LAMP, AMBER FT/REAR & RED REAR,
-	SN7779	1	DUST CAP, 1.986" OD X .032" TH Y/D
-	SN1610	1	DUST CAP, 2.448" OD, Y/D (30')
-	SNFK340162	1	DUST CAP, 3.125" OD, Y/D (40')
-	SNFK800384	1	EIGHT BOLT HUB ASSY. (40') (INCLUDES
-	SN7780	1	FOUR BOLT HUB W/CUPS & ZERK
-	SN5847	1	HARNESS, 15' WISHBONE W/FLAT &
-	SN5846	1	HARNESS, 25' STR SEC, SHIELDED FESTOON
-	SN5848	1	HARNESS, 5' EXTENSION W/TRIAN-GULAR
-	SN5849	1	HARNESS, 5' EXTENSION W/TRIAN-GULAR
-	SN10050	1	HARNESS, EXTENSION 20'
-	SN10051	1	HARNESS, PLANTER
-	SN3302	1	HEX NUT, 1"-14 FULL SLOTTED GR 2, PLAIN
-	SN7778	1	HEX NUT, 1"-14 SLOTTED .531" TH GR 2,
-	SNA0007	1	HOPPER LATCH ASSEMBLY
-	SN6581	1	LOCKING COLLAR, 1 1/2" OD X 7/8" ID X
-	SN7781	1	MARKER ARM DEPTH BAND
-	SNFK310063	1	RACE (JLM506810) (40')
-	SN777	1	RACE (L44610)
-	SN1936	1	RACE (LM501310) (40')
-	SN3684	1	RACE (LM603011) (30')
-	SN1605	1	RACE (LM67010) (30')
-	SN2566	1	S.M.V. SOCKET
-	SNFK310064	1	SEAL, 8-BOLT (40')
-	SN7775	1	SEAL, SINGLE LIP
-	SN3300	1	SIX BOLT HUB ASSEMBLY W/3301 SEAL
-	SNBT10258	1	SMV BRACKET
-	SN7001	1	SMV EMBLEM

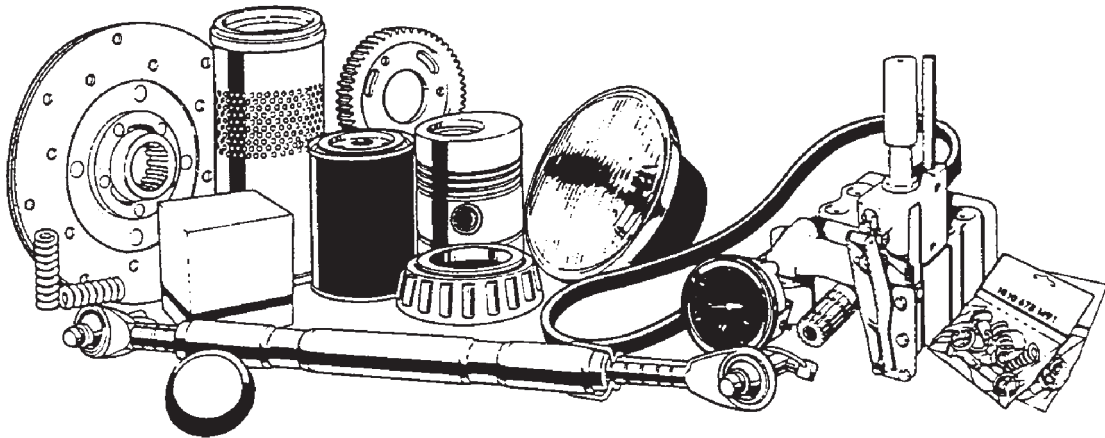
NOTE: THIS PARTS STOCK LIST
INDICATES THOSE ITEMS RECOMMENDED
TO SERVICE ONE UNIT.

CONTINUED

RDL
PR: t05g30n06d0060

RECOMMENDED DEALER STOCK

RECOMMENDED DEALER'S STOCK



RECOMMENDED DEALER STOCK

ITEM	NUMBER	QTY	DESCRIPTION
-	SN7825	1	SPINDLE, 1 1/4" X 8 5/8"(1"-14 UNS THD)
-	SN6555	1	SPINDLE, 2 3/4" X 14 47/64" L (30')
-	SN5621	1	SPINDLE, 2 3/4" X 15 5/16"L (40')
-	SN3298	1	SPINDLE, 2" X 11 1/4"
-	SN9136	1	SPINDLE, GAUGE WHEEL, 6 BOLT HUB
-	SN9708	1	SPRING, .162" WIRE DIA X 5" L EXTENS
-	SN7083	1	SPRING, .500" OD X .375" ID, 1 1/2" L
-	SN7198	1	SPRING, 1.250" OD X 1.020" ID, 6"
-	SN10296	1	SPRING, 2.1875" OD X 1.4375" ID X 15" L,
-	SN10325	1	SPRING,.105" WIRE DIA X 4 3/4" L
-	SN9077	1	SPROCKET, 10 TOOTH, 7/8" HEX BORE
-	SN9078	1	SPROCKET, 12 TOOTH, 7/8" HEX BORE
-	SN9079	1	SPROCKET, 24 TOOTH, 7/8" HEX BORE
-	SNDR40506	1	SPROCKET, 54 TOOTH, 1" BORE #50 CHAIN
-	SN3301	1	TRIPLE LIP SEAL (30')
-	SNDR56006	1	VALVE, 3/4-16 OR SEQUENCE
-	SNFK340165	1	WASHER, 1 1/16" ID X 2 1/8" OD X 1/4"
-	SN3303	1	WASHER, 1 1/32" ID X 1 3/4" ODX 1/8"
-	SNDR80011	12	WASHER, MACHINE
-	SN5201	2	BALL LOCK PIN, 3/8" X 3"
-	SNDR30022	2	BEARING, 1 1/2" BORE W/LOCK COLLAR
-	SNDR30009	2	BEARING, 1" LFST
-	SN9081	2	BEARING, 7/8" HEX BORE
-	SN5934	2	BUSHING, 1 1/4" OD X 1" ID, 5/8" L
-	SN7043	2	CLAMP BUSHING, 1" OD X .760"ID,.120" W,
-	SN9102	2	DEPTH CAM ASSY, ALL PURPOSE
-	SNB1127	2	DUST CAP
-	SNDR81044	2	HEX BOLT, 3/4"-10 LH X 2", GR 5, Y/D
-	SN1193	2	HEX BOLT, 3/8"-16 X 3/4",GR 5, Y/D
-	SN9083	2	KLIK PIN, 1/4" DIA X 2 1/8"
-	SN7024	2	L-BOLT, 5/8"-11 X 4 5/8" X 6 5/8", Y/D
-	SNDR12017	2	PLUG, SEED METER
-	SN10127	2	SCRAPER, OPENER LEFT
-	SN10126	2	SCRAPER, OPENER RIGHT
-	SN8800-1	2	SEAL KIT, 2 1/2" X 8" CROSS
-	SN8756-1	2	SEAL KIT, 2 1/2", 1 1/16" ROD, CROSS
-	SN8776-1	2	SEAL KIT, 3 3/4", 1 3/8" ROD, REPHASING
-	SN8762-1	2	SEAL KIT, 3", 1 1/4" ROD, CROSS
-	SN8939-1	2	SEAL KIT, 3", 1 1/4" ROD, CROSS
-	SN8799-1	2	SEAL KIT, 4 1/2", 1 1/2" ROD, CROSS
-	SN8951-1	2	SEAL KIT, 4 1/2", 1 1/2" ROD, CROSS
-	SN8780-1	2	SEAL KIT, 4 1/4", 1 3/8" ROD REPHASING
-	SN8789-1	2	SEAL KIT, 4", 1 1/2" ROD REPHASING CROSS
-	SN8612-1	2	SEAL KIT, 4", 1 1/2" ROD, CROSS
-	SN8781-1	2	SEAL KIT, 4", 1 3/8" ROD REPHASING CROSS

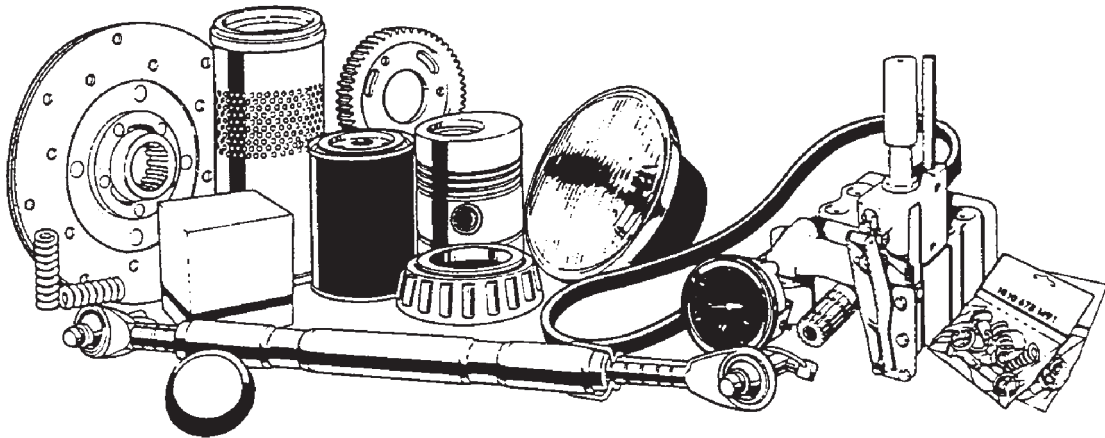
NOTE: THIS PARTS STOCK LIST
INDICATES THOSE ITEMS RECOMMENDED
TO SERVICE ONE UNIT.

CONTINUED

RDL
PR: t05g30n06d0060

RECOMMENDED DEALER STOCK

RECOMMENDED DEALER'S STOCK



RECOMMENDED DEALER STOCK

ITEM	NUMBER	QTY	DESCRIPTION
-	SNA0012	2	SEED METER ASSEMBLY
-	SN9937	2	SEED TUBE, ALL PURPOSE HEADS UP
-	SNDR20004	2	SEED TUBE, RUBBER
-	SN7026	2	SPRING, 1.6875" OD X 1.1635" ID,
-	SN10479	2	SPRING, 2.125"OD X 1.513"ID, 8 3/8" L,
-	SNDR80029	2	SPROCKET, IDLER
-	SN2355	2	STROKE CONTROL SEGMENTS,1 1/2" DIAMETER
-	SN7409	2	TIRE, 2" X 13" V-CROWN
-	SN7410	2	TIRE, 3" X 13" CENTER RIB
-	SN7407	2	TIRE, 3" X 13" DOUBLE RIB CLINCHER
-	SN7408	2	TIRE, 4" X 12" DOUBLE RIB
-	SN7070	2	U-BOLT, 1"-8 X 9" X 8 1/16" W, GR 5, Y/D
-	SN4843	2	U-BOLT, 1/2"-13 X 5 1/4" X 2 1/2"
-	SNDR80018	2	U-BOLT, 1/2"-13 X 8 1/4" X 7 5/8" W,
-	SNDR80019	2	U-BOLT, 3/4"-10 X 8 3/4" X 7 13/16" W,
-	SNDR11502	2	U-BOLT, 3/8"-16 X 2 5/8" X 3 1/2" W,
-	SNDR11507	2	U-BOLT, 7/16"-14 X 4" X 2 1/2"W,
-	SNDR80044	2	U-BOLT, 7/8"-9 X 8 3/4" X 7 15/16" W,
-	SN3564	2	WIRE LOCK PIN, 3/8" X 1 1/2"
-	SN7218	4	BEARING, 40MM
-	SNDR12011	4	CLAMP, SEED TUBE
-	SN2045	4	HEX BOLT, 1/2"-13 X 1 3/4", GR5, Y/D
-	SN2096	4	LOCK NUT, 1/2"-13 HEX NYLON INSERT
-	SN7201	4	SOIL CONTROL STRIP
-	SN7859	4	SUPPORT, SOIL CONTROL STRIP
-	SN3118	6	LUG BOLT, 9/16"-18 X 1 7/8" PRESS IN, PL
-	SN1611	6	LUG NUT, 1/2"-20, GR 5, 90 DEG TAPER,
-	SN3117	6	LUG NUT, 9/16"-18, GR 5, 90 DEG TAPER,
-	SN7784	6	SHOULDER BOLT, 1/2"-20 X 1 7/8" PRESS
-	SNFK340167	8	LUG BOLT, 5/8"-18 X 2 1/4"
-	SNFK340168	8	LUG NUT, 5/8"-18, GR 5, 90 DEGTAPER, Y/D

NOTE: THIS PARTS STOCK LIST
INDICATES THOSE ITEMS RECOMMENDED
TO SERVICE ONE UNIT.

RDL
PR: t05g30n06d0060