

CULTIVATORS/PACKERS



PARTS CATALOG

SUNFLOWER[®]
5055 44' - 62' FIELD CULTIVATOR
ATTACHMENTS

ALPHABETICAL INDEX

The complete alphabetical index appears at the beginning of this publication. It is used to locate major groups, assemblies and components.

NUMERICAL INDEX

The numerical index of this publication follows the Alphabetical Index at the beginning of the publication and indicates at which grid location and page number a part number appears.

ILLUSTRATIONS

All illustrations are located on the left hand page with the text on the right. Except for some common hardware, all parts are identified with an item number which corresponds to the "item" column on the text page. This is followed by the parts number, quantity and description.

HARDWARE

Common hardware not identified such as bolts, nuts, cotter pins and lube fittings, are listed indented in the text beneath the item to which they attach or fit. Common hardware listed indented beneath an item is NOT included unless specified. Example: (Incl. BOLT, LOCKWASHER AND NUT).

ORDERING PARTS

Be sure to refer to both the text and the illustration to assure ordering the correct part.

RECOMMENDED DEALER STOCK

A recommended dealer stock listing appears at the end of this publication.



RECOMMENDED DEALER LIST	
RECOMMENDED DEALER STOCK	19
SPIKE & REEL PARTS SECTION	
REAR JACK ASSEMBLY	15
3-ROW SPIKE DRAG & REEL	11
3-ROW COIL TINE PARTS SECTION	
DOUBLE ARM COIL TINE HARROW ASSEMBLY	17
4-ROW SPIKE DRAG PARTS SECTION	
4-ROW SPIKE DRAG ASSEMBLY	7
5-ROW SPIKE DRAG PARTS SECTION	
5-ROW SPIKE DRAG ASSEMBLY	9

5055 FIELD CULTIVATOR ATTACHMENTS

Part No.	Page	Grid	Part No.	Page	Grid	Part No.	Page	Grid	Part No.	Page	Grid
SNHEN3410	17	1-B 7	SN3609	17	1-B 7	SN5732	17	1-B 7			
SN10057	11	1-B 7	SN3610	17	1-B 7	SN5732	19	1-B 7			
SN10059B	11	1-B 7	SN3611	17	1-B 7	SN5810	7	1-B 6			
SN10061	11	1-B 7	SN3612	17	1-B 7	SN5810	13	1-B 7			
SN10147	7	1-B 6	SN3613	11	1-B 7	SN5811	9	1-B 6			
SN10148B	7	1-B 6	SN3619	11	1-B 7	SN5811	11	1-B 7			
SN10149B	7	1-B 6	SN3619	19	1-B 7	SN5890	17	1-B 7			
SN10153	7	1-B 6	SN3621	17	1-B 7	SN5954	11	1-B 7			
SN10154	7	1-B 6	SN3621	19	1-B 7	SN5955	9	1-B 6			
SN10155	7	1-B 6	SN3622	11	1-B 7	SN5955	11	1-B 7			
SN10156	7	1-B 6	SN3623	11	1-B 7	SN669-1	7	1-B 6			
SN10158	7	1-B 6	SN3625	11	1-B 7	SN669-1	9	1-B 6			
SN10160	7	1-B 6	SN3626	11	1-B 7	SN669-1	11	1-B 7			
SN10161	7	1-B 6	SN3628	11	1-B 7	SN669-1	15	1-B 7			
SN10161	19	1-B 7	SN3628	19	1-B 7	SN669-1	17	1-B 7			
SN10162	7	1-B 6	SN3629	17	1-B 7	SN670	7	1-B 6			
SN10162	19	1-B 7	SN3635	17	1-B 7	SN670	11	1-B 7			
SN10163	7	1-B 6	SN3635	19	1-B 7	SN7013	7	1-B 6			
SN1040	11	1-B 7	SN3644	11	1-B 7	SN7013	9	1-B 6			
SN106	11	1-B 7	SN3645	11	1-B 7	SN7013	11	1-B 7			
SN112	7	1-B 6	SN3647	17	1-B 7	SN7013	19	1-B 7			
SN112	9	1-B 6	SN3652	13	1-B 7	SN7013	19	1-B 7			
SN112	11	1-B 7	SN3859	17	1-B 7	SN7016	9	1-B 6			
SN12131	7	1-B 6	SN3894	9	1-B 6	SN7016	11	1-B 7			
SN12131	9	1-B 6	SN3894	11	1-B 7	SN7017	9	1-B 6			
SN12424	7	1-B 6	SN3894	19	1-B 7	SN7017	11	1-B 7			
SN12425	7	1-B 6	SN3895	11	1-B 7	SN7270	13	1-B 7			
SN1507	11	1-B 7	SN3895	19	1-B 7	SN7273	13	1-B 7			
SN1507	17	1-B 7	SN3895B	9	1-B 6	SN7605	9	1-B 6			
SN156	11	1-B 7	SN3917	17	1-B 7	SN7907	17	1-B 7			
SN1599	11	1-B 7	SN3964	13	1-B 7	SN7908	17	1-B 7			
SN1609	11	1-B 7	SN3967	9	1-B 6	SN7918	9	1-B 6			
SN175	13	1-B 7	SN3968	9	1-B 6	SN9777	15	1-B 7			
SN175	17	1-B 7	SN3969	9	1-B 6	SN9917	11	1-B 7			
SN178	17	1-B 7	SN3969	11	1-B 7						
SN1823	7	1-B 6	SN3971	9	1-B 6						
SN1823	9	1-B 6	SN3971	11	1-B 7						
SN1823	11	1-B 7	SN3972	9	1-B 6						
SN194	7	1-B 6	SN3972	11	1-B 7						
SN194	11	1-B 7	SN3976	7	1-B 6						
SN2045	7	1-B 6	SN3976	9	1-B 6						
SN2045	9	1-B 6	SN3976	11	1-B 7						
SN2045	11	1-B 7	SN3976	19	1-B 7						
SN2094	15	1-B 7	SN3977	9	1-B 6						
SN2096	7	1-B 6	SN3977	11	1-B 7						
SN2098-6	11	1-B 7	SN3979	9	1-B 6						
SN2557	13	1-B 7	SN3979	11	1-B 7						
SN2755	11	1-B 7	SN3982	7	1-B 6						
SN2867	15	1-B 7	SN3982	9	1-B 6						
SN3065	17	1-B 7	SN3982	13	1-B 7						
SN317	17	1-B 7	SN3983	7	1-B 6						
SN3215	11	1-B 7	SN3983	9	1-B 6						
SN3215	19	1-B 7	SN3984	7	1-B 6						
SN3306	7	1-B 6	SN3984	9	1-B 6						
SN3306	9	1-B 6	SN3985	7	1-B 6						
SN3306	13	1-B 7	SN3985	9	1-B 6						
SN3306	15	1-B 7	SN3985	11	1-B 7						
SN3306	19	1-B 7	SN4738	7	1-B 6						
SN3335	11	1-B 7	SN4738	9	1-B 6						
SN3352	15	1-B 7	SN4738	11	1-B 7						
SN3353	15	1-B 7	SN4738	17	1-B 7						
SN3354	15	1-B 7	SN4870	11	1-B 7						
SN3355	15	1-B 7	SN4888	13	1-B 7						
SN3371	15	1-B 7	SN5059	7	1-B 6						
SN3371	17	1-B 7	SN5059B	9	1-B 6						
SN3557	17	1-B 7	SN5106	7	1-B 6						
SN3565	7	1-B 6	SN5106B	9	1-B 6						
SN3565	9	1-B 6	SN5715	17	1-B 7						
SN3566	17	1-B 7	SN5715	19	1-B 7						
SN3567	7	1-B 6	SN5719	17	1-B 7						
SN3567	9	1-B 6	SN5723	17	1-B 7						
SN3567	11	1-B 7	SN5727	17	1-B 7						
SN3567	17	1-B 7	SN5730	17	1-B 7						
SN3569	17	1-B 7	SN5731	17	1-B 7						
SN3606	11	1-B 7	SN5731	19	1-B 7						

INDEX

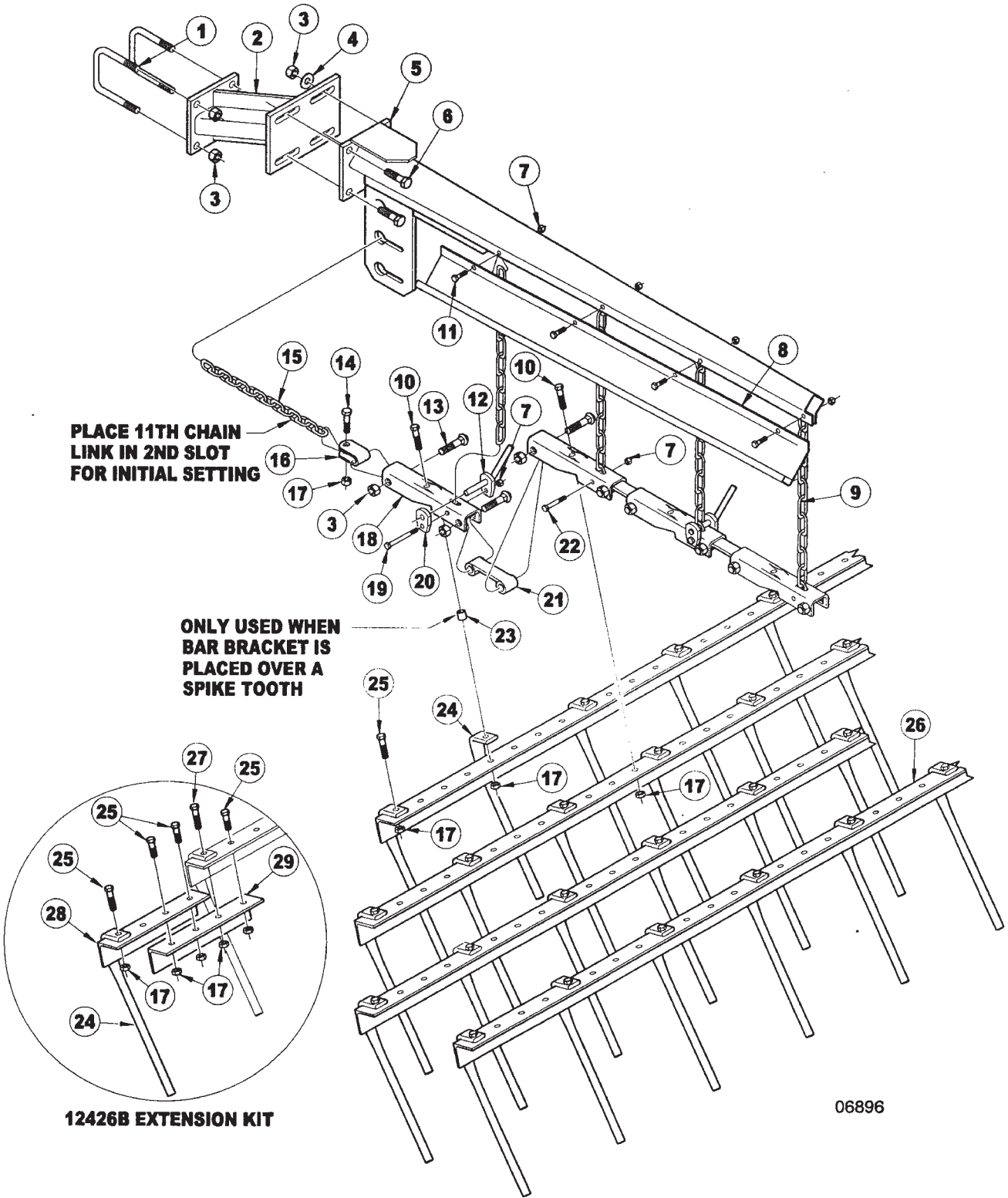
Part No.	Page	Grid	Part No.	Page	Grid	Part No.	Page	Grid	Part No.	Page	Grid
----------	------	------	----------	------	------	----------	------	------	----------	------	------

5055 FIELD CULTIVATOR ATTACHMENTS

Part No.	Page	Grid	Part No.	Page	Grid	Part No.	Page	Grid	Part No.	Page	Grid
----------	------	------	----------	------	------	----------	------	------	----------	------	------

5055 44' - 62' FIELD CULTIVATOR ATTACHMENTS
4-ROW SPIKE DRAG PARTS SECTION

4-ROW SPIKE DRAG ASSEMBLY



5055 44' - 62' FIELD CULTIVATOR ATTACHMENTS
4-ROW SPIKE DRAG PARTS SECTION

7

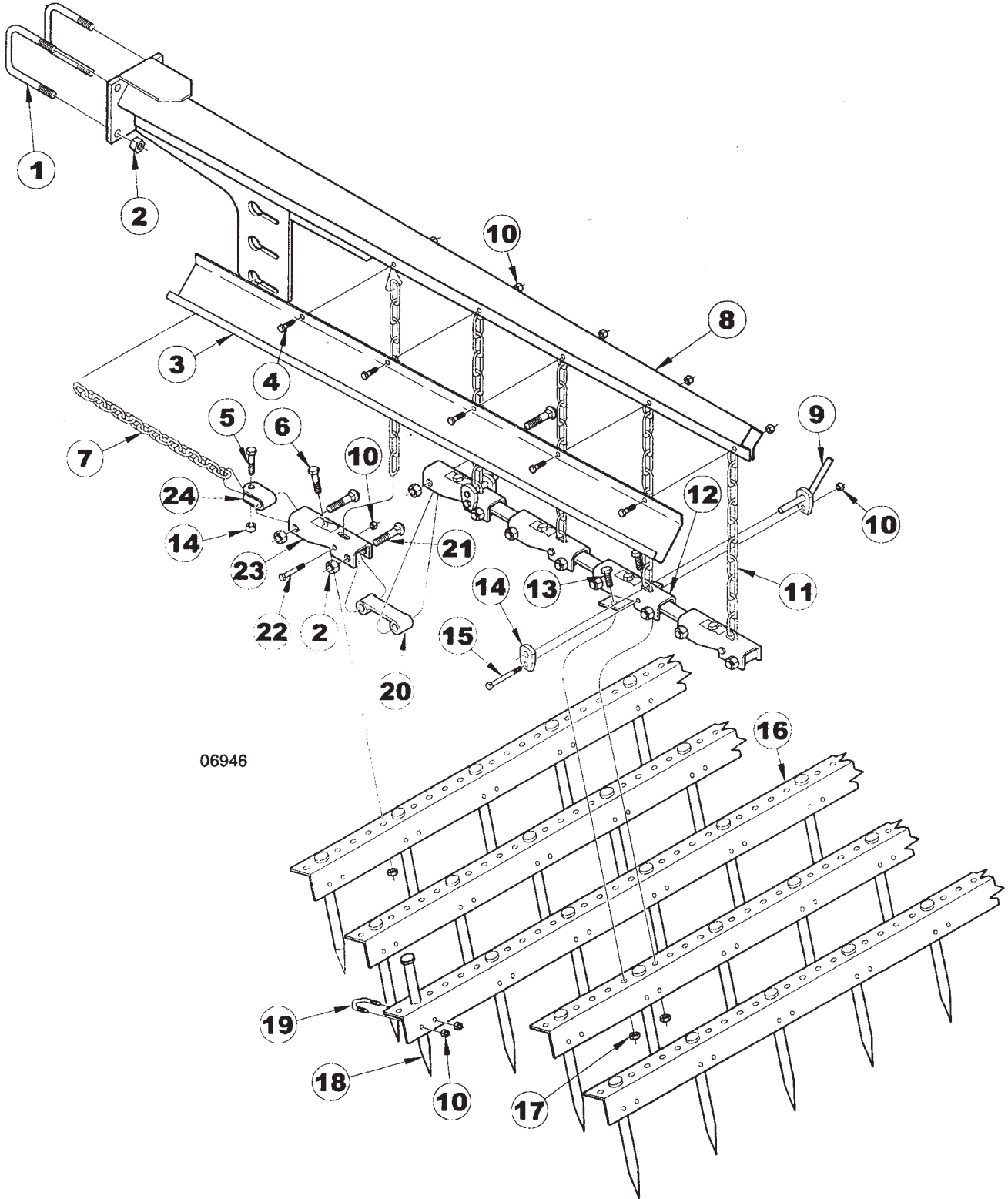
4-ROW SPIKE DRAG ASSEMBLY

ITEM	NUMBER	QTY	DESCRIPTION
1	SN3306		U-BOLT, 5/8"-11 X 4 1/2" X 4 5/8" W,5, Y/D GR
2	SN10158		EXTENSION, 4 5/8" RISE
3	SN669-1		LOCK NUT, 5/8" HEX NYLON
4	SN5810		WASHER, 1 5/16" OD X 11/16" ID.149" THICK, HARDENED, Y/D
5	SN10160		ARM, SPIKE TOOTH 4 ROW
6	SN670		HEX BOLT, 5/8"-11 X 2", GR 5, Y/D
7	SN3567		LOCK NUT, 3/8"-16 HEX NYLON INSERT, GR 2, Y/D
8	SN12131		CATCH TRAY, 48"
9	SN3982		CHAIN, 7/0 SIDE 10 LINKS
10	SN112		HEX BOLT, 1/2"-13 X 2 1/2", GR 5, Y/D
11	SN3984		HEX BOLT, 3/8"-16 X 1 1/4",GR 5, Y/D
12	SN5106		CATCH TRAY HOOK
13	SN3985		CARRIAGE BOLT, 5/8"-11 X 3" GR 5, Y/D SPECIAL
14	SN2045		HEX BOLT, 1/2"-13 X 1 3/4", GR5, Y/D
15	SN3983		CHAIN, 5/16" PROOF, 25 LINKS
16	SN7013		U-CLIP
17	SN2096		LOCK NUT, 1/2"-13 HEX NYLON INSERT
18	SN10163		BAR BRACKET
19	SN3565		HEX BOLT, 3/8"-16 X 3 1/2", GR 5, Y/D
20	SN5059		PLATE, CATCH TRAY HOOK
21	SN3976		LINK, OFFSET
22	SN4738		HEX BOLT, 3/8"-16 X 2 3/4", GR 5, Y/D
23	SN10162		BUSHING,.750" OD X.500" ID, 11/16"L
24	SN10161		TOOTH, SPIKE 3/4" ROUND
25	SN1823		HEX BOLT, 1/2"-13 X 1 1/4", GR 5, Y/D
26	SN10153		TOOTH, SPIKE BAR 7 1/4' (8 TOOTH)
	SN10147		TOOTH, SPIKE BAR 8 1/4' (9 TOOTH)
	SN10154		TOOTH, SPIKE BAR 9 1/4' (10 TOOTH)
	SN10155		TOOTH, SPIKE BAR 10 1/4' (11 TOOTH)
	SN10148B		TOOTH, SPIKE BAR 11 1/4' (12 TOOTH)
	SN10156		TOOTH, SPIKE BAR 12 1/4' (13 TOOTH)
	SN10149B		TOOTH, SPIKE BAR 14 1/4' (15 TOOTH)
27	SN194		HEX BOLT, 1/2"-13 X 1 1/2",GR 5, Y/D
28	SN12425		BAR, SPIKE TOOTH EXTENSION,11 7/8" L
29	SN12424		CONNECTOR, SPIKE BAR EXTENSION

I0006896

5055 44' - 62' FIELD CULTIVATOR ATTACHMENTS
5-ROW SPIKE DRAG PARTS SECTION

5-ROW SPIKE DRAG ASSEMBLY



06946

5055 44' - 62' FIELD CULTIVATOR ATTACHMENTS
5-ROW SPIKE DRAG PARTS SECTION

9

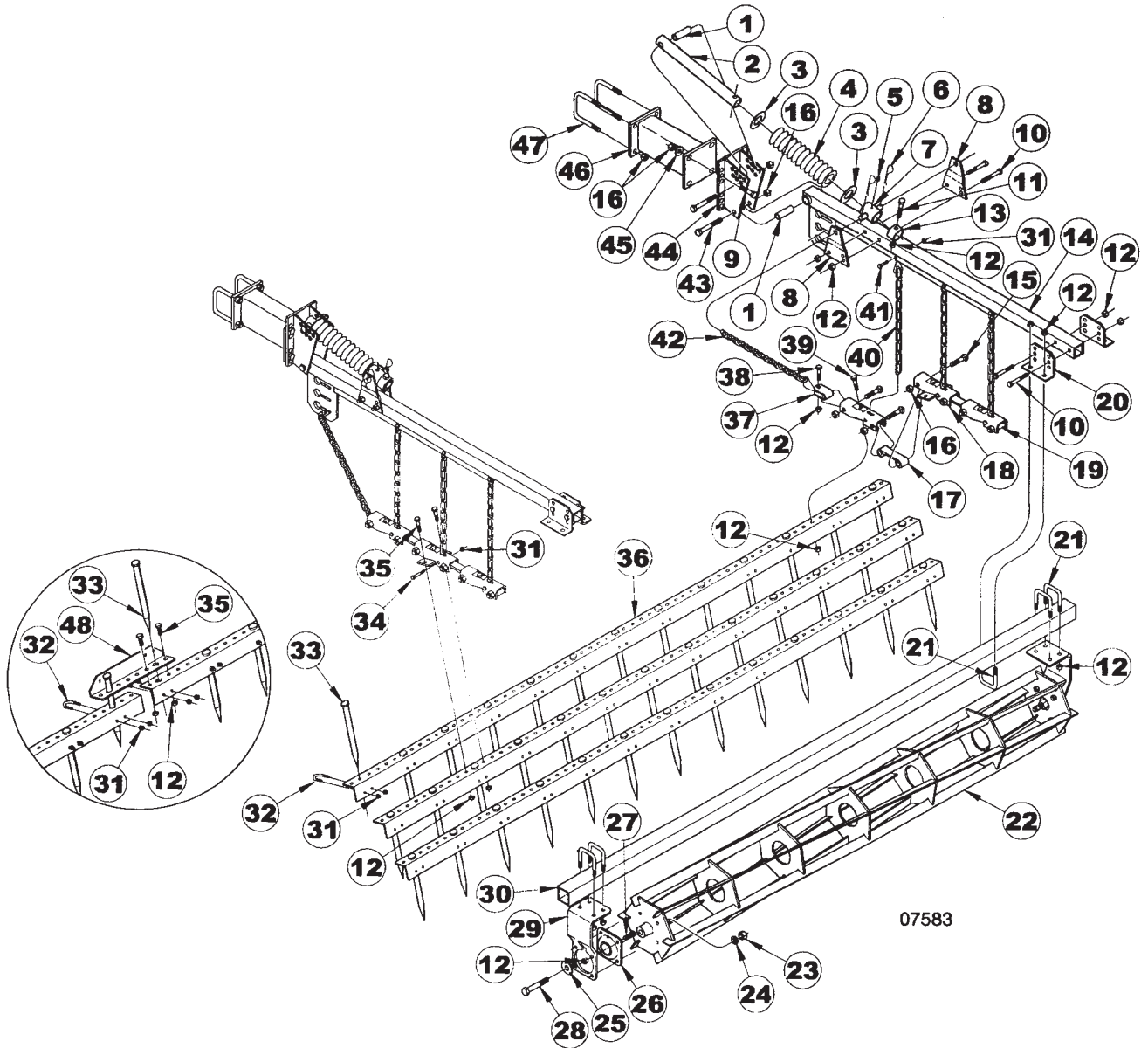
5-ROW SPIKE DRAG ASSEMBLY

ITEM	NUMBER QTY	DESCRIPTION
1	SN3306	U-BOLT, 5/8"-11 X 4 1/2" X 4 5/8" W, GR 5, Y/D
2	SN669-1	LOCK NUT, 5/8" HEX NYLON
3	SN12131	CATCH TRAY, 48"
4	SN3984	HEX BOLT, 3/8"-16 X 1 1/4", GR 5, Y/D
5	SN2045	HEX BOLT, 1/2"-13 X 1 3/4", GR5, Y/D
6	SN112	HEX BOLT, 1/2"-13 X 2 1/2", GR 5, Y/D
7	SN3983	CHAIN, 5/16" PROOF, 25 LINKS
8	SN7918	SPIKE TOOTH ARM, 5 ROW EXTEND-ED
9	SN5106B	CATCH TRAY HOOK
10	SN3567	LOCK NUT, 3/8"-16 HEX NYLON INSERT, GR 2, Y/D
11	SN3982	CHAIN, 7/0 SIDE 10 LINKS
12	SN3979	DOUBLE BAR BRACKET
13	SN1823	HEX BOLT, 1/2"-13 X 1 1/4", GR 5, Y/D
14	SN5059B	PLATE, CATCH TRAY HOOK
15	SN3565	HEX BOLT, 3/8"-16 X 3 1/2", GR 5, Y/D
16	SN7605	SPIKE TOOTH BAR, 4 1/4' (6 TOOTH)
	SN3967	SPIKE TOOTH BAR, 5' (7 TOOTH)
	SN7016	SPIKE TOOTH BAR, 5 1/2' (8 TOOTH)
	SN3968	SPIKE TOOTH BAR, 6 1/2' (9 TOOTH)
	SN7017	SPIKE TOOTH BAR, 7 1/4' (10 TOOTH)
	SN3969	SPIKE TOOTH BAR, 8' (11 TOOTH)
	SN5955	SPIKE TOOTH BAR, 10 1/4' (14 TOOTH)
	SN3971	SPIKE TOOTH BAR, 11'(15 TOOTH)
	SN5811	SPIKE TOOTH BAR, 11 3/4' (16 TOOTH)
	SN3972	SPIKE TOOTH BAR, 12 1/2' (17 TOOTH)
17	SN2096	LOCK NUT, 1/2"-13 HEX NYLON INSERT
18	SN3895B	SPIKE TOOTH, 3/4" X 11"
19	SN3894	TRI-BEND BOLT, 3/8"-16 X
20	SN3976	LINK, OFFSET
21	SN3985	CARRIAGE BOLT, 5/8"-11 X 3" GR 5, Y/D SPECIAL
22	SN4738	HEX BOLT, 3/8"-16 X 2 3/4", GR 5, Y/D
23	SN3977	BAR BRACKET
24	SN7013	U-CLIP

I0006946

5055 44' - 62' FIELD CULTIVATOR ATTACHMENTS
SPIKE & REEL PARTS SECTION

3-ROW SPIKE DRAG & REEL



07583

5055 44' - 62' FIELD CULTIVATOR ATTACHMENTS
SPIKE & REEL PARTS SECTION

11

3-ROW SPIKE DRAG & REEL

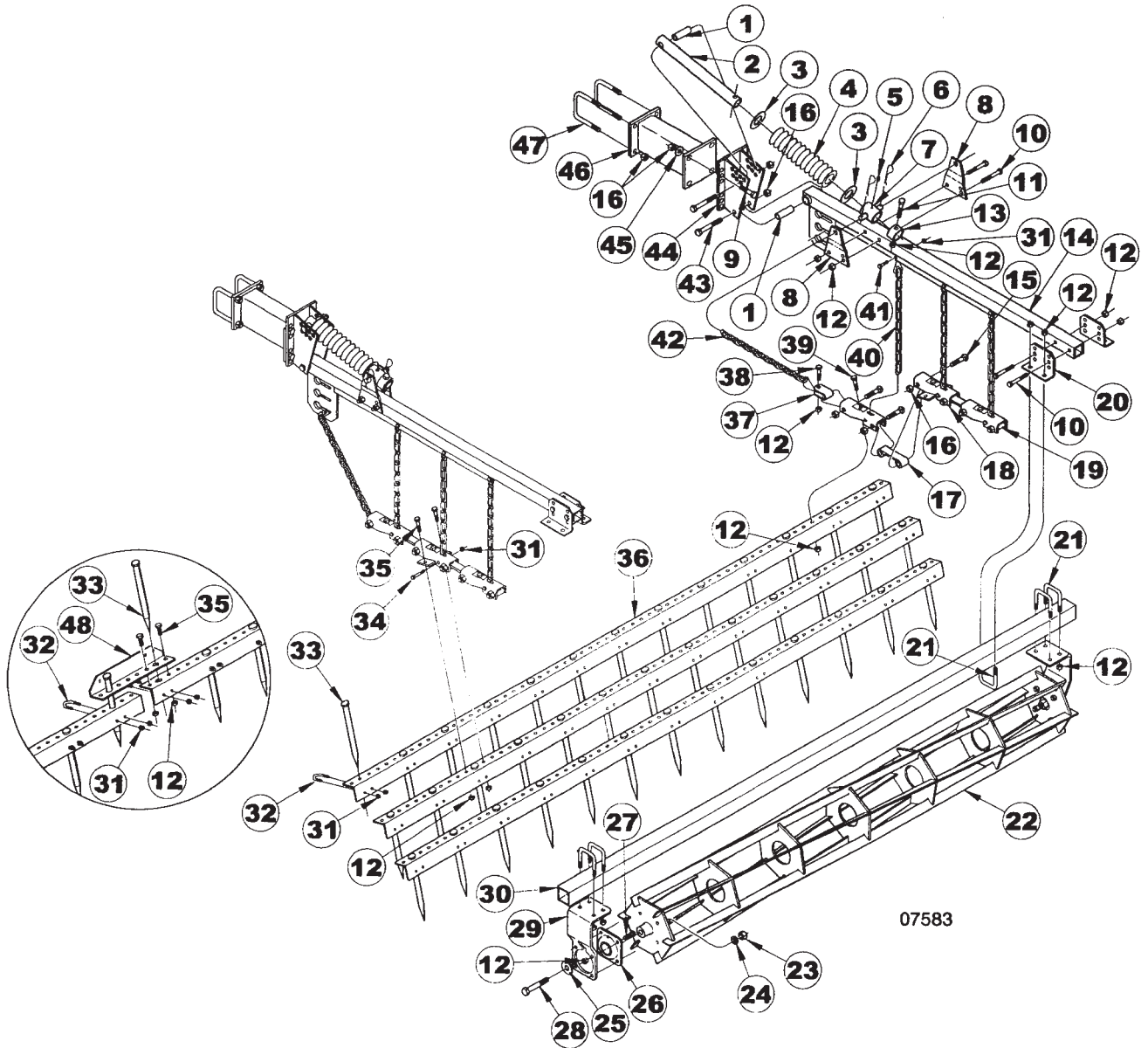
ITEM	NUMBER	QTY	DESCRIPTION
1	SN3628		REEL CARRIER ARM PIVOT BUSHING
2	SN3625		SPRING TUBE
3	SN2755		FLAT WASHER, 1 9/16"ID X
4	SN3335		SPRING
5	SN2098-6		GREASE ZERK, 1/4"-28, 17/32" L
6	SN1609		COTTER PIN, 3/16" X 1 1/2"
7	SN3623		SPRING PIVOT
8	SN3606		SPRING MOUNT
9	SN670		HEX BOLT, 5/8"-11 X 2", GR 5, Y/D
10	SN1507		HEX BOLT, 1/2"-13 X 3 1/2", GR 5, Z/P
11	SN156		HEX BOLT, 1/2"-13 X 3", GR 5 Z/P
12	SN2096		LOCK NUT, 1/2"-13 HEX NYLON INSERT
13	SN3626		SPRING STOP
14	SN4870		SPIKE & REEL ARM
15	SN3985		BOLT,CGE, 5/8-11 X 3 GR5, Z/P SPECIAL
16	SN669-1		LOCK NUT, 5/8" HEX NYLON
17	SN3976		LINK, OFFSET
18	SN3979		DOUBLE BAR BRACKET
19	SN3977		BAR BRACKET
20	SN3622		REEL GANG BAR MOUNT
21	SN3619		U-BOLT, 1/2-13 X 3 5/8 X 3 W, GR 5, Z/P
22	SN10057		REEL, 41 1/4"
	SN10059B		REEL, 56 1/4"
	SN10061		REEL, 71 1/4"
23	SN106		HEX NUT, 3/4"-10 FULL, GR 5, Z/P
24	SN1040		LOCK WASHER, 3/4" SPLIT TYPE MED, Z/P
25	SN3613		FLAT WASHER,7/8ID X 2 1/8OD X 1/4THK,Z/P
26	SN3215		FLANGETTE BEARING, 1 3/4" BORE
27	SN194		HEX BOLT, 1/2"-13 X 1 1/2",GR 5, Y/D,USA
28	SN1599		HEX BOLT, 3/4"-10 X 4", GR 5, Z/P
29	SN9917		BEARING STANDARD
30	SN3644		GANG BAR, 75"
	SN3645		GANG BAR, 90"
31	SN3567		LOCK NUT, 3/8"-16 HEX NYLON INSERT, GR 2, Z/P
32	SN3894		TRI-BEND BOLT, 3/8"-16 X 1 1/2", Z/P
33	SN3895		SPIKE TOOTH, 3/4" X 11"
34	SN4738		HEX BOLT, 3/8"-16 X 2 3/4", GR 5, Z/P
35	SN1823		HEX BOLT, 1/2"-13 X 1 1/4", GR 5, Z/P
36	SN7016		SPIKE TOOTH BAR, 5 1/2' (8TOOTH)
	SN7017		SPIKE TOOTH BAR, 7 1/4' (10 TOOTH)
	SN3969		SPIKE TOOTH BAR, 8' (11 TOOTH)
	SN5954		SPIKE TOOTH BAR, 8 3/4' (12 TOOTH)
	SN5955		SPIKE TOOTH BAR, 10 1/4' (14 TOOTH)
	SN3971		SPIKE TOOTH BAR, 11' (15 TOOTH)
	SN5811		SPIKE TOOTH BAR, 11 3/4' (16 TOOTH)
	SN3972		SPIKE TOOTH BAR, 12 1/2' (17 TOOTH)
37	SN7013		U-CLIP
38	SN2045		HEX BOLT, 1/2"-13 X 1 3/4", GR5, Z/P
39	SN112		HEX BOLT, 1/2"-13 X 2 1/2", GR 5, Z/P

CONTINUED

I0007583

5055 44' - 62' FIELD CULTIVATOR ATTACHMENTS
SPIKE & REEL PARTS SECTION

3-ROW SPIKE DRAG & REEL



5055 44' - 62' FIELD CULTIVATOR ATTACHMENTS
SPIKE & REEL PARTS SECTION

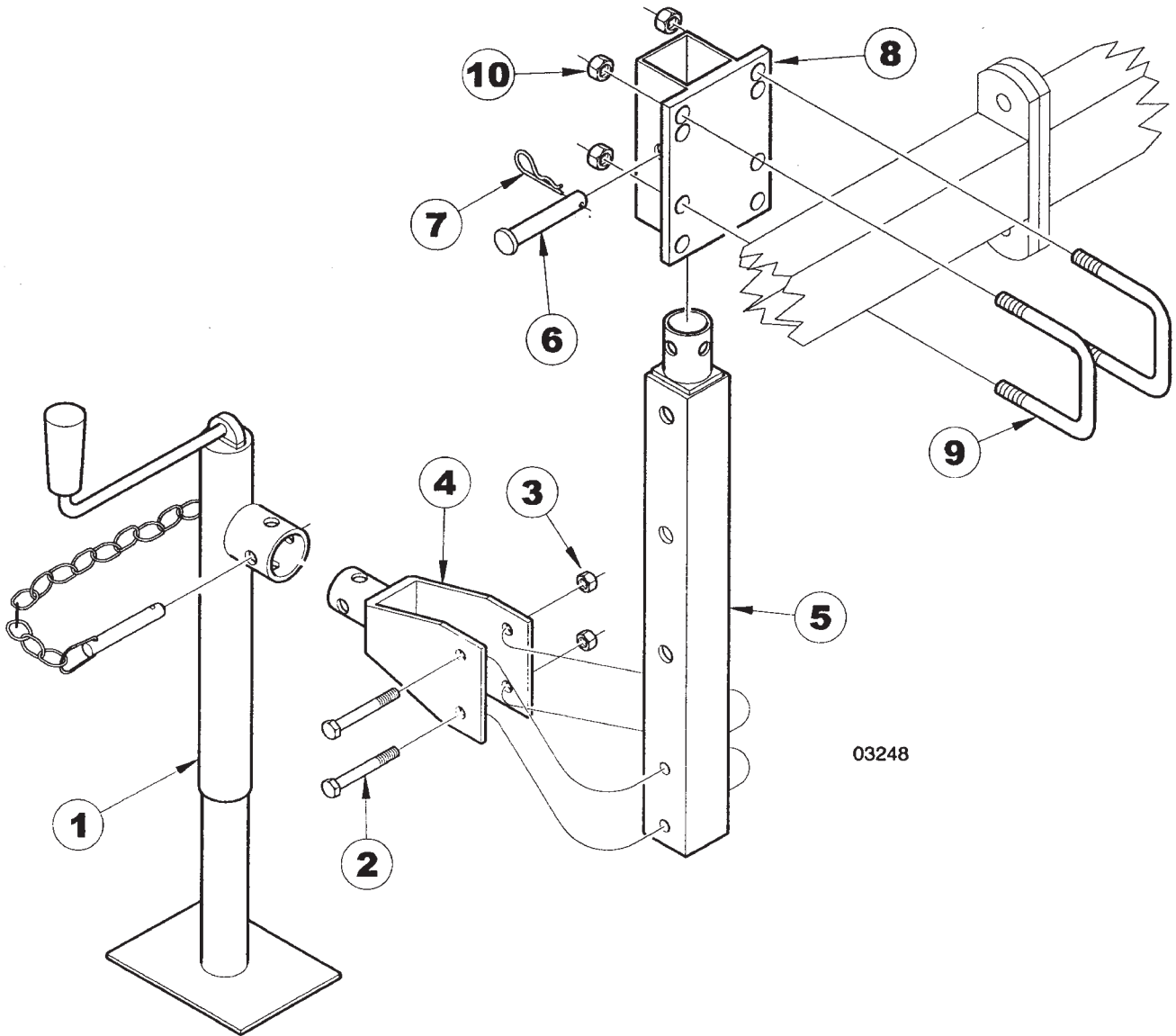
13

3-ROW SPIKE DRAG & REEL

ITEM	NUMBER	QTY	DESCRIPTION
40	SN3982		CHAIN, 7/0 SIDE 10 LINKS
41	SN175		HEX BOLT, 3/8"-16 X 1 1/2", GR 5, Y/D
42	SN4888		CHAIN, 5/16" PROOF, 15 LINKS
43	SN2557		HEX BOLT, 5/8"-11 X 4 1/2", GR 5, Z/P
44	SN3652		REEL & TINE MOUNT
45	SN5810		WASHER, 1 5/16 OD X 11/16 ID .149 THK, HARDENED, Z/P
46	SN7270		HARROW ARM EXTENSION, 12"
	SN7273		HARROW ARM EXTENSION, 12" L
47	SN3306		U-BOLT, 5/8-11 X 4 1/2 X 4 5/8 W, GR 5, Z/P
48	SN3964		SPIKE TOOTH EXTENSION, 18" (2 TOOTH)

I0007583

REAR JACK ASSEMBLY



03248

**5055 44' - 62' FIELD CULTIVATOR ATTACHMENTS
SPIKE & REEL PARTS SECTION**

15

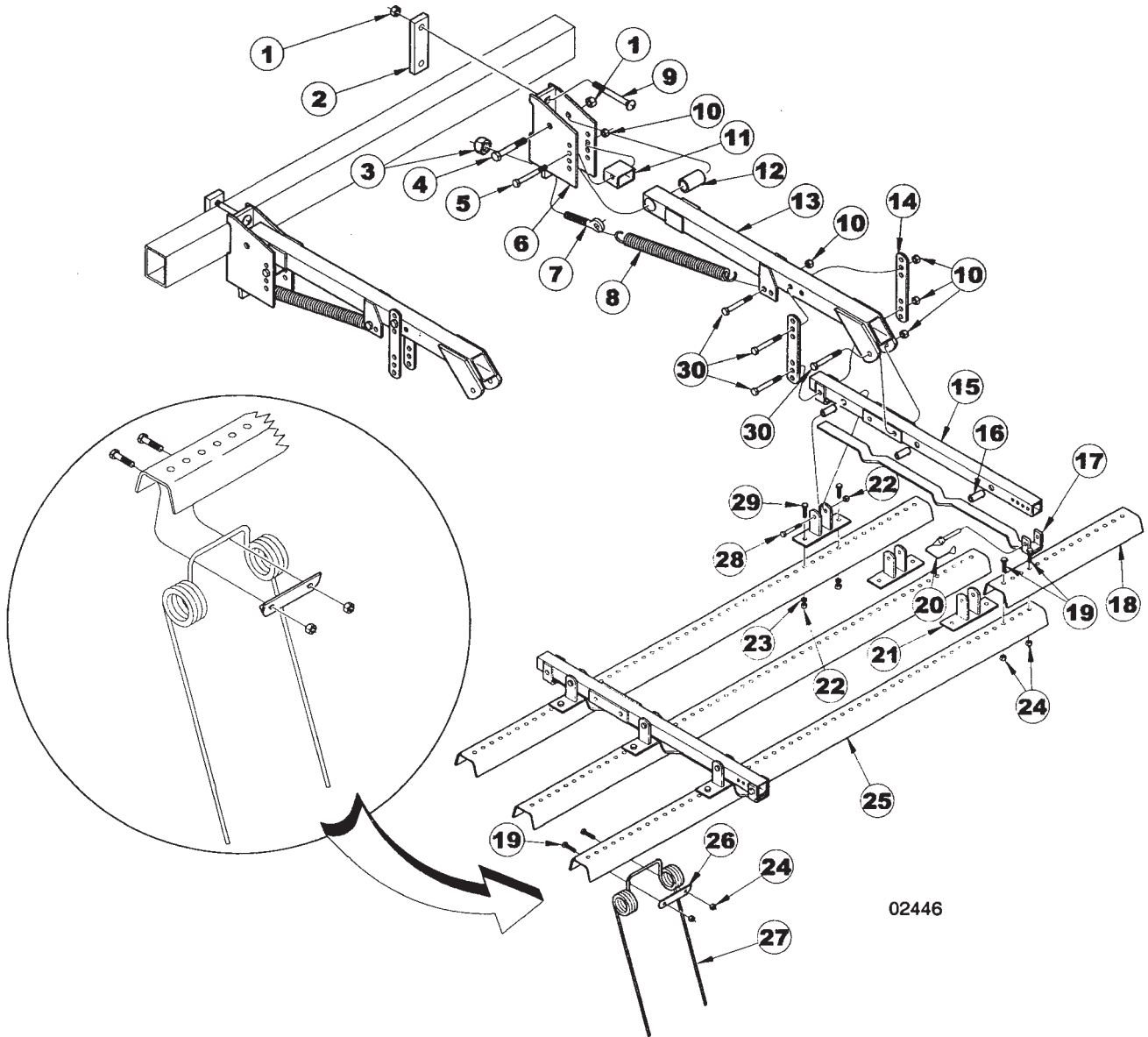
REAR JACK ASSEMBLY

ITEM	NUMBER	QTY	DESCRIPTION
1	SN9777		LONG TONGUE JACK, SQ W/TUBE MOUNT
2	SN3371		HEX BOLT, 1/2"-13 X 4", GR 5, Z/P
3	SN2096		LOCK NUT, 1/2"-13 HEX NYLON INSERT
4	SN3355		JACK BRACKET
5	SN3354		JACK TUBE
6	SN2094		PIN, 3/4" X 4 1/2" (4"), Z/P
7	SN2867		PIN CLIP, 1/2"-5/8" SHAFT,.120" DIA, 2" L
8	SN3353		JACK ADAPTER PLATE
9	SN3306		U-BOLT, 5/8"-11 X 4 1/2" X 4 5/8" W, GR 5, Z/P
10	SN669-1		LOCK NUT, 5/8" HEX NYLON INSERT, GR 5, Z/P
	SN3352		REAR JACK MOUNT ASSEMBLY, LESS U-BOLTS & JACK (ITEMS 2-8)

I0003248

5055 44' - 62' FIELD CULTIVATOR ATTACHMENTS
3-ROW COIL TINE PARTS SECTION

DOUBLE ARM COIL TINE HARROW ASSEMBLY



02446

5055 44' - 62' FIELD CULTIVATOR ATTACHMENTS

17

3-ROW COIL TINE PARTS SECTION

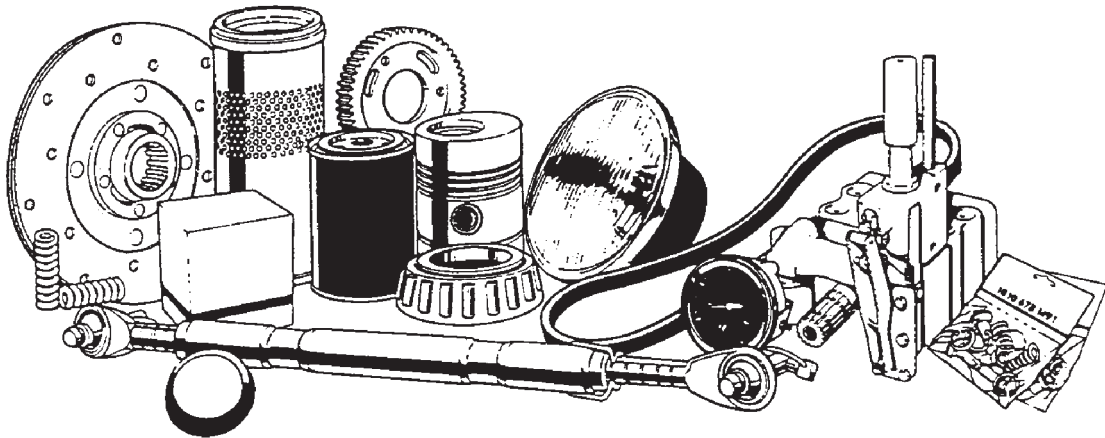
DOUBLE ARM COIL TINE HARROW ASSEMBLY

ITEM	NUMBER	QTY	DESCRIPTION
1	SN669-1		LOCK NUT, 5/8" HEX NYLON
2	SN3647		CLAMP PLATE, 2 HOLE
3	SNHEN3410		LOCK NUT, 3/4" HEX NYLON INSERT, Y/D
4	SN3065		HEX BOLT, 5/8"-11 X 4", GR 5, Y/D
5	SN3371		HEX BOLT, 1/2"-13 X 4", GR 5, Y/D
6	SN5719		HARROW MOUNT, 4" FRAME, 2 1/2" W
7	SN5731		EYE BOLT, 3/4"-10 X 4 1/2" Y/D
8	SN5732		SPRING, 1.40" OD X.82" ID X 16 1/4" L
9	SN3569		CARRIAGE BOLT, 5/8"-11 X
10	SN2096		LOCK NUT, 1/2"-13 HEX NYLON INSERT
11	SN3629		ARM STOP
12	SN3635		PIVOT BUSHING 2 1/2" L
13	SN5890		TINE CARRIER ARM, DOUBLE, LONG
14	SN5727		ANGLE LINK
15	SN7908		HARROW SUBFRAME, 3 ROW (15" ROW SP)
16	SN5730		PIVOT BUSHING
17	SN7907		TINE ANGLE ADJUSTMENT STOP (15" ROW SP)
18	SN3859		HARROW CONNECTOR
19	SN175		HEX BOLT, 3/8"-16 X 1 1/2", GR 5, Y/D
20	SN3557		QUICK PIN, 3/8" DIA X 2 1/2"
21	SN5723		TINE BAR PIVOT
22	SN3566		LOCK NUT, 3/8"-16 HEX CENTER, GR 2, Y/D
23	SN317		FLAT WASHER, 3/8", Y/D
24	SN3567		LOCK NUT, 3/8"-16 HEX NYLON INSERT, GR 2, Y/D
25	SN3917		TINE CHANNEL, 37 1/2"
	SN3609		TINE CHANNEL, 52 1/2"
	SN3610		TINE CHANNEL, 67 1/2"
	SN3611		TINE CHANNEL, 82 1/2"
	SN3612		TINE CHANNEL, 97 1/2"
26	SN3621		TOOTH CLIP, Y/D
27	SN5715		HARROW TOOTH, 3/8" DIA X 16" L
28	SN4738		HEX BOLT, 3/8"-16 X 2 3/4", GR 5, Y/D
29	SN178		HEX BOLT, 3/8"-16 X 1", GR 5, Y/D
30	SN1507		HEX BOLT, 1/2"-13 X 3 1/2", GR 5, Y/D

I0002446

RECOMMENDED DEALER STOCK

RECOMMENDED DEALER'S STOCK



5055 44' - 62' FIELD CULTIVATOR ATTACHMENTS
RECOMMENDED DEALER LIST

19

RECOMMENDED DEALER STOCK

ITEM	NUMBER	QTY	DESCRIPTION
-	SN10162	2	BUSHING,.750" OD X.500" ID, 11/16"L
-	SN5731	2	EYE BOLT, 3/4"-10 X 4 1/2" Y/D
-	SN3215	2	FLANGETTE BEARING, 1 3/4" BORE
-	SN5715	10	HARROW TOOTH, 3/8" DIA X 16" L
-	SN3976	2	LINK, OFFSET
-	SN3635	2	PIVOT BUSHING 2 1/2" L
-	SN3628	2	REEL CARRIER ARM PIVOT BUSHING
-	SN3895	10	SPIKE TOOTH, 3/4" X 11"
-	SN5732	2	SPRING, 1.40" OD X.82" ID X 16 1/4" L
-	SN3621	10	TOOTH CLIP, Y/D
-	SN10161	10	TOOTH, SPIKE 3/4" ROUND
-	SN3894	10	TRI-BEND BOLT, 3/8"-16 X
-	SN3619	2	U-BOLT, 1/2"-13 X 3 5/8" X 3" W, GR 5,
-	SN3306	2	U-BOLT, 5/8"-11 X 4 1/2" X 4 5/8"
-	SN7013	2	U-CLIP

NOTE: THIS PARTS STOCK LIST
INDICATES THOSE ITEMS RECOMMENDED
TO SERVICE ONE UNIT.

RDL