

# GRAIN DRILLS



## PARTS CATALOG

### SUNFLOWER<sup>®</sup> 9412 THREE POINT GRAIN DRILL



**ALPHABETICAL INDEX**

The complete alphabetical index appears at the beginning of this publication. It is used to locate major groups, assemblies and components.

**NUMERICAL INDEX**

The numerical index of this publication follows the Alphabetical Index at the beginning of the publication and indicates at which grid location and page number a part number appears.

**ILLUSTRATIONS**

All illustrations are located on the left hand page with the text on the right. Except for some common hardware, all parts are identified with an item number which corresponds to the item column on the text page. This is followed by the parts number, quantity and description.

**HARDWARE**

Common hardware not identified such as bolts, nuts, cotter pins and lube fittings, are listed indented in the text beneath the item to which they attach or fit. Common hardware listed indented beneath an item is NOT included unless specified. Example: (Incl. BOLT, LOCKWASHER AND NUT).

**ORDERING PARTS**

Be sure to refer to both the text and the illustration to assure ordering the correct part.

**RECOMMENDED DEALER STOCK**

A recommended dealer stock listing appears at the end of this publication.



9412 THREE-POINTD MOUNTED DRILL

**RECOMMENDED DEALER LIST**

RECOMMENDED DEALER STOCK ..... 95

**SERVICE PARTS**

ALL PURPOSE HEADS UP OPENER ASSEMBLY (YEAR 2001 & LATER DRILLS) ..... 41  
 ALL PURPOSE HEADS UP OPENER PRESS WHEEL ASSY (YEAR 2001 & LATER DRILLS) ..... 45  
 ALL PURPOSE OPENER ASSEMBLY (YEAR 2000 ..... 35  
 ALL PURPOSE PRESS WHEEL ASSEMBLY (YEAR 2000 & EARLIER DRILLS) ..... 39  
 DECAL PLACEMENT ..... 91  
 DRILL SHAFT ASSEMBLY WHEN USING GRASS SEEDER ..... 89  
 EIGHT BOLT HUB ASSEMBLY (12' DRILLS) ..... 61  
 GRASS SEEDER AGITATOR ASSEMBLY ..... 87  
 GRASS SEEDER HOPPER ASSEMBLY (OPTIONAL) ..... 83  
 GRASS SEEDER SHAFT ASSEMBLY ..... 85  
 INNER HYDRAULIC ROW MARKER ASSEMBLY ..... 73  
 OPENER SHIELD ASSEMBLY ..... 49  
 OUTER HYDRAULIC ROW MARKERS ASSEMBLY ..... 71  
 PRESS WHEEL & TIRE ASSEMBLY ..... 47  
 ROW MARKER HYDRAULICS ..... 77  
 SAFETY SIGN PLACEMENT ..... 93  
 SHAFT ASSEMBLY ..... 19  
 SIX BOLT HUB ASSEMBLY ..... 59  
 TRANSPORT PULL HITCH HYDRAULICS (OLD 10' VERSION 1 & CURRENT 15' & 20') ..... 63  
 TRANSPORT PULL HITCH HYDRAULICS (10' & 12' VERSION 2 - 09/2001 & AFTER) ..... 65  
 TURNBUCKLE ASSEMBLY ..... 33  
 WEIGHT BRACKET ASSEMBLY (OPTIONAL) ..... 51  
 10' & 12' TRANSPORT PULL HITCH ASSEMBLY (VERSION 2 - 09/2001 & LATER) ..... 55  
 10' HOPPER ASSEMBLY ..... 9  
 10' THREE-POINT HITCH ASSEMBLY ..... 21  
 10' TRANSPORT PULL HITCH ASSEMBLY (VERSION 1 - PRIOR TO 09/2001) ..... 53  
 10', 12' & 15' UPPER GAUGE WHEEL ASSEMBLY (LEFT) ..... 27  
 10', 12' & 15' UPPER GAUGE WHEEL ASSEMBLY (RIGHT) ..... 25  
 10', 12', 15' & 20' LOWER GAUGE WHEEL ASSEMBLY ..... 31  
 10', 15' & 20' FRAME ASSEMBLY ..... 13  
 12 1/2' FRAME ASSEMBLY ..... 17  
 12 1/2' HOPPER ASSEMBLY ..... 11  
 12', 15' & 20' THREE-POINT HITCH ASSEMBLY ..... 23  
 15' & 20' TRANSPORT PULL HITCH ASSEMBLY ..... 57  
 2 1/2" X 8" CYLINDER DR55002 (VERSION 1, PRIOR TO 6/23/03) ..... 79  
 2 1/2" X 8" CYLINDER 12051R (VERSION 2, 6/23/03 & LATER) ..... 81  
 20' UPPER GAUGE WHEEL ASSEMBLY ..... 29  
 4" X 10" LIFT CYLINDER 12026R (VERSION 2, 10/22/03 & LATER) ..... 69  
 4" X 10" LIFT CYLINDER 6635R (VERSION 1, PRIOR TO 10/22/03) ..... 67  
 7 1/2' HOPPER ASSEMBLY ..... 7

9412 THREE-POINTED MOUNTED DRILL

III  
INDEX

Part No.	Page	Grid	Part No.	Page	Grid	Part No.	Page	Grid	Part No.	Page	Grid
SNA0007	9	1-B 6	SNDR12011	35	1-B 9	SNFK330122	63	1-B 12	SN11193	41	1-B 10
SNA0007	11	1-B 7	SNDR12011	41	1-B 10	SNHCL	73	1-B 13	SN12025	69	1-B 12
SNA0007	83	1-B 14	SNDR12011	95	1-B 15	SNHEN3410	33	1-B 9	SN12026	63	1-B 12
SNA0007	95	1-B 15	SNDR12016	7	1-B 6	SNHEN3410	39	1-B 9	SN12026	65	1-B 12
SNA0012	19	1-B 7	SNDR12016	9	1-B 6	SNHEN3410	41	1-B 10	SN12026	69	1-B 12
SNA0012	89	1-B 14	SNDR12016	11	1-B 7	SNHEN3410	53	1-B 11	SN12051	75	1-B 13
SNA0012	97	1-B 15	SNDR12016	97	1-B 15	SNHEN3410	55	1-B 11	SN12051	81	1-B 14
SNA0119	85	1-B 14	SNDR12017	19	1-B 7	SNHEN3410	57	1-B 11	SN1220	37	1-B 9
SNBP10030	83	1-B 14	SNDR12017	89	1-B 14	SNQH10041	53	1-B 11	SN1220	43	1-B 10
SNBP10031	83	1-B 14	SNDR12017	95	1-B 15	SN10023R	55	1-B 11	SN12348	43	1-B 10
SNBP10041	85	1-B 14	SNDR12031	21	1-B 8	SN10126	43	1-B 10	SN12360	31	1-B 9
SNBP10065	83	1-B 14	SNDR12034	83	1-B 14	SN10126	95	1-B 15	SN12360	95	1-B 15
SNBP10074	83	1-B 14	SNDR12035	75	1-B 13	SN10127	43	1-B 10	SN12361	31	1-B 9
SNBP10076	83	1-B 14	SNDR12046	7	1-B 6	SN10127	95	1-B 15	SN1243	19	1-B 7
SNBP10296	83	1-B 14	SNDR12046	9	1-B 6	SN1021	39	1-B 9	SN1243	71	1-B 13
SNBT10154	21	1-B 8	SNDR12046	11	1-B 7	SN1021	41	1-B 10	SN1243	73	1-B 13
SNBT10157	21	1-B 8	SNDR20004	35	1-B 9	SN1021	53	1-B 11	SN1243	89	1-B 14
SNBT10258	13	1-B 7	SNDR20004	41	1-B 10	SN1021	55	1-B 11	SN1244	75	1-B 13
SNBT10258	17	1-B 7	SNDR20004	97	1-B 15	SN1021	57	1-B 11	SN1282	53	1-B 11
SNBT10275	19	1-B 7	SNDR20005	85	1-B 14	SN10292	25	1-B 8	SN1282	55	1-B 11
SNBT10275	89	1-B 14	SNDR30005	37	1-B 9	SN10292	29	1-B 8	SN1282	57	1-B 11
SNBT10286	51	1-B 11	SNDR30005	95	1-B 15	SN10293	27	1-B 8	SN1283	23	1-B 8
SNBT10321	13	1-B 7	SNDR30009	19	1-B 7	SN10293	29	1-B 8	SN1283	25	1-B 8
SNBT10321	17	1-B 7	SNDR30009	85	1-B 14	SN10296	33	1-B 9	SN1283	27	1-B 8
SNBT10323	13	1-B 7	SNDR30009	87	1-B 14	SN10325	31	1-B 9	SN1283	29	1-B 8
SNBT10323	17	1-B 7	SNDR30009	89	1-B 14	SN10326	7	1-B 6	SN1283	53	1-B 11
SNBT10376	21	1-B 8	SNDR30009	95	1-B 15	SN10326	9	1-B 6	SN1283	55	1-B 11
SNBT10377	21	1-B 8	SNDR30022	27	1-B 8	SN10326	11	1-B 7	SN1283	57	1-B 11
SNB1120	35	1-B 9	SNDR30022	31	1-B 9	SN10326	19	1-B 7	SN1298	25	1-B 8
SNB1120	95	1-B 15	SNDR40506	19	1-B 7	SN10326	89	1-B 14	SN1298	29	1-B 8
SNB1127	35	1-B 9	SNDR40506	97	1-B 15	SN10333	39	1-B 9	SN1345	33	1-B 9
SNB1127	43	1-B 10	SNDR4100	29	1-B 8	SN10333	41	1-B 10	SN140	13	1-B 7
SNB1127	95	1-B 15	SNDR41007	25	1-B 8	SN10336	59	1-B 11	SN1484	73	1-B 13
SNB1141	77	1-B 13	SNDR41007	29	1-B 8	SN10355	31	1-B 9	SN1507	13	1-B 7
SNB1142	85	1-B 14	SNDR41007	31	1-B 9	SN10356	31	1-B 9	SN1507	17	1-B 7
SNB1540	19	1-B 7	SNDR41008	25	1-B 8	SN10357	31	1-B 9	SN1507	71	1-B 13
SNB1540	89	1-B 14	SNDR41008	31	1-B 9	SN10358	31	1-B 9	SN155	13	1-B 7
SNB1598	19	1-B 7	SNDR41506	19	1-B 7	SN10359	31	1-B 9	SN1550	19	1-B 7
SNB1598	89	1-B 14	SNDR41506	89	1-B 14	SN1040	15	1-B 7	SN1550	89	1-B 14
SNB1599	19	1-B 7	SNDR41509	19	1-B 7	SN1040	21	1-B 8	SN156	13	1-B 7
SNB1599	89	1-B 14	SNDR41509	85	1-B 14	SN1040	23	1-B 8	SN156	17	1-B 7
SNB1610	85	1-B 14	SNDR41509	87	1-B 14	SN1040	51	1-B 11	SN156	25	1-B 8
SNB2528	21	1-B 8	SNDR41509	89	1-B 14	SN1040	75	1-B 13	SN156	29	1-B 8
SNB2606	21	1-B 8	SNDR41515	31	1-B 9	SN10463	43	1-B 10	SN159	71	1-B 13
SNB2606	23	1-B 8	SNDR41516	31	1-B 9	SN10479	43	1-B 10	SN159	85	1-B 14
SNB2620	19	1-B 7	SNDR41517	31	1-B 9	SN10542	43	1-B 10	SN1599	55	1-B 11
SNB2620	85	1-B 14	SNDR55002	75	1-B 13	SN10569	33	1-B 9	SN1599	57	1-B 11
SNB2620	89	1-B 14	SNDR55002	79	1-B 13	SN106	13	1-B 7	SN1605	59	1-B 11
SNB2632	71	1-B 13	SNDR56006	77	1-B 13	SN106	21	1-B 8	SN1605	61	1-B 12
SNB2639	89	1-B 14	SNDR80011	37	1-B 9	SN106	23	1-B 8	SN1605	95	1-B 15
SNB4103	33	1-B 9	SNDR80011	43	1-B 10	SN106	51	1-B 11	SN1606	59	1-B 11
SNB5000	37	1-B 9	SNDR80018	15	1-B 7	SN106	75	1-B 13	SN1606	61	1-B 12
SNCS516114	53	1-B 11	SNDR80018	17	1-B 7	SN10836	63	1-B 12	SN1606	95	1-B 15
SNCS516114	55	1-B 11	SNDR80018	29	1-B 8	SN10836	65	1-B 12	SN1609	53	1-B 11
SNCS516114	57	1-B 11	SNDR80018	73	1-B 13	SN109	53	1-B 11	SN1609	55	1-B 11
SNDR10025	7	1-B 6	SNDR80019	15	1-B 7	SN110	23	1-B 8	SN1609	57	1-B 11
SNDR10025	9	1-B 6	SNDR80019	51	1-B 11	SN110	25	1-B 8	SN1609	71	1-B 13
SNDR10025	11	1-B 7	SNDR80019	73	1-B 13	SN110	27	1-B 8	SN1610	59	1-B 11
SNDR10025	85	1-B 14	SNDR80019	97	1-B 15	SN110	29	1-B 8	SN1610	61	1-B 12
SNDR10026	19	1-B 7	SNDR80029	25	1-B 8	SN110	53	1-B 11	SN1610	95	1-B 15
SNDR10026	85	1-B 14	SNDR80029	29	1-B 8	SN110	55	1-B 11	SN1611	27	1-B 8
SNDR10026	89	1-B 14	SNDR80029	31	1-B 9	SN110	57	1-B 11	SN1611	31	1-B 9
SNDR10506	19	1-B 7	SNDR80029	97	1-B 15	SN112	31	1-B 9	SN1672	57	1-B 11
SNDR10506	85	1-B 14	SNDR80030	89	1-B 14	SN113	29	1-B 8	SN1675	21	1-B 8
SNDR10506	89	1-B 14	SNDR80044	21	1-B 8	SN113	31	1-B 9	SN1675	23	1-B 8
SNDR10508	35	1-B 9	SNDR80044	97	1-B 15	SN113	71	1-B 13	SN1676	75	1-B 13
SNDR10524	13	1-B 7	SNDR81041	75	1-B 13	SN114	29	1-B 8	SN1723	53	1-B 11
SNDR10524	17	1-B 7	SNDR81044	35	1-B 9	SN114	31	1-B 9	SN1723	55	1-B 11
SNDR11502	15	1-B 7	SNDR81044	43	1-B 10	SN114	71	1-B 13	SN1723	57	1-B 11
SNDR11502	17	1-B 7	SNFK150172	33	1-B 9	SN1189	53	1-B 11	SN175	37	1-B 9
SNDR11507	13	1-B 7	SNFK150173	23	1-B 8	SN1189	55	1-B 11	SN175	47	1-B 10
SNDR11507	17	1-B 7	SNFK150189	85	1-B 14	SN1189	57	1-B 11	SN175	77	1-B 13
SNDR11507	97	1-B 15	SNFK150221	83	1-B 14	SN1193	13	1-B 7	SN175	83	1-B 14
SNDR12003	85	1-B 14	SNFK150283	35	1-B 9	SN1193	17	1-B 7	SN176	53	1-B 11
SNDR12006	85	1-B 14	SNFK150283	41	1-B 10	SN1193	35	1-B 9	SN176	55	1-B 11

**IV  
INDEX**

**9412 THREE-POINTED MOUNTED DRILL**

Part No.	Page	Grid	Part No.	Page	Grid	Part No.	Page	Grid	Part No.	Page	Grid
SN176	57	1-B 11	SN3118	59	1-B 11	SN3683	61	1-B 12	SN4458	69	1-B 12
SN176	63	1-B 12	SN3118	61	1-B 12	SN3683	95	1-B 15	SN4458	79	1-B 13
SN176	77	1-B 13	SN3118	95	1-B 15	SN3684	61	1-B 12	SN4458	81	1-B 14
SN177	19	1-B 7	SN3153	15	1-B 7	SN3684	95	1-B 15	SN4460	63	1-B 12
SN177	75	1-B 13	SN3164	53	1-B 11	SN3685	61	1-B 12	SN4460	65	1-B 12
SN177	85	1-B 14	SN3164	55	1-B 11	SN3686	61	1-B 12	SN4464	63	1-B 12
SN177	89	1-B 14	SN3164	57	1-B 11	SN3686	95	1-B 15	SN4464	65	1-B 12
SN178	15	1-B 7	SN3164	63	1-B 12	SN3687	61	1-B 12	SN4475	63	1-B 12
SN178	49	1-B 10	SN3164	65	1-B 12	SN3688Y	61	1-B 12	SN4592	73	1-B 13
SN178	83	1-B 14	SN3164	75	1-B 13	SN3722	35	1-B 9	SN4732	63	1-B 12
SN1817	63	1-B 12	SN317	7	1-B 6	SN3722	85	1-B 14	SN4732	65	1-B 12
SN1817	65	1-B 12	SN317	9	1-B 6	SN3722	87	1-B 14	SN4738	13	1-B 7
SN1823	17	1-B 7	SN317	11	1-B 7	SN3723	53	1-B 11	SN4738	17	1-B 7
SN1823	31	1-B 9	SN317	13	1-B 7	SN3723	55	1-B 11	SN474	7	1-B 6
SN1849	73	1-B 13	SN317	17	1-B 7	SN3723	57	1-B 11	SN474	77	1-B 13
SN1860	21	1-B 8	SN317	19	1-B 7	SN3723	63	1-B 12	SN4843	15	1-B 7
SN1860	23	1-B 8	SN317	43	1-B 10	SN3723	65	1-B 12	SN4843	17	1-B 7
SN1918	15	1-B 7	SN317	77	1-B 13	SN3724	53	1-B 11	SN486	13	1-B 7
SN1935	59	1-B 11	SN317	83	1-B 14	SN3724	55	1-B 11	SN486	17	1-B 7
SN1935	95	1-B 15	SN317	85	1-B 14	SN3724	57	1-B 11	SN486	29	1-B 8
SN1936	59	1-B 11	SN317	89	1-B 14	SN3724	63	1-B 12	SN486	53	1-B 11
SN1936	95	1-B 15	SN3253	63	1-B 12	SN3724	65	1-B 12	SN486	55	1-B 11
SN1937	59	1-B 11	SN3253	65	1-B 12	SN3750	13	1-B 7	SN486	57	1-B 11
SN1944	59	1-B 11	SN3253	77	1-B 13	SN3750	17	1-B 7	SN486	71	1-B 13
SN2045	25	1-B 8	SN3298	59	1-B 11	SN3765	13	1-B 7	SN4914	53	1-B 11
SN2045	29	1-B 8	SN3300	59	1-B 11	SN3765	17	1-B 7	SN4914	55	1-B 11
SN2045	31	1-B 9	SN3300	97	1-B 15	SN3806	39	1-B 9	SN4914	57	1-B 11
SN2045	53	1-B 11	SN3301	59	1-B 11	SN3806	43	1-B 10	SN4915	53	1-B 11
SN2045	55	1-B 11	SN3301	61	1-B 12	SN3881	7	1-B 6	SN4915	55	1-B 11
SN2045	57	1-B 11	SN3301	97	1-B 15	SN3881	9	1-B 6	SN4915	57	1-B 11
SN2045	71	1-B 13	SN3302	59	1-B 11	SN3881	11	1-B 7	SN4942	53	1-B 11
SN2089	25	1-B 8	SN3302	61	1-B 12	SN3881	19	1-B 7	SN4942	55	1-B 11
SN2089	27	1-B 8	SN3302	95	1-B 15	SN3881	39	1-B 9	SN4942	57	1-B 11
SN2089	29	1-B 8	SN3303	59	1-B 11	SN3881	41	1-B 10	SN4943	53	1-B 11
SN2089	75	1-B 13	SN3303	61	1-B 12	SN3881	47	1-B 10	SN4943	55	1-B 11
SN2096	13	1-B 7	SN3303	71	1-B 13	SN3881	85	1-B 14	SN4943	57	1-B 11
SN2098-1	39	1-B 9	SN3303	95	1-B 15	SN3881	87	1-B 14	SN4944	53	1-B 11
SN2098-4	53	1-B 11	SN3371	15	1-B 7	SN3881	89	1-B 14	SN4944	55	1-B 11
SN2098-6	59	1-B 11	SN3371	17	1-B 7	SN3938	13	1-B 7	SN4944	57	1-B 11
SN2148	23	1-B 8	SN3411	33	1-B 9	SN3938	53	1-B 11	SN4945	53	1-B 11
SN2425	77	1-B 13	SN3485	73	1-B 13	SN3938	55	1-B 11	SN4945	55	1-B 11
SN2426	63	1-B 12	SN3557	13	1-B 7	SN3938	57	1-B 11	SN4945	57	1-B 11
SN2426	65	1-B 12	SN3557	17	1-B 7	SN396	21	1-B 8	SN4946	53	1-B 11
SN2486	87	1-B 14	SN3564	21	1-B 8	SN397	21	1-B 8	SN4946	55	1-B 11
SN2487	33	1-B 9	SN3565	7	1-B 6	SN3984	7	1-B 6	SN4946	57	1-B 11
SN2487	39	1-B 9	SN3565	9	1-B 6	SN3984	9	1-B 6	SN4948	53	1-B 11
SN2487	41	1-B 10	SN3565	11	1-B 7	SN3984	11	1-B 7	SN4948	55	1-B 11
SN2487	47	1-B 10	SN3566	7	1-B 6	SN3984	53	1-B 11	SN4948	57	1-B 11
SN2487	71	1-B 13	SN3566	9	1-B 6	SN3984	55	1-B 11	SN4986	53	1-B 11
SN2517	53	1-B 11	SN3566	11	1-B 7	SN3984	57	1-B 11	SN4989	23	1-B 8
SN2517	55	1-B 11	SN3566	15	1-B 7	SN3984	63	1-B 12	SN5012	53	1-B 11
SN2517	57	1-B 11	SN3566	17	1-B 7	SN3984	77	1-B 13	SN5012	55	1-B 11
SN2557	39	1-B 9	SN3566	37	1-B 9	SN3984	85	1-B 14	SN5012	57	1-B 11
SN2557	45	1-B 10	SN3567	7	1-B 6	SN4026005	63	1-B 12	SN506	7	1-B 6
SN2566	13	1-B 7	SN3567	9	1-B 6	SN4026005	65	1-B 12	SN506	9	1-B 6
SN2566	17	1-B 7	SN3567	11	1-B 7	SN4030005	63	1-B 12	SN506	11	1-B 7
SN2585	59	1-B 11	SN3567	13	1-B 7	SN4030005	65	1-B 12	SN506	85	1-B 14
SN2585	61	1-B 12	SN3567	17	1-B 7	SN4045005	63	1-B 12	SN5094	27	1-B 8
SN2587	77	1-B 13	SN3567	33	1-B 9	SN4045005	65	1-B 12	SN5151	27	1-B 8
SN2750	7	1-B 6	SN3567	37	1-B 9	SN4047005	63	1-B 12	SN5151	31	1-B 9
SN2750	9	1-B 6	SN3567	39	1-B 9	SN4047005	65	1-B 12	SN5152	59	1-B 11
SN2750	11	1-B 7	SN3567	41	1-B 10	SN4050011	77	1-B 13	SN5290	13	1-B 7
SN2867	13	1-B 7	SN3567	49	1-B 10	SN4098011	77	1-B 13	SN5290	17	1-B 7
SN2867	17	1-B 7	SN3567	71	1-B 13	SN4110011	77	1-B 13	SN5302	53	1-B 11
SN2867	55	1-B 11	SN3567	77	1-B 13	SN4120005	63	1-B 12	SN5302	55	1-B 11
SN2867	57	1-B 11	SN3567	83	1-B 14	SN4120005	65	1-B 12	SN5302	57	1-B 11
SN302	59	1-B 11	SN3577	27	1-B 8	SN4130011	77	1-B 13	SN5302	63	1-B 12
SN302	61	1-B 12	SN3577	31	1-B 9	SN4136011	77	1-B 13	SN5302	77	1-B 13
SN303	59	1-B 11	SN3577	59	1-B 11	SN4150005	63	1-B 12	SN5339	63	1-B 12
SN303	61	1-B 12	SN3577	61	1-B 12	SN4150005	65	1-B 12	SN5339	65	1-B 12
SN3066	59	1-B 11	SN3578	27	1-B 8	SN4153002	77	1-B 13	SN5339	75	1-B 13
SN3066	61	1-B 12	SN3578	31	1-B 9	SN4454	63	1-B 12	SN5342	53	1-B 11
SN3117	59	1-B 11	SN3579	59	1-B 11	SN4457	63	1-B 12	SN5342	55	1-B 11
SN3117	61	1-B 12	SN3581	59	1-B 11	SN4457	65	1-B 12	SN5342	57	1-B 11
SN3117	95	1-B 15	SN3587	59	1-B 11	SN4458	67	1-B 12	SN5578	61	1-B 12

9412 THREE-POINTED MOUNTED DRILL

V  
INDEX

Part No.	Page	Grid	Part No.	Page	Grid	Part No.	Page	Grid	Part No.	Page	Grid
SN5731	71	1-B 13	SN6628	57	1-B 11	SN6959R	17	1-B 7	SN7218	95	1-B 15
SN5731	95	1-B 15	SN6629	53	1-B 11	SN6985	21	1-B 8	SN7219	13	1-B 7
SN5934	39	1-B 9	SN6629	55	1-B 11	SN6991	77	1-B 13	SN7219	17	1-B 7
SN5934	41	1-B 10	SN6629	57	1-B 11	SN6997	23	1-B 8	SN7221	49	1-B 10
SN5935	35	1-B 9	SN6630	53	1-B 11	SN7001	13	1-B 7	SN7222	49	1-B 10
SN5935	43	1-B 10	SN6630	55	1-B 11	SN7001	17	1-B 7	SN7223	49	1-B 10
SN6177	77	1-B 13	SN6630	57	1-B 11	SN7001	97	1-B 15	SN7224	49	1-B 10
SN6376	19	1-B 7	SN6631	53	1-B 11	SN7024	35	1-B 9	SN7226	49	1-B 10
SN6376	25	1-B 8	SN6631	55	1-B 11	SN7024	41	1-B 10	SN7227	49	1-B 10
SN6376	29	1-B 8	SN6631	57	1-B 11	SN7024	95	1-B 15	SN7228	49	1-B 10
SN6376	35	1-B 9	SN6635	63	1-B 12	SN7026	37	1-B 9	SN7261	37	1-B 9
SN6376	43	1-B 10	SN6635	65	1-B 12	SN7026	43	1-B 10	SN7266	43	1-B 10
SN6376	85	1-B 14	SN6635	67	1-B 12	SN7027	37	1-B 9	SN7271	35	1-B 9
SN6376	87	1-B 14	SN6673	13	1-B 7	SN7027	43	1-B 10	SN7272	35	1-B 9
SN6376	89	1-B 14	SN6673	17	1-B 7	SN7028	37	1-B 9	SN7375	39	1-B 9
SN6377	19	1-B 7	SN6675	13	1-B 7	SN7028	43	1-B 10	SN7375	45	1-B 10
SN6377	29	1-B 8	SN6675	17	1-B 7	SN7029	35	1-B 9	SN7384	39	1-B 9
SN6377	35	1-B 9	SN6682	49	1-B 10	SN7029	43	1-B 10	SN7384	43	1-B 10
SN6377	85	1-B 14	SN669-1	25	1-B 8	SN7030	43	1-B 10	SN7386	55	1-B 11
SN6377	87	1-B 14	SN669-1	27	1-B 8	SN7030B	37	1-B 9	SN7386	57	1-B 11
SN6377	89	1-B 14	SN669-1	29	1-B 8	SN7031	37	1-B 9	SN7387	55	1-B 11
SN6378	19	1-B 7	SN669-1	35	1-B 9	SN7032	35	1-B 9	SN7387	57	1-B 11
SN6378	25	1-B 8	SN669-1	39	1-B 9	SN7032	41	1-B 10	SN7388	55	1-B 11
SN6378	29	1-B 8	SN669-1	41	1-B 10	SN7033	35	1-B 9	SN7388	57	1-B 11
SN6378	35	1-B 9	SN669-1	45	1-B 10	SN7033B	41	1-B 10	SN7388	57	1-B 11
SN6378	43	1-B 10	SN669-1	53	1-B 11	SN7033B	41	1-B 10	SN7389	55	1-B 11
SN6378	85	1-B 14	SN669-1	55	1-B 11	SN7034B	35	1-B 9	SN7389	57	1-B 11
SN6378	87	1-B 14	SN669-1	57	1-B 11	SN7034B	41	1-B 10	SN7390	55	1-B 11
SN6378	89	1-B 14	SN6694	85	1-B 14	SN7038	37	1-B 9	SN7390	57	1-B 11
SN6381	7	1-B 6	SN6695	85	1-B 14	SN7040	39	1-B 9	SN7393	57	1-B 11
SN6381	9	1-B 6	SN6695	85	1-B 14	SN7040	41	1-B 10	SN7395	57	1-B 11
SN6381	11	1-B 7	SN6696	87	1-B 14	SN7041	39	1-B 9	SN7407	47	1-B 10
SN6436	7	1-B 6	SN6697	87	1-B 14	SN7041	41	1-B 10	SN7407	97	1-B 15
SN6436	9	1-B 6	SN6698	87	1-B 14	SN7042	39	1-B 9	SN7408	47	1-B 10
SN6436	11	1-B 7	SN6699	87	1-B 14	SN7042	41	1-B 10	SN7408	97	1-B 15
SN6440	21	1-B 8	SN670	25	1-B 8	SN7043	39	1-B 9	SN7409	47	1-B 10
SN6440	39	1-B 9	SN670	27	1-B 8	SN7043B	41	1-B 10	SN7409	97	1-B 15
SN6440	41	1-B 10	SN670	29	1-B 8	SN7044B	41	1-B 10	SN7410	47	1-B 10
SN6441	71	1-B 13	SN6700	87	1-B 14	SN7068	13	1-B 7	SN7410	97	1-B 15
SN6442	71	1-B 13	SN6701	87	1-B 14	SN7068	17	1-B 7	SN7411	47	1-B 10
SN6443	73	1-B 13	SN6702	87	1-B 14	SN7069	15	1-B 7	SN7411	97	1-B 15
SN6444	71	1-B 13	SN6703	87	1-B 14	SN7069	17	1-B 7	SN7412	47	1-B 10
SN6445	71	1-B 13	SN6704	89	1-B 14	SN7070	23	1-B 8	SN7413	47	1-B 10
SN6446	73	1-B 13	SN6707	89	1-B 14	SN7070	25	1-B 8	SN7413	47	1-B 10
SN6447	73	1-B 13	SN6709	87	1-B 14	SN7070	27	1-B 8	SN7415	47	1-B 10
SN6448	73	1-B 13	SN6710	85	1-B 14	SN7070	29	1-B 8	SN7416	47	1-B 10
SN6449	73	1-B 13	SN6711	85	1-B 14	SN7070	97	1-B 15	SN7459	87	1-B 14
SN6450	73	1-B 13	SN6711	89	1-B 14	SN7070	23	1-B 8	SN7517	33	1-B 9
SN6453	73	1-B 13	SN6713	85	1-B 14	SN7071	23	1-B 8	SN7518	33	1-B 9
SN6454	73	1-B 13	SN6714	87	1-B 14	SN7072	23	1-B 8	SN7519	33	1-B 9
SN6455	73	1-B 13	SN6714	87	1-B 14	SN7075	77	1-B 13	SN7638R	33	1-B 9
SN6456	73	1-B 13	SN6714	97	1-B 15	SN7077	77	1-B 13	SN7741	63	1-B 12
SN6465	21	1-B 8	SN6736	77	1-B 13	SN7083	39	1-B 9	SN7741	65	1-B 12
SN6467	13	1-B 7	SN6795	13	1-B 7	SN7083	41	1-B 10	SN7776	71	1-B 13
SN6467	17	1-B 7	SN6795	17	1-B 7	SN7084	39	1-B 9	SN7776	97	1-B 15
SN6490	75	1-B 13	SN6817	23	1-B 8	SN7084	41	1-B 10	SN7777	71	1-B 13
SN6514	37	1-B 9	SN6818R	23	1-B 8	SN7085	39	1-B 9	SN7777	95	1-B 15
SN6557	21	1-B 8	SN6830	51	1-B 11	SN7085	41	1-B 10	SN7778	71	1-B 13
SN6569	85	1-B 14	SN6831	51	1-B 11	SN71L-2701	13	1-B 7	SN7778	95	1-B 15
SN6572	21	1-B 8	SN6866	39	1-B 9	SN71L-2701	17	1-B 7	SN7778	95	1-B 15
SN6581	19	1-B 7	SN6866	45	1-B 10	SN71L-2901	51	1-B 11	SN7778	97	1-B 15
SN6581	89	1-B 14	SN6867	39	1-B 9	SN7176	37	1-B 9	SN7778	71	1-B 13
SN6609	75	1-B 13	SN6867	45	1-B 10	SN7176	95	1-B 15	SN7778	95	1-B 15
SN6610	75	1-B 13	SN6868	39	1-B 9	SN7179	15	1-B 7	SN7779	71	1-B 13
SN6611	75	1-B 13	SN6868	45	1-B 10	SN7179	17	1-B 7	SN7779	95	1-B 15
SN6617	73	1-B 13	SN6869	39	1-B 9	SN7201	35	1-B 9	SN7780	71	1-B 13
SN6618	35	1-B 9	SN6869	45	1-B 10	SN7201	43	1-B 10	SN7780	95	1-B 15
SN6618	41	1-B 10	SN6934	65	1-B 12	SN7202	35	1-B 9	SN7781	71	1-B 13
SN6619	35	1-B 9	SN6935	77	1-B 13	SN7203	35	1-B 9	SN7782	71	1-B 13
SN6619	41	1-B 10	SN6939	13	1-B 7	SN7203	43	1-B 10	SN7784	27	1-B 8
SN6625	53	1-B 11	SN6941	13	1-B 7	SN7204	37	1-B 9	SN7784	31	1-B 9
SN6625	55	1-B 11	SN6954	75	1-B 13	SN7204	43	1-B 10	SN7803	35	1-B 9
SN6625	55	1-B 11	SN6955	13	1-B 7	SN7205	35	1-B 9	SN7803	95	1-B 15
SN6625	57	1-B 11	SN6955	17	1-B 7	SN7205	43	1-B 10	SN7804	35	1-B 9
SN6626R	53	1-B 11	SN6958R	13	1-B 7	SN7218	39	1-B 9	SN7804	95	1-B 15
SN6628	53	1-B 11	SN6958R	17	1-B 7	SN7218	45	1-B 10	SN7825	71	1-B 13
SN6628	55	1-B 11	SN6959R	13	1-B 7	SN7218	47	1-B 10	SN7859	35	1-B 9



**VI  
INDEX**

**9412 THREE-POINTED MOUNTED DRILL**

Part No.	Page	Grid	Part No.	Page	Grid	Part No.	Page	Grid	Part No.	Page	Grid
SN7859	43	1-B 10	SN9045	19	1-B 7	SN9176	29	1-B 8	SN997040	93	1-B 15
SN7896	23	1-B 8	SN9046	7	1-B 6	SN9176	95	1-B 15	SN997041	93	1-B 15
SN7896	95	1-B 15	SN9047	9	1-B 6	SN9177	31	1-B 9	SN997043	93	1-B 15
SN7899	23	1-B 8	SN9049	7	1-B 6	SN9177	95	1-B 15	SN997048	93	1-B 15
SN7900	23	1-B 8	SN9050	7	1-B 6	SN9178	31	1-B 9	SN997074	93	1-B 15
SN7952	85	1-B 14	SN9051	7	1-B 6	SN9179	7	1-B 6	SN997246	91	1-B 15
SN7953	85	1-B 14	SN9052	9	1-B 6	SN9179	9	1-B 6	SN997309	67	1-B 12
SN7954	85	1-B 14	SN9053	9	1-B 6	SN9179	11	1-B 7	SN997309	69	1-B 12
SN7955	85	1-B 14	SN9054	9	1-B 6	SN918	21	1-B 8	SN997311	93	1-B 15
SN7956	83	1-B 14	SN9076	7	1-B 6	SN9180	7	1-B 6	SN997318	93	1-B 15
SN7957	85	1-B 14	SN9076	9	1-B 6	SN9180	9	1-B 6	SN997319	93	1-B 15
SN7958	85	1-B 14	SN9076	11	1-B 7	SN9180	11	1-B 7	SN997320	93	1-B 15
SN8273-1	69	1-B 12	SN9076	19	1-B 7	SN9181	7	1-B 6	SN997321	93	1-B 15
SN840	37	1-B 9	SN9076	89	1-B 14	SN9181	9	1-B 6	SN997323	93	1-B 15
SN840	43	1-B 10	SN9077	25	1-B 8	SN9181	11	1-B 7	SN997324	93	1-B 15
SN8612-1	69	1-B 12	SN9077	29	1-B 8	SN9182	9	1-B 6	SN997325	93	1-B 15
SN8612-1	97	1-B 15	SN9077	97	1-B 15	SN9183R	11	1-B 7	SN997326	91	1-B 15
SN8617-1	67	1-B 12	SN9078	31	1-B 9	SN9184	77	1-B 13	SN997327	91	1-B 15
SN8617-1	69	1-B 12	SN9078	97	1-B 15	SN9185	7	1-B 6	SN997339	93	1-B 15
SN8629-1	79	1-B 13	SN9079	31	1-B 9	SN9186	9	1-B 6	SN997340	93	1-B 15
SN8629-1	81	1-B 14	SN9079	97	1-B 15	SN9188	19	1-B 7	SN997407	45	1-B 10
SN8631-1	67	1-B 12	SN9081	25	1-B 8	SN9188	89	1-B 14	SN997407	91	1-B 15
SN8631-1	69	1-B 12	SN9081	29	1-B 8	SN9189	19	1-B 7	SN997459	91	1-B 15
SN8631-1	79	1-B 13	SN9081	95	1-B 15	SN9190	19	1-B 7	SN997701	91	1-B 15
SN8631-1	81	1-B 14	SN9082	25	1-B 8	SN9190	89	1-B 14	SN997704	91	1-B 15
SN8654-1	69	1-B 12	SN9082	29	1-B 8	SN9191	19	1-B 7	SN997707	91	1-B 15
SN8670-10	69	1-B 12	SN9083	31	1-B 9	SN9191	89	1-B 14	SN997708	91	1-B 15
SN8671-1	67	1-B 12	SN9101	39	1-B 9	SN9192R	19	1-B 7			
SN8671-1	69	1-B 12	SN9101	41	1-B 10	SN9338R	11	1-B 7			
SN8671-1	79	1-B 13	SN9102	39	1-B 9	SN9339R	11	1-B 7			
SN8671-1	81	1-B 14	SN9102	41	1-B 10	SN9349R	11	1-B 7			
SN8680-10	81	1-B 14	SN9105	37	1-B 9	SN9419	17	1-B 7			
SN8681-1	79	1-B 13	SN9105	39	1-B 9	SN9433	19	1-B 7			
SN8681-1	81	1-B 14	SN9106	37	1-B 9	SN9593	17	1-B 7			
SN8682-1	69	1-B 12	SN9106	39	1-B 9	SN9652	31	1-B 9			
SN8683-1	67	1-B 12	SN9109	47	1-B 10	SN9680	35	1-B 9			
SN8683-1	69	1-B 12	SN9111	31	1-B 9	SN9680	41	1-B 10			
SN8689-1	79	1-B 13	SN9112	31	1-B 9	SN9682	35	1-B 9			
SN8690-10	79	1-B 13	SN9125	13	1-B 7	SN9682	39	1-B 9			
SN8703-10	67	1-B 12	SN9126	13	1-B 7	SN9682	43	1-B 10			
SN8713-1	67	1-B 12	SN9127	13	1-B 7	SN9683	13	1-B 7			
SN8714-1	81	1-B 14	SN9128	13	1-B 7	SN9683	17	1-B 7			
SN8721-10	79	1-B 13	SN9129	25	1-B 8	SN9683	31	1-B 9			
SN8731-10	81	1-B 14	SN9129	29	1-B 8	SN9683	35	1-B 9			
SN8737-10	67	1-B 12	SN9130	27	1-B 8	SN9683	39	1-B 9			
SN8756-1	81	1-B 14	SN9130	29	1-B 8	SN9683	41	1-B 10			
SN8756-1	97	1-B 15	SN9131	25	1-B 8	SN9708	39	1-B 9			
SN8784-1	67	1-B 12	SN9131	27	1-B 8	SN9708	43	1-B 10			
SN8784-1	97	1-B 15	SN9131	29	1-B 8	SN9708	97	1-B 15			
SN8800-1	79	1-B 13	SN9134	27	1-B 8	SN9753N	43	1-B 10			
SN8800-1	95	1-B 15	SN9136	27	1-B 8	SN9753N	95	1-B 15			
SN8809-1	79	1-B 13	SN9136	31	1-B 9	SN9775	11	1-B 7			
SN8809-1	81	1-B 14	SN9137	25	1-B 8	SN9780	43	1-B 10			
SN8832-1	67	1-B 12	SN9137	27	1-B 8	SN9785	19	1-B 7			
SN8832-1	69	1-B 12	SN9137	29	1-B 8	SN9786	19	1-B 7			
SN8849-1	67	1-B 12	SN9141	15	1-B 7	SN9787	17	1-B 7			
SN8864-1	67	1-B 12	SN9142	15	1-B 7	SN9788	17	1-B 7			
SN8864-1	69	1-B 12	SN9143	13	1-B 7	SN9879	43	1-B 10			
SN8864-1	79	1-B 13	SN9144	13	1-B 7	SN9880	43	1-B 10			
SN8864-1	81	1-B 14	SN9145	13	1-B 7	SN9881	31	1-B 9			
SN8870-1	79	1-B 13	SN9147	25	1-B 8	SN9882	31	1-B 9			
SN8870-1	81	1-B 14	SN9148	25	1-B 8	SN9883	31	1-B 9			
SN8879-1	79	1-B 13	SN9149	29	1-B 8	SN9884	31	1-B 9			
SN8879-1	81	1-B 14	SN9160	31	1-B 9	SN9886	31	1-B 9			
SN8886-1	67	1-B 12	SN9161	25	1-B 8	SN9887	31	1-B 9			
SN893	35	1-B 9	SN9161	29	1-B 8	SN9930R	83	1-B 14			
SN893	53	1-B 11	SN9163	33	1-B 9	SN9931R	83	1-B 14			
SN893	55	1-B 11	SN9164	33	1-B 9	SN9932R	87	1-B 14			
SN893	57	1-B 11	SN9165	31	1-B 9	SN9934	85	1-B 14			
SN9028	15	1-B 7	SN9166R	25	1-B 8	SN9937	41	1-B 10			
SN9029	25	1-B 8	SN9166R	29	1-B 8	SN9937	97	1-B 15			
SN9029	29	1-B 8	SN9170	29	1-B 8	SN9937	97	1-B 15			
SN9045	7	1-B 6	SN9171	29	1-B 8	SN9939	31	1-B 9			
SN9045	9	1-B 6	SN9176	19	1-B 7	SN9961	49	1-B 10			
SN9045	11	1-B 7	SN9176	25	1-B 8	SN997002	91	1-B 15			



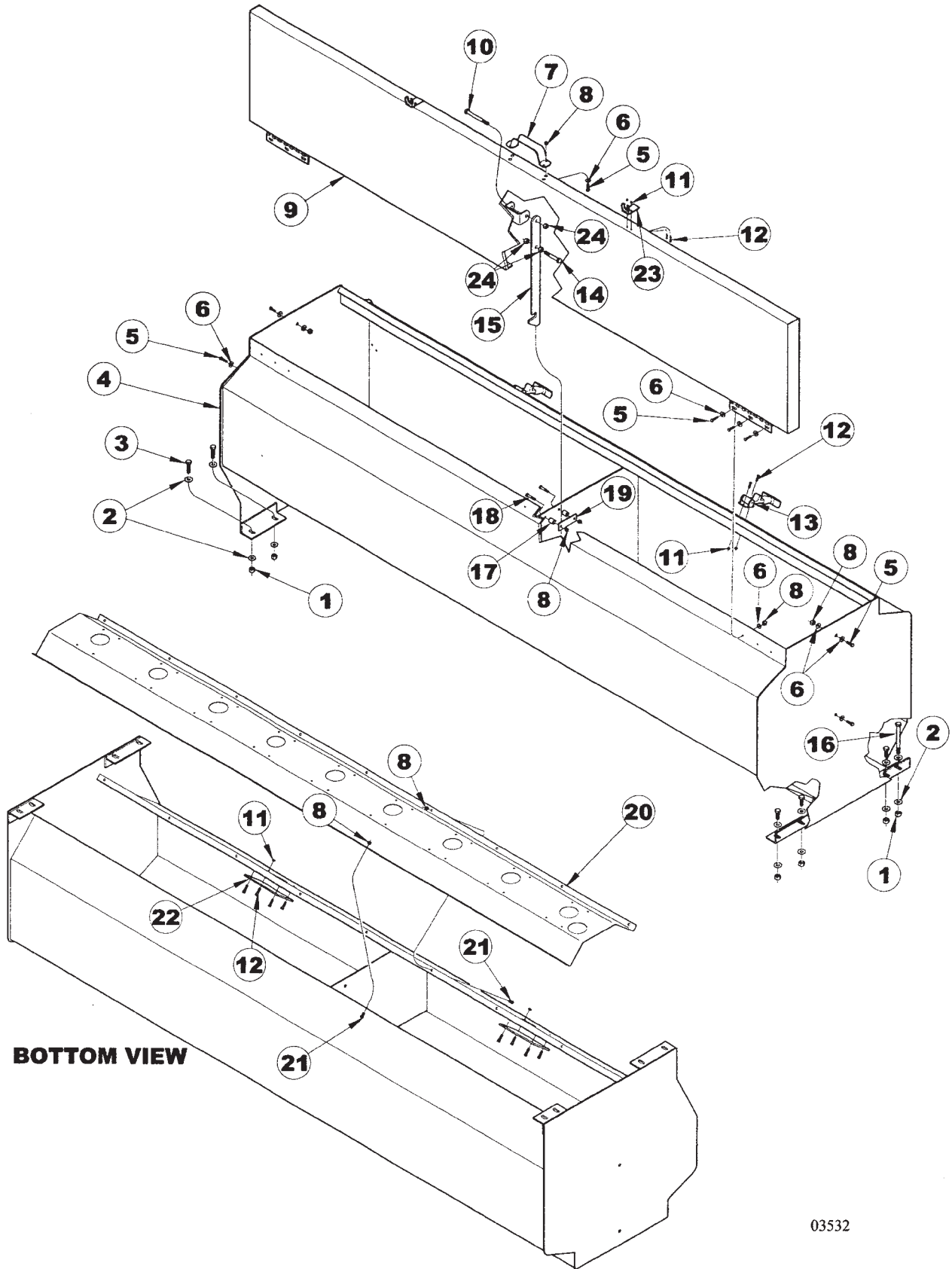
**9412 THREE-POINTED MOUNTED DRILL**

**VII  
INDEX**

Part No.	Page	Grid	Part No.	Page	Grid	Part No.	Page	Grid	Part No.	Page	Grid
----------	------	------	----------	------	------	----------	------	------	----------	------	------

9412 THREE-POINTED MOUNTED DRILL  
SERVICE PARTS

7 1/2' HOPPER ASSEMBLY



**9412 THREE-POINTED MOUNTED DRILL  
SERVICE PARTS**

**7**

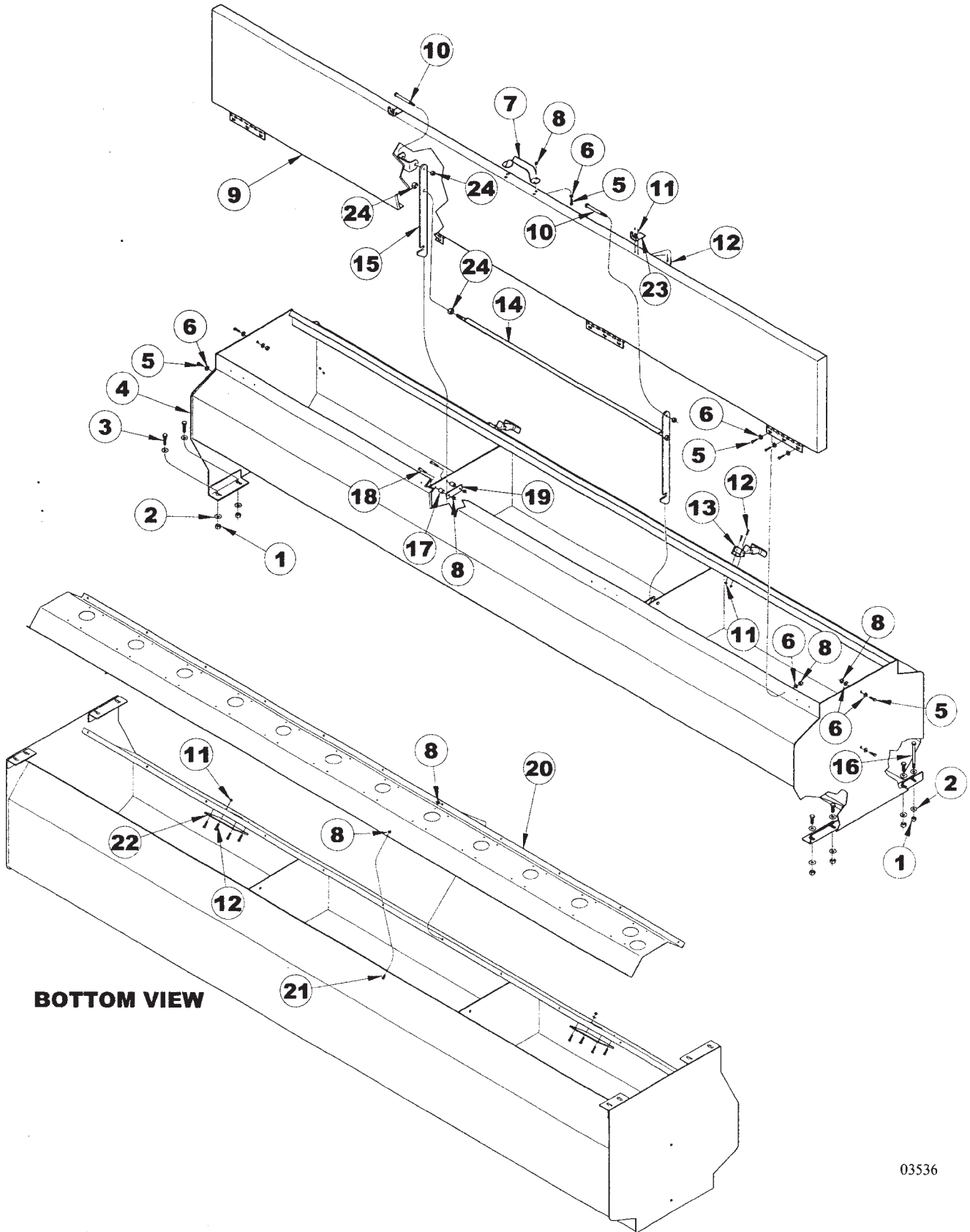
**7 1/2' HOPPER ASSEMBLY**

ITEM	NUMBER	QTY	DESCRIPTION
1	SN3567		LOCK NUT, 3/8"-16 HEX NYLON INSERT, GR 2, Y/D
2	SN317		FLAT WASHER, 3/8", Y/D
3	SN3984		HEX BOLT, 3/8"-16 X 1 1/4", GR 5, Y/D
4	SN9046		HOPPER BOX, 7 1/2', 2.4 BU
5	SNDR10025		HEX BOLT, 1/4"-20 X 5/8", GR 5, Y/D
6	SN506		FLAT WASHER, 1/4", Y/D
7	SN6436		HANDLE
8	SN3881		LOCK NUT, 1/4"-20 HEX NYLON INSERT, GR 2, Y/D
9	SN9185		HOPPER LID, 7 1/2'
10	SN3565		HEX BOLT, 3/8"-16 X 3 1/2", GR 5, Y/D
11	SN10326		NUT, 10-24 UNC HEX HEAD W/LOCKWASHER
12	SN9076		HEX BOLT, NO. 10-24 X 1/2", GR 2, Y/D
13	SNA0007		HOPPER LATCH ASSEMBLY
14	SN474		HEX BOLT, 3/8"-16 X 2", GR 5 Y/D
15	SN9180		LID LOCK
16	SN6381		HEX BOLT, 3/8"-16 X 4 1/2", GR 5, Y/D
17	SN9181		SPACER, LID LOCK, 5/8"L
18	SN2750		HEX BOLT, 1/4"-20 X 1 1/4", GR 2, Y/D
19	SN9179		LID LOCK PLATE
20	SN9049		HOPPER BOTTOM PLATE, 7 1/2', 7 1/2" SP
	SN9050		HOPPER BOTTOM PLATE, 7 1/2', 8" SP
	SN9051		HOPPER BOTTOM PLATE, 7 1/2', 10" SP
21	SN9045		HEX BOLT, 1/4"-20 X 1/2" GR 5, Y/D
22	SNDR12016		SIGHT GLASS
23	SNDR12046		LATCH BRACKET
24	SN3566		LOCK NUT, 3/8"-16 HEX CENTER, GR 2, Y/D

I0003532  
PR: t05g30m02c0001

9412 THREE-POINTED MOUNTED DRILL  
SERVICE PARTS

10' HOPPER ASSEMBLY



**9412 THREE-POINTED MOUNTED DRILL  
SERVICE PARTS**

**9**

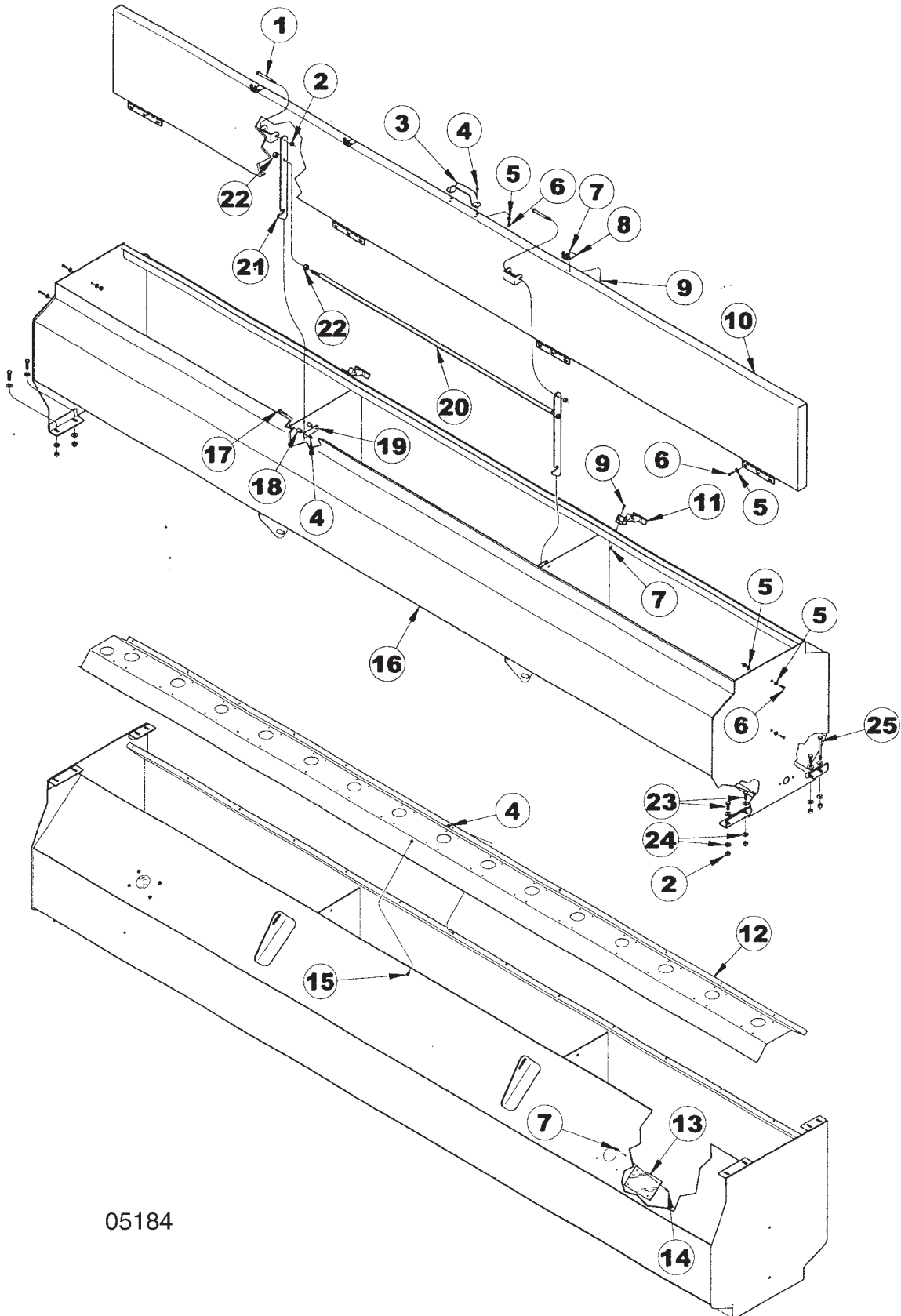
**10' HOPPER ASSEMBLY**

ITEM	NUMBER	QTY	DESCRIPTION
1	SN3567		LOCK NUT, 3/8"-16 HEX NYLON INSERT, GR 2, Y/D
2	SN317		FLAT WASHER, 3/8", Y/D
3	SN3984		HEX BOLT, 3/8"-16 X 1 1/4", GR 5, Y/D
4	SN9047		HOPPER BOX, 10', 2.4 BU
5	SNDR10025		HEX BOLT, 1/4"-20 X 5/8", GR 5, Y/D
6	SN506		FLAT WASHER, 1/4", Y/D
7	SN6436		HANDLE
8	SN3881		LOCK NUT, 1/4"-20 HEX NYLON INSERT, GR 2, Y/D
9	SN9186		HOPPER LID, 10'
10	SN3565		HEX BOLT, 3/8"-16 X 3 1/2", GR 5, Y/D
11	SN10326		NUT, 10-24 UNC HEX HEAD W/LOCKWASHER
12	SN9076		HEX BOLT, NO. 10-24 X 1/2", GR 2, Y/D
13	SNA0007		HOPPER LATCH ASSEMBLY
14	SN9182		LOCKING ROD, 10'
15	SN9180		LID LOCK
16	SN6381		HEX BOLT, 3/8"-16 X 4 1/2", GR 5, Y/D
17	SN9181		SPACER, LID LOCK, 5/8" LONG
18	SN2750		HEX BOLT, 1/4"-20 X 1 1/4", GR 2, Y/D
19	SN9179		LID LOCK PLATE
20	SN9052		HOPPER BOTTOM PLATE, 10', 7 1/2" SP
	SN9053		HOPPER BOTTOM PLATE, 10', 8" SP
	SN9054		HOPPER BOTTOM PLATE, 10', 10" SP
21	SN9045		HEX BOLT, 1/4"-20 X 1/2" GR 5, Y/D
22	SNDR12016		SIGHT GLASS
23	SNDR12046		LATCH BRACKET
24	SN3566		LOCK NUT, 3/8"-16 HEX CENTER, GR 2, Y/D

I0003536  
PR: t05g30m02c0002

9412 THREE-POINTED MOUNTED DRILL  
SERVICE PARTS

12 1/2' HOPPER ASSEMBLY



05184

**9412 THREE-POINTED MOUNTED DRILL  
SERVICE PARTS**

11

**12 1/2' HOPPER ASSEMBLY**

ITEM	NUMBER	QTY	DESCRIPTION
1	SN3565		HEX BOLT, 3/8"-16 X 3 1/2", GR 5, Y/D
2	SN3567		LOCK NUT, 3/8"-16 HEX NYLON INSERT
3	SN6436		HANDLE
4	SN3881		LOCK NUT, 1/4"-20 HEX NYLON INSERT, GR 2, Y/D
5	SN506		FLAT WASHER, 1/4", Y/D
6	SNDR10025		HEX BOLT, 1/4"-20 X 5/8", GR 5, Y/D
7	SN10326		NUT, 10-24 UNC HEX HEAD W/LOCKWASHER
8	SNDR12046		LATCH BRACKET
9	SN9076		HEX BOLT, NO. 10-24 X 1/2", GR2, Y/D
10	SN9349R		HOPPER LID, 12 1/2'
11	SNA0007		HOPPER LATCH ASSEMBLY
12	SN9339R		HOPPER BOTTOM PLATE, 12 1/2', 7 1/2" SP
	SN9338R		HOPPER BOTTOM PLATE, 12 1/2', 10" SP
13	SNDR12016		SIGHT GLASS
14	SN9076		HEX BOLT, NO. 10-24 X 1/2", GR 2, Y/D
15	SN9045		HEX BOLT, 1/4"-20 X 1/2" GR 5, Y/D
16	SN9775		HOPPER BOX, 12 1/2', 3 BU
17	SN2750		HEX BOLT, 1/4"-20 X 1 1/4", GR 2, Y/D
18	SN9181		SPACER, LID LOCK, 5/8"L
19	SN9179		LID LOCK PLATE
20	SN9183R		LOCKING ROD, 12.5'
21	SN9180		LID LOCK
22	SN3566		LOCK NUT, 3/8"-16 HEX CENTER, GR 2, Y/D
23	SN3984		HEX BOLT, 3/8"-16 X 1 1/4", GR 5, Y/D
24	SN317		FLAT WASHER, 3/8", Y/D
25	SN6381		HEX BOLT, 3/8"-16 X 4 1/2", GR 5, Y/D

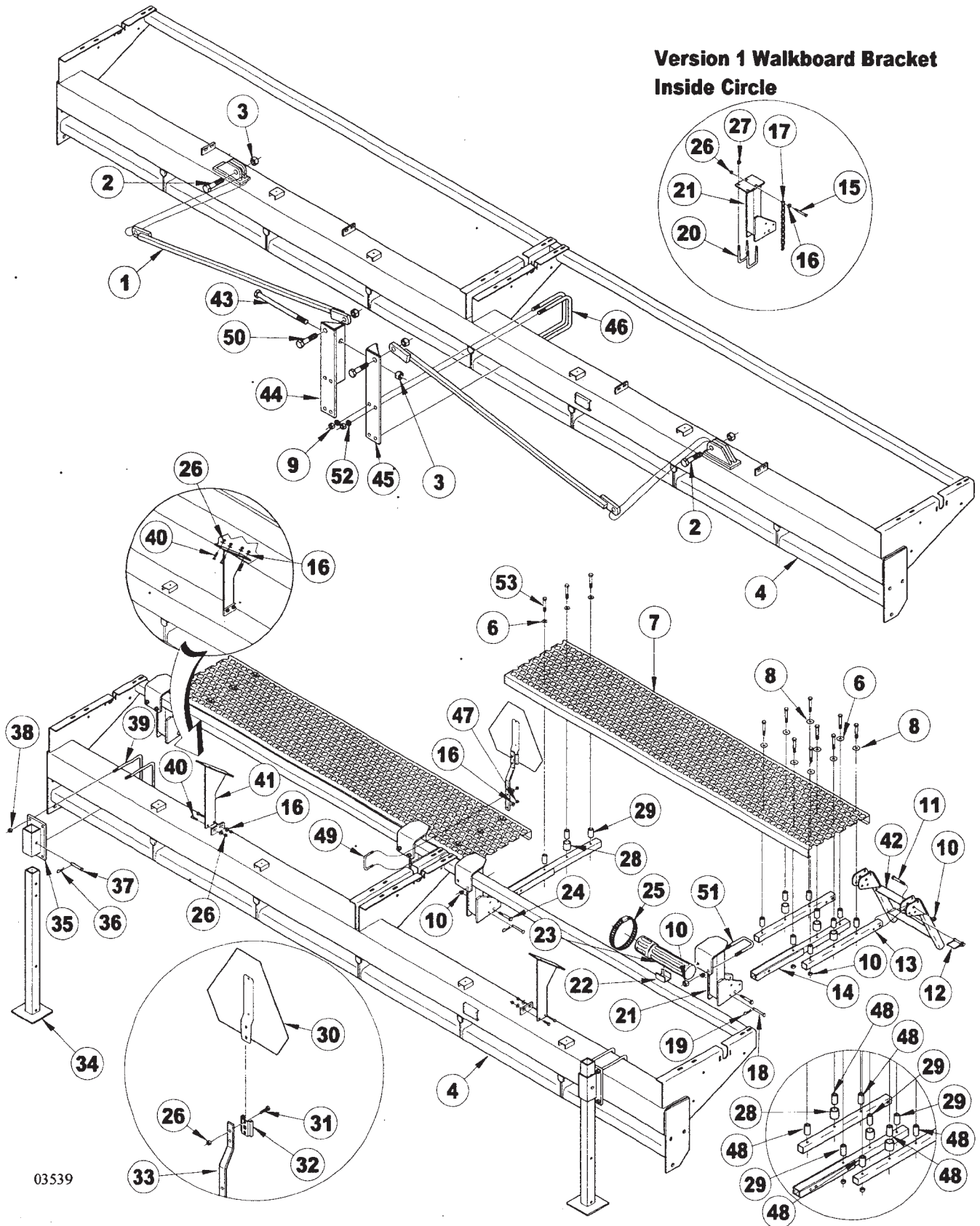
I0005184  
PR: t05g30m02c0003



9412 THREE-POINTED MOUNTED DRILL  
SERVICE PARTS

10', 15' & 20' FRAME ASSEMBLY

Version 1 Walkboard Bracket  
Inside Circle



**9412 THREE-POINTED MOUNTED DRILL  
SERVICE PARTS**

13

**10', 15' & 20' FRAME ASSEMBLY**

ITEM	NUMBER	QTY	DESCRIPTION
1	SN9143		TRUSS ARM
2	SN155		HEX BOLT, 1"-8 X 3 1/2", GR 5 Y/D
3	SN3938		LOCK NUT, 1"-8 HEX NYLON INSERT, GR 2, Y/D
4	SN9125		FRAME, GRAIN DRILL, 10' @ 8" SP
	SN9126		FRAME, GRAIN DRILL, 10' @ 7 1/2" & 10" SP
	SN9127		FRAME, GRAIN DRILL, 15' @ 8" SP
	SN9128		FRAME, GRAIN DRILL, 15' @ 7 1/2" & 10" SP
	SN9144		FRAME, GRAIN DRILL, 20' @ 8" SP
	SN9145		FRAME, GRAIN DRILL, 20' @ 7 1/2" & 10" SP
5	SN140		HEX BOLT, 1/2"-13 X 4 1/2", GR 5, Y/D
6	SN486		FLAT WASHER, 1/2", Y/D
7	SN6939		WALKBOARD, 120" (10' & 20')
	SN6941		WALKBOARD, 90" (15')
8	SN5290		FLAT WASHER, 1/2", 3/16" THICK, Y/D
9	SN106		HEX NUT, 3/4"-10 FULL, GR 5, Y/D
10	SN2096		LOCK NUT, 1/2"-13 HEX NYLON INSERT, GR 8, Y/D
11	SN156		HEX BOLT, 1/2"-13 X 3", GR 5 Y/D
12	SN3557		QUICK PIN, 3/8" DIA X 2 1/2"
13	SN7068		WALKBOARD STEP MOUNT
14	SN6955		WALKBOARD ARM, 27 1/4" L
15	SN4738		HEX BOLT, 3/8"-16 X 2 3/4", GR 5, Y/D
16	SN317		FLAT WASHER, 3/8", Y/D
17	SN6675		CHAIN, 13" W/S-HOOK
18	SN6795		PIN, 3/8" X 3 1/4" (3 1/64"), Z/P
19	SN71L-2701		PIN CLIP, 1/2"-5/8" SHAFT, .120" DIA, 1 5/8" L
20	SNDR11507		U-BOLT, 7/16"-14 X 4" X 2 1/2"W, GR 5, Y/D
21	SN6673		WALKBOARD BRACKET
22	SN7219		MOUNT, OPERATOR'S MANUAL TUBE
23	SN3750		OPERATOR'S MANUAL TUBE
24	SN1507		HEX BOLT, 1/2"-13 X 3 1/2", GR 5, Y/D
25	SN3765		HOSE CLAMP, 3 1/2"
26	SN3567		LOCK NUT, 3/8"-16 HEX NYLON INSERT, GR 2, Y/D
27	SNDR10524		LOCK NUT, 7/16"-14 HEX NYLON INSERT, Y/D
28	SN6958R		SPACER, 1.500" OD X 1.125" ID, 1 9/16" L
29	SN6959R		SPACER, 1.00" OD X .563" ID, 1 3/4" L
30	SN7001		SMV EMBLEM
31	SN1193		HEX BOLT, 3/8"-16 X 3/4", GR 5, Y/D
32	SN2566		S.M.V. SOCKET
33	SNBT10258		S.M.V BRACKET
34	SNBT10321		PARKING STAND
35	SNBT10323		MOUNTING BRACKET, PARKING STAND
36	SN2867		PIN CLIP, 1/2"-5/8" SHAFT, .120" DIA, 2" L
37	SN6467		PIN, 1/2" X 3" (2 49/64"), Y/D
38	SN9683		1/2-13 FLANGE TOPLOCK NUT GR G CAD/WAX

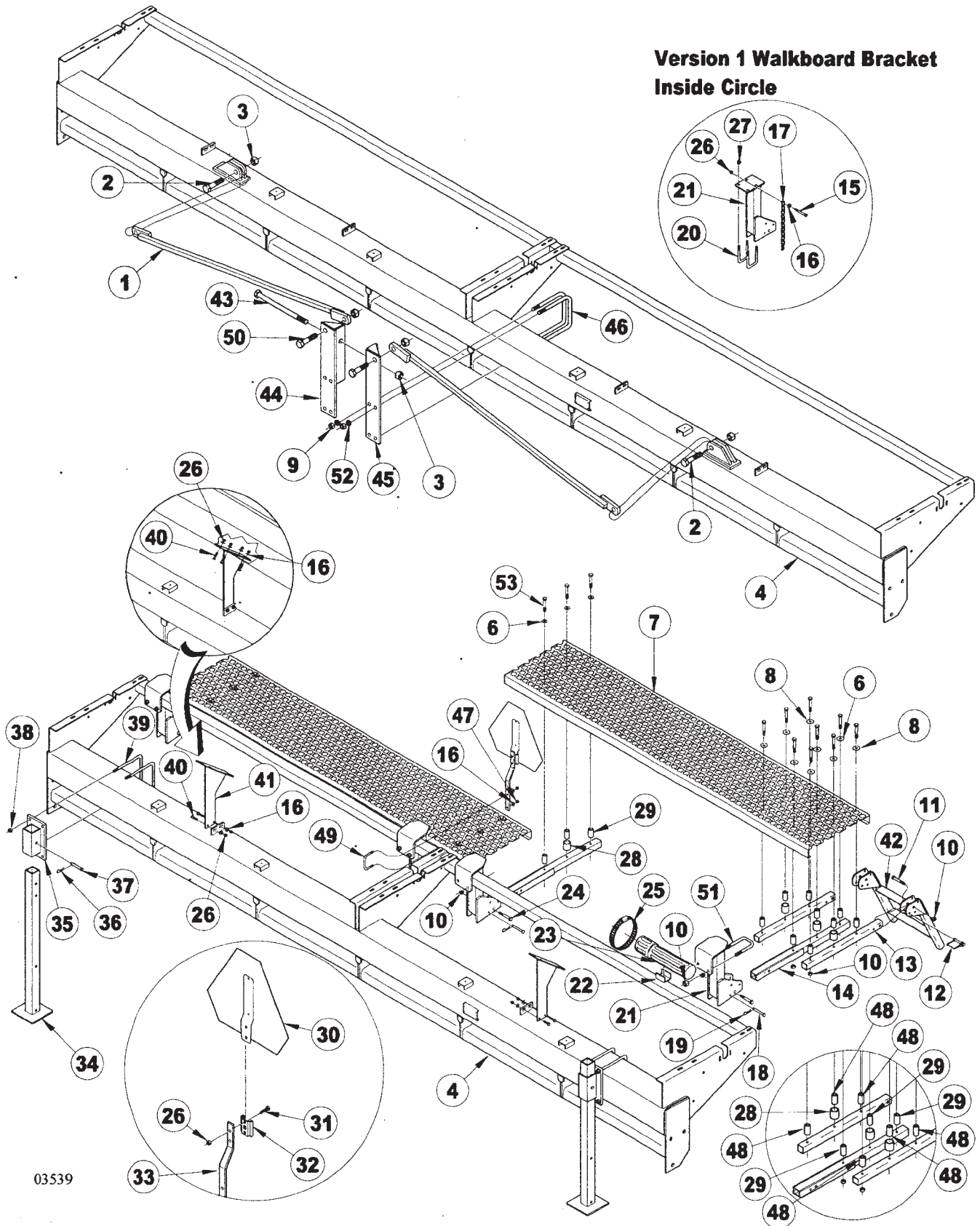
CONTINUED

I0003539  
PR: t05g30m02c0004

9412 THREE-POINTED MOUNTED DRILL  
SERVICE PARTS

10', 15' & 20' FRAME ASSEMBLY

Version 1 Walkboard Bracket  
Inside Circle



9412 THREE-POINTED MOUNTED DRILL  
SERVICE PARTS

15

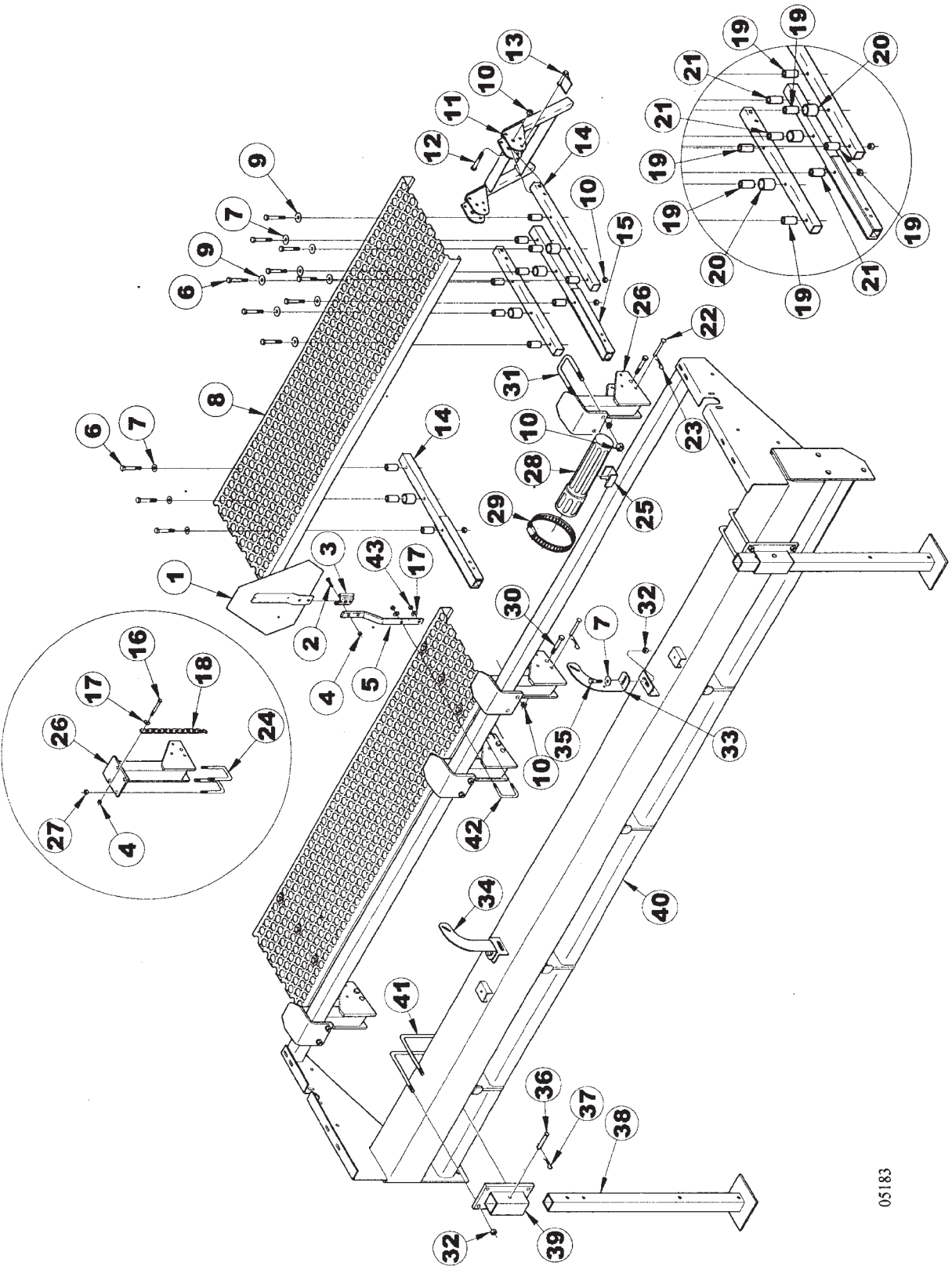
10', 15' & 20' FRAME ASSEMBLY

ITEM	NUMBER	QTY	DESCRIPTION
39	SNDR80018		U-BOLT, 1/2"-13 X 8 1/4" X 7 5/8" W, GR 5, Y/D
40	SN178		HEX BOLT, 3/8"-16 X 1", GR 5, Y/D
41	SN9028		HOPPER BRACE
42	SN7069		WALKBOARD STEP, 18"
43	SN3153		HEX BOLT, 1"-8 X 12", GR 5, Y/D
44	SN9141		UPRIGHT, TRUSS ARM, RT
45	SN9142		UPRIGHT, TRUSS ARM, LT
46	SNDR80019		U-BOLT, 3/4"-10 X 8 3/4" X 7 13/16" W, GR5, Y/D
47	SN3566		LOCK NUT, 3/8"-16 HEX CENTER, GR2, Y/D
48	SN7179		SPACER, 1.00" OD X .563" ID, 1 5/8"
49	SNDR11502		U-BOLT, 3/8"-16 X 2 5/8" X 3 1/2"
50	SN1918		HEX BOLT, 1"-8 X 2 1/2", GR5 Y/D
51	SN4843		U-BOLT, 1/2"-13 X 5 1/4" X 2 1/2" W, GR 5, Y/D
52	SN1040		LOCK WASHER, 3/4" SPLIT TYPE MED, Y/D
53	SN3371		HEX BOLT, 1/2"-13 X 4", GR 5, Y/D

I0003539  
PR: t05g30m02c0004

12 1/2' FRAME ASSEMBLY

**Version 1 Walkboard Bracket  
Inside Circle**



**9412 THREE-POINTED MOUNTED DRILL  
SERVICE PARTS**

17

**12 1/2' FRAME ASSEMBLY**

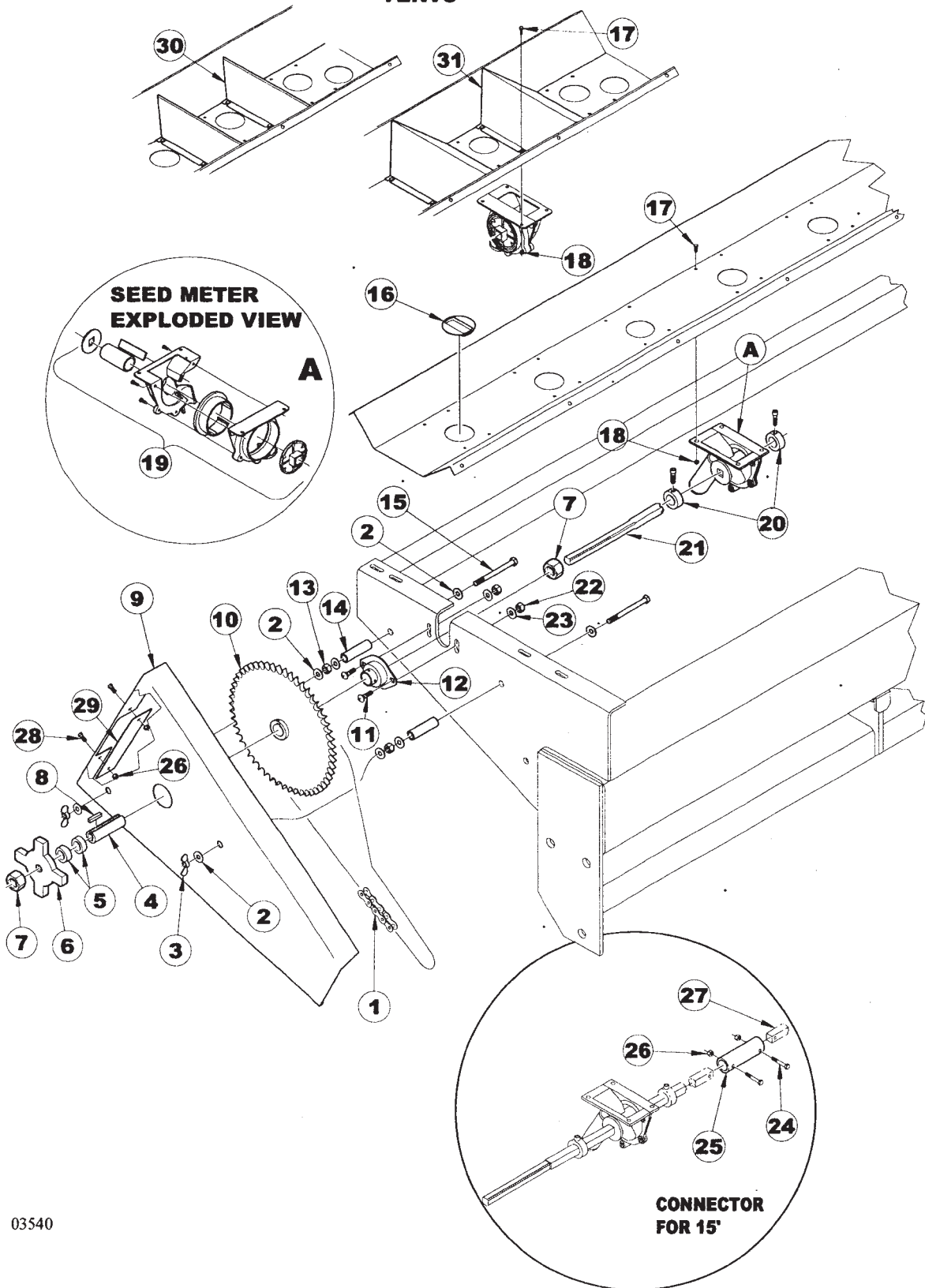
ITEM	NUMBER	QTY	DESCRIPTION
1	SN7001		SMV EMBLEM
2	SN1193		HEX BOLT, 3/8"-16 X 3/4", GR 5, Y/D
3	SN2566		S.M.V. SOCKET
4	SN3567		LOCK NUT, 3/8"-16 HEX NYLON INSERT
5	SNBT10258		SMV BRACKET
6	SN3371		HEX BOLT, 1/2"-13 X 4", GR 5, Y/D
7	SN486		FLAT WASHER, 1/2", Y/D
8	SN9419		WALKBOARD, 71" L
9	SN5290		FLAT WASHER, 1/2", 3/16" THICK
10	SN2096		LOCK NUT, 1/2"-13 HEX NYLON INSERT
11	SN7069		WALKBOARD STEP, 18"
12	SN156		HEX BOLT, 1/2"-13 X 3", GR 5 Y/D
13	SN3557		QUICK PIN, 3/8" DIA X 2 1/2"
14	SN7068		WALKBOARD STEP MOUNT
15	SN6955		WALKBOARD ARM, 27 1/4" L
16	SN4738		HEX BOLT, 3/8"-16 X 2 3/4", GR 5, Y/D
17	SN317		FLAT WASHER, 3/8", Y/D
18	SN6675		CHAIN, 13" W/S-HOOK
19	SN7179		SPACER, 1.00" OD X .563" ID, 1 5/8"
20	SN6958R		SPACER, 1.500" OD X 1.125" ID, 1 9/16"
21	SN6959R		SPACER, 1.00" OD X .563" ID, 1 3/4"
22	SN6795		PIN, 3/8" X 3 1/4" (3 1/64"), Z/P
23	SN71L-2701		PIN CLIP, 1/2"-5/8" SHAFT, .120"
24	SNDR11507		U-BOLT, 7/16"-14 X 4" X 2 1/2"W, GR 5
25	SN7219		MOUNT, OPERATOR'S MANUAL TUBE
26	SN6673		WALKBOARD BRACKET
27	SNDR10524		LOCK NUT, 7/16"-14 HEX NYLON INSERT
28	SN3750		OPERATOR'S MANUAL TUBE
29	SN3765		HOSE CLAMP, 3 1/2"
30	SN1507		HEX BOLT, 1/2"-13 X 3 1/2", GR 5, Y/D
31	SN4843		U-BOLT, 1/2"-13 X 5 1/4" X 2 1/2" W, GR 5, Y/D
32	SN9683		1/2-13 FLANGE TOPLOCK NUT GR G CAD/WAX
33	SN9788		HOPPER BRACKET, LEFT
34	SN9787		HOPPER BRACKET, RIGHT
35	SN1823		HEX BOLT, 1/2"-13 X 1 1/4", GR 5, Y/D
36	SN6467		PIN, 1/2" X 3" (2 49/64"), Y/D
37	SN2867		PIN CLIP, 1/2"-5/8" SHAFT, .120"
38	SNBT10321		PARKING STAND
39	SNBT10323		MOUNTING BRACKET, PARKING STAND
40	SN9593		FRAME, GRAIN DRILL, 12 1/2'
41	SNDR80018		U-BOLT, 1/2"-13 X 8 1/4" X 7 5/8"
42	SNDR11502		U-BOLT, 3/8"-16 X 2 5/8" X 3 1/2"
43	SN3566		LOCK NUT, 3/8"-16 HEX CENTER, GR 2, Y/D

I0005183  
PR: t05g30m02c0005



SHAFT ASSEMBLY

OPTIONAL HOPPER  
TENTS





**9412 THREE-POINTED MOUNTED DRILL  
SERVICE PARTS**

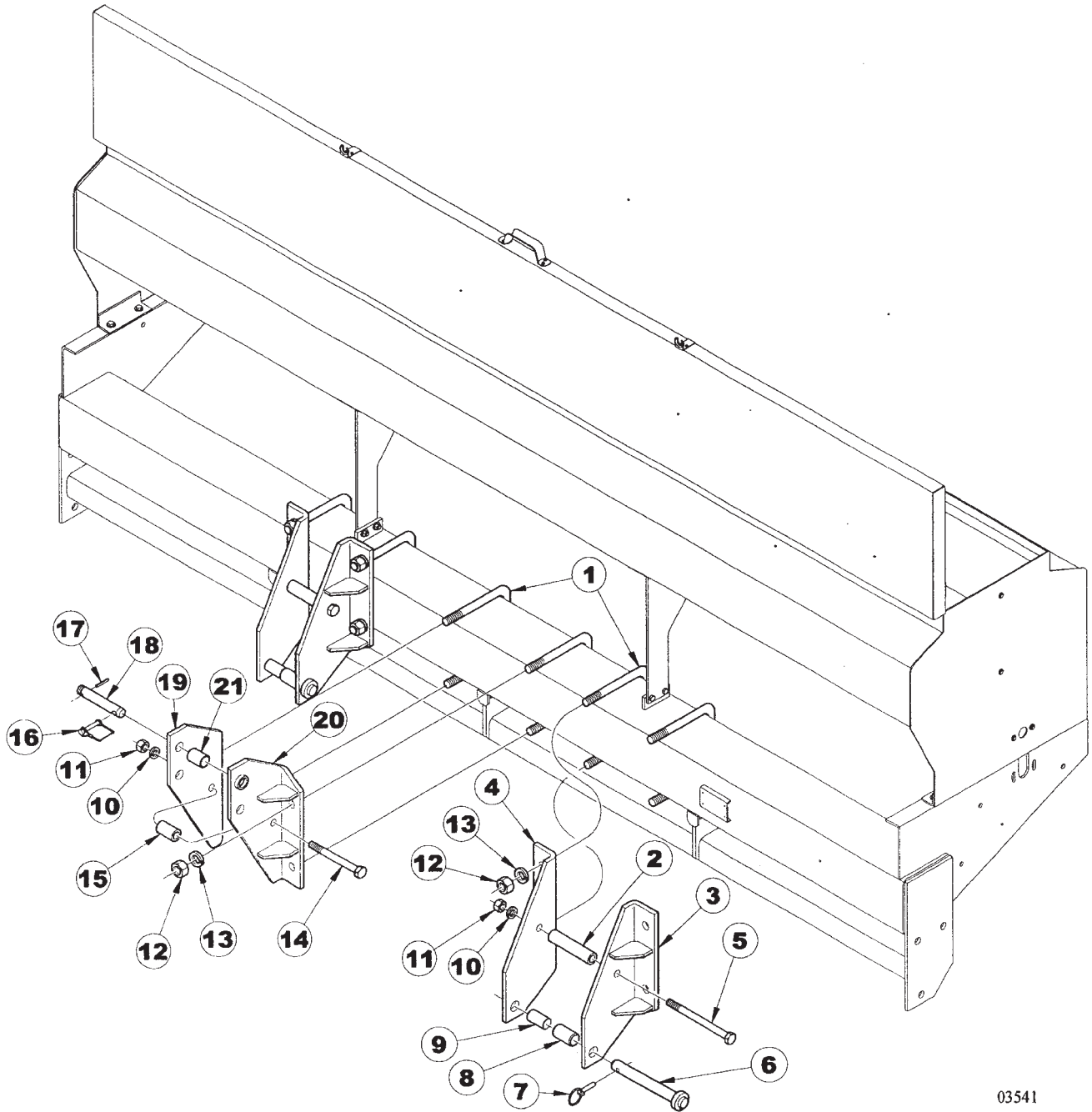
19

**SHAFT ASSEMBLY**

ITEM	NUMBER	QTY	DESCRIPTION
1	SN9176		CHAIN, 79 3/8" L NO. 50 WITH CONNECTOR
2	SN317		FLAT WASHER, 3/8", Y/D
3	SNDR10506		WING NUT, 3/8"-16, Y/D
4	SNDR41506		BUSHING, KEYED 1" OD X .630" SQ ID, 3 1/4" L, Y/D
5	SNBT10275		SPACER, 1.250" OD X .781" ID, .234" WALL, 15/32" L, Y/D
6	SNB1540		ADJUSTMENT KNOB, Y/D
7	SN1243		JAM NUT, 3/4"-10 HEX, GR 2, Y/D
8	SNDR41509		KEY, 1/4" X 1 1/4" SPROCKET
9	SN9190		CHAIN GUARD, RIGHT (SHOWN)
	SN9191		CHAIN GUARD, LEFT
10	SNDR40506		SPROCKET, 54 TOOTH, 1" BORE #50 CHAIN
11	SN6376		CARRIAGE BOLT, 5/16"-18 X 1" GR 5, Y/D
12	SNDR30009		BEARING, 1" LFST
13	SN177		HEX NUT, 3/8"-16 FULL, GR 2, Y/D
14	SNB2620		SPACER, .750" OD X .500" ID, .125" WALL, 2 5/8" L
15	SNDR10026		HEX BOLT, 3/8"-16 X 4" GR 5, Y/D
16	SNDR12017		PLUG, SEED METER
17	SN9076		HEX BOLT, NO. 10-24 X 1/2" GR2, Y/D
18	SN10326		NUT, 10-24 UNC HEX HEAD W/LOCKWASHER
19	SNA0012		SEED METER ASSEMBLY
20	SN6581		LOCKING COLLAR, 1 1/2" OD X .6325 SQ. W/CAP SCREW
21	SN9433		SHAFT, 154 3/4", 5/8" SQ (12' DRILL)
	SNB1598		SHAFT, 94", 5/8" SQ. (15' DRILL)
	SN9188		SHAFT, 124 3/4", 5/8" SQ (10' & 20' DRILLS)
22	SN6378		LOCK NUT, 5/16" HEX NYLON INSERT GR 5, Y/D
23	SN6377		FLAT WASHER, 5/16" Y/D
24	SN1550		HEX BOLT, 1/4"-20 X 2", GR 2 Y/D
25	SN9189		CONNECTOR, METER SHAFT, 5" L
26	SN3881		LOCK NUT, 1/4"-20 HEX NYLON INSERT, GR 2, Y/D
27	SNB1599		METER SHAFT, 88 1/4", 5/8" SQ(15' DRILL)
28	SN9045		HEX BOLT, 1/4"-20 X 1/2" GR 5, Y/D
29	SN9192R		COVER PLATE, CHAIN GUARD
30	SN9785		SEED BOX TENT, 7 1/2" SP
31	SN9786		SEED BOX TENT, 10" SP

I0003540  
PR: t05g30m02c0006

10' THREE-POINT HITCH ASSEMBLY



**9412 THREE-POINTED MOUNTED DRILL  
SERVICE PARTS**

21

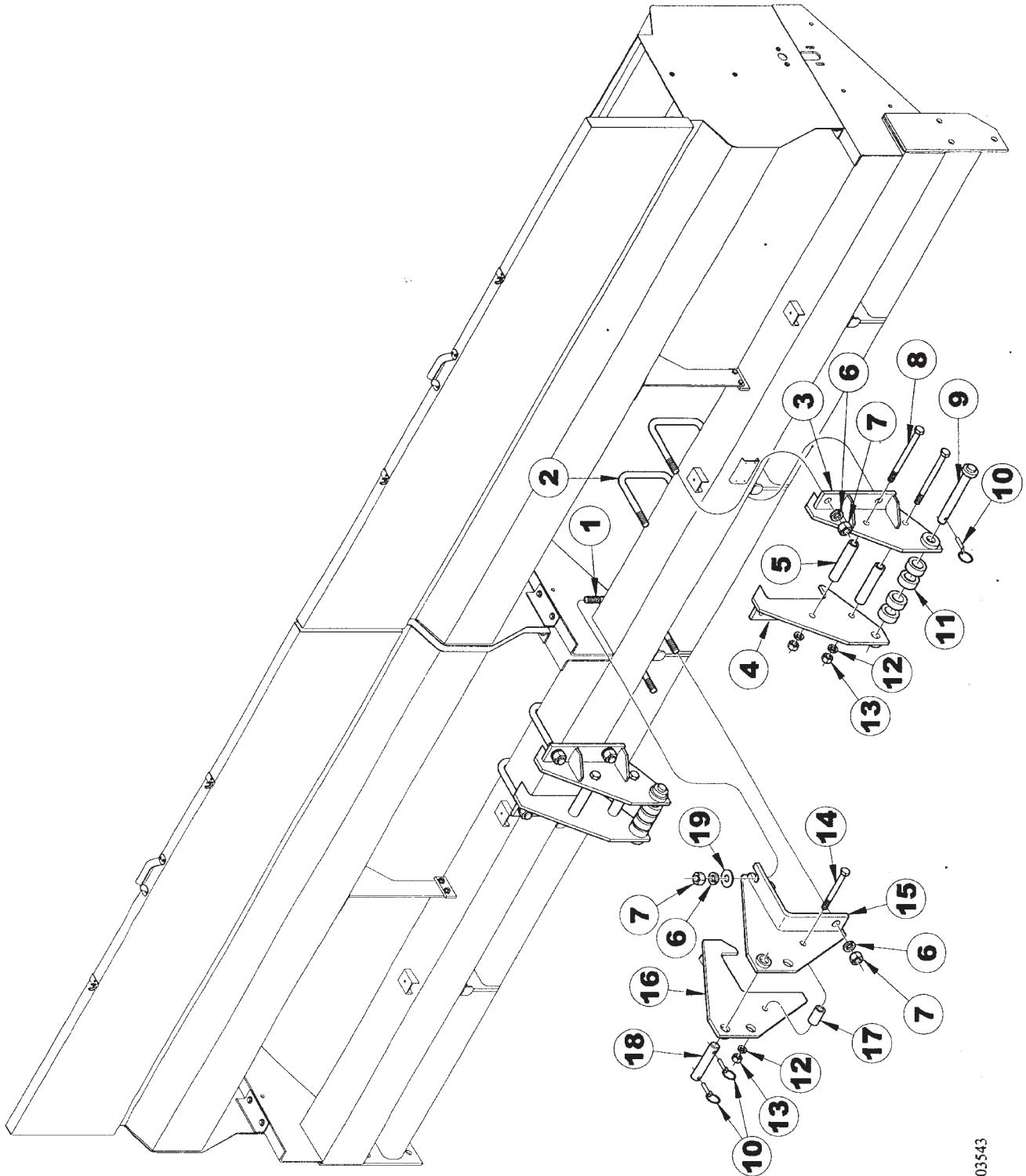
**10' THREE-POINT HITCH ASSEMBLY**

ITEM	NUMBER	QTY	DESCRIPTION
1	SNDR80044		U-BOLT, 7/8"-9 X 8 3/4" X 7 15/16" W, GR 5, Y/D
2	SNB2528		SPACER, 5 3/4"
3	SNBT10377		THREE POINT HITCH BRACKET, LOWER LEFT
4	SNBT10157		THREE POINT HITCH BRACKET, LOWER RIGHT
5	SN918		HEX BOLT, 3/4"-10 X 8", GR 5, Y/D
6	SN6985		PIN, 1 1/8" X 8 7/8" (7 1/4")
7	SN1860		PIN, 7/16" X 11/32" DIA, 2" L, KLIK
8	SN6572		BUSHING, 1.750" OD X 1.188" ID 2 3/4" L
9	SN6465		BUSHING, CATEGORY II TO III 1 7/16" OD X 1 1/8" I
10	SN1040		LOCK WASHER, 3/4" SPLIT TYPE MED, Y/D
11	SN106		HEX NUT, 3/4"-10 FULL, GR 5, Y/D
12	SN397		HEX NUT, 7/8"-9 FULL, GR 2, Y/D
13	SN396		LOCK WASHER, 7/8" SPLIT TYPE MED, Y/D
14	SN1675		HEX BOLT, 3/4"-10 X 4 1/2", GR5, Y/D
15	SNB2606		CENTER MAST SPACER
16	SN3564		WIRE LOCK PIN, 3/8" X 1 1/2"
17	SN6440		ROLL PIN, 1/4" X 1 3/4" MEDIUM DUTY, Y/D
18	SNDR12031		PIN, 1" X 6" (4 1/4"), Y/D W/ROLL PIN
19	SNBT10154		THREE POINT HITCH BRACKET, UPPER RIGHT
20	SNBT10376		THREE POINT HITCH BRACKET, UPPER LEFT
21	SN6557		BUSHING, CATEGORY II TO III, 1 1/4" OD X 1" ID, 1 3/4" LONG

I0003541  
PR: t05g30m02c0007

9412 THREE-POINTED MOUNTED DRILL  
SERVICE PARTS

12', 15' & 20' THREE-POINT HITCH  
ASSEMBLY



**9412 THREE-POINTED MOUNTED DRILL  
SERVICE PARTS**

23

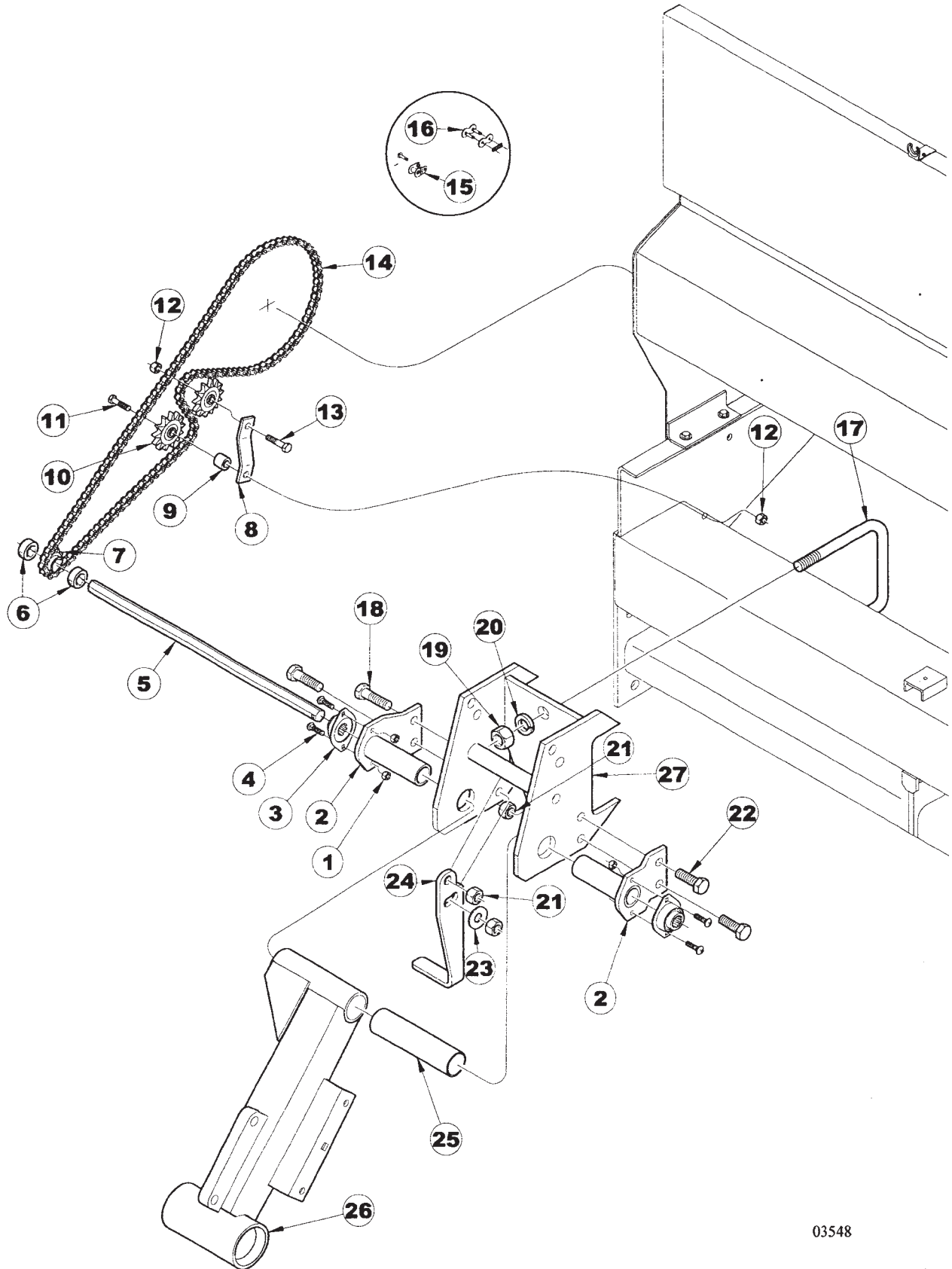
**12', 15' & 20' THREE-POINT HITCH  
ASSEMBLY**

ITEM	NUMBER	QTY	DESCRIPTION
1	SN7896		L-BOLT, 1"-8 X 9" X 9", Y/D
2	SN7070		U-BOLT, 1"-8 X 9" X 8 1/16" W, GR 5, Y/D
3	SN7072		THREE POINT HITCH BRACKET, LOWER LEFT, 1" U-BOLT
4	SN7071		THREE POINT HITCH BRACKET, LOWER RIGHT, 1" U-BOLT
5	SN6997		SPACER, 6 1/4"
6	SN1283		LOCK WASHER, 1" SPLIT TYPE MED, Y/D
7	SN110		HEX NUT, 1"-8 FULL, GR 5, Y/D
8	SN2148		HEX BOLT, 3/4"-10 X 8 1/2", GR 5, Y/D
9	SN6817		PIN, 1 7/16" X 10 3/8" (8 3/4")
10	SN1860		PIN, 7/16" X 11/32" DIA, 2" L,KLIK
11	SN6818R		SPACER, 2.500" OD X 1.532" ID, 1" L
12	SN1040		LOCK WASHER, 3/4" SPLIT TYPE MED, Y/D
13	SN106		HEX NUT, 3/4"-10 FULL, GR 5, Y/D
14	SN1675		HEX BOLT, 3/4"-10 X 4 1/2", GR 5, Y/D
15	SN7900		THREE POINT HITCH BRACKET, UPPER LEFT, 1" L-BOLT
16	SN7899		THREE POINT HITCH BRACKET, UPPER RIGHT, 1" L-BOLT
17	SNB2606		CENTER MAST SPACER
18	SN4989		PIN, 1 1/4" X 6 3/8" (4 7/16") Y/D
19	SNFK150173		FLAT WASHER, 1" SAE

I0003543  
PR: t05g30m02c0008

9412 THREE-POINTED MOUNTED DRILL  
SERVICE PARTS

10', 12' & 15' UPPER GAUGE WHEEL  
ASSEMBLY (RIGHT)



**9412 THREE-POINTED MOUNTED DRILL  
SERVICE PARTS**

25

**10', 12' & 15' UPPER GAUGE WHEEL  
ASSEMBLY (RIGHT)**

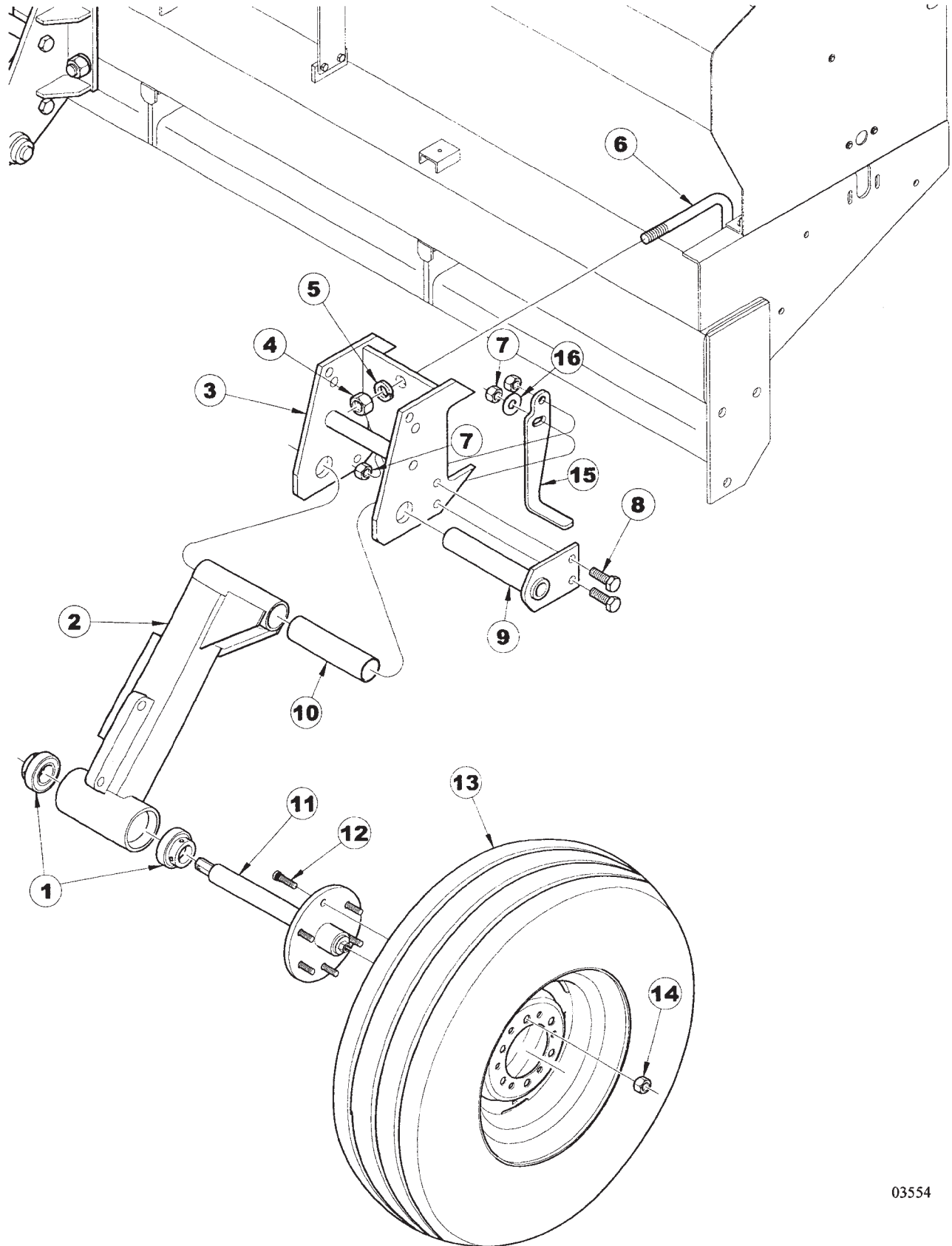
ITEM	NUMBER	QTY	DESCRIPTION
1	SN6378		LOCK NUT, 5/16" HEX NYLON INSERT GR 5, Y/D
2	SN9029		PIVOT BRACKET, GAUGE WHEEL
3	SN9081		BEARING, 7/8" HEX BORE
4	SN6376		CARRIAGE BOLT, 5/16"-18 X 1" GR 5, Y/D
5	SN9147		JACKSHAFT, 7/8" HEX, 19"L (10' DRILL)
	SN9148		JACKSHAFT, 7/8" HEX, 24" L (12' & 15' DRILL)
6	SN9082		SET COLLAR, 7/8" HEX BORE, Y/D
7	SN9077		SPROCKET, 10 TOOTH, 7/8" HEX BORE
8	SN9161		IDLER BRACKET, UPPER
9	SN9166R		SPACER, IDLER SPROCKET, UPPER, 7/8" L
10	SNDR80029		SPROCKET, IDLER
11	SN156		HEX BOLT, 1/2"-13 X 3", GR 5 Y/D
12	SN2096		LOCK NUT, 1/2"-13 HEX NYLON INSERT, GR 8, Y/D
13	SN2045		HEX BOLT, 1/2"-13 X 1 3/4", GR5, Y/D
14	SN9176		CHAIN, 79 3/8" L, #50 (WITH CONNECTOR)
15	SNDR41007		LINK, SINGLE OFFSET #50 CHAIN
16	SNDR41008		LINK, SINGLE CONNECTING #50 CHAIN
17	SN7070		U-BOLT, 1"-8 X 9" X 8 1/16" W, GR 5, Y/D
18	SN1298		HEX BOLT, 5/8"-11 X 2 1/2", GR 5, Y/D
19	SN110		HEX NUT, 1"-8 FULL, GR 5, Y/D
20	SN1283		LOCK WASHER, 1" SPLIT TYPE MED, Y/D
21	SN669-1		LOCK NUT, 5/8" HEX NYLON INSERT, GR 5, Y/D
22	SN670		HEX BOLT, 5/8"-11 X 2", GR 5, Y/D
23	SN2089		FLAT WASHER, 5/8", Y/D
24	SN10292		ARM, WHEEL STOP RIGHT
25	SN9137		BUSHING, 2" OD X 1 3/4" ID, 8"L, PLASTIC
26	SN9129		GAUGE WHEEL AXLE, RT
27	SN9131		MOUNT, GAUGE WHEEL

I0003548  
PR: t05g30m02c0009



9412 THREE-POINTED MOUNTED DRILL  
SERVICE PARTS

10', 12' & 15' UPPER GAUGE WHEEL  
ASSEMBLY (LEFT)



**9412 THREE-POINTED MOUNTED DRILL  
SERVICE PARTS**

27

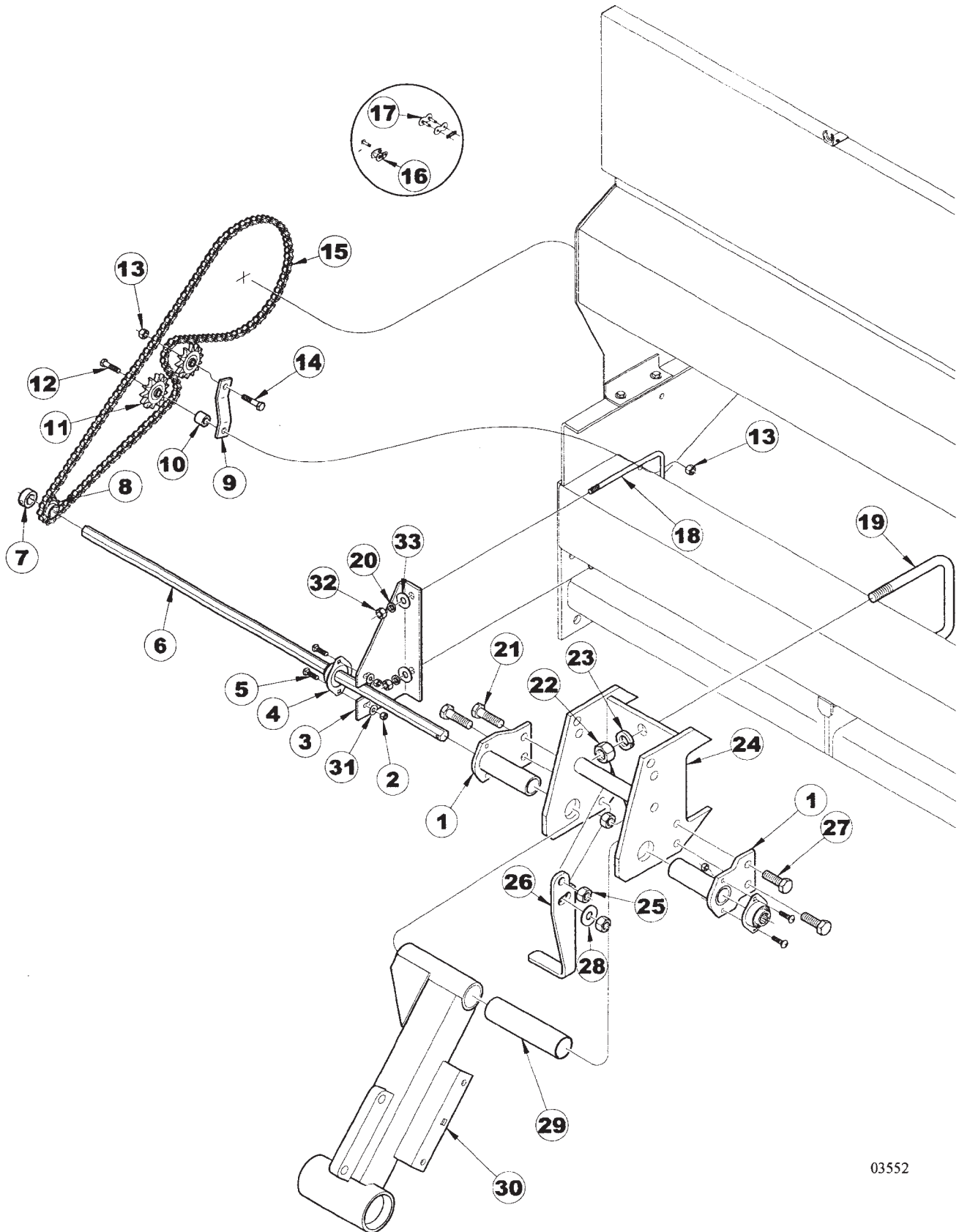
**10', 12' & 15' UPPER GAUGE WHEEL  
ASSEMBLY (LEFT)**

ITEM	NUMBER	QTY	DESCRIPTION
1	SNDR30022		BEARING, 1 1/2" BORE W/LOCK COLLAR
2	SN9130		GAUGE WHEEL AXLE, LT
3	SN9131		MOUNT, GAUGE WHEEL
4	SN110		HEX NUT, 1"-8 FULL, GR 5, Y/D
5	SN1283		LOCK WASHER, 1" SPLIT TYPE MED, Y/D
6	SN7070		U-BOLT, 1"-8 X 9" X 8 1/16" W, GR 5, Y/D
7	SN669-1		LOCK NUT, 5/8" HEX NYLON INSERT, GR 5, Y/D
8	SN670		HEX BOLT, 5/8"-11 X 2", GR 5, Y/D
9	SN9134		PIN, GAUGE WHEEL, 10"L
10	SN9137		BUSHING, 2" OD X 1 3/4" ID, 8"L, PLASTIC
11	SN9136		SPINDLE, GAUGE WHEEL, 6 BOLT HUB
12	SN7784		SHOULDER BOLT, 1/2"-20 X 1 7/8" PRESS IN, 3/8" SHOULDER
13	SN5151		TIRE, 9.5L 8 PLY TUBELESS W/15 X 6 WHEEL ASSY 6 BOLT
	SN3578		TIRE, 9.5L X 15, 8 PLY, TUBELESS (FIRESTONE)
	SN5094		WHEEL, 15 X 6, 6-BOLT
	SN3577		VALVE STEM
14	SN1611		LUG NUT, 1/2"-20, GR 5, 90 DEG TAPER, Y/D
15	SN10293		ARM, WHEEL STOP LEFT
16	SN2089		FLAT WASHER, 5/8", Y/D

I0003554  
PR: t05g30m02c0010

9412 THREE-POINTED MOUNTED DRILL  
SERVICE PARTS

20' UPPER GAUGE WHEEL ASSEMBLY



**9412 THREE-POINTED MOUNTED DRILL  
SERVICE PARTS**

29

**20' UPPER GAUGE WHEEL ASSEMBLY**

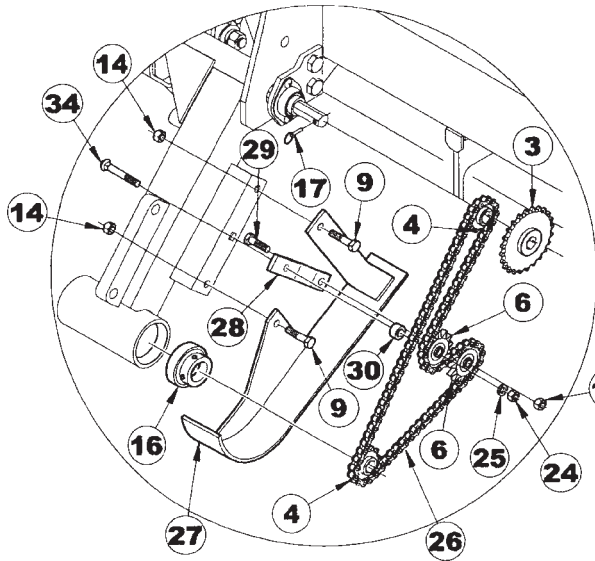
ITEM	NUMBER	QTY	DESCRIPTION
1	SN9029		PIVOT BRACKET, GAUGE WHEEL
2	SN6378		LOCK NUT, 5/16" HEX NYLON INSERT GR 5, Y/D
3	SN9170		BEARING BRACKET, RT (SHOWN)
	SN9171		BEARING BRACKET, LT
4	SN9081		BEARING, 7/8" HEX BORE
5	SN6376		CARRIAGE BOLT, 5/16"-18 X 1" GR 5, Y/D
6	SN9149		JACKSHAFT, 7/8" HEX, 42" L
7	SN9082		SET COLLAR, 7/8" HEX BORE, Y/D
8	SN9077		SPROCKET, 10 TOOTH, 7/8" HEX BORE
9	SN9161		IDLER BRACKET, UPPER
10	SN9166R		SPACER, IDLER SPROCKET, UPPER, 7/8" L
11	SNDR80029		SPROCKET, IDLER
12	SN156		HEX BOLT, 1/2"-13 X 3", GR 5 Y/D
13	SN2096		LOCK NUT, 1/2"-13 HEX NYLON INSERT, GR 8, Y/D
14	SN2045		HEX BOLT, 1/2"-13 X 1 3/4", GR5, Y/D
15	SN9176		CHAIN, 79 3/8" L NO. 50 WITH CONNECTOR
16	SNDR41007		LINK, SINGLE OFFSET #50 CHAIN
17	SNDR4100		LINK, SINGLE CONNECTING #50 CHAIN
18	SNDR80018		U-BOLT, 1/2"-13 X 8 1/4" X 7 5/8" W, GR 5, Y/D
19	SN7070		U-BOLT, 1"-8 X 9" X 8 1/16" W, GR 5, Y/D
20	SN113		LOCK WASHER, 1/2" SPLIT TYPE MED, Y/D
21	SN1298		HEX BOLT, 5/8"-11 X 2 1/2", GR 5, Y/D
22	SN110		HEX NUT, 1"-8 FULL, GR 5, Y/D
23	SN1283		LOCK WASHER, 1" SPLIT TYPE MED, Y/D
24	SN9131		MOUNT, GAUGE WHEEL
25	SN669-1		LOCK NUT, 5/8" HEX NYLON INSERT, GR 5, Y/D
26	SN10292		ARM, WHEEL STOP RIGHT
	SN10293		ARM, WHEEL STOP LEFT
27	SN670		HEX BOLT, 5/8"-11 X 2", GR 5, Y/D
28	SN2089		FLAT WASHER, 5/8", Y/D
29	SN9137		BUSHING, 2" OD X 1 3/4" ID, 8"L, PLASTIC
30	SN9129		GAUGE WHEEL AXLE, RT (SHOWN)
	SN9130		GAUGE WHEEL AXLE, LT
31	SN6377		FLAT WASHER, 5/16" Y/D
32	SN114		HEX NUT, 1/2"-13 FULL, GR2, Y/D
33	SN486		1/2" FLAT WASHER

I0003552  
PR: t05g30m02c0011

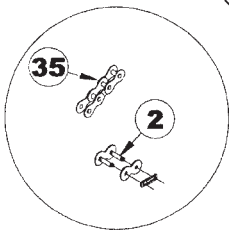
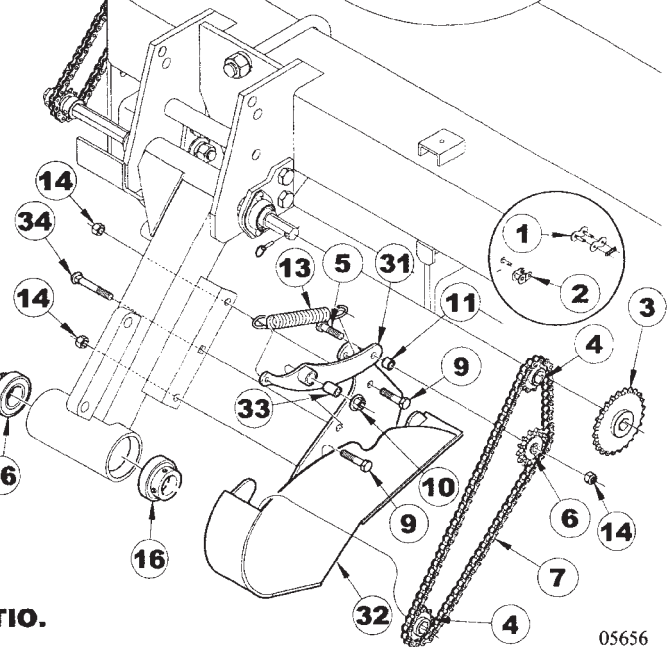
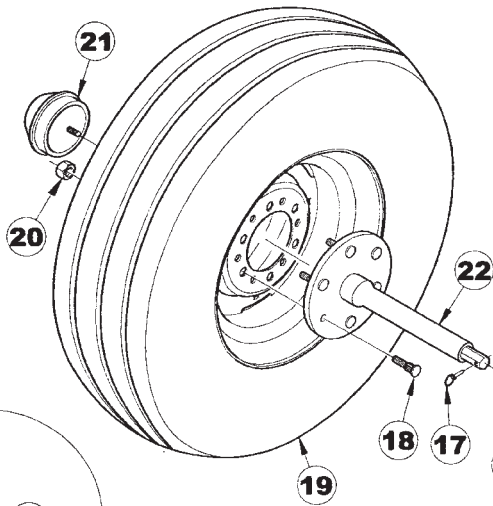
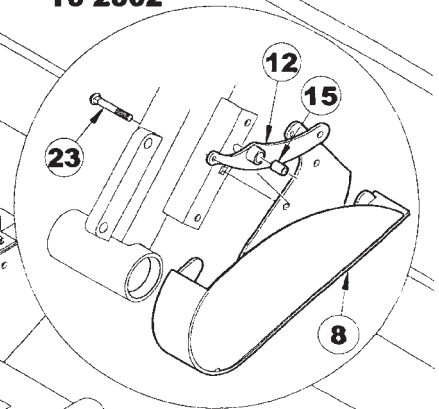
9412 THREE-POINTED MOUNTED DRILL  
SERVICE PARTS

10', 12', 15' & 20' LOWER GAUGE WHEEL  
ASSEMBLY

YEAR 2000  
AND EARLIER DRILLS



YEAR 2000  
TO 2002



ITEMS #2 & #35 ARE USED  
WITH SPROCKET #3 WHEN  
SEEDING AT A 2:1 OR 1:2 RATIO.

**9412 THREE-POINTED MOUNTED DRILL  
SERVICE PARTS**

31

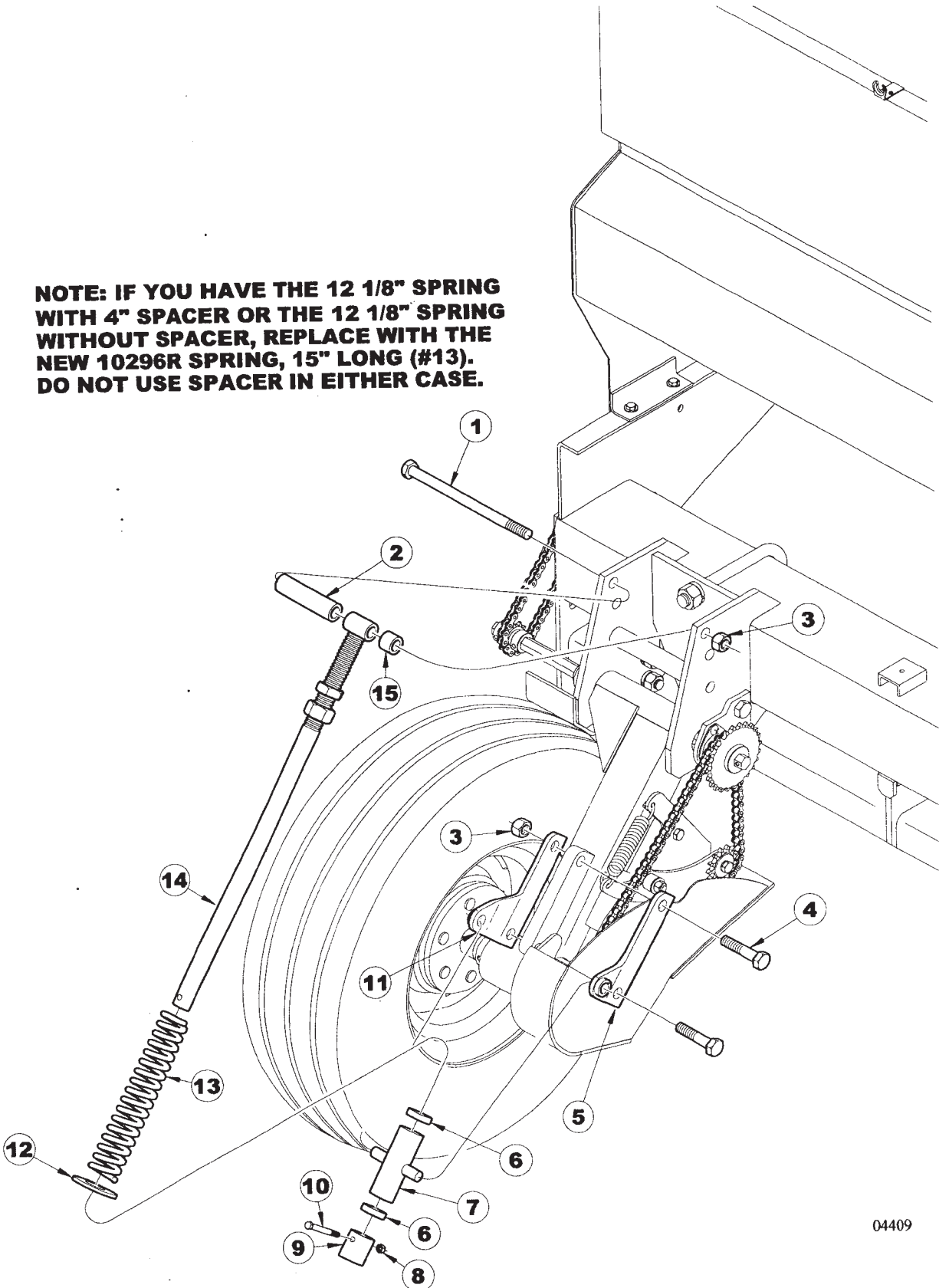
**10', 12', 15' & 20' LOWER GAUGE WHEEL  
ASSEMBLY**

ITEM	NUMBER	QTY	DESCRIPTION
1	SNDR41008		LINK, SINGLE CONNECTING #50 CHAIN
2	SNDR41007		LINK, SINGLE OFFSET #50 CHAIN
3	SN9079		SPROCKET, 24 TOOTH, 7/8" HEX BORE
4	SN9078		SPROCKET, 12 TOOTH, 7/8" HEX BORE
5	SN112		HEX BOLT, 1/2"-13 X 2 1/2" GR 5, Y/D
6	SNDR80029		SPROCKET, IDLER
7	SN12360		CHAIN, 48 11/16" L NO. 50
8	SN9882		CHAIN GUARD, GW, LT
	SN9881		CHAIN GUARD, GW, RT
9	SN1823		HEX BOLT, 1/2"-13 X 1 1/4", GR 5, Y/D
10	SN9683		HFN 1/2"-13 GR5 Y/D
11	SN9886		BUSHING, 3/4" OD X 1/2" ID, 17/32" L
12	SN9884		IDLER BRACKET, LEFT
	SN9883		IDLER BRACKET, RIGHT
13	SN10325		SPRING, .105" WIRE DIA X 4 3/4" L EXTENSION Y/D
14	SN2096		LOCK NUT, 1/2"-13 HEX NYLON INSERT
15	SN9887		BUSHING, 3/4" OD X 1/2" ID, 1 1/16"L, Y/D
16	SNDR30022		BEARING, 1 1/2" BORE W/LOCK COLLAR
17	SN9083		KLIK PIN, 1/4" DIA X 2 1/8"
18	SN7784		SHOULDER BOLT, 1/2"-20 X 1 7/8" PRESS IN, 3/8" SHOULDER
19	SN5151		TIRE, 9.5L 8 PLY TUBELESS W/15 X 6 WHEEL ASSY 6 BOLT
	SN3578		TIRE, 9.5L X 15, 8 PLY, TUBELESS
	SN5094		WHEEL, 15 X 6, 6-BOLT
	SN3577		VALVE STEM
20	SN1611		LUG NUT, 1/2"-20, GR 5, 90 DEG TAPER, Y/D
21	SNDR41515		ACREMETER, 9.5L-15 X 10'
	SN9652		ACREMETER, 9.5L-15 X 12 1/2'
	SNDR41516		ACREMETER, 9.5L-15 X 15'
	SNDR41517		ACREMETER, 9.5L/11L-15 X 20'
22	SN9136		SPINDLE, GAUGE WHEEL, 6 BOLT HUB
23	SN9939		CARRIAGE BOLT, 1/2"-13 X 2 1/2", GR5, Y/D
24	SN114		HEX NUT, 1/2"-13 FULL, GR 2, Y/D
25	SN113		LOCK WASHER, 1/2" SPLIT TYPE MED, Y/D
26	SN9177		CHAIN, 55 5/8" L NO. 50
27	SN9111		CHAIN GUARD, GW, RT
	SN9112		CHAIN GUARD, GW, LT
28	SN9160		IDLER BRACKET, LOWER
29	SN2045		HEX BOLT, 1/2"-13 X 1 3/4", GR5, Y/D
30	SN9165		SPACER, IDLER SPROCKET, LOWER, 9/16"L
31	SN10357		IDLER WELDMENT, CHAIN LEFT
	SN10356		IDLER WELDMENT, CHAIN RIGHT
32	SN10359		GUARD, CHAIN LEFT
	SN10358		GUARD, CHAIN RIGHT
33	SN10355		BUSHING, IDLER .750" OD X .532" ID, 1 9/16" L
34	SN9178		CARRIAGE BOLT, 1/2"-13 X 3", GR 5, Y/D
35	SN12361		CHAIN, 2 7/16" L NO. 50

I0005656  
PR: t05g30m02c0012

## TURNBUCKLE ASSEMBLY

**NOTE: IF YOU HAVE THE 12 1/8" SPRING WITH 4" SPACER OR THE 12 1/8" SPRING WITHOUT SPACER, REPLACE WITH THE NEW 10296R SPRING, 15" LONG (#13). DO NOT USE SPACER IN EITHER CASE.**





**9412 THREE-POINTED MOUNTED DRILL  
SERVICE PARTS**

**33**

**TURNBUCKLE ASSEMBLY**

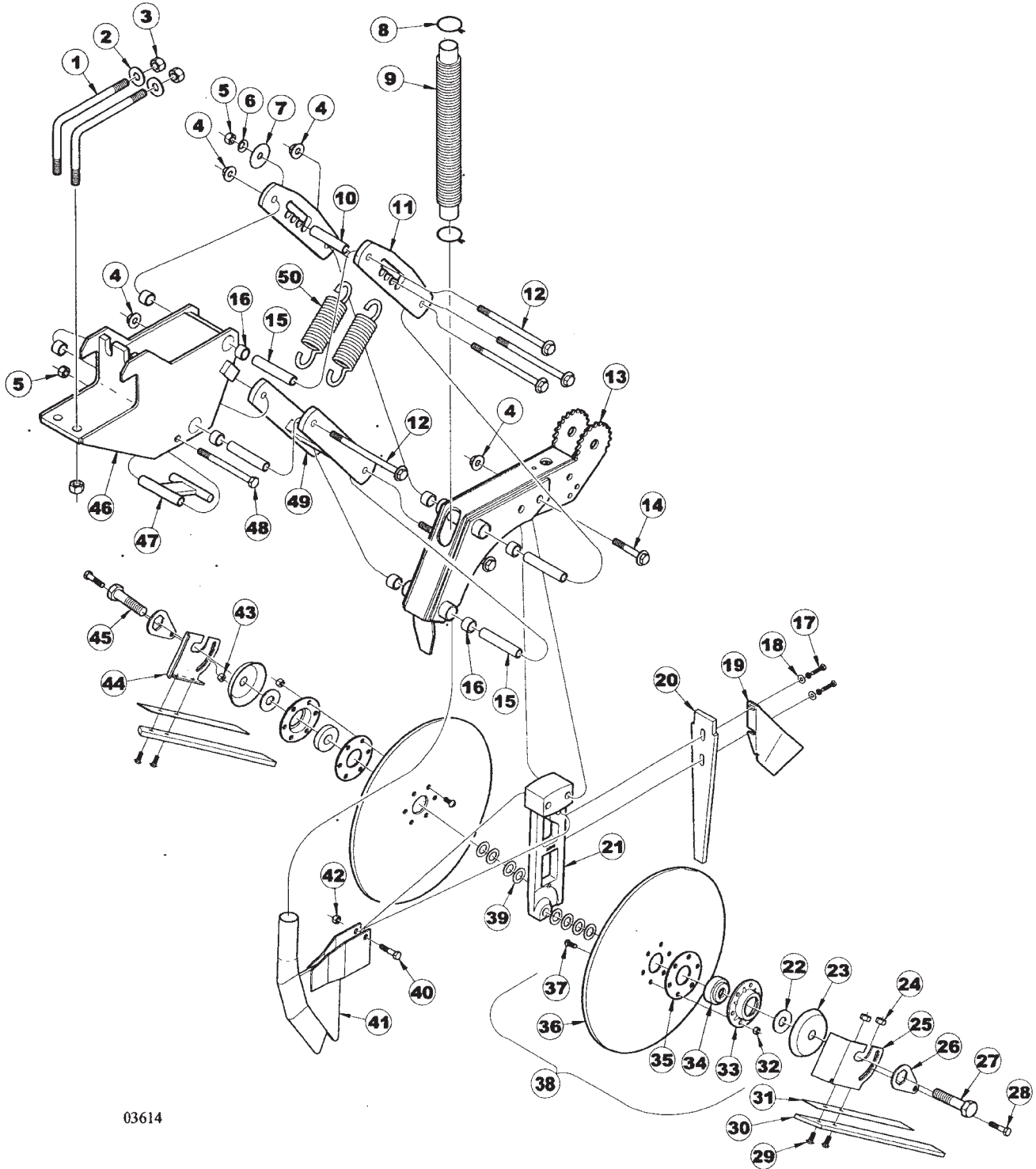
ITEM	NUMBER	QTY	DESCRIPTION
1	SN3411		HEX BOLT, 3/4"-10 X 11", GR 5, Y/D
2	SN9163		SPACER, GW MOUNT, 5 1/8" L
3	SNHEN3410		LOCK NUT, 3/4" HEX NYLON INSERT, GR 5, Y/D
4	SN1345		HEX BOLT, 3/4"-10 X 3", GR 5, Y/D
5	SN7519		BRACKET, GAUGE WHEEL LEFT
6	SN7638R		SPACER TUBE, 1/2"
7	SN7517		CROSS, GAUGE WHEEL
8	SN3567		LOCK NUT, 3/8"-16 HEX NYLON INSERT, GR 2, Y/D
9	SN10569		COLLAR, 1.750" OD X 1.274" ID, 2" L
10	SN2487		HEX BOLT, 3/8"-16 X 2 1/2", GR 5, Y/D
11	SN7518		BRACKET, GAUGE WHEEL RIGHT
12	SNFK150172		FLAT WASHER, 1 1/4" SAE, Y/D
13	SN10296		* SPRING, 2.1875" OD X 1.4375" ID X 15" L, COMPRESSION .375" DIA
14	SNB4103		TURNBUCKLE SCREW, Y/D
15	SN9164		SPACER, GW MOUNT, 1" L

\*NOTE: IF YOU HAVE THE 12 1/8" SPRING  
WITH 4" SPACER OR THE 12 1/8" SPRING  
WITHOUT SPACER, REPLACE WITH THE NEW  
10296R SPRING 15" LONG (#13). DO NOT USE  
THE SPACER IN EITHER CASE.

I0004409  
PR: t05g30m02c0013

9412 THREE-POINTED MOUNTED DRILL  
SERVICE PARTS

ALL PURPOSE OPENER ASSEMBLY (YEAR 2000  
& EARLIER DRILLS)



**9412 THREE-POINTED MOUNTED DRILL  
SERVICE PARTS**

35

**ALL PURPOSE OPENER ASSEMBLY (YEAR 2000  
& EARLIER DRILLS)**

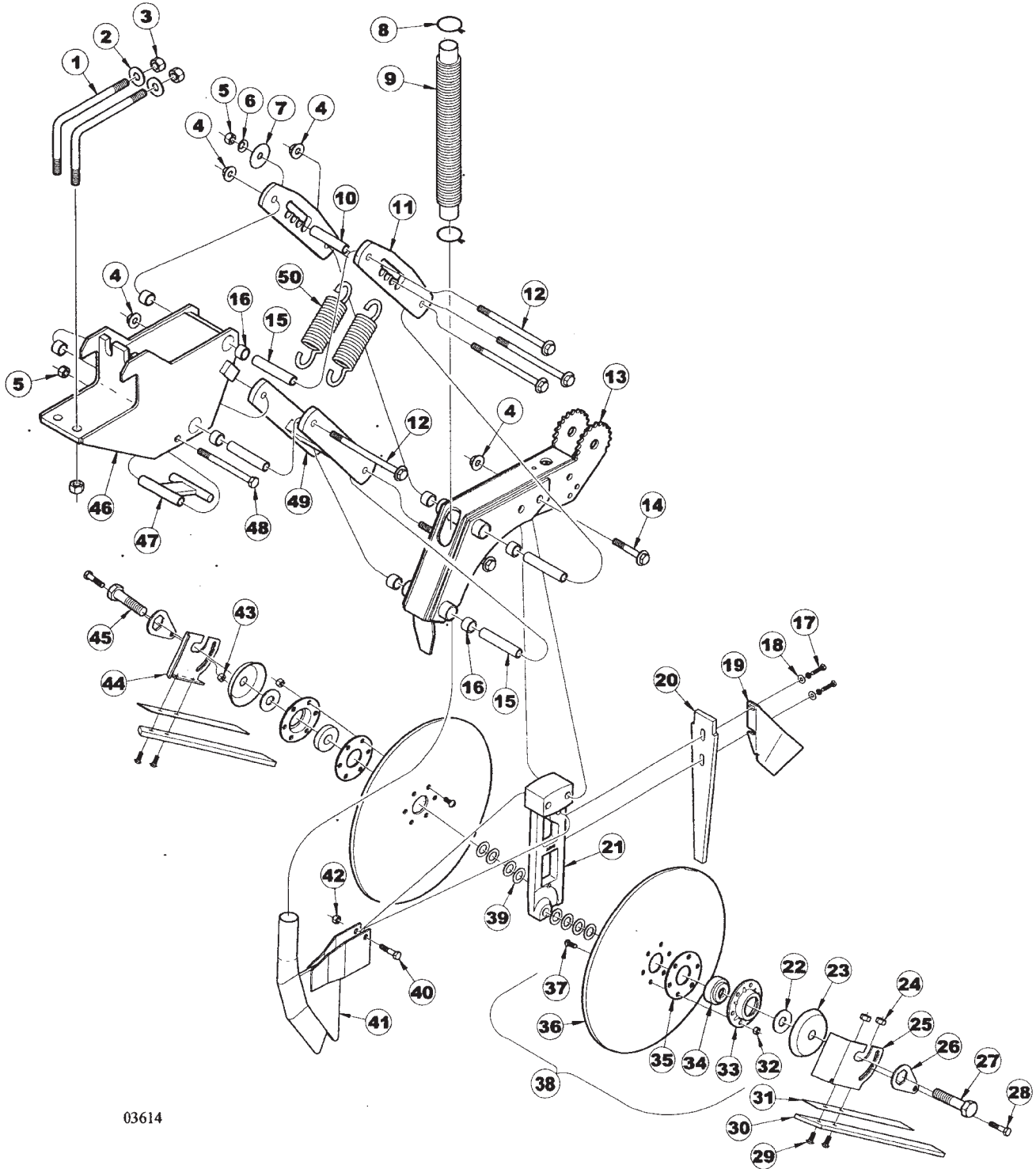
ITEM	NUMBER	QTY	DESCRIPTION
1	SN7024		L-BOLT, 5/8"-11 X 4 5/8" X 6 5/8", Y/D
2	SNFK150283		FLAT WASHER, 5/8" SAE, Y/D
3	SN669-1		LOCK NUT, 5/8" HEX NYLON INSERT, GR 5, Y/D
4	SN9683		1/2"-13 FLANGE TOPLOCK NUT GR G CAD/WAX
5	SN2096		LOCK NUT, 1/2"-13 HEX NYLON INSERT
6	SN6618		WASHER, .531" ID X .813" OD, .129" CROWN HEIGHT, CURVED
7	SN6619		WASHER, .531" ID X 2.000" OD X .058" THICK, Y/D
8	SNDR12011		CLAMP, SEED TUBE
9	SNDR20004		SEED TUBE, RUBBER
10	SN7033B		SPACER TUBE, 4 1/2" L, ALL PURPOSE
11	SN7032		PARALLEL LINKAGE, 11" TOP, ALL PURPOSE
12	SN9680		HHFS 1/2"-13 X 6 1/2" GR5 Y/D
13	SN7034B		OPENER FRAME, ALL PURPOSE
14	SN9682		HHFS 1/2"-13 X 3 3/4" GR5 Y/D
15	SN7029		CLAMP BUSHING, 4 21/32"
16	SN5935		BUSHING, 1" OD X 3/4" ID, 5/8" L (HARD) SPRING
17	SN3722		HEX BOLT, 5/16"-18 X 1", GR 5, Y/D
18	SN6377		FLAT WASHER, 5/16" Y/D
19	SN7803		SCRAPER, SHORT RIGID
	SN7804		SCRAPER, LONG RIGID
20	SN7202		TRASH DEFLECTOR
21	SN7272		OPENER BAR, ALL PURPOSE (LONG) (SHOWN)
	SN7271		OPENER BAR, ALL PURPOSE (SHORT)
22	SN893		FLAT WASHER, 3/4" Y/D
23	SNB1127		DUST CAP
24	SN6378		LOCK NUT, 5/16" HEX NYLON INSERT GR 5, Y/D
25	SN7205		MOUNTING BRACKET, SOIL CONTROL DEVICE LEFT
26	SN7203		LOCKING ARM
27	SNDR81044		HEX BOLT, 3/4"-10 LH X 2", GR 5, Y/D
28	SN1193		HEX BOLT, 3/8"-16 X 3/4", GR 5, Y/D
29	SN6376		CARRIAGE BOLT, 5/16"-18 X 1" GR 5, Y/D
30	SN7201		SOIL CONTROL STRIP
31	SN7859		SUPPORT, SOIL CONTROL STRIP
32	SNDR10508		LOCK NUT, 5/16"-18 HEX CENTER GR 2, Y/D
33	SNB1120		BEARING FLANGE, 6 HOLE, Y/D

CONTINUED

I0003614  
PR: t05g30m02c0014

9412 THREE-POINTED MOUNTED DRILL  
SERVICE PARTS

ALL PURPOSE OPENER ASSEMBLY (YEAR 2000  
& EARLIER DRILLS)



**9412 THREE-POINTED MOUNTED DRILL  
SERVICE PARTS**

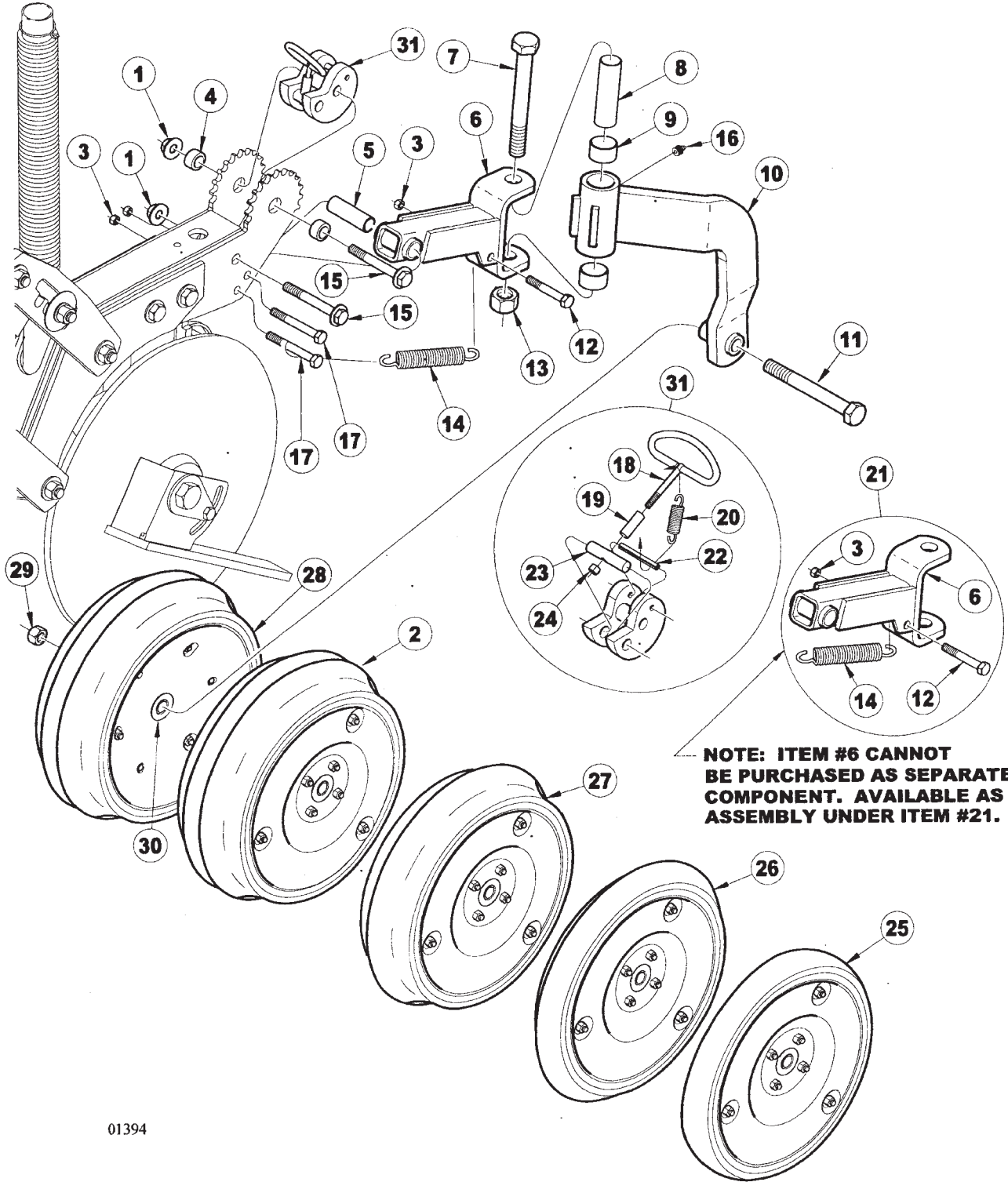
37

**ALL PURPOSE OPENER ASSEMBLY (YEAR 2000  
& EARLIER DRILLS)**

ITEM	NUMBER	QTY	DESCRIPTION
34	SNDR30005		BEARING
35	SNB5000		BEARING PLATE, 6 HOLE, Y/D
36	SN7176		15" BLADE, 1 1/2" BORE 3.5 MM 6 BOLT
37	SN6514		CAP SCREW, 5/16"-18 X 3/4" BUTTON SOCKET HEAD, GR 8 BLACK
38	SN7261		OPENER BLADE & BRG ASSEMBLY, ALL PURPOSE
39	SNDR80011		WASHER, MACHINE
40	SN175		HEX BOLT, 3/8"-16 X 1 1/2", GR 5, Y/D
41	SN7038		SEED TUBE, ALL PURPOSE
42	SN3566		LOCK NUT, 3/8"-16 HEX CENTER, GR 2, Y/D
43	SN3567		LOCK NUT, 3/8"-16 HEX NYLON INSERT, GR 2, Y/D
44	SN7204		MOUNTING BRACKET, SOIL CONTROL DEVICE RIGHT
45	SN1220		HEX BOLT, 3/4"-10 X 2", GR 5 Y/D
46	SN7028		OPENER MOUNT, LONG, ALL PURPOSE (SHOWN)
	SN7027		OPENER MOUNT, SHORT, ALL PURPOSE
47	SN7030B		SPRING ANCHOR, ALL PURPOSE
48	SN840		HEX BOLT, 1/2"-13 X 5 1/2", GR 5, Y/D
49	SN7031		PARALLEL LINKAGE, 11" LOWER, ALL PURPOSE
50	SN7026		SPRING, 1.6875" OD X 1.1635" ID, 7 5/16" L, EXTENSION
	SN9105		ALL PURPOSE OPENER ASSEMBLY, SHORT RIGID (INCLUDES ALL ABOVE ITEMS AND THE ALL PURPOSE PRESS WHEEL FRAME ASSEMBLY, LESS THE PRESS WHEELS.)
	SN9106		ALL PURPOSE OPENER ASSEMBLY, LONG RIGID (INCLUDES ALL ABOVE ITEMS AND THE ALL PURPOSE PRESS WHEEL FRAME ASSEMBLY, LESS THE PRESS WHEELS.)

I0003614  
PR: t05g30m02c0014

ALL PURPOSE PRESS WHEEL ASSEMBLY  
(YEAR 2000 & EARLIER DRILLS)



**9412 THREE-POINTED MOUNTED DRILL  
SERVICE PARTS**

39

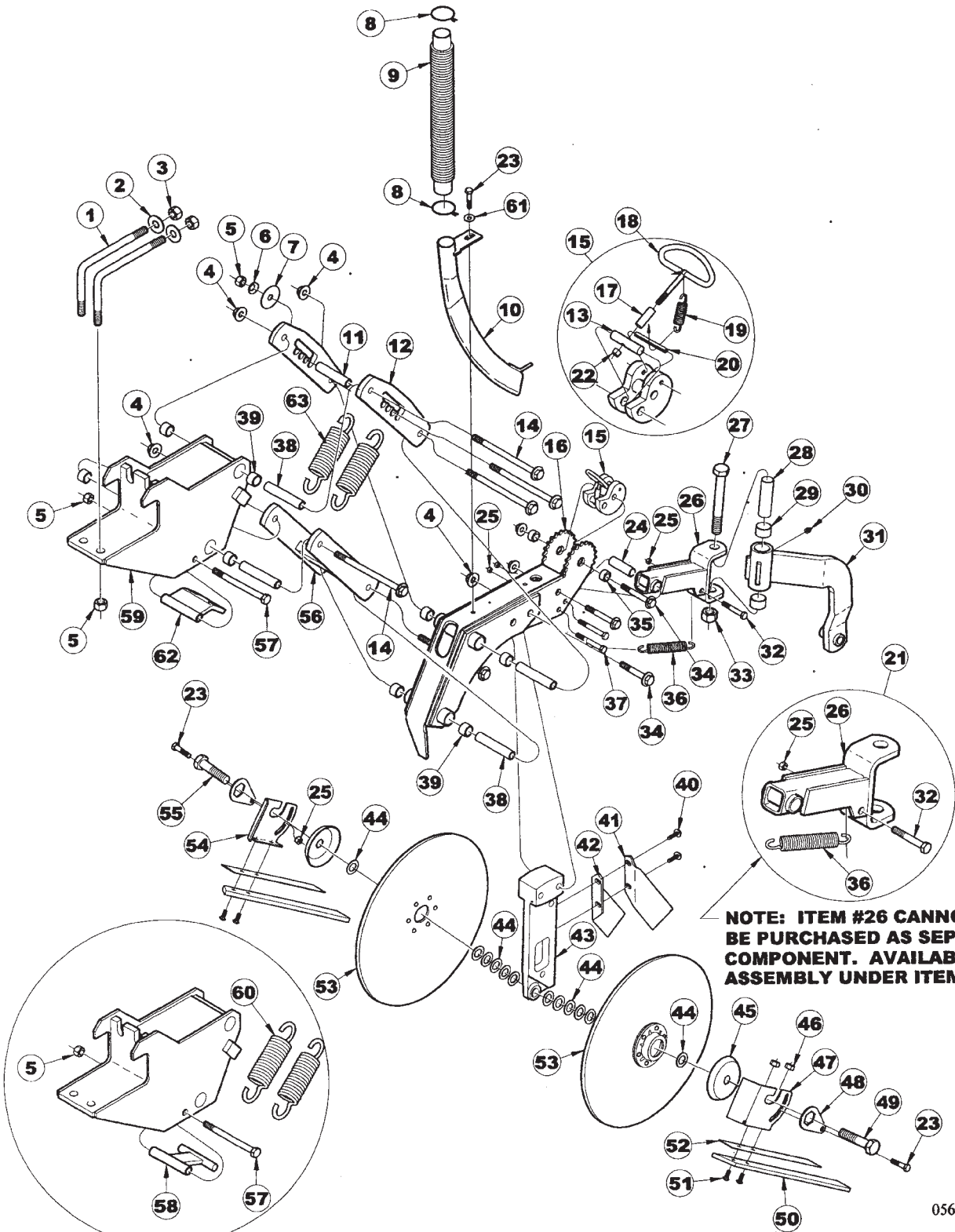
**ALL PURPOSE PRESS WHEEL ASSEMBLY  
(YEAR 2000 & EARLIER DRILLS)**

ITEM	NUMBER	QTY	DESCRIPTION
1	SN9683		1/2-13 FLANGE TOPLOCK NUT GR G CAD/WAX
2	SN7375		PRESS WHEEL ASSEMBLY, 3" X 13", DOUBLE RIB STEEL RIM
3	SN3567		LOCK NUT, 3/8"-16 HEX NYLON INSERT, GR 2, Y/D
4	SN7384		BUSHING, DEPTH CONTROL, 1/2"
5	SN7042		CLAMP BUSHING,.750" OD X .532" ID, 109 W, 2 5/64" L
6	SN7041		PRESS WHEEL FRAME, SWIVEL
7	SN1021		HEX BOLT, 3/4"-10 X 5 1/2", GR 5, Y/D
8	SN7043		CLAMP BUSHING, 1" O.D. X .760" I.D., 3 5/8" L.
9	SN5934		BUSHING, 1 1/4" OD X 1" ID, 5/8" L (HARD) SPRING
10	SN9101		PRESS WHEEL FRAME, REAR, ALL PURPOSE
11	SN2557		HEX BOLT, 5/8"-11 X 4 1/2", GR 5, Y/D
12	SN2487		HEX BOLT, 3/8"-16 X 2 1/2", GR 5, Y/D
13	SNHEN3410		K NUT, 3/4" HEX NYLON INSERT, GR 5, Y/D
14	SN9708		SPRING, .162" WIRE DIA X 5" L EXTENSION
15	SN9682		HHFS 1/2"-13 X 3 3/4" GR5 Y/D
16	SN2098-1		GREASE ZERK, 1/8" NPTF, 5/8" L.
17	SN3806		HEX BOLT, 3/8"-16 X 3", GR 5, Y/D
18	SN7040		DEPTH LOCK
19	SN7085		DEPTH LOCK SPACER
20	SN7083		EXTENSION SPRING, .5" O.D. X .375" I.D., 1 1/2" L.
21	SN10333		PRESS WHEEL FRAME SWIVEL, W/SPRING, ALL PURPOSE
22	SN6440		ROLL PIN, 1/4" X 1 3/4" MEDIUM DUTY, Y/D
23	SN7084		DEPTH LOCK PIN, Y/D
24	SN3881		LOCK NUT, 1/4"-20 HEX NYLON INSERT, GR 2, Y/D
25	SN6867		2" X 13" SMOOTH CROWN STEEL RIM PRESS WHEEL ASSY.
26	SN6868		2" X 13" V-CROWN STEEL RIM PRESS WHEEL ASSY.
27	SN6866		3" X 13" CENTER RIB STEEL RIM PRESS WHEEL ASSY.
28	SN6869		4" X 12" DOUBLE RIB NYLON RIM PRESS WHEEL ASSY.
29	SN669-1		LOCK NUT, 5/8" HEX NYLON INSERT, GR 5 Y/D
30	SN7218		BEARING, 40 MM
31	SN9102		DEPTH CAM ASSEMBLY, ALL PURPOSE (ITEMS 18, 19, 20, 22, 23 & 24)
	SN9105		ALL PURPOSE OPENER ASSEMBLY, SHORT RIGID, LESS PRESS WHEEL
	SN9106		ALL PURPOSE OPENER ASSEMBLY, LONG RIGID, LESS PRESS WHEEL

I0001394  
PR: t05g30m02c0015

9412 THREE-POINTED MOUNTED DRILL  
SERVICE PARTS

ALL PURPOSE HEADS UP OPENER ASSEMBLY  
(YEAR 2001 & LATER DRILLS)



**NOTE: ITEM #26 CANNOT BE PURCHASED AS SEPARATE COMPONENT. AVAILABLE AS ASSEMBLY UNDER ITEM #21.**

**SERIAL # 09412L20020060 & EARLIER**



**9412 THREE-POINTED MOUNTED DRILL  
SERVICE PARTS**

41

**ALL PURPOSE HEADS UP OPENER ASSEMBLY  
(YEAR 2001 & LATER DRILLS)**

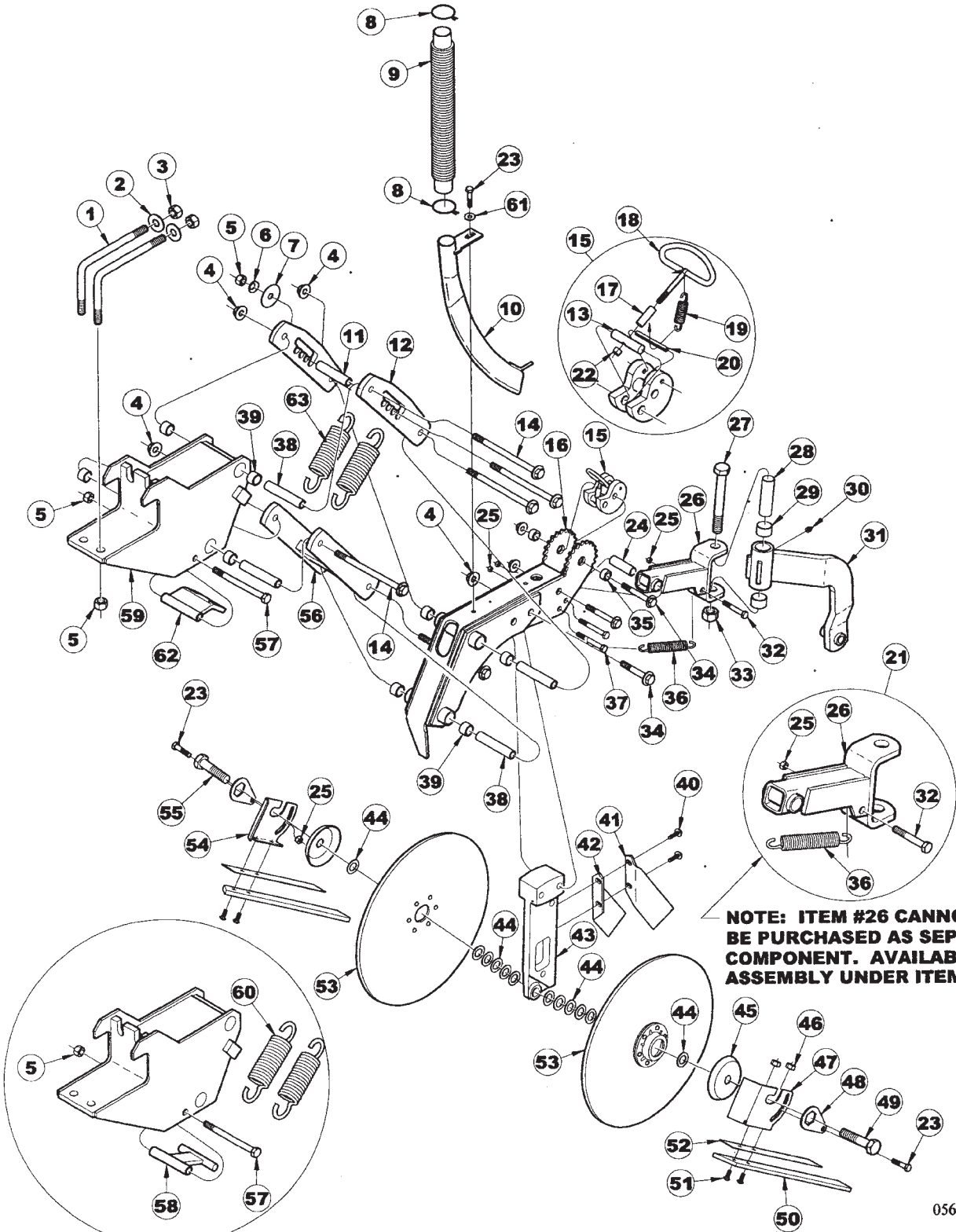
ITEM	NUMBER	QTY	DESCRIPTION
1	SN7024		L-BOLT, 5/8"-11 X 4 5/8" X 6 5/8", Y/D
2	SNFK150283		FLAT WASHER, 5/8" SAE, Y/D
3	SN669-1		LOCK NUT, 5/8" HEX NYLON INSERT, GR 5, Y/D
4	SN9683		1/2"-13 FLANGE TOPLOCK NUT GR G CAD/WAX
5	SN2096		LOCK NUT, 1/2"-13 HEX NYLON INSERT
6	SN6618		WASHER, .531" ID X .813" OD, .129" CROWN HEIGHT, CURVED SPRING
7	SN6619		WASHER, .531" ID X 2.000" OD X .058" THICK, Y/D
8	SNDR12011		CLAMP, SEED TUBE
9	SNDR20004		SEED TUBE, RUBBER
10	SN9937		SEED TUBE, ALL PURPOSE HEADS UP
11	SN7033B		SPACER TUBE, 4 1/2" L, ALL PURPOSE
12	SN7032		PARALLEL LINKAGE, 11" TOP, ALL PURPOSE
13	SN7084		DEPTH LOCK PIN, Y/D
14	SN9680		HHFS 1/2"-13 X 6 1/2" GR5 Y/D
15	SN9102		DEPTH CAM ASSY, ALL PURPOSE
16	SN7034B		OPENER FRAME, ALL PURPOSE
17	SN7085		SPACER, DEPTH LOCK, Y/D
18	SN7040		DEPTH LOCK, ALL PURPOSE, Y/D
19	SN7083		SPRING, .500" OD X .375" ID, 1 1/2" L EXTENSION
20	SN6440		ROLL PIN, 1/4" X 1 3/4" MEDIUM DUTY, Y/D
21	SN10333		PRESS WHEEL FRAME SWIVEL, W/SPRING, ALL PURPOSE
22	SN3881		LOCK NUT, 1/4"-20 HEX NYLON INSERT, GR 2, Y/D
23	SN1193		HEX BOLT, 3/8"-16 X 3/4", GR 5, Y/D
24	SN7042		CLAMP BUSHING, .750" OD X .532" ID, .109 W, 2 5/64" L
25	SN3567		LOCK NUT, 3/8"-16 HEX NYLON INSERT, GR 2, Y/D
26	SN7041		PRESS WHEEL FRAME, SWIVEL, ALL PURPOSE
27	SN1021		HEX BOLT, 3/4"-10 X 5 1/2", GR 5, Y/D
28	SN7043B		CLAMP BUSHING, 1" OD X .760" ID, .120" W, 3 5/8" L
29	SN5934		BUSHING, 1 1/4" OD X 1" ID, 5/8" L (HARD) SPRING
30	SN2098-1		GREASE ZERK, 1/8" NPTF, 5/8" L
31	SN9101		PRESS WHEEL FRAME, REAR, ALL PURPOSE (SERIAL # 09412F20020030 & EARLIER)
	SN7044B		PRESS WHEEL FRAME, REAR, ALL PURPOSE (SERIAL # 09412F20020031 & LATER)
32	SN2487		HEX BOLT, 3/8"-16 X 2 1/2", GR 5, Y/D
33	SNHEN3410		LOCK NUT, 3/4" HEX NYLON INSERT, GR 5, Y/D

CONTINUED

I0005654  
PR: t05g30m02c0016

9412 THREE-POINTED MOUNTED DRILL  
SERVICE PARTS

ALL PURPOSE HEADS UP OPENER ASSEMBLY  
(YEAR 2001 & LATER DRILLS)



**NOTE: ITEM #26 CANNOT BE PURCHASED AS SEPARATE COMPONENT. AVAILABLE AS ASSEMBLY UNDER ITEM #21.**

**SERIAL # 09412L20020060 & EARLIER**

**9412 THREE-POINTED MOUNTED DRILL  
SERVICE PARTS**

43

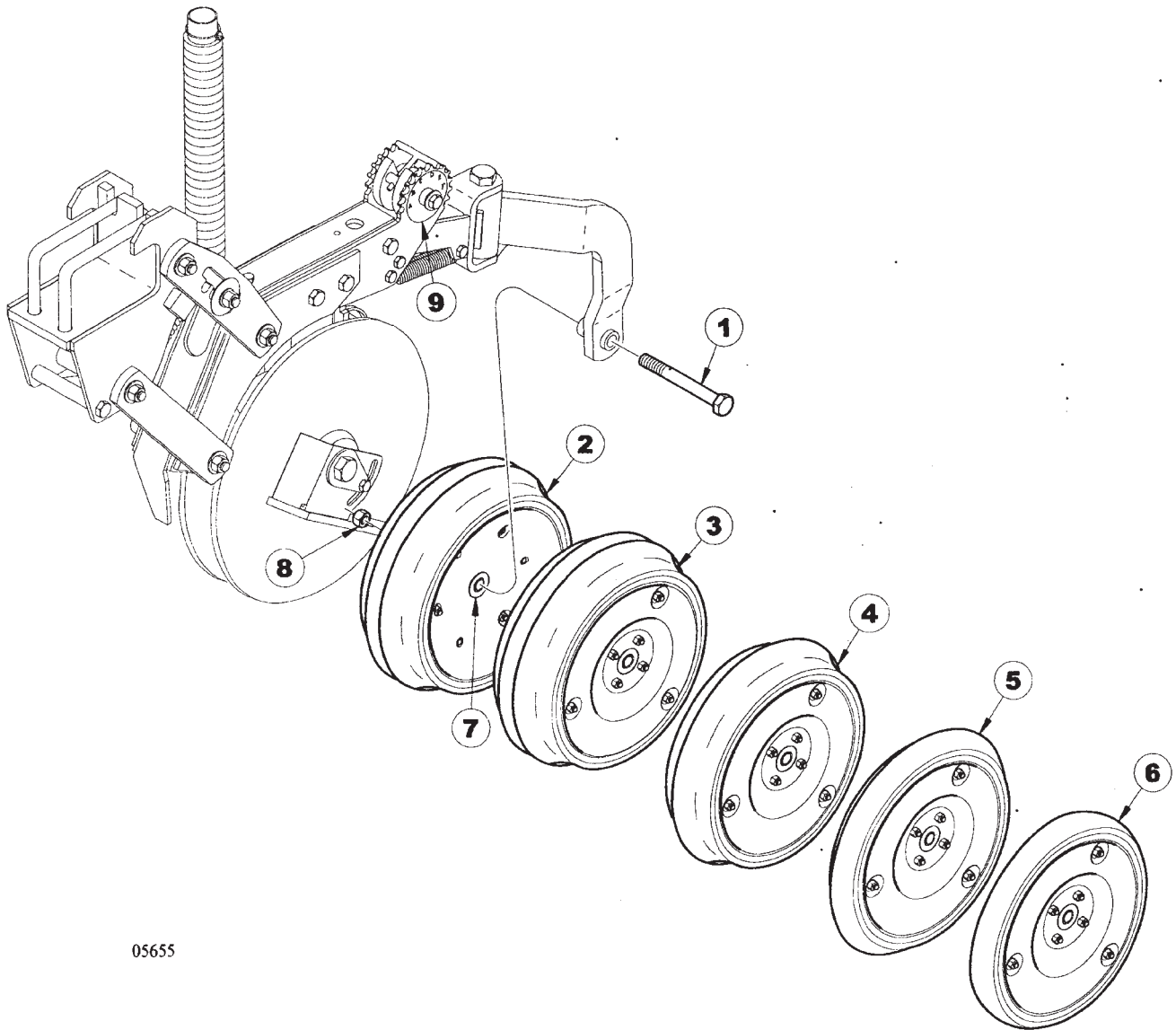
**ALL PURPOSE HEADS UP OPENER ASSEMBLY  
(YEAR 2001 & LATER DRILLS)**

ITEM	NUMBER	QTY	DESCRIPTION
34	SN9682		HHFS 1/2"-13 X 3 3/4" GR5 Y/D
35	SN7384		BUSHING, DEPTH CONTROL, 1/2"
36	SN9708		SPRING, .162" WIRE DIA X 5" L EXTENS
37	SN3806		HEX BOLT, 3/8"-16 X 3", GR 5, Y/D
38	SN7029		CLAMP BUSHING, 4 21/32"
39	SN5935		BUSHING, 1" OD X 3/4" ID, 5/8" L (HARD) SPRING
40	SN10463		HEX FLANGE BOLT, 5/16"-18 X 3/4" GR5, Y/D
41	SN10127		SCRAPER, OPENER LEFT
42	SN10126		SCRAPER, OPENER RIGHT
43	SN9780		OPENER BAR, ALL PURPOSE HEADS UP
44	SNDR80011		WASHER, MACHINE
45	SNB1127		DUST CAP
46	SN6378		LOCK NUT, 5/16" HEX NYLON INSERT, GR 5 Y/D
47	SN7205		MOUNTING BRACKET, SOIL CONTROL DEVICE LEFT
48	SN7203		LOCKING ARM
49	SNDR81044		HEX BOLT, 3/4"-10 LH X 2", GR 5, Y/D
50	SN7201		SOIL CONTROL STRIP
51	SN6376		CARRIAGE BOLT, 5/16"-18 X1" GR 5, Y/D
52	SN7859		SUPPOT, SOIL CONTROL STRIP
53	SN9753N		OPENER BLADE & BRG ASSEMBLY, HEADS UP
54	SN7204		MOUNTING BRACKET, SOIL CONTROL DEVICE RIGHT
55	SN1220		HEX BOLT, 3/4"-10 X 2", GR 5 Y/D
56	SN10542		PARALLEL LINKAGE, 11" LOWER, ALL PURPOSE
57	SN840		HEX BOLT, 1/2"-13 X 5 1/2", GR 5, Y/D
58	SN7030		SPRING ANCHOR, ALL PURPOSE (SERIAL # 09412L20020060 & EARLIER)
59	SN7028		OPENER MOUNT, LONG, ALL PURPOSE
	SN7027		OPENER MOUNT, SHORT, ALL PURPOSE
60	SN7026		SPRING, 1.6875" OD X 1.1635" ID, 75/16" L, EXTENSION BLACK (SERIAL # 09412L20020060 & EARLIER)
61	SN317		FLAT WASHER, 3/8", Y/D
62	SN12348		SPRING ANCHOR, 56 DEG ALL PURPOSE, Y/D (SERIAL #09412L20020061 & LATER)
63	SN10479		SPRING, 2.125"OD X 1.513"ID, 8 3/8"L, EXTENSION BLACK (SERIAL #09412L20020061 & LATER)
	SN7266		SOIL CONTROL DEVICE ASSY (INCLUDES ITEMS 23, 25, 48, 49, 50, 52, 53, 54, 56)
	SN9879		ALL PURPOSE OPENER ASSEMBLY, HEADS UP, SHORT
	SN9880		ALL PURPOSE OPENER ASSEMBLY, HEADS UP, LONG

I0005654  
PR: t05g30m02c0016

9412 THREE-POINTED MOUNTED DRILL  
SERVICE PARTS

ALL PURPOSE HEADS UP OPENER PRESS WHEEL  
ASSY (YEAR 2001 & LATER DRILLS)



05655

**9412 THREE-POINTED MOUNTED DRILL**

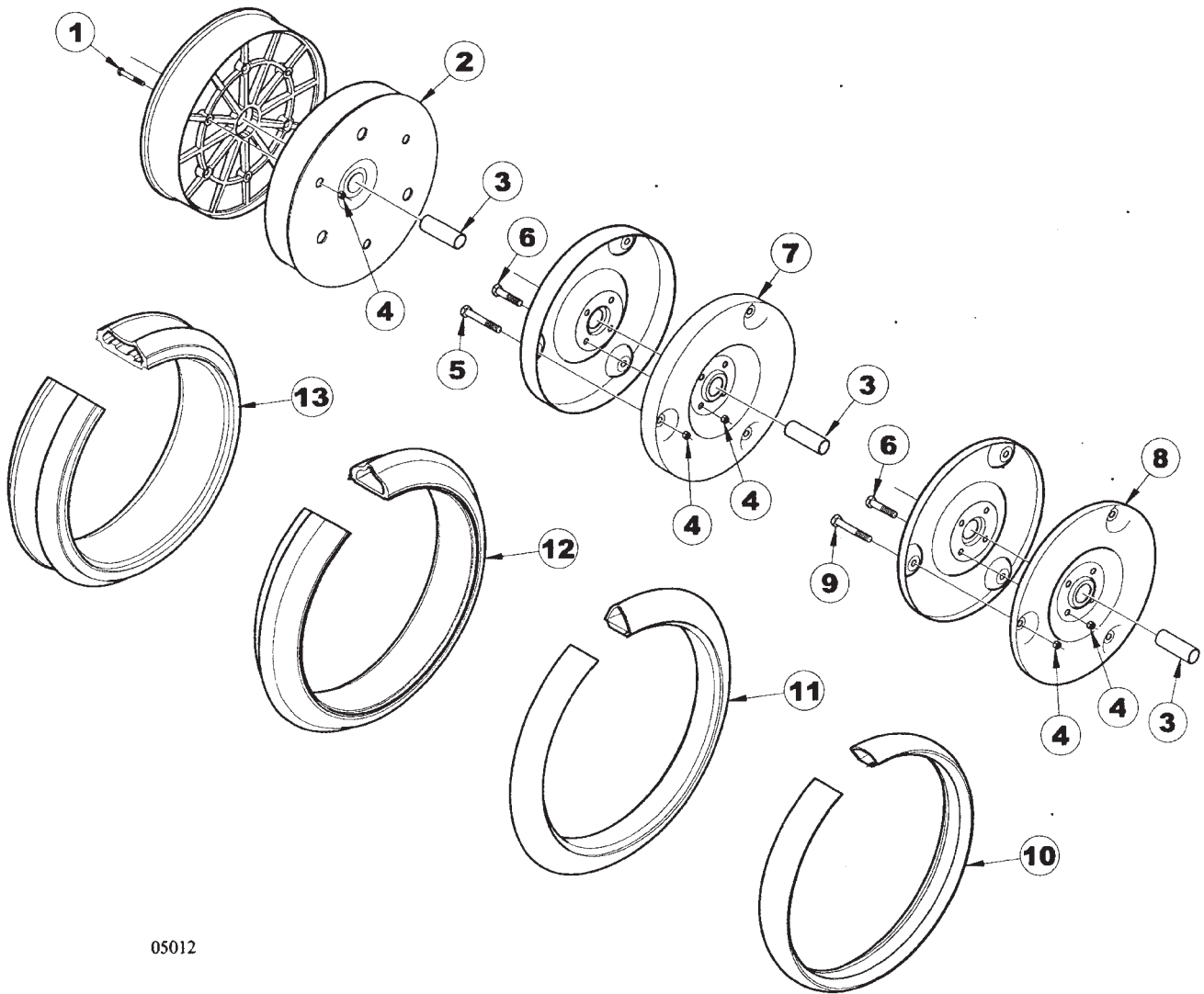
45

**SERVICE PARTS****ALL PURPOSE HEADS UP OPENER PRESS WHEEL  
ASSY (YEAR 2001 & LATER DRILLS)**

ITEM	NUMBER	QTY	DESCRIPTION
1	SN2557		HEX BOLT, 5/8"-11 X 4 1/2", GR 5, Y/D
2	SN6869		PRESS WHEEL ASSY, 4" X 12" DOUBLE RIB NYLON RIM
3	SN7375		PRESS WHEEL ASSY, 3" X 13" DOUBLE RIB STEEL RIM
4	SN6866		PRESS WHEEL ASSY, 3" X 13" CENTER RIB STEEL RIM
5	SN6868		PRESS WHEEL ASSY, 2" X 13" V-CROWN STEEL RIM
6	SN6867		PRESS WHEEL ASSY, 2" X 13" SMOOTH CROWN STEEL RIM
7	SN7218		BEARING, 40MM
8	SN669-1		LOCK NUT, 5/8" HEX NYLON INSERT, GR 5 Y/D
9	SN997407		DEPTH DECAL

I0005655  
PR: t05g30m02c0017

PRESS WHEEL & TIRE ASSEMBLY



05012

**9412 THREE-POINTED MOUNTED DRILL**  
**SERVICE PARTS**

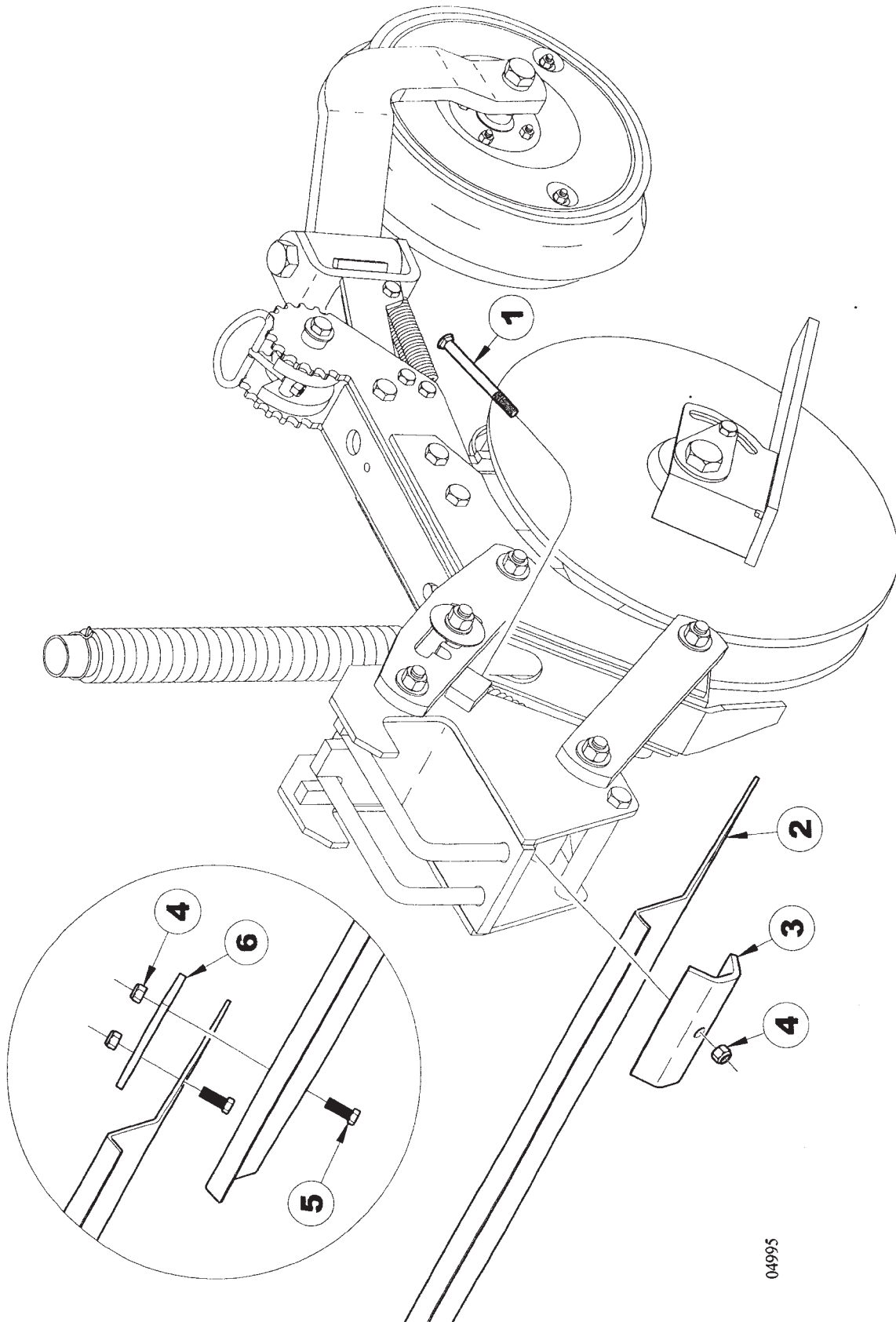
**47**

**PRESS WHEEL & TIRE ASSEMBLY**

ITEM	NUMBER	QTY	DESCRIPTION
1	SN7416		HEX BOLT, 1/4"-20 X 2", GR 5, Y/D
2	SN9109		RIM, 4" X 12" NYLON HALF F/40 MM BRG
3	SN7218		BEARING, 40MM
4	SN3881		LOCK NUT, 1/4"-20 HEX NYLON INSERT
5	SN2487		3/8"-16 X 2 1/2", GR 5
6	SN7415		HEX BOLT, 3/8"-16 X 1 3/8" GR 5, Y/D
7	SN7412		RIM, 3" X 13" 13 GA CLINCHER HALF
8	SN7413		RIM, 2" X 13" 13 GA CLINCHER HALF
9	SN175		HEX BOLT, 3/8"-16 X 1 1/2", GR 5
10	SN7411		TIRE, 2" X 13" SMOOTH CROWN CLINCH
11	SN7409		TIRE, 2" X 13" V-CROWN CLINCH
12	SN7410		TIRE, 3" X 13" CENTER RIB CLINCH
13	SN7407		TIRE, 3" X 13" DOUBLE RIB CLINCH
	SN7408		TIRE, 4" X 12" DOUBLE RIB

I0005012  
PR: t05g30m02c0018

OPENER SHIELD ASSEMBLY





**9412 THREE-POINTED MOUNTED DRILL  
SERVICE PARTS**

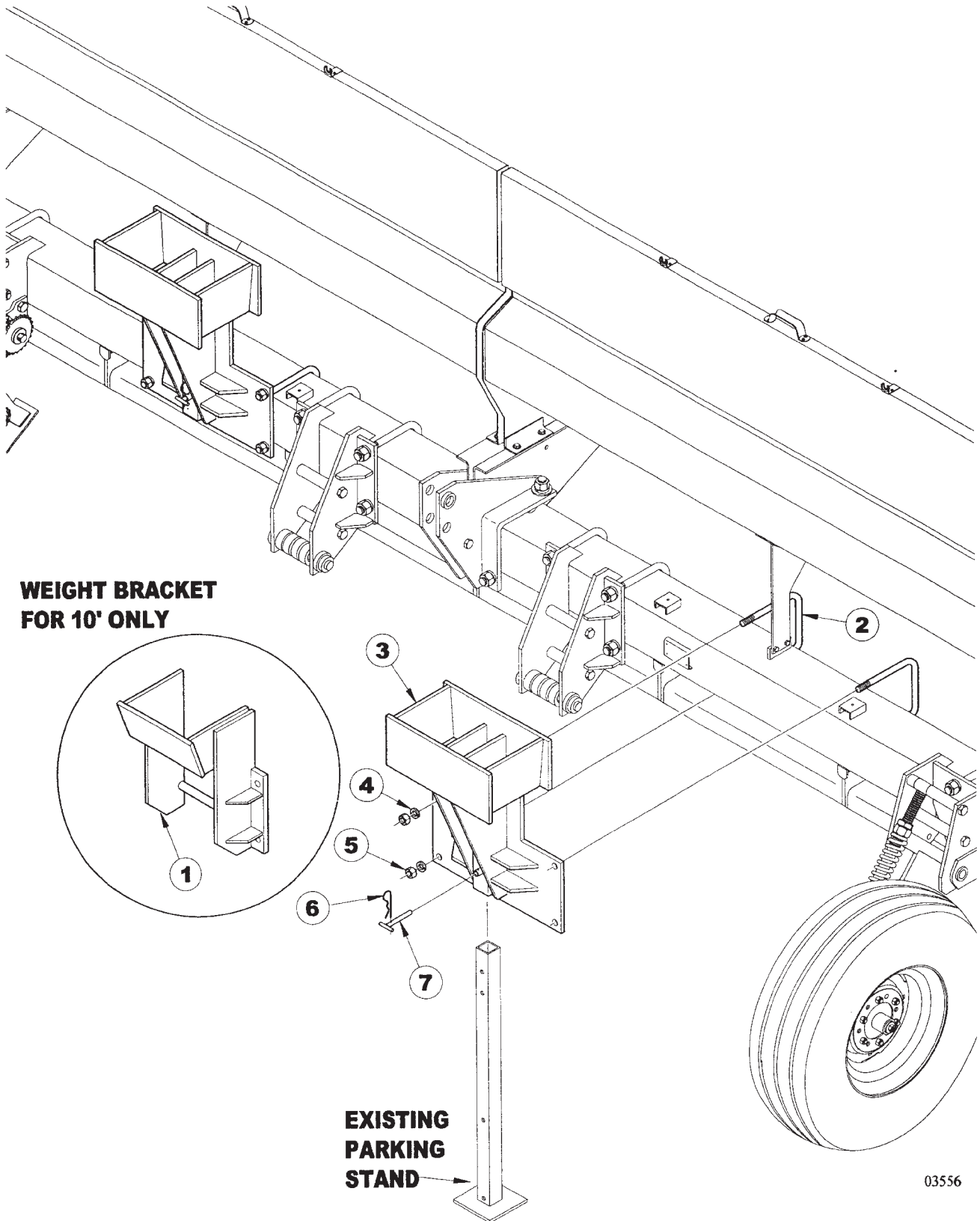
**49**

**OPENER SHIELD ASSEMBLY**

ITEM	NUMBER	QTY	DESCRIPTION
1	SN6682		CARRIAGE BOLT, 3/8"-16 X 4 1/4"
2	SN7224		OPENER SHIELD, 7.5' (15' DRILL)
	SN7223		OPENER SHIELD, 5' (20' DRILL)
3	SN7221		MOUNTING CLIP
4	SN3567		LOCK NUT, 3/8"-16 HEX NYLON INSERT
5	SN178		HEX BOLT, 3/8"-16 X 1", GR 5, Y/D
6	SN7222		TIE STRAP
	SN7226		OPENER SHIELD ASSY, 10' DRILL
	SN9961		OPENER SHIELD ASSY, 12' DRILL
	SN7227		OPENER SHIELD ASSY, 15' DRILL
	SN7228		OPENER SHIELD ASSY, 20' DRILL

I0004995  
PR: t05g30m02c0019

WEIGHT BRACKET ASSEMBLY (OPTIONAL)



9412 THREE-POINTED MOUNTED DRILL  
SERVICE PARTS

51

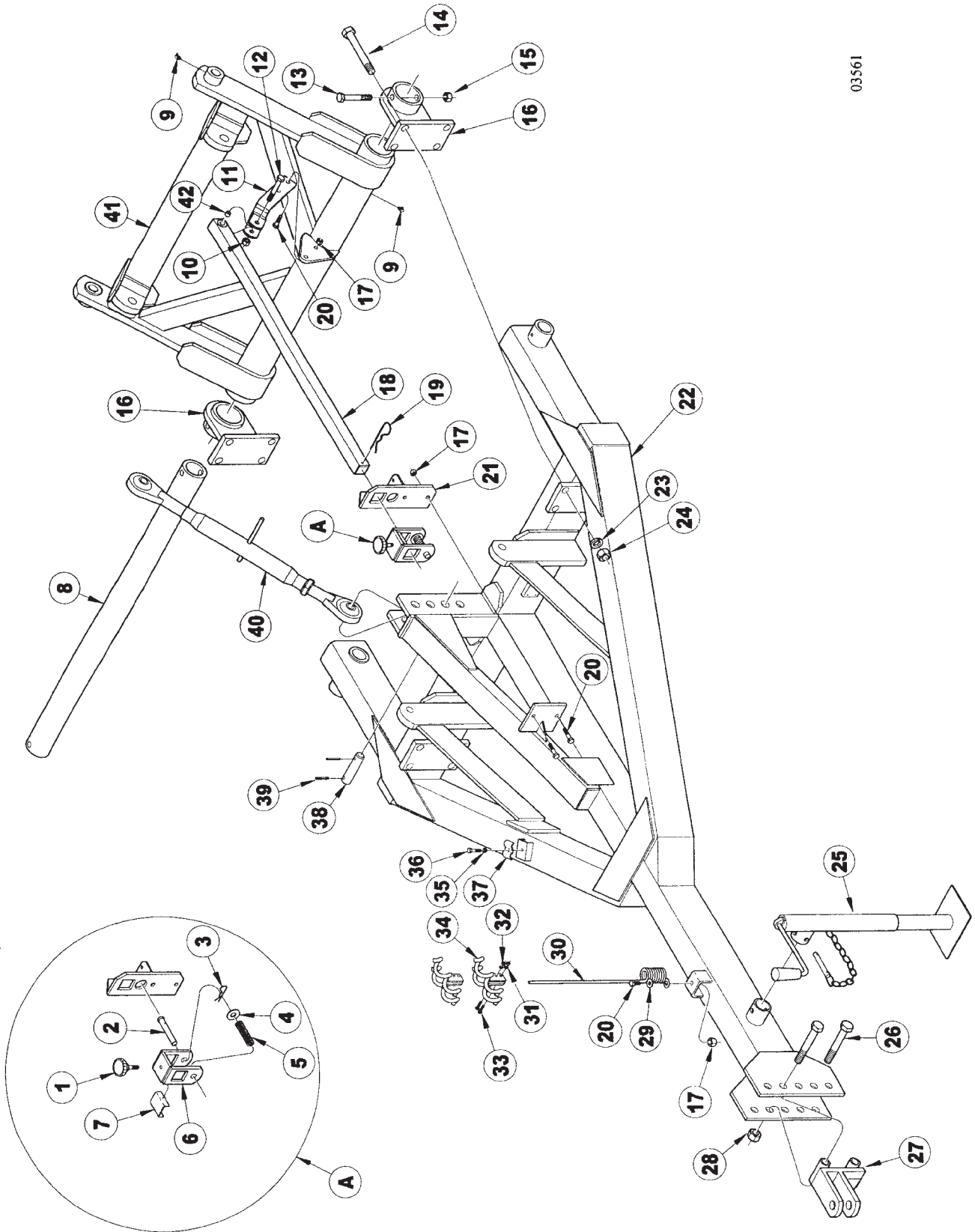
WEIGHT BRACKET ASSEMBLY (OPTIONAL)

ITEM	NUMBER	QTY	DESCRIPTION
1	SNBT10286		10' WEIGHT BRACKET
2	SNDR80019		3/4" X 8 3/4" X 7 13/16" W. U-BOLT
3	SN6830		12', 15' AND 20' WEIGHT BRACKET
4	SN1040		3/4" LOCK WASHER
5	SN106		3/4" HEX NUT
6	SN71L-2901		PIN CLIP, 3 1/8" L.
7	SN6831		1/2" X 4" PIN

I0003556  
PR: t05g30m02c0020

9412 THREE-POINTED MOUNTED DRILL  
SERVICE PARTS

10' TRANSPORT PULL HITCH ASSEMBLY  
(VERSION 1 - PRIOR TO 09/2001)



03561

**9412 THREE-POINTED MOUNTED DRILL  
SERVICE PARTS**

53

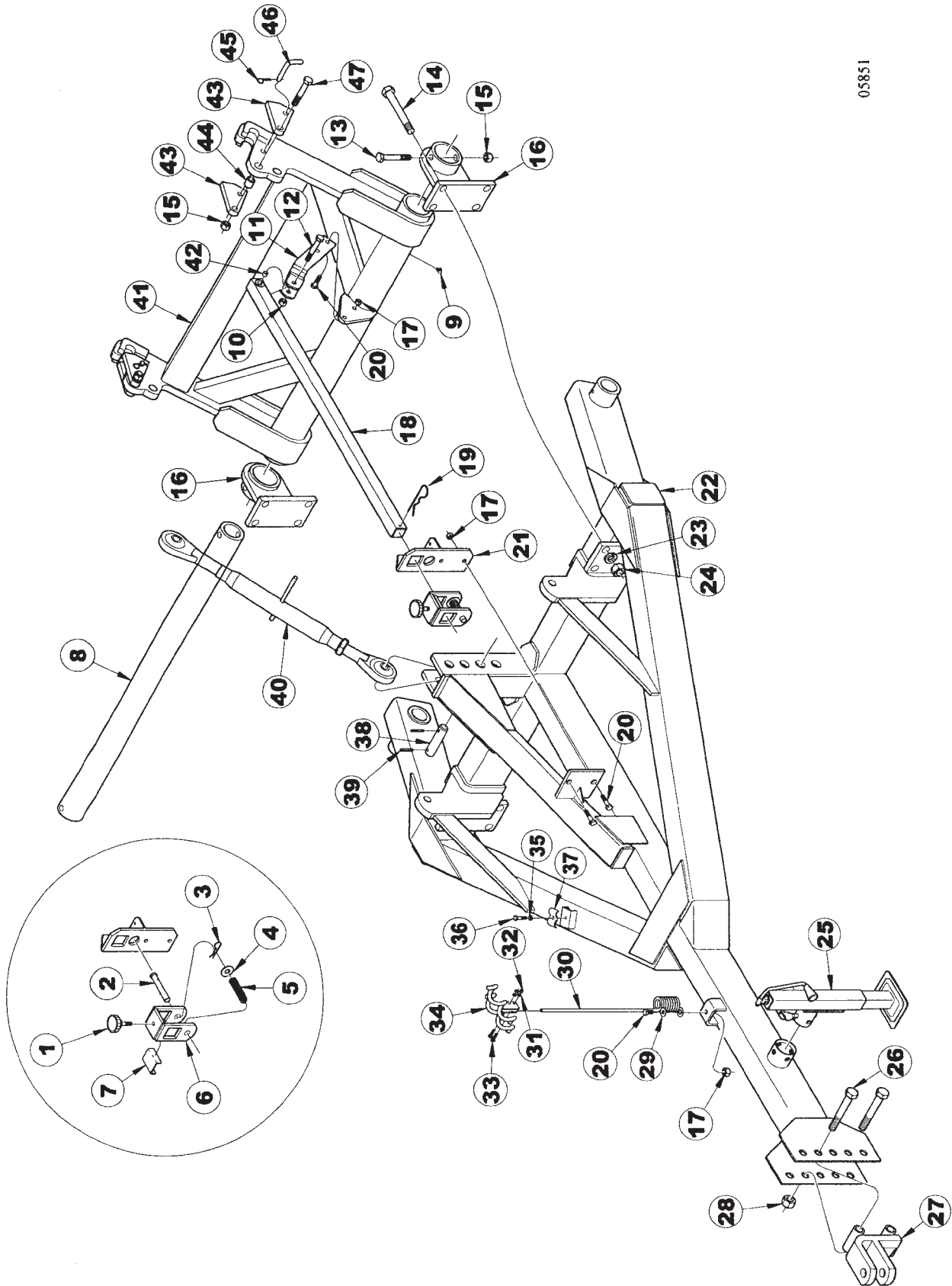
**10' TRANSPORT PULL HITCH ASSEMBLY  
(VERSION 1 - PRIOR TO 09/2001)**

ITEM	NUMBER	QTY	DESCRIPTION
1	SN4945		ADJUSTING KNOB
2	SN4943		STROKE CONTROL SPRING PIN
3	SN1609		3/16" X 1 1/2" COTTER PIN
4	SN893		3/4" FLAT WASHER
5	SN4944		SPRING, 1.10" O.D., 3 1/2" LONG
6	SN4942		STROKE CONTROL ADJUSTABLE STOP
7	SN4946		STROKE CONTROL CLAMP PLATE
8	SN6628		PIVOT TUBE, 53 1/4"
9	SN2098-4		GREASE ZERK, 1/8" NPTF, 90 DEG.
10	SN669-1		5/8" LOCK NUT
11	SN6631		STROKE CONTROL ARM
12	SN1723		5/8" X 3 1/2" HEX BOLT
13	SN1021		3/4" X 5 1/2" HEX BOLT
14	SN109		1" X 7" HEX BOLT
15	SNHEN3410		3/4" LOCK NUT
16	SN6629		DRAWBAR MOUNT
17	SN2096		1/2" LOCK NUT
18	SN6630		STROKE CONTROL TUBE, 47" LONG
19	SN1189		1/4" X 2 1/2" COTTER PIN
20	SN2045		1/2" X 1 3/4" HEX BOLT
21	SN5012		STROKE CONTROL VALVE MOUNT
22	SN6626R		TRANSPORT PULL HITCH, 10'
23	SN1283		1" LOCK WASHER
24	SN110		1" HEX NUT
25	SN2517		SHORT TONGUE JACK, TUBE MOUNT
26	SN1282		1" X 6 1/2" HEX BOLT
27	SNQH10041		DOUBLE HITCH CLEVIS WITH 1 3/16" HOLE
28	SN3938		1" LOCK NUT
29	SN486		1/2" FLAT WASHER
30	SN4915		HOSE HOLDER ROD
31	SN3723		5/16" LOCK WASHER
32	SN3724		5/16" HEX NUT
33	SNCS516114		5/16" X 1 1/4" HEX BOLT
34	SN4914		HOSE HOLDER
35	SN176		3/8" LOCK WASHER
36	SN3984		3/8" X 1 1/4" HEX BOLT
37	SN5302		PIPE CLAMP, 3/8" BOLT HOLE
38	SN5342		1 1/4" X 4 13/16" PIN
39	SN3164		5/16" X 2" ROLL PIN
40	SN6625		TOP LINK, CATERGORY III (35" EXTENDED LENGTH)
41	SN4986		LOWER DRAWBAR
42	SN4948		BUSHING, 1" O.D. X .6875" I.D., 2 1/8" LONG

I0003561  
PR: t05g30m02c0021

9412 THREE-POINTED MOUNTED DRILL  
SERVICE PARTS

10' & 12' TRANSPORT PULL HITCH ASSEMBLY  
(VERSION 2 - 09/2001 & LATER)



05851

**9412 THREE-POINTED MOUNTED DRILL  
SERVICE PARTS**

55

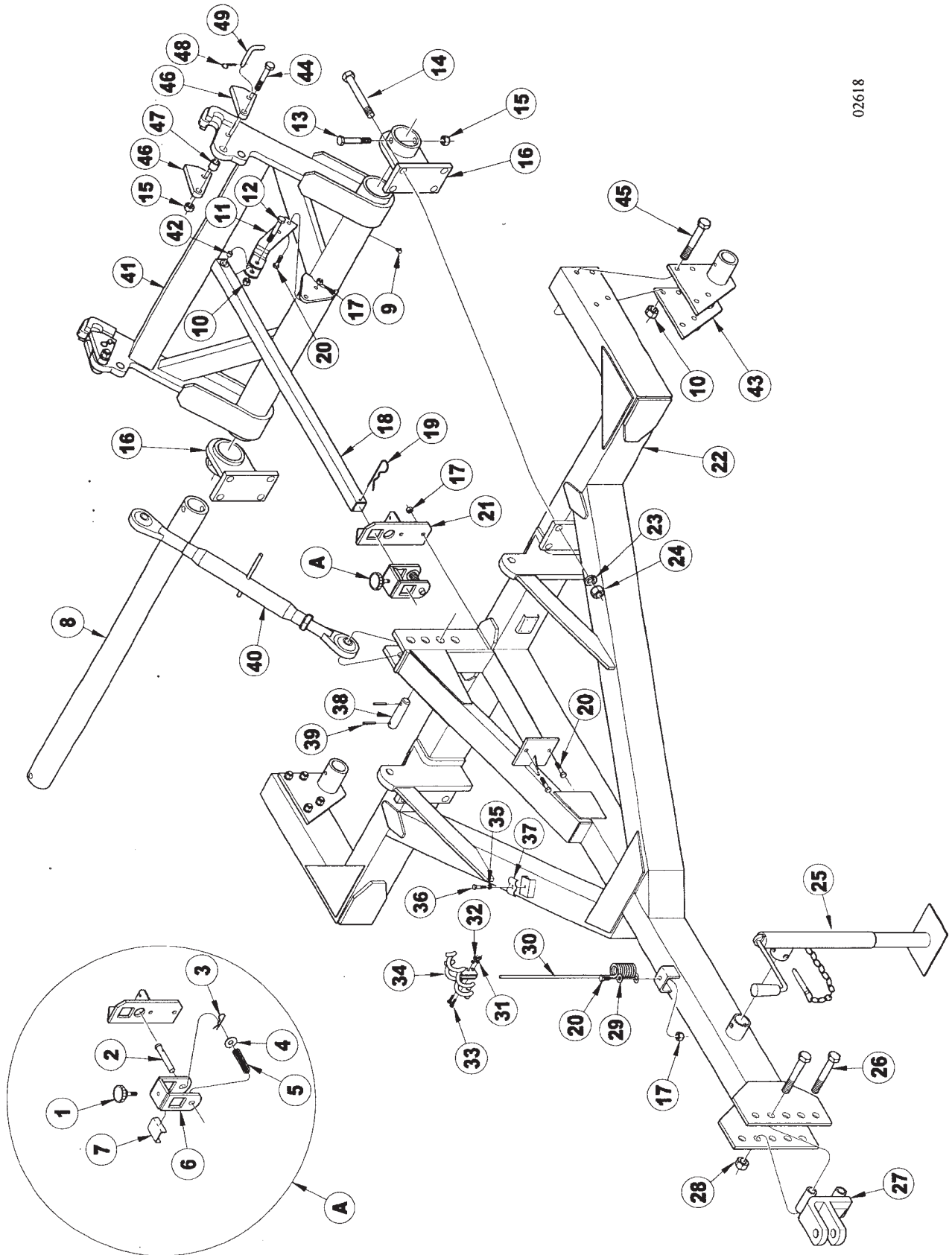
**10' & 12' TRANSPORT PULL HITCH ASSEMBLY  
(VERSION 2 - 09/2001 & LATER)**

ITEM	NUMBER	QTY	DESCRIPTION
1	SN4945		ADJUSTING KNOB
2	SN4943		STROKE CONTROL SPRING PIN
3	SN1609		3/16" X 1 1/2" COTTER PIN
4	SN893		3/4" FLAT WASHER
5	SN4944		SPRING, 1.10" O.D., 3 1/2" LONG
6	SN4942		STROKE CONTROL ADJUSTABLE STOP
7	SN4946		STROKE CONTROL CLAMP PLATE
8	SN6628		PIVOT TUBE, 53 1/4"
9	SN2098-4		GREASE ZERK, 1/8" NPTF, 90 DEG.
10	SN669-1		5/8" LOCK NUT
11	SN6631		STROKE CONTROL ARM
12	SN1723		5/8" X 3 1/2" HEX BOLT
13	SN1021		3/4" X 5 1/2" HEX BOLT
14	SN109		1" X 7" HEX BOLT
15	SNHEN3410		3/4" LOCK NUT
16	SN6629		DRAWBAR MOUNT
17	SN2096		1/2" LOCK NUT
18	SN6630		STROKE CONTROL TUBE, 47" LONG
19	SN1189		1/4" X 2 1/2" COTTER PIN
20	SN2045		1/2" X 1 3/4" HEX BOLT
21	SN5012		STROKE CONTROL VALVE MOUNT
22	SN10023R		HITCH, TRANSPORT PULL 10' & 12'
23	SN1283		1" LOCK WASHER
24	SN110		1" HEX NUT
25	SN2517		SHORT TONGUE JACK, TUBE MOUNT
26	SN1282		1" X 6 1/2" HEX BOLT
27	SN7386		HITCH CLEVIS, DOUBLE W/1 3/16" HOLE
28	SN3938		1" LOCK NUT
29	SN486		1/2" FLAT WASHER
30	SN4915		HOSE HOLDER ROD
31	SN3723		5/16" LOCK WASHER
32	SN3724		5/16" HEX NUT
33	SNCS516114		5/16" X 1 1/4" HEX BOLT
34	SN4914		HOSE HOLDER
35	SN176		3/8" LOCK WASHER
36	SN3984		3/8" X 1 1/4" HEX BOLT
37	SN5302		PIPE CLAMP, 3/8" BOLT HOLE
38	SN5342		1 1/4" X 4 13/16" PIN
39	SN3164		5/16" X 2" ROLL PIN
40	SN6625		TOP LINK, CATERGORY III (35" EXTENDED LENGTH)
41	SN7390		LOWER DRAWBAR
42	SN4948		BUSHING, 1" O.D. X .6875" I.D., 2 1/8" LONG
43	SN7387		HITCH PIN LOCK
44	SN7388		CLAMP BUSHING, 1.125" OD X .782" ID, 1 3/32"L
45	SN2867		PIN CLIP, 1/2"- 5/8" SHAFT, .120" DIA, 2" L
46	SN7389		LOCK PIN, Y/D
47	SN1599		HEX BOLT, 3/4" - 10 X 4", GR 5, Y/D

I0005851  
PR: t05g30m02c0022

9412 THREE-POINTED MOUNTED DRILL  
SERVICE PARTS

15' & 20' TRANSPORT PULL HITCH ASSEMBLY  
(OPTIONAL)



02618



**9412 THREE-POINTED MOUNTED DRILL  
SERVICE PARTS**

57

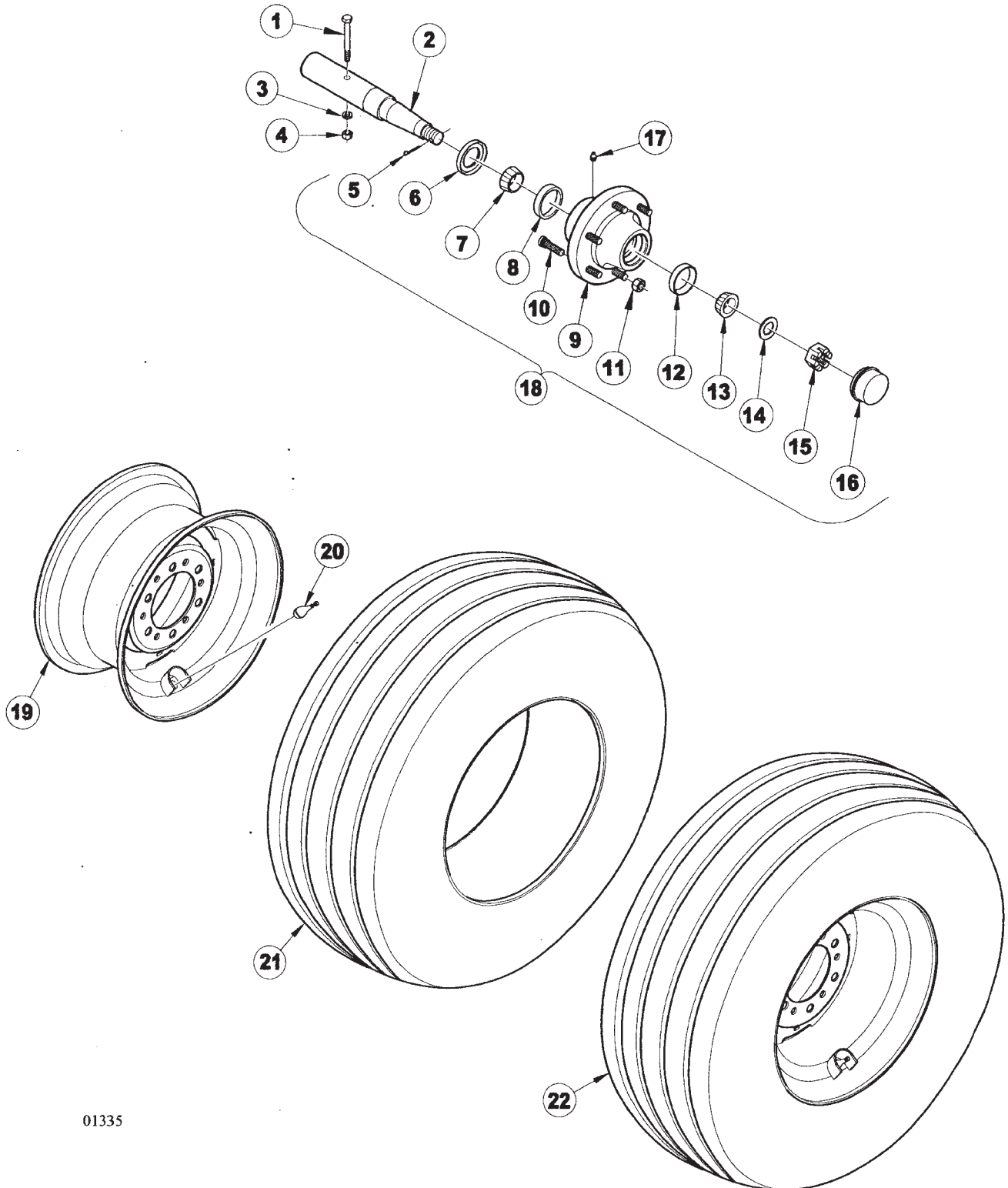
**15' & 20' TRANSPORT PULL HITCH ASSEMBLY  
(OPTIONAL)**

ITEM	NUMBER	QTY	DESCRIPTION
1	SN4945		ADJUSTING KNOB
2	SN4943		STROKE CONTROL SPRING PIN
3	SN1609		3/16" X 1 1/2" COTTER PIN
4	SN893		3/4" FLAT WASHER
5	SN4944		SPRING, 1.10" O.D., 3 1/2" LONG
6	SN4942		STROKE CONTROL ADJUSTABLE STOP
7	SN4946		STROKE CONTROL CLAMP PLATE
8	SN6628		PIVOT TUBE, 53 1/4"
9	SN2098-4		GREASE ZERK, 1/8" NPTF, 90 DEG.
10	SN669-1		5/8" LOCK NUT
11	SN6631		STROKE CONTROL ARM
12	SN1723		5/8" X 3 1/2" HEX BOLT
13	SN1021		3/4" X 5 1/2" HEX BOLT
14	SN109		1" X 7" HEX BOLT
15	SNHEN3410		3/4" LOCK NUT
16	SN6629		DRAWBAR MOUNT
17	SN2096		1/2" LOCK NUT
18	SN6630		STROKE CONTROL TUBE, 47" LONG
19	SN1189		1/4" X 2 1/2" COTTER PIN
20	SN2045		1/2" X 1 3/4" HEX BOLT
21	SN5012		STROKE CONTROL VALVE MOUNT
22	SN7395		TRANSPORT PULL HITCH, 15' & 20'
23	SN1283		1" LOCK WASHER
24	SN110		1" HEX NUT
25	SN2517		SHORT TONGUE JACK, TUBE MOUNT
26	SN1282		1" X 6 1/2" HEX BOLT
27	SN7386		DOUBLE HITCH CLEVIS WITH 1 3/16" HOLE
28	SN3938		1" LOCK NUT
29	SN486		1/2" FLAT WASHER
30	SN4915		HOSE HOLDER ROD
31	SN3723		5/16" LOCK WASHER
32	SN3724		5/16" HEX NUT
33	SNCS516114		5/16" X 1 1/4" HEX BOLT
34	SN4914		HOSE HOLDER
35	SN176		3/8" LOCK WASHER
36	SN3984		3/8" X 1 1/4" HEX BOLT
37	SN5302		PIPE CLAMP, 3/8" BOLT HOLE
38	SN5342		1 1/4" X 4 13/16" PIN
39	SN3164		5/16" X 2" ROLL PIN
40	SN6625		TOP LINK, CATEGORY III (35" EXTENDED LENGTH)
41	SN7390		LOWER DRAWBAR
42	SN4948		BUSHING, 1" O.D. X .6875" I.D., 2 1/8" LONG
43	SN7393		SPINDLE TUBE, 2"
44	SN1599		HEX BOLT, 3/4"-10 X 4", GR5, Y/D
45	SN1672		HEX BOLT, 5/8"-11 X 6", GR5, Y/D
46	SN7387		HITCH PIN LOCK
47	SN7388		CLAMP BUSHING, 1.125" O.D. X .782" I.D., 1 1/16" L
48	SN2867		PIN CLIP, 1/2"-5/8" SHAFT, .120" DIA, 2" L
49	SN7389		LOCK PIN, Y/D

I0002618  
PR: t05g30m02c0023

9412 THREE-POINTED MOUNTED DRILL  
SERVICE PARTS

SIX BOLT HUB ASSEMBLY  
(10', 15', & 20' DRILLS)



**9412 THREE-POINTED MOUNTED DRILL  
SERVICE PARTS**

59

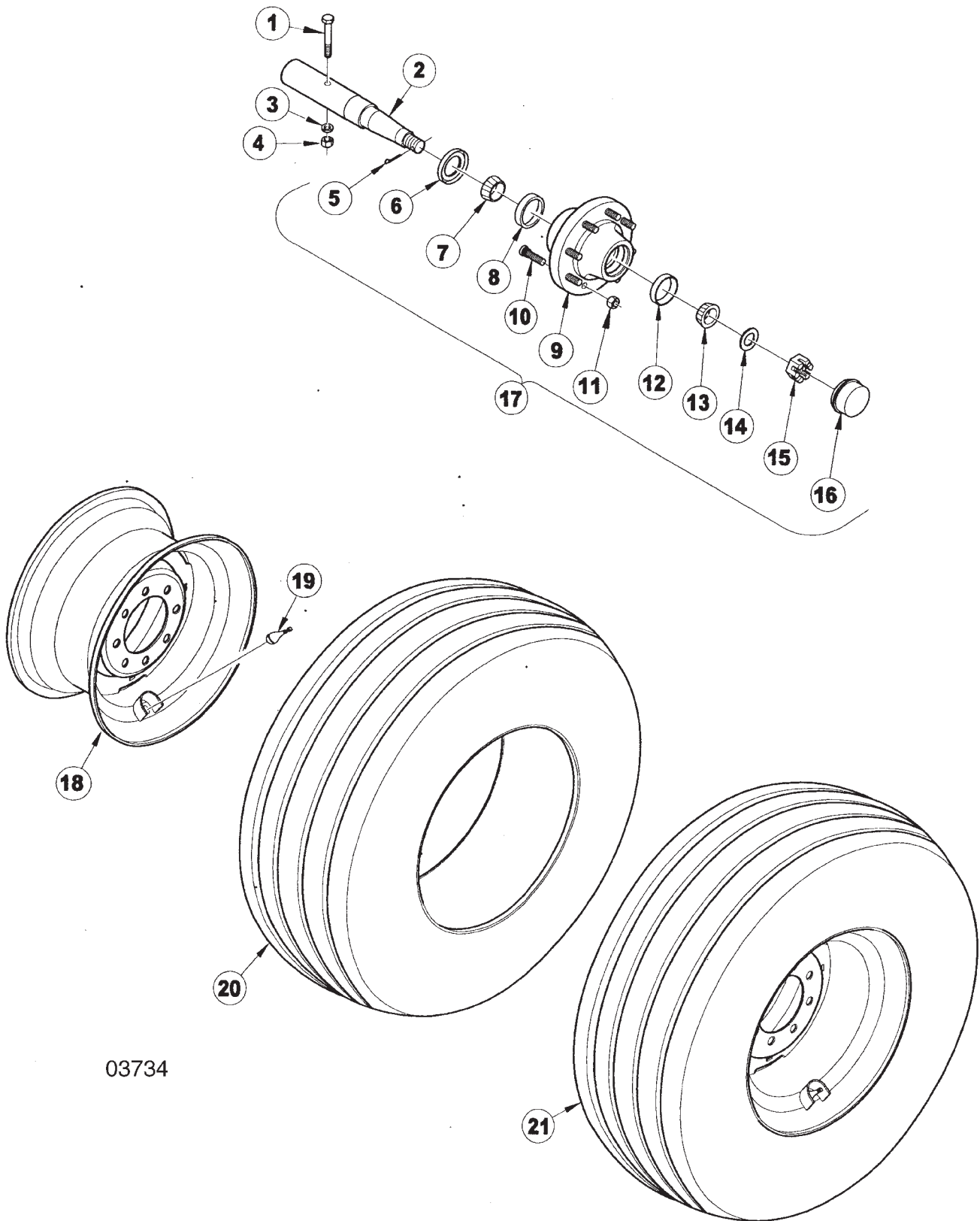
**SIX BOLT HUB ASSEMBLY  
(10', 15', & 20' DRILLS)**

ITEM	NUMBER	QTY	DESCRIPTION
1	SN2585		7/16" X 3 1/2" HEX BOLT
2	SN3298		2" X 11" SPINDLE(15', 20') & (10' DRILLS PRIOR TO YEAR 2002)
	SN10336		SPINDLE, 2 1/4" X 11 3/16" L(10' DRILLS YEAR 2002 & LATER)
3	SN302		7/16" LOCK WASHER
4	SN303		7/16" HEX NUT
5	SN3066		7/32" X 1 1/2" COTTER PIN
6	SN3301		TRIPLE LIP SEAL
7	SN1935		INNER BEARING (LM501349)
8	SN1936		INNER RACE (LM501310)
9	SN1937		SIX BOLT HUB
10	SN3118		9/16" X 1 7/8" PRESS IN LUG BOLT
11	SN3117		9/16" LUG NUT
12	SN1605		OUTER RACE (LM67010)
13	SN1606		OUTER BEARING (LM67048)
14	SN3303		1 1/32" I.D. X 1 3/4" O.D. WASHER
15	SN3302		1" SLOTTED FULL NUT
16	SN1610		DUST CAP
17	SN2098-6		GREASE ZERK, 1/4"-28, 17/32" L
18	SN3300		SIX BOLT HUB ASSEMBLY WITH 3301 SEAL (ITEMS 3 THRU 13)
19	SN5094		WHEEL, 15 X 6, 6 BOLT, SINGLE WHEELS (10' DRILL)
	SN1944		WHEEL, 15 X 10, 6 BOLT, DUAL WHEELS (12', 15' & 20' DRILL)
20	SN3577		VALVE STEM
21	SN3579		TIRE, 9.5L X 15, 12 PLY TUBELESS, SINGLE WHEELS
	SN3581		TIRE, 11L X 15, 12 PLY TUBELESS, DUAL WHEELS
22	SN5152		TIRE, 9.5L, 12 PLY TUBELESS WITH 15 X 6 WHEEL ASSEMBLY, 6 BOLT, SINGLE WHEELS (10' DRILL)
	SN3587		TIRE, 11L 12 PLY TUBELESS WITH 15 X 10 WHEEL ASSEMBLY, 6 BOLT, DUAL WHEELS (12', 15' & 20' DRILL)

I0001335  
PR: t05g30m02c0024

9412 THREE-POINTED MOUNTED DRILL  
SERVICE PARTS

EIGHT BOLT HUB ASSEMBLY (12' DRILLS)



03734

**9412 THREE-POINTED MOUNTED DRILL  
SERVICE PARTS**

61

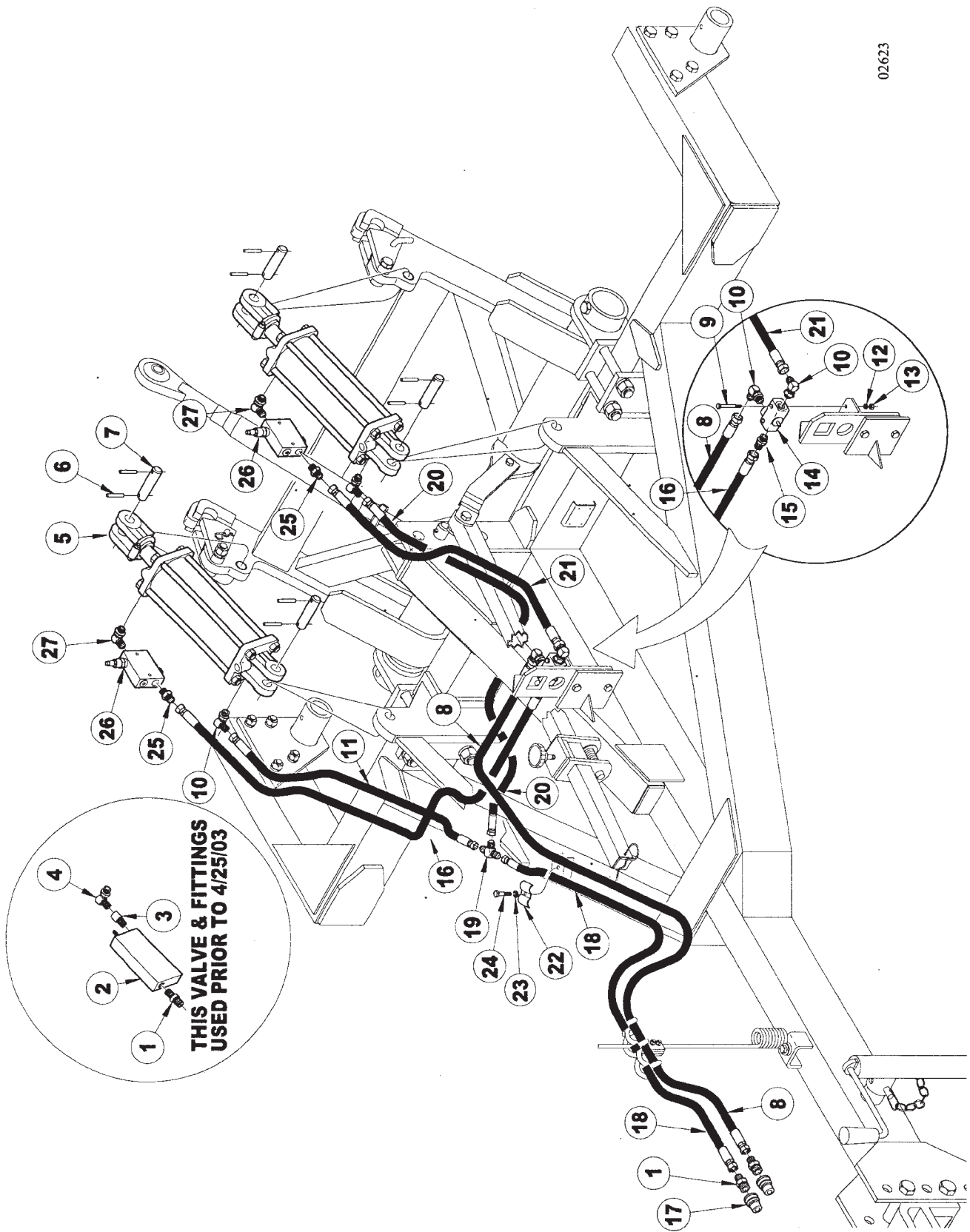
**EIGHT BOLT HUB ASSEMBLY (12' DRILLS)**

ITEM	NUMBER	QTY	DESCRIPTION
1	SN2585		HEX BOLT, 7/16"-14 X 3 1/2", GR 5, Y/D
2	SN3687		SPINDLE, 2 1/4" X 14"
3	SN302		LOCK WASHER, 7/16" SPLIT TYPE MED, Y/D
4	SN303		HEX NUT, 7/16"-14 FULL, GR 2, Y/D
5	SN3066		COTTER PIN, 7/32" X 1 1/2"
6	SN3301		TRIPLE LIP SEAL
7	SN3683		BEARING(LM603049)
8	SN3684		RACE (LM603011)
9	SN3685		EIGHT BOLT HUB, STUDDED W/CUPS ZERK AND LUG NUTS, PAINTED
10	SN3118		LUG BOLT, 9/16"-18 X 1 7/8" PRESS IN, PL
11	SN3117		LUG NUT, 9/16"-18, GR 5, 90 DEG TAPER, Y/D
12	SN1605		RACE (LM67010)
13	SN1606		BEARING (LM67048)
14	SN3303		WASHER, 1 1/32" ID X 1 3/4" ODX 1/8" THICK, PLAIN
15	SN3302		HEX NUT, 1"-14 FULL SLOTTED GR 2, PLAIN
16	SN1610		DUST CAP, 2.448" OD, Y/D
17	SN3686		8 BOLT HUB ASSEMBLY (ITEMS 5 THRU 16)
18	SN3688Y		WHEEL, 15 X 10, 8 BOLT
19	SN3577		VALVE STEM
20	SN5578		TIRE, 12.5L X 15, (GY-FI-F)

I0003734  
PR: t05g30m02c0025

TRANSPORT PULL HITCH HYDRAULICS  
(OLD 10' VERSION 1 & CURRENT 15' & 20')

02623



**9412 THREE-POINTED MOUNTED DRILL  
SERVICE PARTS**

63

**TRANSPORT PULL HITCH HYDRAULICS  
(OLD 10' VERSION 1 & CURRENT 15' & 20')**

ITEM	NUMBER	QTY	DESCRIPTION
1	SN2426		MALE CONNECTOR, 7/8"-14 M.F. X 1/2"-14 M.P.T.
2	SNFK330122		FCI VALVE (USED PRIOR TO 4/25/03)
3	SN4475		MALE PIPE TO FEMALE TUBE, 1/2"-14 M.P.T. X 3/4"-16 F.F.
4	SN4454		90 DEG. STRAIGHT THREAD ELBOW, 3/4"-16 M.F. X 3/4"-16 O.R.
5	SN6635		4" X 10" CYLINDER (22 1/4" CPC) ORB (*VERSION 1, PRIOR TO 10/22/03)
	SN12026		CYLINDER, 4" X 10" (22 1/4" CPC) ORBCROSS, 3000 PSI (*VERSION 2, 10/22/03 & LATER)
6	SN3164		5/16" X 2" ROLL PIN
7	SN5339		1" X 4 1/16" PIN
8	SN4150005		HOSE, 1/2" X 150" LONG, FEMALE ENDS
9	SN1817		5/16" X 2 1/2" HEX BOLT
10	SN4457		90 DEG. STRAIGHT THREAD ELBOW, 7/8"-14 M.F. X 3/4"-16 O.R.
11	SN4026005		HOSE, 1/2" X 26" LONG, FEMALE ENDS
12	SN3723		5/16" LOCK WASHER
13	SN3724		5/16" HEX NUT
14	SN4732		DEPTH CONTROL VALVE
15	SN4464		STRAIGHT THREAD CONNECTOR, 7/8"-14 M.F. X 3/4"-16 O.R.
16	SN4045005		HOSE, 1/2" X 45" LONG, FEMALE ENDS
17	SN3253		3/4" MALE COUPLER
18	SN4120005		HOSE, 1/2" X 120" LONG, FEMALE ENDS
19	SN4460		UNION TEE, 7/8"-14 M.F.
20	SN4047005		HOSE, 1/2" X 47" LONG, FEMALE ENDS
21	SN4030005		HOSE, 1/2" X 30" L, FEMALE ENDS
22	SN5302		PIPE CLAMP, 3/8" BOLT HOLE
23	SN176		LOCK WASHER, 3/8" SPLIT TYPE MED, Y/D
24	SN3984		HEX BOLT, 3/8" 16 X 1 1/4" GR5, Y/D
25	SN4464		STRAIGHT THD.CONNECTOR, 7/8"-14 MF X 3/4"-16 MOR
26	SN10836		VALVE, COUNTERBALANCE (4/25/03 & LATER)
27	SN7741		90 DEG STR THD ELBOW, 3/4"-16 MOR

NOTE: WHEN ORDERING HYDRAULIC CYLINDER COMPONENTS, NOTE THE PART NUMBER AND THE CYLINDER PSI. (LOCATED ON THE CYLINDER DECAL) AS THEY CONTAIN DIFFERENT COMPONENTS. OLDER CYLINDERS WERE 2500 PSI. AND THE NEW CYLINDERS ARE 3000 PSI. IDENTIFYING THE PART # OF THE CYLINDER IS EXTREMELY IMPORTANT WHEN ORDERING PARTS TO ENSURE PROPER OPERATION OF THE HYDRAULIC CYLINDER.

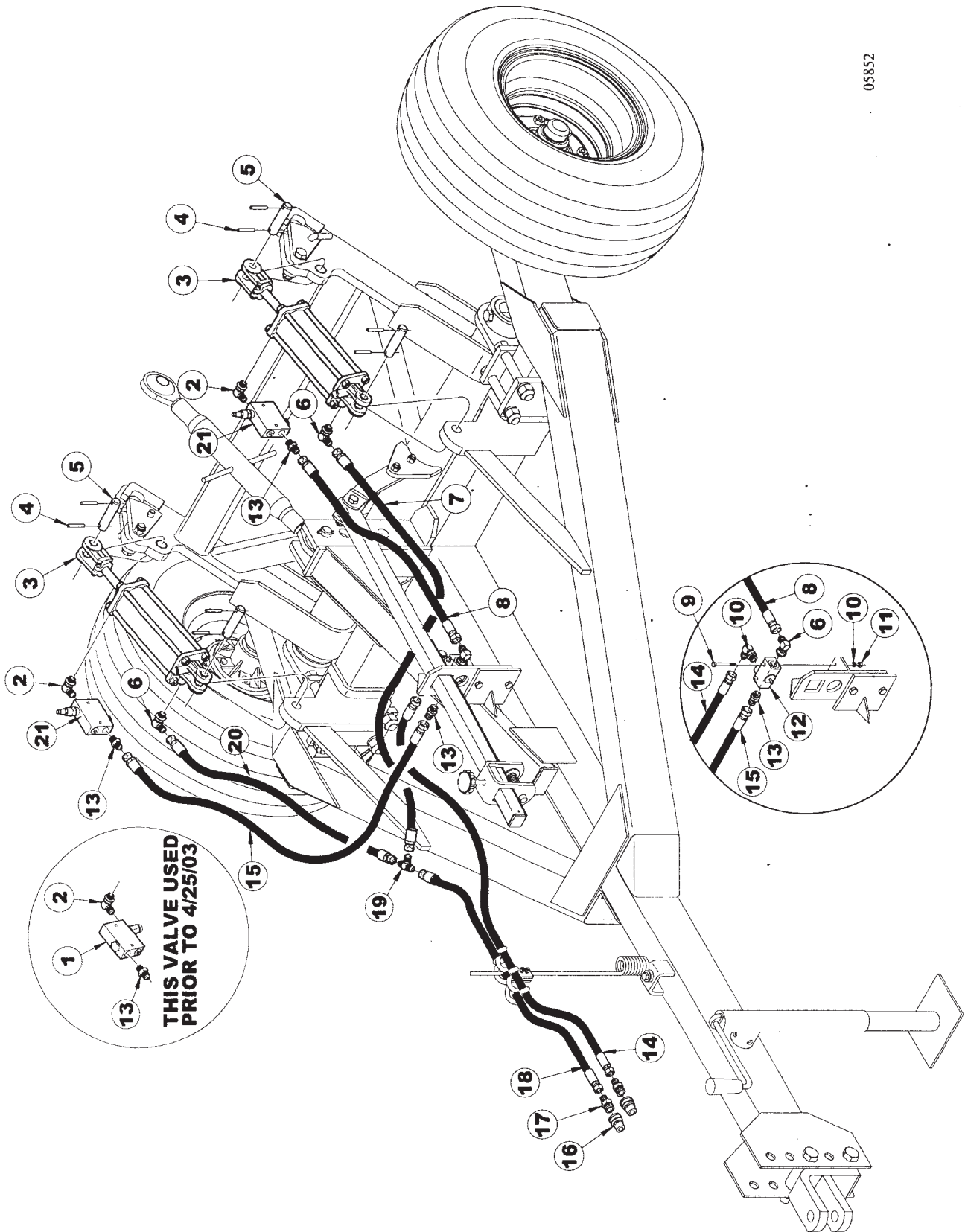
**WARNING**

THESE PARTS ARE IMPORTANT TO THE SAFETY OF THIS EQUIPMENT AND THOSE WHO OPERATE IT. USE ONLY EXACT REPLACEMENT PARTS TO PREVENT HYDRAULIC FAILURE. BEFORE REPLACING THESE PARTS, REVIEW AND FOLLOW THE INSTRUCTIONS IN THE SAFETY AND OPERATING SECTIONS OF THIS MANUAL.

I0002623  
PR: t05g30m02c0026

TRANSPORT PULL HITCH HYDRAULICS  
(10' & 12' VERSION 2 - 09/2001 & AFTER)

05852





**9412 THREE-POINTED MOUNTED DRILL  
SERVICE PARTS**

65

**TRANSPORT PULL HITCH HYDRAULICS  
(10' & 12' VERSION 2 - 09/2001 & AFTER)**

ITEM	NUMBER	QTY	DESCRIPTION
1	SN6934		VALVE, COUNTERBALANCE (USED PRIOR TO 4/25/03)
2	SN7741		90 DEG STR THD. ELBOW, 3/4"-16 MOR
3	SN6635		4" X 10" CYLINDER (22 1/4" CPC) ORB (*VERSION 1, PRIOR TO 10/22/03)
	SN12026		CYLINDER, 4" X 10" (22 1/4" CPC) ORB CROSS, 3000 PSI (*VERSION 2, 10/22/03 & LATER)
4	SN3164		5/16" X 2" ROLL PIN
5	SN5339		1" X 4 1/16" PIN
6	SN4457		90 DEG. STRAIGHT THREAD ELBOW, 7/8"-14 M.F. X 3/4"-16 O.R.
7	SN4047005		HOSE, 1/2" X 47" LONG, FEMALE ENDS
8	SN4030005		HOSE, 1/2" X 30" L, FEMALE ENDS
9	SN1817		5/16" X 2 1/2" HEX BOLT
10	SN3723		5/16" LOCK WASHER
11	SN3724		5/16" HEX NUT
12	SN4732		DEPTH CONTROL VALVE
13	SN4464		STRAIGHT THREAD CONNECTOR, 7/8"-14 M.F. X 3/4"-16 O.R.
14	SN4150005		HOSE, 1/2" X 150" LONG, FEMALE ENDS
15	SN4045005		HOSE, 1/2" X 45" LONG, FEMALE ENDS
16	SN3253		3/4" MALE COUPLER
17	SN2426		MALE CONNECTOR, 7/8"- 14 M.F. X 1/2"-14 M.P.T.
18	SN4120005		HOSE, 1/2" X 120" LONG, FEMALE ENDS
19	SN4460		UNION TEE, 7/8"-14 M.F.
20	SN4026005		HOSE, 1/2" X 26" LONG, FEMALE ENDS
21	SN10836		VALVE, COUNTERBALANCE (4/25/03 & LATER)

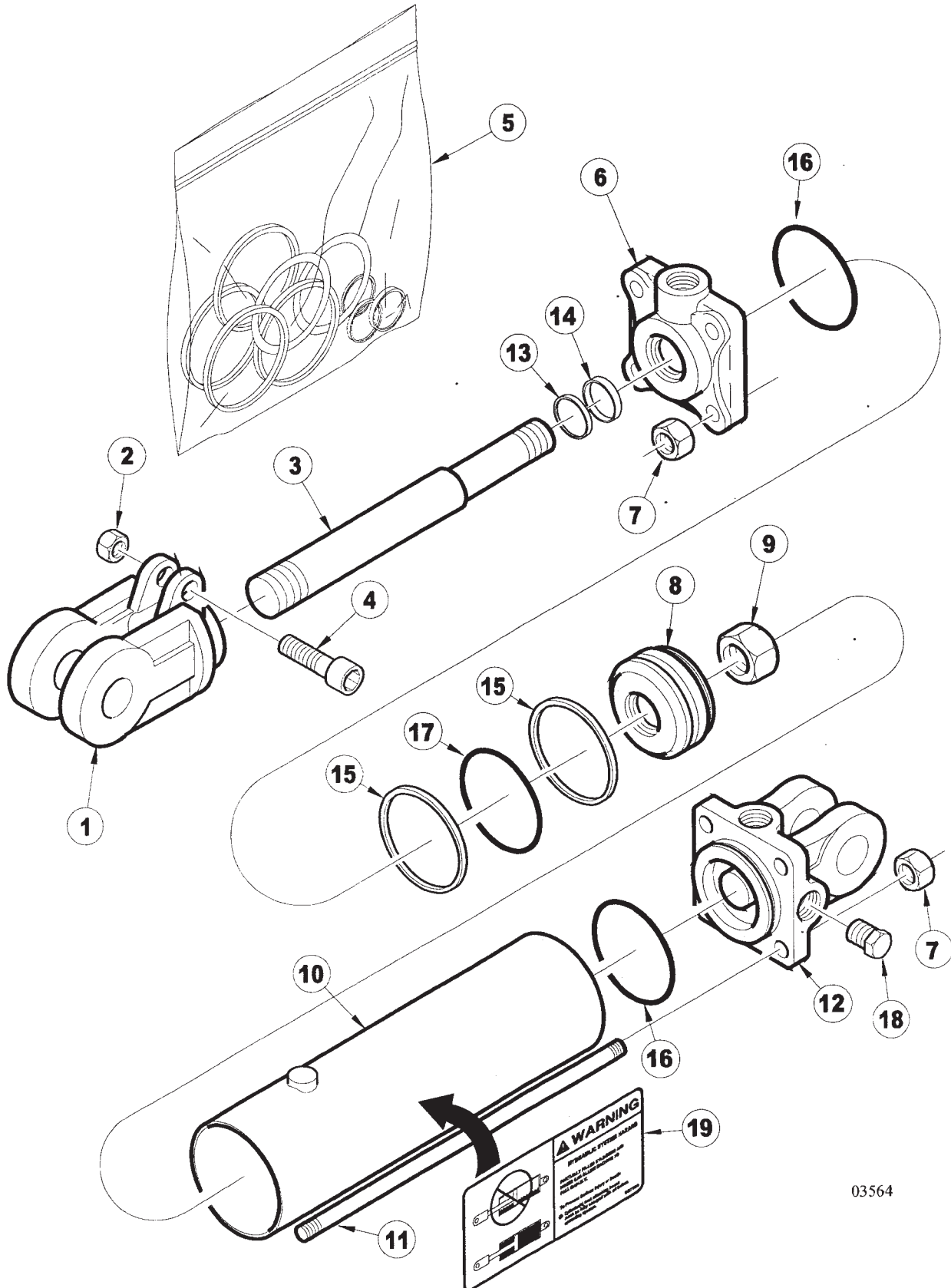
NOTE: WHEN ORDERING HYDRAULIC CYLINDER COMPONENTS, NOTE THE PART NUMBER AND THE CYLINDER PSI. (LOCATED ON THE CYLINDER DECAL) AS THEY CONTAIN DIFFERENT COMPONENTS. OLDER CYLINDERS WERE 2500 PSI. AND THE NEW CYLINDERS ARE 3000 PSI. IDENTIFYING THE PART # OF THE CYLINDER IS EXTREMELY IMPORTANT WHEN ORDERING PARTS TO ENSURE PROPER OPERATION OF THE HYDRAULIC CYLINDER.

WARNING  
THESE PARTS ARE IMPORTANT TO THE SAFETY OF THIS EQUIPMENT AND THOSE WHO OPERATE IT. USE ONLY EXACT REPLACEMENT PARTS TO PREVENT HYDRAULIC FAILURE. BEFORE REPLACING THESE PARTS, REVIEW AND FOLLOW THE INSTRUCTIONS IN THE SAFETY AND OPERATING SECTIONS OF THIS MANUAL.

I0005852  
PR: t05g30m02c0027

9412 THREE-POINTED MOUNTED DRILL  
SERVICE PARTS

4" X 10" LIFT CYLINDER 6635R  
(VERSION 1, PRIOR TO 10/22/03)



**9412 THREE-POINTED MOUNTED DRILL  
SERVICE PARTS**

67

**4" X 10" LIFT CYLINDER 6635R  
(VERSION 1, PRIOR TO 10/22/03)**

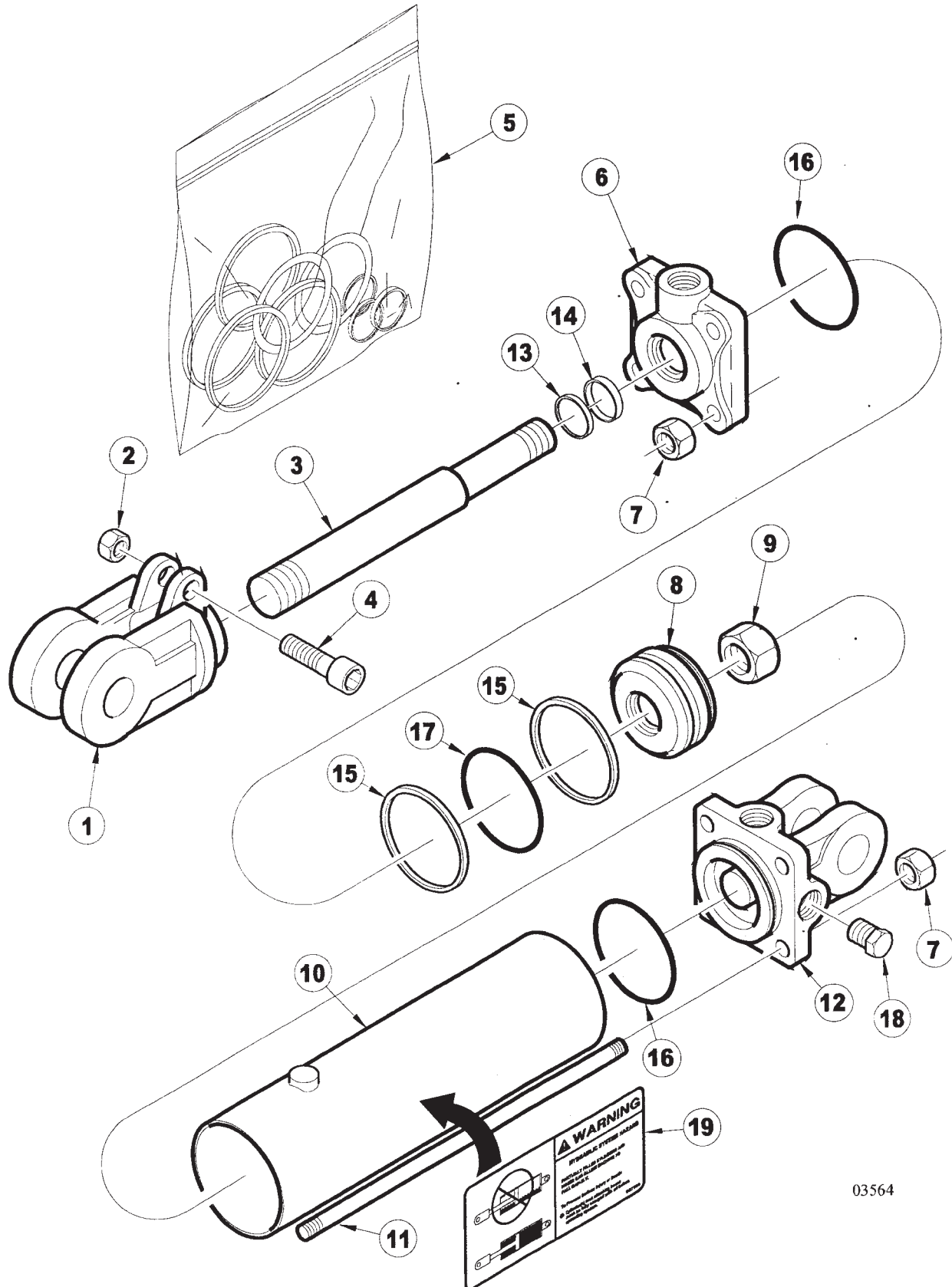
ITEM	NUMBER	QTY	DESCRIPTION
1	SN8617-1		CLEVIS, 1 1/2" THREADS, CROSS
2	SN8671-1		CAPSCREW NUT, 5/16" THREADS CROSS
3	SN8886-1		ROD, 1 1/2" DIA, 10" CROSS
4	SN8631-1		CAPSCREW, CROSS
5	SN8784-1		SEAL KIT, 4", 1 1/2" ROD, CROSS
6	SN8737-10		HEAD, 4", 1 1/2" ROD, CROSS (FOR USE W/U-CUP SEAL)
7	SN8864-1		TIE ROD NUT, 5/8" THREADS CROSS
8	SN8713-1		PISTON, 4" W/1" HOLE CROSS
9	SN8683-1		PISTON NUT, 1" CROSS
10	SN8832-1		TUBE, 4" X 10" CROSS
11	SN8849-1		TIE ROD BOLT, 4" X 10" CROSS
12	SN8703-10		BASE, 4" (ORB) CROSS
13			* WIPER
14			* U-CUP
15			* BACKUP
16			* O-RING
17			* O-RING
18	SN4458		PLUG, 3/4"-16 O.R.
19	SN997309		HYDRAULIC SYSTEM HAZARD - DECAL
	SN6635		CYLINDER, 4" X 10" (22 1/4" CPC) ORB CROSS (VERSION 1, PRIOR TO 10/22/03)

\* AVAILABLE IN THE SEAL KIT ONLY!!  
NOTE: WHEN ORDERING HYDRAULIC CYLINDER COMPONENTS, NOTE THE PART NUMBER AND THE CYLINDER PSI. (LOCATED ON THE CYLINDER DECAL) AS THEY CONTAIN DIFFERENT COMPONENTS. OLDER CYLINDERS WERE 2500 PSI. AND THE NEW CYLINDERS ARE 3000 PSI. IDENTIFYING THE PART NUMBER OF THE CYLINDER IS EXTREMELY IMPORTANT WHEN ORDERING PARTS TO ENSURE PROPER OPERATION OF THE HYDRAULIC CYLINDER.

I0003564  
PR: t05g30m02c0028

9412 THREE-POINTED MOUNTED DRILL  
SERVICE PARTS

4" X 10" LIFT CYLINDER 12026R  
(VERSION 2, 10/22/03 & LATER)



**9412 THREE-POINTED MOUNTED DRILL  
SERVICE PARTS**

69

**4" X 10" LIFT CYLINDER 12026R  
(VERSION 2, 10/22/03 & LATER)**

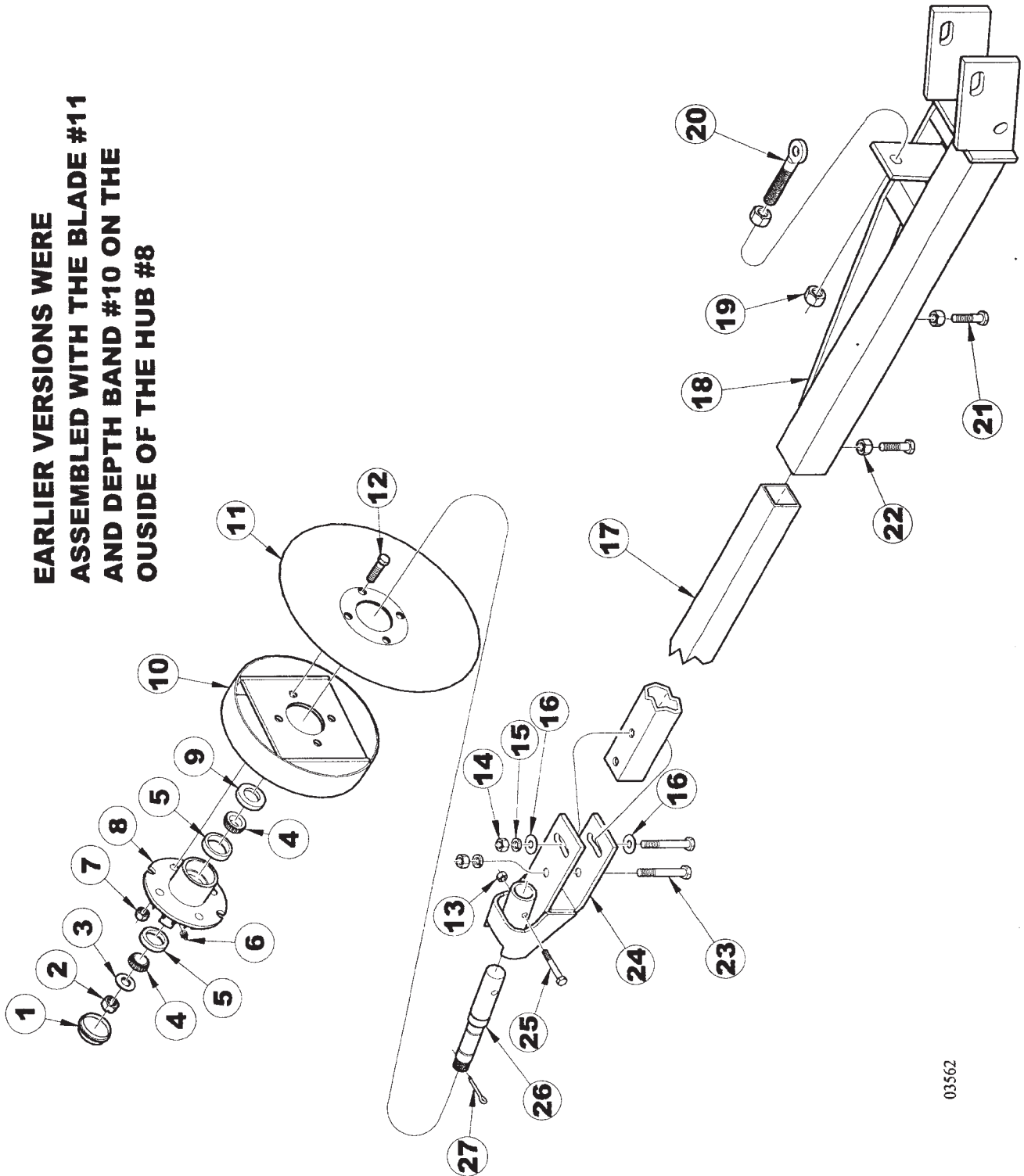
ITEM	NUMBER	QTY	DESCRIPTION
1	SN8617-1		CLEVIS, 1 1/2" THREADS, CROSS
2	SN8671-1		CAPSCREW NUT, 5/16" THREADS CROSS
3	SN12025		ROD, 1 1/2" DIA, 10" CROSS
4	SN8631-1		CAPSCREW, CROSS
5	SN8612-1		SEAL KIT, 4", 1 1/2" ROD, CROSS
6	SN8273-1		HEAD, 4", 1 1/2" ROD, CROSS
7	SN8864-1		TIE ROD NUT, 5/8" THREADS CROSS
8	SN8682-1		PISTON, 4" W/1" HOLE, CROSS
9	SN8683-1		PISTON NUT, 1" CROSS
10	SN8832-1		TUBE, 4" X 10" CROSS
11	SN8654-1		TIE ROD BOLT, 4" X 10" REPHASING, CROSS
12	SN8670-10		BASE, 4" (ORB) CROSS
13			* WIPER
14			* U-CUP
15			* BACKUP
16			* O-RING
17			* O-RING
18	SN4458		PLUG, 3/4"-16 O.R.
19	SN997309		HYDRAULIC SYSTEM HAZARD - DECAL
	SN12026		CYLINDER, 4" X 10" (22 1/4" CPC) ORB, 3000 PSI (VERSION 2, 10/22/03 & LATER)

\* AVAILABLE IN THE SEAL KIT ONLY!!  
NOTE: WHEN ORDERING HYDRAULIC CYLINDER  
COMPONENTS, NOTE THE PART NUMBER AND THE  
CYLINDER PSI. (LOCATED ON THE CYLINDER  
DECAL) AS THEY CONTAIN DIFFERENT  
COMPONENTS. OLDER CYLINDERS WERE 2500  
PSI. AND THE NEW CYLINDERS ARE 3000 PSI.  
IDENTIFYING THE PART # OF THE CYLINDER  
IS EXTREMELY IMPORTANT WHEN ORDERING  
PARTS TO ENSURE PROPER OPERATION OF THE  
HYDRAULIC CYLINDER.

I0003564  
PR: t05g30m02c0029

OUTER HYDRAULIC ROW MARKERS ASSEMBLY

**EARLIER VERSIONS WERE  
ASSEMBLED WITH THE BLADE #11  
AND DEPTH BAND #10 ON THE  
OUTSIDE OF THE HUB #8**



9412 THREE-POINTED MOUNTED DRILL

71

SERVICE PARTS

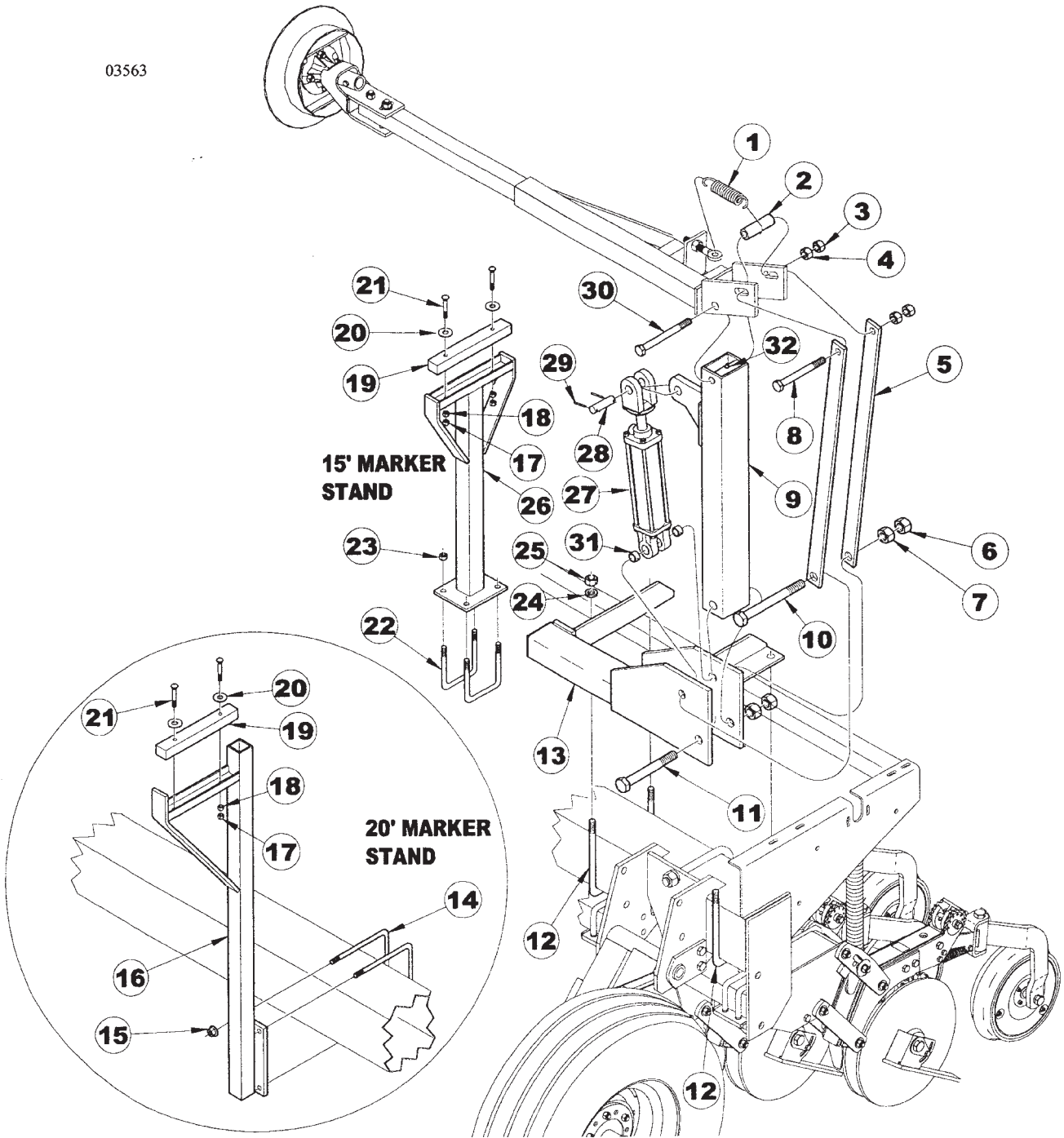
OUTER HYDRAULIC ROW MARKERS ASSEMBLY

ITEM	NUMBER	QTY	DESCRIPTION
1	SN7779		DUST CAP, 1.986" OD X .032" TH Y/D
2	SN7778		HEX NUT, 1"-14 SLOTTED .531" TH GR 2, PLAIN
3	SN3303		WASHER, 1 1/32" ID X 1 3/4" ODX 1/8" THICK, PLAIN
4	SN776		WHEEL BEARING (L44643)
5	SN777		BEARING RACE (L44610)
6	SN2098-6		GREASE ZERK, 1/4"-28, 17/32" L
7	SN2096		LOCK NUT, 1/2"-13 HEX NYLON INSERT, GR 8, Y/D
8	SN7780		FOUR BOLT HUB W/CUPS & ZERK
9	SN7775		SEAL, SINGLE LIP
10	SN7781		MARKER ARM DEPTH BAND
11	SN7773		14" BLADE, 4 BOLT, .138" THICK .78" CONCAVITY
12	SN2045		HEX BOLT, 1/2"-13 X 1 3/4", GR5, Y/D
13	SN3567		LOCK NUT, 3/8"-16 HEX NYLON INSERT, GR 2, Y/D
14	SN114		HEX NUT, 1/2"-13 FULL, GR 2, Y/D
15	SN113		LOCK WASHER, 1/2" SPLIT TYPE MED, Y/D
16	SN486		FLAT WASHER, 1/2", Y/D
17	SNB2632		EXTENSION ARM
18	SN6441		MARKER ARM, 20' RIGHT
	SN6442		MARKER ARM, 20' LEFT
	SN6444		MARKER ARM, 12' & 15' RIGHT
	SN6445		MARKER ARM, 12' & 15' LEFT (SHOWN)
19	SN1243		JAM NUT, 3/4"-10 HEX, GR 2, Y/D
20	SN5731		EYE BOLT, 3/4"-10 X 4 1/2"
21	SN2045		HEX BOLT, 1/2"-13 X 1 3/4", GR5 Y/D
22	SN159		JAM NUT, 1/2"-13, GR 2, Y/D
23	SN1507		HEX BOLT, 1/2"-13 X 3 1/2", GR 5, Y/D
24	SN7782		HUB BRACKET
25	SN2487		HEX BOLT, 3/8"-16 X 2 1/2", GR5, Y/D
26	SN7825		SPINDLE, 1 1/4" X 8 5/8"(1"-14 UNS THD)
27	SN1609		COTTER PIN, 3/16" X 1 1/2"

I0003562  
PR: t05g30m02c0030

INNER HYDRAULIC ROW MARKER ASSEMBLY

03563





**9412 THREE-POINTED MOUNTED DRILL  
SERVICE PARTS**

73

**INNER HYDRAULIC ROW MARKER ASSEMBLY**

ITEM	NUMBER	QTY	DESCRIPTION
1	SN6617		SPRING, .262" WIRE DIA X 7 3/8" L, BLACK
2	SN6456		SPACER, 15' & 20' MARKER, 3 15/16"
3	SN4592		LOCK NUT, 3/4"-10 HEX CENTER GR 2, Y/D
4	SN1243		JAM NUT, 3/4"-10 HEX, GR 2, Y/D
5	SN6453		MARKER LINKAGE ARM, 20'
	SN6454		MARKER LINKAGE ARM, 15' (SHOWN)
6	SNHCL		LOCK NUT, 1"-8 UNC HEX CENTER, GR 2, Y/D
7	SN1849		JAM NUT, 1"-8 HEX, GR 2, Y/D
8	SN1484		HEX BOLT, 3/4"-10 X 7 1/2", GR 5, Y/D
9	SN6446		MARKER ARM, 15' INNER (SHOWN)
	SN6443		MARKER ARM, 20' INNER
10	SN3485		HEX BOLT, 1"-8 X 8", GR 5, Y/D
11	SN109		HEX BOLT, 1"-8 X 7", GR 5, Y/D
12	SNDR80019		U-BOLT, 3/4"-10 X 8 3/4" X 7 13/16" W, GR 5, Y/D
13	SN6447		MARKER MOUNT, 20' RIGHT
	SN6448		MARKER MOUNT, 20' LEFT
	SN6449		MARKER MOUNT, 15' RIGHT
	SN6450		MARKER MOUNT, 15' LEFT (SHOWN)
14	SNDR80018		U-BOLT, 1/2"-13 X 8 1/4" X 7 5/8" W, GR 5, Y/D

NOTE: WHEN ORDERING HYDRAULIC CYLINDER COMPONENTS, NOTE THE PART NUMBER AND THE CYLINDER PSI. (LOCATED ON THE CYLINDER DECAL) AS THEY CONTAIN DIFFERENT COMPONENTS. OLDER CYLINDERS WERE 2500 PSI. AND THE NEW CYLINDERS ARE 3000 PSI. IDENTIFYING THE PART # OF THE CYLINDER IS EXTREMELY IMPORTANT WHEN ORDERING PARTS TO ENSURE PROPER OPERATION OF THE HYDRAULIC CYLINDER.

**WARNING**

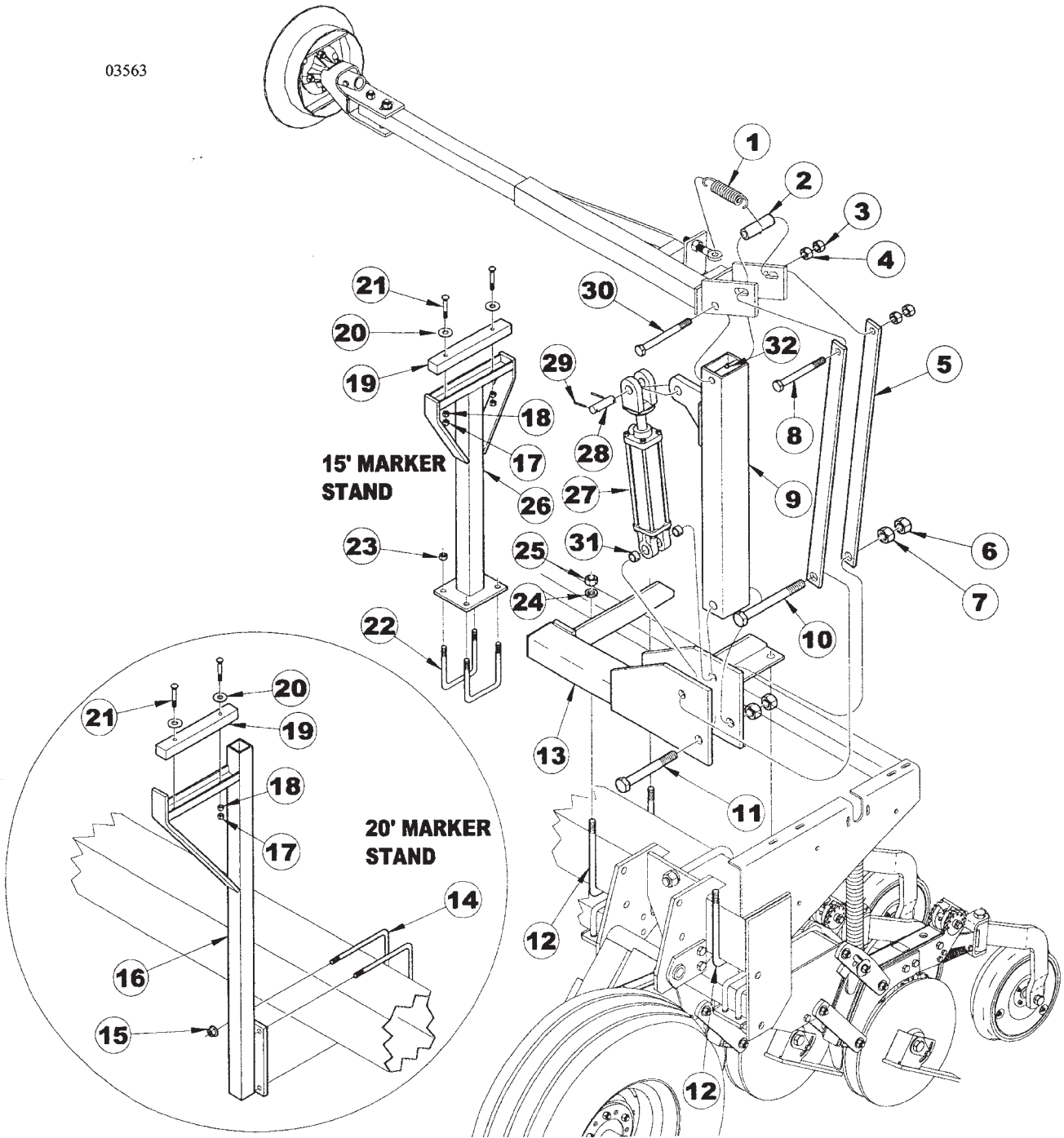
THESE PARTS ARE IMPORTANT TO THE SAFETY OF THIS EQUIPMENT AND THOSE WHO OPERATE IT. USE ONLY EXACT REPLACEMENT PARTS TO PREVENT HYDRAULIC FAILURE. BEFORE REPLACING THESE PARTS, REVIEW AND FOLLOW THE INSTRUCTIONS IN THE SAFETY AND OPERATING SECTIONS OF THIS MANUAL.

CONTINUED

I0003563  
PR: t05g30m02c0031

INNER HYDRAULIC ROW MARKER ASSEMBLY

03563



**9412 THREE-POINTED MOUNTED DRILL  
SERVICE PARTS**

75

**INNER HYDRAULIC ROW MARKER ASSEMBLY**

ITEM	NUMBER	QTY	DESCRIPTION
15	SNDR81041		LOCK NUT, 1/2"-13 HEX FLANGE, GR 2, Y/D
16	SN6610		MARKER STAND, 20'
17	SN177		HEX NUT, 3/8"-16 FULL, GR 2, Y/D
18	SN1244		JAM NUT, 3/8"-16 HEX, GR 2, Y/D
19	SN6611		RUBBER PAD, MARKER STAND
20	SN2089		FLAT WASHER, 5/8", Y/D
21	SN6490		CARRIAGE BOLT, 3/8" X 2 1/2" GR 5, Y/D
22	SN6954		U-BOLT, 1/2"-13 X 4" X 4 9/16" W, GR 5, Y/D
23	SN2096		LOCK NUT, 1/2"-13 HEX NYLON INSERT, GR 8, Y/D
24	SN1040		LOCK WASHER, 3/4" SPLIT TYPE MED, Y/D
25	SN106		HEX NUT, 3/4"-10 FULL, GR 5, Y/D
26	SN6609		MARKER STAND, 15'
27	SNDR55002		CYLINDER, 2 1/2" X 8" ORB CROSS (*VERSION 1, PRIOR TO 6/23/03)
	SN12051		CYLINDER, 2 1/2" X 8" ORB CROSS, 3000 PSI (*VERSION 2, 6/23/03 & LATER)
28	SN5339		PIN, 1" X 4 1/16" (3"), Y/D
29	SN3164		ROLL PIN, 5/16" X 2" SPIRAL MEDIUM DUTY, Y/D
30	SN1676		HEX BOLT, 3/4"-10 X 7", GR 5 Y/D
31	SNDR12035		LOCKING COLLAR, 1 5/8" OD X 1" ID X 5/8" L W/SET SCREW
32	SN2098-6		GREASE ZERK, 1/4"-28, 17/32" L

NOTE: WHEN ORDERING HYDRAULIC CYLINDER COMPONENTS, NOTE THE PART NUMBER AND THE CYLINDER PSI. (LOCATED ON THE CYLINDER DECAL) AS THEY CONTAIN DIFFERENT COMPONENTS. OLDER CYLINDERS WERE 2500 PSI. AND THE NEW CYLINDERS ARE 3000 PSI. IDENTIFYING THE PART # OF THE CYLINDER IS EXTREMELY IMPORTANT WHEN ORDERING PARTS TO ENSURE PROPER OPERATION OF THE HYDRAULIC CYLINDER.

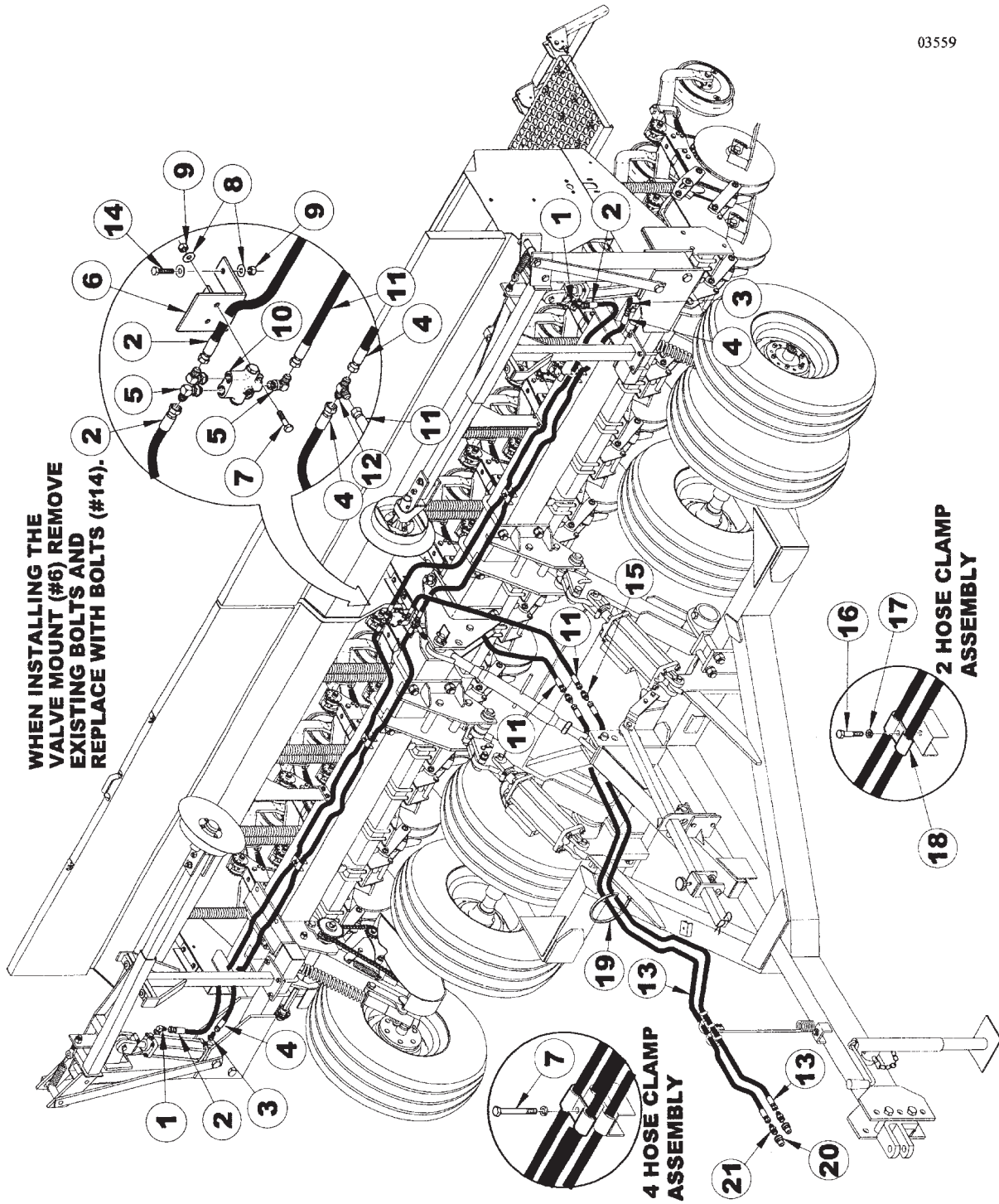
**WARNING**

THESE PARTS ARE IMPORTANT TO THE SAFETY OF THIS EQUIPMENT AND THOSE WHO OPERATE IT. USE ONLY EXACT REPLACEMENT PARTS TO PREVENT HYDRAULIC FAILURE. BEFORE REPLACING THESE PARTS, REVIEW AND FOLLOW THE INSTRUCTIONS IN THE SAFETY AND OPERATING SECTIONS OF THIS MANUAL.

I0003563  
PR: t05g30m02c0031

ROW MARKER HYDRAULICS

03559



**9412 THREE-POINTED MOUNTED DRILL  
SERVICE PARTS**

77

**ROW MARKER HYDRAULICS**

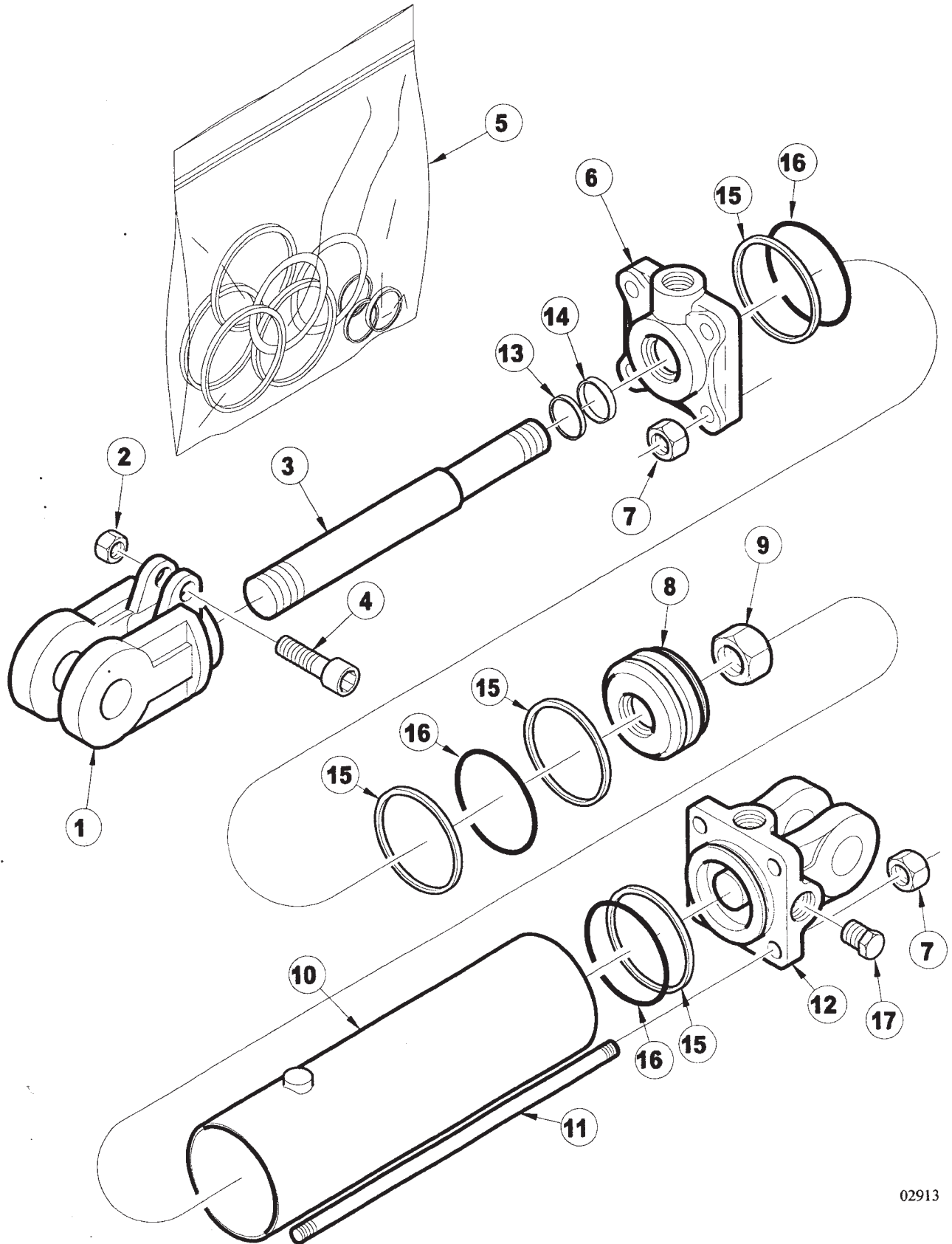
ITEM	NUMBER	QTY	DESCRIPTION
1	SN6991		90 DEG. STRAIGHT THREAD ELBOW, 9/16"-18 M.F. X 3/4"-16 O.R. WITH 1/32" REST
2	SN4110011		HOSE, 1/4" X 110" LONG, 9/16"-18 FEMALE ENDS, 15'
	SN4136011		HOSE, 1/4" X 136" LONG, 9/16"-18 FEMALE ENDS, 20'
3	SN6736		STRAIGHT THREAD CONNECTOR, 9/16"-18 M.F. X 3/4"-16 O.R.
4	SN4098011		HOSE, 1/4" X 98" LONG, 9/16"-18 FEMALE ENDS, 15'
	SN4130011		HOSE, 1/4" X 130" LONG, 9/16"-18 FEMALE ENDS, 20'
5	SN6935		90 DEG. STRAIGHT THREAD ELBOW, 9/16"-18 M.F. X 3/4"-16 O.R.
6	SNB1141		VALVE MOUNT (15')
	SN9184		VALVE MOUNT (20')
7	SN474		3/8" X 2" HEX BOLT
8	SN317		3/8" FLAT WASHER
9	SN3567		3/8" LOCK NUT
10	SNDR56006		VALVE, 3/4"-16 O.R. SEQUENCE
11	SN4050011		HOSE, 1/4" X 50" LONG, 9/16"-18 FEMALE ENDS
12	SN7077		UNION TEE, 9/16"-18 M.F.
13	SN4153002		HOSE, 3/8" X 153" LONG, FEMALE ENDS (USED WITH TRANSPORT PULL HITCH)
14	SN175		3/8" X 1 1/2" HEX BOLT
15	SN7075		UNION, 3/4"-16 M.F. X 9/16"-18 M.F. HEX (USED WITH TRANSPORT PULL HITCH)
16	SN3984		3/8" X 1 1/4" HEX BOLT
17	SN176		3/8" LOCK WASHER
18	SN5302		PIPE CLAMP, 3/8" BOLT HOLE
19	SN2587		PLASTIC HOSE STRAP, 21 1/2" L.
20	SN3253		HYDRAULIC COUPLER, MALE HALF
21	SN6177		MALE CONNECTOR, 9/16"-18 M.F. X 1/2"-14 M.P.T.
	SN2425		MALE CONNECTOR, 3/4"-16, M.F. X 1/2"-14 M.P.T. (USED WITH TRANSPORT PULL HITCH)

**WARNING**  
THESE PARTS ARE IMPORTANT TO THE SAFETY  
OF THIS EQUIPMENT AND THOSE WHO OPERATE  
IT. USE ONLY EXACT REPLACEMENT PARTS TO  
PREVENT HYDRAULIC FAILURE. BEFORE  
REPLACING THESE PARTS, REVIEW AND  
FOLLOW THE INSTRUCTIONS IN THE SAFETY  
AND OPERATING SECTIONS OF THIS MANUAL.

I0003559  
PR: t05g30m02c0032

9412 THREE-POINTED MOUNTED DRILL  
SERVICE PARTS

2 1/2" X 8" CYLINDER DR55002  
(VERSION 1, PRIOR TO 6/23/03)



**9412 THREE-POINTED MOUNTED DRILL  
SERVICE PARTS**

79

**2 1/2" X 8" CYLINDER DR55002  
(VERSION 1, PRIOR TO 6/23/03)**

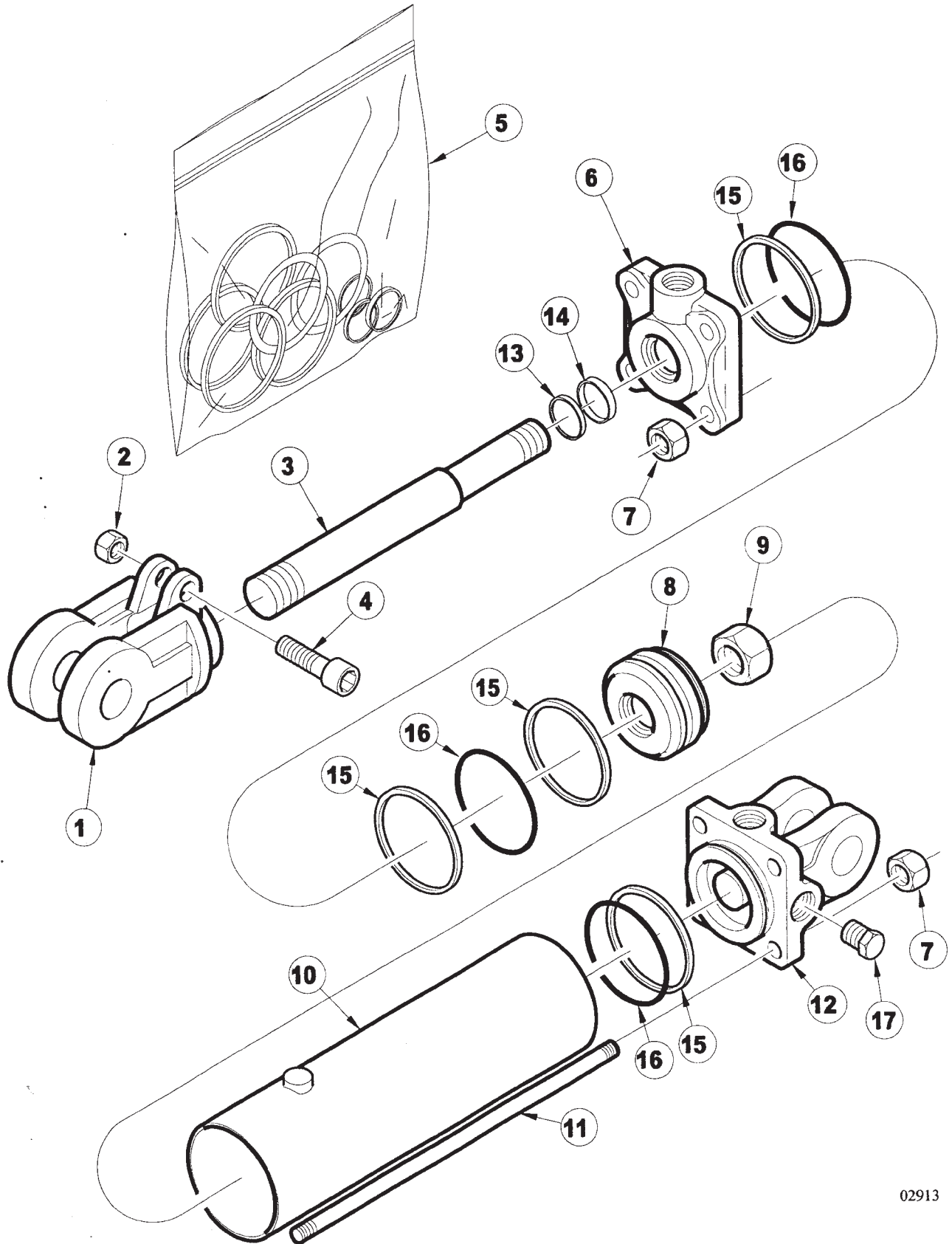
ITEM	NUMBER	QTY	DESCRIPTION
1	SN8629-1		CLEVIS , 1 1/16" THREADS
2	SN8671-1		CAPSCREW NUT
3	SN8879-1		1" ROD
4	SN8631-1		CAPSCREW
5	SN8800-1		SEAL KIT
6	SN8721-10		HEAD, 2 1/2", 1" ROD
7	SN8864-1		TIE ROD NUT
8	SN8689-1		PISTON
9	SN8681-1		PISTON NUT, 3/4"
10	SN8809-1		TUBE
11	SN8870-1		TIE ROD BOLT
12	SN8690-10		BASE, 2 1/2"
13			* WIPER
14			* U-CUP
15			* BACKUP
16			* O-RING
17	SN4458		PLUG, 3/4"-16 O.R.
	SNDR55002		2 1/2" X 8" CROSS CYLINDER (VERSION 1, PRIOR TO 6/23/03)

\* AVAILABLE IN THE SEAL KIT ONLY!  
NOTE: WHEN ORDERING HYDRAULIC CYLINDER COMPONENTS, NOTE THE PART NUMBER AND THE CYLINDER PSI. (LOCATED ON THE CYLINDER DECAL) AS THEY CONTAIN DIFFERENT COMPONENTS. OLDER CYLINDERS WERE 2500 PSI. AND THE NEW CYLINDERS ARE 3000 PSI. IDENTIFYING THE PART # OF THE CYLINDER IS EXTREMELY IMPORTANT WHEN ORDERING PARTS TO ENSURE PROPER OPERATION OF THE HYDRAULIC CYLINDER.

I0002913  
PR: t05g30m02c0033

9412 THREE-POINTED MOUNTED DRILL  
SERVICE PARTS

2 1/2" X 8" CYLINDER 12051R  
(VERSION 2, 6/23/03 & LATER)





**9412 THREE-POINTED MOUNTED DRILL  
SERVICE PARTS**

81

**2 1/2" X 8" CYLINDER 12051R  
(VERSION 2, 6/23/03 & LATER)**

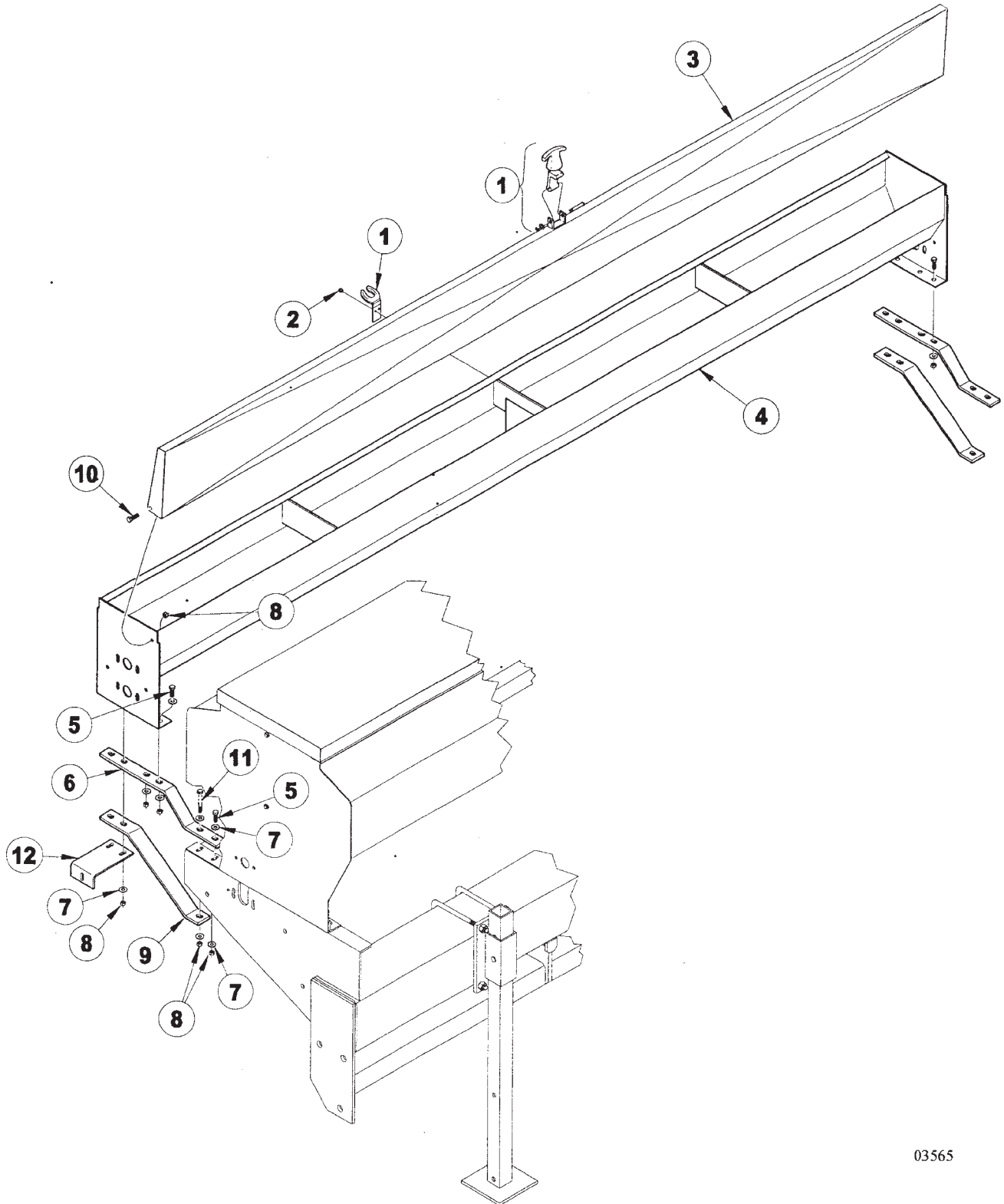
ITEM	NUMBER	QTY	DESCRIPTION
1	SN8629-1		CLEVIS , 1 1/16" THREADS
2	SN8671-1		CAPSCREW NUT
3	SN8879-1		1" ROD
4	SN8631-1		CAPSCREW
5	SN8756-1		SEAL KIT, 2 1/2", 1 1/16" ROD, CROSS
6	SN8731-10		HEAD, 2 1/2", 1 1/16" ROD, CROSS (ORB)
7	SN8864-1		TIE ROD NUT
8	SN8714-1		PISTON, 2 1/2" W/3/4" HOLE, CROSS
9	SN8681-1		PISTON NUT, 3/4"
10	SN8809-1		TUBE
11	SN8870-1		TIE ROD BOLT
12	SN8680-10		BASE, 2 1/2" (ORB), 1" PIN, CROSS
13			* WIPER
14			* U-CUP
15			* BACKUP
16			* O-RING
17	SN4458		PLUG, 3/4"-16 O.R.
	SN12051		CYLINDER, 2 1/2" X 8" (20 1/4" CPC)ORB CROSS, 3000 PSI (VERSION 1, PRIOR TO 6/23/03)

\* AVAILABLE IN THE SEAL KIT ONLY!  
NOTE: WHEN ORDERING HYDRAULIC CYLINDER COMPONENTS, NOTE THE PART NUMBER AND THE CYLINDER PSI. (LOCATED ON THE CYLINDER DECAL) AS THEY CONTAIN DIFFERENT COMPONENTS. OLDER CYLINDERS WERE 2500 PSI. AND THE NEW CYLINDERS ARE 3000 PSI. IDENTIFYING THE PART # OF THE CYLINDER IS EXTREMELY IMPORTANT WHEN ORDERING PARTS TO ENSURE PROPER OPERATION OF THE HYDRAULIC CYLINDER.

I0002913  
PR: t05g30m02c0034

9412 THREE-POINTED MOUNTED DRILL  
SERVICE PARTS

GRASS SEEDER HOPPER ASSEMBLY (OPTIONAL)



**9412 THREE-POINTED MOUNTED DRILL**

83

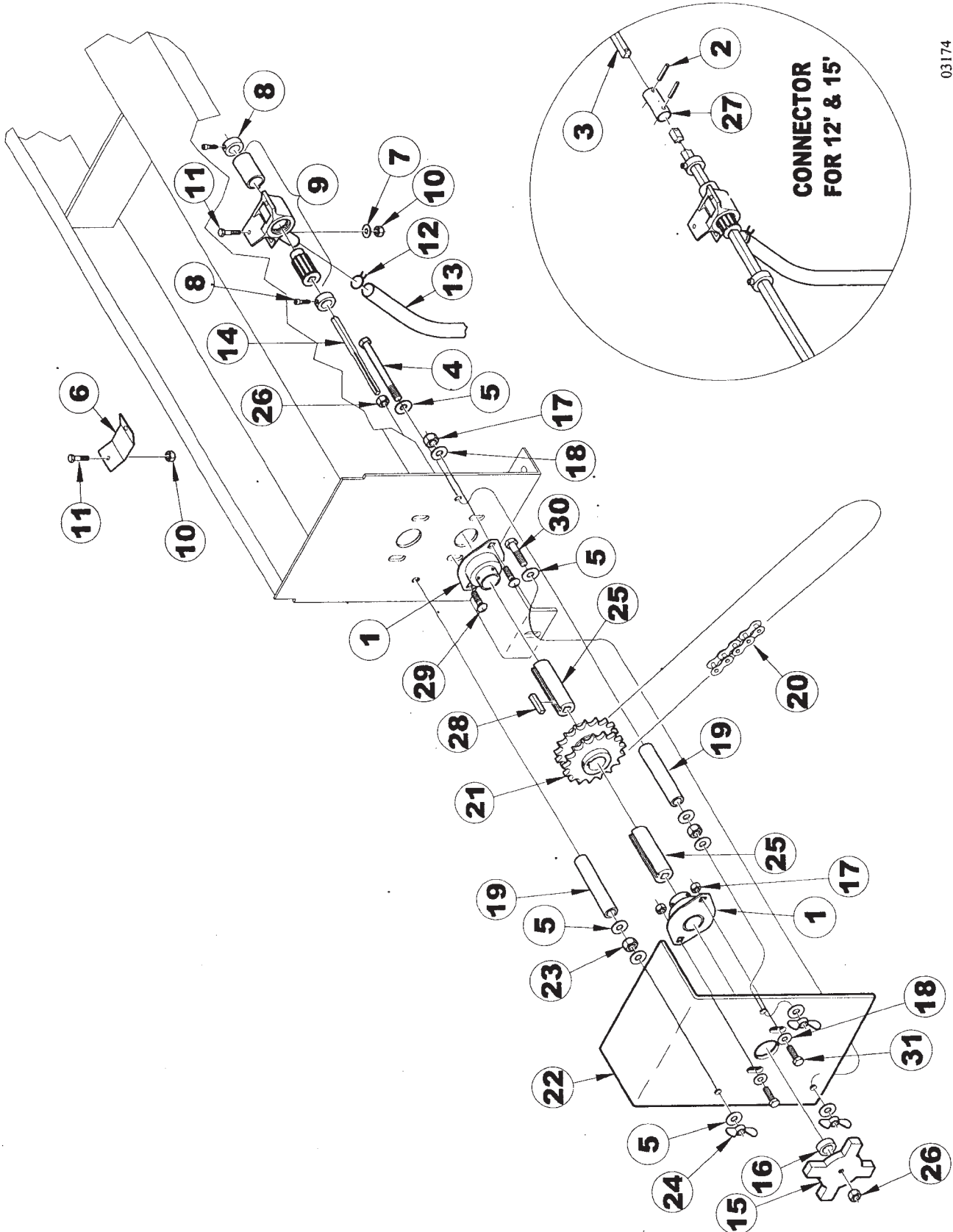
**SERVICE PARTS****GRASS SEEDER HOPPER ASSEMBLY (OPTIONAL)**

ITEM	NUMBER	QTY	DESCRIPTION
1	SNA0007		HOPPER LATCH ASSEMBLY
2	SNDR12034		3/16" X 1/4" RIVET
3	SN9930R		HOPPER LID, 12' GRASS SEEDER
	SNBP10065		7 1/2' HOPPER LID, 15'
	SNBP10076		10' HOPPER LID, 10' & 20' (SHOWN)
4	SN9931R		HOPPER BOX, 12' GRASS SEEDER
	SNBP10296		7 1/2' HOPPER BOX, 15'
	SNBP10074		10' HOPPER BOX, 10' & 20' (SHOWN)
5	SN175		3/8" X 1 1/2" HEX BOLT
6	SNBP10030		UPPER BRACKET
7	SN317		3/8" FLAT WASHER
8	SN3567		3/8" LOCK NUT
9	SNBP10031		LOWER BRACKET
10	SN178		3/8" X 1" HEX BOLT
11	SNFK150221		3/8" X 5" HEX BOLT
12	SN7956		BRACKET, LOWER CHAIN GUARD

I0003565  
PR: t05g30m02c0035

9412 THREE-POINTED MOUNTED DRILL  
SERVICE PARTS

GRASS SEEDER SHAFT ASSEMBLY



03174

**9412 THREE-POINTED MOUNTED DRILL  
SERVICE PARTS**

85

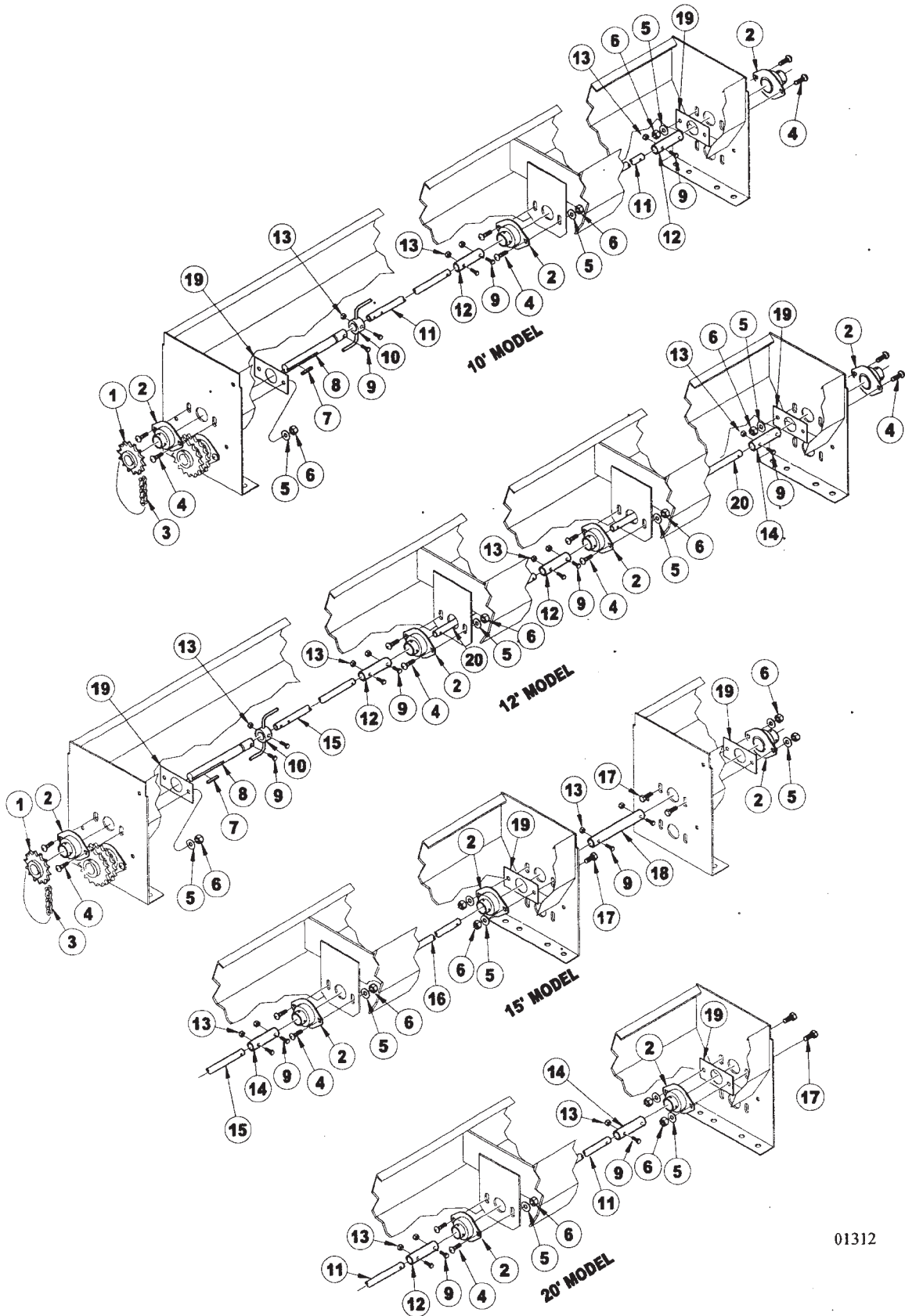
**GRASS SEEDER SHAFT ASSEMBLY**

ITEM	NUMBER	QTY	DESCRIPTION
1	SNDR30009		BEARING, 1" LFST
2	SNFK150189		1/8" X 1 1/4" ROLL PIN, 12' & 15' ONLY
3	SN9934		SHAFT, 60", 3/8" SQ. Y/D, 12' ONLY
	SN6694		88 1/4" SHAFT, 3/8" SQ., 15' ONLY
4	SNDR10026		3/8" X 4" HEX BOLT
	SN7952		HEX BOLT, 3/8" -16 X 5 1/2", GR 5, Y/D, 12' ONLY
5	SN317		3/8" FLAT WASHER
6	SNBP10041		SEED METER PLUG
7	SN506		1/4" FLAT WASHER
8	SNDR12006		LOCKING COLLAR
9	SNA0119		SEED METER ASSEMBLY, GRASS SEEDER
10	SN3881		1/4" LOCK NUT
11	SNDR10025		1/4" X 5/8" HEX BOLT
12	SNDR12003		GRASS SEED TUBE CLAMP
13	SNDR20005		SEED TUBE, .875" O.D. X .625" I.D., 48"L
14	SN6694		SHAFT, 88 1/4", 3/8" SQ, Y/D(15' DRILLS)
	SN7953		SHAFT, 96 1/2", 3/8" SQ, Y/D (12' & 15' DRILLS)
	SN7954		SHAFT, 126 1/2", 3/8" SQ, Y/D (10' & 20' DRILLS)
	SNB1610		124" SHAFT, 3/8" SQ., 10' & 20'
15	SNB1142		ADJUSTMENT KNOB
16	SN6713		SPACER, 1" O.D. X .563" I.D., 1" L.
17	SN6378		5/16" LOCK NUT
18	SN6377		5/16" FLAT WASHER
19	SNB2620		SPACER, .750" O.D. X .500" I.D., 2 5/8"L
	SN7955		SPACER, .750" O.D. X .437" I.D., 4" L., 12' ONLY
20	SN6711		48 1/8" #50 CHAIN WITH HALF LINK
21	SN6710		DOUBLE SPROCKET, 17 TOOTH, 1" BORE, #50 CHAIN
22	SN7957		CHAIN GUARD BEARING BRACKET, RIGHT GRASS SEEDER
	SN7958		CHAIN GUARD BEARING BRACKET, LEFT GRASS SEEDER
23	SN177		3/8" FULL NUT
24	SNDR10506		3/8" WING NUT
25	SN6569		KEYED BUSHING, 1" O.D. X 2 1/2" L.
26	SN159		1/2" JAM NUT
27	SN6695		METER SHAFT CONNECTOR (3/8"), 15' ONLY
28	SNDR41509		SPROCKET KEY
29	SN6376		5/16" X 1" CARRIAGE BOLT
30	SN3984		HEX BOLT, 3/8"-16 X 1 1/4", GR 5, Y/D
31	SN3722		5/16"-18 X 1" HEX BOLT, GR5, Y/D

I0003174  
PR: t05g30m02c0036

9412 THREE-POINTED MOUNTED DRILL  
SERVICE PARTS

GRASS SEEDER AGITATOR ASSEMBLY



**9412 THREE-POINTED MOUNTED DRILL  
SERVICE PARTS**

87

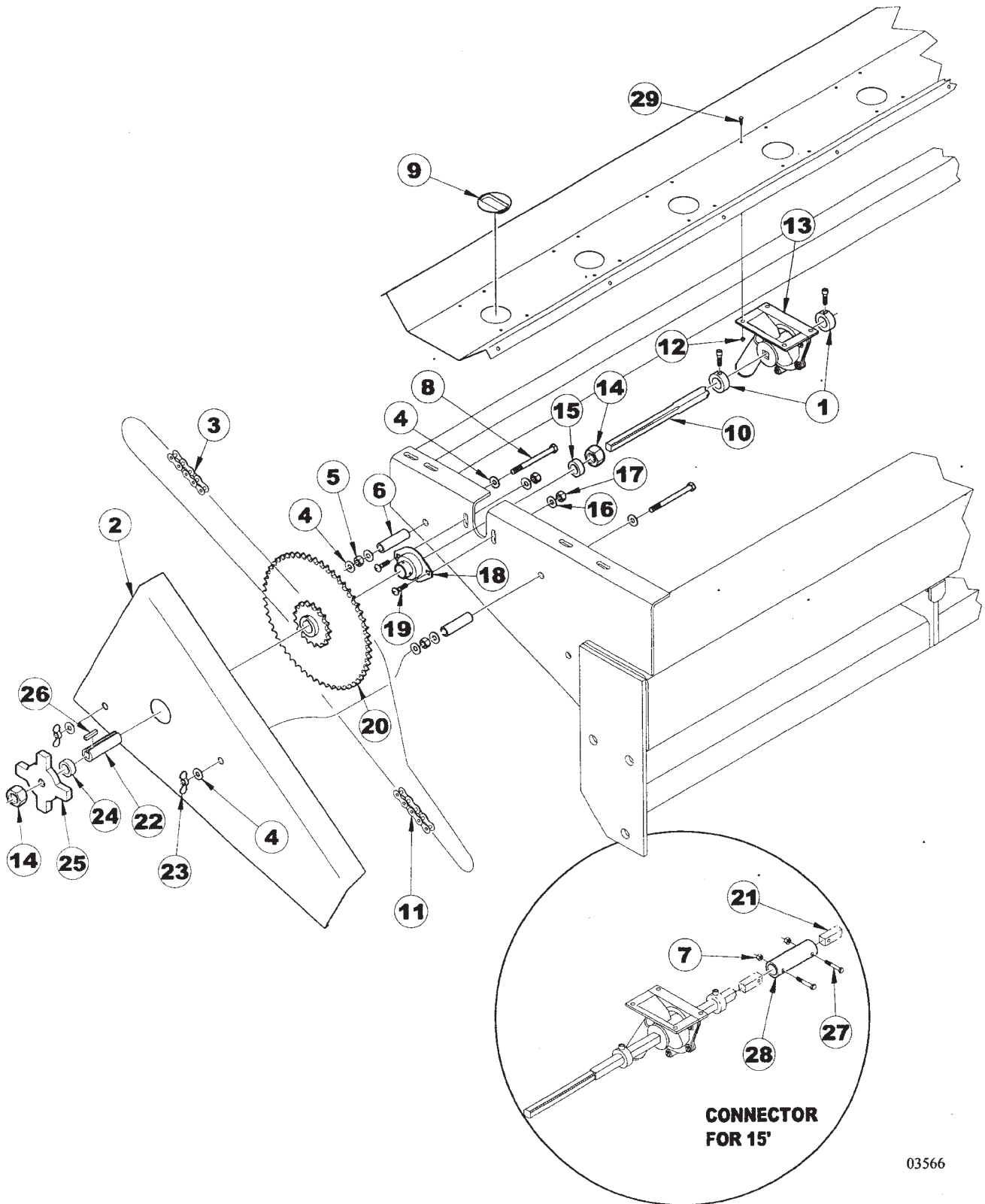
**GRASS SEEDER AGITATOR ASSEMBLY**

ITEM	NUMBER	QTY	DESCRIPTION
1	SN6714		SPROCKET, 14 TOOTH, 1" BORE, #50 CHAIN
2	SNDR30009		BEARING, 1" LFST
3	SN6709		16 7/8" #50 CHAIN
4	SN6376		5/16" X 1" CARRIAGE BOLT
5	SN6377		5/16" FLAT WASHER
6	SN6378		5/16" LOCK NUT
7	SNDR41509		SPROCKET KEY
8	SN6699		7 3/8" AGITATOR SHAFT, 10' 12' & 20'
9	SN2486		1/4" X 1 1/2" HEX BOLT
10	SN6703		AGITATOR
11	SN6696		55 1/2" AGITATOR SHAFT, 10' & 20'
	SN6697		AGITATOR SHAFT, 43 3/8", 12'
12	SN6701		AGITATOR CONNECTOR, 5 1/8" L., 10' 12' & 20'
13	SN3881		1/4" LOCK NUT
14	SN6702		AGITATOR CONNECTOR, 3 3/4" L., 15' & 20'
15	SN6697		43 3/8" AGITATOR SHAFT, 15'
16	SN6698		40 1/16" AGITATOR SHAFT, 15'
17	SN3722		5/16" X 1" HEX BOLT, 15' & 20'
18	SN6700		AGITATOR CONNECTOR, 7 1/2" L., 15'
19	SN7459		BEARING PLATE, AGITATOR
20	SN9932R		AGITATOR SHAFT, 46 1/2" , 12'

I0001312  
PR: t05g30m02c0037

9412 THREE-POINTED MOUNTED DRILL  
SERVICE PARTS

DRILL SHAFT ASSEMBLY WHEN USING GRASS  
SEEDER





**9412 THREE-POINTED MOUNTED DRILL  
SERVICE PARTS**

89

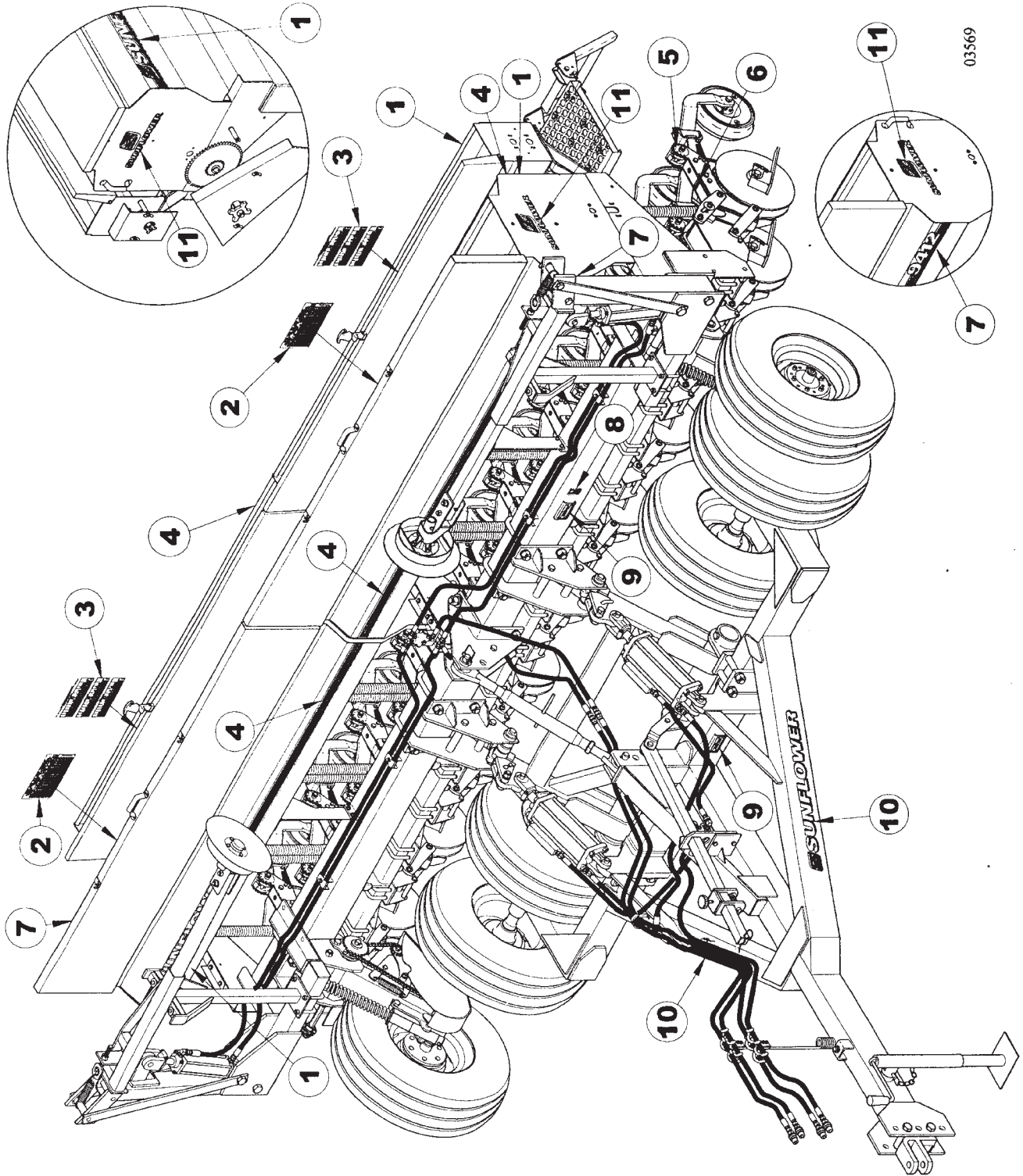
**DRILL SHAFT ASSEMBLY WHEN USING GRASS  
SEEDER**

ITEM	NUMBER	QTY	DESCRIPTION
1	SN6581		LOCKING COLLAR, 1 1/2" OD X 6325 SQ. W/CAP SCREW
2	SN9190		RIGHT CHAIN GUARD
	SN9191		LEFT CHAIN GUARD, 20' ONLY
3	SN6711		48 1/8" #50 CHAIN WITH HALF LINK
4	SN317		3/8" FLAT WASHER
5	SN177		3/8" FULL NUT
6	SNB2620		SPACER, .750" O.D. X .500" I.D., 2 5/8" L.
7	SN3881		1/4" LOCK NUT
8	SNDR10026		3/8" X 4" HEX BOLT
9	SNDR12017		SEED METER PLUG
10	SNB1598		94" SHAFT, 5/8" SQ., 7 1/2' & 15'
	SN9188		SHAFT, 124 3/4", 5/8" SQ, Y/D 10'
11	SNDR80030		64 3/8" #50 CHAIN
12	SN10326		NUT, 10-24 UNC HEX HEAD W/LOCKWASHER
13	SNA0012		SEED METER ASSEMBLY
14	SN1243		3/4" JAM NUT
15	SN6704		SPACER, 1.25" O.D. X .875" I.D., 3/4" L.
16	SN6377		5/16" FLAT WASHER
17	SN6378		5/16" LOCK NUT
18	SNDR30009		BEARING, 1" LFST
19	SN6376		5/16" X 1" CARRIAGE BOLT
20	SN6707		DOUBLE SPROCKET, (1) 54 TOOTH, (1) 17 TOOTH, 1" BORE, #50 CHAIN
21	SNB1599		88 1/4" SHAFT, 5/8" SQ., 15'
22	SNDR41506		KEYED BUSHING, 1" O.D. X 31/4" L.
23	SNDR10506		3/8" WING NUT
24	SNBT10275		SPACER, 1.250" O.D. X .781" I.D., 15/32" L.
25	SNB1540		ADJUSTMENT KNOB
26	SNDR41509		SPROCKET KEY
27	SN1550		1/4" X 2" HEX BOLT, 15' ONLY
28	SNB2639		METER SHAFT CONNECTOR, 15' ONLY
29	SN9076		HEX BOLT, NO. 10-24 X 1/2", GR2, Y/D

I0003566  
PR: t05g30m02c0038

9412 THREE-POINTED MOUNTED DRILL  
SERVICE PARTS

DECAL PLACEMENT



**9412 THREE-POINTED MOUNTED DRILL  
SERVICE PARTS**

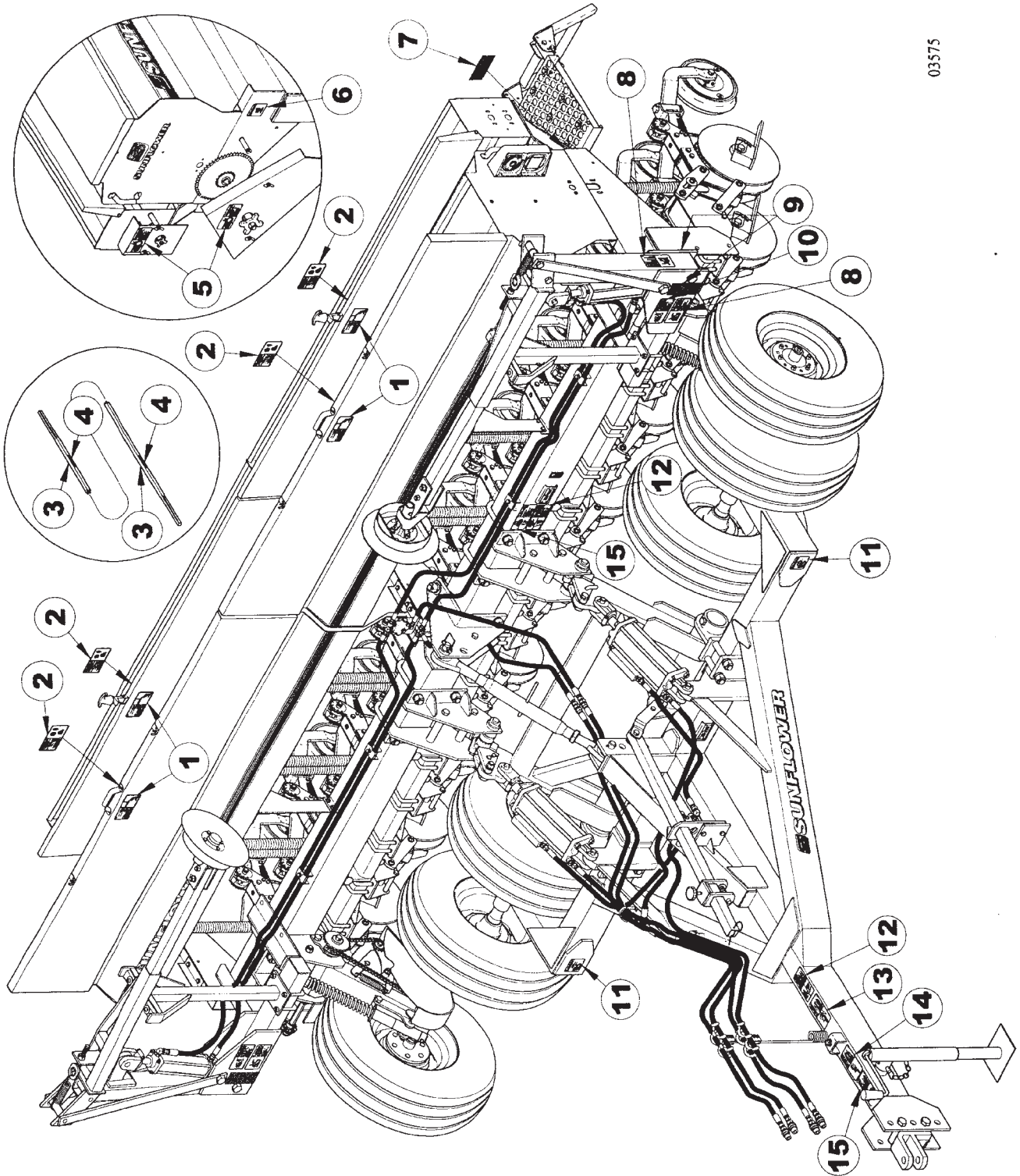
**91**

**DECAL PLACEMENT**

ITEM	NUMBER	QTY	DESCRIPTION
1	SN997701		3 1/2" X 36 1/2" L SUNFLOWER/GRAIN
2	SN997327		SEED CHART DECAL, GRAIN DRILL
3	SN997326		SEED CHART DECAL, GRASS SEED
4	SN997707		STRIPE, 2 1/8" X 76" L, YELLOW/BLACK
5	SN997407		DEPTH DECAL
6	SN997459		PATENT DECAL #5, 626, 196
7	SN997704		9412 DECAL
8	SN997246		FEMA DECAL
9			SERIAL NUMBER PLATE
10	SN997002		SUNFLOWER DECAL
11	SN997708		SUNFLOWER DECAL - END PANEL

I0003569  
PR: t05g30m02c0039

SAFETY SIGN PLACEMENT



03575

**9412 THREE-POINTED MOUNTED DRILL  
SERVICE PARTS**

**93**

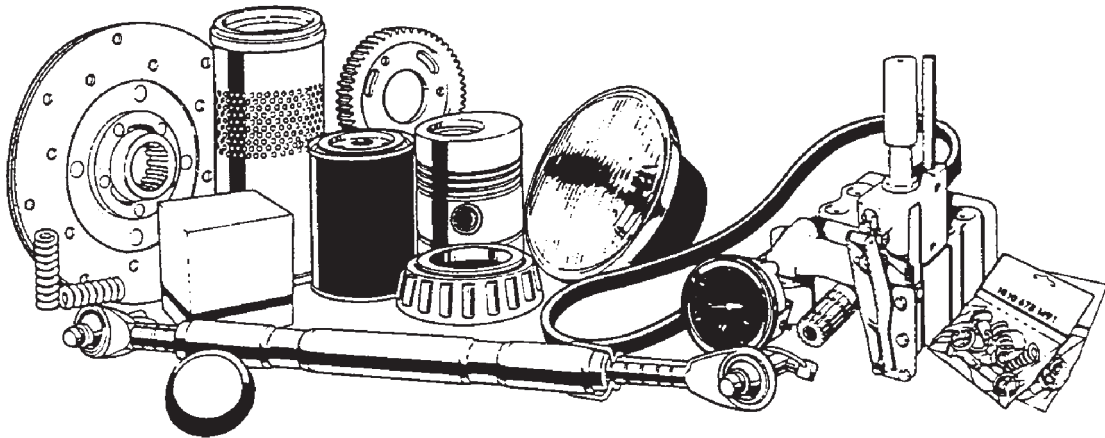
**SAFETY SIGN PLACEMENT**

ITEM	NUMBER	QTY	DESCRIPTION
1	SN997320		WARNING - FALLING HAZARD
2	SN997325		WARNING - CHEMICAL HAZARD
3	SN997340		YELLOW REFLECTIVE TAPE, 1/2" X 3" L
4	SN997339		RED REFLECTIVE TAPE, 1/2" X 3"L
5	SN997319		WARNING - MOVING PART HAZARD
6	SN997321		WARNING - GUARD MISSING
7	SN997040		RED REFLECTIVE TAPE
8	SN997324		DANGER - OVERHEAD MARKER HAZARD
9	SN997041		AMBER REFLECTIVE TAPE
10	SN997323		DANGER - ELECTROCUTION HAZARD
11	SN997318		WARNING - 20 MPH MAX TRANSPORT SPEED
12	SN997311		WARNING - HIGH PRESSURE FLUID HAZARD
13	SN997048		FASTEN SAFETY CHAIN
14	SN997074		WARNING - UNHITCHING HAZARD
15	SN997043		CAUTION - READ OPERATORS MANUAL

I0003575  
PR: t05g30m02c0040

RECOMMENDED DEALER STOCK

# RECOMMENDED DEALER'S STOCK



**9412 THREE-POINTED MOUNTED DRILL  
RECOMMENDED DEALER LIST**

95

**RECOMMENDED DEALER STOCK**

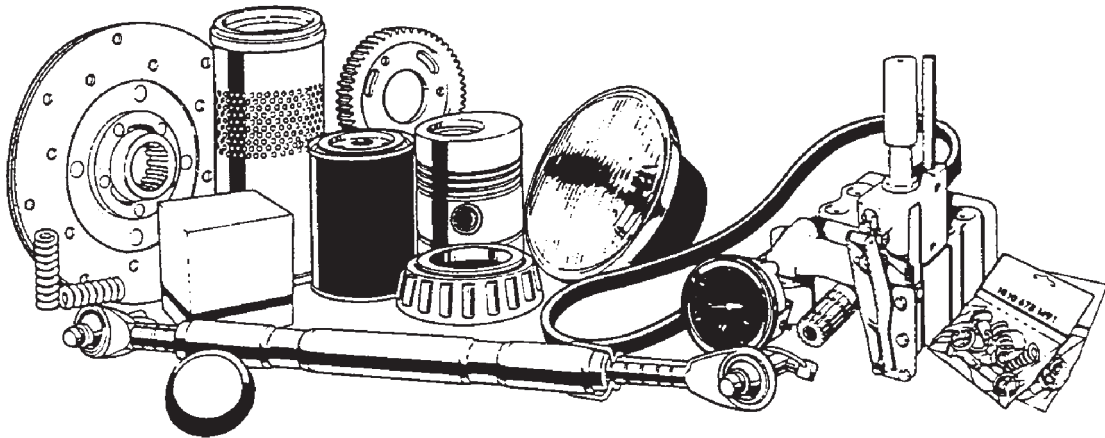
ITEM	NUMBER	QTY	DESCRIPTION
-	SN3303	1	1 1/32" I.D. X 1 3/4" O.D. WASHER
-	SN3302	1	1" SLOTTED FULL NUT
-	SN7773	2	14" BLADE, 4 BOLT, .138" THICK .78"
-	SN7176	4	15" BLADE, 1 1/2" BORE 3.5 MM 6 BOLT
-	SN3686	1	8 BOLT HUB ASSEMBLY (ITEMS 5 THRU 16)
-	SN3117	6	9/16" LUG NUT
-	SN3118	6	9/16" X 1 7/8" PRESS IN LUG BOLT
-	SNDR30005	2	BEARING
-	SNB1120	2	BEARING FLANGE, 6 HOLE, Y/D
-	SN777	2	BEARING RACE (L44610)
-	SN3683	2	BEARING(LM603049)
-	SNDR30009	2	BEARING, 1" LFST
-	SN7218	10	BEARING, 40 MM
-	SN9081	1	BEARING, 7/8" HEX BORE
-	SN12360	1	CHAIN, 48 11/16" L NO. 50
-	SN9177	1	CHAIN, 55 5/8" L NO. 50
-	SN9176	1	CHAIN, 79 3/8" L NO. 50 WITH CONNECTOR
-	SNDR12011	8	CLAMP, SEED TUBE
-	SN1610	1	DUST CAP
-	SNB1127	1	DUST CAP
-	SN7779	1	DUST CAP, 1.986" OD X .032" TH Y/D
-	SN5731	2	EYE BOLT, 3/4"-10 X 4 1/2"
-	SN7780	1	FOUR BOLT HUB W/CUPS & ZERK
-	SN7778	1	HEX NUT, 1"-14 SLOTTED .531" TH GR 2,
-	SNA0007	2	HOPPER LATCH ASSEMBLYT
-	SN1935	2	INNER BEARING (LM501349)
-	SN1936	2	INNER RACE (LM501310)
-	SN7896	1	L-BOLT, 1"-8 X 9" X 9", Y/D
-	SN7024	1	L-BOLT, 5/8"-11 X 4 5/8" X 6 5/8", Y/D
-	SN9753N	4	OPENER BLADE & BRG ASSEMBLY, HEADS UP
-	SN1606	2	OUTER BEARING (LM67048)
-	SN1605	2	OUTER RACE (LM67010)
-	SNDR12017	2	PLUG, SEED METER
-	SN3684	4	RACE (LM603011)
-	SN7804	4	SCRAPER, LONG RIGID
-	SN10127	4	SCRAPER, OPENER LEFT
-	SN10126	4	SCRAPER, OPENER RIGHT
-	SN7803	4	SCRAPER, SHORT RIGID
-	SN8800-1	2	SEAL KIT

CONTINUED

RDL  
PR: t05g30m02c0041

RECOMMENDED DEALER STOCK

# RECOMMENDED DEALER'S STOCK





**9412 THREE-POINTED MOUNTED DRILL  
RECOMMENDED DEALER LIST**

97

**RECOMMENDED DEALER STOCK**

ITEM	NUMBER	QTY	DESCRIPTION
-	SN8756-1	2	SEAL KIT, 2 1/2", 1 1/16" ROD, CROSS
-	SN8612-1	2	SEAL KIT, 4", 1 1/2" ROD, CROSS
-	SN8784-1	2	SEAL KIT, 4", 1 1/2" ROD, CROSS
-	SN7775	2	SEAL, SINGLE LIP
-	SNA0012	2	SEED METER ASSEMBLY
-	SN9937	4	SEED TUBE, ALL PURPOSE HEADS UP
-	SNDR20004	8	SEED TUBE, RUBBER
-	SNDR12016	1	SIGHT GLASS
-	SN3300	1	SIX BOLT HUB ASSEMBLY WITH 3301 SEAL
-	SN7001	1	SMV EMBLEM
-	SN9708	2	SPRING, .162" WIRE DIA X 5" L EXTENSION
-	SN9077	1	SPROCKET, 10 TOOTH, 7/8" HEX BORE
-	SN9078	1	SPROCKET, 12 TOOTH, 7/8" HEX BORE
-	SN6714	1	SPROCKET, 14 TOOTH, 1" BORE, #50 CHAIN
-	SN9079	1	SPROCKET, 24 TOOTH, 7/8" HEX BORE
-	SNDR40506	1	SPROCKET, 54 TOOTH, 1" BORE #50 CHAIN
-	SNDR80029	1	SPROCKET, IDLER
-	SN7411	1	TIRE, 2" X 13" SMOOTH CROWN CLINCH
-	SN7409	1	TIRE, 2" X 13" V-CROWN CLINCH
-	SN7410	1	TIRE, 3" X 13" CENTER RIB CLINCH
-	SN7407	1	TIRE, 3" X 13" DOUBLE RIB CLINCH
-	SN7408	1	TIRE, 4" X 12" DOUBLE RIB
-	SN3301	2	TRIPLE LIP SEAL
-	SN7070	1	U-BOLT, 1"-8 X 9" X 8 1/16" W, GR 5, Y/D
-	SNDR80019	1	U-BOLT, 3/4"-10 X 8 3/4" X 7 13/16" W,
-	SNDR11507	1	U-BOLT, 7/16"-14 X 4" X 2 1/2"W,
-	SNDR80044	1	U-BOLT, 7/8"-9 X 8 3/4" X 7 15/16" W,
-	SN776	2	WHEEL BEARING (L44643)

NOTE: THIS PARTS STOCK LIST  
INDICATES THOSE ITEMS RECOMMENDED  
TO SERVICE ONE UNIT.

RDL  
PR: t05g30m02c0041