

CULTIVATORS/PACKERS



PARTS CATALOG

SUNFLOWER[®]
6333 31' - 37' LAND FINISHER

ALPHABETICAL INDEX

The complete alphabetical index appears at the beginning of this publication. It is used to locate major groups, assemblies and components.

NUMERICAL INDEX

The numerical index of this publication follows the Alphabetical Index at the beginning of the publication and indicates at which grid location and page number a part number appears.

ILLUSTRATIONS

All illustrations are located on the left hand page with the text on the right. Except for some common hardware, all parts are identified with an item number which corresponds to the "item" column on the text page. This is followed by the parts number, quantity and description.

HARDWARE

Common hardware not identified such as bolts, nuts, cotter pins and lube fittings, are listed indented in the text beneath the item to which they attach or fit. Common hardware listed indented beneath an item is NOT included unless specified. Example: (Incl. BOLT, LOCKWASHER AND NUT).

ORDERING PARTS

Be sure to refer to both the text and the illustration to assure ordering the correct part.

RECOMMENDED DEALER STOCK

A recommended dealer stock listing appears at the end of this publication.



RECOMMENDED DEALER LIST

RECOMMENDED DEALER STOCK 89

SERVICE PARTS

CENTER LIFT ASSEMBLY 15
 DECAL PLACEMENT 85
 DISC GANG ASSEMBLY 59
 EIGHT BOLT HUB & SPINDLE ASSEMBLY W/WHEEL & TIRES 21
 LEVELER TUBE ASSEMBLY 23
 OPTIONAL REAR TOW HITCH HYDRAULICS 83
 OPTIONAL REAR TOW HITCH W/HITCH SLIDE & BALL JOINT 81
 S-TINE SHANK ASSEMBLY (2 PIECE) 43
 SAFETY SIGN PLACEMENT 87
 SIX BOLT HUB & SPINDLE ASSEMBLY W/WHEEL & TIRES 19
 SPRING SHANK ASSEMBLY 41
 STROKE CONTROL ASSEMBLY 25
 WING LIFT ASSEMBLY 17
 3 1/2" X 8" HYDRAULIC CYLINDER 12061R 71
 3 1/4" X 8" HYDRAULIC CYLINDER 12065R 69
 3 3/4" X 10" HYDRAULIC CYLINDER 10815R 33
 3 3/4" X 8" HYDRAULIC CYLINDER 12059R 73
 31' CENTER FRAME 7
 31' DISC GANG HYDRAULICS 65
 31' DISC GANG REEL ASSEMBLY 61
 31' FOLD HYDRAULICS 35
 31' HYDRAULIC DISC GANG ASSEMBLY 49
 31' LIFT HYDRAULICS 27
 31' LIGHT KIT ASSEMBLY 77
 31' SCRAPER ASSEMBLY 53
 31' STANDARD GANG BAR MOUNT ASSEMBLY 45
 31', 34', & 37' TONGUE ASSEMBLY 13
 31', 34', & 37' WING FRAME 11
 34' & 37' CENTER FRAME 9
 34' & 37' DISC GANG HYDRAULICS 67
 34' & 37' DISC GANG REEL ASSEMBLY 63
 34' & 37' FOLD HYDRAULICS 37
 34' & 37' HYDRAULIC DISC GANG ASSEMBLY 51
 34' & 37' LIFT HYDRAULICS 29
 34' & 37' LIGHT KIT ASSEMBLY 79
 34' & 37' STANDARD GANG BAR MOUNT ASSEMBLY 47
 34' SCRAPER ASSEMBLY 55
 37' SCRAPER ASSEMBLY 57
 4" X 10" HYDRAULIC CYLINDER 10814R 31
 4" X 30" HYDRAULIC CYLINDER 10812R 39
 4" X 8" HYDRAULIC CYLINDER 12047R 75

6333 31 - 37 FT LAND FINISHER

iii
INDEX

Part No.	Page	Grid	Part No.	Page	Grid	Part No.	Page	Grid	Part No.	Page	Grid
SNFK150144	13	1-B 7	SN10486	77	1-B 13	SN12267R	13	1-B 7	SN12501R	47	1-B 10
SNFK150144	23	1-B 8	SN10486	79	1-B 13	SN12268	11	1-B 7	SN12501R	49	1-B 10
SNFK150157	13	1-B 7	SN10486	91	1-B 15	SN12271R	17	1-B 7	SN12501R	51	1-B 11
SNFK150157	23	1-B 8	SN105	81	1-B 14	SN12274R	23	1-B 8	SN12502R	45	1-B 10
SNFK150172	13	1-B 7	SN106	7	1-B 6	SN12275R	23	1-B 8	SN12502R	49	1-B 10
SNFK150172	23	1-B 8	SN106	9	1-B 6	SN12276R	17	1-B 7	SN12502R	53	1-B 11
SNFK150283	49	1-B 10	SN106	11	1-B 7	SN12279R	17	1-B 7	SN12505R	51	1-B 11
SNFK150283	51	1-B 11	SN106	15	1-B 7	SN12280R	23	1-B 8	SN12506R	47	1-B 10
SNFK310062	21	1-B 8	SN106	17	1-B 7	SN12281R	13	1-B 7	SN12506R	51	1-B 11
SNFK310062	89	1-B 14	SN106	49	1-B 10	SN12282R	11	1-B 7	SN12507R	51	1-B 11
SNFK310063	21	1-B 8	SN106	51	1-B 11	SN12284R	25	1-B 8	SN12508R	47	1-B 10
SNFK310063	89	1-B 14	SN106	59	1-B 11	SN12285	17	1-B 7	SN12508R	51	1-B 11
SNFK310064	21	1-B 8	SN106	61	1-B 12	SN12286R	9	1-B 6	SN12523R	49	1-B 10
SNFK310064	89	1-B 14	SN106	63	1-B 12	SN12288R	7	1-B 6	SN12523R	51	1-B 11
SNFK340162	21	1-B 8	SN106	81	1-B 14	SN12288R	9	1-B 6	SN12524R	49	1-B 10
SNFK340162	89	1-B 14	SN10603	41	1-B 10	SN12288R	89	1-B 14	SN12524R	51	1-B 11
SNFK340163	21	1-B 8	SN10604	41	1-B 10	SN12289R	25	1-B 8	SN12527R	15	1-B 7
SNFK340165	21	1-B 8	SN10738	83	1-B 14	SN12290R	25	1-B 8	SN12528	17	1-B 7
SNFK340165	91	1-B 15	SN10739	83	1-B 14	SN12291	13	1-B 7	SN12548R	49	1-B 10
SNFK340167	21	1-B 8	SN10740	83	1-B 14	SN12292	13	1-B 7	SN12548R	51	1-B 11
SNFK340167	89	1-B 14	SN10741	83	1-B 14	SN12293R	13	1-B 7	SN12551R	51	1-B 11
SNFK340168	21	1-B 8	SN10741	89	1-B 14	SN12294R	11	1-B 7	SN12552R	51	1-B 11
SNFK340168	89	1-B 14	SN10742	83	1-B 14	SN12295R	25	1-B 8	SN12556R	9	1-B 6
SNFK350402	13	1-B 7	SN10742	89	1-B 14	SN12297R	79	1-B 13	SN12557R	9	1-B 6
SNFK361002	61	1-B 12	SN108	13	1-B 7	SN12298R	9	1-B 6	SN12609R	83	1-B 14
SNFK361002	63	1-B 12	SN108	59	1-B 11	SN12299R	9	1-B 6	SN12610R	81	1-B 14
SNFK361002	91	1-B 15	SN10812	35	1-B 9	SN12301R	15	1-B 7	SN12611R	81	1-B 14
SNFK800384	21	1-B 8	SN10812	37	1-B 9	SN12315R	13	1-B 7	SN12612R	81	1-B 14
SNFK800384	89	1-B 14	SN10814	27	1-B 8	SN12328	49	1-B 10	SN12613R	81	1-B 14
SNHEN3410	61	1-B 12	SN10814	29	1-B 8	SN12328	51	1-B 11	SN12614R	81	1-B 14
SNHEN3410	63	1-B 12	SN10815	27	1-B 8	SN12329	49	1-B 10	SN12615R	81	1-B 14
SNRT015003	25	1-B 8	SN10815	29	1-B 8	SN12329	51	1-B 11	SN1283	13	1-B 7
SNYYC-186	13	1-B 7	SN10820	41	1-B 10	SN12330R	49	1-B 10	SN1283	23	1-B 8
SNZK142890	49	1-B 10	SN109	13	1-B 7	SN12330R	51	1-B 11	SN1304	77	1-B 13
SNZK142890	51	1-B 11	SN12033	73	1-B 13	SN12347	49	1-B 10	SN1304	79	1-B 13
SN10007	77	1-B 13	SN12033	75	1-B 13	SN12347	51	1-B 11	SN140	21	1-B 8
SN10007	79	1-B 13	SN12047	65	1-B 12	SN12349	25	1-B 8	SN140	25	1-B 8
SN10007	89	1-B 14	SN12047	67	1-B 12	SN12375	43	1-B 10	SN155	17	1-B 7
SN10012	13	1-B 7	SN12055	73	1-B 13	SN1243	25	1-B 8	SN155	45	1-B 10
SN10012	77	1-B 13	SN12055	75	1-B 13	SN12475R	7	1-B 6	SN155	47	1-B 10
SN10012	79	1-B 13	SN12059	65	1-B 12	SN12476R	11	1-B 7	SN155	49	1-B 10
SN10012	89	1-B 14	SN12059	67	1-B 12	SN12477R	11	1-B 7	SN155	51	1-B 11
SN10058	61	1-B 12	SN12061	65	1-B 12	SN12478R	25	1-B 8	SN156	41	1-B 10
SN10058	63	1-B 12	SN12062	69	1-B 12	SN12479R	7	1-B 6	SN1599	49	1-B 10
SN10059B	61	1-B 12	SN12062	71	1-B 13	SN12480R	25	1-B 8	SN1599	51	1-B 11
SN10060	61	1-B 12	SN12063	71	1-B 13	SN12481R	77	1-B 13	SN1599	61	1-B 12
SN10060	63	1-B 12	SN12064	69	1-B 12	SN12481R	79	1-B 13	SN1599	63	1-B 12
SN10061	63	1-B 12	SN12064	71	1-B 13	SN12482R	77	1-B 13	SN1605	19	1-B 7
SN10062	7	1-B 6	SN12065	65	1-B 12	SN12482R	79	1-B 13	SN1605	89	1-B 14
SN10062	9	1-B 6	SN12066	69	1-B 12	SN12483R	7	1-B 6	SN1606	19	1-B 7
SN1021	61	1-B 12	SN1220	7	1-B 6	SN12484R	7	1-B 6	SN1606	89	1-B 14
SN1021	63	1-B 12	SN1220	9	1-B 6	SN12485R	25	1-B 8	SN1609	13	1-B 7
SN1036	7	1-B 6	SN1220	11	1-B 7	SN12486R	11	1-B 7	SN1609	21	1-B 8
SN1036	9	1-B 6	SN1220	15	1-B 7	SN12495R	45	1-B 10	SN1609	45	1-B 10
SN10394	77	1-B 13	SN1220	17	1-B 7	SN12495R	49	1-B 10	SN1609	47	1-B 10
SN10394	79	1-B 13	SN1220	51	1-B 11	SN12495R	51	1-B 11	SN1609	49	1-B 10
SN1040	7	1-B 6	SN1220	81	1-B 14	SN12495R	53	1-B 11	SN1609	51	1-B 11
SN1040	9	1-B 6	SN12231	41	1-B 10	SN12495R	55	1-B 11	SN1609	81	1-B 14
SN1040	11	1-B 7	SN12231	91	1-B 15	SN12496R	45	1-B 10	SN1610	19	1-B 7
SN1040	15	1-B 7	SN12246	47	1-B 10	SN12496R	49	1-B 10	SN1610	89	1-B 14
SN1040	17	1-B 7	SN12246R	51	1-B 11	SN12497R	45	1-B 10	SN173	83	1-B 14
SN1040	49	1-B 10	SN12246R	55	1-B 11	SN12497R	47	1-B 10	SN175	9	1-B 6
SN1040	51	1-B 11	SN12246R	57	1-B 11	SN12497R	49	1-B 10	SN175	35	1-B 9
SN1040	59	1-B 11	SN12249R	47	1-B 10	SN12497R	51	1-B 11	SN175	37	1-B 9
SN1040	61	1-B 12	SN12249R	51	1-B 11	SN12498R	45	1-B 10	SN175	65	1-B 12
SN1040	63	1-B 12	SN12250R	47	1-B 10	SN12498R	49	1-B 10	SN175	67	1-B 12
SN1040	81	1-B 14	SN12250R	51	1-B 11	SN12499R	45	1-B 10	SN175	83	1-B 14
SN10445	77	1-B 13	SN12256	41	1-B 10	SN12499R	47	1-B 10	SN176	7	1-B 6
SN10445	79	1-B 13	SN12257	43	1-B 10	SN12499R	49	1-B 10	SN176	9	1-B 6
SN10460	77	1-B 13	SN12261R	51	1-B 11	SN12499R	51	1-B 11	SN176	35	1-B 9
SN10460	79	1-B 13	SN12262R	49	1-B 10	SN12500R	45	1-B 10	SN176	37	1-B 9
SN10460	89	1-B 14	SN12264R	51	1-B 11	SN12500R	47	1-B 10	SN176	65	1-B 12
SN10461	77	1-B 13	SN12265R	51	1-B 11	SN12500R	49	1-B 10	SN176	67	1-B 12
SN10461	79	1-B 13	SN12266	49	1-B 10	SN12500R	51	1-B 11	SN178	7	1-B 6
SN10461	89	1-B 14	SN12266	51	1-B 11	SN12501R	45	1-B 10	SN1813	51	1-B 11

INDEX

Part No.	Page	Grid	Part No.	Page	Grid	Part No.	Page	Grid	Part No.	Page	Grid
SN1817	25	1-B 8	SN2570	49	1-B 10	SN3199	45	1-B 10	SN3367	81	1-B 14
SN1823	83	1-B 14	SN2570	51	1-B 11	SN3199	47	1-B 10	SN3370	45	1-B 10
SN1849	13	1-B 7	SN2585	19	1-B 7	SN3199	49	1-B 10	SN3370	47	1-B 10
SN1849	23	1-B 8	SN2587	77	1-B 13	SN3199	51	1-B 11	SN3370	49	1-B 10
SN1849	45	1-B 10	SN2587	79	1-B 13	SN3199	53	1-B 11	SN3370	51	1-B 11
SN1849	47	1-B 10	SN2587	83	1-B 14	SN3199	55	1-B 11	SN3371	25	1-B 8
SN1849	49	1-B 10	SN2723B	59	1-B 11	SN3199	57	1-B 11	SN3451	65	1-B 12
SN1849	51	1-B 11	SN2750	77	1-B 13	SN3199	91	1-B 15	SN3451	67	1-B 12
SN1875	23	1-B 8	SN2750	79	1-B 13	SN3206	51	1-B 11	SN3451	91	1-B 15
SN1875	91	1-B 15	SN2755	23	1-B 8	SN3206	57	1-B 11	SN3565	35	1-B 9
SN1880	23	1-B 8	SN2815	11	1-B 7	SN3207	47	1-B 10	SN3565	37	1-B 9
SN1918	51	1-B 11	SN2815	61	1-B 12	SN3207	51	1-B 11	SN3565	65	1-B 12
SN1935	19	1-B 7	SN2815	63	1-B 12	SN3207	57	1-B 11	SN3565	67	1-B 12
SN1935	21	1-B 8	SN2815	81	1-B 14	SN3208	45	1-B 10	SN3567	13	1-B 7
SN1935	89	1-B 14	SN2815	91	1-B 15	SN3208	47	1-B 10	SN3567	27	1-B 8
SN1936	19	1-B 7	SN2816	59	1-B 11	SN3208	49	1-B 10	SN3567	29	1-B 8
SN1936	21	1-B 8	SN2866	59	1-B 11	SN3208	51	1-B 11	SN3567	35	1-B 9
SN1936	89	1-B 14	SN2992	15	1-B 7	SN3208	53	1-B 11	SN3567	37	1-B 9
SN1937	19	1-B 7	SN2992	17	1-B 7	SN3208	55	1-B 11	SN3567	65	1-B 12
SN194	59	1-B 11	SN2998	59	1-B 11	SN3215	59	1-B 11	SN3567	67	1-B 12
SN194	61	1-B 12	SN3002	59	1-B 11	SN3215	61	1-B 12	SN3577	19	1-B 7
SN194	63	1-B 12	SN3004	59	1-B 11	SN3215	63	1-B 12	SN3577	21	1-B 8
SN1944	19	1-B 7	SN302	19	1-B 7	SN3215	89	1-B 14	SN3582	19	1-B 7
SN1978	17	1-B 7	SN302	41	1-B 10	SN3253	27	1-B 8	SN3588	19	1-B 7
SN1978	49	1-B 10	SN302	43	1-B 10	SN3253	29	1-B 8	SN3613	61	1-B 12
SN198	81	1-B 14	SN303	19	1-B 7	SN3253	35	1-B 9	SN3613	63	1-B 12
SN198	91	1-B 15	SN303	41	1-B 10	SN3253	37	1-B 9	SN3619	61	1-B 12
SN1990	59	1-B 11	SN303	43	1-B 10	SN3253	65	1-B 12	SN3619	63	1-B 12
SN2036	59	1-B 11	SN3041	41	1-B 10	SN3253	67	1-B 12	SN3619	91	1-B 15
SN2036	89	1-B 14	SN3042	41	1-B 10	SN3253	83	1-B 14	SN3643	61	1-B 12
SN2037	59	1-B 11	SN3043	41	1-B 10	SN3283N	59	1-B 11	SN3644	63	1-B 12
SN2088	13	1-B 7	SN3044B	41	1-B 10	SN329	43	1-B 10	SN3669	15	1-B 7
SN2096	21	1-B 8	SN3044B	91	1-B 15	SN3298	19	1-B 7	SN3750	7	1-B 6
SN2097	41	1-B 10	SN3048	41	1-B 10	SN3298	91	1-B 15	SN3750	9	1-B 6
SN2098-1	23	1-B 8	SN3048	43	1-B 10	SN3300	19	1-B 7	SN3757	41	1-B 10
SN2098-5	15	1-B 7	SN3048	91	1-B 15	SN3300	91	1-B 15	SN3765	7	1-B 6
SN2098-6	19	1-B 7	SN305	41	1-B 10	SN3301	19	1-B 7	SN3765	9	1-B 6
SN2132	59	1-B 11	SN305	43	1-B 10	SN3301	91	1-B 15	SN3790	41	1-B 10
SN2425	35	1-B 9	SN3050	41	1-B 10	SN3302	19	1-B 7	SN3880	49	1-B 10
SN2425	37	1-B 9	SN3050	43	1-B 10	SN3302	21	1-B 8	SN3880	51	1-B 11
SN2425	65	1-B 12	SN3061	15	1-B 7	SN3302	89	1-B 14	SN3881	7	1-B 6
SN2425	67	1-B 12	SN3061	17	1-B 7	SN3303	19	1-B 7	SN3881	9	1-B 6
SN2425	83	1-B 14	SN3061	91	1-B 15	SN3303	91	1-B 15	SN3881	13	1-B 7
SN2426	27	1-B 8	SN3062	15	1-B 7	SN3306	9	1-B 6	SN3881	25	1-B 8
SN2426	29	1-B 8	SN3062	17	1-B 7	SN3306	81	1-B 14	SN3881	49	1-B 10
SN2428	27	1-B 8	SN3062	91	1-B 15	SN3306	91	1-B 15	SN3881	51	1-B 11
SN2429	35	1-B 9	SN3063	15	1-B 7	SN3330	17	1-B 7	SN3881	77	1-B 13
SN2429	37	1-B 9	SN3063	17	1-B 7	SN3331	17	1-B 7	SN3881	79	1-B 13
SN2429	67	1-B 12	SN3063	91	1-B 15	SN3333	45	1-B 10	SN3881	81	1-B 14
SN245	11	1-B 7	SN3066	15	1-B 7	SN3333	47	1-B 10	SN3938	11	1-B 7
SN245	15	1-B 7	SN3066	17	1-B 7	SN3333	49	1-B 10	SN3938	13	1-B 7
SN245	17	1-B 7	SN3066	19	1-B 7	SN3333	51	1-B 11	SN3938	17	1-B 7
SN245	35	1-B 9	SN3107	59	1-B 11	SN3334	45	1-B 10	SN3938	45	1-B 10
SN245	37	1-B 9	SN3117	19	1-B 7	SN3334	47	1-B 10	SN3938	47	1-B 10
SN245	45	1-B 10	SN3117	89	1-B 14	SN3335	45	1-B 10	SN3938	49	1-B 10
SN245	47	1-B 10	SN3118	19	1-B 7	SN3335	47	1-B 10	SN3938	51	1-B 11
SN2487	27	1-B 8	SN3118	89	1-B 14	SN3335	49	1-B 10	SN3942	59	1-B 11
SN2487	29	1-B 8	SN3161	49	1-B 10	SN3335	51	1-B 11	SN3945	59	1-B 11
SN2487	35	1-B 9	SN3161	51	1-B 11	SN3336	45	1-B 10	SN3949	41	1-B 10
SN2487	37	1-B 9	SN3164	11	1-B 7	SN3336	47	1-B 10	SN4013002	35	1-B 9
SN2528-1	59	1-B 11	SN3164	27	1-B 8	SN3336	91	1-B 15	SN4016002	35	1-B 9
SN2558	45	1-B 10	SN3164	29	1-B 8	SN3337	45	1-B 10	SN4017002	35	1-B 9
SN2558	47	1-B 10	SN3164	35	1-B 9	SN3337	47	1-B 10	SN4022002	35	1-B 9
SN2558	49	1-B 10	SN3164	37	1-B 9	SN3356	7	1-B 6	SN4027005	27	1-B 8
SN2558	51	1-B 11	SN3164	51	1-B 11	SN3356	9	1-B 6	SN4030002	35	1-B 9
SN2563	59	1-B 11	SN3164	61	1-B 12	SN3356	91	1-B 15	SN4032002	35	1-B 9
SN2563	91	1-B 15	SN3164	63	1-B 12	SN3357	49	1-B 10	SN4032002	37	1-B 9
SN2568	7	1-B 6	SN3195	53	1-B 11	SN3357	51	1-B 11	SN4038002	37	1-B 9
SN2568	9	1-B 6	SN3195	55	1-B 11	SN3357	91	1-B 15	SN4038005	29	1-B 8
SN2568	13	1-B 7	SN3195	57	1-B 11	SN3363	81	1-B 14	SN4040002	67	1-B 12
SN2568	77	1-B 13	SN3195	89	1-B 14	SN3364	81	1-B 14	SN4040005	27	1-B 8
SN2568	79	1-B 13	SN3196	53	1-B 11	SN3365	81	1-B 14	SN4049002	37	1-B 9
SN2568	81	1-B 14	SN3196	55	1-B 11	SN3365	89	1-B 14	SN4050005	29	1-B 8
SN2570	45	1-B 10	SN3196	57	1-B 11	SN3366	81	1-B 14	SN4051002	37	1-B 9
SN2570	47	1-B 10	SN3196	89	1-B 14	SN3366	89	1-B 14	SN4062002	35	1-B 9

6333 31 - 37 FT LAND FINISHER

V
INDEX

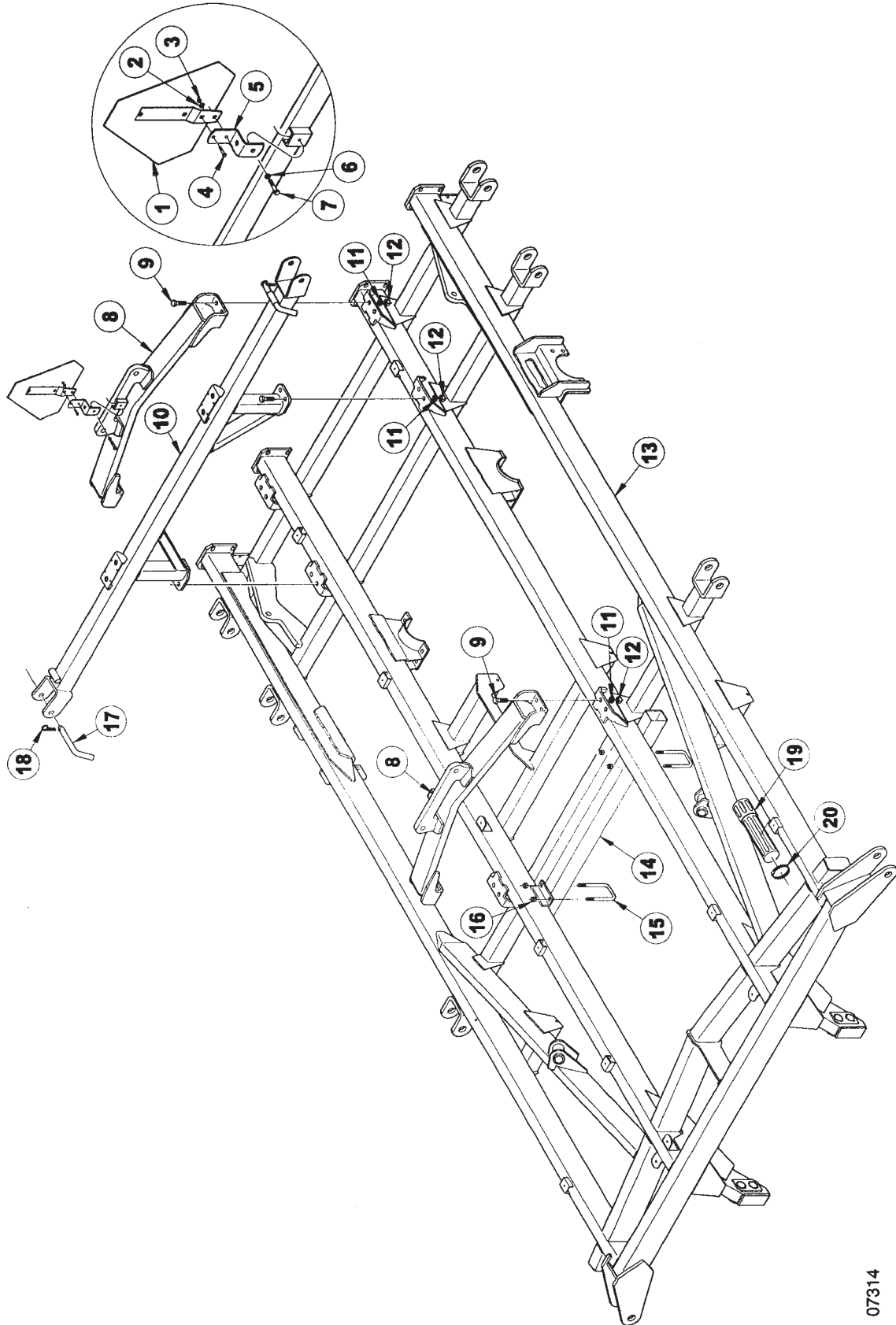
Part No.	Page	Grid	Part No.	Page	Grid	Part No.	Page	Grid	Part No.	Page	Grid
SN4078002	37	1-B 9	SN506	81	1-B 14	SN6930	25	1-B 8	SN8671-1	69	1-B 12
SN4081005	29	1-B 8	SN5251	11	1-B 7	SN7001	7	1-B 6	SN8671-1	71	1-B 13
SN4090002	37	1-B 9	SN5252	35	1-B 9	SN7001	9	1-B 6	SN8671-1	73	1-B 13
SN4093002	35	1-B 9	SN5252	37	1-B 9	SN7001	81	1-B 14	SN8671-1	75	1-B 13
SN4097002	67	1-B 12	SN5302	13	1-B 7	SN7001	91	1-B 15	SN8682-1	39	1-B 9
SN4102002	65	1-B 12	SN5302	27	1-B 8	SN7048	61	1-B 12	SN8683-1	31	1-B 9
SN4114002	35	1-B 9	SN5302	29	1-B 8	SN7048	63	1-B 12	SN8683-1	33	1-B 9
SN4118002	37	1-B 9	SN5302	35	1-B 9	SN7049	61	1-B 12	SN8683-1	39	1-B 9
SN4128002	65	1-B 12	SN5302	37	1-B 9	SN7049	63	1-B 12	SN8683-1	69	1-B 12
SN4135002	67	1-B 12	SN5302	65	1-B 12	SN7051	61	1-B 12	SN8683-1	71	1-B 13
SN4150002	67	1-B 12	SN5302	67	1-B 12	SN7051	63	1-B 12	SN8683-1	73	1-B 13
SN4172005	27	1-B 8	SN5302	83	1-B 14	SN7052	61	1-B 12	SN8683-1	75	1-B 13
SN4173002	67	1-B 12	SN5339	27	1-B 8	SN7052	63	1-B 12	SN8736-10	33	1-B 9
SN4182005	27	1-B 8	SN5339	29	1-B 8	SN7053	25	1-B 8	SN8736-10	73	1-B 13
SN4182005	29	1-B 8	SN5339	35	1-B 9	SN7053	61	1-B 12	SN8739-10	31	1-B 9
SN4190005	29	1-B 8	SN5339	37	1-B 9	SN7053	63	1-B 12	SN8739-10	75	1-B 13
SN4200002	67	1-B 12	SN5467	53	1-B 11	SN7053	81	1-B 14	SN8767-1	69	1-B 12
SN4232005	27	1-B 8	SN5467	55	1-B 11	SN7053	91	1-B 15	SN8767-1	89	1-B 14
SN4252005	29	1-B 8	SN5467	57	1-B 11	SN7053	91	1-B 15	SN8775-1	71	1-B 13
SN4253002	35	1-B 9	SN5467	89	1-B 14	SN7055	63	1-B 12	SN8775-1	89	1-B 14
SN4253002	37	1-B 9	SN5468	53	1-B 11	SN7056	61	1-B 12	SN8776-1	33	1-B 9
SN4264002	65	1-B 12	SN5468	55	1-B 11	SN7056R	63	1-B 12	SN8776-1	73	1-B 13
SN4306002	65	1-B 12	SN5468	57	1-B 11	SN7325	15	1-B 7	SN8776-1	89	1-B 14
SN4348005	27	1-B 8	SN5468	89	1-B 14	SN7325	17	1-B 7	SN8781-1	31	1-B 9
SN4348005	29	1-B 8	SN5476	49	1-B 10	SN7329	15	1-B 7	SN8781-1	75	1-B 13
SN4360002	65	1-B 12	SN5476	51	1-B 11	SN7453	43	1-B 10	SN8781-1	89	1-B 14
SN4451	35	1-B 9	SN5488	55	1-B 11	SN7469	49	1-B 10	SN8826-1	31	1-B 9
SN4451	37	1-B 9	SN5488	57	1-B 11	SN7469	51	1-B 11	SN8827-1	73	1-B 13
SN4454	35	1-B 9	SN5488	89	1-B 14	SN7528B	43	1-B 10	SN8828-1	33	1-B 9
SN4454	37	1-B 9	SN5488R	53	1-B 11	SN7530	43	1-B 10	SN8830-1	75	1-B 13
SN4455	35	1-B 9	SN5488R	89	1-B 14	SN7585	61	1-B 12	SN8837-1	39	1-B 9
SN4455	37	1-B 9	SN5489	53	1-B 11	SN7585	63	1-B 12	SN8863-1	69	1-B 12
SN4455	65	1-B 12	SN5489	55	1-B 11	SN7741	35	1-B 9	SN8863-1	71	1-B 13
SN4455	67	1-B 12	SN5489	57	1-B 11	SN7741	37	1-B 9	SN8864-1	31	1-B 9
SN4457	27	1-B 8	SN5489	89	1-B 14	SN7785R	11	1-B 7	SN8864-1	33	1-B 9
SN4457	29	1-B 8	SN5530	23	1-B 8	SN7870	15	1-B 7	SN8864-1	39	1-B 9
SN4458	27	1-B 8	SN5539	59	1-B 11	SN7905	35	1-B 9	SN8864-1	73	1-B 13
SN4458	29	1-B 8	SN5558	59	1-B 11	SN7905	37	1-B 9	SN8864-1	75	1-B 13
SN4458	31	1-B 9	SN5578	21	1-B 8	SN7999	23	1-B 8	SN8923-1	39	1-B 9
SN4458	33	1-B 9	SN5579	21	1-B 8	SN8273-1	39	1-B 9	SN8925-1	31	1-B 9
SN4458	39	1-B 9	SN5603	21	1-B 8	SN8602-1	39	1-B 9	SN8925-1	33	1-B 9
SN4458	69	1-B 12	SN5605	11	1-B 7	SN8610-1	31	1-B 9	SN8927-10	71	1-B 13
SN4458	71	1-B 13	SN5613	13	1-B 7	SN8610-1	33	1-B 9	SN8929-1	69	1-B 12
SN4458	73	1-B 13	SN5621	21	1-B 8	SN8610-1	69	1-B 12	SN893	81	1-B 14
SN4458	75	1-B 13	SN5621	91	1-B 15	SN8610-1	71	1-B 13	SN8930-10	69	1-B 12
SN4460	27	1-B 8	SN5622	15	1-B 7	SN8610-1	73	1-B 13	SN9233	11	1-B 7
SN4460	29	1-B 8	SN5711	41	1-B 10	SN8610-1	75	1-B 13	SN9251	11	1-B 7
SN4463	35	1-B 9	SN5810	41	1-B 10	SN8612-1	39	1-B 9	SN9531	25	1-B 8
SN4463	37	1-B 9	SN5810	81	1-B 14	SN8612-1	89	1-B 14	SN9537	13	1-B 7
SN4474	37	1-B 9	SN5942	49	1-B 10	SN8614-10	69	1-B 12	SN9538R	13	1-B 7
SN4482	35	1-B 9	SN5942	51	1-B 11	SN8616-1	39	1-B 9	SN9538R	27	1-B 8
SN4482	37	1-B 9	SN6378	25	1-B 8	SN8631-1	31	1-B 9	SN9538R	29	1-B 8
SN4484	27	1-B 8	SN6380	37	1-B 9	SN8631-1	33	1-B 9	SN9538R	35	1-B 9
SN4484	29	1-B 8	SN640188O	27	1-B 8	SN8631-1	39	1-B 9	SN9538R	37	1-B 9
SN4484	89	1-B 14	SN640188O	29	1-B 8	SN8631-1	69	1-B 12	SN9538R	65	1-B 12
SN4500002	83	1-B 14	SN6575	13	1-B 7	SN8631-1	71	1-B 13	SN9538R	67	1-B 12
SN4623	49	1-B 10	SN6642	41	1-B 10	SN8631-1	73	1-B 13	SN9549	13	1-B 7
SN4623	51	1-B 11	SN669-1	7	1-B 6	SN8631-1	75	1-B 13	SN9549	27	1-B 8
SN4661N	59	1-B 11	SN669-1	9	1-B 6	SN8636-1	25	1-B 8	SN9549	29	1-B 8
SN4732	25	1-B 8	SN669-1	11	1-B 7	SN8653-1	31	1-B 9	SN9549	35	1-B 9
SN4740	81	1-B 14	SN669-1	25	1-B 8	SN8653-1	75	1-B 13	SN9549	37	1-B 9
SN4753	13	1-B 7	SN669-1	41	1-B 10	SN8654-1	31	1-B 9	SN9549	65	1-B 12
SN4753	23	1-B 8	SN669-1	43	1-B 10	SN8654-1	33	1-B 9	SN9549	67	1-B 12
SN4781	13	1-B 7	SN669-1	45	1-B 10	SN8655-1	33	1-B 9	SN9777	13	1-B 7
SN486	25	1-B 8	SN669-1	47	1-B 10	SN8655-1	73	1-B 13	SN9917	61	1-B 12
SN486	77	1-B 13	SN669-1	49	1-B 10	SN8656-10	33	1-B 9	SN9917	63	1-B 12
SN486	79	1-B 13	SN669-1	51	1-B 11	SN8656-10	73	1-B 13	SN997002	85	1-B 14
SN4886	59	1-B 11	SN669-1	61	1-B 12	SN8657-10	71	1-B 13	SN997042	87	1-B 14
SN4944	25	1-B 8	SN669-1	63	1-B 12	SN8660-1	71	1-B 13	SN997045	87	1-B 14
SN4944	91	1-B 15	SN669-1	81	1-B 14	SN8670-10	31	1-B 9	SN997048	87	1-B 14
SN506	7	1-B 6	SN670	11	1-B 7	SN8670-10	39	1-B 9	SN997052	31	1-B 9
SN506	9	1-B 6	SN670	49	1-B 10	SN8670-10	75	1-B 13	SN997052	33	1-B 9
SN506	13	1-B 7	SN670	51	1-B 11	SN8671-1	31	1-B 9	SN997052	69	1-B 12
SN506	77	1-B 13	SN6879	13	1-B 7	SN8671-1	33	1-B 9	SN997052	71	1-B 13
SN506	79	1-B 13	SN6923R	13	1-B 7	SN8671-1	39	1-B 9	SN997052	73	1-B 13

6333 31 - 37 FT LAND FINISHER

**vii
INDEX**

Part No.	Page	Grid	Part No.	Page	Grid	Part No.	Page	Grid	Part No.	Page	Grid
----------	------	------	----------	------	------	----------	------	------	----------	------	------

31' CENTER FRAME



6333 31'-37' LAND FINISHER
SERVICE PARTS

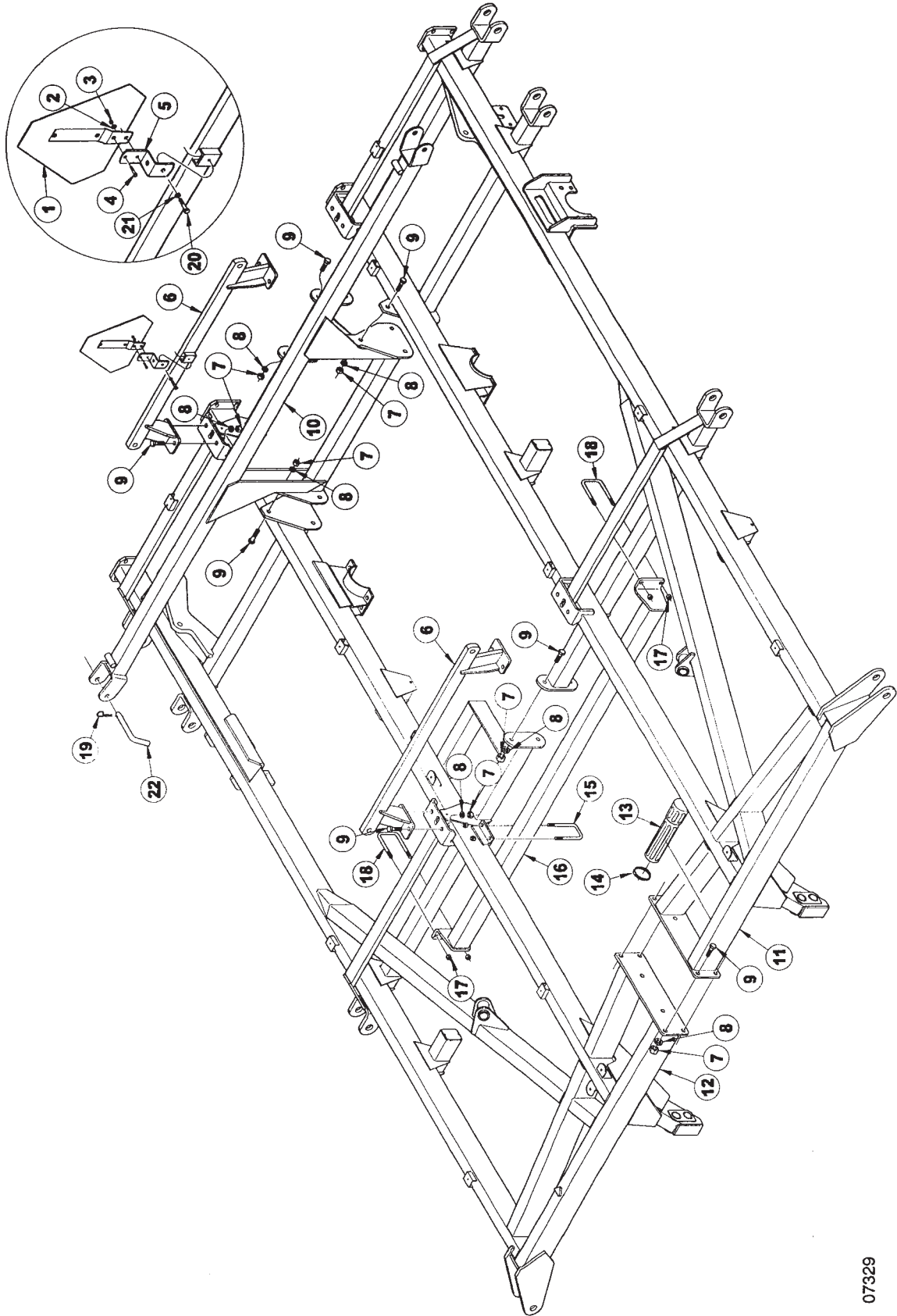
7

31' CENTER FRAME

ITEM	NUMBER	QTY	DESCRIPTION
1	SN7001		SMV EMBLEM
2	SN506		FLAT WASHER, 1/4", Y/D
3	SN3881		LOCK NUT, 1/4-20 HEX NYLON INSERT,GR 2, Y/D
4	SN2568		HEX BOLT, 1/4"-20 X 3/4", GR 5 Y/D
5	SN12288R		MOUNT, SMV
6	SN176		LOCK WASHER,3/8" SPLIT TYPE MED,Y/D
7	SN178		HEX BOLT, 3/8"-16 X 1", GR 5, Y/D
8	SN12484R		ANCHOR, FOLD
9	SN1220		HEX BOLT, 3/4"-10 X 2", GR 5 Y/D
10	SN12483R		STABILIZER, WING
11	SN1040		LOCK WASHER,3/4" SPLIT TYPE MED,Y/D
12	SN106		HEX NUT, 3/4"-10 FULL, GR 5, Y/D
13	SN12475R		FRAME, CENTER
14	SN12479R		TUBE, SHANK 59" L
15	SN3356		U-BOLT, 5/8"-11 X 5 1/2" X 3 3/4" W, GR 5, Y/D
16	SN669-1		LOCK NUT, 5/8"-11 HEX NYLON INSERT, GR 5, Y/D
17	SN10062		PIN, 1" X 10 3/4" (5 5/8") Y/D
18	SN1036		PIN CLIP, 7/8"-1" SHAFT, .178" DIA, 3 3/4" L
19	SN3750		OPERATOR'S MANUAL TUBE
20	SN3765		HOSE CLAMP, 3 1/2"

I0007314
PR: t05g29n41d0001

34' & 37' CENTER FRAME



6333 31'-37' LAND FINISHER
SERVICE PARTS

9

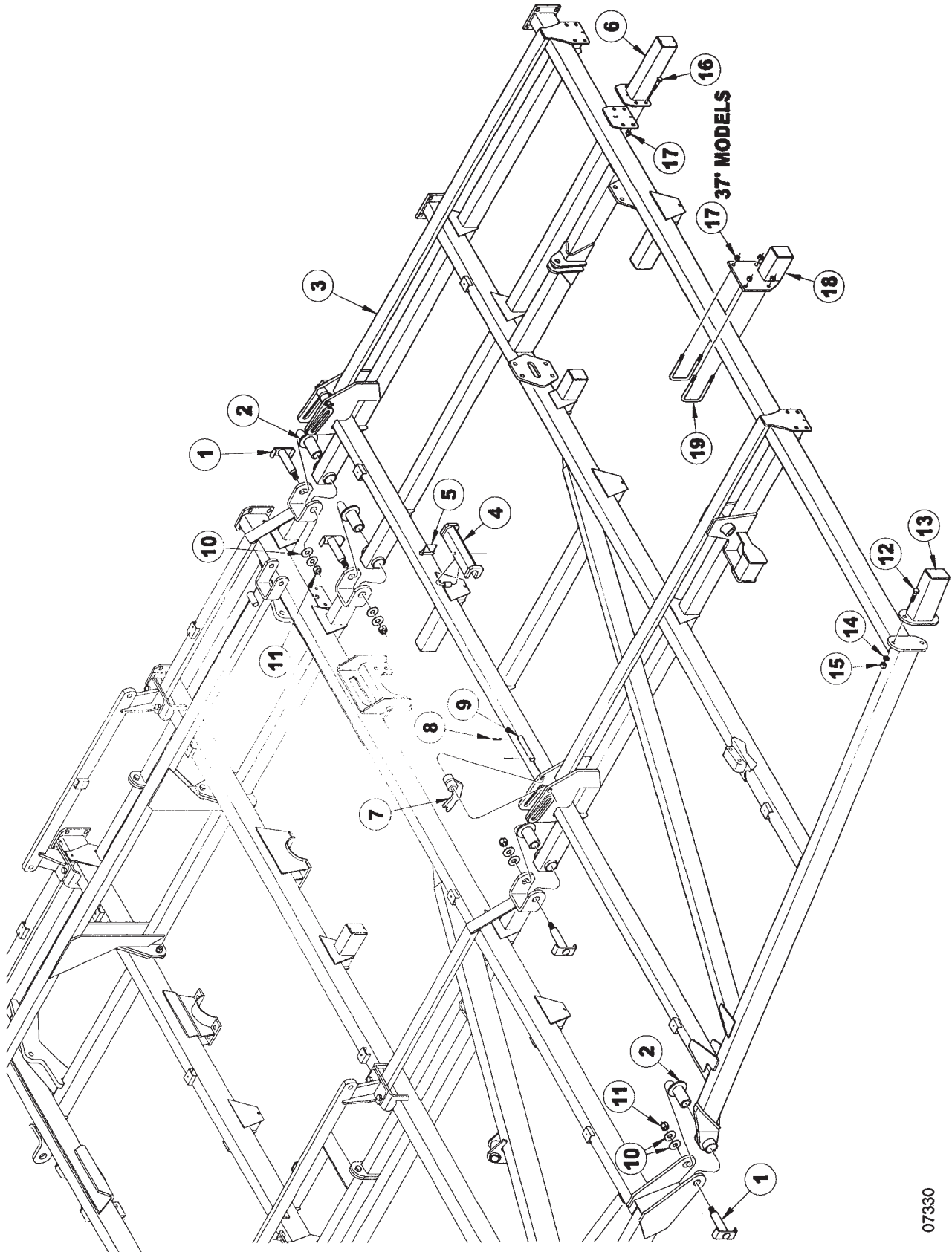
34' & 37' CENTER FRAME

ITEM	NUMBER	QTY	DESCRIPTION
1	SN7001		SMV EMBLEM
2	SN506		FLAT WASHER, 1/4", Y/D
3	SN3881		LOCK NUT, 1/4"-20 HEX NYLON INSERT, GR 2, Y/D
4	SN2568		HEX BOLT, 1/4"-20 X 3/4", GR 5 Y/D
5	SN12288R		MOUNT, SMV
6	SN12557R		ANCHOR, FOLD
7	SN106		HEX NUT, 3/4"-10 FULL, GR 5, Y/D
8	SN1040		LOCK WASHER, 3/4" SPLIT TYPE MED, Y/D
9	SN1220		HEX BOLT, 3/4"-10 X 2", GR 5 Y/D
10	SN12556R		STABILIZER, WING
11	SN12299R		FRAME, CENTER LEFT
12	SN12298R		FRAME, CENTER RIGHT
13	SN3750		OPERATOR'S MANUAL TUBE
14	SN3765		HOSE CLAMP, 3 1/2"
15	SN3356		U-BOLT, 5/8"-11 X 5 1/2" X 3 3/4" W, GR 5, Y/D
16	SN12286R		TUBE, SHANK
17	SN669-1		LOCK NUT, 5/8"-11 HEX NYLON INSERT, GR 5, Y/D
18	SN3306		U-BOLT, 5/8"-11 X 4 1/2" X 4 5/8" W, GR 5, Y/D
19	SN1036		PIN CLIP, 7/8"-1" SHAFT, .178" DIA, 3 3/4" L
20	SN175		HEX BOLT, 3/8"-16 X 1 1/2", GR 5, Y/D
21	SN176		LOCK WASHER, 3/8" SPLIT TYPE MED, Y/D
22	SN10062		PIN, 1" X 10 3/4" (5 5/8") Y/D

I0007329
PR: t05g29n41d0002

6333 31'-37' LAND FINISHER
SERVICE PARTS

31', 34', & 37' WING FRAME



6333 31'-37' LAND FINISHER
SERVICE PARTS

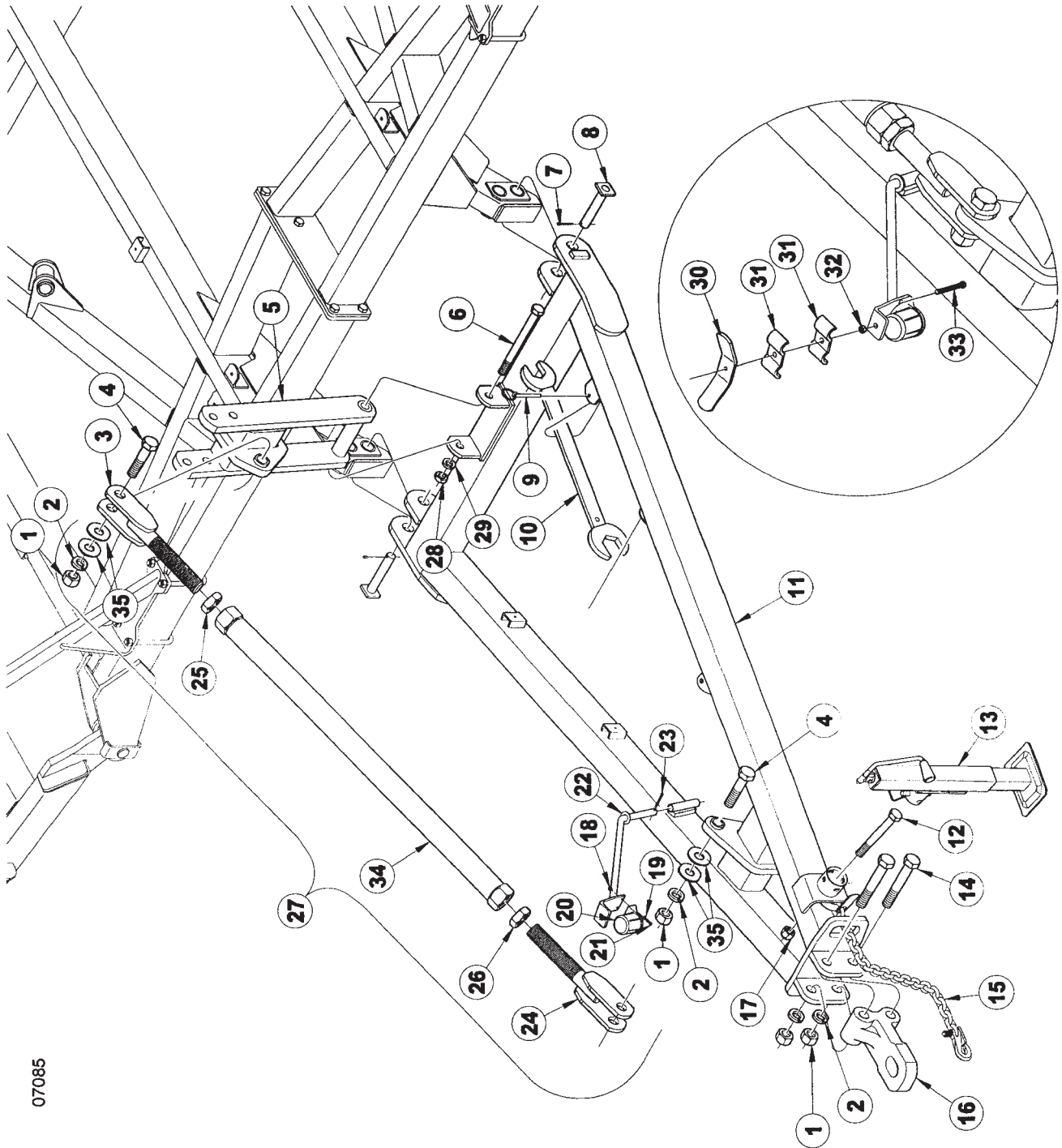
11

31', 34', & 37' WING FRAME

ITEM	NUMBER	QTY	DESCRIPTION
1	SN9233		HINGE BOLT, 1 1/2" SHAFT 1"-8 X 7 1/2", Y/D
2	SN9251		BUSHING, UHMW HINGE, 4 3/8" L
3	SN12477R		FRAME, WING LEFT
	SN12476R		FRAME, WING RIGHT
4	SN7785R		TRANSPORT LOCK
5	SN12268		PIN, WIRE LOCK 3/8" X 2 1/2", Y/D
6	SN12294R		EXTENSION, SHANK (37' MODEL)
7	SN12486R		LOCK, GRAVITY
8	SN3164		ROLL PIN, 5/16" X 2" SPIRAL MEDIUM DUTY, Y/D
9	SN5251		PIN, 1" X 5 13/16" (4 1/2"), Y/D
10	SN245		FLAT WASHER, 1" WIDE RIM, Y/D
11	SN3938		LOCK NUT, 1"-8 HEX NYLON INSERT, GR2,Y/D
12	SN1220		HEX BOLT, 3/4"-10 X 2", GR 5 Y/D
13	SN12282R		EXTENSION, REEL (37' MODEL)
14	SN1040		LOCK WASHER,3/4" SPLIT TYPE MED,Y/D
15	SN106		HEX NUT, 3/4"-10 FULL, GR 5, Y/D
16	SN670		HEX BOLT, 5/8"-11 X 2", GR 5, Y/D
17	SN669-1		LOCK NUT, 5/8"-11 HEX NYLON INSERT, GR 5, Y/D
18	SN5605		EXTENSION, 1 SHANK (37' MODEL)
19	SN2815		U-BOLT, 5/8"-11 X 4 1/2" X 5 11/16" W, GR 5, Y/D

I0007330
PR: t05g29n41d0003

31', 34', & 37' TONGUE ASSEMBLY



07085

**6333 31'-37' LAND FINISHER
SERVICE PARTS**

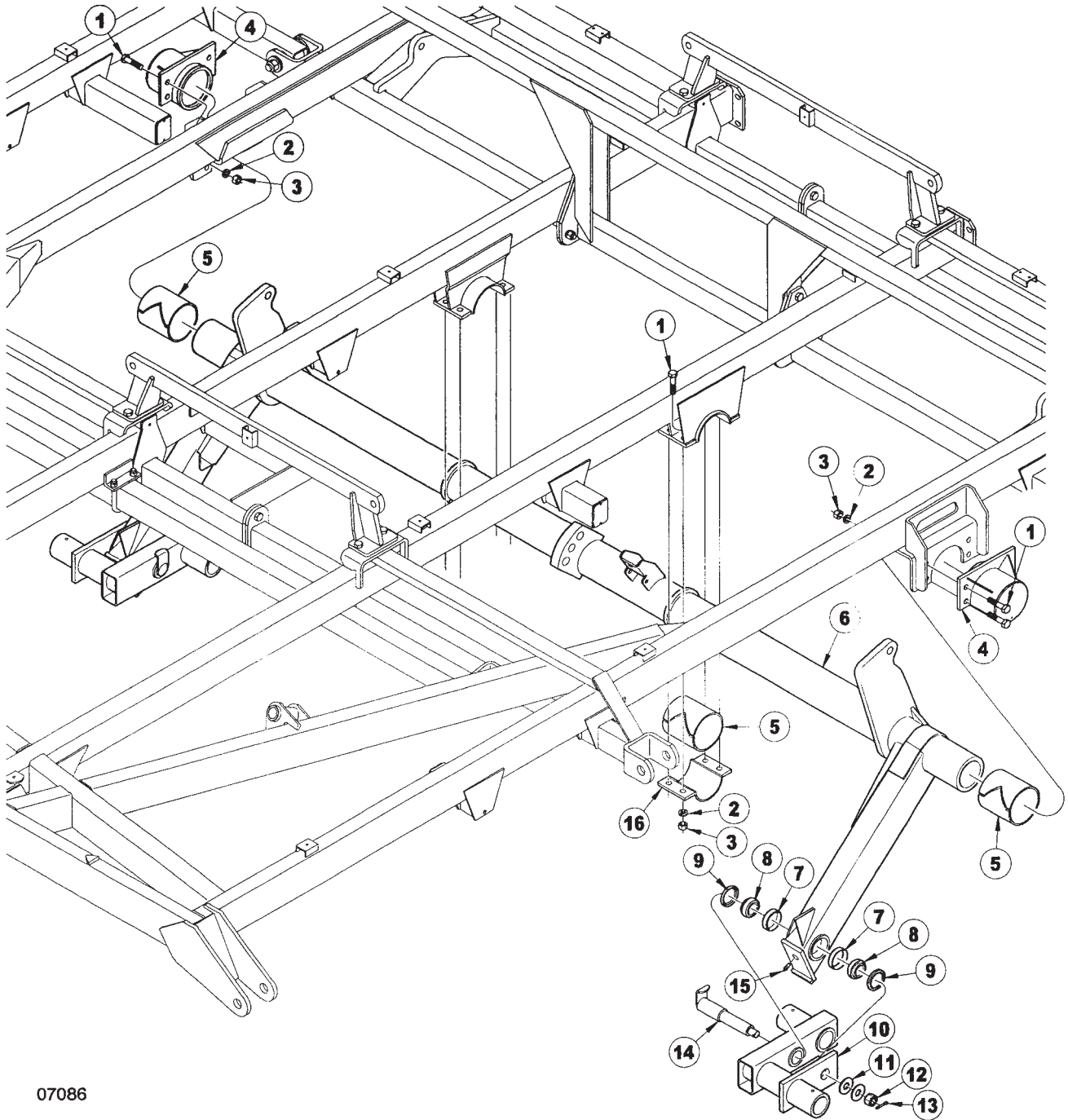
13

31', 34', & 37' TONGUE ASSEMBLY

ITEM	NUMBER	QTY	DESCRIPTION
1	SNFK150144		HEX NUT, 1 1/4"-7, GR 2, Y/D
2	SNFK150157		LOCK WASHER, 1 1/4", Y/D
3	SN12291		SCREW, ADJUSTING RIGHT, Y/D
4	SN4753		HEX BOLT, 1 1/4"-7 X 6", GR 5, Y/D
5	SN12281R		LEVELER TOWER
6	SNYYC-186		HEX BOLT, 1"-8 X 10 1/2" GR 5, Y/D
7	SN108		COTTER PIN, 5/16" X 2 1/2", Y/D
8	SN5613		PIN, 1 1/2" X 6 1/16" (5 19/32") SQUARE HEADED
9	SN6575		BALL LOCK PIN, 3/8" X 3 1/2"(3 1/8")Z/P
10	SN6923R		WRENCH, TONGUE ADJUSTMENT
11	SN12267R		TONGUE
12	SN109		HEX BOLT, 1"-8 X 7", GR 5, Y/D
13	SN9777		LONG TONGUE JACK, SQ W/TUBE MOUNT
14	SNFK350402		HEX BOLT, 1 1/4"-7 X 7" GR 5 (SPECIAL)
15	SN9982		CHAIN, 7/16" X 64" (30,400 LB) ASSEMBLY
16	SN4781		CAST SINGLE LIP HITCH, 2" HOLE
17	SN3938		LOCK NUT, 1"-8 HEX NYLON INSERT, GR 2, Y/D
18	SN3881		LOCK NUT, 1/4"-20 HEX NYLON INSERT, GR 2, Y/D
19	SN506		FLAT WASHER, 1/4", Y/D
20	SN10012		HOLDER, 7-PIN CONNECTOR
21	SN2568		HEX BOLT, 1/4"-20 X 3/4", GR 5 Y/D
22	SN9537		HOSE HOLDER
23	SN1609		COTTER PIN, 3/16" X 1 1/2"
24	SN12292		SCREW, ADJUSTING LEFT, Y/D
25	SN2088		JAM NUT, 1 3/4"-5 HEX, GR 2, Y/D
26	SN6879		JAM NUT, 1 3/4"-5 HEX LH, GR 2 Y/D
27	SN12315R		ASSY, ADJUSTING LINK
28	SN1849		JAM NUT, 1"-8 HEX, GR 2, Y/D
29	SN1283		LOCK WASHER, 1" SPLIT TYPE MED, Y/D
30	SN9538R		HOSE HOLDER BRACKET
31	SN5302		PIPE CLAMP, 3/8" BOLT HOLE, Y/D
32	SN3567		LOCK NUT, 3/8"-16 HEX NYLON INSERT, GR 2, Y/D
33	SN9549		HEX BOLT, 3/8"-16 X 4", ALL THD GR 5, Y/D
34	SN12293R		LINK, ADJUSTING
35	SNFK150172		FLAT WASHER, 1 1/4" SAE, Y/D

I0007085
PR: t05g29n41d0004

CENTER LIFT ASSEMBLY



07086

6333 31'-37' LAND FINISHER
SERVICE PARTS

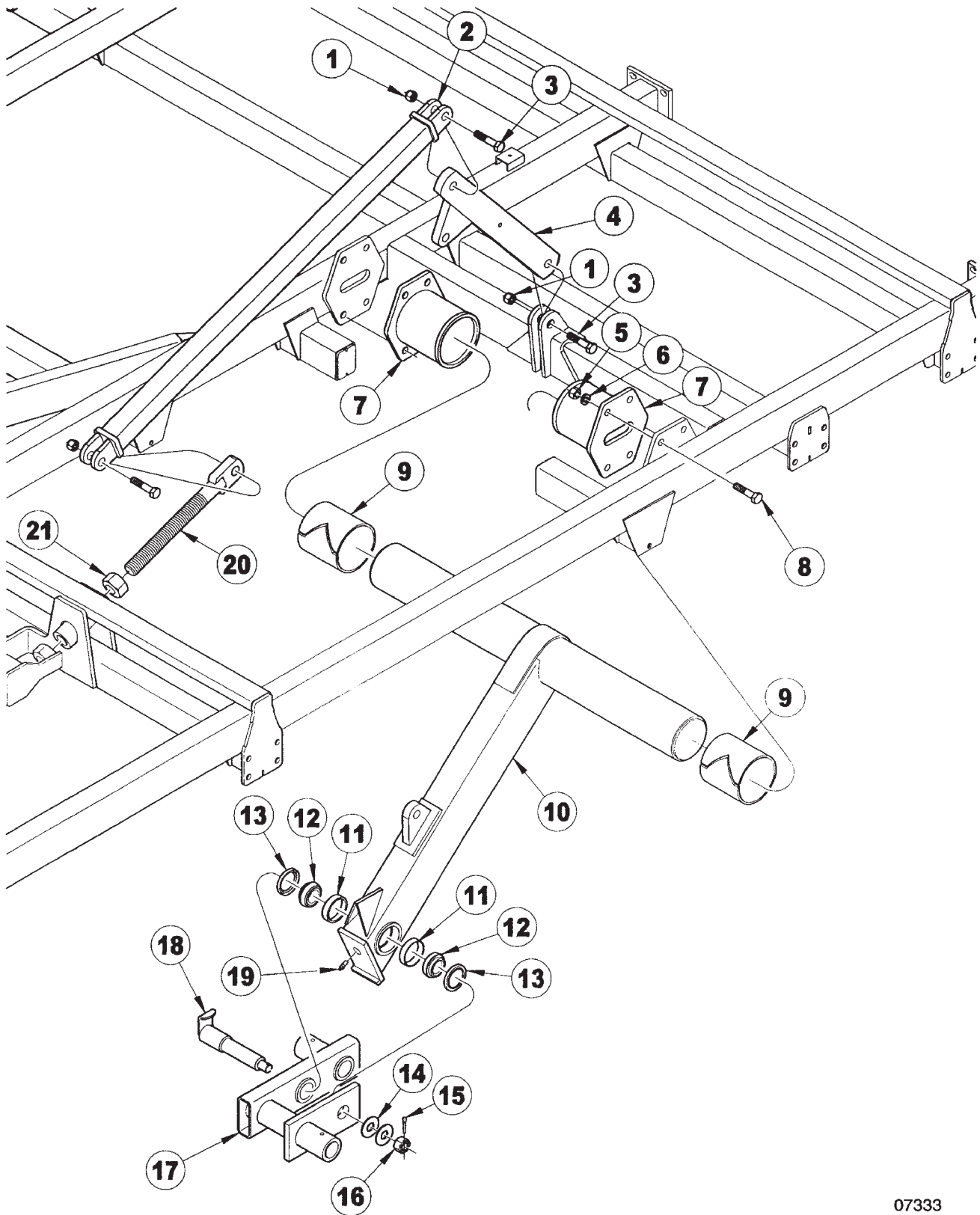
15

CENTER LIFT ASSEMBLY

ITEM	NUMBER	QTY	DESCRIPTION
1	SN1220		HEX BOLT, 3/4"-10 X 2", GR 5 Y/D
2	SN1040		LOCK WASHER,3/4" SPLIT TYPE MED,Y/D
3	SN106		HEX NUT, 3/4"-10 FULL, GR 5, Y/D
4	SN7870		BEARING CAP
5	SN7325		BEARING, LIFT (SPLIT) 6" WIDE
6	SN12527R		LIFT, MAIN (31')
	SN12301R		LIFT, MAIN (34' & 37')
7	SN3062		WALKING BEAM RACE (332)
8	SN3061		WALKING BEAM BEARING (342A)
9	SN3063		WALKING BEAM SEAL (NAT.204035 C/R 22870)
10	SN5622		TANDEM PIVOT, 2 3/4" SPINDLE
11	SN245		FLAT WASHER, 1" WIDE RIM, Y/D
12	SN2992		HEX NUT,1"-14 FULL SLOTTED GR 2, Y/D
13	SN3066		COTTER PIN, 7/32" X 1 1/2"
14	SN3669		SPINDLE, 2" X 10 15/16" L TANDEM PIVOT
15	SN2098-5		GREASE ZERK, 1/8" NPTF, 1 1/4" L
16	SN7329		BEARING CAP

I0007086
PR: t05g29n41d0005

WING LIFT ASSEMBLY



6333 31'-37' LAND FINISHER
SERVICE PARTS

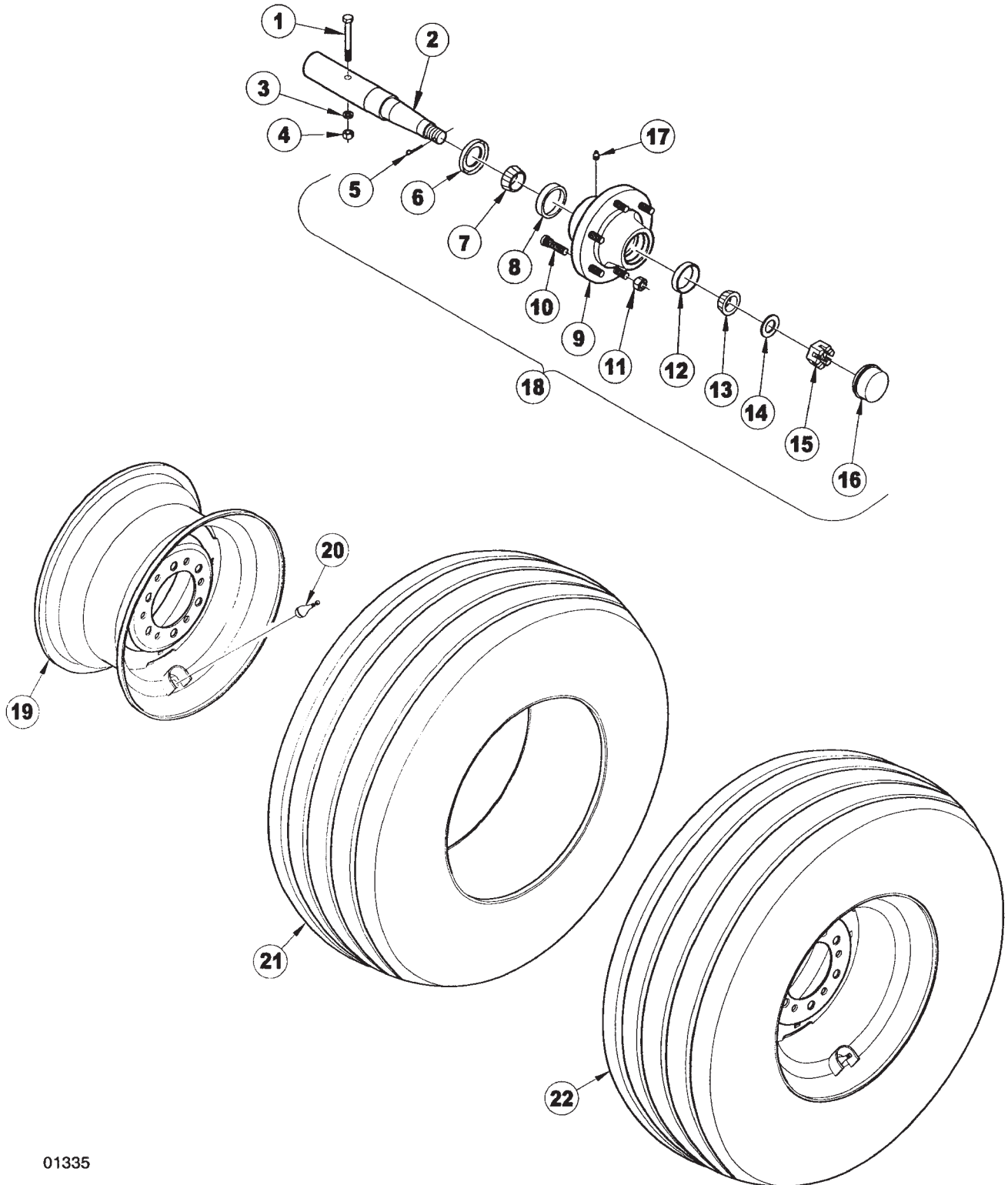
17

WING LIFT ASSEMBLY

ITEM	NUMBER	QTY	DESCRIPTION
1	SN3938		LOCK NUT, 1"-8 HEX NYLON INSERT, GR2,Y/D
2	SN12279R		ARM, LIFT
3	SN155		HEX BOLT, 1"-8 X 3 1/2", GR 5 Y/D
4	SN12276R		LINK, LIFT
5	SN106		HEX NUT, 3/4"-10 FULL, GR 5, Y/D
6	SN1040		LOCK WASHER,3/4" SPLIT TYPE MED,Y/D
7	SN12271R		BEARING CAP
8	SN1220		HEX BOLT, 3/4"-10 X 2", GR 5 Y/D
9	SN7325		BEARING, LIFT (SPLIT) 6" WIDE
10	SN12528		LIFT, WING RT/LT
11	SN3062		WALKING BEAM RACE (332)
12	SN3061		WALKING BEAM BEARING (342A)
13	SN3063		WALKING BEAM SEAL (NAT.204035 C/R 22870)
14	SN245		FLAT WASHER, 1" WIDE RIM, Y/D
15	SN3066		COTTER PIN, 7/32" X 1 1/2"
16	SN2992		HEX NUT,1"-14 FULL SLOTTED GR 2, Y/D
17	SN3330		TANDEM PIVOT
18	SN3331		SPINDLE, 2" X 9 15/16" TANDEM PIVOT
19	SN2098-5		GREASE ZERK, 1/8" NPTF, 1 1/4" L
20	SN12285		CYLINDER, ADJUSTABLE BLOCK, Y/D
21	SN1978		HEX NUT, 1 1/2"-6 FULL, GR 2, Y/D

I0007333
PR: t05g29n41d0006

SIX BOLT HUB & SPINDLE ASSEMBLY
W/WHEEL & TIRES



**6333 31'-37' LAND FINISHER
SERVICE PARTS**

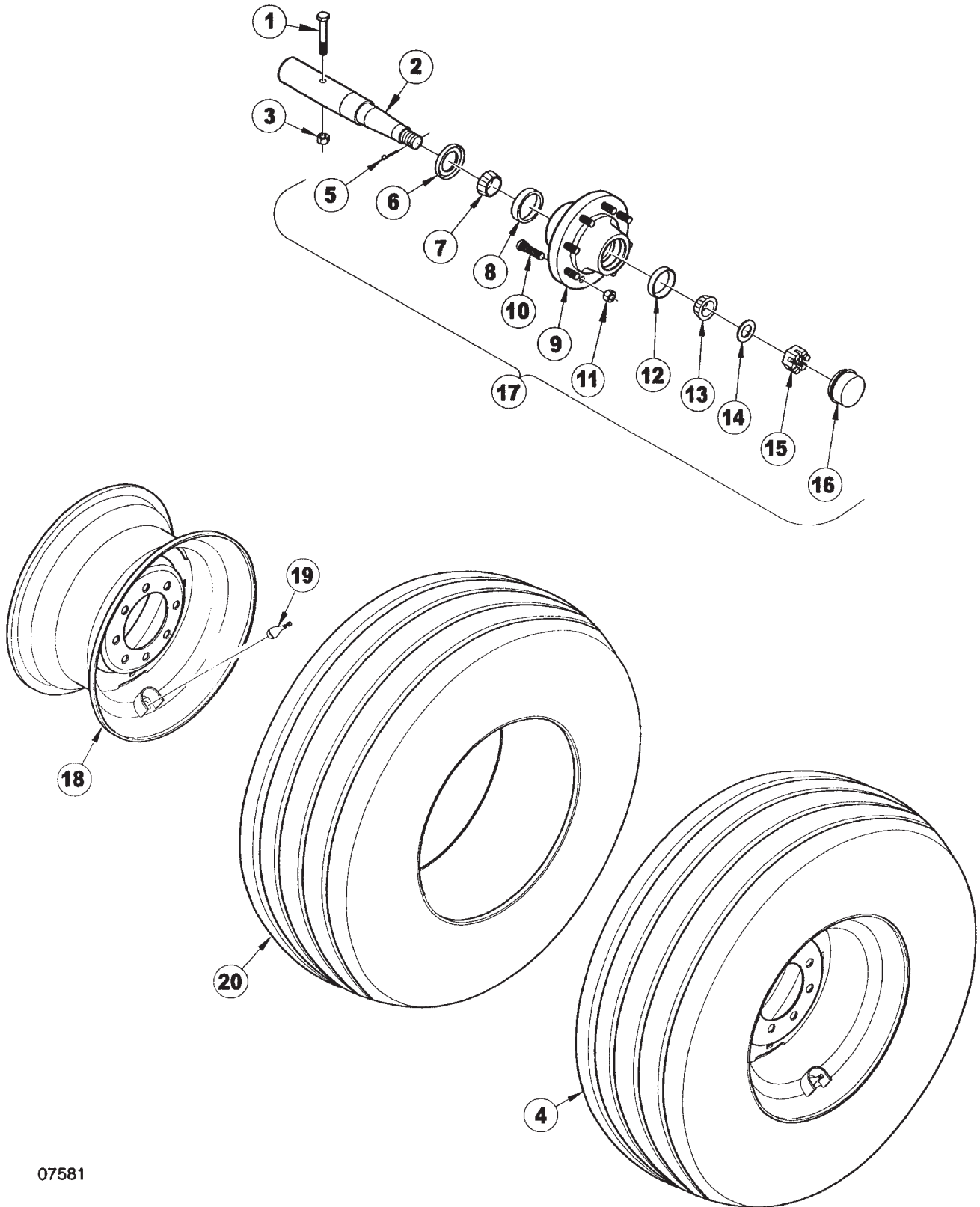
19

**SIX BOLT HUB & SPINDLE ASSEMBLY
W/WHEEL & TIRES**

ITEM	NUMBER	QTY	DESCRIPTION
1	SN2585		HEX BOLT, 7/16"-14 X 3 1/2", GR 5, Y/D
2	SN3298		SPINDLE, 2" X 11 3/16" L
3	SN302		LOCKWASHER, 7/16" SPLIT TYPE MED, Y/D
4	SN303		HEX NUT, 7/16"-14 FULL, GR 2, Y/D
5	SN3066		COTTER PIN, 7/32" X 1 1/2"
6	SN3301		TRIPLE LIP SEAL
7	SN1935		BEARING (LM501349)
8	SN1936		RACE (LM501310)
9	SN1937		SIX BOLT HUB, STUDDED W/CUPS AND LUG NUTS, PAINTED
10	SN3118		LUG BOLT, 9/16"-18 X 1 7/8" PRESS IN, PL
11	SN3117		LUG NUT, 9/16"-18, GR 5, 90 DEG TAPER, Y/D
12	SN1605		RACE (LM67010)
13	SN1606		BEARING (LM67048)
14	SN3303		WASHER, 1 1/32" ID X 1 3/4" OD X 1/8" THICK, PLAIN
15	SN3302		HEX NUT, 1"-14 FULL SLOTTED GR 2, PLAIN
16	SN1610		DUST CAP, 2.448" OD, Y/D
17	SN2098-6		GREASE ZERK, 1/4"-28, 17/32" L,
18	SN3300		SIX BOLT HUB ASSEMBLY W/3301 SEAL
19	SN1944		WHEEL, 15 X 10, 6 BOLT
20	SN3577		VALVE STEM
21	SN3582		TIRE, 12.5L X 15, 12 PLY, TUBELESS
22	SN3588		TIRE, 12.5L, 12 PLY TUBELESS W/15 X 10 WHEEL ASSY 6 BOLT

I0001335
PR: t05g29n41d0007

**EIGHT BOLT HUB & SPINDLE ASSEMBLY
W/WHEEL & TIRES**



**6333 31'-37' LAND FINISHER
SERVICE PARTS**

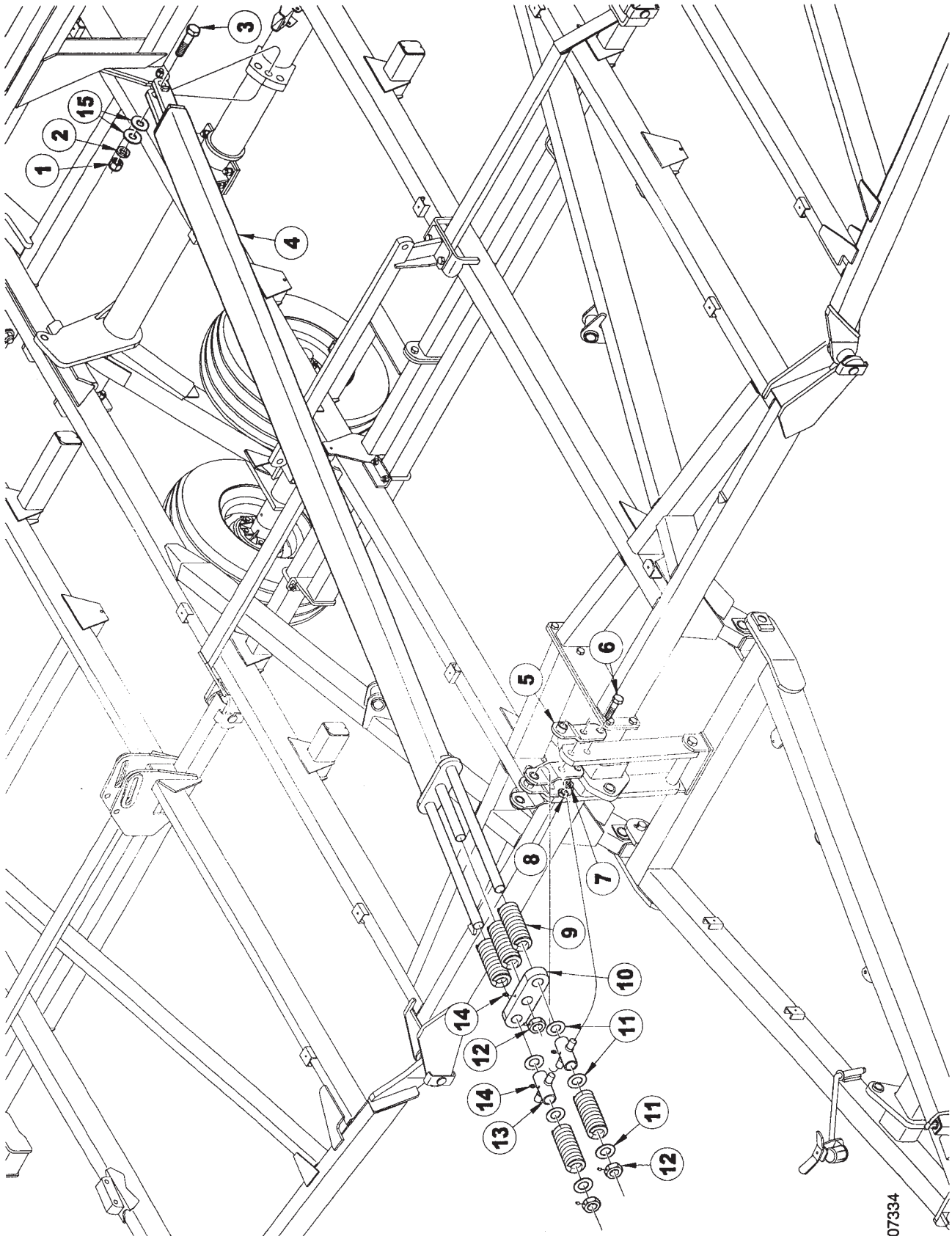
21

**EIGHT BOLT HUB & SPINDLE ASSEMBLY
W/WHEEL & TIRES**

ITEM	NUMBER	QTY	DESCRIPTION
1	SN140		HEX BOLT, 1/2"-13 X 4 1/2", GR 5,Y/D
2	SN5621		SPINDLE, 2 3/4" X 15 5/16"L
3	SN2096		LOCK NUT, 1/2"-13 HEX NYLON INSERT, GR 8, Y/D
4	SN5579		TIRE, 12.5L (GY-FI-F) W/15X10 WH ASSY 8 BT
5	SN1609		COTTER PIN, 3/16" X 1 1/2"
6	SNFK310064		SEAL, 8-BOLT
7	SNFK310062		BEARING (JLM506849)
8	SNFK310063		RACE (JLM506810)
9	SNFK340163		EIGHT BOLT HUB, STUDDERED W/CUPS AND LUG NUTS, PAINTED
10	SNFK340167		LUG BOLT, 5/8"-18 X 2 1/4"
11	SNFK340168		LUG NUT, 5/8"-18, GR 5, 90 DEG TAPER,Y/D
12	SN1936		RACE (LM501310)
13	SN1935		BEARING (LM501349)
14	SNFK340165		WASHER, 1 1/16" ID X 2 1/8" OD X 1/4" THICK, PLAIN
15	SN3302		HEX NUT, 1"-14 FULL SLOTTED GR 2, PLAIN
16	SNFK340162		DUST CAP, 3.125" OD, Y/D
17	SNFK800384		EIGHT BOLT HUB ASSY.
18	SN5603		WHEEL, 15 X 10, 8 BOLT, 3/8" OFFSET
19	SN3577		VALVE STEM
20	SN5578		TIRE, 12.5L X 15, (GY-FI-F)

I0007581
PR: t05g29n41d0008

LEVELERTUBE ASSEMBLY



6333 31'-37' LAND FINISHER
SERVICE PARTS

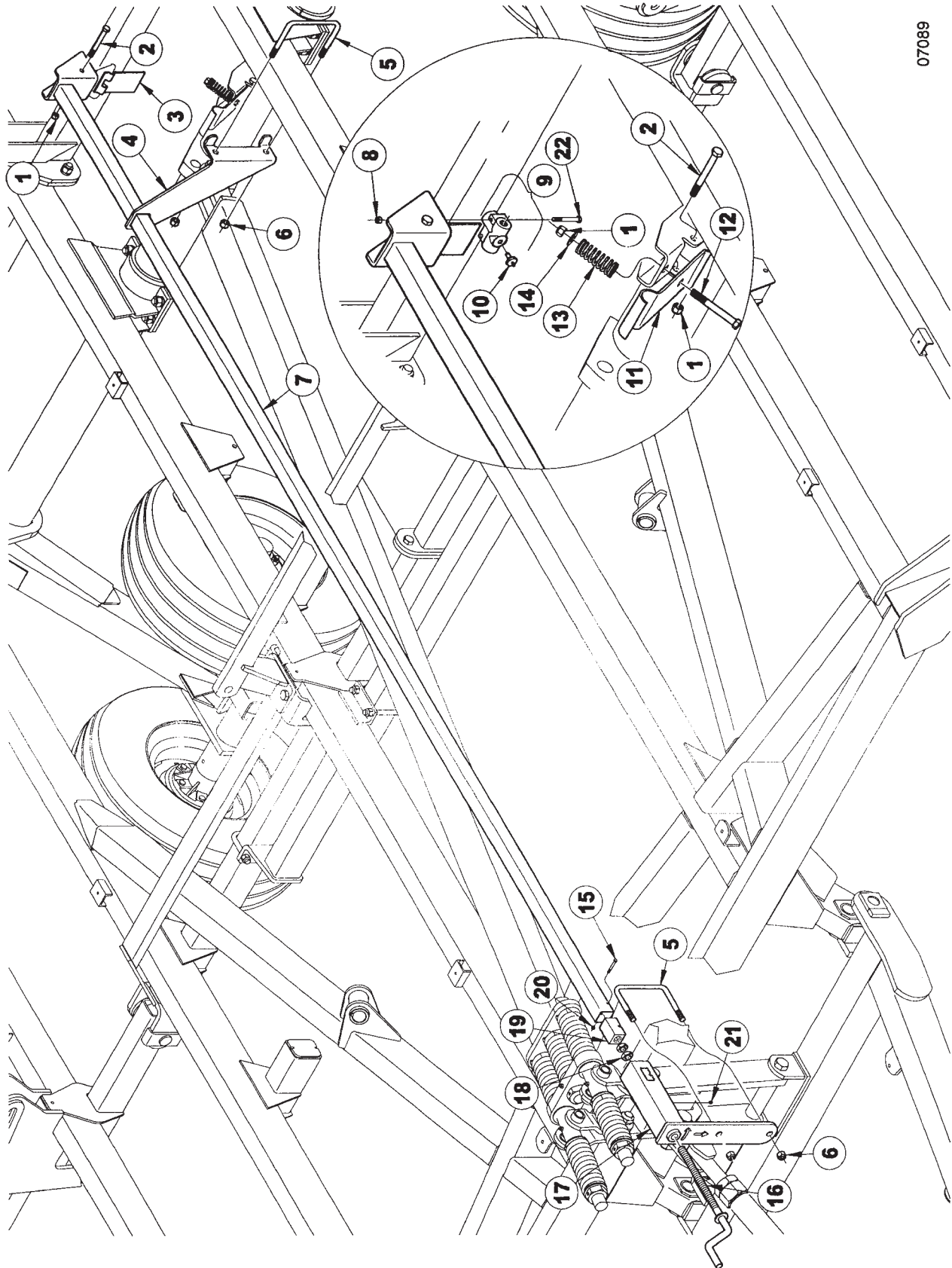
23

LEVELER TUBE ASSEMBLY

ITEM	NUMBER	QTY	DESCRIPTION
1	SNFK150144		HEX NUT, 1 1/4"-7, GR 2, Y/D
2	SNFK150157		LOCK WASHER, 1 1/4", Y/D
3	SN4753		HEX BOLT, 1 1/4"-7 X 6", GR 5, Y/D
4	SN12280R		TUBE, LEVELER
5	SN12275R		BRACKET, LEVELER CROSS
6	SN5530		HEX BOLT, 1"-8 X 3", 1" THD, GR 5, Y/D
7	SN1283		LOCK WASHER, 1" SPLIT TYPE MED, Y/D
8	SN1849		JAM NUT, 1"-8 HEX, GR 2, Y/D
9	SN1875		SPRING, 2.938" OD X 1.625" ID X 8 7/8" L COMPRESSION
10	SN12274R		PLATE, GUIDE
11	SN2755		FLAT WASHER, 1 9/16" ID X 2 13/16" OD, 10 GA, Y/D
12	SN1880		JAM NUT, 1 1/2"-6 HEX W/SET SCREW, GR 2, Y/D
13	SN7999		LEVELER CROSS, 5"
14	SN2098-1		GREASE ZERK, 1/8" NPTF, 5/8" L
15	SNFK150172		FLAT WASHER, 1 1/4" SAE, Y/D

I0007334
PR: t05g29n41d0009

STROKE CONTROL ASSEMBLY



07089

**6333 31'-37' LAND FINISHER
SERVICE PARTS**

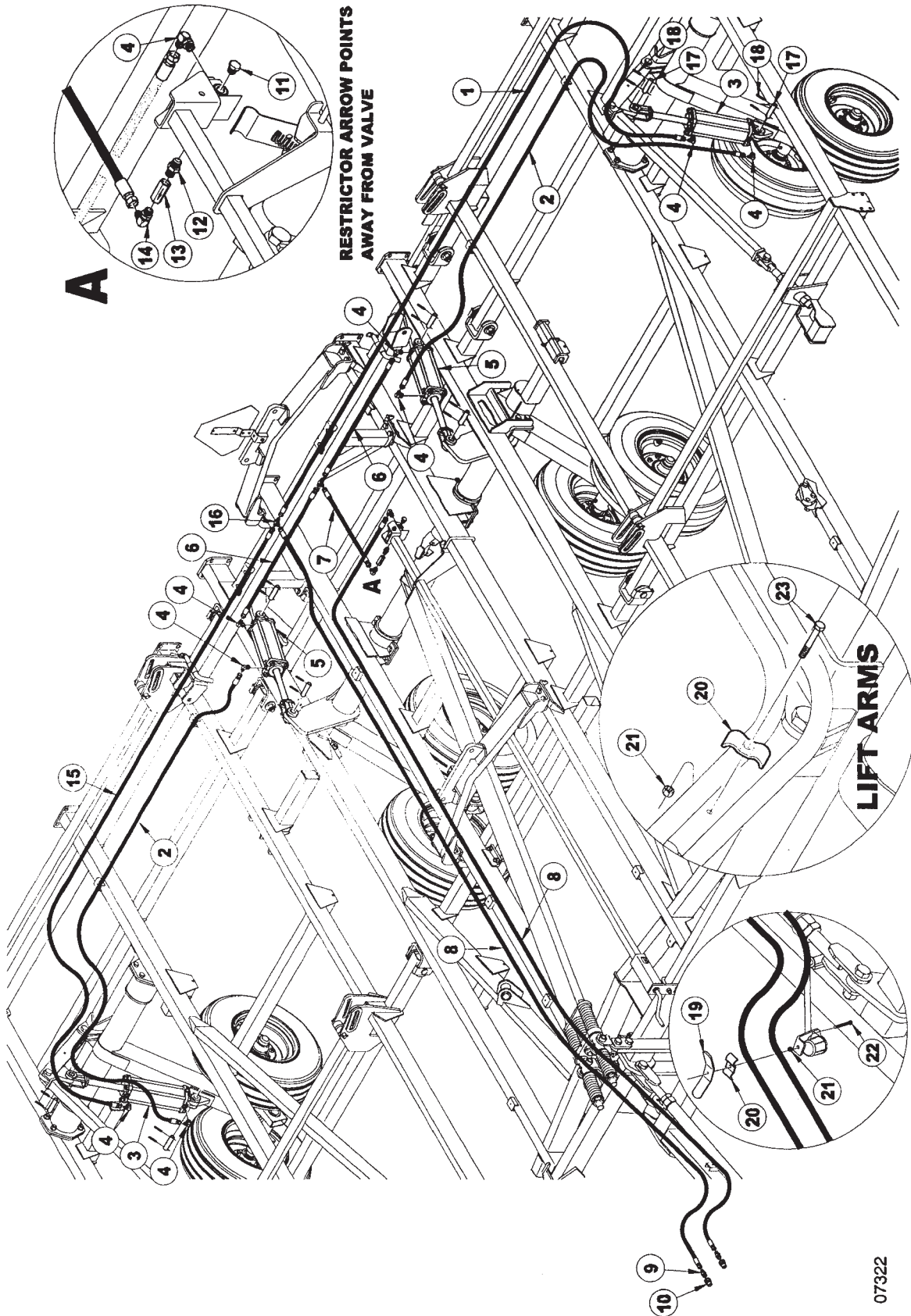
25

STROKE CONTROL ASSEMBLY

ITEM	NUMBER	QTY	DESCRIPTION
1	SN2096		LOCK NUT, 1/2"-13 HEX NYLON INSERT, GR 8, Y/D
2	SN140		HEX BOLT, 1/2"-13 X 4 1/2", GR 5, Y/D
3	SN6930		STOP TAB
4	SN12485R		GUIDE, STROKE CONTROL TUBE (31')
	SN12290R		GUIDE, STROKE CONTROL TUBE (34' & 37')
5	SN7053		U-BOLT, 5/8"-11 X 4 1/2" X 6 11/16"W, Y/D
6	SN669-1		LOCK NUT, 5/8"-11 HEX NYLON INSERT, GR 5, Y/D
7	SN12478R		TUBE, VALVE ADJUSTMENT 146" L (31')
	SN12295R		VALVE ADJUSTMENT TUBE (34' & 37')
8	SN6378		LOCK NUT, 5/16"-18 HEX NYLON INSERT, GR 5, Y/D
9	SN4732		DEPTH CONTROL VALVE
10	SN8636-1		CARTRIDGE ASSY, CROSS
11	SN12289R		ACTUATOR LEVER
12	SN3371		HEX BOLT, 1/2"-13 X 4", GR 5, Y/D
13	SN4944		SPRING, 1.10" OD, .135 DIA, 3 1/2" L
14	SN486		FLAT WASHER, 1/2", Y/D
15	SNRT015003		HEX BOLT, 1/4"-20 X 2 1/4" GR 5, Y/D
16	SN9531		THREADED REMOTE ADJUSTMENT, Y/D
17	SN12480R		MOUNT, STROKE CONTROL (31')
	SN12284R		MOUNT, STROKE CONTROL (34' & 37')
18	SN1243		JAM NUT, 3/4"-10 HEX, GR 2, Y/D
19	SN12349		BUSHING, 1 1/2" SQ X 2" L, DELRIN
20	SN3881		LOCK NUT, 1/4"-20 HEX NYLON INSERT, GR 2, Y/D
21	SN2098-6		GREASE ZERK, 1/4"-28, 17/32" L,
22	SN1817		HEX BOLT, 5/16"-18 X 2 1/2", GR 5,

I0007089
PR: t05g29n41d0010

31' LIFT HYDRAULICS



**6333 31'-37' LAND FINISHER
SERVICE PARTS**

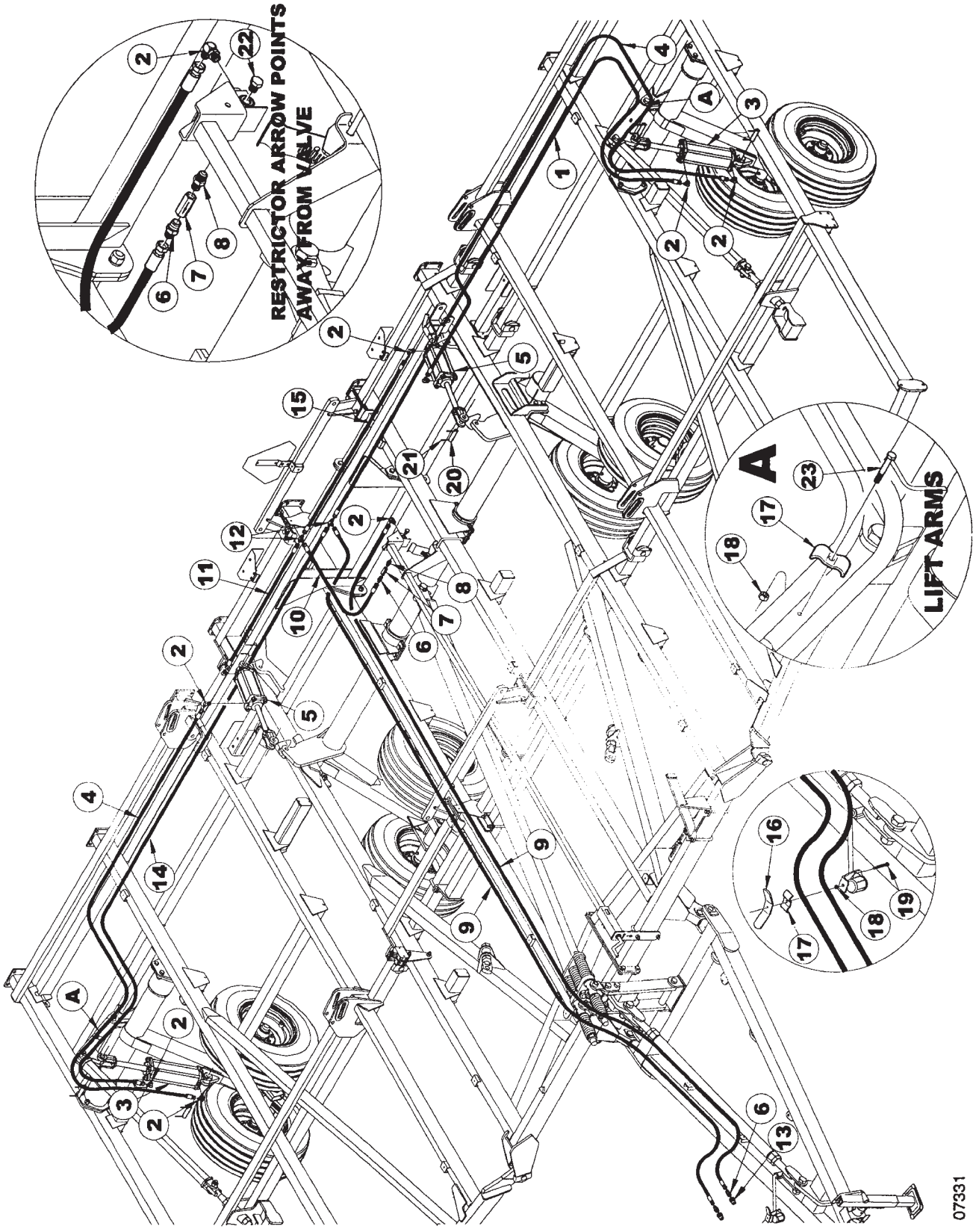
27

31' LIFT HYDRAULICS

ITEM	NUMBER	QTY	DESCRIPTION
1	SN4232005		HOSE, 1/2" X 232" L, FEMALE ENDS
2	SN4182005		HOSE, 1/2" X 182" L, FEMALE ENDS
3	SN10815		CYLINDER, 3 3/4" X 10" REPH (22 1/4"CPC) ORB CROSS, 3000 PSI
4	SN4457		90 DEG STRAIGHT THD ELBOW, 7/8"-14 MF X 3/4"-16 MOR
5	SN10814		CYLINDER, 4" X 10" REPH (22 1/4" CPC) ORB CROSS, 3000 PSI
6	SN4040005		HOSE, 1/2" X 40" L FEMALE ENDS
7	SN4027005		HOSE, 1/2" X 27" L, FEMALE ENDS
8	SN4348005		HOSE, 1/2" X 348" L, FEMALE ENDS
9	SN2426		MALE CONNECTOR, 7/8"-14 MF X 1/2"-14 MPT
10	SN3253		HYDRAULIC COUPLER, MALE HALF
11	SN4458		PLUG, 3/4"-16 MOR
12	SN6401880		O-RING THREAD ADAPTER, 3/4"-16 MOR X 1/2"-14 MPT
13	SN4484		IN LINE RESTRICTOR, 1/2"-14 FPT, W/ 5/32" REST
14	SN2428		90 DEG MALE ELBOW, 7/8"-14 MF
15	SN4172005		HOSE, 1/2" X 172" L, FEMALE ENDS
16	SN4460		UNION TEE, 7/8"-14 MF
17	SN5339		PIN, 1" X 4 1/16" (3"), Y/D
18	SN3164		ROLL PIN, 5/16" X 2" SPIRAL MEDIUM DUTY, Y/D
19	SN9538R		HOSE HOLDER BRACKET
20	SN5302		PIPE CLAMP, 3/8" BOLT HOLE, Y/D
21	SN3567		LOCK NUT, 3/8"-16 HEX NYLON INSERT,GR 2, Y/D
22	SN9549		HEX BOLT, 3/8"-16 X 4",ALL THD GR 5,Y/D
23	SN2487		HEX BOLT, 3/8"-16 X 2 1/2",GR 5,Y/D

I0007322
PR: t05g29n41d0011

34' & 37' LIFT HYDRAULICS



**6333 31'-37' LAND FINISHER
SERVICE PARTS**

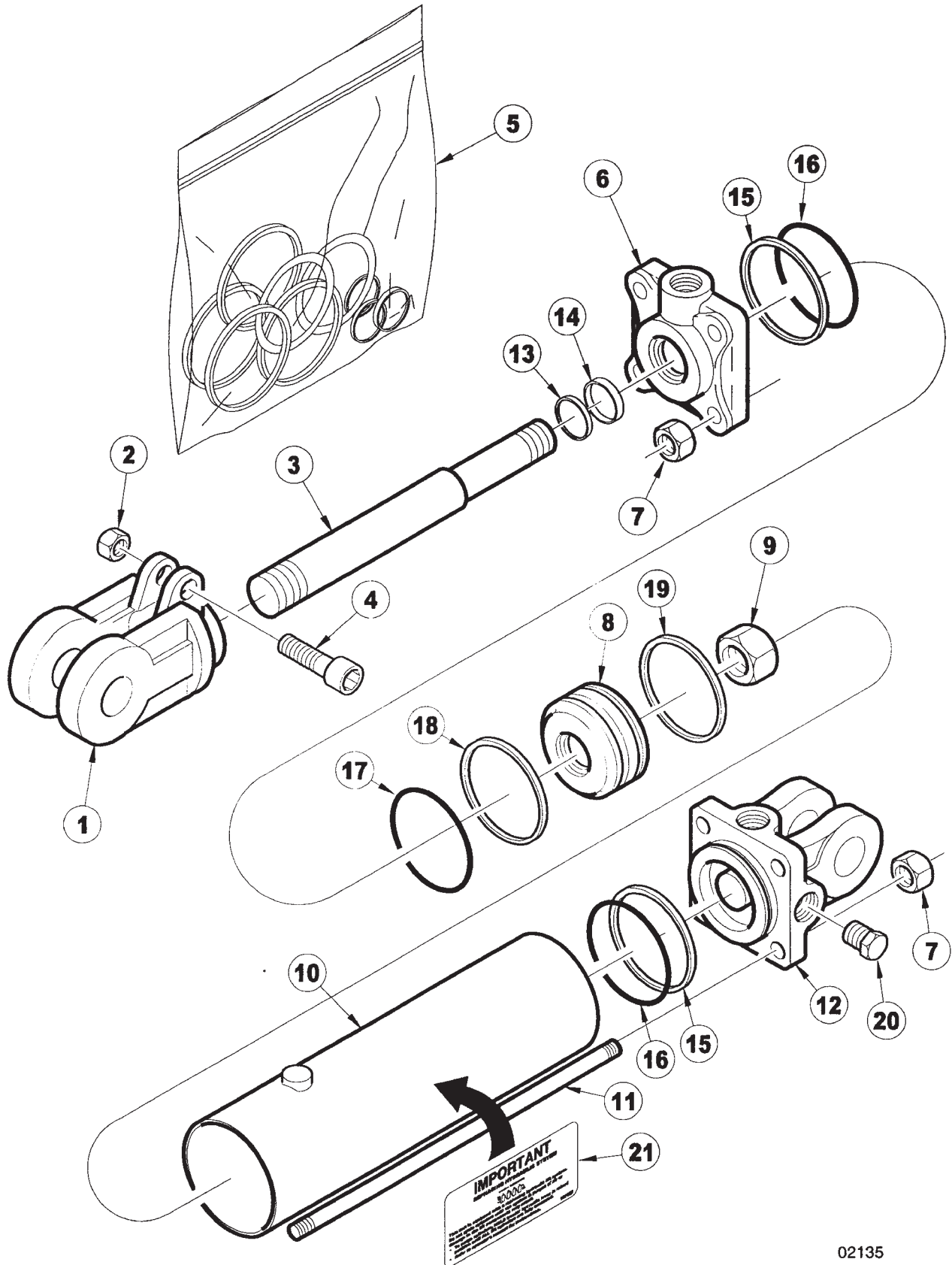
29

34' & 37' LIFT HYDRAULICS

ITEM	NUMBER	QTY	DESCRIPTION
1	SN4252005		HOSE, 1/2" X 252" L, FEMALE ENDS
2	SN4457		90 DEG STRAIGHT THD ELBOW, 7/8"-14 MF X 3/4"-16 MOR
3	SN10815		CYLINDER, 3 3/4" X 10" REPH (22 1/4"CPC) ORB CROSS, 3000 PSI
4	SN4182005		HOSE, 1/2" X 182" L, FEMALE ENDS
5	SN10814		CYLINDER, 4" X 10" REPH (22 1/4" CPC) ORB CROSS, 3000 PSI
6	SN2426		MALE CONNECTOR, 7/8"-14 MF X 1/2-14 MPT
7	SN4484		IN LINE RESTRICTOR, 1/2-14 FPT, W/ 5/32" REST
8	SN6401880		O-RING THREAD ADAPTER, 3/4"-16 MOR X 1/2-14 MPT
9	SN4348005		HOSE, 1/2" X 348" L, FEMALE ENDS
10	SN4050005		HOSE, 1/2" X 50" L, FEMALE ENDS
11	SN4038005		HOSE, 1/2" X 38" L, FEMALE ENDS
12	SN4460		UNION TEE, 7/8"-14 MF
13	SN3253		HYDRAULIC COUPLER, MALE HALF
14	SN4190005		HOSE, 1/2" X 190" L, FEMALE ENDS
15	SN4081005		HOSE, 1/2" X 81" L, FEMALE ENDS
16	SN9538R		HOSE HOLDER BRACKET
17	SN5302		PIPE CLAMP, 3/8" BOLT HOLE, Y/D
18	SN3567		LOCK NUT, 3/8"-16 HEX NYLON INSERT, GR 2, Y/D
19	SN9549		HEX BOLT, 3/8"-16 X 4", ALL THD GR 5, Y/D
20	SN5339		PIN, 1" X 4 1/16" (3"), Y/D
21	SN3164		ROLL PIN, 5/16" X 2" SPIRAL MEDIUM DUTY, Y/D
22	SN4458		PLUG, 3/4"-16 MOR
23	SN2487		HEX BOLT, 3/8"-16 X 2 1/2", GR 5, Y/D

I0007331
PR: t05g29n41d0012

4" X 10" HYDRAULIC CYLINDER 10814R



6333 31'-37' LAND FINISHER
SERVICE PARTS

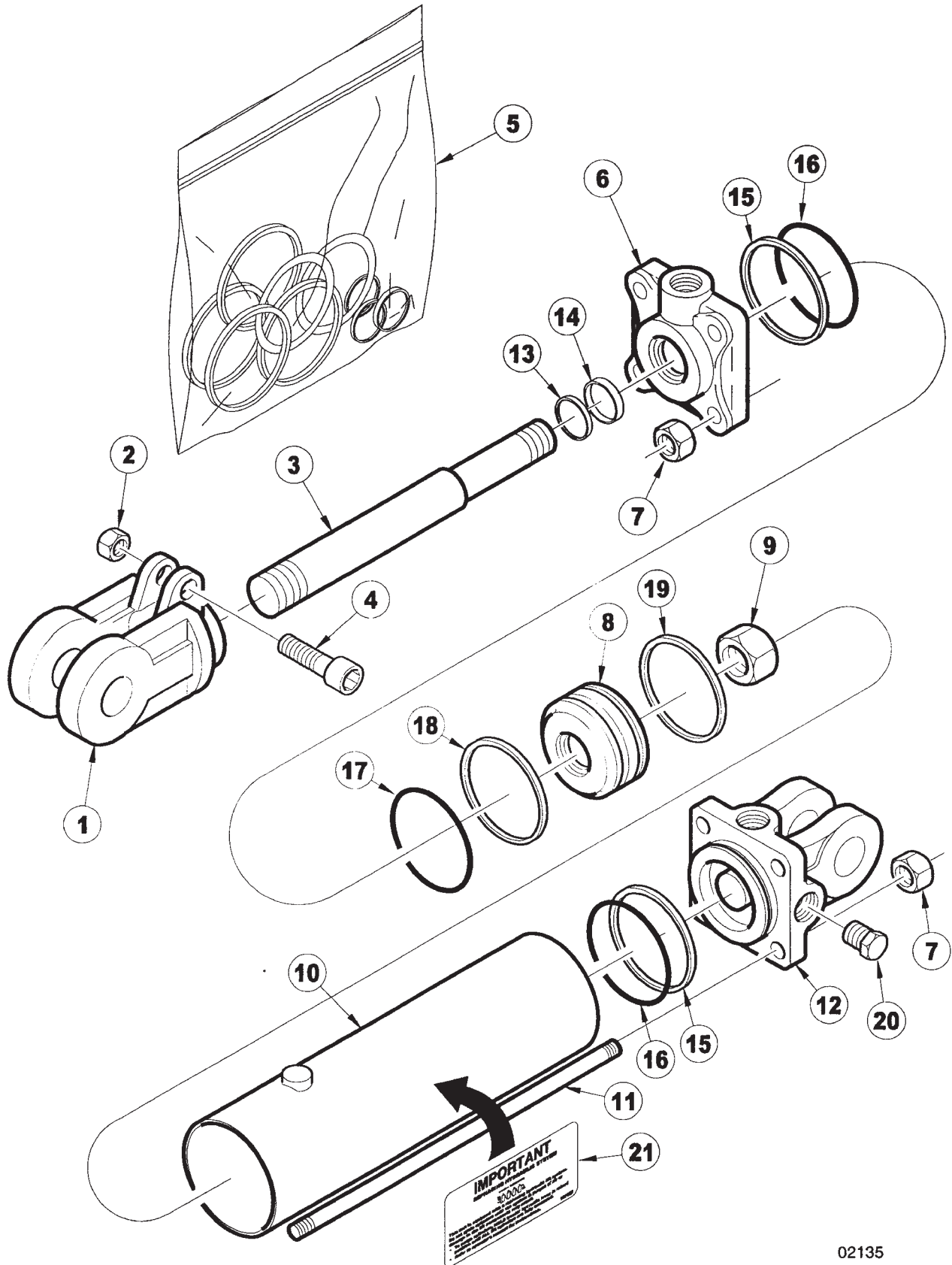
31

4" X 10" HYDRAULIC CYLINDER 10814R

ITEM	NUMBER	QTY	DESCRIPTION
1	SN8610-1		CLEVIS, 1 1/4" THREADS, 1" PIN W/BUSHING CROSS
2	SN8671-1		CAPSCREW NUT, 5/16" THREADS CROSS
3	SN8925-1		ROD, 1 3/8" DIA, 10" REPHASING CROSS
4	SN8631-1		CAPSCREW, CROSS
5	SN8781-1		SEAL KIT, 4", 1 3/8" ROD
6	SN8739-10		HEAD, 4" 1 3/8" ROD, REPHASING CROSS
7	SN8864-1		TIE ROD NUT, 5/8" THREADS
8	SN8653-1		PISTON, 4" W/1" HOLE, REPHASING CROSS
9	SN8683-1		PISTON NUT, 1" CROSS
10	SN8826-1		TUBE, 4" X 10" REPHASING CROSS
11	SN8654-1		TIE ROD BOLT, 4" X 10" REPHASING, CROSS
12	SN8670-10		BASE, 4" (ORB) CROSS
13			* WIPER
14			* U-CUP
15			* BACKUP
16			* O-RING
17			* O-RING
18			* TEFLON RING
19			* WEAR RING
20	SN4458		PLUG, 3/4"-16 MOR
21	SN997052		SYSTEMS MUST BE BLED OF AIR NOTE*AVAILABLE IN THE SEAL KIT ONLY.

I0002135
PR: t05g29n41d0013

3 3/4" X 10" HYDRAULIC CYLINDER 10815R



6333 31'-37' LAND FINISHER
SERVICE PARTS

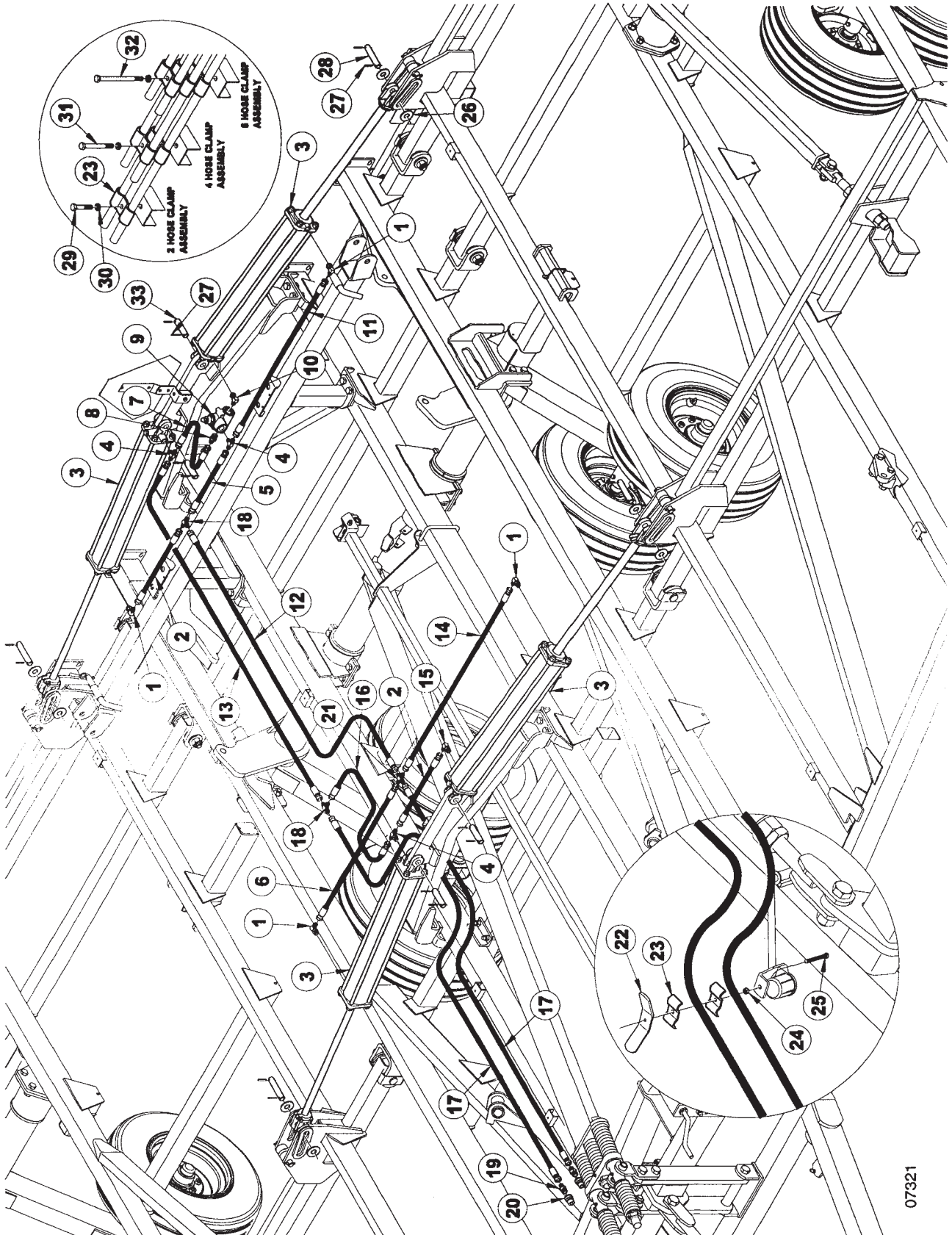
33

3 3/4" X 10" HYDRAULIC CYLINDER 10815R

ITEM	NUMBER	QTY	DESCRIPTION
1	SN8610-1		CLEVIS, 1 1/4" THREADS, 1" PIN W/BUSHING CROSS
2	SN8671-1		CAPSCREW NUT, 5/16" THREADS CROSS
3	SN8925-1		ROD, 1 3/8" DIA, 10" REPHASING CROSS
4	SN8631-1		CAPSCREW, CROSS
5	SN8776-1		SEAL KIT, 3 3/4", 1 3/8" ROD, REPHASING CROSS
6	SN8736-10		HEAD, 3 3/4", 1 3/8" ROD
7	SN8864-1		TIE ROD NUT, 5/8" THREADS
8	SN8655-1		PISTON, 3 3/4" W/1" HOLE REPHASING,CROSS
9	SN8683-1		PISTON NUT, 1" CROSS
10	SN8828-1		TUBE, 3 3/4" X 10" REPHASING CROSS E
11	SN8654-1		TIE ROD BOLT, 4" X 10" REPHASING, CROSS
12	SN8656-10		BASE, 3 3/4" (ORB), 1" PIN REPHASING, CROSS
13			* WIPER
14			* U-CUP
15			* BACKUP
16			* O-RING
17			* O-RING
18			* TEFLON RING
19			* WEAR RING
20	SN4458		PLUG, 3/4"-16 MOR
21	SN997052		SYSTEMS MUST BE BLED OF AIR NOTE*AVAILABLE IN THE SEAL KIT ONLY.

I0002135
PR: t05g29n41d0014

31' FOLD HYDRAULICS



**6333 31'-37' LAND FINISHER
SERVICE PARTS**

35

31' FOLD HYDRAULICS

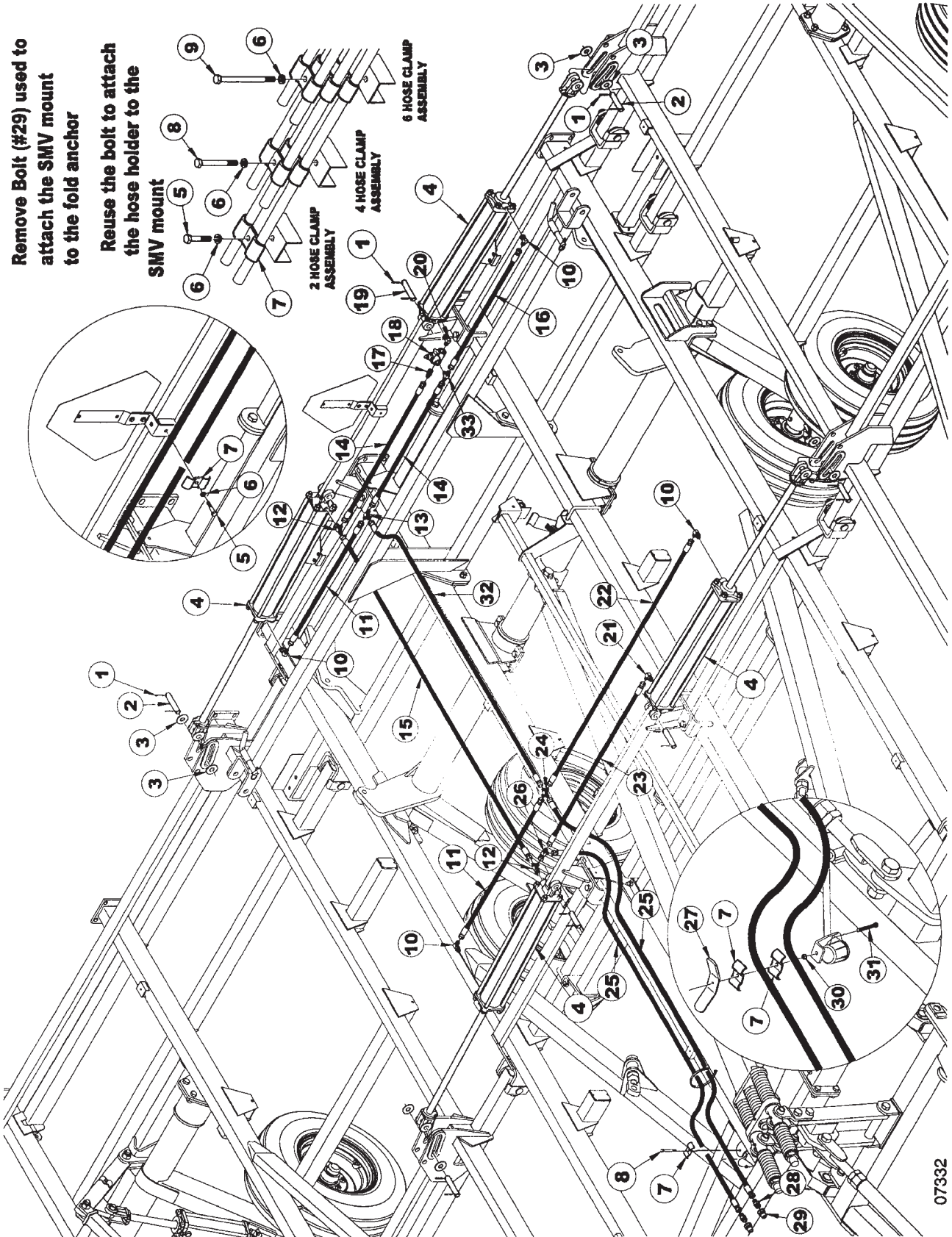
ITEM	NUMBER	QTY	DESCRIPTION
1	SN4455		90 DEG STR THD ELBOW, 3/4"-16 MF X 3/4"-16 MOR W/1/16" REST
2	SN4017002		HOSE, 3/8" X 17" L, FEMALE ENDS
3	SN10812		CYLINDER, 4" X 30" (40 1/4" CPC) ORB CROSS, 3000 PSI
4	SN4451		STRAIGHT THREAD BRANCH TEE, 3/4"-16 MF X 3/4"-16 MOR
5	SN4030002		HOSE, 3/8" X 30" L, FEMALE ENDS
6	SN4022002		HOSE, 3/8" X 22" L, FEMALE ENDS
7	SN4013002		HOSE, 3/8" X 13" L, FEMALE ENDS
8	SN4463		STRAIGHT THD.CONNECTOR, 3/4"-16
9	SN7905		RELIEF VALVE, 3/4"-16 SAE -1000 PSI
10	SN7741		90 DEG STR THD ELBOW, 3/4"-16 MOR
11	SN4032002		HOSE, 3/8" X 32" L, FEMALE ENDS
12	SN4093002		HOSE, 3/8" X 93" L, FEMALE ENDS
13	SN4114002		HOSE, 3/8" X 114" L, FEMALE ENDS
14	SN4062002		HOSE, 3/8" X 62" L, FEMALE ENDS
15	SN4454		90 DEG STR THREAD ELBOW, 3/4"-16
16	SN4016002		HOSE, 3/8" X 16" L, FEMALE ENDS
17	SN4253002		HOSE, 3/8" X 253" L, FEMALE ENDS
18	SN2429		UNION TEE, 3/4"-16 MF
19	SN2425		MALE CONNECTOR, 3/4"-16 MF X 1/2-14 MPT
20	SN3253		HYDRAULIC COUPLER, MALE HALF
21	SN4482		UNION CROSS, 3/4"-16 MF
22	SN9538R		HOSE HOLDER BRACKET
23	SN5302		PIPE CLAMP, 3/8" BOLT HOLE, Y/D
24	SN3567		LOCK NUT, 3/8"-16 HEX NYLON INSERT,
25	SN9549		HEX BOLT, 3/8"-16 X 4", ALL THD GR 5, Y/D
26	SN245		FLAT WASHER, 1" WIDE RIM, Y/D
27	SN3164		ROLL PIN, 5/16" X 2" SPIRAL MEDIUM DUTY, Y/D
28	SN5252		PIN, 1" X 6 9/16" (5 1/4") Y/D
29	SN175		HEX BOLT, 3/8"-16 X 1 1/2", GR 5, Y/D
30	SN176		LOCK WASHER, 3/8" SPLIT TYPE MED, Y/D
31	SN2487		HEX BOLT, 3/8"-16 X 2 1/2", GR 5, Y/D
32	SN3565		HEX BOLT, 3/8"-16 X 3 1/2", GR 5, Y/D
33	SN5339		PIN, 1" X 4 1/16" (3"), Y/D

I0007321
PR: t05g29n41d0015

34' & 37' FOLD HYDRAULICS

Remove Bolt (#29) used to attach the SMV mount to the fold anchor

Reuse the bolt to attach the hose holder to the SMV mount



**6333 31'-37' LAND FINISHER
SERVICE PARTS**

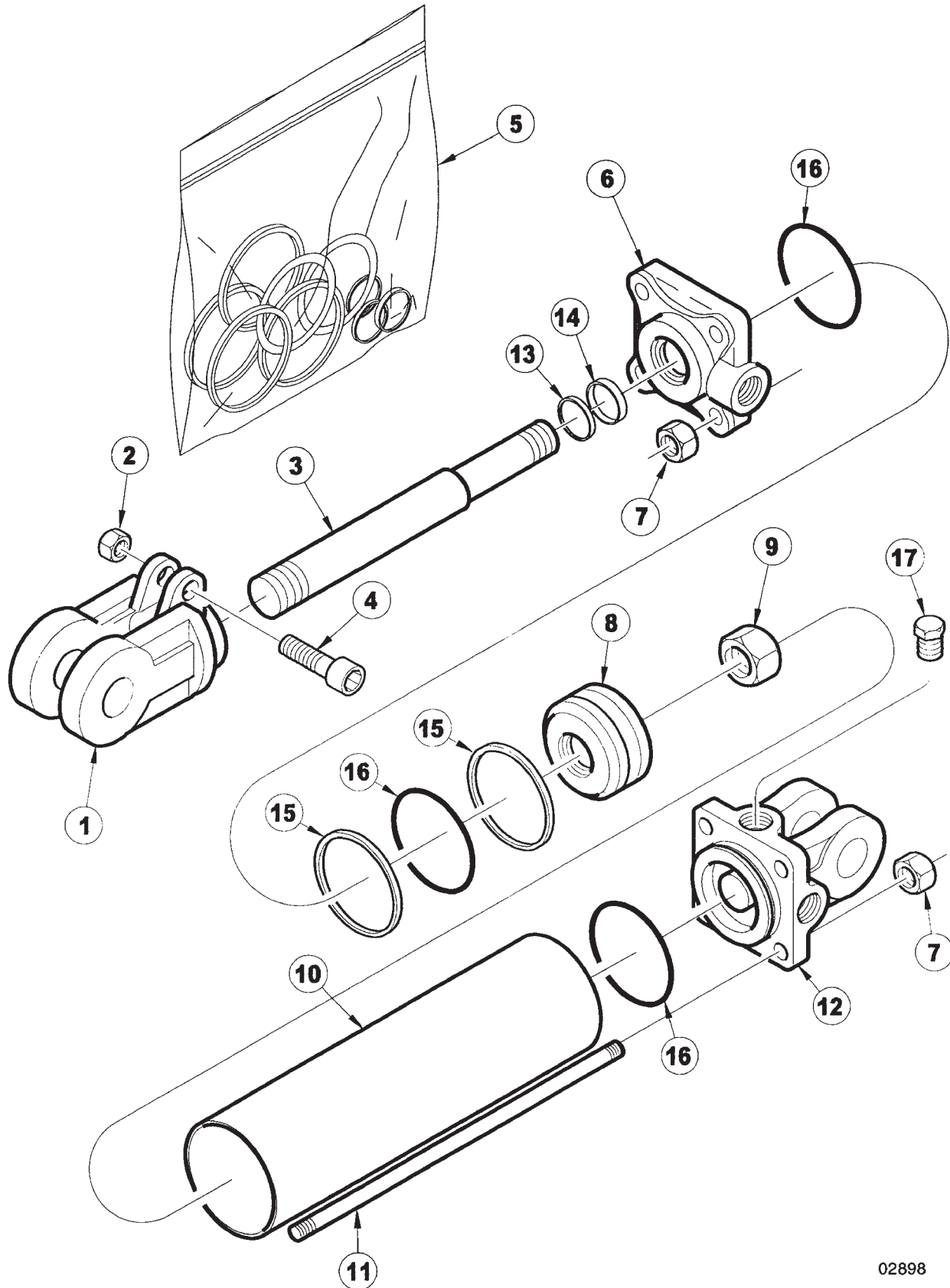
37

34' & 37' FOLD HYDRAULICS

ITEM	NUMBER	QTY	DESCRIPTION
1	SN3164		ROLL PIN, 5/16" X 2" SPIRAL MEDIUM DUTY, Y/D
2	SN5252		PIN, 1" X 6 9/16" (5 1/4") Y/D
3	SN245		FLAT WASHER, 1" WIDE RIM, Y/D
4	SN10812		CYLINDER, 4" X 30" (40 1/4" CPC) ORBCROSS, 3000 PSI
5	SN175		HEX BOLT, 3/8"-16 X 1 1/2",GR 5, Y/D
6	SN176		LOCK WASHER,3/8" SPLIT TYPE MED,Y/D
7	SN5302		PIPE CLAMP, 3/8" BOLT HOLE, Y/D
8	SN2487		HEX BOLT, 3/8"-16 X 2 1/2",GR 5,Y/D
9	SN3565		HEX BOLT, 3/8"-16 X 3 1/2",GR 5, Y/D
10	SN4455		90 DEG STR THD ELBOW, 3/4"-16 MF X 3/4"-16 MOR W/1/16" REST
11	SN4038002		HOSE, 3/8" X 38" L, FEMALE ENDS
12	SN4474		STRAIGHT THD.RUN TEE, 3/4"-16 MF X 3/4"-16 MOR
13	SN2429		UNION TEE, 3/4"-16 MF
14	SN4049002		HOSE, 3/8" X 49" L, FEMALE ENDS
15	SN4118002		HOSE, 3/8" X 118" L, FEMALE ENDS
16	SN4032002		HOSE, 3/8" X 32" L, FEMALE ENDS
17	SN4463		STRAIGHT THD.CONNECTOR, 3/4"-16
18	SN7905		RELIEF VALVE, 3/4"-16 SAE -1000 PSI
19	SN5339		PIN, 1" X 4 1/16" (3"), Y/D
20	SN7741		90 DEG STR THD ELBOW, 3/4"-16 MOR
21	SN4454		90 DEG STR THREAD ELBOW, 3/4"-16
22	SN4078002		HOSE, 3/8" X 78" L, FEMALE ENDS
23	SN4051002		HOSE, 3/8" X 51" L, FEMALE ENDS
24	SN4482		UNION CROSS, 3/4"-16 MF
25	SN4253002		HOSE, 3/8" X 253" L, FEMALE ENDS
26	SN6380		SWIVEL NUT RUN TEE, 3/4"-16 MF X 3/4"-16 FF
27	SN9538R		HOSE HOLDER BRACKET
28	SN2425		MALE CONNECTOR, 3/4"-16 MF X 1/2-14 MPT
29	SN3253		HYDRAULIC COUPLER, MALE HALF
30	SN3567		LOCK NUT, 3/8"-16 HEX NYLON INSERT, GR 2, Y/D
31	SN9549		HEX BOLT, 3/8"-16 X 4", ALL THD GR 5,Y/D
32	SN4090002		HOSE, 3/8" X 90" L, FEMALE ENDS
33	SN4451		STRAIGHT THREAD BRANCH TEE,3/4"-16 MF X 3/4"-16 MOR

I0007332
PR: t05g29n41d0016

4" X 30" HYDRAULIC CYLINDER 10812R



6333 31'-37' LAND FINISHER
SERVICE PARTS

39

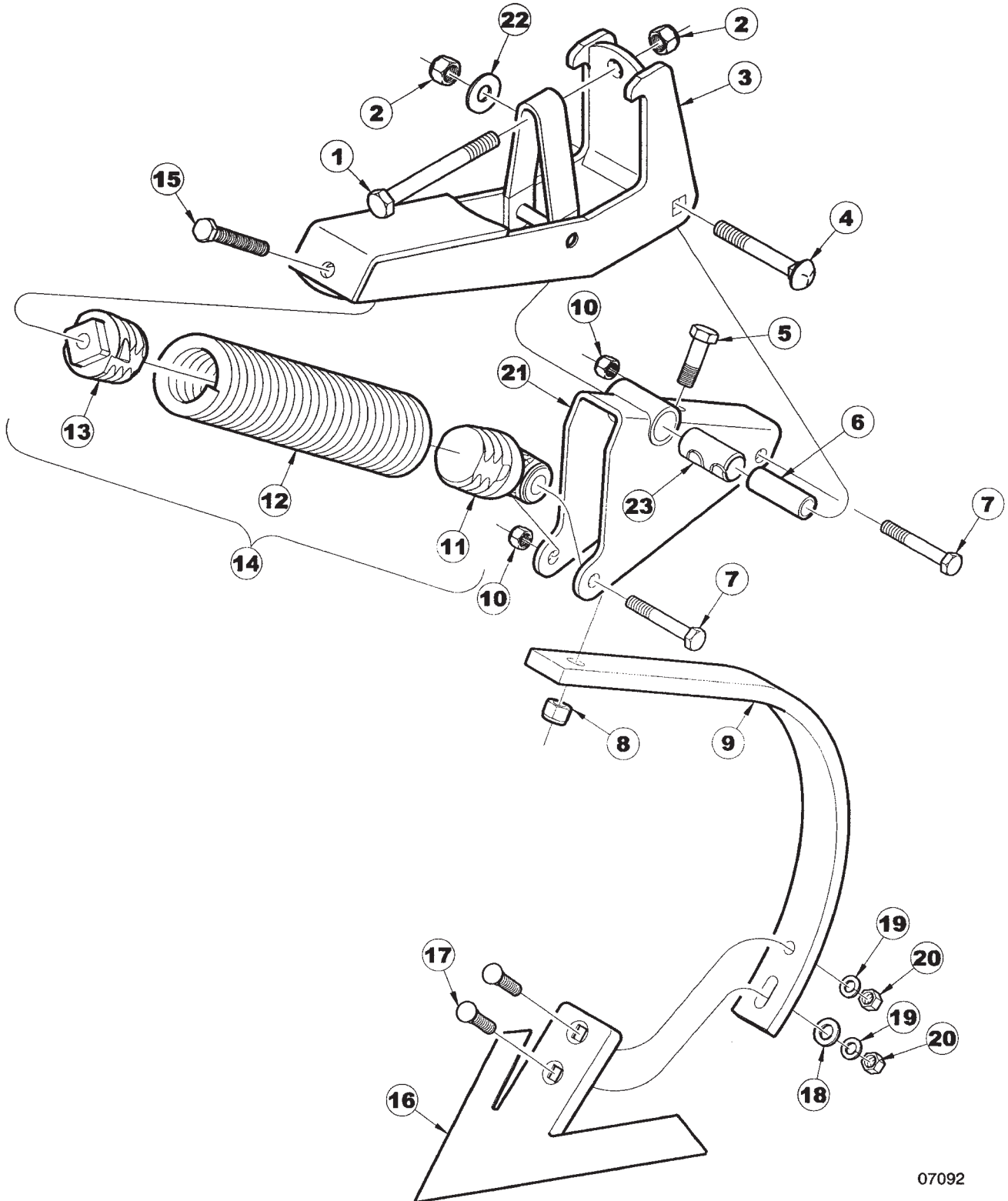
4" X 30" HYDRAULIC CYLINDER 10812R

ITEM	NUMBER	QTY	DESCRIPTION
1	SN8616-1		CLEVIS, 1 1/2" THREADS, 1" PIN CROSS GS, 4" X 8", CROSS
2	SN8671-1		CAPSCREW NUT, 5/16" THREADS CROSS
3	SN8923-1		ROD, 1 1/2" DIA, 30", CROSS
4	SN8631-1		CAPSCREW, CROSS
5	SN8612-1		SEAL KIT, 4", 1 1/2" ROD, CROSS
6	SN8273-1		HEAD, 4", 1 1/2" ROD, CROSS
7	SN8864-1		TIE ROD NUT, 5/8" THREADS
8	SN8682-1		PISTON, 4" W/1" HOLE, CROSS
9	SN8683-1		PISTON NUT, 1" CROSS
10	SN8837-1		TUBE, 4" X 30" CROSS
11	SN8602-1		TIE ROD BOLT, 4" X 30", CROSS
12	SN8670-10		BASE, 4" (ORB) CROSS
13			* WIPER
14			* U-CUP
15			* BACKUP
16			* O-RING
17	SN4458		PLUG, 3/4"-16 MOR

NOTE*AVAILABLE IN THE SEAL KIT ONLY.

I0002898
PR: t05g29n41d0017

SPRING SHANK ASSEMBLY



**6333 31'-37' LAND FINISHER
SERVICE PARTS**

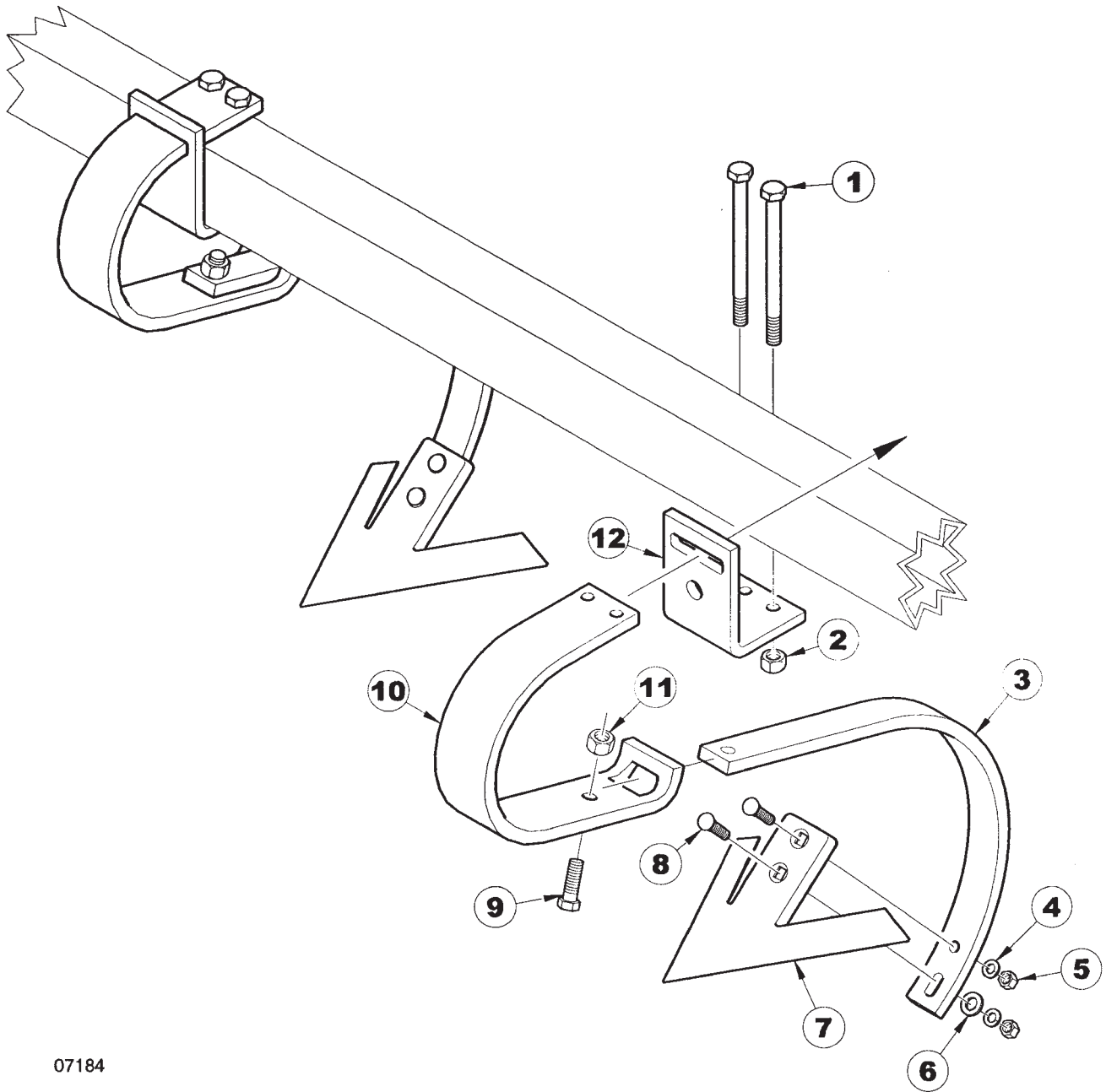
41

SPRING SHANK ASSEMBLY

ITEM	NUMBER	QTY	DESCRIPTION
1	SN2097		HEX BOLT, 5/8"-11 X 5 1/2", GR 5, Y/D
2	SN669-1		LOCK NUT, 5/8"-11 HEX NYLON INSERT, GR 5, Y/D
3	SN10603		MOUNT, UPPER SHANK
4	SN3949		CARRIAGE BOLT, 5/8" X 4 1/4", Y/D, SPECIAL
5	SN3790		HEX BOLT, 9/16"-12 X 1 3/4", GR 8, Y/D
6	SN5711		BUSHING, CLAMP
7	SN156		HEX BOLT, 1/2"-13 X 3", GR 5 Y/D
8	SN3757		LOCK NUT, 9/16"-12 HEX NYLON INSERT,
9	SN12231		SHANK, 5/8" X 1 3/4" FLAT
10	SN2096		LOCK NUT, 1/2"-13 HEX NYLON INSERT, GR 8, Y/D
11	SN3042		SPRING BASE, 5000
12	SN3043		SPRING, 5000
13	SN3041		THREADED SPRING PLUG, 5000
14	SN3044B		SPRING ASSEMBLY, 5000
15	SN10820		HEX BOLT, 1/2"-13 X 4" ALL THD GR 5,Y/D
16	SN3048		SWEEP, 10" PLAIN (47 DEG)
17	SN3050		PLOW BOLT, 7/16"-14 X 1 1/2", GR 5, Y/D
18	SN305		FLAT WASHER, 7/16", Y/D
19	SN302		LOCKWASHER, 7/16" SPLIT TYPE MED,Y/D
20	SN303		HEX NUT, 7/16"-14 FULL, GR 2, Y/D
21	SN10604		SHANK HOLDER
22	SN5810		WASHER, 1 5/16" OD X 11/16" ID .149" THICK, HARDENED, Y/D
23	SN6642		BUSHING, 1 1/8" OD X .887" ID 2 3/8" L (HARD) SPRING
	SN12256		SPRING SHANK ASSEMBLY (ITEMS 1-10, 14, 15, 21-23)

I0007092
PR: t05g29n41d0018

S-TINE SHANK ASSEMBLY (2 PIECE)



6333 31'-37' LAND FINISHER
SERVICE PARTS

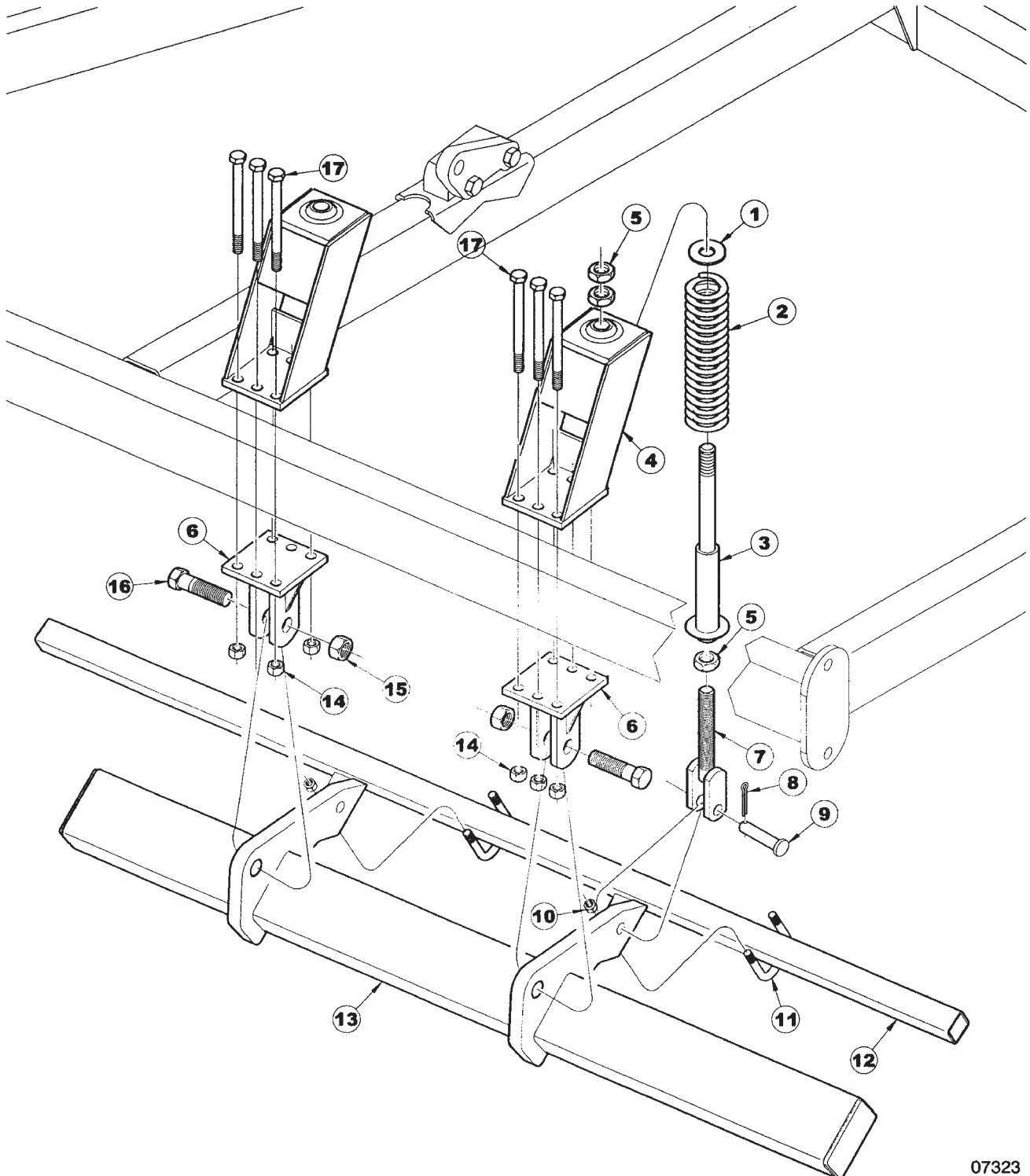
43

S-TINE SHANK ASSEMBLY (2 PIECE)

ITEM	NUMBER	QTY	DESCRIPTION
1	SN329		HEX BOLT, 1/2"-13 X 6"
2	SN2096		LOCK NUT, 1/2"-13 HEX NYLON INSERT, GR 8, Y/D
3	SN12257		SHANK, 5/8" X 1 3/4" X 24", FLAT
4	SN302		LOCKWASHER, 7/16" SPLIT TYPE MED, Y/D
5	SN303		HEX NUT, 7/16"-14 FULL, GR 2, Y/D
6	SN305		FLAT WASHER, 7/16", Y/D
7	SN3048		SWEEP, 10" PLAIN (47 DEG)
8	SN3050		PLOW BOLT, 7/16"-14 X 1 1/2", GR 5, Y/D
9	SN7530		HEX BOLT, 5/8"-11 X 2 1/4" GR 5, Y/D
10	SN7453		SPRING CLAMP, S-TINE
11	SN669-1		LOCK NUT, 5/8"-11 HEX NYLON INSERT, GR 5, Y/D
12	SN7528B		S-TINE CLAMP
	SN12375		SHANK ASSY, S-TINE 2 PIECE FLAT (ITEMS 1-3 & 9-12)

I0007184
PR: t05g29n41d0019

31' STANDARD GANG BAR MOUNT ASSEMBLY



**6333 31'-37' LAND FINISHER
SERVICE PARTS**

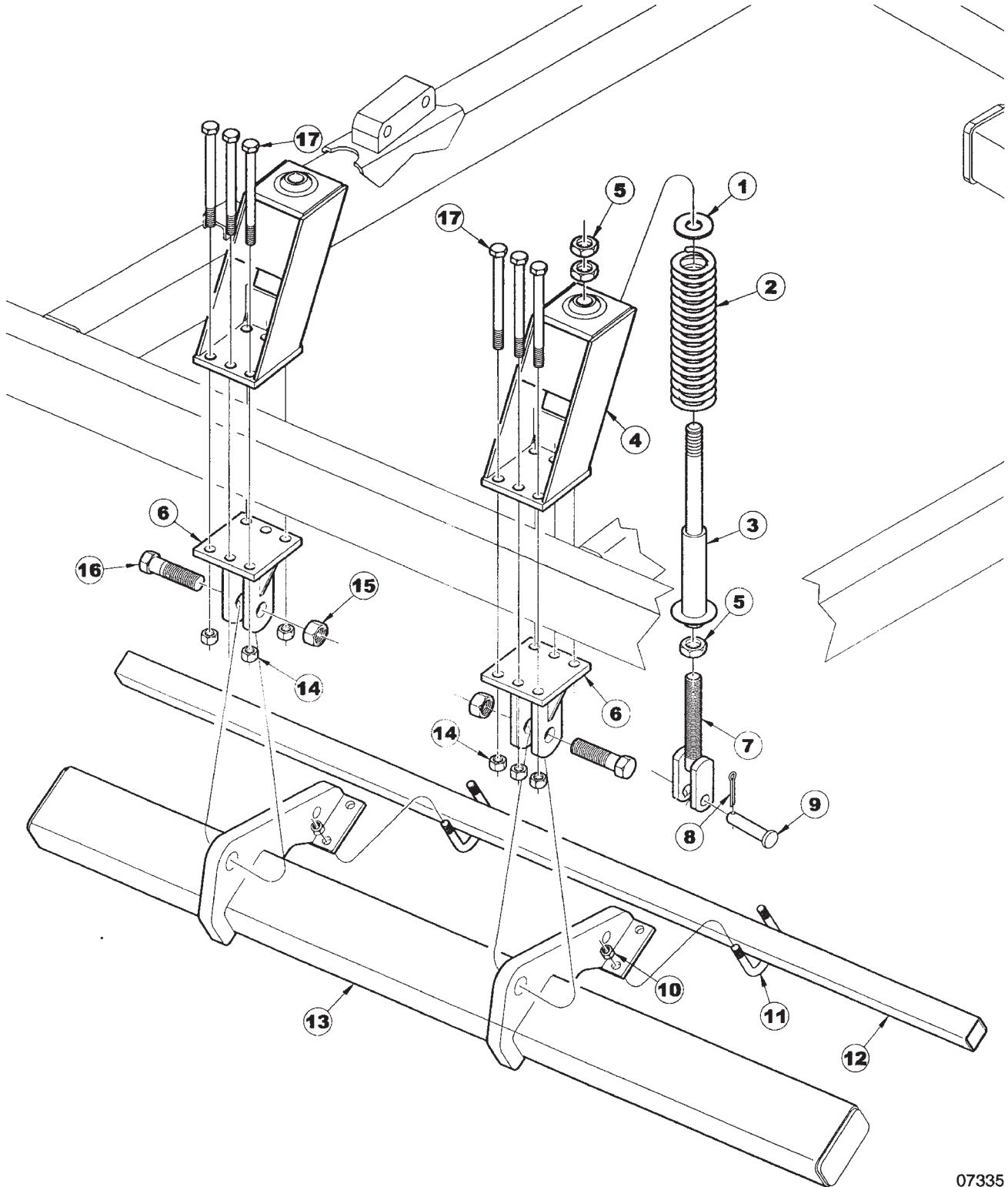
45

31' STANDARD GANG BAR MOUNT ASSEMBLY

ITEM	NUMBER QTY	DESCRIPTION
1	SN245	FLAT WASHER, 1" WIDE RIM, Y/D
2	SN3335	SPRING
3	SN3336	SPRING ADJUSTMENT SCREW, 6000
4	SN3334	GANG BAR SPRING MOUNT
5	SN1849	JAM NUT, 1"-8 HEX, GR 2, Y/D
6	SN3333	GANG BAR MOUNT, 6000
7	SN3337	GANG BAR THREADED CLEVIS, Y/D
8	SN1609	COTTER PIN, 3/16" X 1 1/2"
9	SN3370	PIN, 3/4" X 2 1/2" (2 1/8") SPCL,
10	SN2096	LOCK NUT, 1/2"-13 HEX NYLON INSERT, GR 8, Y/D
11	SN3199	U-BOLT, 1/2"-13 X 3" X 2 3/4" W, GR 5, Y/D
12	SN12495R	SCRAPER BAR, 67", 1 3/4" SQUARE
	SN12502R	SCRAPER BAR, 58", 1 3/4" SQUARE
	SN3208	SCRAPER BAR, 59 1/2", 1 3/4" SQUARE
13	SN12501R	GANG BAR, 61" LEFT OUTER
	SN12497R	GANG BAR, 53 1/2" LEFT INNER
	SN12498R	GANG BAR, 53 1/2" LEFT CENTER
	SN12496R	GANG BAR, 53 1/2" RIGHT CENTER
	SN12499R	GANG BAR, 53 1/2" RIGHT INNER
	SN12500R	GANG BAR, 61" RIGHT OUTER
14	SN669-1	LOCK NUT, 5/8"-11 HEX NYLON INSERT, GR 5, Y/D
15	SN3938	LOCK NUT, 1"-8 HEX NYLON INSERT, GR2,Y/D
16	SN155	HEX BOLT, 1"-8 X 3 1/2", GR 5 Y/D
17	SN2558	HEX BOLT, 5/8"-11 X 7", GR 5, Y/D (WING FRAME)
	SN2570	HEX BOLT, 5/8"-11 X 8", GR 5 Y/D (CENTER FRAME)

I0007323
PR: t05g29n41d0020

34' & 37' STANDARD GANG BAR MOUNT
ASSEMBLY



**6333 31'-37' LAND FINISHER
SERVICE PARTS**

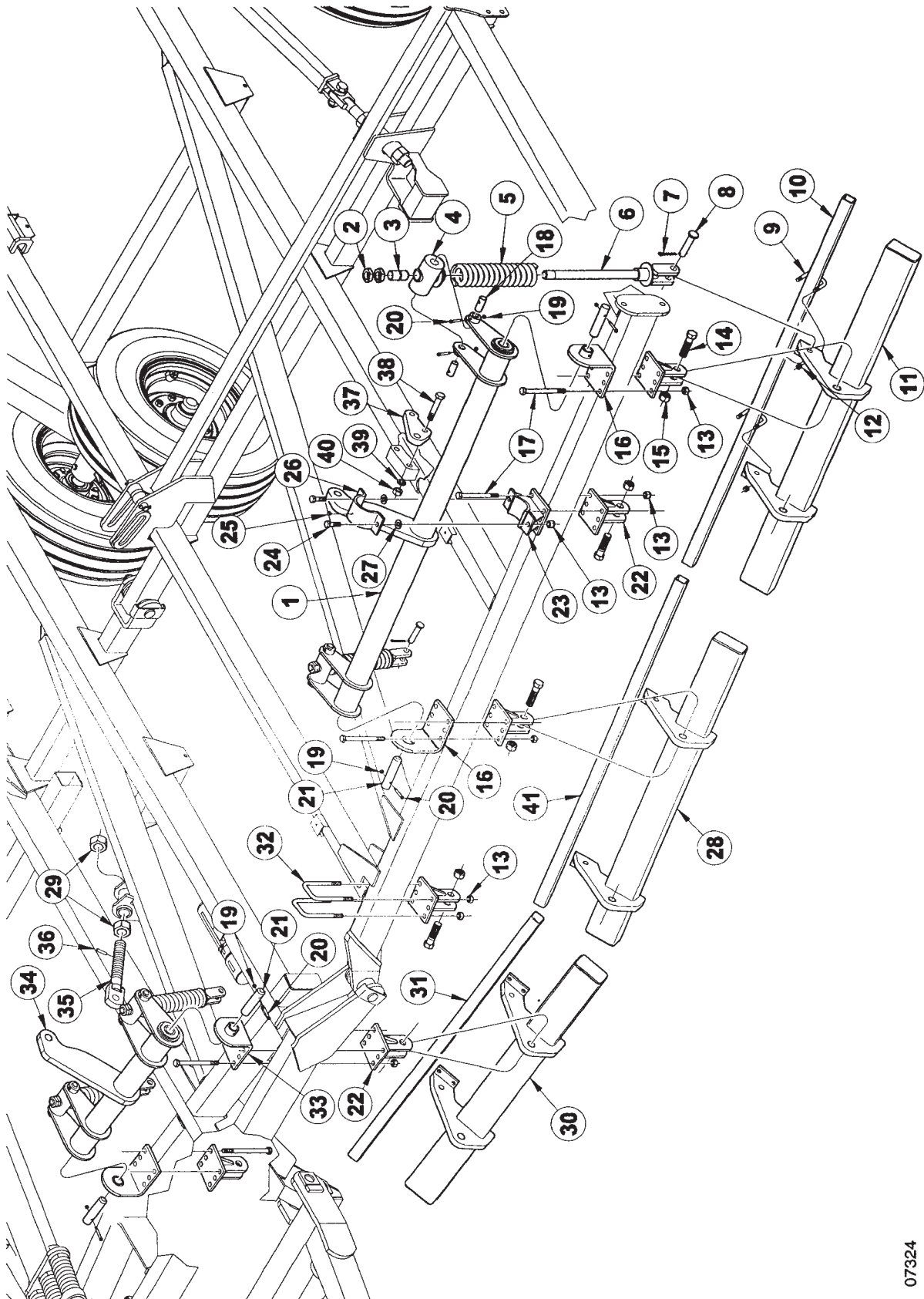
47

**34' & 37' STANDARD GANG BAR MOUNT
ASSEMBLY**

ITEM	NUMBER QTY	DESCRIPTION
1	SN245	FLAT WASHER, 1" WIDE RIM, Y/D
2	SN3335	SPRING
3	SN3336	SPRING ADJUSTMENT SCREW, 6000
4	SN3334	GANG BAR SPRING MOUNT
5	SN1849	JAM NUT, 1"-8 HEX, GR 2, Y/D
6	SN3333	GANG BAR MOUNT, 6000
7	SN3337	GANG BAR THREADED CLEVIS, Y/D
8	SN1609	COTTER PIN, 3/16" X 1 1/2"
9	SN3370	PIN, 3/4" X 2 1/2" (2 1/8") SPCL,
10	SN2096	LOCK NUT, 1/2"-13 HEX NYLON INSERT, GR 8, Y/D
11	SN3199	U-BOLT, 1/2"-13 X 3" X 2 3/4" W, GR 5, Y/D
12	SN3207	SCRAPER BAR, 51", 1 3/4"
	SN3208	SCRAPER BAR, 59 1/2", 1 3/4" SQUARE
	SN12246	SCRAPER BAR, 73", 1 3/4" SQUARE
13	SN12501R	GANG BAR, 61" LEFT OUTER
	SN12497R	GANG BAR, 53 1/2" LEFT INNER
	SN12250R	GANG BAR, 68 1/4" LEFT CENTER
	SN12249R	GANG BAR, 68 1/4" RIGHT CENTER
	SN12499R	GANG BAR, 53 1/2" RIGHT INNER
	SN12500R	GANG BAR, 61" RIGHT OUTER
	SN12508R	GANG BAR, 45 3/8" LEFT OUTER
	SN12506R	GANG BAR, 37 7/8" LEFT INNER
14	SN669-1	LOCK NUT, 5/8"-11 HEX NYLON INSERT, GR 5 Y/D
15	SN3938	LOCK NUT, 1"-8 HEX NYLON INSERT, GR2,Y/D
16	SN155	HEX BOLT, 1"-8 X 3 1/2", GR 5 Y/D
17	SN2558	HEX BOLT, 5/8"-11 X 7", GR 5, Y/D (WING FRAME)
	SN2570	HEX BOLT, 5/8"-11 X 8", GR 5 Y/D (CENTER FRAME)

I0007335
PR: t05g29n41d0021

31' HYDRAULIC DISC GANG ASSEMBLY



**6333 31'-37' LAND FINISHER
SERVICE PARTS**

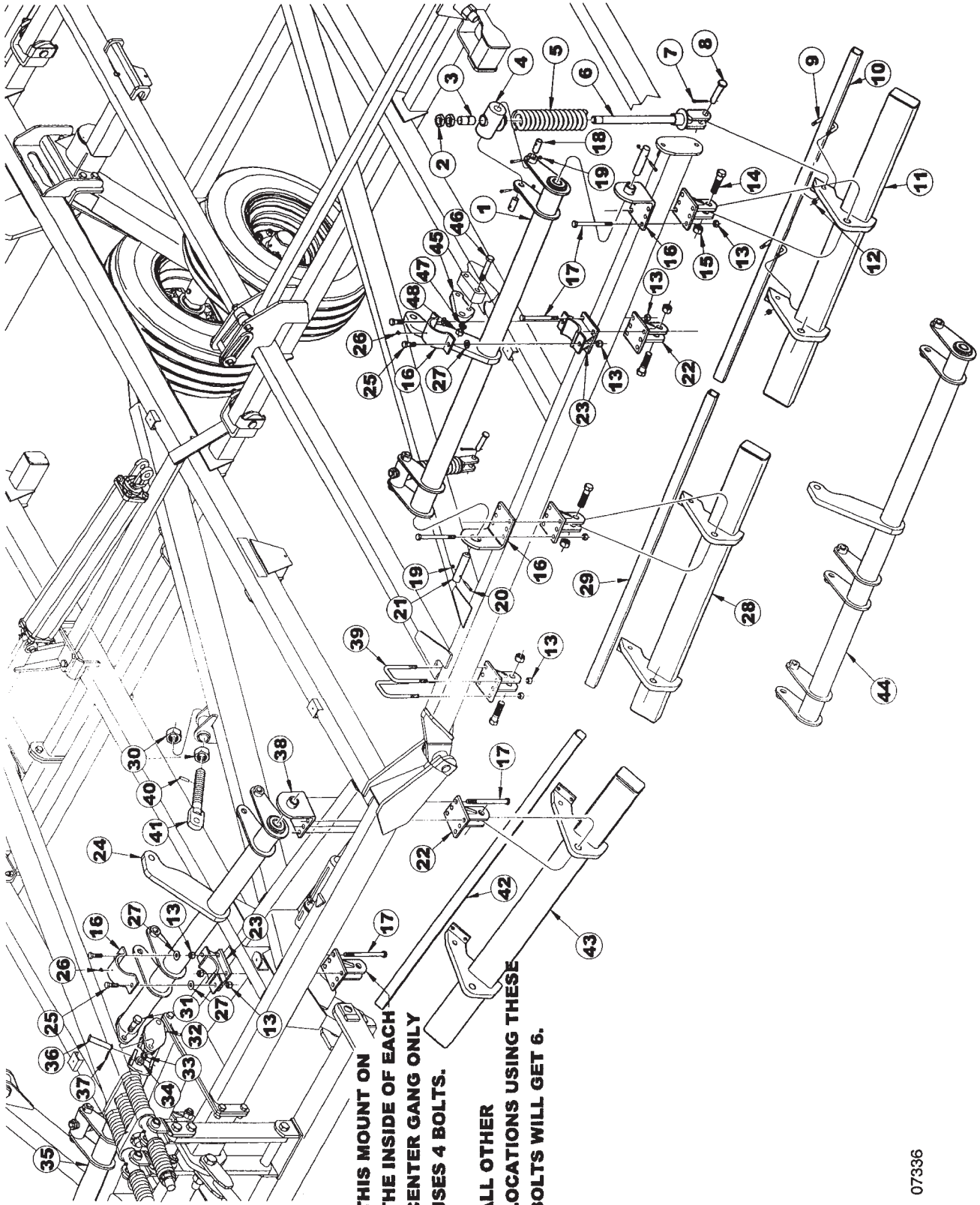
49

31' HYDRAULIC DISC GANG ASSEMBLY

ITEM	NUMBER	QTY	DESCRIPTION
1	SN12524R		LIFT, WING 31' & 34' LEFT HYD GANG
	SN12523R		LIFT, WING 31' & 34' RIGHT HYD GANG
2	SN1849		JAM NUT, 1"-8 HEX, GR 2, Y/D
3	SN12328		BUSHING, 1" ID, IGUS
4	SN12330R		SPRING TUBE
5	SN3335		SPRING
6	SN12329		SPRING ROD, Y/D
7	SN1609		COTTER PIN, 3/16" X 1 1/2"
8	SN3370		PIN, 3/4" X 2 1/2" (2 1/8") SPCL,
9	SN3199		U-BOLT, 1/2"-13 X 3" X 2 3/4" W, GR 5, Y/D
10	SN12495R		SCRAPER BAR, 67", 1 3/4" SQUARE
11	SN12501R		GANG BAR, 61" LEFT OUTER
	SN12500R		GANG BAR, 61" RIGHT OUTER
12	SN2096		LOCK NUT, 1/2"-13 HEX NYLON INSERT, GR 8, Y/D
13	SN669-1		LOCK NUT, 5/8"-11 HEX NYLON INSERT, GR 5, Y/D
14	SN155		HEX BOLT, 1"-8 X 3 1/2", GR 5 Y/D
15	SN3938		LOCK NUT, 1"-8 HEX NYLON INSERT, GR2,Y/D
16	SN12266		MOUNT, BEARING 4 3/8", HYD LIFT (WING FRAME)
17	SN2558		HEX BOLT, 5/8"-11 X 7", GR 5, Y/D
	SN2570		HEX BOLT, 5/8"-11 X 8", GR 5 Y/D
18	SN3161		PIN, 1" X 2 1/4" (1 9/16"), Y/D
19	SN3881		LOCK NUT, 1/4"-20 HEX NYLON INSERT, GR 2, Y/D
20	SN3880		SHOULDER BOLT, 5/16" X 1 3/4", GR8 EQUIV
21	SN5942		PIN, 1 1/4" X 5 3/8" (3 31
22	SN3333		GANG BAR MOUNT, 6000
23	SN5476		BEARING MOUNT
24	SN670		HEX BOLT, 5/8"-11 X 2", GR 5, Y/D
25	SNZK142890		GREASE ZERK, 1/4"-28 90 DEG
26	SN12266		MOUNT, BEARING 4 3/8", HYD LIFT
27	SNFK150283		FLAT WASHER, 5/8" SAE, Y/D
28	SN12497R		GANG BAR, 53 1/2" LEFT INNER
	SN12499R		GANG BAR, 53 1/2" RIGHT INNER
29	SN1978		HEX NUT, 1 1/2"-6 FULL, GR 2, Y/D
30	SN12498R		GANG BAR, 53 1/2" LEFT CENTER
	SN12496R		GANG BAR, 53 1/2" RIGHT CENTER
31	SN12502R		SCRAPER BAR, 58", 1 3/4" SQUARE
32	SN3357		U-BOLT, 5/8"-11 X 6 1/2" X 3 3/4" W, GR 5, Y/D
33	SN7469		BEARING MOUNT, HYD LIFT (CENTER FRAME)
34	SN12262R		LIFT, CTR 31' & WING 40' & 43' RT/LT OUTER HYD GANG
35	SN12347		CYLINDER, ADJUSTABLE BLOCK, Y/D
36	SN4623		GUIDE PIN, Y/D
37	SN12548R		MOUNT, CYLINDER
38	SN1599		HEX BOLT, 3/4"-10 X 4", GR 5, Y/D
39	SN1040		LOCK WASHER, 3/4" SPLIT TYPE MED, Y/D
40	SN106		HEX NUT, 3/4"-10 FULL, GR 5, Y/D
41	SN3208		SCRAPER BAR, 59 1/2", 1 3/4" SQUARE

I0007324
PR: t05g29n41d0022

34' & 37' HYDRAULIC DISC GANG ASSEMBLY



**THIS MOUNT ON
THE INSIDE OF EACH
CENTER GANG ONLY
USES 4 BOLTS.**

**ALL OTHER
LOCATIONS USING THESE
BOLTS WILL GET 6.**

6333 31'-37' LAND FINISHER
SERVICE PARTS

51

34' & 37' HYDRAULIC DISC GANG ASSEMBLY

ITEM	NUMBER	QTY	DESCRIPTION
1	SN12524R		LIFT, WING 31' & 34' LEFT HYD GANG
	SN12523R		LIFT, WING 31' & 34' RIGHT HYD GANG
2	SN1849		JAM NUT, 1"-8 HEX, GR 2, Y/D
3	SN12328		BUSHING, 1" ID, IGUS
4	SN12330R		SPRING TUBE
5	SN3335		SPRING
6	SN12329		SPRING ROD, Y/D
7	SN1609		COTTER PIN, 3/16" X 1 1/2"
8	SN3370		PIN, 3/4" X 2 1/2" (2 1/8") SPCL,
9	SN3199		U-BOLT, 1/2-13 X 3 X 2 3/4 W, GR 5, Y/D
10	SN12495R		SCRAPER BAR, 67", 1 3/4" SQUARE
	SN3207		SCRAPER BAR, 51", 1 3/4"
11	SN12501R		GANG BAR, 61" LEFT OUTER
	SN12500R		GANG BAR, 61" RIGHT OUTER
	SN12508R		GANG BAR, 45 3/8" LEFT OUTER
	SN12507R		GANG BAR, 45 3/8" RIGHT OUTER
12	SN2096		LOCK NUT, 1/2-13 HEX NYLON INSERT,G8,Y/D
13	SN669-1		LOCK NUT, 5/8-11 HEX NYLON INSERT,G5,Y/D
14	SN155		HEX BOLT, 1"-8 X 3 1/2", GR 5 Y/D
15	SN3938		LOCK NUT, 1"-8 HEX NYLON INSERT, GR2,Y/D
16	SN12266		MOUNT, BEARING 4 3/8", HYD LIFT (WING FRAME)
17	SN2558		HEX BOLT, 5/8"-11 X 7", GR 5, Y/D
	SN2570		HEX BOLT, 5/8"-11 X 8", GR 5 Y/D
18	SN3161		PIN, 1" X 2 1/4" (1 9/16"), Y/D
19	SN3881		LOCK NUT, 1/4-20 HEX NYLON INSERT,G2,Y/D
20	SN3880		SHOULDER BOLT, 5/16" X 1 3/4", GR8 EQUIV
21	SN5942		PIN, 1 1/4" X 5 3/8" (3 31
22	SN3333		GANG BAR MOUNT, 6000
23	SN5476		BEARING MOUNT
24	SN12265R		LIFT, CENTER 40' & 43' LEFT HYD GANG
25	SN670		HEX BOLT, 5/8"-11 X 2", GR 5, Y/D
26	SNZK142890		GREASE ZERK, 1/4"-28 90 DEG
27	SNFK150283		FLAT WASHER, 5/8" SAE, Y/D
28	SN12497R		GANG BAR, 53 1/2" LEFT INNER
	SN12499R		GANG BAR, 53 1/2" RIGHT INNER
	SN12506R		GANG BAR, 37 7/8" LEFT INNER
	SN12505R		GANG BAR, 37 7/8" RIGHT INNER
29	SN3208		SCRAPER BAR, 59 1/2", 1 3/4" SQUARE
	SN3206		SCRAPER BAR, 43", 1 3/4"
30	SN1918		HEX BOLT, 1"-8 X 2 1/2", GR 5 Y/D
31	SN1220		HEX BOLT, 3/4"-10 X 2", GR 5 Y/D
32	SN12261R		PIVOT BLOCK
33	SN1040		LOCK WASHER,3/4" SPLIT TYPE MED,Y/D
34	SN106		HEX NUT, 3/4"-10 FULL, GR 5, Y/D
35	SN12264R		LIFT, CENTER 40' & 43'RIGHT HYD GANG
36	SN1813		PIN, 1" X 5" (4 1/2") CLEVIS, Y/D
37	SN3164		ROLL PIN, 5/16" X 2" SPIRAL MED DUTY,Y/D
38	SN7469		BEARING MOUNT, HYD LIFT (CENTER FRAME)
39	SN3357		U-BOLT, 5/8-11 X 6 1/2 X 3 3/4 W,G5,Y/D
40	SN4623		GUIDE PIN, Y/D
41	SN12347		CYLINDER, ADJUSTABLE BLOCK, Y/D
42	SN12246R		SCRAPER BAR, 73", 1 3/4" SQUARE
43	SN12250R		GANG BAR, 68 1/4" LEFT CENTER
	SN12249R		GANG BAR, 68 1/4" RIGHT CENTER
44	SN12552R		LIFT, WING 37' LEFT HYD GANG
	SN12551R		LIFT, WING 37' RIGHT HYD GANG
45	SN12548R		MOUNT, CYLINDER
46	SN1599		HEX BOLT, 3/4"-10 X 4", GR 5, Y/D
47	SN1040		LOCK WASHER,3/4" SPLIT TYPE MED,Y/D
48	SN106		HEX NUT, 3/4"-10 FULL, GR 5, Y/D

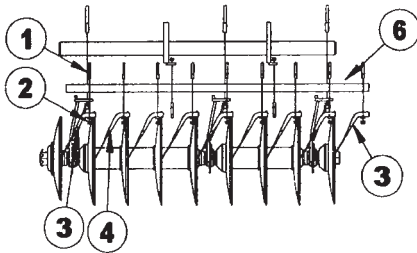
I0007336
PR: t05g29n41d0023

31' SCRAPER ASSEMBLY

LEFT OUTER

4 GA - 82002281R
6 GA - 82002287R

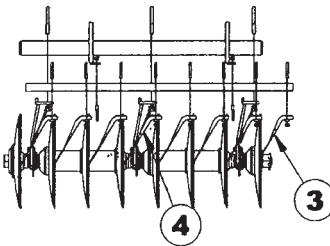
12501R GANG BAR
12495R SCRAPER BAR



LEFT INNER

4 GA - 82002277R
6 GA - 82002283R

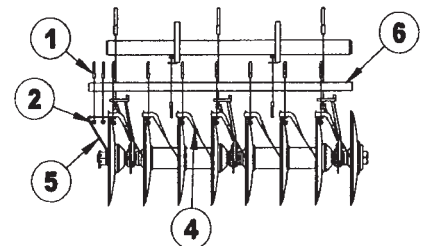
12497R GANG BAR
3208 SCRAPER BAR



LEFT CENTER

4 GA - 82002278R
6 GA - 82002284R

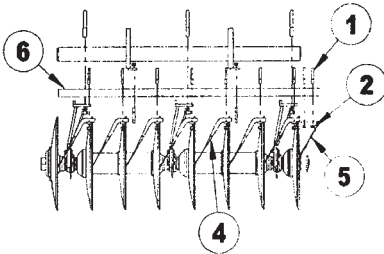
12498R GANG BAR
12502 SCRAPER BAR



RIGHT CENTER

4 GA - 82002276R
6 GA - 82002282R

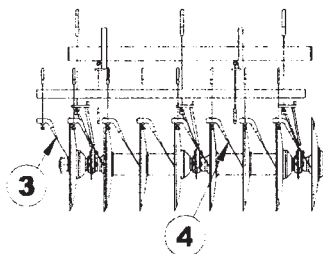
12496R GANG BAR
12502 SCRAPER BAR



RIGHT INNER

4 GA - 82002279R
6 GA - 82002285R

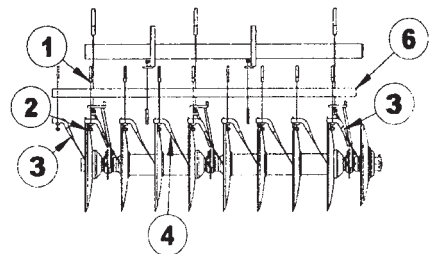
12499R GANG BAR
3208 SCRAPER BAR



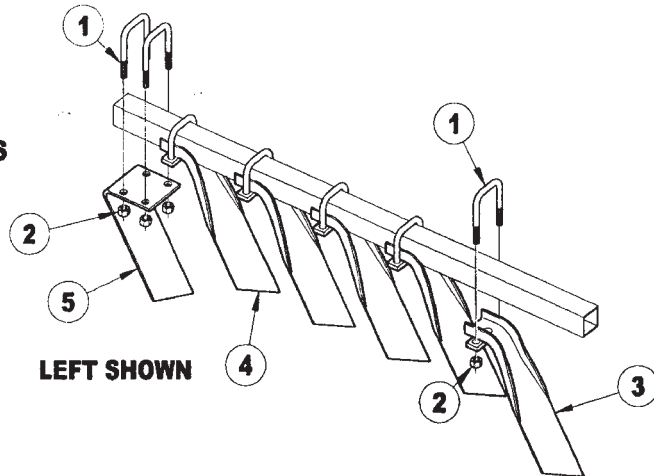
RIGHT OUTER

4 GA - 82002280R
6 GA - 82002286R

12500R GANG BAR
12495R SCRAPER BAR



**NOTE: POSITION SCRAPER BLADES
NEXT TO DISC BLADES AS
CLOSE AS POSSIBLE
WITHOUT TOUCHING**



**6333 31'-37' LAND FINISHER
SERVICE PARTS**

53

31' SCRAPER ASSEMBLY

ITEM	NUMBER	QTY	DESCRIPTION
1	SN3199		U-BOLT, 1/2"-13 X 3" X 2 3/4" W, GR 5, Y/D
2	SN2096		LOCK NUT, 1/2"-13 HEX NYLON INSERT, GR 8, Y/D
3	SN5488R		SCRAPER W/SCRAPER CLIP, RIGHT
	SN5489		SCRAPER W/SCRAPER CLIP, LEFT (SHOWN)
4	SN3195		SCRAPER W/SCRAPER CLIP, RIGHT
	SN3196		SCRAPER W/SCRAPER CLIP, LEFT (SHOWN)
5	SN5467		SCRAPER, RIGHT
	SN5468		SCRAPER, LEFT (SHOWN)
6	SN12495R		SCRAPER BAR, 67", 1 3/4" SQUARE
	SN3208		SCRAPER BAR, 59 1/2", 1 3/4" SQUARE
	SN12502R		SCRAPER BAR, 58", 1 3/4" SQUARE

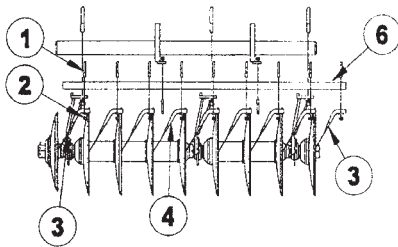
I0007342
PR: t05g29n41d0024

34' SCRAPER ASSEMBLY

LEFT OUTER

4 GA - 82002281R
6 GA - 82002287R

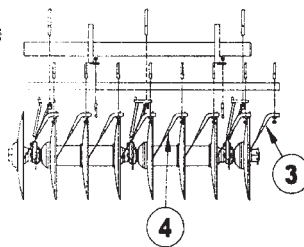
12501R GANG BAR
12495 SCRAPER BAR



LEFT INNER

4 GA - 82002277R
6 GA - 82002283R

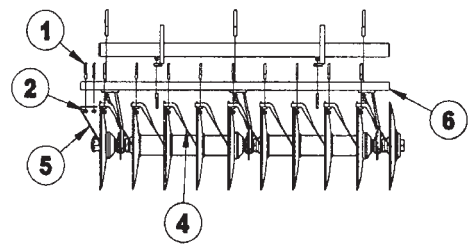
12497R GANG BAR
3208 SCRAPER BAR



LEFT CENTER

4 GA - 82002247R
6 GA - 82002253R

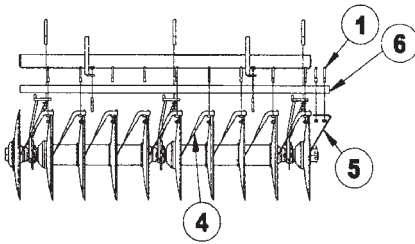
12250R GANG BAR
12246 SCRAPER BAR



RIGHT CENTER

4 GA - 82002246R
6 GA - 82002252R

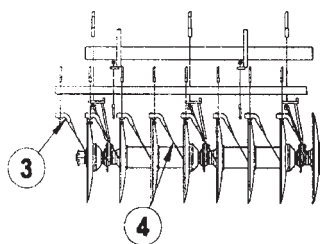
12249R GANG BAR
12246 SCRAPER BAR



RIGHT INNER

4 GA - 82002279R
6 GA - 82002285R

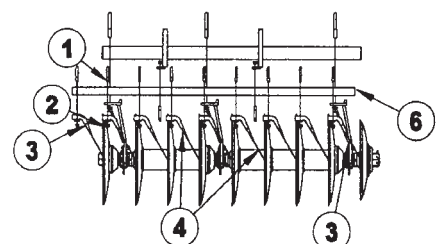
12499R GANG BAR
3208 SCRAPER BAR



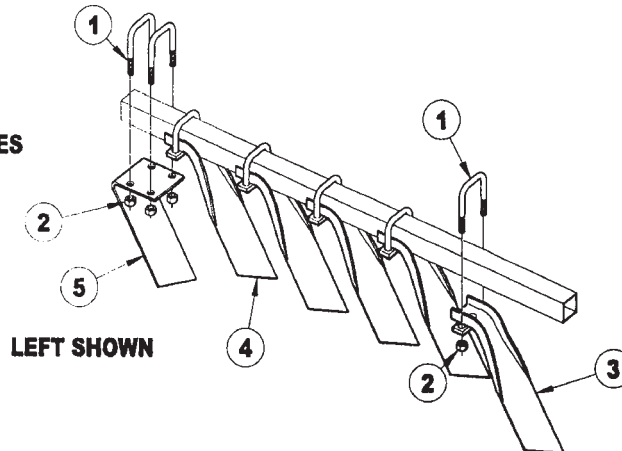
RIGHT OUTER

4 GA - 82002280R
6 GA - 82002286R

12500R GANG BAR
12495 SCRAPER BAR



**NOTE: POSITION SCRAPER BLADES
NEXT TO DISC BLADES AS
CLOSE AS POSSIBLE
WITHOUT TOUCHING**



**6333 31'-37' LAND FINISHER
SERVICE PARTS**

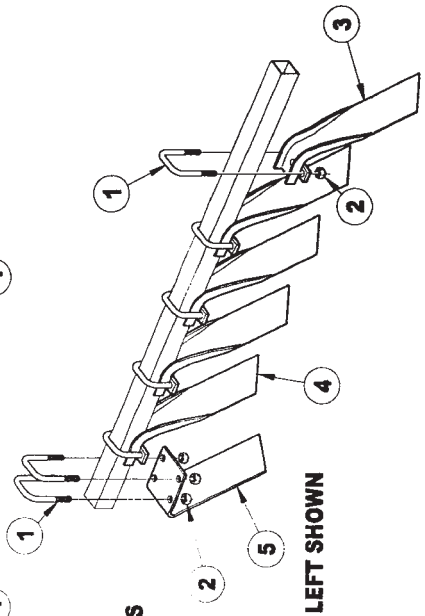
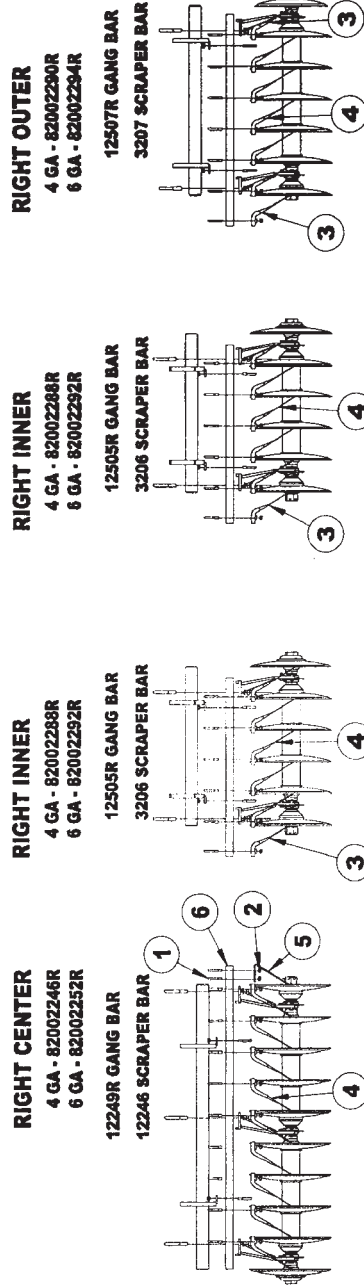
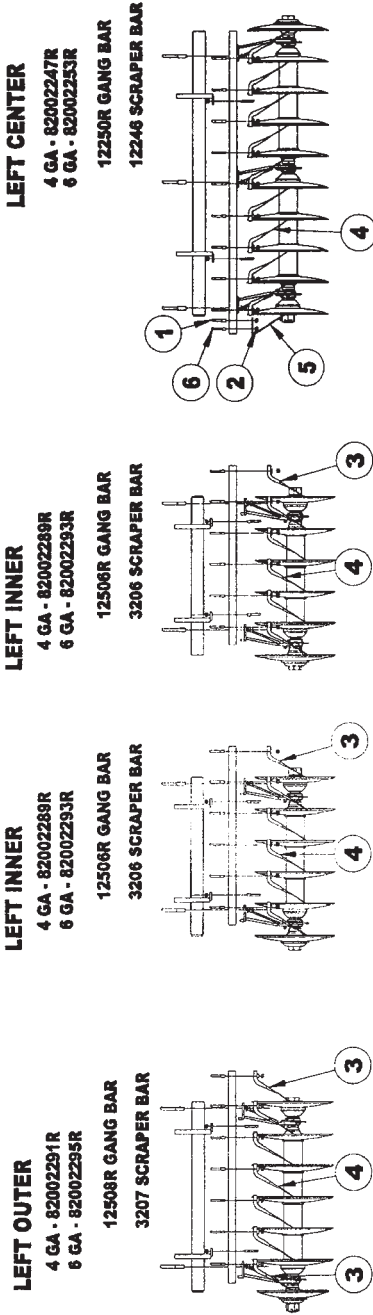
55

34' SCRAPER ASSEMBLY

ITEM	NUMBER	QTY	DESCRIPTION
1	SN3199		U-BOLT, 1/2"-13 X 3" X 2 3/4" W, GR 5, Y/D
2	SN2096		LOCK NUT, 1/2"-13 HEX NYLON INSERT, GR 8, Y/D
3	SN5488		SCRAPER W/SCRAPER CLIP, RIGHT
	SN5489		SCRAPER W/SCRAPER CLIP, LEFT (SHOWN)
4	SN3195		SCRAPER W/SCRAPER CLIP, RIGHT
	SN3196		SCRAPER W/SCRAPER CLIP, LEFT (SHOWN)
5	SN5467		SCRAPER, RIGHT
	SN5468		SCRAPER, LEFT (SHOWN)
6	SN3208		SCRAPER BAR, 59 1/2", 1 3/4" SQUARE
	SN12246R		SCRAPER BAR, 73", 1 3/4" SQUARE
	SN12495R		SCRAPER BAR, 67", 1 3/4" SQUARE

I0007338
PR: t05g29n41d0025

37' SCRAPER ASSEMBLY



**NOTE: POSITION SCRAPER BLADES
NEXT TO DISC BLADES AS
CLOSE AS POSSIBLE
WITHOUT TOUCHING**

**6333 31'-37' LAND FINISHER
SERVICE PARTS**

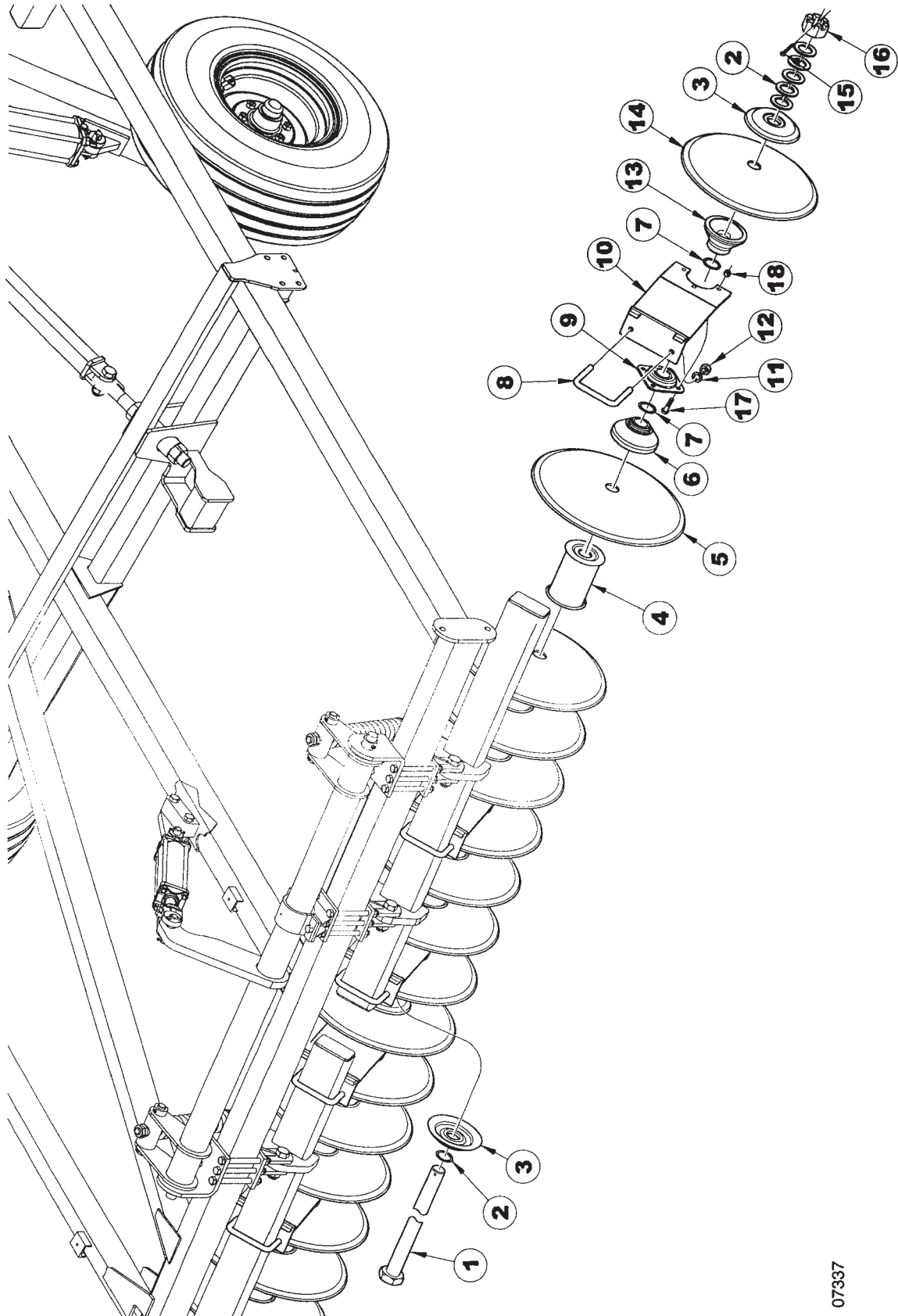
57

37' SCRAPER ASSEMBLY

ITEM	NUMBER	QTY	DESCRIPTION
1	SN3199		U-BOLT, 1/2"-13 X 3" X 2 3/4" W, GR 5, Y/D
2	SN2096		LOCK NUT, 1/2"-13 HEX NYLON INSERT, GR 8, Y/D
3	SN5488		SCRAPER W/SCRAPER CLIP, RIGHT
	SN5489		SCRAPER W/SCRAPER CLIP, LEFT (SHOWN)
4	SN3195		SCRAPER W/SCRAPER CLIP, RIGHT
	SN3196		SCRAPER W/SCRAPER CLIP, LEFT (SHOWN)
5	SN5467		SCRAPER, RIGHT
	SN5468		SCRAPER, LEFT (SHOWN)
6	SN3207		SCRAPER BAR, 51", 1 3/4" SQUARE
	SN3206		SCRAPER BAR, 43", 1 3/4" SQUARE
	SN12246R		SCRAPER BAR, 73", 1 3/4" SQUARE

I0007339
PR: t05g29n41d0026

DISC GANG ASSEMBLY



**6333 31'-37' LAND FINISHER
SERVICE PARTS**

59

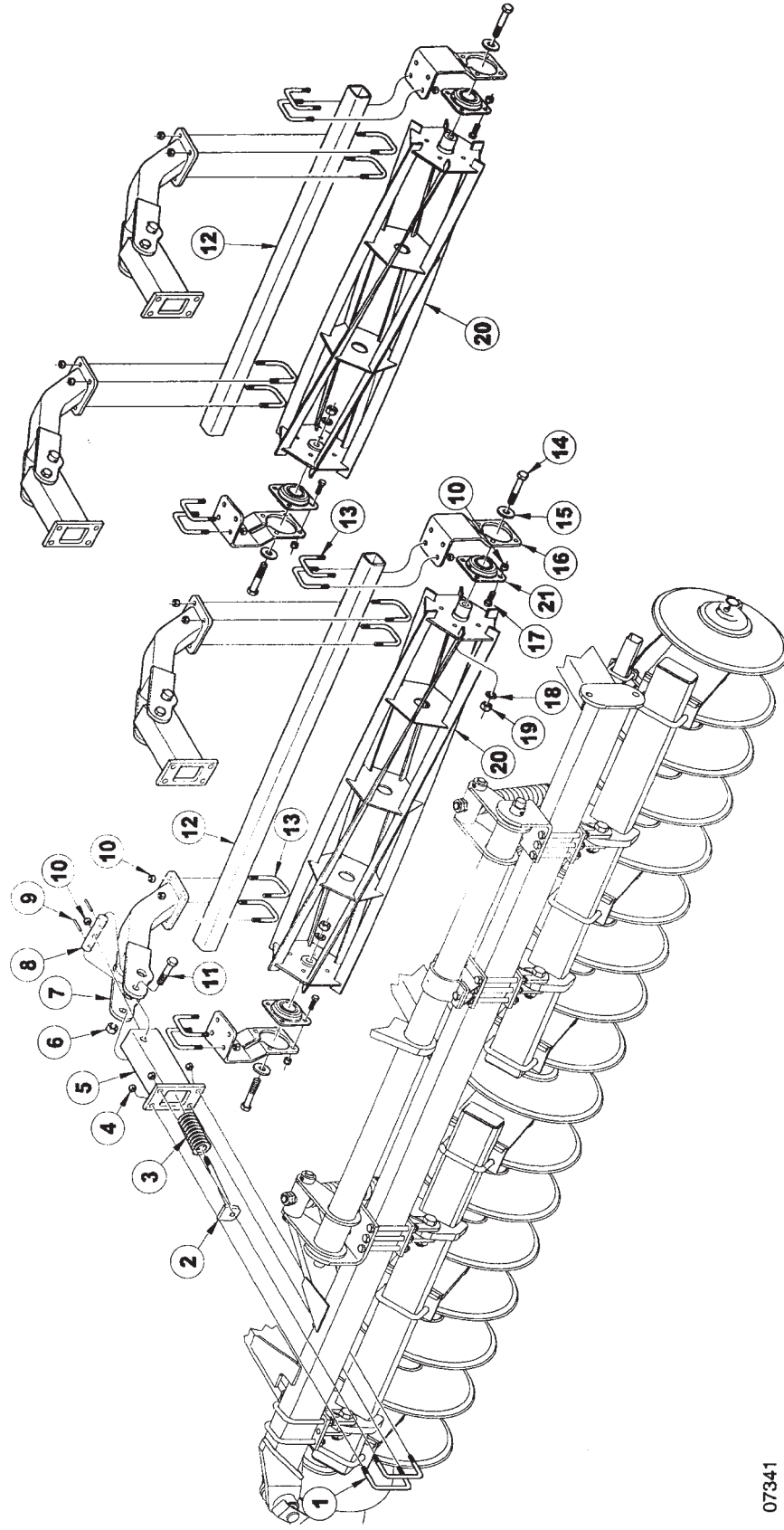
DISC GANG ASSEMBLY

ITEM	NUMBER	QTY	DESCRIPTION
1	SN1990		SHAFT, 66 1/2", 1 3/4" DIA
	SN2998		SHAFT, 66", 1 3/4" DIA
	SN3945		SHAFT, 59 1/2", 1 3/4" DIA
	SN5558		SHAFT, 59", 1 3/4" DIA
	SN2132		SHAFT, 74", 1 3/4" DIA
	SN3004		SHAFT, 73 1/2", 1 3/4" DIA
	SN3942		SHAFT, 51 3/4", 1 3/4" DIA
	SN2866		SHAFT, 51 1/4", 1 3/4" DIA
	SN3002		SHAFT, 44", 1 3/4" DIA
2	SN2037		FLAT WASHER, 1 13/16" ID X 2 13/16" OD X 1/4" THICK, Y/D
	SN2723B		SPRING END COLLAR, 1 3/4" BORE
4	SN5539		SPOOL, FULL, 7 1/2"
5	SN4661N		BLADE, 20", 1 3/4" BORE, 6 GA, 1 5/16" CONCAVITY
	SN2816		SPOOL, SHORT BEARING, 1 3/4" BORE
7	SN4886		WASHER, 1.765" ID X 2 1/4" OD X 1/16" THICK, Y/D
8	SN2563		U-BOLT, 3/4"-10 X 5" X
9	SN3215		FLANGETTE BEARING, 1 3/4" BORE
10	SN2528-1		BEARING STANDARD (WELDED)
11	SN1040		LOCK WASHER, 3/4" SPLIT TYPE MED, Y/D
12	SN106		HEX NUT, 3/4"-10 FULL, GR 5, Y/D
13	SN3107		SPOOL, LONG BEARING, 7 1/2"
14	SN3283N		BLADE, 18", 1 3/4" BORE, 4 GA, 1 3/4" CONCAVITY
	SN108		COTTER PIN, 5/16" X 2 1/2", Y/D
16	SN2036		HEX NUT, 1 3/4"-5 SLOTTED HEAVY GR2, Y/D
17	SN194		HEX BOLT, 1/2"-13 X 1 1/2", GR 5, Y/D, USA
	SN2096		LOCK NUT, 1/2"-13 HEX NYLON INSERT, GR 8, Y/D

I0007337
PR: t05g29n41d0027

6333 31'-37' LAND FINISHER
SERVICE PARTS

31' DISC GANG REEL ASSEMBLY



**6333 31'-37' LAND FINISHER
SERVICE PARTS**

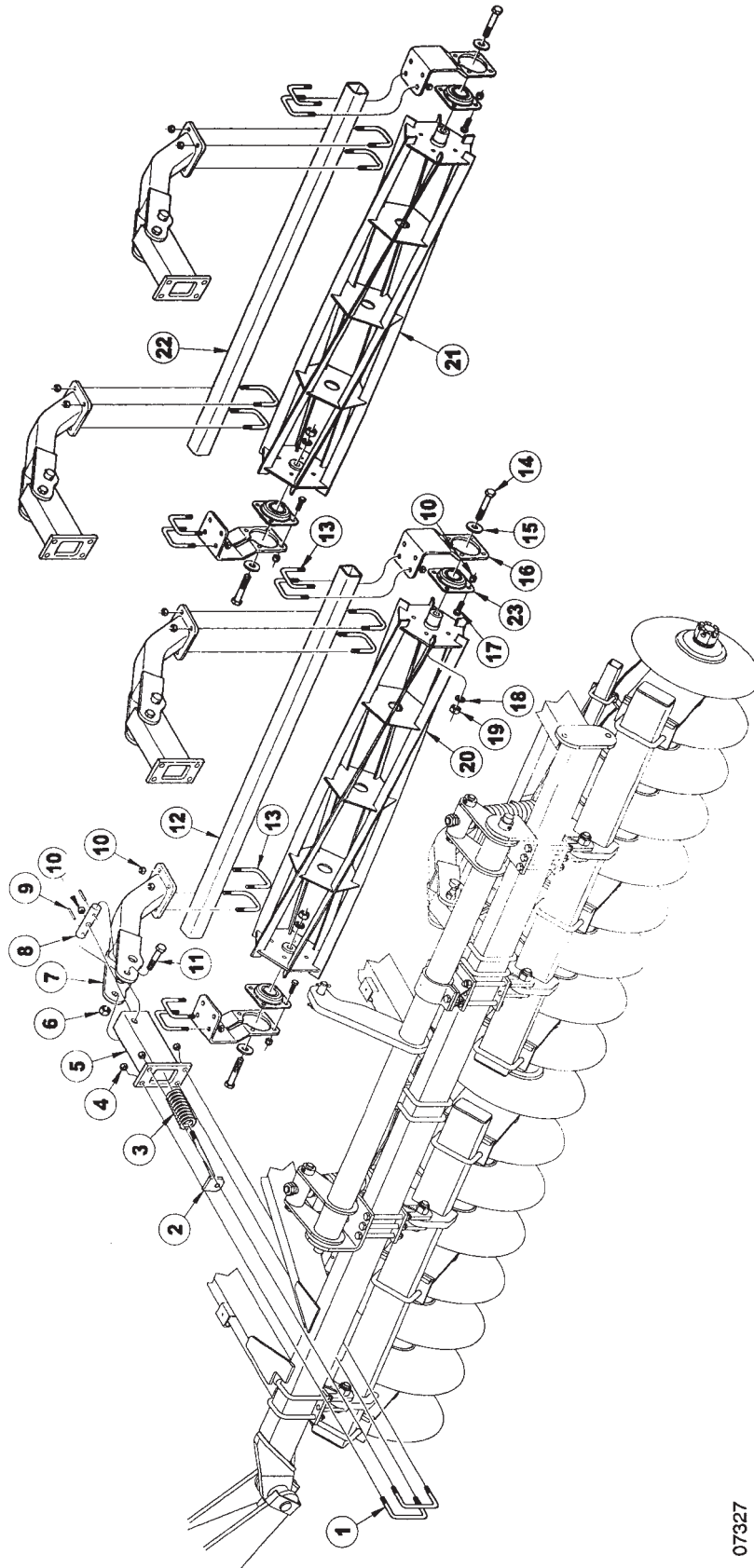
61

31' DISC GANG REEL ASSEMBLY

ITEM	NUMBER	QTY	DESCRIPTION
1	SN2815		U-BOLT, 5/8"-11 X 4 1/2" X 5 11/16"W, GR 5, Y/D
	SN7053		U-BOLT, 5/8"-11 X 4 1/2" X 6 11/16"W, Y/D
2	SN7048		SPRING ROD
3	SNFK361002		SPRING, 1.8125" OD X 1.062"ID,2 5/8" L
4	SN669-1		LOCK NUT, 5/8"-11 HEX NYLON INSERT, GR 5, Y/D
5	SN7051		REEL MOUNT, FOR 5" TUBE
	SN7052		REEL MOUNT, FOR 6" TUBE
6	SNHEN3410		LOCK NUT, 3/4"-10 HEX NYLON INSERT, GR 5, Y/D
7	SN7585		REEL ARM
8	SN7049		PIN, 1 1/4" X 5 1/4" L, Y/D
9	SN3164		ROLL PIN, 5/16" X 2" SPIRAL MEDIUM DUTY, Y/D
10	SN2096		LOCK NUT, 1/2"-13 HEX NYLON INSERT, GR8, Y/D
11	SN1021		HEX BOLT, 3/4"-10 X 5 1/2",GR 5, Y/D
12	SN3643		GANG BAR, 60"
	SN7056		GANG BAR, 67 1/2"
	SN3643		GANG BAR, 60"
13	SN3619		U-BOLT, 1/2"-13 X 3 5/8" X 3" W, GR 5, Y/D
14	SN1599		HEX BOLT, 3/4"-10 X 4", GR 5, Y/D
15	SN3613		FLAT WASHER, 7/8" ID X 2 1/8" OD X 1/4" THICK, Y/D
16	SN9917		BEARING STANDARD
17	SN194		HEX BOLT, 1/2"-13 X 1 1/2",GR 5, Y/D,USA
18	SN1040		LOCK WASHER,3/4" SPLIT TYPE MED, Y/D
19	SN106		HEX NUT, 3/4"-10 FULL, GR 5, Y/D
20	SN10059B		REEL, 56 1/4"
	SN10060		REEL, 63 3/4"
	SN10058		REEL, 48 3/4"
21	SN3215		FLANGETTE BEARING, 1 3/4" BORE

I0007341
PR: t05g29n41d0028

34' & 37' DISC GANG REEL ASSEMBLY



07327

6333 31'-37' LAND FINISHER
SERVICE PARTS

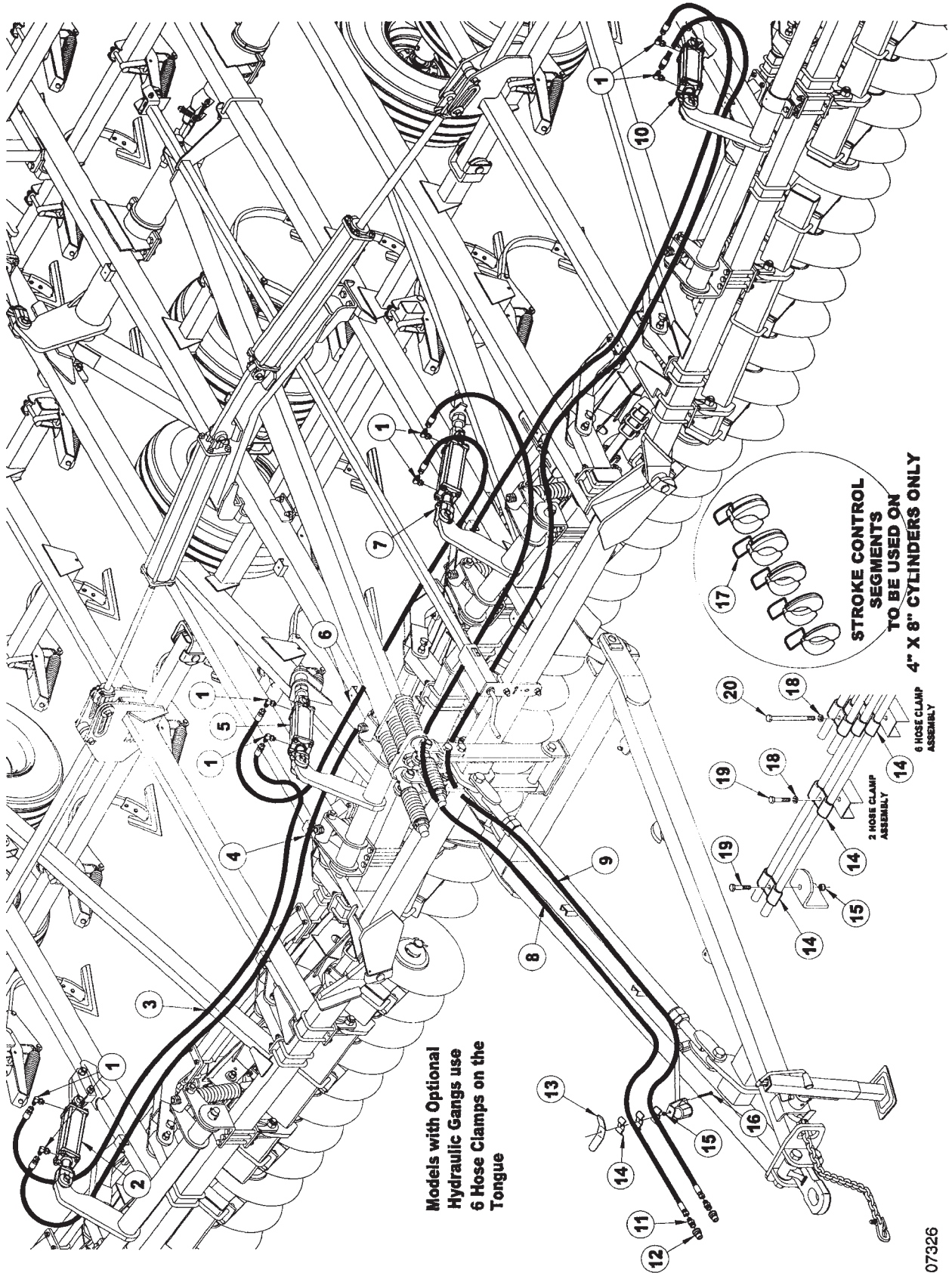
63

34' & 37' DISC GANG REEL ASSEMBLY

ITEM	NUMBER	QTY	DESCRIPTION
1	SN2815		U-BOLT, 5/8"-11 X 4 1/2" X 5 11/16"W, GR 5, Y/D
	SN7053		U-BOLT, 5/8"-11 X 4 1/2" X 6 11/16"W, Y/D
2	SN7048		SPRING ROD
3	SNFK361002		SPRING, 1.8125" OD X 1.062"ID,2 5/8" L
4	SN669-1		LOCK NUT, 5/8"-11 HEX NYLON INSERT, GR 5, Y/D
5	SN7051		REEL MOUNT, FOR 5" TUBE
	SN7052		REEL MOUNT, FOR 6" TUBE
6	SNHEN3410		LOCK NUT, 3/4"-10 HEX NYLON INSERT, GR 5, Y/D
7	SN7585		REEL ARM
8	SN7049		PIN, 1 1/4" X 5 1/4" L, Y/D
9	SN3164		ROLL PIN, 5/16" X 2" SPIRAL MEDIUM DUTY, Y/D
10	SN2096		LOCK NUT, 1/2"-13 HEX NYLON INSERT,
11	SN1021		HEX BOLT, 3/4"-10 X 5 1/2",GR 5, Y/D
12	SN7056R		GANG BAR, 67 1/2"
	SN3644		GANG BAR, 75"
13	SN3619		U-BOLT, 1/2"-13 X 3 5/8" X 3" W, GR 5, Y/D
14	SN1599		HEX BOLT, 3/4"-10 X 4", GR 5, Y/D
15	SN3613		FLAT WASHER, 7/8" ID X 2 1/8" OD X 1/4" THICK, Y/D
16	SN9917		BEARING STANDARD
17	SN194		HEX BOLT, 1/2"-13 X 1 1/2",GR 5, Y/D,USA
18	SN1040		LOCK WASHER,3/4" SPLIT TYPE MED,Y/D
19	SN106		HEX NUT, 3/4"-10 FULL, GR 5, Y/D
20	SN10060		REEL, 63 3/4"
	SN10061		REEL, 71 1/4"
21	SN10058		REEL, 48 3/4"
22	SN7055		GANG BAR, 52 1/2"
23	SN3215		FLANGETTE BEARING, 1 3/4" BORE

I0007327
PR: t05g29n41d0029

31' DISC GANG HYDRAULICS



Models with Optional Hydraulic Gangs use 6 Hose Clamps on the Tongue

**6333 31'-37' LAND FINISHER
SERVICE PARTS**

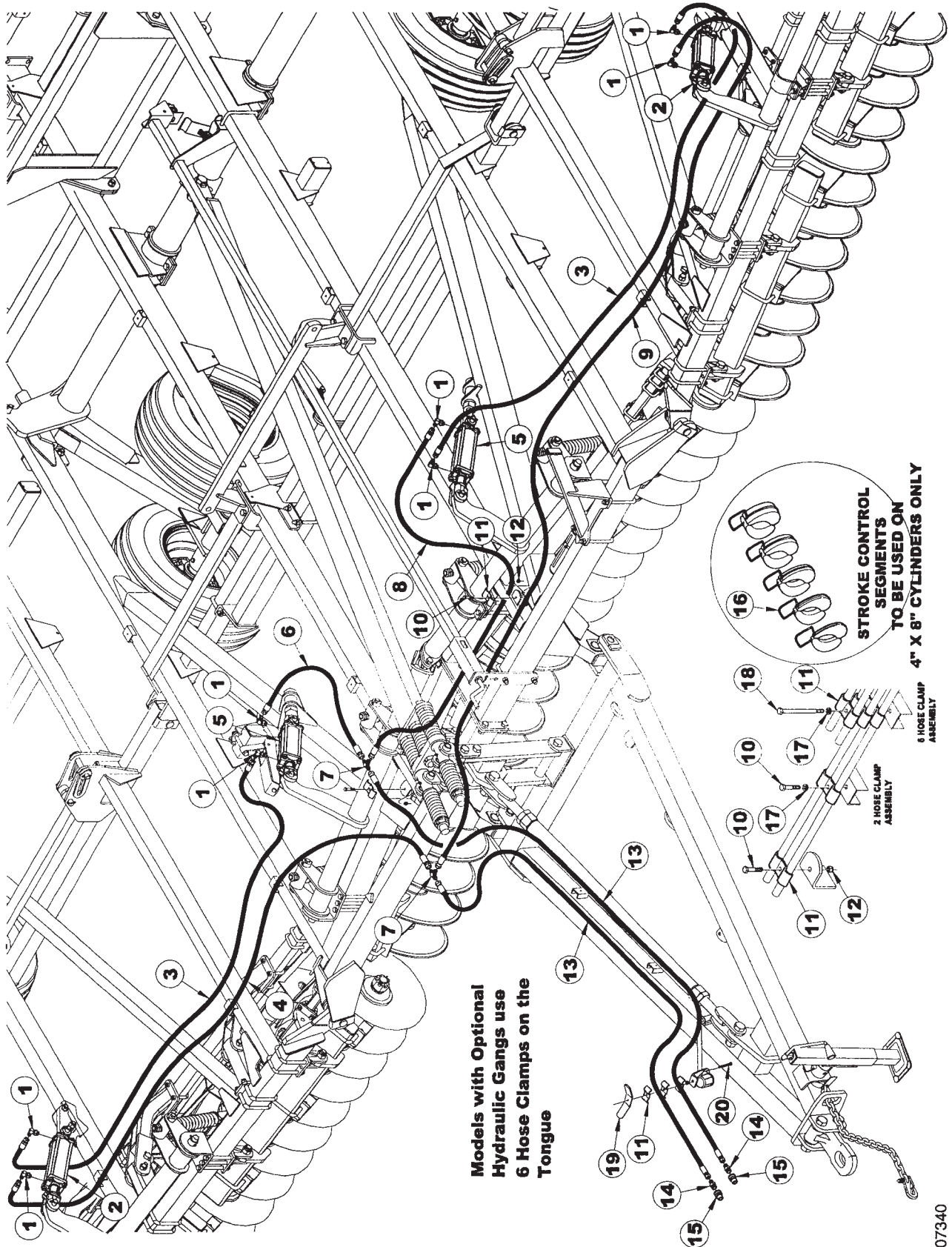
65

31' DISC GANG HYDRAULICS

ITEM	NUMBER	QTY	DESCRIPTION
1	SN4455		90 DEG STR THD ELBOW, 3/4"-16 MF X 3/4"-16 MOR W/1/16" REST
2	SN12061		CYLINDER, 3 1/2" X 8" SLAVE (20 1/4"CPC) ORB CROSS, 3000 PSI
3	SN4128002		HOSE, 3/8" X 128" L, FEMALE ENDS
4	SN4306002		HOSE, 3/8" X 306" L, FEMALE ENDS
5	SN12059		CYLINDER, 3 3/4" X 8" SLAVE (20 1/4"CPC) ORB CROSS, 3000 PSI
6	SN4102002		HOSE, 3/8" X 102" L, FEMALE ENDS
7	SN12047		CYLINDER, 4" X 8" MASTER W/O STR CON (20 1/4" CPC) ORB CROSS, 3000
8	SN4264002		HOSE, 3/8" X 264" L, FEMALE ENDS
9	SN4360002		HOSE, 3/8" X 360" L, FEMALE ENDS
10	SN12065		CYLINDER, 3 1/4" X 8" SLAVE (20 1/4"CPC) ORB CROSS, 3000 PSI
11	SN2425		MALE CONNECTOR, 3/4"-16 MF X 1/2- 14 MPT
12	SN3253		HYDRAULIC COUPLER, MALE HALF
13	SN9538R		HOSE HOLDER BRACKET
14	SN5302		PIPE CLAMP, 3/8" BOLT HOLE, Y/D
15	SN3567		LOCK NUT, 3/8"-16 HEX NYLON INSERT, GR 2, Y/D
16	SN9549		HEX BOLT, 3/8"-16 X 4", ALL THD GR 5, Y/D
17	SN3451		STROKE CONTROL KIT, (1/4", 3/8" 1/2", 3/4", 1")
18	SN176		LOCK WASHER, 3/8" SPLIT TYPE MED, Y/D
19	SN175		HEX BOLT, 3/8"-16 X 1 1/2", GR 5, Y/D
20	SN3565		HEX BOLT, 3/8"-16 X 3 1/2", GR 5, Y/D

I0007326
PR: t05g29n41d0030

34' & 37' DISC GANG HYDRAULICS



Models with Optional Hydraulic Gangs use 6 Hose Clamps on the Tongue

STROKE CONTROL SEGMENTS TO BE USED ON 4" X 8" CYLINDERS ONLY

6 HOSE CLAMP ASSEMBLY

2 HOSE CLAMP ASSEMBLY

**6333 31'-37' LAND FINISHER
SERVICE PARTS**

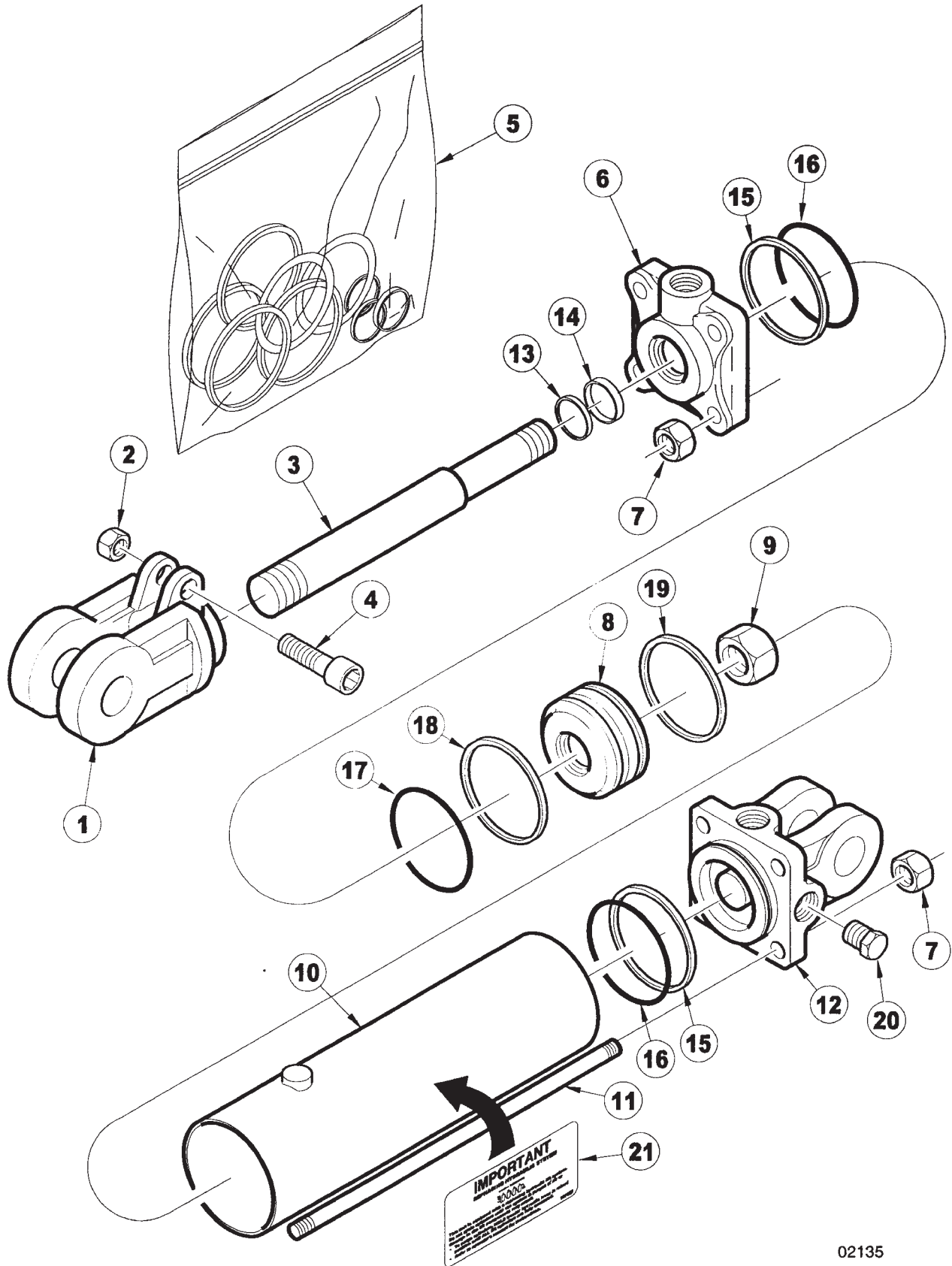
67

34' & 37' DISC GANG HYDRAULICS

ITEM	NUMBER	QTY	DESCRIPTION
1	SN4455		90 DEG STR THD ELBOW, 3/4"-16 MF X 3/4"-16 MOR W/1/16" REST
2	SN12059		CYLINDER, 3 3/4" X 8" SLAVE (20 1/4"CPC) ORB CROSS, 3000 PSI
3	SN4135002		HOSE, 3/8" X 135" L, FEMALE ENDS
4	SN4150002		HOSE, 3/8" X 150" L, FEMALE ENDS
5	SN12047		CYLINDER, 4" X 8" MASTER W/O STR CON ORB CROSS, 3000 PSI
6	SN4040002		HOSE, 3/8" X 40" L, FEMALE ENDS
7	SN2429		UNION TEE, 3/4"-16 MF
8	SN4097002		HOSE, 3/8" X 97" L, FEMALE ENDS
9	SN4200002		HOSE, 3/8" X 200" L, FEMALE ENDS
10	SN175		HEX BOLT, 3/8"-16 X 1 1/2",GR 5, Y/D
11	SN5302		PIPE CLAMP, 3/8" BOLT HOLE, Y/D
12	SN3567		LOCK NUT, 3/8"-16 HEX NYLON INSERT, GR 2, Y/D
13	SN4173002		HOSE, 3/8" X 173" L, FEMALE ENDS
14	SN2425		MALE CONNECTOR, 3/4"-16 MF X 1/2-14 MPT
15	SN3253		HYDRAULIC COUPLER, MALE HALF
16	SN3451		STROKE CONTROL KIT, (1/4",3/8"1/2",3/4", 1")
17	SN176		LOCK WASHER,3/8" SPLIT TYPE MED,Y/D
18	SN3565		HEX BOLT, 3/8"-16 X 3 1/2",GR 5, Y/D
19	SN9538R		HOSE HOLDER BRACKET
20	SN9549		HEX BOLT, 3/8"-16 X 4",ALL THD GR 5,Y/D

I0007340
PR: t05g29n41d0031

3 1/4" X 8" HYDRAULIC CYLINDER 12065R



**6333 31'-37' LAND FINISHER
SERVICE PARTS**

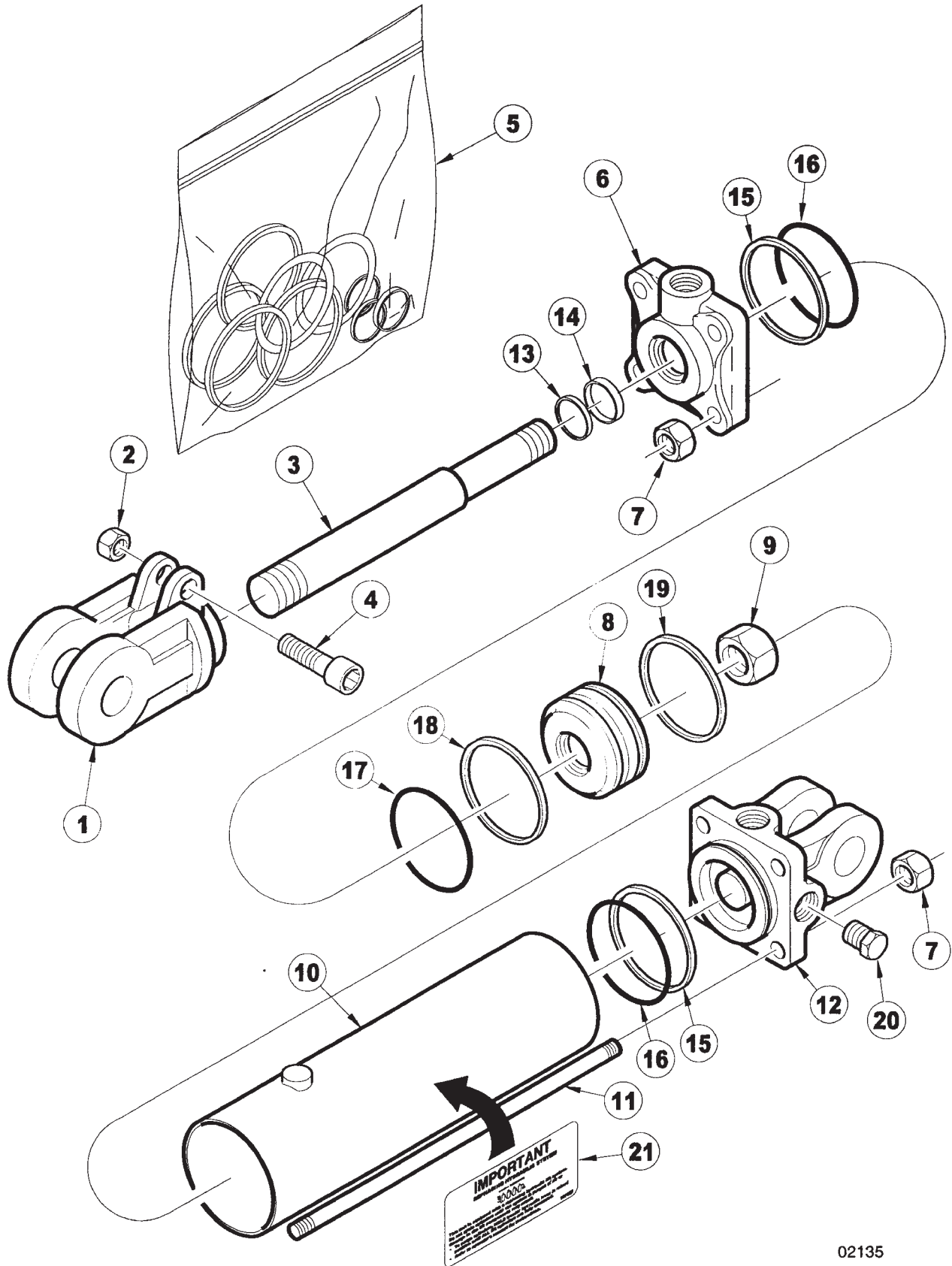
69

3 1/4" X 8" HYDRAULIC CYLINDER 12065R

ITEM	NUMBER	QTY	DESCRIPTION
1	SN8610-1		CLEVIS, 1 1/4" THREADS, 1" PIN W/BUSHING CROSS
2	SN8671-1		CAPSCREW NUT, 5/16" THREADS CROSS
3	SN12062		ROD, 1 1/4" DIA, 8" REPHASING CROSS
4	SN8631-1		CAPSCREW, CROSS
5	SN8767-1		SEAL KIT, 3 1/4", 1 1/4" ROD REPHASING, CROSS
6	SN8614-10		HEAD, 3 1/4", 1 1/4" ROD, CROSS, ORB
7	SN8863-1		TIE ROD NUT, 9/16" THREADS CROSS
8	SN8929-1		PISTON, 3 1/4" W/1" HOLE REPHASING,CROSS
9	SN8683-1		PISTON NUT, 1" CROSS
10	SN12066		TUBE, 3 1/4" X 8" REPHASING CROSS
11	SN12064		TIE ROD BOLT, 3 1/2" X 8" CROSS
12	SN8930-10		BASE, 3 1/4" (ORB), 1" PIN REPHASING, CROSS
13			* WIPER
14			* U-CUP
15			* BACKUP
16			* O-RING
17			* O-RING
18			* TEFLON RING
19			* WEAR RING
20	SN4458		PLUG, 3/4"-16 MOR
21	SN997052		SYSTEMS MUST BE BLED OF AIR NOTE*AVAILABLE IN THE SEAL KIT ONLY.

I0002135
PR: t05g29n41d0032

3 1/2" X 8" HYDRAULIC CYLINDER 12061R



**6333 31'-37' LAND FINISHER
SERVICE PARTS**

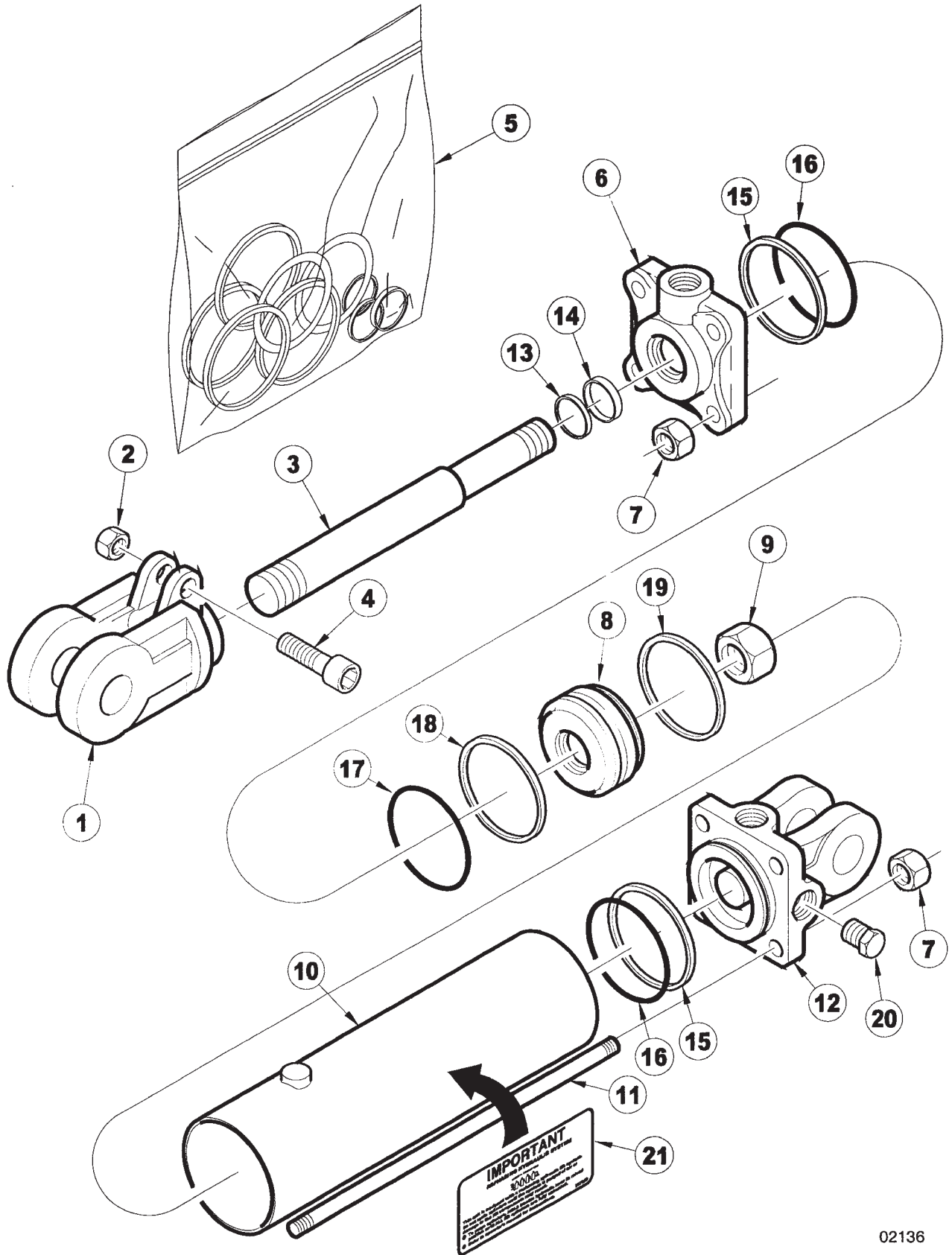
71

3 1/2" X 8" HYDRAULIC CYLINDER 12061R

ITEM	NUMBER	QTY	DESCRIPTION
1	SN8610-1		CLEVIS, 1 1/4" THREADS, 1" PIN W/BUSHING CROSS
2	SN8671-1		CAPSCREW NUT, 5/16" THREADS CROSS
3	SN12062		ROD, 1 1/4" DIA, 8" REPHASING CROSS
4	SN8631-1		CAPSCREW, CROSS
5	SN8775-1		SEAL KIT, 3 1/2", 1 1/4" ROD, REPHASING CROSS
6	SN8657-10		HEAD, 3 1/2", 1 1/4" ROD REPHASING,CROSS (ORB)
7	SN8863-1		TIE ROD NUT,9/16" THREADS CROSSING CROSS
8	SN8660-1		PISTON,3 1/2" W/1" HOLE REPHASING, CROSS
9	SN8683-1		PISTON NUT, 1" CROSS
10	SN12063		TUBE, 3 1/2" X 8" REPHASING CROSS
11	SN12064		TIE ROD BOLT, 3 1/2" X 8" CROSS
12	SN8927-10		BASE, 3 1/2" (ORB 1" PIN) REPHASING, CROSS
13			* WIPER
14			* U-CUP
15			* BACKUP
16			* O-RING
17			* O-RING
18			* TEFLON RING
19			* WEAR RING
20	SN4458		PLUG, 3/4"-16 MOR
21	SN997052		SYSTEMS MUST BE BLED OF AIR NOTE*AVAILABLE IN THE SEAL KIT ONLY.

I0002135
PR: t05g29n41d0033

3 3/4" X 8" HYDRAULIC CYLINDER 12059R



6333 31'-37' LAND FINISHER
SERVICE PARTS

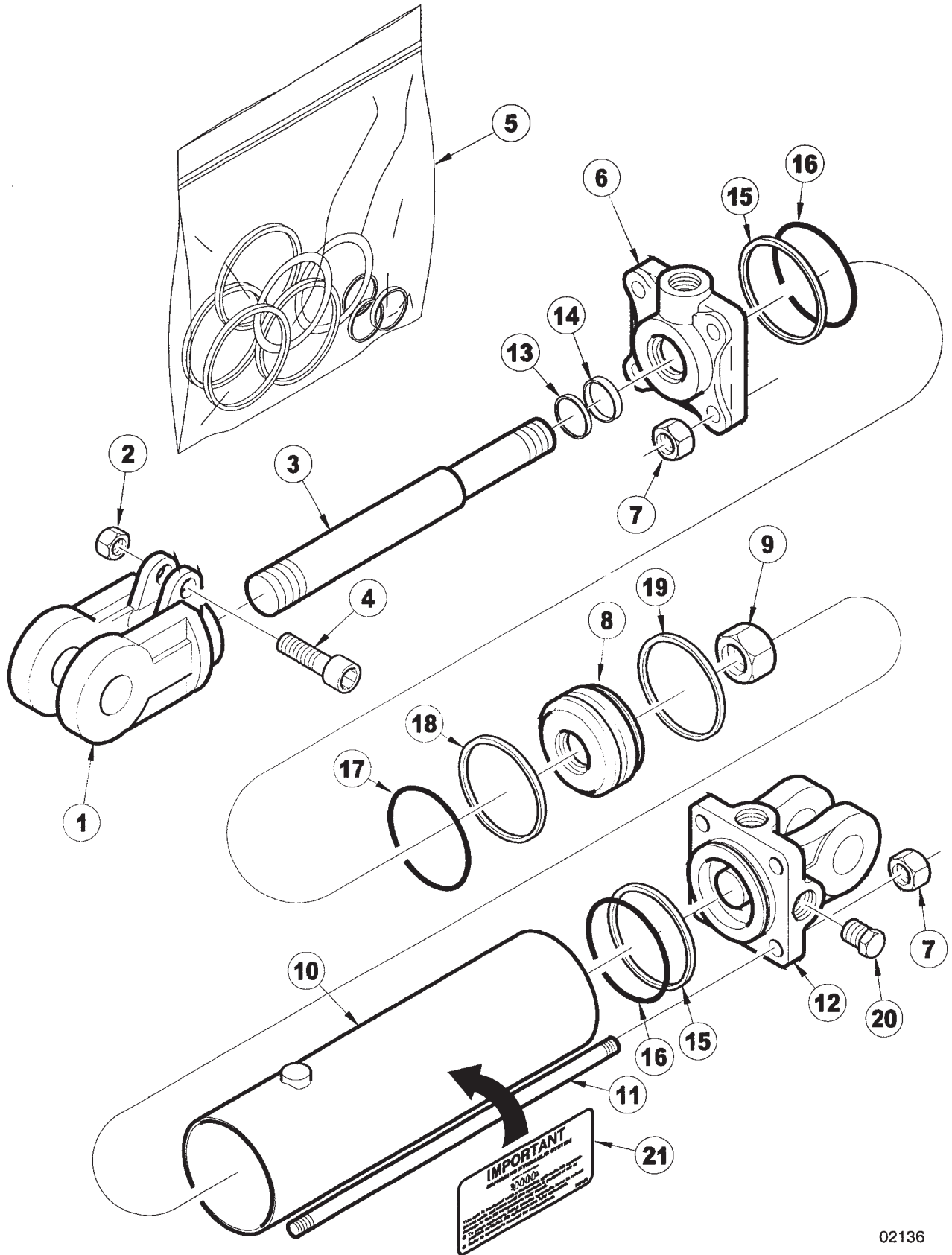
73

3 3/4" X 8" HYDRAULIC CYLINDER 12059R

ITEM	NUMBER	QTY	DESCRIPTION
1	SN8610-1		CLEVIS, 1 1/4" THREADS, 1" PIN W/BUSHING CROSS
2	SN8671-1		CAPSCREW NUT, 5/16" THREADS CROSS
3	SN12055		ROD, 1 3/8" DIA, 8" REPHASING, CROSS
4	SN8631-1		CAPSCREW, CROSS
5	SN8776-1		SEAL KIT, 3 3/4", 1 3/8" ROD, REPHASING CROSS
6	SN8736-10		HEAD, 3 3/4", 1 3/8" ROD
7	SN8864-1		TIE ROD NUT, 5/8" THREADS
8	SN8655-1		PISTON, 3 3/4" W/1" HOLE REPHASING,CROSS
9	SN8683-1		PISTON NUT, 1" CROSS
10	SN8827-1		TUBE, 3 3/4" X 8" REPHASING CROSS E
11	SN12033		TIE ROD BOLT, 8" CROSS
12	SN8656-10		BASE, 3 3/4" (ORB), 1" PIN REPHASING, CROSS
13			* WIPER
14			* U-CUP
15			* BACKUP
16			* O-RING
17			* O-RING
18			* TEFLON RING
19			* WEAR RING
20	SN4458		PLUG, 3/4"-16 MOR
21	SN997052		SYSTEMS MUST BE BLED OF AIR NOTE*AVAILABLE IN THE SEAL KIT ONLY.

I0002136
PR: t05g29n41d0034

4" X 8" HYDRAULIC CYLINDER 12047R



6333 31'-37' LAND FINISHER
SERVICE PARTS

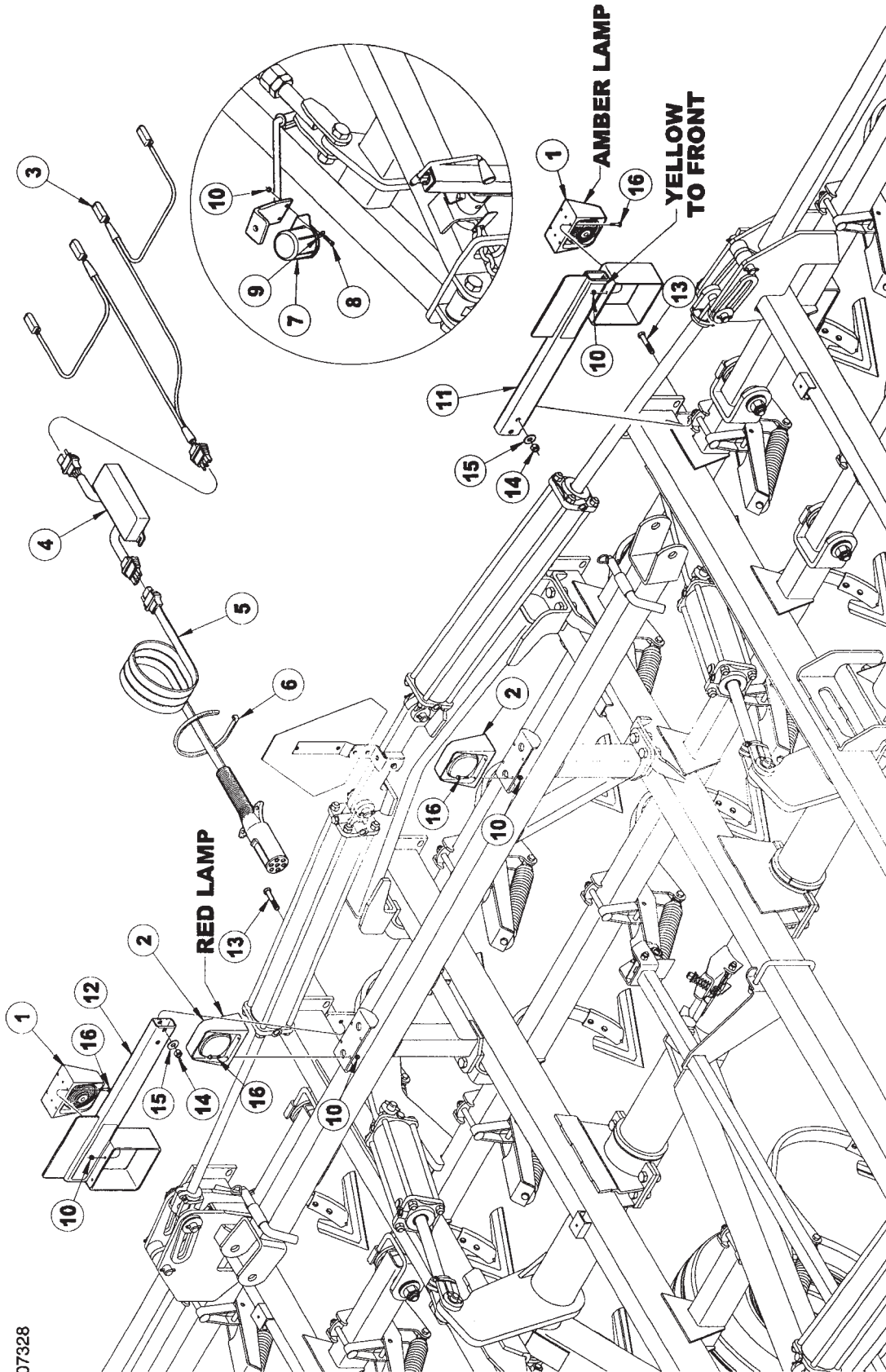
75

4" X 8" HYDRAULIC CYLINDER 12047R

ITEM	NUMBER	QTY	DESCRIPTION
1	SN8610-1		CLEVIS, 1 1/4" THREADS, 1" PIN W/BUSHING CROSS
2	SN8671-1		CAPSCREW NUT, 5/16" THREADS CROSS
3	SN12055		ROD, 1 3/8" DIA, 8" REPHASING CROSS
4	SN8631-1		CAPSCREW, CROSS
5	SN8781-1		SEAL KIT, 4", 1 3/8" ROD
6	SN8739-10		HEAD, 4" 1 3/8" ROD, REPHASING CROSS
7	SN8864-1		TIE ROD NUT, 5/8" THREADS
8	SN8653-1		PISTON, 4" W/1" HOLE, REPHASING CROSS
9	SN8683-1		PISTON NUT, 1" CROSS
10	SN8830-1		TUBE, 4" X 8" REPHASING CROSS
11	SN12033		TIE ROD BOLT, 8" CROSS
12	SN8670-10		BASE, 4" (ORB) CROSS
13			* WIPER
14			* U-CUP
15			* BACKUP
16			* O-RING
17			* O-RING
18			* TEFLON RING
19			* WEAR RING
20	SN4458		PLUG, 3/4"-16 MOR
21	SN997052		SYSTEMS MUST BE BLED OF AIR NOTE*AVAILABLE IN THE SEAL KIT ONLY.

I0002136
PR: t05g29n41d0035

31' LIGHT KIT ASSEMBLY



6333 31'-37' LAND FINISHER
SERVICE PARTS

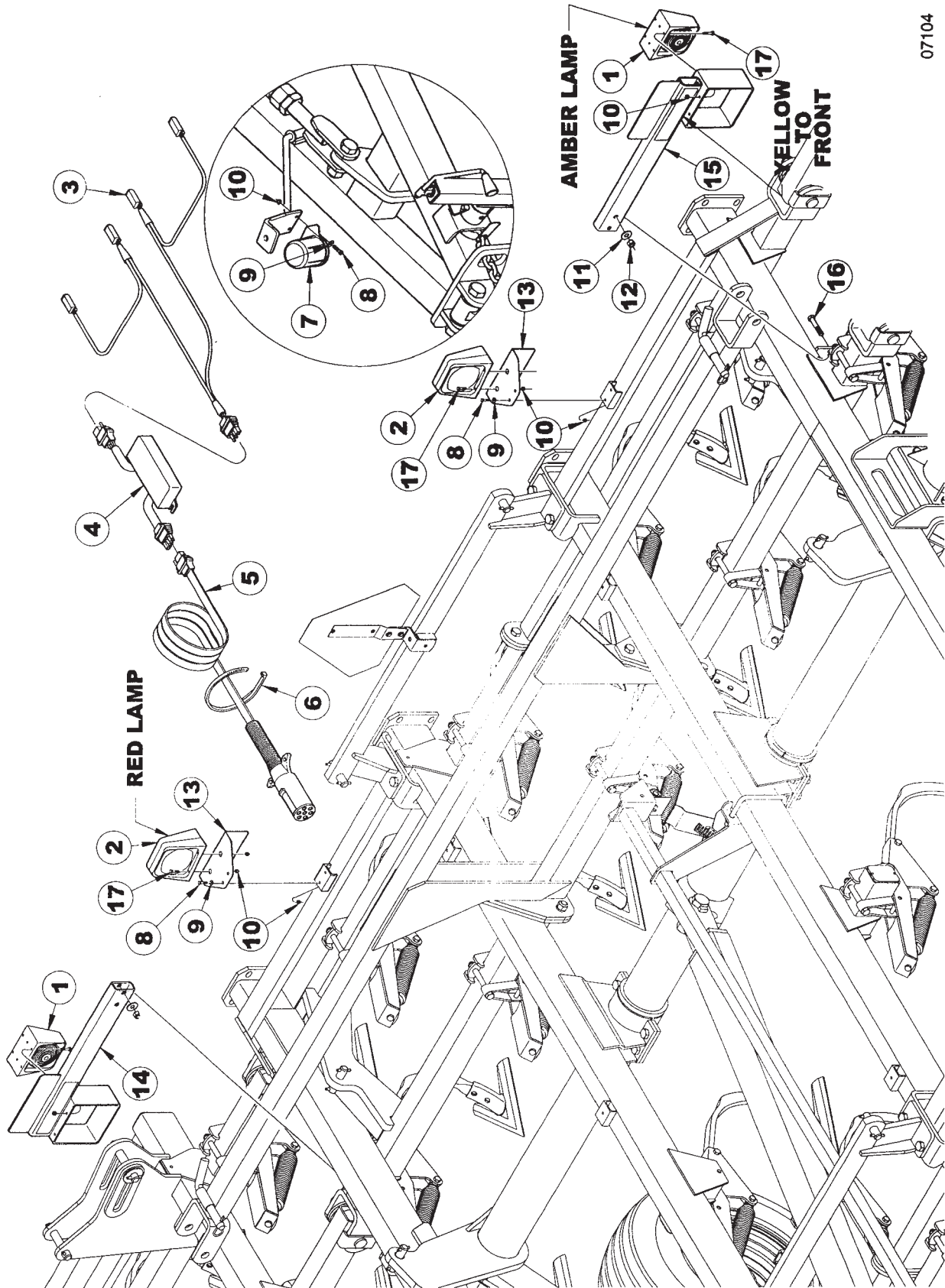
77

31' LIGHT KIT ASSEMBLY

ITEM	NUMBER	QTY	DESCRIPTION
1	SN10007		LAMP, SINGLE AMBER FRT/REAR
2	SN10486		SINGLE AG LAMP, RED/BLACK W/BRAKE
3	SN10461		HARNESS, AG 8' 6" WISHBONE
4	SN10460		ASSY, AG MODULE
5	SN10394		HARNESS, AG 30' EXTENSION
6	SN2587		PLASTIC HOSE STRAP, 21 1/2" L
7	SN10012		HOLDER, 7-PIN CONNECTOR
8	SN2568		HEX BOLT, 1/4"-20 X 3/4", GR 5 Y/D
9	SN506		FLAT WASHER, 1/4", Y/D
10	SN3881		LOCK NUT, 1/4"-20 HEX NYLON INSERT, GR2, Y/D
11	SN12482R		ARM, LIGHT LEFT
12	SN12481R		ARM, LIGHT RIGHT
13	SN1304		HEX BOLT, 1/2"-13 X 2 3/4", GR 5, Y/D
14	SN2096		LOCK NUT, 1/2"-13 HEX NYLON INSERT, GR8, Y/D
15	SN486		FLAT WASHER, 1/2", Y/D
16	SN2750		HEX BOLT, 1/4"-20 X 1 1/4", GR 2, Y/D
	SN10445		LIGHT KIT W/HARDWARE

I0007328
PR: t05g29n41d0036

34' & 37' LIGHT KIT ASSEMBLY



6333 31'-37' LAND FINISHER
SERVICE PARTS

79

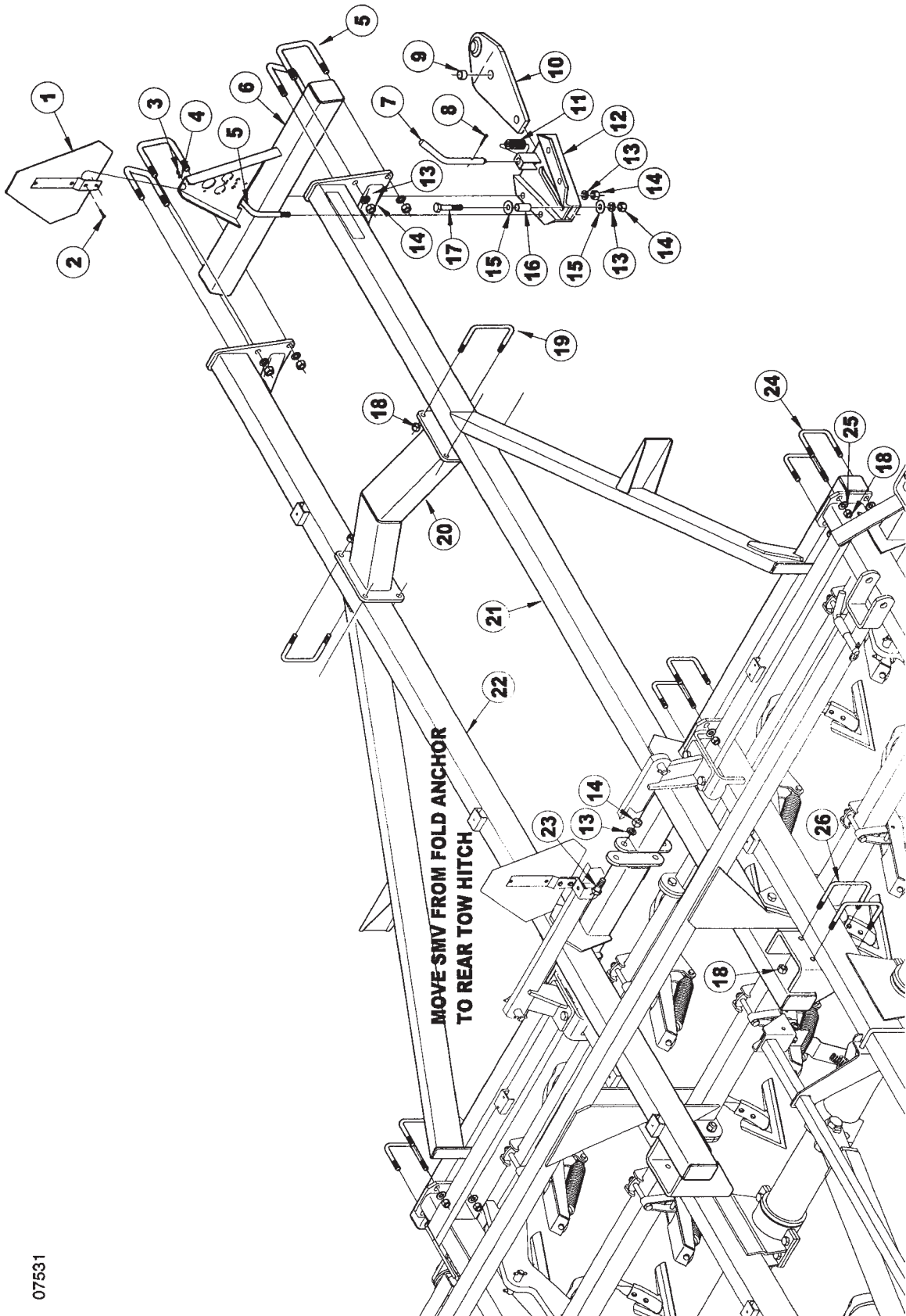
34' & 37' LIGHT KIT ASSEMBLY

ITEM	NUMBER	QTY	DESCRIPTION
1	SN10007		LAMP, SINGLE AMBER FRT/REAR
2	SN10486		SINGLE AG LAMP, RED/BLACK W/BRAKE
3	SN10461		HARNESS, AG 8' 6" WISHBONE
4	SN10460		ASSY, AG MODULE
5	SN10394		HARNESS, AG 30' EXTENSION
6	SN2587		PLASTIC HOSE STRAP, 21 1/2" L
7	SN10012		HOLDER, 7-PIN CONNECTOR
8	SN2568		HEX BOLT, 1/4"-20 X 3/4", GR 5 Y/D
9	SN506		FLAT WASHER, 1/4", Y/D
10	SN3881		LOCK NUT, 1/4"-20 HEX NYLON INSERT, GR 2, Y/D
11	SN486		FLAT WASHER, 1/2", Y/D
12	SN2096		LOCK NUT, 1/2"-13 HEX NYLON INSERT,GR 8, Y/D
13	SN12297R		BRACKET, LIGHT
14	SN12481R		ARM, LIGHT RIGHT
15	SN12482R		ARM, LIGHT LEFT
16	SN1304		HEX BOLT, 1/2"-13 X 2 3/4", GR 5,Y/D
17	SN2750		HEX BOLT, 1/4"-20 X 1 1/4", GR 2,
	SN10445		LIGHT KIT W/HARDWARE

I0007104
PR: t05g29n41d0037

6333 31'-37' LAND FINISHER
SERVICE PARTS

OPTIONAL REAR TOW HITCH W/HITCH SLIDE &
BALL JOINT



**6333 31'-37' LAND FINISHER
SERVICE PARTS**

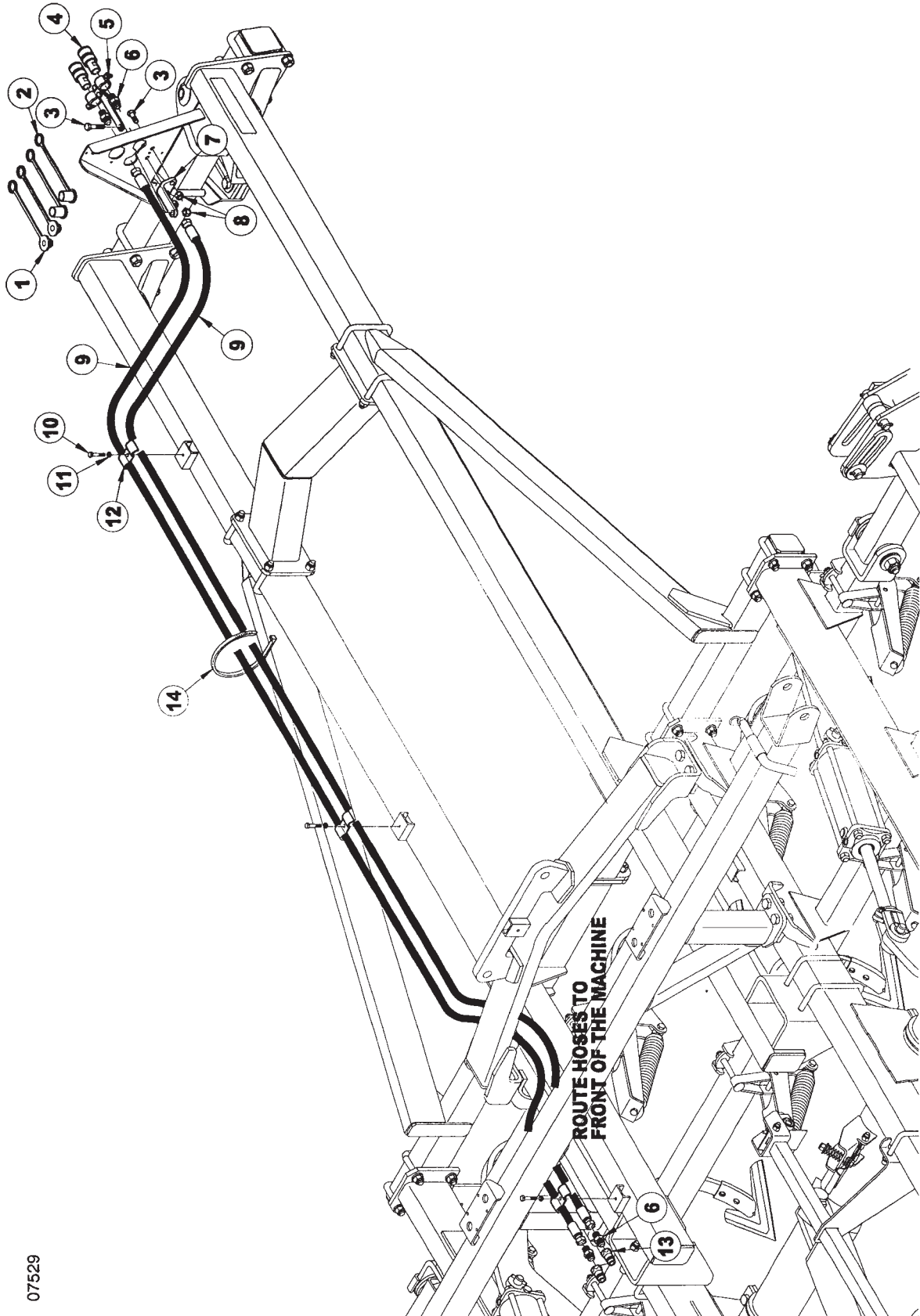
81

**OPTIONAL REAR TOW HITCH W/HITCH SLIDE &
BALL JOINT**

ITEM	NUMBER	QTY	DESCRIPTION
1	SN7001		SMV EMBLEM
2	SN2568		HEX BOLT, 1/4"-20 X 3/4", GR 5 Y/D
3	SN3881		LOCK NUT, 1/4"-20 HEX NYLON INSERT,GR 2, Y/D
4	SN506		FLAT WASHER, 1/4", Y/D
5	SN198		U-BOLT, 3/4"-10 X 5 1/2" X 5" W, GR 5, Y/D
6	SN12611R		HITCH, REAR MOUNT
7	SN3365		PIN, 7/8" SPCL, Y/D
8	SN1609		COTTER PIN, 3/16" X 1 1/2"
9	SN3367		WEAR BUSHING, 1"ID X 1 1/4"OD 3/4" L
10	SN4740		HITCH MOUNT W/BALL JOINT
11	SN3366		HITCH SPRING
12	SN3363		HITCH SLIDE
13	SN1040		LOCK WASHER,3/4" SPLIT TYPE MED,Y/D
14	SN106		HEX NUT, 3/4"-10 FULL, GR 5, Y/D
15	SN893		FLAT WASHER, 3/4" Y/D
16	SN3364		BUSHING, 13/16"ID X 2" L
17	SN105		HEX BOLT, 3/4"-10 X 3 1/2", GR 5,Y/D
18	SN669-1		LOCK NUT, 5/8"-11 HEX NYLON INSERT, GR 5, Y/D
19	SN2815		U-BOLT, 5/8"-11 X 4 1/2" X 5 11/16"W, GR 5, Y/D
20	SN12610R		BRACE, REAR TOW
21	SN12613R		HITCH, REAR TOW, LEFT 31'
	SN12615R		HITCH, REAR TOW, LEFT 34' & 37' (SHOWN)
22	SN12612R		HITCH, REAR TOW, RIGHT 31'
	SN12614R		HITCH, REAR TOW, RIGHT 34' & 37' (SHOWN)
23	SN1220		HEX BOLT, 3/4"-10 X 2", GR 5 Y/D
24	SN3306		U-BOLT, 5/8"-11 X 4 1/2" X 4 5/8" W, GR 5, Y/D
25	SN5810		WASHER, 1 5/16" OD X 11/16" ID .149" THICK, HARDENED, Y/D
26	SN7053		U-BOLT, 5/8"-11 X 4 1/2" X 6 11/16"W, Y/D

I0007531
PR: t05g29n41d0038

OPTIONAL REAR TOW HITCH HYDRAULICS



6333 31'-37' LAND FINISHER
SERVICE PARTS

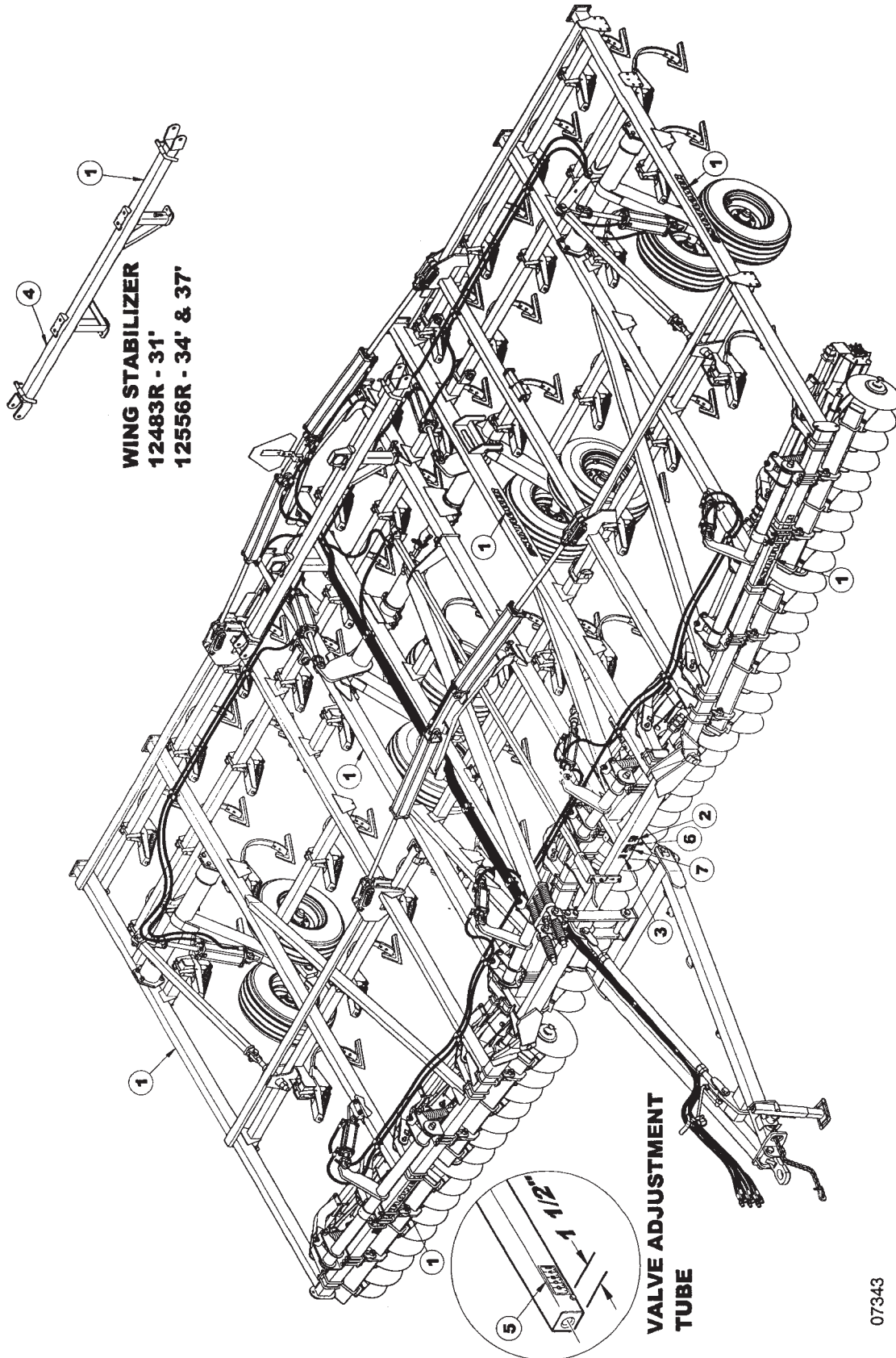
83

OPTIONAL REARTOW HITCH HYDRAULICS

ITEM	NUMBER	QTY	DESCRIPTION
1	SN10742		HYDRAULIC DUST CAP
2	SN10741		HYDRAULIC DUST PLUG
3	SN1823		HEX BOLT, 1/2"-13 X 1 1/4",GR 5, Y/D
4	SN10739		HYDRAULIC COUPLER, FEMALE THREAD
5	SN10740		HYDRAULIC CLAMP
6	SN2425		MALE CONNECTOR, 3/4"-16 MF X 1/2- 14 MPT
7	SN12609R		MOUNT, HYDRAULIC BREAKAWAY
8	SN2096		LOCK NUT, 1/2"-13 HEX NYLON INSERT, GR 8, Y/D
9	SN4500002		HOSE, 3/8" X 500" L, FEMALE ENDS
10	SN175		HEX BOLT, 3/8"-16 X 1 1/2",GR 5, Y/D
11	SN173		ON COULTER SHANK
12	SN5302		PIPE CLAMP, 3/8" BOLT HOLE, Y/D
13	SN3253		HYDRAULIC COUPLER, MALE HALF
14	SN2587		PLASTIC HOSE STRAP, 21 1/2" L
	SN10738		HYDRAULIC COUPLER BREAKAWAY KIT (ITEMS 1, 2, 4, 5, & 13)

I0007529
PR: t05g29n41d0039

DECAL PLACEMENT



**6333 31'-37' LAND FINISHER
SERVICE PARTS**

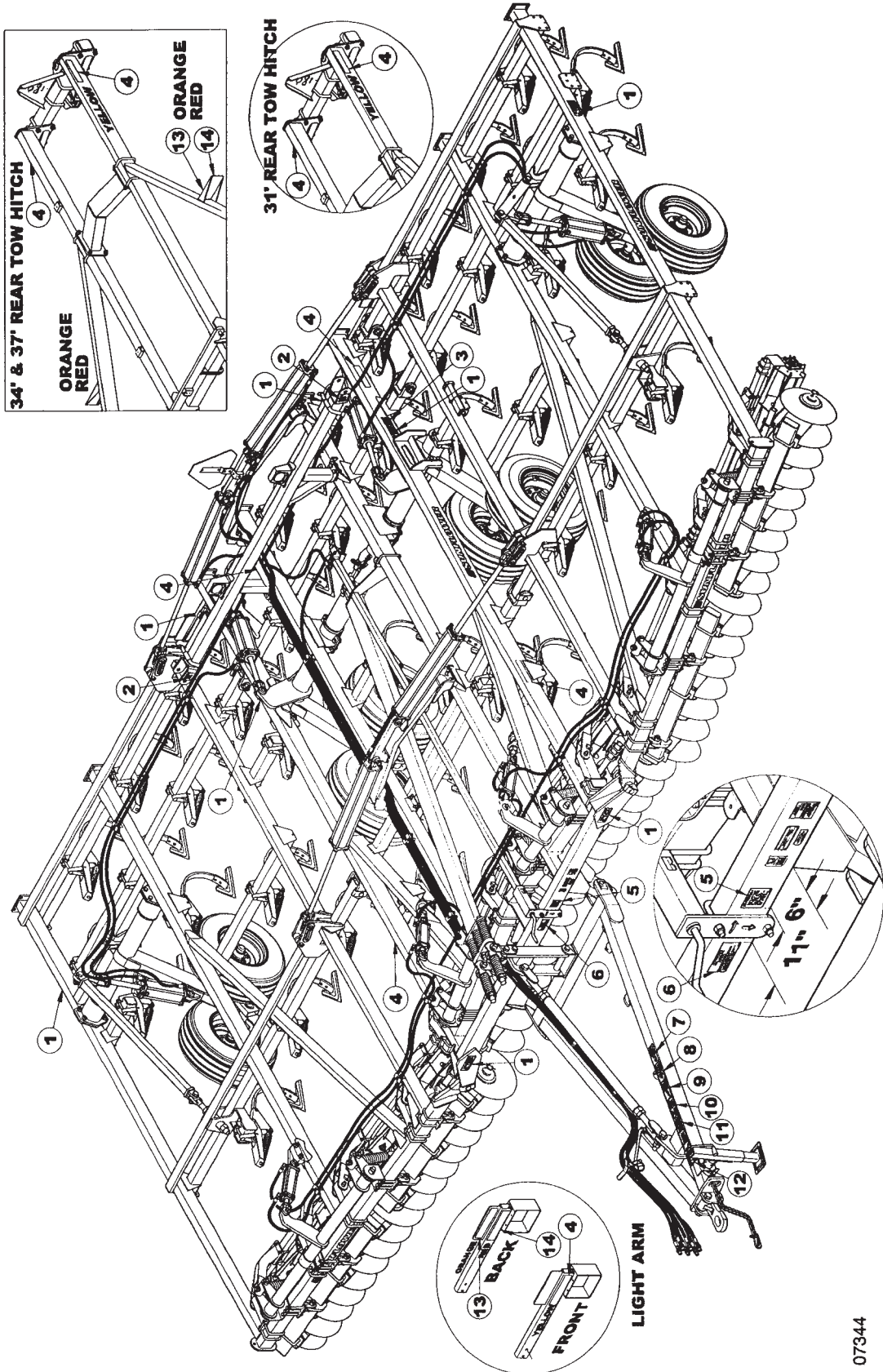
85

DECAL PLACEMENT

ITEM	NUMBER	QTY	DESCRIPTION
1	SN997002		SUNFLOWER DECAL
2	SN997263		DECAL, TILLAGE PROMOTES A SAFER ENVIRONMENT FOR TOMORROW
3	SN997246		FEMA DECAL
4	SN997802		DECAL, 6333
5	SN997789		DECAL-GAUGE, STROKE CONTROL
6			SERIAL NUMBER PLATE
7	SN997668		PATENT DECAL, #6,213,221

I0007343
PR: t05g29n41d0040

SAFETY SIGN PLACEMENT



**6333 31'-37' LAND FINISHER
SERVICE PARTS**

87

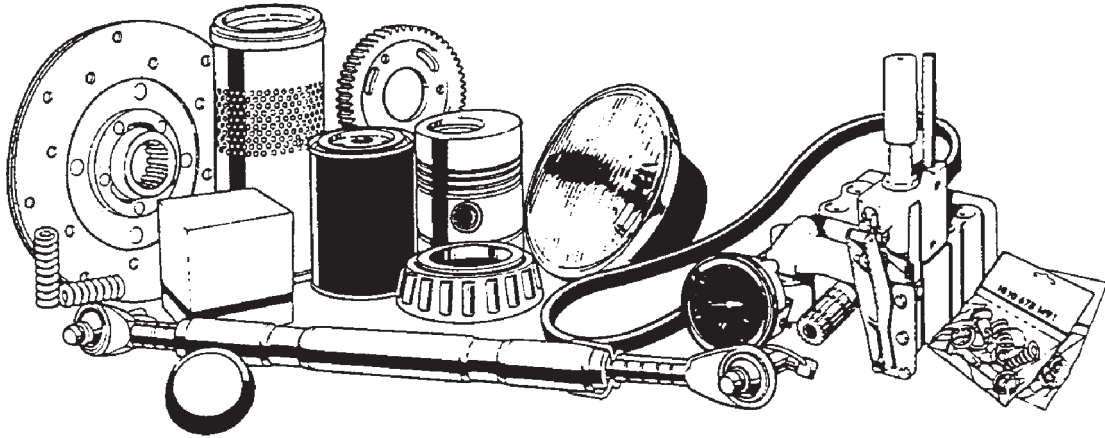
SAFETY SIGN PLACEMENT

ITEM	NUMBER	QTY	DESCRIPTION
1	SN997042		STAY CLEAR OF FOLDING WINGS
2	SN997313		CAUTION - INSTALL LOCK PINS BEFORE TRANSPORTING
3	SN997078		TRANSPORT LOCK INSTALLATION
4	SN997663		TAPE, YELLOW REFLECTIVE 2" X 9" L
5	SN997314		IMPORTANT - TO INSURE EVEN WORKING DEPTH
6	SN997052		SYSTEMS MUST BE BLED OF AIR
7	SN997045		WINGS CAN CONTACT ELECTRIC
8	SN997048		FASTEN SAFETY CHAIN
9	SN997074		UNHITCHING HAZARD
10	SN997311		HIGH PRESSURE FLUID HAZARD
11	SN997799		DECAL-WARNING, LOSS OF CONTROL 25 MPH
12	SN997792		DECAL-WARNING, READ OPERATOR'S
13	SN997662		TAPE, ORANGE REFLECTIVE 2" X 9" L
14	SN997661		TAPE, RED REFLECTIVE 2" X 9" L

I0007344
PR: t05g29n41d0041

RECOMMENDED DEALER STOCK

RECOMMENDED DEALER'S STOCK



6333 31'-37' LAND FINISHER
RECOMMENDED DEALER LIST

89

RECOMMENDED DEALER STOCK

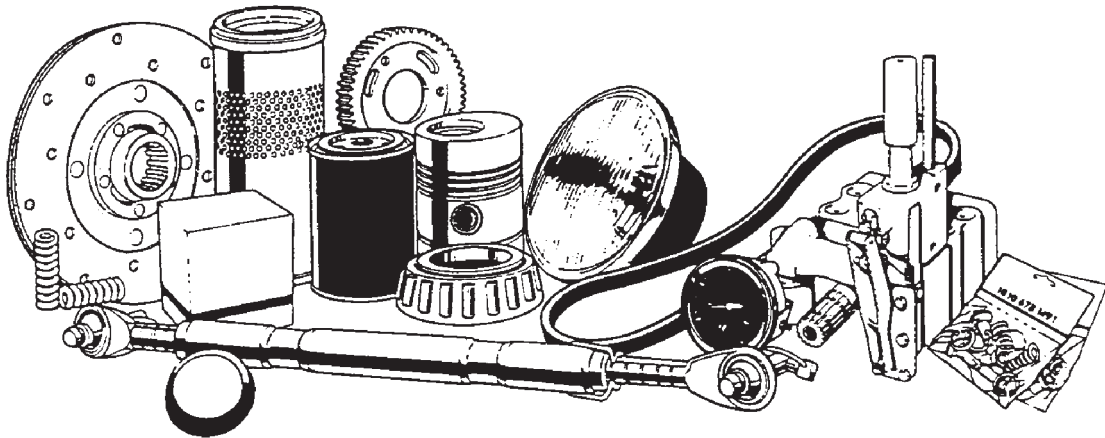
ITEM	NUMBER	QTY	DESCRIPTION
-	SN10460	1	ASSY, AG MODULE
-	SNFK310062	1	BEARING (JLM506849)
-	SN1935	1	BEARING (LM501349)
-	SN1606	1	BEARING (LM67048)
-	SN1610	1	DUST CAP, 2.448" OD, Y/D
-	SNFK340162	1	DUST CAP, 3.125" OD, Y/D
-	SNFK800384	1	EIGHT BOLT HUB ASSY.
-	SN3215	2	FLANGETTE BEARING, 1 3/4" BORE
-	SN10461	1	HARNESS, AG 8' 6" WISHBONE
-	SN2036	1	HEX NUT, 1 3/4"-5 SLOTTED HEAVY GR2, Y/D
-	SN3302	1	HEX NUT, 1"-14 FULL SLOTTED GR 2, PLAIN
-	SN3366	1	HITCH SPRING
-	SN10012	1	HOLDER, 7-PIN CONNECTOR
-	SN10742	1	HYDRAULIC DUST CAP
-	SN10741	1	HYDRAULIC DUST PLUG
-	SN4484	1	IN LINE RESTRICTOR, 1/2-14 FPT, W/
-	SN10007	1	LAMP, SINGLE AMBER FRT/REAR
-	SNFK340167	8	LUG BOLT, 5/8"-18 X 2 1/4"
-	SN3118	6	LUG BOLT, 9/16"-18 X 1 7/8" PRESS IN,
-	SNFK340168	8	LUG NUT, 5/8"-18, GR 5, 90 DEG TAPER, Y/D
-	SN3117	6	LUG NUT, 9/16"-18, GR 5, 90 DEG TAPER,
-	SN12288R	1	MOUNT, SMV
-	SN3365	1	PIN, 7/8" SPCL, Y/D
-	SNFK310063	1	RACE (JLM506810)
-	SN1936	1	RACE (LM501310)
-	SN1605	1	RACE (LM67010)
-	SN3196	2	SCRAPER W/SCRAPER CLIP, LEFT (SHOWN)
-	SN5489	2	SCRAPER W/SCRAPER CLIP, LEFT (SHOWN)
-	SN5489	2	SCRAPER W/SCRAPER CLIP, LEFT (SHOWN)
-	SN3195	2	SCRAPER W/SCRAPER CLIP, RIGHT
-	SN5488	2	SCRAPER W/SCRAPER CLIP, RIGHT
-	SN5488R	2	SCRAPER W/SCRAPER CLIP, RIGHT
-	SN5468	2	SCRAPER, LEFT (SHOWN)
-	SN5467	2	SCRAPER, RIGHT
-	SN8775-1	2	SEAL KIT, 3 1/2", 1 1/4" ROD, REPHASING
-	SN8767-1	2	SEAL KIT, 3 1/4", 1 1/4" ROD REPHASING,
-	SN8776-1	2	SEAL KIT, 3 3/4", 1 3/8" ROD, REPHASING
-	SN8612-1	2	SEAL KIT, 4", 1 1/2" ROD, CROSS
-	SN8781-1	2	SEAL KIT, 4", 1 3/8" ROD
-	SNFK310064	1	SEAL, 8-BOLT

CONTINUED

RDL
PR: t05g29n41d0042

RECOMMENDED DEALER STOCK

RECOMMENDED DEALER'S STOCK



**6333 31'-37' LAND FINISHER
RECOMMENDED DEALER LIST**

91

RECOMMENDED DEALER STOCK

ITEM	NUMBER	QTY	DESCRIPTION
-	SN12231	1	SHANK, 5/8" X 1 3/4" FLAT
-	SN10486	1	SINGLE AG LAMP, RED/BLACK W/BRAKE
-	SN3300	1	SIX BOLT HUB ASSEMBLY W/3301 SEAL
-	SN7001	1	SMV EMBLEM
-	SN5621	1	SPINDLE, 2 3/4" X 15 5/16"L
-	SN3298	1	SPINDLE, 2" X 11 3/16" L
-	SN3336	1	SPRING ADJUSTMENT SCREW, 6000
-	SN3044B	1	SPRING ASSEMBLY, 5000
-	SN4944	1	SPRING, 1.10" OD,.135 DIA, 3 1/2" L
-	SNFK361002	1	SPRING, 1.8125" OD X 1.062"ID,2 5/8" L
-	SN1875	2	SPRING, 2.938" OD X 1.625" ID X 8 7/8" L
-	SN3451	1	STROKE CONTROL KIT,
-	SN3048	1	SWEEP, 10" PLAIN (47 DEG)
-	SN3301	1	TRIPLE LIP SEAL
-	SN3619	2	U-BOLT, 1/2"-13 X 3 5/8" X 3" W, GR 5,
-	SN3199	2	U-BOLT, 1/2"-13 X 3" X 2 3/4" W, GR 5,
-	SN198	2	U-BOLT, 3/4"-10 X 5 1/2" X 5" W, GR 5,
-	SN2563	2	U-BOLT, 3/4"-10 X 5" X
-	SN3306	2	U-BOLT, 5/8"-11 X 4 1/2" X 4 5/8" W,
-	SN2815	2	U-BOLT, 5/8"-11 X 4 1/2" X 5 11/16"W,
-	SN7053	2	U-BOLT, 5/8"-11 X 4 1/2" X 6 11/16"W,
-	SN3356	2	U-BOLT, 5/8"-11 X 5 1/2" X 3 3/4" W,
-	SN3357	2	U-BOLT, 5/8"-11 X 6 1/2" X 3 3/4" W,
-	SN3061	1	WALKING BEAM BEARING (342A)
-	SN3062	1	WALKING BEAM RACE (332)
-	SN3063	1	WALKING BEAM SEAL (NAT.204035 C/R 22870)
-	SNFK340165	1	WASHER, 1 1/16" ID X 2 1/8" OD X 1/4"
-	SN3303	1	WASHER, 1 1/32" ID X 1 3/4" OD X 1/8"

NOTE: THIS PARTS STOCK LIST
INDICATES THOSE ITEMS RECOMMENDED
TO SERVICE ONE UNIT.

RDL
PR: t05g29n41d0042