

CHISEL PLOWS



PARTS CATALOG

SUNFLOWER®
4212 TRASH MULCHER

ALPHABETICAL INDEX

The complete alphabetical index appears at the beginning of this publication. It is used to locate major groups, assemblies and components.

NUMERICAL INDEX

The numerical index of this publication follows the Alphabetical Index at the beginning of the publication and indicates at which grid location and page number a part number appears.

ILLUSTRATIONS

All illustrations are located on the left hand page with the text on the right. Except for some common hardware, all parts are identified with an item number which corresponds to the item column on the text page. This is followed by the parts number, quantity and description.

HARDWARE

Common hardware not identified such as bolts, nuts, cotter pins and lube fittings, are listed indented in the text beneath the item to which they attach or fit. Common hardware listed indented beneath an item is NOT included unless specified. Example: (Incl. BOLT, LOCKWASHER AND NUT).

ORDERING PARTS

Be sure to refer to both the text and the illustration to assure ordering the correct part.

RECOMMENDED DEALER STOCK

A recommended dealer stock listing appears at the end of this publication.



4212TRASH MULCHER

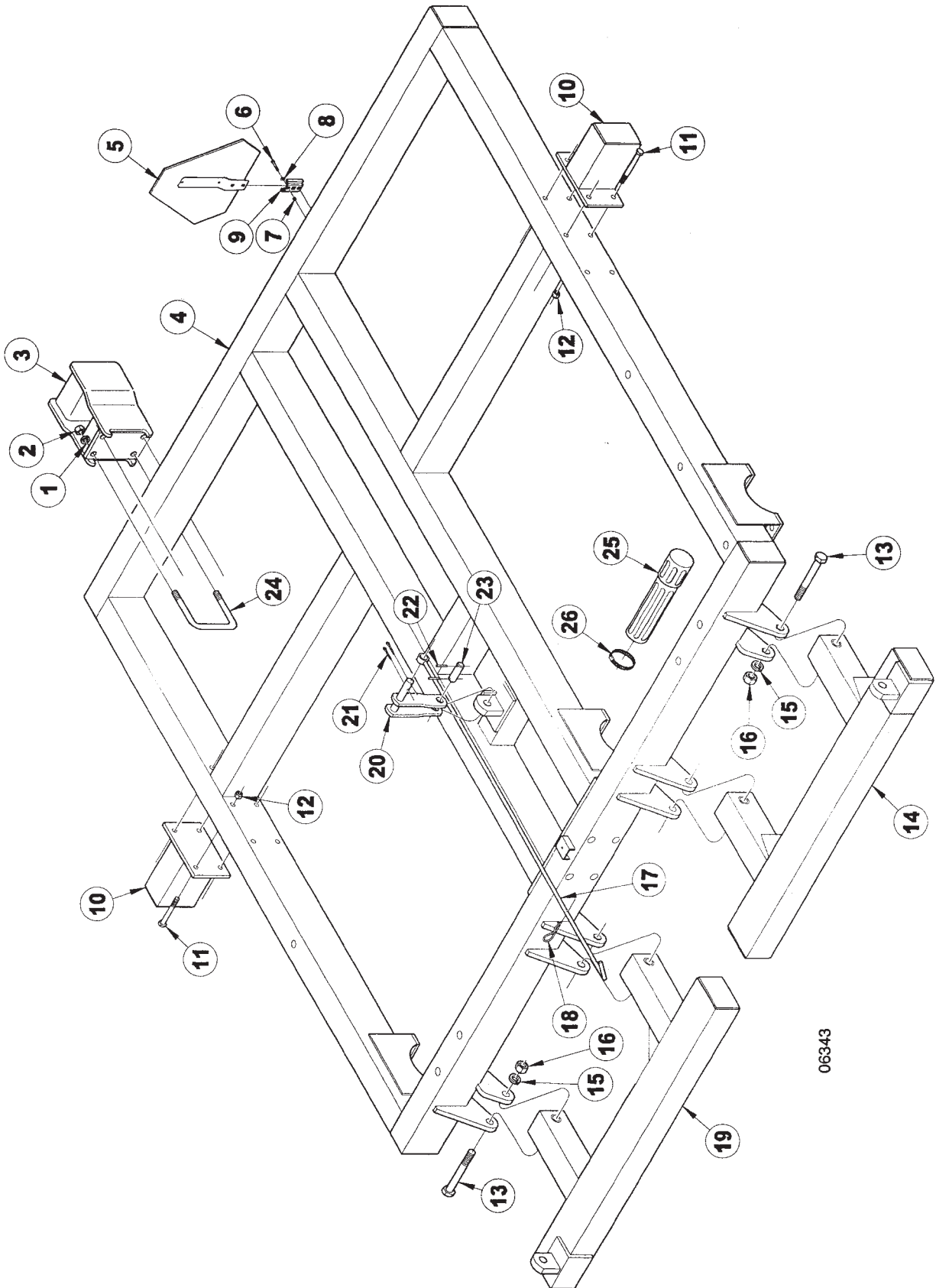
RECOMMENDED DEALER LIST

RECOMMENDED DEALER STOCK 53

SERVICE PARTS

AUTO RESET SHANK (VERSION 1, SERIAL # 04212L20040110 & EARLIER) 27
AUTO RESET SHANK (VERSION 2, SERIAL # 04212L20040111 & LATER) 29
COULTER GANG ASSEMBLY 21
DECAL & SAFETY SIGN PLACEMENT 51
DEEP TILL SHANK ASSEMBLY 33
HYDRAULICS ASSEMBLY 35
LIGHT KIT ASSEMBLY 49
REAR JACK ASSEMBLY 13
RIGID SHANK ASSEMBLY 31
SIX BOLT HUB & SPINDLE ASSEMBLY W/WHEEL & TIRES 19
TONGUE ASSEMBLY 11
TRASH BAR ASSEMBLY 25
TRUNNION BEARING ASSEMBLY 23
11, 13, & 15 SHANK FRAME 9
11, 13, & 15 SHANK LIFT ASSEMBLY 17
3 3/4" X 8" SLAVE CYLINDER 12059R (VERSION 2, 6/27/03 & LATER) 39
3 3/4" X 8" SLAVE CYLINDER 4438 (VERSION 1, PRIOR TO 6/27/03) 37
4" X 16" LIFT CYLINDER 12048R (VERSION 2, 9/16/03 & LATER) 47
4" X 16" LIFT CYLINDER 4441R (VERSION 1, PRIOR TO 9/16/03) 45
4" X 8" MASTER CYLINDER 12047R (VERSION 2, 8/12/03 & LATER) 43
4" X 8" MASTER CYLINDER 4437 (VERSION 1, PRIOR TO 8/12/03) 41
7 & 9 SHANK FRAME 7
7 & 9 SHANK LIFT ASSEMBLY 15

7 & 9 SHANK FRAME



06343

**4212 PARTS MANUAL
SERVICE PARTS**

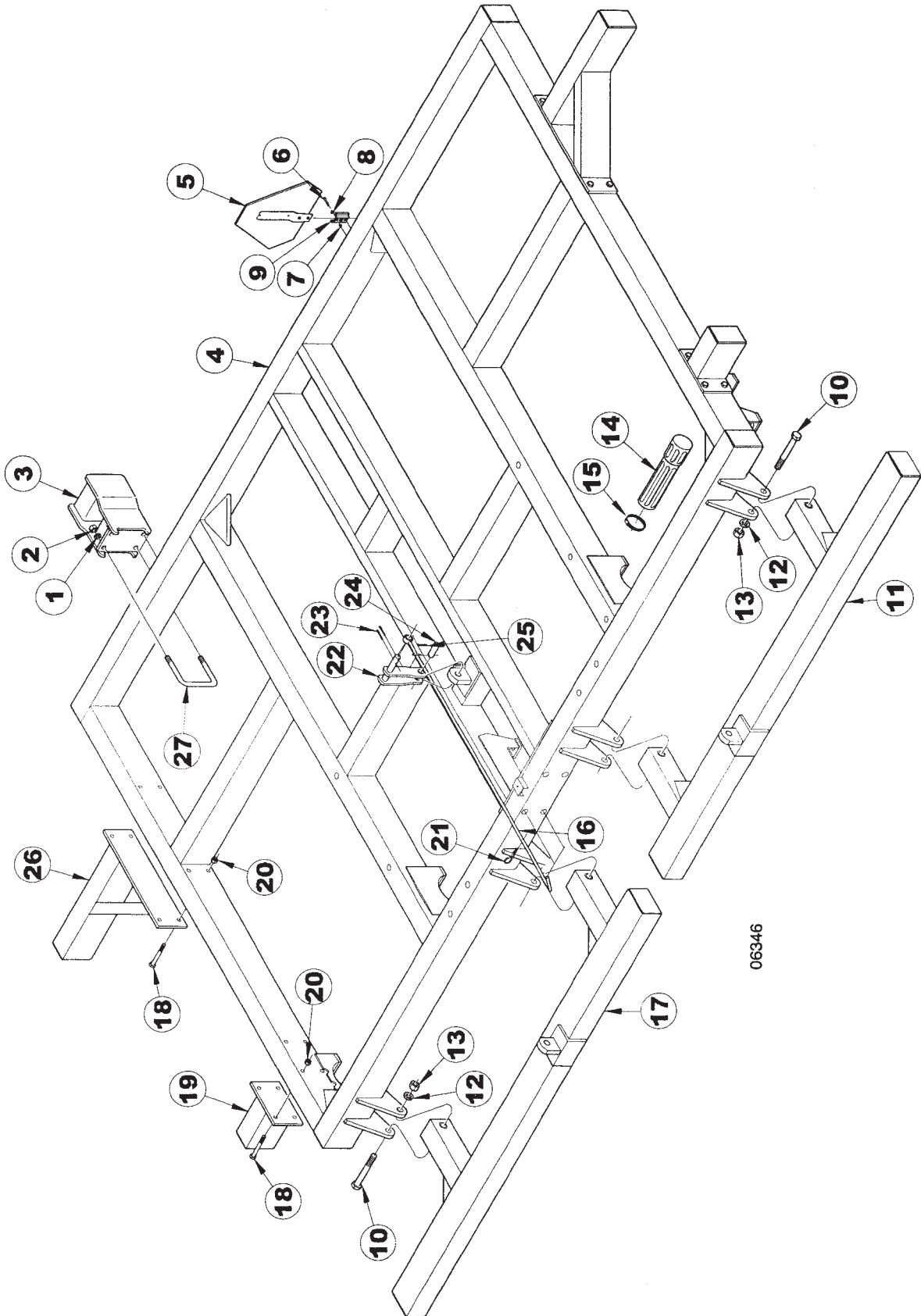
7

7 & 9 SHANK FRAME

ITEM	NUMBER	QTY	DESCRIPTION
1	SN1040		LOCK WASHER, 3/4" SPLIT TYPE MED, Y/D
2	SN106		HEX NUT, 3/4"-10 FULL, GR 5, Y/D
3	SN7309		SHANK MOUNT, OFFSET
	SN5945		SHANK MOUNT ASSEMBLY, OFFSET (ITEMS 1, 2, 3, & 24)
4	SN5384		CENTER FRAME, 4212
5	SN7001		SMV EMBLEM
6	SN2568		HEX BOLT, 1/4"-20 X 3/4", GR 5 Y/D
7	SN3881		LOCK NUT, 1/4"-20 HEX NYLON INSERT, GR 2, Y/D
8	SN506		FLAT WASHER, 1/4", Y/D
9	SN2566		S.M.V. SOCKET
10	SN3459		EXTENSION, 1 SHANK
11	SN2097		HEX BOLT, 5/8"-11 X 5 1/2", GR 5, Y/D
12	SN669-1		LOCK NUT, 5/8" HEX NYLON
13	SN109		HEX BOLT, 1"-8 X 7", GR 5, Y/D
14	SN3465		GANG BAR, 53" LEFT (7 SHANK)
	SN3467		GANG BAR, 58 1/2" LEFT (9 SHANK)
15	SN1283		LOCK WASHER, 1" SPLIT TYPE MED, Y/D
16	SN110		HEX NUT, 1"-8 FULL, GR 5, Y/D
17	SN3481		TRANSPORT LEVER
18	SN2867		PIN CLIP, 1/2"-5/8" SHAFT, .120" DIA, 2" L
19	SN3464		GANG BAR, 53" RIGHT (7 SHANK)
	SN3466		GANG BAR, 58 1/2" RIGHT (9 SHANK)
20	SN3482		TRANSPORT LOCK
21	SN3066		COTTER PIN, 7/32" X 1 1/2"
22	SN3164		ROLL PIN, 5/16" X 2" SPIRAL MEDIUM DUTY, Y/D
23	SN5385		PIN, 1" X 3" (2 1/16"), Y/D
24	SN3763		U-BOLT, 3/4"-10 X 5 3/4" X 6 3/4" W, GR 5, Y/D
25	SN3750		OPERATOR'S MANUAL TUBE
26	SN3765		HOSE CLAMP, 3 1/2"

I0006343
PR: t05g29l15b0001

11, 13, & 15 SHANK FRAME

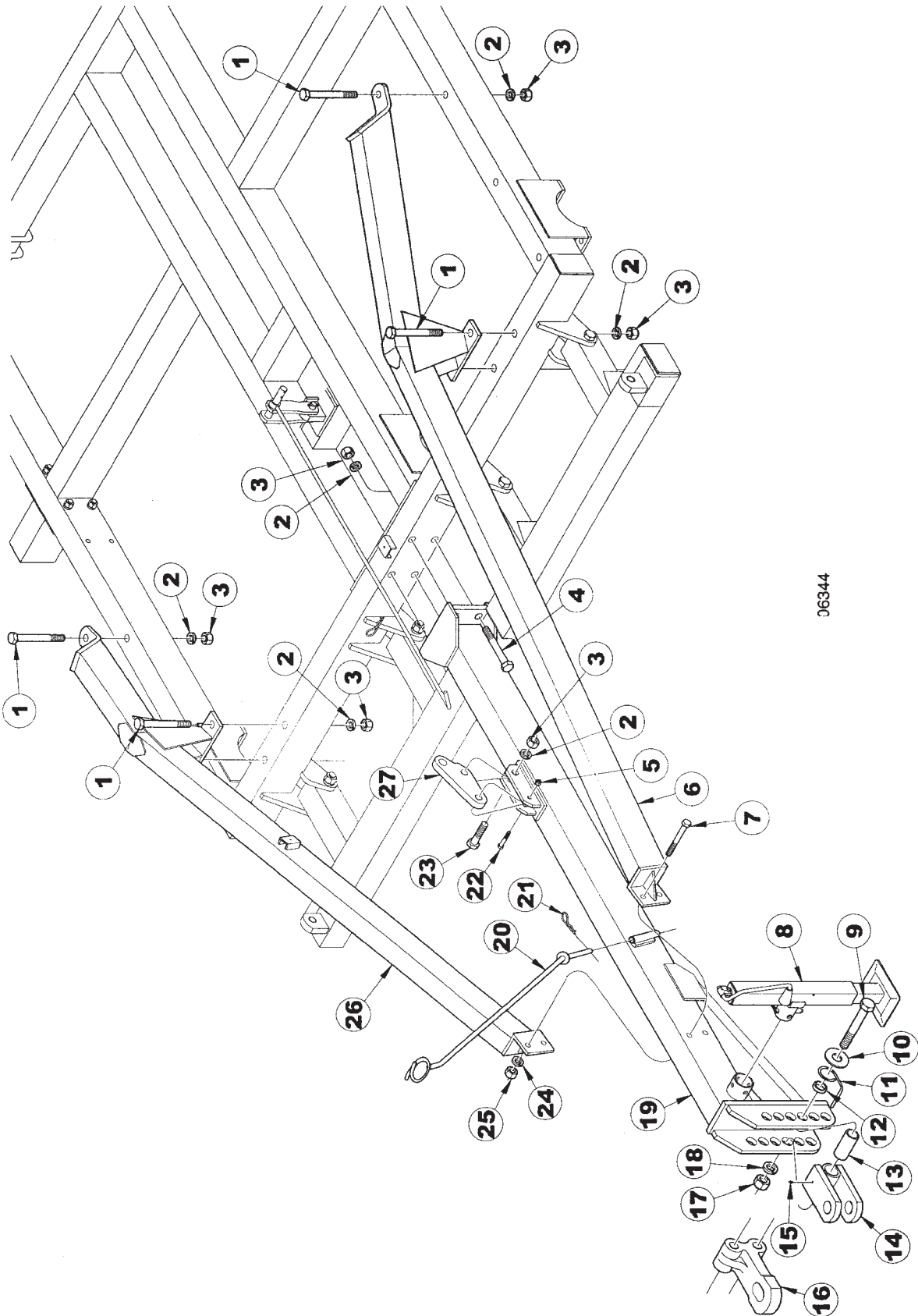


06346

ITEM	NUMBER	QTY	DESCRIPTION
1	SN1040		LOCK WASHER, 3/4" SPLIT TYPE MED, Y/D
2	SN106		HEX NUT, 3/4"-10 FULL, GR 5, Y/D
3	SN7309		SHANK MOUNT, OFFSET
	SN5945		SHANK MOUNT ASSEMBLY, OFFSET (ITEMS 1, 2, 3, & 27)
4	SN5356		CENTER FRAME, 4212
5	SN7001		SMV EMBLEM
6	SN2568		HEX BOLT, 1/4"-20 X 3/4", GR 5 Y/D
7	SN3881		LOCK NUT, 1/4"-20 HEX NYLON INSERT, GR 2, Y/D
8	SN506		FLAT WASHER, 1/4", Y/D
9	SN2566		S.M.V. SOCKET
10	SN109		HEX BOLT, 1"-8 X 7", GR 5, Y/D
11	SN3469		GANG BAR, 79 3/4" LEFT (11 SHANK)
	SN3471		GANG BAR, 88 1/2" LEFT (13 SHANK)
	SN3473		GANG BAR, 103 1/2" LEFT (15 SHANK)
12	SN1283		LOCK WASHER, 1" SPLIT TYPE MED, Y/D
13	SN110		HEX NUT, 1"-8 FULL, GR 5, Y/D
14	SN3750		OPERATOR'S MANUAL TUBE
15	SN3765		HOSE CLAMP, 3 1/2"
16	SN3481		TRANSPORT LEVER
17	SN3468		GANG BAR, 79 3/4" RIGHT (11 SHANK)
	SN3470		GANG BAR, 88 1/2" RIGHT (13 SHANK)
	SN3472		GANG BAR, 103 1/2" RIGHT (15 SHANK)
18	SN2097		HEX BOLT, 5/8"-11 X 5 1/2", GR 5, Y/D
19	SN3459		EXTENSION, 1 SHANK
20	SN669-1		LOCK NUT, 5/8" HEX NYLON
21	SN2867		PIN CLIP, 1/2"-5/8" SHAFT, .120" DIA, 2" L
22	SN3482		TRANSPORT LOCK
23	SN3066		COTTER PIN, 7/32" X 1 1/2"
24	SN5385		PIN, 1" X 3" (2 1/16"), Y/D
25	SN3164		ROLL PIN, 5/16" X 2" SPIRAL MEDIUM DUTY , Y/D
26	SN3460		EXTENSION, 2 SHANK
27	SN3763		U-BOLT, 3/4"-10 X 5 3/4" X 6 3/4" W, GR 5, Y/D

I0006346
PR: t05g29i15b0002

TONGUE ASSEMBLY

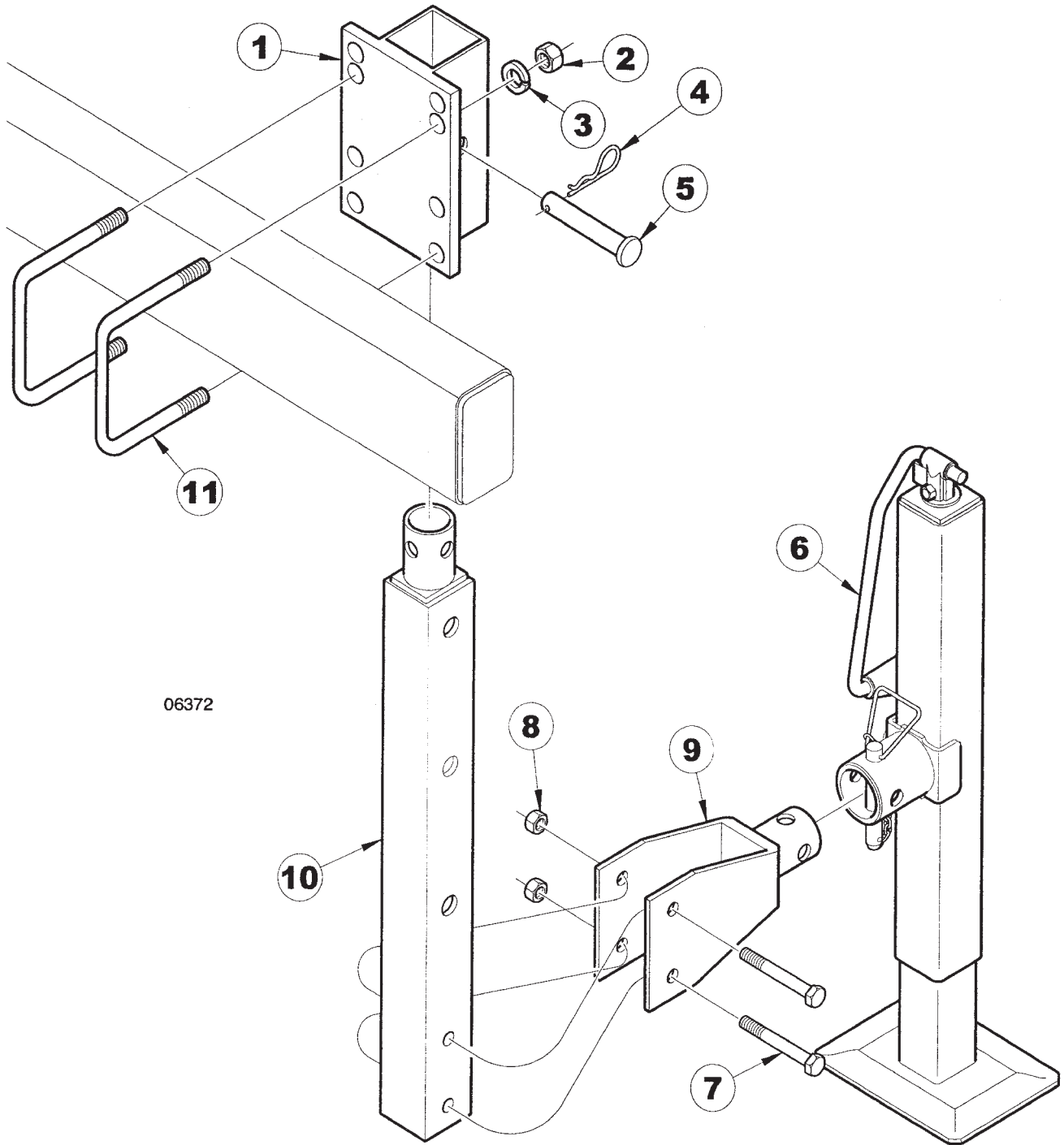


06344

ITEM	NUMBER	QTY	DESCRIPTION
1	SN3485		HEX BOLT, 1"-8 X 8", GR 5, Y/D
2	SN1283		LOCK WASHER, 1" SPLIT TYPE MED, Y/D
3	SN110		HEX NUT, 1"-8 FULL, GR 5, Y/D
4	SN109		HEX BOLT, 1"-8 X 7", GR 5, Y/D
5	SN2096		LOCK NUT, 1/2"-13 HEX NYLON INSERT
6	SN3456		TONGUE BRACE, 7 & 9 SHANK
	SN3458		TONGUE BRACE, 11-15 SHANK, LEFT
7	SN7322		HEX BOLT, 3/4"-10 X 6", GR 8, Y/D
8	SN9777		LONG TONGUE JACK, SQ W/TUBE MOUNT
9	SNFK150219		HEX BOLT, 1 1/4"-7 X 7 1/2" GR 5, Y/D
10	SN1881		FLAT WASHER, 1 1/2", Y/D
11	SN3152		HITCH CLEVIS HOLDER (DOUBLE CLEVIS)
12	SN5417		BUSHING, HITCH CLEVIS HOLDER (1 1/4" BOLT)
13	SN5370		HITCH CLEVIS BUSHING
14	SN3807		HITCH CLEVIS, 4" DOUBLE 1 1/4" HOLE (7 & 9 SHANK)
	SN1765		HITCH CLEVIS, 4" DOUBLE 1 13/16" HOLE (9, 11, 13, & 15 SHANK)
15	SN2098-1		GREASE ZERK, 1/8" NPTF, 5/8" L
16	SN5334		CAST SINGLE LIP HITCH, 1 1/2" HOLE (7 & 9 SHANK)
	SN4781		CAST SINGLE LIP HITCH, 2" HOLE (11, 13, & 15 SHANK)
17	SNFK150144		HEX NUT, 1 1/4"-7, GR 2, Y/D
18	SNFK150157		LOCK WASHER, 1 1/4", Y/D
19	SN5371		TONGUE
20	SN1652		HOSE HOLDER ROD
21	SN1609		COTTER PIN, 3/16" X 1 1/2"
22	SN156		HEX BOLT, 1/2"-13 X 3", GR 5 Y/D
23	SN155		HEX BOLT, 1"-8 X 3 1/2", GR 5 Y/D
24	SN1040		LOCK WASHER, 3/4" SPLIT TYPE MED, Y/D
25	SN106		HEX NUT, 3/4"-10 FULL, GR 5, Y/D
26	SN3455		TONGUE BRACE, 7 & 9 SHANK
	SN3457		TONGUE BRACE, 11-15 SHANK RIGHT
27	SN3483		CYLINDER BLOCK

I0006344
PR: t05g29115b0003

REAR JACK ASSEMBLY



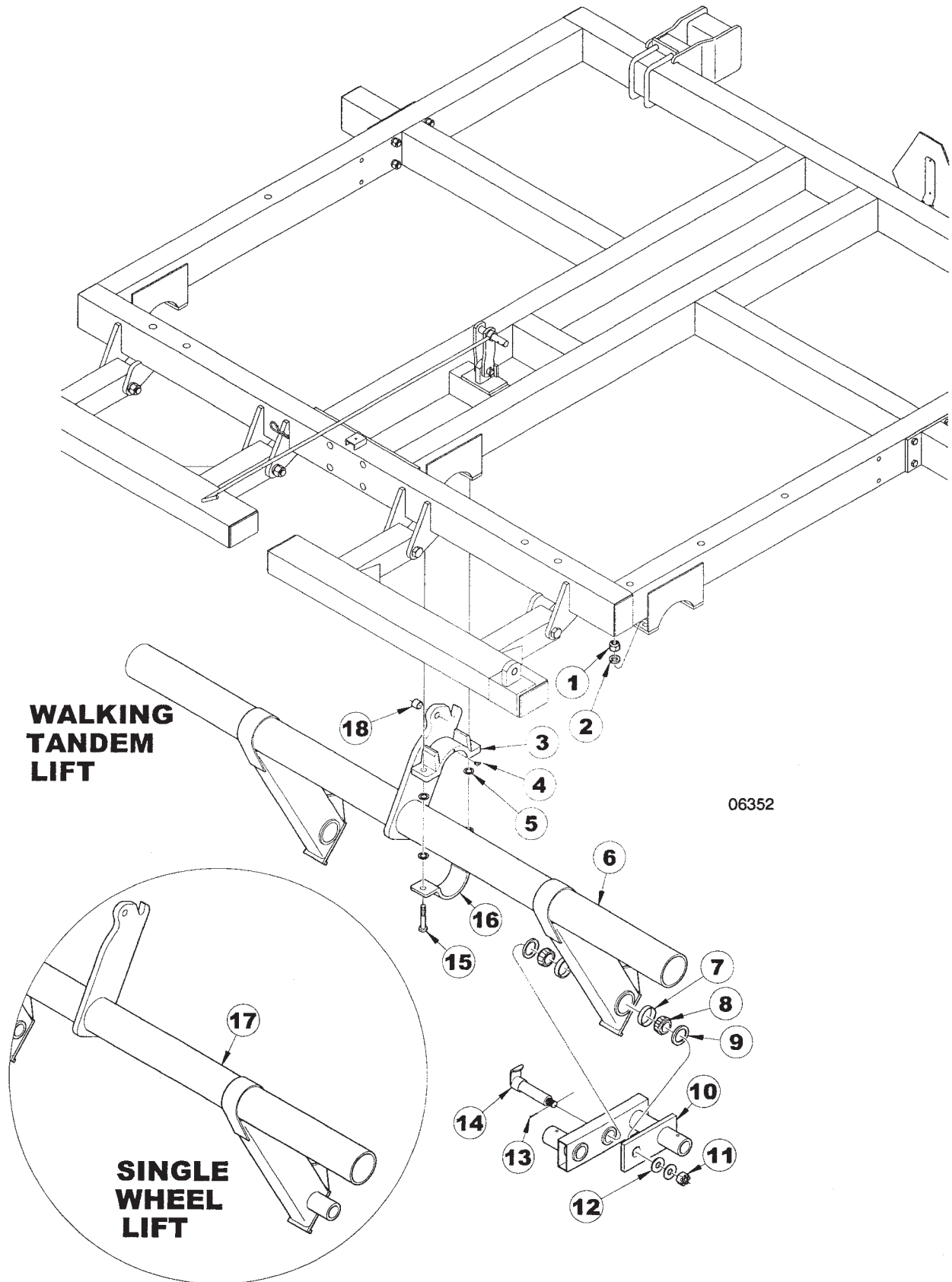
06372

REAR JACK ASSEMBLY

ITEM	NUMBER	QTY	DESCRIPTION
1	SN3353		JACK ADAPTER PLATE
2	SN106		HEX NUT, 3/4"-10 FULL, GR 5, Y/D
3	SN1040		LOCK WASHER, 3/4" SPLIT TYPE MED, Y/D
4	SN2867		PIN CLIP, 1/2"-5/8" SHAFT, .120" DIA, 2" L
5	SN2094		PIN, 3/4" X 4 1/2" (4"), Y/D
6	SN9777		LONG TONGUE JACK, SQ W/TUBE MOUNT
7	SN3371		HEX BOLT, 1/2"-13 X 4", GR 5, Y/D
8	SN2096		LOCK NUT, 1/2"-13 HEX NYLON INSERT
9	SN3355		JACK BRACKET
10	SN3354		JACK TUBE
11	SN3763		U-BOLT, 3/4"-10 X 5 3/4" X 6 3/4" W,
	SN5096		REAR JACK MOUNT ASSY, LONG LESS U-BOLTS & JACK

I0006372
PR: t05g29i15b0004

7 & 9 SHANK LIFT ASSEMBLY



4212 PARTS MANUAL
SERVICE PARTS

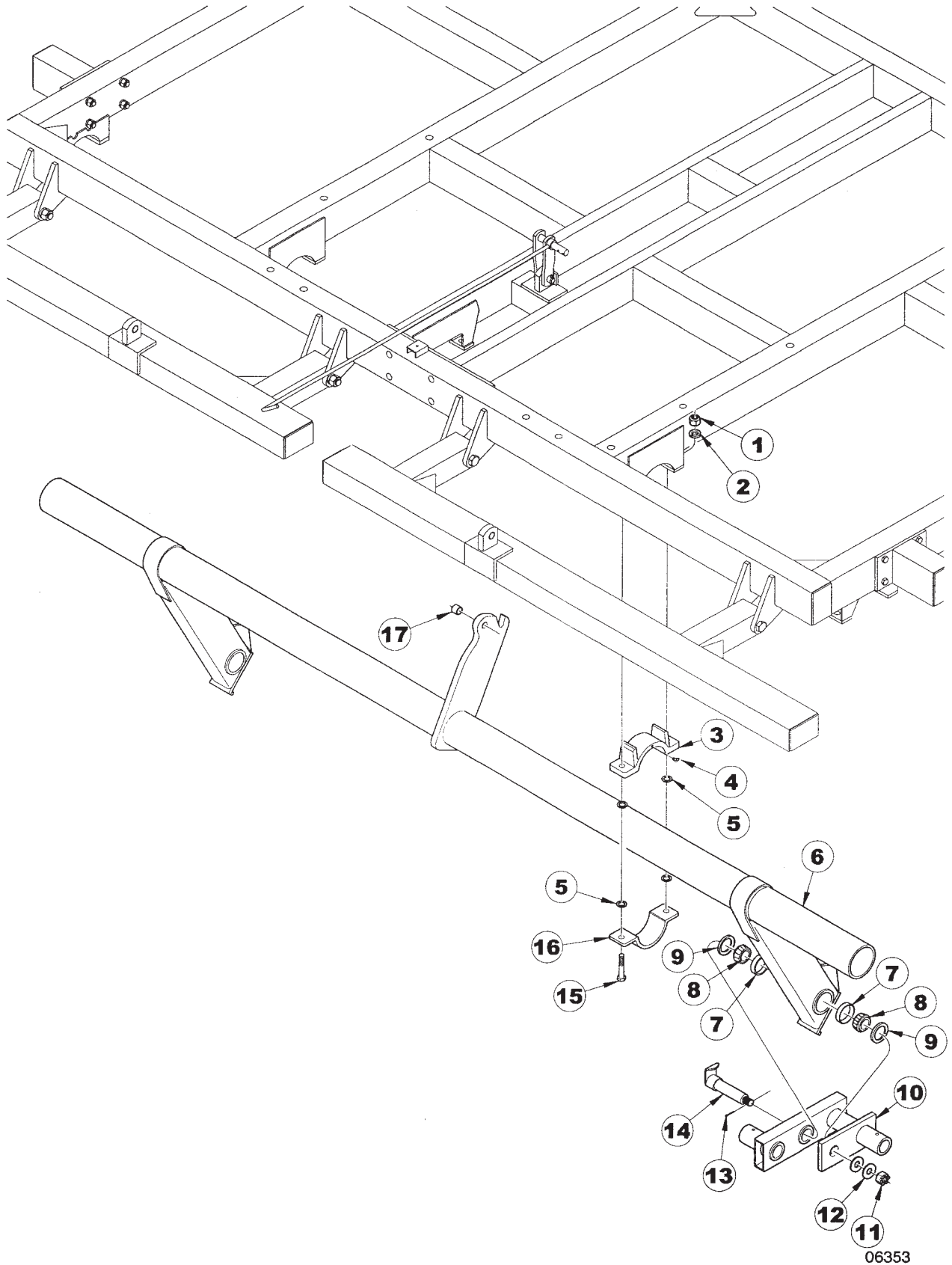
15

7 & 9 SHANK LIFT ASSEMBLY

ITEM	NUMBER	QTY	DESCRIPTION
1	SN106		HEX NUT, 3/4"-10 FULL, GR 5, Y/D
2	SN1040		LOCK WASHER, 3/4" SPLIT TYPE MED, Y/D
3	SN1570-1		TOP CLAMP W/SIDE ZERK HOLE
4	SNFK150053		GREASE ZERK, 1/8" NPT 65 DEG, SHORT ANGLE
5	SN2073		MACHINE BUSHING, 1 1/2" OD X 1" ID, 14 GA, Z/P
6	SN3920		CENTER LIFT, 7 & 9 SHANK
7	SN3062		WALKING BEAM RACE (332)
8	SN3061		WALKING BEAM BEARING (342A)
9	SN3063		WALKING BEAM SEAL (NAT.204035 C/R 22870)
10	SN3330		TANDEM PIVOT
11	SN2992		HEX NUT, 1"-14 FULL SLOTTED GR 2, Y/D
12	SN245		FLAT WASHER, 1" WIDE RIM, Y/D
13	SN3066		COTTER PIN, 7/32" X 1 1/2"
14	SN3331		SPINDLE, 2" X 9 7/8" TANDEM PIVOT
15	SN105		HEX BOLT, 3/4"-10 X 3 1/2", GR 5, Y/D
16	SN1571		BOTTOM CLAMP
17	SN3461		CENTER LIFT, 7 & 9 SHANK
18	SN1946		WEAR BUSHING, 1" ID X 1 1/4" OD

I0006352
PR: t05g29115b0005

11, 13, & 15 SHANK LIFT ASSEMBLY



4212 PARTS MANUAL
SERVICE PARTS

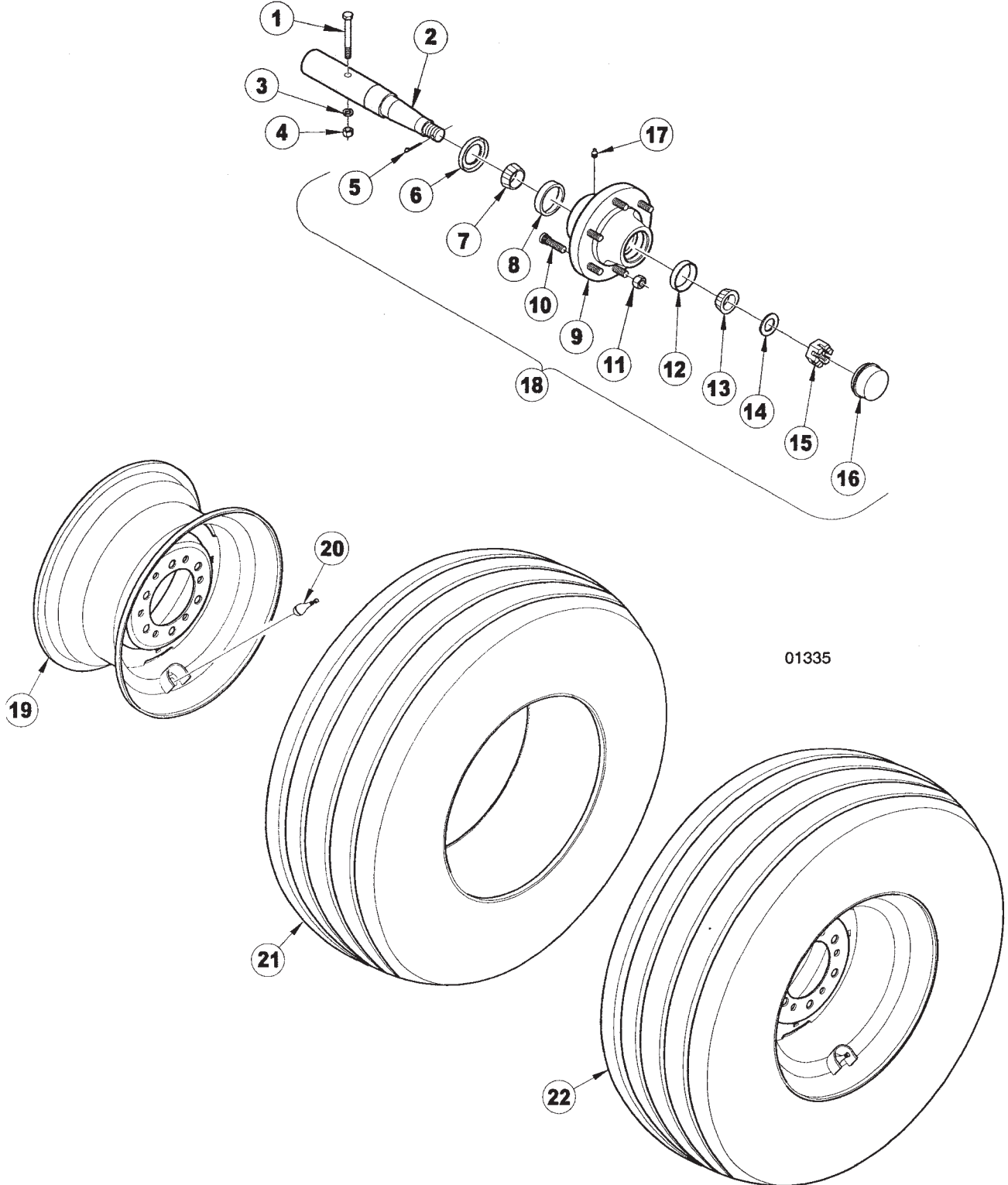
17

11, 13, & 15 SHANK LIFT ASSEMBLY

ITEM	NUMBER	QTY	DESCRIPTION
1	SN106		HEX NUT, 3/4"-10 FULL, GR 5, Y/D
2	SN1040		LOCK WASHER, 3/4" SPLIT TYPE MED, Y/D
3	SN1570-1		TOP CLAMP W/SIDE ZERK HOLE
4	SNFK150053		GREASE ZERK, 1/8" NPT 65 DEG, SHORT ANGLE
5	SN2073		MACHINE BUSHING, 1 1/2" OD X 1" ID, 14 GA, Z/P
6	SN6580		CENTER LIFT, 11-15 SHANK
7	SN3062		WALKING BEAM RACE (332)
8	SN3061		WALKING BEAM BEARING (342A)
9	SN3063		WALKING BEAM SEAL (NAT.204035 C/R 22870)
10	SN3330		TANDEM PIVOT
11	SN2992		HEX NUT, 1"-14 FULL SLOTTED GR 2, Y/D
12	SN245		FLAT WASHER, 1" WIDE RIM, Y/D
13	SN3066		COTTER PIN, 7/32" X 1 1/2"
14	SN3331		SPINDLE, 2" X 9 7/8" TANDEM PIVOT
15	SN105		HEX BOLT, 3/4"-10 X 3 1/2", GR 5, Y/D
16	SN1571		BOTTOM CLAMP
17	SN1946		WEAR BUSHING, 1" ID X 1 1/4" OD

I0006353
PR: t05g29115b0006

SIX BOLT HUB & SPINDLE ASSEMBLY
W/WHEEL & TIRES

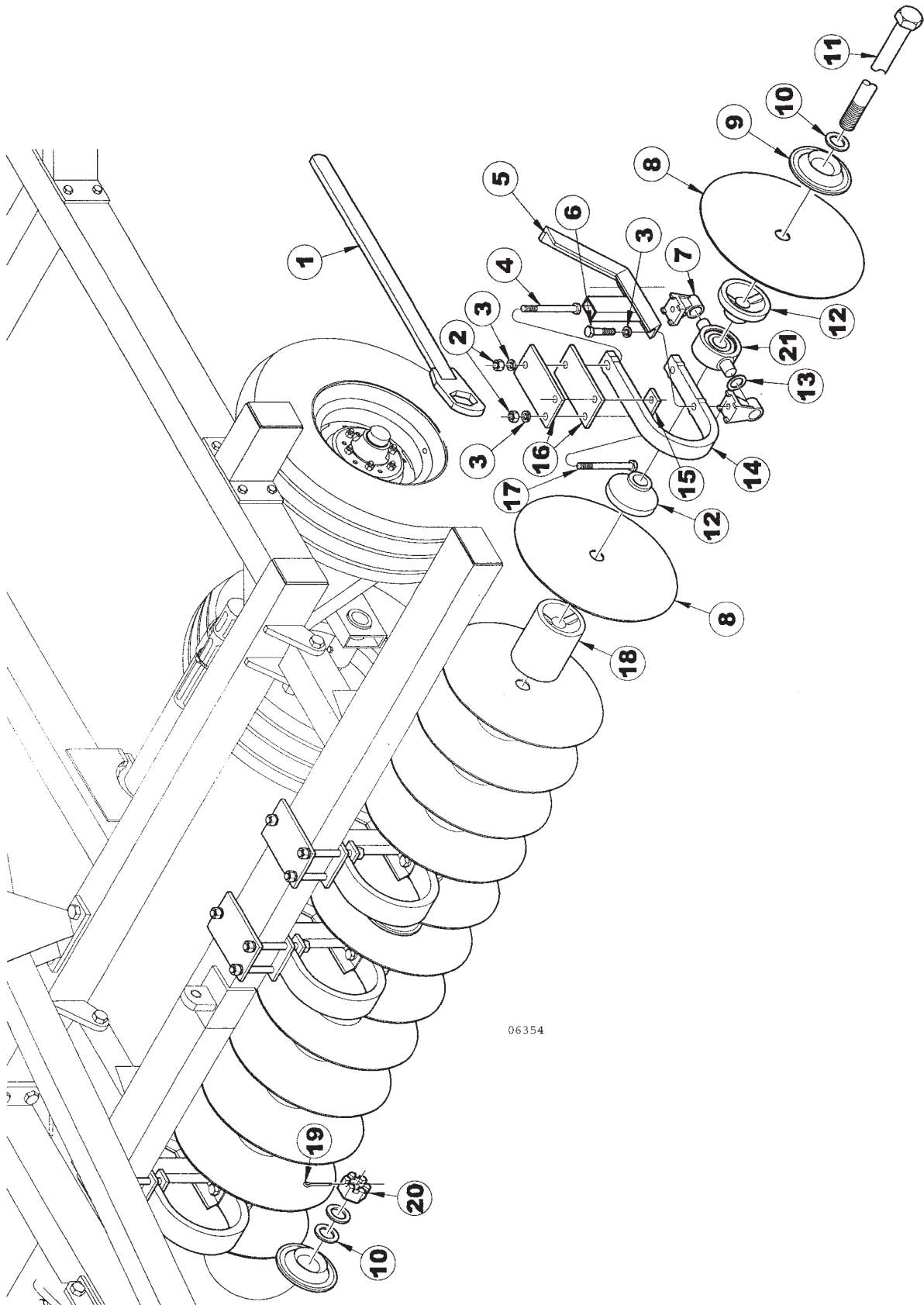


SIX BOLT HUB & SPINDLE ASSEMBLY
W/WHEEL & TIRES

ITEM	NUMBER	QTY	DESCRIPTION
1	SN2585		HEX BOLT, 7/16"-14 X 3 1/2", GR 5, Y/D
2	SN3299		SPINDLE, 2" X 13 3/16"
3	SN302		LOCKWASHER, 7/16" SPLIT TYPE MED, Y/D
4	SN303		HEX NUT, 7/16"-14 FULL, GR 2, Y/D
5	SN3066		COTTER PIN, 7/32" X 1 1/2"
6	SN3301		TRIPLE LIP SEAL
7	SN1935		BEARING (LM501349)
8	SN1936		RACE (LM501310)
9	SN1937		SIX BOLT HUB, STUDDED W/CUPS AND LUG NUTS, PAINTED
10	SN3118		LUG BOLT, 9/16"-18 X 1 7/8" PRESS IN, PL
11	SN3117		LUG NUT, 9/16"-18, GR 5, 90 DEG TAPER, Y/D
12	SN1605		RACE (LM67010)
13	SN1606		BEARING (LM67048)
14	SN3303		WASHER, 1 1/32" ID X 1 3/4" OD X 1/8" THICK, PLAIN
15	SN3302		HEX NUT, 1"-14 FULL SLOTTED GR 2, PLAIN
16	SN1610		DUST CAP, 2.448" OD, Y/D
17	SN2098-6		GREASE ZERK, 1/4"-28, 17/32" L, STRAIGHT W/TAPER THREADS
18	SN3300		SIX BOLT HUB ASSEMBLY W/3301 SEAL
19	SN2198		WHEEL, 15 X 8, 6-BOLT
	SN1944		WHEEL, 15 X 10, 6 BOLT
20	SN3577		VALVE STEM
21	SN3578		TIRE, 9.5L X 15, 8 PLY, TUBELESS
	SN3580		TIRE, 11L X 15, 8 PLY TUBELESS
22	SN3584Y		TIRE, 9.5L 8 PLY TUBELESS W/15 X 8 WH ASSY 6 BT
	SN3058		TIRE, 11L 8 PLY TUBELESS W/15 X 10 WHEEL ASSY 6 BOLT

I0001335
PR: t05g29l15b0007

COULTER GANG ASSEMBLY



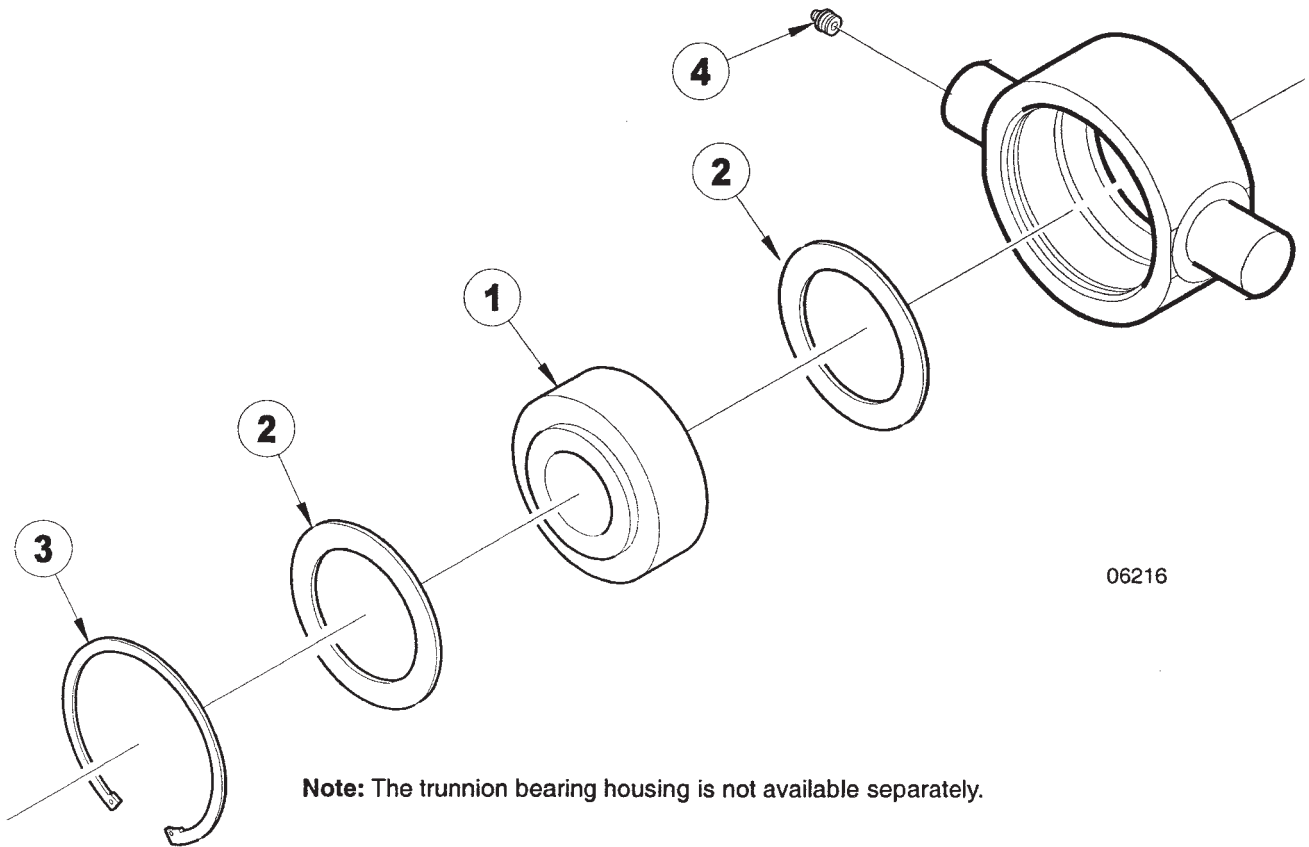
06354

COULTER GANG ASSEMBLY

ITEM	NUMBER	QTY	DESCRIPTION
1	SN2194		GANG WRENCH, 2 3/4"
2	SN106		HEX NUT, 3/4"-10 FULL, GR 5, Y/D
3	SN1040		LOCK WASHER, 3/4" SPLIT TYPE MED, Y/D
4	SN1484		HEX BOLT, 3/4"-10 X 7 1/2", GR 5, Y/D
5	SN3087		FLAT TRASH BAR MOUNT
6	SN1122		HEX BOLT, 3/4"-10 X 2 1/2", GR 5, Y/D
7	SN3096		TRUNNION BEARING MOUNT
8	SN2812-1		20" COULTER BLADE, 1 3/4" BORE 6 GA
	SN3273		19.940" COULTER, 1 3/4" BORE 4 GA
9	SN2723B		SPRING END COLLAR, 1 3/4" BORE
10	SN2037		FLAT WASHER, 1 13/16" ID X 2 13/16" OD X 1/4" THICK, Y/D
11	SN2866		SHAFT, 51 1/4", 1 3/4" DIA
	SN3942		SHAFT, 51 3/4", 1 3/4" DIA
	SN1990		SHAFT, 66 1/2", 1 3/4" DIA
	SN1990-1		SHAFT, 67", 1 3/4" DIA
	SN3067		SHAFT, 81", 1 3/4" DIA
	SN1997		SHAFT, 81 1/2", 1 3/4" DIA
	SN2999		SHAFT, 96, 1 3/4" DIA
	SN2007		SHAFT, 97", 1 3/4" DIA
	SN2866		SHAFT, 51 1/4", 1 3/4" DIA
	SN3945		SHAFT, 59 1/2", 1 3/4" DIA
	SN3942		SHAFT, 51 3/4", 1 3/4" DIA
	SN3944		SHAFT, 58 3/4", 1 3/4" DIA
12	SN3100		SPOOL, BEARING, 4211
13	SN3095		FLAT WASHER, 1 1/2" ID X 2 1/4" OD, 10 GA, Y/D
14	SN2761		SHANK, 1" C-FLEX
15	SN2763		CLAMP PLATE W/CORNER NIP
16	SN3484		C-FLEX MOUNTING PLATE
17	SN918		HEX BOLT, 3/4"-10 X 8", GR 5, Y/D
18	SN2814		SPOOL, FULL, 4210-4230
19	SN108		COTTER PIN, 5/16" X 2 1/2", Y/D
20	SN2036		HEX NUT, 1 3/4"-5 SLOTTED
21	SN3090		TRUNNION BEARING COMPLETE

I0006354
PR: t05g29i15b0008

TRUNNION BEARING ASSEMBLY



06216

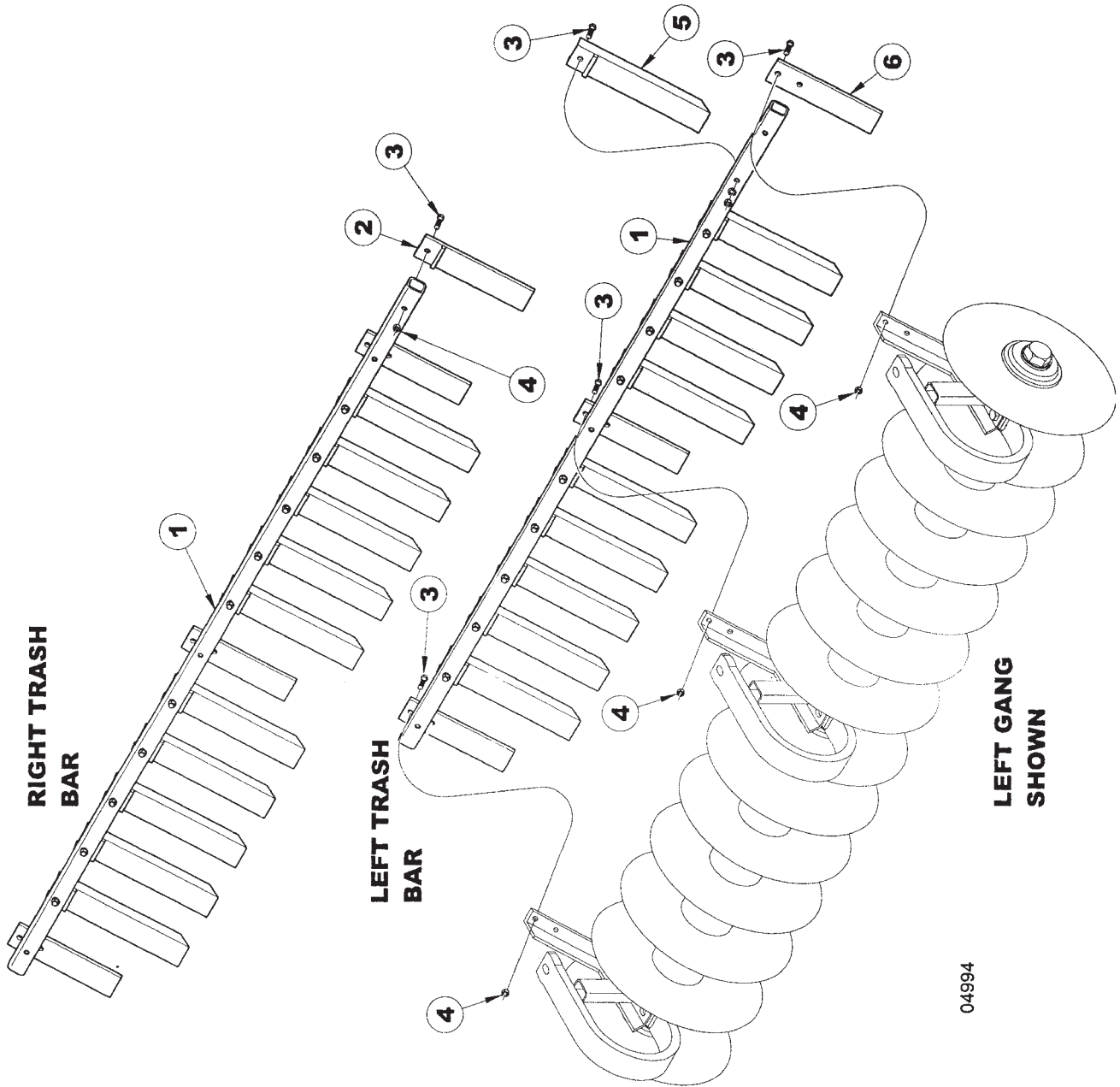
Note: The trunnion bearing housing is not available separately.

TRUNNION BEARING ASSEMBLY

ITEM	NUMBER	QTY	DESCRIPTION
1	SN3091		SUNFLOWER HOUSING, BCA BEARING
2	SN4924		TRUNNION BEARING REPLACEMENT
3	SN3094		TRUNNION BEARING SHIELD (BCA)
4	SN2098-1		TRUNNION BEARING RETAINER
			GREASE ZERK, 1/8" NPTF, 5/8" L
			TRUNNION BEARING SHIELD SPECIFICATIONS
	SN4924		2.8375" I.D. X 3.929" O.D. X .100" THICK
	SN3094		TRUNNION BEARING RETAINER THICKNESS .109" THICK

I0006216
PR: t05g29115b0009

TRASH BAR ASSEMBLY



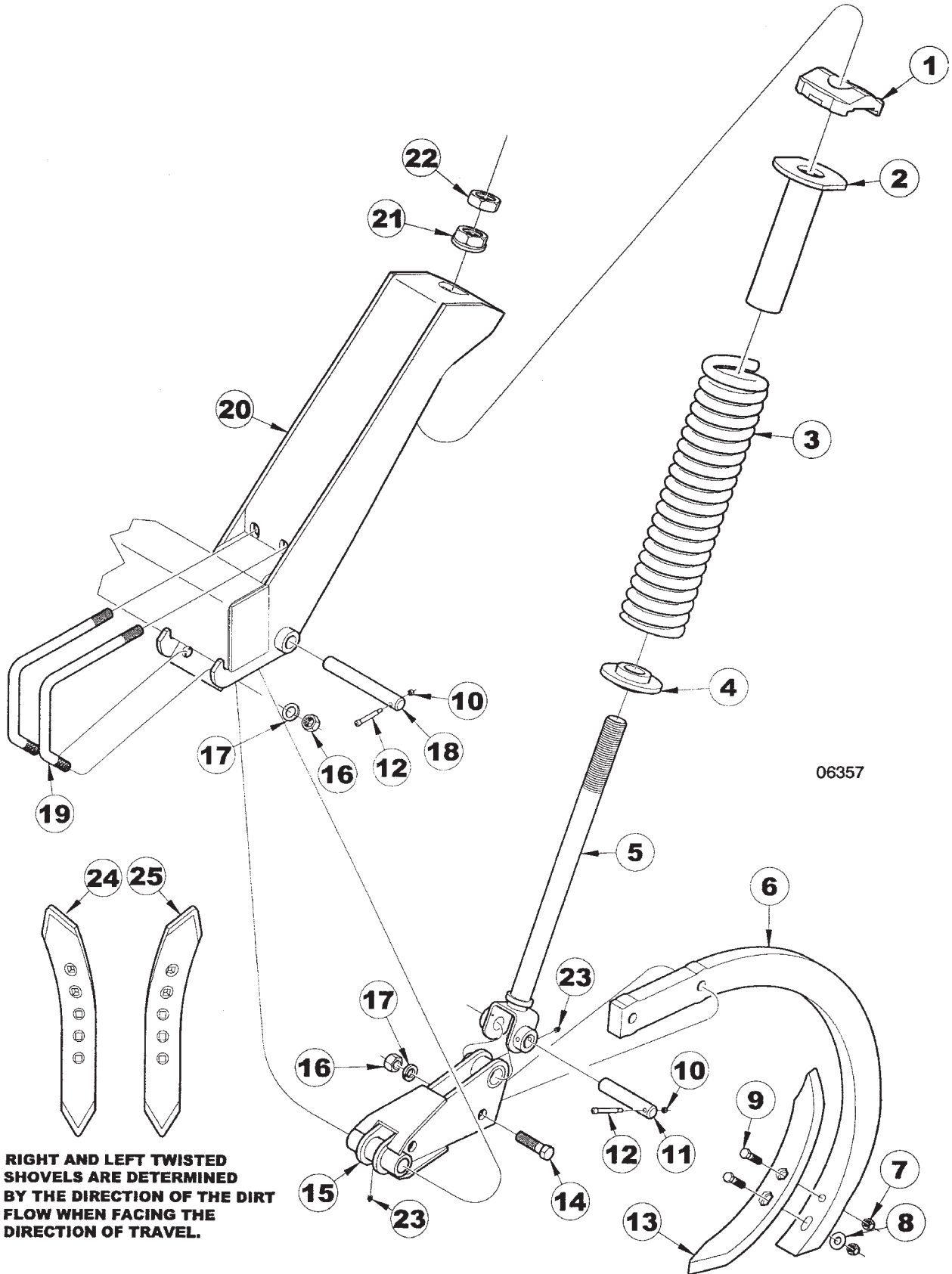
04994

TRASH BAR ASSEMBLY

ITEM	NUMBER	QTY	DESCRIPTION
1	SN2843		TRASH BAR, 58 1/2"
	SN2844		TRASH BAR, 66"
	SN2840		TRASH BAR, 73 1/2"
	SN3474		TRASH BAR, 81"
	SN3476		TRASH BAR, 96"
	SN5379		TRASH BAR, 103 1/2" L
2	SN3678		FLAT TRASH ARM, 13" LONG (BETWEEN GANGS ONLY)
	SN1507		HEX BOLT, 1/2"-13 X 3 1/2", GR 5, Y/D
4	SN2096		LOCK NUT, 1/2"-13 HEX NYLON INSERT
5	SN3088		TRASH ARM
6	SN3958		FLAT TRASH ARM (BEARING STANDARDS ONLY)

I0004994
PR: t05g29l15b0010

AUTO RESET SHANK (VERSION 1, SERIAL
04212L20040110 & EARLIER)



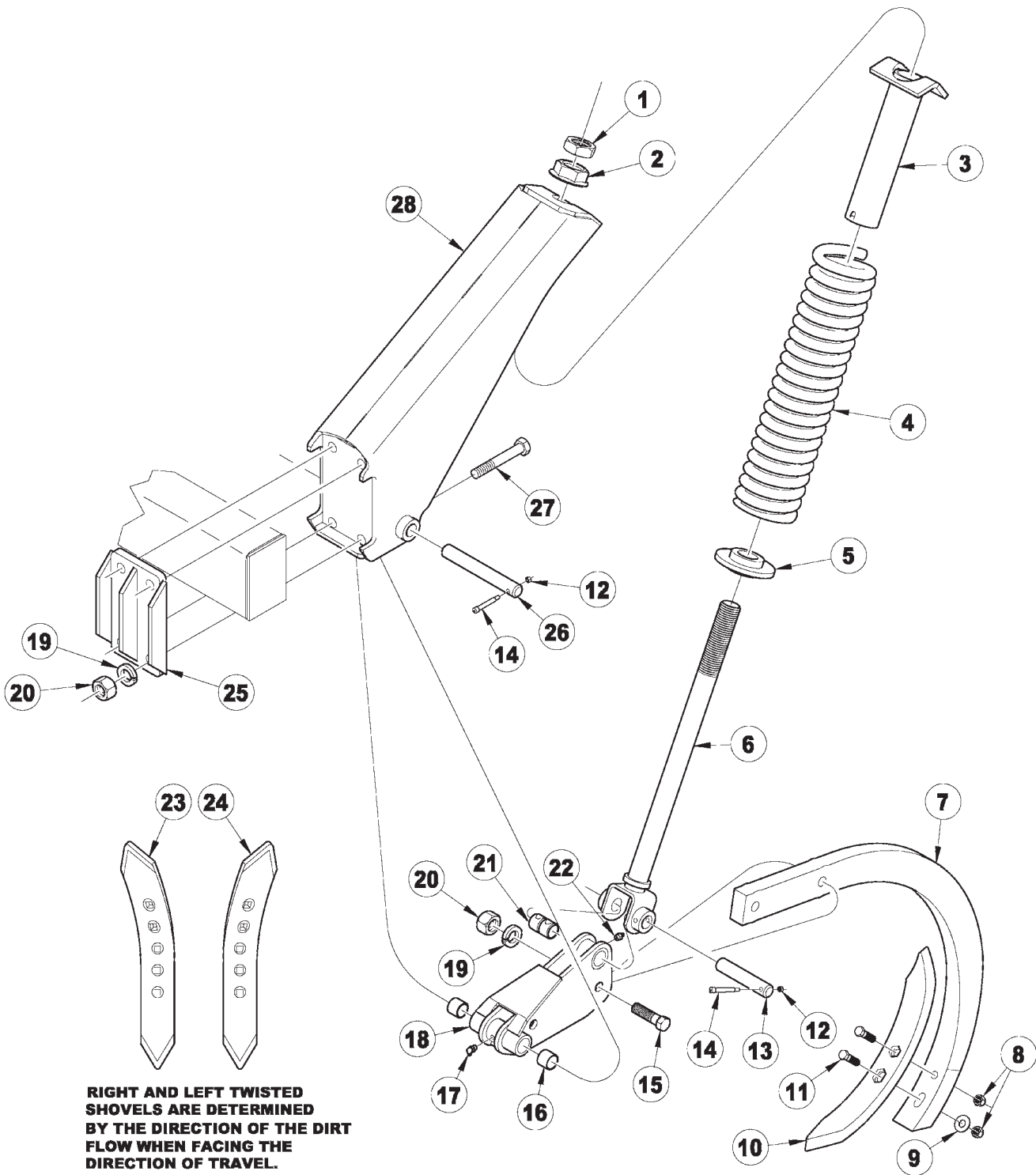
RIGHT AND LEFT TWISTED SHOVELS ARE DETERMINED BY THE DIRECTION OF THE DIRT FLOW WHEN FACING THE DIRECTION OF TRAVEL.

AUTO RESET SHANK (VERSION 1, SERIAL
04212L20040110 & EARLIER)

ITEM	NUMBER	QTY	DESCRIPTION
1	SN5422		PIVOT PLATE, AUTO RESET SHANK
2	SN5424		SPRING TUBE
3	SN5419		SPRING, 4.375" OD X 2.625" ID X 17.59" L COMPRESSION
4	SN5426		SPRING WASHER
5	SN9370		SPRING ROD
6	SN5418		SHANK, 1 1/4" X 2 1/2" X 30"
	SN5421		SHANK ASSY, AUTO RESET (1-8, 10-12, 14-23)
7	SN2096		LOCK NUT, 1/2"-13 HEX NYLON INSERT
8	SN486		FLAT WASHER, 1/2", Y/D
9	SN156		HEX BOLT, 1/2"-13 X 3", GR 5 Y/D
	SN2949		PLOW BOLT, 1/2"-13 X 3", GR 5, Y/D
10	SN3881		LOCK NUT, 1/4"-20 HEX NYLON INSERT, GR 2, Y/D
11	SN3162		PIN, 1" X 4" (3 15/32"), Y/D
12	SN3880		SHOULDER BOLT, 5/16" X 1 3/4", GR 8 EQUIV
13	SN1053-1		POINT, 7/8" X 2" X 19 1/2" EXTRA HEAVY
14	SN9493		HEX BOLT, 3/4"-10 X 3", 1" THD GR 5, Y/D
15	SN9969		SHANK HOLDER
16	SN106		HEX NUT, 3/4"-10 FULL, GR 5, Y/D
17	SN1040		LOCK WASHER, 3/4" SPLIT TYPE MED, Y/D
18	SN3163		PIN, 1" X 7 1/2" (6 27/32"), Y/D
19	SN5428		L-BOLT, 3/4"-10 X 9, Y/D
20	SN5429		SHANK MOUNT
21	SN5425		HEX FLANGE NUT, 1 1/2"-6 UNC Y/D
22	SN2079		JAM NUT, 1 1/2"-6 HEX, GR 2, Y/D
23	SN2098-1		GREASE ZERK, 1/8" NPTF, 5/8" L
24	SN1725		SHOVEL, 1/2" X 3" RIGHT TWISTED
	SN4803		SHOVEL, 1/2" X 4" RIGHT TWISTED SLASH POINT
25	SN1726		SHOVEL, 1/2" X 3" LEFT TWISTED
	SN4804		SHOVEL, 1/2" X 4" LEFT TWISTED SLASH POINT

I0006357
PR: t05g29l15b0011

**AUTO RESET SHANK (VERSION 2, SERIAL
04212L20040111 & LATER)**

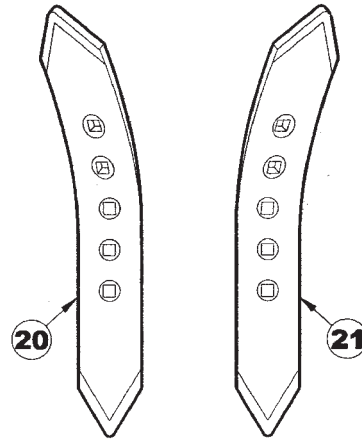
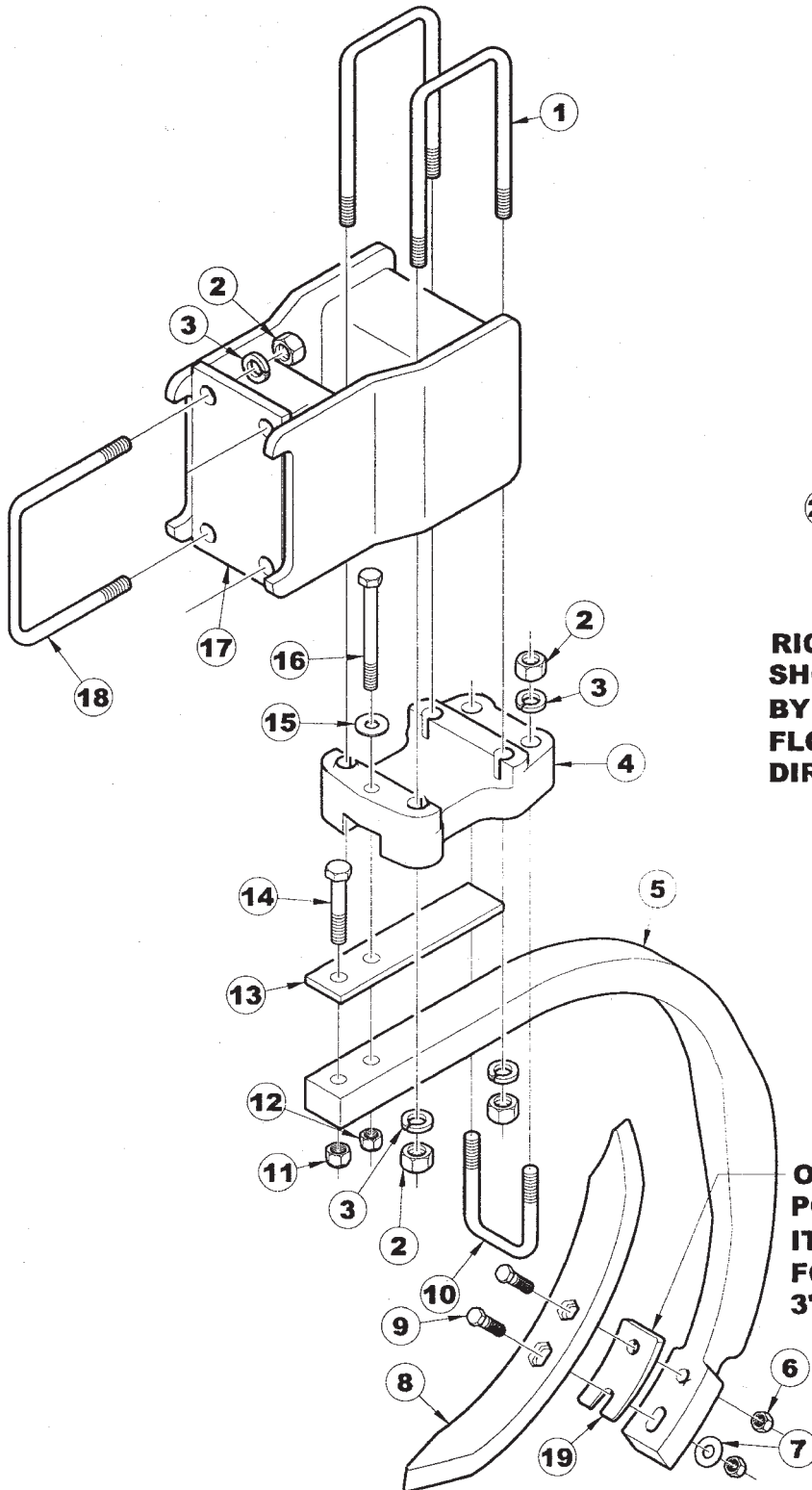


**RIGHT AND LEFT TWISTED
SHOVELS ARE DETERMINED
BY THE DIRECTION OF THE DIRT
FLOW WHEN FACING THE
DIRECTION OF TRAVEL.**

ITEM	NUMBER	QTY	DESCRIPTION
1	SN1880		JAM NUT, 1 1/2"-6 HEX W/SET SCREW, GR 2, Y/D
2	SN12655		HEX FLANGE NUT, 1 1/2"-6 UNC Y/D
3	SN12572		TUBE, SPRING
4	SN5419		SPRING, 4.375" OD X 2.625" ID X 17.59" L COMPRESSION
5	SN5426		SPRING WASHER
6	SN9370		SPRING ROD
7	SN12473B		SHANK, 1 1/4" X 2 1/2" X 30", 50 DEG
8	SN2096		LOCK NUT, 1/2"-13 HEX NYLON INSERT, GR 8, Y/D
9	SN486		FLAT WASHER, 1/2", Y/D
10	SN4810		POINT, 1" X 2" X 18", REV, HEAVY DUTY
11	SN156		HEX BOLT, 1/2"-13 X 3", GR 5 Y/D
	SN2949		PLOW BOLT, 1/2"-13 X 3", GR 5, Y/D
12	SN3881		LOCK NUT, 1/4"-20 HEX NYLON INSERT, GR 2, Y/D
13	SN5544		PIN, 1" X 4 1/4" (3 23/32"), Y/D
14	SN3880		SHOULDER BOLT, 5/16" X 1 3/4", GR 8
15	SN9493		HEX BOLT, 3/4"-10 X 3", 1" THD GR 5, Y/D
16	SN1946		WEAR BUSHING, 1" ID X 1 1/4" OD
17	SN2098-4		GREASE ZERK, 1/8" NPTF, 90 DEG
18	SN12571R		HOLDER, SHANK (ITEMS 16, 17, 21, & 22)
19	SN1040		LOCK WASHER, 3/4" SPLIT TYPE MED, Y/D
20	SN106		HEX NUT, 3/4"-10 FULL, GR 5, Y/D
21	SN12565P		BUSHING, SPRING 1 1/4" OD X 1" ID, 2" L
22	SN2098-1		GREASE ZERK, 1/8" NPTF, 5/8" L
23	SN1725		SHOVEL, 1/2" X 3" RIGHT TWISTED
	SN4803		SHOVEL, 1/2" X 4" RIGHT TWISTED SLASH POINT
24	SN1726		SHOVEL, 1/2" X 3" LEFT TWISTED
	SN4804		SHOVEL, 1/2" X 4" LEFT TWISTED SLASH POINT
25	SN12569		PLATE, SHANK MOUNT
26	SN3163		PIN, 1" X 7 1/2" (6 27/32"), Y/D
27	SN1791		HEX BOLT, 3/4"-10 X 6 1/2", GR 5, Y/D
28	SN12570		MOUNT, SHANK
	SN12574		SHANK ASSY, AUTO RESET (ITEMS 1-7, 12-15, 18-20, 25-28)

I0007587
PR: t05g29l15b0012

RIGID SHANK ASSEMBLY



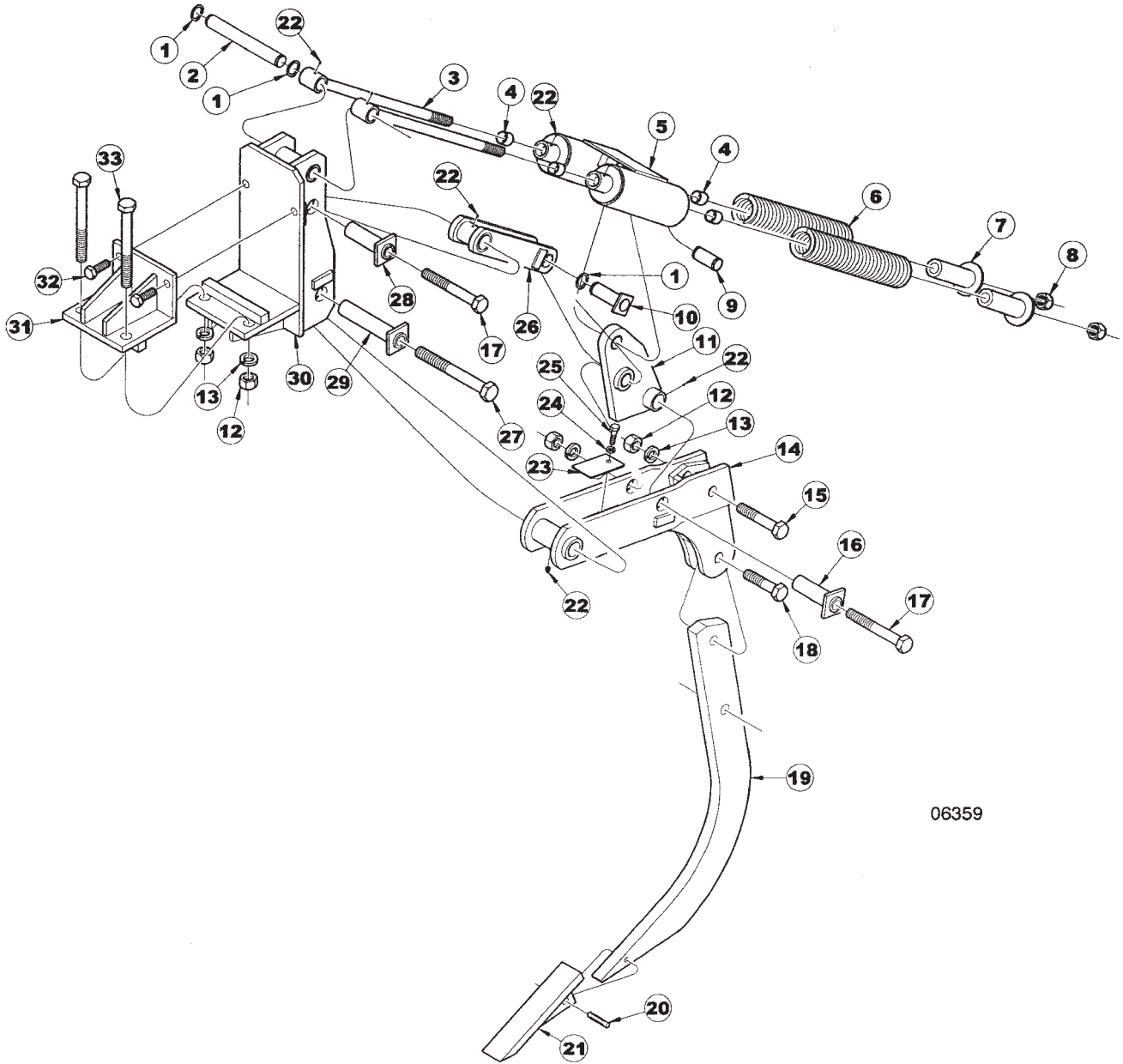
RIGHT AND LEFT TWISTED SHOVELS ARE DETERMINED BY THE DIRECTION OF THE DIRT FLOW WHEN FACING THE DIRECTION OF TRAVEL.

OPTIONAL WEDGE FOR POINTS OR SWEEPS, IT IS NOT RECOMMENDED FOR USE WITH 3" OR 4" TWISTED SHOVELS

ITEM	NUMBER	QTY	DESCRIPTION
1	SN3755		U-BOLT, 3/4"-10 X 8 3/4" X 4 13/16" W, GR 5, Y/D
2	SN106		HEX NUT, 3/4"-10 FULL, GR 5, Y/D
3	SN1040		LOCK WASHER, 3/4" SPLIT TYPE MED, Y/D
4	SN3751		SHANK CLAMP CASTING-RED
5	SN5676		SHANK, 30" EDGE BENT
6	SN2096		LOCK NUT, 1/2"-13 HEX NYLON INSERT
7	SN486		FLAT WASHER, 1/2", Y/D
8	SN1053-1		POINT, 7/8" X 2" X 19 1/2" EXTRA HEAVY
9	SN156		HEX BOLT, 1/2"-13 X 3", GR 5 Y/D
	SN2949		PLOW BOLT, 1/2"-13 X 3", GR 5, Y/D
10	SN3754		U-BOLT, 3/4"-10 X 4 1/4" X 3 3/8" W, GR 5, Y/D
11	SN669-1		LOCK NUT, 5/8" HEX NYLON
12	SN3757		LOCK NUT, 9/16"-12 HEX NYLON INSERT, GR 8, PLATED
13	SN3753B		SHANK STOP
14	SN3758		HEX BOLT, 5/8"-11 X 3", GR 5, Y/D
15	SN3759		FLAT WASHER, 9/16", Y/D
16	SN3756		HEX BOLT, 9/16"-12 X 4 1/2", GR 5, Y/D
17	SN7309		SHANK MOUNT, OFFSET
	SN5945		SHANK MOUNT ASSEMBLY, OFFSET
18	SN3763		U-BOLT, 3/4"-10 X 5 3/4" X 6 3/4" W, GR 5, Y/D
19	SN9265		ADAPTOR WEDGE
20	SN1725		SHOVEL, 1/2" X 3" RIGHT
	SN4803		SHOVEL, 1/2" X 4" RIGHT
21	SN1726		SHOVEL, 1/2" X 3" LEFT TWISTED
	SN4804		SHOVEL, 1/2" X 4" LEFT TWISTED SLASH POINT

I0006356
PR: t05g29115b0013

DEEP TILL SHANK ASSEMBLY



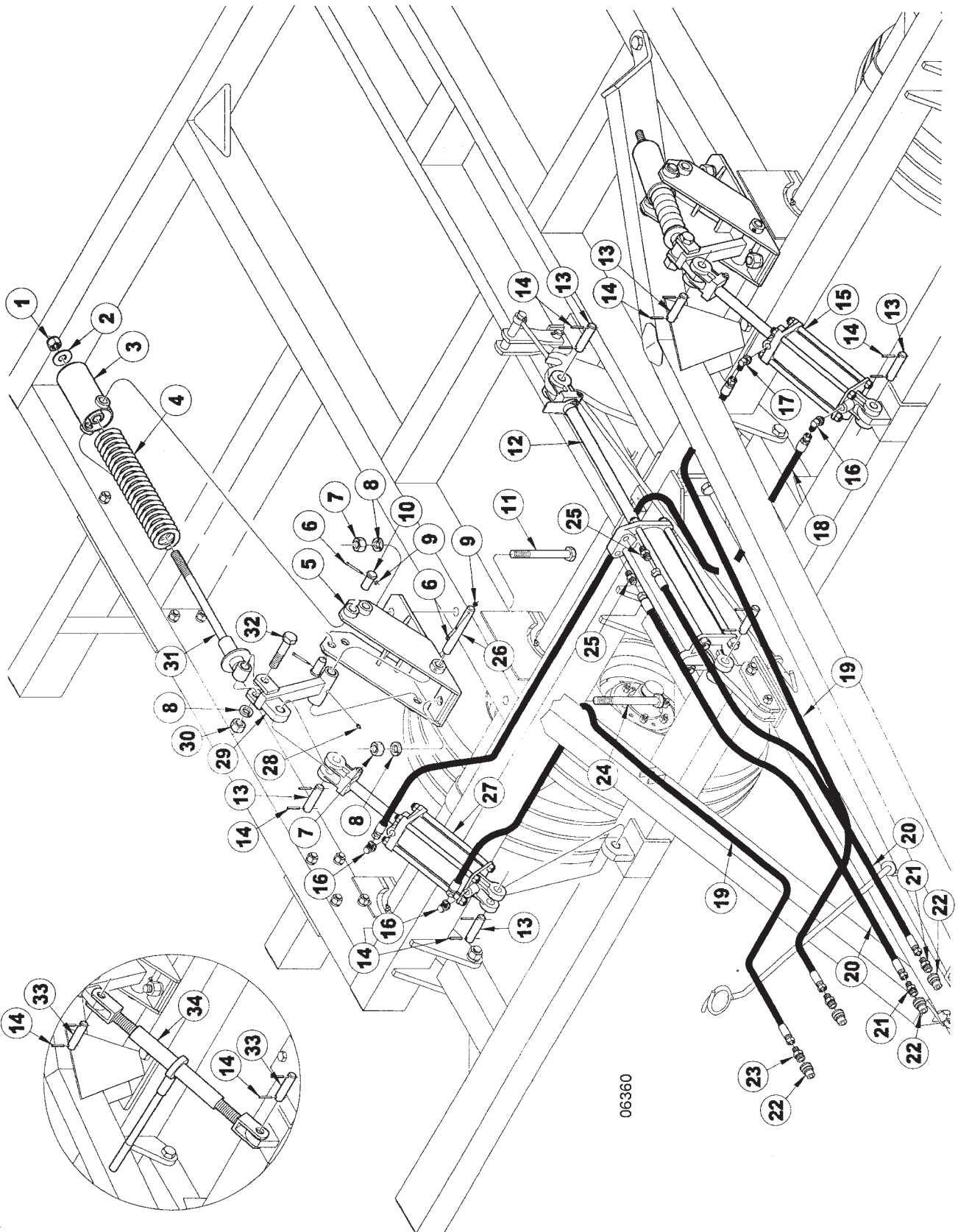
06359

DEEP TILL SHANK ASSEMBLY

ITEM	NUMBER	QTY	DESCRIPTION
1	SN5080		SNAP RING, 1 1/4", Y/D
2	SN5063		PIN, 1 1/4" X 9 3/4" (9 1/8"), Y/D
3	SN5066		SPRING ROD
4	SN1946		WEAR BUSHING, 1"ID X 1 1/4"OD
5	SN5068		SPRING BARREL
6	SN3159		SPRING, 3.25" OD X 1.87" ID X 17.03"L COMPRESSION, 11/16"DIA
7	SN5067		SPRING END
8	SN3938		LOCK NUT, 1"-8 HEX NYLON
9	SN5062		PIN, 1 1/4" X 2 15/16" (2 5/16") Y/D
10	SN5636		PIN, 1 1/4" X 4 1/16" (3 3/8") SQUARE HEADED, Y/D
11	SN5635		LOWER TRIP LINK
12	SN110		HEX NUT, 1"-8 FULL, GR 5, Y/D
13	SN1283		LOCK WASHER, 1" SPLIT TYPE MED, Y/D
14	SN5659		SHANK HOLDER, AUTO RESET
15	SNFK150013		HEX BOLT, 1"-8 X 5" GR 5, Y/D
16	SN5660		BUSHING, 1.500"OD X 1.032"ID, 5 1/4" L, SQ HEAD
17	SN109		HEX BOLT, 1"-8 X 7", GR 5, Y/D
18	SN1753		HEX BOLT, 1"-8 X 4" GR5, Y/D
19	SN5015		SHANK, 1 1/4" X 4" X 36"
	SN5646		SHANK ASSY, DEEP TILL/AUTO RESET, 4200
20	SN5089		PIN, 1/2" X 2 1/2" POINT
21	SN5273		POINT, 1" X 2 1/2" X 12"
	SN5274		POINT, 1" X 2 1/2" X 12"
	SN5289		POINT, 1" X 2 1/2" X 12" W/ CHROME CAP W/PIN
22	SN2098-6		GREASE ZERK, 1/4"-28, 17/32" L, STRAIGHT W/TAPER THREADS
23	SN5286		SHIM, SHANK HOLDER
24	SN113		LOCK WASHER, 1/2" SPLIT TYPE MED, Y/D
25	SNHCS12131		HEX BOLT, 1/2"-13 X 1" GR 5, Y/D
26	SN5637		UPPER TRIP LINK
27	SN1357		HEX BOLT, 1 1/8"-7 X 9" GR 5, Y/D
28	SN5660		BUSHING, 1.500"OD X 1.032"ID, 5 1/4" L, SQ HEAD
29	SN5661		BUSHING, 1.500"OD X 1.156"ID, 7 3/4" L, SQ HEAD
30	SN5645		SHANK MOUNT, AUTO RESET
31	SN5507		TOP MOUNTING PLATE
32	SN1220		HEX BOLT, 3/4"-10 X 2", GR 5 Y/D
33	SN5081		HEX BOLT, 1"-8 X 9", GR 5, Y/D

I0006359
PR: t05g29115b0014

HYDRAULICS ASSEMBLY



06360

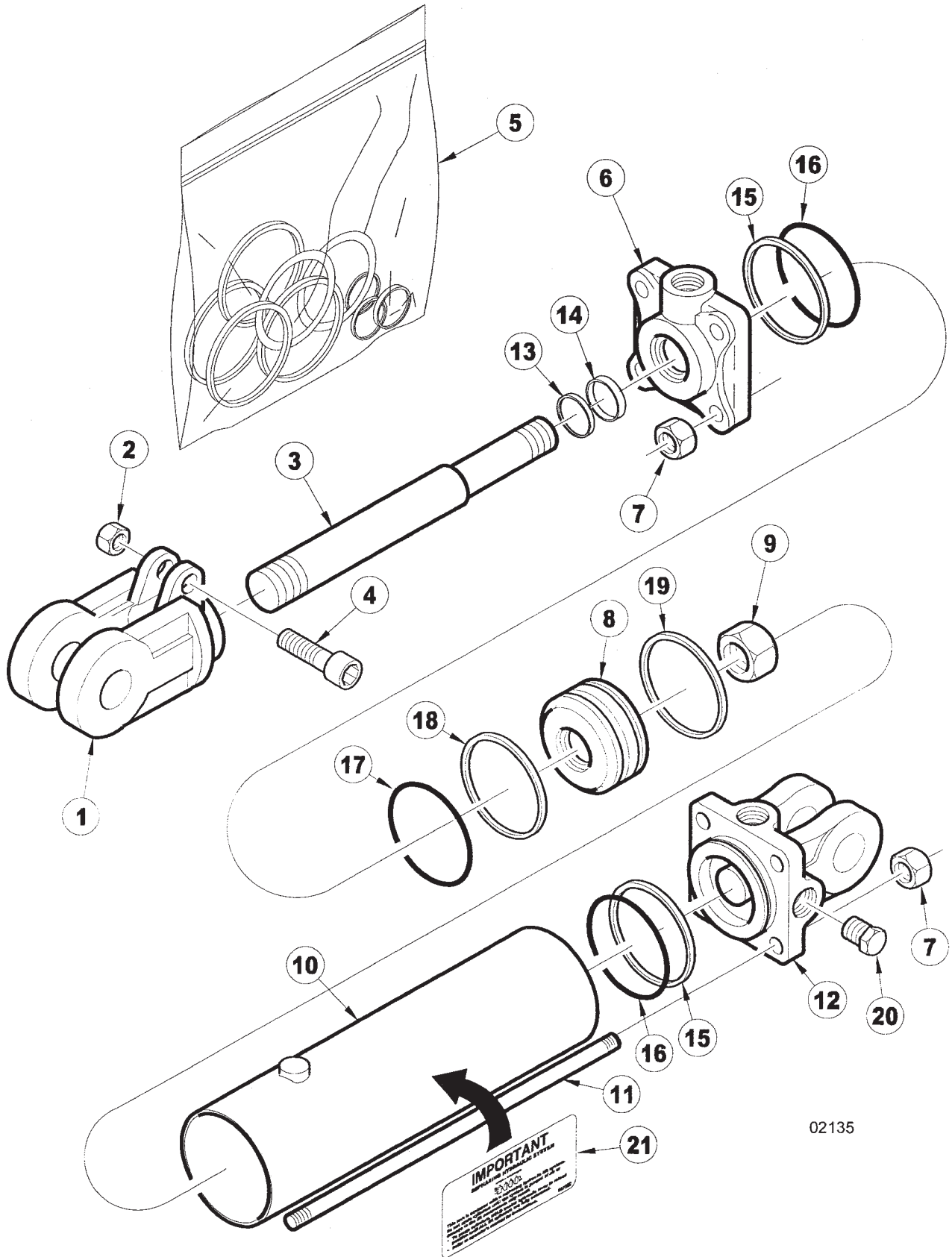
ITEM	NUMBER	QTY	DESCRIPTION
1	SN3938		LOCK NUT, 1"-8 HEX NYLON
2	SN245		FLAT WASHER, 1" WIDE RIM, Y/D
3	SN3158		SPRING BARREL
4	SN5388		SPRING, 1 7/8" ID X 17" L, 9/16" DIA
5	SN3478		COULTER CYLINDER MOUNT, SPRING
6	SN3880		SHOULDER BOLT, 5/16 X 1 3/4, GR8 EQUIV
7	SN110		HEX NUT, 1"-8 FULL, GR 5, Y/D
8	SN1283		LOCK WASHER, 1" SPLIT TYPE MED, Y/D
9	SN3881		LOCK NUT, 1/4-20 NYL INSERT, GR2, Y/D
10	SN3161		PIN, 1" X 2 1/4" (1 9/16"), Y/D
11	SN3485		HEX BOLT, 1"-8 X 8", GR 5, Y/D
12	SN4441		CYLINDER, 4" X 16" W/STR CON ORB CROSS (*VERSION 1, PRIOR TO 9/16/03)
	SN12048		CYLINDER, 4" X 16" W/STR CON ORB 3000 PSI(*VERSION 2, 9/16/03 & LATER)
13	SN5339		PIN, 1" X 4 1/16" (3"), Y/D
14	SN3164		ROLL PIN, 5/16 X 2 SPIRAL MED DUTY, Y/D
15	SN4438		CYLINDER, 3 3/4" X 8" SLAVE ORB CROSS (*VERSION 1, PRIOR TO 6/27/03)
	SN12059		CYLINDER, 3 3/4" X 8" SLAVE CROSS, 3000 PSI (*VERSION 2, 6/27/03 & LATER)
16	SN4454		90 DEG STR THREAD ELBOW, 3/4"-16
17	SN4455		90 DEG STR THD ELBOW, 3/4"-16 MF X 3/4"-16 MOR W/1/16" REST
18	SN4116002		HOSE, 3/8" X 116" L, FEMALE ENDS
	SN4090002		HOSE, 3/8" X 90" L, FEMALE ENDS
19	SN4168002		HOSE, 3/8" X 168" L, FEMALE ENDS
20	SN4150005		HOSE, 1/2" X 150" L, FEMALE ENDS
21	SN2426		MALE CONNECTOR, 7/8"-14 MF X 1/2-14 MPT
22	SN3253		HYDRAULIC COUPLER, MALE HALF
23	SN2425		MALE CONNECTOR, 3/4"-16 MF X 1/2-14 MPT
24	SN2316		HEX BOLT, 1"-8 X 8 1/2", GR 5, Y/D
25	SN4464		STRAIGHT THD.CONNECTOR, 7/8"-14
26	SN3163		PIN, 1" X 7 1/2" (6 27/32"), Y/D
27	SN4437		CYLINDER, 4" X 8" MASTER W/O STR CON (*VERSION 1, PRIOR TO 8/12/03)
	SN12047		CYLINDER, 4X8 MASTER W/O STR CON CROSS, 3000 (*VERSION 2, 8/12/03 & LATER)
28	SN2098-1		GREASE ZERK, 1/8" NPTF, 5/8" L
29	SN3479		CYLINDER MOUNT PIVOT, 4211
30	SN1849		JAM NUT, 1"-8 HEX, GR 2, Y/D
31	SN3160		SPRING ADJUSTING BOLT
32	SN1753		HEX BOLT, 1"-8 X 4" GR5, Y/D
33	SN5385		PIN, 1" X 3" (2 1/16"), Y/D
34	SN2893		RATCHET JACK

*WHEN ORDERING HYDRAULIC CYLINDER COMPONENTS, BE SURE TO NOTE THE PART NUMBER AND THE CYLINDER PSI. (LOCATED ON THE CYLINDER DECAL) AS THEY CONTAIN DIFFERENT COMPONENTS. OLDER CYLINDERS WERE 2500 PSI. AND THE NEWER CYLINDERS ARE 3000 PSI. IDENTIFYING THE PART # OF THE CYLINDER IS EXTREMELY IMPORTANT WHEN ORDERING PARTS TO ENSURE PROPER OPERATION OF THE HYDRAULIC CYLINDER.

THESE PARTS ARE IMPORTANT TO THE SAFETY OF THIS EQUIPMENT AND THOSE WHO OPERATE IT. USE ONLY EXACT REPLACEMENT PARTS TO PREVENT HYDRAULIC FAILURE.

I0006360
PR: t05g29115b0015

3 3/4" X 8" SLAVE CYLINDER 4438
(VERSION 1, PRIOR TO 6/27/03)



3 3/4" X 8" SLAVE CYLINDER 4438
(VERSION 1, PRIOR TO 6/27/03)

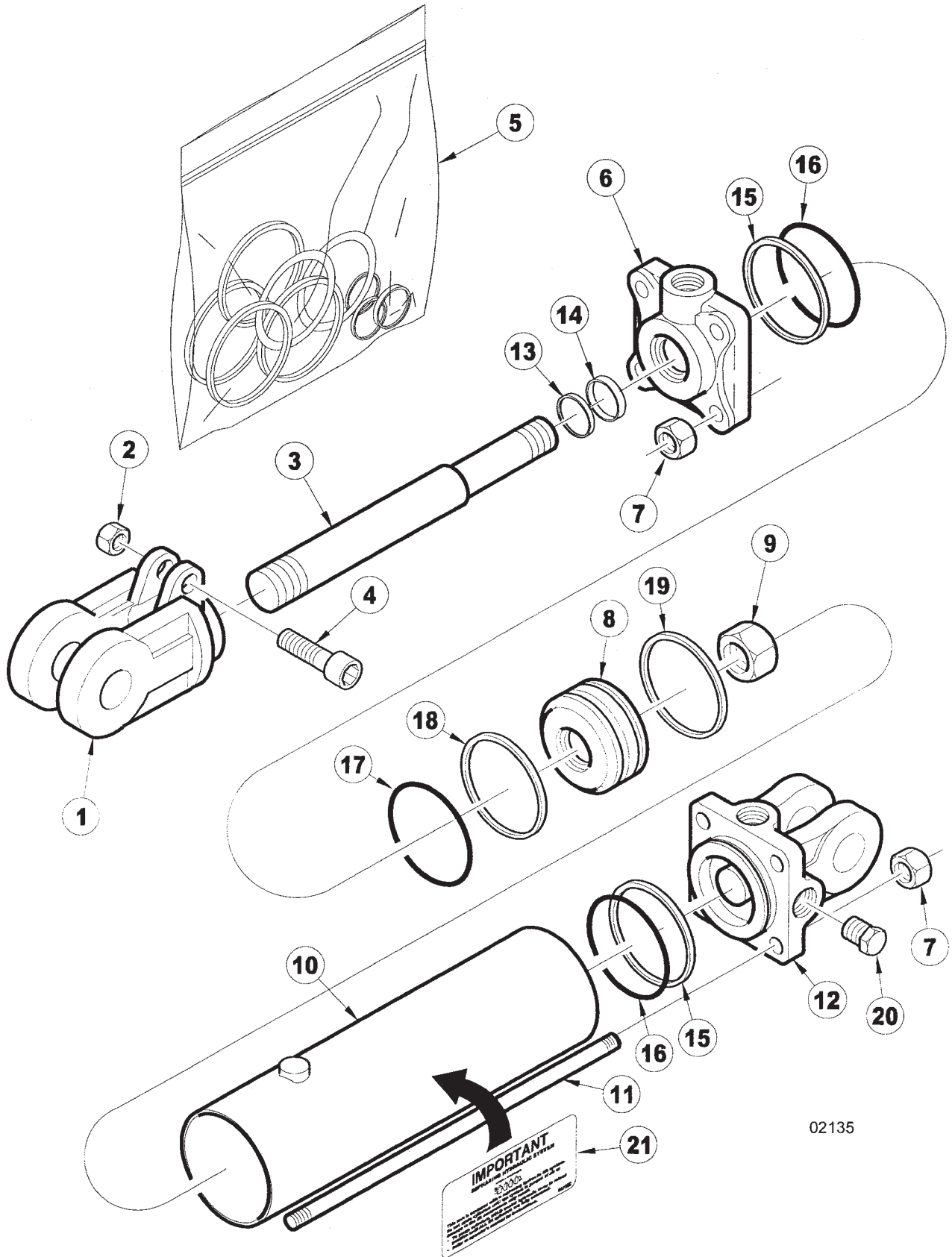
ITEM	NUMBER	QTY	DESCRIPTION
1	SN8610-1		CLEVIS, 1 1/4" THREADS, 1" PIN W/BUSHING, CROSS
2	SN8671-1		CAPSCREW NUT, 5/16" THREADS CROSS
3	SN8898-1		ROD, 1 3/8" DIA, 8" REPHASING, CROSS
4	SN8631-1		CAPSCREW, CROSS
5	SN8779-1		SEAL KIT, 4", 1 3/4" ROD,
6	SN8736-10		HEAD, 3 3/4", 1 3/8" ROD
7	SN8864-1		TIE ROD NUT, 5/8" THREADS
8	SN8717-1		PISTON, 3 3/4" W/1" HOLE
9	SN8683-1		PISTON NUT, 1" CROSS
10	SN8827-1		TUBE, 3 3/4" X 8" REPHASING CROSS E
11	SN8851-1		TIE ROD BOLT, 8" CROSS
12	SN8698-10		BASE, 3 3/4" (ORB)1" PIN REPHASING CROSS
13			* WIPER
14			* U-CUP
15			* BACKUP
16			* O-RING
17			* O-RING
18			* TEFLON RING
19			* WEAR RING
20	SN4458		PLUG, 3/4"-16 MOR
21	SN997052		SYSTEMS MUST BE BLED OF AIR

* ITEMS ARE AVAILABLE IN THE SEAL KIT
ONLY

WHEN ORDERING HYDRAULIC CYLINDER
COMPONENTS, BE SURE TO NOTE THE PART
NUMBER AND THE CYLINDER PSI. (LOCATED
ON THE CYLINDER DECAL) AS THEY CONTAIN
DIFFERENT COMPONENTS. OLDER CYLINDERS
WERE 2500 PSI. AND THE NEWER CYLINDERS
ARE 3000 PSI IDENTIFYING THE PART NUMBER
OF THE CYLINDER IS EXTREMELY IMPORTANT
WHEN ORDERING PARTS TO ENSURE PROPER
OPERATION OF THE HYDRAULIC CYLINDER.

I0002135
PR: t05g29115b0016

3 3/4" X 8" SLAVE CYLINDER 12059R
(VERSION 2, 6/27/03 & LATER)



**4212 PARTS MANUAL
SERVICE PARTS**

**3 3/4" X 8" SLAVE CYLINDER 12059R
(VERSION 2, 6/27/03 & LATER)**

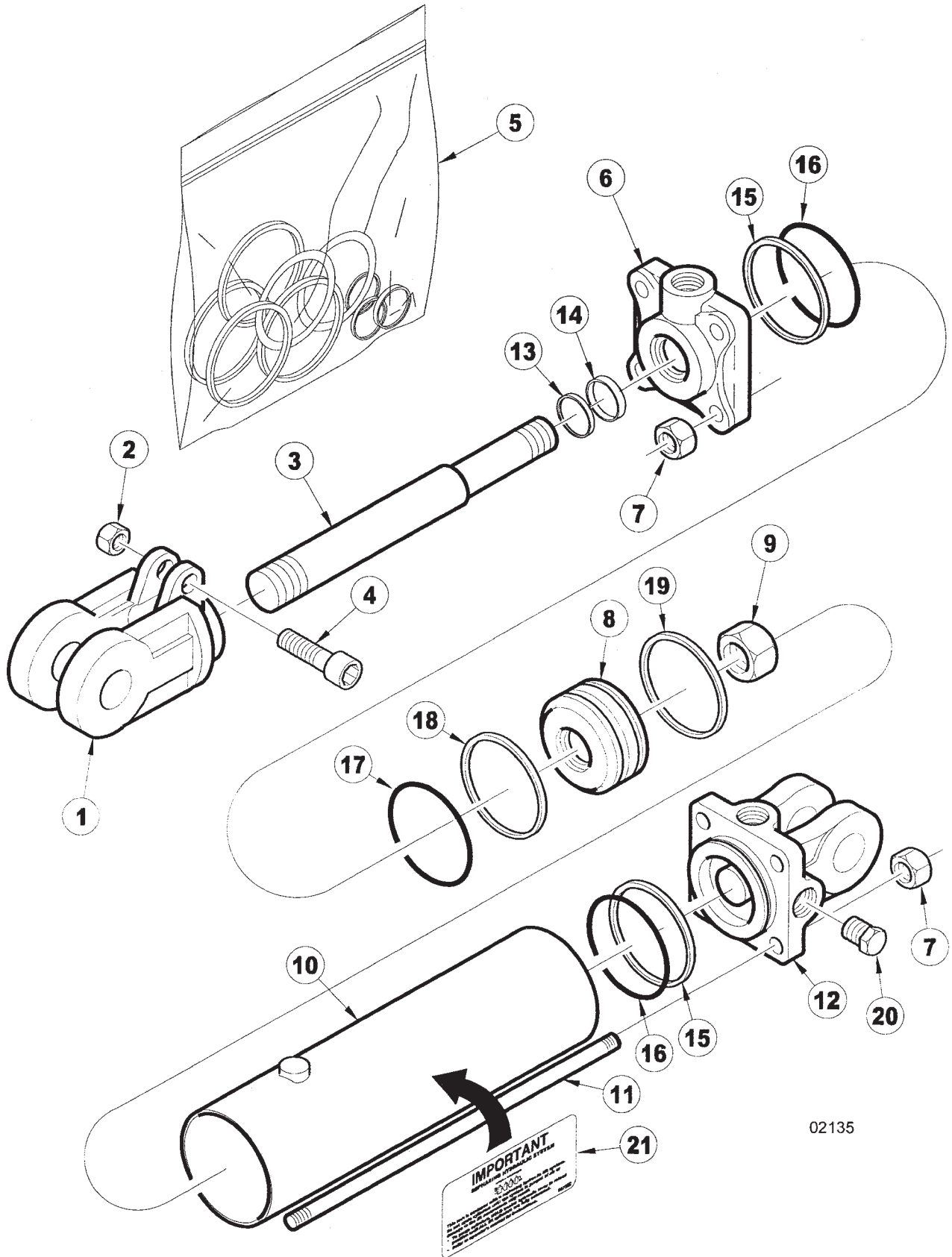
ITEM	NUMBER	QTY	DESCRIPTION
1	SN8610-1		CLEVIS, 1 1/4" THREADS, 1" PIN W/BUSHING , CROSS
2	SN8671-1		CAPSCREW NUT, 5/16" THREADS CROSS
3	SN12055		ROD, 1 3/8" DIA, 8" REPHASING, CROSS
4	SN8631-1		CAPSCREW, CROSS
5	SN8776-1		SEAL KIT, 3 3/4", 1 3/8" ROD, REPHASING CROSS
6	SN8736-10		HEAD, 3 3/4", 1 3/8" ROD
7	SN8864-1		TIE ROD NUT, 5/8" THREADS
8	SN8655-1		PISTON, 3 3/4" W/1" HOLE REPHASING, CROSS
9	SN8683-1		PISTON NUT, 1" CROSS
10	SN8827-1		TUBE, 3 3/4" X 8" REPHASING CROSS E
11	SN12033		TIE ROD BOLT, 8" CROSS
12	SN8656-10		BASE, 3 3/4" (ORB), 1" PIN REPHASING, CROSS
13			* WIPER
14			* U-CUP
15			* BACKUP
16			* O-RING
17			* O-RING
18			* TEFLON RING
19			* WEAR RING
20	SN4458		PLUG, 3/4"-16 MOR
21	SN997052		SYSTEMS MUST BE BLED OF AIR

* ITEMS ARE AVAILABLE IN THE SEAL KIT
ONLY

WHEN ORDERING HYDRAULIC CYLINDER
COMPONENTS, BE SURE TO NOTE THE PART
NUMBER AND THE CYLINDER PSI. (LOCATED
ON THE CYLINDER DECAL) AS THEY CONTAIN
DIFFERENT COMPONENTS. OLDER CYLINDERS
WERE 2500 PSI. AND THE NEWER CYLINDERS
ARE 3000 PSI IDENTIFYING THE PART NUMBER
OF THE CYLINDER IS EXTREMELY IMPORTANT
WHEN ORDERING PARTS TO ENSURE PROPER
OPERATION OF THE HYDRAULIC CYLINDER.

I0002135
PR: t05g29i15b0017

4" X 8" MASTER CYLINDER 4437
(VERSION 1, PRIOR TO 8/12/03)



**4212 PARTS MANUAL
SERVICE PARTS**

41

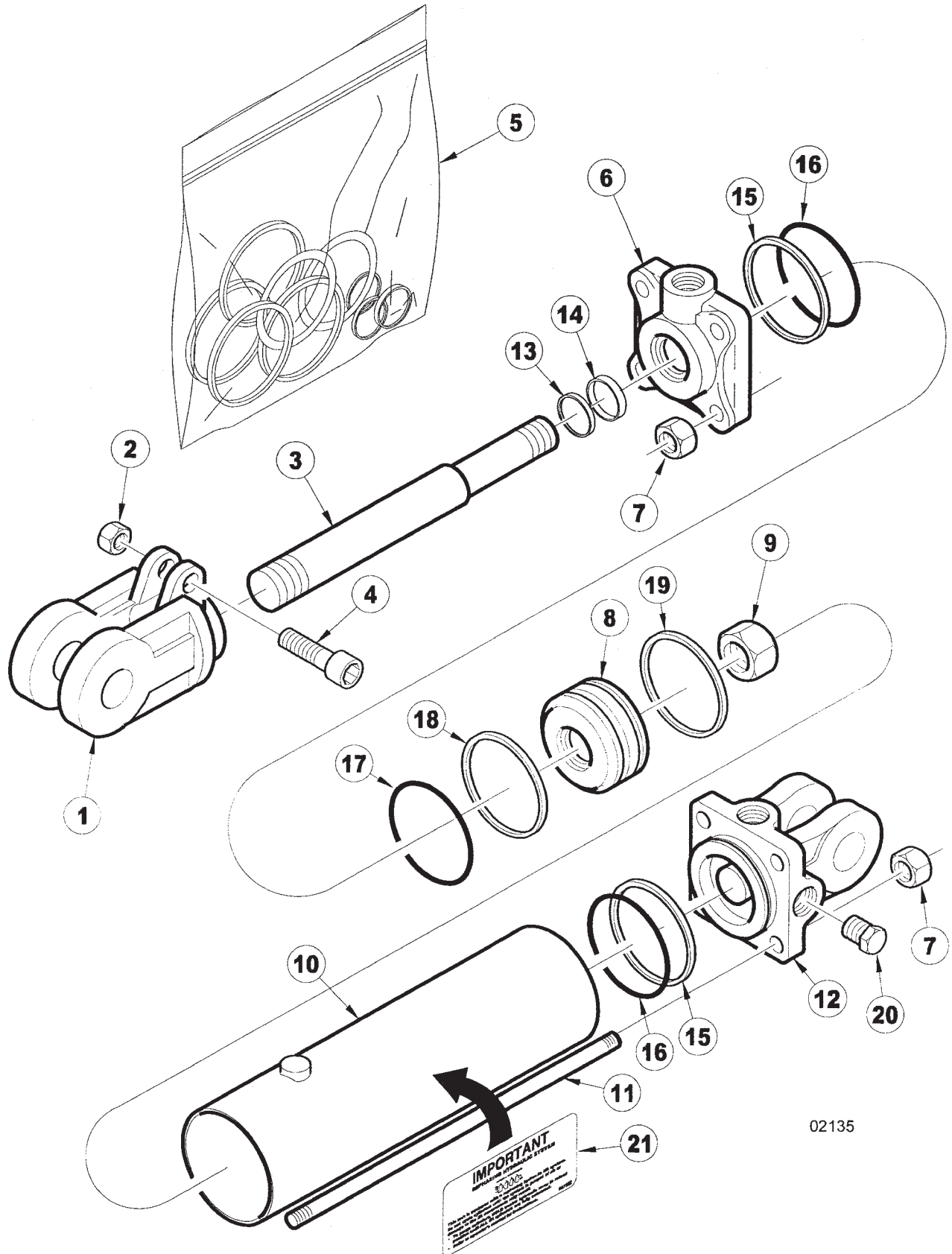
**4" X 8" MASTER CYLINDER 4437
(VERSION 1, PRIOR TO 8/12/03)**

ITEM	NUMBER	QTY	DESCRIPTION
1	SN8610-1		CLEVIS, 1 1/4" THREADS, 1" PIN W/BUSHING , CROSS
2	SN8671-1		CAPSCREW NUT, 5/16" THREADS CROSS
3	SN8898-1		ROD, 1 3/8" DIA, 8" REPHASING, CROSS
4	SN8631-1		CAPSCREW, CROSS
5	SN8781-1		SEAL KIT, 4", 1 3/8" ROD
6	SN8739-10		HEAD, 4" 1 3/8" ROD, REPHASING CROSS
7	SN8864-1		TIE ROD NUT, 5/8" THREADS
8	SN8718-1		PISTON, 4" W/1" HOLE REPHASING CROSS
9	SN8683-1		PISTON NUT, 1" CROSS
10	SN8830-1		TUBE, 4" X 8" REPHASING CROSS
11	SN8851-1		TIE ROD BOLT, 8" CROSS
12	SN8699-10		BASE, 4" REPHASING, CROSS
13			* WIPER
14			* U-CUP
15			* BACKUP
16			* O-RING
17			* O-RING
18			* TEFLON RING
19			* WEAR RING
20	SN4458		PLUG, 3/4"-16 MOR
21	SN997052		SYSTEMS MUST BE BLED OF AIR

* ITEMS ARE AVAILABLE IN THE SEAL KIT
WHEN ORDERING HYDRAULIC CYLINDER
COMPONENTS, BE SURE TO NOTE THE PART
NUMBER AND THE CYLINDER PSI. (LOCATED
ON THE CYLINDER DECAL) AS THEY CONTAIN
DIFFERENT COMPONENTS. OLDER CYLINDERS
WERE 2500 PSI. AND THE NEWER CYLINDERS
ARE 3000 PSI IDENTIFYING THE PART NUMBER
OF THE CYLINDER IS EXTREMELY IMPORTANT
WHEN ORDERING PARTS TO ENSURE PROPER
OPERATION OF THE HYDRAULIC CYLINDER.

I0002135
PR: t05g29l15b0018

4" X 8" MASTER CYLINDER 12047R
(VERSION 2, 8/12/03 & LATER)



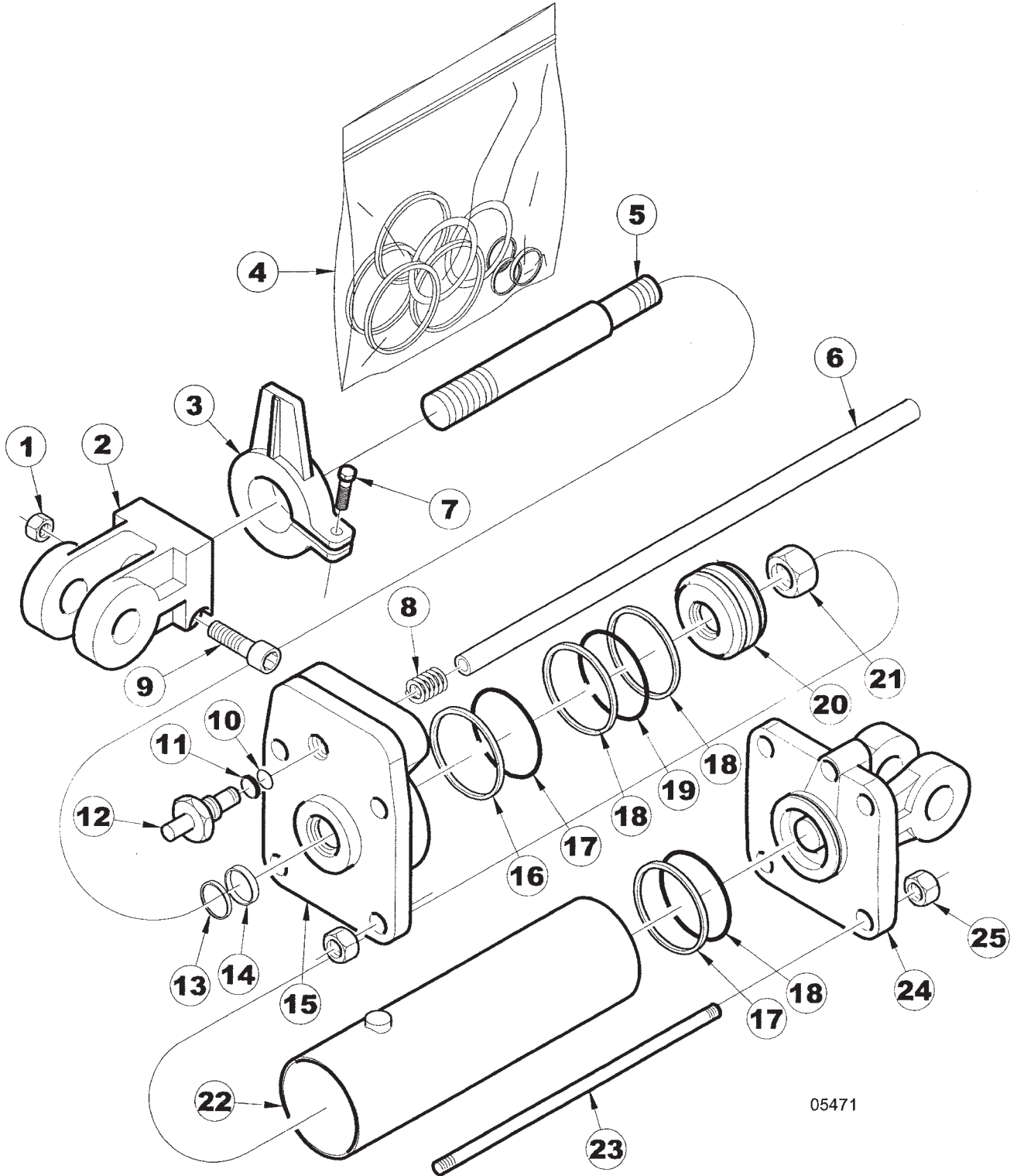
4" X 8" MASTER CYLINDER 12047R
(VERSION 2, 8/12/03 & LATER)

ITEM	NUMBER	QTY	DESCRIPTION
1	SN8610-1		CLEVIS, 1 1/4" THREADS, 1" PIN W/BUSHING CROSS
2	SN8671-1		CAPSCREW NUT, 5/16" THREADS CROSS
3	SN12055		ROD, 1 3/8" DIA, 8" REPHASING, CROSS
4	SN8631-1		CAPSCREW, CROSS
5	SN8781-1		SEAL KIT, 4", 1 3/8" ROD
6	SN8739-10		HEAD, 4" 1 3/8" ROD, REPHASING CROSS
7	SN8864-1		TIE ROD NUT, 5/8" THREADS
8	SN8653-1		PISTON, 4" W/1" HOLE, REPHASING CROSS
9	SN8683-1		PISTON NUT, 1" CROSS
10	SN8830-1		TUBE, 4" X 8" REPHASING CROSS
11	SN12033		TIE ROD BOLT, 8" CROSS
12	SN8670-10		BASE, 4" (ORB) CROSS
13			* WIPER
14			* U-CUP
15			* BACKUP
16			* O-RING
17			* O-RING
18			* TEFLON RING
19			* WEAR RING
20	SN4458		PLUG, 3/4"-16 MOR
21	SN997052		SYSTEMS MUST BE BLED OF AIR

* ITEMS ARE AVAILABLE IN THE SEAL KIT ONLY.
WHEN ORDERING HYDRAULIC CYLINDER COMPONENTS, BE SURE TO NOTE THE PART NUMBER AND THE CYLINDER PSI. (LOCATED ON THE CYLINDER DECAL) AS THEY CONTAIN DIFFERENT COMPONENTS. OLDER CYLINDERS WERE 2500 PSI. AND THE NEWER CYLINDERS ARE 3000 PSI IDENTIFYING THE PART NUMBER OF THE CYLINDER IS EXTREMELY IMPORTANT WHEN ORDERING PARTS TO ENSURE PROPER OPERATION OF THE HYDRAULIC CYLINDER.

I0002135
PR: t05g29i15b0019

4" X 16" LIFT CYLINDER 4441R
(VERSION 1, PRIOR TO 9/16/03)



05471

**4212 PARTS MANUAL
SERVICE PARTS**

45

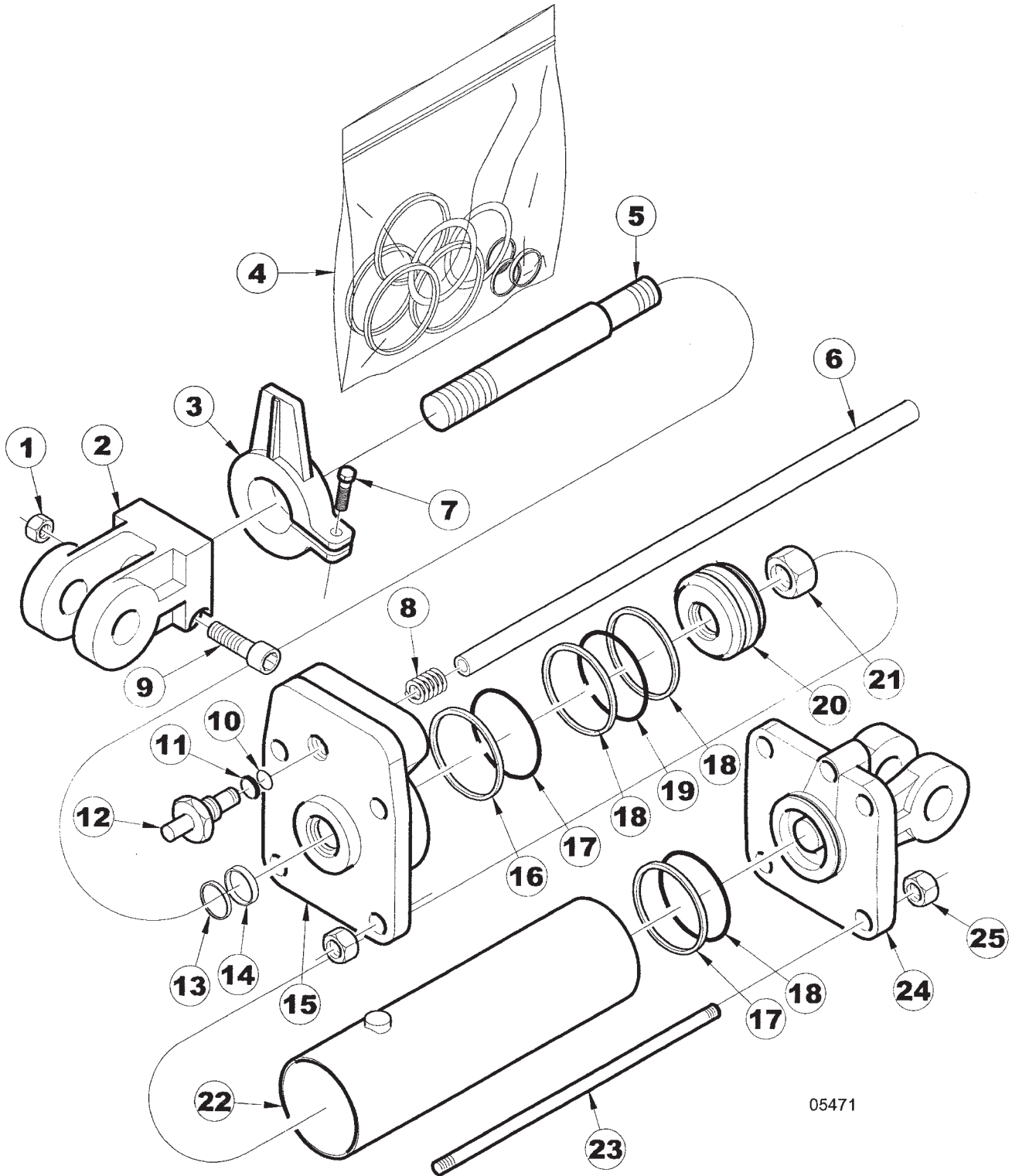
**4" X 16" LIFT CYLINDER 4441R
(VERSION 1, PRIOR TO 9/16/03)**

ITEM	NUMBER	QTY	DESCRIPTION
1	SN8671-1		CAPSCREW NUT, 5/16" THREADS CROSS
2	SN8619-1		CLEVIS, 1 1/4" THREADS, 1" PIN CROSS
3	SN8643-1		ACTUATOR STOP, 1 3/4" SHAFT
4	SN8779-1		SEAL KIT, 4", 1 3/4" ROD,
5	SN8915-1		ROD, 1 3/4" DIA, 16" CROSS
6	SN8634-1		FEED TUBE, 4" X 16" REPHASING CROSS
7	SNCS516114		HEX BOLT, 5/16"-18 X 1 1/4" GR 5,Y/D
8	SN8635-1		SPRING, 4" X 16" REPHASING CROSS
9	SN8631-1		CAPSCREW, CROSS
10			* O-RING
11			* BACKUP
12	SN8636-1		CARTRIDGE ASSY, CROSS
13			* WIPER
14			* U-CUP
15	SN8746-10		HEAD, 4", 1 3/4" ROD, CROSS (ORB)
16			* BACKUP
17			* O-RING
18			* BACKUP
19			* O-RING
20	SN8713-1		PISTON, 4" W/1" HOLE CROSS
21	SN8683-1		PISTON NUT, 1" CROSS
22	SN8833-1		TUBE, 4" X 16" CROSS
23	SN8843-1		TIE ROD BOLT, 4" X 16" CROSS
24	SN8693-10		BASE, 4" (ORB), 1 1/4" PIN
25	SN8864-1		TIE ROD NUT, 5/8" THREADS

* ITEMS ARE AVAILABLE IN THE SEAL KIT ONLY
WHEN ORDERING HYDRAULIC CYLINDER COMPONENTS, BE SURE TO NOTE THE PART NUMBER AND THE CYLINDER PSI. (LOCATED ON THE CYLINDER DECAL) AS THEY CONTAIN DIFFERENT COMPONENTS. OLDER CYLINDERS WERE 2500 PSI. AND THE NEWER CYLINDERS ARE 3000 PSI IDENTIFYING THE PART NUMBER OF THE CYLINDER IS EXTREMELY IMPORTANT WHEN ORDERING PARTS TO ENSURE PROPER OPERATION OF THE HYDRAULIC CYLINDER.

I0005471
PR: t05g29115b0020

4" X 16" LIFT CYLINDER 12048R
(VERSION 2, 9/16/03 & LATER)



05471

**4212 PARTS MANUAL
SERVICE PARTS**

47

**4" X 16" LIFT CYLINDER 12048R
(VERSION 2, 9/16/03 & LATER)**

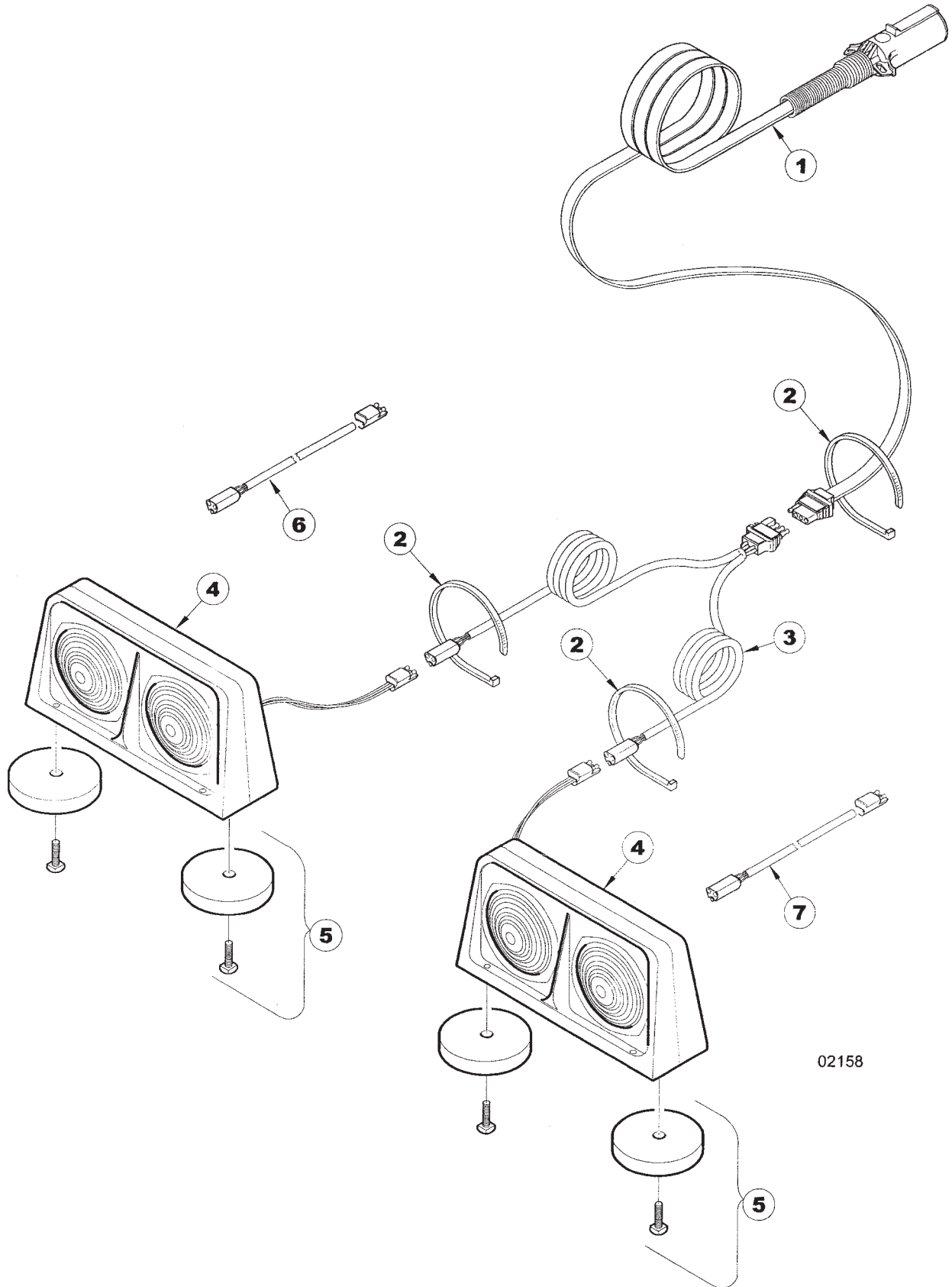
ITEM	NUMBER	QTY	DESCRIPTION
1	SN8671-1		CAPSCREW NUT, 5/16" THREADS CROSS
2	SN8619-1		CLEVIS, 1 1/4" THREADS, 1" PIN CROSS
3	SN8643-1		ACTUATOR STOP, 1 3/4" SHAFT
4	SN12052		SEAL KIT, 4", 1 3/4" ROD, CROSS
5	SN8915-1		ROD, 1 3/4" DIA, 16" CROSS
6	SN8634-1		FEED TUBE, 4" X 16" REPHASING CROSS
7	SNCS516114		HEX BOLT, 5/16"-18 X 1 1/4" GR 5, Y/D
8	SN8635-1		SPRING, 4" X 16" REPHASING CROSS
9	SN8631-1		CAPSCREW, CROSS
10			* O-RING
11			* BACKUP
12	SN8636-1		CARTRIDGE ASSY, CROSS
13			* WIPER
14			* U-CUP
15	SN8746-10		HEAD, 4", 1 3/4" ROD, CROSS (ORB)
16			* BACKUP
17			* O-RING
18			* BACKUP
19			* O-RING
20	SN12054		PISTON, 4" W/1" HOLE CROSS
21	SN8683-1		PISTON NUT, 1" CROSS
22	SN8833-1		TUBE, 4" X 16" CROSS
23	SN12053		TIE ROD BOLT, 4" X 16" CROSS
24	SN8693-10		BASE, 4" (ORB), 1 1/4" PIN
25	SN8864-1		TIE ROD NUT, 5/8" THREADS

* ITEMS ARE AVAILABLE IN THE SEAL KIT ONLY

WHEN ORDERING HYDRAULIC CYLINDER COMPONENTS, BE SURE TO NOTE THE PART NUMBER AND THE CYLINDER PSI. (LOCATED ON THE CYLINDER DECAL) AS THEY CONTAIN DIFFERENT COMPONENTS. OLDER CYLINDERS WERE 2500 PSI. AND THE NEWER CYLINDERS ARE 3000 PSI IDENTIFYING THE PART NUMBER OF THE CYLINDER IS EXTREMELY IMPORTANT WHEN ORDERING PARTS TO ENSURE PROPER OPERATION OF THE HYDRAULIC CYLINDER.

I0005471
PR: t05g29i15b0021

LIGHT KIT ASSEMBLY

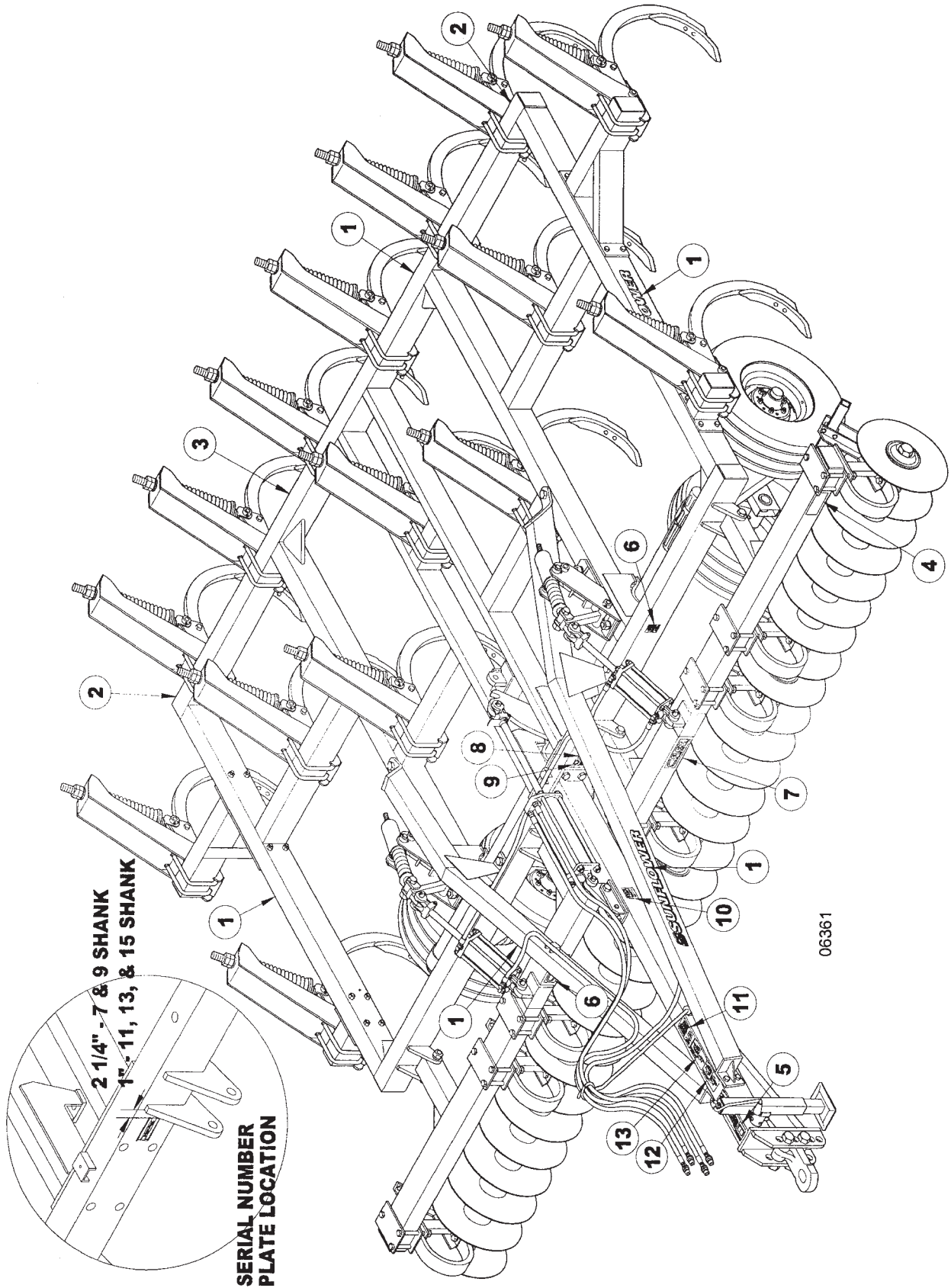


02158

ITEM	NUMBER	QTY	DESCRIPTION
1	SN5846		HARNESS, 25' STR SEC, SHIELDED FESTOON CABLE W/CONNECTORS
2	SN2587		PLASTIC HOSE STRAP, 21 1/2" L
3	SN5847		HARNESS, 15' WISHBONE W/FLAT & TRIANGULAR CONNECTORS
4	SN5845		DUAL LAMP, AMBER FRT/RR & RED RR, LT
	SN5844		DUAL LAMP, AMBER FRT/RR & RED RR, RT
5	SN5857		MAGNET KIT
6	SN5849		HARNESS, 5' EXTENSION W/TRIAN-GULAR CONNECTORS, LEFT
7	SN5848		HARNESS, 5' EXTENSION W/TRIAN-GULAR CONNECTORS, RIGHT
	SN5838		LIGHT KIT W/HARDWARE (ITEMS 1-5)

I0002158
PR: t05g29l15b0022

DECAL & SAFETY SIGN PLACEMENT

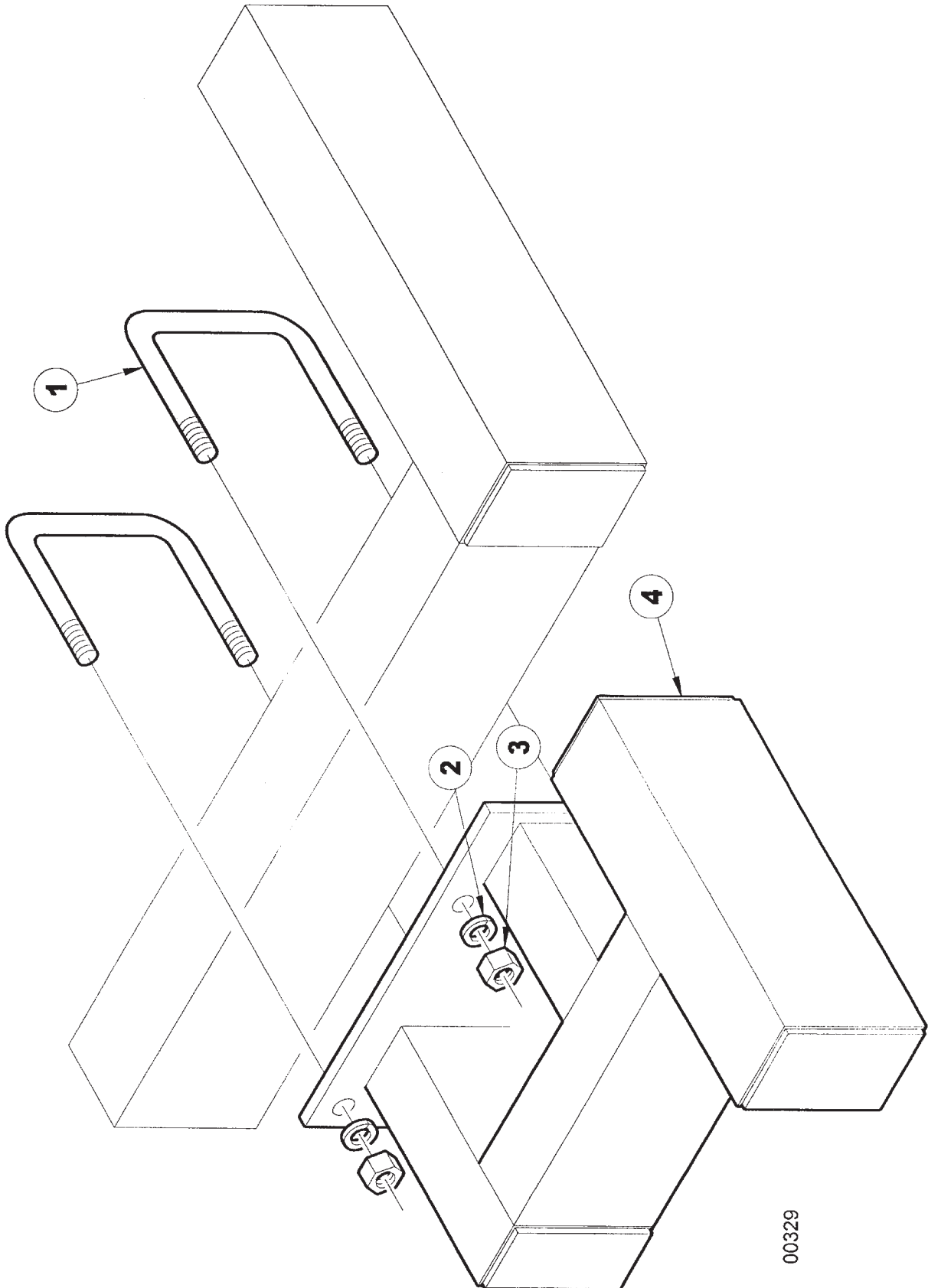


DECAL & SAFETY SIGN PLACEMENT

ITEM	NUMBER	QTY	DESCRIPTION
1	SN997002		SUNFLOWER DECAL
2	SN997040		RED REFLECTIVE TAPE
3	SN997239		4212 DECAL
4	SN997041		YELLOW REFLECTIVE TAPE
5	SN997792		DECAL-WARNING, READ OPERATOR'S MANUAL
6	SN997263		DECAL, TILLAGE PROMOTES A SAFER ENVIRONMENT FOR TOMORROW
7	SN997060		C-FLEX
8			SERIAL NUMBER PLATE
9	SN997246		FEMA DECAL
10	SN997078		TRANSPORT LOCK INSTALLATION
11	SN997311		HIGH PRESSURE FLUID HAZARD
12	SN997048		FASTEN SAFETY CHAIN
13	SN997074		UNHITCHING HAZARD

I0006361
PR: t05g29l15b0023

MOUNTING BRACKET EXTENSION



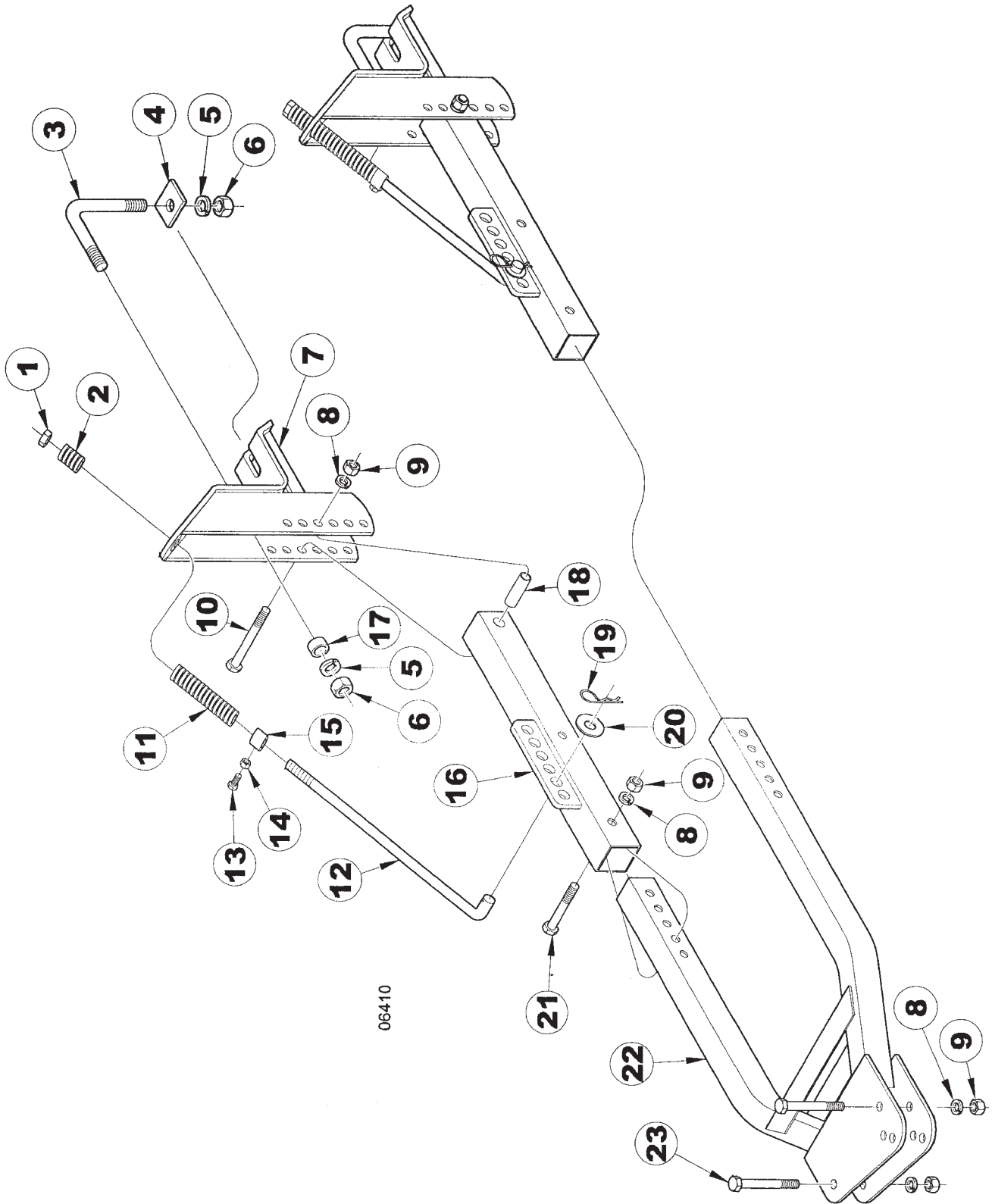
00329

MOUNTING BRACKET EXTENSION

ITEM	NUMBER	QTY	DESCRIPTION
1	SN3763		U-BOLT, 3/4"-10 X 5 3/4" X 6 3/4" W, GR 5, Y/D
2	SN1040		LOCK WASHER, 3/4" SPLIT TYPE MED, Y/D
3	SN106		HEX NUT, 3/4"-10 FULL, GR 5, Y/D
4	SN5557		EXTENSION, MOUNTING BRACKET, RED

I0000329
PR: t05g29l15b0024

REGULAR MOUNTING BRACKET



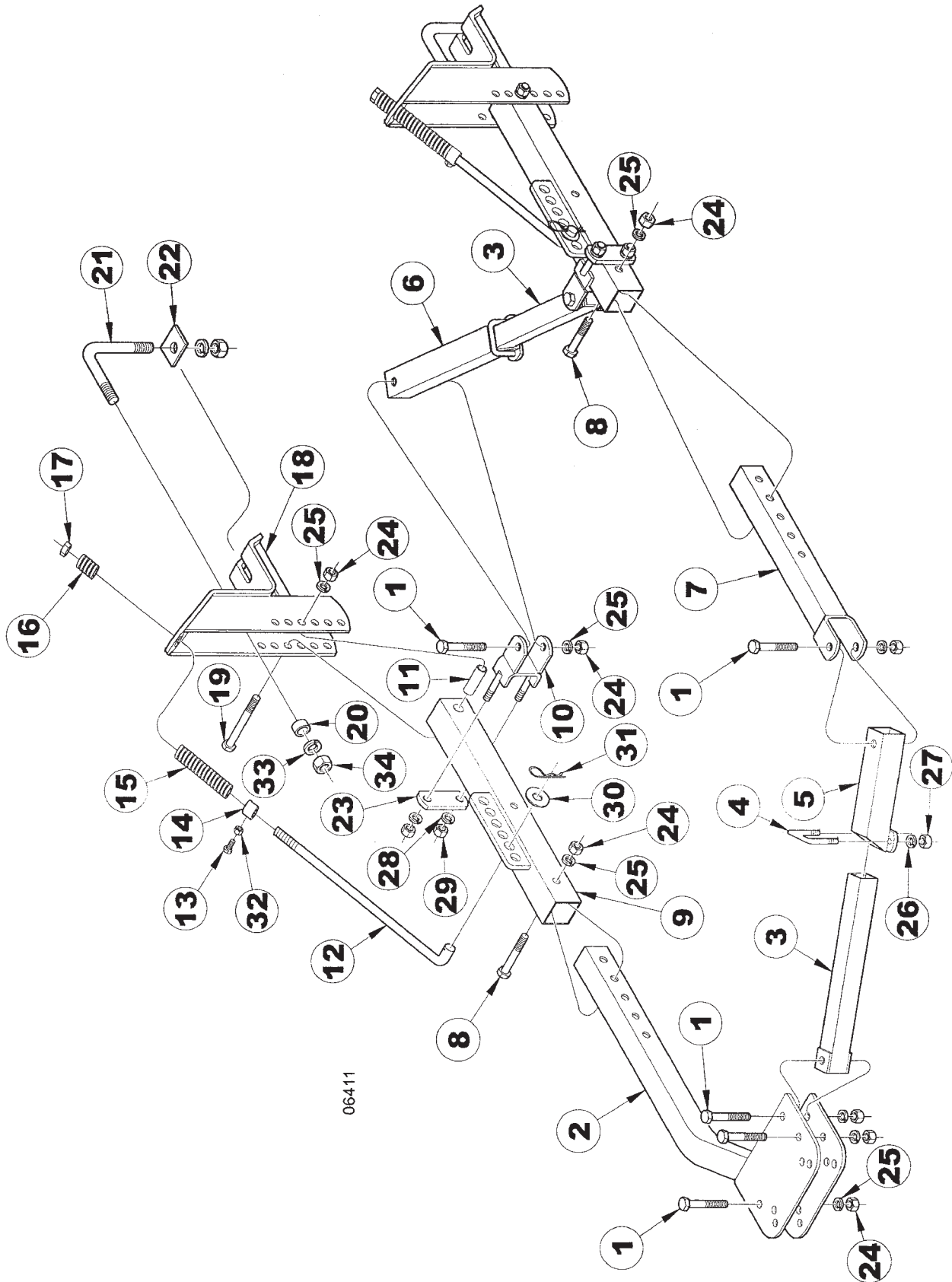
06410

REGULAR MOUNTING BRACKET

ITEM	NUMBER	QTY	DESCRIPTION
1	SN3938		LOCK NUT, 1"-8 HEX NYLON
2	SNFK361002		SPRING, 1.8125" OD X 1.062"ID, 2 5/8" L
3	SNFK150264		L-BOLT, 1" X 7" X 8", Y/D
4	SNFK501229		MOUNTING WEDGE
5	SN1283		LOCK WASHER, 1" SPLIT TYPE MED, Y/D
6	SN110		HEX NUT, 1"-8 FULL, GR 5, Y/D
7	SN6999		MOUNTING BRACKET
8	SN1040		LOCK WASHER, 3/4" SPLIT TYPE MED, Y/D
9	SN106		HEX NUT, 3/4"-10 FULL, GR 5, Y/D
10	SN821		HEX BOLT, 3/4"-10 X 5", GR 5 Y/D
11	SNFK361003		ADJUSTING ROD SPRING-LOWER
12	SN7000		ROD, HARROW ADJUSTMENT, Y/D
13	SN2078		SET SCREW, 1/2" X 1" SQUARE HEAD, Y/D
14	SN159		JAM NUT, 1/2"-13, GR 2, Y/D
15	SNFK351023		LOCK COLLAR, ADJUSTING ROD, Y/D
16	SN4789		FRAME PIVOT TUBE
17	SN4885		SPACER BUSHING
18	SNFK501168		BUSHING
19	SN71L-2901		PIN CLIP, 3/4"-7/8" SHAFT, .148" DIA, 3 1/8" L
20	SNFK150173		FLAT WASHER, 1" SAE, Y/D
21	SN1599		HEX BOLT, 3/4"-10 X 4", GR 5, Y/D
22	SN4795		MAIN HARROW FRAME
23	SN1675		HEX BOLT, 3/4"-10 X 4 1/2", GR 5, Y/D

I0006410
 PR: t05g29115b0025

ADJUSTABLE MOUNTING BRACKET



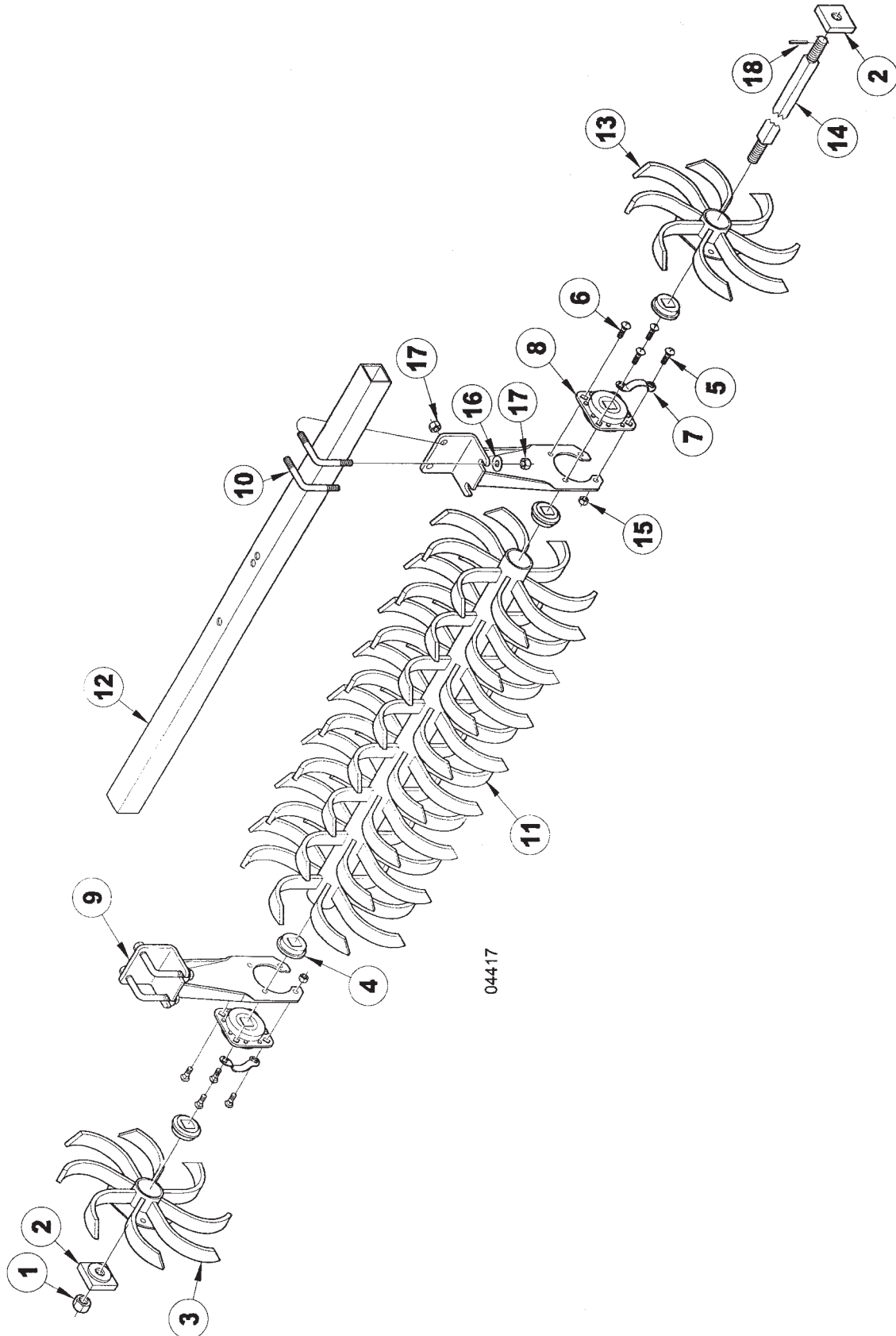
06411

ADJUSTABLE MOUNTING BRACKET

ITEM	NUMBER	QTY	DESCRIPTION
1	SN1675		HEX BOLT, 3/4"-10 X 4 1/2", GR 5, Y/D
2	SN4789		FRAME PIVOT TUBE
3	SN4790		ADJUSTABLE PIVOT TUBE
4	SNFK151053		U-BOLT, 1/2"-13 X 3 1/4" X 3 1/16" W, GR 5, Y/D
5	SN4792		ADJUSTABLE SLEEVE TUBE-RED
6	SN4791		SLEEVE TUBE-RED
7	SN4788		ADJUSTABLE FRAME TUBE-RED
8	SN1599		HEX BOLT, 3/4"-10 X 4", GR 5, Y/D
9	SN4789		FRAME PIVOT TUBE
10	SN4793		BRACE BRACKET-RED
11	SNFK501168		BUSHING
12	SN7000		ROD, HARROW ADJUSTMENT, Y/D
	SNFK501164		ROD, HARROW ADJ., Y/D
13	SN2078		SET SCREW, 1/2" X 1" SQUARE HEAD, Y/D
14	SNFK351023		LOCK COLLAR, ADJUSTING ROD, Y/D
15	SNFK361003		ADJUSTING ROD SPRING-LOWER
16	SNFK361002		SPRING, 1.8125" OD X 1.062" ID, 2 5/8" L
17	SN3938		LOCK NUT, 1"-8 HEX NYLON
18	SN6999		MOUNTING BRACKET
19	SN821		HEX BOLT, 3/4"-10 X 5", GR 5 Y/D
20	SN4885		SPACER BUSHING
21	SNFK150264		L-BOLT, 1" X 7" X 8", Y/D
22	SNFK501229		MOUNTING WEDGE
23	SN4794		CLAMP PLATE, 2 HOLE RED
24	SN106		HEX NUT, 3/4"-10 FULL, GR 5, Y/D
25	SN1040		LOCK WASHER, 3/4" SPLIT TYPE MED, Y/D
26	SN113		LOCK WASHER, 1/2" SPLIT TYPE MED, Y/D
27	SN114		HEX NUT, 1/2"-13 FULL, GR 2, Y/D
28	SN668		LOCK WASHER, 5/8" SPLIT TYPE MED, Y/D
29	SN669		HEX NUT, 5/8" FULL, GR 5, Y/D
30	SNFK150173		FLAT WASHER, 1" SAE, Y/D
31	SN71L-2901		PIN CLIP, 3/4"-7/8" SHAFT, .148" DIA, 3 1/8" L
32	SN159		JAM NUT, 1/2"-13, GR 2, Y/D
33	SN1283		LOCK WASHER, 1" SPLIT TYPE MED, Y/D
34	SN110		HEX NUT, 1"-8 FULL, GR 5, Y/D

I0006411
 PR: t05g29l15b0026

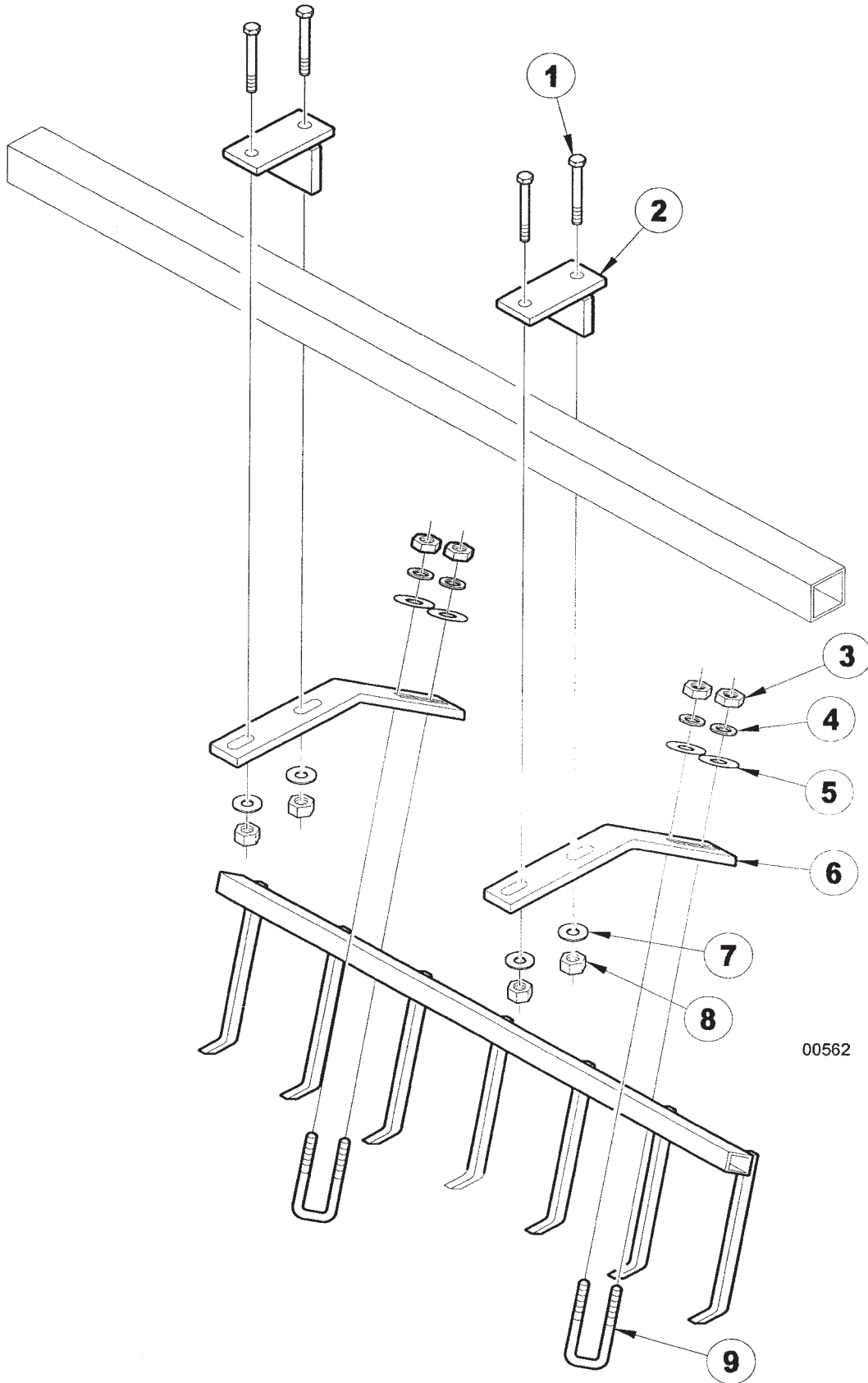
ROLLING TREADER GANG ASSEMBLY



ITEM	NUMBER	QTY	DESCRIPTION
1	SNHCL		LOCK NUT, 1"-8 UNC HEX CENTER, GR 2, Y/D
2	SN10F-1639		GANG NUT, F/AF & EARLY MT
3	SN4820		WHEEL, 8 TOOTH RIGHT, BLACK
	SN4821		WHEEL, 8 TOOTH LEFT, BLACK
4	SN4876		SPACER CASTING-BLACK
5	SN1187		CARRIAGE BOLT, 1/2"-13 X
6	SNFK150185		CARRIAGE BOLT, 1/2"-13 X 1", GR 5, Y/D
7	SNH10-003		GUARD, BEARING LUBRICATION FITTING, Y/D
8	SNYYB3471		BRG & FLANGE ASSY W/ZERK
9	SN4871		BEARING STANDARD
10	SNFK150257		L-BOLT, 5/8"-11 X 3 3/4" X 3 3/4", Y/D
11	SN4832		8 WHEEL GANG, 8 TOOTH RH,
	SN4831		8 WHEEL GANG, 8 TOOTH LH,
	SN4829		10 WHEEL GANG, 8 TOOTH RH, BLACK
	SN4830		10 WHEEL GANG, 8 TOOTH LH, BLACK
	SN4816		13 WHEEL GANG, 8-TOOTH RH, BLACK
	SN4815		13 WHEEL GANG, 8-TOOTH LH, BLACK
	SN5090		6 WHEEL GANG, 8 TOOTH RH
	SN5091		6 WHEEL GANG, 8 TOOTH LH
	SN4832		8 WHEEL GANG, 8 TOOTH RH,
	SN4831		8 WHEEL GANG, 8 TOOTH LH,
12	SN4874		HANGER BAR, 59" L.
	SN4880		HANGER BAR, 71" L.
	SN4879		HANGER BAR, 89" L.
	SN5092		HANGER BAR, 44"
	SN4874		HANGER BAR, 59" L.
13	SN5155		WHEEL, 8 TOOTH RIGHT LEVELING, BLACK
	SN5156		WHEEL, 8 TOOTH LEFT LEVELING, BLACK
14	SN9278		SHAFT, 59 3/8", 1 1/8" SQ
	SN9280		SHAFT, 71 3/8", 1 1/8" SQ
	SN9283		SHAFT, 89 3/8", 1 1/8" SQ
	SN9276		SHAFT, 47 3/8", 1 1/8" SQ
15	SN3735		LOCK NUT, 1/2"-13 UNC HEX
16	SNFK150283		FLAT WASHER, 5/8" SAE, Y/D
17	SN669-1		LOCK NUT, 5/8" HEX NYLON
18	SN3164		ROLL PIN, 5/16" X 2" SPIRAL MEDIUM DUTY, Y/D

I0004417
 PR: t05g29115b0027

STRIPPER ASSEMBLY



00562

4212 PARTS MANUAL
STRIPPER PARTS

61

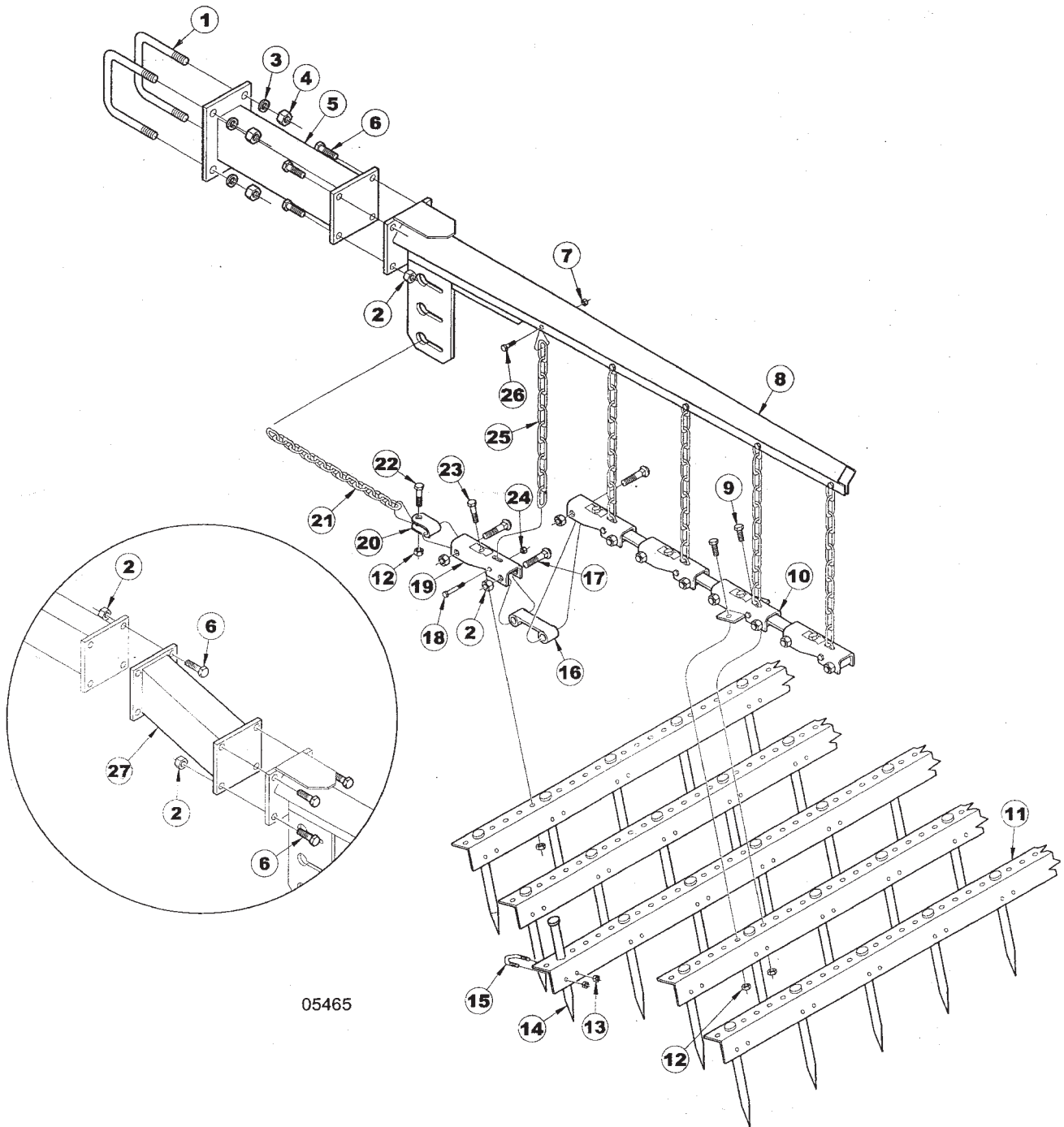
STRIPPER ASSEMBLY

ITEM	NUMBER	QTY	DESCRIPTION
1	SN2557		HEX BOLT, 5/8"-11 X 4 1/2", GR 5, Y/D
2	SN5668		CLAMP PLATE
3	SN114		HEX NUT, 1/2"-13 FULL, GR 2, Y/D
4	SN113		LOCK WASHER, 1/2" SPLIT TYPE MED, Y/D
5	SN486		FLAT WASHER, 1/2", Y/D
6	SN5669		MOUNT BAR, STRIPPER
7	SN2089		FLAT WASHER, 5/8", Y/D
8	SN669-1		LOCK NUT, 5/8" HEX NYLON
9	SNR0G-014		U-BOLT, 1/2"-13 X 3" X 2 5/32"W, GR 5, Y/D

I0000562
PR: t05g29115b0028

4212 PARTS MANUAL
5-ROW SPIKE DRAG PARTS SECTION

5-ROW SPIKE DRAG ASSEMBLY



05465

4212 PARTS MANUAL
5-ROW SPIKE DRAG PARTS SECTION

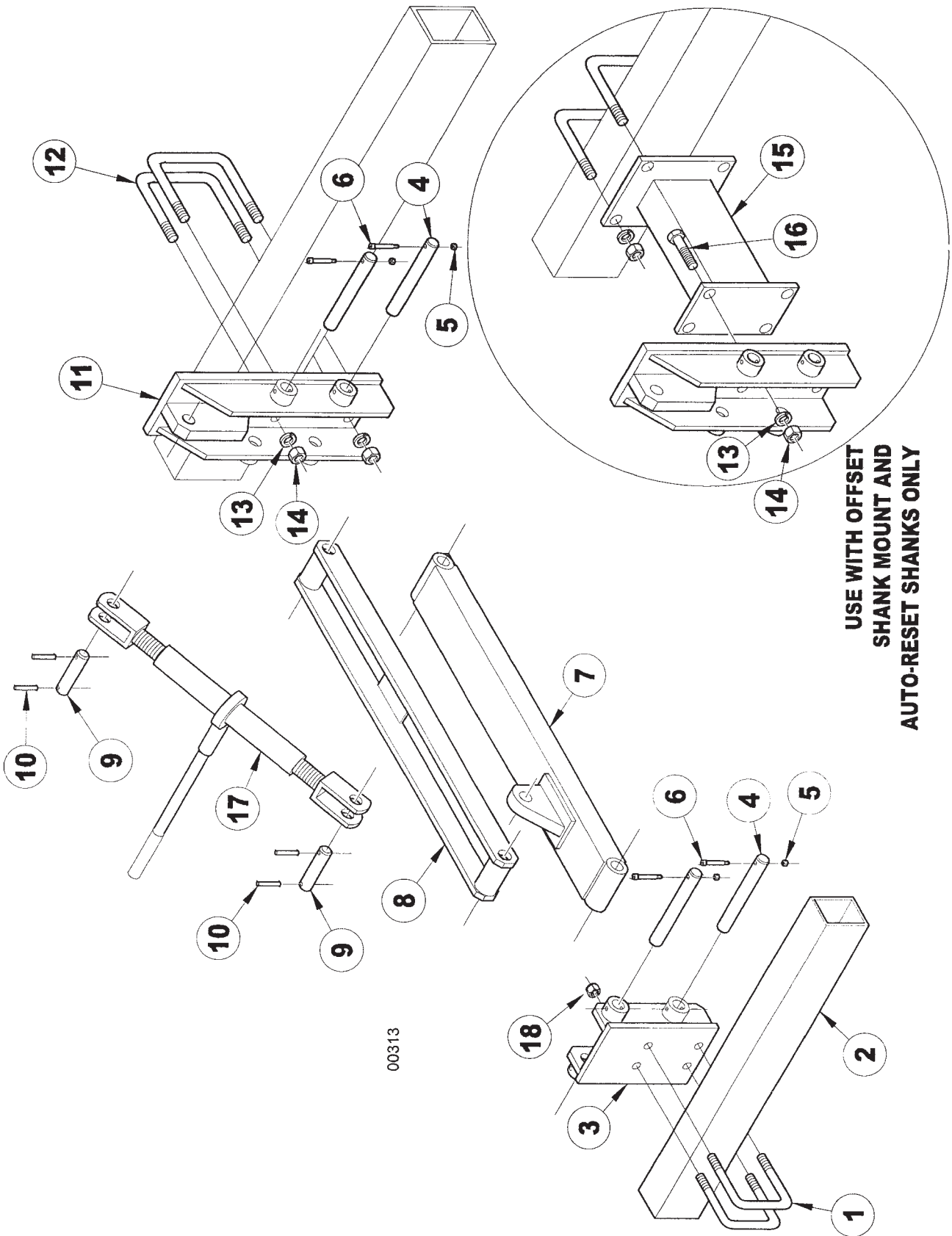
63

5-ROW SPIKE DRAG ASSEMBLY

ITEM	NUMBER	QTY	DESCRIPTION
1	SN3763		U-BOLT, 3/4"-10 X 5 3/4" X 6 3/4" W, GR 5, Y/D
2	SN669-1		LOCK NUT, 5/8" HEX NYLON
3	SN1040		LOCK WASHER, 3/4" SPLIT TYPE MED, Y/D
4	SN106		HEX NUT, 3/4"-10 FULL, GR 5, Y/D
5	SN3764		HARROW ARM EXTENSION, 18"
6	SN670		HEX BOLT, 5/8"-11 X 2", GR 5, Y/D
7	SN3567		LOCK NUT, 3/8"-16 HEX NYLON INSERT, GR 2, Y/D
8	SN3975		SPIKE TOOTH ARM, 5 ROW
9	SN1823		HEX BOLT, 1/2"-13 X 1 1/4", GR 5, Y/D
10	SN3979		DOUBLE BAR BRACKET
11	SN3967		SPIKE TOOTH BAR, 5' (7 TOOTH)
	SN7016		SPIKE TOOTH BAR, 5 1/2' (8 TOOTH)
	SN3968		SPIKE TOOTH BAR, 6 1/2' (9 TOOTH)
	SN3969		SPIKE TOOTH BAR, 8' (11 TOOTH)
	SN3970		SPIKE TOOTH BAR, 9 1/2', (13 TOOTH)
	SN3972		SPIKE TOOTH BAR, 12 1/2' (17 TOOTH)
12	SN2096		LOCK NUT, 1/2"-13 HEX NYLON INSERT
13	SN3567		LOCK NUT, 3/8"-16 HEX NYLON INSERT, GR 2, Y/D
14	SN3895B		SPIKE TOOTH, 3/4" X 11"
15	SN3894		TRI-BEND BOLT, 3/8"-16 X 1 1/2", Y/D
16	SN3967		SPIKE TOOTH BAR, 5' (7 TOOTH)
17	SN3985		CARRIAGE BOLT, 5/8"-11 X 3" GR 5, Y/D SPECIAL
18	SN4738		HEX BOLT, 3/8"-16 X 2 3/4", GR 5, Y/D
19	SN3977		BAR BRACKET
20	SN7013		U-CLIP
21	SN3983		CHAIN, 5/16" PROOF, 25 LINKS
22	SN2045		HEX BOLT, 1/2"-13 X 1 3/4", GR5, Y/D
23	SN112		HEX BOLT, 1/2"-13 X 2 1/2", GR 5, Y/D
24	SN3567		LOCK NUT, 3/8"-16 HEX NYLON INSERT, GR 2, Y/D
25	SN3982		CHAIN, 7/0 SIDE 10 LINKS
26	SN3984		HEX BOLT, 3/8"-16 X 1 1/4", GR 5, Y/D
27	SN7687		HARROW ARM EXTENSION, 12" (INSTALL WHEN USING OFFSET SHANK MOUNTS AND AUTO-RESET SHANKS)
	SN7045		HARROW ARM EXTENSION W/BOLTS (ITEMS 2, 6, & 27)

I0005465
PR: t05g29l15b0029

LEVELER ASSEMBLY



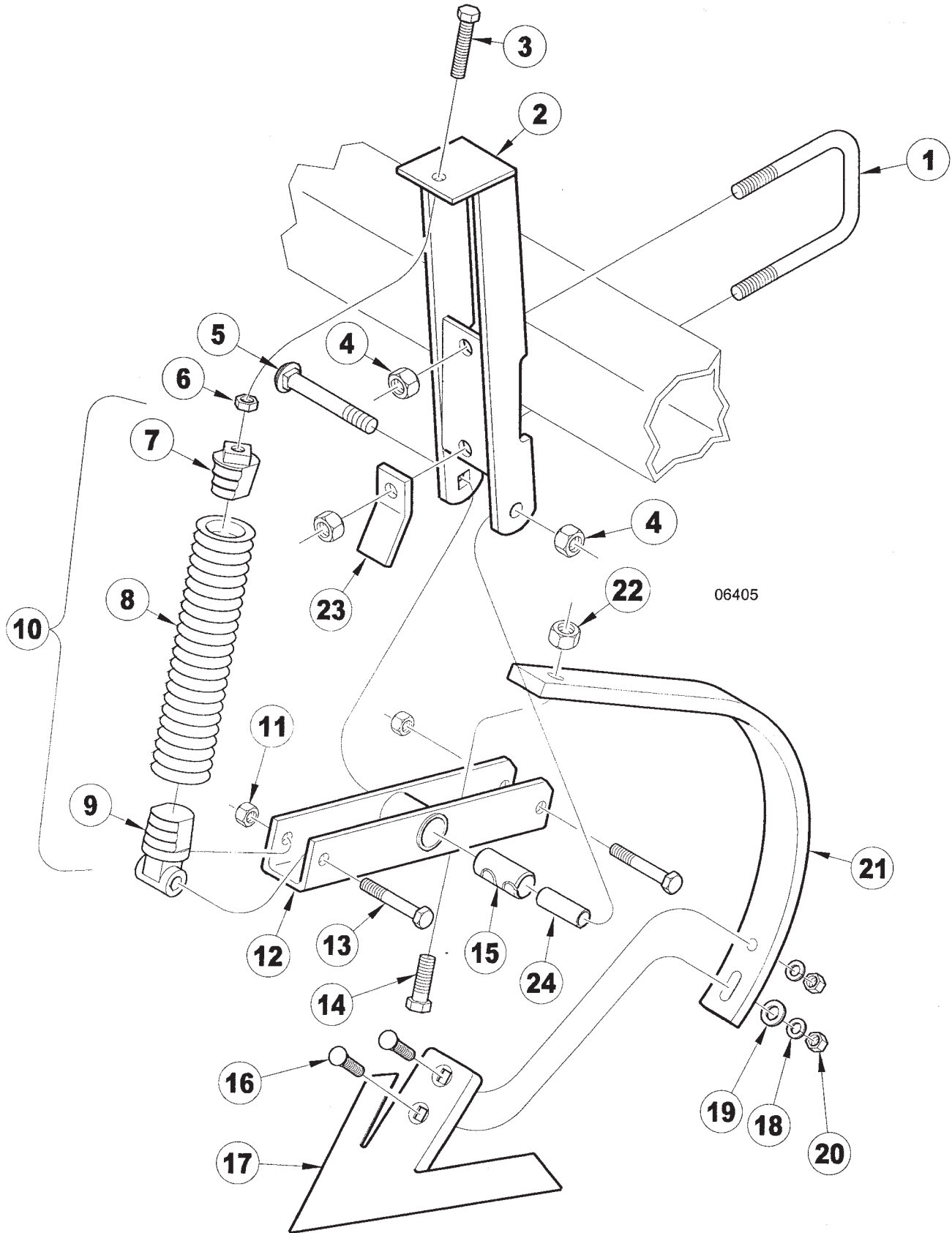
USE WITH OFFSET
SHANK MOUNT AND
AUTO-RESET SHANKS ONLY

00313

ITEM	NUMBER	QTY	DESCRIPTION
1	SN3306		U-BOLT, 5/8"-11 X 4 1/2" X 4 5/8" W, GR 5, Y/D
2	SN3772		TOOL BAR, 126"
	SN3773		TOOL BAR, 186"
	SN3771		TOOL BAR, 105"
3	SN3767		TOOL BAR MOUNTING PLATE
4	SN3163		PIN, 1" X 7 1/2" (6 27/32"), Y/D
5	SN3881		LOCK NUT, 1/4"-20 HEX NYLON INSERT, GR 2, Y/D
6	SN3880		SHOULDER BOLT, 5/16" X 1 3/4", GR 8 EQUIV
7	SN3768		BOTTOM LINK
8	SN3769		TOP LINK
9	SN5385		PIN, 1" X 3" (2 1/16"), Y/D
10	SN3164		ROLL PIN, 5/16" X 2" SPIRAL MEDIUM DUTY, Y/D
11	SN3766		FRAME MOUNTING PLATE
12	SN3763		U-BOLT, 3/4"-10 X 5 3/4" X 6 3/4" W, GR 5, Y/D
13	SN1040		LOCK WASHER, 3/4" SPLIT TYPE MED, Y/D
14	SN106		HEX NUT, 3/4"-10 FULL, GR 5, Y/D
15	SN7078		LEVELER ATTACHMENT EXTENSION, 13"
16	SN1122		HEX BOLT, 3/4"-10 X 2 1/2", GR 5, Y/D
17	SN2893		RATCHET JACK

I0000313
PR: t05g29115b0030

SPRING SHANK ASSEMBLY

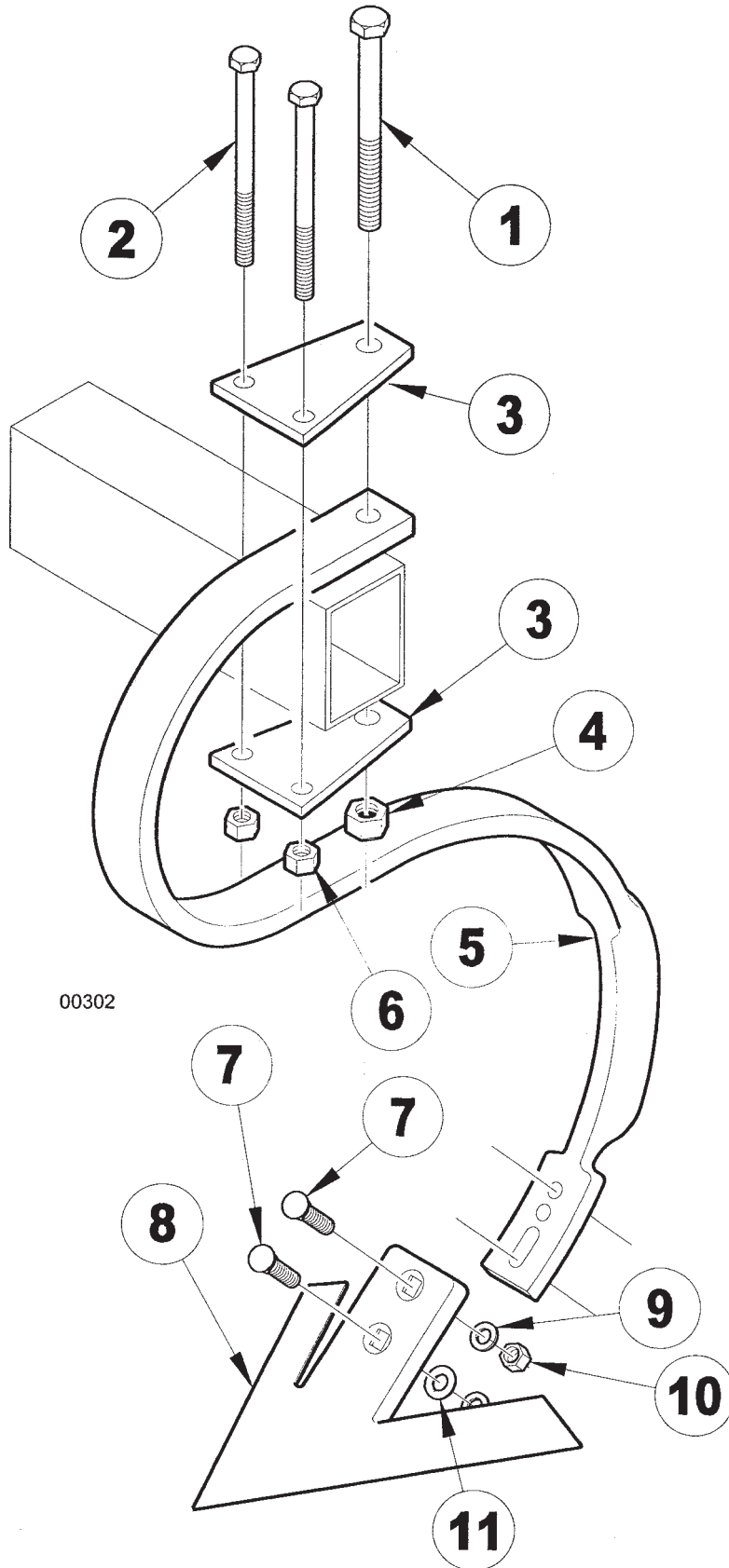


SPRING SHANK ASSEMBLY

ITEM	NUMBER	QTY	DESCRIPTION
1	SN3052		U-BOLT, 5/8"-11 X 5 5/8" X 4 3/4" W, GR 5, Y/D
2	SN3572		UPPER SHANK MOUNT
3	SN1299		HEX BOLT, 1/2"-13 X 2 1/2" ALLTHD, GR 5, Y/D
4	SN669-1		LOCK NUT, 5/8" HEX NYLON
5	SN3949		CARRIAGE BOLT, 5/8" X 4 1/4", Y/D, SPECIAL
6	SN159		JAM NUT, 1/2"-13, GR 2, Y/D
7	SN3041		THREADED SPRING PLUG, 5000
8	SN3043		SPRING, 5000
9	SN3042		SPRING BASE, 5000
10	SN3044		SPRING ASSEMBLY, 5000
11	SN2096		LOCK NUT, 1/2"-13 HEX NYLON INSERT
12	SN5710		SHANK HOLDER
13	SN156		HEX BOLT, 1/2"-13 X 3", GR 5 Y/D
14	SN3790		HEX BOLT, 9/16"-12 X 1 3/4", GR 8, PL
15	SN6642		BUSHING, 1 1/8" OD X.887" ID 2 3/8" L (HARD) SPRING
16	SN3050		PLOW BOLT, 7/16"-14 X 1 1/2", GR 5, Y/D
17	SN3055		SWEEP, 4" PLAIN CULTIVATOR (47 DEG)
18	SN302		LOCKWASHER, 7/16" SPLIT TYPE MED, Y/D
19	SN305		FLAT WASHER, 7/16", Y/D
20	SN303		HEX NUT, 7/16"-14 FULL, GR 2, Y/D
21	SN12257		SHANK, 5/8" X 1 3/4" X 24", FLAT (CURRENT SHANK)
	SN3820		SHANK, 9/16" X 1 3/4" X 24", ON EDGE
22	SN3757		LOCK NUT, 9/16"-12 HEX NYLON INSERT, GR 8, PLATED
23	SN3874		UPPER SHANK MOUNT STOP
	SN3036		UPPER SHANK MOUNT STOP, 5000, Y/D
24	SN5711		BUSHING, CLAMP

I0006405
PR: t05g29115b0031

S-TINE SHANK ASSEMBLY



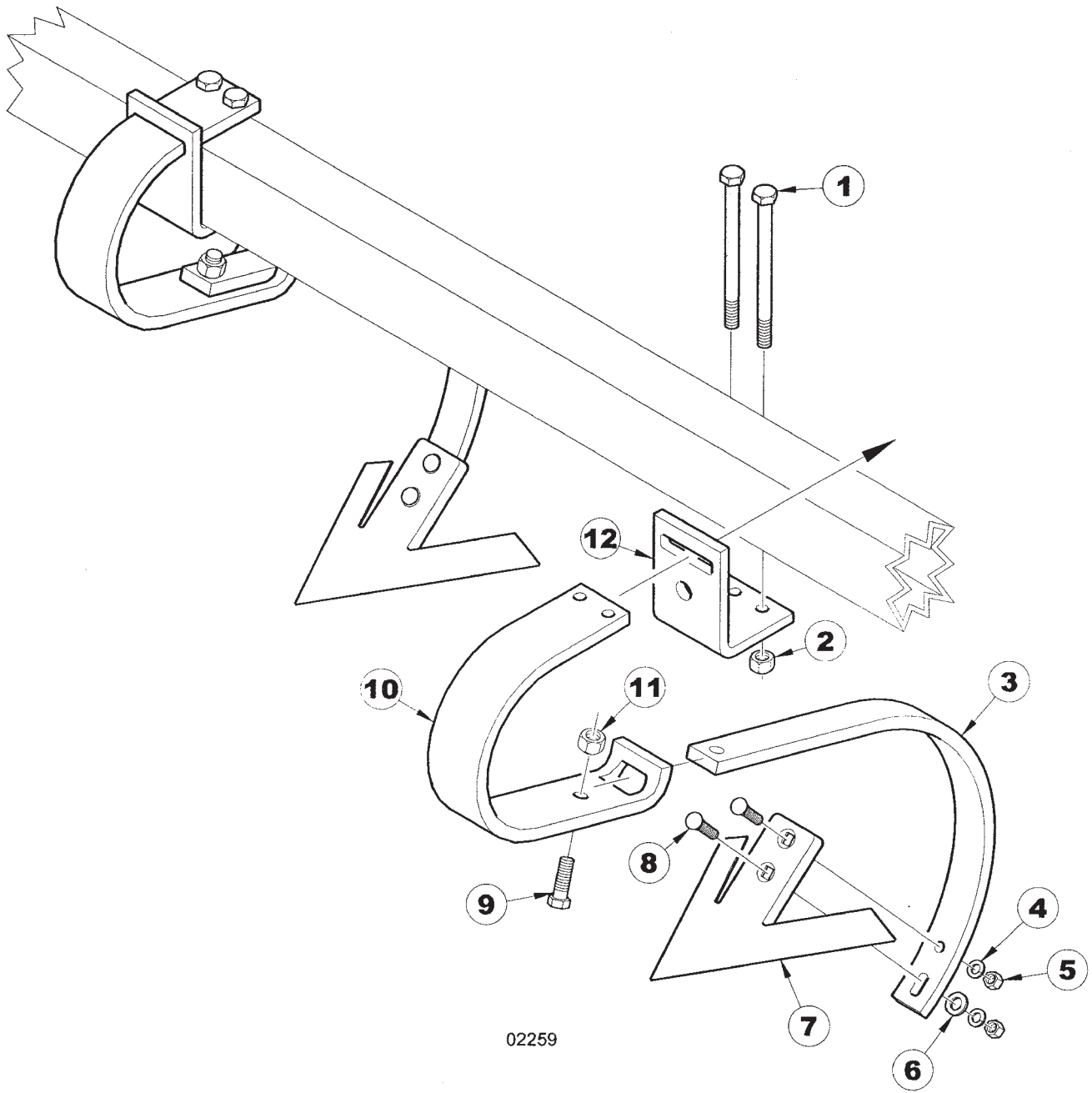
00302

S-TINE SHANK ASSEMBLY

ITEM	NUMBER	QTY	DESCRIPTION
1	SN1308		HEX BOLT, 5/8"-11 X 6 1/2", GR 5, Y/D
2	SN3568		HEX BOLT, 1/2"-13 X 6 1/2",GR 5, Y/D
3	SN3827		S-TINE CLAMP
4	SN669-1		LOCK NUT, 5/8" HEX NYLON
5	SN3821		SHANK, 5/8" X 1 3/4" X 24" S-TINE
	SN3863		SHANK ASSY, S-TINE
6	SN2096		LOCK NUT, 1/2"-13 HEX NYLON INSERT
7	SN3050		PLOW BOLT, 7/16"-14 X 1 1/2", GR 5, Y/D
8	SN3055		SWEEP, 4" PLAIN CULTIVATOR (47 DEG)
9	SN302		LOCKWASHER,7/16" SPLIT TYPE MED,Y/D
10	SN303		HEX NUT, 7/16"-14 FULL, GR 2, Y/D
11	SN305		FLAT WASHER, 7/16", Y/D

I0000302
PR: t05g29115b0032

S-TINE SHANK ASSEMBLY (TWO PIECE)



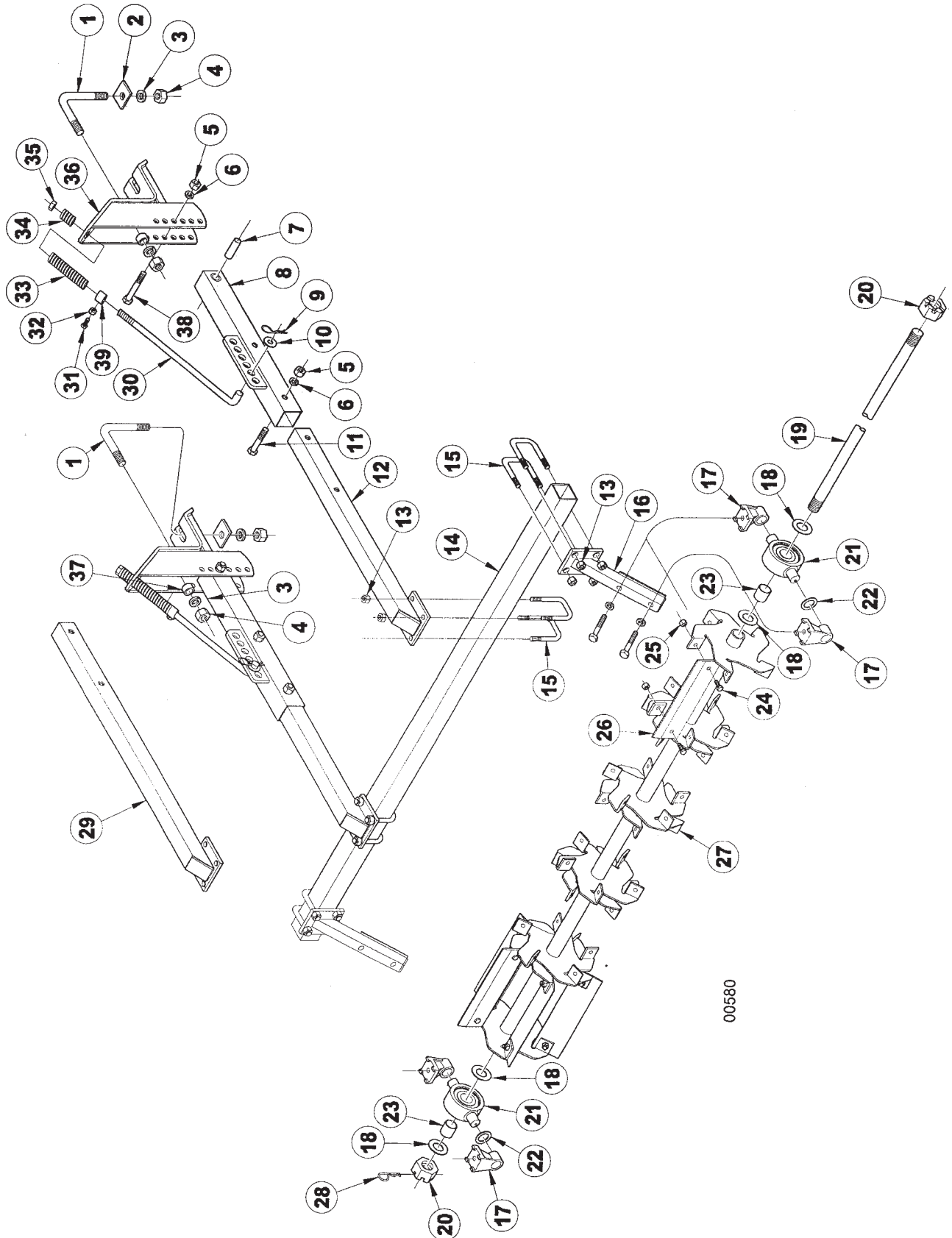
02259

S-TINE SHANK ASSEMBLY (TWO PIECE)

ITEM	NUMBER	QTY	DESCRIPTION
1	SN329		HEX BOLT, 1/2"-13 X 6"
2	SN2096		LOCK NUT, 1/2"-13 HEX NYLON INSERT
3	SN12257		SHANK, 5/8" X 1 3/4" X 24", FLAT (CURRENT SHANK)
	SN6806		DA SHANK, 5/8" X 1 3/4" X 24", ON EDGE
4	SN302		LOCKWASHER, 7/16" SPLIT TYPE MED, Y/D
5	SN303		HEX NUT, 7/16"-14 FULL, GR 2, Y/D
6	SN305		FLAT WASHER, 7/16", Y/D
7	SN3055		SWEEP, 4" PLAIN CULTIVATOR (47 DEG)
8	SN3050		PLOW BOLT, 7/16"-14 X 1 1/2", GR 5, Y/D
9	SN7530		HEX BOLT, 5/8"-11 X 2 1/4" GR 5, Y/D
10	SN7453		SPRING CLAMP, S-TINE
11	SN669-1		LOCK NUT, 5/8" HEX NYLON
12	SN7528		S-TINE CLAMP

I0002259
 PR: t05g29l15b0033

CHOPPER REEL ASSEMBLY

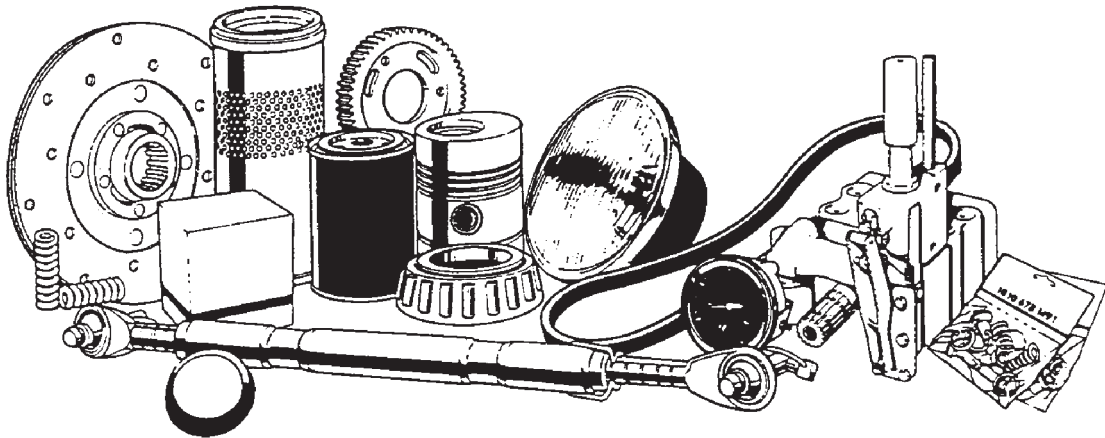


00580

ITEM	NUMBER	QTY	DESCRIPTION
1	SNFK150264		L-BOLT, 1" X 7" X 8", Y/D
2	SNFK501229		MOUNTING WEDGE
3	SN1283		LOCK WASHER, 1" SPLIT TYPE MED, Y/D
4	SN110		HEX NUT, 1"-8 FULL, GR 5, Y/D
5	SN106		HEX NUT, 3/4"-10 FULL, GR 5, Y/D
6	SN1040		LOCK WASHER, 3/4" SPLIT TYPE MED, Y/D
7	SNFK501168		BUSHING
8	SN4789		FRAME PIVOT TUBE
9	SN71L-2901		PIN CLIP, 3/4"-7/8" SHAFT, .148" DIA, 3 1/8" L
10	SNFK150173		FLAT WASHER, 1" SAE, Y/D
11	SN1599		HEX BOLT, 3/4"-10 X 4", GR 5, Y/D
12	SN5885		REEL MOUNTING ARM, 37 1/4"
13	SN669-1		LOCK NUT, 5/8" HEX NYLON
14	SN5509		GANG BAR, 55 1/4"
	SN5510		GANG BAR, 70 1/4"
	SN5511		GANG BAR, 85 1/4"
	SN5512		GANG BAR, 100 1/4"
15	SN5515		U-BOLT, 5/8"-11 X 4 1/2" X 3 5/8" W, GR 5, Y/D
16	SN5884		HARROW MOUNTING ARM
17	SN3096		TRUNNION BEARING MOUNT
18	SN2755		FLAT WASHER, 1 9/16" ID X
19	SN5528		SHAFT, 55 5/8", 1 1/2" DIA
	SN5545		SHAFT, 70 5/8", 1 1/2" DIA
	SN5546		SHAFT, 85 5/8", 1 1/2" DIA
	SN5547		SHAFT, 100 5/8", 1 1/2" DIA
20	SN1456		HEX NUT, 1 1/2"-6 FULL SLOTTED GR 2, Y/D
21	SN3090		TRUNNION BEARING COMPLETE
22	SN3095		FLAT WASHER, 1 1/2" ID X 2 1/4" OD, 10 GA, Y/D
23	SN5527		BUSHING
24	SN1823		HEX BOLT, 1/2"-13 X 1 1/4", GR 5, Y/D
25	SN2096		LOCK NUT, 1/2"-13 HEX NYLON INSERT
26	SN5529		REEL BLADE
27	SN5572		REEL, 45" W/BLADES
	SN5573		REEL, 60" W/BLADES
	SN5574		REEL, 75" W/BLADES
	SN5575		REEL, 90" W/BLADES
	SN5523		REEL, 45"
	SN5524		REEL, 60"
	SN5525		REEL, 75"
	SN5526		REEL, 90"
28	SN108		COTTER PIN, 5/16" X 2 1/2", Y/D
29	SN5894		REEL MOUNTING ARM, 57 1/4"
30	SN7000		ROD, HARROW ADJUSTMENT, Y/D
31	SN2078		SET SCREW, 1/2" X 1" SQUARE HEAD, Y/D
32	SN159		JAM NUT, 1/2"-13, GR 2, Y/D
33	SNFK361003		ADJUSTING ROD SPRING-LOWER
34	SNFK361002		SPRING, 1.8125" OD X 1.062" ID, 2 5/8" L
35	SN3938		LOCK NUT, 1"-8 HEX NYLON
36	SN6999		MOUNTING BRACKET
37	SN4885		SPACER BUSHING
38	SN821		HEX BOLT, 3/4"-10 X 5", GR 5 Y/D
39	SNFK351023		LOCK COLLAR, ADJUSTING ROD, Y/D

RECOMMENDED DEALER STOCK

RECOMMENDED DEALER'S STOCK



ITEM	NUMBER	QTY	DESCRIPTION
-	SN1935	2	BEARING (LM501349)
-	SNYYB3471	2	BRG & FLANGE ASSY W/ZERK
-	SN5527	2	BUSHING
-	SN5845	1	DUAL LAMP, AMBER FRT/RR & RED RR, LT
-	SN5844	1	DUAL LAMP, AMBER FRT/RR & RED RR, RT
-	SN1610	1	DUST CAP, 2.448" OD, Y/D
-	SN3095	4	FLAT WASHER, 1 1/2" ID X 2 1/4" OD,
-	SN5847	1	HARNESS, 15' WISHBONE W/FLAT &
-	SN5846	1	HARNESS, 25' STR SEC, SHIELDED FESTOON
-	SN5848	1	HARNESS, 5' EXTENSION W/TRIAN-GULAR
-	SN5849	1	HARNESS, 5' EXTENSION W/TRIAN-GULAR
-	SN3302	2	HEX NUT, 1"-14 FULL SLOTTED GR 2, PLAIN
-	SN5370	1	HITCH CLEVIS BUSHING
-	SNFK150264	1	L-BOLT, 1" X 7" X 8", Y/D
-	SN5428	1	L-BOLT, 3/4"-10 X 9, Y/D
-	SNFK150257	1	L-BOLT, 5/8"-11 X 3 3/4" X 3 3/4", Y/D
-	SN3118	6	LUG BOLT, 9/16"-18 X 1 7/8" PRESS IN, PL
-	SN3117	6	LUG NUT, 9/16"-18, GR 5, 90 DEG TAPER,
-	SN1936	2	RACE (LM501310)
-	SN1605	2	RACE (LM67010)
-	SN8776-1	2	SEAL KIT, 3 3/4", 1 3/8" ROD, REPHASING
-	SN8779-1	2	SEAL KIT, 4", 1 3/4" ROD,
-	SN12052	2	SEAL KIT, 4", 1 3/4" ROD, CROSS
-	SN8781-1	2	SEAL KIT, 4", 1 3/8" ROD
-	SN3863	2	SHANK ASSY, S-TINE
-	SN3821	2	SHANK, 5/8" X 1 3/4" X 24" S-TINE
-	SN12257	2	SHANK, 5/8" X 1 3/4" X 24", FLAT
-	SN3820	2	SHANK, 9/16" X 1 3/4" X 24", ON EDGE
-	SN3300	1	SIX BOLT HUB ASSEMBLY W/3301 SEAL
-	SN7001	1	SMV EMBLEM
-	SN3895B	8	SPIKE TOOTH, 3/4" X 11"
-	SN3044	1	SPRING ASSEMBLY, 5000
-	SN7453	2	SPRING CLAMP, S-TINE
-	SN3055	5	SWEEP, 4" PLAIN CULTIVATOR (47 DEG)
-	SN3894	8	TRI-BEND BOLT, 3/8"-16 X 1 1/2", Y/D
-	SN3301	2	TRIPLE LIP SEAL
-	SN3090	2	TRUNNION BEARING COMPLETE
-	SN3091	2	TRUNNION BEARING REPLACEMENT
-	SNFK151053	1	U-BOLT, 1/2"-13 X 3 1/4" X 3 1/16" W,
-	SNR0G-014	1	U-BOLT, 1/2"-13 X 3" X 2 5/32"W, GR 5,
-	SN3754	1	U-BOLT, 3/4"-10 X 4 1/4" X 3 3/8" W,
-	SN3763	1	U-BOLT, 3/4"-10 X 5 3/4" X 6 3/4" W,
-	SN3755	1	U-BOLT, 3/4"-10 X 8 3/4" X 4 13/16"
-	SN5515	1	U-BOLT, 5/8"-11 X 4 1/2" X 3 5/8" W,
-	SN3306	1	U-BOLT, 5/8"-11 X 4 1/2" X 4 5/8" W,
-	SN3052	1	U-BOLT, 5/8"-11 X 5 5/8" X 4 3/4" W,
-	SN3061	2	WALKING BEAM BEARING (342A)
-	SN3062	2	WALKING BEAM RACE (332)
-	SN3063	2	WALKING BEAM SEAL (NAT.204035 C/R 22870)
-	SN3303	2	WASHER, 1 1/32" ID X 1 3/4" OD X
-	SN5156	4	WHEEL, 8 TOOTH LEFT LEVELING, BLACK
-	SN5155	4	WHEEL, 8 TOOTH RIGHT LEVELING, BLACK

NOTE: THIS PARTS STOCK LIST
INDICATES THOSE ITEMS RECOMMENDED
TO SERVICE ONE UNIT.

RDL
PR: t05g29i15b0035