

**TABLE OF CONTENTS**

---

**1. SAFETY**

---

**2. PREPARATION**

---

**3. FRAME**

---

**4. TRANSMISSION**

---

**5. DRIVE**

---

**6. ROW UNIT**

---

**7. OPTIONAL EQUIPMENT**

---

### 3-point Mounted, 7" x 7", and Stacking Toolbar Frame

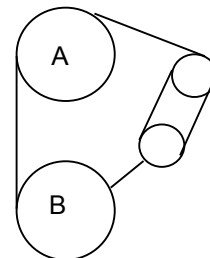
## PLANTING RATE CHART

### 3pt Mounted & Stacking Planters

The following planting distances were obtained with standard assembly and sprocket system. Additional settings are possible by using different combinations or special sprockets. Please consult us in case you have such special requirements.

Important: Poor alignment of the sprockets of the seed spacing gearbox and stiffness of the chain will cause premature side wear on the pinions. Make sure the chains are tight and properly lubricated, and the tires are properly inflated.

**The indicated spacings are theoretical and may vary from 5-10% depending on soil conditions.**



### SOWING DISTANCES

Number of  
Holes in the Transmission sprocket selection  
Seed Disc

	A	26	24	23	26	24	23	24	23	19	19	17	18	19	17	18	17	14	14	14
	B	17	17	19	23	23	24	26	26	23	24	23	26	28	26	28	28	24	26	28
		<b>Seed Spacing (inches)</b>																		
9		7.9	8.6	10.0	10.7	11.6	12.7	13.1	13.7	14.7	15.3	16.4	17.5	17.9	18.6	18.9	20.0	20.8	22.5	24.3
12		6.0	6.4	7.5	8.1	8.7	9.5	9.9	10.3	11.0	11.5	12.3	13.1	13.4	13.9	14.2	15.0	15.6	16.9	18.2
18		4.0	4.3	5.0	5.4	5.8	6.3	6.6	6.9	7.3	7.7	8.2	8.8	8.9	9.3	9.4	10.0	10.4	11.3	12.1
24		3.0	3.2	3.8	4.0	4.4	4.7	4.9	5.1	5.5	5.7	6.2	6.6	6.7	7.0	7.1	7.5	7.8	8.5	9.1
30		2.4	2.6	3.0	3.2	3.5	3.8	3.9	4.1	4.4	4.6	4.9	5.3	5.4	5.6	5.7	6.0	6.2	6.8	7.3
36		2.0	2.1	2.5	2.7	2.9	3.2	3.3	3.4	3.7	3.8	4.1	4.4	4.5	4.6	4.7	5.0	5.2	5.6	6.1
40		1.8	1.9	2.3	2.4	2.6	2.8	3.0	3.1	3.3	3.4	3.7	3.9	4.0	4.2	4.2	4.5	4.7	5.1	5.5
48		1.5	1.6	1.9	2.0	2.2	2.4	2.5	2.6	2.8	2.9	3.1	3.3	3.4	3.5	3.5	3.7	3.9	4.2	4.6
60		1.2	1.3	1.5	1.6	1.7	1.9	2.0	2.1	2.2	2.3	2.5	2.6	2.7	2.8	2.8	3.0	3.1	3.4	3.6
72		1.0	1.1	1.3	1.3	1.5	1.6	1.6	1.7	1.8	1.9	2.1	2.2	2.2	2.3	2.4	2.5	2.6	2.8	3.0
90		0.79	0.86	1.00	1.07	1.16	1.27	1.31	1.37	1.47	1.53	1.64	1.75	1.79	1.86	1.89	2.00	2.08	2.25	2.43
120		0.60	0.64	0.75	0.81	0.87	0.95	0.99	1.03	1.10	1.15	1.23	1.31	1.34	1.39	1.42	1.50	1.56	1.69	1.82

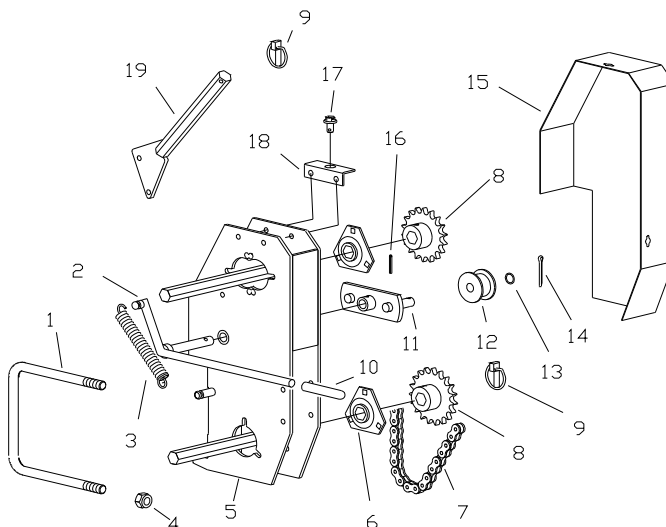
**TRANSMISSION**

**7" x 7" Transmission**

**ADJUSTMENT AND ASSEMBLY**

Planting population rate changes are made at the end mounted transmission. The planter is designed to allow simple, rapid changes in sprockets to obtain the desired population. By removing the lynch pins (9) on the hexagon shafts, sprockets can be interchanged with those from the sprocket storage rod bolted to the transmission. The planting rate chart on the following page will aid you in selecting the correct sprocket combinations.

**NOTE:** One transmission is equipped on a 6-row 30"-40" and two transmissions on 8 and 12-row 30"-40". When using two transmissions the unit hex shaft must be split in the center.

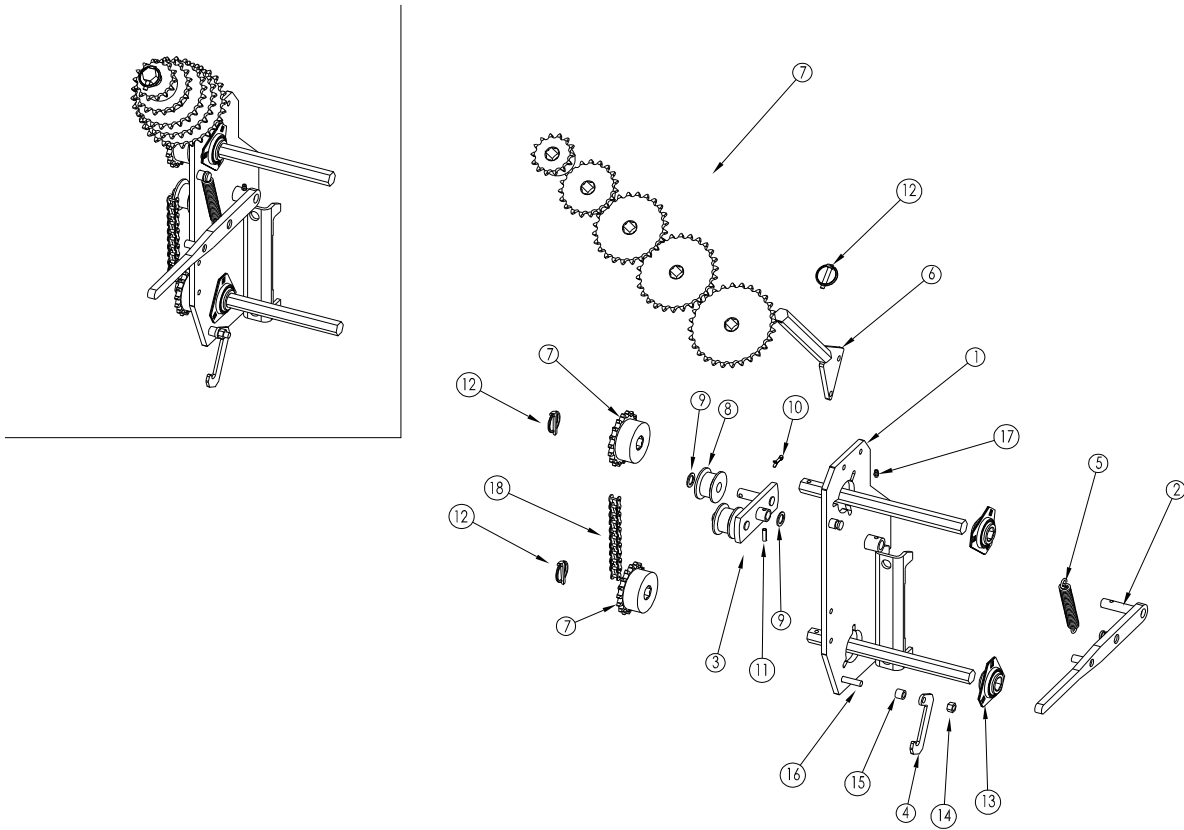


ITEM PART No.	DESCRIPTION
1 4502.S	U Bolt, 7 x 7, 5/8-11
2 4798.G	Lever, right side (shown)
4798.D	Lever, left side
3 9147	Spring
4 F37188	Nylon locknut, 5/8-11
5 4797.B	Gearbox frame
6 4515	Bearing complete with flanges
4515.1	Bearing only, hex bore (205KRRB2)
4515.2	Flange
7 4795.A	Drive chain, #50, 72 links w/conn link
8 G50B14	Sprocket, 14 tooth, #50 (standard)
G50B15	Sprocket, 15 tooth, #50
G50B17	Sprocket, 17 tooth, #50 (standard)
G50B18	Sprocket, 18 tooth, #50
G50B19	Sprocket, 19 tooth, #50 (standard)
G50B21	Sprocket, 21 tooth, #50
G50B23	Sprocket, 23 tooth, #50 (standard)
G50B24	Sprocket, 24 tooth, #50 (standard)

ITEM PART No.	DESCRIPTION
G50B25	Sprocket, 25 tooth, #50
G50B26	Sprocket, 26 tooth, #50 (standard)
G50B27	Sprocket, 27 tooth, #50
G50B28	Sprocket, 28 tooth, #50 (standard)
G50B30	Sprocket, 30 tooth, #50
9 6077	Lynch pin, 6mm
10 4895	Plastic cover for lever
11 4796.A	Idler bracket
12 4772	Idler roller
13 10622026	Washer, 16.5x26x2
14 10170067	Cotter pin, 5 x 40
15 5128.D	Chain guard, right side (shown)
5128.G	Chain guard, left side
16 10172090	Roll pin, 6 x 25
17 9724.2	Keeper bolt for shield
18 5132	Bracket for guard mounting
19 4793.A	Storage rod for sprockets

**SINGLE PLATE TRANSMISSION**

**3-pt Mounted, 7" x 7", and Stacking Toolbar Frame**



ITEM	PART No.	DESCRIPTION
1	E6001.1L	Plate L.H. (shown)
	E6001.1R	Plate R.H.
2	800238	Handle
3	4796.A	Idler bracket
4	800237	Hook
5	4334	Spring
6	4793.A	Storage rod for sprockets
7	G50B14	Sprocket, 14 tooth, #50 (std.)
	G50B15	Sprocket, 15 tooth, #50
	G50B17	Sprocket, 17 tooth, #50 (std.)
	G50B18	Sprocket, 18 tooth, #50
	G50B19	Sprocket, 19 tooth, #50 (std.)
	G50B21	Sprocket, 21 tooth, #50
	G50B23	Sprocket, 23 tooth, #50 (std.)
	G50B24	Sprocket, 24 tooth, #50 (std.)
	G50B25	Sprocket, 25 tooth, #50
	G50B26	Sprocket, 26 tooth, #50 (std.)
	G50B27	Sprocket, 27 tooth, #50
	G50B28	Sprocket, 28 tooth, #50 (std.)
	G50B30	Sprocket, 30 tooth, #50

ITEM	PART No.	DESCRIPTION
8	KD0916	Idler roller
9	10622024	Washer M16.5 X 26 X 1
10	10170067	Cotter pin M5 X 40
11	10172090	Roll pin M6 X 25
12	6077	Lynch pin M6
13	4515	Bearing w/flangettes
	4515.1	Bearing only (205KRRB2)
	4515.2	Flangette only (2 req'd)
	CB-1110	Carriage bolt, 5/16-18 X 1"
	W-1410	Washer, 5/16" SAE
	W-1610	Lock washer, 5/16"
	N-1001	5/16 Hex nut
14	N-2101	Nylock nut 3/8"
	W-2210	Washer, 3/8" USS
15	KD2971-10	Bushing
16	H-3130	Hex bolt 3/8-16 X 1 3/4"
17	F60102	Grease zerk 1/8" NPT
18	4795.A	Chain #50 X 72 pitch
	E6000	Transmission complete

**TRANSMISSION**

---

**Twin-Row**

**DENSITIES – SEED POPULATION CHART**

**AVG SEED  
SPACING**

**ROW SPACING**

	<b>30"</b>	<b>36"</b>	<b>38"</b>	<b>40"</b>
<b>1"</b>	418,400	348,800	330,000	313,600
<b>2"</b>	209,200	174,400	165,000	156,800
<b>2 3/4"</b>	152,000	126,800	120,000	114,000
<b>3 1/4"</b>	128,800	107,200	101,600	96,400
<b>3 1/2"</b>	120,200	100,000	94,800	90,000
<b>3 3/4"</b>	111,600	93,000	88,000	83,600
<b>4"</b>	104,600	87,200	82,500	78,400
<b>4 1/4"</b>	98,400	82,000	77,600	73,800
<b>4 1/2"</b>	93,000	77,400	73,400	69,700
<b>5"</b>	83,600	69,700	66,000	62,800
<b>5 1/2"</b>	76,000	63,400	60,000	57,000
<b>6"</b>	69,700	58,000	55,000	52,220
<b>6 1/2"</b>	64,400	53,600	50,800	48,200
<b>7"</b>	60,100	50,000	47,400	45,000
<b>7 1/2"</b>	55,800	46,400	44,000	41,800
<b>8"</b>	52,500	43,700	41,400	39,350
<b>8 1/2"</b>	49,200	41,000	38,800	36,900
<b>9"</b>	46,600	38,850	36,774	34,950
<b>9 1/2"</b>	44,000	36,700	34,750	33,000
<b>10"</b>	41,900	34,950	33,074	31,450
<b>10 1/2"</b>	39,800	33,200	31,400	29,900
<b>11 1/2"</b>	36,400	30,300	30,700	27,300
<b>12"</b>	34,850	29,000	27,500	26,100
<b>13"</b>	32,200	26,800	25,400	24,100
<b>13 1/2"</b>	31,000	25,900	24,550	23,300
<b>14 1/2"</b>	28,976	24,100	22,850	21,700