

# **9895 Combine Parts Catalog**

**EFF. S/N HSC8101**



**ALPHABETICAL INDEX**

The complete alphabetical index appears at the beginning of this publication. It is used to locate major groups, assemblies and components.

**NUMERICAL INDEX**

The numerical index of this publication follows the Alphabetical Index at the beginning of the publication and indicates which page a part number appears.

**ILLUSTRATIONS**

All illustrations are located on the left hand page with the text on the right. Except for some common hardware, all parts are identified with an item number which corresponds to the "item" column on the text page. This is followed by the parts number, quantity and description.

**HARDWARE**

Common hardware not identified such as bolts, nuts, cotter pins and lube fittings, are listed indented in the text beneath the item to which they attach or fit. Common hardware listed indented beneath an item is NOT included unless specified. Example: (Incl. BOLT, LOCKWASHER AND NUT).

**ORDERING PARTS**

Be sure to refer to both the text and the illustration to assure ordering the correct part.

**RECOMMENDED DEALER STOCK**

A recommended dealer stock listing appears at the end of this publication.



**CAB**

AIR CONDITIONER, LINES .....	119
BRAKE MASTER CYLINDER .....	91
CONSOLE - SEAT .....	85
CONTROL GEARSHIFT .....	95
CONTROL PARK BRAKE & HYDRO PROPEL CABLE .....	93
CONTROL SERVICE BRAKES .....	89
CONTROL STEERING COLUMN .....	97
DECK EXTENSION 145" TREAD AND DUALS .....	73
FRAME & MOUNTING .....	57
HEATER LINES .....	121
HVAC BLOWER ASY. EVANS TEMPCON .....	117
HVAC CONTROL PANEL .....	113
HVAC PRESSURIZER UNIT & DUCTING .....	111
HVAC PRESSURIZER UNIT EVANS-TEMPCON .....	115
INTERIOR COVERINGS & TRIM LOWER AND REAR .....	65
INTERIOR COVERINGS & TRIM UPPER AND FRONT .....	63
LH DOOR INTERIOR & EXTERIOR HANDLES .....	61
MIRRORS & EXTREMITY LIGHTS REMOTE ELECTRIC ADJUST .....	79
PIVOTING LADDER LH .....	71
PLATFORM LEFT & RIGHT .....	69
ROOF & INTERIOR/EXTERIOR LIGHTS .....	83
SEAT BASE & SUSPENSION .....	103
SEAT CUSHION AND BACKREST .....	107
SEAT OPERATOR & INSTRUCTOR .....	101
STAIRCASE LADDER & PLATFORM .....	75
STEERING COLUMN COMPONENTS .....	99
WINDOWS AND DOORS .....	59
WINDSHIELD WIPER .....	81

**CHOPPER & SPREADER**

CHAFF SPREADER FAN HOUSING, REKORD .....	249
CHAFF SPREADER HYDRAULIC DRIVE .....	247
CHAFF SPREADER HYDRAULICS, REKORD .....	251
CHOPPER HOOD & SUPPORTS .....	229
CHOPPER HOUSING REDEKOP .....	233
CHOPPER SECONDARY DRIVE .....	227
DRIVE SHIELDS, SPREADER .....	245
JACKSHAFT DRIVE .....	225
SPREADER SECONDARY DRIVE .....	239
STRAW CHOPPER ROTOR .....	237
STRAW SPREADER COMPONENTS .....	241

**DECALS & LABELS**

DECALS CAB .....	33
DECALS LEFT SIDE AND FRONT .....	25
DECALS RIGHT SIDE AND REAR .....	27
DECALS-BRAND LEFT SIDE AND FRONT .....	29
DECALS-BRAND RIGHT SIDE AND REAR .....	31

**DRIVES**

CHAINS DRIVE .....	447
--------------------	-----

**ELECTRICAL**

BATTERY & CABLES .....	131
BEACON LIGHTS FIELD KIT .....	147
CAB COMPONENTS CONTROLS & SWITCHES .....	133
CAB COMPONENTS FUSE PANEL & HYDRO HANDLE .....	137
CAB COMPONENTS RADIO AND ANTENNA .....	141
CAB COMPONENTS UPPER CONSOLE .....	139
ENGINE WIRING .....	129
FEEDER ELECTRICAL .....	123
HARNESSES & LIGHTING GRAIN BIN .....	143
HARNESSES & MONITORING FRONT .....	125
HARNESSES & MONITORING REAR .....	127

**ELECTRICAL (CONTINUED)**

HIGH INTENSITY LIGHTING FIELD KIT .....	149
TAILLIGHT HARNESS .....	145

**ENGINE**

AIR INTAKE & EXHAUST .....	39
COOLING SYSTEM.....	45
ENGINE & MOUNTS .....	35
FRONT ENGINE DRIVES FAN, ALTERNATOR, COMPRESSOR .....	37
FUEL LINES .....	55
MAIN PUMP DRIVES .....	43
PTO AND PUMPS .....	41
RADIATOR SLINGER.....	49
ROTARY SCREEN DOOR & SHIELDING .....	51
ROTARY SCREEN SCREEN & DRIVE MOTOR.....	53

**FEEDER**

CONVEYOR .....	177
COUNTERSHAFT VARIABLE & FIXED SPEED HEADER DRIVE .....	173
FLOOR, MIDDLE .....	159
HEADER REVERSE DRIVE & HYDRAULICS .....	179
HOUSING & SHIELDS .....	151
HYDRAULIC LINES V.S. HEADER DRIVE .....	169
JACK .....	157
JACKSHAFT & C'SHAFT DRIVE IDLER FIXED SPEED HEADER DRIVE .....	171
JACKSHAFT & V.S. IDLER V.S. HEADER DRIVE .....	167
JACKSHAFT DRIVE R.H. FEEDERHOUSE .....	165
LATCH HEADER .....	175
LH PIVOT DRIVE .....	163
PIVOT SHAFT .....	161
REVERSE MOTOR CLUTCH HOUSING & SHAFT ASSEMBLY .....	181
REVERSE MOTOR TORQUE MOTOR ASY. ....	183

**GRAIN BIN & ELEVATORS**

BIN EXTENSIONS .....	311
COVERS LOWER CROSS UNLOADING AUGER .....	301
FUEL TANKS .....	309
GRAIN BIN LOWER STRUCTURE .....	305
GRAIN BIN UPPER COMPONENTS.....	307
GRAIN ELEVATOR BIN FILL AUGER.....	281
GRAIN ELEVATOR DRIVE .....	275
GRAIN ELEVATOR HEAD ASSEMBLY .....	279
GRAIN ELEVATOR HEAD MOUNTING & SUPPORTS .....	283
GRAIN ELEVATOR LOWER.....	277
RETURN ELEVATOR DRIVE .....	289
RETURN ELEVATOR LOWER .....	285
RETURN ELEVATOR UPPER .....	287
SPOUT ASSEMBLY.....	299
UNLOADER DRIVE AND CLUTCH .....	303
UNLOADING AUGER ASSEMBLY OUTBOARD .....	297
UNLOADING AUGER LOWER CROSS AUGER .....	291
UNLOADING AUGER UPPER, EXTERNAL .....	295
UNLOADING AUGER UPPER, INSIDE .....	293

**HYDRAULICS**

ACCUMULATOR PARKER .....	369
CONTROL VALVE AND ACCUMULATOR RIGHT SIDE .....	375
CONTROL VALVE SUPPLY RIGHT SIDE .....	373
CYLINDERS, HEADER LIFT .....	341
DRUM BRAKE, LINES AND FITTINGS .....	387
FEEDER LIFT CYL. PLUMBING .....	385
GREASE LINES FRONT FEEDER .....	389
GREASE LINES LEFT REAR .....	393
GREASE LINES LEFT SIDE .....	391
GREASE LINES RIGHT SIDE .....	395

**HYDRAULICS (CONTINUED)**

HEADER SUPPLY PLUMBING .....	383
HYDRAULIC CONTROL VALVE (71406988 VALVE ASSEMBLY) .....	377
HYDRO PLUMBING ENGINE LEFT .....	351
HYDRO SUCTION PLUMBING .....	349
OIL COOLER PLUMBING RIGHT SIDE .....	381
PRIORITY VALVE .....	347
PROPEL MOTOR PLUMBING .....	353
RESERVOIR .....	345
RESERVOIR MOUNTING AND PLUMBING .....	343
ROTARY SCREEN MOTOR PLUMBING .....	379
ROTOR MOTOR PLUMBING .....	355
ROTOR PUMP FRONT, 1 OF 4 .....	399
ROTOR PUMP FRONT, 2 OF 4 .....	401
ROTOR PUMP FRONT, 3 OF 4 .....	403
ROTOR PUMP FRONT, 4 OF 4 .....	405
ROTOR PUMPS TANDEM PUMP .....	397
STEERING CONTROL PLUMBING UPPER .....	359
STEERING CYLINDER RWA AXLE .....	367
STEERING CYLINDER TRAILING AXLE (71408752 CYLINDER ASSEMBLY-STEERING) .....	365
STEERING PLUMBING REAR CYLINDERS .....	363
STEERING UNIT PLUMBING .....	361
SYSTEM PUMP .....	357
UNLOADER SWING AND CLUTCH .....	371

**LATERAL TILT**

ANCHORS & SENSOR .....	189
HOUSING .....	185
HYDRAULICS .....	191
VALVE & CONTROL .....	193

**PROCESSOR**

CAGE & CONCAVE ADJUSTERS .....	207
CONCAVE BLANKS .....	211
CONCAVES .....	209
COVER PANELS & DEFLECTORS .....	215
FRONT BEATER .....	195
FRONT BEATER DRIVE BELT AND IDLER .....	197
INLET HOUSING AND STONE TRAP .....	203
MAIN COUNTERSHAFT .....	199
MAIN COUNTERSHAFT DRIVE AND IDLER .....	201
ROTOR .....	219
ROTOR DISCHARGE HOUSING .....	217
ROTOR DRIVE 3-SPEED GEARBOX .....	223
ROTOR DRIVE GEARBOX SHIFT LINKAGE .....	221
SEPARATOR GRATES .....	213

**RECOMMENDED DEALER STOCK**

RECOMMENDED DEALER STOCK .....	449
--------------------------------	-----

**SEPARATOR**

CLEANING FAN & LEAF SCREEN .....	255
CLEANING SHOE LOWER PAN .....	269
CLEANING SHOE UPPER FRAME & SIEVES .....	267
ELECTRIC ADJUSTABLE SIEVES .....	271
LOWER FAN & AUGER HOUSING .....	253
PITMAN DRIVE .....	273
PITMAN SHAFT .....	261
SEPARATOR PAN .....	259
SHOE SHAKER .....	263
VARIABLE SPEED FAN DRIVE .....	257

**SHIELDS**

ENGINE COVER .....	313
ENGINE DECK .....	315

**SHIELDS (CONTINUED)**

MUD SHIELDS LEFT SIDE .....	335
MUD SHIELDS RIGHT SIDE .....	339
REAR HANDRAILS .....	317
REAR LADDERS .....	319
SHIELD GROUP LEFT FRONT .....	323
SHIELD GROUP LEFT REAR .....	325
SHIELD GROUP RIGHT FRONT .....	329
SHIELD GROUP RIGHT MIDDLE .....	331
SHIELD GROUP RIGHT REAR .....	333
SIDE SHIELDS LEFT SIDE .....	321
SIDE SHIELDS RIGHT SIDE .....	327

**TRANSMISSION & AXLES**

AXLE AND WHEELS REAR WHEEL ASSIST .....	433
AXLE ASSEMBLY REAR WHEEL ASSIST .....	435
DRUM BRAKES SERVICE & PARKING .....	423
FINAL DRIVE 4" AXLE RISERS .....	413
FINAL DRIVE, S40 .....	411
FRONT AXLE AND FINAL DRIVES .....	409
MAIN SIDE FRAMES .....	407
MOTOR, HYDRO PROPEL COMPONENTS .....	425
REAR AXLE SUPPORT AND CENTER BEAM .....	427
REAR TRAILING AXLE ADJUSTABLE TREAD .....	429
RWA PLUMBING .....	441
SELECTOR AND FLOW DIVIDER VALVE REAR WHEEL ASSIST .....	443
SPINDLE HOUSING ASSEMBLY .....	431
TRANSMISSION, GEAR DIFFERENTIAL .....	421
TRANSMISSION, GEAR INPUT SHAFT & GEARS .....	417
TRANSMISSION, GEAR INTERMEDIATE & MAIN SHAFT .....	419
TRANSMISSION, GEAR PRESSURE LUBE & HYDRO MOTOR .....	415
WHEEL MOTOR UNIT REAR WHEEL ASSIST .....	439
WHEELS FRONT DRIVE .....	445

## INDEX

Part No.	Page	Part No.	Page	Part No.	Page	Part No.	Page
10033	287	1077656M1	401	112942W1	245	1510831W91	287
100801	435	1077658M1	401	112942W1	327	151257M1	275
101065M1	245	1077664M1	405	112942W1	335	1564540W1	259
101066M1	245	1077664M1	425	112967W1	33	1564540W1	263
101069M1	245	1077666M1	399	1130100W1	259	1564540W1	269
101078M1	195	1077666M1	425	113689M1	313	1565240W1	89
101218M91	337	1077673M1	405	1138480	199	1579720W1	275
101221M92	337	1077675M1	405	11538	261	1579720W1	289
101231M1	337	1077678M1	405	1157990W1	259	1588480W1	259
101231M1	383	1077684M1	401	116047W1	87	1605510W1	287
101232M1	337	1077695M1	425	116106W1	161	1609121W91	157
101276M2	225	1077696M1	425	116107W1	161	1609200W1	157
101276M2	227	1077960M1	425	116108W1	161	1611180W1	157
101276M2	239	108047W1	131	116148W1	371	1656110W2	153
101589M91	385	1081159M1	439	116149W1	371	1656110W2	231
101643M91	205	1081699M1	405	116248W91	235	1656110W2	313
101646M1	119	1081706M1	401	116249W1	235	1656110W2	335
101698M1	375	1081707M91	399	116250W1	235	1656110W2	339
101705M1	375	1081720M91	401	116281W1	397	1659630W1	161
101751M1	359	1081721M1	401	116282W1	397	1659650W1	161
101832M1	363	1081723M1	401	116312W1	175	1680230W1	239
101841M1	353	1081724M1	401	116328W1	151	1680230W1	449
101841M1	355	1081725M1	401	116343W1	175	1689170W1	197
101841M1	441	1081726	401	116346W1	175	1703354	123
101842M1	349	1081727M1	397	116348W1	175	1703354	153
101842M1	353	1081727M1	401	116354W1	159	1705938	387
101842M1	355	1081728M1	401	116616W1	263	1706380W1	199
101842M1	441	1081729M1	401	116953W91	237	1706393W91	199
101930M1	219	1081731M1	405	13601	161	1717640W1	161
1026105M1	415	1081733M1	399	13811X	173	1717650W1	161
103338W1	229	1081734M91	405	13811X	185	1720176	237
103338W1	243	108202W1	253	13811X	189	1720176	255
103339W1	229	108202W1	301	13887X	173	1720176	277
103339W1	243	108610W1	307	1440203X1	125	1774490W91	93
103657W91	257	108664W1	133	1440203X1	127	1777403W91	161
103834W1	161	108664W1	193	1440203X1	131	17789	253
104035W1	229	10970	237	1440311X1	123	17789	255
104201W1	205	1102796	129	1440311X1	133	17789	277
104309W91	343	1102796	131	1440330X1	207	1786320W1	207
104309W91	451	1102796	143	1440356X1	37	1787520W1	245
104468W1	181	1102796	269	1440712X1	255	1787520W1	337
104476W1	183	1109070	421	1440712X1	319	1791851W91	93
104479W1	183	111091W1	235	1440712X1	37	1799410W1	277
104500W1	195	111091W1	25	1440712X1	53	1799410W1	285
104715W1	199	111091W1	27	1440716X1	239	1817730W1	259
104751W1	195	111095W1	25	1440716X1	261	1907162M1	131
104916W91	335	111095W1	27	1440827X1	143	1907162M1	449
104928W1	217	1112299	103	1441268X1	47	195412M1	257
105086W91	197	1112502	127	1441500X1	251	22289X	261
105177W1	235	1114720W1	259	1441500X1	251	22602X	219
1068614M91	257	1114720W1	453	1441590X1	409	22602X	263
1068617M1	257	111670W1	245	1441664X1	429	227455M1	225
1068620M91	257	111670W1	25	1441704X1	225	227455M1	449
107041	133	111670W1	27	1441914X1	127	2400540W1	269
107320M1	135	111711W1	93	1441982X1	211	2403570W1	263
107440M1	283	111736W2	27	1441982X1	301	2403610W1	161
107499M1	139	111737W1	235	1442500X1	291	2412960W1	281
107500M1	139	111737W1	247	1442666X1	201	2440720W1	255
1077602M1	403	111741W1	27	1442666X1	43	2441340W1	295
1077604M1	399	111743W1	27	1442740X1	257	2441490W1	225
1077604M1	401	112022W1	355	1442896X1	283	2441490W1	227
1077605M1	399	112159W1	125	1442989X1	37	2441490W1	239
1077605M1	405	112236W1	133	1443615X1	123	2441490W1	273
1077605M1	425	112253W1	435	1443615X1	133	2441490W1	275
1077611M1	403	112412W1	205	148021M1	371	2441970W1	287
1077611M1	425	1124457	221	148021M1	383	2442610W1	219
1077627M1	405	112685W1	195	148022M1	363	2442770W1	207
1077628M1	405	112734W1	89	148039M1	387	2442770W1	453
1077631M91	399	112735W91	89	148039M1	391	2442860W1	207
1077635M2	403	112752W1	219	148203M1	131	2443410W1	259
1077637M1	405	112811W1	133	14987	263	2443420W1	259
1077638M1	405	112812W1	133	1501043W91	269	2446310W1	257
1077639M92	401	112814W1	133	1501060W1	259	2446400W1	263
1077651M1	399	112858W91	345	1501060W1	267	2446893W91	253
1077654M1	401	112942W1	231	1501060W1	269	2446903W91	253



Part No.	Page	Part No.	Page	Part No.	Page	Part No.	Page
2446920W1	253	27342	45	3009219X1	207	3009537X1	245
2446930W1	253	2813878M1	105	3009219X1	215	3009627X1	227
2447080W1	289	28280440	155	3009219X1	217	3009695X1	127
2451440W1	227	293765M1	143	3009221X1	209	3009696X1	195
2451440W1	239	293765M1	453	3009221X1	215	3009696X1	237
2451440W1	275	293766M1	125	3009222X1	197	3009696X1	255
2464250W1	257	293817M91	257	3009222X1	209	3009747X1	201
2476240W1	277	293888M1	353	3009223X1	213	3009747X1	273
2476240W1	285	29780X	259	3009223X1	41	3009920X1	217
2485470W1	225	29780X	261	3009224X1	263	3010070X1	215
2488980W1	205	29780X	281	3009227X1	259	3010299X1	315
2489330W1	219	29780X	287	3009227X1	261	3010492X1	411
2489920W1	219	3000193X1	211	3009234X1	203	3010636X1	51
2489940W1	219	3000193X1	249	3009235X1	35	3010639X1	251
2490100W1	207	3000193X1	249	3009237X1	207	3010770X1	219
2492063W91	263	3000258X1	383	3009237X1	209	3010783X1	411
2503350W1	225	3001163X1	269	3009238X1	209	3010783X1	431
2513840W1	161	3001429X1	123	3009238X1	271	3010842X1	237
2522600W1	205	3001429X1	159	3009238X1	427	3010894X1	429
2531671W91	203	3001968X1	409	3009240X1	197	3011004X1	261
2531681W91	203	3001968X1	429	3009240X1	209	3011004X1	273
2537670W2	255	3008169X1	237	3009240X1	427	3011004X1	409
2537720W1	257	3008469	411	3009241X1	207	3011539X1	279
2545270W1	257	3008739X1	291	3009242X1	165	3015045X1	207
2545270W1	303	3008739X1	293	3009242X1	171	3015110X1	371
2551250W1	259	3009181X1	233	3009242X1	225	3015287X1	307
2551250W1	263	3009181X1	301	3009243X1	209	3015468X1	219
2551250W1	269	3009181X1	309	3009243X1	257	3019038X1	391
2553251W91	287	3009181X1	45	3009243X1	275	3019044X1	123
2553271W92	287	3009181X1	45	3009243X1	289	3019044X1	125
2553290W1	287	3009182X1	169	3009244X1	227	3019049X1	243
2553300W1	287	3009182X1	215	3009244X1	239	3019049X1	255
2553320W1	287	3009182X1	243	3009244X1	273	3019050X1	229
2553560W1	225	3009183X1	133	3009245X1	163	3019050X1	243
2553560W1	275	3009184X1	283	3009245X1	171	3019052X1	229
2554761W91	219	3009184X1	313	3009245X1	289	3019122X1	245
2554761W91	451	3009185X1	311	3009245X1	303	3019123X1	277
2555190W1	335	3009185X1	383	3009246X1	165	3019124X1	219
2555310W1	259	3009186X1	323	3009246X1	43	3019124X1	233
2563800W1	161	3009188X1	245	3009247X1	163	3019125X1	201
2571510W1	277	3009188X1	311	3009249X1	275	3019125X1	207
2571510W1	453	3009188X1	371	3009251X1	43	3019125X1	215
2573370W1	239	3009189X1	363	3009252X1	199	3019127X1	207
2573610W1	239	3009189X1	383	3009253X1	291	3019127X1	207
2588510W1	195	3009190X1	363	3009253X1	293	3019127X1	209
2590650W1	261	3009191X1	271	3009253X1	295	3019127X1	257
2605880W91	447	3009194X1	119	3009254X1	35	3019168X1	261
2606620W1	201	3009195X1	221	3009255X1	291	3019560X1	301
2612870W1	203	3009195X1	229	3009260X1	221	3019565X1	197
2612880W1	203	3009196X1	241	3009261X1	35	3019565X1	225
2614090W1	275	3009198X1	243	3009268X1	429	3019571X1	233
2615094W91	261	3009198X1	373	3009269X1	429	3019571X1	255
2615101W92	261	3009200X1	359	3009280X1	297	3019575X1	221
2615140W2	261	3009201X1	373	3009298X1	239	3019651X91	433
2619180W1	225	3009201X1	383	3009301X1	295	3019856X1	411
2619380W1	225	3009201X1	55	3009312X1	37	3019865X1	261
2619560W1	199	3009202X1	131	3009316X1	261	3019871X1	261
2620021W91	285	3009202X1	299	3009330X1	125	3019894X1	251
2620130W1	195	3009202X1	55	3009331X1	127	30-3076830	121
2620180W1	195	3009204X1	207	3009331X1	307	31-1588410	261
2620853W91	275	3009205X1	119	3009332X1	323	31-2455700	227
2626120W1	197	3009205X1	129	3009340X1	237	31-2455700	239
2627000W1	197	3009207X1	201	3009451X1	207	31-2530050	129
2628310W1	225	3009208X1	167	3009452X1	217	31752	415
2628321W92	239	3009208X1	171	3009493X1	199	325621	313
2630100W2	225	3009208X1	207	3009495X1	225	329951M91	447
2630100W2	227	3009209X1	197	3009495X1	227	3384131M1	221
2630100W2	239	3009210X1	145	3009502X1	429	338690X1	219
2631400W1	239	3009210X1	259	3009505X1	225	338972X1	433
2635690W1	447	3009210X1	263	3009505X1	391	3389854M1	133
2636170W1	197	3009210X1	271	3009512X1	287	339030X1	125
2636170W1	273	3009211X1	49	3009513X1	317	339030X1	127
2636210W1	197	3009216X1	351	3009533X1	123	339034X1	201
2636631W91	289	3009217X1	311	3009533X1	133	339053X1	221
2636890W1	241	3009218X1	37	3009537X1	131	339081X1	125

## INDEX

Part No.	Page	Part No.	Page	Part No.	Page	Part No.	Page
339081X1	127	364578X1	269	390735X1	317	61770	161
339081X1	159	365098X1	257	390809X1	215	61770	291
339081X1	263	365098X1	303	390809X1	217	62034	285
339081X1	283	365775X1	151	390809X1	217	6214261M91	133
339084X1	37	367451X1	161	390864X1	225	62190	319
339096X1	391	368615X1	151	390864X1	293	62232	185
339123X1	119	368615X1	195	390864X1	297	62232	205
339123X1	129	3714264M1	139	390912X1	179	62372	307
339123X1	129	3715144M92	147	390912X1	201	62406	295
339124X1	249	372536X1	61	390912X1	205	62406	341
339124X1	249	372728X1	67	390912X1	219	62422	429
339168X1	239	372729X1	363	390912X1	303	62505	311
339169X1	279	372729X1	73	390971X1	283	63834	255
339169X1	283	3728019M1	53	390971X1	323	63834	341
339169X1	289	373293X1	219	390972X1	103	64642	269
339196X1	37	373839X1	69	390972X1	107	6514772	71
339234X1	303	373839X1	75	390972X1	243	6529705	201
339369X1	127	375028X1	175	390972X1	283	6529705	43
339374X1	125	375028X1	185	390972X1	343	6555346	255
339374X1	127	375028X1	263	390975X1	291	6595516	373
339374X1	131	375028X1	269	391038X1	127	6661624	429
339375X1	125	375114X1	259	391039X1	107	68619	173
339375X1	127	375114X1	263	391074X1	279	68619	179
339376X1	123	3778093M91	147	391074X1	323	6875314	261
339377X1	201	3811720M1	167	391074X1	431	700051701	435
339402X1	123	3811720M1	171	391148X1	109	700129058	383
339437X1	261	3811721M1	51	391212X1	197	700134351	383
339437X1	37	3818907M1	229	391290X1	249	700134393	311
339461X1	273	3818907M1	229	391904X1	261	700162033	131
339474X1	261	382069	211	391925X1	243	700164650	67
339495X1	197	385360X1	275	391925X1	45	700700057	75
339495X1	225	385360X1	35	391991X1	53	700701160	127
339495X1	303	385361X1	215	45080021	345	700701265	83
339498X1	225	385361X1	229	5000002X1	125	700701287	97
339557X1	343	385361X1	233	5000002X1	127	700701331	55
339560X1	125	385362X1	219	5000003X1	119	700701354	353
339560X1	127	385362X1	233	5000003X1	191	700701354	355
339583X1	261	385363X1	195	5000003X1	207	700701355	375
339613X1	293	385363X1	219	5000004X1	119	700701356	343
339613X1	297	385363X1	287	5000004X1	131	700701356	371
339616X1	227	385363X1	41	5000004X1	167	700701356	375
339616X1	239	385363X1	45	5000005X1	179	700701570	351
339666X1	249	385365X1	429	5000005X1	197	700701638	345
339666X1	61	385368X1	249	5000005X1	207	700701744	435
339679X1	249	385370X1	151	5000006X1	163	700701753	343
339722X1	307	385370X1	283	5000006X1	165	700701772	133
339768X1	227	385374X1	327	5000006X1	171	700701772	141
339881X1	199	385383X1	241	5000007X1	221	700701792	379
339891X1	241	385389X1	275	5000007X1	35	700701814	373
350392X1	199	385390X1	253	5000007X1	409	700701814	383
353062X1	167	385391X1	195	5000007X1	429	700701834	371
353426X1	89	385392X1	217	5000010X1	271	700702916	89
353436X1	189	385392X1	265	5000010X1	53	700702979	99
353505X1	41	385392X1	293	5000011X1	241	700703267	329
353509X1	115	385393X1	277	5000011X1	379	700703267	331
353609X1	179	385395X1	281	5000016X1	429	700703267	333
353693X1	357	385395X1	295	5000017X1	411	700703830	141
353769X1	151	385406X1	275	5000018X1	273	700703922	197
353769X1	27	385427X1	277	5000020X1	433	700703922	273
353769X1	71	385427X1	279	5000023X1	253	700703922	73
353770X1	249	385427X1	285	504594D1	35	700704010	205
353771X1	205	390036X1	371	504594D1	451	700704854	257
354920X1	225	390190X1	197	50468	253	700704856	257
355994X1	291	3903044M1	103	50468	277	700704927	257
355997X1	161	390379X1	143	52167	71	700705135	87
356612X1	391	390468X1	123	52175	95	700705185	83
356612X1	393	390691X1	37	530132M1	129	700705676	271
357194X1	369	390734X1	267	590769M1	25	700705676	75
357194X1	55	390734X1	273	60049M1	261	700706151	193
360202X91	361	390734X1	279	61085	281	700706356	89
360288X1	199	390734X1	283	61085	287	700706490	357
3617859M1	147	390734X1	323	61101	277	700706603	443
3617860M1	147	390735X1	205	61234	227	700707095	125
363282X1	179	390735X1	249	6131916	57	700707139	173
364578X1	263	390735X1	295	6136964	289	700707203	69

Part No.	Page	Part No.	Page	Part No.	Page	Part No.	Page
700707203	75	700718046	441	700727474	291	70263605	103
700707293	345	700718109	411	700727476	291	70269722	357
700707823	115	700718245	59	700727476	293	70301781	165
700708340	143	700718444	119	700727477	291	70301781	171
700708343	415	700718444	441	700727841	29	70301781	197
700708349	161	700718515	57	700727843	29	70301781	303
700708349	209	700718515	57	700727844	31	703082	195
700708648	69	700718807	71	700727845	31	703249	339
700708648	75	700719779	357	700727847	31	703249	423
700709503	183	700719780	357	700727848	29	703249	79
700709608	269	700719782	357	700727848	31	703249	89
700709632	53	700719783	357	700727849	29	70327382	181
700709666	317	700719784	357	700727849	31	70327382	451
700709666	319	700719785	357	700727906	31	70327997	181
700709666	449	700719787	357	700727961	31	70327997	451
700709843	323	700719940	149	700727993	25	703785	355
700710188	133	700720004	41	700728301	105	704007	187
700710188	65	700720091	395	700728353	25	704031	161
700710788	95	700720189	297	700728354	27	704031	163
700710957	369	700720308	321	700728459	25	704031	165
700710959	369	700720605	27	700728470	271	7040397	343
700710960	369	700720727	27	700728472	67	7040397	351
700710961	369	700720863	133	700728473	67	704056	289
700711084	49	700720909	97	700728474	111	7041015	119
700711238	285	700720958	207	700728486	29	7041015	361
700711262	73	700721031	319	700728514	27	7041015	375
700711352	407	700721382	357	700728515	169	7041015	383
700711357	257	700721383	357	700728631	67	7041015	39
700711659	135	700721586	123	700728711	67	704247	131
700711876	383	700721594	291	700728713	115	704247	147
700712632	369	700721620	137	700728714	67	704254	75
700712632	375	700721620	451	700728746	115	704254	79
700712651	369	700721684	415	700728892	377	704551	133
700712652	369	700721781	25	700728893	377	704551	141
700712973	381	700722351	145	700728894	377	704551	153
700713219	121	700722351	449	700728895	377	704551	65
700713413	225	700722407	169	700728896	377	704627	409
700713418	389	700722408	169	700728897	377	704650	429
700713516	193	700722408	55	700728898	377	7046956	355
700714189	193	700723598	33	700728900	377	7046956	375
700714528	451	700723598	65	700728901	377	704858	427
700714528	57	700724622	103	700728902	377	704957	41
700714529	453	700724623	105	700728903	377	705004	129
700714529	57	700725576	449	700728904	377	705012	151
700715255	149	700725576	83	700728905	377	705012	187
700715255	83	700725632	57	700728906	377	705038	163
700715277	59	700725632	75	700728908	377	705038	177
700715278	327	700725633	57	700728909	377	705038	335
700715278	59	700725633	57	700728910	377	705038	375
700715285	59	700725633	67	700728911	377	705038	423
700715393	193	700725634	57	700728912	377	705129	133
700715662	193	700725634	69	700728913	377	705129	137
700715848	343	700725634	75	700728952	377	705129	141
700715848	375	700725670	33	700729230	377	705129	65
700716123	291	700725806	107	700729231	377	705160	123
700716123	293	700725810	107	700729232	221	70522328	259
700716694	231	700725813	33	700729503	409	70534931	173
700716833	299	700725832	373	700729562	367	70534931	293
700717212	281	700725832	441	700729562	435	7053598	53
700717212	287	700725833	109	700730016	277	70537291	153
700717365	411	700725836	105	700730084	327	70537291	407
700717402	25	700725837	105	700730246	327	70537291	451
700717402	27	700725840	103	701235	167	705541	153
700717403	25	700725843	103	701953	139	705541	351
700717404	25	700725844	103	701953	89	705541	53
700717404	27	700725845	103	7020027	309	705541	75
700717621	83	700725864	425	7020589	27	705632	263
700717627	379	700725871	109	70210011	411	705657	435
700717635	151	700725918	127	70210012	411	705665	409
700717644	111	700725918	237	70225441	415	705681	185
700717644	93	700725958	69	70226012	415	705681	221
700717644	95	700725958	79	70226012	451	70569880	139
700717761	39	700725958	83	70228509	419	705707	57
700718010	97	700726172	145	70232758	129	705707	61
700718046	385	700726696	133	7025075	337	70590704	253

## INDEX

Part No.	Page	Part No.	Page	Part No.	Page	Part No.	Page
70590704	285	70916965	191	70920161	69	70921911	115
70590704	287	70917356	153	70920161	83	70921911	121
70590709	259	70917356	159	70920328	161	70921911	35
70590709	449	70917372	143	70920328	205	70921911	47
706382	129	70917372	153	70920397	177	70921912	349
706432	57	70917373	151	70920415	163	70921912	351
70714	203	70917373	167	70920426	125	70921912	381
7087398	281	70917377	191	70920426	129	70921915	119
7087398	453	70917377	235	70920427	127	70921958	423
70901480	409	70917377	237	70920438	71	70921959	115
70901651	181	70917378	131	70920469	241	70921960	447
70901651	415	70917378	157	70920469	277	70921960	83
70901763	391	70917395	133	70920469	281	70921962	337
70901763	395	70917395	137	70920655	391	70921965	203
70901828	309	70917421	287	70920787	49	70921965	203
70901840	409	70917421	95	70920808	121	70921965	205
70903835	175	70917458	153	70920821	89	70921969	157
70903835	185	70917459	153	70921013	191	70921969	161
70905126	175	70917579	417	70921013	441	70921969	41
70905126	185	70917579	419	70921024	75	70921969	95
70905127	241	70917642	111	70921169	195	70921969	97
70906852	237	70917861	167	70921176	203	70921971	41
70910224	53	70917861	171	70921176	205	70921971	77
70911201	277	70917919	47	70921176	337	70921977	79
70911255	161	70917970	47	70921176	93	70921977	79
70912278	263	70918111	185	70921203	351	70922002	221
70912280	219	70918111	85	70921203	353	70922037	165
70912299	195	70918151	189	70921203	441	70922037	171
70913160	157	70918199	177	70921205	121	70922080	233
70913160	201	70918222	69	70921205	179	70922130	69
70913160	257	70918222	77	70921205	355	70922130	75
70913160	291	70918266	175	70921206	343	70922507	379
70913160	293	70918267	177	70921210	191	70922523	191
70913682	281	70918268	177	70921210	195	70922523	375
70913682	447	70918268	57	70921210	203	70922523	415
70913719	347	70918269	293	70921214	343	70922523	429
70913744	161	70918431	163	70921214	345	70922571	343
70913744	163	70918432	163	70921214	351	70922571	351
70914192	187	70918433	293	70921217	345	70922571	361
70914192	41	70918447	235	70921217	355	70922571	371
70914465	275	70918447	271	70921217	375	70922645	53
70914465	431	70918447	277	70921221	95	70922658	205
70914465	95	70918447	45	70921227	351	70922664	151
70914584	179	70918452	163	70921228	351	70922664	185
70914584	447	70918452	165	70921263	175	70922664	195
70914584	453	70918455	257	70921263	185	70922664	57
70914687	53	70918459	175	70921291	59	70922760	435
70914767	273	70918459	99	70921297	169	70922770	257
70915019	393	70919062	415	70921324	435	70922863	309
70915276	391	70919089	151	70921327	121	70922921	343
70915276	393	70919089	167	70921328	375	70922928	153
70915276	429	70919089	189	70921332	133	70923014	261
70915500	285	70919089	93	70921332	335	70923014	263
70915500	287	70919128	375	70921332	337	70923094	163
70915726	177	70919128	55	70921332	59	70923094	273
70915726	57	70919135	169	70921333	111	70923104	227
70915794	175	70919171	169	70921333	159	70923104	239
70915831	291	70919171	391	70921333	447	70923111	177
70915831	293	70919171	393	70921349	121	70923112	69
70915935	175	70919171	395	70921349	185	70923112	73
70915955	129	70919173	391	70921349	247	70923113	177
70916080	337	70919173	395	70921364	385	70923114	151
70916621	337	70919195	55	70921472	385	70923114	195
70916622	151	70919214	387	70921525	219	70923114	219
70916622	237	70919214	89	70921573	375	70923126	157
70916622	279	70919332	177	70921728	345	70923126	201
70916622	423	70919332	201	70921865	87	70923151	269
70916767	281	70919332	291	70921881	443	70923154	181
70916950	157	70919332	293	70921883	361	70923154	53
70916950	203	70919381	85	70921883	443	70923178	169
70916950	203	70919387	185	70921885	129	70923219	255
70916952	27	70919391	185	70921885	169	70923219	409
70916964	187	70919393	175	70921885	169	70923230	195
70916965	167	70919624	355	70921887	345	70923230	371
70916965	173	70919788	121	70921910	309	70923230	429

9895 COMBINE

Part No.	Page	Part No.	Page	Part No.	Page	Part No.	Page
70923240	185	70924947	115	70927036	447	70930510	371
70923306	173	70925018	121	70927036	451	70930594	235
70923326	277	70925094	103	70927075	241	70930594	79
70923326	287	70925160	205	70927075	77	70930611	63
70923353	95	70925205	153	70927097	385	70930611	65
70923360	323	70925246	125	70927103	95	70930708	127
70923360	329	70925246	127	70927104	395	70930757	177
70923362	241	70925246	169	70927122	57	70930760	115
70923362	447	70925246	281	70927134	125	70930791	133
70923362	85	70925284	41	70927134	127	70930804	55
70923362	95	70925425	393	70927134	189	70930883	411
70923404	417	70925442	111	70927134	253	70930883	431
70923404	419	70925615	199	70927261	55	70930884	411
70923427	175	70925617	169	70927321	421	70930884	431
70923427	257	70925617	351	70927401	187	70930889	429
70923510	147	70925617	359	70927401	63	70930897	399
70923520	123	70925617	373	70927401	71	70930911	415
70923530	287	70925617	393	70927477	185	70930911	417
70923544	263	70925619	395	70927523	277	70930999	391
70923550	85	70925621	325	70927523	285	70931194	177
70923577	173	70925621	55	70927692	49	70931194	185
70923584	173	70925625	177	70927732	257	70931194	189
70923594	421	70925656	371	70927738	95	70931209	133
70923690	389	70925693	85	70927745	173	70931218	39
70923690	391	70925696	177	70927901	201	70931226	309
70923690	415	70925704	57	70928136	41	70931240	349
70923701	205	70925719	303	70928148	111	70931277	101
70923737	345	70925719	41	70928148	191	70931317	151
70923737	373	70925719	435	70928148	363	70931317	237
70923808	399	70925731	89	70928304	71	70931350	153
70923813	173	70925834	355	70928397	161	70931350	77
70923814	343	70925858	345	70928486	399	70931425	179
70923814	349	70925863	393	70928486	425	70931589	405
70923816	411	70925881	35	70928488	401	70931640	355
70923816	417	70925919	415	70928488	425	70931809	57
70923816	419	70925960	69	70928488	425	70931833	129
70923816	453	70925960	71	70928512	177	70931942	253
70923818	419	70925997	225	70928512	447	70931942	291
70923828	167	70926049	191	70928605	399	70932612	271
70923831	167	70926049	359	70928605	401	70932619	185
70923841	383	70926049	371	70928605	443	70932665	167
70923841	439	70926049	373	70928654	391	70932720	141
70923858	199	70926115	199	70928654	89	70932747	103
70923858	415	70926137	95	70928656	93	70932747	109
70923865	405	70926154	219	70928948	247	70932853	225
70923894	169	70926161	435	70929116	179	70932853	227
70923894	345	70926192	421	70929160	383	70932853	239
70923894	351	70926208	41	70929256	349	70932863	435
70923894	429	70926292	191	70929256	351	70932871	93
70923905	379	70926292	371	70929356	259	70932871	95
70923906	133	70926533	353	70929356	269	70933036	47
70924113	281	70926533	355	70929402	47	70933255	357
70924186	415	70926533	441	70929402	89	70933339	249
70924192	355	70926551	417	70929495	427	70933375	195
70924204	155	70926622	115	70929591	323	70933818	341
70924272	415	70926626	173	70929591	329	70933965	393
70924283	307	70926647	167	70929593	163	70933988	211
70924403	55	70926762	401	70929595	323	70933988	277
70924621	351	70926838	161	70929595	329	70933988	285
70924744	263	70926874	139	70929644	387	70933988	301
70924744	73	70926874	351	70929699	165	70934417	409
70924744	75	70926874	381	70929720	395	70934422	409
70924746	435	70926917	127	70929720	93	70934479	79
70924764	315	70926917	227	70929725	125	70934704	435
70924764	317	70926917	239	70929748	351	70934728	129
70924783	343	70926917	389	70929748	355	70934892	59
70924837	153	70926919	391	70929748	47	70934923	185
70924837	153	70926919	395	70929957	89	70935033	167
70924845	167	70926919	423	70930224	191	70935035	171
70924848	381	70926920	329	70930224	55	70935036	165
70924856	123	70926921	271	70930357	383	70935072	139
70924856	189	70926946	435	70930415	173	70935181	435
70924856	233	70926977	277	70930424	421	70935275	159
70924939	281	70927035	447	70930426	421	70935275	189
		70927035	453	70930441	357	70935299	165

## INDEX

Part No.	Page	Part No.	Page	Part No.	Page	Part No.	Page
70935299	171	70937607	451	71166170	411	71304292	411
70935416	169	70937608	137	71166171	411	71306660	281
70935468	129	70937608	451	71166172	411	71306949	103
70935768	343	70937609	115	71173857	173	71307131	327
70935781	415	70937609	137	71174391	167	71307132	313
70935982	279	70937609	451	71175961	417	71307132	327
70936314	143	70937610	137	71175961	419	71308156	171
70936314	145	70937610	451	71175962	417	71308156	451
70936314	205	70937646	167	71175962	419	71308770	259
70936326	127	70937658	127	71175963	417	71308770	263
70936326	415	70937658	139	71175963	419	71308770	269
70936334	271	70937660	101	711770	449	71308770	449
70936348	283	70937660	101	711770	95	71308951	267
70936348	311	70937660	153	71177385	419	71308951	269
70936473	383	70937676	423	71177386	419	71308951	449
70936474	119	70937677	123	71178962	41	71308984	287
70936474	379	70937677	129	71179395	173	71308984	449
70936495	253	70937682	123	71181443	197	71309117	177
70936525	253	70937682	129	71182840	163	71309117	449
70936525	291	70937682	379	71182840	289	71309514	409
70936525	293	70937682	427	71183535	415	71309515	409
70936592	127	70937684	127	71183746	415	71309766	167
70936592	63	70937684	129	71183747	415	71309767	225
70936747	309	70937685	123	71183750	415	71309767	273
70936765	139	70937694	303	71183757	411	71309768	163
70936765	35	70937695	303	71183828	415	71309768	165
70936765	379	70937730	63	71183839	417	71309768	43
70936765	47	70950052	415	71184133	417	71309768	451
70936778	125	70950052	417	71184134	417	71310379	409
70936778	127	70950052	419	71184135	417	71310976	153
70936778	129	70950371	219	71184144	417	71312176	225
70936778	131	70950382	421	71184144	419	71312323	409
70936778	153	70950394	423	71184145	415	71312602	163
70936813	111	70950420	435	71184147	415	71312602	165
70937101	307	70950453	199	71184148	415	71312602	167
70937101	313	70950453	291	71184188	429	71312602	225
70937133	123	70950453	423	71186745	417	71312602	273
70937133	129	70950490	421	71186745	419	71312603	167
70937133	131	71012174	357	71186746	417	71312603	201
70937133	361	71122510	255	71186746	419	71312603	43
70937253	259	71122510	449	71186814	309	71312819	167
70937253	267	71127313	253	71186814	449	71312823	167
70937253	269	71127313	281	71188145	281	71314321	195
70937254	267	71127313	285	71188145	285	71314321	199
70937263	65	71127313	287	71188949	281	71314321	451
70937280	133	71127313	451	71190292	417	71314481	411
70937280	235	71127502	53	71190960	307	71314833	185
70937294	143	71130258	173	71192243	241	71314842	185
70937294	241	71149388	447	71192243	451	71314999	187
70937295	115	71149894	177	71193260	129	71315780	237
70937295	119	71149894	447	71194367	281	71315780	255
70937296	119	71149894	451	71195328	417	71315785	237
70937297	119	71149895	177	71195328	419	71315785	255
70937297	119	71149895	447	71195913	195	71315999	177
70937300	177	71149895	451	71197117	163	71317628	419
70937300	447	71149896	177	71197117	165	71317841	175
70937300	453	71149896	185	71197117	171	71317841	185
70937347	167	71149896	447	71197117	303	71318052	199
70937348	167	71149896	451	712208	419	71323575	301
70937424	115	71154722	161	712612B	451	71325553	241
70937461	165	71154722	195	712612B	53	71326340	393
70937461	171	71154722	199	71300507	419	71328912	445
70937465	163	71154722	449	71300509	417	71332011	169
70937480	207	71160040	417	71302467	417	71332011	393
70937548	177	71160040	419	71302468	417	71332011	453
70937550	139	71160055	421	71302469	417	71334329	375
70937550	149	71160067	417	71302470	417	71335184	173
70937550	83	71160067	419	71302471	417	71335184	293
70937603	177	71160085	421	71304149	153	71335184	295
70937603	447	71160303	417	71304149	231	71335184	449
70937605	137	71160303	419	71304149	339	71335195	195
70937605	451	71161396	173	71304261	411	71335195	199
70937606	137	71162565	417	71304266	411	71335690	185
70937606	451	71162781	411	71304267	411	71335782	415
70937607	137	71162782	411	71304271	411	71335783	415

9895 COMBINE

13  
INDEX

Part No.	Page	Part No.	Page	Part No.	Page	Part No.	Page
71335784	415	71361831	83	71371526	449	71374909	405
71336386	45	71361940	89	71371720	27	71374915	399
71337414	131	71361941	89	71372720	145	71374918	399
71339238	409	71361947	89	71372720	453	71374932	185
71339847	313	71362390	57	71372724	133	71374958	403
71339847	319	71362391	57	71373127	115	71374959	403
71339847	327	71362525	71	71373144	113	71374960	405
71339847	45	71362813	141	71373144	115	71374967	425
71339847	59	71362941	179	71373144	117	71374968	425
71340437	409	71362941	181	71373145	113	71374970	425
71341448	241	71362941	183	71373146	115	71375122	187
71341450	241	71363526	177	71373513	307	71375335	177
71341450	453	71363526	451	71374425	153	71375335	453
71342216	125	71363845	95	71374663	189	71375556	185
71342216	415	71363999	305	71374666	189	71375559	185
71342217	415	71364016	341	71374667	189	71375564	185
71342768	57	71364024	341	71374669	189	71375902	137
71343312	295	71364349	59	71374670	189	71375911	143
71344597	421	71364946	447	71374672	185	71375911	453
71344598	421	71364946	453	71374674	185	71376154	229
71345426	303	71365064	195	71374702	145	71376154	243
71345434	303	71365064	199	71374796	185	71376157	229
71345822	313	71365065	199	71374798	185	71376158	243
71345822	315	71365065	449	71374803	189	71376170	229
71345898	243	71365189	327	71374816	185	71376349	307
71345898	453	71365233	341	71374827	425	71376350	311
71346267	165	71365327	103	71374828	425	71376446	423
71346267	171	71365412	33	71374831	399	71376825	189
71346998	45	71365476	139	71374831	425	71376825	453
71347777	421	71365477	139	71374834	401	71377109	97
71347782	421	71366540	47	71374834	425	71377310	177
71348455	433	71367308	183	71374836	399	71377407	417
71348560	27	71367309	183	71374840	399	71377408	417
71349270	165	71367312	183	71374840	425	71377410	419
71349270	171	71367314	183	71374841	425	71377411	419
71349811	165	71367316	183	71374842	403	71377412	419
71349811	171	71367317	183	71374842	425	71377413	419
71349813	165	71367320	183	71374843	403	71377414	419
71349813	171	71367323	183	71374843	425	71377415	419
71350543	303	71367324	183	71374844	403	71377416	419
71351200	241	71367526	183	71374844	425	71377417	419
71351389	93	71367528	183	71374845	403	71377418	419
71352828	153	71367529	181	71374845	425	71377419	415
71352945	357	71368074	27	71374846	403	71377531	415
71353127	163	71368570	163	71374846	425	71377534	419
71354306	431	71368741	55	71374847	403	71377535	419
71354306	449	71368761	163	71374847	425	71377548	417
71354855	181	71368991	169	71374848	425	71377549	419
71354856	181	71369299	411	71374849	425	71377709	415
71354859	181	71369761	119	71374853	401	71377710	417
71354861	181	71370120	177	71374859	399	71377711	419
71354863	181	71370121	177	71374860	405	71377712	419
71354864	181	71370121	449	71374870	401	71377713	419
71354865	181	71370232	27	71374872	403	71377714	419
71355001	181	71370241	439	71374875	403	71377715	419
71355063	429	71370244	439	71374876	403	71377716	419
71355063	433	71370496	177	71374877	403	71377717	421
71355339	399	71370496	453	71374879	403	71377718	421
71355340	403	71370508	59	71374880	403	71377719	421
71355340	425	71370634	177	71374881	403	71377720	421
71355604	79	71370634	451	71374882	403	71377721	421
71356058	163	71370926	409	71374883	403	71377722	419
71356058	273	71370926	453	71374884	403	71377723	419
71356060	163	71370934	445	71374886	403	71377941	353
71356061	163	71371331	115	71374890	405	71378016	157
71356067	163	71371332	117	71374891	405	71378104	129
71356529	405	71371333	115	71374894	401	71378104	453
71356529	41	71371336	115	71374895	401	71378250	233
71356938	163	71371338	115	71374896	401	71378364	89
71357609	357	71371343	115	71374897	401	71378364	91
71358545	405	71371346	115	71374898	401	71378577	219
71359538	421	71371347	115	71374900	401	71378577	449
71359841	429	71371520	219	71374901	405	71379126	27
71361655	439	71371520	449	71374904	403	71379127	25
71361720	89	71371526	219	71374908	405	71379127	27

## INDEX

Part No.	Page	Part No.	Page	Part No.	Page	Part No.	Page
71379128	25	71385802	287	71388131	87	71390090	41
71379128	27	71385810	439	71388133	133	71390092	41
71379129	25	71385814	439	71388133	137	71390093	257
71379129	27	71385907	125	71388136	63	71390101	247
71379130	25	71385907	415	71388142	85	71390122	79
71379132	27	71386129	193	71388149	85	71390178	199
71379134	151	71386147	143	71388152	85	71390185	287
71379249	233	71386169	217	71388154	85	71390196	273
71379254	221	71386195	233	71388157	107	71390199	273
71379260	229	71386394	267	71388167	57	71390199	449
71379261	229	71386574	397	71388178	101	71390203	43
71379303	169	71386574	399	71388188	111	71390208	43
71379303	343	71387142	95	71388202	195	71390259	249
71379304	169	71387145	97	71388206	199	71390263	251
71379304	343	71387148	95	71388212	197	71390265	251
71379304	55	71387177	89	71388213	197	71390266	251
71379631	179	71387178	89	71388216	197	71390267	251
71379701	93	71387181	89	71388216	449	71390268	251
71380028	173	71387185	57	71388217	197	71390272	251
71380043	173	71387186	57	71388226	151	71390279	251
71380460	167	71387195	59	71388237	151	71390284	251
71380460	449	71387205	95	71388248	155	71390314	97
71380463	173	71387266	59	71388256	245	71390323	135
71380905	173	71387267	83	71388391	147	71390323	453
71380994	287	71387268	83	71388476	267	71390325	133
71381328	145	71387274	83	71388494	267	71390325	139
71381682	177	71387275	83	71388717	245	71390384	283
71382053	167	71387278	79	71388736	245	71390407	89
71382055	167	71387279	79	71388856	119	71390413	89
71382057	167	71387280	79	71388882	45	71390414	89
71382057	171	71387281	79	71388938	313	71390417	97
71382256	237	71387292P	57	71388967	233	71390450	79
71382257	237	71387293	97	71388968	267	71390451	79
71382257	449	71387295	81	71388973	263	71390452	79
71382269	235	71387297	81	71388975	269	71390453	79
71382269	451	71387307	227	71389158	33	71390468	81
71382607	189	71387307	239	71389158	59	71390472	81
71382716	201	71387351	233	71389182	269	71390575	195
71382716	273	71387355	229	71389184	269	71390672	285
71382716	43	71387357	229	71389185	269	71390673	255
71382730	303	71387416	133	71389212	205	71390764	307
71382758	237	71387418	139	71389229	423	71390770	311
71382759	237	71387420	139	71389230	423	71390855	415
71382868	273	71387420	81	71389232	423	71390861	201
71382871	273	71387422	139	71389233	423	71390861	43
71382983	167	71387423	139	71389235	423	71390863	391
71382983	171	71387424	139	71389309	129	71390867	385
71382985	167	71387453	205	71389313	129	71390867	391
71383653	103	71387454	205	71389319	127	71390867	423
71383661	105	71387455	203	71389344	187	71390887	421
71383662	105	71387459	205	71389428	259	71390888	421
71383667	103	71387463	205	71389429	259	71390913	337
71383667	107	71387464	205	71389451	233	71390939	255
71383673	107	71387465	205	71389473	233	71391021	125
71383736	233	71387466	205	71389474	233	71391083	361
71383737	233	71387470	219	71389509	91	71391083	97
71383783	151	71387538	285	71389511	91	71391153	111
71383783	155	71387546	253	71389512	91	71391153	451
71383914	125	71387676	265	71389513	91	71391157	87
71383914	453	71387677	265	71389514	91	71391158	63
71384272	115	71387678	265	71389515	91	71391172	63
71384551	115	71387703	253	71389516	91	71391175	111
71384552	115	71387703	263	71389619	411	71391182	283
71384553	117	71387703	267	71389641	41	71391186	279
71384555	117	71387797	111	71389647	411	71391187	279
71384558	117	71387797	361	71389746	129	71391197	283
71384878	445	71387801	229	71389765	221	71391198	283
71384879	445	71387842	233	71389811	133	71391219	195
71384912	289	71387846	233	71389812	137	71391220	195
71384922	287	71387895	177	71389814	137	71391224	195
71385108	125	71387900	151	71389815	137	71391225	195
71385633	153	71388056	247	71389818	125	71391255	89
71385694	289	71388063	119	71389818	415	71391256	89
71385801	289	71388076	119	71389862	259	71391270	221
71385801	449	71388129	85	71389997	249	71391303	93



## 9895 COMBINE

15  
INDEX

Part No.	Page	Part No.	Page	Part No.	Page	Part No.	Page
71391322	111	71393350	137	71393950	111	71395325	397
71391343	241	71393384	241	71394119	269	71395332	161
71391403	147	71393387	241	71394128	223	71395422	205
71391404	147	71393389	241	71394129	223	71395571	255
71391416	139	71393391	241	71394130	223	71395572	255
71391417	139	71393392	241	71394131	223	71395573	255
71391418	129	71393394	243	71394132	223	71395582	267
71391421	127	71393402	279	71394134	223	71395583	267
71391453	343	71393411	307	71394138	385	71395585	407
71391453	347	71393439	233	71394150	363	71395586	407
71391462	49	71393440	259	71394151	363	71395589	267
71391501	79	71393455	79	71394303	335	71395752	93
71391515	95	71393463	111	71394472	71	71395753	271
71391516	95	71393467	95	71394501	59	71395753	93
71391518	61	71393468	61	71394502	59	71395754	85
71391519	61	71393469	61	71394503	59	71395757	33
71391526	257	71393470	61	71394514	63	71395759	33
71391540	49	71393471	61	71394515	63	71395759	97
71391567	167	71393472	61	71394516	63	71395761	33
71391567	453	71393473	61	71394517	63	71395761	97
71391576	241	71393474	451	71394518	63	71395762	33
71391577	241	71393474	61	71394519	63	71395767	63
71391579	241	71393475	61	71394521	63	71395769	65
71391592	243	71393493	315	71394522	63	71395770	33
71391624	335	71393551	111	71394523	59	71395770	95
71391654	221	71393601	63	71394525	57	71395771	65
71391660	221	71393604	63	71394535	285	71395773	67
71391713	57	71393609	85	71394540	269	71395799	173
71391746	63	71393613	85	71394716	133	713958	291
71391747	63	71393615	85	71394716	193	713958	293
71391748	65	71393616	111	71394791	61	71395830	147
71391762	205	71393617	111	71394792	61	71395832	123
71391763	205	71393619	111	71394795	95	71395838B	123
71391792	167	71393620	111	71394796	93	71395840	123
71391805	263	71393694	89	71394797	95	71395848	133
71391851	59	71393695B	89	71394799	93	71395848	93
71391869	123	71393703	83	71394800	83	71395853	253
71391870	129	71393704	143	71394821	153	71395866	265
71391874	127	71393716	127	71394841	269	71395906	51
71391897	59	71393717	127	71394877	65	71396110	287
71391899	59	71393718	127	71394879	65	71396127	403
71392691	269	71393718	415	71394880	93	71396128	403
71392693	267	71393812	269	71394884	65	71396129	405
71392770	195	71393815	269	71394885	65	71396130	405
71392776	257	71393818	267	71394886	101	71396131	405
71392787	423	71393831	45	71394887	101	71396132	405
71392788	423	71393870	307	71394888	101	71396133	405
71392852	347	71393876	61	71394889	101	71396136	401
71392853	347	71393878	61	71394891	65	71396137	405
71392854	347	71393879	61	71394892	65	71396137	425
71392855	347	71393881	61	71394893	65	71396139	401
71392856	347	71393883	61	71394894	101	71396140	403
71392857	347	71393885	59	71394896	67	71396141	403
71392870	415	71393886	61	71394897	67	71396142	403
71392870	425	71393887	61	71394898	67	71396169	425
71392875	361	71393888	61	71394899	65	71396226	241
71392897	223	71393893	111	71394900	65	71396251	397
71393101	195	71393893	115	71395151	423	71396252	401
71393101	451	71393893	451	71395152	423	71396253	405
71393107	219	71393893	57	71395153	423	71396254	405
71393220	195	71393919	337	71395154	423	71396255	405
71393257	307	71393926	133	71395155	423	71396273	89
71393260	281	71393926	133	71395157	423	71396276	47
71393261	281	71393926	63	71395158	423	71396276	57
71393264	279	71393926	87	71395159	423	71396283	69
71393273	279	71393938	65	71395160	423	71396326	255
71393277	133	71393939	85	71395161	423	71396348	445
71393281	97	71393940	63	71395162	423	71396349	445
71393282	97	71393941	65	71395163	423	71396374	445
71393285	133	71393943	113	71395233	243	71396377	101
71393287	141	71393943	79	71395234	243	71396381	111
71393301	95	71393944	65	71395236	243	71396382	111
71393307	57	71393947	65	71395249	235	71396390	111
71393323	79	71393948	111	71395250	237	71396391	133
71393324	79	71393949	111	71395263	267	71396415	279

## INDEX

Part No.	Page	Part No.	Page	Part No.	Page	Part No.	Page
71396416	279	71397384	251	71397832	99	71398501	75
71396423	309	71397385	251	71397833	99	71398505	75
71396423	449	71397386	251	71397834	99	71398509	77
71396452	253	71397388	251	71397835	99	71398510	77
71396457	269	71397389	251	71397836	99	71398518	77
71396481	177	71397390	249	71397837	81	71398525	83
71396540	295	71397392	249	71397838	79	71398726	103
71396547	297	71397427	67	71397839	79	71398727	103
71396558	423	71397428	41	71397840	79	71398728	105
71396600	435	71397432	113	71397864	311	71398730	107
71396600	439	71397433	113	71397865	311	71398731	107
71396601	435	71397434	113	71397875	311	71398732	109
71396601	439	71397436	113	71397922	309	71398733	107
71396602	439	71397437	113	71397923	309	71398734	107
71396603	439	71397438	113	71397926	115	71398735	107
71396604	439	71397439	113	71397927	115	71398736	107
71396605	435	71397440	113	71397930	115	71398737	107
71396605	439	71397441	113	71397932	115	71398738	107
71396606	439	71397443	113	71397933	115	71398739	107
71396607	439	71397443	449	71397934	115	71398740	107
71396608	439	71397444	115	71397939	117	71398741	107
71396609	439	71397446	115	71397940	137	71398742	107
71396677	71	71397447	115	71397941	137	71398743	107
71396684	69	71397448	115	71397942	137	71398744	107
71396735	71	71397449	115	71397952	309	71398745	107
71396736	83	71397464	311	71397998	265	71398746	107
71396743	69	71397465	311	71398028	141	71398749	107
71396743	71	71397466	311	71398110	143	71398750	107
71396745	71	71397478	425	71398131	187	71398777	107
71396755	53	71397479	425	71398134	193	71398778	107
71396758	53	71397480	425	71398139	379	71398779	107
71396763	39	71397481	425	71398172	103	71398780	107
71396793	371	71397482	425	71398173	105	71398781	107
71396952	131	71397483	425	71398174	103	71398782	107
71396954	83	71397484	425	71398175	103	71398783	107
71396955	123	71397485	425	71398175	109	71398784	107
71396970	133	71397486	425	71398182	75	71398785	107
71396970	137	71397487	425	71398196	75	71398786	107
71396970	453	71397506	73	71398211	445	71398787	109
71396971	133	71397510	71	71398212	445	71398788	109
71396971	137	71397511	71	71398227	363	71398789	109
71396971	453	71397515	71	71398327	421	71398790	109
71396972	137	71397526	73	71398328	421	71398791	109
71396983	39	71397532	73	71398329	421	71398792	109
71396984	47	71397535	73	71398330	421	71398793	109
71396994	39	71397536	73	71398331	41	71398794	109
71397167	249	71397538	73	71398331	449	71398795	109
71397168	267	71397539	99	71398333	41	71398796	109
71397171	249	71397540	99	71398356	421	71398798	109
71397172	249	71397541	99	71398357	195	71398799	109
71397179	435	71397542	99	71398358	167	71398800	109
71397180	435	71397543	99	71398360	167	71398801	109
71397182	435	71397544	99	71398360	171	71398802	109
71397183	435	71397545	99	71398361	167	71398803	109
71397184	435	71397546	99	71398362B	173	71398804	109
71397186	437	71397547	99	71398364	171	71398808	63
71397187	435	71397548	99	71398365B	173	71398809	63
71397222	195	71397549	99	71398379	167	71398814	87
71397233	291	71397550	99	71398384	165	71398819	115
71397255	71	71397593	279	71398384	449	71398820	115
71397261	95	71397616	293	71398388	163	71398820	453
71397262	95	71397621	291	71398388	449	71398827	129
71397263	95	71397654	291	71398391	171	71398942	323
71397265	73	71397657	293	71398401	235	71398942	329
71397268	73	71397658	291	71398402	235	71398942	331
71397271	73	71397659	295	71398403	235	71398942	333
71397272	73	71397662	295	71398406	253	71398961	313
71397286	337	71397805	301	71398412	255	71398983	193
71397349	243	71397810	305	71398413	255	71398984	193
71397350	243	71397811	305	71398420	243	71398985	193
71397376	249	71397826	99	71398421	243	71398988	193
71397377	249	71397827	99	71398424	243	71398989	193
71397381	251	71397828	99	71398445	75	71398993	193
71397382	251	71397830	99	71398477	185	71398994	193
71397383	251	71397831	99	71398479	311	71398995	193

## 9895 COMBINE

17  
INDEX

Part No.	Page	Part No.	Page	Part No.	Page	Part No.	Page
71399011	265	71400686	273	71403682	277	71406338	449
71399013	265	71400739	153	71403684	275	71406339	227
71399015	265	71400739	313	71403685	275	71406339	449
71399036	73	71400852	179	71403685	449	71406341	273
71399038	73	71401208	285	71403690	429	71406344	273
71399326	315	71401212	285	71403697	41	71406345	273
71399326	317	71401220	285	71403713	199	71406349	225
71399426	83	71401221	285	71403718	199	71406352	225
71399442	69	71401224	285	71403719	199	71406364	227
71399442	75	71401307	185	71403720	199	71406364	239
71399444	69	71401326	219	71403721	201	71406373	225
71399444	75	71401336	147	71403721	449	71406374	197
71399445	69	71401419	195	71403724	43	71406374	225
71399445	75	71401426	199	71403856	217	71406374	303
71399446	69	71401429	263	71403861	217	71406417	281
71399447	73	71401438	199	71403863	217	71406419	307
71399470	255	71401462	281	71403865	217	71406438	271
71399475	253	71401463B	337	71403904	305	71406469	259
71399477	257	71401468B	337	71404300	161	71406478	139
71399483	167	71401470B	335	71404303B	337	71406480	137
71399484	167	71401526	111	71404305	335	71406481	137
71399484	171	71401526	115	71404306B	335	71406487	131
71399485	173	71401533	57	71404312	305	71406490	125
71399486	173	71401534	103	71404328	295	71406492	133
71399487	173	71401544	117	71404357	427	71406504	151
71399505	167	71401545	115	71404359	427	71406510	151
71399505	449	71401546	115	71404362	217	71406512	155
71399508	161	71401548	113	71404367	287	71406514	151
71399509	161	71401570	39	71404369	277	71406518	151
71399511	161	71401602	39	71404370	277	71406520	151
71399519	171	71401603	39	71404438	387	71406637	55
71399519	449	71401604	47	71404439	387	71406639	55
71399521	417	71401605	47	71404440	387	71406642	55
71399551	201	71401606	47	71404441	387	71406650	373
71399551	43	71401607	45	71404442	387	71406650	383
71399552	201	71401611	45	71404443	387	71406652	199
71399557	201	71401615	39	71404450	363	71406668	301
71399557	43	71401616	39	71404450	55	71406670	301
71399560	303	71401622	39	71405913	341	71406671	301
71399561	303	71401626	153	71405935	291	71406672	301
71399569	303	71401627	153	71406069	141	71406748	83
71399570	303	71401632	153	71406073	149	71406753B	57
71399572	303	71401633	153	71406251	277	71406789	217
71399802	285	71401637	153	71406255	263	71406792	407
71399807	277	71401638	153	71406257	57	71406793	407
71399985	285	71401645	339	71406277	221	71406794	407
71399994	277	71401645B	335	71406277	223	71406795	285
71400413	449	71401658	155	71406282	199	71406795	447
71400413	47	71401660	155	71406283	303	71406795	451
71400429	277	71401700	69	71406285	43	71406802	175
71400430	277	71401701	73	71406285	449	71406803	175
71400431	277	71401707	69	71406286	43	71406804	151
71400435	277	71401715	59	71406286	449	71406858	129
71400478	235	71401718	83	71406287	43	71406860	37
71400490	255	71401735	445	71406290	43	71406862	131
71400491	255	71401753	393	71406294	41	71406866	83
71400492	255	71401758	397	71406295	41	71406868	145
71400502	65	71401759	397	71406298	415	71406873	143
71400504	65	71401759	41	71406300	415	71406874	125
71400505	133	71401766	445	71406301	429	71406874	207
71400508	107	71401961	207	71406315	221	71406876	85
71400509	107	71401961	209	71406316	221	71406877S	65
71400510	107	71401967	207	71406317	221	71406878	95
71400523	115	71402014	73	71406319	221	71406891	115
71400523	117	71402108	147	71406320	221	71406894	133
71400549	265	71403632	217	71406321	221	71406921	301
71400556	55	71403634	215	71406322	221	71406934	177
71400626	73	71403637	217	71406323	25	71406951	235
71400628	71	71403655	207	71406327	225	71406952	235
71400635	57	71403664	215	71406328	225	71406953	235
71400645	73	71403676	161	71406330	225	71406954	235
71400646	73	71403677	161	71406332	227	71406957	263
71400661	195	71403678	161	71406333	227	71406970	235
71400664	195	71403679	163	71406336	225	71406971	235
71400666	257	71403680	275	71406338	225	71406972	235

## INDEX

Part No.	Page	Part No.	Page	Part No.	Page	Part No.	Page
71406973	235	71407653	63	71408381	131	71408958	387
71406976	371	71407653	99	71408393	149	71408960	345
71406986	371	71407655	79	71408394	149	71408962	343
71406988	375	71407657	59	71408395	149	71408963	371
71406988	377	71407659	59	71408396	149	71408964	371
71406990	375	71407660	153	71408397	149	71408965	371
71406995	221	71407671	77	71408477	263	71408966	371
71407139	413	71407677	69	71408492	263	71408971	343
71407163	227	71407677	75	71408493	263	71408974	371
71407166	227	71407681	75	71408494	263	71408975	371
71407293	143	71407686	75	71408497	427	71409003	51
71407296	127	71407690	75	71408501	279	71409011	37
71407310	221	71407693	77	71408526	313	71409013	37
71407313	217	71407694	77	71408527	313	71409016	37
71407314	219	71407695	77	71408531	313	71409018	37
71407328	293	71407702	75	71408532	313	71409020	37
71407328	447	71407704	75	71408550	291	71409024	37
71407328	451	71407713	71	71408550	293	71409025	37
71407330	293	71407715	69	71408561	297	71409176	191
71407331	291	71407719	69	71408562	297	71409176	193
71407347	295	71407726	283	71408563	297	71409188	27
71407375	49	71407733	313	71408568	293	71409201	143
71407388	315	71407737	313	71408633	209	71409202	143
71407390	315	71407742	313	71408639	209	71409207	133
71407391	315	71407749	313	71408647	207	71409213	271
71407393	315	71407750	313	71408649	207	71409214	145
71407394	315	71407766	213	71408651	37	71409221	127
71407395	315	71407776	207	71408653	45	71409225	143
71407396	315	71407777	207	71408706	43	71409255	259
71407397	315	71407778	207	71408709	409	71409257	259
71407463	341	71407788	207	71408711	409	71409313	55
71407465	391	71407795	215	71408712	427	71409326	37
71407466	391	71407796	207	71408719	431	71409327	37
71407467	391	71407799	215	71408723	429	71409329	35
71407468	391	71407800	215	71408733	429	71409331	37
71407469	391	71407807	215	71408734	431	71409334	53
71407484	395	71407826	39	71408736	431	71409335	53
71407485	395	71407831	45	71408738	429	71409345	53
71407488	445	71407835	35	71408739	429	71409349	51
71407489	429	71407836	35	71408740	431	71409350	51
71407490	429	71407841	37	71408742	429	71409412	427
71407491	429	71407841	449	71408744	429	71409413	427
71407492	433	71407847	39	71408748	429	71409416	253
71407493	433	71407848	39	71408749	429	71409422	277
71407494	433	71407849	39	71408751	431	71409422	447
71407505	45	71407851	39	71408752	365	71409422	451
71407537	49	71407857	39	71408752	429	71409423	447
71407538	49	71407860	39	71408754	429	71409423	451
71407539	49	71407878	45	71408755	431	71409425	259
71407545	39	71407879	35	71408762	227	71409433	307
71407546	39	71407892	37	71408765	231	71409435	307
71407554	255	71407893	45	71408766	411	71409440	307
71407559	271	71407894	45	71408766	431	71409443	311
71407560	271	71407914	219	71408767	411	71409444	305
71407562	271	71407942	267	71408767	431	71409445	305
71407563	271	71407946	267	71408768	411	71409457	335
71407568	271	71407951	353	71408768	431	71409461	155
71407572	271	71407985	301	71408769	411	71409508	51
71407573	271	71407986	301	71408769	431	71409509	51
71407574	241	71407993	311	71408770	411	71409510	51
71407576	279	71407997	307	71408771	411	71409511	51
71407577	279	71408201	137	71408772	409	71409512	51
71407578	283	71408202	85	71408773	411	71409513	51
71407579	281	71408203	93	71408775	409	71409514	51
71407580	281	71408209	115	71408775	411	71409515	51
71407581	281	71408210	115	71408779	209	71409517	53
71407582	281	71408215	115	71408784	209	71409519	53
71407583	281	71408223	67	71408791	207	71409522	449
71407616	207	71408224	65	71408793	207	71409522	53
71407619	207	71408225	67	71408799	209	71409525	51
71407651	97	71408314	215	71408801	209	71409526	51
71407651	99	71408315	215	71408824	219	71409527	51
71407652	99	71408328	215	71408839	279	71409528	51
71407653	63	71408365	209	71408844	283	71409529	51
71407653	63	71408369	207	71408958	371	71409530	51

## 9895 COMBINE

19  
INDEX

Part No.	Page	Part No.	Page	Part No.	Page	Part No.	Page
71409531	51	71409835	235	71410319	231	71410855	383
71409533	45	71409836	235	71410320	231	71410856	441
71409534	45	71409848	243	71410322	231	71410858	343
71409537	37	71409876	305	71410323	235	71410861	441
71409538	37	71409882	309	71410324	233	71410862	351
71409539	35	71409883	309	71410325	233	71410863	355
71409540	35	71409888	301	71410335	323	71410864	381
71409541	35	71409889	307	71410340	321	71410867	351
71409542	35	71409896	279	71410342	321	71410869	361
71409548	39	71409901	365	71410354	329	71410869	97
71409549	47	71409908	433	71410362	327	71410879	287
71409550	47	71409912	409	71410368	327	71410912	149
71409551	39	71409912	411	71410370	327	71410926	279
71409552	39	71409917	41	71410376	319	71410927	279
71409552	451	71409926	269	71410381	327	71410930	305
71409553	39	71409932	269	71410382	329	71410933	305
71409553	451	71409942	407	71410387	327	71410934	307
71409554	45	71409947	407	71410391	331	71410952	85
71409555	47	71409952	151	71410394	329	71410954	87
71409558	35	71409955	151	71410397	329	71410956	87
71409576	85	71409958	293	71410400	329	71410958	63
71409581	111	71409959	293	71410409	311	71410959	67
71409581	113	71409963	293	71410411	299	71410976	339
71409582	113	71409969	297	71410412	279	71410988	339
71409583	63	71409970	203	71410426	209	71410998	339
71409584	63	71410065	327	71410427	209	71411004	191
71409594	33	71410067	331	71410428	209	71411005	191
71409597	85	71410070	323	71410429	209	71411007	381
71409598	85	71410072	329	71410448	209	71411014	355
71409615	159	71410074	333	71410450	203	71411018	351
71409618	159	71410075	339	71410470	271	71411019	361
71409622	195	71410105	323	71410471	271	71411020	361
71409623	159	71410112	329	71410472	271	71411022	361
71409674	201	71410113	331	71410473	255	71411023	351
71409689	295	71410115	339	71410476	441	71411024	381
71409708	215	71410116	325	71410477	353	71411025	381
71409709	215	71410122	319	71410487	179	71411152	55
71409711	219	71410123	319	71410489	385	71411153	55
71409714	215	71410125	319	71410490	179	71411155	55
71409715	215	71410126	319	71410492	383	71411156	55
71409718	209	71410131	319	71410493	383	71411164	55
71409751	431	71410143	319	71410494	383	71411165	55
71409752	431	71410146	319	71410495	169	71411166	55
71409763	171	71410149	333	71410497	169	71411168	119
71409765	197	71410159	321	71410526	311	71411170	119
71409768	411	71410161	323	71410535	293	71411173	119
71409771	303	71410162	323	71410536	291	71411174	119
71409773	303	71410165	323	71410538	293	71411175	121
71409777	359	71410166	323	71410543	383	71411176	121
71409778	359	71410167	323	71410545	291	71411188	39
71409779	41	71410168	323	71410546	291	71411192	39
71409780	351	71410169	323	71410547	291	71411193	39
71409780	357	71410170	327	71410548	291	71411194	39
71409781	353	71410176	317	71410550	319	71411201	389
71409782	353	71410178	319	71410556	123	71411203	375
71409783	375	71410183	317	71410680	51	71411204	375
71409784	375	71410186	317	71410684	51	71411205	441
71409785	375	71410195	317	71410686	51	71411206	441
71409786	373	71410196	317	71410688	53	71411208	373
71409787	373	71410200	319	71410689	53	71411209	441
71409788	373	71410211	317	71410715	55	71411210	441
71409789	359	71410220	323	71410716	55	71411213	441
71409791	373	71410220	325	71410727	41	71411214	441
71409800	349	71410220	329	71410731	221	71411216	353
71409805	131	71410220	333	71410761	431	71411217	373
71409806	131	71410224	327	71410767	303	71411221	225
71409810	131	71410245	321	71410767	449	71411221	389
71409811	131	71410276	327	71410768	291	71411222	389
71409812	131	71410279	327	71410789	291	71411223	393
71409814	433	71410281	327	71410789	447	71411224	395
71409817	271	71410292	321	71410789	451	71411225	395
71409823	145	71410292	327	71410790	311	71411251	55
71409824	145	71410299	333	71410799	279	71411252	55
71409825	145	71410305	333	71410853	383	71411277	355
71409834	237	71410318	231	71410854	383	71411278	355

## INDEX

Part No.	Page	Part No.	Page	Part No.	Page	Part No.	Page
71411279	355	71411890	371	71412290	329	71412590	435
71411280	355	71411891	355	71412290	331	71412626	211
71411281	247	71411893	119	71412308	307	71412777	433
71411282	247	71411895	371	71412310	301	71412778	355
71411285	379	71411896	371	71412313	283	71412778	441
71411286	379	71411898	191	71412314	283	71412779	443
71411287	351	71411909	209	71412315	279	71412780	443
71411292	349	71411910	209	71412356	127	71412781	443
71411293	349	71411915	203	71412358	139	71412782	443
71411294	343	71411919	203	71412361	123	71412783	439
71411295	383	71411965	255	71412379	35	71412783	443
71411296	383	71411967	239	71412380	37	71412784	443
71411300	383	71411968	271	71412381	39	71412785	443
71411308	351	71411972	249	71412382	343	71412788	439
71411315	383	71411974	249	71412389	51	71412892	315
71411328	327	71411976	249	71412394	53	71412893	315
71411333	329	71411977	251	71412396	53	71412950	119
71411335	329	71411978	251	71412432	285	71412959	305
71411339	331	71411979	251	71412437	261	71412960	305
71411340	329	71411980	251	71412437	273	71413028	261
71411345	277	71411981	249	71412438	261	71413040	261
71411346	285	71411982	249	71412438	273	71413043	273
71411366	325	71411983	249	71412441	261	71413047	261
71411401	295	71412023	211	71412446	261	71413050	261
71411408	307	71412024	211	71412476	439	71413362	37
71411413	283	71412025	211	71412477	439	71413375	119
71411425	177	71412042	45	71412478	439	71413451	263
71411426	177	71412043	45	71412480	439	71413456	261
71411426	447	71412048	45	71412481	439	71413494	263
71411427	159	71412076	363	71412483	439	71413520	307
71411435	205	71412078	363	71412484	439	71413548	265
71411460	299	71412079	363	71412488	439	71413548	267
71411469	301	71412082	343	71412489	439	71414221	347
71411607	247	71412083	343	71412490	439	71414225	189
71411625	209	71412084	343	71412492	439	71414290	261
71411628	209	71412088	343	71412493	439	71414291	263
71411638	205	71412093	351	71412496	439	71414293	407
71411641	187	71412094	351	71412497	435	71414297	407
71411647	155	71412095	351	71412497	439	71414451	223
71411650	155	71412132	255	71412498	435	71414452	223
71411658	255	71412141	263	71412498	439	71414453	223
71411718	219	71412162	201	71412506	435	71414454	223
71411826	385	71412163	201	71412507	435	71414455	223
71411827	179	71412171	201	71412510	435	71414456	223
71411830	349	71412175	201	71412511	437	71414457	223
71411831	343	71412182	439	71412512	435	71414458	223
71411832	343	71412183	439	71412513	435	71414459	223
71411832	349	71412184	439	71412515	437	71414460	223
71411834	351	71412185	439	71412516	435	71414461	223
71411835	351	71412186	439	71412517	437	71414462	223
71411836	345	71412187	439	71412518	435	71414463	223
71411837	343	71412189	439	71412519	435	71414464	223
71411838	379	71412190	439	71412520	367	71414465	223
71411841	351	71412191	439	71412520	435	71414466	223
71411842	383	71412192	439	71412521	437	71414467	223
71411843	383	71412193	439	71412522	435	71414468	223
71411846	383	71412194	439	71412523	435	71414469	223
71411847	383	71412195	439	71412524	437	71414470	223
71411848	383	71412196	439	71412524	439	71414471	223
71411849	383	71412197	439	71412525	437	71414472	223
71411876	227	71412198	439	71412545	77	71414474	223
71411876	239	71412199	439	71412576	437	71414475	223
71411877	391	71412200	439	71412577	437	71414476	223
71411878	391	71412201	351	71412578	435	71414477	223
71411879	359	71412202	381	71412579	435	71414478	223
71411880	359	71412251	45	71412580	437	71414479	223
71411882	441	71412252	47	71412581	437	71414480	223
71411883	375	71412255	45	71412582	437	71414486	223
71411884	391	71412256	47	71412583	435	71414487	223
71411885	289	71412259	49	71412584	435	71414488	223
71411886	163	71412261	49	71412585	435	71414490	223
71411887	165	71412262	49	71412586	435	71414491	223
71411887	171	71412263	49	71412587	435	71414492	223
71411888	371	71412284	333	71412587	443	71414493	223
71411889	371	71412290	323	71412588	437	71414494	223

9895 COMBINE

21  
INDEX

Part No.	Page	Part No.	Page	Part No.	Page	Part No.	Page
71414495	223	72504812	103	7704141	89	79021648	49
71414496	223	72505639	65	7704919	69	79021668	453
71414497	223	72506418	129	7704919	73	79021668	49
71414498	223	72506489	59	7704919	75	79021669	417
71414499	223	72506489	65	7705205	339	79021669	419
71414500	223	72506694	119	7706138	203	79021669	421
71414501	223	72506922	119	7710551	177	79021669	423
71414502	223	72507231	369	7710551	287	79021676	185
71414503	223	72507406	119	7711401	237	791541	351
71414504	223	72507407	119	7711419	237	8020125	39
71414505	223	72507408	119	7713860	411	8022691	341
71414692	371	72509305	129	7720063	111	8022691	409
71414693	349	72509675	283	772426	57	8044760	297
71414698	373	72509675	311	772616	53	8050866	449
71414732	291	72511891	105	773697	441	8050866	71
71414732	293	72513700	107	7744477	411	827238	125
71414734	311	72514052	103	7746464	389	827568	77
71414736	283	72514053	105	7746464	395	831268M1	257
71414737	311	72514054	105	774745	137	831861M1	261
71414750	291	72514055	109	7751605	415	832088M1	219
71415126	231	72514061	103	776682	245	834580M1	417
71418128	339	72514066	103	776682	337	834580M1	419
71418248	343	72514067	105	7770456	241	834581M1	417
71418944	383	72514069	103	7771371	57	834581M1	419
71419080	333	72514070	103	7771470	69	835087M91	375
71419081	327	72514076	107	7771470	75	837853M91	405
71419083	321	72525468	343	7771785	423	840327M91	281
71419085	327	72528014	357	7771991	231	840327M91	447
71419090	325	72528024	357	7772049	69	846337	247
71419091	325	72528025	357	7772056	101	846634	191
71419402	291	737016	353	7772197	125	852684	435
714360	291	74254699	417	7772197	249	861369	291
714360	451	74254700	417	7772197	263	863415	155
71449015	177	74254700	451	7772312	419	863415	231
71449015	447	74906743	91	7772312	421	863415	313
71449015	451	755785	169	7772361	103	863415	335
71449016	177	762975	151	7773427	303	863415	339
71449016	447	762975	269	7773856	415	8701237	35
71449016	451	762975	281	7774078	129	8701708	261
71449019	179	763136	89	7774078	131	8722910	245
71449019	447	763300	423	7774078	269	873364	71
71449019	451	764639V	285	7774383	269	873497	75
71449025	177	766410	271	7791361	179	8827172	393
71449025	447	766410	71	7791452	379	940134W1	391
71449025	451	76737	303	7792922	273	940134W1	393
720219	343	768226	233	7825516	345	942253	399
720219	39	7700107	71	7827629	147	942253	425
720649	309	7700461	143	7827983	83	98-2107	243
72160919	135	7700883	291	7845068	41	9863040W1	287
72160919	137	7700883	293	7883267	137	AG133278	399
72160919	147	7701345	353	7883267	153	CH1R-0762	451
72160919	453	7701345	355	7883267	235	CH1R-0762	55
72160993	39	7701501	133	7883275	101	CH1R-0771	35
72161024	111	7701592	101	7883275	191	CH1R-0771	451
72161999	61	7701659	415	7883275	27	CL237842C1	225
72272098	109	7701683	415	7883283	101	CL237842C1	287
72500822	135	7702012	153	7883283	133	D49070008	249
72502789	101	7702012	153	7883325	101	D49070025	251
72504036	97	7702012	155	7883325	139	D49080090	233
72504740	103	7702012	383	7883325	339	K3518	259
72504762	105	7703259	205	7883325	73	K3518	285
72504775	103	7703416	265	7883325	83	K3518	287
72504776	103	7703424	69	7883333	53	K3999	241
72504785	103	7703424	75	7883374	155	K4037	241
72504786	103	7703424	75	7883374	313	K4037	449
72504786	107	7703432	101	7883374	343	N12998	89
72504791	103	7703457	111	7883382	147	PZND1041V	217
72504792	103	7703457	237	7883382	153	PZND1041V	219
72504802	103	7703499	287	7883382	73	PZND1138	217
72504803	103	7703838	71	7883408	77	PZND1138	259
72504804	103	7704000	53	7883424	35	PZND1138	281
72504808	103	7704117	71	7883424	75	PZND1138	53
72504809	103	7704141	271	7884570	415	RE210066	141
72504810	103	7704141	435	79019509	437	RE210066	83
72504811	103	7704141	75	79021648	185	RE530013	141

## INDEX

Part No.	Page	Part No.	Page	Part No.	Page	Part No.	Page
RE701128D6	141						
RE701141D6	141						
RE701169D6	141						
W1511670	447						
W500053E	89						
W915240-4	435						
W9863030	285						
WR128461	315						
WR519751	191						
WSP1344	75						
Y46086	409						
Y52209	95						
Y52894	411						
Y58040	315						
Y58040	317						
Y61879	195						
Y61879	225						
Y702951	131						
Y702951	169						
Y703132	57						
Y703132	83						
Y704015	283						
Y704072	57						
Y704072	87						
Y704288	185						
Y704361	131						
Y704395	447						
Y704445	129						
Y704445	139						
Y704726	327						
Y704726	335						
Y704726	337						
Y704734	153						
Y704734	155						
Y704734	161						
Y704742	203						
Y704742	205						
Y705020	111						
Y705020	283						
Y705020	287						
Y705046	151						
Y705046	151						
Y705525	69						
Y705525	71						
Y705525	85						
Y705525	95						
Y705533	155						
Y705533	203						
Y705582	177						
Y705608	277						
Y705608	285						
Y705608	93						
Y705624	167						
Y705624	175						
Y705624	185						
Y705624	257						
Y705624	423						
Y707240	285						
Y710293	287						
Y710293	451						
Y730804	415						
Y746578	47						
Y747931	291						
Y747931	293						
Y762617	271						
Y763318	409						
Y764126	269						
Y772129	61						
Y85712	291						
Y85712	293						
Y85712	447						



**9895 COMBINE**

**23  
INDEX**

Part No.

Page

Part No.

Page

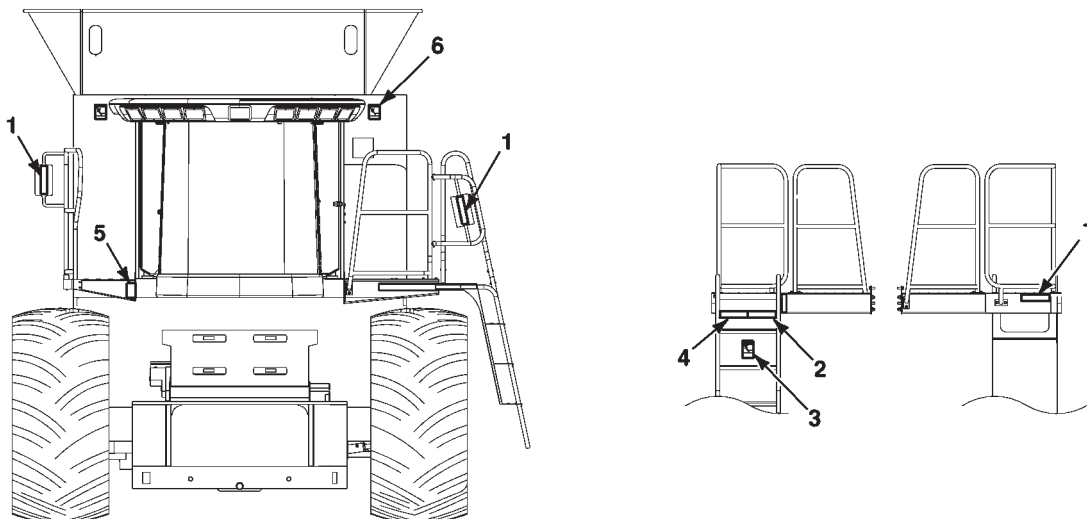
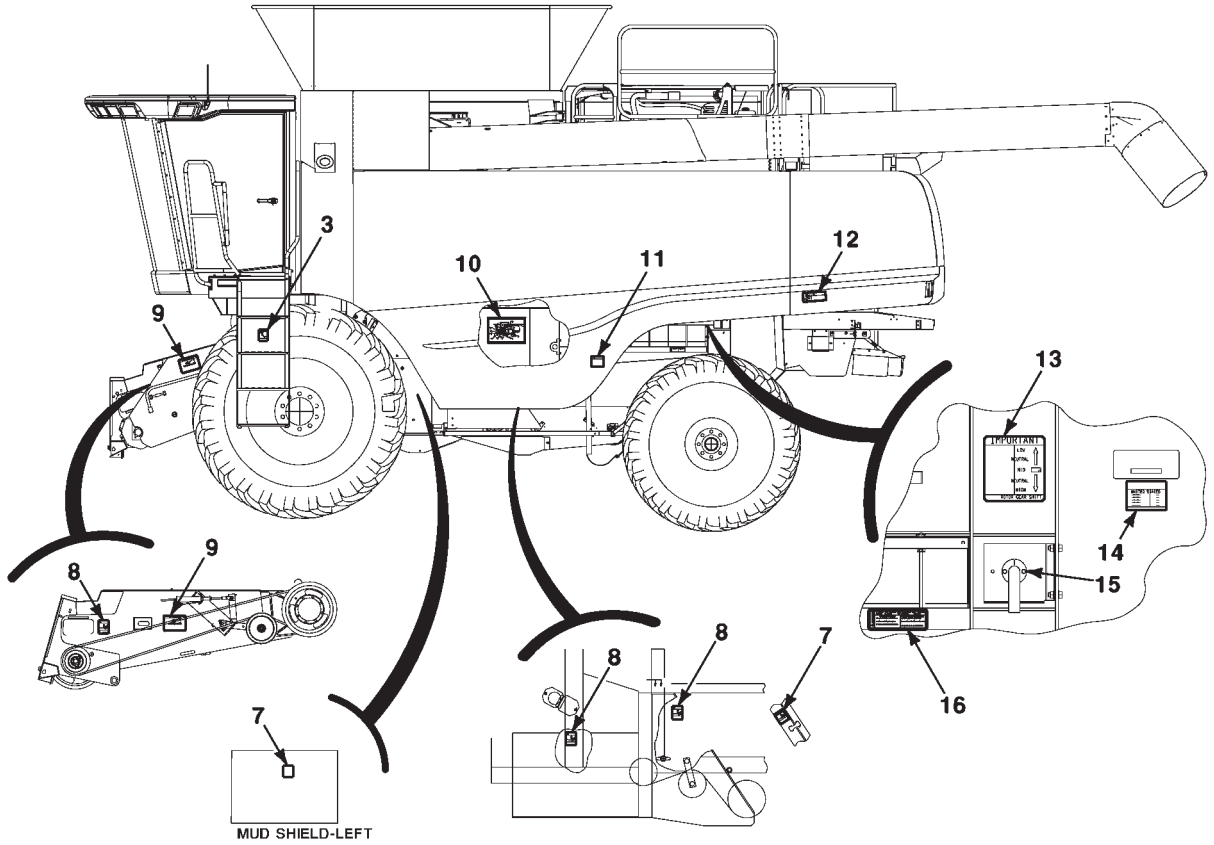
Part No.

Page

Part No.

Page

DECALS  
LEFT SIDE AND FRONT



**9895 COMBINE  
DECALS & LABELS**

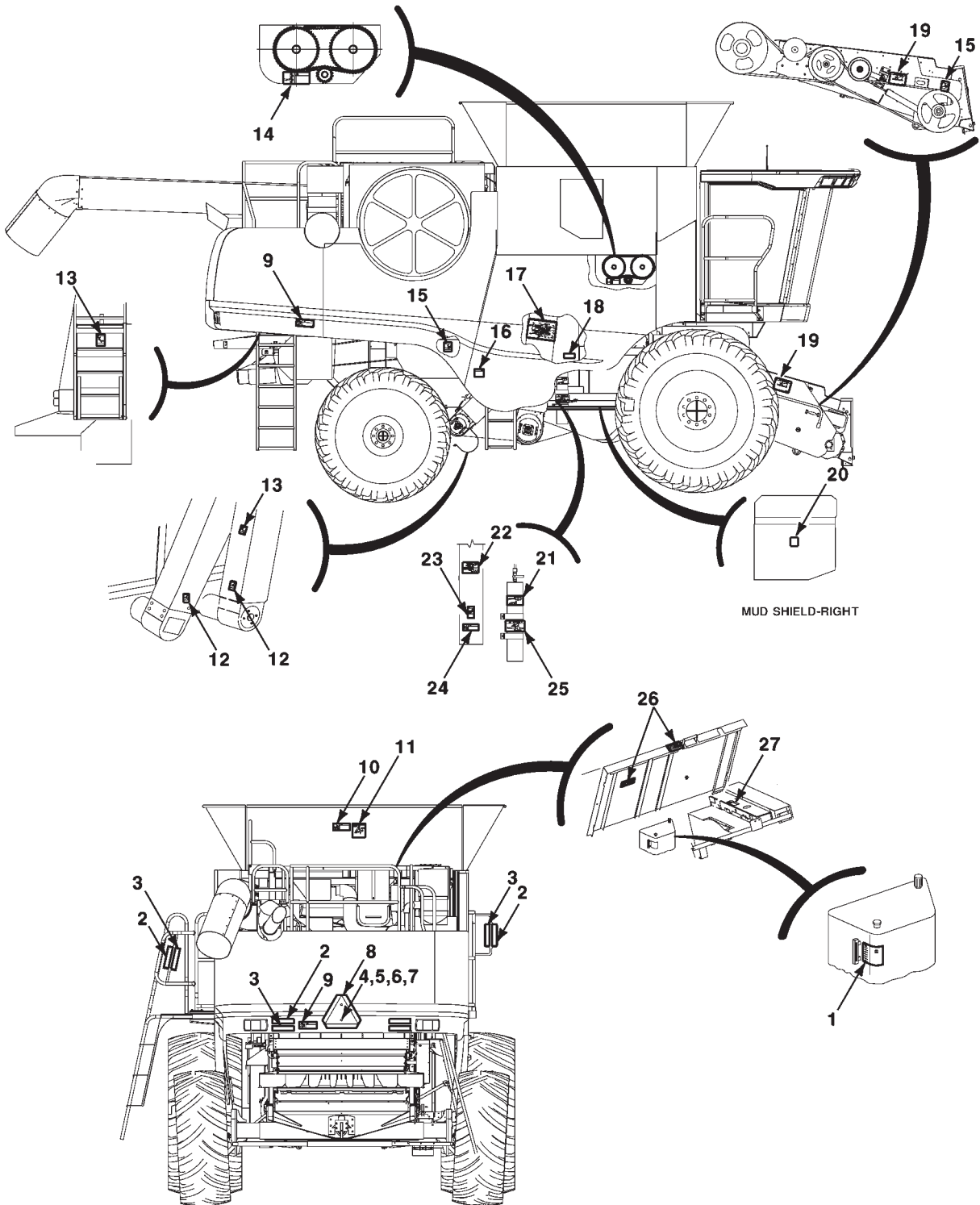
**25**

**DECALS  
LEFT SIDE AND FRONT**

ITEM	NUMBER	QTY	DESCRIPTION
1	700717403	3	DECAL-REFLECTOR, AMBER
2	700717404	1	DECAL-REFLECTOR, RED/ORANGE
3	700721781	2	DECAL-WARNING, KEEP OFF
4	700717402	1	DECAL-REFLECTOR, RED
5	71379129	1	DECAL-WARNING, FALLING OFF
6	71379130	2	DECAL-WARNING, GRAIN TANK
7	111670W1	2	DECAL-WARNING, BELT OR CHAIN
8	111091W1	3	DECAL-DANGER, SHIELD MISSING
9	111095W1	2	DECAL-DANGER, HEADER FALLING
10	700728353	1	DECAL-LUBE, LEFT
11	71379128	1	DECAL-WARNING, SHIELDS IN PLACE
12	71379127	1	DECAL-WARNING, STAND CLEAR
13	71406323	1	DECAL-IMPORTANT, GEAR SHIFT
14	590769M1	1	DECAL-PATENT
15	700727993	1	DECAL-BATTERY SWITCH
16	700728459	1	DECAL-DANGER, BATTERY

MCO0495  
PR: t06g24h33d0001

DECALS  
RIGHT SIDE AND REAR



9895 COMBINE  
DECALS & LABELS

27

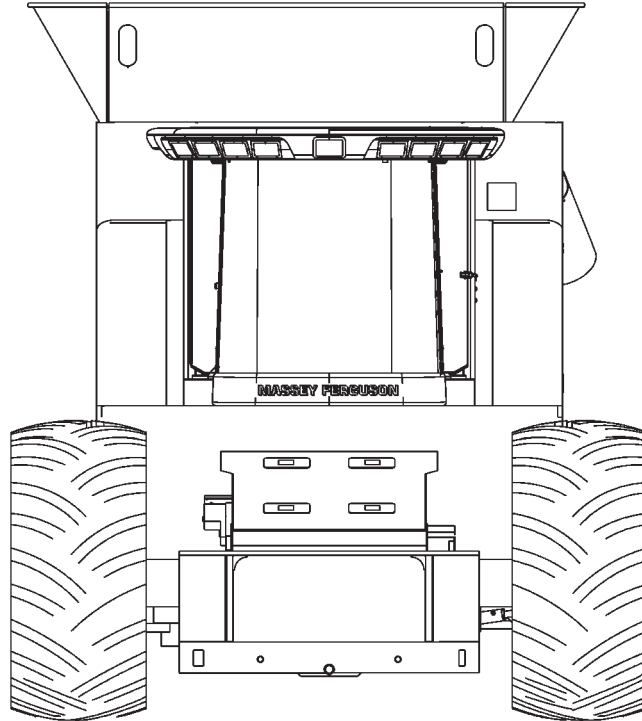
DECALS  
RIGHT SIDE AND REAR

ITEM	NUMBER	QTY	DESCRIPTION
1	700728514	1	DECAL-HYDRAULIC RESERVOIR
2	700717402	4	DECAL-REFLECTOR, RED
3	700717404	4	DECAL-REFLECTOR, RED/ORANGE
4	7883275	2	MACH SCR, HEX WSHR HD. 1/4-20 X 3/4
5	353769X1	2	1/4 HARDENED PLAIN WASHER
6	70931209	2	1/4-20 NUT-LOCK, FLANGE
7	70916952	2	1/4-20 WN
8	7020589	1	EMBLEM-SMV
9	71379127	2	DECAL-WARNING, STAND CLEAR
10	111736W2	1	DECAL-DANGER, STOP ENGINE
11	71368074	1	DECAL-BIN LOADER
12	111743W1	2	DECAL-WARNING, HANDS AWAY
13	71379129	2	DECAL-WARNING, FALLING OFF
14	111741W1	1	DECAL-DANGER, CLEANOUT
15	111091W1	2	DECAL-DANGER, SHIELD MISSING
16	71379128	1	DECAL-WARNING, SHIELDS IN PLACE
17	700728354	1	DECAL-LUBE, RIGHT
18	700720727	1	DECAL-DANGER, BELT OR CHAIN
19	111095W1	2	DECAL-DANGER, HEADER FALLING
20	111670W1	1	DECAL-WARNING, BELT OR CHAIN
21	71370232	1	DECAL-ACCUMULATOR
22	71409188	1	DECAL-VALVE STACK
23	71379126	1	DECAL-WARNING, FLUID PRESSURE
24	71348560	1	DECAL-DANGER
25	71371720	1	DECAL-DANGER, RAM STOP
26	71379132	2	DECAL-WARNING, BELT, FAN, HOT
27	700720605	1	DECAL-WARNING, RADIATOR CAP

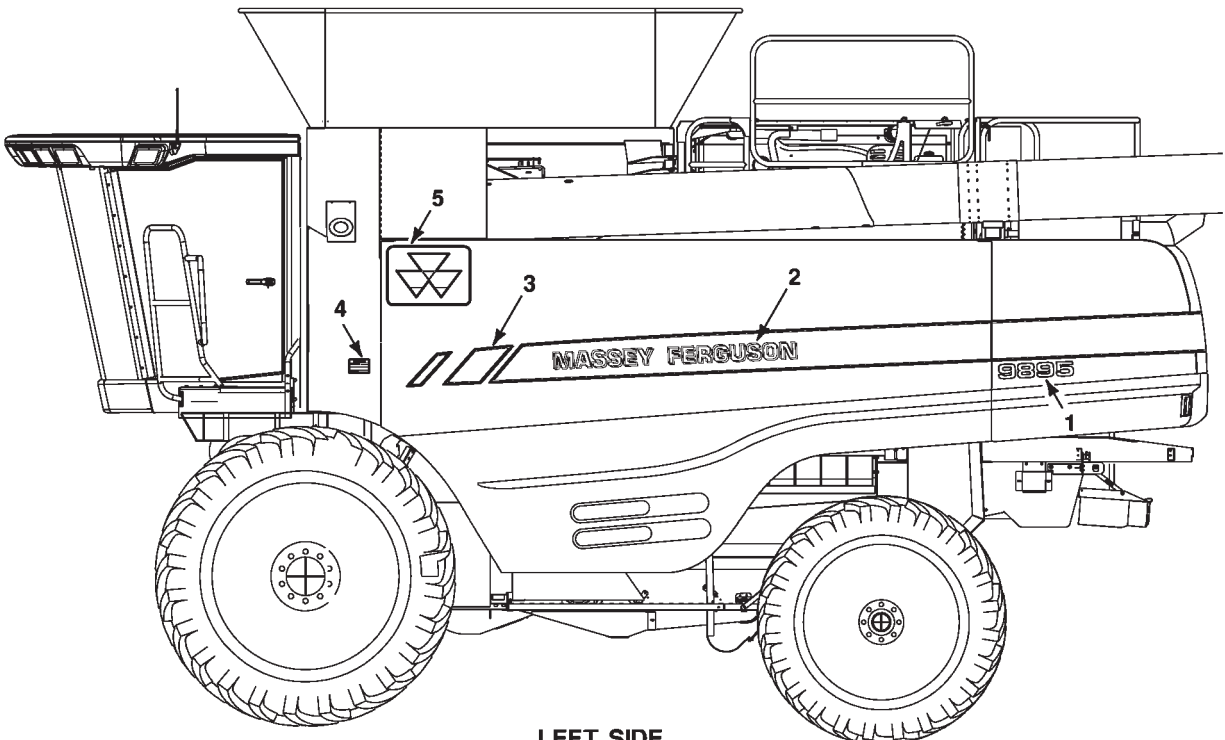
MC00496  
PR: t06g24h33d0002

9895 COMBINE  
DECALS & LABELS

DECALS-BRAND  
LEFT SIDE AND FRONT



FRONT



LEFT SIDE

**9895 COMBINE  
DECALS & LABELS**

**29**

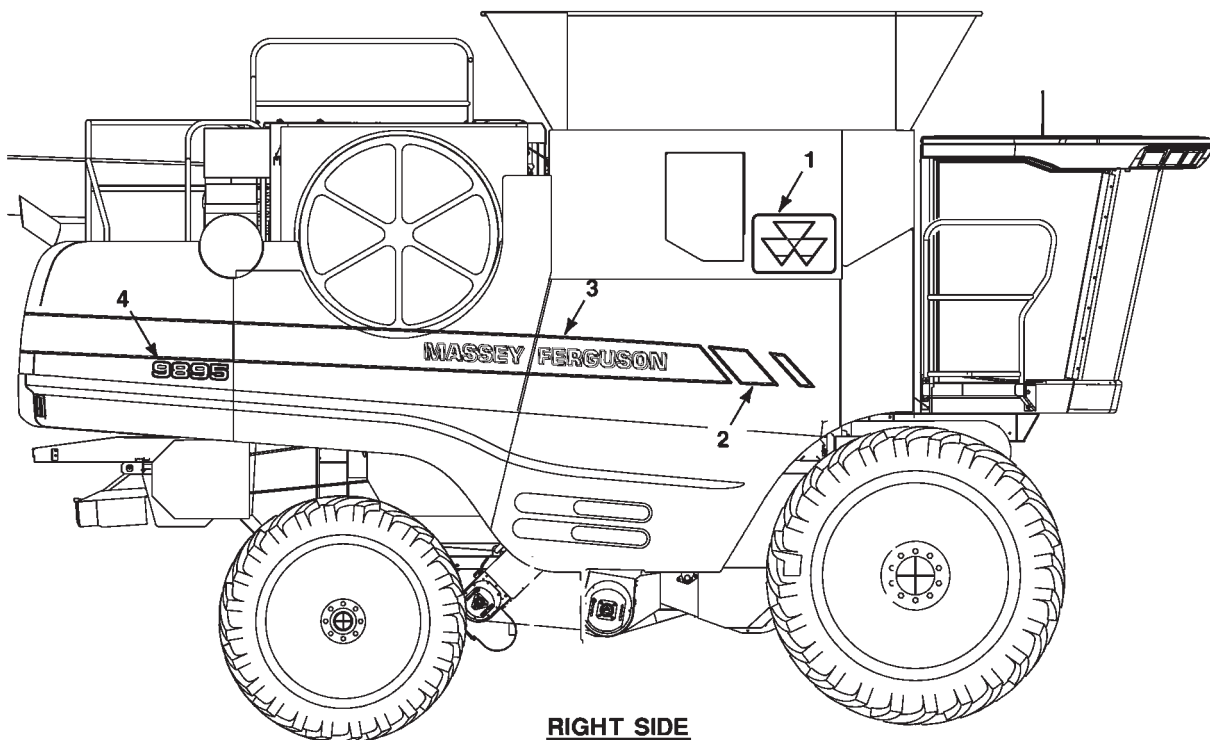
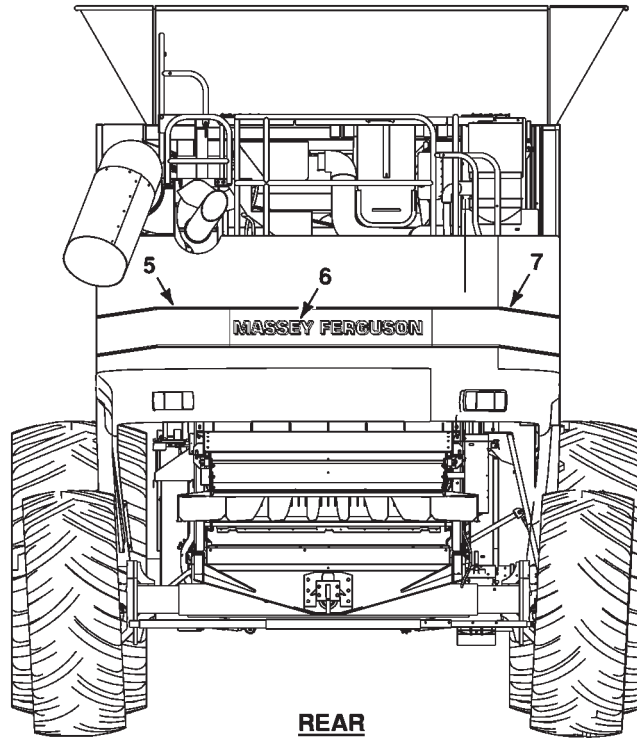
**DECALS-BRAND  
LEFT SIDE AND FRONT**

ITEM	NUMBER	QTY	DESCRIPTION
1	700727849	1	DECAL-9895
2	700727843	1	DECAL-LEFT, MF LOGO
3	700727841	1	DECAL-LEFT FRONT
4	700728486	1	DECAL-TIRE USAGE
5	700727848	1	DECAL-EMBLEM, MF

MC00497  
PR: t06g24h33d0003

9895 COMBINE  
DECALS & LABELS

DECALS-BRAND  
RIGHT SIDE AND REAR





**9895 COMBINE  
DECALS & LABELS**

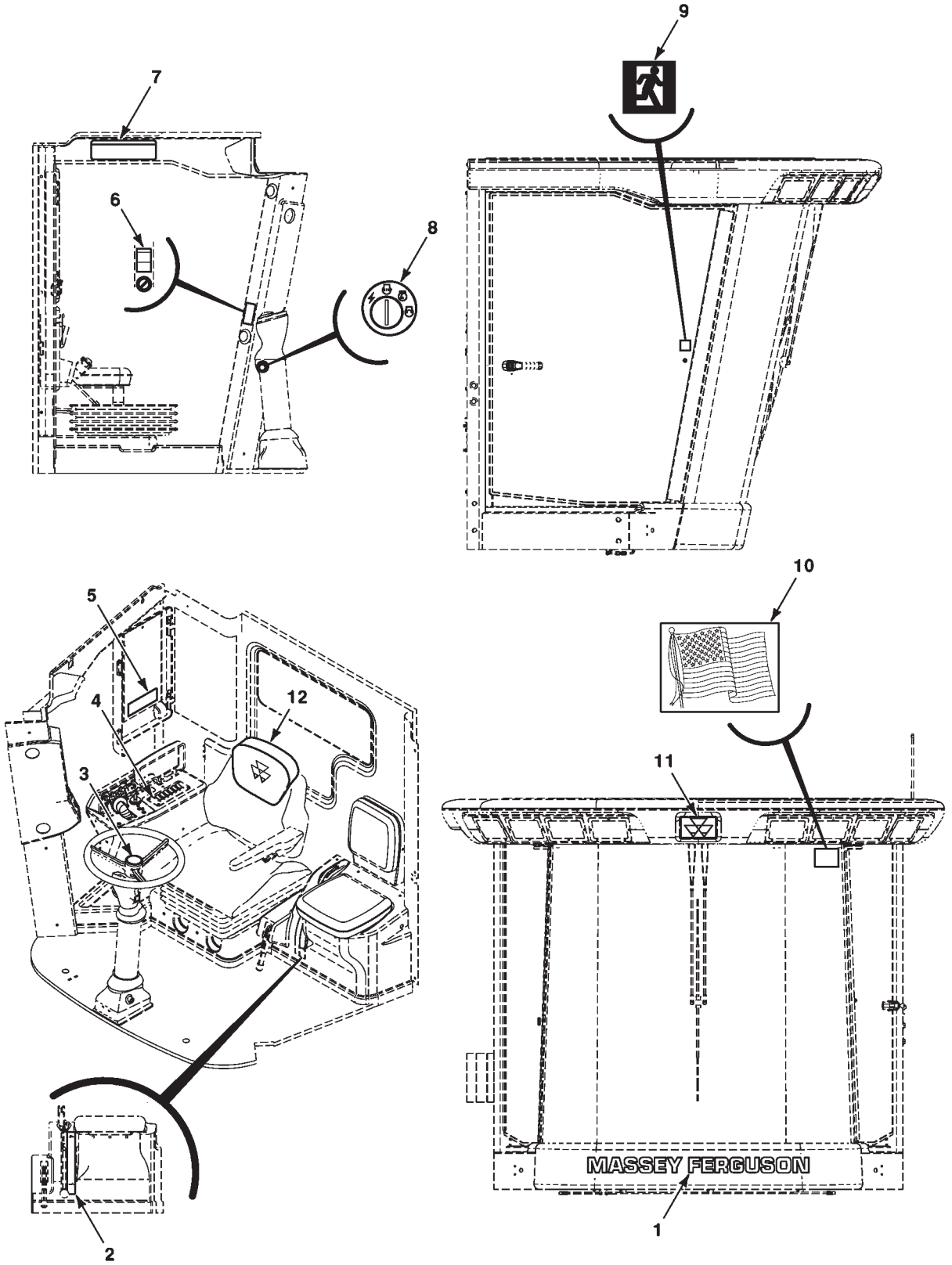
**31**

**DECALS-BRAND  
RIGHT SIDE AND REAR**

ITEM	NUMBER	QTY	DESCRIPTION
1	700727848	1	DECAL-EMBLEM, MF
2	700727847	1	DECAL-RIGHT FRONT
3	700727906	1	DECAL-RIGHT, MF LOGO
4	700727849	1	DECAL-9895
5	700727961	1	DECAL-LEFT CORNER
6	700727844	1	DECAL-LEFT BACK, MF LOGO
7	700727845	1	DECAL-RIGHT CORNER

MC00498  
PR: t06g24h33d0004

DECALS  
CAB



**9895 COMBINE  
DECALS & LABELS**

**33**

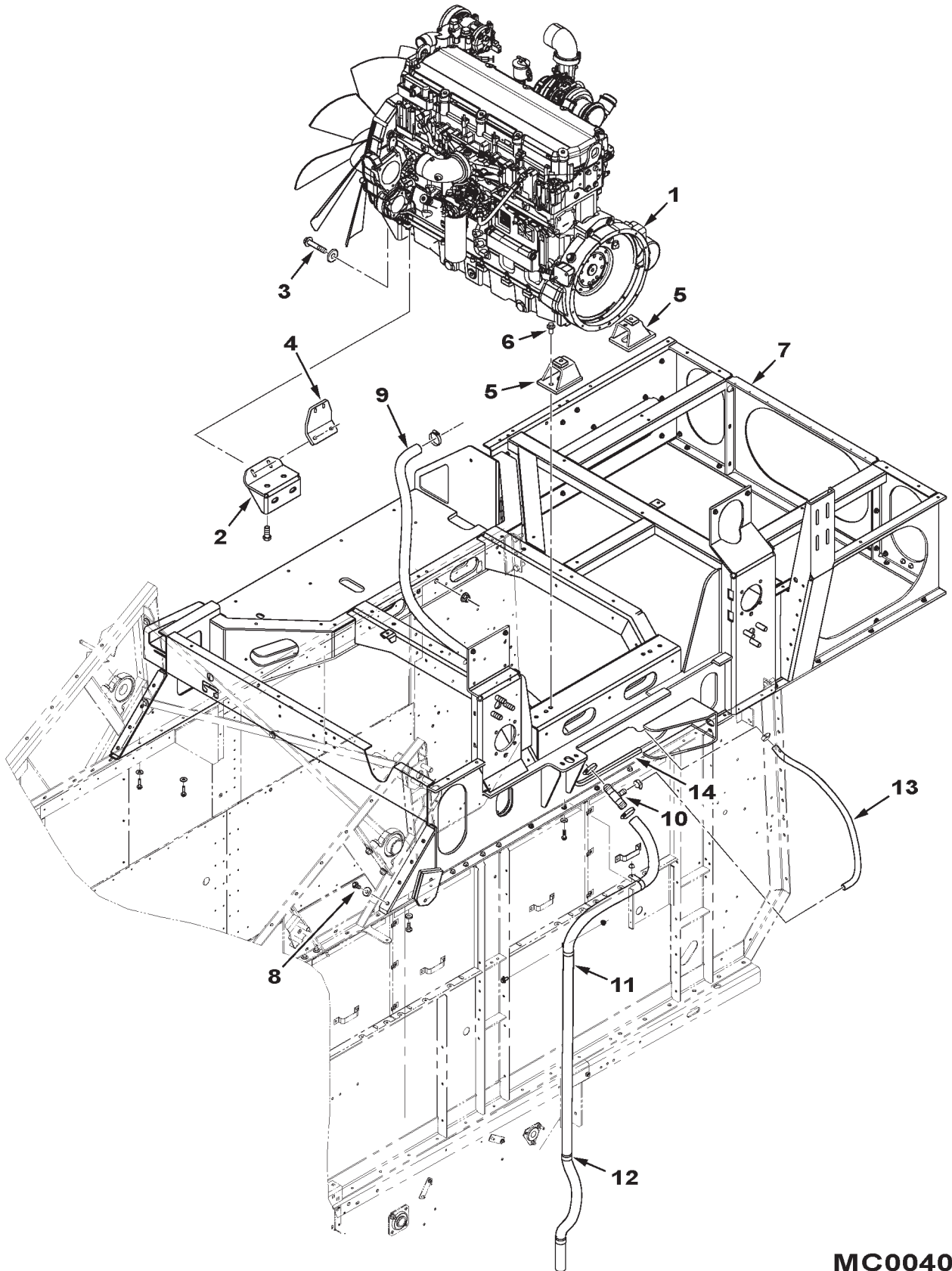
**DECALS  
CAB**

ITEM	NUMBER	QTY	DESCRIPTION
1	112967W1	1	DECAL-MF, DECK FRONT
2	71395770	1	DECAL-SHIFTER
3	71395759	1	EMBLEM-MF, ROUND
4	71409594	1	DECAL-SWITCH, MF
5	700723598	1	DECAL-FUSE LABEL
6	700725670	1	DECAL-WARNING
7	71395762	1	DECAL-DANGER
8	71395761	1	DECAL-IGNITION SWITCH
9	71389158	1	LABEL-EXIT
10	71365412	1	DECAL-US FLAG
11	71395757	1	EMBLEM-MF
12	700725813	1	EXTENSION-BACK REST

MC00504  
PR: t06g24h33d0005

9895 COMBINE  
ENGINE

ENGINE & MOUNTS



**9895 COMBINE  
ENGINE**

35

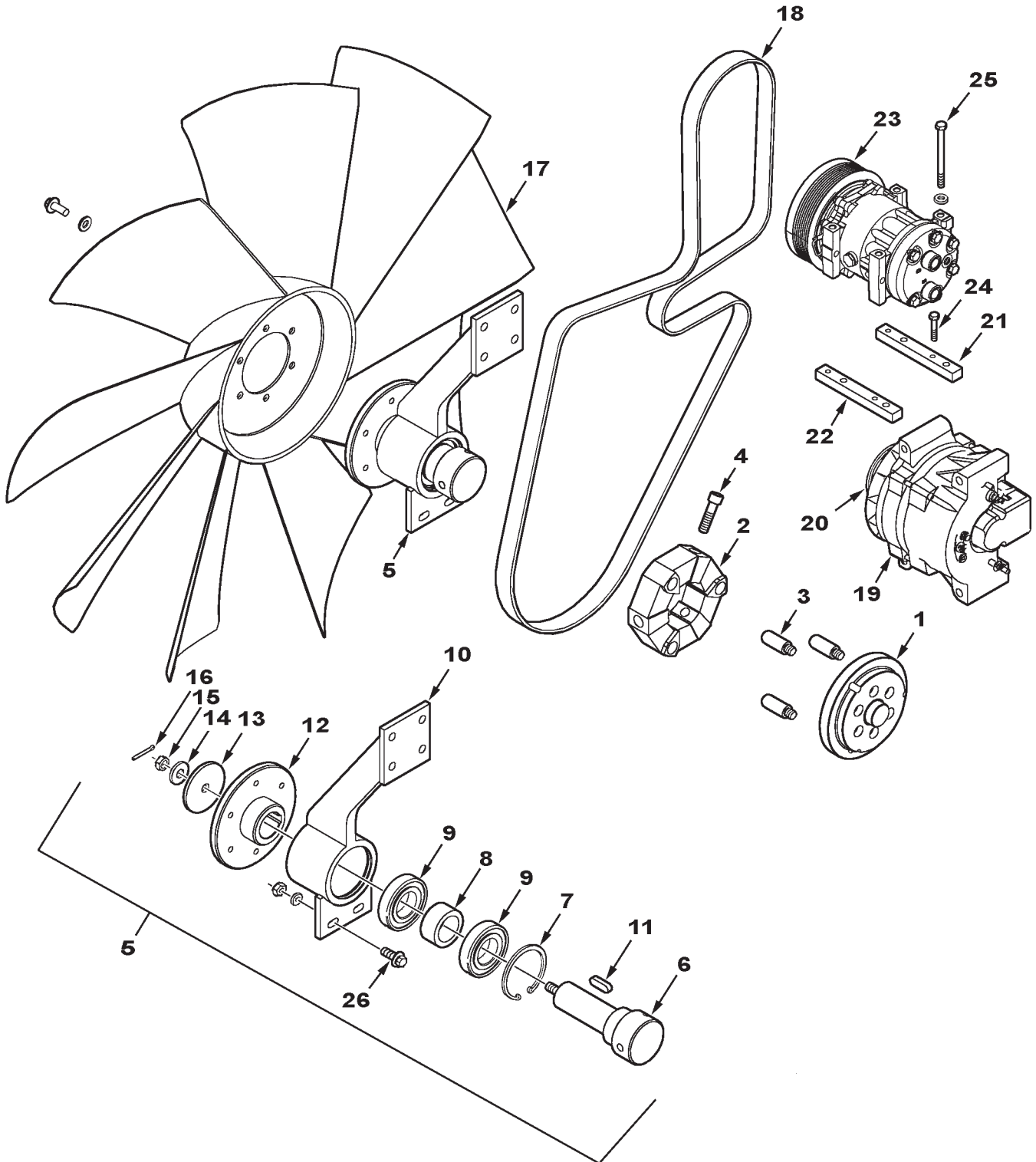
**ENGINE & MOUNTS**

ITEM	NUMBER	QTY	DESCRIPTION
1	71412379	1	ENGINE, 13 LITER (ORDER THRU CAT)
	504594D1	1	OIL FILTER
	CH1R-0771	1	FUEL FILTER, PRIMARY
2	71407835	1	ENGINE MOUNT, FRONT
	3009254X1	2	BOLT,HEX FLANGE, M20-2.5 X 50 CL10.9
	385360X1	2	WASHER, M20, LARGE
	5000007X1	2	NUT, HEX FLANGE NYL LOCK, M20 X 2.5
3	3009261X1	2	BOLT, HEX FLANGE, M20-2.5 X 100 CL10.9
	385360X1	2	WASHER, M20, LARGE
	5000007X1	2	NUT, HEX FLANGE NYL LOCK, M20 X 2.5
4	71409329	1	BRACKET, FAN SUPPORT
	3009208X1	2	BOLT,HEX FLANGE, M10-1.5 X 35 CL10.9
	70917378	4	WASHER, M10, LARGE
	5000004X1	2	NUT, HEX FLANGE NYL LOCK, M10 X 1.5
5	71407836	2	MOUNT WLMT, ENGINE REAR
	8701237	2	SCREW, HEX FLANGE, 1/2-13 X 1-1/2
	7883424	2	SCREW, HEX FLANGE, 1/2-13 X 1
6	3009235X1	2	BOLT, HEX FLANGE, M16-2.0 X 35 CL10.9
7	71407879	1	DECK WLMT, ENGINE
	3009207X1	25	BOLT,HEX FLANGE, M10-1.5 X 30 CL10.9
	70917378	25	WASHER, M10, LARGE
8	3009221X1	8	BOLT, HEX FLANGE, M12-1.75 X 35 CL10.9
	391212X1	8	WASHER, M12, LARGE
9	71409540	1	HOSE, 1-1/4 ID X 68.6" LG, CLEAR PVC
	70925881	2	CLAMP, WORM DRIVE, 1.31- 2.25 DIA
10	71409539	1	TEE, 1-1/4 X 3/4, REDUCING BRANCH
11	71409541	1	HOSE, 1-1/4 ID X 103.2" LG, CLEAR PVC
	70925881	1	CLAMP, WORM DRIVE, 1.31- 2.25 DIA
12	70936765	4	CLAMP, TUBE, 1-3/4 DIA X .406 HOLE
	3009209X1	1	BOLT,HEX FLANGE, M10-1.5 X 40 CL10.9
	70917378	1	WASHER, M10, LARGE
	3811720M1	3	BOLT,HEX FLANGE, M10-1.5 X 25 CL10.9
	5000004X1	4	NUT, HEX FLANGE NYL LOCK, M10 X 1.5
13	71409542	1	HOSE, 3/4 ID X 40.0" LG, CLEAR PVC
	70921911	2	CLAMP, WORM DRIVE, .69- 1.25 DIA
14	71409558	1	EDGE MOULDING, 20" LG

MCO0405

PR: t06g24h33d0006

FRONT ENGINE DRIVES  
FAN, ALTERNATOR, COMPRESSOR



**9895 COMBINE  
ENGINE**

37

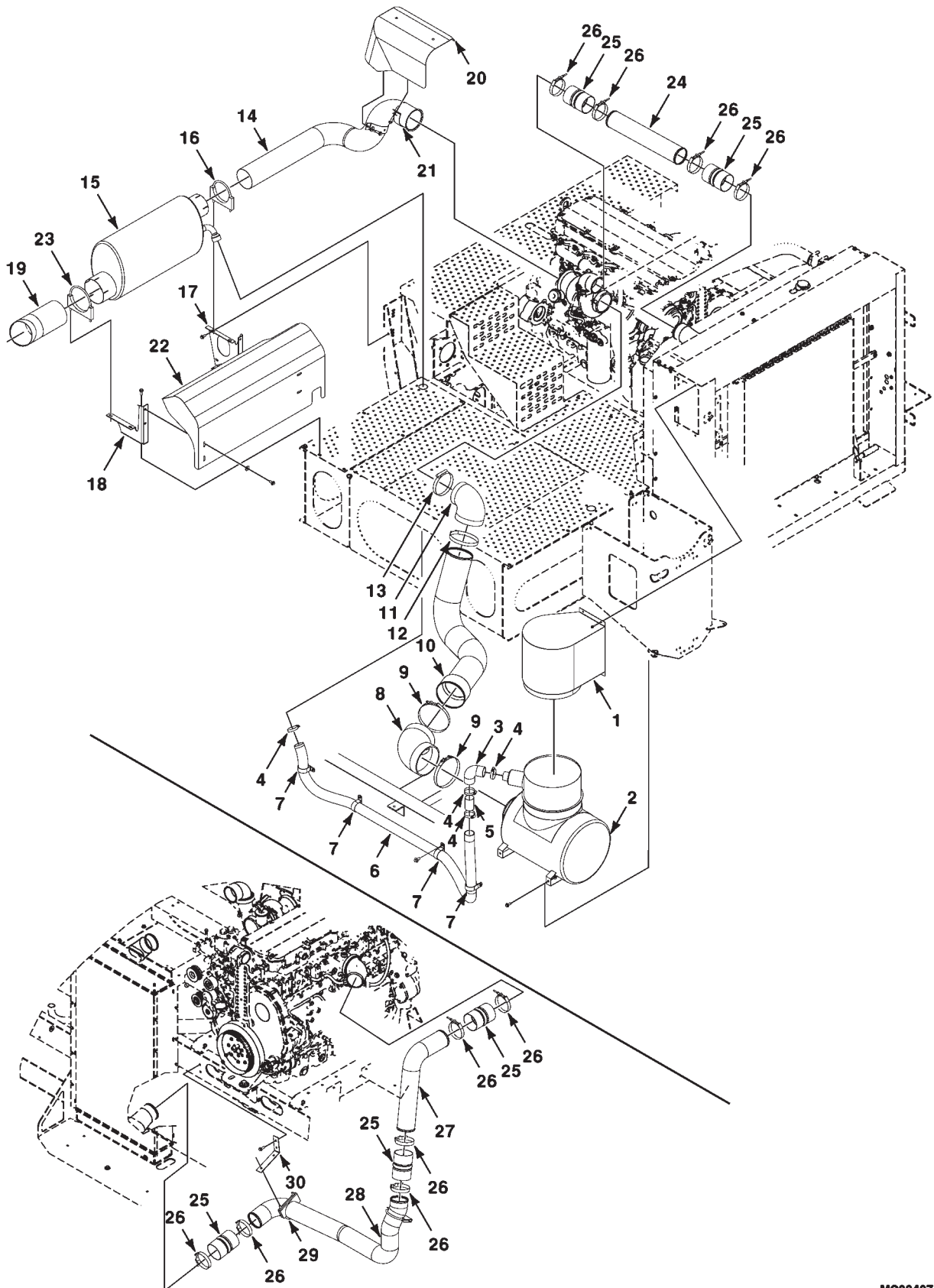
**FRONT ENGINE DRIVES  
FAN, ALTERNATOR, COMPRESSOR**

ITEM	NUMBER	QTY	DESCRIPTION
1	71409326	1	ADAPTER PLATE, FAN DRIVE
	3009312X1	6	CAPSCREW, HEX SKT HD, M16-2.0 X 80
2	71409327	1	COUPLING, FLEX DRIVE
3	71409331	3	PIN, COUPLING DRIVE
4	71412380	3	CAPSCREW, HEX SKT HD, M12-1.75 X 45 SPL.
5	-----	1	HUB ASY, FAN (SERVICE WITH ITEMS 6-16)
	1440356X1	4	CAPSCREW, HEX SKT HD, M12-1.75 X 30
6	71409018	1	SHAFT, FAN DRIVE
7	339437X1	1	RETAINING RING
8	71409020	1	SLEEVE, BEARING SPACER
9	71409011	2	BEARING, 40 mm
10	71409025	1	SUPPORT WLMT, FAN SHAFT
11	390691X1	1	KEY, PARALLEL, 8 X 12 X 36
12	71409016	1	HUB, FAN
13	71409013	1	WASHER, COVER
14	391212X1	1	WASHER, M12, LARGE
15	339196X1	1	NUT, HEX SLOTTED, M12 X 1.25
16	1442989X1	1	COTTER PIN, 3.2 X 32 LG
17	71409024	1	FAN BLADE ASY
	3811720M1	6	BOLT,HEX FLANGE, M10-1.5 X 25 CL10.9
	385362X1	6	WASHER, HARD, M10
18	71407841	1	BELT, FAN
19	71406860	1	ALTERNATOR, 150 AMP
	3009218X1	4	BOLT,HX FLANGE, M10-1.5 X 100 CL10.9
20	71408651	1	PULLEY, ALTERNATOR
21	71409537	1	BAR, SPACER
22	71409538	1	BAR, SPACER
23	71407892	1	A/C COMPRESSOR & CLUTCH ASY
	71413362	1	CLUTCH ASY, A/C
24	1440712X1	4	CAPSCREW, M8-1.25 X 40 CL8.8
	385361X1	4	WASHER, HARD, M8
25	339084X1	4	CAPSCREW, M8-1.25 X 100 CL8.8
	385361X1	4	WASHER, HARD, M8
26	3009208X1	2	BOLT,HEX FLANGE, M10-1.5 X 35 CL10.9
	70917378	2	WASHER, M10, LARGE
	5000004X1	2	NUT, HEX FLANGE NYL LOCK, M10 X 1.5

MCO0406  
PR: t06g24h33d0007

9895 COMBINE  
ENGINE

AIR INTAKE & EXHAUST





**9895 COMBINE  
ENGINE**

39

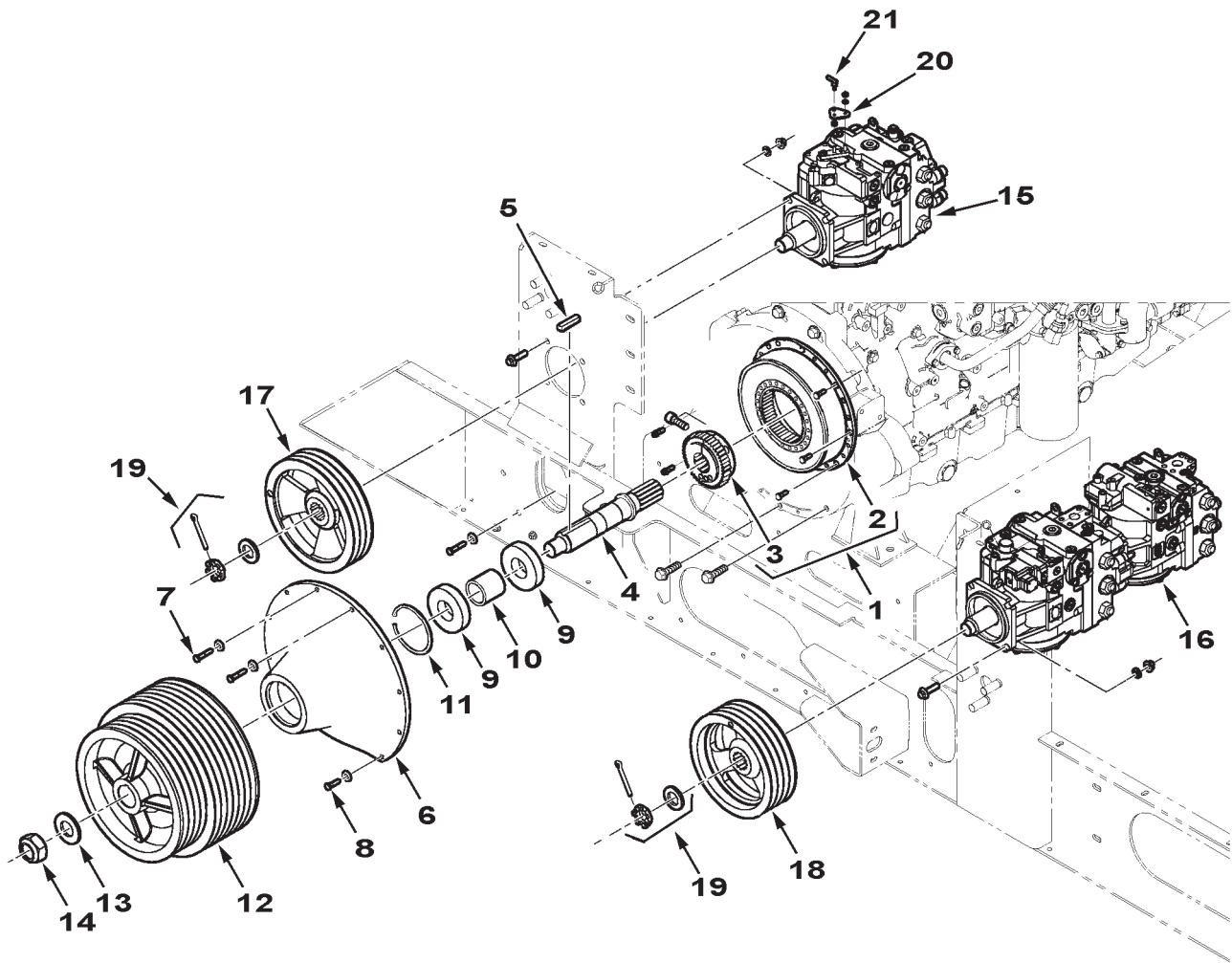
**AIR INTAKE & EXHAUST**

ITEM	NUMBER	QTY	DESCRIPTION
1	71407826	1	INTAKE BOX, AIR CLEANER
	3009183X1	4	BOLT, HEX FLANGE, M6-1.0 X 20 CL10.9
	700704010	AR	SEALANT, RTV BLACK SILICONE
2	71407847	1	AIR CLEANER (INCL. FOLLOWING 3 ITEMS)
	71409551	1	PRECLEANER
	71409552	1	PRIMARY ELEMENT, AIR CLNR.
	71409553	1	SAFETY ELEMENT, AIR CLNR.
	3811720M1	4	BOLT,HEX FLANGE, M10-1.5 X 25 CL10.9
	5000004X1	4	NUT, HEX FLANGE NYL LOCK, M10 X 1.5
3	71396763	1	HOSE, 90 DEG MOULDED, 2.0 ID
4	720219	4	CLAMP, WORM DRIVE, 1.56-2.50 DIA
5	71411193	1	TUBE, 2.0 OD X .049 WALL X 3.0 LG.
6	71411192	1	ASPIRATOR HOSE, 2.0 ID X 97.2 LG.
7	7041015	4	CLAMP, TUBE, 2/1/4 DIA X .531 HOLE
	3009219X1	4	BOLT,HX FLANGE, M12-1.75 X 25 CL10.9
8	71407848	1	ELBOW, 68 DEG, 7.0 ID
9	71407546	2	BAND CLAMP, T-BOLT, 7.26- 7.56 DIA
10	71401616	1	TUBE, AIR INTAKE
11	71407849	1	ELBOW, 90 DEG, 6.0 X 5.0 ID
12	700717761	1	BAND CLAMP, T-BOLT, 6.28- 6.6 DIA
13	72160993	1	BAND CLAMP, HVY DUTY, 5.31- 5.62 DIA
14	71401615	1	TUBE, EXHAUST
15	71401570	1	MUFFLER, EXHAUST
16	71396994	1	CLAMP, EXHAUST, 5.0 DIA
17	71407851	1	SUPPORT WLMT, MUFFLER
	3811720M1	2	BOLT,HEX FLANGE, M10-1.5 X 25 CL10.9
18	71407857	1	SUPPORT WLMT, MUFFLER
	3009207X1	2	BOLT,HEX FLANGE, M10-1.5 X 30 CL10.9
19	71411194	1	TUBE, EXHAUST
20	71407860	1	HEAT SHIELD WLMT
21	71412381	2	STRAP, 5" DIA
	3009208X1	4	BOLT,HEX FLANGE, M10-1.5 X 35 CL10.9
	70917378	4	WASHER, M10, LARGE
22	71411188	1	HEAT SHIELD WLMT
	3811720M1	4	BOLT,HEX FLANGE, M10-1.5 X 25 CL10.9
	70917378	4	WASHER, M10, LARGE
23	8020125	1	CLAMP, EXHAUST, 6.0 DIA
24	71401602	1	TUBE, ENG TO CHARGE AIR COOLER
25	71407545	5	BELLOW, RUBBER, 4.0 DIA
26	71396983	10	BAND CLAMP, T-BOLT, 4.13- 4.44 DIA
27	71401603	1	TUBE, CHARGE AIR COOLER TO ENG.
28	71409548	1	TUBE, CHARGE AIR COOLER TO ENG.
29	70931218	2	CLAMP, EXHAUST, 4.0 DIA
30	71401622	1	STRAP, AIR TUBE SUPPORT
	3009207X1	2	BOLT,HEX FLANGE, M10-1.5 X 30 CL10.9

MC00407

PR: t06g24h33d0008

PTO AND PUMPS



**9895 COMBINE  
ENGINE**

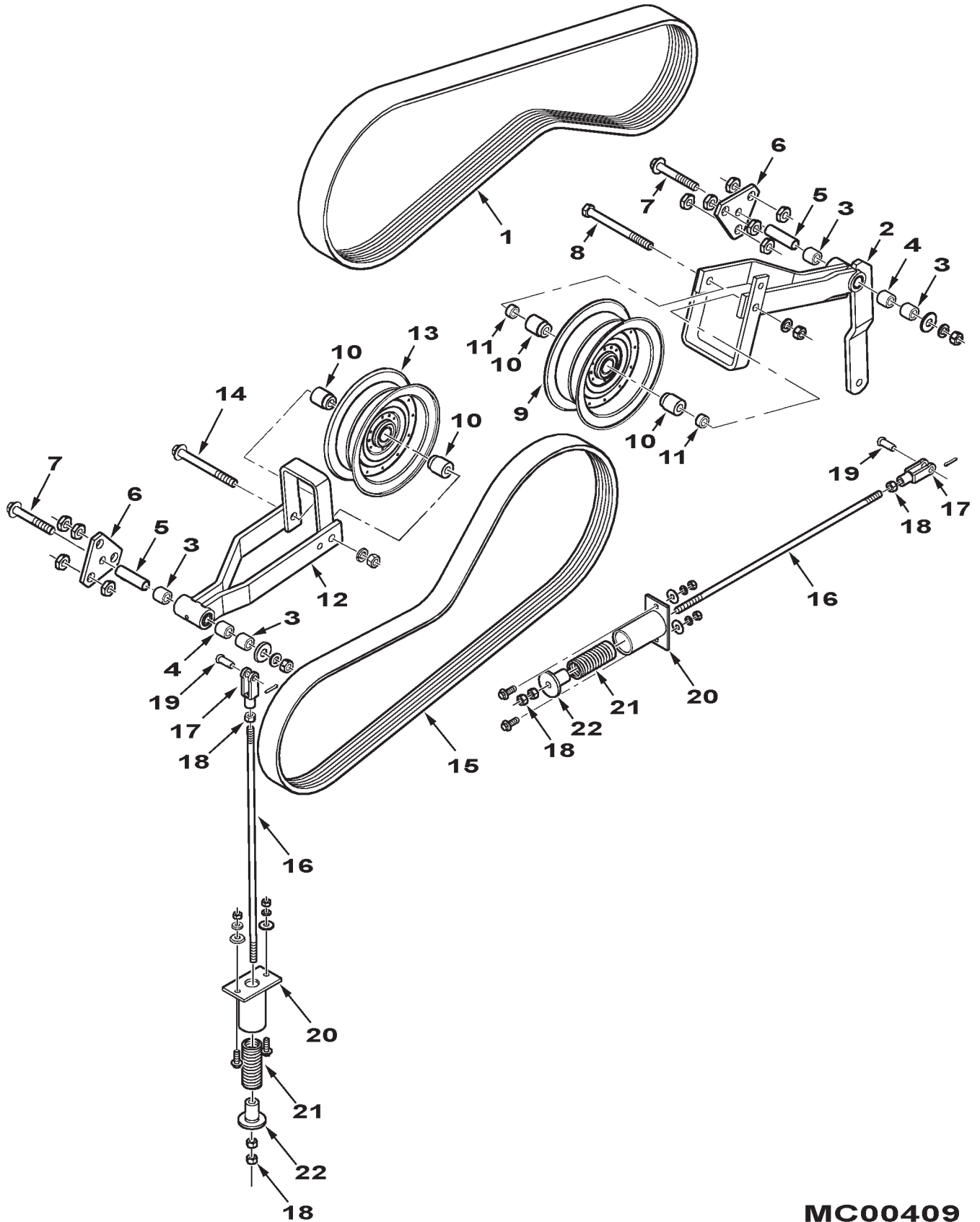
41

**PTO AND PUMPS**

ITEM	NUMBER	QTY	DESCRIPTION
1	71409917	1	FLEX COUPLING ASY (INCL. ITEMS 2 & 3)
2	71410727	1	COUPLING
3	71406294	1	HUB ASY, W/ CAPSCREW
4	71406295	1	SHAFT, PTO
5	71178962	1	KEY, .375 SQ X 2.5 LG
6	71390090	1	HOUSING, PTO
7	70921971	2	CAPSCREW, 3/8-16 X 1-3/4 GR5
	70917378	2	WASHER, 3/8, WIDE
8	70921969	8	CAPSCREW, 3/8-16 X 1-1/2 GR5
9	71398331	2	BEARING, 55mm, W/ 2 SEALS
10	71398333	1	SPACER SLEEVE
11	700720004	1	RETAINING RING
12	71403697	1	SHEAVE, PTO
13	70928136	1	WASHER, HARD, 1.56 X 3.0 X .25
14	70925284	1	NUT, NYLON LOCK, 1-1/2-12 UNF
15	71409779	1	PUMP, PROPEL
	3009223X1	4	BOLT,HX FLANGE, M12-1.75 X 45 CL10.9
	385363X1	4	WASHER, HARD, M12
	5000005X1	4	NUT, HEX FLANGE NYL LOCK, M12 X 1.75
16	71401759	1	TANDEM PUMPS, ROTOR
	3009223X1	4	BOLT,HX FLANGE, M12-1.75 X 45 CL10.9
	385363X1	4	WASHER, HARD, M12
	5000005X1	4	NUT, HEX FLANGE NYL LOCK, M12 X 1.75
17	71389641	1	SHEAVE, PROPEL PUMP
18	71390092	1	SHEAVE, ROTOR PUMP
19	70926208	2	WASHER, HARD, 1.31 X 2.25 X .25
	71356529	2	NUT, SLOTTED HEX (SUPPLIED W/ PUMP)
	70925719	2	PIN, COTTER, 1/8 X 2"
20	71397428	1	PLATE, ADAPTER
	353505X1	2	CAPSCREW, 1/4-28 X 1" GR5
	705012	2	LOCKWASHER, 1/4 REG
	70914192	2	NUT, 1/4-28UNF
21	7845068	1	BALL JOINT
	704957	1	NUT, CENTER LOCK, 1/4-28UNF

MC00408  
PR: t06g24h33d0009

MAIN PUMP DRIVES



**9895 COMBINE  
ENGINE**

43

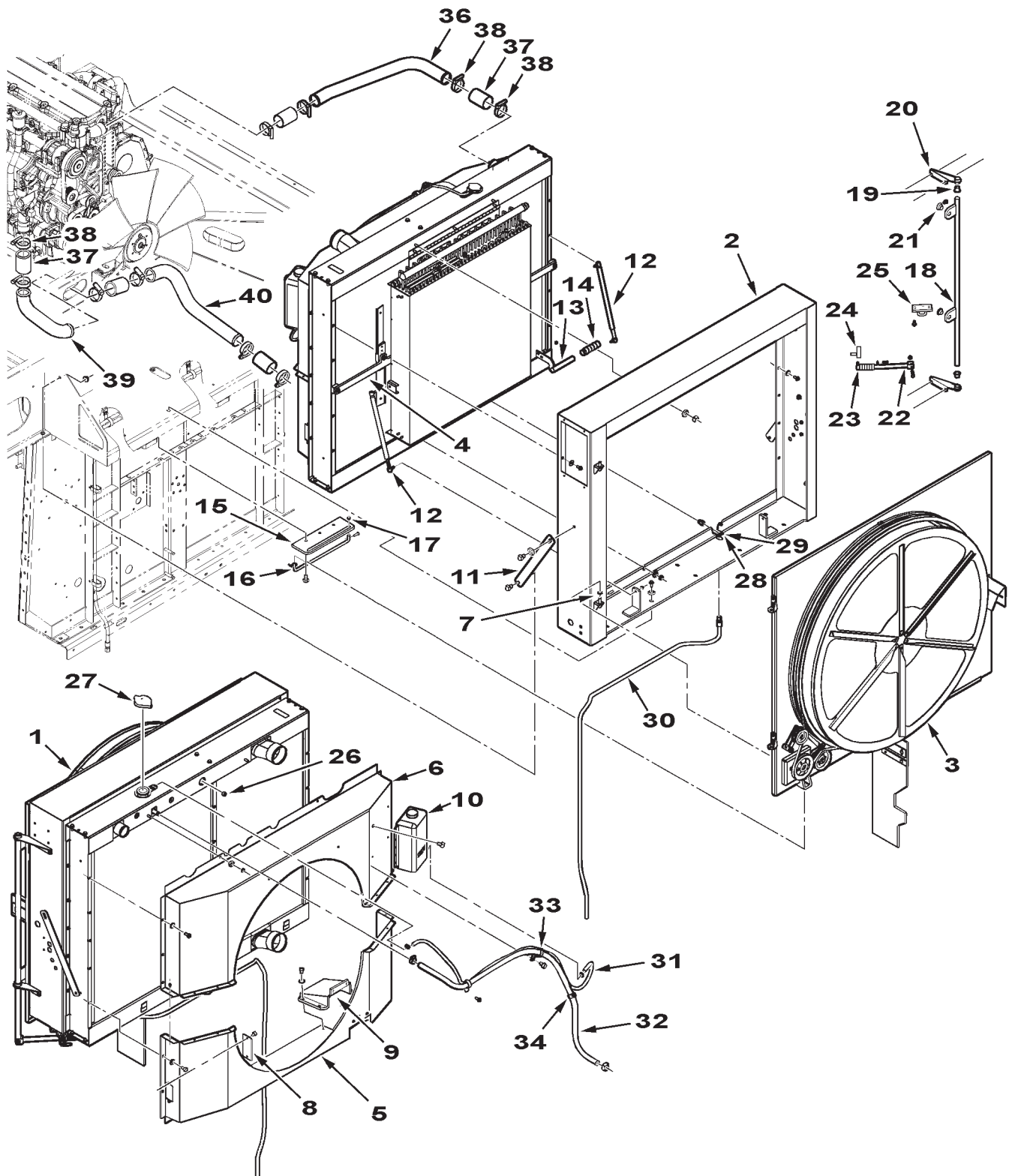
**MAIN PUMP DRIVES**

ITEM	NUMBER	QTY	DESCRIPTION
1	71406285	1	BELT, ROTOR PUMPS
2	71406287	1	ARM ASY, IDLER (INCL. ITEMS 3 & 4)
3	71356060	4	BUSHING, IDLER ARM
4	71390208	2	SPACER
5	71390203	2	SLEEVE, IDLER PIVOT
6	71408706	2	PLATE, MOUNTING
7	3009246X1	2	BOLT, HEX FLANGE, M16-2.0 X 110 CL10.9
	3019565X1	2	WASHER, M16, LARGE
	339377X1	2	LOCKWASHER, M16
	339034X1	2	NUT, M16 X 2.0, REG
8	1442666X1	1	BOLT, HEX FLANGE, M16-2.0 X 180 CL 8.8
	339377X1	1	LOCKWASHER, M16
	339034X1	1	NUT, M16 X 2.0, REG
9	71390861	1	FLAT IDLER, 8.0", FLANGED
10	71312603	4	SPACER, IDLER
11	6529705	2	SPACER
12	71403724	1	ARM ASY, IDLER (INCL. ITEMS 3 & 4)
13	71309768	1	FLAT IDLER, 8.0", FLANGED
14	3009251X1	1	BOLT, HEX FLANGE, M16-2.0 X 160 CL10.9
	339377X1	1	LOCKWASHER, M16
	339034X1	1	NUT, M16 X 2.0, REG
15	71406286	1	BELT, PROPEL PUMP
16	71406290	2	ROD, THREADED, 1/2-13 X 23.6 LG.
17	70937465	2	CLEVIS
18	704031	6	NUT, 1/2-13, REG
19	70929593	2	PIN, CLEVIS, 1/2 DIA
	70918452	2	COTTER PIN, 1/8 X 1"
20	71399557	2	HOUSING WLMT, SPRING
	3009207X1	4	BOLT, HEX FLANGE, M10-1.5 X 30 CL10.9
	70917378	4	WASHER, M10, LARGE
	339376X1	4	LOCKWASHER, M10
	339402X1	4	NUT, M10 X 1.5, REG
21	71382716	2	SPRING
22	71399551	2	GUIDE, SPRING

MCO0409

PR: t06g24h33d0010

COOLING SYSTEM



**9895 COMBINE  
ENGINE**

45

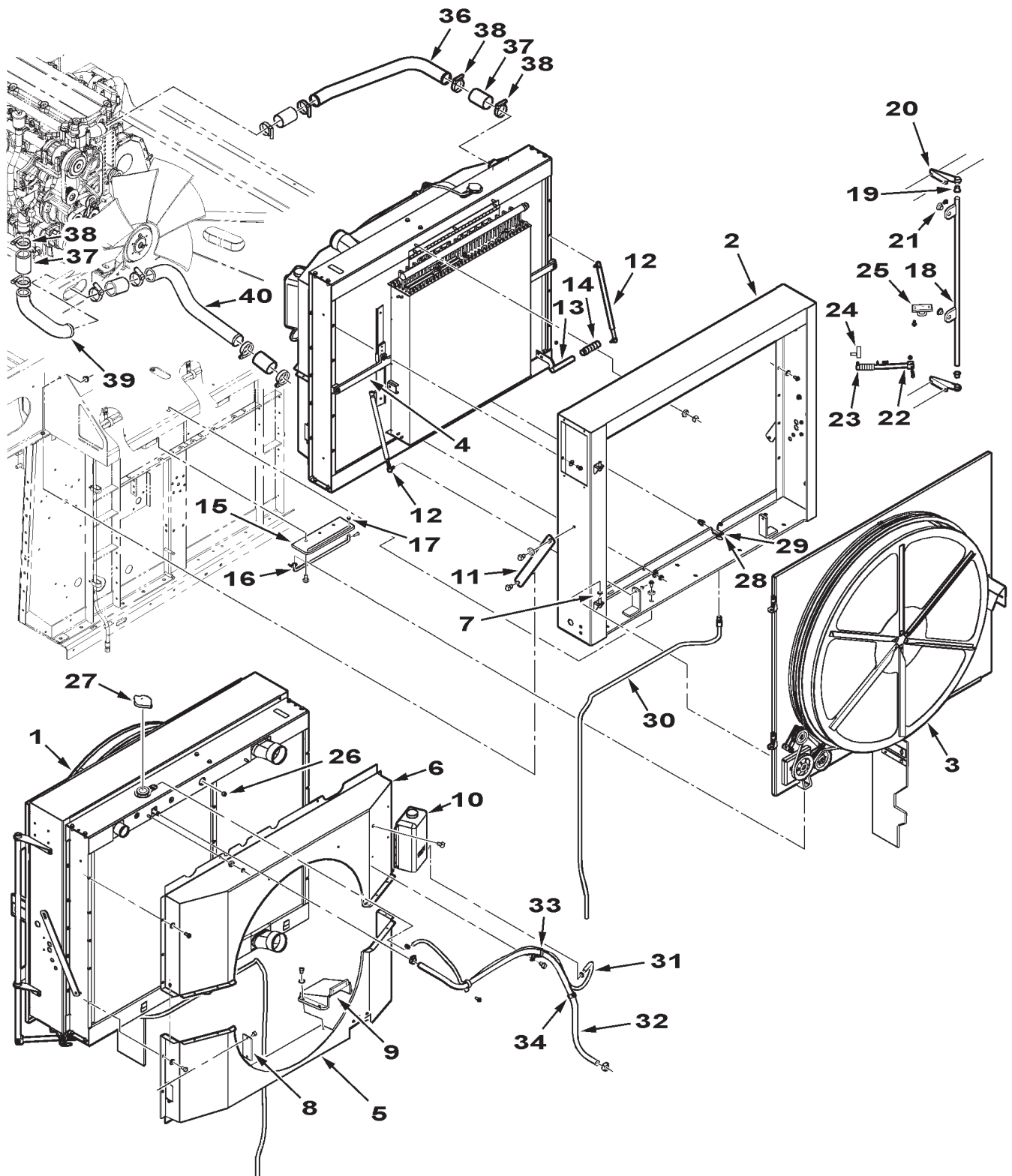
**COOLING SYSTEM**

ITEM	NUMBER	QTY	DESCRIPTION
1	-----	1	RADIATOR ASY, CL 8 (INCL. FOLLOWING 4 COMPONENTS)
	-----	1	RADIATOR ASY & FRAME (NOT SERVICED)
	71407893	1	COOLER, CHARGE AIR
	71407894	1	RADIATOR
	71407878	1	COMBO COOLER ASY
2	71407831	1	SHROUD WLMT, ROTARY SCREEN
	3811720M1	16	BOLT,HEX FLANGE, M10-1.5 X 25 CL10.9
	70917378	20	WASHER, M10, LARGE
	5000004X1	4	NUT, HEX FLANGE NYL LOCK, M10 X 1.5
3	-----	1	ROTARY SCREEN ASY(SEE COMPONENT LISTING)
4	-----	1	SLINGER GROUP (SEE COMPONENT LISTING)
5	71401607	1	BOTTOM SHROUD WLMT, FAN
	3811720M1	4	BOLT,HEX FLANGE, M10-1.5 X 25 CL10.9
	70917378	4	WASHER, M10, LARGE
6	71401611	1	TOP SHROUD WLMT, FAN
	3811720M1	6	BOLT,HEX FLANGE, M10-1.5 X 25 CL10.9
	70917378	8	WASHER, M10, LARGE
	5000004X1	2	NUT, HEX FLANGE NYL LOCK, M10 X 1.5
	3009181X1	6	BOLT,HEX FLANGE, M6-1.0 X 12 CL10.9
7	385363X1	2	WASHER, M12, HARD
	70918452	2	COTTER PIN, 1/8 X 1"
8	71409554	2	PLATE, FILLER
	3009181X1	4	BOLT,HEX FLANGE, M6-1.0 X 12 CL10.9
9	71407505	1	COVER, BOTTOM SHROUD
	3009181X1	6	BOLT,HEX FLANGE, M6-1.0 X 12 CL10.9
	391038X1	6	WASHER, M6, LARGE
10	71346998	1	TANK, COOLANT OVERFLOW
	3009182X1	4	BOLT,HEX FLANGE, M6-1.0 X 16 CL10.9
11	71408653	2	STRAP
	3009219X1	4	BOLT,HX FLANGE, M12-1.75 X 25 CL10.9
	5000005X1	2	NUT, HEX FLANGE NYL LOCK, M12 X 1.75
	391212X1	2	WASHER, M12, LARGE
12	71336386	2	SPRING, GAS
	71339847	4	STUD, BALL
	Y704726	2	NUT, HEX FLANGE TOP LOCK, 5/16-18
13	71393831	1	HANDLE WLMT, COMBINATION COOLER
	Y704726	2	NUT, HEX FLANGE TOP LOCK, 5/16-18
14	27342	1	GRIP, HANDLE
15	71409533	1	PLATE, PROP ROD
	3811720M1	3	BOLT,HEX FLANGE, M10-1.5 X 25 CL10.9
16	71409534	1	PROP ROD
	70918266	1	WASHER, 3/8, NARROW
	70918447	3	COTTER PIN, 3/32 X 3/4
17	71388882	1	BUSHING, PROP ROD
18	71412042	1	LATCH WLMT, ROTARY SCREEN
19	71412048	2	BUSHING, NYLON
20	71412255	2	SUPPORT WLMT, TUBE
	3811720M1	4	BOLT,HEX FLANGE, M10-1.5 X 25 CL10.9
21	71412251	2	BUMPER, RUBBER
22	71412043	1	HANDLE WLMT, ROTARY SCREEN
	391925X1	1	CAPSCREW, M10-1.5 X 55 CL8.8
	5000004X1	1	NUT, HEX FLANGE NYL LOCK, M10 X 1.5

CONTINUED

MC00410  
PR: t06g24h33d0011

COOLING SYSTEM





**9895 COMBINE  
ENGINE**

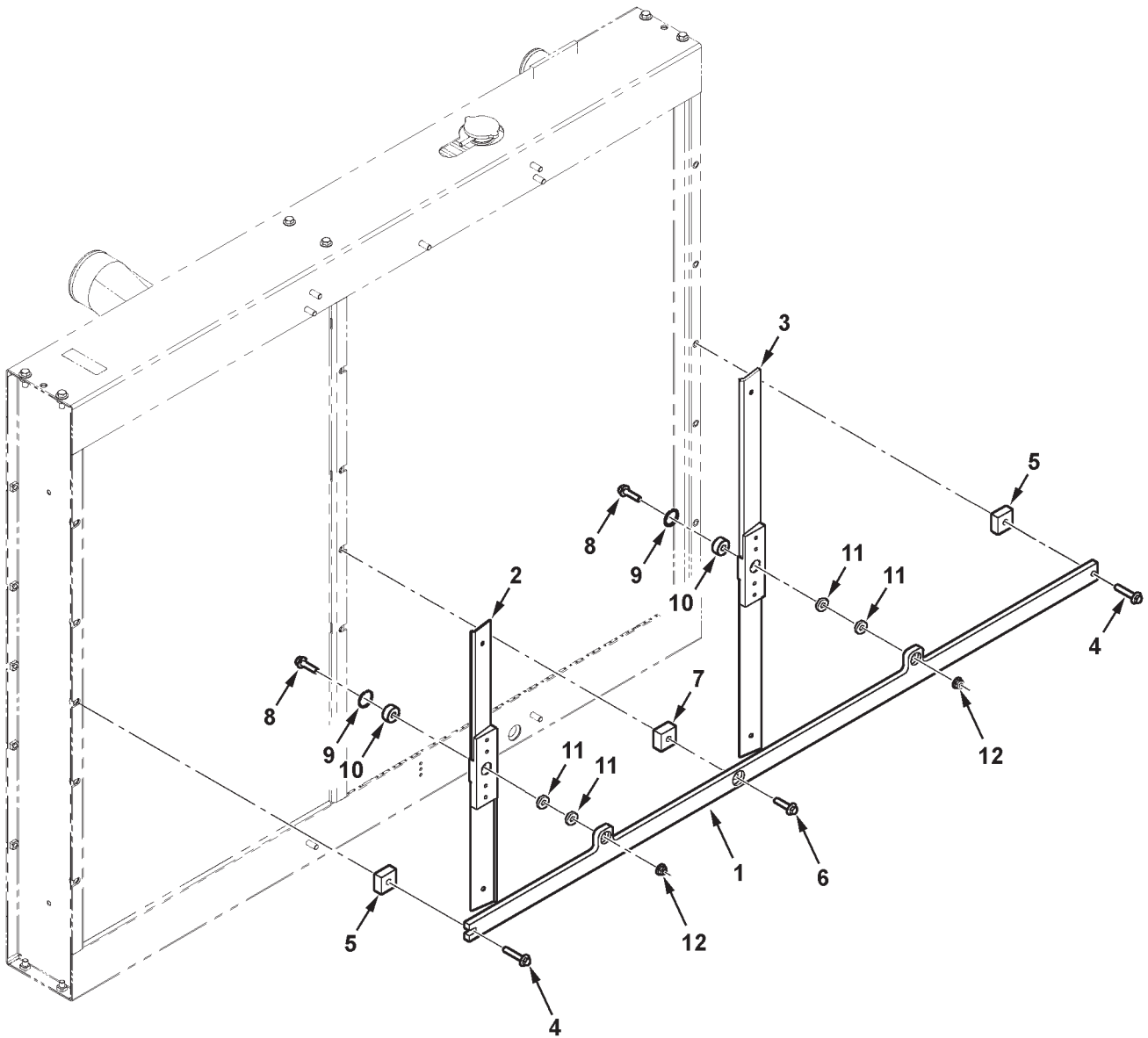
47

**COOLING SYSTEM**

ITEM	NUMBER	QTY	DESCRIPTION
23	71396276	1	GRIP, HANDLE
24	71412256	1	LATCH ASY, SPRING LOADED
	1441268X1	2	CAPSCREW, M6-1.0 X 30 CL8.8
	5000002X1	1	NUT, HEX FLANGE NYL LOCK, M6 X 1.0
25	71412252	1	SUPPORT WLMT, LATCH
	3811720M1	2	BOLT,HEX FLANGE, M10-1.5 X 25 CL10.9
26	70917970	1	PLUG, HEX SOCKET, 1/2 NPTF
	Y746578	1	PLUG, HEX SOCKET, 1/4 NPTF
27	71400413	1	CAP, RADIATOR
28	70917919	1	ADAPTER, 1/4 X 1/4 NPTF
29	70933036	1	VALVE, DRAIN
30	71409555	1	HOSE, RAD DRAIN
31	71409550	1	HOSE, 5/16 ID X 70.2 LG
	70929402	2	CLAMP, WORM DRIVE, .22-.63 DIA
32	71409549	1	HOSE, 3/4 ID X 63.2 LG
	70921911	2	CLAMP, WORM DRIVE, .69-1.25 DIA
33	70936765	2	CLAMP, LINE, 1-3/4 DIA X .406 HOLE
	3811720M1	2	BOLT,HEX FLANGE, M10-1.5 X 25 CL10.9
34	70929748	1	CLAMP, LINE, 1-1/4 DIA X .406 HOLE
36	71401604	1	TUBE, COOLANT, RAD UPPER
37	71396984	5	HOSE, RAD, 2.5 ID
38	71366540	10	CLAMP, CONSTANT TORQUE
39	71401606	1	TUBE, COOLANT, RAD LOWER
40	71401605	1	TUBE, COOLANT, RAD LOWER

MCO0410  
PR: t06g24h33d0011

RADIATOR SLINGER



9895 COMBINE  
ENGINE

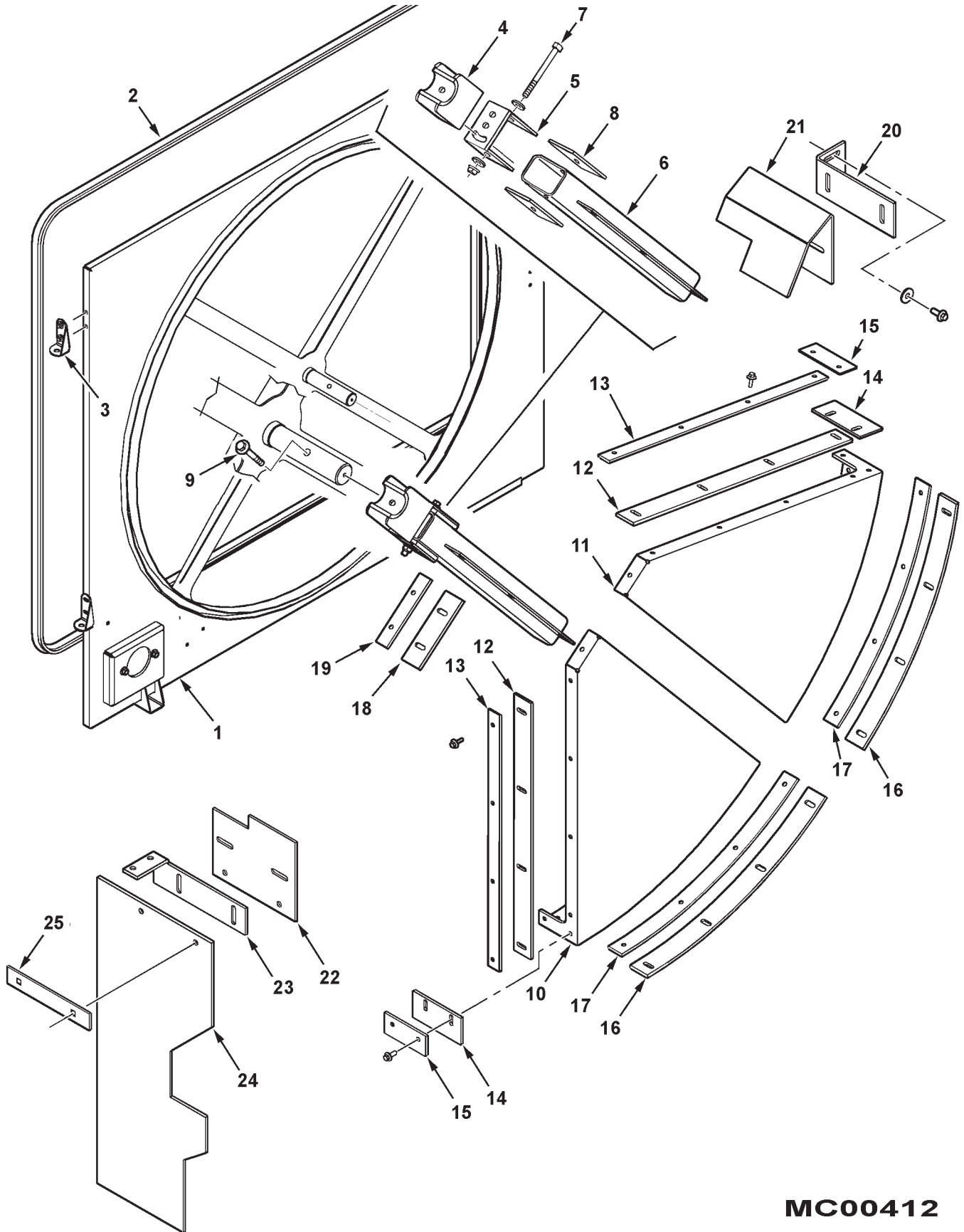
49

RADIATOR SLINGER

ITEM	NUMBER	QTY	DESCRIPTION
1	71412259	1	BAR WLMT, SUPPORT
2	71407538	1	BLADE ASY, SLINGER
	71407539	1	BLADE, SLINGER
	71412263	1	BLADE, SLINGER
	71391462	1	CARRIER, BEARING
	70920787	4	CAPSCREW, 5/16-18 X 1/2 LG, GR5
	79021668	AR	THREAD LOCKER, HIGH STRENGTH
	79021648	AR	PRIMER N
3	71407537	1	BLADE ASY, SLINGER
	71407375	2	BLADE, SLINGER
	71391462	1	CARRIER, BEARING
	70920787	4	CAPSCREW, 5/16-18 X 1/2 LG, GR5
	79021668	AR	THREAD LOCKER, HIGH STRENGTH
	79021648	AR	PRIMER N
4	3009211X1	2	BOLT, HEX FLANGE, M10-1.5 X 50 CL10.9
5	71412261	2	SPACER BLOCK, .69 TH
6	3009209X1	1	BOLT, HEX FLANGE, M10-1.5 X 40 CL10.9
7	71412262	1	SPACER BLOCK, .79 TH
8	700711084	2	CAPSCREW, HEX FLANGE, 3/8-16 X 1-1/2 GR8
9	70927692	2	RING, RETAINING
10	71391540	2	BEARING, BALL
11	385362X1	4	WASHER, M10, HARD
12	Y704734	2	NUT, HEX FLANGE TOP LOCK, 3/8-16

MC00411  
PR: t06g24h33d0012

ROTARY SCREEN  
DOOR & SHIELDING



**9895 COMBINE  
ENGINE**

51

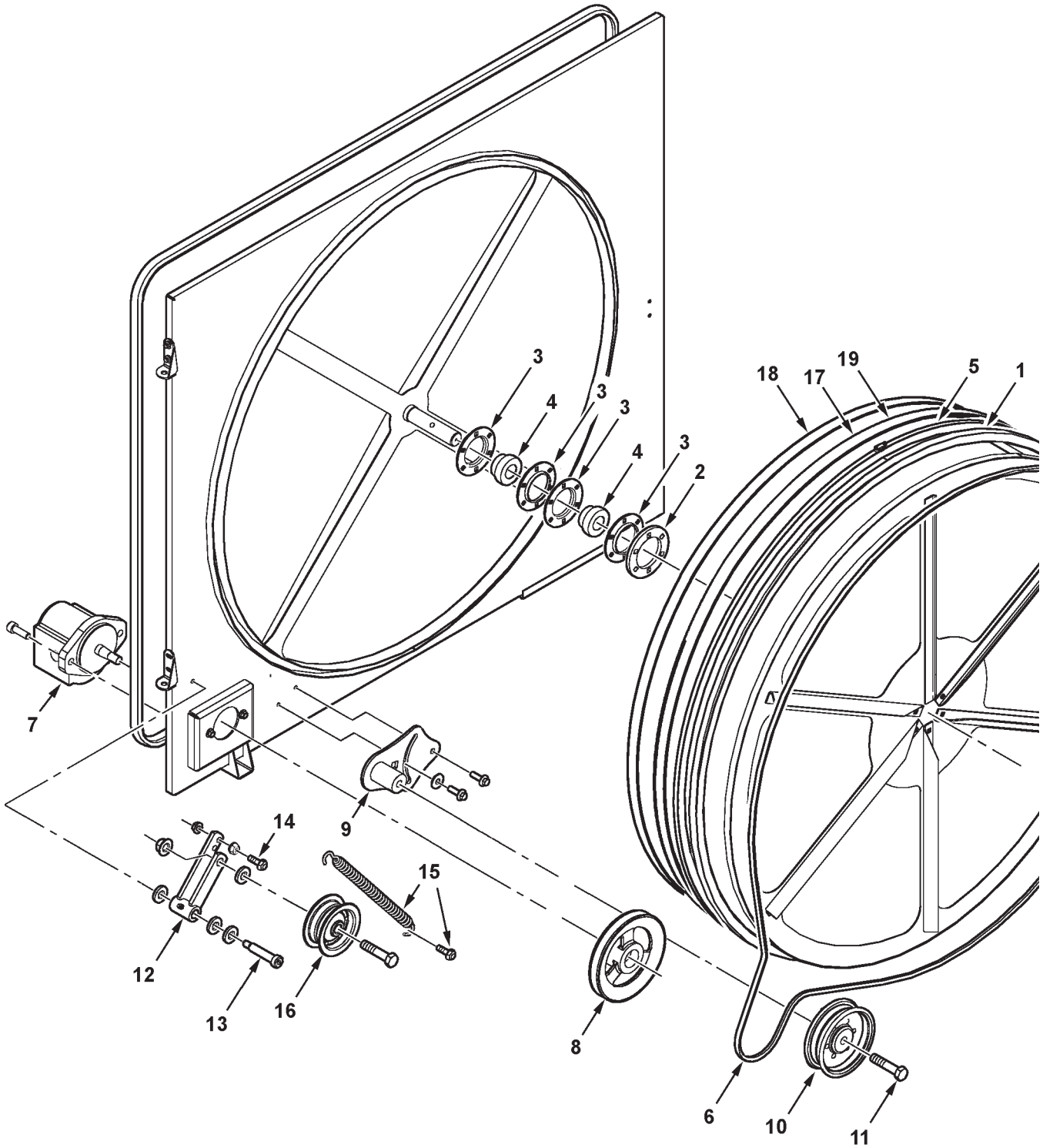
**ROTARY SCREEN  
DOOR & SHIELDING**

ITEM	NUMBER	QTY	DESCRIPTION
1	71409003	1	PANEL WLMT, ROTARY SCREEN
2	71409525	1	SEAL, ROTARY SCREEN
3	71395906	2	BRACKET, HINGE
	339123X1	4	BOLT,HEX FLANGE, M8-1.25 X 20 CL10.9
	385361X1	4	WASHER, HARD, M8
4	71410684	1	SHAFT SUPPORT WLMT
	339123X1	2	BOLT,HEX FLANGE, M8-1.25 X 20 CL10.9
	391039X1	1	WASHER, M8, LARGE
5	71410686	1	SWIVEL PLATE WLMT
6	71410680	1	SUPPORT WLMT
7	3010636X1	2	BOLT,HEX FLANGE, M8-1.25 X 90 CL10.9
	5000003X1	2	NUT, HEX FLANGE NYL LOCK, M8 X 1.25
8	71412389	2	PLATE, SPACER
9	3811721M1	1	BOLT, HEX FLANGE, M10-1.5 X 55 CL10.9
	5000004X1	1	NUT, HEX FLANGE NYL LOCK, M10 X 1.5
10	71409350	1	SHIELD WLMT, ROTARY SCREEN
	3009182X1	4	BOLT,HEX FLANGE, M6-1.0 X 16 CL10.9
11	71409349	1	SHIELD WLMT, ROTARY SCREEN
	3009182X1	4	BOLT,HEX FLANGE, M6-1.0 X 16 CL10.9
12	71409510	2	STRAP
13	71409511	2	PLATE
	3009182X1	4	BOLT,HEX FLANGE, M6-1.0 X 16 CL10.9
14	71409514	2	PLATE
15	71409515	2	PLATE
	3009182X1	2	BOLT,HEX FLANGE, M6-1.0 X 16 CL10.9
16	71409512	2	WRAPPER STRAP
17	71409513	2	WRAPPER STRAP
	3009182X1	4	BOLT,HEX FLANGE, M6-1.0 X 16 CL10.9
18	71409508	1	STRAP
19	71409509	1	PLATE
	3009182X1	2	BOLT,HEX FLANGE, M6-1.0 X 16 CL10.9
20	71409528	1	ANGLE BRKT
	339123X1	2	BOLT,HEX FLANGE, M8-1.25 X 20 CL10.9
	391039X1	2	WASHER, M8, LARGE
21	71409526	1	SCRAPER BRKT
	PZND1041V	2	BOLT,RD HD SQ NK, M8-1.25 X 20 CL8.8
	5000003X1	2	NUT, HEX FLANGE NYL LOCK, M8 X 1.25
	391039X1	2	WASHER, M8, LARGE
22	71409527	1	PLATE
23	71409529	1	ANGLE BRKT
	339123X1	2	BOLT,HEX FLANGE, M8-1.25 X 20 CL10.9
	PZND1041V	2	BOLT,RD HD SQ NK, M8-1.25 X 20 CL8.8
	391039X1	2	WASHER, M8, LARGE
	5000003X1	2	NUT, HEX FLANGE NYL LOCK, M8 X 1.25
24	71409530	1	FLAP, RUBBER
	PZND1041V	2	BOLT,RD HD SQ NK, M8-1.25 X 20 CL8.8
	5000003X1	2	NUT, HEX FLANGE NYL LOCK, M8 X 1.25
25	71409531	1	PLATE, REINFORCEMENT

MC00412

PR: t06g24h33d0013

ROTARY SCREEN  
SCREEN & DRIVE MOTOR



**9895 COMBINE  
ENGINE**

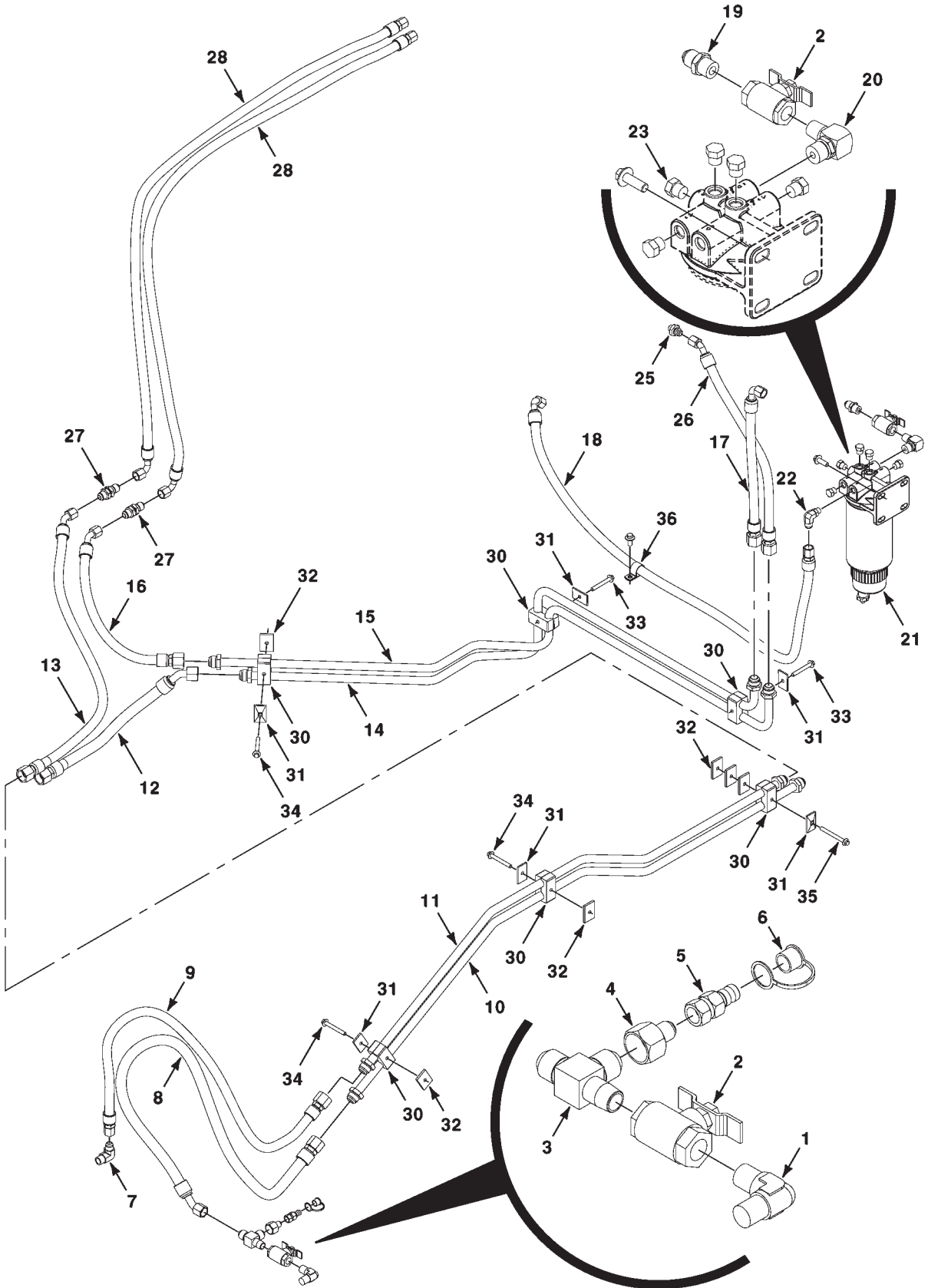
53

**ROTARY SCREEN  
SCREEN & DRIVE MOTOR**

ITEM	NUMBER	QTY	DESCRIPTION
1	71409345	1	ROTARY SCREEN WLMT
	PZND1138	6	BOLT,RD HD SQ NK, M10-1.5 X 35 CL8.8
	390809X1	6	BOLT,RD HD SQ NK, M10-1.5 X 25 CL8.8
	5000004X1	12	NUT, HEX FLANGE NYL LOCK, M10 X 1.5
2	71409335	1	FLANGE PLATE
3	712612B	4	FLANGETTE, 6 HOLE
4	71409334	2	BEARING, SPHERICAL, W/ LOCK COLLAR
	-----	2	COLLAR, BEARING (ORDER BEARING)
5	71410689	1	CLAMP, WORM DRIVE, 54" DIA
6	71409522	1	BELT, "V"
7	71396755	1	MOTOR, HYDRAULIC
	71396758	AR	SEAL KIT (SOLE SERVICE COMPONENT)
	70910224	1	KEY, WOODRUFF, 5/32 X 5/8 DIA
	391991X1	2	CAPSCREW, HEX SKT HD, M10-1.5 X 30
8	71409517	1	SHEAVE, SCREEN DRIVE
	Y705046	1	LOCKWASHER, 1/2 REG
	7704000	1	JAM NUT, 1/2-20 GR2
9	71410688	1	MOUNTING WLMT, IDLER
	3009194X1	2	BOLT,HEX FLANGE, M8-1.25 X 25 CL10.9
	391039X1	1	WASHER, M8, LARGE
10	71127502	1	IDLER, FLAT, 4" DIA
11	70923154	1	CAPSCREW, 1/2-13 X 1-1/2 GR8
12	71409519	1	ARM ASY, IDLER
	3728019M1	2	BUSHING
	70914687	1	LUBE FTG, 1/4-28 UNF
13	772616	1	SHOULDER SCREW,SOCK HD, 1/2 X 2 X 3/8-16
	705541	2	WASHER, HARD, .531 X 1.03 X .120
14	7883333	1	SCREW, HX WSHR HD MACH, 5/16-18 X 1
	70931277	2	LOCKNUT, HEX SERR FLANGE, 5/16-18
15	700709632	1	SPRING, EXTENSION
	1440712X1	1	BOLT,HEX FLANGE, M8-1.25 X 40 CL10.9
	5000010X1	1	NUT, HX FLANGE, M8 X 1.25, PHOS COAT
16	7053598	1	IDLER, FLAT, 2.75" DIA
	70922645	1	CAPSCREW, 1/2-13 X 2-1/4, GR5
	705541	1	WASHER, HARD, .531 X 1.03 X .120
	Y704742	1	NUT, HEX FLANGE TOP LOCK, 1/2-13
17	71412394	1	SEAL, ROTARY SCREEN
18	71412396	1	TAPE, ROTARY SCREEN
19	700704010	AR	SEALANT, BLACK SILICONE

MC00413  
PR: t06g24h33d0014

FUEL LINES





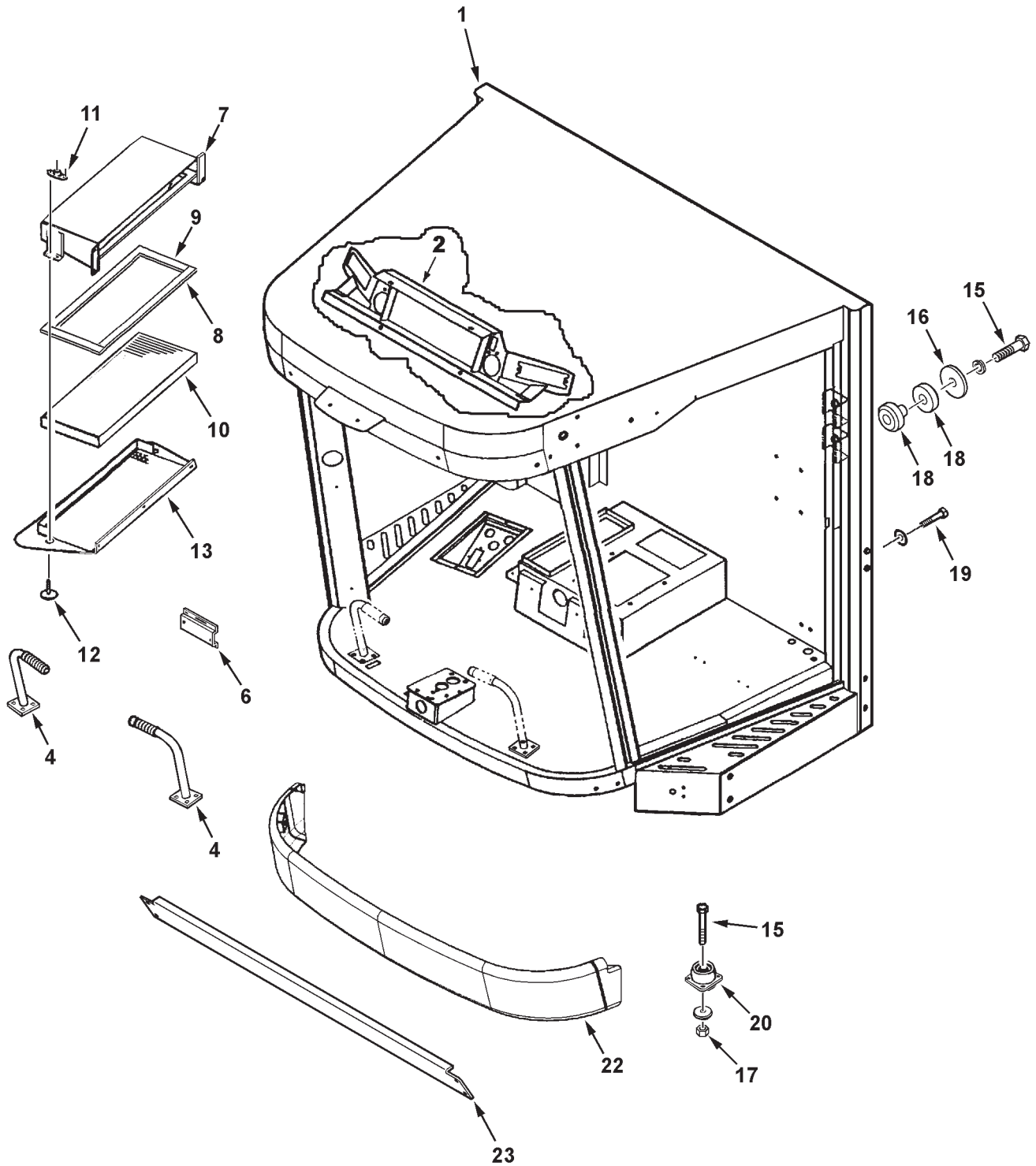
**9895 COMBINE  
ENGINE**

**55  
FUEL LINES**

ITEM	NUMBER	QTY	DESCRIPTION
1	700701331	1	ELBOW, 90 DEG, 1/2 NPTF MALE
2	71368741	1	VALVE, BALL, 1/2 NPT
3	71400556	1	TEE, MALE, 7/8-14 JIC X 1/2 NPTF RUN
4	70930224	1	REDUCER, 7/8-14 JIC FEM X 9/16-18 JIC
5	700722408	1	NIPPLE, DIAGNOSTIC, 9/16-18 JIC FEM
6	71379304	1	CAP, DUST
7	70919195	1	ELBOW, 90 DEG, 3/4-16 JIC X 1/2 NPTF
8	71411152	1	HOSE ASY, FUEL SUPPLY
9	71411153	1	HOSE ASY, FUEL RETURN
10	71411251	1	TUBE ASY, FUEL SUPPLY
11	71411252	1	TUBE ASY, FUEL RETURN
12	71410715	1	HOSE ASY, FUEL SUPPLY
13	71406639	1	HOSE ASY, FUEL COOLER TO TANK
14	71411156	1	TUBE ASY, FUEL SUPPLY
15	71406637	1	TUBE ASY, FUEL RETURN
16	71410716	1	HOSE ASY, FUEL COOLER
17	71411165	1	HOSE ASY, FUEL SUPPLY
18	71411164	1	HOSE ASY, FUEL SUPPLY
19	70919128	1	STR CONN, 3/4-16 JIC X 1/2 NPTF
20	71409313	1	ELBOW, 90 DEG, 1/2 NPTF X 9/16-18 ORB
	70921885	1	O-RING, .078 X .468 ID
21	CH1R-0762	1	FILTER ELEMENT ASY, FUEL, SECONDARY
22	70930804	1	ELBOW, 90 DEG, 3/4-16 X 9/16-18 ORB
	70921885	1	O-RING, .078 X .468 ID
23	357194X1	5	PLUG, HEX HD, 9/16-18 ORB
	70921885	AR	O-RING, .078 X .468 ID
25	70924403	1	STR CONN, 3/4-16 JIC X 9/16-18 ORB
	70921885	1	O-RING, .078 X .468 ID
26	71411166	1	HOSE ASY, FUEL RETURN
27	70927261	2	UNION, BULKHEAD, 3/4-16 JIC
28	71411155	2	HOSE ASY, FUEL COOLER
30	71406642	6	CLAMP PAIR, DOUBLE, 3/4 DIA
31	101646M1	6	COVER PLATE
32	71404450	6	SPACER PLATE
33	3009201X1	2	BOLT, HEX FLANGE, M8-1.25 X 60 CL10.9
34	3009202X1	3	BOLT, HEX FLANGE, M8-1.25 X 65 CL10.9
35	3009204X1	1	BOLT, HEX FLANGE, M8-1.25 X 80 CL10.9
36	70925621	1	CLAMP, LINE, 1.0 DIA X .406 HOLE
	3009205X1	1	BOLT, HEX FLANGE, M10-1.5 X 20 CL10.9

MC00416  
PR: t06g24h33d0015

FRAME & MOUNTING



9895 COMBINE  
CAB

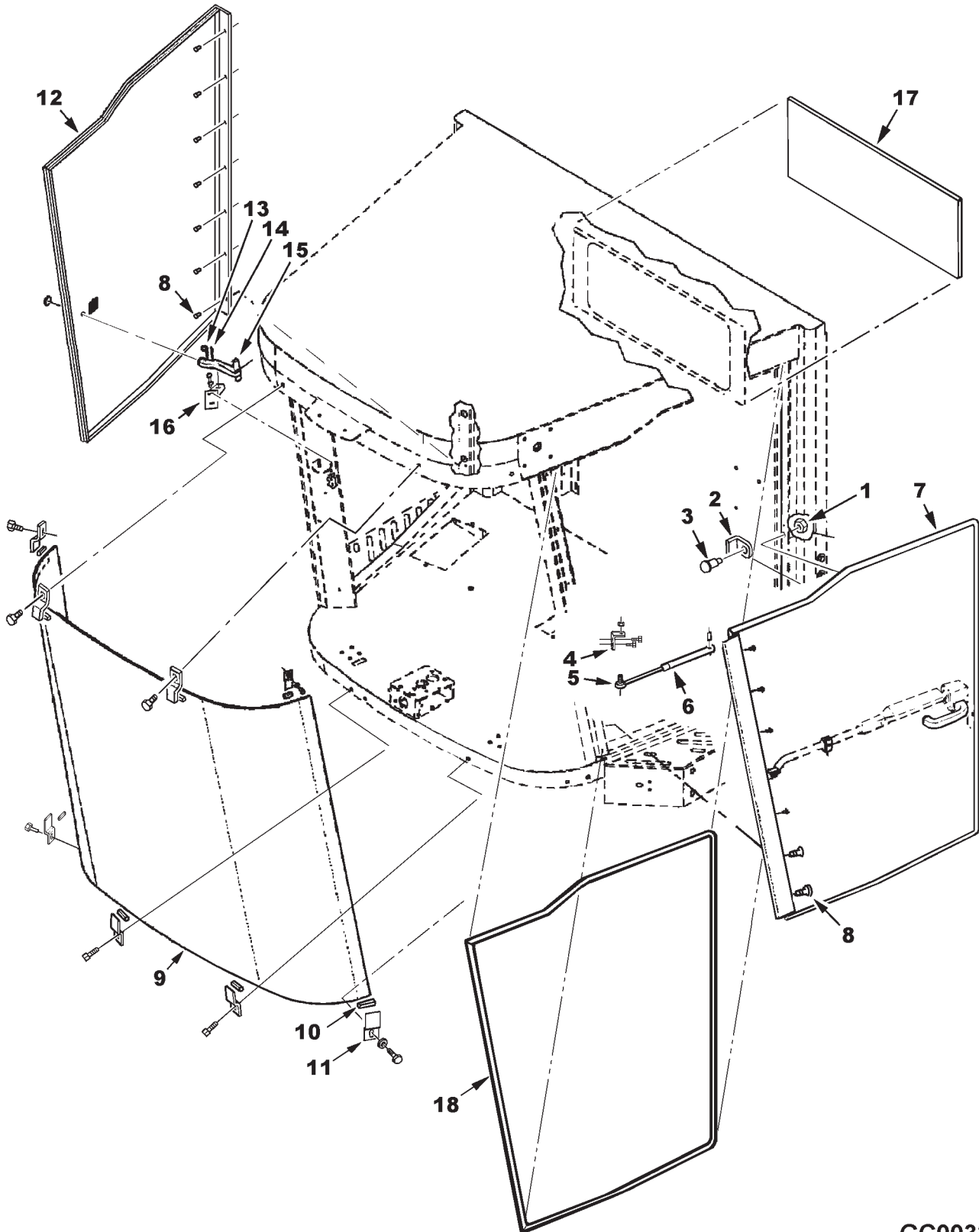
57

FRAME & MOUNTING

ITEM	NUMBER	QTY	DESCRIPTION
1	71406753B	1	CAB WLDMT
	700718515	AR	INSERT, THREADED, 5/16-18
	700725634	AR	INSERT, THREADED, 3/8-16
	700725632	AR	INSERT, THREADED, 3/8-16
	700725633	AR	INSERT, THREADED, 1/4-20
	71391713	AR	INSERT, THREADED, 8-32
2	71388167	1	SUPPORT WLDMT, E.I.P.
	Y703132	4	SCREW, HEX SERR FLNG, 5/16-18 X 3/4
	700718515	4	INSERT, THREADED, 5/16-18
	700725633	8	INSERT, THREADED, 1/4-20
4	71387185	1	FOOTREST, RH
	71387186	1	FOOTREST, LH
	71396276	2	GRIP, FOOTREST
	70920415	8	CAPSCREW, 3/8-16 X 1-1/4
	700725632	8	INSERT, THREADED, 3/8-16
6	71394525	1	MOUNT, FUSE BLOCK
	7703457	4	CAPSCREW, 1/4-20 X 3/4
	705707	2	WASHER, 1/4
	700725633	5	INSERT, THREADED, 1/4-20
7	71393307	1	SUPPORT WLDMT, FILTER
	Y703132	4	SCREW, HEX SERR FLNG, 5/16-18 X 3/4
	700718515	4	INSERT, THREADED, 5/16-18
8	71362390	2	SEAL, FILTER (LONG)
9	71362391	2	SEAL, FILTER (SHORT)
10	71393893	1	ELEMENT, AIR FILTER
11	700714529	2	RECEPTACLE
	772426	4	SCREW, HEX WSHR HD, #10-24 X 5/8
	705004	4	LOCKWASHER, #10
	Y704072	4	HEX NUT, #10-24
12	700714528	2	LATCH, 90 DEG TURN
13	71400635	1	DOOR WLDMT, FILTER
	706432	3	SCREW, PAN HEAD MACH, 5/16-18 X 1
15	70925704	4	CAPSCREW, 5/8-11 X 4-1/2
	70917373	4	LOCKWASHER, 5/8
16	70927122	2	WASHER, .781 X 2.50 X .25
17	70915726	2	NUT, 5/8, REG
18	71342768	2	ISOLATOR MOUNT, CAB
19	70922664	2	CAPSCREW, 5/8-11 X 2 GR5
	70918268	2	WASHER, 5/8 NARROW
20	71401533	2	MOUNT, CAB
	70921210	8	CAPSCREW, 3/8-16 X 1.0
	70916965	8	LOCKWASHER, 3/8
	70916950	8	HEX NUT, 3/8-16
22	71387292P	1	VALANCE ASY.
	7771371	4	SCREW, HEX SERR FLNG, 5/16-18 X 1-1/4
	6131916	4	BUSHING, 3/4 OD X .55 LG
	700718515	4	INSERT, THREADED, 5/16-18
23	71406257	1	CROSS BRACE, CAB SUPPORT
	70931809	4	BOLT, RD HD SQ NK, 1/2-13 X 1-1/4
	Y704742	4	NUT, HEX FLANGE, TOP LOCK, 1/2-13
-	700704010	AR	SILICONE SEALANT, BLACK, 10.2 OZ.

MC00418  
PR: t06g24h33d0016

WINDOWS AND DOORS



9895 COMBINE  
CAB

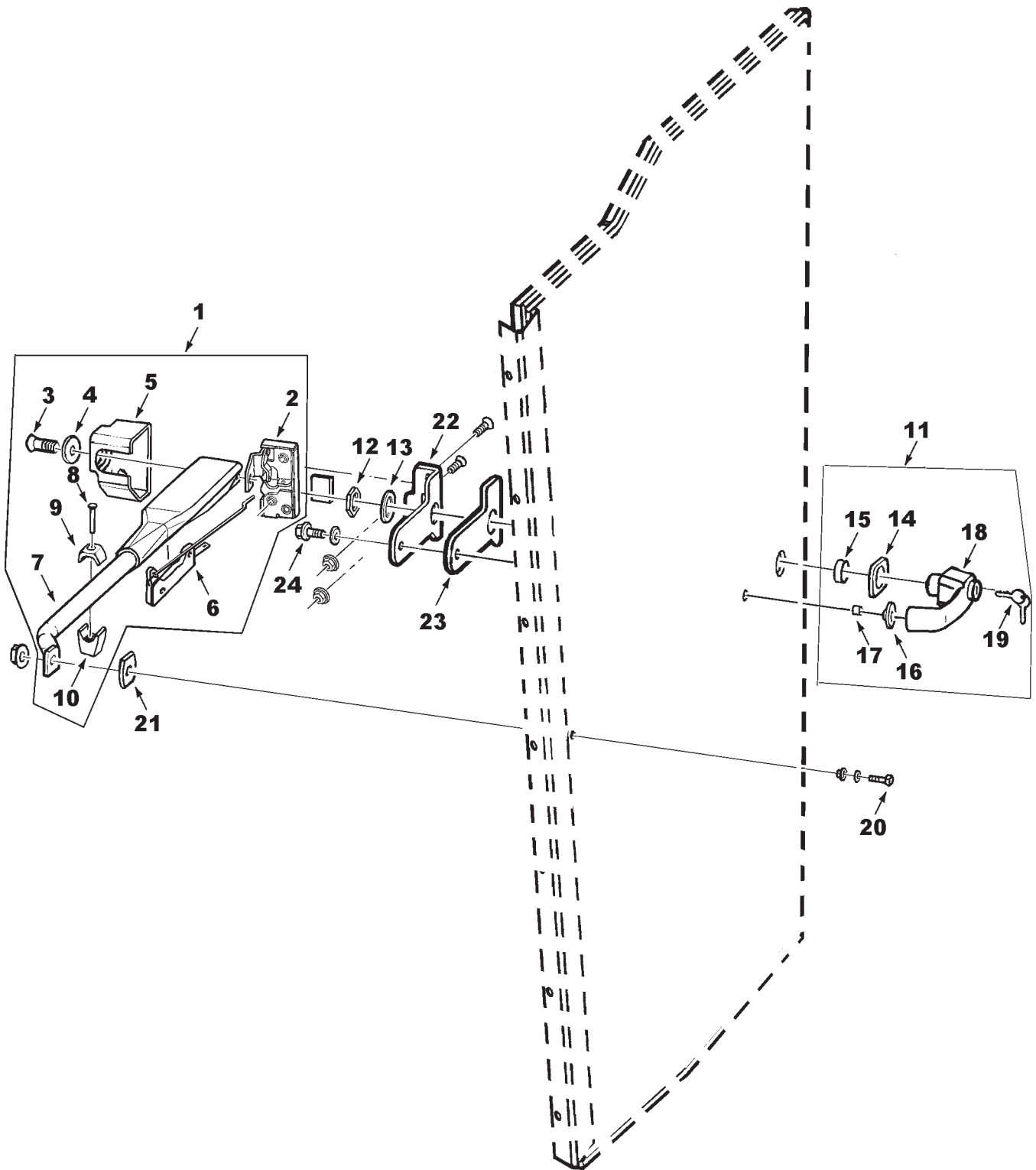
59

WINDOWS AND DOORS

ITEM	NUMBER	QTY	DESCRIPTION
1	71394502	1	NUT, STRIKER
2	71394503	1	GUARD, STRIKER
3	71394501	1	STRIKER, BOLT
4	71394523	1	BRACKET, GAS SPRING
	70937660	2	SCREW, PAN HD TAPPING, 1/4-20 X 5/8
5	71339847	1	STUD, BALL
	Y704726	1	NUT, HEX FLANGE TOP LOCK, 5/16-18
6	700715277	1	SPRING, GAS
	700715278	2	RETAINER, CLIP
7	71391897	1	GLASS DOOR ASY. LH (INCL HANDLES)
	71393885	1	GLASS, GASKET & HINGE ASY, LH DOOR
	71391899	1	GASKET, DOOR LH
8	70937660	14	SCREW, PAN HD, TAPTITE, 1/4-20 X 5/8
9	71391851	1	WINDSHIELD
	71370508	AR	PRIMER, GLASS ADHESIVE
	72506489	AR	ADHESIVE, GLASS
10	700715285	8	PAD, RUBBER
11	71387195	8	CLIP, WINDSHIELD
	70921332	8	CAPSCREW, 5/16-18 X 3/4
	70917642	8	WASHER, 5/16
12	71407657	1	GLASS DOOR & HINGE ASY. (INCL. DECAL)
	71391899	1	GASKET, DOOR RH
	71389158	1	DECAL, EMERGENCY EXIT
13	70934892	1	PIN, CLEVIS RETAINER, W/RING
14	70921291	1	PIN, SPRING, 3/16 X 5/8
15	71364349	1	LATCH, WINDOW, W/O PIN
	700718245	2	O-RING, .094 X .50 ID. NITRILE
16	71407659	1	BRACKET WLMT, LATCH
	70937660	2	SCREW, PAN HD, TAPTITE, 1/4-20 X 5/8
17	71387266	1	GLASS, REAR WINDOW
18	71401715	1	SEAL, FOAM RUBBER, DOOR FRAME

GC00322  
PR: t06g24h33d0017

LH DOOR  
INTERIOR & EXTERIOR HANDLES



9895 COMBINE  
CAB

61

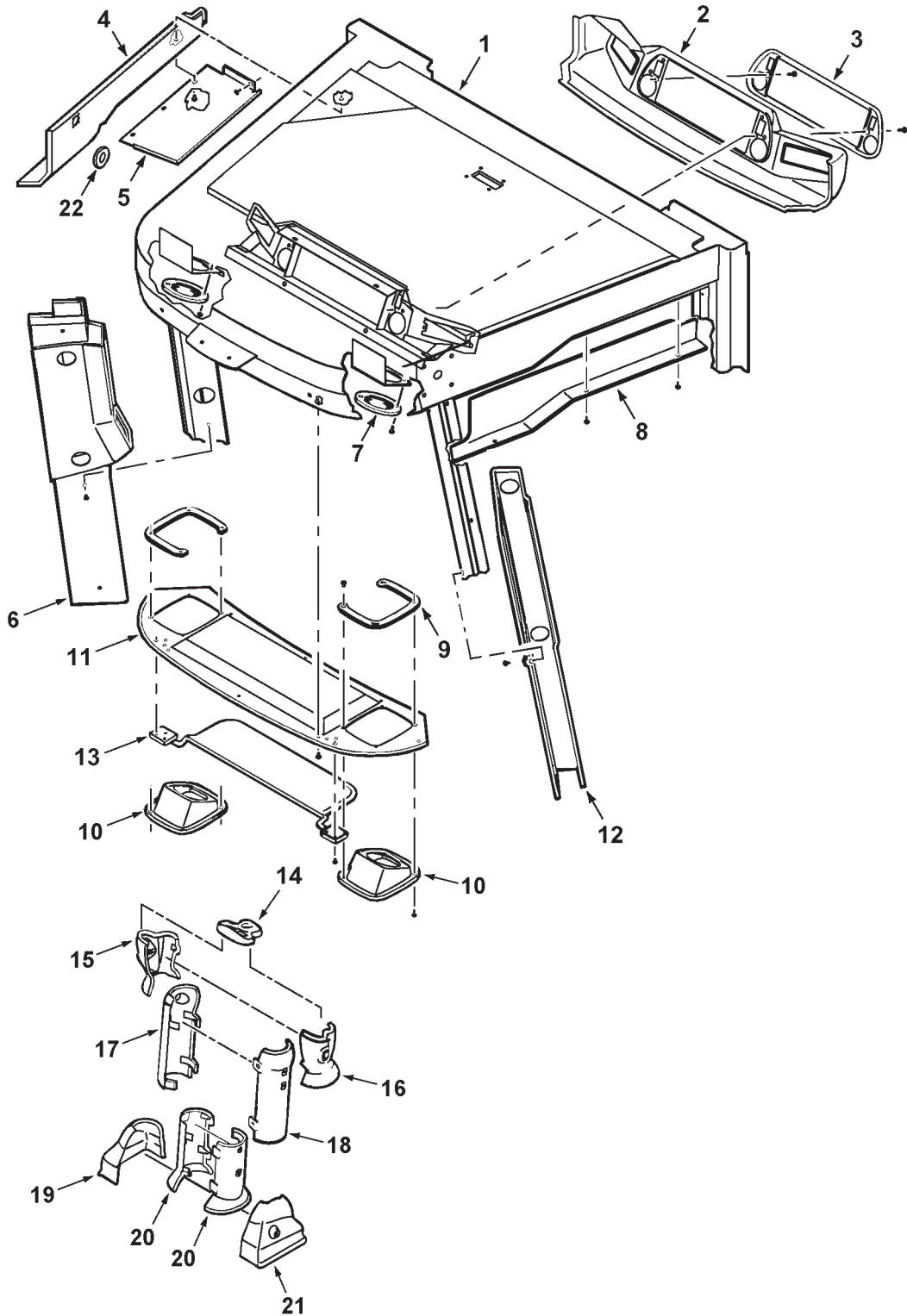
LH DOOR  
INTERIOR & EXTERIOR HANDLES

ITEM	NUMBER	QTY	DESCRIPTION
1	71393881	1	DOOR HANDLE ASY, INNER (INCL ITEMS 2-10)
2	71393879	1	LATCH, DOOR, DOUBLE ROTOR
3	71394791	1	SCREW, INNER DOOR HANDLE
4	705012	1	WASHER, LOCK 1/4
5	71393878	1	COVER, INNER HANDLE
6	71394792	1	HANDLE, INNER RELEASE
7	-----	1	TUBE ASY, ARMREST (ORDER ITEM 1)
8	71393888	1	SCREW, HEX SOCKET FLAT HD, M6 X 40
9	71393887	1	MOUNT, GAS SPRING UPPER
10	71393886	1	MOUNT, GAS SPRING LOWER
11	71393876	1	DOOR HANDLE ASY, EXT (INCL ITEMS 12-19)
12	71393469	1	NUT, EXTERIOR HANDLE
13	71393470	1	WASHER, EXT. HANDLE
14	71393471	1	GASKET, EXT. HANDLE (LARGE)
15	71393473	1	BUSHING
16	71393472	1	GASKET, EXT. HANDLE (SMALL)
17	71393468	1	BUSHING
18	71393475	1	HANDLE, EXTERIOR
19	71393474	AR	KEY, DOOR
20	372536X1	1	SCREW, MACH. HEX WSHR HD, 1/4-20 X 1.0
	705707	2	WASHER, 1/4
	72161999	1	SPACER
	1703354	1	LOCKNUT, HEX FLANGE TOP 1/4-20
21	71393883	1	GASKET
22	71391518	1	BRACKET, DOOR LATCH
	Y772129	2	SCREW,HEX SKT FLAT HD, 5/16-18X1-3/4
	70931277	2	NUT, HEX FLANGE, SERRATED, 5/16-18
23	71391519	1	GASKET
24	339666X1	1	CAPSCREW, M6-1.0 X 20
	705707	1	WASHER, 1/4

GC00323

PR: t06g24h33d0018

INTERIOR COVERINGS & TRIM  
UPPER AND FRONT





**9895 COMBINE  
CAB**

63

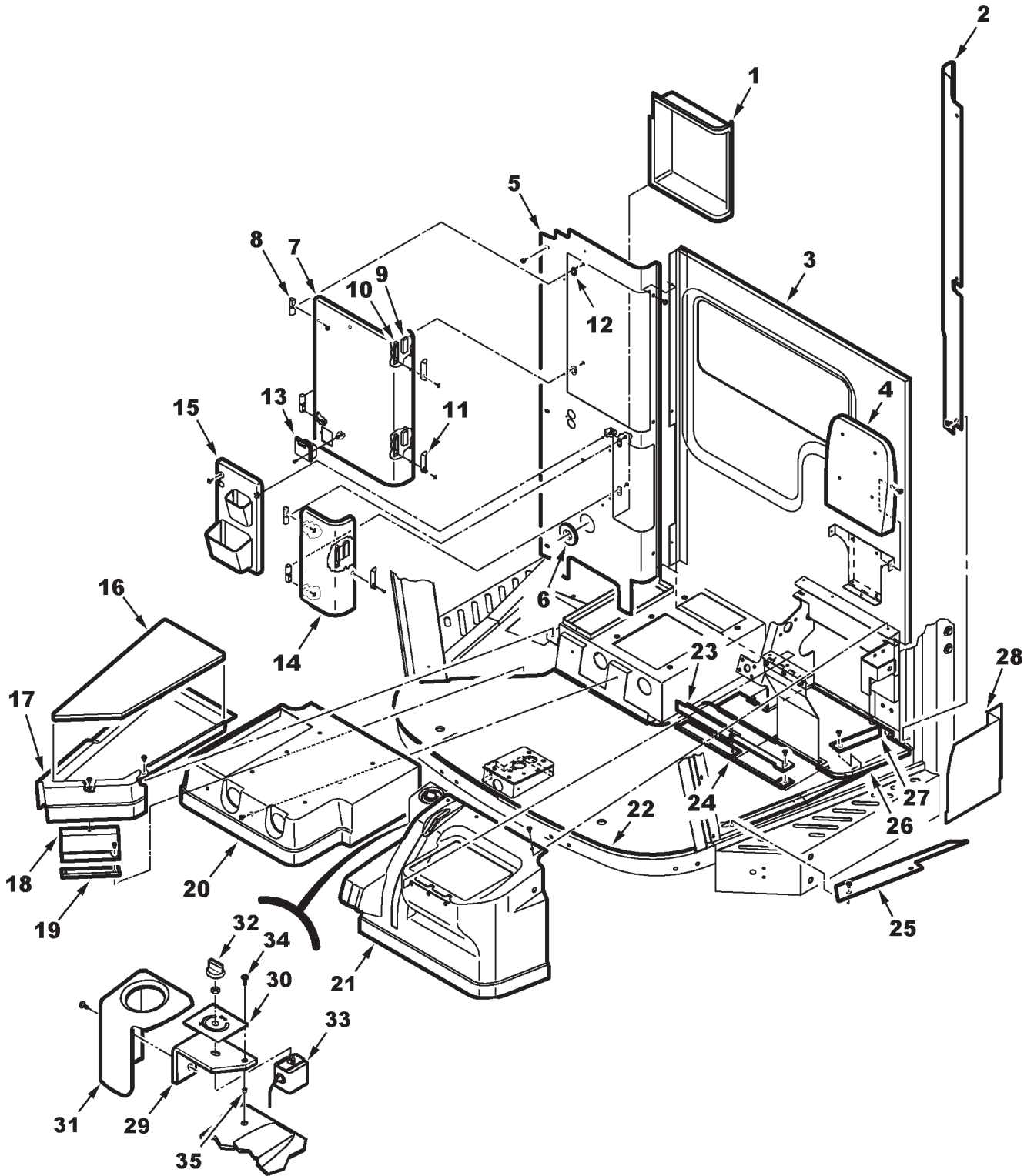
**INTERIOR COVERINGS & TRIM  
UPPER AND FRONT**

ITEM	NUMBER	QTY	DESCRIPTION
1	71391747	1	HEADLINER, REAR
2	71393601	1	SURROUND, ELECT. INSTRUMENT PANEL
3	71388136	1	BEZEL, ELECT. INSTRUMENT PANEL
	70937730	2	SCREW,PAN HD TAPPING, 1/4-20 X 1-1/4
4	71409583	1	TRIM, HEADER, RH
	70937660	4	SCREW, PAN HD TAPPING, 1/4-20 X 5/8
	70927401	4	CAPSCREW, 1/4-20 X 1
	705012	4	LOCKWASHER, 1/4
	70917377	4	WASHER, 1/4 WIDE
5	71410958	1	PLATE, ACCESSORY MOUNT
	70937660	4	SCREW, PAN HD TAPPING, 1/4-20 X 5/8
6	71398809	1	COVER, B-PILLER (RH)
	70937660	6	SCREW, PAN HD TAPPING, 1/4-20 X 5/8
7	71393940	2	GRILLE, SPEAKER
8	71393604	1	TRIM, HEADER (LH)
	70937660	3	SCREW, PAN HD TAPPING, 1/4-20 X 5/8
9	71395767	2	PLATE, SPEAKER HSG. RETAINER
	70937280	8	SCREW, PAN HD TAPPING, #8-32 X 3/4
10	71391158	2	HOUSING, SPEAKER TRIM
	70937280	8	SCREW, PAN HD TAPPING, #8-32 X 3/4
11	71391746	1	HEADLINER, FRONT
12	71398808	1	COVER, B-PILLER (LH)
	70937660	6	SCREW, PAN HD TAPPING, 1/4-20 X 5/8
13	71391172	1	SUNVISOR
	70936592	6	SCREW, PAN HD. TAPPING #10-16 X 3/4
14	71394514	1	COVER, TOP
	70937280	2	SCREW, PAN HD TAPPING, #8-32 X 3/4
15	71394515	1	COVER, UPPER (RH)
	71407653	2	SCREW, PAN HD. MACH, M5 X 16 E-COAT
	71393926	1	WELLNUT, #8-32
16	71394516	1	COVER, UPPER (LH)
	71407653	2	SCREW, PAN HD. MACH., M5 X 16
	71393926	1	WELLNUT, #8-32
17	71394517	1	COVER, LOWER (RH)
	71407653	2	SCREW, PAN HD. MACH., M5 X 16
18	71394518	1	COVER, LOWER (LH)
	71407653	2	SCREW, PAN HD. MACH., M5 X 16
19	71394521	1	COVER, BOTTOM (RH)
	70930611	2	SCREW, PAN HD. MACH. #10-24 X 3/8
20	71394519	2	COVER, MID
	71407653	4	SCREW, PAN HD. MACH., M5 X 16
21	71394522	1	COVER, BOTTOM (LH)
	70930611	2	SCREW, PAN HD. MACH. #10-24 X 3/8
22	71409584	1	GROMMET, 1 ID X 1.87 DIA PANEL HOLE

GC00457

PR: t06g24h33d0019

INTERIOR COVERINGS & TRIM  
LOWER AND REAR



9895 COMBINE  
CAB

65

INTERIOR COVERINGS & TRIM  
LOWER AND REAR

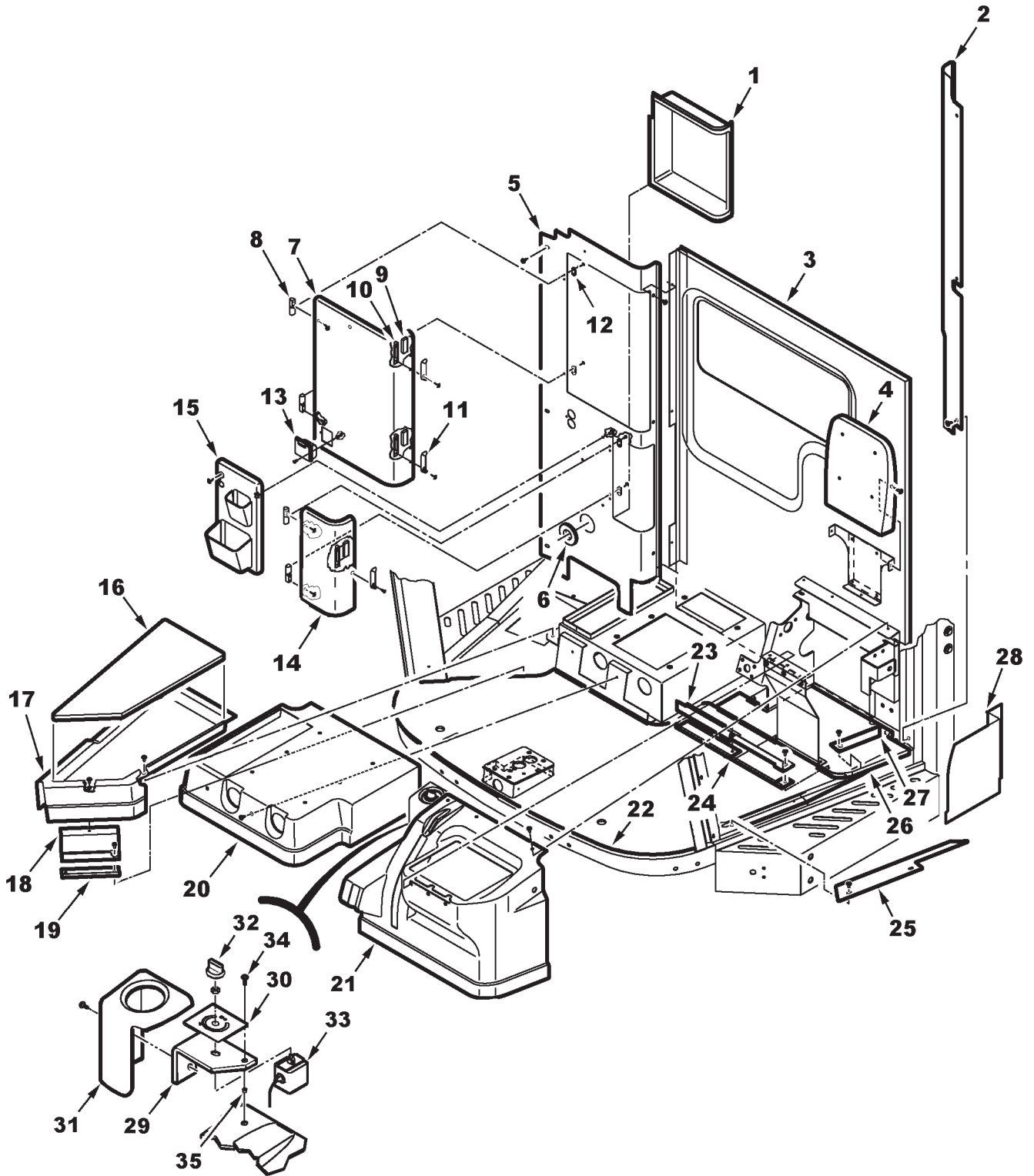
ITEM	NUMBER	QTY	DESCRIPTION
1	71393941	1	BOX, MANUAL HOLDER
	71395769	AR	PRIMER, PLASTIC
	72506489	AR	ADHESIVE, URETHANE
2	71394877	1	PANEL, TRIM (LH)
	70937660	3	SCREW, SELF TAPPING, 1/4-20 X 5/8
3	71391748	1	BACKLINER ASY.
	72506489	AR	ADHESIVE, URETHANE
4	71394893	1	SUPPORT, BACKREST
	70937660	3	SCREW, SELF TAPPING, 1/4-20 X 5/8
5	71406877S	1	PANEL, ELECT. CABINET
	70937660	3	SCREW, SELF TAPPING, 1/4-20 X 5/8
6	71394884	1	GROMMET
7	71400502	1	DOOR ASY, FUSE PANEL
	700723598	1	DECAL, FUSE LABEL
8	71393944	4	HINGE ASY.
	70930611	8	SCREW, PAN HD. MACH. #10-24 X 3/8
9	72505639	3	LATCH, MAGNETIC
10	71394879	3	PLATE, LATCH MOUNTING
11	71393947	3	PULL, CABINET DOOR
	70937263	6	SCREW, SELF TAPPING #10-16 X 1/2
12	71394885	4	SHIM
	70930611	8	SCREW, PAN HD. MACH. #10-24 X 3/8
13	71400504	1	ASH TRAY
	700710188	2	SCR, PAN HD MACH, #6-32 X 3/4
	705129	2	LOCKWASHER, #6
	704551	2	HEXNUT, #6-32
14	71393938	1	DOOR, MANUAL HOLDER
15	71395771	1	PANEL ASY.
	70937660	1	SCREW, SELF TAPPING, 1/4-20 X 5/8
16	71408224	1	FLOORMAT, (RH)
17	71394892	1	COVER, FLOOR (RH)
	70937660	3	SCREW, SELF TAPPING, 1/4-20 X 5/8
18	71394899	1	SUPPORT
	70937660	2	SCREW, SELF TAPPING, 1/4-20 X 5/8
19	71394900	1	GUIDE
20	71394891	1	SURROUND, OPERATORS SEAT
	70937660	2	SCREW, SELF TAPPING, 1/4-20 X 5/8

CONTINUED

GC00304

PR: t06g24h33d0020

INTERIOR COVERINGS & TRIM  
LOWER AND REAR



9895 COMBINE  
CAB

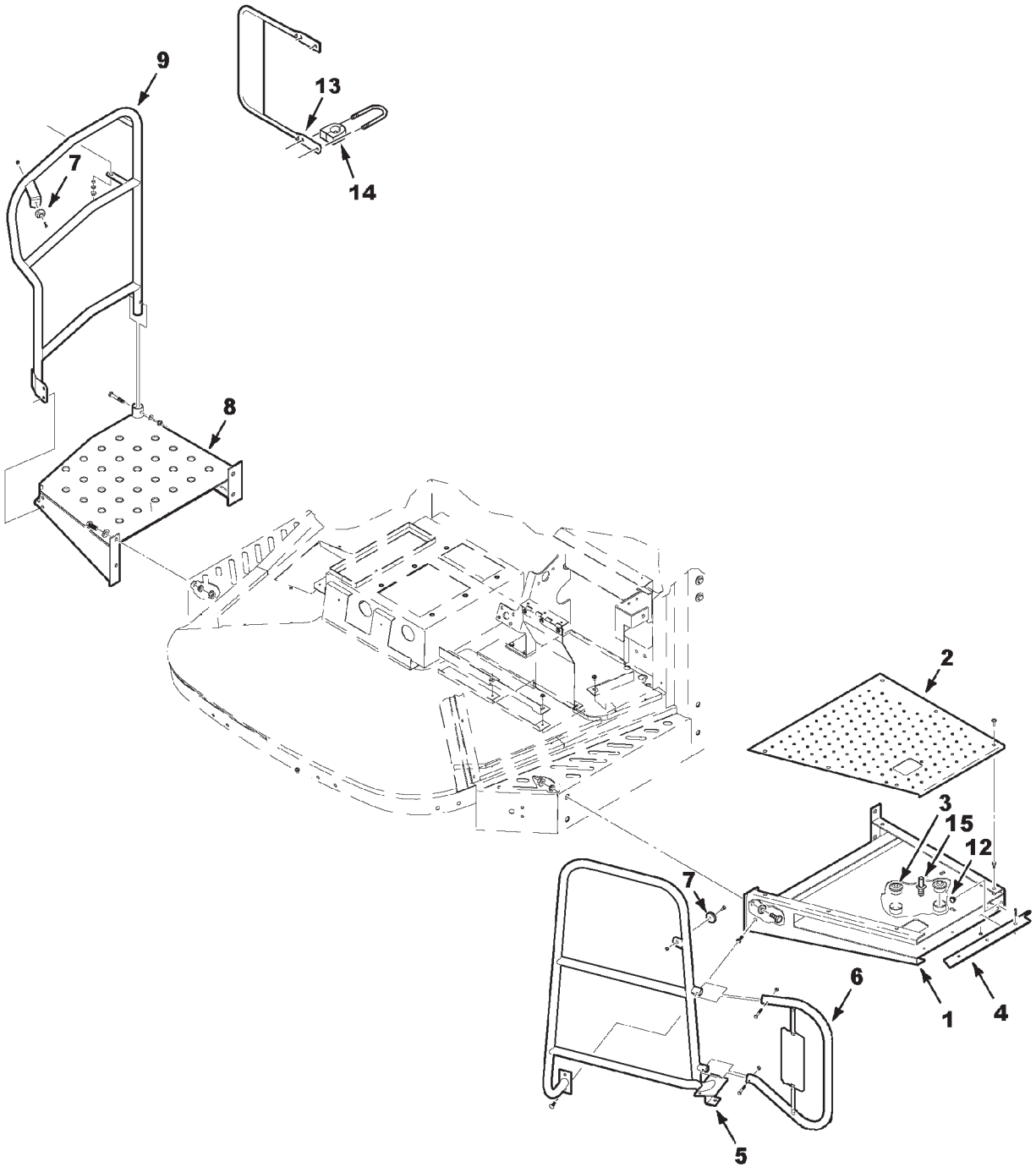
67

INTERIOR COVERINGS & TRIM  
LOWER AND REAR

ITEM	NUMBER	QTY	DESCRIPTION
21	700728472	1	SURROUND, INSTRUCTORS SEAT
	70937660	3	SCREW, SELF TAPPING, 1/4-20 X 5/8
22	71408223	1	FLOORMAT, MAIN
	71410959	1	PROTECTOR SHEET, FLOORMAT
23	71394898	1	SUPPORT, MAIN
	70937660	2	SCREW, SELF TAPPING, 1/4-20 X 5/8
24	71394897	1	GUIDE, FRONT
25	71395773	1	THRESHOLD
	70937660	2	SCREW, SELF TAPPING, 1/4-20 X 5/8
26	71408225	1	FLOORMAT, INSTRUCTORS SEAT
27	71394896	1	SUPPORT, LEFT
	70937660	2	SCREW, SELF TAPPING, 1/4-20 X 5/8
28	71397427	1	BAFFLE
	372728X1	2	SCREW, SELF-TAPPING, 3/8-16 X 5/8
29	700164650	1	MOUNTING BRKT
30	700728631	1	DECAL, THERMOSTAT
31	700728473	1	COVER, THERMOSTAT
32	700728714	1	CONTROL KNOB
33	700728711	1	THERMOSTAT
34	7703457	1	CAPSCREW, 1/4-20 X 3/4 GR5
35	700725633	1	INSERT, THREADED, 1/4-20

GC00304  
PR: t06g24h33d0020

PLATFORM  
LEFT & RIGHT



MC00419

**9895 COMBINE  
CAB**

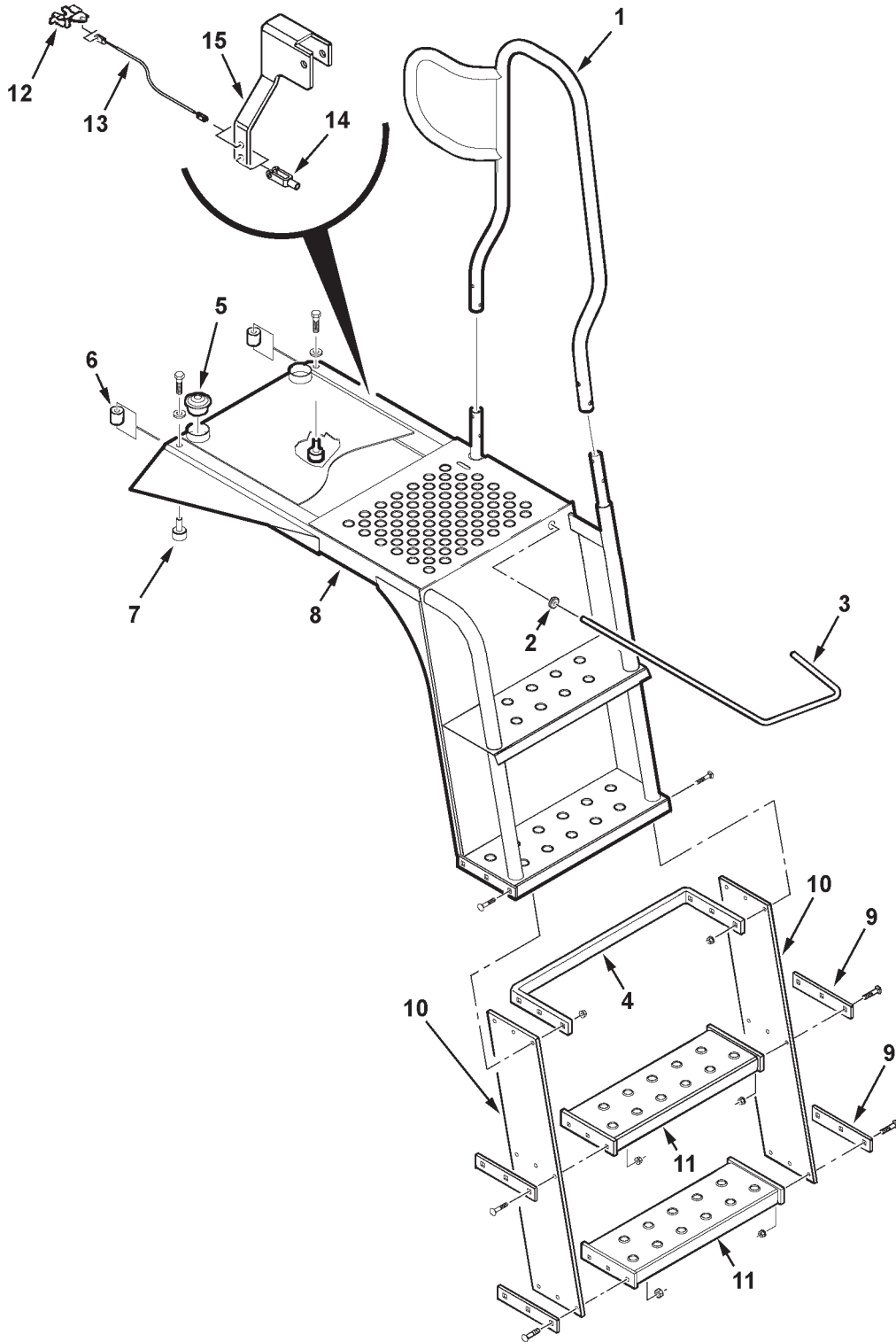
69

**PLATFORM  
LEFT & RIGHT**

ITEM	NUMBER	QTY	DESCRIPTION
1	71407715	1	PLATFORM WLMT, LH
	70923112	4	CAPSCREW, 5/8-11 X 1-3/4 GR5
	70917373	4	LOCKWASHER, 5/8
	7704919	2	NUT, HEX FLANGE, 5/8-11 GR8
	70921965	2	CAPSCREW, 3/8-16 X 3/4
2	71407719	1	PLATE, TOP DECK
	7772049	6	SCREW, HEX SERR FLANGE, 5/16-18 X 1
	700725958	6	INSERT, THREADED, 5/16-18
3	71396743	2	BALL, TRANSFER, 30MPC
4	71396684	1	PLATE, WEAR (LOWER FRT.)
	70918222	3	SCR, FLAT CSK HD MACH, 1/4-20 X 3/4
	70931209	3	LOCKNUT, HEX SERR FLANGE, 1/4-20
5	71396283	1	HANDRAIL WLMT, LH
	7703424	3	SCREW, HEX SERR FLANGE, 3/8-16 X 1
	700725634	3	INSERT, THREADED, 3/8-16
6	71401700	1	GRABRAIL WLMT, LH
	70925960	2	SCREW, PAN HD MACH, 5/16-18 X 1-1/2
	70931277	2	LOCKNUT, HEX SERR FLANGE, 5/16-18
7	700708648	2	BUMPER
	700707203	2	SCREW, HEX WSHR HD MACH #12-24 X 3/4
	373839X1	2	NUT, HEX CENTER LOCK, #12-24
8	71407677	1	PLATFORM WLMT, RH
	70923112	4	CAPSCREW, 5/8-11 X 1-3/4 GR5
	70917373	4	LOCKWASHER, 5/8
	7704919	2	NUT, HEX FLANGE, 5/8-11 GR8
9	71399442	1	HANDRAIL WLMT, RH
	7771470	2	SCR, HEX SERR FLANGE, 3/8-16 X 1-1/4
	700725634	2	INSERT, THREADED, 3/8-16
	70922130	1	CAPSCREW, 3/8-16 X 2-1/4
	Y705533	1	WASHER, 3/8 HARD
	Y704734	1	NUT, HEX FLANGE TOP LOCK, 3/8-16
12	71399446	1	BUMPER, RUBBER, 5/16-18 X 1 STUD
	70920161	1	NUT, HEX JAM, 5/16-18
13	71399444	1	BRKT WLMT, REFLECTOR
14	71399445	2	U-CLAMP ASY, W/NUTS, 1/4-20
15	71401707	2	STRIKER, LATCH
	Y705525	2	WASHER, 5/16 HARD
	70931277	2	LOCKNUT, HEX SERR FLANGE, 5/16-18

MC00419  
PR: t06g24h33d0021

PIVOTING LADDER LH





9895 COMBINE  
CAB

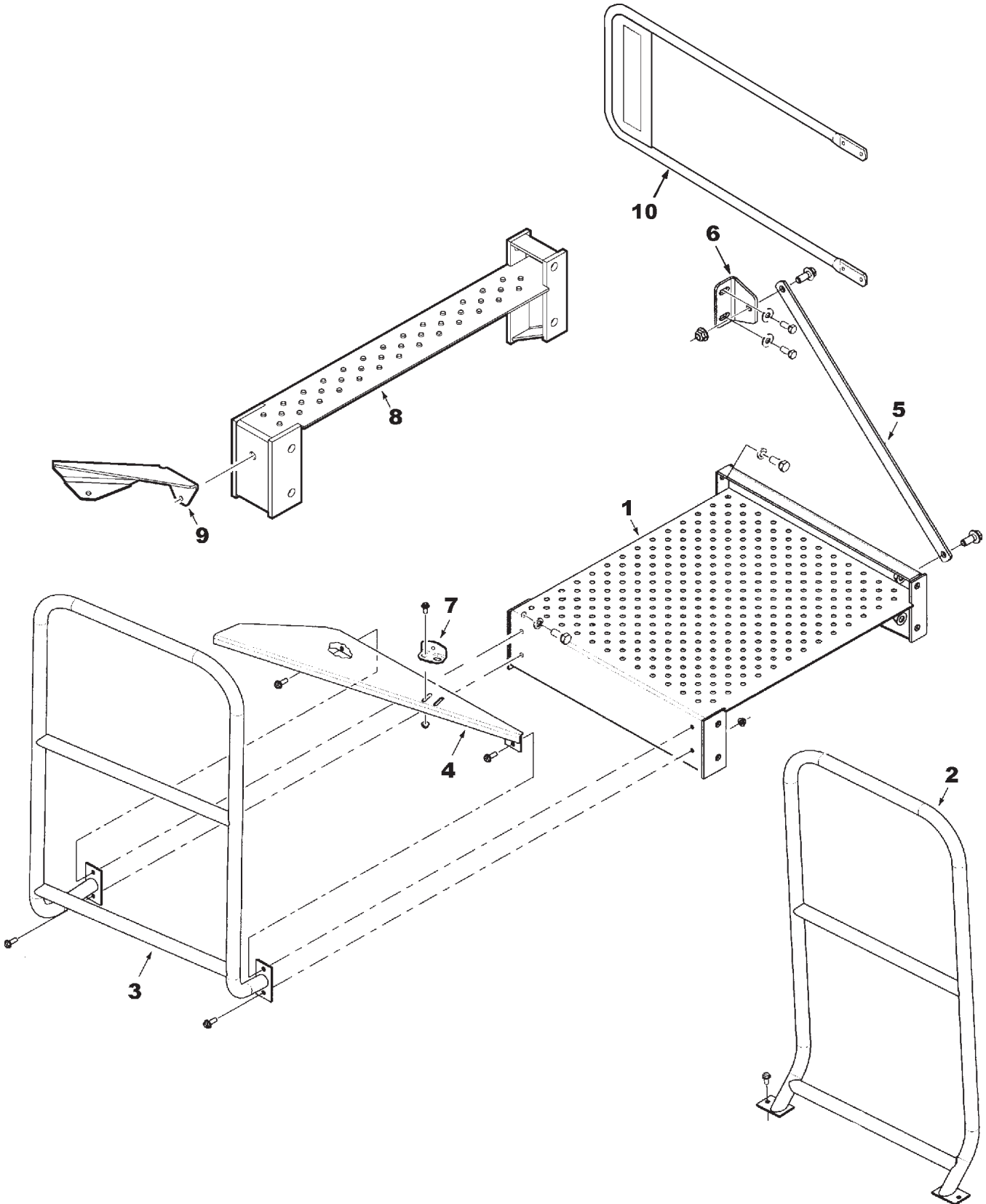
71

PIVOTING LADDER LH

ITEM	NUMBER	QTY	DESCRIPTION
1	71400628	1	TUBE WLMT, GRAB
	7703838	1	CAPSCREW, 5/16-18 X 1-3/4
	6514772	1	SPACER
	7704117	1	NUT, HEX TOP LOCK, 5/16-18
	70925960	1	SCR,PHILLIPS PAN HD, 5/16-18 X 1-1/2
	Y705525	1	WASHER, 5/16 HARD
	70931277	1	NUT, HEX SERR FLANGE, 5/16-18
2	70928304	1	GROMMET
3	71396745	1	ROD, OUTER LATCH
4	71397515	1	BRACKET, TREAD SUPPORT
5	71396743	2	BALL, TRANSFER, 30MPC
6	71396677	2	SPACER, THREADED
7	8050866	2	BEARING, CAM FOLLOWER
	873364	2	CAPSCREW, 1/2-20 X 3/4
	52167	2	BUSHING, 1/2 ID X 7/8 OD X 18 GA
8	71407713	1	LADDER WLMT, PLATFORM
9	71362525	4	ANCHOR STRAP
10	71396735	2	PLATE, FLEXIBLE, PARALLEL SIDES
	7700107	18	BOLT, RD HD SQ NK, 5/16-18 X 1-1/4
	70931277	18	LOCKNUT, HEX SERR FLANGE, 5/16-18
11	71394472	2	TREAD WLMT, STEP
12	71397510	1	LATCH ASY
	700718807	2	SCR,HX SCKT FLAT HD,SPL, 5/16-18 X 1
13	71397511	1	CABLE ASY, LATCH RELEASE
	7703457	3	CAPSCREW, 1/4-20 X 3/4
	1703354	2	NUT, HEX FLANGE TOP LOCK, 1/4-20
	705012	1	LOCKWASHER, 1/4
	353769X1	3	WASHER, HARDENED, 1/4
	70920438	2	NUT, HEX JAM, 5/16-24
14	766410	1	CLEVIS
	70927401	1	CAPSCREW, 1/4-20 X 1
	1703354	1	NUT, HEX FLANGE TOP LOCK, 1/4-20
15	71397255	1	PEDAL, FLOOR LATCH
	7703838	1	CAPSCREW, 5/16-18 X 1-3/4
	Y704726	1	NUT, HEX FLANGE TOP LOCK, 5/16-18

MC00420  
PR: t06g24h33d0022

DECK EXTENSION  
145" TREAD AND DUALS



**9895 COMBINE  
CAB**

73

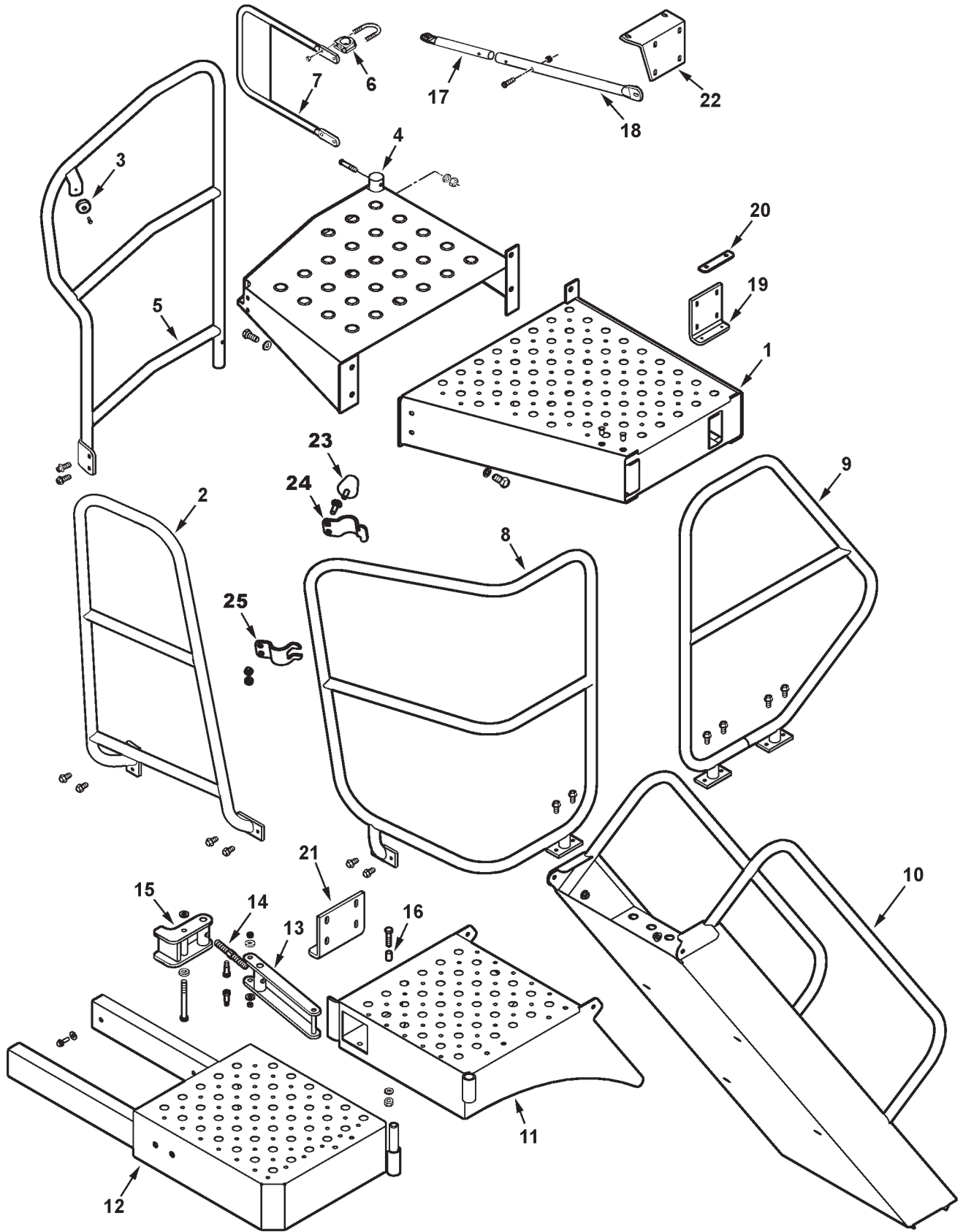
**DECK EXTENSION  
145" TREAD AND DUALS**

ITEM	NUMBER	QTY	DESCRIPTION
1	71397268	1	PLATFORM EXTN WLDMT, 145" TREAD
	71397526	1	PLATFORM EXTN WLDMT, DUALS
	70924744	4	CAPSCREW, 5/8-11 X 1-1/2 GR5
	70917373	4	LOCKWASHER, 5/8 REG
	7704919	4	NUT, HEX FLANGE GR8
2	71400645	1	HANDRAIL WLDMT, SIDE, 145" TREAD
	71400646	1	HANDRAIL WLDMT, SIDE, DUALS
	372729X1	2	SCR, HX WSHR HD TAP'G, 5/16-18 X 3/4
3	71397265	1	HANDRAIL WLDMT, 145" TREAD
	71397532	1	HANDRAIL WLDMT, DUALS
	Y704734	4	NUT, HEX FLNG TOP LK, 3/8-16
	7883382	4	SCREW, HEX WSHR HD MACH 3/8-16 X 1
4	71397272	1	FILLER WLDMT, EXTENSION, 145" TREAD
	71397536	1	FILLER WLDMT, EXTENSION, DUALS
5	71397271	1	STRAP, SUPPORT, 145" TREAD
	71397535	1	STRAP, SUPPORT, DUALS
	700703922	2	NUT, HEX FLNG TOP LK, 5/8-11
	700711262	2	CAPSCREW, HEX FLG, 5/8-11 X 1-1/2
6	71397506	1	BRACKET, SUPPORT
7	71397538	1	ANGLE, DOOR STOP (DUALS)
	Y704726	2	NUT, HEX FLNG TOP LOCK, 5/16-18
	7883325	2	SCR, HEX WSHR HD MACH, 5/16-18 X 3/4
8	71400626	1	PLATFORM EXT'N WLDMT, 4"
	70923112	4	CAPSCREW, 5/8-11 X 1-3/4 GR5
	70917373	4	LOCKWASHER, 5/8 REG
	7704919	4	NUT, HEX FLANGE GR8
9	71399447	1	PLATE, FILLER, 4" EXT'N
	7883325	2	SCR, HEX WSHR HD MACH, 5/16-18 X 3/4
	Y704726	2	NUT, HEX FLNG TOP LOCK, 5/16-18
10	71401701	1	BRKT EXT WLDMT, RH, W/REFLECTOR DECALS
-	71399036	AR	*KIT, DECK EXTENSION (145" TREAD)
-	71399038	AR	*KIT, DECK EXTENSION (180" TREAD/DUALS)
-	71402014	AR	*KIT, 4" DECK EXTENSION

\*ORDER THRU DEALER CENTRAL

GC00320  
PR: t06g24h33d0023

STAIRCASE LADDER & PLATFORM



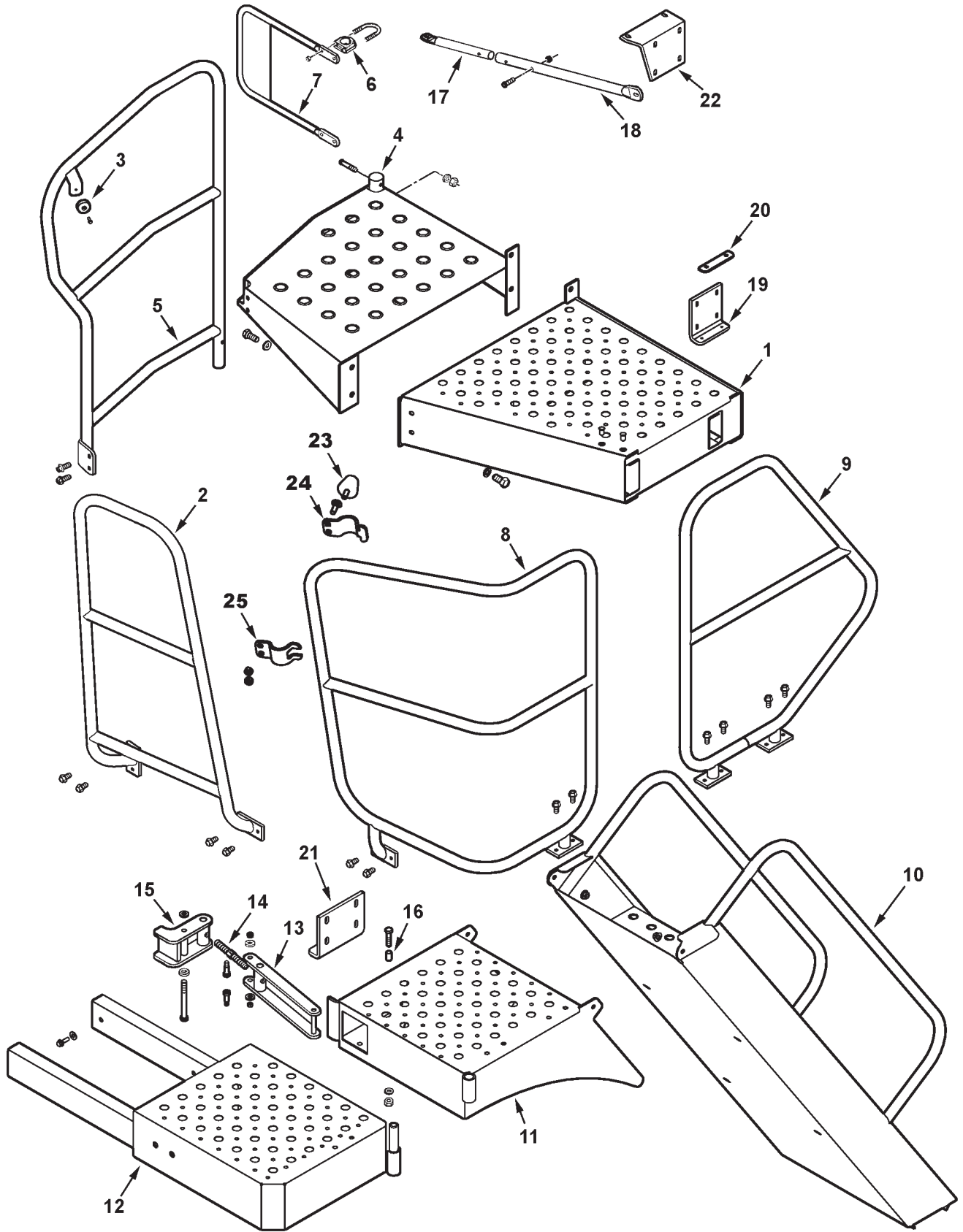
STAIRCASE LADDER & PLATFORM

ITEM	NUMBER	QTY	DESCRIPTION
1	71407681	1	PLATFORM WLMT, STAIRCASE
	70924744	4	CAPSCREW, 5/8-11 X 1-1/2
	70917373	4	LOCKWASHER, 5/8
	7704919	2	NUT, HEX FLANGE, 5/8-11 GR 8
2	71407686	1	HANDRAIL WLMT, LH
	700725634	4	INSERT, THREADED, 3/8-16
	7703424	4	SCREW, HEX SERR FLANGE, 3/8-16 X 1
3	700708648	2	BUMPER
	700707203	2	SCREW, HEX WSHR HD, #12-24 X 3/4
	373839X1	2	NUT, HEX CENTER LOCK, #12-24
4	71407677	1	PLATFORM WLMT, RH
	70924744	4	CAPSCREW, 5/8-11 X 1-1/2
	70917373	4	LOCKWASHER, 5/8
	7704919	2	NUT, HEX FLANGE, 5/8-11 GR 8
5	71399442	1	HANDRAIL WLMT, RH
	70922130	1	CAPSCREW, 3/8-16 X 2-1/4
	Y705533	1	WASHER, HARDENED 3/8
	Y704734	1	NUT, HEX FLANGE TOP LOCK, 3/8-16
	7771470	2	SCRW,HEX SERR FLANGE, 3/8-16 X 1-1/4
	700725634	2	INSERT, THREADED, 3/8-16
6	71399445	2	U-CLAMP ASY, W/NUTS, 1/4-20
7	71399444	1	BRACKET WLMT, REFLECTORS
8	71398196	1	HANDRAIL, CORNER
	7703424	4	SCREW, HEX SERR FLANGE, 3/8-16 X 1
9	71407702	1	HANDRAIL WLMT, STAIRCASE LEFT
	7703424	4	SCREW, HEX SERR FLANGE, 3/8-16 X 1
	704247	4	NUT, HEX SERR FLANGE, 3/8-16
10	71398182	1	STAIRCASE WLDMT
	7883424	2	CAPSCREW, HEX FLANGE, 1/2-13 X 1 GR8
	Y704742	2	NUT, HEX FLANGE TOP LOCK, 1/2-13
11	71407704	1	LANDING WLMT, STAIRCASE
12	71407690	1	EXTENSION WLMT, PLATFORM
	700725632	8	INSERT, THREADED, 3/8-16
	7771470	4	SCRW,HEX SERR FLANGE, 3/8-16 X 1-1/4
	70917378	4	WASHER, WIDE, 3/8
13	71398445	1	HANDLE WLDMT
	700705676	2	SCRW,HX SOCK SHLDR, 1/2 X 1 X 3/8-16
	705541	2	WASHER, HARDENED 1/2
	7704141	2	NUT, HEX TOP LOCK, 3/8-16
14	71398505	1	STUD, ADJUSTMENT
15	71398501	1	HANDLE WLMT, LATCH
	873497	1	CAPSCREW, 1/2-13 X 5-1/2
	705541	2	WASHER, HARDENED, 1/2
16	WSP1344	1	SPACER, TUBE
	70921024	1	CAPSCREW, 1/2-13 X 2 GR5
	700700057	1	WASHER, 1/2 X 7/8 X .075
	704254	1	NUT, HEX SERR FLANGE, 1/2-13

CONTINUED

MC00421  
PR: t06g24h33d0024

STAIRCASE LADDER & PLATFORM



9895 COMBINE  
CAB

77

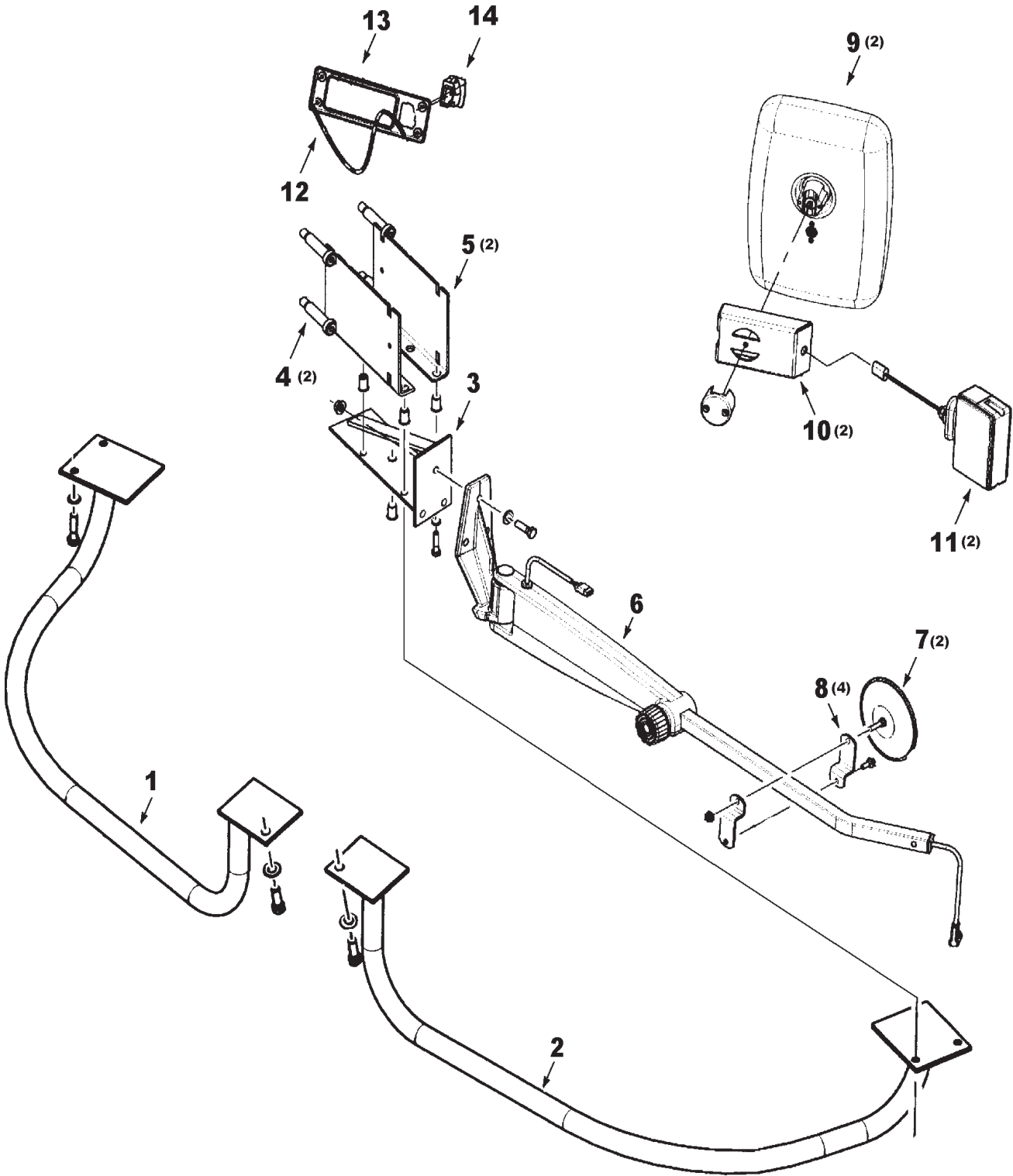
STAIRCASE LADDER & PLATFORM

ITEM	NUMBER	QTY	DESCRIPTION
17	71407694	1	TUBE, INNER SUPPORT
	70920415	2	CAPSCREW, 3/8-16 X 1-1/4 GR5
	Y704734	2	NUT, HEX FLANGE TOP LOCK, 3/8-16
18	71407693	1	TUBE, OUTER SUPPORT
	70921971	1	CAPSCREW, 3/8-16 X 1-3/4 GR5
	Y704734	1	NUT, HEX FLANGE TOP LOCK, 3/8-16
19	71398509	1	SUPPORT BRKT, BUMPER
	7883408	4	SCREW, HEX FLANGE, 3/8-16X 1-1/4 GR8
	Y704734	4	NUT, HEX FLANGE TOP LOCK, 3/8-16
20	71398518	1	PLATE, CONTACT
	70918222	2	SCR,FLAT CTSNK HD MACH, 1/4-20 X 3/4
	70931209	2	NUT, HEX SERR FLANGE, 1/4-20
21	71398510	1	SUPPORT BRACKET
	70921210	4	CAPSCREW, 3/8-16 X 1"
	Y704734	4	NUT, HEX FLANGE TOP LOCK, 3/8-16
22	71407695	1	BRKT WLMT, SUPPORT
	70931350	2	BOLT, RD HD SQ NK, 3/8-16 X 1 GR5
	704247	2	NUT, HEX SERR FLANGE, 3/8-16
23	827568	1	BUMPER, RUBBER, 5/16-24 UNF X 3/4 STUD
24	71412545	1	BRACKET, BUMPER
25	71407671	1	BRACKET WLMT, TUBE
	70927075	1	BOLT, RD HD SQ NK, 5/16-18 X 1 GR5
	70917372	1	NUT, 5/16-18 REG

MC00421

PR: t06g24h33d0024

MIRRORS & EXTREMITY LIGHTS  
REMOTE ELECTRIC ADJUST





**9895 COMBINE  
CAB**

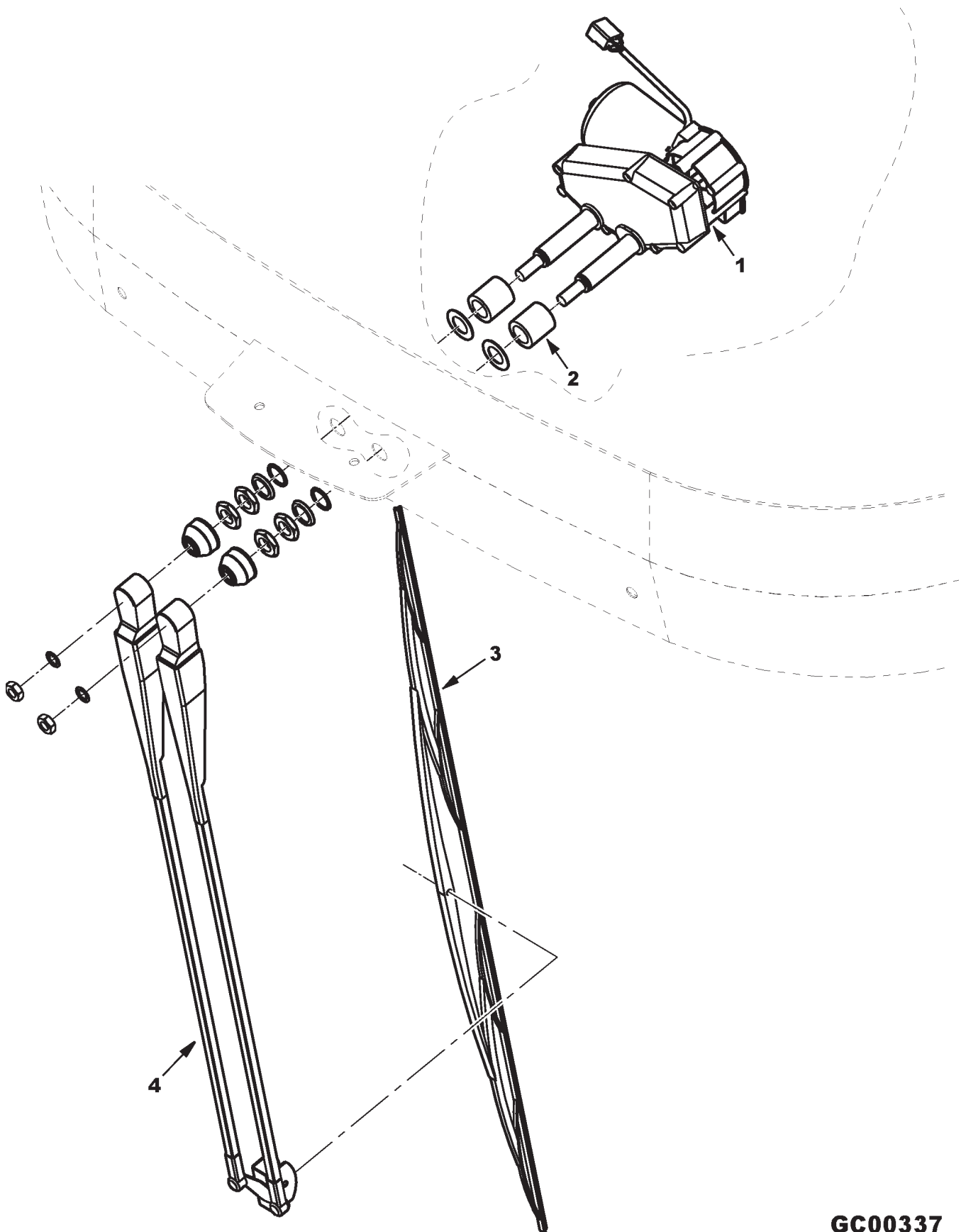
79

**MIRRORS & EXTREMITY LIGHTS  
REMOTE ELECTRIC ADJUST**

ITEM	NUMBER	QTY	DESCRIPTION
1	71393324	1	GRABRAIL WLMT, RIGHT
	703249	1	CAPSCREW, 3/8-16 X 1.0
	Y705533	1	WASHER, HARD, 3/8
	Y704734	1	NUT, HEX FLANGE TOP LOCK, 3/8-16
	70921977	2	CAPSCREW, 5/16-18 X 1-1/4
	70917356	2	LOCKWASHER, 5/16
2	71393323	1	GRABRAIL WLMT, LEFT
	703249	1	CAPSCREW, 3/8-16 X 1.0
	Y705533	1	WASHER, HARD, 3/8
	Y704734	1	NUT, HEX FLANGE TOP LOCK, 3/8-16
	70921977	2	CAPSCREW, 5/16-18 X 1-1/4
	70917356	2	LOCKWASHER, 5/16
3	71390453	1	BRACKET WLMT, MIRROR ARM (LH)
	71390452	1	BRACKET WLMT, MIRROR ARM (RH)
	70921977	4	CAPSCREW, 5/16-18 X 1-1/4
	70917356	4	LOCKWASHER, 5/16
	700725958	AR	INSERT, THREADED, 5/16-18
4	71390450	2	BRACKET WLMT, MIRROR
	704254	4	LOCKNUT, HEX SERR FLANGE, 1/2-13
5	71390451	2	BRACKET WLMT, MIRROR
	704254	4	LOCKNUT, HEX SERR FLANGE, 1/2-13
6	71387279	1	ARM, MIRROR (REMOTE ADJ) (LH)
	71387278	1	ARM, MIRROR (REMOTE ADJ) (RH)
	71397838	1	THUMBWHEEL ASY.
	70920415	6	CAPSCREW, 3/8-16 X 1-1/4
	Y705533	6	WASHER, 3/8
	Y704734	6	NUT, HEX FLANGE TOP LOCK, 3/8-16
7	71355604	2	MIRROR, GRAIN BIN
	70931209	2	LOCKNUT, HEX SERR FLANGE, 1/4-20
8	71407655	4	BRACKET
	70930594	2	SCREW, HEX SERR FLANGE, 1/4-20 X 3/4
	70934479	2	NUT, HEX TOP LOCK, 1/4-20
9	71387280	2	MIRROR ASY., (REMOTE)
	71397839	2	MIRROR, GLASS
	71397840	2	RETAINING KIT, MIRROR
10	71393455	2	BRACKET, EXTREMITY LIGHT
11	71391501	2	LAMP, EXTREMITY
12	71390122	1	HARNES, REMOTE MIRROR
13	71393943	1	BEZEL, HVAC (REMOTE ADJUST MIRRORS)
	70937280	4	SCREW, PAN HD. SELF-TAP #8-32 X 3/4
14	71387281	1	SWITCH, REMOTE MIRROR

GC00315  
PR: t06g24h33d0025

WINDSHIELD WIPER



9895 COMBINE  
CAB

81

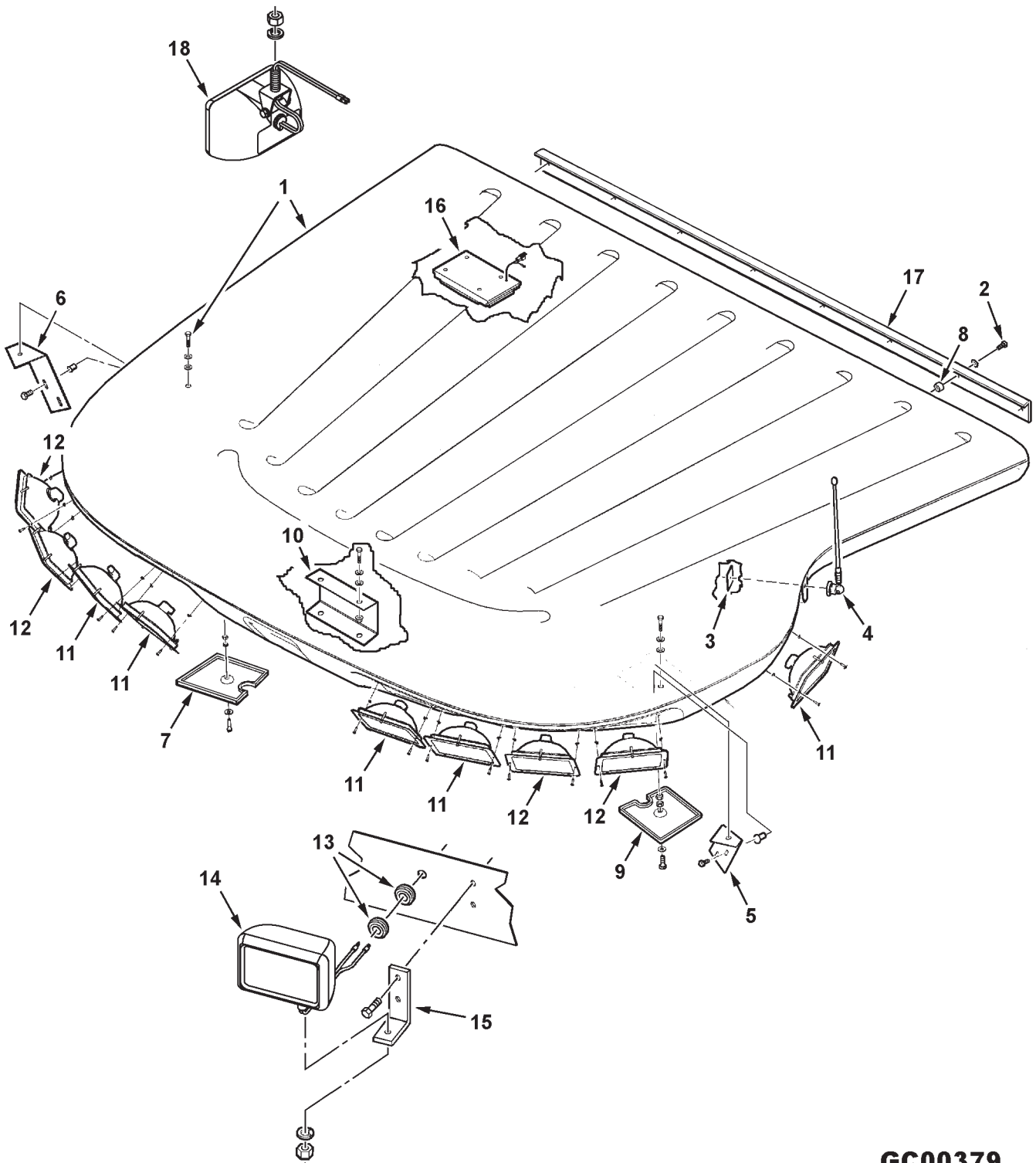
WINDSHIELD WIPER

ITEM	NUMBER	QTY	DESCRIPTION
1	71387295	1	MOTOR, WIPER (INCLUDES MOUNTING HRDWR)
	71397837	1	HRDWR KIT, MOTOR MOUNTING
-	71387420	1	SWITCH, WIPER (NOT ILL.) (REF. ALSO MODULES, UPPER CONSOLE)
2	71390468	2	BUSHING, WIPER
3	71387297	1	BLADE, WIPER
4	71390472	1	ARM, WIPER

GC00337

PR: t06g24h33d0026

ROOF & INTERIOR/EXTERIOR LIGHTS



9895 COMBINE  
CAB

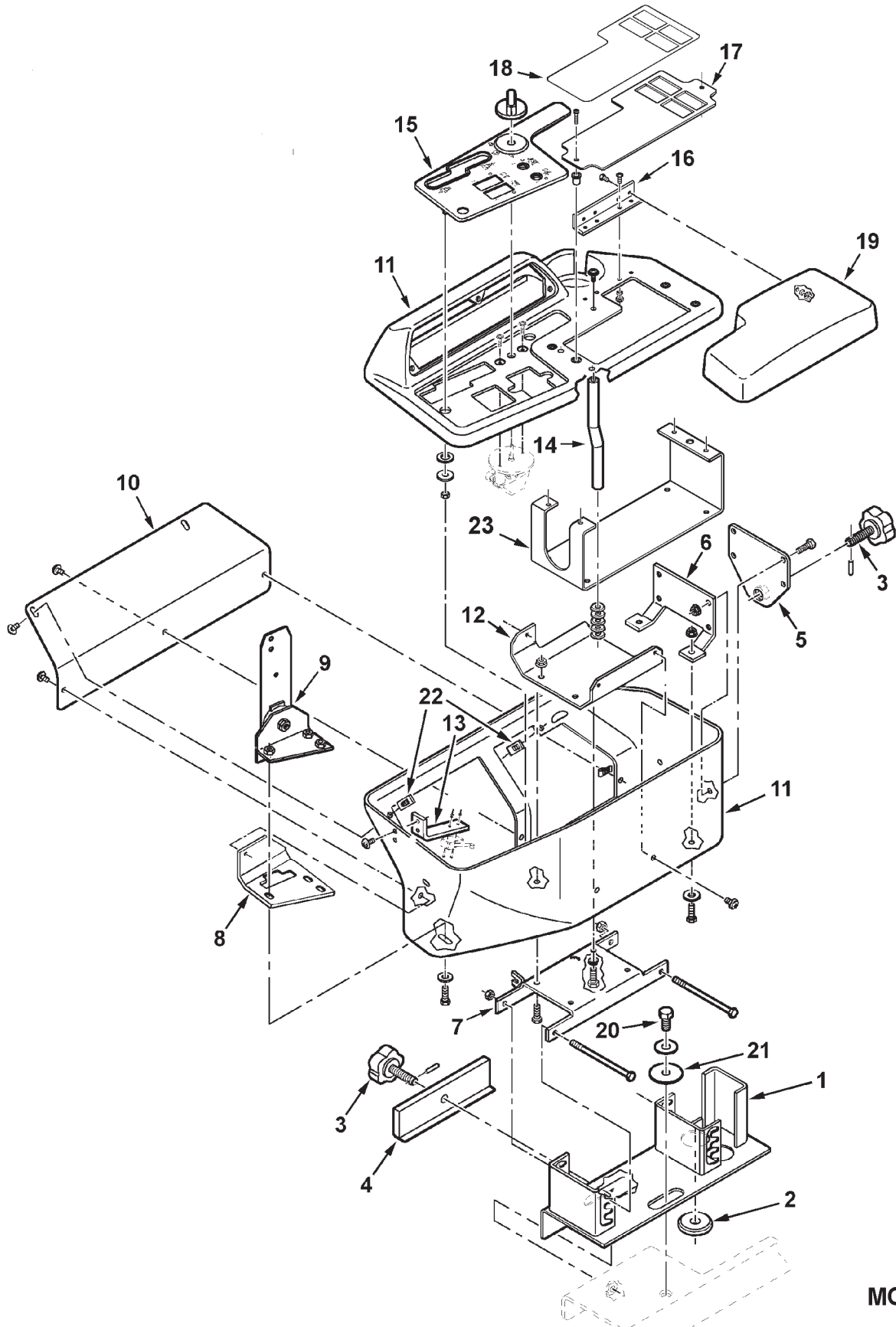
83

ROOF & INTERIOR/EXTERIOR LIGHTS

ITEM	NUMBER	QTY	DESCRIPTION
1	71406748	1	ROOF ASY, CAB
	7883325	4	SCR, HEX WSHR HD MACH, 5/16-18 X 3/4
	70917642	4	WASHER, 5/16 WIDE
	700717621	4	WASHER, RUBBER, .370 X .88 X .090
	Y704726	4	NUT, HEX FLANGE TOP LOCK, 5/16-18
2	70921960	9	CAPSCREW, 1/4-20 X 1 GR5
	70917377	9	WASHER, WIDE, 1/4
3	71394800	1	PLATE, ANTENNA GRND.
4	RE210066	1	ANTENNA
5	71396736	1	BRACKET, ROOF SUPPORT, LH
6	71399426	1	BRACKET, ROOF SUPPORT, RH
	Y703132	4	SCREW, HEX SERR FLNG, 5/16-18 X 3/4
	700725958	4	INSERT, THREADED, 5/16-18
7	71387274	1	COVER, SUPPORT ACCESS (RH)
	70921977	1	CAPSCREW, 5/16-18 X 1-1/4
	70917642	1	WASHER, 5/16, WIDE
	70920161	1	JAM NUT, 5/16-18
	70917372	1	NUT, 5/16-18 REG
8	-----	--	(NOT USED)
9	71387275	1	COVER, SUPPORT ACCESS (LH)
	70921977	1	CAPSCREW, 5/16-18 X 1-1/4
	70917642	1	WASHER, 5/16 WIDE
	70920161	1	JAM NUT, 5/16-18
	70917372	1	HEXNUT, 5/16-18
10	71398525	1	BRACKET, ROOF SUPPORT, FRONT
11	71387267	5	LAMP ASY., TRAP 25 DEG. UP
	700725576	AR	BULB, 12V 60W (GE 9004U)
	70937550	10	SCREW, PAN HD. SELF-TAP, #8-18 X 3/4
	700715255	10	NUT, SPEED, #8
12	71387268	4	LAMP ASY., FLOOD 10 DEG. UP
	700725576	AR	BULB, 12V 60W (GE 9004U)
	70937550	8	SCREW, PAN HD. SELF-TAP, #8-18 X 3/4
	700715255	8	NUT, SPEED, #8
13	7827983	4	GROMMET, WIRE
14	71393703	2	LIGHT, CAB, LOWER
	Y705046	2	LOCKWASHER, 1/2
	704031	2	NUT, 1/2-13 REG
15	71396954	2	BRACKET
	7883325	4	SCREW, HEX MACH. 5/16-18 X 3/4
	70931277	4	LOCKNUT, HEX SERR FLANGE, 5/16-18
16	71361831	1	LIGHT, INTERIOR
	700701265	4	SCR, PAN HD. SELF-TAP, #8-18 X 1/1/2
	700705185	1	SCREW, PAN HD. MACH. #8-32 X 1/2 (GRND WIRE ATTACHING SCREW)
17	71401718	1	ANGLE, ROOF RETAINER, REAR
18	71406866	1	LIGHT, ROW FINDER
	Y705046	1	LOCKWASHER, 1/2
	704031	1	NUT, 1/2-13 REG

GC00379  
PR: t06g24h33d0027

CONSOLE - SEAT



9895 COMBINE  
CAB

85

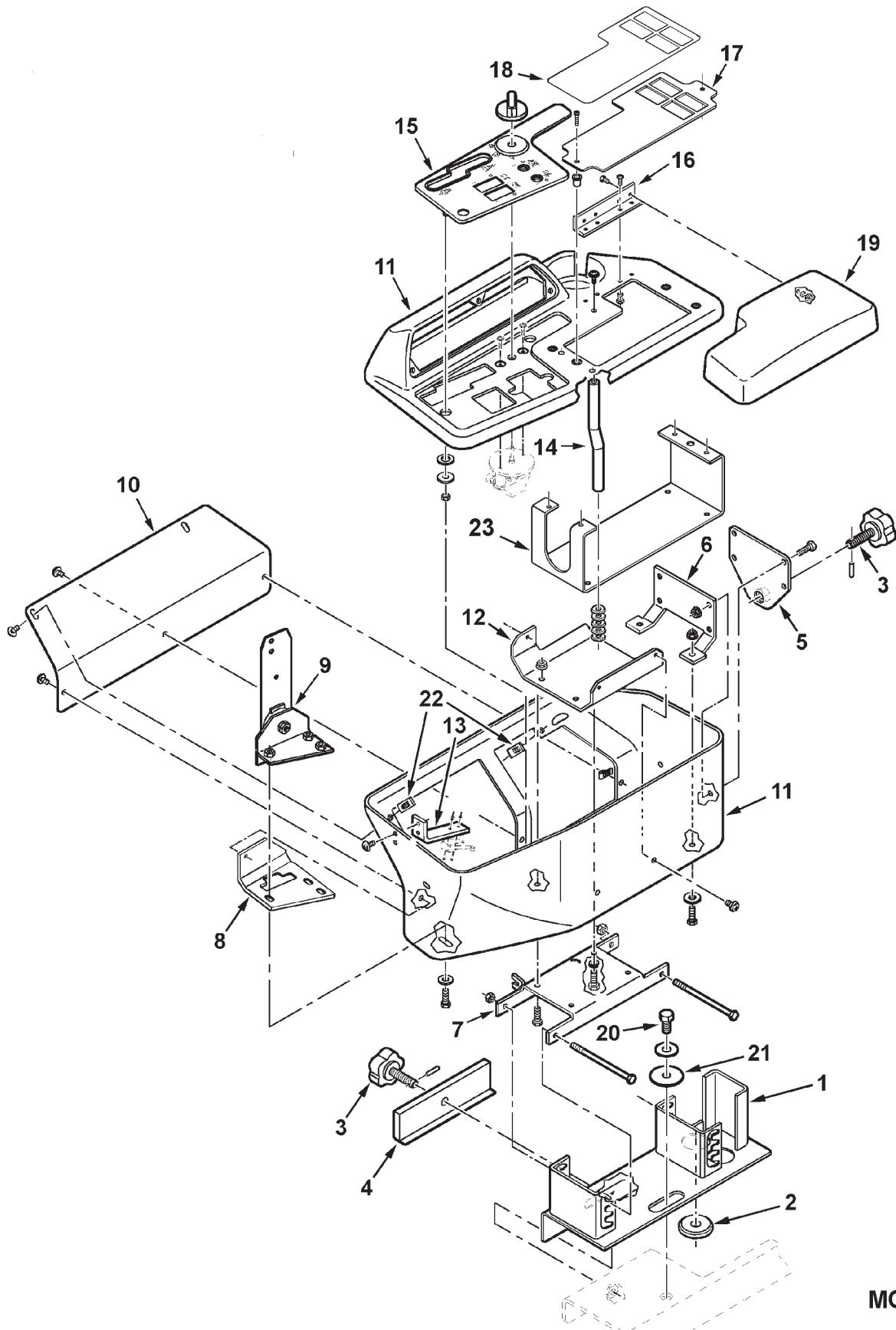
CONSOLE - SEAT

ITEM	NUMBER	QTY	DESCRIPTION
1	71409576	1	PLATE WLMT, ADJUSTER
2	71395754	1	GROMMET
3	71388152	2	KNOB, THREADED, 1/2-13 X 2
	70918111	2	PIN, SPRING, 1/8 X 1
4	71393609	1	BAR, STABILIZER
5	71388149	1	PLATE, KNOB
	70921333	4	CAPSCREW, 5/16-18 X 1.0
	70931277	4	LOCKNUT, HEX SERR. FLANGE, 5/16-18
6	71393613	1	STIFFENER, REAR
	70921333	2	CAPSCREW, 5/16-18 X 1.0
	70917642	2	WASHER, 5/16 WIDE
	70931277	2	LOCKNUT, HEX SERR. FLANGE, 5/16-18
7	71388142	1	BASEPLATE
	70925693	2	CAPSCREW, 5/16-18 X 5.0
	70923362	2	LOCKNUT, 5/16-18
8	71393615	1	STIFFENER
9	71388129	1	PIVOT ASY., HYDRO HANDLE
	71408202	AR	KIT, PIVOT ASY REPAIR (INCL. ALL COMP'TS EXCEPT MTG BRKT & PVT LEVER)
	70921333	3	CAPSCREW, 5/16-18 X 1.0
	70917642	3	WASHER, 5/16 WIDE
10	71388154	1	COVER
	70937660	5	SCREW, PAN HD,TAPPING, 1/4-20 X 5/8
11	71410952	1	CONSOLE HSG (1 PIECE. SHOWN IN 2 PIECES)
12	71409597	1	STIFFENER, BOTTOM
	70921333	3	CAPSCREW, 5/16-18 X 1.0
	70931277	3	LOCKNUT, HEX SERR FLANGE, 5/16-18
	70937660	2	SCREW, PAN HD,TAPPING, 1/4-20 X 5/8
13	71406876	1	BRACKET, MICRO SWITCH (USED W/SWITCH #107041 - SEE ELECT. SECTION)
	70937660	2	SCREW, PAN HD,TAPPING, 1/4-20 X 5/8
14	71409598	1	STIFFENER, VERTICAL
	70921333	1	CAPSCREW, 5/16-18 X 1.0
	Y705525	5	WASHER, 5/16
	70917356	1	LOCKWASHER, 5/16
	70937660	1	SCREW, PAN HD,TAPPING, 1/4-20 X 5/8
15	71393939	1	BEZEL, CONSOLE
	70923550	4	WASHER, .562 X 1.0 X 12GA
	70919381	4	WASHER, .344 X 1.0
	1703354	4	NUT, HEX FLANGE TOP LOCK, 1/4-20

CONTINUED

MC00422  
PR: t06g24h33d0028

CONSOLE - SEAT





9895 COMBINE  
CAB

87

CONSOLE - SEAT

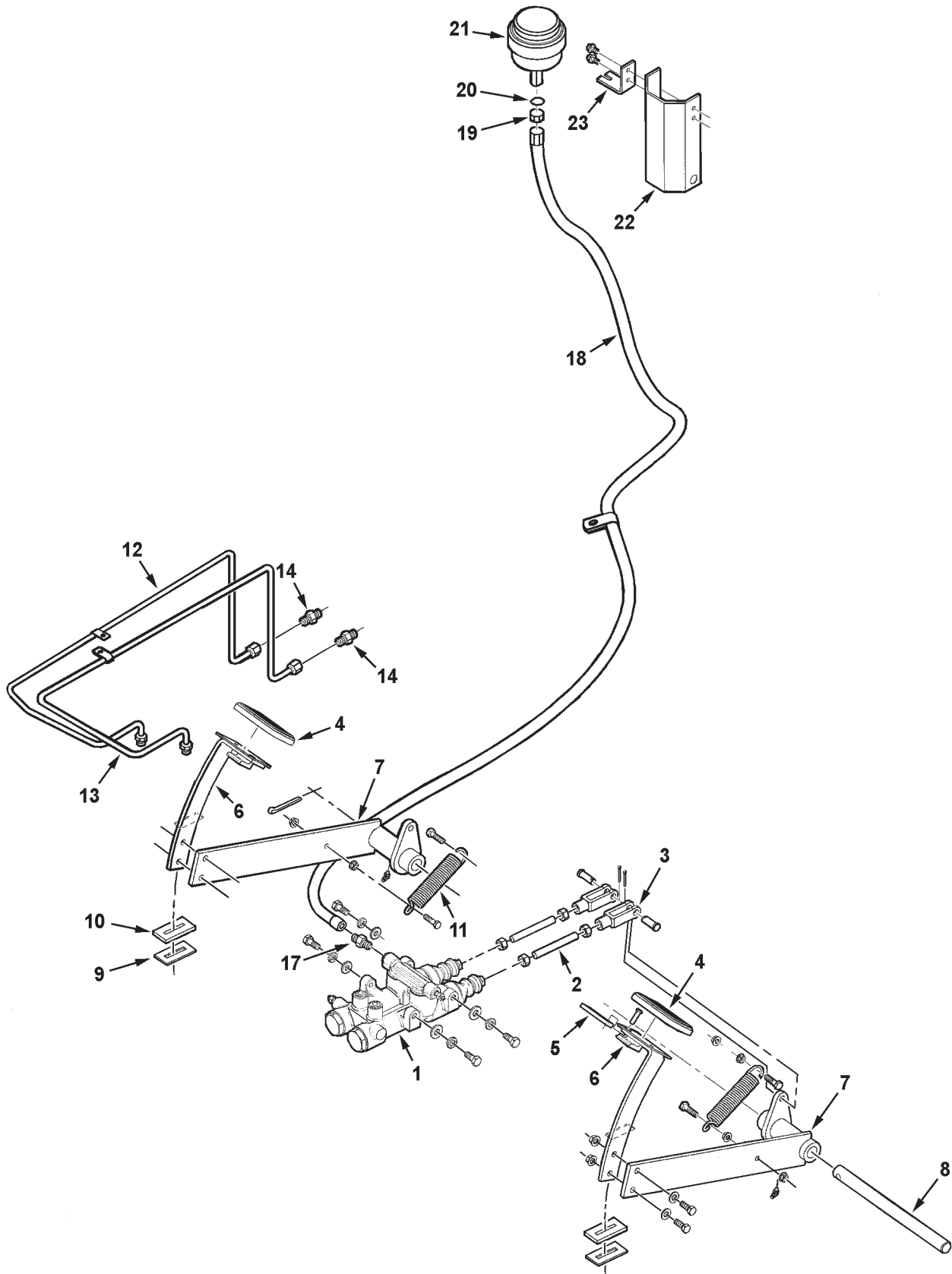
ITEM	NUMBER	QTY	DESCRIPTION
16	71391157	1	HINGE
	116047W1	8	SCREW, PAN HD. MACH. #10-24 X 5/8
	705004	8	LOCKWASHER, #10
	Y704072	8	HEXNUT, #10-24
17	71410956	1	PLATE, SWITCH MTG.
	70937280	2	SCREW, SELF TAPPING #8-32 X 3/4
	71393926	2	WELLNUT, #8-32
18	-----	1	DECAL, SWITCHES
19	71388131	1	ARMREST ASY.
20	70921865	1	CAPSCREW, NYLOK, 1/2-13 X 1
	70918431	1	WASHER, 1/2 WIDE
21	71398814	1	WASHER, POLYETHYLENE, NATURAL
22	700705135	3	SPEEDNUT 1/4-20
23	71410954	1	BRACKET, MODULE

MC00422

PR: t06g24h33d0028

9895 COMBINE  
CAB

CONTROL  
SERVICE BRAKES



9895 COMBINE  
CAB

89

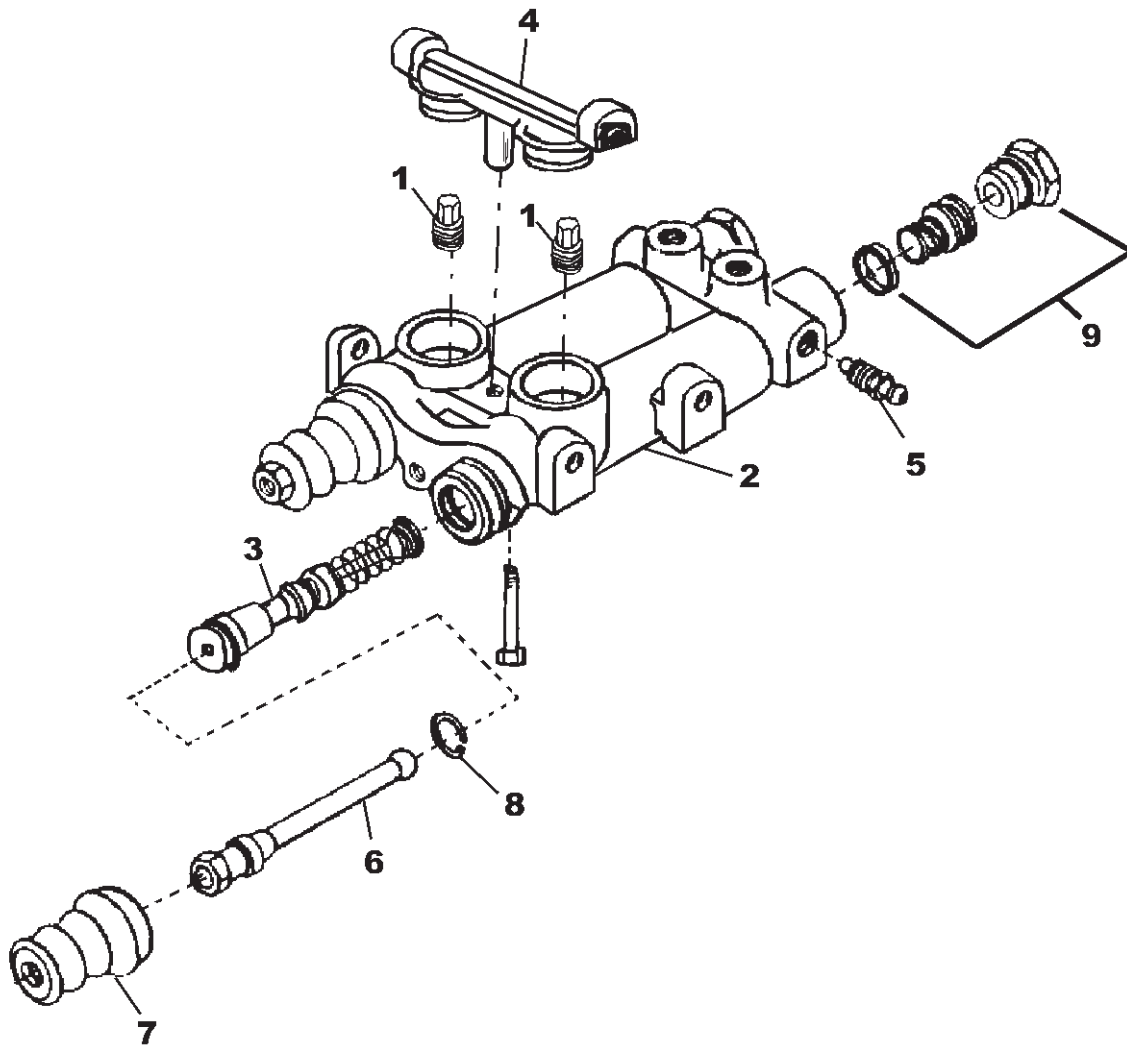
CONTROL  
SERVICE BRAKES

ITEM	NUMBER	QTY	DESCRIPTION
1	71378364	1	MASTER CYLINDER, BRAKE
	700708349	4	CAPSCREW, M10 X 1.5 X 25
	339376X1	4	LOCKWASHER, M10
	700702916	4	WASHER, WIDE HARD, 3/8
2	71361940	2	ROD, BRAKE
	353426X1	4	NUT, 7/16-20 UNF
3	W500053E	2	YOKE
	700706356	2	PIN, CLEVIS, 7/16 X 1-1/4
	70918452	2	PIN, COTTER, 1/8 X 1.0
4	71361947	2	PAD, PEDAL
5	71361941	1	LOCK, LINK (LH ONLY)
	763136	1	PIN, CLEVIS, 1/4 X 1.0
6	71390414	1	PEDAL, BRAKE (LH)
	71390413	1	PEDAL, BRAKE (RH)
	703249	4	CAPSCREW, 3/8-16 X 1.0
	70918266	4	WASHER, 3/8, NARR
	704247	4	LOCKNUT, HEX SERR FLANGE, 3/8-16
7	71387178	1	ARM, BRAKE PEDAL (LH)
	71387177	1	ARM, BRAKE PEDAL (RH)
	70925731	2	LUBE FTG, 45 DEG, 1/4-28 SPL. TAPER
8	71361720	1	SHAFT, BRAKE PEDAL
	70929957	1	PIN, COTTER, 3/8 X 3.0
9	71387181	2	BRACKET
10	71390407	2	SEAL, PEDAL
11	1565240W1	2	SPRING
	70921977	4	CAPSCREW, 5/16 X 1-1/4
	70931277	8	LOCKNUT, HEX SERR FLANGE, 5/6-18
12	71391255	1	TUBE, MASTER CYL. (RH)
	70928654	1	CLAMP, LINE, 1/4 X .406 HOLE
	7704141	1	NUT, HEX TOP LOCK, 3/8-16
13	71391256	1	TUBE, MASTER CYL. (LH)
	70928654	1	CLAMP, LINE, 1/4 X .406 HOLE
	7704141	1	NUT, HEX TOP LOCK, 3/8-16
14	70919214	2	UNION, 1/4 JIC X 1/4 JIC
17	70920821	1	CONNECTOR, 1/4 HOSE X 5/16 INVERTED
18	71396273	1	HOSE ASY.
	70929402	1	CLAMP, WORM DRIVE, .22-.63 DIA
19	N12998	1	NUT, HEX BULKHD, 9/16-18 UNF, SAE J514
20	112734W1	1	O-RING, .070 WIDE X .301 ID
21	112735W91	1	RESERVOIR, BRAKE
22	71393695B	1	COVER, RESERVOIR
23	71393694	1	BRACKET, RESERVOIR
	701953	2	SCREW,HEX HD, TAPPING, 5/16-18 X 3/4

MC00423

PR: t06g24h33d0029

BRAKE MASTER CYLINDER



9895 COMBINE  
CAB

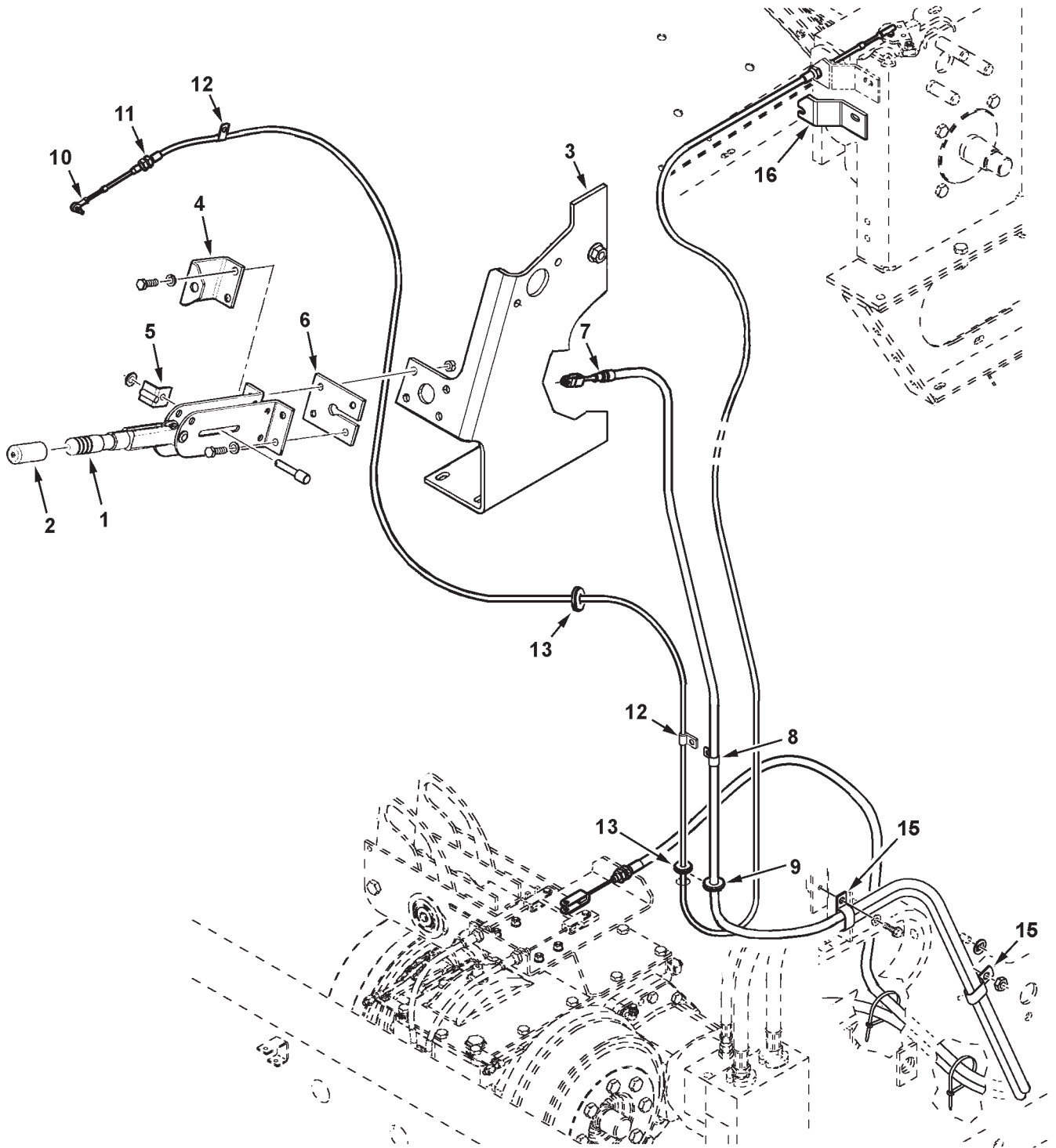
91

BRAKE MASTER CYLINDER

ITEM	NUMBER	QTY	DESCRIPTION
-	71378364	1	MASTER CYLINDER, BRAKE
1	71389509	2	VALVE ASSEMBLY, FAST FILL
2	-----	1	BODY AND TUBE SEAT ASSEMBLY (ORDER BRAKE MASTER CYLINDER)
3	71389511	2	PISTON ASSEMBLY
4	71389512	1	CONNECTOR AND TUBE SEAT ASSEMBLY
5	71389513	2	BLEED SCREW
6	74906743	2	PUSH ROD
7	71389514	2	BOOT
8	71389515	2	RETAINING RING
9	71389516	2	POPPET PACKAGE

MC00218  
PR: t06g24h33d0030

CONTROL  
PARK BRAKE & HYDRO PROPEL CABLE



9895 COMBINE  
CAB

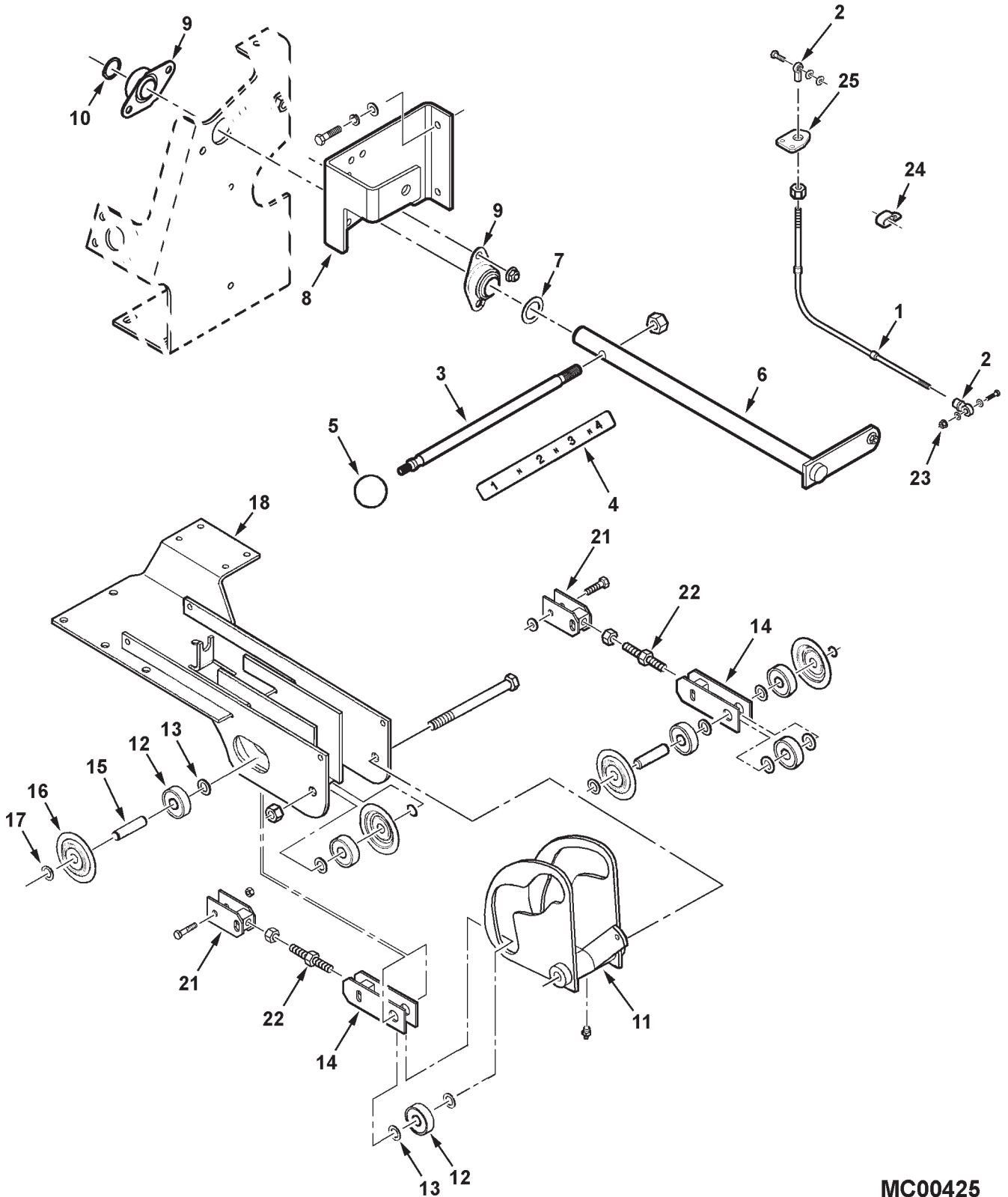
93

CONTROL  
PARK BRAKE & HYDRO PROPEL CABLE

ITEM	NUMBER	QTY	DESCRIPTION
1	1774490W91	1	LEVER ASY., PARKING BRAKE
	70921333	4	CAPSCREW, 5/16-18 X 1.0 GR5
	70917356	4	LOCKWASHER, 5/16
	70917372	4	NUT, 5/16-18 REG
2	111711W1	1	HANDLE, GRIP
3	71394796	1	SUPPORT BRKT WLDMT
	70921977	4	CAPSCREW, 5/16-18 X 1-1/4
	Y705608	4	WASHER, 5/16 NARR
4	71394799	1	BRACKET, SWITCH
	71395848	1	SWITCH, PARK BRAKE (NOT ILL.)
5	1791851W91	1	BRACKET WLDMT, PARKING BRAKE
6	71379701	1	PLATE, ANCHOR
7	71394880	1	CABLE ASY., PARK BRAKE
	700717644	2	NYLON TIE, .30 X 8.1 LG
8	70928656	1	CLAMP, LINE, 5/8 DIA X .406 HOLE
	70921965	1	CAPSCREW, 3/8-16 X 3/4
9	71395753	1	GROMMET
10	71351389	1	JOINT, BALL
	705004	1	LOCKWASHER, #10
	Y704445	1	NUT, #10-32
11	71391303	1	CABLE ASY., HYDRO
	700717644	2	NYLON TIE, .30 X 8.1 LG
12	70929720	2	CLAMP, LINE, 5/16 DIA X .406 HOLE
	70921965	1	CAPSCREW, 3/8-16 X 3/4
13	71395752	2	GROMMET
15	70932871	2	CLAMP, DOUBLE, 9/16 DIA X .531 HOLE
	70921176	1	CAPSCREW, 1/2-13 X 1-1/4 GR5
	70919089	1	CAPSCREW, 1/2-13 X 1-3/4 GR5
	Y704742	2	NUT, HEX FLANGE TOP LOCK, 1/2-13
16	71408203	1	BRACKET, CONTROL CABLE

MC00424  
PR: t06g24h33d0031

CONTROL  
GEARSHIFT





**9895 COMBINE  
CAB**

95

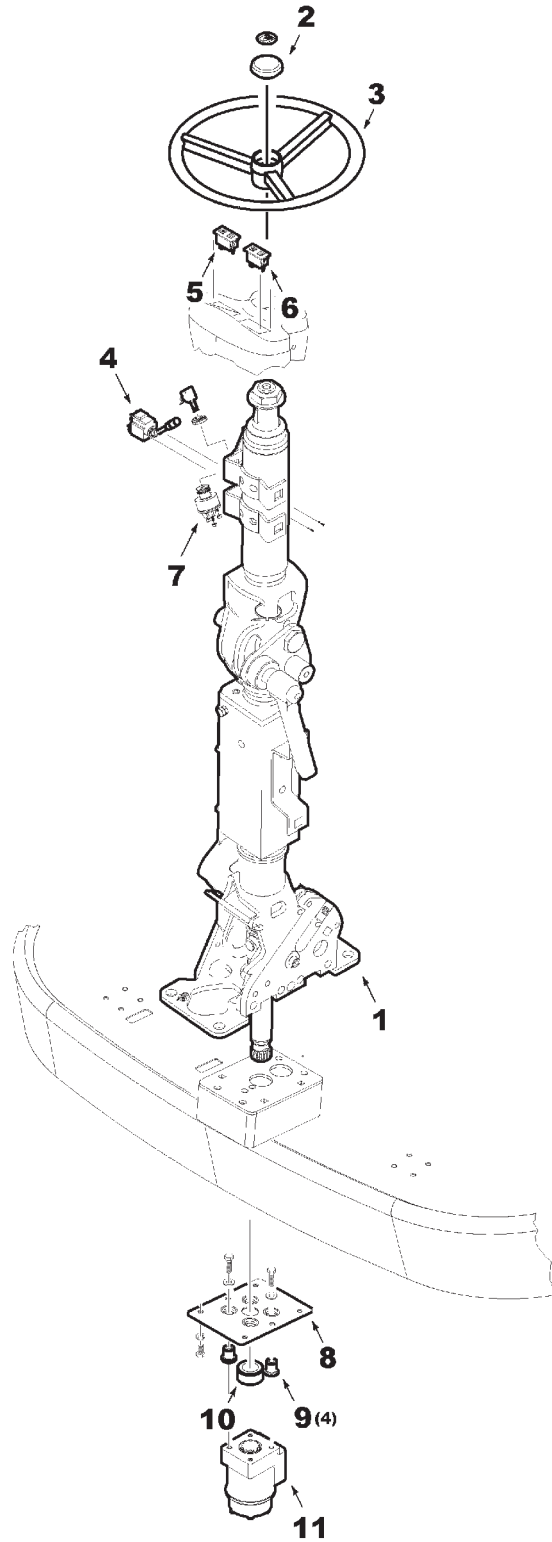
**CONTROL  
GEARSHIFT**

ITEM	NUMBER	QTY	DESCRIPTION
1	71387205	1	CABLE ASY., SHIFTER
	700717644	2	NYLON TIE, .30 X 8.1 LG
2	700710788	2	BEARING, ROD END
	70921977	2	CAPSCREW, 5/16-18 X 1-1/4 GR5
	Y705525	4	WASHER, HARD, .344 X .688 X 16GA
3	71391515	1	LEVER
	Y704742	1	NUT, HEX FLANGE TOP LOCK, 1/2-13
4	71395770	1	DECAL, SHIFTER
5	71363845	1	KNOB
6	71391516	1	LEVER WLDMT, SHIFT
7	Y52209	1	WASHER, SPL, 1 X 1-1/2 X 18 GUAGE
8	71394795	1	SUPPORT WLDMT, SHAFT (LH)
	70921969	2	CAPSCREW, 3/8-16 X 1-1/2 GR5
	70916965	2	LOCKWASHER, 3/8
	70918266	2	WASHER, 3/8, NARROW
9	71394797	2	BEARING, FLANGE 1.0
	70921210	4	CAPSCREW, 3/8-16 X 1 GR5
	Y704734	4	NUT, HEX FLANGE TOP LOCK, 3/8-16
10	70927738	1	RETAINING RING
11	71387142	1	CAM WELD ASM
	70914465	1	LUBE FTG, STRAIGHT, 1/8-27 NPT
	70926137	1	CAPSCREW, 5/8-11 X 7" GR 5
	70923353	1	NUT, HEX CENTER LOCK, 5/8-11
12	711770	6	BEARING, ROLLER
13	52175	8	WASHER, SPL .62 X 1.0 X 18 GA, NON-PLTD
14	71397262	2	YOKE WLDMT, LONG
	70921221	2	CAPSCREW, 5/16-18 X 1-1/2
	70923362	2	NUT, CENTER LOCK, 5/16-18
15	71393301	2	PIN, SHIFTER
16	71393467	4	CAP, BEARING RETAINER
17	70927103	4	RING, RETAINING
18	71387148	1	BASE WELD ASM, SHIFTER
21	71397263	2	YOKE WLDMT, SHORT
22	71397261	2	STUD, YOKE, 3/8-16
	70917421	2	JAM NUT, 3/8-16
23	Y704726	1	NUT, HEX FLANGE TOP LOCK, 5/16-18
24	70932871	2	CLAMP, DOUBLE, 9/16 DIA X .531 HOLE
25	71406878	1	RETAINER WLMT, CABLE
	70921210	4	CAPSCREW, 3/8-16 X 1 GR5

MC00425

PR: t06g24h33d0032

CONTROL  
STEERING COLUMN



**9895 COMBINE  
CAB**

**97**

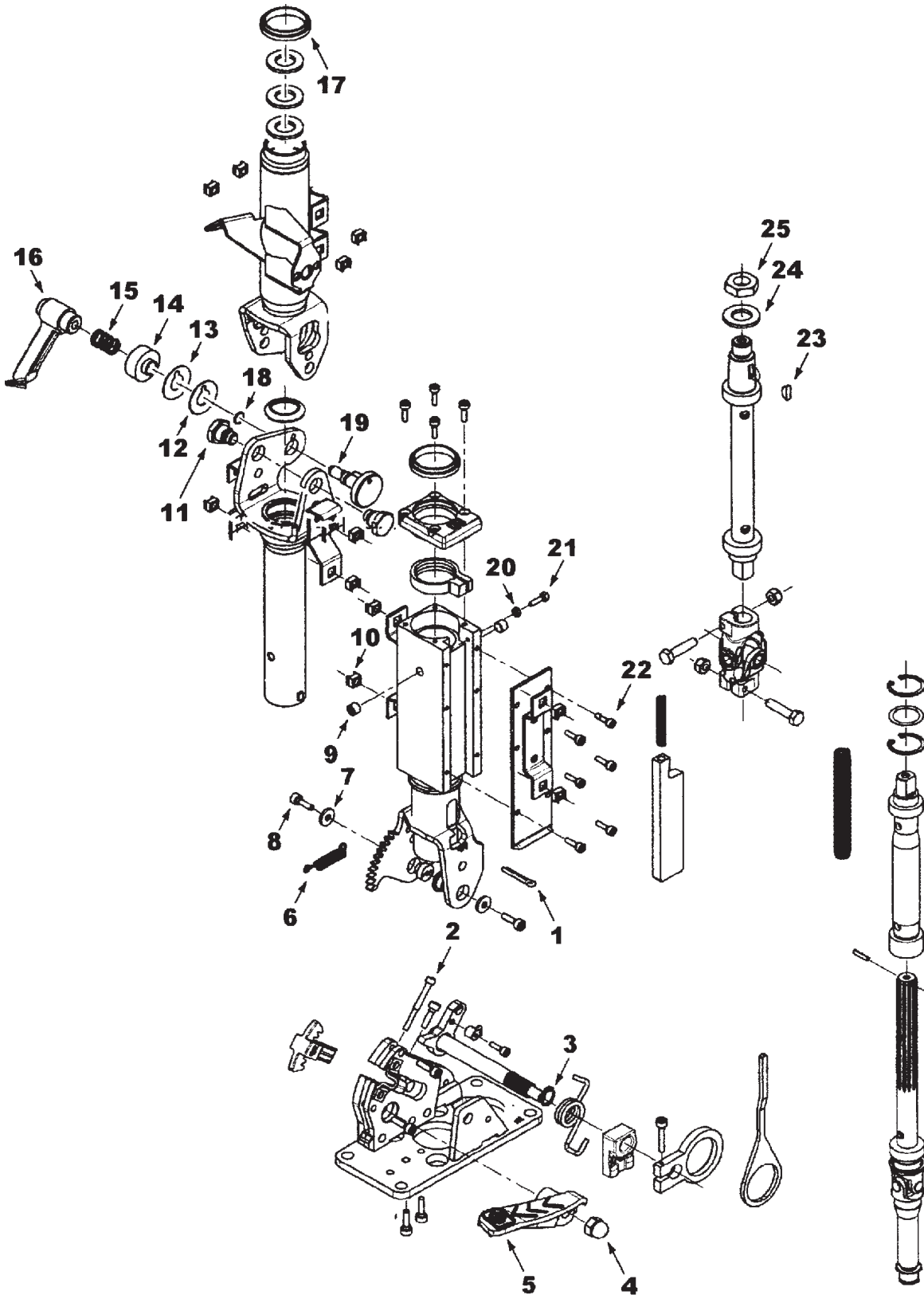
**CONTROL  
STEERING COLUMN**

ITEM	NUMBER	QTY	DESCRIPTION
1	71407651	1	STEERING COLUMN ASY (SEE COMPONENTS)
	70921969	4	CAPSCREW, 3/8-16 X 1-1/2 GR5
	70916965	4	LOCKWASHER, 3/8
2	71387145	1	CAP, STRG. WHEEL, CENTER
	71395759	1	EMBLEM, MF
3	71387293	1	WHEEL, STEERING (LEATHER WRAPPED)
4	71390314	1	SWITCH, TURN SIGNAL/HORN
	700720909	2	SCREW, PAN HD MACH, M4 X 0.7 X 10
	70923906	2	WASHER, #8, NARROW
5	71393282	1	MODULE, BLINKER/WAIT TO START
6	71393281	1	MODULE, BLINKER/HIGH BEAM
7	700718010	1	SWITCH, IGNITION
	71395761	1	DECAL, IGNITION SWITCH
	71377109	1	KEY, IGNITION, X2
	Y704445	4	NUT, #10-32 UNF
	705004	4	LOCKWASHER, #10
8	71390417	1	PLATE W/A, STRG. CONTROL
	70921965	6	CAPSCREW, 3/8-16 X 3/4
	70916965	6	LOCKWASHER, 3/8
	70920415	4	CAPSCREW, 3/8-16 X 1-1/4
	70917378	4	WASHER, 3/8, WIDE
9	700701287	4	MOUNT, RUBBER
10	72504036	1	SEAL, FOAM RING
11	71410869	1	STEERING CONTROL UNIT (315 CC/REV)
-	71391083	1	SEAL KIT, STRG CONTROL UNIT (NO OTHER SERVICED COMPONENTS)

GC00302

PR: t06g24h33d0033

STEERING COLUMN  
COMPONENTS



**9895 COMBINE  
CAB**

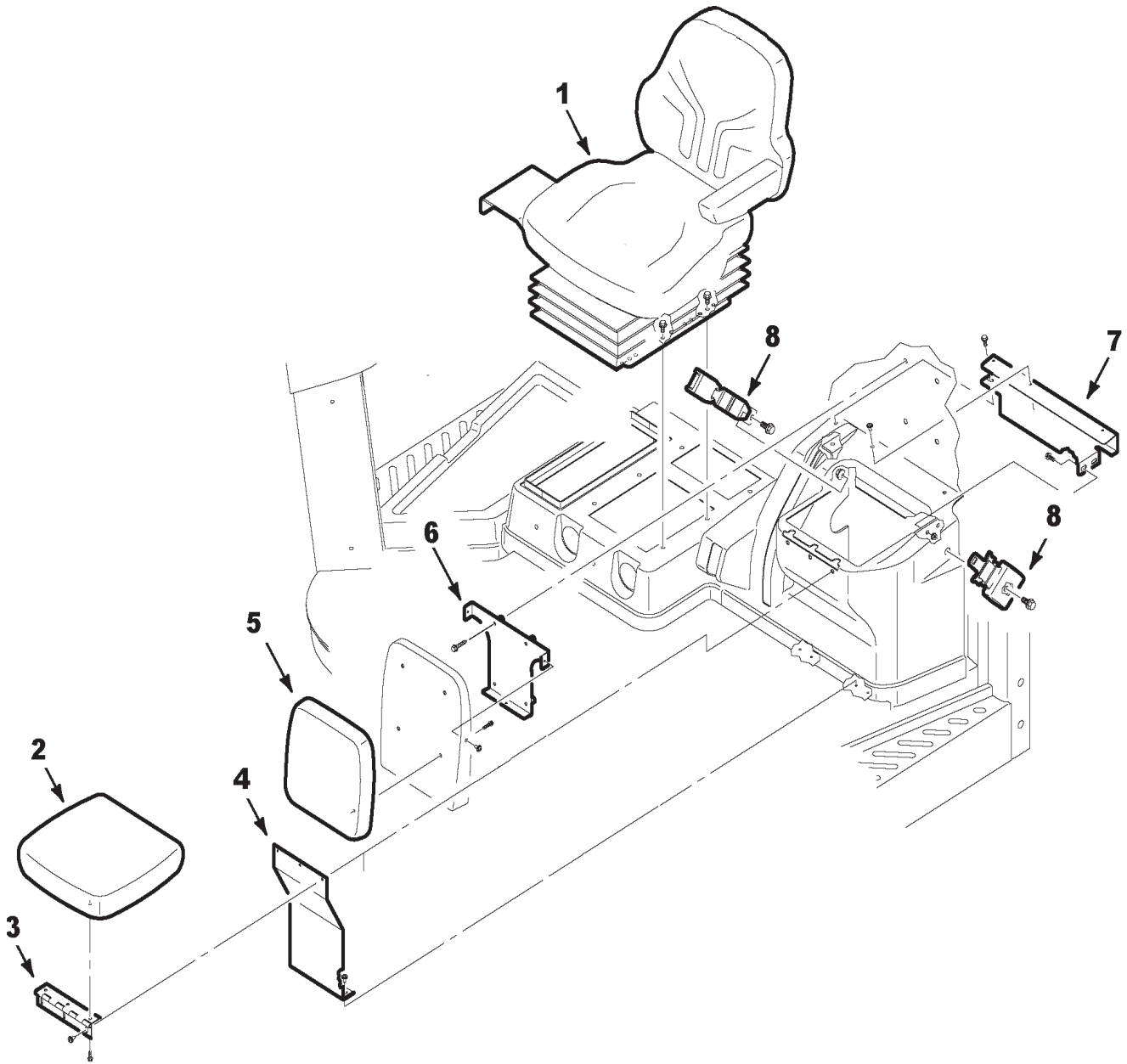
**99**

**STEERING COLUMN  
COMPONENTS**

ITEM	NUMBER	QTY	DESCRIPTION
-	71407651	--	STEERING COLUMN ASY
1	70918459	1	COTTER PIN, 3/16 X 1-1/2
2	71397834	1	CAPSCREW, HEX SOCK, M5-1 X 50
3	71397830	1	RING, RETAINING, EXT.
4	71397550	1	NUT, HEX CAP, M10-1.5
5	71397543	1	PEDAL
6	71397546	1	SPRING, EXTENSION
7	71397827	2	WASHER, FLAT, M6
8	71397828	2	CAPSCREW, HEX SOCK, M6-1 X 18
9	71397833	2	SETSCREW, M10-1 X 8
10	71407652	12	NUT, CAGE, M5
	71407653	12	SCREW, M5 X 16, BLACK
11	71397539	2	SCREW, FULCRUM
12	71397544	1	SPACER, 1 MM TH.
13	71397542	1	SPACER, .5 MM TH.
14	71397541	1	RING
15	71397549	1	SPRING, COMPRESSION
16	71397548	1	HANDLE
17	71397545	2	GROMMET, RUBBER
18	71397835	1	O-RING, .344 ID X .070
19	71397547	1	STOP, TILT
20	71397540	1	NUT, HEX, M5-1.5
21	71397836	1	CAPSCREW, M5-1 X 18
22	71397826	11	CAPSCREW, HEX SOCK, M5-1 X 16
23	71397831	1	KEY, WOODRUFF, 5 X 6.5 MM
24	700702979	1	WASHER, FLAT, 19 ID X 34 X 3 MM
25	71397832	1	NUT, HEX, M18-1.5

GC00396  
PR: t06g24h33d0034

SEAT  
OPERATOR & INSTRUCTOR



9895 COMBINE  
CAB

101

SEAT  
OPERATOR & INSTRUCTOR

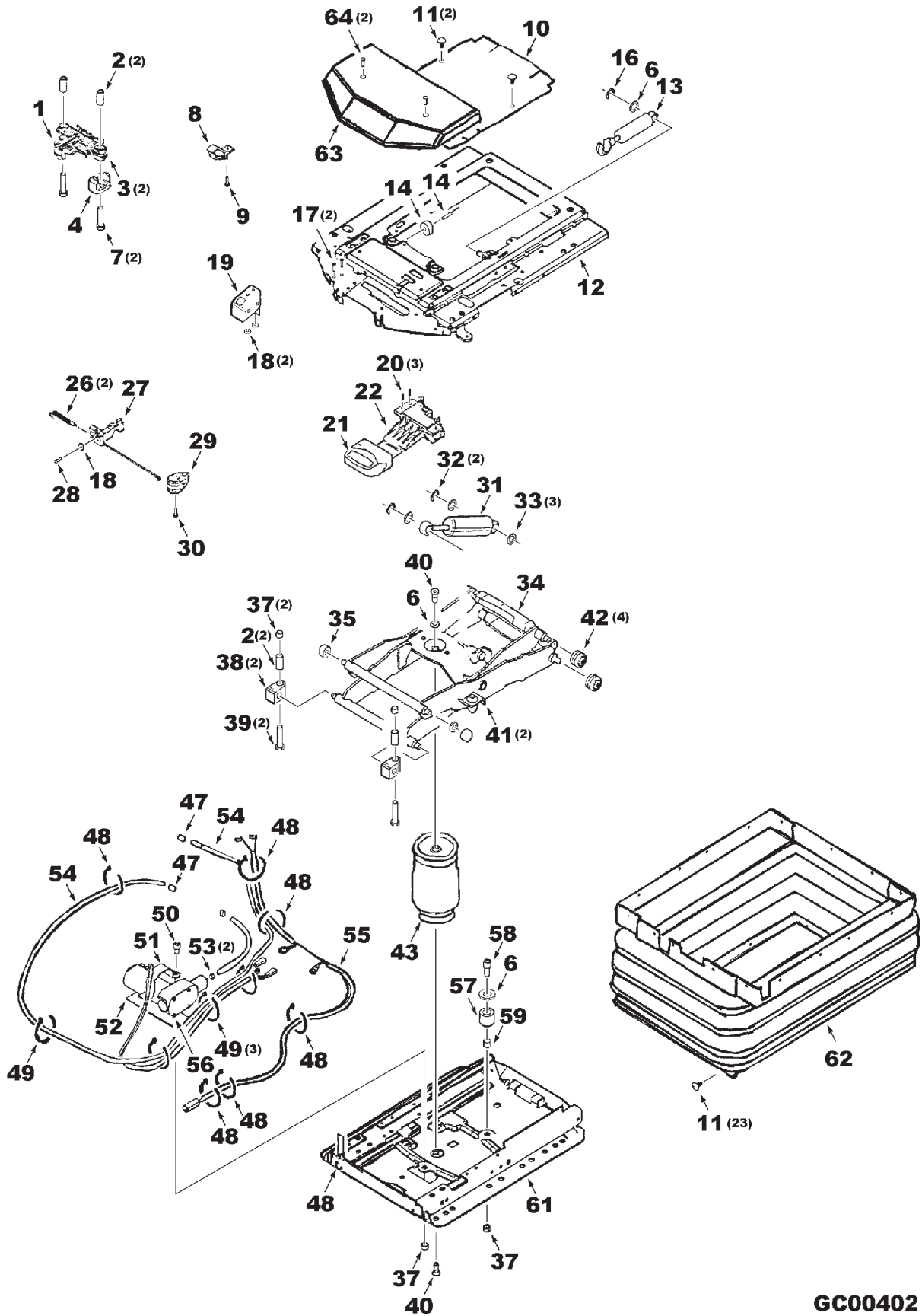
ITEM	NUMBER	QTY	DESCRIPTION
1	71388178	1	SEAT ASSEMBLY (SEE BREAKDOWN)
	7703432	4	SCREW, HEX SERR FLANGE, 3/8-16 X 3/4
2	71394888	1	CUSHION, INSTRUCTORS SEAT
	7883275	3	MACH SCR, HEX WSHR HD. 1/4-20 X 3/4
3	71394887	1	HINGE, INSTR. SEAT
	70937660	3	SCR, PAN HD, THD TAP'G 1/4-20 X 5/8
4	71394886	1	SUPPORT, INSTR. SEAT FRONT
	70937660	2	SCR, PAN HD, THD TAP'G 1/4-20 X 5/8
5	71394889	1	CUSHION, INSTRUCTORS SEAT BACK
	7883283	4	MACH SCR, HEX WSHR HD, 1/4-20 X 1
6	71396377	1	BRACKET WLDMT, BACKREST MTG
	7772056	4	SCREW,HX SERR FLANGE,5/16-18 X 1-1/2
7	71394894	1	SUPPORT, INSTR. SEAT REAR
	7883325	3	MACH SCR, HEX WSHR HD. 5/16-18 X 3/4
	70931277	3	LOCKNUT, HEX SERR FLANGE, 5/16-18
	70937660	3	SCR, PAN HD, THD TAP'G 1/4-20 X 5/8
8	72502789	1	SEAT BELT ASY. (INCL. BOTH HALVES)
	7701592	2	SCREW, HEX SERR FLANGE, 1/2-13 X 1

GC00306

PR: t06g24h33d0035

9895 COMBINE  
CAB

SEAT  
BASE & SUSPENSION





9895 COMBINE  
CAB

103

SEAT  
BASE & SUSPENSION

ITEM	NUMBER	QTY	DESCRIPTION
-	71383653	AR	BASE & SUSPENSION ASY., COMPLETE
1	72504803	1	KIT, ISOLATOR, HORIZ, (INCL. ITEMS 2, 3, 4, 7, 9, 11, 14, 35)
2	72504802	4	TUBE
3	72504775	2	BUSHING
4	72504804	1	BUMPER
6	390972X1	3	WASHER, 8.4-HV140
7	7772361	2	SCREW, M8-1.25 X 35
8	72504791	2	KIT, STOP (INCL ITEMS 9, 11)
9	72504792	2	RIVET, 4 X 16.9MM
10	72514069	1	COVER
11	71306949	25	PLUG, RETAINER
12	71398172	1	KIT, SUSPENSION UPPER (INCL ITEMS 9, 11, 14, 18, 19, 26-29, 35, 42)
13	700725845	1	KIT, SHOCK ABSORBER (INCL ITEMS 6,11,16)
14	72504785	1	KIT, BUMPER & RIVET
16	72504740	1	CLIP RING, RETAINING
17	72514052	2	RIVET, 4 X 12MM
18	72504786	3	WASHER, 4.3-HV140
19	71398174	1	KIT, LEVEL CONTROL (INCL. 11, 17, 18)
20	71398175	3	SCREW, M5 X 16
21	700725844	1	HANDLE
22	72514061	1	KIT, OPERATION (INCL ITEMS 11, 20, 21)
26	3903044M1	2	SPRING, TENSION
27	72514070	1	KIT, LEVER, LOCKING (INCL ITEM 11)
28	71398726	1	SCREW, M3.5 X 12
29	71365327	1	HANDLE
30	72514066	1	SCREW, M4 X 14
31	700725843	1	KIT, SHOCK ABSORBER (INCL ITEMS 5, 11, 32, 33)
32	72504812	4	CLIP RING, RETAINING
33	72504776	3	WASHER, 13MM
34	71398727	1	KIT, SWING ARM (INCL ITEMS 2, 6, 9, 11, 35, 37, 38, 40-42, 48-50)
35	71401534	2	ROLLER
37	71383667	4	NUT, M8-SI
38	72504809	2	BEARING
39	72504808	2	SCREW
40	72504811	2	SCREW, M8 X 20 TORX
41	70263605	2	BUMPER
42	72504810	4	ROLLER
43	700724622	1	KIT, AIR SPRING (INCL ITEMS 6, 11, 40, 47, 48, 53)
47	700725840	2	NIPPLE, HOSE
48	70932747	7	TIE, BLACK NYLON, SELF-LOCK .10 X 4.0
49	70925094	4	TIE, BLACK NYLON, SELF-LOCK .18 X 7.3
50	1112299	1	SCREW, M8 X 12

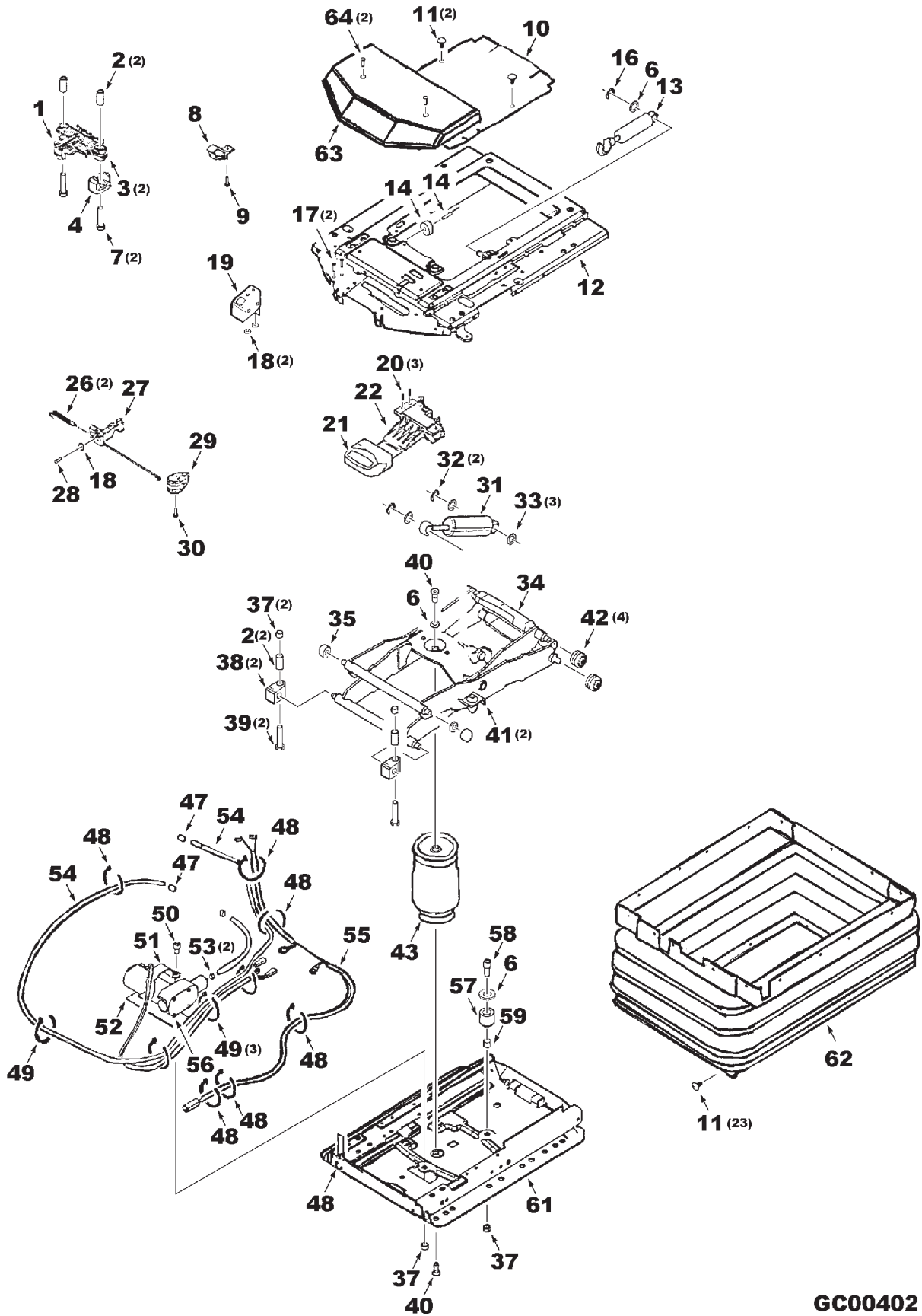
CONTINUED

GC00402

PR: t06g24h33d0036

9895 COMBINE  
CAB

SEAT  
BASE & SUSPENSION



9895 COMBINE  
CAB

105

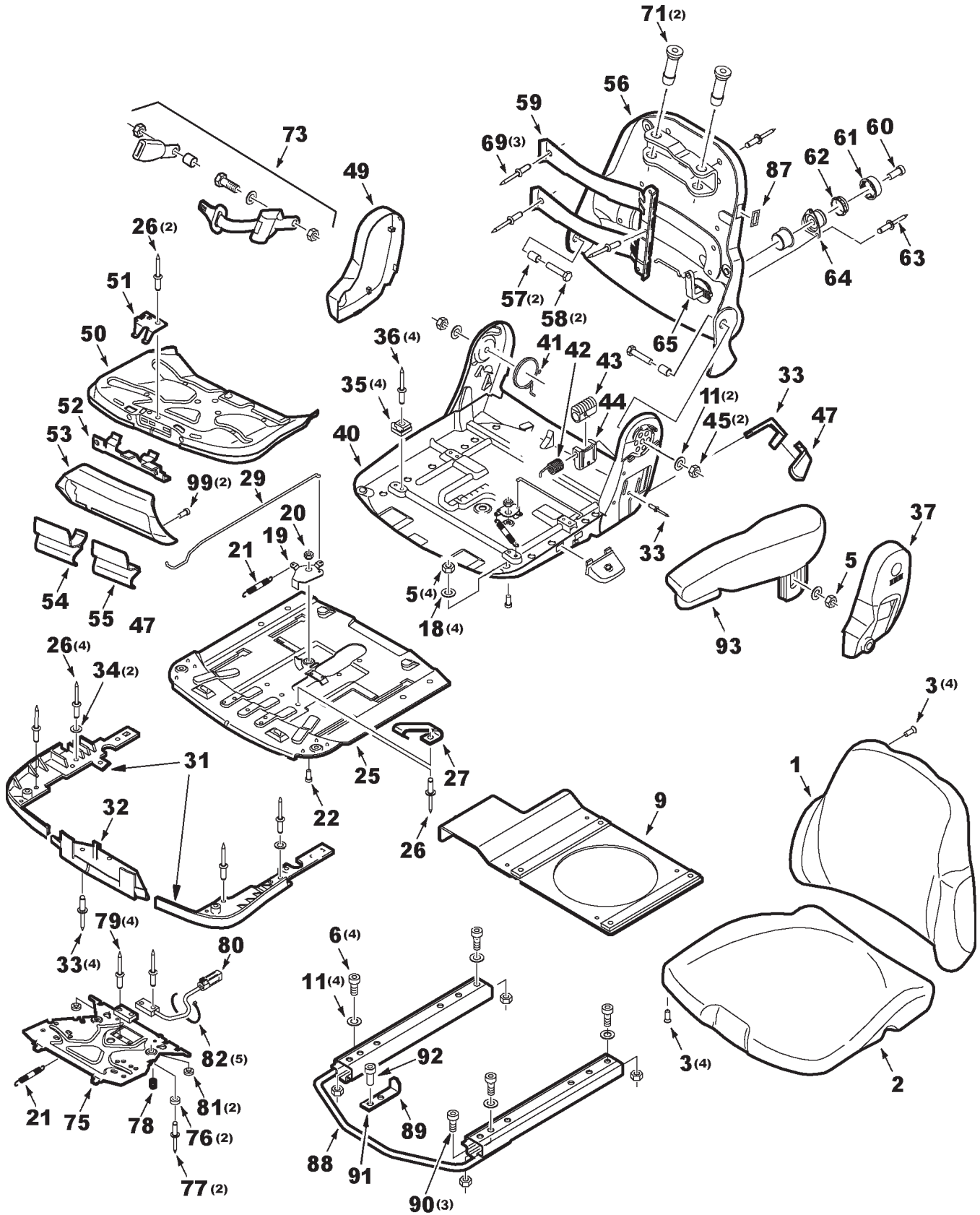
SEAT  
BASE & SUSPENSION

ITEM	NUMBER	QTY	DESCRIPTION
51	72511891	1	BRACKET
52	72504762	1	PLATE
53	700725837	2	CLAMP, HOSE
54	700724623	1	KIT, AIR TUBE (REPAIR AIR LINES BETWEEN COMPRESSOR & AIR SPRING)
55	700725836	1	KIT, CABLE, CONNECTING (INCL ITEMS 11, 48, 49)
56	700728301	1	KIT, COMPRESSOR (INCL ITEMS 11,37,48-53)
57	72514067	1	KIT, BUMPER (INCLS ITEMS 6, 11, 37, 58, 59)
58	72514054	1	SCREW, M8 X 20
59	72514053	1	TUBE
61	71398728	1	KIT, SUSPENSION, LOWER (INCL ITEMS 2,11, 37-40, 42, 48-50, 57)
62	71383661	1	KIT, BELLOWS (INCL ITEM 11)
63	71383662	1	KIT, COVER (INCL ITEM 64)
64	2813878M1	2	RIVET, 4.8 X 10.3
-	71398173	1	KIT, WEAR PARTS (INCL. 2, 4, 9, 11, 14, 35, 38, 40-42, 48-50, 53 & 57)

GC00402

PR: t06g24h33d0036

SEAT  
CUSHION AND BACKREST



9895 COMBINE  
CAB

107

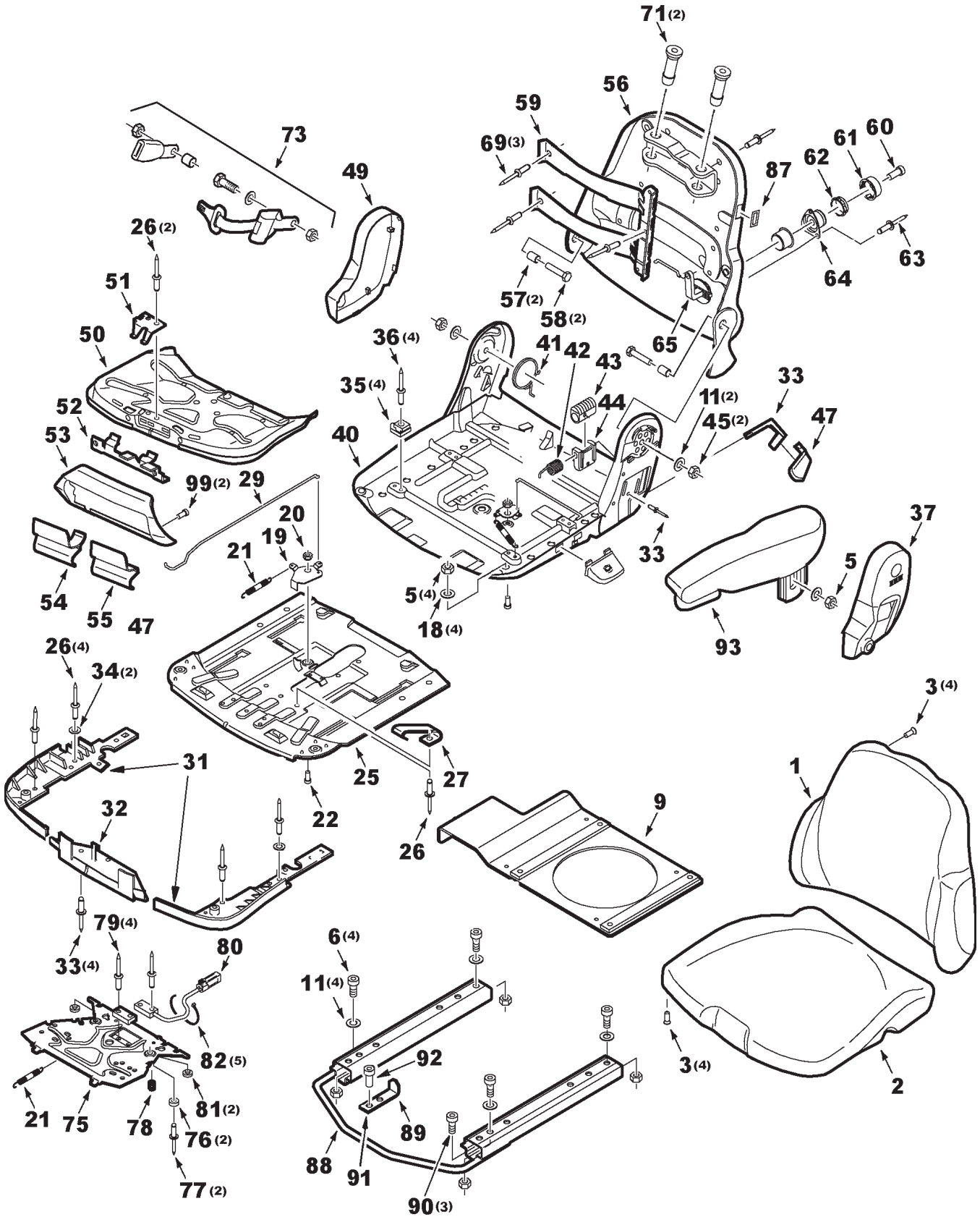
SEAT  
CUSHION AND BACKREST

ITEM	NUMBER	QTY	DESCRIPTION
1	700725806	1	KIT, BACKREST CUSHION (INCL ITEM 3)
2	71398730	1	KIT, SEAT CUSHION (INCL ITEM 3)
3	71398731	8	SCREW, M5 X 25
5	72513700	5	NUT, M8
6	71383673	4	SCREW, M8 X 25
9	71388157	1	PLATE WLDMT, CONSOLE SUPPORT
11	391039X1	4	WASHER M8 WIDE, 9.0MM X 24 X 1.82 TH
18	390972X1	4	WASHER M8 STD, 9.0MM X 17 X 1.36 TH
19	71400508	1	KIT, LEVER, DEPTH ADJUST (INCL ITEMS 20, 21, 22)
20	71400509	1	BUSHING
21	700725810	2	SPRING, EXTENSION
22	71400510	1	SCREW, M8 X 12
25	71398733	1	KIT, PLATE FOR SEAT DEPTH
26	72514076	7	RIVET, 4 X 8
27	71398734	1	BRACKET, SPRING
29	71398735	1	ROD, ADJUSTER
31	71398736	1	KIT, SEAT ANGLE COVERS(INCL ITEMS 26,34)
32	71398737	1	KIT, BRACKET (INCL ITEM 33)
33	71398740	5	RIVET, 6 X 12
34	72504786	2	WASHER, 4.3MM
35	71398738	4	GLIDE
36	71398739	4	RIVET, 4 X 16
37	71398741	1	COVER, ARMREST
40	71398742	1	KIT, SEAT PAN (INCL ITEMS 11, 33, 35, 36, 45, 57, 58)
41	71398743	1	SPRING, TORSION
42	71398744	1	SPRING, SPIRAL
43	71398746	1	WORM GEAR
44	71398745	1	KIT, BEARING (INCL ITEMS 33, 43)
45	71383667	2	NUT, M8
46	-----	1	KIT, BACKREST TILT LEVER (INCL ITEMS 33, 47)(NOT AVLBL AT TIME OF PRINT)
47	-----	1	KNOB (NOT AVAILABLE AT TIME OF PRINTING)
49	71398749	1	COVER, ARMREST
50	71398750	1	KIT, SEAT ANGLE ADJUST(INCL ITEMS 3, 51)
51	71398777	1	BRACKET, SPRING
52	71398778	1	LATCH
53	71398779	1	KIT, COVER, FORE & AFT (INCL ITEM 99)
54	71398780	1	KIT, HANDLE, SEAT DEPTH (INCL ITEM 29)
55	71398781	1	HANDLE
56	71398782	1	BACKREST ASY
57	71398783	2	TUBE
58	71398784	2	SCREW, M8 X 40
59	71398786	1	KIT, LUMBAR SUPPORT (INCL ITEMS 60-69)
60	71398785	1	SCREW, M6 X 10

CONTINUED

GC00403  
PR: t06g24h33d0037

SEAT  
CUSHION AND BACKREST



**9895 COMBINE  
CAB**

**109**

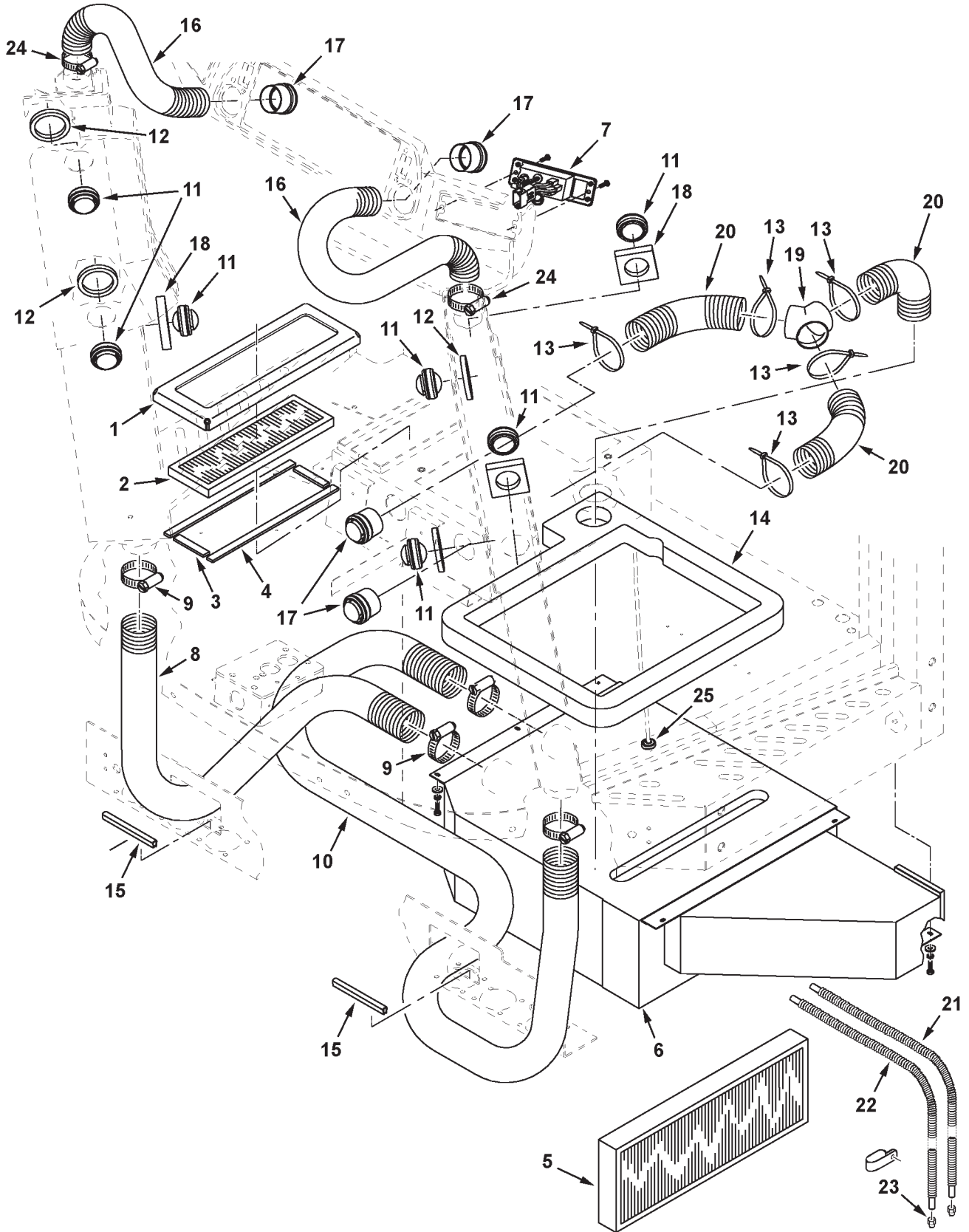
**SEAT  
CUSHION AND BACKREST**

ITEM	NUMBER	QTY	DESCRIPTION
61	71398787	1	KIT, HANDLE, LUMBAR ADJ (INCL ITEM 60)
62	71398788	1	WHEEL, TOOTHED
63	71398789	3	RIVET, 3.2 X 8
64	71398790	1	SLING, SPRING BRAKE
65	71398791	1	CARRIER
66	71398792	1	ROD, LINK
67	71398793	1	PLATE, LUMBAR
68	71398794	2	PLATE, LUMBAR
69	71398795	3	RIVET, 4 X 8
71	71398796	2	BUSHING
73	700725833	1	SEAT BELT ASY
75	700725871	1	KIT, OPERATOR PRESENCE SWITCH MTG (INCL ITEMS 21, 76, 77, 78, 80, 81)
76	-----	2	SPACER (NOT SERVICED SEPARATELY)
77	-----	2	RIVET (NOT SERVICED SEPARATELY)
78	71398798	2	SPRING, COMPRESSION
79	71398799	4	RIVET, 3.2 X 14
80	71398800	1	KIT, SWITCH (INCL ITEMS 79, 82)
81	72272098	2	GROMMET
82	70932747	5	TIE, BLACK NYLON, SELF-LOCK .10 X 4.0
87	71398801	1	COVER
88	71398802	1	RAIL ASY, ADJUSTMENT
89	71398732	1	KIT, ADJUSTMENT RAIL MOUNTING (INCLUDES ITEMS 90, 91, 92)
90	72514055	3	SCREW, M8 X 16
91	71398803	1	ANGLE
92	391148X1	1	CAPSCREW, HEX SOCKET HD, M8 X 20 CL8.8
93	71398804	1	ARMREST ASY
99	71398175	2	SCREW, M5 X 16

GC00403

PR: t06g24h33d0037

HVAC  
PRESSURIZER UNIT & DUCTING





9895 COMBINE  
CAB

111

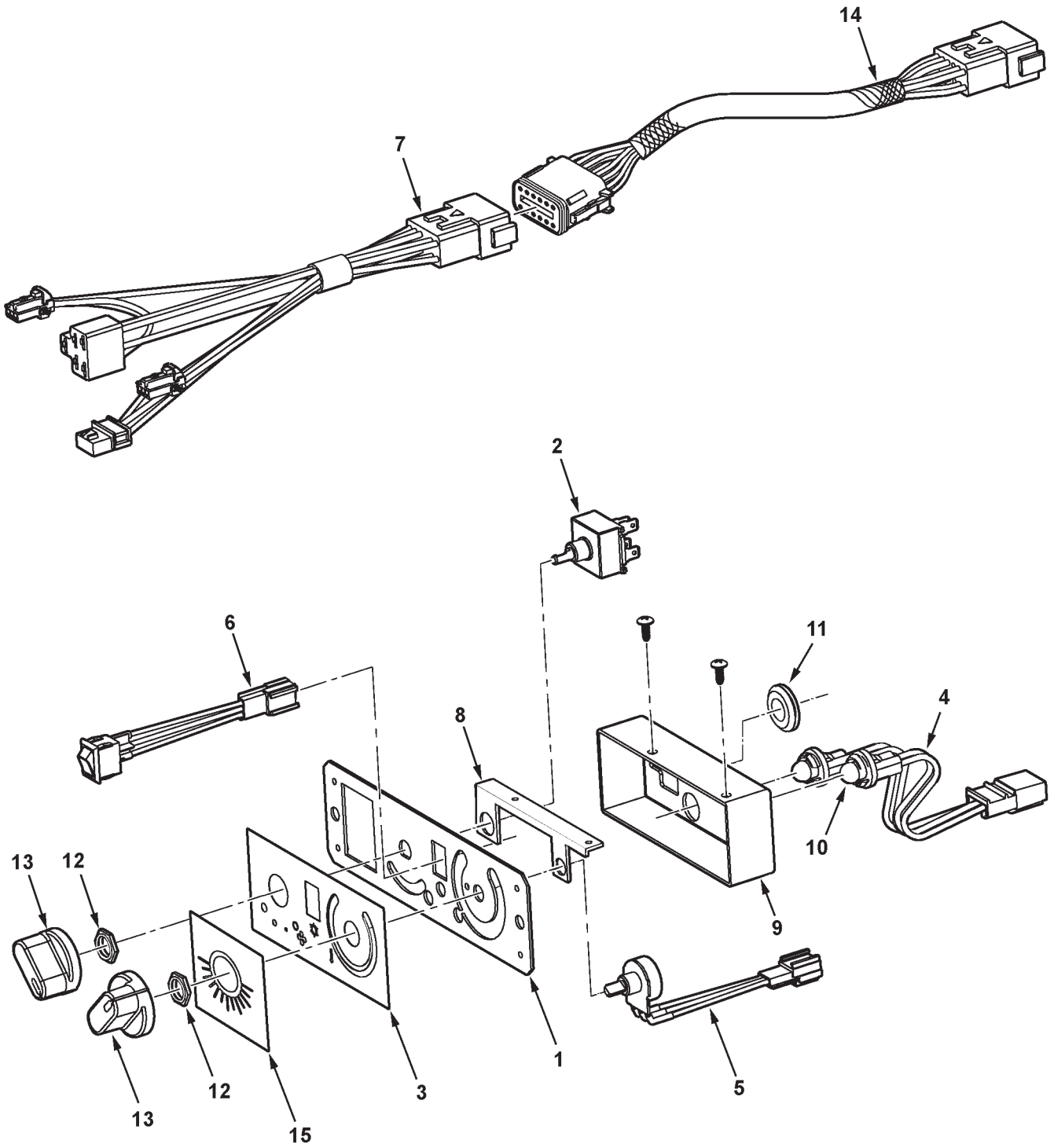
HVAC  
PRESSURIZER UNIT & DUCTING

ITEM	NUMBER	QTY	DESCRIPTION
1	71393463	1	RETAINER, FILTER
2	71391153	1	AIR FILTER
3	71393620	2	SEAL, AIR FILTER (SHORT)
4	71393619	2	SEAL, AIR FILTER (LONG)
5	71393893	1	AIR FILTER
6	-----	1	HVAC ASY. (SEE BREAKDOWN)
	70921333	6	CAPSCREW, 5/16-18 X 1.0
	Y705020	6	LOCKWASHER, 5/16
	70917642	6	WASHER, 5/16, WIDE
7	71409581	1	CONTROL PANEL ASY. (SEE BREAKDOWN)
	7703457	2	CAPSCREW, 1/4-20 X 3/4 GR5
8	71393949	1	HOSE, FLEX AIR
9	70936813	4	CLAMP, H.D. WORM DRIVE, 2.75 - 3.62 DIA
10	71393948	1	HOSE, FLEX AIR
11	72161024	7	LOUVER ASY., BALL
12	71393617	4	SEAL, DEFROST LOUVER
13	70925442	5	TIE, NYLON
14	71401526	1	SEAL
	71393551	AR	ADHESIVE SPRAY
15	71387797	2	TRIM, EDGE PROTECTOR
16	71393950	2	HOSE, FLEX AIR
17	71388188	4	LOUVER ASY., BALL
18	71393616	3	SEAL, A/C LOUVER
19	71391175	1	CONNECTOR, HOSE "Y"
20	71391322	3	HOSE, FLEX AIR
21	71396381	1	HOSE, DRAIN, 88" LONG
22	71396382	1	HOSE, DRAIN, 108" LONG
	700717644	3	TIE, NYLON
	70928148	1	CLAMP, DBL, 3/4 DIA X .406 HOLE
23	71396390	2	RESTRICTOR, DRAIN
24	7720063	2	CLAMP, HOSE
25	700728474	2	GROMMET, .109 ID

GC00319

PR: t06g24h33d0038

HVAC  
CONTROL PANEL



9895 COMBINE  
CAB

113

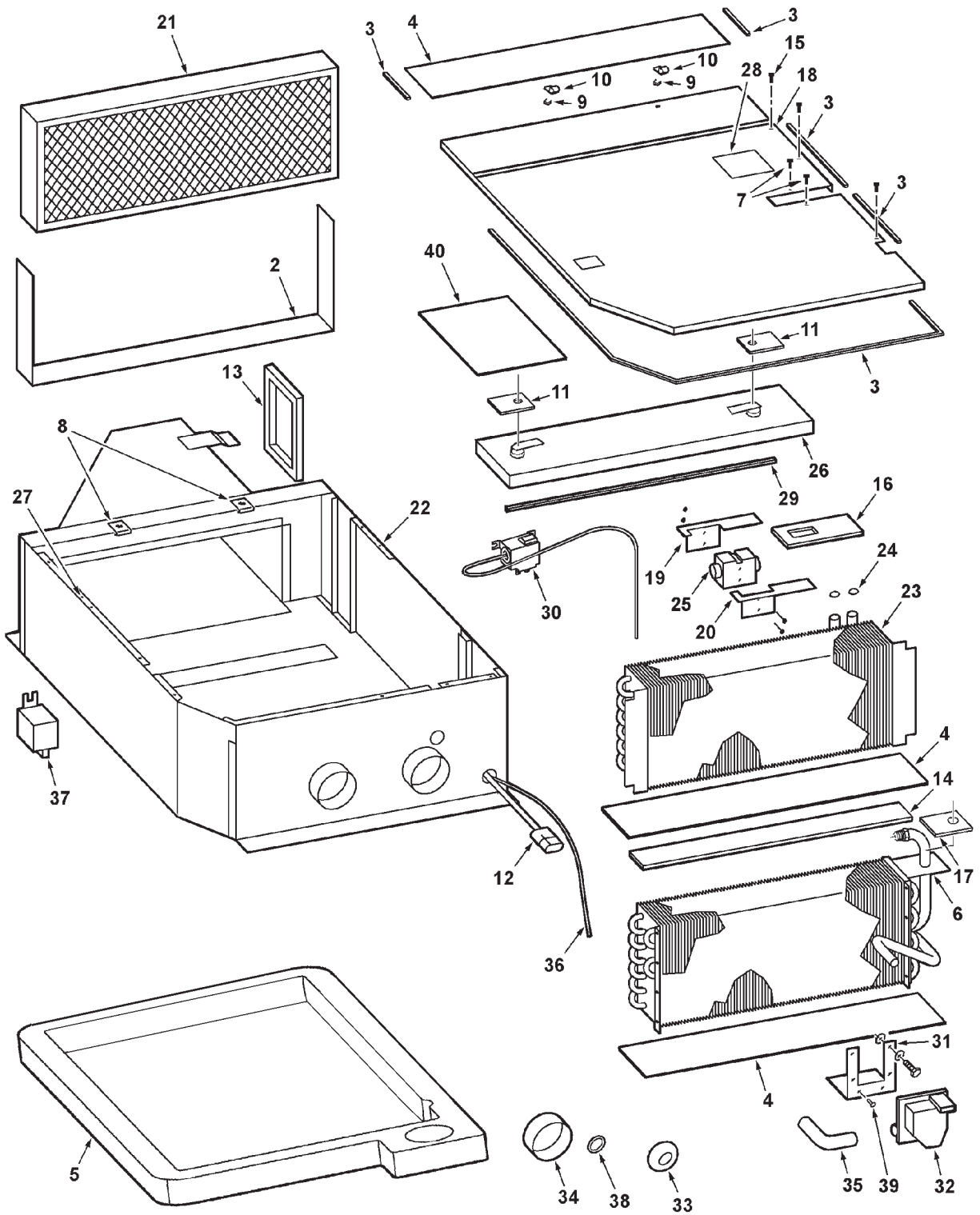
HVAC  
CONTROL PANEL

ITEM	NUMBER	QTY	DESCRIPTION
-	71409581	1	CONTROL PANEL ASY. (INCL. ITEMS 1-13)
-	71393943	1	BEZEL, HVAC (REMOTE ADJUST MIRRORS) (NOT ILLUSTRATED)(ALSO SEE MIRRORS)
1	71397433	1	CONTROL HOUSING ASY
2	71397432	1	SWITCH, BLOWER
3	71409582	1	DECAL, CONTROL PANEL
4	71397434	1	SOCKET ASY. LAMP
5	71401548	1	POTENTIOMETER, HEATER CONTROL
6	71397438	1	SWITCH, A/C
7	71397439	1	WIRE HARNESS
8	71397440	2	BRACKET, LIGHT BOX
9	71397437	1	LIGHT BOX
	71373144	2	SCREW, #8-18 X 1/2
10	71397443	2	BULB, LIGHT
11	71397441	1	GROMMET, RUBBER
12	71373145	2	NUT
13	71397436	2	KNOB, CONTROL
14	-----	--	HARNESS, A/C JUMPER (NOT USED)
15	-----	--	DECAL (NOT USED)

GC00314

PR: t06g24h33d0039

HVAC  
PRESSURIZER UNIT  
EVANS-TEMPCON



**9895 COMBINE  
CAB**

115

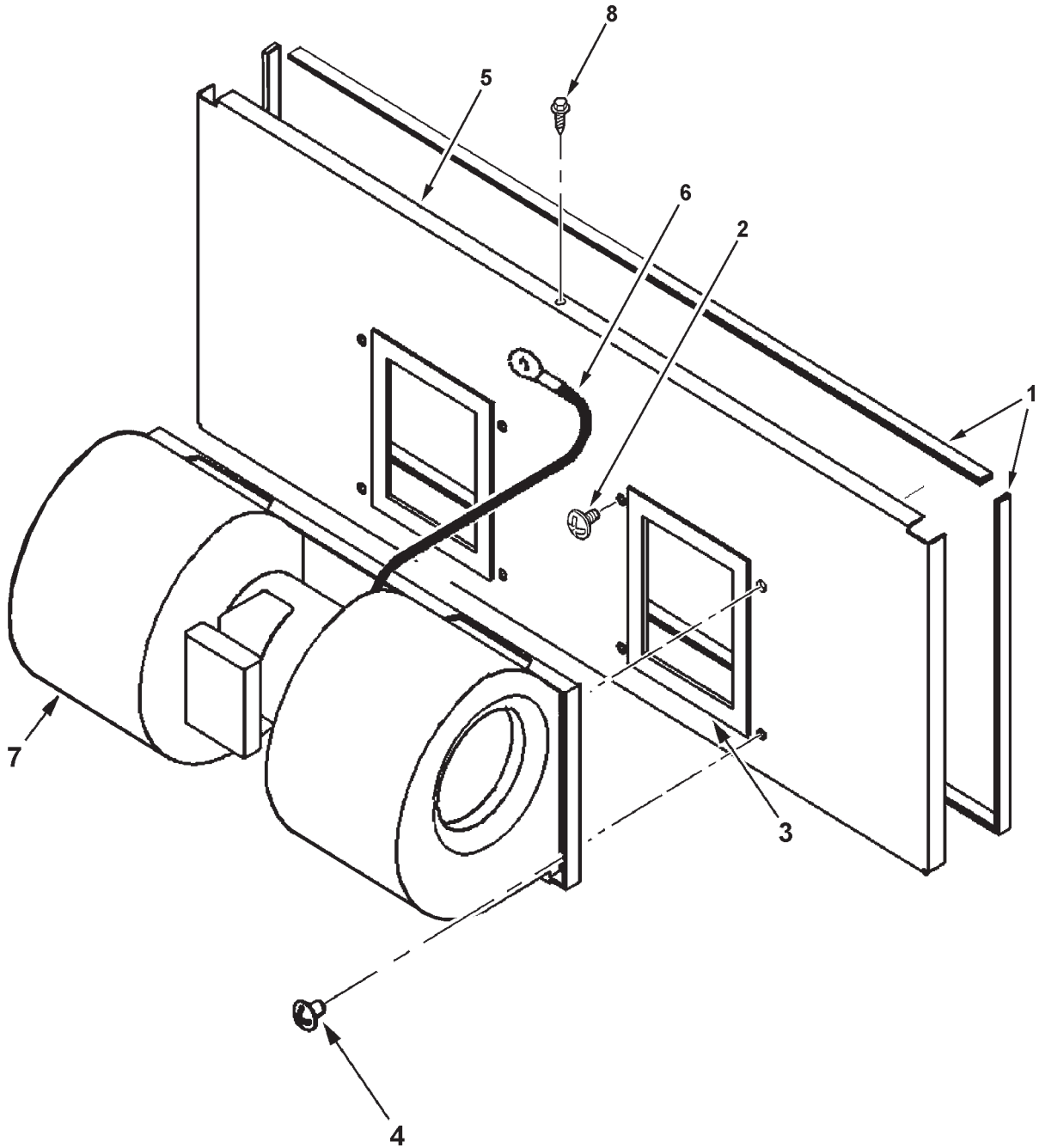
**HVAC  
PRESSURIZER UNIT  
EVANS-TEMPCON**

ITEM	NUMBER	QTY	DESCRIPTION
-	700728713	1	HVAC ASY. (INCL. FOLLOWING)
2	71371331	1	TAPE, FOAM 1/4 X 1-1/2 (3.50 FT)
3	71397934	1	TAPE, FOAM, 1/4 X 1/2
4	71371333	1	TAPE, FOAM 1/8 X 3-7/8 (6.0 FT)
5	71401526	1	SEAL (NOT INCLUDED IN A/C & HTR ASY)
6	71401546	1	HEATER CORE
7	71400523	2	SCREW, #10, SELF DRILLING
8	71371336	2	RECEPTACLE, CLIP-ON, #5 STUD
9	71384272	2	RETAINER, PUSH ON
10	71371338	2	FASTENER, 1/4 TURN
11	71397444	2	SEAL, DRAIN TUBE
12	71397446	1	HARNESS, WIRING
13	71397447	1	GASKET, FRESH AIR
14	71384552	1	FOAM TAPE, 3/8 X 2 (21.62" LG)
15	71373146	10	SCREW, SELF TAPPING, #10-24
16	71371343	1	SEAL, EXPANSION VALVE
17	71397449	1	SEAL, HEATER TUBES
18	71408215	1	COVER & FILTER DOOR ASY. (INCL. TAPE & POP-RIVETS)
	70924947	5	POP-RIVET, .125 DIA X .251-.312 GRIP
19	71371346	1	BRACKET, EXPANSION VALVE, R.H.
20	71371347	1	BRACKET, EXPANSION VALVE, L.H.
	353509X1	2	SCREW, 1/4-28 X 1-1/2
	70930760	2	NUT, LOCK, 1/4-28
21	71393893	1	FILTER, AIR
22	71406891	1	CASE ASY (INCL. ITEMS 2,4,8,13,27,33, 34 & 38)
23	71401545	1	EVAPORATOR ASY. (INCL. ITEMS 24 & 25)
24	70937295	2	O-RING, #8, R134a
25	71373127	1	VALVE, EXPANSION (REQUIRES SEAL IT. 16)
26	71397926	1	PAN ASY., DRAIN
27	70937424	10	NUT, SPEED
28	71397927	1	LABEL, WARNING, R134a
29	71397448	1	FOAM SEAL, 1/4 X 1/2 (DRAIN PAN)
30	-----	1	THERMOSTAT, COLD CONTROL (NOT USED)
31	71397933	1	BRACKET, WATER VALVE
32	700728746	1	WATER VALVE ASY
	70921959	4	CAPSCREW, 1/4-20 X 5/8
	70926622	4	HEXNUT, 1/4-20
33	71397932	1	GROMMET, WIRE
34	71384551	2	STRIP, CLOSED CELL FOAM, 1/8 X 1 X 9.4"
35	71408209	1	HOSE, FORMED 90DEG (WATER VALVE TO CORE)
	70921911	2	CLAMP, WORM DRIVE, .69-1.25 DIA
36	71398819	1	WIRE HARNESS ASY, HI SPEED, W/FUSE
	70937609	AR	MINI FUSE, 25 AMP (NOT ILLUS.)
37	71398820	1	RELAY
38	71397930	1	SNAP BUSHING
39	71373144	24	SCREW, TAPPING, #8-18 X 1/2
40	71408210	1	LABEL, WIRING DIAGRAM
-	700707823	AR	SEALANT, SILASTIC (NOT ILLUS.)

MC00426

PR: t06g24h33d0040

HVAC  
BLOWER ASY.  
EVANS TEMPCON



9895 COMBINE  
CAB

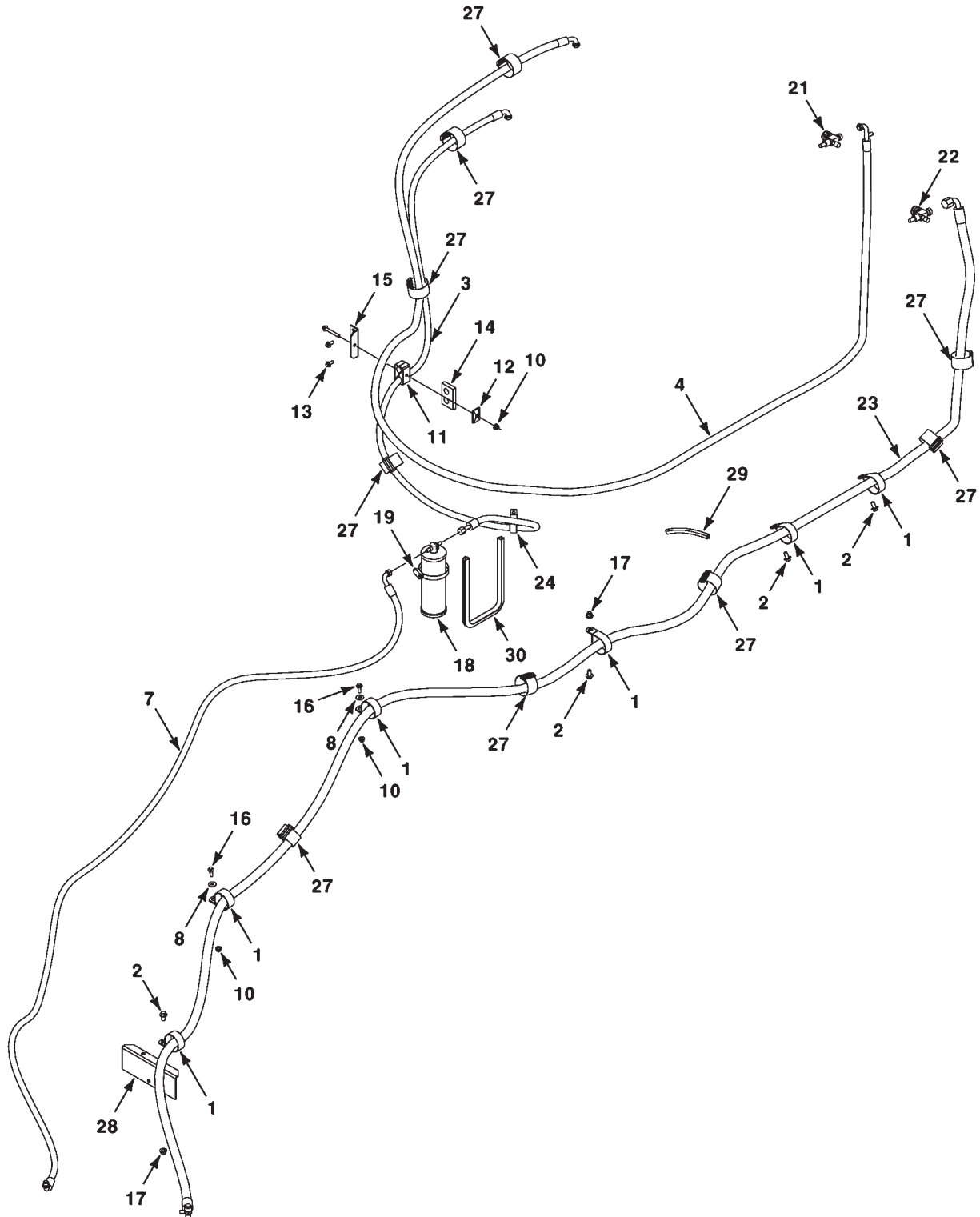
117

HVAC  
BLOWER ASY.  
EVANS TEMPCON

ITEM	NUMBER	QTY	DESCRIPTION
-	-----	1	BLOWER & PANEL ASY (NOT SERVICED)
1	71371332	1	TAPE, FOAM, 1/4 X 1/2 (4.78 FT)
2	71373144	1	SCREW, #8-18 X 1/2, SELF-TAPPING
3	71384553	1	TAPE, FOAM, 1/8 X 1/4 (2.0 FT)
4	71384558	8	SCREW, #10-24 X 1/2, SELF-TAPPING
5	71397939	1	PANEL ASY., BLOWER
6	71384555	1	WIRE ASY., (GROUND)
7	71401544	1	BLOWER ASY, PLASTIC (COMPONENTS NOT SERVICED)
8	71400523	1	SCREW, #10, SELF-DRILLING

GC00267  
PR: t06g24h33d0041

AIR CONDITIONER, LINES





9895 COMBINE  
CAB

119

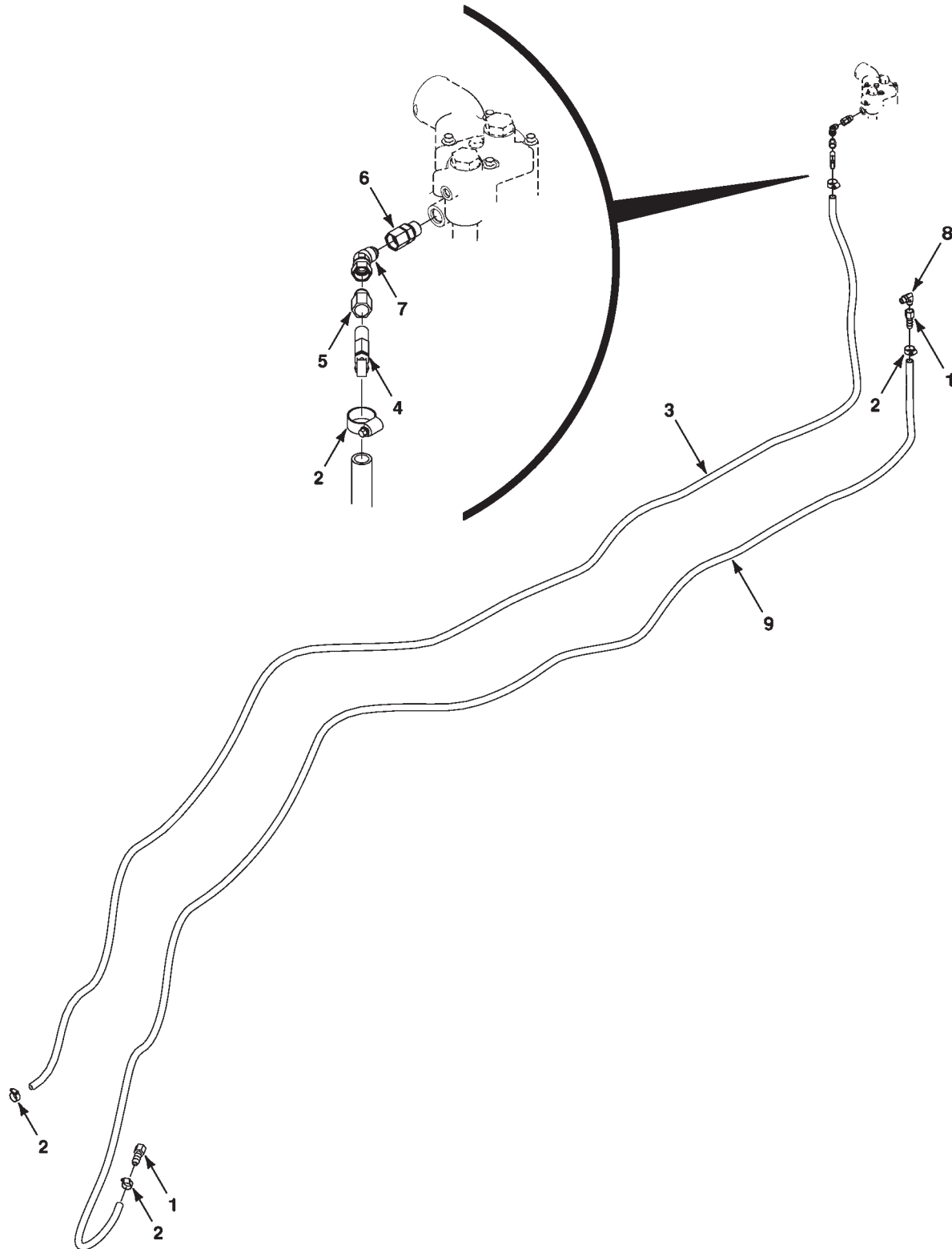
AIR CONDITIONER, LINES

ITEM	NUMBER	QTY	DESCRIPTION
1	7041015	6	CLAMP, TUBE, 2/1/4 DIA X .531 HOLE
2	3009205X1	4	BOLT, FLANGE, M10-1.5 X 20 CL10.9
3	71411168	1	AC HOSE ASM COND TO DRYER
	70937296	2	O-RING, .070 X .301 ID, 70 DUR, HNBR
4	71411173	1	AC HOSE ASM COMP TO COND
	70937295	2	O-RING, .070 X .426 ID, 70 DUR, HNBR
7	71411170	1	AC HOSE ASM DRYER TO EVAP
	70937296	2	O-RING, .070 X .301 ID, 70 DUR, HNBR
8	391039X1	2	WASHER, M8, LARGE
10	5000003X1	3	NUT, HEX FLANGE NYL LOCK, M8 X 1.25
11	71388856	1	CLAMP PAIR, DOUBLE, 7/8 DIA
12	101646M1	1	COVER PLATE-LOAD SENSING HYD
13	339123X1	2	BOLT, FLANGE, M8-1.25 X 20 CL10.9
14	71388076	1	SEAL A/C COOLER HOSE
15	71388063	1	ANGLE-SUPPORT HYD HOSE
16	3009194X1	2	BOLT, FLANGE, M8-1.25 X 25 CL10.9
17	5000004X1	2	NUT, HEX FLANGE NYL LOCK, M10 X 1.5
18	71369761	1	RECEIVER DRYER
19	70921915	1	CLAMP, WORM DRIVE, 2.81 - 3.75 DIA
21	72506694	1	SERVICE VALVE, (HI-SIDE) (DISCHARGE)
	70937297	1	O-RING, .070 X .551 ID, 70 DUR, HNBR
	72507408	1	CAP PLUG, NYLON
	72507406	1	CAP, STEM
22	72506922	1	SERVICE VALVE, (LO-SIDE) (SUCTION)
	70937297	1	O-RING, .070 X .551 ID, 70 DUR, HNBR
	72507407	1	CAP PLUG, NYLON
	72507406	1	CAP, STEM
23	71411174	1	AC HOSE ASM EVAP TO COND
	70937297	2	O-RING, .070 X .551 ID, 70 DUR, HNBR
24	70936474	1	CLAMP, LINE, 1 DIA DOUBLE X .406 HOLE
27	71412950	9	STRAP
28	71411893	1	SUPPORT
29	700718444	1	TRIM
30	71413375	1	TRIM - PUSH ON

MC00414

PR: t06g24h33d0042

HEATER LINES



9895 COMBINE  
CAB

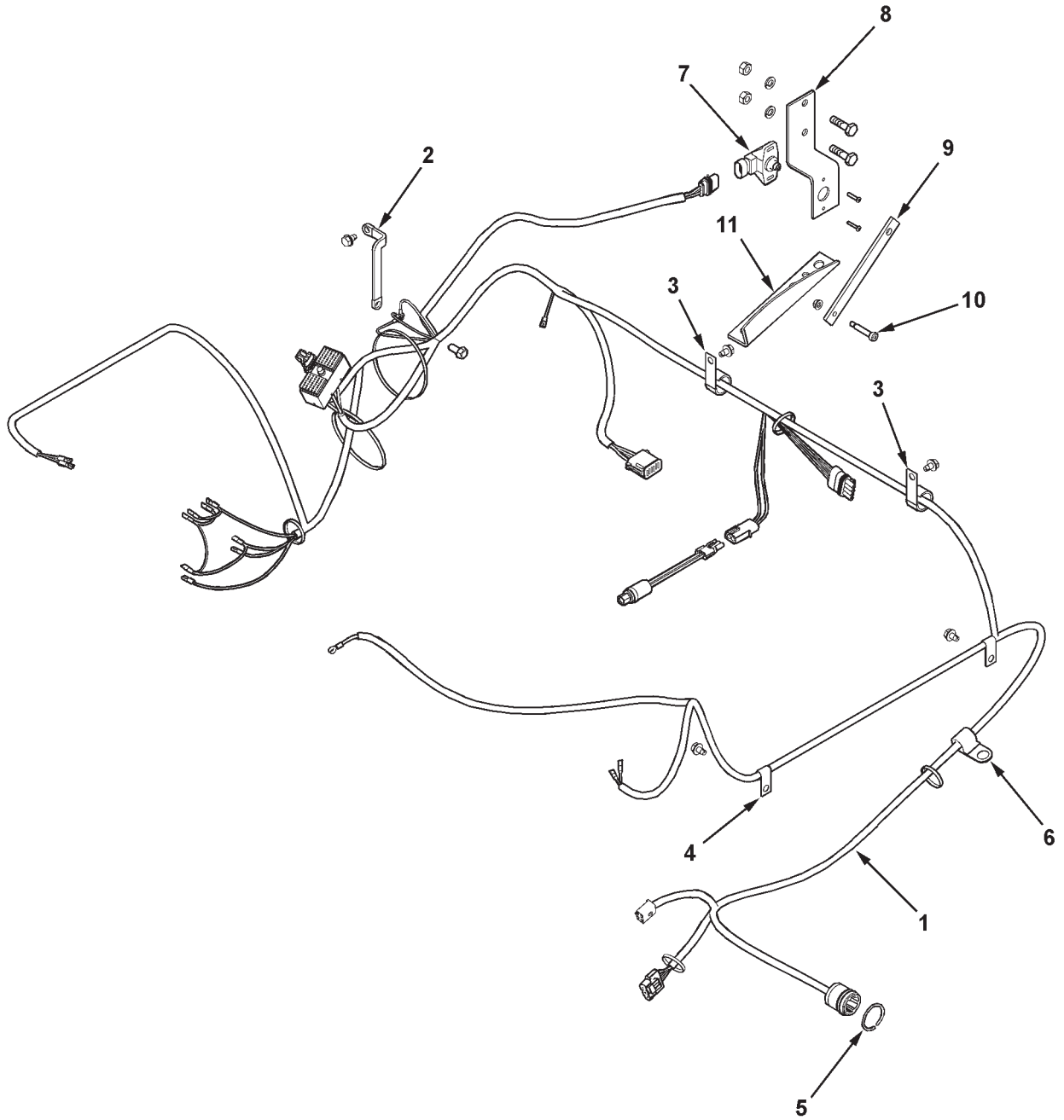
121

HEATER LINES

ITEM	NUMBER	QTY	DESCRIPTION
1	70920808	2	FITTING, 7/8 X 14 JIC SWIV FEM X 5/8 STEM
2	70921911	4	CLAMP - HOSE
3	71411176	1	HEATER SUPPLY HOSE
4	30-3076830	1	VALVE-SHUT OFF
5	70919788	1	ADAPTER, 3/4-16 JIC MALE X 3/8 PIPE
6	700713219	1	ADAPTER, 3/4-16 ORB X JIC SWIVEL FEM
6	70921349	1	O-RING, .644 I.D.
7	70925018	1	ELBOW, 45 DEG, 3/4-16 JIC SWIVEL
8	70921327	1	ELBOW, 90 DEG, 7/8-14 JIC X ORB
8	70921205	1	O-RING, .755 I.D.
9	71411175	1	HEATER RETURN HOSE

MC00415  
PR: t06g24h33d0043

FEEDER ELECTRICAL



**9895 COMBINE  
ELECTRICAL**

123

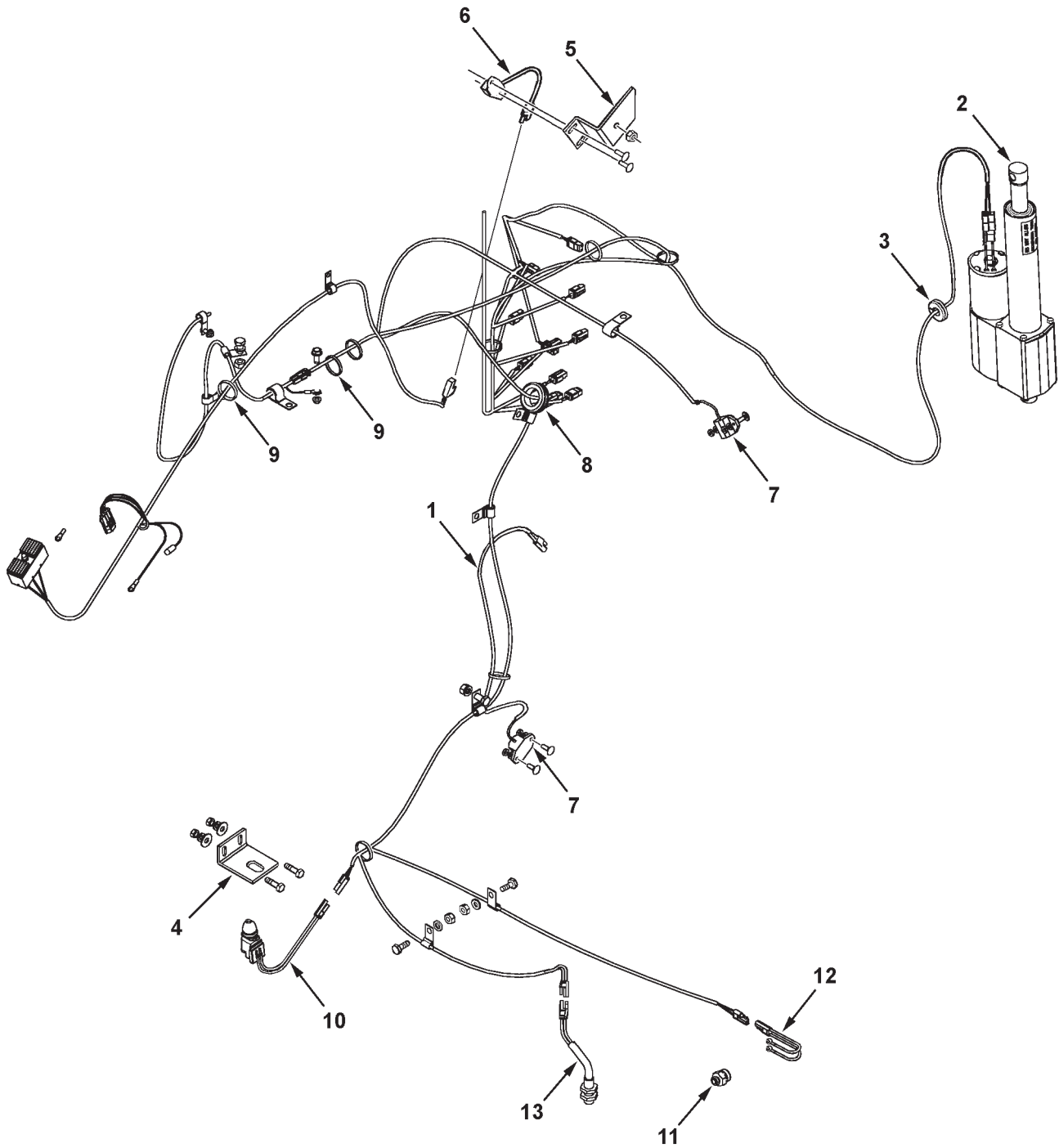
**FEEDER ELECTRICAL**

ITEM	NUMBER	QTY	DESCRIPTION
1	71412361	1	HARNESS, FEEDER
	70937133	2	TIE, SELF-LOCK, .300 X 14.5 LG
	70925094	4	TIE, BLK NYLN SELF-LOCK, .184 X 7.31
2	71396955	1	STRAP, GROUND
	705160	2	LOCKWASHER, EXT TOOTH, 5/16
	3019044X1	2	SCREW, HX WSHR HD TAPPG, M8-1.25X 20
3	70937677	2	J-CLIP, 1.0 DIA X .406 HOLE
	70924856	2	SCREW,HEX HD SELF-TAP, 5/16-18 X 1/2
4	70937685	2	J-CLIP, 3/8 DIA X .406 HOLE
	70924856	2	SCREW,HEX HD SELF-TAP, 5/16-18 X 1/2
5	71410556	1	SNAP RING, EXTERNAL
6	70937682	1	J-CLIP, 3/4 DIA X .656 HOLE
7	71391869	1	SENSOR, ROTARY POSITION
	3009533X1	2	SCREW, PAN HD MACH, M4 X 0.7 X 20
	1443615X1	2	NUT, M4 X 0.7, REG
	390468X1	2	WASHER, M4, NARROW
	1440311X1	2	LOCKWASHER, M4
8	71395832	1	BRACKET, POTENTIOMETER MOUNT
	3001429X1	2	CAPSCREW,M10-1.5 X 35 FULL THD,CL8.8
	339376X1	2	LOCKWASHER, M10
	339402X1	2	NUT, M10 X 1.5, REG
9	71395840	1	ARM WLMT, SENSOR
	70923520	1	SETSCREW,KNURLED CUP PT, #8-32 X 1/4
10	700721586	1	SHOULDER BOLT, 5/16 X 1-1/4 X 1/4-20
	1703354	1	NUT, HEX FLANGE TOP LOCK, 1/4-20
11	71395838B	1	BRACKET, FEEDHOUSE, SHARK FIN

MC00427

PR: t06g24h33d0044

HARNESSES & MONITORING  
FRONT



**9895 COMBINE  
ELECTRICAL**

125

**HARNESSES & MONITORING  
FRONT**

ITEM	NUMBER	QTY	DESCRIPTION
1	71406490	1	HARNESS, FAN/ HYDRAULIC
	70937685	3	J-CLIP, 3/8 DIA X .406 HOLE
	70936778	1	J-CLIP, 3/4 DIA X .406 HOLE
	70927134	1	J-CLIP, 5/8 DIA X .406 HOLE
	70925246	3	J-CLIP, 1/2 DIA X .281 HOLE
	70929725	3	J-CLIP, 7/16 DIA X .406 HOLE
	339560X1	2	BOLT, HEX HD, M6-1.0 X 16 CL8.8
	339081X1	3	BOLT, HEX HD, M10-1.5 X 20 CL8.8
	339402X1	3	NUT, M10 X 1.5, REG
	5000002X1	2	NUT, HEX FLANGE NYL LOCK, M6 X 1.0
	339376X1	3	LOCKWASHER, M10
	70920426	1	LOCKWASHER, 5/16, EXT TOOTH
	3019044X1	1	SCREW, HX WSHR HD TAPPG, M8-1.25X 20
	1440203X1	1	NUT, M8 X 1.25, REG
2	71406874	1	ACTUATOR, CONCAVE ADJUST
3	827238	1	GROMMET, RUBBER, 5/8 ID
4	112159W1	1	BRACKET, SWITCH, STONE TRAP
	7772197	2	CAPSCREW, M8-1.25 X 25 CL8.8
	339374X1	2	LOCKWASHER, M8
	391039X1	2	WASHER, M8, LARGE
	1440203X1	2	NUT, M8 X 1.25, REG
5	71385108	1	BRACKET, BEATER SENSOR
6	71391021	1	SENSOR ASY, TWO WIRE
	3009330X1	2	BOLT, RD HD SQ NK, M6-1.0 X 20 CL8.8
	339375X1	2	LOCKWASHER, M6
	339030X1	2	NUT, M6 X 1.0, REG
7	71383914	2	SENSOR, ROTOR & FAN SPEED
	3009330X1	4	BOLT, RD HD SQ NK, M6-1.0 X 20 CL8.8
	339375X1	4	LOCKWASHER, M6
	339030X1	4	NUT, M6 X 1.0, REG
8	700707095	1	GROMMET, RUBBER, 1.25 ID
9	70925094	8	TIE, SELF-LOCK, .184 X 7.3 LG
10	293766M1	1	SWITCH, STONE TRAP DOOR
11	71342216	1	SWITCH, START
12	71385907	1	WIRE ASY, SWITCH
13	71389818	1	SENSOR, TRANSMISSION SPEED

MC00428

PR: t06g24h33d0045

HARNESSES & MONITORING  
REAR





9895 COMBINE  
ELECTRICAL

127

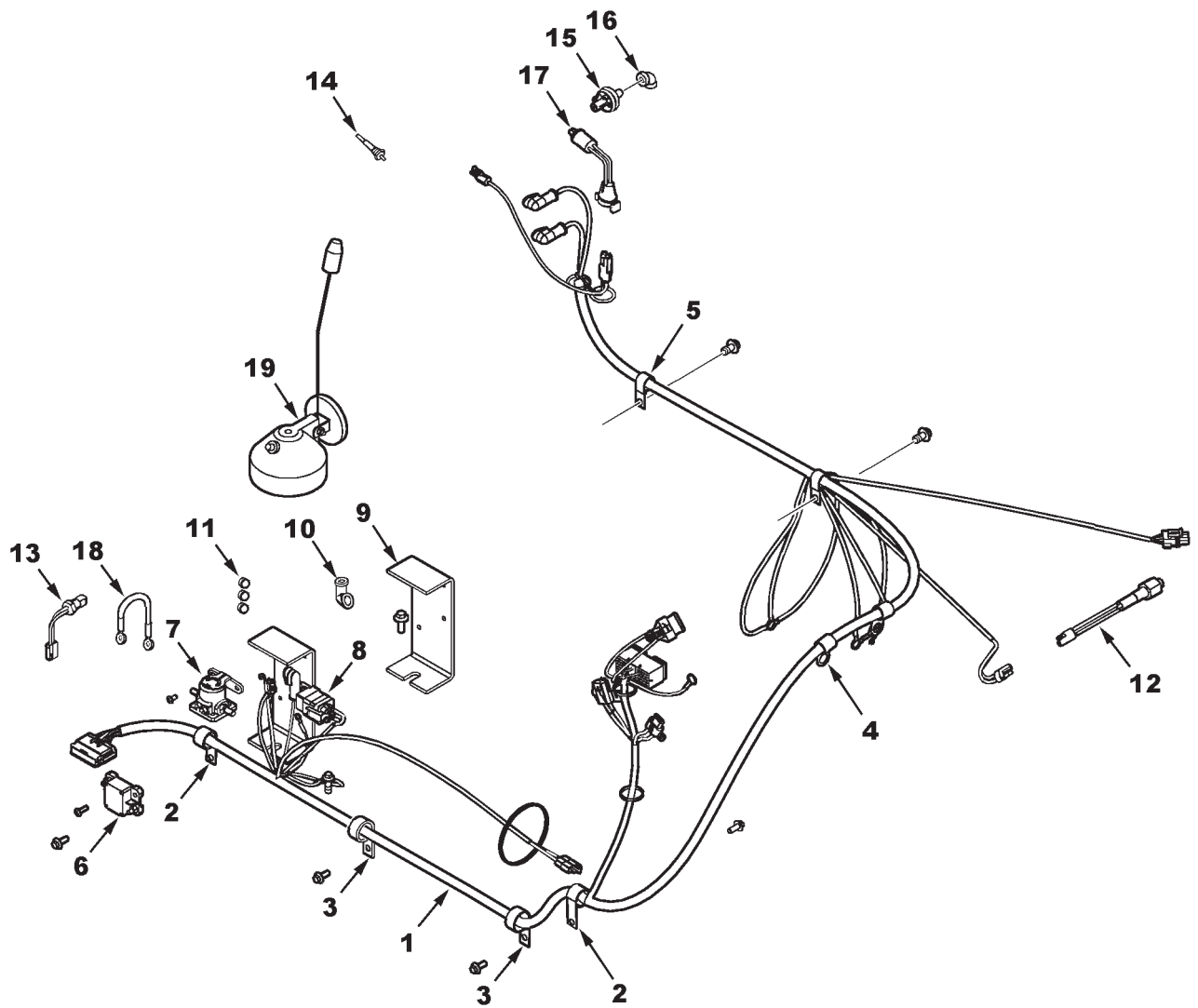
HARNESSES & MONITORING  
REAR

ITEM	NUMBER	QTY	DESCRIPTION
1	71407296	1	HARNESS, MAIN
	70937685	7	J-CLIP, 3/8 DIA X .406 HOLE
	70936778	3	J-CLIP, 3/4 DIA X .406 HOLE
	70927134	1	J-CLIP, 5/8 DIA X .406 HOLE
	70925246	3	J-CLIP, 1/2 DIA X .281 HOLE
	70937684	2	J-CLIP, 1-1/4 DIA X .406 HOLE
	70926917	5	CLAMP, LINE, 3/8 DIA X .406 HOLE
	339081X1	2	BOLT, HEX HD, M10-1.5 X 20 CL8.8
	339376X1	2	LOCKWASHER, M10
	70920427	1	LOCKWASHER, 3/8, EXT TOOTH
	339402X1	2	NUT, M10 X 1.5, REG
	5000002X1	3	NUT, HEX FLANGE NYL LOCK, M6 X 1.0
	339560X1	3	BOLT, HEX HD, M6-1.0 X 16 CL8.8
	3009695X1	1	NUT, M12 X 1.75, REG
	1112502	1	BOLT, HEX HD, M12-1.75 X 20 CL8.8
	339369X1	1	LOCKWASHER, M12
2	70936592	12	SCREW, PAN HD X-RECESS, #10-16 X 3/4
3	71391421	1	HARNESS, SHOE LOSS
	70930708	1	CLAMP, LINE, 3/8 DIA X .344 HOLE
	700725918	8	J-CLIP, 5/16 DIA X .281 HOLE
	1441914X1	1	BOLT, HEX HD, M6-1.0 X 18 CL8.8
	5000002X1	1	NUT, HEX FLANGE NYL LOCK, M6 X 1.0
	3009330X1	3	BOLT, RD HD SQ NK, M6-1.0 X 20 CL8.8
	339375X1	3	LOCKWASHER, M6
	339030X1	3	NUT, M6 X 1.0, REG
4	71391874	1	HARNESS, ROTOR GRAIN LOSS
5	70925094	AR	TIE, SELF-LOCK, .184 X 7.3 LG
6	71389319	1	ALARM, BACK UP
	1441914X1	4	BOLT, HEX HD, M6-1.0 X 18 CL8.8
	339375X1	4	LOCKWASHER, M6
	339030X1	4	NUT, M6 X 1.0, REG
7	700701160	1	GROMMET, RUBBER, .375 ID
8	70937658	2	GROMMET, RUBBER, .875 ID
9	71412356	4	SENSOR, GRAIN LOSS
	339375X1	8	LOCKWASHER, M6
	339030X1	8	NUT, M6 X 1.0, REG
10	71393717	4	FINGER DIFFUSER
	3009331X1	8	BOLT, RD HD SQ NK, M6-1.0 X 25 CL8.8
	391038X1	6	WASHER, M6, LARGE
	339375X1	8	LOCKWASHER, M6
	339030X1	8	NUT, M6 X 1.0, REG
11	71393716	3	BRACKET, GRAIN LOSS
12	71409221	1	BRACKET, FINGER, ROTOR LOSS
	339374X1	2	LOCKWASHER, M8
	1440203X1	2	NUT, M8 X 1.25, REG
13	71393718	1	SENSOR, HYD OIL TEMP
	70936326	1	O-RING, .072 X .414 ID, VITON
14	71391021	2	SENSOR ASY, TWO WIRE

MC00429

PR: t06g24h33d0046

ENGINE WIRING



**9895 COMBINE  
ELECTRICAL**

129

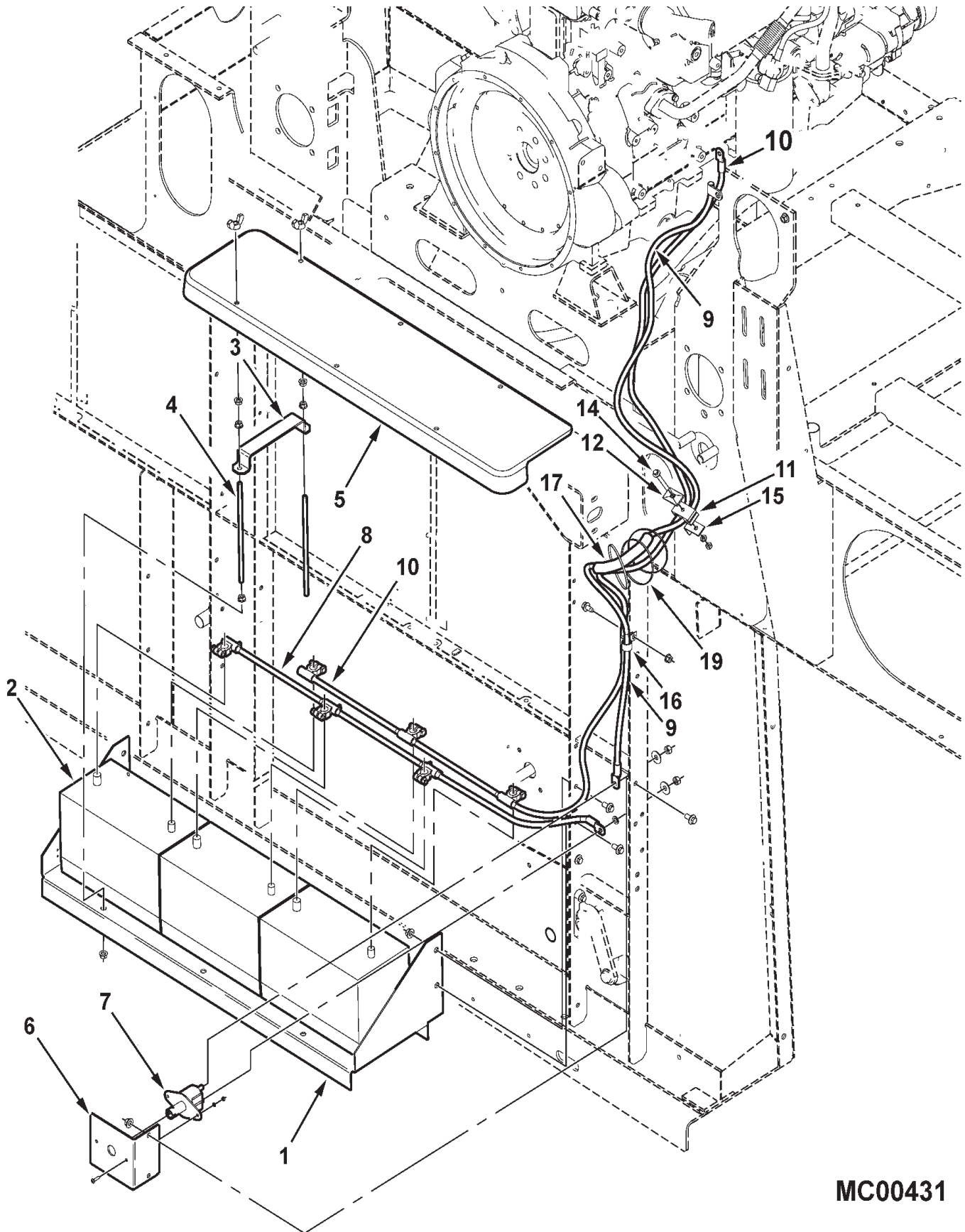
**ENGINE WIRING**

ITEM	NUMBER	QTY	DESCRIPTION
1	71406858	1	HARNESS, ENGINE, CAT
	70937133	1	TIE, SELF-LOCK, .300 X 14.5 LG
	70925094	4	TIE, SELF-LOCK, .184 X 7.31 LG
	70935468	1	TIE, SELF-LOCK, .300 X 30 LG
2	70937677	2	J-CLIP, 1.0 DIA X .406 HOLE
	339123X1	2	BOLT,HEX FLANGE, M8-1.25 X 20 CL10.9
3	70937684	2	J-CLIP, 1-1/4 DIA X .406 HOLE
	339123X1	2	BOLT,HEX FLANGE, M8-1.25 X 20 CL10.9
4	70937682	2	J-CLIP, 3/4 DIA X .656 HOLE
5	70936778	2	J-CLIP, 3/4 DIA X .406 HOLE
	339376X1	2	LOCKWASHER, M10
	3009205X1	2	BOLT,HEX FLANGE, M10-1.5 X 20 CL10.9
6	71389309	1	BREAKER, CIRCUIT, 150A
	70934728	2	SCREW, PAN HD TAPPING, 1/4-20 X 3/4
7	530132M1	1	SOLENOID
	70931833	2	SCREW, PAN HD TAPPING, 1/4-20 X 1/2
	1102796	2	LOCKWASHER, M5
	7774078	2	NUT, M5 X 0.8, REG
8	71378104	1	RELAY, 40 AMP
	706382	1	SCREW, RD HD MACHINE, #10-32 X 1/2
	705004	1	LOCKWASHER, #10
	Y704445	1	NUT, #10-32, REG
9	71398827	1	BRACKET, SOLENOID & CIRCUIT BRKR
	70920426	1	LOCKWASHER, EXT TOOTH, 5/16
	339123X1	1	BOLT,HEX FLANGE, M8-1.25 X 20 CL10.9
10	70232758	4	TERMINAL COVER
11	72506418	3	TERMINAL COVER
12	71389746	1	SWITCH, ROTOR PRESSURE
	70921885	1	O-RING, .078 X .468 ID
13	71391418	1	SENSOR, HYD OIL LEVEL
14	71193260	1	SENDER, RADIATOR LEVEL
	1102796	1	LOCKWASHER, M5
	7774078	1	NUT, M5 X 0.8, REG
15	31-2530050	1	SWITCH, AIR CLEANER VACUUM
16	70915955	1	ELBOW, 90 DEG FEM. 1/8-27 NPTF
17	72509305	1	SWITCH, HIGH PRESSURE
18	71389313	1	WIRE ASY, START RELAY
19	71391870	1	LIGHT,MAGNETIC SRVICE(IN CAB BUDDY SEAT)

MC00430

PR: t06g24h33d0047

BATTERY & CABLES



**9895 COMBINE  
ELECTRICAL**

131

**BATTERY & CABLES**

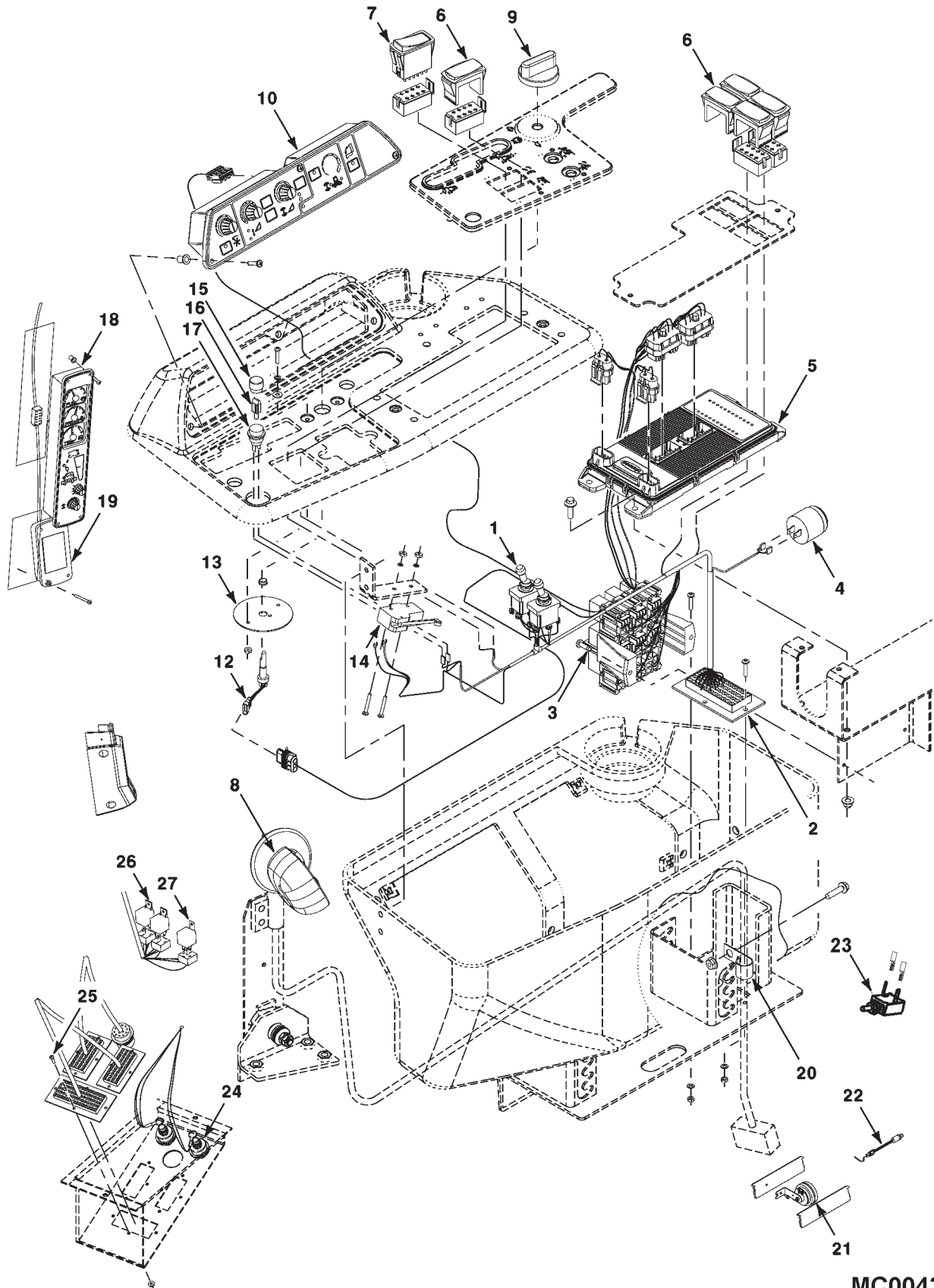
ITEM	NUMBER	QTY	DESCRIPTION
1	71406487	1	SHELF, BATTERY
	3009205X1	4	BOLT,HEX FLANGE, M10-1.5 X 20 CL10.9
	5000004X1	4	NUT, HEX FLANGE NYL LOCK, M10 X 1.5
2	1907162M1	3	BATTERY, 12V HD/HI-CAPACITY
3	700162033	3	CLAMP, BATTERY
4	108047W1	6	ROD, 3/8-16, HOLD DOWN
	704247	18	LOCKNUT, HEX SERR FLANGE, 3/8-16
5	71408381	1	COVER, BATTERY
	Y704361	6	WINGNUT, 3/8-16
6	71409810	1	BRACKET, BATTERY SWITCH
	3009205X1	2	BOLT,HEX FLANGE, M10-1.5 X 20 CL10.9
	5000004X1	2	NUT, HEX FLANGE NYL LOCK, M10 X 1.5
7	71409811	1	SWITCH, BATT DISCNT(INCL KEY & M10 HDWR)
	71409812	1	KEY, SHUTOFF
	339402X1	2	NUT, M10 REG
	70917378	2	WASHER, 3/8, WIDE
	339376X1	2	LOCKWASHER, M10
	3009537X1	2	SCREW, PAN HD MACH, M5-0.8 X 20
	1102796	2	LOCKWASHER, M5
	7774078	2	NUT, M5 X 0.8, REG
8	71409805	1	CABLE, BATTERY POS.
9	71409806	1	CABLE, BATTERY, POSITIVE EXTENSION
10	71406862	1	CABLE, BATTERY NEG.
11	148203M1	1	CLAMP PAIR, DOUBLE, 5/8 DIA
12	101646M1	1	COVER PLATE
14	3009202X1	1	BOLT, HEX FLANGE, M8-1.25 X 65 CL10.9
	339374X1	1	LOCKWASHER, M8
	1440203X1	1	NUT, M8 X 1.25, REG
15	71337414	1	BRACKET, TUBE SUPPORT
16	70936778	1	J-CLIP, 3/4 DIA X .406 HOLE
	704247	1	LOCKNUT, HEX SERR FLANGE, 3/8-16
	Y702951	1	SCREW,HX WSHR HD TAPPG, 3/8-16 X 3/4
17	71396952	1	HOSE, PROTECTOR
19	70937133	3	TIE, SELF-LOCK, .300 X 14.5 LG

MC00431

PR: t06g24h33d0048

9895 COMBINE  
ELECTRICAL

CAB COMPONENTS  
CONTROLS & SWITCHES



**9895 COMBINE  
ELECTRICAL**

133

**CAB COMPONENTS  
CONTROLS & SWITCHES**

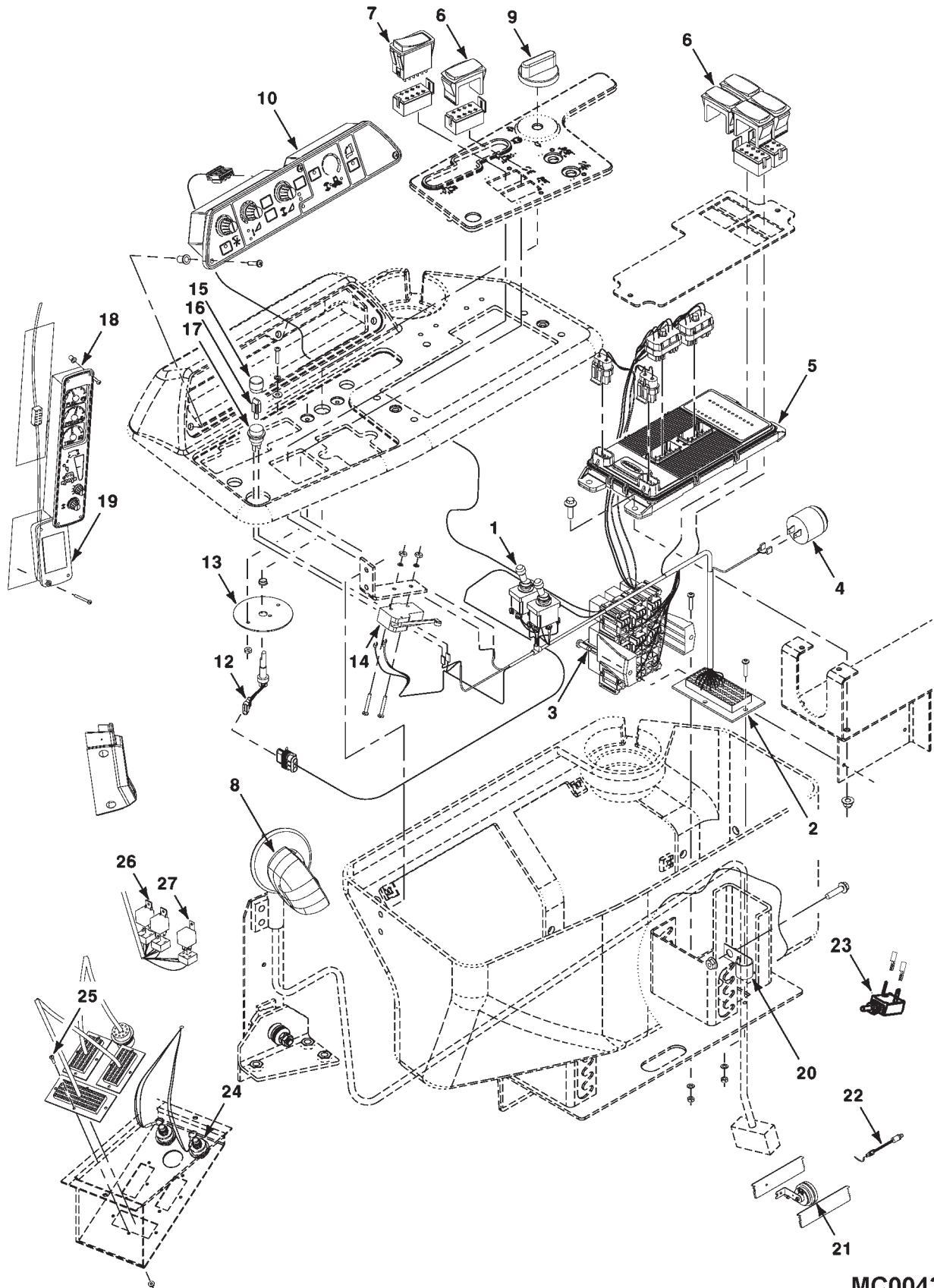
ITEM	NUMBER	QTY	DESCRIPTION
1	700726696	2	SWITCH, LEVER LOCK
2	71409207	1	HARNES, OPERATOR CONSOLE
	71396971	6	RELAY, 20 AMP
	71396970	2	RELAY, 40 AMP
	3009533X1	2	SCREW, PAN HD MACH, M4 X 0.7 X 20
	1443615X1	2	NUT, M4 X 0.7, REG
	1440311X1	2	LOCKWASHER, M4
3	3389854M1	2	SCREW, PAN HD TAPPING, #10 X 19M LG
4	112236W1	1	ALARM BUZZER
5	6214261M91	1	MULTIPLEX MODULE
	3009183X1	4	BOLT,HEX FLANGE, M6-1.0 X 20 CL10.9
	5000002X1	4	NUT, HEX FLANGE NYL LOCK, M6 X 1.0
6	71390325	5	PLUG, SWITCH
7	71387416	1	SWITCH, HEADER REVERSE
8	71388133	1	HANDLE ASY., HYDRO (SEE BREAKDOWN)
	70921332	2	CAPSCREW, 5/16-18 X 3/4
9	71396391	1	KNOB, THROTTLE
10	71393285	1	CONTROLLER - CONSOLE
	108664W1	3	KNOB
	71394716	3	SHAFT, KNOB
	70937280	3	SCREW, PAN HD TAPPING, #8-32 X 3/4
	71393926	3	WELLNUT, #8-32
12	71406894	1	THROTTLE SWITCH ASY
13	71400505	1	PLATE, THROTTLE MTG
	700710188	2	SCREW, PAN HD MACH. #6-32 X 3/4
	70917395	2	LOCKWASHER, #8
	70923906	2	WASHER, #8, NARROW
	704551	2	NUT, #6-32 REG
14	107041	1	SWITCH, MICRO, BACK-UP (SEE "CAB, SEAT CONSOLE" FOR MOUNTING BRACKET)
	700701772	2	SCR, MACH, PAN HD, #6-32 X 1
	705129	2	LOCKWASHER, #6
	704551	2	NUT, #6-32 REG
15	112814W1	1	LENS, AMBER
16	112811W1	1	LAMP, PILOT
17	112812W1	1	SOCKET ASY, LAMP
18	71389811	1	CLUSTER, GAUGE (FUEL, PRESS, TEMP, AND GRAIN LOSS MONITOR)
	108664W1	2	KNOB
	71394716	2	SHAFT, KNOB
	70937280	4	SCREW, PAN HD TAPPING, #8-32 X 3/4
	71393926	4	WELLNUT, #8-32
19	71393277	1	CONTROL, TACHOMETER
	700720863	4	SCREW, PAN HD. MACH. #8-32 X 2.0
	71393926	4	WELLNUT, #8-32
20	70930791	1	J-CLIP, 11/16 DIA X .406 HOLE
	7883283	1	SCREW, HEX WSHR HD MACH, 1/4-20 X 1
	70931209	1	LOCKNUT, HEX SERR FLANGE, 1/4-20
21	71406492	1	HORN
	7701501	1	SCR,HX WSHR HD TAPPING, 1/4-14 X 3/4
22	71372724	1	SWITCH, LOW PRESSURE
23	71395848	1	SWITCH, PARK BRAKE

CONTINUED

MC00434  
PR: t06g24h33d0049

9895 COMBINE  
ELECTRICAL

CAB COMPONENTS  
CONTROLS & SWITCHES





**9895 COMBINE**  
**ELECTRICAL**

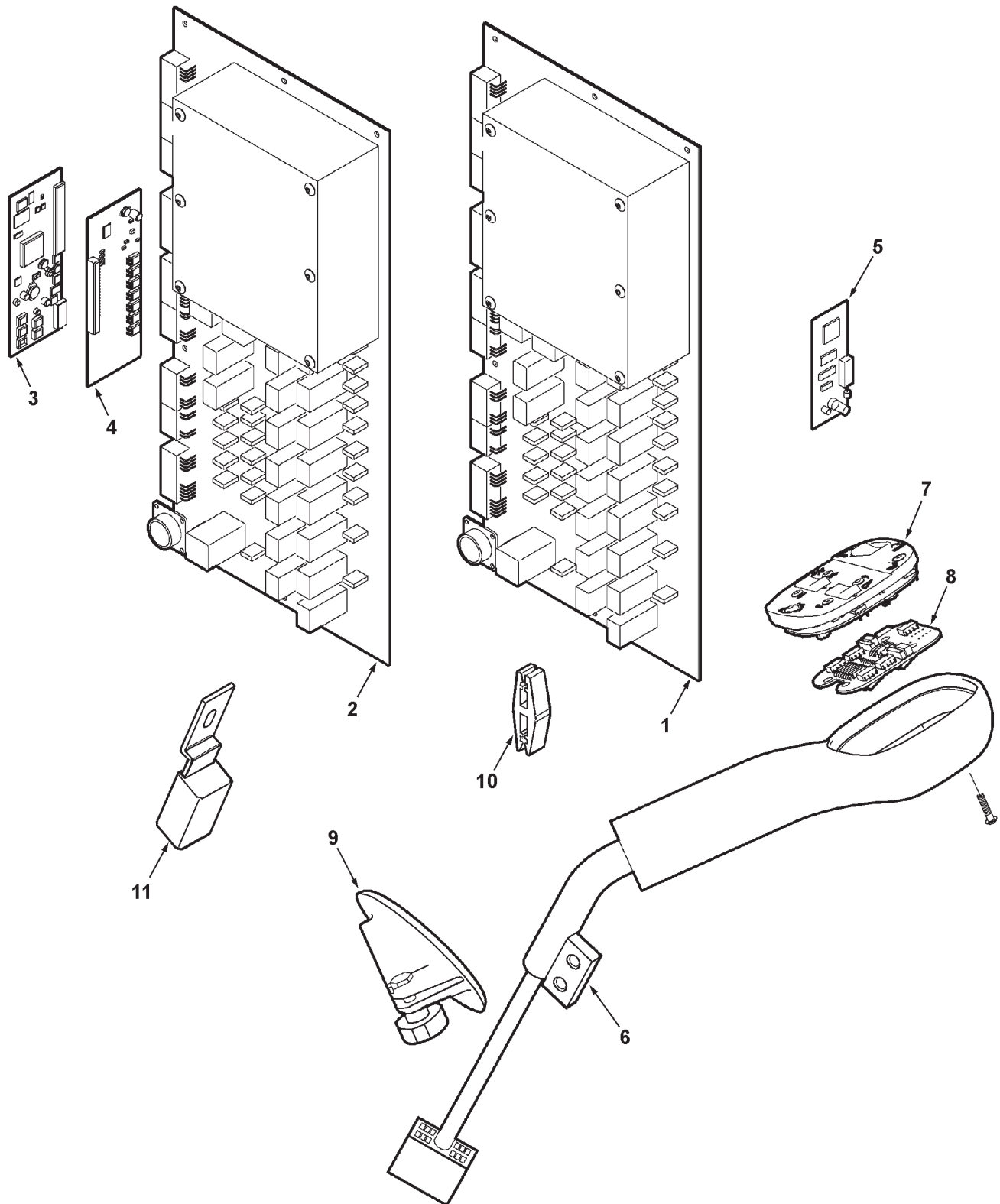
**135**

**CAB COMPONENTS**  
**CONTROLS & SWITCHES**

ITEM	NUMBER	QTY	DESCRIPTION
24	72500822	2	TERMINAL, FEED THRU, 3/8-16 UNC
25	700711659	12	SCREW, PAN HD MACH, #8-32 X 3/4
	107320M1	12	LOCKNUT, HEX SERR FLANGE, #8-32
26	71390323	2	RELAY, 70 AMP
27	72160919	1	RELAY, 40 AMP

MC00434  
PR: t06g24h33d0049

CAB COMPONENTS  
FUSE PANEL & HYDRO HANDLE



**9895 COMBINE  
ELECTRICAL**

137

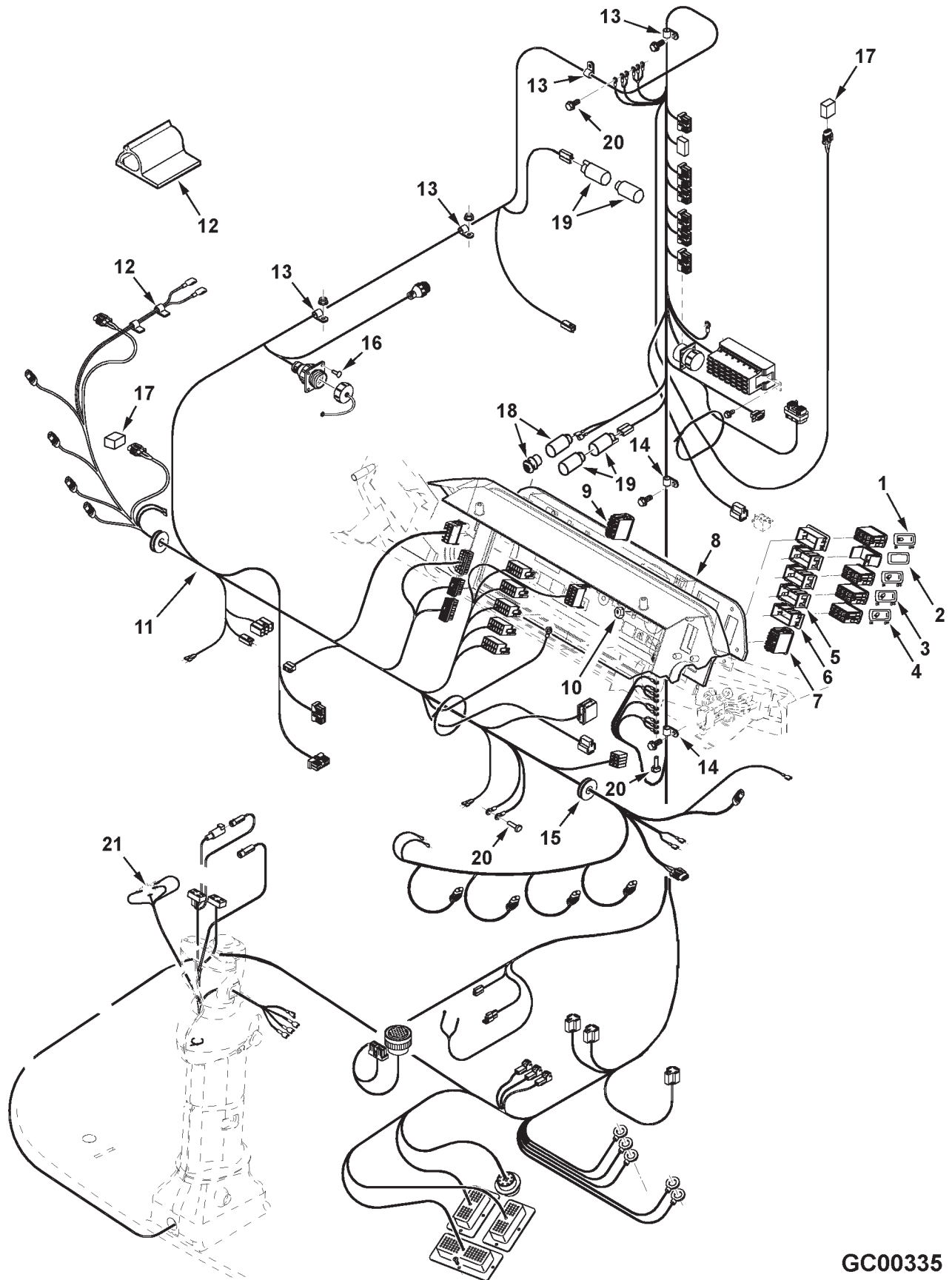
**CAB COMPONENTS  
FUSE PANEL & HYDRO HANDLE**

ITEM	NUMBER	QTY	DESCRIPTION
1	71406480	1	PANEL ASY, FUSE (INCL. ITEMS 2,3,4)
	71389815	10	BOLT, PLASTIC ISOLATOR, #8-32 UNC
	70917395	10	LOCKWASHER, #8
	774745	10	NUT, #8-32 UNC
	7883267	1	SCR, HEX WSHR HD MACH, 1/4-20 X 1/2
	700721620	9	MINI FUSE, 3 AMP
	70937605	8	MINI FUSE, 5 AMP
	70937606	5	MINI FUSE, 10 AMP
	70937607	AR	MINI FUSE, 15 AMP (NOT INCLUDED)
	70937608	AR	MINI FUSE, 20 AMP (NOT INCLUDED)
	70937609	AR	MINI FUSE, 25 AMP (NOT INCLUDED)
	70937610	AR	MINI FUSE, 30 AMP (NOT INCLUDED)
	71396970	3	PCB RELAY, 40 AMP
	71396971	17	PCB RELAY, 20 AMP
	71396972	1	LID, CARD CAGE (NOT ILLUS.)
2	71389812	1	PANEL, FUSE
3	71406481	1	CARD, MAIN CONTROL
4	71389814	1	CARD, OUTPUT DRIVER
5	71393350	1	CARD, FIELDSTAR INTERFACE (OPT.)
6	71388133	1	HANDLE ASY, HYDRO (INCLUDES ITEMS 7,8,9)
	-----	1	HANDLE & SUPP'T ASY, HYDRO (ORDER HYDRO HANDLE ASY.)
7	71397940	1	DECK ASY. SWITCHES
	705129	4	LOCKWASHER, #6
	71408201	4	SCREW, TORX HD, #6-32 X 3/4, BLACK
8	71397941	1	CIRCUIT BOARD ASY., HANDLE
9	71397942	1	PALM/WRIST REST KIT, HANDLE
10	71375902	1	FUSE PULLER
11	72160919	1	RELAY, 40 AMP

GC00332

PR: t06g24h33d0050

CAB COMPONENTS  
UPPER CONSOLE



**9895 COMBINE  
ELECTRICAL**

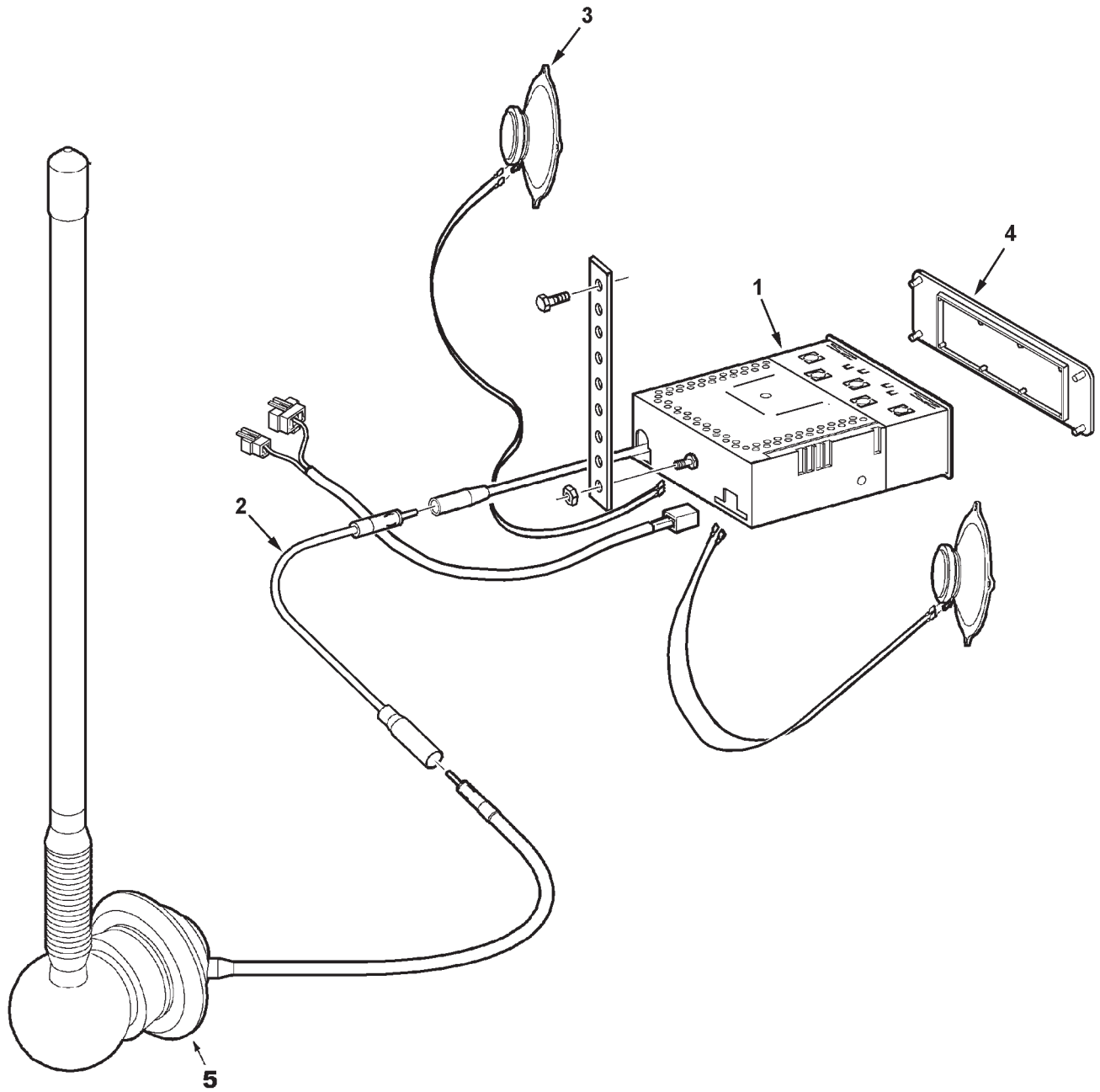
139

**CAB COMPONENTS  
UPPER CONSOLE**

ITEM	NUMBER	QTY	DESCRIPTION
1	71387423	1	SWITCH, EXIT LIGHT
2	71390325	1	PLUG, SWITCH COVER
3	71387424	2	SWITCH, FIELD LIGHTS
4	71387418	1	SWITCH, HEADLIGHT
5	71391417	3	BEZEL, SWITCH CENTER
6	71391416	2	BEZEL, SWITCH END
7	71387422	1	SWITCH, HAZARD
8	71406478	1	PANEL, ELECTRONIC INSTRUMENT (E.I.P.)
	70935072	4	SCREW, PAN HD. SELF-TAP 1/4-20 X 5/8
9	71387420	1	SWITCH, WIPER, FRONT GLASS
10	Y704445	1	NUT, HEX #10-32
11	71412358	1	HARNESS, CAB
12	70569880	2	CLIP, WIRING, SELF-ADHESIVE PLASTIC
13	70926874	4	CLAMP, LINE, 1-1/2 X .406 HOLE
	7883325	1	SCREW,HX WSHR HD MACH, 5/16-18 X 3/4
	70931277	2	LOCKNUT, SERR. FLANGE, 5/16-18
14	70936765	2	CLAMP, LINE, 1-3/4 X .406 HOLE
	7883325	2	SCREW,HX WSHR HD MACH, 5/16-18 X 3/4
15	70937658	1	GROMMET, RUBBER
16	70937550	4	SCR,PHILLIPS PAN HD,TAPPING, #8-18 X 3/4 (FIELDSTAR PLUG)
17	3714264M1	2	SENSOR, AIR TEMPERATURE
18	71365477	1	ELEMENT, LIGHTER
	71365476	1	HOUSING, LIGHTER
19	107500M1	2	SOCKET, AUX. POWER
	107499M1	2	PLUG, AUX. POWER SOCKET
20	701953	3	SCR, HEX WSHR HD TAPPING, 5/16-18 X 3/4
21	Y704445	4	NUT, #10-32 UNF
	705004	4	LOCKWASHER, #10

GC00335  
PR: t06g24h33d0051

CAB COMPONENTS  
RADIO AND ANTENNA



9895 COMBINE  
ELECTRICAL

141

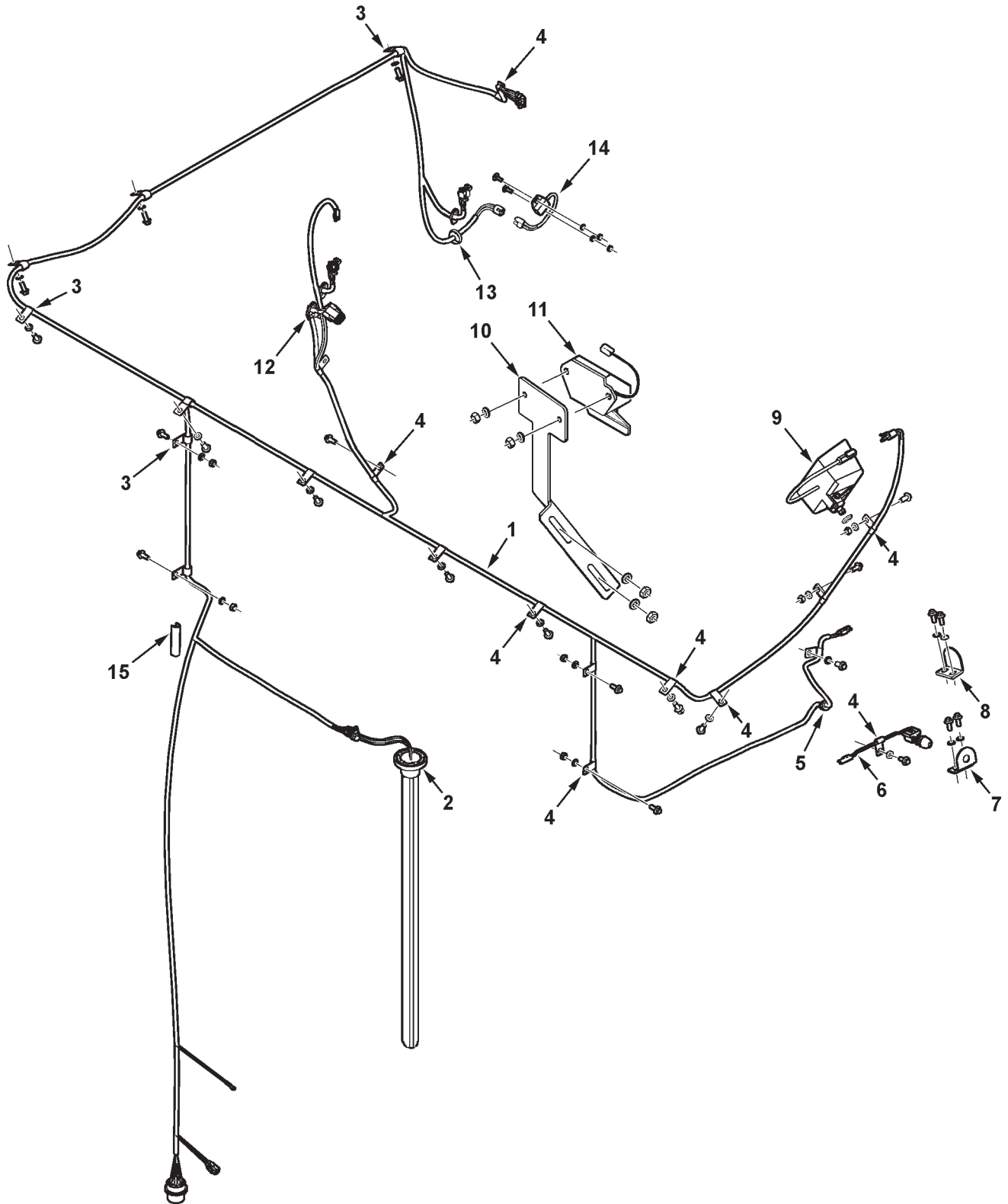
CAB COMPONENTS  
RADIO AND ANTENNA

ITEM	NUMBER	QTY	DESCRIPTION
1	RE701169D6	1	* RADIO, AM/FM, CD, WEATHERBAND
	RE701141D6	1	* RADIO, AM/FM, CASSETTE, WEATHERBAND
	RE701128D6	1	* RADIO, AM/FM, CASSETTE
2	RE530013	1	CABLE, ANTENNA EXTENSION
3	71393287	2	SPEAKER, 5-1/4 POLYCONE
	700701772	8	SCREW, PAN HD. MACH. #6-32 X 1.0
	700703830	8	WASHER, FLAT #6
	705129	8	LOCKWASHER, #6
	704551	8	HEXNUT, #6-32
4	71362813	1	PANEL, BLANK, W/O RADIO
	70932720	4	NUT, SPEED
5	RE210066	1	ANTENNA ASY., W/CABLE
-	71406069	1	** KIT, RADIO, AM/FM, CD, WEATHERBAND
-	71398028	1	** KIT, RADIO, AM/FM,CASSETTE,WEATHRBAND

\* INCL. HARNESS, MTG STRAP & HRDWR  
\*\* FIELD INSTALL. ORDER THRU DLR CENTRAL

GC00338  
PR: t06g24h33d0052

HARNESSES & LIGHTING  
GRAIN BIN





**9895 COMBINE  
ELECTRICAL**

143

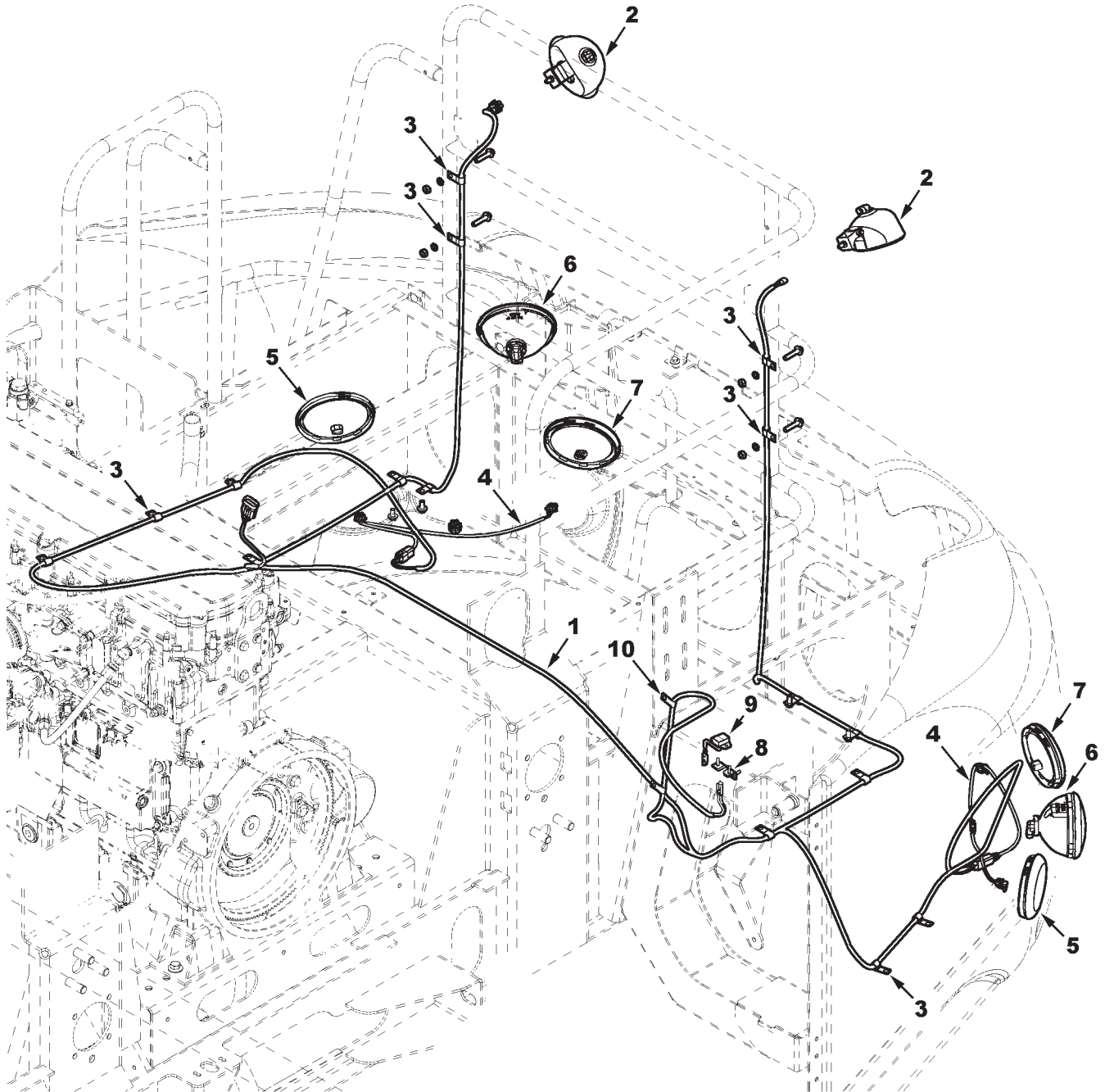
**HARNESSES & LIGHTING  
GRAIN BIN**

ITEM	NUMBER	QTY	DESCRIPTION
1	71406873	1	HARNESS, GRAIN BIN
2	71407293	1	SENDER, FUEL LEVEL W/ GASKET
	71398110	1	GASKET, SENDER
	1440827X1	5	HEX BOLT, M5-0.8 X 30 CL8.8
	1102796	5	LOCKWASHER, M5
3	70936314	7	J-CLIP, 1/2 DIA X .406 HOLE
	339123X1	7	BOLT,HEX FLANGE, M8-1.25 X 20 CL10.9
	339374X1	7	LOCKWASHER, M8
	1440203X1	2	NUT, M8 X 1.25, REG
4	70937685	14	J-CLIP, 3/8 DIA X .406 HOLE
	339123X1	13	BOLT,HEX FLANGE, M8-1.25 X 20 CL10.9
	339374X1	13	LOCKWASHER, M8
	1440203X1	6	NUT, M8 X 1.25, REG
5	700708340	1	GROMMET, RUBBER, 1/2 ID
6	293765M1	1	SWITCH, MOMENTARY, NORMAL ON
7	71409201	1	MOUNT BRKT, SWITCH
	339123X1	2	BOLT,HEX FLANGE, M8-1.25 X 20 CL10.9
	339374X1	2	LOCKWASHER, M8
8	71409202	1	STOP BRKT, SWITCH
	339123X1	2	BOLT,HEX FLANGE, M8-1.25 X 20 CL10.9
	339374X1	2	LOCKWASHER, M8
9	71393704	1	LIGHT, GRAIN BIN
	7700461	1	BOLT, RD HD SQ NK, 5/16-18 X 3/4
	70917642	1	WASHER, 5/16, WIDE
	70917372	1	NUT, 5/16-18 REG
10	71409225	1	BRACKET, BIN LEVEL SENSOR
	339123X1	1	BOLT,HEX FLANGE, M8-1.25 X 20 CL10.9
	339374X1	1	LOCKWASHER, M8
	1440203X1	1	NUT, M8 X 1.25, REG
11	71375911	1	SENSOR, BIN LEVEL
	390379X1	2	BOLT, HEX HD, M8-1.25 X 18 CL8.8
	339374X1	2	LOCKWASHER, M8
	1440203X1	2	NUT, M8 X 1.25, REG
12	70925094	3	TIE, BLK NYLON, SELF-LOCK, .18 X 7.3 LG
13	70937294	1	GROMMET, RUBBER, 5/16 ID
14	71391021	1	SENSOR ASY, TWO WIRE
	3009330X1	2	BOLT, RD HD SQ NK, M6-1.0 X 20 CL8.8
	339375X1	2	LOCKWASHER, M6
	339030X1	2	NUT, M6 X 1.0, REG
15	71386147	1	MOULDING, EDGE PROTECT

MC00433

PR: t06g24h33d0053

TAILLIGHT HARNESS



9895 COMBINE  
ELECTRICAL

145

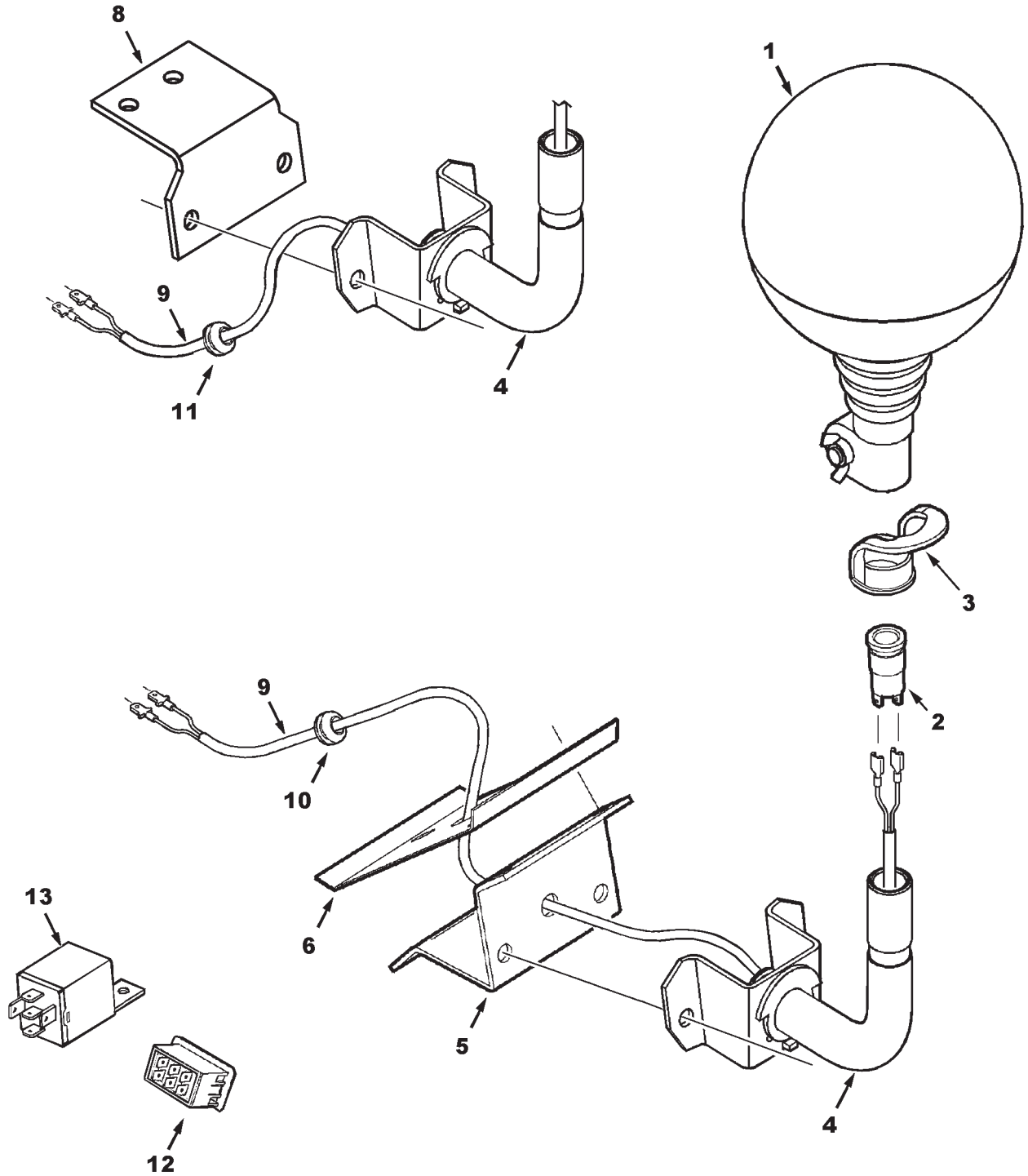
TAILLIGHT HARNESS

ITEM	NUMBER	QTY	DESCRIPTION
1	71406868	1	HARNESS, TAILLIGHT
2	700726172	2	LIGHT, FLOOD
	700722351	2	BULB, HALOGEN, 12V (GE #862)
3	70936314	16	J-CLIP, 1/2 DIA X .406 HOLE
	3009210X1	4	BOLT,HEX FLANGE, M10-1.5 X 45 CL10.9
	3009205X1	6	BOLT,HEX FLANGE, M10-1.5 X 20 CL10.9
	339376X1	4	LOCKWASHER, M10
	339402X1	4	NUT, M10 X 1.5, REG
4	71409214	2	HARNESS, TAILLIGHT
5	71409824	2	TAILLIGHT, AMBER
6	71409825	2	TAILLIGHT, CLEAR
7	71409823	2	TAILLIGHT, RED
8	71381328	1	MOUNTING BRKT WLMT, SENSOR
	71374702	4	SPACER, .320 ID X .25 TH
	70931209	4	NUT, SERR. FLANGE, 1/4-20
9	71372720	1	SENSOR, PROXIMITY
10	70937685	4	J-CLIP, 3/8 DIA X .406 HOLE

MC00432

PR: t06g24h33d0054

BEACON LIGHTS  
FIELD KIT



9895 COMBINE  
ELECTRICAL

147

BEACON LIGHTS  
FIELD KIT

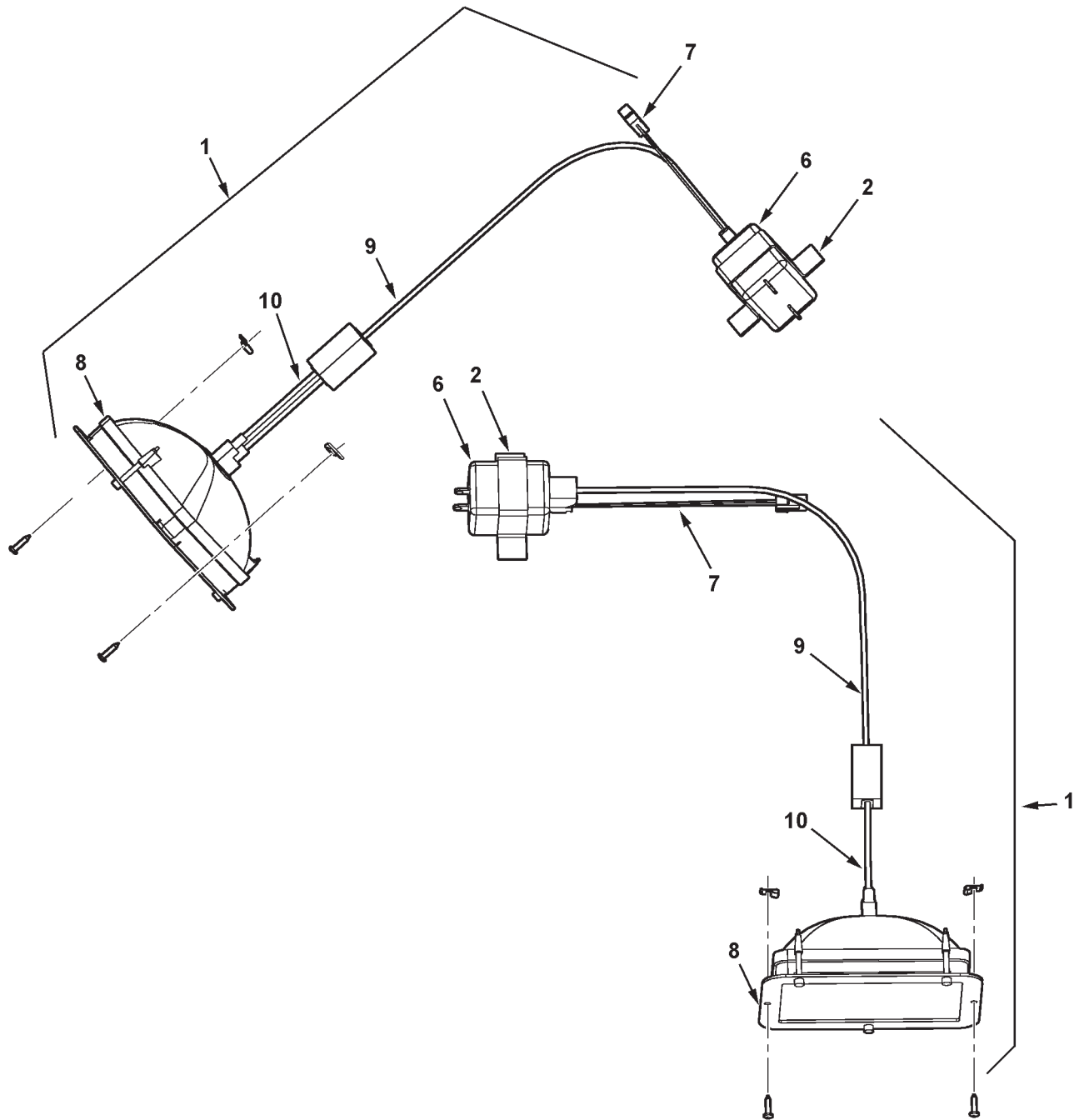
ITEM	NUMBER	QTY	DESCRIPTION
-	71402108	1	* KIT, BEACON LIGHT
1	3715144M92	2	BEACON
2	3617860M1	2	PLUG, BEACON
3	3617859M1	2	CAP, BEACON
4	3778093M91	2	SUPPORT, BEACON
	7883382	4	SCREW, HEX WSHR HD MACH, 3/8-16 X 1
	704247	4	NUT, HEX SERRATED FLANGE, 3/8-16
5	71391403	1	BRACKET, BEACON MTG. (FRONT)
	7883382	3	SCREW, HEX WSHR HD MACH, 3/8-16 X 1
	704247	3	NUT, HEX SERRATED FLANGE, 3/8-16
6	71391404	1	PLATE, BACKUP (FRONT)
8	71388391	1	BRACKET, BEACON MTG. (REAR)
9	71395830	2	HARNES, BEACON LIGHT (FRT & REAR)
10	70923510	1	GROMMET, RUBBER, .375 ID X 3/4 OD (FRT)
11	7827629	1	GROMMET, RUBBER, .375 ID X 5/8 OD (REAR)
12	71401336	1	SWITCH, BEACON
13	72160919	1	RELAY, 40 AMP
	70925442	2	TIE, BLACK NYLON, .165 X 14 LG

\* ORDER THRU DEALER CENTRAL

MC00364

PR: t06g24h33d0055

HIGH INTENSITY LIGHTING  
FIELD KIT



9895 COMBINE  
ELECTRICAL

149

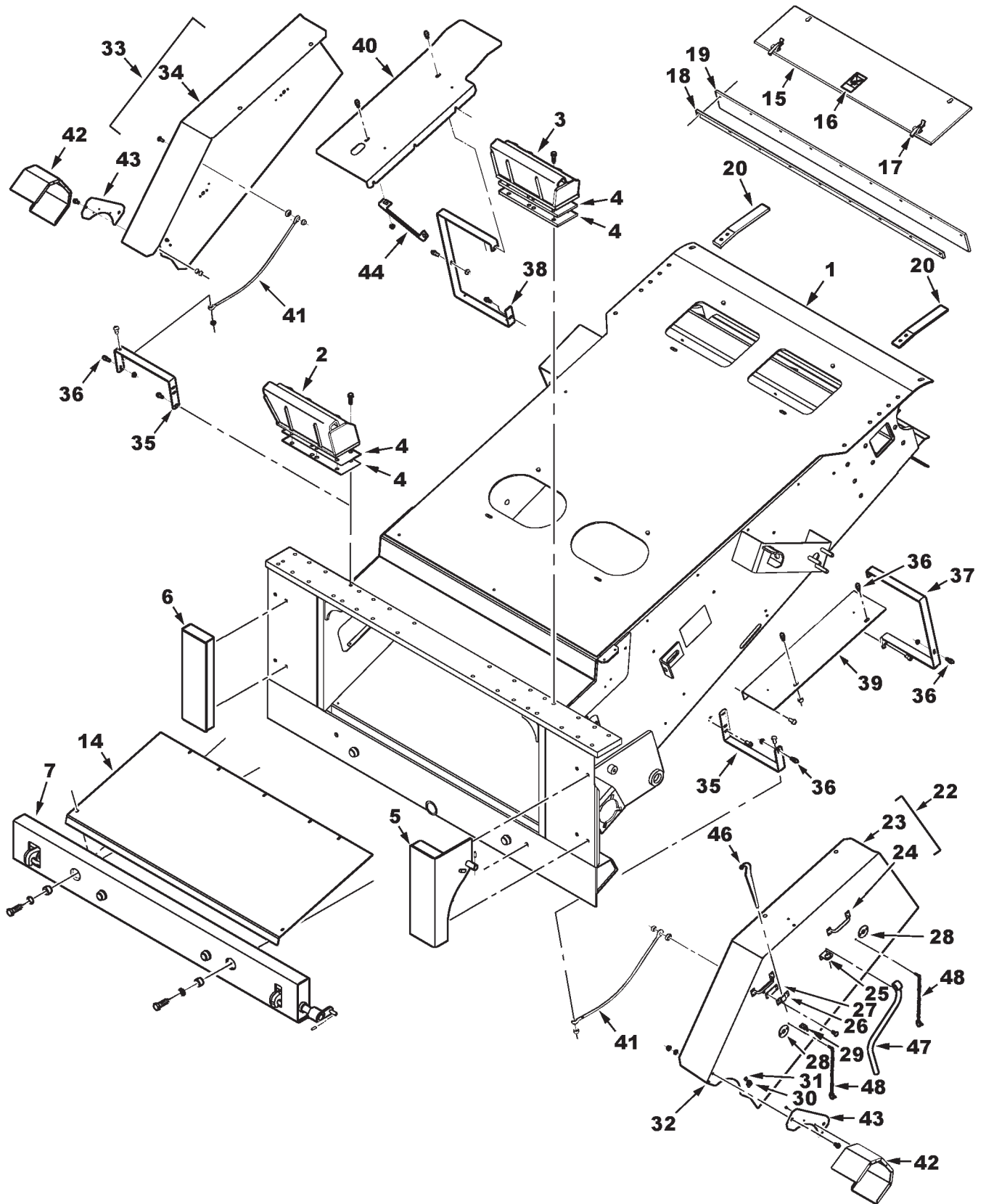
HIGH INTENSITY LIGHTING  
FIELD KIT

ITEM	NUMBER	QTY	DESCRIPTION
-	71406073	1	* KIT, H.I.D. LIGHTING
1	71410912	2	LAMP ASY,HIGH INT'Y (INCL IT.6,7,8,9,10)
	70937550	4	SCREW, PAN HD, TAPPING, #8-18 X 3/4
	700715255	4	NUT, SPEED, #8
2	700719940	2	FASTENER, ADHESIVE BACK
6	71408393	1	BALLAST (FOR LAMP 71410912)
7	71408394	1	ADAPTER WIRE (FOR LAMP 71410912)
8	71408397	1	LAMP ASY (FOR LAMP 71410912)
9	71408395	1	WIRE ASY, STARTER
10	71408396	1	WIRE ASY, BULB

\* ORDER THRU DEALER CENTRAL

MC00435  
PR: t06g24h33d0056

HOUSING & SHIELDS





**9895 COMBINE  
FEEDER**

151

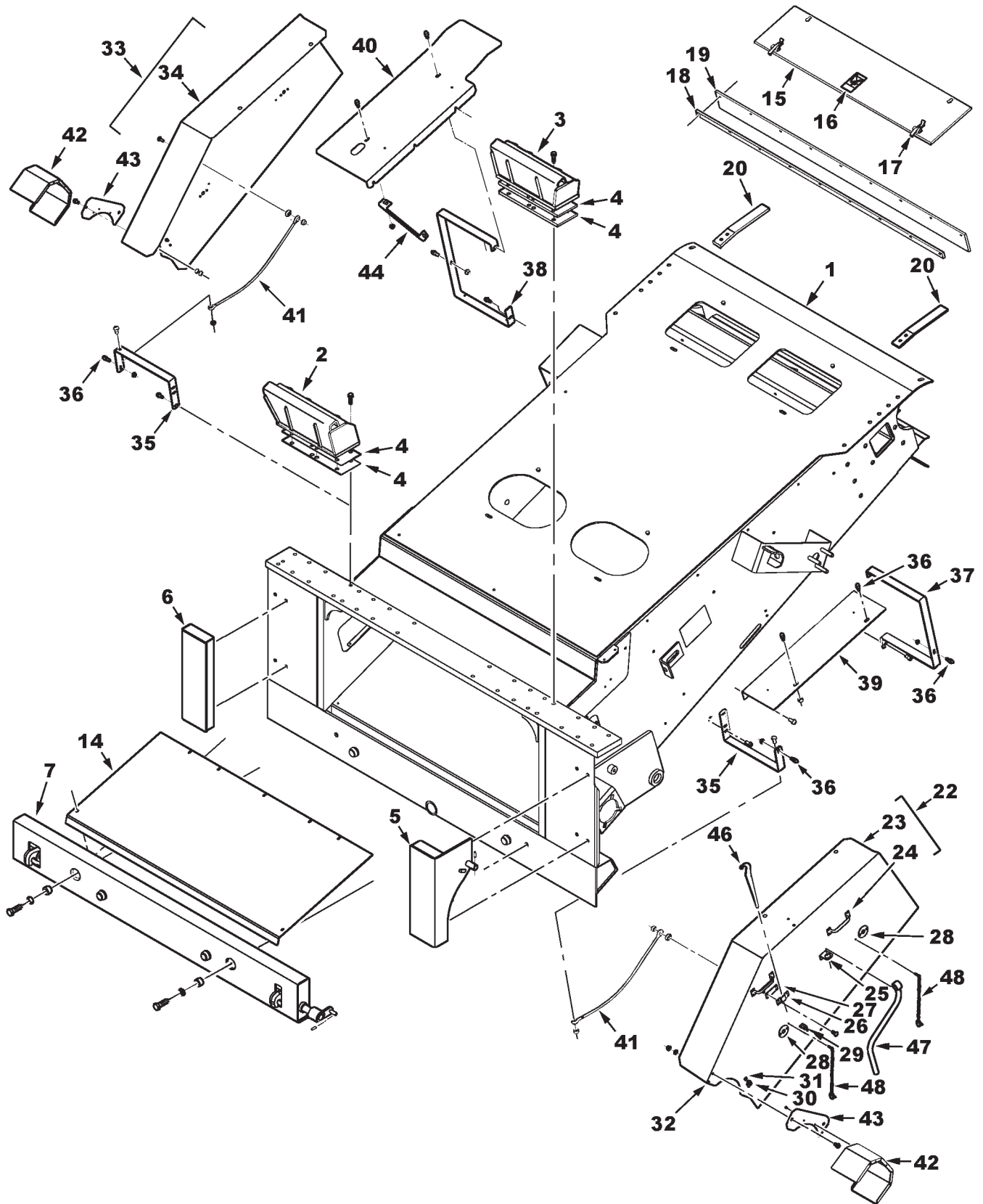
**HOUSING & SHIELDS**

ITEM	NUMBER	QTY	DESCRIPTION
1	71409952	1	HOUSING WLMT, FEEDER
2	71406510	1	HOOKUP WLMT, RH, HEADER
	-----	--	HOOKUP WLMT, HEADER, SHORT (SEE "KIT" AT END OF LIST)
	70919089	7	CAPSCREW, 1/2-13 X 1-3/4
	Y705046	7	LOCKWASHER, 1/2
3	71406504	7	HOOKUP WLMT, LH, HEADER
	70919089	7	CAPSCREW, 1/2-13 X 1-3/4
	Y705046	7	LOCKWASHER, 1/2
4	71383783	4	SHIM, HEADER LEVELING
5	71406518	1	FRAME WLMT, LH, VERTICAL
	70923114	2	CAPSCREW, 1/2-13 X 1 GR5
	Y705046	2	LOCKWASHER, 1/2 REG
6	71406514	1	FRAME WLMT, RH, VERTICAL
	70923114	2	CAPSCREW, 1/2-13 X 1 GR5
	Y705046	2	LOCKWASHER, 1/2
7	71406804	1	FRAME ASY, HEADER HOOKUP, LOWER (SEE "LATCH, HEADER")
	71406520	1	FRAME WLMT, HDR HOOKUP, LOWER
	70922664	2	CAPSCREW, 5/8-11 X 2 GR5
	70917373	2	LOCKWASHER, 5/8
	368615X1	2	SPACER, .656 X 1.125 OD X .66 LG
14	71388237	1	COVER, HSG. FLOOR
	365775X1	2	SCR, HX WSHR HD TAPPNG, 1/4-20 X 1/2
	70931317	7	BOLT, RD HD,SHT SQ NK, 1/4-20 X 3/4
	353769X1	7	WASHER, 1/4, HARD
	705012	7	LOCKWASHER, 1/4
	70916622	7	NUT, 1/4-20 REG
15	71409955	4	DOOR ASY (INCL. CLAMPS & DECAL)
16	71379134	4	DECAL, WARNING
17	762975	8	CLAMP
	700717635	16	POP-RIVET, .188 DIA X .126-.250 GRIP
18	71388226	1	RETAINER, PIVOT SEAL
19	71387900	1	SEAL, UPPER PIVOT
	3009183X1	11	BOLT, HEX FLANGE, M6-1.0 X 20 CL10.9
	339375X1	11	LOCKWASHER, M6
	339030X1	11	NUT, M6 X 1.0, REG
20	116328W1	2	SUPPORT, PIVOT SLIDE
	385370X1	4	BOLT, RD HD SQ NK, M8-1.25 X 25 CL8.8
	339374X1	4	LOCKWASHER, M8
	1440203X1	4	NUT, M8 X 1.25, REG

CONTINUED

MC00436  
PR: t06g24h33d0057

HOUSING & SHIELDS



**9895 COMBINE  
FEEDER**

153

**HOUSING & SHIELDS**

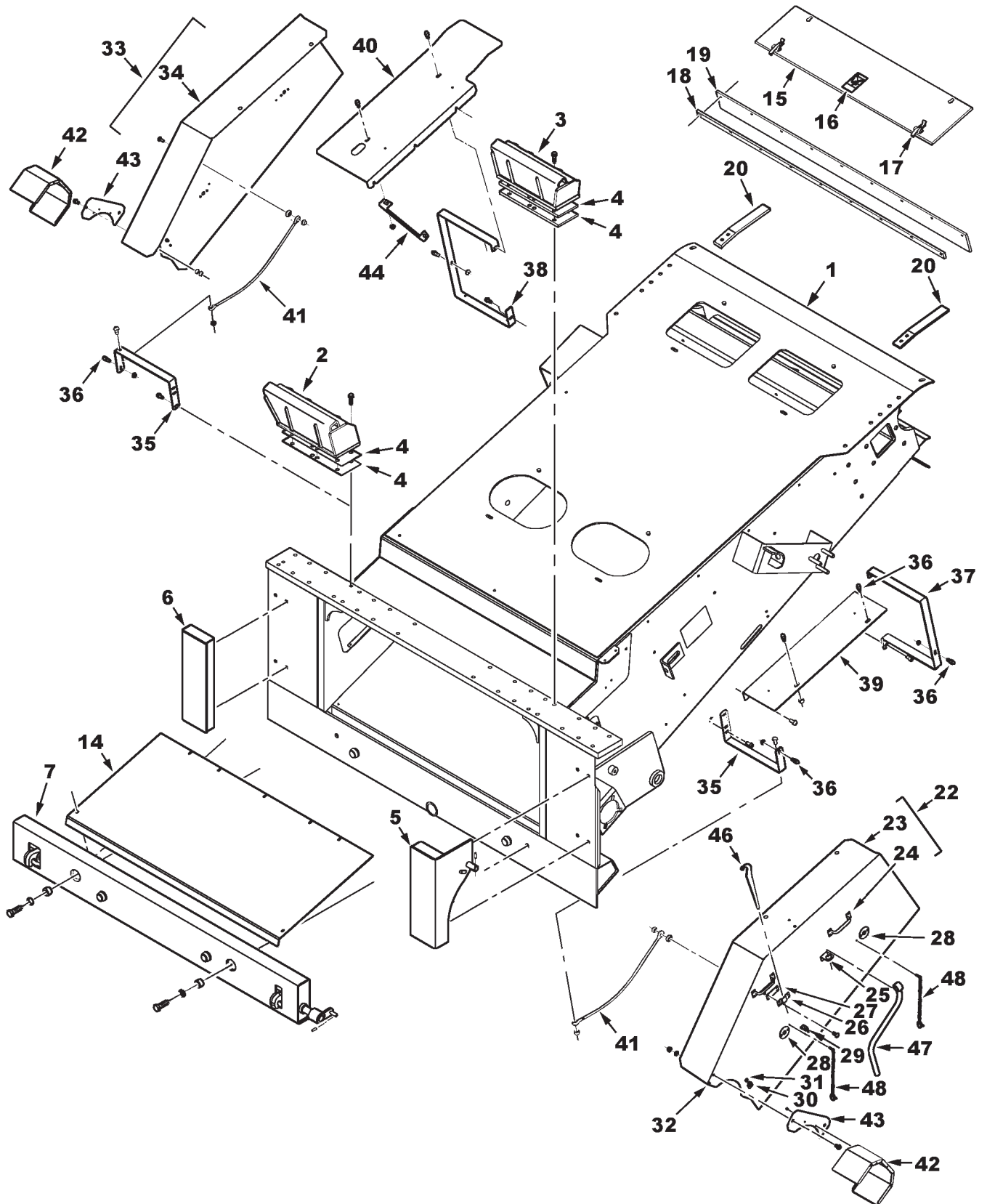
ITEM	NUMBER	QTY	DESCRIPTION
22	-----	1	SHIELD ASY, FEEDER, LEFT (INCL. ITEMS 23 THRU 32)(NOT SERVICED)
23	71401637	1	SHIELD, LEFT
24	71304149	2	HANDLE
	70924837	8	POP RIVET, .188 X .063-.125 GRIP
25	71352828	1	BRACKET, HANDLE MOUNT
	70925205	1	CAPSCREW, 5/16-18 X 5/8
	70917356	1	LOCKWASHER, 5/16
	70917372	1	NUT, 5/16-18 REG
26	71385633	1	BRACKET, WRENCH
27	71394821	1	SPACER, BRKT.
	70924837	4	POP RIVET, .188 X .063-.125 GRIP
28	71400739	2	PLATE, PIN
	70924837	4	POP RIVET, .188 X .063-.125 GRIP
29	71310976	1	CLIP, WRENCH
	70922928	2	SCREW, #6-32 X 1/2
	70917458	2	WASHER, FLAT #6
	70917459	2	LOCKWASHER #6
	704551	2	NUT, #6-32
30	70537291	1	FASTENER, SNAP
	70924837	1	POP RIVET, .188 X .063-.125 GRIP
31	70937660	1	SCREW, PAN HD TAPPING, 1/4-20 X 5/8
	1703354	1	NUT, HEX FLNG TOP LOCK, 1/4-20
32	7883267	1	SCREW, HEX WSHR HD, MACH, 1/4-20 X 1/2
	1703354	1	NUT, HEX FLNG TOP LOCK, 1/4-20
33	-----	1	SHIELD ASY, FEEDER, RIGHT (INCL. ITEMS 24,28,30,31,32,34)(NOT SERVICED)
34	71401627	1	SHIELD, RIGHT
35	71407660	2	SUPPORT, SHIELD, FRONT
	7702012	2	SCR, HEX WSHR HD TAPPING, 3/8-16 X 1
36	1656110W2	8	PIN, SHIELD LOCK
	Y704734	8	NUT, HEX FLNG TOP LOCK, 3/8-16
37	71401633	1	SUPPORT, SHIELD, LEFT
	7702012	1	SCR, HEX WSHR HD TAPPING, 3/8-16 X 1
38	71401632	1	SUPPORT, SHIELD, RIGHT
	7702012	1	SCR, HEX WSHR HD TAPPING, 3/8-16 X 1
39	71401638	1	SHIELD, TOP, LEFT
	70936778	2	J-CLIP, 3/4 X .406 HOLE (NOT ILLUS.)
	7702012	3	SCR, HEX WSHR HD TAPPING, 3/8-16 X 1
40	71401626	1	SHIELD, TOP, RIGHT
41	71374425	2	CABLE, TETHER
	70931350	2	BOLT, RND HD SQ NK, 3/8-16 X 1
	705541	2	WASHER, 1/2 HARD
	Y704734	4	NUT, HEX FLNG TOP LOCK, 3/8-16
	7883382	2	SCREW, HEX WSHR HD MACH, 3/8-16 X 1

CONTINUED

MC00436

PR: t06g24h33d0057

HOUSING & SHIELDS



**9895 COMBINE  
FEEDER**

155

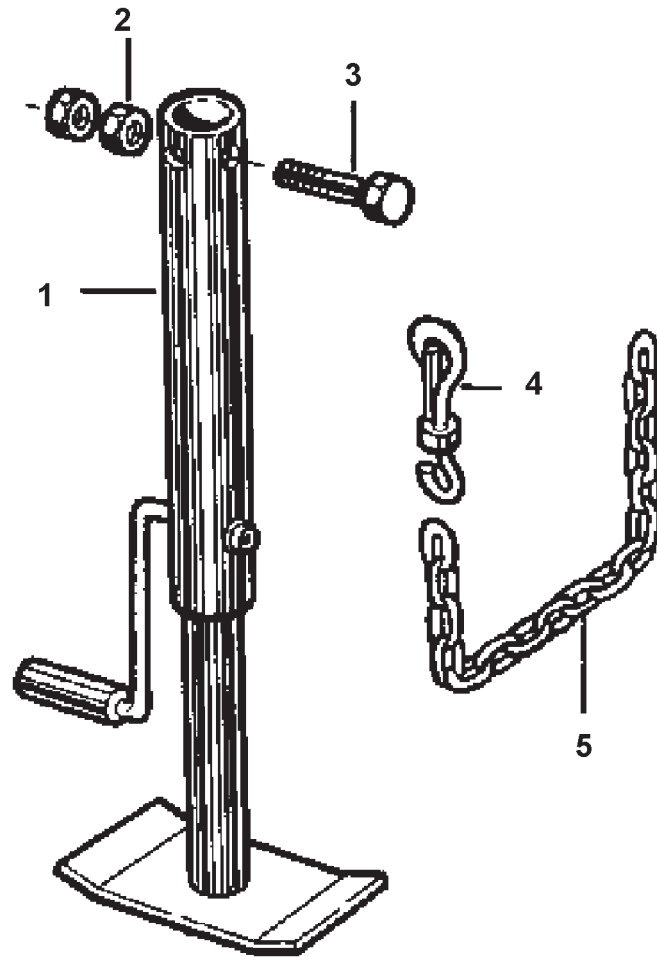
**HOUSING & SHIELDS**

ITEM	NUMBER	QTY	DESCRIPTION
42	71409461	2	SHIELD, DRIVELINE
43	71401660	2	PLATE, COVER
	7883374	2	SCR, HEX WSHR HD MACH, 3/8-16 X 3/4
	Y705533	2	WASHER, 3/8 HARD
	Y704734	2	NUT, HEX FLNG TOP LOCK, 3/8-16
	70924837	6	POP RIVET, .188 X .063-.125 GRIP
44	71401658	1	SUPPORT, TOP SHIELD, RH
	7702012	3	SCR, HEX WSHR HD TAPPING, 3/8-16 X 1
46	28280440	1	WRENCH, C'SHAFT
47	71388248	1	HANDLE WLMT, FEEDER LATCH
48	863415	4	KLIK PIN, W/CHAIN
-	71411647	--	KIT, HEADER HOOKUP LUGS, HIGH, NON-LTM INCL IT'S 2 THRU 13, & LATCH COMP'S. (ORDER THRU DEALER CENTRAL)
-	71411650	--	KIT, HEADER HOOKUP LUGS, LOW, NON-LTM (ORDER THRU DEALER CENTRAL)
	71406512	2	HOOKUP LUG WLDMT, SHORT
	71383783	4	SHIM, HEADER LEVELING
	70924204	14	SCR, HEX SOCK CSK HD, 1/2-13 X 1-1/4

MC00436

PR: t06g24h33d0057

JACK



9895 COMBINE  
FEEDER

157  
JACK

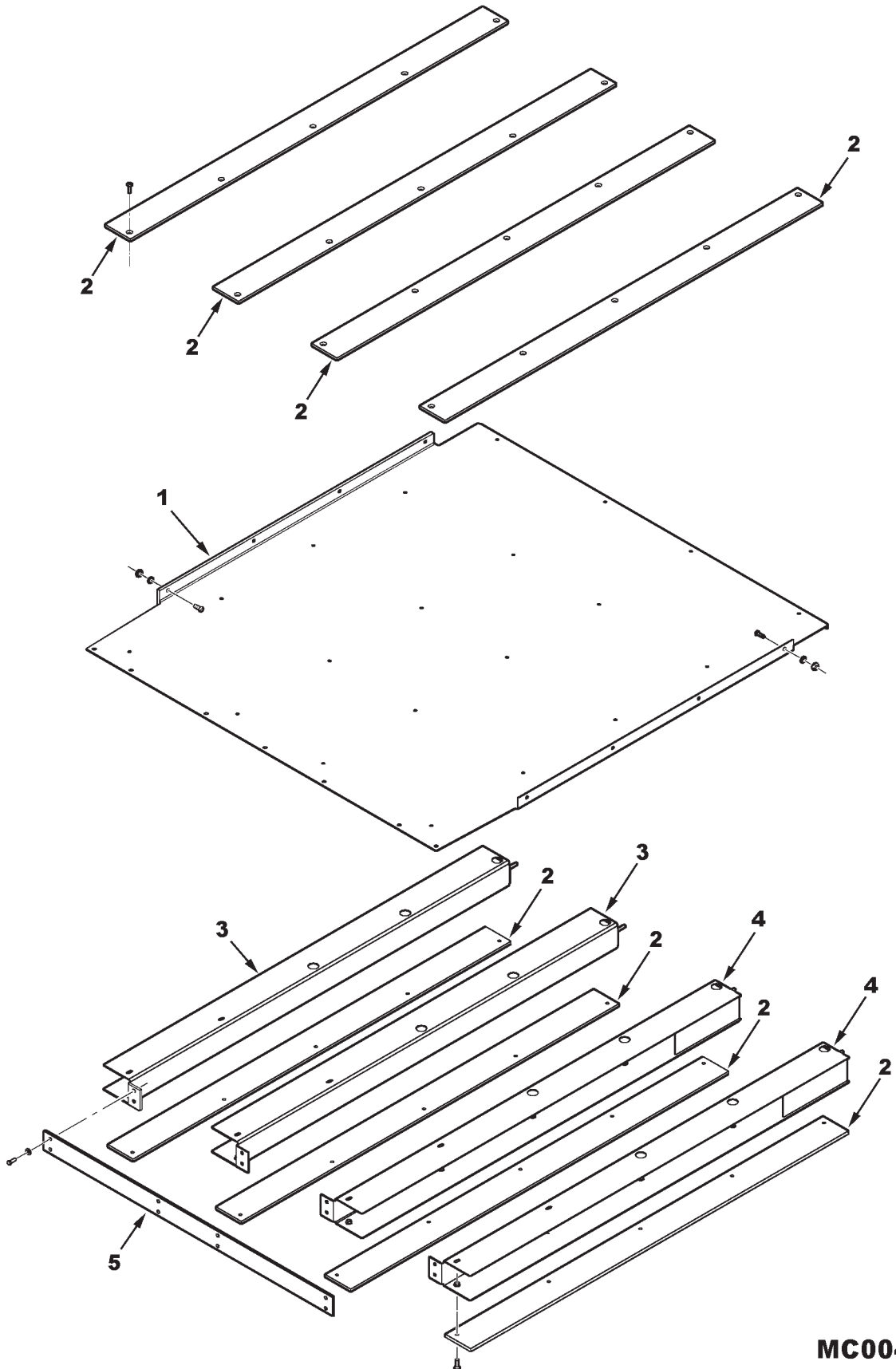
ITEM	NUMBER	QTY	DESCRIPTION
1	1609121W91	1	JACK ASY, FEEDER STAND (ACCESSORY)
2	70913160	2	NUT, 3/4-10 UNC
3	70923126	1	CAPSCREW, 3/4-10 X 5 GR5
4	1611180W1	1	SNAP HOOK, CHAIN
5	1609200W1	1	CHAIN (18 LINKS)
	70921969	1	CAPSCREW, 3/8-16 X 1-1/2
	70917378	2	WASHER, 3/8, WIDE
	70916950	2	NUT, 3/8-16 REG
-	71378016	AR	KIT, FEEDER ELEVATOR JACK (ORDER THRU DEALER CENTRAL)

MCO0209

PR: t06g24h33d0058

9895 COMBINE  
FEEDER

FLOOR, MIDDLE





9895 COMBINE  
FEEDER

159

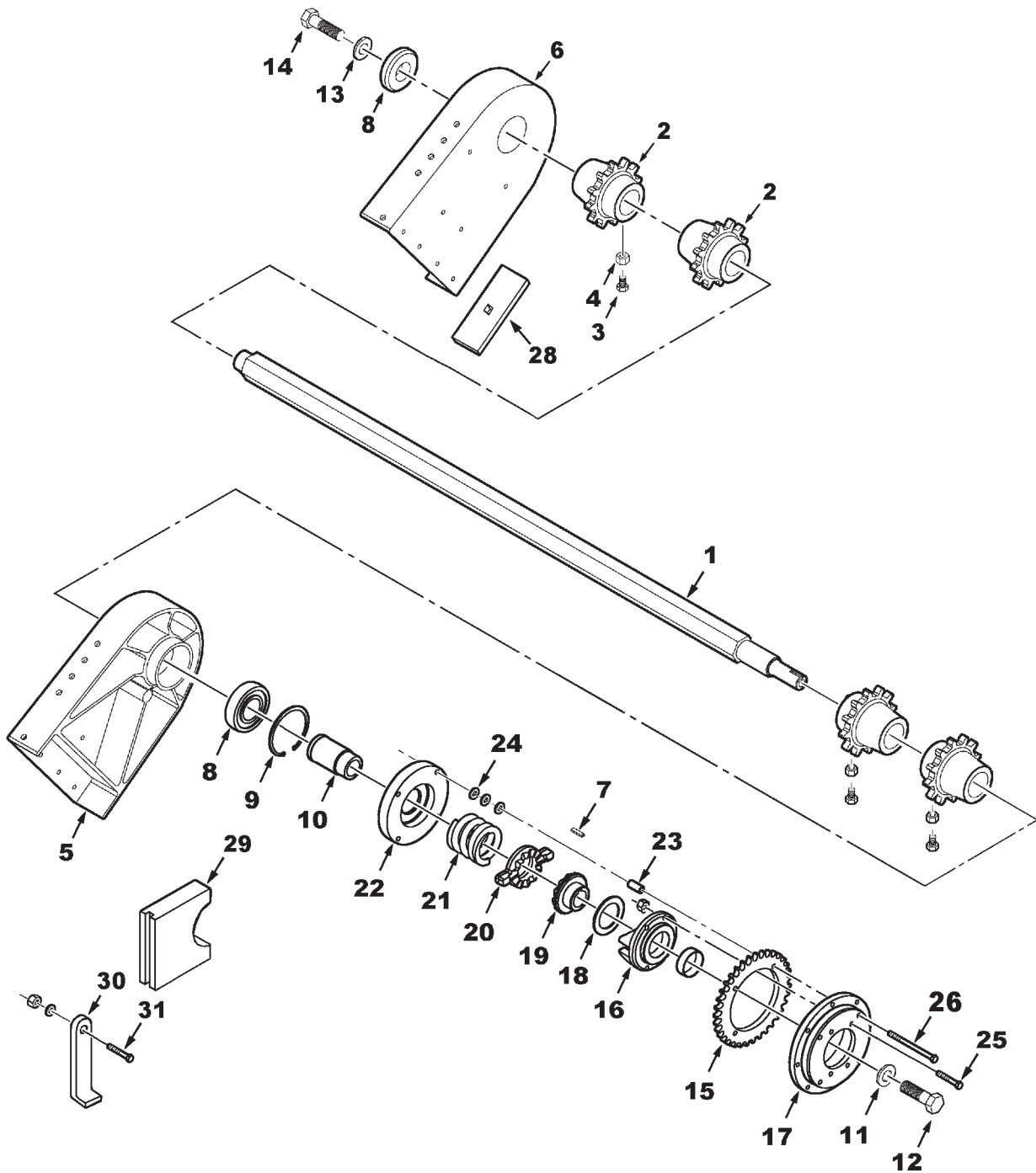
FLOOR, MIDDLE

ITEM	NUMBER	QTY	DESCRIPTION
1	71409618	1	FLOOR SHEET WLMT
	339081X1	7	CAPSCREW, M10-1.5 X 20 CL8.8
	3001429X1	1	CAPSCREW, M10-1.5 X 35 CL8.8
	339376X1	8	LOCKWASHER, M10
	339402X1	8	NUT, M10 X 1.5, REG
2	116354W1	8	STRIP, WEAR
	70935275	40	SCREW,HX SOCK CNTRSK HD, 5/16-18 X 1
	70931277	8	NUT, HEX SERR FLANGE, 5/16-18
3	71409623	2	SUPPORT RAIL WLMT, RH
4	71409615	2	SUPPORT RAIL WLMT, LH
5	71411427	1	SUPPORT BAR, FRONT
	70921333	8	CAPSCREW, 5/16-18 X 1
	70917356	8	LOCKWASHER, 5/16

MC00439

PR: t06g24h33d0059

PIVOT SHAFT



9895 COMBINE  
FEEDER

161

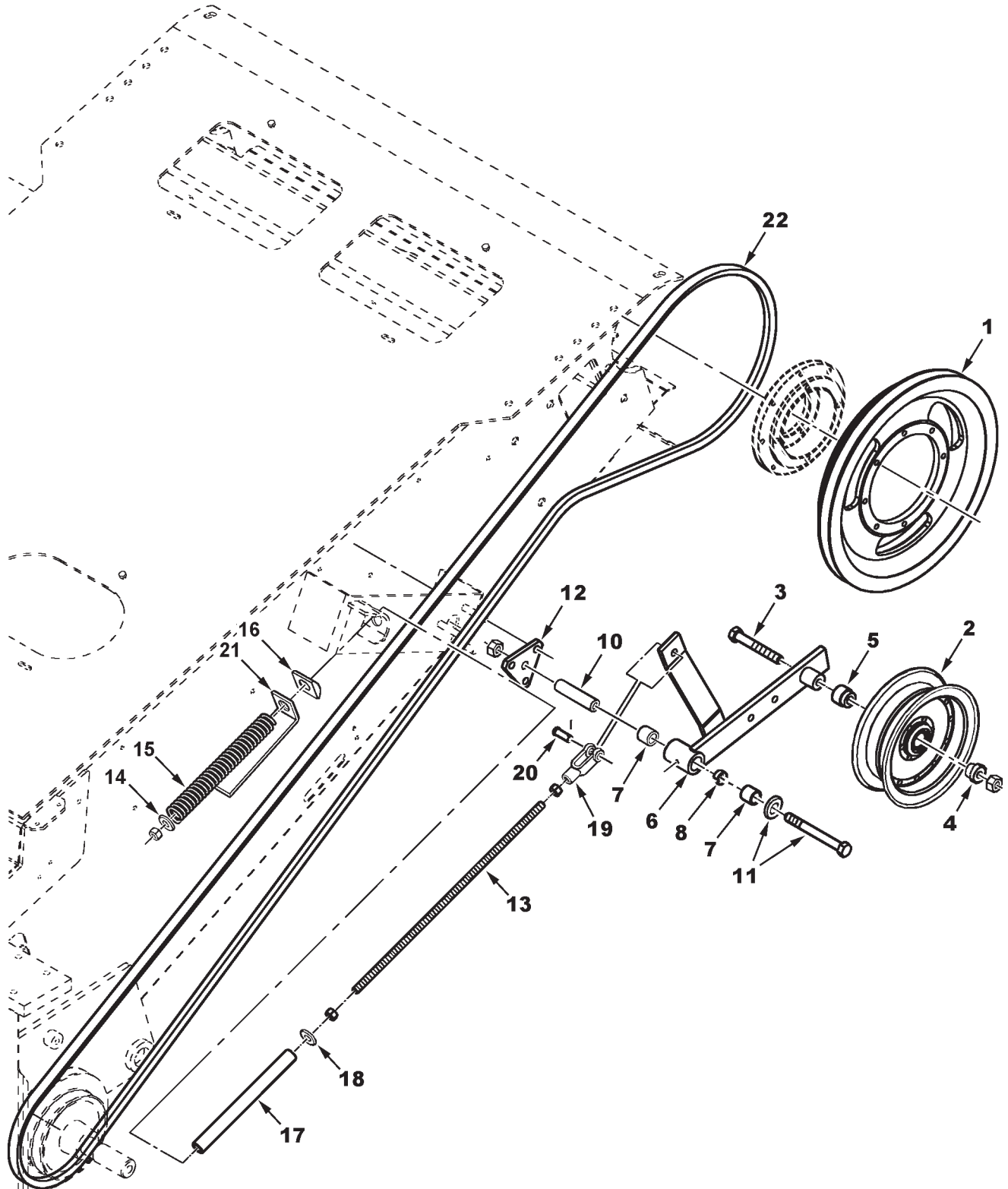
PIVOT SHAFT

ITEM	NUMBER	QTY	DESCRIPTION
1	71399509	1	SHAFT, TOP FEEDER
2	116108W1	4	SPROCKET, PIVOT SHAFT
3	70911255	8	SETSCREW, HEX SOCKET, 1/2-13 X 3/4
4	70913744	8	NUT, HEX JAM, 1/2-13 UNC
5	116106W1	1	CASTING, PIVOT, LH
6	116107W1	1	CASTING, PIVOT, RH
	70926838	2	BOLT, RD HD,SQ NK, 1/2-13 X 1-1/2
	70920328	28	CAPSCREW, 1/2-13 X 1-1/2, GR5
	Y705046	30	LOCKWASHER, 1/2
	704031	12	NUT, 1/2-13 REG
7	61770	1	KEY, 3/8 SQ. X 1-1/2
8	71154722	2	BEARING, 1-31/32 X 4-11/32 X 1-1/16
9	355997X1	1	RING, RETAINING, INTERNAL
10	71399508	1	PILOT SLEEVE, SPRING
11	103834W1	1	WASHER, FLAT, SPL, .781 X 2.0 X .312
12	367451X1	1	CAPSCREW, 3/4-10 X 1-1/2, NYLON LOCK
13	2403610W1	1	WASHER, 29/32 X 2-1/2 X 3/8
14	70928397	1	CAPSCREW, 7/8-9 UNC X 1-1/2 GR8
15	71399511	1	SPROCKET, 35 TEETH
16	1777403W91	1	DRIVE HSG & BUSHING ASY.
	1717650W1	1	BUSHING, DRIVE HSG
17	71403678	1	HUB, FEEDER DRIVE CLUTCH
18	1717640W1	1	THRUST WASHER
19	2563800W1	1	JAW, FIXED, CLUTCH
20	1659630W1	1	JAW, MOVING, CLUTCH
21	1659650W1	1	SPRING, CLUTCH
22	71403677	1	RETAINER, SPRING
23	71403676	4	SPACER, SLIP CLUTCH
24	70917378	12	WASHER, 3/8 WIDE
25	70921969	4	CAPSCREW, 3/8-16 X 1-1/2 GR5
	Y704734	4	NUT, HEX FLANGE TOP LOCK, 3/8-16
26	13601	4	CAPSCREW, 3/8-16 X 5-1/4 GR5
	Y705046	4	LOCKWASHER, 1/2
28	71404300	1	PLATE, GUIDE, STONE TRAP HANDLE
	70926838	1	BOLT, RD HD,SQ NK, 1/2-13 X 1-1/2
	Y705046	1	LOCKWASHER, 1/2
	704031	1	NUT, 1/2-13 REG
29	71395332	2	BLOCK, FEEDER PIVOT LOCKING
30	2513840W1	2	BAR, PIN LOCK
31	700708349	2	CAPSCREW, M10-1.5 X 25 CL8.8
	339402X1	2	NUT, M10 X 1.5, REG
	339376X1	2	LOCKWASHER, M10

MC00493

PR: t06g24h33d0060

LH PIVOT DRIVE



**9895 COMBINE  
FEEDER**

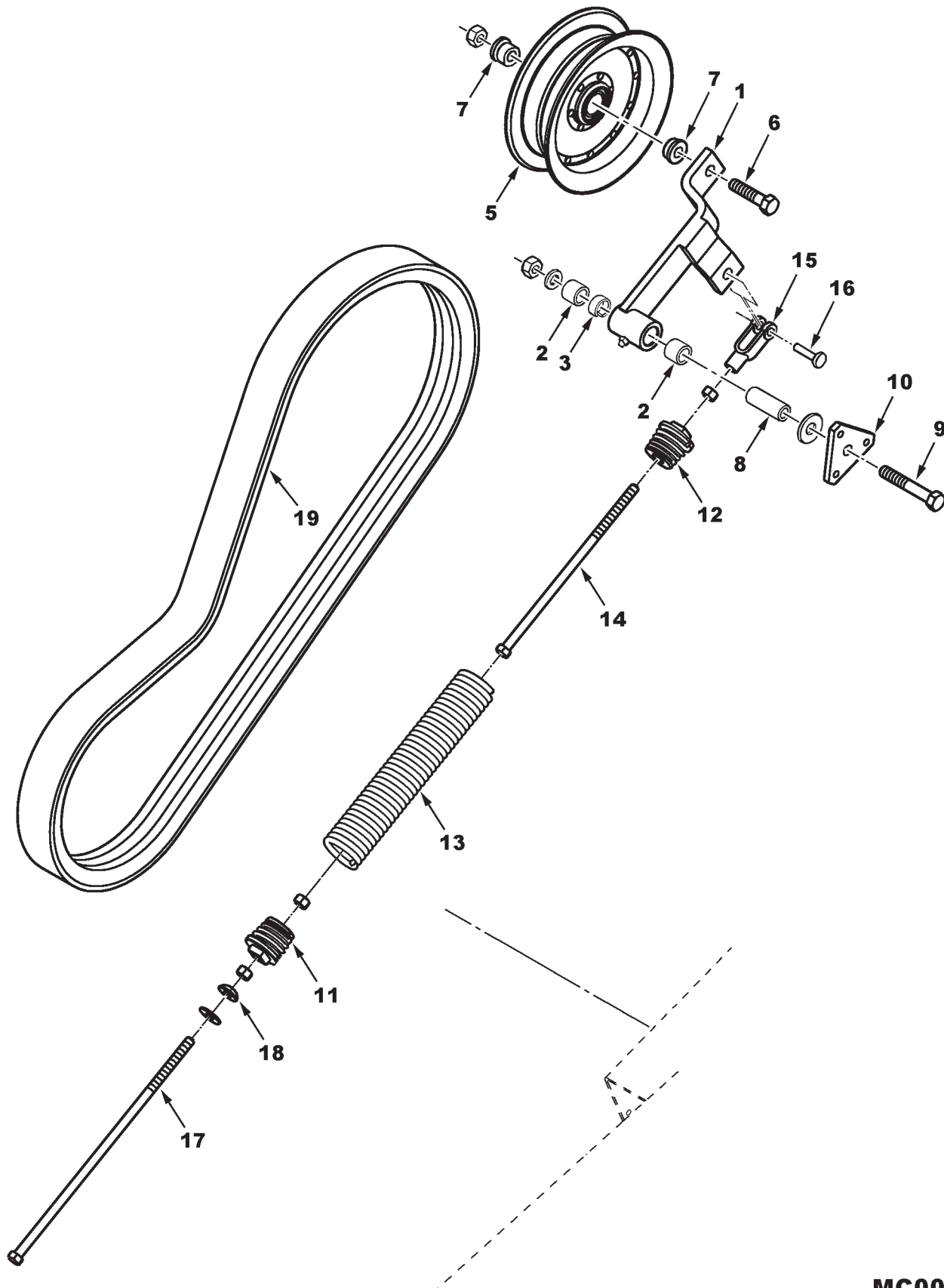
163

**LH PIVOT DRIVE**

ITEM	NUMBER	QTY	DESCRIPTION
1	71403679	1	SHEAVE, DRIVEN, PIVOT SHAFT
	70920415	8	CAPSCREW, 3/8-16 X 1-1/4, GR5
	705038	8	LOCKWASHER, 3/8 REG
2	71309768	1	IDLER PULLEY
3	3009247X1	1	SCREW, HEX FLANGE, M16-2.0 X 120 CL10.9
	5000006X1	1	NUT, HEX FLANGE NYL LOCK, M16 X 2.0
4	71312602	1	SPACER, IDLER
5	71353127	1	SPACER, IDLER
6	71411886	1	IDLER ARM ASY (INCL. IT'S 7 & 8)
7	71356060	2	BUSHING, IDLER PIVOT
8	71197117	1	SPACER
10	71356061	1	SLEEVE, HARD, IDLER PIVOT
11	3009245X1	1	SCREW, HEX FLANGE, M16-2.0 X 100 CL10.9
	70918432	1	WASHER, 5/8, WIDE
	5000006X1	1	NUT, HEX FLANGE NYL LOCK, M16 X 2.0
12	71182840	1	PLATE, MOUNTING
	70913744	6	NUT, HEX JAM, 1/2-13
13	71356938	1	ROD, 1/2-13UNC X 21 LG.
	704031	3	NUT, 1/2-13 REG
14	70923094	1	WASHER, .53 X 2.0 X .18 TH.
15	71356067	1	SPRING, IDLER
16	71356058	1	BLOCK, PIVOT
17	71368761	1	SPACER TUBE, SPRING
18	70918431	1	WASHER, 1/2, WIDE
19	70937465	1	YOKE, 1/2-13 THD.
20	70929593	1	PIN, 1/2 X 1.36 LG.
	70918452	1	COTTER PIN, 1/8 X 1
21	71368570	1	STRAP, INDICATOR, IDLER SPRING
22	71398388	1	BELT

MC00440  
PR: t06g24h33d0061

JACKSHAFT DRIVE  
R.H. FEEDERHOUSE



9895 COMBINE  
FEEDER

165

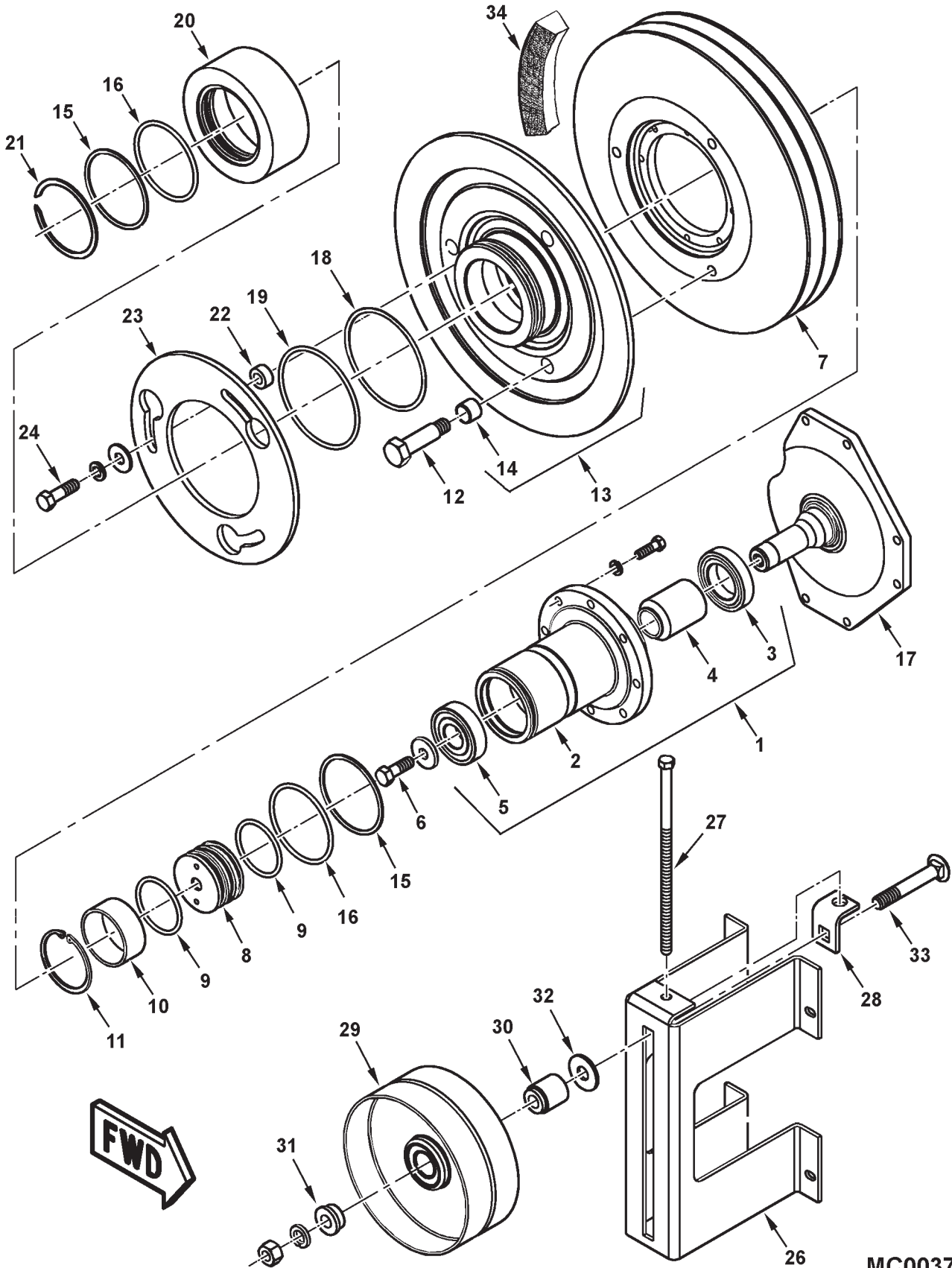
JACKSHAFT DRIVE  
R.H. FEEDERHOUSE

ITEM	NUMBER	QTY	DESCRIPTION
1	71411887	1	IDLER ARM ASY, JACKSHAFT DR (INCL. ITEMS 2 & 3)
2	71356060	2	BUSHING, PIVOT
3	71197117	1	SPACER, BUSHING
5	71309768	1	IDLER, BELT DRIVE
6	3009242X1	1	SCREW, HEX FLANGE, M16-2.0 X 70 CL10.9
	5000006X1	1	NUT, HEX FLANGE NYL LOCK, M16 X 2.0
7	71312602	2	SPACER, IDLER
8	71356061	1	SLEEVE, HARD, IDLER PIVOT
9	3009246X1	1	SCREW, HEX FLANGE, M16-2.0 X 110 CL10.9
	70929699	2	WASHER, HARD, .66 X 1.75 OD X 7 GA
	5000006X1	1	NUT, HEX FLANGE NYL LOCK, M16 X 2.0
10	71346267	1	PLATE, MOUNTING
	70922037	6	JAM NUT, 3/4-10
11	71349811	1	PLUG ASY, SPRING
	71349813	1	PLUG, SPRING
	704031	1	NUT, 1/2-13 REG
	70937461	1	WASHER, .531 X .812 X .036
12	71349813	1	PLUG, SPRING
13	71349270	1	SPRING
14	70935299	1	CAPSCREW, 1/2-13 X 12", FULL THD, GR5
15	70937465	1	YOKE, 1/2-13 THD.
	704031	1	NUT, 1/2-13 REG
16	70929593	1	PIN, CLEVIS, 1/2 X 1.36 LG
	70918452	1	COTTER PIN, 1/8 X 1"
17	70935036	1	CAPSCREW, 1/2-13 X 16, FULL THD, GR5
	704031	1	NUT, 1/2-13 REG
18	70301781	1	WASHER, PIVOT
	70918431	1	WASHER, 1/2, WIDE
19	71398384	1	BELT, BEATER TO JACKSHAFT

MC00441

PR: t06g24h33d0062

JACKSHAFT & V.S. IDLER  
V.S. HEADER DRIVE





9895 COMBINE  
FEEDER

167

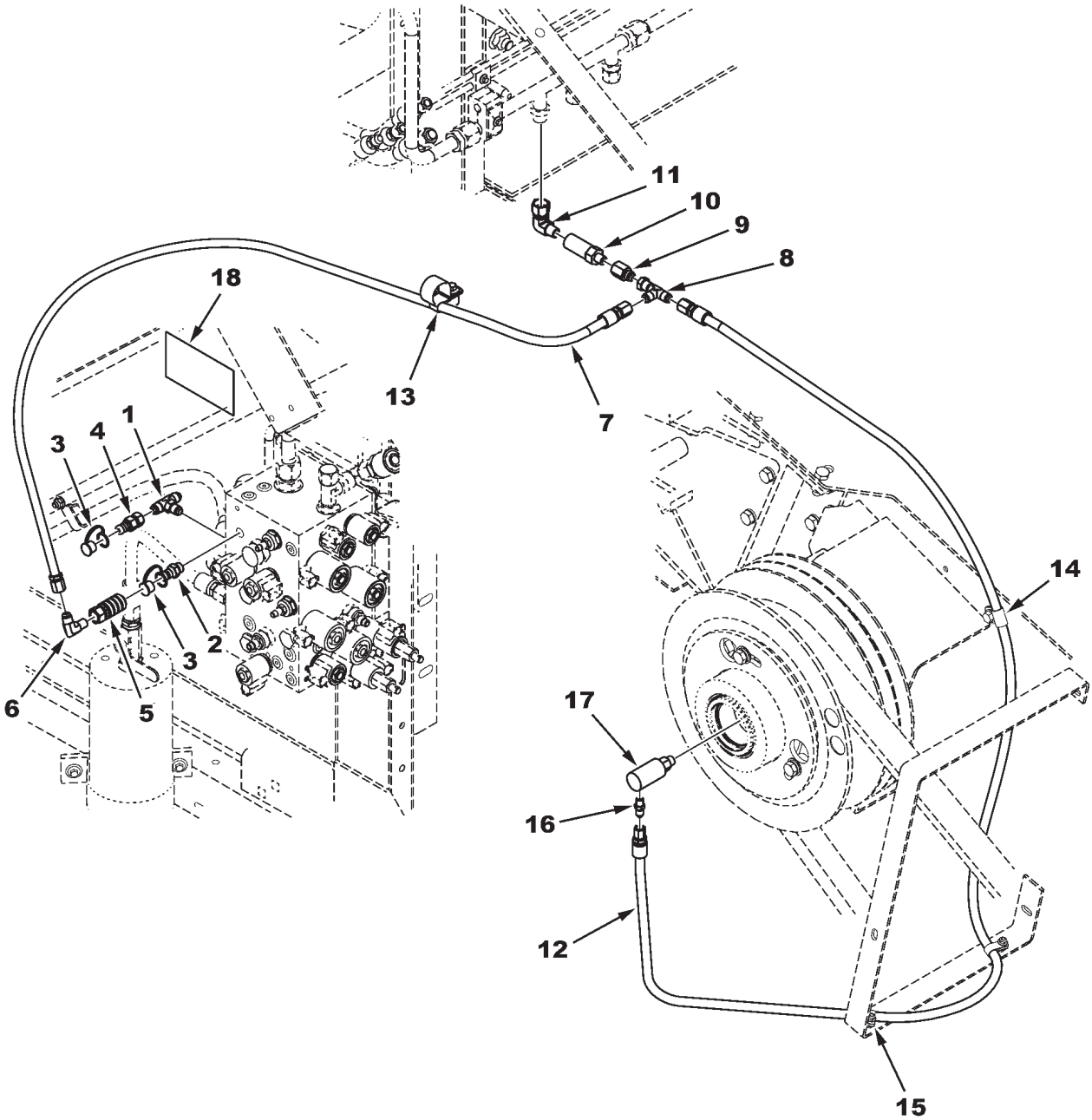
JACKSHAFT & V.S. IDLER  
V.S. HEADER DRIVE

ITEM	NUMBER	QTY	DESCRIPTION
1	71399483	1	HUB & BEARING ASY, VS HDR DRIVE (INCLUDES ITEMS 2, 3, 4, & 5)
2	71398361	1	HUB, VS HEADER DRIVE
3	71382057	1	BEARING, BALL, W/SEALS
4	71399484	1	SPACER, BRG.
5	71382983	1	BEARING, BALL, W/SEALS
6	701235	1	CAPSCREW, 1/2-13 X 1-1/2 GR5
	70917861	1	WASHER, .531 X 1.50 X .180 TH.
7	71398358	1	SHEAVE, DRIVEN, FEEDER JACKSHAFT
	70920415	8	CAPSCREW, 3/8-16 X 1-1/4 GR5
	70916965	8	LOCKWASHER, 3/8
8	71382985	1	ADAPTER, ROTARY UNION
9	70923828	2	O-RING, .210 X 2.475 ID, 75 DURO.
10	71382055	1	SPACER, ADAPTER
11	353062X1	1	RETAINING RING, INTERNAL
12	71391567	3	GUIDE PIN, HEX HD, VS HDR DRIVE
13	71382053	1	SHEAVE ASY, OUTER HALF, VS HDR (INCL. IT. 14)
14	71380460	3	BUSHING, GUIDE
15	70926647	2	RING, BACKUP
16	70923831	2	O-RING, .210 X 3.60 ID, 75 DURO.
17	71398360	1	JACKSHAFT, SHEAVE SUPPORT
	3009208X1	6	BOLT, HEX FLANGE, M10-1.5 X 35 CL10.9
	5000004X1	6	NUT, HEX FLANGE NYL LOCK, M10 X 1.5
18	70937348	1	RING, BACKUP
19	70937347	1	O-RING, .210 X 4.725 ID, 75 DURO.
20	71391792	1	CAP, VS HDR DRIVE
21	70937646	1	RETAINING RING, EXTERNAL
22	71312819	3	SPACER
23	71312823	1	DISC, LOCKOUT
24	70919089	3	CAPSCREW, 1/2-13 X 1-3/4 GR5
	Y705624	3	WASHER, 1/2, NARROW
	Y705046	3	LOCKWASHER, 1/2
26	71398379	1	SUPPORT, IDLER, VS HDR DRIVE
	3811720M1	2	BOLT, HEX FLANGE, M10-1.5 X 25 CL10.9
	5000004X1	4	NUT, HEX FLANGE NYL LOCK, M10 X 1.5
27	70935033	1	CAPSCREW, 7/16-14 X 10.5 GR5
28	71174391	1	BRACKET WLDMT, IDLER ADJUST
29	71309766	1	IDLER, FLAT, W/BRG, 8.0 OD
30	71312603	1	SPACER, IDLER
31	71312602	1	SPACER, IDLER
32	70918432	1	WASHER, 5/8, WIDE
33	70924845	1	BOLT, RND HD SQ NECK, 5/8-11 X 4 GR5
	70917373	1	LOCKWASHER, 5/8
	70932665	1	NUT, 5/8-11 REG
34	71399505	1	BELT, VS HEADER DRIVE

MC00371

PR: t06g24h33d0063

HYDRAULIC LINES  
V.S. HEADER DRIVE



**9895 COMBINE  
FEEDER**

169

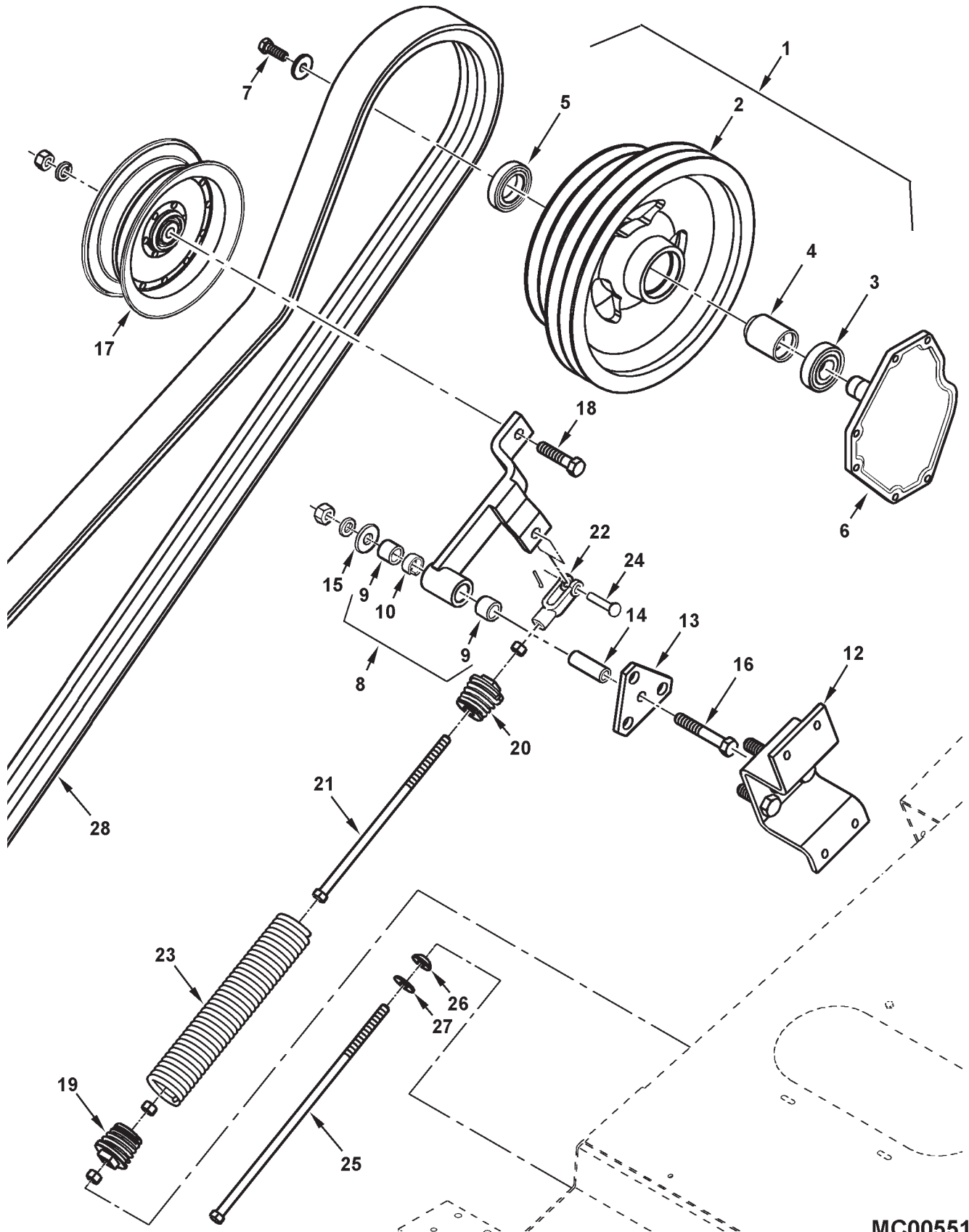
**HYDRAULIC LINES  
V.S. HEADER DRIVE**

ITEM	NUMBER	QTY	DESCRIPTION
1	70923894	1	TEE, 37 DEG FLR X O-RING BRANCH, 9/16-18
	70921885	1	O-RING, .078 X .468 ID
2	71379303	1	NIPPLE, DIAGNOSTIC, 9/16-18 ORB MALE
	70921885	1	O-RING, .078 X .468 ID
3	71379304	2	CAP, DUST, COUPLER
4	700722408	1	NIPPLE, DIAGNOSTIC, 9/16-18 JIC FEM.
5	700722407	1	COUPLER, QD FEMALE, 1/4 NPTF FEM
6	70919135	1	ELBOW, 90 DEG, 9/16-18 JIC X 1/4 NPTF
7	71410495	1	HOSE ASY, 1/4 ID X 9/16-18 FEM X 49.4 LG
8	70921297	1	TEE, SWIVEL RUN, 9/16-18 JIC
9	70923178	1	STR. CONN, 9/16-18 JIC M X 1/4 NPTF FEM
10	71368991	1	VALVE, RELIEF, IN-LINE, 500 PSI
11	70935416	1	ELBOW, 90 DEG, 3/8 NPTF M X 3/4-16 FEM.
12	71410497	1	HOSE ASY, 1/4 ID X 104.3 LG
13	70925246	1	J-CLIP, 1/2 DIA X .281 HOLE
14	70925617	1	CLAMP, LINE, 1/2 DIA X .406 HOLE
	Y702951	1	SCR, HX WSHR HD TAPPNG, 3/8-16 X 3/4
15	755785	2	CLAMP, LINE, 9/16 TUBE X .281 HOLE
	3009182X1	2	BOLT,HEX FLANGE, M6-1.0 X 16 CL10.9
	5000002X1	2	NUT, HEX FLANGE NYL LOCK, M6 X 1.0
16	70919171	1	CONN, STR. MALE, 7/16-20 JIC X 1/8 NPTF
17	71332011	1	UNION, ROTATING
	70921885	1	O-RING, .078 X .468 ID
18	700728515	1	DECAL, VARI-SPEED FEEDER ENGAGED

MC00442

PR: t06g24h33d0064

JACKSHAFT & C' SHAFT DRIVE IDLER  
FIXED SPEED HEADER DRIVE



9895 COMBINE  
FEEDER

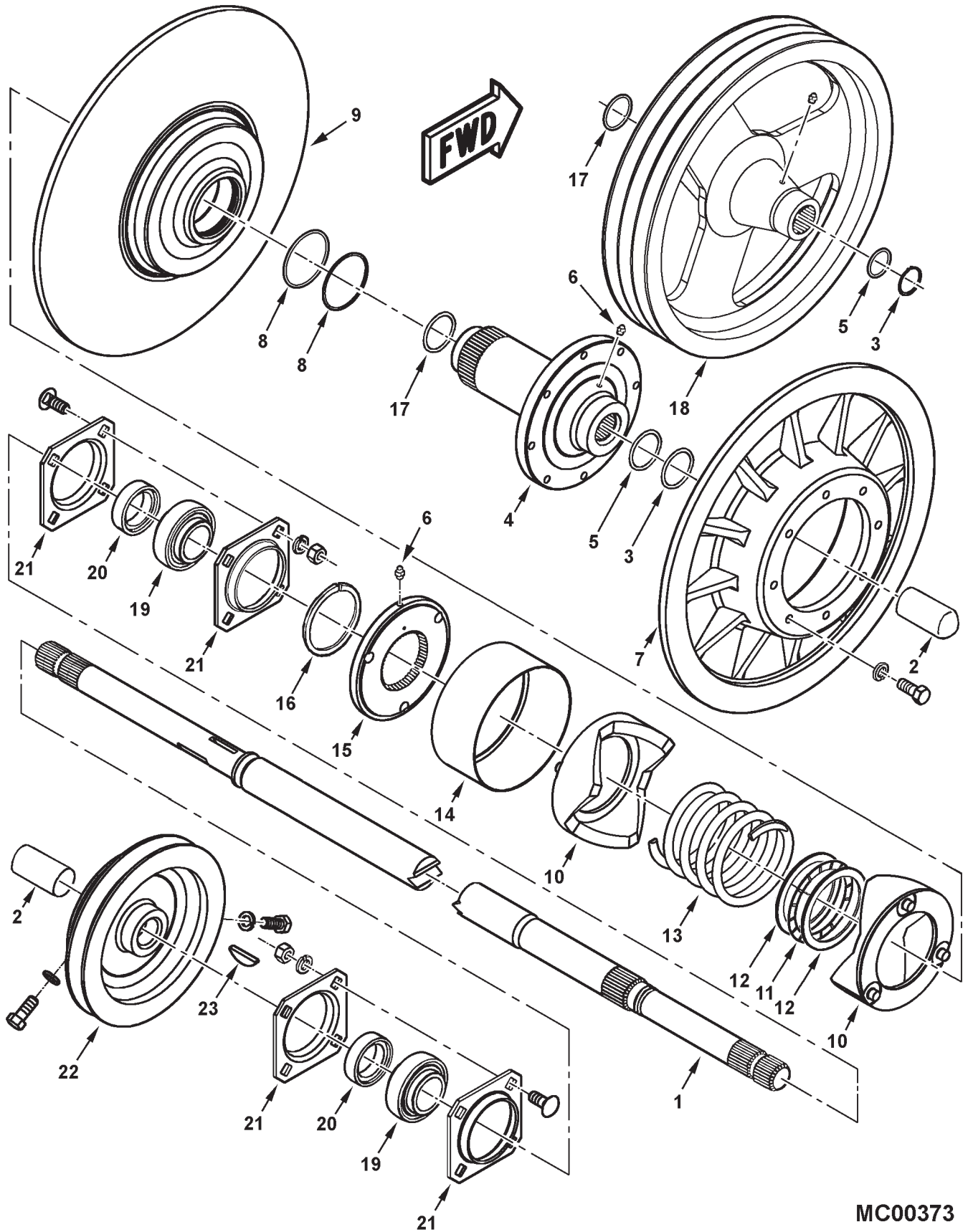
171

JACKSHAFT & C'SHAFT DRIVE IDLER  
FIXED SPEED HEADER DRIVE

ITEM	NUMBER	QTY	DESCRIPTION
1	71409763	1	SHEAVE ASY, W/BEARINGS (INCL. ITEM 2, 3, 4 & 5)
2	71398364	1	SHEAVE, DRIVEN, FEEDER JACKSHAFT
3	71382057	1	BEARING, BALL, W/SEALS
4	71399484	1	SPACER, BEARING
5	71382983	1	BEARING, BALL, W/SEALS
6	71398360	1	JACKSHAFT, SHEAVE SUPPORT
	3009208X1	6	BOLT,HEX FLANGE, M10-1.5 X 35 CL10.9
	5000004X1	6	NUT, HEX FLANGE NYL LOCK, M10 X 1.5
7	701235	1	CAPSCREW, 1/2-13 X 1-1/2 GR5
	70917861	1	WASHER, .531 X 1.50 X .180 TH.
8	71411887	1	IDLER ARM ASY, FIXED SPD HDR DRIVE (INCL. ITEM 9 & 10)
9	71356060	2	BUSHING, PIVOT
10	71197117	1	SPACER, BUSHING
12	71398391	1	SUPPORT WLMT, IDLER, FIXED SPD DRIVE
	3811720M1	2	BOLT,HEX FLANGE, M10-1.5 X 25 CL10.9
	5000004X1	4	NUT, HEX FLANGE NYL LOCK, M10 X 1.5
13	71346267	1	PLATE, MOUNTING
	70922037	6	JAM NUT, 3/4-10 UNC
14	71356061	1	SLEEVE, HARD, IDLER PIVOT
15	70918432	1	WASHER, 5/8, WIDE
16	3009245X1	1	SCREW, HEX FLANGE, M16-2.0 X 100 CL10.9
	5000006X1	1	NUT, HEX FLANGE NYL LOCK, M16 X 2.0
17	71308156	1	IDLER, FLAT, FLANGED, 8.0 DIA
18	3009242X1	1	SCREW, HEX FLANGE, M16-2.0 X 70 CL10.9
	5000006X1	1	NUT, HEX FLANGE NYL LOCK, M16 X 2.0
19	71349811	1	PLUG ASY, SPRING
	71349813	1	PLUG, SPRING
	704031	1	NUT, 1/2-13 REG
	70937461	1	WASHER, .531 X .812 X .036
20	71349813	1	PLUG, SPRING
21	70935035	1	CAPSCREW, 1/2-13 X 8-1/2, FULL THD, GR5
22	70937465	1	YOKE, 1/2-13 UNC
	704031	1	NUT, 1/2-13 REG
23	71349270	1	SPRING
24	70929593	1	PIN, CLEVIS, 1/2 X 1.36 LG
	70918452	1	COTTER PIN, 1/8 X 1"
25	70935299	1	BOLT, HEX, 1/2-13 X 12, FULL THD, GR5
	704031	1	NUT, 1/2-13 REG
26	70301781	1	WASHER, PIVOT, CONVEX, 1/2
27	70918431	1	WASHER, 1/2, WIDE
28	71399519	1	BELT, FIXED SPEED C'SHAFT DRIVE

MC00551  
PR: t06g24h33d0065

COUNTERSHAFT  
VARIABLE & FIXED SPEED HEADER DRIVE



**9895 COMBINE  
FEEDER**

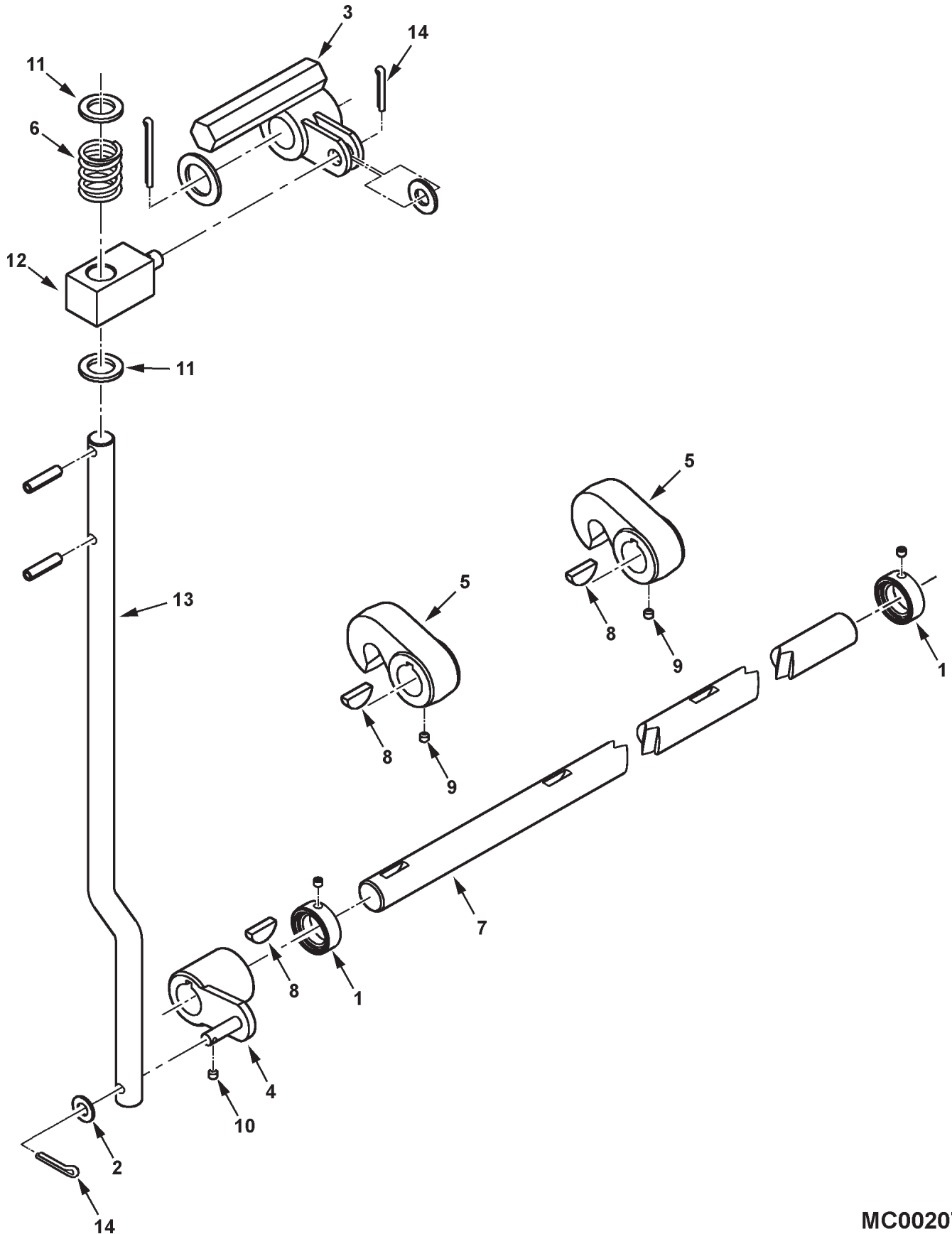
173

**COUNTERSHAFT  
VARIABLE & FIXED SPEED HEADER DRIVE**

ITEM	NUMBER	QTY	DESCRIPTION
1	71399486	1	COUNTERSHAFT, FEEDER
2	71179395	2	COVER, SHAFT
3	70927745	1	RING, EXTERNAL RETAINING
4	71399485	1	HUB, V.S. COUNTERSHAFT
5	70923813	1	O-RING, .139 X 1.359 ID, 75 DUR
6	13811X	2	LUBE FITTING, STR, 1/4-28 TAPER
7	71380043	1	SHEAVE HALF, OUTER, V.S. HEADER
	70920415	8	CAPSCREW, 3/8-16 X 1-1/4 GR5
	70916965	8	LOCKWASHER, 3/8
8	70923584	1	O-RING, .139 X 2.984 ID, 75 DUR
	70926626	1	RING, BACKUP, .050 TH X 3.0 ID
9	71395799	1	SHEAVE HALF, INNER, V.S. HEADER
10	71399487	2	CAM, ACTUATOR, V.S. HEADER
11	71161396	1	BEARING, THRUST
12	71173857	2	RACE, THRUST BEARING
13	71380028	1	SPRING, V.S. HEADER CAM
14	71380905	1	COVER, CAM
15	71380463	1	PLATE, CAM CARRIER
16	70930415	1	RING, EXTERNAL RETAINING
17	70923577	1	O-RING, .139 X 1.734 ID, 75 DUR
18	71398365B	1	SHEAVE, DRIVEN, FIXED SPEED HEADER
	13887X	1	LUBE FITTING, STR, 1/4 PTF
19	71335184	2	BEARING, W/O COLLAR, 1.75 DIA
20	70534931	2	COLLAR, BEARING
21	71130258	4	FLANGE, BEARING
	68619	8	BOLT, RND HD SQ NECK, 1/2-13 X 1-1/4
	Y705046	8	LOCKWASHER, 1/2
	704031	8	NUT, 1/2-13 REG
22	71398362B	1	SHEAVE, DRIVE, C'SHAFT, LH
	70923306	2	SETSCREW, SQ HD, 1/2-13 X 1
23	700707139	1	KEY, WOODRUFF, #27, .250 X 2.125

MC00373  
PR: t06g24h33d0066

LATCH  
HEADER





9895 COMBINE  
FEEDER

175

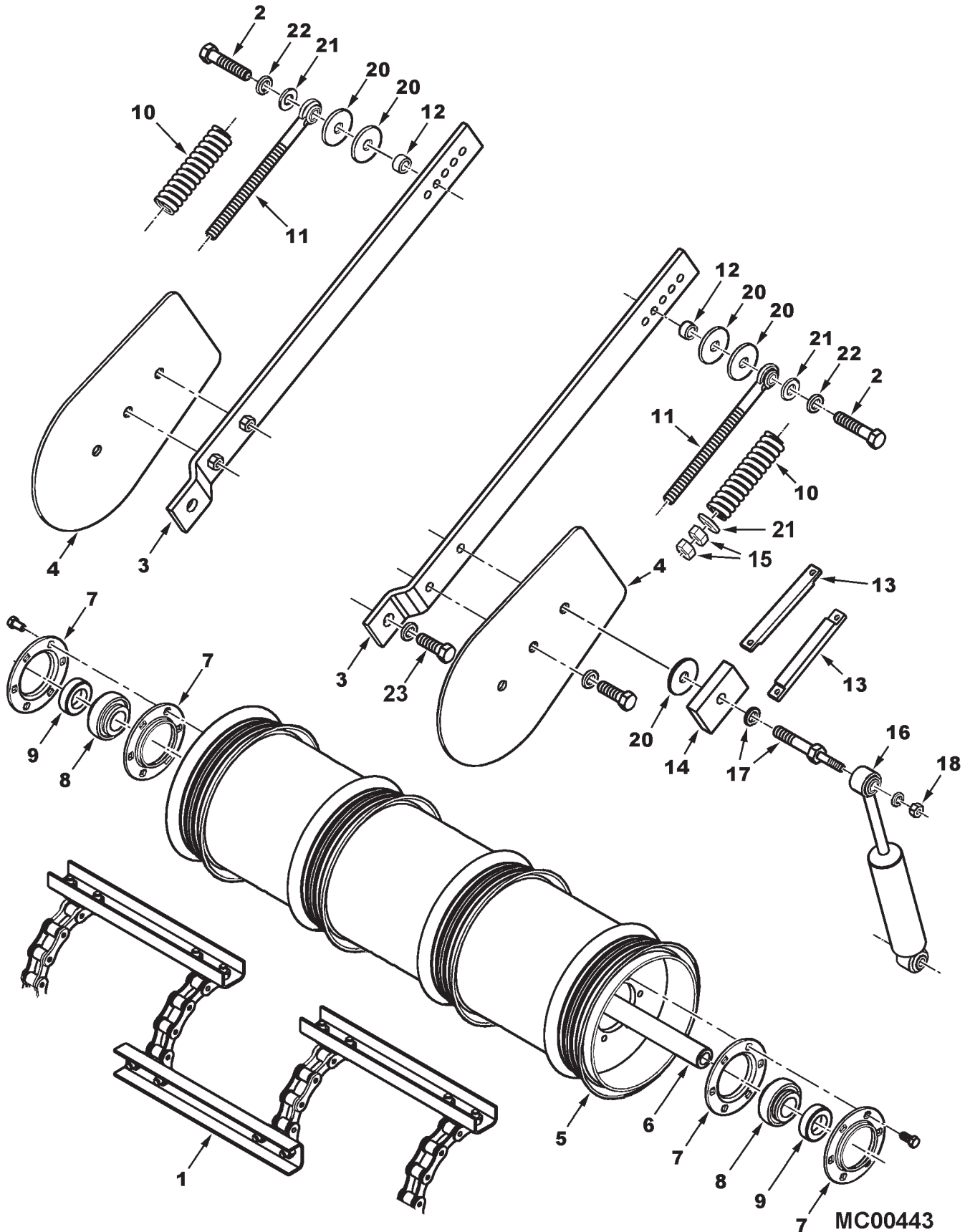
LATCH  
HEADER

ITEM	NUMBER	QTY	DESCRIPTION
1	375028X1	2	COLLAR, BEARING, W/ SETSCREW
	70915794	2	SETSCREW, 1/4-20 X 1/4
2	70918266	3	WASHER, 3/8, NARROW
3	116346W1	1	CRANK ASSEMBLY, LATCH, UPPER
	70919393	1	WASHER, PLAIN, 1.02 X 1.63 X 12 GA
	70918459	1	PIN, COTTER, 3/16 X 1 1/2
4	116343W1	1	CRANK ASSEMBLY, LATCH, LOWER
5	71317841	2	HOOK
6	116312W1	1	SPRING
	70915935	2	PIN, SPRING, 5/16 X 1-1/4
7	71406802	1	SHAFT, HEADER LATCH
8	70905126	3	KEY, WOODRUFF, #808, 1/4 X 1 DIA
9	70903835	2	SETSCREW, 1/4-20 X 3/8
10	70921263	1	SETSCREW, 5/16-18 X 3/8
11	70923427	2	WASHER, 25/32 X 1-1/4 X 11 GA
12	116348W1	1	BLOCK, LATCH PIVOT
	Y705624	1	WASHER, 1/2 NARROW
13	71406803	1	ROD, LATCH
14	70918452	2	PIN, COTTER, 1/8 X 1

MC00207

PR: t06g24h33d0067

CONVEYOR



MC00443

**9895 COMBINE  
FEEDER**

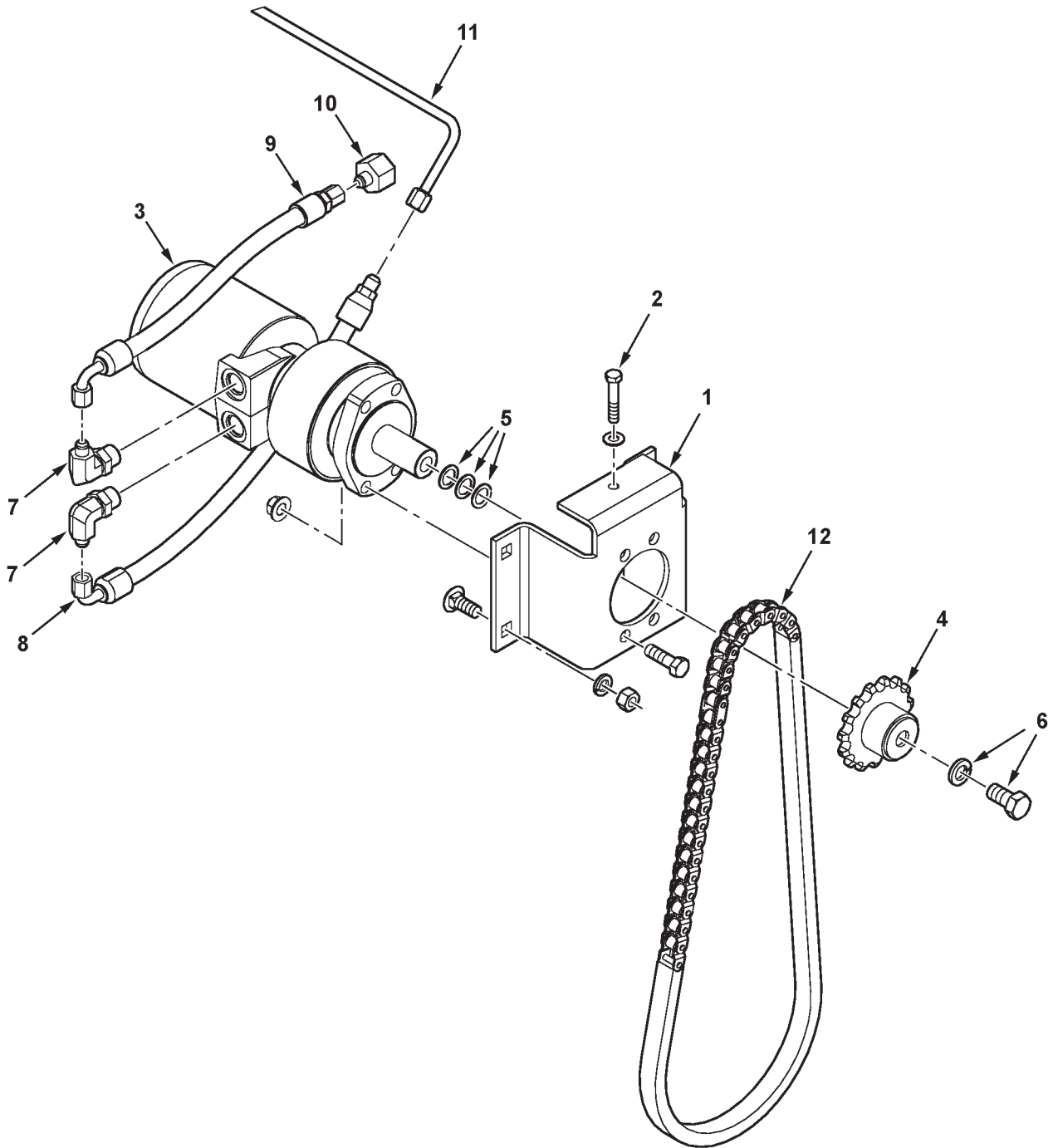
177

**CONVEYOR**

ITEM	NUMBER	QTY	DESCRIPTION
1	71449025	1	CHAIN ASY, FEEDER CONVEYOR, W/SLATS
	71449016	2	CHAIN ASY, CONVEYOR, CENTER
	71449015	2	CHAIN ASY, CONVEYOR, SIDE
	71149894	AR	LINK, ATTACHING
	70937300	AR	LINK, ROLLER
	71149896	AR	LINK, OFFSET, INCL. PIN & LOCKNUT
	71149895	AR	LINK, COUPLING
	70920397	AR	NUT, NYLON LOCK, 1/4-20
	71411426	42	SLAT, FEEDER CHAIN
	70937603	168	CAPSCREW, LOCKING, 1/2-13 X 3/4 GR8
	70928512	168	NUT, 1/2-13 REG GR8
2	70923111	2	CAPSCREW, 5/8-11 X 3 GR5
3	71396481	2	ARM, FRONT FEEDER DRUM
4	71381682	2	SHIELD, DUST
	70923113	2	CAPSCREW 5/8-11 X 1 GR5
	70917373	2	LOCKWASHER, 5/8
5	71411425	1	DRUM WLMT, 8.625 DIA
	71377310	4	WEAR RING, 8.625"
6	71387895	1	SHAFT, CONVEYOR DRUM
7	71370634	4	FLANGE, BEARING, 72MM
	70925625	12	CAPSCREW, NYLOK, 3/8-16 X 7/8, GR8
	705038	12	LOCKWASHER, 3/8 REG
8	71309117	2	BEARING, 1-1/4", W/ COLLAR
9	7710551	2	COLLAR, BEARING
10	71375335	2	SPRING
11	71363526	2	EYEBOLT, 5/8-11 THD.
12	71370121	2	SPACER, ARM
13	71370496	4	STOP, ARM, FEEDER HOUSING.
	3009330X1	8	BOLT, RD HD SQ NK, M6-1.0 X 20 CL8.8
	339375X1	8	LOCKWASHER, M6
	339030X1	8	NUT, M6 X 1.0, REG
14	71370120	2	STOP, DRUM POSITION
15	70915726	4	NUT, 5/8-11 REG
16	71315999	2	SHOCK ABSORBER
	70925696	2	CAPSCREW, 7/16-14 X 2 GR5
	70918199	2	LOCKWASHER, 7/16
	70918267	2	WASHER, 7/16 NARROW
17	71406934	2	STUD, DAMPER ATTACH
18	70930757	2	NUT, NYLOCK, 7/16-14
	70918267	2	WASHER, 7/16 NARROW
20	Y705582	6	WASHER, HARD, .688 X 1.28 X .125 TH
21	70918268	4	WASHER, PLAIN, 5/8 NARROW
22	70917373	4	LOCKWASHER, 5/8
23	70937548	2	CAPSCREW, NYLOK, 3/4-10 X 2, GR 8
	70919332	2	LOCKWASHER, 3/4 REG
-	70931194	AR	LOCTITE, SEALANT, 271

MC00443  
PR: t06g24h33d0068

HEADER REVERSER  
DRIVE & HYDRAULICS



**9895 COMBINE  
FEEDER**

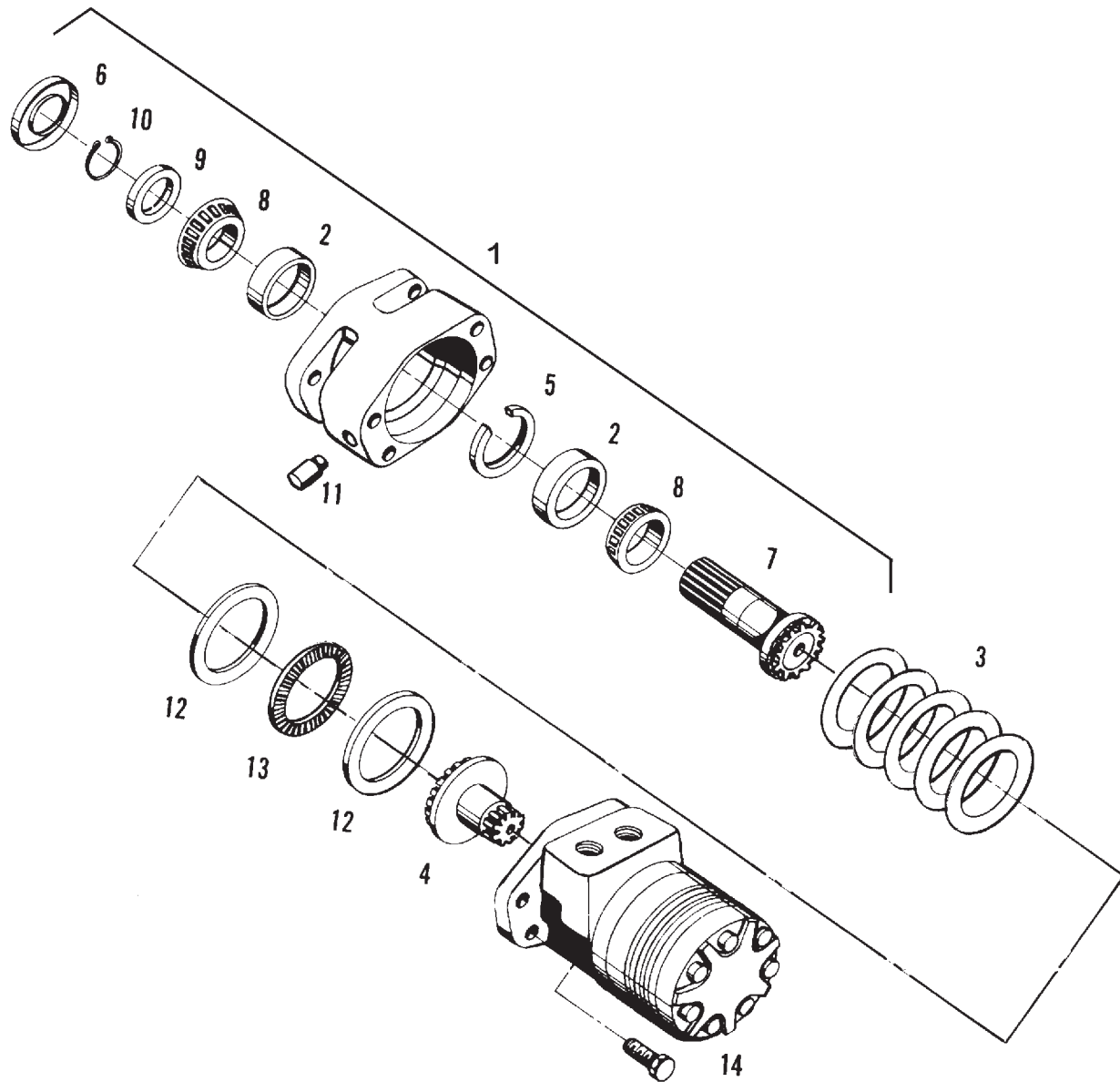
179

**HEADER REVERSER  
DRIVE & HYDRAULICS**

ITEM	NUMBER	QTY	DESCRIPTION
1	71400852	1	PLATE WLDMT, FEEDER REV'R MOTOR
	68619	1	BOLT, RND HD SQ NK, 1/2-13 X 1-1/4
	Y705046	1	LOCKWASHER, 1/2
	704031	1	NUT, 1/2-13 REG
2	70929116	1	CAPSCREW, 3/8-16 X 2 GR5, FULL THD
	70918266	1	WASHER, 3/8 NARROW
3	71362941	1	MOTOR AND CLUTCH ASY, REVERSER
	390912X1	4	CAPSCREW, M12-1.75 X 40 CL8.8
	5000005X1	4	NUT, HEX FLANGE NYL LOCK, M12 X 1.75
4	71379631	1	SPROCKET WLDMT, 15T 3/4 P
5	363282X1	AR	WASHER, SPCL, FLAT, .688 X 1.0 X .048
6	353609X1	1	CAPSCREW, 5/8-18 UNF X 1-1/4 GR5
	70917373	1	LOCKWASHER, 5/8
7	70931425	2	ELBOW, 90 DEG, 9/16-18 JIC X 7/8-14 ORB
	70921205	2	O-RING, .097 X .755 ID
8	71411827	1	HOSE ASY, SUPPLY, 3/8 ID
9	71410490	1	HOSE ASY, RETURN, 3/8 ID
10	7791361	1	ADAPTER, 9/16-18 JIC ML X 1-1/16-12 FEM
11	71410487	1	TUBE ASY, 3/8 OD, REVERSER SUPPLY
12	-----	1	CHAIN ASY, REVERSER DRIVE (INCL. FOLLOWING 2 ITEMS)
	71449019	1	CHAIN, #60, 71 PITCHES
	70914584	1	CONNECTOR LINK, #60 CHAIN

MC00444  
PR: t06g24h33d0069

REVERSER MOTOR  
CLUTCH HOUSING & SHAFT ASSEMBLY



9895 COMBINE  
FEEDER

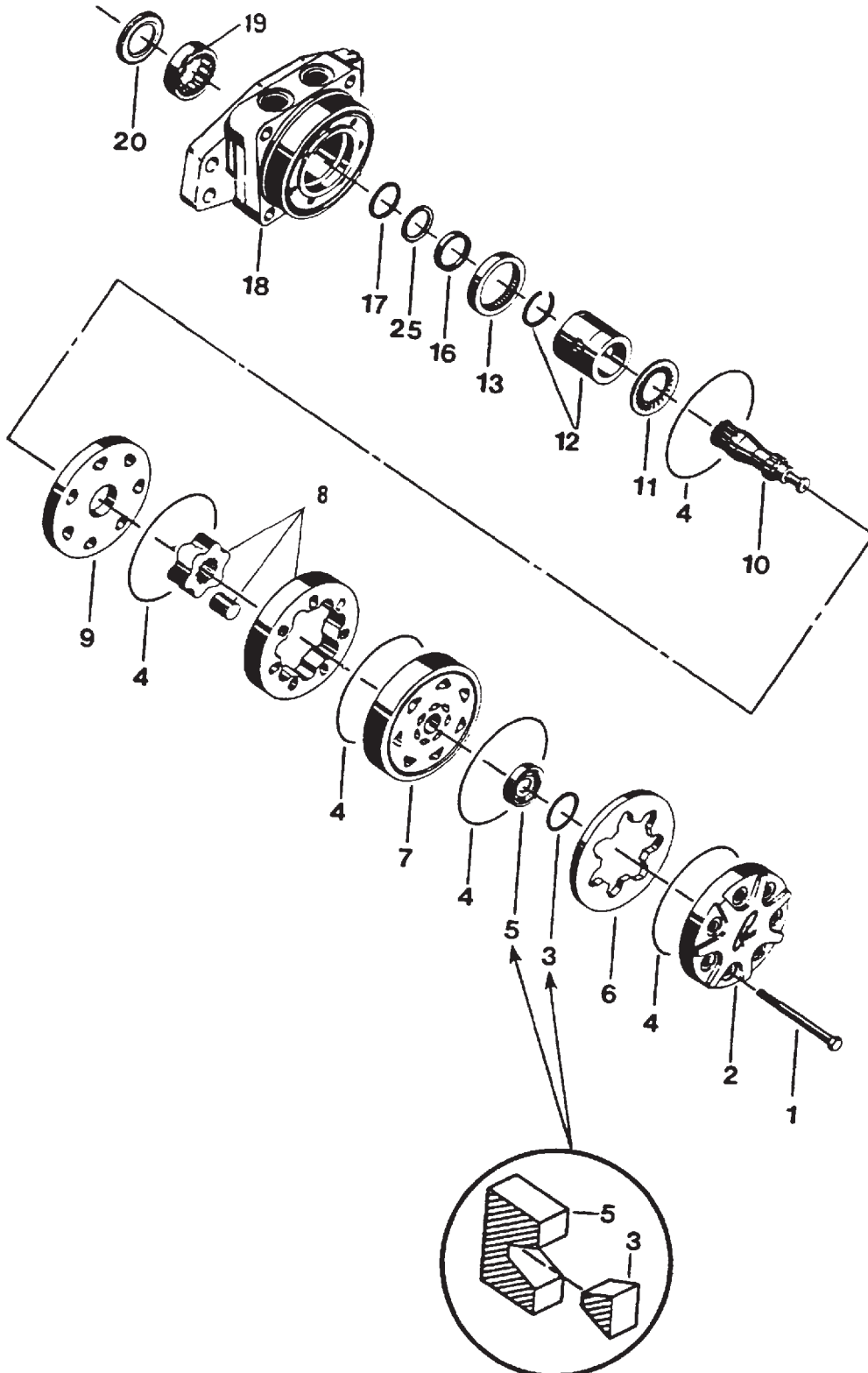
181

REVERSER MOTOR  
CLUTCH HOUSING & SHAFT ASSEMBLY

ITEM	NUMBER	QTY	DESCRIPTION
-	71362941	AR	MOTOR ASY., HDR REVERSER (INCL. CLUTCH)
	70923154	4	CAPSCREW, 1/2-13 X 1-1/2 GR8
1	71367529	1	HOUSING ASY. (INCL. ITEMS 2, 5-10)
2	70327997	2	CUP, BEARING
3	71354859	5	DISC SPRING
4	104468W1	1	DRIVE, SPLINE
5	71355001	1	RING, SNAP
6	71354861	1	SEAL, DIRT/WATER
7	71354863	1	SHAFT
8	70327382	2	CONE, BEARING
9	71354864	1	WASHER, THRUST
10	71354865	1	RING, SNAP
11	70901651	1	PLUG, PIPE, 1/8 NPT
12	71354856	2	WASHER, THRUST
13	71354855	1	BEARING, THRUST
14	-----	--	MOTOR TORQUE (SEE FEED REVERSER - TORQUE MOTOR FOR COMPONENTS)

GC00123  
PR: t06g24h33d0070

REVERSER MOTOR  
TORQUE MOTOR ASY.





9895 COMBINE  
FEEDER

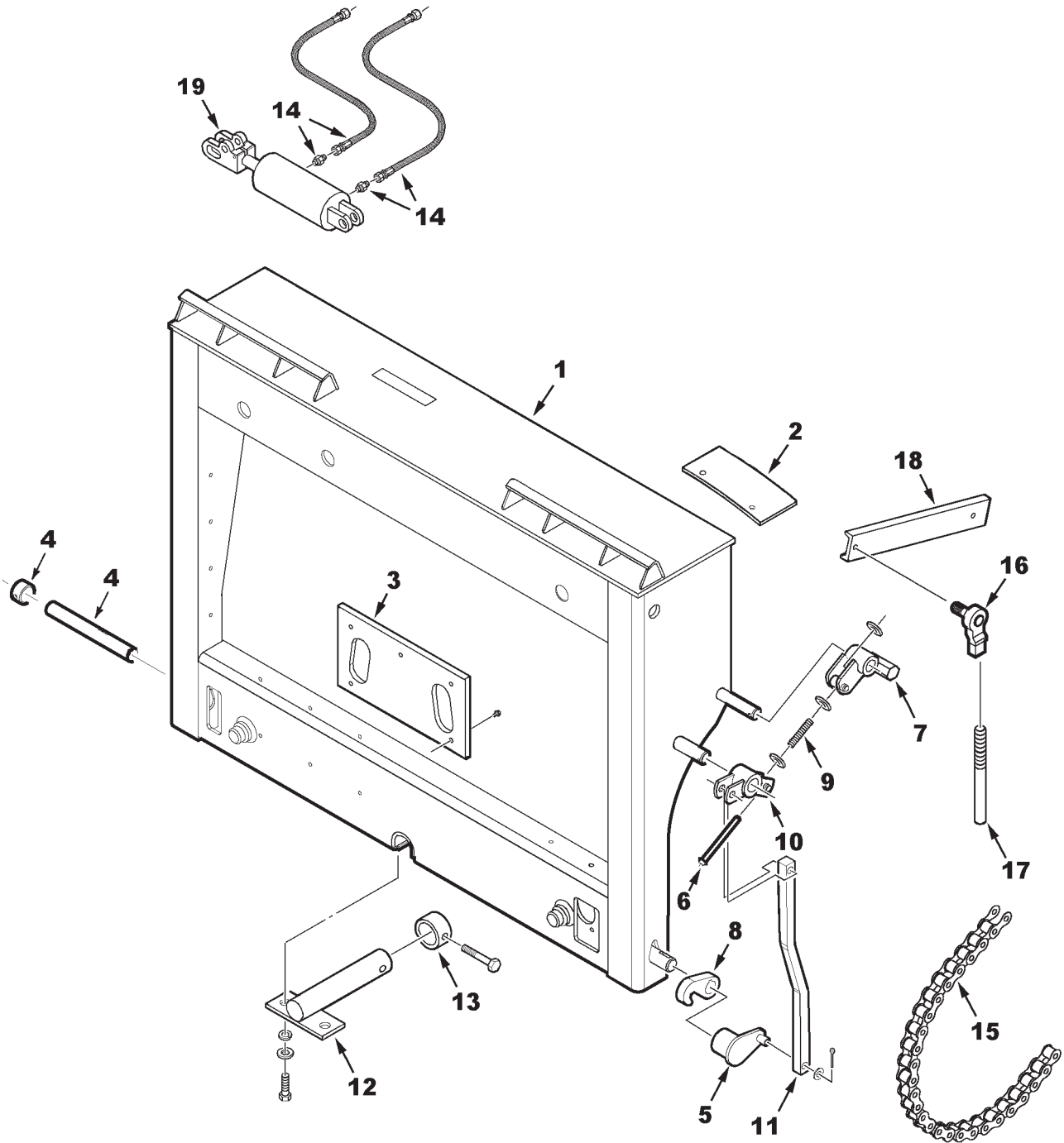
183

REVERSER MOTOR  
TORQUE MOTOR ASY.

ITEM	NUMBER	QTY	DESCRIPTION
-	71362941	AR	MOTOR ASY., HDR REVERSER (INCL. CLUTCH)
1	71367308	7	BOLT, SPECIAL
2	71367309	1	COVER, END
3	-----	1	RING, BONDEN (ORDER SEAL KIT #71367307)
4	-----	5	SEAL RING (ORDER SEAL KIT)
5	71367312	1	COMMUTATOR ASY. (INCL. ITEM 6)
6	-----	1	RING, COMMUTATOR (ORDER COMMUTATOR ASY.)
7	104479W1	1	MANIFOLD
8	71367314	1	ROTOR ASY.
9	104476W1	1	PLATE, WEAR
10	71367316	1	LINK, DRIVE
11	71367317	1	BEARING, THRUST
12	71367528	1	COUPLING ASY. (INCL. RETAINING RING)
13	71367320	1	BEARING
16	-----	1	SEAL, SHAFT (ORDER SEAL KIT)
17	-----	1	RING, BACK-UP (ORDER SEAL KIT)
18	71367323	1	HOUSING ASY.
19	71367324	1	BEARING
20	-----	1	SEAL (ORDER SEAL KIT)
25	71367526	1	WASHER
-	700709503	1	KIT, SEAL (INCL ITEMS 3, 4, 16, 17 & 20)

GC00124  
PR: t06g24h33d0071

HOUSING



9895 COMBINE  
LATERAL TILT

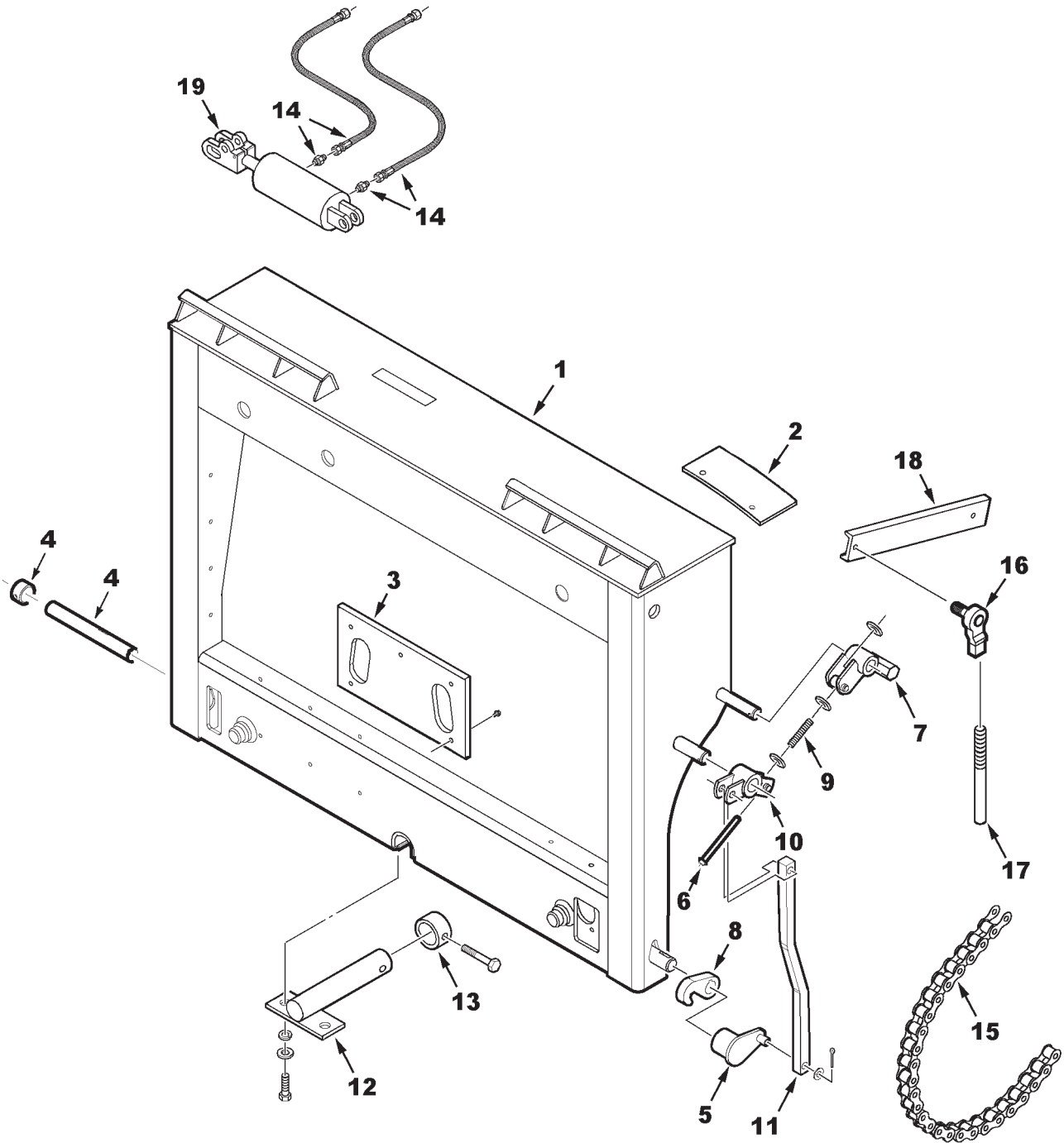
185  
HOUSING

ITEM	NUMBER	QTY	DESCRIPTION
1	71401307	1	FRAME WLMT, HEADER TILT
2	71374672	2	TRACK, ROLLER
	70927477	4	SCR,HX WSHR HD,TAPPING, 5/16-18 X 1
	70917356	4	LOCKWASHER, 5/16
3	71374816	2	BEARING, LOWER PLASTIC
	71335690	12	SCREW, TORX, TRUSS HD, 5/16-18 X 7/8
	70931194	AR	LOCTITE #271
	79021676	AR	LOCTITE PRIMER
4	71374796	1	SHAFT, LATCH PIVOT
	375028X1	1	COLLAR, LOCK W/SETSCREW
5	71375564	1	CRANK ASSEMBLY, HOOK
	70905126	1	KEY, WOODRUFF #808, 1/4 X 1" DIA
	70921263	1	SETSCREW, SKT HD, 5/16-18 X 3/8
6	71314842	1	SHAFT ASSEMBLY, SPRING
	70918111	1	PIN, SPRING 1/8 X 1
	70918266	3	WASHER, 3/8 NARR(A/R TO ADJUST SPRG)
7	71375556	1	CRANK ASSEMBLY, LATCH
	62232	1	COTTER PIN, 3/16 X 1-1/4
	70919391	1	WASHER, .906 X 1.5 X #12GA.
8	71317841	2	HOOK
	70905126	2	KEY, WOODRUFF #808, 1/4 X 1" DIA
	70903835	2	SETSCREW, SKT HD, 1/4-20 X 3/8
9	71314833	1	SPRING
10	71375559	1	PIVOT ASSEMBLY
	62232	1	COTTER PIN, 3/16 X 1-1/4
	70918452	1	COTTER PIN, 1/8 X 1"
	705681	1	WASHER, 1" NARROW
	70929593	1	PIN, CLEVIS, 1/2 X 1.36 LG
11	71398477	1	ROD, LATCH
	70918452	1	COTTER PIN, 1/8 X 1"
	Y705624	1	WASHER SAE 1/2
12	71374798	1	PIN WLMT, PIVOT
	70919387	4	WASHER 41/64 X 1-1/4 X .065
	70922664	2	CAPSCREW, 5/8-11 X 2, GR5
	70917373	2	LOCKWASHER 5/8
	13811X	1	LUBE FTG, STR, 1/4-28 TAPER THD
	70931194	AR	LOCTITE, #271
	79021648	AR	PRIMER N
13	71374674	1	COLLAR, PIN
	70923240	1	CAPSCREW, 1/2-13 X 2-3/4 GR5
	Y704288	1	NUT, HEX CENTER LOCK, 1/2
14	71374932	2	HOSE ASSEMBLY 1/4
	70934923	2	STR CONN, 3/4-16 ORB X 7/16-20 JIC
	70921349	2	O-RING, .087 X .644 ID
	70932619	2	CLAMP, HOSE DBL. 1/2 X .406 HOLE
	70925442	8	TIE, PLASTIC
15	71149896	AR	LINK, OFFSET, A557 (NOT REQUIRED)

CONTINUED

MC00469  
PR: t06g24h33d0072

HOUSING



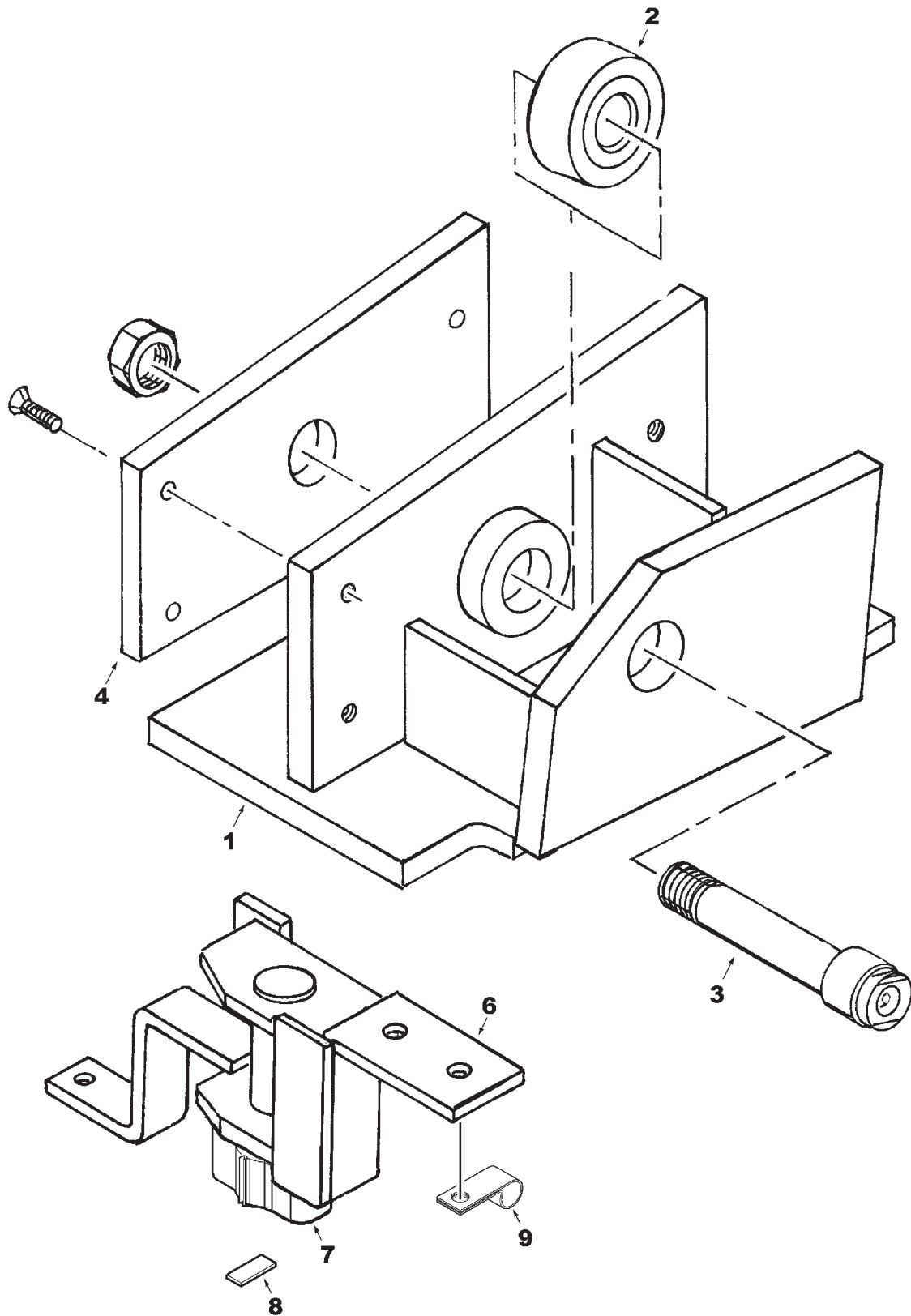
**9895 COMBINE  
LATERAL TILT**

**187  
HOUSING**

ITEM	NUMBER	QTY	DESCRIPTION
16	71314999	2	JOINT, BALL 1/4-28
	70914192	2	NUT, 1/4-28
	70916964	2	LOCKWASHER 1/4
17	71375122	1	ROD, CONNECTING
	70914192	2	NUT, 1/4-28
18	71389344	1	ARM, FEEDER TILT SWITCH
	70927401	1	CAPSCREW, 1/4-20 X 1"
	704007	1	NUT, 1/4-20 REG
	705012	1	LOCKWASHER, 1/4 REG
19	71398131	1	CYL. ASY, LAT TILT (SERVICE COMPONENTS NOT AVAILABLE AT THIS ISSUE)
-	71411641	AR	KIT, LATERAL TILT, FIELD (ORDER THRU DEALER CENTRAL)

MC00469  
PR: t06g24h33d0072

ANCHORS & SENSOR



9895 COMBINE  
LATERAL TILT

189

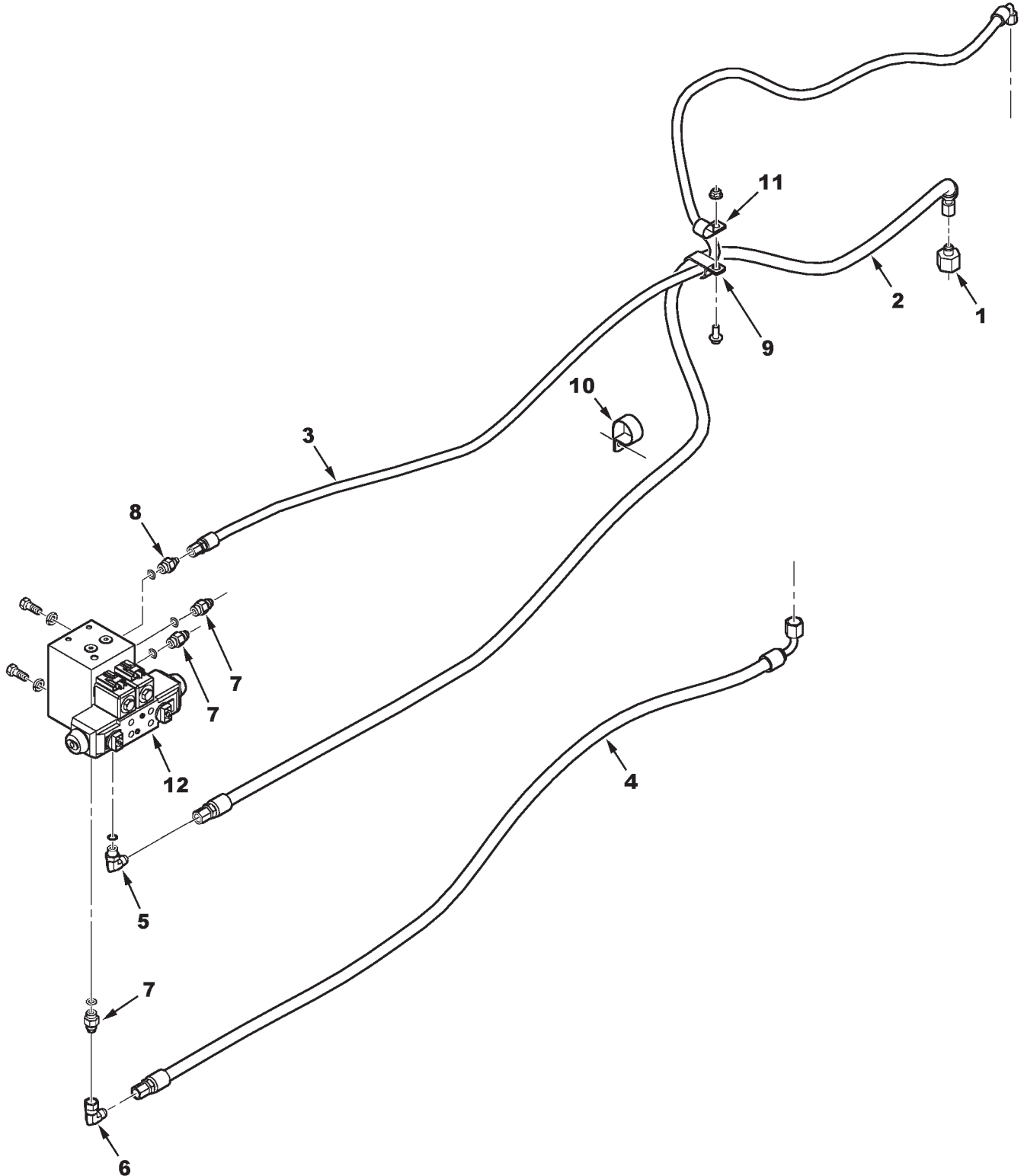
ANCHORS & SENSOR

ITEM	NUMBER	QTY	DESCRIPTION
1	71374666	1	ANCHOR WLDMT RH
	71374663	1	ANCHOR WLDMT LH
	70919089	10	CAPSCREW, 1/2-13 X 1-3/4 GR5
	Y705046	10	LOCKWASHER, 1/2
2	71374803	1	BEARING, ROLLER
3	71374667	1	SHAFT, ROLLER
	353436X1	1	JAM NUT, 3/4-16 UNF
	13811X	1	LUBE FTG, STR, 1/4-28 TAPER THD
4	71374670	1	BEARING, PLASTIC RH
	71374669	1	BEARING, PLASTIC LH
	70935275	6	SCREW, FLAT HD HEX SKT, 5/16-18 X 1
	70931194	AR	LOCTITE #271
	79021676	AR	LOCTITE PRIMER
6	71414225	1	SENSOR ACTUATOR WLDMT
	70924856	2	SCREW, HEX HD, TAPPG, 5/16-18 X 1/2
7	71376825	1	POSITION SENSOR, 5K POT.
	70918151	2	SCREW, TRUSS HD, #10-32 X 1-1/4
8	71382607	1	TAB, DRIVE
9	70927134	1	J-CLIP, 5/8 DIA X .406 HOLE

MC00354

PR: t06g24h33d0073

HYDRAULICS





9895 COMBINE  
LATERAL TILT

191

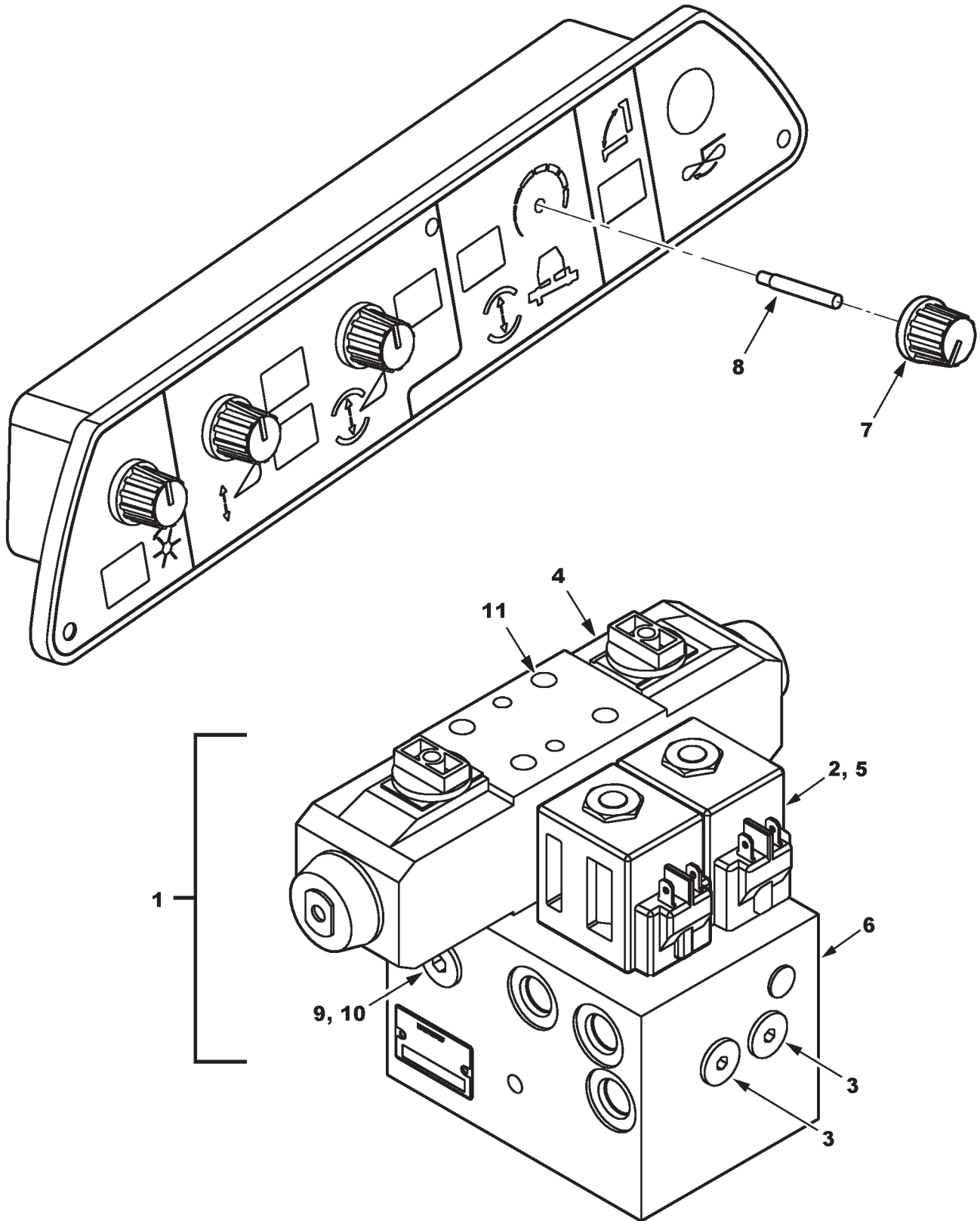
HYDRAULICS

ITEM	NUMBER	QTY	DESCRIPTION
1	70930224	1	REDUCER FTG, 9/16-18 JIC X 7/8-14 JIC
2	71411005	1	HOSE ASY, SUPPLY, 3/8 ID
3	71411004	1	HOSE ASY, L.S. 1/4 ID
4	71411898	1	HOSE ASY, RETURN, 3/8 ID
5	70922523	1	ELBOW, 90 DEG, 9/16-18 ADJ ORB X JIC
	70921885	1	O-RING, .078 X .468 ID
6	70921013	1	ELBOW, 90 DEG, 9/16-18 JIC MALE X FEMALE
7	846634	3	CONN, STR, 9/16-18 JIC X 9/16-18 ORB
	70921885	3	O-RING, .078 X .468 ID
8	70926292	1	CONN, STR, 7/16-20 JIC X 9/16-18 ORB
	70921885	1	O-RING, .078 X .468 ID
9	70928148	1	CLAMP, DOUBLE, 3/4 TUBE X .406 HOLE
	339123X1	1	BOLT, HEX FLANGE, M8-1.25 X 20 CL10.9
	5000003X1	1	NUT, HEX FLANGE NYL LOCK, M8 X 1.25
10	WR519751	1	CLAMP, LINE, 1-3/8 DIA X .406 HOLE
	7883275	1	SCR, HEX WSHR HD, MACH, 1/4-20 X 3/4
	70917377	1	WASHER, 1/4, WIDE
11	70926049	1	CLAMP, LINE, 3/4 DIA X .406 HOLE
12	71409176	1	VALVE ASY, LATERAL TILT (SEE BREAKDOWN)
	70916965	2	LOCKWASHER, 3/8 REG
	70921210	2	CAPSCREW, 3/8-16 X 1" GR5

MC00445

PR: t06g24h33d0074

VALVE & CONTROL



9895 COMBINE  
LATERAL TILT

193

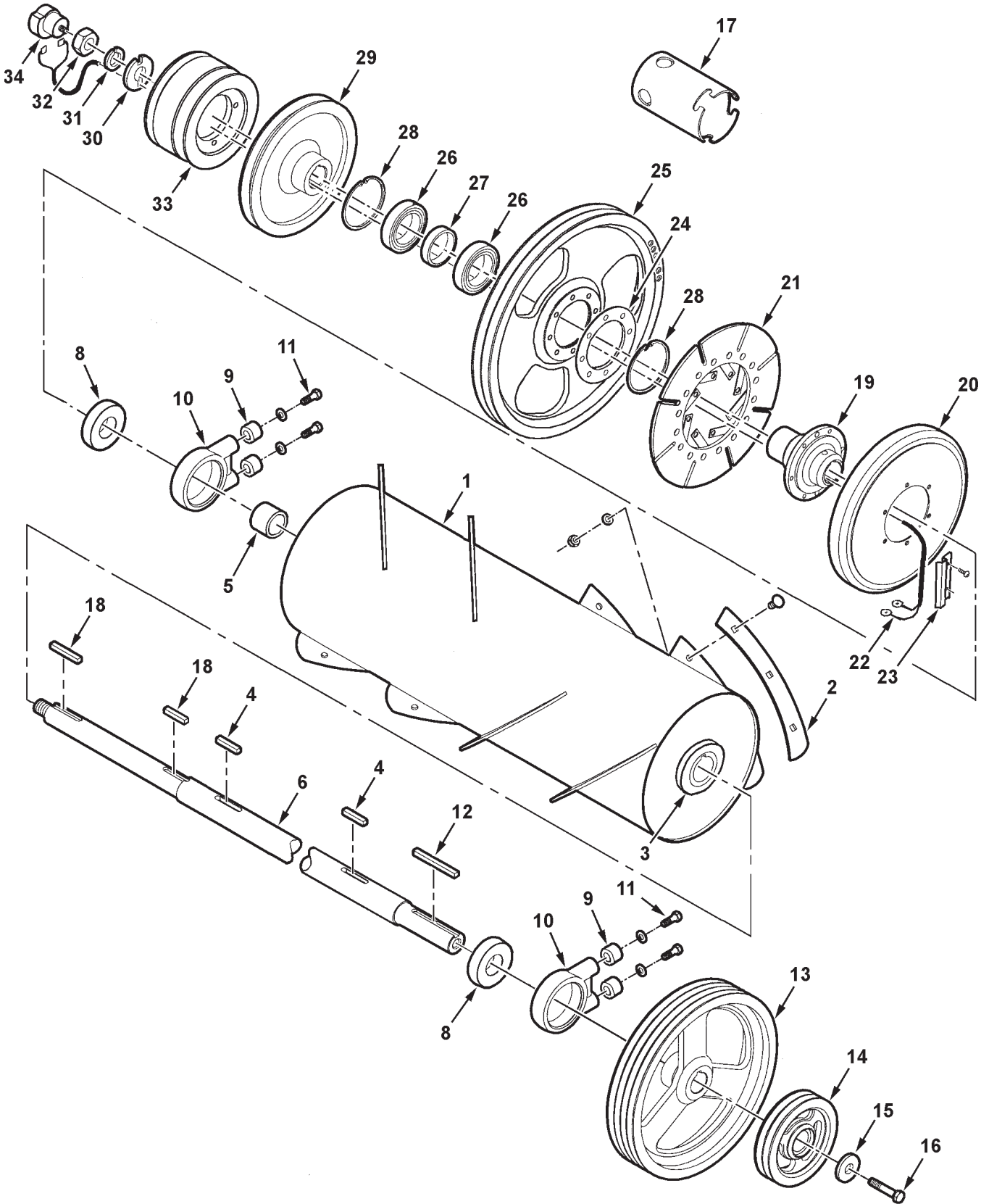
VALVE & CONTROL

ITEM	NUMBER	QTY	DESCRIPTION
1	71409176	1	VALVE ASY, LATERAL TILT (INCL ITEMS 2-6, 9,10,11)
2	71398983	2	SOLENOID VALVE ASY
	71398984	2	CARTRIDGE
	71398985	2	COIL
	700706151	2	NUT, COIL
	700715662	AR	KIT, SEAL
3	71398993	2	KIT, SENSE CHECK
4	71398994	1	VALVE ASY, DIRECTIONAL CONTROL
	71398995	2	COIL
	700715393	2	NUT, COIL
	71386129	AR	KIT, SEAL
5	71398988	2	PISTON, PILOT
	71398989	AR	KIT, SEAL
6	-----	1	MANIFOLD (NOT SERVICED)
7	108664W1	1	KNOB, POINTER
8	71394716	1	SHAFT, CONTROL
9	71398134	1	PLUG, HEX SOCKET, SAE ORB
10	700713516	1	ORIFICE PLUG, .040 DIA
11	700714189	1	KIT, BOLT

MC00356

PR: t06g24h33d0075

FRONT BEATER



**9895 COMBINE  
PROCESSOR**

195

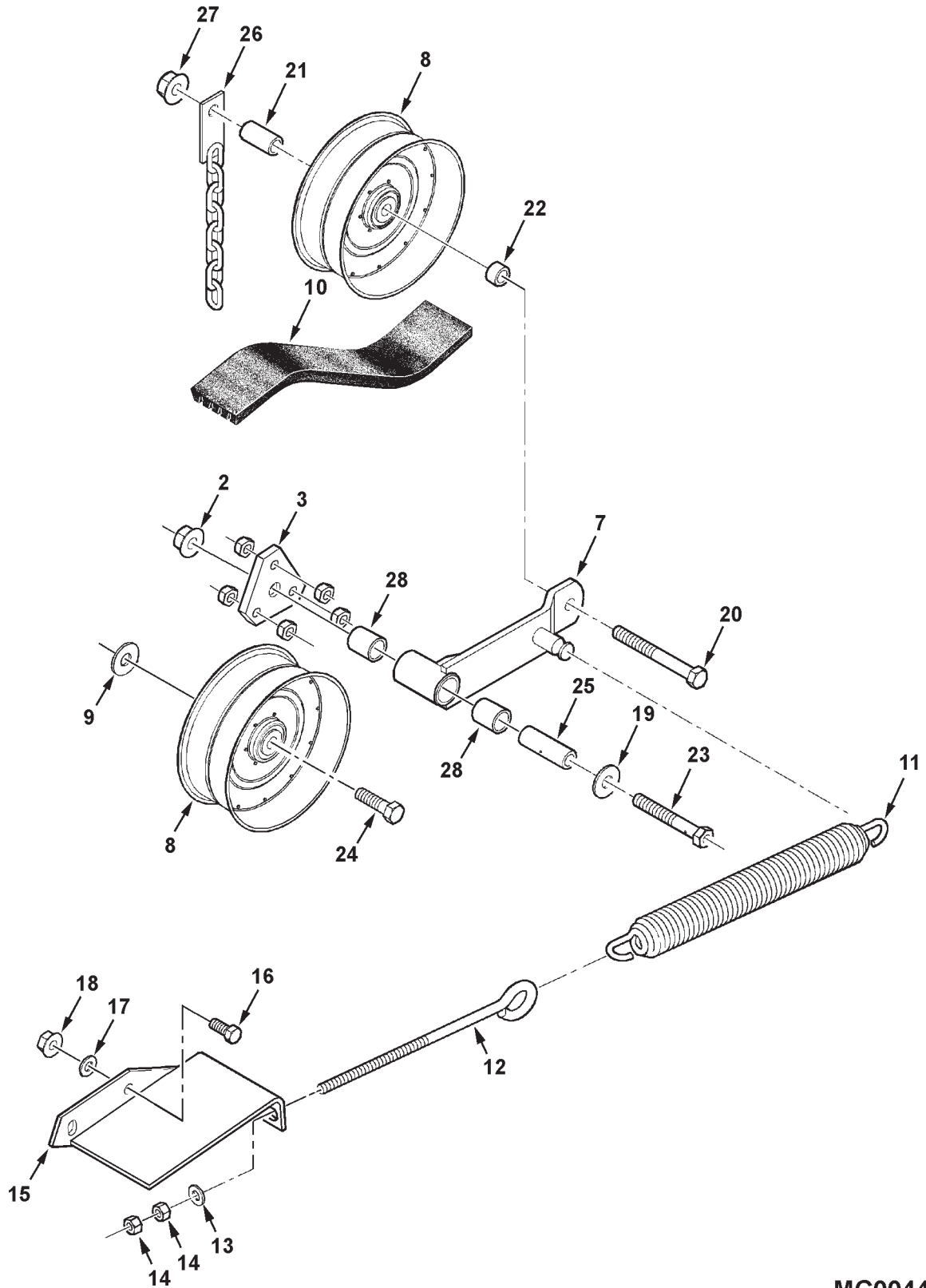
**FRONT BEATER**

ITEM	NUMBER	QTY	DESCRIPTION
1	71409622	1	BEATER DRUM ASY (BALANCED)(INCL. IT 2&3)
2	71393101	12	FLIGHT, WEAR
	385391X1	36	BOLT, RD HD SQ NK, M12-1.75 X 35
	385363X1	36	WASHER, HARD, M12
	339369X1	36	LOCKWASHER, M12
	3009696X1	36	JAM NUT, M12 X 1.75
3	101078M1	2	SEAL, BEATER
4	Y61879	2	KEY, SQ, 1/2 X 2-1/2
5	112685W1	1	SPACER, SLEEVE
6	71390575	1	SHAFT, BEATER
8	71154722	2	BEARING
9	368615X1	4	SPACER, .66 LG
10	71401419	2	HOUSING, BEARING
11	70922664	4	CAPSCREW, 5/8-11 X 2 GR5
	70917373	4	LOCKWASHER, 5/8
12	2620180W1	1	KEY, HARD, SQ, 1/2 X 5
13	71388202	1	SHEAVE, BEATER DRIVE
14	2620130W1	1	SHEAVE, PITMAN DRIVE
15	104751W1	1	WASHER, .781 X 2.50 X .375
16	70921169	1	CAPSCREW, 3/4-16 X 1-1/2 GR8
17	104500W1	1	TUBE, REVERSER TOOL
18	2588510W1	2	KEY, CLUTCH HUB, 1/2 SQ X 3.62
19	71391220	1	HUB, MAGNETIC CLUTCH
20	71335195	1	MAGNET ASY, CLUTCH
	70916965	6	LOCKWASHER, 3/8 REG
	70921210	6	CAPSCREW, 3/8-16 X 1" GR5
21	71365064	1	ARMATURE ASY
	Y705046	8	LOCKWASHER, 1/2 REG
	70923114	8	CAPSCREW, 1/2-13 X 1" GR5
22	71391219	1	WIRE ASY, CLUTCH
23	71393220	1	DUCT, WIRE
	703082	1	SCREW, HEX HD TAPPING, #8-32 X 3/8
24	71397222	AR	SHIM, ARMATURE, .060 TH
	71400661	AR	SHIM, ARMATURE, .035 TH
25	71398357	1	SHEAVE, FEEDER DR. 2-GROOVE
26	71195913	2	BEARING, BALL
27	71391225	1	SPACER, BEARING
28	70933375	2	RING, RETAINING, INT
29	71392770	1	SHEAVE, DR, VARI-SPEED FAN
30	71391224	1	WASHER, SPL, 3/8 THK
31	70912299	1	WASHER, 1-1/4 NARROW
32	70923230	1	JAM NUT, 1-1/4-12 GR2
33	71400664	1	SHEAVE, DRIVE, RETURN ELEV
	70916965	4	LOCKWASHER, 3/8 REG
	70921210	4	CAPSCREW, 3/8-16 X 1" GR5
34	71314321	1	BRUSHHOLDER ASY
	70925094	1	TIE, NYLON, .172 X 7.3

MC00446

PR: t06g24h33d0076

FRONT BEATER  
DRIVE BELT AND IDLER



**9895 COMBINE  
PROCESSOR**

197

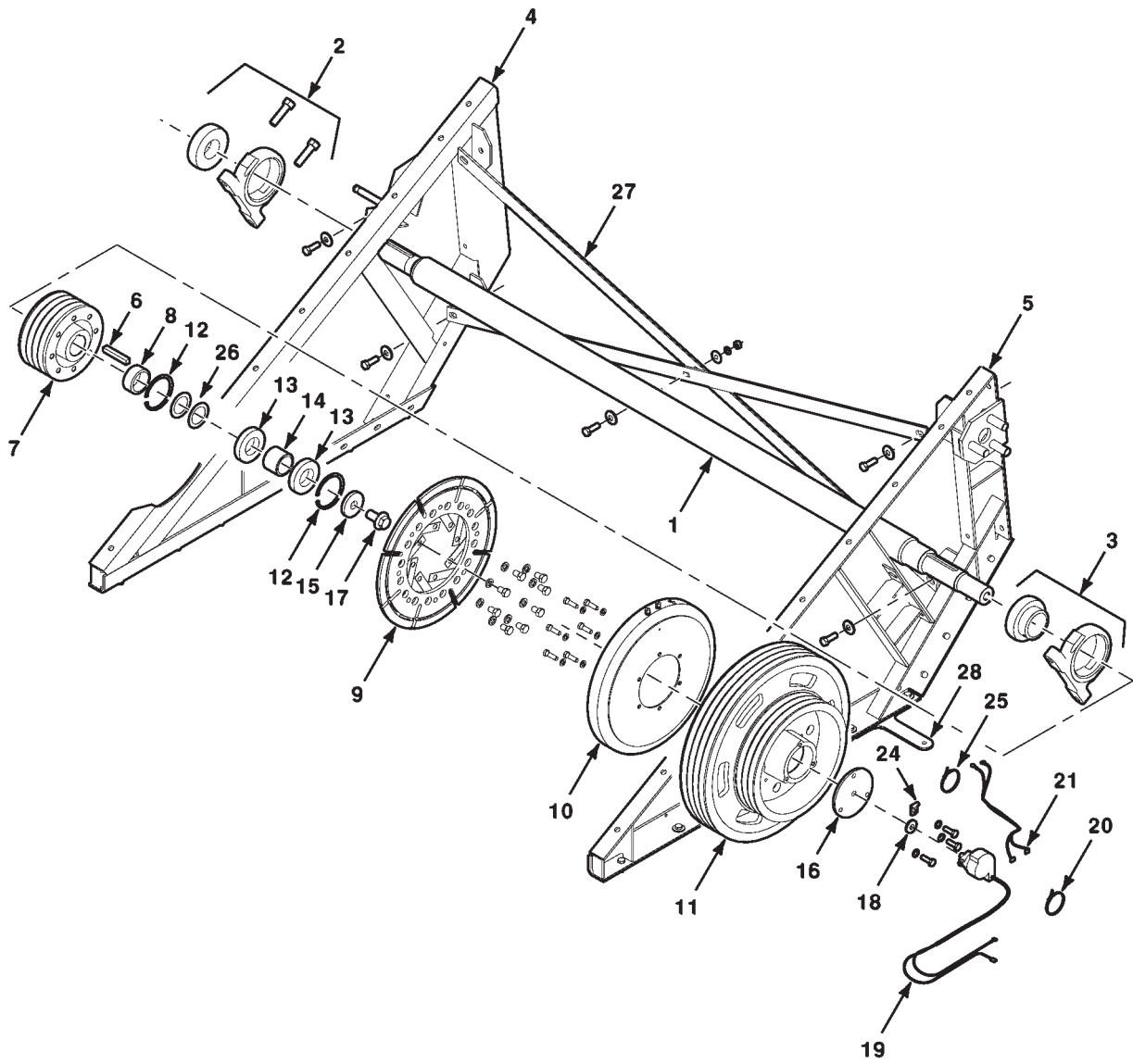
**FRONT BEATER  
DRIVE BELT AND IDLER**

ITEM	NUMBER	QTY	DESCRIPTION
2	700703922	1	NUT, HEX FLANGE TOP LOCK, 5/8-11
3	71406374	1	MOUNTING PLATE
	339495X1	6	JAM NUT, M16 X 2.0
7	71388213	1	ARM ASSEMBLY (W/BUSHINGS)
8	71388217	2	IDLER PULLEY, FLAT, 8.0" DIA.
9	3019565X1	1	WASHER, WIDE, M16
10	71388216	1	BELT, KEVLAR (SEE BELTS LISTING)
11	2627000W1	1	SPRING, 45-1/2 COILS, 17-1/4 FREE LENGTH
12	2626120W1	1	ROD, PULL, 12.63" LG
13	70301781	1	WASHER, SPHERICAL
14	704031	2	NUT, 1/2-13 REG
15	71409765	1	BRACKET WLMT, ANCHOR
16	3009222X1	2	BOLT, HEX FLANGE, M12-1.75 X 40 CL10.9
17	391212X1	1	WASHER, M12, WIDE
18	5000005X1	2	NUT, HEX FLANGE NYL LOCK, M12 X 1.75
19	70918432	1	WASHER, 5/8, WIDE
20	390190X1	1	CAPSCREW, M16-2.0 X 140 CL8.8
21	71388212	1	SPACER, IDLER
22	71181443	1	SPACER, IDLER
23	2636170W1	1	CAPSCREW, 5/8-11 X 4-1/2, SPECIAL
24	3009240X1	1	BOLT, HEX FLANGE, M16-2.0 X 60 CL10.9
25	2636210W1	1	SLEEVE, PIVOT
26	105086W91	1	CHAIN ASSEMBLY, IDLER STOP
	3009209X1	1	BOLT, HEX FLANGE, M10-1.5 X 40 CL10.9
	70917378	4	WASHER, M10, LARGE
	5000004X1	1	NUT, HEX FLANGE NYL LOCK, M10 X 1.5
27	5000006X1	1	NUT, HEX FLANGE NYL LOCK, M16 X 2.0
28	1689170W1	2	BUSHING, 1.25 OD X .750 LG

MC00447

PR: t06g24h33d0077

MAIN COUNTERSHAFT





9895 COMBINE  
PROCESSOR

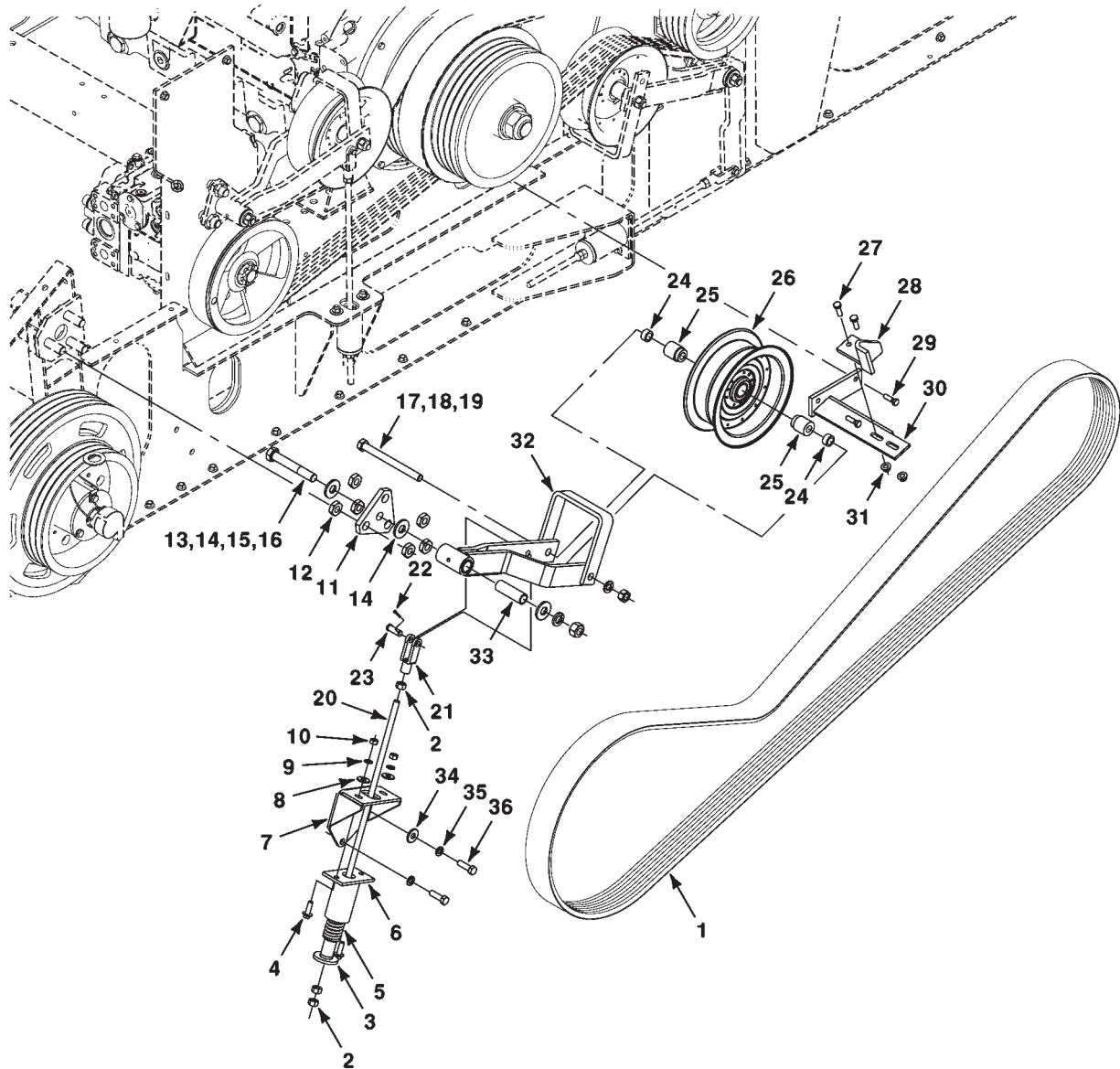
199

MAIN COUNTERSHAFT

ITEM	NUMBER	QTY	DESCRIPTION
1	71403718	1	COUNTERSHAFT, MAIN
2	1706393W91	1	BEARING & HOUSING ASSEMBLY
	1706380W1	1	HOUSING, BEARING
	71154722	1	BEARING
	339881X1	2	CAPSCREW, M16-2.0 X 60 CL8.8
	5000006X1	2	NUT, HEX FLANGE NYL LOCK, M16 X 2.0
3	71388206	1	BEARING & HOUSING ASSEMBLY
	1706380W1	1	HOUSING, BEARING
	71365065	1	BEARING
	339881X1	2	CAPSCREW, M16-2.0 X 60 CL8.8
	5000006X1	2	NUT, HEX FLANGE NYL LOCK, M16 X 2.0
4	71401426	1	BIN SUPPORT FRAME WLMT, RH
5	71401438	1	BIN SUPPORT FRAME WLMT, LH
	3009493X1	15	CAPSCREW, M10-1.5 X 30 CL8.8
	70917378	12	WASHER, M10 WIDE
	5000004X1	14	NUT, HEX FLANGE NYL LOCK, M10 X 1.5
6	360288X1	1	KEY, 1/2 SQ. X 3.0 LG
7	71403720	1	SHEAVE, BEATER DRIVE
8	71403719	1	SPACER, MAIN C'SHAFT
9	71365064	1	ARMATURE ASSEMBLY
	70926115	8	CAPSCREW, 1/2-13 X 3/4 GR5
	Y705046	8	LOCKWASHER, 1/2 REG
10	71335195	1	MAGNET ASSEMBLY
	70920415	6	CAPSCREW, 3/8-16 X 1-1/4 GR5
	70916965	6	LOCKWASHER, 3/8, REG
11	71403713	1	SHEAVE, DRIVEN, COUNTERSHAFT
12	350392X1	2	RING, INTERNAL SNAP, 3-47/64 OD X 7/64
13	1138480	2	BEARING
14	2619560W1	1	SPACER, BEARING
15	104751W1	1	WASHER, 25/32 X 2-1/2 X 3/8
16	71390178	1	ADAPTER, BRUSHHOLDER
	3009493X1	3	CAPSCREW, M10-1.5 X 30 CL8.8
	339376X1	3	LOCKWASHER, M10
17	3009252X1	1	BOLT, HEX FLANGE, M20-2.5 X 40 CL10.9
18	70923858	1	WASHER, FLAT, .531 X 1.25 X 7 GA
19	71314321	1	BRUSHHOLDER ASSEMBLY
20	70925094	1	TIE, NYLON, 7"-8" LG
21	71318052	1	WIRE ASSEMBLY
24	70925615	1	CLAMP, TUBE, .188 X .406 HOLE
25	70925442	1	TIE, NYLON, 14"-15" LG
26	104715W1	AR	SHIM
27	71406652	2	BRACE STRAP, BIN SUPPORT
	3009695X1	4	NUT, FLANGE, M12 X 1.75
	391212X1	4	WASHER, M12 WIDE
	70950453	4	CAPSCREW, M12-1.75 X 35 CL8.8
	3001429X1	1	CAPSCREW, M10-1.5 X 35 CL8.8
	70917378	2	WASHER, M10 WIDE
	339376X1	1	LOCKWASHER, M10
	339402X1	1	NUT, M10 x 1.5
28	71406282	1	PLATE, ANCHOR BIN UNLOADER
	3001429X1	2	CAPSCREW, M10-1.5 X 35 CL8.8

MC00448  
PR: t06g24h33d0078

MAIN COUNTERSHAFT  
DRIVE AND IDLER



**9895 COMBINE  
PROCESSOR**

201

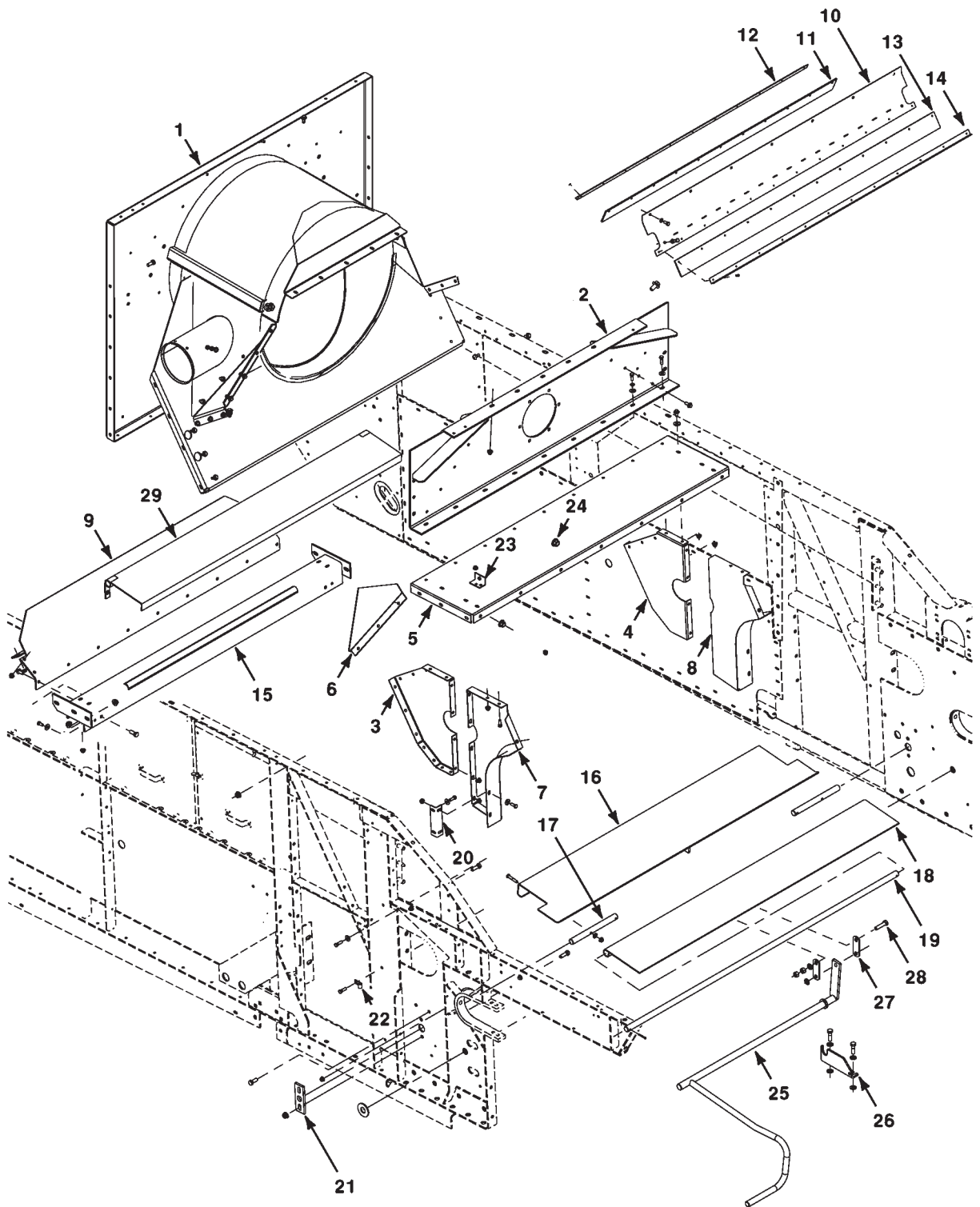
**MAIN COUNTERSHAFT  
DRIVE AND IDLER**

ITEM	NUMBER	QTY	DESCRIPTION
1	71403721	1	BELT, MAIN C'SHAFT (SEE BELTS LISTING)
2	704031	3	NUT, 1/2-13 REG
3	71399551	1	GUIDE
4	3009207X1	2	BOLT, FLANGE, M10-1.5 X 30 CL10.9
5	71382716	1	SPRING-IDLER
6	71399557	1	HOUSING WA-SPRING
7	71409674	1	ANCHOR-SPRING
8	70917378	2	WASHER, M10, LARGE
9	339376X1	2	LOCKWASHER, M10
10	339402X1	2	NUT, M10 X 1.5, REG
11	71412162	1	PLATE MOUNTING
12	3009747X1	6	JAM NUT, M20 X 2.5
13	70923126	1	CAPSCREW, 3/4-10 X 5 GR5
14	70927901	3	WASHER, HARD, 3/4 X 1.75 X .18 TH
15	70919332	1	LOCKWASHER, 3/4
16	70913160	1	NUT, 3/4-10
17	1442666X1	1	BOLT, FLANGE, M16-2.0 X 180 CL 8.8
18	339377X1	1	LOCKWASHER, M16
19	339034X1	1	NUT, M16 X 2.0, REG
20	71399552	1	ROD-ALL THREAD, MAIN CS
21	70937465	1	CLEVIS
22	70918452	1	COTTER PIN, 1/8 X 1
23	70929593	1	PIN, CLEVIS, 1/2 X 1.36 LG.
24	6529705	2	SPACER
25	71312603	2	SPACER-IDLER
26	71390861	1	IDLER-FLAT, FLANGED
27	3009493X1	2	CAPSCREW, M10-1.5 X 30 CL8.8
28	71412175	1	GUIDE
29	70920415	2	CAPSCREW, 3/8-16 X 1-1/4 GR5
30	71412171	1	GUIDE BASE WA
31	3019125X1	2	NUT, HEX FLANGE, M10 X 1.5
32	71412163	1	IDLER ARM WA W/BUSHINGS
32	1689170W1	2	BUSHING, 1.25 OD X .750 LG
33	2606620W1	1	SLEEVE-PIVOT, IDLER
34	391212X1	1	WASHER, M12, LARGE
35	339369X1	2	LOCKWASHER, M12
36	390912X1	2	CAPSCREW, M12-1.75 X 40 CL8.8

MC00449

PR: t06g24h33d0079

INLET HOUSING AND STONE TRAP



9895 COMBINE  
PROCESSOR

203

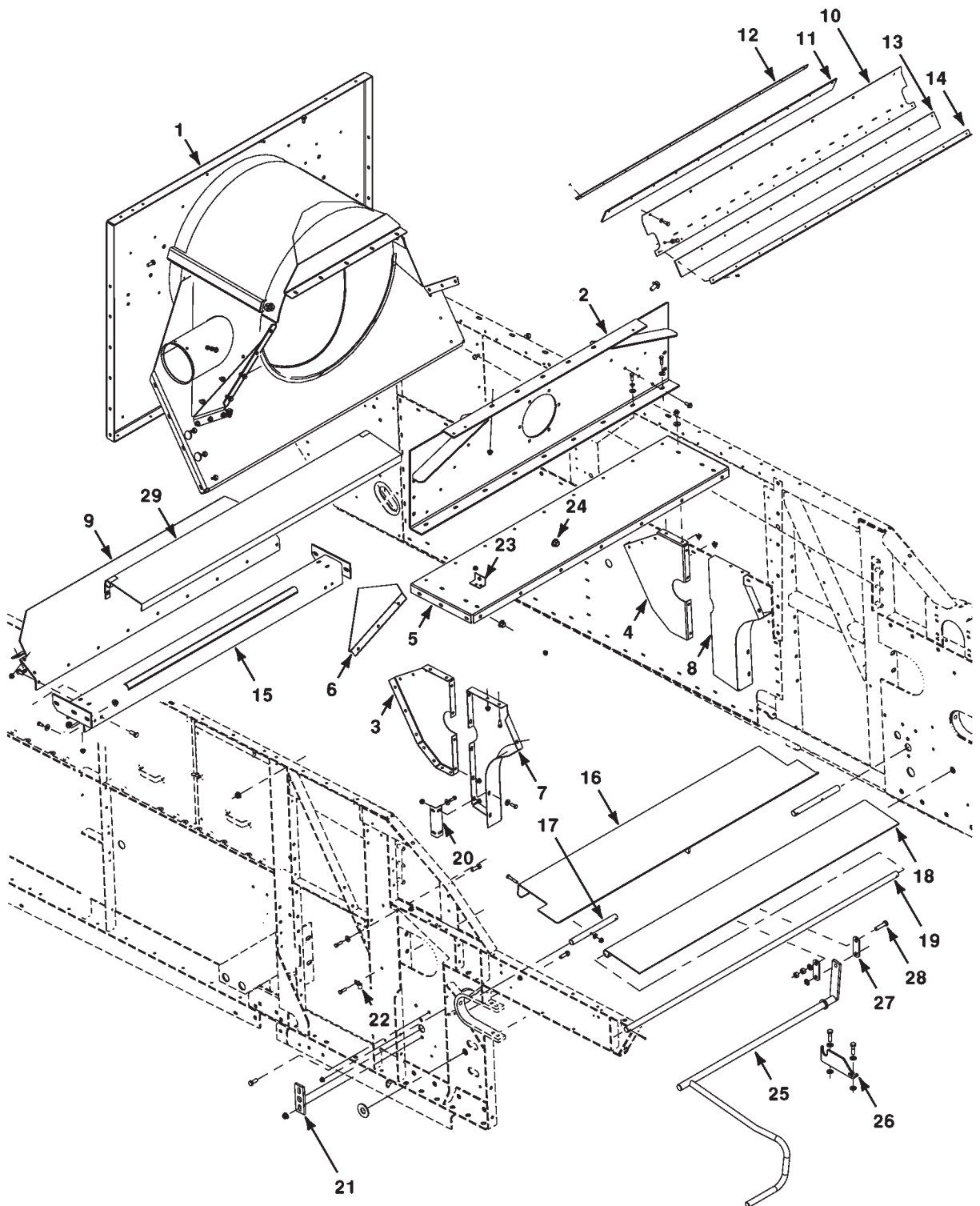
INLET HOUSING AND STONE TRAP

ITEM	NUMBER	QTY	DESCRIPTION
1	71411919	1	INLET WA
	70921176	12	CAPSCREW, 1/2-13 X 1-1/4 GR5
	Y704742	12	NUT, HEX FLANGE TOP LOCK, 1/2-13
	70921210	10	CAPSCREW, 3/8-16 X 1.0
	Y704734	10	NUT, HEX FLANGE TOP LOCK, 3/8-16
2	71410450	1	CHANNEL WA-FRONT ROTOR
	3009234X1	2	BOLT, FLANGE, M16-2.0 X 30 CL10.9
	3811720M1	13	BOLT, FLANGE, M10-1.5 X 25 CL10.9
	5000004X1	13	NUT, HEX FLANGE NYL LOCK, M10 X 1.5
3	2612870W1	1	SHEET SIDE INLET HSG RH
	3811720M1	3	BOLT, FLANGE, M10-1.5 X 25 CL10.9
	5000004X1	3	NUT, HEX FLANGE NYL LOCK, M10 X 1.5
	70714	3	SCREW, X-RECESS TRUSS HD, 3/8-16 X 1
	70916950	3	NUT, 3/8-16 REG
	70916965	5	LOCKWASHER, 3/8
	Y705533	3	WASHER, 3/8, HARD
4	2612880W1	1	SIDESHEET- INLET WASHER-SPRING
	3811720M1	3	BOLT, FLANGE, M10-1.5 X 25 CL10.9
	5000004X1	3	NUT, HEX FLANGE NYL LOCK, M10 X 1.5
	70714	3	SCREW, X-RECESS TRUSS HD, 3/8-16 X 1
	70916950	3	NUT, 3/8-16 REG
	70916965	3	LOCKWASHER, 3/8
	Y705533	3	WASHER, 3/8, HARD
5	71387455	1	PLATE WA, TOP
	70920415	8	CAPSCREW, 3/8-16 X 1-1/4 GR5
	70921210	7	CAPSCREW, 3/8-16 X 1.0
	70916965	7	LOCKWASHER, 3/8
	70917378	15	WASHER, 3/8, WIDE
	Y704734	8	NUT, HEX FLANGE TOP LOCK, 3/8-16
	3009205X1	2	BOLT, FLANGE, M10-1.5 X 20 CL10.9
	70917378	2	WASHER, M10, LARGE
	5000004X1	2	NUT, HEX FLANGE NYL LOCK, M10 X 1.5
6	71411915	1	DEFLECTOR-RETURN
	7706138	6	SCR,X-RECESS TRUSS HD,3/8-16 X 1-1/4
	Y705533	6	WASHER, 3/8, HARD
	70916965	6	LOCKWASHER, 3/8
	70916950	6	NUT, 3/8-16 REG
7	2531671W91	1	SHEET WA-FRONT, INLET R
	70921965	5	CAPSCREW, 3/8-16 X 3/4 GR5
	Y704734	5	NUT, HEX FLANGE TOP LOCK, 3/8-16
8	2531681W91	1	SHEET WA-FRONT, INLET WASHER-SPRING
	70921965	6	CAPSCREW, 3/8-16 X 3/4 GR5
	70917378	6	WASHER, 3/8, WIDE
	Y704734	6	NUT, HEX FLANGE TOP LOCK, 3/8-16
9	71409970	1	FLOOR PANEL WA
	70921965	4	CAPSCREW, 3/8-16 X 3/4 GR5
	70921210	9	CAPSCREW, 3/8-16 X 1.0
	Y704734	13	NUT, HEX FLANGE TOP LOCK, 3/8-16

CONTINUED

MC00450  
PR: t06g24h33d0080

INLET HOUSING AND STONE TRAP



9895 COMBINE  
PROCESSOR

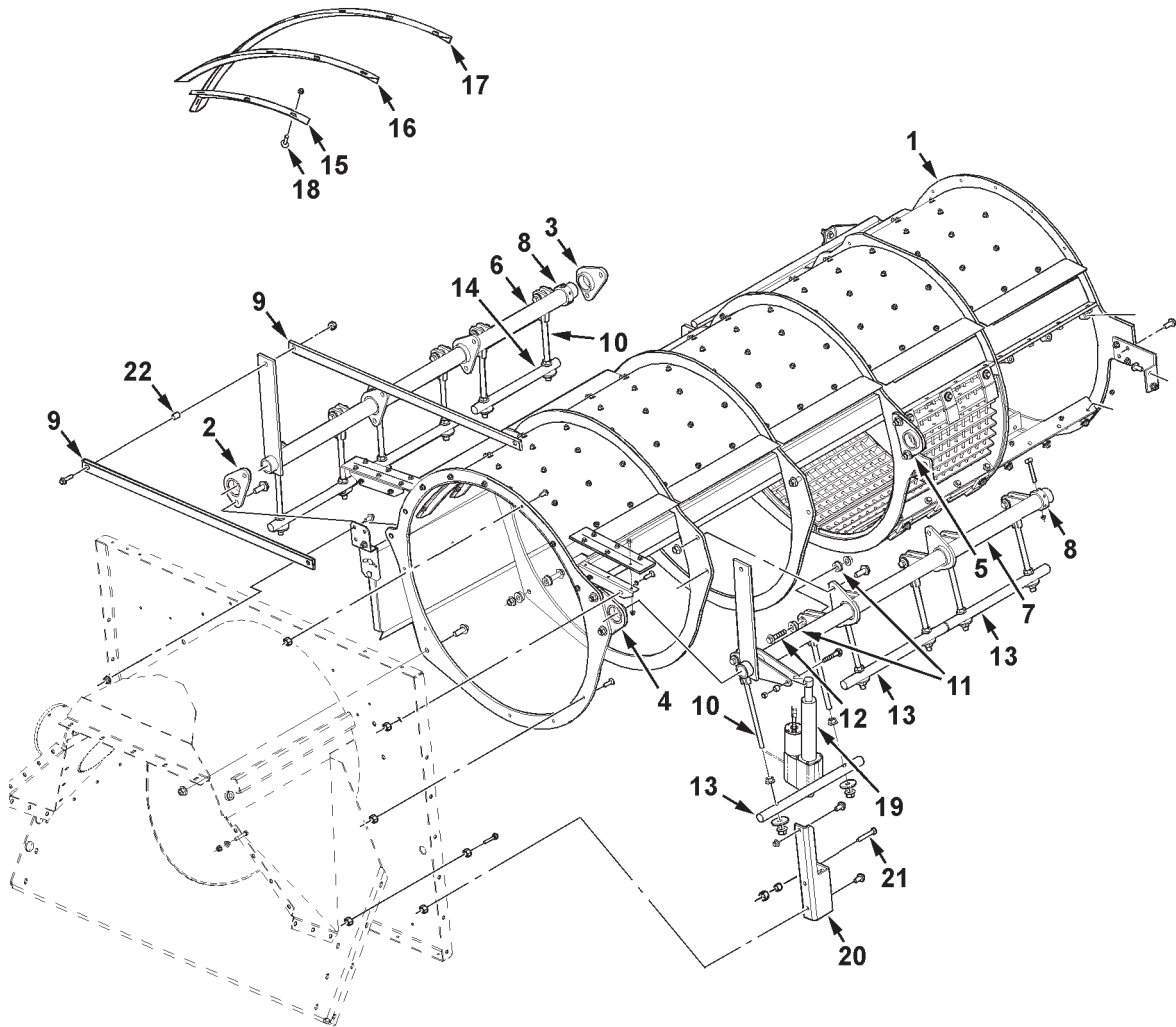
205

INLET HOUSING AND STONE TRAP

ITEM	NUMBER	QTY	DESCRIPTION
10	71387459	1	SHEET WA-SEAL
	70921965	9	CAPSCREW, 3/8-16 X 3/4 GR5
	70916965	9	LOCKWASHER, 3/8
11	71387463	1	SEAL REAR
12	71387464	1	ANGLE REAR SEAL
	70925160	11	POP-RIVET, .188 DIA X .251-.375 GRIP
13	71387465	1	SEAL FRONT
14	71387466	1	ANGLE FRONT SEAL
	70925160	12	POP-RIVET, .188 DIA X .251-.375 GRIP
15	71411435	1	CHANNEL WA-INLET HSG
	70921176	8	CAPSCREW, 1/2-13 X 1-1/4 GR5
	Y704742	8	NUT, HEX FLANGE TOP LOCK, 1/2-13
	70921965	2	CAPSCREW, 3/8-16 X 3/4 GR5
	70921210	4	CAPSCREW, 3/8-16 X 1.0
	70917378	2	WASHER, 3/8, WIDE
	Y704734	6	NUT, HEX FLANGE TOP LOCK, 3/8-16
	3811720M1	9	BOLT, FLANGE, M10-1.5 X 25 CL10.9
16	71389212	1	PLATE WA-STONE TRAP
17	104201W1	2	SHAFT-PIVOT STONE TRAP
	70923701	4	CAPSCREW, 3/8-16 X 2 GR5
	353771X1	4	WASHER, HEAVY HARD, 3/8
	Y704734	4	NUT, HEX FLANGE TOP LOCK, 3/8-16
18	71387453	1	PLATE-FEED INLET
19	71387454	1	SHAFT FEED PLATE
	62232	2	COTTER PIN, 3/16 X 1-1/4
	70922658	2	WASHER 1.0 WIDE
20	2488980W1	2	BRACKET-FRONT SHEET
	70921210	8	CAPSCREW, 3/8-16 X 1.0
	70917378	8	WASHER, 3/8, WIDE
	Y704734	8	NUT, HEX FLANGE TOP LOCK, 3/8-16
21	2522600W1	2	ADJUSTABLE REINFORCING PLATE
	70920328	4	CAPSCREW, 1/2-13 X 1-1/2 GR5
	Y704742	4	NUT, HEX FLANGE TOP LOCK, 1/2-13
22	70936314	1	J-CLIP, 1/2 DIA X .406 HOLE
23	101643M91	1	BRACKET WA-PLTD
	70921210	1	CAPSCREW, 3/8-16 X 1.0
	Y704734	1	NUT, HEX FLANGE TOP LOCK, 3/8-16
24	5000006X1	4	NUT, HEX FLANGE NYL LOCK, M16 X 2.0
25	71391763	1	HANDLE WA-STONE TRAP
26	71391762	1	ANGLE-PIVOT STONE TRAP
	390912X1	2	CPSCR, FULL THD, M12-1.75 X 40 CL8.8
	390735X1	4	WASHER, M12, NARROW
27	112412W1	2	LINK, LEVER
28	7703259	2	CAPSCREW, M12-1.75 X 50 CL8.8
	390735X1	2	WASHER, M12, NARROW
	3009695X1	4	NUT, M12 X 1.75, REG
29	71395422	1	COVER WLMT, STONE TRAP (USES HRDWR IN ITEM 15)(SEE KIT BELOW)
-	71411638	AR	KIT, STONE TRAP COVER (ORDER THRU DEALER CENTRAL)
-	700704010	AR	SEALANT, RTV BLACK SILICONE

MC00450  
PR: t06g24h33d0080

CAGE & CONCAVE ADJUSTERS





9895 COMBINE  
PROCESSOR

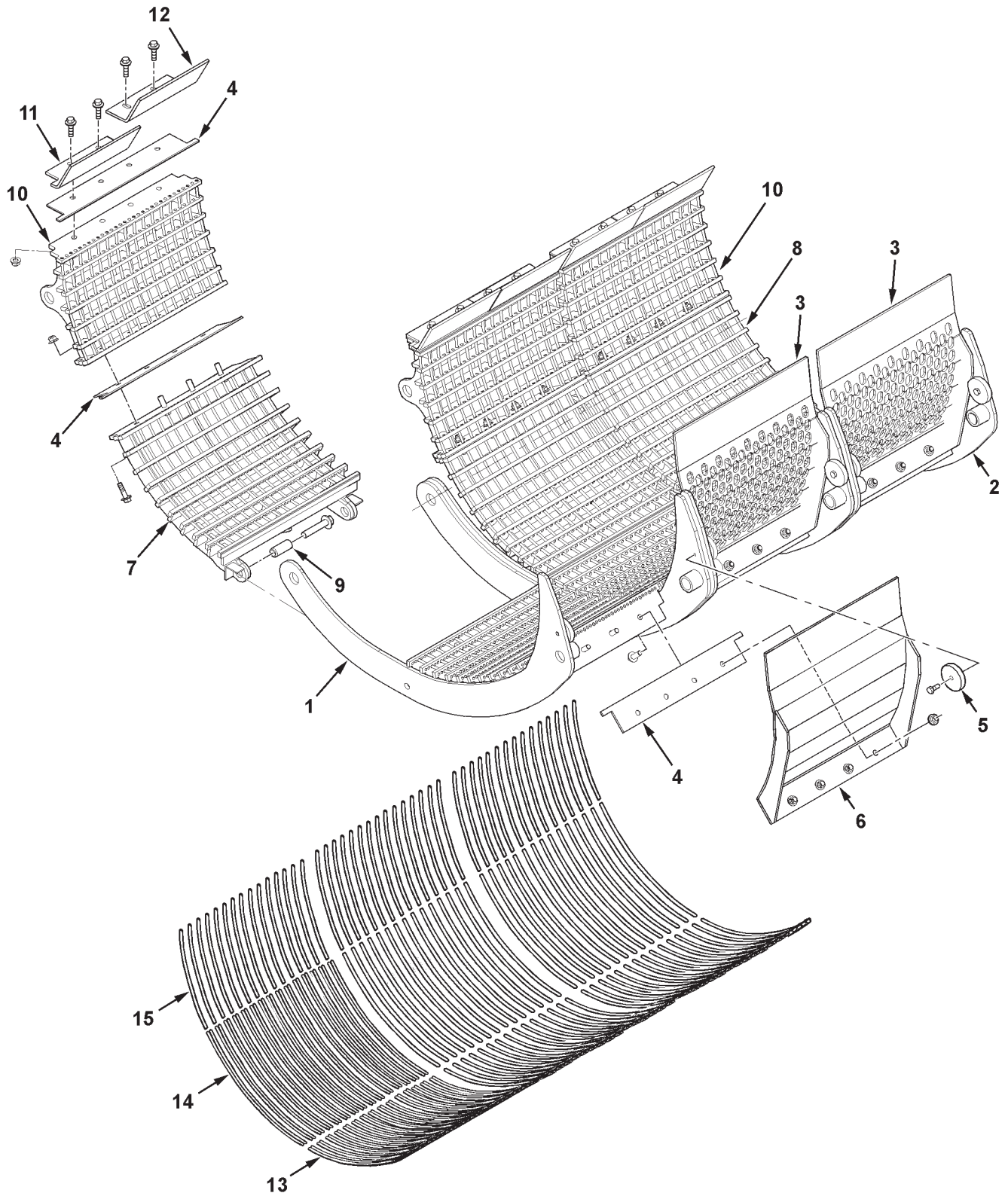
207

CAGE & CONCAVE ADJUSTERS

ITEM	NUMBER	QTY	DESCRIPTION
1	71407616	1	CAGE FRAME WLMT
	3811720M1	6	BOLT,HEX FLANGE, M10-1.5 X 25 CL10.9
	3009451X1	6	SCR, HEX SCKT FLAT HD, M10-1.5 X 25
	3019125X1	12	NUT, HEX FLANGE, M10 X 1.5
2	71408647	1	SUPPORT PLATE WLMT, RH ROCK SHAFT
	3009237X1	16	BOLT,HEX FLANGE, M16-2.0 X 45 CL10.9
	3019127X1	16	NUT, HEX FLANGE, M16 X 2.0
3	71408649	1	SUPPORT PLATE WLMT, RH ROCK SHAFT
4	71407777	1	SUPPORT PLATE WLMT, LH ROCK SHAFT
5	71407776	1	SUPPORT PLATE WLMT, LH ROCK SHAFT
6	71407619	1	ROCK SHAFT WLMT, RH
7	71407778	1	ROCK SHAFT WLMT, LH
8	71403655	2	THRUST RING, ROCK SHAFT
	3009204X1	2	BOLT,HEX FLANGE, M8-1.25 X 80 CL10.9
	5000003X1	2	NUT, HEX FLANGE NYL LOCK, M8 X 1.25
9	71401967	2	STRAP, TOP LINK
	3009208X1	2	BOLT,HEX FLANGE, M10-1.5 X 35 CL10.9
	5000004X1	2	NUT, HEX FLANGE NYL LOCK, M10 X 1.5
10	71408791	12	ROD WLMT, CONCAVE HANGER
11	71401961	24	BUSHING, CONCAVE FRAME
12	3009241X1	12	BOLT, HEX FLANGE, M16-2.0 X 65 CL10.9
	3019127X1	12	NUT, HEX FLANGE, M16 X 2.0
13	71408369	3	SHAFT, CONCAVE CARRIER, LH
	3019127X1	6	NUT, HEX FLANGE, M16 X 2.0
	70937480	6	WASHER, HARD, .66 X 2.25 X .165 TH
	5000006X1	6	NUT, HEX FLANGE NYL LOCK, M16 X 2.0
14	71407788	3	SHAFT, CONCAVE CARRIER, RH
	3019127X1	6	NUT, HEX FLANGE, M16 X 2.0
	70937480	6	WASHER, HARD, .66 X 2.25 X .165 TH
	5000006X1	6	NUT, HEX FLANGE NYL LOCK, M16 X 2.0
15	2490100W1	1	VANE, GUIDE, 3 HOLE
16	2442860W1	2	VANE, GUIDE, 5 HOLE
17	2442770W1	12	VANE, GUIDE, 7 HOLE
18	700720958	100	SCR, TORX TRUSS HD TAPPING, 3/8-16 X 1
19	71406874	1	ACTUATOR, CONCAVE ADJUST
20	71408793	1	BASE WLMT, ACTUATOR SUPPORT
	3009219X1	2	BOLT,HX FLANGE, M12-1.75 X 25 CL10.9
	5000005X1	2	NUT, HEX FLANGE NYL LOCK, M12 X 1.75
21	3015045X1	2	CAPSCREW, M12-1.75 X 75 CL10.9
	1786320W1	2	SPACER, .49 ID X .675 X .59 LG
	1440330X1	2	NUT, HEX NYLON LOCK, M12 X 1.75
22	71407796	2	SPACER, TUBE, .43 ID X .625 X .94 LG

MC00451  
PR: t06g24h33d0081

CONCAVES



**9895 COMBINE  
PROCESSOR**

209

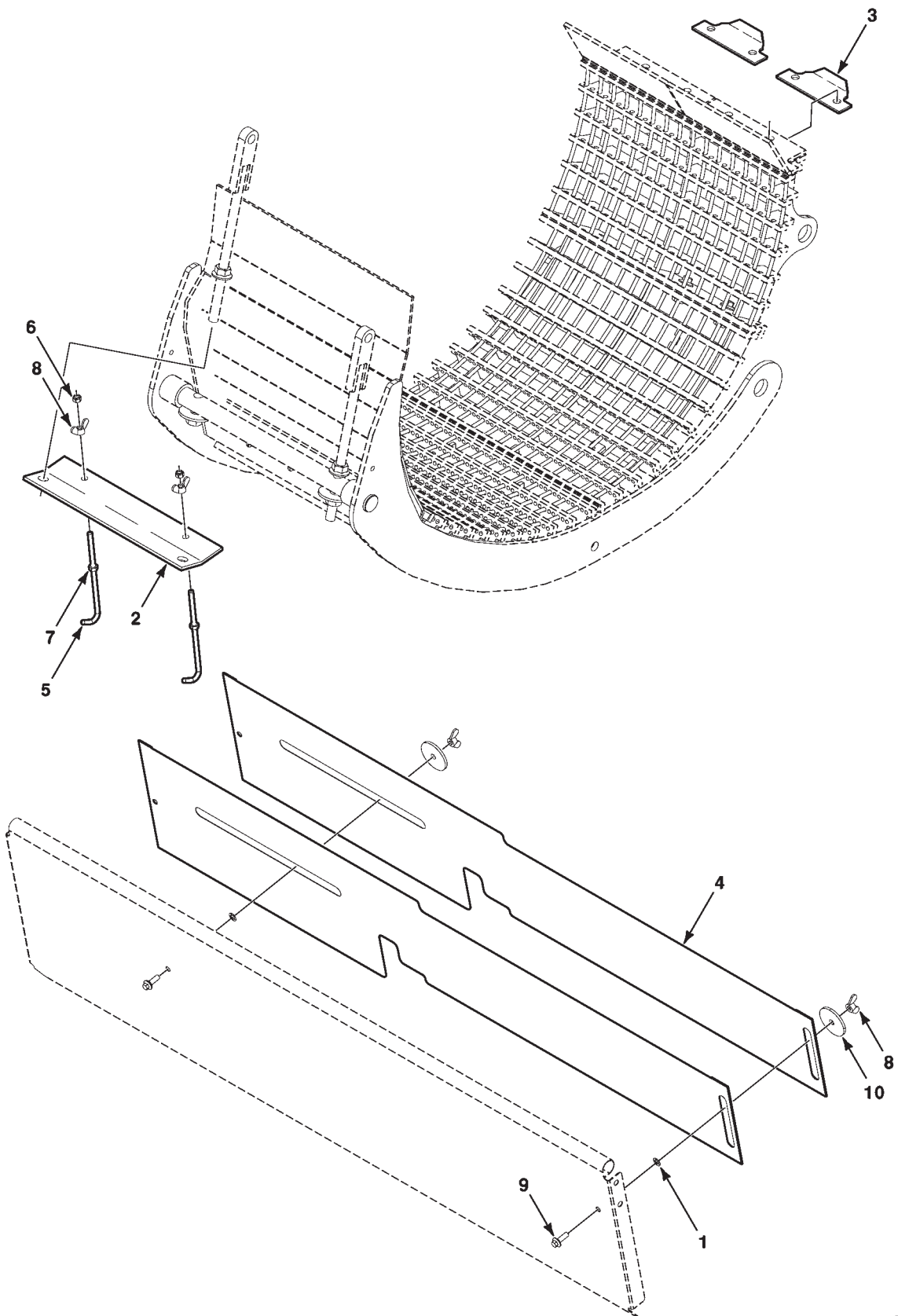
**CONCAVES**

ITEM	NUMBER	QTY	DESCRIPTION
1	71411909	1	CONCAVE WLMT, LEFT FRONT
	71401961	1	BUSHING, CONCAVE FRAME
	3009237X1	1	BOLT,HEX FLANGE, M16-2.0 X 45 CL10.9
	3019127X1	1	NUT, HEX FLANGE, M16 X 2.0
2	71408365	2	CONCAVE WLMT, LEFT, 2ND & 3RD
	71401961	5	BUSHING, CONCAVE FRAME
	3009240X1	2	BOLT,HEX FLANGE, M16-2.0 X 60 CL10.9
	3009238X1	1	BOLT,HEX FLANGE, M16-2.0 X 50 CL10.9
	3019127X1	3	NUT, HEX FLANGE, M16 X 2.0
3	71408801	2	OVERLAP WLMT, PERFORATED (QTY 2 GRAIN) (QTY 3 CORN/SOYBEAN)
	3009221X1	12	BOLT,HX FLANGE, M12-1.75 X 35 CL10.9
	5000005X1	12	NUT, HEX FLANGE NYL LOCK, M12 X 1.75
-	71411628	AR	KIT, PERFORATED OVERLAP (CORN/SOYBEAN) (ORDER THRU DEALER CENTRAL)
4	71408639	9	PLATE, WIRE RETAINER
5	71410448	6	WASHER, OVERLAP MOUNT
	700708349	6	CAPSCREW, M10-1.5 X 25 CL8.8
6	71408799	1	OVERLAP WLMT, SOLID (SMALL GRAIN)
7	71411910	1	CONCAVE WLMT, LOWER RH, FRONT
8	71410428	2	CONCAVE WLMT, LOWER RH, 2ND & 3RD
9	71408633	6	SLEEVE, PIVOT, LOWER CONCAVE
	3009243X1	6	BOLT,HEX FLANGE, M16-2.0 X 80 CL10.9
10	71410429	3	CONCAVE WLMT, UPPER RH
	3009222X1	12	BOLT,HX FLANGE, M12-1.75 X 40 CL10.9
	5000005X1	12	NUT, HEX FLANGE NYL LOCK, M12 X 1.75
11	71408784	3	ANGLE, RH CONCAVE, FRONT
12	71409718	3	ANGLE, RH CONCAVE, REAR
	3009222X1	12	BOLT,HX FLANGE, M12-1.75 X 40 CL10.9
	5000005X1	12	NUT, HEX FLANGE NYL LOCK, M12 X 1.75
13	71408779	60	WIRE, GRAIN CONCAVE, LEFT
14	71410426	60	WIRE, GRAIN CONCAVE, RH, LOWER
15	71410427	45	WIRE, GRAIN CONCAVE, RH, UPPER
-	71411625	AR	KIT,SOLID OVERLAP & CONCAVE WIRES(GRAIN) (INCL. IT 6,13,14,15) (ORDER THRU DEALER CENTRAL)

MC00453

PR: t06g24h33d0082

CONCAVE BLANKS



9895 COMBINE  
PROCESSOR

211

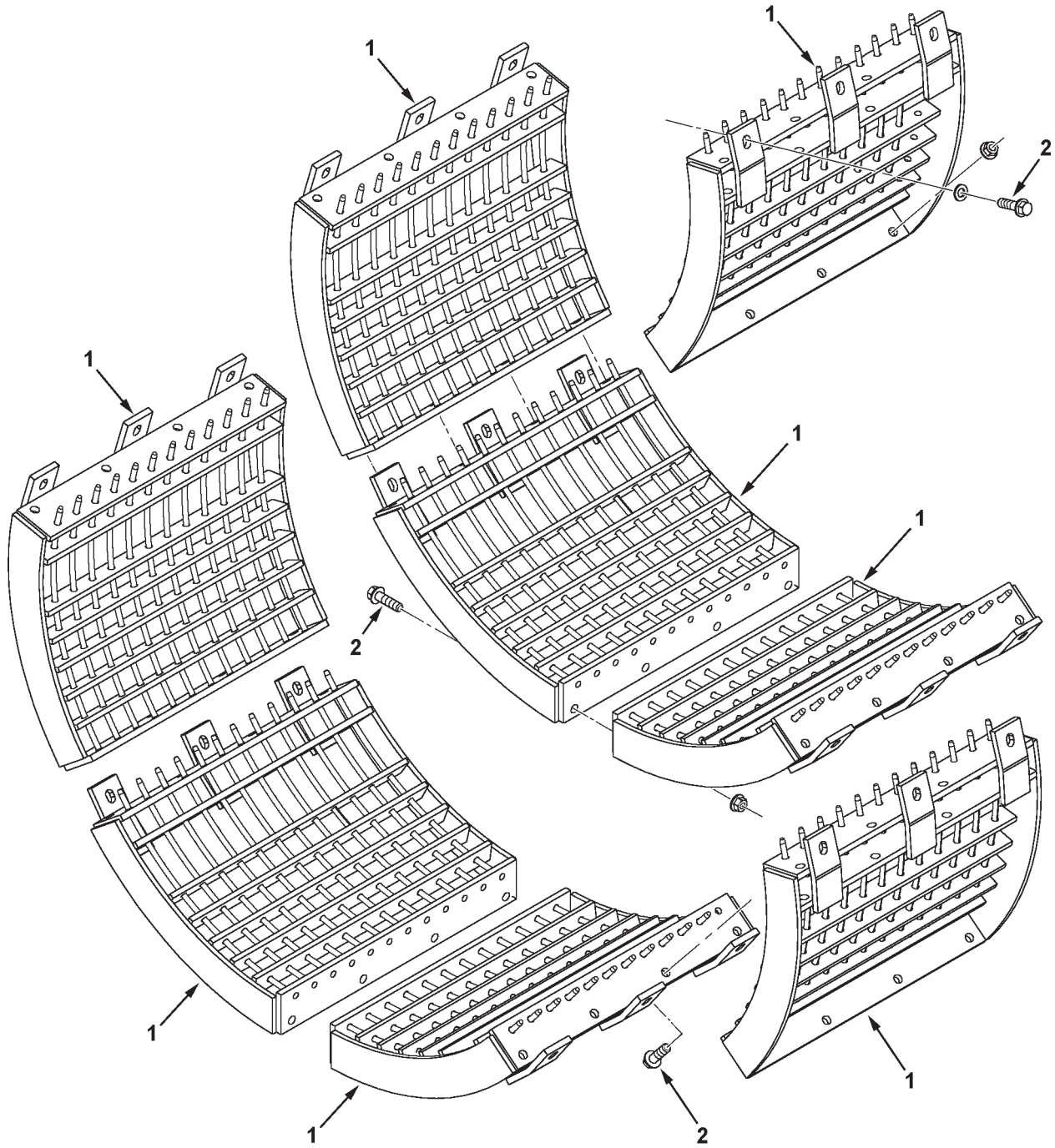
CONCAVE BLANKS

ITEM	NUMBER	QTY	DESCRIPTION
1	70933988	2	SPEED NUT, 5/16 THD.
2	71412023	1	ANGLE, BLANK MOUNT, LEFT
3	71412024	2	ANGLE, BLANK, RIGHT
4	71412025	2	BLANK, CONCAVE
5	71412626	2	HOOK, BLANK
6	3000193X1	2	NUT, HEX NYLON LOCK, M8 X 1.25
7	1440203X1	2	NUT, M8 X 1.25, REG
8	1441982X1	4	WINGNUT, M8 X 1.25
9	3009194X1	2	BOLT, FLANGE, M8-1.25 X 25 CL10.9
10	382069	2	WASHER, 10.3MM X 57.1 X 5 TH

MC00477

PR: t06g24h33d0083

SEPARATOR GRATES



**9895 COMBINE  
PROCESSOR**

**213**

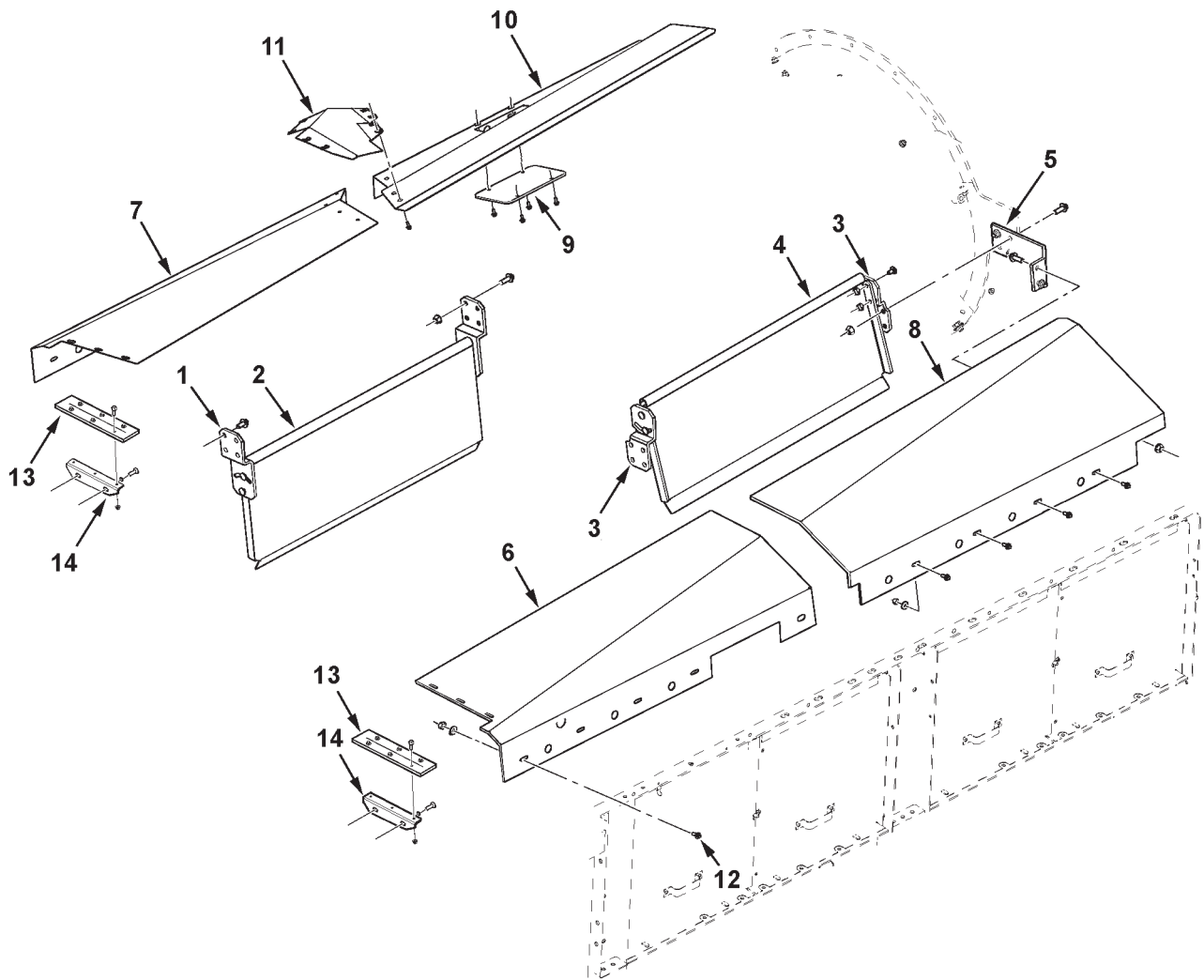
**SEPARATOR GRATES**

ITEM	NUMBER	QTY	DESCRIPTION
1	71407766	8	GRATE WLMT, SEPARATOR
2	3009223X1	48	BOLT, HEX FLANGE, M12-1.75 X 45 CL10.9
	5000005X1	8	NUT, HEX FLANGE NYL LOCK, M12 X 1.75
	391212X1	24	WASHER, M12, LARGE

MC00454

PR: t06g24h33d0084

COVER PANELS & DEFLECTORS





**9895 COMBINE  
PROCESSOR**

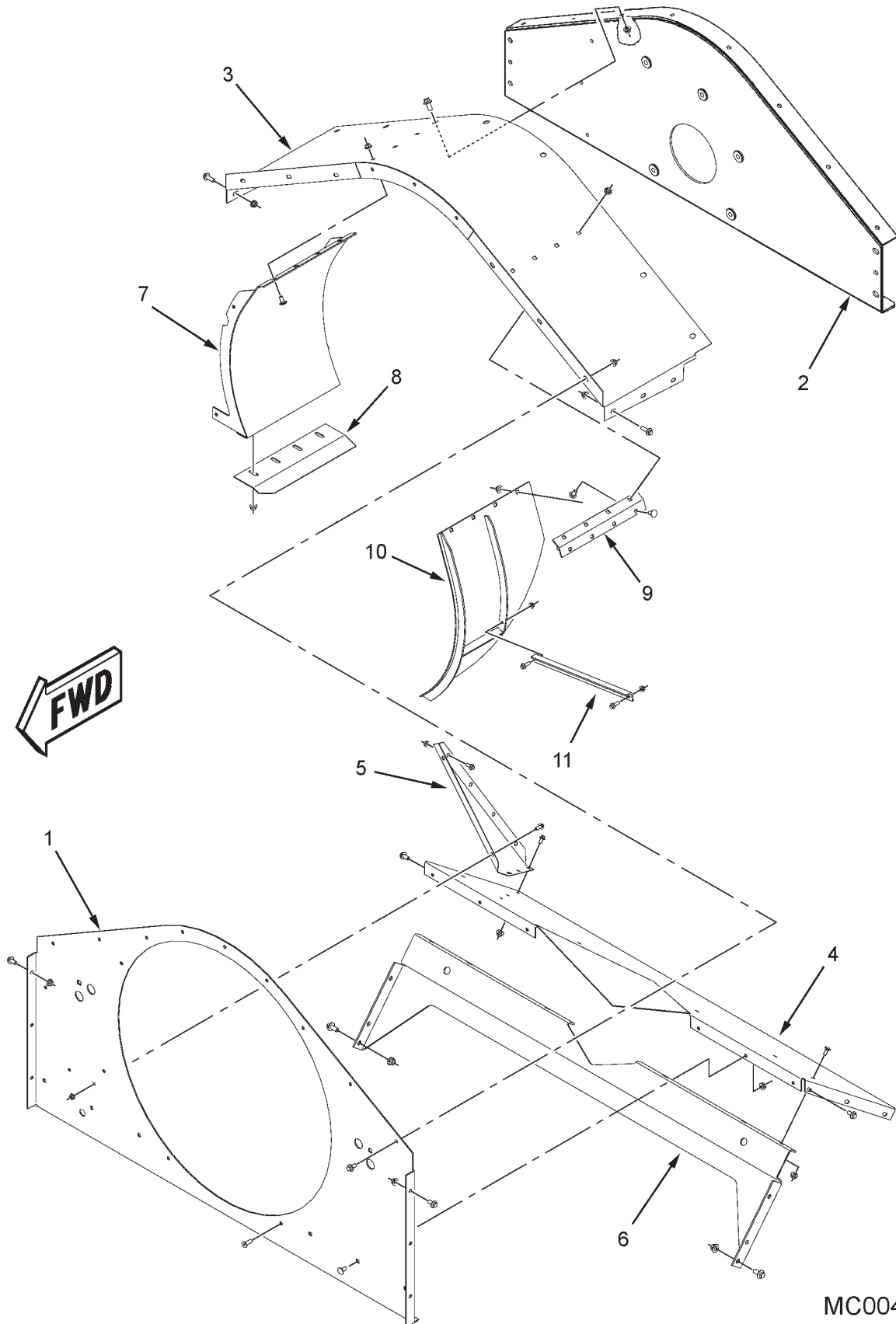
215

**COVER PANELS & DEFLECTORS**

ITEM	NUMBER	QTY	DESCRIPTION
1	71408328	2	SUPPORT BRKT, RH FRONT DEFLECTOR
	3009219X1	2	BOLT,HX FLANGE, M12-1.75 X 25 CL10.9
	5000005X1	2	NUT, HEX FLANGE NYL LOCK, M12 X 1.75
2	71408315	1	DEFLECTOR PANEL, CONCAVE, RH SIDE
	390809X1	4	BOLT,RD HD SQ NK, M10-1.5 X 20 CL8.8
	3019125X1	4	NUT, HEX FLANGE, M10 X 1.5
3	71403664	4	SUPPORT BRKT, REAR DEFLECTOR
	3009221X1	12	BOLT, HEX FLANGE, M12-1.75 X 35 CL10.9
	5000005X1	12	NUT, HEX FLANGE NYL LOCK, M12 X 1.75
4	71408314	2	DEFLECTOR PANEL, SEPARATOR
	390809X1	8	BOLT,RD HD SQ NK, M10-1.5 X 20 CL8.8
	3019125X1	8	NUT, HEX FLANGE, M10 X 1.5
5	71403634	2	SUPPORT BRKT, REAR CAGE
	3009221X1	4	BOLT, HEX FLANGE, M12-1.75 X 35 CL10.9
	5000005X1	4	NUT, HEX FLANGE NYL LOCK, M12 X 1.75
6	71407807	1	COVER PANEL, LEFT FRONT
7	71409715	1	COVER PANEL, RIGHT FRONT
8	71407795	1	COVER PANEL, LEFT REAR
9	71409714	1	COVER PANEL, RIGHT ACCESS
	3009182X1	4	BOLT, HEX FLANGE, M6-1.0 X 16 CL10.9
	71409709	1	COVER PANEL, RIGHT REAR
10	3010070X1	4	SPEED NUT, M6
	71409708	1	COVER PANEL, TRANSITION
	3010070X1	8	SPEED NUT, M6
11	3009182X1	8	BOLT, HEX FLANGE, M6-1.0 X 16 CL10.9
	339123X1	17	BOLT, HEX FLANGE, M8-1.25 X 20 CL10.9
	391039X1	17	WASHER, M8, LARGE
12	5000003X1	17	NUT, HEX FLANGE NYL LOCK, M8 X 1.25
	71407800	2	SEAL, RUBBER BELTING, .188 TH
	339123X1	12	BOLT,HEX FLANGE, M8-1.25 X 20 CL10.9
13	5000003X1	12	NUT, HEX FLANGE NYL LOCK, M8 X 1.25
	71407799	2	ANGLE, SEAL MOUNT
	339123X1	4	BOLT,HEX FLANGE, M8-1.25 X 20 CL10.9
14	385361X1	4	WASHER, HARD, M8
	5000003X1	4	NUT, HEX FLANGE NYL LOCK, M8 X 1.25

MC00455  
PR: t06g24h33d0085

ROTOR DISCHARGE HOUSING



9895 COMBINE  
PROCESSOR

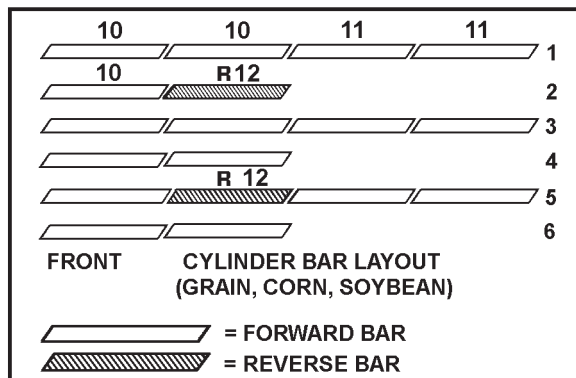
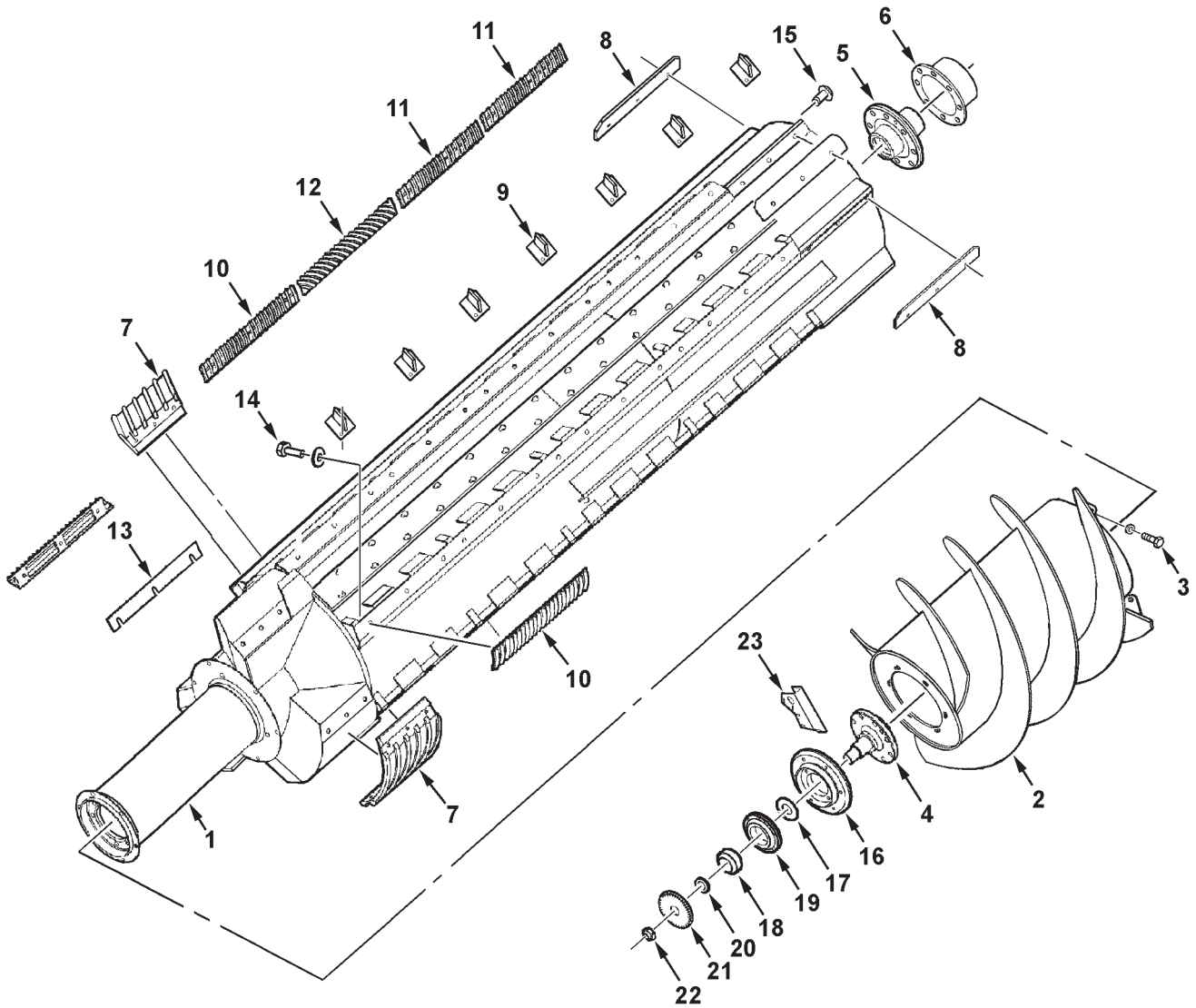
217

ROTOR DISCHARGE HOUSING

ITEM	NUMBER	QTY	DESCRIPTION
1	71406789	1	BULKHEAD WLMT, REAR, ROTOR
	3009452X1	2	SCREW,HEX SCKT FLAT HD, M10-1.5 X 30
	3009208X1	1	BOLT,HEX FLANGE, M10-1.5 X 35 CL10.9
	3009205X1	6	BOLT,HEX FLANGE, M10-1.5 X 20 CL10.9
	385392X1	2	BOLT, RD HD SQ NK, M12-1.75 X 40
	5000005X1	2	NUT, HEX FLANGE NYL LOCK, M12 X 1.75
	5000004X1	9	NUT, HEX FLANGE NYL LOCK, M10 X 1.5
2	71407313	1	PLATE WLMT, ROTOR MOUNTING, REAR
	5000005X1	4	NUT, HEX FLANGE NYL LOCK, M16 X 2.0
3	71403632	1	COVER WLMT, DISCHARGE
	3009205X1	4	BOLT,HEX FLANGE, M10-1.5 X 20 CL10.9
	3009207X1	8	BOLT,HEX FLANGE, M10-1.5 X 30 CL10.9
	3009208X1	3	BOLT,HEX FLANGE, M10-1.5 X 35 CL10.9
	5000004X1	23	NUT, HEX FLANGE NYL LOCK, M10 X 1.5
	3009219X1	8	BOLT,HX FLANGE, M12-1.75 X 25 CL10.9
	5000005X1	8	NUT, HEX FLANGE NYL LOCK, M12 X 1.75
4	71403637	1	DISCHARGE SHEET WLMT
	3009205X1	6	BOLT,HEX FLANGE, M10-1.5 X 20 CL10.9
	390809X1	6	BOLT,RD HD SQ NK, M10-1.5 X 20 CL8.8
	5000004X1	12	NUT, HEX FLANGE NYL LOCK, M10 X 1.5
5	104928W1	1	DEFLECTOR PLATE, RH ROTOR DISCHARGE
	3009920X1	2	BOLT,HEX FLANGE, M8-1.25 X 16 CL10.9
	339123X1	6	BOLT,HEX FLANGE, M8-1.25 X 20 CL10.9
	5000003X1	8	NUT, HEX FLANGE NYL LOCK, M8 X 1.25
6	71404362	1	SUPPORT PANEL, ROTOR DISCHARGE
	PZND1041V	5	BOLT,RD HD SQ NK, M8-1.25 X 20 CL8.8
	339123X1	1	BOLT,HEX FLANGE, M8-1.25 X 20 CL10.9
	3009219X1	6	BOLT,HX FLANGE, M12-1.75 X 25 CL10.9
	5000003X1	6	NUT, HEX FLANGE NYL LOCK, M8 X 1.25
	5000005X1	6	NUT, HEX FLANGE NYL LOCK, M12 X 1.75
7	71403861	1	PLATE WLMT, RH DISCHARGE
	390809X1	3	BOLT,RD HD SQ NK, M10-1.5 X 20 CL8.8
	3811720M1	4	BOLT,HEX FLANGE, M10-1.5 X 25 CL10.9
	PZND1138	1	BOLT,RD HD SQ NK, M10-1.5 X 35 CL8.8
	5000004X1	8	NUT, HEX FLANGE NYL LOCK, M10 X 1.5
8	71403863	1	STRIPPER PLATE, RH DISCHARGE
	390809X1	4	BOLT,RD HD SQ NK, M10-1.5 X 20 CL8.8
	5000004X1	4	NUT, HEX FLANGE NYL LOCK, M10 X 1.5
9	71386169	1	HINGE, DISCHARGE DEFLECTOR
	390809X1	4	BOLT,RD HD SQ NK, M10-1.5 X 25 CL8.8
	5000004X1	4	NUT, HEX FLANGE NYL LOCK, M10 X 1.5
10	71403856	1	DEFLECTOR WLMT, LH ROTOR DISCHARGE
	390809X1	4	BOLT,RD HD SQ NK, M10-1.5 X 20 CL8.8
	5000004X1	4	NUT, HEX FLANGE NYL LOCK, M10 X 1.5
11	71403865	1	ARM, DISCHARGE DEFLECTOR
	3009194X1	2	BOLT,HEX FLANGE, M8-1.25 X 25 CL10.9
	5000003X1	2	NUT, HEX FLANGE NYL LOCK, M8 X 1.25

MC00452  
PR: t06g24h33d0086

ROTOR



**9895 COMBINE  
PROCESSOR**

219

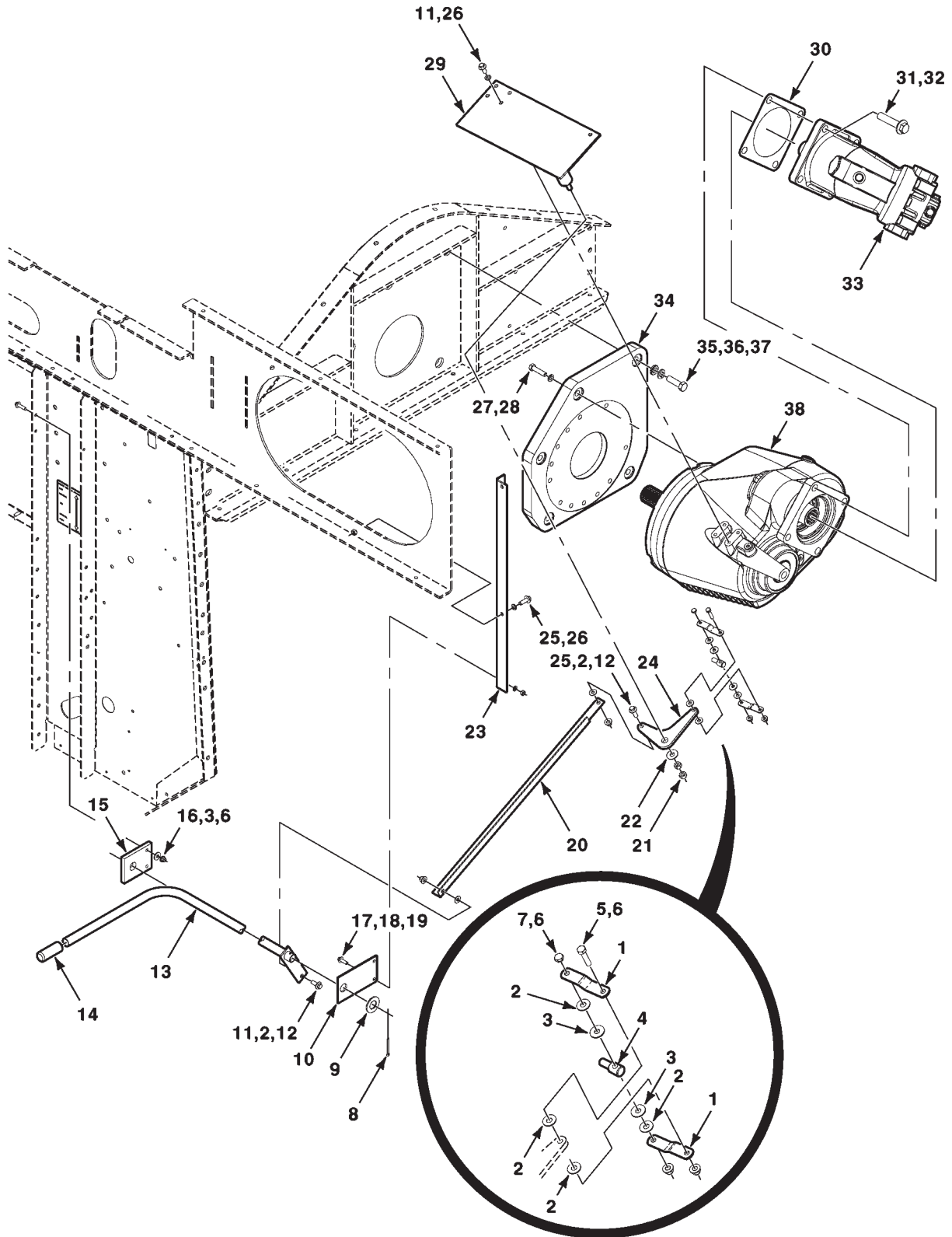
**ROTOR**

ITEM	NUMBER	QTY	DESCRIPTION
-	71407914	1	ROTOR ASY, 800MM DIA, REPAIR(GRAIN, C/S) (INCL. ITEMS 2-15)
1	-----	1	ROTOR WLMT (NOT SERVICED)
2	71408824	1	FLIGHT WLMT, INLET (BALANCED)
	70921210	6	CAPSCREW, 3/8-16 X 1 GR5
	70917378	6	WASHER, 3/8 WIDE
	70916965	6	LOCKWASHER, 3/8
	70950371	9	CAPSCREW, M10-1.5 X 25 CL10.9, PHOS.
	339376X1	9	LOCKWASHER, M10
	385362X1	9	WASHER, HARD, M10
3	390912X1	3	CAPSCREW, M12-1.75 X 40 CL10.9
	385363X1	3	WASHER, HARD, M12
4	101930M1	1	SHAFT, FRONT
	70921525	8	CAPSCREW, 1/2-13 X 1-3/4 GR8
5	71407314	1	HUB WLDMT, ROTOR DRIVE
6	71409711	1	SHIELD WLMT, ROTOR DRIVE
	70912280	8	CAPSCREW, HEX SCKT HD, 1/2-13 X 2, PHOS.
	338690X1	8	WASHER, HARD, PHOS & OIL, M12
7	2442610W1	3	THRESHING ELEMENT
	3015468X1	18	CAPSCREW, M10-1.5 X 30 CL10.9, PHOS.
	385362X1	18	WASHER, HARD, M10
8	71411718	21	PLATE, SEPARATOR
	3010770X1	63	CAPSCREW, M12-1.75 X 35 CL10.9
	339369X1	63	LOCKWASHER, M12
9	2554761W91	21	IMPELLER WLMT
	PZND1041V	42	BOLT,RD HD SQ NK, M8-1.25 X 20 CL8.8
	3019124X1	42	NUT, HEX FLANGE, M8 X 1.25
10	71371520	10	CYLINDER BAR, .75 CHROME (GRN,CRN,SBN)
11	71378577	6	CYL BAR, LONG, FWD .75 CHROME(GN,CN,SBN)
12	71371526	2	CYL BAR, REVERSE, .75 CHROME (GR,CN,SBN)
13	71393107	AR	SHIM .0359
14	70926154	60	CAPSCREW, 1/2-13 X 1 GR8
	Y705046	60	LOCKWASHER, 1/2 REG
15	373293X1	1	SCREW, TRUSS HEAD, 3/8-16 UNC X 3/4
16	2489330W1	1	MOUNT, BEARING
	70923114	6	CAPSCREW, 1/2-13 X 1 GR5
	Y705046	6	LOCKWASHER, 1/2 REG
17	2489920W1	1	SHIELD, BEARING
18	22602X	1	BEARING, WIDE INNER RACE
19	71387470	1	HOUSING, FRONT BEARING, ROTOR
	70923114	4	CAPSCREW, 1/2-13 X 1 GR5
	Y705046	4	LOCKWASHER, 1/2 REG
20	2489940W1	1	WASHER, ROTOR FRONT
21	112752W1	1	WHEEL, ROTOR SPEED
22	832088M1	1	NUT, HEX JAM, SPL, 1-1/2-12
23	71401326	1	BRKT, ROTOR SENSOR

MC00456

PR: t06g24h33d0087

ROTOR DRIVE  
GEARBOX SHIFT LINKAGE



**9895 COMBINE  
PROCESSOR**

221

**ROTOR DRIVE  
GEARBOX SHIFT LINKAGE**

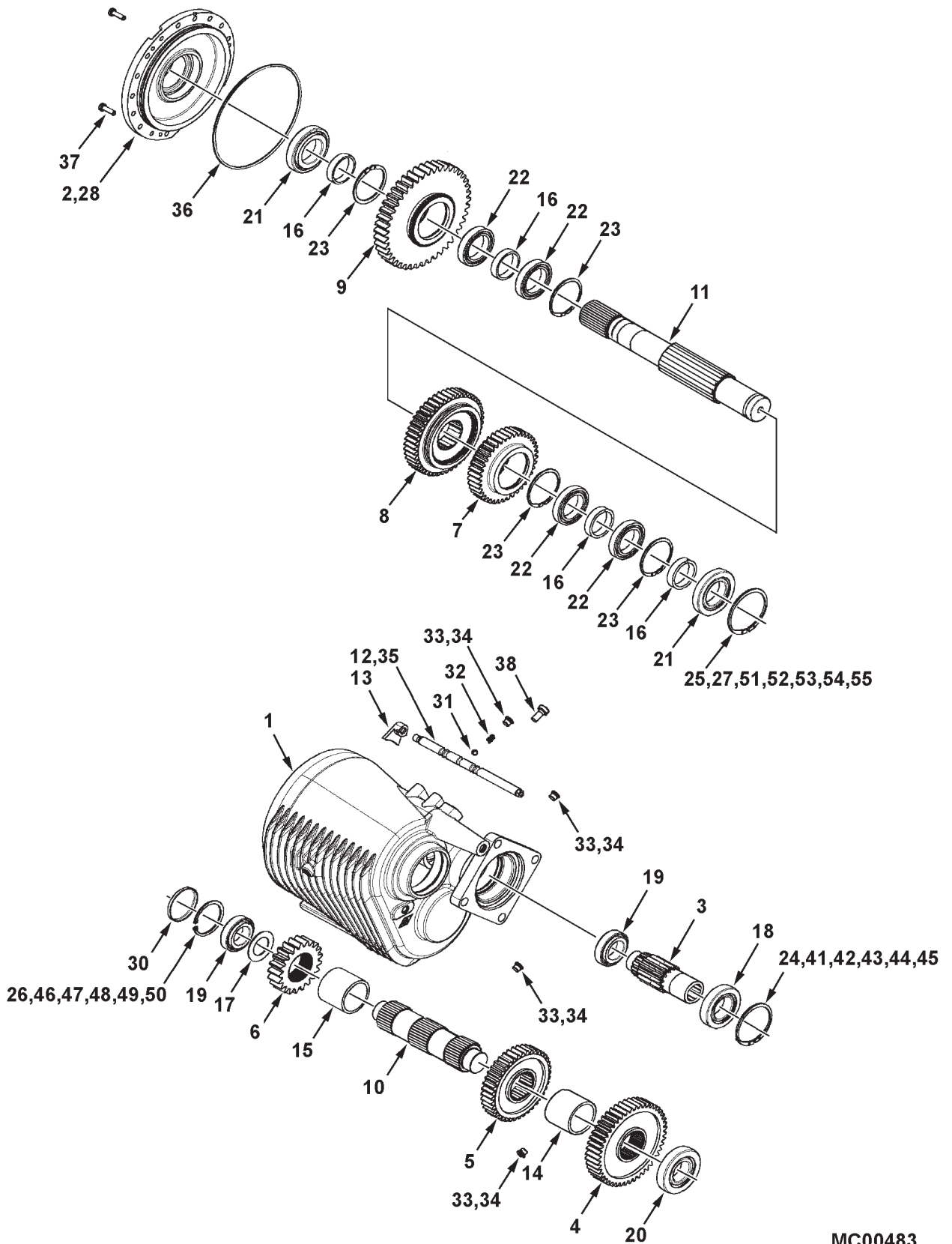
ITEM	NUMBER	QTY	DESCRIPTION
1	71406322	2	LINK, SHIFT
2	71391654	6	WASHER, NYLON FRICTION
3	391039X1	4	WASHER, M8, LARGE
4	71391660	1	SCREW, METRIC SPL, M12 X 1.75
5	1124457	1	CAPSCREW, M8-1.25 X 35 CL8.8
6	5000003X1	4	NUT, HEX FLANGE NYL LOCK, M8 X 1.25
7	1124457	1	CAPSCREW, M8-1.25 X 45 CL8.8
8	70922002	1	3/16 X 2 COTTER PIN
9	705681	1	WASHER, 1 NARROW
10	71406320	1	PLATE-REAR BRG, GS
11	3811720M1	5	BOLT, FLANGE, M10-1.5 X 25 CL10.9
12	5000004X1	2	NUT, HEX FLANGE NYL LOCK, M10 X 1.5
13	71406319	1	CRANK WA-GEARSHIFT
14	71379254	1	GRIP-HANDLE
15	71391270	1	PLATE-FRONT GEARSHIFT
16	3009195X1	2	BOLT, FLANGE, M8-1.25 X 30 CL10.9
17	3009194X1	2	BOLT, FLANGE, M8-1.25 X 25 CL10.9
18	339374X1	2	LOCKWASHER, M8
19	1440203X1	2	NUT, M8 X 1.25, REG
20	71406316	1	LINK, GEARSHIFT
21	3009695X1	2	NUT, M12 X 1.75, REG
22	391212X1	1	WASHER, M12, LARGE
23	71406321	1	ANGLE-SUPPORT, ROTOR GS
24	71406317	1	BELLCRANK-ROTOR GB
25	3009207X1	3	BOLT, FLANGE, M10-1.5 X 30 CL10.9
26	339376X1	6	LOCKWASHER, M10
27	339053X1	12	HEX. BOLT M12X50
28	339369X1	12	LOCKWASHER, M12
29	71406315	1	AHCHOR WA-SHIFTER PIVOT
30	71389765	1	GASKET-HYDROSTATIC TRANS
31	3009260X1	4	BOLT, FLANGE, M20-2.5 X 90 CL10.9
32	5000007X1	4	NUT, HEX FLANGE NYL LOCK, M20 X 2.5
33	71406995	1	MOTOR, HYDRO ROTOR
	700729232	1	VALVE ASY, FLUSH (3 MM ORIFICE)
	71410731	1	KIT, SEAL
34	71407310	1	MOUNT PLATE, ROTOR GEARBOX
35	3384131M1	5	CAPSCREW, M16-2.0 X 55 CL10.9, PHOS.
36	339377X1	5	LOCKWASHER, M16
37	3019575X1	5	FLAT WASHER 17.6X29.8X5
38	71406277	1	GEARBOX, ROTOR, 3-SPEED (SEE BREAKDOWN)

MC00457

PR: t06g24h33d0088

9895 COMBINE  
PROCESSOR

ROTOR DRIVE  
3-SPEED GEARBOX





**9895 COMBINE  
PROCESSOR**

223

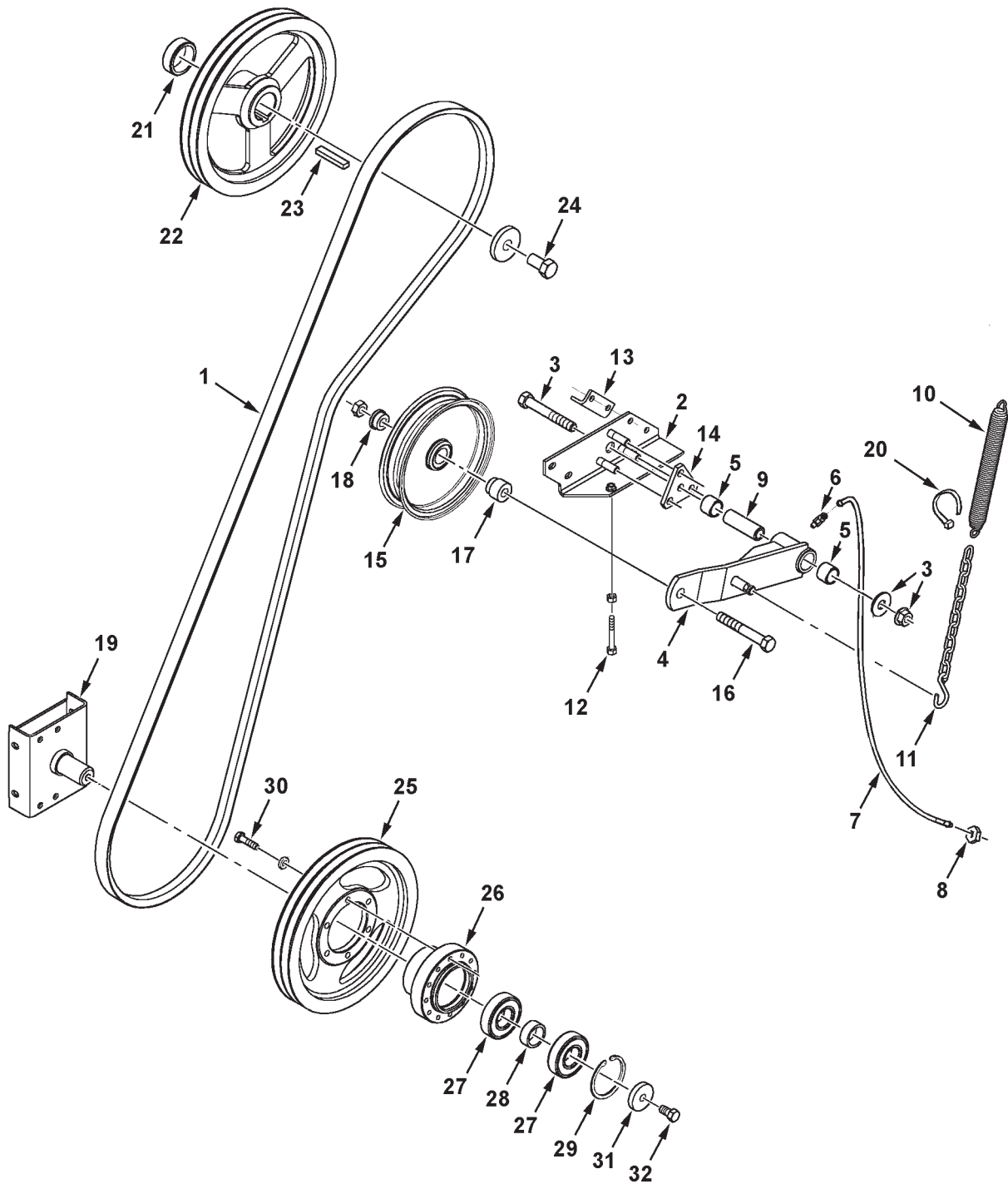
**ROTOR DRIVE  
3-SPEED GEARBOX**

ITEM	NUMBER	QTY	DESCRIPTION
-	71406277	1	GEARBOX, ROTOR, 3-SPEED(INCL. FOLLOWING)
1	71414451	1	HOUSING, GEAR CASE
2	71414452	1	FLANGE, GEARBOX MOUNTING
3	71414453	1	GEAR, 13T
4	71414454	1	GEAR, 47T
5	71414455	1	GEAR, 40T
6	71414456	1	GEAR, 21T
7	71414457	1	GEAR, 40T
8	71414458	1	GEAR, 47T
9	71414459	1	GEAR, 44T
10	71414460	1	SHAFT, INTERMEDIATE
11	71414461	1	SHAFT, OUTPUT
12	71414462	1	RAIL, SHIFT
13	71414463	1	FORK, SHIFT
14	71414464	1	SPACER
15	71414465	1	SPACER
16	71414466	4	SPACER
17	71414467	1	SHIM, WASHER
18	71414468	1	BEARING
19	71414469	2	BEARING
20	71414470	1	BEARING
21	71414471	2	BEARING
22	71414472	4	BEARING
23	71392897	4	SNAP RING, 100 X 3.0
24	71414474	1	SNAP RING, 100 X 4.0
25	71414475	1	SNAP RING, 120 X 4.0
26	71414476	1	SNAP RING, 90 X 3.0
27	71414477	1	SEAL, 65 X 120 X 12
28	71414478	1	SEAL, 65 X 100 X 10
29	71414479	1	SEAL, 65 X 100 X 10 (NOT ILLUSTRATED)
30	71414480	1	CAP, 90 X 10 SEAL
31	71394128	1	BALL, 12MM
32	71394129	1	SPRING, 1.6 X 9.4 X 37.1
33	71394130	7	PLUG, M16 X 1.5
34	71394131	4	GASKET, 16 X 20
35	71394132	1	O-RING, 20 X 2
36	71414486	1	O-RING, 272 X 5.3
37	71414487	3	BOLT, M10 X 35
38	71414488	1	BOLT, M16 X 30
39	71394134	1	PLUG, M16 X 1.5 (NOT ILLUSTRATED)
40	71414490	1	SEAL, METAL RING (NOT ILLUSTRATED)
41	71414491	1	SHIM, 100 X 110 X 2.0
42	71414492	1	SHIM, 100 X 110 X 0.5
43	71414493	1	SHIM, 100 X 110 X 0.3
44	71414494	1	SHIM, 100 X 110 X 0.15
45	71414495	1	SHIM, 100 X 110 X 0.1
46	71414496	1	SHIM, 80 X 90 X 2.0
47	71414497	1	SHIM, 80 X 90 X 0.5
48	71414498	1	SHIM, 80 X 90 X 0.3
49	71414499	1	SHIM, 80 X 90 X 0.15
50	71414500	1	SHIM, 80 X 90 X 0.1
51	71414501	1	SHIM, 110 X 120 X 2.0
52	71414502	1	SHIM, 110 X 120 X 0.5
53	71414503	1	SHIM, 110 X 120 X 0.3
54	71414504	1	SHIM, 110 X 120 X 0.15
55	71414505	1	SHIM, 110 X 120 X 0.1

MC00483  
PR: t06g24h33d0089

9895 COMBINE  
CHOPPER & SPREADER

JACKSHAFT DRIVE



**9895 COMBINE  
CHOPPER & SPREADER**

225

**JACKSHAFT DRIVE**

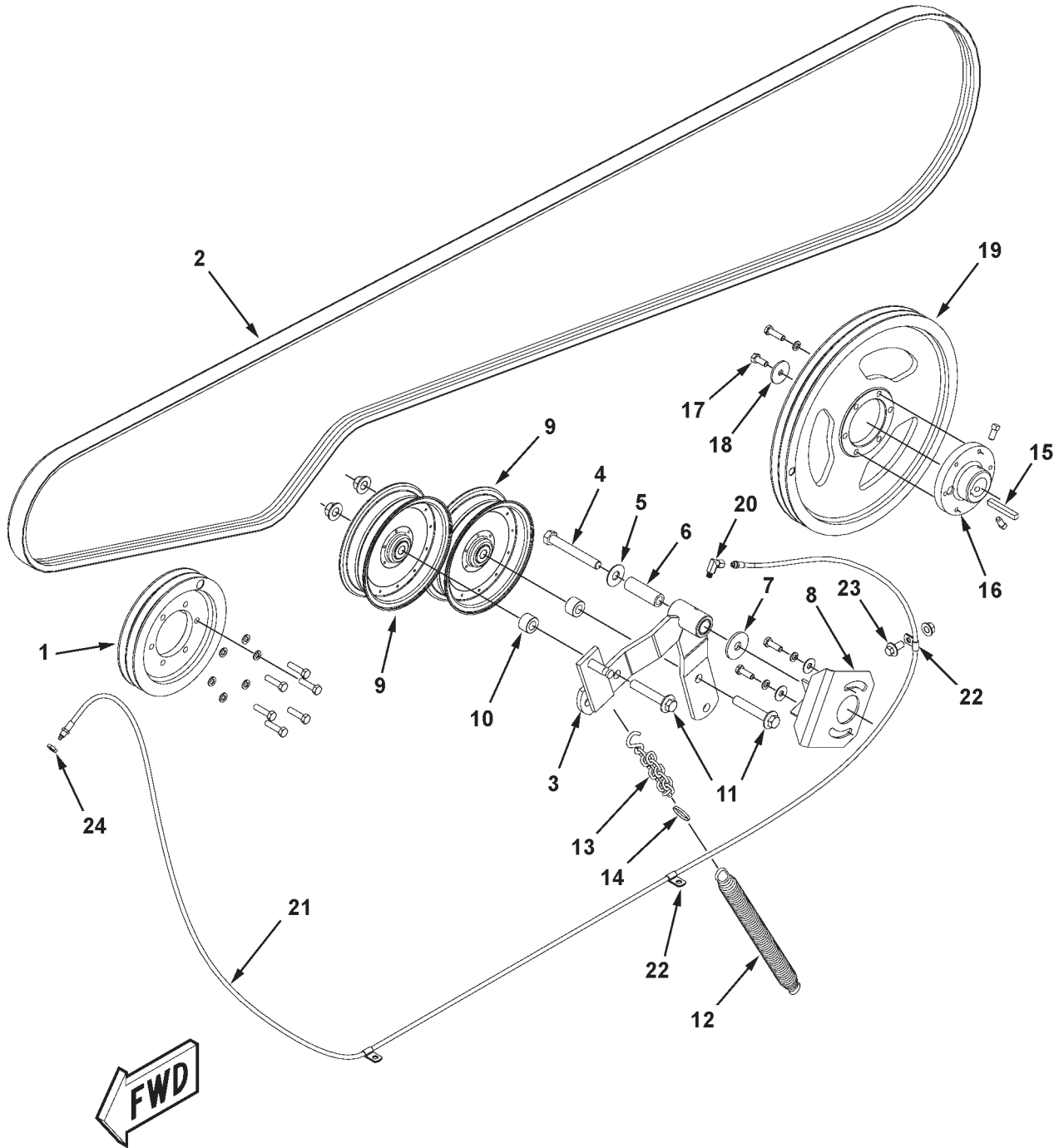
ITEM	NUMBER	QTY	DESCRIPTION
1	71406338	1	BELT, PRIMARY, CHOPPER DRIVE
	227455M1	1	BELT, PRIMARY DR, SPREADER
2	71406336	1	ANCHOR WLMT, TRIPOD
	3811720M1	2	BOLT,HEX FLANGE, M10-1.5 X 25 CL10.9
	3009493X1	2	CAPSCREW, M10-1.5 X 30 CL8.8
	5000004X1	2	NUT, HEX FLANGE NYL LOCK, M10 X 1.5
3	339498X1	1	CAPSCREW, M16-2.0 X 110 CL8.8
	3019565X1	1	WASHER, M16, LARGE
	5000006X1	1	NUT, HEX FLANGE NYL LOCK, M16 X 2.0
4	71406352	1	ARM ASY, JACKSHAFT IDLER (INCL ITEM 5)
5	1689170W1	2	BUSHING, 1.0 ID X 1.24 X .75 LG
6	70932853	1	ELBOW, 90 DEG, 1/8 NPTF X 1/8 NPSM FEM
7	71411221	1	HOSE ASY, LUBE, 47" LG
8	700713413	1	NUT, 1/8 NPSM
9	2441490W1	1	SLEEVE, 41/64 X 63/64 X 3-1/16 LG
10	101276M2	1	SPRING, IDLER TENSIONER
11	2630100W2	1	CHAIN, IDLER TENSIONER
12	CL237842C1	1	CAPSCREW, FULL THD, M10-1.5 X 65 CL8.8
	339402X1	1	NUT, M10 X 1.5, REG
13	71406373	1	ANGLE, CONNECTOR
	700708349	2	CAPSCREW, M10-1.5 X 25 CL8.8
	339376X1	2	LOCKWASHER, M10
14	71406374	1	MOUNTING PLATE
	339495X1	6	JAM NUT, M16 X 2.0
15	71309767	1	IDLER, 8.0 DIA (CHOPPER)
	2553560W1	1	IDLER, FLAT, 8.0 DIA (SPREADER)
16	390864X1	1	CAPSCREW, M16-2.0 X 80 CL8.8 (CHOPPER)
	3009242X1	1	SCR,HX FLANGE, M16-2.0 X 70 CL10.9 (SPR)
	5000006X1	1	NUT, HEX FLANGE NYL LOCK, M16 X 2.0
17	71312176	1	SPACER, IDLER (CHOPPER ONLY)
18	71312602	1	SPACER, IDLER (CHOPPER ONLY)
19	71406349	1	SUPPORT WLMT, JACKSHAFT
	700708349	4	CAPSCREW, M10-1.5 X 25 CL8.8
	339376X1	4	LOCKWASHER, M10
20	70925094	1	TIE, BLACK NYLON, SELF-LOCK .18 X 7.3
21	2619380W1	1	SPACER, MAIN COUNTERSHAFT
22	71406327	1	SHEAVE, DRIVE, CHOPPER
	2503350W1	1	SHEAVE, DRIVE, SPREADER
23	Y61879	1	KEY, SQ. 1/2 X 2-1/2
24	1441704X1	1	CAPSCREW, M20-2.5 X 40 CL8.8
	104751W1	1	WASHER, .78 ID X 2.5 OD X 3/8
25	71406328	1	SHEAVE, CHOPPER DRIVEN, JACKSHAFT
	2628310W1	1	SHEAVE, SPREADER DRIVEN, JACKSHAFT
26	71406330	1	HUB, JACKSHAFT, CHOPPER
27	354920X1	2	BEARING, BALL
28	2619180W1	1	SPACER, BEARING
29	70925997	1	RING, INTERNAL SNAP, 3-17/32 X 7/64
30	3009495X1	6	CAPSCREW, M10-1.5 X 40 CL8.8(CHOPPR)
	3001429X1	6	CAPSCREW, M10-1.5 X 35 CL8.8(SPREDR)
	339376X1	6	LOCKWASHER, M10
31	2485470W1	1	WASHER, 17/32 X 2 X 3/8
32	3009505X1	1	CAPSCREW, M12-1.75 X 25 CL8.8

MC00458

PR: t06g24h33d0090

9895 COMBINE  
CHOPPER & SPREADER

CHOPPER  
SECONDARY DRIVE



**9895 COMBINE  
CHOPPER & SPREADER**

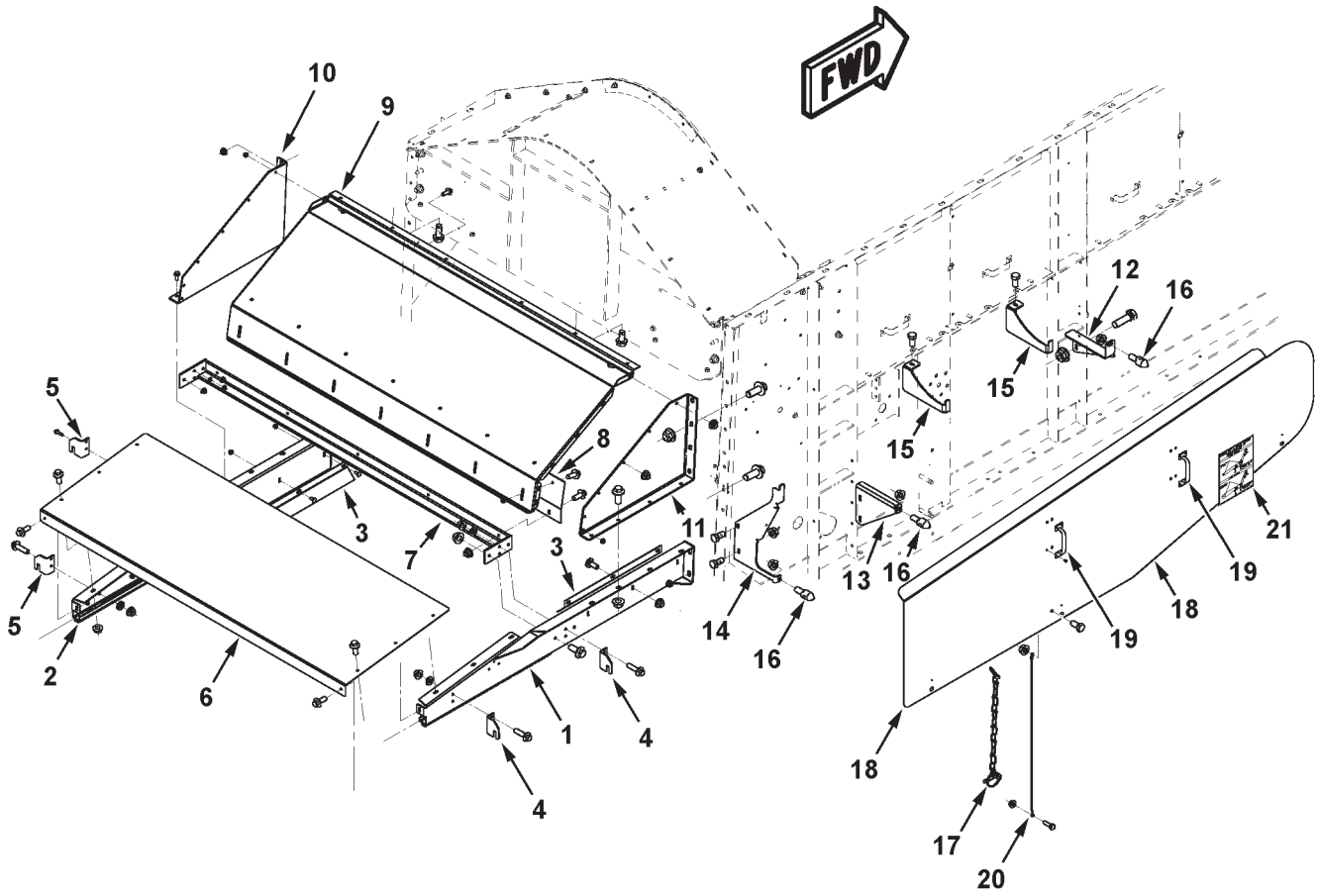
227

**CHOPPER  
SECONDARY DRIVE**

ITEM	NUMBER	QTY	DESCRIPTION
1	71406333	1	SHEAVE, DRIVER, 9.4 DIA (LOW SPEED)
	71406332	1	SHEAVE, DRIVER, 17.5 DIA (HIGH SPEED)
	3009495X1	6	CAPSCREW, M10-1.5 X 40 CL8.8
	339376X1	6	LOCKWASHER, M10
2	71406339	1	BELT, SECONDARY DRIVE
3	71387307	1	ARM ASY, W/ BUSHINGS
	1689170W1	2	BUSHING, 1 ID X 3/4 LG
4	339616X1	1	CAPSCREW, M16-2.0 X 120 CL8.8
5	3019565X1	1	WASHER, M16, LARGE
6	2441490W1	1	SLEEVE, 41/64 X 63/64 X 3-1/16 LG
7	70923104	1	WASHER, .656 X 2.125 X .180
8	71406364	1	STOP WLMT, IDLER
	3009493X1	2	CAPSCREW, M10-1.5 X 30 CL8.8
	339376X1	2	LOCKWASHER, M10
	70917378	2	WASHER, M10, LARGE
9	31-2455700	2	IDLER, FLAT, 8-3/4 OD
10	2451440W1	2	SPACER, IDLER
11	3009244X1	2	BOLT, HEX FLANGE, M16-2.0 X 90 CL10.9
	5000006X1	2	NUT, HEX FLANGE NYL LOCK, M16 X 2.0
12	101276M2	1	SPRING
13	2630100W2	1	CHAIN ASY, CHOPPER SPRING
14	70925094	1	TIE, NYLON LOCKING, .184 X 7.3
15	61234	1	KEY, SQ. 3/8 X 2-3/4 LG
16	71408762	1	HUB, CHOPPER SHEAVE
	3009627X1	2	SETSCREW, SQ HD, M10-1.5 X 20
17	700708349	1	CAPSCREW, M10-1.5 X 25 CL8.8
18	339768X1	1	WASHER, 11 X 45 X 3.5 THK (METRIC)
19	71406332	1	SHEAVE, DRIVEN, 17.5 DIA (LOW SPEED)
	71406333	1	SHEAVE, DRIVEN, 9.4 DIA (HIGH SPEED)
	3001429X1	6	CAPSCREW, M10-1.5 X 35 FULL THD, CL8.8
	339376X1	6	LOCKWASHER, M10
20	70932853	1	ELBOW, 90 DEG, 1/8 NPTF X 1/8 NPSM FEM
21	71411876	1	HOSE ASY, LUBE, 126" LG
22	70926917	3	CLAMP, LINE, 3/8 DIA X .406 HOLE
23	3009219X1	1	BOLT, HEX FLANGE, M12-1.75 X 25 CL10.9
	3009695X1	1	NUT, HEX FLANGE, M12 X 1.75
24	700713413	1	NUT, 1/8 NPSM
-	71407166	1	KIT, DRIVE (NO CHOPPER/SPREADR OPTION ON COMBINE)(FIELD INSTALLED) (ORDER THRU DEALER CENTRAL)
-	71407163	1	KIT, STRAW CHOPPER, REDEKOP (CONVERSION OF SPREADER TO CHOPPER)(FIELD INSTL) (ORDER THRU DEALER CENTRAL)

MC00459  
PR: t06g24h33d0091

CHOPPER HOOD & SUPPORTS



9895 COMBINE  
CHOPPER & SPREADER

229

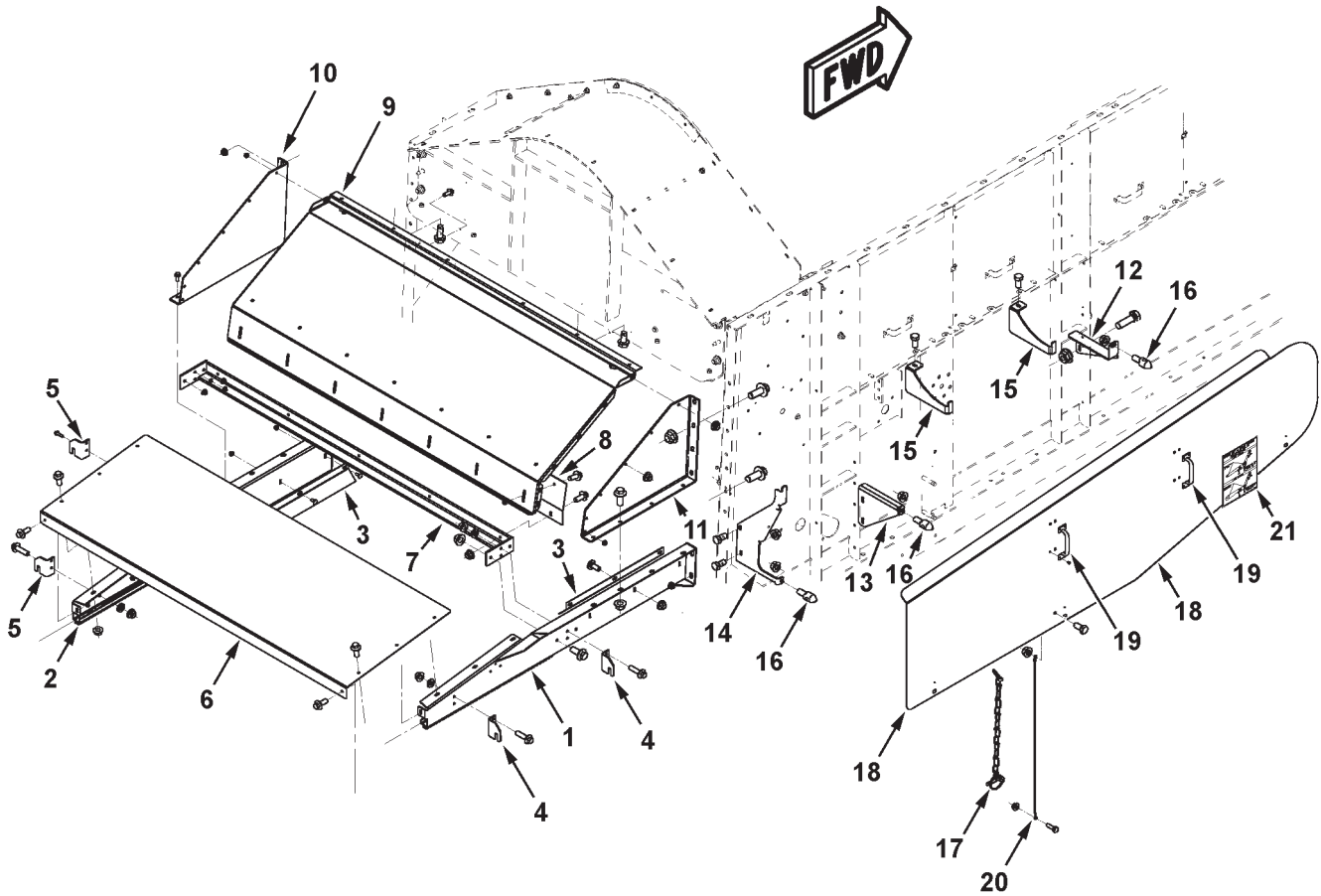
CHOPPER HOOD & SUPPORTS

ITEM	NUMBER	QTY	DESCRIPTION
1	71387357	1	RAIL WLMT, SIDE (RH)
	3818907M1	2	BOLT,HX FLANGE, M12-1.75 X 30 CL10.9
	5000005X1	2	NUT, HEX FLANGE NYL LOCK, M12 X 1.75
2	71387355	1	RAIL WLMT, SIDE (LH)
	3818907M1	2	BOLT,HX FLANGE, M12-1.75 X 30 CL10.9
	5000005X1	2	NUT, HEX FLANGE NYL LOCK, M12 X 1.75
3	104035W1	2	ANGLE, DEFLECTOR
	PZND1041V	6	BOLT,RD HD SQ NK, M8-1.25 X 20 CL8.8
	5000003X1	6	NUT, HEX FLANGE NYL LOCK, M8 X 1.25
4	71379261	2	PLATE, STOP RH
	3009195X1	4	BOLT,HEX FLANGE, M8-1.25 X 30 CL10.9
	385361X1	4	WASHER, HARD, M8
	5000003X1	4	NUT, HEX FLANGE NYL LOCK, M8 X 1.25
5	71379260	2	PLATE, STOP LH
	3009195X1	4	BOLT,HEX FLANGE, M8-1.25 X 30 CL10.9
	385361X1	4	WASHER, HARD, M8
	5000003X1	4	NUT, HEX FLANGE NYL LOCK, M8 X 1.25
6	71387801	1	PANEL, REAR COVER
	339123X1	8	BOLT,HEX FLANGE, M8-1.25 X 20 CL10.9
	5000003X1	8	NUT, HEX FLANGE NYL LOCK, M8 X 1.25
7	71376170	1	ANGLE WLMT, CHOPPER
	3811720M1	4	BOLT,HEX FLANGE, M10-1.5 X 25 CL10.9
	5000004X1	4	NUT, HEX FLANGE NYL LOCK, M10 X 1.5
8	71376157	1	PANEL, COVER
	339123X1	12	BOLT,HEX FLANGE, M8-1.25 X 20 CL10.9
	5000003X1	12	NUT, HEX FLANGE NYL LOCK, M8 X 1.25
9	71376154	1	HOOD, TOP
	3019050X1	4	SCR,HEX WSHR HD TAPPING,M10-1.5 X 25
	3019052X1	2	SCR,HEX WSHR HD TAPPING,M10-1.5 X 35
10	103339W1	1	HOOD, SIDE, LH
	3818907M1	4	BOLT,HX FLANGE, M12-1.75 X 30 CL10.9
	5000005X1	4	NUT, HEX FLANGE NYL LOCK, M12 X 1.75
	3811720M1	4	BOLT,HEX FLANGE, M10-1.5 X 25 CL10.9
	5000004X1	4	NUT, HEX FLANGE NYL LOCK, M10 X 1.5
	339123X1	6	BOLT,HEX FLANGE, M8-1.25 X 20 CL10.9
	5000003X1	6	NUT, HEX FLANGE NYL LOCK, M8 X 1.25
11	103338W1	1	HOOD, SIDE, RH
	3818907M1	4	BOLT,HX FLANGE, M12-1.75 X 30 CL10.9
	5000005X1	4	NUT, HEX FLANGE NYL LOCK, M12 X 1.75
	3811720M1	4	BOLT,HEX FLANGE, M10-1.5 X 25 CL10.9
	5000004X1	4	NUT, HEX FLANGE NYL LOCK, M10 X 1.5
	339123X1	6	BOLT,HEX FLANGE, M8-1.25 X 20 CL10.9
	5000003X1	6	NUT, HEX FLANGE NYL LOCK, M8 X 1.25

CONTINUED

MC00460  
PR: t06g24h33d0092

CHOPPER HOOD & SUPPORTS





9895 COMBINE  
CHOPPER & SPREADER

231

CHOPPER HOOD & SUPPORTS

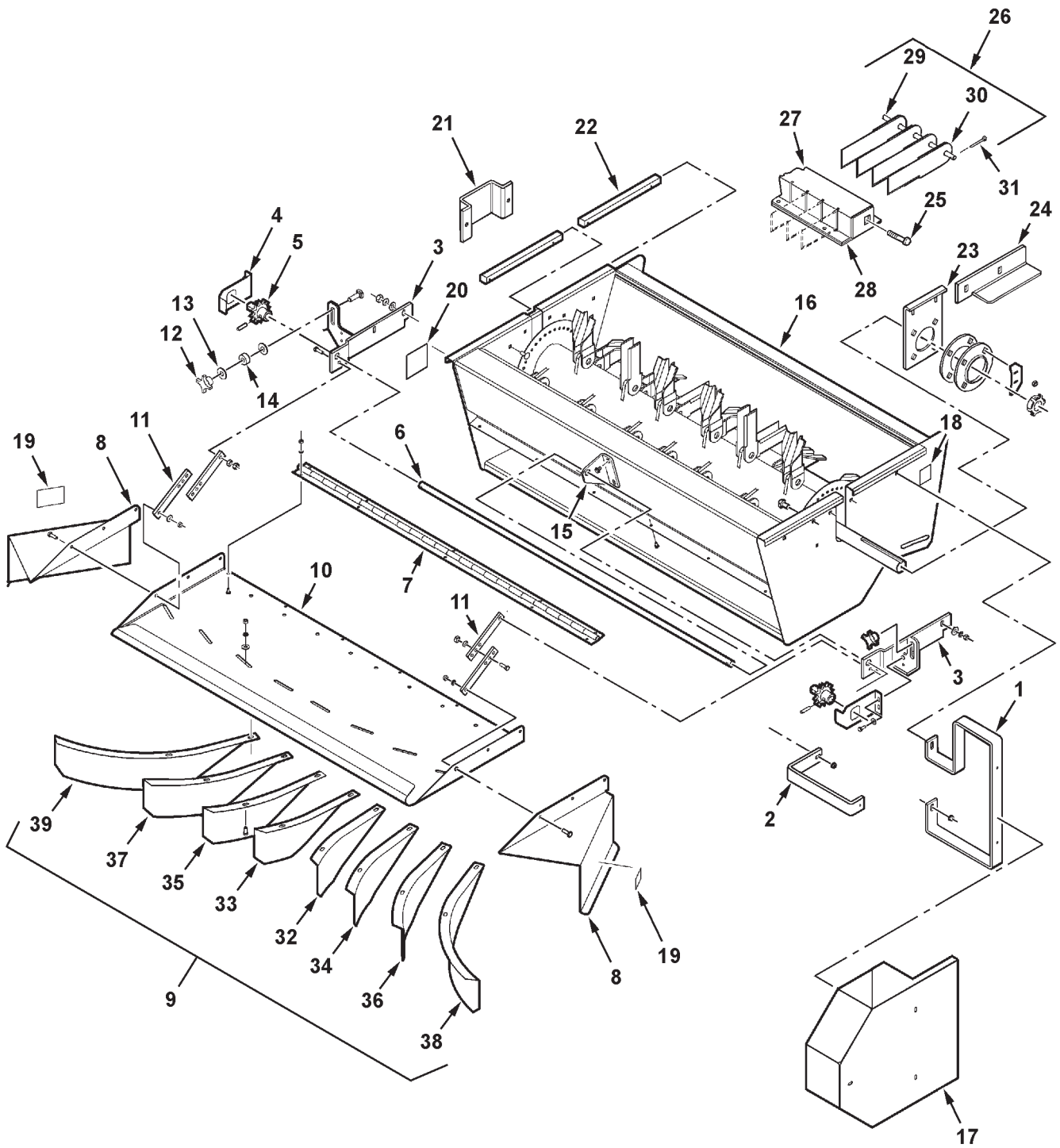
ITEM	NUMBER	QTY	DESCRIPTION
12	71415126	1	BRACKET, SHIELD MNTG
	7771991	1	CAPSCREW, M6-1.0 X 20 CL8.8
	700716694	1	NUT, HEX FLANGE TOP LOCK, M6 X 1.0
13	71410319	1	BRACKET, SHIELD MNTG
14	71410318	1	BRACKET, SHIELD MNTG
	70921965	2	CAPSCREW, 3/8-16 X 3/4 GR5
	704247	2	LOCKNUT, HEX SERR FLANGE, 3/8-16
15	71410320	2	BRACKET, SHIELD MNTG
16	1656110W2	3	PIN, SHIELD LOCK
	704247	3	LOCKNUT, HEX SERR FLANGE, 3/8-16
17	863415	12	PIN, KLIK, W/ CHAIN
18	71410322	1	SHIELD WLMT, CHOPPER DRIVE
19	71304149	2	HANDLE, SHIELD
	70924837	8	POP RIVET, .188 X .063-.125 GRIP
20	112942W1	1	CABLE, TETHER
	70921965	1	CAPSCREW, 3/8-16 X 3/4 GR5
	704247	1	LOCKNUT, HEX SERR FLANGE, 3/8-16
	7771991	1	CAPSCREW, M6-1.0 X 20 CL8.8
	700716694	1	NUT, HEX FLANGE TOP LOCK, M6 X 1.0
21	71408765	1	DECAL, CHOPPER DRIVE

MCO0460

PR: t06g24h33d0092

9895 COMBINE  
CHOPPER & SPREADER

CHOPPER HOUSING  
REDEKOP



**9895 COMBINE  
CHOPPER & SPREADER**

233

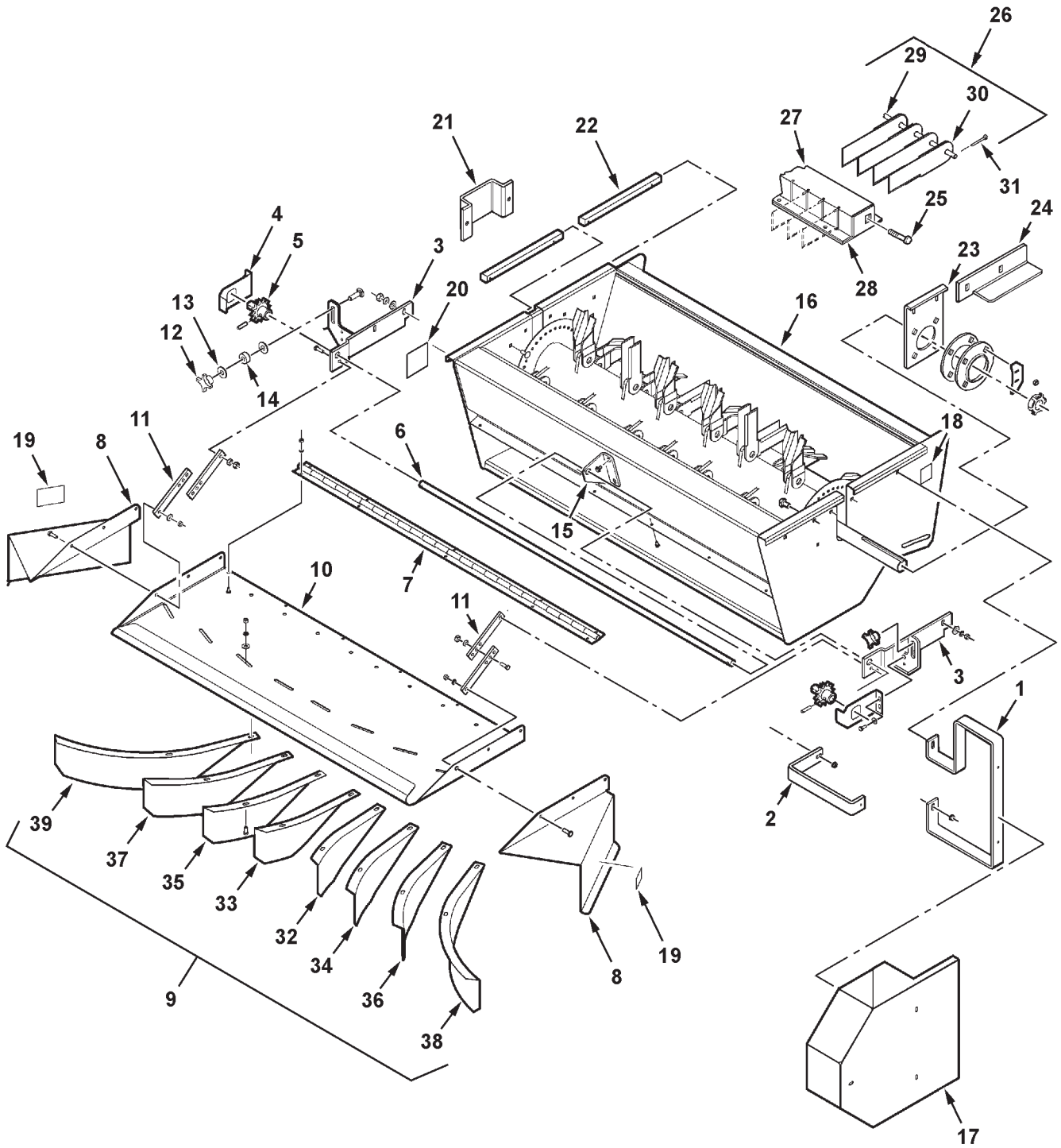
**CHOPPER HOUSING  
REDEKOP**

ITEM	NUMBER	QTY	DESCRIPTION
1	71410325	1	BRACKET, DRIVE SHIELD, FRONT
	390809X1	1	BOLT, RD HD SQ NK, M10-1.5 X 25 CL8.8
	3019125X1	1	NUT, HEX FLANGE, M10-1.5
	385362X1	1	WASHER, HARD, M10
2	71410324	1	BRACKET, DRIVE SHIELD
	390809X1	1	BOLT, RD HD SQ NK, M10-1.5 X 25 CL8.8
	3019125X1	1	NUT, HEX FLANGE, M10-1.5
	385362X1	1	WASHER, HARD, M10
3	71387842	1	BRACKET WLDMT, CHOP/WINDROW (RH)
	71387846	1	BRACKET WLDMT, CHOP/WINDROW (LH)
	390809X1	4	BOLT, RD HD SQ NK, M10-1.5 X 25 CL8.8
	385362X1	4	WASHER, HARD, M10
	3019125X1	4	NUT, HEX FLANGE, M10-1.5
4	71388967	2	SHIELD, SPROCKET
	3009183X1	2	BOLT, HEX FLANGE, M6-1.0 X 20 CL10.9
	3019571X1	4	WASHER, HARD, M6
	5000002X1	4	NUT, HEX FLANGE NYL LOCK, M6 X 1.0
5	71386195	2	SPROCKET
	70922080	2	PIN, SPIROL, 5/16 X 1-3/8
6	71389474	1	SHAFT, CHOPPER/WINDROWER
7	71389451	1	HINGE, TAILPLATE
	3009181X1	14	BOLT, HEX FLANGE, M6-1.0 X 12 CL10.9
	5000002X1	14	NUT, HEX FLANGE NYL LOCK, M6 X 1.0
8	71383736	1	EXTENSION, TAILPLATE (RH)
	71383737	1	EXTENSION, TAILPLATE (LH)
	339123X1	4	BOLT, HEX FLANGE, M8-1.25 X 20 CL10.9
	3009195X1	2	BOLT, HEX FLANGE, M8-1.25 X 30 CL10.9
	385361X1	6	WASHER, HARD, M8
	5000003X1	6	NUT, HEX FLANGE NYL LOCK, M8 X 1.25
9	71393439	1	KIT, DEFLECTOR (8 DEFLECTORS) (INCLUDES ITEMS 32-39)
	PZND1041V	16	BOLT, RD HD SQ NK, M8-1.25 X 20 CL8.8
	385361X1	16	WASHER, HARD, M8
	3019124X1	16	NUT, HEX FLANGE, M8-1.25
10	71389473	1	TAILPLATE
11	71378250	4	STRAP, TAILPLATE
	3009195X1	2	BOLT, HEX FLANGE, M8-1.25 X 30 CL10.9
	3009194X1	2	BOLT, HEX FLANGE, M8-1.25 X 25 CL10.9
	385361X1	4	WASHER, HARD, M8
	5000003X1	4	NUT, HEX FLANGE NYL LOCK, M8 X 1.25
12	71379249	2	KNOB
	768226	2	BOLT, RD HD SQ NK, 1/2-13 X 1-3/4
13	70918431	4	WASHER, PLAIN WIDE 1/2
14	D49080090	2	WASHER, RUBBER
15	71387351	1	BRACKET, CHOP/WINDROW
	70924856	2	SCREW, HX WSH HD TAP'G 5/16-18 X 1/2

CONTINUED

MC00461  
PR: t06g24h33d0093

CHOPPER HOUSING  
REDEKOP



**9895 COMBINE  
CHOPPER & SPREADER**

235

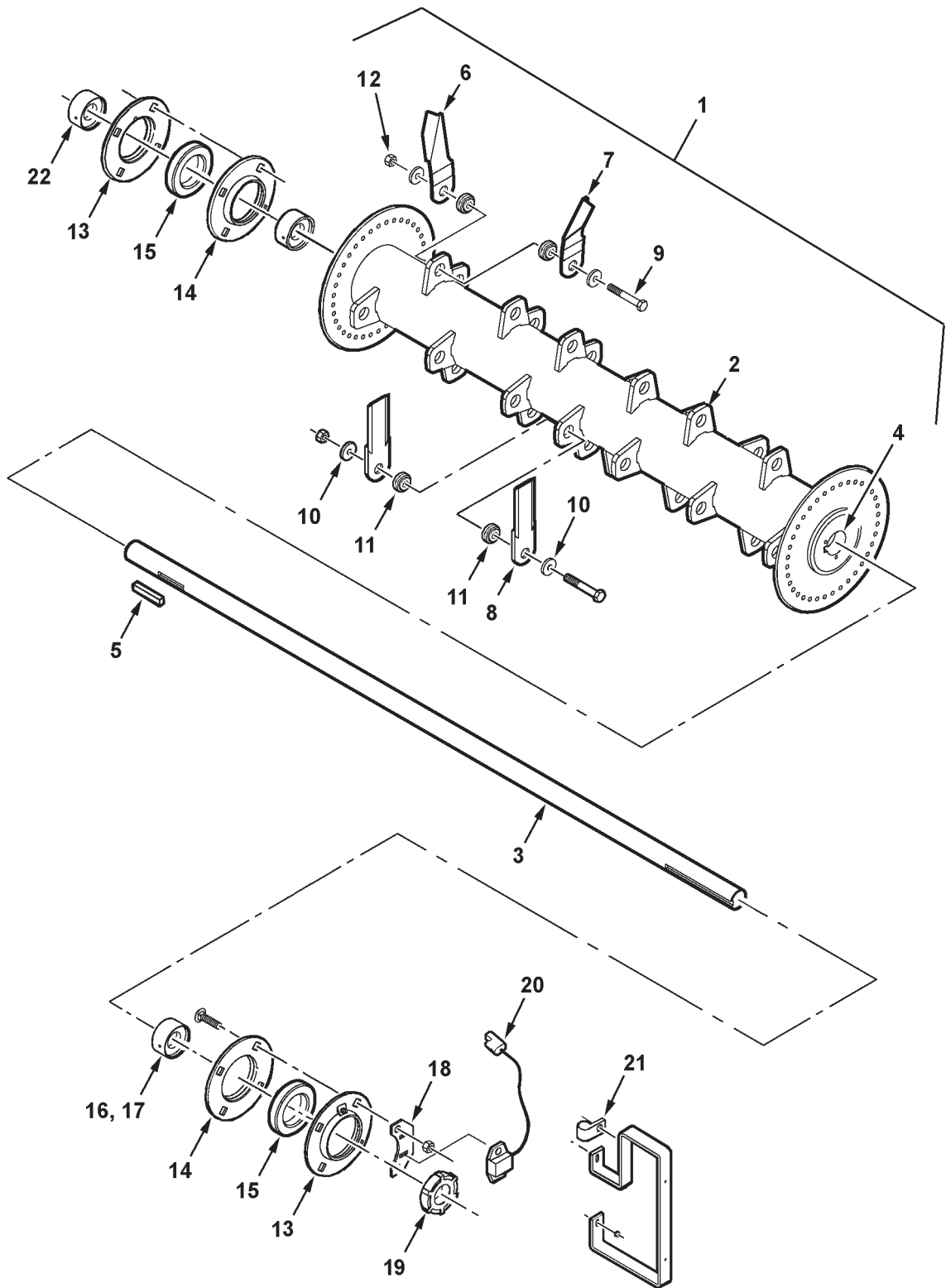
**CHOPPER HOUSING  
REDEKOP**

ITEM	NUMBER	QTY	DESCRIPTION
16	71409836	1	CHOPPER HSG.& ROTOR ASY(INCL. ITS 21-31)
	71409835	1	HOUSING WLMT, CHOPPER
17	71410323	1	SHIELD WLMT, DRIVE BELT
	7883267	3	SCREW, HX WSHR HD MACH, 1/4-20 X 1/2
	70917377	3	WASHER, 1/4, WIDE
18	111091W1	1	LABEL, DANGER
19	111737W1	2	LABEL, WARNING
20	105177W1	1	LABEL, CHOPPER KNIVES
21	116250W1	1	BRACKET, SHAFT COVER
	PZND1041V	2	BOLT,RD HD SQ NK, M8-1.25 X 20 CL8.8
	385361X1	2	WASHER, HARD, M8
	3019124X1	2	NUT, HEX FLANGE, M8-1.25
22	116249W1	4	RUNNER, RAIL
	70937280	8	SCREW, PAN HD TAPPING, #8-32 X 3/4
23	116248W91	2	PLATE, BEARING MOUNT
	PZND1041V	4	BOLT,RD HD SQ NK, M8-1.25 X 20 CL8.8
	385361X1	4	WASHER, HARD, M8
	3019124X1	4	NUT, HEX FLANGE, M8-1.25
24	71400478	1	BRACKET, CHOPPER
	390809X1	2	BOLT,RD HD SQ NK, M10-1.5 X 25 CL8.8
	385362X1	2	WASHER, HARD, M10
	3019125X1	2	NUT, HEX FLANGE, M10 X 1.5
25	385391X1	2	BOLT, RD HD SQ NK, M12-1.75 X 35
	3009695X1	2	NUT, HEX FLANGE, M12-1.75
	391212X1	2	WASHER, M12, LARGE
26	71395249	1	KNIFE BAR ASY, CHOPPER (INCL. 27-31)
27	71398402	1	SUPPORT WLDMT, STATIONARY KNIFE
28	71398401	1	SUPPORT PLATE ASY, STATIONARY KNIFE BAR
	70930594	16	SCREW, HEX FLNG SERR, 1/4-20 X 3/4
	70931209	16	LOCKNUT, HEX FLNG SERR, 1/4-20
29	71398403	1	ROD, KNIFE BAR
30	71382269	31	KNIFE, STATIONARY
31	70918447	2	COTTER PIN, 3/32 X 3/4
32	71406951	1	DEFLECTOR, RH #1
33	71406952	1	DEFLECTOR, LH #1
34	71406953	1	DEFLECTOR, RH #2
35	71406954	1	DEFLECTOR, LH #2
36	71406970	1	DEFLECTOR, RH #3
37	71406971	1	DEFLECTOR, LH #3
38	71406972	1	DEFLECTOR, RH #4
39	71406973	1	DEFLECTOR, LH #4

MC00461

PR: t06g24h33d0093

STRAW CHOPPER  
ROTOR



**9895 COMBINE  
CHOPPER & SPREADER**

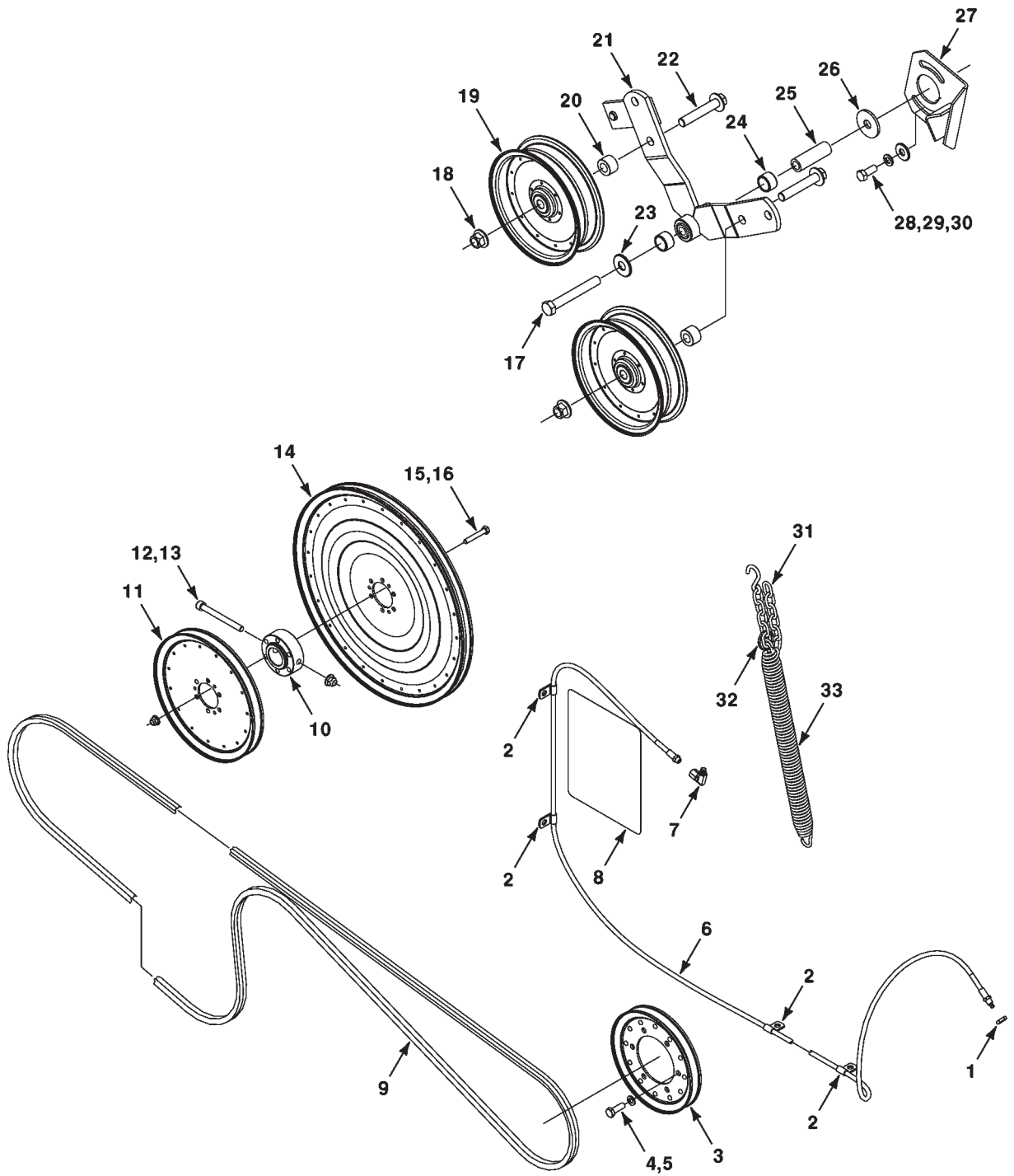
237

**STRAW CHOPPER  
ROTOR**

ITEM	NUMBER	QTY	DESCRIPTION
1	71409834	1	ROTOR ASY, CHOPPER (INCL. IT 6-12)
2	-----	1	ROTOR WLDMT, CHOPPER (ORDER ITEM 1)
3	-----	--	SHAFT, (NOT SERVICED)
4	-----	--	HUB, (NOT SERVICED)
5	-----	--	KEY, (NOT SERVICED)
6	71382758	20	BLADE, PADDLE, LEFT
7	71382759	20	BLADE, PADDLE, RIGHT
8	71395250	20	BLADE, STRAIGHT
9	3010842X1	30	CAPSCREW, M10-1.5 X 60 CL10.9
10	71382256	60	WASHER, HARD, CHOPPER BLADE
11	71382257	60	BUSHING, CHOPPER BLADE
12	3008169X1	30	NUT, HEX LOCK, M10-1.5
13	7711419	2	FLANGETTE, BRG, 80MM W/ LUBE FTG
14	7711401	2	FLANGETTE, BRG, 80MM
	385391X1	6	BOLT, RD HD SQ NK, M12-1.75 X 35
	3009340X1	2	BOLT, RD HD SQ NK, M12-1.75 X 45
	3009695X1	8	NUT, HEX FLANGE, M12-1.75
15	10970	2	BEARING, SPHERICAL, LESS COLLAR
16	116953W91	2	ANTI-WRAP WLDMT
17	70906852	2	SETSCREW, HEX SOCKET, 5/16-18 X 3/4
18	71315785	1	BRACKET, SENSOR
	3009696X1	2	JAM NUT, M12 X 1.75
19	71315780	1	COLLAR WLMT, SENSING
20	71391021	1	SENSOR, 2 WIRE
	70931317	2	BOLT, RD HD SQ NK, 1/4-20 X 3/4
	705012	2	LOCKWASHER, 1/4
	70916622	2	NUT, 1/4-20 REG
21	700725918	2	J-CLIP, 5/16 DIA X .281 HOLE
	7703457	2	CAPSCREW, 1/4-20 X 3/4
	705012	2	LOCKWASHER, 1/4
	70917377	2	WASHER, 1/4 WIDE
22	1720176	1	COLLAR, BEARING LOCK

MC00462  
PR: t06g24h33d0094

SPREADER SECONDARY DRIVE





9895 COMBINE  
CHOPPER & SPREADER

239

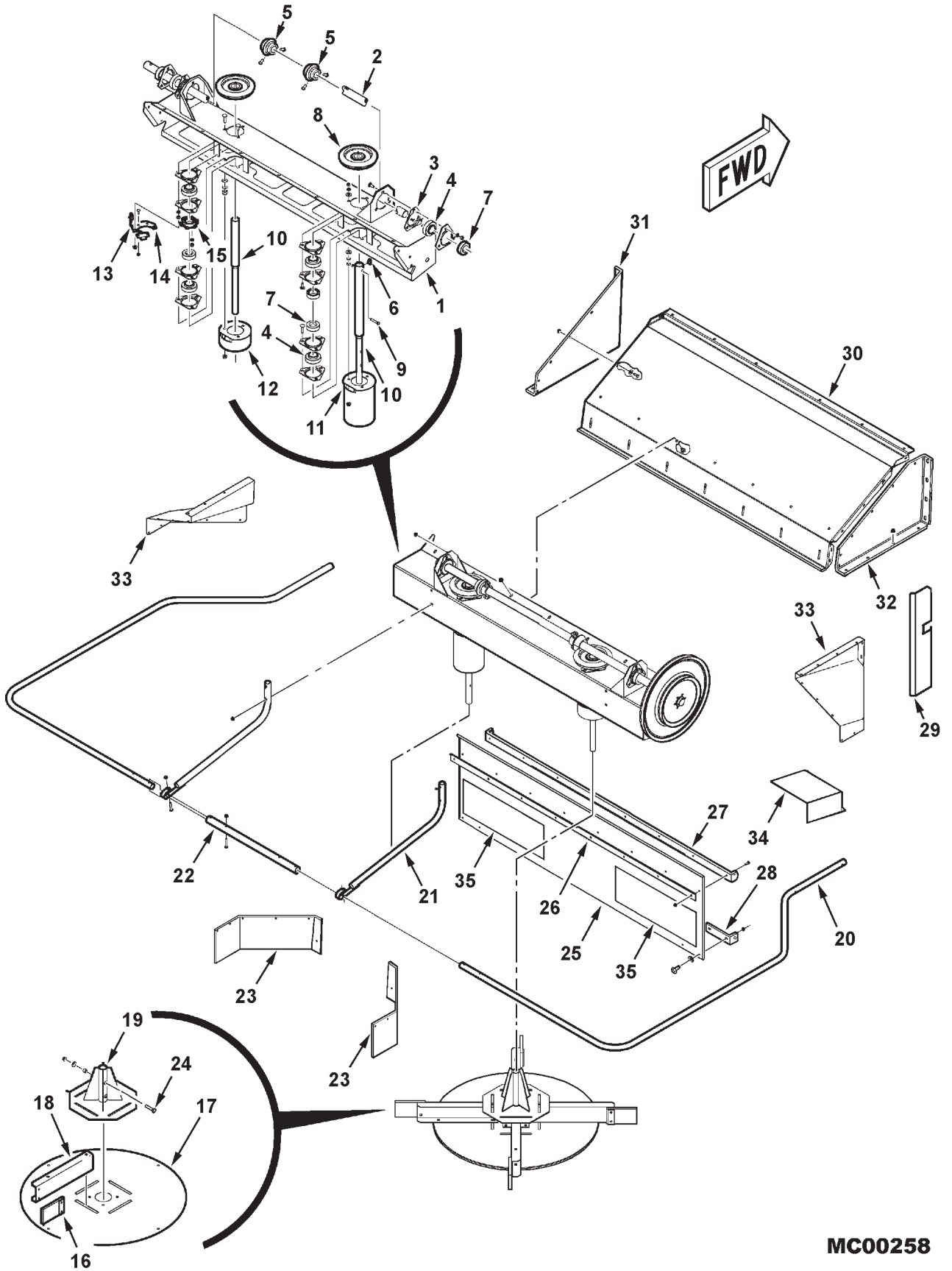
SPREADER SECONDARY DRIVE

ITEM	NUMBER	QTY	DESCRIPTION
1	700713413	1	NUT, 1/8 NPSM
2	70926917	4	CLAMP-LINE
3	2628321W92	1	SHEAVE ASM-SPREADER DRIVE
4	3009493X1	6	CAPSCREW, M10-1.5 X 30 CL8.8
5	339376X1	6	LOCKWASHER, M10
6	71411876	1	HOSE-LUBE
7	70932853	1	FITTING-90 1/8 PIPE MALE FEM
8	71411967	1	DECAL-BELT, STRAW SPREADER
9	1680230W1	1	BELT, SECONDARY DRIVE
10	2573610W1	1	HUB-TWIN STRAW SPREADER
11	2631400W1	1	SHEAVE-DRIVEN, STRAW SPREADER
12	3009298X1	1	M10X1.5X100 SCREW-SOCKET CL 10.9
13	5000004X1	1	NUT, HEX FLANGE NYL LOCK, M10 X 1.5
14	2573370W1	1	DRIVEN SHEAVE, SPREADER
15	339168X1	6	CAPSCREW, M8-1.25 X 50 CL8.8
16	5000003X1	6	NUT, HEX FLANGE NYL LOCK, M8 X 1.25
17	339616X1	1	CAPSCREW, M16-2.0 X 120 CL8.8
18	5000006X1	1	NUT, HEX FLANGE NYL LOCK, M16 X 2.0
19	31-2455700	2	IDLER, FLAT, 8-3/4 OD
20	2451440W1	2	SPACER-IDLER
21	71387307	1	ARM ASY /W BUSHINGS (ITEM 24)
22	3009244X1	2	BOLT, FLANGE, M16-2.0 X 90 CL10.9
23	3019565X1	1	WASHER, M16, LARGE
24	1689170W1	2	BUSHING, 1.25 OD X .750 LG
25	2441490W1	1	SLEEVE-PIVOT, GRAIN ELEV
26	70923104	1	WASHER, .656 X 2.125 X .180
27	71406364	1	STOP WA-IDLER, SC & SPREADER
28	1440716X1	2	CAPSCREW, M12-1.75 X 30 CL10.9
29	339369X1	2	LOCKWASHER, M12
30	391212X1	2	WASHER, M12, LARGE
31	2630100W2	1	CHAIN-SPRING, DRIVE, SC
32	70925094	1	TIE-WRAP
33	101276M2	1	SPRING

MC00463  
PR: t06g24h33d0095

9895 COMBINE  
CHOPPER & SPREADER

STRAW SPREADER  
COMPONENTS



**9895 COMBINE  
CHOPPER & SPREADER**

241

**STRAW SPREADER  
COMPONENTS**

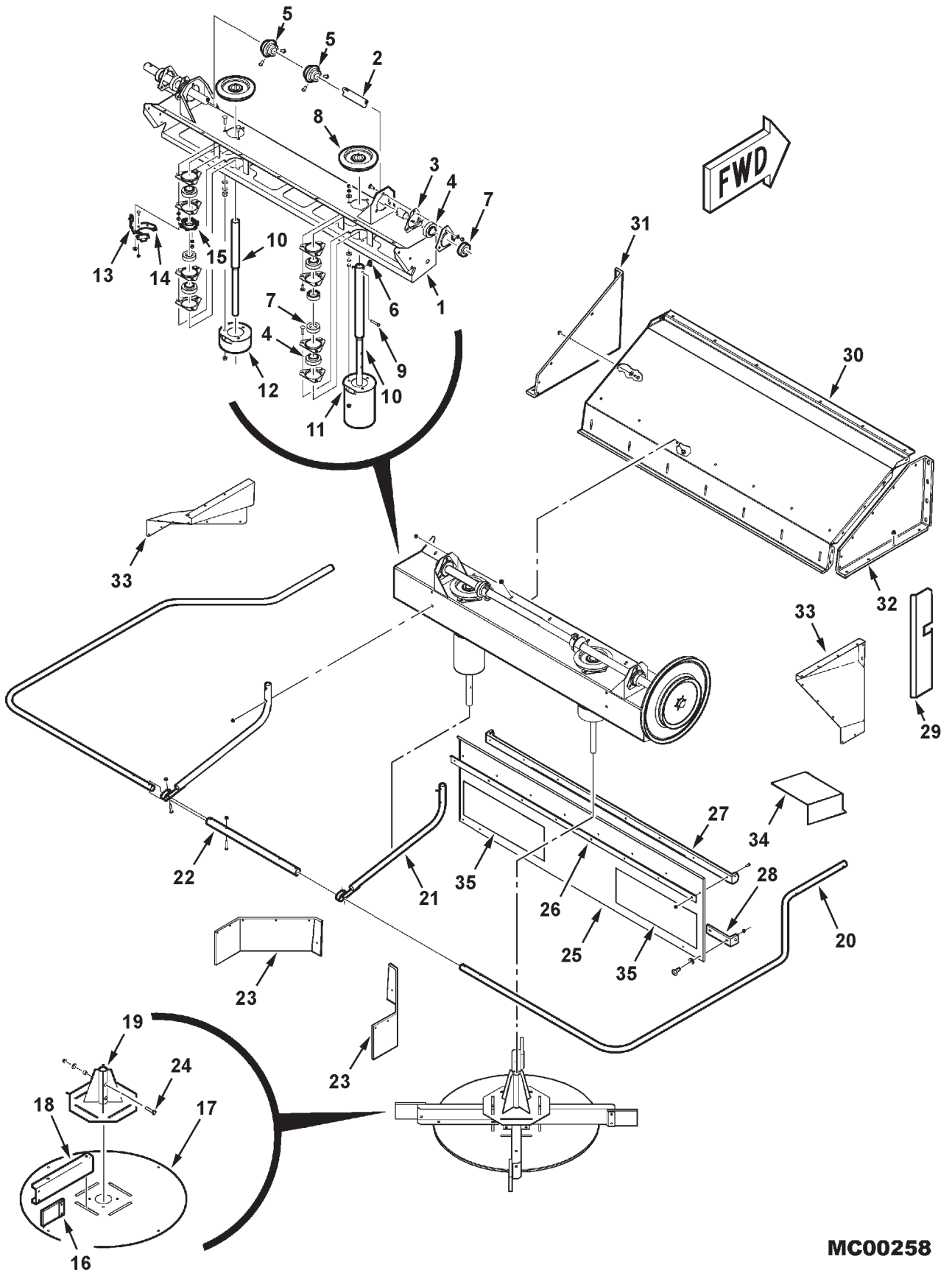
ITEM	NUMBER	QTY	DESCRIPTION
1	71391343	1	HOUSING
	70937294	1	GROMMET, RUBBER .312 X .750 X .156
	PZND1041V	7	BOLT,RD HD SQ NK, M8-1.25 X 20 CL8.8
	3019124X1	7	NUT, HEX FLANGE, M8 X 1.25
	3009194X1	6	BOLT,HEX FLANGE, M8-1.25 X 25 CL10.9
	5000003X1	6	NUT, HEX FLANGE NYL LOCK, M8 X 1.25
2	71393384	1	SHAFT, CROSS, SPREADER
3	71192243	12	FLANGE, BRG
	390809X1	10	BOLT,RD HD SQ NK, M10-1.5 X 25 CL8.8
	5000011X1	18	NUT, HEX FLANGE, M10 X 1.5
	385383X1	8	BOLT,RD HD SQ NK, M10-1.5 X 40 CL8.8
	5000004X1	2	NUT, HEX FLANGE NYL LOCK, M10 X 1.5
4	K4037	6	BEARING
5	71396226	2	GEAR, PINION 14T
	70920469	4	SETSCREW, SQ HD CUP PT, 3/8-16 X 3/4
6	70905127	2	KEY, WOODRUFF, 5/16 X 1
7	K3999	5	COLLAR, LOCK
8	71393392	2	GEAR, DRIVEN, 35T
9	339891X1	2	CAPSCREW, M8-1.25 X 80 CL8.8
	5000003X1	2	NUT, HEX FLANGE NYL LOCK, M8 X 1.25
10	71391576	1	SHAFT, SPREADER (LEFT)
	71391577	1	SHAFT, SPREADER (RIGHT)
11	71393389	1	CAN, ANTIWRAP (LEFT)
12	71393387	1	CAN, ANTIWRAP (RIGHT)
13	71391021	1	SENSOR, ASY 2, WIRE
	3009330X1	2	BOLT, RD HD SQ NK, M6-1.0 X 20 CL8.8
	5000002X1	2	NUT, HEX FLANGE NYL LOCK, M6 X 1.0
14	71325553	1	BRACKET, MAGNETIC PICKUP
15	71393391	1	COLLAR WLMT, SENSING
16	71341450	8	PADDLE
	71341448	8	PLATE, BACKUP
	70927075	16	BOLT, RD HD SQ NK, 5/16-18 X 1 GR5
	70923362	16	LOCKNUT, HEX CTR, 5/16-18
17	71351200	2	DISK, LOWER
	70921965	8	CAPSCREW, 3/8-16 X 3/4
	70916965	8	LOCKWASHER, 3/8
	70916950	8	NUT, 3/8-16
18	71391579	8	BLADE
	7770456	16	BOLT, RD HD SQ NK, 3/8-16 X 3/4
	70917378	8	WASHER, WIDE 3/8
	70916965	8	LOCKWASHER, 3/8
	70916950	8	NUT, 3/8-16
19	71407574	2	HUB WLMT, SPRDR
	7770456	8	BOLT, RD HD SQ NK, 3/8-16 X 3/4
	70917378	8	WASHER, WIDE 3/8
	70916965	8	LOCKWASHER, 3/8
	70916950	8	NUT, 3/8-16
20	2636890W1	2	PIPE, GUARD
	3009196X1	4	BOLT,HEX FLANGE, M8-1.25 X 35 CL10.9
	391039X1	4	WASHER, M8, LARGE
	5000003X1	4	NUT, HEX FLANGE NYL LOCK, M8 X 1.25

CONTINUED

MC00258  
PR: t06g24h33d0096

9895 COMBINE  
CHOPPER & SPREADER

STRAW SPREADER  
COMPONENTS



**9895 COMBINE  
CHOPPER & SPREADER**

243

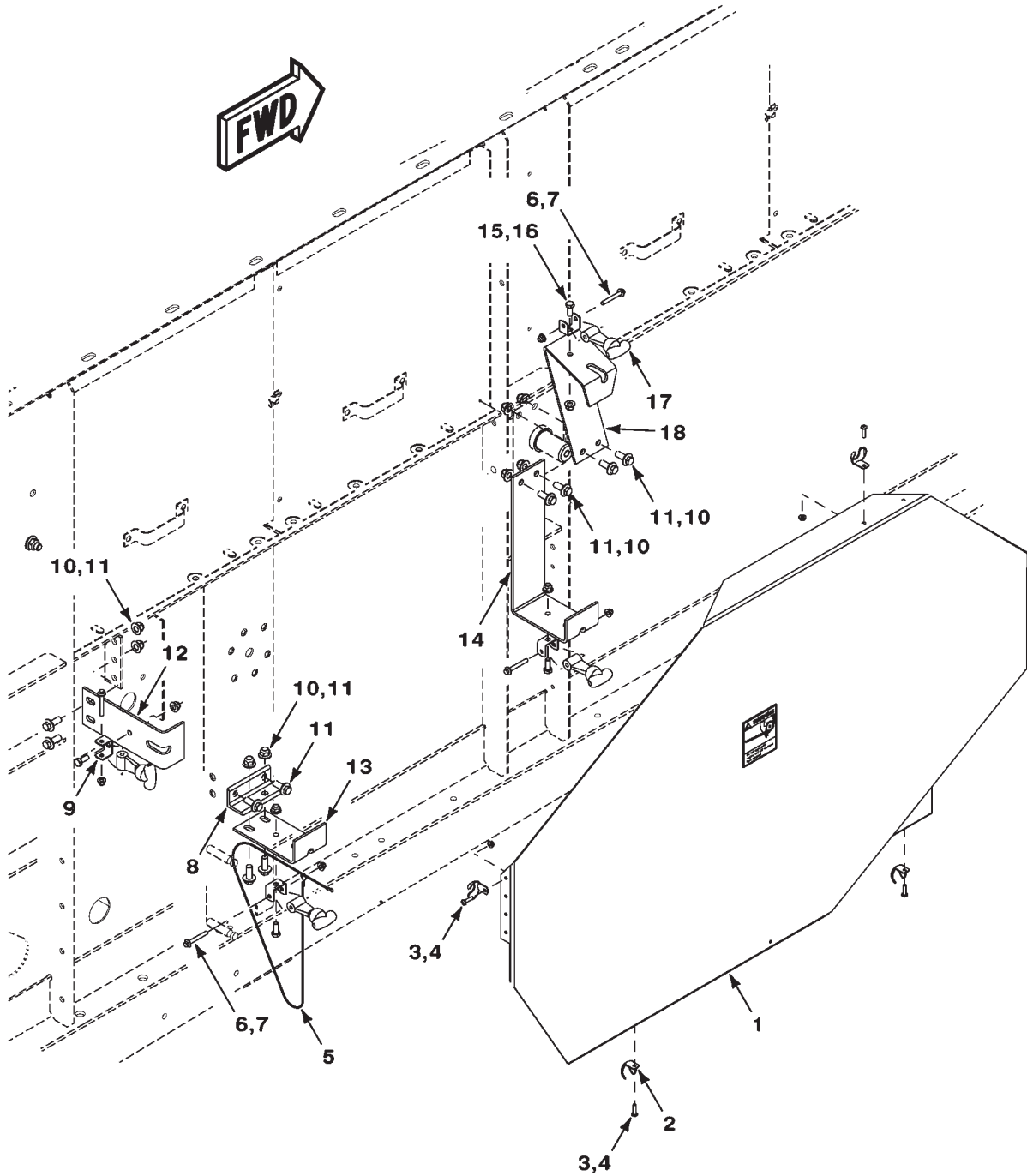
**STRAW SPREADER  
COMPONENTS**

ITEM	NUMBER	QTY	DESCRIPTION
21	71391592	2	SUPPORT, GUARD
	3009198X1	6	BOLT,HEX FLANGE, M8-1.25 X 45 CL10.9
	5000003X1	6	NUT, HEX FLANGE NYL LOCK, M8 X 1.25
22	71376158	1	TUBE, GUARD CONNECTOR
	3009198X1	4	BOLT,HEX FLANGE, M8-1.25 X 45 CL10.9
	5000003X1	4	NUT, HEX FLANGE NYL LOCK, M8 X 1.25
23	71398421	2	CURTAIN, SIDE
	339123X1	12	BOLT,HEX FLANGE, M8-1.25 X 20 CL10.9
	391039X1	12	WASHER, M8, LARGE
	5000003X1	12	NUT, HEX FLANGE NYL LOCK, M8 X 1.25
24	391925X1	4	CAPSCREW, M10-1.5 X 55 CL8.8
	71345898	4	SPACER, HUB
	70917378	4	WASHER, M10, LARGE
	5000004X1	4	NUT, HEX FLANGE NYL LOCK, M10 X 1.5
25	71395236	1	CURTAIN, CNTR
26	71395233	1	CURTAIN, ANGLE CNTR
27	71393394	1	HANGER, CURTAIN CNTR
	3009183X1	8	BOLT, HEX FLANGE, M6-1.0 X 20 CL10.9
	5000002X1	8	NUT, HEX FLANGE NYL LOCK, M6 X 1.0
	3009194X1	4	BOLT,HEX FLANGE, M8-1.25 X 25 CL10.9
	390972X1	8	WASHER, M8 STD
	5000003X1	4	NUT, HEX FLANGE NYL LOCK, M8 X 1.25
28	71395234	2	BRACKET, LOWER CURTAIN
	3009182X1	4	BOLT,HEX FLANGE, M6-1.0 X 16 CL10.9
	5000002X1	4	NUT, HEX FLANGE NYL LOCK, M6 X 1.0
	98-2107	2	PIN, COTTER .148
29	71398424	1	SHIELD, BELT
30	71376154	1	HOOD, TOP
	3019050X1	2	SCR,HEX WSHR HD TAPPING,M10-1.5 X 25
	3019049X1	4	SCR,HEX WSHR HD TAPPING,M10-1.5 X 20
31	103339W1	1	HOOD SIDE, LEFT
	339123X1	3	BOLT,HEX FLANGE, M8-1.25 X 20 CL10.9
	5000003X1	3	NUT, HEX FLANGE NYL LOCK, M8 X 1.25
	3009219X1	4	BOLT,HX FLANGE, M12-1.75 X 25 CL10.9
	5000005X1	4	NUT, HEX FLANGE NYL LOCK, M12 X 1.75
32	103338W1	1	HOOD SIDE, RIGHT
	339123X1	3	BOLT,HEX FLANGE, M8-1.25 X 20 CL10.9
	5000003X1	3	NUT, HEX FLANGE NYL LOCK, M8 X 1.25
	3009219X1	4	BOLT,HX FLANGE, M12-1.75 X 25 CL10.9
	5000005X1	4	NUT, HEX FLANGE NYL LOCK, M12 X 1.75
33	71397350	1	EXTENSION, CURTAIN, RH
	71397349	1	EXTENSION, CURTAIN, LH
	3811720M1	12	BOLT,HEX FLANGE, M10-1.5 X 25 CL10.9
	5000004X1	12	NUT, HEX FLANGE NYL LOCK, M10 X 1.5
34	71398420	1	SHIELD, SPREADER DRIVE SHEAVE
	3811720M1	2	BOLT,HEX FLANGE, M10-1.5 X 25 CL10.9
	5000004X1	2	NUT, HEX FLANGE NYL LOCK, M10 X 1.5
35	71409848	2	SHEET, WEAR
	3009182X1	4	BOLT,HEX FLANGE, M6-1.0 X 16 CL10.9
	5000002X1	4	NUT, HEX FLANGE NYL LOCK, M6 X 1.0

MC00258

PR: t06g24h33d0096

DRIVE SHIELDS, SPREADER



9895 COMBINE  
CHOPPER & SPREADER

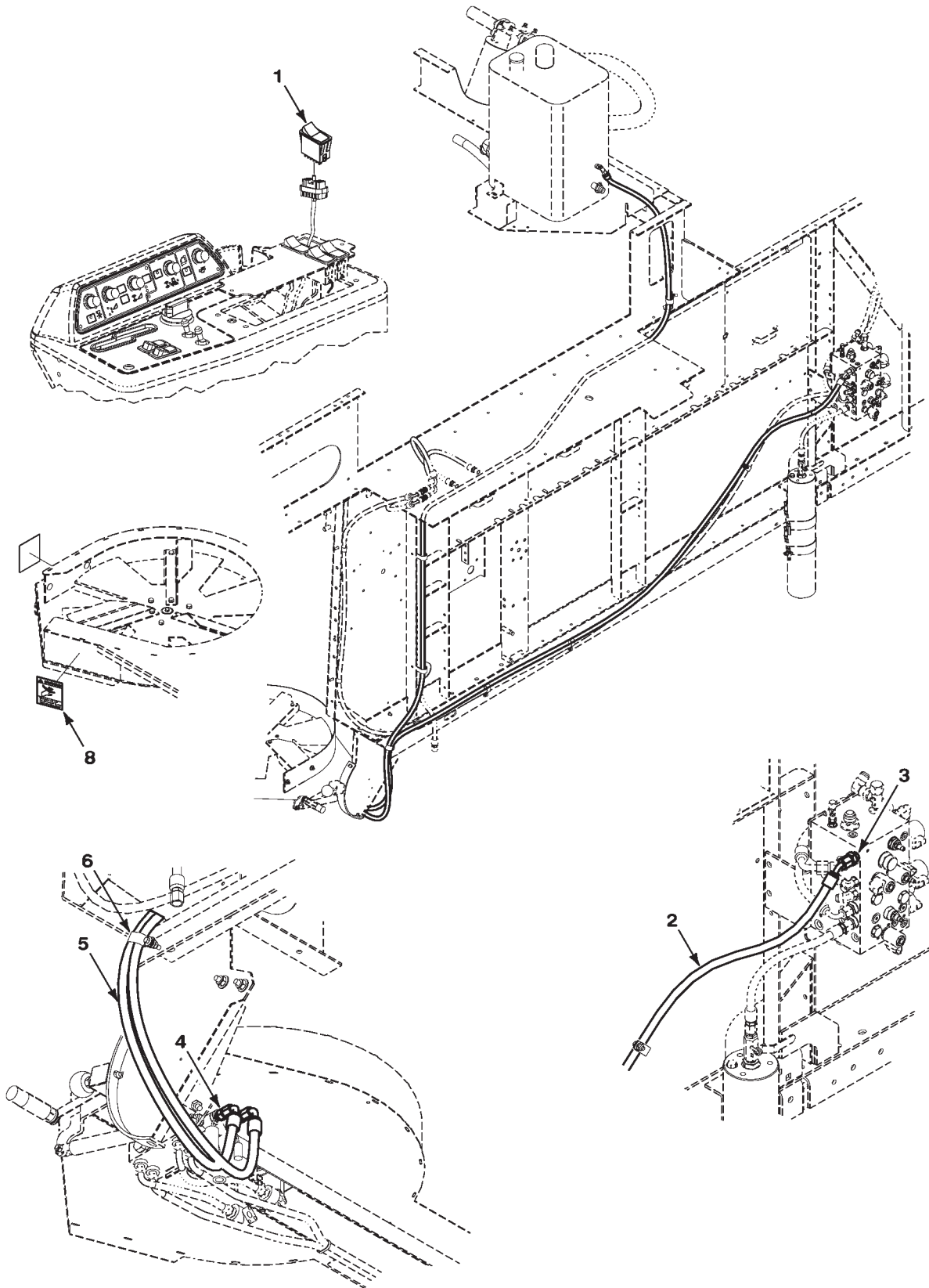
245

DRIVE SHIELDS, SPREADER

ITEM	NUMBER	QTY	DESCRIPTION
1	71388736	1	SHIELD ASM W/DECAL
1	111670W1	1	DECAL, WARNING
2	8722910	4	CATCH, SHIELD
3	3009537X1	2	SCREW, PAN HD MACH, M5-0.8 X 20
4	3019122X1	2	NUT, HEX FLANGE, M5 X 0.8
5	112942W1	1	TETHER STRAP-28" ROTARY SCREW DOOR
6	3009188X1	4	BOLT, FLANGE, M6-1.0 X 45 CL10.9
7	5000002X1	4	NUT, HEX FLANGE NYL LOCK, M6 X 1.0
8	71388717	1	ANGLE-SHIELD SUPT
9	1787520W1	4	BRKT-ANCHOR, RUBBER LATCH
10	5000004X1	8	NUT, HEX FLANGE NYL LOCK, M10 X 1.5
11	3811720M1	9	BOLT, FLANGE, M10-1.5 X 25 CL10.9
12	101065M1	1	BRACKET-SHIELD SUPPORT
13	101066M1	1	BRACKET-SHIELD SUPPORT
14	101069M1	1	BRACKET-SHEILD SUPPORT
15	5000003X1	4	NUT, HEX FLANGE NYL LOCK, M8 X 1.25
16	339123X1	4	CAPSCREW, M8-1.25 X 20 CL8.8
17	776682	4	HOOK-RUBBER
18	71388256	1	BRACKET-SHIELD SUPPORT

MC00531  
PR: t06g24h33d0097

CHAFF SPREADER  
HYDRAULIC DRIVE





**9895 COMBINE  
CHOPPER & SPREADER**

**247**

**CHAFF SPREADER  
HYDRAULIC DRIVE**

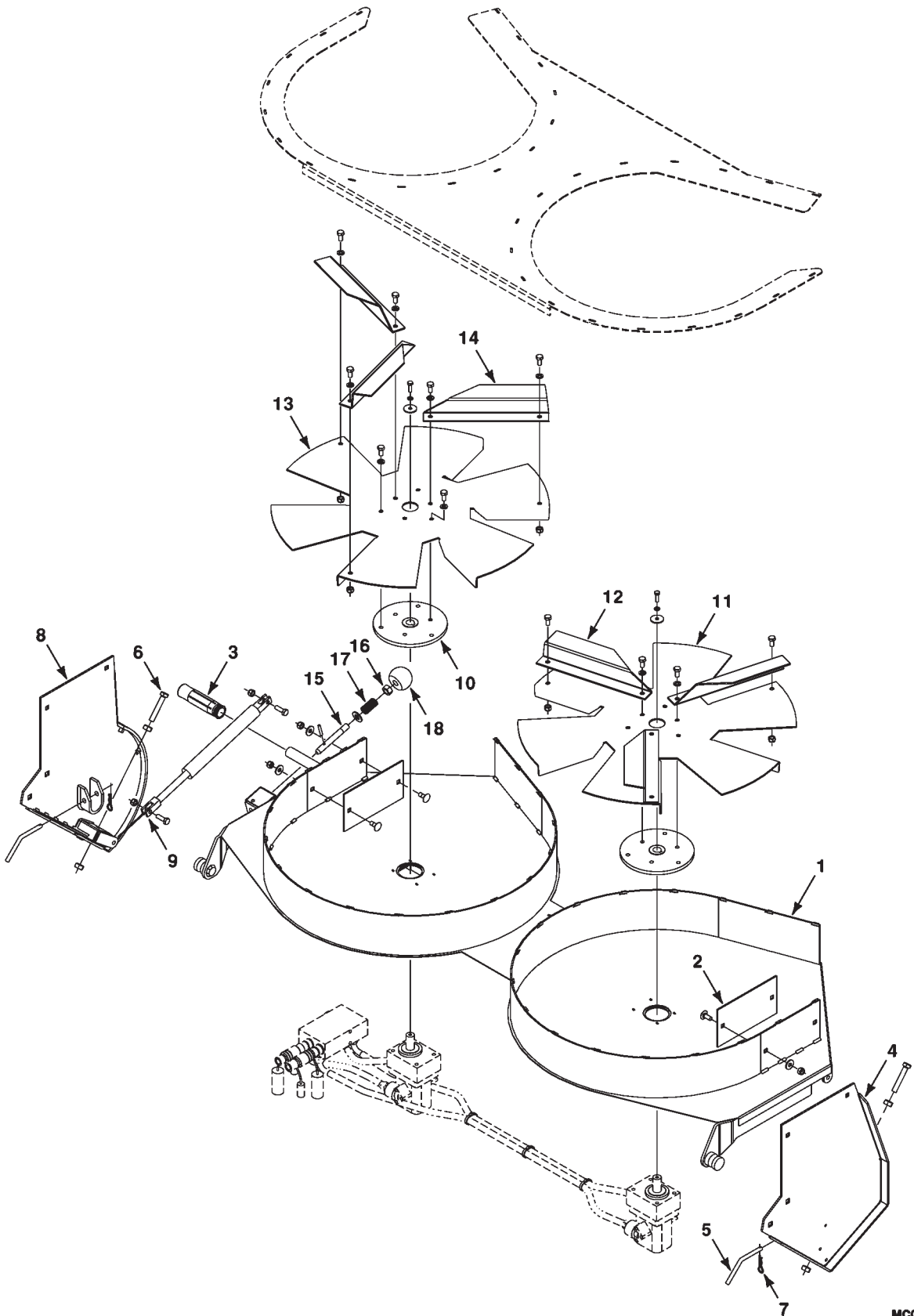
ITEM	NUMBER	QTY	DESCRIPTION
1	71390101	1	SWITCH, ON/OFF
2	71411281	1	HOSE ASY, SUPPLY, 3/8 ID
3	846337	1	CONNECTOR, STR, 3/4-16 JIC X ORB
	70921349	1	O-RING, .087 X .644 ID
4	71388056	2	CONNECTOR, STR.
5	71411282	1	HOSE ASY, RETURN, 3/8 ID
6	70928948	1	CLAMP, DOUBLE, 11/16 DIA X .406 HOLE
	3009195X1	1	BOLT,HEX FLANGE, M8-1.25 X 30 CL10.9
	5000003X1	1	NUT, HEX FLANGE NYL LOCK, M8 X 1.25
8	111737W1	3	LABEL, WARNING
-	71411607	1	KIT, CHAFF SPREADER (FIELD INSTALL) (ORDER THRU DEALER CENTRAL)

MCO0464

PR: t06g24h33d0098

9895 COMBINE  
CHOPPER & SPREADER

CHAFF SPREADER  
FAN HOUSING, REKORD



**9895 COMBINE  
CHOPPER & SPREADER**

249

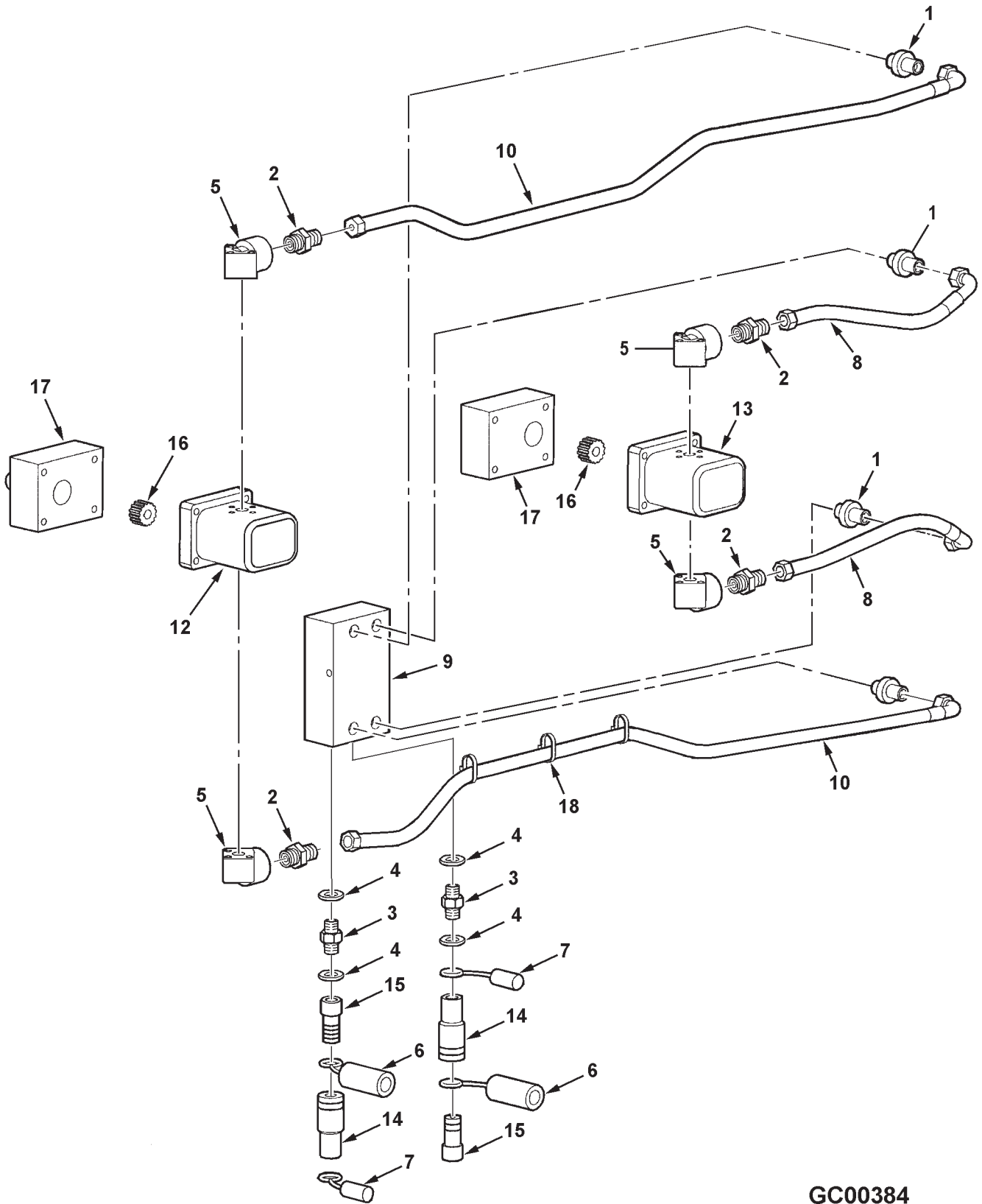
**CHAFF SPREADER  
FAN HOUSING, REKORD**

ITEM	NUMBER	QTY	DESCRIPTION
-	71411972	1	FAN HSG ASY, CHAFF SPRDR, W/ MOTORS (INCL IT. 1,2,3,10 THRU 18 AND HYD. COMPONENTS ON FOLLOWING PAGE.
1	71411983	1	FAN HSG. WLMT, SPREADER
2	71397167	2	WEAR PLATE
	385368X1	4	BOLT, RD HD SQ NK, M8-1.25 X 16 CL8.8
	353770X1	4	WASHER, M8
	3000193X1	4	NUT, HEX NYLON LOCK, M8 X 1.25
3	71389997	1	GRIP, PLASTIC
4	71411974	1	SUPPORT PLATE WLMT, LH
5	71390259	2	PIN, BENT, SPECIAL
6	339679X1	2	CAPSCREW, M10-1.5 X 60 CL8.8(CHOPPR)
	339402X1	4	NUT, M10 X 1.5, REG
7	70933339	2	RETAINER PIN, .094 X 1.62 LG
8	71411981	1	SUPPORT PLATE WLMT, RH
9	71411982	1	GAS STRUT
	7772197	2	CAPSCREW, M8-1.25 X 25 CL8.8
	3000193X1	2	NUT, HEX NYLON LOCK, M8 X 1.25
10	D49070008	2	HUB
	339666X1	2	CAPSCREW, M6-1.0 X 20
	339375X1	2	LOCKWASHER, M6
	391038X1	2	WASHER, M6, LARGE
11	71397171	1	DISC, LH
	339124X1	6	CAPSCREW, M8-1.25 X 16 CL8.8
	339374X1	6	LOCKWASHER, M8
12	71397376	3	BLADE, SPREADER LH
	339124X1	3	CAPSCREW, M8-1.25 X 16 CL8.8
	3000193X1	4	NUT, HEX NYLON LOCK, M8 X 1.25
13	71397172	1	DISC, RH
	339124X1	6	CAPSCREW, M8-1.25 X 16 CL8.8
	339374X1	6	LOCKWASHER, M8
14	71397377	3	BLADE, SPREADER RH
	339124X1	3	CAPSCREW, M8-1.25 X 16 CL8.8
	3000193X1	4	NUT, HEX NYLON LOCK, M8 X 1.25
15	71411976	1	ROD, LOCK
	391290X1	1	PIN, SPRING, 5 MM X 30 LG
16	3009695X1	1	NUT, M12 X 1.75, REG
	390735X1	1	WASHER, M12, STD
17	71397392	1	SPRING
18	71397390	1	KNOB

MC00465

PR: t06g24h33d0099

CHAFF SPREADER  
HYDRAULICS, REKORD



**9895 COMBINE  
CHOPPER & SPREADER**

251

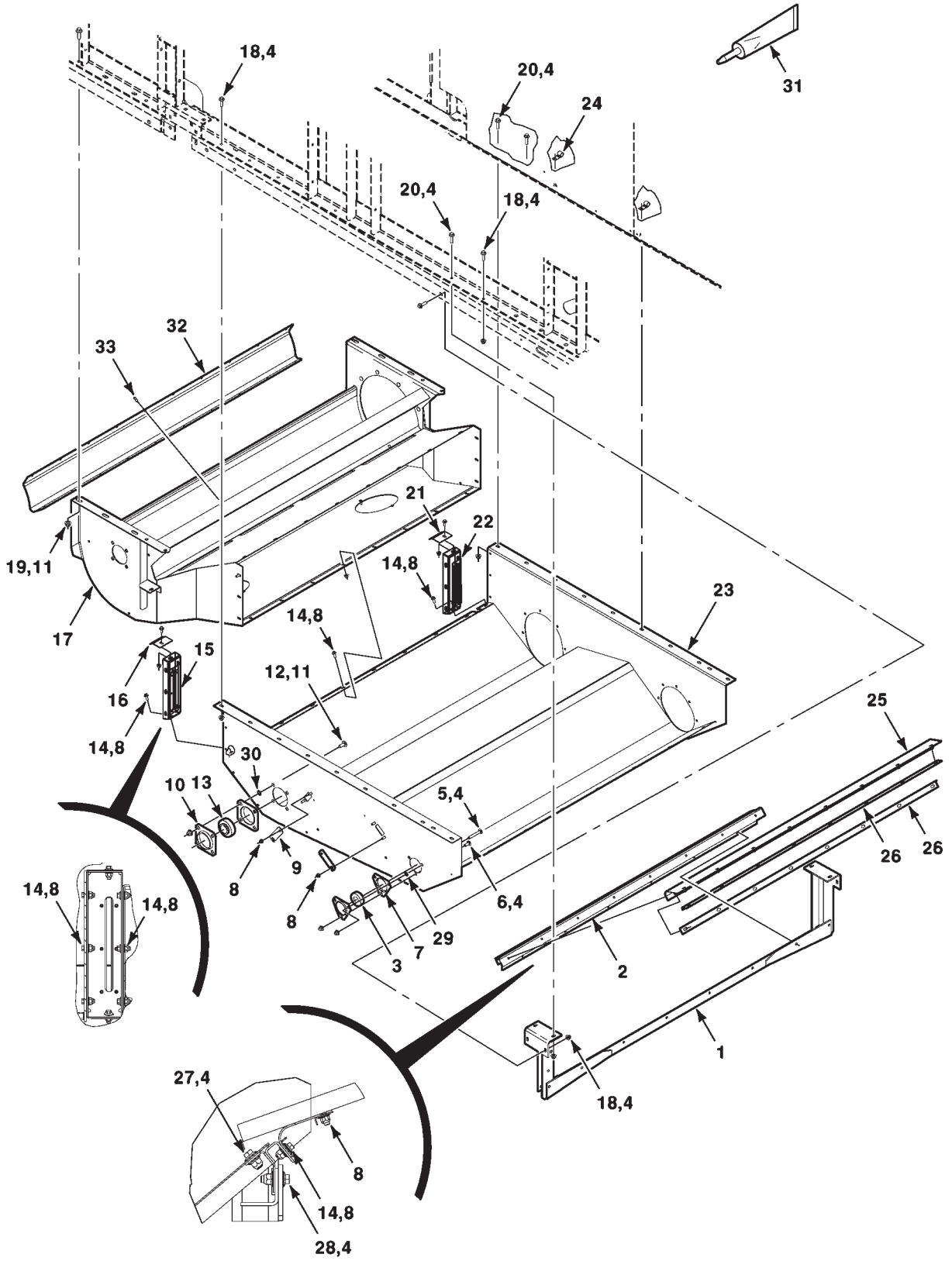
**CHAFF SPREADER  
HYDRAULICS, REKORD**

ITEM	NUMBER	QTY	DESCRIPTION
1	71397381	4	ADAPTER
2	71397382	4	ADAPTER
3	71390265	2	COUPLER, FEM.
4	71390266	4	SEAL RING
5	71390272	4	ELBOW, 90 DEG FLANGE
6	71397383	2	DUST COVER
7	71397384	2	DUST COVER
8	71397385	2	HOSE ASY.
9	71390263	1	VALVE ASY.
	71411980	1	SEAL KIT (NOT SHOWN)
	71411977	1	BLOCK, VALVE (NOT SHOWN)
	71411979	1	DIVIDER, FLOW (NOT SHOWN)
	71411978	1	VALVE, CHECK (NOT SHOWN)
	3019894X1	2	CAPSCREW, M6-1.0 X 100
	391038X1	2	WASHER, LARGE, M6
	1441500X1	2	NUT, HEX NYL LOCK, M6 X 1.0
10	71397386	2	HOSE ASY.
12	71397388	1	MOTOR, HYDRAULIC, LH
	71390284	1	SEAL KIT (NOT SHOWN)
	3010639X1	4	CAPSCREW, M6-1.0 X 70
	1441500X1	4	NUT, HEX NYL LOCK, M6 X 1.0
13	71397389	1	MOTOR, HYDRAULIC, RH
	71390284	1	SEAL KIT (NOT SHOWN)
	3010639X1	4	CAPSCREW, M6-1.0 X 70
	1441500X1	4	NUT, HEX NYL LOCK, M6 X 1.0
14	71390267	2	COUPLING, QUICK DISCONNECT, FEM.
15	71390268	2	COUPLING, QUICK DISCONNECT, MALE
16	71390279	2	HUB, SPLINED
17	D49070025	2	SUPPORT BEARING
18	70925094	AR	TIE STRAP

GC00384  
PR: t06g24h33d0100

9895 COMBINE  
SEPARATOR

LOWER FAN & AUGER HOUSING



9895 COMBINE  
SEPARATOR

253

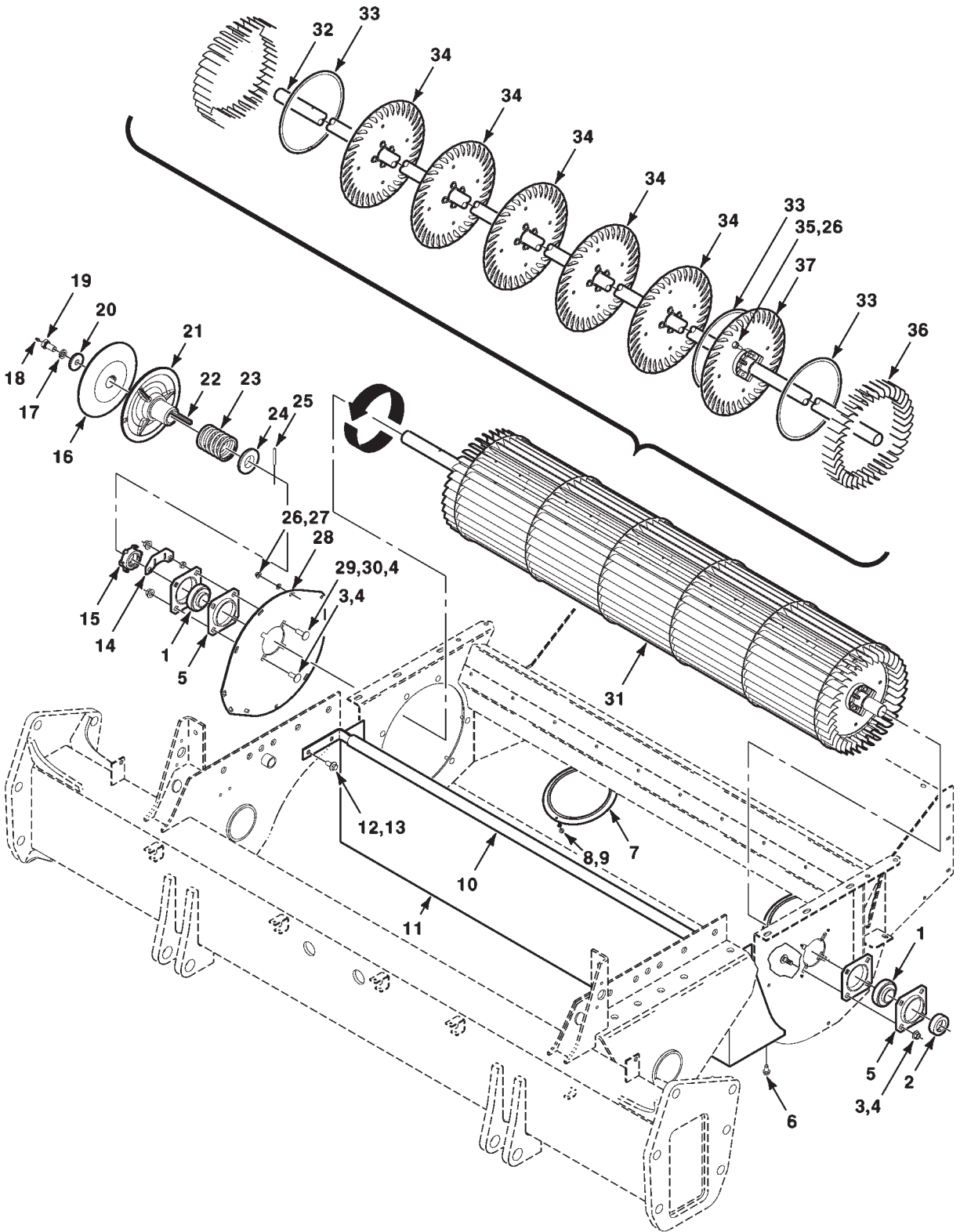
LOWER FAN & AUGER HOUSING

ITEM	NUMBER	QTY	DESCRIPTION
1	71387546	1	FRAME WA-AUGER HOUSING
2	71395853	1	SEAL REINFORCEMENT WA-AUGER HOUSING
3	70590704	1	BEARING, 1.125 W/O COLLAR
4	5000004X1	43	NUT, HEX FLANGE NYL LOCK, M10 X 1.5
5	5000023X1	2	BOLT,RD HD SQ NK, M10-1.5 X 70 CL8.8
6	390809X1	1	BOLT,RD HD SQ NK, M10-1.5 X 25 CL8.8
7	71127313	2	FLANGE, BEARING
8	5000003X1	44	NUT, HEX FLANGE NYL LOCK, M8 X 1.25
9	108202W1	2	STRAP
10	17789	2	FLANGE, 80.0 DIA BEARING
11	5000005X1	14	NUT, HEX FLANGE NYL LOCK, M12 X 1.75
12	385390X1	4	BOLT,RD HD SQ NK, M12-1.75 X 30
13	50468	1	BEARING & COLLAR (COLLAR NOT USED)
14	339123X1	32	BOLT, FLANGE, M8-1.25 X 20 CL10.9
15	2446893W91	1	FILLER PANEL ASM-LH, FAN
16	2446930W1	1	PLATE-LH. FILLER, FAN
17	71398406	1	HOUSING ASM-FAN
18	3009208X1	20	BOLT, FLANGE, M10-1.5 X 35 CL10.9
19	3009222X1	10	BOLT, FLANGE, M12-1.75 X 40 CL10.9
20	3009209X1	6	BOLT, FLANGE, M10-1.5 X 40 CL10.9
21	2446920W1	1	PLATE-RH FILLER, FAN
22	2446903W91	1	FILLER PANEL ASM-RH, FAN
23	71409416	1	HOUSING WA-AUGER
24	70927134	2	J-CLIP, 5/8 DIA X .406 HOLE
25	71396452	1	SEAL-REAR, AUGER HOUSING
26	71387703	2	ANGLE-SEAL CLAMPING
27	3009205X1	8	BOLT, FLANGE, M10-1.5 X 20 CL10.9
28	3811720M1	6	BOLT, FLANGE, M10-1.5 X 25 CL10.9
29	70931942	3	SPEED NUT, 3/8 THD.
30	70936525	3	SPEED NUT, 1/2 THD.
31	700704010	1	SEALANT, RTV BLACK SILICONE
32	71399475	1	CUTOFF-FAN TRANSVERSE
33	70936495	20	RIVET-POP, .250 X .080-.375

MC00466  
PR: t06g24h33d0101

9895 COMBINE  
SEPARATOR

CLEANING FAN & LEAF SCREEN





**9895 COMBINE  
SEPARATOR**

255

**CLEANING FAN & LEAF SCREEN**

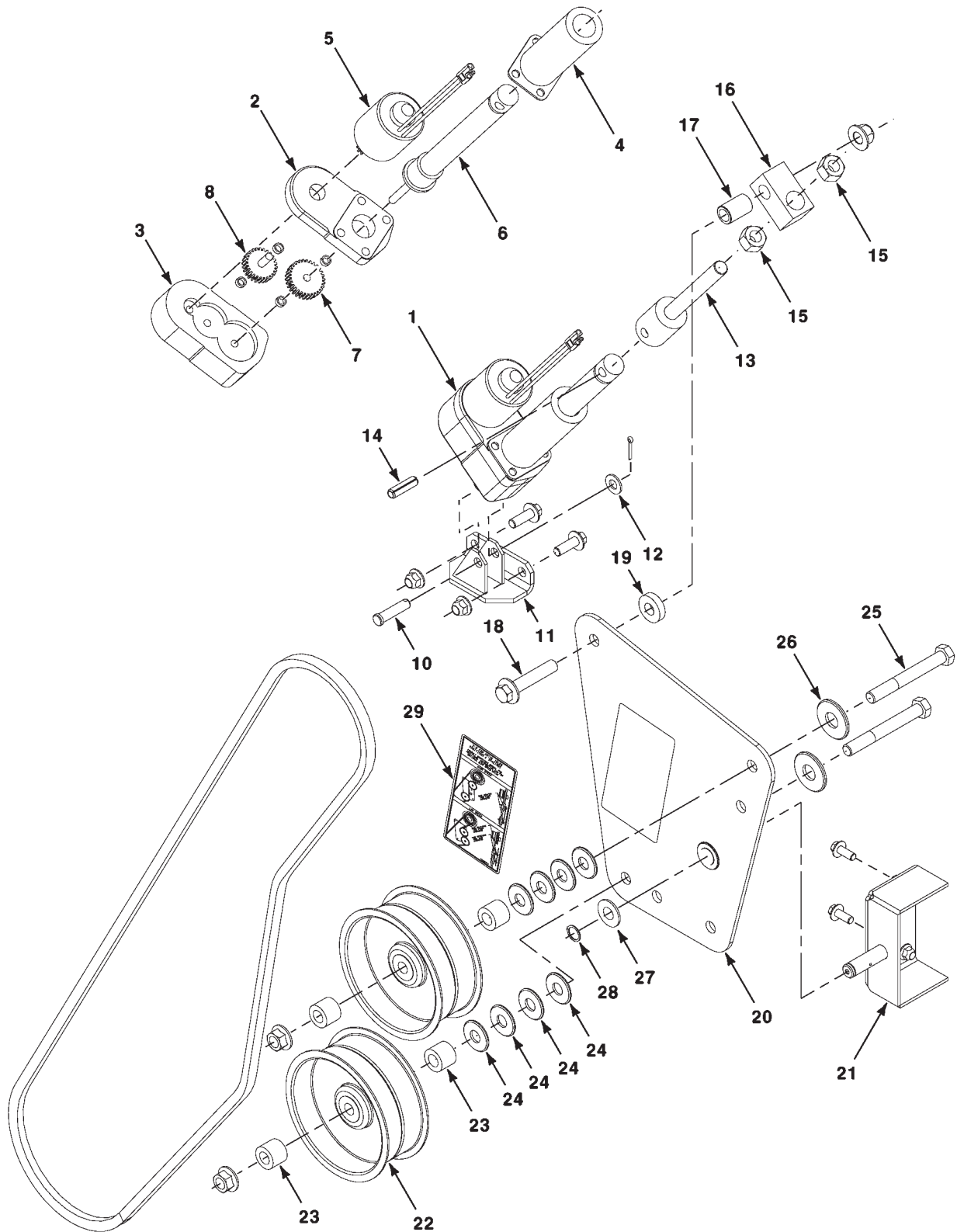
ITEM	NUMBER	QTY	DESCRIPTION
1	71122510	2	BEARING, SPH (W/ COLLAR)
2	1720176	1	COLLAR, LOCK, 1.50 ID
3	385390X1	6	BOLT,RD HD SQ NK, M12-1.75 X 30
4	3009695X1	8	NUT, HEX FLANGE, M12 X 1.75
5	17789	4	FLANGE, 80.0 DIA BEARING
6	3019049X1	4	SCR,HEX WSHR HD TAPPING,M10-1.5 X 20
7	71411965	2	COVER-INSPECTION HOLE
8	5000002X1	4	NUT, HEX FLANGE NYL LOCK, M6 X 1.0
9	3019571X1	4	WASHER, HARD, M6
10	71390673	1	SUPPORT-SCREEN, LEAF
11	71390939	1	SCREEN WLMT, LEAF
12	3009219X1	4	BOLT, FLANGE, M12-1.75 X 25 CL10.9
13	5000005X1	4	NUT, HEX FLANGE NYL LOCK, M12 X 1.75
14	71315785	1	BRACKET-SHAFT MONITOR
15	71315780	1	COLLAR WLMT, SENSING
16	71398413	1	SHEAVE-OUTER, FAN DRIVE
17	70917373	1	LOCKWASHER, 5/8
18	70923219	1	LUBE FTG, STR, 1/4-28 SPL. TAPER
19	71395571	1	CAPSCREW, SPECIAL, 5/8-11 X 1-1/4
20	6555346	1	WASHER, 21/32 X 2.0 X .250 TH
21	71395572	1	SHEAVE-INNER FAN DRIVE
22	71395573	1	KEY, 5/16 SQ. X 7-1/2
23	2440720W1	1	SPRING-V/S FAN DRIVE
24	71410473	1	BUSHING, FAN DRIVE
25	63834	1	PIN, SPIROL, 1/4 X 2-1/4
26	5000003X1	22	NUT, HEX FLANGE NYL LOCK, M8 X 1.25
27	385361X1	10	WASHER, HARD, M8
28	71399470	1	PLATE-BRG, TRNV FAN HSG
29	385391X1	2	BOLT,RD HD SQ NK, M12-1.75 X 35
30	3009696X1	2	JAM NUT, M12 X 1.75
31	71400490	1	FAN ASY, SEPARATOR
	71407554	1	SHAFT-FAN
	71398412	3	RING-RETAINING, TRANS FAN
	71400492	5	HEAD ASM-FAN
	1440712X1	12	BOLT, FLANGE, M8-1.25 X 40 CL10.9
	5000003X1	12	NUT, HEX FLANGE NYL LOCK, M8 X 1.25
	71400491	1	HEAD ASM-LEFT, FAN
	71412132	36	BLADE-FAN
32	71407554	1	SHAFT-FAN,SEPARATOR
33	71398412	3	RING-RETAINING, TRANS FAN
34	71400492	5	HEAD ASM-FAN, SEPARATOR
35	1440712X1	12	BOLT, FLANGE, M8-1.25 X 40 CL10.9
36	71412132	36	BLADE-FAN
37	71400491	1	HEAD ASM-LEFT, FAN
-	71411658	AR	KIT, SLOW SPEED FAN DRIVE (ORDER THRU DEALER CENTRAL)
	71396326	1	SHEAVE HALF, INNER, SLOW SPEED
	2537670W2	1	SHEAVE HALF, OUTER

MC00467

PR: t06g24h33d0102

9895 COMBINE  
SEPARATOR

VARIABLE SPEED FAN DRIVE



9895 COMBINE  
SEPARATOR

257

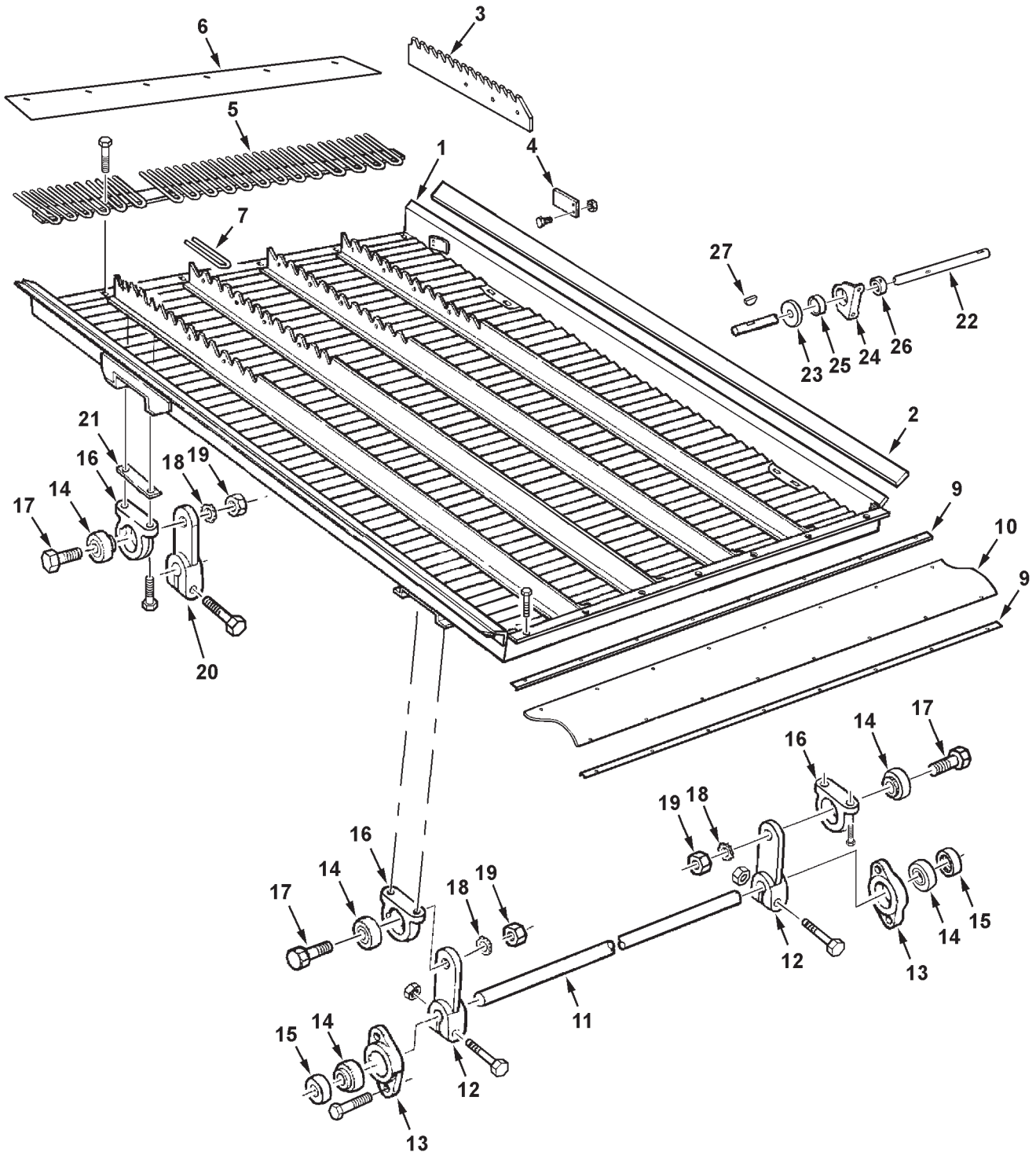
VARIABLE SPEED FAN DRIVE

ITEM	NUMBER	QTY	DESCRIPTION
1	293817M91	1	MOTOR, ELECTRIC ACTUATOR (INCL. ITEMS 2-8)
2	1068614M91	1	HOUSING ASSEMBLY, FRONT
3	700704854	1	HOUSING ASSEMBLY, REAR
4	1068617M1	1	COVER
5	103657W91	1	MOTOR
6	1068620M91	1	SCREW ASSEMBLY
7	700704927	1	CLUTCH ASSEMBLY
8	700711357	1	GEAR ASSEMBLY, INTERMEDIATE
	-----	1	*GASKET, COVER TUBE
	-----	1	*GASKET, HOUSING
	-----	1	*SEAL, MOTOR
	-----	1	*O-RING
	-----	1	*LIP, SEAL
-	700704856	--	KIT, SEAL (INCLUDES * ITEMS)
10	195412M1	1	PIN, CLEVIS, 1/2 X 2
11	71399477	1	BRACKET WLMT, ANCHOR
	3009221X1	2	BOLT,HEX FLNG, M12-1.75 X 35 CL10.9
	5000005X1	2	NUT, HEX FLANGE NYL LOCK, M12 X 1.75
12	Y705624	1	WASHER, NARROW, 1/2
	70918455	1	COTTER PIN, 5/32 X 1
13	71390093	1	ROD WLMT, CONTROL
14	70922770	1	PIN, SPRING, 1/2 DIA X 1-3/4
15	70913160	2	NUT, 3/4-10 UNC
16	2537720W1	1	BLOCK, PIVOT
17	2446310W1	1	SPACER, .68 ID X .998 X 1.55 LG
18	3009243X1	1	BOLT, HEX FLANGE, M16-2.0 X 80 CL10.9
	5000006X1	1	NUT, HEX FLANGE NYL LOCK, M16 X 2.0
19	2464250W1	1	SPACER, 21/32 X 1-1/2 X 3/8 TH
20	71400666	1	PLATE WLMT W/BUSHINGS
	831268M1	2	BUSHING, 3/4 ID X 7/8 X 3/4 LG
21	71391526	1	BRACKET WLMT, PIVOT
	3811720M1	2	BOLT,HEX FLANGE, M10-1.5 X 25 CL10.9
	5000004X1	2	NUT, HEX FLANGE NYL LOCK, M10 X 1.5
22	2545270W1	2	PULLEY, IDLER
23	365098X1	4	SPACER, IDLER FAN DRIVE
24	3019565X1	8	WASHER, M16, LARGE
25	1442740X1	2	CAPSCREW, M16-2.0 X 130 CL8.8
	3019127X1	2	NUT, HEX FLANGE, M16 X 2.0
26	3019565X1	2	WASHER, M16, LARGE
27	70923427	1	WASHER, .78 ID X 1.25 X .12 TH.
28	70927732	1	RETAINING RING, EXTERNAL
29	71392776	1	DECAL, V-S FAN DRIVE

MC00468

PR: t06g24h33d0103

SEPARATOR PAN



**9895 COMBINE  
SEPARATOR**

259

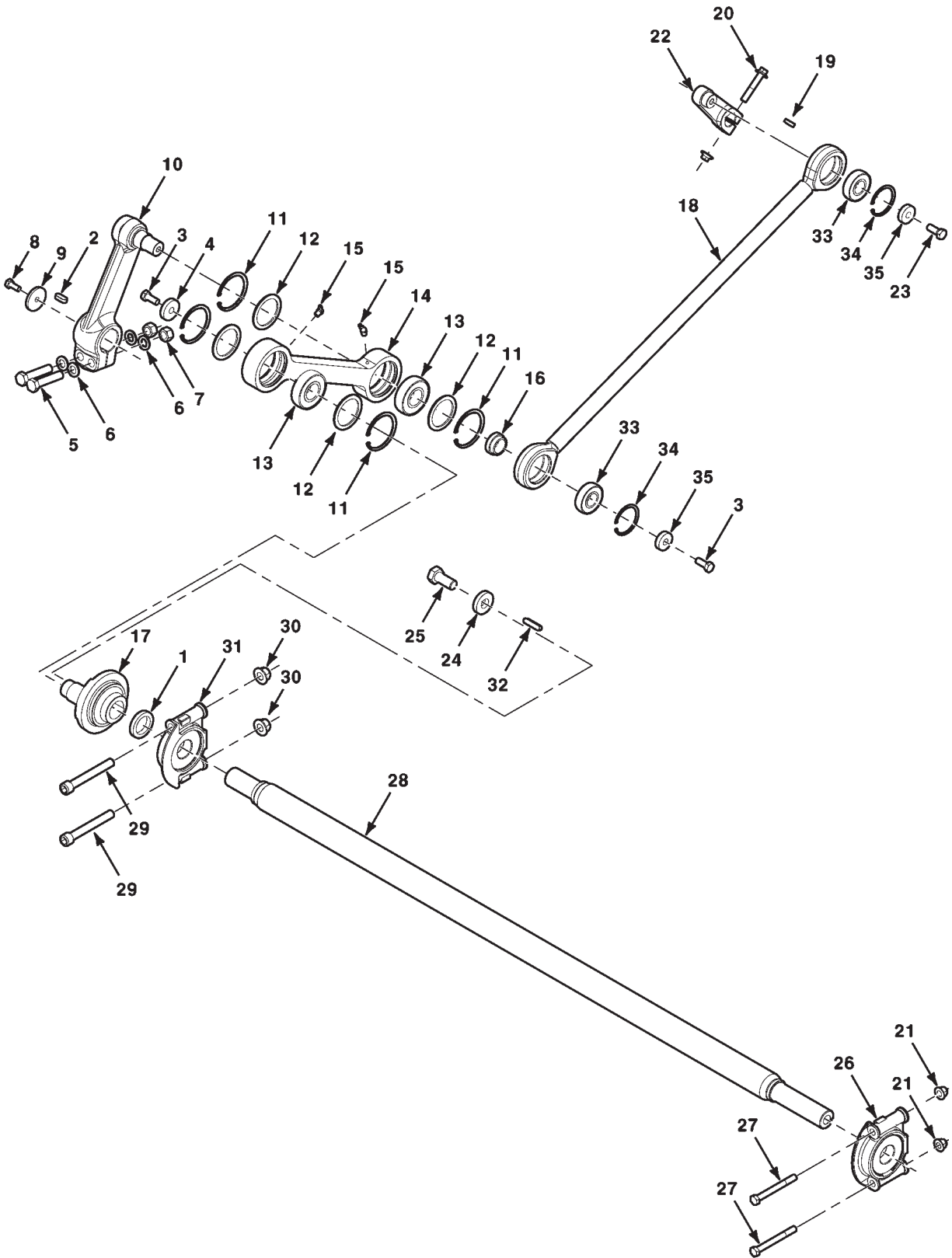
**SEPARATOR PAN**

ITEM	NUMBER	QTY	DESCRIPTION
1	71409425	1	PAN WLMT, UPPER SEPARATOR
2	1817730W1	2	SEAL, RUBBER, SEP'TOR PAN
	70937253	54	POP-RIVET .188 X .063-.25 LG DOME HD
3	71393440	4	EXTENSION, SEPARATOR PAN (ACCESSORY) (SEE SHOE SHAKER & SIEVES)
	3009182X1	12	BOLT,HEX FLANGE, M6-1.0 X 16 CL10.9
	339375X1	12	LOCKWASHER, M6
	339030X1	12	NUT, M6 X 1.0, REG
4	1157990W1	2	DEFLECTOR, SEPARATOR PAN (ACCESSORY)
	3009182X1	4	BOLT,HEX FLANGE, M6-1.0 X 16 CL10.9
	339375X1	4	LOCKWASHER, M6
	339030X1	4	NUT, M6 X 1.0, REG
5	71409257	1	COMB ASY, SEPARATOR PAN
6	71409255	1	STRIP, RUBBER, PAN COMB
	PZND1041V	7	BOLT,RD HD SQ NK, M8-1.25 X 20 CL8.8
	5000003X1	7	NUT, HEX FLANGE NYL LOCK, M8 X 1.25
7	1114720W1	28	ROD, COMB
9	71389862	2	STRIP, CLAMPING
10	71406469	1	SEAL, SEPARATOR PAN, REAR
	5000003X1	16	NUT, HEX FLANGE NYL LOCK, M8 X 1.25
	339123X1	8	BOLT,HEX FLANGE, M8-1.25 X 20 CL10.9
11	71389428	1	SHAFT, REAR
12	2443420W1	2	ARM, REAR
	3009227X1	2	BOLT,HX FLANGE, M12-1.75 X 65 CL10.9
	5000005X1	2	NUT, HEX FLANGE NYL LOCK, M12 X 1.75
13	1501060W1	2	HOUSING, REAR BRG
	3009208X1	4	BOLT,HEX FLANGE, M10-1.5 X 35 CL10.9
	5000004X1	4	NUT, HEX FLANGE NYL LOCK, M10 X 1.5
14	71308770	6	BEARING, BALL
15	70522328	2	COLLAR, BEARING
16	2551250W1	4	HOUSING, BRG
	PZND1138	4	BOLT,RD HD SQ NK, M10-1.5 X 35 CL8.8
	3009210X1	4	BOLT,HEX FLANGE, M10-1.5 X 45 CL10.9
	5000004X1	8	NUT, HEX FLANGE NYL LOCK, M10 X 1.5
17	1564540W1	4	CAPSCREW, 7/8-9 UNC X 2 GR5, SPECIAL
18	70929356	4	LOCKWASHER, EXTERNAL TOOTH, 7/8
19	375114X1	4	JAM NUT, 7/8-9 UNC
20	2443410W1	2	ARM, FRONT
	3009227X1	2	BOLT,HX FLANGE, M12-1.75 X 65 CL10.9
	5000005X1	2	NUT, HEX FLANGE NYL LOCK, M12 X 1.75
21	1588480W1	2	PLATE, REINF.
22	71389429	1	SHAFT, FRONT
23	2555310W1	2	SEAL, FELT, 1 X 2-1/2 X 1/4 TH
24	1130100W1	2	HOUSING
25	70590709	2	BEARING, BALL, W/COLLAR
26	K3518	2	COLLAR, BEARING, 1-1/8 ID
27	29780X	2	KEY, WOODRUFF, 1/4 X 1, HARD

MC00470

PR: t06g24h33d0104

PITMAN SHAFT



**9895 COMBINE  
SEPARATOR**

261

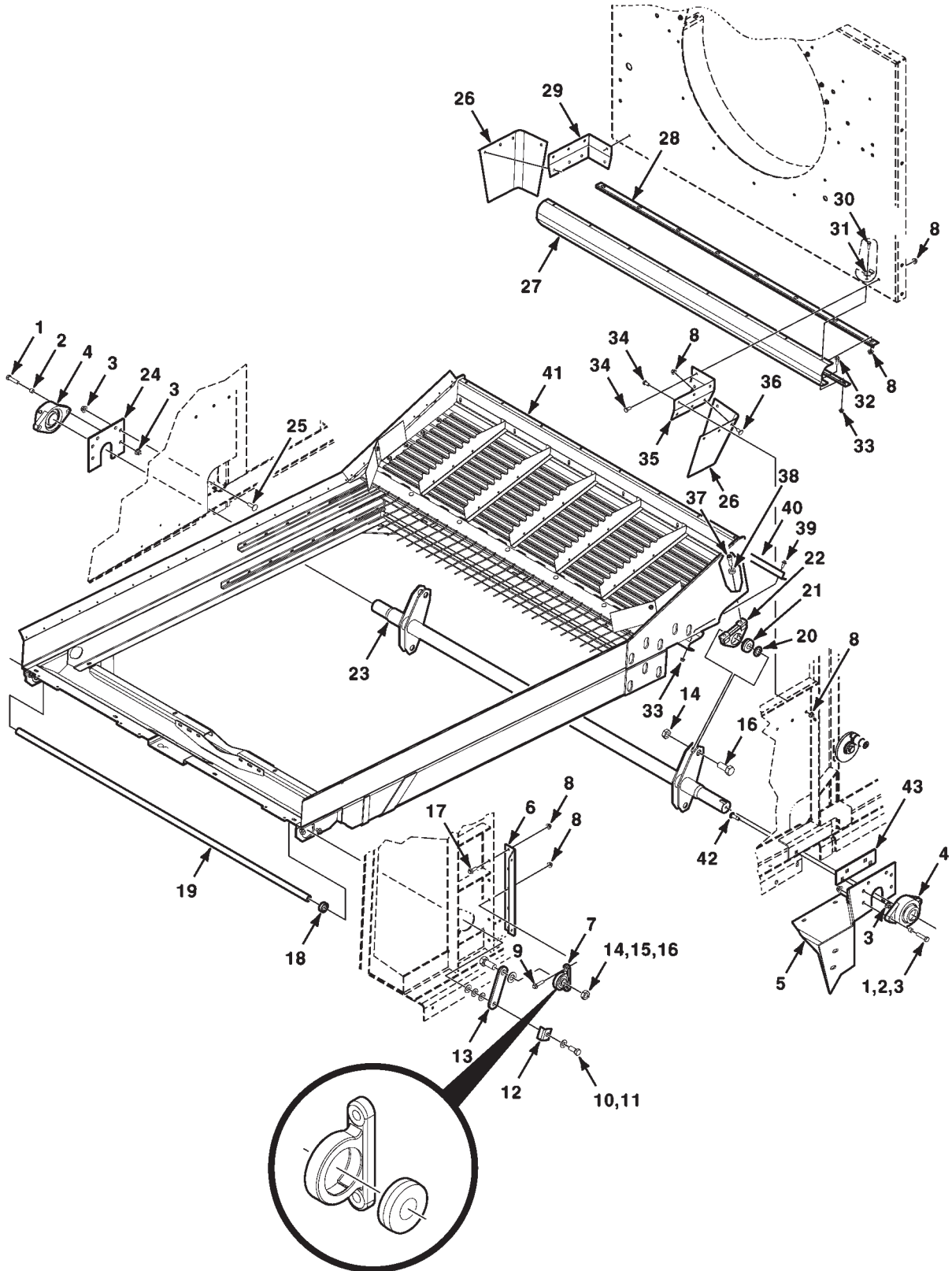
**PITMAN SHAFT**

ITEM	NUMBER	QTY	DESCRIPTION
1	71412437	1	SPACER-PITMAN SHAFT
2	3019168X1	1	KEY-PARALLEL, 8 X 12 X 28 MM
3	1440716X1	2	CAPSCREW, M12-1.75 X 30 CL8.8
4	71413456	1	WASHER, .532 ID X 1.75 X .375 TH
5	3019865X1	2	CAPSCREW, M16-2.0 X 75 CL10.9
6	11538	4	WASHER, HARD, .66 ID X 1.13 X .125 TH.
7	3019871X1	2	NUT, M16-2.0, CLASS 10, PH
8	700708349	1	CAPSCREW, M10-1.5 X 25 CL8.8
9	6875314	1	WASHER-PITMAN SHAFT
10	71413028	1	ARM WA-SHOE SHAKER
11	339437X1	4	RING-RETAINING
12	71413047	4	WASHER ASSEMBLY
13	831861M1	2	BEARING-SPHERICAL, BALL
14	71413040	1	LINK-PITMAN
15	70923014	2	LUBE FTG, 1/8 PIPE SPL, 45 DEG
16	71413050	1	SPACER
17	71412441	1	DRIVE HUB-PITMAN
18	2615094W91	1	PITMAN ASY (INCL. ITEMS 33,34)
	2615101W92	1	PITMAN WLMT
19	29780X	1	KEY-WOODRUFF, 1/4 X 1
20	3009227X1	1	BOLT, FLANGE, M12-1.75 X 65 CL10.9
21	5000005X1	3	NUT, HEX FLANGE NYL LOCK, M12 X 1.75
22	2615140W2	1	ARM - WALKER PAN DRIVE
23	8701708	1	CAPSCREW, 1/2-13 X 1-1/4 GR8
24	71412438	1	WASHER, .827 X 1.875 X .375 TH
25	3011004X1	1	CAPSCREW, M20-2.5 X 45 CLASS 10.9
26	-----	1	BEARING ASM
	2590650W1	1	HOUSING-BEARING
	31-1588410	1	BEARING-BALL
27	391904X1	2	CAPSCREW, M12-1.75 X 110 CL10.9
28	71412446	1	SHAFT-DRIVE, PITMAN
29	3009316X1	2	CAPSCREW, HEX SOCK, M16X2.0X120 CL 10.9
30	5000006X1	2	NUT, HEX FLANGE NYL LOCK, M16 X 2.0
31	-----	1	BRG ASM-PITMAN SHAFT
	71414290	1	HOUSING-BEARING, PITMAN SHAFT
	31-1588410	1	BEARING-BALL
32	339474X1	1	KEY-PARALLEL, 8 X 10 X 45
33	339583X1	2	BEARING, BALL
34	22289X	2	RING, INTERNAL RETAINING
35	60049M1	2	SPACER .532 ID X 1.50 X .394 TH

MC00554  
PR: t06k17j37d0001

9895 COMBINE  
SEPARATOR

SHOE SHAKER





**9895 COMBINE  
SEPARATOR**

263

**SHOE SHAKER**

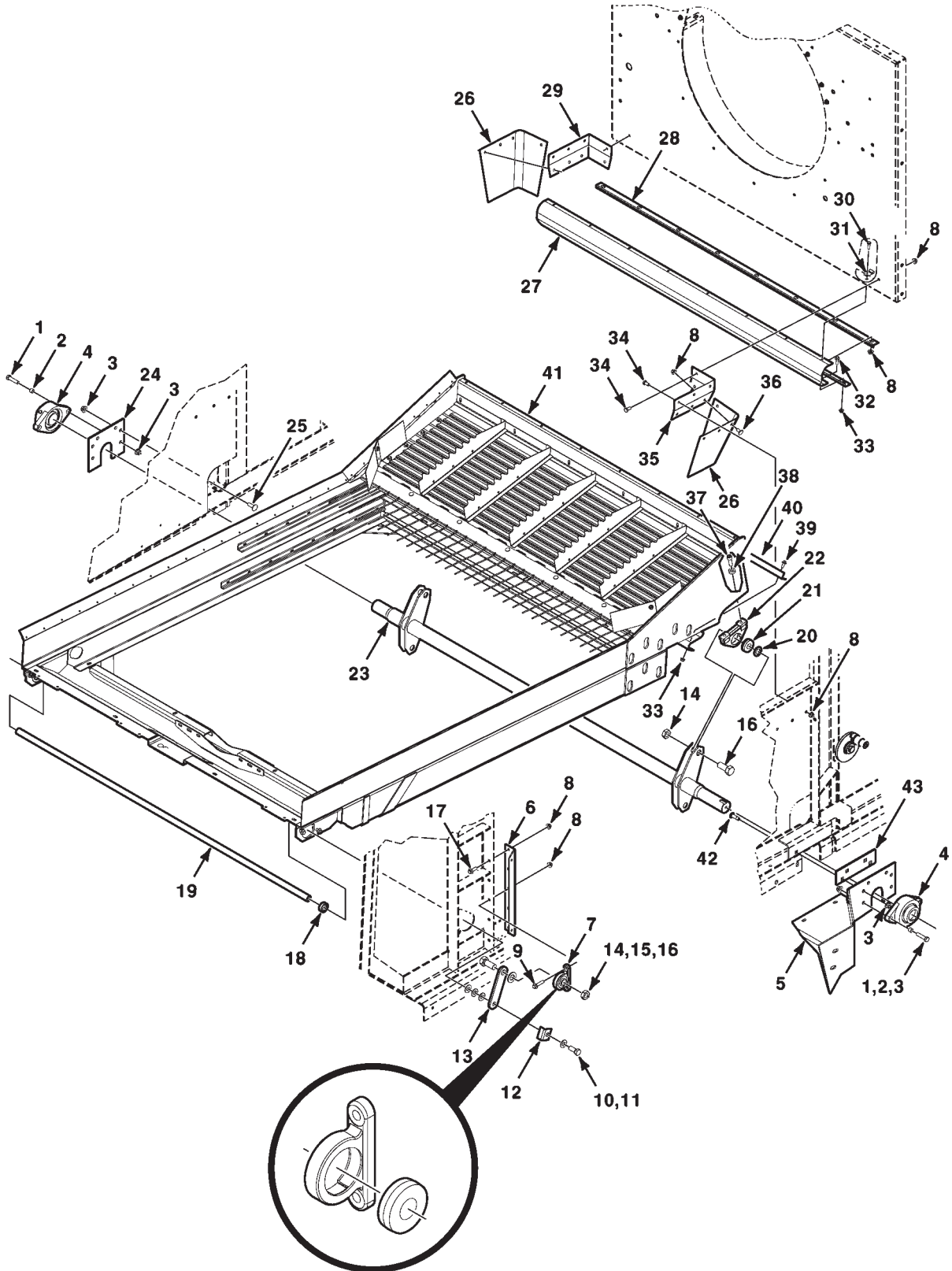
ITEM	NUMBER	QTY	DESCRIPTION
1	3009224X1	4	BOLT, FLANGE, M12-1.75 X 50 CL10.9
2	71413494	4	SLEEVE, IDLER BEARING
3	5000005X1	12	NUT, HEX FLANGE NYL LOCK, M12 X 1.75
4	2492063W91	2	BRG. & HSG. ASY
	2403570W1	1	HOUSING, BEARING
	14987	1	COLLAR, BEARING
	22602X	1	BEARING, WIDE INNER RACE
	70923014	1	LUBE FTG, 1/8 PIPE SPL, 45 DEG
5	71406255	1	SUPPORT WA, GRAIN ELEVATOR
6	71413451	1	ANGLE, REINFORCING
7	-----	2	BEARING ASSEMBLY (NOT SERVICED)
	2551250W1	1	HOUSING-BEARING
	71308770	1	BEARING, BALL
8	5000004X1	34	NUT, HEX FLANGE NYL LOCK, M10 X 1.5
9	3009210X1	4	BOLT, FLANGE, M10-1.5 X 45 CL10.9
10	70924744	2	CAPSCREW, 5/8-11 X 1-1/2 GR5
11	705632	8	5/8 NARROW PLAIN WASHER
12	116616W1	2	BRACKET-SHOE SPEED SENSOR
13	71414291	2	ARM-SHOE HANGER
14	375114X1	4	JAM NUT, 7/8-9 UNC
15	70923544	2	WASHER, 7/8, NARROW
16	1564540W1	4	CAPSCREW, 7/8-9 UNC X 2 GR5, SPECIAL
17	3009207X1	6	BOLT, FLANGE, M10-1.5 X 30 CL10.9
18	375028X1	2	COLLAR, BEARING, W/ SETSCREW
19	71391805	1	TIE ROD-SEPARATOR FRAME
20	364578X1	2	WASHER, .906 X 1.5 X .106 TH
21	71308770	2	BEARING-SPHERICAL, W/O COLLAR
22	71401429	2	HOUSING-BEARING, CHAFFER FRAME
23	71412141	1	SHAFT WA-SHAKER
24	2446400W1	1	PLT.-BRG.MOUNT-SHOE SHAKER SHAFT
25	385391X1	4	BOLT,RD HD SQ NK, M12-1.75 X 35
26	71408494	2	SEAL-CORNER
27	71408477	1	SEAL-TOP
28	71387703	2	ANGLE-SEAL CLAMPING
29	71408493	1	BRACKET, LH CORNER
30	7772197	8	CAPSCREW, M8-1.25 X 25 CL8.8
31	70937685	4	J-CLIP, 3/8 DIA X .406 HOLE
32	3009194X1	8	BOLT, FLANGE, M8-1.25 X 25 CL10.9
33	5000003X1	18	NUT, HEX FLANGE NYL LOCK, M8 X 1.25
34	339081X1	4	CAPSCREW, M10-1.5 X 20 CL8.8
35	71408492	1	BRACKET, RH CORNER
36	390809X1	8	BOLT,RD HD SQ NK, M10-1.5 X 20 CL8.8
37	70912278	4	CAPSCREW, HEX SCKT HD, 1/2-13 X 1-1/2
38	71406957	4	SPACER-SHOE BRG
39	339123X1	10	BOLT, FLANGE, M8-1.25 X 20 CL10.9
40	71388973	1	ANGLE-STIFFENER, FAN HSG

CONTINUED

MC00471  
PR: t06g24h33d0105

9895 COMBINE  
SEPARATOR

SHOE SHAKER



**9895 COMBINE  
SEPARATOR**

**265**

**SHOE SHAKER**

ITEM	NUMBER	QTY	DESCRIPTION
41	71413548	1	UPPER FRAME & SIEVES ASY (SEE BREAKDOWN)
42	385392X1	4	BOLT, RD HD SQ NK, M12-1.75 X 40 CL8.8
43	71400549	1	SPACER-ELEVATOR SUPPORT
44	71387678	1	CHAFFER, GRAIN UPPER (1-1/8 SPACING)
	71397998	1	CHAFFER, CORN UPPER (1-5/8 SPACING) (NOT ILLUSTRATED)
	71399015	1	KIT, AIRFOIL CHAFFER (ORD. DEALER CNTRL)
	71395866	1	CHAFFER, AIRFOIL
	7703416	4	CAPSCREW, 3/8-16 X 1-1/4 GR8
	Y704734	4	NUT, HEX FLANGE TOP LOCK, 3/8-16
	70918266	4	WASHER, 3/8 NARROW
45	71387676	1	SIEVE, GRAIN/RICE, LOWER
	71387677	1	SIEVE, CORN LOWER (NOT ILLUSTRATED)
-	71399011	AR	* KIT, CHAFFER & SIEVE, GRAIN/RICE
-	71399013	AR	* KIT, CHAFFER & SIEVE, CORN

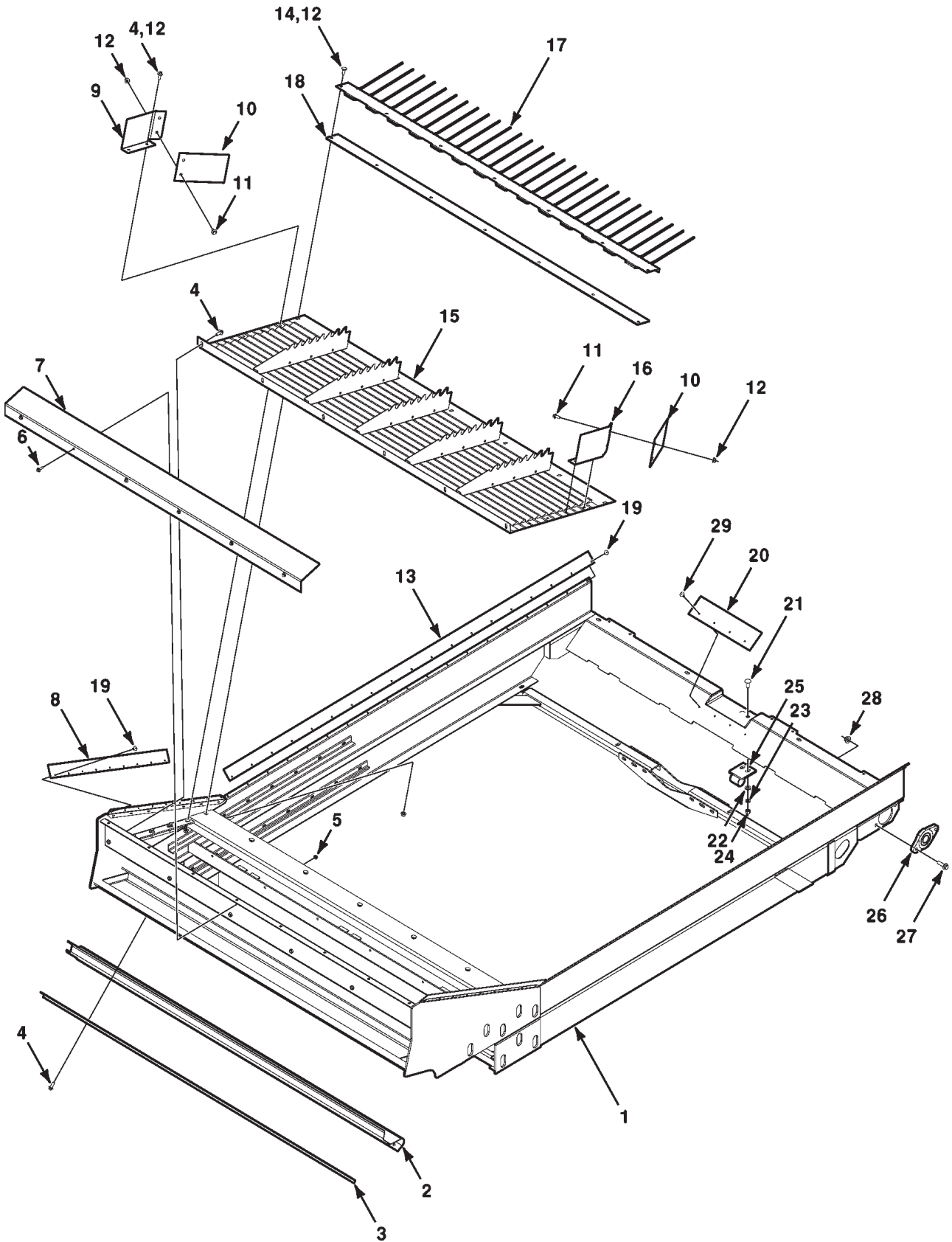
\* ORDER THRU DEALER CENTRAL

MC00471

PR: t06g24h33d0105

9895 COMBINE  
SEPARATOR

CLEANING SHOE  
UPPER FRAME & SIEVES



**9895 COMBINE  
SEPARATOR**

267

**CLEANING SHOE  
UPPER FRAME & SIEVES**

ITEM	NUMBER	QTY	DESCRIPTION
-	71413548	1	UPPER FRAME & SIEVES ASY
1	-----	1	FRAME WA-CLEANING SHOE (NOT SERVICED)
2	71388494	1	SEAL, SEPARATOR FRAME TO FAN HOUSING
3	71387703	1	ANGLE, SEAL CLAMPING
4	339123X1	22	BOLT, FLANGE, M8-1.25 X 20 CL10.9
5	5000002X1	6	NUT, HEX FLANGE NYL LOCK, M6 X 1.0
6	3009183X1	6	BOLT, FLANGE, M6-1.0 X 20 CL10.9
7	71395263	1	PLATE, DAMPER, SEPARATOR
8	71407946	2	SEAL, SHORT
9	71395583	1	DEFLECTOR, RH CASCADE PAN
10	71395589	3	EXTENSION, DEFLECTOR, CASCADE PAN
11	3009920X1	2	BOLT, FLANGE, M8-1.25 X 16 CL10.9
12	5000003X1	10	NUT, HEX FLANGE NYL LOCK, M8 X 1.25
13	71386394	2	SEAL-REAR CHAFFER
14	PZND1041V	7	BOLT,RD HD SQ NK, M8-1.25 X 20 CL8.8
15	71407942	1	PAN WA, CASCADE
16	71395582	1	DEFLECTOR, LH CASCADE PAN
17	71388476	1	COMB ASY, CASCADE PAN
18	71388968	1	STRIP, RUBBER,SEPARATOR FRAME
19	70937253	56	POP-RIVET .188 X .063-.25 LG DOME HD
20	71393818	1	SEAL, REAR, SEPARATOR FRAME
21	390809X1	2	BOLT,RD HD SQ NK, M10-1.5 X 25 CL8.8
22	390734X1	2	WASHER, M10, NARROW
23	339376X1	2	LOCKWASHER, M10
24	339402X1	2	NUT, M10 X 1.5, REG
25	71397168	1	BUSHING ASY, TIE ROD
26	71392693	2	BEARING ASSEMBLY
	1501060W1	1	HOUSING
	71308951	1	BEARING, W/COLLAR
27	3009208X1	4	BOLT, FLANGE, M10-1.5 X 35 CL10.9
28	5000004X1	4	NUT, HEX FLANGE NYL LOCK, M10 X 1.5
29	70937254	4	POP-RIVET .188 X .25-.375 LG DOME HD

MC00472

PR: t06g24h33d0106



**9895 COMBINE  
SEPARATOR**

269

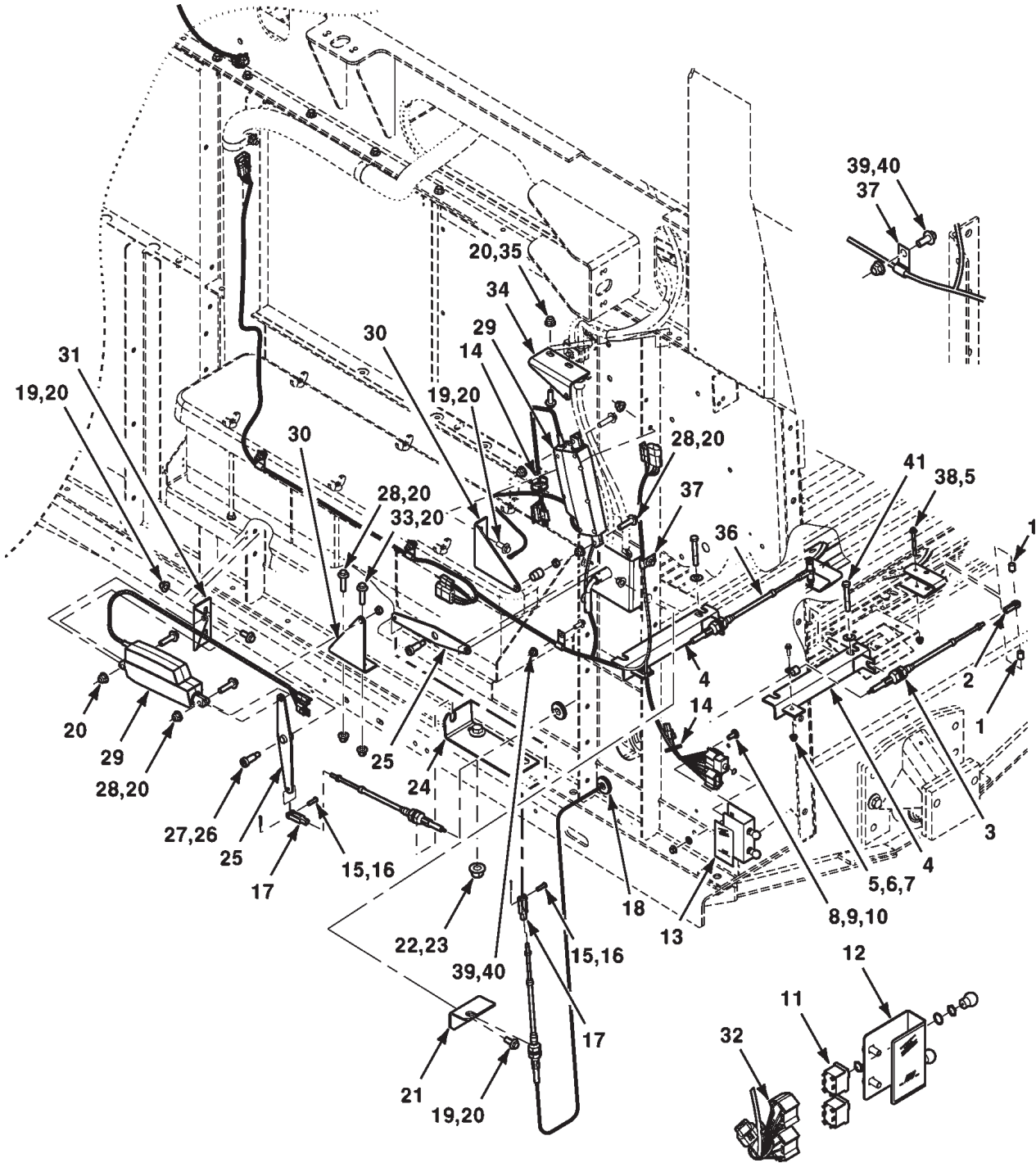
**CLEANING SHOE  
LOWER PAN**

ITEM	NUMBER	QTY	DESCRIPTION
1	1564540W1	4	CAPSCREW, 7/8-9 UNC X 2 GR5, SPECIAL
2	700709608	2	WASHER, 7/8, WIDE
3	70929356	4	LOCKWASHER, EXT. TOOTH, 7/8
4	7774383	4	JAM NUT, 7/8-9 UNC
5	5000004X1	16	NUT, HEX FLANGE NYL LOCK, M10 X 1.5
6	3001429X1	4	CAPSCREW,M10-1.5 X 35 FULL THD,CL8.8
7	3009208X1	12	BOLT, FLANGE, M10-1.5 X 35 CL10.9
8	71394540	2	SUPPORT, BEARING, REAR
10	70923151	2	CAPSCREW, 5/8-11 X 1-1/4 GR5
11	70918432	2	WASHER, 5/8, WIDE
13	2400540W1	2	BAR-REAR HANGER
14	375028X1	2	COLLAR, BEARING
15	71392691	2	BEARING ASY, SHALLOW
	71308951	1	BEARING
	2551250W1	1	HOUSING
16	339123X1	6	BOLT, FLANGE, M8-1.25 X 20 CL10.9
17	5000003X1	6	NUT, HEX FLANGE NYL LOCK, M8 X 1.25
18	364578X1	2	WASHER, .906 X 1.5 X .106 TH
19	71388975	1	ROD-TIE
20	71389185	1	SEAL-REAR
21	71389184	1	STRIP-CLAMPING,REAR SEPARATOR FRAME
22	71409926	1	PAN ASY, LOWER SEPARATOR
23	71389182	1	STRIP-CLAMPING, SEPARATOR
24	3001163X1	9	SCREW, PAN HD. MACH, M5 X 16
25	1102796	9	LOCKWASHER, M5
26	7774078	9	NUT, M5 X 0.8, REG
27	71409932	1	DOOR ASY, REAR SHOE (INCL. ITEMS 28-31)
28	71393812	1	SEAL, RUBBER, SHOE DOOR
29	71396457	1	ANGLE WLMT, SHOE DOOR
30	71393815	1	REINF. STRIP, SHOE DOOR
	Y764126	10	POP RIVET, 3/16 X .125-.250 GRIP
31	762975	3	CLAMP, OVER-CENTER
	64642	6	POP RIVET, 3/16 X .250-.375 GRIP
32	1501043W91	4	BEARING & HOUSING ASY
	71308770	1	BEARING, W/O COLLAR
	1501060W1	1	HOUSING, BEARING
33	71394119	2	SEAL, RUBBER, LOWER PAN
	70937253	15	POP-RIVET .188 X .063-.25 LG DOME HD
34	71394841	2	SEAL, RUBBER, PAN SIDE
	70937253	10	POP-RIVET .188 X .063-.25 LG DOME HD

MC00473

PR: t06g24h33d0107

ELECTRIC ADJUSTABLE SIEVES





9895 COMBINE  
SEPARATOR

271

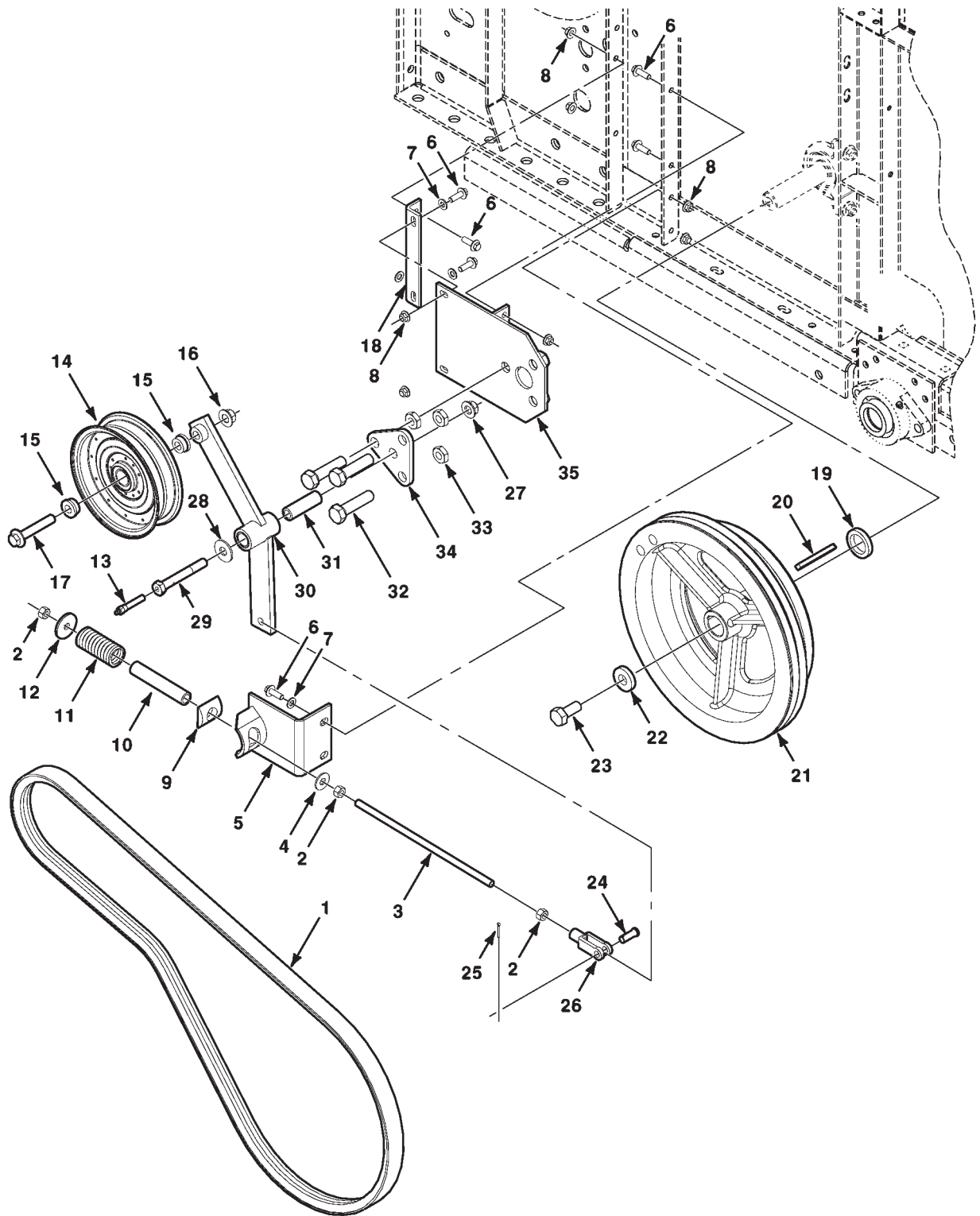
ELECTRIC ADJUSTABLE SIEVES

ITEM	NUMBER	QTY	DESCRIPTION
1	71407572	4	SPACER
2	70936334	2	ROD END-FEMALE
3	71407562	1	CABLE ASM-CHAFFER
4	71407563	2	BRKT WA-ADJ, SIEVE
5	5000002X1	4	NUT, HEX FLANGE NYL LOCK, M6 X 1.0
6	70926921	2	CLAMP, LINE, 7/16 X .281 HOLE
7	3009183X1	2	BOLT, FLANGE, M6-1.0 X 20 CL10.9
8	PZND1041V	2	BOLT,RD HD SQ NK, M8-1.25 X 20 CL8.8
9	385361X1	2	WASHER, HARD, M8
10	5000010X1	2	NUT, HX FLANGE, M8 X 1.25, PHOS COAT
11	71409817	2	SWITCH-CHAFFER/SIEVE
12	71407573	1	BRKT-SWITCH
13	700728470	1	DECAL-ADJ, SIEVE/CHAFFER
14	70925094	3	TIE-WRAP
15	Y762617	2	CLEVIS PIN, 1/4 X .77 LG
16	70918447	2	COTTER PIN, 3/32 X 3/4
17	766410	2	YOKE, .25 DIA X 1/4-28UNF
18	71395753	2	GROMMET
19	3811720M1	6	BOLT, FLANGE, M10-1.5 X 25 CL10.9
20	5000004X1	14	NUT, HEX FLANGE NYL LOCK, M10 X 1.5
21	71406438	1	ANGLE-CABLE, SIEVE
22	5000006X1	2	NUT, HEX FLANGE NYL LOCK, M16 X 2.0
23	3009238X1	2	BOLT, FLANGE, M16-2.0 X 50 CL10.9
24	71410470	1	BRKT-CABLE
25	71411968	2	LEVER WA-CABLE, ADJ
26	700705676	2	BOLT,HX SOCK SHLDR, 1/2 X 1 X 3/8-16
27	7704141	2	NUT, HEX TOP LOCK, 3/8-16
28	3009209X1	3	BOLT, FLANGE, M10-1.5 X 40 CL10.9
29	71407568	4	ACTUATOR-LINEAR
30	71407560	4	ANGLE-PIVOT, CABLE
31	71407559	1	ANGLE-ACTUATOR, SIEVE
32	71409213	1	HARNESS-SIEVE & CHAFFER
33	3009210X1	1	BOLT, FLANGE, M10-1.5 X 45 CL10.9
34	71410472	1	BRKT-ACTUATOR
35	3009207X1	2	BOLT, FLANGE, M10-1.5 X 30 CL10.9
36	71410471	1	CABLE ASM-SIEVE
37	70937685	4	J-CLIP, 3/8 DIA X .406 HOLE
38	3009191X1	2	BOLT, FLANGE, M6-1.0 X 60 CL10.9
39	339123X1	3	BOLT, FLANGE, M8-1.25 X 20 CL10.9
40	5000003X1	3	NUT, HEX FLANGE NYL LOCK, M8 X 1.25
41	70932612	2	CAPSCREW, 3/8-16 X 2-1/2 GR8 PHOS COAT

MC00555  
PR: t06k17j37d0002

9895 COMBINE  
SEPARATOR

PITMAN DRIVE



**9895 COMBINE  
SEPARATOR**

273

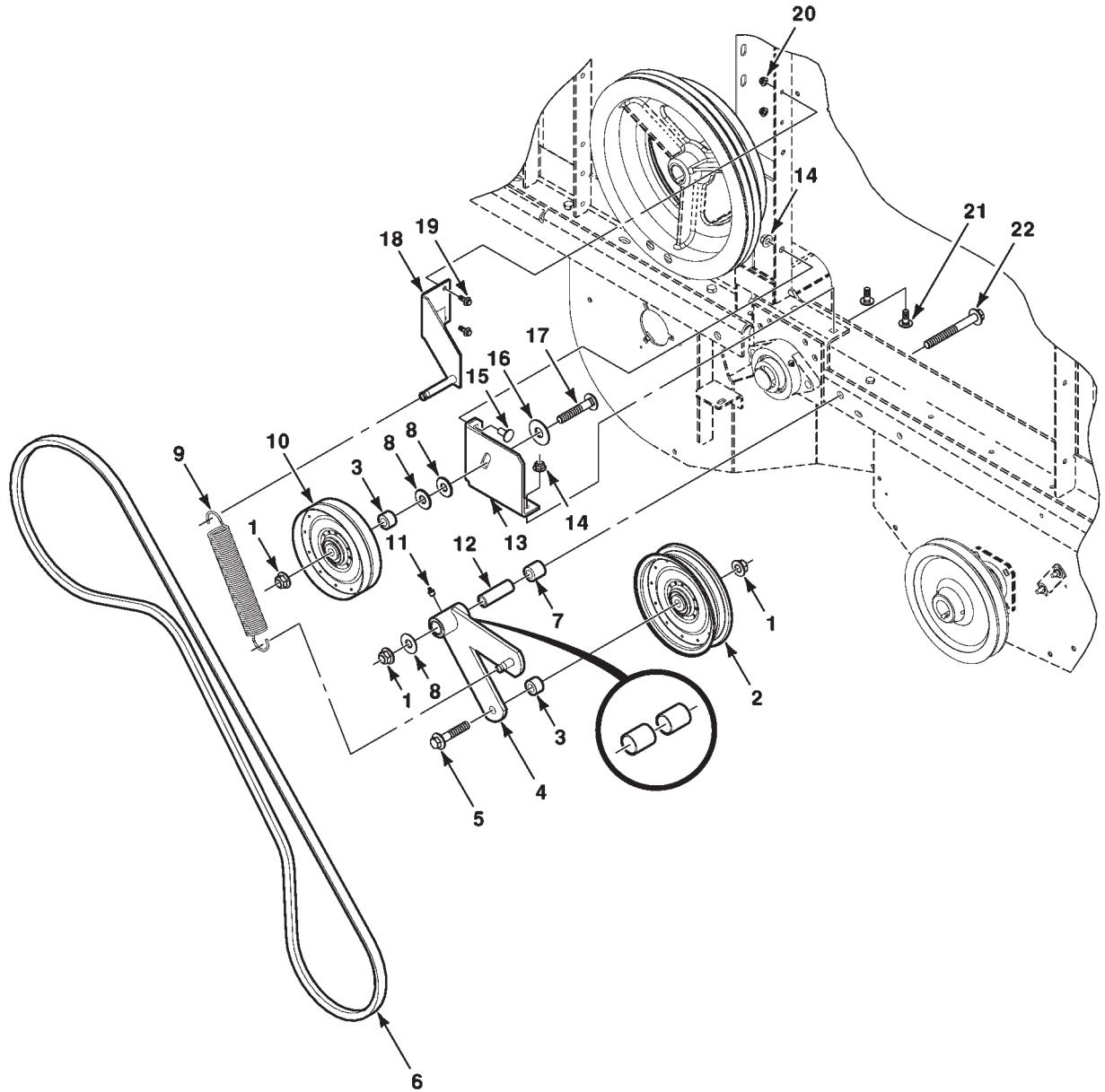
**PITMAN DRIVE**

ITEM	NUMBER	QTY	DESCRIPTION
1	71390199	1	BELT-PITMAN DRIVE
2	704031	3	NUT, 1/2-13 REG
3	71382871	1	ROD-ALL THREAD
4	70918431	1	WASHER, 1/2 WIDE
5	71390196	1	ANCHOR WA-SPRING
6	3009207X1	9	BOLT, FLANGE, M10-1.5 X 30 CL10.9
7	390734X1	4	WASHER, M10, NARROW
8	5000004X1	8	NUT, HEX FLANGE NYL LOCK, M10 X 1.5
9	71356058	1	BLOCK-PIVOT
10	71382868	1	SPACER-SPRING
11	71382716	1	SPRING-IDLER
12	70923094	1	WASHER, .53 X 2.0 X .18 TH.
13	70914767	1	LUBE FTG 1/8 PIPE THREAD FEM, 1.0 LG
	7792922	1	PIPE NIPPLE, 1/8-27 X 2.0 LG
14	71309767	1	IDLER
15	71312602	2	SPACER, IDLER
16	5000006X1	1	NUT, HEX FLANGE NYL LOCK, M16 X 2.0
17	3009244X1	1	BOLT, FLANGE, M16-2.0 X 90 CL10.9
18	71406344	1	ANGLE-SUPPORT
19	71412437	1	SPACER, PITMAN SHAFT
20	339461X1	1	KEY, PARALLEL
21	71413043	1	SHEAVE, PITMAN DRIVEN
22	71412438	1	WASHER
23	3011004X1	1	CAPSCREW, M20-2.5 X 45 CL10.9
24	70929593	1	PIN, CLEVIS, 1/2 X 1.36 LG.
25	70918452	1	COTTER PIN, 1/8 X 1
26	70937465	1	YOKE, ROD END, 1/2-13
27	700703922	1	NUT, HEX FLANGE TOP LOCK, 5/8-11
28	70918432	1	WASHER, 5/8, WIDE
29	2636170W1	1	CAPSCREW, 5/8-11 X 4-1/2, SPECIAL
30	71406345	1	IDLER ARM ASY, PITMAN DRIVE
	1689170W1	2	BUSHING, 1.25 OD X .750 LG
31	2441490W1	1	SLEEVE, PIVOT
32	5000018X1	3	CAPSCREW, M20-2.5 X 80 FULL THD, CL8.8
33	3009747X1	3	JAM NUT, M20 X 2.5
34	71400686	1	PLATE-MOUNTING
35	71406341	1	SUPPORT WA-PIVOT

MC00474

PR: t06g24h33d0108

GRAIN ELEVATOR DRIVE



9895 COMBINE  
GRAIN BIN & ELEVATORS

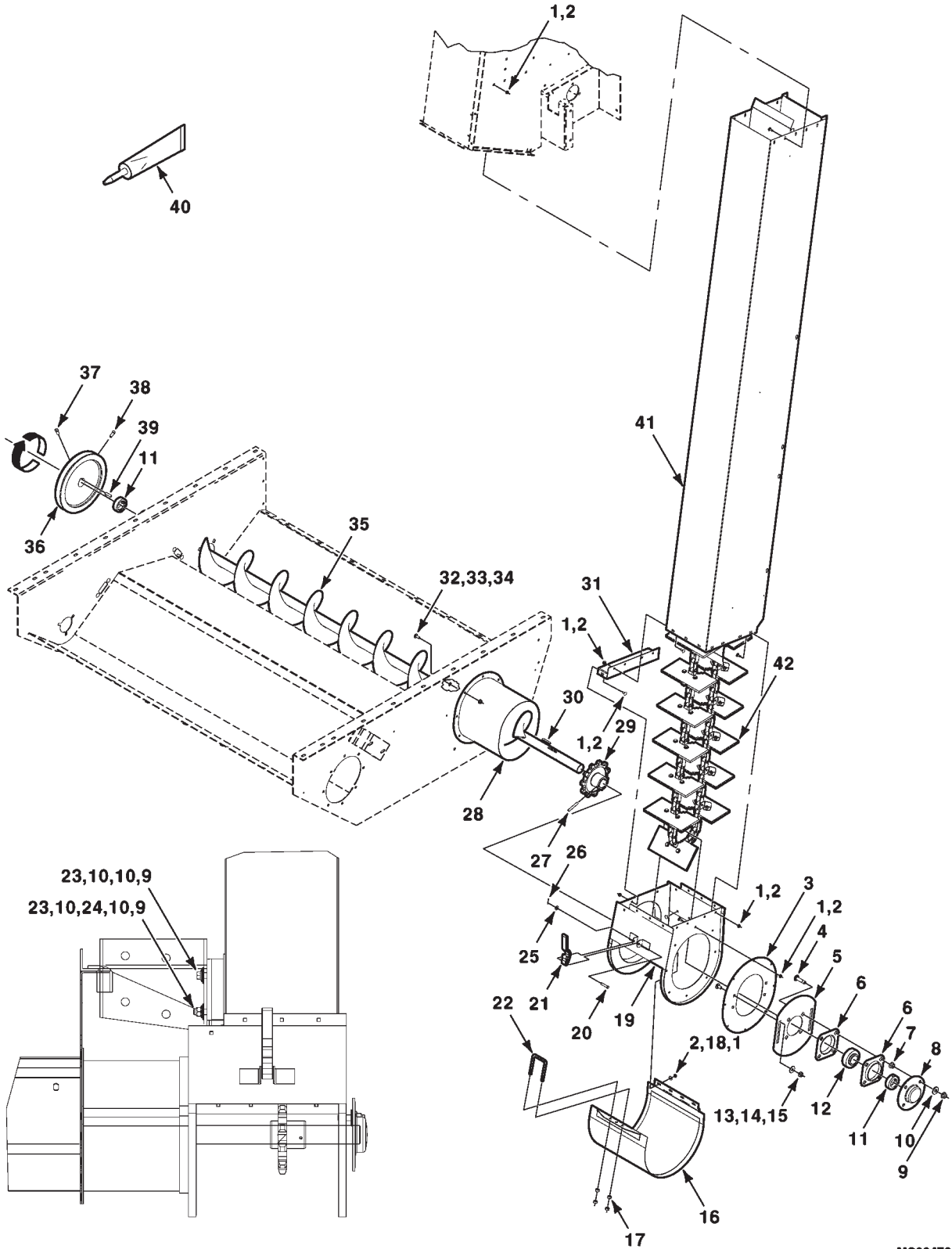
275

GRAIN ELEVATOR DRIVE

ITEM	NUMBER	QTY	DESCRIPTION
1	5000006X1	3	NUT, HEX FLANGE NYL LOCK, M16 X 2.0
2	2553560W1	1	IDLER PULLEY, FLAT, W/FLANGE
3	2451440W1	2	SPACER, IDLER
4	2620853W91	1	IDLER ARM WA-GRAIN EL DRIVE
	1689170W1	2	BUSHING, 1.25 OD X .750 LG
5	3009243X1	1	BOLT, FLANGE, M16-2.0 X 80 CL10.9
6	71403685	1	BELT-DRIVE, CLEAN GRAIN
7	151257M1	1	SPACER
8	3019565X1	3	WASHER, M16, LARGE
9	1579720W1	1	SPRING, TENSION
10	2614090W1	1	IDLER PULLEY, FLAT
11	70914465	1	LUBE FTG, STRAIGHT, 1/8-27 NPT
12	2441490W1	1	SLEEVE, PIVOT
13	71403680	1	SUPPORT BRKT, IDLER
14	5000005X1	3	NUT, HEX FLANGE NYL LOCK, M12 X 1.75
15	385389X1	1	BOLT,RD HD SQ NK, M12-1.75 X 25
16	385360X1	1	WASHER, M20, LARGE
17	385406X1	1	BOLT,RD HD SQ NK, M16-2.0 X 90 CL8.8
18	71403684	1	ANCHOR WA, SPRING
19	339123X1	2	BOLT, FLANGE, M8-1.25 X 20 CL10.9
20	5000003X1	2	NUT, HEX FLANGE NYL LOCK, M8 X 1.25
21	385390X1	2	BOLT,RD HD SQ NK, M12-1.75 X 30
22	3009249X1	1	SCREW, HEX FLANGE, M16-2.0 X 140 CL10.9

MC00475  
PR: t06g24h33d0109

GRAIN ELEVATOR  
LOWER



**9895 COMBINE  
GRAIN BIN & ELEVATORS**

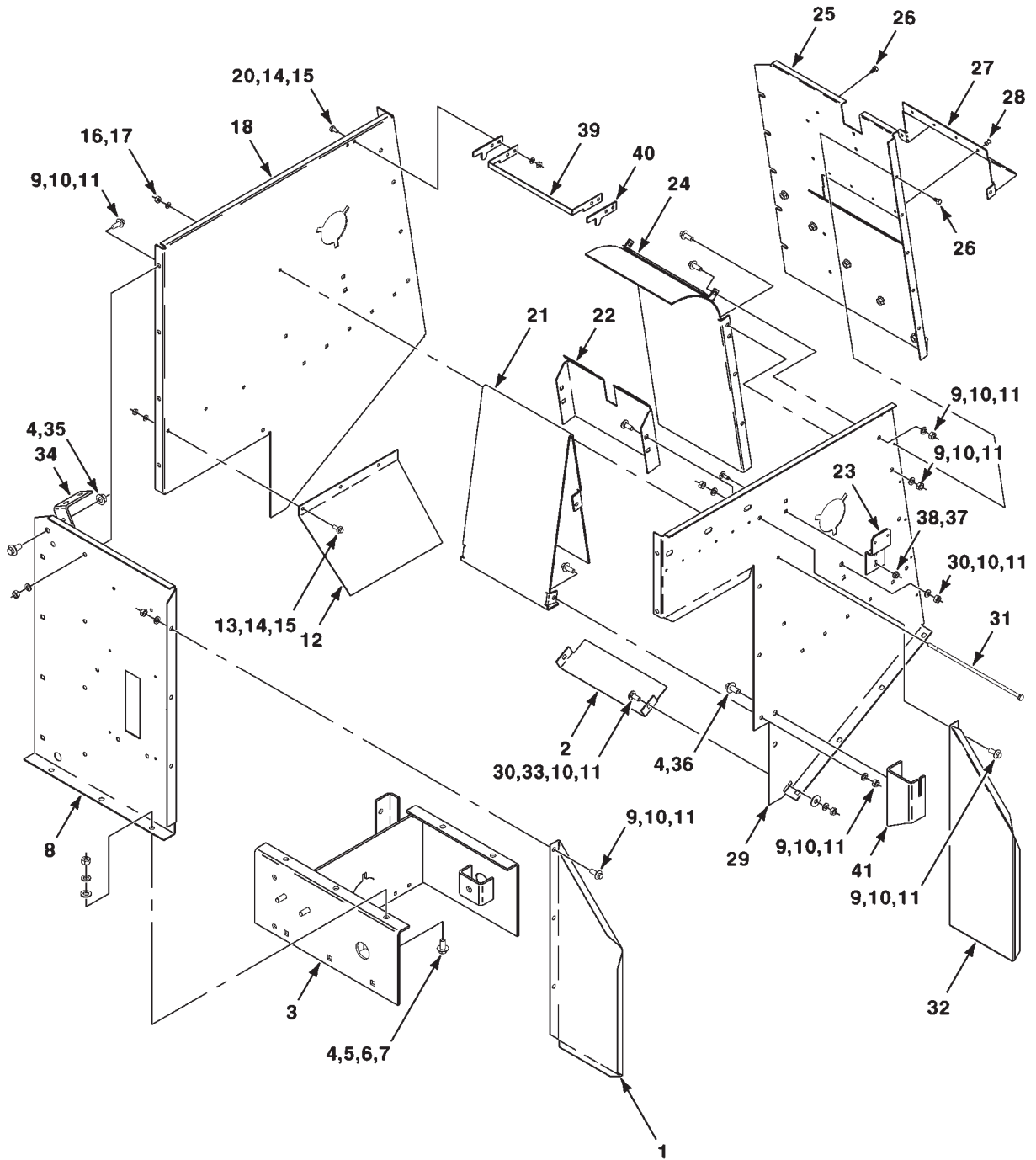
277

**GRAIN ELEVATOR  
LOWER**

ITEM	NUMBER	QTY	DESCRIPTION
1	385427X1	40	BOLT,RD HD SQ NK, M6-1.0 X 16 CL8.8
2	3019123X1	40	NUT, HEX FLANGE, M6 X 1.0
3	71400429	1	PLATE-COVER, GRAIN ELEVATOR BOOT
4	385393X1	4	BOLT-CARRIAGE, FULL THREAD M12X50
5	71400430	1	PLATE-BEARING
6	17789	2	FLANGE, 80.0 DIA BEARING
7	3009695X1	4	NUT, HEX FLANGE, M12 X 1.75
8	71411345	1	SHIELD-BEARING
9	5000005X1	6	NUT, HEX FLANGE NYL LOCK, M12 X 1.75
10	391212X1	8	WASHER, M12, LARGE
11	1720176	2	COLLAR, BEARING LOCK
12	50468	1	BEARING & COLLAR, 1.50
13	3019125X1	4	NUT, HEX FLANGE, M10 X 1.5
14	70917378	4	WASHER, M10, LARGE
15	390809X1	4	BOLT,RD HD SQ NK, M10-1.5 X 20 CL8.8
16	71400431	1	DOOR WA-LOWER
17	70916950	4	NUT, 3/8-16 REG
18	391038X1	4	WASHER, M6, LARGE
19	71399994	1	BOOT WA-GRAIN ELEVATOR
20	70927523	1	5/16 X 1-1/2 CLEVIS PIN
21	1799410W1	1	HANDLE
22	2476240W1	1	LATCH BOLT-UNLOADER DOOR
23	3009221X1	2	BOLT, FLANGE, M12-1.75 X 35 CL10.9
24	700730016	1	SPEED NUT, M12 THD.
25	Y705608	1	WASHER, 5/16, NARR
26	70918447	1	COTTER PIN, 3/32 X 3/4
27	70926977	1	PIN, COILED SPRING, 3/16 X 2-1/4
28	71404370	1	EXTENSION WA, GRAIN AUGER
29	2571510W1	1	DRIVE SPRKT-GRAIN ELEVADOR
30	61101	1	KEY, 1/4 X 1-3/4
31	71399807	1	FILLER WA-BOOT
32	PZND1041V	8	BOLT,RD HD SQ NK, M8-1.25 X 20 CL8.8
33	70933988	8	SPEED NUT, 5/16 THD.
34	3019124X1	8	NUT, HEX FLANGE, M8 X 1.25
35	71406251	1	AUGER WA, CHROME, GRAIN
	71404369	1	AUGER WA, NON-HARD, GRAIN
36	71403682	1	SHEAVE, DRIVEN, GRAIN ELEV
37	70920469	1	SETSCREW, SQ HD CUP PT, 3/8-16 X 3/4
38	70923326	1	SETSCREW, SQ HD CUP PT, 3/8-16 X 1
39	70911201	1	KEY, WOODRUFF, 3/8 X 1-1/4 DIA
40	700704010	1	SEALANT, RTV BLACK SILICONE
41	71400435	1	BODY WLMT, GRAIN ELEVATOR
42	71409422	1	CHAIN ASSEMBLY-GRAIN ELEVATOR

MC00476  
PR: t06g24h33d0110

GRAIN ELEVATOR  
HEAD ASSEMBLY





**9895 COMBINE  
GRAIN BIN & ELEVATORS**

279

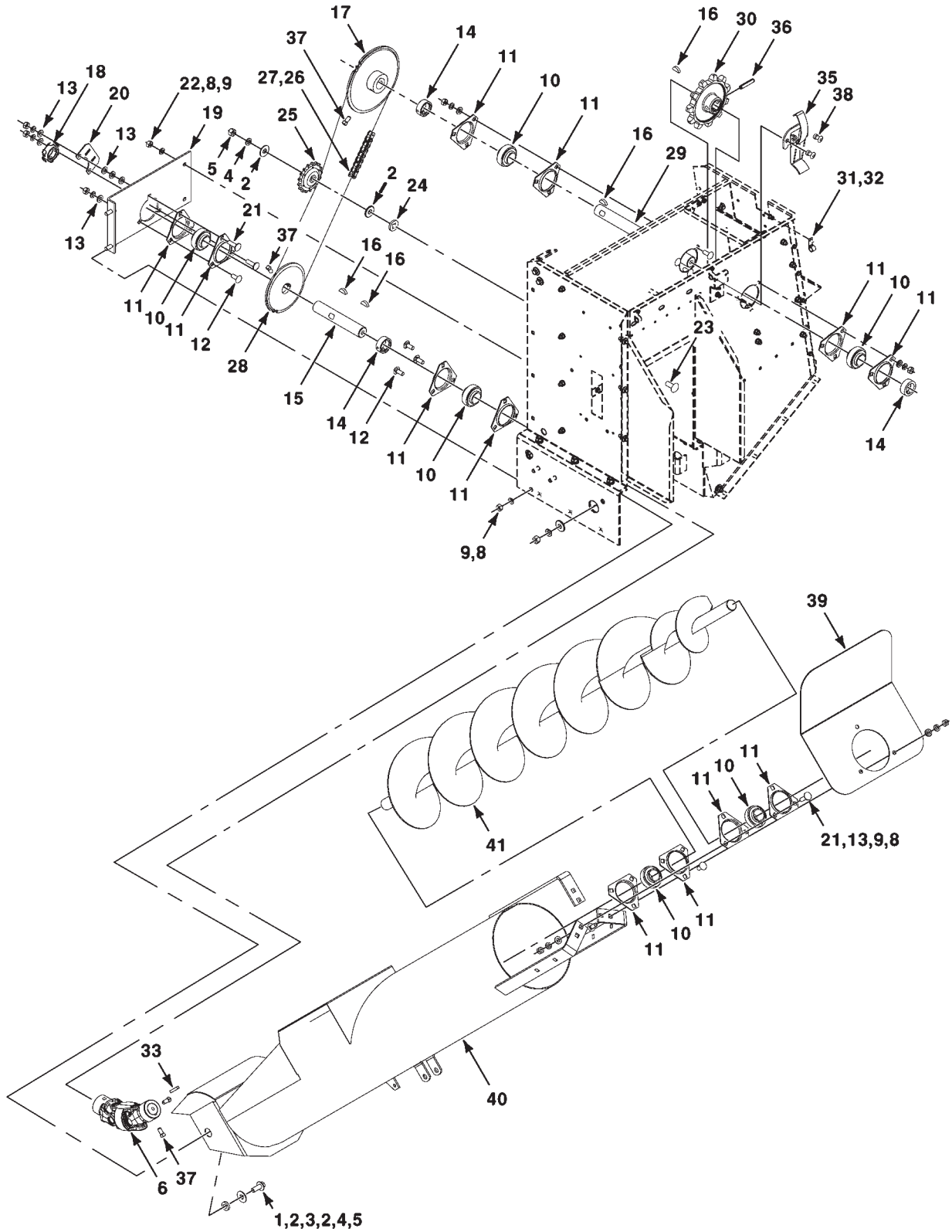
**GRAIN ELEVATOR  
HEAD ASSEMBLY**

ITEM	NUMBER	QTY	DESCRIPTION
1	71393264	1	EXT-FRONT GRAIN HEAD
2	71393273	1	SEAL, ELEVATOR
3	71397593	1	SUPPOT WLMT, BIN LOADER
4	3009205X1	9	BOLT, FLANGE, M10-1.5 X 20 CL10.9
5	390734X1	5	WASHER, M10, NARROW
6	339376X1	5	LOCKWASHER, M10
7	339402X1	5	NUT, M10-1.5 CL8
8	71407577	1	PANEL-FRONT GRAIN HEAD
9	339123X1	24	BOLT, FLANGE, M8-1.25 X 20 CL10.9
10	339374X1	30	LOCKWASHER, M8
11	339169X1	30	M8X1.25 NUT CL 8
12	71407576	1	DEFLECTOR-GR
13	3009182X1	3	BOLT, FLANGE, M6-1.0 X 16 CL10.9
14	339375X1	7	LOCKWASHER, M6
15	339030X1	7	NUT, M6 X 1.0, REG
16	705012	1	LOCKWASHER, 1/4 REG
17	70916622	1	NUT, 1/4-20 REG
18	71391187	1	SIDE WA-RIGHT, BIN LOADER
20	391074X1	4	M6X1.0X12 CAPSCREW-FULL THREAD CL 8.8
21	71396416	1	DIVIDER, GR ELEV. HEAD
22	71396415	1	TAILBOARD EXT-GRAIN ELEV. HEAD
23	71412315	1	ANCHOR BRKT
24	71408839	1	BACK WLMT-GRAIN ELEV HEAD
25	71410412	1	BACK WLMT-BIN, LOADER
26	3011539X1	10	6.3X13 HEX HEAD TAP SCREW
27	71408501	1	HOOD-RECIRCULATION
28	700717635	4	POP-RIVET, .188 DIA X .126-.250 GRIP
29	71391186	1	PANEL, LEFT BIN LOADER
30	PZND1041V	6	BOLT,RD HD SQ NK, M8-1.25 X 20 CL8.8
31	70935982	1	1/4-20 X 10 CAPSCREW
32	71393402	1	EXTENSION-BACK, GRAIN BIN
33	391039X1	2	WASHER, M8, LARGE
34	71410799	1	ANGLE-BIN LOADER
35	3019125X1	2	NUT, HEX FLANGE, M10 X 1.5
36	5000004X1	2	NUT, HEX FLANGE NYL LOCK, M10 X 1.5
37	3019123X1	2	NUT, HEX FLANGE, M6 X 1.0
38	385427X1	2	BOLT,RD HD SQ NK, M6-1.0 X 16 CL8.8
39	71410927	1	SEAL-YIELD SENSOR
40	71410926	2	SNUBBER-YIELD SENSOR
41	71409896	1	SUPPORT BRKT, STEP

MCO0478  
PR: t06g24h33d0111

9895 COMBINE  
GRAIN BIN & ELEVATORS

GRAIN ELEVATOR  
BIN FILL AUGER



**9895 COMBINE  
GRAIN BIN & ELEVATORS**

281

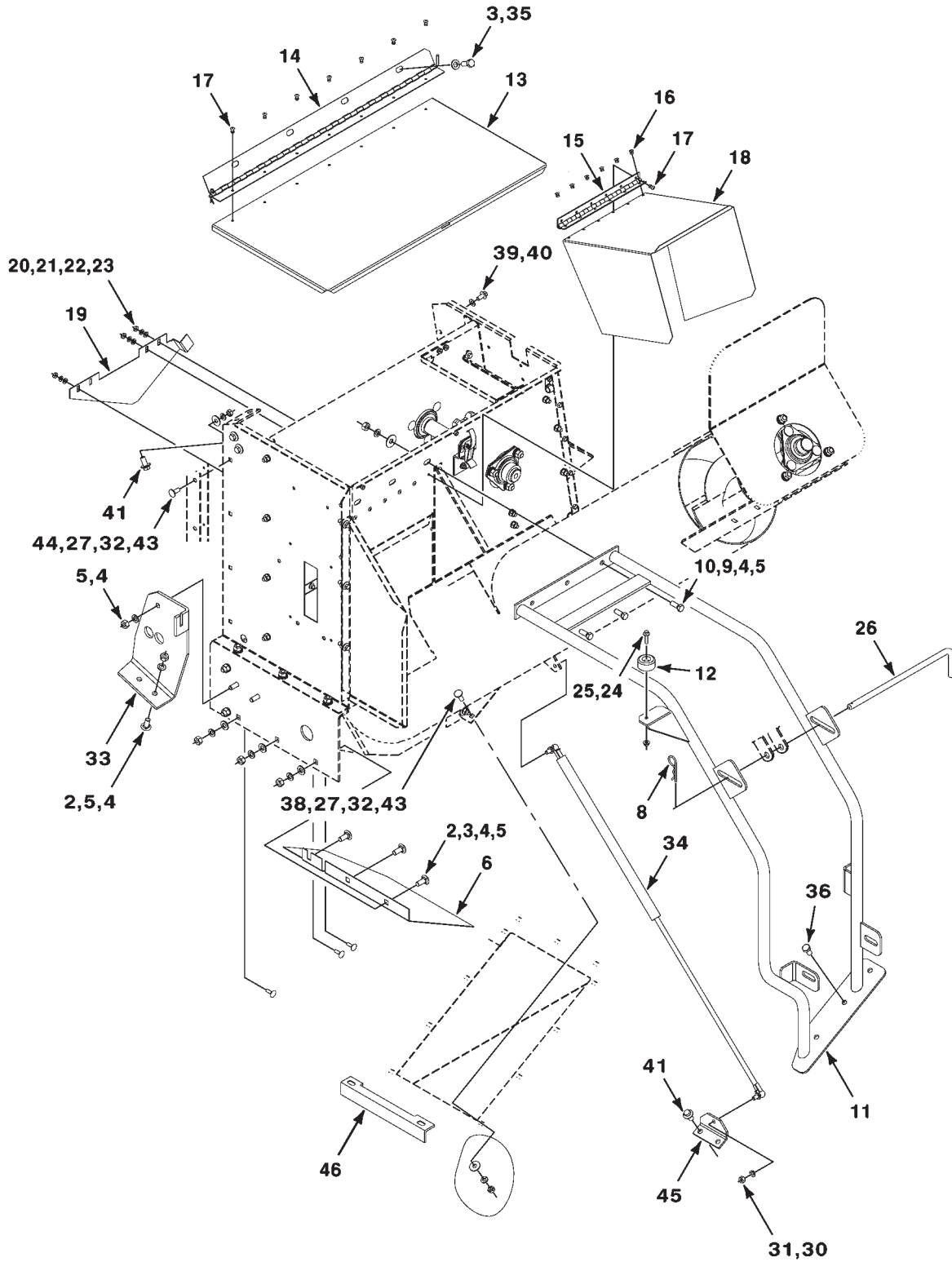
**GRAIN ELEVATOR  
BIN FILL AUGER**

ITEM	NUMBER	QTY	DESCRIPTION
1	3818907M1	2	BOLT, FLANGE, M12-1.75 X 30 CL10.9
2	391212X1	6	WASHER, M12, LARGE
3	71188949	2	SPACER
4	339369X1	3	LOCKWASHER, M12
5	3009695X1	3	NUT, M12 X 1.75, REG
6	71407579	1	DOUBLE JOINT ASM
8	339402X1	25	NUT, M10-1.5 CL8
9	339376X1	25	LOCKWASHER, M10
10	71306660	6	BEARING-SPH LESS COLLAR
11	71127313	12	FLANGE-BEARING
12	390809X1	16	BOLT,RD HD SQ NK, M10-1.5 X 25 CL8.8
13	385362X1	27	WASHER, HARD, M10
14	700717212	3	1-1/4 ID BEARING LOCK COLLAR
15	71407583	1	SHAFT-BIN LOADER DRIVE
16	29780X	4	1/4 X 1 KEY-WDF
17	71401462	1	SPROCKET WA-50B38
18	71194367	1	COLLAR WA-SENSING
19	71406417	1	PLATE WA
20	71188145	1	BRACKET-SHAFT MONITOR (1-1/4")
21	PZND1138	5	BOLT,RD HD SQ NK, M10-1.5 X 35 CL8.8
22	3811720M1	2	BOLT, FLANGE, M10-1.5 X 25 CL10.9
23	385395X1	1	M12X1.75X60 BOLT-CARRIAGE CL 8.8 WASHER-PLAIN
24	70924113	1	WASHER, SQ HOLE
25	7087398	1	SPROCKET-IDLER
26	-----	1	CHAIN ASY, BIN FILL AUGER, 71.25" LG (SERVICE W/ NEXT 2 ITEMS)
	840327M91	1	ROLLER CHAIN ASY, #50, 10' LENGTH
27	70913682	1	LINK, CONNECTOR, #50 W/ SPRING CLIP
28	71393260	1	SPROCKET WA-50B28
29	71393261	1	SHAFT-UPPER, ELEVATOR
30	2412960W1	1	DRIVE SPROCKET-GRAIN ELEV.
31	70925246	1	J-CLIP, 1/2 DIA X .281 HOLE
32	70924939	1	RIVET-POP, .250 Zn
33	61085	1	1/4 X 1-1/2 KEY
35	762975	1	CLAMP
36	70916767	1	3/8 X 2 PIN-ROLL
37	70920469	7	SETSCREW, SQ HD CUP PT, 3/8-16 X 3/4
38	700717635	2	POP-RIVET, .188 DIA X .126-.250 GRIP
39	71407581	1	DEFLECTOR-BIN LOADER
40	71407580	1	TUBE WA-BIN LOADER
41	71407582	1	AUGER-CHROME

MC00479  
PR: t06g24h33d0112

9895 COMBINE  
GRAIN BIN & ELEVATORS

GRAIN ELEVATOR  
HEAD MOUNTING & SUPPORTS



**9895 COMBINE  
GRAIN BIN & ELEVATORS**

283

**GRAIN ELEVATOR  
HEAD MOUNTING & SUPPORTS**

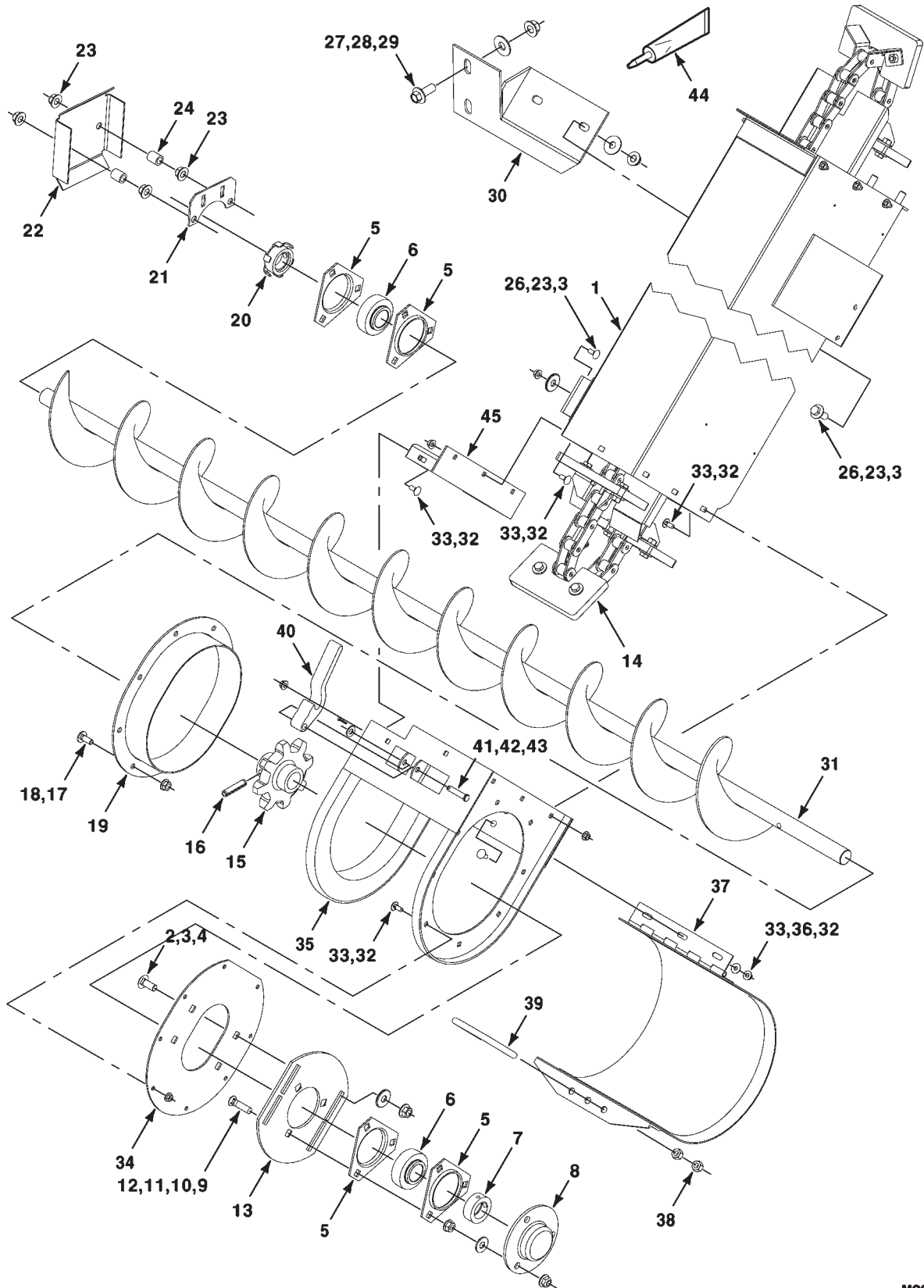
ITEM	NUMBER	QTY	DESCRIPTION
2	390809X1	5	BOLT,RD HD SQ NK, M10-1.5 X 25 CL8.8
3	390734X1	7	WASHER, M10, NARROW
4	339376X1	10	LOCKWASHER, M10
5	339402X1	10	NUT, M10-1.5 CL8
6	71391197	1	DEFLECTOR PANEL, BIN LOADER
8	70936348	1	PIN, RETAINER, .125 DIA X 2.56 LG
9	70917378	3	WASHER, M10, LARGE
10	3811720M1	3	SCREW,HEX FLANGE, M10-1.5 X 25 CL10.9
11	71391182	1	RETAINER WLMT, LOADER AUGER
12	72509675	1	BUMPER-RUBBER, RECESSED
13	71412314	1	COVER-ELEV HD
14	71412313	1	HINGE- COVER, LOADER
15	71407726	1	HINGE-HEAD, GRAIN ELEV
16	70924837	6	POP-RIVET, .188 X .063-.125 GRIP
17	700717635	13	POP-RIVET, .188 DIA X .126-.250 GRIP
18	71407578	1	COVER-BIN LOADER
19	71408844	1	PLATE-DIVIDER
20	3009330X1	4	BOLT,RD HD SQ NK, M6-1.0 X 20 CL8.8
21	390971X1	4	WASHER, M6 STD
22	1442896X1	4	LOCK WASHER 11.8x6.1x1.6
23	339030X1	4	NUT, M6 X 1.0, REG
24	5000002X1	1	NUT, HEX FLANGE NYL LOCK, M6 X 1.0
25	3009184X1	1	M6X1.0X25 FTHFS CL 10.9 WASHER-PLAIN
26	71390384	1	ROD-BIN FILL AUGER SUPPORT
27	391039X1	15	WASHER, M8, LARGE
30	Y705020	2	LOCKWASHER, 5/16
31	Y704015	2	NUT, 5/16-18 REG
32	339374X1	15	LOCKWASHER, M8
33	71391198	1	BRACKET-BIN LOADER
34	107440M1	1	GAS SPRING ASM REAR HOOD
35	700708349	4	CAPSCREW, M10-1.5 X 25 CL8.8
36	339081X1	3	CAPSCREW, M10-1.5 X 20
38	385370X1	11	BOLT,RD HD SQ NK, M8-1.25 X 25 CL8.8
39	3009920X1	5	BOLT, FLANGE, M8-1.25 X 16 CL10.9
40	390972X1	5	WASHER M8 STD, 9.0MM X 17 X 1.36 TH
41	3009205X1	4	BOLT, FLANGE HD, M10-1.5 X 20 CL10.9
43	339169X1	15	NUT, M8-1.25 CL8
44	PZND1041V	4	BOLT,RD HD SQ NK, M8-1.25 X 20 CL8.8
45	71411413	1	MOUNT-SPRING, LOWER
46	71414736	1	ANGLE STIFFENER, BIN FLOOR

MCO0480

PR: t06g24h33d0113

9895 COMBINE  
GRAIN BIN & ELEVATORS

RETURN ELEVATOR  
LOWER



**9895 COMBINE  
GRAIN BIN & ELEVATORS**

285

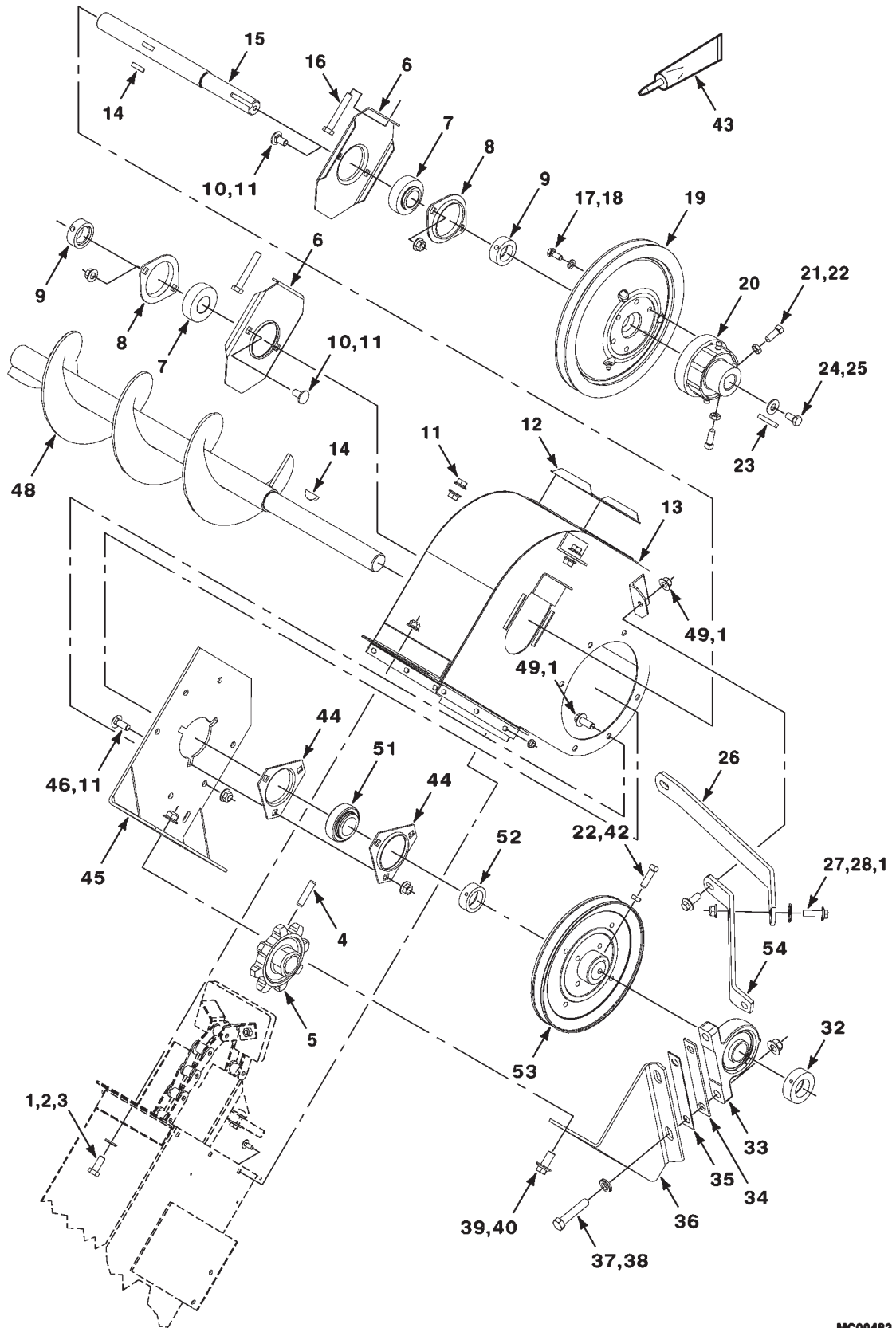
**RETURN ELEVATOR  
LOWER**

ITEM	NUMBER	QTY	DESCRIPTION
1	71401212	1	BODY WA-RETURN ELEVATOR
2	390809X1	4	BOLT,RD HD SQ NK, M10-1.5 X 25 CL8.8
3	70917378	8	WASHER, M10, LARGE
4	3019125X1	4	NUT, HEX FLANGE, M10 X 1.5
5	71127313	4	FLANGE, BEARING
6	70590704	2	BEARING, 1.125 W/O COLLAR
7	K3518	1	COLLAR, BEARING, 1-1/8 ID
8	71411346	1	SHIELD-BEARING
9	Y704734	3	NUT, HEX FLANGE TOP LOCK, 3/8-16
10	70917378	3	3/8 WIDE PLAIN WASHER
11	700711238	3	3/8-16 NUT-FLANGE GR8
12	Y707240	3	3/8-16 X 1-1/2 BOLT-PLOW
13	71401221	1	PLATE-BEARING, RETURN ELEVATOR
14	71406795	1	CHAIN ASM-RETURN ELEVATOR
15	W9863030	1	SPROCKET-GRAIN ELEV
16	70915500	1	3/8 X 1-3/4 PIN-ROLL
17	3019124X1	8	NUT, HEX FLANGE, M8 X 1.25
18	PZND1041V	8	BOLT,RD HD SQ NK, M8-1.25 X 20 CL8.8
	70933988	8	SPEED NUT, 5/16 THD
19	71401208	1	EXTENSION WA
20	71390672	1	COLLAR WA-SENSING
21	71188145	1	BRACKET-SHAFT MONITOR (1-1/4")
22	71412432	1	SHIELD-RET AUGER SENSOR
23	5000004X1	8	NUT, HEX FLANGE NYL LOCK, M10 X 1.5
24	764639V	2	SPACER
26	3811720M1	4	BOLT, FLANGE, M10-1.5 X 25 CL10.9
27	3818907M1	2	BOLT, FLANGE, M12-1.75 X 30 CL10.9
28	391212X1	2	WASHER, M12, LARGE
29	5000005X1	2	NUT, HEX FLANGE NYL LOCK, M12 X 1.75
30	2620021W91	1	SUPPORT WA-RETURN ELEV
31	71394535	1	AUGER WA, CHROME, BOTTOM RETURN
	71387538	1	AUGER WA, NON-HARD, BOTTOM RETURN
32	3019123X1	23	NUT, HEX FLANGE, M6 X 1.0
33	385427X1	23	BOLT,RD HD SQ NK, M6-1.0 X 16 CL8.8
34	71401220	1	PLATE-COVER, RETURN ELEVATOR BOOT
35	71399985	1	BOOT WA-RETURN ELEVATOR
36	391038X1	3	WASHER, M6, LARGE
37	71401224	1	DOOR WA-BOTTOM
38	70916950	4	3/8-16 NUT
39	2476240W1	1	LATCH BOLT-UNLOADER DOOR
40	1799410W1	1	HANDLE
41	70927523	1	5/16 X 1-1/2 CLEVIS PIN
42	Y705608	1	WASHER, 5/16, NARR
43	62034	1	3/32 X 3/4 COTTER PIN
44	700704010	1	SEALANT, RTV BLACK SILICONE
45	71399802	1	FILLER WA

MC00481  
PR: t06g24h33d0114

9895 COMBINE  
GRAIN BIN & ELEVATORS

RETURN ELEVATOR  
UPPER





**9895 COMBINE  
GRAIN BIN & ELEVATORS**

287

**RETURN ELEVATOR  
UPPER**

ITEM	NUMBER	QTY	DESCRIPTION
1	5000004X1	14	NUT, HEX FLANGE NYL LOCK, M10 X 1.5
2	385362X1	6	WASHER, HARD, M10
3	700708349	6	CAPSCREW, M10-1.5 X 25 CL8.8
4	70915500	1	3/8 X 1-3/4 PIN-ROLL
5	9863040W1	1	SPROCKET-DRIVE
6	1510831W91	2	PLATE WA-TOP
7	70590704	2	BEARING, 1.125 W/O COLLAR
8	Y710293	2	FLANGE-BEARING
9	K3518	2	COLLAR, BEARING, 1-1/8 ID
10	390809X1	4	BOLT,RD HD SQ NK, M10-1.5 X 20 CL8.8
11	3019125X1	11	NUT, HEX FLANGE, M10 X 1.5
12	2441970W1	1	DOOR-RETURN ELEVATOR
13	71396110	1	HEAD WA-W/TUBE
14	29780X	2	1/4 X 1 KEY-WDF
15	71390185	1	SHAFT-ELEVATOR
16	CL237842C1	2	CAPSCREW, FULL THD, M10-1.5 X 65 CL8.8
17	7703499	6	5/16-18 X 3/4 CAPSCREW
18	Y705020	6	LOCKWASHER, 5/16
19	71385802	1	SHEAVE ASM
20	71380994	1	LIMITER-TORQUE
21	70923326	2	3/8-16 X 1 SETSCREW-SQUARE HEAD NON PLATED
22	70917421	4	3/8-16 NUT-HALF GR2
23	61085	1	1/4 X 1-1/2 KEY
24	70921965	1	3/8-16 X 3/4 CAPSCREW
25	70917378	1	3/8 WIDE PLAIN WASHER
26	71410879	1	BRACE-TOP, RET ELEV HEAD
27	3009207X1	1	BOLT, FLANGE, M10-1.5 X 30 CL10.9
28	70917378	1	WASHER, M10, LARGE
32	7710551	1	COLLAR, BEARING
33	1605510W1	1	HOUSING, BEARING
33	10033	1	BEARING
34	2553290W1	1	SHIM-RETURN AUGER BR'G.
35	2553300W1	1	SHIM-RETURN AUGER BR'G.
36	2553271W92	1	PLATE WA-BRG SUPT, RET ELEV
37	385363X1	2	WASHER, HARD, M12
38	3009512X1	2	HEX. BOLT M12x60 CLASS 8.8
39	5000005X1	2	NUT, HEX FLANGE NYL LOCK, M12 X 1.75
40	3009219X1	2	BOLT, FLANGE, M12-1.75 X 25 CL10.9
42	70923530	2	3/8-16 X 1-1/4 SETSCREW-SQUARE HEAD NON PLATED
43	700704010	1	SEALANT, RTV BLACK SILICONE
44	71127313	2	FLANGE, BEARING
45	2553251W91	1	WA-BR'G. SUPP'T.-RETURN ELEV.
46	390809X1	3	BOLT,RD HD SQ NK, M10-1.5 X 25 CL8.8
48	71404367	1	AUGER WA-TOP RETURN ELEVATOR
49	3811720M1	7	BOLT, FLANGE, M10-1.5 X 25 CL10.9
51	71308984	1	BEARING W/ COLLAR
52	700717212	1	LOCK COLLAR, 1-1/4 ID
53	2553320W1	1	SHEAVE-DRIVEN
54	71384922	1	BRACE BRG PLATE

MC00482  
PR: t06g24h33d0115



9895 COMBINE  
GRAIN BIN & ELEVATORS

289

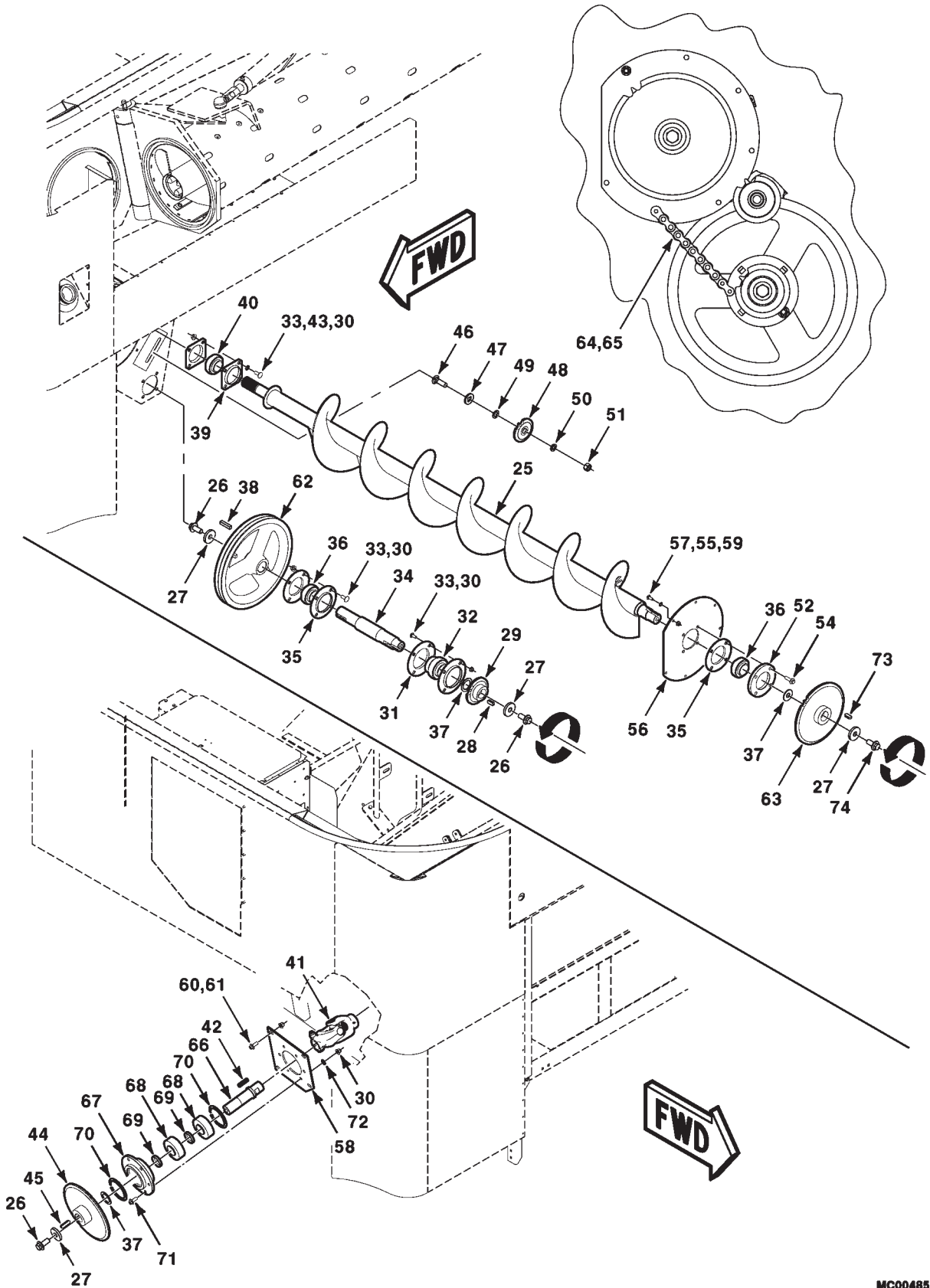
RETURN ELEVATOR DRIVE

ITEM	NUMBER	QTY	DESCRIPTION
1	391039X1	2	WASHER, M8, LARGE
2	70917378	4	WASHER, M10, LARGE
3	339376X1	4	LOCKWASHER, M10
4	339377X1	3	LOCKWASHER, M16
5	6136964	2	SPACER
6	3019565X1	2	WASHER, M16, LARGE
7	339374X1	2	LOCKWASHER, M8
8	71411885	1	ARM ASY, IDLER (INCLUDES BUSHING)
8	71356060	2	BUSHING, IDLER ARM
9	339402X1	4	NUT, M10-1.5 CL8
10	71182840	1	PLATE MOUNTING
11	704056	6	NUT-JAM, 1/2-13 CL2
12	71356061	1	SLEEVE, HARD-IDLER PIVOT
13	3009207X1	4	BOLT, FLANGE, M10-1.5 X 30 CL10.9
14	339034X1	3	NUT, M16 X 2.0, REG
15	2447080W1	2	IDLER PULLEY-RET ELEVATOR
16	71385801	1	BELT-RETURN ELEVATOR DRIVE
17	3009245X1	2	SCREW, HEX FLANGE, M16-2.0 X 100 CL10.9
18	3009243X1	1	BOLT, FLANGE, M16-2.0 X 80 CL10.9
19	339169X1	2	NUT, M8-1.25 CL8
20	3009194X1	2	BOLT, FLANGE, M8-1.25 X 25 CL10.9
21	1579720W1	1	SPRING-TENSION
23	71384912	1	BRACE STRAP
24	71385694	1	SUPPORT WA, IDLERS
25	2636631W91	1	ANCHOR WA-SPRING

MC00484

PR: t06g24h33d0116

UNLOADING AUGER  
LOWER CROSS AUGER



**9895 COMBINE  
GRAIN BIN & ELEVATORS**

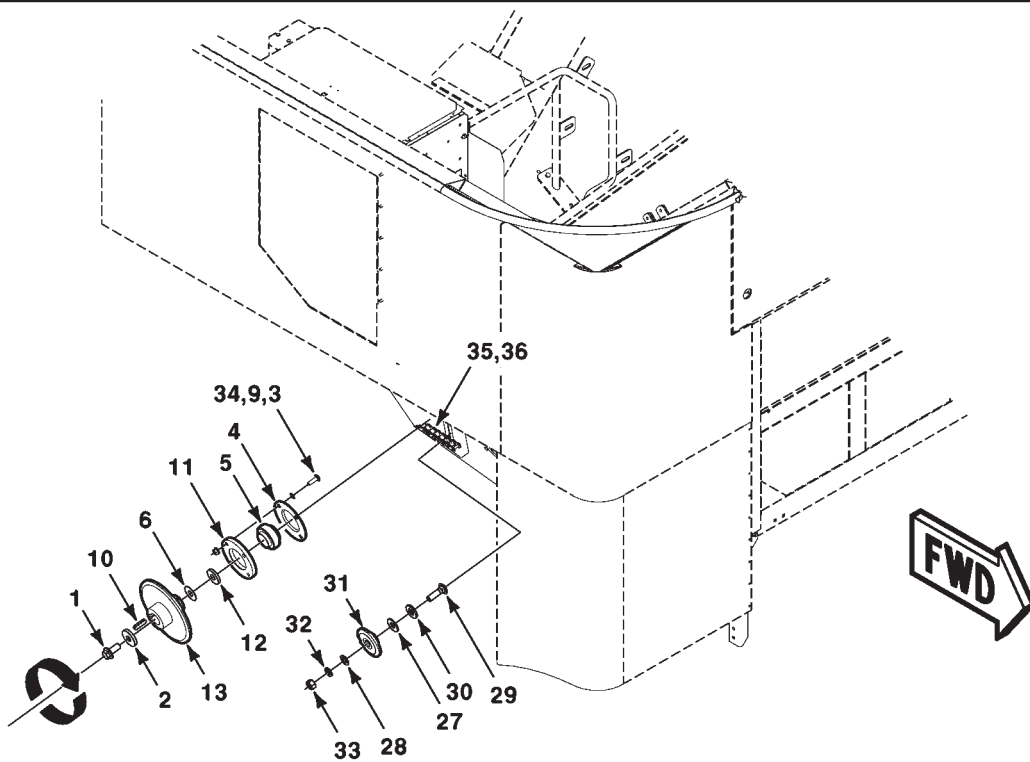
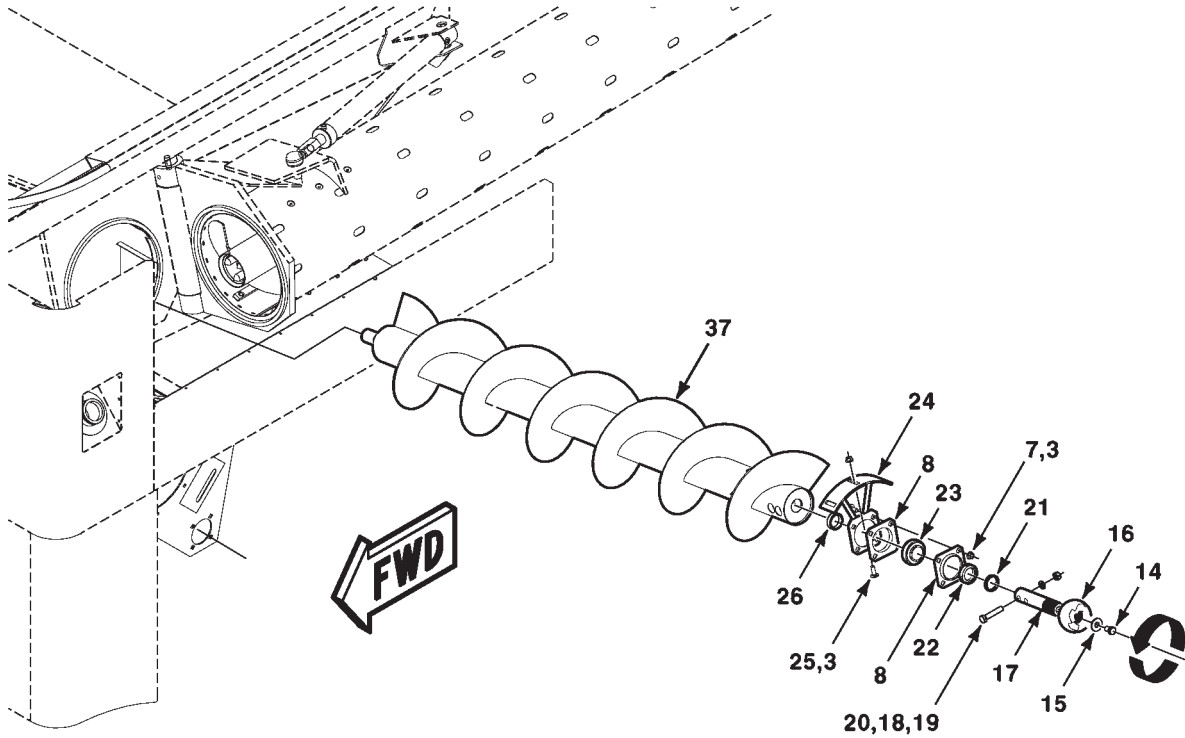
291

**UNLOADING AUGER  
LOWER CROSS AUGER**

ITEM	NUMBER	QTY	DESCRIPTION
25	71407331	1	AUGER ASY, LOWER CROSS, CHROME
	71397621	1	AUGER ASY, LOWER CROSS, NON-HARDENED
26	3009253X1	3	BOLT, HEX FLANGE, M20-2.5X 45 CL10.9
27	104751W1	4	WASHER, .781 X 2.50 X .375
28	1442500X1	2	KEY-PARALLEL 9 X 14 X 36 LG.
29	71397654	1	SPROCKET WA 14T
30	3009695X1	17	NUT, M12 X 1.75, REG
31	714360	2	FLANGE-BEARING
32	700727477	1	BEARING-SPHERICAL
33	385390X1	12	BOLT,RD HD SQ NK, M12-1.75 X 30
34	71397233	1	SHAFT-UNLDR DRIVE
35	713958	3	FLANGE-BEARING
36	700727476	2	BEARING-SPH LESS COLLAR
37	71414732	3	WASHER, 45 X 65 X 2 TH
38	861369	1	KEY, 1/2 SQ X 1-31/32
39	700716123	2	FLANGE-BEARING
40	700727474	1	BEARING-SPH LESS COLLAR
41	71397658	1	U-JOINT ASM-UNLOADER
42	61770	1	KEY, 3/8 SQ X 1-1/2
43	70936525	4	SPEED NUT, 1/2 THD.
44	71405935	1	SPROCKET WA-80B35
45	3008739X1	1	KEY, 9 X 14 X 50 LG
46	7700883	1	BOLT-CARRIAGE, 3/4-10 X 2-1/2
47	70915831	1	WASHER-SQUARE HOLE
48	Y747931	1	SPROCKET-IDLER, 80-12
49	390975X1	2	FLAT WASHER 22.2x36.8x3
50	70919332	1	LOCKWASHER, 3/4 REG
51	70913160	1	NUT, 3/4-10 UNC
52	71408550	1	HOUSING-BEARING, OUTERFLANGE
54	3009222X1	4	BOLT, FLANGE, M12-1.75 X 40 CL10.9
55	70931942	7	SPEED NUT, 3/8 THD.
56	71410536	1	PLATE WA-L END CROSS AUGER
57	390809X1	7	BOLT, RD HD SQ NK, M10-1.5 X 25 CL8.8
58	71410548	1	PLATE, HUB MOUNTING
59	3019125X1	7	NUT, HEX FLANGE, M10 X 1.5
60	3818907M1	4	BOLT, FLANGE, M12 X 1.75 X 30 CL 10.9
61	5000005X1	4	NUT, HEX FLANGE NYL LOCK, M12 X 1.75
62	71410768	1	SHEAVE-DN, BIN UNLOADER
63	71414750	1	SPROCKET WA-80B35
64	71410789	1	CHAIN-ROLLER #80, 57" LG
65	Y85712	1	LINK-CONNECTOR
66	71410546	1	STUB SHAFT
67	71410545	1	HOUSING, BEARING
68	700721594	2	BEARING
69	71410547	2	SPACER RING
70	355994X1	2	RETAINING RING
71	70950453	5	CAPSCREW, M12-1.75 X 35 CL8.8
72	339369X1	5	LOCKWASHER, M12
73	71419402	1	KEY, HARDENED, 9 X 14 X 50 LG
74	3009255X1	1	BOLT, HEX FLANGE, M20-2.5X 55 CL10.9

MC00485  
PR: t06g24h33d0117

UNLOADING AUGER  
UPPER, INSIDE



**9895 COMBINE  
GRAIN BIN & ELEVATORS**

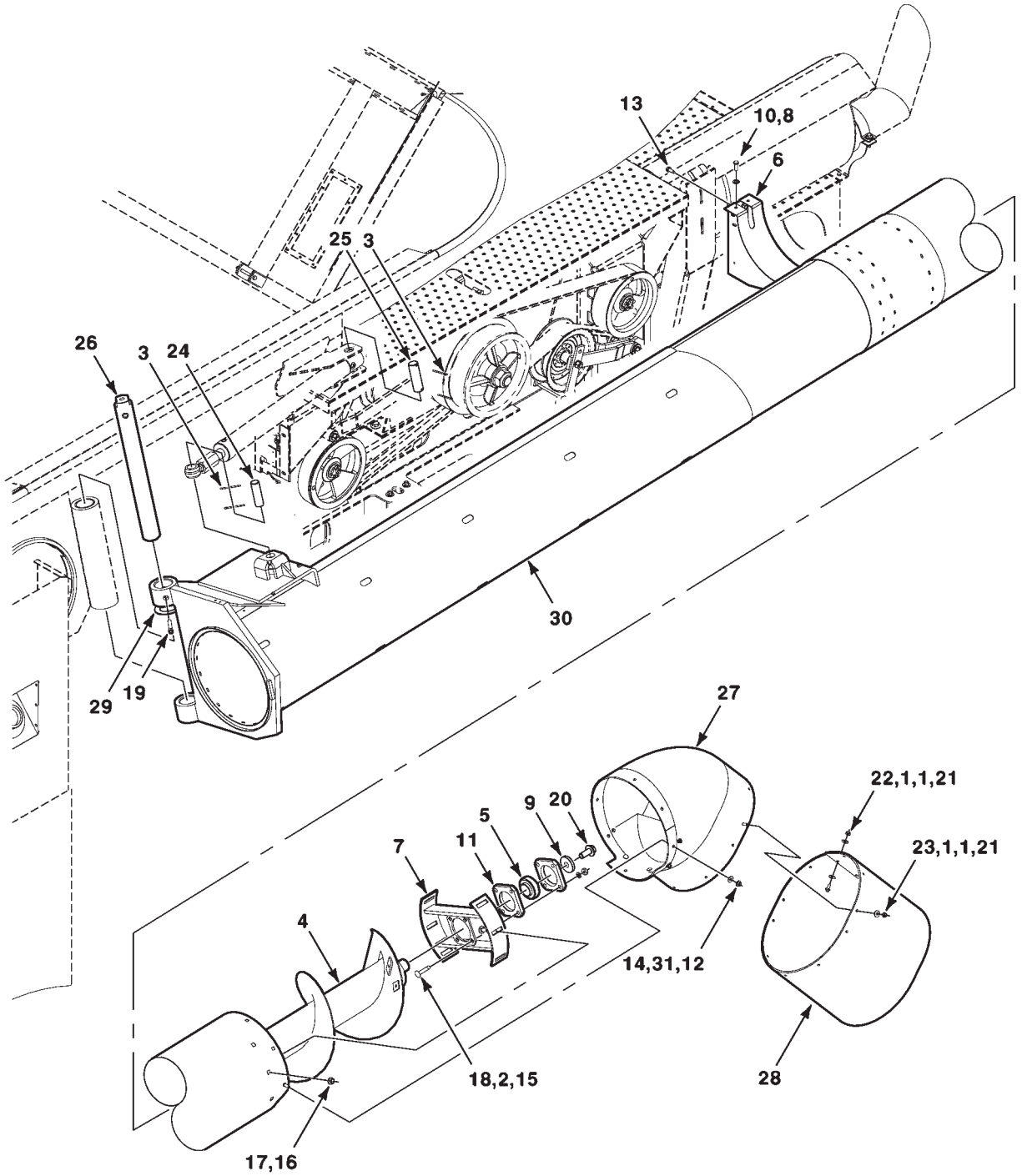
293

**UNLOADING AUGER  
UPPER, INSIDE**

ITEM	NUMBER	QTY	DESCRIPTION
1	3009253X1	1	BOLT, HEX FLANGE, M20-2.5 X 45 CL10.9
2	104751W1	1	WASHER, .781 X 2.50 X .375
3	3009695X1	11	NUT, M12 X 1.75, REG
4	713958	4	FLANGE-BEARING
5	700727476	1	BEARING-SPH LESS COLLAR
6	71414732	1	WASHER, 45MM X 2 TH
7	385390X1	4	BOLT, RD HD SQ NK, M12-1.75 X 30
8	700716123	5	FLANGE-BEARINGFLANGE
9	70936525	4	SPEED NUT, 1/2 THD.
10	3008739X1	1	KEY-PARALLEL 14X50
11	71408550	1	HOUSING-BEARING, OUTERFLANGE
12	71410535	1	SPACER-UNLOADER CROSS AUGER
13	71397657	1	SPROCKET WA-80B29
14	339613X1	1	HEX SCREW, M16-2.0 X 25
15	70918432	1	WASHER, 5/8, WIDE
16	71409959	1	COUPLER-INNER
17	71409958	1	SHAFT-STUB, INNER
18	339377X1	2	LOCKWASHER, M16
19	339034X1	2	NUT, M16 X 2.0, REG
20	390864X1	2	CAPSCREW, M16-2.0 X 80 CL8.8
21	71410538	1	SPACER-INNER
22	70534931	1	COLLAR, BEARING
23	71335184	1	BEARING, W/O COLLAR, 1.75 DIA
24	71409963	1	BRG SUPT WA-BIN AUGER
25	385391X1	3	BOLT, RD HD SQ NK, M12-1.75 X 35
26	71408568	1	SPACER-INNER
27	70918433	1	WASHER, 3/4 WIDE
28	70918269	1	WASHER, 3/4 NARROW
29	7700883	1	BOLT, CARRIAGE, 3/4-10 X 2-1/2
30	70915831	1	WASHER-SQUARE HOLE
31	Y747931	1	SPROCKET-IDLER, 80-12
32	70919332	1	LOCKWASHER, 3/4 REG
33	70913160	1	NUT, 3/4-10 UNC
34	385392X1	4	BOLT, RD HD SQ NK, M12-1.75 X 40
35	71407328	1	CHAIN-ROLLER #80
36	Y85712	1	LINK-CONNECTOR
37	71407330	1	AUGER ASY, UPPER INSIDE, CHROME
	71397616	1	AUGER ASY, UPPER INSIDE, NON-HARDENED

MC00486  
PR: t06g24h33d0118

UNLOADING AUGER  
UPPER, EXTERNAL





**9895 COMBINE  
GRAIN BIN & ELEVATORS**

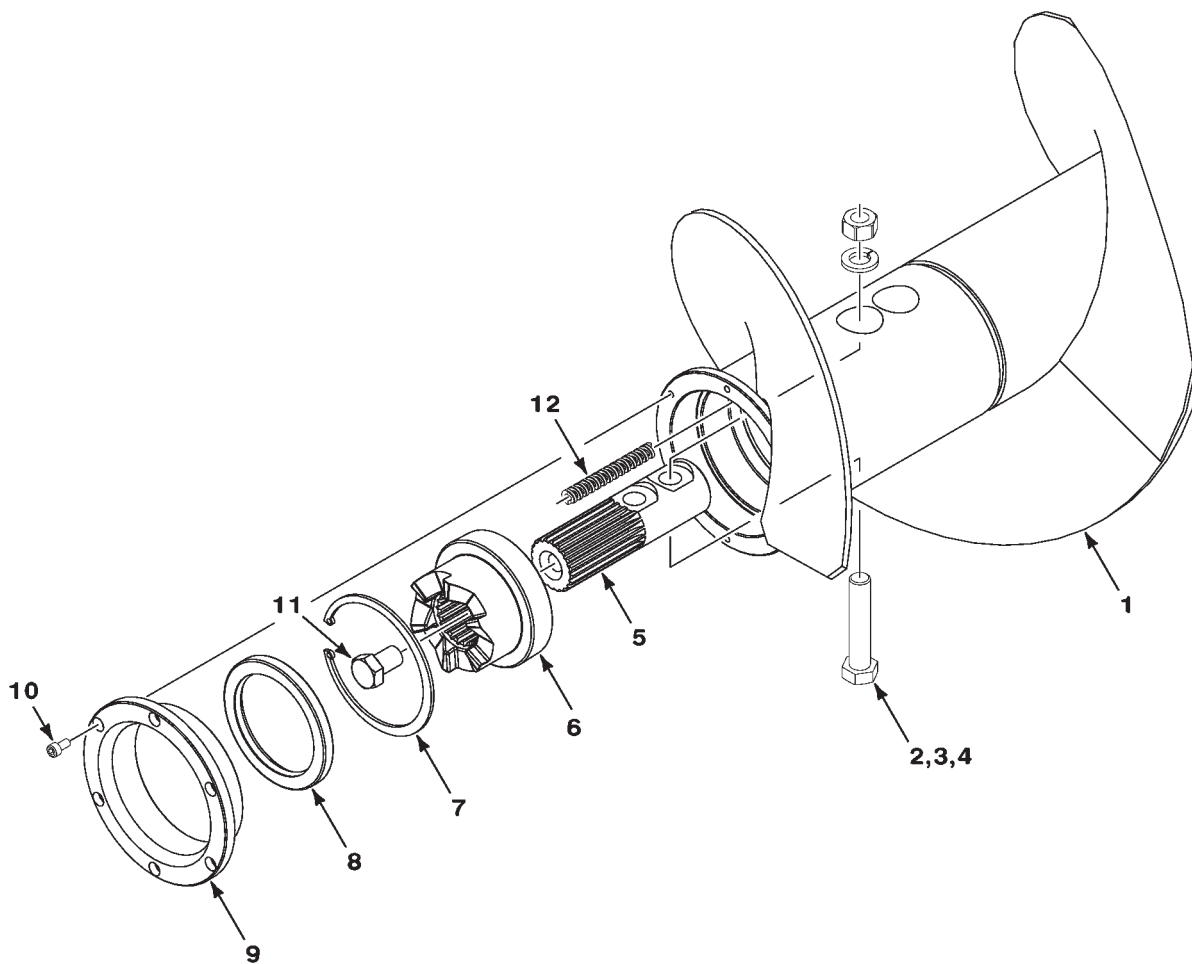
295

**UNLOADING AUGER  
UPPER, EXTERNAL**

ITEM	NUMBER	QTY	DESCRIPTION
1	391039X1	28	WASHER, M8, LARGE
2	339369X1	4	LOCKWASHER, M12
3	62406	4	COTTER PIN, 3/16 X 2-1/2
4	-----	1	AUGER ASM, UNLOADER (SEE BREAKDOWN)
5	71335184	1	BEARING, W/O COLLAR, 1.75 DIA
6	71397659	1	BRACKET WA-UNLOAD SADDLE
7	71396540	1	BEARING SUPPORT WA-UNLOADER
8	390735X1	1	WASHER, M12, STD
9	104751W1	1	WASHER, .781 X 2.50 X .375
10	3009493X1	1	CAPSCREW, M10-1.5 X 30 CL8.8
11	71411401	2	HOUSING-BEARING, FLANGE
12	3019125X1	8	NUT, HEX FLANGE, M10 X 1.5
13	3009221X1	4	BOLT, HEX FLANGE, M12-1.75 X 35 CL10.9
14	390809X1	8	BOLT, RD HD SQ NK, M10-1.5 X 25 CL8.8
15	3009695X1	4	NUT, M12 X 1.75, REG
16	3009695X1	6	NUT, HEX FLANGE, M12 X 1.75
17	385390X1	6	BOLT, RD HD SQ NK, M12-1.75 X 30
18	385395X1	4	M12X1.75X60 BOLT-CARRIAGE CL 8.8
19	3009301X1	1	M12X1.75X80 SCREW-SOCKET CL 10.9
20	3009253X1	1	M20X2.5X45 FTHFS CL 10.9
21	3019124X1	14	NUT, HEX FLANGE, M8 X 1.25
22	339123X1	4	BOLT, FLANGE, M8-1.25 X 20 CL10.9
23	3009195X1	10	BOLT, FLANGE, M8-1.25 X 30 CL10.9
24	71409689	1	PIN-CYLINDER
25	71343312	1	PIN-HYD CYL
26	71397662	1	PIN-PIVOT, UNLOADER
27	-----	1	SPOUT ASM (SEE BREAKDOWN)
28	71407347	1	SPOUT-UNIVERSAL, UNLOADER
29	2441340W1	1	THRUST WASHER
30	71404328	1	TUBE WA
31	70917378	8	WASHER, 3/8 WIDE

MC00487  
PR: t06g24h33d0119

UNLOADING AUGER ASSEMBLY  
OUTBOARD



**9895 COMBINE  
GRAIN BIN & ELEVATORS**

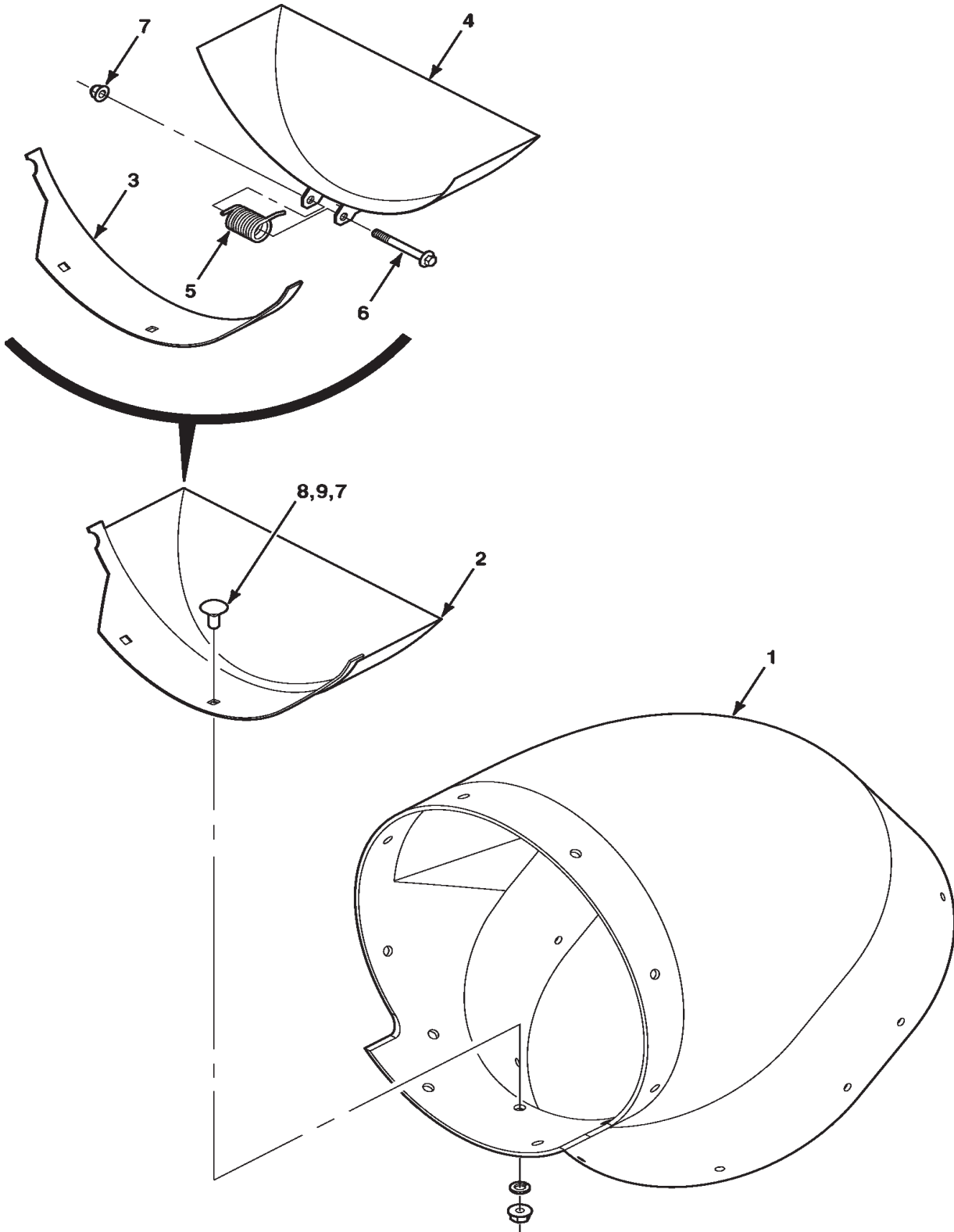
**297**

**UNLOADING AUGER ASSEMBLY  
OUTBOARD**

ITEM	NUMBER	QTY	DESCRIPTION
1	71396547	1	AUGER WA-OUTBOARD
2	390864X1	2	CAPSCREW, M16-2.0 X 80 CL8.8
3	339377X1	2	LOCKWASHER, M16
4	339034X1	2	NUT, M16 X 2.0, REG
5	71408561	1	SHAFT-STUB, OUTER
6	71408563	1	COUPLER
7	700720189	1	RING-RETAINING
8	8044760	1	OIL SEAL
9	71409969	1	RING-PILOT, UNLOADER
10	3009280X1	6	CAPSCR, HEX SOCK HD, M6X1.0X12 CL 10.9
11	339613X1	1	HEX SCREW, M16-2.0 X 25
12	71408562	4	SPRING

MC00417  
PR: t06g24h33d0120

SPOUT ASSEMBLY



**9895 COMBINE  
GRAIN BIN & ELEVATORS**

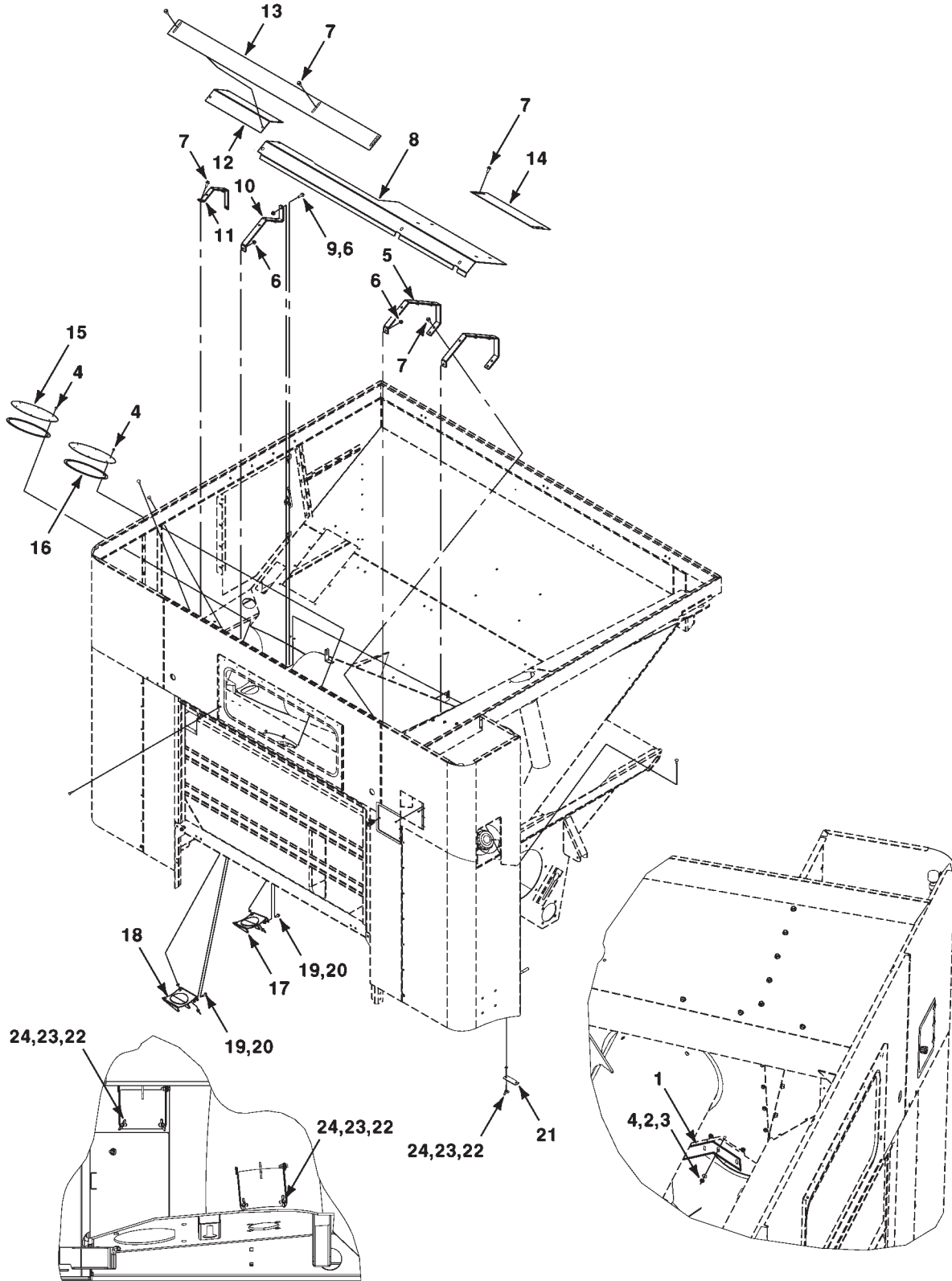
**299**

**SPOUT ASSEMBLY**

ITEM	NUMBER	QTY	DESCRIPTION
1	71410411	1	SPOUT END, DISCHARGE
2	71411460	1	SPILL SAVER ASY (INCL ITEMS 3 - 7)
3	-----	1	BASE WLMT, SPILL SAVER (NOT SERVICE)
4	-----	1	SCOOP WLMT, SPILL SAVER (NOT SERVICE)
5	700716833	1	SPRING, TORSION
6	3009202X1	1	BOLT, HEX FLANGE, M8-1.25 X 65 CL10.9
7	3019124X1	4	NUT, HEX FLANGE, M8 X 1.25
8	PZND1041V	3	BOLT, CARRIAGE, M8-1.25 X 20 CL8.8
9	391039X1	3	WASHER, M8 LARGE

MC00557  
PR: t06k17j37d0003

COVERS  
LOWER CROSS UNLOADING AUGER



9895 COMBINE  
GRAIN BIN & ELEVATORS

301

COVERS  
LOWER CROSS UNLOADING AUGER

ITEM	NUMBER	QTY	DESCRIPTION
1	71411469	1	SEAL-CROSS AUGER
2	3019560X1	4	WASHER, 5, LARGE
3	3019123X1	4	NUT, HEX FLANGE, M6 X 1.0
4	3009181X1	20	BOLT, FLANGE, M6-1.0 X 12 CL10.9
5	71406670	2	SUPT WA-COVER, AUGER
6	5000004X1	4	NUT, HEX FLANGE NYL LOCK, M10 X 1.5
7	3811720M1	16	BOLT, FLANGE, M10-1.5 X 25 CL10.9
8	71397805	1	COVER-X AUGER
9	3009207X1	1	BOLT, FLANGE, M10-1.5 X 30 CL10.9
10	71406672	1	SUPT WA-COVER, AUGER
11	71406671	1	SUPT WA-COVER, AUGER
12	71406668	1	COVER-EXT, CROSS AUGER
13	71407986	1	PLATE-SLIDING, AUGER COVER
14	71407985	1	PLATE-SLIDING, AUGER COVER
15	71412310	2	COVER-ACCESS
16	71323575	2	SEAL-ACCESS COVER
17	71406921	1	COVER WA-BIN CLEANOUT
18	71409888	1	COVER WA-BIN CLEANOUT, FRONT
19	339123X1	4	BOLT, FLANGE, M8-1.25 X 20 CL10.9
20	5000003X1	4	NUT, HEX FLANGE NYL LOCK, M8 X 1.25
21	108202W1	1	STRAP
22	1441982X1	6	WINGNUT, M8 X 1.25
23	70933988	6	SPEED NUT, 5/16 THD.
24	PZND1041V	6	BOLT, RD HD SQ NK, M8-1.25 X 20 CL8.8

MC00503  
PR: t06g24h33d0121





**9895 COMBINE  
GRAIN BIN & ELEVATORS**

**303**

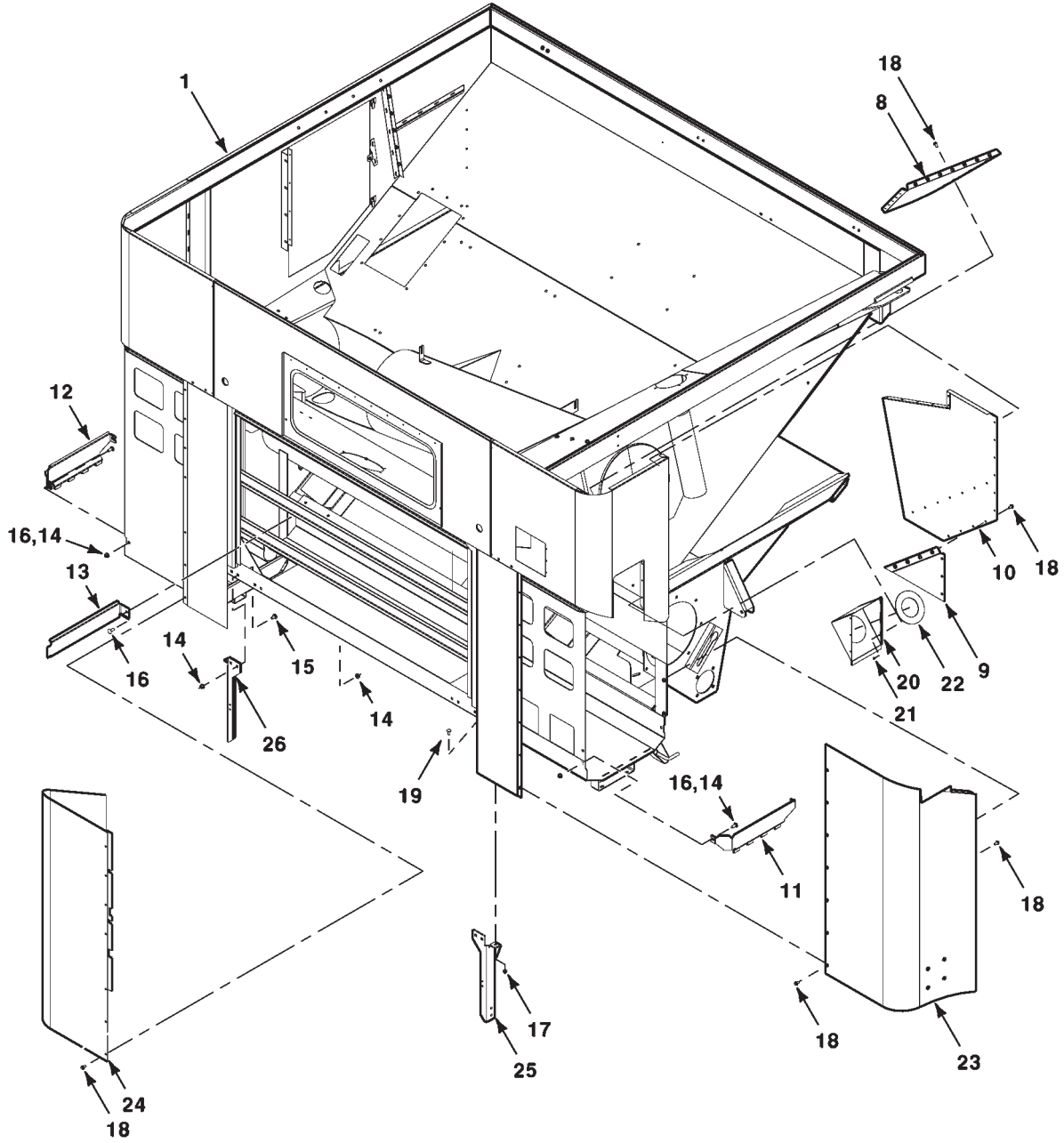
**UNLOADER DRIVE AND CLUTCH**

ITEM	NUMBER	QTY	DESCRIPTION
1	3811720M1	4	BOLT, FLANGE, M10-1.5 X 25 CL10.9
2	70917378	13	WASHER, M10, LARGE
3	5000004X1	9	NUT, HEX FLANGE NYL LOCK, M10 X 1.5
4	71399570	1	GUIDE WA-BELT, UNLOADER
5	71410767	1	BELT-BIN UNLOADER
6	71409773	1	BRACKET
7	3009207X1	6	BOLT, FLANGE, M10-1.5 X 30 CL10.9
8	71345426	1	SPRING ASM
	71350543	1	PLUG-SPRING
	71345434	1	SPRING-BIN UNLOADER
9	70301781	1	WASHER-PIVOT
10	7773427	1	BOLT-FULL THREAD, 1/2-13 X 12
11	76737	1	WASHER, 1/2, WIDE
12	704031	1	NUT, 1/2-13 REG
13	70937695	1	3/4 X 3 CLEVIS PIN
14	70925719	2	COTTER PIN, 1/8 X 2
15	71406283	1	SUPPORT-BIN UNLOADER
16	71399560	1	SUPPORT-IDLER
17	339376X1	2	LOCKWASHER, M10
18	339234X1	1	HEX SCREW M10X120
19	71399572	1	SUPPORT-GUIDE
20	71409771	1	GUIDE STRAP, BELT
21	2545270W1	2	IDLER-FLAT-FAN DR
22	71399569	2	GUIDE STRAP, BELT
23	71356061	1	SHAFT-IDLER PIVOT
24	70937694	1	3/4 X 2-1/2 CLEVIS PIN
25	339495X1	6	JAM NUT, M16 X 2.0
26	71406374	1	MOUNTING PLATE
27	3009245X1	3	SCREW, HEX FLANGE, M16-2.0 X 100 CL10.9
28	3019565X1	3	WASHER, M16, LARGE
29	5000006X1	3	NUT, HEX FLANGE NYL LOCK, M16 X 2.0
30	71382730	1	CYLINDER-BIN UNLOADER
31	71399561	2	ARM ASM-IDLER, BIN UNLOADER
	71356060	2	BUSHING
	71197117	1	SPACER
32	390912X1	1	CAPSCREW, M12-1.75 X 40 CL8.8
33	391212X1	1	WASHER, M12, LARGE
34	5000005X1	1	NUT, HEX FLANGE NYL LOCK, M12 X 1.75
35	365098X1	2	STEEL SPACER

MC00488  
PR: t06g24h33d0122

9895 COMBINE  
GRAIN BIN & ELEVATORS

GRAIN BIN  
LOWER STRUCTURE



9895 COMBINE  
GRAIN BIN & ELEVATORS

305

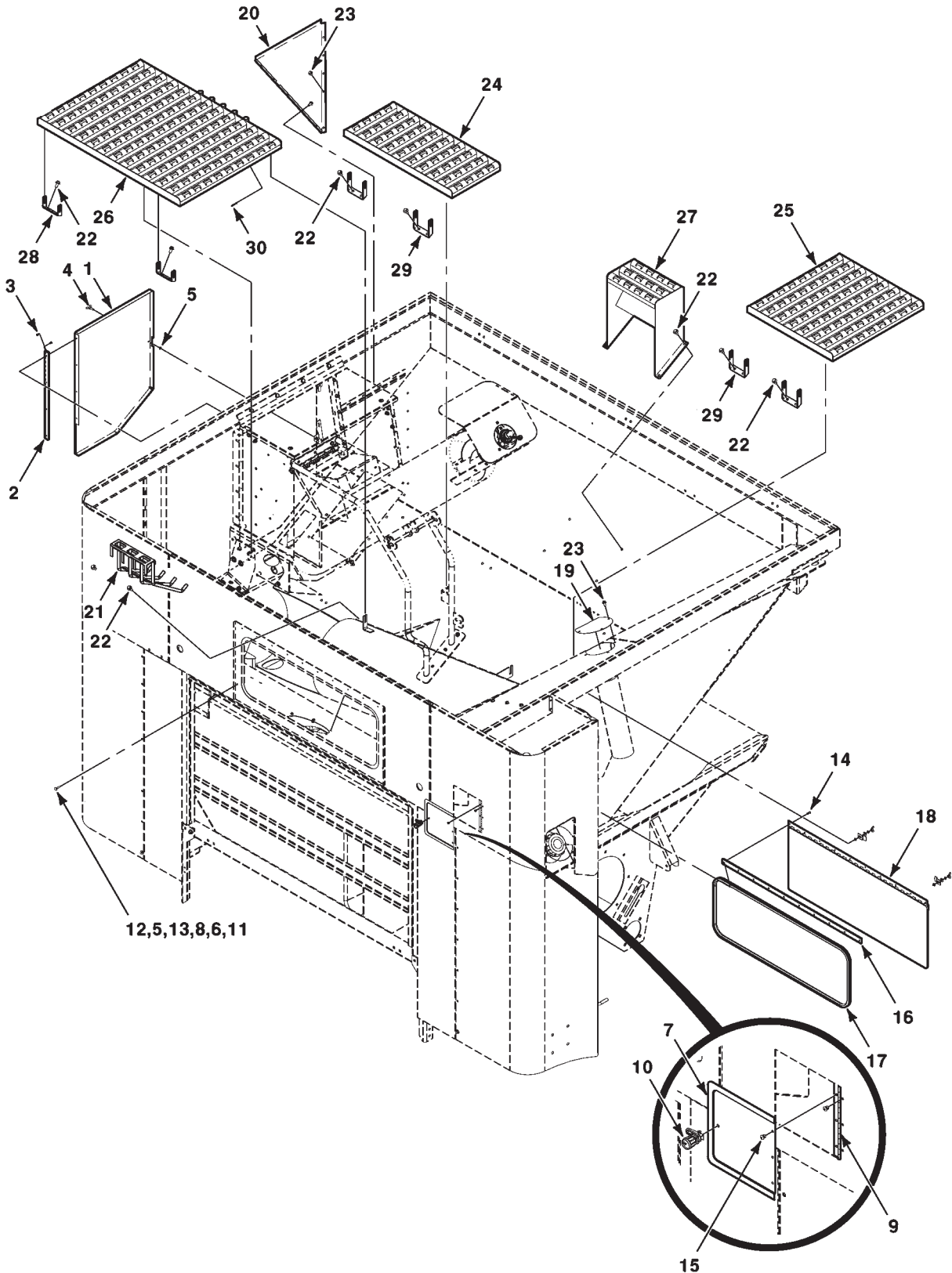
GRAIN BIN  
LOWER STRUCTURE

ITEM	NUMBER	QTY	DESCRIPTION
1	-----	1	BIN WLMT (NOT SERVICED)
8	71409876	1	COVER-FILLER NECK, WA
9	71410933	1	COVER-LF CORNER WA, LOWER
10	71410930	1	COVER-LF CORNER, UPPER
11	71409444	1	END-FLOOR, FUEL TANK LT
12	71409445	1	END-FLOOR, FUEL TANK RT
13	71403904	1	END-FUEL TANK
14	3019125X1	9	NUT, HEX FLANGE, M10 X 1.5
15	390809X1	4	BOLT,RD HD SQ NK, M10-1.5 X 20 CL8.8
16	390809X1	5	BOLT,RD HD SQ NK, M10-1.5 X 25 CL8.8
17	3019124X1	2	NUT, HEX FLANGE, M8 X 1.25
18	3009920X1	52	BOLT, FLANGE, M8-1.25 X 16 CL10.9
19	PZND1041V	2	BOLT,RD HD SQ NK, M8-1.25 X 20 CL8.8
20	71404312	1	POCKET WA-FILLER NECK
21	70924837	8	POP-RIVET, .188 X .063-.125 GRIP
22	71363999	1	SEAL-FUEL FILLER
23	71397810	1	SHIELD-LOWER, LEFT
24	71397811	1	SHIELD-RIGHT, LOWER
25	71412959	1	SUPPORT WA-FLOOR, WASHER-SPRING
26	71412960	1	SUPPORT WA-FLOOR, R

MC00489

PR: t06g24h33d0123

GRAIN BIN  
UPPER COMPONENTS



9895 COMBINE  
GRAIN BIN & ELEVATORS

307

GRAIN BIN  
UPPER COMPONENTS

ITEM	NUMBER	QTY	DESCRIPTION
1	71406419	1	DOOR-ACCESS
2	71393870	1	HINGE-CORNER BIN EXTENSION
3	700717635	8	POP-RIVET, .188 DIA X .126-.250 GRIP
4	3015287X1	1	M6X1.0X20 WING SCREW
5	70937101	3	1/4 PUSH ON NUT
6	339375X1	2	LOCKWASHER, M6
7	71376349	1	DOOR-GRAIN BIN SAMPLER
8	391038X1	2	WASHER, M6, LARGE
9	71373513	1	HINGE-HEAD, GRAIN ELEV
10	71190960	1	KNOB ASM-CONSOLE PANEL
11	339722X1	2	M6 X 1.0 WING NUT
12	3009331X1	2	BOLT,RD HD SQ NK, M6-1.0 X 25 CL8.8
13	108610W1	2	RETAINER-CLIP, GLASS
14	70924283	10	RIVET-POP, .188 Zn
15	70924837	6	POP-RIVET, .188 X .063-.125 GRIP
16	71390764	1	SPACER-HINGE
17	71393257	1	TRIM-WINDOW SEAL
18	71393411	1	WINDOW ASM-GRAIN
19	71410934	1	COVER-ACCESS HOLE
20	71407997	1	DEFLECTOR
21	71413520	1	GUARD WA-UNLOADER
22	3009205X1	20	BOLT, FLANGE, M10-1.5 X 20 CL10.9
23	3009920X1	13	BOLT, FLANGE, M8-1.25 X 16 CL10.9
24	71409440	1	PLATFORM WA-BIN
25	71409433	1	PLATFORM WA-BIN
26	71409435	1	PLATFORM WA-BIN
27	71411408	1	STEP WA BIN
28	71409889	2	SUPPORT-STEP, SLOPE
29	71412308	4	SUPPORT-STEP, SLOPE
30	62372	1	.072 WIRE HAIRPIN COTTER

MC00490  
PR: t06g24h33d0124



9895 COMBINE  
GRAIN BIN & ELEVATORS

309

FUEL TANKS

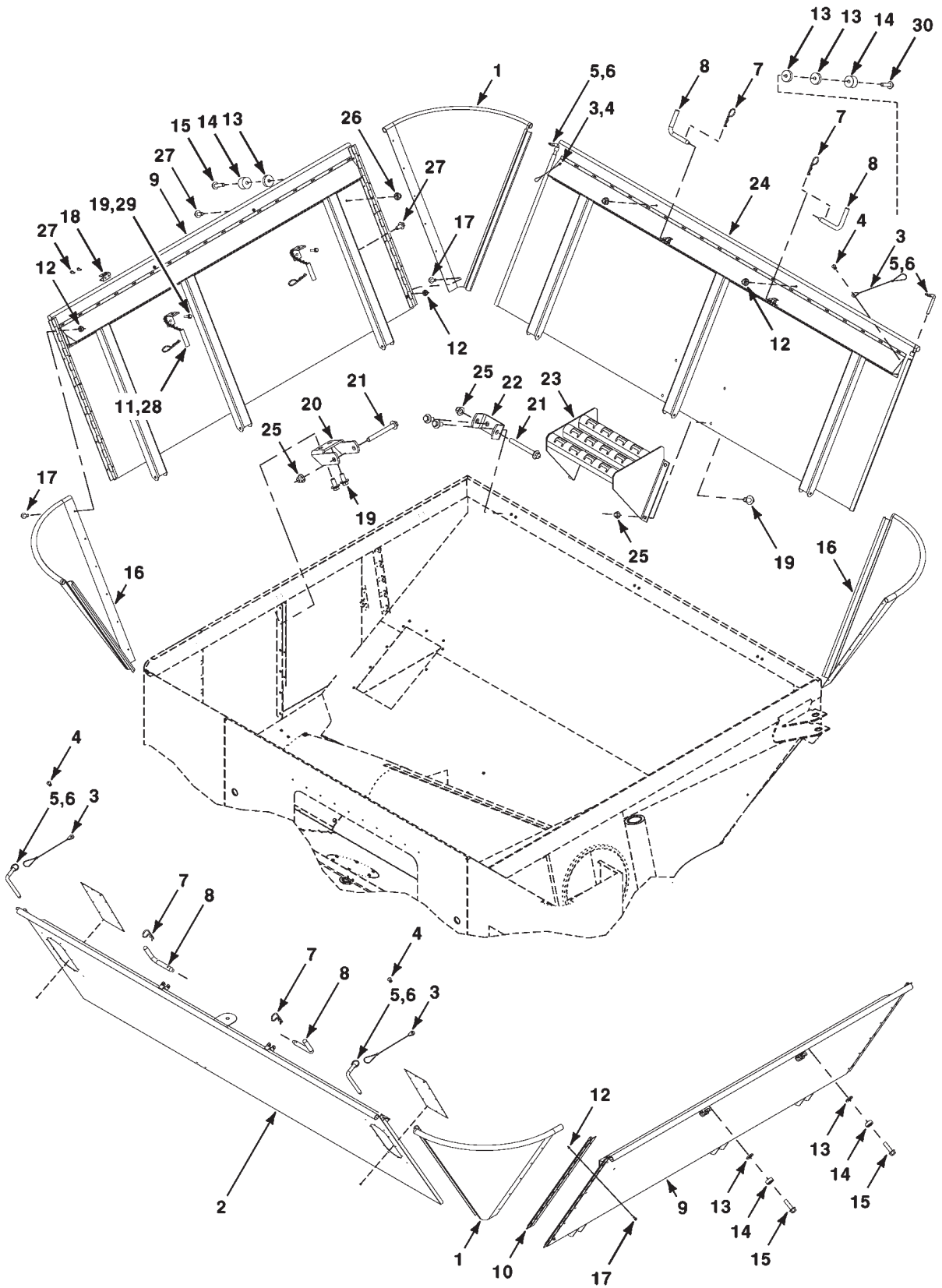
ITEM	NUMBER	QTY	DESCRIPTION
1	71396423	1	CAP-FUEL TANK
2	7020027	4	CLAMP-HOSE
3	71397923	1	FUEL TANK-L
4	71397922	1	FUEL TANK-R
5	71397952	2	HOSE-FUEL TANKS
7	720649	4	CLAMP - HOSE 2.06-3.00
8	70901828	3	BUSHING-REDUCER
9	700704010	AR	SEALANT, RTV BLACK SILICONE
11	71186814	1	BREATHER ASSEMBLY
12	71409882	1	BREATHER-SUPPORT
13	70925442	1	CABLE - TIE
15	70936747	1	CLAMP-LINE
16	70922863	1	COUPLING-PIPE 1/4-18, PLT
17	70931226	3	FITTING-PUSH ON, 90 Degree
18	71409883	1	HOSE VENT, FUEL TANK
19	5000002X1	1	NUT, HEX FLANGE NYL LOCK, M6 X 1.0
20	3009181X1	1	BOLT, FLANGE, M6-1.0 X 12 CL10.9
21	3009182X1	1	BOLT, FLANGE, M6-1.0 X 16 CL10.9
22	70921910	2	CLAMP-HOSE

MC00491

PR: t06g24h33d0125

9895 COMBINE  
GRAIN BIN & ELEVATORS

BIN EXTENSIONS





**9895 COMBINE  
GRAIN BIN & ELEVATORS**

311

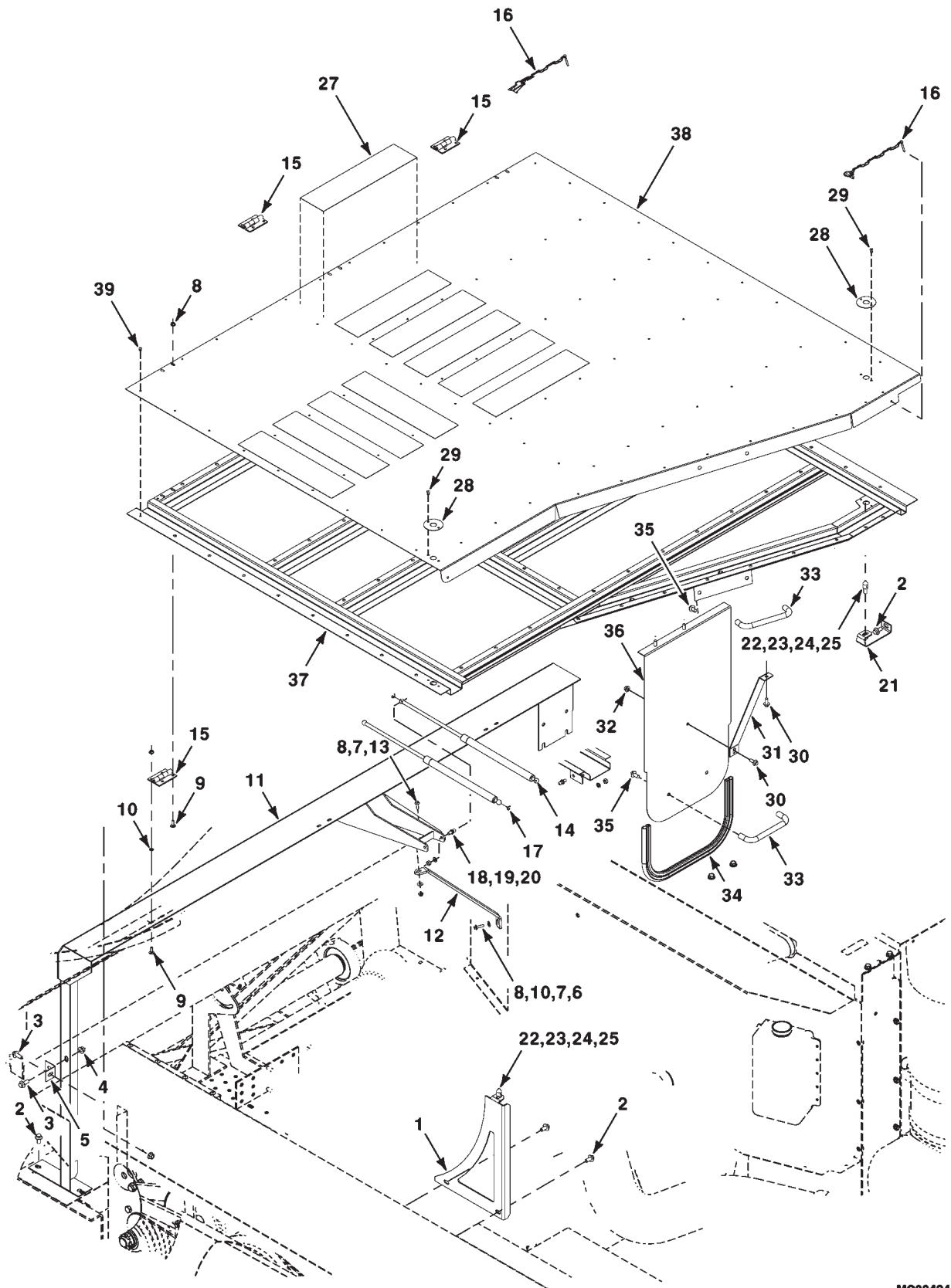
**BIN EXTENSIONS**

ITEM	NUMBER	QTY	DESCRIPTION
1	71397465	2	CORNER, L. FT/R. RR, BIN EXT
2	71410790	1	SIDEBOARD ASY, FRONT
	71376350	2	PANEL END-BIN WINDOW
	70924837	24	POP-RIVET, .188 X .063-.125 GRIP
3	71390770	4	CABLE-LANYARD, QUICK
4	700717635	4	POP-RIVET, .188 DIA X .126-.250 GRIP
5	71397875	4	PIN-CORNER BIN
6	71398479	4	RING-KEY
7	62505	4	PIN, QUICK PULL, .091 WIRE
8	71410409	4	PIN-GRAIN BIN EXT
9	71397864	2	SIDEBOARD WA, BIN EXT
10	71397865	4	HINGE-GRAIN BIN EXT CORNER
11	70936348	2	PIN, QUICK PULL, .120 WIRE X 2.56
12	3019123X1	50	NUT, HEX FLANGE, M6 X 1.0
13	700134393	8	SPACER
14	72509675	6	BUMPER-RUBBER, RECESSED
15	3009185X1	4	BOLT, FLANGE, M6-1.0 X 30 CL10.9
16	71397464	2	CORNER, R. FT/L. RR, BIN EXT
17	3009182X1	48	BOLT, FLANGE, M6-1.0 X 16 CL10.9
18	71414737	2	HOLDER BRKT, PIN
19	3009205X1	32	BOLT, FLANGE, M10-1.5 X 20 CL10.9
20	71407993	6	BRACKET-L/R SIDEBOARD MOUNTING
21	3009217X1	12	BOLT, FLANGE, M10-1.5 X 90 CL10.9
22	71397466	6	BRACKET, SIDEBOARD MOUNTING
23	71410526	1	STEP WA
24	71409443	1	SIDEBOARD WA, REAR, BIN EXT
25	5000004X1	16	NUT, HEX FLANGE NYL LOCK, M10 X 1.5
26	3019124X1	1	NUT, HEX FLANGE, M8 X 1.25
27	3009920X1	11	BOLT, FLANGE, M8-1.25 X 16 CL10.9
28	71414734	2	PIN & CHAIN WLMT
29	3019125X1	4	NUT, HEX FLANGE, M10 X 1.5
30	3009188X1	2	BOLT, FLANGE, M6-1.0 X 45 CL10.9

MCO0492

PR: t06g24h33d0126

ENGINE COVER



**9895 COMBINE  
SHIELDS**

313

**ENGINE COVER**

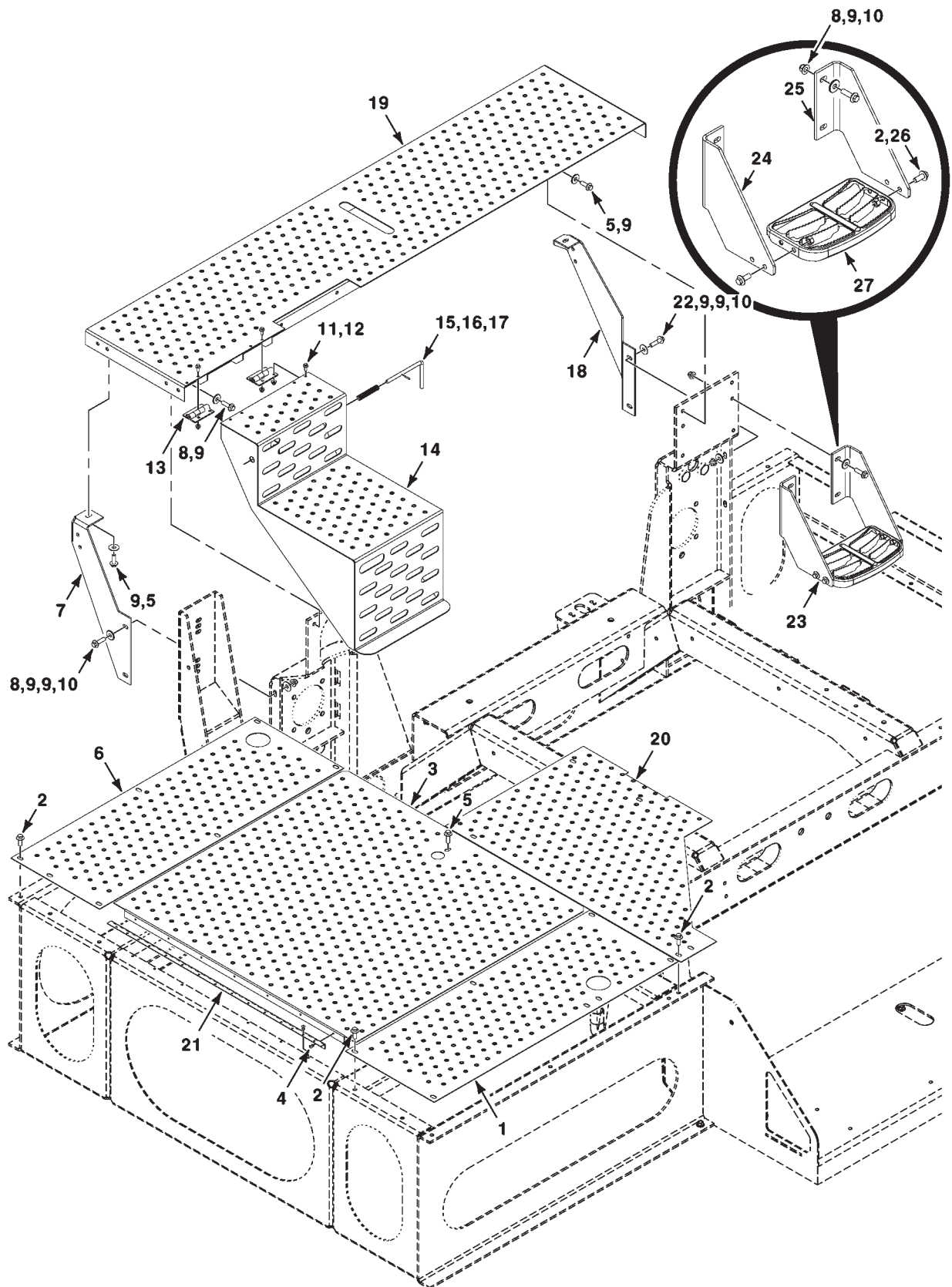
ITEM	NUMBER	QTY	DESCRIPTION
1	71407749	1	SUPPORT-LEFT CORNER
2	3009205X1	9	BOLT, FLANGE, M10-1.5 X 20 CL10.9
3	3811720M1	2	BOLT, FLANGE, M10-1.5 X 25 CL10.9
4	3019125X1	2	NUT, HEX FLANGE, M10 X 1.5
5	71408532	1	ANGLE
6	3009184X1	1	SCREW-FLANGE M6X1.0X25 CL 10.9
7	391038X1	2	WASHER, M6, LARGE
8	3019123X1	14	NUT, HEX FLANGE, M6 X 1.0
9	3009330X1	12	BOLT, RD HD SQ NK, M6-1.0 X 20 CL8.8
10	70937101	7	NUT-PUSH ON, 1/4
11	71407742	1	FRAME WA-FRONT, ENGINE COV
12	71408531	1	STRAP-STABILIZING
13	3009183X1	1	BOLT, FLANGE, M6-1.0 X 20 CL10.9
14	71398961	2	SPRING-GAS, 800 N
15	71345822	3	HINGE
16	863415	2	KLIK PIN
17	71307132	4	CLIP-RETAINER 13MM
18	71339847	4	STUD-10 MM BALL
19	70917356	4	LOCKWASHER, 5/16
20	70917372	4	NUT, 5/16-18 REG
21	71407750	1	BRACKET-RIGHT CORNER
22	1656110W2	2	PIN-CENTER, SHIELD LOCK
23	70917378	2	WASHER, 3/8 WIDE
24	70916965	2	LOCKWASHER, 3/8
25	70916950	2	NUT, 3/8-16 REG
27	71388938	10	TAPE-ANTI-SKID, ENG COV
28	71400739	2	PLATE-PIN, ENGINE COVER
29	700717635	4	POP-RIVET, .188 DIA X .126-.250 GRIP
30	339123X1	8	BOLT, FLANGE, M8-1.25 X 20 CL10.9
31	71408527	1	STRAP-AIR DEFLECTOR
32	3019124X1	1	NUT, HEX FLANGE, M8 X 1.25
33	325621	2	HANDLE
34	113689M1	1	TRIM-HOOD, REAR
35	7883374	4	SCREW, HEX WSHR HD, 3/8-16 X 3/4
36	71408526	1	DEFLECTOR-AIR
37	71407733	1	FRAME WA-ENGINE COVER
38	71407737	1	SHEET-ENGINE COVER
39	70924837	84	POP-RIVET, .188 X .063-.125 GRIP

MCO0494

PR: t06g24h33d0127

9895 COMBINE  
SHIELDS

ENGINE DECK



**9895 COMBINE  
SHIELDS**

315

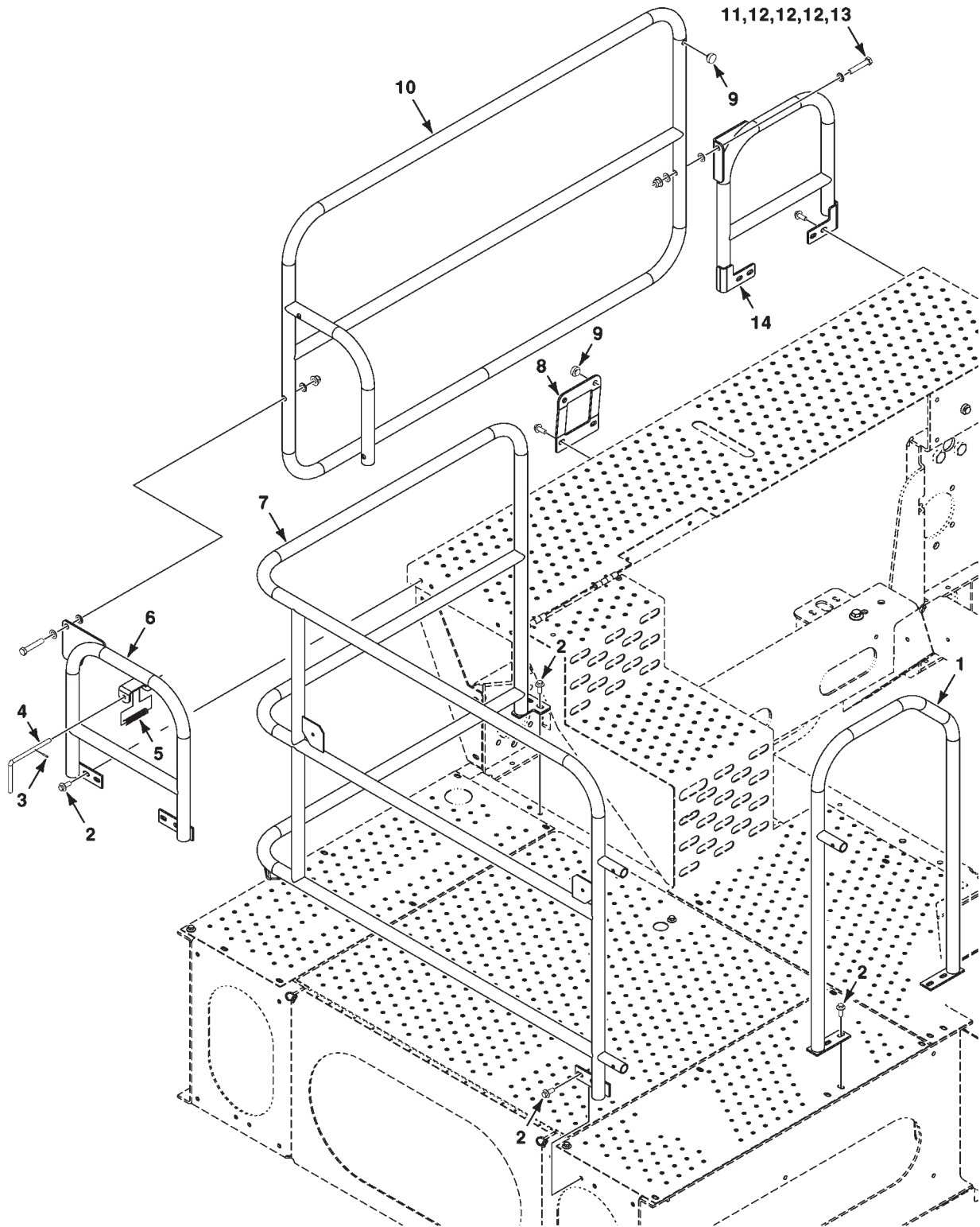
**ENGINE DECK**

ITEM	NUMBER	QTY	DESCRIPTION
1	71407397	1	PANEL-TREAD
2	3811720M1	16	BOLT, FLANGE, M10-1.5 X 25 CL10.9
3	71407388	1	DOOR WA
4	700717635	16	POP-RIVET, .188 DIA X .126-.250 GRIP
5	3009207X1	5	BOLT, FLANGE, M10-1.5 X 30 CL10.9
6	71407395	1	PANEL-TREAD
7	71407393	1	SUPPORT-REAR
8	3009208X1	9	BOLT, FLANGE, M10-1.5 X 35 CL10.9
9	70917378	18	WASHER, M10, LARGE
10	5000004X1	8	NUT, HEX FLANGE NYL LOCK, M10 X 1.5
11	3009182X1	8	BOLT, FLANGE, M6-1.0 X 16 CL10.9
12	5000002X1	8	NUT, HEX FLANGE NYL LOCK, M6 X 1.0
13	71345822	2	HINGE
14	71407391	1	STEP WA-REAR
15	71399326	1	PIN-LATCH
16	Y58040	1	SPRING-COMPRESSION
17	70924764	1	SPRING PIN, 1/8 X 3/4
18	71407394	1	SUPPORT-FRONT
19	71407390	1	BRIDGE WA
20	71407396	1	PANEL-TREAD
21	71393493	1	HINGE-PIANO
22	3009209X1	1	BOLT, FLANGE, M10-1.5 X 40 CL10.9
23	-----	1	STEP ASM (INCL. FOLLOWING ITEMS)
24	71412892	1	BRACKET-STEP
25	71412893	1	BRACKET-STEP
26	3010299X1	1	HEX. NUT M10 CLASS 10
27	WR128461	1	STEP-6.50" X 10.63"

MC00499

PR: t06g24h33d0128

REAR HANDRAILS



9895 COMBINE  
SHIELDS

317

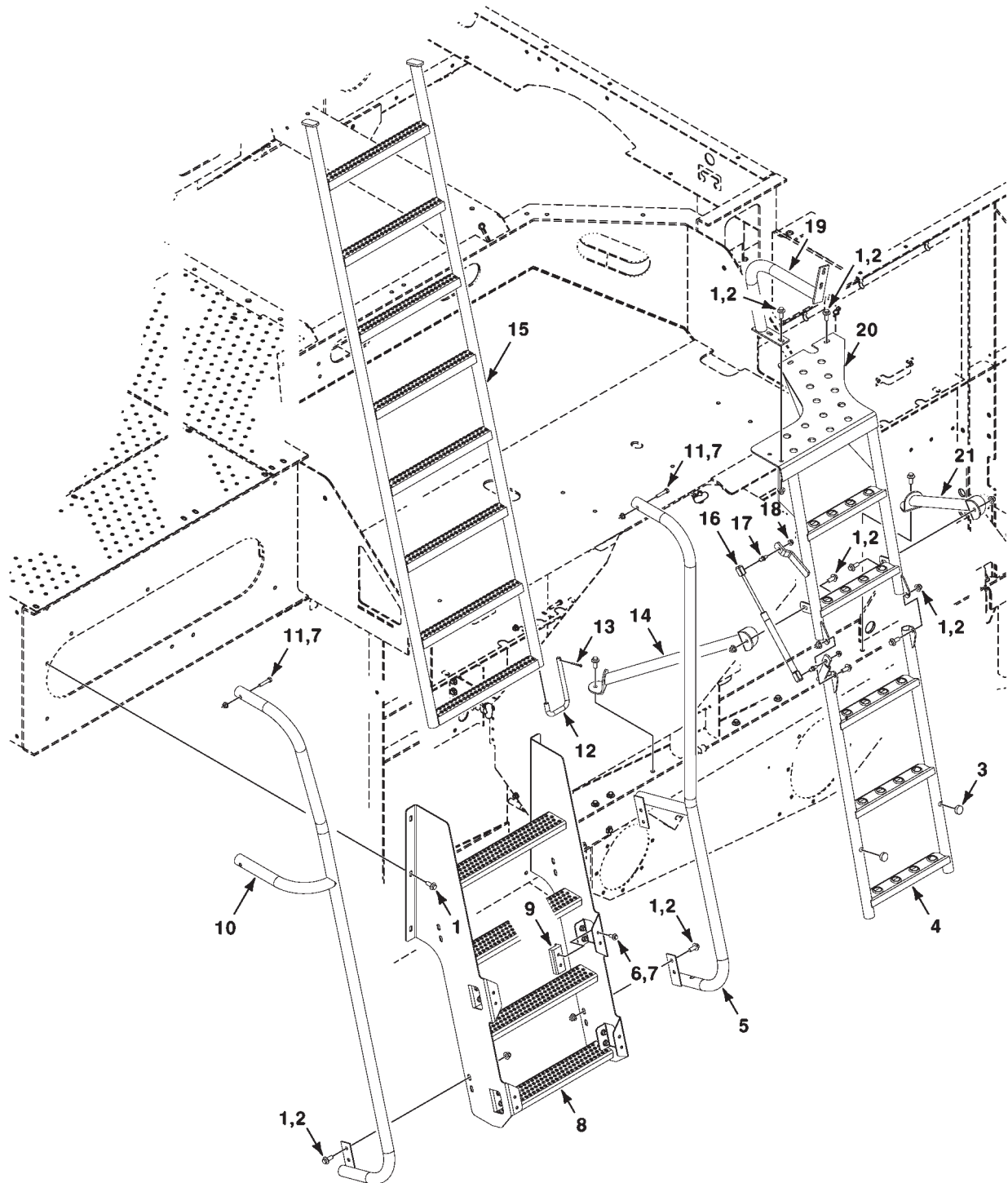
REAR HANDRAILS

ITEM	NUMBER	QTY	DESCRIPTION
1	71410196	1	RAIL WA-RIGHT, REAR DECK
2	3811720M1	19	BOLT, FLANGE, M10-1.5 X 25 CL10.9
3	70924764	1	PIN-ROLL, 1/8 X 3/4
4	71399326	1	PIN-LATCH
5	Y58040	1	SPRING-COMPRESSION
6	71410176	1	RAIL WA-TOP, REAR
7	71410195	1	RAIL WA-REAR, DECK
8	71410211	1	PLATE-PIVOT, RAIL STOP
9	700709666	2	BUMPER-RUBBER
10	71410186	1	RAIL WA-TOP PIVOTING
11	3009513X1	2	SCREW-HEX M12X1.75X65
12	390735X1	6	WASHER, M12, NARROW
13	5000005X1	2	NUT, HEX FLANGE NYL LOCK, M12 X 1.75
14	71410183	1	RAIL WA-TOP, FRONT

MC00500

PR: t06g24h33d0129

REAR LADDERS





9895 COMBINE  
SHIELDS

319

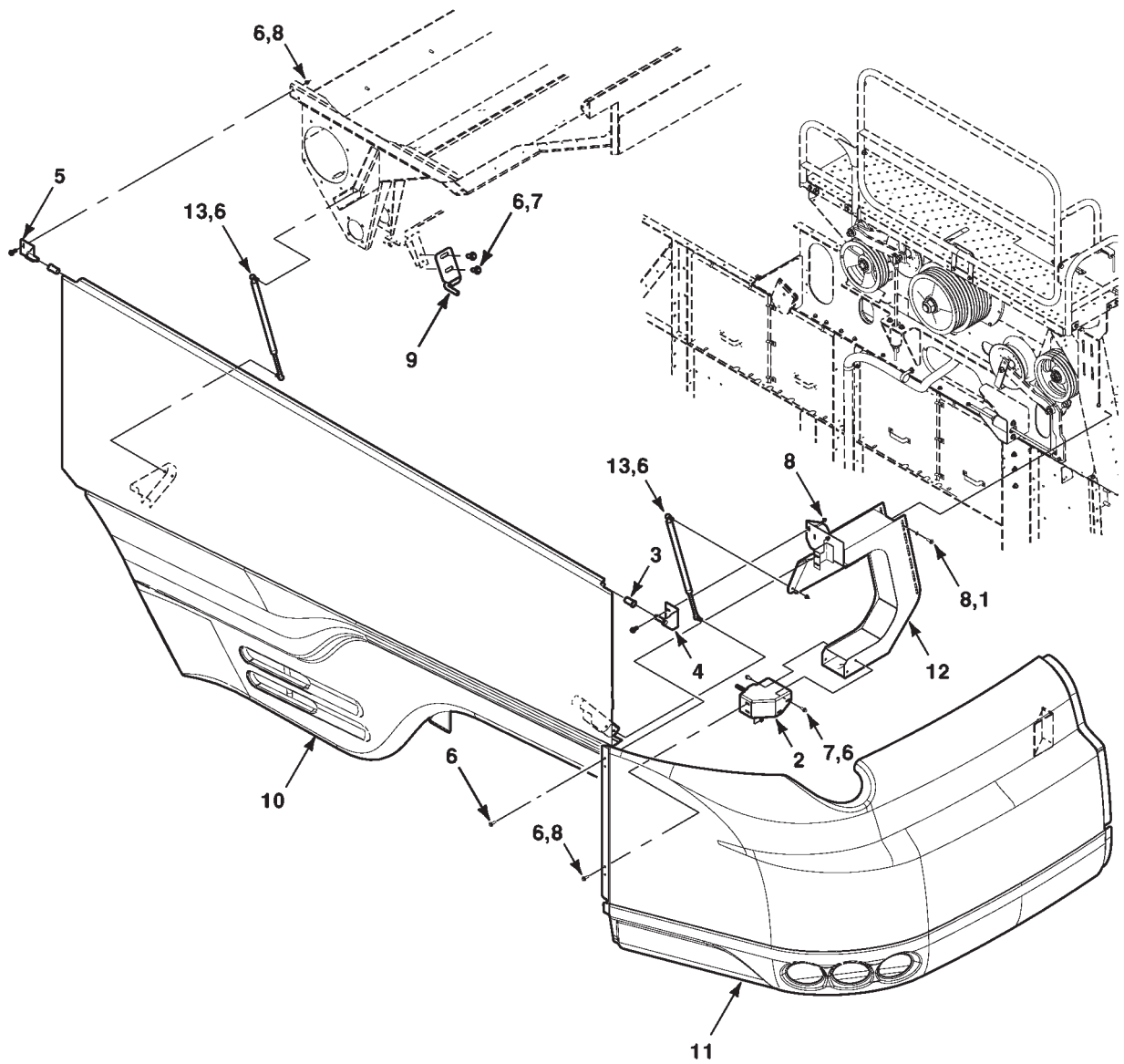
REAR LADDERS

ITEM	NUMBER	QTY	DESCRIPTION
1	3811720M1	22	BOLT, FLANGE, M10-1.5 X 25 CL10.9
2	5000004X1	16	NUT, HEX FLANGE NYL LOCK, M10 X 1.5
3	700709666	2	BUMPER-RUBBER
4	71410126	1	LADDER WA-MOVING, ACCESS
5	71410200	1	RAIL WA-LOWER, REAR RIGHT
6	339123X1	16	BOLT, FLANGE, M8-1.25 X 20 CL10.9
7	5000003X1	19	NUT, HEX FLANGE NYL LOCK, M8 X 1.25
8	71410122	1	LADDER WA-FIXED
9	71410131	8	BLOCK-GLIDE
10	71410178	1	RAIL WA-LOWER, REAR LEFT
11	1440712X1	3	CAPSCREW, M8-1.25 X 40 CL8.8
12	71410550	1	ROD, LADDER SUPPORT
13	62190	1	COTTER PIN, 5/32 X 1-1/2
14	71410143	1	STRUT WA-REAR
15	71410123	1	LADDER WA-MOVING
16	700721031	1	SPRING-GAS
17	71339847	2	STUD-BALL, 10 MM
18	70931277	2	NUT-LOCK, FLANGE, 5/16-18
19	71410376	1	RAIL-RIGHT, DOOR SUPPORT
20	71410125	1	LADDER WA-FIXED, ACCESS
21	71410146	1	STRUT WA-FRONT

MC00528

PR: t06g24h33d0130

SIDE SHIELDS  
LEFT SIDE



9895 COMBINE  
SHIELDS

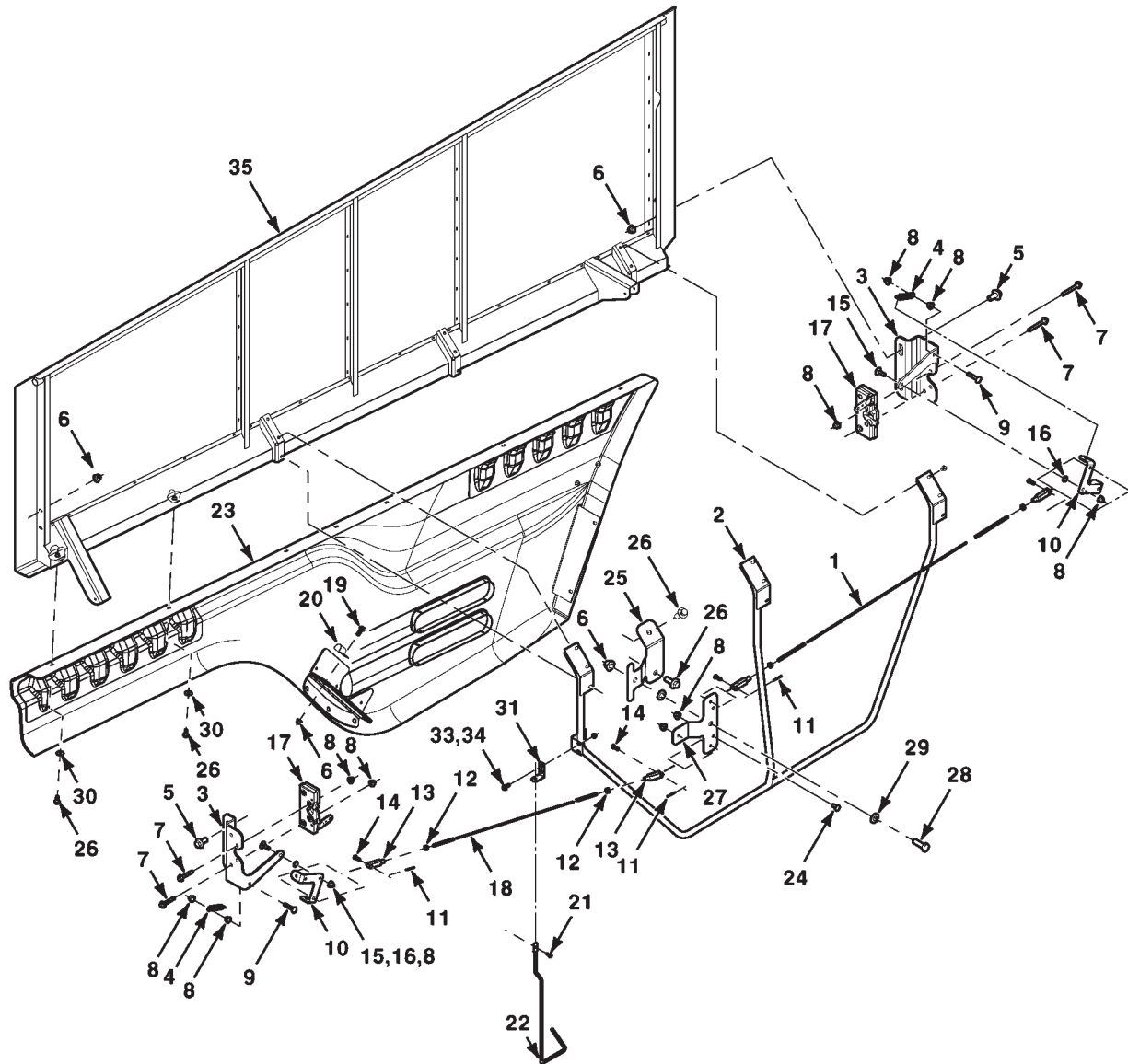
321

SIDE SHIELDS  
LEFT SIDE

ITEM	NUMBER	QTY	DESCRIPTION
1	339376X1	12	LOCKWASHER, M10
2	71410159	1	BRACKET WA
3	71410292	2	BUSHING
4	71410340	1	HINGE WA
5	71410342	1	HINGE WA
6	5000004X1	18	NUT, HEX FLANGE NYL LOCK, M10 X 1.5
7	3811720M1	6	BOLT, FLANGE, M10-1.5 X 25 CL10.9
8	3009207X1	20	BOLT, FLANGE, M10-1.5 X 30 CL10.9
9	71419083	1	PIN WLMT
10	-----	1	SHIELD GROUP-LEFT FRONT
11	-----	1	SHIELD GROUP-LEFT REAR
12	71410245	1	SUPPORT WA-LEFT
13	700720308	2	SPRING-GAS

MC00501  
PR: t06g24h33d0131

SHIELD GROUP  
LEFT FRONT



**9895 COMBINE  
SHIELDS**

323

**SHIELD GROUP  
LEFT FRONT**

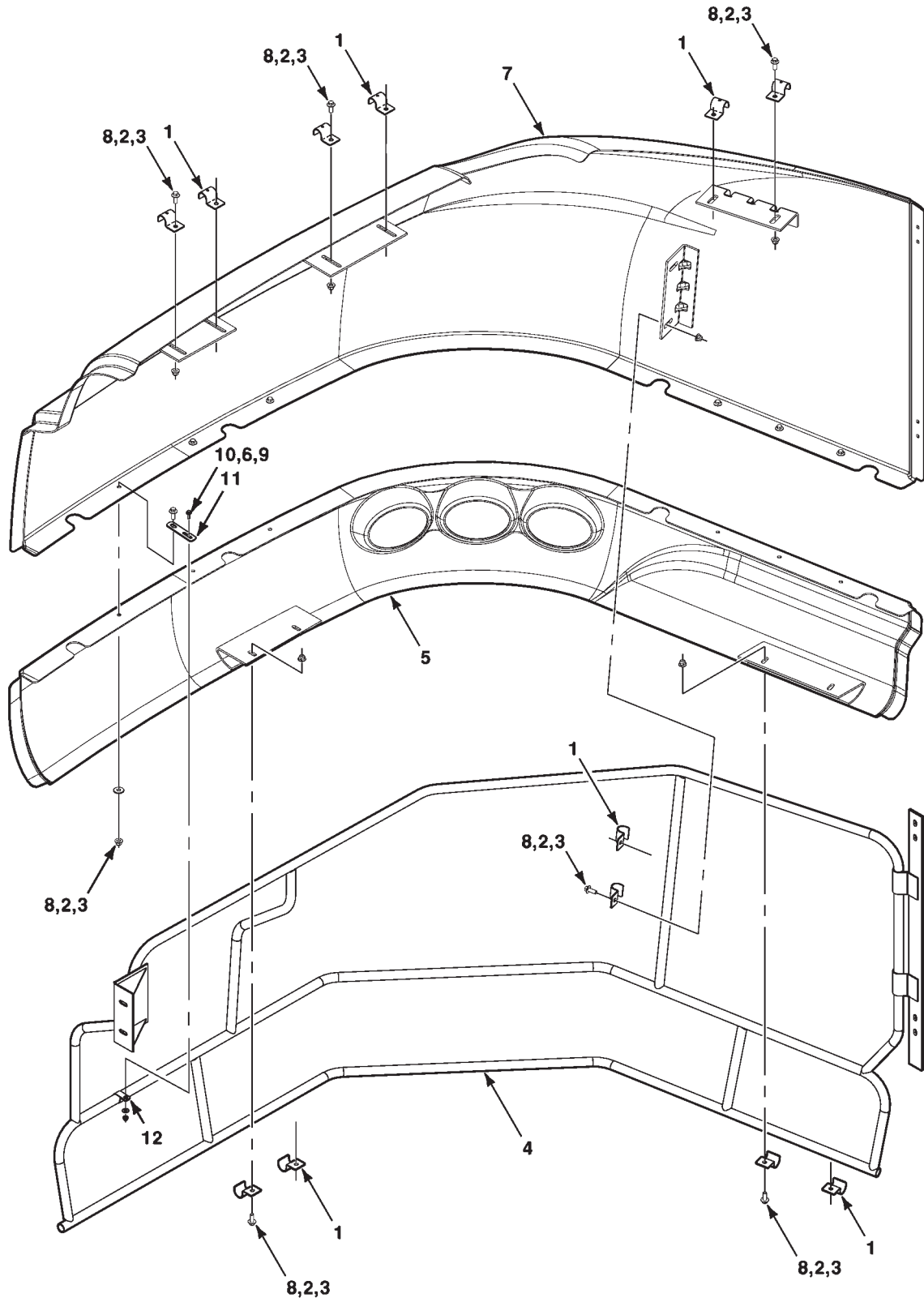
ITEM	NUMBER	QTY	DESCRIPTION
1	71410168	1	ROD-LEFT FRONT
2	71410335	1	TUBE WA
3	71410161	2	BRACKET-LATCH
4	700709843	2	SPRING-EXTENSION
5	3009205X1	11	BOLT, FLANGE, M10-1.5 X 20 CL10.9
6	5000004X1	9	NUT, HEX FLANGE NYL LOCK, M10 X 1.5
7	3009186X1	8	BOLT, FLANGE, M6-1.0 X 35 CL10.9
8	5000002X1	16	NUT, HEX FLANGE NYL LOCK, M6 X 1.0
9	3009332X1	2	BOLT, RD HD SQ NK, M6-1.0 X 30 CL8.8
10	71410162	2	LEVER
11	70923360	4	COTTER PIN, 1/16 X 3/4
12	Y704445	4	NUT, #10-32
13	70929595	4	YOKE
14	70929591	4	CLEVIS PIN
15	3009330X1	2	BOLT,RD HD SQ NK, M6-1.0 X 20 CL8.8
16	390971X1	2	WASHER, M6, NARROW
17	71398942	2	LATCH-SHIELD, DOOR
18	71410167	1	ROD-LEFT REAR
19	3009207X1	4	BOLT, FLANGE, M10-1.5 X 30 CL10.9
20	71410220	4	PLATE-DOOR, SUPPORT
21	3009183X1	1	BOLT, FLANGE, M6-1.0 X 20 CL10.9
22	71410169	1	HANDLE
23	71410070	1	SHIELD ASM-LEFT, LOWER
24	391074X1	1	CAPSCREW, M6-1.0 X 12 CL8.8
25	71410165	1	BRACKET-LEFT CENTER
26	3811720M1	9	BOLT, FLANGE, M10-1.5 X 25 CL10.9
27	71410166	1	LEVER
28	3009493X1	1	CAPSCREW, M10-1.5 X 30 CL8.8
29	390734X1	2	WASHER, M10, NARROW
30	70917378	7	WASHER, 3/8, WIDE
31	71412290	1	GUIDE STRAP, HANDLE
33	5000003X1	2	NUT, HEX FLANGE NYL LOCK, M8 X 1.25
34	3009194X1	2	BOLT, FLANGE, M8-1.25 X 25 CL10.9
35	71410105	1	SHIELD WA-LEFT, FRONT

MC00505

PR: t06g24h33d0132

9895 COMBINE  
SHIELDS

SHIELD GROUP  
LEFT REAR



9895 COMBINE  
SHIELDS

325

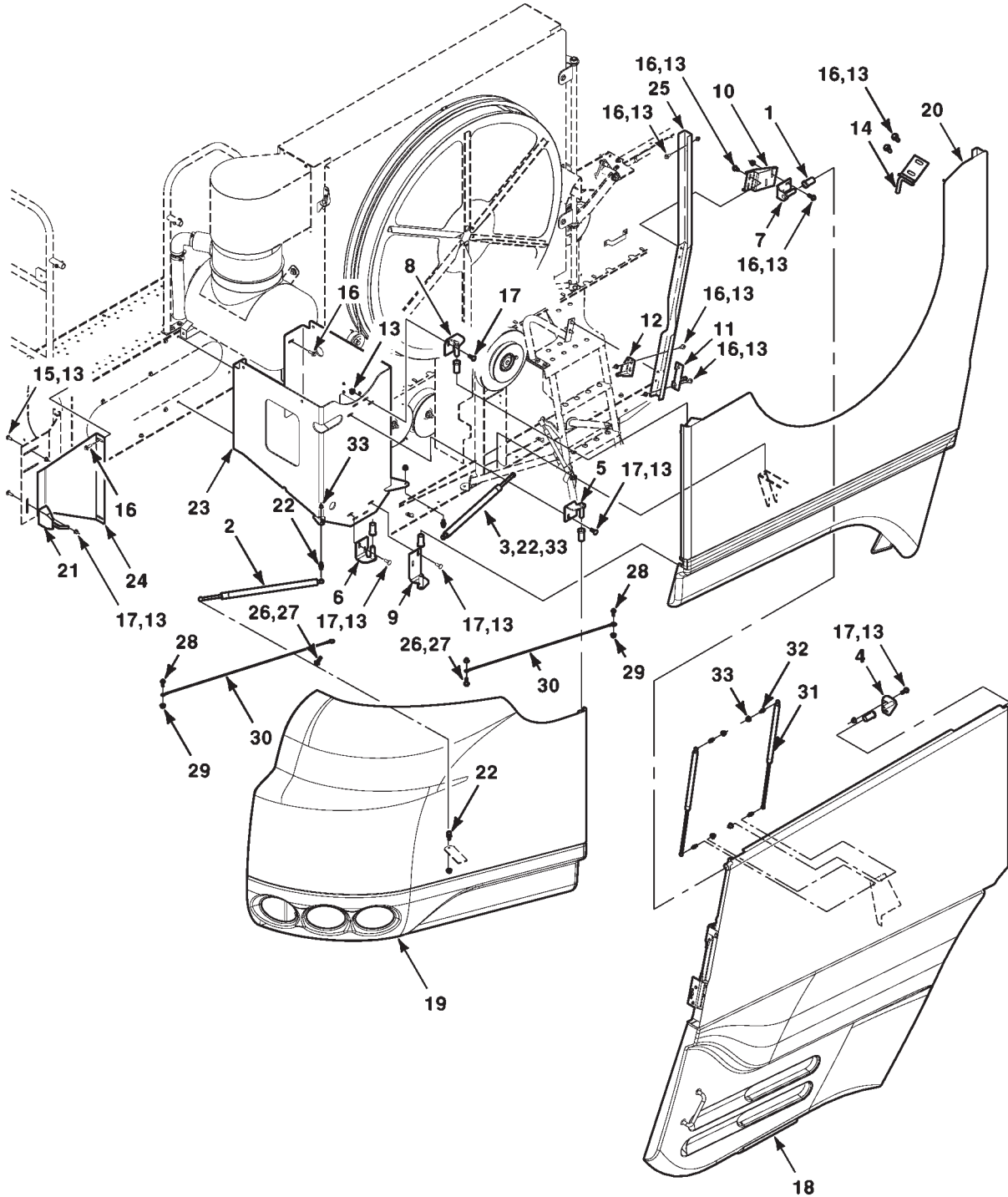
SHIELD GROUP  
LEFT REAR

ITEM	NUMBER	QTY	DESCRIPTION
1	71410220	12	PLATE-DOOR, SUPPORT
2	70917378	18	WASHER, 3/8, WIDE
3	5000004X1	18	NUT, HEX FLANGE NYL LOCK, M10 X 1.5
4	71410116	1	TUBE WA-LEFT,REAR
5	71419091	1	SHIELD ASM-REAR, LOWER
6	391038X1	1	WASHER, M6 LARGE
7	71419090	1	SHIELD ASM-REAR, UPPER
8	3009208X1	18	BOLT, FLANGE, M10-1.5 X 35 CL10.9
9	5000002X1	1	NUT, HEX FLANGE NYL LOCK, M6 X 1.0
10	3009183X1	1	BOLT, FLANGE, M6-1.0 X 20 CL10.9
11	71411366	1	STRAP
12	70925621	1	CLAMP, LINE, 1" DIA X .406 HOLE

MC00506

PR: t06g24h33d0133

SIDE SHIELDS  
RIGHT SIDE





**9895 COMBINE  
SHIELDS**

327

**SIDE SHIELDS  
RIGHT SIDE**

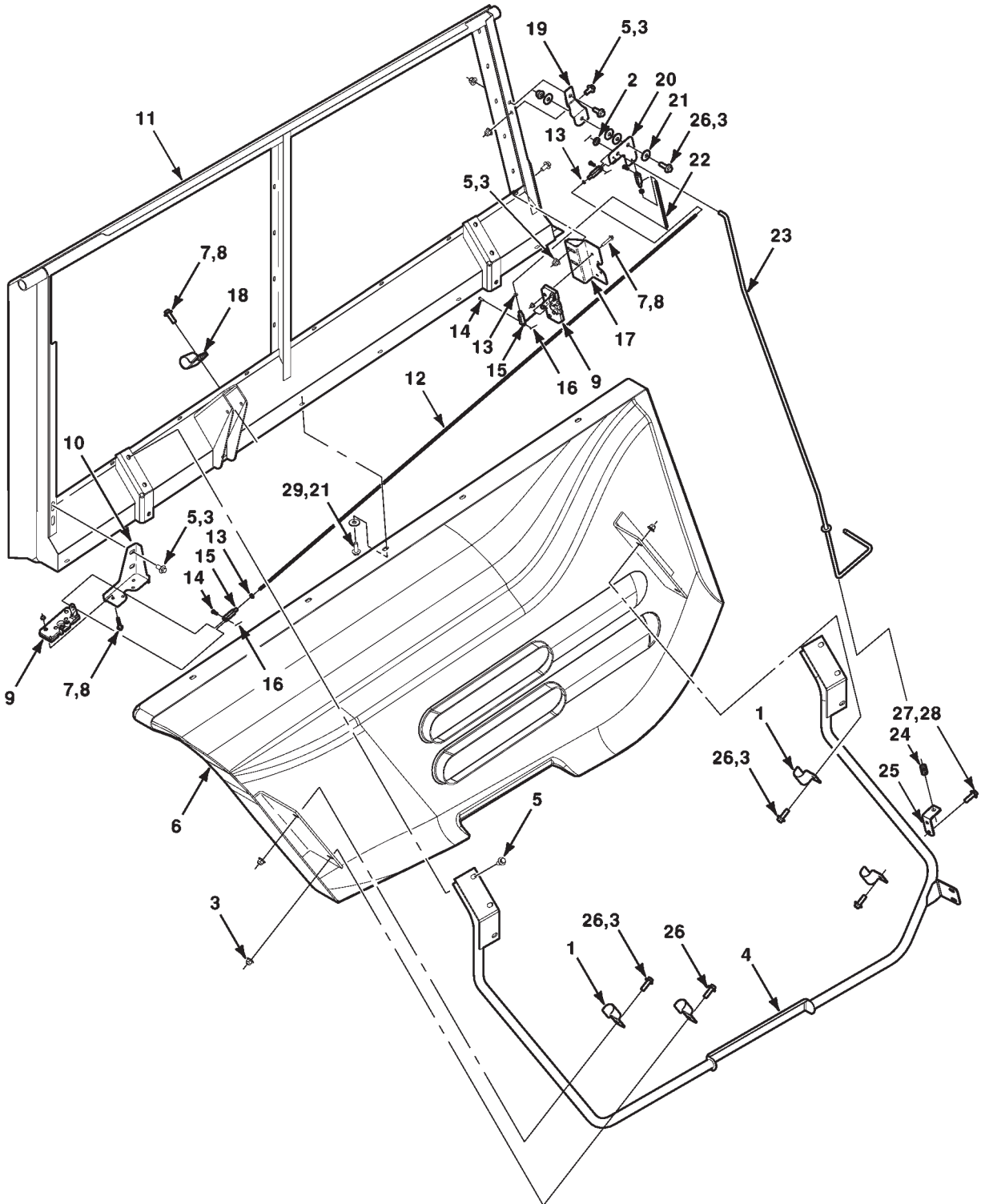
ITEM	NUMBER	QTY	DESCRIPTION
1	71410292	6	BUSHING
2	700730084	1	GAS SPRING
	700715278	2	CLIP RETAINER
3	700730246	1	GAS SPRING
	700715278	2	CLIP-RETAINER
4	71410065	1	HINGE WA
5	71410276	1	HINGE WA
6	71410279	1	HINGE WA
7	71410362	1	HINGE WA
8	71410368	1	HINGE WA
9	71410370	1	HINGE WA
10	71411328	1	HINGE WA-REAR
11	71410381	1	LATCH WA
12	71410387	1	LATCH WA
13	5000004X1	26	NUT, HEX FLANGE NYL LOCK, M10 X 1.5
14	71419081	1	PIN WA.
15	390809X1	2	BOLT,RD HD SQ NK, M10-1.5 X 25 CL8.8
16	3009207X1	20	BOLT, FLANGE, M10-1.5 X 30 CL10.9
17	385374X1	12	BOLT,RD HD SQ NK, M10-1.5 X 30 CL8.8
18	-----	1	SHIELD GROUP-DOOR, RIGHT FRONT (SEE BREAKDOWN)
19	-----	1	SHIELD GROUP-RIGHT REAR (SEE BREAKDOWN)
20	-----	1	SHIELD GROUP-RIGHT MIDDLE (SEE BREAKDOWN)
21	71419085	1	STRIKER WA
22	71339847	3	STUD-10 MM BALL
23	71410170	1	SUPPORT WA
24	71410281	1	SUPPORT WA
25	71410224	1	SUPPORT-DOOR, RIGHT
26	3009194X1	2	BOLT, FLANGE, M8-1.25 X 25 CL10.9
27	5000003X1	2	NUT, HEX FLANGE NYL LOCK, M8 X 1.25
28	3009183X1	4	BOLT, FLANGE, M6-1.0 X 20 CL10.9
29	5000002X1	4	NUT, HEX FLANGE NYL LOCK, M6 X 1.0
30	112942W1	2	STRAP-TETHER, 28 INCH
31	71365189	2	SPRING-GAS, 670 EXT LENGTH
	71307132	2	CLIP-RETAINER 13MM
32	71307131	4	BALL STUD
33	Y704726	8	NUT, HEX FLANGE TOP LOCK, 5/16-18

MC00502

PR: t06g24h33d0134

9895 COMBINE  
SHIELDS

SHIELD GROUP  
RIGHT FRONT



**9895 COMBINE  
SHIELDS**

329

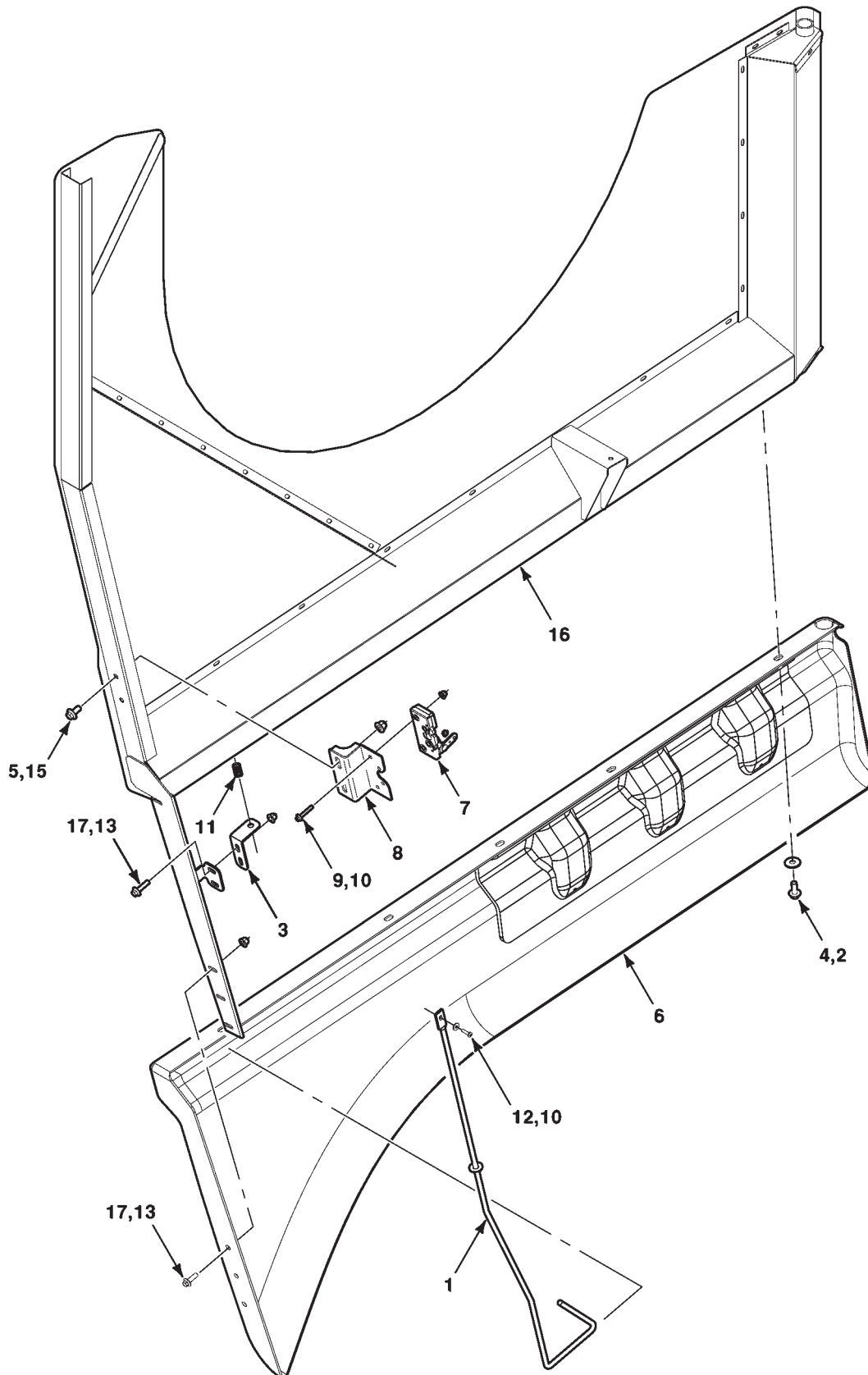
**SHIELD GROUP  
RIGHT FRONT**

ITEM	NUMBER	QTY	DESCRIPTION
1	71410220	4	PLATE-DOOR CLAMP
2	70918266	1	WASHER, 3/8 NARROW
3	5000004X1	11	NUT, HEX FLANGE NYL LOCK, M10 X 1.5
4	71410354	1	TUBE WA-RIGHT DOOR
5	3009205X1	12	BOLT, FLANGE, M10-1.5 X 20 CL10.9
6	71410072	1	SHIELD ASM-RIGHT, LOWER
7	3009186X1	9	BOLT, FLANGE, M6-1.0 X 35 CL10.9
8	5000002X1	9	NUT, HEX FLANGE NYL LOCK, M6 X 1.0
9	71398942	2	LATCH-SHIELD, DOOR
10	71410397	1	BRACKET WA-LOCK
11	71410112	1	SHIELD WA-RIGHT, FRONT
12	71411333	1	ROD-LATCH, TENSION
13	Y7044445	4	NUT, #10-32
14	70929591	4	CLEVIS PIN, 3/16 X .58 LG.
15	70929595	4	YOKE, #10-32 THD
16	70923360	5	COTTER PIN, 1/16 X 3/4
17	71410400	1	BRACKET WA-LOCK
18	70926920	1	CLAMP, LINE, 5/16 DIA X .281 HOLE
19	71410394	1	BRACKET-LOCK
20	71410382	1	PLATE-LOCK
21	70917378	9	WASHER, 3/8 WIDE
22	71411335	1	ROD-LATCH, #10-32
23	71411340	1	HANDLE WA
24	700703267	1	SPRING-COMPRESSION
25	71412290	1	ANGLE, GUIDE
26	3009208X1	5	BOLT, FLANGE, M10-1.5 X 35 CL10.9
27	5000003X1	2	NUT, HEX FLANGE NYL LOCK, M8 X 1.25
28	3009194X1	2	BOLT, FLANGE, M8-1.25 X 25 CL10.9
29	3811720M1	5	BOLT, FLANGE, M10-1.5 X 25 CL10.9

MC00507

PR: t06g24h33d0135

SHIELD GROUP  
RIGHT MIDDLE



9895 COMBINE  
SHIELDS

331

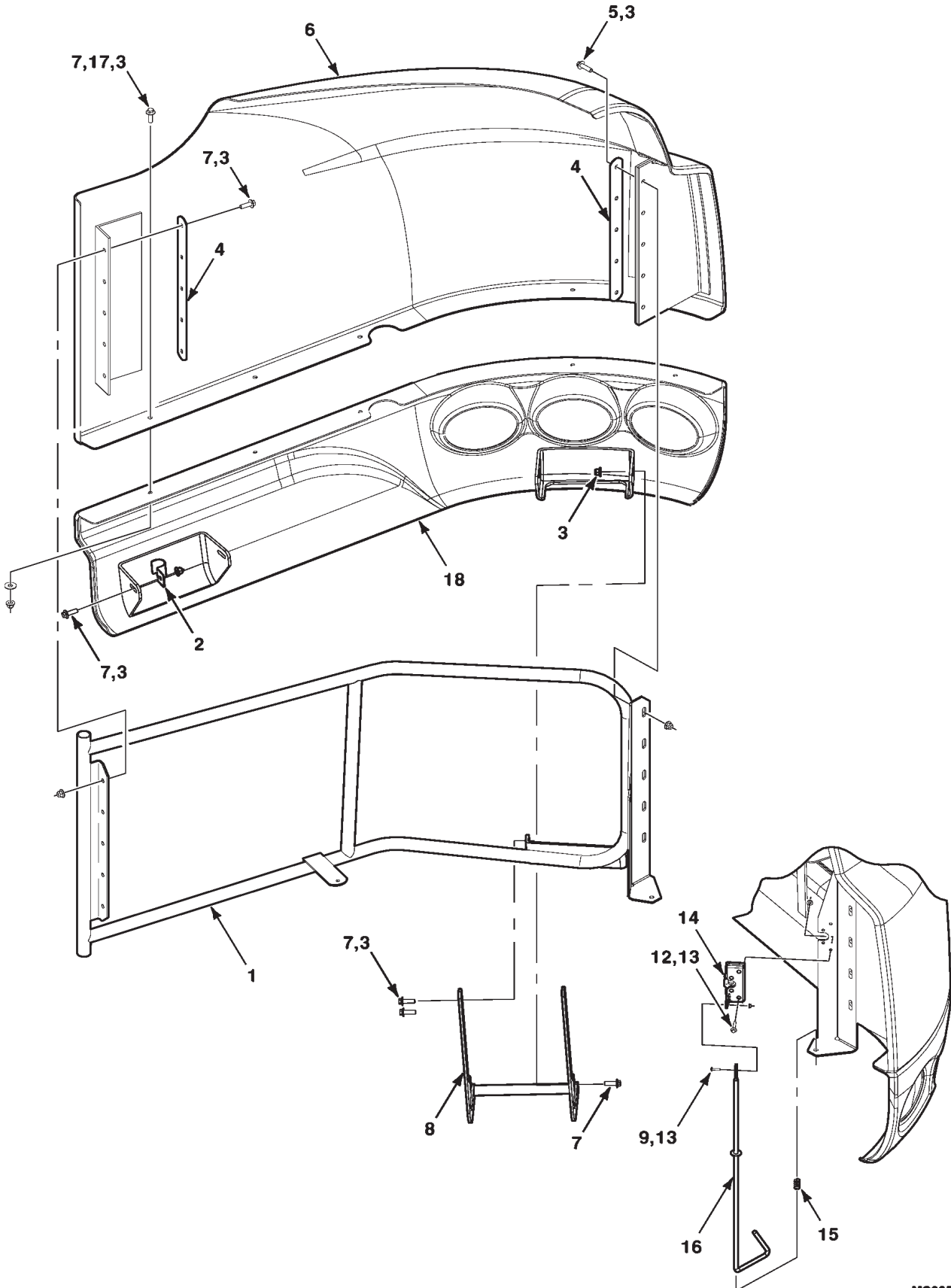
SHIELD GROUP  
RIGHT MIDDLE

ITEM	NUMBER	QTY	DESCRIPTION
1	71411339	1	HANDLE WA
2	70917378	5	WASHER, M10, LARGE
3	71412290	1	GUIDE HANDLE
4	3009208X1	5	BOLT, FLANGE, M10-1.5 X 35 CL10.9
5	3009205X1	2	BOLT, FLANGE, M10-1.5 X 20 CL10.9
6	71410067	1	SHIELD ASM-R, MIDDLE, LOWER
7	71398942	1	LATCH-SHIELD, DOOR
8	71410391	1	BRACKET WA-LOCK
9	3009186X1	4	BOLT, FLANGE, M6-1.0 X 35 CL10.9
10	5000002X1	5	NUT, HEX FLANGE NYL LOCK, M6 X 1.0
11	700703267	1	SPRING-COMPRESSION
12	3009183X1	1	BOLT, FLANGE, M6-1.0 X 20 CL10.9
13	5000003X1	5	NUT, HEX FLANGE NYL LOCK, M8 X 1.25
15	5000004X1	2	NUT, HEX FLANGE NYL LOCK, M10 X 1.5
16	71410113	1	SHIELD WA-RIGHT, CENTER
17	3009194X1	5	BOLT, FLANGE, M8-1.25 X 25 CL10.9

MC00508

PR: t06g24h33d0136

SHIELD GROUP  
RIGHT REAR



9895 COMBINE  
SHIELDS

333

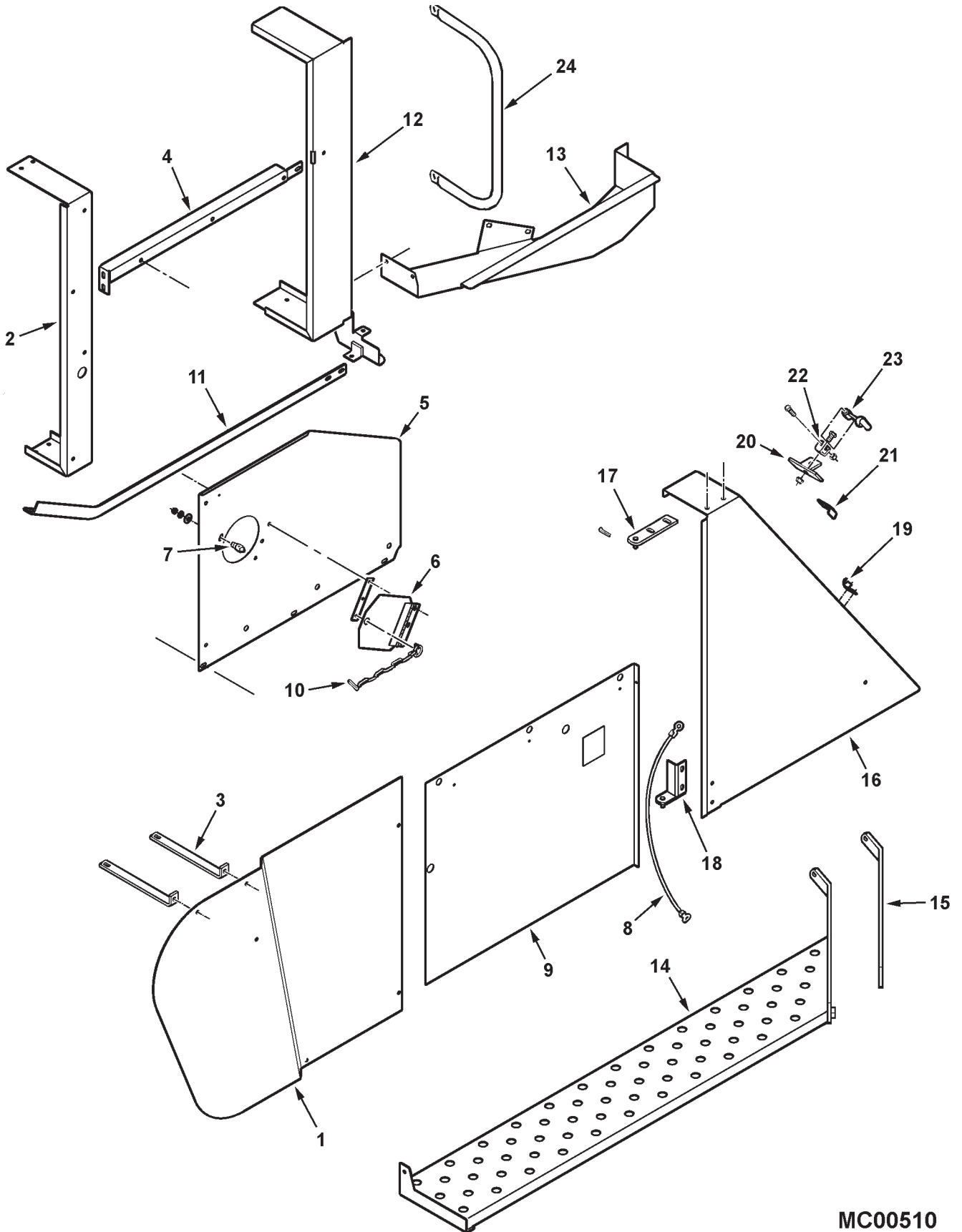
SHIELD GROUP  
RIGHT REAR

ITEM	NUMBER	QTY	DESCRIPTION
1	71412284	1	FRAME WA-DOOR
2	71410220	2	PLATE-DOOR, SUPPORT
3	5000004X1	22	NUT, HEX FLANGE NYL LOCK, M10 X 1.5
4	71410149	2	STRAP
5	3009209X1	5	BOLT, FLANGE, M10-1.5 X 40 CL10.9
6	71410074	1	SHIELD ASM-R, REAR UPPER
7	3009207X1	17	BOLT, FLANGE, M10-1.5 X 30 CL10.9
8	71419080	1	HANDLE WA
9	3009183X1	1	BOLT, FLANGE, M6-1.0 X 20 CL10.9
12	3009186X1	4	BOLT, FLANGE, M6-1.0 X 35 CL10.9
13	5000002X1	5	NUT, HEX FLANGE NYL LOCK, M6 X 1.0
14	71398942	1	LATCH-SHIELD, DOOR
15	700703267	1	SPRING-COMPRESSION
16	71410299	1	ROD WA
17	70917378	4	WASHER, 3/8, WIDE
18	71410305	1	SHIELD ASM-R, REAR, LOWER

MC00509

PR: t06g24h33d0137

MUD SHIELDS  
LEFT SIDE





**9895 COMBINE  
SHIELDS**

335

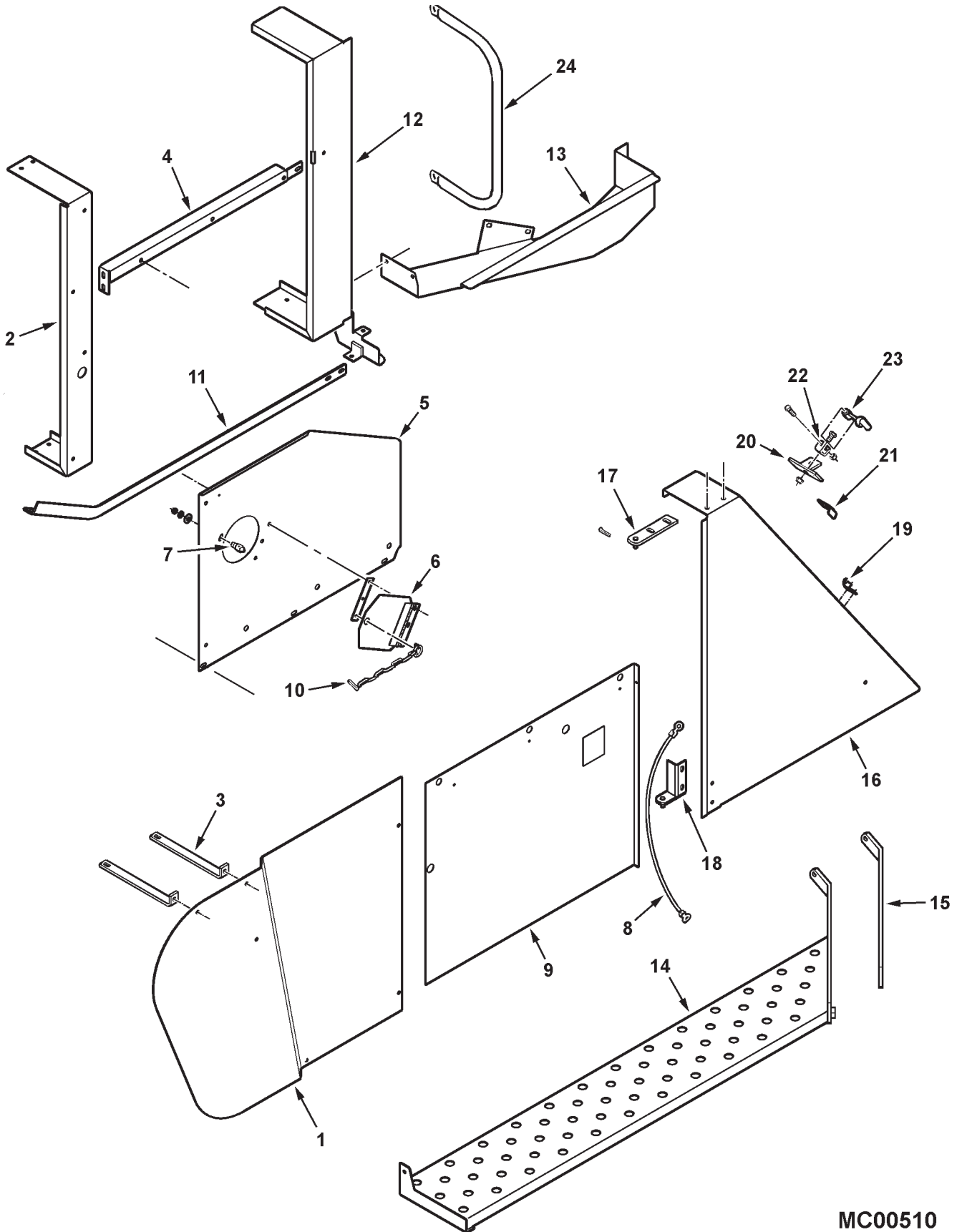
**MUD SHIELDS  
LEFT SIDE**

ITEM	NUMBER	QTY	DESCRIPTION
1	71409457	1	MUD SHIELD, LEFT FRONT
	70921210	2	CAPSCREW, 3/8-16 X 1 GR5
	70921332	2	CAPSCREW, 5/16-18 X 3/4 GR5
	70917642	2	WASHER, 5/16, WIDE
	70917378	2	WASHER, 3/8, WIDE
	Y704726	2	NUT, HEX FLANGE TOP LOCK, 5/16-18
	Y704734	2	NUT, HEX FLANGE TOP LOCK, 3/8-16
2	71404306B	1	CHANNEL, LEFT MUD SHIELD
	70921210	4	CAPSCREW, 3/8-16 X 1 GR5
	Y704734	4	NUT, HEX FLANGE TOP LOCK, 3/8-16
3	71401645B	2	STRAP, STANDOFF, MUD SHIELD
	70921210	2	CAPSCREW, 3/8-16 X 1 GR5
	70917378	2	WASHER, 3/8, WIDE
	Y704734	2	NUT, HEX FLANGE TOP LOCK, 3/8-16
4	71401470B	1	ANGLE WLDMT, LEFT MUD SHIELD
	70921210	2	CAPSCREW, 3/8-16 X 1 GR5
	70921965	1	CAPSCREW, 3/8-16 X 3/4 GR5
	70917378	1	WASHER, 3/8, WIDE
	Y704734	3	NUT, HEX FLANGE TOP LOCK, 3/8-16
5	71391624	1	SHIELD, UPPER LEFT
	70921210	2	CAPSCREW, 3/8-16 X 1 GR5
	70921965	3	CAPSCREW, 3/8-16 X 3/4 GR5
	705038	3	LOCKWASHER, 3/8
	70917378	3	WASHER, 3/8, WIDE
	Y704734	2	NUT, HEX FLANGE TOP LOCK, 3/8-16
6	104916W91	1	COVER WLDMT, LEFT SHIELD
	2555190W1	1	SPACER, DOOR
	7703457	3	CAPSCREW, 1/4-20 X 3/4
	70917377	3	WASHER, 1/4, WIDE
	1703354	3	NUT, HEX FLANGE TOP LOCK, 1/4-20
7	1656110W2	4	PIN, SHIELD LOCK
	70917378	4	WASHER, 3/8, WIDE
	705038	4	LOCKWASHER, 3/8
	70916950	4	NUT, 3/8-16 REG
8	112942W1	1	TETHER STRAP, 28IN.
	7703457	1	CAPSCREW, 1/4-20 X 3/4 GR5
	70917377	1	WASHER, 1/4, WIDE
	1703354	1	NUT, HEX FLANGE TOP LOCK, 1/4-20
9	71394303	1	SHEET WLMT, LEFT, W/ DECAL
10	863415	4	PIN-KLIK, W/ CHAIN
11	71404305	1	ANGLE, BOTTOM SUPPORT, LH
	70921210	1	CAPSCREW, 3/8-16 X 1 GR5
	70921965	1	CAPSCREW, 3/8-16 X 3/4 GR5
	70917378	1	WASHER, 3/8, WIDE
	Y704734	2	NUT, HEX FLANGE TOP LOCK, 3/8-16

CONTINUED

MC00510  
PR: t06g24h33d0138

MUD SHIELDS  
LEFT SIDE



**9895 COMBINE  
SHIELDS**

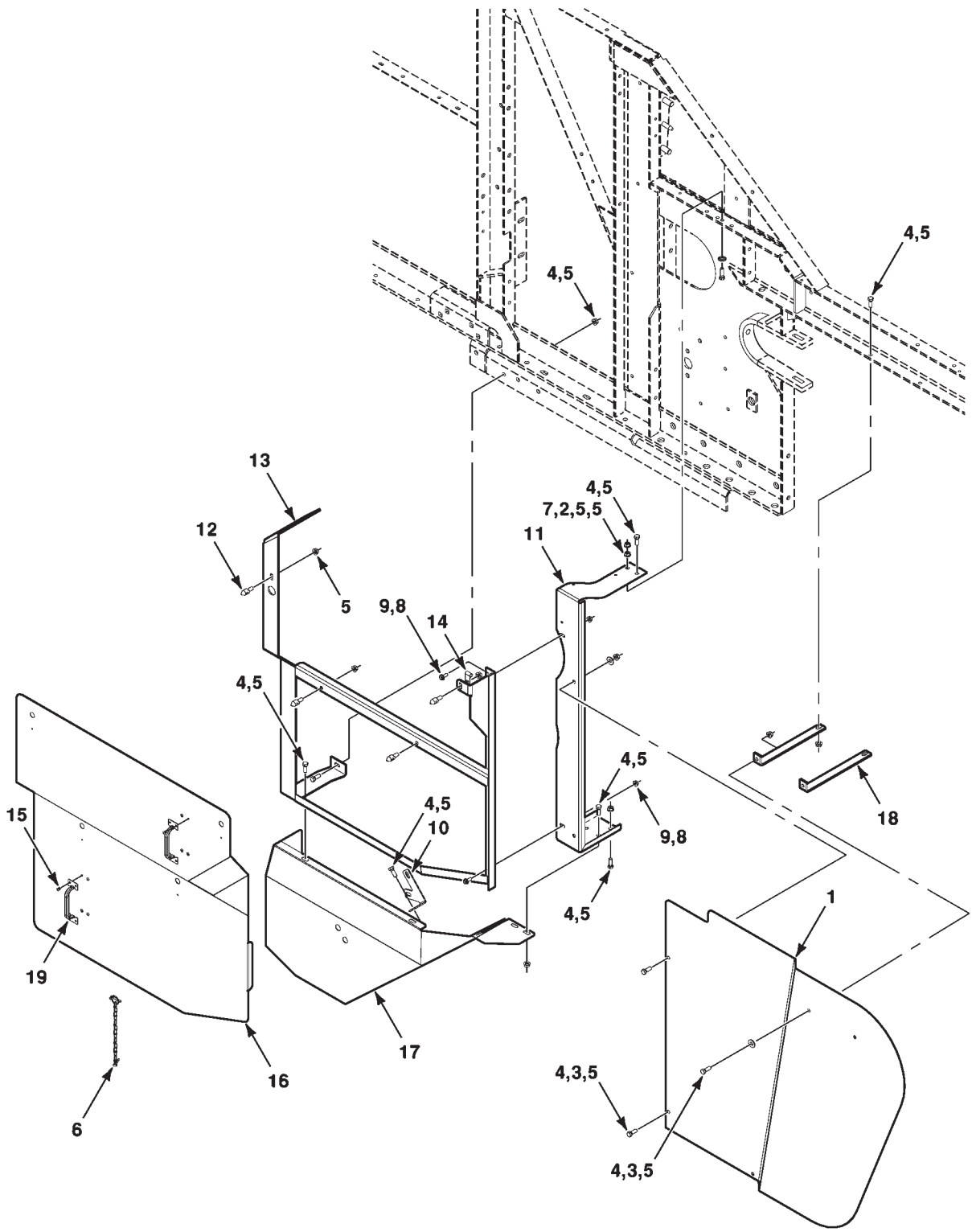
337

**MUD SHIELDS  
LEFT SIDE**

ITEM	NUMBER	QTY	DESCRIPTION
12	71401468B	1	CHANNEL WLDMT, LEFT
	70921210	2	CAPSCREW, 3/8-16 X 1 GR5
	70921965	1	CAPSCREW, 3/8-16 X 3/4 GR5
	70917378	2	WASHER, 3/8, WIDE
	Y704734	3	NUT, HEX FLANGE TOP LOCK, 3/8-16
13	71390913	1	SHIELD, ELEVATOR DRIVE, LEFT
	70921210	2	CAPSCREW, 3/8-16 X 1 GR5
	70921965	3	CAPSCREW, 3/8-16 X 3/4 GR5
	70917378	3	WASHER, 3/8, WIDE
	Y704734	5	NUT, HEX FLANGE TOP LOCK, 3/8-16
14	71401463B	1	STEP WLDMT, LEFT, PROCESSOR
	70921965	3	CAPSCREW, 3/8-16 X 3/4 GR5
	Y704734	3	NUT, HEX FLANGE TOP LOCK, 3/8-16
	70921176	1	CAPSCREW, 1/2-13 X 1-1/4 GR5
	Y704742	1	NUT, HEX FLANGE TOP LOCK, 1/2-13
15	71393919	1	STRAP, STEP SUPPORT, PROCESSOR
	70921176	2	CAPSCREW, 1/2-13 X 1-1/4 GR5
	Y704742	2	NUT, HEX FLANGE TOP LOCK, 1/2-13
16	71404303B	1	GUARD, DRIVES, W/ DECAL
17	101221M92	1	HINGE WLDMT, UPPER GUARD
18	101218M91	1	HINGE WLDMT, LOWER GUARD
	70921210	4	CAPSCREW, 3/8-16 X 1 GR5
	70917378	4	WASHER, 3/8, WIDE
	Y704734	4	NUT, HEX FLANGE TOP LOCK, 3/8-16
19	7025075	1	BRACKET, CATCH
	70916080	2	SCREW, RND HD MACH, #10-24 X 1/2
	705004	2	LOCKWASHER, #10
	70916621	2	NUT, HEX, #10-24 UNC
20	101231M1	1	BRACKET, LATCH
	70920415	1	CAPSCREW, 3/8-16 X 1-1/4 GR5
	70917378	1	WASHER, 3/8, WIDE
	Y704734	1	NUT, HEX FLANGE TOP LOCK, 3/8-16
21	101232M1	1	STOP BRACKET, GUARD
22	1787520W1	1	ANCHOR BRACKET, RUBBER LATCH
	70921332	1	CAPSCREW, 5/16-18 X 3/4 GR5
	Y704726	1	NUT, HEX FLANGE TOP LOCK, 5/16-18
23	776682	1	HOOK, RUBBER
	70921962	1	CAPSCREW, 1/4-20 X 1-3/4
	1703354	1	NUT, HEX FLANGE TOP LOCK, 1/4-20
24	71397286	1	HANDLE, ASSIST
	70921210	2	CAPSCREW, 3/8-16 X 1 GR5
	70917378	2	WASHER, 3/8, WIDE
	Y704734	2	NUT, HEX FLANGE TOP LOCK, 3/8-16

MC00510  
PR: t06g24h33d0138

MUD SHIELDS  
RIGHT SIDE



9895 COMBINE  
SHIELDS

339

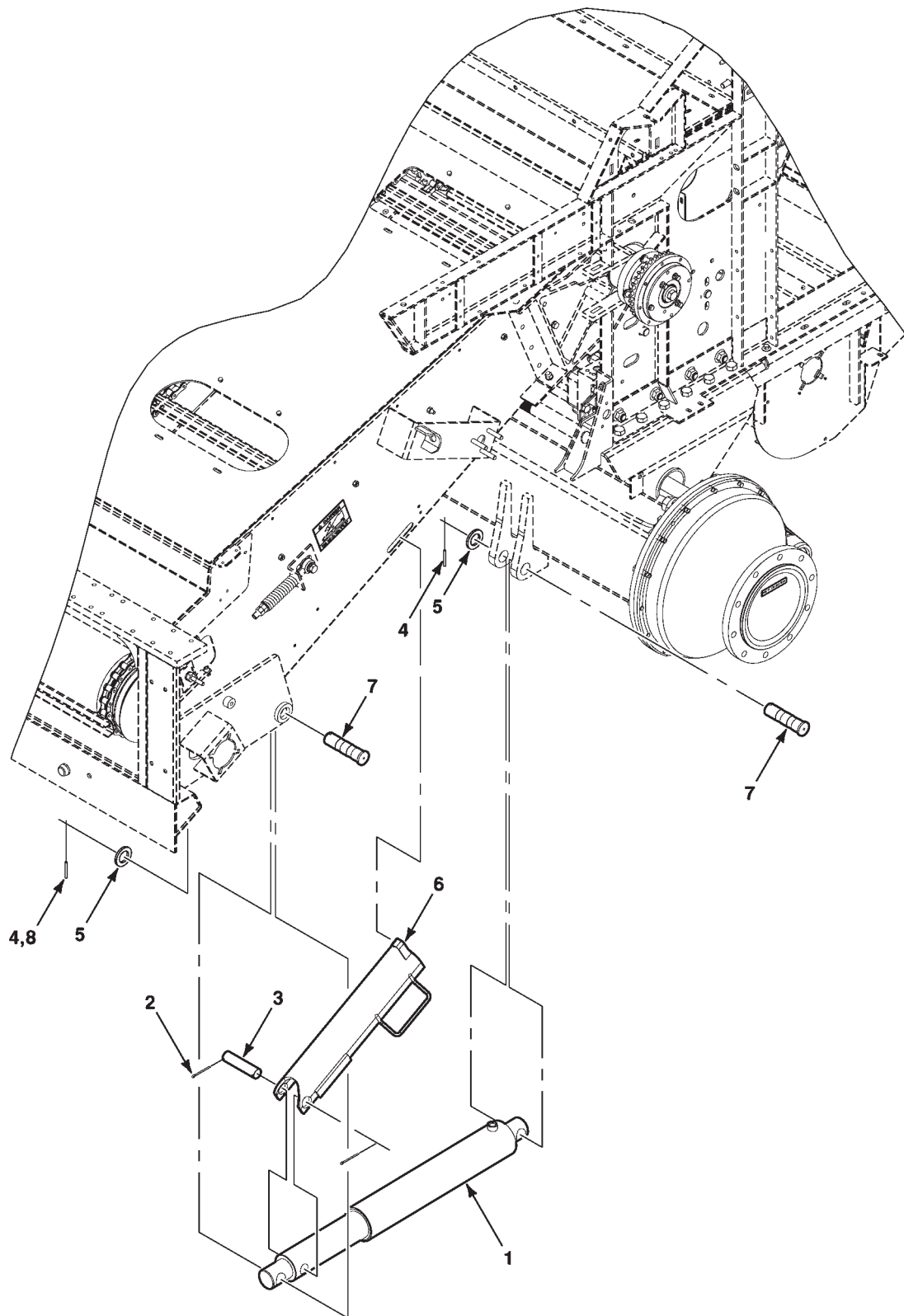
MUD SHIELDS  
RIGHT SIDE

ITEM	NUMBER	QTY	DESCRIPTION
1	71410976	1	SHIELD-MUD, R
2	7705205	1	3/8 IETLW
3	70917378	4	3/8 WIDE PLAIN WASHER
4	703249	15	CAPSCREW, 3/8-16 X 1.0
5	704247	21	NUT, HEX SERR FLANGE, 3/8-16
6	863415	4	KLIK PINCORRENTE
7	70920415	1	3/8-16 X 1-1/4 CAPSCREW
8	70931277	3	5/16-18 NUT-LOCK, FLANGE
9	7883325	3	SCR, HEX WSHR HD MACH, 5/16-18 X 3/4
10	71410115	1	BRACKET-MUDSHIELD
11	71410075	1	CHANNEL-MUD SHIELD, R
12	1656110W2	4	PIN-CENTER, SHIELD LOCK
13	71410998	1	FRAME WA
14	70937685	1	J-CLIP, 3/8 DIA X .406 HOLE
15	70924837	8	POP-RIVET, .188 X .063-.125 GRIP
16	71418128	1	SHIELD WA
17	71410988	1	SHIELD-LOWER
18	71401645	2	STANDOFF-F MUD SHIELD
19	71304149	2	HANDLE

MC00511

PR: t06g24h33d0139

CYLINDERS, HEADER LIFT



9895 COMBINE  
HYDRAULICS

341

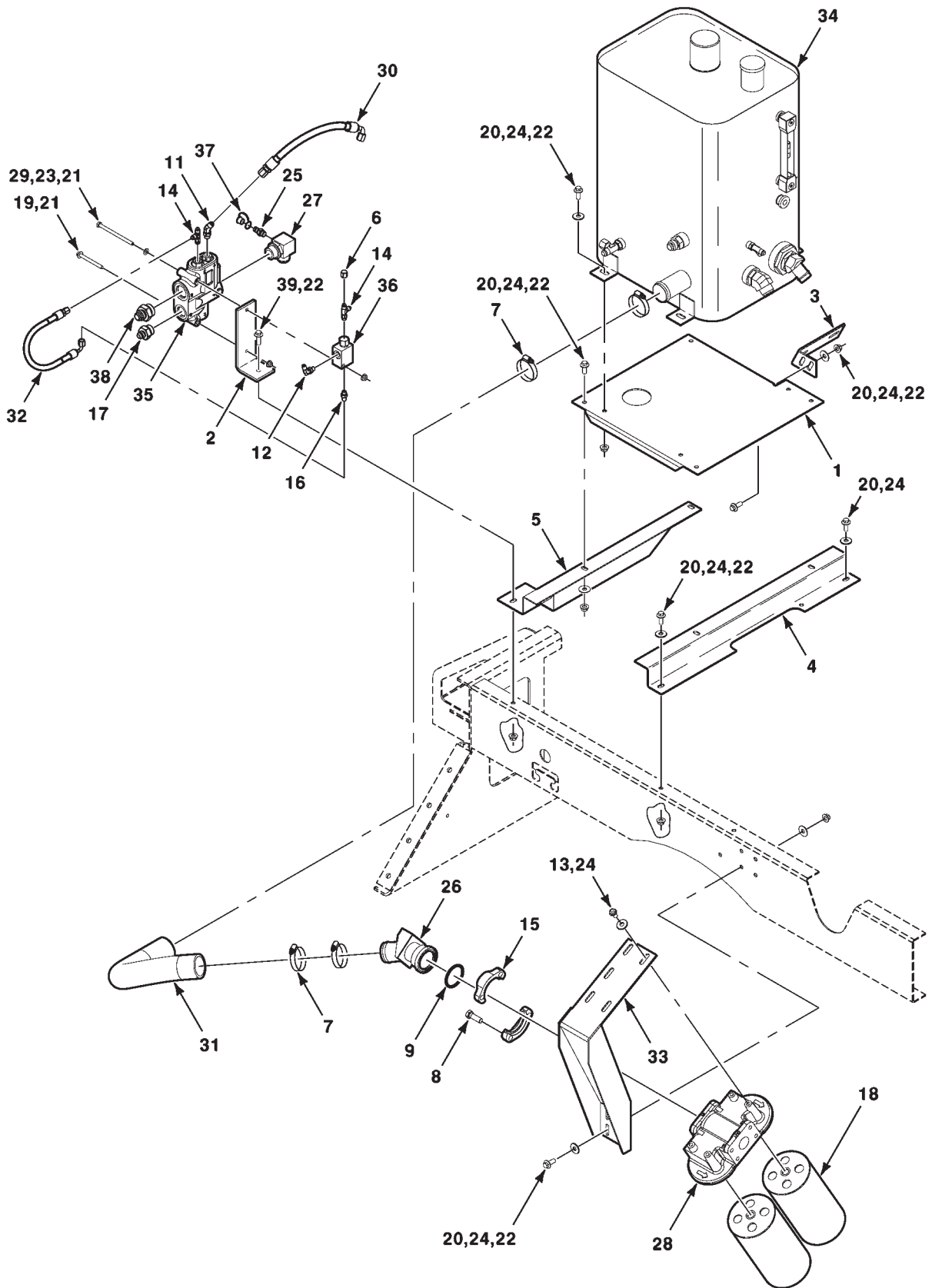
CYLINDERS, HEADER LIFT

ITEM	NUMBER	QTY	DESCRIPTION
1	71405913	2	CYLINDER-SA, 3.5 IN DIA
1	71365233	1	KIT-SEAL
2	62406	2	COTTER PIN, 3/16 X 2-1/2
3	71364024	1	PIN-SAFETY STOP
4	63834	4	PIN, COILED SPRING, 1/4 X 2-1/4
5	70933818	4	WASHER, 1-1/2, WIDE
6	71407463	1	STOP WA-3.5 RAM
7	71364016	4	PIN CYLINDER
8	8022691	2	WIRE TIE

MC00512  
PR: t06g24h33d0140

9895 COMBINE  
HYDRAULICS

RESERVOIR  
MOUNTING AND PLUMBING





9895 COMBINE  
HYDRAULICS

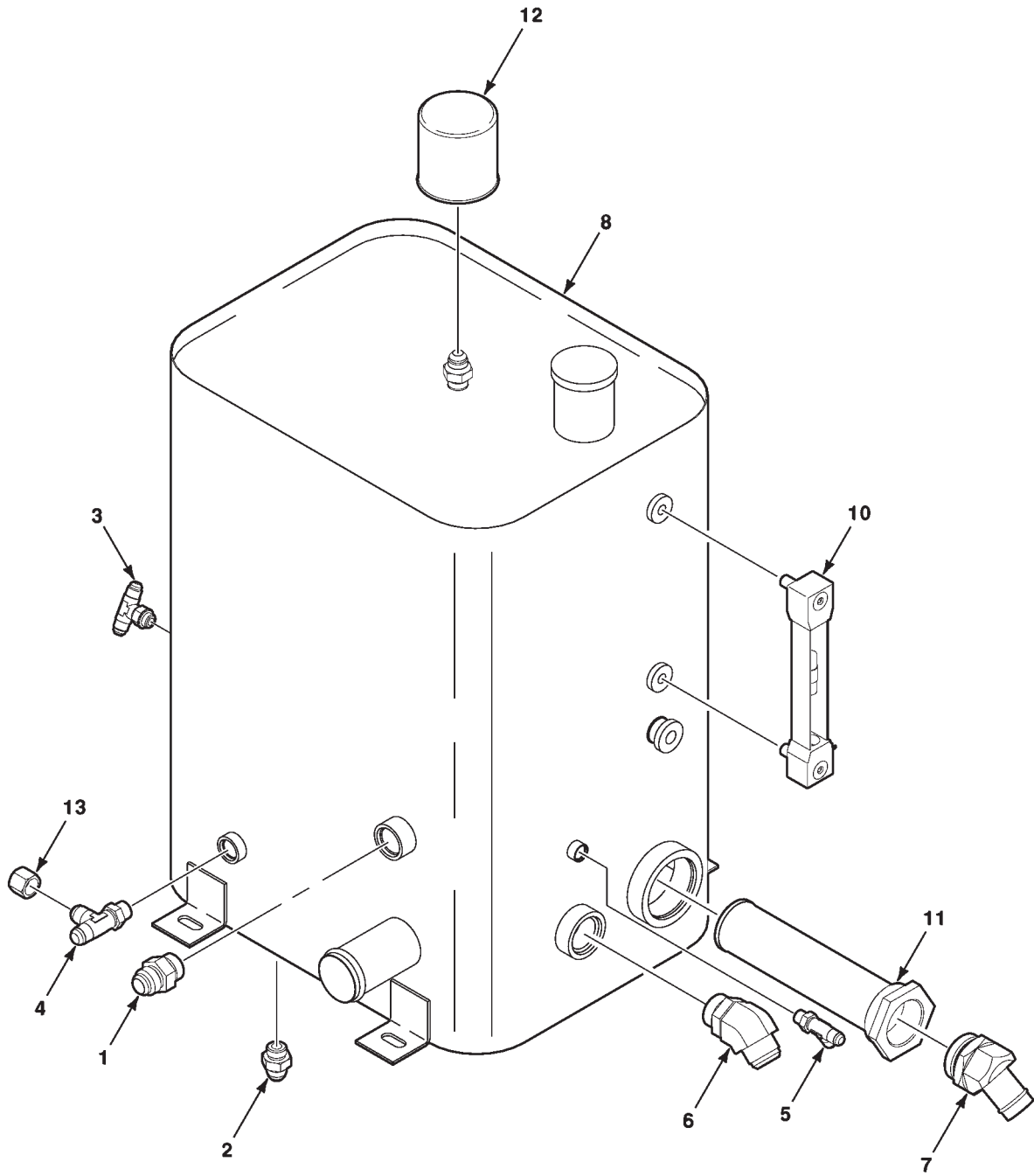
343

RESERVOIR  
MOUNTING AND PLUMBING

ITEM	NUMBER	QTY	DESCRIPTION
1	71412082	1	PLATE-RESERVOIR
2	71408962	1	SUPPORT
3	71412088	1	SUPPORT-CAC TUBE
4	71412083	1	SUPPORT-RESERVOIR
5	71412084	1	SUPPORT-RESERVOIR
6	700715848	1	CAP-7/16-20 JIC
7	720219	4	CLAMP, WORM DRIVE, 1.56-2.50 DIA
8	701235	4	CAPSCREW, 1/2-13 X 1-1/2 GR5
9	70923814	1	O-RING 3.53x56.74ANEL O 3.53x56.74
11	70922921	1	FITTING 9/16 JIC X 9/16 ORB
	70921885	1	O-RING, .468 I.D.
12	70922571	1	FITTING 7/16 JIC X 7/16 ORB
	7040397	1	O-RING, .351 I.D.
13	7883374	4	SCR, HEX WSHR HD MACH, 3/8-16 X 3/4
14	70924783	2	FITTING TEE
15	71411832	2	2" SPLIT FLANGE-CODE 61
16	700701356	1	CONNECTOR-SHORT STR THD
	7040397	1	O-RING, .351 I.D.
17	700701753	1	3/4-16 JIC X 1-1/16-12 ORB
	70921206	1	O-RING, .942 I.D.
18	104309W91	2	ELEMENT-FILTER
19	3009204X1	1	BOLT, FLANGE, M8-1.25 X 80 CL10.9
20	3811720M1	14	BOLT, FLANGE, M10-1.5 X 25 CL10.9
21	5000003X1	2	NUT, HEX FLANGE NYL LOCK, M8 X 1.25
22	5000004X1	13	NUT, HEX FLANGE NYL LOCK, M10 X 1.5
23	390972X1	1	WASHER M8 STD, 9.0MM X 17 X 1.36 TH
24	70917378	18	WASHER, M10, LARGE
25	71379303	1	NIPPLE, DIAGNOSTIC, 9/16-18 ORB MALE
26	71411831	1	ELBOW-30 DEGREE
27	71408971	1	ELBOW-SPECIAL
	70921214	1	O-RING, 1.403 I.D.
28	71411294	1	HEAD-FILTER
29	339557X1	1	HEX. BOLT M8x120 CLASS 8.8
30	71410858	1	HOSE-HYDRAULIC
31	71411837	1	HOSE-HYDRAULIC
32	71412382	1	HOSE-HYDRAULIC
33	71418248	1	SUPPORT WA-FILTER
34	-----	1	RESERVOIR ASM
35	71391453	1	VALVE ASM-PRIORITY (SEE BREAKDOWN)
36	72525468	1	VALVE-SHUTTLE
37	71379304	1	CAP-DUST HYDRAULIC COUPLER
38	70935768	1	1-1/16-12 JIC X 1-5/16-12 ORB
	70921214	1	O-RING, 1.171 I.D.
39	3009207X1	1	BOLT, FLANGE, M10-1.5 X 30 CL10.9

MC00513  
PR: t06g24h33d0141

RESERVOIR



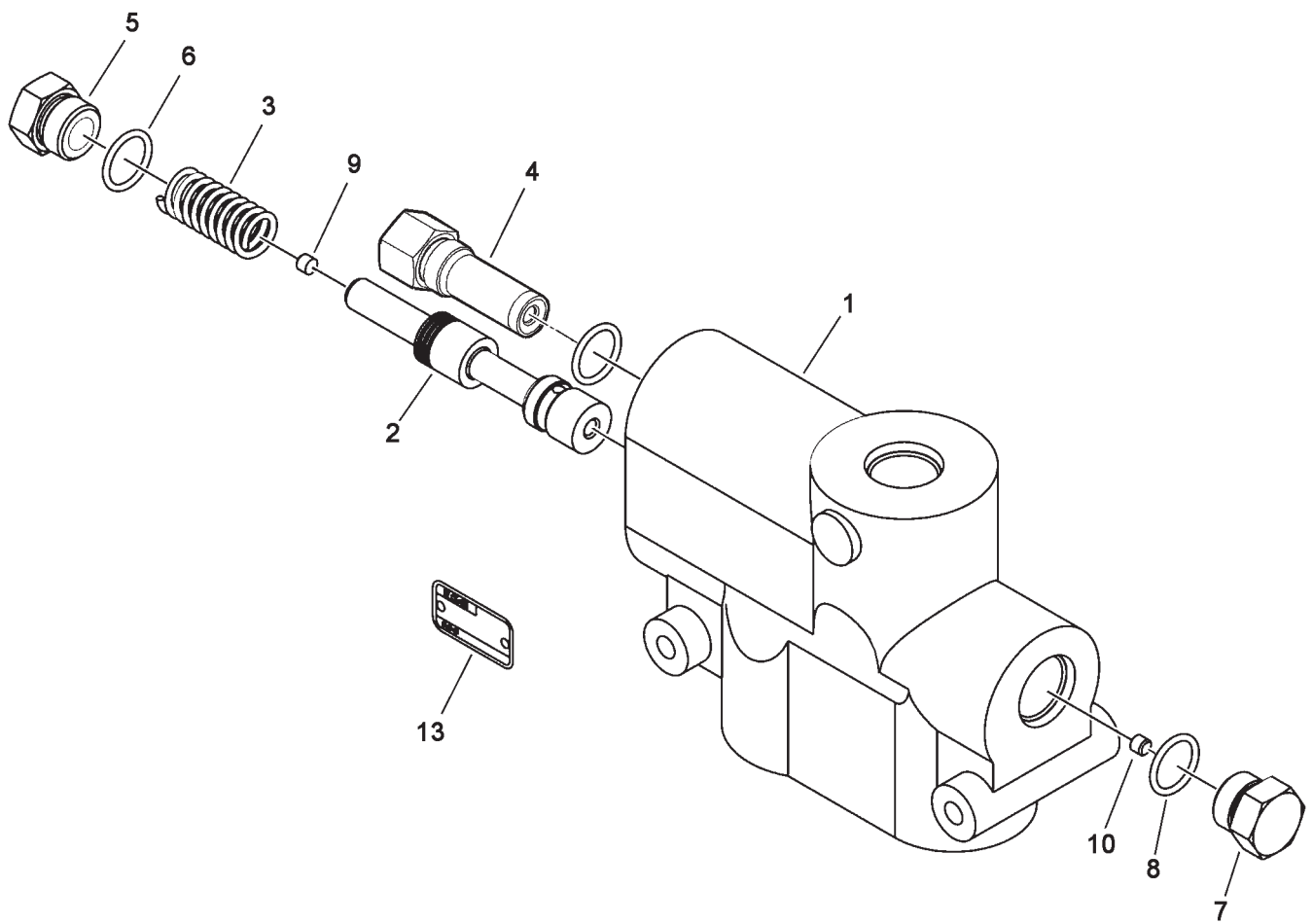
9895 COMBINE  
HYDRAULICS

345  
RESERVOIR

ITEM	NUMBER	QTY	DESCRIPTION
1	70921217	1	1-1/16-12 JIC X 1-1/16-12 ORB
1	70921206	1	O-RING, .942 I.D.
2	846337	1	CONNECTOR, STR, 3/4-16 JIC X ORB
2	70921349	1	O-RING, .644 I.D.
3	70923894	1	9/16-18 TEE BRANCH
3	70921885	1	O-RING, .468 I.D.
4	700701638	1	FITTING 3/4 JIC X 3/4 ORB X 3/4 JIC
4	70921349	1	O-RING, .644 I.D.
5	70925858	1	FITTING 9/16 JIC X 9/16 ORB X 9/16 JIC
5	70921885	1	O-RING, .468 I.D.
6	70921728	1	FITTING JIC X ORB
6	70921214	1	O-RING, 1.171 I.D.
7	71411836	1	FTG-1-1/4 HOSE X 1-7/8 ORB 45
7	70921887	1	O-RING, 1.720 I.D.
8	71408960	1	HYDRAULIC TANK-CLASS VIII
8	700707293	1	CAP-TANK
10	45080021	1	SIGHT GAGE ASSEMBLY
11	112858W91	1	STRAINER ASM-ORB HYD
12	7825516	1	FILTER
13	70923737	1	CAP, 3/4-16 JIC FEMALE

MC00514  
PR: t06g24h33d0142

PRIORITY VALVE



9895 COMBINE  
HYDRAULICS

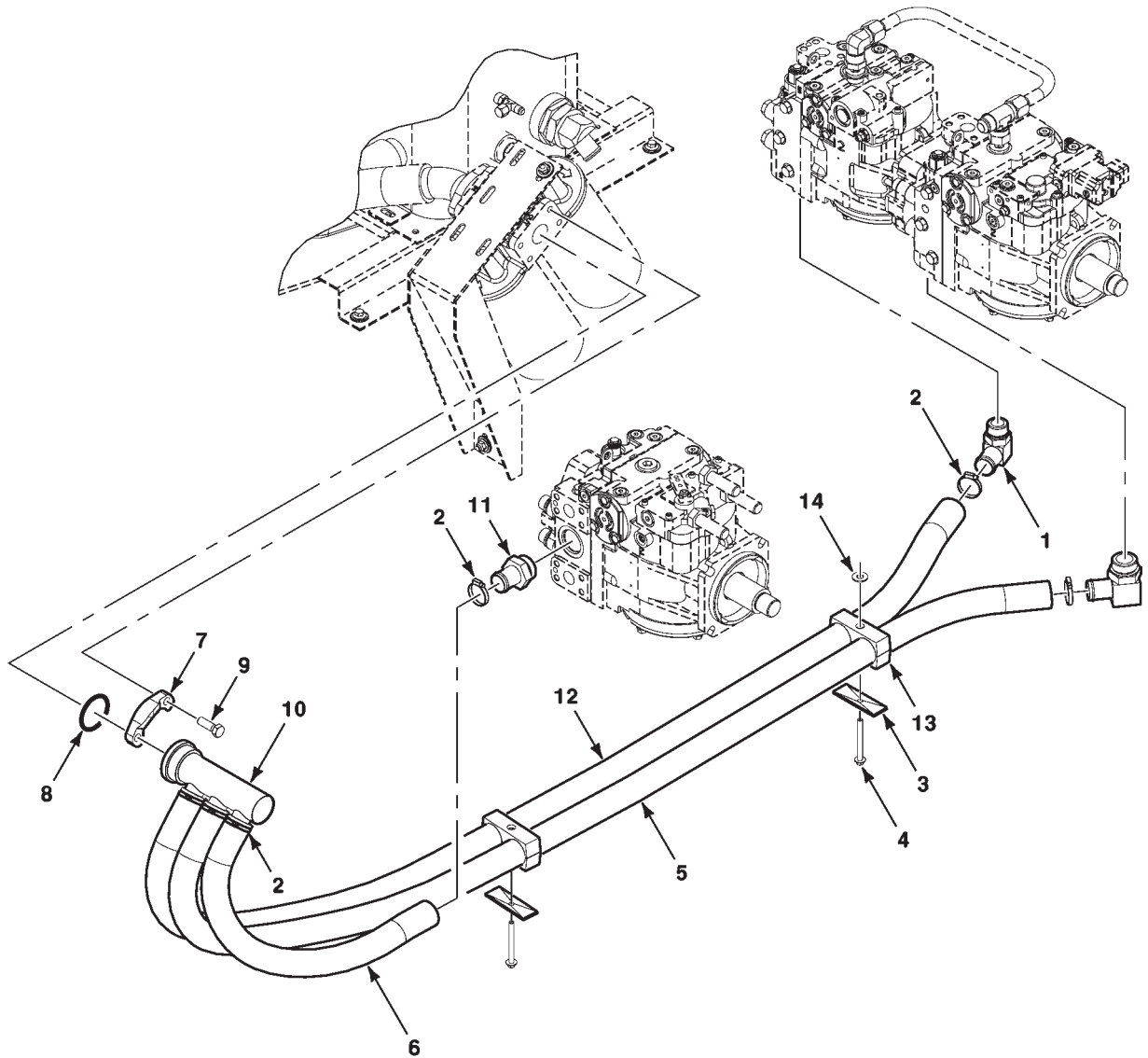
347

PRIORITY VALVE

ITEM	NUMBER	QTY	DESCRIPTION
-	71391453	1	PRIORITY VALVE ASY
1	-----	1	BODY (NOT SERVICED)
2	71392852	1	SPOOL
3	71392853	1	SPRING (150 PSI)
4	71414221	1	VALVE ASY, RELIEF
5	71392854	1	PLUG, ORIFICE
6	70913719	1	O-RING
7	71392855	1	PLUG
8	70913719	1	O-RING
9	71392856	1	SCREW, ORIFICE
10	71392857	1	SCREW, ORIFICE
13	-----	1	NAME PLATE (NOT SERVICED)

71391453  
PR: t06k17j37d0004

HYDRO SUCTION PLUMBING



9895 COMBINE  
HYDRAULICS

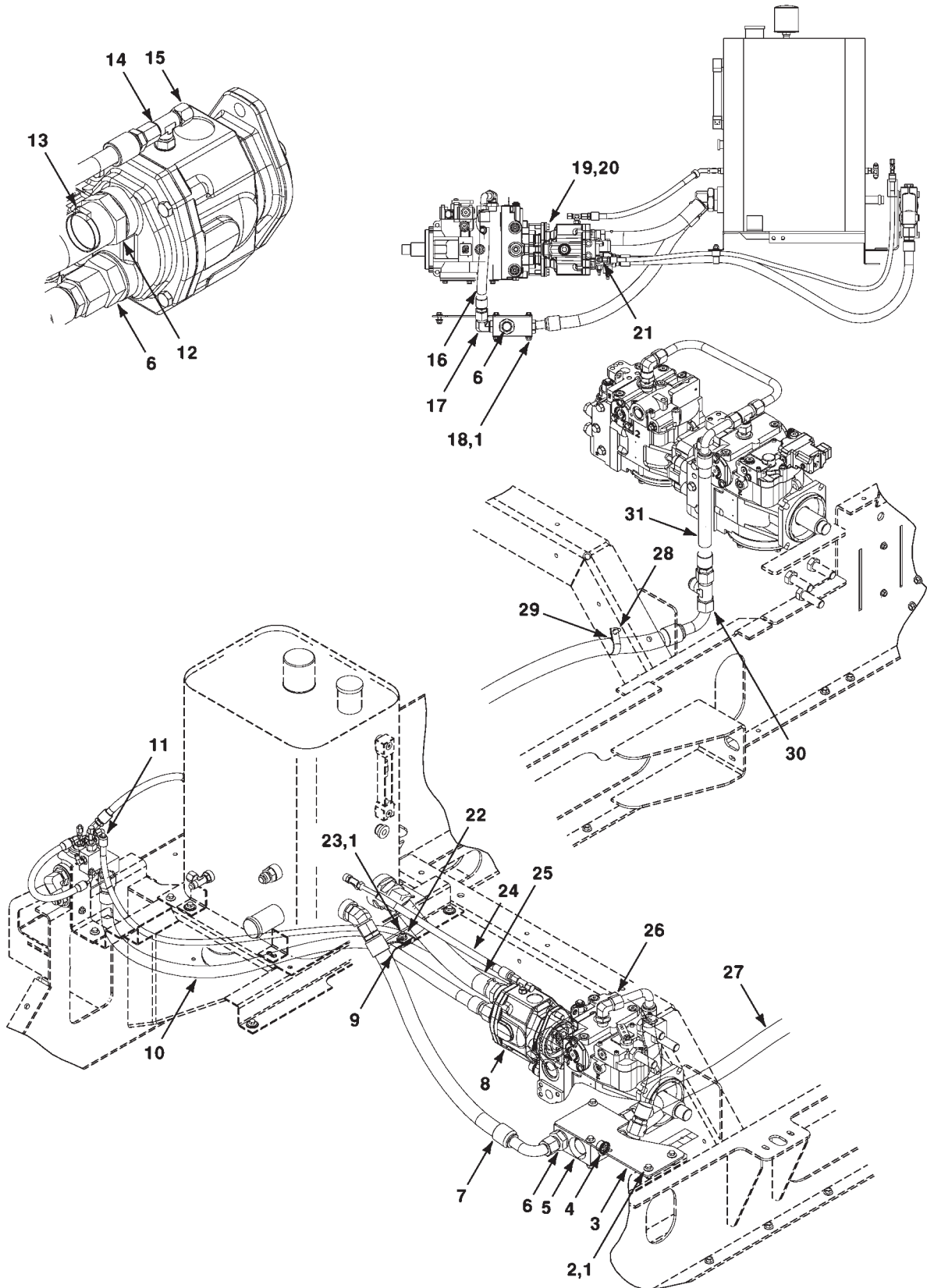
349

HYDRO SUCTION PLUMBING

ITEM	NUMBER	QTY	DESCRIPTION
1	70931240	2	FITTING-90 DEG ELBOW
2	70921912	6	CLAMP-HOSE WORM, 1.06-2
3	101842M1	2	COVER PLATE-CLAMP
4	3009204X1	2	BOLT, FLANGE, M8-1.25 X 80 CL10.9
5	71411293	1	HOSE
6	71414693	1	HOSE
7	71411832	2	2 SPLIT FLANGE-CODE 61
8	70923814	1	O-RING
9	701235	4	CAPSCREW, 1/2-13 X 1-1/2 GR5
10	71411830	1	MANIFOLD-HYD
11	70929256	1	FITTING
12	71411292	1	HOSE
13	71409800	2	HOSE CLAMP-DOUBLE
14	70917378	1	WASHER-PLAIN, 3/8

MC00515  
PR: t06g24h33d0143

HYDRO PLUMBING  
ENGINE LEFT





**9895 COMBINE  
HYDRAULICS**

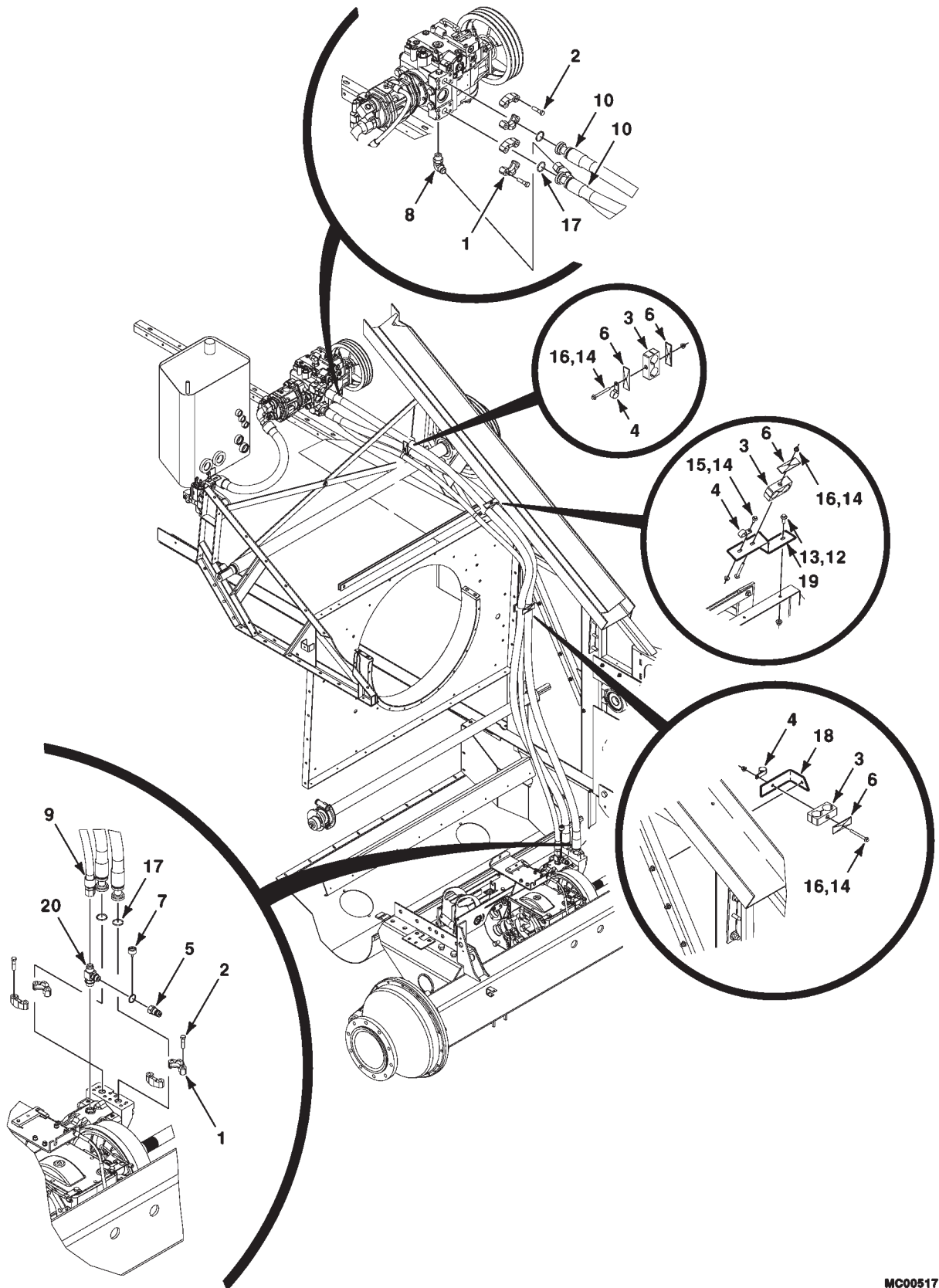
351

**HYDRO PLUMBING  
ENGINE LEFT**

ITEM	NUMBER	QTY	DESCRIPTION
1	5000004X1	5	NUT, HEX FLANGE NYL LOCK, M10 X 1.5
2	3811720M1	2	BOLT, FLANGE, M10-1.5 X 25 CL10.9
3	71411835	11	CHECK VALVE SUPPORT
4	70924621	1	1-1/16 PLUG-ORB
5	71411834	1	CHECK VALVE BLOCK
5	71412093	1	CHECK VALVE (5 PSI)
5	71412094	1	CHECK VALVE (15 PSI)
5	71412095	1	BLOCK-VALVE
6	70921228	3	CONNECTOR-SHORT STR THD
6	70921214	1	O-RING, 1.171 I.D.
7	71411023	1	HOSE ASM
8	71409780	1	PUMP-EATON 70423-LDY (SEE BREAKDOWN)
9	70929748	1	CLAMP, LINE, 1-1/4 DIA X .406 HOLE
10	71411287	1	HOSE ASM
11	71410867	1	HOSE ASM
12	70929256	1	FITTING
13	70921912	2	CLAMP-HOSE WORM, 1.06-2
14	70923894	1	9/16-18 TEE BRANCH
14	70921885	1	O-RING, .468 I.D.
15	791541	1	CAP-9/16-18 JIC
16	71411308	1	HOSE ASM-PUMP DRAIN CL VIII
17	70921227	1	FTG 1-5/16 JIC X 1-5/16 ORB
18	3009216X1	2	M10X1.5X80 SCREW-FLANGE CL 10.9 WASHER-PLAIN
19	701235	2	CAPSCREW, 1/2-13 X 1-1/2 GR5
20	705541	2	WASHER, HARD, .531 X 1.03 X .120
21	70922571	1	FITTING 7/16 JIC X 7/16 ORB
21	7040397	1	O-RING, .351 I.D.
22	70925617	1	CLAMP
23	3009207X1	1	BOLT, FLANGE, M10-1.5 X 30 CL10.9
24	71410862	1	HOSE ASM
25	71412201	1	HOSE ASM-PUMP INLET CLASS II
26	70921203	1	FTG 1-1/16 JIC X 1-1/16 ORB
26	70921206	1	O-RING, .942 I.D.
27	71411018	1	HOSE ASM
28	3009194X1	1	BOLT, FLANGE, M8-1.25 X 25 CL10.9
29	70926874	1	CLAMP-HOSE
30	700701570	1	TEE
31	71411841	1	HOSE ASM

MC00516  
PR: t06g24h33d0144

PROPEL MOTOR PLUMBING



9895 COMBINE  
HYDRAULICS

353

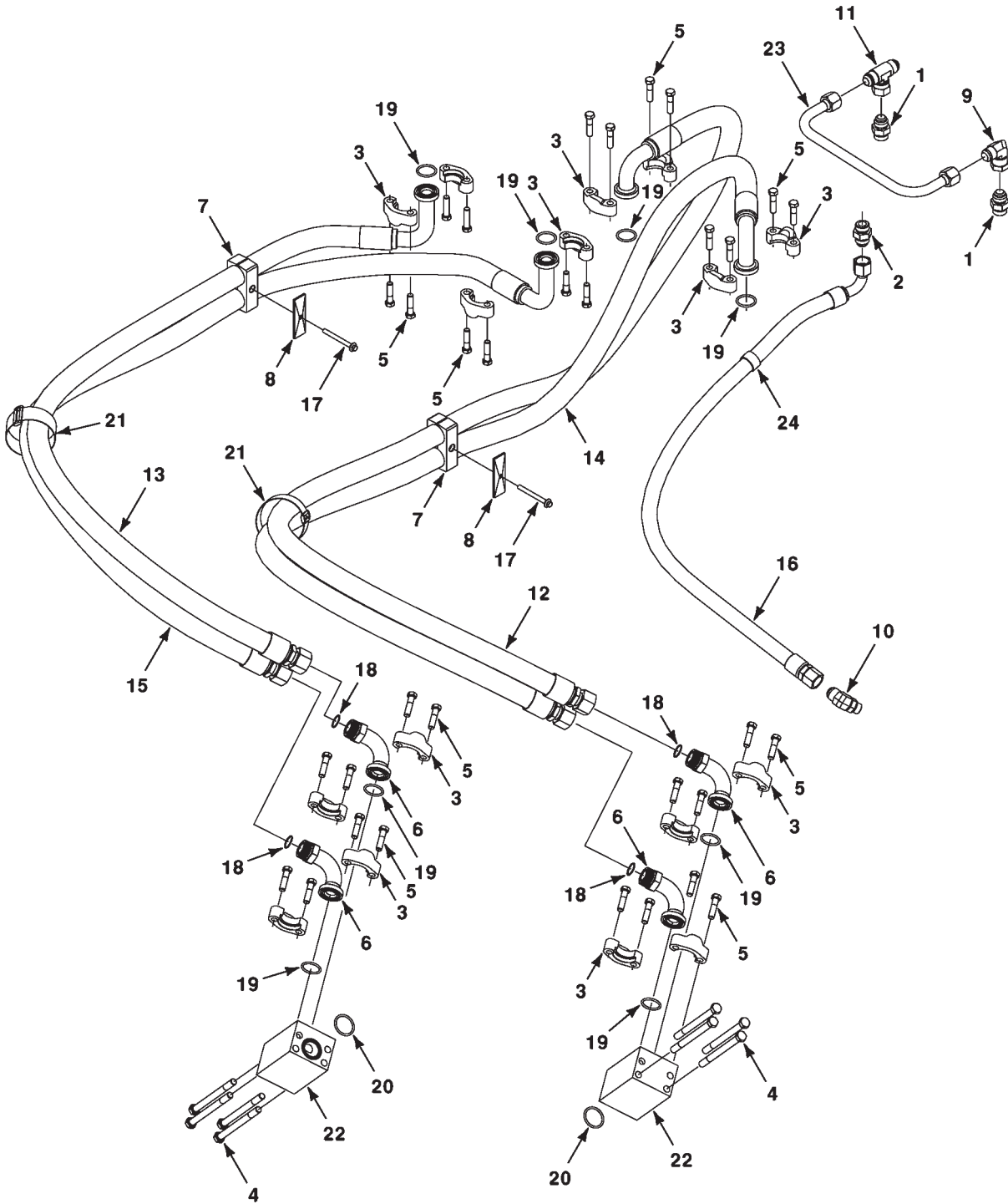
PROPEL MOTOR PLUMBING

ITEM	NUMBER	QTY	DESCRIPTION
1	700701354	8	1" SPLIT FLANGE-CODE 62
2	7701345	16	7/16-14 X 1-3/4 CAPSCREW
3	101841M1	3	CLAMP-DOUBLE HYDRAULICS
4	293888M1	5	CLAMP-LINE
5	71377941	1	COUPLER-MALE TIP HYD.
6	101842M1	4	COVER PLATE-CLAMP
7	737016	1	DUST CAP-RUBBER
8	70921203	1	FTG 1-1/16 JIC X 1-1/16 ORB
8	70921206	1	O-RING, .942 I.D.
9	71407951	1	HOSE-HYDRAULIC
10	71410477	2	HOSE-HYDRAULIC
12	5000004X1	1	NUT, HEX FLANGE NYL LOCK, M10 X 1.5
13	3811720M1	1	BOLT, FLANGE, M10-1.5 X 25 CL10.9
14	5000003X1	4	NUT, HEX FLANGE NYL LOCK, M8 X 1.25
15	339123X1	1	BOLT, FLANGE, M8-1.25 X 20 CL10.9
16	3009204X1	3	BOLT, FLANGE, M8-1.25 X 80 CL10.9
17	70926533	4	O-RING
18	71409781	1	SUPPORT
19	71409782	1	SUPPORT
20	71411216	1	TEE

MC00517

PR: t06g24h33d0145

ROTOR MOTOR PLUMBING



9895 COMBINE  
HYDRAULICS

355

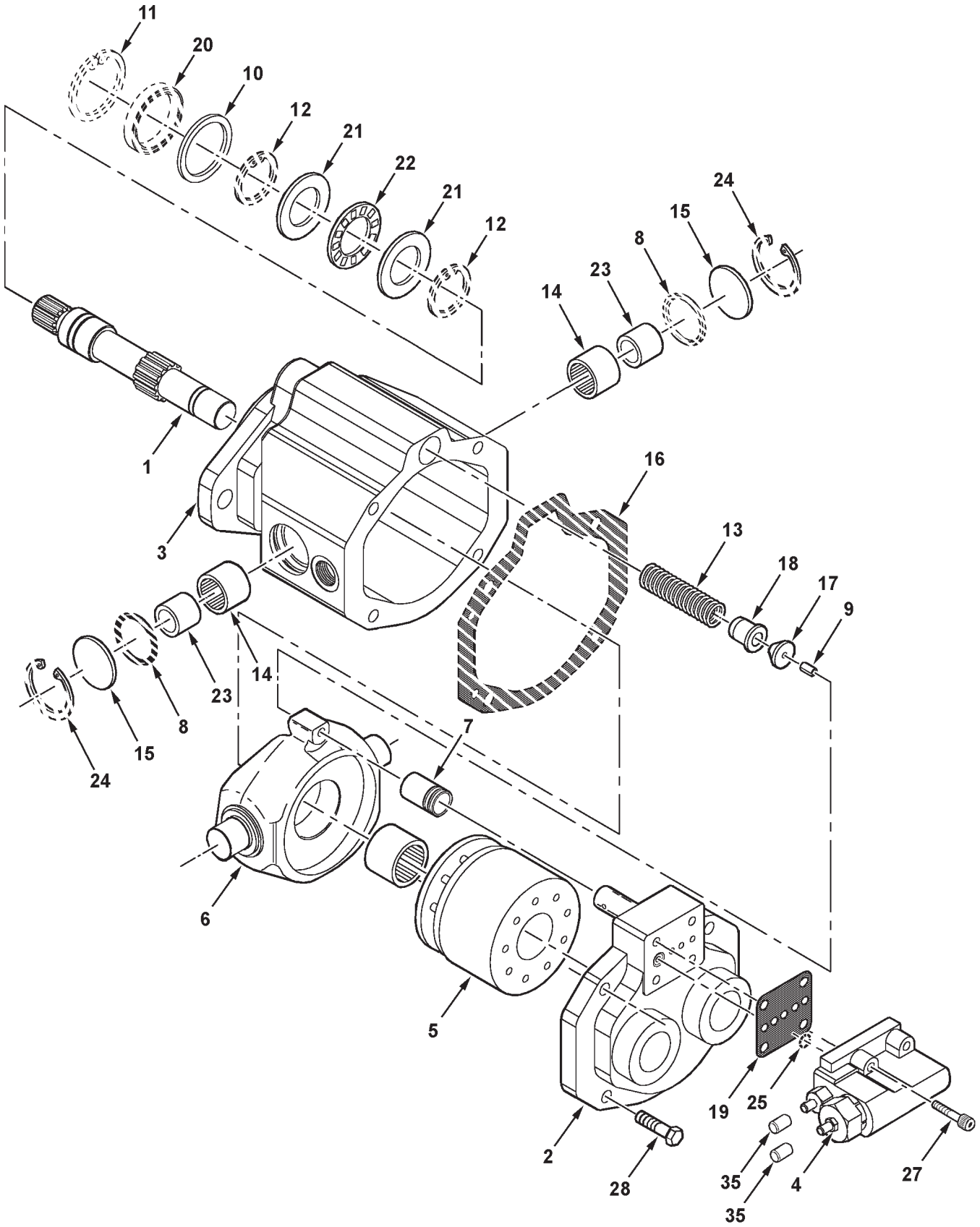
ROTOR MOTOR PLUMBING

ITEM	NUMBER	QTY	DESCRIPTION
1	70921217	2	1-1/16-12 JIC X 1-1/16-12 ORB
1	70921206	1	O-RING, .942 I.D.
2	70921217	1	1-1/16-12 JIC X 1-1/16-12 ORB
3	700701354	16	CLAMP-HALF, SPLIT FLANGE
4	703785	8	1/2-13 X 6 CAPSCREW
5	7701345	32	7/16-14 X 1-3/4 CAPSCREW
6	112022W1	4	90 Degree ELBOW-O-RING HYD
7	101841M1	2	CLAMP-DOUBLE HYDRAULICS
8	101842M1	2	COVER PLATE-CLAMP
9	70919624	1	FITTING 1-1/16 JIC X 1-1/16 JIC
10	7046956	1	FITTING 1-1/16 JIC X 7/8 ORB
10	70921205	1	O-RING, .755 I.D.
11	70925834	1	FITTING-TEE, SWIVEL
12	71411277	1	HOSE-HYDRAULIC
13	71411278	1	HOSE-HYDRAULIC
14	71411279	1	HOSE-HYDRAULIC
15	71411280	1	HOSE-HYDRAULIC
16	71411014	1	HOSE-HYRAULIC
17	3009204X1	2	BOLT, FLANGE, M8-1.25 X 80 CL10.9
18	70931640	4	O-RING 1.78x23.52
19	70926533	8	O-RING 3.53x32.92
20	70924192	2	O-RING 3.53x37.69
21	71412778	2	STRAP
22	71411891	2	TEE BLOCK MOTOR PORT
23	71410863	1	TUBE ASM
24	70929748	1	CLAMP, LINE, 1-1/4 DIA X .406 HOLE

MC00518

PR: t06g24h33d0146

SYSTEM PUMP



9895 COMBINE  
HYDRAULICS

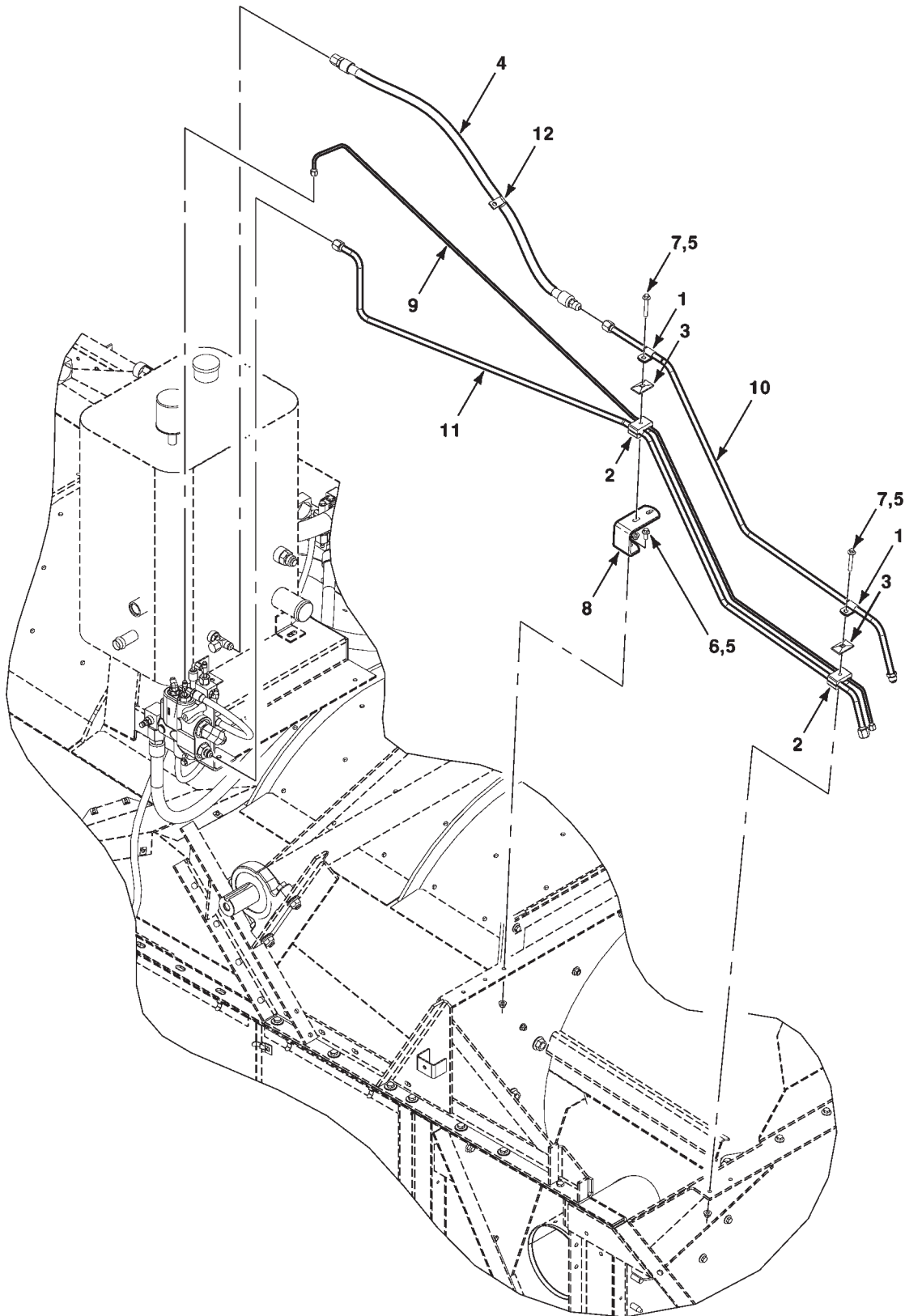
357

SYSTEM PUMP

ITEM	NUMBER	QTY	DESCRIPTION
-	71409780	1	PUMP, SYSTEM HYDRAULIC
1	71357609	1	SHAFT, DRIVE, SPLINED
2	700721382	1	BACKPLATE ASY
3	-----	1	HOUSING ASY (NOT SERVICED)
4	700721383	1	COMPENSATOR ASY
5	700706490	1	ROTATING KIT ASY, PISTON
6	72528024	1	CAMPLATE
7	72528025	1	PISTON, CONTROL
8	-----	2	* O-RING
9	700719779	1	ROLL PIN
10	70269722	1	WASHER
11	-----	1	* RING, RETAINING
12	-----	2	* RING, RETAINING
13	700719780	1	SPRING
14	71012174	2	BEARING, THRUST
15	700719782	2	COVER, TRUNNION
16	-----	1	* GASKET
17	700719783	1	BUTTON, PIVOT
18	700719784	1	COLLAR, SPRING
19	-----	1	* GASKET
20	-----	1	* SEAL, SHAFT
21	70933255	2	RACE, THRUST BEARING
22	70930441	1	BEARING, THRUST
23	700719785	2	RACE, INNER
24	-----	2	* RING, RETAINING
25	-----	1	* O-RING
27	700719787	4	CAPSCREW
28	353693X1	4	CAPSCREW
35	72528014	2	COVER
-	71352945	AR	SEAL REPAIR KIT (INCL. ITEMS MARKED *)

MC00556  
PR: t06k17j37d0005

STEERING CONTROL PLUMBING  
UPPER





9895 COMBINE  
HYDRAULICS

359

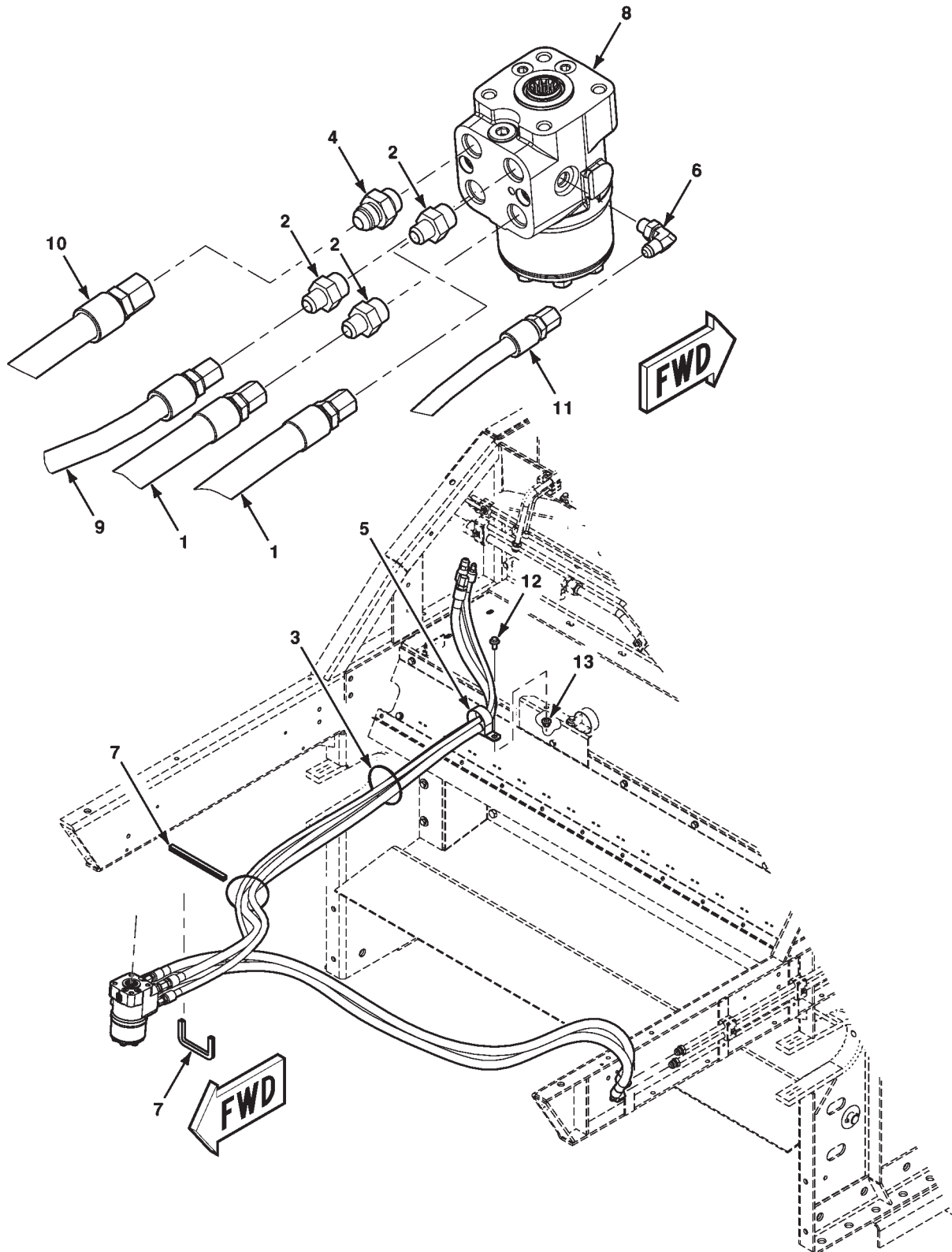
STEERING CONTROL PLUMBING  
UPPER

ITEM	NUMBER	QTY	DESCRIPTION
1	70925617	2	CLAMP
2	101751M1	2	CLAMP-DOUBLE, HYDRAULIC
3	101646M1	2	COVER PLATE-LOAD SENSING HYD
4	71411880	1	HOSE-HYDRAULIC
5	5000003X1	3	NUT, HEX FLANGE NYL LOCK, M8 X 1.25
6	339123X1	1	BOLT, FLANGE, M8-1.25 X 20 CL10.9
7	3009200X1	2	M8X1.25X55 SCREW-FLANGE CL 10.9 WASHER-PLAIN
8	71409789	1	SUPPORT
9	71409778	1	TUBE ASM-STEERING LOAD SENSE
10	71411879	1	TUBE ASM-STEERING RETURN
11	71409777	1	TUBE ASM-STEERING SUPPLY
12	70926049	1	CLAMP-HOSE

MC00519

PR: t06g24h33d0147

STEERING UNIT PLUMBING



9895 COMBINE  
HYDRAULICS

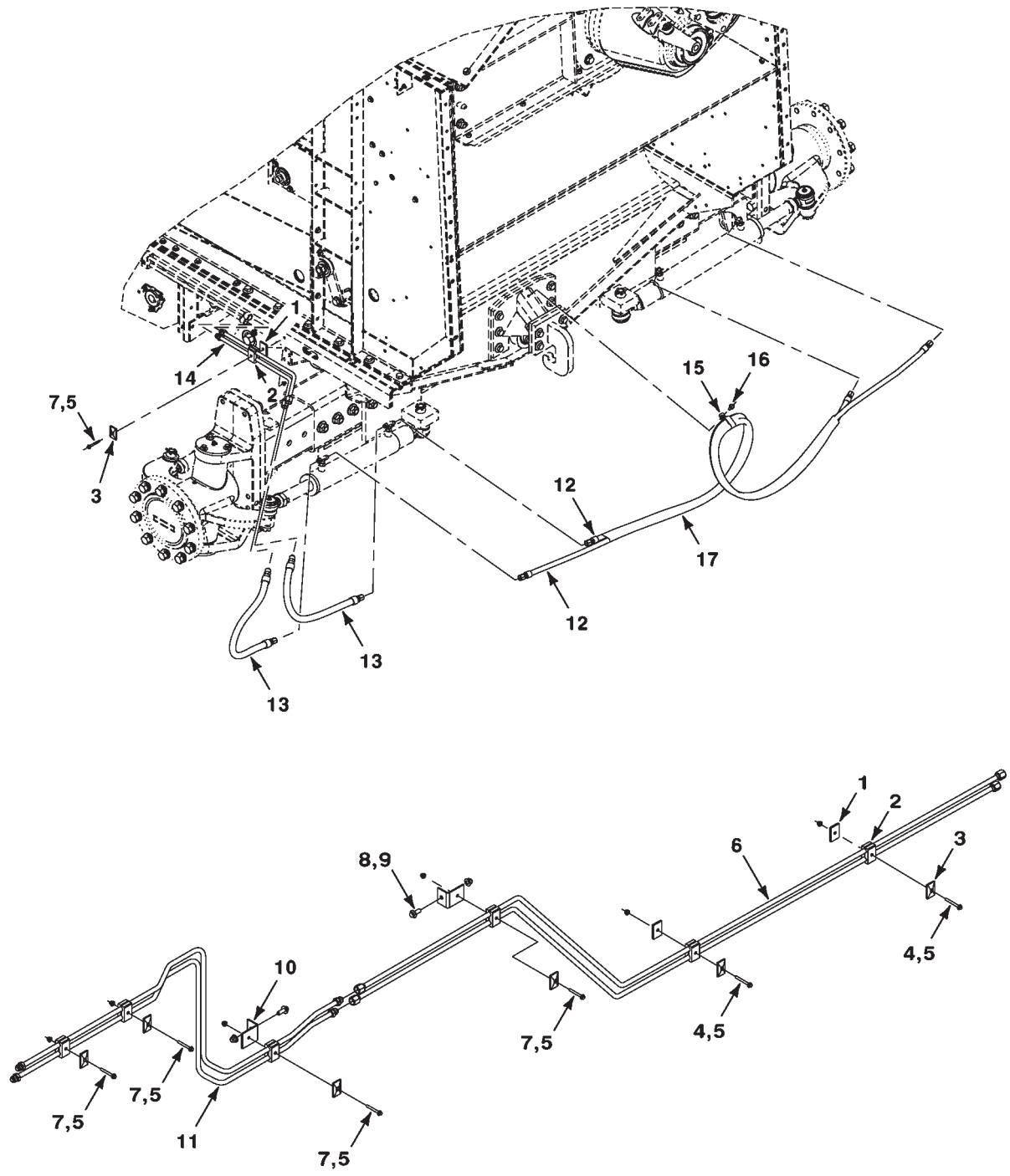
361

STEERING UNIT PLUMBING

ITEM	NUMBER	QTY	DESCRIPTION
1	71392875	2	HOSE ASM, SCU TO STRG CLY.
2	360202X91	3	CONNECTOR, 9/16-18 JIC X 3/4-16 ORB
	70921349	3	O-RING, .087 X .644 ID
3	70937133	1	TIE-CABLE, 15-1/4
4	846337	1	CONNECTOR, STR, 3/4-16 JIC X ORB
	70921349	1	O-RING, .087 X .644 ID
5	7041015	1	CLAMP, TUBE, 2/1/4 DIA X .531 HOLE
6	70922571	1	ELBOW, 90 DEG, 7/16-20 JIC X ORB
	70921883	1	O-RING, .072 X .351 ID
7	71387797	2	MOULDING-EDGE
8	71410869	1	STEERING CONTROL UNIT, 315 CC
	71391083	AR	SEAL KIT
9	71411019	1	HOSE ASM. PRESS. TO SCU
10	71411020	1	HOSE ASM, SCU RETURN
11	71411022	1	HOSE ASM, LS TO SCU
12	3009205X1	1	BOLT, FLANGE, M10-1.5 X 20 CL10.9
13	5000004X1	1	NUT, HEX FLANGE NYL LOCK, M10 X 1.5

MC00552  
PR: t06k17j37d0006

STEERING PLUMBING  
REAR CYLINDERS



9895 COMBINE  
HYDRAULICS

363

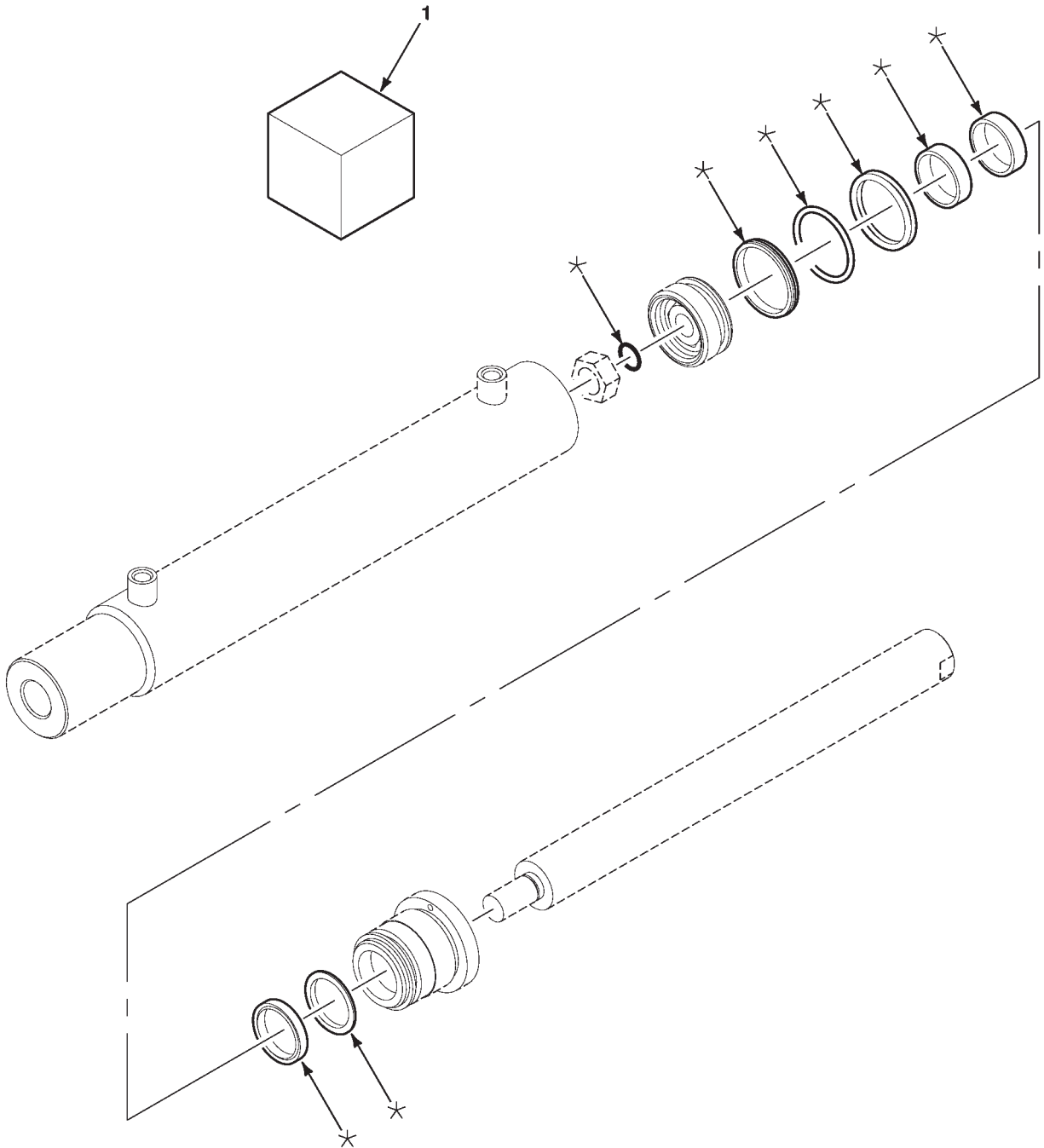
STEERING PLUMBING  
REAR CYLINDERS

ITEM	NUMBER	QTY	DESCRIPTION
1	71404450	3	SPACER
2	148022M1	7	CLAMP-DOUBLE HYDRAULICS
3	101646M1	7	COVER PLATE-LOAD SENSING HYD
4	3009190X1	2	SCREW-FLANGE M6X1.0X55 CL 10.9
5	5000002X1	7	NUT, HEX FLANGE NYL LOCK, M6 X 1.0
6	71412076	2	TUBE ASM-STEERING REAR
7	3009189X1	5	SCREW-FLANGE M6X1.0X50 CL 10.9
8	3811720M1	2	BOLT, FLANGE, M10-1.5 X 25 CL10.9
9	5000004X1	2	NUT, HEX FLANGE NYL LOCK, M10 X 1.5
10	101832M1	2	BRACKET-L.S. HYDRAULICS
11	71398227	2	TUBE ASM-STEERING, FRONT
12	71412078	2	HOSE ASM
13	71394151	2	HOSE-HYDRAULIC
14	71394150	2	TUBE ASM
15	70928148	1	CLAMP, DOUBLE, 3/4 TUBE X .406 HOLE
16	372729X1	1	SCREW,HEX WSHR HD,TAPPING, 5/16-18 X 3/4
17	71412079	1	COVER-HOSE

MC00520

PR: t06g24h33d0148

STEERING CYLINDER TRAILING AXLE  
(71408752 CYLINDER ASSEMBLY-STEERING)



**9895 COMBINE  
HYDRAULICS**

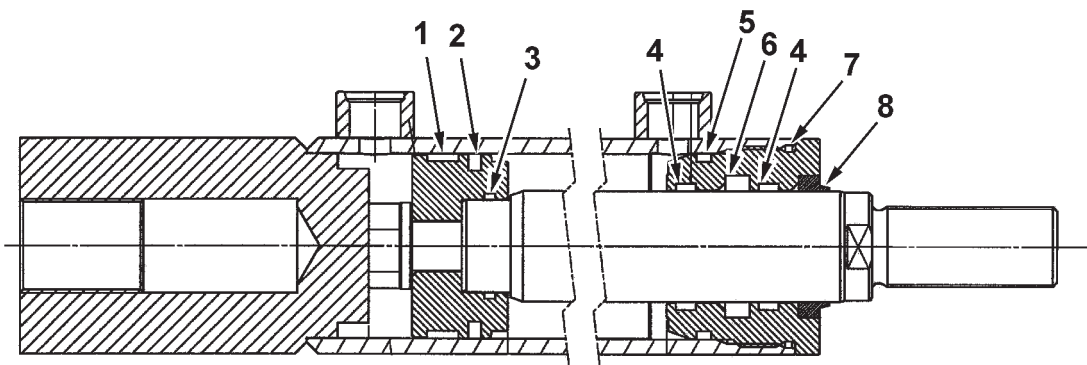
**365**

**STEERING CYLINDER TRAILING AXLE  
(71408752 CYLINDER ASSEMBLY-STEERING)**

ITEM	NUMBER	QTY	DESCRIPTION
-	71408752	1	CYLINDER ASSEMBLY, STEERING
1	71409901	1	SEAL KIT (INCLUDES ITEMS WITH ASTERISK)

MC00536  
PR: t06g24h33d0149

STEERING CYLINDER  
RWA AXLE





9895 COMBINE  
HYDRAULICS

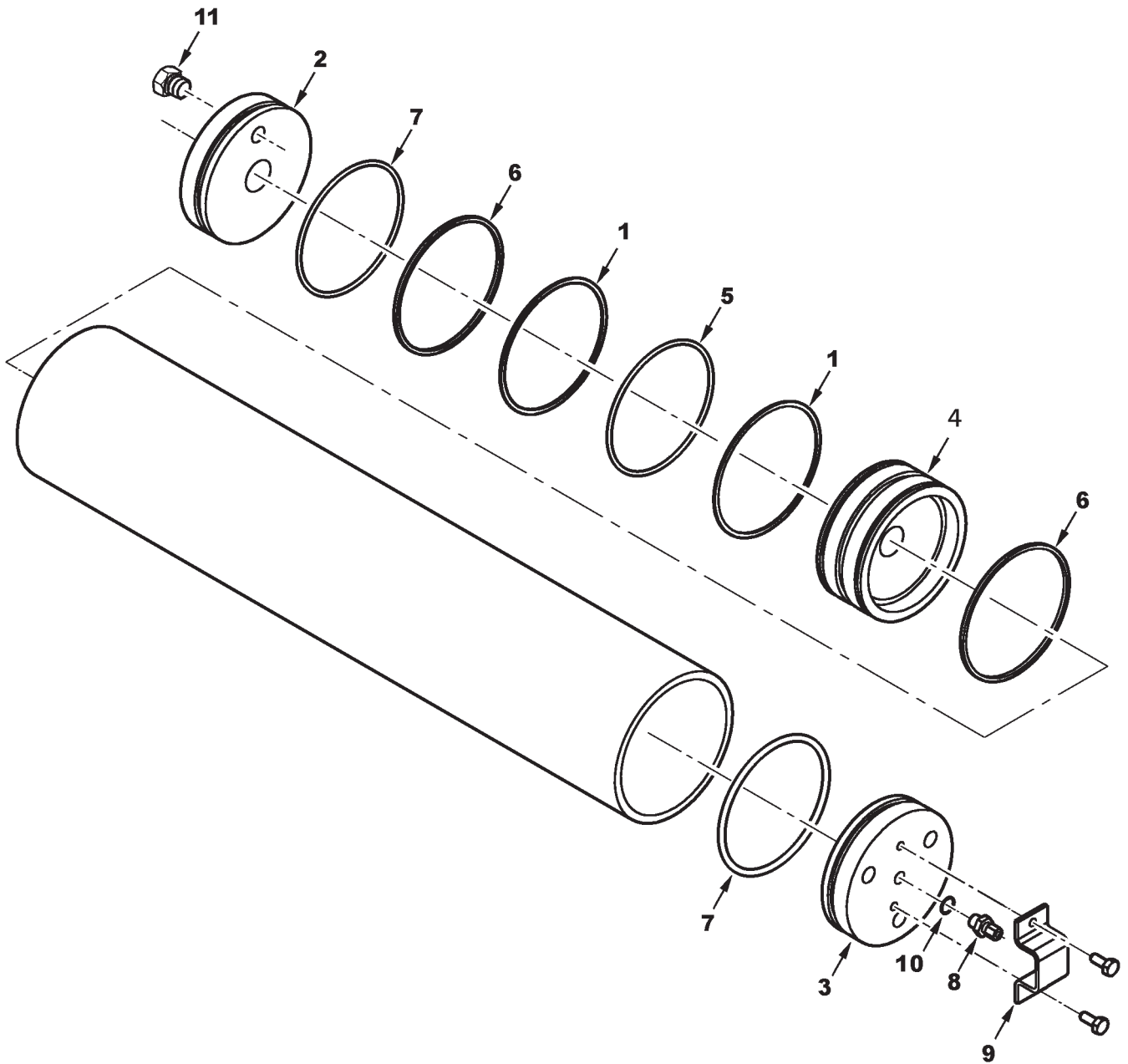
367

STEERING CYLINDER  
RWA AXLE

ITEM	NUMBER	QTY	DESCRIPTION
-	71412520	AR	CYLINDER ASY, STRG (INCLUDES FOLLOWING)
-	700729562	AR	SEAL KIT (* ITEMS, SERVICED IN KIT ONLY) (SOLE SERVICE ITEM)
1	-----	1	* WEAR RING, PISTON
2	-----	1	* SEAL & BACKUP O-RING
3	-----	1	* O-RING
4	-----	2	* WEAR RING
5	-----	1	* O-RING
6	-----	1	* ROD SEAL
7	-----	1	* O-RING
8	-----	1	* WIPER SEAL, ROD

MC00542  
PR: t06g24h33d0150

ACCUMULATOR  
PARKER



9895 COMBINE  
HYDRAULICS

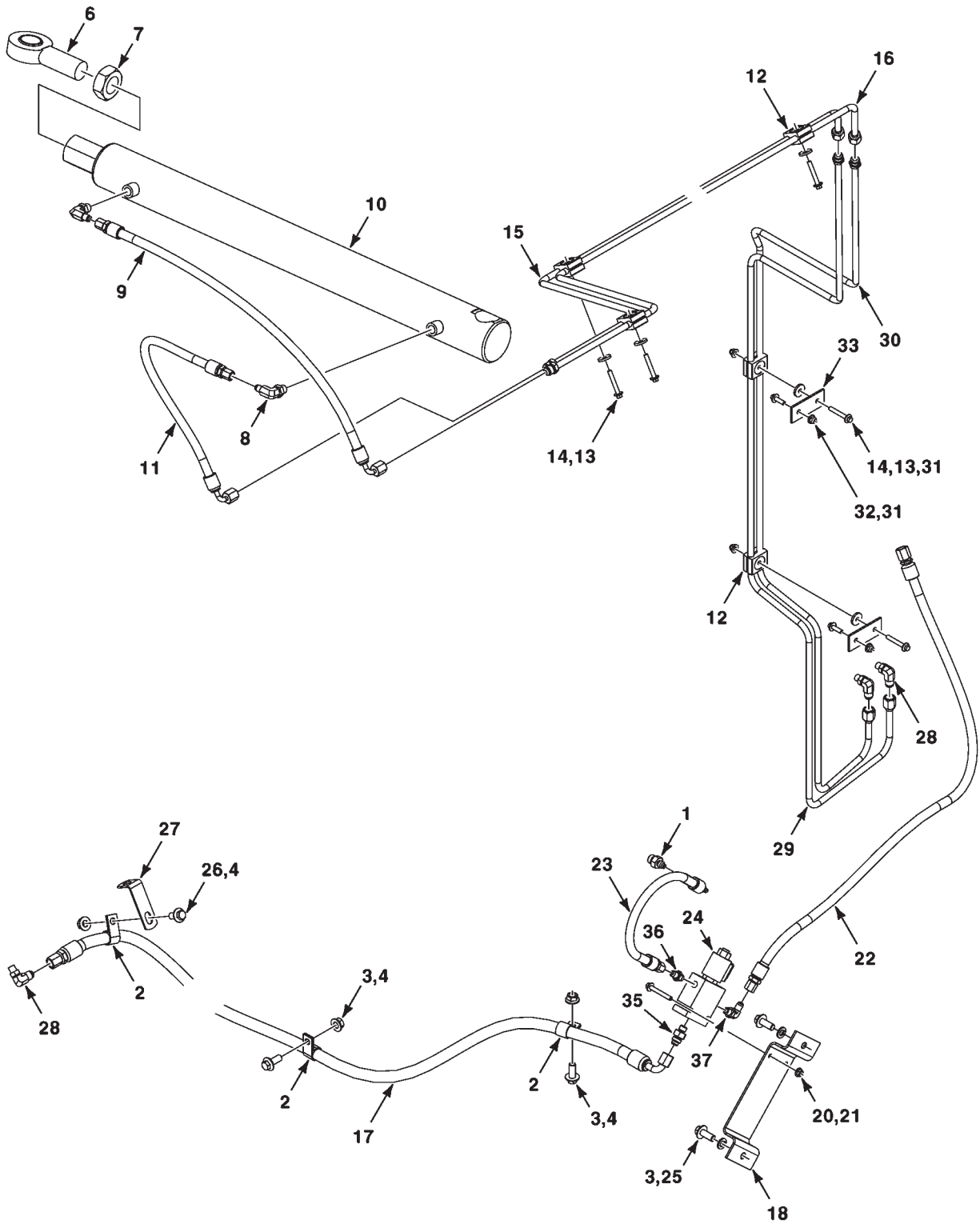
369

ACCUMULATOR  
PARKER

ITEM	NUMBER	QTY	DESCRIPTION
-	700712632	AR	ACCUMULATOR ASY. (INCL. DECALS & ITEMS 1-10)
1	-----	2	RING, TEFLON (BACKUP)
2	700712651	1	CAP, HYDRAULIC
3	700712652	1	CAP, GAS
4	700710957	1	PISTON
5	-----	1	V, O-RING
6	-----	2	RING, TEFLON, PISTON
7	-----	2	SEAL, BODY END
8	72507231	1	VALVE, GAS
	700710959	1	CORE, GAS VALVE
9	700710960	1	PROTECTOR, VALVE
10	-----	1	O-RING, VALVE
11	357194X1	1	PLUG ASY, 9/16-18 ORB
	70921885	1	O-RING, .078 X .468 ID
-	700710961	AR	KIT, SEAL (INCL. ITEMS 1, 5-8 & 10)

71370918  
PR: t06g24h33d0151

UNLOADER SWING AND CLUTCH



9895 COMBINE  
HYDRAULICS

371

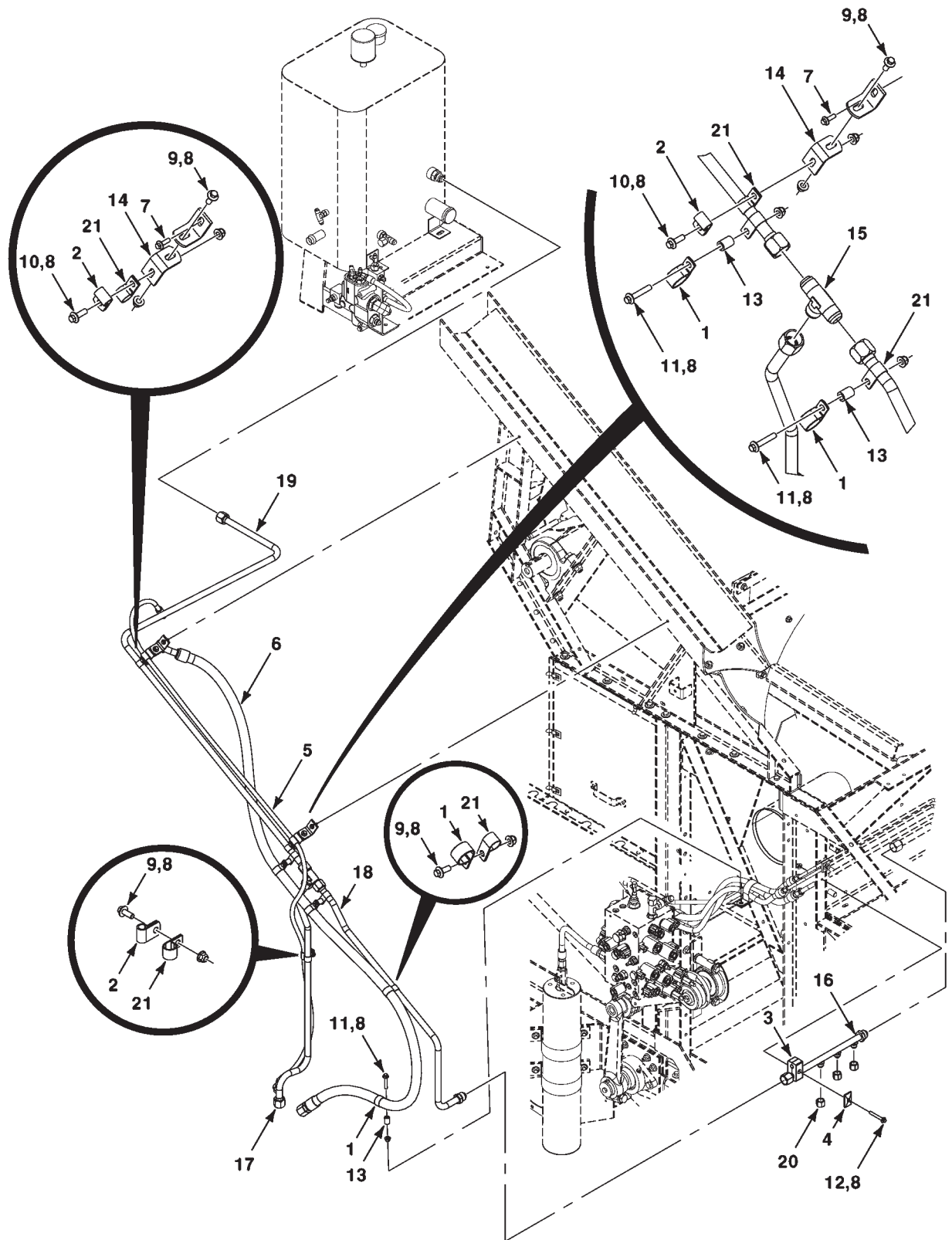
UNLOADER SWING AND CLUTCH

ITEM	NUMBER	QTY	DESCRIPTION
1	70926292	1	CONNECTOR 7/16-20 JIC X 9/16-18 ORB
2	70926049	3	CLAMP-HOSE
3	3811720M1	4	BOLT, FLANGE, M10-1.5 X 25 CL10.9
4	3019125X1	3	NUT, HEX FLANGE, M10 X 1.5
6	71408975	1	BEARING-ROD END
7	70923230	1	NUT-HALF 1-1/4-12 GR2
8	700701834	2	FITTING 7/16 JIC X 9/16ORB
9	71411888	1	HOSE ASM
10	71406976	1	CYLINDER ASY, UNLOADER SWING
	116148W1	1	PLATE, ORIFICE, .0595 DIA
	116149W1	1	PLATE, ORIFICE, .0469 DIA
	71411890	AR	SEAL KIT
11	71411889	1	HOSE ASM
12	148021M1	5	CLAMP-DOUBLE HYDRAULICS
13	390036X1	5	WASHER-SPECIAL 6.5MM
14	3015110X1	5	SCREW-FLANGE M6X1.0X40 CL 10.9
15	71408963	1	LINE-HYDRAULIC UNLOADER
16	71408964	1	LINE-HYDRAULIC UNLOADER
17	71396793	1	HOSE ASM
18	71408974	1	BRACKET-SUPPORT
20	3009188X1	2	BOLT, FLANGE, M6-1.0 X 45 CL10.9
21	3019123X1	2	NUT, HEX FLANGE, M6 X 1.0
22	71411895	1	HOSE ASM
23	71414692	1	HOSE ASM
24	71406986	1	VALVE ASM-HYD UNLOADER ENGAGE
25	339376X1	2	LOCKWASHER, M10
26	3009205X1	1	BOLT, FLANGE, M10-1.5 X 20 CL10.9
27	71411896	1	ANGLE-SUPPORT
28	70930510	3	FITTING 9/16 JIC X 7/16ORB
29	71408965	1	LINE-HYDRAULIC UNLOADER SWING
30	71408966	1	LINE-HYDRAULIC UNLOADER SWING
31	5000002X1	4	NUT, HEX FLANGE NYL LOCK, M6 X 1.0
32	3009183X1	2	BOLT, FLANGE, M6-1.0 X 20 CL10.9
33	71408958	2	BRACKET-TUBE SUPPORT
35	70925656	1	CONNECTOR 9/19-18 JIC X 7/16-20 ORB
36	700701356	1	CONNECTOR-SHORT STR THD
37	70922571	1	FITTING 7/16 JIC X 7/16 ORB

MC00521

PR: t06g24h33d0152

CONTROL VALVE SUPPLY  
RIGHT SIDE



9895 COMBINE  
HYDRAULICS

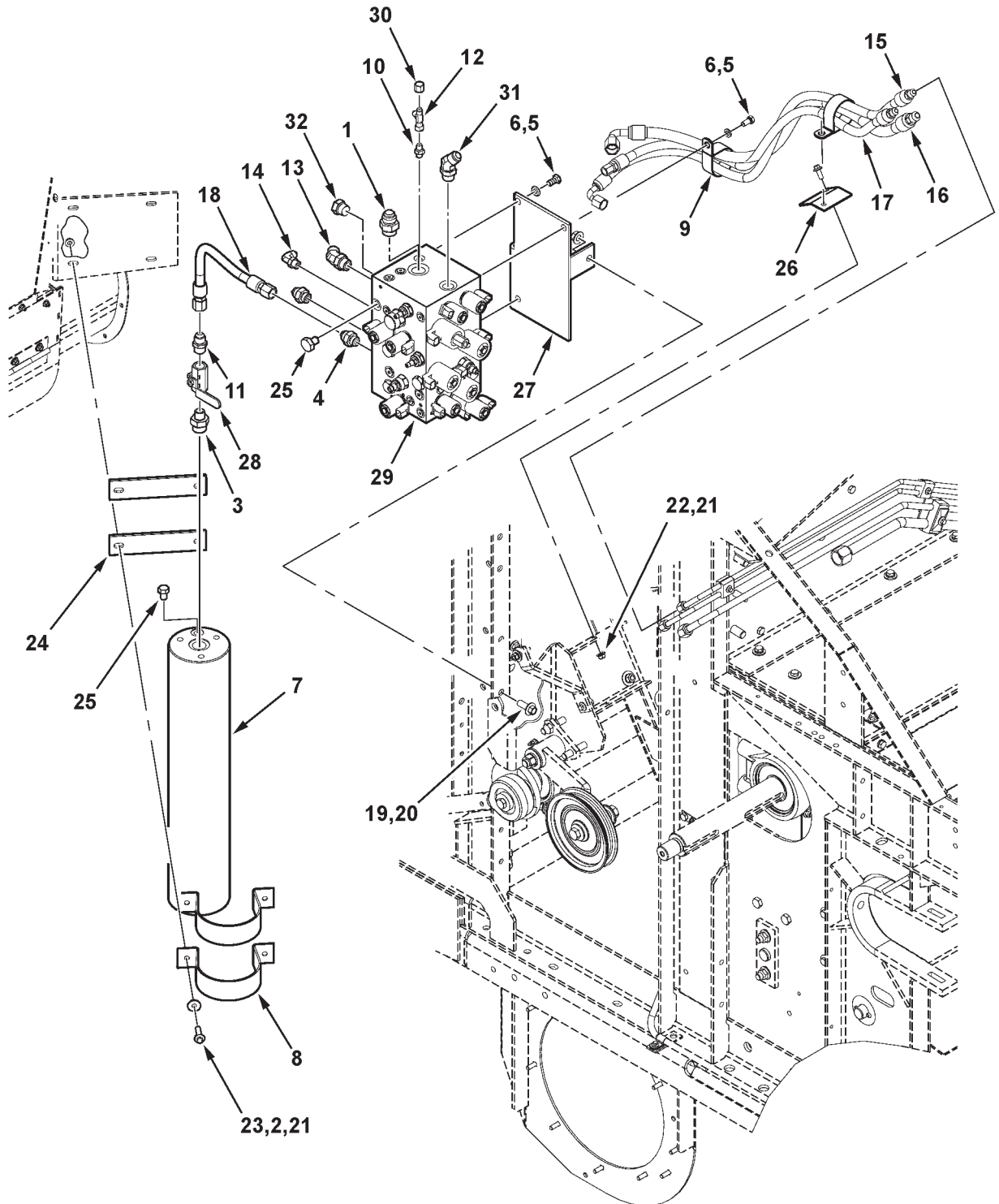
373

CONTROL VALVE SUPPLY  
RIGHT SIDE

ITEM	NUMBER	QTY	DESCRIPTION
1	700725832	4	1-1/8 LINE CLAMP
2	70925617	3	CLAMP
3	71406650	1	CLAMP-DOUBLE HYD
4	101646M1	1	COVER PLATE-LOAD SENSING HYD
5	71411208	1	HOSE-HYDRAULIC
6	71409786	1	HOSE-HYDRAULIC
7	3009183X1	2	BOLT, FLANGE, M6-1.0 X 20 CL10.9
8	5000003X1	10	NUT, HEX FLANGE NYL LOCK, M8 X 1.25
9	339123X1	4	BOLT, FLANGE, M8-1.25 X 20 CL10.9
10	3009194X1	2	BOLT, FLANGE, M8-1.25 X 25 CL10.9
11	3009198X1	3	BOLT, FLANGE, M8-1.25 X 45 CL10.9
12	3009201X1	1	BOLT, FLANGE, M8-1.25 X 60 CL10.9
13	6595516	3	SPACER-PLATED
14	71411217	4	SUPPORT
15	700701814	1	TEE
16	71409791	1	TUBE ASM-MANIFOLD
17	71409787	1	TUBE ASM-RETURN
18	71409788	1	TUBE ASM-RETURN
19	71414698	1	TUBE ASM-RETURN
20	70923737	3	CAP, 3/4-16 JIC FEMALE
21	70926049	6	CLAMP-HOSE

MC00522  
PR: t06g24h33d0153

CONTROL VALVE AND ACCUMULATOR  
RIGHT SIDE





9895 COMBINE  
HYDRAULICS

375

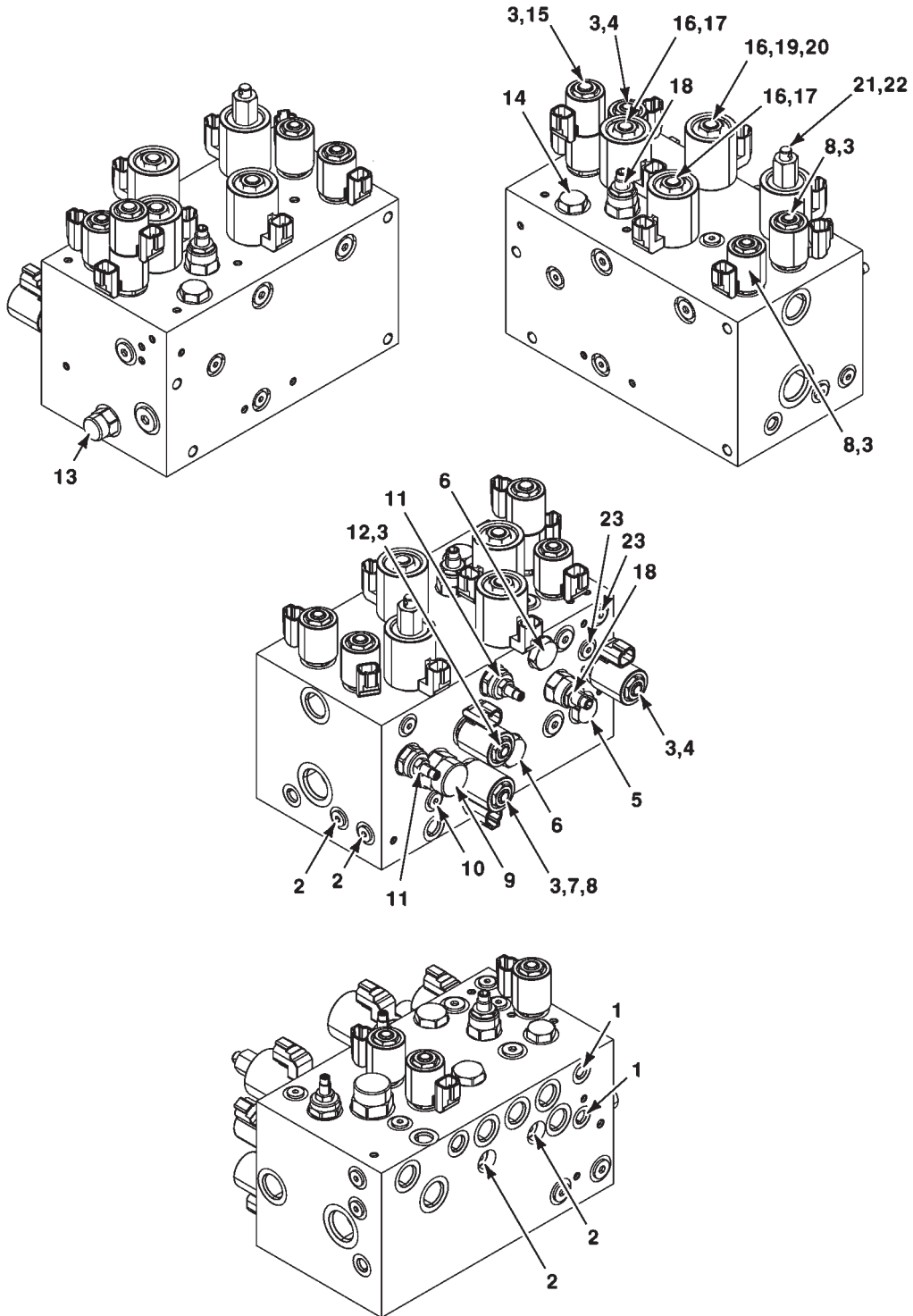
CONTROL VALVE AND ACCUMULATOR  
RIGHT SIDE

ITEM	NUMBER	QTY	DESCRIPTION
1	70921217	1	STR CONN, 1-1/16-12 JIC X 1-1/16-12 ORB
	70921206	1	O-RING, .116 X .942 I.D.
2	391039X1	4	WASHER, M8, LARGE
3	71411203	1	STR CONN, 1/2-14 NPTF X 1-1/16-12 ORB
	70921206	1	O-RING, .116 X .942 I.D.
4	846337	2	CONNECTOR, STR, 3/4-16 JIC X ORB
4	70921349	1	O-RING, .644 I.D.
5	705038	3	LOCKWASHER, 3/8 REG
6	70921965	3	3/8-16 X 3/4 CAPSCREW
7	700712632	1	ACCUMULATOR ASM (SEE BREAKDOWN)
8	101705M1	2	BKT-ACCUMULATOR HYDRAULICS
9	7041015	2	CLAMP, TUBE, 2/1/4 DIA X .531 HOLE
10	700701356	1	CONNECTOR-SHORT STR THD
11	70919128	1	FITTING 3/4 JIC X 1/2 PIPE THREAD
12	700701355	1	FITTING 7/16 JIC TEE
13	70921328	2	FITTING 7/8 JIC X 7/8 ORB
	70921205	1	O-RING, .097 X .755 ID
14	70922523	1	FITTING 9/16 JIC X 9/16 ORB
	70921885	1	O-RING, .078 X .468 I.D.
15	71409785	1	HOSE ASM-FEEDER REVERSE
16	71409783	1	HOSE ASM-REEL DRIVE
17	71409784	1	HOSE ASM-REEL LIFT
18	71411204	1	HOSE-HYDRAULIC
19	3818907M1	3	BOLT, FLANGE, M12-1.75 X 30 CL10.9
20	5000005X1	3	NUT, HEX FLANGE NYL LOCK, M12 X 1.75
21	5000003X1	5	NUT, HEX FLANGE NYL LOCK, M8 X 1.25
22	339123X1	1	BOLT, FLANGE, M8-1.25 X 20 CL10.9
23	3009195X1	4	BOLT, FLANGE, M8-1.25 X 30 CL10.9
24	101698M1	2	PAD-ACCUMULATOR HYDRAULICS
25	835087M91	1	PLUG 9/16-18 ORB
	70921885	1	O-RING, .078 X .468 I.D.
26	71411883	1	SUPPORT
27	71406990	1	SUPPORT WA-VALVE
28	71334329	1	VALVE ASM-BALL
29	71406988	1	VALVE ASM-HYD CONTROL (SEE BREAKDOWN)
30	700715848	1	CAP-7/16-20 JIC
31	7046956	1	ELBOW, 45 DEG 1-1/16-12 JIC X 7/8-14 ORB
	70921205	1	O-RING, .097 X .755 ID
32	70921573	1	PLUG ASY, 3/4-16 ORB
	70921349	1	O-RING, .087 X .644 ID

MC00523

PR: t06g24h33d0154

HYDRAULIC CONTROL VALVE  
(71406988 VALVE ASSEMBLY)



9895 COMBINE  
HYDRAULICS

377

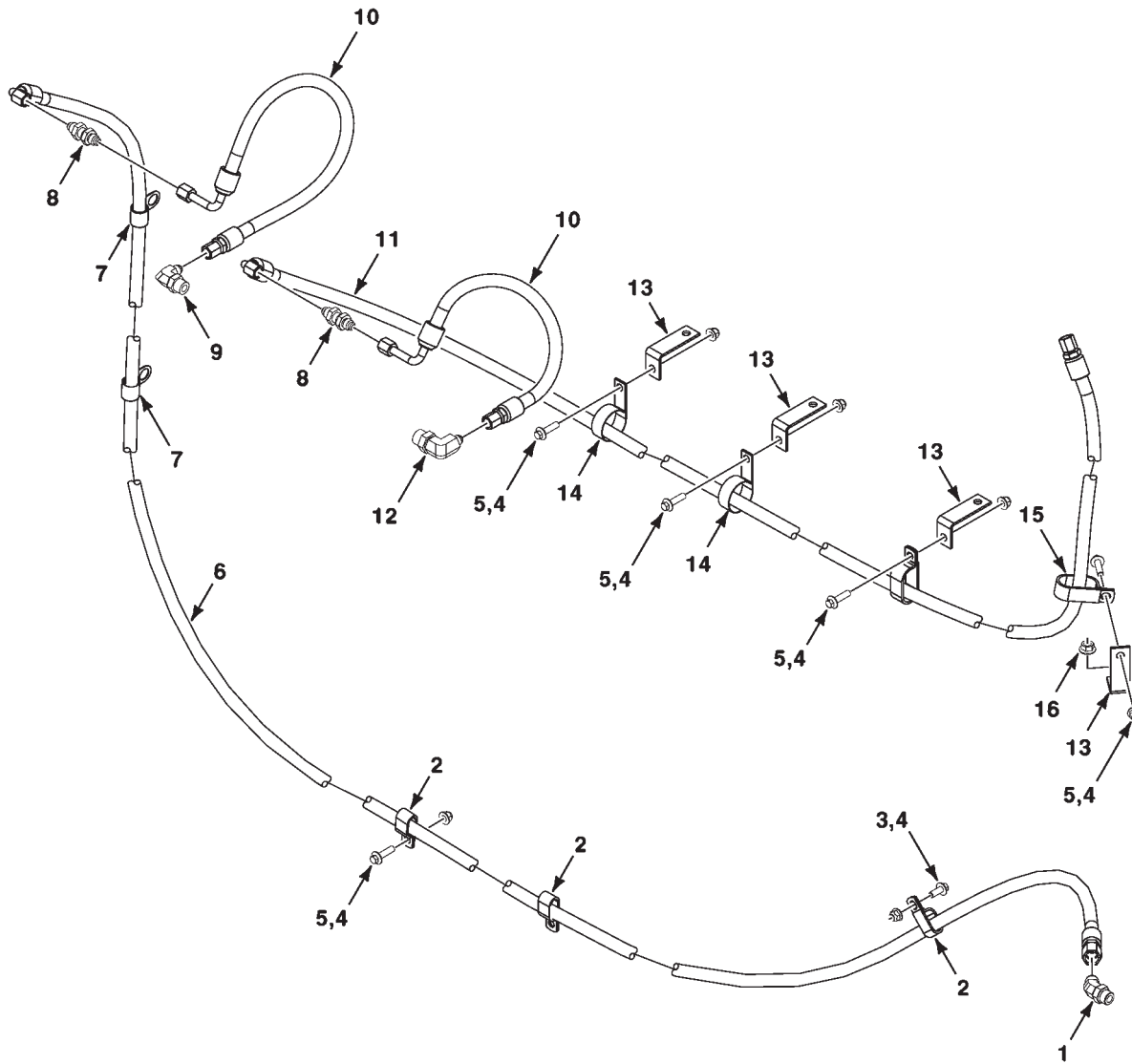
HYDRAULIC CONTROL VALVE  
(71406988 VALVE ASSEMBLY)

ITEM	NUMBER	QTY	DESCRIPTION
-	71406988	1	VALVE ASSEMBLY
1	700728896	2	ORIFICE
2	700728901	4	CHECK VALVE
3	700728894	7	COIL
4	700729230	2	SOLENOID VALVE
5	700728902	1	DUAL CHECK
6	700728900	2	CHECK VALVE
7	700728895	1	ORIFICE
8	700728910	3	SOLENOID VALVE
9	700728903	1	COMPENSATOR
10	700728898	1	ORIFICE
11	700728905	2	FLOW REGULATOR
12	700728912	1	SOLENOID VALVE
13	700728904	1	FLOW REGULATOR
14	700728911	1	CAVITY PLUG
15	700728913	1	SOLENOID VALVE
16	700728892	3	COIL
17	700728909	2	SOLENOID VALVE
18	700728906	2	NEEDLE VALVE
19	700728952	1	ORIFICE
20	700729231	1	SOLENOID VALVE
21	700728893	1	COIL
22	700728908	1	SOLENOID PROPORTIONAL
23	700728897	2	ORIFICE

MC00550

PR: t06g24h33d0155

ROTARY SCREEN MOTOR PLUMBING



9895 COMBINE  
HYDRAULICS

379

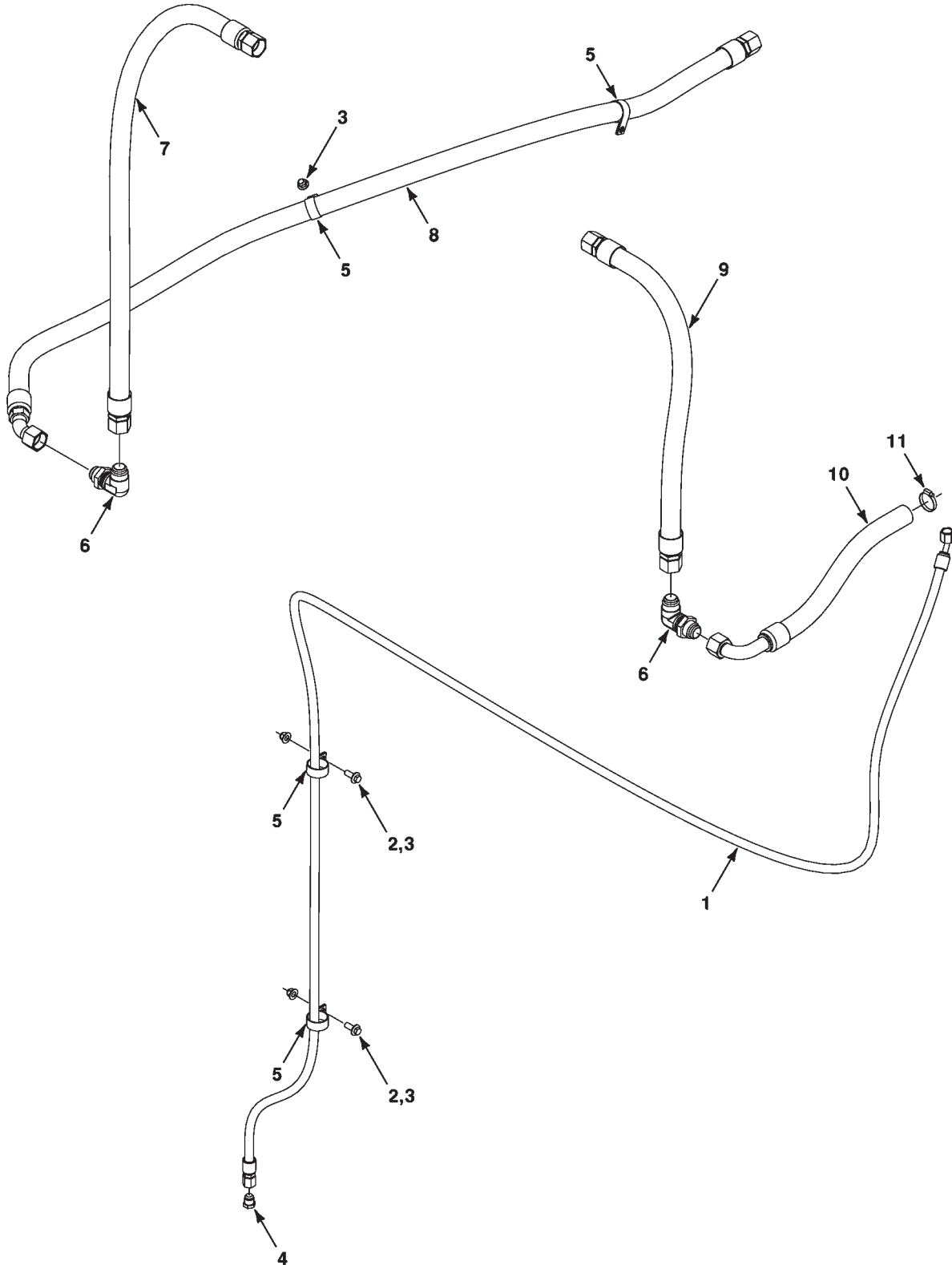
ROTARY SCREEN MOTOR PLUMBING

ITEM	NUMBER	QTY	DESCRIPTION
1	70922507	1	FITTING 3/4 JIC X 3/4 ORB
1	70921349	1	O-RING, .644 I.D.
2	700717627	3	CLAMP-DOUBLE LINE, 11/16
3	339123X1	1	BOLT, FLANGE, M8-1.25 X 20 CL10.9
4	5000003X1	6	NUT, HEX FLANGE NYL LOCK, M8 X 1.25
5	3009195X1	5	BOLT, FLANGE, M8-1.25 X 30 CL10.9
6	71411286	1	HOSE ASSEMBLYHYD
7	70937682	2	J-CLIP, 3/4 DIA X .656 HOLE
8	700701792	2	FITTING-HYD, UNION, BULKHEAD
9	70923905	1	FITTING 9/16 JIC X 3/4 ORB
9	70921349	1	O-RING, .644 I.D.
10	71411285	2	HOSE ASSEMBLYHYD
11	71411838	1	HOSE ASSEMBLYHYD
12	7791452	1	FITTING 9/16 JIC X 7/8 ORB
12	70921205	1	O-RING, .755 I.D.
13	71398139	4	BRACKET
14	70936765	2	CLAMP
15	70936474	2	CLAMP, LINE, 1 DIA DOUBLE X .406 HOLE
16	5000011X1	1	NUT, HEX FLANGE, M10 X 1.5

MC00524

PR: t06g24h33d0156

OIL COOLER PLUMBING  
RIGHT SIDE



**9895 COMBINE  
HYDRAULICS**

**381**

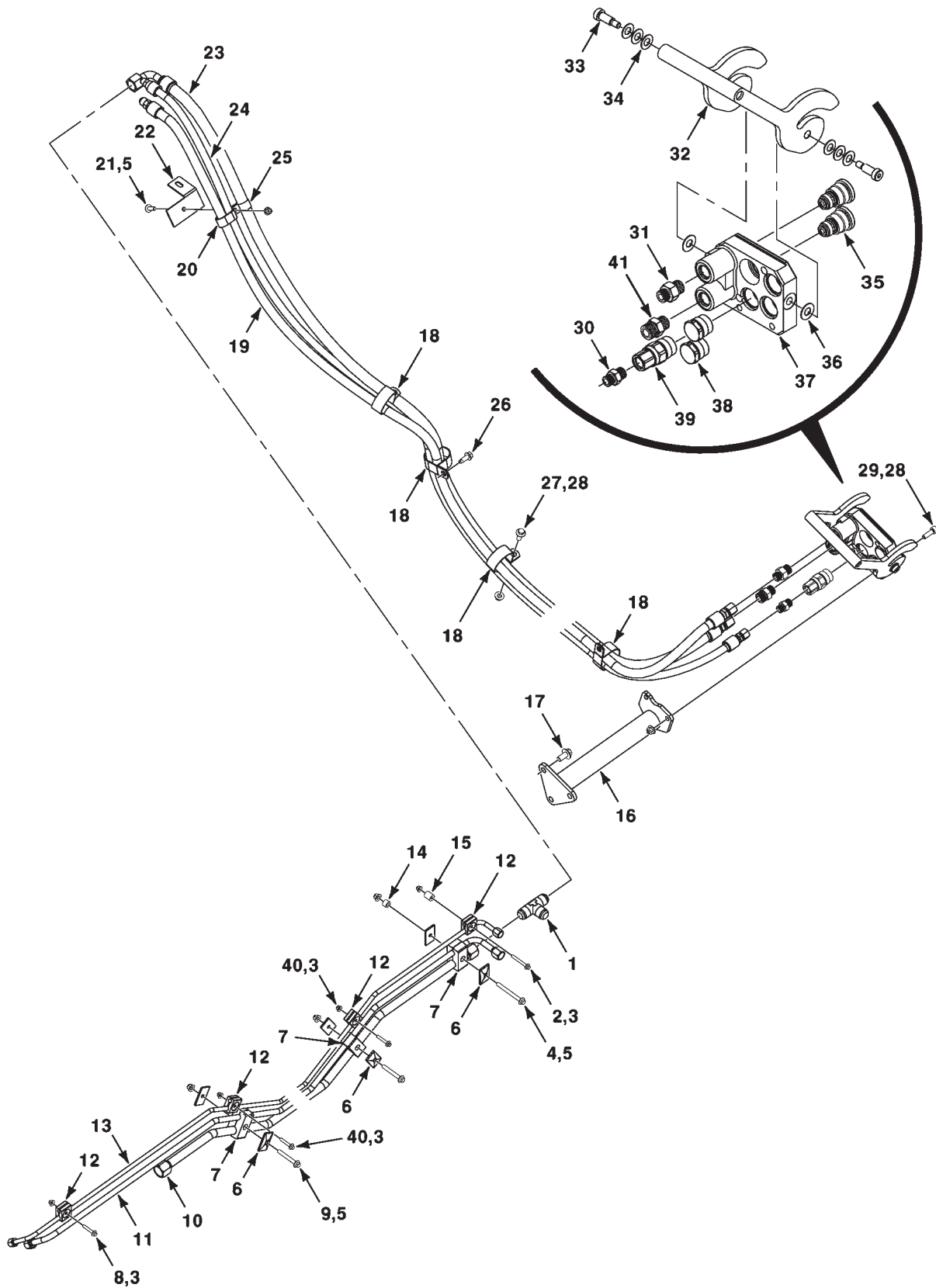
**OIL COOLER PLUMBING  
RIGHT SIDE**

ITEM	NUMBER	QTY	DESCRIPTION
1	71411007	1	HOSE ASM
2	3811720M1	2	BOLT, FLANGE, M10-1.5 X 25 CL10.9
3	5000004X1	3	NUT, HEX FLANGE NYL LOCK, M10 X 1.5
4	700712973	1	PLUG 3/4-16 JIC
5	70926874	4	CLAMP-HOSE
6	70924848	2	FITTING-HYD, ELBOW, BULKHEAD
7	71411024	1	HOSE ASM
8	71410864	1	HOSE ASM
9	71411025	1	HOSE ASM
10	71412202	1	HOSE ASM
11	70921912	1	CLAMP-HOSE WORM, 1.06-2

MC00525

PR: t06g24h33d0157

HEADER SUPPLY PLUMBING





9895 COMBINE  
HYDRAULICS

383

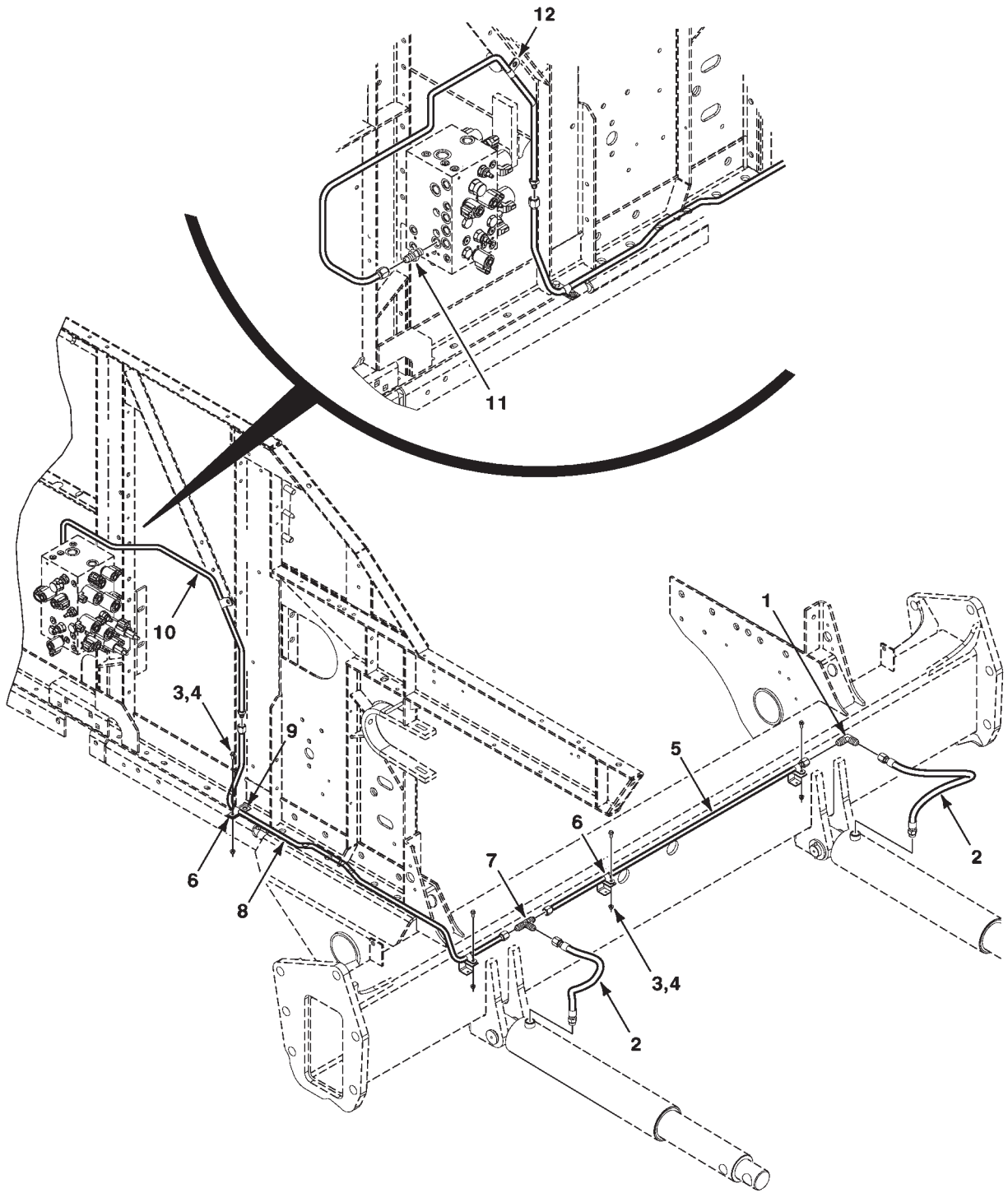
HEADER SUPPLY PLUMBING

ITEM	NUMBER	QTY	DESCRIPTION
1	700701814	1	TEE
2	3009189X1	1	M6X1.0X50 SCREW-FLANGE CL 10.9
3	5000002X1	4	NUT, HEX FLANGE NYL LOCK, M6 X 1.0
4	3009204X1	1	BOLT, FLANGE, M8-1.25 X 80 CL10.9
5	5000003X1	4	NUT, HEX FLANGE NYL LOCK, M8 X 1.25
6	101646M1	6	COVER PLATE-LOAD SENSING HYD
7	71406650	3	CLAMP-DOUBLE HYD
8	3009186X1	1	BOLT, FLANGE, M6-1.0 X 35 CL10.9
9	3009201X1	2	BOLT, FLANGE, M8-1.25 X 60 CL10.9
10	71410855	1	TUBE ASM-HYD REEL RET CLASS 8
11	71410854	1	TUBE ASM-HYD REEL DRIVE CLASS 8
12	148021M1	4	CLAMP-DOUBLE HYDRAULICS
13	71410853	1	TUBE ASM-CLASS 8 REEL LIFT
14	700134351	1	SPACER
15	700129058	1	BUSHING
16	71410543	1	MOUNT WA-COUPLER
17	3009219X1	3	BOLT, FLANGE, M12-1.75 X 25 CL10.9
18	7041015	4	CLAMP, TUBE, 2/1/4 DIA X .531 HOLE
19	71410492	1	HOSE ASM-REAR DRIVE SUPPLY
20	70929160	1	CLAMP-HOSE
21	3009194X1	1	BOLT, FLANGE, M8-1.25 X 25 CL10.9
22	101231M1	1	BRACKET - LATCH
23	71410494	1	HOSE ASM-REEL DRIVE RETURN
24	71410493	1	HOSE ASM-REEL LIFT
25	70936473	1	CLAMP, .875 DB TUBE X .40
26	7702012	1	SCR, HEX WSHR HD TAPPING, 3/8-16 X 1
27	3811720M1	1	BOLT, HX FLANGE, M10-1.5 X 25 CL10.9
28	700711876	3	M10 X 1.5 NUT-LOCK, FLANGE C9
29	3000258X1	2	SCREW, HEX SOCK, M10 X 1.5 X 40 CL10.9
30	71411842	1	FITTING-HYD 11/16 OFS-3/4 ORB
31	71411843	1	CONN. 13/16 ORS X 7/8-14 ORB, MALE
	70923841	1	O-RING, .070 X .489 I.D.
	70921205	1	O-RING, .097 X .755 ID
32	71411849	1	LEVER-PARKER COUPLER
33	71411846	2	SCREW-PARKER CPLR HANDLE
34	71411848	6	WASHER-PARKER CPLR SPRING
35	71418944	2	COUPLER CARTRIDGE-PARKER, 1/2
36	71411847	2	WASHER-PARKER CPLR FLAT
37	71411315	1	PLATE-PARKER CPLR FIXED
38	71411300	2	PLUG-PARKER CPLR FIXED
39	71411296	1	COUPLER CARTRIDGE-PARKER, 3/8
40	3009185X1	2	BOLT, HX FLANGE, M6-1.0 X 30 CL10.9
41	71411295	1	CONN. 1-14 ORS X 7/8-14 ORB, MALE
	70930357	1	O-RING, .070 X .614 I.D.
	70921205	1	O-RING, .097 X .755 ID

MC00526

PR: t06g24h33d0158

FEEDER LIFT CYL. PLUMBING



9895 COMBINE  
HYDRAULICS

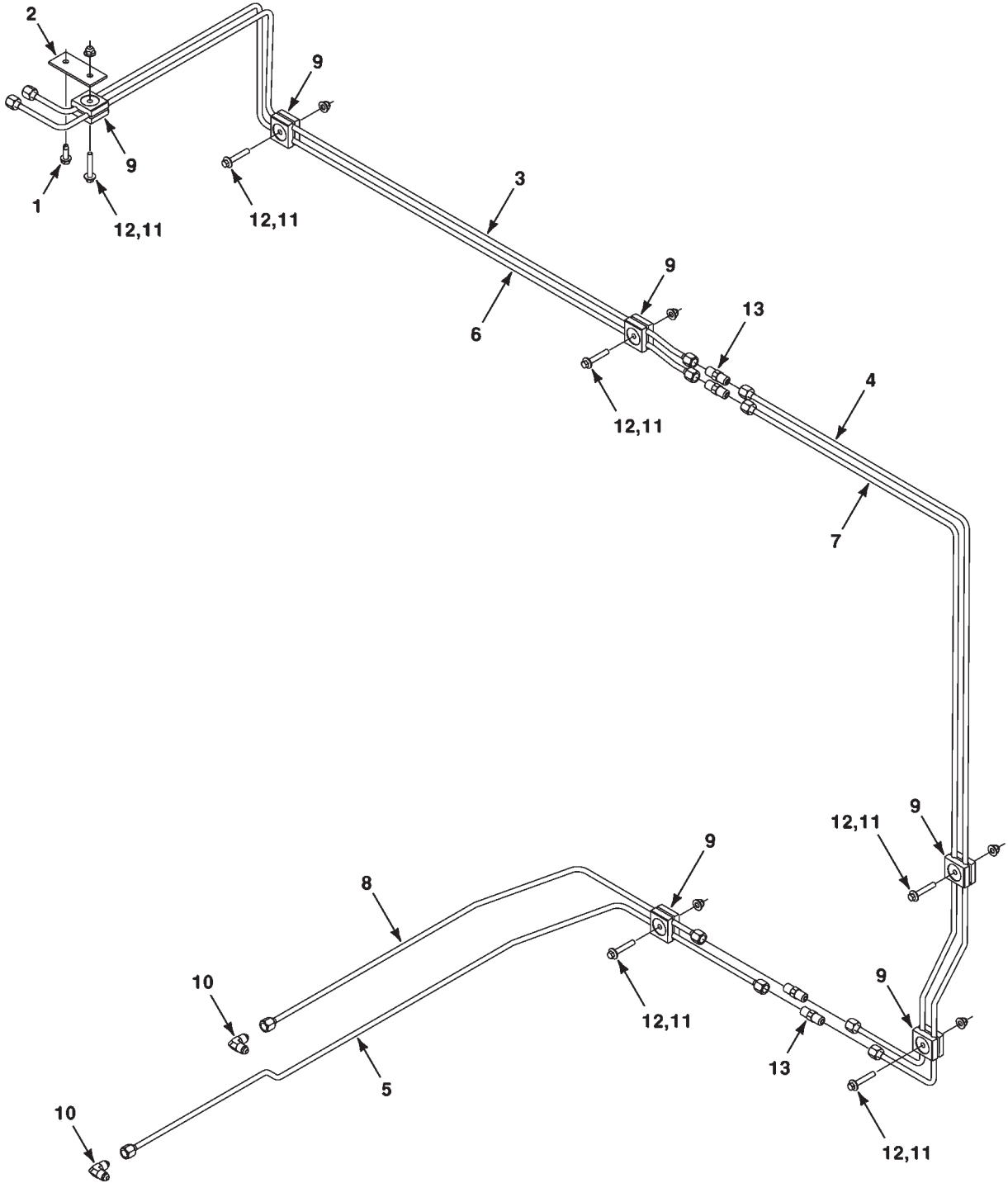
385

FEEDER LIFT CYL. PLUMBING

ITEM	NUMBER	QTY	DESCRIPTION
1	70921364	1	FITTING 3/4 JIC X 3/4 JIC
2	101589M91	2	HOSE ASM-HEADER LIFT CYL
3	3009182X1	4	BOLT, FLANGE, M6-1.0 X 16 CL10.9
4	5000002X1	4	NUT, HEX FLANGE NYL LOCK, M6 X 1.0
5	71394138	1	TUBE ASM-HDR LIFT FRONT
6	70927097	4	CLAMP
7	70921472	1	FITTING-TEE
8	71411826	1	TUBE ASM-HEADER LIFT
9	71390867	1	SUPPORT-TUBE CLAMP
10	71410489	1	TUBE ASM-HEADER LIFT
11	846337	1	CONNECTOR, STR, 3/4-16 JIC X ORB
11	70921349	1	O-RING, .644 I.D.
12	700718046	1	CLAMP-LINE

MC00527  
PR: t06g24h33d0159

DRUM BRAKE, LINES AND FITTINGS



9895 COMBINE  
HYDRAULICS

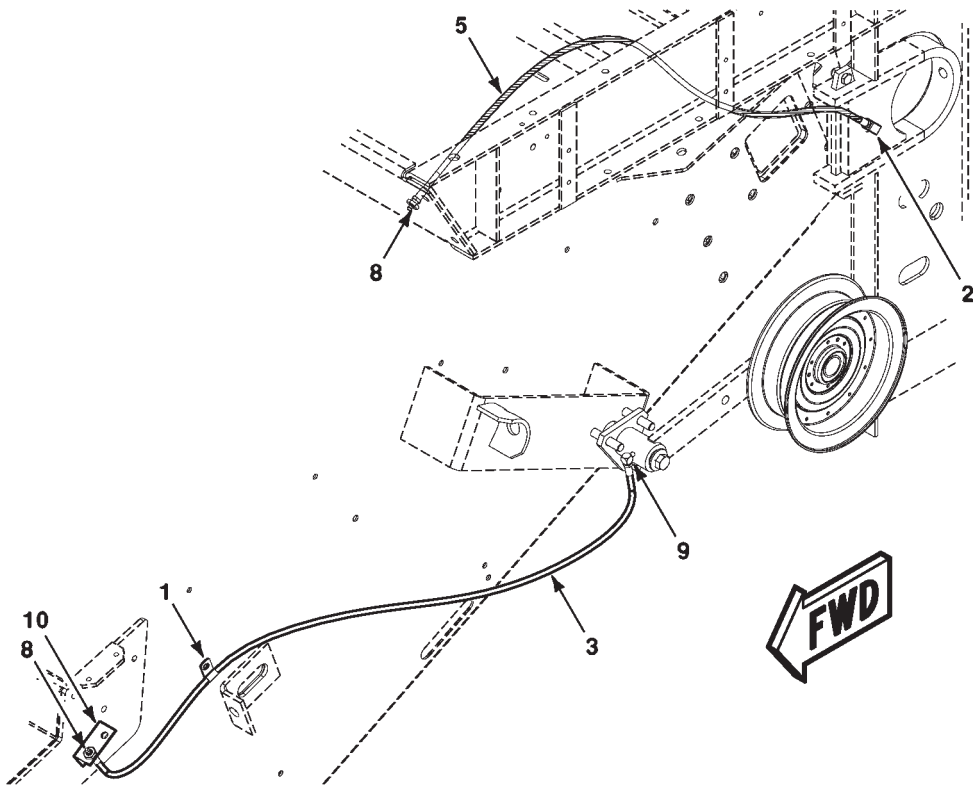
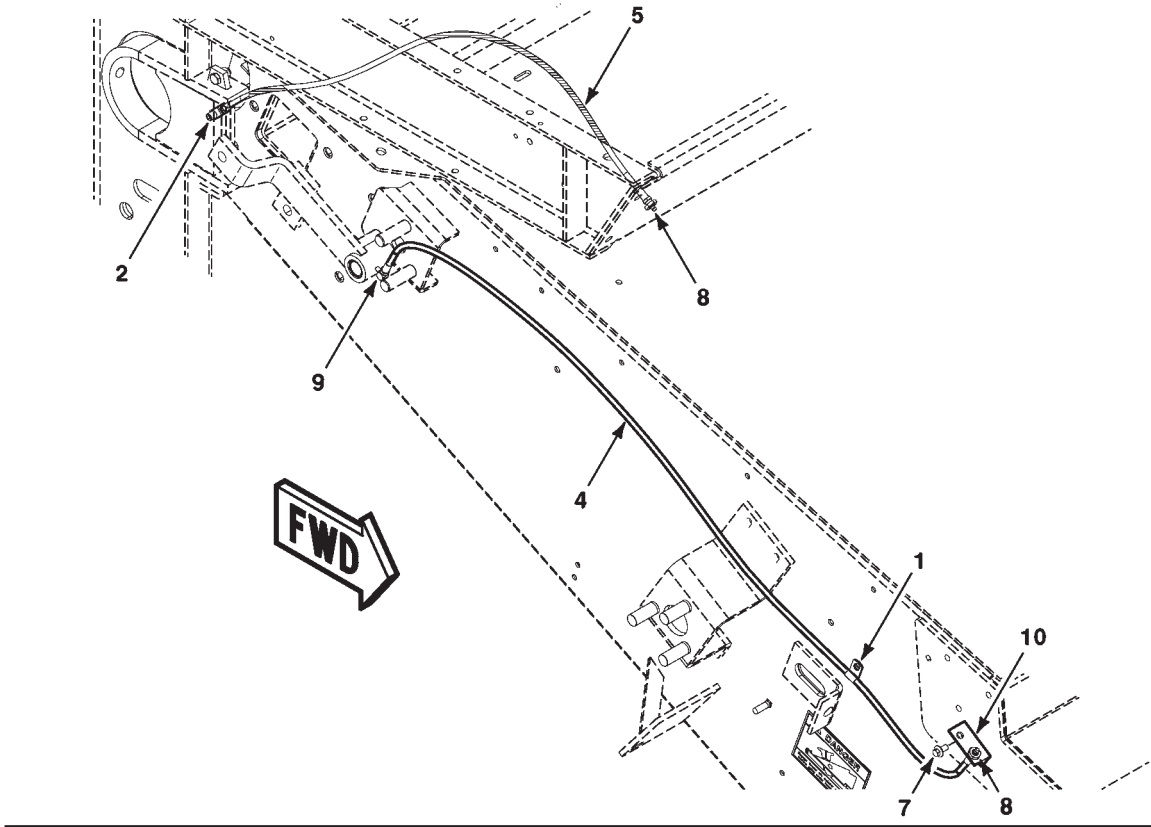
387

DRUM BRAKE, LINES AND FITTINGS

ITEM	NUMBER	QTY	DESCRIPTION
1	1705938	1	SCREW, 1/4-20 X 3/4, SELF-TAPPING
2	71408958	1	BRACKET-TUBE SUPPORT
3	71404438	1	BRAKE LINE-LEFT
4	71404440	1	BRAKE LINE-LEFT
5	71404443	1	BRAKE LINE-LEFT
6	71404439	1	BRAKE LINE-RIGHT
7	71404441	1	BRAKE LINE-RIGHT
8	71404442	1	BRAKE LINE-RIGHT
9	148039M1	6	CLAMP-DOUBLE HYDRAULICS
10	70929644	2	ELBOW, 90 DEG, 7/16-20 JIC
11	5000002X1	6	NUT, HEX FLANGE NYL LOCK, M6 X 1.0
12	3009186X1	6	CAPSCREW, FLANGE HD, M6-1.0X35 CL 10.9
13	70919214	4	UNION, 7/16-20 JIC

MC00532  
PR: t06g24h33d0160

GREASE LINES  
FRONT FEEDER



**9895 COMBINE**  
**HYDRAULICS**

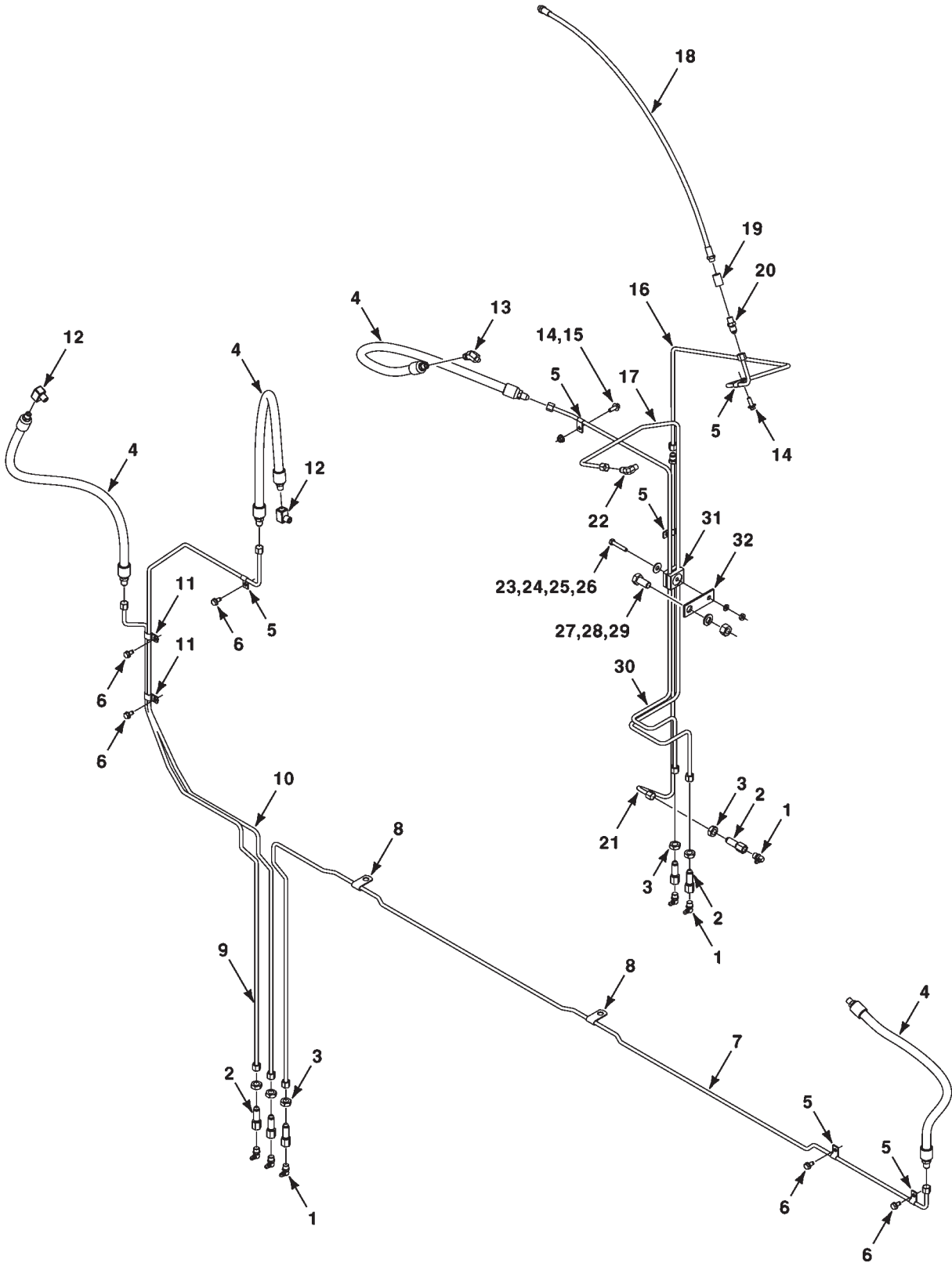
**389**

**GREASE LINES**  
**FRONT FEEDER**

ITEM	NUMBER	QTY	DESCRIPTION
1	70926917	2	CLAMP-LINE
2	70923690	2	ELBOW-90 DEG
3	71411221	1	HOSE-LUBE
4	71411222	1	HOSE-LUBE
5	700713418	2	HOSE-LUBE 41"
7	3009920X1	2	BOLT, FLANGE, M8-1.25 X 16 CL10.9
8	700713413	4	NUT, 1/8 NPSM
9	7746464	2	STREET-ELBOW, 90
10	71411201	2	SUPPORT

MC00547  
PR: t06g24h33d0161

GREASE LINES  
LEFT SIDE





9895 COMBINE  
HYDRAULICS

391

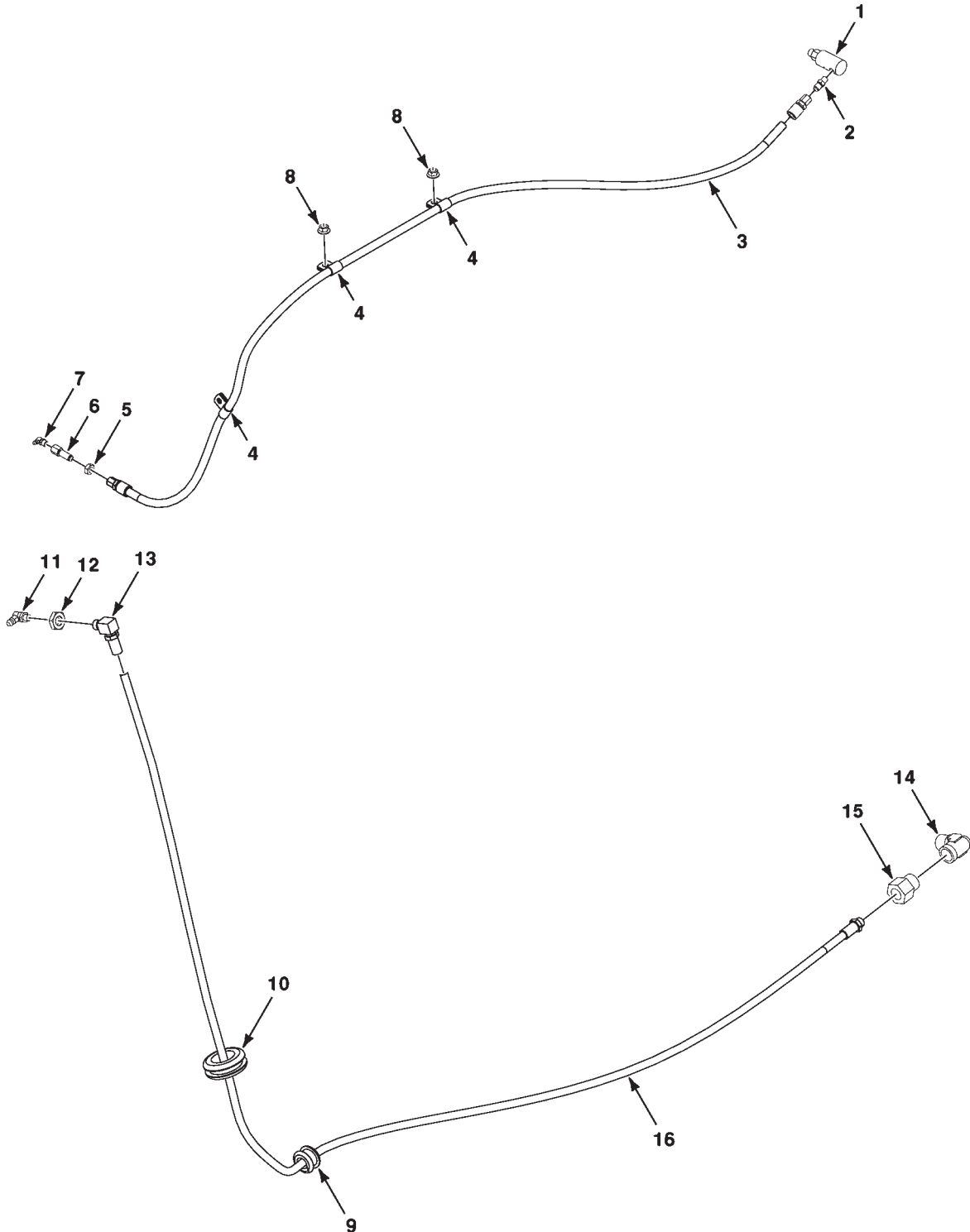
GREASE LINES  
LEFT SIDE

ITEM	NUMBER	QTY	DESCRIPTION
1	70915276	6	ZERK, 1/8-27 X 90 DEG
2	940134W1	6	CONNECTOR-BULKHEAD
3	356612X1	6	NUT-HALF 7/16-20 GR 2
4	71390863	4	HOSE ASM-LUBE
5	70926919	6	CLAMP
6	3019038X1	5	SCREW, M6 X 1.0 X 12
7	71407465	1	TUBE-LUBE ROTOR DRIVE IDLER
8	70928654	2	CLAMP
9	71407467	1	TUBE ASM "C" SHAFT DRIVE
10	71407466	1	TUBE ASM GROUND DRIVE IDLER
11	70930999	2	CLAMP-LINE
12	70923690	2	ELBOW-90 DEG
13	70920655	1	FITTING 1/8 PT X 1/8 PT
14	3009182X1	2	BOLT, FLANGE, M6-1.0 X 16 CL10.9
15	3019123X1	1	NUT, HEX FLANGE, M6 X 1.0
16	71411878	1	TUBE ASM-UNLOADER LUBE
17	71407468	1	TUBE ASM-BEATER DRIVE IDLER
18	71411877	1	HOSE-LUBE
19	70901763	1	COUPLING-PIPE
20	70919171	1	FITTING 7/16 JIC X 1/8 PIPE THREAD
21	71411884	1	TUBE ASM-UNLOADER LUBE
22	70919173	1	FITTING 7/16 JIC X 1/8 PIPE THREAD
23	339096X1	1	BOLT-HEX, M6X35 CLASS 8.8
24	391038X1	1	WASHER, M6, LARGE
25	339375X1	1	LOCKWASHER, M6
26	339030X1	1	NUT, M6 X 1.0, REG
27	3009505X1	1	CAPSCREW, M12-1.75 X 25 CL8.8
28	339369X1	1	LOCKWASHER, M12
29	3009695X1	1	NUT, M12 X 1.75, REG
30	71407469	1	TUBE ASM-UNLOADER DRIVE IDLER
31	148039M1	1	CLAMP-DOUBLE HYDRAULICS
32	71390867	1	SUPPORT-TUBE CLAMP

MC00544

PR: t06g24h33d0162

GREASE LINES  
LEFT REAR



9895 COMBINE  
HYDRAULICS

393

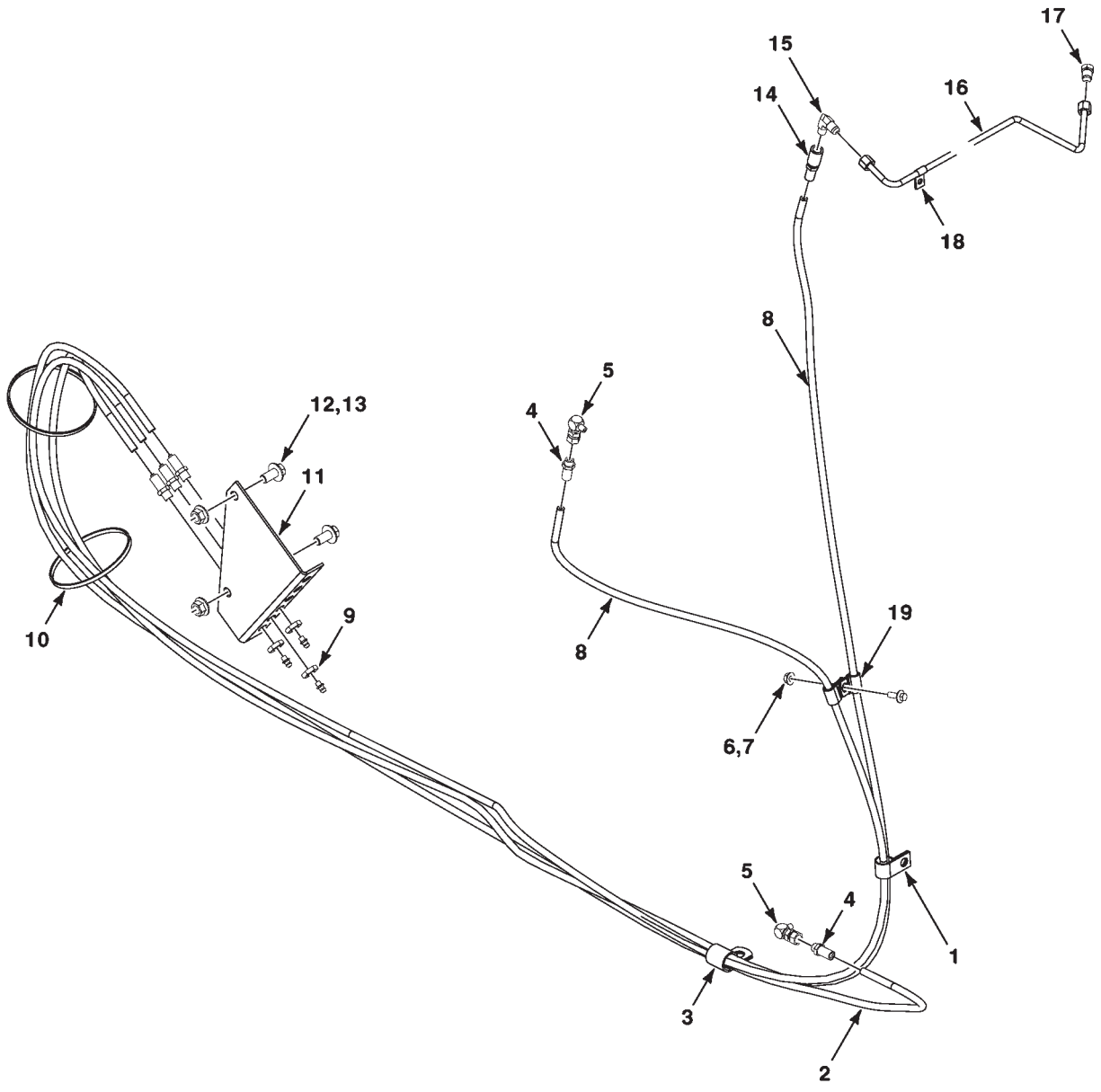
GREASE LINES  
LEFT REAR

ITEM	NUMBER	QTY	DESCRIPTION
1	71332011	1	UNION, ROTATING
2	70919171	1	FITTING 7/16 JIC X 1/8 PIPE THREAD
3	71401753	1	HOSE ASSEMBLY
4	70925617	3	CLAMP
5	356612X1	1	NUT-HALF 7/16-20 GR2
6	940134W1	1	CONNECTOR-BULKHEAD
7	70915276	1	ZERK 1/8-27 X 90
8	3019125X1	2	NUT, HEX FLANGE, M10 X 1.5
9	70925425	1	GROMMET-RUBBER
10	8827172	1	GROMMET
11	70915019	1	ZERK 1/4-28 X 90
12	700713413	1	NUT, 1/8 NPSM
13	71326340	1	CONNECTOR-LUBE BLKHD
14	70925863	1	FITTING 1/4 PT X 1/8 PT
15	70933965	1	FITTING 1/4 PT X 1/8 PT
16	71411223	1	HOSE-LUBE

MC00545

PR: t06g24h33d0163

GREASE LINES  
RIGHT SIDE



9895 COMBINE  
HYDRAULICS

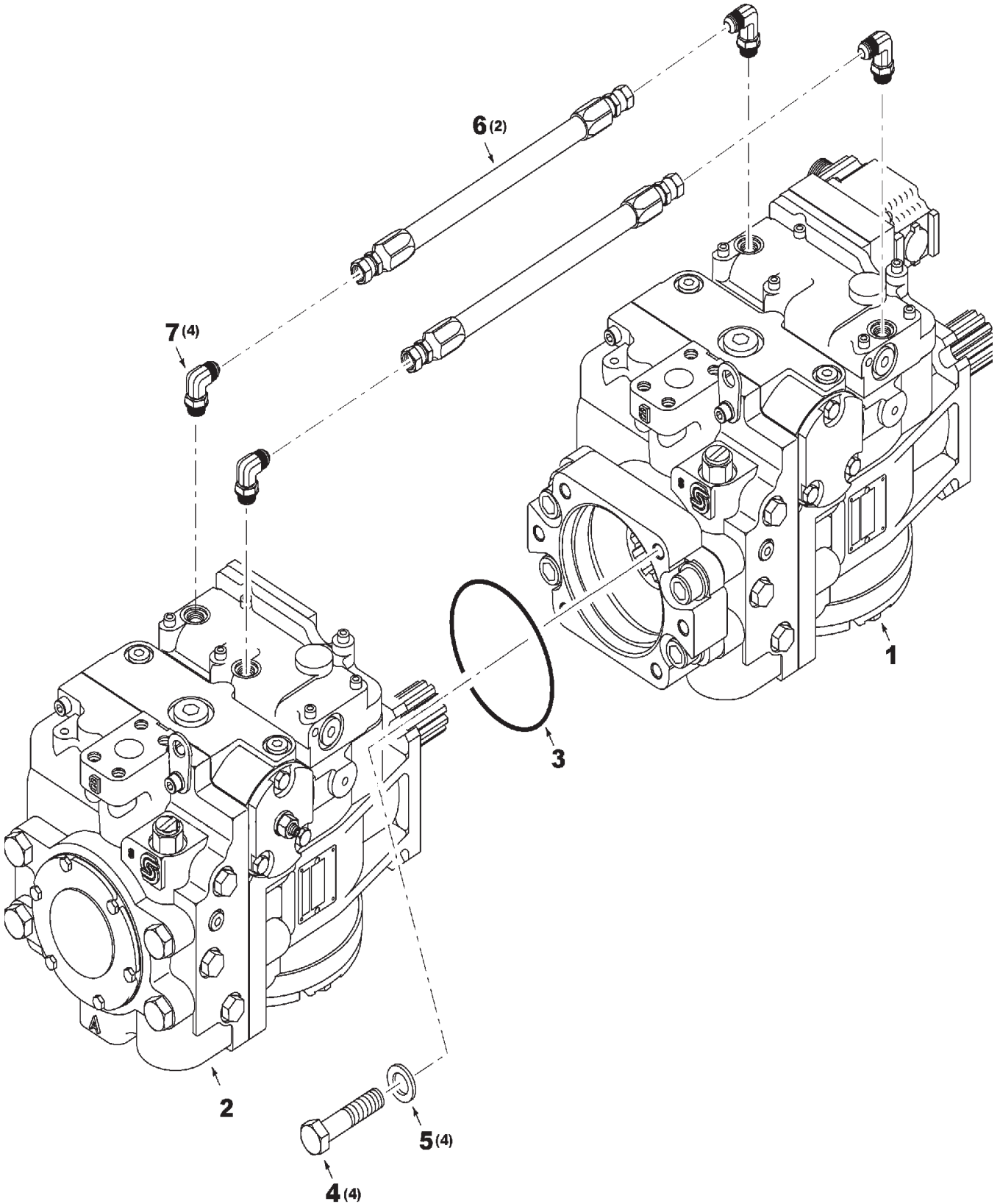
395

GREASE LINES  
RIGHT SIDE

ITEM	NUMBER	QTY	DESCRIPTION
1	70925619	1	CLAMP-HOSE
2	71411224	1	HOSE-LUBE
3	70927104	1	CLAMP-LINE
4	700720091	2	CONNECTOR-SWIVEL
5	7746464	2	STREET-ELBOW, 90
6	3009182X1	1	BOLT, FLANGE, M6-1.0 X 16 CL10.9
7	3019123X1	1	NUT, HEX FLANGE, M6 X 1.0
8	71411225	2	HOSE-LUBE
9	700713413	3	NUT, 1/8 NPSM
10	70925442	2	CABLE - TIE
11	71407484	1	SUPPORT-LUBE
12	3009205X1	2	BOLT, FLANGE, M10-1.5 X 20 CL10.9
13	3019125X1	2	NUT, HEX FLANGE, M10 X 1.5
14	70901763	1	COUPLING-PIPE
15	70919173	1	FITTING 7/16 JIC X 1/8 PIPE THREAD
16	71407485	1	TUBE ASM-LUBE FRONT ROTOR
17	70919171	1	FITTING 7/16 JIC X 1/8 PIPE THREAD
18	70926919	1	CLAMP
19	70929720	2	CLAMP, LINE, 5/16 DIA X .406 HOLE

MC00546  
PR: t06g24h33d0164

ROTOR PUMPS  
TANDEM PUMP



**9895 COMBINE  
HYDRAULICS**

**397**

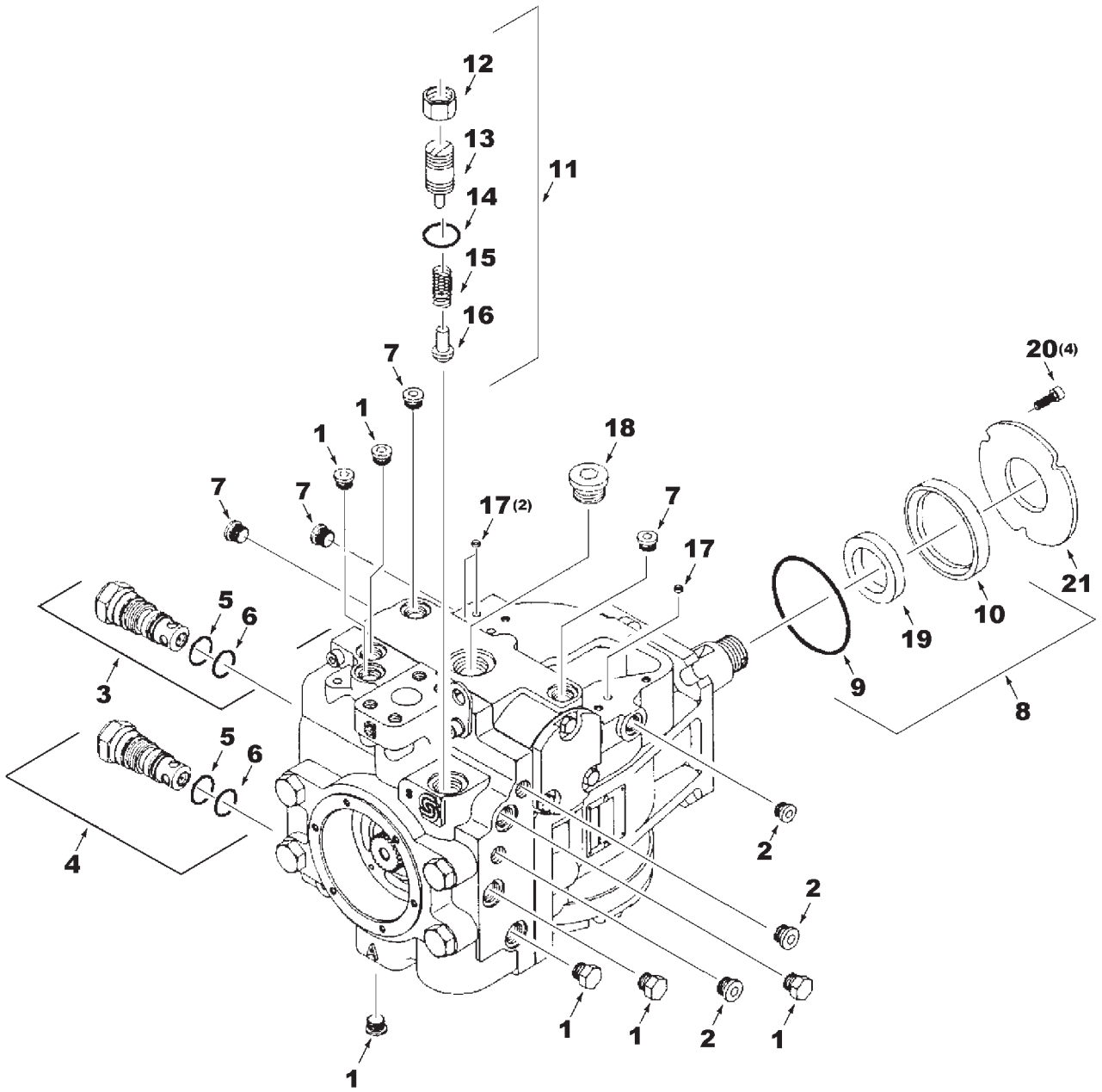
**ROTOR PUMPS  
TANDEM PUMP**

ITEM	NUMBER	QTY	DESCRIPTION
-	71401759	1	PUMP ASY., TANDEM
1	71386574	1	PUMP, FRONT ROTOR (100cc DISPL.)
2	71401758	1	PUMP, REAR ROTOR (75cc DISPL.)
3	1081727M1	1	O-RING
4	116281W1	4	SCREW
5	116282W1	4	WASHER
6	71396251	2	HOSE, PUMP
7	71395325	4	ELBOW

MC00318

PR: t06g24h33d0165

ROTOR PUMP  
FRONT, 1 OF 4





9895 COMBINE  
HYDRAULICS

399

ROTOR PUMP  
FRONT, 1 OF 4

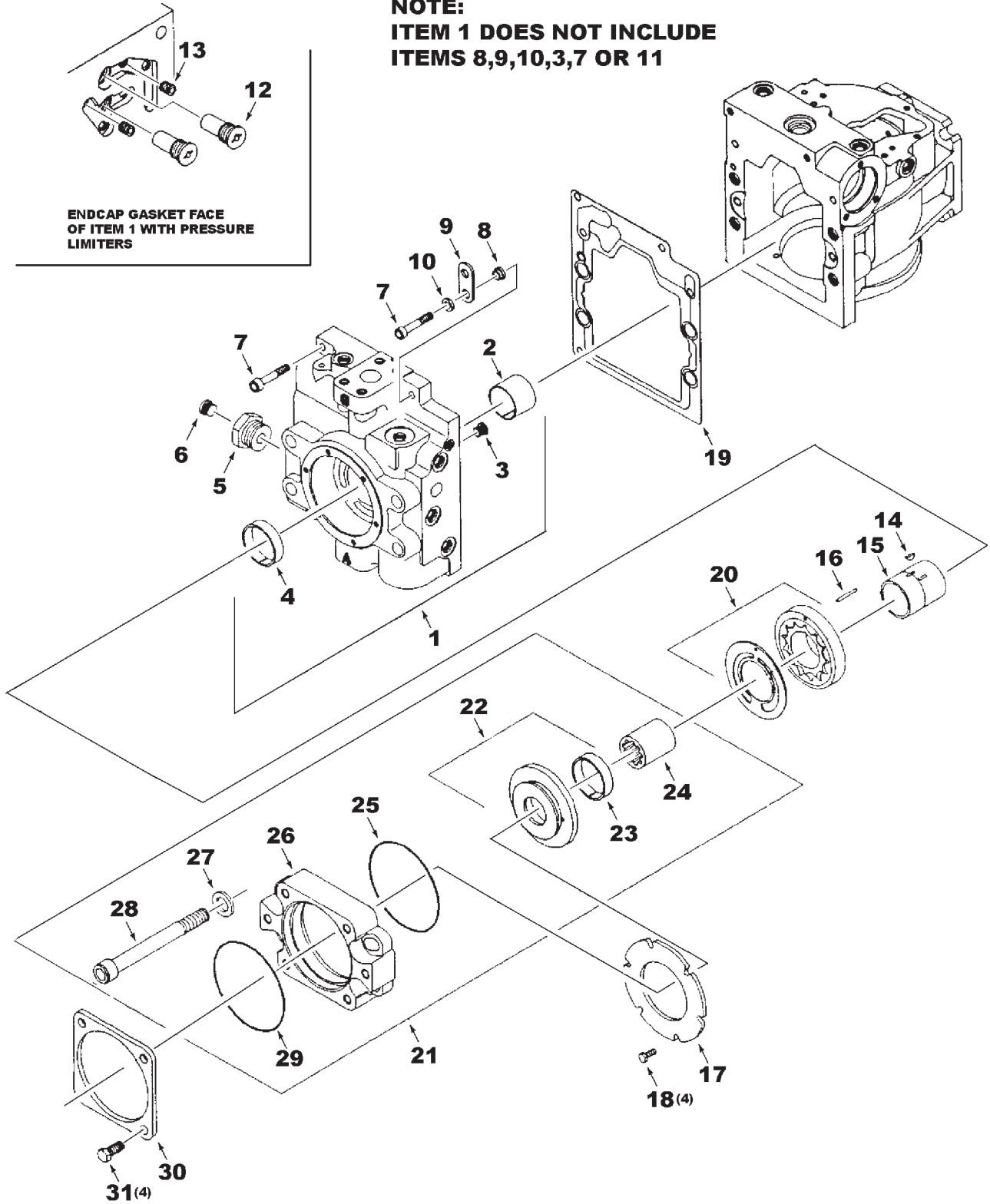
ITEM	NUMBER	QTY	DESCRIPTION
-	71386574	--	PUMP, ROTOR (100CC DISPL.)
1	71374831	6	PLUG
2	70928605	3	PLUG
3	1081707M91	1	KIT, MULTI-FUNCTION VALVE
4	1081707M91	1	KIT, MULTI-FUNCTION VALVE
5	70923808	2	O-RING
6	70930897	2	O-RING
7	1077604M1	4	PLUG
8	AG133278	1	SHAFT SEAL ASSEMBLY
9	942253	1	O-RING
10	-----	1	CARRIER, SEAL (ORDER SEAL ASY, IT.8)
11	71374918	1	KIT, CHARGE RELIEF VALVE (INCL IT.12-16)
12	1077651M1	1	NUT
13	1077631M91	1	CHARGE RELIEF VALVE PLUG
14	70928486	1	O-RING
15	71374859	1	SPRING
16	71374836	1	CHARGE RELIEF POPPET
17	71355339	3	CONTROL FILTER SCREEN
18	1077605M1	1	PLUG
19	1077666M1	1	LIP SEAL
20	71374840	4	SCREW, SOCKET HD, M6
21	1081733M1	1	PLATE, RETAINING
-	71374915	--	KIT, OVERHAUL, GASKET & SEAL

MC00057

PR: t06g24h33d0166

ROTOR PUMP  
FRONT, 2 OF 4

**NOTE:**  
ITEM 1 DOES NOT INCLUDE  
ITEMS 8,9,10,3,7 OR 11



9895 COMBINE  
HYDRAULICS

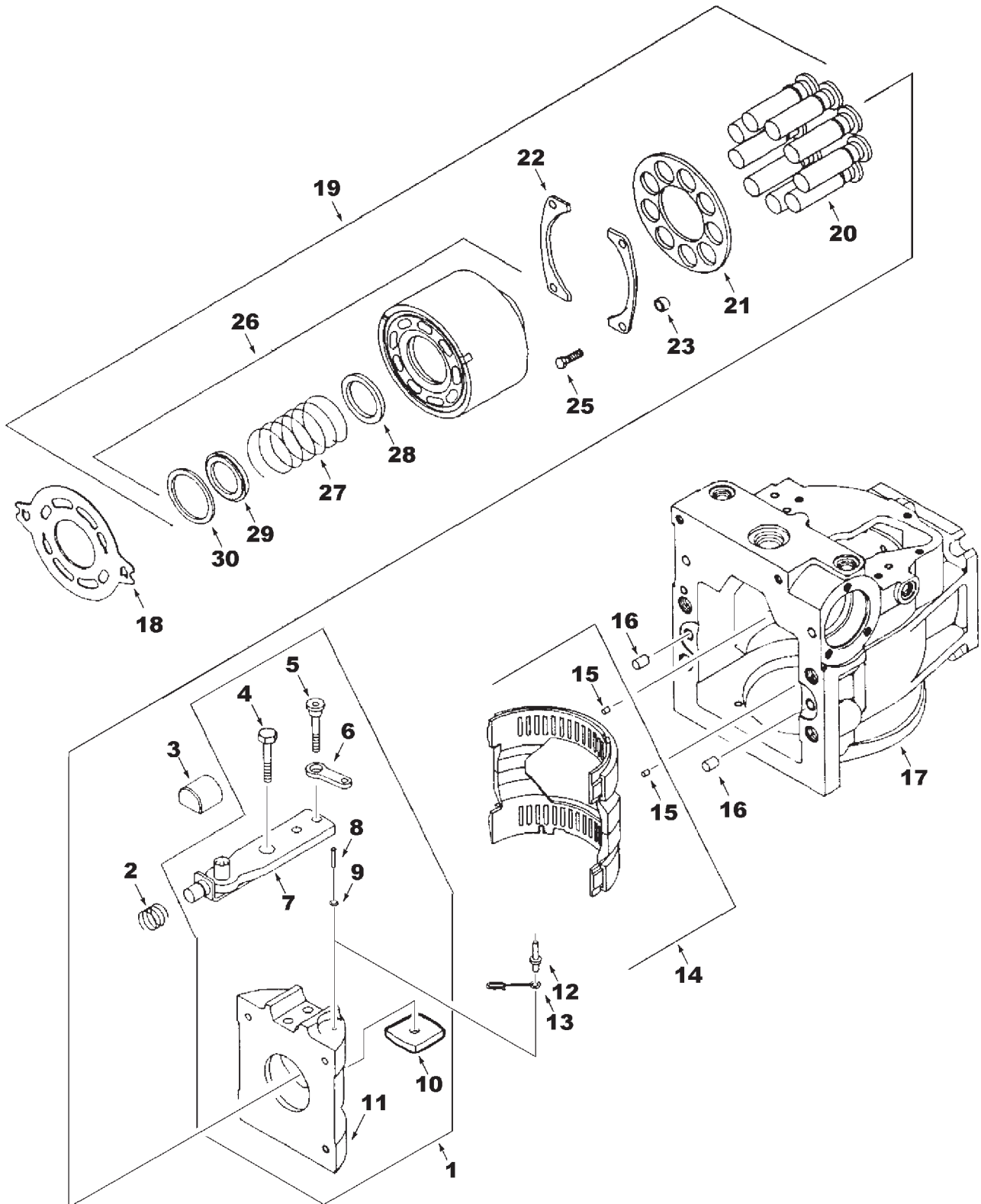
401

ROTOR PUMP  
FRONT, 2 OF 4

ITEM	NUMBER	QTY	DESCRIPTION
1	1077639M92	1	END CAP ASY, SIDE PORTS (INCL. ITEMS 2,4,5,6)
2	71374834	1	JOURNAL BEARING
3	70928605	1	PLUG ASY
4	71374894	1	BUSHING
5	1081706M1	1	PLUG ASY
	71396139	1	O-RING
6	1077604M1	1	PLUG ASY
	70928488	1	O-RING
7	71374900	2	SCREW
8	71374895	1	LIFTING BRACKET SPACER
9	71374896	1	LIFTING BRACKET
10	71374897	1	WASHER
12	71374870	2	CHECK VALVE
13	1077684M1	2	PLUG, PIPE
14	1077656M1	1	KEY
15	71396136	1	SHAFT, CHARGE PUMP
16	1077654M1	1	PIN
17	71374853	1	RETAINING PLATE
18	1077658M1	6	SCREW
19	71374898	1	END CAP GASKET
20	1081720M91	1	CHARGE PUMP SET
21	1081721M1	1	AUX. MOUNTING FLANGE, 'C' 14T
22	1081723M1	1	CHARGE PUMP COVER ASSEMBLY, LH
23	71374894	1	BUSHING
24	71396252	1	COUPLING
25	70926762	1	O-RING
26	1081724M1	1	FLANGE ADAPTOR
27	1081725M1	4	WASHER
28	1081726	4	SOCKET HEAD SCREW
29	1081727M1	1	O-RING
30	1081728M1	1	FLANGE COVER
31	1081729M1	4	SCREW

MC00058  
PR: t06g24h33d0167

ROTOR PUMP  
FRONT, 3 OF 4



9895 COMBINE  
HYDRAULICS

403

ROTOR PUMP  
FRONT, 3 OF 4

ITEM	NUMBER	QTY	DESCRIPTION
1	71374876	1	VARIABLE SWASHPLATE ASY (INCL. ITEMS 4 - 11 INCLUSIVE)
2	71374886	1	SPRING
3	1077635M2	1	SLIDER BLOCK
4	71374880	1	SCREW
5	71374882	1	SCREW
6	71396127	1	FEEDBACK LINK
7	71374877	1	SERVO ARM ASY
8	71374884	1	SPIRAL PIN
9	71374883	1	WASHER
10	71374881	1	SWASHPLATE GUIDE
11	71374879	1	VARIABLE SWASHPLATE
12	71396128	1	PIN
13	71374875	1	CAGE LOCATOR LINK
14	71374872	1	BEARING ASY
15	1077602M1	2	PIN
16	71355340	2	PIN
17	71374958	1	VARIABLE HOUSING
18	71374959	1	VALVE PLATE, 0.5 DEG.
19	71396140	1	CYLINDER BLOCK KIT
20	71374846	9	WELDED PISTON ASY
21	71374847	1	SLIPPER GUIDE
22	71374904	2	SLIPPER GUIDE BEARING
23	71396141	4	SPACER
25	71396142	4	SCREW
26	71374842	1	CYLINDER BLOCK ASY
27	71374844	1	SPRING
28	71374843	1	SPRING SEAT
29	71374845	1	SPRING RETAINER
30	1077611M1	1	RETAINING RING

MC00055

PR: t06g24h33d0168



9895 COMBINE  
HYDRAULICS

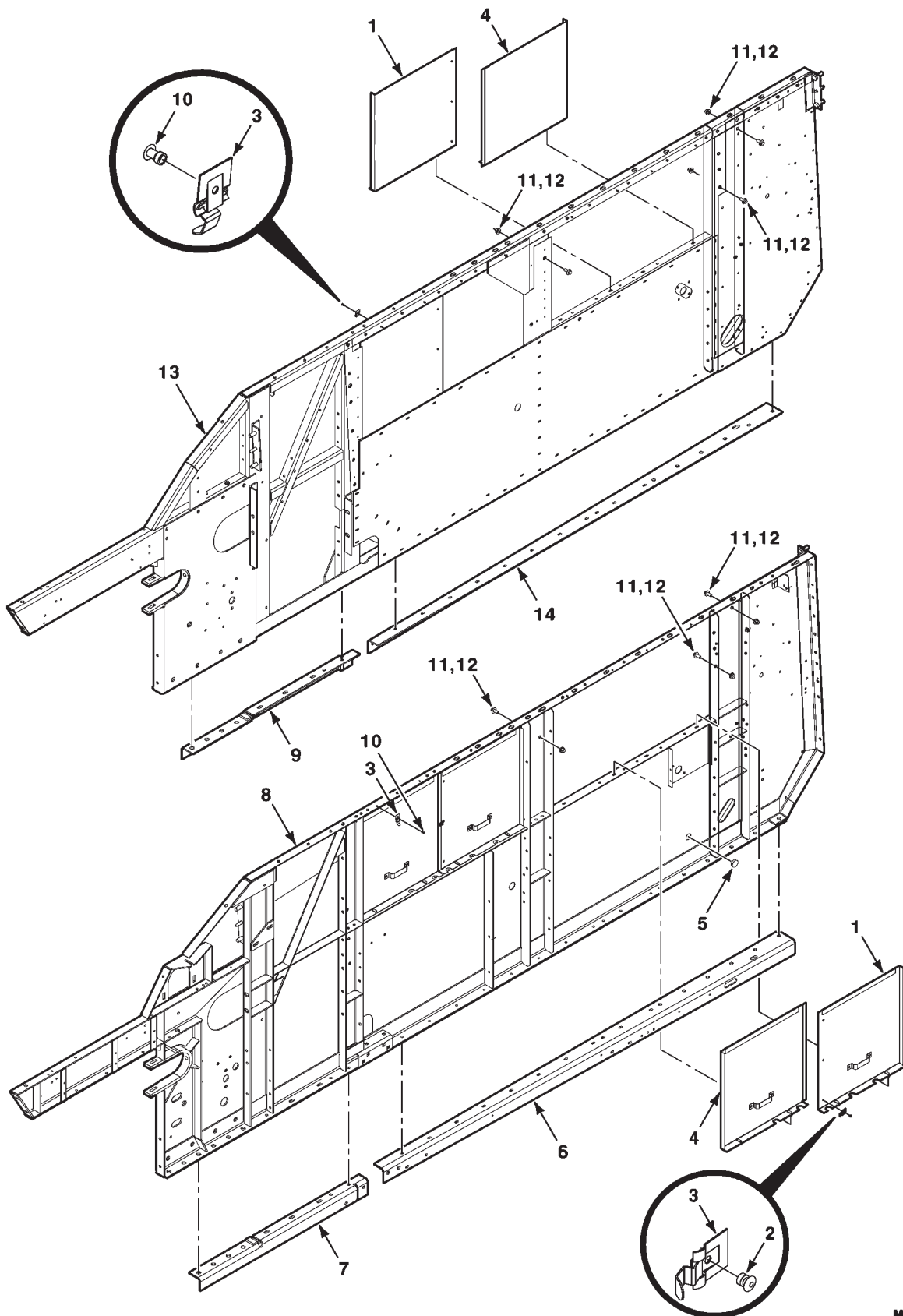
405

ROTOR PUMP  
FRONT, 4 OF 4

ITEM	NUMBER	QTY	DESCRIPTION
1	71374960	1	SIDE COVER
2	71374890	6	SCREW
3	1077627M1	2	NUT
4	1077605M1	1	PLUG
5	71396132	1	INSERT ASY, SIDE COVER
6	1077628M1	1	O-RING
7	71396130	2	SHIM
8	71374891	2	HELICAL COMPRESSION SPRING
10	71396129	1	LEVELER ASSEMBLY
11	71396131	2	GUIDE POST
12	71374901	1	SERVO CYLINDER KIT
13	1077638M1	3	SCREW
14	70931589	2	O-RING
15	1077637M1	2	O-RING
16	71396133	1	SERVO PISTON KIT
17	70923865	2	O-RING
18	71358545	2	PISTON RING
19	71374901	1	SERVO CYLINDER KIT
20	1077638M1	3	SCREW
21	71374860	1	SHAFT, TAPERED SPLINE
22	71396137	1	ROLLER BEARING
23	1077664M1	1	RETAINING RING
24	71356529	1	SLOTTED HEX NUT
26	1081731M1	1	COTTER PIN
27	1081699M1	1	GASKET, CONTROL
28	837853M91	1	CONTROL ORIFICE KIT .026
29	71374908	1	SPRING
30	71374909	1	SPRING RETAINER
31	1081734M91	1	EDC
32	1077673M1	6	SCREW
33	1077675M1	2	O-RING
34	71396254	1	O-RING
35	71396255	1	O-RING
36	71396253	1	PCP (INCL. ITEMS 33,34,35)
37	1077678M1	4	SCREW

MC00059  
PR: t06g24h33d0169

MAIN SIDE FRAMES





9895 COMBINE  
TRANSMISSION & AXLES

407

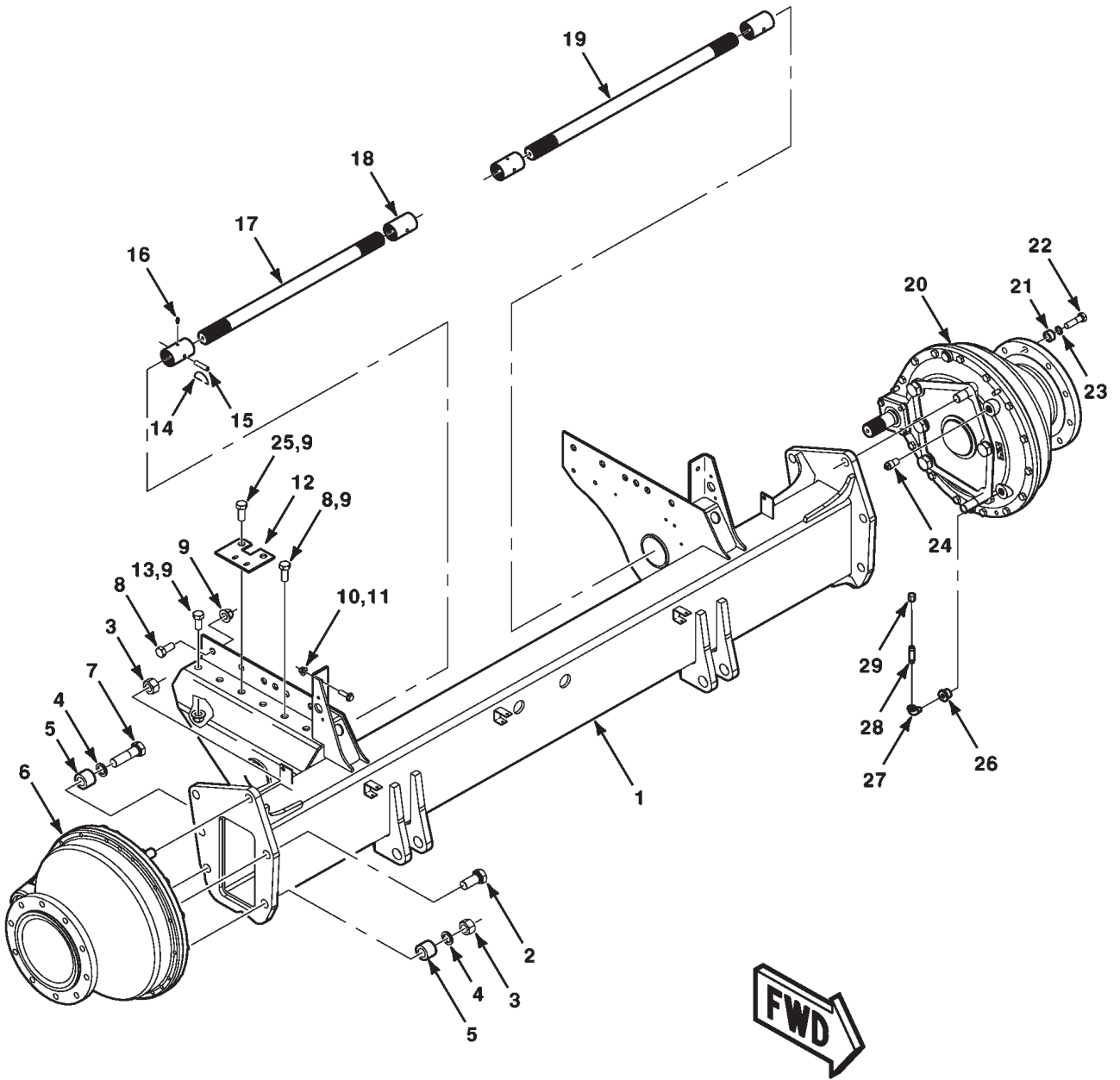
MAIN SIDE FRAMES

ITEM	NUMBER	QTY	DESCRIPTION
1	71406794	4	DOOR ASM-FRONT
1	71406792	1	DOOR WA
1	70537291	3	FASTENER, SNAP
1	70924837	3	POP-RIVET, .188 X .063-.125 GRIP
2	70924837	12	POP-RIVET, .188 X .063-.125 GRIP
3	70537291	28	FASTENER, SNAP
4	71406793	4	DOOR WA-REAR
5	700711352	2	PLUG
6	71395585	1	ANGLE-SUPPORT, WASHER-SPRING FRAME
7	71409947	1	SUPPORT WA-L, FRONT
8	71414297	1	SHEET WA-L, SIDE
9	71409942	1	SUPPORT WA-R, FRONT
10	700717635	16	POP-RIVET, .188 DIA X .126-.250 GRIP
11	3009219X1	14	BOLT, FLANGE, M12-1.75 X 25 CL10.9
12	5000005X1	14	NUT, HEX FLANGE NYL LOCK, M12 X 1.75
13	71414293	1	SHEET WA-R, SIDE
14	71395586	1	ANGLE-FRAME, SUPPORT R

MC00533

PR: t06g24h33d0170

FRONT AXLE AND FINAL DRIVES



9895 COMBINE  
TRANSMISSION & AXLES

409

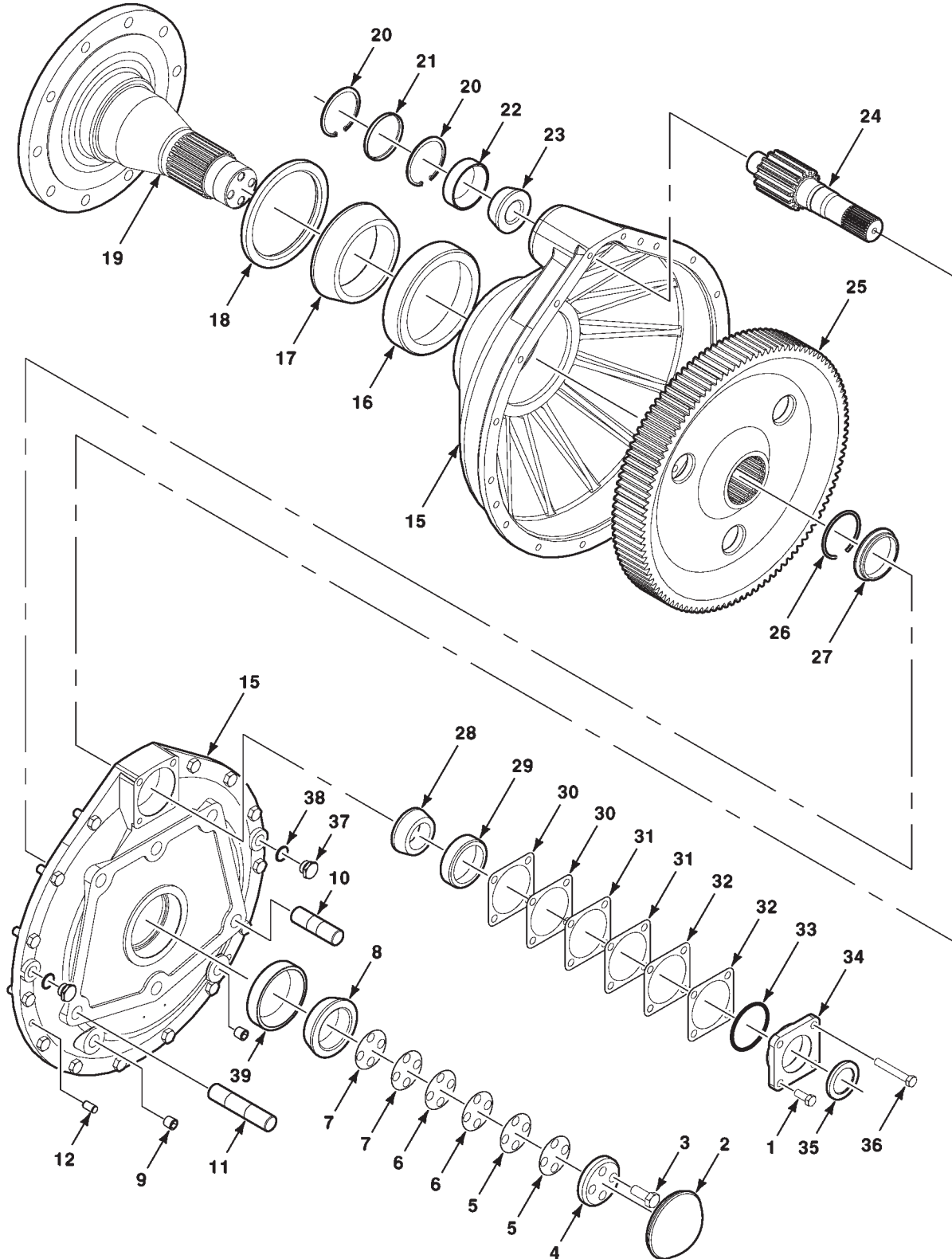
FRONT AXLE AND FINAL DRIVES

ITEM	NUMBER	QTY	DESCRIPTION
1	71408709	1	FRONT AXLE-MACHINED
2	70934417	6	CAPSCREW, 1-1/8-12 X 2-1/2 GR8
3	704627	4	NUT, 1-1/8-12
4	71339238	4	WASHER-SPECIAL
5	71408772	4	SPACER
6	71409912	1	FINAL DRIVE ASY-S40, RH
7	70934422	2	CAPSCREW, 1-1/8-12 X 4 GR8
8	3011004X1	12	CAPSCREW, M20-2.5 X 45 CL8.8
9	5000007X1	20	NUT, HEX FLANGE NYL LOCK, M20 X 2.5
10	3009222X1	4	BOLT, FLANGE, M12-1.75 X 40 CL10.9
11	5000005X1	4	NUT, HEX FLANGE NYL LOCK, M12 X 1.75
12	71408711	2	PLATE-MUDSHIELD
13	1441590X1	4	CAPSCREW-FULL THD, M20-2.5 X 50 CL 8.8
14	8022691	4	WIRE TIE
15	Y763318	4	PIN, COILED SPRING, 3/8 X 2-1/4 LG
16	70923219	4	LUBE FTG, 1/4-28 TAPER DRIVE
17	71309514	1	SHAFT-DRIVE
18	71310379	4	COUPLING
19	71309515	1	SHAFT-DRIVE
20	71408775	1	FINAL DRIVE ASY-S40, LH
21	71370926	20	SPACER
22	700729503	20	CAPSCREW, SPL, 7/8-9 X 3 L9
23	705665	20	WASHER-PLAIN, 7/8
24	71340437	2	VENT W/FILTER
25	3001968X1	4	CAPSCREW, M20-2.5 X 60 CL8.8
26	70901840	2	BUSHING, PIPE, 3/4 NPT X 1/4
27	Y46086	2	ELBOW, 90 DEG STREET, 1/4 NPT
28	70901480	2	PIPE NIPPLE, 1/4-18 NPT X 2" LG
29	71312323	2	CAP, 1/4 NPT

MC00529  
PR: t06g24h33d0171

9895 COMBINE  
TRANSMISSION & AXLES

FINAL DRIVE, S40



**9895 COMBINE  
TRANSMISSION & AXLES**

411

**FINAL DRIVE, S40**

ITEM	NUMBER	QTY	DESCRIPTION
-	71408775	1	FINAL DR ASY, LH, S40 (SHOWN) (INCL. 1 PINT OIL)
-	71409912	1	FINAL DR ASY, RH, S40 (INCL. 1 PINT OIL) (SAME AS 71408775 EXCEPT ITEM 10&11)
1	3010492X1	2	CAPSCREW-FULL THD M12X1.75X30 CL 10.9
2	71304261	1	CAP BEARING S35
3	3010783X1	4	BOLT-HEX, M16X40 CLASS 10.9
4	71408769	1	WASHER-AXLE
5	71408768	2	SHIM-.254/.010
6	71408766	2	SHIM-.127/.005"
7	71408767	2	SHIM-.178/.007
8	70930884	1	CONE-BEARING
9	3008469	2	PIPE PLUG PIPE THREAD
10	71409768	1	STUD 1-1/8-12 (LH ASY SHOWN)
	71408773	1	STUD 1-1/8-12 (RH ASY)
11	71408773	1	STUD 1-1/8-12 (LH ASY SHOWN)
	71409768	1	STUD 1-1/8-12 (RH ASY)
12	700718109	3	DOWEL 1/2 X 1
15	71408771	1	HOUSE ASM-FINAL DRIVE
	5000017X1	14	CAPSCREW, M14-2.0 X 40 CL10.9
16	7713860	1	CUP-BEARING
17	71314481	1	CONE-BEARING
18	7744477	1	OIL SEAL
19	71408770	1	AXLE
20	Y52894	2	RING-RETAINING
21	71304271	1	PLUG-HOLE
22	70210012	1	CUP-BEARING
23	70210011	1	CONE-BEARING
24	71389619	1	PINION-14 T FINAL DRIVE
25	71389647	1	GEAR-107T FINAL DRIVE
26	71304267	1	SPAP RING, ROUND SECT.
27	71304266	1	SPACER-AXLE
28	71162781	1	CONE-BEARING
29	71162782	1	CUP-BEARING
30	71166170	2	SHIM .005
31	71166171	2	SHIM .007
32	71166172	2	SHIM .010
33	70923816	1	O-RING 3.53x82.14
34	71304292	1	RETAINER-BRG
35	700717365	1	SEAL-RING
36	3019856X1	2	CAPSCREW M12X1.75X80 CL 10.9
37	71369299	2	PLUG-MAGNETIC DRAIN
38	71183757	2	GASKET
39	70930883	1	CUP-BEARING

MC00530

PR: t06g24h33d0172

412

9895 COMBINE  
TRANSMISSION & AXLES

FINAL DRIVE  
4" AXLE RISERS

**ILLUSTRATION NOT  
AVAILABLE**

XXXXXXXX

**9895 COMBINE  
TRANSMISSION & AXLES**

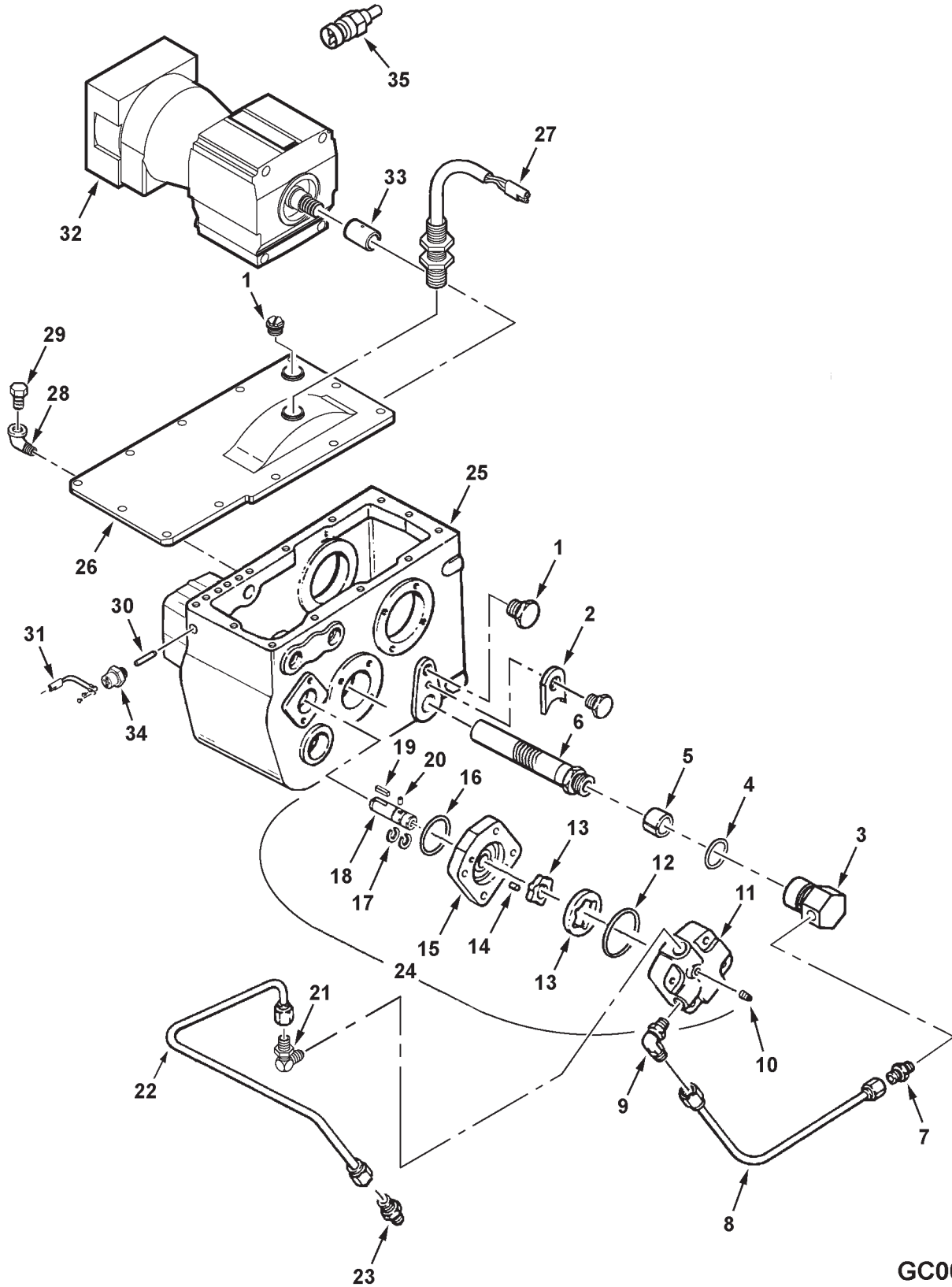
**413**

**FINAL DRIVE  
4" AXLE RISERS**

ITEM	NUMBER	QTY	DESCRIPTION
-	71407139	AR	KIT, 4" AXLE RISERS (ORDER THRU DEALER CENTRAL)

XXXXXXXX  
PR: t06g24h33d0173

TRANSMISSION, GEAR  
PRESSURE LUBE & HYDRO MOTOR





**9895 COMBINE  
TRANSMISSION & AXLES**

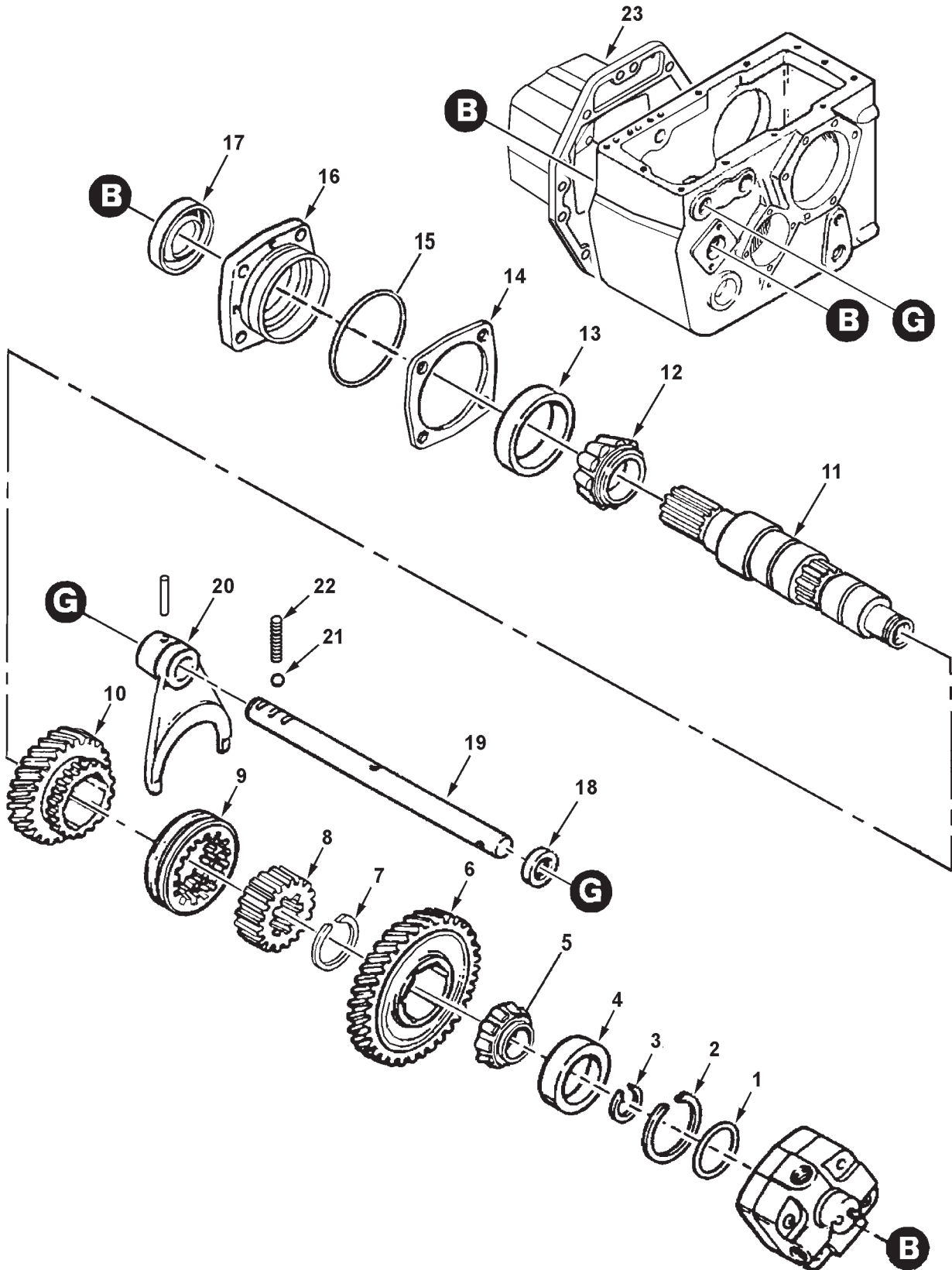
415

**TRANSMISSION, GEAR  
PRESSURE LUBE & HYDRO MOTOR**

ITEM	NUMBER	QTY	DESCRIPTION
-	71406300	1	TRANS. ASY (W/O BRAKES)
	7701659	2	CAPSCREW, 5/8-11 X 2-1/2 GR5
	7701683	2	CAPSCREW, 5/8-11 X 3 GR5
	70924272	4	WASHER, .656 X 1 X 12 GA.
1	70225441	2	PLUG, OIL LEVEL
	70226012	2	GASKET
2	71183535	1	RETAINER, FILTER
	7884570	1	CAPSCREW, M12-1.75 X 20
	700708343	1	LOCKWASHER, M12
3	71183746	1	MANIFOLD, LUBE SCREEN
4	70925919	1	O-RING, VITON, .139 X 1.484 ID, 75 DUR.
5	71183828	1	MAGNET, PARTICAL
6	71183747	1	SCREEN ASY.
7	846337	1	CONNECTOR, STR, 3/4-16 JIC X ORB
	70921349	1	O-RING, .087 X .644 ID
8	71183750	1	TUBE ASY., FILTER TO PUMP
9	70935781	1	ELBOW, 90 DEG, 3/4-16 JIC X ORB
	70921349	1	O-RING, .087 X .644 ID
10	70901651	1	PLUG, PIPE
11	71184147	1	HOUSING, PUMP
12	70924186	1	O-RING, 75 DURO, .070 X 2.61 ID, UDN -38
13	71335782	1	GEROTOR, INNER & OUTER
14	Y730804	2	PIN, DOWEL, 1/4 X 1/2
15	71184148	1	COVER, REAR
16	70930911	1	O-RING, 75 DURO .103 X 2.30 ID, UDN -141
17	1026105M1	2	RING, RETAINING
18	71335783	1	SHAFT ASY. DRIVE
19	71184145	1	KEY
20	71335784	1	PIN
21	70922523	1	ELBOW, 90 DEG, 9/16-18 ORB X JIC
	70921885	1	O-RING, .078 X .468 ID
22	71377419	1	TUBE ASY., PUMP TO SHAFT
23	70919062	1	CONNECTOR, 9/16-18 JIC X 1/4 NPT
24	71406298	1	PUMP ASY.
	700721684	2	CAPSCREW, SPL HD, M10-1.50 X 45
25	71377709	1	HOUSING, TRANS.
26	71377531	1	COVER, TRANS.
	70950052	12	CAPSCREW, FULL THD, M12-1.75 X 30
27	71389818	1	SENSOR, GND SPEED
28	70923690	1	ELBOW, STREET 1/8 NPT
29	7751605	1	VENT, BREATHER
30	71342217	1	PIN, SWITCH
31	71385907	1	WIRE, START SWITCH
32	71392870	1	MOTOR, FIXED (SEE BREAKDOWN)
	701235	4	CAPSCREW, 1/2-13 X 1-1/2 GR5
	70923858	4	WASHER, .53 X 1.25 X .180
33	71390855	1	COUPLER, MOTOR TO INPUT
	7773856	1	CAPSCREW, 1/4-20 X 2-3/4 GR5
	31752	1	LOCKNUT, 1/4-20
34	71342216	1	SWITCH, START
35	71393718	1	SENSOR, HYDRO MOTOR TEMPERATURE
	70936326	1	O-RING, .072 X .414 ID, VITON

GC00372  
PR: t06g24h33d0174

TRANSMISSION, GEAR  
INPUT SHAFT & GEARS



**9895 COMBINE  
TRANSMISSION & AXLES**

417

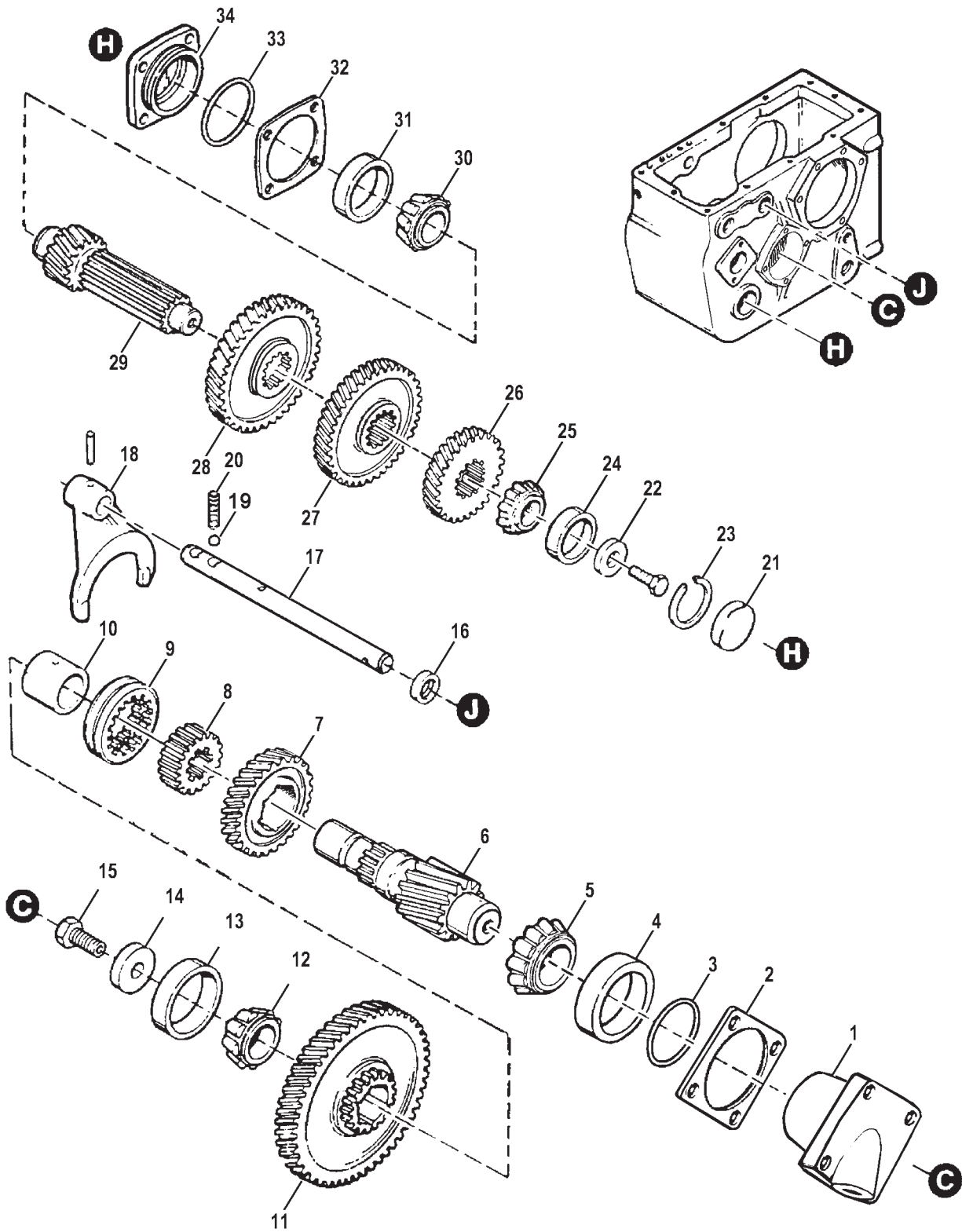
**TRANSMISSION, GEAR  
INPUT SHAFT & GEARS**

ITEM	NUMBER	QTY	DESCRIPTION
1	70930911	1	O-RING, 75 DURO .103 X 2.30, UDN -141
2	71184144	1	SNAP RING
3	71184133	AR	SNAP RING, .071 THICK
	71302467	AR	SNAP RING, .072 THICK
	71302468	AR	SNAP RING, .073 THICK
	71184134	AR	SNAP RING, .074 THICK
	71302469	AR	SNAP RING, .075 THICK
	71302470	AR	SNAP RING, .076 THICK
	71184135	AR	SNAP RING, .077 THICK
	71302471	AR	SNAP RING, .078 THICK
4	834581M1	1	CUP, BEARING
5	834580M1	1	CONE, BEARING
6	71377408	1	GEAR, DRIVE, 39 T
7	71183839	1	RING, RETAINING
8	71160040	1	COLLAR
9	71195328	1	COUPLING
10	71377407	1	GEAR, DRIVE, 27 T
11	71399521	1	SHAFT, INPUT
12	74254700	1	CONE, BEARING
13	74254699	1	CUP, BEARING
14	71186745	AR	SHIM, .002 THICK
	71186746	AR	SHIM, .003 THICK
	71175961	AR	SHIM, .005 THICK
	71175962	AR	SHIM, .007 THICK
	71175963	AR	SHIM, .010 THICK
15	70923816	1	O-RING, 75 DURO .139 X 3.234, UDN -236
16	71190292	1	CARRIER, BEARING
	700708349	4	CAPSCREW, M10-1.5 X 25 C8.8
17	71162565	1	SEAL, OIL
18	71160303	1	SEAL, OIL
19	71377548	1	RAIL, SHIFT, 1,2,3 & 4
20	71300509	1	FORK, 1,2,3 & 4
	70923404	1	PIN, COILED SPRING, 5/16 X 1-1/2
21	70917579	1	BALL .4375 DIA
22	71160067	1	SPRING, DETENT
23	71377710	1	HOUSING, MOTOR ADAPTER
	70926551	3	PIN, DOWEL, 1/2 X 1
	70950052	10	CAPSCREW, M12-1.75 X 30 C8.8
-	79021676	AR	LOCTITE, PRIMER N (6 OZ)
-	79021669	AR	LOCTITE, THREADLOCKER (10 ML)

GC00373

PR: t06g24h33d0175

TRANSMISSION, GEAR  
INTERMEDIATE & MAIN SHAFT



**9895 COMBINE  
TRANSMISSION & AXLES**

419

**TRANSMISSION, GEAR  
INTERMEDIATE & MAIN SHAFT**

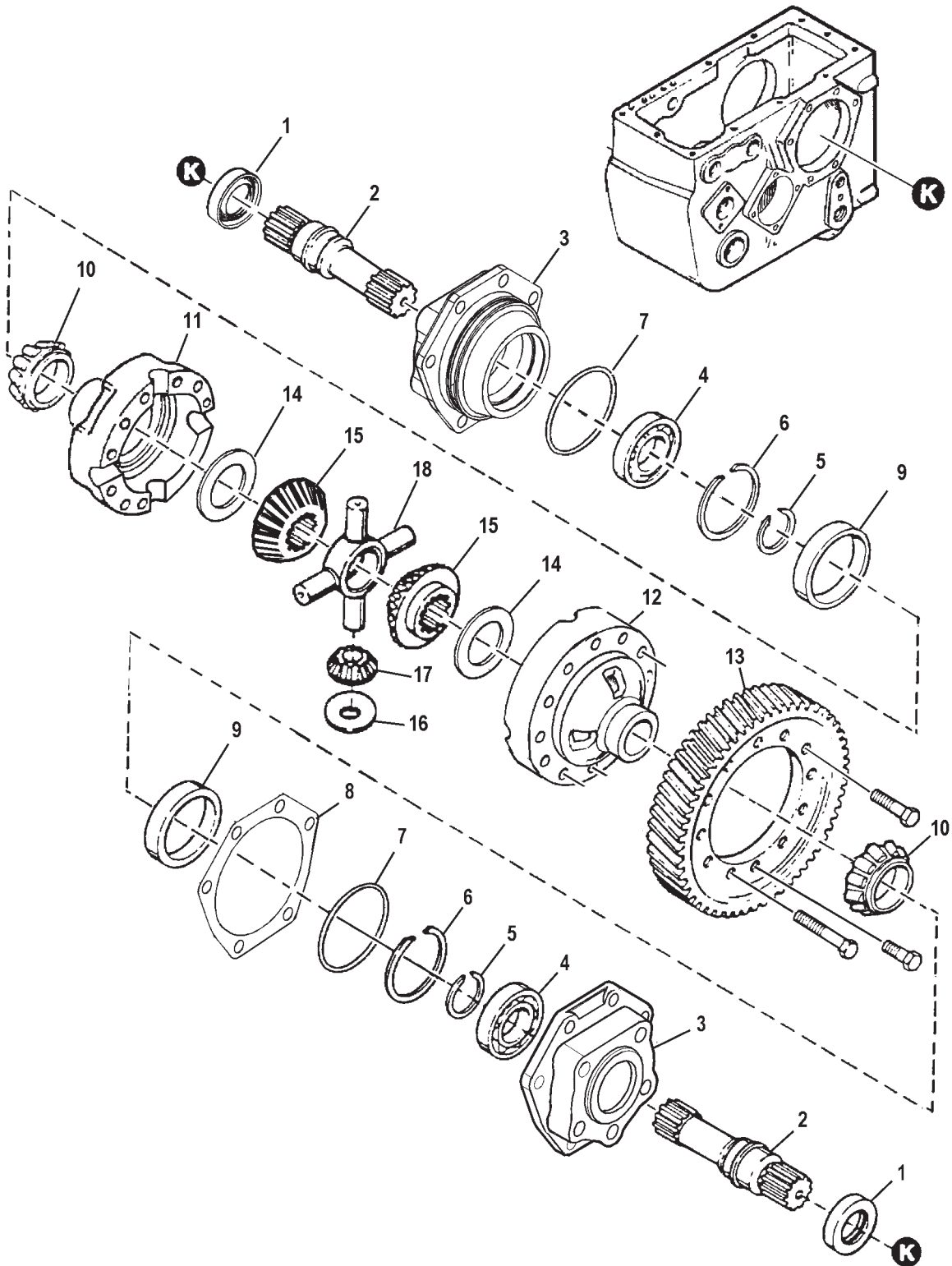
ITEM	NUMBER	QTY	DESCRIPTION
1	71377415	1	CARRIER, BEARING, MAIN SHAFT
	70950052	4	CAPSCREW, M12-1.75 X 30 C8.8
2	71377712	AR	SHIM, MAIN SHAFT .002
	71377713	AR	SHIM, MAIN SHAFT .003
	71377714	AR	SHIM, MAIN SHAFT .005
	71377715	AR	SHIM, MAIN SHAFT .007
	71377716	AR	SHIM, MAIN SHAFT .010
3	70923818	1	O-RING, 75 DURO .139 X 3.98, UDN -242
4	71377722	1	CUP, BEARING
5	71377723	1	CONE, BEARING
6	71377418	1	SHAFT, MAIN
7	71377416	1	GEAR, DRIVEN 40T
8	71160040	1	COLLAR
9	71195328	1	COUPLING
10	71377711	1	BUSHING, GEAR
11	71377417	1	GEAR, DRIVEN 62T
12	71377535	1	CONE, BEARING
13	71377534	1	CUP, BEARING
14	71177386	1	WASHER, MAINSHAFT
15	7772312	1	CAPSCREW, M16-2.0 X 40 C8.8
16	71160303	1	SEAL, OIL
17	71377549	1	RAIL, SHIFT, HI, LO RANGE
18	71300507	1	FORK, HI, LO RANGE
	70923404	1	PIN, COILED SPRING, 5/16 X 1-1/2
19	70917579	1	BALL .4375 DIA
20	71160067	1	SPRING, DETENT
21	71317628	1	PLUG
22	71177385	1	WASHER
	70950052	1	CAPSCREW, M12-1.75 X 30 C8.8
23	71184144	1	RING, SNAP
24	834581M1	1	CUP, BEARING
25	834580M1	1	CONE, BEARING
26	71377411	1	GEAR, DRIVEN 32T
27	71377412	1	GEAR, DRIVE 42T
28	71377413	1	GEAR, DRIVEN 45T
29	71377414	1	COUNTERSHAFT W/ GEAR 20T
30	70228509	1	CONE, BEARING
31	712208	1	CUP, BEARING
32	71186745	AR	SHIM, .002 THICK
	71186746	AR	SHIM, .003 THICK
	71175961	AR	SHIM, .005 THICK
	71175962	AR	SHIM, .007 THICK
	71175963	AR	SHIM, .010 THICK
33	70923816	1	O-RING, 75 DURO .139 X 3.234, UDN -236
34	71377410	1	CARRIER, BEARING
	700708349	4	CAPSCREW, M10-1.50 X 25 C8.8
-	79021676	AR	LOCTITE, PRIMER N (6 OZ)
-	79021669	AR	LOCTITE, THREADLOCKER (10 ML)

GC00374

PR: t06g24h33d0176

9895 COMBINE  
TRANSMISSION & AXLES

TRANSMISSION, GEAR  
DIFFERENTIAL



**9895 COMBINE  
TRANSMISSION & AXLES**

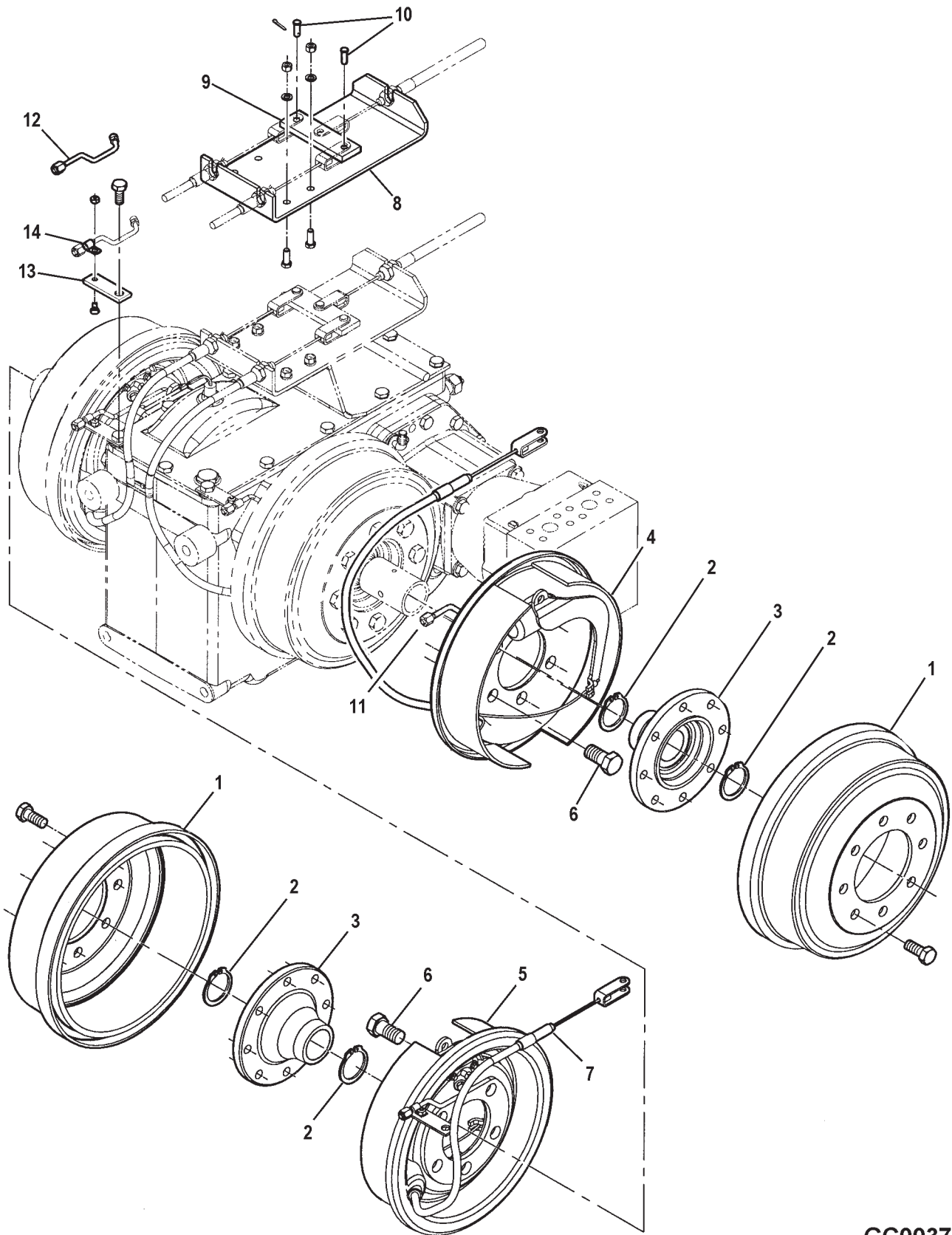
421

**TRANSMISSION, GEAR  
DIFFERENTIAL**

ITEM	NUMBER	QTY	DESCRIPTION
1	71359538	2	SEAL, OIL
2	71390887	2	SHAFT, DIFF OUTPUT
3	71390888	2	CARRIER, BEARING
	7772312	12	CAPSCREW, M16-2 X 40 C8.8
4	1109070	2	BEARING, BALL
5	71160055	2	RING, RETAINING
6	70927321	2	RING, RETAINING
7	70923594	2	O-RING, 75 DURO .139 X 5.98, UDN -258
8	71377717	AR	SHIM, DIFF .002
	71377718	AR	SHIM, DIFF .003
	71377719	AR	SHIM, DIFF .005
	71377720	AR	SHIM, DIFF .007
	71377721	AR	SHIM, DIFF .010
9	70930426	2	CUP, BEARING
10	70930424	2	CONE, BEARING
11	71398328	1	HOUSING, DIFF, PLAIN HALF (M14 CPSCRWS) (SERVICED W/71398356 HSG ASY, BOTH HLVS)
12	71398329	1	HOUSING, DIFF, GEAR HALF (M14 CPSCRWS) (SERVICED W/71398356 HSG ASY, BOTH HLVS)
13	71398330	1	GEAR, RING, 70T
	70950490	12	CAPSCREW, M14-2.0 X 100, CL10.9
	70950382	4	CAPSCREW, M14-2.0 X 35, CL10.9
	70926192	16	WASHER, HARD, .562 ID X 1.25 X .120
	79021676	AR	LOCTITE, PRIMER N (6 OZ)
	79021669	AR	LOCTITE, THREAD LOCKER (10 ML)
14	71160085	2	WASHER, THRUST, SIDE GEAR
15	71344598	2	GEAR, SIDE
16	71347782	4	WASHER, THRUST, PINION
17	71344597	4	PINION
18	71347777	1	SPIDER, DIFFERENTIAL
-	71398327	--	DIFFERENTIAL ASY. (INCLS. ITEMS 10-18)
-	71398356	--	HOUSING ASY. (NOT ILL.)(INCL. ITEM 11, 71398328 & ITEM 12, 71398329)

GC00375  
PR: t06g24h33d0177

DRUM BRAKES  
SERVICE & PARKING





**9895 COMBINE  
TRANSMISSION & AXLES**

423

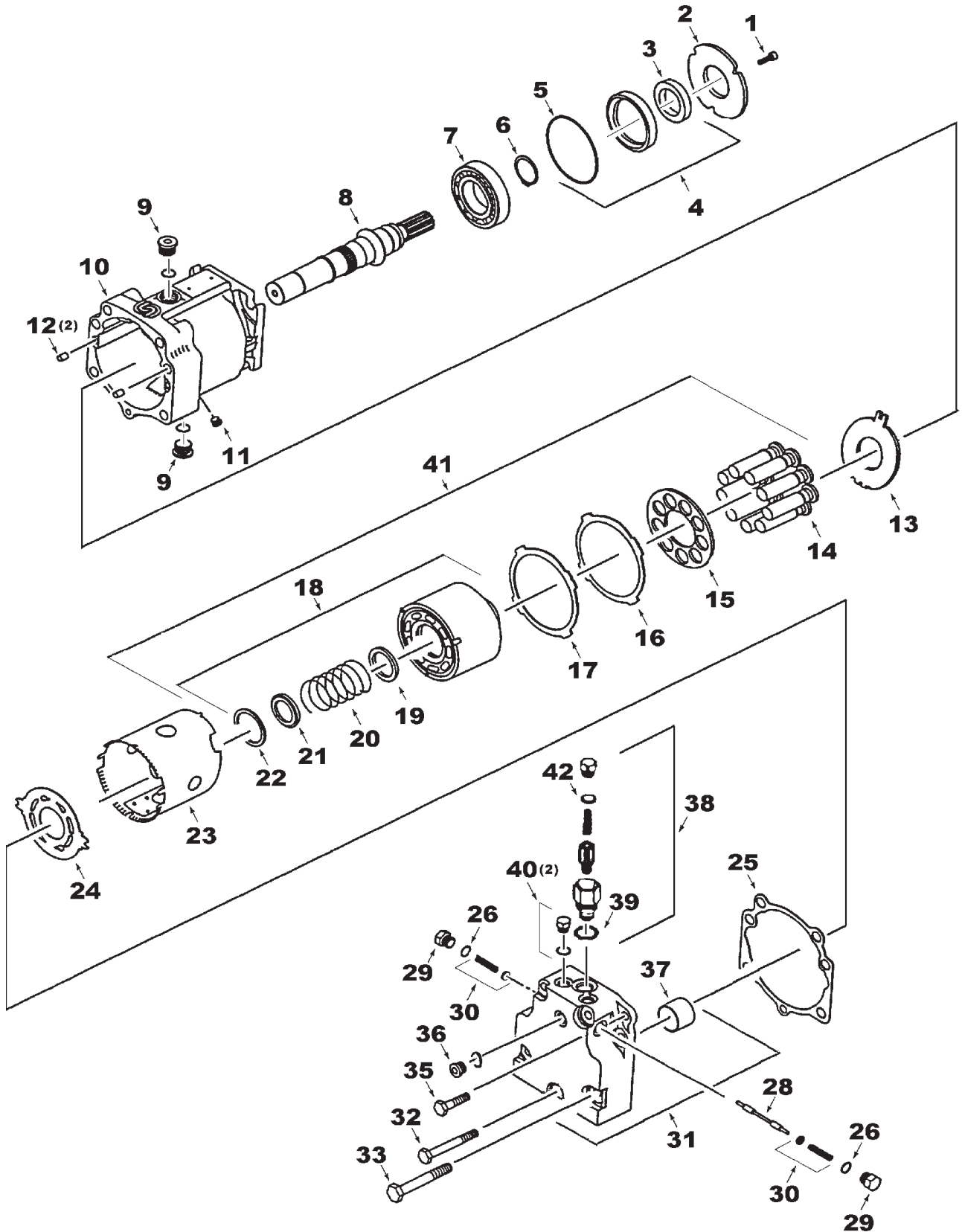
**DRUM BRAKES  
SERVICE & PARKING**

ITEM	NUMBER	QTY	DESCRIPTION
1	71392787	2	DRUM, BRAKE
	7771785	16	CAPSCREW, 5/8-11 X 1 GR5
2	70937676	4	RING, RETAINING, INTERNAL
3	71392788	2	HUB, BRAKE DRUM
4	71389232	1	BRAKE ASY. LH (INCL COMPONENTS OF IT 5)
5	71389233	1	BRAKE ASY. RH (INCL COMPONENTS BELOW)
	71395151	1	WHEEL CYL. KIT LH
	71395160	1	WHEEL CYL. KIT RH
	71395157	4	BOLT, WHEEL CYL. MOUNTING
	71395158	2	BRAKE SHOE KIT (1 PER SIDE)
	71395159	2	BACKING PLATE WELD ASY
	71395163	4	LINK, CONNECTING, WHEEL CYL.
	71395152	2	SPRING KIT
	71395153	1	ADJUSTER KIT, LH
	71395161	1	ADJUSTER KIT, RH
	71395154	1	PARK BRAKE KIT, LH
	71395162	1	PARK BRAKE KIT, RH
	71395155	2	WASHER, SPRING
	71376446	2	NUT
6	70950394	10	CAPSCREW, M20-2.5 X 45, C10.9
	79021676	AR	LOCTITE, PRIMER N (6 OZ)
	79021669	AR	LOCTITE, THREAD LOCKER (10 ML)
7	71389230	2	CABLE ASY, PARK BRAKE
8	71389229	1	BRACKET, PARK BRAKE CABLES
	703249	4	CAPSCREW, 3/8/16 X 1 GR5
	705038	4	LOCKWASHER, 3/8
	70916950	4	NUT, REG 3/8-16
9	71389235	1	BAR, EQUALIZER
10	763300	3	PIN, CLEVIS 5/16 X 1 LG
	70918452	2	PIN, COTTER 1/8 X 1
11	71396558	1	TUBE ASY, BRAKE, LH
12	71389230	1	TUBE ASY, BRAKE, RH
13	71390867	2	STRAP, TUBE SUPPORT
	70950453	2	CAPSCREW, M12 X 1.75 X 35
	Y705624	8	WASHER, NARROW 1/2
14	70926919	2	CLAMP, 1/4 X .281 HOLE
	70921958	2	CAPSCREW, 1/4-20 X 1/2 LG GR5
	70916622	2	NUT, REG, 1/4-20

GC00376

PR: t06g24h33d0178

MOTOR, HYDRO PROPEL  
COMPONENTS



**9895 COMBINE  
TRANSMISSION & AXLES**

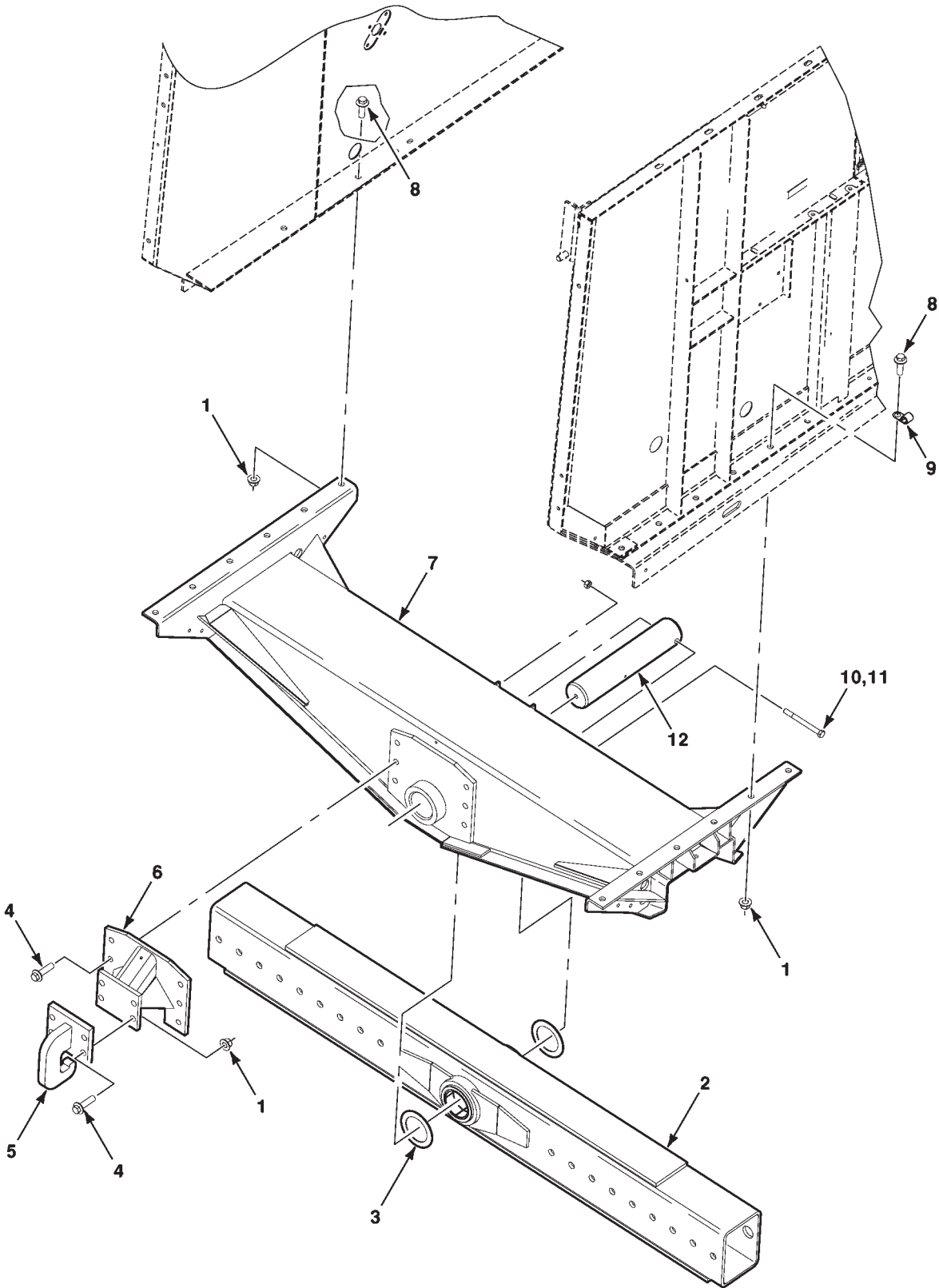
425

**MOTOR, HYDRO PROPEL  
COMPONENTS**

ITEM	NUMBER	QTY	DESCRIPTION
-	71392870	1	MOTOR, FIXED DISPL, 100cc
-	71374968	AR	OVERHAUL SEAL KIT (INCL ITEMS 3,5,25,39)
1	71374840	4	SCREW, SOCKET HEAD, M6 X 20
2	71397487	1	PLATE, RETAINER
3	1077666M1	1	SEAL
4	71374967	1	CARRIER & SEAL ASY.(INCL. ITEMS 3 & 5)
5	942253	1	O-RING
6	1077664M1	1	RING
7	71396137	1	BEARING, ROLLER
8	71397486	1	SHAFT, 23T
9	1077605M1	2	PLUG
	71397479	2	O-RING
10	71397478	1	HOUSING, FIXED
11	700725864	1	PLUG
	70928488	1	O-RING, .078 X .468 ID, VITON
12	71355340	2	PIN
13	71374970	1	PLATE, THRUST
14	71374846	9	PISTON, WELDED
15	71374847	1	RETAINER, SLIPPER
16	71374848	1	RETAINER, SLIPPER GUIDE
17	71374849	1	RETAINER, SLIPPER GUIDE SHIM
18	71374842	1	CYLINDER BLOCK ASY. (INCL ITEMS 19-22)
19	71374843	1	SEAT, SPRING
20	71374844	1	SPRING
21	71374845	1	RETAINER, SPRING
22	1077611M1	1	RING, RETAINING
23	71374827	1	TUBE, HOLDDOWN
24	71374828	1	PLATE, VALVE
25	71397481	1	GASKET, END CAP
26	70928488	2	O-RING
28	1077960M1	1	SPOOL, SHUTTLE
29	71397485	2	PLUG, SPECIAL
30	71397484	2	SPRING GUIDE ASY
31	71397480	1	END CAP ASY., TWIN PORTS
32	71397483	1	SCREW
33	1077695M1	4	SCREW
35	1077696M1	2	SCREW
36	700725864	1	PLUG
	71397482	1	O-RING
37	71374834	1	BEARING, JOURNAL
38	71396169	1	CARTRIDGE ASY, CHARGE RELIEF
39	70928486	1	O-RING
40	71374831	2	PLUG
	71397482	1	O-RING
41	71374841	1	KIT, ROTATING GROUP W/WELDED PISTON (INCL. ITEMS 14-18)
42	70928488	1	O-RING, .078 X .468 ID, VITON

GC00377  
PR: t06g24h33d0179

REAR AXLE  
SUPPORT AND CENTER BEAM



9895 COMBINE  
TRANSMISSION & AXLES

427

REAR AXLE  
SUPPORT AND CENTER BEAM

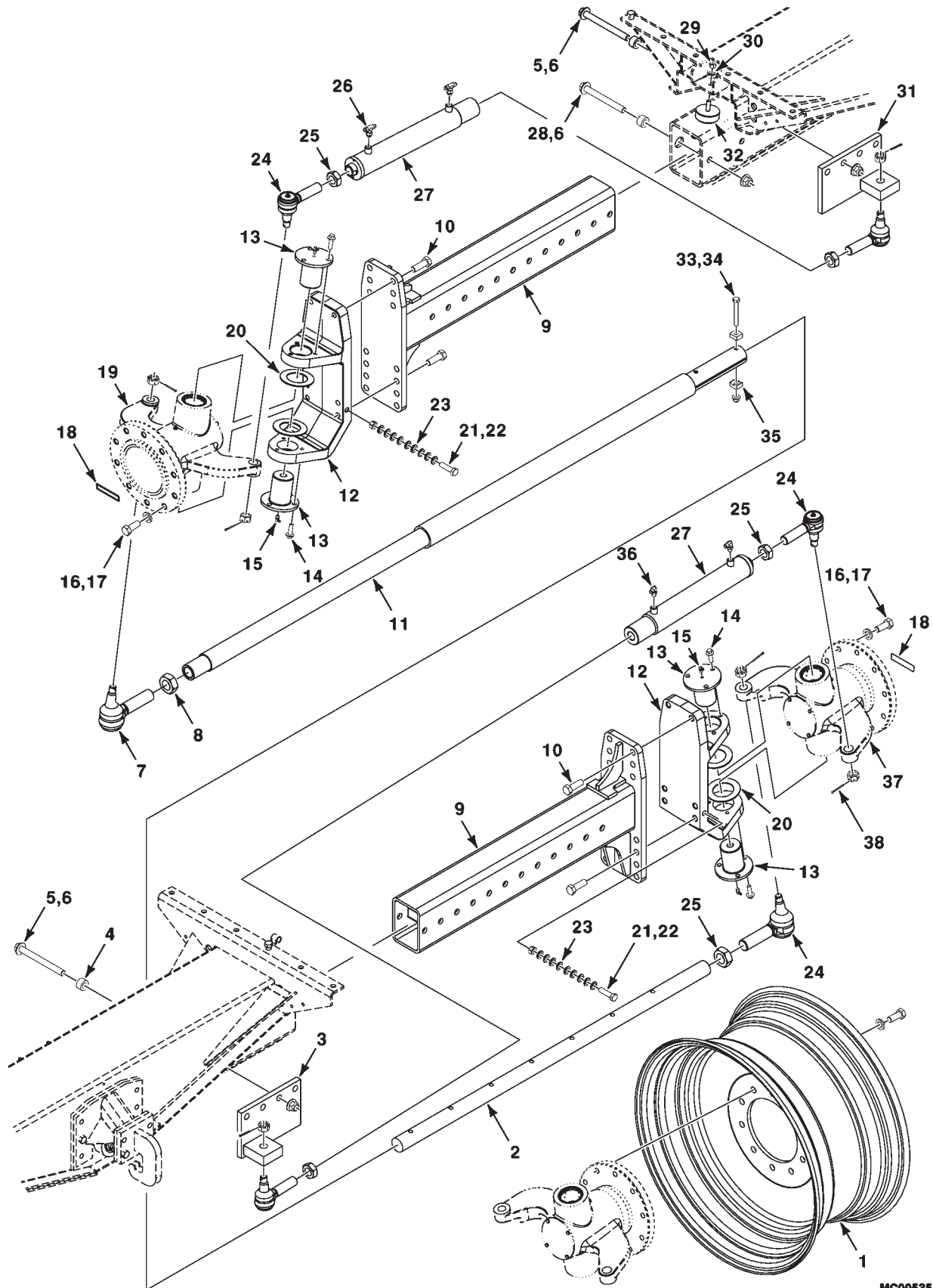
ITEM	NUMBER	QTY	DESCRIPTION
1	5000006X1	16	NUT, HEX FLANGE NYL LOCK, M16 X 2.0
2	71408712	1	CENTER SECTION WA-STRG AXLE
3	71409413	2	THRUST WASHER-REAR AXLE PIVOT
4	3009240X1	10	BOLT, FLANGE, M16-2.0 X 60 CL10.9
5	71404359	1	HOOK WA
6	71404357	1	HITCH WA
7	71408497	1	SUPPORT WA-REAR AXLE
8	3009238X1	12	BOLT, FLANGE, M16-2.0 X 50 CL10.9
9	70937682	2	J-CLIP, 3/4 DIA X .656 HOLE
10	70929495	1	1/2-13 X 5-1/4 CAPSCREW
11	704858	1	1/2-13 NUT-LOCK
12	71409412	1	PIVOT PIN-REAR AXLE

MC00534

PR: t06g24h33d0180

9895 COMBINE  
TRANSMISSION & AXLES

REAR TRAILING AXLE  
ADJUSTABLE TREAD



**9895 COMBINE  
TRANSMISSION & AXLES**

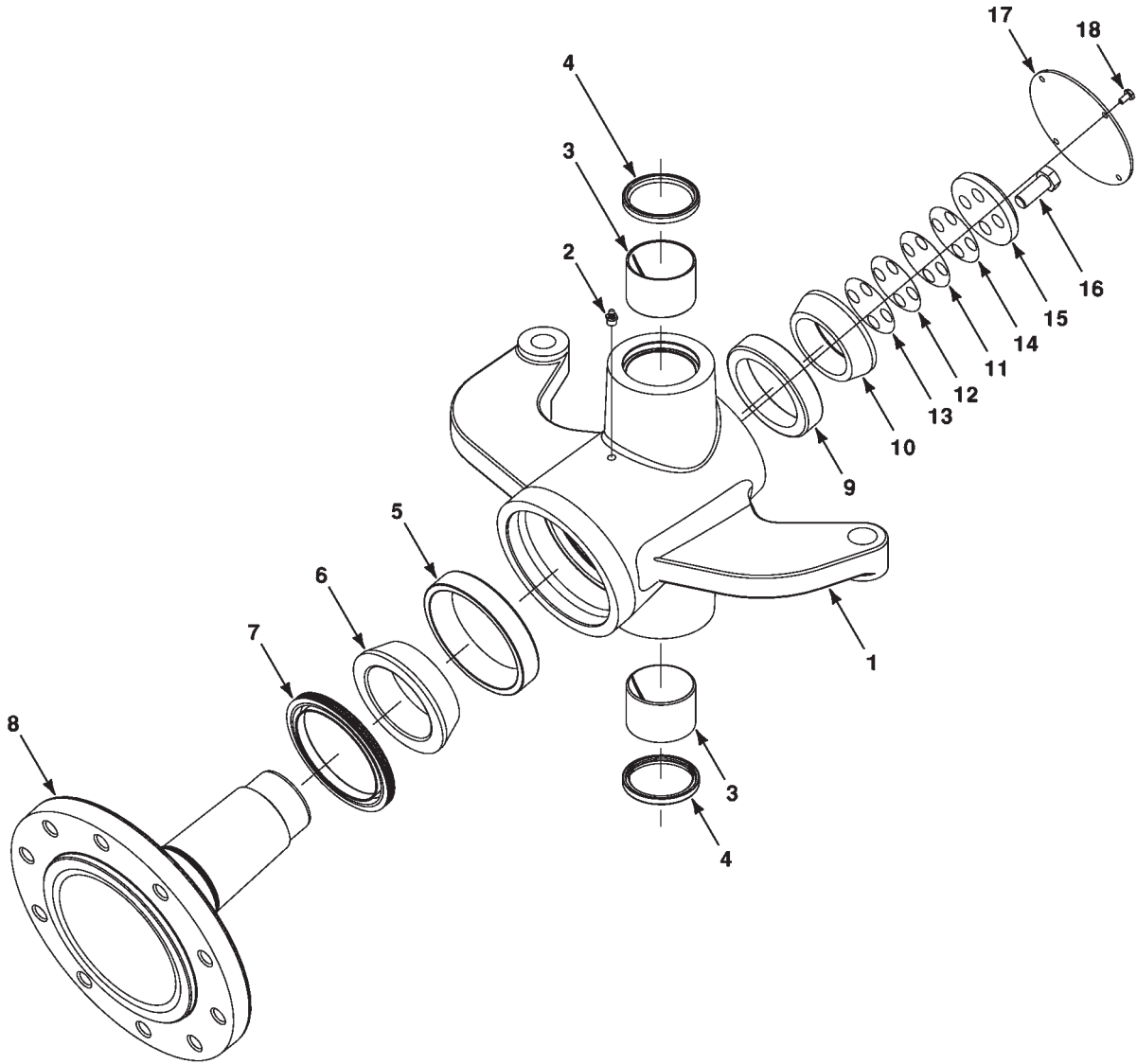
429

**REAR TRAILING AXLE  
ADJUSTABLE TREAD**

ITEM	NUMBER	QTY	DESCRIPTION
1	71407489	2	WHEEL 30 X DW15A
1	71407490	2	WHEEL 26 X DW20TB
1	71407491	2	WHEEL 26 X DW25
2	71408744	1	ROD-SOLID, TIE
3	71408748	1	ANCHOR WA-R
4	71359841	14	SPACER-HARD
5	3009269X1	8	M20X2.5X200 SCREW-FLANGE CL 10.9
6	5000007X1	14	NUT, HEX FLANGE NYL LOCK, M20 X 2.5
7	71403690	1	SOCKET ASM-LH THD (INCLUDES SEAL & NUT)
7	71406301	1	SEAL-DIRT
7	704650	1	NUT-SLOTTED, 7/8-14
8	70930889	1	NUT-JAM 1 1/4-12 UNF LH
9	71408723	2	EXTENSION WA
10	3001968X1	12	M20X2.5X60 CAPSCREW-FULL THREAD
11	71408742	1	LINK WA-STEERING
12	71408733	2	SUPPORT-SPINDLE HOUSING
13	71408739	4	PIN-ANCHOR, SPINDLE HOUSING
14	3009222X1	12	BOLT, FLANGE, M12-1.75 X 40 CL10.9
15	70915276	4	1/8-27 X 90 ZERK
16	3010894X1	20	HEX. BOLT M20X50 CLASS 10.9
17	385365X1	20	20 WASHER-PLAIN
18	71184188	2	EMBLEM-TORQUE
19	-----	1	SPINDLE HOUSING ASM-LEFT (SEE BREAKDOWN)
20	71408738	4	WASHER-THRUST
21	5000016X1	2	M16X2.0X60 CAPSCREW-FULL THREAD CL 10.9
22	339034X1	2	NUT, M16 X 2.0, REG
23	1441664X1	18	WASHER, M16, NARROW
24	71408754	5	SOCKET ASM-RH THD (INCLUDES SEAL & NUT)
24	71406301	1	SEAL-DIRT
24	704650	1	NUT-SLOTTED, 7/8-14
25	70923230	5	NUT-JAM, 1-1/4-12, GR2
26	70923894	2	9/16-18 TEE BRANCH
26	70921885	1	O-RING, .468 I.D.
27	71408752	2	CYLINDER ASM
28	3009268X1	6	M20X2.5X180 SCREW-FLANGE CL 10.9
29	704031	2	NUT, 1/2-13 REG
30	Y705046	2	LOCKWASHER, 1/2 REG
31	71408749	1	ANCHOR WA-L
32	71355063	2	STOP-STEERING AXLE
33	3009502X1	2	M10X1.5X80 CAPSCREW
34	5000004X1	2	NUT, HEX FLANGE NYL LOCK, M10 X 1.5
35	6661624	4	WASHER-CLAMP
36	70922523	2	FITTING 9/16 JIC X 9/16 ORB
36	70921885	1	O-RING, .468 I.D.
37	-----	1	SPINDLE HOUSING ASM-RIGHT (SEE BREAKDOWN)
38	62422	6	5/32 X 1-3/4 COTTER PIN

MC00535  
PR: t06g24h33d0181

SPINDLE HOUSING ASSEMBLY





9895 COMBINE  
TRANSMISSION & AXLES

431

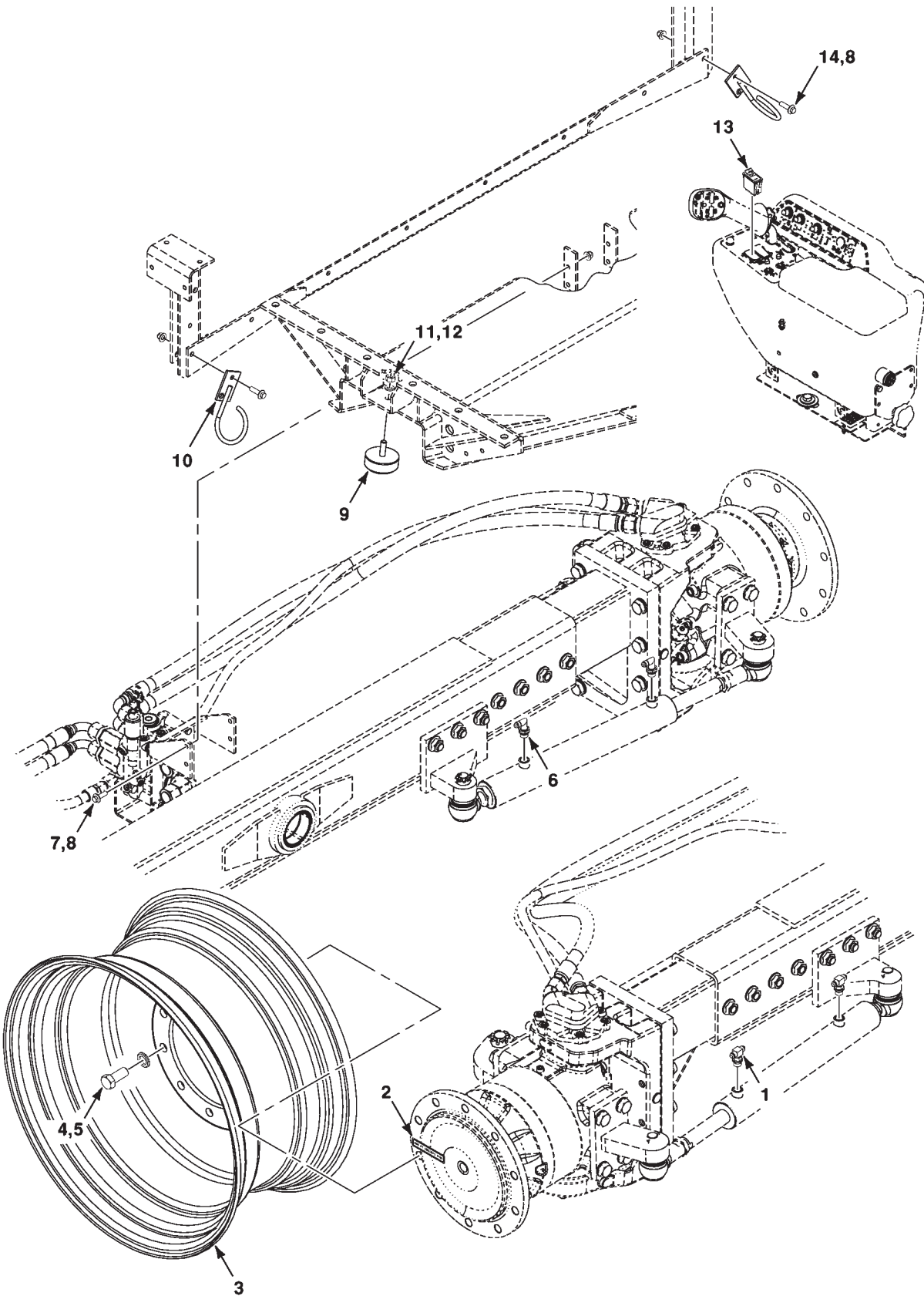
SPINDLE HOUSING ASSEMBLY

ITEM	NUMBER	QTY	DESCRIPTION
1	71408734	1	HOUSING-SPINDLE, WASHER-SPRING
1	71408740	1	HOUSING-SPINDLE, R
2	70914465	1	1/8-27 NPT ZERK
3	71354306	2	BUSHING-SPINDLE
4	71408751	2	SEAL-GREASE, KING PIN
5	71409751	1	CUP-BEARING
6	71409752	1	CONE-BEARING
7	71408719	1	SEAL-GREASE, SPINDLE
8	71408755	1	SPINDLE-REAR AXLE
9	70930883	1	CUP-BEARING
10	70930884	1	CONE-BEARING
11	71408768	1	SHIM-.254/.010
12	71408767	1	SHIM-.178/.007
13	71408766	2	SHIM .127/.005
14	71410761	2	SHIM .0762/.003
15	71408769	1	WASHER-AXLE
16	3010783X1	4	HEX. BOLT M16X40 CLASS 10.9
17	71408736	1	COVER-SPINDLE HOUSING
18	391074X1	4	M6X1.0X12 CAPSCREW-FULL THREAD CL8.8 WASHER-PLAIN

MC00549

PR: t06g24h33d0182

AXLE AND WHEELS  
REAR WHEEL ASSIST



9895 COMBINE  
TRANSMISSION & AXLES

433

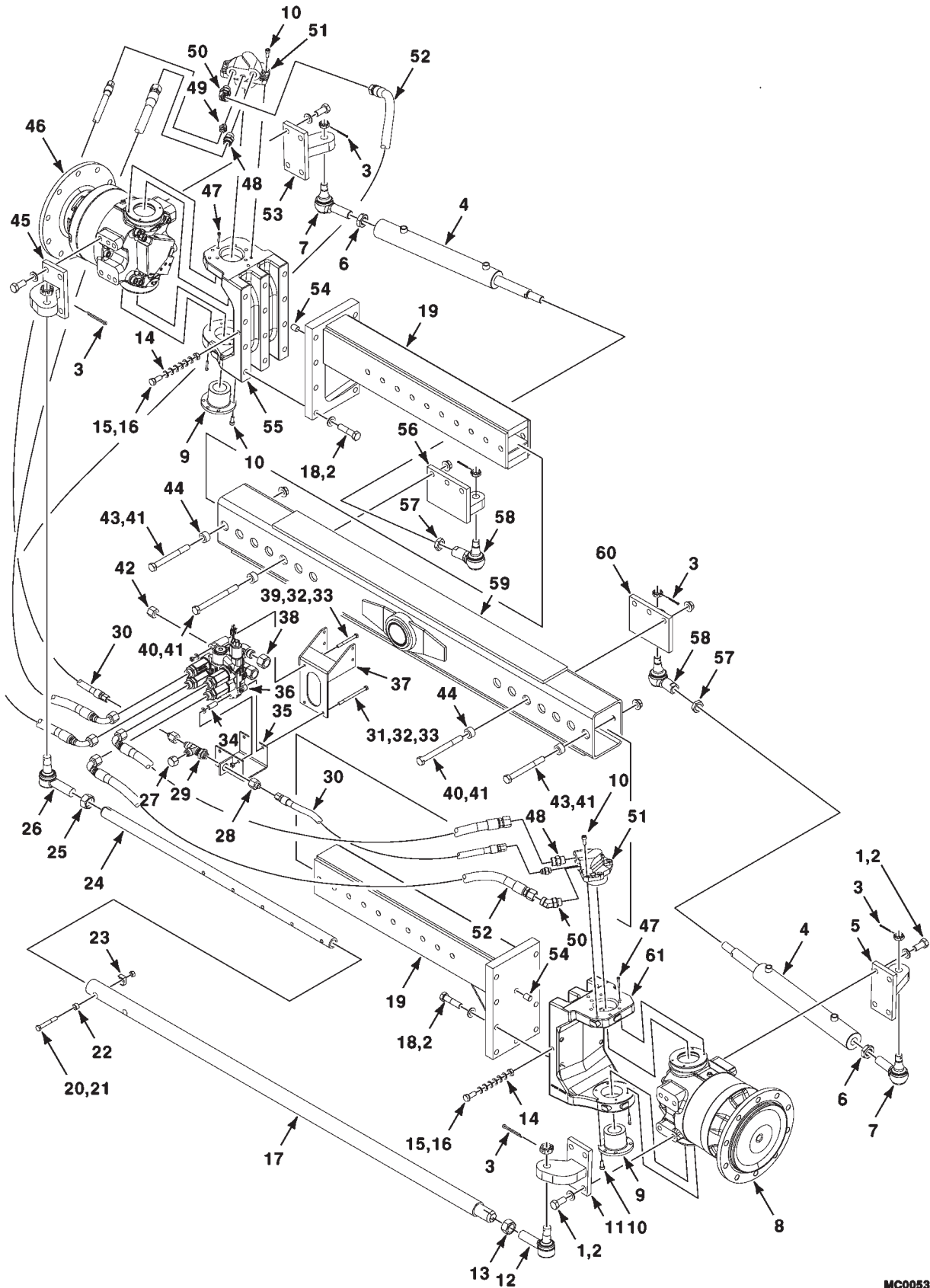
AXLE AND WHEELS  
REAR WHEEL ASSIST

ITEM	NUMBER	QTY	DESCRIPTION
1	71412777	2	TEE
2	71348455	2	EMBLEM-TORQUE
3	71407492	1	WHEEL 30 X DW15A
3	71407493	1	WHEEL 26 X DW20
3	71407494	1	WHEEL 26 X DW25A
4	5000020X1	20	CAPSCREW, M22 X 1.5 X 50
5	338972X1	20	WASHER, 23.8 X 38 X 5
6	3019651X91	2	ELBOW, 90 DEG, M18 ORB X 9/16 JIC
7	3009207X1	4	BOLT, FLANGE, M10-1.5 X 30 CL10.9
8	5000004X1	10	NUT, HEX FLANGE NYL LOCK, M10 X 1.5
9	71355063	2	STOP-STEERING AXLE
10	71409908	2	RETAINER WA-HOSE
11	704031	2	NUT, 1/2-13 REG
12	Y705046	2	LOCKWASHER, 1/2 REG
13	71409814	1	SWITCH, 2 SPEED RWA
14	3009208X1	6	BOLT, FLANGE, M10-1.5 X 35 CL10.9

MC00537

PR: t06g24h33d0183

AXLE ASSEMBLY  
REAR WHEEL ASSIST



**9895 COMBINE  
TRANSMISSION & AXLES**

435

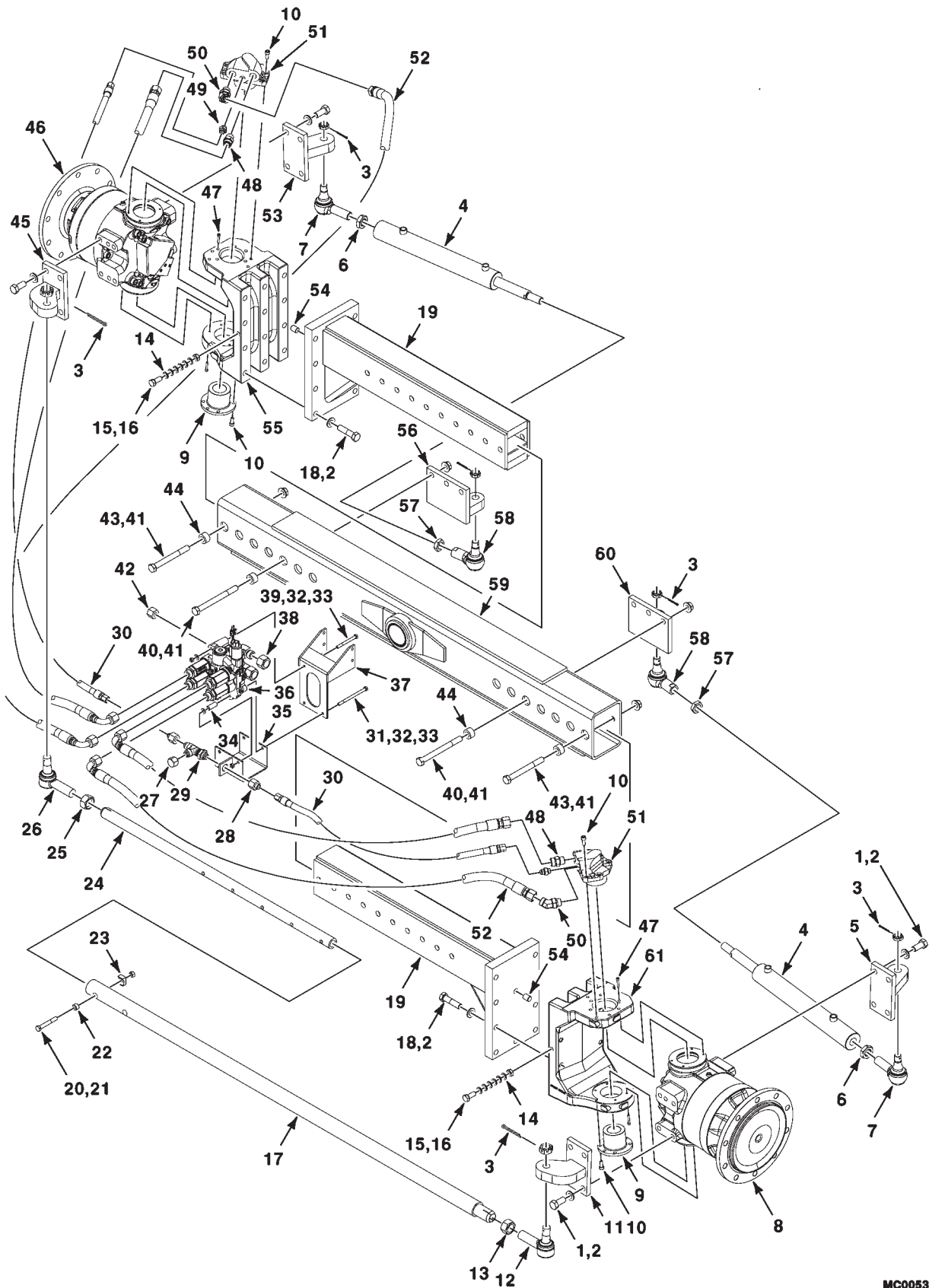
**AXLE ASSEMBLY  
REAR WHEEL ASSIST**

ITEM	NUMBER	QTY	DESCRIPTION
1	71397187	16	CAPSCREW, FULL THD, M20X2.5 X 45 CL10.9
2	70934704	32	WASHER-HARD 3/4
3	70925719	6	COTTER PIN, 1/8 X 2
4	71412520	2	CYLINDER-HYD, STEERING (SEE BREAKDOWN)
	700729562	1	KIT-SEAL
5	71412579	1	SUPPORT-CYLINDER, LH
6	71412518	2	JAM NUT-M26 X 1.5
7	71412519	2	ROD END
8	71412497	1	MOTOR-RWA, LH (SEE BREAKDOWN)
9	71396600	2	PIN-LOWER
10	71396601	18	M10X1.5X25 FTSHCS CL 12.9
11	71412522	1	SUPPORT-TIE ROD, LH
12	71412590	1	ROD END
13	71397184	1	1-1/4-12 LH JAM NUT
14	71397180	12	HFW 5/8
15	70926161	2	5/8-11 X 1-1/2 CAPSCREW GR8
16	W915240-4	2	5/8-11 NUT-HALF GR5
17	71412583	1	TIE ROD WA-OUTER
18	70950420	16	M20 X 2.5 X 80 CAPSCREW CL10.9 BP&O
19	71412578	2	STUB AXLE WA
20	70924746	2	1/2-13 X 3-1/2 CAPSCREW GR8 BP&O
21	70926946	2	1/2-13 NUT-LOCK
22	71397183	2	SPACER
23	71397182	2	CLAMP-HALF
24	71412584	1	TUBE-TIE ROD, INNER
25	71412506	1	1-1/4-12 JAM NUT
26	71412507	1	ROD END
27	700051701	1	CAP-1-1/16-12 JIC
28	700701744	2	FITTING 3/4 JIC X 1-1/16 JIC
29	70935181	1	FITTING-HYD, TEE
30	71412516	2	HOSE-HYDRAULIC
31	70922760	2	3/8-16 X 5-1/2 CAPSCREW
32	705657	3	3/8 NARROW PLAIN WASHER
33	7704141	3	NUT, HEX TOP LOCK, 3/8-16
34	852684	2	SPACER
35	71412585	1	SUPPORT-HYDRAULIC
36	71412587	1	VALVE ASSEMBLY-RWA (SEE BREAKDOWN)
37	71412586	1	SUPPORT WA-VALVE
38	71412513	2	CAP-16 ORS
39	70921324	1	3/8-16 X 3-3/4 CAPSCREW
40	70932863	6	3/4-10 X 8 CAPSCREW GR8 BP&O
41	71397179	14	3/4-10 HFSN GR8 PHOS
42	71412512	1	CAP-06 ORS
43	100801	8	3/4-10 X 7 CAPSCREW GR8
44	112253W1	14	SPACER-HARDENED
45	71412523	1	SUPPORT-TIE ROD, RH
46	71412498	1	MOTOR-RWA, RH (SEE BREAKDOWN)
47	71396605	16	M6X1.0X35 SCREW-SOCKET CL 12.9
48	71412510	2	ADAPTER

CONTINUED

MC00538  
PR: t06g24h33d0184

AXLE ASSEMBLY  
REAR WHEEL ASSIST



9895 COMBINE  
TRANSMISSION & AXLES

437

AXLE ASSEMBLY  
REAR WHEEL ASSIST

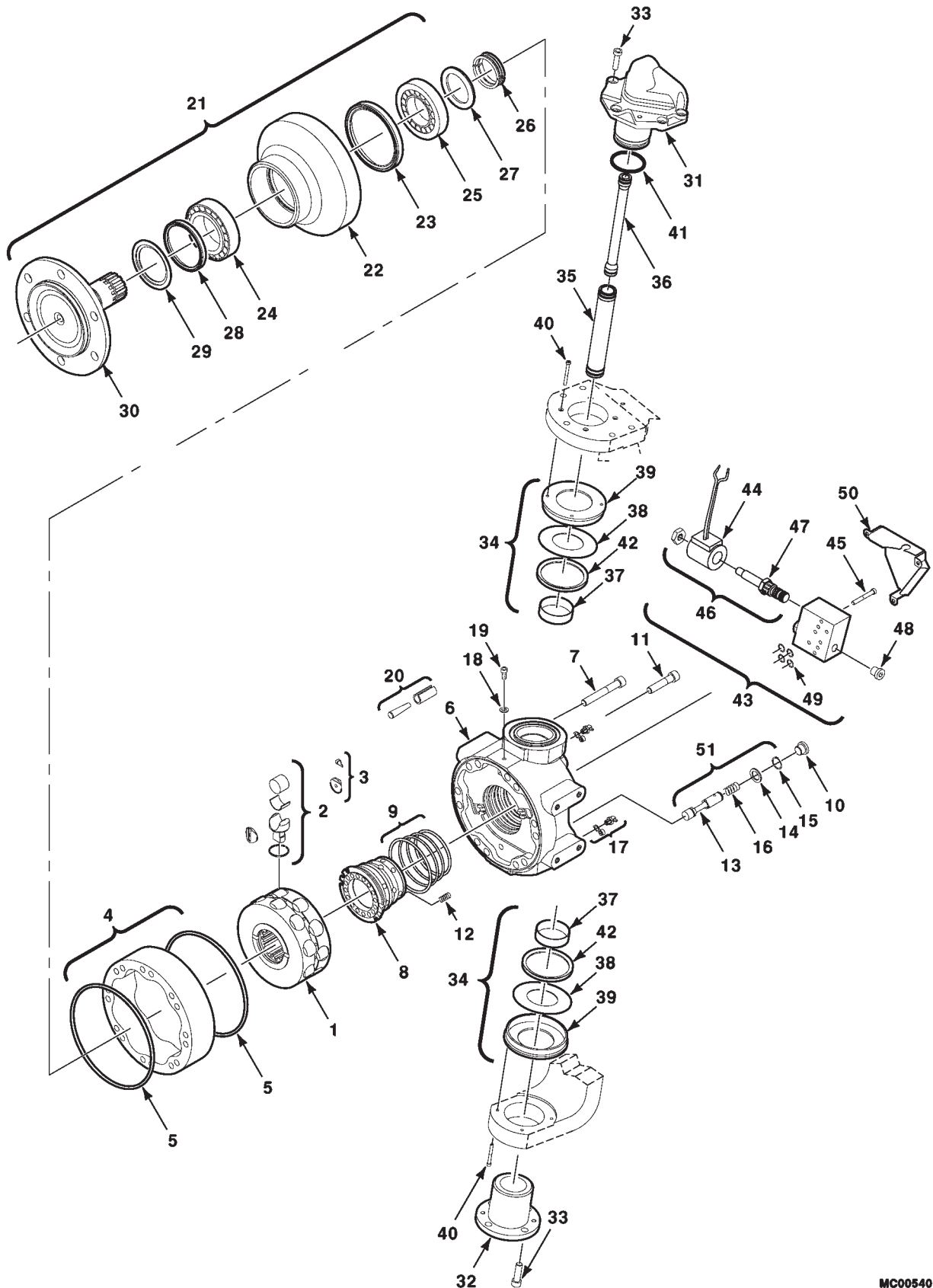
ITEM	NUMBER	QTY	DESCRIPTION
49	846337	1	CONNECTOR, STR, 3/4-16 JIC X ORB
	70921349	1	O-RING, .087 X .644 ID
50	71412511	2	ELBOW-45
51	71412524	2	PIN-UPPER
52	71412515	4	HOSE-HYDRAULIC
53	71412580	1	SUPPORT-CYLINDER, RH
54	71397186	4	PIN-DOWEL M20X26
55	71412525	1	CARRIER FRAME-LH
56	71412582	1	ANCHOR-CYLINDER, RH
57	71412521	2	JAM NUT-M30 x 1.5
58	71412517	2	ROD END
59	71412577	1	AXLE WA
60	71412581	1	ANCHOR-CYLINDER, LH
61	71412576	1	CARRIER FRAME-RH
62	79019509	1	SLEEVE (NOT ILLUSTRATED)
63	71412588	1	HARNESS-WIRE (NOT ILLUSTRATED)

MC00538

PR: t06g24h33d0184

9895 COMBINE  
TRANSMISSION & AXLES

WHEEL MOTOR UNIT  
REAR WHEEL ASSIST





**9895 COMBINE  
TRANSMISSION & AXLES**

439

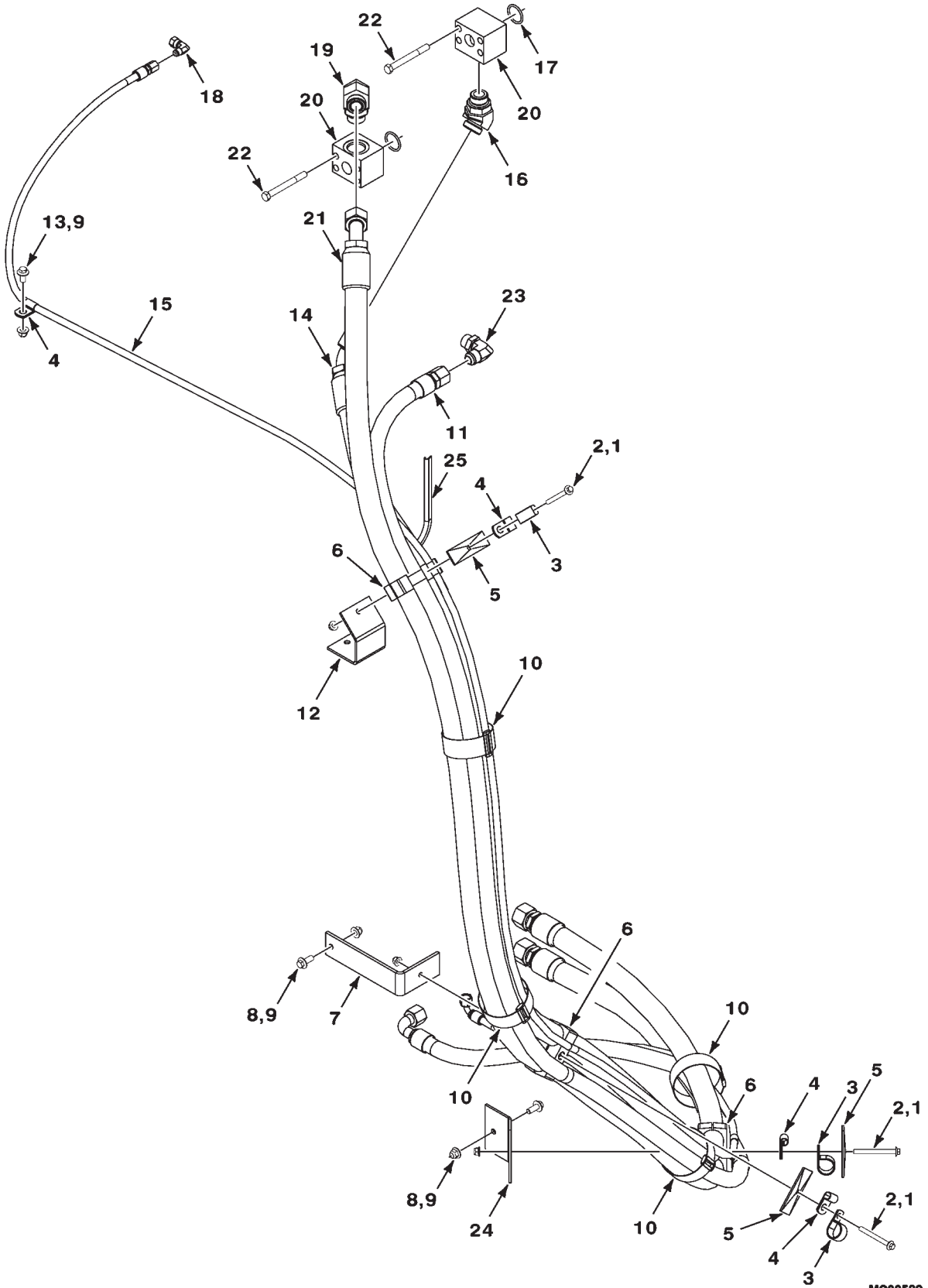
**WHEEL MOTOR UNIT  
REAR WHEEL ASSIST**

ITEM	NUMBER	QTY	DESCRIPTION
-	71412497	1	MOTOR ASY, RWA, LH (INCL. FOLLOWING)
-	71412498	1	MOTOR ASY, RWA, RH (INCL. FOLLOWING)
1	71412182	1	CYLINDER BLOCK ASSEMBLY
2	71361655	16	PISTON KIT
3	71412183	1	PISTON RETAINER KIT
4	71412184	1	CAM RING W/O-RINGS
5	71370241	2	O-RING-CAM RING
6	71412185	1	DISTRIBUTOR COVER
7	71412186	6	SHCS M16X2 X 250 GR 12.9
8	71412187	1	DISTRIBUTOR VALVE
9	71370244	1	DISTRIBUTOR SEAL KIT
10	71412783	1	PLUG - M33X2
11	71412189	4	SHCS M16X2 X 150 GR 12.9
12	1081159M1	9	SPRING
13	71412190	1	SPOOL
14	71412788	1	WASHER
15	71412191	1	SNAP RING
16	71412192	1	SPRING
17	71412193	2	GREASE ZERK, 90
18	71412194	1	BLEED SCREW WASHER
19	71412195	1	SHCS M10X1.5 X 10 GR8.8
20	71412196	1	SAFETY PIN
21	71412197	1	BEARING SUPPORT ASSEMBLY
22	71412198	1	BEARING SUPPORT
23	71412199	1	INNER SHAFT SEAL
24	71412200	1	BEARING (OUTER)
25	71412476	1	BEARING (INNER)
26	71412477	1	SPLIT RING
27	71412478	1	SHIM
28	71385814	1	GREASE SEAL
29	71385810	1	DEFLECTOR
30	71412481	1	SHAFT
31	71412524	1	PIN-UPPER
32	71396600	1	PIN-LOWER
33	71396601	9	SHCS M10X1.5 X 25 GR 12.9
34	71412496	2	SEAL KIT-PIVOT
35	71396606	1	PIPE-OUTER, W/SEALS
36	71396607	1	PIPE-INNER, W/SEALS
37	71396602	2	BUSHING
38	71396603	2	THRUST WASHER
39	71396604	2	SEAL COVER, PROTECTOR
40	71396605	8	SHCS M6X1.0 X 35 GR 12.9
41	71396608	1	SEAL - TOP PIN
42	71396609	2	ENVIRONMENTAL SEAL
43	71412480	1	VALVE ASM-PILOT, 2 SPEED
44	71412483	1	COIL-SOLENOID
45	71412484	4	SHCS M6X1.0 X 40 GR 12.9
46	71412488	1	SOLENOID
47	71412489	1	SEAL KIT-SOLENOID
48	71412490	1	PLUG - M18X1.5
49	70923841	4	O-RING, -8 ORS
50	71412492	1	COVER-PILOT VALVE
51	71412493	1	SPOOL KIT

MC00540  
PR: t06g24h33d0185

9895 COMBINE  
TRANSMISSION & AXLES

RWA PLUMBING



9895 COMBINE  
TRANSMISSION & AXLES

441

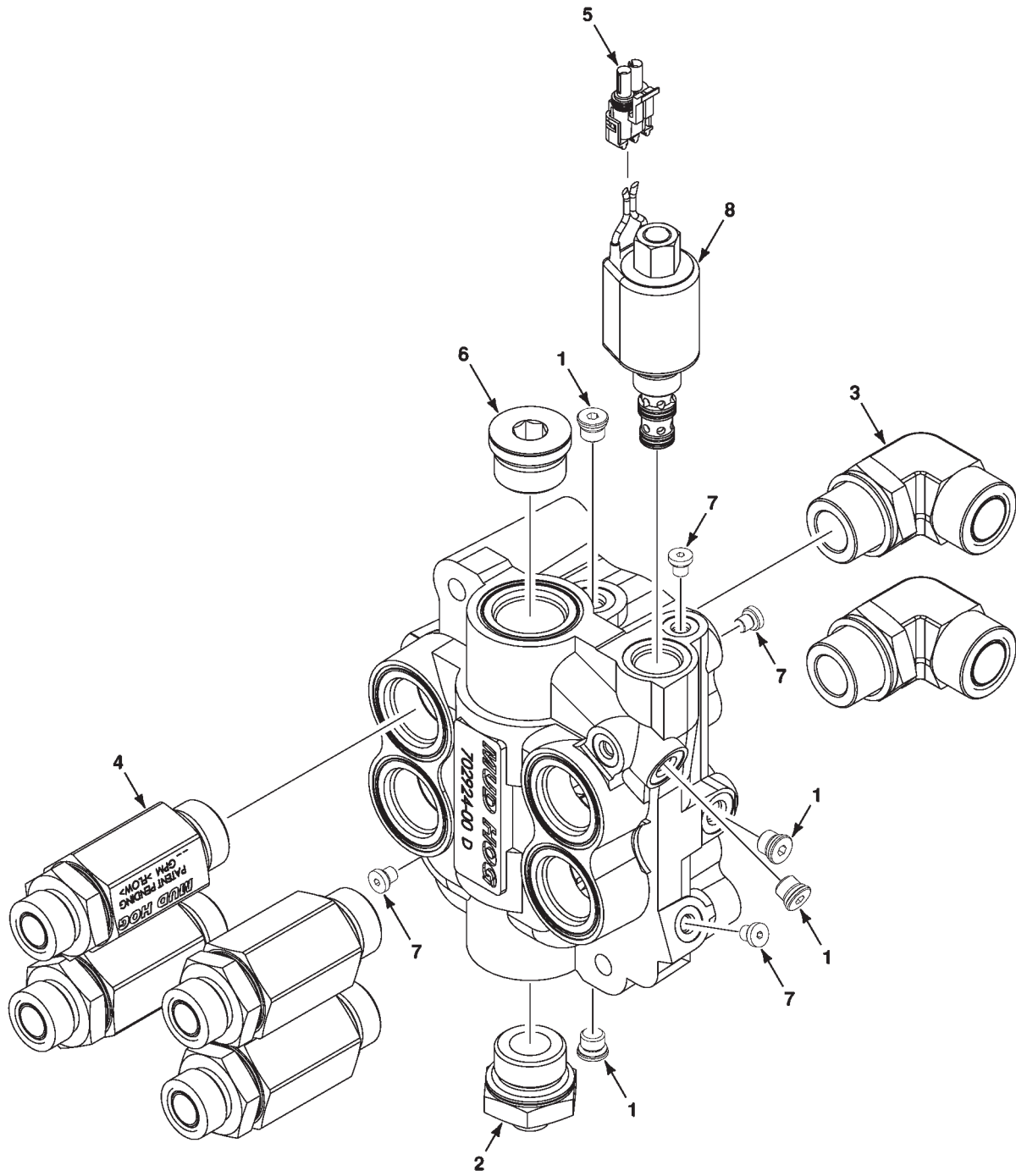
RWA PLUMBING

ITEM	NUMBER	QTY	DESCRIPTION
1	5000003X1	3	NUT, HEX FLANGE NYL LOCK, M8 X 1.25
2	3009204X1	3	BOLT, FLANGE, M8-1.25 X 80 CL10.9
3	700725832	3	CLAMP-LINE 1-1/8
4	700718046	4	CLAMP-LINE
5	101842M1	3	COVER PLATE-CLAMP
6	101841M1	3	CLAMP-DOUBLE HYDRAULICS
7	71411206	1	SUPPORT
8	3811720M1	2	BOLT, FLANGE, M10-1.5 X 25 CL10.9
9	5000004X1	3	NUT-LOCK, NYLON, M10 X 1.5
10	71412778	4	STRAP
11	71411214	1	HOSE-HYDRAULIC
12	71411205	1	SUPPORT
13	3009205X1	1	BOLT, FLANGE, M10-1.5 X 20 CL10.9
14	71411210	1	HOSE-HYDRAULIC
15	71411213	1	HOSE-HYDRAULIC
16	71410856	1	ADAPTER-45 DEGREE
17	70926533	1	O-RING 3.53X32.92
18	70921013	1	FITTING 9/16 JIC X 9/16 JIC
19	71410861	1	ELBOW-90 DEG
20	71410476	3	ADAPTER-90 16ORB 16OFS
21	71411209	1	HOSE-HYDRAULIC
22	773697	5	CAPSCREW, 7/16-14 X 4
23	70921203	1	ELBOW-90 DEG 1-1/16 JIC X 1-1/16 ORB
24	71411882	1	SUPPORT
25	700718444	1	TRIM

MC00539

PR: t06g24h33d0186

SELECTOR AND FLOW DIVIDER VALVE  
REAR WHEEL ASSIST



9895 COMBINE  
TRANSMISSION & AXLES

443

SELECTOR AND FLOW DIVIDER VALVE  
REAR WHEEL ASSIST

ITEM	NUMBER	QTY	DESCRIPTION
-	71412587	1	VALVE ASM, RWA
1	70928605	4	PLUG, 7/16-20 ORB
	70921883	1	O-RING, .072 X .351 I.D.
2	71412781	1	FITTING-M33 ORB X 11/16 ORS
3	71412782	2	FITTING-90 DEG
4	71412780	4	FLOW REGULATOR ASM
5	71412784	1	KIT-HARNESS REPAIR
6	71412783	1	PLUG
7	700706603	4	PLUG, 5/16-24 ORB
	70921881	1	O-RING, .064 X .239 I.D.
8	71412779	1	SOLENOID ASSEMBLY
	71412785	1	KIT-SEAL (NOT ILLUSTRATED)

MC00541

PR: t06g24h33d0187

444

9895 COMBINE  
TRANSMISSION & AXLES

WHEELS  
FRONT DRIVE

**ILLUSTRATION NOT  
AVAILABLE**

XXXXXXXX

**9895 COMBINE  
TRANSMISSION & AXLES**

**445**

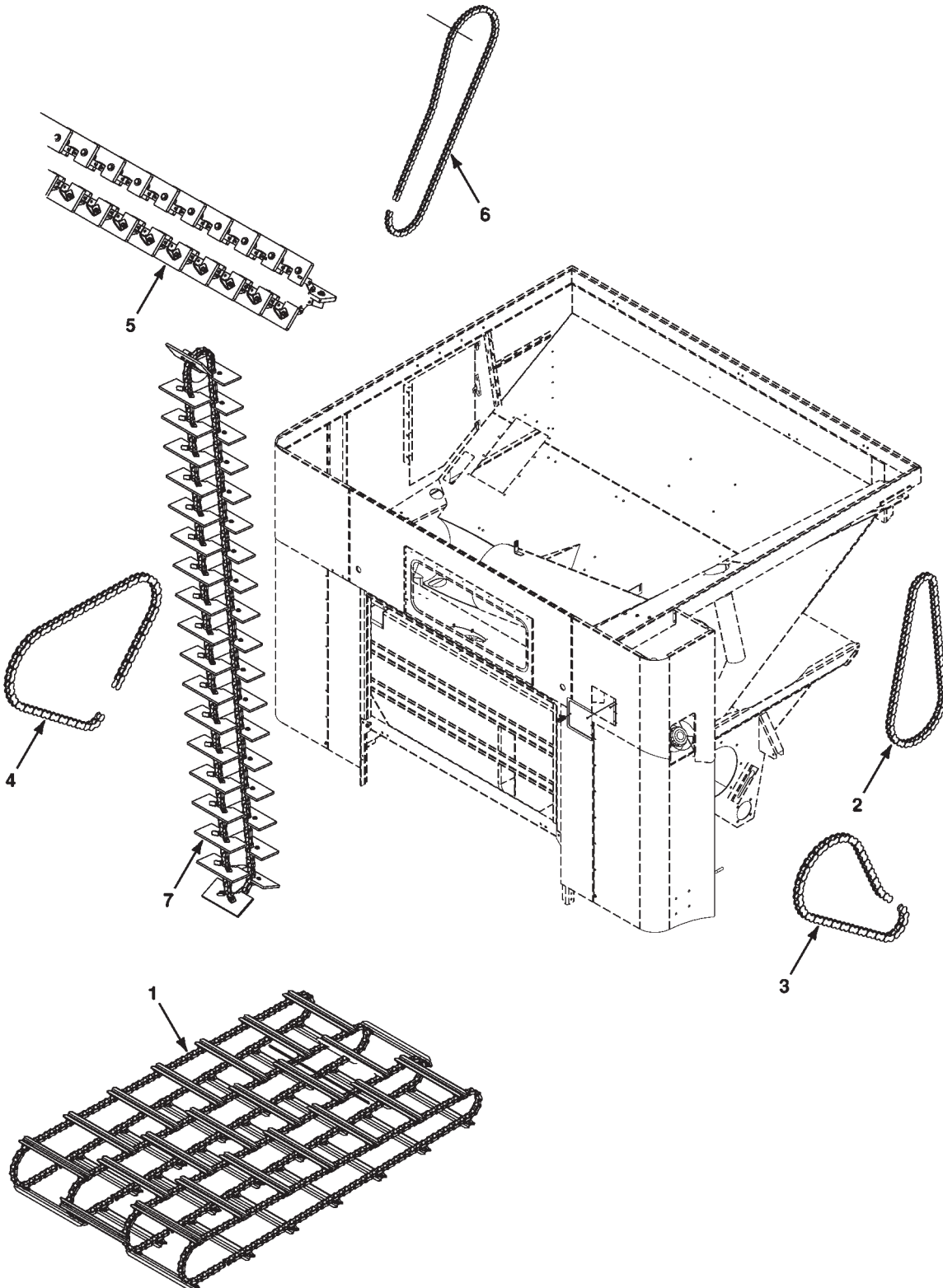
**WHEELS  
FRONT DRIVE**

ITEM	NUMBER	QTY	DESCRIPTION
-	71328912	2	WHEEL - FOR 16.9 X 34 TIRE
-	71384878	2	WHEEL - FOR INNER DUAL, 18.4R-42 TIRE
-	71398211	2	WHEEL - FOR INNER DUAL, 20.8R-38 TIRE
-	71396348	2	WHEEL - FOR INNER DUAL, 20.8R-42 TIRE
-	71370934	2	WHEEL - FOR INNER DUAL, 24.5 X 32 TIRE
-	71384879	2	WHEEL - FOR OUTER DUAL, 18.4R-42 TIRE
-	71398212	2	WHEEL - FOR OUTER DUAL, 20.8R-38 TIRE
-	71396349	2	WHEEL - FOR OUTER DUAL, 20.8R-42 TIRE
-	71370934	2	WHEEL - FOR OUTER DUAL, 24.5 X 32 TIRE
-	71401766	2	WHEEL - FOR 800/65R-32 TIRE
-	71401735	2	WHEEL - FOR 900/60R-32 TIRE
-	71396374	2	WHEEL - FOR 1050/50R-32 TIRE
-	71401735	2	WHEEL - FOR 900/65R-32 TIRE
-	71407488	2	WHEEL - FOR 76X50X32 TIRE

XXXXXXXX

PR: t06g24h33d0188

CHAINS  
DRIVE





**9895 COMBINE  
DRIVES**

447

**CHAINS  
DRIVE**

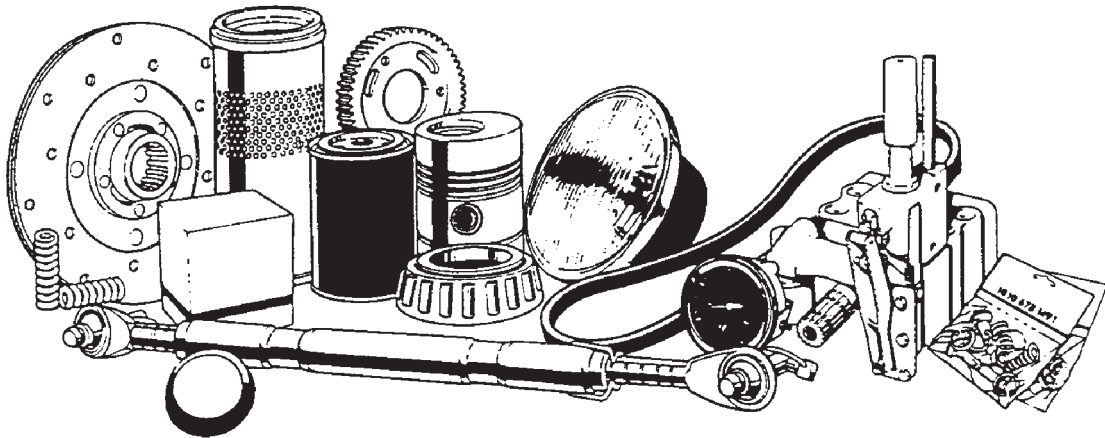
ITEM	NUMBER	QTY	DESCRIPTION
1	71449025	1	CHAIN ASY, FEEDER CONVEYOR, W/SLATS
	71449016	2	CHAIN ASY, CONVEYOR, CENTER
	71449015	2	CHAIN ASY, CONVEYOR, SIDE
	71149894	AR	LINK, ATTACHING
	70937300	AR	LINK, ROLLER
	71149896	AR	LINK, OFFSET, INCL. PIN & LOCKNUT
	71149895	AR	LINK, COUPLING
	Y704395	AR	NUT, NYLON LOCK, 1/4-20
	71411426	42	SLAT, FEEDER CHAIN
	70937603	168	CAPSCREW, LOCKING, 1/2-13 X 3/4 GR8
70928512	168	NUT, 1/2-13 REG GR8	
2	-----	1	CHAIN ASY, REVERSER DRIVE (72 PITCHES) (INCL. FOLLOWING 2 ITEMS)
	71449019	1	CHAIN ASY, #60, 71 PITCHES
3	70914584	1	CONNECTOR LINK, #60 CHAIN
	71410789	1	CHAIN, ROLLER #80, BIN CROSS AUGER
4	Y85712	1	CONNECTOR LINK, #80 W/COTTER PIN
	71407328	1	CHAIN ASY, BIN UNLOADING AUGER
5	Y85712	1	CONNECTOR LINK, #80 W/COTTER PIN
	71406795	1	CHAIN ASY, RETURN ELEV. CONVEYOR
	329951M91	1	CONNECTOR LINK
	70927035	2	OFFSET LINK
	2605880W91	29	LINK, ATTACHING, PAIR
	W1511670	29	CUP, FLIGHT
	70921333	58	CAPSCREW, 5/16-18 X 1
	70923362	58	NUT, CENTER LOCK, 5/16-18
	70917642	58	WASHER, 5/16, WIDE
	2635690W1	58	SPACER SLEEVE
6	-----	1	CHAIN ASY, BIN FILL AUGER, 71.25" LG (SERVICE W/ FOLLOWING 2 ITEMS)
	840327M91	1	ROLLER CHAIN ASY, #50, 10' LENGTH
7	70913682	1	CONNECTOR LINK, #50 W/SPRING CLIP
	71409422	1	CHAIN ASY, GRAIN ELEV. CONVEYOR
	71409423	1	CHAIN ASY, W/O SCRAPERS
	71149388	37	LINK ASY, ATTACHING
	70927036	1	CONNECTOR LINK
	70927035	2	OFFSET LINK
	71364946	37	SCRAPER, GRAIN ELEV.
	70917377	74	WASHER, 1/4 WIDE
	Y704395	74	NUT, NYLON LOCK, 1/4-20
	70921960	74	CAPSCREW, 1/4-20 X 1 GR5

MC00548

PR: t06g24h33d0189

RECOMMENDED DEALER STOCK

# RECOMMENDED DEALER STOCK



9895 COMBINE  
RECOMMENDED DEALER STOCK

449

RECOMMENDED DEALER STOCK

ITEM	NUMBER	QTY	DESCRIPTION
-	71371520	13	CYLINDER BAR, .75 CHROME
-	71371526	1	CYL BAR, REVERSE, .75 CHROME
-	71378577	1	CYL BAR, LONG, FWD .75 CHROME
-	1907162M1	1	BATTERY
-	711770	3	BEARING
-	71154722	2	BEARING, BALL
-	71398331	1	BEARING, BALL
-	71335184	2	BEARING
-	8050866	1	BEARING, CAM FOLLOWER
-	71308951	2	BEARING, BALL, W/COLLAR
-	71365065	1	BEARING
-	70590709	1	BEARING, BALL, W/COLLAR
-	71308984	1	BEARING, BALL, W/COLLAR
-	71122510	1	BEARING, SPH (W/COLLAR)
-	K4037	1	BEARING
-	71309117	1	BEARING, 1-1/4
-	71308770	1	BEARING
-	227455M1	1	BELT, PRIMARY DR, SPREADER
-	1680230W1	1	BELT, SECONDARY DRIVE
-	71410767	1	BELT, BIN UNLOADER
-	71406339	1	BELT, CHOPPER
-	71398384	1	BELT, BEATER TO JACKSHAFT
-	71399519	1	BELT, FIXED SPEED C'SHAFT DRIVE
-	71398388	1	BELT, DRIVE
-	71407841	1	BELT, FAN
-	71399505	1	BELT, VS HEADER DRIVE
-	71403721	1	BELT, MAIN C'SHAFT
-	71406338	1	BELT, PRIMARY, CHOPPER DRV.
-	71406286	1	BELT, PROPEL PUMP
-	71406285	1	BELT, REAR PUMP
-	71388216	1	BELT, BEATER DR
-	71390199	1	BELT, PITMAN DR
-	71385801	1	BELT, RTN. ELEV.
-	71409522	1	BELT, ROTARY SCREEN
-	71403685	1	BELT, CLEAN GRAIN DRV.
-	71186814	1	BREATHER ASY
-	71397443	1	BULB, LIGHT
-	700725576	1	BULB, 12V
-	700722351	1	BULB, HALOGEN
-	700709666	1	BUMPER
-	71356060	5	BUSHING
-	71380460	1	BUSHING
-	71370121	2	SPACER, ARM
-	71382257	1	BUSHING, CHOPPER BLADE
-	71354306	1	BUSHING, SPINDLE
-	71400413	1	CAP, RADIATOR
-	71396423	1	CAP, FUEL

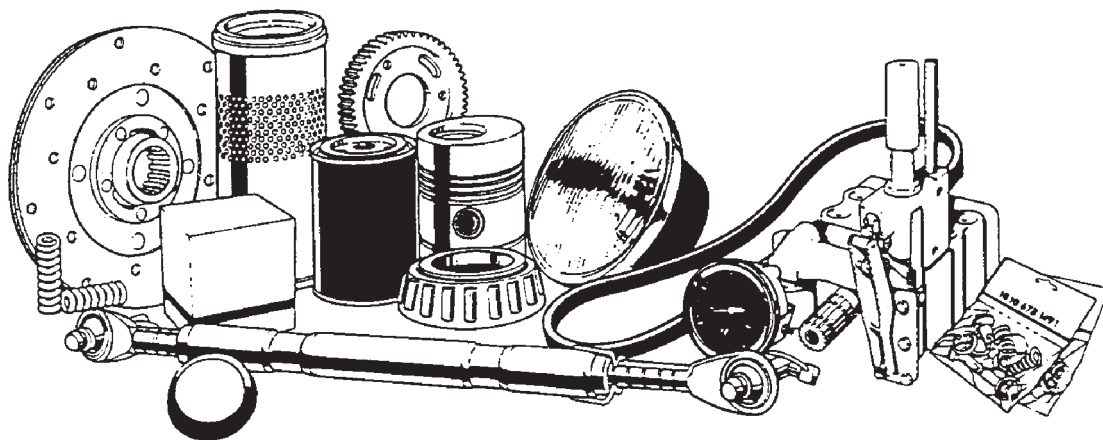
CONTINUED

NOTE: THIS LIST INDICATES THOSE ITEMS  
RECOMMENDED TO SERVICE 5 UNITS.

RDL  
PR: t06g24h33d0190

RECOMMENDED DEALER STOCK

# RECOMMENDED DEALER STOCK



**9895 COMBINE  
RECOMMENDED DEALER STOCK**

451

**RECOMMENDED DEALER STOCK**

ITEM	NUMBER	QTY	DESCRIPTION
-	71449025	1	CHAIN ASM, FEED
-	71409422	1	CHAIN ASY, GRAIN
-	71406795	1	CHAIN ASY, RTN
-	71449019	1	CHAIN, FEEDER
-	71449016	1	CHAIN ASY, CONVEYOR, CENTER
-	71449015	1	CHAIN ASY, CONVEYOR, SIDE
-	71409423	1	CHAIN, GRAIN ELEVATOR
-	71407328	1	CHAIN, ROLLER #80
-	71410789	1	CHAIN, ROLLER #80, 57" LG
-	70327382	1	CONE, BEARING
-	74254700	1	CONE, BEARING
-	70327997	1	CUP, BEARING
-	71409552	1	ELEMENT, AIR-PRIMARY
-	71409553	1	ELEMENT, AIR-SAFETY
-	71363526	1	EYEBOLT, 5/8-11 THD.
-	70537291	2	FASTENER
-	104309W91	5	FILTER, HYD
-	CH1R-0762	1	FILTER ASY, FUEL (PRIMARY)
-	CH1R-0771	1	FILTER ASY, FUEL (WATER SEP)
-	71391153	1	FILTER, AIR
-	71393893	2	FILTER, AIR
-	504594D1	1	FILTER, ENGINE OIL
-	712612B	2	FLANGE
-	Y710293	1	FLANGE
-	714360	1	FLANGE
-	71127313	3	FLANGE, BEARING
-	71192243	1	FLANGE, BEARING
-	71370634	2	FLANGETTE, 72MM
-	71393101	3	FLIGHT, WEAR
-	70937606	1	FUSE, 10 AMP
-	70937607	1	FUSE, 15 AMP
-	70937608	1	FUSE, 20 AMP
-	70937609	1	FUSE, 25AMP
-	70937610	1	FUSE, 30 AMP
-	70937605	1	FUSE, 5 AMP
-	700721620	1	FUSE, 3 AMP
-	70226012	1	GASKET, DRAIN
-	71314321	1	BRUSHHOLDER ASY
-	71309768	1	IDLER, BELT DRIVE
-	71308156	1	IDLER, FLAT, FLANGED, 8.0 DIA
-	2554761W91	2	IMPELLER
-	71393474	1	KEY, DOOR
-	71382269	4	KNIFE, STATIONARY
-	700714528	1	LATCH, 90 DEG TURN
-	71149894	1	LINK, ATTACHING
-	71149895	4	LINK, COUPLING
-	70927036	1	LINK, CONNECTOR
-	71149896	4	LINK, OFFSET

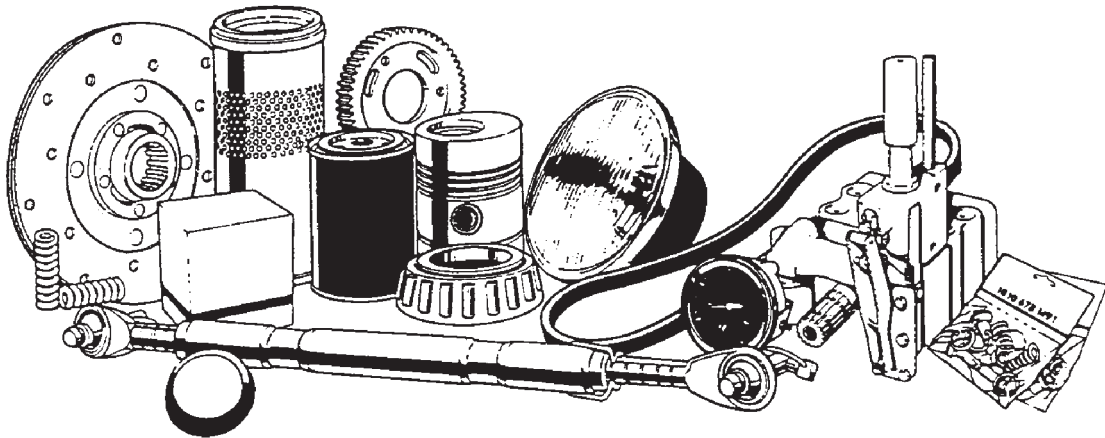
CONTINUED

NOTE: THIS LIST INDICATES THOSE ITEMS  
RECOMMENDED TO SERVICE 5 UNITS.

RDL  
PR: t06g24h33d0190

RECOMMENDED DEALER STOCK

# RECOMMENDED DEALER STOCK



9895 COMBINE  
RECOMMENDED DEALER STOCK

453

RECOMMENDED DEALER STOCK

ITEM	NUMBER	QTY	DESCRIPTION
-	70927035	2	LINK, OFFSET
-	70937300	1	LINK, ROLLER
-	70914584	1	LINK, CONNECTOR #60 CHAIN
-	70923816	1	O-RING
-	71341450	5	PADDLE
-	71391567	1	PIN, GUIDE HEX HD
-	700714529	1	RECEPTACLE
-	71398820	1	RELAY
-	71396971	1	RELAY, 20 AMP
-	71378104	1	RELAY, 40 AMP
-	71396970	1	RELAY, 40 AMP
-	72160919	1	RELAY, 40 AMP
-	71390323	1	RELAY, 70 AMP
-	1114720W1	1	ROD
-	71364946	1	SCRAPER
-	79021668	1	THREAD LOCKER, HIGH STRENGTH
-	71391021	1	SENSOR ASY, TWO WIRE
-	71383914	1	SENSOR, ROTOR & FAN SPEED
-	71375911	1	SENSOR, BIN LEVEL
-	71376825	1	SENSOR, POSITION
-	71372720	1	SENSOR, PROXIMITY
-	71356061	1	SPACER
-	71345898	1	SPACER, HUB
-	71370926	1	SPACER
-	71375335	2	SPRING
-	2571510W1	1	SPROCKET
-	7087398	1	SPROCKET, IDLER
-	71370496	4	STOP, ARM, FEEDER HOUSING
-	293765M1	1	SWITCH, MOMENTARY
-	71332011	1	UNION, ROTATING
-	2442770W1	1	VANE, GUIDE, 7 HOLE

NOTE: THIS LIST INDICATES THOSE ITEMS  
RECOMMENDED TO SERVICE 5 UNITS.

RDL  
PR: t06g24h33d0190





©AGCO Corporation, 2006. All rights reserved.  
Printed in U.S.A.

Publication No. 651799M2 (English)  
November, 2006