

# **9690 Combine Parts Catalog**

**Eff. S/N HM87101**



**ALPHABETICAL INDEX**

The complete alphabetical index appears at the beginning of this publication. It is used to locate major groups, assemblies and components.

**NUMERICAL INDEX**

The numerical index of this publication follows the Alphabetical Index at the beginning of the publication and indicates which page a part number appears.

**ILLUSTRATIONS**

All illustrations are located on the left hand page with the text on the right. Except for some common hardware, all parts are identified with an item number which corresponds to the "item" column on the text page. This is followed by the parts number, quantity and description.

**HARDWARE**

Common hardware not identified such as bolts, nuts, cotter pins and lube fittings, are listed indented in the text beneath the item to which they attach or fit. Common hardware listed indented beneath an item is NOT included unless specified. Example: (Incl. BOLT, LOCKWASHER AND NUT).

**ORDERING PARTS**

Be sure to refer to both the text and the illustration to assure ordering the correct part.

**RECOMMENDED DEALER STOCK**

A recommended dealer stock listing appears at the end of this publication.



**CAB**

AIR CONDITIONER COMPRESSOR (SANDEN).....	207
AIR CONDITIONER LINES .....	205
BRAKE MASTER CYLINDER .....	171
CONSOLE - SEAT .....	165
CONTROL GEARSHIFT .....	175
CONTROL PARK BRAKE & HYDRO PROPEL CABLE .....	173
CONTROL SERVICE BRAKES .....	169
CONTROL STEERING COLUMN .....	177
DECK EXTENSION 145" TREAD AND DUALS .....	153
FRAME & MOUNTING .....	137
HEATER LINES (EFF. S/N HR87101) .....	211
HEATER LINES (PRIOR S/N HR87101).....	209
HVAC BLOWER ASY. EVANS TEMPCON (PRIOR S/N HS87---).....	201
HVAC CONTROL PANEL (EFF. S/N HS87101).....	195
HVAC CONTROL PANEL (PRIOR S/N HS87---).....	193
HVAC PRESSURIZER UNIT & DUCTING .....	191
HVAC PRESSURIZER UNIT EVANS-TEMPCON (EFF. S/N HS87---).....	203
HVAC PRESSURIZER UNIT EVANS-TEMPCON (PRIOR S/N HS87---) .....	197
INTERIOR COVERINGS & TRIM LOWER AND REAR .....	145
INTERIOR COVERINGS & TRIM UPPER AND FRONT .....	143
LH DOOR INTERIOR & EXTERIOR HANDLES .....	141
MIRRORS & EXTREMITY LIGHTS MANUAL & ELECTRIC ADJUST .....	159
PIVOTING LADDER LH .....	151
PLATFORM LEFT & RIGHT .....	149
ROOF & INTERIOR/EXTERIOR LIGHTS .....	163
SEAT BASE & SUSPENSION .....	183
SEAT CUSHION AND BACKREST .....	187
SEAT OPERATOR & INSTRUCTOR .....	181
STAIRCASE LADDER & PLATFORM .....	155
STEERING COLUMN .....	179
WINDOWS AND DOORS .....	139
WINDSHIELD WIPER .....	161

**CHOPPER & SPREADER**

CHAFF SPREADER FAN HOUSING, REKORD (EFF. S/N HS87101) .....	399
CHAFF SPREADER FAN HOUSING, REKORD (PRIOR S/N HS87101) .....	397
CHAFF SPREADER HYDRAULIC DRIVE (EFF. S/N HS87101) .....	395
CHAFF SPREADER HYDRAULIC DRIVE (PRIOR S/N HS87101) .....	393
CHAFF SPREADER HYDRAULICS, REKORD .....	401
JACKSHAFT DRIVE .....	363
STRAW CHOPPER DRIVE .....	367
STRAW CHOPPER DRIVE KIT HEAVY DUTY .....	371
STRAW CHOPPER HOOD & SUPPORTS .....	381
STRAW CHOPPER HOUSING REDEKOP .....	373
STRAW CHOPPER ROTOR .....	377
STRAW SPREADER COMPONENTS .....	387
STRAW SPREADER DRIVE .....	383

**DECALS & LABELS**

LEFT SIDE & FRONT LABELS (EFF. S/N HS87101) .....	41
LEFT SIDE & FRONT LABELS (PRIOR S/N HS87101) .....	37
RIGHT SIDE & REAR LABELS (EFF. S/N HS87101) .....	43
RIGHT SIDE & REAR LABELS (PRIOR S/N HS87101) .....	39

**DRIVES**

BELTS LEFT .....	683
BELTS RIGHT .....	685
CHAINS DRIVE .....	687

**ELECTRICAL**

ALTERNATOR - 150 AMP .....	225
ALTERNATOR DELCO #1117965 .....	253
BEACON LIGHTS FIELD KIT .....	245
CAB COMPONENTS CONTROLS & SWITCHES .....	229

**ELECTRICAL (CONTINUED)**

CAB COMPONENTS FUSE PANEL & HYDRO HANDLE .....	233
CAB COMPONENTS RADIO AND ANTENNA .....	237
CAB COMPONENTS UPPER CONSOLE .....	235
ELECTRICAL HARNESSSES & SWITCHES FRONT .....	215
ELECTRICAL HARNESSSES REAR .....	243
ENGINE & BATTERY WIRING (EFF. S/N HR87101) .....	221
ENGINE & BATTERY WIRING (PRIOR S/N HR87101) .....	217
FEEDER ELECTRICAL .....	213
GRID HEATER (PRIOR S/N HR87101) .....	227
HARNESSSES & LIGHTING GRAIN BIN .....	241
HIGH INTENSITY LIGHTING FIELD KIT .....	247
MONITORING SYSTEMS DIGITAL TACHOMETER .....	239
SERVICE CONNECTORS HARNESS REPAIR .....	255
STARTER MOTOR .....	249

**ENGINE**

AIR CLEANER CUMMINS QSC ENGINE .....	97
AIR INTAKE AND EXHAUST CUMMINS QSC ENGINE (PRIOR S/N HR87101) .....	93
AIR INTAKE AND EXHAUST SISU ENGINE (EFF. S/N HR87101) .....	99
ALTERNATOR & MOUNTING SISU .....	83
CAMSHAFT AND VALVE TRAIN SISU .....	61
CENTRIFUGAL OIL CLEANER SISU .....	73
COOLING FAN DRIVE KIT, CUMMINS (PRIOR S/N HR87101) .....	91
COOLING SYSTEM (PRIOR S/N HR87101) .....	109
COOLING SYSTEM, SISU (EFF. S/N HR87101) .....	113
CRANKSHAFT SISU .....	59
CYLINDER BLOCK SISU .....	53
CYLINDER HEAD SISU .....	63
DRIVE BELT SYSTEM SISU .....	87
ENGINE & MOUNTS CUMMINS (PRIOR S/N HR87101) .....	45
ENGINE & MOUNTS SISU (EFF. S/N HR87101) .....	49
ENGINE ELECTRICAL SISU .....	81
ENGINE OVERHAUL KITS SISU .....	89
FLYWHEEL AND HOUSING SISU .....	57
FRONT GEAR HOUSING SISU .....	55
FUEL FILTER & LINES KIT (EAST EUROPE)(PRIOR MID-PRODN S/N HR87-) .....	135
FUEL FILTER OPTION (EFF. S/N HR87- STRAINER MOUNT ON ELEV.) .....	133
FUEL FILTERS SISU .....	79
FUEL LINES (EFF. S/N HR87- STRAINER MOUNT ON ELEV.) .....	131
FUEL LINES (STRAINER MOUNT AT FUEL TANK) .....	127
INJECTOR PUMP SYSTEM SISU .....	77
INTAKE & EXHAUST MANIFOLD SISU .....	65
MAIN ENGINE DRIVES .....	103
OIL COOLER & FILTER SISU .....	71
OIL SUMP & PUMP SISU .....	69
RADIATOR SLINGER .....	119
ROTARY SCREEN DOOR & SCREEN (PRIOR S/N HR87101) .....	121
ROTARY SCREEN DOOR & SCREEN, SISU (EFF. S/N HR87101) .....	123
ROTARY SCREEN MOTOR & DRIVE, SISU (EFF. S/N HR87101) .....	125
STARTER MOTOR SISU .....	85
TURBOCHARGER SISU .....	67
WATER PUMP SYSTEM SISU .....	75

**FEEDER**

CONVEYOR (EFF. S/N HP87101) .....	299
CONVEYOR (PRIOR S/N HP87101) .....	297
COUNTERSHAFT HEADER DRIVE (PRIOR S/N HP87101) .....	291
COUNTERSHAFT VARIABLE & FIXED SPEED HEADER DRIVE (EFF. S/N HP87101) .....	293
FEED FLOOR .....	271
FEEDER REVERSER DRIVE & HYDRAULICS (EFF. S/N HP87101) .....	303
FEEDER REVERSER LINES & FITTINGS (PRIOR S/N HP87101) .....	301
HOUSING & SHIELDS (EFF. S/N HP87101) .....	263
HOUSING & SHIELDS (PRIOR S/N HP87101) .....	259
HYDRAULIC LINES V.S. HEADER DRIVE (EFF. S/N HP87101-HR87999) .....	285

**FEEDER (CONTINUED)**

HYDRAULIC LINES V.S. HEADER DRIVE (EFF. S/N HS87101) .....	287
JACK .....	269
JACKSHAFT & C'SHAFT DRIVE IDLER FIXED SPEED HEADER DRIVE (EFF. S/N HP87101) .....	289
JACKSHAFT & V.S. IDLER V.S. HEADER DRIVE (EFF. S/N HP87101) .....	283
JACKSHAFT DRIVE R.H. FEEDERHOUSE (EFF. S/N HP87101) .....	281
LATCH HEADER .....	295
LH PIVOT DRIVE (EFF. S/N HP87101) .....	277
PIVOT SHAFT (EFF. S/N HP87101) .....	275
PIVOT SHAFT (PRIOR S/N HP87101) .....	273
REVERSER MOTOR & CLUTCH COMPONENTS (PRIOR S/N HP87101) .....	305
REVERSER MOTOR CLUTCH HOUSING & SHAFT ASSEMBLY (EFF. S/N HP87101) .....	307
REVERSER MOTOR TORQUE MOTOR ASY. (EFF. S/N HP87101) .....	309
RH DRIVE (PRIOR S/N HP87101) .....	279

**FIELDSTAR II SYSTEM**

SOFTWARE/DATA CARD .....	693
YIELD MONITOR SYSTEM W/ 1 HZ WAAS DGPS .....	689

**GRAIN BIN & ELEVATOR**

BIN EXTENSIONS .....	493
FUEL TANKS .....	495
GRAIN BIN LOWER STRUCTURE .....	479
GRAIN BIN UPPER STRUCTURE & MOUNTS .....	485
GRAIN ELEVATOR BIN FILL AUGER .....	439
GRAIN ELEVATOR HEAD ASSEMBLY .....	437
GRAIN ELEVATOR LOWER .....	433
RETURN ELEVATOR DRIVE .....	457
RETURN ELEVATOR LOWER (EFF. S/N HP87101) .....	447
RETURN ELEVATOR LOWER (PRIOR S/N HP87101) .....	443
RETURN ELEVATOR UPPER .....	451
STAINLESS STEEL ELEVATOR PACKAGE RICE .....	455
UNLOADER DRIVE .....	475
UNLOADING AUGER LOWER .....	459
UNLOADING AUGER UPPER .....	471
UNLOADING AUGER VERTICAL EFFECTIVE S/N HN87101 .....	467
UNLOADING AUGER VERTICAL PRIOR S/N HN87101 .....	463

**HYDRAULICS**

ACCUMULATOR PARKER .....	579
CONTROL VALVE & LINES (EFF. S/N HS87101) .....	557
FEEDER REVERSER VALVE .....	593
GREASE LINES .....	615
HEADER LIFT CYLINDERS .....	581
HEADER LIFT VALVE .....	589
HEADER SUPPLY PLUMBING (EFF. S/N HS87101) .....	567
PRIORITY VALVE .....	585
PROPEL PUMP AND MOTOR LINES .....	613
REEL DRIVE VALVE (PRIOR S/N HS87101) .....	597
REEL FORE/AFT, EXPORT (EFF. S/N HS87101) .....	569
REEL LIFT VALVE .....	591
RESERVOIR & FILTER .....	607
ROTARY SCREEN MOTOR LINES (PRIOR S/N HS87101) .....	601
ROTARY SCREEN VALVE & MOTOR .....	599
ROTOR PUMP AND MOTOR LINES .....	611
STEERING & HEADER FUNCTIONS (EFF. S/N HS87101) .....	565
STEERING & HEADER FUNCTIONS (PRIOR S/N HS87101) .....	551
STEERING CYLINDER RWA AXLE .....	577
STEERING CYLINDER STD. ADJUSTABLE AXLE (EFF. S/N HP87101) .....	575
STEERING CYLINDER STD. ADJUSTABLE AXLE (PRIOR S/N HP 87101) .....	573
STEERING UNIT PLUMBING (EFF. S/N HS87101) .....	571
UNLOADER ENGAGE LINES .....	603
UNLOADER ENGAGE VALVE .....	605
UNLOADER SWING CYLINDER .....	583

**HYDRAULICS (CONTINUED)**

UNLOADER SWING VALVE .....	595
VALVE ASY, HYDRAULIC (EFF. S/N HS87101) .....	561
VALVE ASY, MAIN CONTROL (EFF. S/N HS87101) .....	563
VALVE STACK, MAIN CONTROL (PRIOR S/N HS87101) .....	587

**LATERAL TILT**

ANCHORS & SENSOR .....	315
HOUSING .....	311
HYDRAULIC CYLINDER (EFF. S/N HN87101) .....	319
HYDRAULIC CYLINDER (PRIOR S/N HN87101) .....	317
HYDRAULICS .....	321
VALVE & CONTROL .....	323

**PROCESSOR**

CONCAVE & CONTROLS .....	337
FRONT BEATER .....	325
FRONT BEATER DRIVE BELT & IDLER .....	331
INLET HOUSING AND STONE TRAP .....	333
MAIN COUNTERSHAFT .....	327
MAIN COUNTERSHAFT DRIVE AND IDLER .....	329
POWER CONCAVE CONTROL .....	343
REAR ROTOR HOUSING .....	345
ROTOR .....	355
ROTOR DRIVE 2-SPEED GEARBOX .....	361
ROTOR DRIVE GEARBOX SHIFT LINKAGE .....	359
SEPARATOR GRATE SUPPORTS RICE .....	353
SEPARATOR GRATES .....	349

**RECOMMENDED DEALER STOCK**

RECOMMENDED DEALER STOCK .....	695
--------------------------------	-----

**SEPARATOR**

GRAIN ELEVATOR DRIVE (EFF. S/N HP87101) .....	431
GRAIN ELEVATOR DRIVE (PRIOR S/N HP87101) .....	429
LOWER AUGER HOUSING AND FANNING MILL .....	403
PITMAN DRIVE (EFF. S/N HS87101) .....	427
PITMAN DRIVE (PRIOR S/N HS87101) .....	425
PITMAN SHAFT (EFF. S/N HS87101) .....	417
SEPARATOR PAN (EFF. S/N HS87101) .....	415
SEPARATOR PAN (PRIOR S/N HS87101) .....	411
SHAKER SHOE AND SIEVES .....	419
VARIABLE SPEED FAN DRIVE .....	409

**SHIELDS**

CONTROL VALVE & LINES SISU ENGINE (EFF. S/N HR87101-HR87999) .....	547
ENGINE COVERS .....	497
HYDRAULIC PUMP & LINES (PRIOR S/N HR87101) .....	535
HYDRAULIC PUMP & LINES SISU ENGINE (EFF. S/N HR87101) .....	543
MUD SHIELDS LEFT SIDE (EFF. S/N HP87101) .....	531
MUD SHIELDS LEFT SIDE (PRIOR S/N HP87101) .....	525
MUD SHIELDS RIGHT SIDE (EFF. S/N HS87101) .....	523
MUD SHIELDS RIGHT SIDE (PRIOR S/N HS87101) .....	519
PUMP, SYSTEM (EFF. S/N HR87101) .....	545
PUMP, SYSTEM PRIOR S/N HR87101) .....	541
REAR DECK AND LADDER .....	503
SIDE SHIELDS LEFT SIDE .....	507
SIDE SHIELDS RIGHT SIDE .....	513

**TRANSMISSION & AXLES**

4" AXLE RISERS FINAL DRIVE, S39 (PRIOR S/N HS87101) .....	645
4" AXLE RISERS FINAL DRIVE, S40 (EFF. S/N HS87101) .....	647
DRUM BRAKES LINES & FITTINGS .....	659
DRUM BRAKES SERVICE & PARKING .....	657
FINAL DRIVE, S39 (PRIOR S/N HS87101) .....	637

**TRANSMISSION & AXLES (CONTINUED)**

FINAL DRIVE, S40 (EFF. S/N HS87101) .....	643
FRONT AXLE AND FINAL DRIVES (EFF. S/N HS87101) .....	641
HYDROSTATIC TANDEM PUMPS .....	617
MAIN FRAME AND AXLE SUPPORTS .....	661
MOTOR, HYDRO PROPEL & ROTOR COMPONENTS .....	635
PROPEL PUMP COMPONENTS, 1 OF 4 .....	619
PROPEL PUMP COMPONENTS, 2 OF 4 .....	621
PROPEL PUMP COMPONENTS, 3 OF 4 .....	623
PROPEL PUMP COMPONENTS, 4 OF 4 .....	625
REAR AXLE & WHEELS ADJUSTABLE TREAD (EFF. S/N HP87101) .....	667
REAR AXLE & WHEELS ADJUSTABLE TREAD (PRIOR S/N HP87101) .....	663
REAR AXLE & WHEELS REAR WHEEL ASSIST .....	671
REAR WHEEL ASSIST SELECTOR VALVE & FLOW DIVIDER .....	679
REAR WHEEL ASSIST WHEEL MOTOR UNIT .....	677
ROTOR PUMP COMPONENTS, 1 OF 4 .....	627
ROTOR PUMP COMPONENTS, 2 OF 4 .....	629
ROTOR PUMP COMPONENTS, 3 OF 4 .....	631
ROTOR PUMP COMPONENTS, 4 OF 4 .....	633
TRANSMISSION, GEAR DIFFERENTIAL .....	655
TRANSMISSION, GEAR INPUT SHAFT & GEARS .....	651
TRANSMISSION, GEAR INTERMEDIATE & MAIN SHAFT .....	653
TRANSMISSION, GEAR PRESSURE LUBE & HYDRO MOTOR .....	649
WHEELS DRIVE .....	681



9690 COMBINE

Part No.	Page	Grid	Part No.	Page	Grid	Part No.	Page	Grid	Part No.	Page	Grid
10033	451		101832M1	553		104128W1	597		105091W1	97	
10033	695		101832M1	565		104130W91	589		105092W1	97	
100801	671		101832M1	603		104135W91	537		105177W1	375	
101065M1	369		101841M1	111		104135W91	547		1052337M1	589	
101065M1	385		101841M1	115		104135W91	597		1052341M1	589	
101066M1	369		101841M1	611		104139W91	589		1052349M1	589	
101066M1	385		101841M1	613		104139W91	593		1052351M1	589	
101069M1	369		101841M1	675		104145W91	587		1052358M1	595	
101069M1	383		101842M1	111		104145W91	589		1052359M91	591	
101074M2	365		101842M1	115		104156W91	609		1052370M91	587	
101075M1	365		101842M1	611		104201W1	335		1052370M91	589	
101078M1	325		101842M1	613		104207W1	425		1052370M91	591	
101098M91	363		101842M1	675		1042752M1	305		1052370M91	595	
101100M91	363		101843M1	613		1042836M1	251		1052384M1	591	
101102M1	475		101843M1	673		104307W91	301		1052393M1	595	
101102M1	683		101844M1	613		104307W91	305		1052394M1	589	
101102M1	695		1018729M1	243		104308W1	607		1052408M1	595	
101126M1	421		1018729M1	695		104309W91	607		105493W1	339	
101158M1	453		101930M1	355		104309W91	697		105495W1	339	
101218M91	525		102028M1	673		104456W1	541		1055944M1	595	
101218M91	533		102038M1	661		104458W91	541		105733W1	305	
101221M92	529		102158M1	527		104468W1	305		1064659M1	319	
101221M92	533		102237M1	529		104468W1	307		1064661M1	319	
101231M1	529		102302M1	45		104473W91	305		1068614M91	409	
101231M1	533		102302M1	49		104475W1	305		1068617M1	409	
101232M1	529		102367M1	675		104476W1	305		1068620M91	409	
101232M1	533		1026105M1	649		104476W1	309		1070229M1	697	
101276M2	363		102764M91	337		104477W1	305		1070229M1	97	
101276M2	367		102835M91	355		104478W91	305		1070230M1	697	
101276M2	475		102903M91	489		104479W1	305		1070230M1	97	
101411M91	367		102934M1	365		104479W1	309		1070231M91	97	
101411M91	383		102981M91	355		104480W91	305		107041	229	
101575M1	477		103001M91	341		104482W1	305		1070564M1	249	
101588M1	535		103004M91	341		104483W1	305		1070578M1	251	
101588M1	543		103284M1R	103		104484W1	305		1073032M1	589	
101589M91	551		103287M2	611		104485W1	305		1073032M1	591	
101589M91	565		103288M2	611		104486W1	305		107320M1	231	
101590M1	393		103316M1	367		104500W1	325		107499M1	235	
101590M1	539		103338W1	381		104500W1	529		107500M1	235	
101590M1	547		103338W1	391		104502W1	597		1077183M91	673	
101590M1	549		103339W1	381		104503W1	597		1077238M91	679	
101590M1	565		103339W1	391		104505W1	597		1077239M91	679	
101596M92	551		103342W91	375		104508W1	597		1077240M91	679	
101596M92	565		103600W1	551		104509W1	597		1077602M1	623	
101598M1	539		103657W91	409		104510W1	597		1077602M1	631	
101598M1	549		103668W1	149		104512W1	597		1077604M1	619	
101598M1	565		103668W1	155		104715W1	327		1077604M1	621	
101618M1	539		103688W91	249		104740W1	465		1077604M1	627	
101618M1	549		103714W1	541		104740W1	469		1077604M1	629	
101618M1	565		103732W1	305		104741W1	465		1077605M1	619	
101618M1	611		103736W1	305		104741W1	469		1077605M1	625	
10163	385		103737W1	305		104742W1	465		1077605M1	627	
101643M91	539		103738W1	305		104742W1	469		1077605M1	633	
101643M91	547		103745W1	589		104751W1	325		1077605M1	635	
101646M1	131		103746W1	589		104751W1	327		1077611M1	631	
101646M1	135		103747W1	589		104751W1	365		1077611M1	635	
101646M1	205		103753W1	589		104904W91	339		1077616M1	623	
101646M1	219		103754W1	589		104916W91	527		1077627M1	625	
101646M1	221		103759W91	587		104916W91	531		1077627M1	633	
101650M1	535		103764W1	587		104920W2	411		1077628M1	633	
101650M1	543		103766W92	587		104920W2	415		1077631M91	619	
101650M1	547		103766W92	591		104921W2	411		1077631M91	627	
101698M1	551		103778W91	587		104921W2	415		1077635M2	631	
101698M1	557		103789W1	589		104922W91	347		1077637M1	633	
101705M1	551		103789W1	597		104925W91	345		1077638M1	625	
101705M1	557		103796W1	589		104928W1	345		1077638M1	633	
10171	573		103797W1	589		105050W91	411		1077639M92	629	
101751M1	539		103830W91	93		105050W91	415		1077648M1	619	
101751M1	549		103830W91	99		105068W1	595		1077651M1	619	
101751M1	557		103834W1	273		105076W1	595		1077651M1	627	
101752M1	539		103834W1	275		105077W1	595		1077654M1	629	
101752M1	547		104021W1	463		105078W1	595		1077656M1	621	
101781M1	273		104035W1	381		105084W1	595		1077656M1	629	
101783M1	273		104037W1	381		105085W1	595		1077658M1	621	
101785M1	273		104128W1	589		105086W91	331		1077658M1	629	

## INDEX

Part No.	Page	Grid	Part No.	Page	Grid	Part No.	Page	Grid	Part No.	Page	Grid
1077661M1	621		1081707M91	627		111670W1	527		1138480	327	
1077664M1	633		1081708M91	625		111711W1	173		1139003	413	
1077664M1	635		1081709M1	625		111736W2	39		11538	417	
1077666M1	627		1081710M1	625		111736W2	43		11538	421	
1077666M1	635		1081711M1	625		111737W1	375		1157990W1	411	
1077673M1	625		1081712M91	623		111737W1	393		1157990W1	415	
1077673M1	633		1081713M91	625		111737W1	395		1157990W1	423	
1077675M1	633		1081714M1	625		111741W1	37		116047W1	165	
1077678M1	633		1081715M1	625		111741W1	41		116082W1	377	
1077684M1	621		1081720M91	629		111743W1	39		116106W1	273	
1077684M1	629		1081721M1	629		111743W1	43		116106W1	275	
1077695M1	635		1081723M1	629		111743W1	455		116107W1	273	
1077696M1	635		1081724M1	629		112016W1	609		116107W1	275	
1077960M1	635		1081725M1	629		112019W1	613		116108W1	273	
108047W1	217		1081726	629		112020W1	611		116108W1	275	
108047W1	221		1081727M1	617		112027W1	603		116143W1	583	
108048W1	217		1081727M1	629		112041W1	535		116145W1	583	
108048W1	221		1081728M1	629		112043W1	537		116146W1	583	
108076W1	217		1081729M1	629		112044W1	537		116147W91	583	
108076W1	221		1081731M1	633		112046W1	301		116148W1	583	
1081151M1	677		1081733M1	627		112050W1	535		116149W1	583	
1081158M91	677		1081734M91	633		112050W1	547		116159W1	613	
1081655M1	623		108202W1	407		112159W1	215		116246W91	373	
1081656M1	623		108202W1	459		112174W1	537		116247W91	373	
1081657M91	623		108247W1	609		112202W91	677		116248W91	375	
1081658M1	623		108275W91	475		112204W91	677		116249W1	375	
1081659M1	623		108531W91	603		112235W91	679		116250W1	375	
1081660M1	623		108531W91	605		112236W1	229		116252W1	377	
1081661M1	623		108541W1	607		112253W1	671		116281W1	617	
1081662M91	623		108575W1	463		112283W1	673		116282W1	617	
1081663M1	623		108575W1	467		112412W1	335		116312W1	295	
1081664M1	623		108575W1	475		112678W1	129		116327W1	259	
1081665M1	623		108586W91	475		112678W1	131		116327W1	263	
1081666M1	623		108592W1	475		112685W1	325		116328W1	261	
1081667M91	623		108593W91	475		112716W92	463		116328W1	263	
1081668M91	623		108597W91	475		112716W92	467		116339W1	295	
1081669M1	623		108599W1	475		112720W91	465		116343W1	263	
1081670M1	623		108600W1	477		112720W91	469		116343W1	295	
1081671M1	623		108601W1	475		112734W1	169		116346W1	295	
1081672M1	623		108602W1	475		112735W91	169		116348W1	295	
1081673M1	623		108610W1	487		112752W1	357		116349W1	295	
1081674M1	623		108664W1	229		112774W1	475		116353W1	271	
1081675M1	625		108664W1	323		112785W92	537		116354W1	271	
1081676M1	625		108843W1	435		112785W92	583		116355W1	271	
1081677M1	625		108910W91	537		112811W1	231		116357W1	271	
1081678M1	625		108910W91	547		112812W1	231		116359W1	271	
1081680M1	625		108925W1	603		112814W1	231		116362W1	271	
1081681M1	625		1089933M1	97		112845W1	493		116363W1	271	
1081682M1	625		1089941M91	97		112845W1	493		116375W1	297	
1081683M91	625		10970	377		112845W1	507		116375W1	299	
1081684M1	623		1107164	45		112845W1	509		116465W91	587	
1081685M91	621		1109055	411		112845W1	511		116465W91	595	
1081686M1	621		1109055	695		112845W1	513		116479W1	551	
1081687M1	621		1109070	655		112845W1	515		116479W1	565	
1081688M91	621		111089W1	589		112858W91	607		116482W1	551	
1081689M1	621		111091W1	37		112887W1	607		116518W1	261	
1081690M1	621		111091W1	375		112887W1	697		116519W1	261	
1081691M1	625		111091W1	39		112890W91	543		116616W1	423	
1081692M1	625		111091W1	41		112890W91	607		116626W1	581	
1081693M91	619		111091W1	43		112932W91	607		116627W1	581	
1081694M1	619		111095W1	261		112942W1	111		116640W1	535	
1081695M1	619		111095W1	37		112942W1	117		116640W1	543	
1081696M1	619		111095W1	39		112942W1	367		116644W1	537	
1081697M1	619		111095W1	41		112942W1	383		116644W1	547	
1081699M1	625		111095W1	43		112942W1	527		116675W1	291	
1081699M1	633		1112299	183		112942W1	531		116757W1	581	
1081700M1	625		1112407	207		112967W1	37		116759W1	581	
1081701M1	625		1112407	47		112967W1	41		116876W91	377	
1081702M1	625		1114720W1	411		112972W1	539		116953W91	377	
1081703M1	625		1114720W1	415		112972W1	549		1177981	93	
1081704M1	625		111670W1	37		112972W1	551		133827M1	607	
1081705M1	625		111670W1	39		112972W1	557		133828M91	607	
1081706M1	621		111670W1	41		112977W92R	463		13601	275	
1081706M1	629		111670W1	43		1130100W1	411		13601	337	
1081707M91	619		111670W1	519		1130100W1	415		13811X	277	





9690 COMBINE

Part No.	Page	Grid	Part No.	Page	Grid	Part No.	Page	Grid	Part No.	Page	Grid
353769X1	239		3714264M1	235		3965146	253		68759	405	
353770X1	399		3715144M92	245		45080021	609		68759	459	
353771X1	335		372536X1	141		487777	117		68759	461	
353771X1	337		3725830M1	367		49920X	377		68759	497	
353771X1	349		3725830M1	385		5000004X1	427		700101804	543	
353771X1	355		3725988M1	495		5000005X1	417		700129058	487	
353771X1	357		372728X1	147		5000005X1	641		700129071	493	
353771X1	367		372729X1	153		5000006X1	277		700134393	493	
353771X1	383		372729X1	213		5000006X1	417		700149006	279	
353771X1	419		372729X1	213		5000006X1	427		700164650	147	
353773X1	105		372729X1	311		5000007X1	641		700164650	193	
353773X1	325		372729X1	459		5000017X1	639		700525382	347	
353773X1	355		372729X1	459		5000017X1	643		700525400	193	
353773X1	45		372729X1	553		5000018X1	427		700700057	155	
353773X1	471		3728019M1	125		50021	425		700700628	691	
353919X1	597		3729528M1	241		50021	461		700701160	239	
353924X1	119		3729545M1	243		50021	695		700701265	163	
354273X1	437		3729545M1	243		50468	403		700701287	177	
354920X1	363		373124X1	355		50468	435		700701331	127	
354920X1	371		373159X1	445		50468	695		700701331	131	
354920X1	465		373197X1	689		510060W1	459		700701350	537	
354920X1	469		373839X1	149		51417	473		700701350	543	
354920X1	471		373839X1	155		51871M1	359		700701354	611	
354920X1	695		375028X1	263		52167	151		700701354	613	
355485X1	463		375028X1	295		52175	175		700701355	321	
355485X1	469		375028X1	311		530132M1	217		700701355	393	
355547X1	305		375028X1	423		530132M1	221		700701355	535	
355602X1	541		375112X1	105		539651M1	665		700701355	547	
355736X1	259		375112X1	341		539651M1	669		700701355	561	
355997X1	273		375114X1	411		539651M1	681		700701355	601	
355997X1	275		375114X1	415		590769M1	37		700701356	535	
356044X1	471		375114X1	421		590769M1	41		700701356	543	
356612X1	615		377690X1	465		590817M1	39		700701356	561	
357194X1	551		377690X1	467		60049M1	413		700701356	601	
357194X1	557		377690X1	475		60049M1	417		700701744	535	
358990X1	591		3778093M91	245		61002	125		700701744	547	
360202X91	125		385361X1	375		61085	453		700701753	537	
360202X91	395		385362X1	375		61101	435		700701753	543	
360202X91	555		385368X1	397		61234	379		700701772	229	
360202X91	561		385368X1	399		6131916	137		700701772	237	
360202X91	571		385391X1	375		6136964	457		700701814	537	
360202X91	673		385391X1	377		61523	425		700701814	543	
360503X1	459		3883284	93		61523	427		700701834	539	
360503X1	521		3902603	535		61770	273		700701834	549	
360555X1	429		3903044M1	183		61770	275		700701834	565	
3617859M1	245		390734X1	427		62026	507		700702141	337	
3617860M1	245		390734X1	51		62026	507		700702198	421	
3619622M1	191		390735X1	397		62026	513		700702206	121	
3619622M1	205		390735X1	399		62026	513		700702358	117	
3619622M1	209		3907674	253		62075	123		700702916	169	
3619622M1	211		390809X1	375		62182	505		700702979	179	
3619622M1	245		390912X1	335		62190	341		700703830	237	
363282X1	301		390972X1	183		62232	311		700703922	153	
363282X1	303		390972X1	187		63834	405		700703922	273	
363712X1	249		391038X1	397		63834	581		700703922	301	
3637625M1	59		391038X1	399		64642	423		700703922	327	
3638002M1	97		391038X1	401		6514772	151		700703922	331	
364076X1	595		391039X1	187		6522940	441		700703923	489	
364377X1	671		391148X1	189		6529705	105		700703923	661	
364578X1	421		3912004	45		6555346	405		700704010	111	
364988X1	431		3912004	685		6661624	663		700704010	117	
365098X1	409		3912004	695		6661624	669		700704010	137	
365098X1	477		391212X1	375		68619	137		700704010	335	
365775X1	169		391290X1	397		68619	291		700704010	355	
365775X1	229		391290X1	399		68619	293		700704010	435	
365775X1	259		3913106	47		68619	303		700704010	449	
365775X1	263		3917892	93		68619	325		700704010	495	
367451X1	273		391904X1	417		68619	375		700704837	691	
367451X1	275		391958X1	45		68619	403		700704854	409	
368384X1	421		391990X1	99		68619	405		700704856	409	
368615X1	263		3923060	93		68619	431		700704927	409	
368615X1	325		3926704	95		6875314	417		700705088	367	
368615X1	331		3929751	535		6875314	421		700705088	385	
368615X1	475		3942197	47		68759	387		700705088	507	
368933X1	273		3965146	219		68759	403		700705088	513	

## INDEX

Part No.	Page	Grid	Part No.	Page	Grid	Part No.	Page	Grid	Part No.	Page	Grid
700705088	689		700711659	231		700719105	601		700725918	371	
700705119	551		700711876	567		700719780	541		700725918	379	
700705119	557		700712632	551		700719782	541		700725958	149	
700705135	167		700712632	557		700719783	541		700725958	159	
700705185	163		700712632	579		700719784	541		700725958	163	
700705614	433		700712651	579		700719785	541		700726076	609	
700705676	155		700712652	579		700719940	247		700726168	243	
700706151	323		700712973	47		700720004	103		700726172	243	
700706356	169		700712973	607		700720605	39		700726543	101	
700706419	661		700713219	133		700720605	41		700726696	229	
700706463	355		700713516	323		700720618	37		700726978	393	
700706490	541		700714064	125		700720618	41		700726979	393	
700707139	291		700714189	323		700720621	605		700726979	599	
700707139	293		700714528	137		700720727	39		700727621	543	
700707203	149		700714529	137		700720727	43		700727622	547	
700707203	155		700714529	499		700720863	229		700727841	41	
700707619	145		700714529	699		700720909	177		700727843	41	
700707823	199		700714706	499		700720917	605		700727844	43	
700707823	473		700715255	163		700720958	333		700727847	43	
700708270	421		700715255	247		700720958	337		700727848	41	
700708340	241		700715271	211		700720958	337		700727848	43	
700708349	169		700715277	139		700720958	349		700727906	43	
700708349	205		700715278	139		700721125	37		700727993	37	
700708349	359		700715285	139		700721125	39		700727993	41	
700708349	379		700715662	323		700721586	213		700728245	567	
700708349	397		700715848	535		700721602	507		700728301	185	
700708349	417		700715848	543		700721602	513		700728339	235	
700708349	651		700715848	561		700721620	233		700728472	145	
700708349	653		700715848	609		700721620	697		700728473	147	
700708351	45		700715944	559		700721684	649		700728473	193	
700708353	359		700716061	51		700721776	257		700728474	191	
700708359	361		700716238	51		700721781	37		700728474	193	
700708367	103		700716462	321		700721781	41		700728631	147	
700708367	173		700717212	441		700721781	43		700728631	193	
700708367	205		700717212	451		700721916	507		700728711	147	
700708367	51		700717365	639		700721916	513		700728713	197	
700708367	51		700717365	643		700722351	243		700728714	147	
700708648	149		700717402	39		700722351	695		700728714	193	
700708648	155		700717402	43		700723598	145		700728745	197	
700708848	357		700717403	37		700724394	681		700728746	199	
700709503	305		700717403	41		700724395	681		700728779	41	
700709503	309		700717403	43		700724622	183		700728811	43	
700709601	143		700717404	39		700724623	185		700728845	193	
700709601	163		700717404	43		700724692	569		700728892	563	
700709601	239		700717509	461		700724693	393		700728893	563	
700709601	373		700717539	125		700724693	599		700728894	563	
700709601	375		700717591	125		700725468	545		700728894	569	
700709601	437		700717621	163		700725471	545		700728895	563	
700709601	555		700717627	393		700725475	545		700728896	563	
700709601	659		700717627	395		700725576	163		700728897	563	
700709601	687		700717635	259		700725632	137		700728898	563	
700709602	163		700717635	263		700725632	155		700728900	563	
700709602	163		700717635	437		700725632	173		700728901	563	
700709602	191		700717635	439		700725633	137		700728902	563	
700709602	215		700717635	453		700725633	137		700728902	569	
700709602	339		700717635	479		700725633	147		700728903	563	
700709607	337		700717635	481		700725633	193		700728904	563	
700709608	431		700717644	173		700725634	137		700728905	563	
700709866	117		700717644	175		700725634	149		700728906	563	
700709919	257		700717644	191		700725634	155		700728908	563	
700710188	145		700717761	93		700725670	39		700728909	563	
700710188	229		700717761	99		700725670	43		700728910	563	
700710188	231		700718010	177		700725806	187		700728911	563	
700710788	175		700718010	699		700725810	187		700728912	563	
700710957	579		700718109	643		700725832	559		700728913	563	
700710959	579		700718245	139		700725833	189		700728913	569	
700710960	579		700718444	115		700725836	185		700729019	43	
700710961	579		700718444	49		700725837	185		700729234	319	
700710984	157		700718515	137		700725840	183		700729235	319	
700711132	119		700718515	137		700725843	183		700729237	319	
700711134	119		700718599	243		700725844	183		700729238	319	
700711167	689		700718792	257		700725845	183		700729239	609	
700711262	153		700718807	151		700725864	635		700729240	609	
700711357	409		700718869	323		700725871	189		700729369	43	
700711659	213		700719027	561		700725918	239		700729396	39	

9690 COMBINE

Part No.	Page	Grid	Part No.	Page	Grid	Part No.	Page	Grid	Part No.	Page	Grid
700729398	41		70301781	331		70522328	411		70913160	109	
700729398	43		703082	325		70522328	415		70913160	269	
700729423	41		703249	113		70529432	125		70913160	329	
700729424	41		703249	137		70534931	291		70913160	341	
700729424	43		703249	157		70534931	293		70913160	359	
700729503	641		703249	159		70537291	117		70913160	409	
700730037	145		703249	169		70537291	265		70913680	687	
700953657	371		703249	241		70537291	453		70913682	687	
701235	103		70327382	307		70537291	661		70913719	585	
701235	283		70327997	307		70537291	689		70913744	273	
701235	289		7035983	541		70547934	481		70913744	275	
701235	301		703603	177		705541	125		70913744	277	
701235	303		703603	481		705541	155		70913744	329	
701565	113		703983	337		705541	265		70913744	377	
701565	117		703983	353		705541	367		70913744	457	
701953	169		704031	163		705541	383		70913901	121	
701953	235		704031	273		705541	405		70914192	105	
7020027	495		704031	275		705541	435		70914192	313	
7020589	43		704031	277		705541	449		70914383	317	
70210011	639		704031	279		705541	49		70914465	175	
70210011	643		704031	279		705632	137		70914465	363	
70210012	639		704031	281		705632	493		70914465	367	
70210012	643		704056	105		705665	637		70914465	383	
70225441	649		704056	107		705665	641		70914465	425	
70226012	649		704056	279		705665	681		70914465	429	
70226012	697		704056	331		705681	311		70914465	431	
70228509	653		704056	405		705681	359		70914465	615	
70228509	697		70409	335		70569880	235		70914584	303	
70232758	219		7041015	205		705707	137		70914584	687	
70232758	221		7041015	303		705707	141		70914584	687	
70232758	227		7041015	553		705707	343		70914584	699	
70232758	253		7041015	555		705707	487		70914687	125	
70234847	249		7041015	557		70590704	403		70914687	409	
70241344	249		7041015	567		70590704	443		70914767	359	
70241345	249		704247	155		70590704	447		70914767	427	
70241352	251		704247	169		70590704	451		70915019	457	
7024938	95		704247	217		70590704	695		70915276	359	
7025075	529		704247	217		70590709	411		70915276	615	
7025075	533		704247	221		70590709	415		70915314	587	
702514	419		704247	221		70590709	695		70915314	589	
70257297	101		704254	155		706176	485		70915314	593	
70257297	97		704254	159		706382	221		70915314	595	
70261383	541		704262	339		706432	137		70915500	445	
70262754	253		704494	213		706432	503		70915500	449	
70262754	695		704551	145		7087398	441		70915500	451	
70263605	183		704551	229		7087398	699		70915711	251	
702670	385		704551	231		70901480	639		70915726	297	
70267132	541		704551	237		70901480	641		70915726	299	
70267148	541		704551	261		70901480	645		70915726	329	
70267150	541		704551	265		70901651	307		70915794	295	
70267155	541		704627	641		70901651	649		70915935	295	
70267167	541		704692	663		70901763	661		70915955	101	
70268364	251		704692	667		70901828	495		70915955	243	
70269246	101		704858	663		70901840	639		70915955	93	
70269246	97		704858	667		70901840	641		70915955	97	
70269408V	93		704858	675		70901840	645		70915988	329	
70269408V	99		705004	137		70901840	647		70916079	529	
70269722	541		705004	165		70903082	463		70916080	533	
70269723	541		705004	173		70903082	467		70916602	589	
70270210	541		705004	217		70903835	263		70916621	117	
70272355	541		705004	221		70903835	295		70916621	243	
70272357	541		705012	105		70903835	311		70916621	243	
70272358	541		705012	123		70905126	263		70916621	529	
70272360	541		705012	127		70905126	295		70916621	533	
70272361	541		705012	141		70905126	311		70916621	689	
70272365	541		705012	143		70905127	387		70916622	109	
7027469	665		705012	151		70905262	495		70916622	109	
7027469	669		705038	137		70906852	377		70916622	111	
7027469	681		705038	177		70910224	125		70916622	127	
70276103	249		705038	215		70910815	581		70916622	203	
702928	273		705038	241		70911201	435		70916622	223	
70301781	279		705038	243		70911255	273		70916622	239	
70301781	281		705038	259		70911255	275		70916767	441	
70301781	289		705160	213		70912278	419		70916937	499	
70301781	329		705160	215		70912299	325		70916950	111	

## INDEX

Part No.	Page	Grid	Part No.	Page	Grid	Part No.	Page	Grid	Part No.	Page	Grid
70916950	115		70917467	319		70918447	121		70919434	429	
70916950	129		70917579	651		70918447	375		70919439	377	
70916950	131		70917579	653		70918447	433		70919472	127	
70916950	137		70917580	467		70918447	445		70919472	131	
70916950	213		70917642	109		70918447	447		70919472	135	
70916952	39		70917642	111		70918447	459		70919624	535	
70916952	43		70917642	117		70918452	107		70919889	645	
70916952	487		70917642	133		70918452	111		70919889	647	
70916964	109		70917642	135		70918452	115		70920037	351	
70916964	109		70917642	139		70918452	119		70920117	317	
70916964	111		70917673	93		70918452	169		70920117	319	
70916964	297		70917861	283		70918455	409		70920161	149	
70916964	299		70917861	289		70918459	179		70920161	163	
70916965	109		70917919	111		70918459	295		70920272	663	
70916965	109		70917919	117		70918459	335		70920272	667	
70916965	111		70917970	115		70918461	337		70920272	675	
70916965	113		70918111	165		70918547	111		70920328	273	
70916965	113		70918111	311		70918547	117		70920328	275	
70916965	115		70918151	239		70918830	471		70920328	333	
70917356	101		70918151	315		70919062	285		70920328	463	
70917356	109		70918151	343		70919062	567		70920328	467	
70917356	111		70918168	425		70919062	649		70920328	471	
70917356	111		70918199	103		70919089	103		70920333	607	
70917356	113		70918199	297		70919089	103		70920397	297	
70917356	115		70918199	299		70919089	105		70920397	299	
70917365	117		70918213	317		70919089	259		70920397	687	
70917372	111		70918222	149		70919089	263		70920415	105	
70917372	111		70918222	157		70919128	553		70920415	129	
70917372	115		70918249	111		70919128	557		70920415	131	
70917372	117		70918249	117		70919135	285		70920415	137	
70917372	127		70918249	45		70919135	287		70920415	157	
70917372	163		70918249	503		70919140	285		70920426	235	
70917373	105		70918264	109		70919140	287		70920438	151	
70917373	137		70918264	111		70919171	285		70920469	387	
70917373	149		70918264	117		70919171	287		70920469	435	
70917373	153		70918264	689		70919171	359		70920469	441	
70917373	155		70918264	691		70919171	609		70920655	615	
70917373	263		70918265	111		70919171	615		70920787	119	
70917373	277		70918265	261		70919173	615		70920787	333	
70917377	127		70918265	433		70919195	127		70920787	335	
70917377	231		70918265	459		70919195	131		70920808	209	
70917377	341		70918265	47		70919195	551		70920808	211	
70917377	351		70918265	95		70919197	535		70920809	47	
70917377	371		70918266	111		70919197	543		70920821	169	
70917377	379		70918266	117		70919197	603		70920990	473	
70917378	111		70918266	119		70919197	613		70921024	155	
70917378	115		70918266	169		70919214	169		70921024	421	
70917378	155		70918266	175		70919214	539		70921050	687	
70917378	177		70918267	297		70919214	549		70921050	697	
70917378	219		70918267	299		70919214	565		70921159	539	
70917378	223		70918267	301		70919214	659		70921159	547	
70917380	117		70918268	253		70919272	209		70921159	553	
70917380	239		70918268	273		70919272	45		70921159	565	
70917380	241		70918268	297		70919310	259		70921160	131	
70917380	343		70918268	299		70919312	253		70921160	135	
70917380	439		70918268	301		70919332	109		70921169	325	
70917380	507		70918268	327		70919332	125		70921169	327	
70917380	513		70918268	423		70919332	297		70921169	365	
70917380	689		70918269	359		70919332	299		70921176	103	
70917385	253		70918269	45		70919332	45		70921176	105	
70917395	213		70918269	49		70919332	473		70921176	329	
70917395	229		70918431	103		70919332	49		70921176	331	
70917395	231		70918431	103		70919342	47		70921176	333	
70917395	233		70918431	167		70919378	529		70921176	335	
70917415	227		70918431	219		70919381	165		70921203	561	
70917421	175		70918431	221		70919387	311		70921203	611	
70917421	377		70918432	105		70919391	311		70921203	613	
70917421	451		70918432	277		70919393	295		70921205	125	
70917421	453		70918432	279		70919431	581		70921205	301	
70917421	461		70918432	281		70919434	279		70921205	303	
70917458	261		70918432	283		70919434	281		70921205	535	
70917458	265		70918433	409		70919434	289		70921205	537	
70917459	231		70918433	489		70919434	351		70921205	543	
70917459	261		70918447	111		70919434	357		70921206	535	
70917459	265		70918447	117		70919434	363		70921206	537	



9690 COMBINE

15  
INDEX

Part No.	Page	Grid	Part No.	Page	Grid	Part No.	Page	Grid	Part No.	Page	Grid
70921206	543		70921525	355		70921965	243		70922837	565	
70921206	547		70921671	371		70921966	337		70922845	103	
70921206	551		70921671	431		70921966	411		70922862	359	
70921210	103		70921691	561		70921966	415		70922862	615	
70921210	109		70921719	219		70921966	447		70922863	495	
70921210	111		70921719	221		70921966	451		70922874	679	
70921210	113		70921719	537		70921966	611		70922887	661	
70921210	113		70921719	547		70921969	119		70922890	663	
70921211	411		70921865	167		70921969	175		70922890	667	
70921211	415		70921880	253		70921969	269		70922918	669	
70921214	127		70921880	587		70921969	275		70922928	261	
70921214	131		70921881	589		70921969	331		70922928	265	
70921214	535		70921881	597		70921971	119		70922974	561	
70921214	537		70921882	541		70921971	411		70923014	417	
70921214	543		70921883	393		70921971	415		70923014	421	
70921214	613		70921883	535		70921971	463		70923027	611	
70921221	175		70921883	535		70921971	505		70923027	613	
70921235	535		70921883	543		70921971	505		70923086	397	
70921235	607		70921883	543		70921971	97		70923093	397	
70921235	611		70921883	555		70921977	127		70923094	107	
70921263	263		70921883	561		70921977	131		70923094	277	
70921263	295		70921884	601		70921977	159		70923094	329	
70921263	311		70921885	219		70921977	159		70923094	425	
70921278	333		70921885	223		70921977	163		70923094	427	
70921279	127		70921885	285		70921978	385		70923104	367	
70921279	543		70921885	287		70921978	393		70923110	109	
70921279	561		70921885	321		70921978	601		70923111	279	
70921279	679		70921885	321		70922002	359		70923111	297	
70921291	139		70921887	543		70922002	663		70923111	299	
70921295	663		70921887	607		70922002	667		70923111	409	
70921295	665		70921887	607		70922037	105		70923111	661	
70921295	669		70921887	609		70922037	279		70923112	149	
70921297	537		70921888	607		70922037	281		70923112	153	
70921297	549		70921898	673		70922037	289		70923112	469	
70921298	285		70921910	495		70922080	373		70923112	661	
70921298	287		70921911	199		70922127	317		70923113	299	
70921298	321		70921911	203		70922127	319		70923114	263	
70921298	393		70921911	209		70922127	359		70923114	325	
70921298	535		70921911	211		70922127	389		70923114	337	
70921318	613		70921911	47		70922127	389		70923114	341	
70921324	337		70921911	51		70922130	149		70923114	357	
70921324	339		70921912	609		70922130	155		70923114	363	
70921324	363		70921912	93		70922130	465		70923114	367	
70921324	367		70921912	99		70922181	535		70923122	121	
70921326	535		70921915	205		70922181	547		70923126	269	
70921326	547		70921958	121		70922285	421		70923151	297	
70921327	537		70921958	373		70922522	393		70923151	423	
70921327	549		70921958	411		70922523	321		70923151	425	
70921328	561		70921958	415		70922523	535		70923151	427	
70921332	101		70921958	437		70922523	537		70923154	307	
70921332	109		70921958	451		70922523	547		70923154	655	
70921332	111		70921958	657		70922523	553		70923163	393	
70921332	113		70921958	691		70922571	555		70923163	587	
70921332	115		70921958	691		70922571	561		70923163	679	
70921333	133		70921959	199		70922571	571		70923168	607	
70921333	135		70921959	203		70922586	349		70923219	405	
70921333	165		70921959	423		70922605	419		70923219	637	
70921333	165		70921960	163		70922645	125		70923219	641	
70921333	165		70921960	285		70922645	335		70923220	413	
70921333	173		70921960	287		70922645	343		70923220	415	
70921343	317		70921960	687		70922645	453		70923220	439	
70921349	125		70921961	559		70922658	333		70923220	441	
70921349	127		70921962	343		70922664	137		70923220	463	
70921349	131		70921962	385		70922664	263		70923220	467	
70921349	133		70921962	529		70922664	311		70923220	483	
70921349	311		70921962	533		70922664	325		70923230	325	
70921349	395		70921963	557		70922664	45		70923230	669	
70921360	327		70921963	565		70922664	49		70923240	311	
70921360	425		70921963	689		70922760	337		70923240	475	
70921360	661		70921965	109		70922770	409		70923292	45	
70921368	127		70921965	111		70922771	273		70923306	291	
70921368	131		70921965	149		70922784	479		70923306	293	
70921467	611		70921965	173		70922837	537		70923320	461	
70921467	613		70921965	177		70922837	549		70923325	333	
70921467	679		70921965	215		70922837	557		70923325	349	

## INDEX

Part No.	Page	Grid	Part No.	Page	Grid	Part No.	Page	Grid	Part No.	Page	Grid
70923325	421		70923843	673		70925160	407		70926049	127	
70923325	471		70923843	675		70925160	481		70926049	131	
70923326	377		70923846	589		70925160	483		70926049	205	
70923326	435		70923858	327		70925160	553		70926049	537	
70923326	453		70923858	359		70925160	699		70926049	543	
70923326	461		70923858	649		70925205	121		70926049	551	
70923341	109		70923865	633		70925205	261		70926049	557	
70923341	111		70923894	553		70925205	265		70926049	609	
70923341	259		70923906	177		70925246	215		70926106	111	
70923341	341		70923906	213		70925284	103		70926106	115	
70923341	351		70923906	229		70925310	543		70926106	611	
70923341	453		70923906	231		70925459	637		70926106	613	
70923343	535		70923943	589		70925459	647		70926106	675	
70923353	175		70923945	589		70925468	601		70926115	327	
70923353	45		70924022	127		70925592	109		70926126	473	
70923353	49		70924022	131		70925615	327		70926127	661	
70923356	663		70924048	569		70925617	109		70926127	667	
70923362	165		70924048	587		70925617	115		70926137	175	
70923362	175		70924048	589		70925617	127		70926154	355	
70923362	317		70924048	591		70925617	131		70926155	421	
70923362	319		70924048	595		70925617	169		70926157	655	
70923362	387		70924095	107		70925619	559		70926161	423	
70923362	473		70924095	329		70925619	601		70926165	331	
70923362	687		70924113	441		70925621	205		70926165	477	
70923404	651		70924114	583		70925621	673		70926192	655	
70923404	653		70924186	649		70925625	297		70926208	105	
70923427	295		70924204	267		70925625	299		70926292	321	
70923427	409		70924272	649		70925693	165		70926292	535	
70923470	357		70924272	661		70925696	297		70926292	547	
70923470	671		70924283	485		70925696	299		70926292	569	
70923473	411		70924290	51		70925702	367		70926292	611	
70923490	419		70924296	673		70925702	383		70926292	613	
70923501	475		70924296	679		70925702	429		70926356	589	
70923504	477		70924403	679		70925703	277		70926356	591	
70923510	245		70924622	597		70925703	279		70926356	593	
70923520	213		70924744	153		70925703	281		70926356	595	
70923520	229		70924744	155		70925703	289		70926533	611	
70923530	451		70924744	45		70925703	329		70926533	613	
70923544	423		70924744	49		70925703	457		70926533	673	
70923550	165		70924746	671		70925704	105		70926542	589	
70923558	597		70924763	359		70925704	137		70926551	639	
70923559	229		70924764	511		70925704	277		70926551	651	
70923577	293		70924764	517		70925704	279		70926622	199	
70923584	293		70924783	535		70925704	363		70926626	293	
70923588	251		70924783	543		70925705	367		70926647	283	
70923594	655		70924783	679		70925705	383		70926694	273	
70923683	259		70924786	301		70925705	409		70926694	459	
70923690	615		70924791	541		70925706	429		70926762	629	
70923690	645		70924799	439		70925706	431		70926768	321	
70923690	647		70924837	123		70925719	105		70926838	273	
70923690	649		70924837	261		70925719	663		70926838	275	
70923690	661		70924837	265		70925719	665		70926838	405	
70923701	335		70924837	265		70925719	673		70926838	421	
70923701	363		70924837	267		70925721	669		70926850	553	
70923701	383		70924837	437		70925731	169		70926874	235	
70923701	465		70924845	283		70925731	663		70926919	169	
70923701	523		70924856	261		70925785	359		70926919	615	
70923717	587		70924856	315		70925806	637		70926919	657	
70923737	537		70924856	373		70925806	681		70926919	659	
70923737	543		70924906	421		70925852	535		70926946	103	
70923737	549		70924946	41		70925852	543		70926957	425	
70923737	557		70924947	197		70925852	603		70926977	435	
70923737	609		70924947	203		70925852	613		70927029	249	
70923808	619		70925011	583		70925863	667		70927034	687	
70923808	627		70925011	587		70925872	49		70927034	699	
70923813	293		70925011	595		70925872	667		70927035	687	
70923816	639		70925094	183		70925919	649		70927035	699	
70923816	643		70925094	191		70925960	149		70927036	687	
70923816	651		70925094	205		70925960	151		70927075	261	
70923816	653		70925094	213		70925974	425		70927075	263	
70923818	653		70925094	215		70925991	437		70927075	411	
70923828	283		70925094	215		70925997	363		70927075	415	
70923831	283		70925094	217		70925997	371		70927097	109	
70923841	567		70925097	661		70925997	463		70927097	231	
70923841	595		70925160	403		70925997	467		70927103	175	

9690 COMBINE

Part No.	Page	Grid	Part No.	Page	Grid	Part No.	Page	Grid	Part No.	Page	Grid
70927104	217		70928635	491		70930889	669		70932997	463	
70927104	221		70928654	169		70930897	591		70932997	467	
70927122	137		70928654	615		70930897	619		70933036	111	
70927134	215		70928656	127		70930897	627		70933036	117	
70927134	265		70928656	131		70930911	649		70933255	541	
70927134	315		70928656	173		70930911	651		70933339	397	
70927134	403		70928656	393		70930986	253		70933339	399	
70927134	601		70928656	395		70931187	435		70933375	325	
70927134	607		70928656	615		70931209	149		70933454	133	
70927261	129		70928705	483		70931209	157		70933454	135	
70927261	131		70929018	325		70931209	159		70933454	551	
70927321	655		70929019	663		70931209	215		70933454	557	
70927340	537		70929095	441		70931209	231		70933817	639	
70927340	547		70929116	303		70931209	239		70933817	645	
70927401	143		70929257	607		70931226	495		70933818	581	
70927401	151		70929288	105		70931240	613		70933955	301	
70927401	313		70929356	411		70931277	117		70933988	435	
70927401	343		70929356	415		70931277	125		70933988	439	
70927469	655		70929356	421		70931277	141		70933988	521	
70927477	311		70929402	127		70931277	149		70934063	543	
70927477	459		70929402	129		70931277	151		70934417	641	
70927523	121		70929402	131		70931277	163		70934417	647	
70927523	123		70929402	169		70931316	433		70934422	641	
70927523	433		70929402	47		70931316	433		70934424	647	
70927523	443		70929402	51		70931316	435		70934479	159	
70927523	447		70929591	507		70931316	443		70934479	451	
70927523	459		70929591	513		70931316	447		70934704	671	
70927529	663		70929593	107		70931317	109		70934704	671	
70927557	271		70929593	277		70931317	239		70934728	217	
70927692	119		70929593	279		70931317	239		70934728	221	
70927700	541		70929593	281		70931317	241		70934728	227	
70927708	413		70929593	289		70931317	259		70934739	217	
70927732	409		70929593	311		70931348	333		70934739	697	
70927732	699		70929593	329		70931348	347		70934740	217	
70927738	175		70929593	425		70931348	443		70934740	697	
70927745	293		70929593	427		70931350	265		70934842	467	
70927879	671		70929594	341		70931350	373		70934892	139	
70927903	587		70929595	507		70931350	435		70934892	499	
70927903	589		70929595	513		70931350	437		70934923	311	
70927974	595		70929602	647		70931350	439		70935032	301	
70927999	593		70929720	173		70931449	487		70935033	283	
70928136	103		70929722	243		70931589	633		70935035	289	
70928148	129		70929725	215		70931643	363		70935036	279	
70928148	131		70929748	221		70931809	377		70935036	281	
70928148	191		70929785	675		70931809	421		70935072	235	
70928148	205		70929807	217		70931809	435		70935118	541	
70928148	553		70929807	221		70931810	377		70935175	635	
70928148	557		70929872	675		70931810	435		70935275	271	
70928148	601		70929957	169		70931820	499		70935275	315	
70928178	655		70930224	601		70931822	129		70935290	329	
70928304	151		70930235	273		70931822	131		70935299	279	
70928348	243		70930357	567		70931822	205		70935299	281	
70928348	695		70930415	293		70931822	205		70935299	289	
70928352	447		70930424	655		70931832	689		70935299	329	
70928367	431		70930426	655		70931833	217		70935416	211	
70928397	273		70930441	541		70931833	221		70935416	285	
70928397	275		70930510	535		70931833	227		70935416	287	
70928464	209		70930510	543		70931942	173		70935426	217	
70928464	211		70930594	159		70931942	175		70935426	697	
70928486	627		70930594	375		70931942	463		70935768	537	
70928486	635		70930611	143		70931942	467		70935768	543	
70928488	541		70930611	145		70932612	377		70935781	587	
70928488	545		70930708	239		70932619	311		70935781	649	
70928488	629		70930757	297		70932665	105		70935830	589	
70928488	635		70930757	299		70932665	137		70935836	541	
70928488	635		70930760	197		70932665	277		70935847	541	
70928512	297		70930760	203		70932665	279		70935902	589	
70928512	299		70930777	587		70932665	279		70935902	593	
70928512	687		70930777	595		70932665	281		70935902	595	
70928605	589		70930791	217		70932665	283		70935989	543	
70928605	619		70930879	609		70932720	237		70936104	473	
70928605	621		70930883	637		70932747	183		70936298	681	
70928605	627		70930883	643		70932747	189		70936306	663	
70928605	629		70930884	637		70932996	463		70936306	667	
70928605	679		70930884	643		70932996	467		70936314	241	

## INDEX

Part No.	Page	Grid	Part No.	Page	Grid	Part No.	Page	Grid	Part No.	Page	Grid
70936314	243		70937297	207		70937684	217		71149895	297	
70936314	335		70937300	297		70937684	221		71149895	299	
70936314	347		70937300	299		70937684	51		71149895	687	
70936314	489		70937300	687		70937685	213		71149895	699	
70936314	557		70937300	699		70937685	215		71149896	297	
70936326	239		70937347	283		70937685	217		71149896	299	
70936326	649		70937348	283		70937685	239		71149896	313	
70936348	341		70937424	197		70937685	241		71149896	687	
70936348	489		70937424	203		70937691	243		71149896	699	
70936419	663		70937461	279		70937712	47		71149992	687	
70936419	669		70937461	281		70937714	499		71149992	697	
70936467	553		70937461	289		70937715	465		71149999	297	
70936472	173		70937465	105		70937716	425		71149999	687	
70936472	175		70937465	277		70937727	441		71151362	691	
70936473	129		70937465	279		70937730	143		71154722	273	
70936473	555		70937465	281		70950002	397		71154722	275	
70936474	205		70937465	289		70950037	207		71154722	325	
70936474	209		70937465	329		70950037	47		71154722	327	
70936474	211		70937465	425		70950038	207		71154722	695	
70936474	45		70937465	427		70950038	207		71157144	453	
70936498	541		70937480	297		70950038	47		71157144	697	
70936525	435		70937480	383		70950046	45		71160040	651	
70936592	143		70937498	131		70950052	649		71160040	653	
70936592	215		70937534	665		70950052	651		71160055	655	
70936592	243		70937548	297		70950052	653		71160067	651	
70936747	495		70937548	299		70950220	109		71160067	653	
70936765	127		70937550	163		70950220	207		71160085	655	
70936765	235		70937550	235		70950220	207		71160303	651	
70936765	93		70937550	247		70950220	47		71160303	653	
70936765	99		70937603	297		70950220	47		71161396	293	
70936774	209		70937603	299		70950377	639		71162565	651	
70936774	47		70937603	687		70950382	655		71162781	639	
70936778	111		70937605	233		70950388	637		71162781	643	
70936778	117		70937605	697		70950394	657		71162782	639	
70936778	213		70937606	233		70950417	639		71162782	643	
70936778	215		70937606	697		70950420	671		71166170	639	
70936778	259		70937607	233		70950449	109		71166170	643	
70936778	611		70937607	697		70950453	49		71166171	639	
70936813	191		70937608	233		70950453	535		71166171	643	
70937005	325		70937608	697		70950453	657		71166172	639	
70937005	427		70937609	191		70950490	655		71166172	643	
70937005	663		70937609	199		70950717	219		71169066	251	
70937005	669		70937609	233		70950945	207		71169204	681	
70937010	329		70937609	697		70950945	207		71170388	665	
70937101	345		70937610	233		70950945	47		71170388	669	
70937101	437		70937610	697		70950945	47		71170388	681	
70937101	487		70937646	283		70951055	211		71170390	665	
70937101	499		70937649	497		70951067	93		71170390	669	
70937133	127		70937649	507		71012174	541		71170390	681	
70937133	129		70937649	511		71122510	405		71173328	253	
70937133	131		70937649	513		71122510	695		71173857	293	
70937133	213		70937649	515		71124448	439		71174391	283	
70937133	217		70937650	493		71127313	403		71174391	301	
70937179	495		70937650	497		71127313	439		71174718	589	
70937253	411		70937650	499		71127313	443		71174718	593	
70937253	415		70937650	513		71127313	449		71175918	665	
70937253	419		70937658	235		71127313	451		71175918	669	
70937253	419		70937658	239		71127313	697		71175918	681	
70937253	423		70937660	139		71130258	291		71175919	665	
70937253	503		70937660	139		71130258	293		71175919	669	
70937253	689		70937660	143		71130258	697		71175919	681	
70937253	699		70937660	143		71133361	121		71175961	651	
70937263	145		70937660	143		71133361	125		71175961	653	
70937280	143		70937660	145		71133361	697		71175962	651	
70937280	143		70937660	145		71148120	207		71175962	653	
70937280	159		70937676	657		71148120	47		71175963	651	
70937280	167		70937677	213		71148120	49		71175963	653	
70937280	229		70937677	217		71148120	685		71176951	589	
70937280	375		70937677	221		71148120	695		71176951	591	
70937294	387		70937677	243		71149388	687		71176962	589	
70937295	197		70937677	51		71149388	699		71176962	593	
70937295	203		70937682	213		71149894	297		71176963	591	
70937295	205		70937682	601		71149894	299		71176964	589	
70937296	205		70937682	661		71149894	687		71176964	591	
70937297	205		70937684	215		71149894	699		71176964	593	

## 9690 COMBINE

19  
INDEX

Part No.	Page	Grid	Part No.	Page	Grid	Part No.	Page	Grid	Part No.	Page	Grid
71176964	595		71197117	277		71310976	265		71336386	111	
711770	175		71197117	279		71311456	639		71336386	115	
711770	695		71197117	281		71311456	645		71337414	219	
71177385	653		71197117	289		71312323	639		71337414	223	
71177386	653		71197117	329		71312323	641		71337921	121	
71178107	109		71197117	457		71312323	645		71338308	663	
71178495	109		71197323	279		71312323	647		71338308	667	
71178962	103		71197376	433		71312602	277		71338651	665	
71179395	291		712208	653		71312602	281		71338789	665	
71179395	293		71300327	593		71312602	283		71338789	667	
71182840	277		71300327	595		71312602	329		71338799	665	
71182840	279		71300507	653		71312602	365		71338799	667	
71182840	331		71300509	651		71312602	371		71339238	639	
71182840	457		71302422	597		71312602	427		71339238	641	
71183535	649		71302467	651		71312603	105		71339238	647	
71183746	649		71302468	651		71312603	283		71339847	111	
71183747	649		71302469	651		71312819	283		71339847	115	
71183750	649		71302470	651		71312823	283		71339847	139	
71183757	639		71302471	651		71314321	325		71339847	507	
71183757	643		71304149	261		71314321	327		71339847	513	
71183828	649		71304149	265		71314481	637		71340437	639	
71183839	651		71304149	523		71314481	643		71340437	641	
71184133	651		71304261	637		71314833	311		71341448	387	
71184134	651		71304261	643		71314842	311		71341450	387	
71184135	651		71304262	637		71314999	313		71341450	699	
71184144	651		71304263	637		71315780	377		71342216	215	
71184144	653		71304264	637		71315780	405		71342216	239	
71184145	649		71304266	637		71315785	377		71342216	649	
71184147	649		71304266	643		71315785	405		71342217	649	
71184148	649		71304267	637		71315999	297		71342768	137	
71184188	681		71304267	643		71315999	299		71343344	45	
71184401	593		71304271	639		71317628	653		71343344	489	
71184409	593		71304271	643		71317841	263		71343344	49	
71184415	589		71304292	639		71317841	295		71344597	655	
71184418	589		71304292	643		71317841	311		71344598	655	
71184418	591		71304362	107		71318052	327		71344647	279	
71184418	593		71304362	329		71323575	483		71344649	279	
71184418	595		71305916	499		71325553	387		71344833	439	
71186166	403		71306949	183		71326336	489		71345822	499	
71186745	651		71307131	499		71327160	253		71345898	389	
71186745	653		71307132	499		71327595	637		71345898	699	
71186746	651		71307626	663		71327984	437		71346267	105	
71186746	653		71308156	279		71328361	285		71346267	279	
71186814	495		71308156	289		71328361	287		71346267	281	
71188145	241		71308156	697		71328361	567		71346267	289	
71188145	441		71308770	121		71328362	553		71346267	329	
71188145	443		71308770	411		71328362	567		71346998	109	
71188145	447		71308770	415		71328365	285		71346998	115	
71188503	587		71308770	421		71328365	287		71347777	655	
71188503	589		71308770	695		71328365	553		71347780	655	
71188503	591		71308951	125		71328365	567		71347782	655	
71188503	593		71308951	423		71328912	681		71347910	227	
71188503	595		71308984	451		71330802	329		71348314	407	
71188503	597		71308984	695		71332011	285		71348455	639	
71188504	587		71308995	439		71332011	287		71348455	681	
71188504	589		71309117	297		71332011	359		71348560	39	
71188504	591		71309117	299		71333904	251		71348560	43	
71188504	593		71309117	405		71334329	551		71349270	105	
71188504	595		71309117	695		71334329	557		71349270	281	
71188504	697		71309514	637		71334986	665		71349270	289	
71188949	439		71309514	641		71334986	667		71349270	329	
71190292	651		71309515	637		71334988	663		71349763	507	
71190960	485		71309515	641		71334988	667		71349763	513	
71191799	209		71309766	283		71334989	663		71349811	281	
71192243	387		71309767	363		71334989	667		71349811	289	
71192243	405		71309767	371		71335184	291		71349811	329	
71192243	697		71309767	427		71335184	293		71349813	105	
71193260	243		71309768	277		71335184	695		71349813	281	
71194263	107		71309768	281		71335195	325		71349813	289	
71194263	329		71309768	329		71335195	327		71349813	329	
71194367	441		71309768	697		71335689	349		71350535	453	
71195328	651		71310379	637		71335690	311		71350536	453	
71195328	653		71310379	641		71335782	649		71351200	387	
71195913	325		71310407	121		71335783	649		71351285	209	
71195913	695		71310976	261		71335784	649		71351285	45	

## INDEX

Part No.	Page	Grid	Part No.	Page	Grid	Part No.	Page	Grid	Part No.	Page	Grid
71351389	173		71359912	677		71367320	305		71370877	253	
71351392	253		71359922	677		71367320	309		71370878	253	
71351816	699		71359923	677		71367323	305		71370879	253	
71351859	93		71359927	677		71367323	309		71370880	253	
71352670	559		71359946	677		71367324	305		71370881	253	
71352828	261		71360348	251		71367324	309		71370926	639	
71352828	265		71360382	251		71367526	309		71370926	641	
71352945	541		71361243	593		71367528	305		71370926	681	
71353127	277		71361312	593		71367528	309		71370926	699	
71353127	365		71361355	597		71367529	307		71370934	681	
71353127	371		71361357	597		71368074	39		71371331	197	
71354306	665		71361358	597		71368074	43		71371331	203	
71354306	667		71361359	597		71368570	277		71371332	201	
71354345	461		71361361	597		71368598	437		71371332	203	
71354496	287		71361364	597		71368741	127		71371333	197	
71354636	407		71361367	597		71368741	131		71371333	203	
71354855	305		71361368	597		71368741	135		71371336	197	
71354855	307		71361406	681		71368761	277		71371336	203	
71354856	307		71361720	169		71368951	93		71371338	197	
71354859	305		71361831	163		71368953	99		71371338	203	
71354859	307		71361940	169		71368954	45		71371343	197	
71354861	305		71361941	169		71368961	101		71371343	203	
71354861	307		71361947	169		71368961	97		71371346	197	
71354863	305		71362149	553		71368962	101		71371346	203	
71354863	307		71362390	137		71368962	97		71371347	197	
71354864	307		71362391	137		71368963	101		71371347	203	
71354865	305		71362525	151		71368963	97		71371349	197	
71354865	307		71362539	597		71368991	285		71371520	355	
71355001	307		71362813	237		71368991	287		71371520	697	
71355063	661		71362941	303		71369299	639		71371526	355	
71355063	675		71362941	307		71369299	643		71371526	697	
71355339	619		71362941	309		71369307	645		71371720	39	
71355339	627		71362970	439		71369307	647		71371720	43	
71355340	623		71363526	297		71369761	205		71372132	665	
71355340	631		71363526	299		71369761	699		71372132	669	
71355340	635		71363845	175		71369762	207		71372133	665	
71355384	625		71364016	581		71369877	101		71372133	669	
71355395	673		71364024	581		71369877	97		71372724	205	
71355604	159		71364349	139		71370120	297		71372724	229	
71356058	277		71364946	687		71370120	299		71372880	47	
71356058	425		71364946	699		71370120	699		71372880	697	
71356058	427		71365064	325		71370121	297		71373126	197	
71356060	107		71365064	327		71370121	299		71373127	197	
71356060	277		71365101	589		71370121	695		71373127	203	
71356060	279		71365101	593		71370165	103		71373144	193	
71356060	281		71365102	573		71370232	39		71373144	199	
71356060	289		71365114	573		71370232	43		71373144	201	
71356060	329		71365245	553		71370306	219		71373144	203	
71356060	457		71365245	573		71370306	253		71373145	193	
71356060	697		71365245	665		71370496	297		71373146	197	
71356061	277		71365312	661		71370496	299		71373146	203	
71356061	279		71365412	37		71370496	699		71373403	603	
71356061	281		71365412	41		71370508	139		71373513	485	
71356061	289		71365476	235		71370570	253		71373538	535	
71356061	329		71365477	235		71370634	297		71373538	547	
71356061	457		71365880	553		71370634	299		71373538	601	
71356061	699		71365883	553		71370634	697		71373684	407	
71356067	277		71366126	573		71370808	253		71373693	439	
71356529	105		71366127	573		71370852	253		71373962	317	
71356529	633		71366540	45		71370854	253		71374425	261	
71356938	277		71366540	49		71370855	253		71374425	265	
71358545	633		71367031	47		71370856	253		71374564	101	
71358564	553		71367032	109		71370856	253		71374564	97	
71359419	251		71367037	45		71370859	253		71374565	101	
71359538	655		71367037	49		71370860	253		71374565	97	
71359545	665		71367218B	259		71370861	253		71374663	315	
71359772	663		71367218B	263		71370862	253		71374666	315	
71359841	663		71367308	309		71370863	253		71374667	315	
71359841	667		71367309	305		71370864	253		71374669	315	
71359864	671		71367309	309		71370865	253		71374670	315	
71359865	671		71367312	309		71370866	253		71374671	317	
71359889	679		71367314	309		71370867	253		71374672	311	
71359890	679		71367316	309		71370868	253		71374674	311	
71359891	679		71367317	305		71370872	253		71374776	317	
71359897	675		71367317	309		71370874	253		71374778	317	

## 9690 COMBINE

21  
INDEX

Part No.	Page	Grid	Part No.	Page	Grid	Part No.	Page	Grid	Part No.	Page	Grid
71374779	317		71374895	629		71377549	653		71379132	497	
71374781	317		71374896	621		71377709	649		71379134	259	
71374782	317		71374896	629		71377710	651		71379134	263	
71374785	593		71374897	621		71377711	653		71379210	373	
71374790	595		71374897	629		71377712	653		71379211	373	
71374793	595		71374898	629		71377713	653		71379249	373	
71374794	595		71374900	621		71377714	653		71379254	359	
71374796	311		71374900	629		71377715	653		71379254	499	
71374798	311		71374901	633		71377716	653		71379260	381	
71374803	315		71374904	631		71377717	655		71379261	381	
71374807	317		71374907	625		71377718	655		71379303	535	
71374807	319		71374908	625		71377719	655		71379303	543	
71374808	317		71374908	633		71377720	655		71379304	535	
71374808	319		71374909	625		71377721	655		71379304	543	
71374816	311		71374909	633		71377722	653		71379306	587	
71374827	635		71374918	619		71377723	653		71379323	231	
71374828	635		71374918	627		71377769	311		71379325	587	
71374831	619		71374932	311		71377770	311		71379325	589	
71374831	627		71374958	631		71377939	613		71379434	39	
71374831	635		71374959	631		71377941	613		71379519	329	
71374834	629		71374960	633		71377945	583		71379520	329	
71374834	635		71374961	625		71378013	423		71379601	205	
71374836	627		71374967	627		71378014	473		71379601	207	
71374840	619		71374967	635		71378016	269		71379601	47	
71374840	627		71374968	635		71378019	355		71379601	49	
71374840	635		71374970	635		71378021	339		71379601	695	
71374841	635		71375122	313		71378022	339		71379631	301	
71374842	631		71375335	297		71378025	337		71379631	303	
71374842	635		71375335	299		71378060	97		71379701	173	
71374843	631		71375335	699		71378104	221		71379811	397	
71374843	635		71375388	261		71378250	373		71379824	465	
71374844	631		71375388	267		71378317	313		71379824	469	
71374844	635		71375556	311		71378364	169		71379825	463	
71374845	631		71375559	311		71378364	171		71379825	467	
71374845	635		71375564	311		71378441	111		71380028	293	
71374846	631		71375751	645		71378441	115		71380043	293	
71374846	635		71375752	645		71378577	355		71380423	259	
71374847	631		71375902	233		71378579	355		71380460	283	
71374847	635		71375911	241		71378711	689		71380463	293	
71374848	635		71376042	439		71378711	701		71380468	107	
71374849	635		71376312	483		71378873	273		71380905	293	
71374852	621		71376324	485		71378873	301		71380994	453	
71374853	621		71376349R	485		71378873	459		71381680	297	
71374853	629		71376350	493		71379103	291		71381682	297	
71374859	619		71376446	657		71379105	279		71381682	299	
71374859	627		71376758P	405		71379105	685		71382053	283	
71374860	633		71376825	239		71379105	695		71382055	283	
71374863	625		71376825	315		71379111	297		71382057	283	
71374865	625		71376825	343		71379111	299		71382057	289	
71374866	625		71376825	699		71379126	39		71382256	377	
71374867	625		71376888	297		71379126	43		71382257	377	
71374870	621		71376907	317		71379126	455		71382269	375	
71374870	629		71376908	317		71379127	37		71382607	315	
71374872	631		71376909	317		71379127	39		71382694	47	
71374875	631		71377109	177		71379127	41		71382716	425	
71374876	631		71377109	699		71379127	43		71382716	427	
71374877	631		71377310	297		71379127	503		71382731	45	
71374879	631		71377310	299		71379127	509		71382758	377	
71374880	631		71377407	651		71379127	511		71382758	695	
71374881	623		71377408	651		71379128	37		71382759	377	
71374881	631		71377410	653		71379128	39		71382759	695	
71374882	631		71377411	653		71379128	41		71382868	425	
71374883	623		71377412	653		71379128	43		71382868	427	
71374883	631		71377413	653		71379128	507		71382871	425	
71374884	623		71377414	653		71379128	513		71382871	427	
71374884	631		71377415	653		71379129	37		71382933	467	
71374885	623		71377416	653		71379129	39		71382983	283	
71374886	619		71377417	653		71379129	41		71382983	289	
71374886	631		71377418	653		71379129	43		71382985	283	
71374890	625		71377419	649		71379129	455		71383233	93	
71374890	633		71377420	649		71379129	503		71383233	97	
71374891	633		71377531	649		71379130	37		71383499	381	
71374894	621		71377534	653		71379130	41		71383653	183	
71374894	629		71377535	653		71379132	39		71383661	185	
71374895	621		71377548	651		71379132	41		71383662	185	

## INDEX

Part No.	Page	Grid	Part No.	Page	Grid	Part No.	Page	Grid	Part No.	Page	Grid
71383667	183		71386353	615		71387393	361		71388086	537	
71383667	187		71386394	419		71387408	229		71388086	543	
71383673	187		71386400	405		71387413	229		71388089	111	
71383736	373		71386414	537		71387414	231		71388089	117	
71383737	373		71386414	547		71387414	675		71388092	613	
71383783	259		71386436	207		71387416	229		71388093	609	
71383783	263		71386436	49		71387417	229		71388098	393	
71383783	267		71386517	109		71387418	235		71388099	393	
71383914	239		71386557	587		71387419	245		71388100	393	
71383930	377		71386557	593		71387420	161		71388100	395	
71383932	379		71386572	593		71387420	235		71388129	165	
71383932	699		71386574	617		71387422	235		71388131	167	
71383934	379		71386574	627		71387423	235		71388133	229	
71383934	699		71386668	273		71387424	235		71388133	233	
71384272	197		71386669	273		71387470	357		71388136	143	
71384272	203		71386683	331		71387515	363		71388142	165	
71384279	673		71386773	503		71387523	327		71388149	165	
71384284	673		71386805	227		71387552	689		71388152	165	
71384406	581		71386806	227		71387553	689		71388154	165	
71384407	581		71386807	219		71387554	689		71388157	187	
71384411	581		71386807	227		71387624	45		71388167	137	
71384412	581		71386866	655		71387625	93		71388178	181	
71384413	581		71386867	655		71387642	109		71388188	191	
71384414	581		71386880	103		71387643	109		71388189	137	
71384551	199		71386887	93		71387644	109		71388202	325	
71384551	203		71386890	93		71387650	93		71388207	331	
71384552	197		71386891	45		71387680	381		71388213	331	
71384552	203		71386892	45		71387680	389		71388217	279	
71384553	201		71386893	93		71387699	347		71388248	261	
71384555	201		71386894	93		71387700	347		71388248	267	
71384556	201		71386895	93		71387732	121		71388256	367	
71384558	201		71386986	45		71387749	39		71388256	383	
71384558	203		71386989	45		71387749	43		71388301	337	
71384836	273		71386992	45		71387749	95		71388312	337	
71384878	681		71386997	45		71387752	109		71388314	337	
71384879	681		71387142	175		71387755	109		71388315	337	
71384912	457		71387145	177		71387759	497		71388318	337	
71384922	451		71387148	175		71387797	191		71388321	339	
71385055	207		71387152	137		71387797	209		71388322	343	
71385055	47		71387177	169		71387797	555		71388391	245	
71385108	239		71387178	169		71387797	571		71388439	349	
71385633	261		71387181	169		71387798	393		71388441	349	
71385633	265		71387185	137		71387826	347		71388442	349	
71385680	451		71387186	137		71387842	373		71388451	351	
71385690	453		71387195	139		71387845	367		71388458	351	
71385694	457		71387266	139		71387846	373		71388459	349	
71385697	457		71387267	163		71387848	367		71388465	351	
71385793	39		71387268	163		71387848	383		71388466	349	
71385801	457		71387271	159		71387908	227		71388712	367	
71385801	685		71387272	159		71387962	497		71388712	685	
71385801	695		71387273	159		71387974	109		71388712	695	
71385802	453		71387274	163		71387975	109		71388713	681	
71385836	365		71387275	163		71387996	121		71388717	385	
71385837	363		71387278	159		71387996	123		71388736	367	
71385837	685		71387279	159		71388056	393		71388736	383	
71385837	695		71387280	159		71388056	395		71388739	475	
71385907	215		71387281	159		71388058	609		71388748	363	
71385907	231		71387292	137		71388059	613		71388751	495	
71385907	239		71387293	177		71388060	613		71388752	495	
71385907	649		71387295	161		71388061	111		71388826	393	
71385996	109		71387297	161		71388061	117		71388826	395	
71385998	607		71387297	695		71388062	111		71388829	359	
71385999	47		71387307	367		71388062	117		71388833	359	
71386129	323		71387307	383		71388063	111		71388839	611	
71386139	127		71387325	453		71388063	115		71388842	359	
71386139	131		71387329	343		71388063	205		71388843	359	
71386140	127		71387343	349		71388064	111		71388844	359	
71386140	131		71387344	349		71388064	115		71388856	205	
71386169	347		71387345	349		71388071	127		71388864	535	
71386195	373		71387351	373		71388072	129		71388864	541	
71386199	373		71387355	381		71388073	129		71388875	535	
71386200	381		71387357	381		71388073	131		71388876	45	
71386352	331		71387375	405		71388076	205		71388877	207	
71386352	683		71387375	697		71388081	539		71388877	47	
71386352	695		71387393	357		71388085	537		71388880	111	



9690 COMBINE

Part No.	Page	Grid	Part No.	Page	Grid	Part No.	Page	Grid	Part No.	Page	Grid
71388880	117		71389743	599		71390357	471		71391039	125	
71388882	111		71389746	219		71390360	463		71391040	93	
71388882	117		71389746	223		71390364	459		71391040	97	
71388912	525		71389746	611		71390384	489		71391041	93	
71388938	499		71389747	593		71390407	169		71391041	97	
71388940	439		71389750	617		71390413	169		71391083	177	
71388942	499		71389750	619		71390414	169		71391083	553	
71388944	499		71389751	615		71390417	177		71391083	571	
71388967	373		71389754	215		71390450	159		71391100	205	
71388983	111		71389754	553		71390451	159		71391112	519	
71389066	397		71389784	495		71390452	159		71391113	521	
71389066	399		71389785	495		71390453	159		71391131	463	
71389068	397		71389811	229		71390468	161		71391131	469	
71389068	399		71389812	233		71390472	161		71391133	461	
71389084	337		71389813	233		71390502	661		71391135	459	
71389087	335		71389814	233		71390579	335		71391140	459	
71389158	139		71389815	233		71390582	333		71391141	461	
71389158	39		71389818	239		71390672	443		71391143	479	
71389158	43		71389818	649		71390672	449		71391146	483	
71389221	273		71389842	437		71390721	325		71391147	481	
71389222	273		71389851	445		71390755	497		71391150	485	
71389229	657		71389916	111		71390756	471		71391153	191	
71389230	657		71389917	47		71390759R	499		71391153	697	
71389232	657		71389997	397		71390762	497		71391157	165	
71389233	657		71389997	399		71390764	485		71391158	143	
71389235	657		71390005	339		71390770	499		71391172	143	
71389250	641		71390019	349		71390789	505		71391175	191	
71389250	661		71390022	337		71390804	255		71391179	525	
71389309	217		71390024	337		71390806	255		71391181	525	
71389309	221		71390090	103		71390809	255		71391219	325	
71389310	227		71390092	105		71390810	255		71391220	325	
71389313	217		71390093	409		71390813	255		71391221	325	
71389313	221		71390101	393		71390815	255		71391224	325	
71389319	243		71390101	395		71390816	255		71391225	325	
71389356	663		71390122	159		71390817	255		71391234	127	
71389362	663		71390148	485		71390820	255		71391234	131	
71389381	663		71390152	483		71390821	255		71391236	551	
71389385	663		71390157	483		71390822	255		71391238	609	
71389386	663		71390178	327		71390823	255		71391246	539	
71389394	663		71390179	661		71390824	255		71391246	549	
71389394	671		71390183	329		71390825	255		71391246	559	
71389405	47		71390185	451		71390851	425		71391252	539	
71389405	49		71390188	329		71390853	425		71391252	549	
71389426	345		71390188	683		71390855	649		71391252	557	
71389427	345		71390188	695		71390860	465		71391255	169	
71389455	375		71390190	329		71390861	105		71391256	169	
71389456	375		71390191	477		71390863	615		71391261	359	
71389457	375		71390196	425		71390866	615		71391263	361	
71389458	375		71390196	427		71390867	615		71391270	359	
71389509	171		71390199	425		71390867	657		71391322	191	
71389511	171		71390199	427		71390870	105		71391327	403	
71389512	171		71390199	683		71390887	655		71391331	407	
71389513	171		71390199	695		71390888	655		71391336	463	
71389514	171		71390203	105		71390909	527		71391339	445	
71389515	171		71390208	107		71390910	519		71391339	449	
71389516	171		71390210	107		71390911	521		71391403	245	
71389518	105		71390210	683		71390911	525		71391404	245	
71389518	617		71390210	695		71390913	525		71391416	235	
71389522	475		71390223	327		71390913	533		71391417	235	
71389601	661		71390241	495		71390914	495		71391418	243	
71389611	327		71390242	495		71390926	463		71391418	609	
71389638	279		71390248	495		71390929	473		71391420	213	
71389638	281		71390259	397		71391001	255		71391424	221	
71389638	289		71390259	399		71391002	255		71391435	465	
71389647	637		71390260	397		71391003	255		71391435	469	
71389647	643		71390267	401		71391016	215		71391441	465	
71389729	605		71390268	401		71391017	215		71391441	469	
71389731	605		71390279	401		71391020	241		71391453	535	
71389732	605		71390284	401		71391021	215		71391453	543	
71389733	605		71390292	661		71391021	239		71391453	585	
71389737	587		71390314	177		71391021	241		71391461	119	
71389740	393		71390316	227		71391021	377		71391462	119	
71389741	393		71390323	231		71391021	387		71391463	119	
71389742	393		71390325	229		71391021	441		71391466	119	
71389743	393		71390325	235		71391031	123		71391472	121	

## INDEX

Part No.	Page	Grid	Part No.	Page	Grid	Part No.	Page	Grid	Part No.	Page	Grid
71391474	109		71391956	481		71392854	585		71393413	479	
71391475	109		71391957	483		71392855	585		71393414	479	
71391475	205		71391960	485		71392856	585		71393416	479	
71391489	339		71391961	487		71392857	585		71393419	439	
71391495	301		71391962	487		71392870	359		71393424B	489	
71391496	301		71391963	487		71392870	635		71393425P	489	
71391501	159		71391964	487		71392870	649		71393429	433	
71391515	175		71391966	485		71392872	555		71393439	373	
71391516	175		71391967	483		71392872	571		71393440	411	
71391518	141		71391968	483		71392875	555		71393440	415	
71391519	141		71391969	483		71392875	571		71393440	423	
71391526	409		71391970	483		71392876	177		71393455	159	
71391529	329		71391971	483		71392876	553		71393463	191	
71391540	119		71391972	483		71392876	571		71393467	175	
71391540	695		71391974	459		71392879	535		71393468	141	
71391541	119		71391975	459		71392881	553		71393469	141	
71391548	327		71392194	609		71392882	535		71393470	141	
71391549	327		71392601	485		71392886	361		71393471	141	
71391551	103		71392602	485		71392887	361		71393472	141	
71391552	103		71392605	483		71392888	361		71393473	141	
71391567	283		71392610	483		71392889	361		71393474	141	
71391572	637		71392611	481		71392890	361		71393475	141	
71391576	387		71392616	481		71392891	361		71393476	499	
71391577	387		71392616	487		71392892	361		71393492	503	
71391579	387		71392618	485		71392894	361		71393493	503	
71391592	389		71392620	481		71392895	361		71393494	503	
71391620	519		71392621	487		71392896	361		71393497R	513	
71391624	527		71392622	487		71392897	361		71393526	433	
71391624	531		71392624	487		71392898	361		71393533	687	
71391625	495		71392654	483		71392899	361		71393534	435	
71391643	359		71392656	481		71392900	361		71393534	687	
71391648	205		71392657	481		71393101	325		71393534	697	
71391654	359		71392658	487		71393107	355		71393543	421	
71391654	481		71392663	485		71393118	339		71393546	435	
71391656	609		71392664	485		71393122	341		71393547	433	
71391657	613		71392675	459		71393220	325		71393551	191	
71391659	323		71392677	423		71393236	661		71393601	143	
71391660	359		71392681	419		71393251	487		71393604	143	
71391709	243		71392690	347		71393252	485		71393605	143	
71391713	137		71392691	423		71393253	485		71393609	165	
71391726	137		71392692	423		71393257	485		71393612	165	
71391746	143		71392693	423		71393258	439		71393613	165	
71391747	143		71392693	695		71393259	439		71393614	165	
71391748	145		71392694	423		71393260	441		71393615	165	
71391752	355		71392696	419		71393261	441		71393616	191	
71391762	335		71392697	419		71393262	441		71393617	191	
71391764	333		71392698	419		71393263	437		71393619	191	
71391792B	283		71392700	435		71393264	437		71393620	191	
71391831	503		71392701	121		71393265	437		71393623	229	
71391835	503		71392702	111		71393268	437		71393636	125	
71391848	483		71392703	111		71393269	437		71393650	123	
71391849	481		71392705	119		71393273	437		71393666	291	
71391850	479		71392766	615		71393274	437		71393671	291	
71391851	139		71392776	39		71393277	229		71393694	169	
71391866	217		71392776	409		71393281	177		71393695B	169	
71391869	213		71392778	477		71393282	177		71393703	163	
71391869	229		71392779	475		71393285	229		71393703	247	
71391869	699		71392781	465		71393287	237		71393704	241	
71391870	217		71392782	465		71393301	175		71393713	217	
71391870	243		71392787	657		71393307	137		71393713	221	
71391871	243		71392788	657		71393323	159		71393716	239	
71391874	239		71392830	513		71393324	159		71393717	239	
71391897	139		71392831R	507		71393350	233		71393717	689	
71391899	139		71392832R	507		71393352	335		71393718	239	
71391902	349		71392833R	509		71393387	387		71393718	649	
71391932	495		71392835R	511		71393389	387		71393718	699	
71391935	479		71392836R	515		71393391	387		71393734	217	
71391938	479		71392837	507		71393392	387		71393742	241	
71391939	479		71392838P	511		71393401	437		71393776	259	
71391946	479		71392841R	515		71393402	437		71393778	259	
71391947	479		71392842	513		71393403B	439		71393780	259	
71391948	481		71392846	497		71393404	439		71393782	261	
71391951	479		71392847	499		71393405	437		71393784	259	
71391953	485		71392852	585		71393410	485		71393786	259	
71391954	483		71392853	585		71393411	485		71393788	259	

9690 COMBINE

Part No.	Page	Grid	Part No.	Page	Grid	Part No.	Page	Grid	Part No.	Page	Grid
71393818	423		71394126	361		71394690	39		71395173	669	
71393822B	405		71394127	361		71394691	37		71395173	675	
71393824	405		71394128	361		71394691	39		71395175	105	
71393831	117		71394129	361		71394692	37		71395205	691	
71393838	47		71394130	361		71394693	39		71395205	701	
71393842	113		71394131	361		71394698	37		71395218	691	
71393842	205		71394132	361		71394699	39		71395229	387	
71393843	551		71394133	361		71394716	229		71395232	387	
71393847	129		71394134	361		71394716	323		71395234	389	
71393847	131		71394137	301		71394717	233		71395239	375	
71393849	659		71394140	543		71394721	239		71395244	375	
71393854	465		71394144	209		71394725	219		71395250	377	
71393854	469		71394146	553		71394725	697		71395250	699	
71393867	493		71394150	553		71394789	169		71395261	419	
71393868	493		71394151	553		71394790	169		71395266	423	
71393869	493		71394168	535		71394791	141		71395273	403	
71393870	493		71394169	321		71394792	141		71395275	137	
71393871R	493		71394170	321		71394795	175		71395332	661	
71393873	489		71394172	205		71394796	173		71395334	337	
71393875	491		71394173	551		71394797	175		71395335	337	
71393876	141		71394174	537		71394799	173		71395336	337	
71393878	141		71394175	39		71394800	163		71395337	339	
71393879	141		71394175	455		71394821	261		71395338	339	
71393881	141		71394303	527		71394821	265		71395339	337	
71393883	141		71394303	531		71394833	419		71395344	345	
71393885	139		71394306	529		71394841	423		71395346	345	
71393886	141		71394318	459		71394865	517		71395351	507	
71393887	141		71394321	481		71394867	511		71395351	513	
71393888	141		71394321	487		71394873R	509		71395352	507	
71393893	137		71394322	481		71394874	507		71395352	513	
71393893	191		71394323	481		71394874	513		71395353	507	
71393893	197		71394325	487		71394877	145		71395353	513	
71393893	697		71394352	409		71394878	143		71395354	507	
71393901	489		71394352	685		71394879	145		71395354	513	
71393907	489		71394352	695		71394884	145		71395359	503	
71393908	489		71394353	325		71394885	145		71395372	497	
71393909	489		71394354	325		71394886	181		71395375	497	
71393913	489		71394356B	409		71394887	181		71395376	499	
71393916	465		71394363	329		71394888	181		71395378R	511	
71393916	469		71394364	329		71394889	181		71395382R	515	
71393917	479		71394397	327		71394890	145		71395383R	509	
71393918	479		71394401	515		71394891	145		71395386P	493	
71393919	525		71394402	515		71394892	145		71395387P	493	
71393919	533		71394405R	509		71394893	145		71395388	493	
71393921	529		71394406	513		71394894	181		71395389	493	
71393923	529		71394407R	511		71394896	147		71395390	493	
71393924	519		71394408R	509		71394897	147		71395407	339	
71393926	143		71394413R	515		71394898	147		71395413	355	
71393926	167		71394414	515		71394899	145		71395571	405	
71393926	229		71394415	515		71394900	145		71395572	405	
71393926	229		71394418	493		71394920	489		71395573	405	
71393929	167		71394419	487		71394957	419		71395576	419	
71393931	229		71394420	487		71394960	421		71395582	419	
71393938	145		71394424	517		71394962	419		71395583	419	
71393939	165		71394425	517		71394966	423		71395585	661	
71393940	143		71394472	151		71394967	423		71395586	661	
71393941	145		71394501	139		71394969	423		71395589	419	
71393943	159		71394502	139		71394970	403		71395728	125	
71393943	193		71394502	149		71395048	245		71395734	47	
71393944	145		71394503	139		71395065	675		71395736	93	
71393947	145		71394514	143		71395151	657		71395737	93	
71393948	191		71394515	143		71395152	657		71395738	95	
71393949	191		71394516	143		71395153	657		71395741	95	
71393950	191		71394517	143		71395154	657		71395749	125	
71393977R	509		71394518	143		71395155	657		71395750	123	
71393978R	509		71394519	143		71395157	657		71395752	173	
71393982	507		71394521	143		71395158	657		71395753	173	
71393984	505		71394522	143		71395159	657		71395754	165	
71393985R	511		71394523	139		71395160	657		71395757	37	
71393986	517		71394525	137		71395161	657		71395757	41	
71393987	515		71394534	435		71395162	657		71395759	177	
71393992	505		71394540	421		71395163	657		71395760	145	
71393994	505		71394681	481		71395167	673		71395761	177	
71393995	505		71394688	487		71395172	669		71395762	39	
71394119	423		71394690	37		71395172	675		71395762	43	

## INDEX

Part No.	Page	Grid	Part No.	Page	Grid	Part No.	Page	Grid	Part No.	Page	Grid
71395763	159		71396255	633		71396596	677		71396972	233	
71395763	193		71396259	205		71396597	677		71396979	45	
71395764	167		71396260	127		71396598	677		71396983	101	
71395767	143		71396260	131		71396599	677		71396992	47	
71395768	145		71396262	127		71396600	677		71396994	99	
71395769	145		71396263	127		71396601	673		71397111	489	
71395770	175		71396264	601		71396601	677		71397121	489	
71395771	145		71396266	557		71396602	677		71397122	489	
71395773	147		71396266	601		71396603	677		71397124	489	
71395776B	105		71396267	599		71396604	677		71397152	451	
71395777	103		71396267	601		71396605	677		71397153	451	
71395787	673		71396268	209		71396606	677		71397173	397	
71395789	669		71396269	127		71396607	677		71397179	671	
71395789	675		71396269	131		71396608	677		71397180	671	
71395791	103		71396273	169		71396609	677		71397181	671	
71395799	293		71396276	137		71396610	677		71397184	673	
71395805	103		71396283	149		71396611	677		71397185	671	
71395808	103		71396326	407		71396612	677		71397186	671	
71395810	103		71396348	681		71396613	677		71397186	671	
71395813	105		71396349	681		71396614	677		71397187	671	
71395825	637		71396355	105		71396615	677		71397187	671	
71395825	647		71396374	681		71396616	677		71397189	673	
71395830	245		71396377	181		71396617	577		71397190	673	
71395832	213		71396381	191		71396617	673		71397191	673	
71395838B	213		71396382	191		71396618	575		71397192	673	
71395840	213		71396385	105		71396618	577		71397193	671	
71395848	173		71396387	173		71396619	577		71397194	673	
71395848	229		71396390	191		71396620	575		71397195	673	
71395855	405		71396391	229		71396620	577		71397196	671	
71395865	419		71396393	175		71396621	575		71397197	671	
71395872	107		71396394	175		71396621	577		71397198	671	
71395877	297		71396395	175		71396622	577		71397199	671	
71395877	299		71396396	173		71396623	575		71397201	673	
71395877	687		71396401	507		71396623	577		71397202	671	
71395877	699		71396401	513		71396624	575		71397203	671	
71395903R	109		71396402	507		71396624	577		71397204	671	
71395906	121		71396402	513		71396625	671		71397205	671	
71395906	123		71396403	493		71396625	679		71397222	325	
71395976B	439		71396404R	493		71396653	439		71397244	469	
71395983	465		71396414	471		71396653	699		71397245	469	
71395983	469		71396453	403		71396662R	459		71397246	465	
71395984	519		71396456	423		71396664	487		71397246	469	
71395987	37		71396458	433		71396677	151		71397247	469	
71395988	39		71396462	423		71396682	149		71397248	467	
71395991	519		71396467	433		71396684	149		71397255	151	
71395992R	487		71396469	425		71396729	149		71397261	175	
71395993	521		71396470	413		71396729	155		71397262	175	
71395996	485		71396472	413		71396735	151		71397263	175	
71395997	485		71396481	299		71396736	163		71397265	153	
71395998	439		71396501	149		71396743	149		71397268	153	
71395998	701		71396501	155		71396743	151		71397271	153	
71396110	451		71396510	149		71396745	151		71397272	153	
71396124	443		71396510	155		71396752	123		71397286	533	
71396127	631		71396558	657		71396753	125		71397303	519	
71396128	631		71396567	103		71396754	125		71397310	515	
71396129	633		71396569	107		71396755	125		71397311	515	
71396130	633		71396569	683		71396755	599		71397313	517	
71396131	633		71396569	695		71396756	125		71397348	391	
71396132	633		71396580	671		71396758	125		71397349	391	
71396133	633		71396580	677		71396758	599		71397350	391	
71396136	629		71396581	677		71396789	51		71397378	397	
71396137	633		71396582	677		71396951	219		71397378	399	
71396137	635		71396583	677		71396951	697		71397379	397	
71396139	629		71396584	677		71396952	219		71397379	399	
71396140	631		71396585	677		71396952	223		71397380	397	
71396141	631		71396586	677		71396954	163		71397380	399	
71396142	631		71396587	677		71396955	213		71397381	401	
71396169	635		71396588	677		71396956	215		71397382	401	
71396226	387		71396589	677		71396957	219		71397383	401	
71396227	389		71396590	677		71396957	223		71397384	401	
71396228	389		71396591	677		71396957	225		71397385	401	
71396229	389		71396592	677		71396970	233		71397387	401	
71396252	629		71396593	677		71396970	699		71397388	401	
71396253	633		71396594	677		71396971	233		71397389	401	
71396254	633		71396595	677		71396971	699		71397390	397	

9690 COMBINE

Part No.	Page	Grid	Part No.	Page	Grid	Part No.	Page	Grid	Part No.	Page	Grid
71397390	399		71397684	255		71397895	99		71398337	615	
71397391	397		71397685	255		71397899B	109		71398354	649	
71397392	397		71397686	255		71397926	197		71398356	655	
71397392	399		71397687	255		71397926	203		71398357	325	
71397393	397		71397688	255		71397927	197		71398358B	283	
71397394	397		71397689	255		71397927	203		71398360	283	
71397427	147		71397690	255		71397929	197		71398360	289	
71397428	105		71397691	255		71397929	699		71398361	283	
71397429	173		71397692	255		71397930	199		71398362B	293	
71397432	193		71397693	255		71397930	203		71398364	289	
71397433	193		71397695	255		71397932	199		71398365B	293	
71397434	193		71397697	255		71397932	203		71398376	275	
71397436	193		71397698	255		71397933	197		71398379B	283	
71397437	193		71397701	255		71397934	197		71398384	281	
71397438	193		71397702	255		71397934	203		71398384	685	
71397439	193		71397703	255		71397939	201		71398388	277	
71397440	193		71397704	257		71397940	233		71398388	683	
71397441	193		71397705	257		71397941	233		71398389	277	
71397443	193		71397706	257		71397942	233		71398391	289	
71397443	695		71397707	257		71397989	375		71398421	389	
71397444	197		71397708	257		71397991	397		71398424	369	
71397444	203		71397709	257		71397999	419		71398424	389	
71397445	197		71397710	257		71398028	237		71398429	155	
71397446	197		71397711	257		71398098	339		71398436	155	
71397447	197		71397712	257		71398099	337		71398445	155	
71397447	203		71397713	257		71398110	241		71398451	507	
71397448	197		71397714	257		71398131	313		71398452	507	
71397448	203		71397715	257		71398131	319		71398453	507	
71397449	197		71397716	257		71398134	323		71398453	513	
71397449	203		71397717	257		71398136	323		71398454	507	
71397452B	259		71397718	257		71398138	543		71398473	513	
71397478	635		71397719	257		71398139	539		71398474R	513	
71397480	635		71397720	257		71398139	543		71398475R	513	
71397481	635		71397721	257		71398142	543		71398477	311	
71397482	635		71397722	257		71398165	165		71398501	155	
71397483	635		71397724	257		71398169	229		71398505	155	
71397484	635		71397725	217		71398171	137		71398509	157	
71397485	635		71397725	243		71398172	183		71398510	157	
71397486	635		71397725	257		71398173	185		71398511	157	
71397487	635		71397726	217		71398174	183		71398514	157	
71397492	599		71397726	221		71398175	183		71398518	157	
71397493	393		71397729	217		71398175	189		71398525	163	
71397493	599		71397729	221		71398182	155		71398721	521	
71397506	153		71397731	257		71398188	155		71398721	523	
71397510	151		71397732	257		71398196	155		71398726	183	
71397511	151		71397733	257		71398197	155		71398727	183	
71397515	151		71397734	257		71398202	497		71398728	185	
71397526	153		71397735	257		71398203	539		71398730	187	
71397532	153		71397736	257		71398203	549		71398731	187	
71397535	153		71397737	257		71398203	565		71398732	189	
71397536	153		71397738	257		71398211	681		71398733	187	
71397538	153		71397739	257		71398212	681		71398734	187	
71397539	179		71397740	257		71398223	659		71398735	187	
71397540	179		71397741	257		71398224	659		71398736	187	
71397541	179		71397742	257		71398226	659		71398737	187	
71397542	179		71397743	257		71398227	551		71398738	187	
71397543	179		71397826	179		71398227	565		71398739	187	
71397544	179		71397827	179		71398228	669		71398740	187	
71397545	179		71397828	179		71398228	675		71398741	187	
71397546	179		71397829	179		71398238	557		71398742	187	
71397547	179		71397830	179		71398238	601		71398743	187	
71397548	179		71397831	179		71398241	681		71398744	187	
71397549	179		71397832	179		71398242	681		71398745	187	
71397550	179		71397833	179		71398243	681		71398746	187	
71397633	125		71397834	179		71398244	681		71398749	187	
71397634	125		71397835	179		71398245	681		71398750	187	
71397642	121		71397836	179		71398271	355		71398761	353	
71397676	255		71397837	161		71398275B	339		71398762	353	
71397677	255		71397838	159		71398327	655		71398763	353	
71397678	255		71397839	159		71398328	655		71398768	353	
71397679	255		71397840	159		71398329	655		71398769	353	
71397680	255		71397842	155		71398330	655		71398770	353	
71397681	255		71397881	101		71398331	103		71398771	353	
71397682	255		71397882	99		71398332	103		71398777	187	
71397683	255		71397886	101		71398333	103		71398778	187	

## INDEX

Part No.	Page	Grid	Part No.	Page	Grid	Part No.	Page	Grid	Part No.	Page	Grid
71398779	187		71399228	257		71400413	697		71401212	447	
71398780	187		71399237	691		71400418	639		71401220	447	
71398781	187		71399237	701		71400418	643		71401221	447	
71398782	187		71399241	691		71400420	637		71401224	447	
71398783	187		71399242	691		71400421	641		71401307B	311	
71398784	187		71399243	691		71400421	643		71401326	357	
71398785	187		71399246	691		71400422	641		71401333	239	
71398786	187		71399270P	491		71400422	643		71401336	245	
71398787	189		71399271P	491		71400429	435		71401342	247	
71398788	189		71399326	511		71400430	435		71401355	95	
71398789	189		71399326	517		71400431	433		71401364	91	
71398790	189		71399329	511		71400432	433		71401381	437	
71398791	189		71399329	515		71400435	433		71401390	689	
71398792	189		71399338	117		71400461	511		71401398	689	
71398795	189		71399341	511		71400478	375		71401399	689	
71398796	189		71399341	515		71400501	165		71401399	701	
71398798	189		71399426	163		71400502	145		71401417	325	
71398799	189		71399437	149		71400504	145		71401418	357	
71398800	189		71399442	149		71400505	231		71401419	325	
71398801	189		71399442	155		71400508	187		71401429	419	
71398802	189		71399444	149		71400509	187		71401452	437	
71398803	189		71399444	155		71400510	187		71401453	439	
71398804	189		71399445	149		71400513	191		71401461	483	
71398808	143		71399445	157		71400520	191		71401462	441	
71398809	143		71399446	149		71400521	191		71401463	533	
71398814	167		71399447	153		71400522	191		71401468	533	
71398815	165		71399477B	409		71400523	191		71401470	531	
71398819	199		71399481B	409		71400523	197		71401526	191	
71398820	191		71399483	283		71400523	201		71401526	197	
71398820	199		71399484	283		71400523	203		71401530	197	
71398832	239		71399484	289		71400549	421		71401533	137	
71398850	243		71399485	293		71400554	113		71401534	183	
71398851	257		71399487	293		71400561	99		71401544	201	
71398852	257		71399505	283		71400581	689		71401545	197	
71398853	257		71399505	685		71400585	689		71401546	197	
71398980	555		71399508	275		71400588	689		71401548	193	
71398980	571		71399511	275		71400603	407		71401626	265	
71398981	555		71399519	289		71400626	153		71401627	265	
71398981	571		71399519	685		71400628	151		71401628	265	
71398983	323		71399520B	289		71400630	151		71401632	265	
71398984	323		71399521	651		71400631	151		71401633B	265	
71398985	323		71399524	293		71400635	137		71401636	265	
71398988	323		71399637	355		71400641	151		71401637	265	
71398989	323		71399641	355		71400645	153		71401638	265	
71398993	323		71399654	467		71400646	153		71401643	519	
71398994	323		71399656	467		71400654	615		71401645	523	
71398995	323		71399658	471		71400661	325		71401645	531	
71399001	335		71399661	467		71400669	477		71401645B	521	
71399003	355		71399662	467		71400686	427		71401658B	267	
71399009	423		71399665	469		71400691	551		71401660B	267	
71399010	423		71399666	469		71400693	667		71401661	521	
71399012	423		71399669	471		71400698	667		71401700	149	
71399014	419		71399674	469		71400701B	667		71401701	153	
71399014	423		71399675	467		71400705B	667		71401707	149	
71399026	393		71399675	483		71400710B	669		71401710B	151	
71399036	153		71399682	101		71400711	669		71401715	139	
71399038	153		71399682	205		71400716B	669		71401718	163	
71399039	313		71399697	101		71400719	575		71401719	163	
71399049	645		71399802	447		71400719	669		71401722B	157	
71399115	665		71399807	433		71400729	511		71401723B	157	
71399115	669		71399829	259		71400736	499		71401727	537	
71399119	553		71399830	259		71400738	501		71401727	549	
71399143	537		71399854	473		71400739	265		71401728	537	
71399143	549		71399858	467		71400739	501		71401728	549	
71399143	565		71399861	467		71400852B	303		71401729	537	
71399143	583		71399870	525		71400911R	497		71401729	549	
71399144	551		71399985	447		71400912	497		71401729	565	
71399149	535		71399994	433		71400913	499		71401730	361	
71399149	547		71400068	385		71400915	437		71401731	357	
71399150	535		71400070	369		71400915	691		71401731	361	
71399150	547		71400383	525		71400919	471		71401733	681	
71399198	511		71400385	471		71400922R	459		71401735	681	
71399198	517		71400413	111		71400970	259		71401738	583	
71399199	511		71400413	113		71401075	339		71401739	303	
71399199	517		71400413	117		71401208	449		71401740	303	

9690 COMBINE

29  
INDEX

Part No.	Page	Grid	Part No.	Page	Grid	Part No.	Page	Grid	Part No.	Page	Grid
71401741	303		71405993B	109		71406769	37		71407657	139	
71401753	359		71405995B	109		71406770	39		71407659	139	
71401754	285		71406000B	109		71406772	505		71407660	265	
71401756	285		71406010	313		71406795	449		71407677	149	
71401756	287		71406069	237		71406795	687		71407700	359	
71401799	113		71406073	247		71406802	263		71407700	37	
71401807	113		71406260	435		71406802	295		71407700	41	
71401848B	419		71406280	637		71406803B	295		71407719	149	
71401912	357		71406296	575		71406804	263		71407956	603	
71402014	153		71406297	575		71406842	691		71407956	605	
71402105	259		71406298	649		71406842	701		71407957	605	
71402108	245		71406300	649		71406844	691		71407958	605	
71402111	247		71406301	669		71406844	701		71407962	303	
71403605	37		71406302	669		71406849	437		71408197	135	
71403618B	491		71406309	429		71406866	163		71408201	233	
71403624B	519		71406327	365		71406876	165		71408202	165	
71403624B	523		71406327	371		71406877	145		71408209	199	
71403676	275		71406328	363		71406878	175		71408209	203	
71403677	275		71406328	371		71406891	197		71408210	199	
71403678	275		71406330	363		71406894	229		71408210	203	
71403679	277		71406330	371		71406934	299		71408211	199	
71403680	431		71406332	367		71406951	375		71408215	197	
71403681	663		71406332	371		71406952	375		71408215	203	
71403681	665		71406332	379		71406953	375		71408217	531	
71403682	435		71406333	367		71406954	375		71408221	193	
71403684	431		71406333	371		71406957	419		71408222	197	
71403685	431		71406333	379		71406970	375		71408223	145	
71403685	683		71406334	371		71406971	375		71408224	145	
71403690	669		71406339	367		71406972	375		71408225	147	
71403691	669		71406339	371		71406973	375		71408376	689	
71403710	475		71406339	685		71406990	561		71408385	247	
71403712B	475		71406339	695		71407047	435		71408386	247	
71403852	263		71406341	427		71407047	449		71408387	247	
71403880	661		71406344	427		71407139	647		71408391	217	
71403891	403		71406345	427		71407293	241		71408393	247	
71403891	455		71406361	363		71407293	495		71408394	247	
71403918	479		71406361	371		71407293	699		71408395	247	
71403919	465		71406361	685		71407297	235		71408396	247	
71403919	483		71406361	695		71407298	229		71408397	247	
71403922	481		71406362	363		71407327P	479		71408422	101	
71404300	275		71406364	367		71407426	225		71408423	101	
71404303B	533		71406364	383		71407427	225		71408501	437	
71404305	531		71406366	575		71407428	225		71408514	437	
71404306	531		71406366	669		71407429	225		71408514	455	
71404306B	527		71406368	367		71407430	225		71408686	51	
71404326	347		71406368	383		71407431	225		71408687	51	
71404357	661		71406454	421		71407432	225		71408692	101	
71404359	661		71406471	661		71407433	225		71408711	641	
71404396	123		71406476	235		71407434	225		71408762	379	
71404399	123		71406478	235		71407435	225		71408765	369	
71404400	123		71406480	233		71407436	225		71408765	371	
71404401	123		71406481	233		71407437	225		71408766	643	
71404402	123		71406492	229		71407438	225		71408767	643	
71404403	123		71406504	263		71407439	225		71408768	643	
71404404	123		71406510	263		71407440	225		71408769	643	
71404414	119		71406512	267		71407441	225		71408770	643	
71404416	117		71406514	263		71407442	225		71408771	643	
71404417	115		71406518	263		71407443	225		71408772	641	
71404420	113		71406520	263		71407444	225		71408772	647	
71404430B	681		71406608	101		71407445	225		71408773	643	
71404432	681		71406619	133		71407446	225		71408827	491	
71404436	211		71406619	135		71407447	225		71408828	491	
71404450	131		71406623	129		71407448	225		71408830	489	
71404450	135		71406623	131		71407449	225		71409064	49	
71404450	555		71406624	127		71407450	225		71409065	49	
71404450	565		71406624	131		71407545	101		71409066	51	
71405933B	489		71406627	543		71407574	389		71409176	321	
71405962	113		71406627	545		71407651	177		71409176	323	
71405966	49		71406628	51		71407651	179		71409181	561	
71405984	131		71406629	51		71407652	179		71409181	563	
71405984	135		71406694	119		71407653	143		71409265	433	
71405985	131		71406748	163		71407653	143		71409265	455	
71405985	135		71406751B	157		71407653	143		71409266	435	
71405987	131		71406753	137		71407653	179		71409266	455	
71405987	135		71406761B	479		71407655	159		71409267	435	

## INDEX

Part No.	Page	Grid	Part No.	Page	Grid	Part No.	Page	Grid	Part No.	Page	Grid
71409267	455		71410008	49		71411650	267		71413327	263	
71409268	433		71410011	115		71411658	407		71413427	557	
71409268	455		71410044	99		71411664	133		71413428	557	
71409269	433		71410048	99		71411826	557		71413429	557	
71409269	455		71410075	523		71411842	569		71413431	567	
71409271	433		71410115	523		71411843	567		71413432	557	
71409271	455		71410375	499		71411846	567		71413434	557	
71409282	333		71410423	501		71411847	567		71413440	567	
71409282	455		71410424	501		71411848	567		71413444	557	
71409284	455		71410437	355		71411849	567		71413447	559	
71409287	455		71410439	357		71411886	277		71413456	417	
71409302	51		71410441	357		71411902	343		71413494	423	
71409303	51		71410456	433		71411974	399		71414221	585	
71409305	99		71410458	447		71411976	399		71414223	557	
71409306	99		71410480	607		71411978	401		71414225	315	
71409309	49		71410483	543		71411979	401		71414290	417	
71409322	113		71410484	543		71411980	401		71414291	423	
71409325	113		71410485	543		71411981	399		71414301	461	
71409370	447		71410486	543		71411982	399		71414681	545	
71409370	455		71410489	557		71411984	371		71414682	545	
71409371	449		71410501V	685		71411984	373		71414687	545	
71409371	455		71410501V	695		71412027	133		71414688	545	
71409374	447		71410501V	91		71412027	135		71414689	545	
71409374	455		71410503	91		71412028	133		71414690	545	
71409379	447		71410504	91		71412028	135		71418093	149	
71409379	455		71410505	91		71412029	133		71418128	523	
71409380	447		71410506	91		71412029	135		71418427	195	
71409380	455		71410507	91		71412030	133		71418428	203	
71409381	435		71410508	91		71412030	135		71418429	203	
71409381	455		71410509	91		71412031	133		71418430	203	
71409382	447		71410510	91		71412031	135		71418431	203	
71409382	455		71410512	91		71412057	567		71418481	151	
71409384	447		71410513	91		71412116	549		71418482	151	
71409384	455		71410543	567		71412116	557		71418483	149	
71409402	439		71410562	691		71412130	407		71418944	567	
71409402	455		71410563C	691		71412134	405		71419007	223	
71409403	421		71410574	221		71412144	417		71419008	223	
71409405	239		71410577	333		71412145	421		71419009	221	
71409415	413		71410646	133		71412150	667		71419432	569	
71409418	455		71410646	135		71412169	575		71419442	569	
71409452	371		71410648	133		71412266	131		71419804	203	
71409452	373		71410648	135		71412267	131		71419805	203	
71409453	371		71410649	133		71412349	335		71419806	203	
71409453	375		71410649	135		71412351	215		71419807	203	
71409456	267		71410651	497		71412356	239		71419808	203	
71409457	531		71410657	497		71412358	235		71449001	297	
71409576	165		71410658	499		71412359	213		71449001	687	
71409579	167		71410659	499		71412437	417		71449007	297	
71409581	191		71410786	497		71412437	427		71449007	687	
71409581	193		71410879	453		71412438	417		71449007	697	
71409582	193		71410902	215		71412438	427		71449015	299	
71409583	143		71410903	215		71412441	417		71449015	687	
71409584	143		71410912	247		71412594	359		71449016	299	
71409594	167		71410922	193		71412596	647		71449016	687	
71409600	165		71410926	691		71412754	357		71449018	299	
71409748	115		71410926	701		71412755	357		71449018	687	
71409749	101		71410927	691		71412972	461		71449018	697	
71409768	643		71410958	143		71412973	461		71449019	303	
71409812	223		71410959	145		71412986	399		71449019	687	
71409820	689		71410962	689		71412987	399		71502674	593	
71409822	221		71410976	523		71412991	401		720649	495	
71409828	375		71410993	503		71413028	417		720656	609	
71409829	377		71410998	523		71413040	417		72160919	231	
71409830	375		71411204	557		71413043	427		72160919	233	
71409848	391		71411295	567		71413047	417		72160919	245	
71409910	647		71411296	567		71413050	417		72160919	247	
71409911	647		71411296	569		71413062	235		72160919	699	
71409942	661		71411300	567		71413067	195		72160927	207	
71409947	661		71411311	607		71413084	193		72160927	47	
71409983	333		71411315	567		71413225	385		72160927	51	
71409987	333		71411372	523		71413227	369		72160993	93	
71409993	339		71411373	523		71413228	369		72160993	99	
71409995	333		71411452	469		71413230	395		72161024	191	
71410003	99		71411453	469		71413309	215		72161280	93	
71410004	107		71411647	267		71413325	235		72161999	141	











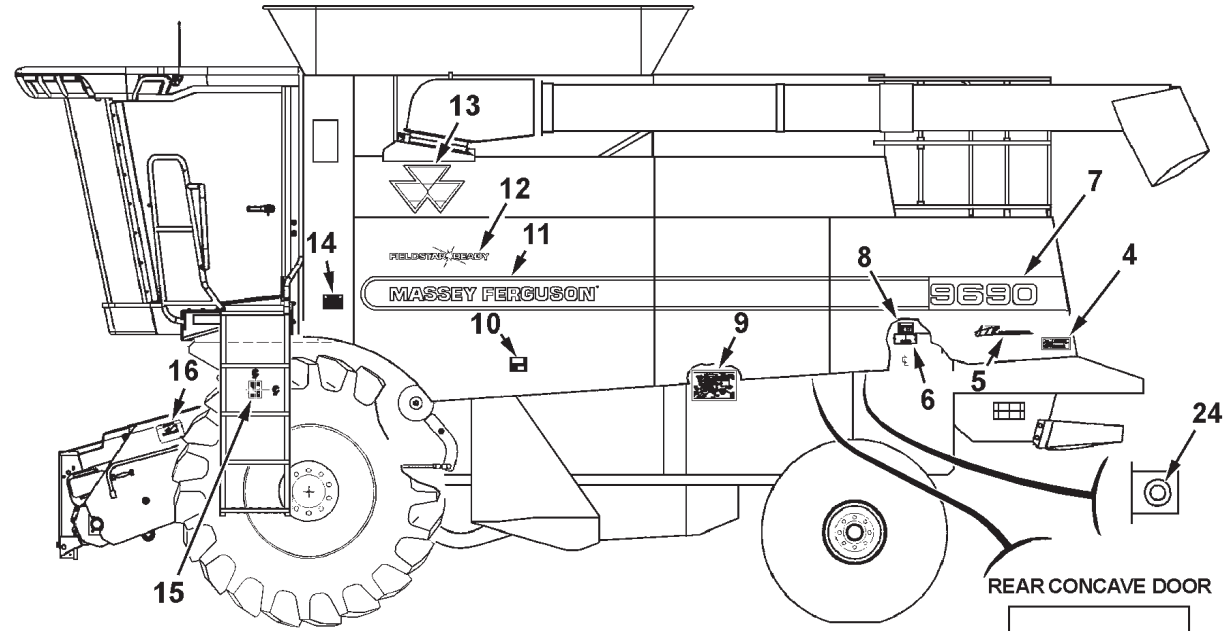
**9690 COMBINE**

**35  
INDEX**

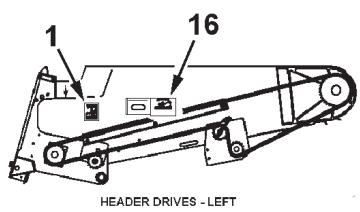
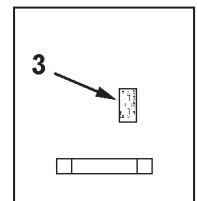
Part No.	Page	Grid	Part No.	Page	Grid	Part No.	Page	Grid	Part No.	Page	Grid
----------	------	------	----------	------	------	----------	------	------	----------	------	------

9690 COMBINE  
DECALS & LABELS

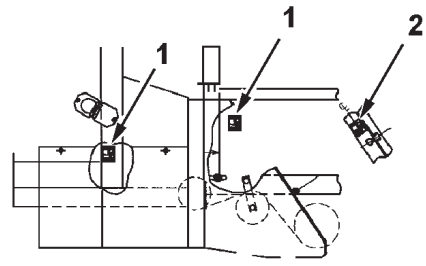
LEFT SIDE & FRONT LABELS  
(PRIOR S/N HS87101)



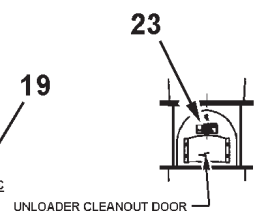
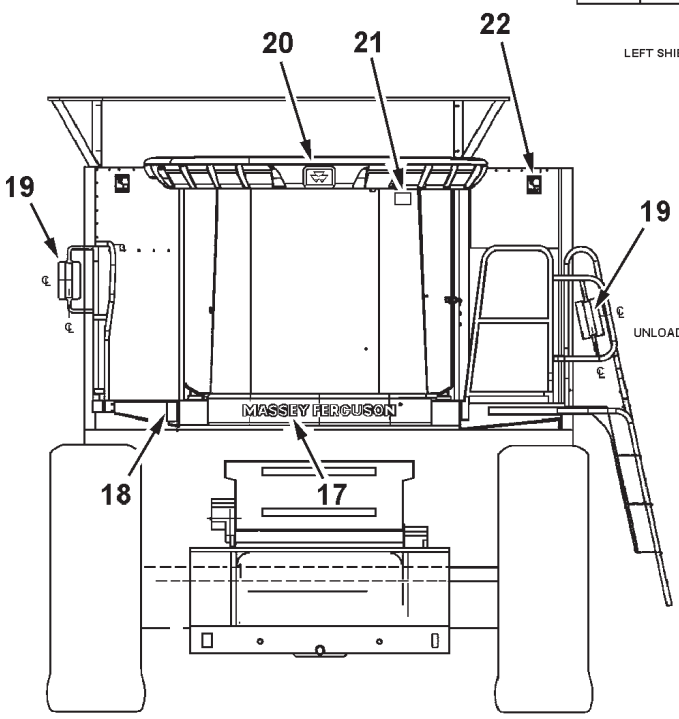
REAR CONCAVE DOOR



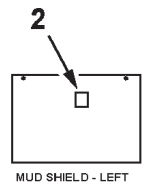
HEADER DRIVES - LEFT



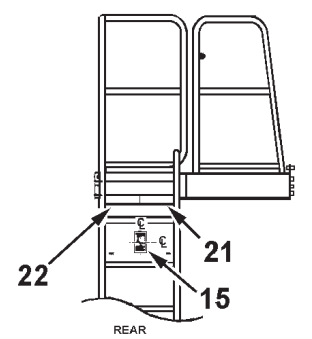
LEFT SHIELDS (BEHIND TIRE)



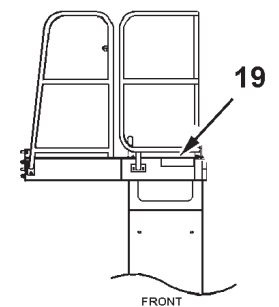
UNLOADER CLEANOUT DOOR



MUD SHIELD - LEFT



REAR



FRONT

9690 COMBINE  
DECALS & LABELS

37

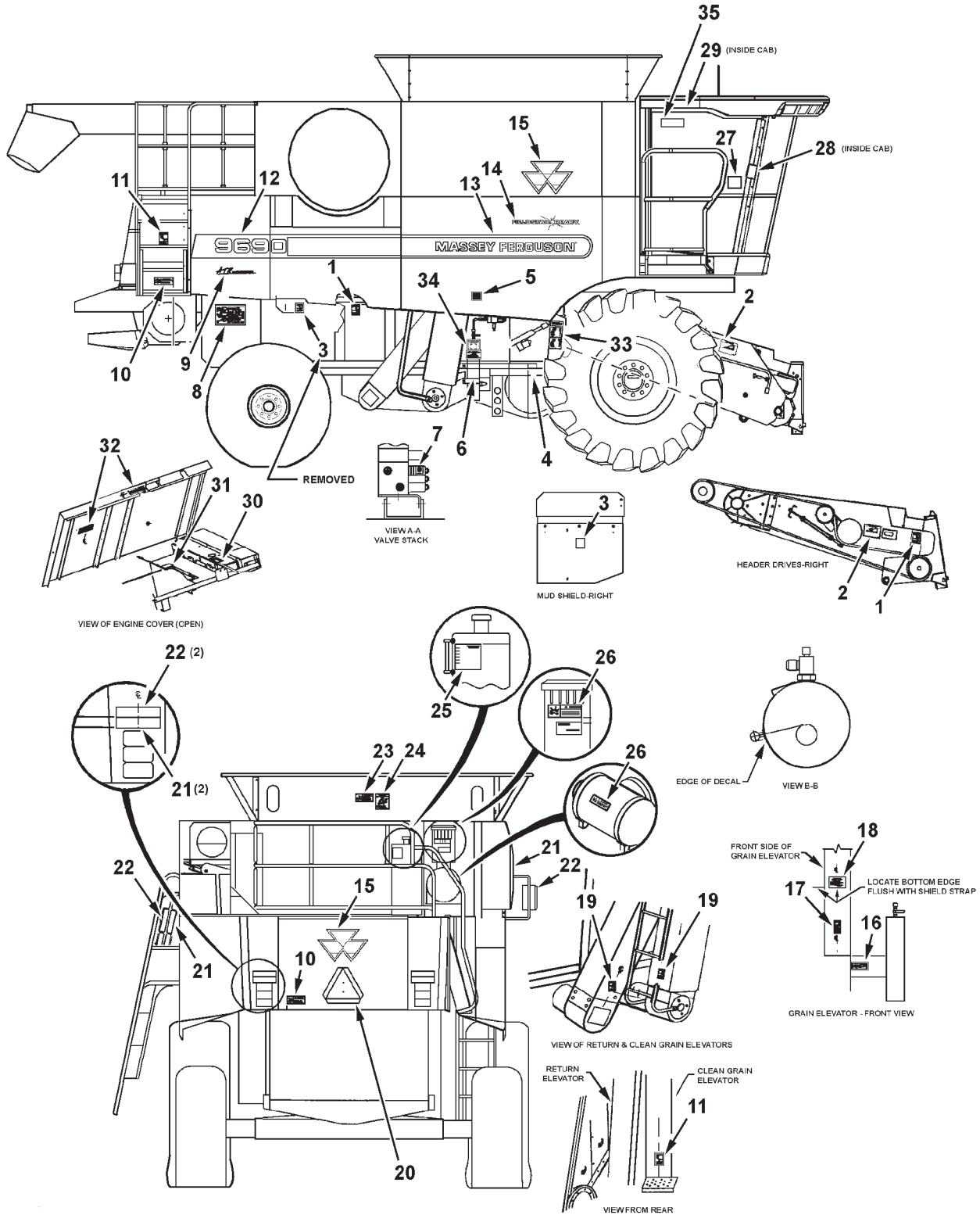
LEFT SIDE & FRONT LABELS  
(PRIOR S/N HS87101)

ITEM	NUMBER	QTY	DESCRIPTION
1	111091W1	3	DECAL, DANGER, SHIELD MISSING
2	111670W1	2	DECAL, WARNING, BELT OR CHAIN
3	71407700	1	DECAL, CYLINDER GEAR SHIFT
4	71379127	1	DECAL, WARNING, STAND CLEAR
5	700721125	1	DECAL, ATR
6	-----	1	PLATE, SERIAL NUMBER (NOT SERVICED)
7	71394698	1	DECAL, 9690
8	590769M1	1	DECAL, PATENT
9	71395987	1	DECAL, LUBE GUIDE (PRIOR S/N HN87101)
	71403605	1	DECAL, LUBE GUIDE (EFF. S/N HN87101 THRU HN87999)
	71406769	1	DECAL, LUBE GUIDE (EFF. S/N HP87101)
10	71379128	1	DECAL, WARNING
11	71394692	1	DECAL, MASSEY FERGUSON
12	71394691	1	DECAL, FIELDSTAR
13	71394690	1	DECAL, MF LOGO
14	700720618	1	DECAL, TIRE USAGE
15	700721781	1	DECAL, WARNING, KEEP OFF
16	111095W1	2	DECAL, DANGER, HEADER FALLING
17	112967W1	1	DECAL, MASSEY FERGUSON
18	71379129	1	DECAL, WARNING, KEEP OFF
19	700717403	2	REFLECTOR, AMBER
20	71395757	1	EMBLEM, MF
21	71365412	1	DECAL, US FLAG
22	71379130	2	DECAL, WARNING, GRAIN TANK
23	111741W1	1	DECAL, DANGER, CLEANOUT
24	700727993	1	DECAL, BATTERY SWITCH (EFF. S/N HR87101)

MC00324  
PR: 436

9690 COMBINE  
DECALS & LABELS

RIGHT SIDE & REAR LABELS  
(PRIOR S/N HS87101)





**9690 COMBINE  
DECALS & LABELS**

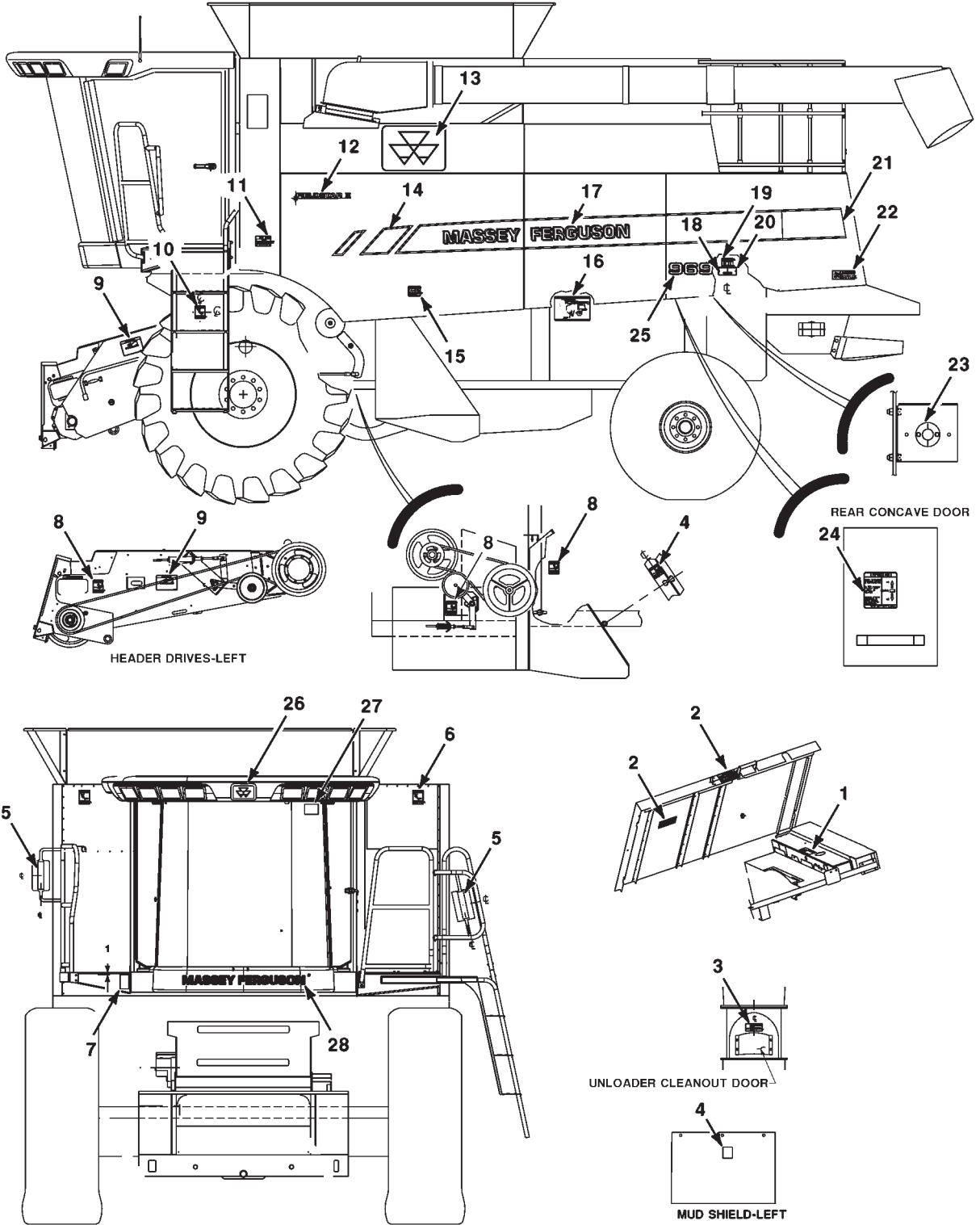
39

**RIGHT SIDE & REAR LABELS  
(PRIOR S/N HS87101)**

ITEM	NUMBER	QTY	DESCRIPTION
1	111091W1	2	DECAL, DANGER, SHIELD MISSING
2	111095W1	2	DECAL, DANGER, HEADER FALLING
3	111670W1	1	DECAL, WARNING, BELT OR CHAIN (QTY 2 PRIOR S/N HR87101)
4	700720727	1	DECAL, DANGER, SHIELD MISSING
5	71379128	1	DECAL, WARNING
6	71371720	1	DECAL, DANGER, ENGAGE RAM STOP
7	2609080W1	1	DECAL, HEAD LOWER ADJUST
8	71395988	1	DECAL, LUBE GUIDE (PRIOR S/N HP87101)
	71406770	1	DECAL, LUBE GUIDE (EFF. S/N HP87101)
9	700721125	1	DECAL, ATR
10	71379127	2	DECAL, WARNING, STAND CLEAR
11	71379129	2	DECAL, WARNING, KEEP OFF
12	71394699	1	DECAL, 9690
13	71394693	1	DECAL, MASSEY FERGUSON
14	71394691	1	DECAL, FIELDSTAR
15	71394690	2	DECAL, MF LOGO
16	71348560	1	DECAL, DANGER, USE NITROGEN
17	71379126	1	DECAL, WARNING, FLUID PRESSURE
18	71394175	1	DECAL, VALVE STACK
19	111743W1	2	DECAL, WARNING, HAND AWAY
20	71379434	1	EMBLEM, SMV
	7883275	2	SCREW, HX WSHR HD MACH, 1/4-20 X 3/4
	70931209	2	NUT, HEX SERR FLANGE, 1/4-20
	70917377	2	WASHER, 1/4, WIDE
	70916952	2	WING NUT, 1/4-20
21	700717404	4	REFLECTOR, RED/ORANGE
22	700717402	4	REFLECTOR, RED
23	111736W2	1	DECAL, DANGER, STOP ENGINE
24	71368074	1	DECAL, BIN LOADER
25	590817M1	1	DECAL, HYDRAULIC RESERVOIR
26	71387749	1	DECAL, DANGER, STARTING FLUID
27	71389158	1	LABEL, EXIT
28	700725670	1	DECAL, WARNING
29	71395762	1	DECAL, DANGER
30	700720605	1	DECAL, WARNING, RADIATOR CAP
31	71385793	1	DECAL, AIR CONDITNING (PRIOR S/N HP87101)
32	71379132	2	DECAL, WARNING
33	71392776	1	DECAL, V.S. FAN DRIVE
34	71370232	1	DECAL, ACCUMULATOR SHUT-OFF
35	700729396	1	DECAL, BIODIESEL

MC00323  
PR: 438

LEFT SIDE & FRONT LABELS  
(EFF. S/N HS87101)



9690 COMBINE  
DECALS & LABELS

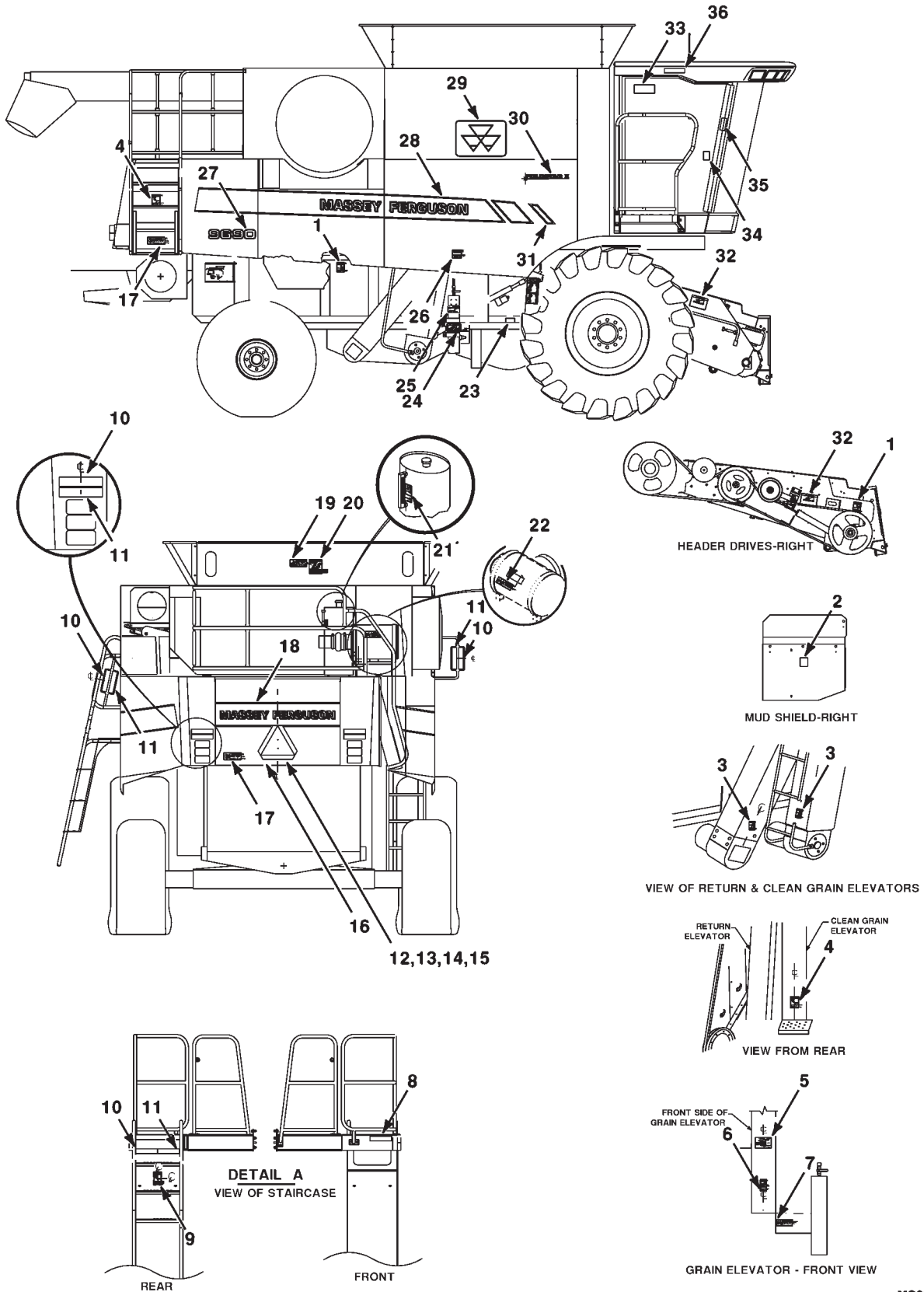
41

LEFT SIDE & FRONT LABELS  
(EFF. S/N HS87101)

ITEM	NUMBER	QTY	DESCRIPTION
1	700720605	1	DECAL-WARNING, RADIATOR CAP
2	71379132	2	DECAL-WARNING, BELT, FAN
3	111741W1	1	DECAL-DANGER, CLEANOUT
4	111670W1	2	DECAL-WARNING, BELT OR CHAIN
5	700717403	2	DECAL-REFLECTOR, AMBER
6	71379130	1	DECAL-WARNING, GRAIN TANK
7	71379129	1	DECAL-WARNING, FALLING OFF
8	111091W1	3	DECAL, DANGER, SHIELD MISSING
9	111095W1	2	DECAL-DANGER, HEADER FALLING
10	700721781	1	DECAL-WARNING, KEEP OFF
11	700720618	1	DECAL-TIRE USAGE
12	700729424	1	DECAL-FIELDSTAR II
13	700727848	1	DECAL-MF
14	700727841	1	DECAL-MF, FRONT, LEFT
15	71379128	1	DECAL-WARNING, SHIELDS IN PLACE
16	700728779	1	DECAL-LUBE INTERVAL
17	700727843	1	DECAL-MF, LEFT
18	70924946	2	RIVET, 1/8 X 9/32
19	590769M1	1	DECAL-PATENT
20	-----	1	PLATE-SERIAL (NOT SERVICE)
21	700729423	1	DECAL-STRIPE, LEFT REAR
22	71379127	1	DECAL-WARNING, STAND CLEAR
23	700727993	1	DECAL-BATTERY SWITCH
24	71407700	1	DECAL-CYLINDER GEAR SHIFT
25	700729398	1	DECAL-9690
26	71395757	1	EMBLEM, MF
27	71365412	1	DECAL, US FLAG
28	112967W1	1	DECAL, MASSEY FERGUSON

MC00571  
PR: 71418087-03-12

RIGHT SIDE & REAR LABELS  
(EFF. S/N HS87101)



9690 COMBINE  
DECALS & LABELS

43

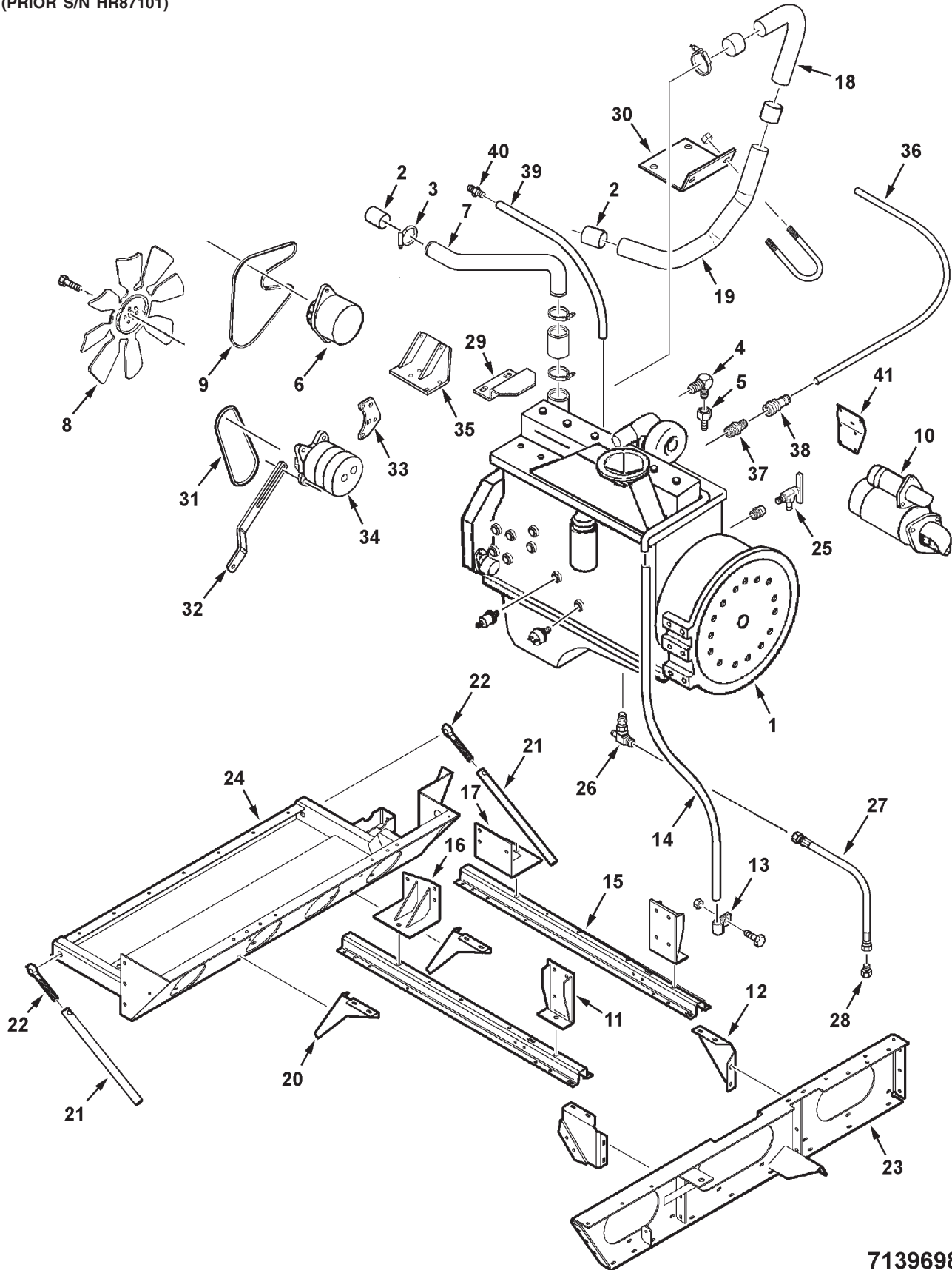
RIGHT SIDE & REAR LABELS  
(EFF. S/N HS87101)

ITEM	NUMBER	QTY	DESCRIPTION
1	111091W1	2	DECAL-DANGER, SHIELD MISSING
2	111670W1	1	DECAL-WARNING, BELT OR CHAIN
3	111743W1	2	DECAL-WARNING, HANDS AWAY
4	71379129	2	DECAL-WARNING, FALLING OFF
5	700728811	1	DECAL-VALVE STACK
6	71379126	1	DECAL-WARNING, FLUID PRESSURE
7	71348560	1	DECAL-DANGER
8	700717403	1	DECAL-REFLECTOR, AMBER
9	700721781	1	DECAL-WARNING, KEEP OFF
10	700717402	4	DECAL-REFLECTOR, RED
11	700717404	4	DECAL-REFLECTOR, RED/ORANGE
12	7883275	2	SCREW, HEX WSHR HD MACH, 1/4-20 X 3/4
13	70931209	2	NUT, SERR FLANGE, 1/4-20
14	353769X1	2	WASHER, 1/4 HARDENED
15	70916952	2	WING NUT, 1/4-20
16	7020589	1	EMBLEM-SMV
17	71379127	2	DECAL-WARNING, STAND CLEAR
18	700727844	1	DECAL-MF, BACK
19	111736W2	1	DECAL-DANGER, STOP ENGINE
20	71368074	1	DECAL-BIN LOADER
21	700729019	1	DECAL-HYDRAULIC RESERVOIR
22	71387749	1	DECAL-DANGER, STARTING FLUID
23	700720727	1	DECAL-DANGER, BELT OR CHAIN
24	71371720	1	DECAL-DANGER, RAM STOP
25	71370232	1	DECAL-ACCUMULATOR
26	71379128	1	DECAL-WARNING, SHIELDS IN PLACE
27	700729398	1	DECAL-9690
28	700727906	1	DECAL-MF, RIGHT
29	700727848	1	DECAL-MF LOGO
30	700729424	1	DECAL-FIELDSTAR II
31	700727847	1	DECAL-MF, FRONT, RIGHT
32	111095W1	2	DECAL-DANGER, HEADER FALLING
33	700729369	1	DECAL, BIODIESEL
34	71389158	1	LABEL, EXIT
35	700725670	1	DECAL, WARNING
36	71395762	1	DECAL, DANGER

MC00572  
PR: 71418087-03-22

9690 COMBINE  
ENGINE

ENGINE & MOUNTS  
CUMMINS  
(PRIOR S/N HR87101)



**9690 COMBINE  
ENGINE**

45

**ENGINE & MOUNTS  
CUMMINS  
(PRIOR S/N HR87101)**

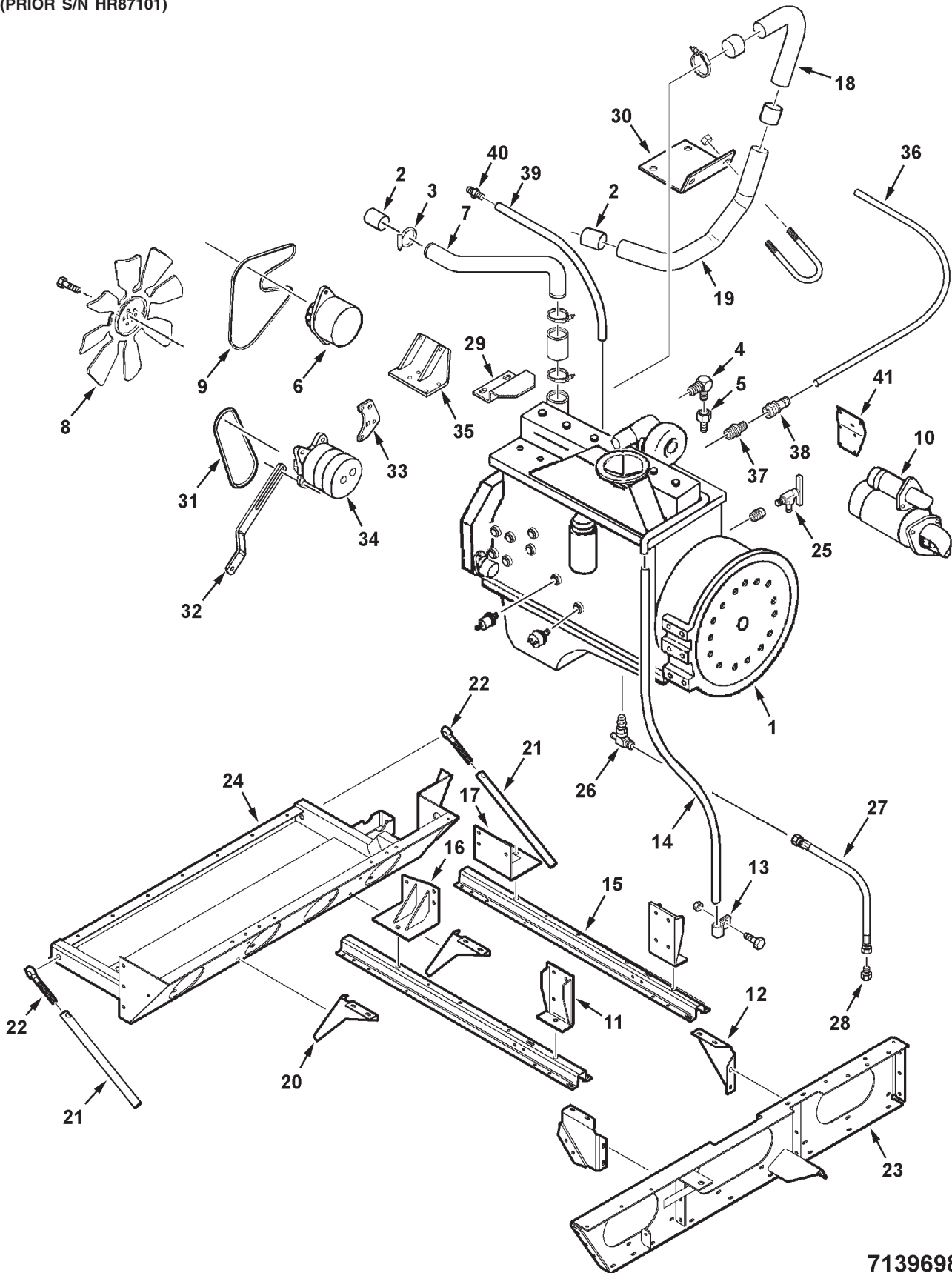
ITEM	NUMBER	QTY	DESCRIPTION
1	71387624	1	*ENGINE ASSEMBLY, CUMMINS QSC, 8.3
2	71367037	5	SLEEVE CONN. 2.25 ID X 4.0
3	71366540	10	CLAMP, CONSTANT TORQUE
4	70919272	1	ELBOW, 90 DEG, 3/4-16 JIC X 3/4 NPTF
5	71351285	1	FITTING, BARB 3/4-16 FEM JIC X .62 HOSE
6	-----	1	ALTERNATOR (SEE ELECTRICAL SECTION)
7	71386891	1	TUBE, WATER (ENG. TO RAD.)
8	71368954	1	FAN BLADE ASY.
	70950046	4	CAPSCREW, M10-1.5 X 120MM
	1107164	4	WASHER, NARR, M10
9	3289213V	1	BELT, FAN/ALT. DR (68.5" LG)
	3912004	1	BELT, FAN/ALT. DR (68.0" LG)(ALTERNATE)
10	737901	1	STARTER MOTOR, 37 MT
11	71386992	2	BRACKET WLDMT, ENG REAR, LH & RH
	391958X1	8	CAPSCREW, M12-1.75 X 35
	353773X1	8	WASHER, HARDENED 1/2
	70924744	2	CAPSCREW, 5/8-11 X 1-1/2
	700703922	2	NUT, HEX FLANGE, LOCK, 5/8-11
12	102302M1	2	GUSSET, ENGINE RAIL
	70920415	4	CAPSCREW, 3/8-16 X 1-1/4
	Y704734	8	NUT, HEX FLANGE TOP LOCK, 3/8-16
	70921210	4	CAPSCREW, 3/8-16 X 1
13	70936474	3	CLAMP, DOUBLE, 1 DIA X .406 HOLE
	70918249	2	SCREW, TRUSS HD, 5/16 X 3/4
	70917356	2	LOCKWASHER, 5/16 REG
	70917372	2	NUT, HEX, 5/16-18
14	-----	1	HOSE EMISSIONS (SUPPLIED WITH ENGINE)
	-----	-	CLAMP, WORM, SAE 12 (SUPPLIED WITH ENGINE)
15	71396979	2	SUPPORT RAIL WLDMT, ENG. MTG.
	70920415	4	CAPSCREW, 3/8-16 X 1-1/4
	70921210	4	CAPSCREW, 3/8-16 X 1
	Y704734	8	NUT, HEX FLANGE TOP LOCK, 3/8-16
	70917378	4	WASHER, 3/8 WIDE
16	71386986	1	BRACKET WLDMT, ENG MTG, LH FRT
17	71386989	1	BRACKET WLDMT, ENG MTG, RH FRT
	700708351	7	CAPSCREW, M12-1.75 X 30
	353773X1	7	WASHER, HARDENED 1/2
	70924744	2	CAPSCREW, 5/8-11 X 1-1/2
	700703922	2	NUT, HEX FLANGE, LOCK, 5/8-11
18	71388876	1	TUBE, UPPER WATER RAD TO ENG
19	71386892	1	TUBE, WATER LOWER RAD TO ENG
20	71386997	2	GUSSET, ENGINE RAIL
	70920415	4	CAPSCREW 3/8-16 X 1-1/4
	Y704734	4	NUT, HEX FLANGE TOP LOCK, 3/8-16
21	71382731	2	BRACE, TUBE
	70922664	2	CAPSCREW, 5/8-11 X 2
	70923353	2	NUT, CENTER LOCK, 5/8-11
22	71343344	2	EYEBOLT
	70923292	2	CAPSCREW, 3/4-10 X 2
	70918269	6	WASHER, FLAT 3/4 SAE
	70919332	2	LOCKWASHER, 3/4
	70913160	6	NUT, 3/4-10, REG

CONTINUED

71396988  
PR: 24

9690 COMBINE  
ENGINE

ENGINE & MOUNTS  
CUMMINS  
(PRIOR S/N HR87101)





**9690 COMBINE  
ENGINE**

47

**ENGINE & MOUNTS  
CUMMINS  
(PRIOR S/N HR87101)**

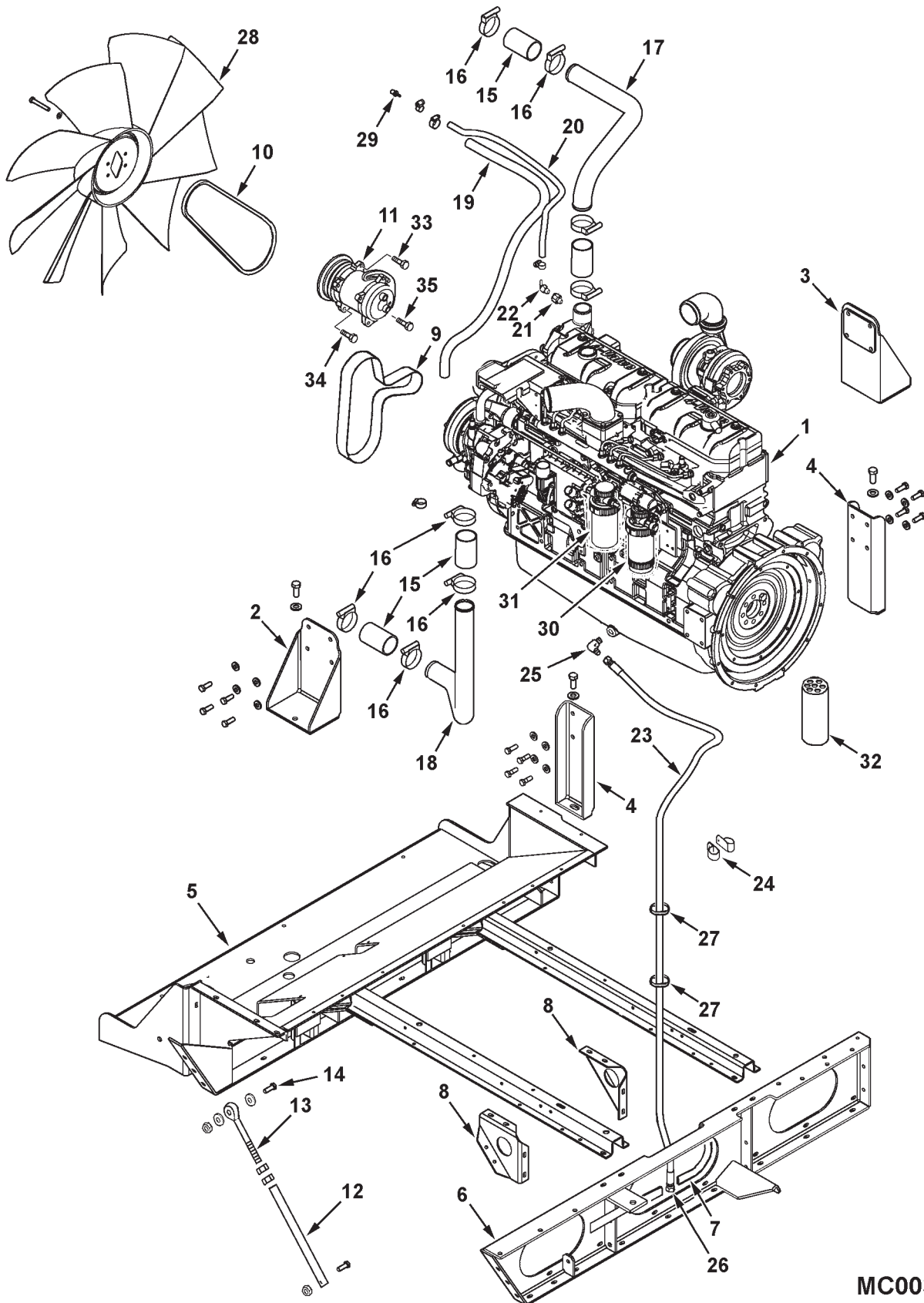
ITEM	NUMBER	QTY	DESCRIPTION
23	71389405	1	SUB-FRAME WLDMT. LH ENGINE
	70920415	8	CAPSCREW, 3/8-16 X 1-1/4
	70917378	8	WASHER, FLAT 3/8-14 GA
	Y704734	8	NUT, HEX FLANGE TOP LOCK, 3/8-16
24	71396992	1	SUB FRAME WLDMT. RH ENGINE
	70920415	8	CAPSCREW, 3/8-16 X 1-1/4
	70917378	8	WASHER, FLAT 3/8-14 GA
	Y704734	8	NUT, HEX FLANGE TOP LOCK, 3/8-16
25	30-3076830	1	VALVE, SHUTOFF
	70936774	1	CONN. REDUCER, 3/4 NPT X .38 NPT
26	1905314M1	1	ELBOW, 90 DEG. 3/4-16 JIC X M18-1.5
27	71382694	1	HOSE, ENGINE OIL DRAIN
28	700712973	1	PLUG, 37 DEG. FLARE, 3/4-16
29	71393838	1	SHIELD, SENSOR
30	71385999	1	BRACKET, CLAMP RAD TUBE
	70937712	1	CLAMP, EXHAUST, 2.25 TUBE
	70921333	2	CAPSCREW, 5/16-18 X 1
	70918265	2	WASHER, 5/16 NARROW
	70917356	2	LOCKWASHER, 5/16
	70917372	2	NUT, HEX 5/16-18
31	71148120	1	BELT, A/C COMPRESSOR
32	71388877	1	LINK, ADJUSTING, A/C COMP
	1112407	1	CAPSCREW, M10-1.5 X 20
	70950220	2	LOCKWASHER, M10
	70950037	1	CAPSCREW, M1-1.5 X 30
	70918266	1	WASHER, FLAT M10
	70950945	1	NUT, M10-1.5
33	30-3429865	1	PLATE, COMPRESSOR
	70950038	2	CAPSCREW, M10-1.5 X 40
	70950220	2	LOCKWASHER, M10
	70950945	2	NUT, M10-1.5
34	71379601	1	A/C COMPRESSOR & CLUTCH ASY.
35	71385055	1	SUPPORT WLDMT. COMPRESSOR
	72160927	1	SLEEVE SLIT
	70950038	2	CAPSCREW, M10-1.5 X 40
	70950220	2	LOCKWASHER, M10
	70950945	2	NUT, M10-1.5
36	71389917	1	HOSE, MAKE-UP, 3/4 ID
	70921911	2	CLAMP, HOSE, WORM, #12
37	70919342	1	CONNECTOR, STR, 1-1/16-12 JIC X 3/4 NPTF
38	70920809	1	FITTING, PUSH-ON
39	71367031	1	HOSE, DEAERATION, .38 ID X 33-1/2"
	70929402	2	CLAMP, HOSE, WORM, #4M
40	7746449	1	FITTING, HOSE, 3/8 ID X 1/4 NPTF
41	71395734	1	SUPPORT, WATER FILTER
-	72511906	1	FUEL FILTER/WATER SEPARATOR
-	72516560	1	ENGINE, OIL FILTER
-	71372880	1	FILTER, COOLANT(23 UNITS DCA-4/FULL FILL)
-	3942197	1	HEATER, BLOCK, 120V, 1000 WATT (ORDER FROM CUMMINS)
-	3913106	1	CORD, 12" LG.

\*NOTE: FOR SERVICE REFERENCE CUMMINS  
OPERATION & MAINTENANCE MANUALS AND  
CUMMINS ENGINE PARTS CATALOGUES  
AND, OR CEPC/ QSOL SYSTEM

71396988  
PR: 24

9690 COMBINE  
ENGINE

ENGINE & MOUNTS  
SISU  
(EFF. S/N HR87101)



**9690 COMBINE  
ENGINE**

49

**ENGINE & MOUNTS  
SISU  
(EFF. S/N HR87101)**

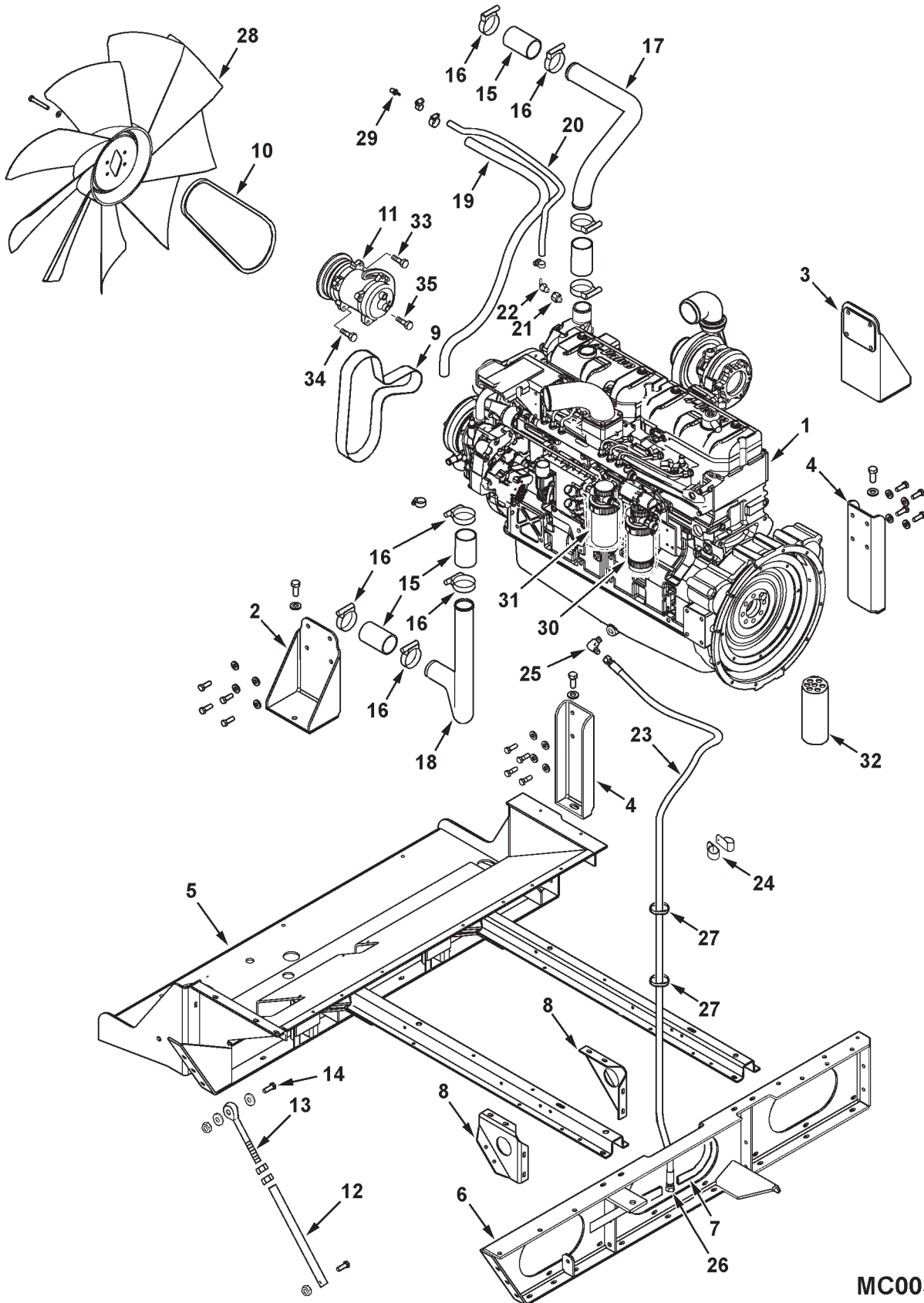
ITEM	NUMBER	QTY	DESCRIPTION
1	V835261530	1	ENGINE ASY, TIER 3, SISU
2	71409064	1	MOUNT BRACKET WLMT, FRONT RH
3	71409065	1	MOUNT BRACKET WLMT, REAR RH
	70924744	2	CAPSCREW, 5/8-11 X 1-1/2 GR5
	Y705582	2	WASHER, HARD, .688 X 1.34 X .13 TH
	70950453	6	CAPSCREW, M12-1.75 X 35 CL8.8
	705541	6	WASHER, HARD, .531 X 1.09 X .097 TH
4	71405966	2	MOUNT BRACKET, ENG., LEFT
	70924744	2	CAPSCREW, 5/8-11 X 1-1/2 GR5
	Y705582	2	WASHER, HARD, .688 X 1.34 X .13 TH
	7703275	8	CAPSCREW, M12-1.75 X 25 CL8.8
	705541	8	WASHER, HARD, .531 X 1.09 X .097 TH
5	71409309	1	SUBFRAME WLMT, ENGINE
	70920415	16	CAPSCREW, 3/8-16 X 1-1/4 GR5
	70917378	24	WASHER, 3/8, WIDE
	Y704734	16	NUT, HEX FLANGE TOP LOCK, 3/8-16
6	71389405	1	SUB-FRAME WLDMT. LH ENGINE
	70920415	16	CAPSCREW, 3/8-16 X 1-1/4 GR5
	70917378	16	WASHER, 3/8, WIDE
	Y704734	16	NUT, HEX FLANGE TOP LOCK, 3/8-16
7	700718444	1	EDGE TRIM, PUSH-ON
8	102302M1	2	GUSSET, ENGINE RAIL
	70920415	4	CAPSCREW, 3/8-16 X 1-1/4 GR5
	70917378	4	WASHER, 3/8, WIDE
	Y704734	4	NUT, HEX FLANGE TOP LOCK, 3/8-16
9	V685121585	1	BELT, FAN & ALT'R DRIVE
10	71148120	1	BELT, A/C COMPRESSOR DRIVE
11	71379601	1	A/C COMPRESSOR & CLUTCH ASY.
	71386436	1	CLUTCH ASY (SEALED BRG.)
12	71410008	2	BRACE, TUBE
	70922664	2	CAPSCREW, 5/8-11 X 2 GR5
	70923353	2	NUT, CENTER LOCK, 5/8-11
13	71343344	2	EYE-BOLT, 3/4-10 UNC
	70913160	4	NUT, 3/4-10, REG
14	70925872	2	CAPSCREW, 3/4-10 X 2-1/4 GR5
	70918269	4	WASHER, 3/4, NARROW
	70919332	2	LOCKWASHER, 3/4
	70913160	6	NUT, 3/4-10, REG
15	71367037	4	SLEEVE CONN. 2.25 ID X 4.0
16	71366540	8	CLAMP, CONSTANT TORQUE

CONTINUED

MC00398  
PR: t05109j44b0001

9690 COMBINE  
ENGINE

ENGINE & MOUNTS  
SISU  
(EFF. S/N HR87101)



**9690 COMBINE  
ENGINE**

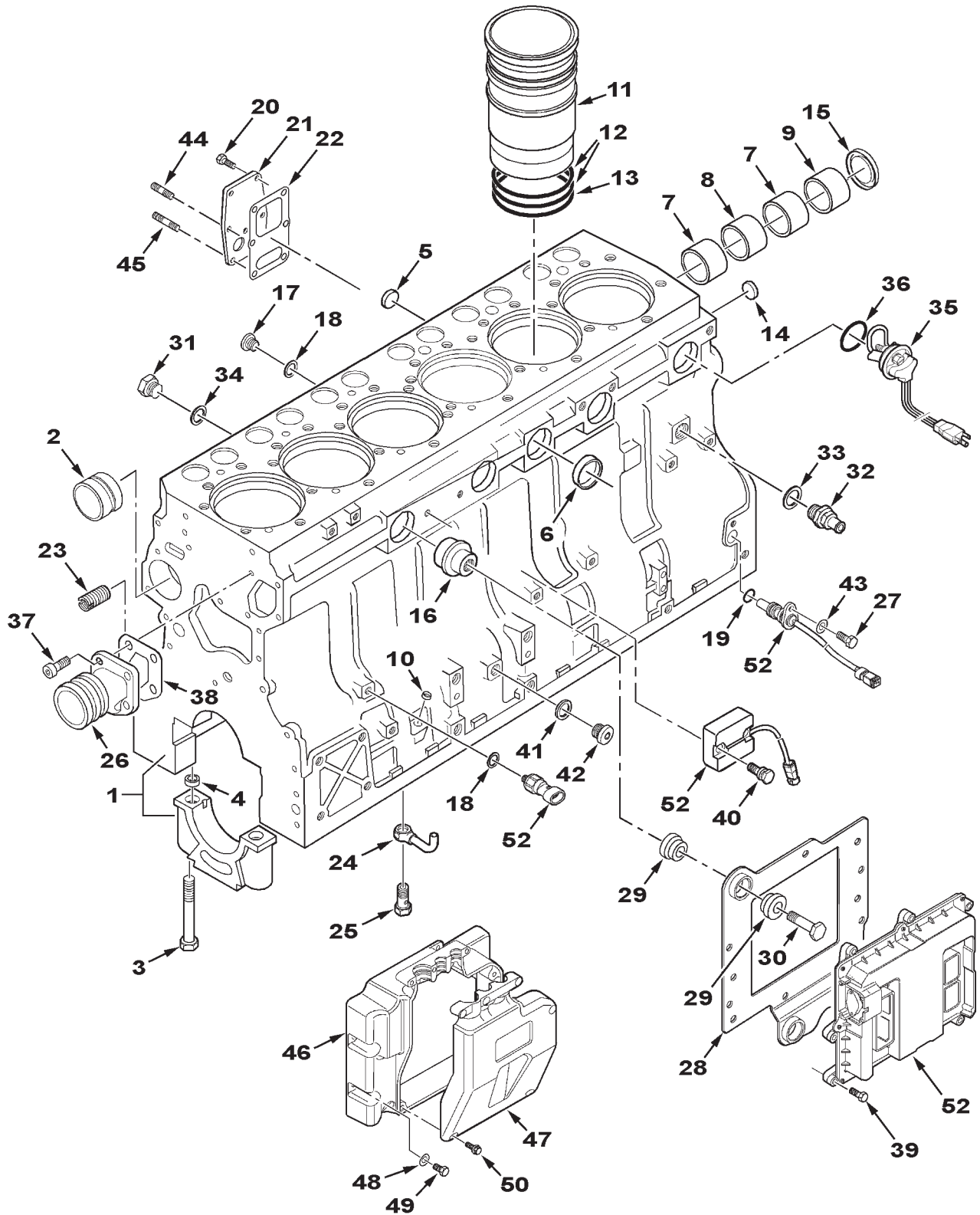
51

**ENGINE & MOUNTS  
SISU  
(EFF. S/N HR87101)**

ITEM	NUMBER	QTY	DESCRIPTION
17	71409302	1	TUBE, UPPER COOLANT, ENG. TO RAD
18	71409303	1	TUBE, LOWER COOLANT, ENG. TO RAD
19	71408686	1	HOSE, SHUNT, 3/4 ID
	70921911	2	CLAMP, WORM DRIVE, .69-1.25 DIA
20	71408687	1	HOSE, DEAERATION, 3/16 ID X 33.5"
	70929402	2	CLAMP, WORM DRIVE, .22-.63 DIA
21	700716238	1	ADAPTER, M10 ORB X 1/8 NPTF FEM
	700716061	1	O-RING, METRIC, 1.6 X 8.10 ID
22	71406629	1	ELBOW, 90 DEG, 1/8 NPTF X 3/16 STEM
23	71409066	1	HOSE ASY, ENG OIL DRAIN
24	70937677	4	J-CLIP, 1 DIA X .406 HOLE
	70937684	4	J-CLIP, 1-1/4 DIA X .406 HOLE
	70921210	4	CAPSCREW, 3/8-16 X 1 GR5
	70916965	4	LOCKWASHER, 3/8
	70916950	4	NUT, 3/8-16 REG
25	3019418X91	1	ELBOW,90 D, M22-1.5 ORB X 7/8-14 JIC M
	3019398X1	1	O-RING, METRIC, 2.1 X 19.4 ID
26	70924290	1	PLUG, 37 DEG. FLARE, 7/8-14
27	3619622M1	2	TIE, NYLON LOCKING, .184 X 14.2 LG
28	71396789	1	FAN BLADE ASY.
	3009213X1	6	SCREW, HEX FLNG, M10-1.5 X 60 CL10.9
	390734X1	6	WASHER, M10, STD
29	71406628	1	COUPLING, 1/4 NPTF X 3/16 BARB STEM
30	V836867591	1	PRE-FILTER, FUEL
31	V836867595	1	FILTER, FUEL, MAIN
32	V836362567	1	FILTER, OIL
33	7703242	1	CAPSCREW, M10-1.5 X 45 CL8.8
	70917378	1	WASHER, 3/8, WIDE
	700708367	1	LOCKWASHER, M10
	7774664	1	NUT, M10-1.5
34	7771728	1	CAPSCREW, M10-1.5 X 40 CL8.8
	700708367	1	LOCKWASHER, M10
	7774664	1	NUT, M10-1.5
35	72160927	1	SLEEVE
	7771728	1	CAPSCREW, M10-1.5 X 40 CL8.8
	700708367	1	LOCKWASHER, M10
	7774664	1	NUT, M10-1.5

MC00398  
PR: t05109j44b0001

CYLINDER BLOCK  
SISU



9690 COMBINE  
ENGINE

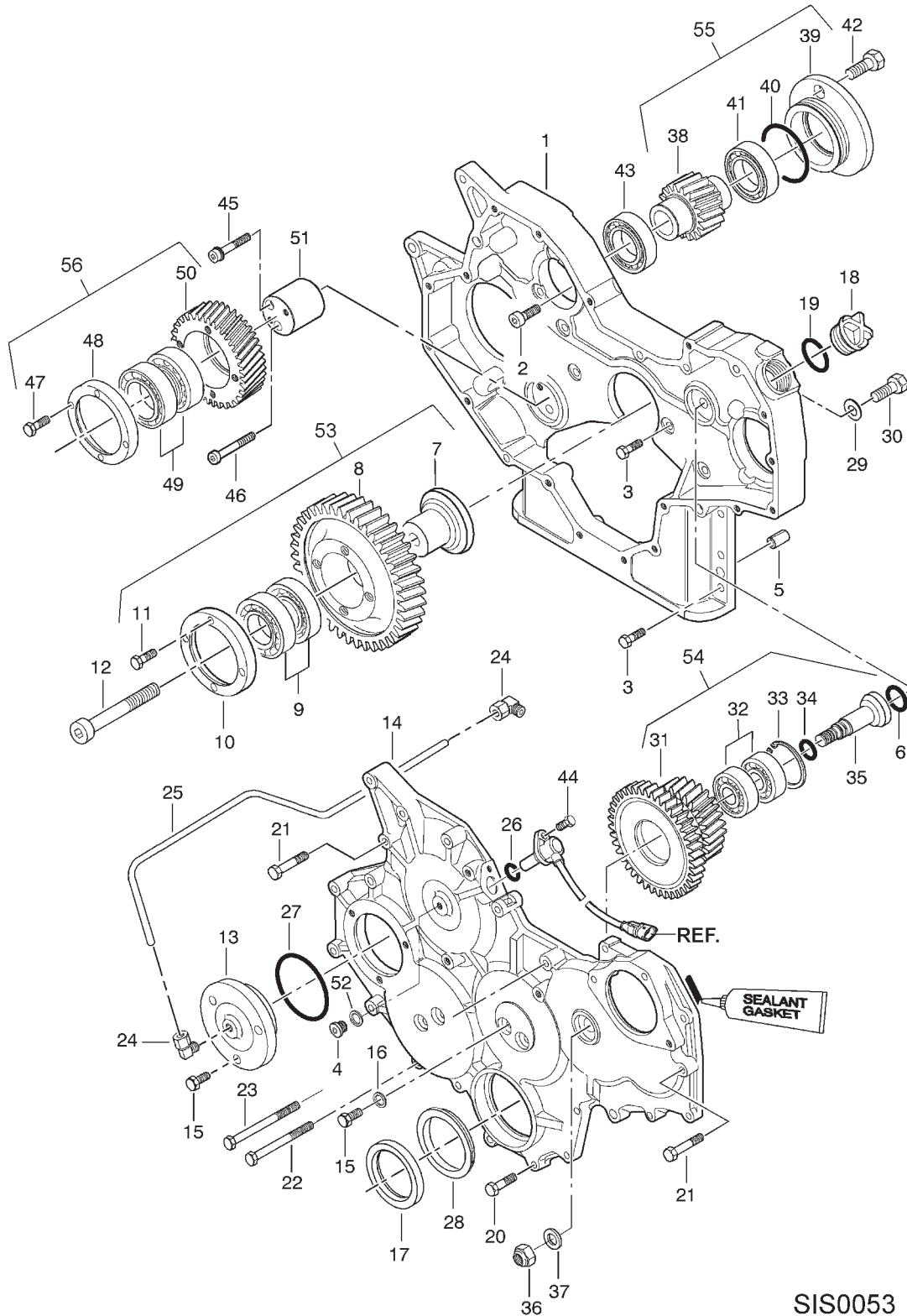
53

CYLINDER BLOCK  
SISU

ITEM	NUMBER	QTY	DESCRIPTION
1	V836867046	1	BLOCK, CYLINDER (INCLS ITEMS 2-9)
2	V836866069	1	BUSHING
3	V529903180	14	SCREW
4	V836214478	24	GUIDE
5	V640016018	1	PLUG, CUP
6	V640016040	4	PLUG, CUP
7	V836852460	2	BUSHING
8	V836852459	1	BUSHING
9	V836852461	1	BUSHING
10	V640016012	1	PLUG, CUP
11	V836867048	6	LINER, CYLINDER
	V836867050	AR	LINER, CYLINDER (9.08MM)
12	V836855446	12	O-RING
13	V836855447	6	O-RING
14	V640016016	4	PLUG, CUP
15	V836852744	1	PLUG
16	V837069057	1	PLUG
17	V640325110	5	PLUG
18	V615571014	5	RING, SEAL
19	VKH7070	1	O-RING
20	V528801380	5	SCREW, M8 X 20
21	V836855678	1	COVER
22	V836322852	1	GASKET
23	V836859153	1	NIPPLE, THREADED
24	V837070021	6	PIPE
25	V836338601	6	VALVE
26	V836855629	1	PIPE
27	V528801362	5	SCREW, M8 X 16
28	V837070147	1	BRACKET
29	V837069052	6	BUSHING, RUBBER
30	V837069056	3	SCREW
31	V836119079	1	PLUG
32	V836664377	1	COCK
33	V615881824	1	RING, SEAL
34	V615881620	1	RING, SEAL
35	V836840934	1	BLOCK HEATER, 110V, 1000W
36	V836840998	1	O-RING
37	V581804600	4	SCREW, M8 X 20
38	V836855554	1	GASKET
39	V529801102	8	SCREW, M6 X 25
40	V837070197	2	SCREW
41	V615881420	1	RING, SEAL
42	V640325014	1	PLUG
43	V500050840	1	WASHER
44	V546801360	1	STUDBOLT, M8 X 16
45	V546801400	1	STUDBOLT, M8 X 25
46	V837070285	1	HOUSING
47	V837070286	1	COVER
48	V500150642	5	WASHER
49	V581804182	5	SCREW, M6 X 12
50	V590253388	6	SCREW, 5.1 X 14
52	-----	-	SEE ENGINE ELECTRICAL

SIS0054  
PR: t05I09j44b0002

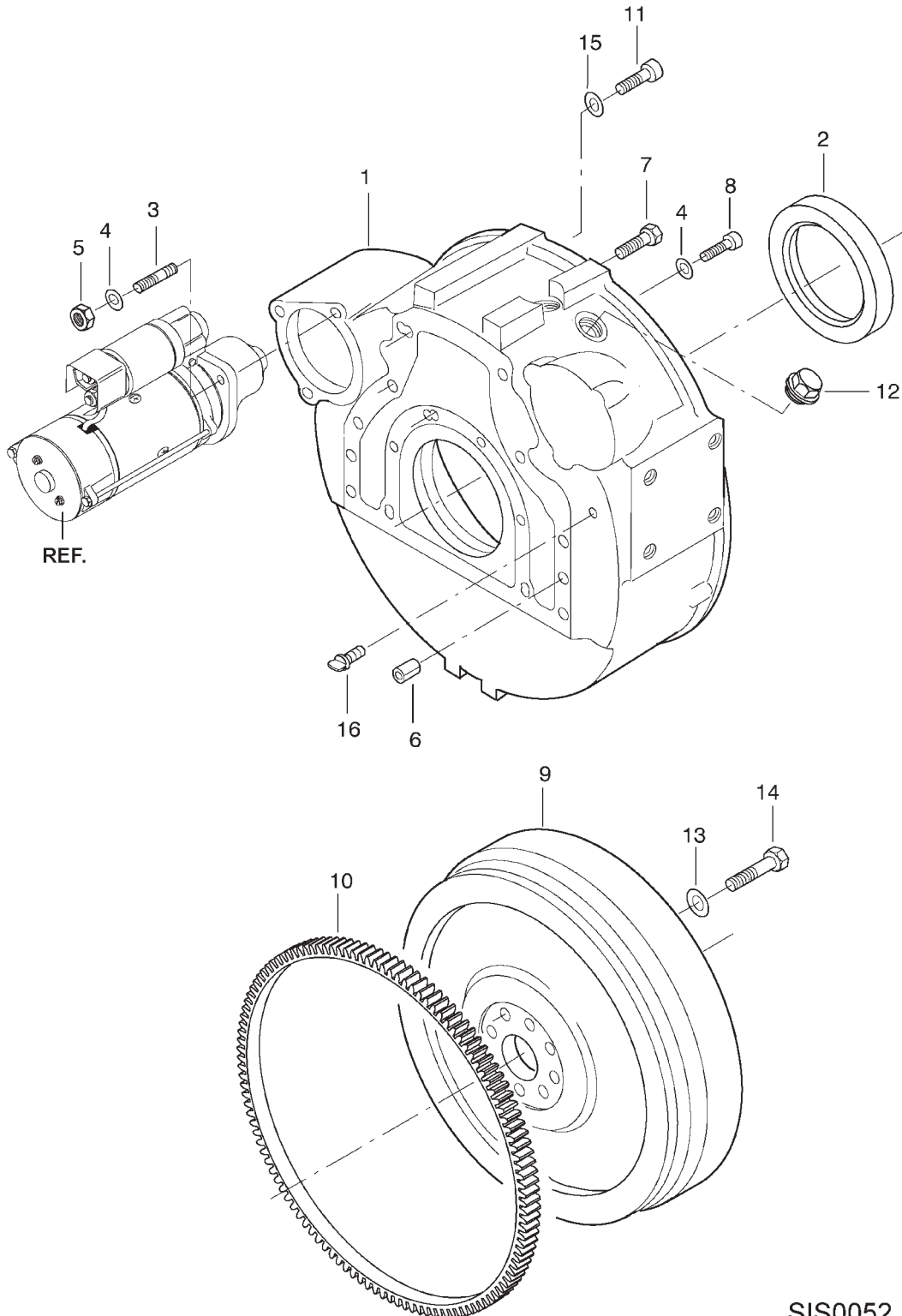
FRONT GEAR HOUSING  
SISU





ITEM	NUMBER	QTY	DESCRIPTION
1	V837070107	1	HOUSING, GEAR
2	V581804620	2	SCREW, M8X25
3	V528801400	12	SCREW, M8X25
4	V640325110	1	PLUG
5	VJE8802	2	PIN
6	V614601924	1	O-RING
7	V836855562	1	SHAFT
8	V837070000	1	GEAR
9	V610072109	2	BEARING
10	V836855565	1	FLANGE
11	V528901400	4	SCREW, M8X25
12	V581705910	1	SCREW, M14X70
13	V837070179	1	COVER, LOCK
14	V837070108	1	COVER, FRONT
15	V528801380	7	SCREW, M8X20
16	V615870814	4	RING, SEAL
17	V836840883	1	SEAL, OIL
18	V836017927	1	CAP
19	V614603540	1	O-RING
20	V528801410	10	SCREW, M8X30
21	V529801440	9	SCREW, M8X45
22	V529801510	1	SCREW, M8X50
23	V529801550	1	SCREW, M8X95
24	V641166006	2	UNION
25	V836867775	1	PIPE
26	VKH7070	1	O-RING
27	V614606825	1	O-RING
28	V836855636	1	PLATE, SHIELD
29	V500951200	1	WASHER
30	V528902200	1	SCREW, M12X25
31	V837070113	1	GEAR
32	V610073040	2	BEARING
33	V617330052	1	CIRCLIP
34	V614601324	1	O-RING
35	V837069069	1	SHAFT
36	V504601400	1	NUT, M14
37	V837069070	1	WASHER
38	V837070005	1	SHAFT
39	V836855651	1	COVER
40	V614609430	1	O-RING
41	VLA1014	1	BEARING
42	V528802602	2	SCREW, M14X25
43	VLA1014	1	BEARING
44	V528801062	1	SCREW, M6X16
45	V580704670	1	SCREW, M8X50
46	V581704710	1	SCREW, M8X70
47	V528901400	4	SCREW, M8X25
48	V836855565	1	FLANGE
49	V610072109	2	BEARING
50	V837070002	1	GEAR
51	V837070003	1	SHAFT
52	V615571014	1	RING, SEAL
53	V837070001	1	GEAR ASSY (INCLS ITEMS 7-11)
54	V837070072	1	GEAR ASSY (INCLS ITEMS 31-35)
55	V837070137	1	DRIVE ASSY (INCLS ITEMS 38-41)
56	V837070004	1	GEAR ASSY (INCLS ITEMS 47-51)

FLYWHEEL AND HOUSING  
SISU



9690 COMBINE  
ENGINE

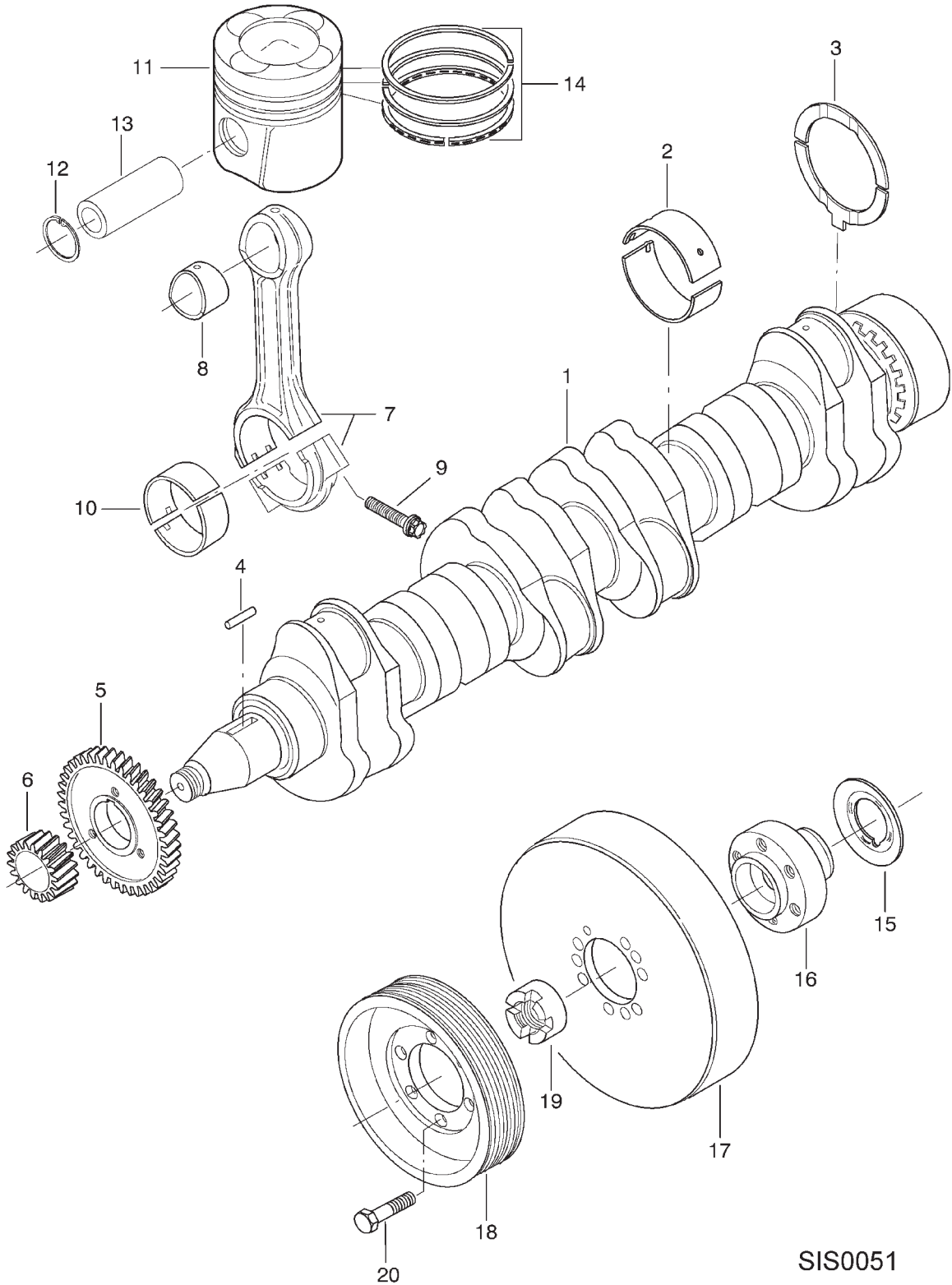
57

FLYWHEEL AND HOUSING  
SISU

ITEM	NUMBER	QTY	DESCRIPTION
1	V836652468	1	HOUSING, FLYWHEEL
2	V836840884	1	SEAL, OIL
	V836020054	AR	RING, SEAL SPACER (2.0MM)
3	V546801800	3	STUDBOLT, M10X25
4	V500951000	6	WASHER
5	V504601000	3	NUT, M10
6	VJE8802	2	PIN
7	V528902220	6	SCREW, M12X35
8	V581705030	6	SCREW, M10X30
9	V836859485	1	FLYWHEEL (INCLS RING GEAR ITEM 10)
10	V836117943	1	GEAR, RING
11	V581705440	2	SCREW, M12X35
12	V640045126	1	PLUG
13	V500951400	8	WASHER
14	V529702630	8	SCREW, 200NM
15	V500951200	1	WASHER
16	V836859311	1	PLUG

SIS0052  
PR: t05109j44b0004

CRANKSHAFT  
SISU



SIS0051

9690 COMBINE  
ENGINE

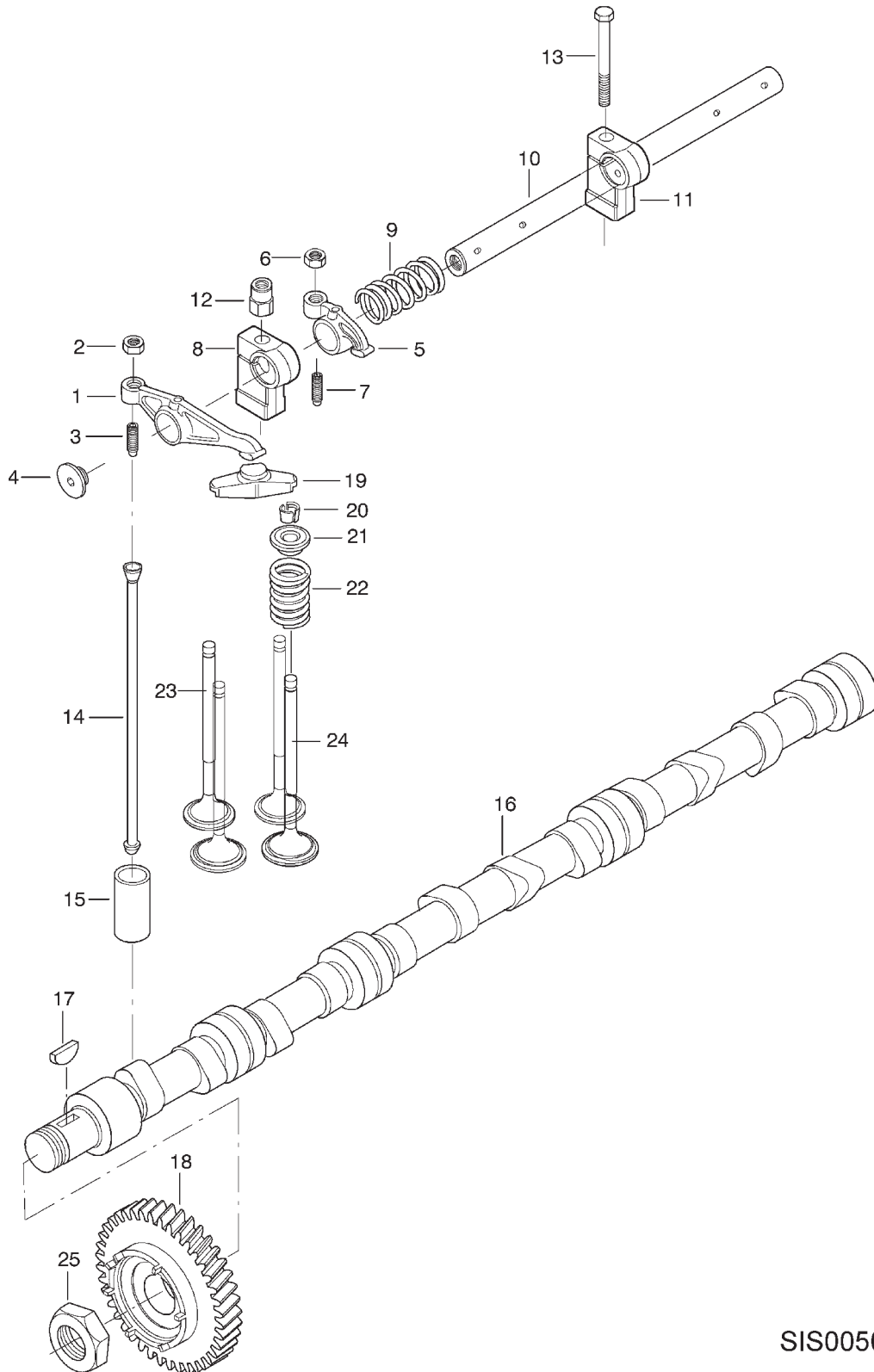
59

CRANKSHAFT  
SISU

ITEM	NUMBER	QTY	DESCRIPTION
1	V837069088	1	CRANKSHAFT
2	V836840944	7	BEARING, MAIN (STD)
	V836840978	7	BEARING, MAIN (-0.25MM)
	V836840979	7	BEARING, MAIN (-0.50MM)
	V836840980	7	BEARING, MAIN (-1.00MM)
	V836840981	7	BEARING, MAIN (-1.50MM)
3	V836840945	2	PLATE, THRUST (STD)
	V836840982	2	PLATE, THRUST (-.10MM)
	V836840983	2	PLATE, THRUST (-.20MM)
4	V836855525	1	KEY
5	V836855558	1	GEAR
6	V837069060	1	GEAR
7	V836340948	AR	KIT, CONNECTING ROD (INCLS 6 RODS IN SAME WEIGHT CLASS & ITEMS 8 & 9)
	----	6	ROD, CONNECTING (STAMPED E, ON LOWER) BEARING CAP)(NOT SERVICED)
	----	6	ROD,CONNECTING (STAMPED F)(NOT SERVICED)
	----	6	ROD,CONNECTING (STAMPED G)(NOT SERVICED)
	----	6	ROD,CONNECTING (STAMPED H)(NOT SERVICED)
	----	6	ROD,CONNECTING (STAMPED I)(NOT SERVICED)
	----	6	ROD,CONNECTING (STAMPED J)(NOT SERVICED)
	----	6	ROD,CONNECTING (STAMPED K)(NOT SERVICED)
			CONN ROD INCLS ITEMS 8&9
8	V836864288	6	BUSHING
9	V836864141	12	SCREW, TORX E18
10	V836336302	6	BEARING, ROD (STD)
	V836338650	6	BEARING, ROD (-0.25MM)
	V836338651	6	BEARING, ROD (-0.50MM)
	V836338652	6	BEARING, ROD (-1.00MM)
	V836338653	6	BEARING, ROD (-1.50MM)
	3637625M1	AR	BUSHING, OUTER, CONN ROD BRG (+0.5MM)
11	V837070185	6	PISTON ASSY (INCLS ITEMS 12,13,14)
12	-----	12	CIRCLIP (SERVICED IN ITEM 11)
13	-----	6	PIN, PISTON (SERVICED IN ITEM 11)
14	V836840887	6	SET, PISTON RING
15	V836855637	1	RING
16	V836855641	1	HUB
17	V836840882	1	DAMPER, VIBRATION
18	V836855690	1	PULLEY
19	V836322221	1	NUT, SLOTTED
20	V528902230	6	SCREW, M12 X 40

SIS0051  
PR: t05109j44b0005

CAMSHAFT AND VALVETRAIN  
SISU



9690 COMBINE  
ENGINE

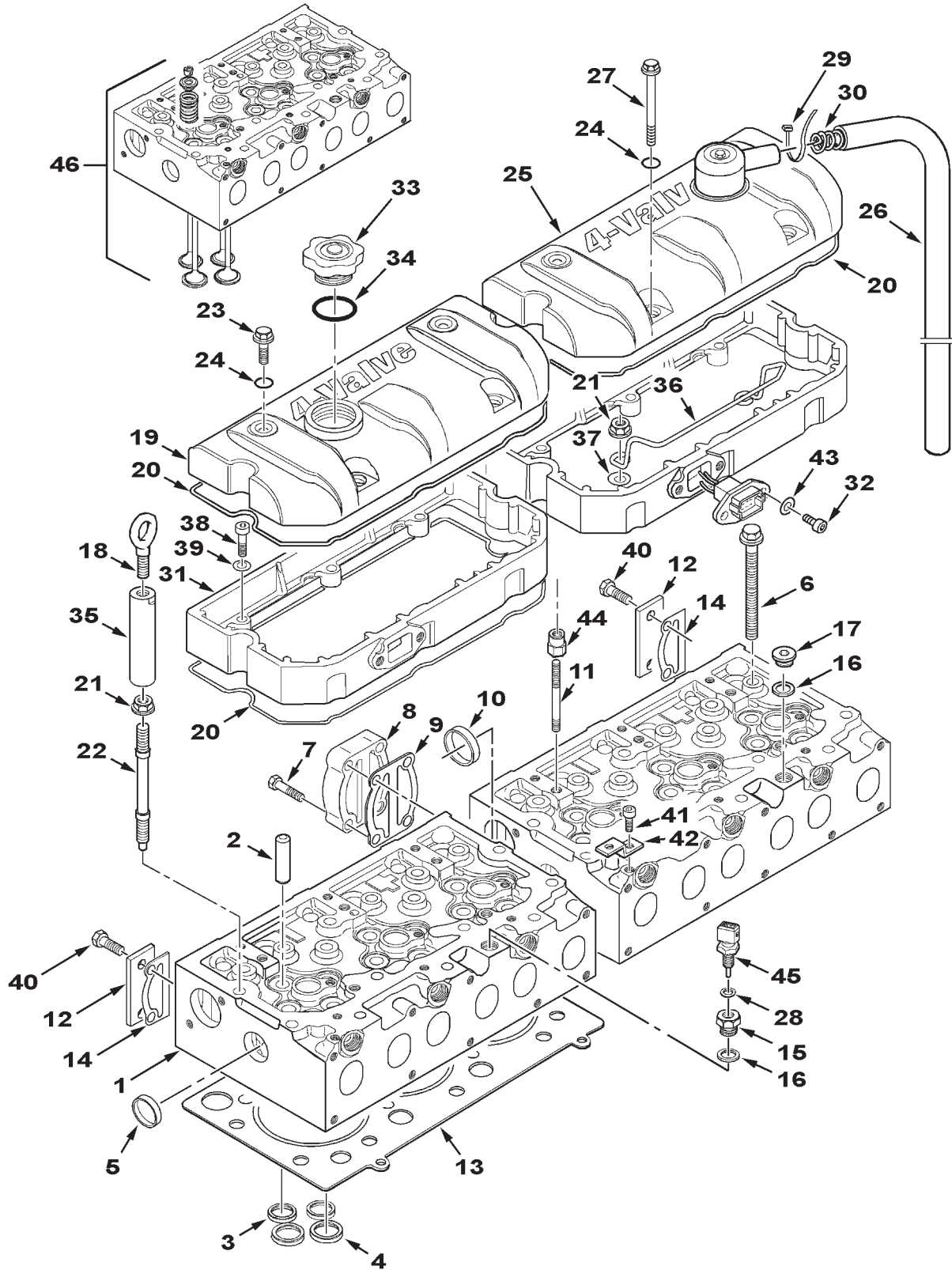
61

CAMSHAFT AND VALVETRAIN  
SISU

ITEM	NUMBER	QTY	DESCRIPTION
-	V837069016	2	VALVE MECHANISM (INCLS. ITEMS 1-11)
1	V837069011	6	ARM, ROCKER (INCLS ITEMS 2-3)
2	V512861000	6	HEX NUT
3	V837069023	6	SCREW, ADJUSTING
4	V837069020	4	PLUG
5	V837069013	6	ARM, ROCKER (INCLS ITEMS 6-7)
6	V512861000	6	HEX NUT
7	V837069023	6	SCREW, ADJUSTING
8	V837069017	4	BRACKET
9	V837069019	4	SPRING
10	V837069015	2	SHAFT, ROCKER
11	V837069018	2	BRACKET
12	V836655406	4	NUT
13	V529801910	2	SCREW, M10X85
14	V837069014	12	PUSHROD
15	V836014264	12	TAPPET, VALVE
16	V837070148	1	CAMSHAFT
	V836866036	AR	BRG BUSHING,CAMSHFT, FRONT,OUTER(+0.4MM)
17	V603305760	1	KEY
18	V837070036	1	GEAR
19	V837069006	12	GUIDE
20	V837064910	48	KEEPER, VALVE
21	V837069004	24	RETAINER
22	V837069005	24	SPRING, VALVE
23	V837069002	12	VALVE, EXHAUST
24	V837069003	12	VALVE, INTAKE
25	V837069085	1	HEX NUT

SIS0050  
PR: t05109j44b0006

CYLINDER HEAD  
SISU





9690 COMBINE  
ENGINE

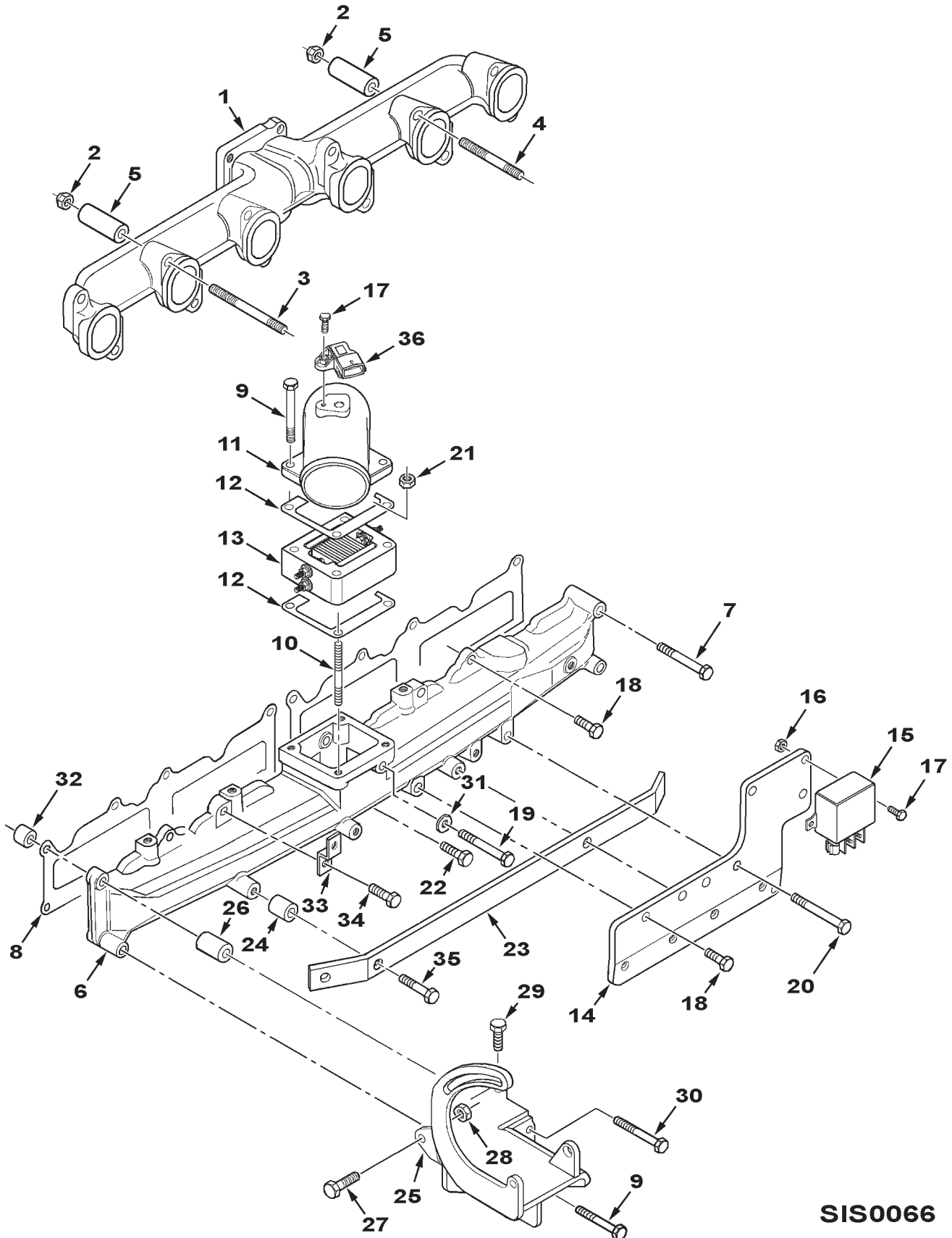
63

CYLINDER HEAD  
SISU

ITEM	NUMBER	QTY	DESCRIPTION
1	V837069001	2	HEAD, CYLINDER (INCLS ITEMS 2-5)
2	V837064906	24	GUIDE, VALVE
3	V837064907	12	SEAT RING, VALVE (EXHAUST)
	V837070187	AR	SEAT RING, REPAIR VALVE (OVERSIZE 0.2MM)
4	V837064908	12	SEAT RING, VALVE (INTAKE)
	V837070188	AR	SEAT RING, REPAIR VALVE (OVERSIZE 0.2MM)
5	V836647942	4	PLUG
6	V837069025	28	SCREW
7	V528801830	4	SCREW, M10 X 40
8	V836855348	1	CONNECTOR
9	V836867390	1	GASKET
10	V640016045	1	PLUG
11	V546801900	4	STUDBOLT, M10 X 75
12	V836855350	2	COVER
13	V837070290	2	GASKET
14	V836867391	2	GASKET
15	V836119643	1	NIPPLE, THREADED
16	V615881822	2	RING, SEAL
17	V640325018	1	PLUG
18	V836640752	2	LIFTEYE
19	V837070170	1	COVER
20	V837067881	4	GASKET
21	V836859110	8	HEX NUT
22	V836859109	6	STUDBOLT
23	V540801780	4	SCREW, M10 X 20
24	V614901030	8	O-RING
25	V837069029	1	COVER
26	V837070347	1	PIPE, RUBBER
27	V540801910	4	SCREW, M10 X 80
28	V615881418	1	RING, SEAL
29	V835329746	1	STRAP, TIE
30	V837070343	1	SPRING
31	V837069021	2	FRAME
32	V581804602	1	SCREW, M8 X 20
33	V836338733	1	CAP
34	V614604740	1	O-RING
35	V836867567	2	NUT, EXTENDED, M12/M16
36	V837069026	1	BRACKET
37	V500951200	4	WASHER
38	V581804630	6	SCREW, M8 X 30
39	V500950800	6	WASHER
40	V528801800	4	SCREW, M10 X 25
41	V528801360	1	SCREW, M8 X 16
42	V836747849	2	SUPPORT
43	VJD0408	4	WASHER
44	-----	-	(SEE "CAMSHAFT & VALVETRAIN")
45	-----	-	(SEE "ENGINE ELECTRICAL")
46	V837062565	2	HEAD ASSY, CYLINDER

SIS0067  
PR: t05I09j44b0007

INTAKE & EXHAUST MANIFOLD  
SISU



9690 COMBINE  
ENGINE

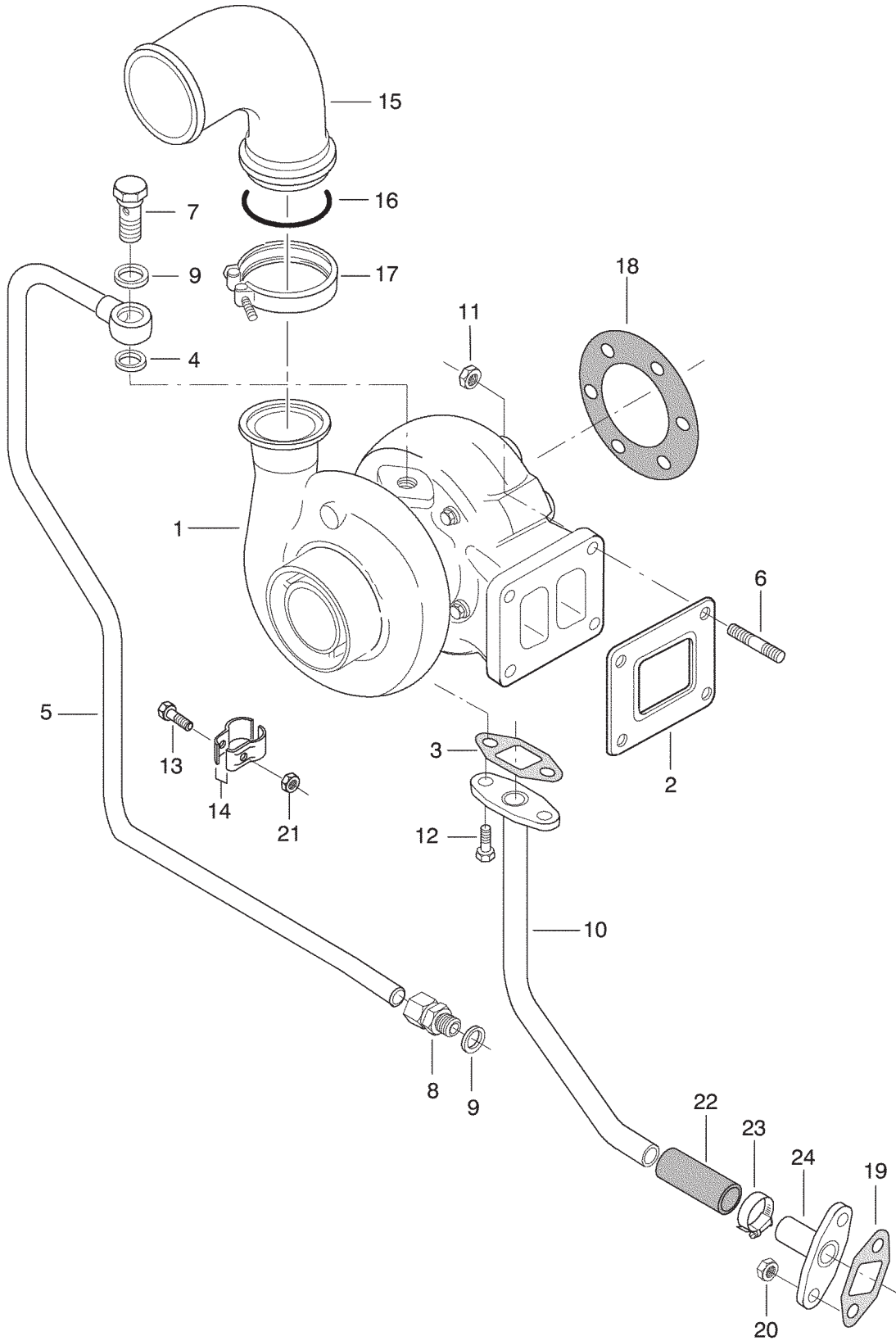
65

INTAKE & EXHAUST MANIFOLD  
SISU

ITEM	NUMBER	QTY	DESCRIPTION
1	V836867556	1	EXHAUST MANIFOLD
2	V513601002	12	HEX NUT
3	V836859188	12	STUDBOLT, M10 X 100
4	V836859034	4	STUDBOLT, M10 X 130
5	V836664013	12	SLEEVE, 45MM LG
6	V837070219	1	INTAKE MANIFOLD
7	V529801470	2	CAPSCREW, M8 X 60
8	V837069009	2	GASKET (SEE ENGINE OVERHAUL KITS)
9	V529801490	4	CAPSCREW, M8 X 70
10	V546801490	1	STUDBOLT, M8 X 70
11	V836867642	1	PIPE
12	V837067345	2	GASKET (SEE ENGINE OVERHAUL KITS)
13	V837067295	1	HEATER, 12V
14	V837070228	1	BRACKET
15	V837069047	1	SOLENOID, 12V
16	V510600602	2	NUT, M6
17	V528801082	3	CAPSCREW, M6 X 20
18	V528801400	4	CAPSCREW, M8 X25
19	V529801550	1	CAPSCREW, M8 X 100
20	V529801530	2	CAPSCREW, M8 X 90
21	V504800800	1	HEX NUT, M8
22	V528801410	8	CAPSCREW, M8 X 30
23	V837070328	1	SUPPORT
24	V836119384	2	SLEEVE
25	V837070284	1	BRACKET
26	V836138015	1	SLEEVE
27	V529801830	1	CAPSCREW, M10 X 40
28	V510601002	1	HEX NUT, M10
29	V528801380	1	SCREW, M8 X 20
30	V529801500	1	CAPSCREW, M8 X 75
31	V836015967	1	SEAL RING
32	V598355365	1	PIN
33	V836747849	1	SUPPORT
34	V528801420	1	CAPSCREW, M8 X 35
35	V529801440	2	CAPSCREW, M8 X 45
36	-----	-	(SEE "ENGINE ELECTRICAL")

SIS0066  
PR: t05i09j44b0008

TURBOCHARGER  
SISU



9690 COMBINE  
ENGINE

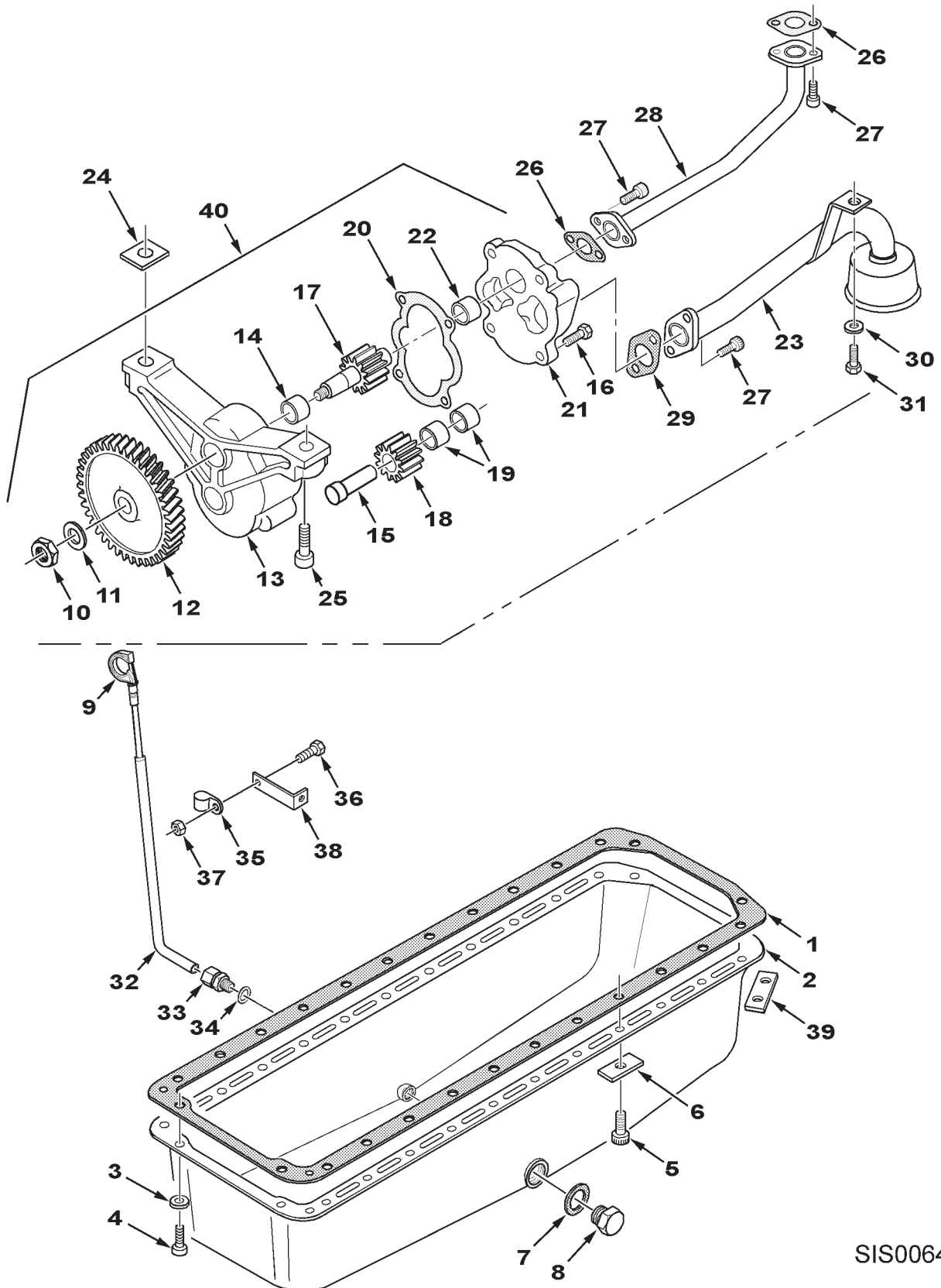
67

TURBOCHARGER  
SISU

ITEM	NUMBER	QTY	DESCRIPTION
1	V837070171	1	TURBOCHARGER ASY (INCL. ITEMS 2-3) (REPAIR ASY. MAY HAVE TO BE RE- ASSEMBLED TO FIT THIS INSTALLATION)
2	V836840992	1	GASKET (SEE ENGINE OVERHAUL KITS)
3	V836866809	1	GASKET (SEE ENGINE OVERHAUL KITS)
4	V615881420	1	RING, SEAL
5	V836867559	1	PIPE
6	V546801800	4	STUDBOLT, M10 X 25
7	V836855714	1	SCREW
8	V641086012	1	UNION
9	V615881620	2	RING, SEAL
10	V836873003	1	PIPE (EFF. S/N HS87113)
11	V521601000	4	HEX NUT
12	V528801380	2	CAPSCREW, M8 X 20
13	V529801112	1	CAPSCREW, M6 X 30
14	V835324324	1	BAND
15	V836867533	1	PIPE
16	V614605930	1	O-RING
17	V836840930	1	CLIP
18	V886325175	1	GASKET (SEE ENGINE OVERHAUL KITS)
19	V836866809	1	GASKET (SEE ENGINE OVERHAUL KITS)
20	V504800800	2	HEX NUT, M8
21	V504600602	1	HEX NUT, M6
22	V836873001	1	HOSE, RUBBER
23	VGP3927	2	CLAMP, WORM GEAR
24	V836873004	1	PIPE, LOWER (EFF. S/N HS87113)

SIS0065  
PR: t05I09j44b0009

OIL SUMP & PUMP  
SISU



**9690 COMBINE  
ENGINE**

69

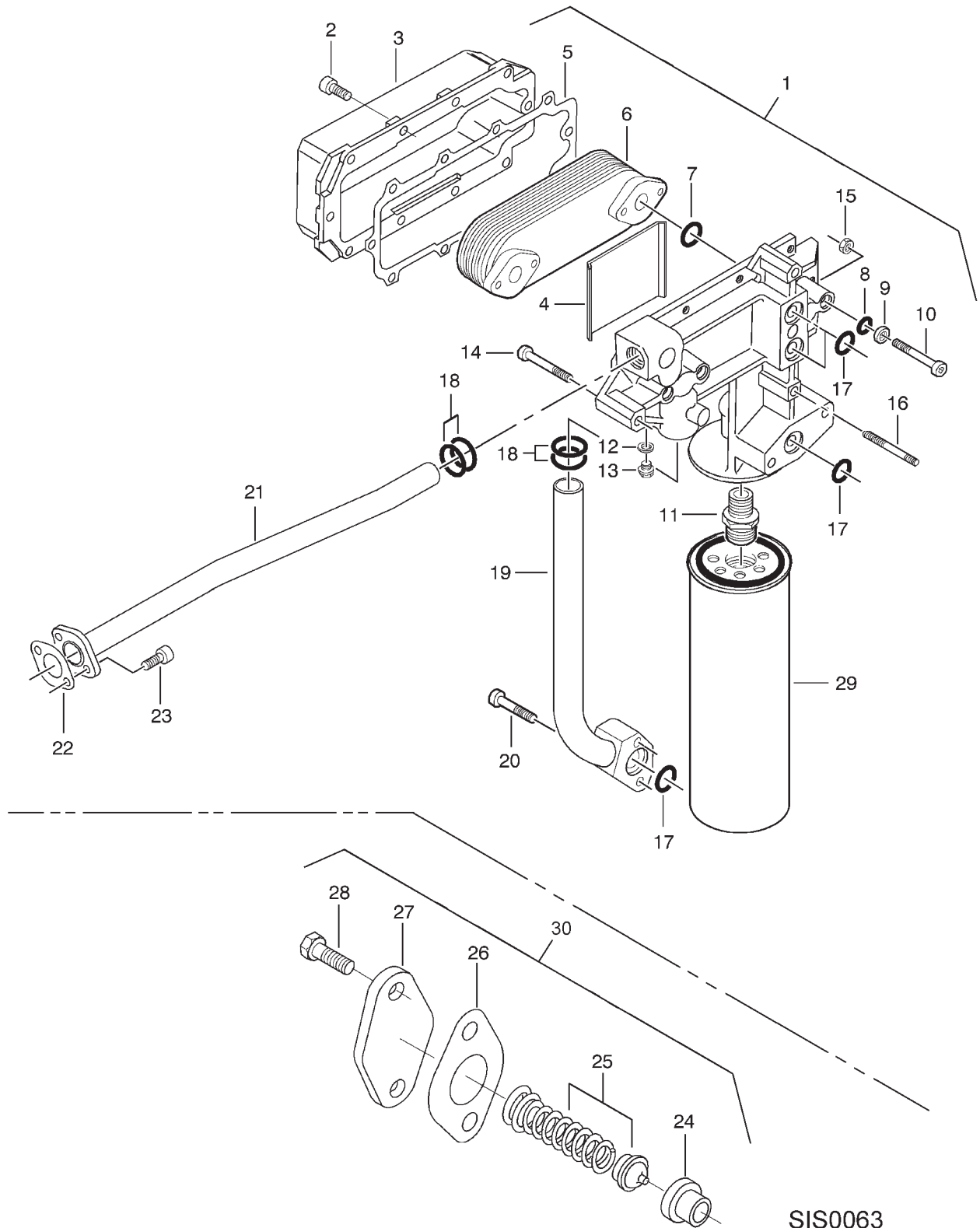
**OIL SUMP & PUMP  
SISU**

ITEM	NUMBER	QTY	DESCRIPTION
1	V836347308	1	SUMP PAN, OIL
2	V836322538	1	GASKET (SEE ENGINE OVERHAUL KITS)
3	V500950800	4	WASHER
4	V581804600	4	SCREW, M8 X 20
5	V581805000	24	SCREW, M10 X 20
6	V836859560	20	WASHER
7	V615882227	1	RING, SEAL (SEE ENGINE OVERHAUL KITS)
8	V640045022	1	PLUG
9	V836866909	1	DIPSTICK, OIL
10	V504861000	1	NUT, M10
11	V836122910	1	WASHER
12	V836338667	1	GEAR
13	V836338186	1	FRAME ASSY (INCLS. ITEMS 14-15)
14	V836322909	1	BUSHING
15	V836322906	1	SHAFT
16	V528801380	4	SCREW, M8 X 20
17	V836338182	1	GEAR
18	V836338180	1	GEAR (INCLS BUSHING)
19	V836322909	2	BUSHING
20	V836338188	1	GASKET (SEE ENGINE OVERHAUL KITS)
21	V836855297	1	COVER (INCLS BUSHING)
22	V836322909	1	BUSHING
23	V836855674	1	PIPE
24	V836007871	AR	SHIM, SPACING
25	VHC8338	2	SCREW, M10 X 40
26	V836008449	2	GASKET (SEE ENGINE OVERHAUL KITS)
27	V581804600	6	SCREW, M8 X 20
28	V836855673	1	PIPE
29	V836338201	1	GASKET (SEE ENGINE OVERHAUL KITS)
30	V500150840	1	WASHER
31	V528801362	1	SCREW, M8 X 16
32	V836855921	1	PIPE
33	V641086012	1	UNION
34	V615881622	1	RING, SEAL (SEE ENGINE OVERHAUL KITS)
35	V602060612	1	BAND
36	V528801380	1	SCREW, M8 X 20
37	V504800800	1	NUT, M8
38	V836652081	1	SUPPORT
39	V836859561	2	WASHER
40	V836855300	1	OIL PUMP ASY (INCLS ITEMS 10-22)

SIS0064  
PR: t05i09j44b0010

9690 COMBINE  
ENGINE

OIL COOLER & FILTER  
SISU



SIS0063



9690 COMBINE  
ENGINE

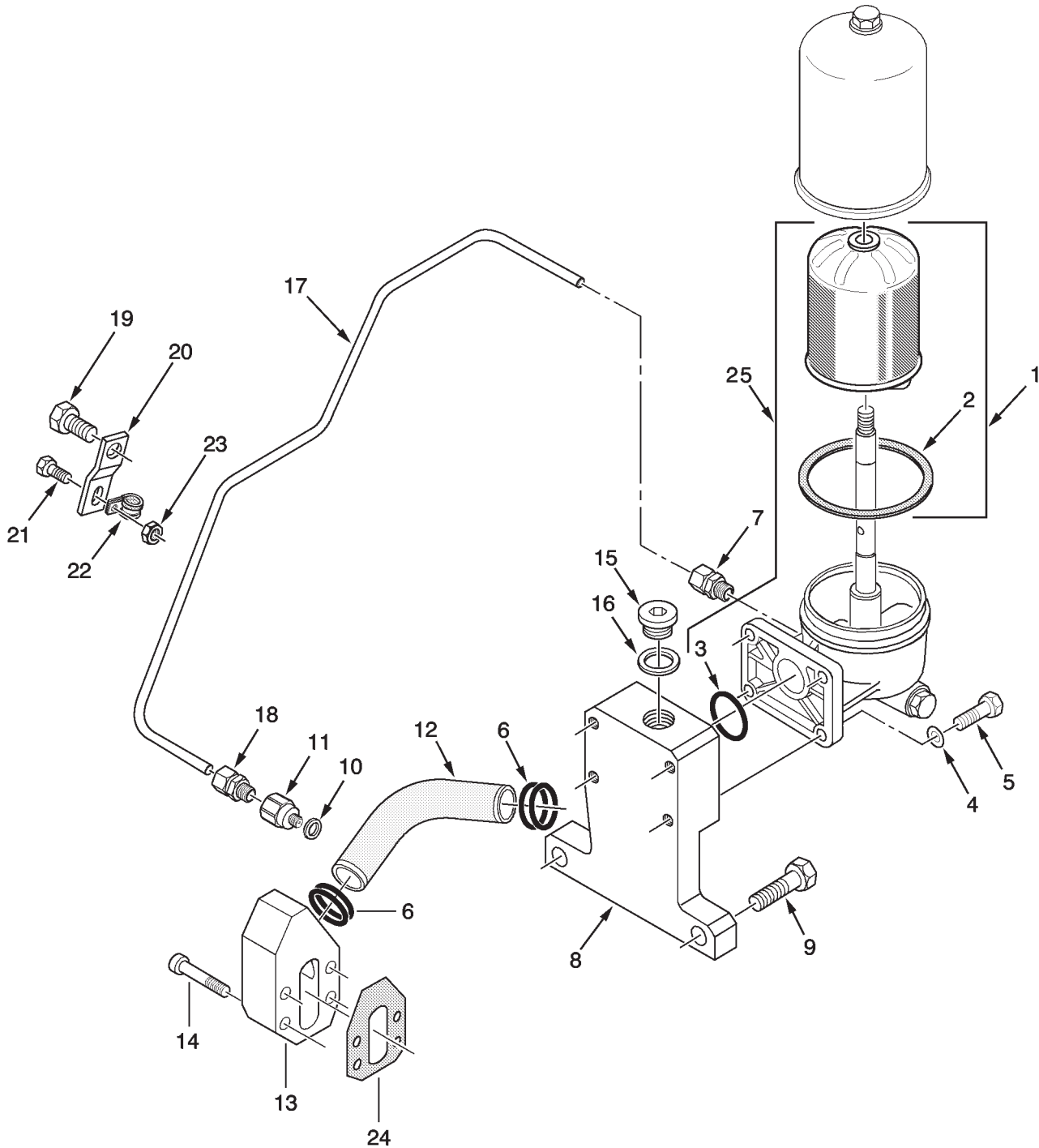
71

OIL COOLER & FILTER  
SISU

ITEM	NUMBER	QTY	DESCRIPTION
1	V836855522	1	COOLER, OIL (INCLS ITEMS 2-13)
2	V581804620	10	SCREW, M8 X 25
3	V836855519	1	HOUSING
4	V836855521	1	PLATE, GUIDE
5	V836855520	1	GASKET (SEE ENGINE OVERHAUL KITS)
6	V836855484	1	CELL
7	V614602030	2	O-RING
8	V614600724	4	O-RING
9	V836855517	4	WASHER
10	V581804690	4	SCREW, M8 X 60
11	V836338512	1	NIPPLE, THREADED
12	V615881216	1	SEAL RING
13	V640305012	1	PLUG
14	V581804690	4	SCREW, M8 X 60
15	V504800800	1	NUT, M8
16	V546801490	1	STUDBOLT, M8 X 70
17	V614602030	4	O-RING
18	V614602430	4	O-RING
19	V836855523	1	PIPE
20	V581804650	2	SCREW, M8 X 40
21	V836855639	1	PIPE
22	V836322190	1	GASKET
23	V581804600	2	SCREW, M8 X 20
24	V836659521	1	SEAT, VALVE
25	V836667650	1	VALVE
26	V836322190	1	GASKET
27	V836659524	1	COVER
28	V528801380	2	SCREW, M8 X 20
29	V836362567	1	FILTER, OIL
30	V836662130	1	VALVE, CONTROL (INCL. ITEMS 24-28)

SIS0063  
PR: t05i09j44b0011

CENTRIFUGAL OIL CLEANER  
SISU



9690 COMBINE  
ENGINE

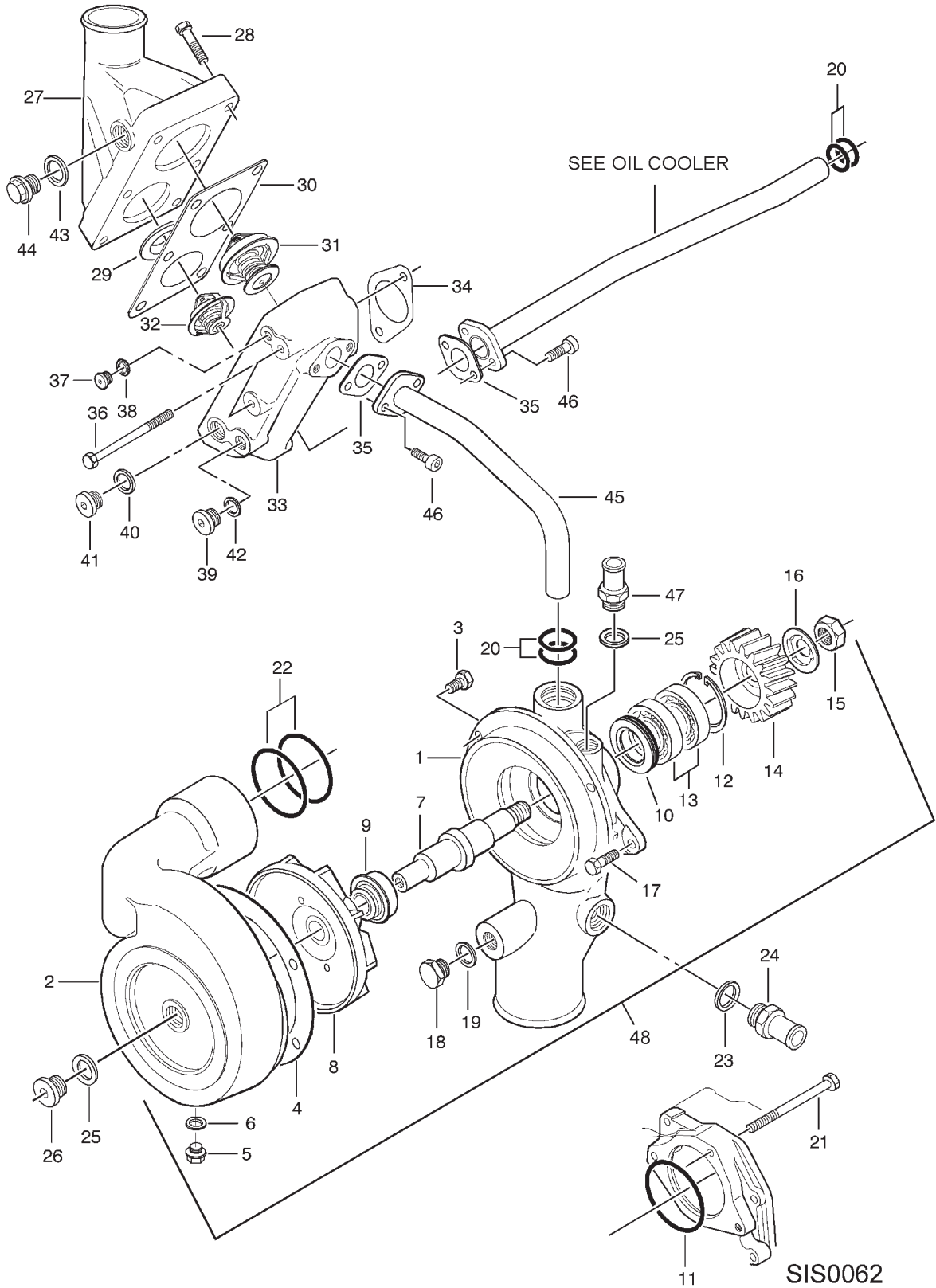
73

CENTRIFUGAL OIL CLEANER  
SISU

ITEM	NUMBER	QTY	DESCRIPTION
1	V836362228	1	ROTOR ASY (INCL. ITEM 2)
2	V836362229	1	SEAL RING
3	V836664226	1	O-RING
4	V500951000	4	WASHER
5	V528801810	4	SCREW, M10 X 30
6	V614903430	4	O-RING
7	V641830008	1	UNION CONNECTOR
8	V837067970	1	ADAPTER MANIFOLD
9	V528803042	2	SCREW, M16 X 45
10	V615871016	1	SEAL RING
11	V836120022	1	NIPPLE, THREADED
12	V837067968	1	PIPE
13	V837067969	1	ADAPTER PLATE
14	V581804670	4	SCREW, M8 X 50
15	V640325039	1	PLUG
16	V615893946	1	SEAL RING
17	V837067967	1	PIPE
18	V641016008	1	UNION CONNECTOR
19	V528802602	1	SCREW, M14 X 25
20	V837070381	1	SUPPORT STRAP
21	V528801380	1	SCREW, M8 X 20
22	V602060610	1	CLAMP, LINE
23	V504800802	1	NUT, M8
24	V836866958	1	GASKET
25	V836359603	1	OIL CLEANER, CENTRIFUGAL(INCL ITEMS 1&3)

SIS0072  
PR: t07b20n52c0001

WATER PUMP SYSTEM  
SISU



**9690 COMBINE  
ENGINE**

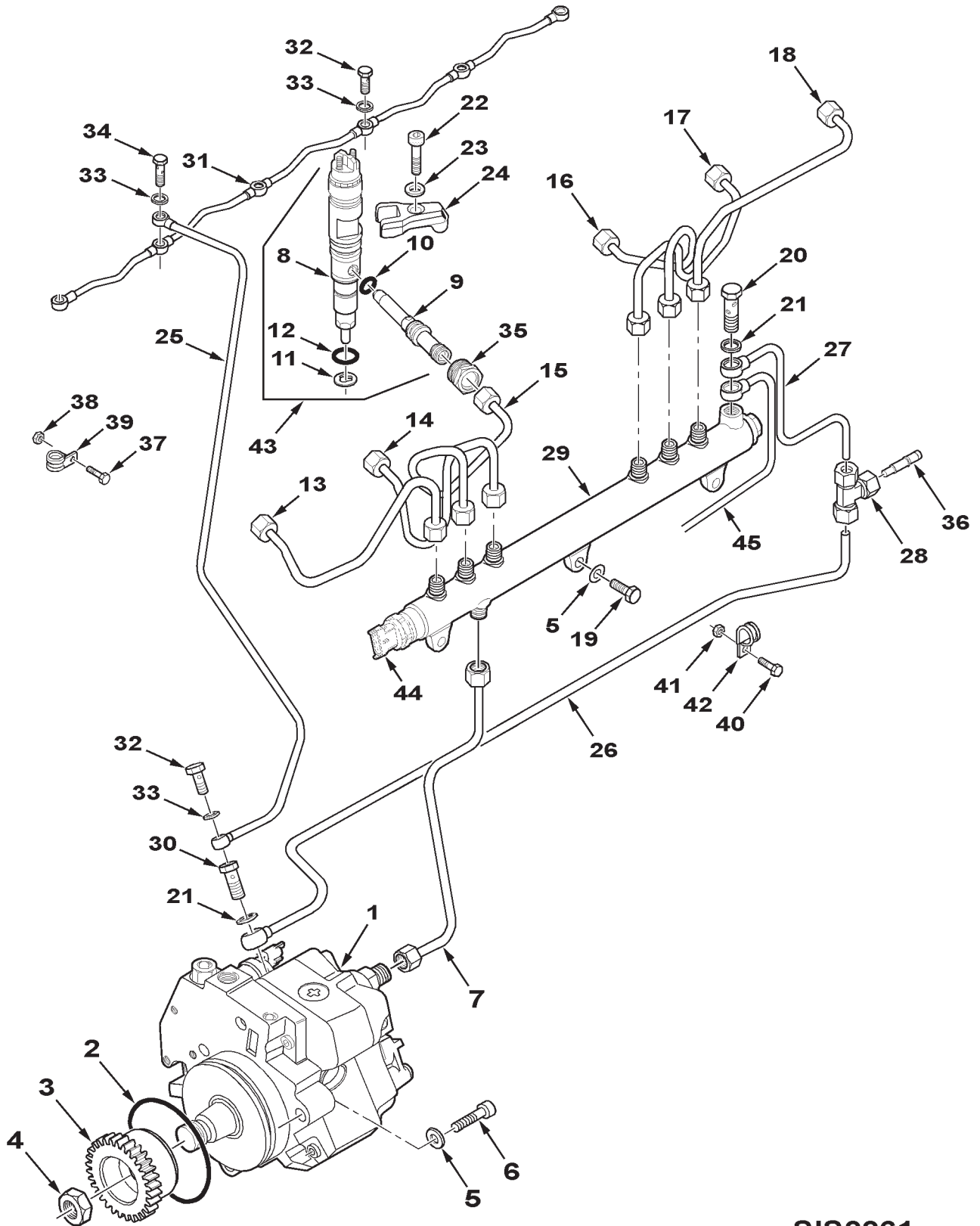
75

**WATER PUMP SYSTEM  
SISU**

ITEM	NUMBER	QTY	DESCRIPTION
-	V837062617	1	KIT, WATER PUMP REPAIR (INCL. ITEMS 4, 6-13,15,19,20,22)
1	V837069076	1	FRAME
2	V837069077	1	HOUSING
3	V528801362	4	SCREW, M8 X 16
4	V836855625	1	GASKET
5	V640305012	1	PLUG
6	V615881216	1	RING, SEAL
7	V837069078	1	SHAFT
8	V836866735	1	IMPELLER
9	V836859452	1	GASKET
10	V614703042	1	SEAL, OIL
11	V614607930	1	O-RING
12	V617330047	1	CIRCLIP
13	V610072040	2	BEARING
14	V837070074	1	GEAR
15	V504601600	1	NUT
16	V837070184	1	RING
17	V528801380	1	SCREW, M8 X 20
18	V836119079	1	PLUG
19	V615881620	1	RING, SEAL
20	V614602430	4	O-RING
21	V529801520	2	SCREW, M8 X 85
22	V614604958	2	O-RING
23	V615882227	1	RING, SEAL (SEE ENGINE OVERHAUL KITS)
24	V836667029	1	UNION
25	V615881822	2	RING, SEAL (SEE ENGINE OVERHAUL KITS)
26	V640325018	1	PLUG
27	V836855602	1	MANIFOLD, RETURN
28	V529801430	6	SCREW, M8 X 40
29	V836336425	1	RING, SPACING
30	V836855603	1	GASKET (SEE ENGINE OVERHAUL KITS)
31	V836331590	1	THERMOSTAT, 83 C (181 DEG F)
32	V836015156	1	THERMOSTAT, 79 C (174 DEG F)
33	V836855601	1	HOUSING
34	V836646393	1	GASKET (SEE ENGINE OVERHAUL KITS)
35	V836322190	2	GASKET (SEE ENGINE OVERHAUL KITS)
36	V529801550	2	SCREW, M8 X 100
37	V640325110	1	PLUG
38	V615871014	1	RING, SEAL (SEE ENGINE OVERHAUL KITS)
39	V640325014	1	PLUG
40	V615881822	1	RING, SEAL (SEE ENGINE OVERHAUL KITS)
41	V640325018	1	PLUG
42	V615881418	1	RING, SEAL (SEE ENGINE OVERHAUL KITS)
43	V615882227	1	RING, SEAL (SEE ENGINE OVERHAUL KITS)
44	V640045022	1	PLUG
45	V837070020	1	PIPE
46	V581804600	4	SCREW, M8 X 20
47	V836119837	1	UNION
48	V837070075	1	WATER PUMP ASSY (INCL. ITEMS 1-16)

SIS0062  
PR: t05I09j44b0012

INJECTOR PUMP SYSTEM  
SISU



9690 COMBINE  
ENGINE

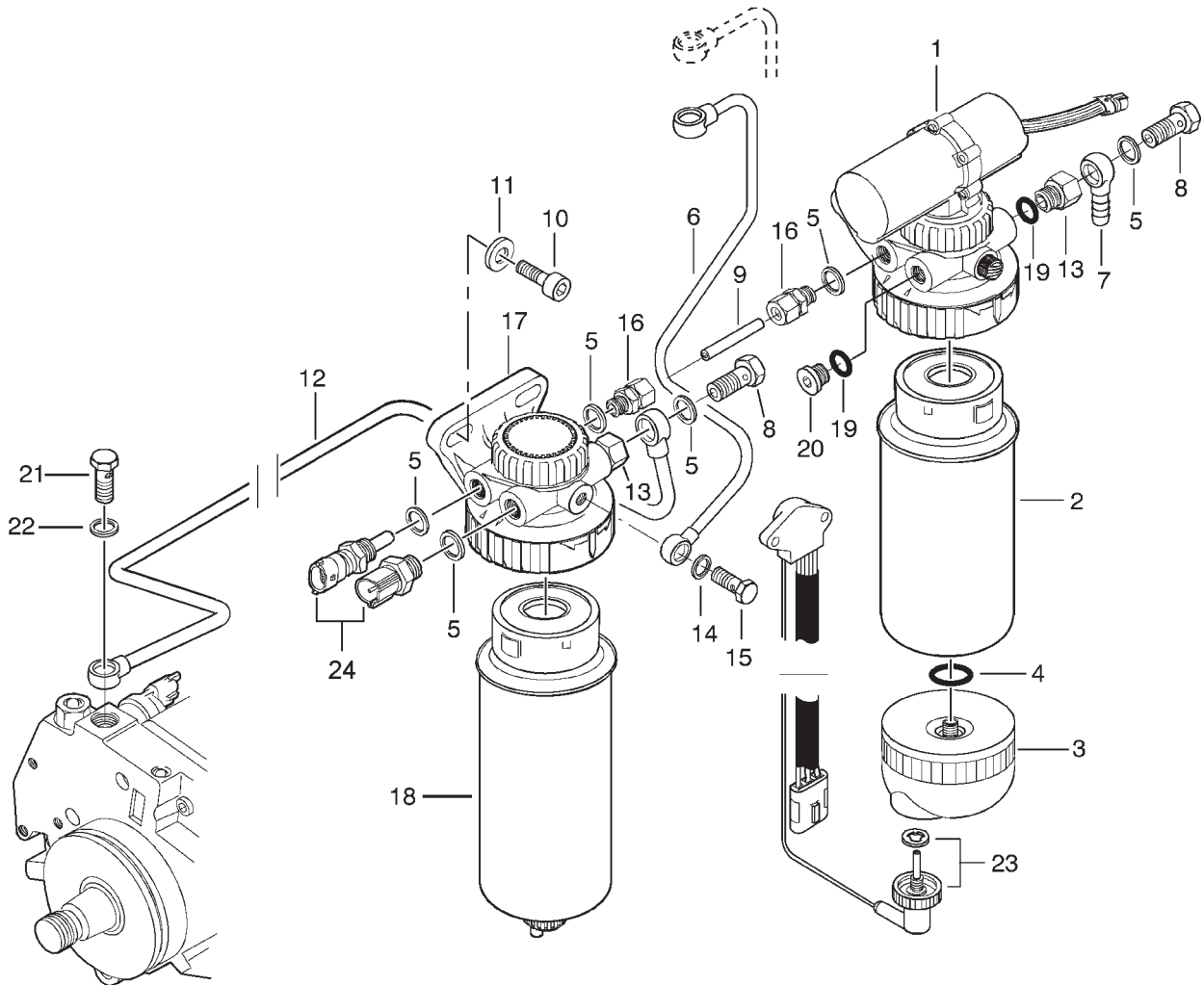
77

INJECTOR PUMP SYSTEM  
SISU

ITEM	NUMBER	QTY	DESCRIPTION
1	V837069146	1	PUMP, INJECTOR
2	V837069147	1	O-RING
3	V837070073	1	GEAR
4	V504611802	1	NUT, M18
5	V500950800	6	WASHER
6	V581804650	3	SCREW, M8 X 40
7	V837070249	1	TUBE ASY
8	-----	1	INJECTOR UNIT (SERVICE WITH ITEM 43)
9	-----	1	PIPE (SERVICE WITH ITEM 43)
10	V837069314	1	O-RING
11	V837069032	1	RING, SEAL
12	V837069313	1	O-RING
13	V837070077	1	TUBE, FUEL #1 CYL.
14	V837070078	1	TUBE, FUEL #2 CYL.
15	V837070079	1	TUBE, FUEL #3 CYL.
16	V837070080	1	TUBE, FUEL #4 CYL.
17	V837070081	1	TUBE, FUEL #5 CYL.
18	V837070082	1	TUBE, FUEL #6 CYL.
19	V528801380	3	SCREW, M8 X 20
20	V640425008	1	SCREW
21	V615881216	5	RING, SEAL
22	V581704660	6	SCREW, M8 X 45
23	V837070121	6	WASHER
24	V837069007	6	FASTENER
25	V837070277	1	TUBE
26	V837070258	1	TUBE
27	V837070255	1	TUBE
28	V641436008	1	TEE, UNION
29	V837069050	1	MANIFOLD ASY
30	V837070314	1	SCREW
31	V837069027	1	TUBE ASY
32	V640435005	6	SCREW
33	V615870812	14	RING, SEAL
34	V640425005	1	SCREW
35	V837069268	6	NUT
36	V837067801	1	TUBE
37	VHA9220	1	SCREW, M5 X 20
38	V504600502	1	NUT, M5
39	V602070605	1	CLAMP, LINE
40	V528801082	1	SCREW, M6 X 20
41	V510600602	3	NUT, M6
42	V602074608	5	CLAMP, LINE
43	V837062629	6	INJECTOR ASY (INCLS ITEMS 8-12)
44	-----	-	SEE "ENGINE ELECTRICAL"
45	-----	-	SEE "FUEL FILTERS"

SIS0061  
PR: t05109j44b0013

FUEL FILTERS  
SISU





9690 COMBINE  
ENGINE

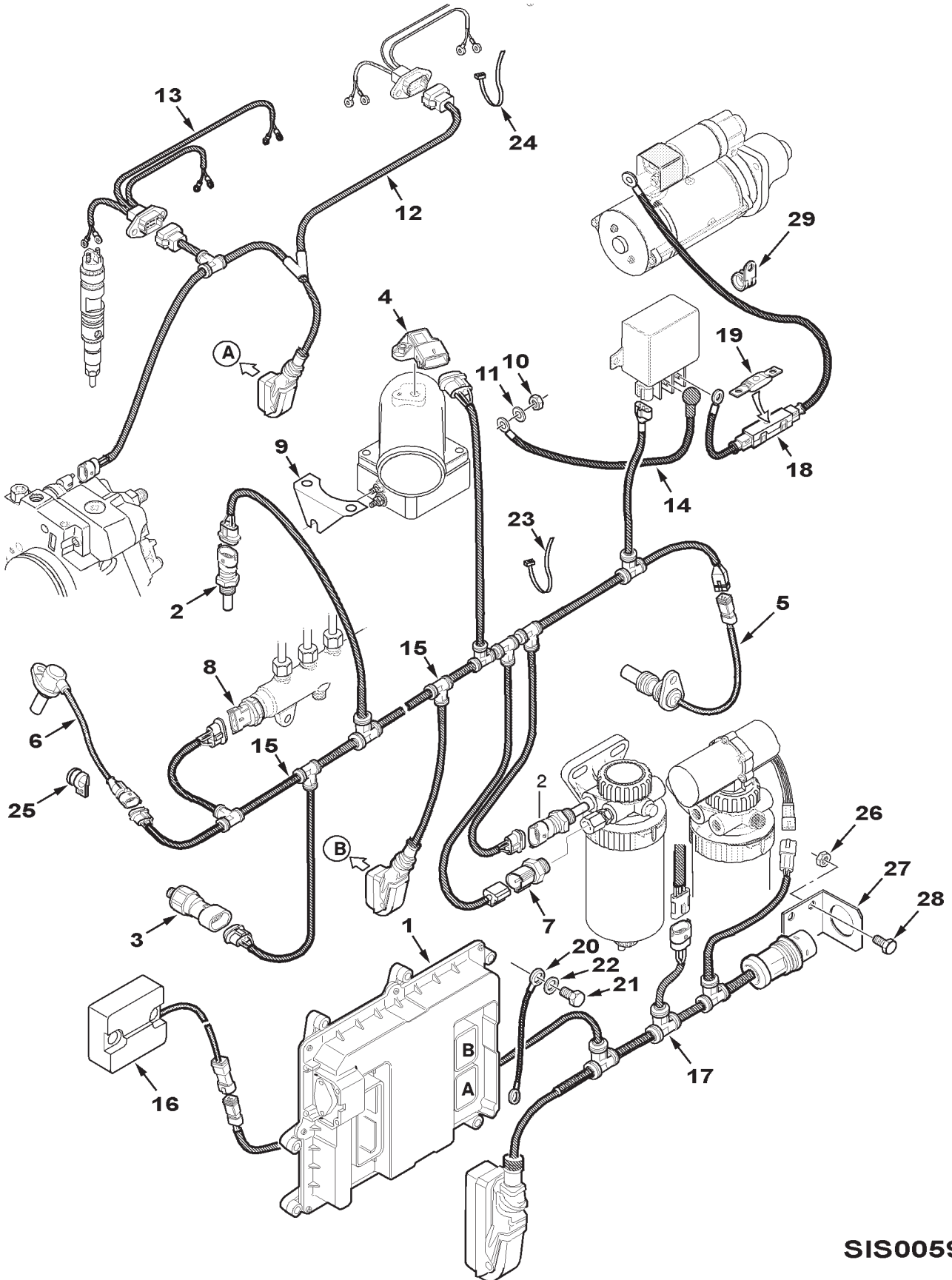
79

FUEL FILTERS  
SISU

ITEM	NUMBER	QTY	DESCRIPTION
1	V836867602	1	PRE-FILTER ASY (INCLS ITEMS 2-4)
2	V836867591	1	ELEMENT, PRE-FILTER
3	V836862051	1	SEPARATOR, WATER (INCLS O-RING)
4	V836862496	1	O-RING
5	V615881420	10	RING, SEAL (SEE ENGINE OVERHAUL KITS)
6	V837070253	1	TUBE
7	V640255210	1	FITTING
8	V640435010	2	SCREW
9	V837070223	1	PIPE
10	V581705030	4	SCREW, M10 X 30
11	V836122910	4	WASHER
12	V837070252	1	TUBE
13	V836336934	2	UNION FTG
14	V615571014	2	RING, SEAL (SEE ENGINE OVERHAUL KITS)
15	V640435006	1	SCREW
16	V641086010	2	UNION
17	V836867593	1	FILTER, FUEL (INCLS ITEM 18)
18	V836867595	1	ELEMENT, FILTER
19	V614601125	2	O-RING
20	V640325014	2	PLUG
21	V640435008	1	SCREW
22	V615881216	2	RING, SEAL (SEE ENGINE OVERHAUL KITS)
23	V836866576	1	SENSOR, WATER
24	-----	-	SEE "ENGINE ELECTRICAL"

SIS0060  
PR: t05i09j44b0014

ENGINE ELECTRICAL  
SISU



9690 COMBINE  
ENGINE

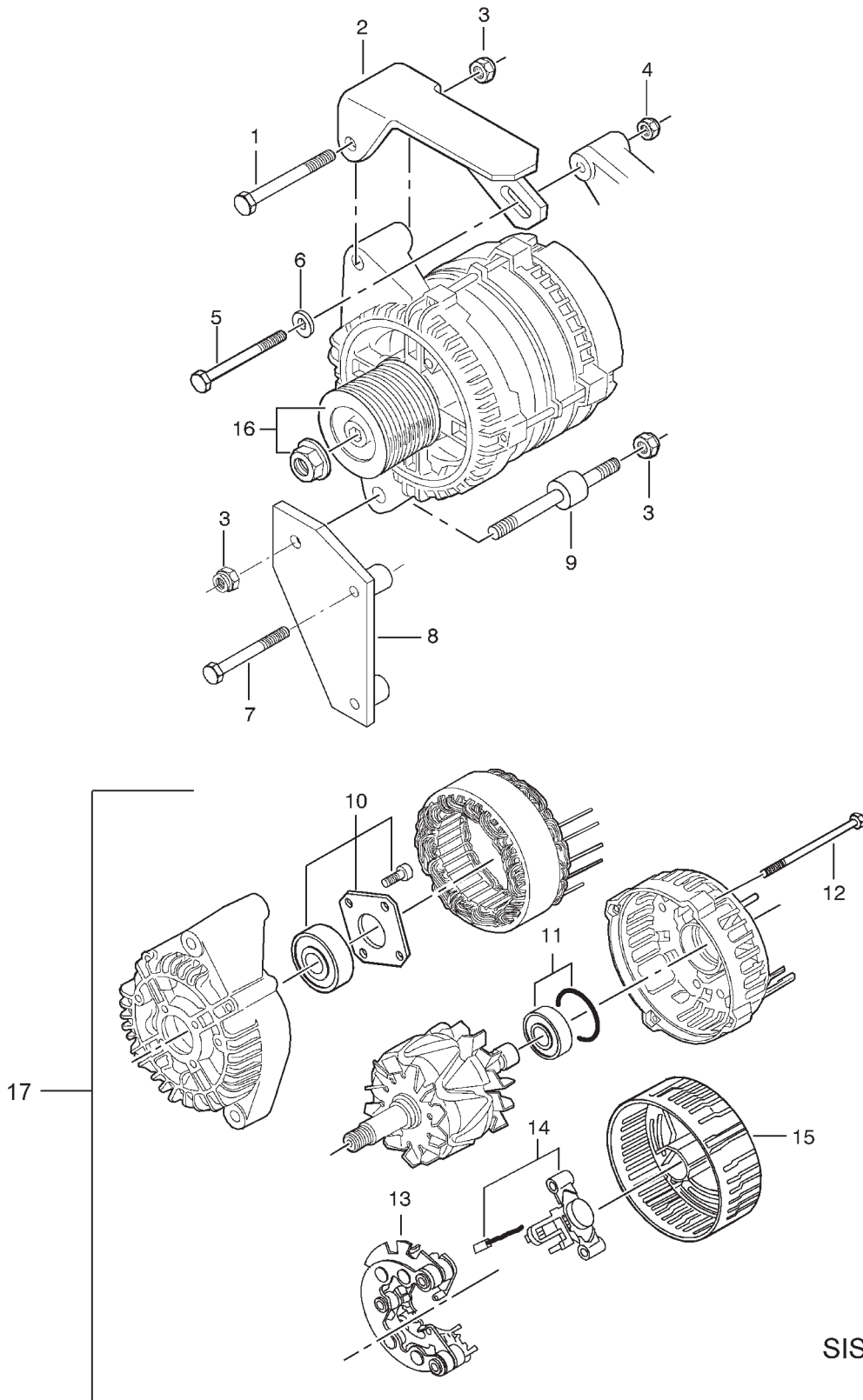
81

ENGINE ELECTRICAL  
SISU

ITEM	NUMBER	QTY	DESCRIPTION
1	V837069216	1	UNIT, CONTROL (9690)
2	V836667732	2	SENSOR, TEMPERATURE
3	V837070201	1	SENSOR, OIL PRESSURE
4	V836666980	1	SENSOR, BOOST PRESSURE
5	V837069150	1	SENSOR, SPEED
6	V837070189	1	SENSOR, SPEED
7	V837070209	1	SWITCH, PRESSURE
8	V837069410	1	SENSOR
9	V837070130	1	STRAP, GROUND
10	V504600602	2	HEX NUT, M6
11	V500050642	2	WASHER
12	V837070049	1	HARNESS, INJECTOR
13	V837070048	2	HARNESS, INJECTOR
14	V837070055	1	HARNESS
15	V837070050	1	HARNESS, SENSOR
16	V837070198	1	MODULE, ID (NEED ENG. S/N)
17	V837070051	1	HARNESS
18	V837070054	1	HARNESS (INCLS FUSE)
19	V836864541	1	FUSE, 250A
20	V837070292	1	STRAP, GROUND
21	V528801360	1	CAPSCREW, M8 X 16
22	VJD0408	1	WASHER
23	V651754720	5	TIE, NYLON LOCKING
24	V651755320	5	TIE, NYLON LOCKING
25	V602060610	2	CLAMP, LINE
26	V504800800	1	NUT, M8
27	V836866831	1	BRACKET, FASTENER
28	V528801360	1	CAPSCREW, M8 X 16
29	V602060612	2	CLAMP, LINE

SIS0059  
PR: t05109j44b0015

ALTERNATOR & MOUNTING  
SISU



9690 COMBINE  
ENGINE

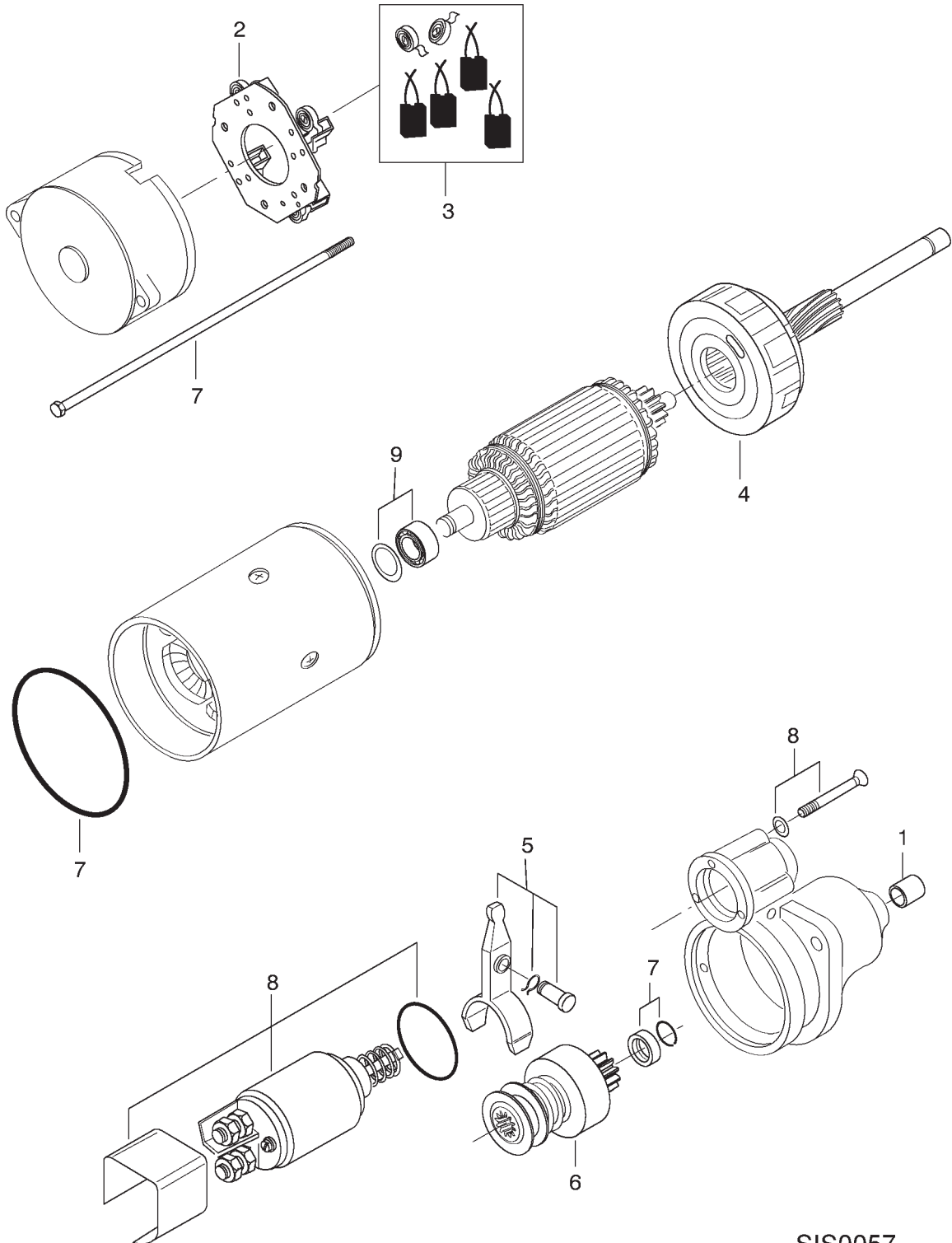
83

ALTERNATOR & MOUNTING  
SISU

ITEM	NUMBER	QTY	DESCRIPTION
1	V529801910	1	CAPSCREW, M10 X 80
2	V836855928	1	SUPPORT
3	V510601002	3	HEX NUT, M10
4	V510600802	1	HEX NUT, M8
5	V529801510	1	CAPSCREW, M8 X 80
6	V836120989	1	WASHER
7	V529801490	2	CAPSCREW, M8 X 70
8	V836855956	1	SUPPORT
9	V836866341	1	SCREW, SPECIAL
10	V836662619	1	BEARING
11	V836662622	1	BEARING
12	V836662620	1	SCREW
13	V836662623	1	RECTIFIER
14	V836662625	1	REGULATOR
15	V836662624	1	COVER
16	V836662621	1	PULLEY & NUT
17	V836667315	1	ALTERNATOR ASY (INCLS ITEMS 10-16)

SIS0058  
PR: t05109j44b0016

STARTER MOTOR  
SISU



SIS0057

9690 COMBINE  
ENGINE

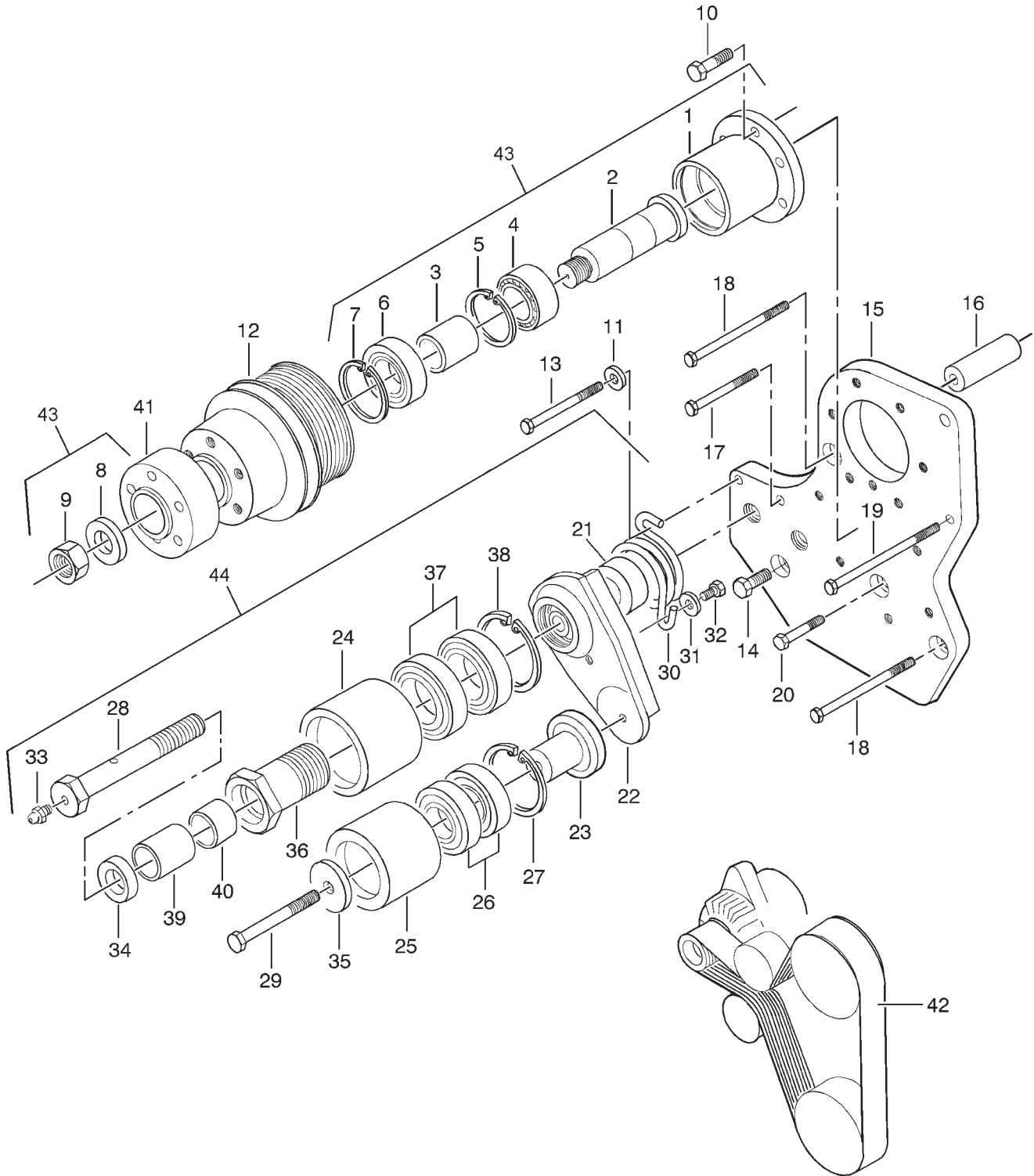
85

STARTER MOTOR  
SISU

ITEM	NUMBER	QTY	DESCRIPTION
-	V836866817	1	STARTER ASY
1	V836862454	1	BUSHING
2	V836862461	1	HOLDER, BRUSH (INCLUDES ITEM 3)
3	V836862462	1	BRUSH SET
4	V836862458	1	SHAFT
5	V836862457	1	SHIFT LEVER SET
6	V836862456	1	DRIVE GEAR
7	V836862460	1	KIT, MISC. PARTS
8	V836862455	1	SOLENOID
9	V836862459	1	BEARING

SIS0057  
PR: t05I09j44b0017

DRIVE BELT SYSTEM  
SISU





9690 COMBINE  
ENGINE

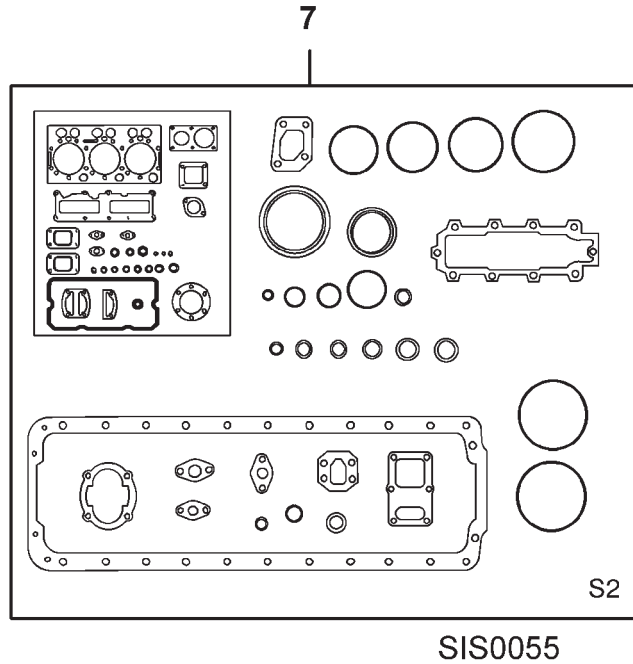
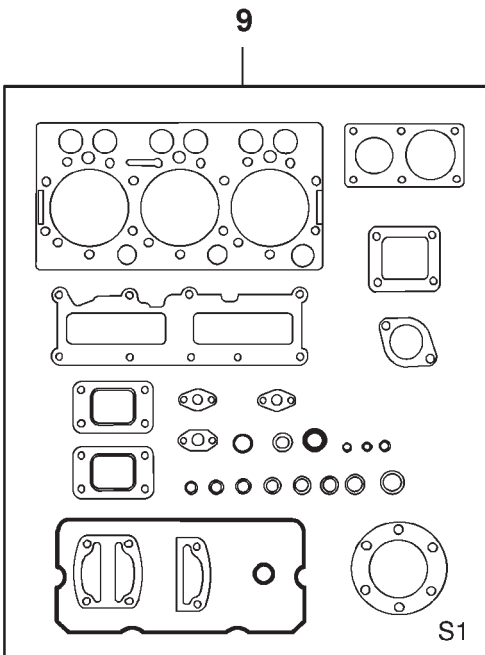
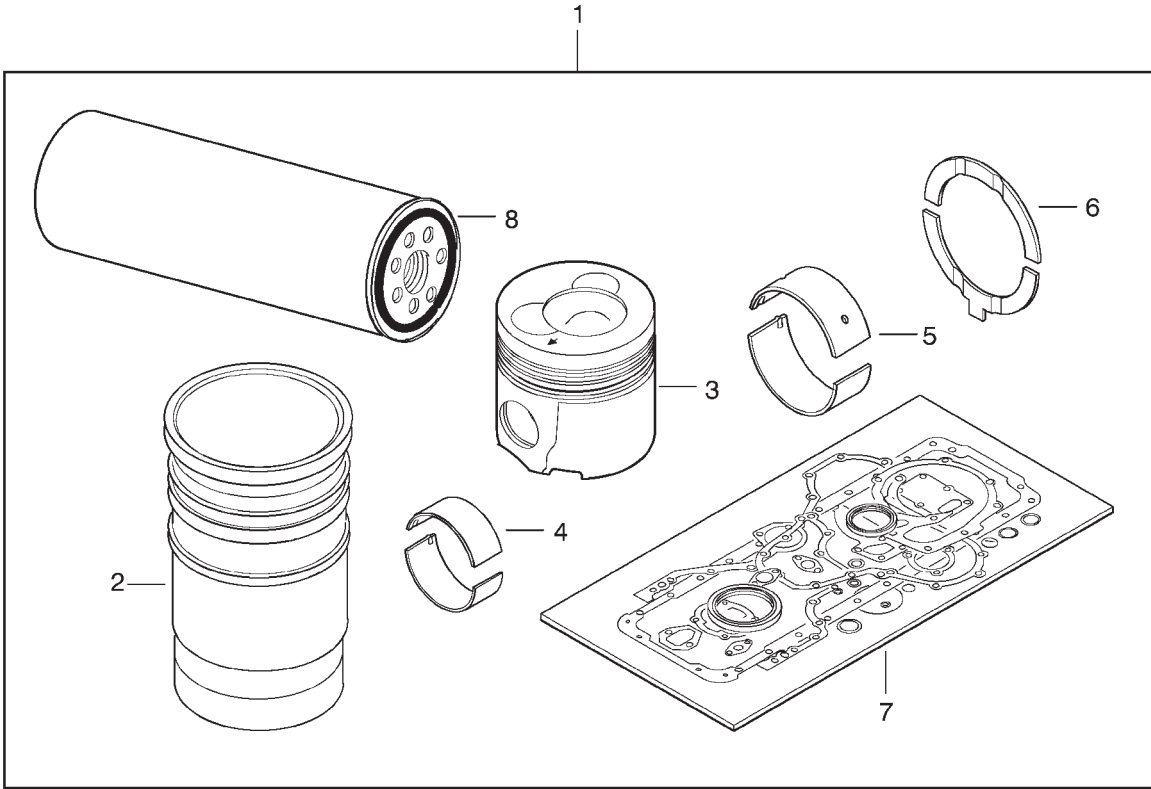
87

DRIVE BELT SYSTEM  
SISU

ITEM	NUMBER	QTY	DESCRIPTION
1	V836855758	1	FRAME
2	V836855755	1	SHAFT
3	V836855757	1	SLEEVE
4	V610032065	1	BEARING
5	V617350062	1	CIRCLIP
6	V610063064	1	BEARING
7	V617330072	1	CIRCLIP
8	V836855756	1	WASHER
9	V504602002	1	HEX NUT, M20
10	V528801810	6	SCREW, M10 X 30
11	V836120989	1	WASHER
12	V836859288	1	PULLEY
13	V529801490	1	SCREW, M8 X 70
14	V528801800	1	SCREW, M10 X 25
15	V836855935	1	PLATE
16	V836855934	2	SLEEVE
17	V529801470	1	SCREW, M8 X 60
18	V529801550	2	SCREW, M8 X 100
19	V529801562	1	SCREW, M8 X 110
20	V529801450	1	SCREW, M8 X 50
21	V836859348	1	SHAFT
22	V836859347	1	SUPPORT
23	V836855789	1	SHAFT
24	V836859683	1	ROLLER
25	V836855666	1	ROLLER
26	V610062055	2	BEARING
27	V617330052	1	CIRCLIP
28	V836859357	1	SCREW
29	V529701880	1	SCREW, M10 X 65
30	V836855689	1	SPRING
31	V836120989	1	WASHER
32	V528801360	1	SCREW, M8 X 16
33	V644611006	1	FITTING, LUBE
34	V836859356	1	SPACER
35	V836855941	1	WASHER
36	V836859684	1	SHAFT
37	V610060085	2	BEARING
38	V617330068	1	CIRCLIP
39	V836859364	1	BUSHING
40	V836859363	1	BUSHING
41	V836852010	1	HUB, FAN SPACER
42	V685121585	1	BELT, V-RIBBED
43	V836855762	1	DRIVE ASY (INCLS ITEMS 1-9)
44	V836864296	1	TENSIONER ASY, BELT (INCLS ITEMS 21-40)

SIS0056  
PR: t05i09j44b0018

ENGINE OVERHAUL KITS  
SISU



SIS0055

**9690 COMBINE  
ENGINE**

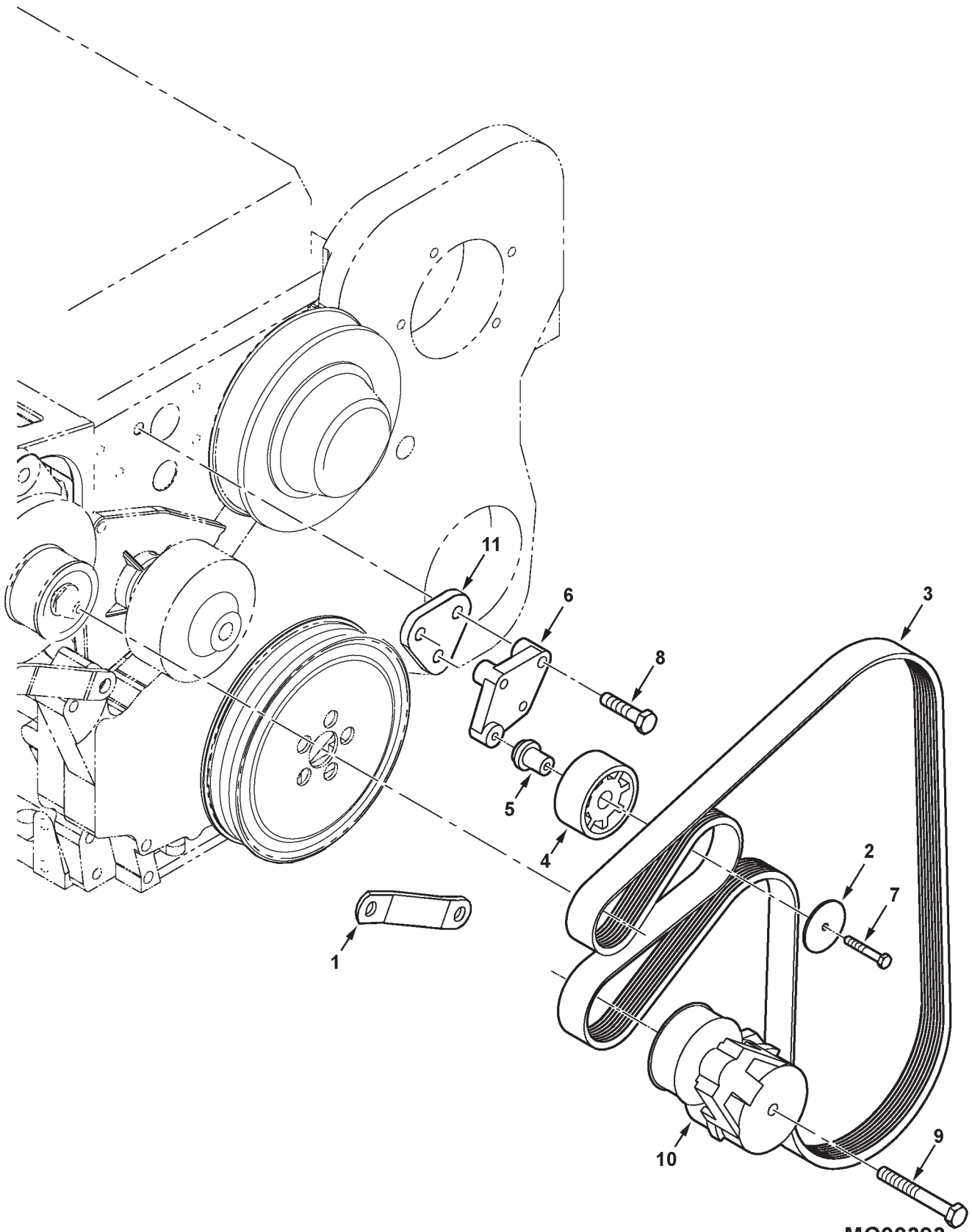
**89**

**ENGINE OVERHAUL KITS  
SISU**

ITEM	NUMBER	QTY	DESCRIPTION
1	V837062626	1	KIT, REPAIR (INCLS ITEMS 2-8)
2	V836867048	6	LINER, CYLINDER
3	V837070185	6	PISTON
4	V836336302	6	BEARING
5	V836840944	7	BEARING, MAIN
6	V836840945	2	PLATE, THRUST
7	V837062628	1	SET, GASKET FOR ENGINE
8	V836362567	1	FILTER, OIL
9	V837062627	1	SET, GASKET FOR CYLINDER HEAD

SIS0055  
PR: t05109j44b0019

COOLING FAN DRIVE KIT, CUMMINS  
(PRIOR S/N HR87101)



MC00393

9690 COMBINE  
ENGINE

91

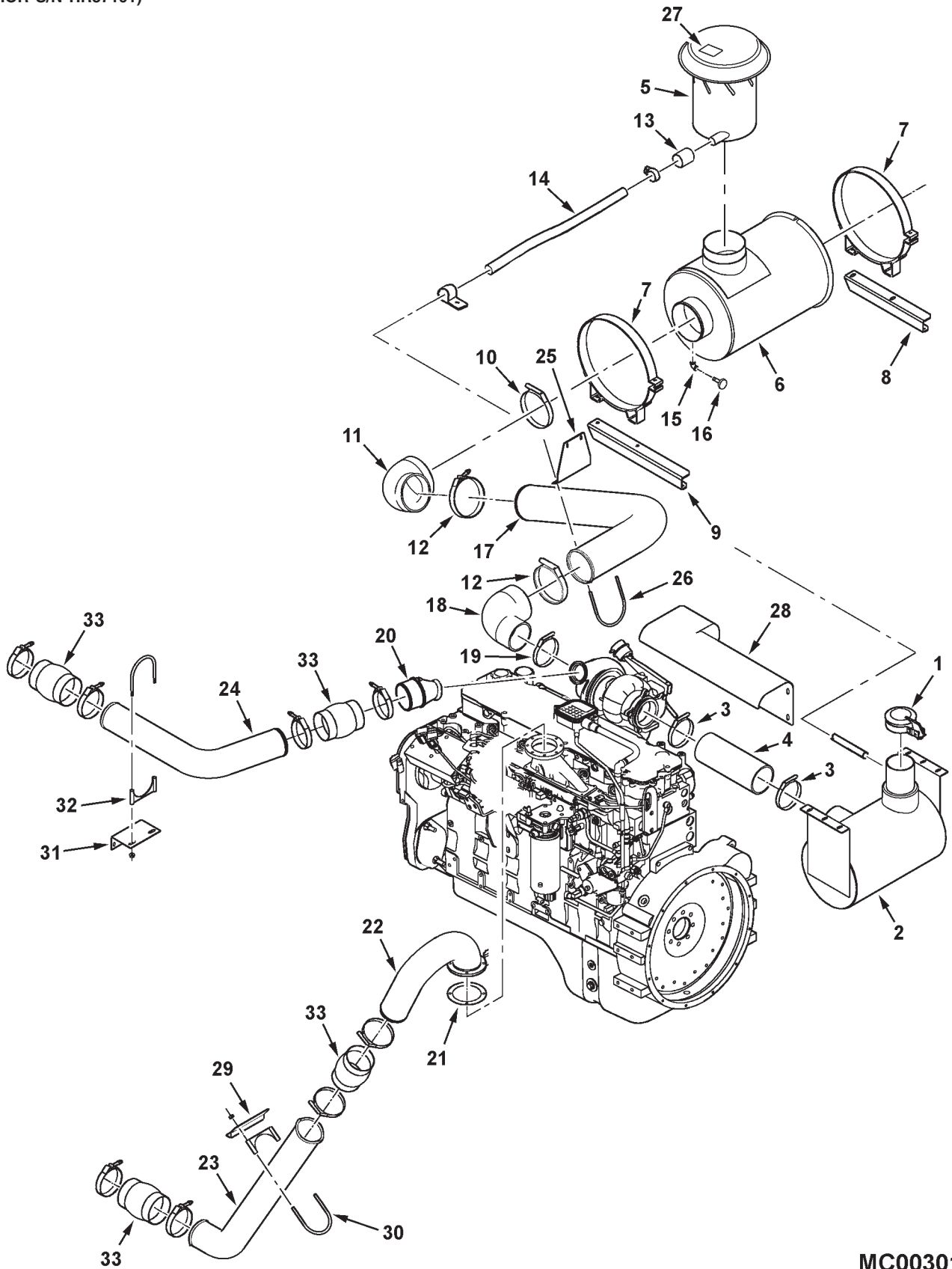
COOLING FAN DRIVE KIT, CUMMINS  
(PRIOR S/N HR87101)

ITEM	NUMBER	QTY	DESCRIPTION
-	71410513	AR	KIT, COOLING FAN DRIVE (INCL. FOLLOWING)
1	71410512	1	BRACKET, ALTERNATOR SUPPORT, LOWER
2	71410509	1	WASHER, DUST SHIELD, IDLER
3	71410501V	1	BELT, FAN DRIVE
4	71410507	1	PULLEY, IDLER
5	71410508	1	SHAFT, IDLER PULLEY
6	71410505	1	SUPPORT BRACKET, IDLER PULLEY
7	71410510	1	CAPSCREW, IDLER PULLEY
8	71410506	3	CAPSCREW, M10 X 45, IDLER SUPPORT BRKT
9	71410504	1	CAPSCREW, M10 X 85, TENSIONER MOUNTING
10	71410503	1	TENSIONER, FAN BELT (ORDER THRU CUMMINS)
11	71401364	1	SPACER PLATE, SUPPORT BRKT

MC00393  
PR: t05e27i42b0001

9690 COMBINE  
ENGINE

AIR INTAKE AND EXHAUST  
CUMMINS QSC ENGINE  
(PRIOR S/N HR87101)



**9690 COMBINE  
ENGINE**

93

**AIR INTAKE AND EXHAUST  
CUMMINS QSC ENGINE  
(PRIOR S/N HR87101)**

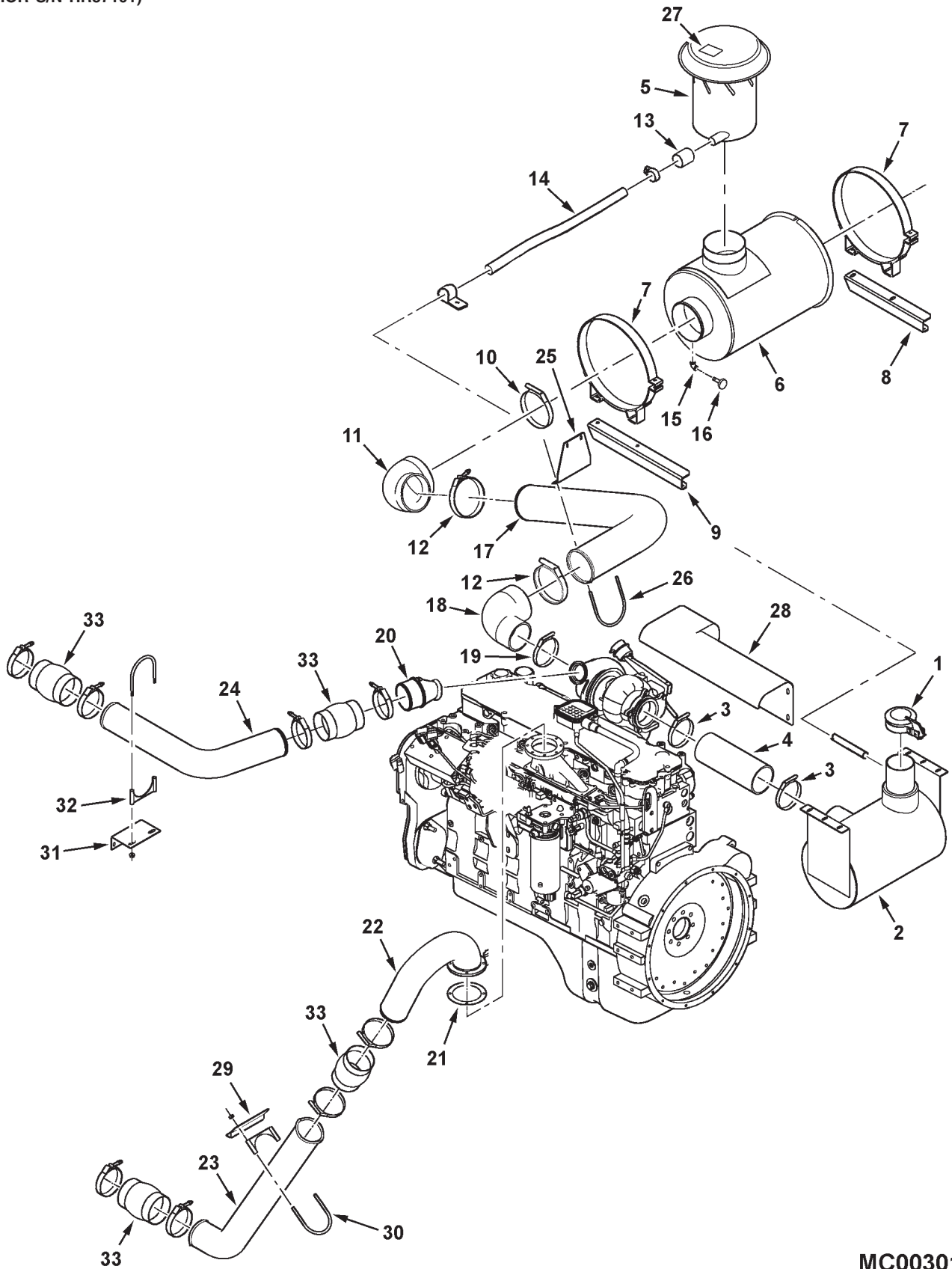
ITEM	NUMBER	QTY	DESCRIPTION
1	70269408V	1	CAP ASSEMBLY, 4" ID, PLATED
2	71386887	1	MUFFLER
	7700461	6	BOLT, RHSN, 5/16-18 X 3/4
	70917356	6	LOCKWASHER, 5/16
	70917372	6	NUT, HEX 5/16-18
	70917642	6	WASHER, WIDE 5/16
3	103830W91	2	CLAMP ASSEMBLY, 4" ID, PLATED
	70917378	4	WASHER, 3/8 WIDE
	Y704734	4	NUT, HEX FLNG TOP LOCK, 3/8-16
4	71395737	1	PIPE, EXHAUST
5	2577893W91	1	PRE-CLEANER
6	71383233	1	AIR CLEANER
7	AG512664	2	BAND CLAMP, 14" ID
	70921210	4	CAPSCREW, 3/8-16 X 1"
	Y704734	4	NUT, HEX FLNG TOP LOCK, 3/8-16
8	71391041	1	CHANNEL, REAR
	7883333	2	SCREW, HEX WSHR HD, 5/16-18 X 1"
	Y704726	2	NUT, HEX FLNG TOP LOCK, 5/16-18
9	71391040	1	CHANNEL, FRONT
	7883333	2	SCREW, HEX WSHR HD, 5/16-18 X 1"
	Y704726	2	NUT, HEX FLNG TOP LOCK, 5/16-18
10	700717761	1	CLAMP, HOSE T-BOLT, 6-1/2
11	71368951	1	ELBOW, 90 DEG, RED. 6 X 5
12	72160993	2	CLAMP, HOSE T-BOLT, 5-1/2
13	71387650	1	BUSHING, HOSE
14	71387625	1	HOSE, ASPIRATOR, 1.5 ID
	70921912	2	CLAMP, HOSE, WORM, 1.06 - 2.0 RANGE
	70936765	2	CLAMP, 1.75 TUBE X .406 HOLE
15	70915955	1	ELBOW, 90 DEG FEM. 1/8-27 NPTF
16	31-2530050	1	SWITCH, AIR CLEANER VACUUM
17	71395736	1	TUBE, AIR ENGINE INTAKE
18	71351859	1	ELBOW, 90 DEG, RED. 5 X 4
19	72161280	1	CLAMP, HOSE T-BOLT, 4-1/2
20	71386890	1	ELBOW, AIR TRANSFER, TURBO OUT
	70917673	2	PLUG, 1/8 NPT
	3883284	1	O-RING, (CUMMINS)
	3923060	1	V-CLAMP, (CUMMINS)
21	3917892	1	GASKET, AIR INTAKE
22	71386895	1	TUBE, AIR, CAC TO ENGINE
	70951067	4	SCREW, SOCKET HEAD, M8-1.25 X 25
	1177981	4	LOCKWASHER, M8
23	71386894	1	TUBE, AIR, CAC TO ENGINE
24	71386893	1	TUBE, AIR, ENGINE TO CAC

CONTINUED

MC00301  
PR: 28

9690 COMBINE  
ENGINE

AIR INTAKE AND EXHAUST  
CUMMINS QSC ENGINE  
(PRIOR S/N HR87101)





9690 COMBINE  
ENGINE

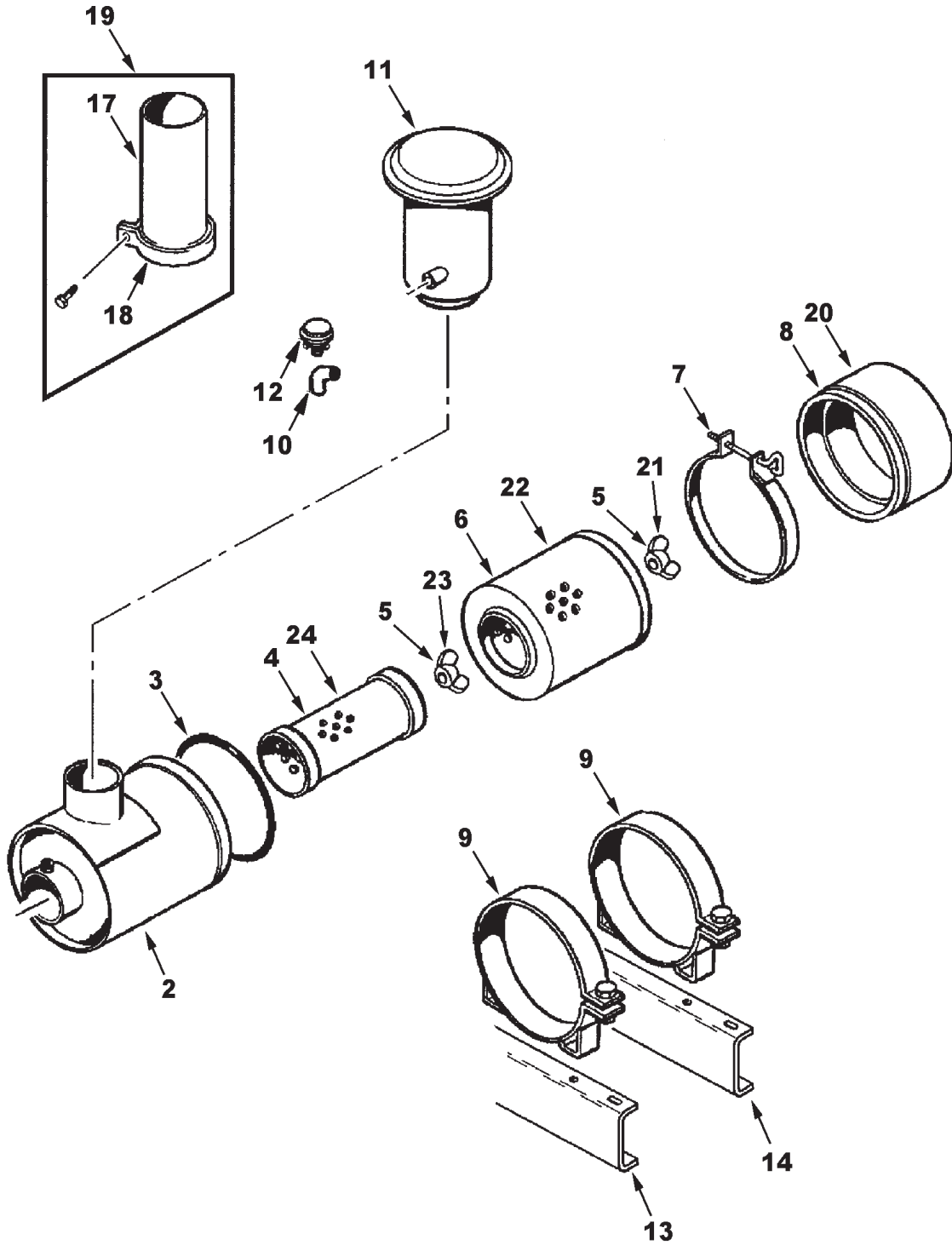
95

AIR INTAKE AND EXHAUST  
CUMMINS QSC ENGINE  
(PRIOR S/N HR87101)

ITEM	NUMBER	QTY	DESCRIPTION
25	71395741	1	SUPPORT, INLET TUBE
	70921332	2	CAPSCREW, 5/16-18 X 3/4
	70917356	2	LOCKWASHER, 5/16
	70917372	2	NUT, HEX 5/16-18
26	2625940W1	1	U-CLAMP, 5 ID
	Y704726	2	NUT, HEX FLNG TOP LOCK, 5/16-18
27	71387749	2	DECAL - WARNING
28	71395738	1	SHIELD WLDMT
29	-----	-	(9790 ONLY)
30	-----	-	(9790 ONLY)
31	71401355	1	SUPPT BRKT, CAC TUBE (EFF. S/N HN87101)
	70921332	2	CAPSCREW, 5/16-18 X 3/4
	70918265	2	WASHER, 5/16 NARR
	70917356	2	LOCKWASHER, 5/16
32	7024938	1	U-CLAMP ASY, 4" ID (EFF. S/N HN87101)
	Y704734	2	NUT, HEX FLNG TOP LOCK, 3/8-16
33	3071049	4	HOSE, HUMP (CUMMINS)
	3926704	8	T-CLAMP (CUMMINS)

MC00301  
PR: 28

AIR CLEANER  
CUMMINS QSC ENGINE



**9690 COMBINE  
ENGINE**

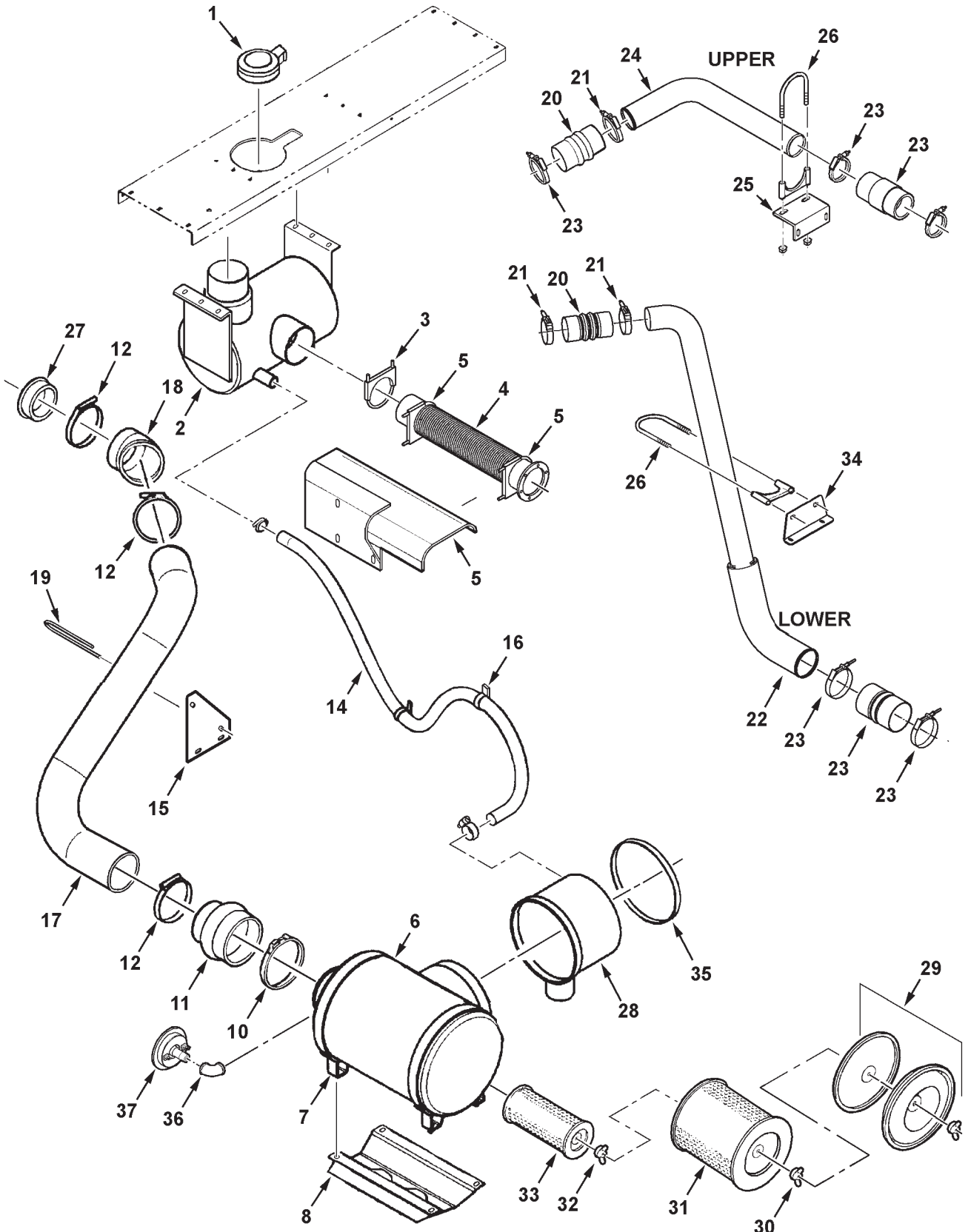
97

**AIR CLEANER  
CUMMINS QSC ENGINE**

ITEM	NUMBER	QTY	DESCRIPTION
2	2461793W91	1	AIR CLEANER ASY (INCL ITEMS 3-8)(PRIOR S/N HN87101)(SERVICE ORDER 71383233)
	71383233	1	AIR CLEANER ASY (INCL ITEMS 20-24)(EFF. S/N HN87101)
3	1089933M1	1	O-RING
4	1070230M1	1	ELEMENT, SAFETY
5	3638002M1	1	NUT, WING SPECIAL, 7/16 UNF
6	1070229M1	1	ELEMENT, PRIMARY
7	1089941M91	1	CLAMP ASSEMBLY
8	1070231M91	1	CUP ASSEMBLY
9	AG512664	2	MOUNTING BAND, AIR CLNR
	703249	4	CAPSCREW, 3/8-16 X 1" GR5
	Y704734	4	NUT, HEX FLANGE TOP LOCK, 3/8-16
	70915955	1	ELBOW, 90 DEG.
11	2577893W91	1	PRE-CLEANER ASSEMBLY
12	31-2530050	1	SWITCH, VACUUM
13	71391040	1	CHANNEL, AIR CLEANER - FRONT
14	71391041	1	CHANNEL, AIR CLEANER - REAR
17	105092W1	1	TUBE, 11" AIR INLET
18	105091W1	1	STRAP, CLAMP
	70921971	1	BOLT, HEX, 3/8-16 X 1-3/4
	70916965	1	LOCKWASHER, 3/8
	70916950	1	NUT, 3/8-16
19	71378060	AR	AIR INTAKE EXTEN. KIT, 11" (INCL. ITEMS 17 & 18)(ORDER THRU DEALER CENTRAL)
20	71368963	1	COVER ASY, (INCL. NUT, CLIP & GASKET)
	71374564	1	WING NUT
	71374565	1	CLIP
	71369877	1	GASKET, COVER
21	70269246	1	NUT ASY.
22	71368961	1	ELEMENT, PRIMARY FILTER
23	70257297	1	NUT ASY, SAFETY
24	71368962	1	ELEMENT, FILTER, SAFETY

MC00295  
PR: 30

**AIR INTAKE AND EXHAUST**  
SISU ENGINE  
(EFF. S/N HR87101)



**9690 COMBINE  
ENGINE**

99

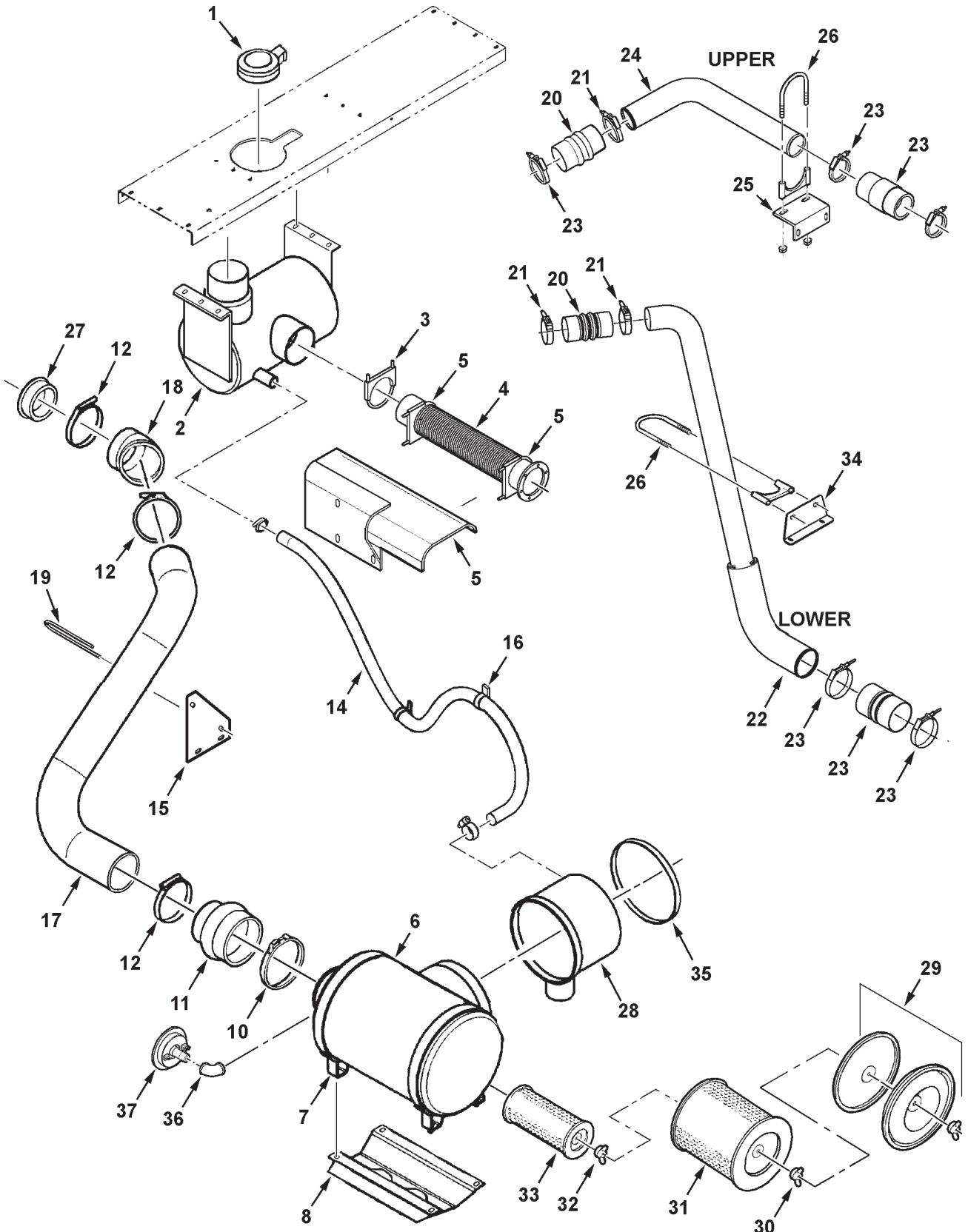
**AIR INTAKE AND EXHAUST  
SISU ENGINE  
(EFF. S/N HR87101)**

ITEM	NUMBER	QTY	DESCRIPTION
1	70269408V	1	CAP ASY, 4.0 DIA EXHAUST
2	71410044	1	MUFFLER, EXHAUST
	7700461	6	BOLT, RD HD SHT SQ NK, 5/16-18 X 3/4
	70917642	6	WASHER, 5/16, WIDE
	70917356	6	LOCKWASHER, 5/16 REG
	70917372	6	NUT, 5/16-18 REG
3	71396994	1	CLAMP, 5" MUFFLER
	Y704734	2	NUT, HEX FLANGE TOP LOCK, 3/8-16
4	71409306	1	TUBE, EXHAUST
	391990X1	6	CPSCR,HX SOCK HD, M8-1.25 X 25, 10.9
5	71410048	1	SHIELD WLMT, EXHAUST
	103830W91	2	CLAMP, 4" MUFFLER
	Y704734	4	NUT, HEX FLANGE TOP LOCK, 3/8-16
6	71368953	1	AIR CLEANER (INCL ITEMS 29 - 33)
7	AG512664	2	BAND CLAMP, 14" ID
	70921210	4	CAPSCREW, 3/8-16 X 1 GR5
	70918266	4	WASHER, 3/8, NARROW
	70916965	4	LOCKWASHER, 3/8
	70916950	4	NUT, 3/8-16 REG
8	71397882	1	CHANNEL, MOUNT, AIR CLNR
	7883333	2	SCREW, HEX WSHR HD MACH, 5/16-18 X 1
	Y704726	2	NUT, HEX FLANGE TOP LOCK, 5/16-18
10	700717761	1	CLAMP, T-BOLT
11	2632680W1	1	REDUCER, 6 X 5 DIA
12	72160993	3	CLAMP, BAND, 5.25-5.62 DIA
14	71400561	1	HOSE, ASPIRATOR, 1.5 ID
	70921912	2	CLAMP, WORM DRIVE, 1.06 - 2.0 DIA
15	71410003	1	BRACKET, INTAKE TUBE
	70921332	2	CAPSCREW, 5/16-18 X 3/4 GR5
	Y705608	2	WASHER, 5/16, NARROW
	70917356	2	LOCKWASHER, 5/16 REG
	70917372	2	NUT, 5/16-18 REG
16	70936765	2	CLAMP, TUBE, 1-3/4 X .406 HOLE
17	71409305	1	TUBE, AIR CLEANER TO ENG
18	71397895	1	ELBOW, 45 DEG, 5"
19	2625940W1	1	U-BOLT, 5 DIA, 5/16-18
	Y705608	2	WASHER, 5/16, NARROW
	70917356	2	LOCKWASHER, 5/16
	70917372	2	NUT, 5/16-18 REG

CONTINUED

MC00399  
PR: t05i09j44b0020

**AIR INTAKE AND EXHAUST**  
SISU ENGINE  
(EFF. S/N HR87101)



**9690 COMBINE  
ENGINE**

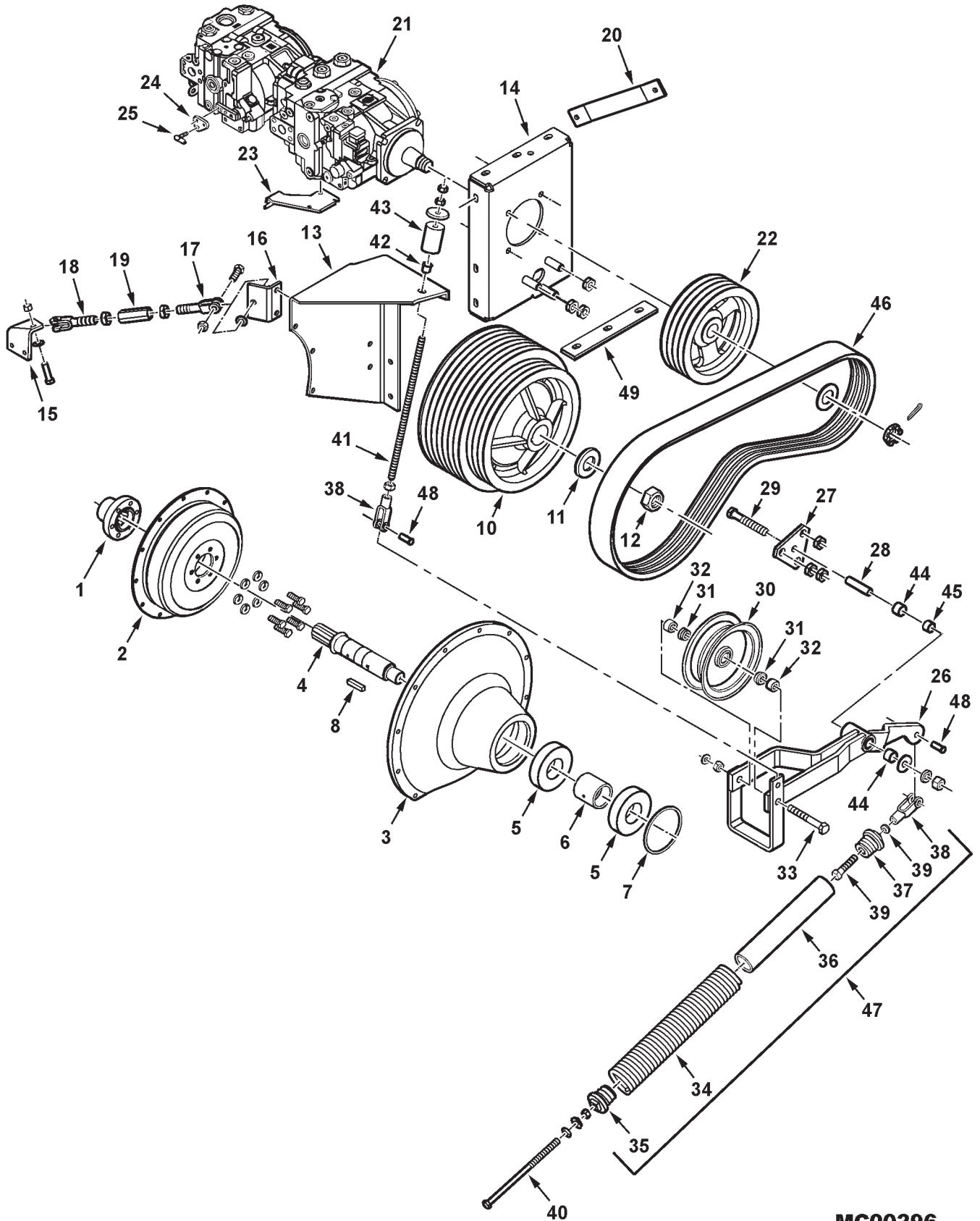
101

**AIR INTAKE AND EXHAUST  
SISU ENGINE  
(EFF. S/N HR87101)**

ITEM	NUMBER	QTY	DESCRIPTION
20	71408692	2	HOSE, BELLOWS, 3.0 ID
21	700726543	4	CLAMP, SPRING HOSE, 3.13-3.44 ID
22	71408423	1	TUBE, AIR, CAC TO ENGINE, LOWER
23	71407545	2	HOSE, BELLOWS, 4.0 ID
	71396983	4	CLAMP, T-BOLT, 4.13-4.44 DIA
24	71408422	1	TUBE, AIR, ENGINE TO CAC, UPPER
25	71406608	1	SUPPORT BRKT, CAC TUBE
	70921332	2	CAPSCREW, 5/16-18 X 3/4 GR5
	Y705608	2	WASHER, 5/16, NARROW
	70917356	2	LOCKWASHER, 5/16 REG
26	71399682	2	CLAMP, 3" DIA, EXHAUST
	Y704734	4	NUT, HEX FLANGE TOP LOCK, 3/8-16
27	71397881	1	REDUCER RING, 5" TO 4" DIA
28	71397886	1	PRECLEANER
29	71368963	1	COVER ASY, (INCL. NUT, CLIP & GASKET)
	71374564	1	WING NUT
	71374565	1	CLIP
	71369877	1	GASKET, COVER
30	70269246	1	NUT ASY
31	71368961	1	ELEMENT, PRIMARY, FILTER
32	70257297	1	NUT ASY, SAFETY
33	71368962	1	ELEMENT, FILTER, SAFETY
34	71409749	1	SUPPORT BRKT, CAC TUBE
35	71399697	1	SEAL, AIR CLEANER
36	70915955	1	ELBOW, 90 DEG FEM. 1/8-27 NPTF
37	31-2530050	1	SWITCH, AIR CLEANER VACUUM

MC00399  
PR: t05i09j44b0020

MAIN ENGINE DRIVES





**9690 COMBINE  
ENGINE**

103

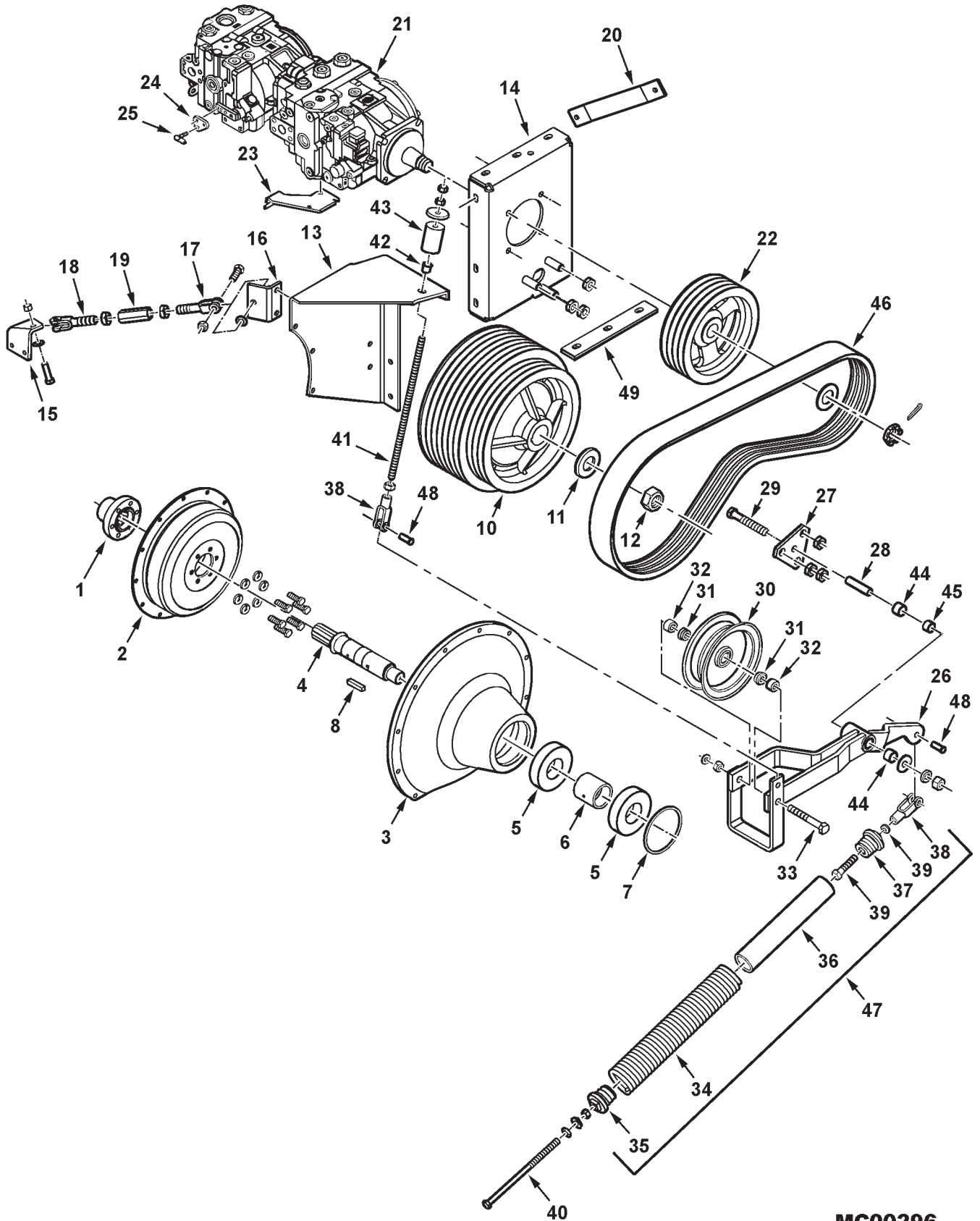
**MAIN ENGINE DRIVES**

ITEM	NUMBER	QTY	DESCRIPTION
1	71386880	1	HUB, FLEX COUPLING
2	71370165	1	COUPLING, FLEX
	7702202	6	CAPSCREW, 7/16-14 X 1-1/4 GR5
	70918199	6	LOCKWASHER, 7/16
	70922845	8	SCR,FLNG 12-PT HD, 3/8-16 X 3/4 GR8 (PRIOR S/N HR87101)
	3009292X1	8	CPS,HEX SOCK HD, M10-1.5 X 25 CL10.9 (EFF. S/N HR87101)
3	71390090	1	HOUSING, PTO
	7771728	10	CAPSCREW, M10-1.5 X 40, CL 8.8
	700708367	10	LOCKWASHER, M10
4	71398332	1	SHAFT, PTO
5	71398331	2	BEARING, BALL, SEALED
6	71398333	1	SPACER, BEARING
7	700720004	1	RING, RETAINING, INTERNAL
8	71178962	1	KEY, 3/8 SQ. ROUND END
10	71391551	1	SHEAVE, PTO DRIVER (PRIOR S/N HR87101)
	71396567	1	SHEAVE, PTO DRIVER (EFF. S/N HR87101)
11	70928136	1	WASHER, HARD, 1.56 ID X 3.0 X .25 TH
12	70925284	1	NUT, HEX, NYLON LOCK, 1-1/2-12
13	71391552	1	BRACE, PUMP SUPPORT (PRIOR S/N HR87101)
	71395810	1	BRACE WLMT, PUMP SUPPT (EFF.S/N HR87101)
	70921176	3	CAPSCREW, 1/2-13 X 1-1/4 GR5
	701235	2	CAPSCREW, 1/2-13 X 1-1/2 GR5
	70918431	3	WASHER, 1/2, WIDE
	Y704742	3	NUT, HEX FLANGE TOP LOCK, 1/2-13
14	71395777	1	SUPPORT WLDMT, PUMP (PRIOR S/N HR87101)
	71395805	1	SUPPORT WLDMT, PUMP (EFF. S/N HR87101)
	701235	3	CAPSCREW, 1/2-13 X 1-1/2 (PRIOR S/N HR87101)
	70919089	3	CPSCR, 1/2-13 X 1-3/4 (EFF. HR87101)
	70918431	3	WASHER, 1/2, WIDE
	Y704742	3	NUT, HEX FLANGE TOP LOCK, 1/2-13
15	103284M1R	1	BRACE, PUMP SUPPORT
	70921210	2	CAPSCREW, 3/8-16 X 1" GR5
	Y704734	2	NUT, HEX FLANGE TOP LOCK, 3/8-16
16	71395791	1	ANCHOR, CLEVIS (PRIOR S/N HR87101)
	71395808	1	ANCHOR, CLEVIS (EFF. S/N HR87101)
	70921176	2	CAPSCREW, 1/2-13 X 1-1/4 (PRIOR S/N HR87101)
	Y704742	2	NUT, HEX FLANGE TOP LOCK, 1/2-13
17	844174M1	1	CLEVIS, 3/4-10UNC, LH THD
	70919089	1	CAPSCREW, 1/2-13 X 1-3/4, GR5
	70918431	2	WASHER, 1/2, WIDE
	70926946	1	LOCKNUT, HEX TOP, 1/2-13
18	844173M1	1	CLEVIS, 3/4-10UNC, RH THD
	70919089	1	CAPSCREW, 1/2-13 X 1-3/4, GR5
	70918431	2	WASHER, 1/2, WIDE
	70926946	1	LOCKNUT, HEX TOP, 1/2-13

CONTINUED

MC00296  
PR: 32

MAIN ENGINE DRIVES



9690 COMBINE  
ENGINE

105

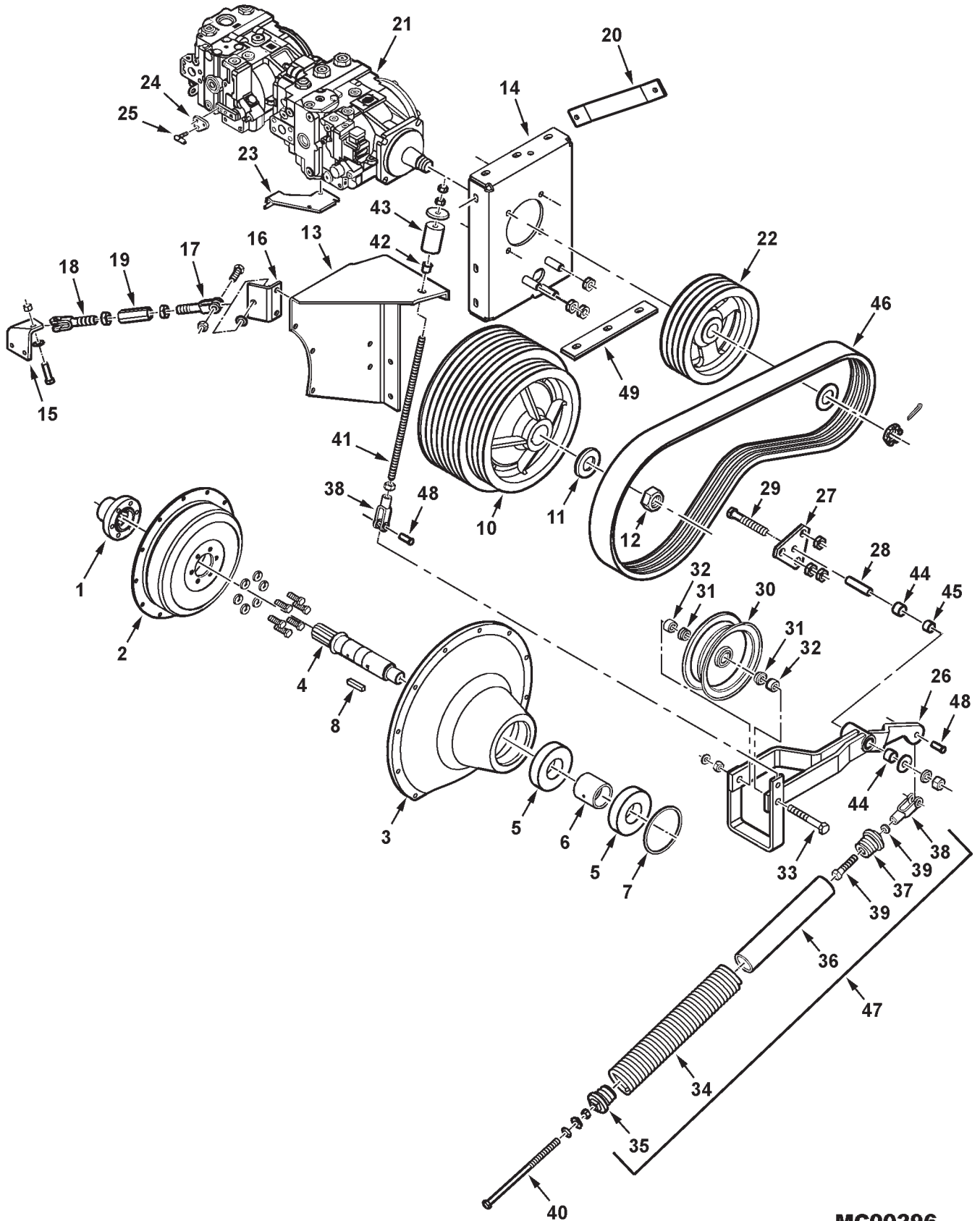
MAIN ENGINE DRIVES

ITEM	NUMBER	QTY	DESCRIPTION
19	255301M2	1	TURNBUCKLE, 3/4-10UNC
	70929288	1	NUT, JAM, 3/4-10 LH
	70922037	1	NUT, JAM, 3/4-10 RH
20	71390870	1	BRACE, ROTOR PUMP
	70920415	1	CAPSCREW, 3/8-16 X 1-1/4, GR5
	Y704734	1	NUT, HEX FLANGE TOP LOCK, 3/8-16
	70921176	1	CAPSCREW, 1/2-13 X 1-1/4, GR5
	Y704742	1	NUT, HEX FLANGE TOP LOCK, 1/2-13
21	71389518	1	TANDEM PUMPS
	70919089	4	CAPSCREW, 1/2-13 X 1-3/4, GR5
	353773X1	4	WASHER, HVY HARD, .50
	Y704742	4	NUT, HEX FLANGE TOP LOCK, 1/2-13
22	71390092	1	SHEAVE, ROTOR PUMP
	70926208	1	WASHER, HARD, 1.31 X 2.25 X .25
	71356529	1	NUT, SLOTTED HEX (SUPPL'D W/ PUMP)
	70925719	1	PIN, COTTER, 1/8 X 2"
23	71396385	1	BRACKET, CABLE ANCHOR
	Y705608	9	WASHER, 5/16 NARROW
	7772197	3	CAPSCREW, M8-1.25 X 25 FULL THD
24	71397428	1	PLATE, ADAPTER
	353505X1	2	CAPSCREW, 1/4-28 X 1" GR5
	705012	2	LOCKWASHER, 1/4
	70914192	2	NUT, 1/4-28UNF
25	7845068	1	BALL JOINT
	76992	1	WASHER, EXT TOOTH, .25 NOM.
	70914192	1	NUT, 1/4-28UNF
26	71395813	1	ARM ASY, IDLER (INCL. BUSHINGS)
27	71346267	1	PLATE, MOUNTING
	70922037	6	JAM NUT, 3/4-10
28	71390203	1	SLEEVE, IDLER PIVOT
29	70925704	1	CAPSCREW, 5/8-11 X 4-1/2 GR5
	70918432	1	WASHER, 5/8, WIDE
	70917373	1	LOCKWASHER, 5/8
	70932665	1	NUT, 5/8-11, REG
30	71390861	1	IDLER, 8" DIA
31	71312603	2	SPACER, IDLER
32	6529705	2	SPACER, 1" OD X .492 LG
33	873802	1	CAPSCREW, 5/8-11 X 7" GR5
	70917373	1	LOCKWASHER, 5/8
	70932665	1	NUT, 5/8-11UNC, REG
34	71349270	1	SPRING, EXTENSION
35	71395776B	1	PLUG, SPRING, 5/8-11UNC
36	71396355	1	HOSE, SPRING DAMPER
37	71349813	1	PLUG, SPRING, .53 HOLE
38	70937465	2	YOKE, 1/2-13UNC
39	7703531	1	CAPSCREW, 1/2-13 X 2-1/2 GR5
	704056	1	JAMNUT, 1/2-13UNC
40	8701211	1	BOLT, HEX, 5/8-11 X 13" FULL THD, GR5
	71395175	1	PIVOT WASHER, 11/16 HOLE
	70918432	1	WASHER, 5/8, WIDE
	375112X1	1	NUT, HEX JAM, 5/8-11

CONTINUED

MC00296  
PR: 32

MAIN ENGINE DRIVES



9690 COMBINE  
ENGINE

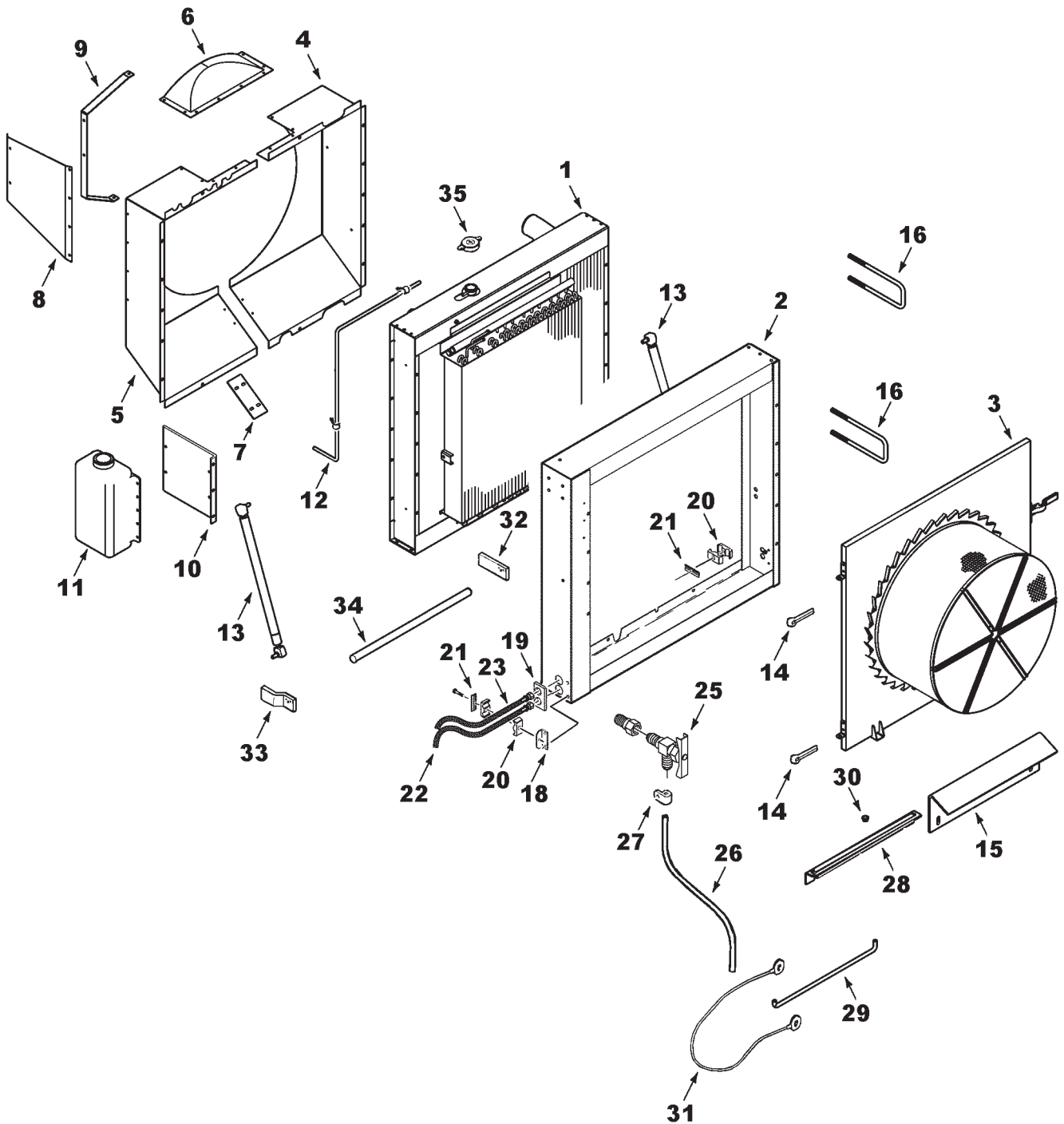
107

MAIN ENGINE DRIVES

ITEM	NUMBER	QTY	DESCRIPTION
41	71380468	1	ROD, THREADED, 1/2-13UNC X 15.3 LG
	704056	3	JAMNUT, 1/2-13UNC
42	71304362	1	BUSHING, NYLON
	70924095	1	NUT, SPEED, FLAT, 3/4 NOM
43	71194263	1	BUSHING, RUBBER
	70923094	1	WASHER, .53 X 2.0 X .18 FLAT
44	71356060	2	BUSHING, IDLER ARM
45	71390208	1	SPACER
46	71390210	1	BELT, ROTOR PUMP (PRIOR S/N HR87101)
	71396569	1	BELT, ROTOR PUMP (EFF. S/N HR87101)
47	71395872	1	SPRING ASY, PUMP DRIVE (INCL.IT'S 34-39)
48	70929593	2	PIN, CLEVIS, 1/2 DIA
	70918452	2	COTTER PIN, 1/8 X 1"
49	71410004	1	SPACER, HYDRO MOUNT

MC00296  
PR: 32

COOLING SYSTEM  
(PRIOR S/N HR87101)



**9690 COMBINE  
ENGINE**

109

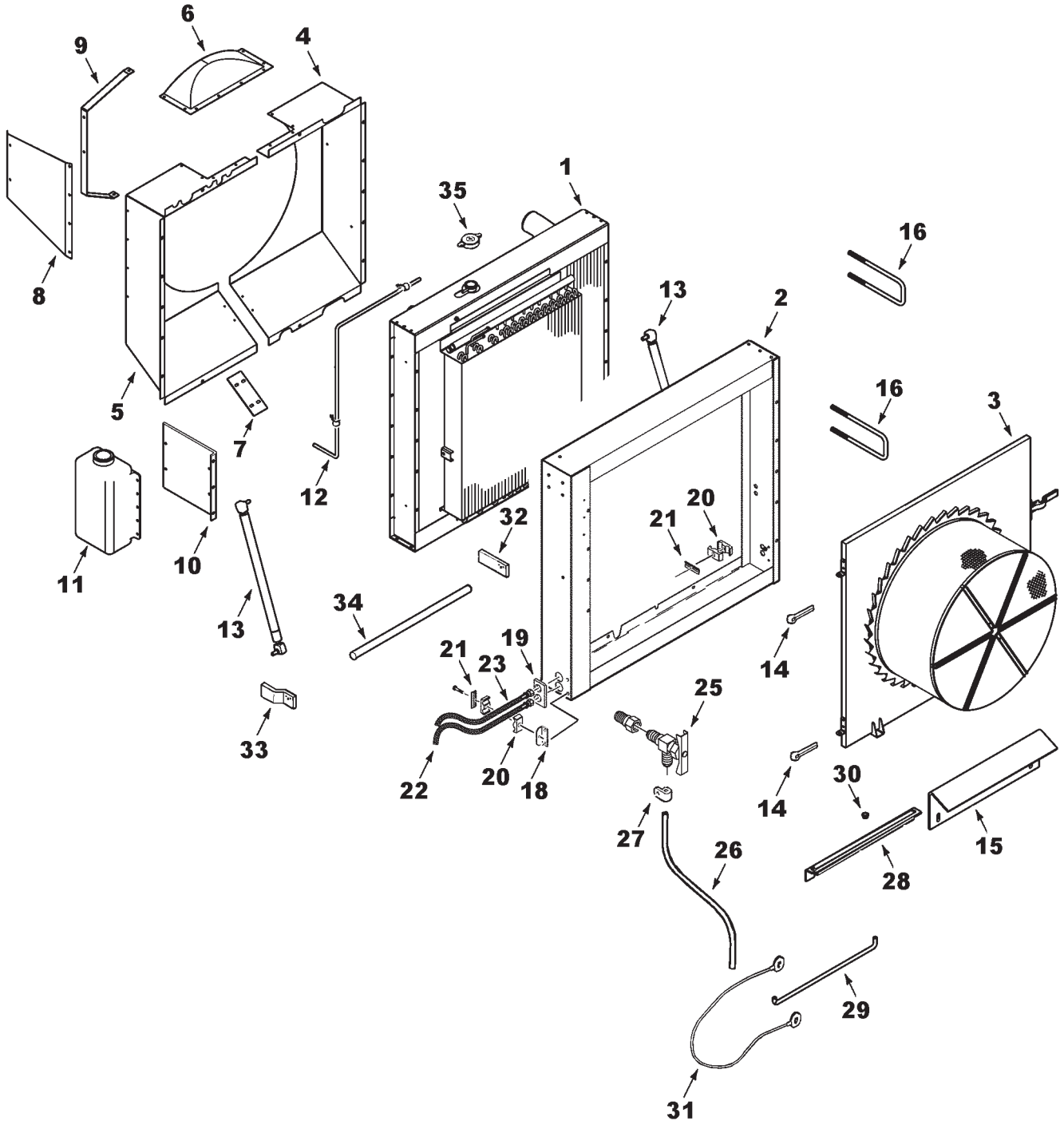
**COOLING SYSTEM  
(PRIOR S/N HR87101)**

ITEM	NUMBER	QTY	DESCRIPTION	
1	71391474	1	COOLING PACKAGE ASY.(INCL NEXT 4 ITEMS)	
	71387642	1	RAD & CHARGE AIR COOLER ASY W/FRAME	
	71387643	1	RADIATOR, NKKX, 7 ROW, 5 FPI	
	71387644	1	CHARGE AIR COOLER, 4 ROW, 4 FPI	
	71391475	1	COMBINATION COOLER, 4 ROW, 5 FPI (A/C, OIL & FUEL COOLER)	
	70923110	2	CAPSCREW, 3/4-10 X 1-1/2	
	70919332	2	WASHER, LOCK, 3/4 REG	
	70913160	2	NUT, 3/4-10	
	2	71395903R	1	SHROUD WELDMENT, ROTARY SCREEN
		71178495	16	SEAL, DUST, 16 FT LG
Y704734		4	NUT, HEX FLNG TOP LK, 3/8-16	
70921210		10	CAPSCREW, 3/8-16 X 1.0	
70916965		10	LOCKWASHER, 3/8, REG	
70925592		7	SCREW, HEX HD,TAPPING, 1/4-20 X 3/4	
3	-----	1	SCREEN ASY. COMPLETE (SERVICE WITH COMPONENTS)	
4	71397899B	1	SHROUD WLMT,FAN FRONT(PRIOR S/N HP87101)	
	71405995B	1	SHROUD WLMT,FAN FRONT (EFF. S/N HP87101)	
	Y704734	2	NUT, HEX FLNG TOP LK, 3/8-16	
	70921965	5	CAPSCREW, 3/8-16 X 3/4	
	70916965	5	LOCKWASHER, 3/8 REG	
5	71387752	1	SHROUD WLMT, FAN REAR(PRIOR S/N HP87101)	
	71405993B	1	SHROUD WLMT, FAN REAR (EFF. S/N HP87101)	
	Y704734	2	NUT, HEX FLNG TOP LK, 3/8-16	
	70921965	5	CAPSCREW, 3/8-16 X 3/4	
	70916965	5	LOCKWASHER, 3/8 REG	
6	71387755	1	SHROUD WLMT, FAN TOP (PRIOR S/N HP87101)	
	71406000B	1	SHROUD WLMT, FAN TOP (EFF. S/N HP87101)	
	70921332	8	CAPSCREW, 5/16-18 X 3/4 GR5	
	70917356	8	LOCKWASHER, 5/16 REG	
	70917642	8	WASHER, 5/16, WIDE	
7	71386517	1	PLATE, SPLICE FAN SHROUD	
	70931317	4	BOLT, RD HD,SHT SQ NK, 1/4-20 X 3/4	
	70916964	4	LOCKWASHER, 1/4 REG	
	70916622	4	NUT, HEX, 1/4-20	
8	71387975	1	DEFLECTOR - AIR ENGINE	
	70923341	6	CAPSCREW, 1/4-20 X 3/4	
	70918264	10	WASHER, 1/4 NARROW	
	70916964	6	LOCKWASHER, 1/4 REG	
	70916622	2	NUT, HEX, 1/4-20	
9	71387974	1	SUPPORT, AIR DEFLECTOR	
	70950449	1	CAPSCREW, HEX M10-1.5 X 14MM	
	70950220	1	LOCKWASHER, 10M	
	71178107	1	SCREW, HEX HD TAPPING, 5/16-12 X 1/2	
10	71385996	1	PLATE, SUPPORT OVERFLOW TANK	
	71178107	3	SCREW,HEX HD TAPPING, 5/16-12 X 1/2	
11	71346998	1	TANK, COOLANT OVERFLOW	
	70931317	4	BOLT, RD HD SHT SQ NK, 1/4-20 X 3/4	
	70918264	4	WASHER, 1/4 NARROW	
	70916964	4	LOCKWASHER, 1/4 REG	
	70916622	4	NUT, HEX, 1/4-20	
12	71367032	1	HOSE, COOLANT OVERFLOW	
	70925617	1	CLAMP, 1/2 X .406 HOLE	
	70927097	1	CLAMP, 1/2 X .281 HOLE	

CONTINUED

MC00299  
PR: 36

COOLING SYSTEM  
(PRIOR S/N HR87101)





**9690 COMBINE  
ENGINE**

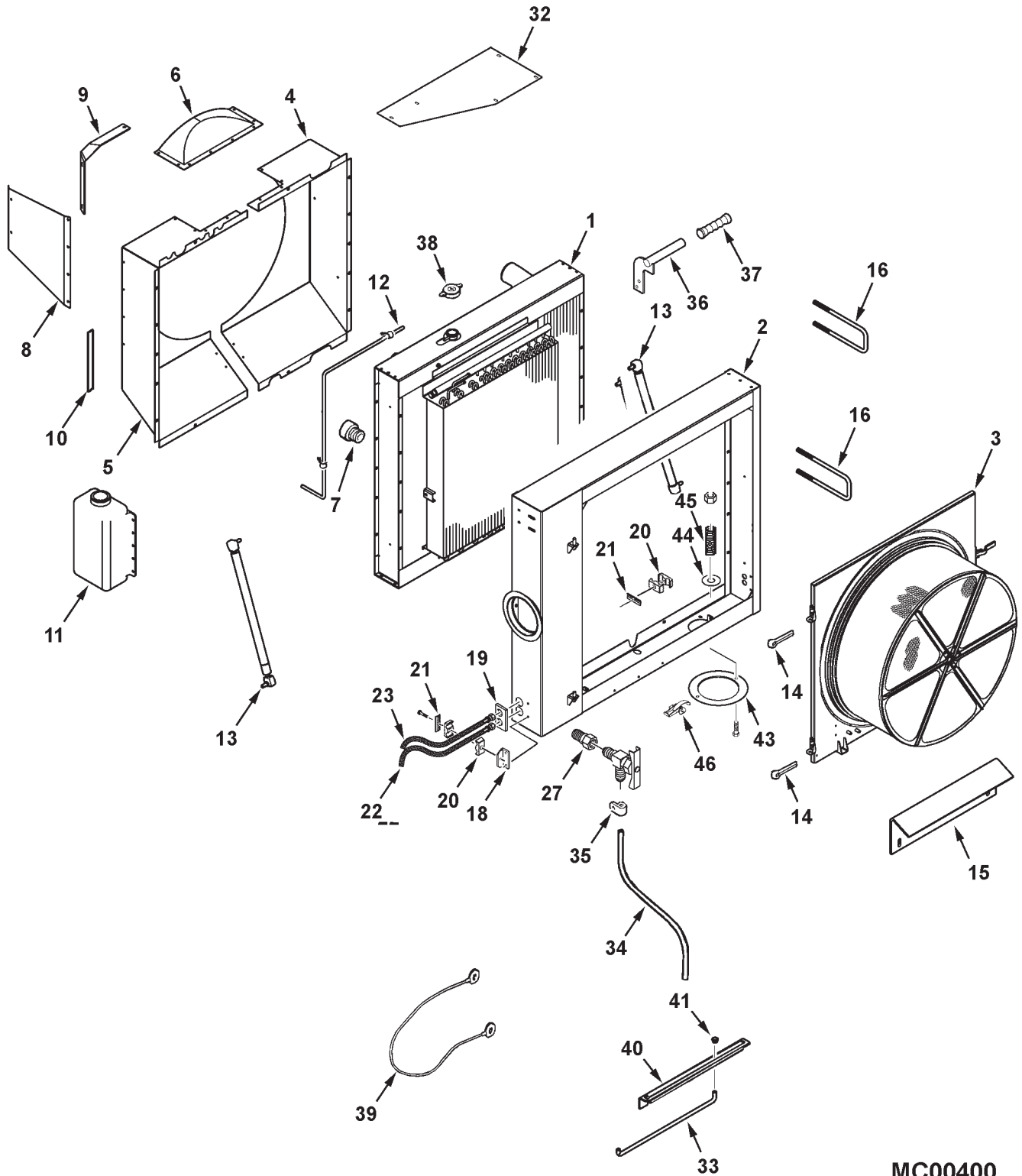
111

**COOLING SYSTEM  
(PRIOR S/N HR87101)**

ITEM	NUMBER	QTY	DESCRIPTION
13	71336386	2	SPRING, GAS
	71339847	4	STUD, BALL
	70917356	4	LOCKWASHER, 5/16 REG
	70917372	4	NUT, HEX 5/16-18
14	70918452	2	PIN, COTTER, 1/8 X 1
	71378441	1	RAMP, ROTARY SCREEN
15	70921210	2	CAPSCREW, 3/8-16 X 1
	70917378	2	WASHER, 3/8 WIDE
	70916965	2	LOCKWASHER, 3/8 REG
	70916950	2	NUT, HEX 3/8-16 REG
16	1651910W1	2	LATCH BOLT
	70916950	8	NUT, HEX 3/8-16 REG
18	71388063	1	ANGLE, SUPPORT, HOSE
	70921332	2	CAPSCREW, 5/16-18 X 3/4 GR5
	Y704726	2	NUT, HEX FLNG TOP LOCK, 5/16-18
19	71388064	1	SEAL, COOLER HOSE
20	101841M1	4	CLAMP PAIR, DOUBLE, 1-1/2 DIA
21	101842M1	4	PLATE, COVER
	70926106	4	CAPSCREW, 5/16-18 X 3-1/4, GR5
	Y704726	4	NUT, HEX FLNG TOP LOCK, 5/16-18
22	71388061	1	HOSE ASY., COOLER
23	71388062	1	HOSE ASY., COOLER
25	70933036	1	VALVE, DRAIN
	70917919	1	ADAPTER, 1/4 X 1/4 NPTF
26	71388089	1	HOSE ASY, RAD DRAIN
	700704010	AR	SILICONE SEALANT, BLACK, 10.2 OZ
27	70936778	1	J-CLIP, 3/4 X .406 HOLE
	70918249	1	SCREW, TRUSS HD, 5/16-18 X 3/4
	70917642	1	WASHER, 5/16, WIDE
	70917372	1	NUT, 5/16-18, REG
28	71388880	1	BRACKET, PROP ROD
	7700461	3	BOLT, RHSN, 5/16-18 X 3/4
	70918265	3	WASHER, 5/16 NARR
	70917356	3	LOCKWASHER, 5/16 REG
	70917372	3	NUT, HEX, 5/16-18
29	71389916	1	ROD, PROP - ROTARY SCREEN
	70918266	3	WASHER, 3/8 NARROW
	70918447	3	COTTER PIN, 3/32 X 3/4
	70918547	1	PIN, SPRING, 1/8 X 1/2
30	71388882	1	BUSHING, PROP ROD
31	112942W1	1	TETHER STRAP
	70923341	2	CAPSCREW, 1/4-20 X 3/4
	70918264	2	WASHER, 1/4 NARROW
	70916964	2	LOCKWASHER, 1/4
	70916622	2	NUT, HEX, 1/4-20
32	71388983	1	STRAP, FRONT, STRAIGHT
33	71392702	1	STRAP, REAR, OFFSET
	70917356	4	LOCKWASHER, 5/16 REG
	70917372	4	NUT, HEX, 5/16-18
34	71392703	1	BAR, HANDLE
	70921965	2	CAPSCREW, 3/8-16 X 3/4
	70916965	2	LOCKWASHER, 3/8 REG
35	71400413	1	CAP, FILLER

MC00299  
PR: 36

COOLING SYSTEM, SISU  
(EFF. S/N HR87101)



9690 COMBINE  
ENGINE

113

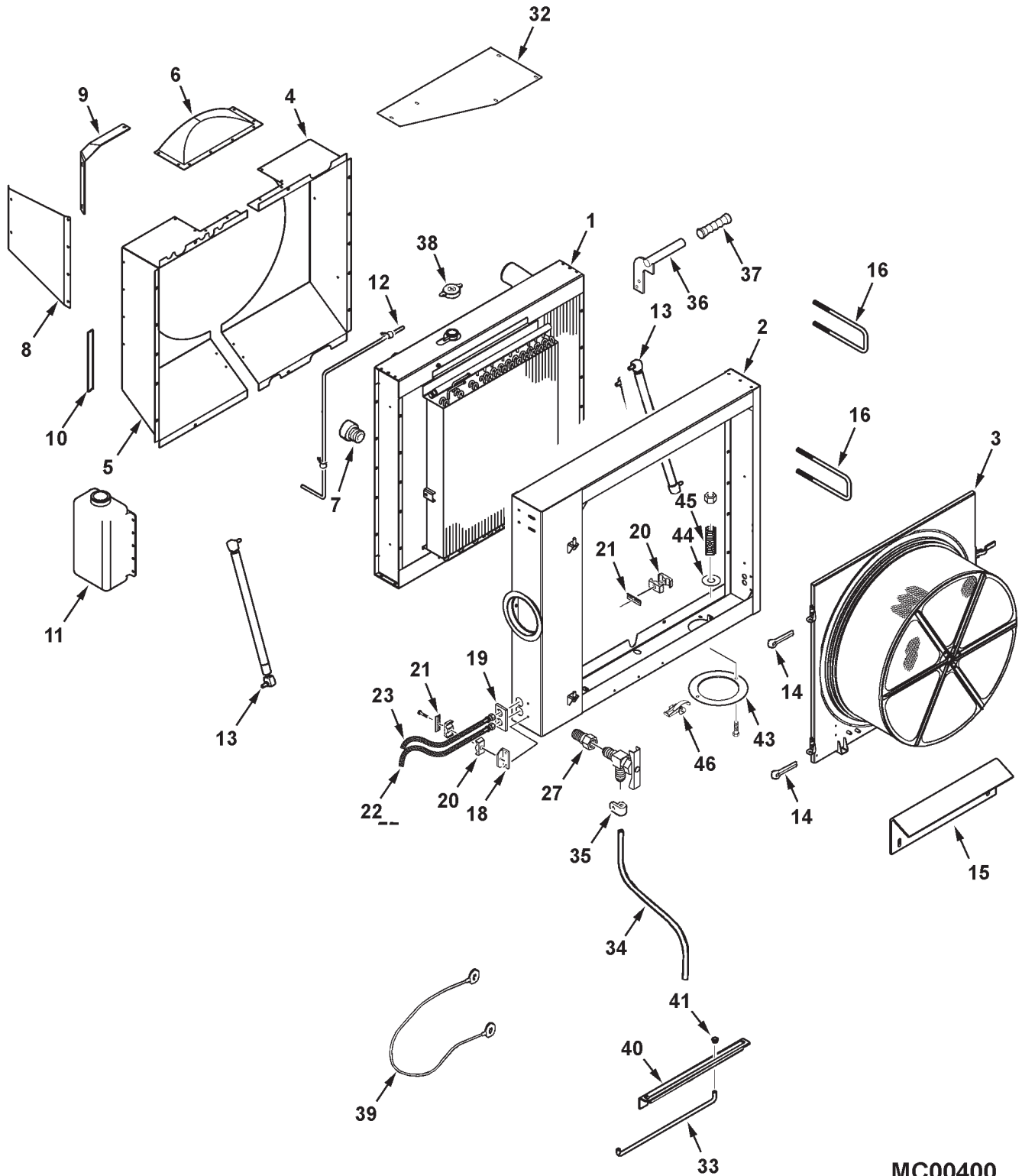
COOLING SYSTEM, SISU  
(EFF. S/N HR87101)

ITEM	NUMBER	QTY	DESCRIPTION
1	-----	1	COOLING PACKAGE ASY (INCL. FOLLOWING 5 COMPONENTS)
	71401799	1	RAD & CHARGE AIR COOLER ASY W/FRAME
	71400554	1	RADIATOR, NKXX, 7 ROW, 6 FPI
	71404420	1	CHARGE AIR COOLER, 4 ROW, 4 FPI
	71393842	1	COMBINATION COOLER, 4 ROW, 5 FPI (A/C, OIL & FUEL COOLER)
	71400413	1	CAP, RADIATOR
	70921210	2	CAPSCREW, 3/8-16 X 1" GR5
	70916965	2	LOCKWASHER, 3/8, REG
	Y705533	2	WASHER, 3/8, HARD PLAIN
2	71401807	1	SHROUD WLMT, ROTARY SCREEN
	Y704734	4	NUT, HEX FLANGE TOP LOCK, 3/8-16
	Y705533	12	WASHER, 3/8, HARD PLAIN
	70921210	12	CAPSCREW, 3/8-16 X 1, GR5
	70916965	12	LOCKWASHER, 3/8, REG
3	-----	1	SCREEN ASY. 40", COMPLETE (SEE COMPONENTS LISTING)
4	71409322	1	SHROUD WLMT, FAN FRONT
	701565	5	SCR,HX WSHR HD,TAPPING, 1/4-20 X 3/4
	Y704734	1	NUT, HEX FLANGE TOP LOCK, 3/8-16
	Y705533	4	WASHER, 3/8, HARD PLAIN
	70916965	4	LOCKWASHER, 3/8, REG
	70921210	4	CAPSCREW, 3/8-16 X 1" GR5
5	71409325	1	SHROUD WLMT, FAN REAR
	701565	6	SCR,HX WSHR HD,TAPPING, 1/4-20 X 3/4
	Y704734	1	NUT, HEX FLANGE TOP LOCK, 3/8-16
	Y705533	4	WASHER, 3/8, HARD PLAIN
	70916965	4	LOCKWASHER, 3/8, REG
	703249	4	CAPSCREW, 3/8-16 X 1" GR5
6	71405962	1	SHROUD WLMT, FAN TOP
	70921332	8	CAPSCREW, 5/16-18 X 3/4 GR5
	70917356	8	LOCKWASHER, 5/16
	Y705525	8	WASHER, 5/16, HARD PLAIN

CONTINUED

MC00400  
PR: t05109j44b0021

COOLING SYSTEM, SISU  
(EFF. S/N HR87101)



**9690 COMBINE  
ENGINE**

115

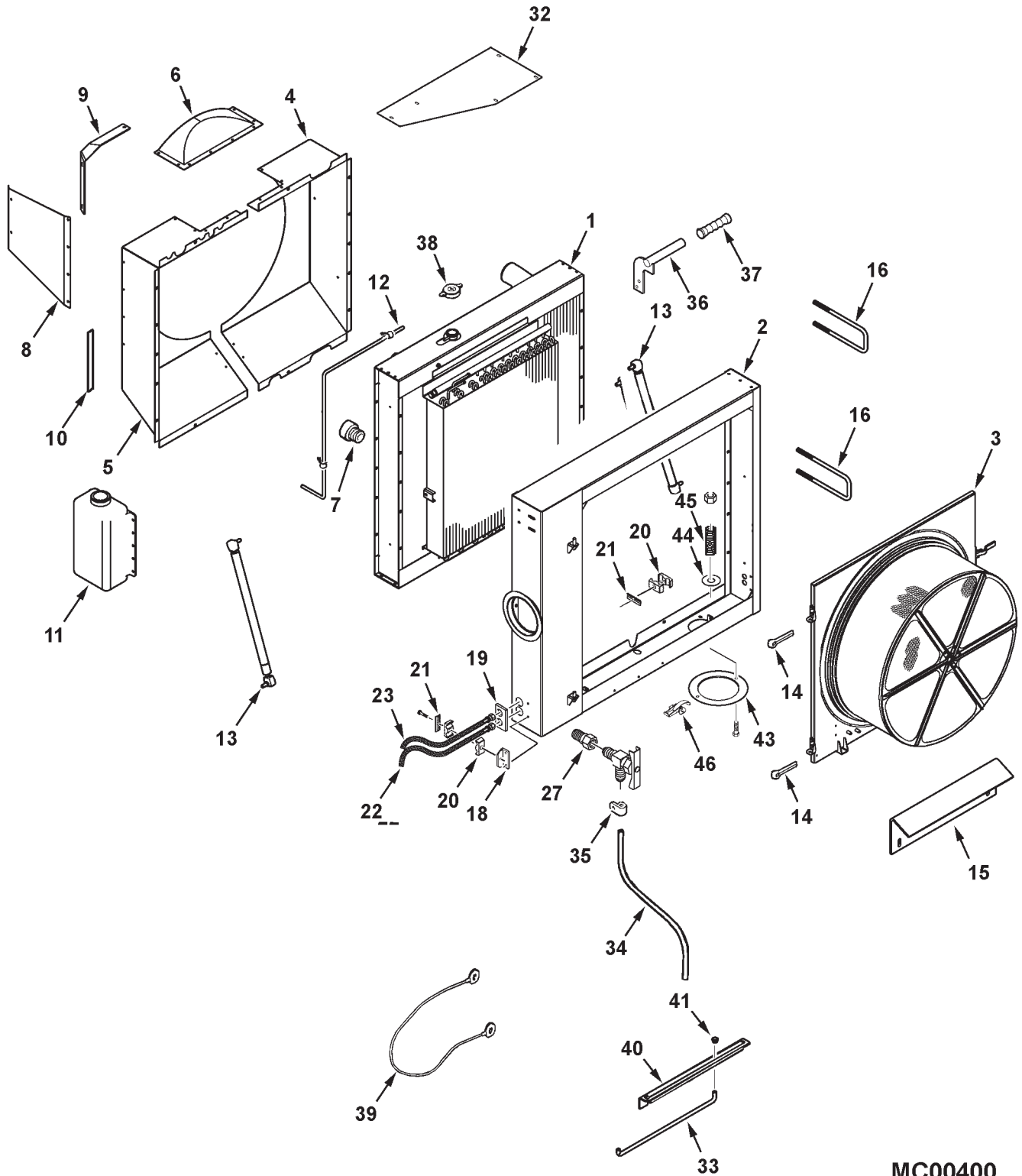
**COOLING SYSTEM, SISU  
(EFF. S/N HR87101)**

ITEM	NUMBER	QTY	DESCRIPTION
7	70917970	1	PLUG, HEX SOCKET, 1/2 NTP
8	71409748	1	DEFLECTOR, AIR
	Y705525	4	WASHER, 5/16, HARD PLAIN
	70917356	4	LOCKWASHER, 5/16
	70921332	4	CAPSCREW, 5/16-18 X 3/4 GR5
9	71410011	1	STRAP, AIR DEFLECTOR
	353769X1	1	WASHER, 1/4, HARD PLAIN
	1703354	2	NUT, HEX FLANGE TOP LOCK, 1/4-20
	7703457	1	CAPSCREW, 1/4-20 X 3/4 GR5
10	700718444	1	EDGE MOULDING, 9.2" LG
11	71346998	1	TANK, COOLANT OVERFLOW
	7703457	4	CAPSCREW, 1/4-20 X 3/4 GR5
	353769X1	4	WASHER, 1/4, HARD PLAIN
	1703354	4	NUT, HEX FLANGE TOP LOCK, 1/4-20
12	71404417	1	HOSE, COOLANT RECOVERY
	70925617	2	CLAMP, 1/2 X .406 HOLE
13	71336386	2	SPRING, GAS
	71339847	4	STUD, BALL
	70917356	4	LOCKWASHER, 5/16
	70917372	2	NUT, 5/16-18 REG
14	70918452	2	PIN, COTTER, 1/8 X 1
15	71378441	1	RAMP, ROTARY SCREEN
	70921210	2	CAPSCREW, 3/8-16 X 1
	70917378	2	WASHER, 3/8 WIDE
	70916965	2	LOCKWASHER, 3/8
	70916950	2	NUT, 3/8-16 REG
16	1651910W1	2	LATCH BOLT
	70916950	8	NUT, 3/8-16 REG
18	71388063	1	ANGLE, SUPPORT, HOSE
	70921332	2	CAPSCREW, 5/16-18 X 3/4 GR5
	70917356	2	LOCKWASHER, 5/16
	70917372	2	NUT, 5/16-18 REG
19	71388064	1	SEAL, COOLER HOSE
20	101841M1	4	CLAMP PAIR, DOUBLE, 1-1/2 DIA
21	101842M1	4	PLATE, COVER
	70926106	4	CAPSCREW, 5/16-18 X 3-1/4, GR5
	70917356	2	LOCKWASHER, 5/16
	Y704726	2	NUT, HEX FLANGE TOP LOCK, 5/16-18

CONTINUED

MC00400  
PR: t05109j44b0021

COOLING SYSTEM, SISU  
(EFF. S/N HR87101)



9690 COMBINE  
ENGINE

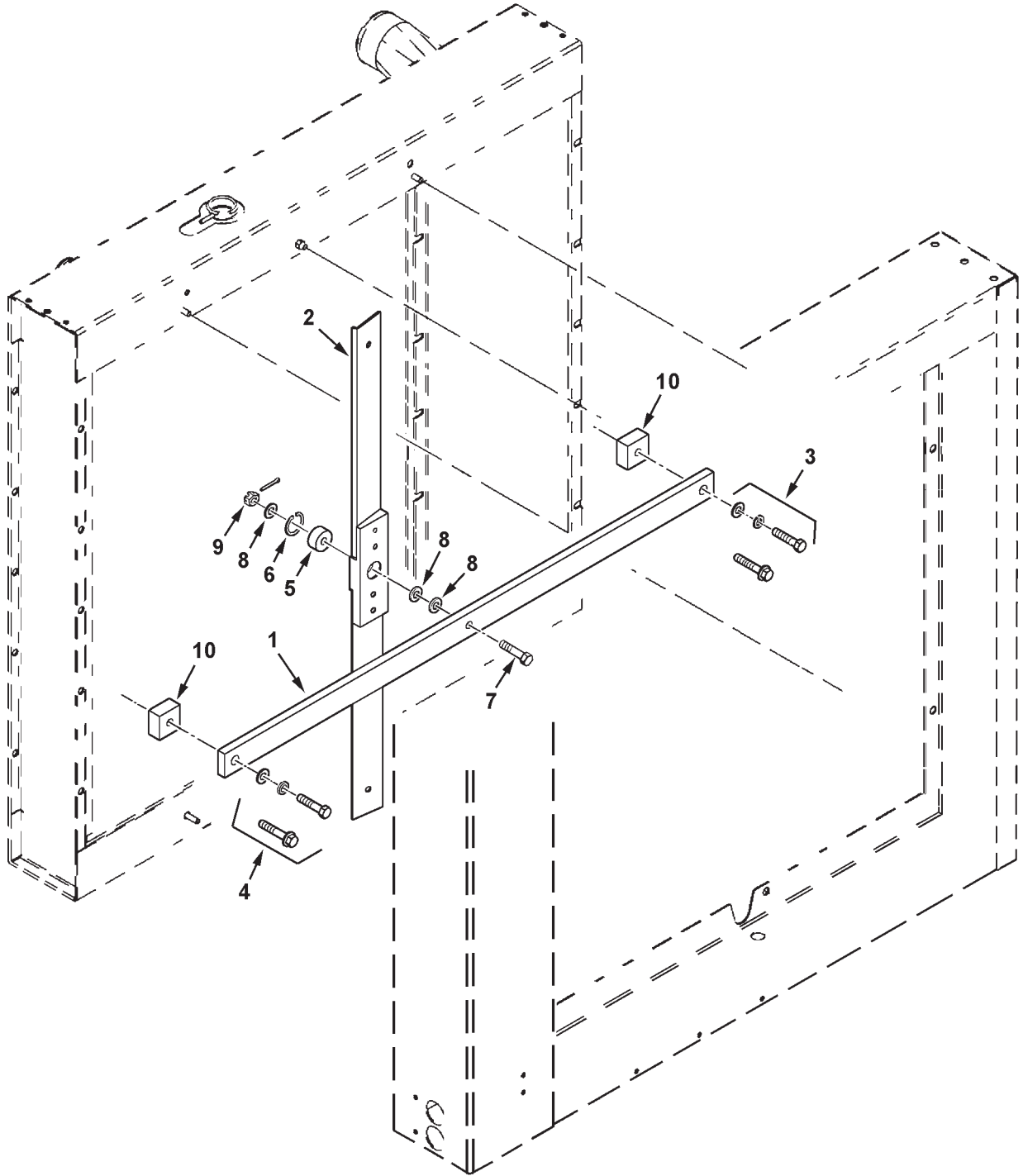
117

COOLING SYSTEM, SISU  
(EFF. S/N HR87101)

ITEM	NUMBER	QTY	DESCRIPTION
22	71388061	1	HOSE ASY., COOLER
23	71388062	1	HOSE ASY., COOLER
27	70933036	1	VALVE, DRAIN
	70917919	1	ADAPTER, 1/4 X 1/4 NPTF
32	71404416	1	COVER, LOWER SUB-FRAME
	701565	5	SCR,HX WSHR HD,TAPPING, 1/4-20 X 3/4
33	71399338	1	PROP ROD, ROTARY SCREEN
	70918266	2	WASHER, 3/8, NARROW
	70918447	3	COTTER PIN, 3/32 X 3/4
	70918547	1	PIN, SPRING, 1/8 X 1/2
34	71388089	1	HOSE ASY, RAD DRAIN
	700704010	AR	SILICONE SEALANT, BLACK
35	70936778	1	J-CLIP, 3/4 X .406 HOLE
	70917642	1	WASHER, 5/16, WIDE
	70917372	1	NUT, 5/16-18 REG
	70918249	1	SCREW, TRUSS HD, 5/16-18 X 3/4
36	71393831	1	HANDLE WLDMT, COMBINATION COOLER
	70931277	2	NUT, HEX SERR FLANGE, 5/16-18
37	27342	1	GRIP, HANDLE
38	71400413	1	CAP, RADIATOR
39	112942W1	1	TETHER STRAP
	7703457	2	CAPSCREW, 1/4-20 X 3/4
	70918264	1	WASHER, 1/4 NARROW
	1703354	2	NUT, HEX FLANGE TOP LOCK, 1/4-20
40	71388880	1	BRACKET, PROP ROD
	7700461	3	BOLT, RND HD SQ NECK, 5/16-18 X 3/4
	Y705525	3	WASHER, 5/16, HARD PLAIN
	70917356	3	LOCKWASHER, 5/16
	70917372	3	NUT, 5/16-18 REG
41	71388882	1	BUSHING, PROP ROD
43	487777	1	COVER, CLEANOUT ACCESS
	Y705525	1	WASHER, 5/16 HARD PLAIN
	Y704726	1	NUT, HEX FLNG TOP LOCK, 5/16-18
	7771744	1	CAPSCREW, 5/16-18 X 2-1/4 GR5
44	700709866	1	WASHER, SELF-ADHESIVE
45	758342	1	SPRING
46	70537291	1	FASTENER, SNAP
	700702358	1	SCREW, PAN HEAD, #10-24 X 1"
	70917380	1	WASHER, #10 PLAIN
	70917365	1	LOCKWASHER, #10 REG
	70916621	1	NUT, #10-24 REG

MC00400  
PR: t05109j44b0021

RADIATOR SLINGER





**9690 COMBINE  
ENGINE**

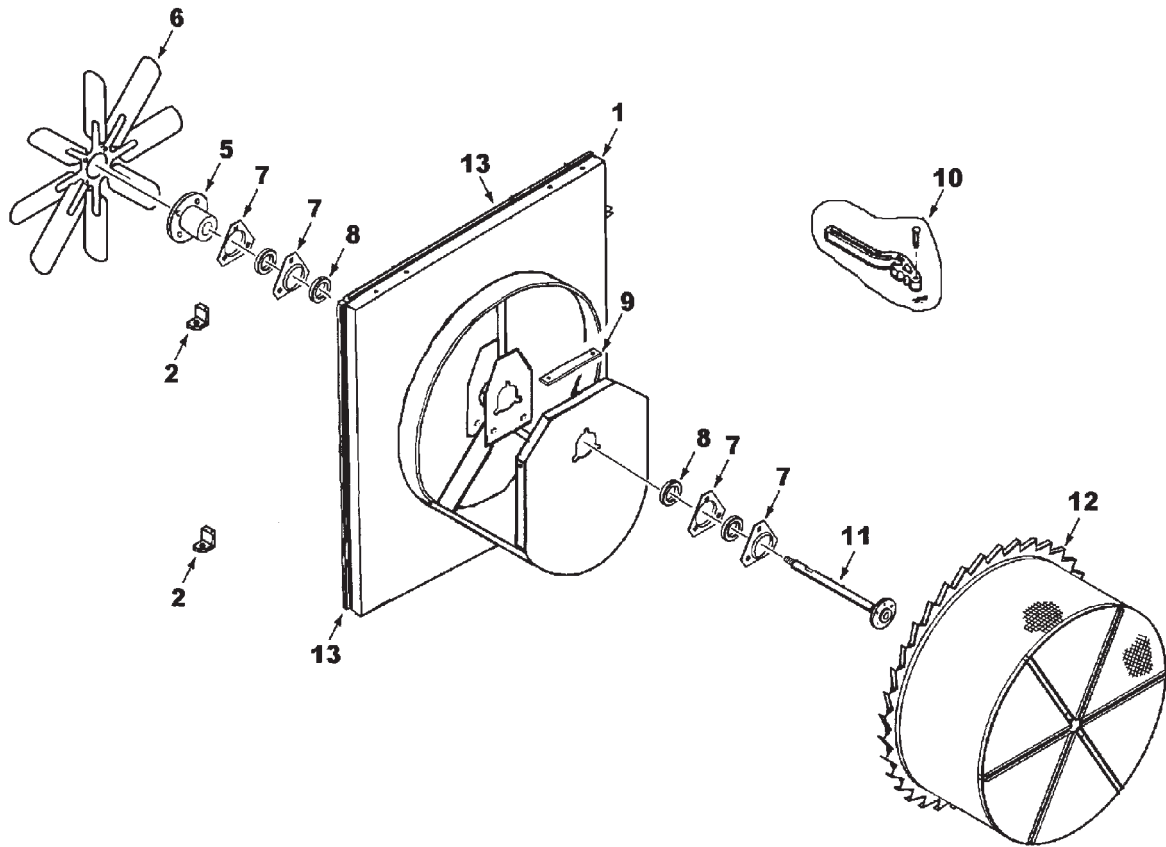
119

**RADIATOR SLINGER**

ITEM	NUMBER	QTY	DESCRIPTION
1	71391541	1	SUPPT CHANNEL,SLINGER(PRIOR S/N HR87101)
	71404414	1	SUPPORT BAR, SLINGER (EFF. S/N HR87101)
2	71391463	1	BLADE ASY, SLINGER
	71391461	2	BLADE, SLINGER
	71391462	1	CARRIER, BRG, SLINGER
	70920787	4	CAPSCREW, 5/16-18 X 1/2 LG, GR5
	79021668	AR	THREAD LOCKER, HIGH STRENGTH
	79021648	AR	PRIMER N
3	70921969	1	CPSCR, 3/8-16 X 1-1/2(PRIOR S/N HR87101)
	70916965	1	LOCKWASHER 3/8
	Y705533	1	WASHER, HARDENED .406 x .844
	700711134	1	CAPSCREW, HEX FLANGE, 3/8-16 X 1-3/4 (EFF. S/N HR87101)
4	70921971	1	CPSCR, 3/8-16 X 1-3/4(PRIOR S/N HR87101)
	70916965	1	LOCKWASHER 3/8
	Y705533	1	WASHER, HARDENED .406 x .844
	700711132	1	CAPSCREW, HEX FLANGE, 3/8-16 X 2 (EFF. S/N HR87101)
5	71391540	1	BEARING, BALL
6	70927692	1	RING, RETAINING
7	71391466	1	CAPSCREW, SPL. 3/8-24 X 1-1/4 (PRIOR S/N HR87101)
	71406694	1	CAPSCREW, SPL. 3/8-24 X 1-3/4 (EFF. S/N HR87101)
8	70918266	3	WASHER, 3/8, NARROW (WAS QTY 2 PRIOR TO S/N HR87101)
9	353924X1	1	NUT, SLOTTED HEX, 3/8-24
	70918452	1	COTTER PIN 1/8 X 1
	79021672	AR	THREAD LOCKER-MED. STRENGTH
	79021648	AR	PRIMER N
10	71392705	2	SPACER BLOCK, 3/4 TH

MC00386  
PR: t05109j44b0022

ROTARY SCREEN  
DOOR & SCREEN  
(PRIOR S/N HR87101)



**9690 COMBINE  
ENGINE**

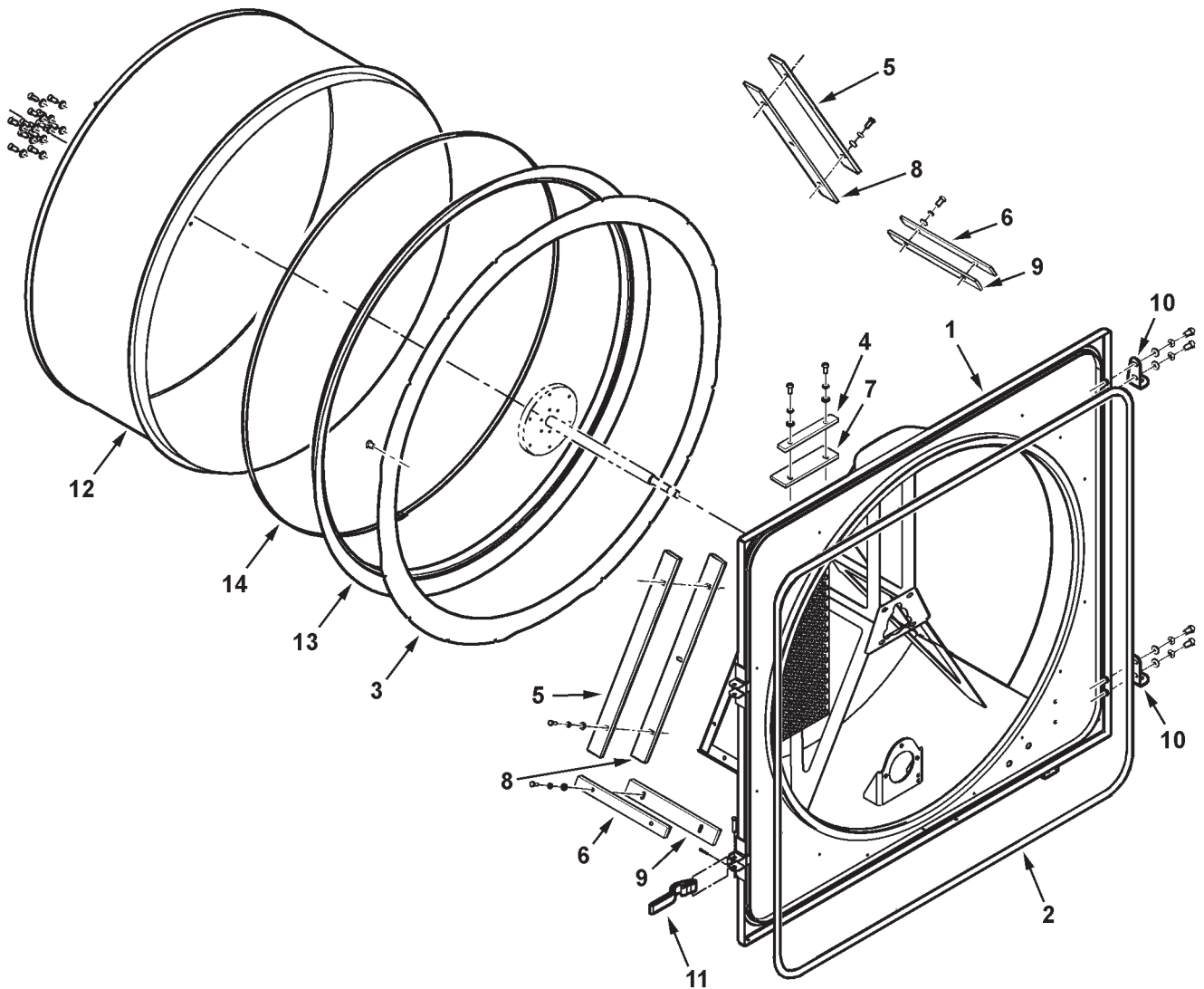
121

**ROTARY SCREEN  
DOOR & SCREEN  
(PRIOR S/N HR87101)**

ITEM	NUMBER	QTY	DESCRIPTION
-	-----	1	ROTARY SCREEN ASY. COMPLETE
1	71397642	1	PANEL WELDMENT, 32" ROTARY SCREEN
2	71395906	2	HINGE BRACKET, ROTARY SCREEN
	70925205	4	CAPSCREW, 5/16-18 X 5/8 GR5
	Y705525	4	WASHER, 5/16 HARD
5	71337921	1	HUB, WINDMILL
	70923122	1	SETSCREW, SQ HD, 5/16-18 X 3/4
	70913901	1	NUT, 7/16-20, REG
	700702206	1	LOCKWASHER, 7/16, REG
	Y705558	1	WASHER, 7/16, HARD
6	71392701	1	FAN BLADE ASY., WINDMILL
	7883325	4	SCREW, HEX WSHR HD, 5/16-18 X 3/4
7	71133361	4	FLANGE, BEARING
8	71308770	2	BEARING ASY, W/COLLAR
	7700461	6	BOLT, RND HD SQ NK, 5/16-18 X 3/4
	Y704726	6	NUT, HEX FLNG TOP LK, 5/16-18
9	71387732	5	FLANGE, ADJ. END SHIELD
	70921958	10	CAPSCREW, 1/4-20 X 1/2 GR5
	353769X1	10	WASHER, 1/4, HARD
10	1799410W1	2	LATCH, DOOR
	70927523	2	PIN, OVAL HD, DRILLED, 5/16 X 1-1/2
	70918447	2	PIN, COTTER 3/32 X 3/4
11	71391472	1	SHAFT WLDMT, ROTARY SCREEN
12	71310407	1	SCREEN ASSEMBLY
	7703457	6	CAPSCREW, 1/4-20 X 3/4
	353769X1	6	WASHER, HARD, .281 X .625 X .074 TH
13	71387996	1	SEAL, ROTARY SCREEN

MC00303  
PR: 42

ROTARY SCREEN  
DOOR & SCREEN, SISU  
(EFF. S/N HR87101)



**9690 COMBINE  
ENGINE**

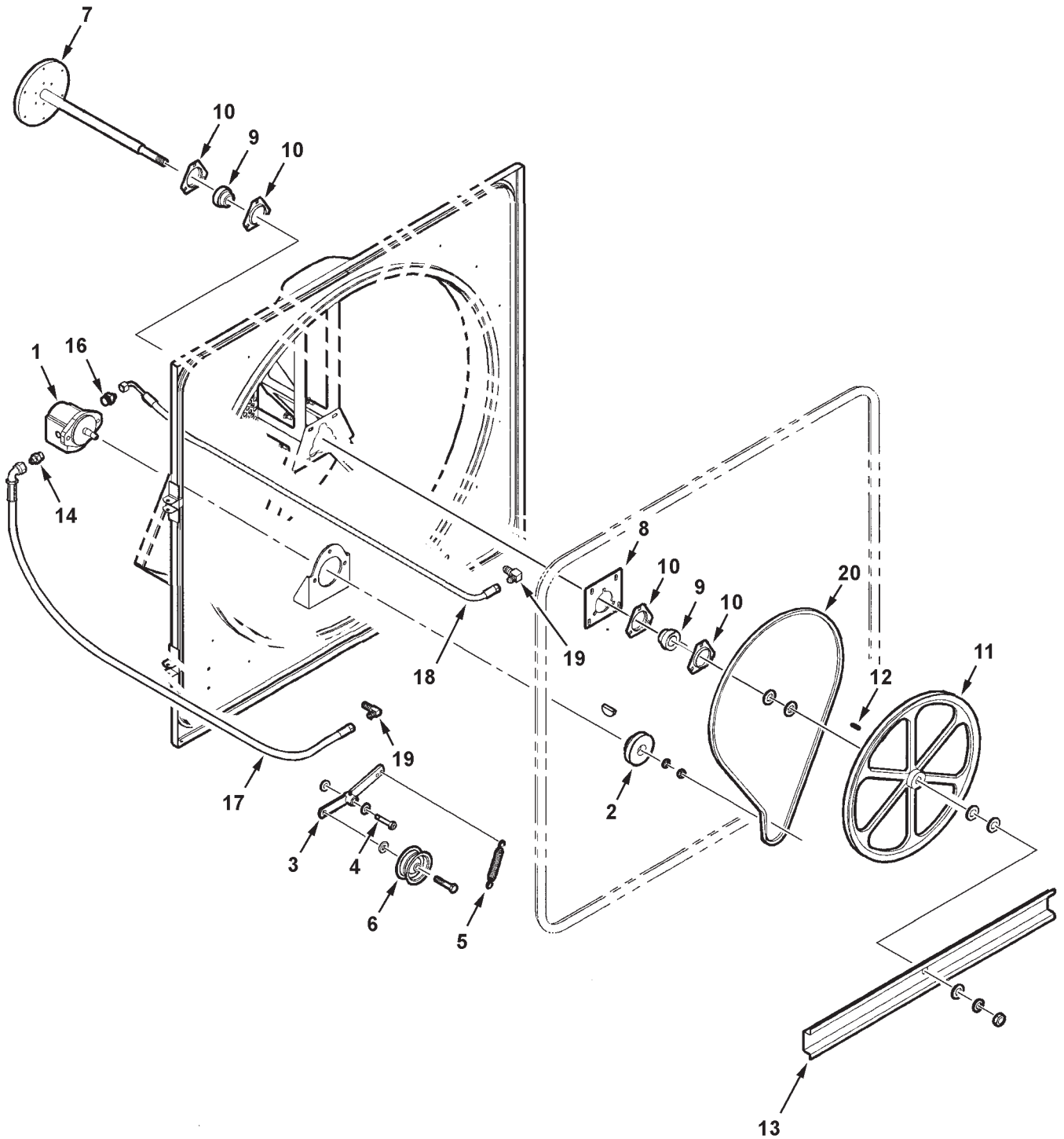
123

**ROTARY SCREEN  
DOOR & SCREEN, SISU  
(EFF. S/N HR87101)**

ITEM	NUMBER	QTY	DESCRIPTION
1	71404396	1	PANEL WLDMT, 40" DIA SCREEN
2	71387996	1	SEAL, ROTARY SCREEN
3	71395750	1	RING, WEAR
	70924837	20	POP-RIVET, .188 X .063-.125 GRIP (QTY 16 PRIOR S/N HR87101)
4	71404403	1	PLATE, CUTOFF, UPPER
	7703457	12	CAPSCREW, 1/4-20 X 3/4 GR5
	705012	12	LOCKWASHER, 1/4
	353769X1	2	WASHER, HARD, .281 X .656 X .074 TH
5	71404404	2	PLATE, CUTOFF, SIDE
6	71404399	2	PLATE, CUTOFF, LOWER
7	71404402	1	CURTAIN STRAP, FRONT
8	71404401	2	CURTAIN STRAP, SIDE
9	71404400	2	CURTAIN STRAP, LOWER
10	71395906	2	BRACKET, HINGE
	Y705608	4	WASHER, 5/16 NARROW
	70917356	4	LOCKWASHER, 5/16
	70921332	4	CAPSCREW, 5/16-18 X 3/4 GR5
11	1799410W1	2	HANDLE, LATCH
	62075	2	COTTER PIN 1/8 X 3/4
	70927523	2	PIN, OVAL HD, DRILLED, 5/16 X 1-1/2
12	71391031	1	ROTARY SCREEN WLDMT
	353769X1	12	WASHER, HARD, .281 X .625 X .074 TH
	7703457	12	CAPSCREW, 1/4-20 X 3/4 GR5
13	71393650	1	SEAL, ROTARY SCREEN
14	71396752	1	CLAMP, BAND

MC00384  
PR: t05i09j44b0023

ROTARY SCREEN  
MOTOR & DRIVE, SISU  
(EFF. S/N HR87101)



**9690 COMBINE  
ENGINE**

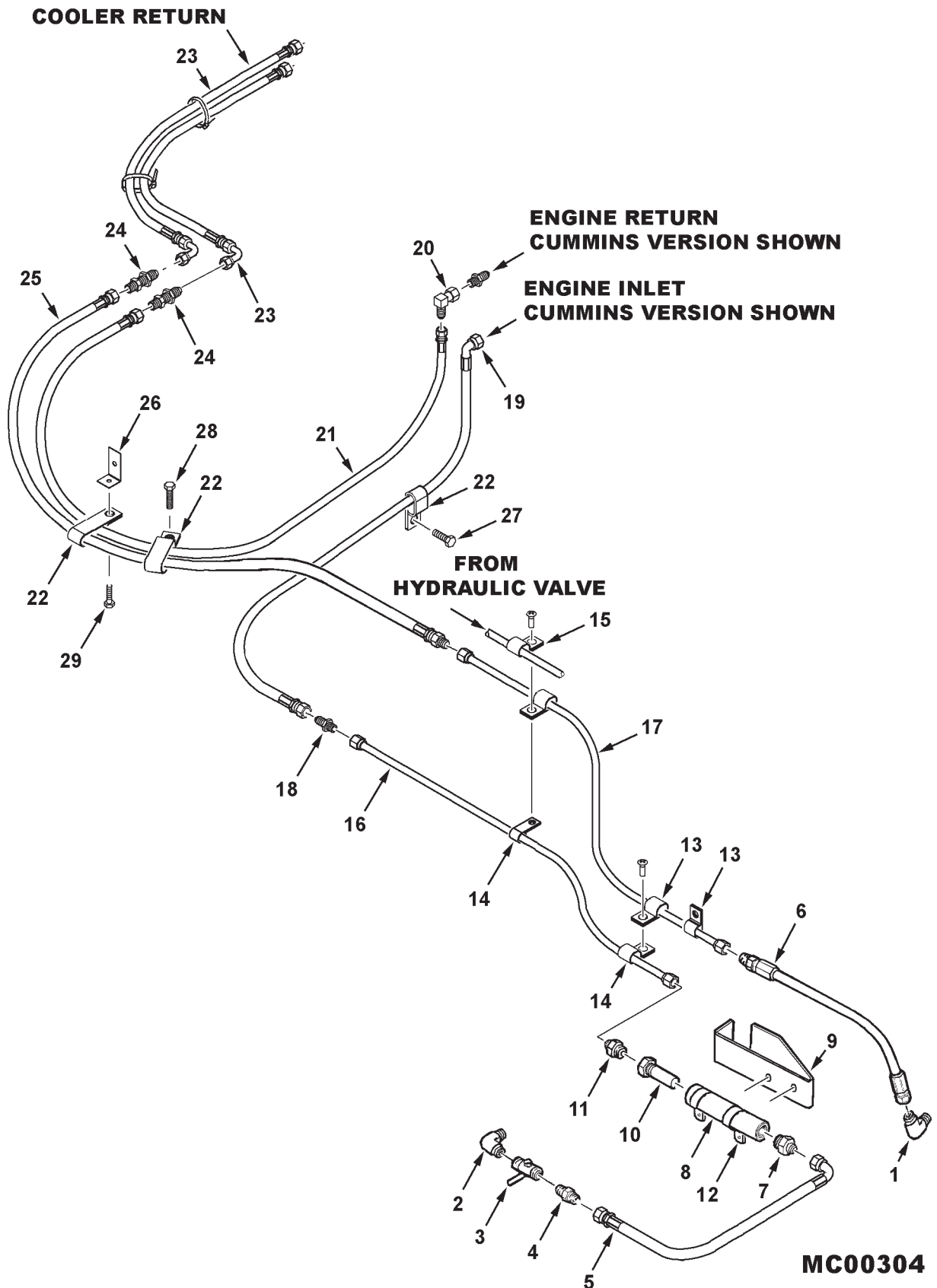
125

**ROTARY SCREEN  
MOTOR & DRIVE, SISU  
(EFF. S/N HR87101)**

ITEM	NUMBER	QTY	DESCRIPTION
1	71396755	1	MOTOR, HYDRAULIC (INCL. KEY, NUT & LKWR)
	71396758	AR	SEAL KIT (SOLE SERVICE COMPONENT)
	70910224	1	KEY, WOODRUFF, 5/32 X 5/8 DIA
	7883408	2	SCREW, HEX FLANGE, 3/8-16 X 1-1/4 GR8
	Y705533	2	WASHER, HARD, .406 X .781 X .065
	Y704734	2	NUT, HEX FLANGE TOP LOCK, 3/8-16
2	71395749	1	SHEAVE, DRIVE
	Y705046	1	LOCKWASHER, 1/2 REG
	7704000	1	JAM NUT, 1/2-20 GR2
3	71396756	1	ARM ASY, IDLER
	3728019M1	2	BUSHING
	70914687	1	LUBE FTG, 1/4-28, STRAIGHT
4	8701781	1	SCREW, SOCKET HD, SHOULDER, 1/2 X 3/8-16
	705541	2	WASHER, HARD, .531 X 1.03 X .120
	Y704734	1	NUT, HEX FLANGE TOP LOCK, 3/8-16
5	700714064	1	SPRING
	70931277	2	LOCKNUT, SERR FLNG, 5/16-18
	7883333	1	SCREW, HEX WSHR HD, 5/16-18 X 1"
6	70529432	1	IDLER, 2-3/4 DIA, FLAT
	705541	2	WASHER, HARD, .531 X 1.03 X .120
	Y704742	1	NUT, HEX FLANGE TOP LOCK, 1/2-13
	70922645	1	CAPSCREW, 1/2-13 X 2-1/4 GR5
7	71391039	1	SHAFT WLDMT, ROTARY SCREEN
8	71395728	1	PLATE, BEARING
	Y704726	4	NUT, HEX FLANGE TOP LOCK, 5/16-18
	7700461	4	BOLT, RND HD SQ NK, 5/16-18 X 3/4
9	71308951	2	BEARING, BALL, SPHERICAL
10	71133361	4	FLANGE, BEARING
	Y704726	6	NUT, HEX FLANGE TOP LOCK, 5/16-18
	70921332	3	CAPSCREW, 5/16-18 X 3/4 GR5
	7700461	3	BOLT, RND HD SQ NK, 5/16-18 X 3/4
11	71396753	1	SHEAVE, DRIVEN
12	61002	1	KEY, 3/16 SQ X 1"
13	71393636	1	BLADE, WINDMILL
	700717591	7	WASHER, .781 X 1.25 X .125 TH
	70919332	1	LOCKWASHER, 3/4 REG
	353436X1	1	JAM NUT, 3/4-16 GR2
14	360202X91	1	CONNECTOR, 9/16-18 JIC X 3/4-16 ORB
	70921349	1	O-RING, .087 X .644 ID
16	8746018	1	CONNECTOR, 9/16-18 JIC X 7/8-14 ORB
	70921205	1	O-RING, .097 X .755 ID
17	71397634	1	HOSE ASY, HYDRAULIC
18	71397633	1	HOSE ASY, HYDRAULIC
19	700717539	2	ELBOW, 90 D, BLKHD, 9/16-18 JIC MALE
20	71396754	1	BELT-V

MC00294  
PR: t05109j44b0024

**FUEL LINES**  
(STRAINER MOUNT AT FUEL TANK)





**9690 COMBINE  
ENGINE**

127

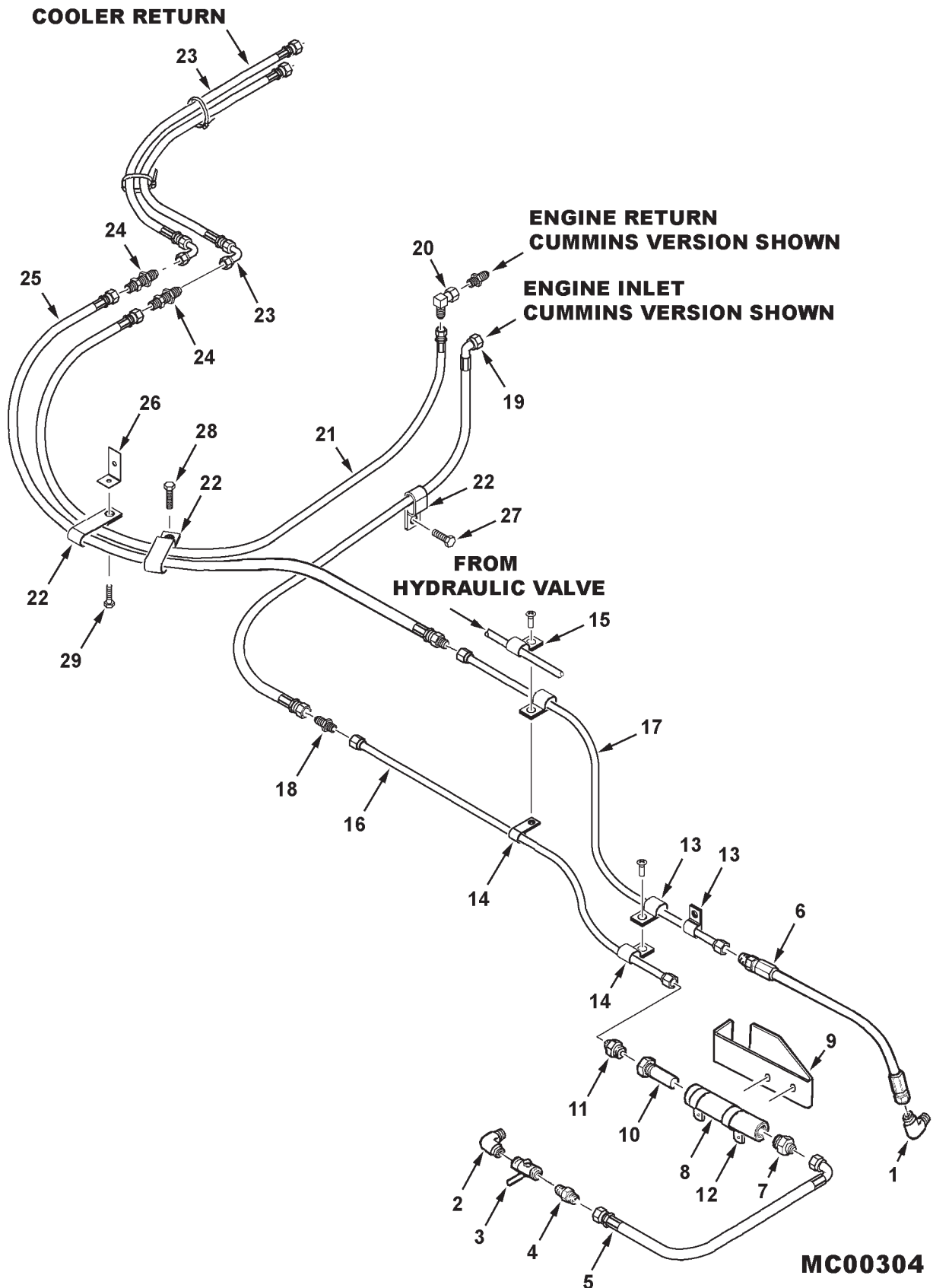
**FUEL LINES  
(STRAINER MOUNT AT FUEL TANK)**

ITEM	NUMBER	QTY	DESCRIPTION
1	70919195	1	ELBOW, 90 DEG, 1/2 NPT X 3/4-16 JIC
2	700701331	1	ELBOW, 90 DEG, 1/2 NPT X 1/2 NPT MALE
3	71368741	1	VALVE, BALL, 1/2 NPT
4	70919472	1	STR CONN, MALE, 1/2 NPT X 7/8-14 JIC
5	71396260	1	HOSE ASY, FUEL SUPPLY, 5/8 X 41"
	70937133	2	TIE, NYLON SELF-LOCK, .30 X 14.5
6	71396269	1	HOSE ASY, FUEL RETURN, 1/2 X 32"
7	70924022	1	STR CONN, 7/8-14 JIC X 1-5/16-12 ORB
	70921214	1	O-RING, .116 X 1.171 ID
8	71386139	1	BODY, STRAINER
9	71396262	1	BRACKET, FUEL FILTER
	7703457	2	CAPSCREW, 1/4-20 X 3/4 GR5
	70916622	2	NUT, 1/4-20, REG
	705012	2	LOCKWASHER, 1/4 REG
	70917377	2	WASHER, 1/4, WIDE
10	71386140	1	STRAINER, FUEL
	70921214	1	O-RING, .116 X 1.171 ID
11	8746430	1	STR CONN, 7/8-14 JIC X 3/4-16 ORB
	70921349	1	O-RING, .087 X .644 ID
12	70936765	2	CLAMP, 1-3/4 ID X .406 HOLE
	7703457	2	CAPSCREW, 1/4-20 X 3/4 GR5
	70916622	2	NUT, 1/4-20, REG
	705012	2	LOCKWASHER, 1/4 REG
	70917377	2	WASHER, 1/4, WIDE
13	70925617	3	CLAMP, 1/2 ID X .406 HOLE
	70921977	3	CAPSCREW, 5/16-18 X 1-1/4 GR5
	Y705608	4	WASHER, 5/16, NARR.
	70917372	3	NUT, 5/16-18, REG
	70917356	3	LOCKWASHER, 5/16 REG
14	70928656	2	CLAMP, 5/8 ID X .406 HOLE
15	70926049	1	CLAMP, 3/4 ID X .406 HOLE
	318618P	1	SPACER, 1/2 OD X .50 LG
16	71396263	1	TUBE ASY, FUEL SUPPLY
17	71391234	1	TUBE ASY, FUEL RETURN
18	70921368	1	UNION, 7/8-14 JIC, MALE
19	71388071	1	HOSE ASY, 5/8 X 70" (PRIOR S/N HR87101)
	71406624	1	HOSE ASY, 3/8 X 88" (EFF. S/N HR87101)
	70929402	1	CLAMP, WORM DR. .22-.63 GRIP
20	70921279	1	ELBOW, 90 DEG SWIV, 3/4-16 JIC (PRIOR S/N HR87101)

CONTINUED

MC00304  
PR: 44

**FUEL LINES**  
(STRAINER MOUNT AT FUEL TANK)



**MC00304**

9690 COMBINE  
ENGINE

129

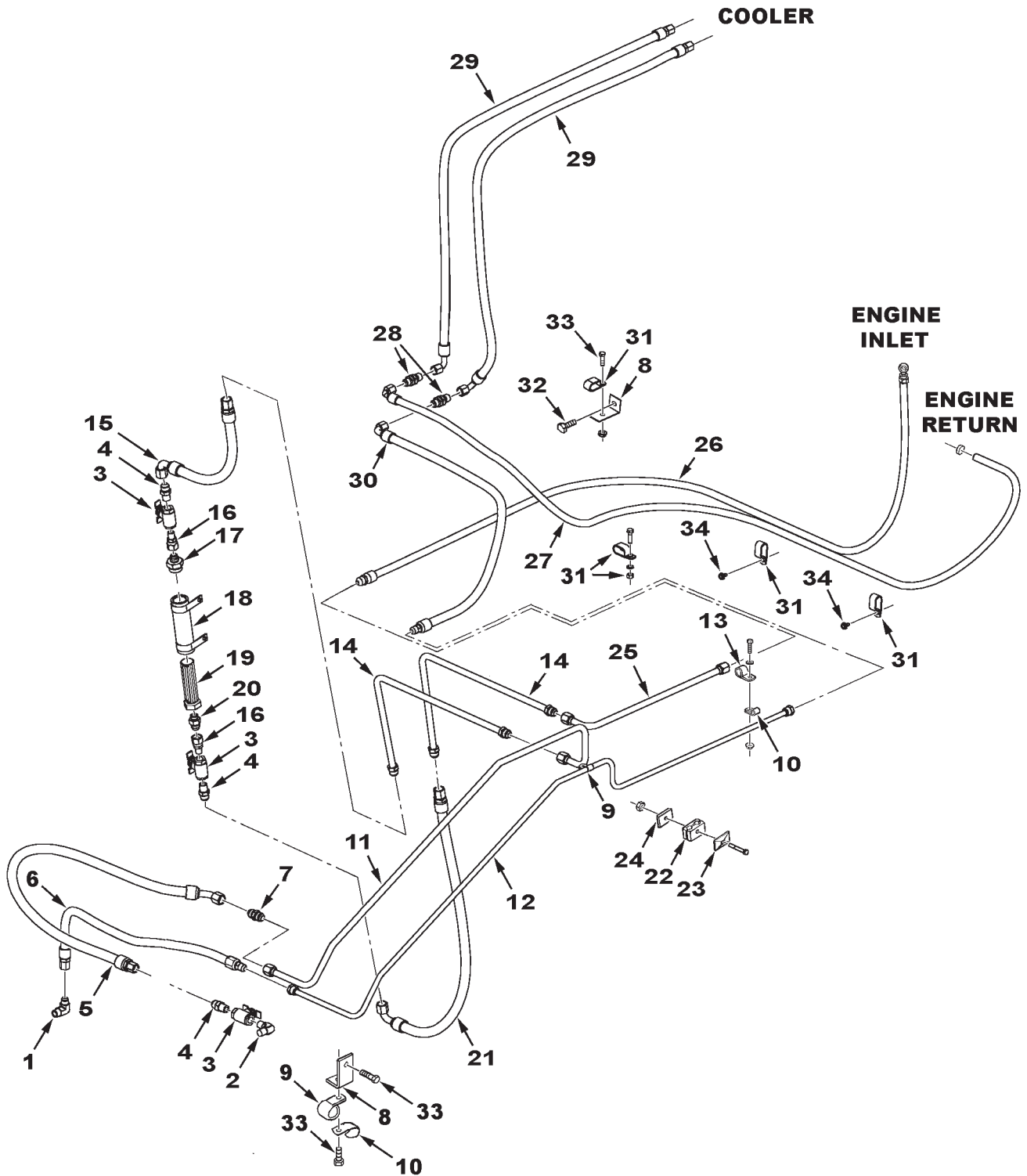
FUEL LINES  
(STRAINER MOUNT AT FUEL TANK)

ITEM	NUMBER	QTY	DESCRIPTION
21	71388072	1	HOSE ASY, 1/2 X 88" (PRIOR S/N HR87101)
	71406623	1	HOSE ASY, 3/8 X 95" (EFF. S/N HR87101)
	70929402	1	CLAMP, WORM DR. .22-.63 GRIP
22	70936473	4	CLAMP, 7/8 DBL X .406 HOLE (PRIOR S/N HR87101)
	70928148	4	CLAMP, 3/4 DBL X .406 (EFF. S/N HR87101)
23	71388073	2	HOSE ASY, 1/2 X 69"
	70937133	4	TIE, NYLON SELF-LOCK, .30 X 14.5
24	70927261	2	UNION, BULKHEAD, 3/4-16 JIC
25	71393847	1	HOSE ASY, 1/2 X 40"
26	112678W1	1	ANGLE, SUPPORT
	Y705608	1	WASHER, 5/16, NARR.
	70921332	1	CAPSCREW, 5/16-18 X 3/4 GR5
27	70931822	2	SCREW, HEX WSHR HD TAPPG, 5/16-12 X 3/4
28	70920415	1	CAPSCREW, 3/8-16 X 1-1/4
	70916965	1	LOCKWASHER, 3/8 REG
	70916950	1	NUT, 3/8 REG
29	70921210	1	CAPSCREW, 3/8-16 X 1" GR5
	Y704734	1	NUT, HEX FLANGE TOP LOCK, 3/8-16

MC00304  
PR: 44

FUEL LINES

(EFF. S/N HR87- STRAINER MOUNT ON ELEV.)



**9690 COMBINE  
ENGINE**

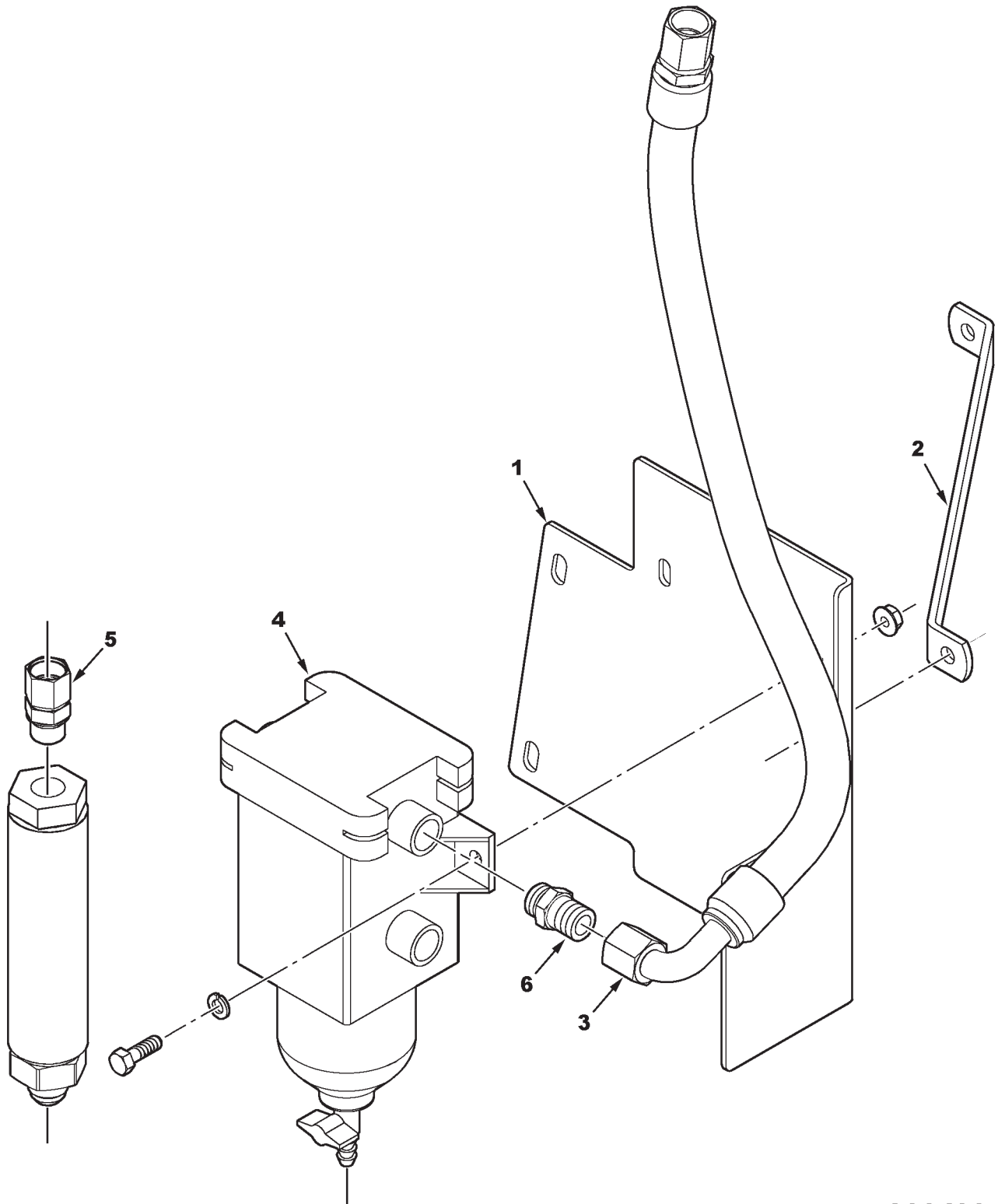
131

**FUEL LINES  
(EFF. S/N HR87- STRAINER MOUNT ON ELEV.)**

ITEM	NUMBER	QTY	DESCRIPTION
1	70919195	1	ELBOW, 90 DEG, 1/2 NPT X 3/4-16 JIC
2	700701331	1	ELBOW, 90 DEG, 1/2 NPT X 1/2 NPT MALE
3	71368741	1	VALVE, BALL, 1/2 NPT
4	70919472	1	STR CONN, MALE, 1/2 NPT X 7/8-14 JIC
5	71396260	1	HOSE ASY, FUEL SUPPLY, 5/8 X 41"
	70937133	2	TIE, NYLON SELF-LOCK, .30 X 14.5
6	71396269	1	HOSE ASY, FUEL RETURN, 1/2 X 32"
7	70921368	1	UNION, MALE, 7/8-14 JIC
8	112678W1	2	ANGLE, SUPPORT
9	70928656	2	CLAMP, LINE, 5/8 ID X .406 HOLE
	70921977	1	CAPSCREW, 5/16-18 X 1-1/4 GR5
	Y705608	1	WASHER, 5/16, NARR.
	Y704726	1	NUT, HEX FLANGE TOP LOCK, 5/16-18
10	70925617	3	CLAMP, 1/2 ID X .406 HOLE
11	71405985	1	TUBE ASY, FUEL SUPPLY
12	71391234	1	TUBE ASY, FUEL RETURN
13	70926049	1	CLAMP, 3/4 ID X .406 HOLE
	318618P	1	SPACER, 1/2 OD X .50 LG
	70921977	1	CAPSCREW, 5/16-18 X 1-1/4 GR5
	Y705608	1	WASHER, 5/16, NARR.
	Y704726	1	NUT, HEX FLANGE TOP LOCK, 5/16-18
14	71405987	2	TUBE ASY, FUEL SUPPLY
15	71412267	1	HOSE ASY, FUEL SUPPLY, 5/8 ID
16	70937498	2	ADAPTER, SWIVEL, 1/2 NPTF X 7/8-14 JIC
17	70924022	1	STR CONN, 7/8-14 JIC X 1-5/16-12 ORB
	70921214	1	O-RING, .116 X 1.171 ID
18	71386139	1	BODY, STRAINER
19	71386140	1	STRAINER, FUEL
	70921214	1	O-RING, .116 X 1.171 ID
20	8746430	1	STR CONN, 7/8-14 JIC X 3/4-16 ORB
	70921349	1	O-RING, .087 X .644 ID
21	71412266	1	HOSE ASY, FUEL SUPPLY, 5/8 ID
22	148203M1	1	CLAMP PAIR, DOUBLE, 5/8 DIA
23	101646M1	1	COVER PLATE, CLAMP
24	71404450	1	SPACER PLATE
	70921160	1	CAPSCREW, 5/16-18 X 2-1/4 GR5
	Y704726	1	NUT, HEX FLANGE TOP LOCK, 5/16-18
25	71405984	1	TUBE ASY, FUEL SUPPLY
26	71406624	1	HOSE ASY, FUEL SUPPLY, 3/8 ID X 88"
	70929402	1	CLAMP, WORM DRIVE, .22-.63 DIA
27	71406623	1	HOSE ASY, FUEL RETURN, 3/8 ID X 95"
	70929402	1	CLAMP, WORM DRIVE, .22-.63 DIA
28	70927261	2	UNION, BULKHEAD, 3/4-16 JIC
29	71388073	2	HOSE ASY, FUEL COOLER, 1/2 X 69"
	70937133	4	TIE, NYLON SELF-LOCK, .30 X 14.5
30	71393847	1	HOSE ASY, FUEL RETURN, 1/2 X 40"
31	70928148	4	CLAMP, DOUBLE LINE, 3/4 DIA X .406 HOLE
	70920415	1	CAPSCREW, 3/8-16 X 1-1/4 GR5
	70916965	1	LOCKWASHER, 3/8 REG
	70916950	1	NUT, 3/8 REG
32	70921332	1	CAPSCREW, 5/16-18 X 3/4 GR5
	Y705608	1	WASHER, 5/16, NARR.
33	70921210	1	CAPSCREW, 3/8-16 X 1" GR5
	Y704734	1	NUT, HEX FLANGE TOP LOCK, 3/8-16
34	70931822	2	SCREW, HEX WSHR HD TAPPG, 5/16-12 X 3/4

MC00437  
PR: t06d18i14c0002

**FUEL FILTER OPTION**  
(EFF. S/N HR87- STRAINER MOUNT ON ELEV.)



9690 COMBINE  
ENGINE

133

FUEL FILTER OPTION  
(EFF. S/N HR87- STRAINER MOUNT ON ELEV.)

ITEM	NUMBER	QTY	DESCRIPTION
-	71411664	AR	KIT, FUEL FILTER (INCL. FOLLOWING) (ORDER THRU DEALER CENTRAL)
1	71410646	1	SUPPORT BRKT, FUEL FILTER
2	71406619	1	BRACE STRAP, FUEL FILTER
	70921210	2	CAPSCREW, 3/8-16 X 1 GR5
	Y704734	2	NUT, HEX FLANGE TOP LOCK, 3/8-16
3	71410648	2	HOSE ASY, 5/8 ID X 26.8 LG
4	71410649	1	FILTER ASY, FUEL (INCL. FOLLOWING SERVICE ITEMS)
	71412027	1	FILTER ELEMENT
	71412030	1	CLEAR BOWL
	71412029	1	GASKET, BOWL
	71412031	1	LID
	71412028	1	GASKET, LID
	70921333	2	CAPSCREW, 5/16-18 X 1 GR5
	Y704726	2	NUT, HEX FLANGE TOP LOCK, 5/16-18
	70917642	2	WASHER, 5/16, WIDE
5	700713219	1	ADAPTER, SWIVEL 3/4-16 FEM JIC X MALE ORB
	70921349	1	O-RING, .087 X .644 ID
6	70933454	2	CONNECTOR, STR, 1/2 NPTF X 3/4-16 ORB
	70921349	1	O-RING, .087 X .644 ID

MC00438  
PR: t06d18i14c0003

FUEL FILTER & LINES KIT  
(EAST EUROPE)(PRIOR MID-PRODN S/N HR87-)

**ILLUSTRATION NOT  
AVAILABLE**

XXXXXXXX



9690 COMBINE  
ENGINE

135

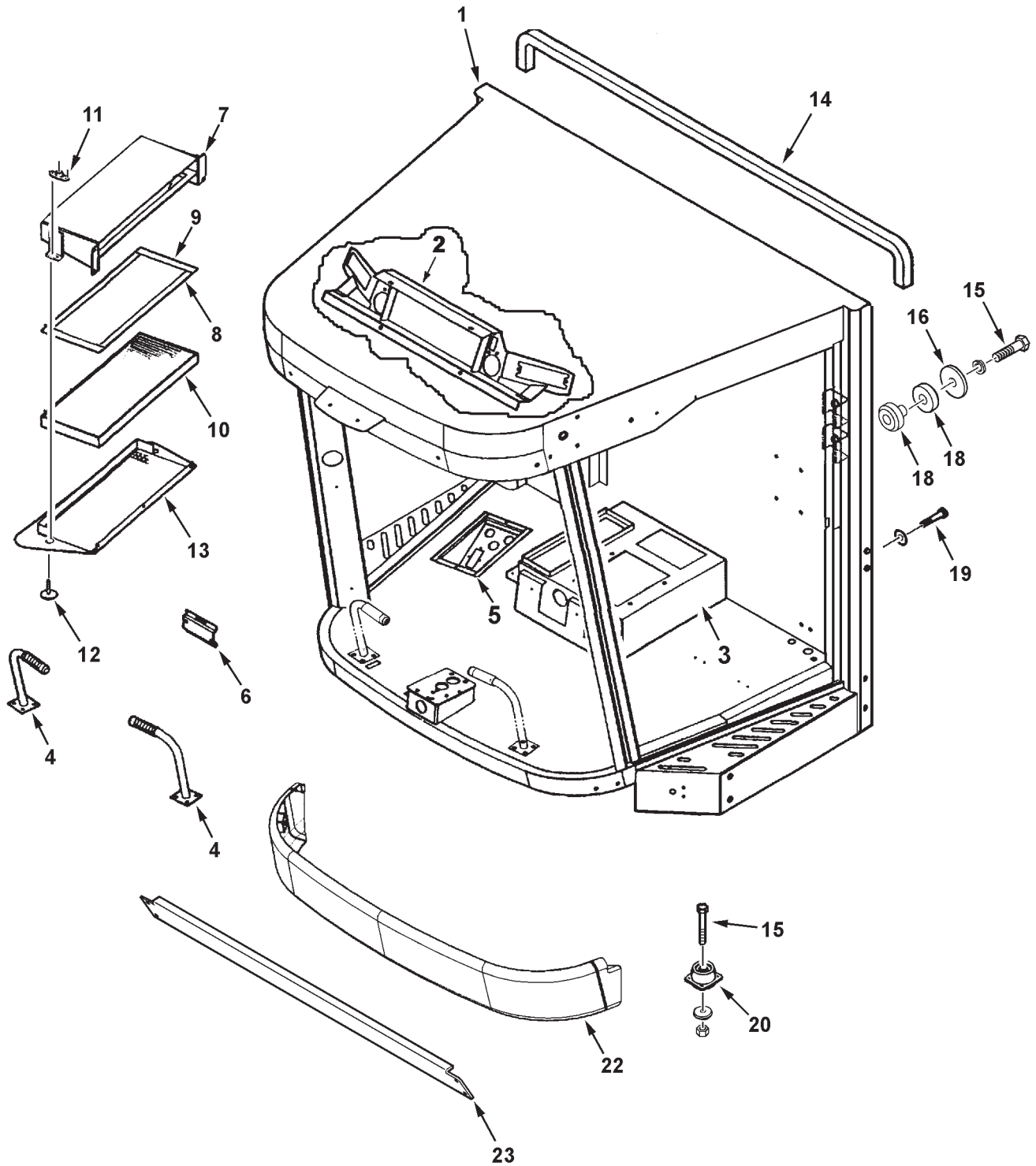
FUEL FILTER & LINES KIT  
(EAST EUROPE)(PRIOR MID-PRODN S/N HR87-)

ITEM	NUMBER	QTY	DESCRIPTION
-	71408197	AR	KIT, FUEL FILTER (INCL. FOLLOWING) (ORDER THRU DEALER CENTRAL)
1	71410649	1	FILTER ASY, FUEL (INCL. FOLLOWING SERVICE ITEMS)
	71412027	1	FILTER ELEMENT
	71412030	1	CLEAR BOWL
	71412029	1	GASKET, BOWL
	71412031	1	LID
	71412028	1	GASKET, LID
2	71410646	1	SUPPORT BRKT, FUEL FILTER
3	71406619	1	BRACE STRAP, FUEL FILTER
4	71368741	1	VALVE, BALL, 1/2 NPT
5	71405984	1	TUBE ASY, FUEL SUPPLY
6	71405985	1	TUBE ASY, FUEL SUPPLY
7	71405987	1	TUBE ASY, FUEL SUPPLY
8	71410648	2	HOSE ASY, 5/8 ID X 26.8 LG
10	71404450	1	SPACER PLATE
11	70933454	2	CONNECTOR, STR, 1/2 NPTF X 3/4-16 ORB
12	70919472	2	CONNECTOR, STR, 1/2 NPTF X 7/8-14 JIC
13	148203M1	1	CLAMP PAIR, DOUBLE, 5/8 DIA
14	101646M1	1	COVER PLATE, CLAMP
15	70921160	1	CAPSCREW, 5/16-18 X 2-1/4 GR5
16	70921333	2	CAPSCREW, 5/16-18 X 1 GR5
17	Y704726	3	NUT, HEX FLANGE TOP LOCK, 5/16-18
18	70917642	2	WASHER, 5/16, WIDE
19	70921210	2	CAPSCREW, 3/8-16 X 1 GR5
20	Y704734	2	NUT, HEX FLANGE TOP LOCK, 3/8-16

REFER TO INSTALLATION INSTRUCTIONS  
NO. 71410650 FOR PICTORIAL VIEWS.

XXXXXXX  
PR: t05109j44b0025

FRAME & MOUNTING



9690 COMBINE  
CAB

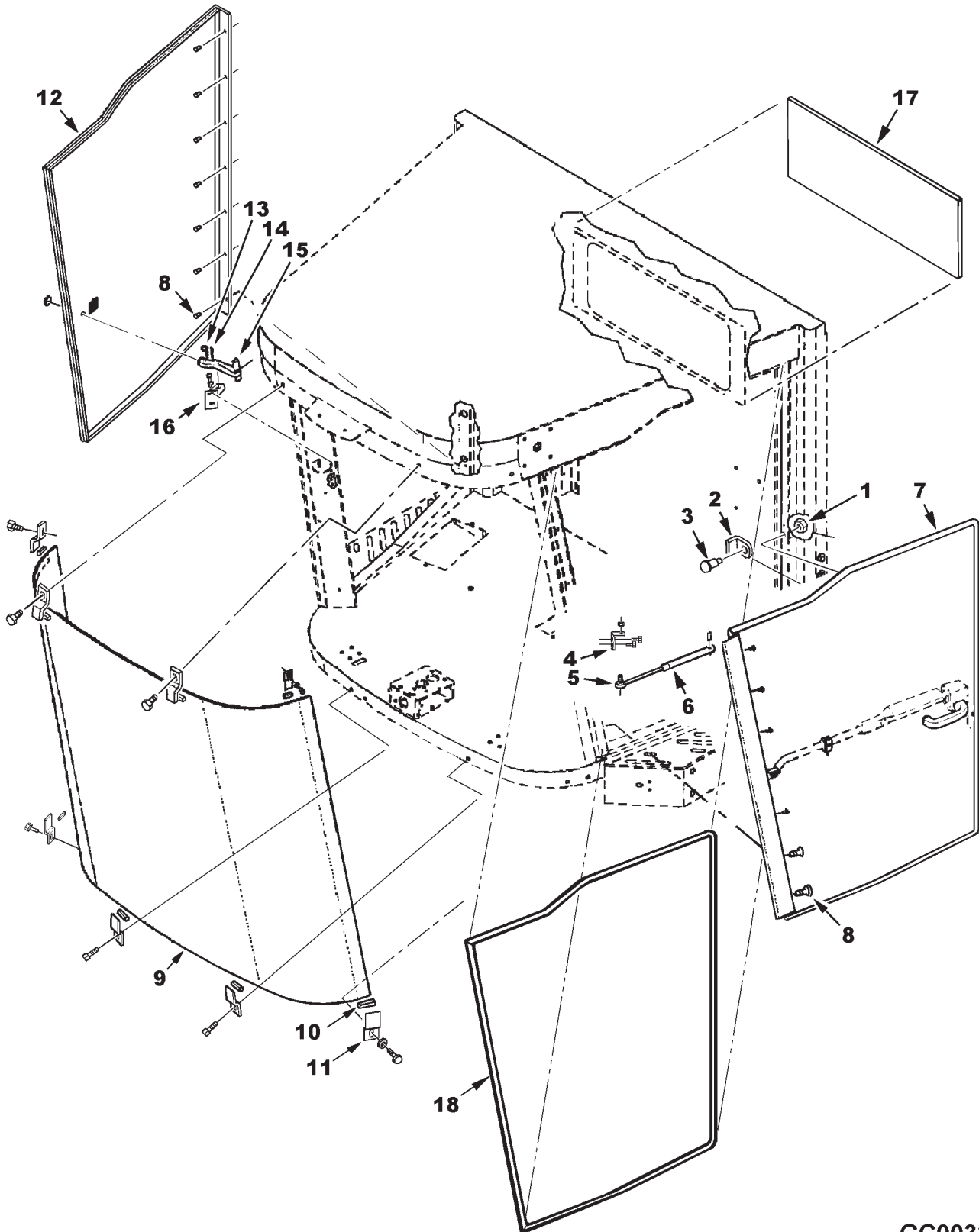
137

FRAME & MOUNTING

ITEM	NUMBER	QTY	DESCRIPTION
1	71387152	1	CAB WELDMT (PRIOR S/N HM87101, MID-YEAR)
	-----	1	CAB WELDMT (EFF. S/N HM87101, MID-YEAR) (SERVICE W/ 71406753)
	71406753	1	CAB WELDMT (EFF. S/N HP87101)
	700718515	AR	INSERT, THREADED 5/16-18
	700725632	AR	INSERT, THREADED 3/8-16
	700725634	AR	INSERT, THREADED 3/8-16
	700725633	AR	INSERT, THREADED 1/4-20
	71391713	AR	INSERT, THREADED #8-32
2	71388167	1	SUPPORT WLDMT, E.I.P.
	Y703132	4	CAPSCREW, 5/16-18 X 3/4
	700718515	4	INSERT, THREADED 5/16-18
	700725633	8	INSERT, THREADED 1/4-20
3	71388189	1	BASE, SEAT (PRIOR S/N HM87101, MID-YEAR)
4	71387185	1	FOOTREST, RH
	71387186	1	FOOTREST, LH
	71396276	2	GRIP, FOOTREST
	70920415	8	CAPSCREW, 3/8-16 X 1-1/4
	700725632	8	INSERT, THREADED 3/8-16
5	71391726	1	BOX, ELECTRICAL BLKHD (PRIOR S/N HM87101 MID-YEAR)
6	71394525	1	MOUNT, FUSE BLOCK
	7703457	4	CAPSCREW, 1/4-20 X 3/4
	705707	2	WASHER, 1/4
	700725633	5	INSERT, THREADED 1/4-20
7	71393307	1	SUPPORT WLDMT, FILTER
	Y703132	4	CAPSCREW, 5/16-18 X 3/4
	700718515	4	INSERT, THREADED 5/16-18
8	71362390	2	SEAL, FILTER (LONG)
9	71362391	2	SEAL, FILTER (SHORT)
10	71393893	1	ELEMENT, AIR FILTER
11	700714529	2	RECEPTACLE
	772426	4	SCREW, HEX WSHR HD, #10-24 X 5/8
	705004	4	LOCKWASHER, #10
	Y704072	4	HEX NUT, #10-24
12	700714528	2	LATCH, 90 DEG TURN
13	71400635	1	DOOR WLDMT, FILTER
	706432	3	SCREW, PAN HEAD MACH, 5/16-18 X 1
14	71398171	1	SEAL, CAB
15	70925704	4	CAPSCREW, 5/8-11 X 4-1/2 GR5
	70917373	4	LOCKWASHER, 5/8
16	70927122	2	WASHER, .781 X 2.50 X .25
18	71342768	2	ISOLATOR MOUNT, CAB
19	70922664	2	CAPSCREW, 5/8-11 X 2 GR5
	705632	2	WASHER, 5/8 NARROW
20	71401533	2	MOUNT, CAB
	70932665	2	NUT, 5/8-11 REG
	703249	8	CAPSCREW, 3/8-16 X 1.0
	705038	8	LOCKWASHER, 3/8
	70916950	8	HEX NUT, 3/8-16
22	71387292	1	VALANCE ASY.
	7771371	4	SCREW, HEX FLNG SERR 5/16-18 X 1-1/4
	6131916	4	BUSHING, 3/4 OD X .55 LG
	700718515	4	INSERT, THREADED, 5/16-18
23	71395275	1	CROSS BRACE, CAB SUPPORT
	68619	4	BOLT, RD HD SQ NK, 1/2-13 X 1-1/4
	Y704742	4	NUT, HEX FLNG, TOP LOCK, 1/2-13
-	700704010	AR	SILICONE SEALANT, BLACK, 10.2 OZ.

MC00280  
PR: 46

WINDOWS AND DOORS



**9690 COMBINE  
CAB**

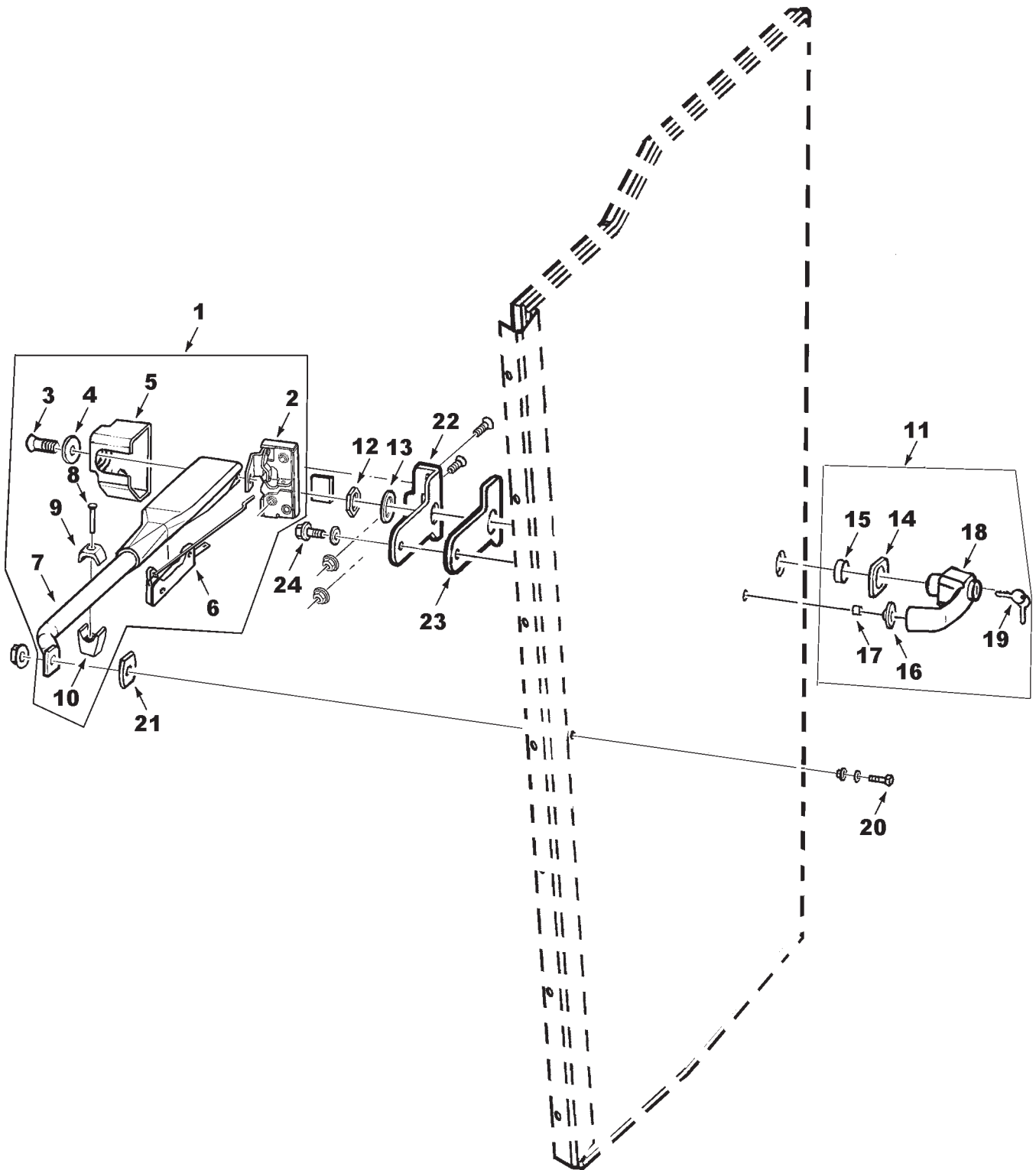
139

**WINDOWS AND DOORS**

ITEM	NUMBER	QTY	DESCRIPTION
1	71394502	1	NUT, STRIKER
2	71394503	1	GUARD, STRIKER
3	71394501	1	STRIKER, BOLT
4	71394523	1	BRACKET, GAS SPRING
	70937660	2	SCREW, PAN HD TAPPING, 1/4-20 X 5/8
5	71339847	1	STUD, BALL
	Y704726	1	NUT, HEX FLANGE TOP LOCK, 5/16-18
6	700715277	1	SPRING, GAS
	700715278	2	RETAINER, CLIP
7	71391897	1	GLASS DOOR ASY. LH (INCL. HANDLES)
	71393885	1	GLASS, GASKET & HINGE ASY, LH DOOR
	71391899	1	GASKET, DOOR LH
8	70937660	14	SCREW, PAN HD, TAPTITE, 1/4-20 X 5/8
9	71391851	1	WINDSHIELD
	71370508	AR	PRIMER, GLASS ADHESIVE
	72506489	AR	ADHESIVE, GLASS
10	700715285	8	PAD, RUBBER
11	71387195	8	CLIP, WINDSHIELD
	70921332	8	CAPSCREW, 5/16-18 X 3/4
	70917642	8	WASHER, 5/16
12	71407657	1	GLASS DOOR & HINGE ASY. (INCL. DECAL)
	71391899	1	GASKET, DOOR RH
	71389158	1	DECAL, EMERGENCY EXIT
13	70934892	1	PIN, CLEVIS GRAB
14	70921291	1	PIN, SPRING, 3/16 X 5/8
15	71364349	1	LATCH, WINDOW, W/O PIN
	700718245	2	O-RING, .094 X .50 ID. NITRILE
16	71407659	1	BRACKET WLMT, LATCH
	70937660	2	SCREW, PAN HD, TAPTITE, 1/4-20 X 5/8
17	71387266	1	GLASS, REAR WINDOW
18	71401715	1	SEAL, FOAM RUBBER, DOOR FRAME

GC00322  
PR: 48

LH DOOR  
INTERIOR & EXTERIOR HANDLES



9690 COMBINE  
CAB

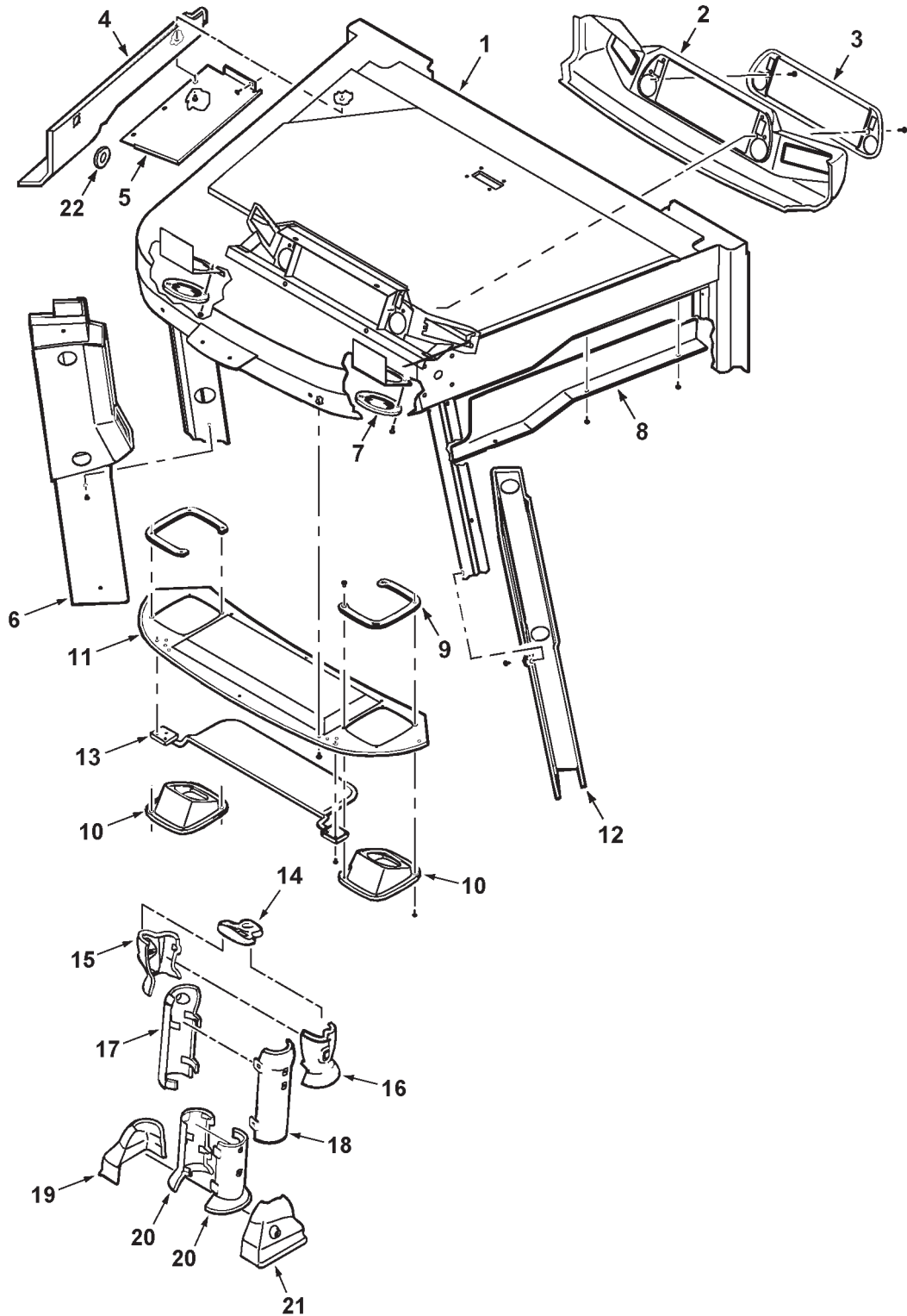
141

LH DOOR  
INTERIOR & EXTERIOR HANDLES

ITEM	NUMBER	QTY	DESCRIPTION
1	71393881	1	DOOR HANDLE ASY, INNER (INCL ITEMS 2-10)
2	71393879	1	LATCH, DOOR, DOUBLE ROTOR
3	71394791	1	SCREW, INNER DOOR HANDLE
4	705012	1	WASHER, LOCK 1/4
5	71393878	1	COVER, INNER HANDLE
6	71394792	1	HANDLE, INNER RELEASE
7	-----	1	TUBE ASY, ARMREST (ORDER ITEM 1)
8	71393888	1	SCREW, HEX SOCKET, FLAT HD, M6 X 40
9	71393887	1	MOUNT, GAS SPRING UPPER
10	71393886	1	MOUNT, GAS SPRING LOWER
11	71393876	1	DOOR HANDLE ASY, EXT (INCL ITEMS 12-19)
12	71393469	1	NUT, EXTERIOR HANDLE
13	71393470	1	WASHER, EXT. HANDLE
14	71393471	1	GASKET, EXT. HANDLE (LARGE)
15	71393473	1	BUSHING
16	71393472	1	GASKET, EXT. HANDLE (SMALL)
17	71393468	1	BUSHING
18	71393475	1	HANDLE, EXTERIOR
19	71393474	AR	KEY, DOOR
20	372536X1	1	SCREW, MACH. HEX WSHR HD, 1/4-20 X 1.0
	705707	2	WASHER, 1/4
	72161999	1	SPACER
	1703354	1	NUT, HEX FLANGE TOP LOCK, 1/4-20
21	71393883	1	GASKET
22	71391518	1	BRACKET, DOOR LATCH
	Y772129	2	SCR, HEX SKT FLT HD, 5/16-18 X 1-3/4
	70931277	2	NUT, HEX FLANGE, SERRATED, 5/16-18
23	71391519	1	GASKET
24	339666X1	1	CAPSCREW, M6-1 X 16
	705707	1	WASHER, 1/4

GC00323  
PR: 50

INTERIOR COVERINGS & TRIM  
UPPER AND FRONT





**9690 COMBINE  
CAB**

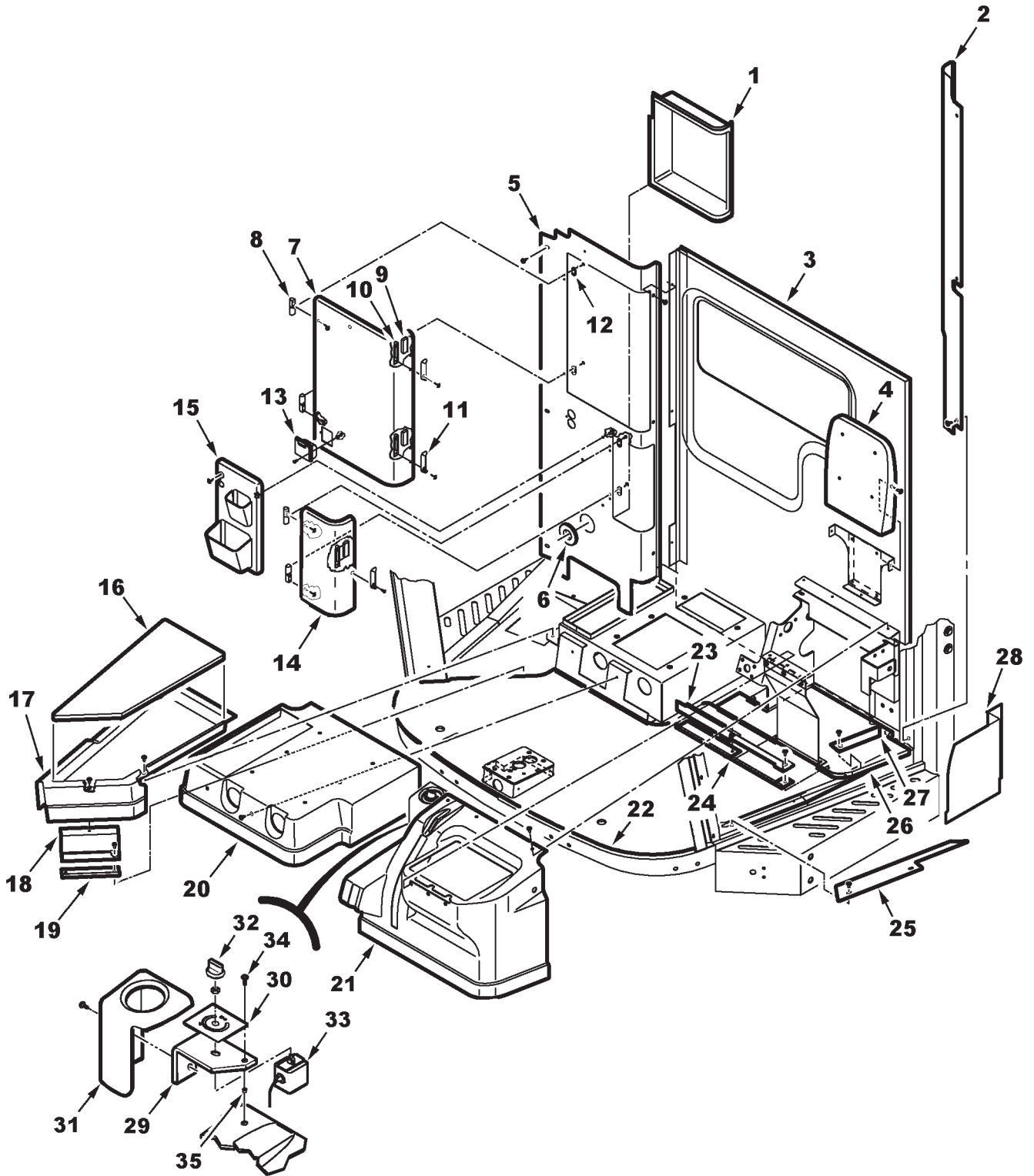
143

**INTERIOR COVERINGS & TRIM  
UPPER AND FRONT**

ITEM	NUMBER	QTY	DESCRIPTION
1	71391747	1	HEADLINER, REAR
2	71393601	1	SURROUND, ELECT. INSTRUMENT PANEL
3	71388136	1	BEZEL, ELECT. INSTRUMENT PANEL
	70937730	2	SCREW,PAN HD TAPPING, 1/4-20 X 1-1/4
4	71393605	1	TRIM, HEADER, RH (PRIOR S/N HR87101)
	71409583	1	TRIM, HEADER, RH (EFF. S/N HR87101)
	70937660	4	SCREW, PAN HD TAPPING, 1/4-20 X 5/8
	70927401	4	CAPSCREW, 1/4-20 X 1
	705012	4	LOCKWASHER, 1/4
	700709601	4	WASHER, 1/4 WIDE
5	71394878	1	PLATE, ACCESSORY MNT (PRIOR S/N HR87101)
	71410958	1	PLATE, ACCESSORY MOUNT (EFF S/N HR87101)
	70937660	4	SCREW, PAN HD TAPPING, 1/4-20 X 5/8
6	71398809	1	COVER, B-PILLER (RH)
	70937660	6	SCREW, PAN HD TAPPING, 1/4-20 X 5/8
7	71393940	2	GRILLE, SPEAKER
8	71393604	1	TRIM, HEADER (LH)
	70937660	3	SCREW, PAN HD TAPPING, 1/4-20 X 5/8
9	71395767	2	PLATE, SPEAKER HSG. RETAINER
	70937280	8	SCREW, PAN HD TAPPING, #8-32 X 3/4
10	71391158	2	HOUSING, SPEAKER TRIM
	70937280	8	SCREW, PAN HD TAPPING, #8-32 X 3/4
11	71391746	1	HEADLINER, FRONT
12	71398808	1	COVER, B-PILLER (LH)
	70937660	6	SCREW, PAN HD TAPPING, 1/4-20 X 5/8
13	71391172	1	SUNVISOR
	70936592	6	SCREW, PAN HD. TAPPING #10-16 X 3/4
14	71394514	1	COVER, TOP
	70937280	2	SCREW, PAN HD TAPPING, #8-32 X 3/4
15	71394515	1	COVER, UPPER (RH)
	71407653	2	SCREW, PAN HD. MACH., M5 X 16
	71393926	1	WELLNUT, #8-32
16	71394516	1	COVER, UPPER (LH)
	71407653	2	SCREW, PAN HD. MACH., M5 X 16
	71393926	1	WELLNUT, #8-32
17	71394517	1	COVER, LOWER (RH)
	71407653	2	SCREW, PAN HD. MACH., M5 X 16
18	71394518	1	COVER, LOWER (LH)
	71407653	2	SCREW, PAN HD. MACH., M5 X 16
19	71394521	1	COVER, BOTTOM (RH)
	70930611	2	SCREW, PAN HD. MACH. #10-24 X 3/8
20	71394519	2	COVER, MID
	71407653	4	SCREW, PAN HD. MACH., M5 X 16
21	71394522	1	COVER, BOTTOM (LH)
	70930611	2	SCREW, PAN HD. MACH. #10-24 X 3/8
22	71409584	1	GROMMET, 1 ID X 1.87 DIA PANEL HOLE (EFF. S/N HR87101)

GC00457  
PR: 52

INTERIOR COVERINGS & TRIM  
LOWER AND REAR



9690 COMBINE  
CAB

145

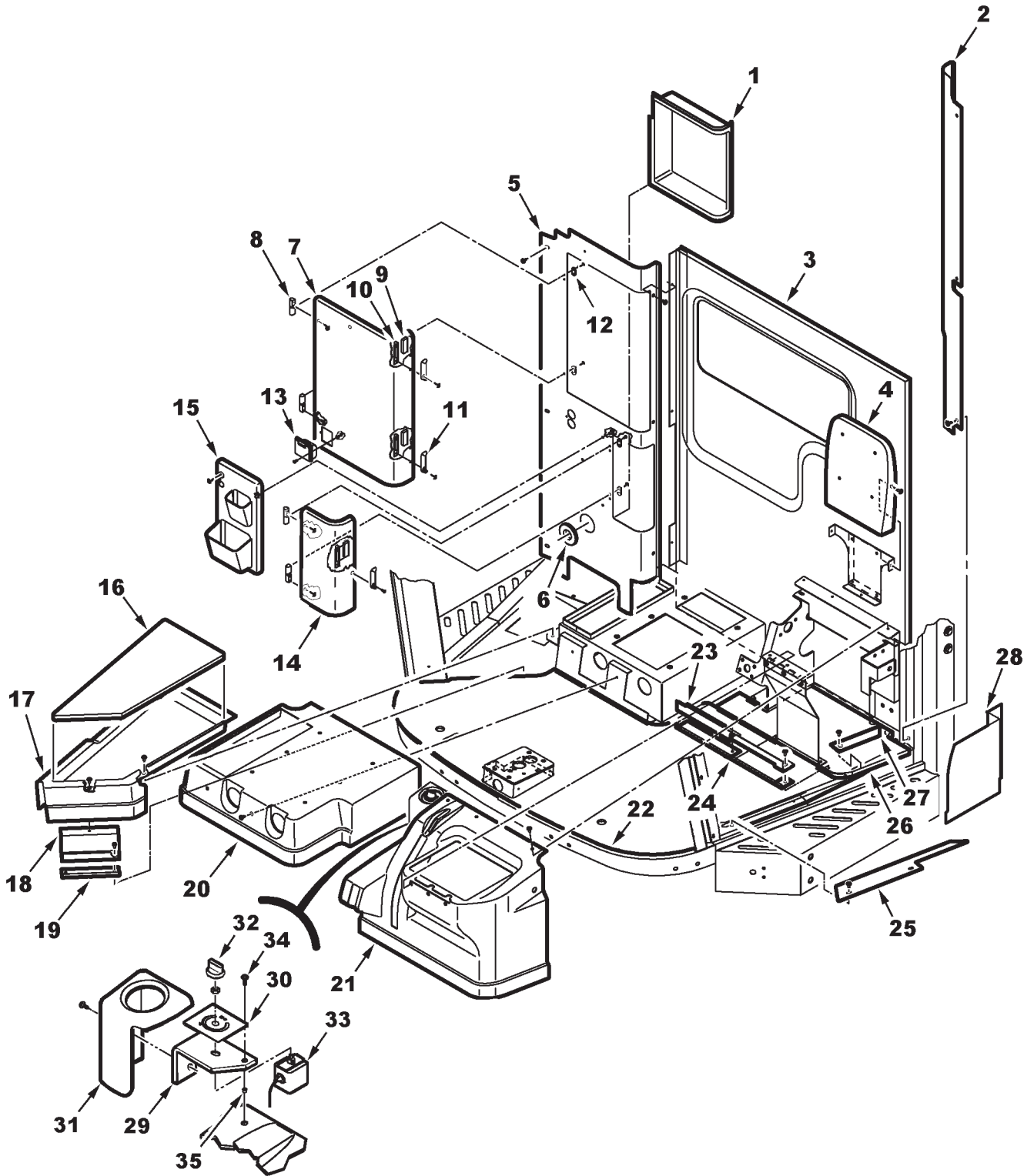
INTERIOR COVERINGS & TRIM  
LOWER AND REAR

ITEM	NUMBER	QTY	DESCRIPTION
1	71393941	1	BOX, MANUAL HOLDER
	71395769	AR	PRIMER, PLASTIC
	72506489	AR	ADHESIVE, URETHANE
2	71394877	1	PANEL, TRIM (LH)
	70937660	3	SCREW, SELF TAPPING 1/4-20 X 5/8
3	71391748	1	BACKLINER ASY.
	72506489	AR	ADHESIVE, URETHANE
4	71394893	1	SUPPORT, BACKREST
	70937660	3	SCREW, SELF TAPPING 1/4-20 X 5/8
5	71406877	1	PANEL, ELECT. CABINET
	70937660	3	SCREW, SELF TAPPING 1/4-20 X 5/8
6	71394884	1	GROMMET
7	71395768	1	DOOR ASY, FUSE PNL (SERVICED W/71400502 DOOR ASY,71400504 ASH TRAY & SCREWS)
	71400502	1	DOOR ASY, FUSE PNL (EFF. S/N HM87---)
	71395760	1	DECAL, FUSE LABEL (INSIDE OF DOOR) (PRIOR S/N HN87101)
	700723598	1	DECAL, FUSE LABEL (EFF. HN87101-HR87999)
	700730037	1	DECAL, FUSE LABEL (EFF. S/N HS87101)
8	71393944	4	HINGE ASY.
	70930611	8	SCREW, PAN HD. MACH. #10-24 X 3/8
	72505639	3	LATCH, MAGNETIC
10	71394879	3	PLATE, LATCH MOUNTING
11	71393947	3	PULL, CABINET DOOR
	70937263	6	SCREW, SELF TAPPING #10-16 X 1/2
12	71394885	4	SHIM
	70930611	8	SCREW, PAN HD. MACH. #10-24 X 3/8
13	72502796	1	ASH TRAY (PRIOR TO S/N HM87---)(USED W/ 71395768 DOOR ASY)
	700707619	2	SCREW, PAN HD. MACH. #6-32 X 1/2
	195441M1	2	LOCKWASHER, #6
	704551	2	HEXNUT, #6-32
	71400504	1	ASH TRAY (EFF S/N HM87---)(USED W/ 71400502 DOOR ASY, FUSE PNL)
	700710188	2	SCR, PAN HD MACH, #6-32 X 3/4
14	71393938	1	DOOR, MANUAL HOLDER
15	71395771	1	PANEL ASY.
	70937660	1	SCREW, SELF TAPPING 1/4-20 X 5/8
16	71408224	1	FLOORMAT, (RH)
17	71394892	1	COVER, FLOOR (RH)
	70937660	3	SCREW, SELF TAPPING 1/4-20 X 5/8
18	71394899	1	SUPPORT
	70937660	2	SCREW, SELF TAPPING 1/4-20 X 5/8
19	71394900	1	GUIDE
20	71394891	1	SURROUND, OPERATORS SEAT
	70937660	2	SCREW, SELF TAPPING, 1/4-20 X 5/8
21	71394890	1	SURROUND, INSTRUCTORS SEAT (PRIOR S/N HS87101)
	700728472	1	SURROUND, INSTRUCTORS SEAT (EFF. S/N HS87101)
	70937660	3	SCREW, SELF TAPPING, 1/4-20 X 5/8
22	71408223	1	FLOORMAT, MAIN
	71410959	1	PROTECTOR SHEET, FLRMAT(EFF.S/N HR87101)

CONTINUED

GC00304  
PR: 54

INTERIOR COVERINGS & TRIM  
LOWER AND REAR



9690 COMBINE  
CAB

147

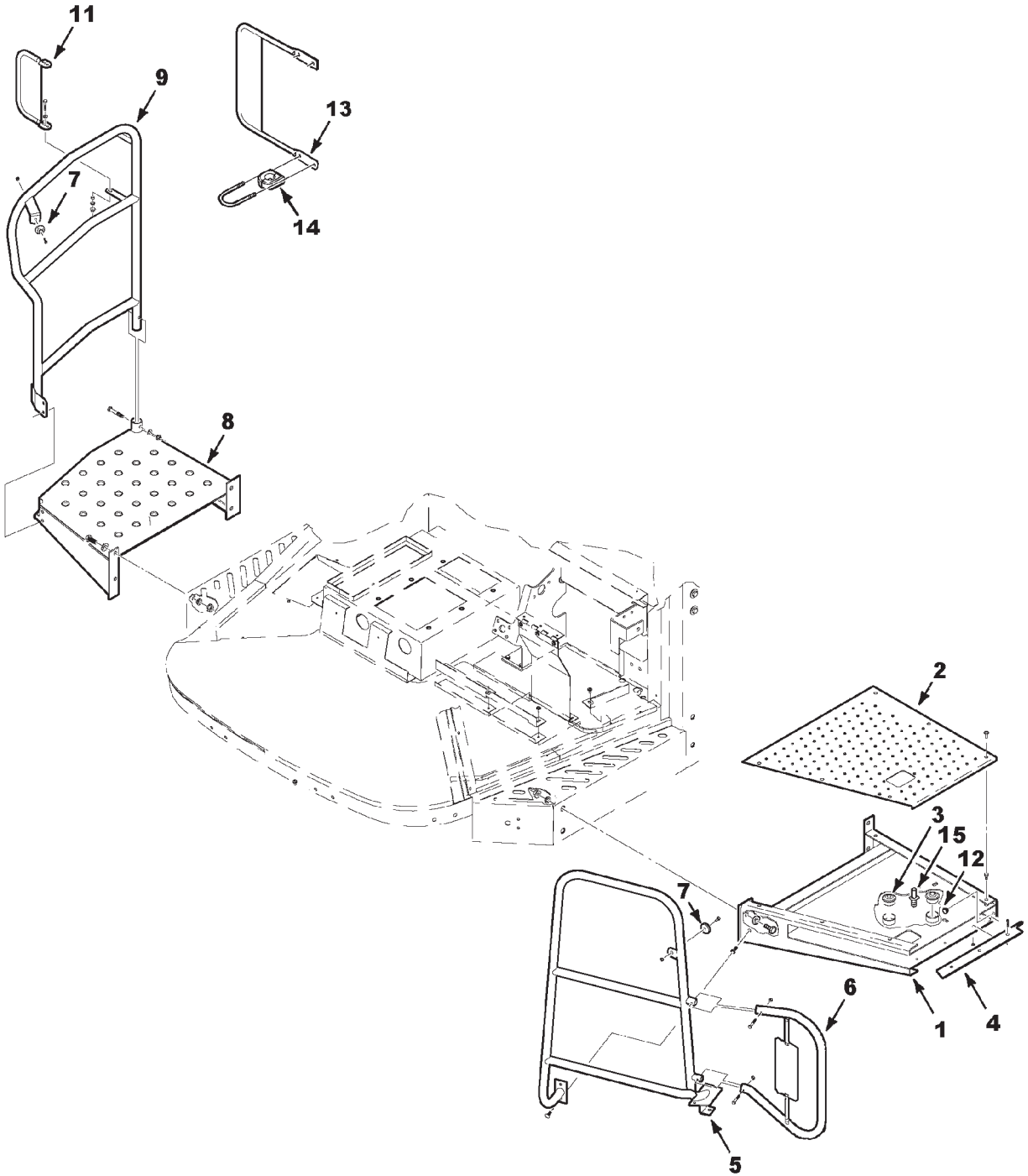
INTERIOR COVERINGS & TRIM  
LOWER AND REAR

ITEM	NUMBER	QTY	DESCRIPTION
23	71394898	1	SUPPORT, MAIN
	70937660	2	SCREW, SELF TAPPING, 1/4-20 X 5/8
24	71394897	1	GUIDE, FRONT
25	71395773	1	THRESHOLD
	70937660	2	SCREW, SELF TAPPING, 1/4-20 X 5/8
26	71408225	1	FLOORMAT, INSTRUCTORS SEAT
27	71394896	1	SUPPORT, LEFT
	70937660	2	SCREW, SELF TAPPING, 1/4-20 X 5/8
28	71397427	1	BAFFLE
	372728X1	2	SCREW, SELF-TAPPING, 3/8-16 X 5/8
29	700164650	1	* MOUNTING BRKT
30	700728631	1	* DECAL, THERMOSTAT
31	700728473	1	* COVER, THERMOSTAT
32	700728714	1	* CONTROL KNOB
33	700728711	1	* THERMOSTAT
34	7703457	1	* CAPSCREW, 1/4-20 X 3/4 GR5
35	700725633	1	* INSERT, THREADED, 1/4-20

\* ITEMS EFF. S/N HS87101

GC00304  
PR: 54

PLATFORM  
LEFT & RIGHT



GC00307

**9690 COMBINE  
CAB**

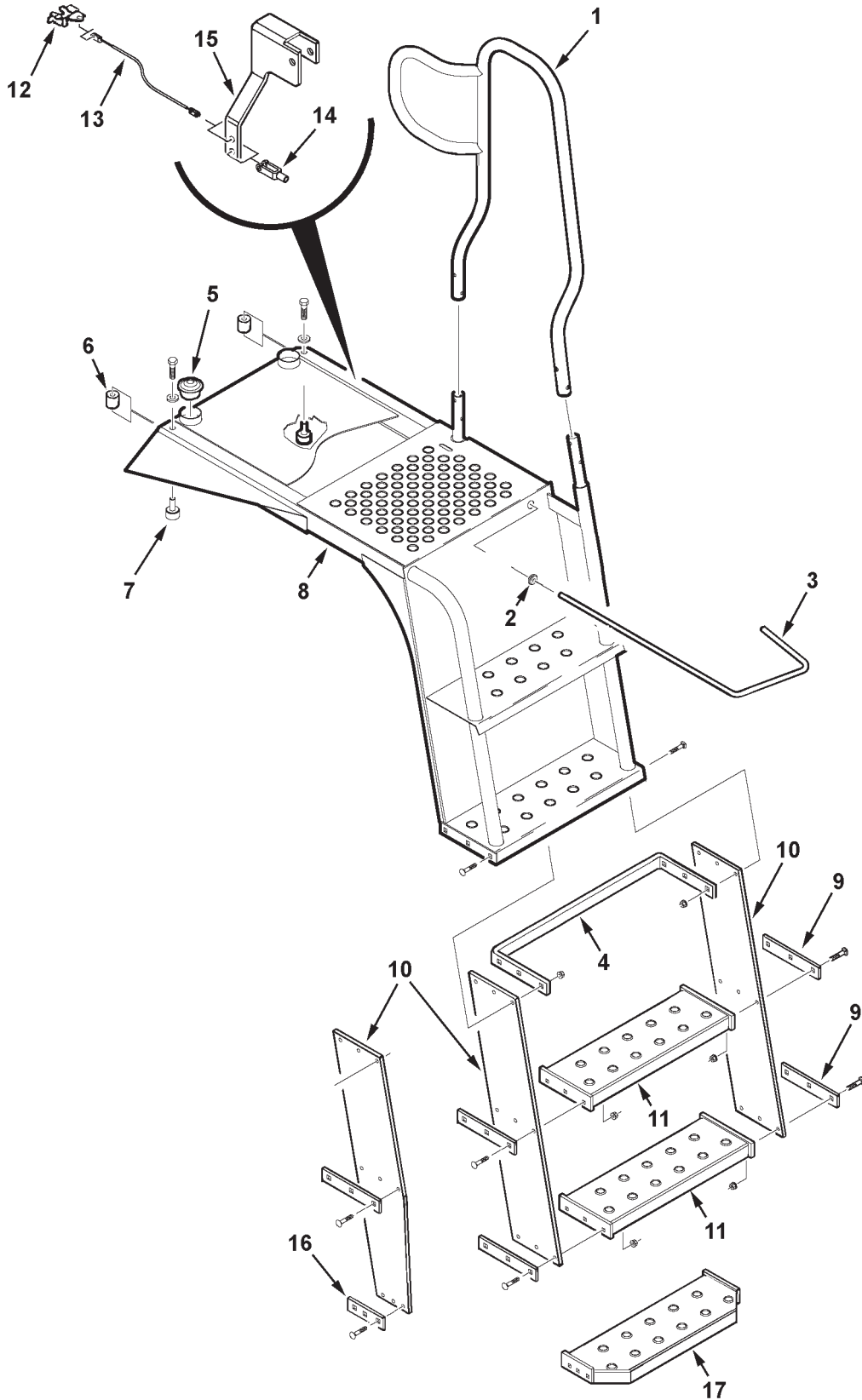
149

**PLATFORM  
LEFT & RIGHT**

ITEM	NUMBER	QTY	DESCRIPTION	
1	71399437	1	PLATFORM WLDMT, LH (PRIOR S/N HS87101)	
	71418093	1	PLATFORM WLDMT, LH (EFF. S/N HS87101) (REQUIRES 71418482 LATCH ASY)	
	70923112	4	CAPSCREW, 5/8-11 X 1-3/4 GR5	
	70917373	4	LOCKWASHER, 5/8	
	7704919	2	NUT, HEX FLANGE, 5/8-11 GR8	
	70921965	2	CAPSCREW, 3/8-16 X 3/4	
	2	71396682	1	PLATE, TOP DECK (PRIOR S/N HS87101)
		71407719	1	PLATE, TOP DECK (EFF. S/N HS87101)
		7772049	6	SCREW, HEX SERR FLANGE, 5/16-18 X 1
		700725958	6	INSERT, THREADED, 5/16-18
3	71396743	2	BALL, TRANSFER, 30MPC	
4	71396684	1	PLATE, WEAR (LOWER FRT.)	
	70918222	3	SCR, FLAT CSK HD MACH, 1/4-20 X 3/4	
	70931209	3	LOCKNUT, HEX SERR. FLANGE, 1/4-20	
5	71396283	1	HANDRAIL WLDMT, LH	
	7703424	3	SCREW, HEX SERR FLANGE, 3/8-16 X 1	
	700725634	3	INSERT, THREADED, 3/8-16	
6	71401700	1	GRABRAIL WLDMT, LH	
	70925960	2	SCREW, PAN HD MACH, 5/16-18 X 1-1/2	
	70931277	2	LOCKNUT, HEX SERR. FLANGE, 5/16-18	
7	700708648	2	BUMPER	
	700707203	2	SCREW, HEX WSHR HD MACH #12-24 X 3/4	
	373839X1	2	NUT, HEX CENTER LOCK, #12-24	
8	71396501	1	PLATFORM WLMT, RH (PRIOR S/N HS87101)	
	71407677	1	PLATFORM WLMT, RH (EFF. S/N HS87101)	
	70923112	4	CAPSCREW, 5/8-11 X 1-3/4 GR5	
	70917373	4	LOCKWASHER, 5/8	
9	7704919	2	NUT, HEX FLANGE, 5/8-11 GR8	
	71396510	1	HANDRAIL WLDMT, RH (PRIOR S/N HN87101)	
	71399442	1	HANDRAIL WLDMT, RH (EFF. S/N HN87101)	
	7771470	2	SCREW, HEX SERR FLNG, 3/8-16 X 1-1/4	
	700725634	2	INSERT, THREADED, 3/8-16	
	70922130	1	CAPSCREW, 3/8-16 X 2-1/4	
11	Y705533	1	WASHER, 3/8 HARD	
	Y704734	1	NUT, HEX FLNG TOP LOCK, 3/8-16	
	71396729	1	BRKT WLDMT, REFLECTOR(PRIOR S/N HN87101)	
103668W1	7701717	2	SPACER, PRESSURE PAD (PRIOR S/N HN87101)	
	Y705525	4	CAPSCREW, 5/16-18 X 1-1/2	
	Y704726	2	WASHER, 5/16	
12	71399446	1	NUT, HEX FLNG TOP LK, 5/16-18	
	70920161	1	BUMPER, RUBBER, 5/16-18 X 1 STUD	
13	71399444	1	NUT, HEX JAM, 5/16-18	
14	71399444	1	BRKT WLDMT, REFLECTOR (EFF. S/N HN87101)	
	71399445	2	U-CLAMP ASY, W/NUTS, 1/4-20 (EFF. S/N HN87101)	
15	71401707	2	STRIKER PIN (PRIOR S/N HS87101)	
	71418483	2	STRIKER PIN (EFF. S/N HS87101)	
	Y705525	2	WASHER, 5/16 HARD(PRIOR S/N HS87101)	
	70931277	2	NUT, SERR. FLANGE, 5/16-18	
	71394502	2	NUT, M12 X 1 (EFF. S/N HS87101)	

GC00307  
PR: 56

PIVOTING LADDER LH





9690 COMBINE  
CAB

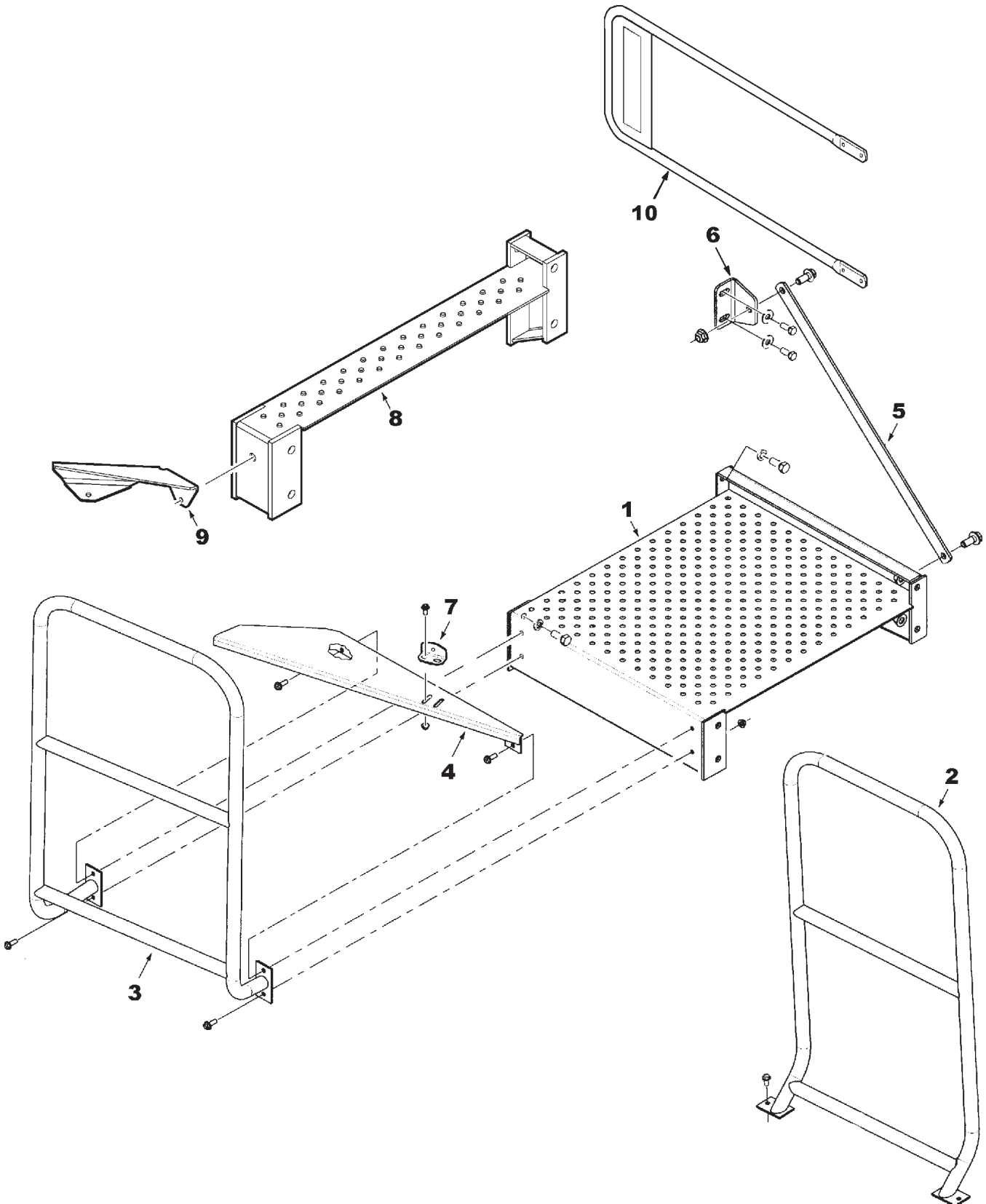
151

PIVOTING LADDER LH

ITEM	NUMBER	QTY	DESCRIPTION
1	71400628	1	TUBE WLDMT, GRAB
	7703838	1	CAPSCREW, 5/16-18 X 1-3/4
	6514772	1	SPACER
	7704117	1	NUT, HEX TOP LOCK, 5/16-18
	70925960	1	SCR,PHILLIPS PAN HD, 5/16-18 X 1-1/2
	Y705525	1	WASHER, 5/16 HARD
	70931277	1	NUT, HEX FLNG SERR, 5/16-18
2	70928304	1	GROMMET
3	71396745	1	ROD, OUTER LATCH
4	71397515	1	BRACKET, TREAD SUPPORT
5	71396743	2	BALL, TRANSFER, 30MPC
6	71396677	2	SPACER, THREADED
7	8050866	2	BEARING, CAM FOLLOWER
	873364	2	CAPSCREW, 1/2-20 X 3/4
	52167	2	BUSHING, 1/2 ID X 7/8 OD X 18 GA
8	71401710B	1	LADDER WA, PLATFORM (PRIOR S/N HS87101)
	71418481	1	LADDER WA, PLATFORM (EFF. S/N HS87101) (REQUIRES 71418482 LATCH ASY)
9	71362525	4	ANCHOR STRAP (QTY 2 S/N HN87101 THRU S/N HP87155, PROD'N MID-RUN)
10	71396735	2	PLATE, FLEXIBLE, PARALLEL SIDES
	71400641	2	PLATE,FLEXIBLE, TAPERED PROFILE (EFF.S/N HN87101 THRU HP87155 PROD'N MID-RUN)
	7700107	18	BOLT, RD HD SQ NK, 5/16-18 X 1-1/4
	70931277	18	LOCKNUT, HEX SERR. FLANGE, 5/16-18
11	71394472	2	TREAD WLDMT, STEP (QTY 1 S/N HN87101 THRU S/N HP87155, PROD'N MID-RUN)
12	71397510	1	LATCH ASY (PRIOR S/N HS87101)
	71418482	1	LATCH ASY (EFF. S/N HS87101)
	700718807	2	SCR,HX SCKT FLAT HD,SPL, 5/16-18 X 1
13	71397511	1	CABLE ASY, LATCH RELEASE
	7703457	3	CAPSCREW, 1/4-20 X 3/4
	1703354	2	NUT, HEX FLANGE TOP LOCK, 1/4-20
	705012	1	LOCKWASHER, 1/4
	353769X1	3	WASHER, HARDENED, 1/4
	70920438	2	NUT, HEX JAM, 5/16-24
14	766410	1	CLEVIS
	70927401	1	CAPSCREW, 1/4-20 X 1
	1703354	1	NUT, HEX FLANGE TOP LOCK, 1/4-20
15	71397255	1	PEDAL, FLOOR LATCH
	7703838	1	CAPSCREW, 5/16-18 X 1-3/4
	Y704726	1	NUT, HEX FLANGE TOP LOCK, 5/16-18
16	71400630	2	ANCHOR STRAP, BOTTOM (EFF. S/N HN87101 THRU S/N HP87155, PROD'N MID-RUN)
17	71400631	1	TREAD WLDMT, BOTTOM (EFF. S/N HN87101 THRU S/N HP87155, PROD'N MID-RUN)

MC00365  
PR: 58

DECK EXTENSION  
145" TREAD AND DUALS



**9690 COMBINE  
CAB**

153

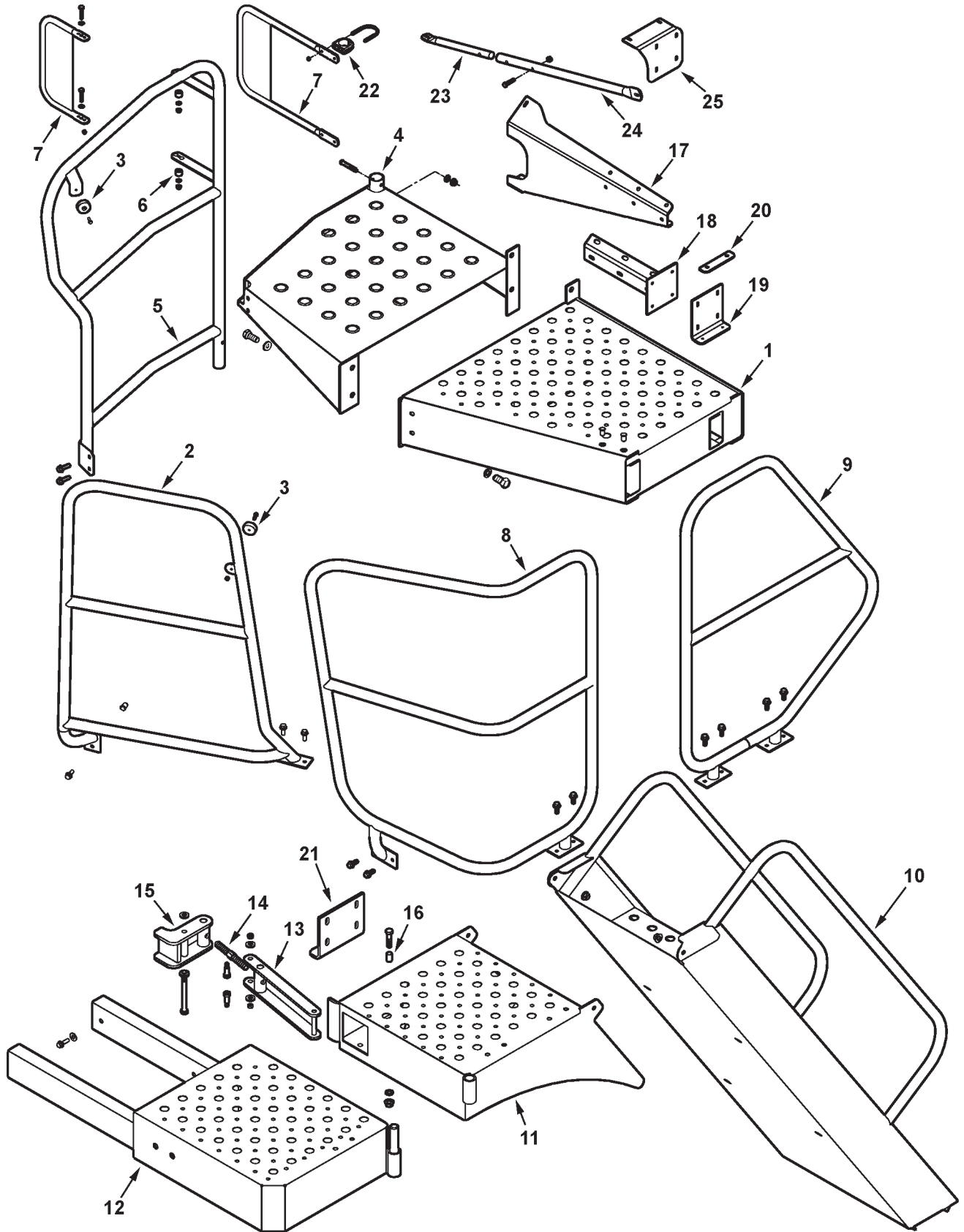
**DECK EXTENSION  
145" TREAD AND DUALS**

ITEM	NUMBER	QTY	DESCRIPTION
1	71397268	1	PLATFORM EXTN WLDMT, 145" TREAD
	71397526	1	PLATFORM EXTN WLDMT, DUALS
	70924744	4	CAPSCREW, 5/8-11 X 1-1/2 GR5
	70917373	4	LOCKWASHER, 5/8 REG
	7704919	4	NUT, HEX FLANGE GR8
2	71400645	1	HANDRAIL WLDMT, SIDE, 145" TREAD
	71400646	1	HANDRAIL WLDMT, SIDE, DUALS
	372729X1	2	SCR, HX WSHR HD TAP'G, 5/16-18 X 3/4
3	71397265	1	HANDRAIL WLDMT, 145" TREAD
	71397532	1	HANDRAIL WLDMT, DUALS
	Y704734	4	NUT, HEX FLNG TOP LK, 3/8-16
	7883382	4	SCREW, HEX WSHR HD MACH 3/8-16 X 1
4	71397272	1	FILLER WLDMT, EXTENSION, 145" TREAD
	71397536	1	FILLER WLDMT, EXTENSION, DUALS
5	71397271	1	STRAP, SUPPORT, 145" TREAD
	71397535	1	STRAP, SUPPORT, DUALS
	700703922	2	NUT, HEX FLNG TOP LK, 5/8-11
	700711262	2	CAPSCREW, HEX FLNG, 5/8-11 X 1-1/2
6	71397506	1	BRACKET, SUPPORT
7	71397538	1	ANGLE, DOOR STOP (DUALS)
	Y704726	2	NUT, HEX FLNG TOP LOCK, 5/16-18
	7883325	2	SCR, HEX WSHR HD MACH, 5/16-18 X 3/4
8	71400626	1	PLATFORM EXT'N WLDMT, 4"
	70923112	4	CAPSCREW, 5/8-11 X 1-3/4 GR5
	70917373	4	LOCKWASHER, 5/8 REG
	7704919	4	NUT, HEX FLANGE GR8
9	71399447	1	PLATE, FILLER, 4" EXT'N
	7883325	2	SCR, HEX WSHR HD MACH, 5/16-18 X 3/4
	Y704726	2	NUT, HEX FLNG TOP LOCK, 5/16-18
10	71401701	1	BRKT EXT WLDMT, RH, W/REFLECTOR DECALS
-	71399036	AR	*KIT, DECK EXTENSION (145" TREAD)
-	71399038	AR	*KIT, DECK EXTENSION (180" TREAD/DUALS)
-	71402014	AR	*KIT, 4" DECK EXTENSION

\*ORDER THRU DEALER CENTRAL

GC00320  
PR: 60

STAIRCASE LADDER & PLATFORM



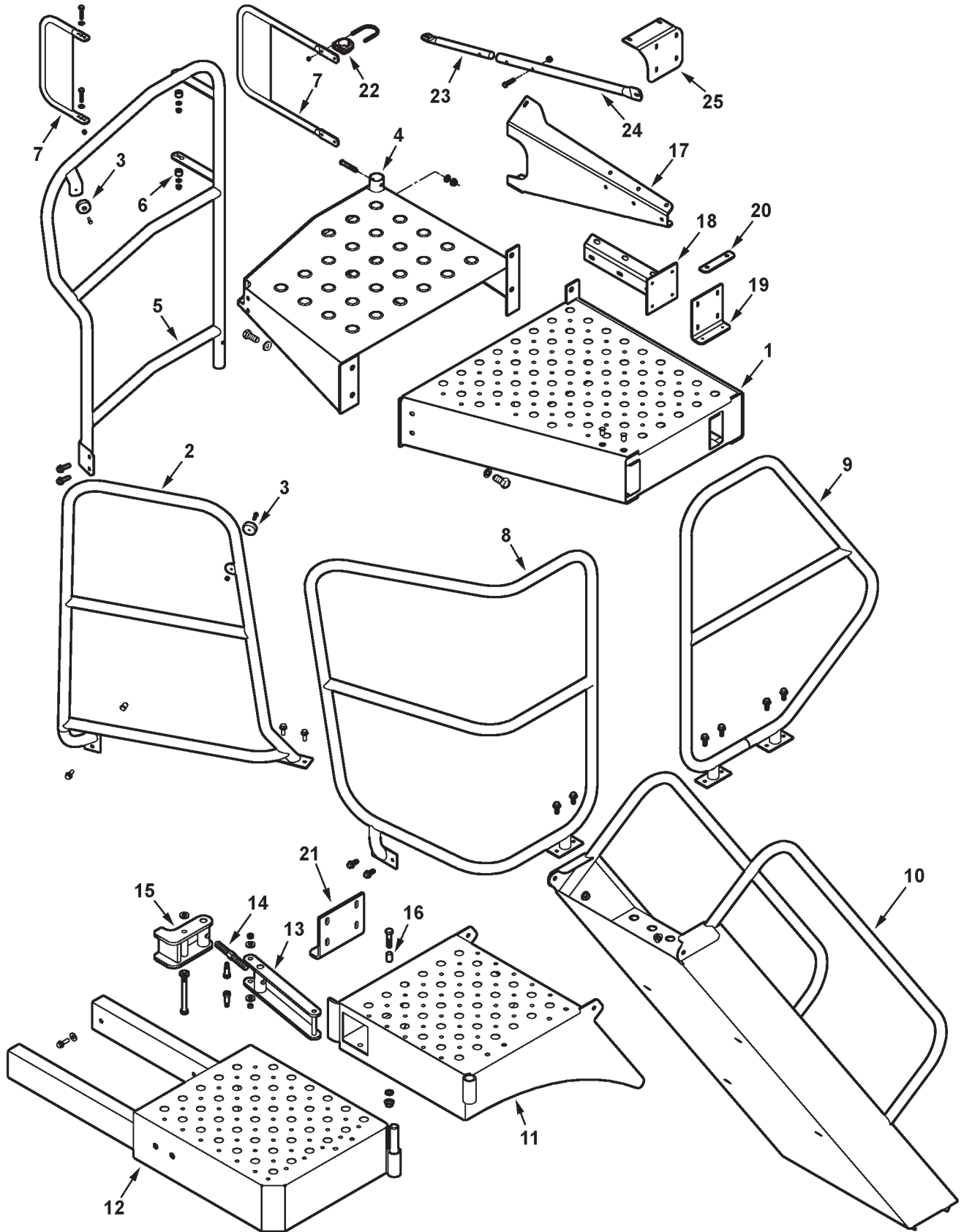
STAIRCASE LADDER & PLATFORM

ITEM	NUMBER	QTY	DESCRIPTION
1	71398429	1	PLATFORM, STAIRCASE
	70924744	4	CAPSCREW, 5/8-11 X 1-1/2
	70917373	4	LOCKWASHER, 5/8
	7704919	2	NUT, HEX FLANGE, 5/8-11 GR 8
2	71398436	1	HANDRAIL, LH
	700725634	4	INSERT, THREAD, 3/8-16
	7703424	4	SCREW, HEX SERR FLNG, 3/8-16 X 1
3	700708648	2	BUMPER
	700707203	2	SCREW, HEX WSHR HD #12-24 X 3/4
	373839X1	2	NUT, HEX CENTER LOCK, #12-24
4	71396501	1	PLATFORM, RH
	70924744	4	CAPSCREW, 5/8-11 X 1-1/2
	70917373	4	LOCKWASHER, 5/8
	7704919	2	NUT, HEX FLANGE, 5/8-11 GR 8
5	71396510	1	HANDRAIL WLMT, RH (PRIOR S/N HP87101)
	71399442	1	HANDRAIL WLMT, RH (EFF. S/N HP87101)
	70922130	1	CAPSCREW, 3/8-16 X 2-1/4
	Y705533	1	WASHER, HARDENED 3/8
	Y704734	1	NUT, HEX FLANGE TOP LOCK, 3/8-16
	7771470	2	SCRW,HEX SERR FLANGE, 3/8-16 X 1-1/4
	700725634	2	INSERT, THREADED, 3/8-16
6	103668W1	2	SPACER, PRESSURE PAD (PRIOR S/N HP87101)
7	71396729	1	BRACKET WLMT, RFLCTRS(PRIOR S/N HP87101)
	71399444	1	BRACKET WLMT, RFLCTRS (EFF. S/N HP87101)
	7701717	2	CAPSCREW, 5/16-18 X 1-1/2 (PRIOR S/N HP87101)
	Y705525	4	WASHER, HARDENED 5/16
	Y704726	2	NUT, HEX FLANGE TOP LOCK, 5/16-18
8	71398196	1	HANDRAIL, CORNER
	7703424	4	SCREW, HEX SERR FLANGE, 3/8-16 X 1
9	71397842	1	HANDRAIL, STAIRCASE LEFT
	7703424	4	SCREW, HEX SERR FLANGE, 3/8-16 X 1
	704247	4	NUT, HEX SERR FLANGE, 3/8-16
10	71398182	1	STAIRCASE WLDMT
	7883424	2	CAPSCREW, HEX FLANGE, 1/2-13 X 1
	Y704742	2	NUT, HEX FLANGE TOP LOCK, 1/2-13
11	71398188	1	LANDING, STAIRCASE
12	71398197	1	EXTENSION, STAIRCASE
	700725632	8	INSERT, THREADED, 3/8-16
	7771470	4	SCRW,HEX SERR FLANGE, 3/8-16 X 1-1/4
	70917378	4	WASHER, WIDE 3/8
13	71398445	1	HANDLE WLDMT
	700705676	2	SCRW,HX SOCK SHLDR, 1/2 X 1 X 3/8-16
	705541	2	WASHER, HARDENED 1/2
	7704141	2	NUT, HEX TOP LOCK, 3/8-16
14	71398505	1	STUD, ADJUSTMENT
15	71398501	1	LATCH, HANDLE
	873497	1	CAPSCREW, 1/2-13 X 5-1/2
	705541	2	WASHER, HARDENED 1/2
16	WSP1344	1	SPACER, TUBE
	70921024	1	CAPSCREW, 1/2-13 X 2 GR5
	700700057	1	WASHER, 1/2 X 7/8 X .075
	704254	1	NUT, HEX SERR FLANGE, 1/2-13

CONTINUED

MC00289  
PR: 62

STAIRCASE LADDER & PLATFORM

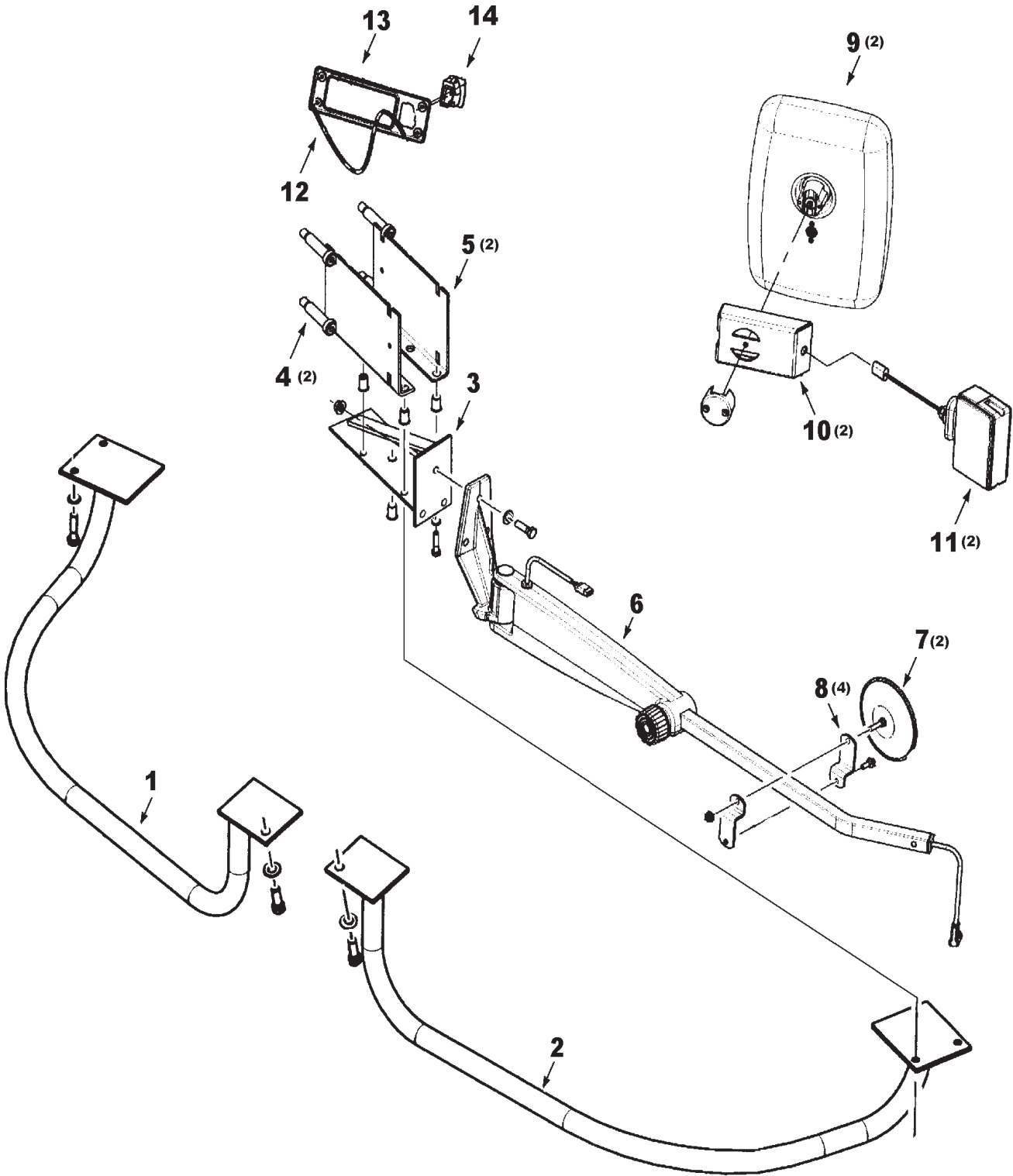


STAIRCASE LADDER & PLATFORM

ITEM	NUMBER	QTY	DESCRIPTION
17	71398514	1	SUPPORT WLMT, LADDER (PRIOR S/N HP87101)
	7883408	1	SCREW, HEX FLNG, 3/8-16 X 1-1/4 GR8
	Y704734	1	NUT, HEX FLNG TOP LOCK, 3/8-16
	700710984	1	SCREW, HEX FLNG, 1/2-13 X 1-1/4 GR8
	Y704742	1	NUT, HEX FLNG TOP LOCK, 1/2-13
18	71398511	1	EXTENSION WLMT, SUPPT(PRIOR S/N HP87101)
	700710984	4	SCREW, HEX FLNG, 1/2-13 X 1-1/4 GR8
	Y704742	4	NUT, HEX FLNG TOP LOCK, 1/2-13
19	71398509	1	SUPPORT BRKT, BUMPER
	7883408	4	SCREW, HEX FLNG, 3/8-16 X 1-1/4 GR8
	Y704734	4	NUT, HEX FLANGE TOP LOCK, 3/8-16
20	71398518	1	PLATE, CONTACT
	70918222	2	SCREW, MACH, 1/4-20 X 3/4
	70931209	2	NUT, HEX SERR FLANGE, 1/4-20
21	71398510	1	SUPPORT BRACKET
	703249	4	CAPSCREW, 3/8-16 X 1"
	Y704734	4	NUT, HEX FLANGE TOP LOCK, 3/8-16
22	71399445	2	U-CLAMP ASY, W/NUTS, 1/4-20 (EFF. S/N HP87101)
23	71401723B	1	TUBE, INNER SUPPORT (EFF. S/N HP87101)
	70920415	2	CAPSCREW, 3/8-16 X 1-1/4 GR5
	Y704734	2	NUT, HEX FLANGE TOP LOCK, 3/8-16
24	71401722B	1	TUBE, OUTER SUPPORT (EFF. S/N HP87101)
	7701055	1	CAPSCREW, 3/8-16 X 1-3/4 GR5
	Y704734	1	NUT, HEX FLANGE TOP LOCK, 3/8-16
25	71406751B	1	BRKT WLDMT, SUPPORT (EFF. S/N HP87101)
	7883408	2	SCREW, HEX FLNG, 3/8-16 X 1-1/4 GR8
	Y704734	2	NUT, HEX FLANGE TOP LOCK, 3/8-16

MC00289  
PR: 62

MIRRORS & EXTREMITY LIGHTS  
MANUAL & ELECTRIC ADJUST

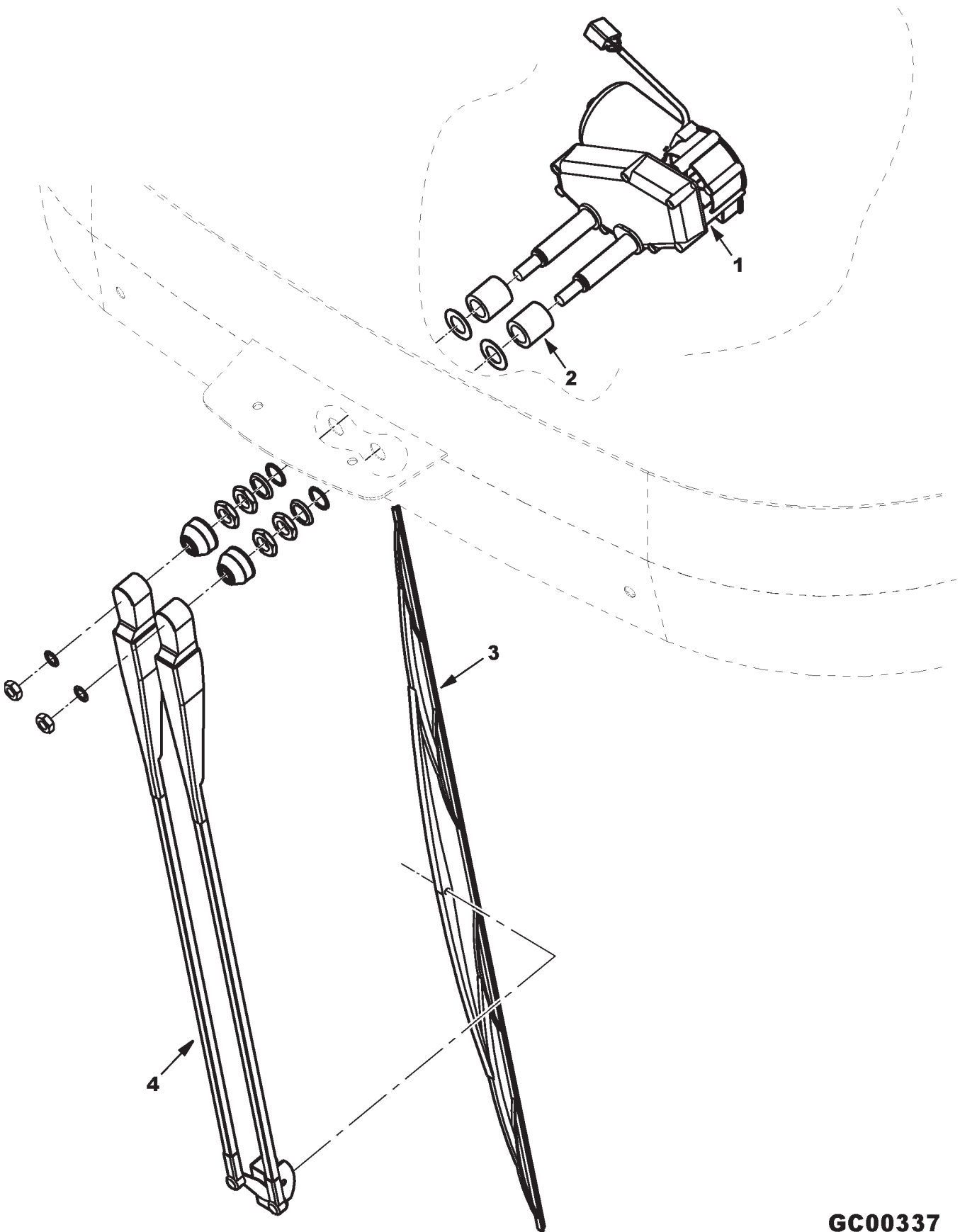




MIRRORS & EXTREMITY LIGHTS  
MANUAL & ELECTRIC ADJUST

ITEM	NUMBER	QTY	DESCRIPTION
1	71393324	1	GRABRAIL, RIGHT
	703249	1	CAPSCREW, 3/8-16 X 1.0
	Y705533	1	WASHER, 3/8
	Y704734	1	LOCKNUT, HEX FLNG, 3/8-16
	70921977	2	CAPSCREW, 5/16-18 X 1-1/4
	Y705020	2	LOCKWASHER, 5/16
2	71393323	1	GRABRAIL, LEFT
	703249	1	CAPSCREW, 3/8-16 X 1.0
	Y705533	1	WASHER, 3/8
	Y704734	1	LOCKNUT, HEX FLNG, 3/8-16
	70921977	2	CAPSCREW, 5/16-18 X 1-1/4
	Y705020	2	LOCKWASHER, 5/16
3	71390453	1	BRACKET, MIRROR ARM (LH)
	71390452	1	BRACKET, MIRROR ARM (RH)
	70921977	4	CAPSCREW, 5/16-18 X 1-1/4
	Y705020	4	LOCKWASHER, 5/16
	700725958	AR	INSERT, THREADED, 5/16-18
4	71390450	2	BRACKET
	704254	4	LOCKNUT, HEX FLNG SERR, 1/2-13
5	71390451	2	BRACKET
	704254	4	LOCKNUT, HEX FLNG SERR, 1/2-13
6	71387272	1	ARM, MIRROR (MANUAL) (LH)
	71387279	1	ARM, MIRROR (REMOTE) (LH)
	71387271	1	ARM, MIRROR (MANUAL) (RH)
	71387278	1	ARM, MIRROR (REMOTE) (RH)
	71397838	1	THUMBWHEEL ASY.
	70920415	6	CAPSCREW, 3/8-16 X 1-1/4
	Y705533	6	WASHER, 3/8
	Y704734	6	LOCKNUT, HEX FLNG, 3/8-16
7	71355604	2	MIRROR, GRAIN BIN
	70931209	2	LOCKNUT, HEX FLNG SERR, 1/4-20
8	71407655	4	BRACKET
	70930594	2	SCR, HEX SERR FLNG HD, 1/4-20 X 3/4
	70934479	2	NUT, HEX TOP LOCK, 1/4-20
9	71387273	2	MIRROR ASY., (MANUAL)
	71387280	2	MIRROR ASY., (REMOTE)
	71397839	2	MIRROR, GLASS
	71397840	2	RETAINING KIT, MIRROR
10	71393455	2	BRACKET, EXTREMITY LIGHT
11	71391501	2	LAMP, EXTREMITY
12	71390122	1	HARNESS, REMOTE MIRR.(PRIOR S/N HP87101)
13	71395763	1	BEZEL, HVAC (MANUAL ADJUST MIRRORS) (PRIOR S/N HN87101)
	71393943	1	BEZEL, HVAC (REMOTE ADJUST MIRRORS)
	70937280	4	SCREW, PAN HD. SELF-TAP #8-32 X 3/4
14	71387281	1	SWITCH, REMOTE MIRROR

WINDSHIELD WIPER



9690 COMBINE  
CAB

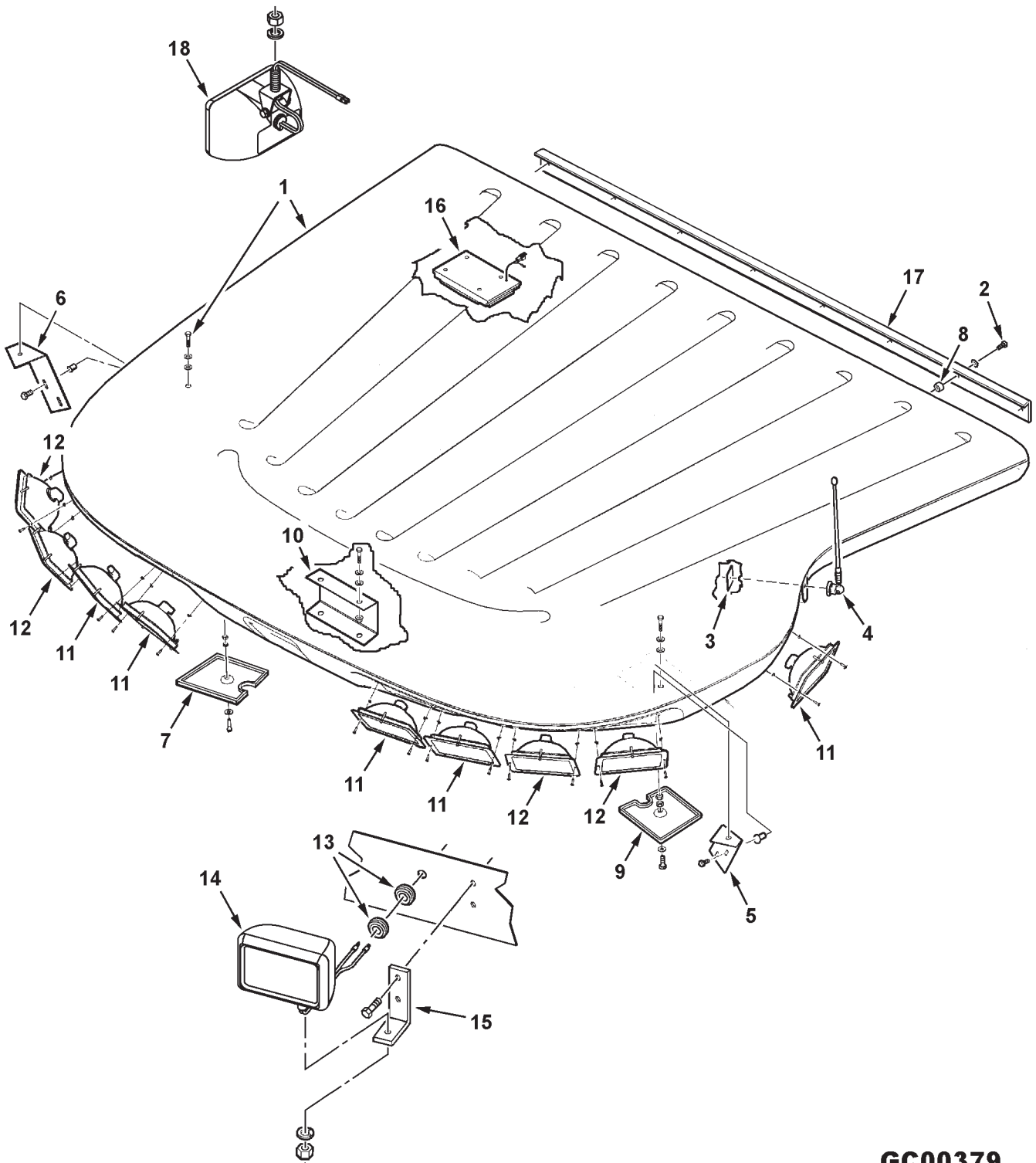
161

WINDSHIELD WIPER

ITEM	NUMBER	QTY	DESCRIPTION
1	71387295	1	MOTOR, WIPER (INCLUDES MOUNTING HRDWR)
	71397837	1	HRDWR KIT, MOTOR MOUNTING
-	71387420	1	SWITCH, WIPER (NOT ILL.) (REF. ALSO MODULES, UPPER CONSOLE)
2	71390468	2	BUSHING, WIPER
3	71387297	1	BLADE, WIPER
4	71390472	1	ARM, WIPER

GC00337  
PR: 68

ROOF & INTERIOR/EXTERIOR LIGHTS



**9690 COMBINE  
CAB**

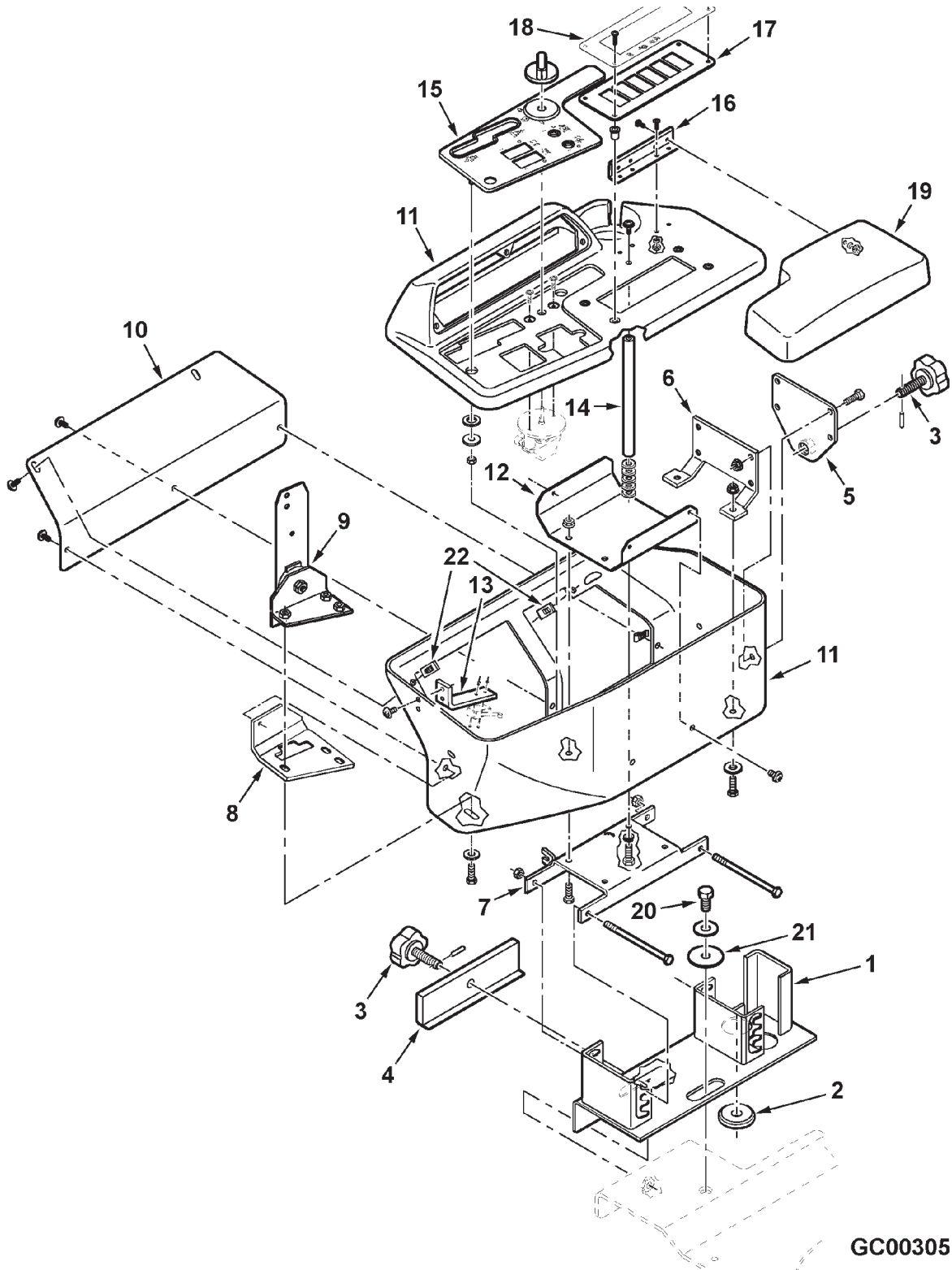
163

**ROOF & INTERIOR/EXTERIOR LIGHTS**

ITEM	NUMBER	QTY	DESCRIPTION
1	-----	1	ROOF ASY, CAB (PRIOR S/N HP87101) (ITEM 8 & 17 REQUIRED) (SERVICE W/ 71406748)
	71406748	1	ROOF ASY, CAB (EFF. S/N HP87101) (ITEM 8 NOT REQUIRED)
	7883325	4	SCR, HEX WSHR HD MACH, 5/16-18 X 3/4
	700709602	4	WASHER, 5/16 WIDE
	700717621	4	WASHER, RUBBER, .370 X .88 X .090
	Y704726	4	NUT, HEX FLANGE TOP LOCK, 5/16-18
2	70921960	9	CAPSCREW, 1/4-20 X 1 GR5
	700709601	9	WASHER, PLAIN WIDE, 1/4
3	71394800	1	PLATE, ANTENNA GRND.
4	RE210066	1	ANTENNA
5	71396736	1	BRACKET, ROOF SUPPORT, LH
6	71399426	1	BRACKET, ROOF SUPPORT, RH
	Y703132	4	SCR, HEX FLNG SERR., 5/16-18 X 3/4
	700725958	4	INSERT, THREADED, 5/16-18
7	71387274	1	COVER, SUPPORT ACCESS, RH
	70921977	1	CAPSCREW, 5/16-18 X 1-1/4
	700709602	1	WASHER, WIDE PLAIN, 5/16
	70920161	1	JAM NUT, 5/16-18
	70917372	1	NUT, 5/16-18 REG
8	71401719	9	SPACER, .281 ID X .50 X .20 TH (PRIOR S/N HP87101)
9	71387275	1	COVER, SUPPORT ACCESS, LH
	70921977	1	CAPSCREW, 5/16-18 X 1-1/4
	700709602	1	WASHER, PLAIN WIDE, 5/16
	70920161	1	JAM NUT, 5/16-18
	70917372	1	HEXNUT, 5/16-18
10	71398525	1	BRACKET, ROOF SUPPORT, FRONT
11	71387267	5	LAMP ASY., TRAP 25 DEG. UP
	700725576	AR	BULB, 12V 60W (GE 9004U)
	70937550	10	SCREW, PAN HD. SELF-TAP #8-18 X 3/4
	700715255	10	NUT, SPEED, #8
12	71387268	4	LAMP ASY., FLOOD 10 DEG. UP
	700725576	AR	BULB, 12V 60W (GE 9004U)
	70937550	8	SCREW, PAN HD. SELF-TAP #8-18 X 3/4
	700715255	8	NUT, SPEED, #8
13	7827983	4	GROMMET, WIRE
14	71393703	2	LIGHT, CAB, LOWER
	Y705046	2	LOCKWASHER, 1/2
	704031	2	NUT, 1/2-13 REG
15	71396954	2	BRACKET
	7883325	4	SCREW, HEX MACH. 5/16-18 X 3/4
	70931277	4	LOCKNUT, HEX SERR FLANGE, 5/16-18
16	71361831	1	LIGHT, INTERIOR
	700701265	4	SCR, PAN HD. SELF-TAP, #8-18 X 1-1/2
	700705185	1	SCREW, PAN HD. MACH. #8-32 X 1/2 (GRND WIRE ATTACHING SCREW)
17	71401718	1	ANGLE, ROOF RETAINER, REAR
18	71406866	1	LIGHT, ROW FINDER
	Y705046	1	LOCKWASHER, 1/2
	704031	1	NUT, 1/2-13 REG

GC00379  
PR: 70

CONSOLE - SEAT



**9690 COMBINE  
CAB**

165

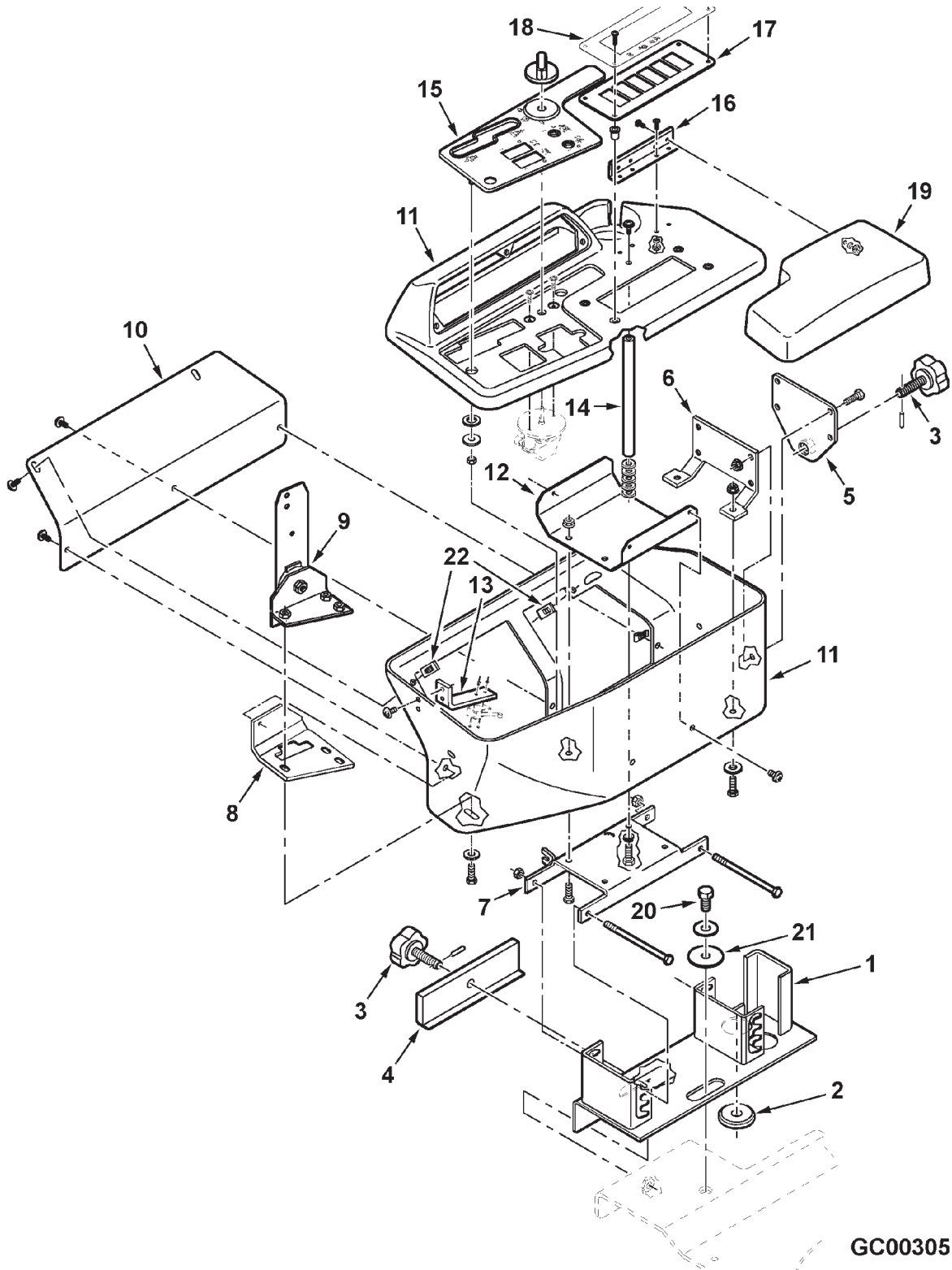
**CONSOLE - SEAT**

ITEM	NUMBER	QTY	DESCRIPTION
1	71398815	1	PLATE WLMT, ADJUSTER (PRIOR S/N HR87101)
	71409576	1	PLATE WLMT, ADJUSTER (EFF. S/N HR87101)
2	71395754	1	GROMMET
3	71388152	2	KNOB, THREADED, 1/2-13 X 2
	70918111	2	PIN, SPRING, 1/8 X 1
4	71393609	1	BAR, STABILIZER
5	71388149	1	PLATE, KNOB
	70921333	4	CAPSCREW, 5/16-18 X 1.0
	70931277	4	LOCKNUT, HEX SERR. FLANGE, 5/16-18
	71393613	1	STIFFENER, REAR
6	70921333	2	CAPSCREW, 5/16-18 X 1.0
	70917642	2	WASHER, 5/16 WIDE
	70931277	2	LOCKNUT, HEX SERR. FLANGE, 5/16-18
	71388142	1	BASEPLATE
7	70925693	2	CAPSCREW, 5/16-18 X 5.0
	70923362	2	LOCKNUT, 5/16-18
8	71393615	1	STIFFENER
9	71388129	1	PIVOT ASY., HYDRO HANDLE
	71408202	AR	KIT, PIVOT ASY REPAIR (INCL. ALL COMP'TS EXCEPT MTG BRKT & PVT LEVER)
	70921333	3	CAPSCREW, 5/16-18 X 1.0
	70917642	3	WASHER, 5/16 WIDE
10	71388154	1	COVER
	70937660	5	SCREW, PAN HD,TAPPING, 1/4-20 X 5/8
11	71400501	1	CONSOLE HSG (1 PIECE. SHOWN IN 2 PIECES) (PRIOR S/N HR87101)
	71409600	1	CONSOLE HSG (1 PIECE. SHOWN IN 2 PIECES) (EFF. S/N HR87101)
12	71393612	1	STIFFENER, BOTTOM
	70921333	3	CAPSCREW, 5/16-18 X 1.0
	70931277	3	LOCKNUT, HEX FLANGE SERR, 5/16-18
	70937660	2	SCREW, PAN HD,TAPPING, 1/4-20 X 5/8
13	71398165	1	BRACKET, PROXIMITY SWITCH (SERVICE WITH #71406876 FOR MICRO SWITCH)
	71406876	1	BRACKET, MICRO SWITCH (USED W/SWITCH #107041 - SEE ELECT. SECTION)
	70937660	2	SCREW, PAN HD,TAPPING, 1/4-20 X 5/8
	71393614	1	STIFFENER, VERTICAL
14	70921333	1	CAPSCREW, 5/16-18 X 1.0
	Y705525	5	WASHER, 5/16
	Y705020	1	LOCKWASHER, 5/16
	70937660	1	SCREW, PAN HD,TAPPING, 1/4-20 X 5/8
	71393939	1	BEZEL, CONSOLE
15	70923550	4	WASHER, .562 X 1.0 X 12GA
	70919381	4	WASHER, .344 X 1.0
	1703354	4	NUT, HEX FLNG TOP LOCK, 1/4-20
	71391157	1	HINGE
16	116047W1	8	SCREW, PAN HD. MACH. #10-24 X 5/8
	705004	8	LOCKWASHER, #10
	Y704072	8	HEXNUT, #10-24

CONTINUED

GC00305  
PR: 72

CONSOLE - SEAT





9690 COMBINE  
CAB

167

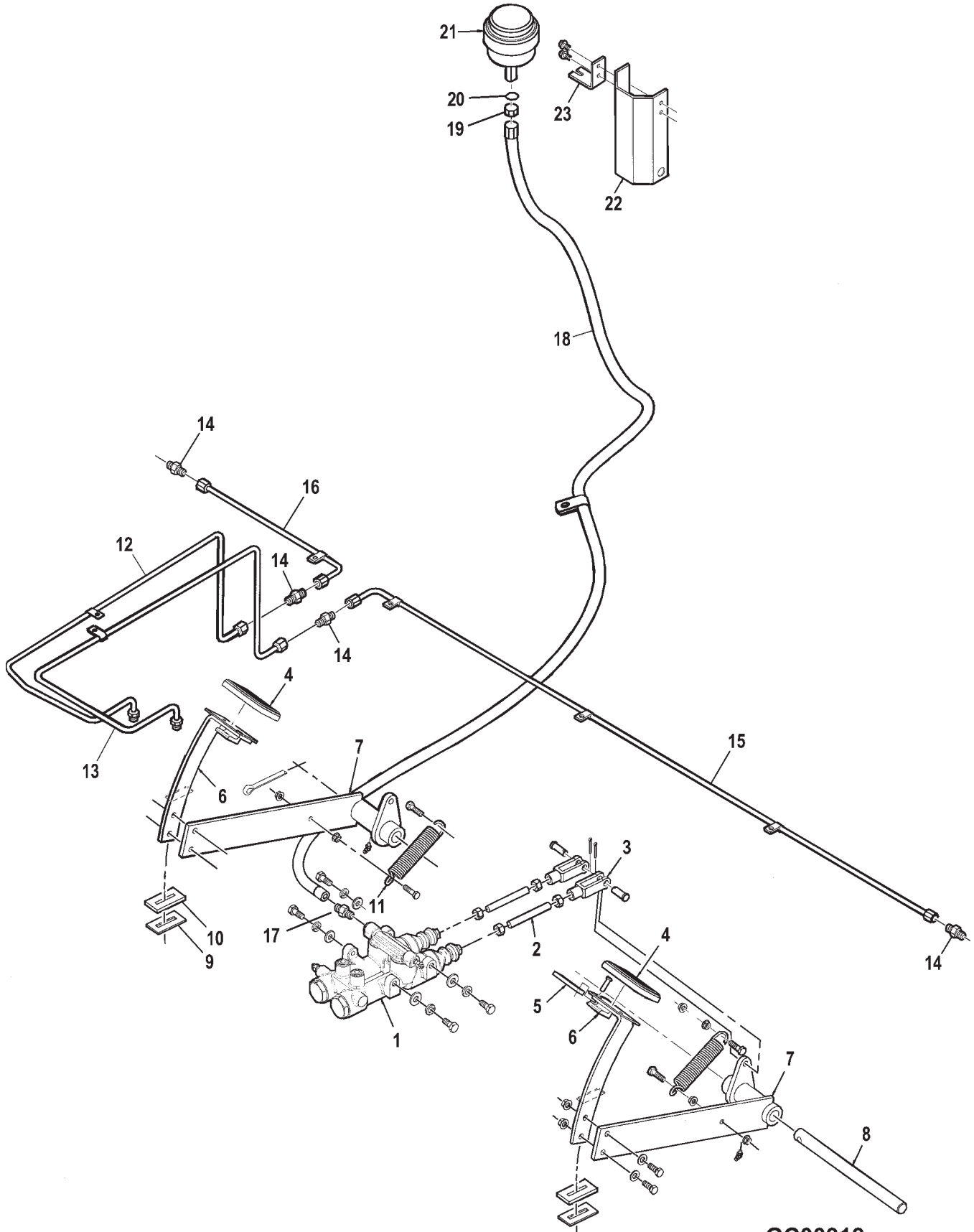
CONSOLE - SEAT

ITEM	NUMBER	QTY	DESCRIPTION
17	71393929	1	PLATE, SWITCH MTG. (PRIOR S/N HR87101)
	71409579	1	PLATE, SWITCH MTG. (EFF. S/N HR87101)
	70937280	4	SCREW, SELF TAPPING, #8-32 X 3/4
	71393926	4	WELLNUT, #8-32
18	71395764	1	DECAL, SWITCHES (PRIOR S/N HR87101)
	71409594	1	DECAL, SWITCHES (EFF. S/N HR87101)
19	71388131	1	ARMREST ASY.
20	70921865	1	CAPSCREW, NYLOK, 1/2-13 X 1
	70918431	1	WASHER, 1/2 WIDE
21	71398814	1	WASHER, POLYETHYLENE, NATURAL
22	700705135	3	SPEEDNUT, 1/4-20

GC00305  
PR: 72

9690 COMBINE  
CAB

CONTROL  
SERVICE BRAKES



GC00318

9690 COMBINE  
CAB

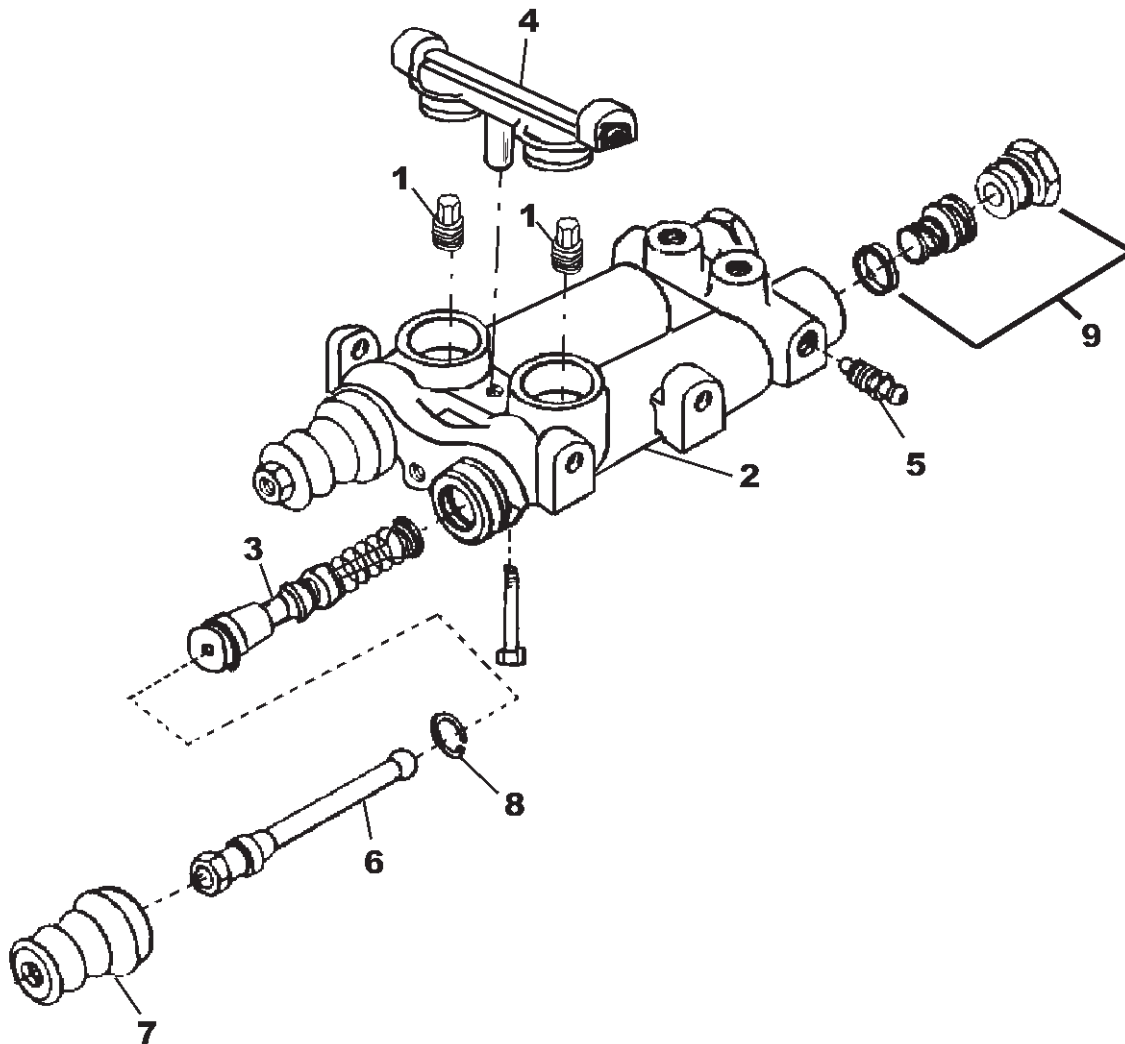
169

CONTROL  
SERVICE BRAKES

ITEM	NUMBER	QTY	DESCRIPTION
1	71378364	1	MASTER CYLINDER, BRAKE
	700708349	4	CAPSCREW, M10 X 1.5 X 25
	339376X1	4	LOCKWASHER, M10
	700702916	4	WASHER, WIDE HARD, 3/8
2	71361940	2	ROD, BRAKE
	353426X1	4	NUT, 7/16-20 UNF
3	W500053E	2	YOKE
	700706356	2	PIN, CLEVIS, 7/16 X 1-1/4
	70918452	2	PIN, COTTER, 1/8 X 1.0
4	71361947	2	PAD, PEDAL
5	71361941	1	LOCK, LINK (LH ONLY)
	763136	1	PIN, CLEVIS, 1/4 X 1.0
6	71390414	1	PEDAL, BRAKE (LH)
	71390413	1	PEDAL, BRAKE (RH)
	703249	4	CAPSCREW, 3/8-16 X 1.0
	70918266	4	WASHER, 3/8, NARR
	704247	4	LOCKNUT, HEX SERR FLANGE, 3/8-16
7	71387178	1	ARM, BRAKE PEDAL (LH)
	71387177	1	ARM, BRAKE PEDAL (RH)
	70925731	2	FITTING, GREASE, 1/4-28 X 45 DEG.
8	71361720	1	SHAFT, BRAKE PEDAL
	70929957	1	PIN, COTTER, 3/8 X 3.0
9	71387181	2	BRACKET
10	71390407	2	SEAL, PEDAL
11	1565240W1	2	SPRING
	70921977	4	CAPSCREW, 5/16 X 1-1/4
	70931277	8	LOCKNUT, HX FLNG SER 5/16-18
12	71391255	1	TUBE, MASTER CYL. (RH)
	70928654	1	CLAMP, LINE, 1/4 X .406 HOLE
	7704141	1	NUT, HEX TOP LOCK, 3/8-16
13	71391256	1	TUBE, MASTER CYL. (LH)
	70928654	1	CLAMP, LINE, 1/4 X .406 HOLE
	7704141	1	NUT, HEX TOP LOCK, 3/8-16
14	70919214	4	UNION, 1/4 JIC X 1/4 JIC
15	71394790	1	TUBE, CAB, (LH)
	70926919	3	CLAMP
	365775X1	3	SCREW, HEX SELF-TAP, 1/4-20 X 1/2
16	71394789	1	TUBE, CAB, (RH)
	70926919	1	CLAMP
	365775X1	1	SCREW, HEX SELF-TAP, 1/4-20 X 1/2
17	70920821	1	CONNECTOR, 1/4 HOSE X 5/16 INVERTED
18	71396273	1	HOSE ASY.
	70929402	1	CLAMP, HOSE
	70925617	1	CLAMP, 1/2 TUBE X .406 HOLE
	7704117	1	LOCKNUT, 5/16-18
19	N12998	1	NUT, HEX BULKHD, 9/16-18, SAE J514
20	112734W1	1	O-RING, .070 WIDE X .301 ID
21	112735W91	1	RESERVOIR, BRAKE
22	71393695B	1	COVER, RESERVOIR
23	71393694	1	BRACKET, RESERVOIR
	701953	2	SCR, HEX HD, THD TAPG, 5/16-18 X 3/4

GC00318  
PR: 74

BRAKE MASTER CYLINDER



9690 COMBINE  
CAB

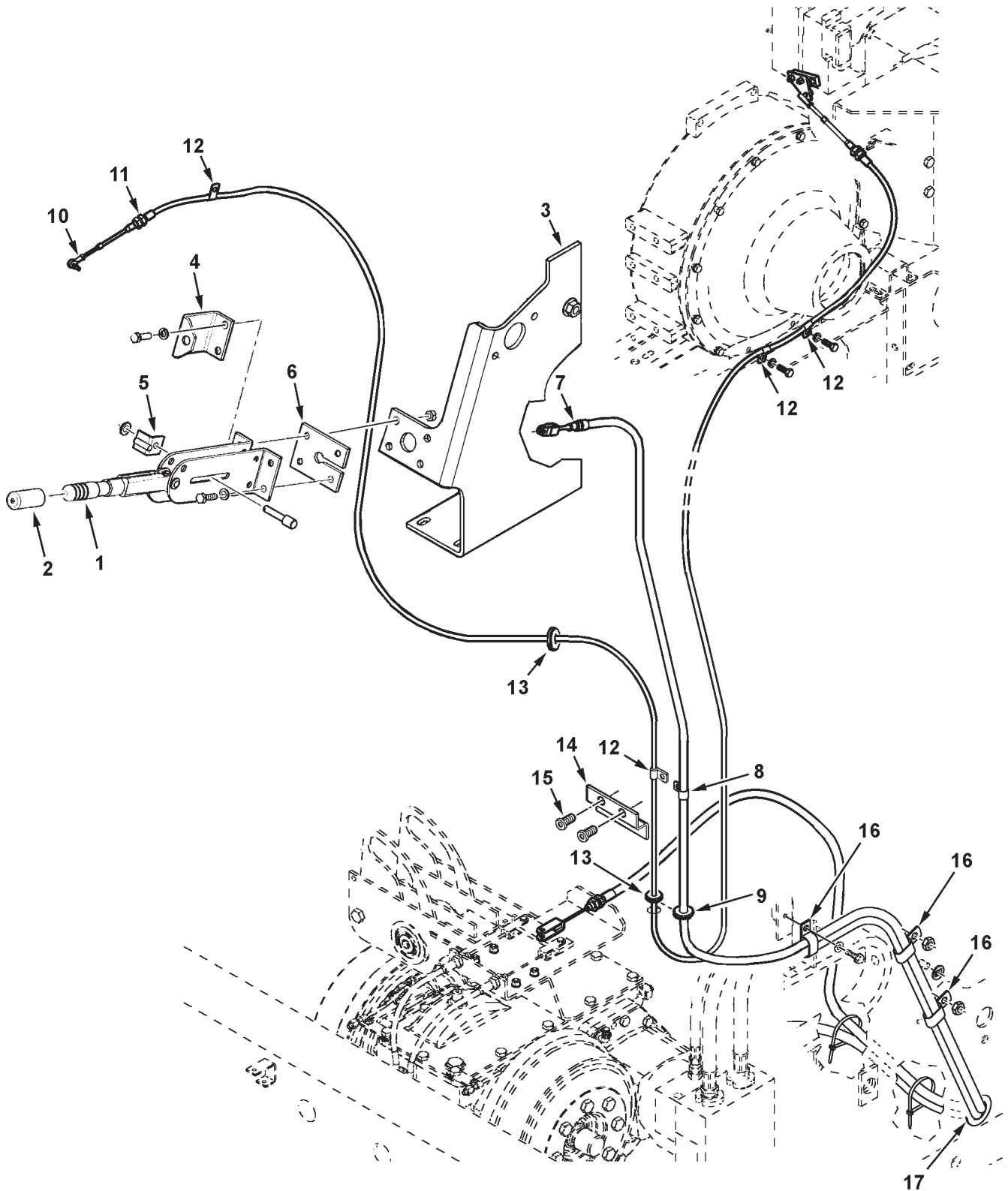
171

BRAKE MASTER CYLINDER

ITEM	NUMBER	QTY	DESCRIPTION
-	71378364	1	MASTER CYLINDER, BRAKE
1	71389509	2	VALVE ASSEMBLY, FAST FILL
2	-----	1	BODY AND TUBE SEAT ASSEMBLY (ORDER BRAKE MASTER CYLINDER)
3	71389511	2	PISTON ASSEMBLY
4	71389512	1	CONNECTOR AND TUBE SEAT ASSEMBLY
5	71389513	2	BLEED SCREW
6	74906743	2	PUSH ROD
7	71389514	2	BOOT
8	71389515	2	RETAINING RING
9	71389516	2	POPPET PACKAGE

MC00218  
PR: 76

CONTROL  
PARK BRAKE & HYDRO PROPEL CABLE



9690 COMBINE  
CAB

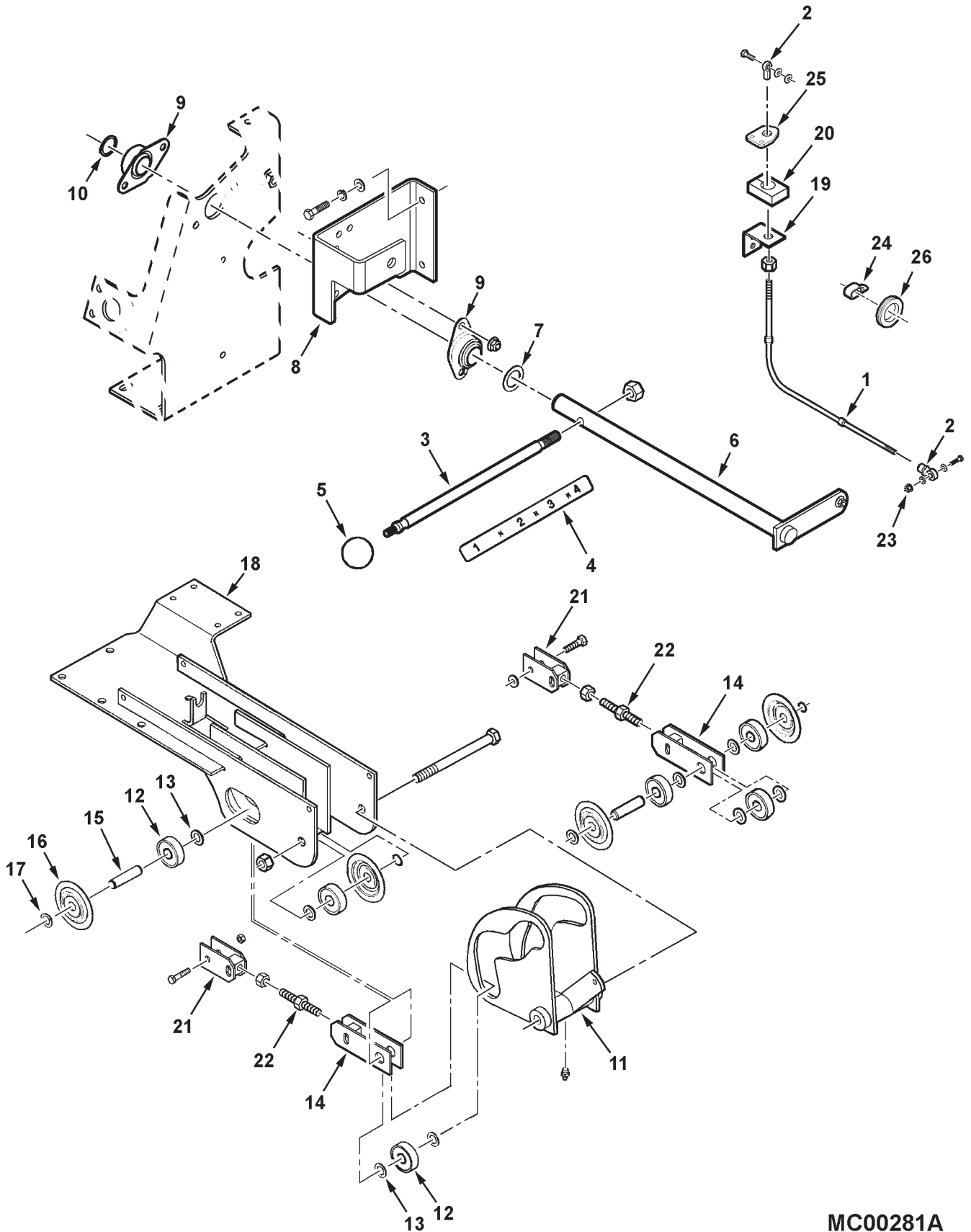
173

CONTROL  
PARK BRAKE & HYDRO PROPEL CABLE

ITEM	NUMBER	QTY	DESCRIPTION
1	1774490W91	1	LEVER ASY., PARKING BRAKE
	70921333	4	CAPSCREW, 5/16-18 X 1.0 GR5
	Y705020	4	LOCKWASHER, 5/16
	70917372	4	NUT, 5/16-18 REG
2	111711W1	1	HANDLE, GRIP
3	71394796	1	SUPPORT BRKT WLDMT
	70921977	4	CAPSCREW, 5/16-18 X 1-1/4
	Y705608	4	WASHER, 5/16 NARR
4	71394799	1	BRACKET, SWITCH
	71395848	1	SWITCH, PARK BRAKE (NOT ILL.)
5	1791851W91	1	BRACKET WLDMT, PARKING BRAKE
6	71379701	1	PLATE, ANCHOR
7	71396396	1	CABLE ASY., PARK BRAKE
8	70928656	1	CLAMP, CABLE, 5/8 X .406 HOLE
	70921965	1	CAPSCREW, 3/8-16 X 3/4
9	71395753	1	GROMMET
10	71351389	1	JOINT, BALL
	705004	1	LOCKWASHER, #10
	Y704445	1	NUT, #10-32
11	71396387	1	CABLE ASY., HYDRO
	700717644	3	NYLON TIE, .30 X 8.1 LG
12	70929720	4	CLAMP, CABLE, 5/16 X .406 HOLE
	70921965	1	CAPSCREW, 3/8-16 X 3/4
	70931277	1	LOCKNUT, HEX SERR FLANGE, 5/16-18
	7772015	2	CAPSCREW, M10-1.5 X 20
	700708367	2	LOCKWASHER, M10
13	71395752	2	GROMMET
14	71397429	1	BRACKET ASY, CABLE SUPPORT (W/ INSERTS) (PRIOR S/N HP87101)
	Y703132	2	SCR, HX SERR FLNG, 5/16-18 X 3/4 GR5
15	700725632	2	INSERT, THREADED, 3/8-16
16	70936472	3	CLAMP, DOUBLE, 9/16 DIA X .406 HOLE
	70931942	2	SPEED NUT, PUSH-ON, 3/8
17	8027427	1	GROMMET, 2.0 ID X 2.5 HOLE

MC00395  
PR: 78

CONTROL  
GEARSHIFT





**9690 COMBINE  
CAB**

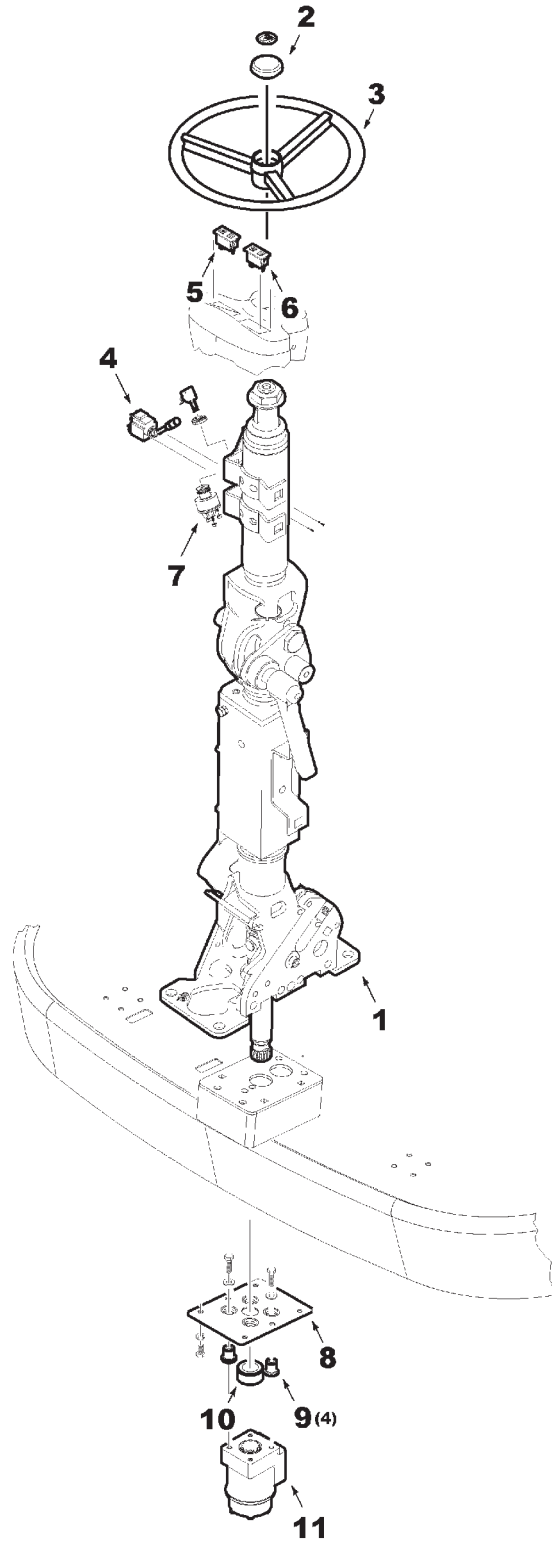
175

**CONTROL  
GEARSHIFT**

ITEM	NUMBER	QTY	DESCRIPTION
1	71396395	1	CABLE ASY., SHIFTER
	700717644	2	NYLON TIE, .30 X 8.1 LG
2	700710788	2	BEARING, ROD END
	70921977	2	CAPSCREW, 5/16-18 X 1-1/4 GR5
	Y705525	4	WASHER, HARD, .344 X .688 X 16GA
3	71391515	1	LEVER
	Y704742	1	NUT, HEX FLNG TOP LOCK, 1/2-13
4	71395770	1	DECAL, SHIFTER
5	71363845	1	KNOB
6	71391516	1	LEVER WLDMT, SHIFT
7	Y52209	1	WASHER, SPL, 1 X 1-1/2 X 18 GAUGE
8	71394795	1	SUPPORT WLDMT, SHAFT (LH)
	70921969	2	CAPSCREW, 3/8-16 X 1-1/2
	70916965	2	LOCKWASHER, 3/8
	70918266	2	WASHER, 3/8, NARROW
9	71394797	2	BEARING, FLANGE 1.0
	70921210	4	CAPSCREW, 3/8-16 X 1.0
	Y704734	4	NUT, HEX FLNG TOP LOCK, 3/8-16
10	70927738	1	RETAINING RING
11	71387142	1	CAM WELD ASY.
	70914465	1	LUBE FTG, STRAIGHT, 1/8-27 NPT
	70926137	1	CAPSCREW, 5/8-11 X 7" GR 5
	70923353	1	NUT, CENTER LOCK, 5/8-11
12	711770	6	BEARING, ROLLER
13	52175	8	WASHER, SPL .62 X 1.0 X 18 GA, NON-PLTD
14	71397262	2	YOKE WLDMT, LONG
	70921221	2	CAPSCREW, 5/16-18 X 1-1/2 GR5
	70923362	2	NUT, CENTER LOCK, 5/16-18
15	71393301	2	PIN, SHIFTER
16	71393467	4	CAP, BEARING RETAINER
17	70927103	4	RING, RETAINING
18	71387148	1	BASE WELD ASY., SHIFTER
19	71396393	1	BRKT ASY, SHIFT CABLE(PRIOR S/N HP87101)
	7883333	2	SCREW, HX WSHR HD MACH, 5/16-18 X 1
	70917642	2	WASHER, 5/16 WIDE
20	71396394	1	SEAL, SHIFT CABLE (PRIOR S/N HP87101)
21	71397263	2	YOKE WLDMT, SHORT
22	71397261	2	STUD, YOKE
	70917421	2	JAM NUT, 3/8-16
23	Y704726	1	NUT, HEX FLANGE TOP LOCK, 5/16-18
24	70936472	3	CLAMP, DOUBLE, 9/16 DIA X .406 HOLE
	70931942	2	SPEED NUT, PUSH-ON, 3/8
25	71406878	1	RETAINER WLMT, CABLE (EFF. S/N HP87101)
	70921210	2	CAPSCREW, 3/8-16 X 1 GR5
26	8027427	1	GROMMET, RUBBER (EFF. S/N HP87101)

MC00281A  
PR: 80

CONTROL  
STEERING COLUMN



**9690 COMBINE  
CAB**

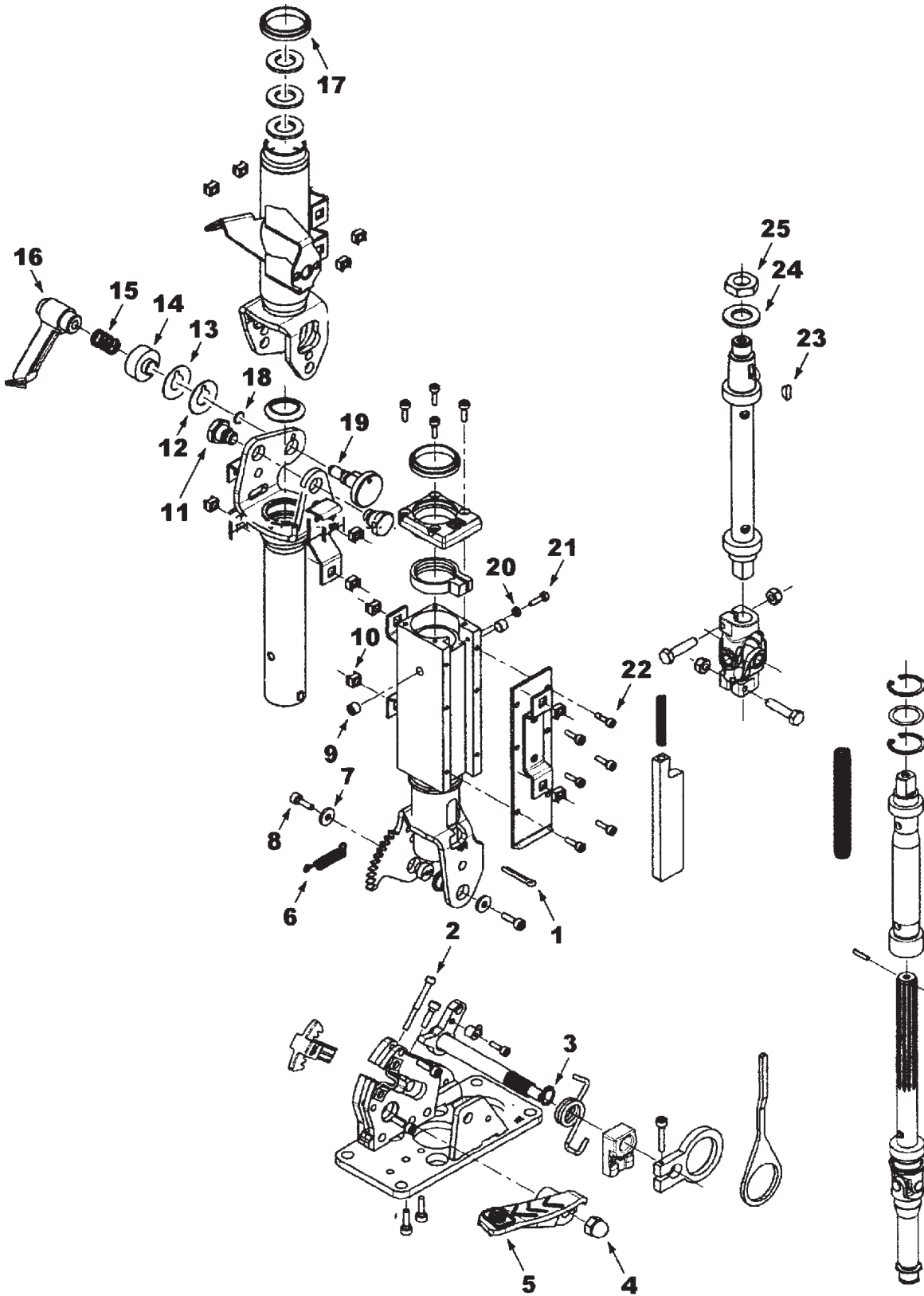
177

**CONTROL  
STEERING COLUMN**

ITEM	NUMBER	QTY	DESCRIPTION
1	71407651	1	STEERING COLUMN ASY
	703603	4	CAPSCREW, 3/8-16 X 1-1/2
	705038	4	LOCKWASHER, 3/8
2	71387145	1	CAP, STRG. WHEEL, CENTER
	71395759	1	EMBLEM, MF
3	71387293	1	WHEEL, STEERING (LEATHER WRAPPED)
4	71390314	1	SWITCH, TURN SIGNAL/HORN
	700720909	2	SCREW, PAN HD MACH, M4 X 0.7 X 10
	70923906	2	WASHER, #8, NARROW
5	71393282	1	MODULE, BLINKER/WAIT TO START
6	71393281	1	MODULE, BLINKER/HIGH BEAM
7	700718010	1	SWITCH, IGNITION
	71395761	1	DECAL, IGNITION SWITCH
	71377109	1	KEY, IGNITION, X2
8	71390417	1	PLATE W/A, STRG. CONTROL
	70921965	6	CAPSCREW, 3/8-16 X 3/4
	705038	6	LOCKWASHER, 3/8
	70920415	4	CAPSCREW, 3/8-16 X 1-1/4
	70917378	4	WASHER, PLAIN WIDE, 3/8
9	700701287	4	MOUNT, RUBBER
10	72504036	1	SEAL, FOAM RING
11	71392876	1	STEERING CONTROL UNIT (200 CC/REV)
-	71391083	1	SEAL KIT, STRG CONTROL UNIT (NO OTHER SERVICED COMPONENTS)

GC00302  
PR: 82

STEERING COLUMN



9690 COMBINE  
CAB

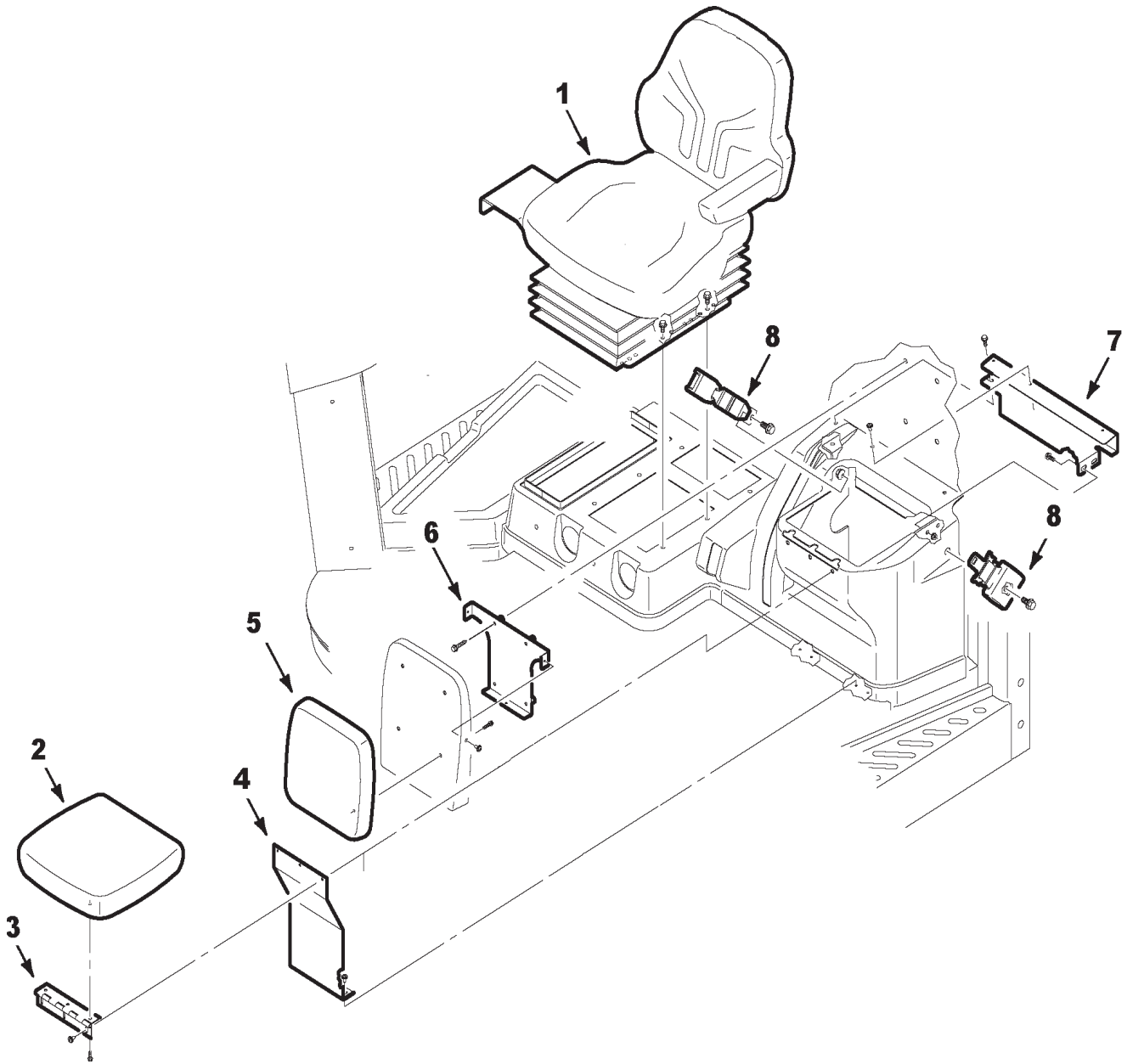
179

STEERING COLUMN

ITEM	NUMBER	QTY	DESCRIPTION
-	71407651	-	STEERING COLUMN ASY
1	70918459	1	COTTER PIN, 3/16 X 1-1/4
2	71397834	1	CAPSCR, HEX SOC HD, M5-1 X 50
3	71397830	1	RING, RETAINING, EXT.
4	71397550	1	NUT, HEX CAP, M10-1.5
5	71397543	1	PEDAL
6	71397546	1	SPRING, EXTENSION
7	71397827	2	WASHER, FLAT, M6
8	71397828	2	CAPSCR, HEX SOC HD, M6-1 X 18
9	71397833	2	SETSCREW, M10-1 X 8
10	71397829	12	NUT, CAGE, #10-24 (PRIOR S/N HP87101)
	71407652	12	NUT, CAGE, M5 (EFF. S/N HP87101)
	71407653	12	SCREW, M5 X 16, BLACK
11	71397539	2	SCREW, FULCRUM
12	71397544	1	SPACER, 1 MM TH.
13	71397542	1	SPACER, .5 MM TH.
14	71397541	1	RING
15	71397549	1	SPRING, COMPRESSION
16	71397548	1	HANDLE
17	71397545	2	GROMMET, RUBBER
18	71397835	1	O-RING, .344 ID X .070
19	71397547	1	STOP, TILT
20	71397540	1	NUT, HEX, M5-1.5
21	71397836	1	CAPSCREW, HEX, M5-1 X 18
22	71397826	11	CAPSCREW, HEX SOC HD, M5-1 X 16
23	71397831	1	KEY, WOODRUFF, 5 X 6.5 MM
24	700702979	1	WASHER, FLAT, 19 ID X 34 X 3 MM
25	71397832	1	NUT, HEX, M18-1.5

GC00396  
PR: 84

SEAT  
OPERATOR & INSTRUCTOR



9690 COMBINE  
CAB

181

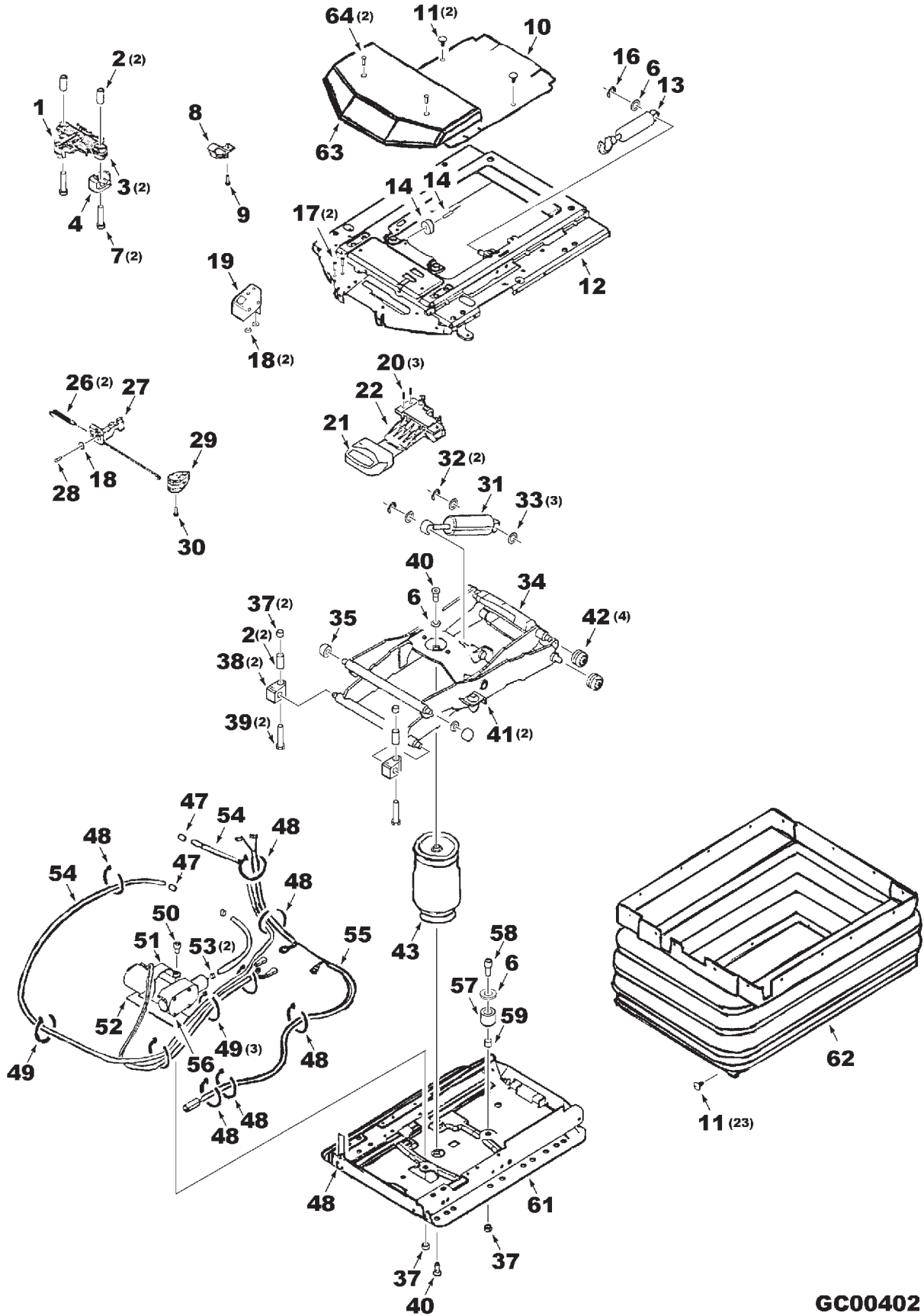
SEAT  
OPERATOR & INSTRUCTOR

ITEM	NUMBER	QTY	DESCRIPTION
1	71388178	1	SEAT ASSEMBLY (SEE BREAKDOWN)
	7703432	4	SCREW, HEX FLNG SERR. 3/8-16 X 3/4
2	71394888	1	CUSHION, INSTRUCTORS SEAT
	7883275	3	MACH SCR, HEX WSHR HD. 1/4-20 X 3/4
3	71394887	1	HINGE, INSTR. SEAT
	70937660	3	SCR, PAN HD, THD TAP'G 1/4-20 X 5/8
4	71394886	1	SUPPORT, INSTR. SEAT FRONT
	70937660	2	SCR, PAN HD, THD TAP'G 1/4-20 X 5/8
5	71394889	1	CUSHION, INSTRUCTORS SEAT BACK
	7883283	4	MACH SCR, HEX WSHR HD. 1/4-20 X 1.0
6	71396377	1	BRACKET WLDMT, BACKREST MTG
	7772056	4	SCREW, HEX FLNG SERR.5/16-18 X 1-1/2
7	71394894	1	SUPPORT, INSTR. SEAT REAR
	7883325	3	MACH SCR, HEX WSHR HD. 5/16-18 X 3/4
	70931277	3	LOCKNUT, HEX FLNG SERR. 5/16-18
	70937660	3	SCR, PAN HD, THD TAP'G 1/4-20 X 5/8
8	72502789	1	SEAT BELT ASY. (INCL. BOTH HALVES)
	7701592	2	SCREW, HEX FLNG SERR. 1/2-13 X 1.0

GC00306  
PR: 86

9690 COMBINE  
CAB

SEAT  
BASE & SUSPENSION





9690 COMBINE  
CAB

183

SEAT  
BASE & SUSPENSION

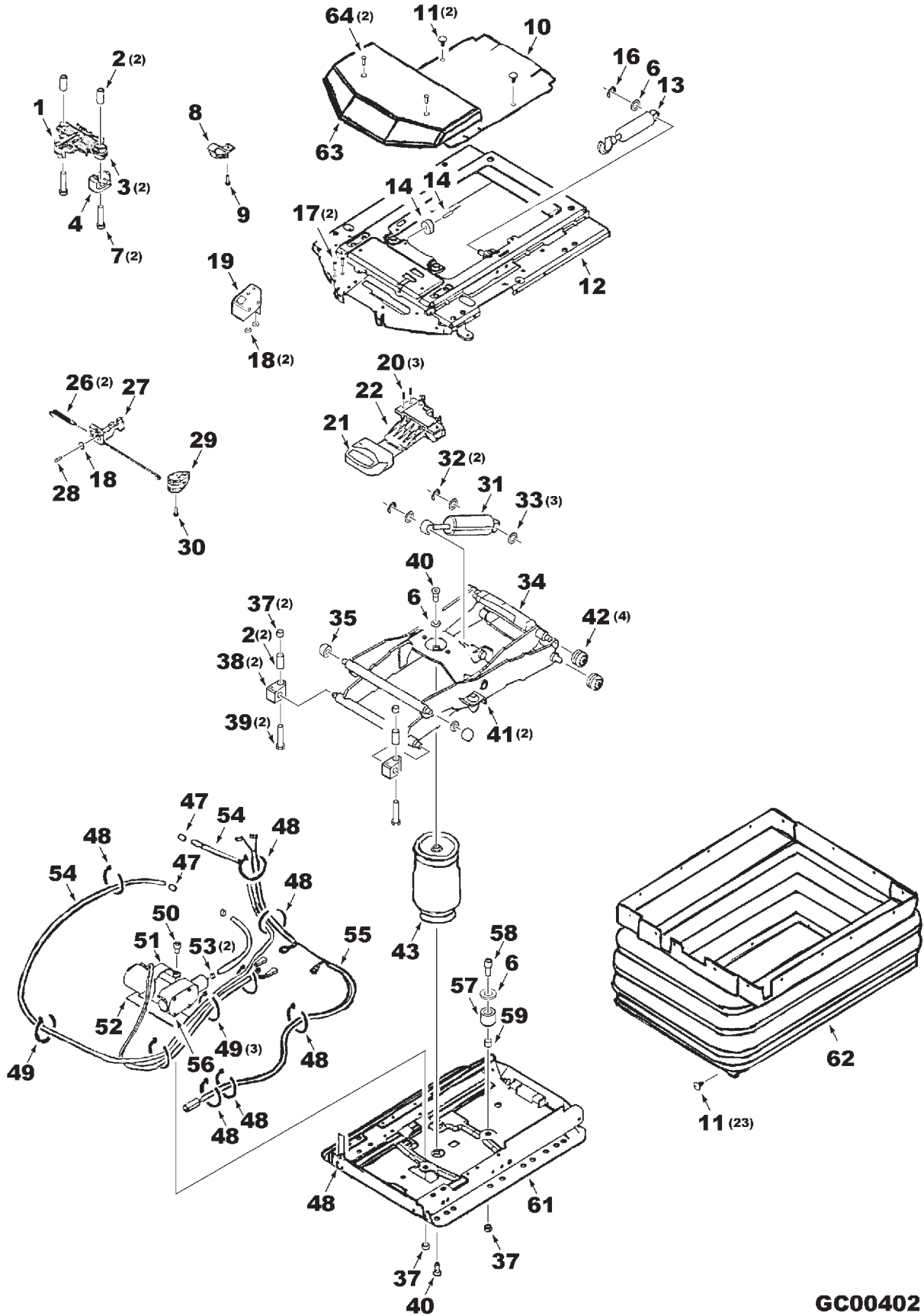
ITEM	NUMBER	QTY	DESCRIPTION
-	71383653	AR	BASE & SUSPENSION ASY., COMPLETE
1	72504803	1	KIT, ISOLATOR, HORIZ, (INCL. ITEMS 2, 3, 4, 7, 9, 11, 14, 35)
2	72504802	4	TUBE
3	72504775	2	BUSHING
4	72504804	1	BUMPER
6	390972X1	3	WASHER, 8.4-HV140
7	7772361	2	SCREW, M8-1.25 X 35
8	72504791	2	KIT, STOP (INCL ITEMS 9, 11)
9	72504792	2	RIVET, 4 X 16.9MM
10	72514069	1	COVER
11	71306949	25	PLUG, RETAINER
12	71398172	1	KIT, SUSPENSION UPPER (INCL ITEMS 9, 11, 14, 18, 19, 26-29, 35, 42)
13	700725845	1	KIT, SHOCK ABSORBER (INCL ITEMS 6,11,16)
14	72504785	1	KIT, BUMPER & RIVET
16	72504740	1	CLIP RING, RETAINING
17	72514052	2	RIVET, 4 X 12MM
18	72504786	3	WASHER, 4.3-HV140
19	71398174	1	KIT, LEVEL CONTROL (INCL. 11, 17, 18)
20	71398175	3	SCREW, M5 X 16
21	700725844	1	HANDLE
22	72514061	1	KIT, OPERATION (INCL ITEMS 11, 20, 21)
26	3903044M1	2	SPRING, TENSION
27	72514070	1	KIT, LEVER, LOCKING (INCL ITEM 11)
28	71398726	1	SCREW, M3.5 X 12
29	AG132254	1	HANDLE
30	72514066	1	SCREW, M4 X 14
31	700725843	1	KIT, SHOCK ABSORBER (INCL ITEMS 5, 11, 32, 33)
32	72504812	4	CLIP RING, RETAINING
33	72504776	3	WASHER, 13MM
34	71398727	1	KIT, SWING ARM (INCL ITEMS 2, 6, 9, 11, 35, 37, 38, 40-42, 48-50)
35	71401534	2	ROLLER
37	71383667	4	NUT, M8-SI
38	72504809	2	BEARING
39	72504808	2	SCREW
40	72504811	2	SCREW, M8 X 20 TORX
41	70263605	2	BUMPER
42	72504810	4	ROLLER
43	700724622	1	KIT, AIR SPRING (INCL ITEMS 6, 11, 40, 47, 48, 53)
47	700725840	2	NIPPLE, HOSE
48	70932747	7	TIE, BLACK NYLON, SELF-LOCK .10 X 4.0
49	70925094	4	TIE, BLACK NYLON, SELF-LOCK .18 X 7.3
50	1112299	1	SCREW, M8 X 12

CONTINUED

GC00402  
PR: 88

9690 COMBINE  
CAB

SEAT  
BASE & SUSPENSION



9690 COMBINE  
CAB

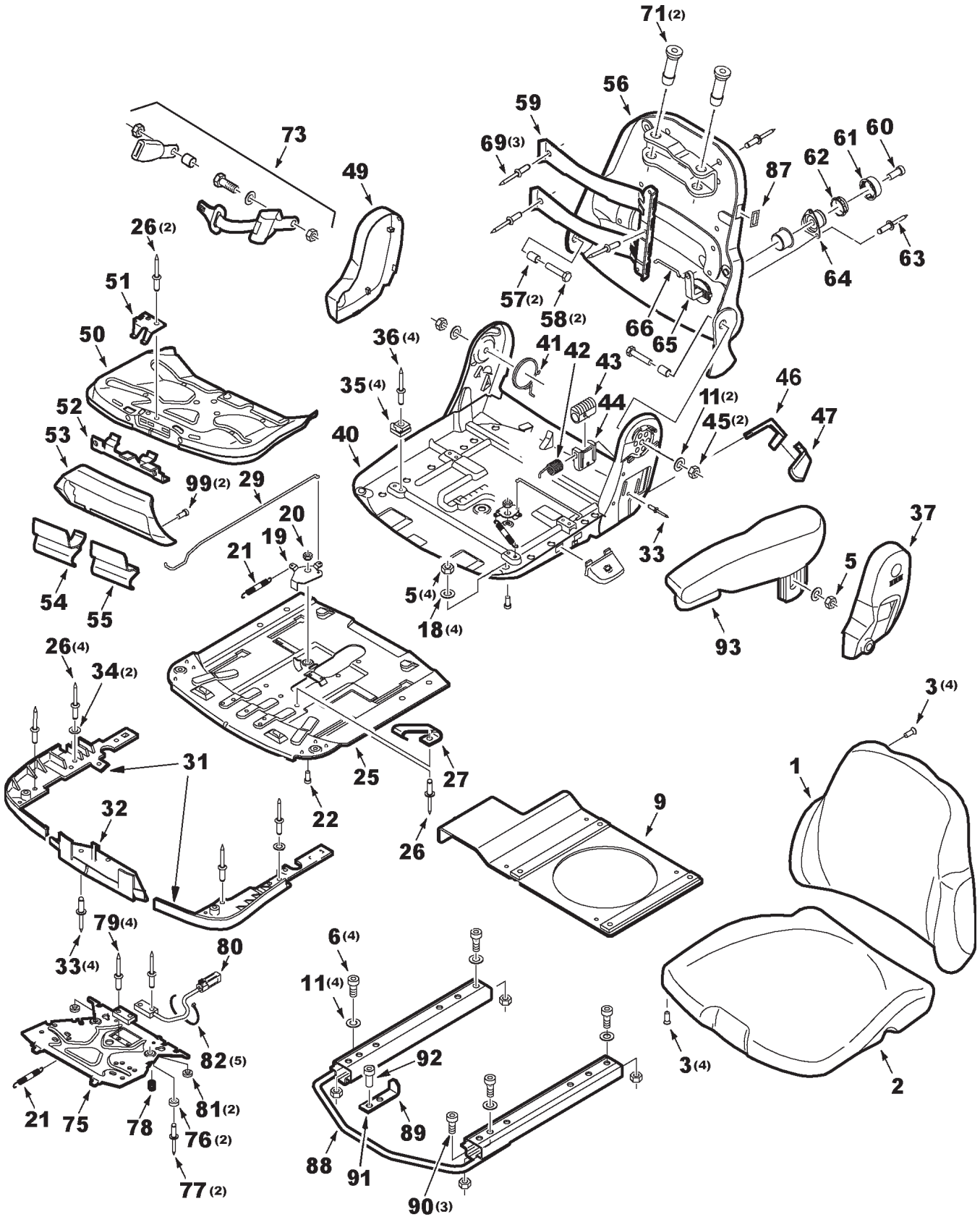
185

SEAT  
BASE & SUSPENSION

ITEM	NUMBER	QTY	DESCRIPTION
51	72511891	1	BRACKET
52	72504762	1	PLATE
53	700725837	2	CLAMP, HOSE
54	700724623	1	KIT, AIR TUBE (REPAIR AIR LINES BETWEEN COMPRESSOR & AIR SPRING)
55	700725836	1	KIT, CABLE, CONNECTING (INCL ITEMS 11, 48, 49)
56	700728301	1	KIT, COMPRESSOR (INCL ITEMS 11,37,48-53)
57	72514067	1	KIT, BUMPER (INCLS ITEMS 6, 11, 37, 58, 59)
58	72514054	1	SCREW, M8 X 20
59	72514053	1	TUBE
61	71398728	1	KIT, SUSPENSION, LOWER (INCL ITEMS 2,11, 37-40, 42, 48-50, 57)
62	71383661	1	KIT, BELLOWS (INCL ITEM 11)
63	71383662	1	KIT, COVER (INCL ITEM 64)
64	2813878M1	2	RIVET, 4.8 X 10.3
-	71398173	1	KIT, WEAR PARTS (INCL. 2, 4, 9, 11, 14, 35, 38, 40-42, 48-50, 53 & 57)

GC00402  
PR: 88

SEAT  
CUSHION AND BACKREST



9690 COMBINE  
CAB

187

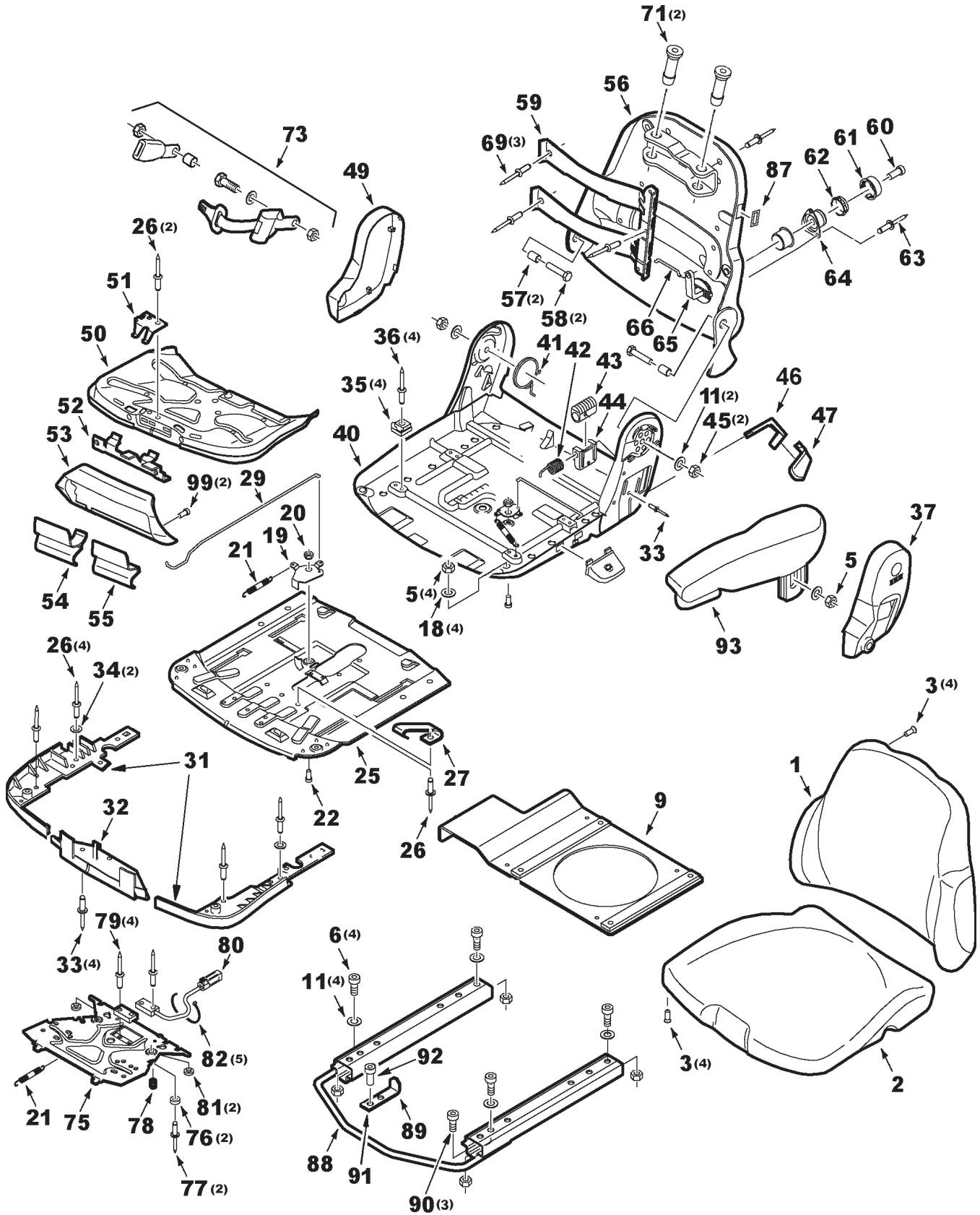
SEAT  
CUSHION AND BACKREST

ITEM	NUMBER	QTY	DESCRIPTION
1	700725806	1	KIT, BACKREST CUSHION (INCL ITEM 3)
2	71398730	1	KIT, SEAT CUSHION (INCL ITEM 3)
3	71398731	8	SCREW, M5 X 25
5	72513700	5	NUT, M8
6	71383673	4	SCREW, M8 X 25
9	71388157	1	PLATE WLDMT, CONSOLE SUPPORT
11	391039X1	4	WASHER M8 WIDE, 9.0MM X 24 X 1.82 TH
18	390972X1	4	WASHER M8 STD, 9.0MM X 17 X 1.36 TH
19	71400508	1	KIT, LEVER, DEPTH ADJUST (INCL ITEMS 20, 21, 22)
20	71400509	1	BUSHING
21	700725810	2	SPRING, EXTENSION
22	71400510	1	SCREW, M8 X 12
25	71398733	1	KIT, PLATE FOR SEAT DEPTH
26	72514076	7	RIVET, 4 X 8
27	71398734	1	BRACKET, SPRING
29	71398735	1	ROD, ADJUSTER
31	71398736	1	KIT, SEAT ANGLE COVERS(INCL ITEMS 26,34)
32	71398737	1	KIT, BRACKET (INCL ITEM 33)
33	71398740	5	RIVET, 6 X 12
34	72504786	2	WASHER, 4.3MM
35	71398738	4	GLIDE
36	71398739	4	RIVET, 4 X 16
37	71398741	1	COVER, ARMREST
40	71398742	1	KIT, SEAT PAN (INCL ITEMS 11, 33, 35, 36, 45, 57, 58)
41	71398743	1	SPRING, TORSION
42	71398744	1	SPRING, SPIRAL
43	71398746	1	WORM GEAR
44	71398745	1	KIT, BEARING (INCL ITEMS 33, 43)
45	71383667	2	NUT, M8
46	-----	1	KIT, BACKREST TILT LEVER (INCL ITEMS 33, 47)(NOT AVLBL AT TIME OF PRINT)
47	-----	1	KNOB (NOT AVAILABLE AT TIME OF PRINTING)
49	71398749	1	COVER, ARMREST
50	71398750	1	KIT, SEAT ANGLE ADJUST(INCL ITEMS 3, 51)
51	71398777	1	BRACKET, SPRING
52	71398778	1	LATCH
53	71398779	1	KIT, COVER, FORE & AFT (INCL ITEM 99)
54	71398780	1	KIT, HANDLE, SEAT DEPTH (INCL ITEM 29)
55	71398781	1	HANDLE
56	71398782	1	BACKREST ASY
57	71398783	2	TUBE
58	71398784	2	SCREW, M8 X 40
59	71398786	1	KIT, LUMBAR SUPPORT (INCL ITEMS 60-69)
60	71398785	1	SCREW, M6 X 10

CONTINUED

GC00403  
PR: 92

SEAT  
CUSHION AND BACKREST



**9690 COMBINE  
CAB**

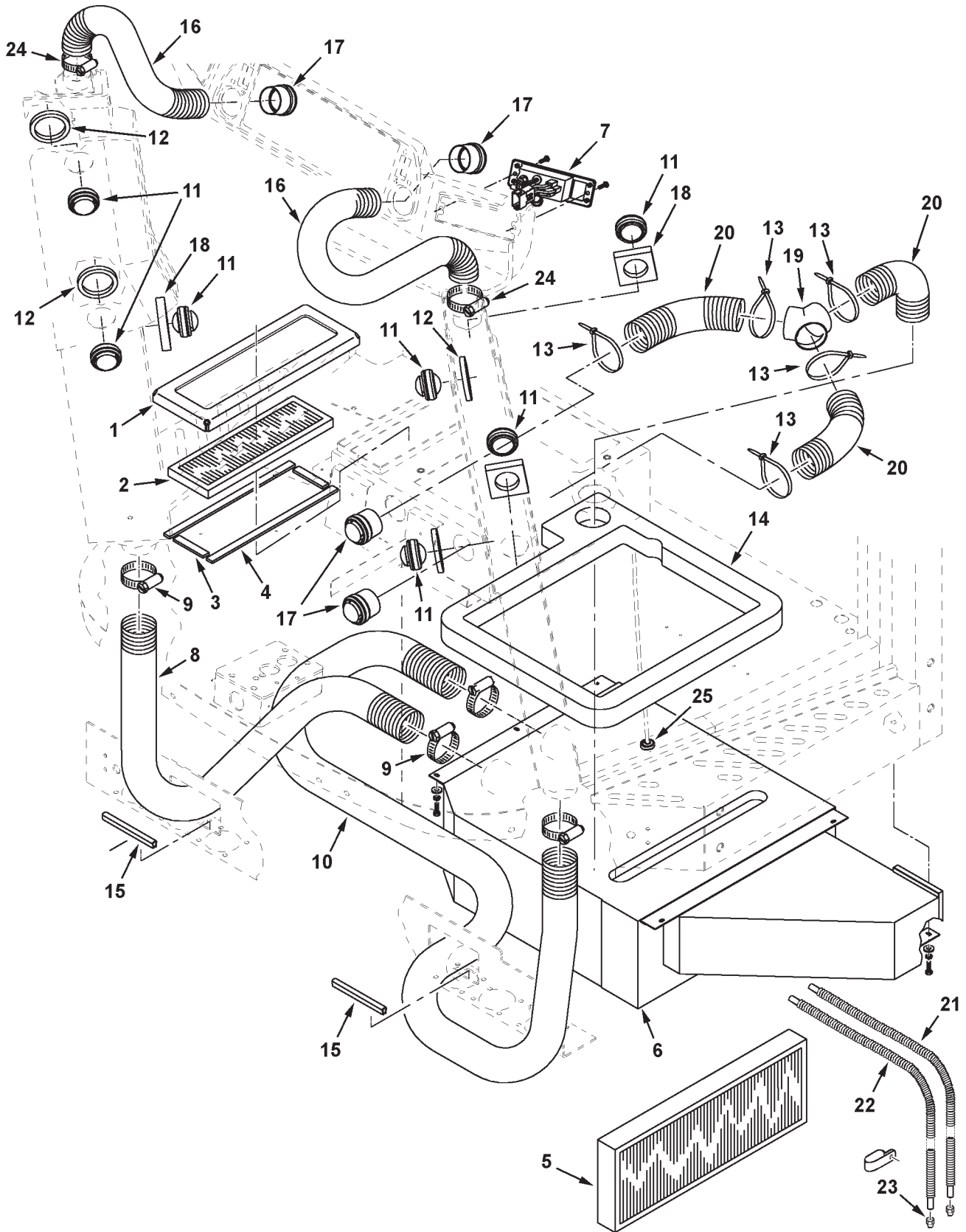
189

**SEAT  
CUSHION AND BACKREST**

ITEM	NUMBER	QTY	DESCRIPTION
61	71398787	1	KIT, HANDLE, LUMBAR ADJ (INCL ITEM 60)
62	71398788	1	WHEEL, TOOTHED
63	71398789	3	RIVET, 3.2 X 8
64	71398790	1	SLING, SPRING BRAKE
65	71398791	1	CARRIER
66	71398792	1	ROD, LINK
69	71398795	3	RIVET, 4 X 8
71	71398796	2	BUSHING
73	700725833	1	SEAT BELT ASY
75	700725871	1	KIT, OPERATOR PRESENCE SWITCH MTG (INCL ITEMS 21, 76, 77, 78, 80, 81)
76	-----	2	SPACER (NOT SERVICED SEPARATELY)
77	-----	2	RIVET (NOT SERVICED SEPARATELY)
78	71398798	2	SPRING, COMPRESSION
79	71398799	4	RIVET, 3.2 X 14
80	71398800	1	KIT, SWITCH (INCL ITEMS 79, 82)
81	72272098	2	GROMMET
82	70932747	5	TIE, BLACK NYLON, SELF-LOCK .10 X 4.0
87	71398801	1	COVER
88	71398802	1	RAIL ASY, ADJUSTMENT
89	71398732	1	KIT, ADJUSTMENT RAIL MOUNTING (INCLUDES ITEMS 90, 91, 92)
90	72514055	3	SCREW, M8 X 16
91	71398803	1	ANGLE
92	391148X1	1	CAPSCREW, HEX SOCKET HD, M8 X 20 CL8.8
93	71398804	1	ARMREST ASY
99	71398175	2	SCREW, M5 X 16

GC00403  
PR: 92

HVAC  
PRESSURIZER UNIT & DUCTING





9690 COMBINE  
CAB

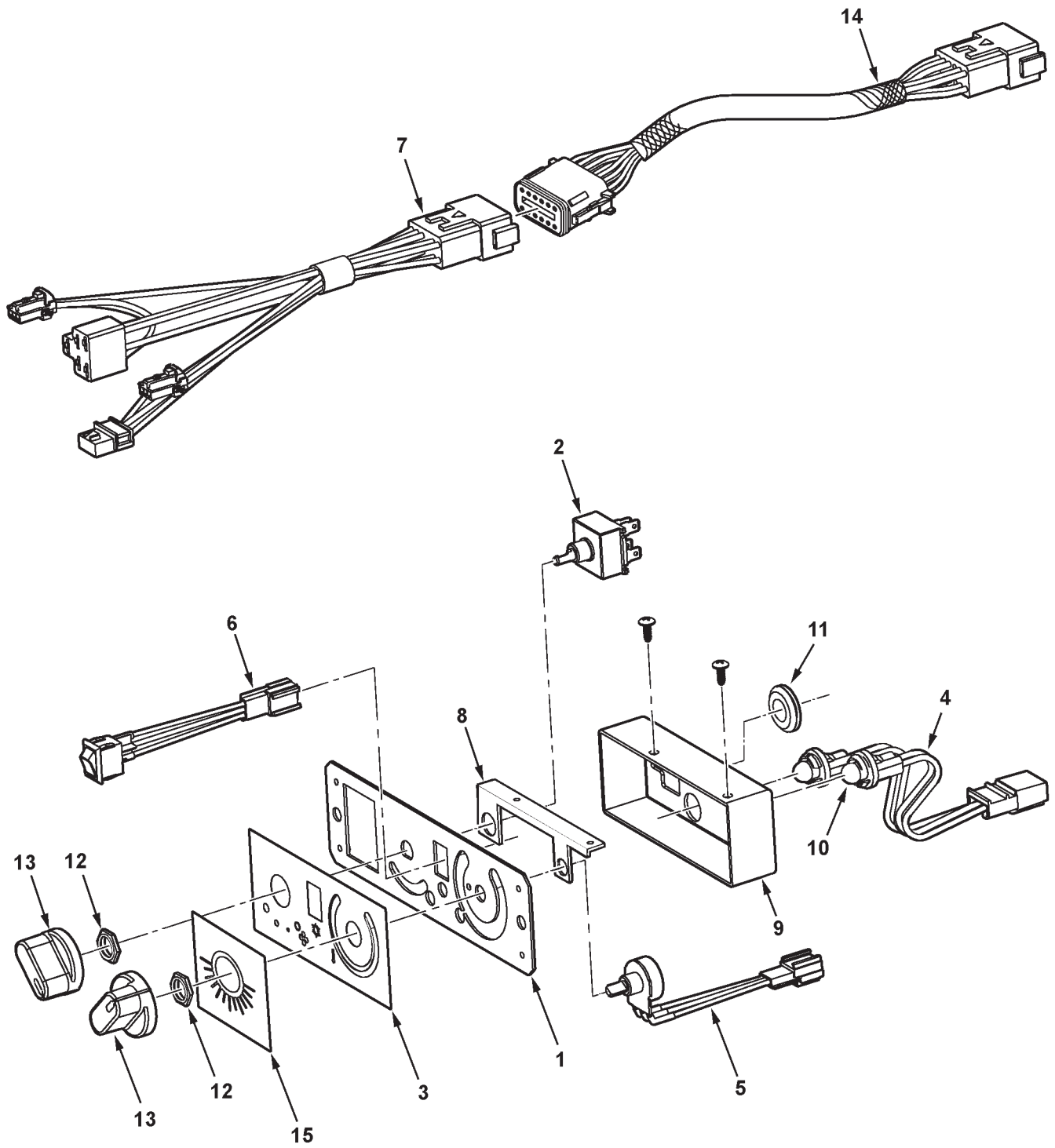
191

HVAC  
PRESSURIZER UNIT & DUCTING

ITEM	NUMBER	QTY	DESCRIPTION
1	71393463	1	RETAINER, FILTER
2	71391153	1	AIR FILTER
3	71393620	2	SEAL, AIR FILTER (SHORT)
4	71393619	2	SEAL, AIR FILTER (LONG)
5	71393893	1	AIR FILTER
6	----	1	HVAC ASY. (SEE BREAKDOWN) (REQUIRES ITEM 14 & 71408216 ASSEMBLY INSTR, PRIOR S/N HP87101)
	70921333	6	CAPSCREW, 5/16-18 X 1.0
	Y705020	6	LOCKWASHER, 5/16
	700709602	6	WASHER, 5/16
7	71409581	1	CONTROL PANEL ASY. (SEE BREAKDOWN)
	7703457	2	CAPSCREW, 1/4-20 X 3/4 GR5
8	71393949	1	HOSE, FLEX AIR
9	70936813	4	CLAMP, HOSE
10	71393948	1	HOSE, FLEX AIR
11	72161024	7	LOUVER ASY., BALL
12	71393617	4	SEAL, DEFROST LOUVER
13	3619622M1	5	TIE, NYLON
14	71401526	1	SEAL (EFF. S/N HP87101)
	71393551	AR	ADHESIVE SPRAY
15	71387797	2	TRIM, EDGE PROTECTOR (EFF. S/N HP87101)
16	71393950	2	HOSE, FLEX AIR
17	71388188	4	LOUVER ASY., BALL
18	71393616	3	SEAL, A/C LOUVER
19	71391175	1	CONNECTOR, HOSE "Y"
20	71391322	3	HOSE, FLEX AIR
21	71396381	1	HOSE, DRAIN, 88" LONG
22	71396382	1	HOSE, DRAIN, 108" LONG
	700717644	3	TIE, NYLON
	70928148	1	CLAMP, DBL, 3/4 DIA X .406 HOLE
23	71396390	2	RESTRICTOR, DRAIN
24	7720063	2	CLAMP, HOSE
25	700728474	2	GROMMET, .109 ID (EFF. S/N HS87101)
-	71400513	-	KIT, HVAC HI-SPEED BLOWER PERF UPGRADE (APPLIES TO S/N HM87101 THRU HM87149) (INCLUDES FOLLOWING)
-	71400520	1	WIRE HARNESS ASY, W/FUSE
-	70937609	AR	MINI FUSE, 25 AMP
-	71398820	1	RELAY
-	71400522	1	GROMMET, 3/8 ID X 5/8 PANEL DIA
-	71400521	1	PLATE, RESTRICTOR
-	71400523	5	SCREW, HX SERR WSHR HD, #10-16 X 1/2
-	70925094	10	TIE, NYLON LOCKING, .184 X 7.3

GC00319  
PR: 96

HVAC  
CONTROL PANEL  
(PRIOR S/N HS87---)



**9690 COMBINE  
CAB**

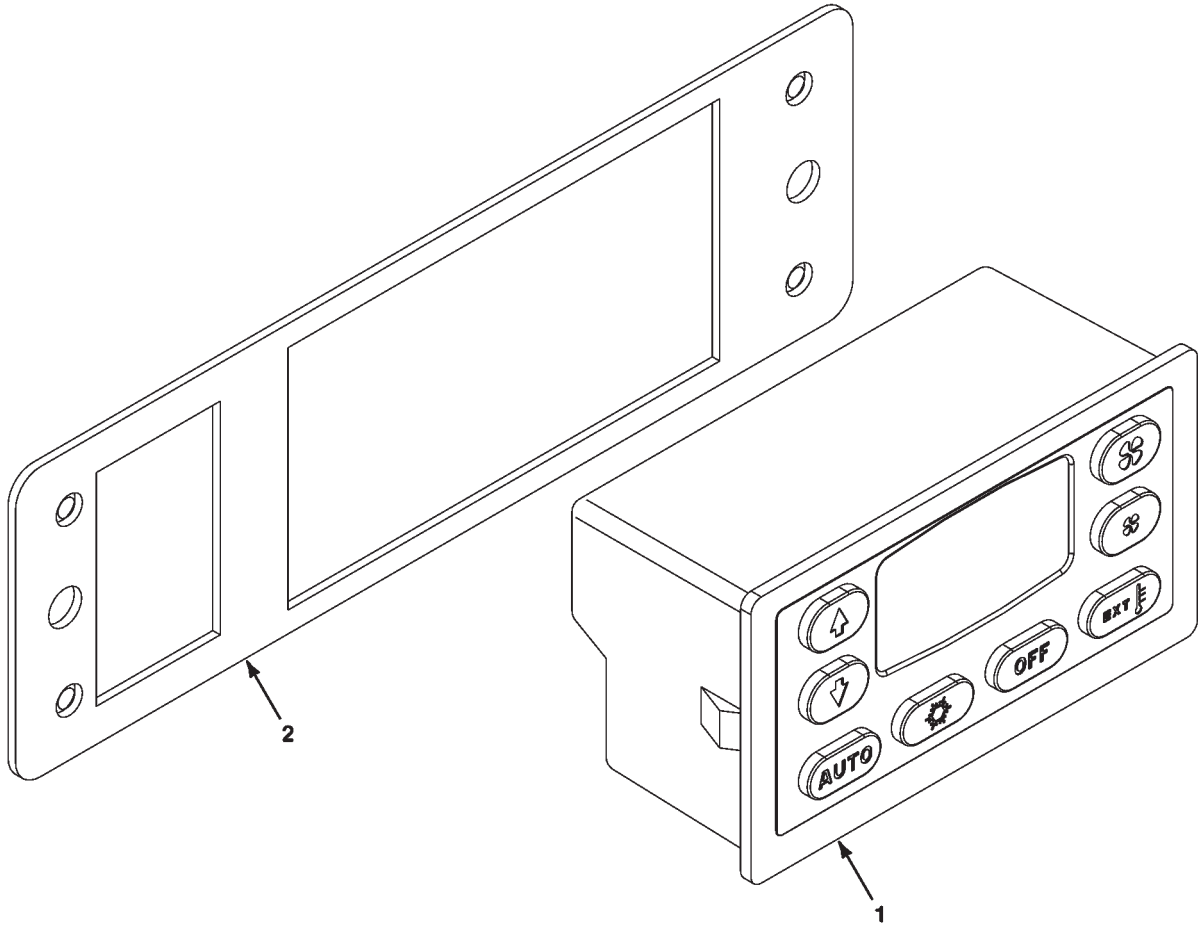
193

**HVAC  
CONTROL PANEL  
(PRIOR S/N HS87--)**

ITEM	NUMBER	QTY	DESCRIPTION
-	71409581	1	CONTROL PANEL ASY,(INCL. ITEMS 1-13)
-	71395763	1	BEZEL, HVAC (MANUAL ADJ. MIRRORS)(PRIOR S/N HP87101)(NOT ILLUS.)(ALSO SEE MIRRORS)
-	71393943	1	BEZEL, HVAC (REMOTE ADJUST MIRRORS) (NOT ILLUSTRATED)(ALSO SEE MIRRORS)
1	71397433	1	CONTROL HOUSING ASY.
2	71397432	1	SWITCH, BLOWER
3	71409582	1	DECAL, CONTROL PANEL
4	71397434	1	SOCKET ASY. LAMP
5	71401548	1	POTENTIOMETER, HEATER CONTROL
6	71397438	1	SWITCH, A/C
7	71397439	1	WIRE HARNESS
8	71397440	2	BRACKET, LIGHT BOX
9	71397437	1	LIGHT BOX
	71373144	2	SCREW, #8-18 X 1/2
10	71397443	2	BULB, LIGHT
11	71397441	1	GROMMET, RUBBER
12	71373145	2	NUT
13	71397436	2	KNOB, CONTROL
14	71410922	1	HARNESS, A/C JUMPER (PRIOR S/N HR87--)
15	71408221	1	DECAL, OVERLAY, A/C
-	700525400	AR	KIT, ADJUSTABLE THERMOSTAT (APPLIES TO S/N'S HM,HN,HP,& HR) (FIELD INSTALL) INCLUDES FOLLOWING:
	700164650	1	MOUNTING BRKT
	700728631	1	DECAL, THERMOSTAT
	700728473	1	THERMOSTAT COVER
	700728714	1	CONTROL KNOB
	7703457	1	CAPSCREW, 1/4-20 X 3/4 GR5
	700725633	1	INSERT, THREADED, 1/4-20
	700728845	1	PACKGE, ADJ THERMOSTAT & WATER VALVE
	700728474	2	GROMMET, .109 ID X 5/16 PANEL HOLE
	727693	2	GROMMET, 1/4 ID X 3/8 PANEL HOLE
	71413084	1	WIRE ASY, HVAC JUMPER
	70937660	1	SCREW,PAN HD TAPPING, 1/4-20 X 5/8

GC00314  
PR: 98

HVAC CONTROL PANEL  
(EFF. S/N HS87101)



**9690 COMBINE  
CAB**

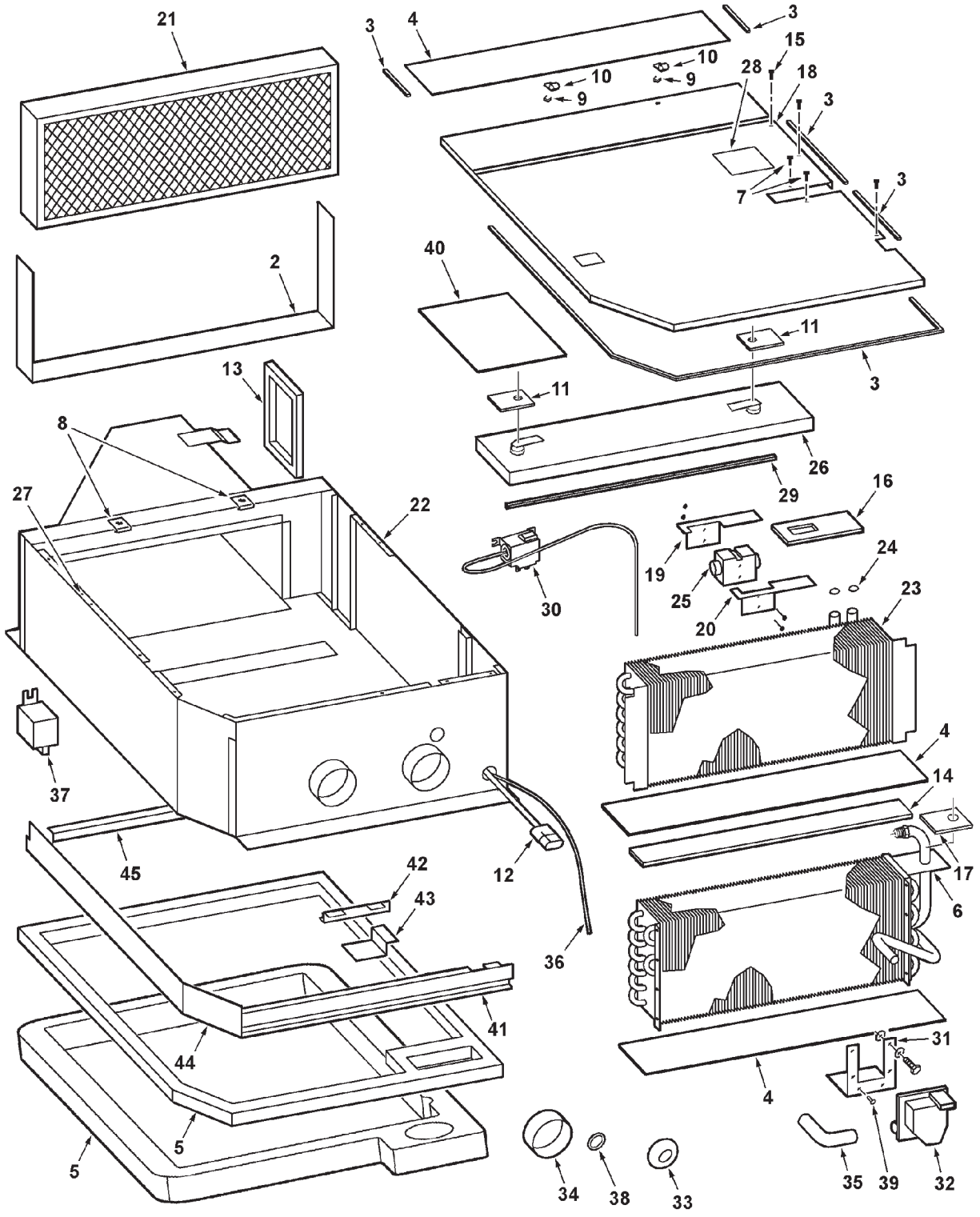
**195**

**HVAC CONTROL PANEL  
(EFF. S/N HS87101)**

ITEM	NUMBER	QTY	DESCRIPTION
1	71418427	1	MODULE-AUTO TEMP CONTROL
2	71413067	1	PLATE-MOUNTING, HVAC

MC00570  
PR: t07b20n52c0002

HVAC PRESSURIZER UNIT  
EVANS-TEMPCON  
(PRIOR S/N HS87--)



9690 COMBINE  
CAB

197

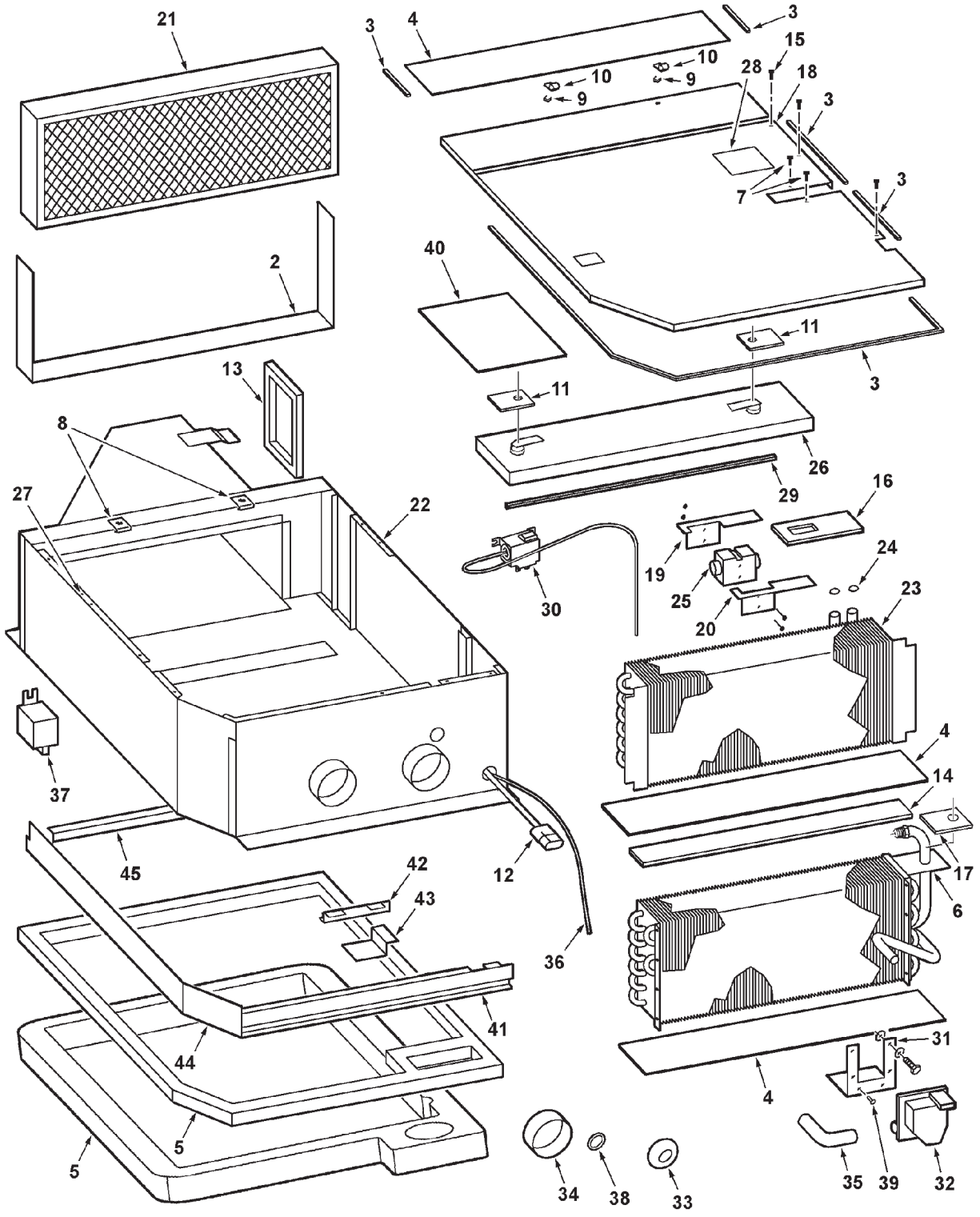
HVAC PRESSURIZER UNIT  
EVANS-TEMPCON  
(PRIOR S/N HS87---)

ITEM	NUMBER	QTY	DESCRIPTION
-	71408222	1	HVAC ASY. (PRIOR S/N HR87203)
-	700728713	1	HVAC ASY. (EFF. S/N HR87203) (INCLUDES FOLLOWING)
2	71371331	1	TAPE, FOAM 1/4 X 1-1/2 (3.50 FT)
3	71397934	1	TAPE, FOAM, 1/4 X 1/2
4	71371333	1	TAPE, FOAM 1/8 X 3-7/8 (6.0 FT)
5	71401530	1	TAPE, FOAM 1" X 1-1/8" (8.67 FT)(PRIOR S/N HP87101)
	71401526	1	SEAL (EFF. S/N HP87101) (NOT INCLUDED IN A/C & HTR ASY)
6	71397445	1	HEATER CORE (PRIOR S/N HN87...)
	71401546	1	HEATER CORE (EFF. S/N HN87...)
7	71400523	2	SCREW, #10, SELF-DRILLING
8	71371336	2	RECEPTACLE, CLIP-ON, #5 STUD
9	71384272	2	RETAINER, PUSH ON
10	71371338	2	FASTENER, 1/4 TURN
11	71397444	2	SEAL, DRAIN TUBE
12	71397446	1	HARNESS, WIRING
13	71397447	1	GASKET, FRESH AIR
14	71384552	1	FOAM TAPE, 3/8 X 2 (21.62" LG)
15	71373146	10	SCREW, SELF TAPPING, #10-24
16	71371343	1	SEAL, EXPANSION VALVE
17	71397449	1	SEAL, HEATER TUBES
18	71408215	1	COVER & FILTER DOOR ASY. (INCL. TAPE & POP-RIVETS)
	70924947	5	POP-RIVET, 1/8 X .251-.312
19	71371346	1	BRACKET, EXPANSION VALVE, R.H.
20	71371347	1	BRACKET, EXPANSION VALVE, L.H.
	353509X1	2	BOLT, 1/4-28 X 1-1/2
	70930760	2	NUT, LOCK, 1/4-28
21	71393893	1	FILTER, AIR
22	71406891	1	CASE ASY (INCL. ITEMS 2,4,8,13,27,33, 34 & 38)(CASE WLMT NOT SERVICE)
	700728745	1	CASE WLMT(EFF. S/N HR87203 THRU HS87---)
23	71371349	1	EVAPORATOR ASY. (INCL. ITEMS 24 & 25) (PRIOR S/N HN87...)
	71373126	1	EVAPORATOR UNIT (PRIOR S/N HN87)
	71401545	1	EVAPORATOR ASY. (INCL. ITEMS 24 & 25) (EFF. S/N HN87...)(SEE * NOTE)
24	70937295	2	O-RING, #8, R134a
25	71373127	1	VALVE, EXPANSION (REQUIRES SEAL IT. 16)
26	71397926	1	PAN ASY., DRAIN
27	70937424	10	NUT, SPEED
28	71397927	1	LABEL, WARNING, R134a
29	71397448	1	FOAM SEAL, 1/4 X 1/2 (DRAIN PAN)
30	71397929	1	THERMOSTAT, COLD CONTROL (PRIOR HR87203)
31	71397933	1	BRACKET, WATER VALVE

CONTINUED

GC00410  
PR: 100

HVAC PRESSURIZER UNIT  
EVANS-TEMPCON  
(PRIOR S/N HS87--)





**9690 COMBINE  
CAB**

199

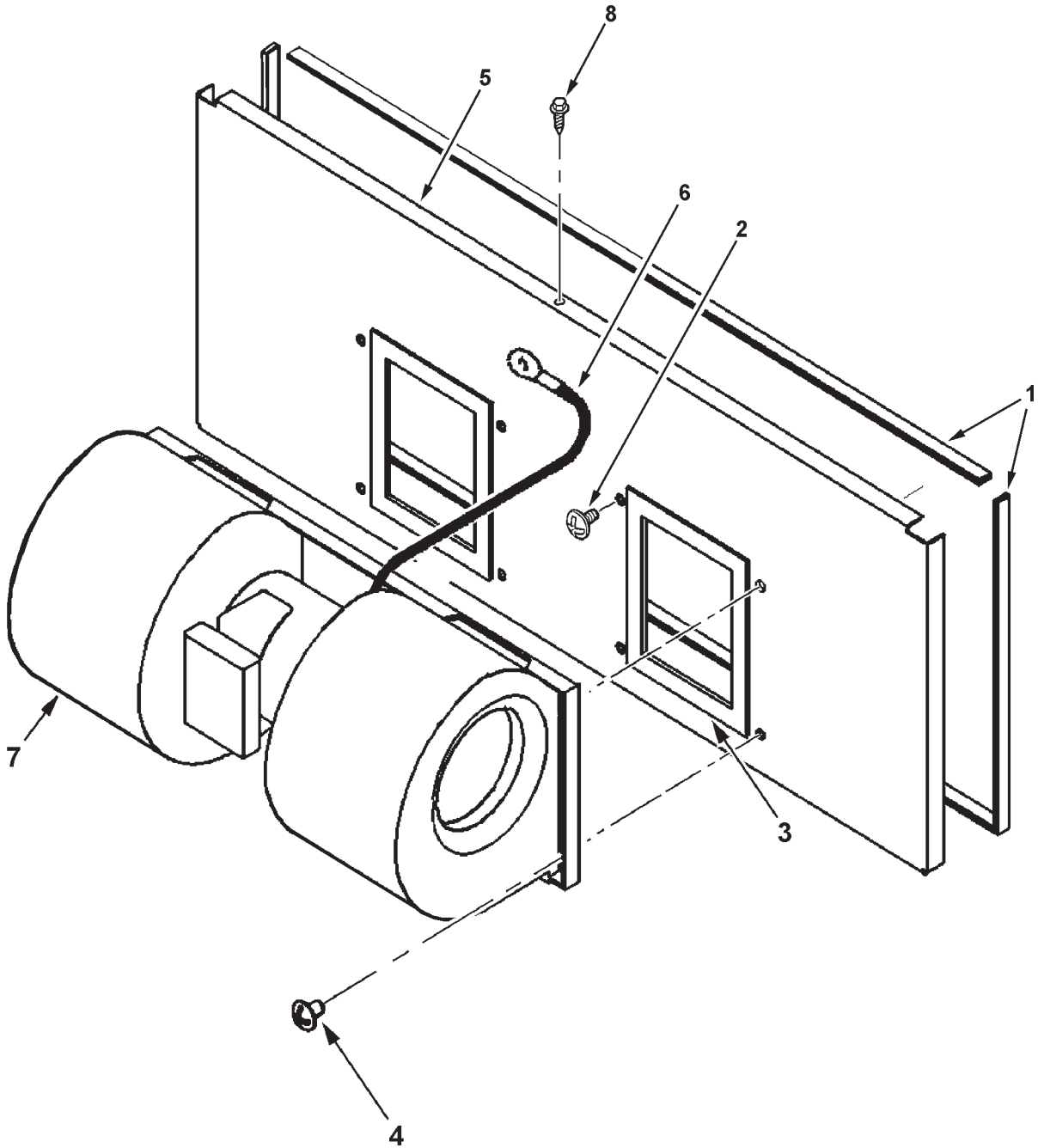
**HVAC PRESSURIZER UNIT  
EVANS-TEMPCON  
(PRIOR S/N HS87--)**

ITEM	NUMBER	QTY	DESCRIPTION
32	71408211	1	WATER VALVE ASY, (PRIOR S/N HR87203)
	700728746	1	WATER VALVE ASY, (EFF. S/N HR87203)
	70921959	4	CAPSCREW, 1/4-20 X 5/8
	70926622	4	HEXNUT, 1/4-20
33	71397932	1	GROMMET, WIRE
34	71384551	2	STRIP, CLOSED CELL FOAM, 1/8 X 1 X 9.4"
35	71408209	1	HOSE, FORMED 90DEG (WATER VALVE TO CORE)
	70921911	2	CLAMP, HOSE, WORM DR, .69-1.25 DIA
36	71398819	1	WIRE HARNESS ASY, HI SPEED, W/FUSE
	70937609	AR	MINI FUSE, 25 AMP (NOT ILLUS.)
37	71398820	1	RELAY
38	71397930	1	SNAP BUSHING
39	71373144	24	SCREW, TAPPING, #8-18 X 1/2
40	71408210	1	LABEL, WIRING DIAGRAM
41	-----	1	SPACER, OUTLET (NOT SERVICED)(PRIOR S/N HP87101)
42	-----	1	SPACER, RECIRCULATOR (NOT SERVICED) (PRIOR S/N HP87101)
43	-----	1	SPACER, RECIRCULATOR END (NOT SERVICED) (PRIOR S/N HP87101)
44	-----	1	SPACER, FRONT (NOT SERVICED)(PRIOR S/N HP87101)
45	-----	1	SPACER, FRESH AIR (NOT SERVICED)(PRIOR S/N HP87101)
-	700707823	AR	SEALANT, SILASTIC (NOT ILLUS.)

\* NOTE: UPGRADE OF A/C COOLING FOR  
MACHINES PRIOR TO S/N HN87, REQUIRES  
71401545 EVAP. ASY, 71401546 HEATER  
CORE, 71401544 BLOWER ASY, & RECHARGE  
TO LATEST REFRIGERATION SPEC.

GC00410  
PR: 100

HVAC BLOWER ASY.  
EVANS TEMPCON  
(PRIOR S/N HS87--)



9690 COMBINE  
CAB

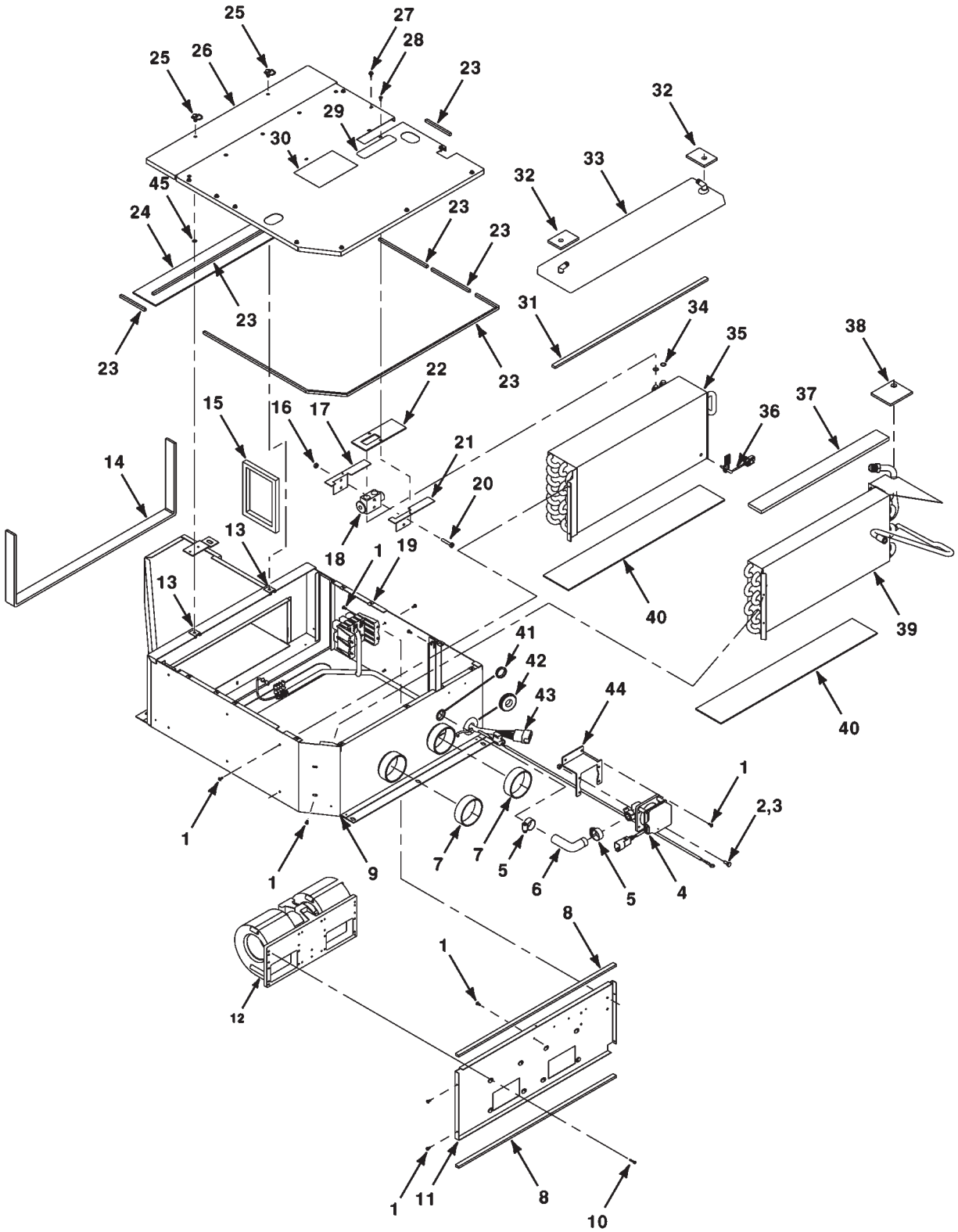
201

HVAC BLOWER ASY.  
EVANS TEMPCON  
(PRIOR S/N HS87--)

ITEM	NUMBER	QTY	DESCRIPTION
-	-----	1	BLOWER & PANEL ASY (NOT SERVICED)
1	71371332	1	TAPE, FOAM, 1/4 X 1/2 (4.78 FT)
2	71373144	1	SCREW, #8-18 X 1/2, SELF-TAPPING
3	71384553	1	TAPE, FOAM, 1/8 X 1/4 (2.0 FT)
4	71384558	8	SCREW, #10-24 X 1/2, SELF-TAPPING
5	71397939	1	PANEL ASY., BLOWER
6	71384555	1	WIRE ASY., (GROUND)
7	71384556	1	BLOWER ASY, PLASTIC (PRIOR S/N HN87) (SERVICE W/ 71401544)
	71401544	1	BLOWER ASY, PLASTIC (EFF. S/N HN87) (COMPONENTS NOT SERVICED)(SEE * NOTE IN PRESSURIZER UNIT)
8	71400523	1	SCREW, #10, SELF-DRILLING

GC00267  
PR: 102

HVAC PRESSURIZER UNIT  
EVANS-TEMPCON  
(EFF. S/N HS87---)



9690 COMBINE  
CAB

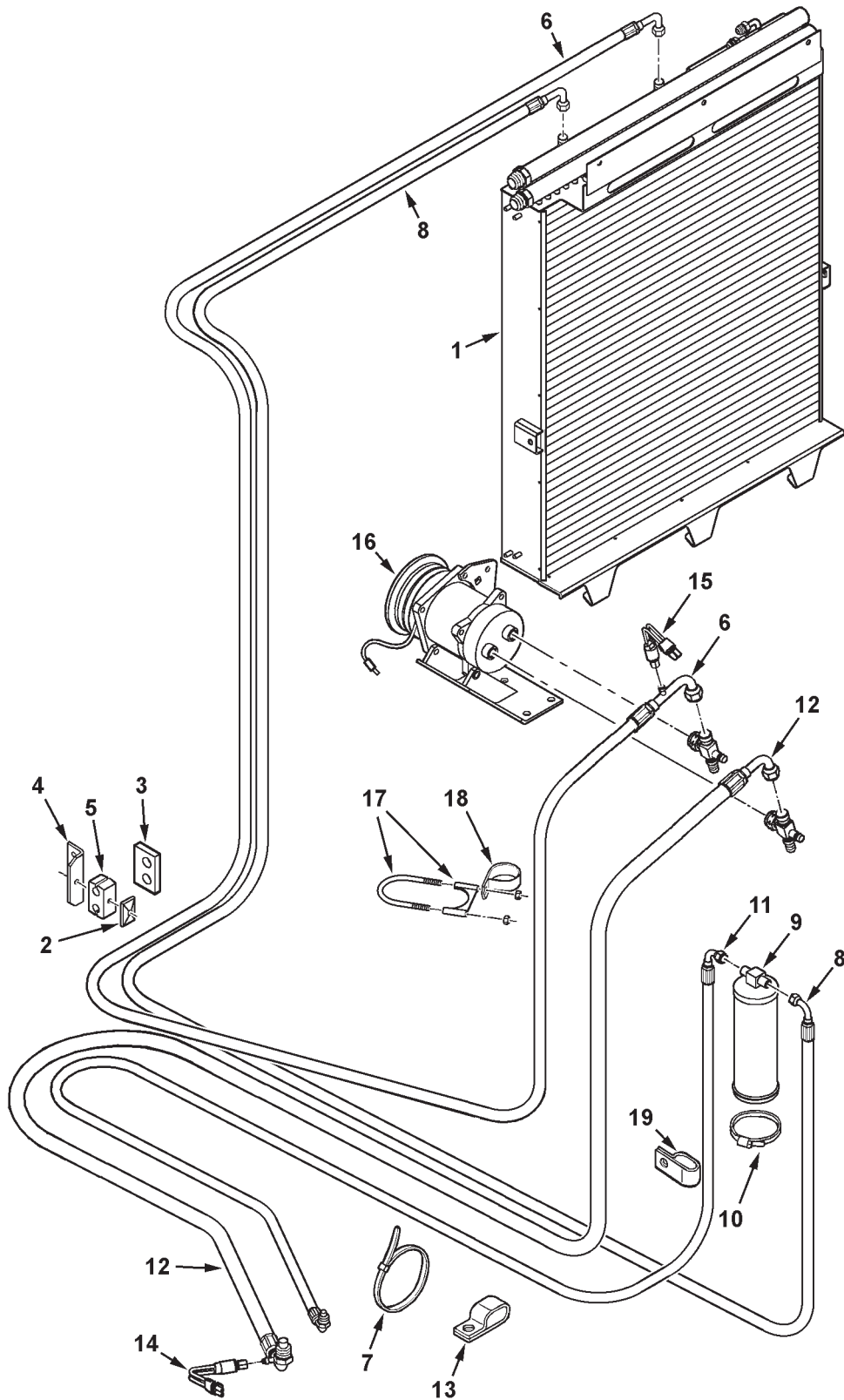
203

HVAC PRESSURIZER UNIT  
EVANS-TEMPCON  
(EFF. S/N HS87--)

ITEM	NUMBER	QTY	DESCRIPTION
1	71373144	16	SCREW, #8-18 X 1/2
2	70921959	4	CAPSCREW, 1/4-20 X 5/8
3	70916622	4	NUT, 1/4-20 REG
4	71418429	1	WATER VALVE
5	70921911	2	CLAMP-HOSE
6	71408209	1	HOSE-FORMED 90 DEGREE
7	71384551	2	FOAM-CELL
8	71371332	2	TAPE-FOAM
9	71419804	1	CASE ASSEMBLY
10	71384558	8	SCREW, #10-24 X 1/2, SELF-TAPPING
11	71419805	1	PANEL-BLOWER ASSEMBLY
12	71418430	1	BLOWER ASSEMBLY
13	71371336	2	RECEPTACLE-NO. 85 CLIP
14	71371331	1	TAPE-FOAM
15	71397447	1	GASKET-FRESH AIR
16	70930760	2	NUT, LOCK, 1/4-28
17	71371346	1	BRACKET-R EXPANSION VALVE
18	71373127	1	VALVE-R134A EXPANSION
19	70937424	10	NUT, SPEED
20	353509X1	1	SCREW, 1/4-28 X 1-1/2
21	71371347	1	BRACKET-L EXPANSION VALVE
22	71371343	1	SEAL, EXPANSION VALVE
23	71397934	6	TAPE-FOAM 1/4 X 1/2
24	71371333	1	TAPE-FOAM 1/8 X 3-7/8
25	71371338	2	FASTENER, 1/4 TURN
26	71408215	1	COVER AND FILTER DOOR ASSEMBLY (INCL. FOAM TAPE, LABELS & FASTENERS)
	70924947	5	POP-RIVET, .125 DIA X .251-.312 GRIP
27	71373146	10	SCREW, SELF TAPPING, #10-24
28	71400523	3	SCREW, HX WSHR HD TAPPING, #10 X 1/2
29	71397927	1	LABEL-WARNING, 134a
30	71408210	1	LABEL-WIRING DIAGRAM
31	71397448	1	FOAM
32	71397444	2	SEAL-DRAIN TUBE
33	71397926	1	PAN-DRAIN
34	70937295	1	O-RING, #8, R134a
35	71419807	1	EVAPORATOR ASSEMBLY
36	71419806	1	SENSOR, ANTI-ICING
37	71384552	1	TAPE-FOAM
38	71397449	1	SEAL-HEATER TUBES
39	71419808	1	CORE-HEATER
40	71371333	2	TAPE-FOAM 1/8 X 3-7/8
41	71397930	1	BUSHING-SNAP
42	71397932	1	GROMMET-WIRE
43	71418431	1	WIRING HARNESS
44	71418428	1	BRACKET-WATER VALVE
45	71384272	2	RETAINER, PUSH-ON

MC00569  
PR: t07a23o20b0003

AIR CONDITIONER  
LINES



9690 COMBINE  
CAB

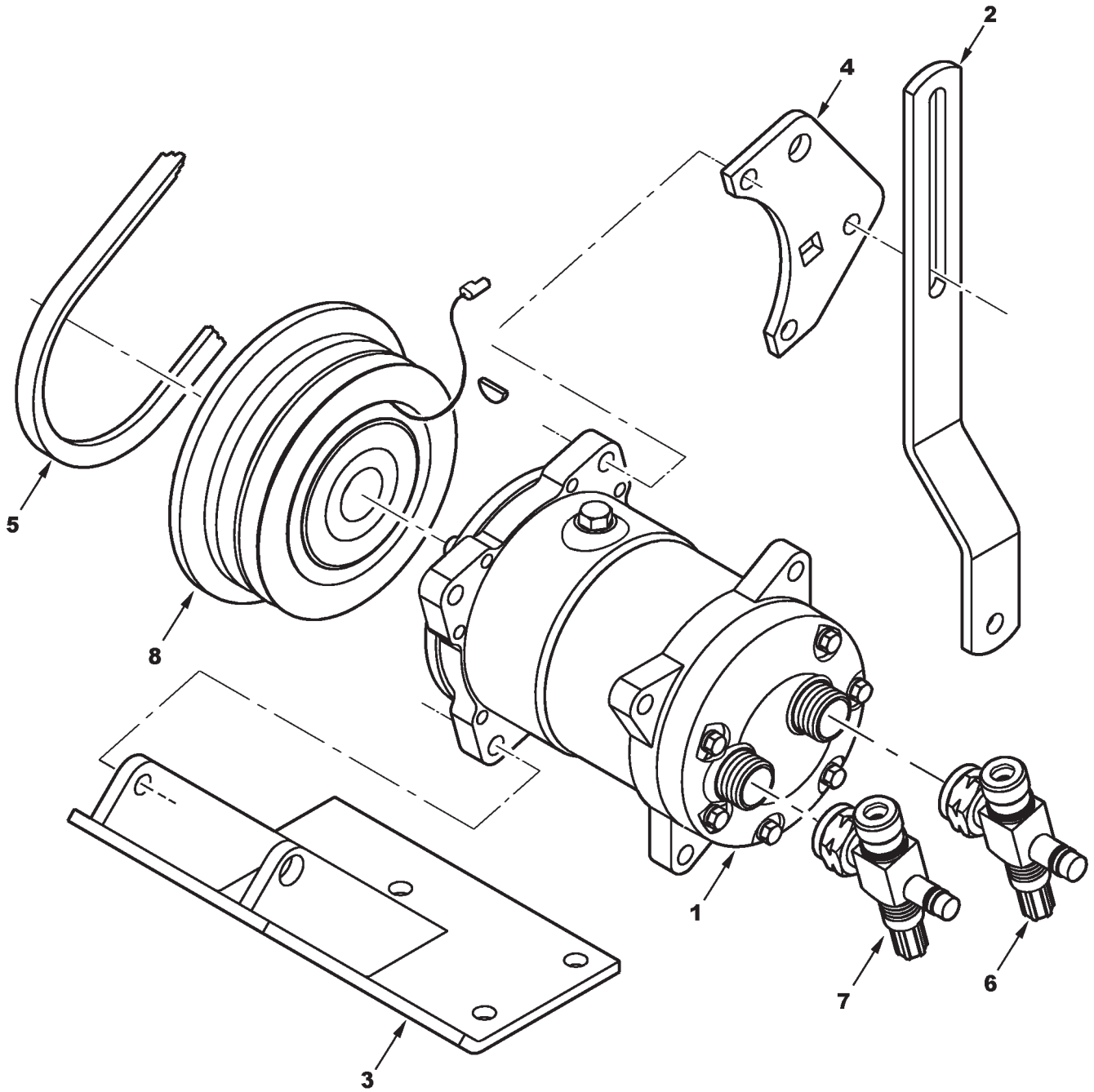
205

AIR CONDITIONER  
LINES

ITEM	NUMBER	QTY	DESCRIPTION
1	71391475	1	COMBINATION COOLER (PRIOR S/N HR87101)
	71393842	1	COMBINATION COOLER (EFF. S/N HR87101)
2	101646M1	1	COVER PLATE
	7771744	1	CAPSCREW, 5/16-18 X 2-1/4
	Y704726	1	NUT, HEX FLANGE TOP LOCK, 5/16-18
3	71388076	1	SEAL, A/C HOSES
4	71388063	1	ANGLE, HOSE SUPPORT
	70921332	2	CAPSCREW, 5/16-18 X 3/4
	Y704726	2	NUT, HEX FLANGE TOP LOCK, 5/16-18
5	71388856	1	CLAMP PAIR, 7/8 DOUBLE
6	71391648	1	HOSE ASY., COMPRESSOR TO CONDENSER
	70937295	2	O-RING, .070 X .426 ID, 70 DUR, HNBR
	70925621	2	CLAMP, LINE, 1" X .406 HOLE (PRIOR S/N HR87101)
	70936474	2	CLAMP, LINE, 1" DBL. X .406 HOLE (EFF. S/N HR87101)
	70921332	1	CAPSCREW, 5/16-18 X 3/4
	70917356	1	LOCKWASHER, 5/16
7	3619622M1	11	TIE, NYLON LOCKING, .184 X 14.2
8	71394172	1	HOSE ASY., CONDENSER TO DRYER
	70937296	2	O-RING, .070 X .301 ID, 70 DUR, HNBR
	70926049	1	CLAMP, SINGLE, 3/4 X .406 HOLE (PRIOR S/N HR87101)
9	71369761	1	RECEIVER, DRYER (R134A)
10	70921915	1	CLAMP, WORM DRIVE, 2.81 - 3.75 DIA
11	71396259	1	HOSE ASY., DRYER TO CAB
	70937296	2	O-RING, .070 X .301 ID, 70 DUR, HNBR
	70928148	2	CLAMP, DOUBLE, 3/4 X .406 HOLE
	70931822	2	SCR,HEX WSHR HD TAPPG, 5/16-12 X 3/4
12	71391100	1	HOSE ASY., CAB TO COMPRESSOR
	70937297	2	O-RING, .070 X .551 ID, 70 DUR, HNBR
	70925621	1	CLAMP, LINE, 1" X .406 HOLE (PRIOR S/N HR87101)
	700708349	1	CAPSCREW, M10-1.5 X 25MM
	700708367	1	LOCKWASHER, M10
13	70936474	5	CLAMP, DOUBLE, 1 DIA X .406 HOLE
	70931822	2	SCR,HEX WSHR HD TAPPG, 5/16-12 X 3/4
	70921977	3	CAPSCREW, 5/16-18 X 1-1/4
	Y704726	3	NUT, HEX FLANGE TOP LOCK, 5/16-18
14	71372724	1	SWITCH, LOW PRESSURE
15	72509305	1	SWITCH, HIGH PRESSURE
	70925094	5	TIE, NYLON LOCKING, .175 X 7.0
16	71379601	1	COMPRESSOR (SANDEN)
	72507682	AR	LUBRICANT, A/C COMPRESSOR
17	71399682	1	CLAMP, 3" DIA EXHAUST (EFF. S/N HR87101)
18	7041015	1	CLAMP, LINE, 2-1/4 DIA X .531 HOLE (EFF. S/N HR87101)
	Y704734	1	NUT, HEX FLANGE TOP LOCK, 3/8-16
19	70928148	1	CLAMP, DOUBLE, 3/4 DIA X .406 HOLE
	70931822	1	SCR,HEX WSHR HD TAPPG, 5/16-12 X 3/4

MC00284  
PR: 104

AIR CONDITIONER  
COMPRESSOR (SANDEN)





**9690 COMBINE  
CAB**

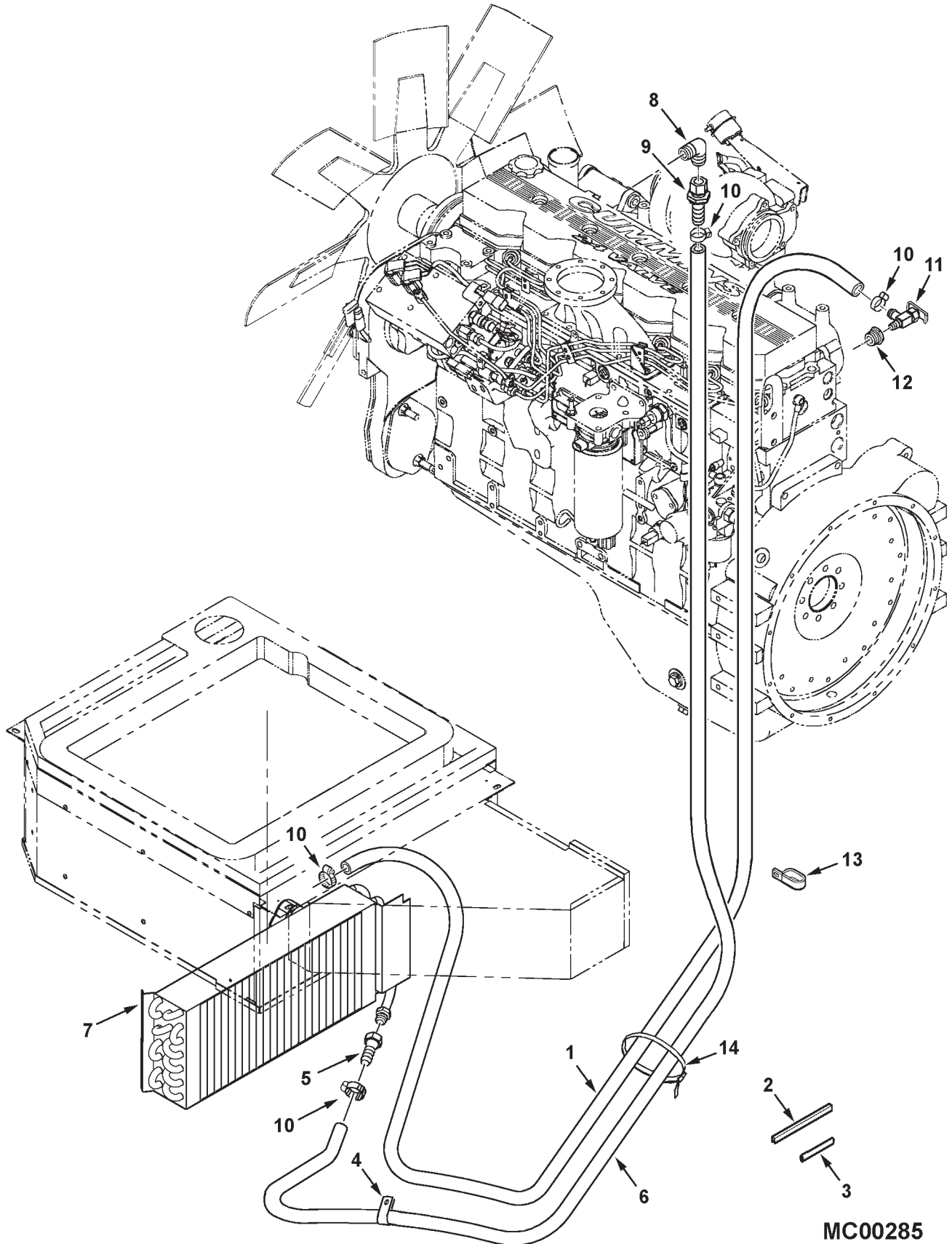
207

**AIR CONDITIONER  
COMPRESSOR (SANDEN)**

ITEM	NUMBER	QTY	DESCRIPTION
1	71379601	1	COMPRESSOR, (COMPLETE W/SEALED BEARING CLUTCH)
	71386436	1	CLUTCH ASY. (SEALED BRG.) (SEE ITEM # 8)
	70950038	2	CAPSCREW, (M10 X 40)
	70950220	2	WASHER, LOCK, (M10)
	70950945	2	NUT, (M10)
	72160927	1	BUSHING, (SLIT-SLEEVE)
2	71388877	1	LINK, ADJUSTING, A/C COMP
	1112407	1	CAPSCREW, M10-1.5 X 20
	70950220	2	LOCKWASHER M10
	70950037	1	CAPSCREW, M1-1.5 X 30
	70918266	1	WASHER, FLAT M10
	70950945	1	NUT, M10-1.5
3	71385055	1	SUPPORT WLMT. COMPRESSOR
	72160927	1	SLEEVE SLIT
	70950038	2	CAPSCREW, M10-1.5 X 40
	70950220	2	LOCKWASHER M10
	70950945	2	NUT, M10-1.5
4	30-3429865	1	PLATE COMPRESSOR
	70950038	2	CAPSCREW, M10-1.5 X 40
	70950220	2	LOCKWASHER M10
	70950945	2	NUT, M10-1.5
5	71148120	1	BELT, A/C COMPRESSOR
6	72506694	1	SERVICE VALVE, (HI-SIDE) (DISCHARGE)
	70937297	1	O-RING, .070 X .551 ID, 70 DUR, HNBR
	72507408	1	PLUG, CAP
	72507406	1	CAP, STEM
7	72506922	1	SERVICE VALVE, (LO-SIDE) (SUCTION)
	70937297	1	O-RING, .070 X .551 ID, 70 DUR, HNBR
	72507407	1	PLUG, CAP
	72507406	1	CAP, STEM
8	71386436	1	CLUTCH ASY. (SEALED BRG.)
-	72507682	AR	LUBRICANT, PAG, AC COMPRESSOR (USE ON MODELS USING 134A REFRIGERANT)
-	71369762	AR	REFRIGERANT

71384573  
PR: 106

HEATER LINES  
(PRIOR S/N HR87101)



9690 COMBINE  
CAB

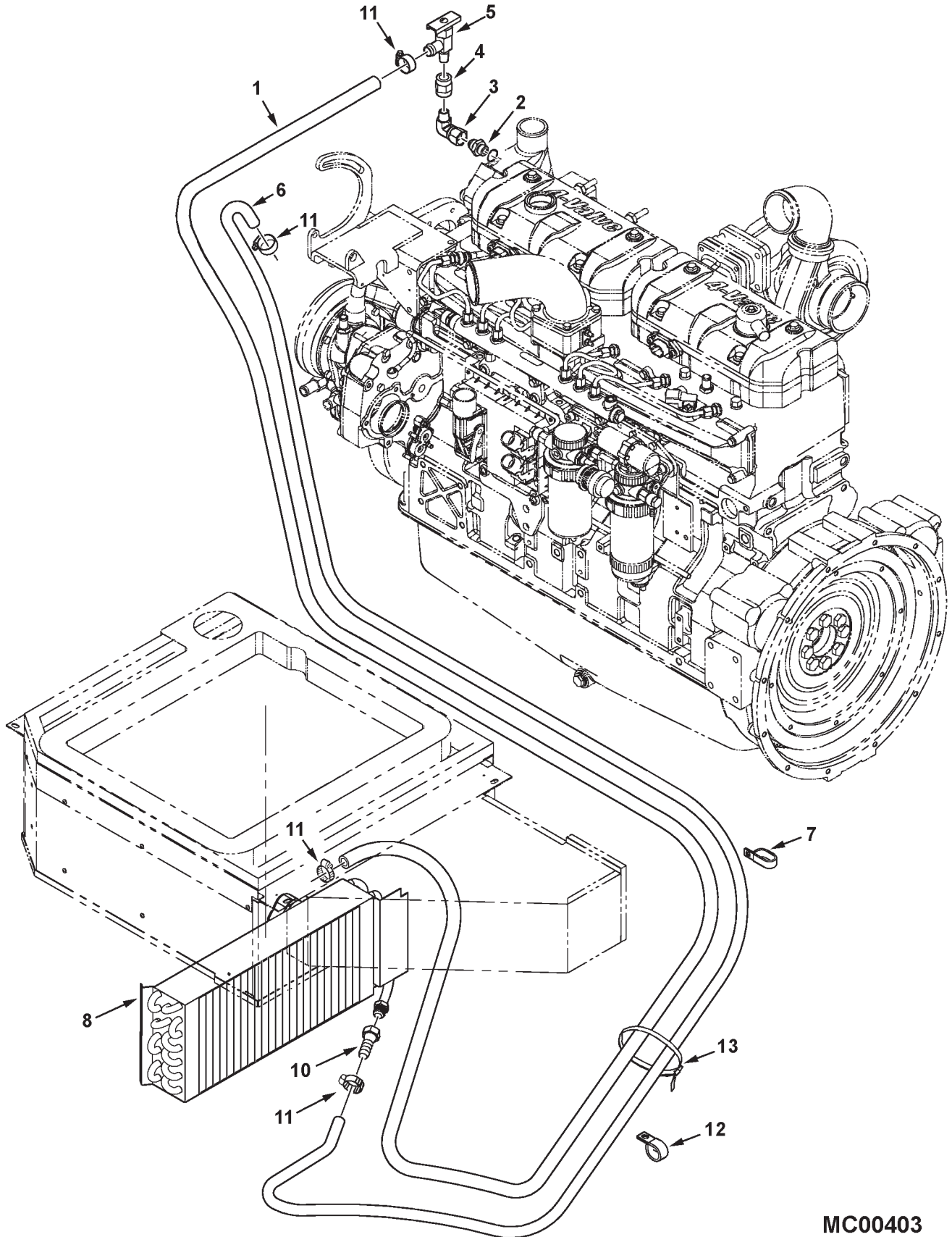
209

HEATER LINES  
(PRIOR S/N HR87101)

ITEM	NUMBER	QTY	DESCRIPTION
1	71394144	1	HOSE, 5/8 ID, HEATER SUPPLY, 275" LG
2	71387797	1	EDGE PROTECTOR
3	71191799	2	EDGE PROTECTOR
4	70928464	1	CLAMP, 1 DIA. X .281 HOLE
5	70920808	1	FITTING, BARB, 7/8 X 14 JIC FEM X 5/8
6	71396268	1	HOSE, 5/8 ID, HEATER RETURN, 200" LG
7	-----	1	HEATER CORE(SEE "HVAC PRESSURIZER UNIT")
8	70919272	1	ELBOW, 90 D, 3/4-16 JIC X 3/4 NPT
9	71351285	1	FITTING, BARB, 3/4-16 FEM X 5/8 HOSE
10	70921911	4	CLAMP, WORM DRIVE, .69- 1.25 DIA
11	30-3076830	1	VALVE, SHUT-OFF, WATER
12	70936774	1	BUSHING,PIPE REDUCER, 3/4 MALE X 3/8 FEM
13	70936474	3	CLAMP, DOUBLE, 1 DIA X .406 HOLE
14	3619622M1	2	TIE, SELF LOCK, .184 X 14.6 LG

MC00285  
PR: 108

HEATER LINES  
(EFF. S/N HR87101)



9690 COMBINE  
CAB

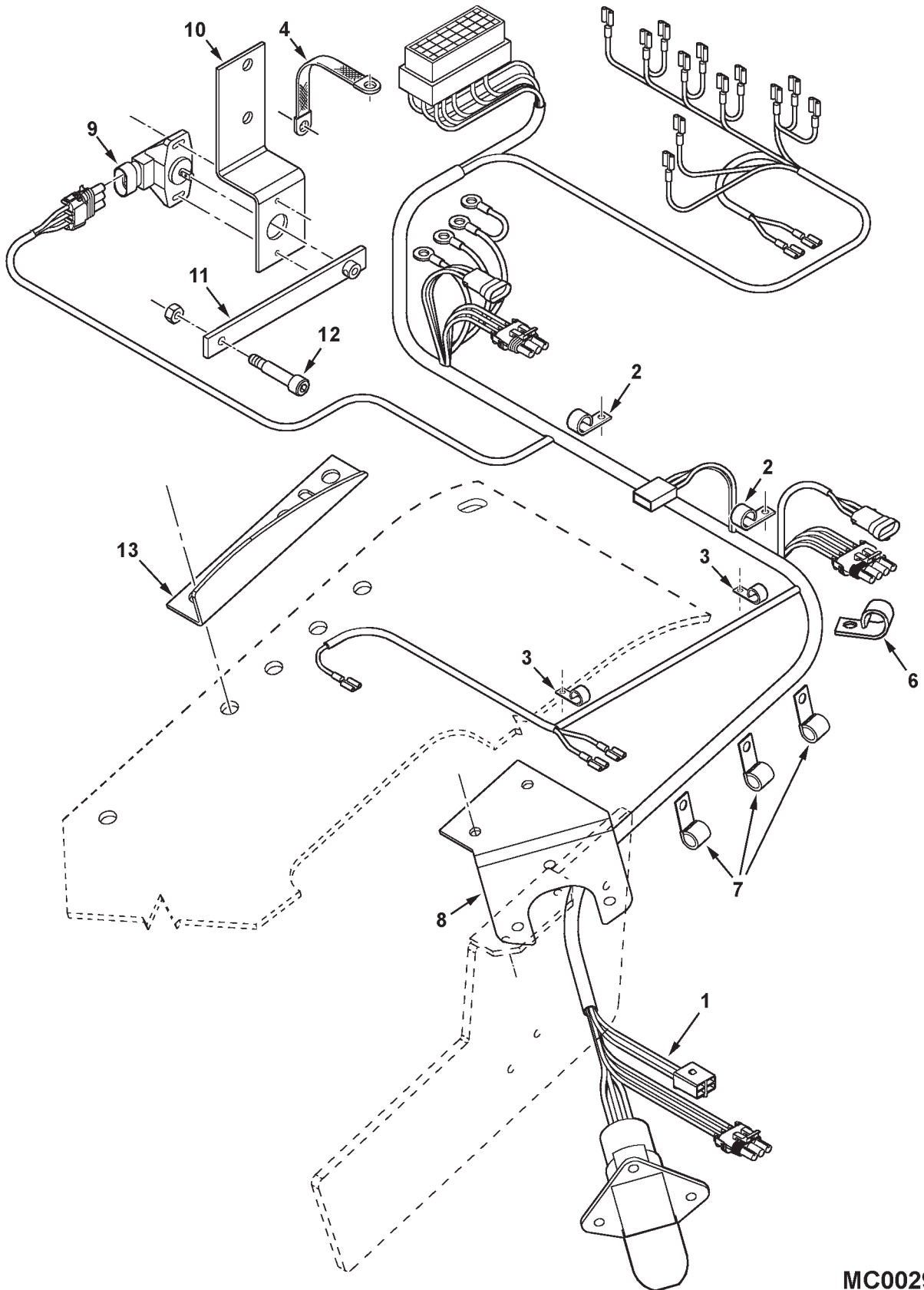
211

HEATER LINES  
(EFF. S/N HR87101)

ITEM	NUMBER	QTY	DESCRIPTION
1	71404436	1	HOSE, 5/8 ID, HEATER SUPPLY, 260" LG
2	70951055	1	CONN. METRIC, MALE, M18-1.5 X 3/4-16 JIC
	V615881822	1	WASHER, COPPER SEALING
3	70935416	1	ELBOW,90 DEG, 3/8 NPTF X 3/4-16 JIC FEM
4	W943003	1	COUPLING, 3/8 NPTF FEM.
5	30-3076830	1	VALVE, SHUT-OFF, WATER
6	700715271	1	HOSE, HEATER RETURN, 5/8 ID X 227.5" LG
7	70936474	5	CLAMP, DOUBLE, 1 DIA X .406 HOLE
8	-----	1	HEATER CORE(SEE "HVAC PRESSURIZER UNIT")
10	70920808	1	FITTING, BARB, 7/8 X 14 JIC FEM X 5/8
11	70921911	4	CLAMP, WORM DRIVE, .69- 1.25 DIA
12	70928464	1	CLAMP, LINE, 1.0 DIA X .281 HOLE
13	3619622M1	2	TIE, SELF LOCK, .184 X 14.6 LG

MC00403  
PR: t06d18i14c0004

FEEDER ELECTRICAL



9690 COMBINE  
ELECTRICAL

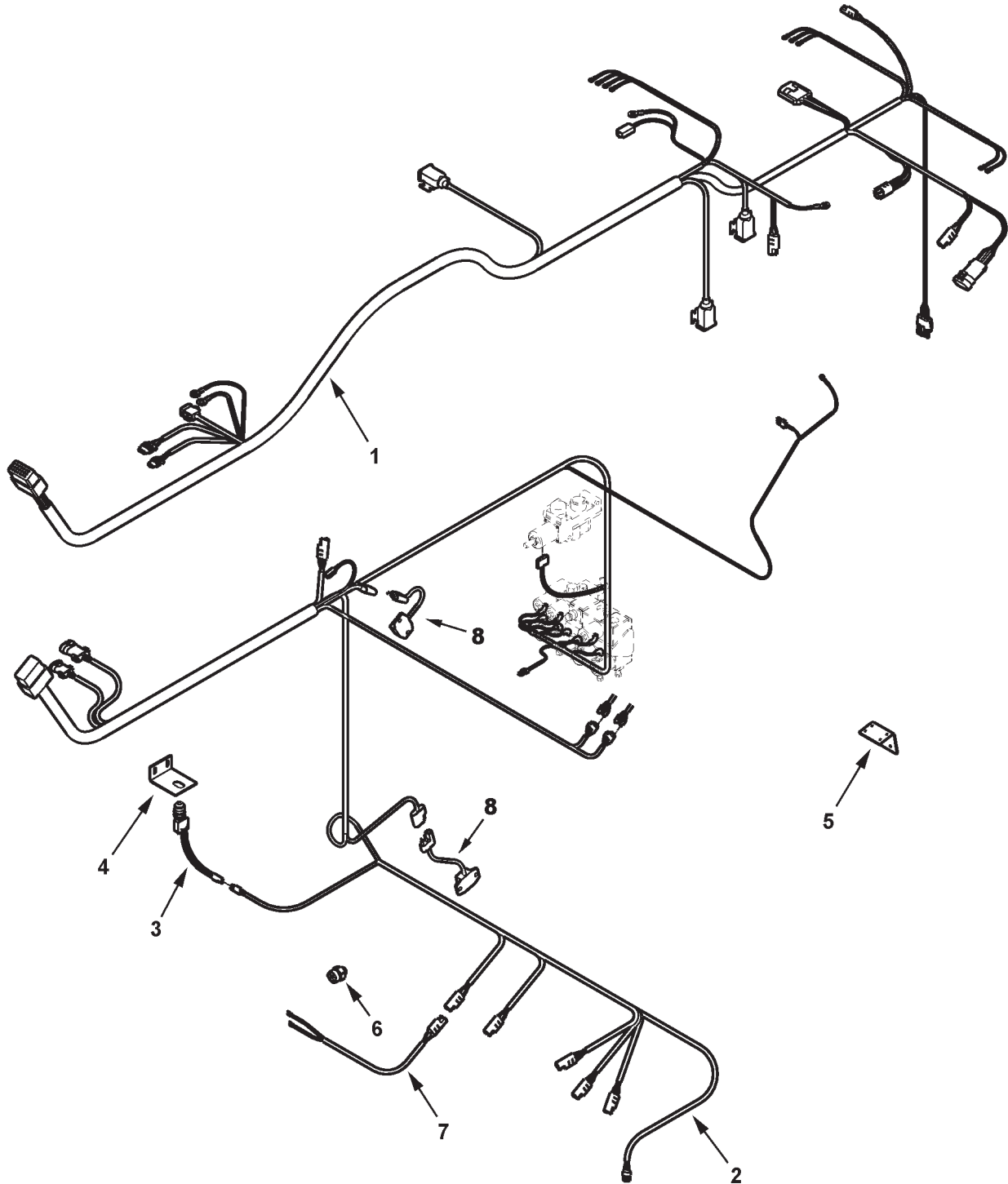
213

FEEDER ELECTRICAL

ITEM	NUMBER	QTY	DESCRIPTION
1	71412359	1	HARNESS, FEEDER
	70937133	2	TIE, NYLON LOCKING, .300 X 14.5
	70925094	2	TIE, NYLON LOCKING, .184 X 7.3
2	70937677	2	J-CLIP, 1.0 X .406 HOLE
	772525	2	SCREW, HEX HD SELF-TAP 5/16-18 X 1/2
3	70937685	2	J-CLIP, 3/8 X .406 HOLE
	772525	2	SCREW, HEX HD SELF-TAP 5/16-18 X 1/2
4	71396955	1	STRAP, GROUND
	372729X1	1	SCREW, HEX WSH HD, 5/16-18 X 3/4
	772525	1	SCREW, HEX HD SELF-TAP,5/16-18 X 1/2
	705160	2	LOCKWASHER, EXT TOOTH, 5/16
6	70937682	1	J-CLIP, 3/4 DIA X .656 HOLE
7	70936778	3	J-CLIP, 3/4 DIA X .406 HOLE
	70916950	4	HEXNUT, 3/8-16
8	71391420	1	BRACKET, HEADER CONNECTOR
	372729X1	2	SCREW, HEX HD SELF-TAP,5/16-18 X 3/4
	70921333	3	CAPSCREW, 5/16-18 X 1.0
	Y705020	3	LOCKWASHER, 5/16
	70917372	3	HEXNUT, 5/16-18
	71391869	1	SENSOR, ROTARY POSITION
9	700711659	2	SCREW, PAN HD MACH #8-32 X 3/4
	70923906	2	WASHER, #8, NARROW
	70917395	2	LOCKWASHER, #8
	704494	2	HEXNUT, #8-32
	71395832	1	BRACKET, SENSOR MOUNT
10	70920415	2	CAPSCREW, 3/8-16 X 1-1/4
	70916965	2	LOCKWASHER, 3/8
	70916950	2	HEXNUT, 3/8-16
	71395840	1	ARM, SENSOR
11	70923520	1	SETSCREW,KNURLED CUP PT, #8-32 X 1/4
	700721586	1	SHOULDER BOLT, 5/16 X 1-1/4 X 1/4-20
12	1703354	1	NUT, HEX FLNG TOP LOCK, 1/4-20
	71395838B	1	BRACKET, FEEDHOUSE SHARK FIN
13	372729X1	4	SCREW, HEX WSH HD, 5/16-18 X 3/4

MC00292  
PR: 110

ELECTRICAL HARNESSES & SWITCHES  
FRONT





9690 COMBINE  
ELECTRICAL

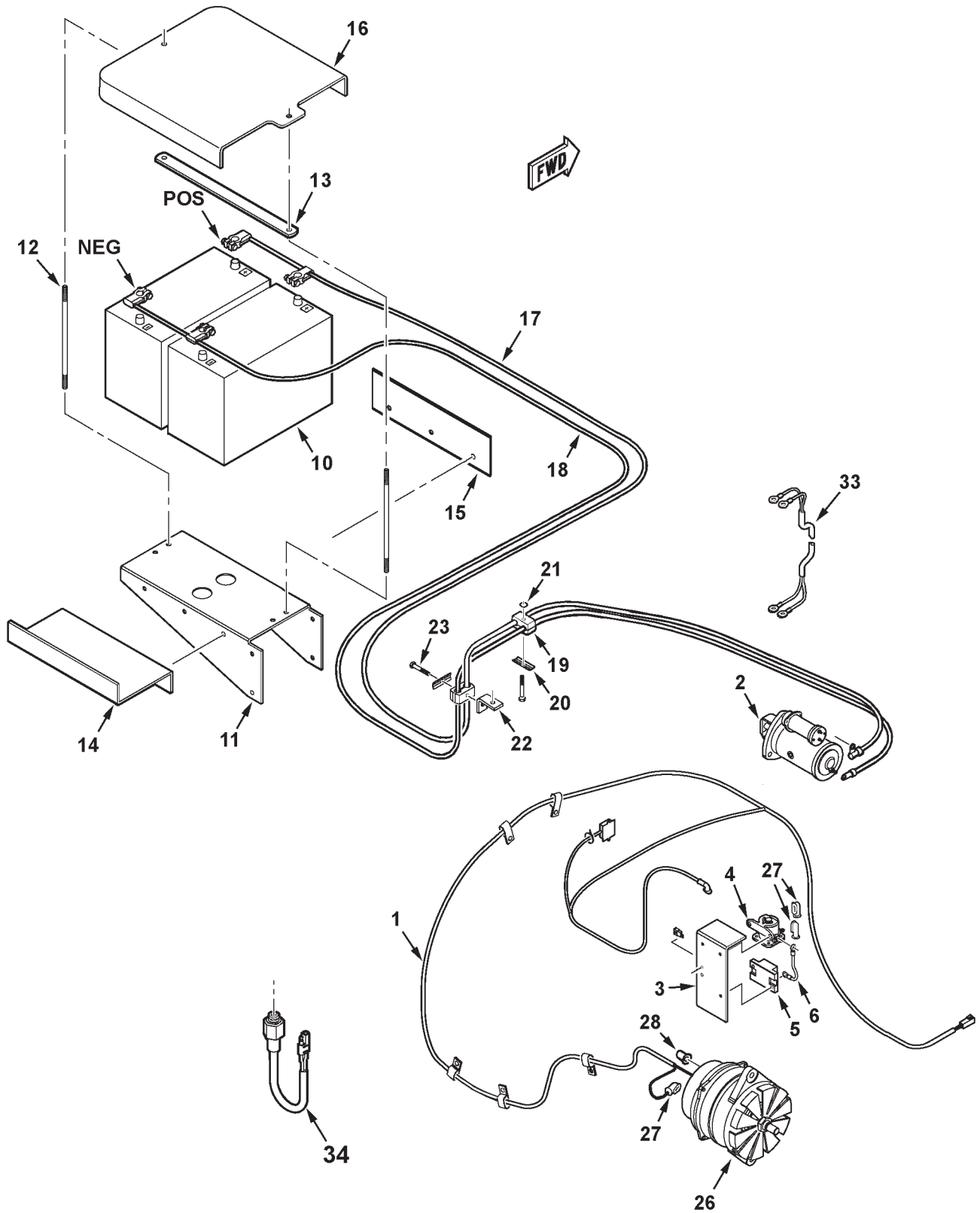
215

ELECTRICAL HARNESSSES & SWITCHES  
FRONT

ITEM	NUMBER	QTY	DESCRIPTION	
1	71391016	1	HARNESS, MAIN (PRIOR S/N HR87101)	
	71410902	1	HARNESS, MAIN (EFF. S/N HR87101)	
	71413309	1	HARNESS, MAIN (EFF. S/N HS87101)	
	70937685	3	J-CLIP, 3/8 X .406 HOLE	
	70927134	1	J-CLIP, 5/8 X .406 HOLE	
	70936778	6	J-CLIP, 3/4 X .406 HOLE	
	70937684	1	J-CLIP, 1-1/4 X .406 HOLE	
	70921333	1	CAPSCREW, 5/16-18 X 1.0	
	700709602	1	WASHER, 5/16	
	70917356	1	LOCKWASHER, 5/16	
	70917372	1	HEXNUT, 5/16-18	
	71389754	1	MOLDING, EDGE	
	70925094	AR	TIE, NYLON LOCKING, .184 X 7.31	
	2	71391017	1	HARNESS, FAN/HYD (PRIOR S/N HR87101)
		71410903	1	HARNESS, FAN/HYD (EFF. S/N HR87101)
71412351		1	HARNESS, FAN/HYD (EFF. S/N HS87101)	
70925246		AR	J-CLIP, .500 X .281 HOLE	
7883267		AR	SCREW, HX WSHR HD MACH 1/4-20 X 1/2	
70931209		AR	LOCKNUT, 1/4-20	
70937685		AR	J-CLIP, 3/8 X .406 HOLE	
70936778		1	J-CLIP, 3/4 X .406 HOLE	
70929725		2	J-CLIP, 7/16 X .406 HOLE	
70927134		1	J-CLIP, 5/8 X .406 HOLE	
70921965		4	CAPSCREW, 3/8-16 X 3/4	
705038		4	LOCKWASHER, 3/8	
70916950		4	HEXNUT, 3/8-16	
70925094		AR	TIE, NYLON LOCKING, .184 X 7.31	
3		293766M1	1	SWITCH, STONE TRAP DOOR
	70925094	1	TIE, NYLON LOCKING, .184 X 7.31	
4	112159W1	1	BRACKET, SWITCH	
	70921333	2	CAPSCREW, 5/16-18 X 1.0	
	700709602	2	WASHER, 5/16	
	70917356	2	LOCKWASHER, 5/16	
	70917372	2	HEXNUT, 5/16-18	
5	71396956	1	BRACKET, MAG LIGHT 12V POWER	
	70936592	4	SCREW, PN HD X-REC, #10-16 X 3/4	
	705160	4	LOCKWASHER, 5/16	
6	71342216	1	SWITCH, START	
7	71385907	1	WIRE ASM., SWITCH	
8	71391021	1	SENSOR ASY, 2-WIRE	

MC00308  
PR: 112

ENGINE & BATTERY WIRING  
(PRIOR S/N HR87101)



**9690 COMBINE  
ELECTRICAL**

217

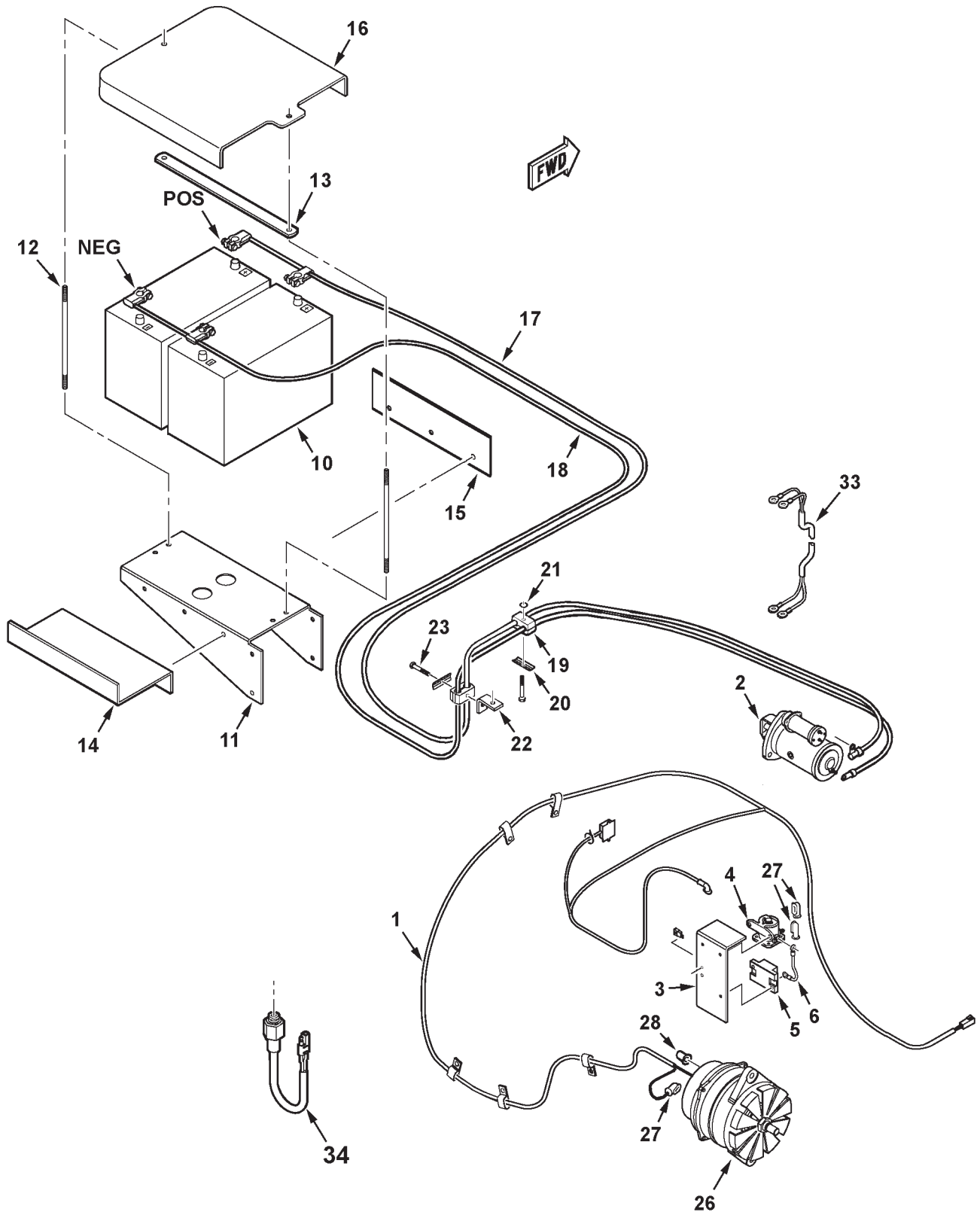
**ENGINE & BATTERY WIRING  
(PRIOR S/N HR87101)**

ITEM	NUMBER	QTY	DESCRIPTION
-	71391870	1	LIGHT, MAGNETIC SRVC (IN CAB BUDDY SEAT)
-	71397725	AR	OUTLET SOCKET, SERVICE LIGHT
1	71393734	1	HARNESS, CUMMINS ENGINE WIRING
	71408391	1	WIRE ASY, ALT'R, 37.4" (FIELD INSTAL'N UPGRADE. 2003 & 2004 PROD'N ONLY, S/N HM87---)(NOT ILLUS.)
	70934739	1	FUSE, 5-AMP
	70935426	3	FUSE, 7.5-AMP
	70934740	2	FUSE, 10-AMP
	70927104	1	CLAMP, .750 TUBE X .531 HOLE
	773473	1	CAPSCREW, M12-1.75 X 30MM
	Y705046	1	LOCKWASHER, 1/2
	70937684	1	CLIP, J, 1-1/4 X .406 HOLE
	70937677	2	CLIP, J, 1.0 X .406 HOLE
	70930791	2	CLIP, J, .688 X .406 HOLE
	70937685	1	CLIP, J, 3/8 X .406 HOLE
	7745193	4	CLIP, PANEL SLIDE-ON
	70925094	AR	TIE, NYLON LOCKING, .184 X 7.31
	70929807	AR	TIE, NYLON LOCKING, .50 X 19.0
	70937133	AR	TIE, NYLON LOCKING, .300 X 14.5
2	737901	1	STARTER, 37MT (SEE BREAKDOWN FOR PARTS)
3	71391866	1	BRACKET, SOLENOID MTG.
	773473	2	CAPSCREW, M12-1.75 X 30MM
	Y705624	1	WASHER, FLAT 1/2
	Y705046	2	LOCKWASHER, 1/2
4	530132M1	1	SOLENOID
	70931833	2	SCREW, PAN HD TAPPING, 1/4-20 X 1/2
	70917372	2	HEXNUT, 5/16-18
	705004	2	LOCKWASHER, #10
	Y704445	2	HEXNUT, #10-32
5	71389309	1	BREAKER, CIRCUIT, 150A
	70934728	2	SCREW, PAN HD TAPPING, 1/4-20 X 3/4
6	71389313	1	WIRE ASY, START RELAY (APPRX. 6-1/4 LG.)
10	1907162M1	2	BATTERY, 12V HD/HI-CAPACITY
11	71393713	1	BRACKET, BATTERY SUPPORT
	70921210	4	CAPSCREW, 3/8-16 X 1.0
	704247	4	LOCKNUT, HEX SERR FLANGE, 3/8-16
12	108047W1	2	ROD, BATTERY HOLD DOWN
13	108048W1	1	STRAP, TIE BAR
	704247	8	LOCKNUT, HEX SERR FLANGE, 3/8-16
14	71397729	1	ANGLE, BATTERY SUPPORT
	70921210	3	CAPSCREW, 3/8-16 X 1.0
	704247	3	LOCKNUT, HEX SERR FLANGE, 3/8-16
15	71397726	1	PLATE, BATTERY SUPPORT
	70921210	3	CAPSCREW, 3/8-16 X 1.0
	704247	3	LOCKNUT, HEX SERR FLANGE, 3/8-16
16	108076W1	1	COVER, BATTERY
	Y704361	2	WINGNUT, 3/8-16

CONTINUED

MC00298  
PR: 114

ENGINE & BATTERY WIRING  
(PRIOR S/N HR87101)



**9690 COMBINE  
ELECTRICAL**

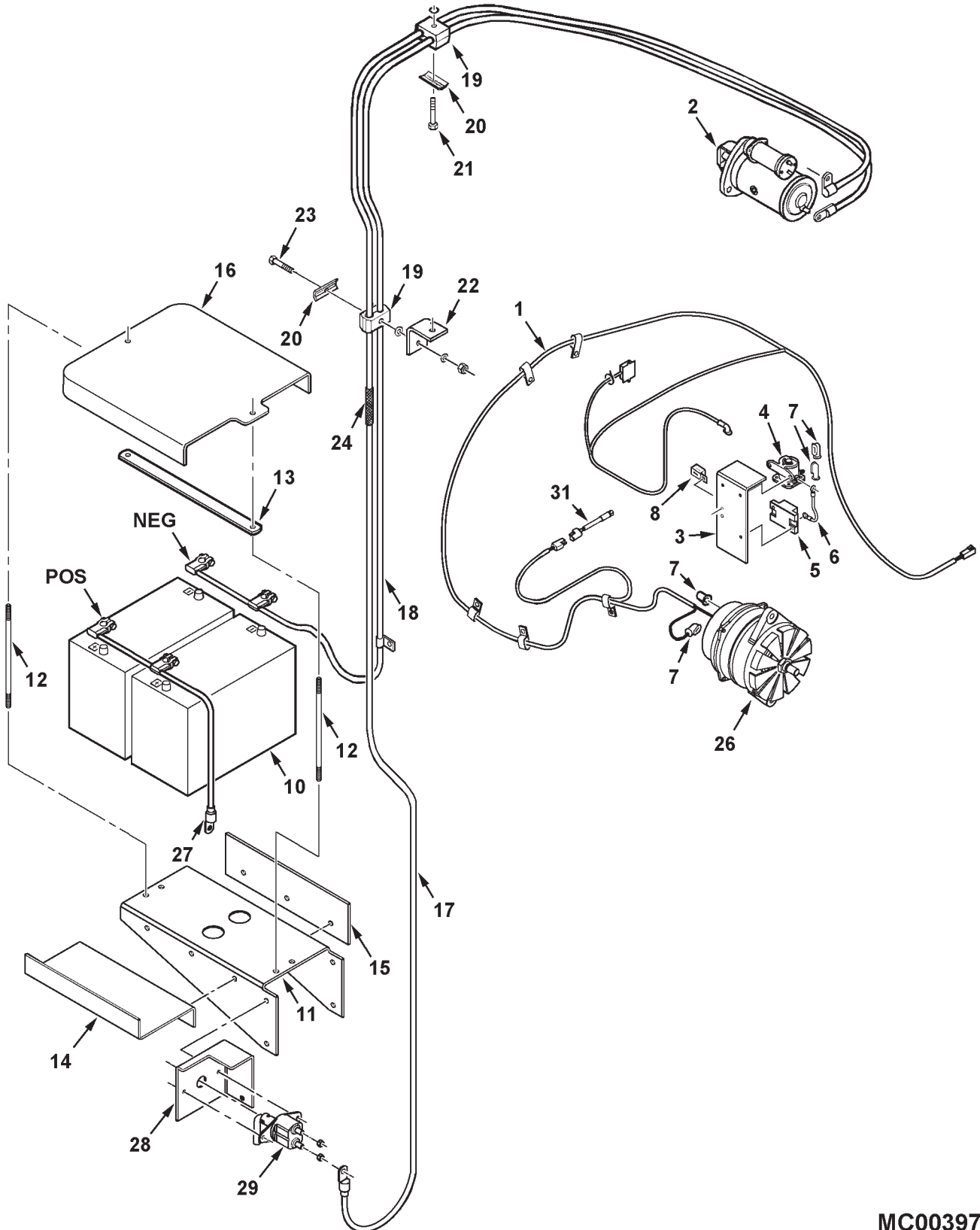
219

**ENGINE & BATTERY WIRING  
(PRIOR S/N HR87101)**

ITEM	NUMBER	QTY	DESCRIPTION
17	71396951	1	CABLE, POSITIVE BATTERY
	71396952	AR	PROTECTOR, BATT. CABLE (SPLIT HOSE)
	70925094	2	TIE, NYLON LOCKING, .184 X 7.31
18	71394725	1	CABLE, NEGATIVE BATTERY
	70925094	4	TIE, NYLON LOCKING, .184 X 7.31
	Y702951	1	SCR, HEX WSHR HD TAPPG, 3/8-16 X 3/4 (GROUND LUG ATTACH)
19	148203M1	2	CLAMP PAIR, 5/8 DIA DOUBLE, BATT. CABLE
20	101646M1	2	PLATE, TOP COVER
21	70921719	1	CAPSCREW, 5/16-18 X 2-1/2
	70918431	4	WASHER, FLAT 1/2
	70917378	1	WASHER, FLAT 3/8
	70917356	1	LOCKWASHER, 5/16
	70917372	1	NUT, 5/16-18 REG
22	71337414	1	BRACKET
23	7703507	1	CAPSCREW, 5/16-18 X 2.0
	70917356	1	LOCKWASHER, 5/16
	70917372	1	NUT, 5/16-18 REG
26	71370306	1	ALTERNATOR ASY, 130A (SEE BREAKDOWN FOR COMPONENTS)(PRIOR S/N HM87207)
	3965146	1	PULLEY, ALTERNATOR
	71396957	1	ALTERNATOR ASY, 150A (EFF S/N HM87207)
	3965146	1	PULLEY, ALTERNATOR
27	70232758	3	TERMINAL COVER
28	72506418	2	TERMINAL COVER, ALT.
33	71386807	1	WIRE ASY., GRID HEATER TO RELAYS(60.5")
	70232758	2	COVER, TERMINAL
	70950717	2	NUT, M6 X 1, CL9
	Y705269	2	LOCKWASHER, M6
34	71389746	1	SWITCH, ROTOR PRESSURE
	70921885	1	O-RING, .078 X .468 ID

MC00298  
PR: 114

ENGINE & BATTERY WIRING  
(EFF. S/N HR87101)



9690 COMBINE  
ELECTRICAL

221

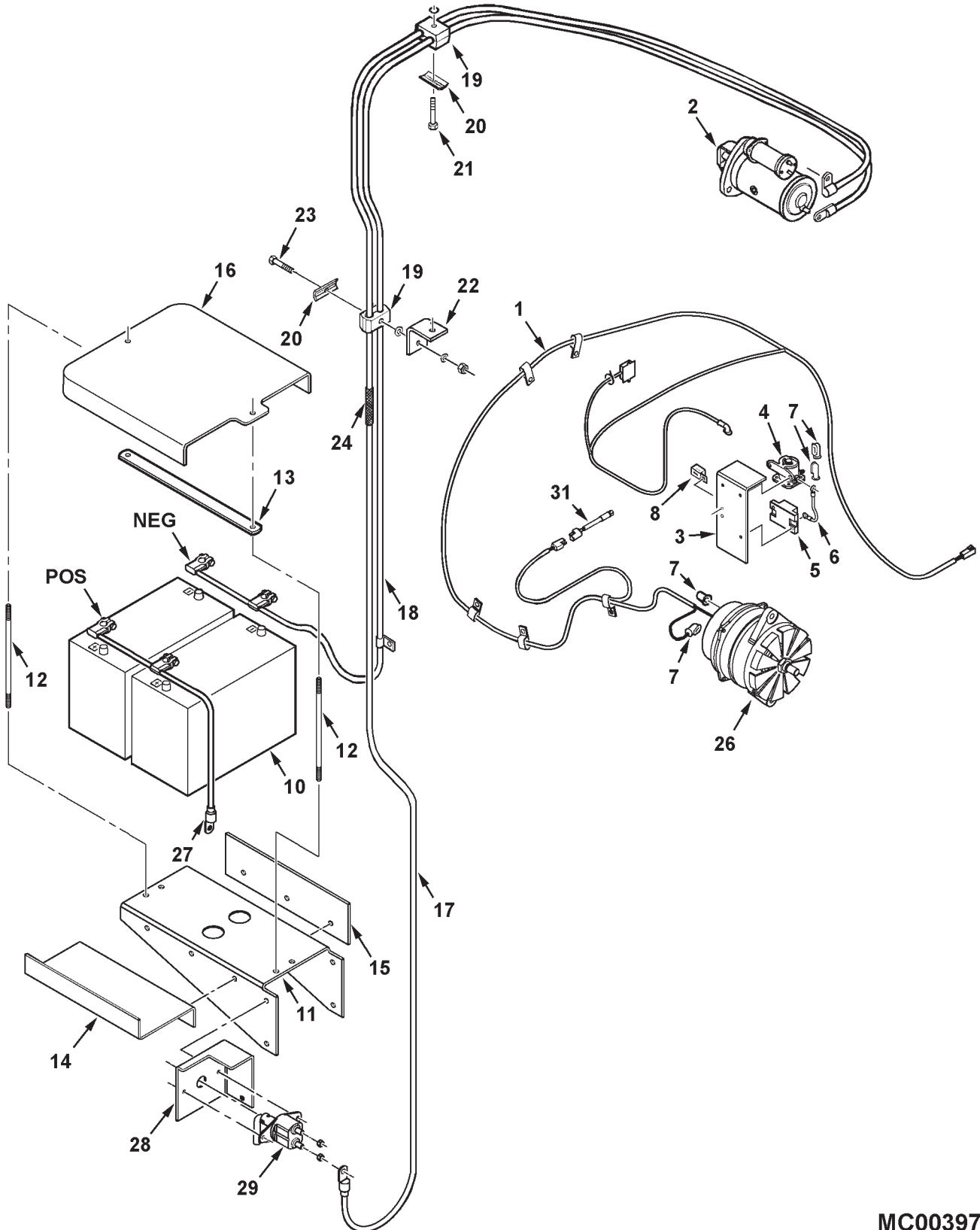
ENGINE & BATTERY WIRING  
(EFF. S/N HR87101)

ITEM	NUMBER	QTY	DESCRIPTION
1	71410574	1	HARNESS, SISU ENGINE WIRING
	70927104	2	CLAMP, 3/4 DIA X .531 HOLE
	70929748	1	CLAMP, LINE, 1-1/4 DIA X .406 HOLE
	70937684	1	J-CLIP, 1-1/4 DIA X .406 HOLE
	70937677	5	J-CLIP, 1 DIA X .406 HOLE
	7704703	1	NUT, M6 X 1.0
	70921332	3	CAPSCREW, 5/16-18 X 3/4 GR5
	70921333	1	CAPSCREW, 5/16-18 X 1 GR5
	70918266	2	WASHER, 3/8, NARROW
	70925094	5	TIE, NYLON LOCKING, .184 X 7.31
	70929807	1	TIE, NYLON LOCKING, .50 X 19.0
	70937133	8	TIE, NYLON LOCKING, .30 X 14.5
2	-----	1	STARTER, 37MT (SEE ENGINE BREAKDOWN)
3	71391424	1	BRACKET, SOLENOID MTG.
	70921332	1	CAPSCREW, 5/16-18 X 3/4 GR5
4	530132M1	1	SOLENOID
	70931833	2	SCREW, PAN HD TAPPING, 1/4-20 X 1/2
	705004	1	LOCKWASHER, #10
	Y704445	1	HEXNUT, #10-32
	70917372	2	HEXNUT, 5/16-18
5	71389309	1	BREAKER, CIRCUIT, 150A
	70934728	2	SCREW, PAN HD TAPPING, 1/4-20 X 3/4
6	71389313	1	WIRE ASY, START RELAY (APPRX. 6-1/4 LG.)
7	70232758	4	TERMINAL COVER
8	71378104	1	RELAY, 40 AMP
	706382	1	SCREW, RND HD MACH, #10-32 X 1/2
	705004	1	LOCKWASHER, #10
	Y704445	1	NUT, #10-32
10	1907162M1	2	BATTERY, 12V HD/HI-CAPACITY
11	71393713	1	BRACKET, BATTERY SUPPORT
	70921210	4	CAPSCREW, 3/8-16 X 1.0
	704247	4	LOCKNUT, HEX SERR FLANGE, 3/8-16
12	108047W1	2	ROD, BATTERY HOLD DOWN
13	108048W1	1	STRAP, TIE BAR
	704247	8	LOCKNUT, HEX SERR FLANGE, 3/8-16
14	71397729	1	ANGLE, BATTERY SUPPORT
	70921210	3	CAPSCREW, 3/8-16 X 1.0
	704247	3	LOCKNUT, HEX SERR FLANGE, 3/8-16
15	71397726	1	PLATE, BATTERY SUPPORT
	70921210	3	CAPSCREW, 3/8-16 X 1.0
	704247	3	LOCKNUT, HEX SERR FLANGE, 3/8-16
16	108076W1	1	COVER, BATTERY
	Y704361	2	WINGNUT, 3/8-16
17	71419009	1	CABLE, BATTERY, POSITIVE
18	71409822	1	CABLE, BATTERY, NEGATIVE
	Y702951	1	SCR, HEX WSHR HD TAPPG, 3/8-16 X 3/4 (GROUND LUG ATTACH)
19	148203M1	2	CLAMP PAIR, 5/8 DIA DOUBLE, BATT. CABLE
20	101646M1	2	PLATE, TOP COVER
21	70921719	1	CAPSCREW, 5/16-18 X 2-1/2 GR5
	70918431	4	WASHER, 1/2, WIDE
	70917642	1	WASHER, 5/16, WIDE
	70917356	1	LOCKWASHER, 5/16
	70917372	1	NUT, 5/16-18 REG

CONTINUED

MC00397  
PR: t05109j44b0026

ENGINE & BATTERY WIRING  
(EFF. S/N HR87101)





9690 COMBINE  
ELECTRICAL

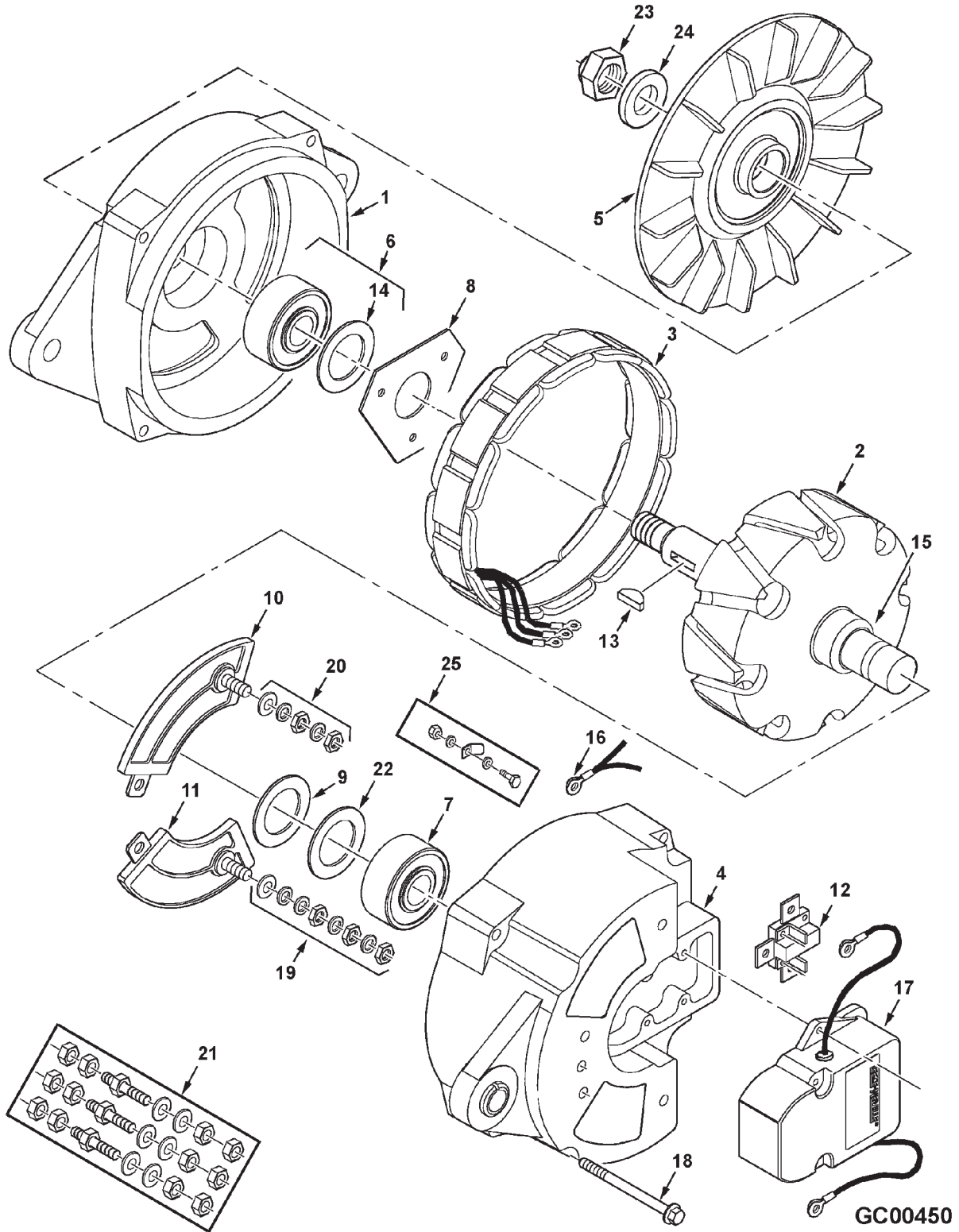
223

ENGINE & BATTERY WIRING  
(EFF. S/N HR87101)

ITEM	NUMBER	QTY	DESCRIPTION
22	71337414	1	BRACKET
23	7703507	1	CAPSCREW, 5/16-18 X 2 GR5
	70918431	1	WASHER, 1/2, WIDE
	70917642	1	WASHER, 5/16, WIDE
	70917356	1	LOCKWASHER, 5/16
	70917372	1	NUT, 5/16-18 REG
24	71396952	1	HOSE, SPLIT, .63 ID X 11.8 LG(PROTECTOR)
	70925094	2	TIE, NYLON LOCKING, .184 X 7.31
26	71396957	1	ALTERNATOR ASY, 150A (SEE BREAKDOWN)
27	71419008	1	CABLE, BATTERY, POSITIVE
28	71419007	1	BRACKET, BATTERY DISCONNECT
29	201-2440	1	SWITCH, BATT DISCNT(INCL KEY & M10 HDWR)
	71409812	1	KEY, SHUTOFF
	339402X1	2	NUT, M10 REG
	70917378	2	WASHER, 3/8, WIDE
	339376X1	2	LOCKWASHER, M10
	7703457	2	CAPSCREW, 1/4-20 X 3/4 GR5
	705012	2	LOCKWASHER, 1/4
	70916622	2	NUT, 1/4-20, REG
31	71389746	1	SWITCH, ROTOR PRESSURE
	70921885	1	O-RING, .078 X .468 ID

MC00397  
PR: t05109j44b0026

ALTERNATOR - 150 AMP



9690 COMBINE  
ELECTRICAL

225

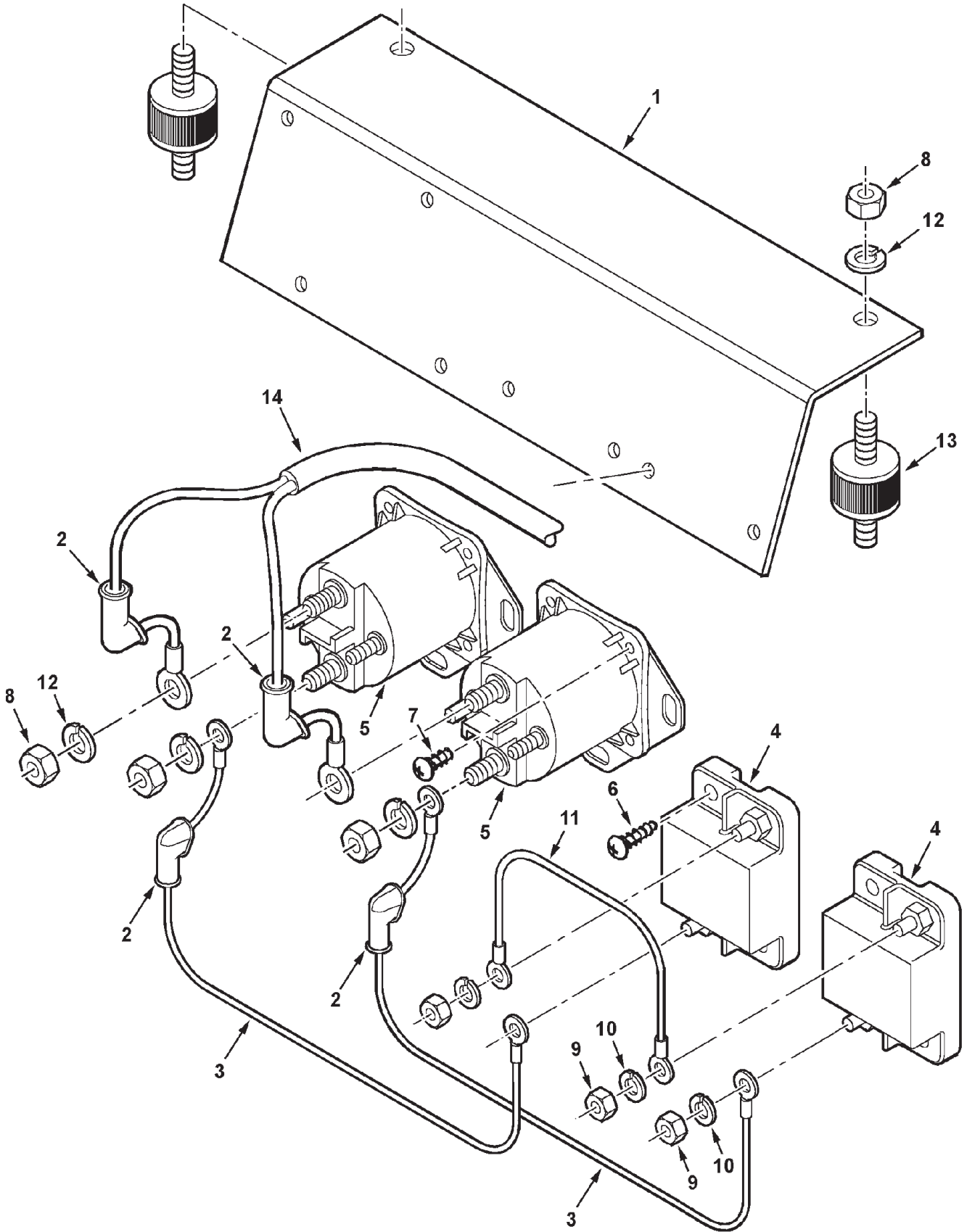
ALTERNATOR - 150 AMP

ITEM	NUMBER	QTY	DESCRIPTION
-	71396957	1	ALTERNATOR, LEECE NEVILLE, 150 AMP
1	71407431	1	FRONT HOUSING
2	71407436	1	ROTOR ASY
3	71407434	1	STATOR ASY
4	71407446	1	REAR HOUSING
5	71407428	1	FAN
6	71407432	1	FRONT BEARING PKG.
7	71407440	1	REAR BEARING
8	71407429	1	FRONT BEARING RETAINER PKG.
9	71407438	1	REAR BEARING RETAINER
10	71407442	1	DIODE RING ASY, NEGATIVE
11	71407441	1	DIODE RING ASY, POSITIVE
12	71407448	1	BRUSH ASY
13	71407435	1	KEY, WOODRUFF
14	71407433	1	SEAL, FRONT BEARING
15	71407437	1	SLIP RING
16	71407445	1	CABLE ASY, RECT.
17	71407450	1	REGULATOR KIT
18	71407430	1	THRU BOLT PKG.
19	71407443	1	TERMINAL STUD PKG, POSITIVE
20	71407444	1	TERMINAL STUD PKG, NEGATIVE
21	71407449	1	TERMINAL STUD PKG, AC
22	71407439	1	SPACER, REAR BEARING
23	71407426	1	LOCK NUT, PULLEY
24	71407427	1	WASHER, 5/8
25	71407447	1	AC FLAG TERMINAL PKG.

GC00450  
PR: t05b04j09c0001

9690 COMBINE  
ELECTRICAL

GRID HEATER  
(PRIOR S/N HR87101)



9690 COMBINE  
ELECTRICAL

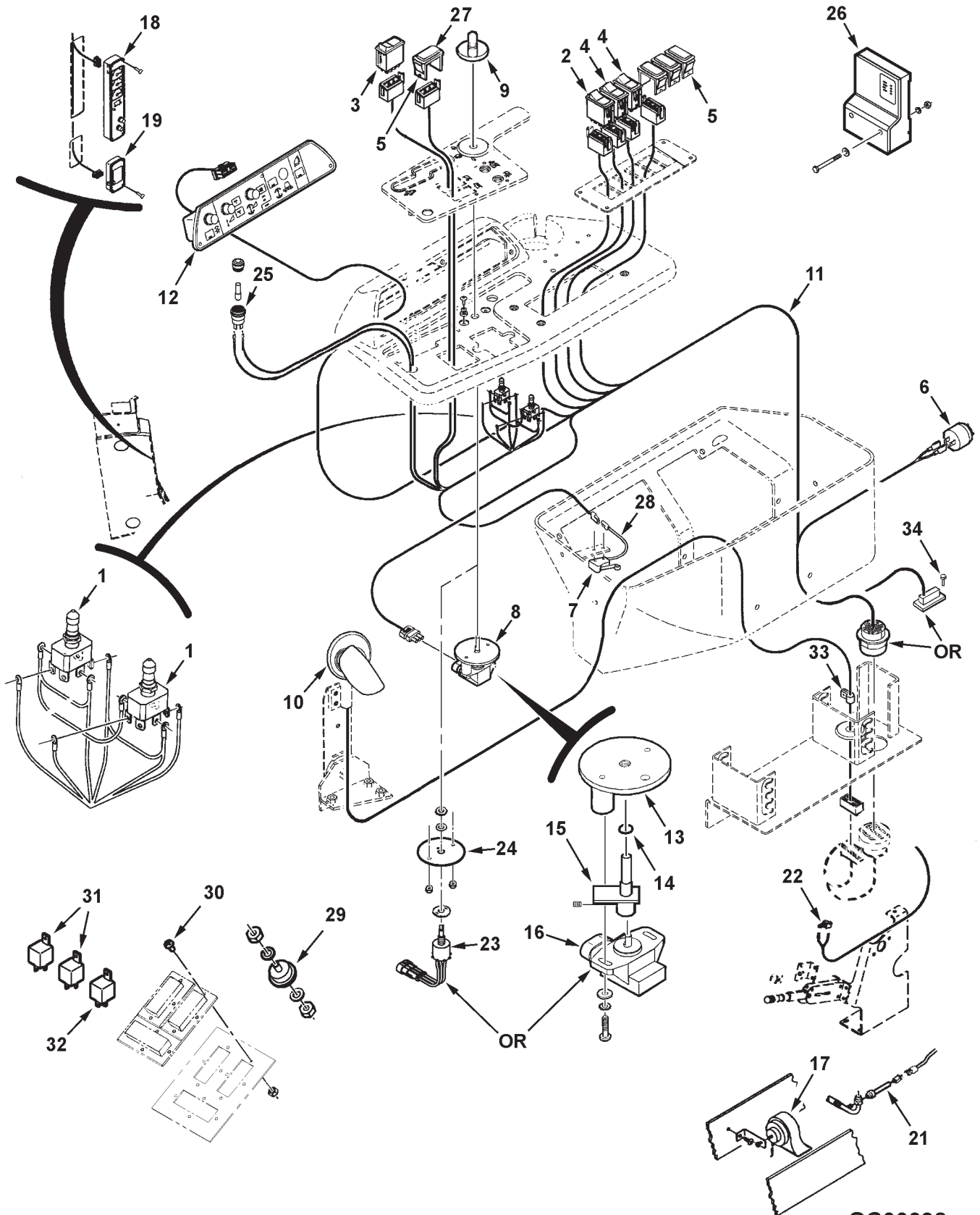
227

GRID HEATER  
(PRIOR S/N HR87101)

ITEM	NUMBER	QTY	DESCRIPTION
1	71386805	1	BRACKET, RELAY
2	70232758	4	COVER, TERMINAL
3	71386806	2	WIRE ASY, INTERCONNECT RELAYS AND CIRCUIT BREAKERS
4	71387908	2	BREAKER, CIRCUIT (120 AMP)
5	71347910	2	SWITCH, SOLENOID
6	70934728	4	SCREW, 1/4-20 X 3/4, TAPTITE
7	70931833	4	SCREW, 1/4-20 X 1/2, TAPTITE
8	70917372	6	NUT, HEX 5/16-18
9	70917415	4	NUT, HEX #10-32
10	705004	4	WASHER, LOCK #10-32
11	71389310	1	WIRE ASSY, INTERCONNECT CIRCUIT BREAKERS
12	70917356	6	WASHER, LOCK, 5/16
13	71390316	2	ISOLATOR
14	71386807	1	WIRE ASY, GRID HEATER

MC00229  
PR: 118

CAB COMPONENTS  
CONTROLS & SWITCHES



9690 COMBINE  
ELECTRICAL

229

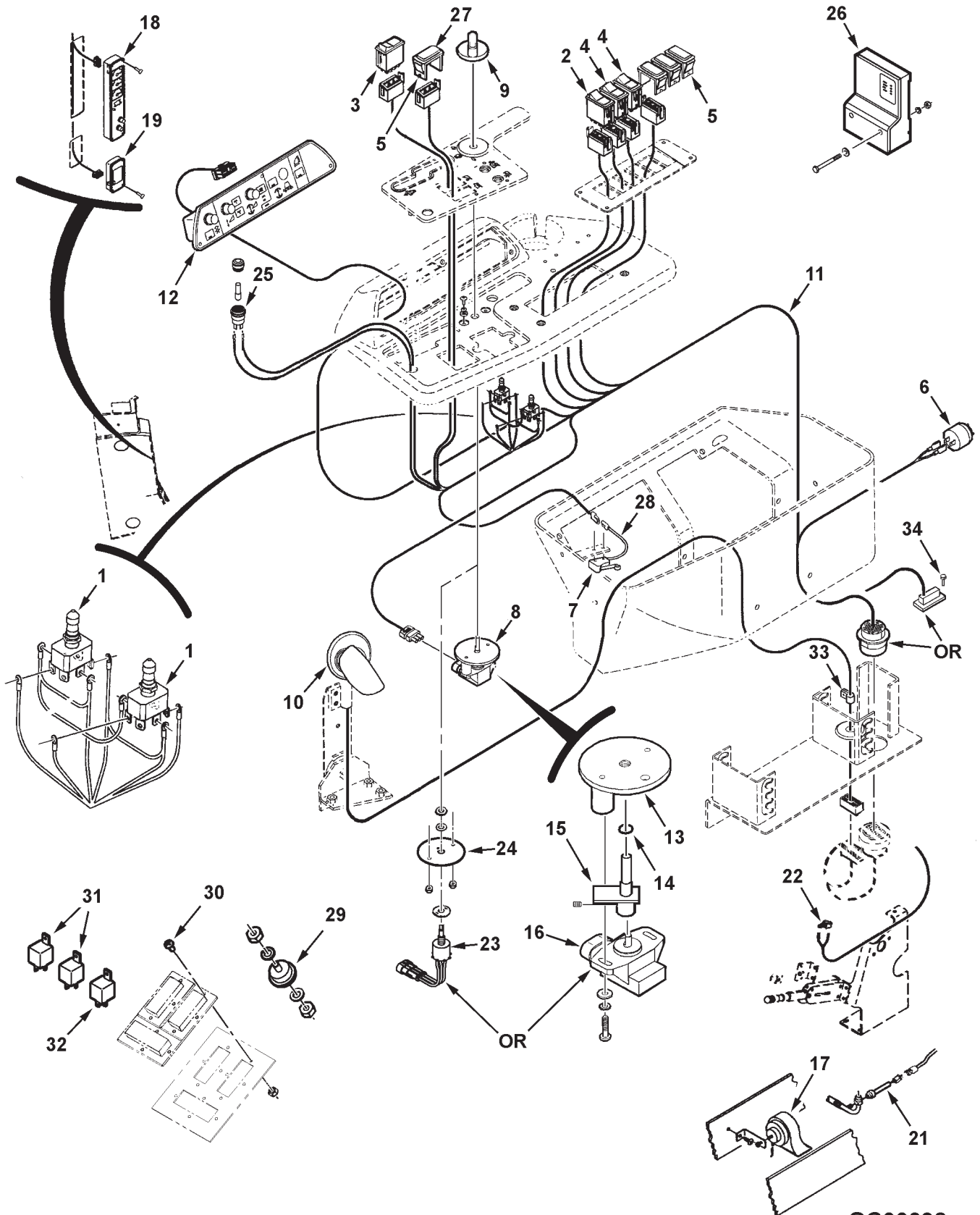
CAB COMPONENTS  
CONTROLS & SWITCHES

ITEM	NUMBER	QTY	DESCRIPTION
1	700726696	2	SWITCH, LEVER LOCK
2	71387413	1	SWITCH, SPEED, HARE/TORTOISE
3	71387416	1	SWITCH, HEADER REVERSE
4	71387417	2	SWITCH, INCREASE/DECREASE
5	71390325	4	PLUG, SWITCH
6	112236W1	1	BUZZER
7	-----	X	SWITCH, PROXIMITY, BACK-UP (SERVICE W/ 107041 & 71385907 WIRE ASY.)
	107041	1	SWITCH, MICRO, BACK-UP (SEE "CAB, SEAT CONSOLE" FOR MOUNTING BRACKET)
	700701772	2	SCR, MACH, PAN HD, #6-32 X 1
	195441M1	2	LOCKWASHER, #6
	704551	2	NUT, #6-32 REG
8	71393931	1	THROTTLE ASY. (INCLUDES COMPONENT ITEMS 13-16)(PRIOR S/N HR87101)
	700710188	2	SCREW, PAN HD, MACH. #6-32 X 3/4
	70917395	2	LOCKWASHER, #8
	70923906	2	WASHER, #8, NARROW
9	71396391	1	KNOB, THROTTLE
10	71388133	1	HANDLE ASY., HYDRO (SEE BREAKDOWN)
	70921332	2	CAPSCREW, 5/16-18 X 3/4
11	71387408	1	HARNESS, CONSOLE (PRIOR S/N HR87101)
	71407298	1	HARNESS, CONSOLE (EFF. S/N HR87101)
12	71393285	1	CONTROLLER - CONSOLE
	108664W1	3	KNOB
	71394716	3	SHAFT, KNOB
	70937280	3	SCREW, PAN HD TAPPING, #8-32 X 3/4
	71393926	3	WELLNUT, #8-32
13	71398169	1	BRACKET WLDMT, THROTTLE SUPPORT
14	70923559	1	O-RING
15	71393623	1	SHAFT, THROTTLE
	70923520	1	SCREW, SET #8-32 X 1/4
16	71391869	1	SENSOR, ROTARY POSITION
	700710188	2	SCR, PAN HD, MACH. #6-32 X 3/4
	70917395	2	LOCKWASHER, #8
	70923906	2	WASHER, #8, NARROW
17	71406492	1	HORN
	365775X1	1	SCR,HX WSHR HD TAPPING, 1/4-20 X 1/2
18	71389811	1	CLUSTER, GAUGE (FUEL, OIL PRESS, TEMP, AND GRAIN LOSS MONITOR)
	108664W1	2	KNOB
	71394716	2	SHAFT, KNOB
	70937280	4	SCREW, PAN HD TAPPING, #8-32 X 3/4
	71393926	4	WELLNUT, #8-32
19	71393277	1	CONTROL, TACHOMETER
	700720863	4	SCREW, PAN HD. MACH. #8-32 X 2.0
	71393926	4	WELLNUT, #8-32
21	71372724	1	SWITCH, LOW PRESSURE
22	71395848	1	SWITCH, PARK BRAKE
23	71406894	1	THROTTLE SWITCH ASY (EFF. S/N HR87101)

CONTINUED

GC00398  
PR: 120

CAB COMPONENTS  
CONTROLS & SWITCHES





**9690 COMBINE  
ELECTRICAL**

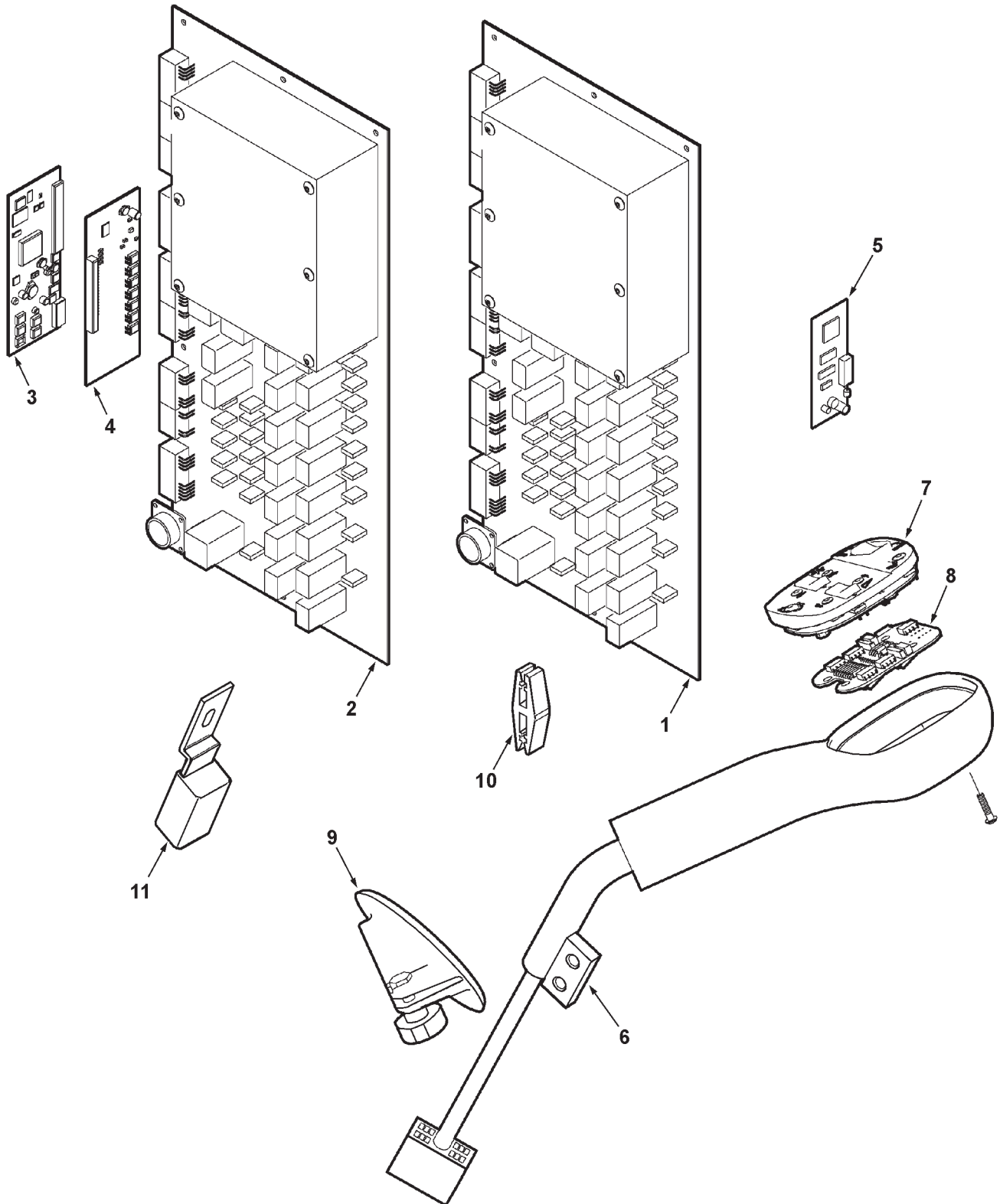
231

**CAB COMPONENTS  
CONTROLS & SWITCHES**

ITEM	NUMBER	QTY	DESCRIPTION
24	71400505	1	PLATE, THROTTLE MTG (EFF. S/N HR87101)
	700710188	2	SCREW, PAN HD MACH. #6-32 X 3/4
	70917395	2	LOCKWASHER, #8
	70923906	4	WASHER, #8, NARROW
	704551	2	NUT, #6-32 REG
	70917459	2	LOCKWASHER, #6
25	112812W1	1	SOCKET ASY., LAMP
	112811W1	1	LAMP, PILOT
	112814W1	1	LENS, AMBER
26	71379323	1	CONTROL, ROTOR SPEED (PRIOR S/N HR87101)
	7701964	2	CAPSCREW, 1/4-20 X 2-1/2 GR2
	705012	2	LOCKWASHER, 1/4 REG
	70917377	2	WASHER, HARD, 1/4
27	71387414	1	SWITCH, ON/OFF, RWA
28	71385907	1	WIRE ASY, MICRO SWITCH(PRIOR S/N HR87101)
29	72500822	2	TERMINAL, FEED THRU, 3/8-16 UNC
30	700711659	12	SCREW, PAN HD MACH, #8-32 X 3/4
	107320M1	12	LOCKNUT, HEX SERR FLANGE, #8-32
31	71390323	2	RELAY, 70 AMP
32	72160919	1	RELAY, 40 AMP
33	70927097	1	CLAMP, LINE, 1/2 DIA X .281 HOLE (EFF. S/N HR87101)
	7883283	1	SCREW, HEX WSHR HD MACH, 1/4-20 X 1
	70931209	1	LOCKNUT, HEX SERR FLANGE, 1/4-20
34	700711659	2	SCREW, PAN HD MACH, #8-32 X 3/4 (EFF. S/N HR87101)
	107320M1	2	LOCKNUT, HEX SERR FLANGE, #8-32

GC00398  
PR: 120

CAB COMPONENTS  
FUSE PANEL & HYDRO HANDLE



9690 COMBINE  
ELECTRICAL

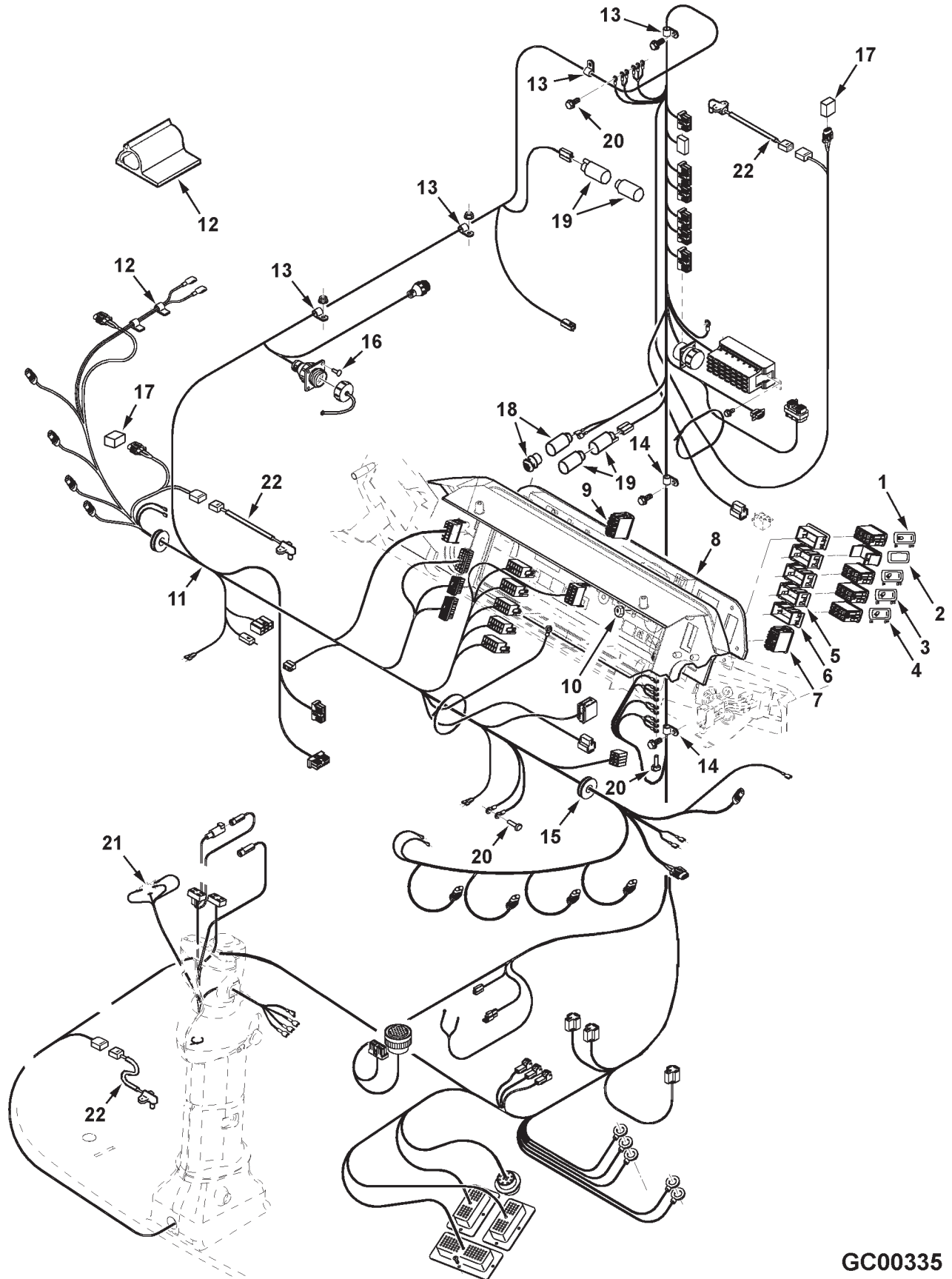
233

CAB COMPONENTS  
FUSE PANEL & HYDRO HANDLE

ITEM	NUMBER	QTY	DESCRIPTION
1	71394717	1	PANEL ASY., FUSE (INCL. ITEMS 2,3,4) (PRIOR S/N HR87101)
	71406480	1	PANEL ASY, FUSE (EFF. S/N HR87101)
	71389815	10	BOLT, PLASTIC ISOLATOR, #8-32 UNC
	70917395	10	LOCKWASHER, #8
	774745	10	NUT, #8-32 UNC
	7883267	1	SCR, HEX WSHR HD MACH, 1/4-20 X 1/2
	700721620	9	MINI FUSE, 3 AMP
	70937605	8	MINI FUSE, 5 AMP
	70937606	5	MINI FUSE, 10 AMP
	70937607	AR	MINI FUSE, 15 AMP (NOT INCLUDED)
	70937608	AR	MINI FUSE, 20 AMP (NOT INCLUDED)
	70937609	AR	MINI FUSE, 25 AMP (NOT INCLUDED)
	70937610	AR	MINI FUSE, 30 AMP (NOT INCLUDED)
	71396970	3	PCB RELAY, 40 AMP
	71396971	17	PCB RELAY, 20 AMP
	71396972	1	LID, CARD CAGE (NOT ILLUS)
2	71389812	1	PANEL, FUSE
3	71389813	1	CARD, MAIN CONTROL (PRIOR S/N HR87101)
	71406481	1	CARD, MAIN CONTROL (EFF. S/N HR87101)
4	71389814	1	CARD, OUTPUT DRIVER
5	71393350	1	CARD, FIELDSTAR INTERFACE (OPT.)
6	71388133	1	HANDLE ASY, HYDRO (INCLUDES ITEMS 7,8,9)
	-----	1	HANDLE & SUPP'T ASY, HYDRO (ORDER HYDRO HANDLE ASY.)
7	71397940	1	DECK ASY. SWITCHES
	195441M1	4	LOCKWASHER, #6
	-----	4	SCREW, HEX SOCK BUTTON HD, #6-32 X 5/8 (SERVICE W/ 71408201)
	71408201	4	SCREW, TORX HD, #6-32 X 3/4, BLACK
8	71397941	1	CIRCUIT BOARD ASY., HANDLE
9	71397942	1	PALM/WRIST REST KIT, HANDLE
10	71375902	1	FUSE PULLER
11	72160919	1	RELAY, 40 AMP

GC00332  
PR: 122

CAB COMPONENTS  
UPPER CONSOLE



9690 COMBINE  
ELECTRICAL

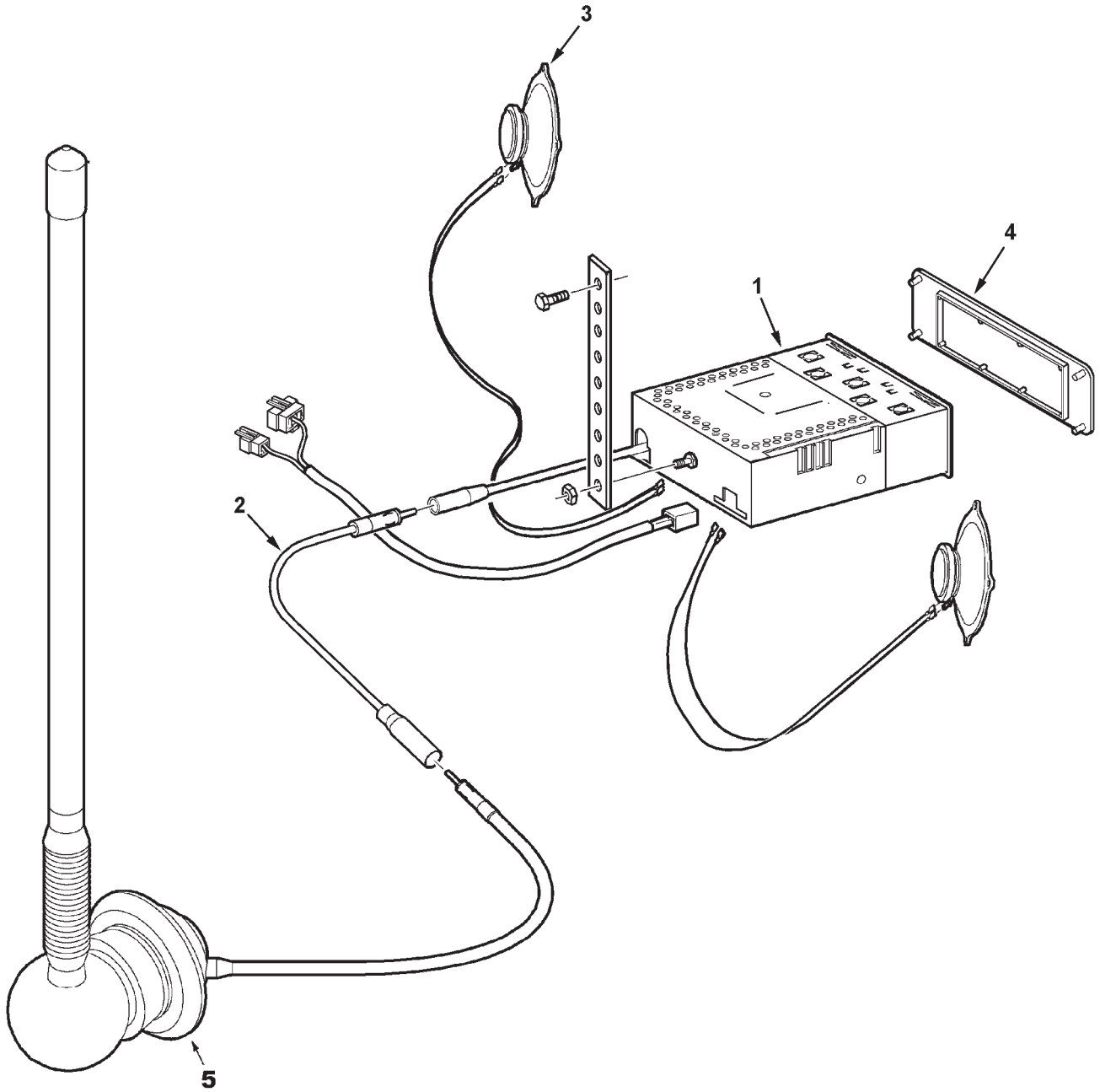
235

CAB COMPONENTS  
UPPER CONSOLE

ITEM	NUMBER	QTY	DESCRIPTION
1	71387423	1	SWITCH, EXIT LIGHT
2	71390325	1	PLUG, SWITCH COVER
3	71387424	2	SWITCH, FIELD LIGHTS
4	71387418	1	SWITCH, HEADLIGHT
5	71391417	3	BEZEL, SWITCH CENTER
6	71391416	2	BEZEL, SWITCH END
7	71387422	1	SWITCH, HAZARD
8	71406478	1	PANEL, ELECTRONIC INSTRUMENT (E.I.P.)
	70935072	4	SCREW, PAN HD. SELF-TAP 1/4-20 X 5/8
9	71387420	1	SWITCH, WIPER, FRONT GLASS
10	Y704445	1	NUT, HEX #10-32
11	71406476	1	HARNESS, CAB (PRIOR S/N HR87101)
	71407297	1	HARNESS, CAB (EFF. S/N HR87101)
	71412358	1	HARNESS, CAB (EFF. S/N HR87203)
	71413325	1	HARNESS, CAB (EFF. S/N HS87---)
12	70569880	2	CLIP, WIRING, SELF-ADHESIVE PLASTIC
13	70926874	4	CLAMP, HARNESS, 1-1/2 X .406 HOLE
	7883325	1	SCREW,HX WSHR HD MACH, 5/16-18 X 3/4
	70931277	2	LOCKNUT, SERR. FLANGE, 5/16-18
14	70936765	2	CLAMP, HARNESS, 1-3/4 X .406 HOLE
	7883325	2	SCREW,HX WSHR HD MACH, 5/16-18 X 3/4
15	70937658	1	GROMMET, RUBBER
16	70937550	4	SCR,PHILLIPS PAN HD,TAPPING, #8-18 X 3/4 (FIELDSTAR PLUG)
17	3714264M1	2	SENSOR, AIR TEMPERATURE
18	71365477	1	ELEMENT, LIGHTER
	71365476	1	HOUSING, LIGHTER
19	107500M1	2	SOCKET, AUX. POWER
	107499M1	2	PLUG, AUX. POWER SOCKET
20	701953	3	SCR, HEX WSHR HD TAPPING, 5/16-18 X 3/4
	70920426	2	LOCKWASHER, EXT TOOTH, 5/16
21	Y704445	4	NUT, #10-32 UNF
	705004	4	LOCKWASHER, #10
22	71413062	3	SENSOR, TEMP, A/C (EFF. S/N HS87---)
	700728339	3	TAPE, ADHESIVE, SENSOR

GC00335  
PR: 124

CAB COMPONENTS  
RADIO AND ANTENNA



9690 COMBINE  
ELECTRICAL

237

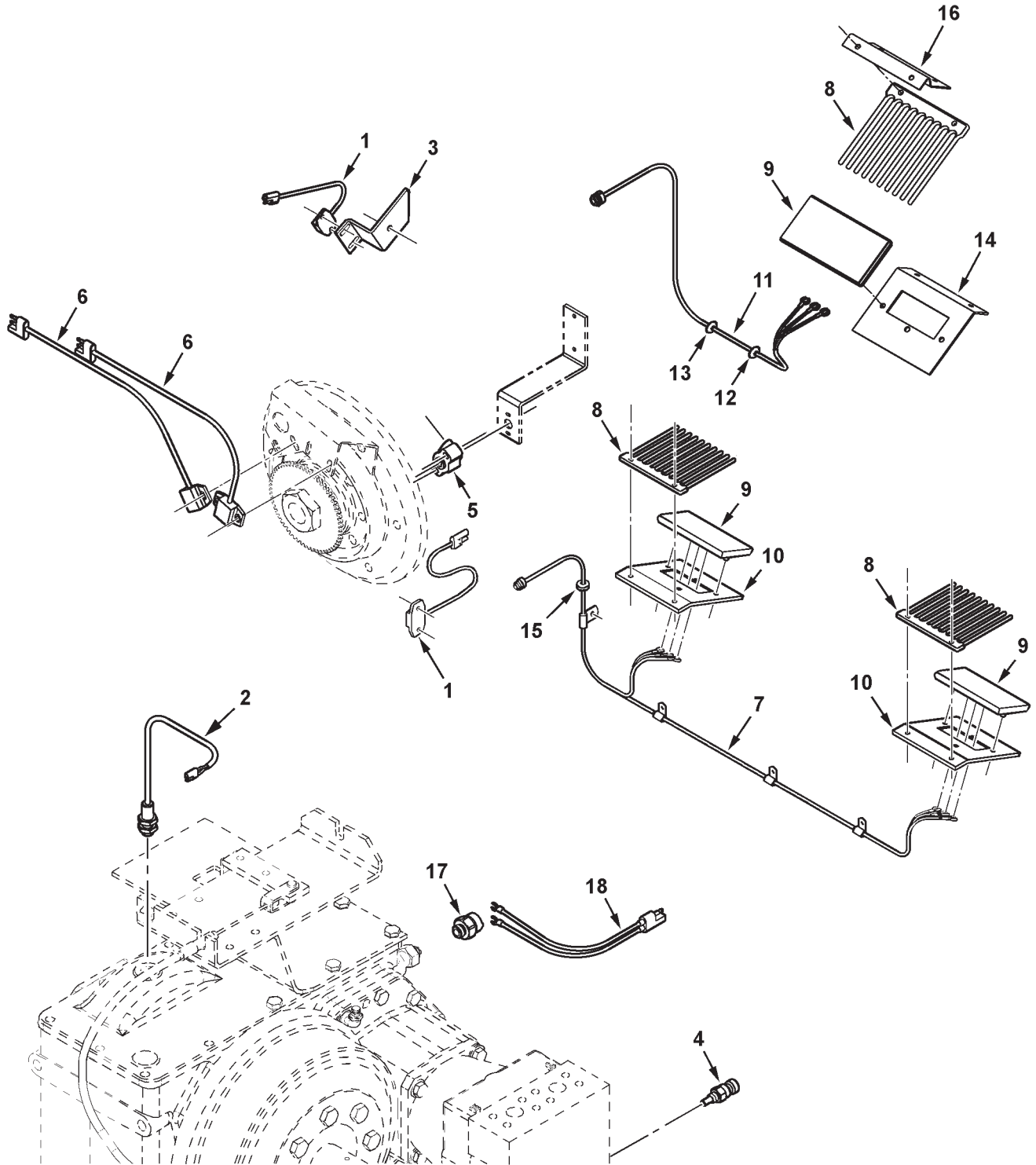
CAB COMPONENTS  
RADIO AND ANTENNA

ITEM	NUMBER	QTY	DESCRIPTION
1	RE701169D6	1	* RADIO, AM/FM, CD, WEATHERBAND
	RE701141D6	1	* RADIO, AM/FM, CASSETTE, WEATHERBAND
	RE701128D6	1	* RADIO, AM/FM, CASSETTE
2	RE530013	1	CABLE, ANTENNA EXTENSION
3	71393287	2	SPEAKER, 5-1/4 POLYCONE
	700701772	8	SCREW, PAN HD. MACH. #6-32 X 1.0
	700703830	8	WASHER, FLAT #6
	195441M1	8	LOCKWASHER, #6
	704551	8	HEXNUT, #6-32
4	71362813	1	PANEL, BLANK, W/O RADIO
	70932720	4	NUT, SPEED
5	RE210066	1	ANTENNA ASY., W/CABLE
-	71406069	1	** KIT, RADIO, AM/FM, CD, WEATHERBAND
-	71398028	1	** KIT, RADIO, AM/FM,CASSETTE,WEATHRBAND

\* INCL. HARNESS, MTG STRAP & HRDWR  
\*\* FIELD INSTALL. ORDER THRU DLR CENTRAL

GC00338  
PR: 126

MONITORING SYSTEMS  
DIGITAL TACHOMETER





**9690 COMBINE  
ELECTRICAL**

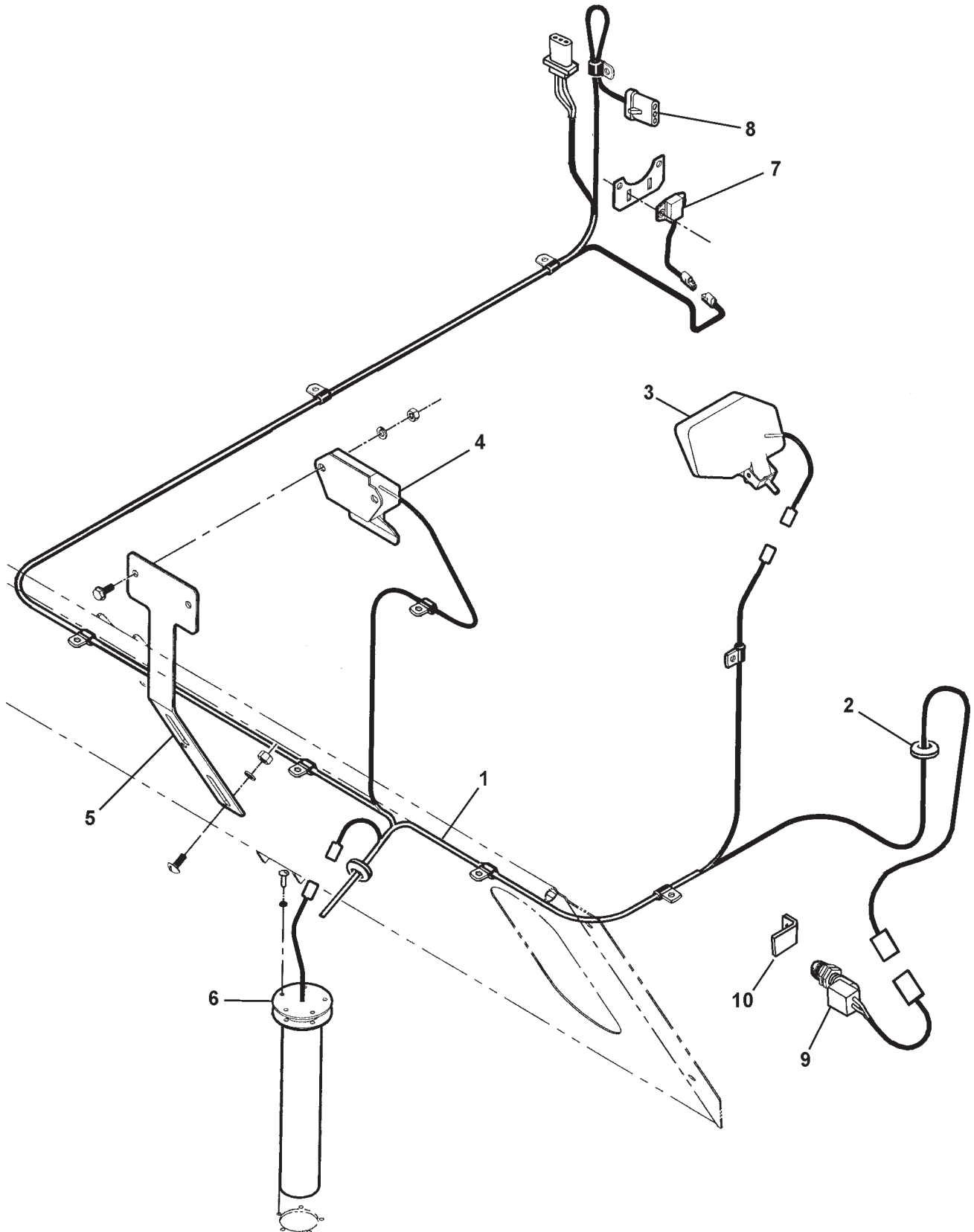
239

**MONITORING SYSTEMS  
DIGITAL TACHOMETER**

ITEM	NUMBER	QTY	DESCRIPTION
1	71391021	4	SENSOR ASY., TWO WIRE
	70931317	8	BOLT, RD HD,SHT SQ NK, 1/4-20 X 3/4
	705012	8	LOCKWASHER, 1/4
	70916622	8	NUT, 1/4-20 REG
2	71389818	1	SENSOR, GROUND SPEED
	71385108	1	BRACKET, BEATER SPEED SENSOR
4	71393718	1	SENSOR, HYDRO TEMP.
	70936326	1	O-RING, .072 X .414 ID, VITON
5	71376825	1	SENSOR, CONCAVE POS'N (SEE "PROCESSOR")
	70918151	2	SCREW, TRUSS HD MACH #10-32 X 1-1/4
	70917380	2	WASHER, #10
	705004	2	LOCKWASHER, #10
6	Y704445	2	HEXNUT, #10-32
	71383914	1	SENSOR, ROTOR SPD(QTY 2 PRIOR S/N HP87101
	70931317	2	BOLT, RD HD,SHT SQ NK, 1/4-20 X 3/4
7	705012	2	LOCKWASHER, 1/4
	70916622	2	NUT, 1/4-20 REG
7	71394721	1	HARNES, SHOE LOSS (TIED TO SHAKER ARM) (PRIOR S/N HP87101)
	71398832	1	HARNES,SHOE LOSS(THRU GROMMET IN FRAME) (EFF. S/N HP87101)
	70937685	2	J-CLIP, 3/8 X .406 HOLE
	700725918	7	J-CLIP, 5/16 X .281 HOLE
	70931317	3	BOLT, RD HD,SHT SQ NK, 1/4-20 X 3/4
	70916622	3	NUT, 1/4-20 REG
	705012	3	LOCKWASHER, 1/4
	7703457	1	CAPSCREW, 1/4-20 X 3/4 GR5
	70931209	1	NUT, SERR. FLANGE, 1/4-20
	353769X1	1	WASHER, 1/4, HARD
	70930708	1	CLAMP, 5/16 X .344 HOLE (PRIOR S/N HP87101)
8	71393717	3	FINGER DIFFUSER
	7703457	2	CAPSCREW, 1/4-20 X 3/4 GR5
	70916622	2	NUT, 1/4-20 REG
	705012	2	LOCKWASHER, 1/4
9	71412356	3	SENSOR, GRAIN LOSS
	70916622	6	NUT, 1/4-20 REG
10	705012	6	LOCKWASHER, 1/4
	71393716	2	BRKT, GRN LOSS (QTY 3 PRIOR S/N HN87101)
10	7770167	4	BOLT, RH HD SQ NK, 1/4-20 X 1.0
	700709601	4	WASHER, 1/4 WIDE
	705012	4	LOCKWASHER, 1/4
	70916622	4	NUT, 1/4-20 REG
11	71391874	1	HARNES, GRAIN LOSS ROTOR
12	700701160	1	GROMMET
13	832653M1	1	GROMMET
14	71401333	1	BRKT, ROTOR LOSS SENSOR (EFF S/N HM87101)
	70916622	2	NUT, 1/4-20 REG
14	705012	2	LOCKWASHER, 1/4
	70937658	2	GROMMET, RUBBER (EFF. S/N HP87101)
16	71409405	1	BRACKET, MOUNTING, FINGER DIFFUSER
17	71342216	1	SWITCH, START
18	71385907	1	WIRE ASM., SWITCH

MC00310  
PR: 128

HARNESSES & LIGHTING  
GRAIN BIN



9690 COMBINE  
ELECTRICAL

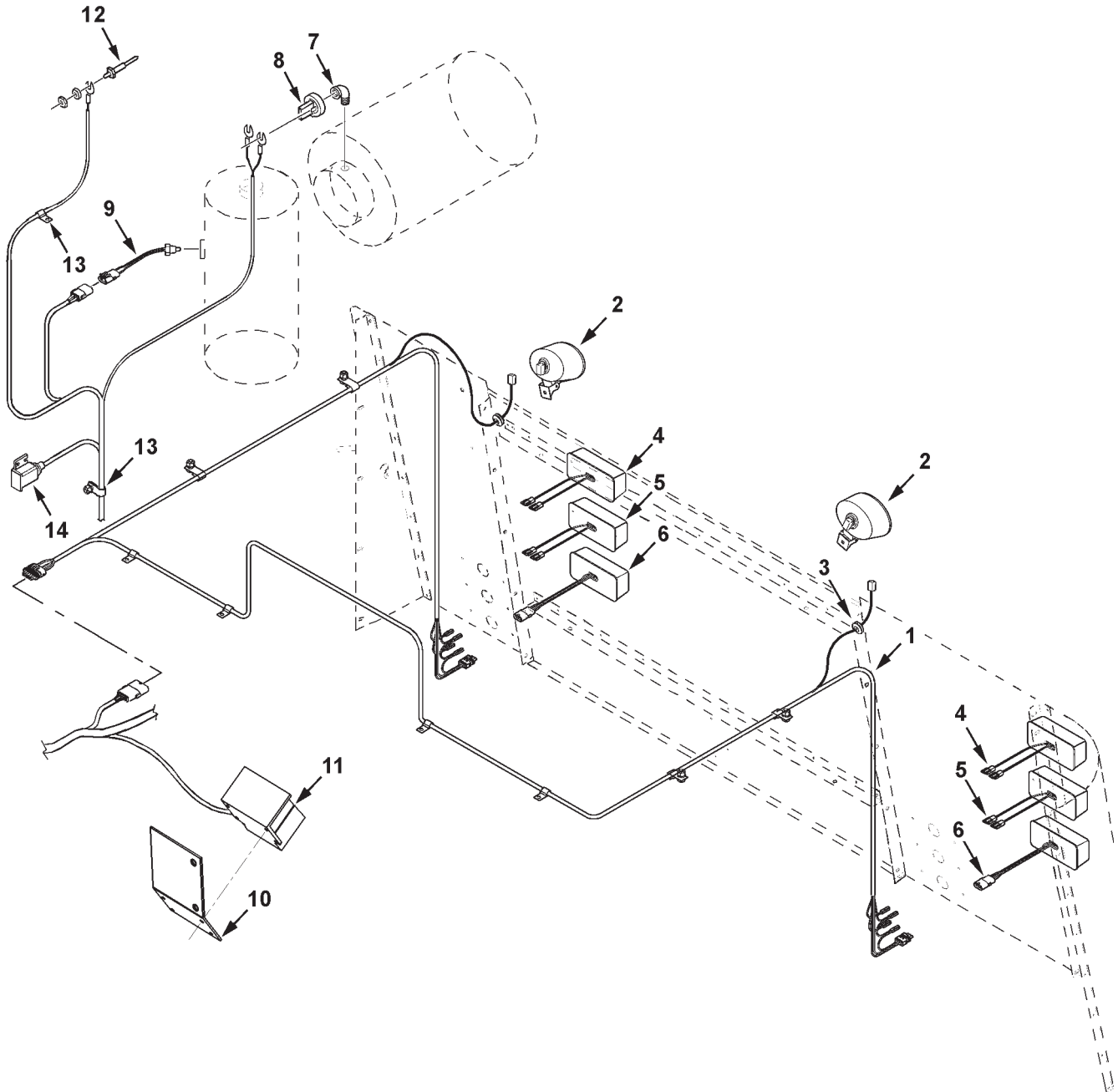
241

HARNESSES & LIGHTING  
GRAIN BIN

ITEM	NUMBER	QTY	DESCRIPTION
1	71391020	1	HARNESS, GRAIN BIN
	70937685	11	J-CLIP, 3/8 X .406 HOLE
	70936314	5	J-CLIP, 1/2 X .406 HOLE
	70921332	AR	CAPSCREW, 5/16-18 X 3/4
	70917356	AR	LOCKWASHER, 5/16
	70917372	AR	HEXNUT, 5/16-18
	70925094	3	TIE, NYLON LOCKING, .184 X 7.31
2	700708340	1	GROMMET, RUBBER
3	71393704	1	LIGHT, GRAIN BIN
4	71375911	1	SENSOR, BIN LEVEL
	7883325	2	SCREW, WSHR HD MACH, 5/16-18 X 3/4
	70917356	2	LOCKWASHER, 5/16
	70917372	2	HEXNUT, 5/16-18
5	71393742	1	BRACKET, BIN LEVEL SENSOR
6	71407293	1	SENDER, FUEL LEVEL W/ GASKET
	3729528M1	5	SCREW, PAN HD MACH, #10-24 X 1-1/4
	705004	5	LOCKWASHER, #10 REG
	70917380	5	WASHER, .219 X .50 X .049 TH
	71398110	1	GASKET, SENDER
7	71391021	1	SENSOR, TWO WIRE
	70931317	2	BOLT, RD HD,SHT SQ NK, 1/4-20 X 3/4
	705012	2	LOCKWASHER, 1/4
	70916622	2	HEXNUT, 1/4-20
8	71188145	1	BRACKET, SHAFT
9	293766M1	1	SWITCH, MOMENTARY
10	2495780W1	1	BRACKET, UNLOADER INDICATOR
	703249	1	CAPSCREW, 3/8-16 X 1.0
	70917378	3	WASHER, 3/8 WIDE
	705038	1	LOCKWASHER, 3/8
	70916950	1	HEXNUT, 3/8-16

MC00306  
PR: 130

ELECTRICAL HARNESSES  
REAR



9690 COMBINE  
ELECTRICAL

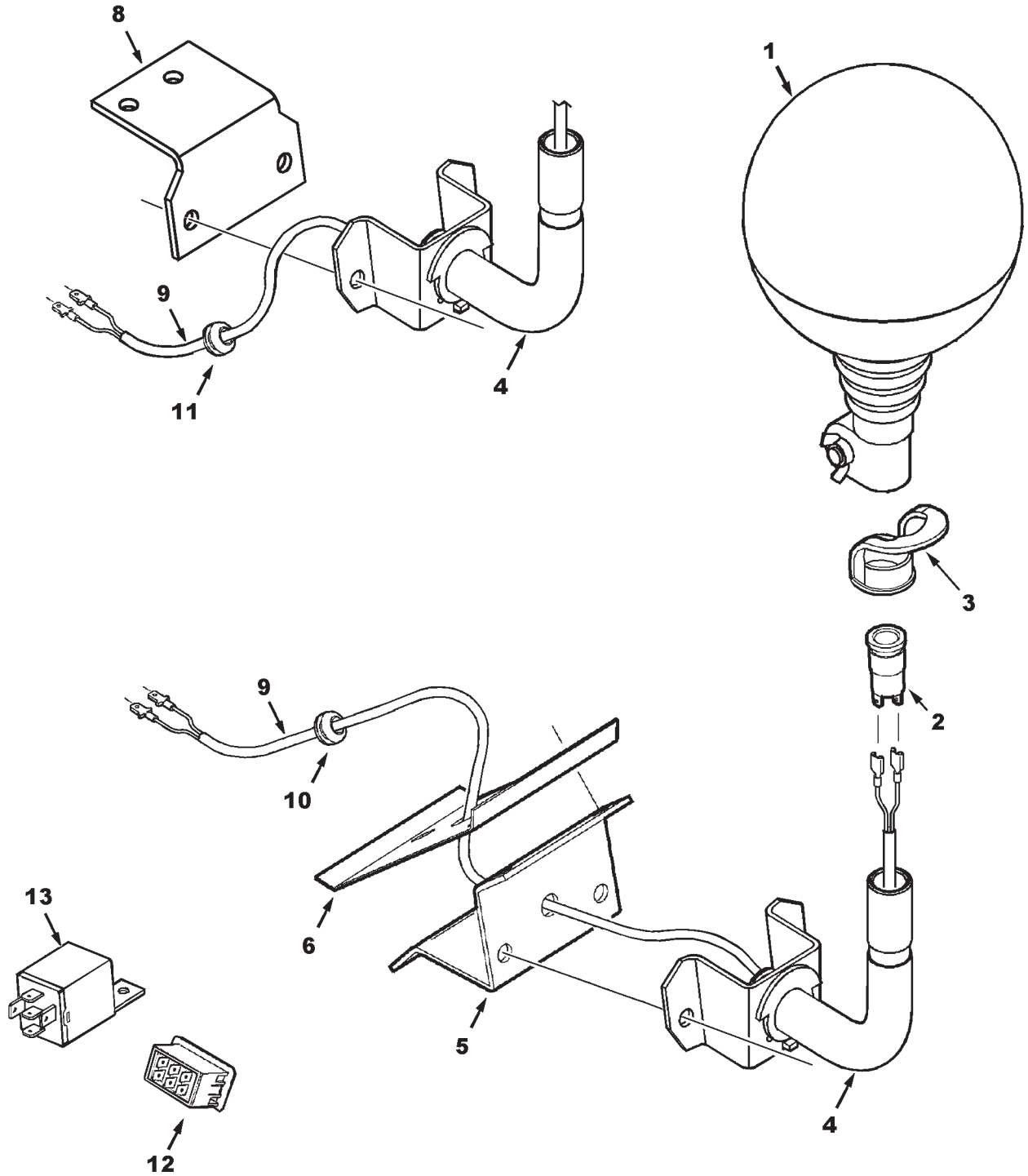
243

ELECTRICAL HARNESSSES  
REAR

ITEM	NUMBER	QTY	DESCRIPTION
1	71391709	1	HARNESS, TAIL LIGHT
	70937677	1	J-CLIP, 1.0 X .406 HOLE
	70936314	9	J-CLIP, 1/2 X .406 HOLE
	70921965	4	CAPSCREW, 3/8-16 X 3/4
	705038	4	LOCKWASHER, 3/8
	70916950	4	HEXNUT, 3/8-16
	70925094	AR	TIE, NYLON LOCKING, .184 X 7.31
2	700726172	2	LIGHT, FLOOD
	700722351	2	BULB, HALOGEN, 12V (GE #862)
3	70937691	2	GROMMET
4	72503309	2	LAMP ASY., WARNING (AMBER)
	1018729M1	1	BULB, 1156
	72501110	1	LENS, REPLACEMENT
	3729545M1	4	SCREW, PAN HD MACH, #10-24 X 2-1/2
	705004	4	LOCKWASHER, #10
	70916621	4	NUT, #10-24, REG
	71391871	2	LAMP ASY., BACKUP (CLEAR)
5	1018729M1	1	BULB, 1156
	3729545M1	4	SCREW, PAN HD MACH, #10-24 X 2-1/2
	705004	4	LOCKWASHER, #10
	70916621	4	NUT, #10-24, REG
6	700726168	2	LAMP ASY., TURN SIGNAL (RED)
	70928348	1	BULB, 1157
	-----	1	LENS, REPLACEMENT (ORDER ASY.)
	700718599	AR	KIT, CONNECTOR REPAIR
	3729545M1	4	SCREW, PAN HD MACH, #10-24 X 2-1/2
	705004	4	LOCKWASHER, #10
	70916621	4	NUT, #10-24, REG
7	70915955	1	ELBOW, 90 DEG FEM. 1/8-27 NPTF
8	31-2530050	1	SWITCH, AIR CLEANER VACUUM
9	71391418	1	SENSOR, OIL LEVEL (PRIOR S/N HS87101)
10	71398850	1	BRKT, BACK-UP ALARM (EFF. S/N HP87101)
11	71389319	1	ALARM, BACK-UP (EFF. S/N HP87101)
	7703457	4	CAPSCREW, 1/4-20 X 3/4 GR5
	705012	4	LOCKWASHER, 1/4
	70916622	4	NUT, 1/4-20, REG
12	71193260	1	SENDER, RADIATOR LEVEL
	705004	1	LOCKWASHER, #10
	Y704445	1	HEXNUT, #10-32
13	70937685	2	J-CLIP, 3/8 DIA X .406 HOLE
	70929722	1	J-CLIP, 3/16 DIA X .281 HOLE
14	71391870	1	SERVICE LIGHT, MAGNETIC
	71397725	AR	OUTLET SOCKET, 12V, SERVICE LIGHT
	70936592	4	SCREW, PAN HD TAPPING, #10-16 X 3/4

MC00363  
PR: 132

BEACON LIGHTS  
FIELD KIT



9690 COMBINE  
ELECTRICAL

245

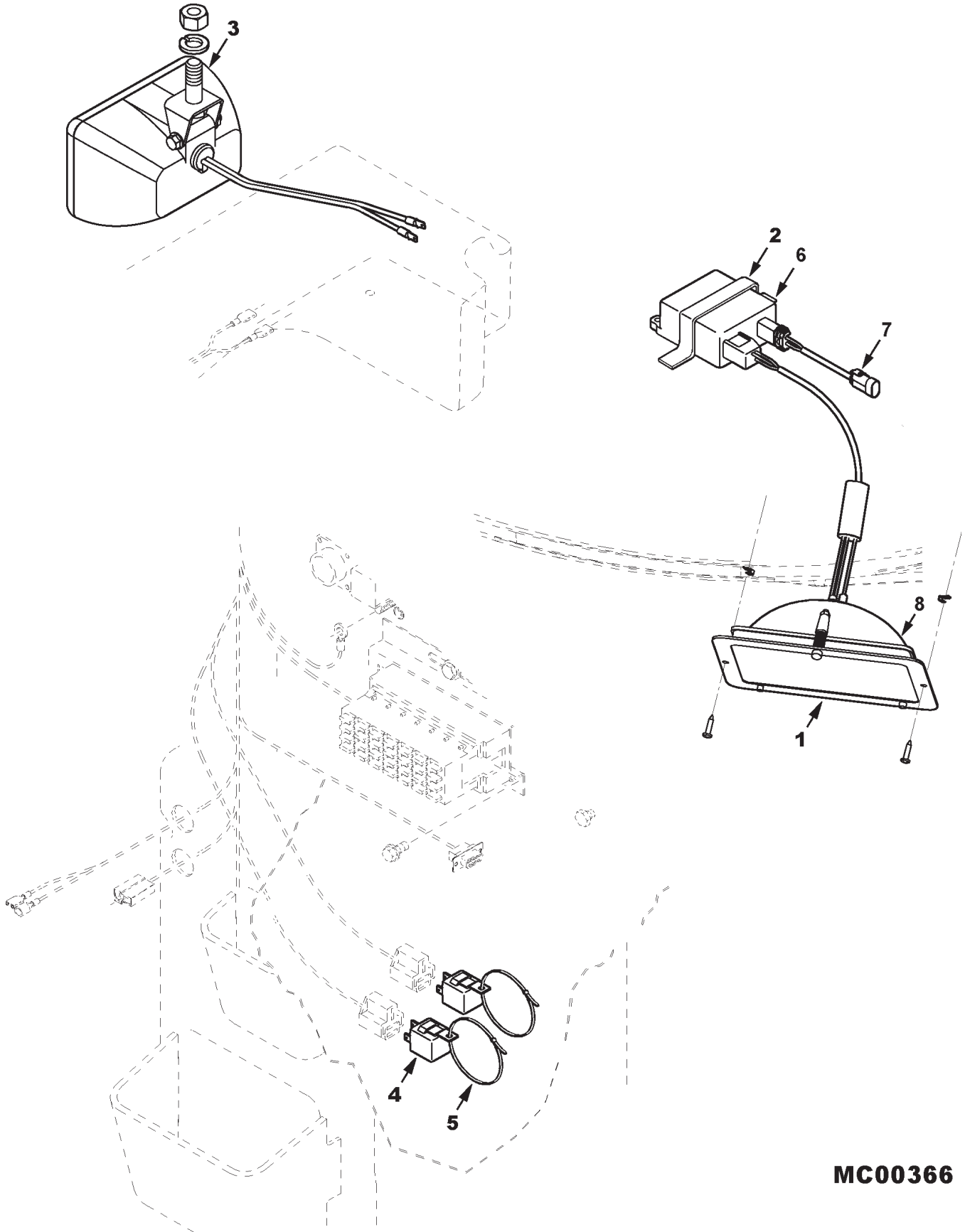
BEACON LIGHTS  
FIELD KIT

ITEM	NUMBER	QTY	DESCRIPTION
-	71395048	1	* KIT, BEACON LIGHT (PRIOR S/N HN87101)
-	71402108	1	* KIT, BEACON LIGHT (EFF. S/N HN87101)
1	3715144M92	2	BEACON
2	3617860M1	2	PLUG, BEACON
3	3617859M1	2	CAP, BEACON
4	3778093M91	2	SUPPORT, BEACON
	7883382	4	SCREW, HEX WSHR HD MACH, 3/8-16 X 1
	704247	4	NUT, HEX SERRATED FLANGE, 3/8-16
5	71391403	1	BRACKET, BEACON MTG. (FRONT)
	7883382	3	SCREW, HEX WSHR HD MACH, 3/8-16 X 1
	704247	3	NUT, HEX SERRATED FLANGE, 3/8-16
6	71391404	1	PLATE, BACKUP (FRONT)
8	71388391	1	BRACKET, BEACON MTG. (REAR)
9	71395830	2	HARNESS, BEACON LIGHT (FRT & REAR)
10	70923510	1	GROMMET, RUBBER, .375 ID X 3/4 OD (FRT)
11	7827629	1	GROMMET, RUBBER, .375 ID X 5/8 OD (REAR)
12	71387419	1	SWITCH, BEACON (PRIOR S/N HN87101)
	71401336	1	SWITCH, BEACON (EFF. S/N HN87101)
13	72160919	1	RELAY, 40 AMP (EFF. S/N HN87101)
	3619622M1	2	TIE, BLACK NYLON, .165 X 14 LG

\* ORDER THRU DEALER CENTRAL

MC00364  
PR: 142

HIGH INTENSITY LIGHTING  
FIELD KIT





9690 COMBINE  
ELECTRICAL

247

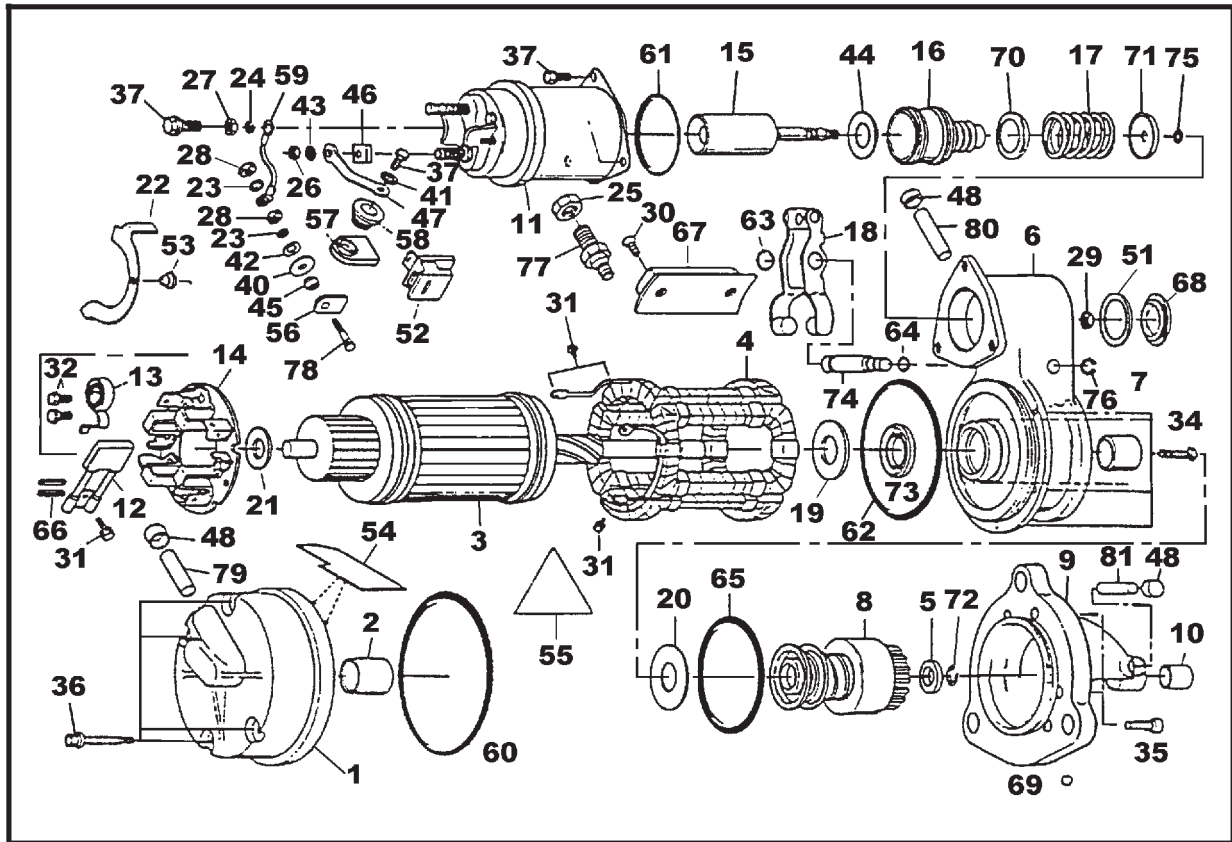
HIGH INTENSITY LIGHTING  
FIELD KIT

ITEM	NUMBER	QTY	DESCRIPTION
-	71402111	1	*KIT, H.I.D. LIGHTING(PRIOR S/N HP87101)
-	71406073	1	*KIT, H.I.D. LIGHTING (EFF. S/N HP87101)
1	71401342	2	LAMP ASY, HIGH INTENSITY (INCL IT.6,7,8) (SERVICE W/ 71410912)
	71410912	2	LAMP ASY,HIGH INT'Y (INCL IT.6,7,8,9,10)
	70937550	4	SCREW, PAN HD, TAPPING, #8-18 X 3/4
	700715255	4	NUT, SPEED, #8
2	700719940	2	FASTENER, ADHESIVE BACK
3	71393703	1	LIGHT, CAB (PRIOR S/N HP87101)
4	72160919	2	RELAY, 40 AMP (PRIOR S/N HP87101)
5	70925094	2	TIE, NYLON LOCKING (PRIOR S/N HP87101)
6	71408385	1	BALLAST (FOR LAMP 71401342)
	71408393	1	BALLAST (FOR LAMP 71410912)
7	71408386	1	ADAPTER WIRE (FOR LAMP 71401342)
	71408394	1	ADAPTER WIRE (FOR LAMP 71410912)
8	71408387	1	LAMP & STARTER (FOR LAMP 71401342)
	71408397	1	LAMP ASY (FOR LAMP 71410912)
9	71408395	1	WIRE ASY, STARTER (NOT ILLUS.)
10	71408396	1	WIRE ASY, BULB (NOT ILLUS.)

\* ORDER THRU DEALER CENTRAL

MC00366  
PR: t04c24o26a0002

STARTER MOTOR



9690 COMBINE  
ELECTRICAL

249

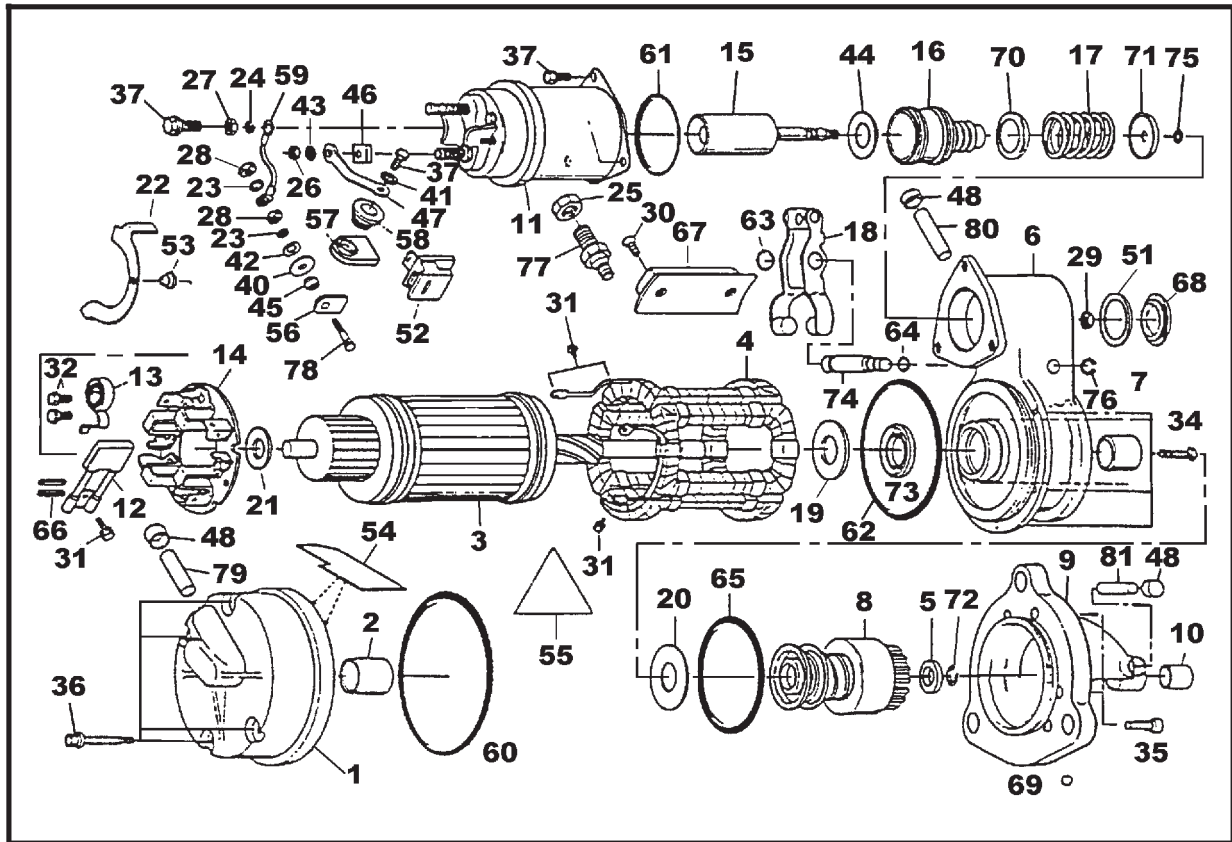
STARTER MOTOR

ITEM	NUMBER	QTY	DESCRIPTION
-	737901	AR	STARTING MOTOR, 37MT, (DELCO REMY)
1	72162799	1	FRAME, C.E.
2	70234847	1	(**) BUSHING, C.E.
3	72162816	1	ARMATURE
4	72162808	1	FIELD COIL ASSEMBLY, (4 COILS)
5	-----	1	(**)(***) STOP, PINION
6	72162817	1	LEVER HOUSING ASY.
7	-----	1	(**) BUSHING, LEVER HSG.
8	103688W91	1	MOTOR DRIVE
9	-----	1	DRIVE HOUSING (NOT SERVICED)
10	70234847	1	(**) BUSHING, DRIVE HSG.
11	72163173	1	SOLENOID SWITCH
12	-----	4	(*) BRUSH
13	1070564M1	4	(*) SPRING, BRUSH
14	72162804	1	BRUSH PLATE ASY.
15	72162820	1	PLUNGER, SOLENOID
16	72162821	1	BOOT, PLUNGER
17	70241344	1	SPRING, PLUNGER
18	-----	1	(***) SHIFT LEVER ASM.
19	-----	1	(**) SPACER, BETWEEN ARMATURE & LEVER HOUSING
20	-----	1	(**) WASHER, BRAKE, LEVER HSG.
21	70276103	1	(**) WASHER, THRUST, C.E.
29	70927029	1	(**)(***) NUT, PLUNGER, ROD GUIDE ADJ
30	72162815	8	SCREW, POLE SHOE
31	363712X1	4	SCREW
34	72162818	5	SCREW, LEVER HOUSING ATTACH.
35	72162806	6	SCREW, DRIVE HOUSING ATTACHMENT
36	-----	4	(*)(**) SCREW & WASHER ASY., C.E. FRAME ATTACH.
37	72162819	5	SCREW & WASHER ASY.
44	70241345	1	WASHER, PLUNGER ASY.

CONTINUED

6047-R  
PR: 134

STARTER MOTOR



9690 COMBINE  
ELECTRICAL

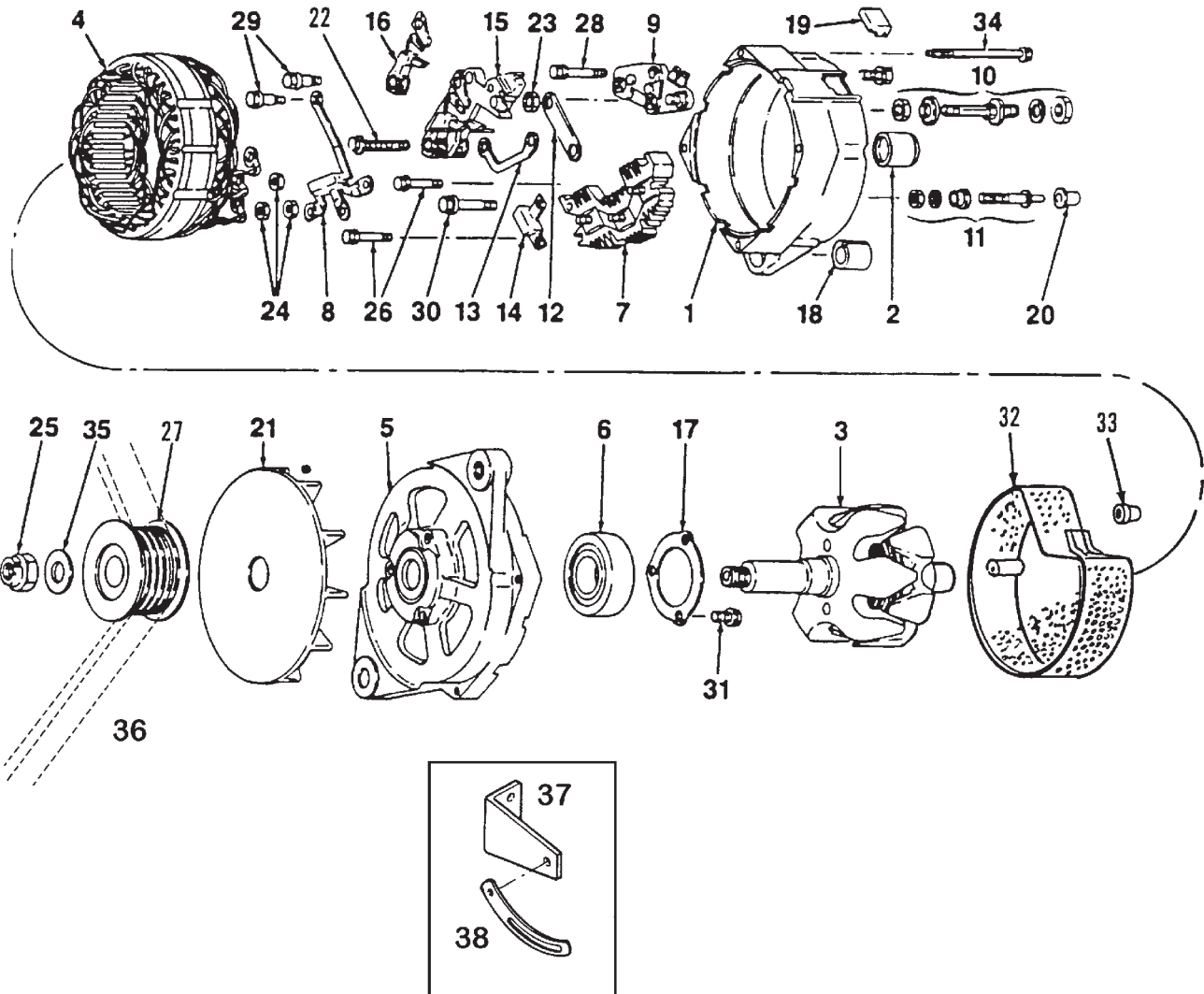
251

STARTER MOTOR

ITEM	NUMBER	QTY	DESCRIPTION
47	72162810	1	CONNECTOR, FIELD TERM. TO SWITCH
48	71360348	3	(**) CUP, OIL RESERVOIR
51	71169066	1	(**)(***) GASKET, INSPECTION PLUG, LEVER HOUSING
54	71359419	1	SHIELD, SOL. TERMINALS
55	72162809	1	INSULATOR, FIELD COIL
57	72162811	1	INSULATOR, FIELD TERM. (INSIDE FRAME)
58	72162812	1	INSULATOR, FIELD TERM. (OUTSIDE FRAME)
60	-----	1	(*)(**) "O" RING, (ON MOTOR FRAME)
61	1070578M1	1	(**)(***) "O" RING, BETWEEN SWITCH & LEVER HOUSING
62	70923588	1	(**) "O" RING, BETWEEN SWITCH & LEVER HOUSING
63	71333904	1	(***) "O" RING, SHIFT LEVER SHAFT (1/2 O.D.)
64	167550A	1	(***) "O" RING, SHIFT LEVER SHAFT (3/8 O.D.)
65	71360382	1	(**)(***) "O" RING, BETWEEN DR. HSG. & LEVER HOUSING
66	70915711	2	PIN, BRUSH PLATE LOCATING
67	72162814	1	SHOE, POLE
68	70241352	1	PLUG, INSPECTION, LEVER HSG.
70	1042836M1	1	RETAINER, PLUNGER SPRING (1 13/64 HOLE)
71	70268364	1	RETAINER, PLUNGER SPRING (13/32 HOLE)
72	-----	1	(**)(***) RING, RETAIN, PINION STOP
73	-----	1	(**) SEAL, OIL, LEVER HOUSING
74	-----	1	(***) SHAFT, SHIFT LEVER
75	W944142	1	RING, RETAINER, PLUNGER ASY.
76	-----	1	(***) RING, RETAINER, SHIFT LEVER SHAFT
79	-----	1	(**) WICK, OIL RESERVOIR, C.E.
80	-----	1	(**) WICK, OIL RESERVOIR, LEVER HSG.
81	-----	1	(**) WICK, OIL RESERVOIR, D.E.
---	72162801	1	(**)(***) BRUSH PACKAGE (ITEMS INDICATED W/* ARE INCLUDED IN THIS PACKAGE)
---	72162802	1	BUSHING PACKAGE (ITEMS INDICATED W/** ARE INCLUDED IN THIS PACKAGE)
---	72162803	1	SHIFT LEVER PACKAGE (ITEMS INDICATED W/*** ARE INCLUDED IN THIS PACKAGE)

6047-R  
PR: 134

ALTERNATOR  
DELCO #1117965



**9690 COMBINE  
ELECTRICAL**

253

**ALTERNATOR  
DELCO #1117965**

ITEM	NUMBER	QTY	DESCRIPTION
-	71370306	1	ALTERNATOR, 130 AMP, 12 VOLT
	81370306	1	ALTERNATOR, 130 AMP, 12 VOLT (REMAN)
1	71370852	1	FRAME
2	70262754	1	BEARING
3	71370854	1	ROTOR ASY
4	71370855	1	STATOR ASY
5	71370856	1	FRAME
6	30-3413837	1	BEARING
7	71370858	1	RECTIFIER BRIDGE ASY
8	71370859	1	DIODE
9	71370860	1	REGULATOR
10	71370861	1	TERMINAL PACKAGE, OUTPUT
11	71370862	1	TERMINAL PACKAGE, RELAY
12	71370863	1	CONNECTOR
13	71370864	1	CONNECTOR, RELAY TERMINAL
14	71370865	1	CAPACITOR
15	71370866	1	BRUSH HOLDER ASSEMBLY
16	71370867	1	BRUSH AND ARM
17	71370868	1	PLATE, RETAINER
18	30-3413918	1	BUSHING
19	71370570	1	COVER, TERMINAL
20	30-3413926	1	CAP, RELAY TERMINAL
21	71370872	1	FAN
22	71327160	1	SCREW, BRUSH HOLDER
23	70916622	1	NUT, REGULATOR 1/2-20
24	70917385	3	NUT #8-32
25	70930986	1	NUT, HEX TOP LOCK, 5/8-18 UNF
26	71370874	3	SCREW W/LOCKWASHER, #8-32 X 1
27	3965146	1	PULLEY 27.1 RETAINER 738431.1
28	71370874	1	SCREW, W/LOCKWASHER, #8-32 X 1
29	71173328	2	SCREW/INSULATOR, #8-32 X 1
30	71370877	1	SCREW/INSULATOR, #8-32 X 1-1/8
31	71370878	3	SCREW, TAPTITE, #8 X 1/2
32	71370808	1	COVER ASSEMBLY, DEBRIS
	71370880	1	SCREW, #8-32 X 1-3/4
	71370881	1	SCREW, 1/4-20 X 2
	70921880	1	WASHER, LOCK, EXT. TOOTH
33	72506418	2	COVER, TERMINAL
	70232758	1	COVER, TERMINAL
34	71370879	1	SCREW, THRU, 10-24 X 2-1/2
35	70918268	1	WASHER, SHAFT, 5/8 SAE
36	-----	1	BELT, V-RIBBED ALTERNATOR (SEE BELT LISTING)
37	71351392	1	ANCHOR, BRACE
	70921210	2	CAPSCREW, 3/8-16 X 1
	70919312	2	LOCKWASHER, 3/8
38	3907674	1	BRACE, ALTERNATOR (ORDER FROM CUMMINS)
	70921210	1	CAPSCREW, 3/8-16 X 1
	70919312	1	LOCKWASHER, 3/8
	70916950	1	NUT, 5/8-16

71369889  
PR: 138

SERVICE CONNECTORS  
HARNES REPAIR

**ILLUSTRATION NOT  
AVAILABLE**

XXXXXXXX



**9690 COMBINE  
ELECTRICAL**

255

**SERVICE CONNECTORS  
HARNESS REPAIR**

ITEM	NUMBER	QTY	DESCRIPTION
-			LISTED PARTS USED FOR REPAIR OF WIRE HARNESSES
1	71390804	AR	CONNECTOR, 26 WAY, DEUTSCH, DRC26-50S-05
2	71390806	AR	REMOVAL TOOL, DEUTSCH, 0411-240-2005
3	71390809	AR	PROBE, EXTRTN TOOL, SZ 16, 0411-310-1605
4	71390810	AR	CONNECTOR, 36 WAY, DEUTSCH, HD36-24-23SN
5	71390813	AR	CONNECTOR, 3 WAY, DEUTSCH, DT06-3S-P012
6	71390815	AR	WEDGE CONNECTOR, DEUTSCH, W3S-P012
7	71390816	AR	CONNECTOR, 12 WAY, DEUTSCH, DT06-12SA-P012
8	71390817	AR	WEDGE CONNECTOR, DEUTSCH, W12S-P012
9	71390820	AR	PLUG CONNECTOR, 15 WAY, AMP, 1-640523-0
10	71390821	AR	RECEPTACLE CONN, 12 WAY, AMP, 1-640512-0
11	71390822	AR	PLUG CONNECTOR, 12 WAY, AMP, 1-640522-0
12	71390823	AR	RECEPTACLE CONN, 9 WAY, AMP, 1-640511-0
13	71390824	AR	PLUG CONNECTOR, 9 WAY, AMP, 1-640521-0
14	71390825	AR	RECEPTACLE CONN, 6 WAY, AMP, 1-640510-0
15	71391001	AR	PLUG CONNECTOR, 6 WAY, AMP, 1-640520-0
16	71391002	AR	PIN TERMINAL, 10 PCS, AMP, 645545-1
17	71391003	AR	RECEPTACLE TERML, 10 PCS, AMP, 641300-1
18	71397676	AR	RECEPT CONN, 9 WAY, DEUTSCH, HD14-9-96P
19	71397677	AR	PLUG CONNECTOR, 9, DEUTSCH, HD16-9-96S
20	71397678	AR	CONNECTOR, 3 WAY, DEUTSCH, DT04-3P-E004
21	71397679	AR	WEDGE LOCK, 3 TERM'L, DEUTSCH, W3P
22	71397680	AR	CONNECTOR, 7 PIN FEM, COLE HERSEE, 12301
23	71397681	AR	RECEPT CONN, 8 PIN, DEUTSCH, DTM04-08PB
24	71397682	AR	PLUG CONNECTOR, DEUTSCH, HDP26-18-14-SE
25	71397683	AR	PLUG CONNECTOR, 40, DEUTSCH, DRC18-40SB
26	71397684	AR	SUPERSEAL CONNECTOR, AMP, 282087-1
27	71397685	AR	TERMINAL, AMP, 183025-1
28	71397686	AR	SEAL-WIRE, AMP, 281934-2
29	71397687	AR	CONNECTOR, 7 PIN, COLE HERSEE, 12300
30	71397688	AR	CONNECTOR, 6 PIN, PACKARD, 12124107
31	71397689	AR	CONNECTOR, 12 PIN, CARLINGSWITCH, LC1-02
32	71397690	AR	CONNECTOR, 3 PIN, PACKARD, 12162280
33	71397691	AR	CONNECTOR, 5 PIN, PACKARD, 12110539
34	71397692	AR	TERM. METRI-PK, 10 PCS, PACKARD, 12129409
35	71397693	AR	SEAL, METRI-PK, 10 PCS, PACKARD, 12015359
36	71397695	AR	SEAL, METRI-PK, 10 PCS, PACKARD, 1201539
37	71397697	AR	SEC LOCK, PACKARD, 12110540
38	71397698	AR	CONNECTOR, 3 PIN, PACKARD, 12162182
39	71397701	AR	SEAL, 3 WAY, PACKARD, 12065285
40	71397702	AR	TERMINAL, 10 PCS, DEUTSCH, 1062-16-0144
41	71397703	AR	RESISTOR, 3 WAY, DEUTSCH, DT04-3P-P006

CONTINUED

XXXXXXX  
PR: t05b04j09c0002

SERVICE CONNECTORS  
HARNESS REPAIR

**ILLUSTRATION NOT  
AVAILABLE**

XXXXXXXX

**9690 COMBINE  
ELECTRICAL**

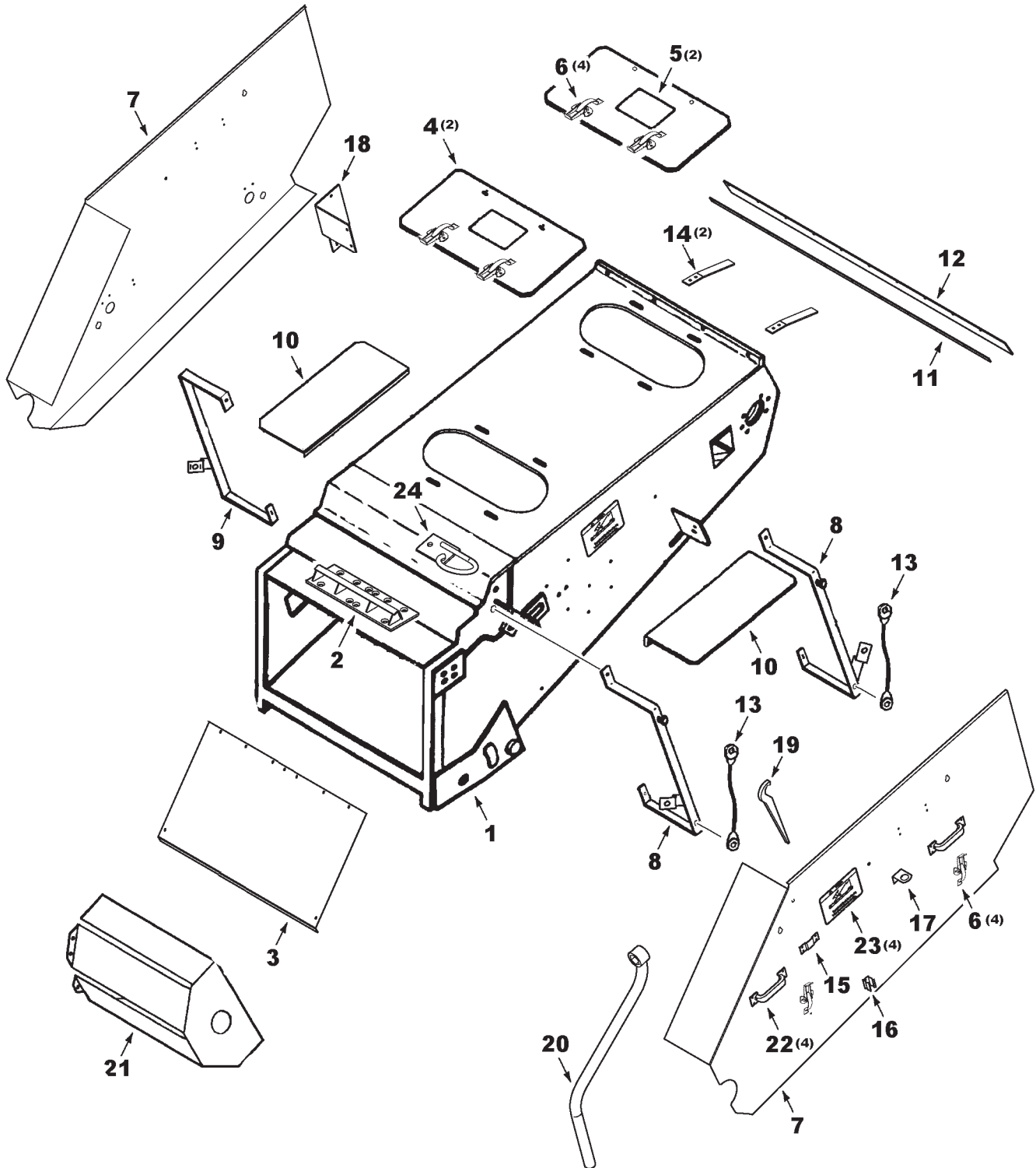
257

**SERVICE CONNECTORS  
HARNESS REPAIR**

ITEM	NUMBER	QTY	DESCRIPTION
-			LISTED PARTS USED FOR REPAIR OF WIRE HARNESSES
42	71397704	AR	CONNECTOR, 16 PIN, PACKARD, 15326667
43	71397705	AR	TERMINAL, 10 PCS, PACKARD, 15304731
44	71397706	AR	SEAL, 14 GA, PACKARD, 12191222
45	71397707	AR	SEAL, 12 GA, PACKARD, 12191223
46	71397708	AR	PLUG, PACKARD, 15305170
47	71397709	AR	CONNECTOR, 16 PIN, PACKARD, 15326666
48	71397710	AR	TERMINAL-SOCK, 10 PCS, PACKARD, 15304719
49	71397711	AR	CONN, 8 PIN, METRI PAC,PACKARD, 12047931
50	71397712	AR	SEC-LOCK, PACKARD, 12047936
51	71397713	AR	CONNECTOR, METRI PAC, PACKARD, 12129615
52	71397714	AR	CONN.RECEPTCL, 5 PIN, PACKARD, 12034342
53	71397715	AR	CONNECTOR, METRI PAC, PACKARD, 12124819
54	71397716	AR	SEC-LOCK, METRI PACK, PACKARD, 12020807
55	71397717	AR	TERM. METRI-PK,10 PCS, PACKARD, 12077411
56	71397718	AR	SEAL, 10 PCS, PACKARD, 12041351
57	71397719	AR	CONN, 8 PIN, METRI PAC,PACKARD, 12047937
58	71397720	AR	SEC-LOCK, METRI PACK, PACKARD, 12066304
59	71397721	AR	BOOT, COLE HERSEE, 81356
60	71397722	AR	TERMINAL-SOCKET, COLE HERSEE, 31784
61	71397724	AR	SEC-LOCK, METRI PACK, PACKARD, 12052850
62	71397725	AR	ELECT. OUTLET, 12 VOLT, CASCO, 212711
63	71397731	AR	CONNECTOR, FUSE, PACKARD, 12033769
64	71397732	AR	PLUG CONN'R, 70 PIN, DEUTSCH, DRC16-70SA
65	71397733	AR	CONN. RECEPTCL, 4 PIN, DEUTSCH, DT04-4P
66	71397734	AR	SEAL, METRI-PK,10 PCS, PACKARD, 12052924
67	71397735	AR	PLUG CONN'R, 40 PIN, DEUTSCH, DRC18-40SA
68	71397736	AR	PLUG CONN'R, 4 PIN, DEUTSCH, DTM06-4SA
69	71397737	AR	CONN. RECEPTCL, 2 PIN, PACKARD, 08911772
70	71397738	AR	TERM. METRI-PK,10 PCS, PACKARD, 15304730
71	71397739	AR	SEAL-DELPHI, PACKARD, 15366067
72	71397740	AR	CONN, 2 PIN, METRI-PAC,PACKARD, 12162000
73	71397741	AR	TERMINAL-SOCK, 10 PCS, PACKARD, 08911640
74	71397742	AR	HARNESS, 4 PIN, MOLDED, 12" LG
75	71397743	AR	CONNECTOR, 5 PIN, PACKARD, 12065158
76	71398851	AR	SEAL-DELPHI, PACKARD, 12015284
77	71398852	AR	TERMINAL-SOCK, 10 PCS, PACKARD, 12084590
78	71398853	AR	TERM. METRI-PK,10 PCS, PACKARD, 12015870
79	700709919	AR	TERMINAL-PIN, 18-14 AWG, AMP, 66602-2
80	700718792	AR	CONNECTOR, 6 PIN, PACKARD, 12052848
81	71399228	AR	CONTACT PIN, DEUTSCH, 0460-204-12141
82	700721776	AR	CONTACT SOCKET, DEUTSCH, 0462-203-12141

XXXXXXX  
PR: t05b04j09c0002

HOUSING & SHIELDS  
(PRIOR S/N HP87101)



**9690 COMBINE  
FEEDER**

259

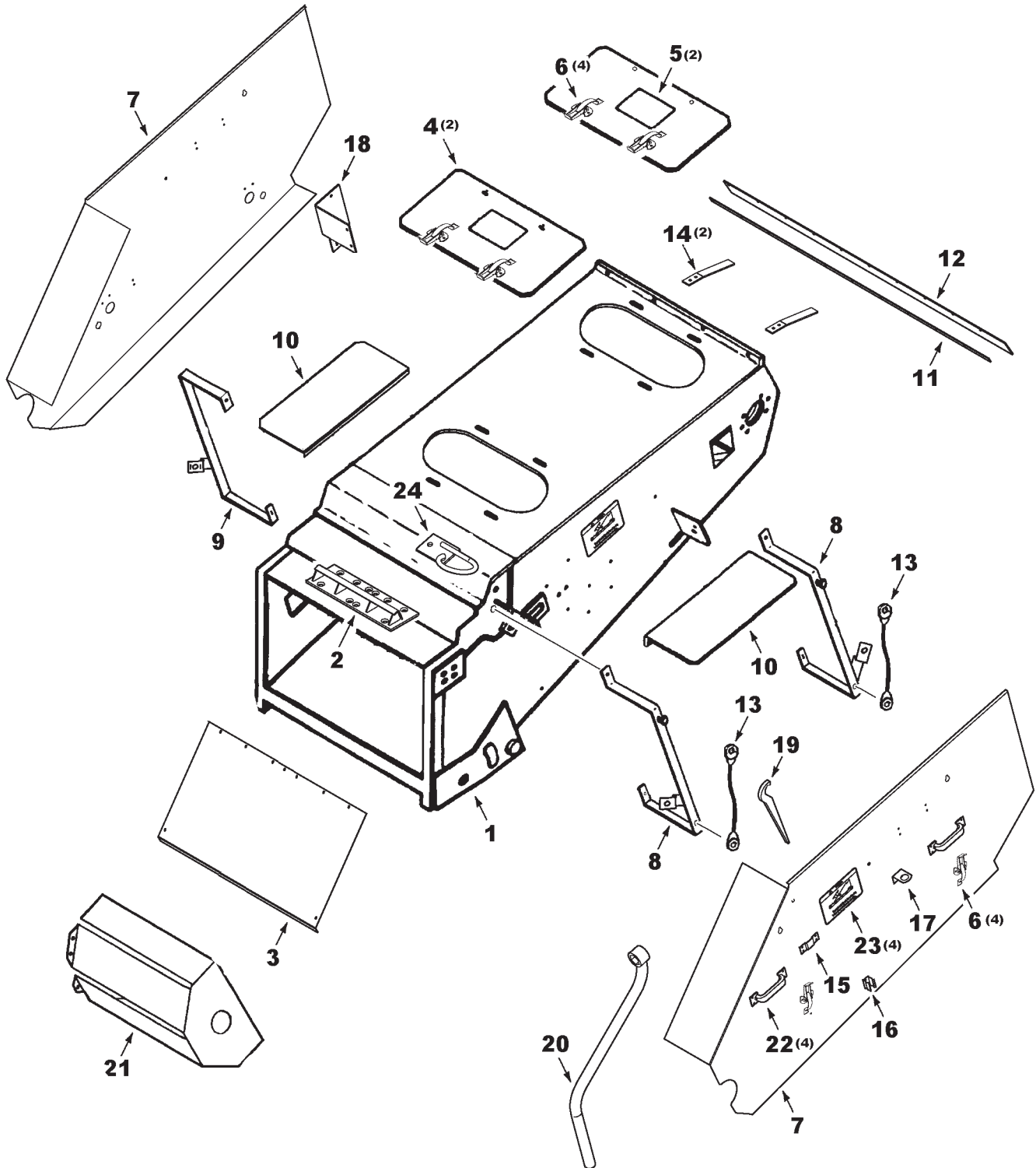
**HOUSING & SHIELDS  
(PRIOR S/N HP87101)**

ITEM	NUMBER	QTY	DESCRIPTION
1	71400970	1	HOUSING WLDMT, FEEDER
2	71380423	2	HOOKUP WLDMT, HEADER
	355736X1	14	CAPSCREW, HEX SOCKT, 1/2-13 X 1-1/4
	71383783	4	SHIM, HEADER LEVELING
	71402105	-	KIT, HDR HOOKUP GRP(HIGH MOUNT, NON-LTM) (ORDER FROM DEALER CENTRAL)
	71399829	1	RISER WLDMT, LH (NOT ILLUS)
	71399830	1	RISER WLDMT, RH (NOT ILLUS)
	71383783	4	SHIM, HEADER LEVELING
	70919089	14	CAPSCREW, 1/2-13 X 1-3/4 GR5
	Y705046	14	LOCKWASHER, 1/2 REG
3	116327W1	1	COVER, FLOOR
	365775X1	2	SCREW, THD FORM., 1/4-20 X 1/2
	70931317	5	BOLT, RD HD,SHT SQ NK, 1/4-20 X 3/4
	70931209	5	NUT, SERR. FLNG, 1/4-20
4	71367218B	4	DOOR ASY (INCL. CLAMPS & DECAL)
5	71379134	4	DECAL, WARNING
6	762975	8	CLAMP
	700717635	16	RIVET, 3/16 X 13/32
7	71393786	1	SHIELD ASY, LH (INCL IT'S 6,22,23,15-17)
	71393784	1	SHIELD ASY, RH (INCL IT'S 6,22,23)
8	71393776	1	BRACKET WLDMT, FRONT, LH
	70921333	1	CAPSCREW, 5/16-18 X 1.0
	70917356	1	LOCKWASHER, 5/16
	70917372	1	NUT, 5/16-18 REG
	70921965	1	CAPSCREW, 3/8-16 X 3/4 GR5
	705038	1	LOCKWASHER, 3/8 REG
	71393780	1	BRACKET WLDMT, REAR, LH
	703249	2	CAPSCREW, 3/8-16 X 1"
	705038	2	LOCKWASHER, 3/8
	70916950	2	NUT, 3/8-16 REG
	70918266	1	WASHER, 3/8 NARR.
9	71393778	1	BRACKET ASY., FRONT, RH
	70921333	1	CAPSCREW, 5/16-18 X 1.0
	70917356	1	LOCKWASHER, 5/16
	70917372	1	NUT, 5/16-18 REG
	70921965	1	CAPSCREW, 3/8-16 X 3/4 GR5
	705038	1	LOCKWASHER, 3/8 REG
10	71397452B	1	SHIELD, TOP, LH
	70936778	2	J-CLIP, 3/4 X .406 HOLE
	70923683	3	SCREW,HEX HD, TAPPING, 3/8-16 X 3/4
	71393788	1	SHIELD, TOP, RH
	70923683	3	SCREW,HEX HD, TAPPING, 3/8-16 X 3/4
11	2506050W1	1	RETAINER, PIVOT SEAL
12	2506040W1	1	SEAL, UPPER PIVOT
	70923341	9	CAPSCREW, 1/4-20 X 3/4 GR5
	70919310	9	LOCKWASHER, 1/4
	70916622	9	NUT, 1/4-20 REG

CONTINUED

MC00347  
PR: 140

HOUSING & SHIELDS  
(PRIOR S/N HP87101)



9690 COMBINE  
FEEDER

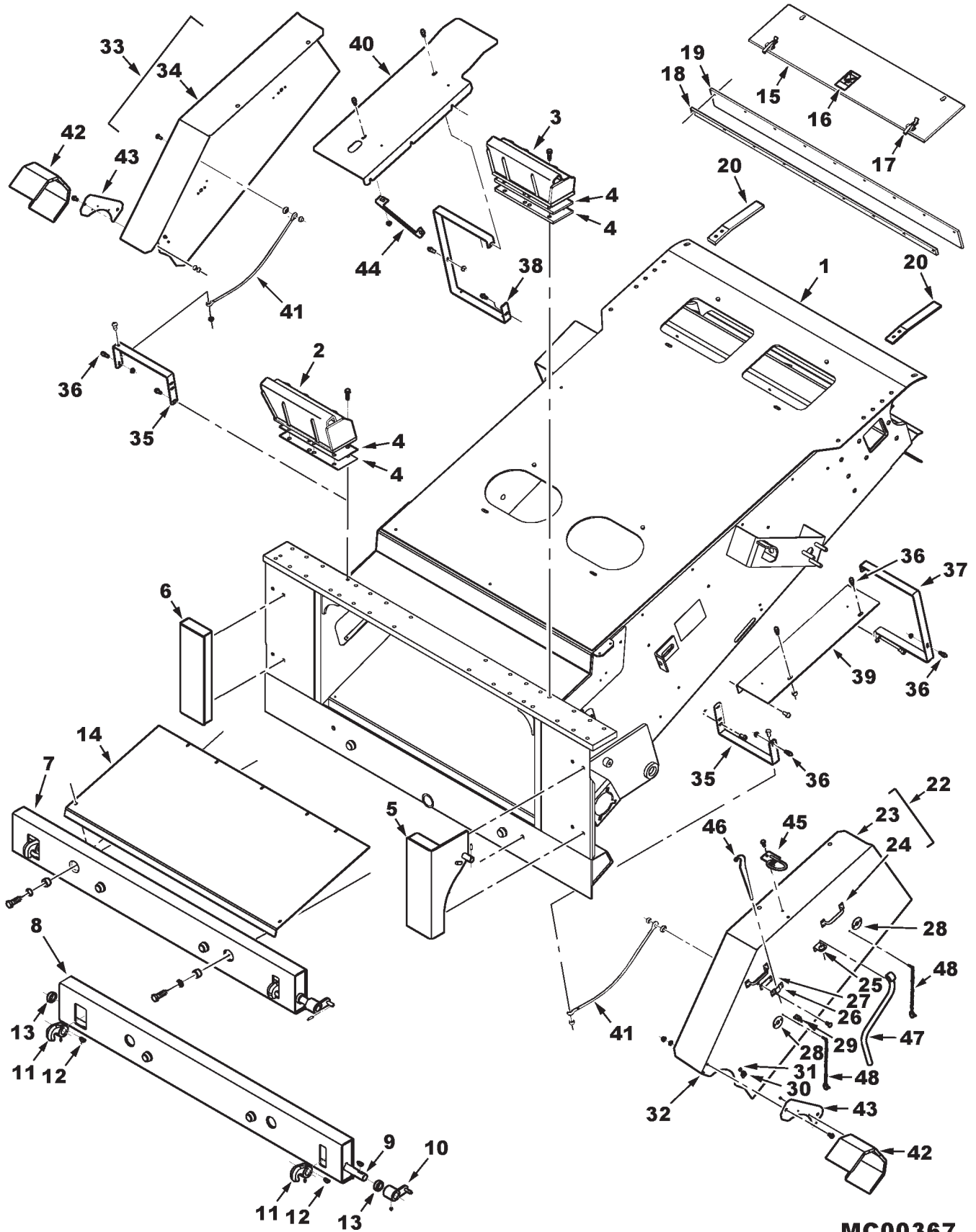
261

HOUSING & SHIELDS  
(PRIOR S/N HP87101)

ITEM	NUMBER	QTY	DESCRIPTION
13	71374425	2	CABLE, SHIELD RETAINER
	70917356	4	WASHER, LOCK, 5/16
	70917372	4	NUT, HEX, 5/16-18
	70918265	4	WASHER, 5/16 NARR
	70927075	4	BOLT, RHSN, 5/16-18 X 1.0
14	116328W1	2	SUPPORT, PIVOT SLIDE
	70927075	4	BOLT, CARRIAGE, 5/16-18 UNC X 1
	70917356	4	LOCKWASHER 5/16
	70917372	4	NUT, HEX 5/16-18
15	71385633	1	BRACKET, WRENCH
	71394821	1	SPACER, BRKT.
	70924837	4	RIVET, .188 X .277 LG
16	71310976	1	CLIP, WRENCH
	70922928	2	SCREW, #6-32 X 1/2
	70917458	2	WASHER, FLAT #6
	70917459	2	LOCKWASHER #6
	704551	2	NUT, #6-32
17	71352828	1	BRACKET, WRENCH
	70925205	1	BOLT, HEX 5/16-18 X 5/8
	70917356	1	LOCKWASHER, 5/16
	70917372	1	NUT, HEX, 5/16-18
18	71393782	1	BRACKET ASY, REAR, RH
	70921333	2	CAPSCREW, 5/16-18 X 1
	70917356	2	WASHER, LOCK, 5/16
	70917372	2	NUT, 5/16-18
19	28280440	1	WRENCH, C'SHAFT
20	71388248	1	HANDLE WLMT., FEEDER LATCH
21	116518W1	1	SHIELD, COUNTERSHAFT, LH
	116519W1	1	SHIELD, COUNTERSHAFT, RH
	70924856	6	SCREW, HEX HD, TAPPING, 5/16-18 X 1/2
22	71304149	4	HANDLE
	70924837	16	RIVET, .188 X .277 LG
23	111095W1	4	DECAL, DANGER
24	71375388	1	RETAINER WLDMT, HOSES
	7703432	2	SCREW, HEX FLNG SERR, 3/8-16 X 3/4
	Y704734	2	NUT, HEX FLANGE TOP LOCK, 3/8-16

MC00347  
PR: 140

HOUSING & SHIELDS  
(EFF. S/N HP87101)





**9690 COMBINE  
FEEDER**

263

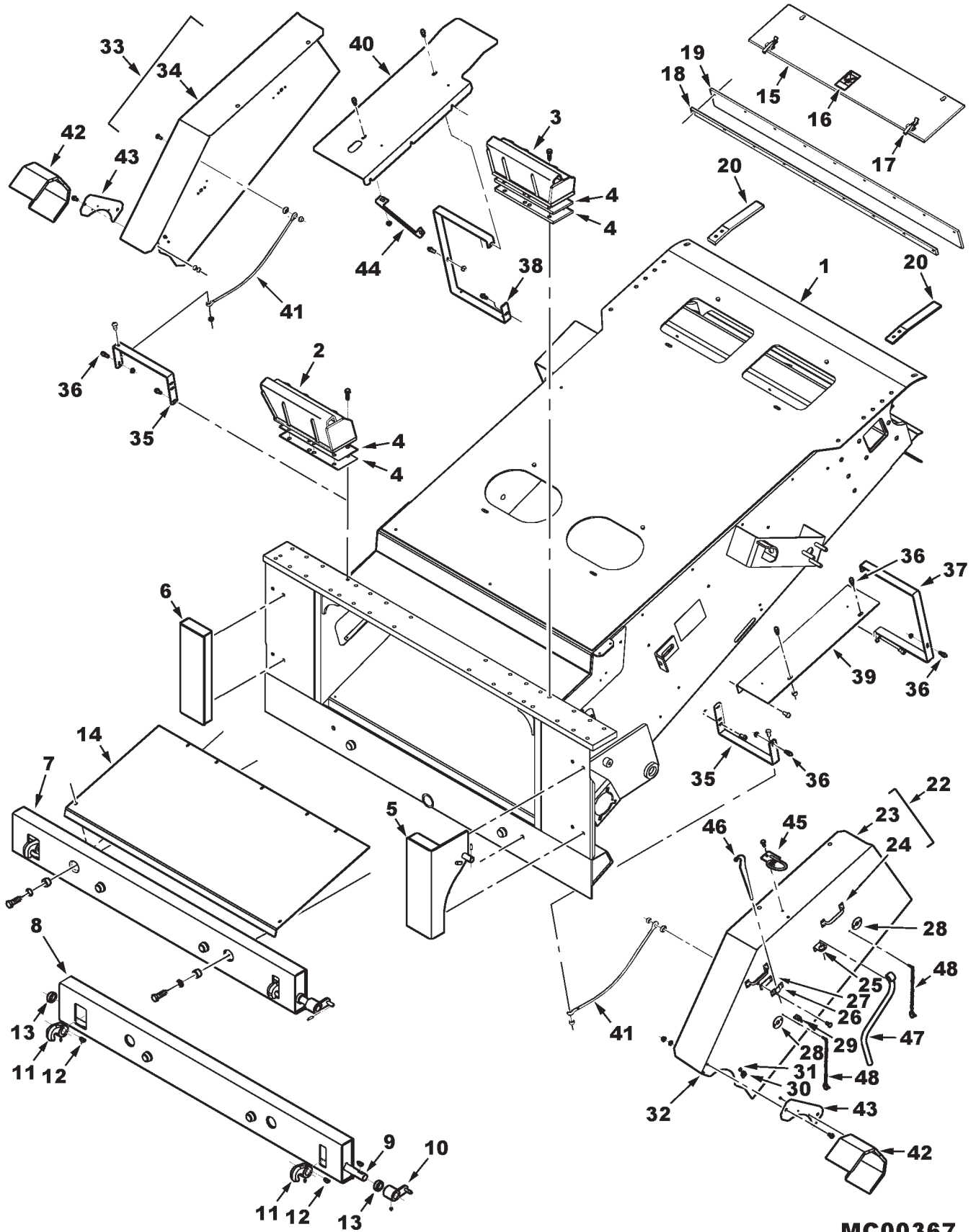
**HOUSING & SHIELDS  
(EFF. S/N HP87101)**

ITEM	NUMBER	QTY	DESCRIPTION
1	71403852	1	HOUSING WLMT, FEEDER (PRIOR S/N HS87101)
	71413327	1	HOUSING WLMT, FEEDER (EFF. S/N HS87101)
2	71406510	1	HOOKUP WLDMT, RH, HEADER
	70919089	7	CAPSCREW, 1/2-13 X 1-3/4
	Y705046	7	LOCKWASHER, 1/2
3	71406504	7	HOOKUP WLDMT, LH, HEADER
	70919089	7	CAPSCREW, 1/2-13 X 1-3/4
	Y705046	7	LOCKWASHER, 1/2
4	71383783	4	SHIM, HEADER LEVELING
5	71406518	1	FRAME WLDMT, LH, VERTICAL
	70923114	2	CAPSCREW, 1/2-13 X 1 GR5
	Y705046	2	LOCKWASHER, 1/2 REG
6	71406514	1	FRAME WLDMT, RH, VERTICAL
	70923114	2	CAPSCREW, 1/2-13 X 1 GR5
	Y705046	2	LOCKWASHER, 1/2
7	71406804	1	FRAME ASY, HDR HOOKUP, LOWER (INCL. ITEMS 8 THRU 13)
	70922664	2	CAPSCREW, 5/8-11 X 2 GR5
	70917373	2	LOCKWASHER, 5/8
	368615X1	2	SPACER, .656 X 1.125 OD X .66 LG
8	71406520	1	FRAME WLDMT, HDR HOOKUP, LOWER
9	71406802	1	SHAFT, HEADER LATCH
10	116343W1	1	CRANK WLDMT, LATCH, LOWER
	70921263	1	SETSCREW, HEX SOCKET, 5/16-18 X 3/8
11	71317841	2	HOOK
	70903835	2	SETSCREW, HEX SOCKET, 1/4-20 X 3/8
12	70905126	3	KEY, WOODRUFF, .25 X 1 DIA, #808
13	375028X1	2	COLLAR, BRG, 1 DIA, W/SETSCREW
14	116327W1	1	COVER, FLOOR
	365775X1	2	SCREW, THD FORM., 1/4-20 X 1/2
	70931317	5	BOLT, RD HD,SHT SQ NK, 1/4-20 X 3/4
	353769X1	5	WASHER, 1/4, HARD
	705012	5	LOCKWASHER, 1/4
	70916622	5	NUT, 1/4-20 REG
15	71367218B	4	DOOR ASY (INCL. CLAMPS & DECAL)
16	71379134	4	DECAL, WARNING
17	762975	8	CLAMP
	700717635	16	RIVET, 3/16 X 13/32
18	2506050W1	1	RETAINER, PIVOT SEAL
19	2506040W1	1	SEAL, UPPER PIVOT
	7703457	9	CAPSCREW, 1/4-20 X 3/4 GR5
	705012	9	LOCKWASHER, 1/4
	70916622	9	NUT, 1/4-20 REG
20	116328W1	2	SUPPORT, PIVOT SLIDE
	70927075	4	BOLT, CARRIAGE, 5/16-18 UNC X 1
	70917356	4	LOCKWASHER 5/16
	70917372	4	NUT, HEX 5/16-18

CONTINUED

MC00367  
PR: t05b04j09c0003

HOUSING & SHIELDS  
(EFF. S/N HP87101)



**9690 COMBINE  
FEEDER**

265

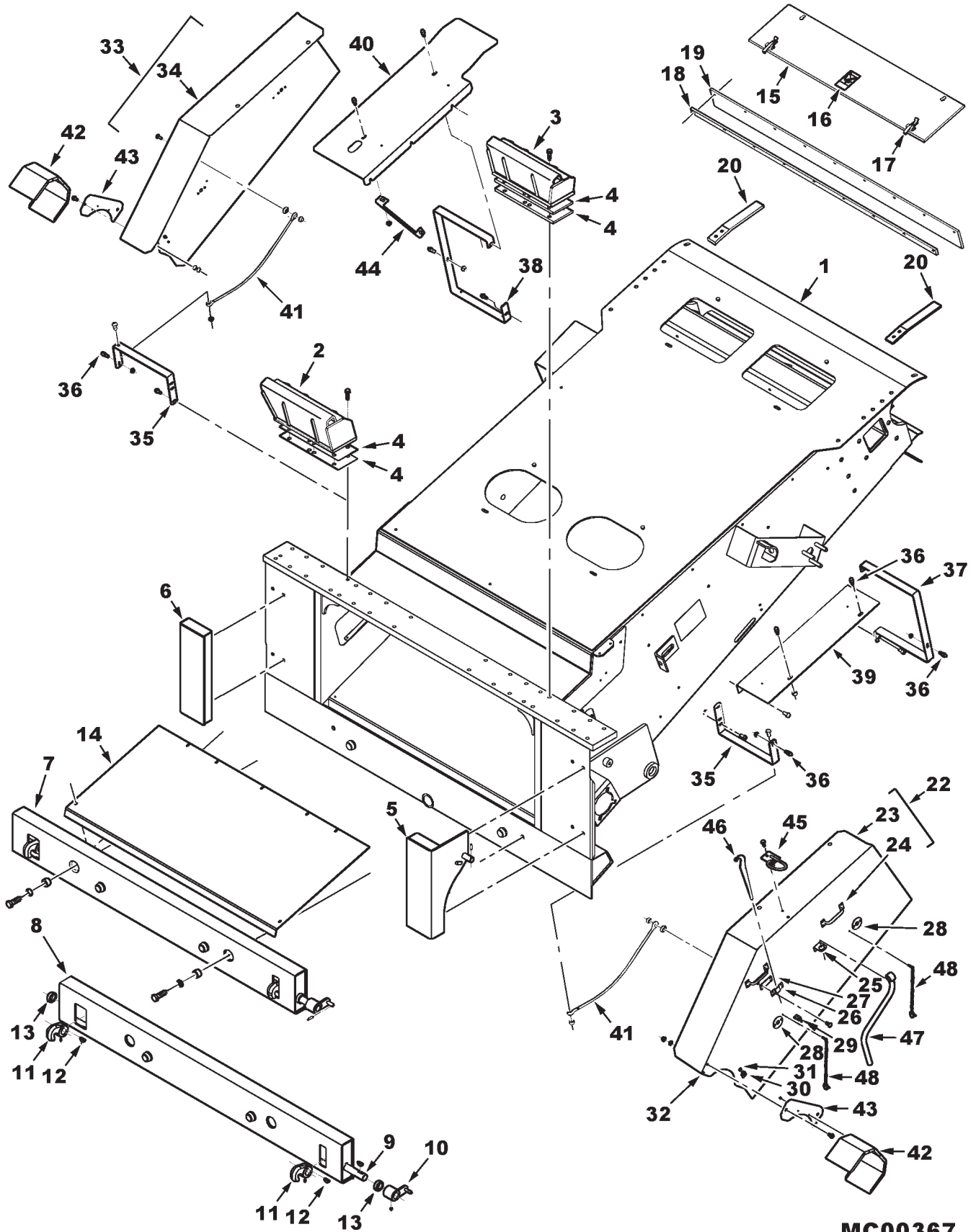
**HOUSING & SHIELDS  
(EFF. S/N HP87101)**

ITEM	NUMBER	QTY	DESCRIPTION
22	71401636	1	SHIELD ASY, FEEDER, LEFT (INCL. ITEMS 23 THRU 32)
23	71401637	1	SHIELD, LEFT
24	71304149	2	HANDLE
	70924837	8	POP RIVET, .188 X .063-.125 GRIP
25	71352828	1	BRACKET, HANDLE MOUNT
	70925205	1	CAPSCREW, 5/16-18 X 5/8
	70917356	1	LOCKWASHER, 5/16
	70917372	1	NUT, 5/16-18 REG
26	71385633	1	BRACKET, WRENCH
27	71394821	1	SPACER, BRKT.
	70924837	4	POP RIVET, .188 X .063-.125 GRIP
28	71400739	2	PLATE, PIN
	70924837	4	POP RIVET, .188 X .063-.125 GRIP
29	71310976	1	CLIP, WRENCH
	70922928	2	SCREW, #6-32 X 1/2
	70917458	2	WASHER, FLAT #6
	70917459	2	LOCKWASHER #6
	704551	2	NUT, #6-32
30	70537291	1	FASTENER, SNAP
	70924837	1	POP RIVET, .188 X .063-.125 GRIP
31	70937660	1	SCREW, PAN HD TAPPING, 1/4-20 X 5/8
	1703354	1	NUT, HEX FLNG TOP LOCK, 1/4-20
32	7883267	1	SCREW, HEX WSHR HD, MACH, 1/4-20 X 1/2
	1703354	1	NUT, HEX FLNG TOP LOCK, 1/4-20
33	71401628	1	SHIELD ASY, FEEDER, RIGHT (INCL. ITEMS 24, 28, 30, 31, 32, 34)
34	71401627	1	SHIELD, RIGHT
35	71407660	2	SUPPORT WLMT, SHIELD, FRONT
	7702012	2	SCR, HEX WSHR HD TAPPING, 3/8-16 X 1
36	1656110W2	8	PIN, SHIELD LOCK
	Y704734	8	NUT, HEX FLNG TOP LOCK, 3/8-16
37	71401633B	1	SUPPORT, SHIELD, LEFT
	7702012	1	SCR, HEX WSHR HD TAPPING, 3/8-16 X 1
38	71401632	1	SUPPORT, SHIELD, RIGHT
	7702012	1	SCR, HEX WSHR HD TAPPING, 3/8-16 X 1
39	71401638	1	SHIELD, TOP, LEFT
	70927134	2	J-CLIP, 5/8 X .406 HOLE (NOT ILLUS.)
	7702012	3	SCR, HEX WSHR HD TAPPING, 3/8-16 X 1
40	71401626	1	SHIELD, TOP, RIGHT
	70927134	2	J-CLIP, 5/8 X .406 HOLE (NOT ILLUS.)
41	71374425	2	CABLE, TETHER
	70931350	2	BOLT, RND HD SQ NK, 3/8-16 X 1
	705541	2	WASHER, 1/2 HARD
	Y704734	4	NUT, HEX FLNG TOP LOCK, 3/8-16
	7883382	2	SCREW, HEX WSHR HD MACH, 3/8-16 X 1

CONTINUED

MC00367  
PR: t05b04j09c0003

HOUSING & SHIELDS  
(EFF. S/N HP87101)



**9690 COMBINE  
FEEDER**

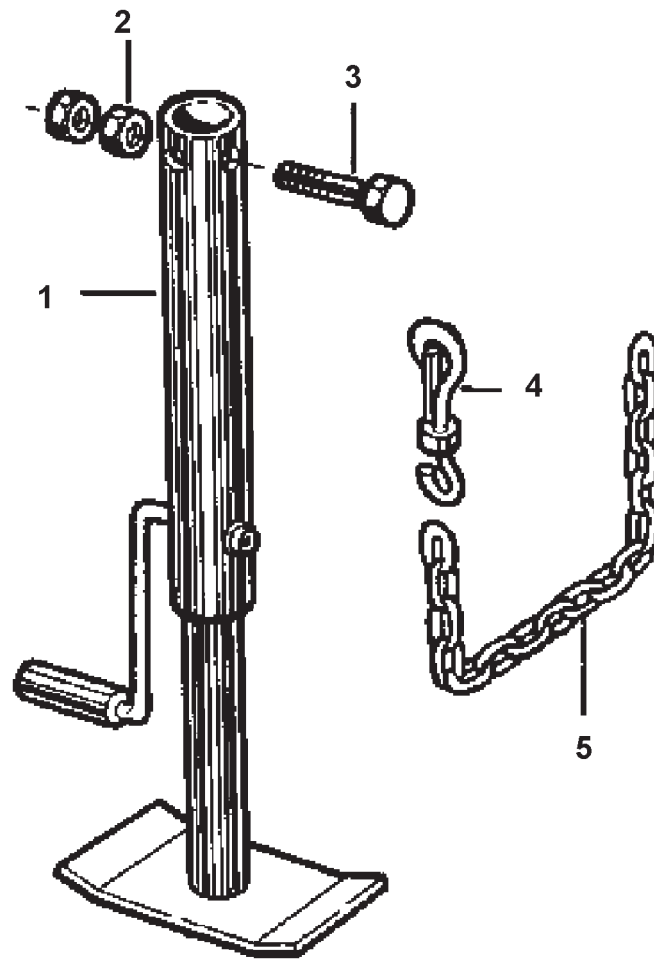
267

**HOUSING & SHIELDS  
(EFF. S/N HP87101)**

ITEM	NUMBER	QTY	DESCRIPTION
42	71409456	2	SHIELD, DRIVELINE
43	71401660B	2	PLATE, COVER
	7883374	2	SCR, HEX WSHR HD MACH, 3/8-16 X 3/4
	Y705533	2	WASHER, 3/8 HARD
	Y704734	2	NUT, HEX FLNG TOP LOCK, 3/8-16
	70924837	6	POP RIVET, .188 X .063-.125 GRIP
44	71401658B	1	SUPPORT, TOP SHIELD, RH
	7702012	3	SCR, HEX WSHR HD TAPPING, 3/8-16 X 1
45	71375388	1	RETAINER WLDMT, HOSE (PRIOR S/N HS87101)
	7883382	2	SCREW, HEX WSHR HD MACH, 3/8-16 X 1
	Y704734	2	NUT, HEX FLNG TOP LOCK, 3/8-16
46	28280440	1	WRENCH, C'SHAFT
47	71388248	1	HANDLE WLDMT, FEEDER LATCH
48	863415	4	KLIK PIN, W/CHAIN
-	71411647	-	KIT, HEADER HOOKUP LUGS, HIGH, NON-LTM INCL IT'S 2 THRU 13, & LATCH COMP'S. (ORDER THRU DEALER CENTRAL)
-	71411650	-	KIT, HEADER HOOKUP LUGS, LOW, NON-LTM (ORDER THRU DEALER CENTRAL)
	71406512	2	HOOKUP LUG WLDMT, SHORT
	71383783	4	SHIM, HEADER LEVELING
	70924204	14	SCR, HEX SOCK CSK HD, 1/2-13 X 1-1/4

MC00367  
PR: t05b04j09c0003

JACK



**9690 COMBINE  
FEEDER**

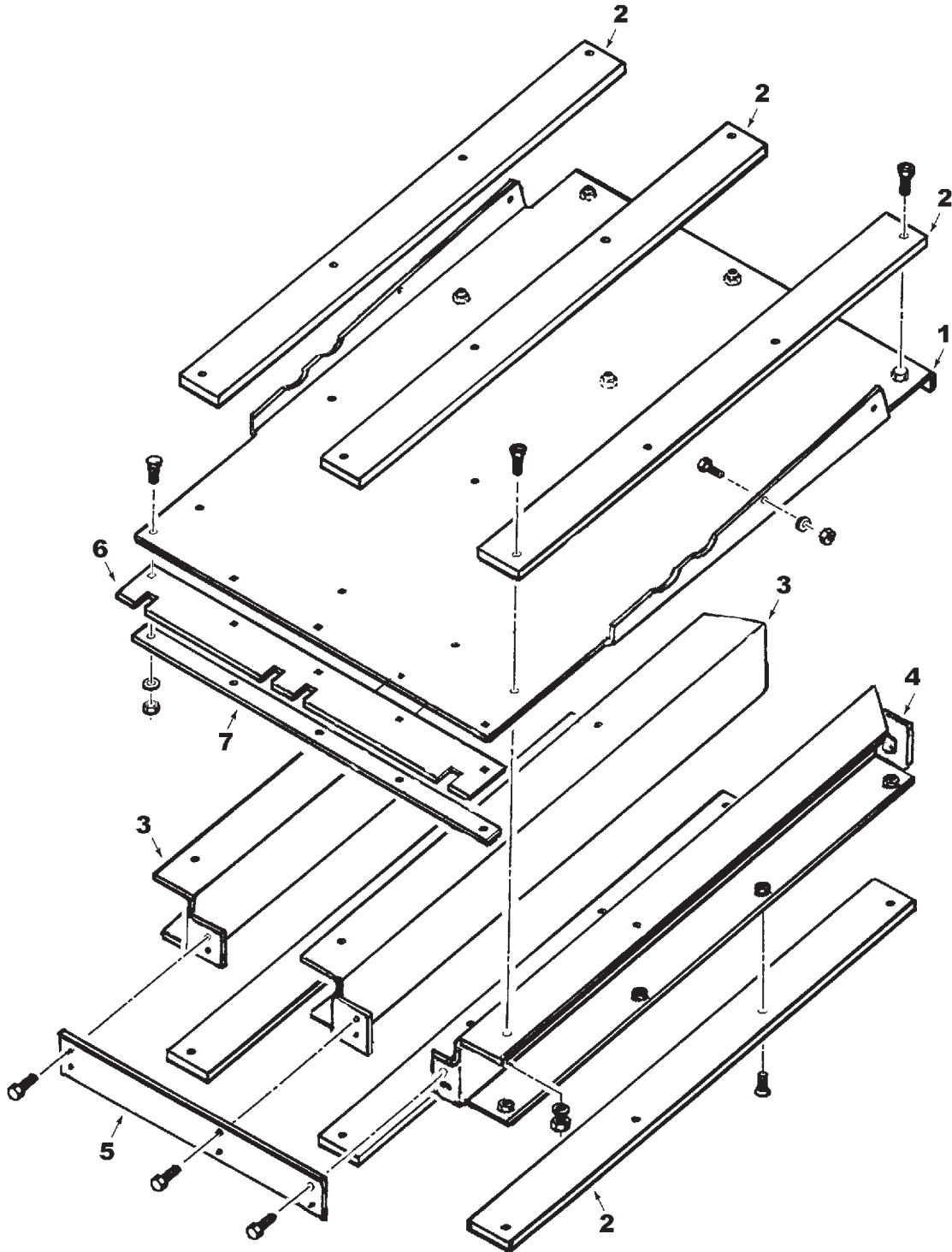
**269**

**JACK**

ITEM	NUMBER	QTY	DESCRIPTION
1	1609121W91	1	JACK ASY, FEEDER STAND (ACCESSORY)
2	70913160	2	NUT, 3/4-10 UNC
3	70923126	1	CAPSCREW, 3/4-10 X 5 GR5
4	1611180W1	1	SNAP HOOK, CHAIN
5	1609200W1	1	CHAIN (18 LINKS)
	70921969	1	CAPSCREW, 3/8-16 X 1-1/2
	70917378	2	WASHER, 3/8, WIDE
	70916950	2	NUT, 3/8-16 REG
-	71378016	AR	KIT, FEEDER ELEVATOR JACK (ORDER FROM DEALER CENTRAL)

MC00209  
PR: 144

FEED FLOOR





9690 COMBINE  
FEEDER

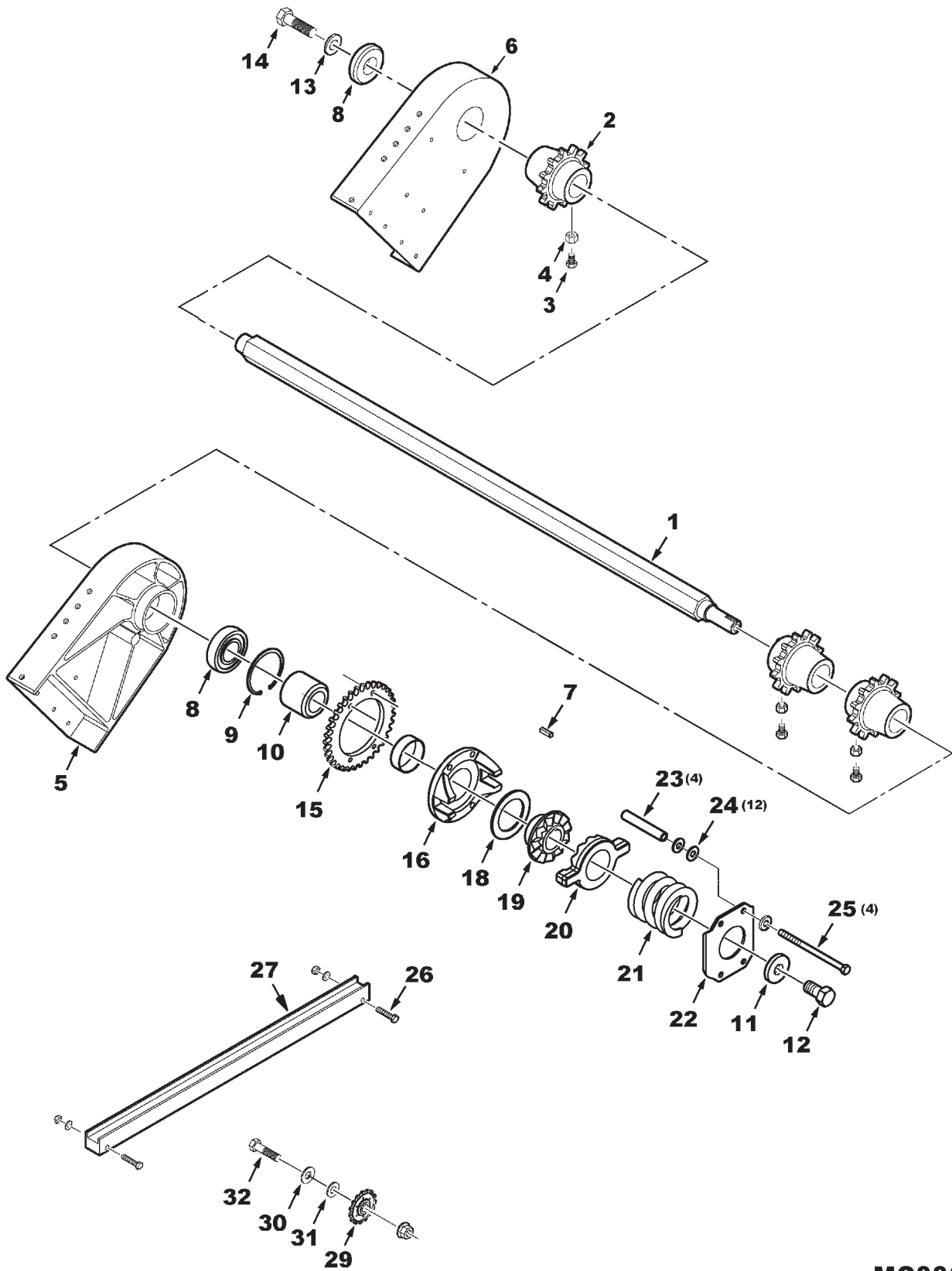
271

FEED FLOOR

ITEM	NUMBER	QTY	DESCRIPTION
1	116357W1	1	FLOOR WLMT. FEEDER
	70920415	2	CAPSCREW, 3/8-16 X 1-1/4
	70921965	5	CAPSCREW, 3/8-16 X 3/4
	70916965	7	WASHER, LOCK, 3/8
	70916950	7	NUT, 3/8-16
2	116354W1	6	STRIP, WEAR
	70935275	30	SCREW, CTRSK., HEX SOC, 5/16-18 X 1
	70927557	6	LOCKNUT, LG SERR FLANGE, 5/16-18
3	116362W1	2	SUPPORT WLMT, RAIL RH
4	116363W1	1	SUPPORT WLMT, RAIL LH
5	116359W1	1	SUPPORT, FRONT
	70921333	6	CAPSCREW, 5/16-18 X 1
	70917356	6	WASHER, LOCK, 5/16
6	116353W1	1	SEAL, DRUM
	7700461	5	BOLT, RHSN, 5/16-18 X 3/4
	70917356	5	WASHER, LOCK, 5/16
	70917372	5	NUT, HEX, 5/16-18
7	116355W1	1	RETAINER, SEAL

71375170  
PR: 146

PIVOT SHAFT  
(PRIOR S/N HP87101)



**9690 COMBINE  
FEEDER**

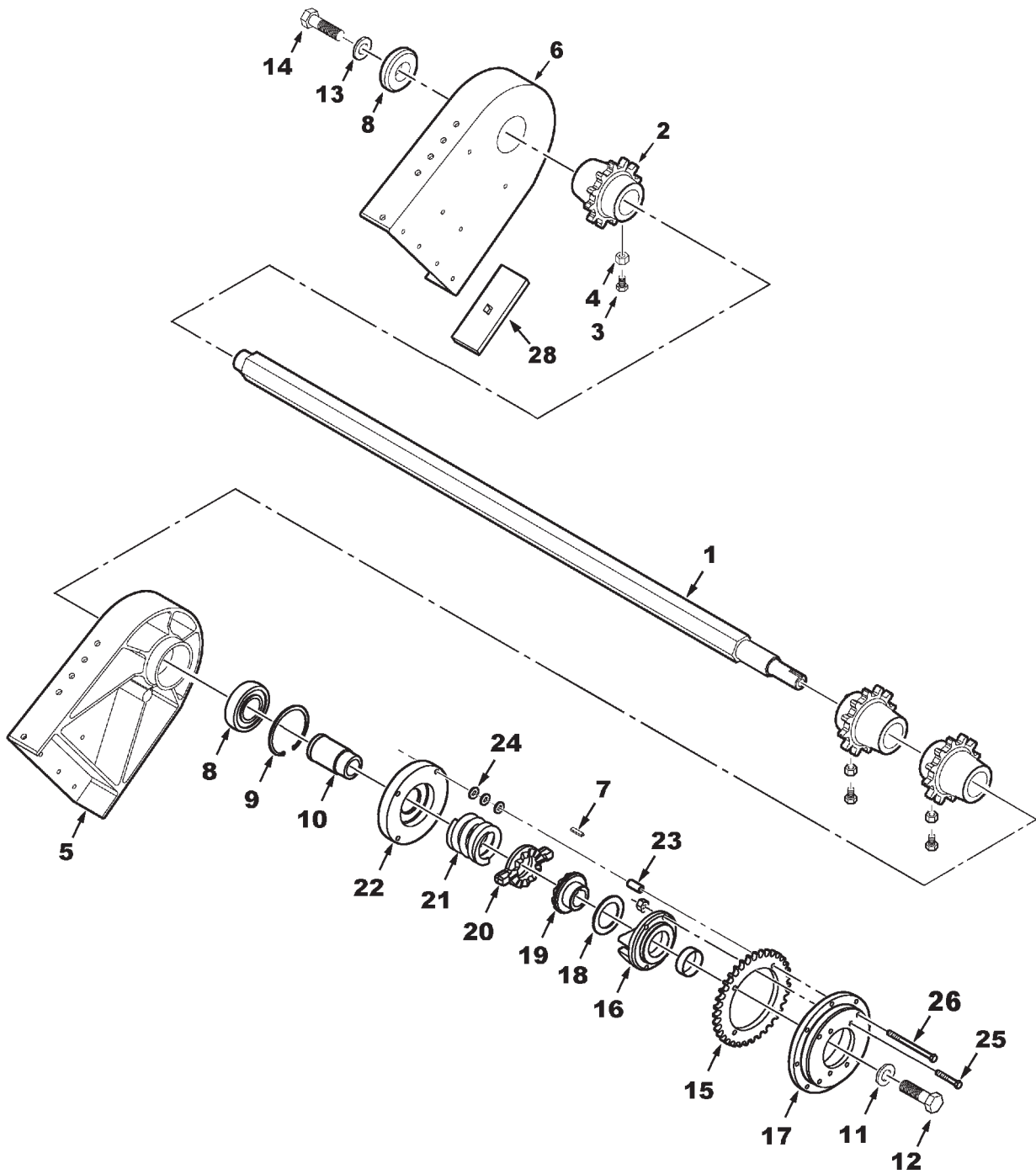
273

**PIVOT SHAFT  
(PRIOR S/N HP87101)**

ITEM	NUMBER	QTY	DESCRIPTION
1	101781M1	1	SHAFT, TOP FEEDER
2	116108W1	3	SPROCKET, PIVOT SHAFT
3	70911255	6	SETSCREW, HEX SOCKET, 1/2-13 X 3/4
4	70913744	6	NUT, HEX JAM, 1/2-13 UNC
5	116106W1	1	CASTING, PIVOT, LH
6	116107W1	1	CASTING, PIVOT, RH
	70926838	2	BOLT, RD HD,SQ NK, 1/2-13 X 1-1/2
	70920328	28	CAPSCREW, 1/2-13 X 1-1/2, GR5
	Y705046	30	LOCKWASHER 1/2 REG
	704031	12	NUT, 1/2-13 REG
7	61770	1	KEY, SQ, 3/8 X 3/8 X 1 1/2
8	71154722	2	BEARING, 1-31/32 X 4-11/32 X 1-1/16
9	355997X1	1	RING, RETAINING, INTERNAL
10	101785M1	1	SPACER
11	103834W1	1	WASHER, FLAT, SPL, .781 X 2.0 X .312
12	367451X1	1	BOLT, HEX LOCK, 3/4-10 X 1-1/2
13	2403610W1	1	WASHER, 29/32 X 2-1/2 X 3/8
14	70928397	1	CAPSCREW, 7/8-9 UNC X 1-1/2 GR8
15	101783M1	1	SPROCKET, 35 TEETH
16	1777403W91	1	DRIVE HSG & BUSHING ASY.
	1717650W1	1	BUSHING, DRIVE HSG
18	1717640W1	1	THRUST WASHER
19	2563800W1	1	JAW, FIXED, CLUTCH
20	1659630W1	1	JAW, MOVABLE, CLUTCH
21	1659650W1	1	SPRING, CLUTCH
22	1659660W1	1	RETAINER, SPRING
23	2573180W1	4	SPACER, 31/64 X 5/8 X 3-21/32
24	70917378	12	WASHER, FLAT, 3/8 WIDE
25	70922771	4	CAPSCREW, HEX, 3/8-16 X 6" GR5
	Y704734	4	NUT, HEX FLNG TOP LOCK, 3/8-16
26	702928	2	CAPSCREW, 3/8-16 X 2-3/4 GR5
	70917378	2	WASHER, 3/8 WIDE
	Y704734	2	NUT, HEX FLNG TOP LOCK, 3/8-16
27	71384836	1	GUIDE, FEEDER CHAIN, UPPER
29	71378873	1	SPROCKET, IDLER, 15 TEETH
30	368933X1	2	WASHER, .656 SQ. X 1.5 X .190 TH
31	70918268	2	WASHER, 5/8 NARROW
32	70926694	1	BOLT, RD HD,SQ NK, 5/8-11 X 2-1/2 GR5
	700703922	1	NUT, HEX FLNG TOP LOCK, 5/8-11
-	79021676	AR	PRIMER T
-	70930235	AR	LOCTITE 609
-	71389221	-	KIT, PERFORMANCE PKG
	71386668	1	STRIPPER, LH, PIVOT SHAFT SPROCKET
	71386669	1	STRIPPER, RH, PIVOT SHAFT SPROCKET
	71389222	1	INSTRUCTION SHEET

MC00346  
PR: 148

PIVOT SHAFT  
(EFF. S/N HP87101)



**9690 COMBINE  
FEEDER**

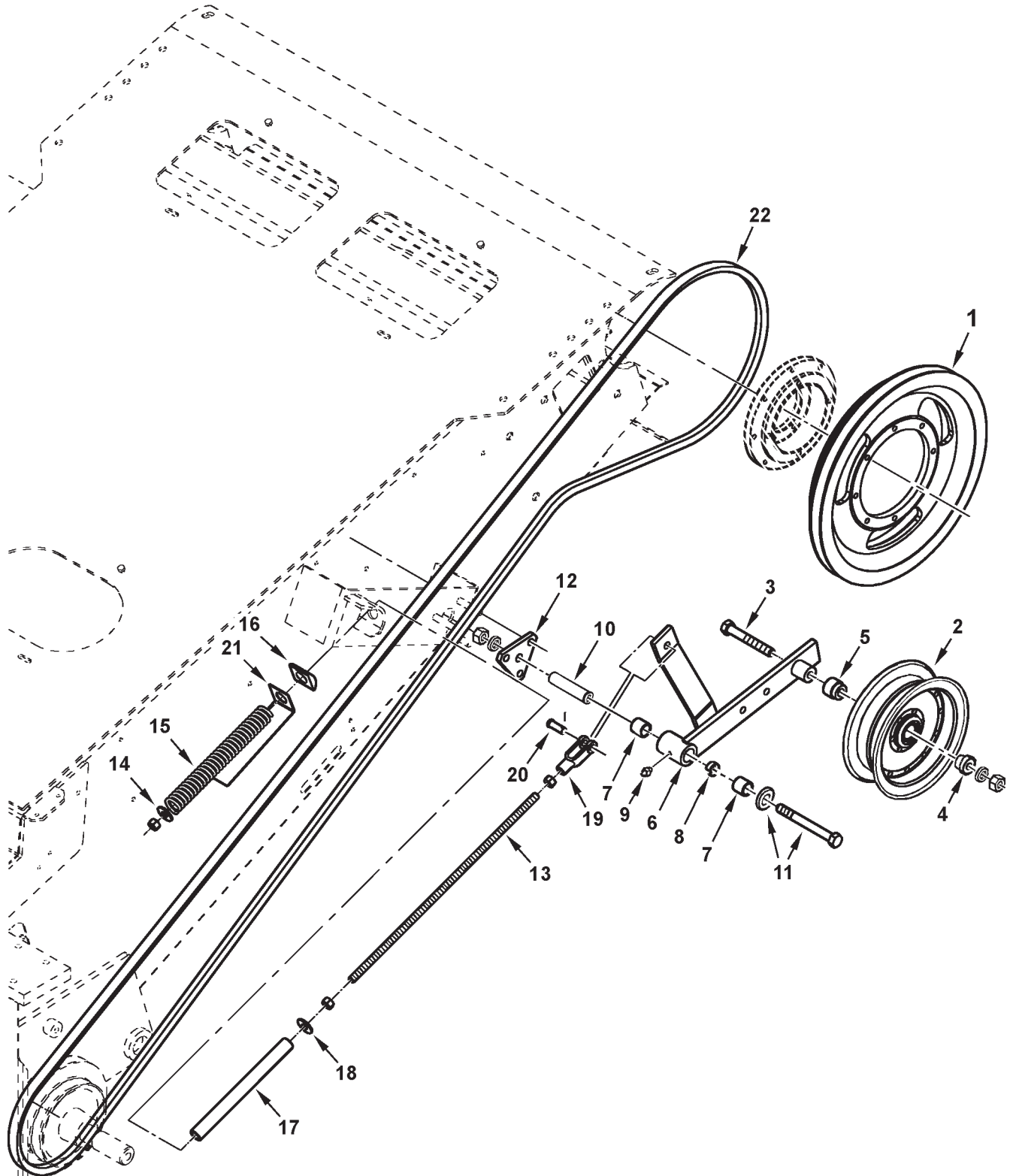
275

**PIVOT SHAFT  
(EFF. S/N HP87101)**

ITEM	NUMBER	QTY	DESCRIPTION
1	71398376	1	SHAFT, TOP FEEDER
2	116108W1	3	SPROCKET, PIVOT SHAFT
3	70911255	6	SETSCREW, HEX SOCKET, 1/2-13 X 3/4
4	70913744	6	NUT, HEX JAM, 1/2-13 UNC
5	116106W1	1	CASTING, PIVOT, LH
6	116107W1	1	CASTING, PIVOT, RH
	70926838	2	BOLT, RD HD,SQ NK, 1/2-13 X 1-1/2
	70920328	28	CAPSCREW, 1/2-13 X 1-1/2, GR5
	Y705046	30	LOCKWASHER 1/2 REG
	704031	12	NUT, 1/2-13 REG
7	61770	1	KEY, SQ, 3/8 X 3/8 X 1 1/2
8	71154722	2	BEARING, 1-31/32 X 4-11/32 X 1-1/16
9	355997X1	1	RING, RETAINING, INTERNAL
10	71399508	1	PILOT SLEEVE, SPRING
11	103834W1	1	WASHER, FLAT, SPL, .781 X 2.0 X .312
12	367451X1	1	BOLT, HEX LOCK, 3/4-10 X 1-1/2
13	2403610W1	1	WASHER, 29/32 X 2-1/2 X 3/8
14	70928397	1	CAPSCREW, 7/8-9 UNC X 1-1/2 GR8
15	71399511	1	SPROCKET, 35 TEETH
16	1777403W91	1	DRIVE HSG & BUSHING ASY.
	1717650W1	1	BUSHING, DRIVE HSG
17	71403678	1	HUB, FEEDER DRIVE CLUTCH
18	1717640W1	1	THRUST WASHER
19	2563800W1	1	JAW, FIXED, CLUTCH
20	1659630W1	1	JAW, MOVING, CLUTCH
21	1659650W1	1	SPRING, CLUTCH
22	71403677	1	RETAINER, SPRING
23	71403676	4	SPACER, SLIP CLUTCH
24	70917378	12	WASHER, 3/8 WIDE
25	70921969	4	CAPSCREW, 3/8-16 X 1-1/2 GR5
	Y704734	4	NUT, HEX FLNG TOP LOCK, 3/8-16
26	13601	4	CAPSCREW, 3/8-16 X 5-1/4 GR5
	Y705046	4	LOCKWASHER 1/2 REG
28	71404300	1	PLATE, GUIDE, STONE TRAP HANDLE
	70926838	1	BOLT, RD HD,SQ NK, 1/2-13 X 1-1/2
	Y705046	1	LOCKWASHER 1/2 REG
	704031	1	NUT, 1/2-13 REG

MC00368  
PR: t05b04j09c0004

LH PIVOT DRIVE  
(EFF. S/N HP87101)



**9690 COMBINE  
FEEDER**

277

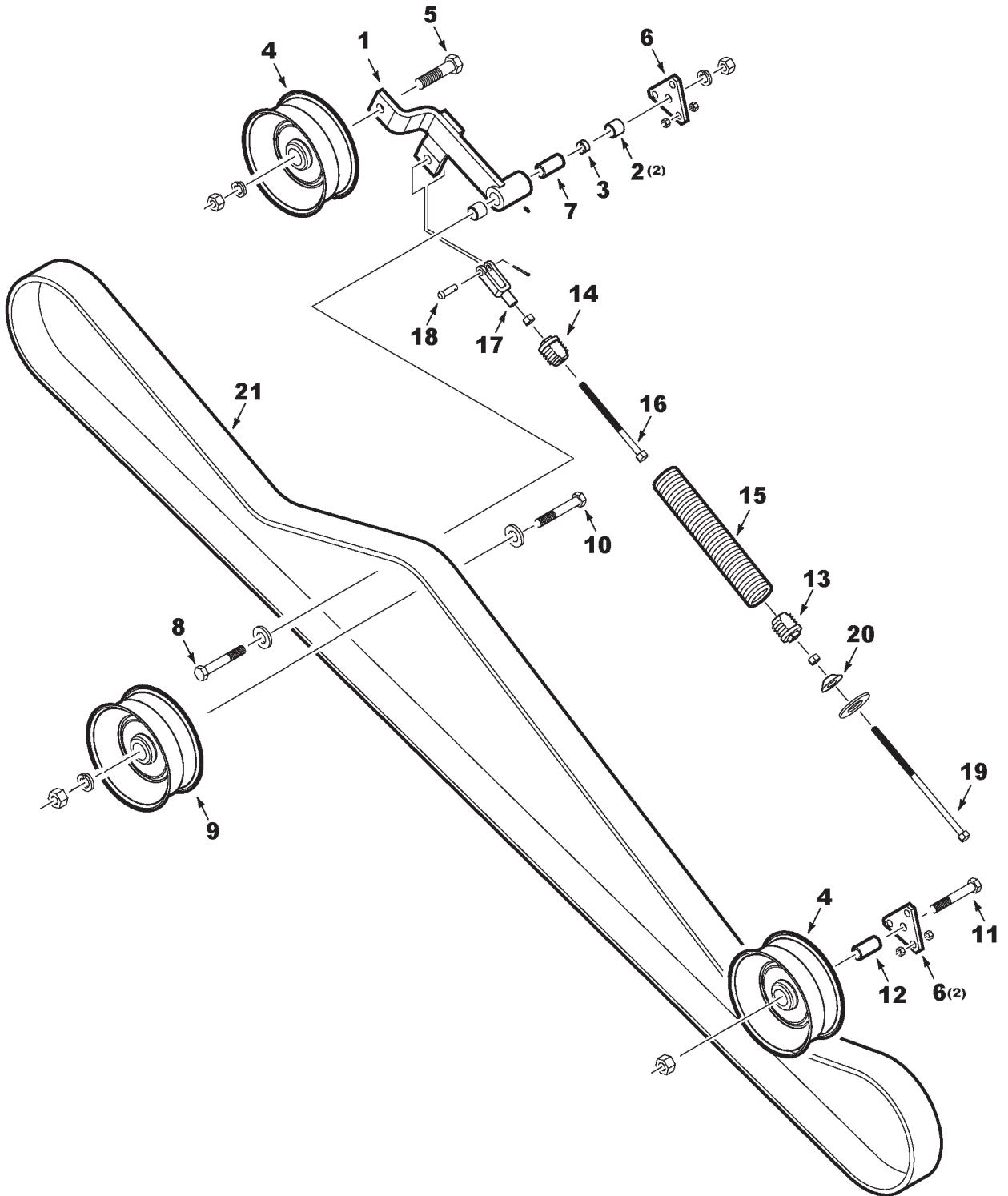
**LH PIVOT DRIVE  
(EFF. S/N HP87101)**

ITEM	NUMBER	QTY	DESCRIPTION
1	71403679	1	SHEAVE, DRIVEN, PIVOT SHAFT
	70920415	8	CAPSCREW, 3/8-16 X 1-1/4, GR5
	705038	8	LOCKWASHER, 3/8 REG
2	71309768	1	IDLER PULLEY
3	70925704	1	CPSCR, 5/8-11 X 4-1/2 GR5(PRIOR HS87101)
	70917373	1	LOCKWASHER, 5/8
	70932665	1	NUT, 5/8-11 REG
	3009247X1	1	SCREW, HEX FLANGE, M16-2.0 X 120 CL10.9
4	5000006X1	1	NUT, HEX FLANGE NYL LOCK, M16 X 2.0
	71312602	1	SPACER, IDLER
5	71353127	1	SPACER, IDLER
6	71398389	1	IDLER ARM ASY (INCL. IT'S 7, 8, 9) (PRIOR S/N HS87101)
	71411886	1	IDLER ARM ASY (INCL. IT'S 7 & 8) (EFF. S/N HS87101)
7	71356060	2	BUSHING, IDLER PIVOT
8	71197117	1	SPACER
9	13811X	1	LUBE FTG, STR, 1/4-28 TPR(PRIOR HS87101)
10	71356061	1	SLEEVE, HARD, IDLER PIVOT
11	70925703	1	CAPSCREW, 5/8-11 X 4 GR5 (PRIOR HS87101)
	70918432	1	WASHER, 5/8, WIDE
	70917373	1	LOCKWASHER, 5/8
	70932665	1	NUT, 5/8-11 REG
	3009245X1	1	SCREW, HEX FLANGE, M16-2.0 X 100 CL10.9
12	70918432	1	WASHER, 5/8, WIDE
	5000006X1	1	NUT, HEX FLANGE NYL LOCK, M16 X 2.0
12	71182840	1	PLATE, MOUNTING
	70913744	6	NUT, HEX JAM, 1/2-13
13	71356938	1	ROD, 1/2-13UNC X 21 LG.
	704031	3	NUT, 1/2-13 REG
14	70923094	1	WASHER, .53 X 2.0 X .18 TH.
15	71356067	1	SPRING, IDLER
16	71356058	1	BLOCK, PIVOT
17	71368761	1	SPACER TUBE, SPRING
18	70918431	1	WASHER, 1/2, WIDE
19	70937465	1	YOKE, 1/2-13 THD.
20	70929593	1	PIN, 1/2 X 1.36 LG.
	70918452	1	COTTER PIN, 1/8 X 1
21	71368570	1	STRAP, INDICATOR, IDLER SPRING
22	71398388	1	BELT

MC00369  
PR: t05b04j09c0005

9690 COMBINE  
FEEDER

RH DRIVE  
(PRIOR S/N HP87101)





**9690 COMBINE  
FEEDER**

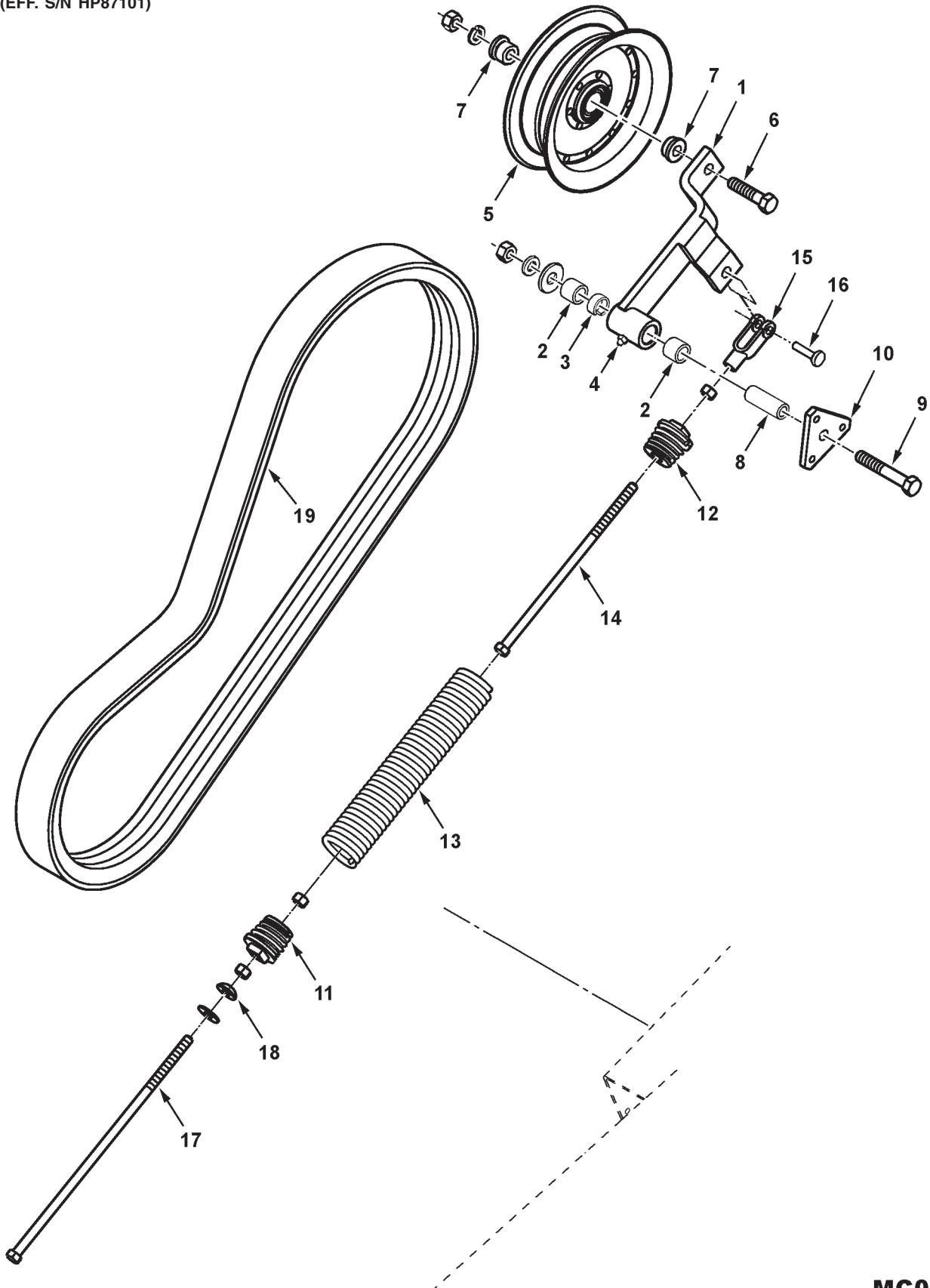
279

**RH DRIVE  
(PRIOR S/N HP87101)**

ITEM	NUMBER	QTY	DESCRIPTION
1	71389638	1	IDLER ARM WLDMT, W/BUSHINGS
	13811X	1	LUBE FTG, STR, 1/4-28 TAPER THD
2	71356060	2	BUSHING, PIVOT
3	71197117	1	SPACER, BUSHING
4	71308156	2	IDLER, BELT DRIVE
5	70919434	1	CAPSCREW, 5/8-11 X 2-3/4 GR5
	70917373	1	LOCKWASHER, 5/8 REG
	70932665	1	NUT, 5/8-11
6	71182840	2	PLATE, IDLER MNTG (PRIOR S/N HN87101)
	704056	12	JAM NUT, 1/2-13 (PRIOR S/N HN87101)
	71346267	2	PLATE, IDLER MNTG (EFF. S/N HN87101)
	70922037	12	JAM NUT, 3/4-10 (EFF. S/N HN87101)
7	71356061	1	SLEEVE, HARD, IDLER PIVOT
8	70925703	1	CAPSCREW, 5/8-11 X 4 GR5
	70918432	1	WASHER, 5/8 WIDE
	70917373	1	LOCKWASHER, 5/8 REG
	70932665	1	NUT, 5/8-11 REG
9	71388217	1	IDLER, BELT DRIVE
10	70923111	1	CAPSCREW, 5/8-11 X 3 GR5
	70918432	3	WASHER, 5/8 WIDE (USE AS REQUIRED)
	70917373	1	LOCKWASHER, 5/8 REG
	70932665	1	NUT, 5/8-11 REG
11	70925704	1	CAPSCREW, 5/8-11 X 4-1/2 GR5
	70917373	1	LOCKWASHER, 5/8 REG
	70932665	1	NUT, 5/8-11 REG
12	700149006	1	SPACER
13	71344647	1	PLUG ASY, SPRING
	71344649	1	PLUG, SPRING
	704031	1	NUT, 1/2-13 REG
	70937461	1	WASHER, .531 X .812 X .036
14	71344649	1	PLUG, SPRING
15	71197323	1	SPRING
16	70935299	1	CAPSCREW, FULL THD, 1/2-13 X 12" GR5
17	70937465	1	YOKE
	704031	1	NUT, 1/2-13 REG
18	70929593	1	PIN, CLEVIS, 1/2 X 1.36 LG
	70918452	1	COTTER PIN, 1/8 X 1"
19	70935036	1	CAPSCREW, FULL THD, 1/2-13 X 16" GR5
	704031	1	NUT, 1/2-13 REG
20	70301781	1	WASHER, PIVOT
	70918431	1	WASHER, 1/2, WIDE
21	71379105	1	BELT, FEEDER DRIVE

MC00349  
PR: 150

**JACKSHAFT DRIVE**  
R.H. FEEDERHOUSE  
(EFF. S/N HP87101)



**9690 COMBINE  
FEEDER**

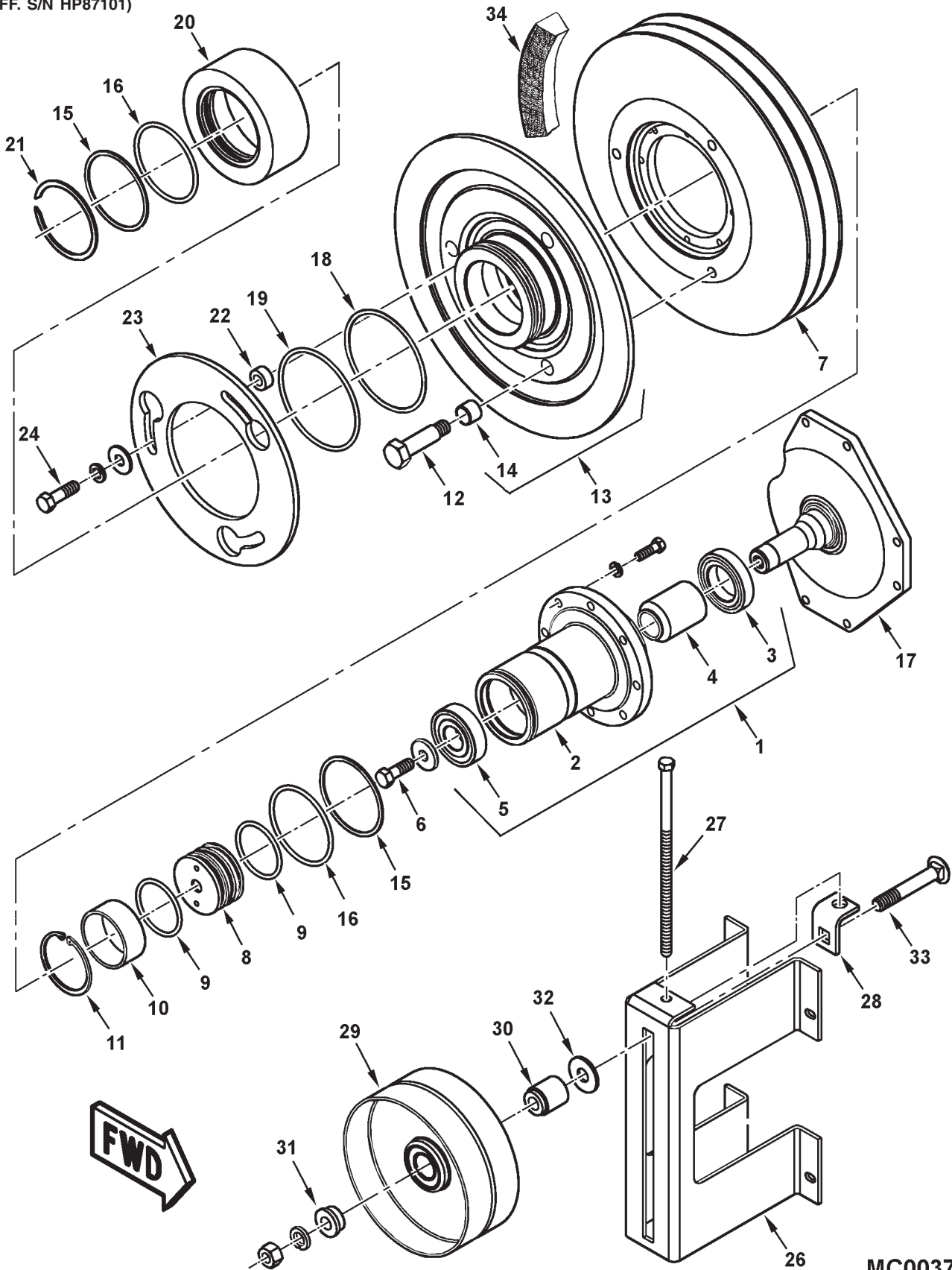
281

**JACKSHAFT DRIVE  
R.H. FEEDERHOUSE  
(EFF. S/N HP87101)**

ITEM	NUMBER	QTY	DESCRIPTION
1	71389638	1	IDLER ARM ASY, JACKSHAFT DR (INCL. ITEMS 2, 3 & 4)
2	71356060	2	BUSHING, PIVOT
3	71197117	1	SPACER, BUSHING
4	13811X	1	LUBE FITTING, STR, 1/4-28 TAPER
5	71309768	1	IDLER, BELT DRIVE
6	70919434	1	CAPSCREW, 5/8-11 X 2-3/4 GR5
	70917373	1	LOCKWASHER, 5/8
	70932665	1	NUT, 5/8-11 REG
7	71312602	2	SPACER, IDLER
8	71356061	1	SLEEVE, HARD, IDLER PIVOT
9	70925703	1	CAPSCREW, 5/8-11 X 4 GR5
	70918432	1	WASHER, 5/8, WIDE
	70917373	1	LOCKWASHER, 5/8
	70932665	1	NUT, 5/8-11 REG
10	71346267	1	PLATE, MOUNTING
	70922037	6	JAM NUT, 3/4-10
11	71349811	1	PLUG ASY, SPRING
	71349813	1	PLUG, SPRING
	704031	1	NUT, 1/2-13 REG
	70937461	1	WASHER, .531 X .812 X .036
12	71349813	1	PLUG, SPRING
13	71349270	1	SPRING
14	70935299	1	CAPSCREW, 1/2-13 X 12", FULL THD, GR5
15	70937465	1	YOKE, 1/2-13 THD.
	704031	1	NUT, 1/2-13 REG
16	70929593	1	PIN, CLEVIS, 1/2 X 1.36 LG
	70918452	1	COTTER PIN, 1/8 X 1"
17	70935036	1	CAPSCREW, 1/2-13 X 16, FULL THD, GR5
	704031	1	NUT, 1/2-13 REG
18	70301781	1	WASHER, PIVOT
	70918431	1	WASHER, 1/2, WIDE
19	71398384	1	BELT, BEATER TO JACKSHAFT

MC00370  
PR: t05b04j09c0006

**JACKSHAFT & V.S. IDLER**  
V.S. HEADER DRIVE  
(EFF. S/N HP87101)



**9690 COMBINE  
FEEDER**

283

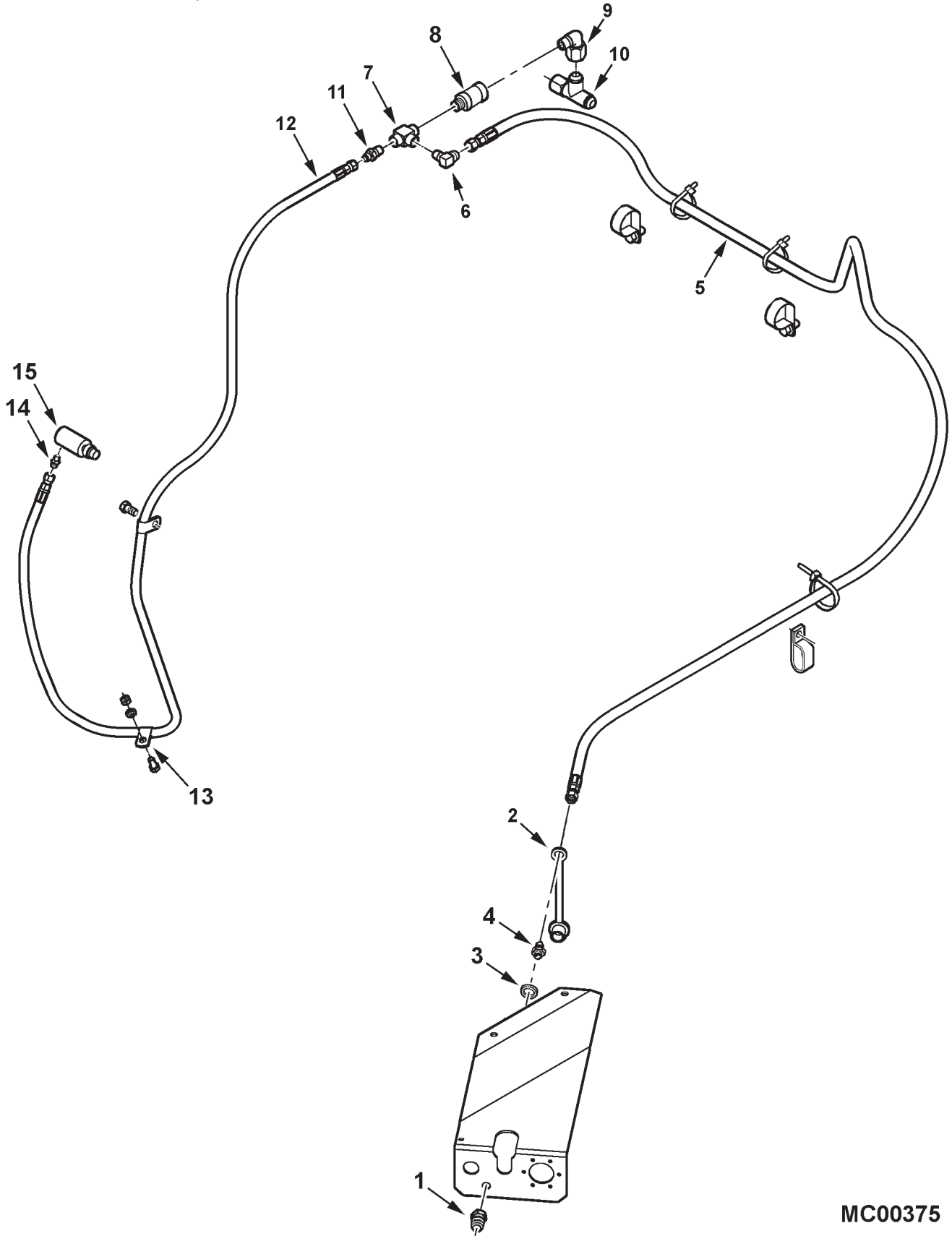
**JACKSHAFT & V.S. IDLER  
V.S. HEADER DRIVE  
(EFF. S/N HP87101)**

ITEM	NUMBER	QTY	DESCRIPTION
1	71399483	1	HUB & BEARING ASY, VS HDR DRIVE (INCL. ITEMS 2, 3, 4, & 5)
2	71398361	1	HUB, VS HEADER DRIVE
3	71382057	1	BEARING, BALL, W/SEALS
4	71399484	1	SPACER, BRG.
5	71382983	1	BEARING, BALL, W/SEALS
6	701235	1	CAPSCREW, 1/2-13 X 1-1/2 GR5
	70917861	1	WASHER, .531 X 1.50 X .180 TH.
7	14398358B	1	SHEAVE, DRIVEN, FEEDER JACKSHAFT
	70920415	8	CAPSCREW, 3/8-16 X 1-1/4 GR5
	70916965	8	LOCKWASHER, 3/8
8	71382985	1	ADAPTER, ROTARY UNION
9	70923828	2	O-RING, .210 X 2.475 ID, 75 DURO.
10	71382055	1	SPACER, ADAPTER
11	353062X1	1	RETAINING RING, INTERNAL
12	71391567	3	GUIDE PIN, HEX HD, VS HDR DRIVE
13	71382053	1	SHEAVE ASY, OUTER HALF, VS HDR (INCL. IT. 14)
14	71380460	3	BUSHING, GUIDE
15	70926647	2	RING, BACKUP
16	70923831	2	O-RING, .210 X 3.60 ID, 75 DURO.
17	71398360	1	JACKSHAFT, SHEAVE SUPPORT
	70920415	6	CAPSCREW, 3/8-16 X 1-1/4 GR5
	Y704734	6	NUT, HEX FLNG TOP LOCK, 3/8-16
18	70937348	1	RING, BACKUP
19	70937347	1	O-RING, .210 X 4.725 ID, 75 DURO.
20	71391792B	1	CAP, VS HDR DRIVE
21	70937646	1	RETAINING RING, EXTERNAL
22	71312819	3	SPACER
23	71312823	1	DISC, LOCKOUT
24	70919089	3	CAPSCREW, 1/2-13 X 1-3/4 GR5
	Y705624	3	WASHER, 1/2, NARROW
	Y705046	3	LOCKWASHER, 1/2
26	71398379B	1	SUPPORT, IDLER, VS HDR DRIVE
	70921210	2	CAPSCREW, 3/8-16 X 1 GR5
	Y704734	4	NUT, HEX FLNG TOP LOCK, 3/8-16
27	70935033	1	CAPSCREW, 7/16-14 X 10.5 GR5
28	71174391	1	BRACKET WLDMT, IDLER ADJUST
29	71309766	1	IDLER, FLAT, W/BRG, 8.0 OD
30	71312603	1	SPACER, IDLER
31	71312602	1	SPACER, IDLER
32	70918432	1	WASHER, 5/8, WIDE
33	70924845	1	BOLT, RND HD SQ NECK, 5/8-11 X 4 GR5
	70917373	1	LOCKWASHER, 5/8
	70932665	1	NUT, 5/8-11 REG
34	71399505	1	BELT, VS HEADER DRIVE

MC00371  
PR: t05b04j09c0007

9690 COMBINE  
FEEDER

HYDRAULIC LINES  
V.S. HEADER DRIVE  
(EFF. S/N HP87101-HR87999)



**9690 COMBINE  
FEEDER**

285

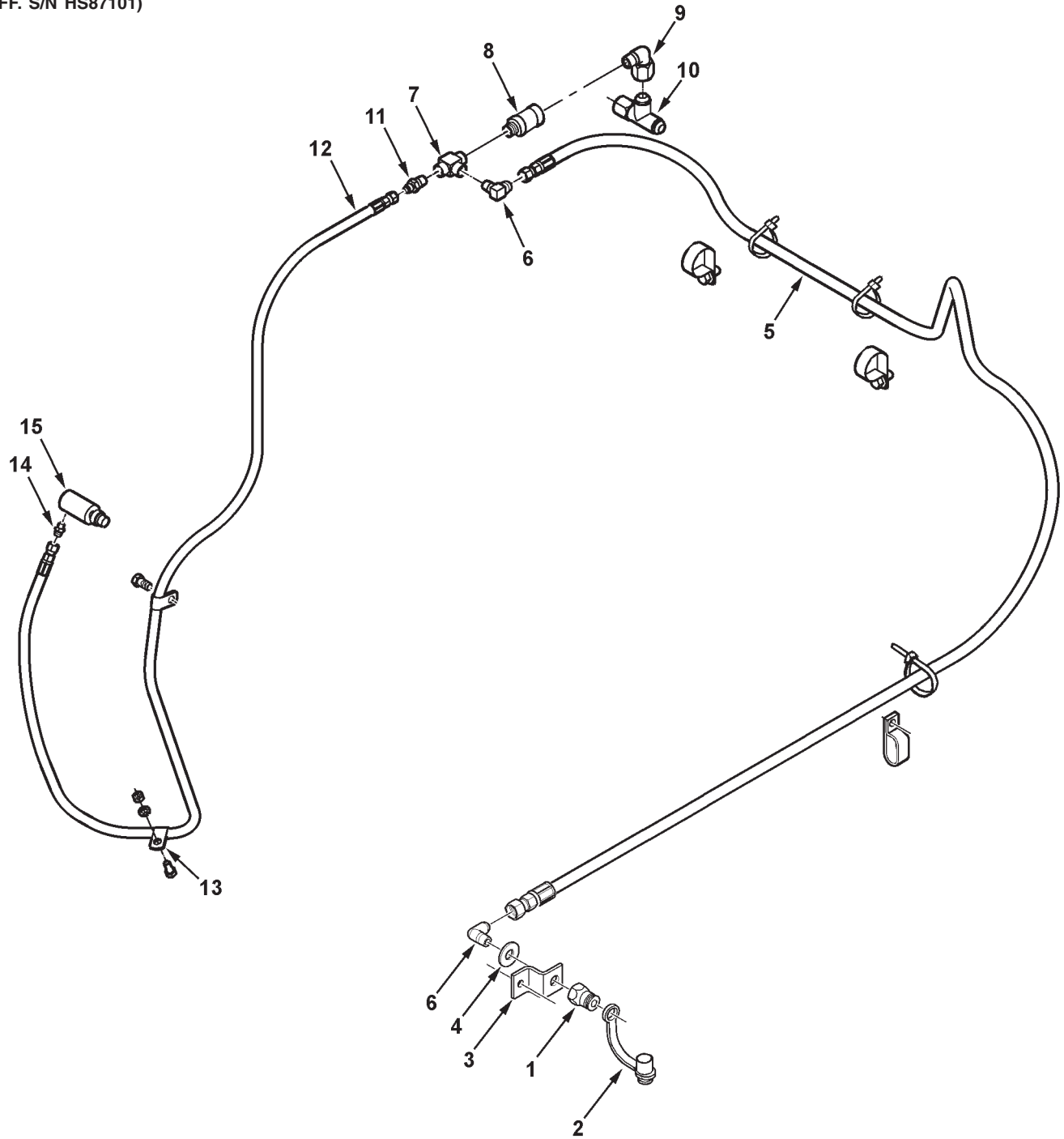
**HYDRAULIC LINES  
V.S. HEADER DRIVE  
(EFF. S/N HP87101-HR87999)**

ITEM	NUMBER	QTY	DESCRIPTION
1	71328361	1	COUPLER HALF, MALE, 1/4 NPTF FEM.
2	71328365	1	DUST CAP, FEM. W/TETHER STRAP
3	Y705624	1	WASHER, 1/2, NARROW
4	70919062	1	CONN, STR. MALE, 9/16-18 JIC X 1/4 NPTF
5	71401754	1	HOSE ASY, 3/8 ID X 9/16-18 JIC FEM. (2)
	70925094	8	TIE, NYLON LOCKING, .184 X 7.3 LG.
6	70919135	1	ELBOW, 90 D MALE, 9/16-18 JIC X 1/4 NPTF
7	846774	1	TEE, FEM. 1/4 NPTF
8	71368991	1	VALVE, RELIEF, IN-LINE, 500 PSI
9	70935416	1	ELBOW, 90 DEG, 3/8 NPTF M X 3/4-16 FEM.
10	70921298	1	TEE, SWIVEL RUN, 3/4-16 JIC
11	70919140	1	CONN, STR. MALE, 7/16-20 JIC X 1/4 NPTF
12	71401756	1	HOSE ASY, 1/4 ID X 7/16-20 JIC FEM. (2)
	70925617	1	CLAMP, 1/2 ID X .406 HOLE
	Y702951	1	SCR, HEX WSHR HD, 3/8-16 X 3/4
13	755785	2	CLAMP, 9/16 TUBE X .281 HOLE
	70921960	2	CAPSCREW, 1/4-20 X 1 GR5
	705012	2	LOCKWASHER, 1/4
	70916622	2	NUT, 1/4-20, REG
14	70919171	1	CONN, STR. MALE, 7/16-20 JIC X 1/8 NPTF
15	71332011	1	UNION, ROTATING
	70921885	1	O-RING, .078 X .468 ID

MC00375  
PR: t05b04j09c0008

9690 COMBINE  
FEEDER

HYDRAULIC LINES  
V.S. HEADER DRIVE  
(EFF. S/N HS87101)





**9690 COMBINE  
FEEDER**

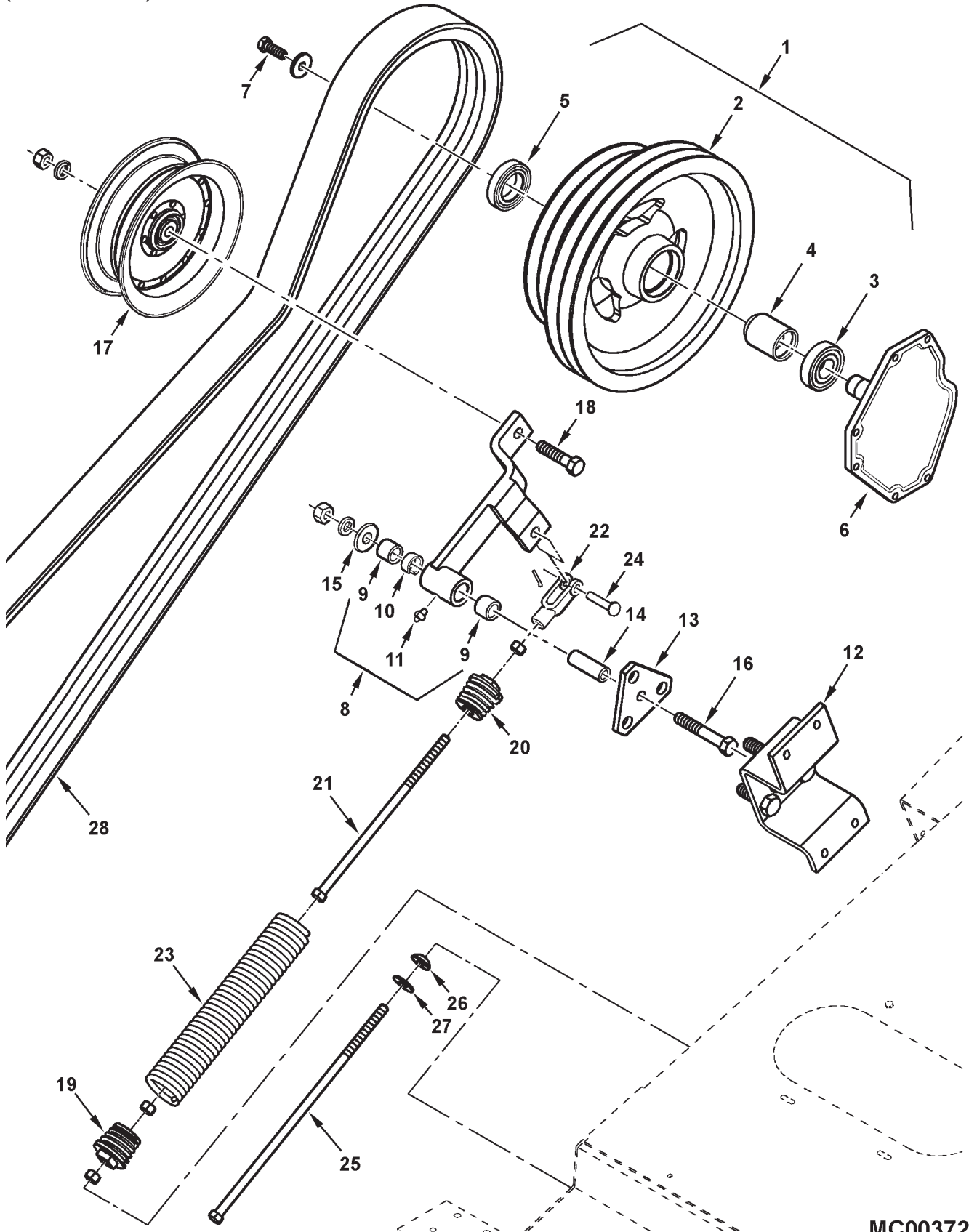
287

**HYDRAULIC LINES  
V.S. HEADER DRIVE  
(EFF. S/N HS87101)**

ITEM	NUMBER	QTY	DESCRIPTION
1	71328361	1	COUPLER HALF, MALE, 1/4 NPTF FEM.
2	71328365	1	DUST CAP, FEM. W/TETHER STRAP
3	71354496	1	BRACKET
4	Y705624	1	WASHER, 1/2, NARROW
5	851460	1	HOSE ASY, 1/4 ID X 129" LG
	70925094	8	TIE, NYLON LOCKING, .184 X 7.3 LG
6	70919135	1	ELBOW, 90 D MALE, 9/16-18 JIC X 1/4 NPTF
7	846774	1	TEE, FEM. 1/4 NPTF
8	71368991	1	VALVE, RELIEF, IN-LINE, 500 PSI
9	70935416	1	ELBOW, 90 DEG, 3/8 NPTF M X 3/4-16 FEM.
10	70921298	1	TEE, SWIVEL RUN, 3/4-16 JIC
11	70919140	1	CONN, STR. MALE, 7/16-20 JIC X 1/4 NPTF
12	71401756	1	HOSE ASY, 1/4 ID X 7/16-20 JIC FEM. (2)
	70925617	1	CLAMP, 1/2 ID X .406 HOLE
	Y702951	1	SCR, HEX WSHR HD, 3/8-16 X 3/4
13	755785	2	CLAMP, 9/16 TUBE X .281 HOLE
	70921960	2	CAPSCREW, 1/4-20 X 1 GR5
	705012	2	LOCKWASHER, 1/4
	70916622	2	NUT, 1/4-20, REG
14	70919171	1	CONN, STR. MALE, 7/16-20 JIC X 1/8 NPTF
15	71332011	1	UNION, ROTATING
	70921885	1	O-RING, .078 X .468 ID

MC00575  
PR: 71413441-02-11

**JACKSHAFT & C'SHAFT DRIVE IDLER**  
FIXED SPEED HEADER DRIVE  
(EFF. S/N HP87101)



9690 COMBINE  
FEEDER

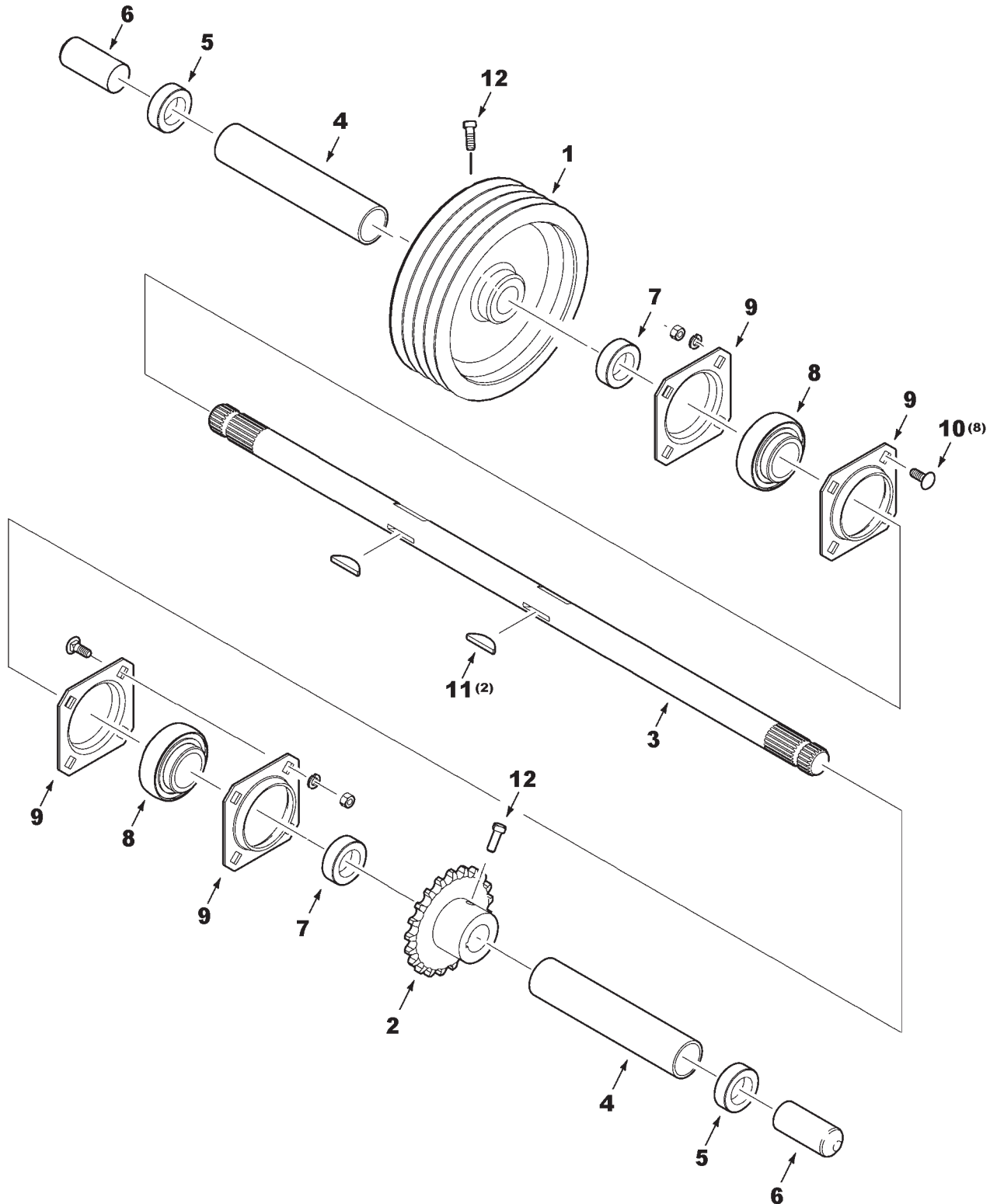
289

JACKSHAFT & C'SHAFT DRIVE IDLER  
FIXED SPEED HEADER DRIVE  
(EFF. S/N HP87101)

ITEM	NUMBER	QTY	DESCRIPTION
1	71399520B	1	SHEAVE ASY, W/BEARINGS (INCL IT. 2, 3, 4 & 5)
2	71398364	1	SHEAVE, DRIVEN, FEEDER JACKSHAFT
3	71382057	1	BEARING, BALL, W/SEALS
4	71399484	1	SPACER, BEARING
5	71382983	1	BEARING, BALL, W/SEALS
6	71398360	1	JACKSHAFT, SHEAVE SUPPORT
	70920415	6	CAPSCREW, 3/8-16 X 1-1/4 GR5
	Y704734	6	NUT, HEX FLNG TOP LOCK, 3/8-16
7	701235	1	CAPSCREW, 1/2-13 X 1-1/2 GR5
	70917861	1	WASHER, .531 X 1.50 X .180 TH.
8	71389638	1	IDLER ARM ASY, FIXED SPD HDR DRIVE (INCL IT. 9, 10 & 11)
9	71356060	2	BUSHING, PIVOT
10	71197117	1	SPACER, BUSHING
11	13811X	1	LUBE FITTING, STR, 1/4-28 TAPER
12	71398391	1	SUPPORT WLDMT, IDLER, FIXED SPD DRIVE
	70921210	2	CAPSCREW, 3/8-16 X 1 GR5
	Y704734	4	NUT, HEX FLNG TOP LOCK, 3/8-16
13	71346267	1	PLATE, MOUNTING
	70922037	6	JAM NUT, 3/4-10 UNC
14	71356061	1	SLEEVE, HARD, IDLER PIVOT
15	70918432	1	WASHER, 5/8, WIDE
16	70925703	1	CAPSCREW, 5/8-11 X 4 GR5
	70917373	1	LOCKWASHER, 5/8
	70932665	1	NUT, 5/8-11 REG
17	71308156	1	IDLER, FLAT, FLANGED, 8.0 DIA
18	70919434	1	CAPSCREW, 5/8-11 X 2-3/4 GR5
	70917373	1	LOCKWASHER, 5/8
	70932665	1	NUT, 5/8-11 REG
19	71349811	1	PLUG ASY, SPRING
	71349813	1	PLUG, SPRING
	704031	1	NUT, 1/2-13 REG
	70937461	1	WASHER, .531 X .812 X .036
20	71349813	1	PLUG, SPRING
21	70935035	1	CAPSCREW, 1/2-13 X 8-1/2, FULL THD, GR5
22	70937465	1	YOKE, 1/2-13 UNC
	704031	1	NUT, 1/2-13 REG
23	71349270	1	SPRING
24	70929593	1	PIN, CLEVIS, 1/2 X 1.36 LG
	70918452	1	COTTER PIN, 1/8 X 1"
25	70935299	1	BOLT, HEX, 1/2-13 X 12, FULL THD, GR5
	704031	1	NUT, 1/2-13 REG
26	70301781	1	WASHER, PIVOT, CONVEX, 1/2
27	70918431	1	WASHER, 1/2, WIDE
28	71399519	1	BELT, FIXED SPEED C'SHAFT DRIVE

MC00372  
PR: t05b04j09c0009

COUNTERSHAFT  
HEADER DRIVE  
(PRIOR S/N HP87101)



9690 COMBINE  
FEEDER

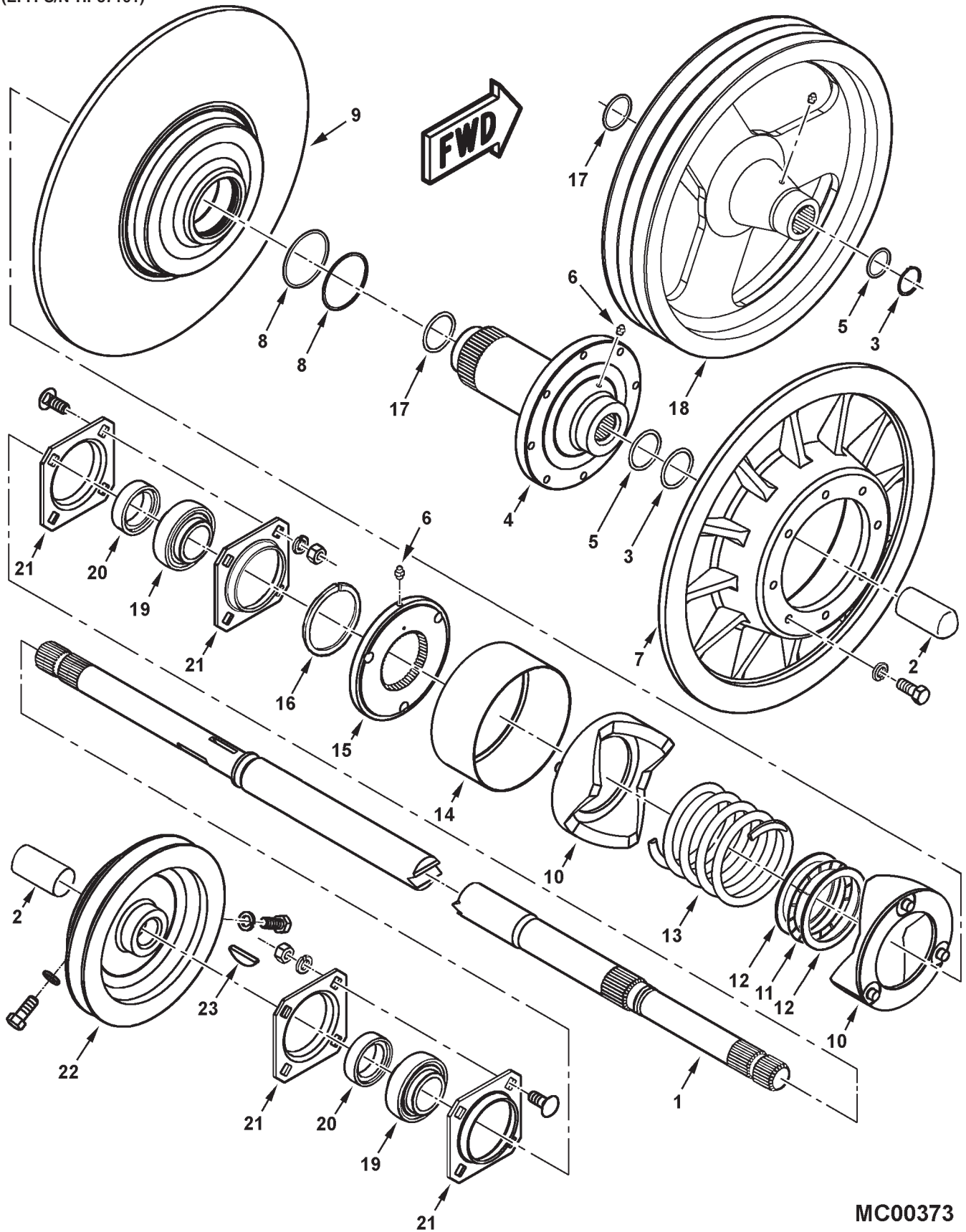
291

COUNTERSHAFT  
HEADER DRIVE  
(PRIOR S/N HP87101)

ITEM	NUMBER	QTY	DESCRIPTION
1	71393671	1	SHEAVE, RH
2	71379103	1	SPROCKET, LH
3	71393666	1	COUNTERSHAFT
4	116675W1	2	COVER, FH COUNTERSHAFT
5	K3999	2	COLLAR (INCL. SETSCREW)
6	71179395	2	COVER, SHAFT
7	70534931	2	COLLAR, 1.75 (INCL. SETSCREW)
8	71335184	2	BEARING ASY. 1.75 (W/O COLLAR)
9	71130258	4	FLANGE, BEARING
10	68619	8	BOLT, RD HD,SHT SQ NK, 1/2-13 X 1-1/4
	Y705046	8	LOCKWASHER, 1/2 REG
	704031	8	NUT, 1/2-13 REG
11	700707139	2	KEY, WOODRUFF, #27, .250 X 2.125
12	70923306	4	SETSCREW, 1/2-13 X 1.0

MC00350  
PR: 152

**COUNTERSHAFT**  
VARIABLE & FIXED SPEED HEADER DRIVE  
(EFF. S/N HP87101)



**9690 COMBINE  
FEEDER**

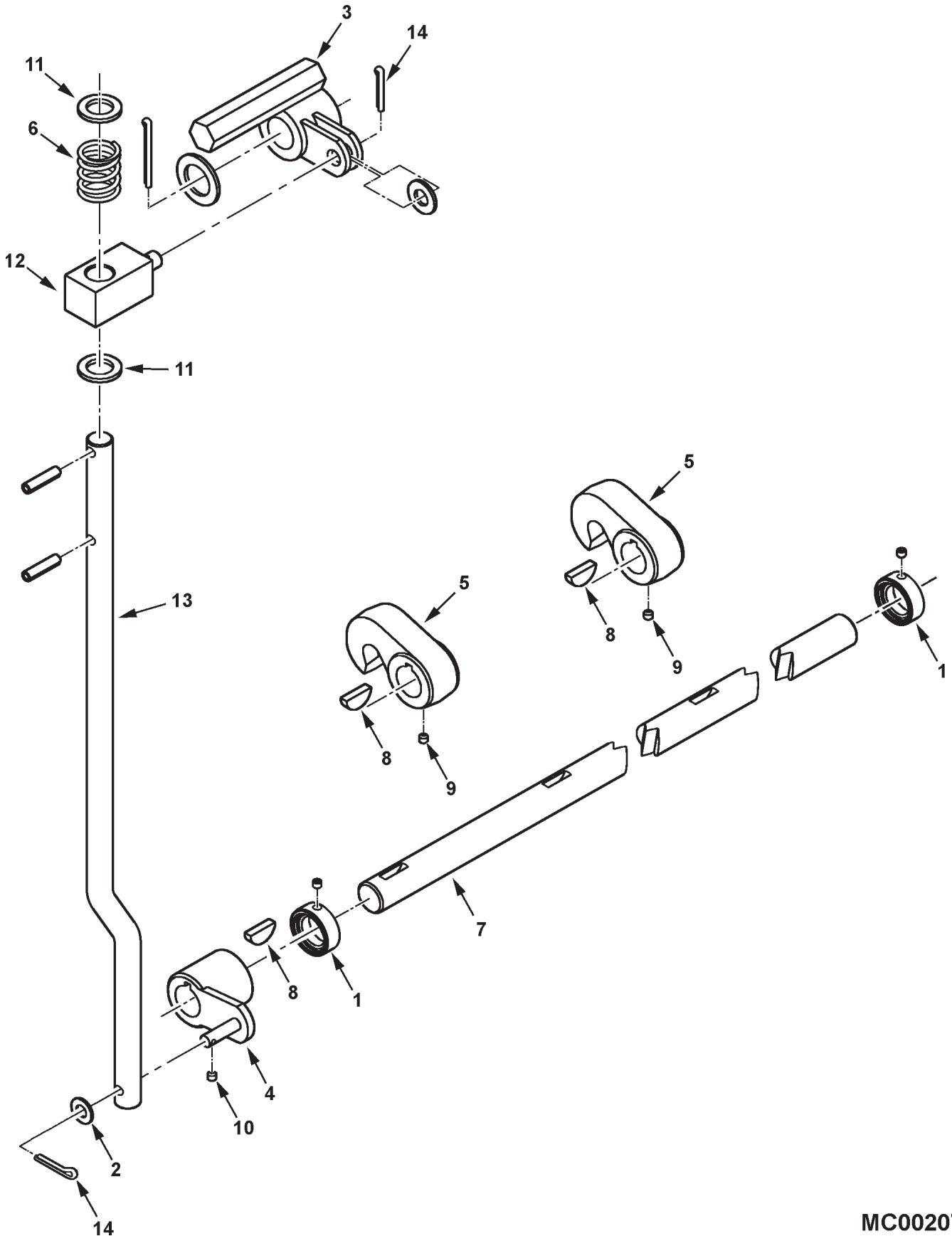
293

**COUNTERSHAFT  
VARIABLE & FIXED SPEED HEADER DRIVE  
(EFF. S/N HP87101)**

ITEM	NUMBER	QTY	DESCRIPTION
1	71399524	1	COUNTERSHAFT, FEEDER
2	71179395	2	COVER, SHAFT
3	70927745	1	RING, EXTERNAL RETAINING
4	71399485	1	HUB, V.S. COUNTERSHAFT
5	70923813	1	O-RING, .139 X 1.359 ID, 75 DUR
6	13811X	2	LUBE FITTING, STR, 1/4-28 TAPER
7	71380043	1	SHEAVE HALF, OUTER, V.S. HEADER
	70920415	8	CAPSCREW, 3/8-16 X 1-1/4 GR5
	70916965	8	LOCKWASHER, 3/8
8	70923584	1	O-RING, .139 X 2.984 ID, 75 DUR
	70926626	1	RING, BACKUP, .050 TH X 3.0 ID
9	71395799	1	SHEAVE HALF, INNER, V.S. HEADER
10	71399487	2	CAM, ACTUATOR, V.S. HEADER
11	71161396	1	BEARING, THRUST
12	71173857	2	RACE, THRUST BEARING
13	71380028	1	SPRING, V.S. HEADER CAM
14	71380905	1	COVER, CAM
15	71380463	1	PLATE, CAM CARRIER
16	70930415	1	RING, EXTERNAL RETAINING
17	70923577	1	O-RING, .139 X 1.734 ID, 75 DUR
18	71398365B	1	SHEAVE, DRIVEN, FIXED SPEED HEADER
	13887X	1	LUBE FITTING, STR, 1/4-18 PTF
19	71335184	2	BEARING, W/O COLLAR, 1.75 DIA
20	70534931	2	COLLAR, BRG.
21	71130258	4	FLANGE, BEARING
	68619	8	BOLT, RND HD SQ NECK, 1/2-13 X 1-1/4
	Y705046	8	LOCKWASHER, 1/2
	704031	8	NUT, 1/2-13 REG
22	71398362B	1	SHEAVE, DRIVE, C'SHAFT, LH
	70923306	2	SETSCREW, SQ HD, 1/2-13 X 1
23	700707139	1	KEY, WOODRUFF, #27, .250 X 2.125

MC00373  
PR: t05b04j09c0010

LATCH  
HEADER





**9690 COMBINE  
FEEDER**

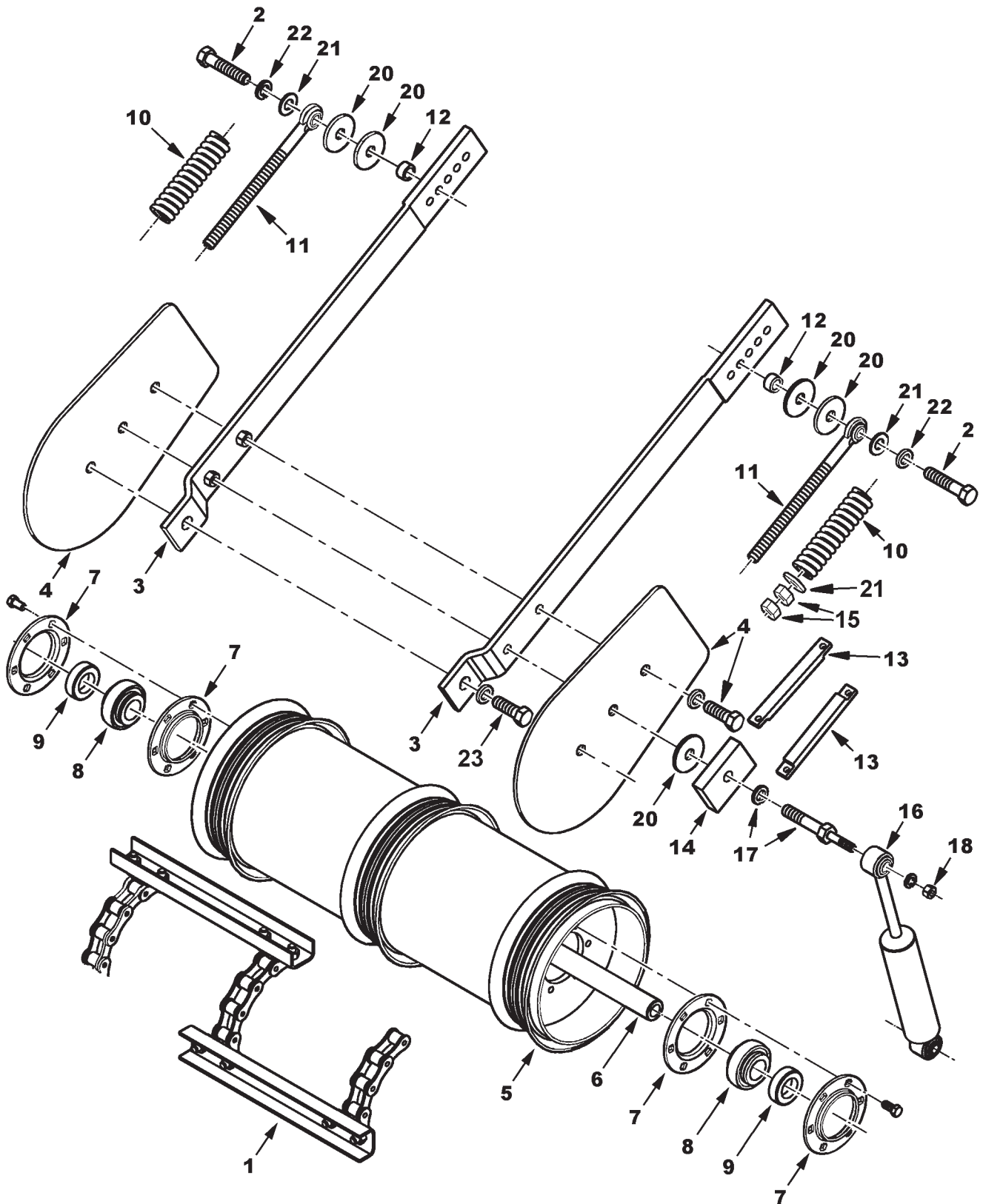
295

**LATCH  
HEADER**

ITEM	NUMBER	QTY	DESCRIPTION
1	375028X1	2	COLLAR, LOCK, W/ SETSCREW (QTY 1, PRIOR S/N HP87101)
	70915794	2	SETSCREW, 1/4-20 X 1/4
2	70917378	1	WASHER, 3/8 WIDE (PRIOR S/N HP87101)
	70918266	3	WASHER, 3/8 NARROW (EFF. S/N HP87101)
3	116346W1	1	CRANK ASSEMBLY, LATCH, UPPER
	70919393	1	WASHER, PLAIN, 1.02 X 1.63 X 12 GA
	70918459	1	PIN, COTTER, 3/16 X 1 1/2
4	116343W1	1	CRANK ASSEMBLY, LATCH, LOWER
5	71317841	2	HOOK
6	116312W1	1	SPRING
	70915935	2	PIN, SPRING, 5/16 X 1-1/4
7	116349W1	1	SHAFT, HEADER LATCH (PRIOR S/N HP87101)
	71406802	1	SHAFT, HEADER LATCH (EFF. S/N HP87101)
8	70905126	3	KEY, WOODRUFF, #808, 1/4 X 1 DIA
9	70903835	2	SETSCREW, 1/4-20 X 3/8
10	70921263	1	SETSCREW, 5/16-18 X 3/8
11	70923427	2	WASHER, 25/32 X 1-1/4 X 11 GA
12	116348W1	1	BLOCK, LATCH PIVOT
	Y705624	1	WASHER, 1/2 NARROW
13	116339W1	1	ROD, LATCH (PRIOR S/N HP87101)
	71406803B	1	ROD, LATCH (EFF. S/N HP87101)
14	70918452	2	PIN, COTTER, 1/8 X 1

MC00207  
PR: 154

CONVEYOR  
(PRIOR S/N HP87101)



**9690 COMBINE  
FEEDER**

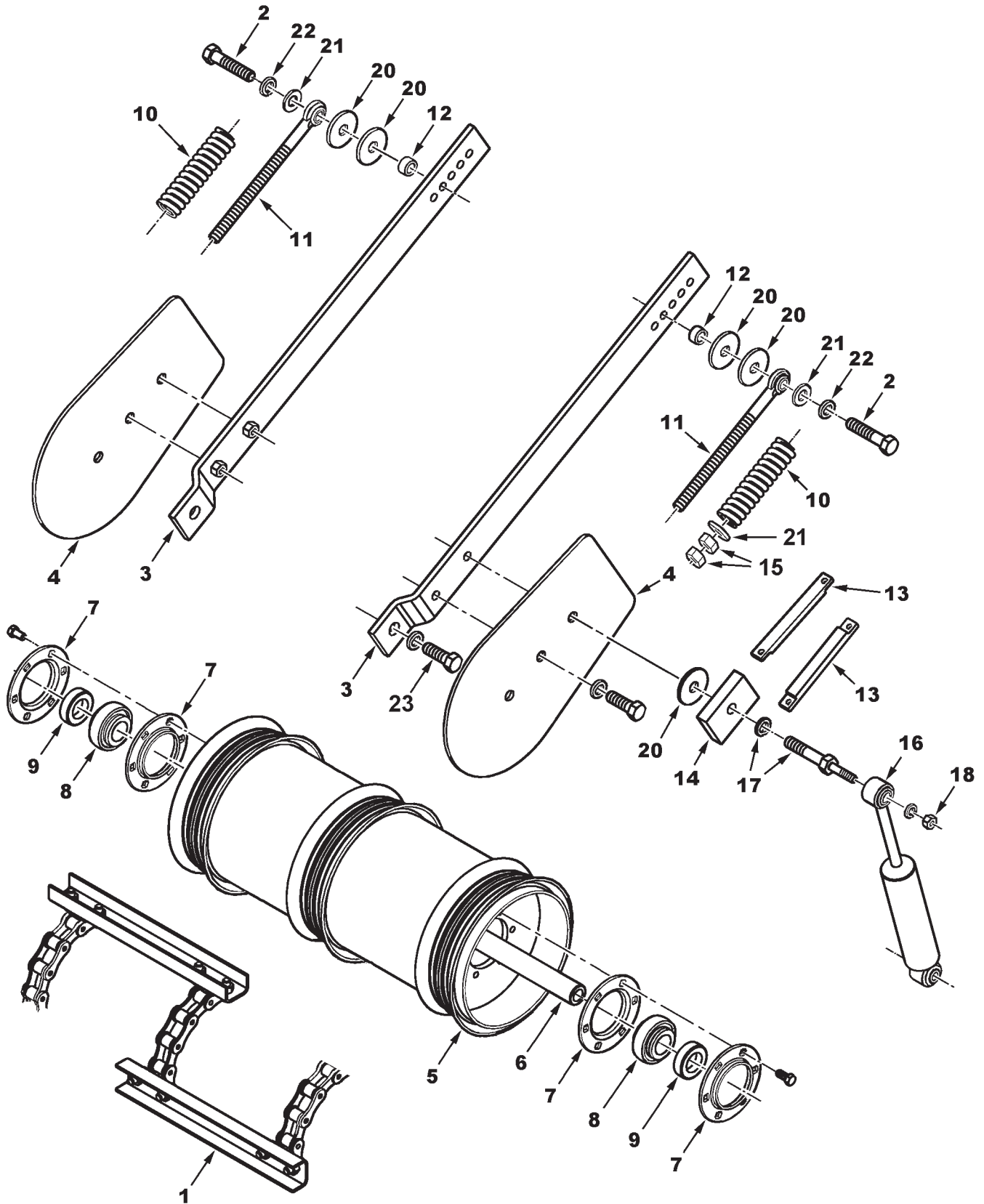
297

**CONVEYOR  
(PRIOR S/N HP87101)**

ITEM	NUMBER	QTY	DESCRIPTION	
1	71449007	1	CHAIN ASY, FEEDER CONVEYOR, W/SLATS	
	71149999	1	CHAIN ASY, CONVEYOR, CENTER	
	71449001	2	CHAIN ASY, CONVEYOR, SIDE	
	71149894	AR	LINK, ATTACHING	
	70937300	AR	LINK, ROLLER	
	71149896	AR	LINK, OFFSET, INCL. PIN & LOCKNUT	
	71149895	AR	LINK, COUPLING	
	70920397	AR	NUT, NYLON LOCK, 1/4-20	
	71395877	28	SLAT, FEEDER CHAIN	
	70937603	112	CAPSCREW, LOCKING, 1/2-13 X 3/4 GR8	
	70928512	112	NUT, 1/2-13 REG GR8	
	2	70923111	2	CAPSCREW, 5/8-11 X 3 GR5
	3	71381680	2	ARM ASY, FEEDER DRUM
	4	71381682	2	SHIELD, DUST
70923151		2	CAPSCREW 5/8-11 X 1-1/4 GR5	
5	70917373	2	LOCKWASHER, 5/8 REG	
	71379111	1	DRUM WLMT, 8.625	
6	71377310	3	WEAR RING, 8.625"	
	116375W1	1	SHAFT, CONVEYOR DRUM	
7	71370634	4	FLANGE, BEARING, 72MM	
	70925625	12	CAPSCREW, 3/8-16 X 7/8, NYLOK GR8	
8	705038	12	LOCKWASHER, 3/8 REG	
	71309117	2	BEARING, 1-1/4, (INCL. COLLAR)	
9	7710551	2	COLLAR, BEARING	
10	71375335	2	SPRING	
11	71363526	2	EYEBOLT, 5/8-11 THD.	
12	71370121	2	BUSHING, ARM	
13	71370496	4	STOP, ARM, FEEDER HOUSING.	
	70931317	8	BOLT, RD HD SHT SQ NK, 1/4-20 X 3/4	
	70916964	8	LOCKWASHER, 1/4	
	70916622	8	NUT, 1/4-20 REG	
14	71370120	2	STOP, DRUM POSITION	
15	70915726	4	NUT, 5/8-11 REG	
16	71315999	2	SHOCK ABSORBER	
	70925696	2	CAPSCREW, 7/16-14 X 2 GR5	
	70918199	2	LOCKWASHER, 7/16	
	70918267	2	WASHER, 7/16 NARROW	
17	71376888	2	STUD, DAMPER ATTACH	
	70917373	2	LOCKWASHER, 5/8 REG	
18	70930757	2	NUT, NYLOCK, 7/16-14	
	70918267	2	WASHER, 7/16 NARROW	
20	70937480	6	WASHER, HARD, 21/32 X 2-1/4 X 8 GA.	
21	70918268	4	WASHER, PLAIN, 5/8 NARROW	
22	70917373	2	LOCKWASHER, 5/8 REG	
23	70937548	2	CAPSCREW, 3/4-10 X 2, GR 8, NYLOK	
	70919332	2	LOCKWASHER, 3/4 REG	
-	79021665	AR	LOCTITE, SEALANT, 271	

MC00351  
PR: 156

CONVEYOR  
(EFF. S/N HP87101)



**9690 COMBINE  
FEEDER**

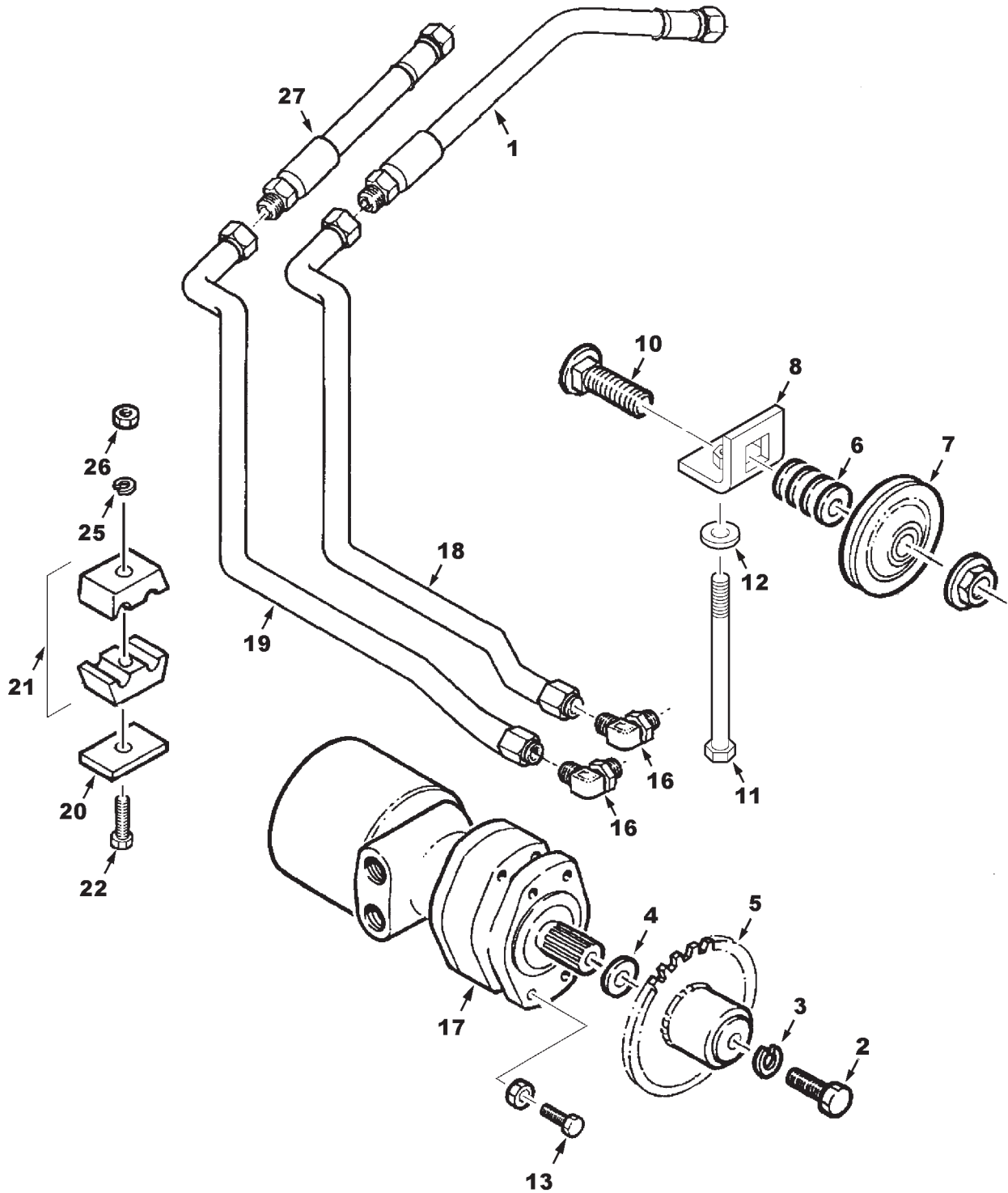
299

**CONVEYOR  
(EFF. S/N HP87101)**

ITEM	NUMBER	QTY	DESCRIPTION	
1	71449018	1	CHAIN ASY, FEEDER CONVEYOR, W/SLATS	
	71449016	1	CHAIN ASY, CONVEYOR, CENTER	
	71449015	2	CHAIN ASY, CONVEYOR, SIDE	
	71149894	AR	LINK, ATTACHING	
	70937300	AR	LINK, ROLLER	
	71149896	AR	LINK, OFFSET, INCL. PIN & LOCKNUT	
	71149895	AR	LINK, COUPLING	
	70920397	AR	NUT, NYLON LOCK, 1/4-20	
	71395877	28	SLAT, FEEDER CHAIN	
	70937603	112	CAPSCREW, LOCKING, 1/2-13 X 3/4 GR8	
	70928512	112	NUT, 1/2-13 REG GR8	
	2	70923111	2	CAPSCREW, 5/8-11 X 3 GR5
	3	71396481	2	ARM, FRONT FEEDER DRUM
4	71381682	2	SHIELD, DUST	
	70923113	2	CAPSCREW 5/8-11 X 1 GR5	
5	70917373	2	LOCKWASHER, 5/8	
	71379111	1	DRUM WLMT, 8.625	
	71377310	3	WEAR RING, 8.625"	
6	116375W1	1	SHAFT, CONVEYOR DRUM	
	71370634	4	FLANGE, BEARING, 72MM	
7	70925625	12	CAPSCREW, 3/8-16 X 7/8, NYLOK GR8	
	705038	12	LOCKWASHER, 3/8 REG	
8	71309117	2	BEARING, 1-1/4, (INCL. COLLAR)	
	7710551	2	COLLAR, BEARING	
10	71375335	2	SPRING	
11	71363526	2	EYEBOLT, 5/8-11 THD.	
12	71370121	2	SPACER, ARM	
13	71370496	4	STOP, ARM, FEEDER HOUSING.	
	70931317	8	BOLT, RD HD SHT SQ NK, 1/4-20 X 3/4	
	70916964	8	LOCKWASHER, 1/4	
	70916622	8	NUT, 1/4-20 REG	
	71370120	2	STOP, DRUM POSITION	
15	70915726	4	NUT, 5/8-11 REG	
16	71315999	2	SHOCK ABSORBER	
	70925696	2	CAPSCREW, 7/16-14 X 2 GR5	
	70918199	2	LOCKWASHER, 7/16	
	70918267	2	WASHER, 7/16 NARROW	
17	71406934	2	STUD, DAMPER ATTACH	
18	70930757	2	NUT, NYLOCK, 7/16-14	
	70918267	2	WASHER, 7/16 NARROW	
20	Y705582	6	WASHER, HARD, .688 X 1.28 X .125 TH	
21	70918268	4	WASHER, PLAIN, 5/8 NARROW	
22	70917373	4	LOCKWASHER, 5/8	
23	70937548	2	CAPSCREW, 3/4-10 X 2, GR 8, NYLOK	
	70919332	2	LOCKWASHER, 3/4 REG	
-	79021665	AR	LOCTITE, SEALANT, 271	

MC00374  
PR: t05b04j09c0011

**FEEDER REVERSER**  
LINES & FITTINGS  
(PRIOR S/N HP87101)



**9690 COMBINE  
FEEDER**

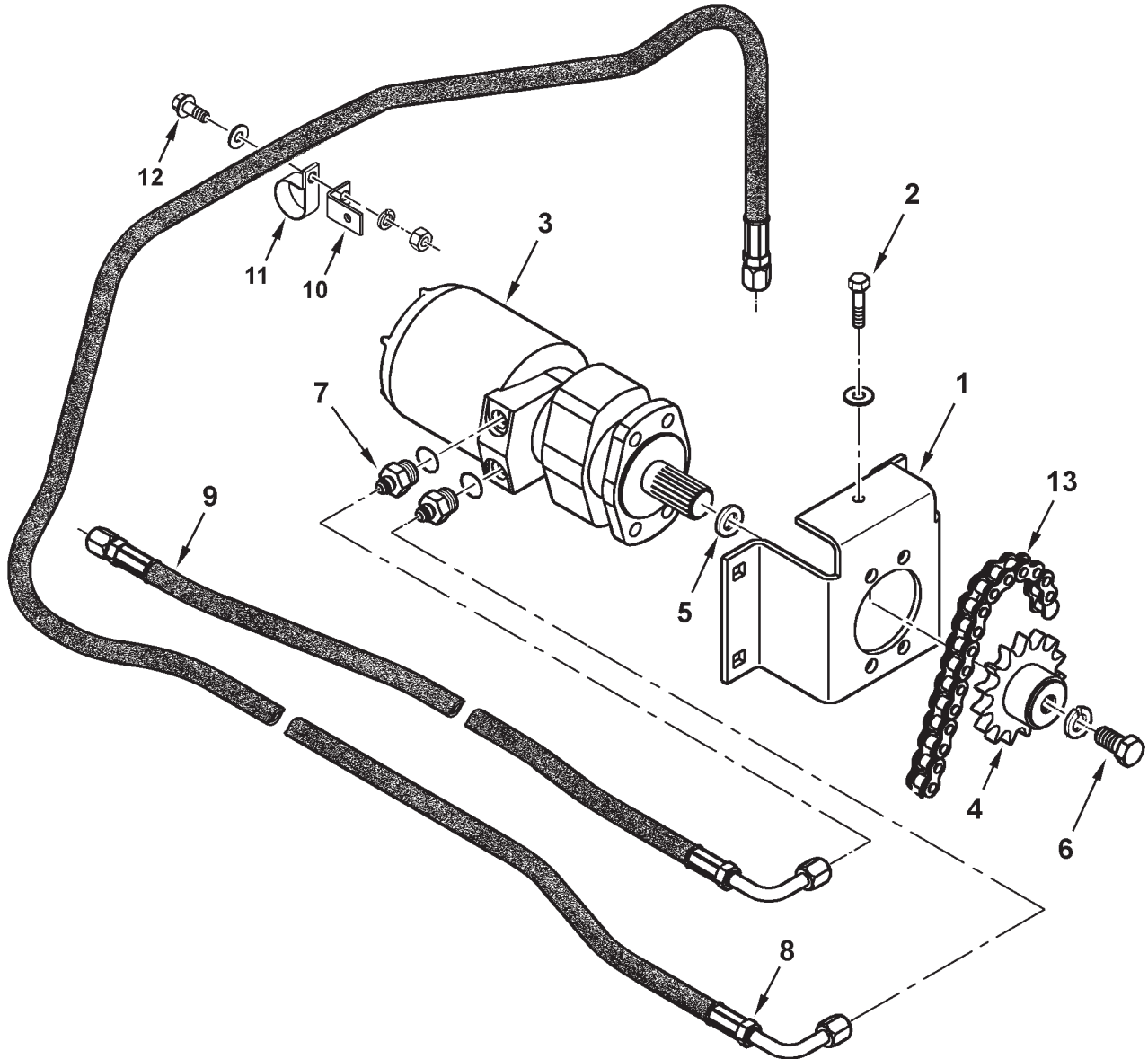
301

**FEEDER REVERSER  
LINES & FITTINGS  
(PRIOR S/N HP87101)**

ITEM	NUMBER	QTY	DESCRIPTION
1	112046W1	1	HOSE ASY, REVERSER RETURN, 3/8 X 32"
2	353609X1	1	CAPSCREW, 5/8-18 UNF X 1-1/4 GR5
3	70917373	1	LOCKWASHER, 5/8 REG
4	363282X1	AR	WASHER, SPCL, FLAT, .688 X 1.0 X .048
5	71379631	1	SPROCKET WLDMT, 15T 3/4 P
6	70918268	6	WASHER, 5/8 NARROW
7	71378873	1	SPROCKET, IDLER, 15 TEETH
8	71174391	1	BRACKET WLDMT, IDLER ADJUST
10	70933955	1	BOLT, RD HD,SQ NK, 5/8-11 X 2-3/4
	700703922	1	NUT, HEX FLNG, TOP LOCK, 5/8-11 UNC
11	70935032	1	CAPSCREW, 7/16-14 X 6 GR5
12	70918267	1	WASHER, 7/16 NARROW
13	701235	4	CAPSCREW, 1/2-13UNC X 1-1/2 GR5
	Y704742	4	NUT, HEX FLNG, TOP LOCK, 1/2-13
16	70924786	2	ELBOW, 90 DEG, 7/8-14 ORB X 3/4-16 JIC
	70921205	2	O-RING, .097 X .755 ID
17	104307W91	1	MOTOR AND CLUTCH ASSEMBLY (SEE MOTOR & CLUTCH LISTING)
18	71391496	1	TUBE ASSEMBLY, 1/2
19	71391495	1	TUBE ASSEMBLY, 1/2
20	101646M1	2	COVER PLATE
21	148022M1	2	CLAMP PAIR, DOUBLE, 1/2 X 1/2 DIA
22	7701485	2	CAPSCREW, 1/4-20 X 2" GR5
25	70916964	2	LOCKWASHER, 1/4 REG
26	70916622	1	NUT, 1/4-20 UNC, REG
27	71394137	1	HOSE ASY, REVERSER SUPPLY, 3/8 X 96"

MC00353  
PR: 158

**FEEDER REVERSER**  
DRIVE & HYDRAULICS  
(EFF. S/N HP87101)





**9690 COMBINE  
FEEDER**

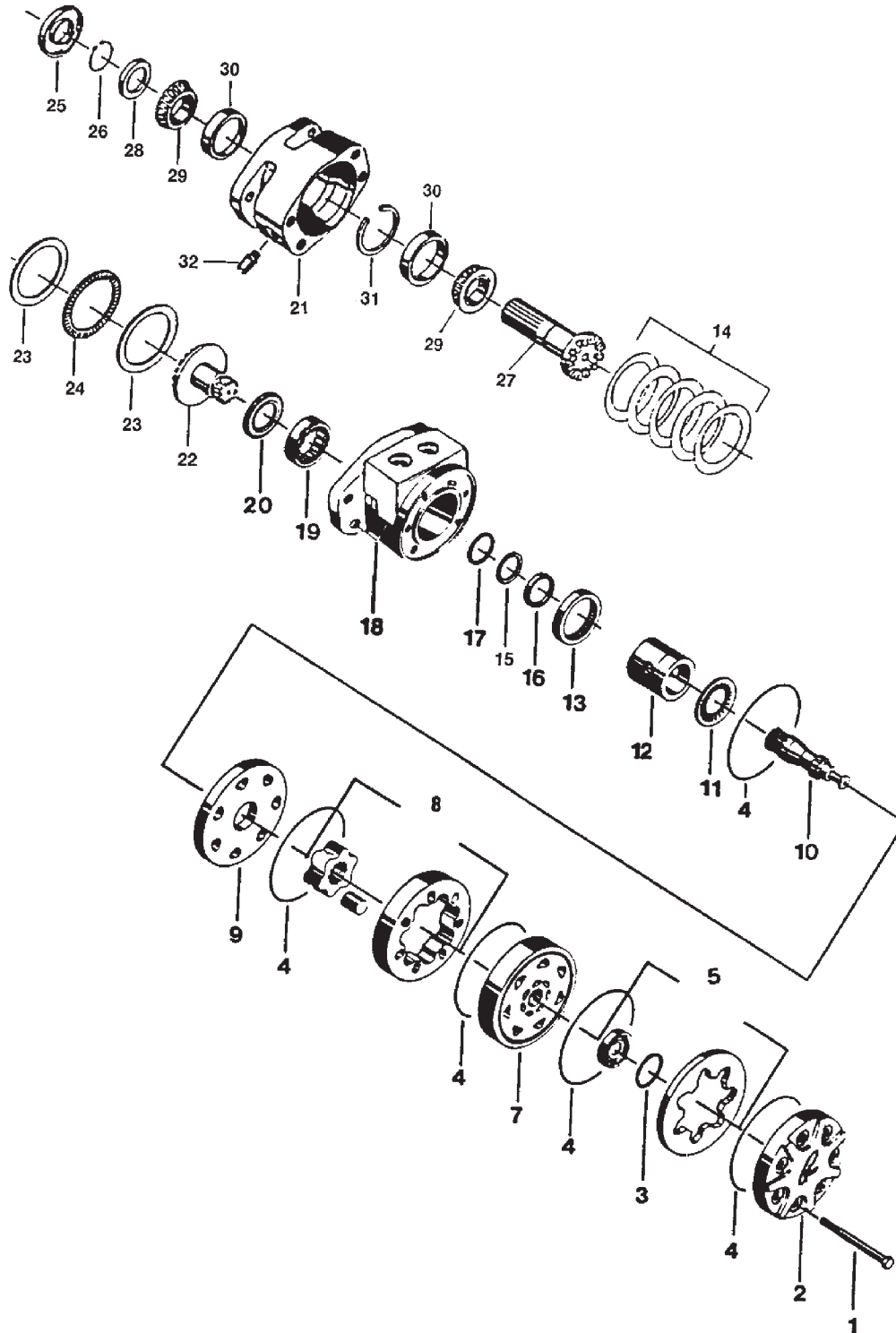
303

**FEEDER REVERSER  
DRIVE & HYDRAULICS  
(EFF. S/N HP87101)**

ITEM	NUMBER	QTY	DESCRIPTION
1	71400852B	1	PLATE WLDMT, FEEDER REV'R MOTOR
	68619	1	BOLT, RND HD SQ NK, 1/2-13 X 1-1/4
	Y705046	1	LOCKWASHER, 1/2
	704031	1	NUT, 1/2-13 REG
2	70929116	1	CAPSCREW, 3/8-16 X 2 GR5, FULL THD
	70918266	1	WASHER, 3/8 NARROW
3	71362941	1	MOTOR AND CLUTCH ASY, REVERSER
	701235	4	CAPSCREW, 1/2-13 X 1-1/2 GR5
	Y704742	4	NUT, HEX FLNG TOP LOCK, 1/2-13
4	71379631	1	SPROCKET WLDMT, 15T 3/4 P
5	363282X1	AR	WASHER, SPCL, FLAT, .688 X 1.0 X .048
6	353609X1	1	CAPSCREW, 5/8-18 UNF X 1-1/4 GR5
	70917373	1	LOCKWASHER, 5/8
7	8746018	2	STR CONN. 9/16-18 JIC X 7/8-14 ORB
	70921205	2	O-RING, .097 X .755 ID
8	71401741	1	HOSE ASY, PRES, 104" (PRIOR S/N HS87101)
	71401739	1	HOSE ASY, PRES, 115" (EFF. S/N HS87101)
9	71401740	1	HOSE ASY, RETURN, 48" LG
10	71407962	1	BRACKET, HOSE CLAMP
11	7041015	1	CLAMP, 2-1/4 ID X .531 HOLE
12	70921965	1	CAPSCREW, 3/8-16 X 3/4 GR5
	70918266	1	WASHER, 3/8 NARROW
	70916965	1	LOCKWASHER, 3/8
	70916950	1	NUT, 3/8-16, REG
13	-----	1	CHAIN ASY, REVERSER DRIVE (INCL. FOLLOWING 2 ITEMS)
	71449019	1	CHAIN, #60, 71 PITCHES
	70914584	1	CONNECTOR LINK, #60 CHAIN

MC00376  
PR: t05b04j09c0012

REVERSER MOTOR & CLUTCH  
COMPONENTS  
(PRIOR S/N HP87101)



**9690 COMBINE  
FEEDER**

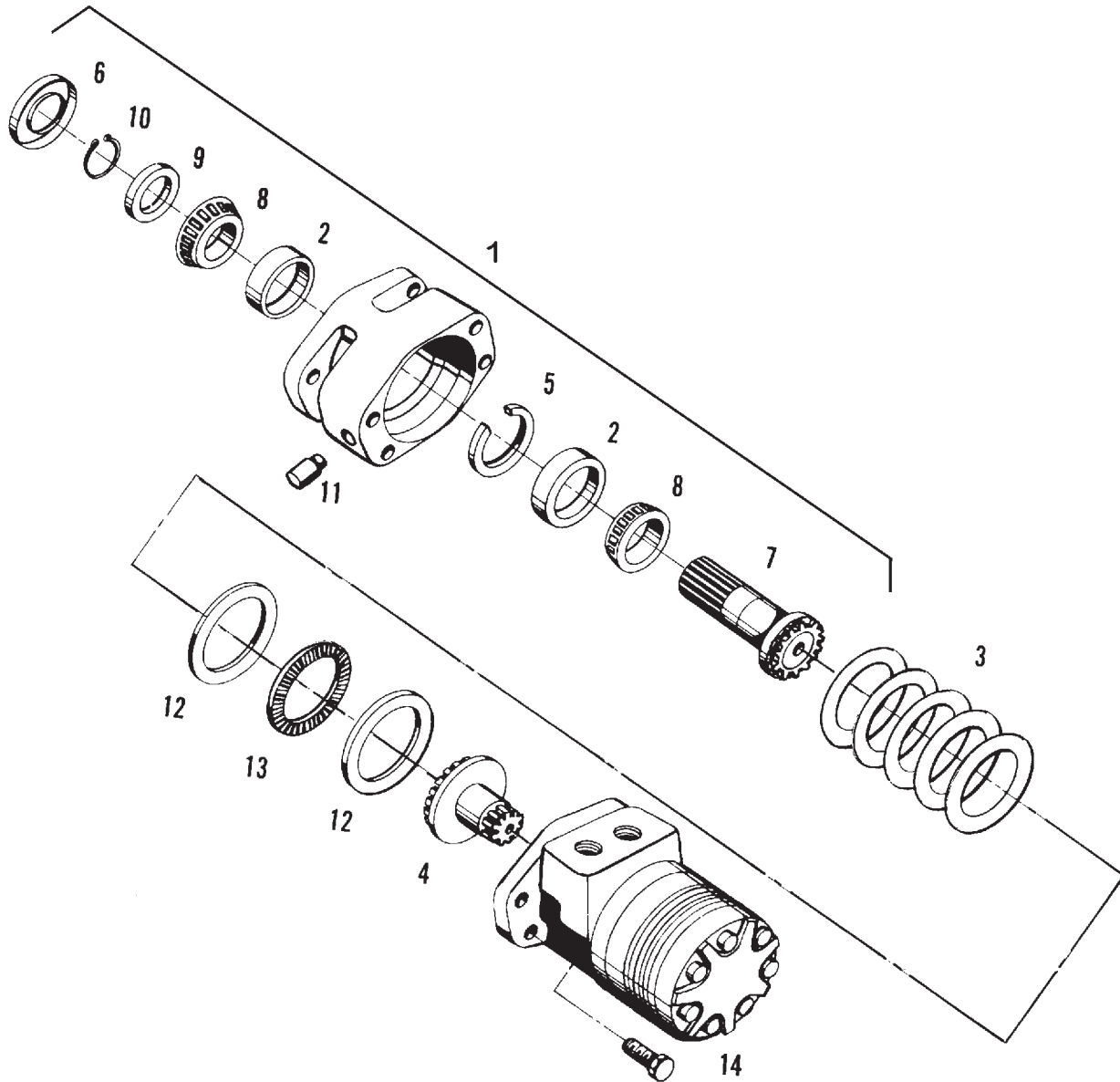
**305**

**REVERSER MOTOR & CLUTCH  
COMPONENTS  
(PRIOR S/N HP87101)**

ITEM	NUMBER	QTY	DESCRIPTION
-	104307W91	1	MOTOR AND CLUTCH, HYDRAULIC (TRW MB)
1	104482W1	7	BOLT, SPECIAL
2	71367309	1	COVER, END
3	1042752M1	1	* RING, SEAL - COMMUTATOR
4	104475W1	5	* RING, SEAL
5	104480W91	1	COMMUTATOR ASSEMBLY (MATCHED SET)
7	104479W1	1	MANIFOLD
8	104478W91	1	SET ROTOR (MATCHED SET)
9	104476W1	1	PLATE, WEAR
10	104477W1	1	LINK, DRIVE
11	71367317	1	BEARING, THRUST
12	71367528	1	COUPLING & RETAINING RING ASSEMBLY
13	71367320	2	BEARING, INNER
14	71354859	1	DISC SPRING KIT
15	104486W1	1	WASHER, BACKUP
16	104485W1	1	* SEAL
17	104484W1	1	* WASHER, BACKUP
18	71367323	1	HOUSING ASSEMBLY
	353724X1	4	BOLT, HEX, 1/2-13 UNC X 1-1/2
19	71367324	1	BEARING, OUTER
20	104483W1	1	* SEAL
21	104473W91	1	CLUTCH HOUSING ASSEMBLY (INCLUDES 2-ITEM 30 & 1-ITEM 31)
22	104468W1	1	DRIVE GEAR, SPLINED
23	103732W1	2	WASHER, THRUST
24	71354855	1	BEARING, THRUST
25	71354861	1	SEAL, DIRT AND WATER
26	71354865	1	RING, RETAINING
27	71354863	1	SHAFT, DRIVE
28	103736W1	1	WASHER, THRUST
29	103737W1	2	CONE, BEARING
30	105733W1	2	CUP, BEARING
31	103738W1	1	RING, RETAINING
32	355547X1	1	PLUG, PIPE
-	700709503	AR	KIT, SEAL (INCL * ITEMS 3,4,16,17,20)

MC00006  
PR: 160

**REVERSER MOTOR  
CLUTCH HOUSING & SHAFT ASSEMBLY  
(EFF. S/N HP87101)**



**9690 COMBINE  
FEEDER**

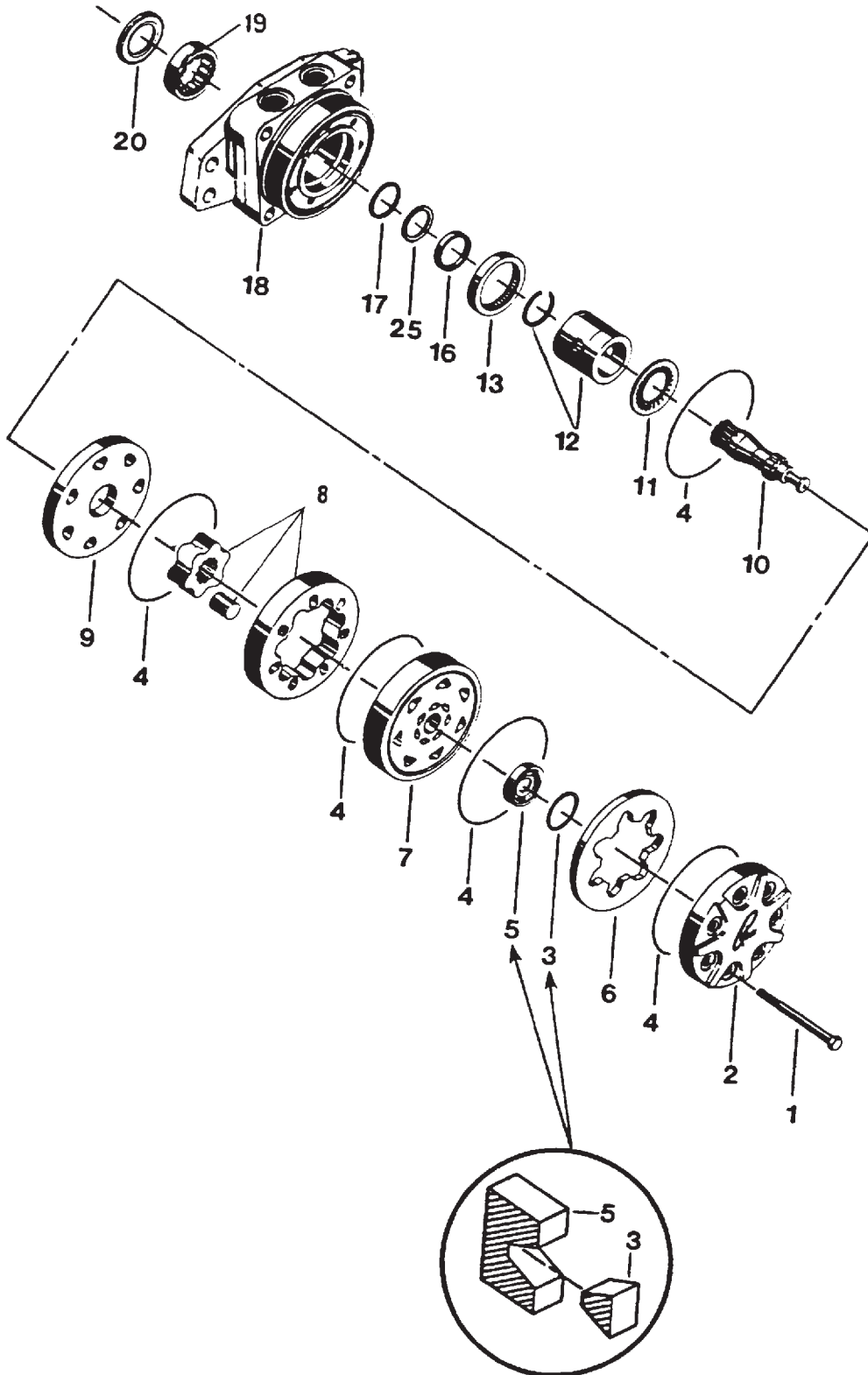
**307**

**REVERSER MOTOR  
CLUTCH HOUSING & SHAFT ASSEMBLY  
(EFF. S/N HP87101)**

ITEM	NUMBER	QTY	DESCRIPTION
-	71362941	AR	MOTOR ASY, FEEDER REVERSER(INCL. CLUTCH)
	70923154	4	CAPSCREW, 1/2-13 X 1-1/2
1	71367529	1	HOUSING ASY. (INCL. ITEMS 2, 5-10)
2	70327997	2	CUP, BEARING
3	71354859	5	DISC SPRING
4	104468W1	1	DRIVE, SPLINE
5	71355001	1	RING, SNAP
6	71354861	1	SEAL, DIRT/WATER
7	71354863	1	SHAFT
8	70327382	2	CONE, BEARING
9	71354864	1	WASHER, THRUST
10	71354865	1	RING, SNAP
11	70901651	1	PLUG, PIPE, 1/8 NPT
12	71354856	2	WASHER, THRUST
13	71354855	1	BEARING, THRUST
14	-----	--	MOTOR TORQUE (SEE FEED REVERSER - TORQUE MOTOR FOR COMPONENTS)

GC00123  
PR: t05b04j09c0013

REVERSER MOTOR  
TORQUE MOTOR ASY.  
(EFF. S/N HP87101)



9690 COMBINE  
FEEDER

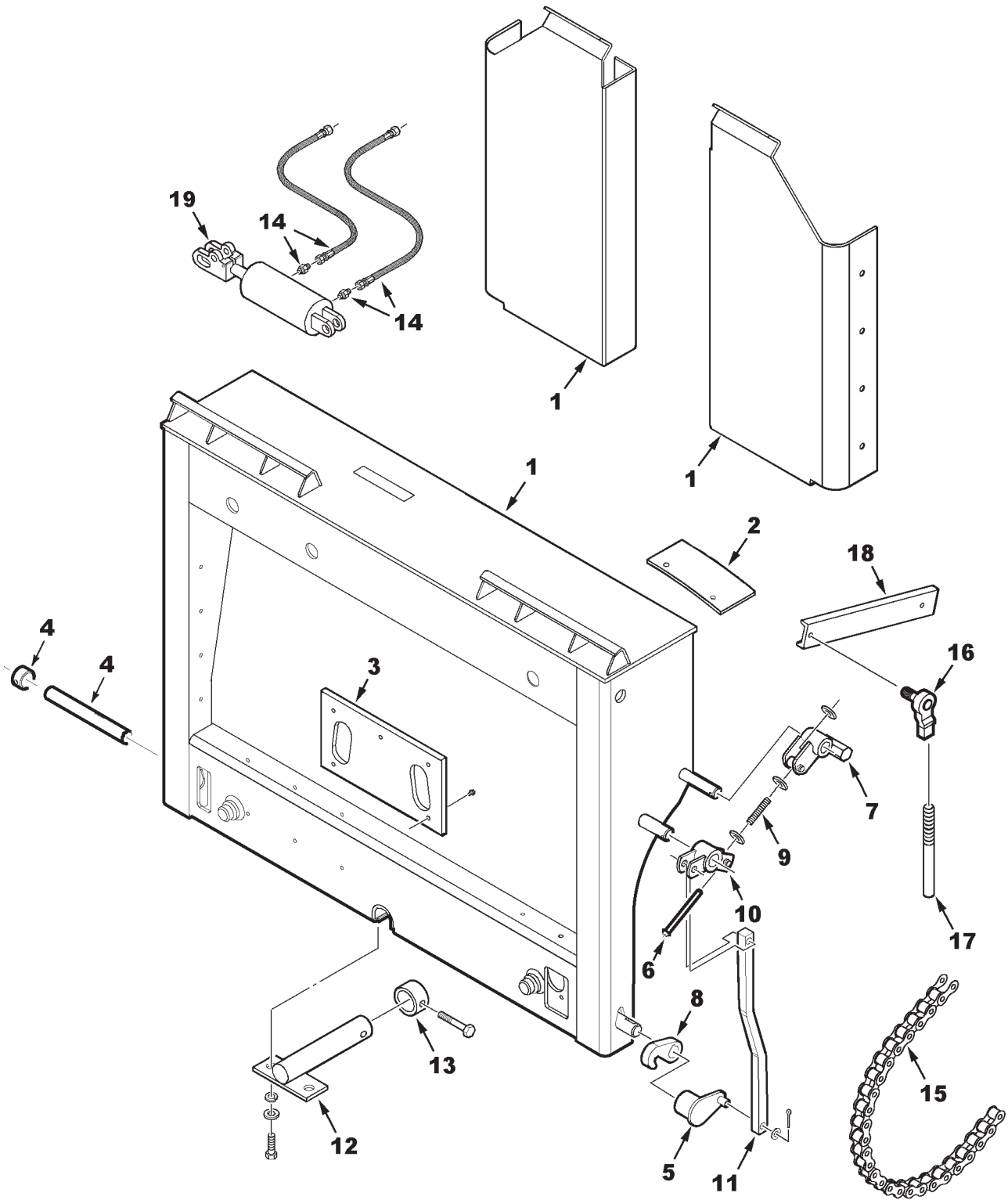
309

REVERSER MOTOR  
TORQUE MOTOR ASY.  
(EFF. S/N HP87101)

ITEM	NUMBER	QTY	DESCRIPTION
-	71362941	AR	MOTOR ASY, FEEDER REVERSER(INCL. CLUTCH)
1	71367308	7	BOLT, SPECIAL
2	71367309	1	COVER, END
3	-----	1	RING, BONDEN (ORDER SEAL KIT #71367307)
4	-----	5	SEAL RING (ORDER SEAL KIT)
5	71367312	1	COMMUTATOR ASY. (INCL. ITEM 6)
6	-----	1	RING, COMMUTATOR (ORDER COMMUTATOR ASY.)
7	104479W1	1	MANIFOLD
8	71367314	1	ROTOR ASY.
9	104476W1	1	PLATE, WEAR
10	71367316	1	LINK, DRIVE
11	71367317	1	BEARING, THRUST
12	71367528	1	COUPLING ASY. (INCL. RETAINING RING)
13	71367320	1	BEARING
16	-----	1	SEAL, SHAFT (ORDER SEAL KIT)
17	-----	1	RING, BACK-UP (ORDER SEAL KIT)
18	71367323	1	HOUSING ASY.
19	71367324	1	BEARING
20	-----	1	SEAL (ORDER SEAL KIT)
25	71367526	1	WASHER
-	700709503	1	KIT, SEAL (INCL ITEMS 3, 4, 16, 17 & 20)

GC00124  
PR: t05b04j09c0014

HOUSING





9690 COMBINE  
LATERAL TILT

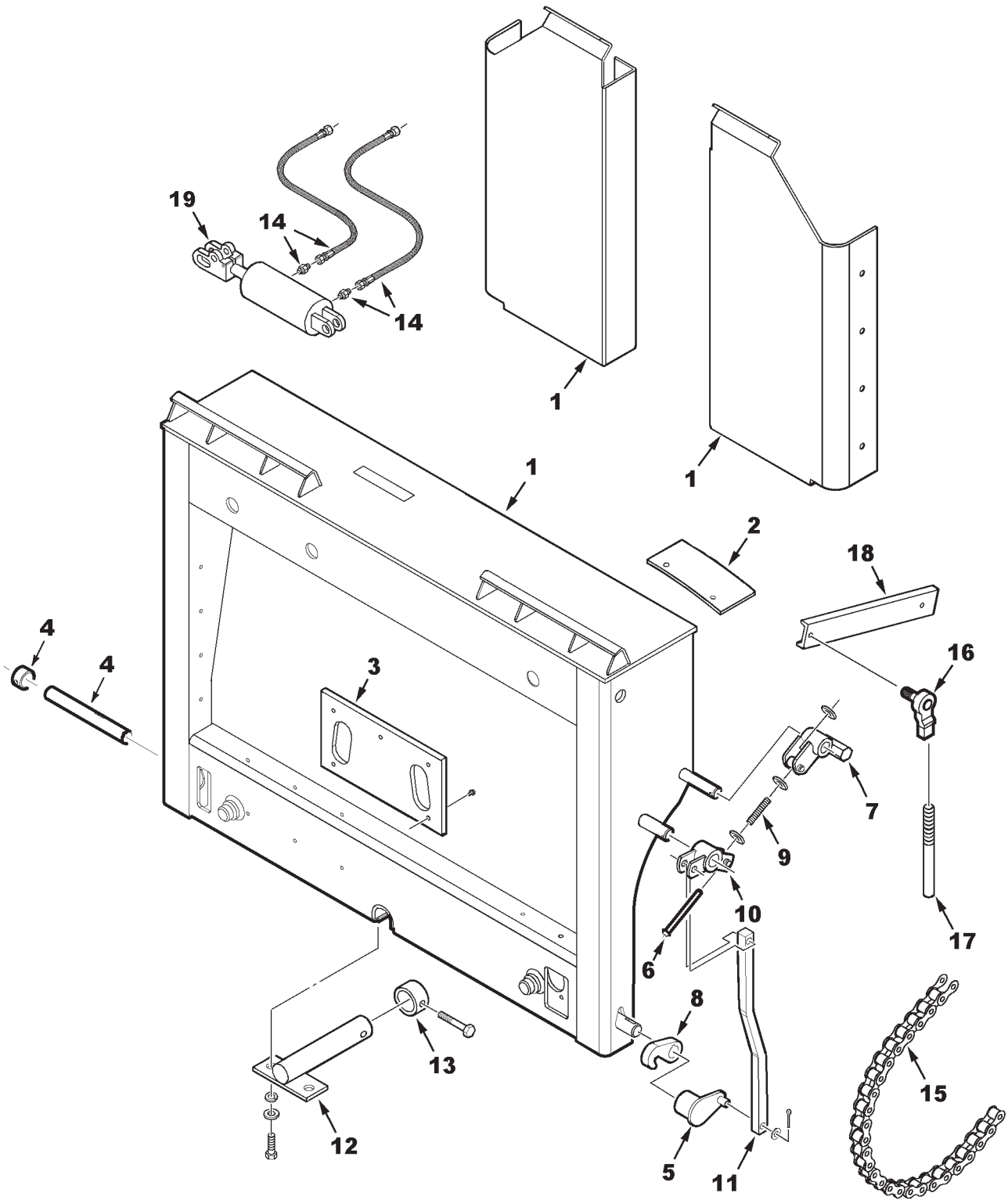
311  
HOUSING

ITEM	NUMBER	QTY	DESCRIPTION
1	71401307B	1	FRAME WLDMT, HDR
	71377769	1	PANEL, FILLER (LH)
	71377770	1	PANEL, FILLER (RH)
2	372729X1	12	SCR,HX WSHR HD,TAPPING,5/16-18 X 3/4
	71374672	2	TRACK, ROLLER
	70927477	4	CAPSCREW, 5/16 X 1 THD FORMING
	70917356	4	LOCKWASHER, 5/16
3	71374816	2	BEARING, LOWER PLASTIC
	71335690	12	SCREW, TORX,TRUSS HD, 5/16-18 X 7/8
	79021665	AR	LOCTITE #271
	79021676	AR	LOCTITE PRIMER
4	71374796	1	SHAFT, LATCH PIVOT
	375028X1	1	COLLAR, LOCK W/SETSCREW
5	71375564	1	CRANK ASSEMBLY, HOOK
	70905126	1	KEY, WOODRUFF #808, 1/4 X 1" DIA
	70921263	1	SETSCREW, SKT HD, 5/16-18 X 3/8
6	71314842	1	SHAFT ASSEMBLY, SPRING
	70918111	1	PIN, SPRING 1/8 X 1
	70918266	3	WASHER, 3/8 NARR(A/R TO ADJUST SPRG)
7	71375556	1	CRANK ASSEMBLY, LATCH
	62232	1	COTTER PIN, 3/16 X 1-1/4
	70919391	1	WASHER, .906 X 1.5 X #12GA.
8	71317841	2	HOOK
	70905126	2	KEY, WOODRUFF #808, 1/4 X 1" DIA
	70903835	2	SETSCREW, SKT HD, 1/4-20 X 3/8
9	71314833	1	SPRING
	71375559	1	PIVOT ASSEMBLY
10	62232	1	COTTER PIN, 3/16 X 1-1/4
	70918452	1	COTTER PIN, 1/8 X 1
	705681	1	WASHER, 1" NARROW
	70929593	1	PIN, CLEVIS, 1/2 X 1.36 LG
	71398477	1	ROD, LATCH
11	70918452	1	COTTER PIN, 1/8 X 1
	Y705624	1	WASHER SAE 1/2
	71374798	1	PIN WLMT, PIVOT
12	70919387	4	WASHER 41/64 X 1-1/4 X .065
	70922664	2	CAPSCREW, 5/8 X 2
	70917373	2	LOCKWASHER, 5/8
	13811X	1	LUBE FTG, STR, 1/4-28 TAPER THD
	79021665	AR	LOCTITE, #271
	79021648	AR	LOCQUIC PRIMER
	71374674	1	COLLAR, PIN
13	70923240	1	CAPSCREW 1/2 X 2-3/4
	Y704288	1	NUT, HEX CENTER LOCK, 1/2
	71374932	2	HOSE ASSEMBLY 1/4
14	70934923	2	STR CONN, 3/4-16 ORB X 7/16-20 JIC
	70921349	2	O-RING, .087 X .644 ID
	70932619	2	CLAMP, HOSE DBL. 1/2 X .406 HOLE
	3619622M1	8	TIE, PLASTIC

CONTINUED

MC00345  
PR: 162

HOUSING



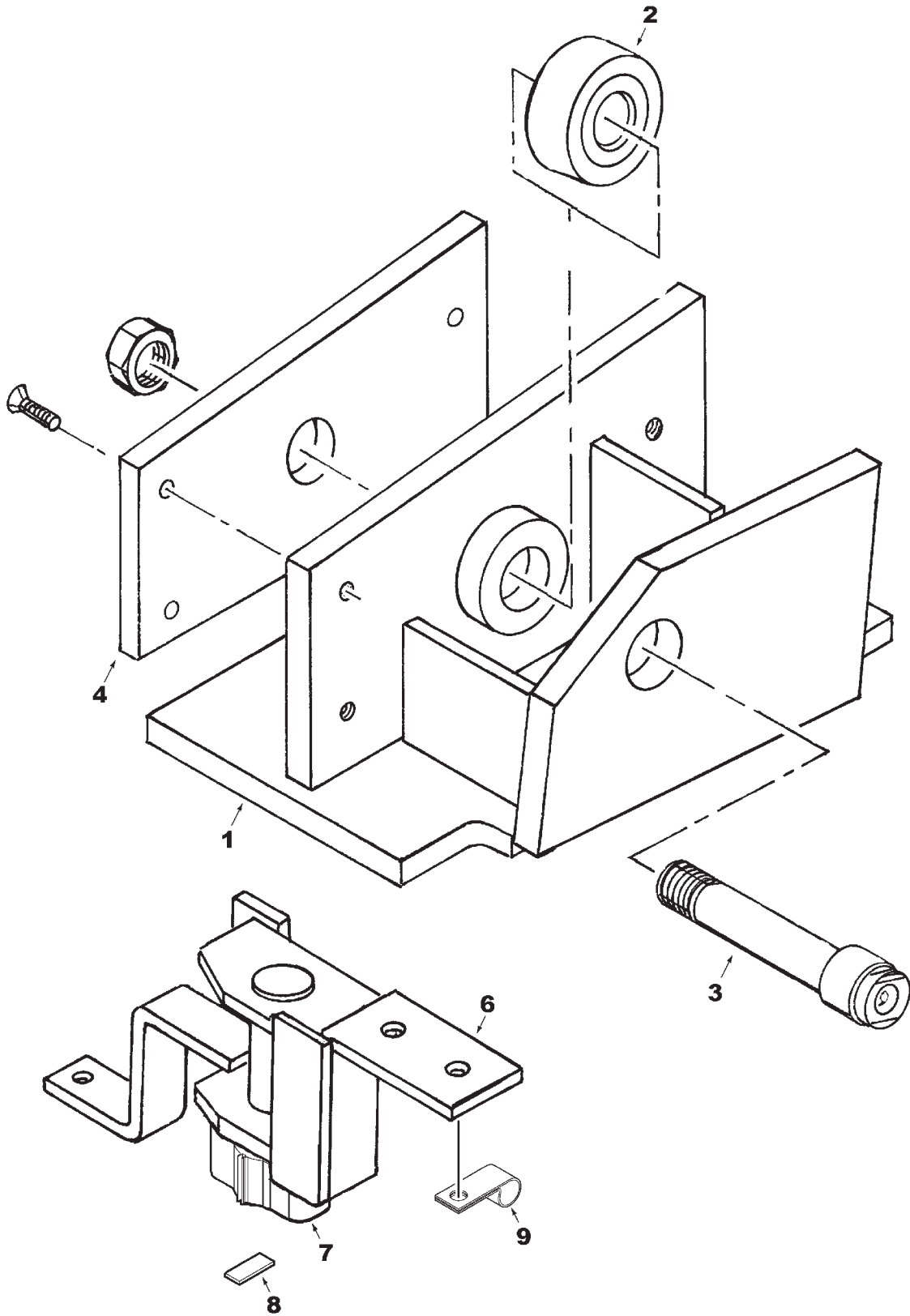
9690 COMBINE  
LATERAL TILT

313  
HOUSING

ITEM	NUMBER	QTY	DESCRIPTION
15	71149896	9	LINK, OFFSET, A557 (PRIOR S/N HP87101)
16	71314999	2	JOINT, BALL 1/4-28
	70914192	2	NUT, 1/4-28
	70916964	2	LOCKWASHER, 1/4
17	71375122	1	ROD, CONNECTING
	70914192	2	NUT, 1/4-28
18	71378317	1	ARM, FEEDER TILT SENSOR
	70927401	1	CAPSCREW, 1/4-20 X 1.0
	70916622	1	NUT, 1/4-20 REG
	705012	1	LOCKWASHER, 1/4 REG
19	71398131	1	CYL. ASY, LAT TILT
-	71399039	AR	KIT, LATERAL TILT, FIELD (ORDER THRU DEALER CENTRAL)(PRIOR S/N HP87101)
-	71406010	AR	KIT, LATERAL TILT, FIELD (ORDER THRU DEALER CENTRAL)(EFF. S/N HP87101)

MC00345  
PR: 162

ANCHORS & SENSOR



9690 COMBINE  
LATERAL TILT

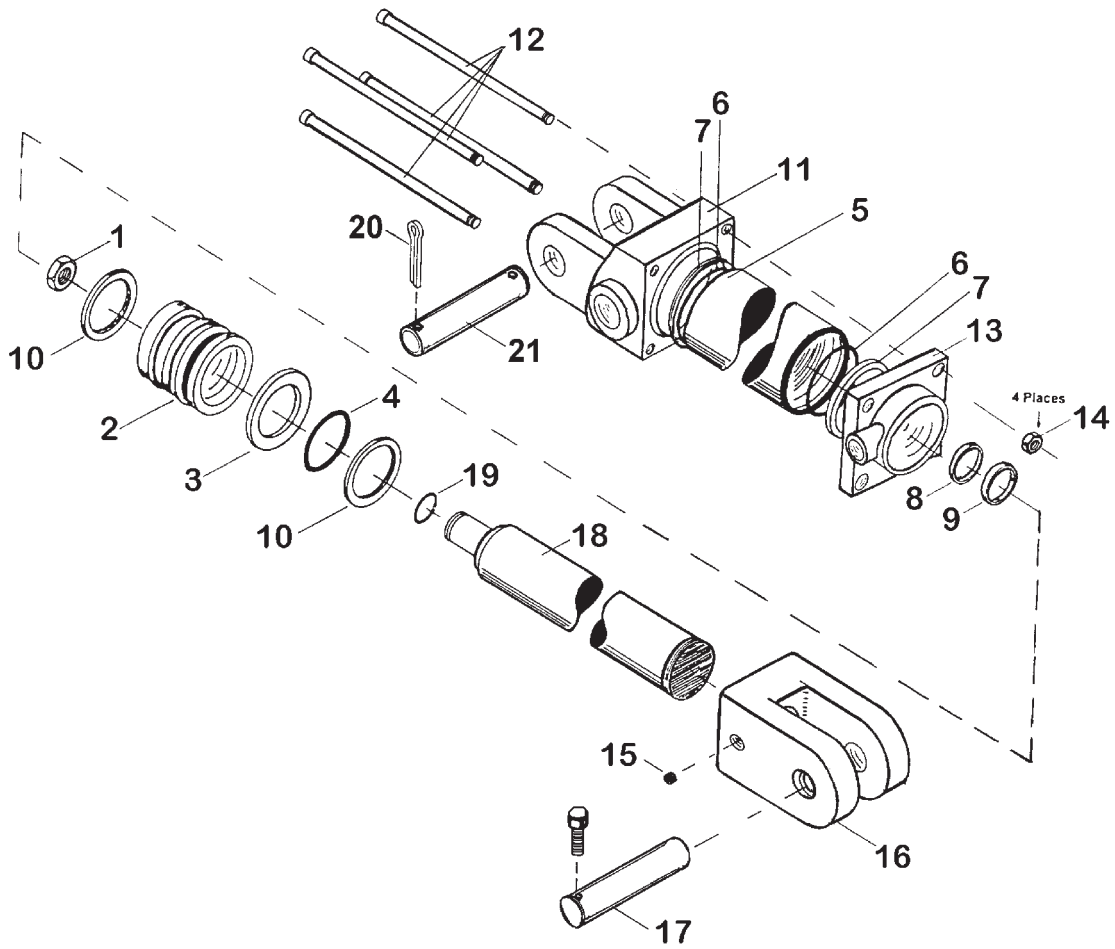
315

ANCHORS & SENSOR

ITEM	NUMBER	QTY	DESCRIPTION
1	71374666	1	ANCHOR WLDMT RH
	71374663	1	ANCHOR WLDMT LH
	70919089	10	CAPSCREW, 1/2-13 X 1-3/4 GR5
	Y705046	10	LOCKWASHER, 1/2
2	71374803	1	BEARING, ROLLER
3	71374667	1	SHAFT, ROLLER
	353436X1	1	JAM NUT, 3/4-16 UNF
	13811X	1	LUBE FTG, STR, 1/4-28 TAPER THD
4	71374670	1	BEARING, PLASTIC RH
	71374669	1	BEARING, PLASTIC LH
	70935275	6	SCREW, FLAT HD HEX SKT, 5/16-18 X 1
	79021665	AR	LOCTITE #271
	79021676	AR	LOCTITE PRIMER
6	71414225	1	SENSOR ACTUATOR WLDMT
	70924856	2	SCREW, HEX HD, TAPPG, 5/16-18 X 1/2
7	71376825	1	POSITION SENSOR, 5K POT.
	70918151	2	SCREW, TRUSS HD, #10-32 X 1-1/4
8	71382607	1	TAB, DRIVE
9	70927134	1	J-CLIP, 5/8 DIA X .406 HOLE

MC00354  
PR: 164

HYDRAULIC CYLINDER  
(PRIOR S/N HN87101)



9690 COMBINE  
LATERAL TILT

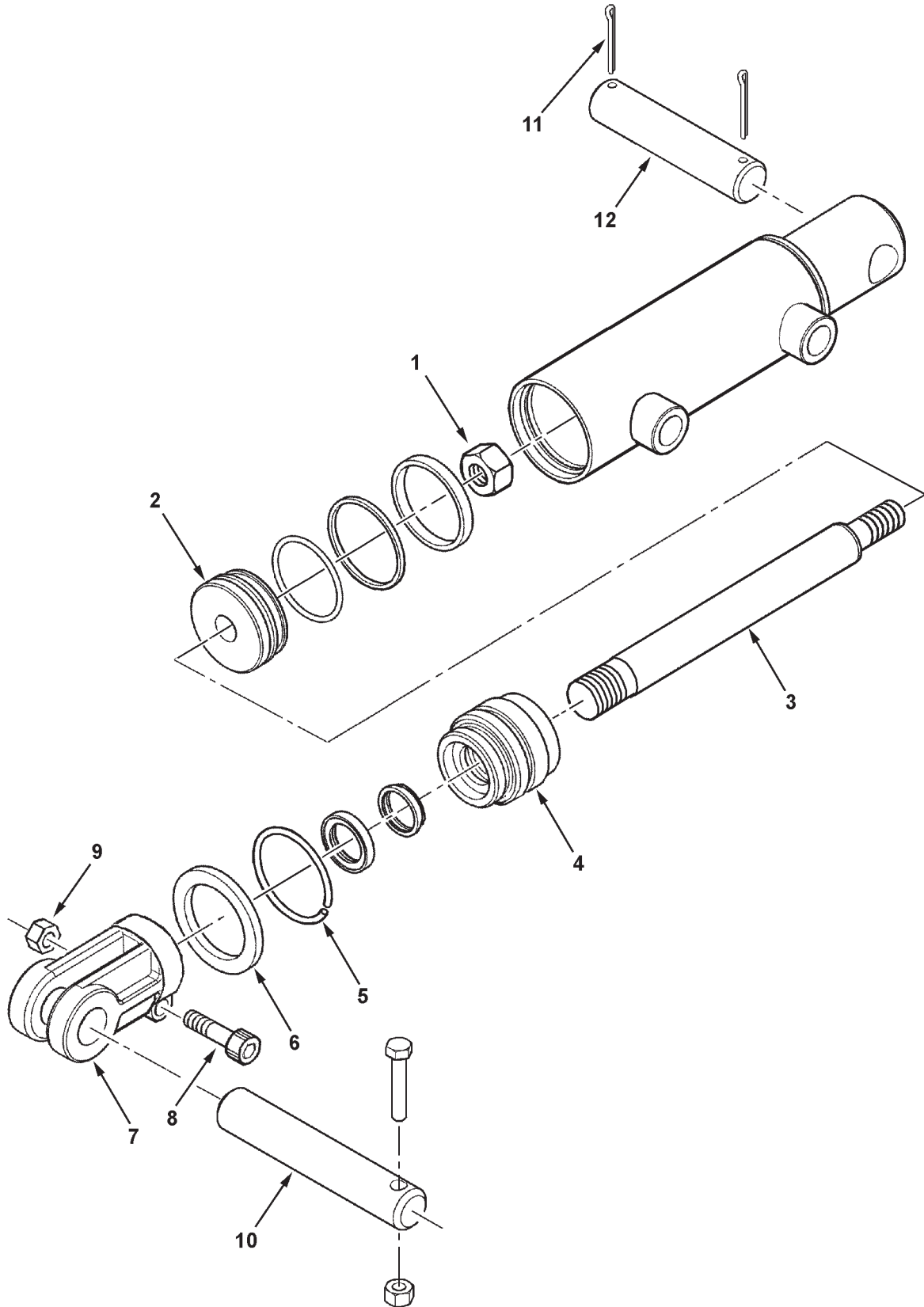
317

HYDRAULIC CYLINDER  
(PRIOR S/N HN87101)

ITEM	NUMBER	QTY	DESCRIPTION
-	71374671	1	CYL. ASY, HYDR (INCL. ITEMS 1-16,18,19)
1	70921343	1	NUT, LOCK
2	71374776	1	PISTON
3	-----	1	*SEAL, PISTON
4	-----	1	*O-RING
5	71376907	1	CASE
6	-----	2	*O-RING
7	-----	2	*BACKUP
8	-----	1	*U-CUP
9	-----	1	*WIPER
10	71374778	2	RING, WEAR
11	71374779	1	BASE, CYLINDER
12	71376908	4	ROD, TIE
13	71374781	1	HEAD, CYLINDER
14	70918213	4	NUT, 7/16-14
15	70914383	1	SETSCREW, 3/8-16 X 1/2
16	71374782	1	CLEVIS, CYLINDER
17	71374808	2	PIN, CYLINDER CLEVIS
	70922127	1	CAPSCREW, 5/16-18 X 1-3/4 GR5
	70923362	1	NUT, CENTER LOCK, 5/16-18
18	71376909	1	SHAFT, CYLINDER
19	-----	1	*O-RING
20	70920117	2	PIN, COTTER, 5/32 X 1-1/2
21	71374807	1	PIN, CYLINDER BASE
-	71373962	AR	SEAL KIT (INCLUDES * ITEMS)

71374671  
PR: 166

HYDRAULIC CYLINDER  
(EFF. S/N HN87101)





9690 COMBINE  
LATERAL TILT

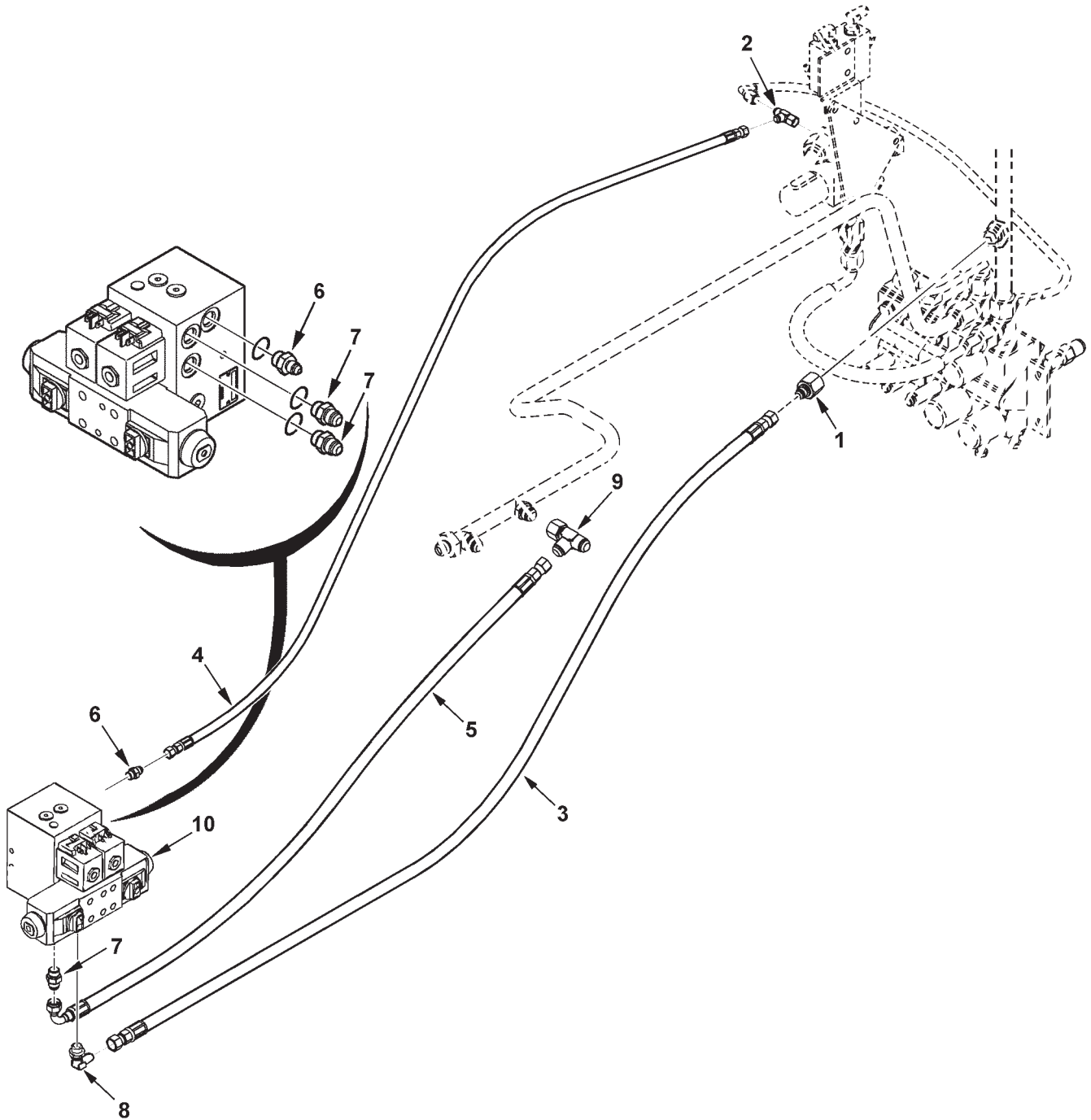
319

HYDRAULIC CYLINDER  
(EFF. S/N HN87101)

ITEM	NUMBER	QTY	DESCRIPTION
-	71398131	1	CYL. ASY, LAT TILT (EFF. S/N HN87101) (INCL. ITEMS 1 THRU 9)
1	79001879	1	NUT, PISTON
2	1R61628	1	PISTON
3	700729237	1	ROD
4	700729235	1	HEAD, ROD BEARING
5	1064661M1	1	RETAINING RING
6	1064659M1	1	NUT, HEAD RETAINER
7	700729234	1	CLEVIS ASY, ROD END (INCL SCR & NUT)
8	70917467	1	CAPSCREW, SOCK HD, 3/8-16 X 1-3/4
9	70916950	1	NUT, 3/8-16 REG
-	700729238	AR	SEAL KIT
10	71374808	1	PIN, CYLINDER CLEVIS
	70922127	1	CAPSCREW, 5/16-18 X 1-3/4 GR5
	70923362	1	NUT, CENTER LOCK, 5/16-18
11	70920117	2	PIN, COTTER, 5/32 X 1-1/2
12	71374807	1	PIN, CYLINDER BASE

GC00511  
PR: 71398131-02-11

HYDRAULICS



9690 COMBINE  
LATERAL TILT

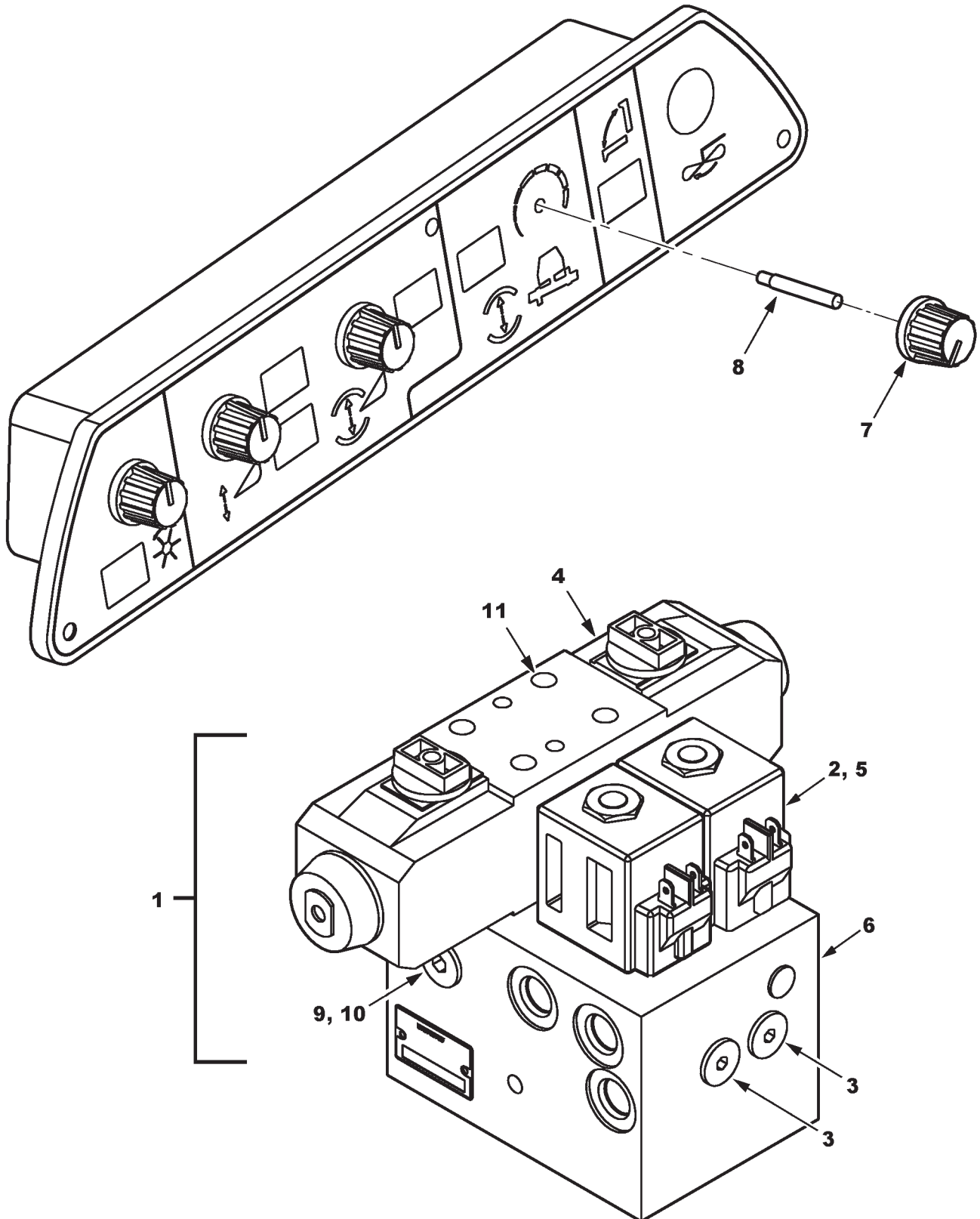
321

HYDRAULICS

ITEM	NUMBER	QTY	DESCRIPTION
1	70926768	1	REDUCER FTG, 9/16-18 JIC X 3/4-16 JIC
2	700701355	1	TEE, SWIV RUN, 7/16-20 JIC
3	700716462	1	HOSE ASY, 3/8 ID
4	71394169	1	HOSE ASY, 1/4 ID
	70937133	1	TIE, NYLON LOCKING, .30 X 14.5
5	71394170	1	HOSE ASY, 3/8 ID
6	70926292	1	CONN, STR, 7/16-20 JIC X 9/16-18 ORB
	70921885	1	O-RING, .078 X .468 ID
7	846634	3	CONN, STR, 9/16-18 JIC X 9/16-18 ORB
	70921885	3	O-RING, .078 X .468 ID
8	70922523	1	ELBOW, 90 DEG, 9/16-18 ADJ ORB X JIC
	70921885	1	O-RING, .078 X .468 ID
9	70921298	1	TEE, SWIV RUN, 3/4-16 JIC
10	71409176	1	VALVE ASY, LATERAL TILT (SEE BREAKDOWN)
	705038	2	LOCKWASHER, 3/8 REG
	703249	2	CAPSCREW, 3/8-16 X 1" GR5

MC00355  
PR: 168

VALVE & CONTROL



9690 COMBINE  
LATERAL TILT

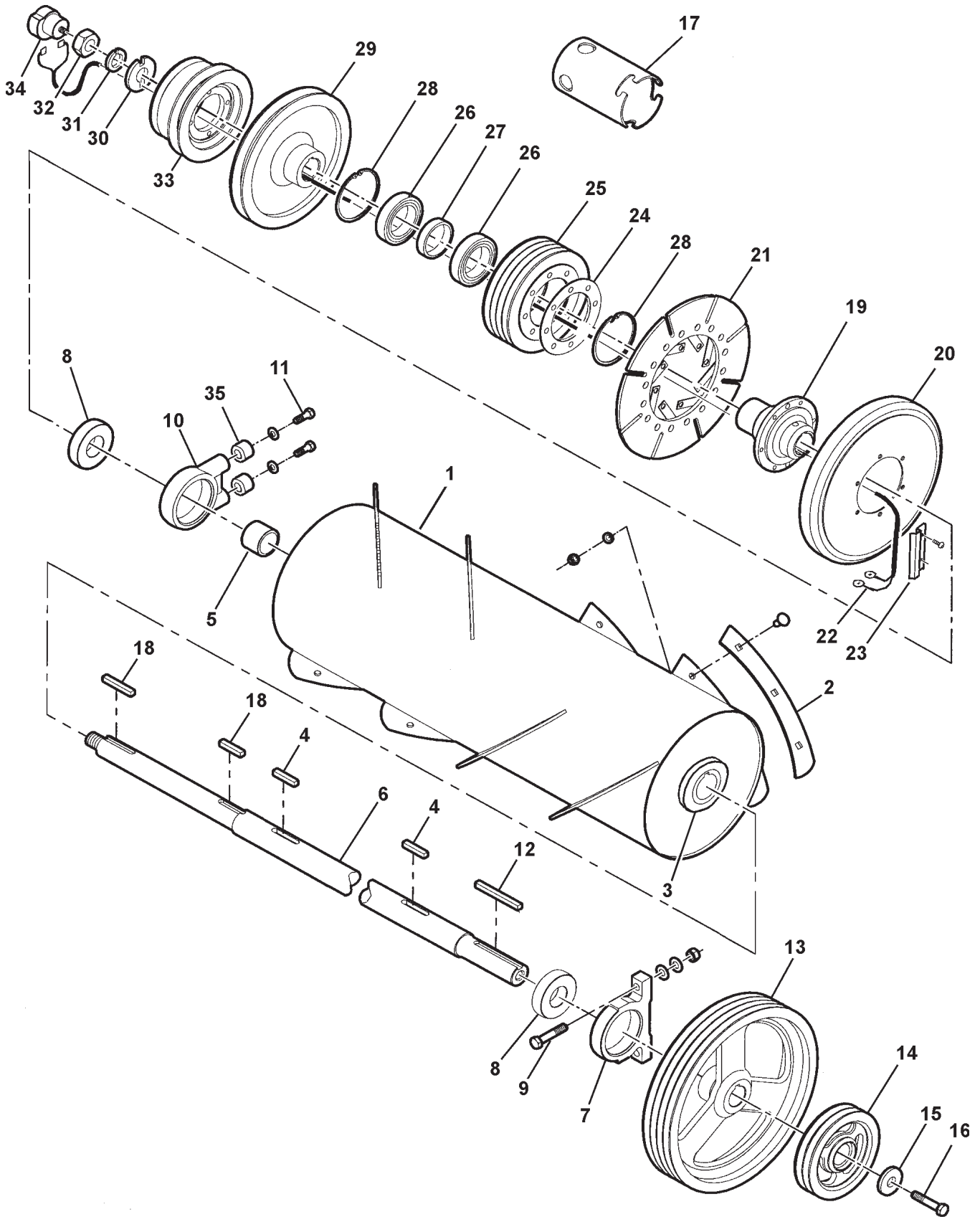
323

VALVE & CONTROL

ITEM	NUMBER	QTY	DESCRIPTION
1	71391659	1	VALVE ASY, LATERAL TILT (INCL ITEMS 2-6, 9,10,11)(SERVICE W/ 71409176)
	71409176	1	VALVE ASY, LATERAL TILT (INCL ITEMS 2-6, 9,10,11)(EFF. HP87--- MID-RUN)
2	71398983	2	SOLENOID VALVE ASY
	71398984	2	CARTRIDGE
	71398985	2	COIL
	700706151	2	NUT, COIL
	700715662	AR	KIT, SEAL
3	71398993	2	KIT, SENSE CHECK
4	71398994	1	VALVE ASY, DIRECTIONAL CONTROL
	71398995	2	COIL
	700718869	2	NUT, COIL
	71386129	AR	KIT, SEAL
5	71398988	2	PISTON, PILOT
	71398989	AR	KIT, SEAL
6	-----	1	MANIFOLD (NOT SERVICED)
7	108664W1	1	KNOB, POINTER
8	71394716	1	SHAFT, CONTROL
9	71398134	1	PLUG, HEX SOCKET, SAE ORB
10	71398136	1	ORIFICE PLUG, .053 DIA (USED W/ VALVE ASY, 71391659)
	700713516	1	ORIFICE PLUG, .040 DIA (USED W/ VALVE ASY, 71409176)
11	700714189	1	KIT, BOLT

MC00356  
PR: 170

FRONT BEATER



9690 COMBINE  
PROCESSOR

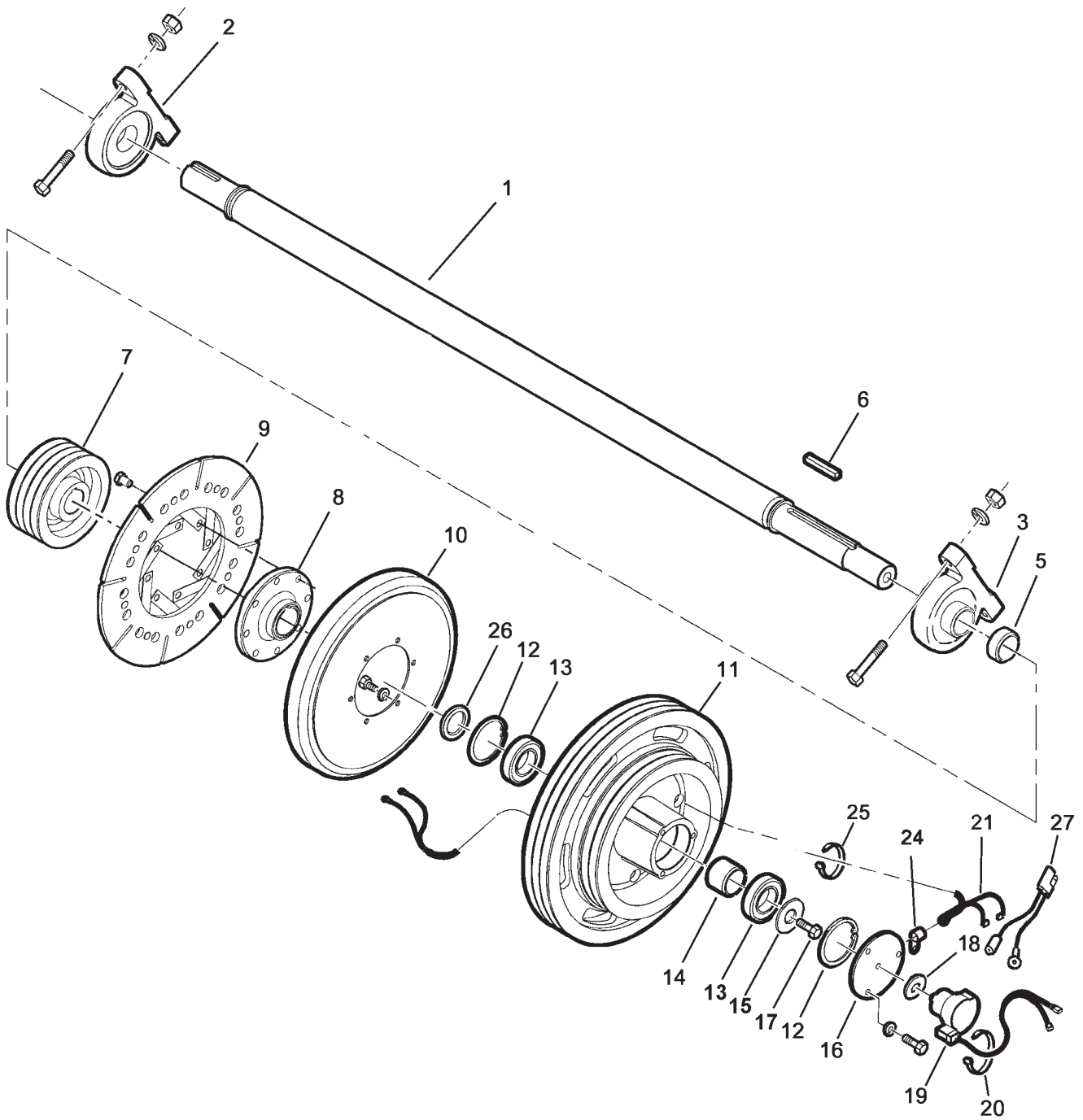
325

FRONT BEATER

ITEM	NUMBER	QTY	DESCRIPTION
1	71401417	1	BEATER DRUM ASY (BALANCED)(INCL. ITEM 2)
2	71393101	8	FLIGHT, WEAR
	68619	24	BOLT, RD HD SQ NK, 1/2-13 X 1-1/4
	Y705046	24	LOCKWASHER, 1/2 REG
	704031	24	NUT, 1/2-13 REG
3	101078M1	2	SEAL, BEATER
4	Y61879	2	KEY, SQ, 1/2 X 2-1/2
5	112685W1	1	SPACER, SLEEVE
6	71390721	1	SHAFT, BEATER
7	1706380W1	1	HOUSING, BEARING
8	71154722	2	BEARING
9	70929018	2	CAPSCREW, 5/8-11 X 3-1/4 GR8
	70937005	4	WASHER, HARD, .656 X 1.31 X 9GA
	W915795-4	2	LOCKNUT, HX TOP, 5/8-11
10	2445360W1	1	HOUSING, BEARING (PRIOR S/N HN87101)
	71401419	1	HOUSING, BEARING (EFF. S/N HN87101)
11	8701708	2	CAPSCREW, 1/2-13 X 1-1/4 GR8 (PRIOR S/N HN87101)
	353773X1	2	WASHER, HVY, HARD, 1/2
	70922664	2	CAPSCREW, 5/8-11 X 2 GR5 (EFF. S/N HN87101)
	70917373	2	LOCKWASHER, 5/8
12	2620180W1	1	KEY, HARD, 1/2 SQ. X 5
13	71388202	1	SHEAVE, BEATER DRIVE
14	2620130W1	1	SHEAVE, PITMAN DRIVE
15	104751W1	1	WASHER, .781 X 2.50 X .375
16	70921169	1	CAPSCREW, 3/4-16 X 1-1/2 GR8
17	104500W1	1	TUBE, REVERSER TOOL
18	2588510W1	2	KEY, CLUTCH HUB, 1/2 SQ. X 3.62
19	71391220	1	HUB, MAGNETIC CLUTCH
20	71335195	1	MAGNET ASY, CLUTCH
	705038	6	LOCKWASHER, 3/8 REG
	703249	6	CAPSCREW, 3/8-16 X 1" GR5
21	71365064	1	ARMATURE ASY
	Y705046	8	LOCKWASHER, 1/2 REG
	70923114	8	CAPSCREW, 1/2-13 X 1" GR5
22	71391219	1	WIRE ASY, CLUTCH
23	71393220	1	DUCT, WIRE
	703082	1	SCREW, HEX HD TAPPING, #8-32 X 3/8
24	71397222	AR	SHIM, ARMATURE, .060 TH
	71400661	AR	SHIM, ARMATURE, .035 TH
25	71391221	1	SHEAVE, FDR DR. 4-GRV(PRIOR S/N HP87101)
	71398357	1	SHEAVE, FDR DR. 2-GRV (EFF. S/N HP87101)
26	71195913	2	BEARING, BALL
27	71391225	1	SPACER, BEARING
28	70933375	2	RING, RETAINING, INT
29	71394353	1	SHEAVE, DR, VARI-SPEED FAN
30	71391224	1	WASHER, SPL, 3/8 THK
31	70912299	1	WASHER, 1-1/4 NARROW
32	70923230	1	NUT, JAM, 1-1/4-12 GR2
33	71394354	1	SHEAVE, DRIVE, RETURN ELEV
	705038	4	LOCKWASHER, 3/8 REG
	703249	4	CAPSCREW, 3/8-16 X 1" GR5
34	71314321	1	BRUSHHOLDER ASY.
	70925094	1	TIE, NYLON LOCKING, .184 X 7.3
35	368615X1	2	SPACER, .66 LG (EFF. S/N HN87101)

MC00286  
PR: 172

MAIN COUNTERSHAFT





9690 COMBINE  
PROCESSOR

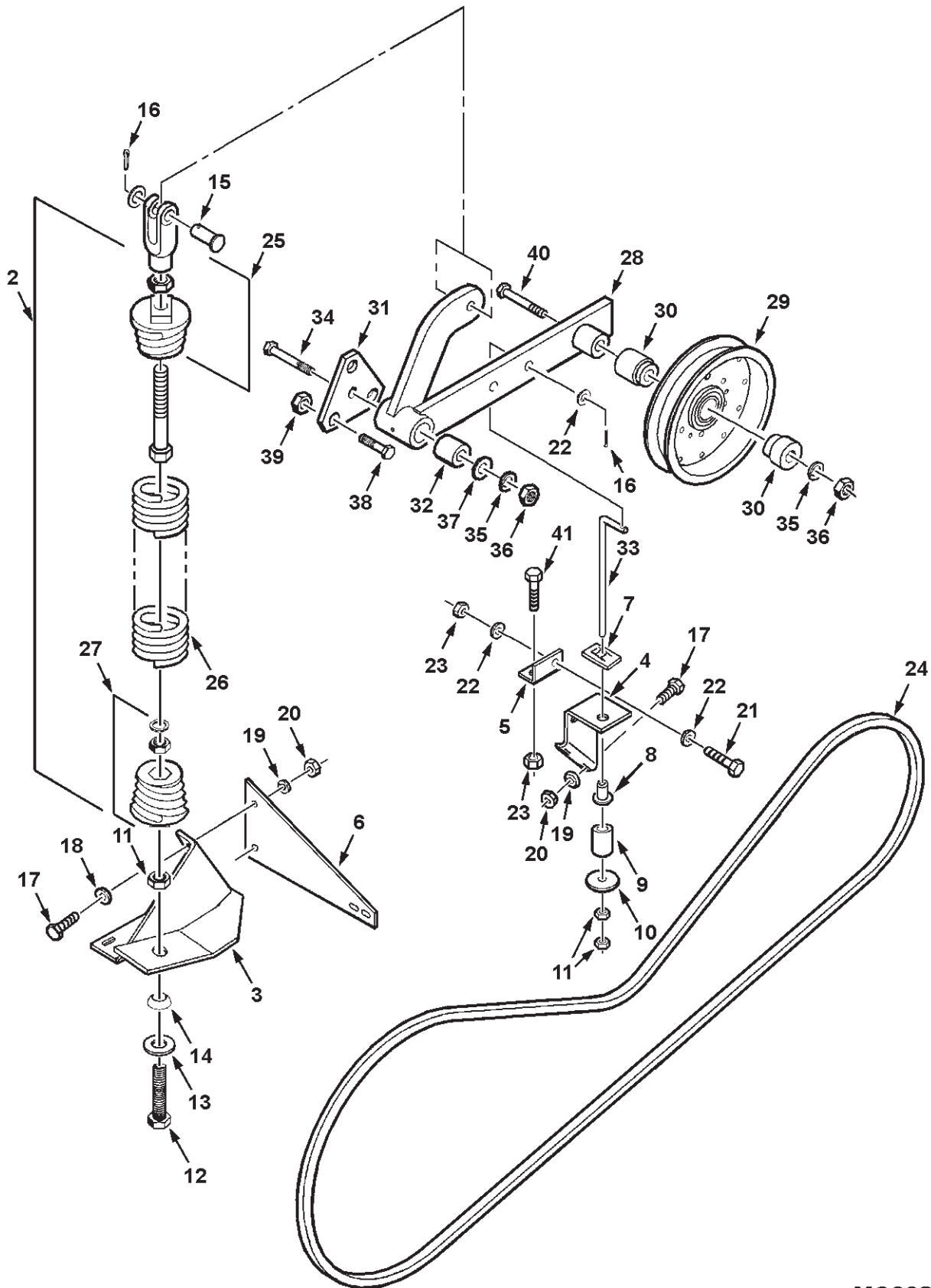
327

MAIN COUNTERSHAFT

ITEM	NUMBER	QTY	DESCRIPTION
1	71391549	1	COUNTERSHAFT, MAIN
2	1706393W91	2	BEARING & HOUSING ASY.
	1706380W1	2	HOUSING, BEARING
	71154722	2	BEARING
	70921360	4	CAPSCREW, 5/8-11 X 2-1/4 GR5
	70918268	4	WASHER, 5/8 NARROW
	700703922	4	NUT, HEX FLNG TOP LOCK, 5/8-11 GR G
3	-----	-	BEARING & HSG ASY. (9790 ONLY. SEE IT.2)
5	71391548	1	SPACER, SHEAVE
6	2620180W1	1	KEY, HARD. 1/2 SQ. X 5.0
7	71387523	1	SHEAVE, BEATER DRIVE
8	71390223	1	HUB, CLUTCH ARMATURE
9	71365064	1	ARMATURE ASY.
	70926115	8	CAPSCREW, 1/2-13 X 3/4 GR5
	Y705046	8	LOCKWASHER, 1/2
10	71335195	1	MAGNET ASY.
	70920415	6	CAPSCREW, 3/8-16 X 1-1/4 GR5
	70916965	6	LOCKWASHER, 3/8 REG
11	71389611	1	SHEAVE, DRIVEN, COUNTERSHAFT
12	350392X1	2	RING, INTERNAL SNAP, 3-47/64 OD X 7/64
13	1138480	2	BEARING
14	2619560W1	1	SPACER, BEARING
15	104751W1	1	WASHER, 25/32 X 2-1/2 X 3/8
16	71390178	1	ADAPTOR, BRUSHHOLDER
	70921210	3	CAPSCREW, 3/8-16 X 1" GR5
	70916965	3	LOCKWASHER, 3/8 REG
17	70921169	1	CAPSCREW, 3/4-16 X 1-1/2 GR8
18	70923858	1	WASHER, FLAT, .531 X 1.25 X 7GA
19	71314321	1	BRUSHHOLDER ASY
20	70925094	1	TIE, NYLON LOCKING, .184 X 7 LG
21	71318052	1	WIRE ASY.
24	70925615	1	CLAMP, TUBE, .188 X .406 HOLE
25	3619622M1	1	TIE, NYLON, 14"-15" LG
26	104715W1	AR	SHIM (AS REQUIRED)
27	71394397	1	WIRE ASY. (JUMPER)

MC00287  
PR: 174

MAIN COUNTERSHAFT  
DRIVE AND IDLER



9690 COMBINE  
PROCESSOR

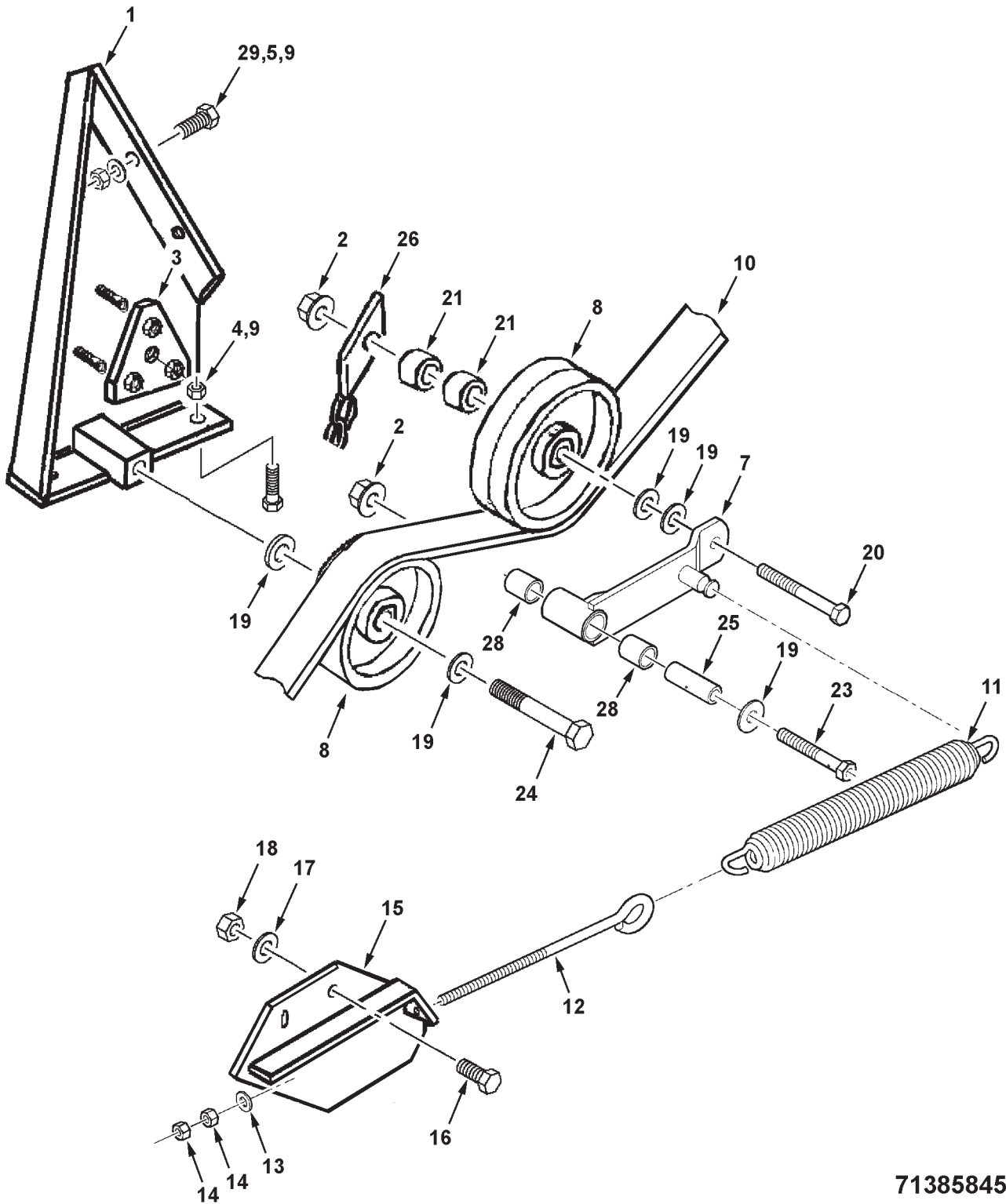
329

MAIN COUNTERSHAFT  
DRIVE AND IDLER

ITEM	NUMBER	QTY	DESCRIPTION
2	71379519	1	SPRING, ASY (INCL. ITEMS 25, 26, 27)
3	71390183	1	ANCHOR WLDMT, SPRING
4	71394363	1	ANCHOR WLDMT, SNUBBER
5	71394364	1	ANGLE, SUPPORT
6	71390190	1	SUPPORT, BELT GUIDE
7	71304362	1	BUSHING, NYLON
8	70924095	1	NUT, SPEED
9	71194263	1	BUSHING, RUBBER
10	70923094	1	WASHER, 17/32 X 2 X 7GA
11	704031	3	NUT, 1/2-13 REG
12	70935299	1	CAPSCREW, 1/2-13 X 12" LG
13	70918431	1	WASHER, 1/2 WIDE
14	70301781	1	WASHER, PIVOT
15	70929593	1	PIN, CLEVIS, 1/2 X 1.36
16	70918452	2	PIN, COTTER, 1/8 X 1
17	70920415	6	CAPSCREW, 3/8-16 X 1-1/4 GR5
18	70917378	4	WASHER, 3/8 WIDE
19	70916965	6	LOCKWASHER, 3/8
20	70916950	6	NUT, 3/8-16 REG
21	70921176	1	CAPSCREW, 1/2-13 X 1-1/4 GR5
22	Y705624	3	WASHER, 1/2 NARROW
23	Y704742	2	NUT, HEX FLANGE TOP LOCK, 1/2-13
24	71390188	1	BELT, MAIN C'SHAFT DRIVE
25	71379520	1	YOKE & PLUG ASY.
	70937010	1	CAPSCREW, 1/2-13 X 5 GR5
	71349813	1	PLUG, SPRING
	70913744	1	NUT, JAM 1/2-13
	70937465	1	YOKE, 1/2-13
26	71349270	1	SPRING
27	71349811	1	PLUG & NUT ASY.
28	71391529	1	ARM ASY., IDLER, MAIN C'SHAFT
	71356060	2	BUSHING
	71197117	1	SPACER
29	71309768	1	IDLER, FLAT 8"
30	71312602	2	SPACER, IDLER
31	71346267	1	PLATE, MOUNTING
32	71356061	1	SLEEVE, HARD, IDLER PIVOT
33	71330802	1	ROD, SNUBBER
34	70925703	1	CAPSCREW, 5/8-11 X 4
35	70917373	2	LOCKWASHER, 5/8
36	70915726	2	NUT, 5/8-11 REG
37	70918432	1	WASHER, 5/8 WIDE
38	70935290	3	CAPSCREW, 3/4-10 X 3, FULL THD. GR5
39	70913160	3	NUT, 3/4-10 REG
40	70915988	1	CAPSCREW, 5/8-11 X 4-1/4 GR5
41	701235	1	CAPSCREW, 1/2-13 X 1-1/2 GR5

MC00248  
PR: 176

FRONT BEATER  
DRIVE BELT & IDLER



**9690 COMBINE  
PROCESSOR**

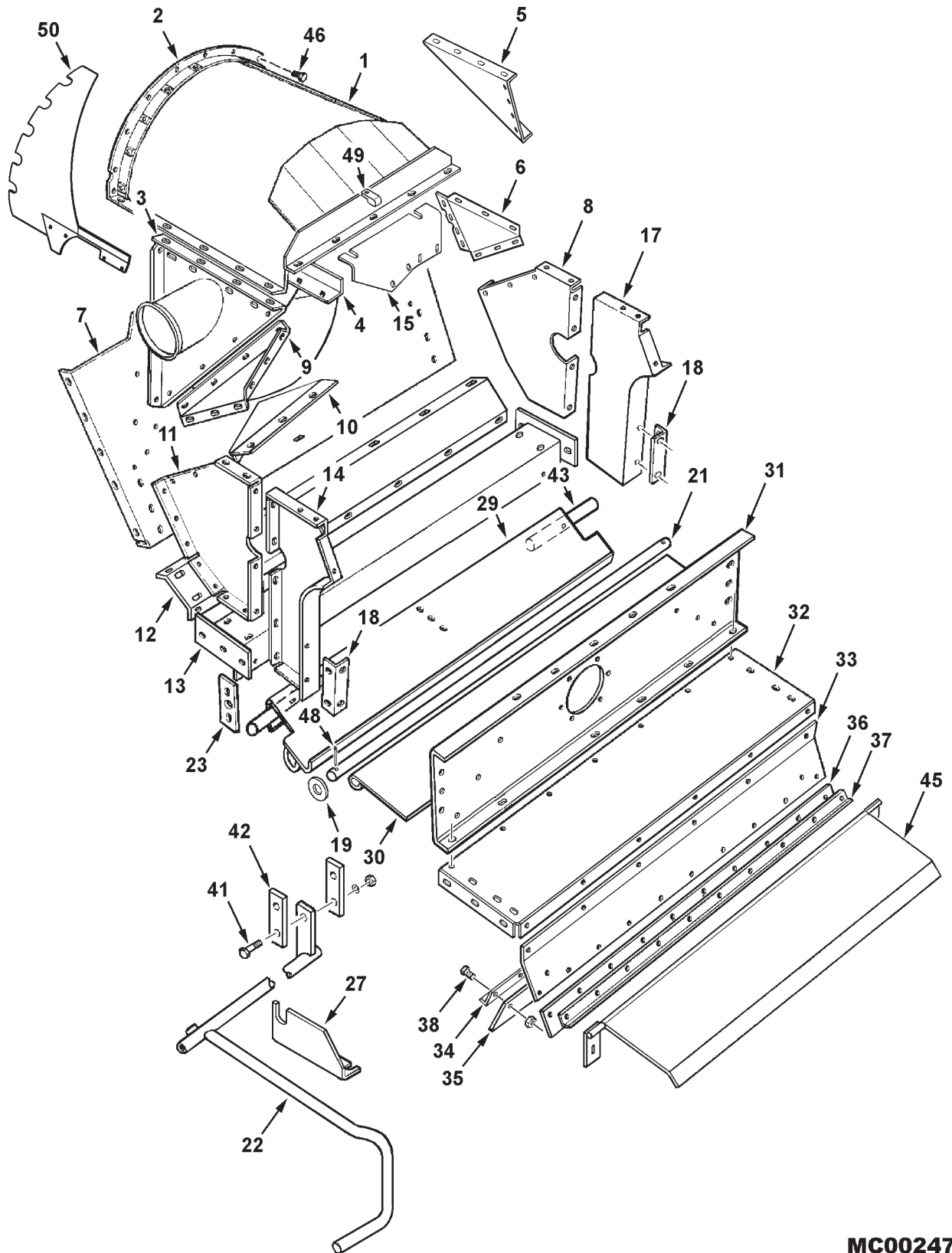
**331**

**FRONT BEATER  
DRIVE BELT & IDLER**

ITEM	NUMBER	QTY	DESCRIPTION
1	71386683	1	BRACKET, IDLER
2	700703922	2	NUT, HEX FLNG TOP LOCK, 5/8-11
3	71182840	1	MOUNTING PLATE
	704056	6	NUT, JAM 1/2-13 GR2
4	70920415	2	CAPSCREW, 3/8-16 X 1-1/4 GR5
5	70917378	2	WASHER, PLAIN, 3/8 WIDE
7	71388213	1	ARM ASSEMBLY (W/BUSHINGS)
8	2545270W1	2	IDLER PULLEY, FLAT, 6.5" DIA.
9	Y704734	4	NUT, HEX FLNG TOP LOCK, 3/8-16
10	71386352	1	BELT, KEVLAR (SEE BELTS LISTING)
11	2627000W1	1	SPRING, 45-1/2 COILS, 17-1/4 FREE LENGTH
12	2626120W1	1	ROD, PULL, 12.63" LG
13	70301781	1	WASHER, SPHERICAL
14	704031	2	NUT, 1/2-13 REG
15	71388207	1	BRACKET ASSEMBLY, ANCHOR
16	70921176	2	CAPSCREW, 1/2-13 X 1-1/4 GR5
17	70918431	1	WASHER, PLAIN, 1/2 WIDE
18	Y704742	2	NUT, HEX FLNG TOP LOCK, 1/2-13
19	70918432	5	WASHER, PLAIN, 5/8 WIDE
20	70926165	1	CAPSCREW, 5/8-11 X 4-1/2 GR5
21	368615X1	2	SPACER, IDLER
23	2636170W1	1	BOLT, IDLER PIVOT, 5/8-11
24	7701659	1	CAPSCREW, 5/8-11 X 2-1/2 GR5
25	2636210W1	1	SLEEVE, PIVOT
26	105086W91	1	CHAIN ASSEMBLY, IDLER STOP
	70921969	1	CAPSCREW, 3/8-16 X 1-1/2 GR5
	70917378	1	WASHER, 3/8 WIDE
	70917642	4	WASHER, PLAIN, 5/16 WIDE
	Y704734	1	NUT, HEX FLNG TOP LOCK, 3/8-16
28	1689170W1	2	BUSHING, 1.25 OD X .750 LG
29	70921210	2	CAPSCREW, 3/16 X 1 GR5

71385845  
PR: 178

INLET HOUSING AND STONETRAP



9690 COMBINE  
PROCESSOR

333

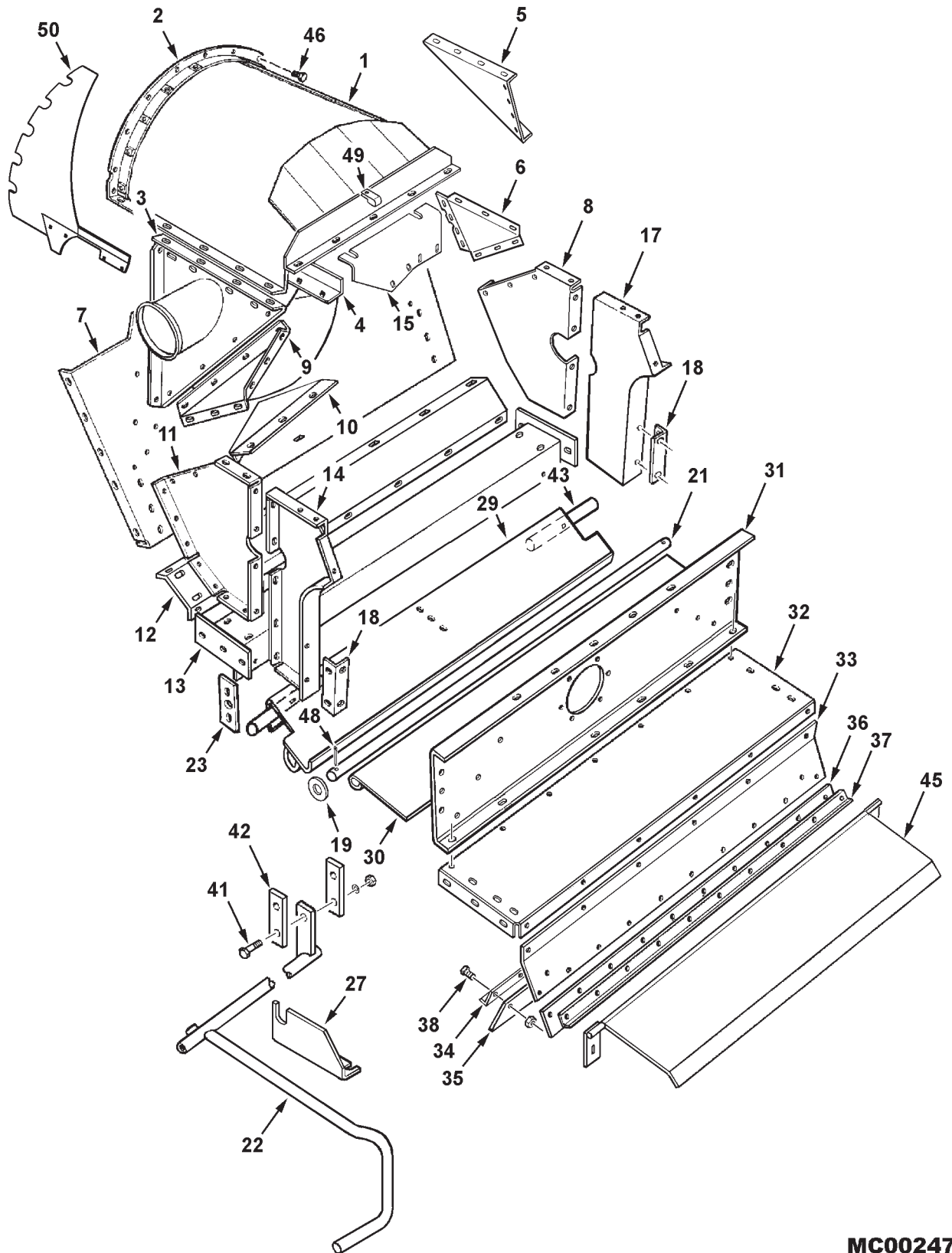
INLET HOUSING AND STONE TRAP

ITEM	NUMBER	QTY	DESCRIPTION
1	71409987	1	TOP COVER WLMT, INLET HOUSING
	700720958	9	SCR,BUTTON HD,RECESS SOCK,3/8-16 X 1
	70921965	12	CAPSCREW, 3/8-16 X 3/4 GR5
	70917378	8	WASHER, 3/8, WIDE
	Y704734	12	NUT, HEX FLANGE TOP LOCK, 3/8-16
2	2612961W91	1	ANGLE WLMT, INLET HOUSING
	70920787	10	CAPSCREW, 5/16-18 X 1/2 GR5
3	2619251W91	1	PLATE WLMT, RETURN TUBE
4	71410577	1	WEAR PLATE, RETURN INLET
	70931348	4	BOLT,RD HD SHT SQ NK, 3/8-16 X 3/4
	Y704734	4	NUT, HEX FLANGE TOP LOCK, 3/8-16
5	2619240W1	1	PLATE, LEFT REAR
6	2612910W1	1	PLATE, LEFT FRONT
7	71409995	1	FEED PLATE WLMT
	70921210	8	CAPSCREW, 3/8-16 X 1
	Y704734	8	NUT, HEX FLANGE TOP LOCK, 3/8-16
	70923325	11	CAPSCREW, 5/16-18 X 7/8 GR5
	Y704726	11	NUT, HEX FLANGE TOP LOCK, 5/16-18
8	2612880W1	1	SHIELD SIDE, INLET HOUSING
9	2619230W1	1	PLATE, RIGHT
10	2619280W1	1	PLATE, DEFLECTOR
	70921278	AR	SCREW, TRUSS HD
	70917378	AR	WASHER, 3/8, WIDE
	70916965	AR	LOCKWASHER, 3/8
	70916950	AR	NUT, HEX, 3/8
11	2612870W1	1	PANEL, RIGHT
12	71409983	1	PANEL WLMT, FLOOR, GR./CORN/ SOYBEAN
	71409282	1	PANEL WLMT, FLOOR, RICE
	70921965	17	CAPSCREW, 3/8-16 X 3/4 GR5
	70921210	7	CAPSCREW, 3/8-16 X 1 GR5
	70917378	7	WASHER, 3/8, WIDE
	705038	7	LOCKWASHER, 3/8
	Y704734	17	NUT, HEX FLANGE TOP LOCK, 3/8-16
13	71390582	1	CHANNEL WLMT
	70921176	6	CAPSCREW, 1/2-13 X 1-1/4 GR5
	Y704742	6	NUT, HEX FLANGE TOP LOCK, 1/2-13
14	2531671W91	1	PANEL WLMT, RIGHT FRONT
15	-----	1	BRKT, SENSOR(S/S BY 71401326)(SEE ROTOR)
17	2531681W91	1	PANEL WLMT, LEFT FRONT
18	2488980W1	2	SUPPORT, ANGLE
	70921210	7	CAPSCREW, 3/8-16 X 1
	70921969	1	CAPSCREW, 3/8-16 X 1-1/2 GR5
	70917378	8	WASHER, 3/8, WIDE
	Y704734	8	NUT, HEX FLANGE TOP LOCK, 3/8-16
19	70922658	2	WASHER, 1", WIDE
21	2502850W1	1	SHAFT, FEED PLATE
22	71391764	1	HANDLE WLMT, STONE TRAP
23	2522600W1	2	PLATE, ADJUSTABLE
	70920328	4	CAPSCREW, 1/2-13 X 1-1/2 GR5
	Y704742	4	NUT, HEX FLANGE TOP LOCK, 1/2-13

CONTINUED

MC00247  
PR: 180

INLET HOUSING AND STONETRAP





9690 COMBINE  
PROCESSOR

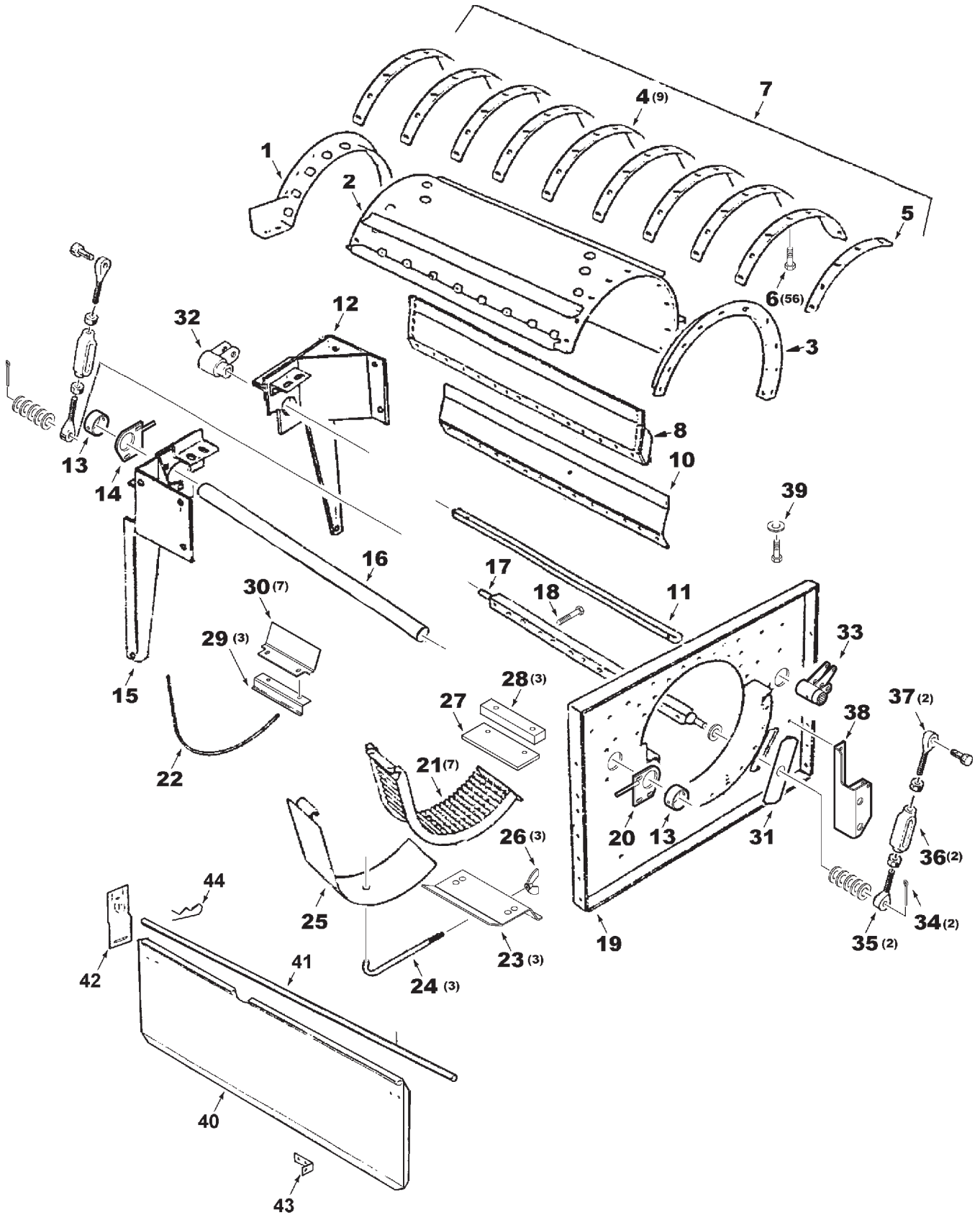
335

INLET HOUSING AND STONE TRAP

ITEM	NUMBER	QTY	DESCRIPTION
27	71391762	1	ANGLE, TRAP PIVOT
	701235	2	CAPSCREW, 1/2-13 X 1-1/2 GR5 (PRIOR S/N HN87101)
	390912X1	2	CAPSCREW, M12-1.75 X 40 CL8.8 (EFF. S/N HN87101)
	Y705624	4	WASHER, 1/2 NARROW (QTY VARIES)
29	71393352	1	PLATE WLMT, STONE TRAP
	70923701	4	CAPSCREW, 3/8-16 X 2 GR5
	353771X1	4	WASHER, HEAVY HARD, 3/8
	Y704734	4	NUT, HEX FLANGE TOP LOCK, 3/8-16
30	2502830W1	1	PLATE, FEED
31	2619220W1	1	CHANNEL, FRONT
	70921210	12	CAPSCREW, HEX HD, 3/8-16 X 1
	70917378	11	WASHER, 3/8 WIDE
	70916965	7	LOCKWASHER, 3/8
	Y704734	5	NUT, HEX FLANGE TOP LOCK, 3/8-16
	700703922	4	NUT, HEX FLANGE TOP LOCK, 5/8-11
32	71390579	1	PANEL ASY.
	70921965	15	CAPSCREW, 3/8-16 X 3/4 GR5
	70917378	15	WASHER, 3/8 WIDE
	Y704734	15	NUT, HEX FLANGE TOP LOCK, 3/8-16
33	2502891W91	1	SHEET WLMT, FRONT INLET HSG
	70916965	8	LOCKWASHER, 3/8
	70921965	8	CAPSCREW, 3/8-16 X 3/4 GR5
34	2517890W1	1	STRIP, SEAL CLAMPING, INNER
35	2517880W1	1	SEAL, INNER,
36	2479620W1	1	SEAL, OUTER,
37	2479640W1	1	STRIP, SEAL CLAMPING, OUTER
38	70409	19	SCREW, TRUSS HD MACH, 1/4-20 X 5/8
	705012	19	LOCKWASHER, 1/4
	70916622	19	NUT, 1/4-20 REG
41	70922645	2	CAPSCREW, 1/2-13 X 2-1/4 GR5
	Y705624	2	WASHER, 1/2 NARROW
	704031	4	NUT, 1/2-13 REG
42	112412W1	2	LINK, LEVER
43	104201W1	2	SHAFT, PIVOT
45	71389087	1	COVER WELDMENT, STONE TRAP
	70921176	2	CAPSCREW, 1/2-13 X 1-1/4 GR5
	Y704742	2	NUT, HEX FLANGE TOP LOCK, 1/2-13
46	70920787	10	CAPSCREW, 5/16-18 X 1/2
48	70918459	2	PIN, COTTER, 3/16 X 1-1/2
49	70936314	2	J-CLIP, 1/2 X .406 HOLE
50	71412349	1	PATCH WLMT, RETURN INLET (FIELD INSTALL, IMPROVED WEAR LIFE (PRIOR HR87101)
-	71399001	AR	KIT, STONE TRAP COVER (ORDER THRU DEALER CENTRAL)
-	700704010	AR	SILICONE SEALANT, BLACK, 10.2 OZ.

MC00247  
PR: 180

CONCAVE & CONTROLS



9690 COMBINE  
PROCESSOR

337

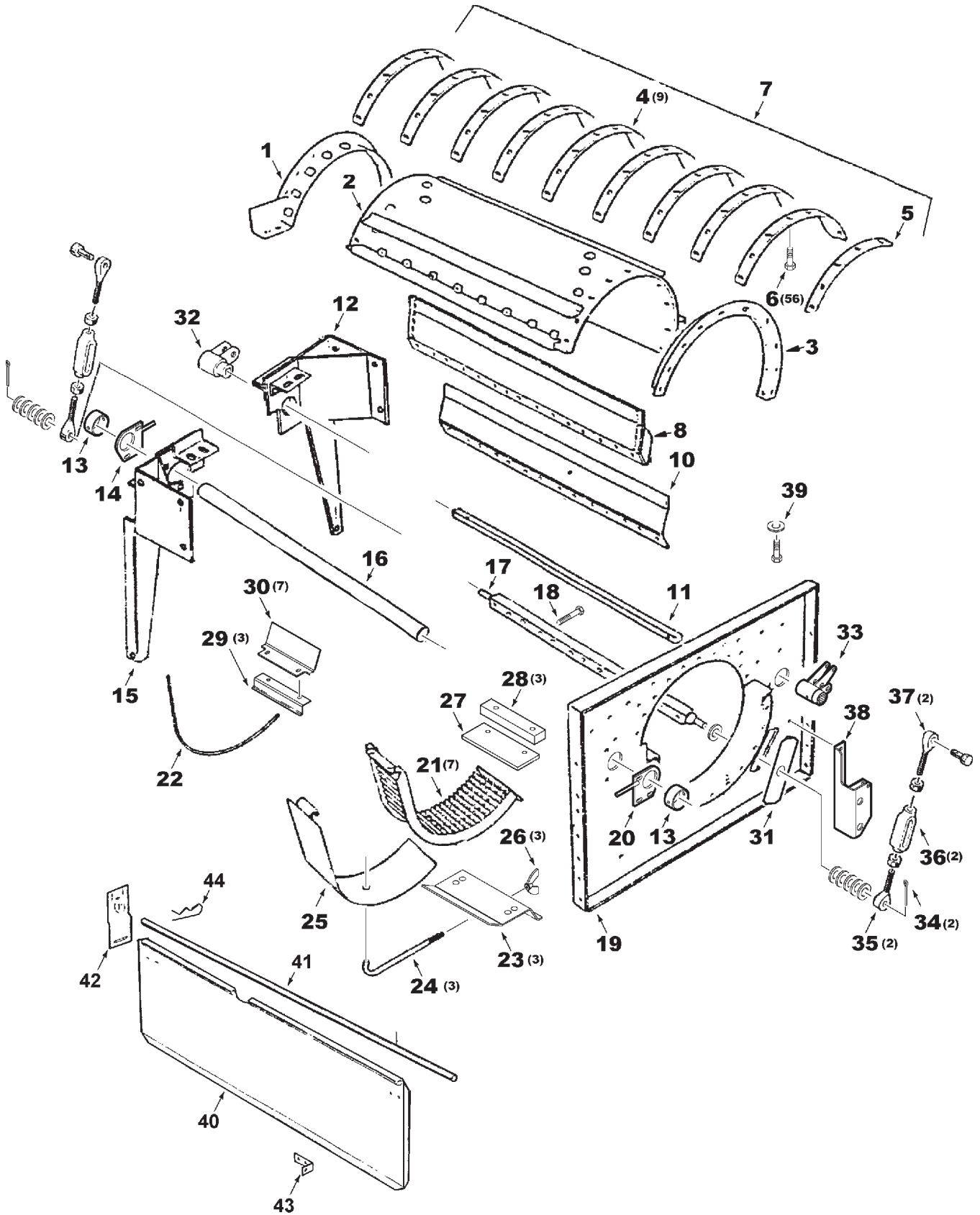
CONCAVE & CONTROLS

ITEM	NUMBER	QTY	DESCRIPTION
1	71388318	1	ANGLE WLDMT, REAR CONCAVE COVER
	700720958	10	SCR,SKT BTN HD,THD CUT'G, 3/8-16 X 1
2	71388301	1	COVER WLDMT, THRESHER
3	71388315	1	ANGLE WLDMT, FRONT CONCAVE
	700720958	10	SCR,SKT BTN HD,THD CUT'G, 3/8-16 X 1
4	2467220W1	9	VANE, GUIDE, 7 HOLE
5	2467230W1	1	VANE, GUIDE, 5 HOLE
6	700720958	56	SCREW,SKT BTN HD,THD CUT'G, 3/8-16 X 1"
7	71388312	1	COVER ASSEMBLY (INCLUDES ITEMS 1-6)
	703983	5	CAPSCREW, 1/2-13 X 1-3/4 GR5
	Y704742	5	NUT, HEX FLANGE TOP LOCK, 1/2-13
	70923114	1	CAPSCREW, 1/2-13 X 1" GR5
	Y704742	1	NUT, HEX FLANGE TOP LOCK, 1/2-13
	70921966	9	CAPSCREW, 3/8-16 X 7/8 GR5
	Y704734	9	NUT, HEX FLANGE TOP LOCK, 3/8-16
8	102764M91	1	OVERLAP WLDMT, PERFORATED (CORN,SB,RICE)
	71378025	AR	KIT, OVERLAP WLDMT, PERFORATED (ORDER THRU DEALER CENTRAL)
10	2636870W2	1	OVERLAP, CONCAVE, SOLID (REPLACES FOLLOWING 3 OVERLAP PTS S/N HR87101)
	71395334	1	OVERLAP, LT FRONT,(GRAIN, AUST, CE)
	71395335	2	OVERLAP, LT MID,(GRAIN, AUST, CE)
	71395336	1	OVERLAP, LT REAR,(GRAIN, AUST, CE)
	70921210	14	CAPSCREW, 3/8-16 X 1 GR5
	353771X1	14	WASHER, HEAVY, HARD, 3/8
	71398099	AR	KIT, OVERLAP, SOLID SEGMENT (GRAIN) (ORDER THRU DEALER CENTRAL)
11	71395339	1	ROD, CONCAVE CONTROL, 1-1/4 SQUARE
12	71390024	1	SUPPORT WLDMT, LH REAR CONCAVE
	70921176	4	CAPSCREW, 1/2-13 X 1-1/4 GR5
	Y704742	4	NUT, HEX FLANGE TOP LOCK, 1/2-13
13	2442960W1	2	HOLDER, PIVOT TUBE
	70921324	2	CAPSCREW, 3/8-16 X 3-3/4 GR5
	Y704734	2	NUT, HEX FLANGE TOP LOCK, 3/8-16
14	71388314	1	PLATE WLDMT, ADJUSTING, RT REAR
	7700156	3	BOLT, RD HD SQ NK, 1/2-13 X 1-1/2
	Y704742	3	NUT, HEX FLANGE TOP LOCK, 1/2-13
	704031	2	NUT, 1/2-13 REG
15	71390022	1	SUPPORT WLDMT, RH REAR CONCAVE
	70921176	4	CAPSCREW, 1/2-13 X 1-1/4 GR5
	Y704742	4	NUT, HEX FLANGE TOP LOCK, 1/2-13
16	2442970W1	1	TUBE, CONCAVE PIVOT
17	71389084	1	HANGER WLDMT, CONCAVE LH
	700709607	11	WASHER, 3/4 WIDE
	70918461	2	COTTER PIN, 1/4 X 1-1/2
18	700702141	14	CAPSCREW, 3/8-16 X 4-1/4 (QTY 8 PRIOR S/N HR87101)
	13601	4	CPSCR, 3/8-16 X 5-1/4(PRIOR HR87101)
	70922760	2	CPSCR, 3/8-16 X 5-1/2(PRIOR HR87101)
	70917378	14	WASHER, 3/8, WIDE
	70916965	14	LOCKWASHER, 3/8
	70916950	14	NUT, 3/8-16 REG

CONTINUED

MC00275  
PR: 184

CONCAVE & CONTROLS



9690 COMBINE  
PROCESSOR

339

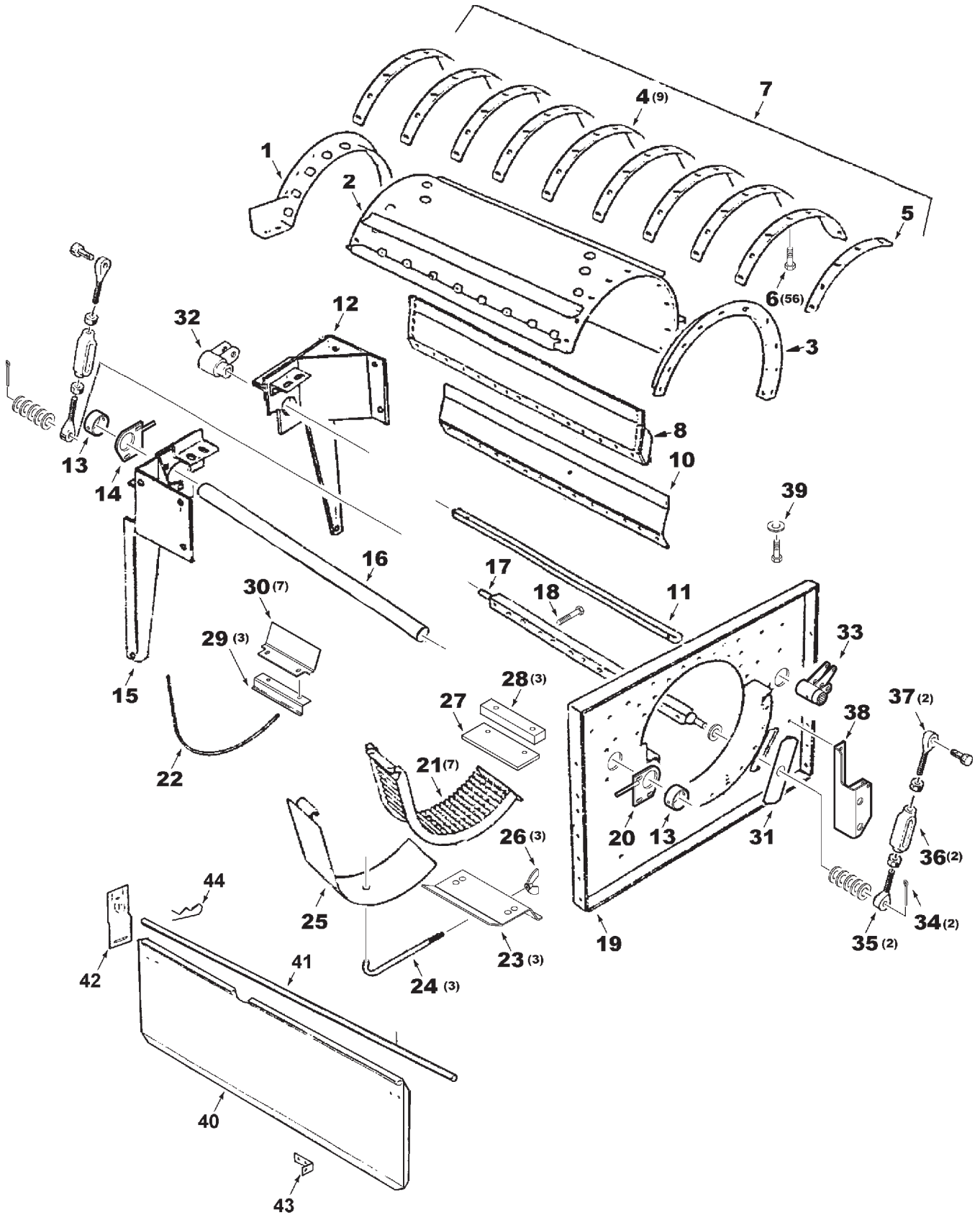
CONCAVE & CONTROLS

ITEM	NUMBER	QTY	DESCRIPTION
19	71409993	1	BULKHEAD WLDMT, THRESHER
	70921176	12	CAPSCREW, 1/2-13 X 1-1/4
	Y704742	12	NUT, HEX FLANGE TOP LOCK, 1/2-13
20	71388321	1	PLATE WLDMT, ADJUSTING, RT FRONT
	7700156	3	BOLT, RD HD SQ NK, 1/2-13 X 1-1/2
	Y704742	3	NUT, HEX FLANGE TOP LOCK, 1/2-13
	704031	2	NUT, 1/2-13 REG
21	71390005	7	CONCAVE ASY, 3/16 ROD, 13/32 SPCG(GRAIN)
	71398098	--	*KIT, CONCAVE, GRAIN (INCLS 7, 71390005)
	104904W91	--	CONCAVE ASY, 1/4 ROD (CORN, SOYBN, AUST)
	71378022	7	*KIT, CONCAVE, CORN (INCLS 7, 104904W91)
	71398275B	7	CONCAVE ASY,(HT)1/4 ROD,1-1/4 SPCG(RICE)
	71401075	--	*KIT, CONCAVE, RICE (INCLS 7, 71398275)
	70921324	13	CAPSCREW, 3/8-16 X 3-3/4 GR5
	7772767	1	CAPSCREW, 3/8-16 X 3-1/2 GR5
	70916965	14	LOCKWASHER, 3/8 REG
	70916950	14	NUT, 3/8-16 REG
22	2472450W1	AR	ROD, CONCAVE, 3/16 DIA (GRAIN)
	105495W1	AR	ROD, CONCAVE, 5 MM DIA (CORN)
	71378021	--	*KIT,42 RODS,CORN CONCAVE,5 MM(5/8 SPCG)
	105493W1	AR	ROD, CONCAVE, 1/4 DIA (CORN, SOYBEAN, RICE & AUSTRALIA)
23	71391489	3	PLATE, LH BLANK ANCHOR
24	2544120W1	3	ROD, PULL, 5/16 THRDS
	700709602	3	WASHER, 5/16 WIDE
	70917356	3	LOCKWASHER, 5/16
	70917372	3	NUT, 5/16-18 REG
	Y704726	3	NUT, HEX FLANGE TOP LOCK, 5/16-18
25	2545511W91	3	BLANK ASY, CONCAVE
26	704262	3	NUT, WING, 5/16-18
27	71395338	1	PLATE, STOP, PWR CONCAVE ADJUST (PRIOR S/N HR87101)
28	71395337	3	SHIM, CONCAVE, 1" THICK (PRIOR HR87101)
29	2545471W91	3	HINGE PLATE ASY, CONCAVE BLANK
30	71395407	7	ANGLE, RH OVERLAP
	70920415	14	CAPSCREW, 3/8-16 X 1-1/4 GR5
	70917378	14	WASHER, 3/8 WIDE
	70916965	14	LOCKWASHER, 3/8 REG
	70916950	14	NUT, 3/8-16 REG
31	2466960W2	1	COVER
32	2466861W91	1	LEVER WLDMT, CONCAVE ADJ, REAR
33	71393118	1	LEVER WLDMT, CONCAVE ADJ, FRONT
	7773864	2	CAPSCREW, 1/4-20 X 3" GR5
	70916622	4	NUT, 1/4-20 REG

CONTINUED

MC00275  
PR: 184

CONCAVE & CONTROLS



9690 COMBINE  
PROCESSOR

341

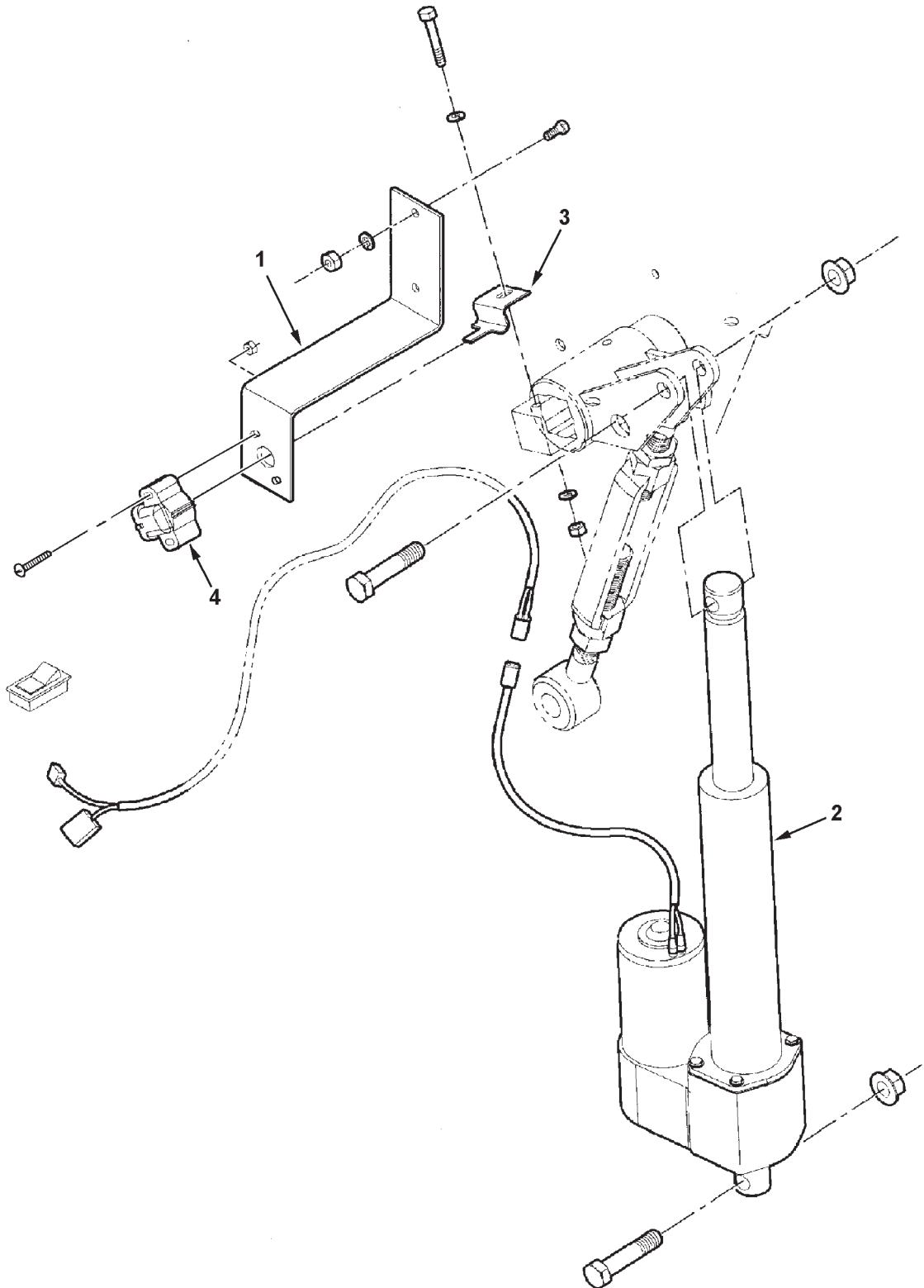
CONCAVE & CONTROLS

ITEM	NUMBER	QTY	DESCRIPTION
34	70929594	2	PIN, CLEVIS, 3/4 X 1.91
	62190	2	COTTER PIN, 5/32 X 1-1/2
35	103001M91	2	ROD ASY, CONCAVE ADJUST, 3/4-10 RH THD
	70913160	2	NUT, 3/4-10 REG
36	252502M1	2	TURNBUCKLE, 3/4-10
37	103004M91	2	ROD ASY, CONCAVE ADJUST, 3/4-10 LH THD
	254763M1	2	NUT, HEX JAM, 3/4-10 UNC LH THD
38	71393122	1	BASE WLDMT, ACTUATOR
	70923114	3	CAPSCREW, 1/2-13 X 1" GR5
	Y705046	3	LOCKWASHER, 1/2 REG
39	7771504	1	CAPSCREW, 5/8-11 X 3, FULL THD (PRIOR S/N HR87101)
	375112X1	1	JAM NUT, 5/8-11 (PRIOR S/N HR87101)
40	2547540W1	1	PLATE, CONCAVE DEFLECTOR
41	2531340W1	1	ROD, DEFLECTOR HINGE
42	2547531W91	2	MOUNTING PLATE WLDMT, DEFLECTOR
43	2530670W1	2	BRKT, DEFLECTOR ADJUSTING
	70923341	6	CAPSCREW, 1/4-20 X 3/4
	70917377	8	WASHER, 1/4 WIDE
	70916964	4	LOCKWASHER, 1/4 REG
	70916622	6	NUT, 1/4-20 REG
44	70936348	2	PIN, RETAINER, .125 DIA X 2.56 LG

\*(ORDER THRU DEALER CENTRAL)

MC00275  
PR: 184

POWER CONCAVE CONTROL





9690 COMBINE  
PROCESSOR

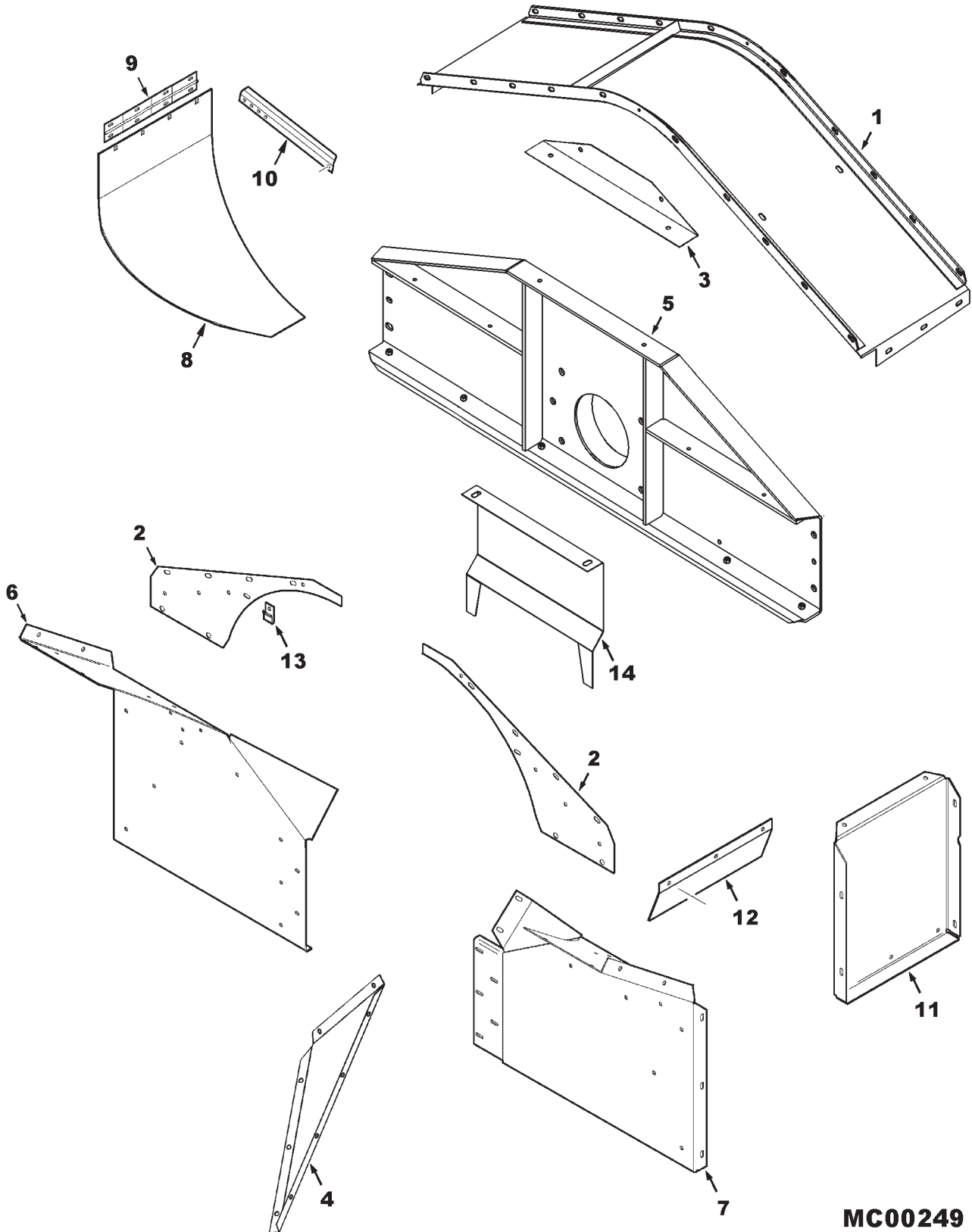
343

POWER CONCAVE CONTROL

ITEM	NUMBER	QTY	DESCRIPTION
1	71388322	1	BRACKET, SENSOR MOUNTING
	70927401	2	CAPSCREW, 1/4-20 X 1" GR5
	705012	2	LOCKWASHER, 1/4 REG
	70916622	2	NUT, 1/4-20 REG
2	71411902	1	ACTUATOR, ELECTRIC
	70922645	2	CAPSCREW, 1/2-13 X 2-1/4 GR5
	Y704742	2	NUT, HEX FLNG TOP LOCK, 1/2-13
3	71387329	1	TAB, SENSOR DRIVE
	70921962	1	CAPSCREW, 1/4-20 X 1-3/4 GR5
	705707	1	WASHER, 1/4 NARROW
	705012	1	LOCKWASHER, 1/4 REG
	70916622	1	NUT, 1/4-20 REG
4	71376825	1	SENSOR, CONCAVE POSITION
	70918151	2	SCREW, TRUSS HD, #10-32 X 1-1/4
	70917380	2	WASHER, #10 PLAIN
	705004	2	LOCKWASHER, #10 REG
	Y704445	2	NUT, #10-32 REG

MC00291  
PR: 188

REAR ROTOR HOUSING



9690 COMBINE  
PROCESSOR

345

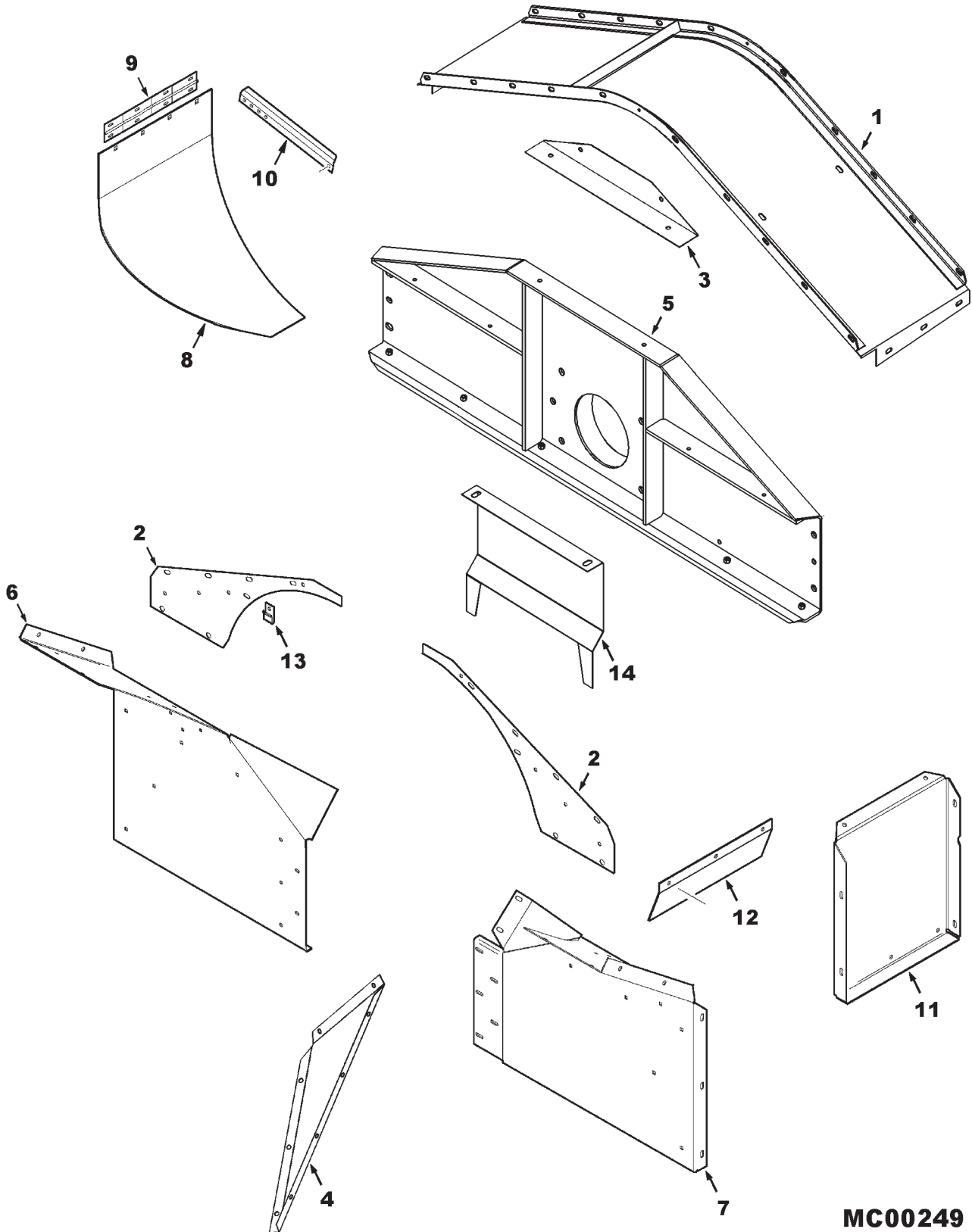
REAR ROTOR HOUSING

ITEM	NUMBER	QTY	DESCRIPTION
1	71389427	1	COVER WLDMT, TOP
	70921210	8	CAPSCREW, 3/8-16 X 1 GR5
	70917378	16	WASHER, 3/8
	70916965	8	LOCKWASHER, 3/8
	70916950	8	NUT, 3/8-16
2	71389426	2	BULKHEAD, REAR
	70921332	4	CAPSCREW, 5/16-18 X 3/4 GR5
	70917642	4	WASHER, 5/16
	70917356	4	LOCKWASHER, 5/16
	70921210	8	CAPSCREW, 3/8-16 X 1 GR5
	70921965	6	CAPSCREW, 3/8-16 X 3/4 GR5
	70917378	22	WASHER, 3/8
	70916965	14	LOCKWASHER, 3/8
	70916950	14	NUT, 3/8-16
3	71395346	1	COVER, BULKHEAD, ROTOR EXHAUST
	70921210	2	CAPSCREW, 3/8-16 X 1 GR5
	70921965	2	CAPSCREW, 3/8-16 X 3/4 GR5
	70917378	4	WASHER, 3/8
	70916965	4	LOCKWASHER, 3/8
	70916950	4	NUT, 3/8-16
4	104928W1	1	PLATE, DEFLECTOR
	70931317	2	BOLT, RD HD,SHT SQ NK, 1/4-20 X 3/4
	70937101	2	SPEEDNUT, 1/4-20
	7700461	3	BOLT, RD HD,SHT SQ NK, 5/16-18 X 3/4
	70921332	6	CAPSCREW, 5/16-18 X 3/4 GR5
	70917642	7	WASHER, 5/16
	70917356	9	LOCKWASHER, 5/16
	70917372	9	NUT, HEX, 5/16-18
	71395344	1	PLATE WLDMT, ROTOR
5	700703922	4	NUT, HEX FLNG TOP LOCK, 5/8-11
	104925W91	1	BULKHEAD ASY., LEFT
6	7700461	10	CAPSCREW, RH SQ NK, 5/16-18 X 3/4
	70917642	10	WASHER, 5/16
	70917372	10	NUT, 5/16-18
	70921965	4	CAPSCREW, 3/8-16 X 3/4 GR5
	70921210	1	CAPSCREW, 3/8-16 X 1 GR5
	70917378	5	WASHER, 3/8
	70916965	5	LOCKWASHER, 3/8
	70916950	5	NUT, 3/8-16

CONTINUED

MC00249  
PR: 190

REAR ROTOR HOUSING



9690 COMBINE  
PROCESSOR

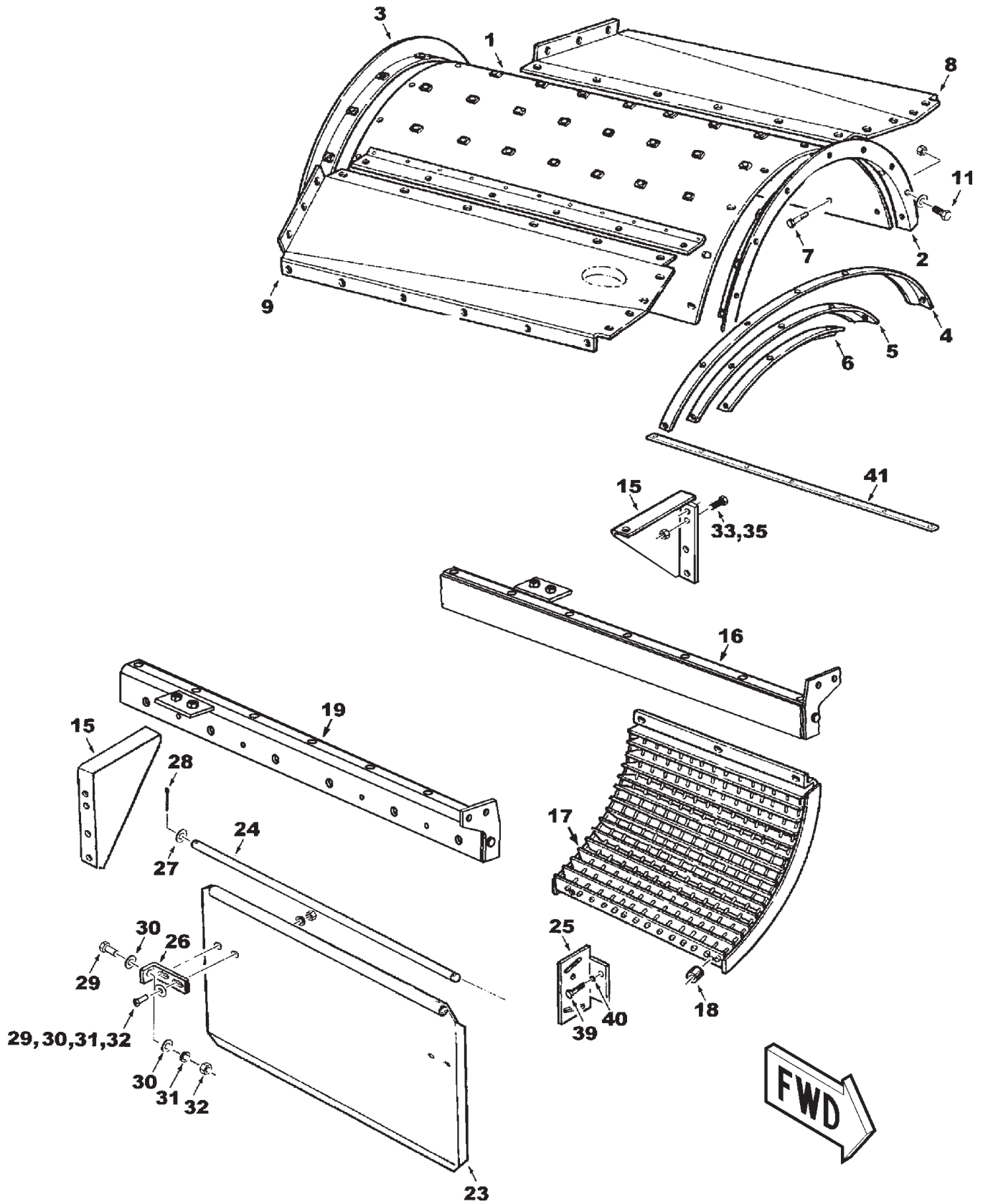
347

REAR ROTOR HOUSING

ITEM	NUMBER	QTY	DESCRIPTION
7	104922W91	1	BULKHEAD ASY, RIGHT
	7700461	2	CAPSCREW, RH SQ NK, 5/16-18 X 3/4
	70917642	2	WASHER, 5/16
	70917372	2	NUT, 5/16-18
	70921965	4	CAPSCREW, 3/8-16 X 3/4 GR5
	70921210	1	CAPSCREW, 3/8-16 X 1 GR5
	70917378	5	WASHER, 3/8
	70916965	5	LOCKWASHER, 3/8
	70916950	5	NUT, 3/8-16
8	71392690	1	DISCHARGE WLDMT, ROTOR DEFLECTOR
	70931348	4	BOLT, RD HD SQ NK, 3/8-16 X 3/4
	70916965	4	LOCKWASHER, 3/8
	70916950	4	NUT, 3/8-16
9	71386169	1	HINGE, DEFLECTOR
	70931348	4	BOLT, RD HD SQ NK, 3/8-16 X 3/4
	70916965	4	LOCKWASHER, 3/8
	70916950	4	NUT, 3/8-16
10	71387699	1	STRAP, DISCHARGE DEFLECTOR
	70921332	2	CAPSCREW, 5/16-18 X 3/4
	70917356	1	LOCKWASHER, 5/16
	70917372	1	NUT, HEX, 5/16-18
	7704117	1	NUT, HEX FLNG. TOP LOCK, 5/16-18
11	71387826	1	PLATE, UPPER RH
	70921210	5	CAPSCREW, 3/8-16 X 1 GR5
	70917378	6	WASHER, 3/8
	70916965	5	LOCKWASHER, 3/8
	70916950	5	NUT, 3/8-16
12	71387700	1	PLATE, DEFLECTOR
	70921210	3	CAPSCREW, HEX, 3/8-16 X 1
	70916965	3	LOCKWASHER, 3/8
	70916950	3	NUT, 3/8-16
13	70936314	4	J-CLIP, 1/2
14	71404326	1	* DEFLECTOR PANEL, ROTOR GEARBOX
	70917378	2	* WASHER, 3/8 WIDE
-	700525382	AR	* KIT, DEFLECTOR, ROTOR GEARBOX (FIELD CAMPAIGN)(EFF. S/N HM87101 THRU HN87300)

MC00249  
PR: 190

SEPARATOR GRATES



9690 COMBINE  
PROCESSOR

349

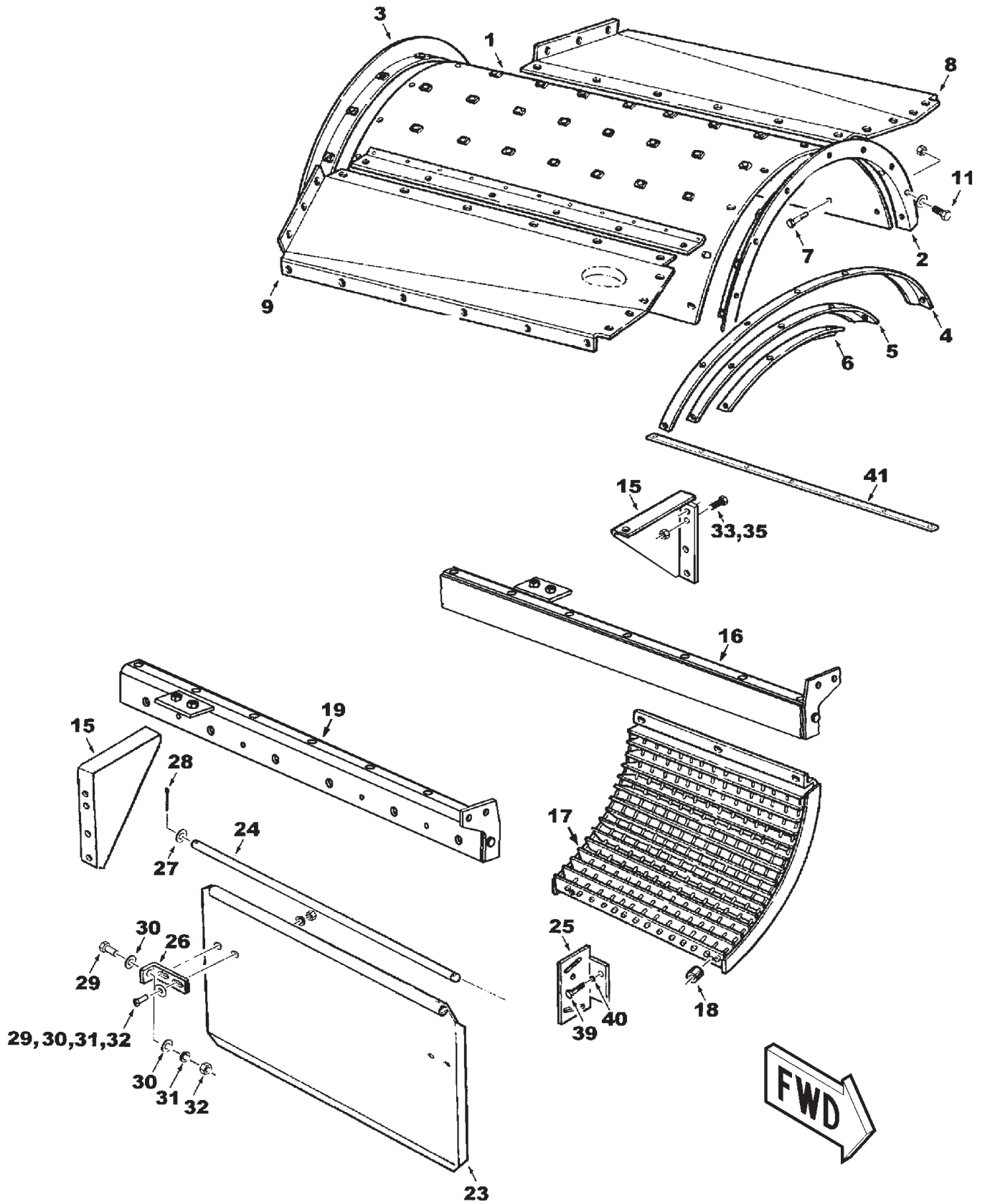
SEPARATOR GRATES

ITEM	NUMBER	QTY	DESCRIPTION
-	71388466	1	GUIDE VANE ASY,SEPARATOR(INCL ITEMS 1-7)
	70919089	14	CAPSCREW, 1/2-13 X 1-3/4 GR5
	Y705046	14	LOCKWASHER, 1/2
1	71388439	1	COVER WLDMT
2	71388441	1	ANGLE WLDMT, FRONT
3	71388442	1	ANGLE WLDMT, REAR
4	2467220W1	5	VANE, GUIDE 7 HOLE
5	2467230W1	1	VANE, GUIDE 5 HOLE
6	2498390W1	1	VANE, GUIDE 3 HOLE
7	71335689	52	SCR, SOCK BUTTON HD,TAPP'G, 3/8-16 X 3/4
	700720958	16	SCR, SOCK BUTTON HD,TAPP'G, 3/8-16 X 1
8	71391902	1	COVER, LEFT REAR
	71387344	1	COVER, LEFT FRONT
	70922586	7	CAPSCREW, 3/8-16 X 5/8
	70921332	2	CAPSCREW, 5/16-18 X 3/4
	70923325	13	CAPSCREW, 5/16-18 X 7/8
	70917378	7	WASHER, 3/8 WIDE
	70917642	15	WASHER, 5/16 WIDE
	70917356	13	LOCKWASHER, 5/16
	70916965	7	LOCKWASHER, 3/8
	Y704726	2	NUT, HEX FLNG TOP LOCK, 5/16-18
	70916950	7	NUT, 3/8-16 REG
9	71387343	1	COVER, RIGHT REAR
	71387345	1	COVER, RIGHT FRONT
	70923325	26	CAPSCREW, 5/16-18 X 7/8
	70917642	29	WASHER, 5/16
	70917356	26	LOCKWASHER, 5/16
	70917372	12	NUT, 5/16-18 REG
	7703499	3	CAPSCREW, 5/16-18 X 3/4 GR5
	Y704726	3	NUT, HEX FLNG TOP LOCK, 5/16-18
11	70921210	16	CAPSCREW, 3/8-16 X 1.0
	353771X1	16	WASHER, HEAVY HARDENED FLAT, 3/8
	Y704734	16	NUT, HEX FLNG TOP LOCK, 3/8-16
15	71390019	2	BRACKET ASY.
	7701188	8	CAPSCREW, 1/2-13 X 1-1/4 GR5
	Y704742	8	NUT, HEX FLNG TOP LOCK, 1/2-13
16	71388459	1	HANGER WLDMT, LEFT REAR
	7701188	2	CAPSCREW, 1/2-13 X 1-1/4 GR5
	Y704742	2	NUT, HEX FLNG TOP LOCK, 1/2-13

CONTINUED

MC00250  
PR: 194

SEPARATOR GRATES





9690 COMBINE  
PROCESSOR

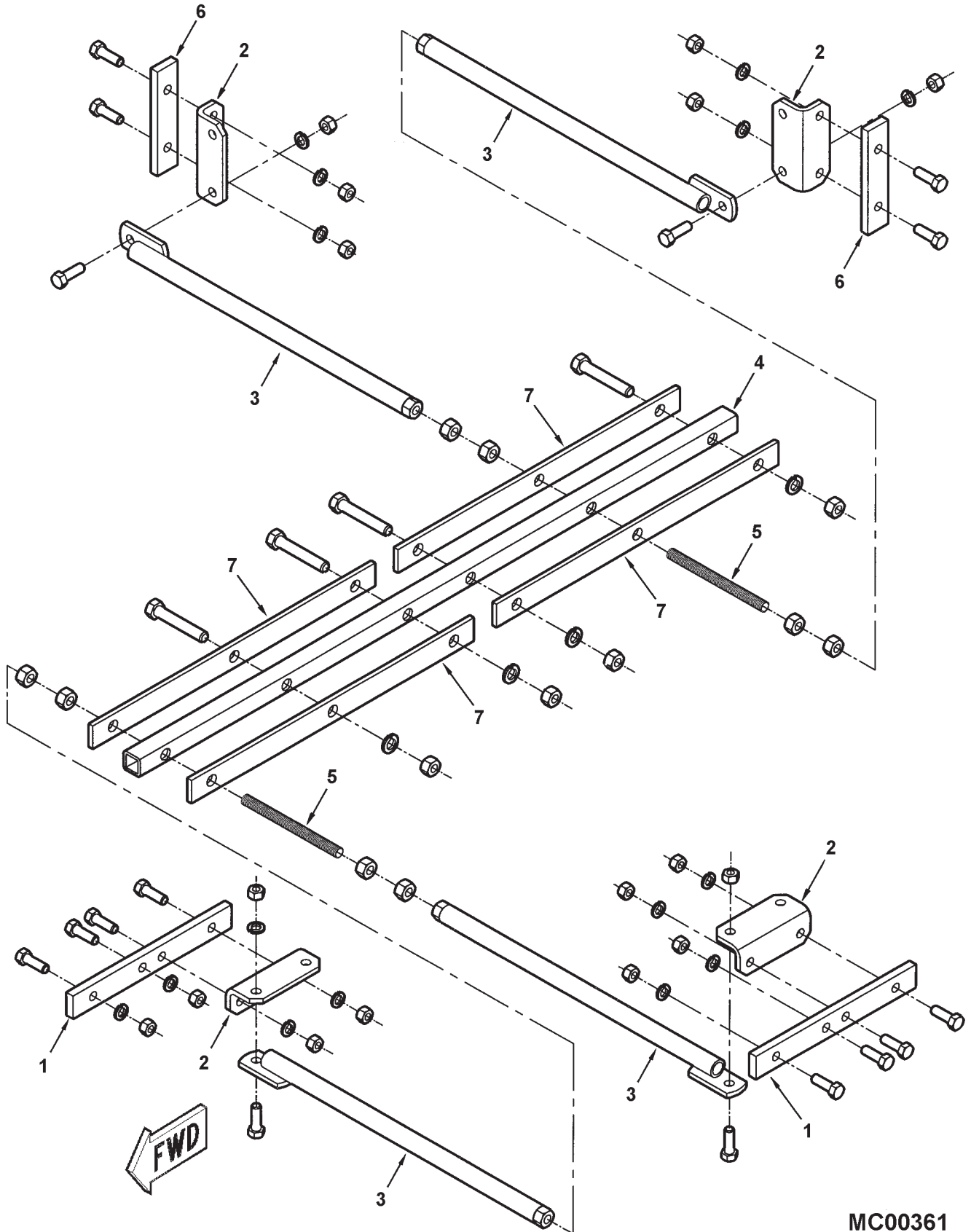
351

SEPARATOR GRATES

ITEM	NUMBER	QTY	DESCRIPTION
17	71388451	4	GRATE WLDMT, SEPARATOR
	70920037	8	CAPSCREW, HEX SOCK HD, 1/2-13 X 5/8
	7701188	12	CAPSCREW, 1/2-13 X 1-1/4 GR5
	Y705046	12	LOCKWASHER, 1/2
18	151257M1	6	SPACER, 1-1/4 X 11/16 X 1-3/16
	70919434	6	CAPSCREW, 5/8-11 X 2-3/4 GR5
	700703922	6	NUT, HEX FLNGE TOP LOCK, 5/8-11
19	71388458	1	HANGER ASY., RH
	7701188	2	CAPSCREW, 1/2-13 X 1-1/4
	Y704742	2	NUT, HEX FLNG TOP LOCK, 1/2-13
23	2618670W1	2	SHIELD, DEFLECTOR
24	2618680W1	2	ROD, SEPARATOR DEFLECTOR, HINGE
25	2538810W1	4	BRACKET, SEPARATOR DEFLECTOR HINGE
26	2530670W1	4	BRACKET, ADJUSTING
27	70917378	4	WASHER, WIDE FLAT, 3/8
28	70918452	4	PIN, COTTER, 1/8 X 1.0
29	70923341	12	CAPSCREW, HEX, 1/4-20 UNC X 3/4
30	70917377	16	WASHER, WIDE FLAT, 1/4
31	70916964	12	WASHER, LOCK, 1/4
32	70916622	12	NUT, HEX, 1/4-20 UNC
33	70921176	8	CAPSCREW, 1/2-13 X 1-1/4
35	Y704742	8	NUT, HEX FLNG TOP LOCK, 1/2-13
39	70921210	4	CAPSCREW, 3/8-16 X 1.0
40	70916965	4	WASHER, LOCK, 3/8
41	71388465	2	FLAT STRAP, COVER REINF

MC00250  
PR: 194

SEPARATOR GRATE SUPPORTS  
RICE



9690 COMBINE  
PROCESSOR

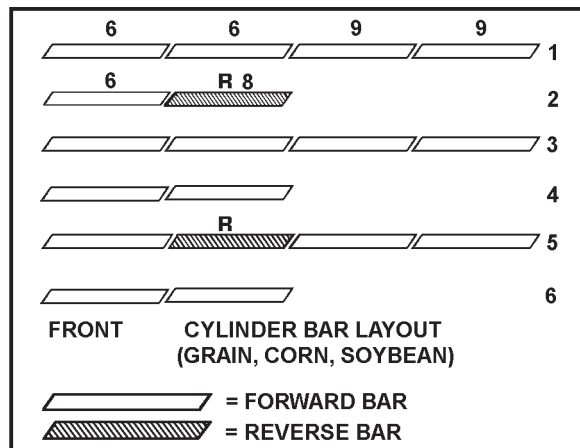
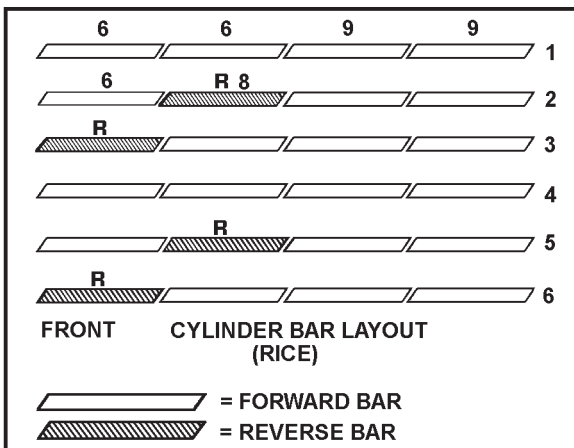
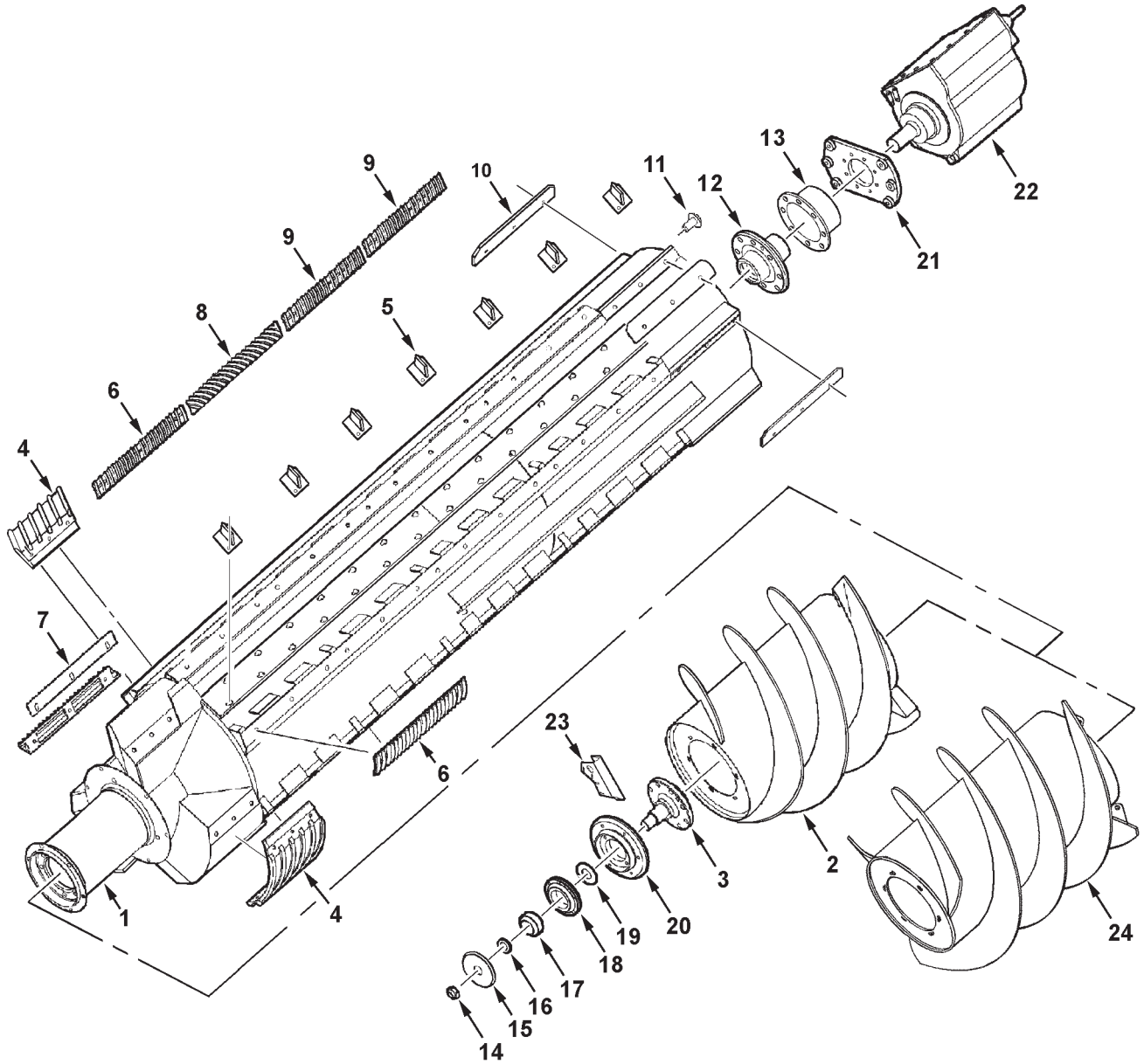
353

SEPARATOR GRATE SUPPORTS  
RICE

ITEM	NUMBER	QTY	DESCRIPTION
1	71398761	2	BAR, REINFORCEMENT, FRONT
	703983	4	CAPSCREW, 1/2-13 X 1-3/4
	Y705046	4	LOCKWASHER, 1/2
	704031	4	NUT, HEX, 1/2-13
2	71398762	4	ANGLE, INNER SUPPORT
	703983	8	CAPSCREW, 1/2-13 X 1-3/4
	Y705046	8	LOCKWASHER, 1/2
	704031	8	NUT, HEX, 1/2-13
3	71398763	4	PIPE WLMT, SUPPORT
	701235	4	CAPSCREW, 1/2-13 X 1-1/2
	Y705046	4	LOCKWASHER, 1/2
	704031	4	NUT, HEX, 1/2-13
4	71398771	1	TUBE, STRUCTURAL
5	71398770	2	ROD, THREADED, 5/8-11 X 7.0
	70932665	8	NUT, HEX, 5/8-11
6	71398768	2	BAR, REINFORCEMENT, REAR
7	71398769	4	BAR, REINFORCEMENT
	7701550	4	CAPSCREW, 5/8-11 X 3-1/2
	70917373	4	LOCKWASHER, 5/8
	70932665	4	NUT, HEX, 5/8-11

MC00361  
PR: 198

ROTOR



**9690 COMBINE  
PROCESSOR**

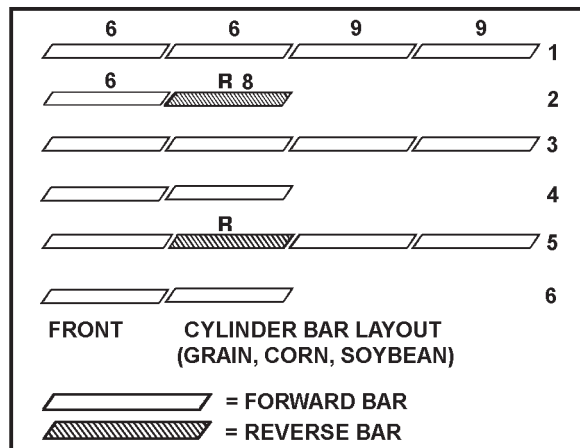
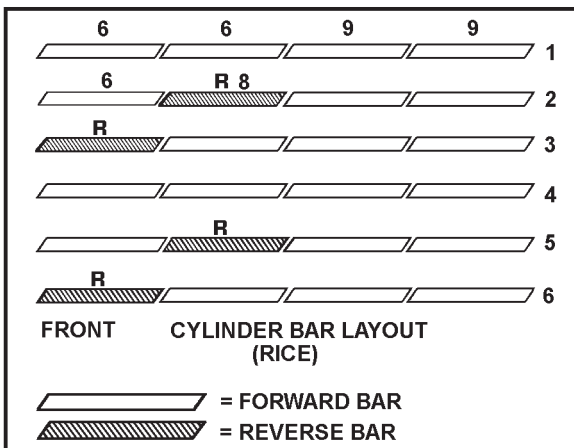
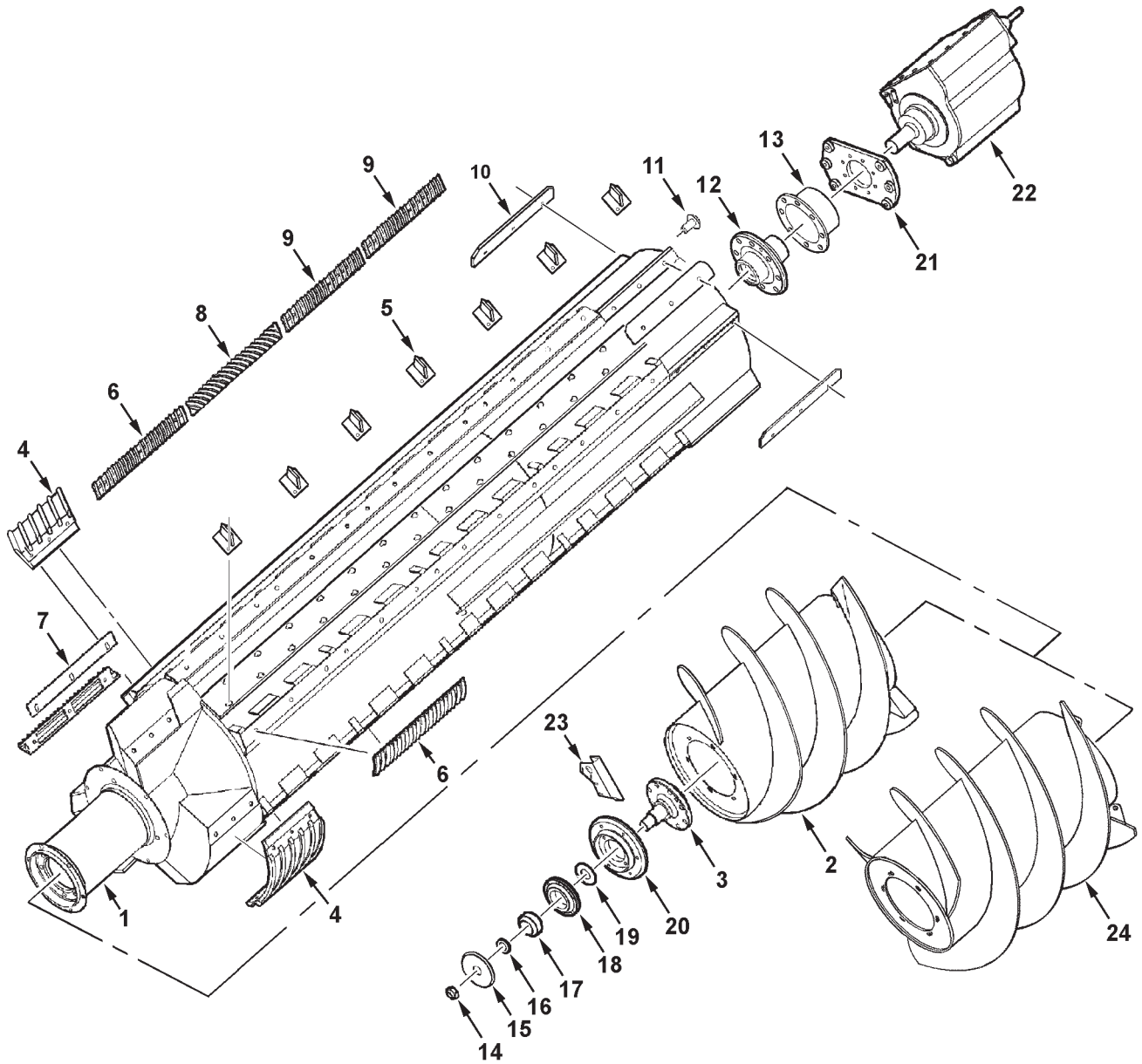
**355  
ROTOR**

ITEM	NUMBER	QTY	DESCRIPTION
-	71410437	1	ROTOR ASY, REPAIR (GRAIN, CORN, SOYBEAN) (COMPLETE W/ FLIGHTING WLMT IT. 24)
-	71398271	1	KIT, ROTOR ASY (RICE & AUSTRALIA)
1	-----	X	ROTOR WLDMT, (NOT SERVICED)
2	2469711W91	1	FLIGHTING ASY, INLET (PRIOR S/N HN87101) (SERVICE W/71410439 & KIT *71412754)
	2469760W1	AR	FLIGHTING, WELD-ON (NON-HARDENED) (FOR 2469711W91)
	71399637	1	FLIGHTING ASY, INLET (EFF. S/N HN87101 THRU HP87999)(SERVICE W/ 71410439)
	71399641	AR	FLIGHTING, WELD-ON (NON-HARDENED) (FOR 71399637)(SERVICE W/ 71410441)
	70921210	15	CAPSCREW, 3/8-16 X 1 GR5
	70917378	15	WASHER, 3/8, WIDE
	70916965	15	LOCKWASHER, 3/8
	700704010	AR	SILICONE SEALANT, BLACK, 10.2 OZ
3	101930M1	1	SHAFT, FRONT
	70921525	8	CAPSCREW, 1/2-13 X 1-3/4 GR8
4	2497273W91	1	ELEMENT, THRESHING (GR,CN,SBN)(SET OF 3)
	102835M91	1	ELEMENT, THRESHING (RICE, AUS)(SET OF 3)
	700706463	18	CAPSCREW, 3/8-16 X 1 GR8
	353771X1	18	WASHER, HEAVY HARD 3/8
5	2554761W91	21	IMPELLER WLMT
	7700461	42	BOLT, RD HD SHT SQ NK, 5/16-18 X 3/4
	Y704726	42	NUT, HEX FLNG, TOP LOCK, 5/16-18
	71378019	AR	KIT, 21 IMPELLERS, ROTOR (ORDER THRU DEALER CENTRAL)
6	71371520	10	CYLINDER BAR, .75 CHROME (GRN,CRN,SBN) QTY. 8 (RICE, AUST.)
7	71393107	AR	SHIM .0359
8	71371526	2	CYL BAR, REVERSE, .75 CHROME (GR,CN,SBN) QTY. 4 (RICE, AUST.)
9	71378577	6	CYL BAR, LONG, FWD .75 CHROME(GN,CN,SBN) QTY. 12 (RICE, AUST.)
	71378579	AR	CYL BAR, LONG, REVERSE, .75 CHROME (ALT)
	70926154	24	CAPSCREW, 1/2-13 X 1 GR8
	Y705046	24	LOCKWASHER, 1/2 REG
10	71395413	6	PLATE, SEPARATOR DISCHARGE QTY. 15 (RICE, AUST.)
	8701708	18	CAPSCREW, 1/2-13 X 1-1/4 GR8 QTY. 45 (RICE, AUST.)
	Y705046	18	LOCKWASHER, 1/2 QTY. 45 (RICE, AUST.)
	71399003	AR	KIT, SEPARATOR, 9 PADDLES (ORDER THRU DEALER CENTRAL)
11	373124X1	1	SCREW, TRUSS HEAD, 3/8 UNC X 3/4
12	71391752	1	HUB WLDMT, ROTOR DRIVE
13	102981M91	1	SHIELD ASSEMBLY
	70921525	8	CAPSCREW, 1/2-13 X 1-3/4 GR8
	353773X1	8	WASHER, HEAVY HARD 1/2

CONTINUED

MC00251  
PR: 200

ROTOR



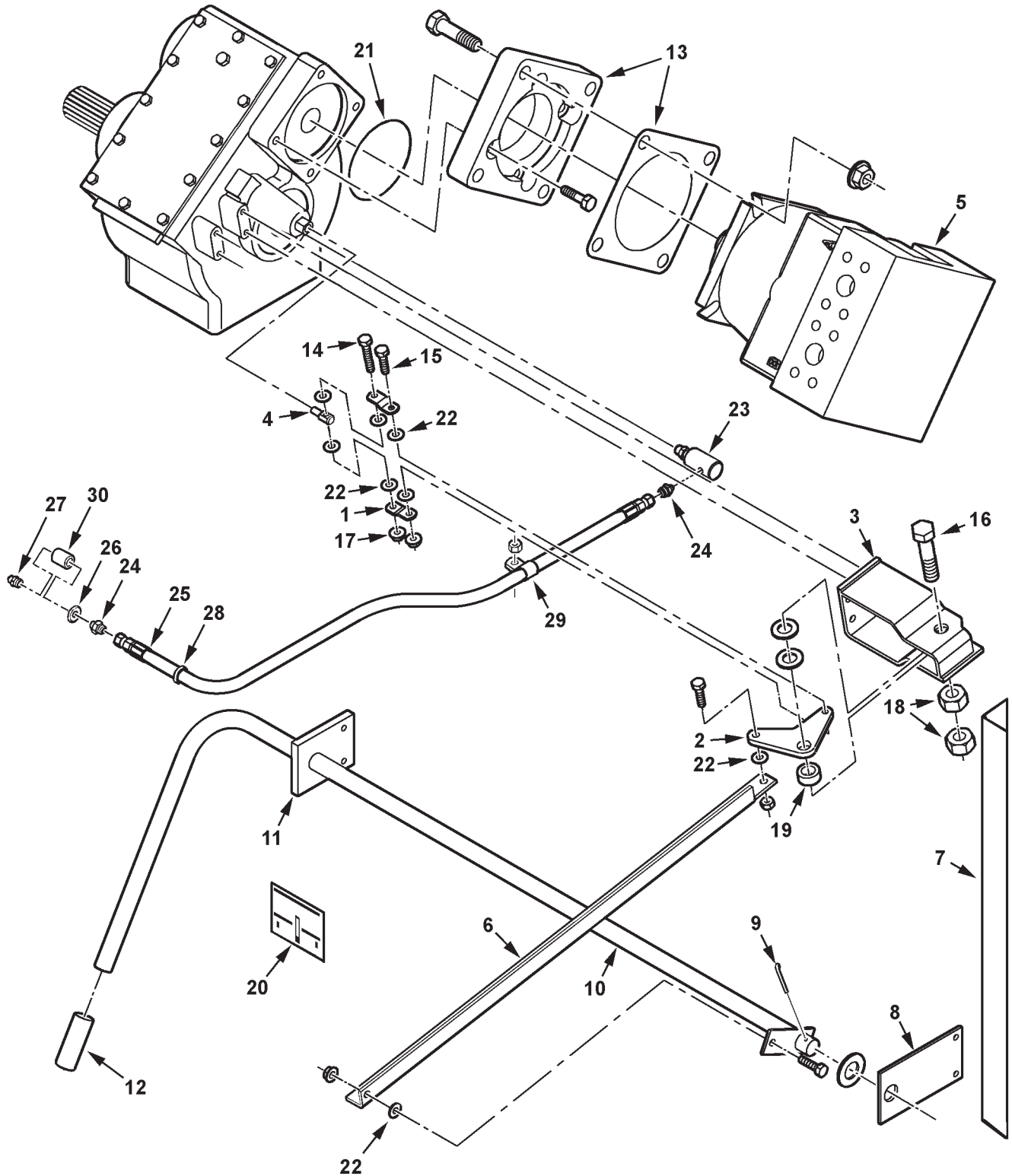
**9690 COMBINE  
PROCESSOR**

**357  
ROTOR**

ITEM	NUMBER	QTY	DESCRIPTION
14	832088M1	1	NUT, HEX JAM, SPL, 1-1/2-12
15	112752W1	1	WHEEL, ROTOR SPEED
16	2489940W1	1	WASHER, ROTOR FRONT
17	22602X	1	BEARING, WIDE INNER RACE
18	71387470	1	HOUSING, FRONT BEARING, ROTOR
	701235	4	CAPSCREW, 1/2-13 X 1-1/2 GR5
	Y705046	4	LOCKWASHER, 1/2 REG
19	2489920W1	1	SHIELD, BEARING
20	2489330W1	1	MOUNT, BEARING
	70923114	6	CAPSCREW, 1/2-13 X 1 GR5
	Y705046	6	LOCKWASHER, 1/2 REG
21	71401912	1	PLATE, GEARBOX MOUNTING
	70919434	6	CAPSCREW, 5/8-11 X 2-3/4
	70918432	6	WASHER, 5/8
	700703922	6	NUT, HEX FLNG TOP LOCK, 5/8-11
22	71387393	1	GEARBOX, 2-SPEED (PRIOR S/N HP87101) (SERVICE W/ 71401731 & 71412594 KIT, COUPLING LUBE)
	71401731	1	GEARBOX, 2-SPEED (EFF. S/N HP87101)
	7703259	8	CAPSCREW, M12-1.75 X 50
	339369X1	8	LOCKWASHER, M12
23	71401326	1	BRKT, ROTOR SENSORS (EFF. S/N HN87101)
24	71410439	1	FLIGHT WLMT, INLET (EFF. S/N HR87101)
	71410441	AR	FLIGHTING, WELD-ON (NON-HARDENED) (FOR 71410439 OR 71399637)
	70923470	3	CAPSCREW, 3/8-16 X 1-1/2, GR8
	353771X1	3	WASHER, HARD, 3/8
-	71412754	AR	*KIT, MOUNTING OF FLIGHT WLMT(TO INSTALL FLIGHT WLMT 71410439 ON ALL S/N HM87--- & PRIOR 8780 GR/CORN ROTORS) (REQ'D FOR 8780 RICE ROTORS S/N HK87--- & PRIOR) (ORDER THRU DEALER CENTRAL) INCLS:
	71401418	1	SPACER DISC
	71412755	3	SPACER, FLIGHT WLMT
	700708848	3	CAPSCREW, 3/8-16 X 1-1/2 GR8
	353771X1	3	WASHER, 3/8, HARD

MC00251  
PR: 200

ROTOR DRIVE  
GEARBOX SHIFT LINKAGE





**9690 COMBINE  
PROCESSOR**

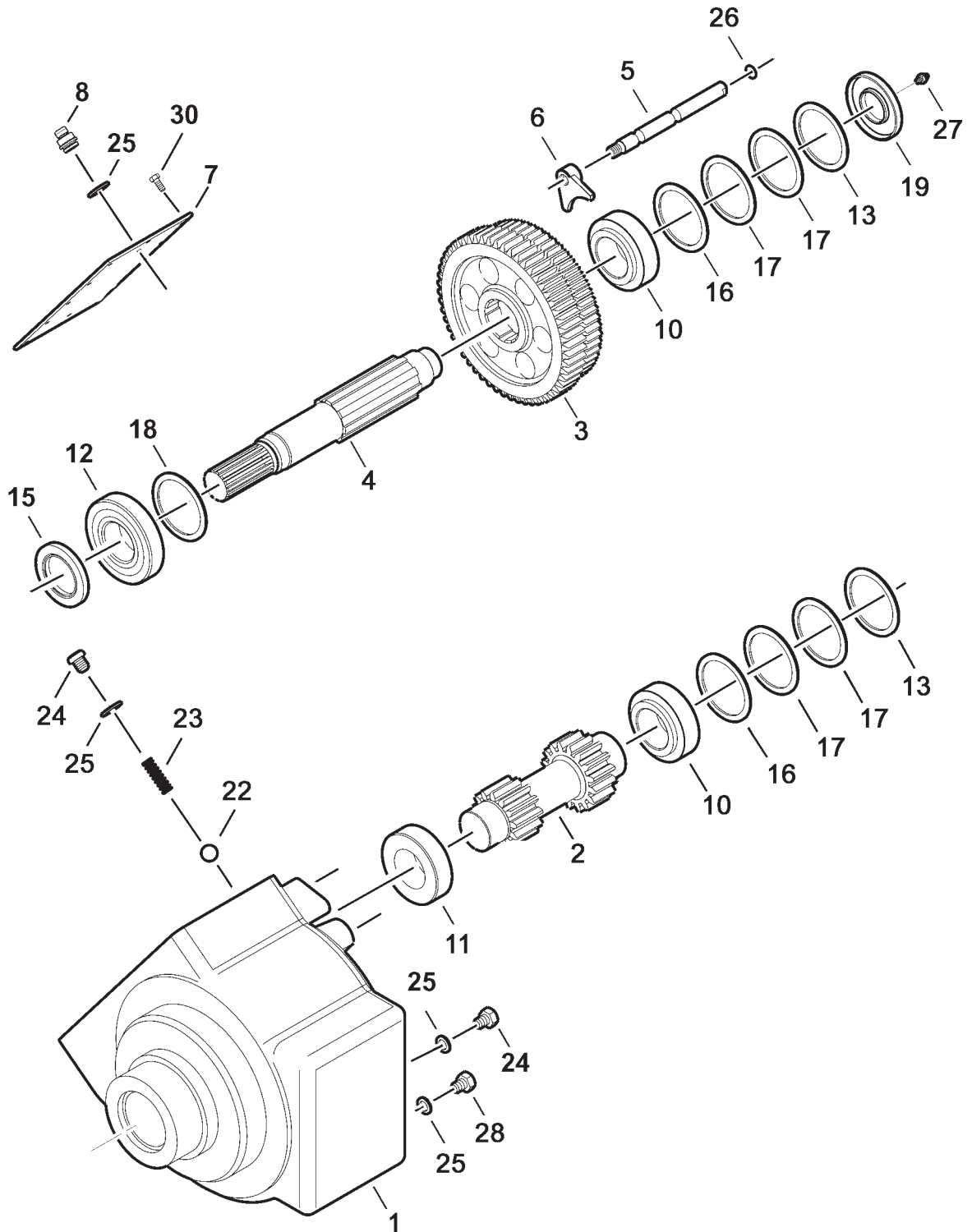
359

**ROTOR DRIVE  
GEARBOX SHIFT LINKAGE**

ITEM	NUMBER	QTY	DESCRIPTION
1	71391261	2	LINK, SHIFT
2	71391643	1	BELLCRANK
3	71388829	1	PIVOT BRACKET ASY
	700708349	4	CAPSCREW, M10-1.5 X 25 CL8.8
	70917378	4	WASHER, 3/8 WIDE
4	71391660	1	SCREW, METRIC SPECIAL, M12-1.75
5	71392870	1	MOTOR, HYDRO ROTOR (SEE BREAKDOWN)
	70923858	4	WASHER, FLAT, .53 X 1.25 X 7 GA
	700708353	4	CAPSCREW, M12-1.75 X 40 CL8.8
6	71388842	1	LINK, GEARSHIFT
	70921210	2	CAPSCREW, 3/8-16 X 1.0 GR5
	Y704734	2	NUT, HEX FLANGE TOP LOCK, 3/8-16
7	71388843	1	ANGLE, SUPPORT
	70921333	2	CAPSCREW, 5/16-18 X 1.0 GR5
	70917356	2	LOCKWASHER, 5/16
	70917372	2	NUT, 5/16-18 REG
8	71388844	1	PLATE, REAR BEARING
	70921333	2	CAPSCREW, 5/16-18 X 1.0 GR5
	70917356	2	LOCKWASHER, 5/16
	70917372	2	NUT, 5/16-18 REG
9	70922002	1	COTTER PIN, 3/16 X 2 LG
10	71388833	1	CRANK ASSEMBLY
	705681	1	WASHER, FLAT, 1.0 SAE
11	71391270	1	PLATE, FRONT BEARING
	70921977	2	CAPSCREW, 5/16-18 X 1-1/4 GR5
	70917642	2	WASHER, 5/16 WIDE
	70917356	2	LOCKWASHER, 5/16
	70917372	2	NUT, 5/16-18 REG
12	71379254	1	GRIP, HANDLE
13	-----	-	ADAPTER, ROTOR MOTOR (9790)
14	70922127	1	CAPSCREW, 5/16-18 X 1-3/4 GR5
	70917642	2	WASHER, 5/16 WIDE
15	70921977	1	CAPSCREW, 5/16-18 X 1-1/4 GR5
16	70924763	1	CAPSCREW, 3/4-10 X 3-1/2 GR5
	70918269	2	WASHER, 3/4 NARROW
17	Y704726	2	NUT, HEX FLANGE TOP LOCK, 5/16-18
18	70913160	2	NUT, 3/4-10 REG
19	51871M1	1	SPACER
20	71407700	1	DECAL, IMPORTANT, ROTOR HI-LO (REPLACES DECAL 71368812)
21	70925785	1	O-RING, 4.987 X .103 (VITON)
22	71391654	6	WASHER, NYLON FRICTION
23	71332011	1	* UNION, ROTATING, 9/16-18 ORB X 1/8 NPTF FEM. (EFF. S/N HP87101)
	70921885	1	O-RING, .078 X .468 ID
24	70919171	2	* CONN. STR MALE, 7/16-20 JIC X 1/8 NPTF
25	71401753	1	* HOSE ASY, GEARBOX LUBE
26	Y705533	1	* WASHER, 3/8, HARD
27	70914767	1	LUBE FTG, STRAIGHT, 1/8 NPTF FEM (PRIOR S/N HR87101)
	70915276	1	* LUBE FTG, 90 DEG, 1/8 PTF SPL SHORT (EFF. S/N HR87101)
28	827758	1	GROMMET,RUBBER, 1 ID (PRIOR S/N HR87101)
29	70925617	3	* CLAMP, .50 TUBE X .406 HOLE
	70916950	2	* NUT, 3/8-16 REG
30	70922862	1	* COUPLING, PIPE, 1/8-27 NPTF FEM (EFF. S/N HR87101)
-	71412594	AR	KIT, COUPLING LUBE (INCLUDES * ITEMS)

MC00252  
PR: 202

ROTOR DRIVE  
2-SPEED GEARBOX



**9690 COMBINE  
PROCESSOR**

361

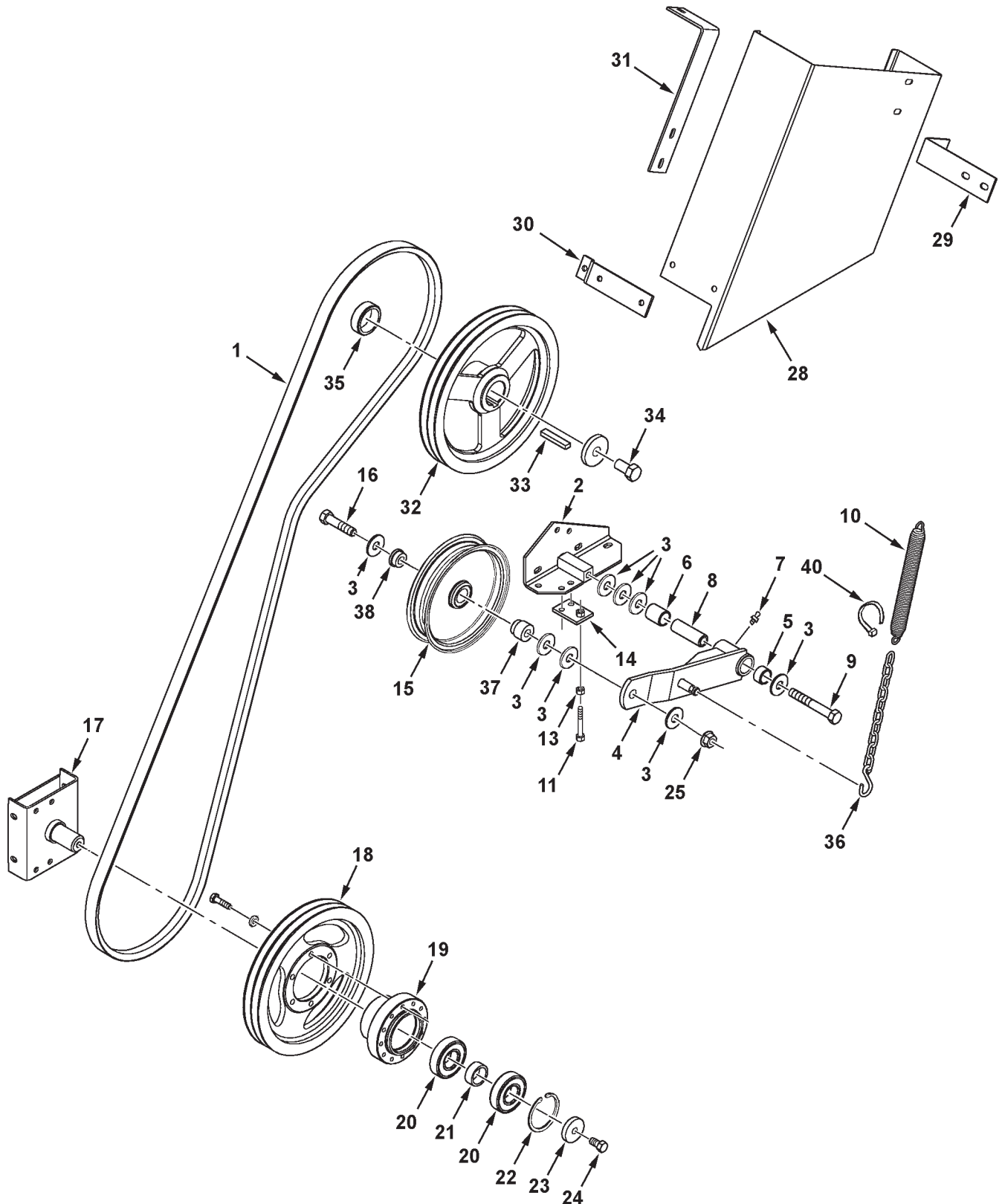
**ROTOR DRIVE  
2-SPEED GEARBOX**

ITEM	NUMBER	QTY	DESCRIPTION
-	71387393	1	GEARBOX, 2-SPEED (PRIOR S/N HP87101) (SERVICE W/ 71401731 & 71412594 KIT, COUPLING LUBE)
-	71401731	1	GEARBOX, 2-SPEED (EFF. S/N HP87101)
1	71392886	1	GEAR CASE
2	71392887	1	SHAFT, GEAR (13 & 16 TEETH)
3	71392888	1	GEAR (53 & 56 TEETH)
4	71392889	1	SHAFT (LUBE FTG STYLE)(PRIOR S/N HP87101)
	71401730	1	SHAFT(REMOTE LUBE STYLE)(EFF S/N HP87101)
5	71392890	1	RAIL, SHIFT
6	71392891	1	FORK, SHIFT
7	71392892	1	COVER PLATE
	79021649	AR	SEALANT/GASKET (RTV SILICONE-CLEAR)
8	71391263	1	PLUG, BREATHER M16 X 1.5
10	71392894	2	BEARING, TAPER-ROLLER, CUP & CONE
11	71392895	1	BEARING, TAPER-ROLLER, CUP & CONE
12	71392896	1	BEARING, TAPER-ROLLER, CUP & CONE
13	71392897	2	RING, RETAINING, INTERNAL
15	71392898	1	SEAL (A60 X 95 X 10)
16	71392899	2	SHIM (90 X 100 X 2, 0)
17	71392900	4	SHIM (90 X 100 X 0, 1)
18	71394126	1	WASHER, SPACER
19	71394127	1	SEAL (AS45 X 100 X 10)
22	71394128	1	BALL (12mm)
23	71394129	1	SPRING, COMPRESSION
24	71394130	4	PLUG, HEX SOCKET
25	71394131	5	RING/GASKET (COPPER)
26	71394132	1	O-RING, SEALING
27	71394133	1	LUBE FITTING (M8 X 1)(PRIOR S/N HP87101)
28	71394134	1	PLUG, HEX SOCKET (MAGNETIC)
30	700708359	12	CAPSCREW, HEX (M8-1.25 X 20 CL8.8)

71387393  
PR: 204

9690 COMBINE  
CHOPPER & SPREADER

JACKSHAFT DRIVE



**9690 COMBINE  
CHOPPER & SPREADER**

363

**JACKSHAFT DRIVE**

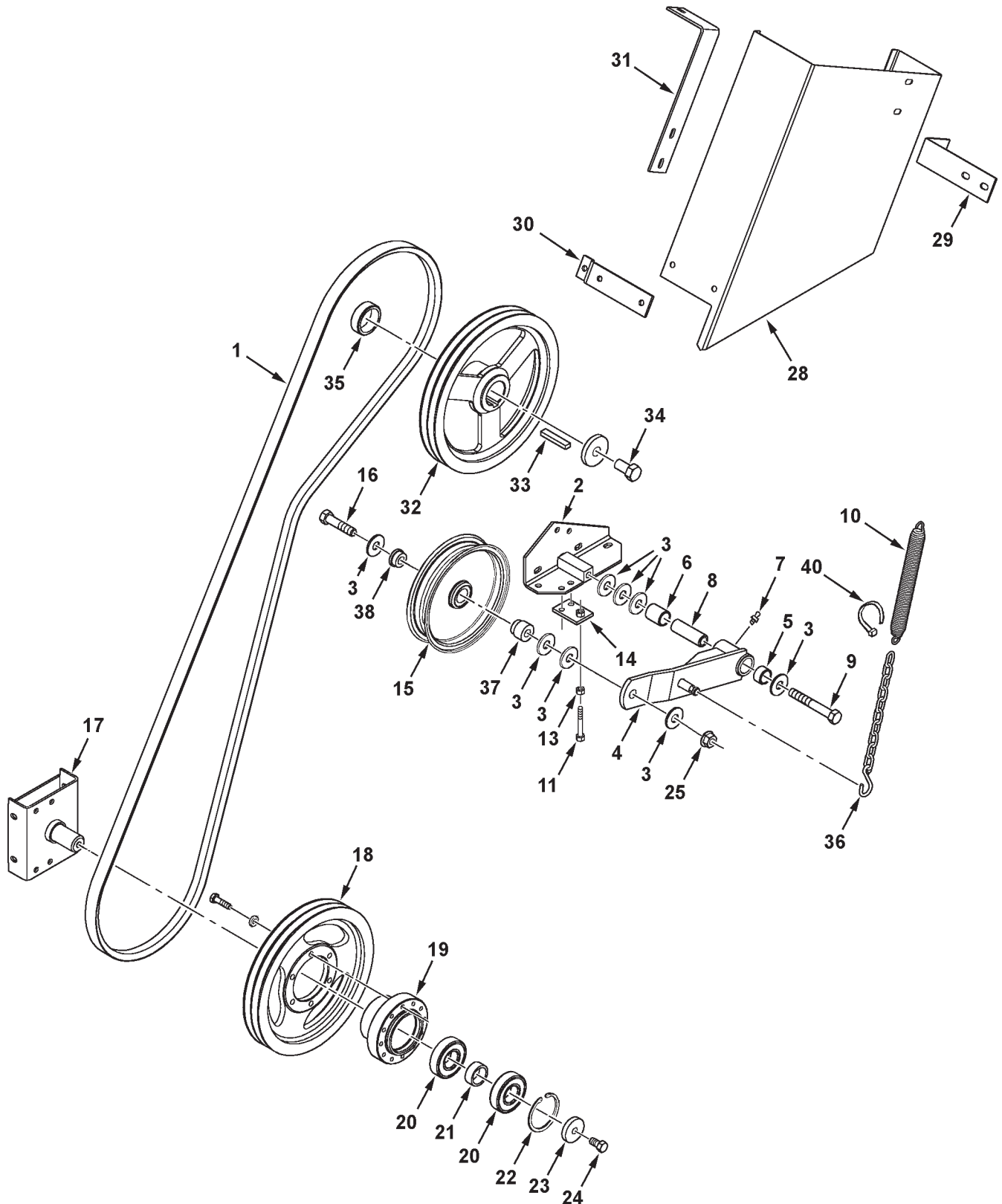
ITEM	NUMBER	QTY	DESCRIPTION
1	227455M1	1	BELT - PRIMARY DR, SPREADER
	71385837	1	BELT-PRIMARY, CHOPPER(PRIOR S/N HR87101)
	71406361	1	BELT-PRIMARY, CHOPPER (EFF. S/N HR87101)
2	101098M91	1	PIVOT STAND WLMT, IDLER
	70920415	4	CAPSCREW, 3/8-16 X 1-1/4
	70917378	4	WASHER, PLAIN, 3/8
	Y704734	5	NUT, HEX FLANGE TOP LOCK, 3/8-16
3	70918432	4	WASHER, 5/8, WIDE (QTY 6, PRIOR S/N HR87101)
4	71406362	1	ARM ASSEMBLY, IDLER JACKSHAFT
5	1689170W1	2	BUSHING, 1 X 1.24 X .75 LG (WAS QTY.1)
6	1742670W1	1	BUSHING, 1 X 1.24 X 1.50 LG (PRIOR S/N HP87---, MID-PROD'N RUN)
7	70914465	1	LUBE FITTING, 1/8-27 NPT, SPL EXT SHORT
8	2441490W1	1	SLEEVE, 41/64 X 63/64 X 3-1/16
9	70925704	1	CAPSCREW, 5/8-11 X 4-1/2
10	101276M2	1	SPRING, IDLER TENSIONER
11	70931643	1	CAPSCREW, 3/8-16 X 3
13	70916950	1	NUT, 3/8-16 REG
14	2628221W91	1	STOP PLATE WLMT
	70921210	2	CAPSCREW, 3/8-16 X 1
	70917378	2	WASHER, WIDE, 3/8
	Y704734	2	NUT, HEX FLANGE TOP LOCK, 3/8-16
15	2553560W1	1	IDLER, FLAT, 8-3/4 OD (SPREADER)
	2553560W1	1	IDLER, FLAT, 8-3/4 OD (CHOPPER) (PRIOR S/N HR87101)
	71309767	1	IDLER, FLAT, 8 DIA (CHOPPER) (EFF. S/N HR87101)
16	70919434	1	CAPSCREW, 5/8-11 UNC X 2 3/4
17	101100M91	1	SUPPORT ASSEMBLY, JACKSHAFT
	70921965	4	CAPSCREW, 3/8-16 X 3/4
	70917378	4	WASHER, PLAIN, 3/8
	Y704734	4	NUT, HEX FLNG TOP LOCK, 3/8-16
18	2628310W1	1	SHEAVE, SPREADER, DRIVEN, JACKSHAFT
	71388748	1	SHEAVE, CHOPPER, DRIVEN, JACKSHAFT (PRIOR S/N HR87101)
	70923701	6	CAPSCREW, 3/8-16 X 2 (SPREADER)
	70921324	6	CAPSCREW, 3/8-16 X 3-3/4 (CHOPPER)
	70916965	6	LOCKWASHER 3/8
	70916950	6	NUT, 3/8-16
	71406328	1	SHEAVE, CHOPPER, DRIVEN(EFF.S/N HR87101)
	339376X1	6	LOCKWASHER, M10
	3009495X1	6	CAPSCREW, M10-1.5 X 40 CL8.8
19	71387515	1	HUB, JACKSHAFT (SPREADER)
	71387515	1	HUB,JACKSHAFT,CHOPPER(PRIOR S/N HR87101)
	71406330	1	HUB,JACKSHAFT,CHOPPER (EFF. S/N HR87101)
20	354920X1	2	BEARING, BALL
21	2619180W1	1	SPACER, BEARING
22	70925997	1	RING, INTERNAL SNAP, 3-17/32 X 7/64
23	2485470W1	1	WASHER, 17/32 X 2 X 3/8
24	70923114	1	CAPSCREW, 1/2-13 UNC X 1
25	700703922	1	NUT, HEX FLANGE TOP LOCK, 5/8-11

CONTINUED

MC00044  
PR: 206

9690 COMBINE  
CHOPPER & SPREADER

JACKSHAFT DRIVE



**9690 COMBINE  
CHOPPER & SPREADER**

**365**

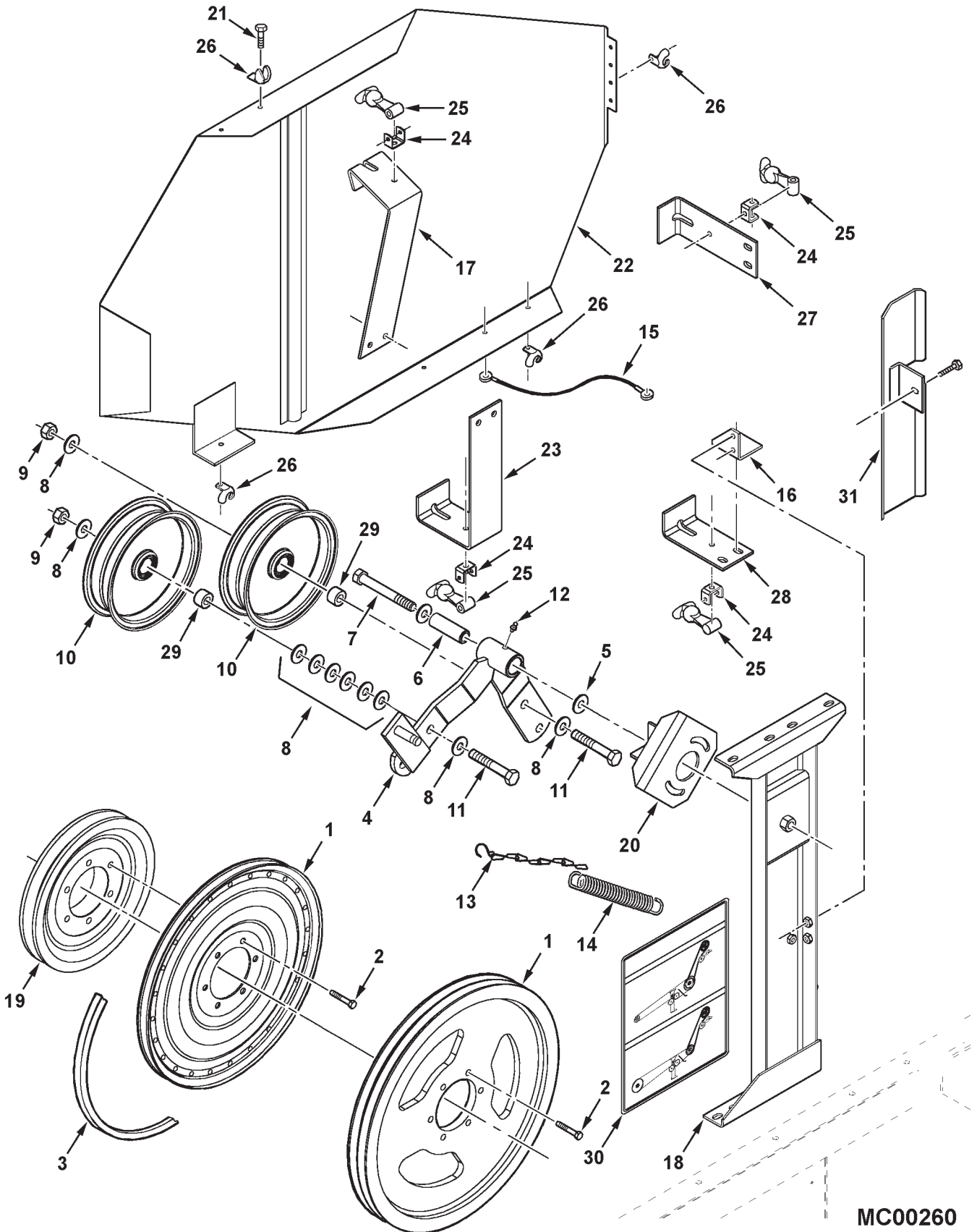
**JACKSHAFT DRIVE**

ITEM	NUMBER	QTY	DESCRIPTION
28	101074M2	1	SHIELD WLMT (PRIOR S/N HR87101)
29	101075M1	1	BRACKET, SHIELD SUPPT(PRIOR S/N HR87101)
	70921210	4	CAPSCREW, 3/8-16 X 1
	70917378	4	WASHER, PLAIN, 3/8
	70916965	4	LOCKWASHER, 3/8
	70916950	4	NUT, HEX, 3/8-16
30	102934M1	1	BRACKET (PRIOR S/N HR87101)
31	2637890W1	1	BRACKET, SHIELD (PRIOR S/N HR87101)
32	2503350W1	1	SHEAVE, SPREADER DRIVER, MAIN CNTRSHFT
	71385836	1	SHEAVE, CHOPPER DRIVER, MAIN CNTRSHFT (PRIOR S/N HR87101)
	71406327	1	SHEAVE, CHOPPER DRIVER (EFF S/N HR87101)
33	Y61879	1	KEY, SQUARE, 1/2 X 2-1/2 LG
34	70921169	1	CAPSCREW, 3/4-16 X 1-1/2 GR8
	104751W1	1	WASHER, .78 ID X 2.5 OD X 3/8
35	2619380W1	1	SPACER, MAIN COUNTERSHAFT
36	2630100W2	1	CHAIN, IDLER TENSIONER
37	71353127	1	SPACER, IDLER,CHOPPER (EFF. S/N HR87101) (NOT USED W/ SPREADER)
38	71312602	1	SPACER, IDLER,CHOPPER (EFF. S/N HR87101) (NOT USED W/ SPREADER)
40	70925094	AR	TIE, NYLON LOCKING, .184 X 7 LG

MC00044  
PR: 206

9690 COMBINE  
CHOPPER & SPREADER

STRAW CHOPPER DRIVE





**9690 COMBINE  
CHOPPER & SPREADER**

367

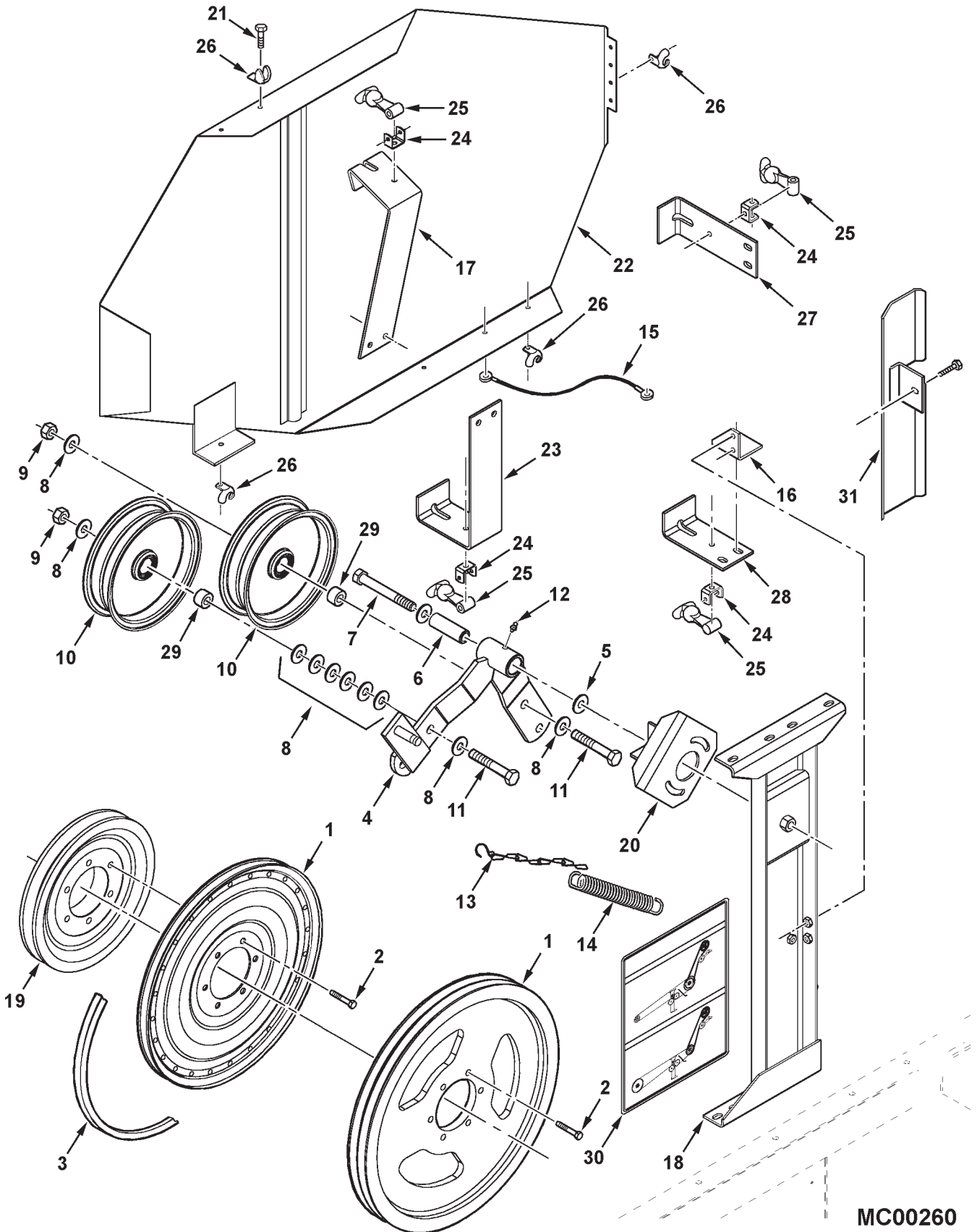
**STRAW CHOPPER DRIVE**

ITEM	NUMBER	QTY	DESCRIPTION
1	2628340W1	1	SHEAVE, DRIVER, 17.5 DIA (HIGH SPEED) (PRIOR S/N HR87101)
	71406332	1	SHEAVE, DRIVER, 17.5 DIA (HIGH SPEED) (EFF. S/N HR87101)
	339376X1	6	LOCKWASHER, M10
	3009495X1	6	CAPSCREW, M10-1.5 X 40 CL8.8
2	70921324	6	CAPSCREW, 3/8-16 X 3-3/4 (PRIOR HR87101)
3	71388712	1	BELT, SECONDARY DRIVE(PRIOR S/N HR87101)
	71406339	1	BELT, SECONDARY DRIVE (EFF. S/N HR87101)
4	71387307	1	ARM ASY, W/ BUSHINGS
	1689170W1	2	BUSHING, 1 ID X 3/4 LG
5	70923104	1	WASHER, .656 X 2.125 X .180
6	2441490W1	1	SLEEVE, 41/64 X 63/64 X 3-1/16
7	70925705	1	CAPSCREW, 5/8-11 X 5 GR5
	70918432	1	WASHER, WIDE, 5/8
8	70918432	17	WASHER, WIDE, 5/8 (PRIOR S/N HR87101)
9	700703922	2	NUT, HEX FLANGE TOP LOCK, 5/8-11
10	31-2455700	2	IDLER, FLAT, 8 3/4 OD
11	70925702	2	CAPSCREW, 5/8-11 X 3-1/2 GR5
12	70914465	1	LUBE FITTING, 1/8-27 PTF SPL. EXTR SHORT
13	2630100W2	1	CHAIN ASY, CHOPPER SPRING
	70925094	1	TIE, NYLON LOCKING, .184 X 7.3
14	101276M2	1	SPRING
15	112942W1	1	TETHER STRAP, 28IN.
16	71387845	1	BRACKET, SHIELD SUPPORT
	70921210	2	CAPSCREW, 3/8-16 X 1
	70916965	2	LOCKWASHER, 3/8
17	71388256	1	BRACKET, SHIELD SUPPORT
	70921210	2	CAPSCREW, 3/8-16 X 1
	Y704734	2	NUT, HEX FLNG TOP LOCK, 3/8-16
18	71387848	1	STAND WLMT, IDLER (PRIOR S/N HR87101) (SERVICE W/ 71406368)
	71406368	1	STAND WLMT, IDLER (EFF. S/N HR87101) (REQUIRES 71406364 STOP WLMT,IT. 20)
	70921969	2	CAPSCREW, 3/8-16 X 1-1/2
	70921210	2	CAPSCREW, 3/8-16 X 1
	70917378	1	WASHER, WIDE 3/8
	Y704734	4	NUT, HEX FLANGE TOP LOCK, 3/8-16
19	103316M1	1	SHEAVE, DRIVER(LOW SPEED)(PRIOR HR87101)
	71406333	1	SHEAVE, DRIVER, 9.4 DIA (LOW SPEED) (EFF. S/N HR87101)
20	101411M91	1	STOP WLMT, IDLER (PRIOR S/N HR87101)
	70921210	2	CAPSCREW, 3/8-16 X 1
	353771X1	2	WASHER, HEAVY HARD 3/8
	70916965	2	LOCKWASHER, 3/8
	71406364	1	STOP WLMT, IDLER (EFF. S/N HR87101)
	70923114	2	CAPSCREW, 1/2-13 X 1 GR5
	Y705046	2	LOCKWASHER, 1/2
	705541	2	WASHER, HARD, 1/2
21	700705088	4	SCREW, PHILLIPS HD MACH, 10-24 X 3/4
	3725830M1	4	LOCKNUT, HEX SERR FLANGE, 10-24
22	71388736	1	SHIELD ASSEMBLY

CONTINUED

MC00260  
PR: 208

STRAW CHOPPER DRIVE



**9690 COMBINE  
CHOPPER & SPREADER**

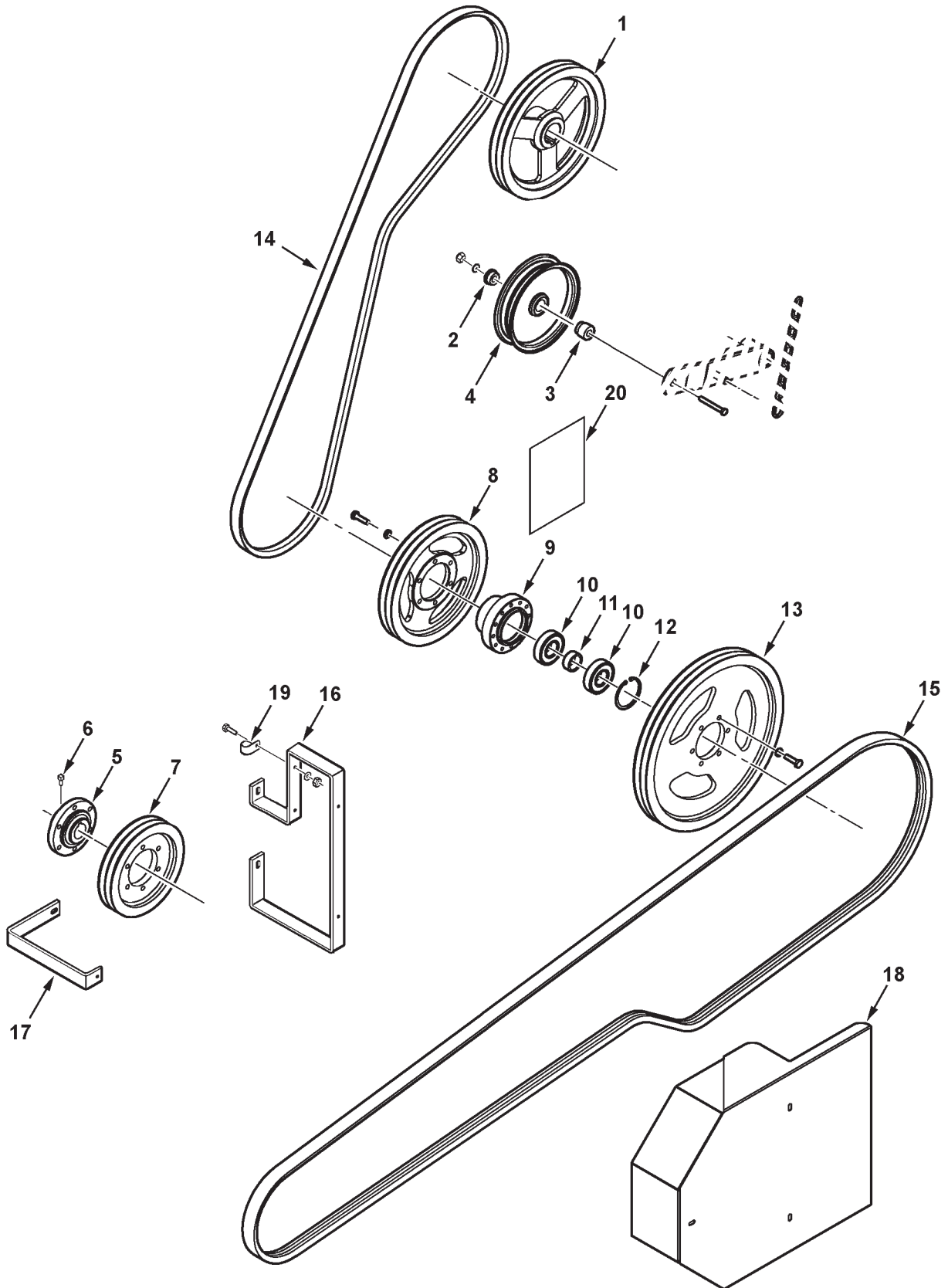
**369**

**STRAW CHOPPER DRIVE**

ITEM	NUMBER	QTY	DESCRIPTION
23	101069M1	2	BRACKET
	70921210	2	CAPSCREW, 3/8-16 X 1
	Y704734	2	NUT, HEX FLANGE TOP LOCK, 3/8-16
24	1787520W1	4	BRACKET, LATCH ANCHOR
	70921332	2	CAPSCREW, 5/16-18 X 3/4 GR5
	Y704726	2	NUT, HEX FLANGE TOP LOCK, 5/16-18
25	776682	4	LATCH, RUBBER
	Y703140	4	CAPSCREW, 1/4-20 X 1-3/4
	1703354	4	NUT, HEX FLANGE TOP LOCK, 1/4-20
26	8722910	4	CATCH, SHIELD
27	101065M1	1	BRACKET, SUPPORT
	70921210	2	CAPSCREW, 3/8-16 X 1
	Y704734	2	NUT, HEX FLANGE TOP LOCK, 3/8-16
28	101066M1	1	BRACKET, SUPPORT
	70921210	2	CAPSCREW, 3/8-16 X 1
	Y704734	2	NUT, HEX FLANGE TOP LOCK, 3/8-16
29	2451440W1	2	SPACER, IDLER (EFF. S/N HR87101)
30	71408765	1	DECAL, CHOPPER DRIVE (EFF. S/N HR87101)
31	71398424	1	SHIELD WLMT
	70921210	1	CAPSCREW, 3/8-16 X 1
	Y704734	1	NUT, HEX FLANGE TOP LOCK, 3/8-16
-	71400070	1	KIT, STRAW CHOPPER, REDEKOP (CONVERSION OF SPREADER TO CHOPPER) (FIELD INSTALLED)(PRIOR S/N HR87101)
-	71413227	1	KIT, STRAW CHOPPER, REDEKOP (CONVERSION OF SPREADER TO CHOPPER) (FIELD INSTALLED)(EFF. S/N HR36101) (ORDER THRU DEALER CENTRAL)
-	71413228	1	KIT, DRIVE (NO CHOPPER/SPREADR OPTION ON COMBINE)(FIELD INSTALLED)(EFF. S/N HR87101)(ORDER THRU DEALER CENTRAL)

MC00260  
PR: 208

STRAW CHOPPER DRIVE KIT  
HEAVY DUTY



**9690 COMBINE  
CHOPPER & SPREADER**

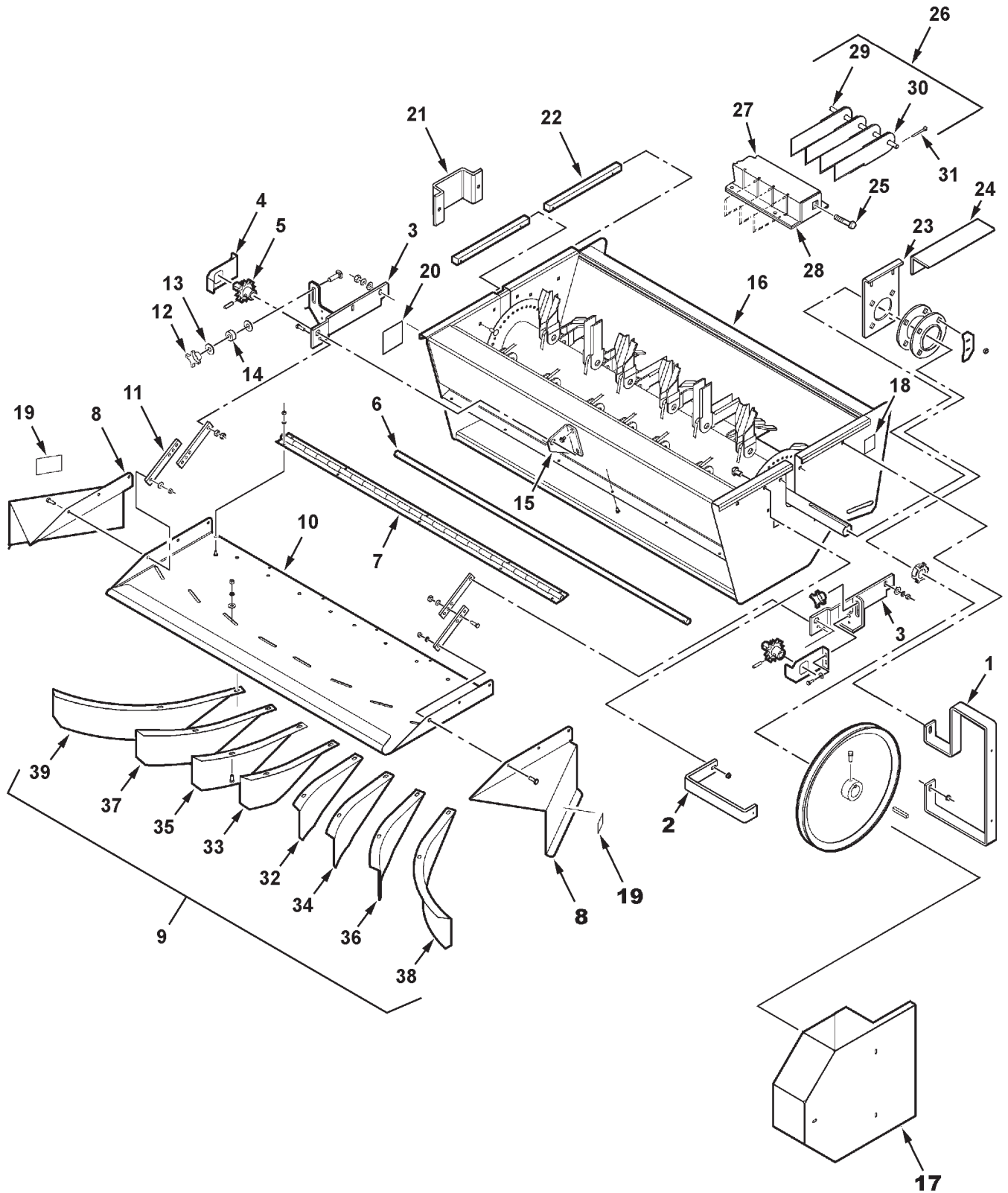
371

**STRAW CHOPPER DRIVE KIT  
HEAVY DUTY**

ITEM	NUMBER	QTY	DESCRIPTION
-	700953657	AR	KIT, STRAW CHOPPER DRIVE (PRIOR S/N HR87101)
1	71406327	1	DRIVE SHEAVE, CHOPPER
2	71312602	1	SPACER, IDLER, .60 WIDE
3	71353127	1	SPACER, IDLER, 1.20 WIDE
4	71309767	1	IDLER, FLAT, 8 DIA
	70921671	1	CAPSCREW, 5/8-11 X 3-1/4 GR5
5	71406334	1	HUB, CHOPPER DRIVE
6	3009627X1	3	SETSCREW, SQ HD, M10-1.5 X 20
7	71406333	1	SHEAVE, DRIVEN, 9.4 DIA
	3001429X1	6	CAPSCREW, M10-1.5 X 35 CL8.8
	339376X1	6	LOCKWASHER, M10
8	71406328	1	SHEAVE, DRIVEN, JACKSHAFT
	3009495X1	6	CAPSCREW, M10-1.5 X 40 CL8.8
	339376X1	6	LOCKWASHER, M10
9	71406330	1	HUB, CHOPPER JACKSHAFT
10	354920X1	2	BEARING, BALL
11	2619180W1	1	SPACER, BEARING, JACKSHAFT
12	70925997	1	RING, RETAINING, INTERNAL
13	71406332	1	SHEAVE, DRIVE, 17.5 DIA, JACKSHAFT
	3009495X1	6	CAPSCREW, M10-1.5 X 40 CL8.8
	339376X1	6	LOCKWASHER, M10
14	71406361	1	BELT, PRIMARY CHOPPER DRIVE
15	71406339	1	BELT, SECONDARY CHOPPER DRIVE
16	71411984	1	BRACKET, SHIELD, FRONT
17	71409452	1	BRACKET, SHIELD, REAR
18	71409453	1	SHIELD WLDMT, CHOPPER DR.
	7703457	3	CAPSCREW, 1/4-20 X 3/4 GR5
	70917377	3	WASHER, 1/4, WIDE
	705012	3	LOCKWASHER, 1/4 REG
19	700725918	2	J-CLIP, 5/16 TUBE X .281 HOLE
	7703457	2	CAPSCREW, 1/4-20 X 3/4 GR5
	70917377	2	WASHER, 1/4, WIDE
	705012	2	LOCKWASHER, 1/4 REG
20	71408765	1	DECAL, CHOPPER BELT DRIVE

MC00392  
PR: t05e27i42b0002

STRAW CHOPPER HOUSING  
REDEKOP



**9690 COMBINE  
CHOPPER & SPREADER**

373

**STRAW CHOPPER HOUSING  
REDEKOP**

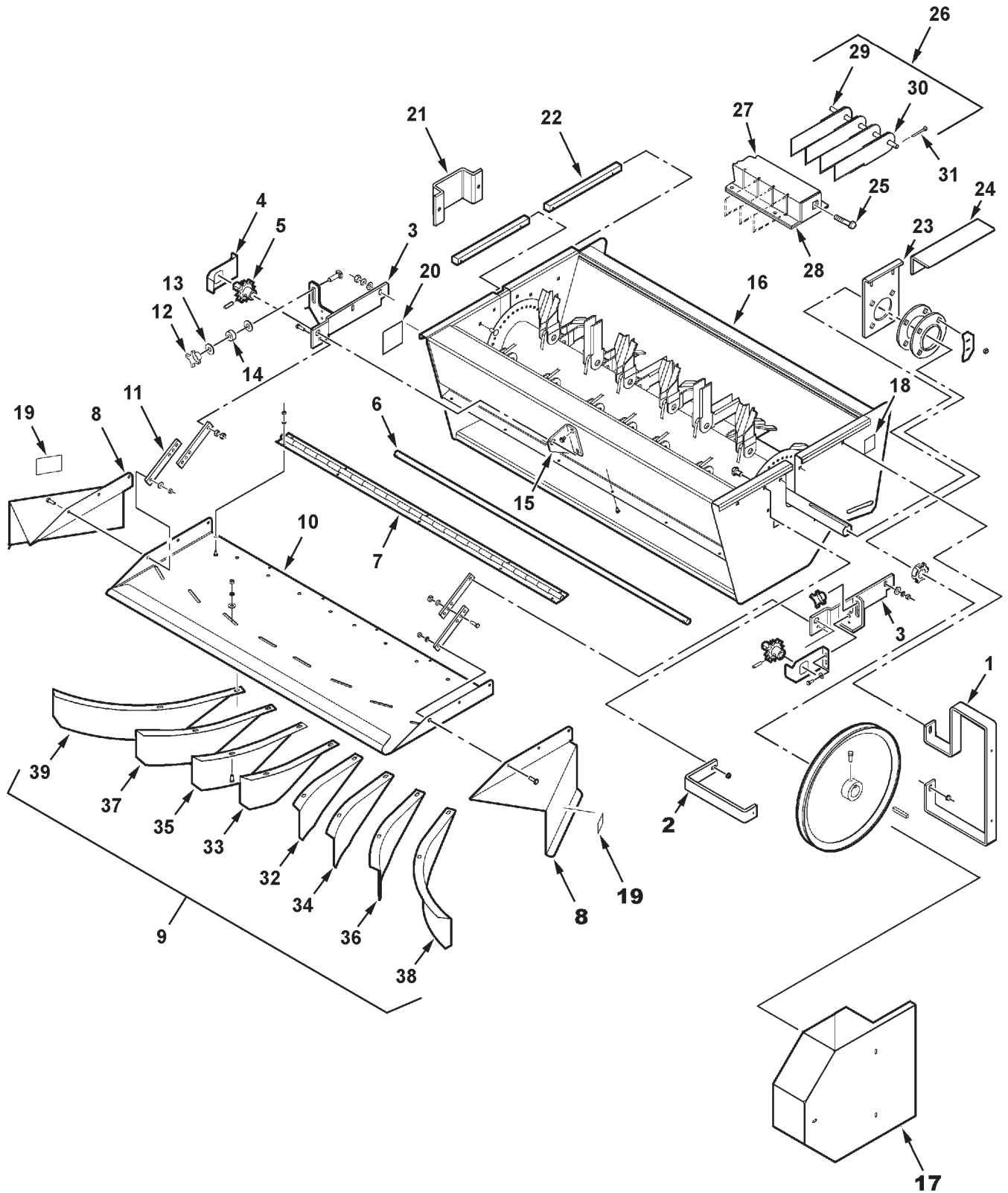
ITEM	NUMBER	QTY	DESCRIPTION
1	116247W91	1	BRACKET, DRIVE SHIELD(PRIOR S/N HR87101)
	71411984	1	BRACKET, DRIVE SHIELD (EFF. S/N HR87101)
	70931350	2	BOLT, RD HD SQ NK, 3/8-16 X 1.0
	704247	2	LOCKNUT, HEX SERR FLANGE, 3/8-16
2	116246W91	1	BRACKET, DRIVE SHIELD(PRIOR S/N HR87101)
	71409452	1	BRACKET, DRIVE SHIELD (EFF. S/N HR87101)
	7700461	1	BOLT, RD HD SHT SQ NK, 5/16-18 X 1
	70931277	1	LOCKNUT, HEX SERR FLANGE, 5/16-18
3	71387842	1	BRACKET WELDMNT, CHOP/WINDROW (RH)
	71387846	1	BRACKET WELDMNT, CHOP/WINDROW (LH)
	70931350	4	BOLT, RD HD SQ NK, 3/8-16 X 1.0
	70917378	4	WASHER, FLAT 3/8
	705038	4	LOCKWASHER, 3/8
	70916950	4	HEXNUT, 3/8-16
4	71388967	2	SHIELD, SPROCKET
	7703457	4	CAPSCREW, 1/4-20 X 3/4
	700709601	4	WASHER, FLAT 1/4
	705012	4	LOCKWASHER, 1/4
	70916622	4	HEXNUT, 1/4-20
5	71386195	2	SPROCKET
	70922080	2	PIN, SPIROL, 5/16 X 1-3/8
6	71386199	1	SHAFT, CHOPPER/WINDROWER
7	71379210	1	HINGE, TAILPLATE
	70921958	12	CAPSCREW, 1/4-20 X 1/2
	705012	12	LOCKWASHER, 1/4
	70916622	12	HEXNUT, 1/4-20
8	71383736	1	EXTENSION, TAILPLATE (RH)
	71383737	1	EXTENSION, TAILPLATE (LH)
	70921332	4	CAPSCREW, 5/16-18 X 3/4
	70921333	2	CAPSCREW, 5/16-18 X 1.0
	Y705020	6	LOCKWASHER, 5/16
	70917372	6	HEXNUT, 5/16-18
9	71393439	1	KIT, DEFLECTOR (8 DEFLECTORS) (INCLUDES ITEMS 32-39)
	7700461	16	BOLT, RD HD SHT SQ NK, 5/16-18 X 1.0
	700709602	8	WASHER, 5/16 WIDE
	Y705020	16	LOCKWASHER, 5/16
	70917372	16	HEXNUT, 5/16-18
10	71379211	1	TAILPLATE
11	71378250	4	STRAP, TAILPLATE
	70921333	4	CAPSCREW, 5/16-18 X 1.0
	Y705020	4	LOCKWASHER, 5/16
	70917372	4	HEXNUT, 5/16-18
12	71379249	2	KNOB
	768226	2	BOLT, RD HD SQ NK, 1/2-13 X 1-3/4
13	70918431	4	WASHER, PLAIN WIDE 1/2
14	D49080090	2	WASHER, RUBBER
15	71387351	1	BRACKET, CHOP/WINDROW
	70924856	2	SCREW, HX WSH HD TAP'G 5/16-18 X 1/2

CONTINUED

MC00357  
PR: 210

9690 COMBINE  
CHOPPER & SPREADER

STRAW CHOPPER HOUSING  
REDEKOP





**9690 COMBINE  
CHOPPER & SPREADER**

375

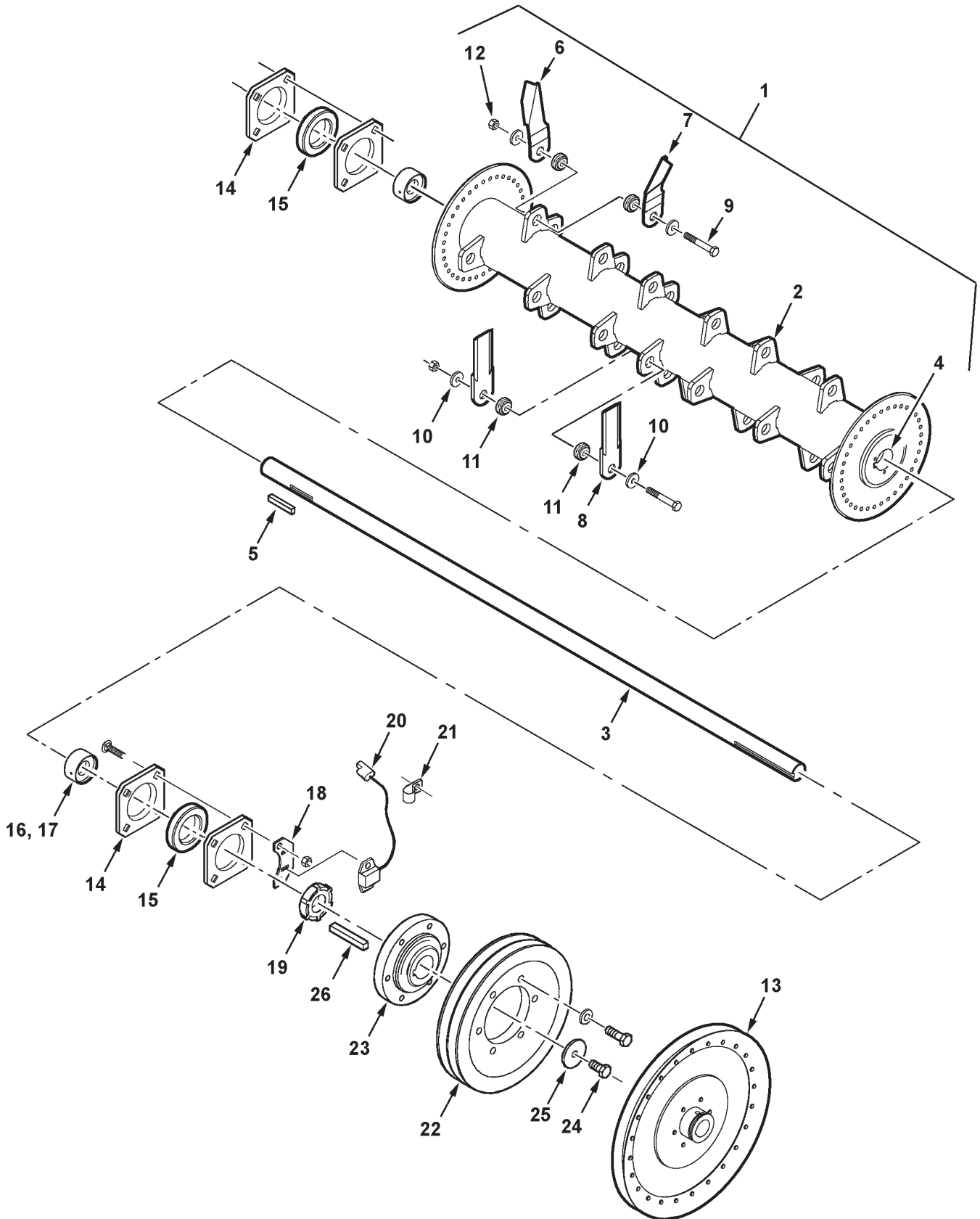
**STRAW CHOPPER HOUSING  
REDEKOP**

ITEM	NUMBER	QTY	DESCRIPTION
16	71395239	1	CHOPPER HSG.& ROTOR ASY(INCL. ITS 21-31) (PRIOR S/N HR87101)
	71409828	1	CHOPPER HSG.& ROTOR ASY(INCL. ITS 21-31) (EFF. S/N HR87101)
	71395244	1	HOUSING WLMT, CHOPPER(PRIOR S/N HR87101)
	71409830	1	HOUSING WLMT, CHOPPER (EFF. S/N HR87101)
17	103342W91	1	SHIELD WLMT (PRIOR S/N HR87101)
	71409453	1	SHIELD WLMT (EFF. S/N HR87101)
	7703457	3	CAPSCREW, 1/4-20 X 3/4
	705012	3	LOCKWASHER, 1/4
	700709601	3	WASHER, 1/4, WIDE
18	111091W1	1	LABEL, DANGER
19	111737W1	2	LABEL, WARNING
20	105177W1	1	LABEL, CHOPPER KNIVES
21	116250W1	1	BRACKET, SHAFT COVER
	PZND1041V	2	BOLT, RD HD SQ NK, M8-1.25 X 20
	385361X1	2	WASHER, M8, HARD
	3019124X1	2	NUT, HEX FLANGE, M8-1.25
22	116249W1	4	RUNNER, RAIL
	70937280	8	SCREW, PAN HD TAPPING, #8-32 X 3/4
	3015159X1	8	OR, SCR, PAN HD TAPPING,#8-18 X 3/4
23	116248W91	2	PLATE, BEARING MOUNT
	PZND1041V	4	BOLT, RD HD SQ NK, M8-1.25 X 20
	385361X1	4	WASHER, M8, HARD
	3019124X1	4	NUT, HEX FLANGE, M8-1.25
24	71397989	1	BRACKET, CHOPPER (PRIOR S/N HR87101)
	71400478	1	BRACKET, STOP (EFF. S/N HR87101)
	7770456	2	BOLT, RD HD SHT SQ NK, 3/8-16 X 3/4
	704247	2	LOCKNUT, HEX SERR FLANGE, 3/8-16
	390809X1	2	OR, BOLT, RD HD SQ NK, M10-1.5 X 25
	385362X1	2	WASHER, M10 HARD
	3019125X1	2	NUT, HEX FLANGE, M10-1.5
25	68619	2	BOLT, RD HD SQ NK, 1/2-13 X 1-1/4 (PRIOR S/N HR87101)
	Y705046	2	LOCKWASHER, 1/2
	Y705624	2	WASHER, 1/2 NARROW
	704031	2	NUT, 1/2-13
	385391X1	2	BOLT, RD HD SQ NK, M12-1.75 X 35 (EFF. S/N HR87101)
	3009695X1	2	NUT, HEX FLANGE, M12-1.75
	391212X1	2	WASHER, M12
26	71389455	1	KNIFE BAR ASY, CHOPPER (INCL. 27-31)
27	71389456	1	SUPPORT WLDMT, KNIFE
28	71389457	1	SUPPORT PLATE ASY, KNIFE BAR
	70930594	16	SCREW, HEX FLNG SERR, 1/4-20 X 3/4
	70931209	16	LOCKNUT, HEX SERR FLANGE, 1/4-20
29	71389458	1	ROD, KNIFE BAR
30	71382269	25	KNIFE, STATIONARY
31	70918447	2	COTTER PIN, 3/32 X 3/4
32	71406951	1	DEFLECTOR, RH #1
33	71406952	1	DEFLECTOR, LH #1
34	71406953	1	DEFLECTOR, RH #2
35	71406954	1	DEFLECTOR, LH #2
36	71406970	1	DEFLECTOR, RH #3
37	71406971	1	DEFLECTOR, LH #3
38	71406972	1	DEFLECTOR, RH #4
39	71406973	1	DEFLECTOR, LH #4

MC00357  
PR: 210

9690 COMBINE  
CHOPPER & SPREADER

STRAW CHOPPER  
ROTOR



**9690 COMBINE  
CHOPPER & SPREADER**

377

**STRAW CHOPPER  
ROTOR**

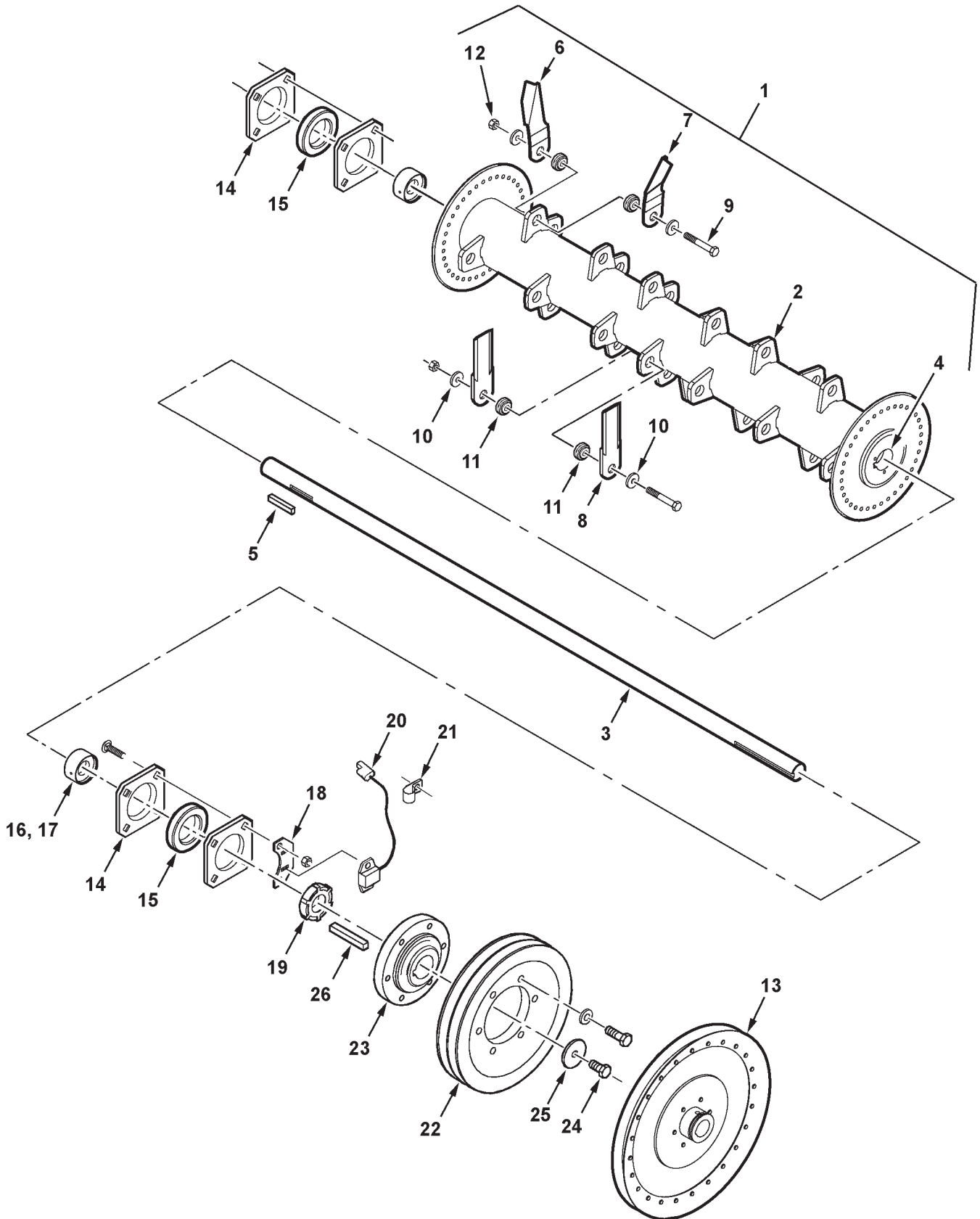
ITEM	NUMBER	QTY	DESCRIPTION
1	116876W91	1	ROTOR ASY, CHOPPER (INCL. IT 2-12) (PRIOR S/N HR87101)
	71409829	1	ROTOR ASY, CHOPPER (INCL. IT 6-12) (EFF. S/N HR87101)
2	-----	1	DRUM WLMT, ROTOR (ORDER ITEM 1)
3	116252W1	1	SHAFT, ROTOR, 60.5 IN. (PRIOR S/N HR87101) (NOT SUPERSEDED)
4	71383930	2	HUB, CHOPPER SHAFT (PRIOR S/N HR87101) (NOT SUPERSEDED)
5	49920X	1	KEY, 3/8 X 1/2 X 2 (PRIOR S/N HR87101) (NOT SUPERSEDED)
6	71382758	18	BLADE, PADDLE, LEFT
7	71382759	18	BLADE, PADDLE, RIGHT
8	71395250	16	BLADE, STRAIGHT
9	70932612	26	CAPSCREW, 3/8-16 X 2-1/2 GR8 (PRIOR S/N HR87101)
	3010842X1	26	CAPSCREW, M10-1.5 X 60 CL10.9 (EFF. S/N HR87101)
10	71382256	52	WASHER, HARD, CHOPPER BLADE
11	71382257	52	BUSHING, CHOPPER BLADE
12	70919439	26	NUT, NYLON LOCK, 3/8-16 (PRIOR S/N HR87101)
	3008169X1	26	NUT, HEX LOCK, M10-1.5 (EFF. S/N HR87101)
13	116082W1	1	SHEAVE PAIR, DRIVEN (PRIOR S/N HR87101)
	2620190W1	1	KEY, SQUARE, 3/8 X 2.35 LG
	70923326	2	SETSCREW, SQ HD, 3/8-16 X 1
	70917421	2	JAM NUT, 3/8-16 UNC
14	7711419	2	FLANGETTE, 80MM, W/ GREASE ZERK
	7711401	2	FLANGETTE, 80MM
	70931809	6	BOLT, RD HD SQ NK, 1/2-13 X 1-1/4 (PRIOR S/N HR87101)
	70931810	2	BOLT, RD HD SQ NK, 1/2-13 X 1-3/4 (PRIOR S/N HR87101)
	Y705046	8	LOCKWASHER, 1/2
	704031	8	HEXNUT, 1/2-13
	385391X1	6	BOLT, RD HD SQ NK, M12-1.75 X 35 (EFF. S/N HR87101)
	3009340X1	2	BOLT, RD HD SQ NK, M12-1.75 X 45
	3009695X1	8	NUT, HEX FLANGE, M12-1.75
15	10970	2	BEARING, W/O COLLAR
	1720176	1	COLLAR, BEARING, 1.50 ID
16	116953W91	2	ANTI-WRAP WLDMT
17	70906852	2	SETSCREW, HEX SOCKET, 5/16-18 X 3/4
18	71315785	1	BRACKET, SENSOR
	70913744	2	JAM NUT, 1/2-13 UNC
19	71315780	1	COLLAR WLDMT, SENSING
20	71391021	1	SENSOR, 2 WIRE
	70931317	2	BOLT, RD HD SQ NK, 1/4-20 X 3/4
	705012	2	LOCKWASHER, 1/4
	70916622	2	NUT, 1/4-20 REG

CONTINUED

MC00358  
PR: 214

9690 COMBINE  
CHOPPER & SPREADER

STRAW CHOPPER  
ROTOR



**9690 COMBINE  
CHOPPER & SPREADER**

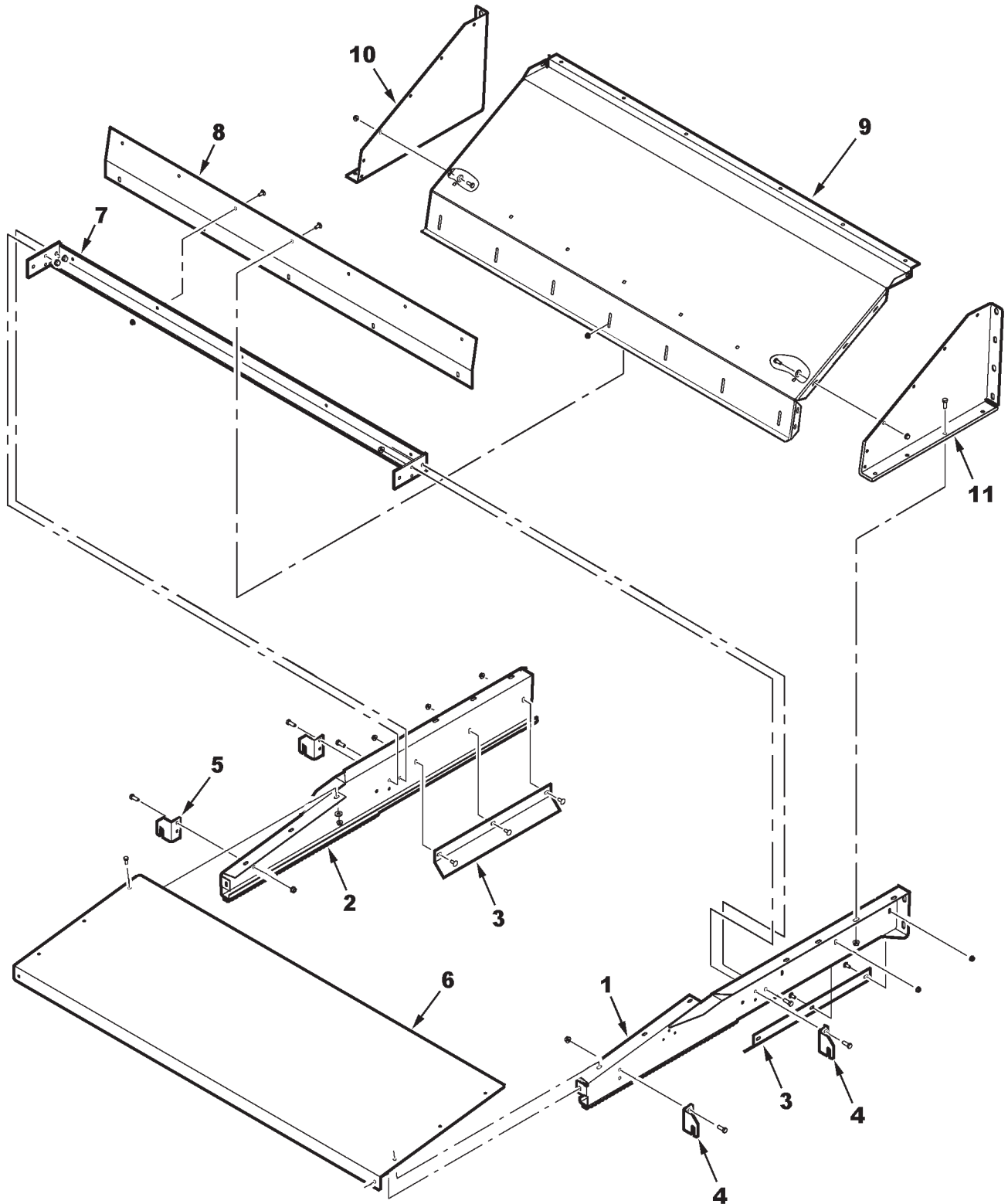
**379**

**STRAW CHOPPER  
ROTOR**

ITEM	NUMBER	QTY	DESCRIPTION
21	700725918	2	J-CLIP, OPEN, 5/16 X .281 HOLE
	7703457	2	CAPSCREW, 1/4-20 X 3/4
	705012	2	LOCKWASHER, 1/4
	70917377	2	WASHER, 1/4 WIDE
22	71406333	1	SHEAVE, 9.4 DIA (HIGH SPEED) (EFF. S/N HR87101)
	71406332	1	SHEAVE, 17.5 DIA (LOW SPEED) (EFF. S/N HR87101)
	339376X1	6	LOCKWASHER, 10M
	3001429X1	6	CAPSCREW, M10-1.5 X 35 CL8.8
23	71408762	1	HUB, CHOPPER SHEAVE (EFF. S/N HR87101)
	3009627X1	2	SETSCREW, SQ HD, M10-1.5 X 20
24	700708349	1	CAPSCREW, M10-1.5 X 25 CL8.8
25	339768X1	1	WASHER, 11 X 45 X 3.5 THK (METRIC)
26	61234	1	KEY, SQ, 3/8 X 2-3/4 LG
-	71383932	-	KIT, PADDLE BLADE (INCL. 4 PDLS & HDWR) (INCL. ITEMS 6,7,9,10,11,12)
-	71383934	-	KIT, STRAIGHT BLADE(INCL. 4 BLDS & HDWR) (INCL. ITEMS 8-12)

MC00358  
PR: 214

STRAW CHOPPER HOOD & SUPPORTS



9690 COMBINE  
CHOPPER & SPREADER

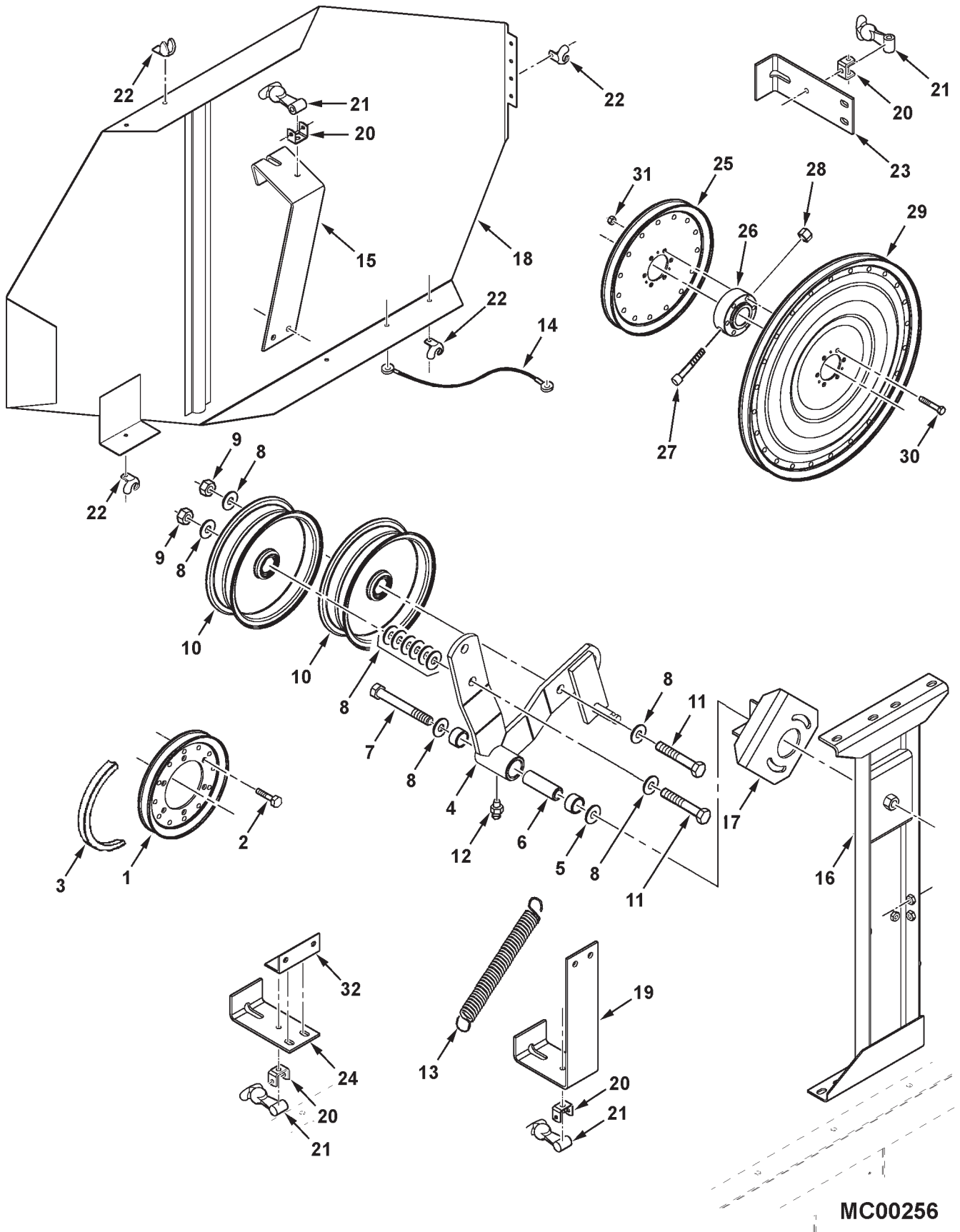
381

STRAW CHOPPER HOOD & SUPPORTS

ITEM	NUMBER	QTY	DESCRIPTION
1	71387357	1	RAIL ASY, SIDE (RH)
2	71387355	1	RAIL ASY, SIDE (LH)
	70923114	4	CAPSCREW, 1/2-13 X 1 GR5
	Y704742	4	NUT, HEX FLNG TOP LOCK, 1/2-13
3	104035W1	2	DEFLECTOR
4	71379261	2	PLATE, STOP (RH)
	70921210	4	CAPSCREW, 3/8-16 X 1
	Y704734	4	NUT, HEX FLNG TOP LOCK, 3/8-16
5	71379260	2	PLATE, STOP (LH)
	70921210	4	CAPSCREW, 3/8-16 X 1
	Y704734	4	NUT, HEX FLNG TOP LOCK, 3/8-16
6	71386200	1	PANEL, REAR
	70921332	8	CAPSCREW, 5/16-18 X 3/4
	Y704726	8	NUT, HEX FLNG TOP LOCK, 5/16-18
7	71383499	1	ANGLE ASSEMBLY
	70921210	8	CAPSCREW, 3/8-16 X 1
	Y704734	8	NUT, HEX FLNG TOP LOCK, 3/8-16
8	104037W1	1	PANEL, COVER
	70921332	12	CAPSCREW, HEX, 5/16-18 X 3/4
	70917642	5	WASHER, 5/16
	Y704726	12	NUT, HEX FLNG TOP LOCK, 5/16-18
9	71387680	1	HOOD, TOP
	70921210	6	CAPSCREW, 3/8-16 X 1
	Y704734	6	NUT, HEX FLNG TOP LOCK, 3/8-16 (PRIOR S/N HN87101)
	70916965	6	LOCKWASHER, 3/8 (EFF S/N HN87101)
10	103339W1	1	HOOD, SIDE, (LH)
	70921332	6	CAPSCREW, 5/16-18 X 3/4
	70917642	6	WASHER, 5/16
	Y704726	6	NUT, HEX FLNG TOP LOCK, 5/16-18
	70921210	4	CAPSCREW, 3/8-16 X 1
	Y704734	4	NUT, HEX FLNG TOP LOCK, 3/8-16
	70923114	3	CAPSCREW, 1/2-13 X 1 GR5
	70921176	1	CAPSCREW, 1/2-13 X 1-1/4 GR5
	Y704742	4	NUT, HEX FLNG TOP LOCK, 1/2-13
11	103338W1	1	HOOD, SIDE, (RH)
	70921332	6	CAPSCREW, 5/16-18 X 3/4
	70917642	6	WASHER, 5/16
	Y704726	6	NUT, HEX FLNG TOP LOCK, 5/16-18
	70921210	4	CAPSCREW, 3/8-16 X 1
	Y704734	4	NUT, HEX FLNG TOP LOCK, 3/8-16
	70923114	4	CAPSCREW, 1/2-13 X 1 GR5
	Y704742	4	NUT, HEX FLNG TOP LOCK, 1/2-13

MC00261  
PR: 216

STRAW SPREADER  
DRIVE





**9690 COMBINE  
CHOPPER & SPREADER**

**383**

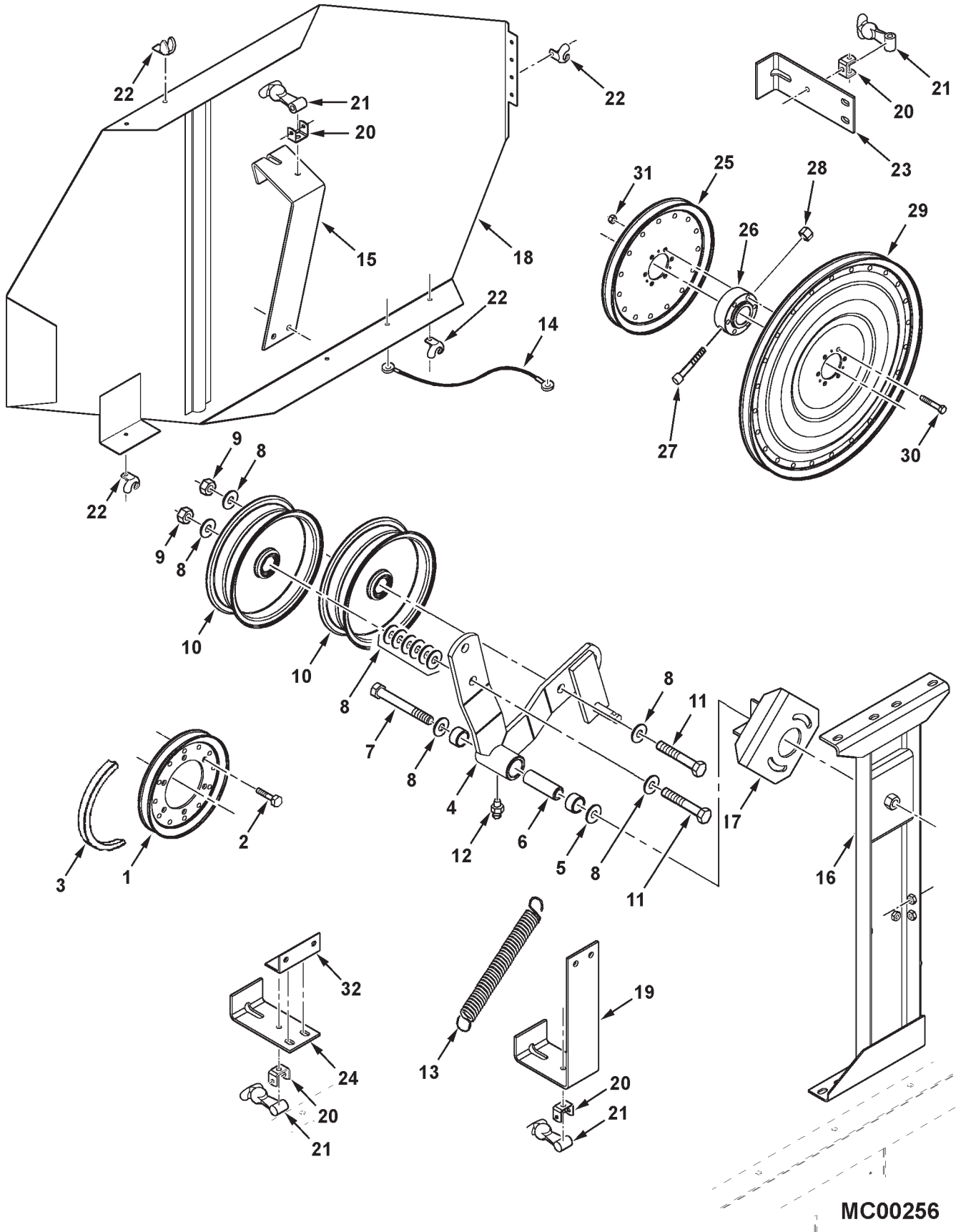
**STRAW SPREADER  
DRIVE**

ITEM	NUMBER	QTY	DESCRIPTION
1	2628321W92	1	PULLEY, DRIVE
2	70923701	6	CAPSCREW, 3/8-16 X 2 GR5
	70916965	6	LOCKWASHER, 3/8
	70916950	6	NUT, 3/8-16, REG
3	1680230W1	1	BELT-SECONDARY DRIVE
4	71387307	1	ARM ASY, IDLER, W/ BUSHINGS
	1689170W1	2	BUSHING, 1 ID X 3/4 LG
5	70937480	1	WASHER, HARD, .66 X 2.25 X .165 TH
6	2441490W1	1	SLEEVE, 41/64 X 63/64 X 3-1/16
7	70925705	1	CAPSCREW, 5/8-11 X 5 GR5
8	70918432	17	WASHER, WIDE, 5/8
9	700703922	2	NUT, HEX FLANGE TOP LOCK, 5/8-11
10	31-2455700	2	IDLER, FLAT, 8-3/4 OD
11	70925702	2	CAPSCREW, 5/8-11 X 3-1/2 GR5
12	70914465	1	LUBE FITTING, 1/8-27 PTF, SPL EXTR SHORT
13	1579720W1	1	SPRING
14	112942W1	1	TETHER STRAP
15	71388256	1	BRACKET, SHIELD SUPPORT
16	71387848	1	STAND WLMT, IDLER (PRIOR S/N HR87101) (SERVICE W/ 71406368)
	71406368	1	STAND WLMT, IDLER (EFF. S/N HR87101) (REQUIRES 71406364 STOP WLMT,IT. 17)
	70921210	2	CAPSCREW, 3/8-16 X 1 GR5
	70921969	2	CAPSCREW, 3/8-16 X 1-1/2 GR5
	70917378	1	WASHER, 3/8, WIDE
	Y704734	4	NUT, HEX FLANGE TOP LOCK, 3/8-16
17	101411M91	1	STOP WLMT, IDLER (PRIOR S/N HR87101)
	70921210	2	CAPSCREW, 3/8-16 X 1 GR5
	70916965	2	LOCKWASHER, 3/8
	353771X1	2	WASHER HEAVY HARD, 3/8
	71406364	1	STOP WLMT, IDLER (EFF. S/N HR87101)
	70923114	2	CAPSCREW, 1/2-13 X 1 GR5
	Y705046	2	LOCKWASHER, 1/2
	705541	2	WASHER, HARD, 1/2
18	71388736	1	SHIELD ASSEMBLY
19	101069M1	1	BRACKET
	70921210	2	CAPSCREW, 3/8-16 X 1 GR5
	Y704734	2	NUT, HEX FLANGE TOP LOCK, 3/8-16
20	1787520W1	4	BRACKET, LATCH ANCHOR
	70921332	4	CAPSCREW, 5/16-18 X 3/4 GR5
	Y704726	4	NUT, HEX FLANGE TOP LOCK, 5/16-18

CONTINUED

MC00256  
PR: 218

STRAW SPREADER  
DRIVE



**9690 COMBINE  
CHOPPER & SPREADER**

**385**

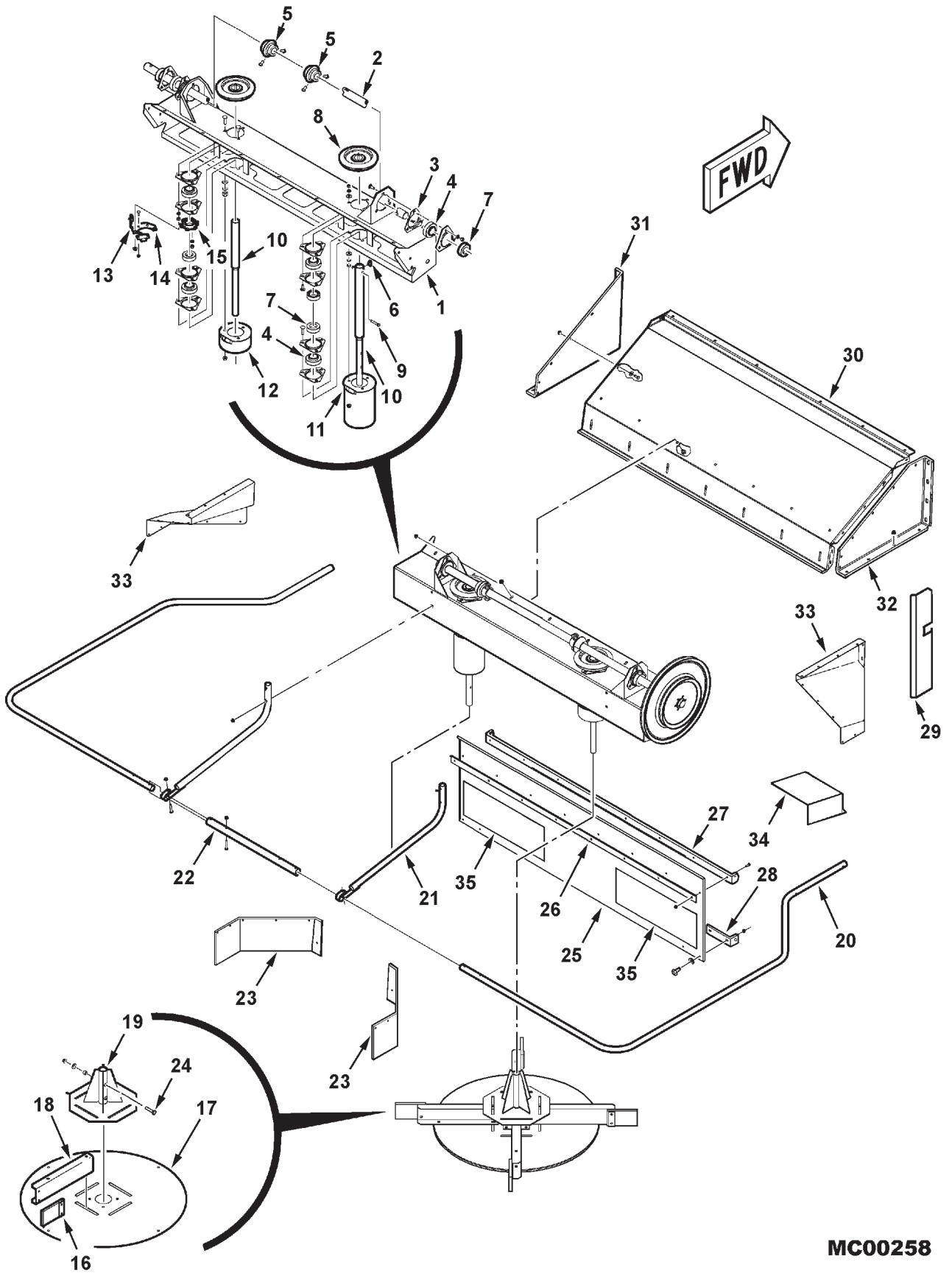
**STRAW SPREADER  
DRIVE**

ITEM	NUMBER	QTY	DESCRIPTION
21	776682	4	LATCH, RUBBER
	70921962	4	CAPSCREW, 1/4-20 X 1-3/4 GR5
	1703354	4	NUT, HEX FLANGE TOP LOCK, 1/4-20
22	8722910	4	CATCH, SHIELD
	700705088	4	SCREW, PHILLIPS HD MACH, #10-24UNC X 3/4
	3725830M1	4	LOCKNUT, HEX SERR FLANGE, #10-24UNC
23	101065M1	1	BRACKET, SHIELD SUPPORT
	70921210	2	CAPSCREW, 3/8-16 X 1 GR5
	Y704734	2	NUT, HEX FLANGE TOP LOCK, 3/8-16
24	101066M1	1	BRACKET, SHIELD SUPPORT
	70921210	2	CAPSCREW, 3/8-16 X 1 GR5
	Y704734	2	NUT, HEX FLANGE TOP LOCK, 3/8-16
25	2631400W1	1	SHEAVE, DRIVEN, 10.00 OD
26	2573610W1	1	HUB
27	702670	1	BOLT, HEX SOCK HD, 3/8-16 X 2-3/4
28	10163	1	NUT, HEX CENTER LOCK, 3/8-16
29	2573370W1	1	SHEAVE, 16.88 OD
30	70921978	6	CAPSCREW, 5/16-18 X 2 GR5
31	Y704726	6	NUT, HEX FLANGE TOP LOCK, 5/16-18
32	71388717	1	ANGLE, SHIELD SUPPORT
	70921210	2	CAPSCREW, 3/8-16 X 1 GR5
	70916965	2	LOCKWASHER, 3/8
-	71400068	1	*KIT, STRAW SPREADER, COMPLETE (PRIOR S/N HR87101)
-	71413225	1	*KIT, STRAW SPRDR,(CONVERSION OF CHOPPER TO SPREADER)(EFF. S/N HR87101) *(ORDER THRU DEALER CENTRAL)

MC00256  
PR: 218

9690 COMBINE  
CHOPPER & SPREADER

STRAW SPREADER  
COMPONENTS



**9690 COMBINE  
CHOPPER & SPREADER**

**387**

**STRAW SPREADER  
COMPONENTS**

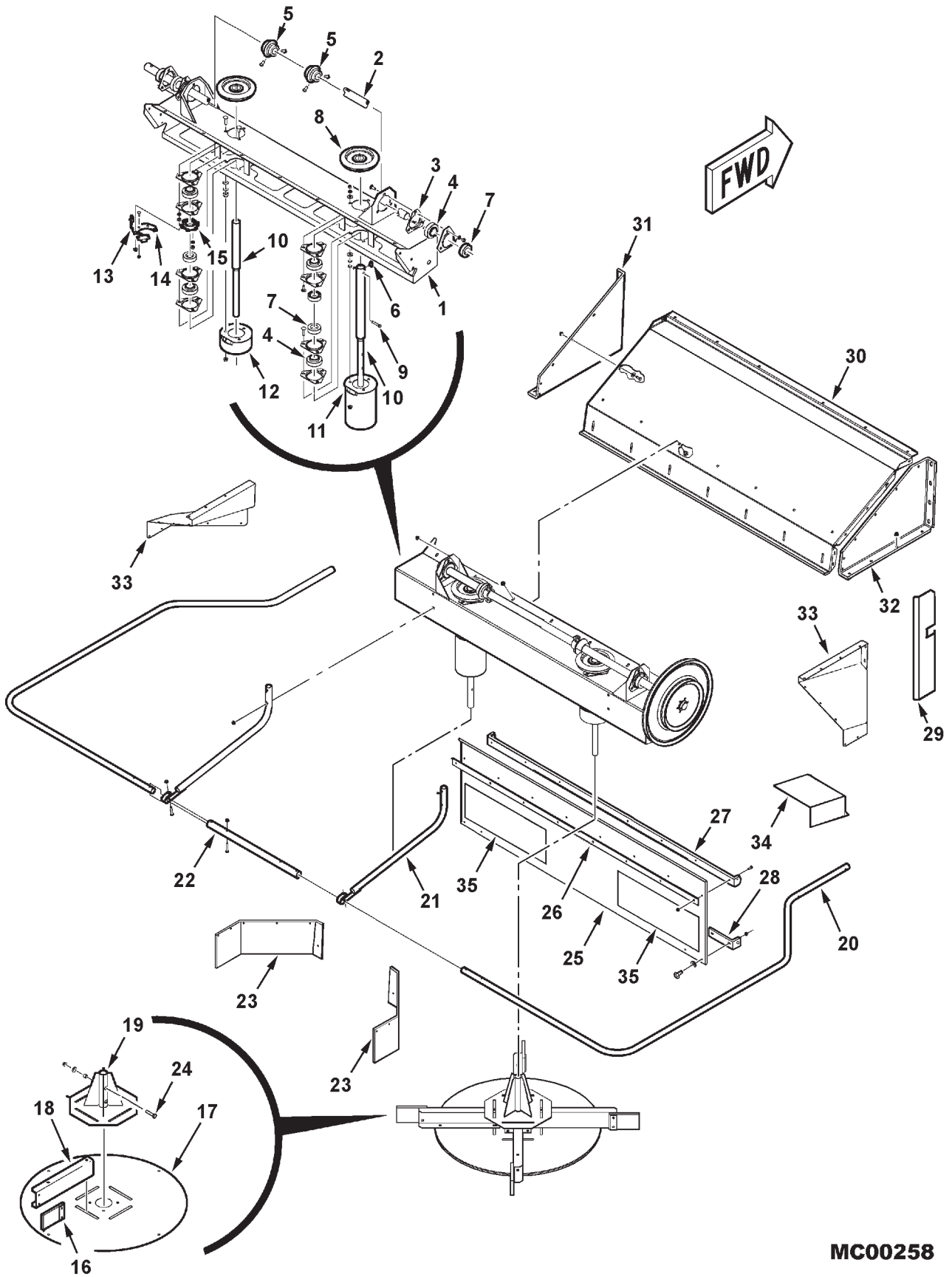
ITEM	NUMBER	QTY	DESCRIPTION
1	71395229	1	HOUSING
	70937294	1	GROMMET, RUBBER .312 X .750 X .156
	7700461	6	BOLT, RD HD SHT SQ NK, 5/16-18 X 3/4
	70921333	6	CAPSCREW, 5/16-18 X 1 GR5
	70917642	6	WASHER, 5/16 WIDE
	Y704726	12	NUT, HEX FLANGE TOP LOCK, 5/16-18
2	71395232	1	SHAFT
3	71192243	12	FLANGE
	68759	10	BOLT, RHSSN, 3/8-16 X 1
	768036	8	BOLT, RHSSN, 3/8-16 X 1-1/2
	70916965	18	LOCKWASHER, 3/8
	70918266	9	WASHER, NARROW 3/8
	70916950	18	NUT, HEX 3/8-16
4	K4037	6	BEARING
5	71396226	2	GEAR, PINION 14T
	70920469	4	SETSCREW, SQ HD CUP PT, 3/8-16 X 3/4
6	70905127	2	KEY, WOODRUFF, 5/16 X 1
7	K3999	5	COLLAR, LOCK
8	71393392	2	GEAR, DRIVEN, 35T
9	7771751	2	CAPSCREW, 5/16-18 X 3
	70923362	2	NUT, HEX CNTR LOCK, 5/16-18
10	71391576	1	SHAFT, SPREADER (LEFT)
	71391577	1	SHAFT, SPREADER (RIGHT)
11	71393389	1	CAN, ANTIWRAP (LEFT)
12	71393387	1	CAN, ANTIWRAP (RIGHT)
13	71391021	1	SENSOR, ASY 2 WIRE
14	71325553	1	BRACKET, MAGNETIC PICKUP
	70931317	2	BOLT, RD HD,SHT SQ NK, 1/4-20 X 3/4
	70931209	2	LOCKNUT, HEX FLNG SERR 1/4-20
	70931209	2	LOCKNUT, HEX FLNG SERR 3/8-16
15	71393391	1	COLLAR, SENSING
16	71341450	8	PADDLE
	71341448	8	PLATE, BACKUP
	7700578	16	CAPSCREW, RHSNB 5/16-18 X 1
	70923362	16	LOCKNUT, HEX CTR 5/16-18
17	71351200	2	DISK, LOWER
	70921965	8	CAPSCREW, 3/8-16 X 3/4
	70916965	8	LOCKWASHER, 3/8
	70916950	8	NUT, 3/8-16
18	71391579	8	BLADE
	7770456	16	CAPSCREW, RHSSNB 3/8-16 X 3/4
	70917378	8	WASHER, WIDE 3/8
	70916965	8	LOCKWASHER, 3/8
	70916950	8	NUT, 3/8-16

CONTINUED

MC00258  
PR: 222

9690 COMBINE  
CHOPPER & SPREADER

STRAW SPREADER  
COMPONENTS



**9690 COMBINE  
CHOPPER & SPREADER**

**389**

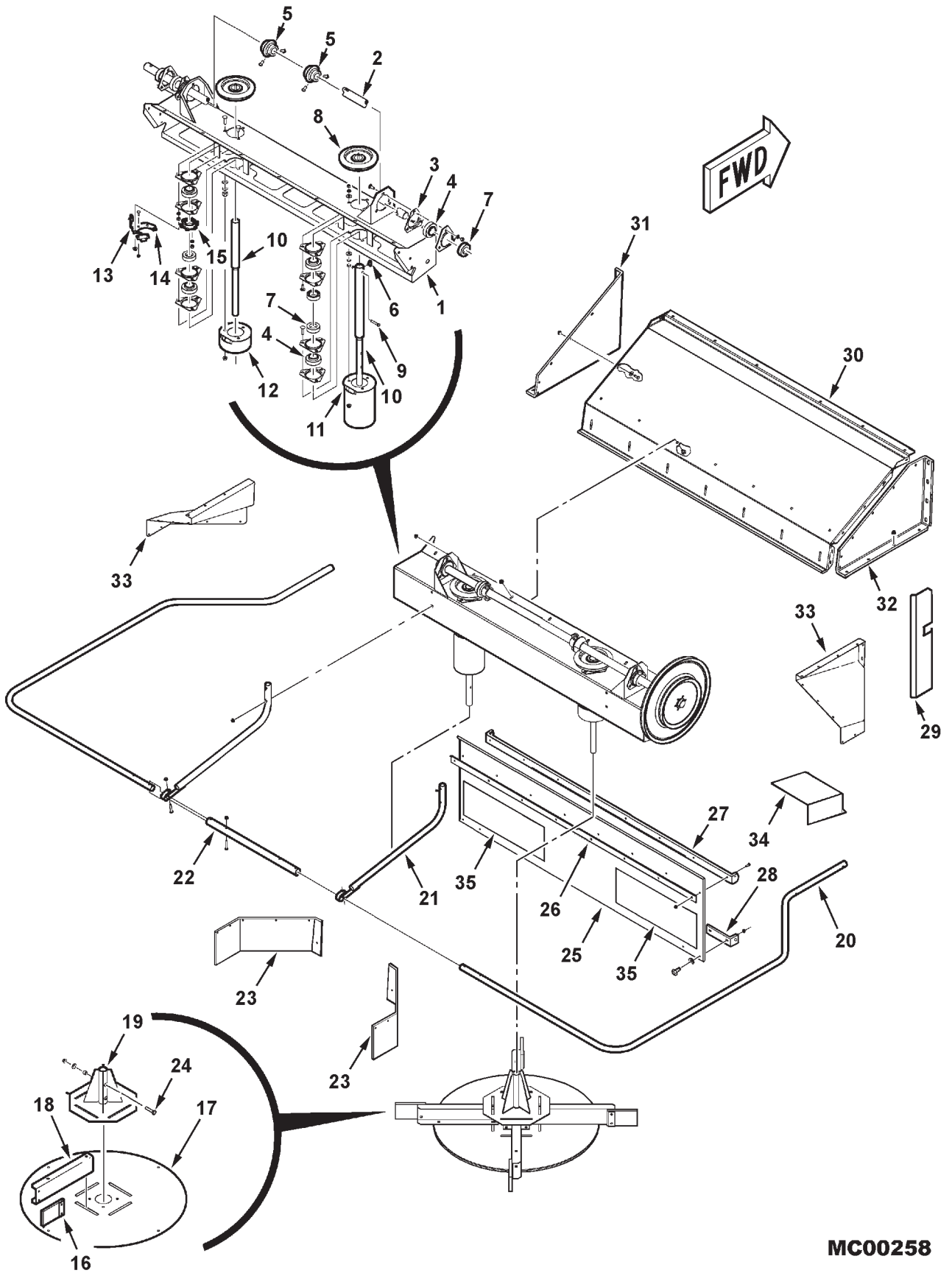
**STRAW SPREADER  
COMPONENTS**

ITEM	NUMBER	QTY	DESCRIPTION
19	71407574	2	HUB WLMT, SPRDR
	7770456	8	CAPSCREW, RHSSN, 3/8-16 X 3/4
	70917378	8	WASHER, WIDE 3/8
	70916965	8	LOCKWASHER, 3/8
	70916950	8	NUT, 3/8-16
20	2636890W1	2	PIPE, GUARD
	70922127	4	CAPSCREW, 5/16-18 X 1-3/4
	76695	8	WASHER, LARGE FENDER 5/16
21	Y704726	4	NUT, HEX FLANGE TOP LOCK, 5/16-18
	71391592	2	SUPPORT, GUARD
	70922127	6	CAPSCREW, 5/16-18 X 1-3/4
22	Y704726	6	NUT, HEX FLANGE TOP LOCK, 5/16-18
	1831580W1	1	TUBE, GUARD CONNECTOR
	70922127	4	CAPSCREW, 5/16-18 X 1-3/4
23	Y704726	4	NUT, HEX FLANGE TOP LOCK, 5/16-18
	71398421	2	CURTAIN, SIDE
	70921332	12	CAPSCREW, 5/16-18 X 3/4
24	70917642	12	WASHER, 5/16
	Y704726	12	NUT, HEX FLANGE TOP LOCK, 5/16-18
	7701634	4	CAPSCREW, 3/8-16 X 2 GR5
	71345898	4	SPACER, HUB
25	70917378	4	WASHER, 3/8
	Y704734	4	NUT, HEX FLANGE TOP LOCK, 3/8-16
	71396227	1	CURTAIN, CTR
	71396229	1	CURTAIN, ANGLE CTR
26	71396228	1	HANGER, CURTAIN CTR
	7703457	6	CAPSCREW, 1/4-20 X 3/4
	1703354	6	NUT, HEX FLANGE TOP LOCK, 1/4-20
	70921333	4	CAPSCREW, 5/16-18 X 1
	Y705608	8	WASHER, NARROW 5/16
	Y704726	4	NUT, HEX FLANGE TOP LOCK, 5/16-18
27	71395234	2	BRACKET, LOWER CURTAIN
	7703457	4	CAPSCREW, 1/4-20 X 3/4
	70917377	4	WASHER, WIDE 1/4
	1703354	4	NUT, HEX FLANGE TOP LOCK, 1/4-20
	98-2107	2	PIN, COTTER .148
28	71398424	1	SHIELD, BELT
29	71387680	1	HOOD, TOP
	70921210	6	CAPSCREW, HEX HD, 3/8-16 X 1
	Y704734	6	NUT, HEX FLANGE TOP LOCK, 3/8-16 (PRIOR S/N HN87101)
	70916965	6	LOCKWASHER, 3/8 (EFF. S/N HN87101)

CONTINUED

MC00258  
PR: 222

STRAW SPREADER  
COMPONENTS





**9690 COMBINE  
CHOPPER & SPREADER**

**391**

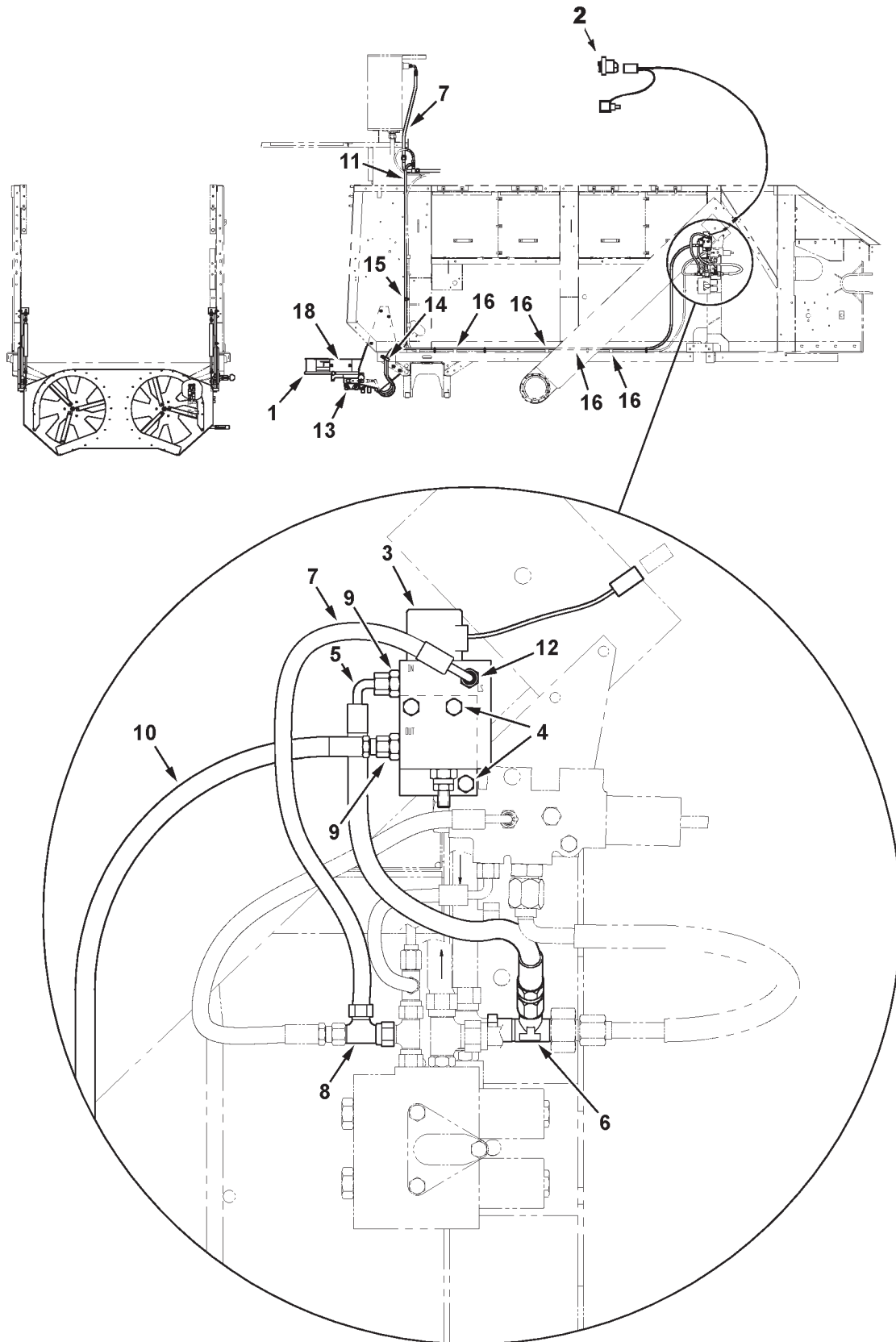
**STRAW SPREADER  
COMPONENTS**

ITEM	NUMBER	QTY	DESCRIPTION
31	103339W1	1	HOOD SIDE, LEFT (REKORD)
	70921210	4	CAPSCREW, HEX, 3/8-16 X 1
	Y704734	4	NUT, HFTLN 3/8-16
	70921332	3	CAPSCREW 5/16-18 X 3/4
	70917642	3	WASHER, 5/16 WIDE
	Y704726	3	NUT, HEX FLNG TOP LOCK, 5/16-18
	70923114	3	CAPSCREW, 1/2-13 X 1 GR5
	70921176	1	CAPSCREW, 1/2-13 X 1-1/4 GR5
	Y704742	4	NUT, HEX FLNG TOP LOCK, 1/2-13
32	103338W1	1	HOOD SIDE, RIGHT (REKORD)
	70921210	4	CAPSCREW, HEX, 3/8-16 X 1
	Y704734	4	NUT, HFTLN 3/8-16
	70921332	3	CAPSCREW, 5/16-18 X 3/4
	70917642	3	WASHER, 5/16 WIDE
	Y704726	3	NUT, HEX FLNG TOP LOCK, 5/16-18
	70923114	4	CAPSCREW, 1/2-13 X 1 GR5
	Y704742	4	NUT, HEX FLNG TOP LOCK, 1/2-13
33	71397350	1	EXTENSION, CURTAIN (RH) (REVISED)
	71397349	1	EXTENSION, CURTAIN (LH) (REVISED)
	70921210	4	CAPSCREW, HEX, 3/8-16 X 1
	70917378	4	WASHER, WIDE PLAIN 3/8
	Y704734	4	NUT, HEX FLNG TOP LOCK, 3/8-16
34	71397348	1	SHIELD, SPREADER DRIVE SHEAVE
	70921210	3	CAPSCREW, HEX, 3/8-16 X 1
	Y704734	3	NUT, HEX FLANGE TOP LOCK, 3/8-16
35	71409848	2	SHEET, WEAR (EFF. S/N HR87101)
	7703457	14	CAPSCREW, 1/4-20 X 3/4
	1703354	14	NUT, HEX FLANGE TOP LOCK, 1/4-20
-	2631700W1	1	LABEL, FAST (NOT ILL.)
-	2631690W1	1	LABEL, SLOW (NOT ILL.)

MC00258  
PR: 222

9690 COMBINE  
CHOPPER & SPREADER

CHAFF SPREADER  
HYDRAULIC DRIVE  
(PRIOR S/N HS87101)



**9690 COMBINE  
CHOPPER & SPREADER**

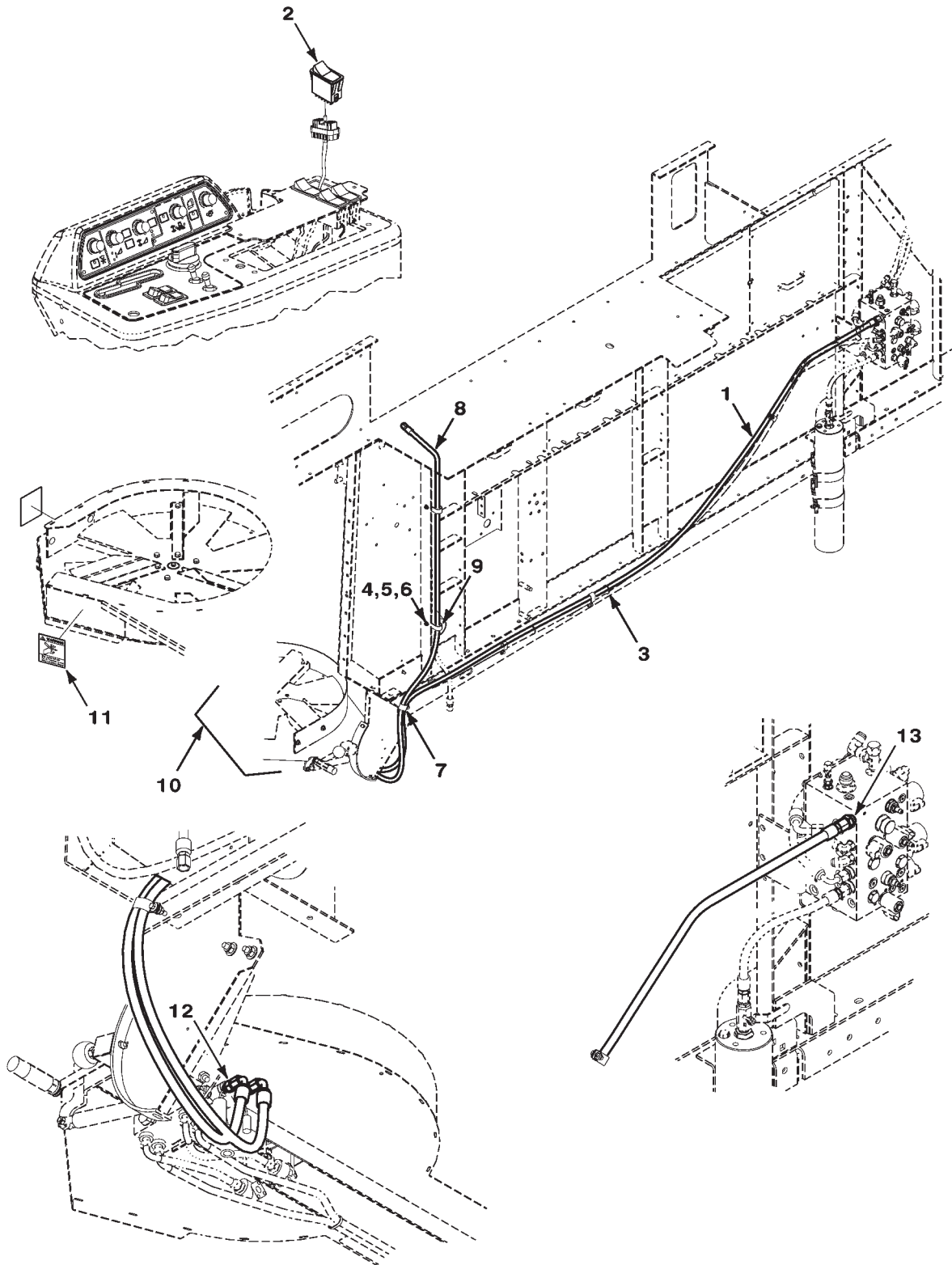
**393**

**CHAFF SPREADER  
HYDRAULIC DRIVE  
(PRIOR S/N HS87101)**

ITEM	NUMBER	QTY	DESCRIPTION
1	-----	1	CHAFF SPREADER ASY (REKORD) (SERVICE WITH COMPONENTS)
2	71390101	1	SWITCH
3	71387798	1	VALVE, FLOW CONTROL (INCL. FOLLOWING)
	71389740	1	VALVE ASY., SOLENOID CARTRIDGE
	700726978	AR	SEAL KIT (FOR 71389740)
	71389741	1	COIL, 12V DC, W/DIODE
	71389742	1	VALVE CARTRIDGE, FLOW REGULATOR
	700724693	AR	SEAL KIT (FOR 71389742)
	71389743	1	CHECK VALVE
	700726979	AR	SEAL KIT (FOR 71389743)
	71397493	1	LOCK KIT, VALVE, W/ SCREW
4	71388098	1	PLATE, MOUNTING
	70921978	2	CAPSCREW, HEX 5/16-18 X 2
	70917372	2	NUT, HEX 5/16-18
	70917356	2	LOCKWASHER, 5/16
5	71388099	1	HOSE ASSEMBLY, SUPPLY
6	70921298	1	TEE, SWIVEL RUN, 3/4-16 JIC
7	101590M1	1	HOSE ASSEMBLY
8	700701355	1	TEE, SWIVEL RUN
9	70922522	2	CONNECTOR, STR, 9/16-18 JIC X ORB
	70921885	2	O-RING, .078 X .468 ID
10	71388100	1	HOSE ASSEMBLY, PRESSURE
11	71388826	1	HOSE ASSEMBLY, RETURN
12	70923163	1	CONNECTOR, STR, 7/16-20 JIC X ORB
	70921883	1	O-RING, .072 X .351 ID
13	71388056	2	CONNECTOR, STRAIGHT
14	700717627	1	P-CLAMP, DOUBLE
	70921210	1	CAPSCREW, 3/8-16 X 1
	70916950	1	NUT, HEX 3/8-16
	70916965	1	LOCKWASHER, 3/8
15	70928656	1	P-CLAMP, 5/8 DIA X .406 HOLE
	70921210	1	CAPSCREW, 3/8-16 X 1
	70916950	1	NUT, HEX 3/8-16
	70916965	1	LOCKWASHER, 3/8
16	70937133	4	TIE, NYLON LOCKING, .30 X 14.5
18	111737W1	3	LABEL, WARNING, CHOPPER
-	71399026	1	KIT, CHAFF SPREADER (FIELD INSTALL) (ORDER THRU DEALER CENTRAL)

MC00263  
PR: 226

**CHAFF SPREADER**  
HYDRAULIC DRIVE  
(EFF. S/N HS87101)



9690 COMBINE  
CHOPPER & SPREADER

395

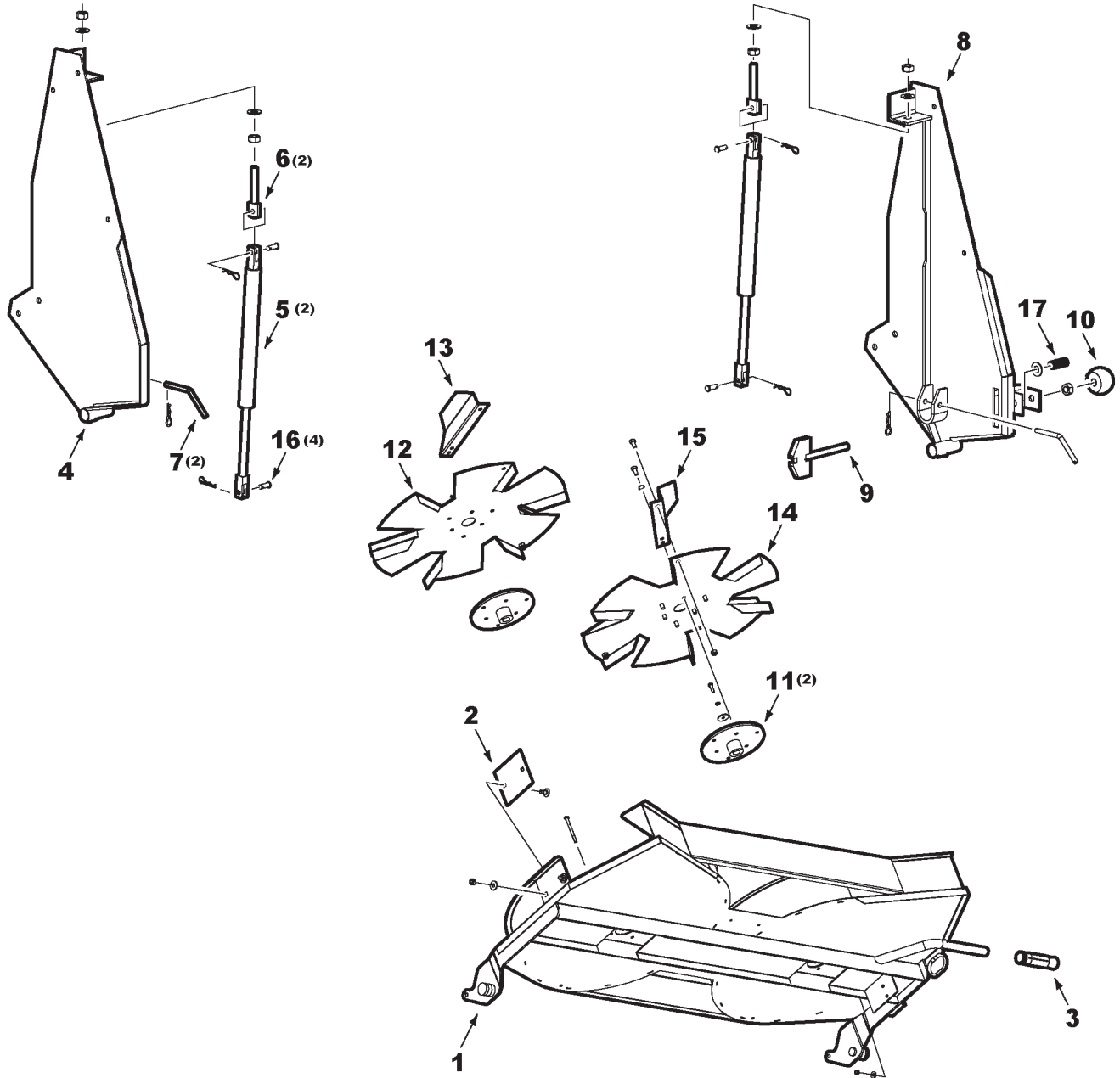
CHAFF SPREADER  
HYDRAULIC DRIVE  
(EFF. S/N HS87101)

ITEM	NUMBER	QTY	DESCRIPTION
1	71388100	1	HOSE ASY, SUPPLY PRESSURE
2	71390101	1	SWITCH, ON/OFF
3	70937133	4	TIE, NYLON LOCKING, .30 X 14.5 LG
4	70921210	2	CAPSCREW, 3/8-16 X 1.0
5	70916965	2	LOCKWASHER, 3/8
6	70916950	2	NUT, 3/8-16 REG
7	700717627	1	CLAMP, DOUBLE LINE, 11/16 X .406 HOLE
8	71388826	1	HOSE ASY, RETURN
9	70928656	1	CLAMP, LINE, 5/8 DIA X .406 HOLE
10	-----	1	CHAFF SPREADER ASSEMBLY (REKORD) (SERVICE WITH COMPONENTS)
11	111737W1	3	LABEL, WARNING, CHOPPER
12	71388056	2	CONN, STR, 1/4 BSPP X 9/16-18 JIC MALE
13	360202X91	1	CONN, STR, 9/16-18 JIC X 3/4-16 ORB M
	70921349	1	O-RING, .087 X .644 ID
-	71413230	AR	KIT, CHAFF SPREADER (FIELD INSTALL) (ORDER THRU DEALER CENTRAL)

MC00573  
PR: 71413229-01-11

9690 COMBINE  
CHOPPER & SPREADER

CHAFF SPREADER  
FAN HOUSING, REKORD  
(PRIOR S/N HS87101)



**9690 COMBINE  
CHOPPER & SPREADER**

397

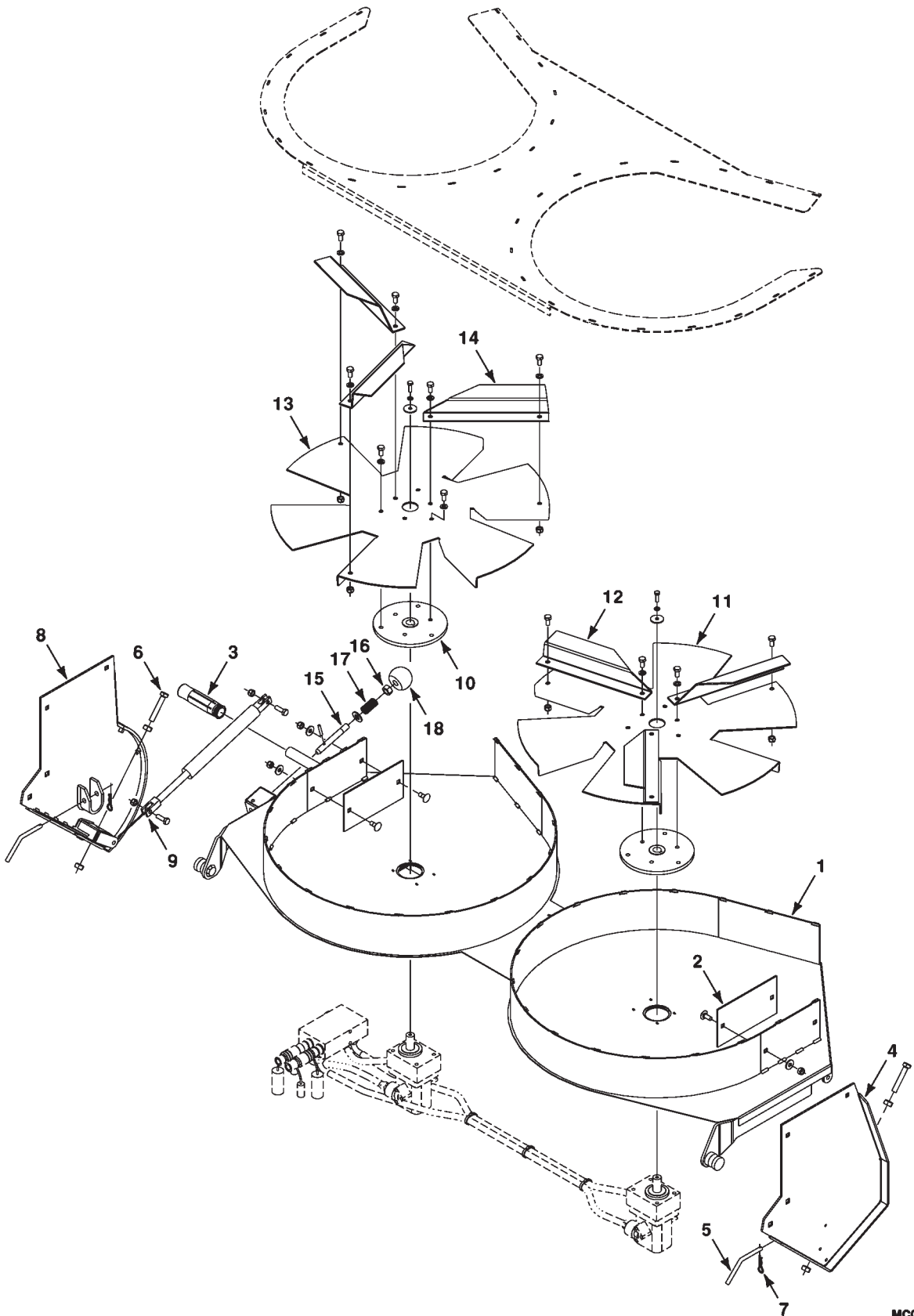
**CHAFF SPREADER  
FAN HOUSING, REKORD  
(PRIOR S/N HS87101)**

ITEM	NUMBER	QTY	DESCRIPTION
-	71397991	1	FAN HSG. ASY (INCL ITEMS 1,2,3,11,12,13 14,15 & HYD COMPNTS ON FOLL'NG PAGE)
1	71397173	1	HOUSING WLMT, SPREADER
2	71397380	2	WEAR PLATE
	385368X1	4	CARRIAGE BOLT M8-1.25 X 16
	1440921X1	4	WASHER, PLAIN, 8.4 X 22 OD
	3000193X1	4	NUT, NYLON LOCK, M8 X 1.25
3	71389997	1	GRIP, PLASTIC
4	71397394	1	SUPPORT PLATE WLMT, LH
	7772197	3	CAPSCREW, M8 X 25 LG
	1440921X1	6	WASHER, 8 MM
	3019124X1	3	LOCKNUT, M8
	700708349	2	CAPSCREW, M10 X 25 LG
	339025X1	4	WASHER, 10 MM
	1441932X1	2	LOCKNUT, M10
5	71390260	2	GAS STRUT
6	D49080047	2	YOKE, ADJUSTMENT
	390735X1	4	WASHER, M12, STD
	3009695X1	4	NUT, M12
7	71390259	2	PIN, BENT, SPECIAL
	70933339	2	RETAINER PIN, .094 X 1.62 LG
8	71397393	1	SUPPORT PLATE WLMT, RH
	7772197	3	CAPSCREW, M8 X 25 LG
	1440921X1	6	WASHER, 8 MM
	3019124X1	3	LOCKNUT, M8
	700708349	2	CAPSCREW, M10 X 25 LG
	339025X1	4	WASHER, 10 MM
	1441932X1	2	LOCKNUT, M10
9	71397391	1	LOCK
	391290X1	1	PIN, SPRING, 5 MM X 30 LG
	3009695X1	1	NUT, M12-1.75
	390735X1	1	WASHER, M12, STD
10	71397390	1	KNOB
11	D49070008	2	HUB
	70950002	2	CAPSCREW, M6 X 20
	339375X1	2	LOCKWASHER
	391038X1	2	WASHER
12	71389066	1	DISC, LH
	339124X1	6	CAPSCREW, M8-1.25 X 16 CL8.8
	353446X1	5	LOCKWASHER
	3019124X1	5	LOCKNUT, M8
13	71397378	3	BLADE, SPREADER LH
	339124X1	3	CAPSCREW, M8-1.25 X 16 CL8.8
	3019124X1	3	LOCKNUT, M8
14	71389068	1	DISC, RH
	339124X1	6	CAPSCREW, M8-1.25 X 16 CL8.8
	353446X1	5	LOCKWASHER
	3019124X1	5	LOCKNUT, M8
15	71397379	3	BLADE, SPREADER RH
	339124X1	3	CAPSCREW, M8-1.25 X 16 CL8.8
	3019124X1	3	LOCKNUT, M8
16	70923093	4	PIN, CLEVIS, 5/16 X 15/16 LG
	70923086	4	RETAINER PIN, .072 X 1.09 LG
17	71397392	1	SPRING
-	71379811	2	DECAL, WARNING (NOT ILLUSTRATED)
-	D49100159	2	DECAL, STOP (NOT ILLUSTRATED)

MC00262  
PR: 228

9690 COMBINE  
CHOPPER & SPREADER

CHAFF SPREADER  
FAN HOUSING, REKORD  
(EFF. S/N HS87101)





**9690 COMBINE  
CHOPPER & SPREADER**

399

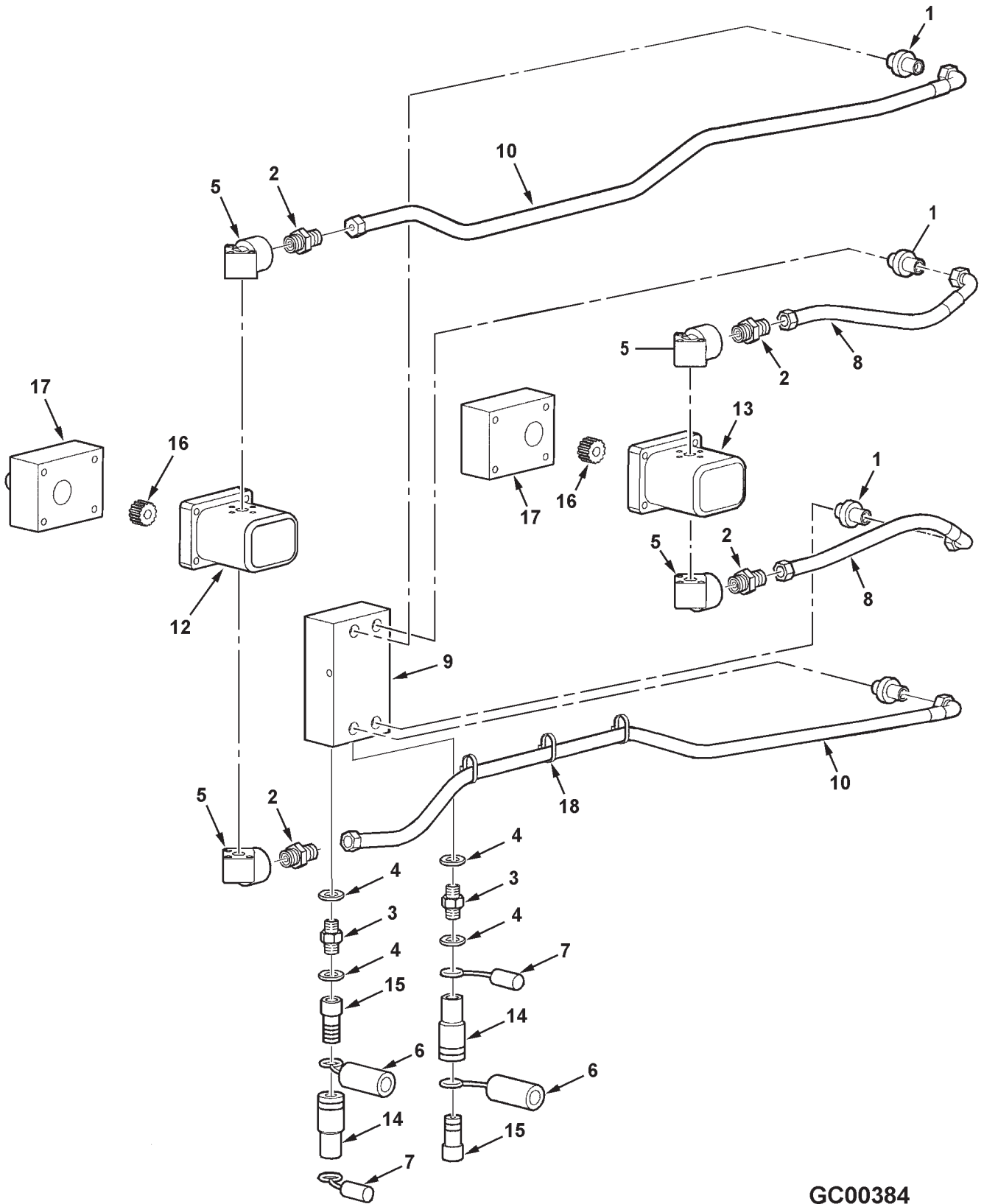
**CHAFF SPREADER  
FAN HOUSING, REKORD  
(EFF. S/N HS87101)**

ITEM	NUMBER	QTY	DESCRIPTION
-	71412986	1	FAN HSG ASY, CHAFF SPRDR, W/ MOTORS (INCL IT. 1,2,3,10 THRU 18 AND HYD. COMPONENTS ON FOLLOWING PAGE.
1	71412987	1	FAN HSG. WLMT, SPREADER
2	71397380	2	WEAR PLATE
	385368X1	4	BOLT, RD HD SQ NK, M8-1.25 X 16 CL8.8
	353770X1	4	WASHER, M8
	3000193X1	4	NUT, NYLON LOCK, M8 X 1.25
3	71389997	1	GRIP, PLASTIC
4	71411974	1	SUPPORT PLATE WLMT, LH
5	71390259	2	PIN, BENT, SPECIAL
6	339679X1	2	CAPSCREW, M10-1.5 X 60 CL8.8
	339402X1	4	NUT, M10 X 1.5, REG
7	70933339	2	RETAINER PIN, .094 X 1.62 LG
8	71411981	1	SUPPORT PLATE WLMT, RH
9	71411982	1	GAS STRUT
	7772197	2	CAPSCREW, M8-1.25 X 25 CL8.8
	3000193X1	2	NUT, NYLON LOCK, M8 X 1.25
10	D49070008	2	HUB
	339666X1	2	CAPSCREW, M6-1.0 X 20
	339375X1	2	LOCKWASHER, M6
	391038X1	2	WASHER, M6, LARGE
11	71389066	1	DISC, LH
	339124X1	6	CAPSCREW, M8-1.25 X 16 CL8.8
	339374X1	6	LOCKWASHER, M8
12	71397378	3	BLADE, SPREADER LH
	339124X1	3	CAPSCREW, M8-1.25 X 16 CL8.8
	3000193X1	4	NUT, HEX NYLON LOCK, M8 X 1.25
13	71389068	1	DISC, RH
	339124X1	6	CAPSCREW, M8-1.25 X 16 CL8.8
	339374X1	6	LOCKWASHER, M8
14	71397379	3	BLADE, SPREADER RH
	339124X1	3	CAPSCREW, M8-1.25 X 16 CL8.8
	3000193X1	4	NUT, HEX NYLON LOCK, M8 X 1.25
15	71411976	1	ROD, LOCK
	391290X1	1	PIN, SPRING, 5 MM X 30 LG
16	3009695X1	1	NUT, M12 X 1.75, REG
	390735X1	1	WASHER, M12, STD
17	71397392	1	SPRING
18	71397390	1	KNOB

MC00465  
PR: 71406956-01-11

9690 COMBINE  
CHOPPER & SPREADER

CHAFF SPREADER  
HYDRAULICS, REKORD



**9690 COMBINE  
CHOPPER & SPREADER**

401

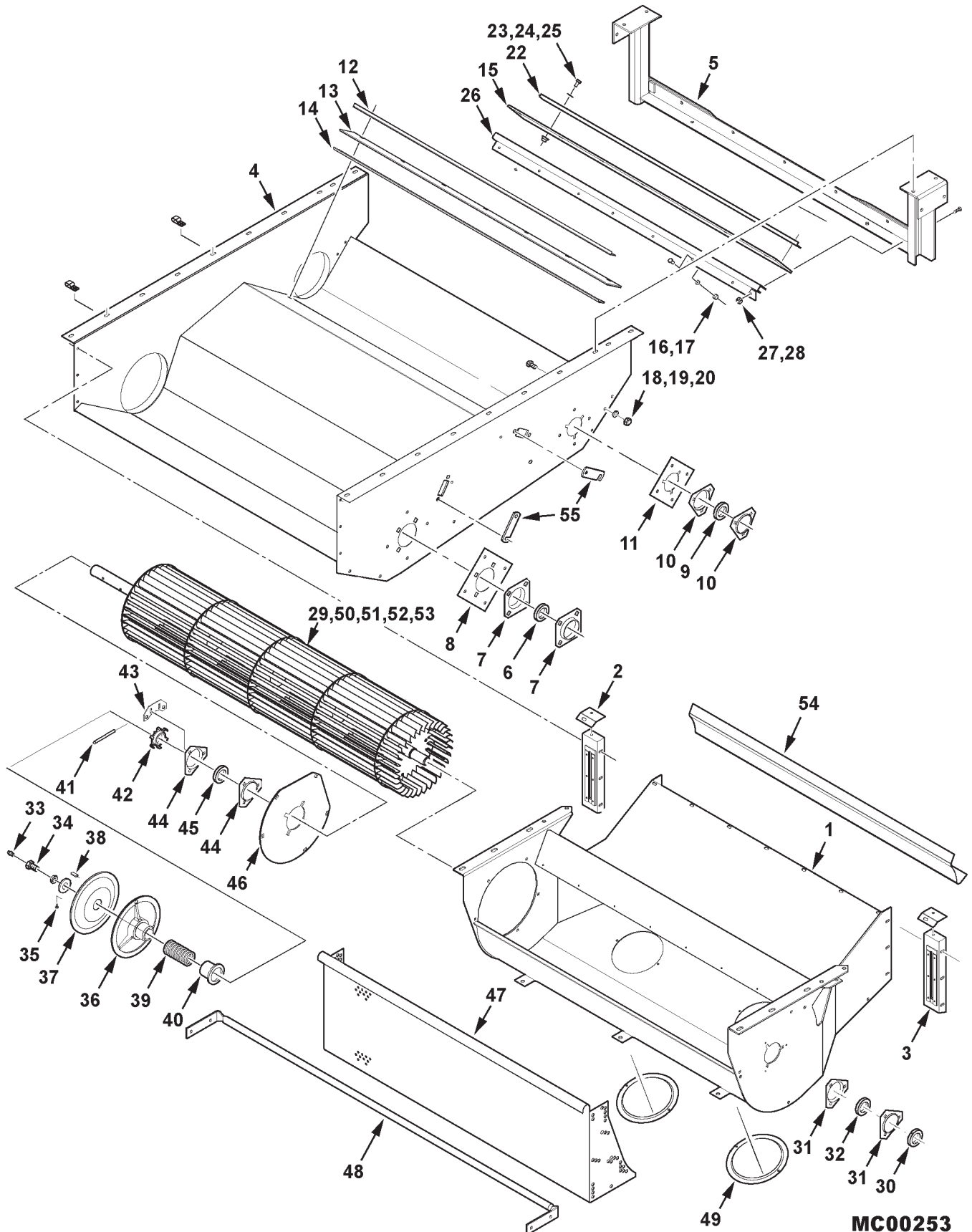
**CHAFF SPREADER  
HYDRAULICS, REKORD**

ITEM	NUMBER	QTY	DESCRIPTION
1	71397381	4	ADAPTER
2	71397382	4	ADAPTER
3	D49070031	2	COUPLER, FEM.
4	D49070022	4	SEAL RING
5	D49070026	4	ELBOW, 90 DEG FLANGE
6	71397383	2	DUST COVER
7	71397384	2	DUST COVER
8	71397385	2	HOSE ASY.
9	71412991	1	VALVE ASY.
	71411980	1	SEAL KIT (NOT SHOWN)
	71411979	1	DIVIDER, FLOW (NOT SHOWN)
	71411978	1	VALVE, CHECK (NOT SHOWN)
	3019894X1	2	CAPSCREW, M6-1.0 X 100
	391038X1	2	WASHER, LARGE, M6
	1441500X1	2	NUT, NYLON LOCK, M6 X 1.0
10	71397387	2	HOSE ASY.
12	71397388	1	MOTOR, HYDRAULIC, LH
	71390284	1	SEAL KIT (NOT SHOWN)
	3010639X1	4	CAPSCREW, M6-1.0 X 70
	1441500X1	4	NUT, NYLON LOCK, M6 X 1.0
13	71397389	1	MOTOR, HYDRAULIC, RH
	71390284	1	SEAL KIT (NOT SHOWN)
	3010639X1	4	CAPSCREW, M6-1.0 X 70
	1441500X1	4	NUT, NYLON LOCK, M6 X 1.0
14	71390267	2	COUPLING, QUICK DISCONNECT, FEM.
15	71390268	2	COUPLING, QUICK DISCONNECT, MALE
16	71390279	2	HUB, SPLINED
17	D49070025	2	SUPPORT BEARING
18	70925094	AR	TIE, NYLON LOCKING, .184 X 7 LG

GC00384  
PR: 230

9690 COMBINE  
SEPARATOR

LOWER AUGER HOUSING AND FANNING MILL



9690 COMBINE  
SEPARATOR

403

LOWER AUGER HOUSING AND FANNING MILL

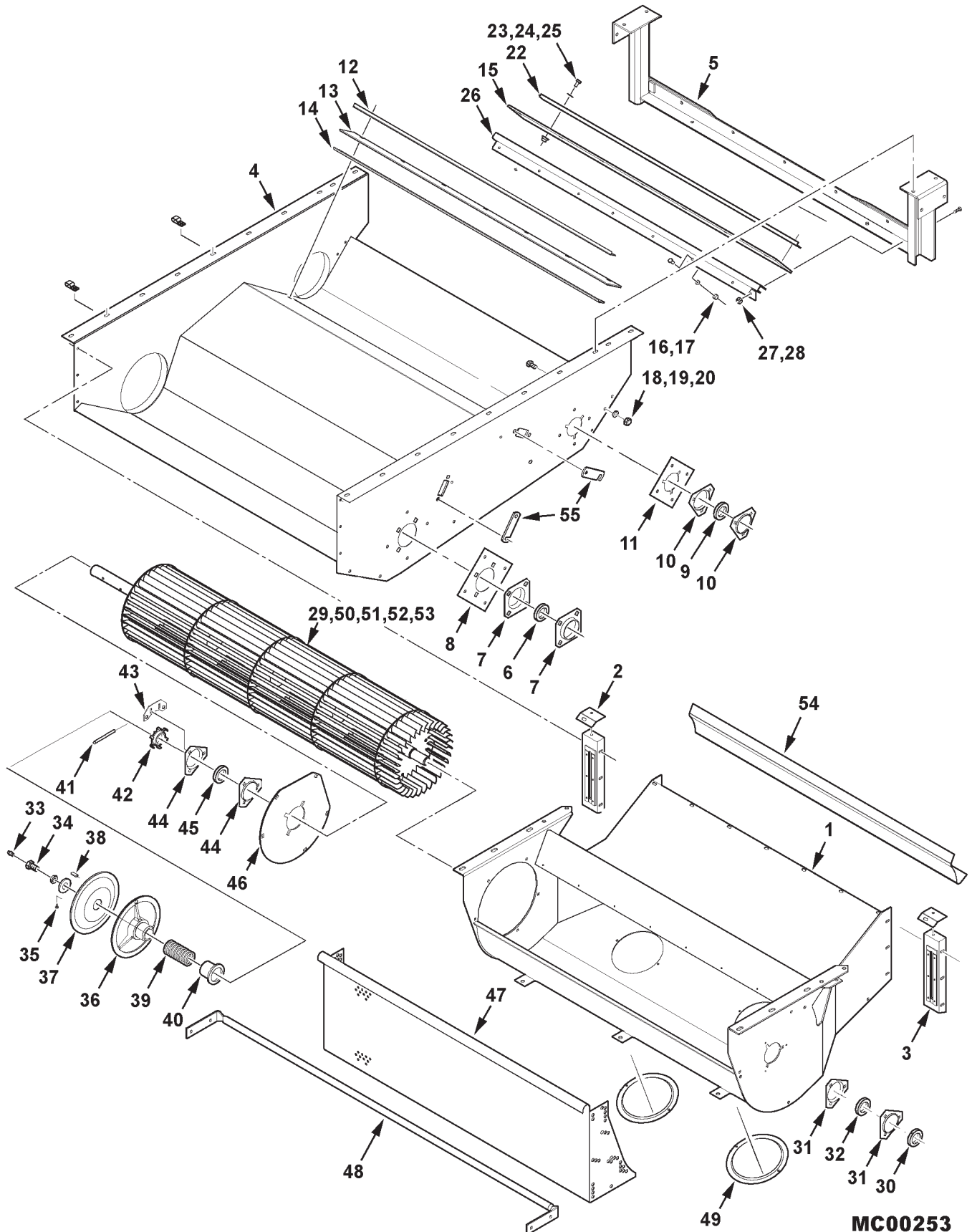
ITEM	NUMBER	QTY	DESCRIPTION	
1	71391327	1	HOUSING ASY., FAN (INCL. ITEM 54)	
	71186166	3	RETAINER STRIP, CARR BOLT (NOT ILL.)	
	70925160	3	POP-RIVET, 3/16 X .251-.375 GRIP	
	701235	12	CAPSCREW, 1/2-13 X 1-1/2	
	70918431	6	WASHER, 1/2, WIDE	
	Y704742	12	NUT, HEX FLNG TOP LOCK, 1/2-13	
	70921332	22	CAPSCREW, 5/16-18 X 3/4	
	70917642	22	WASHER, 5/16, WIDE	
	Y704726	22	NUT, HEX FLNG TOP LOCK, 5/16-18	
2	2446920W1	1	PLATE, FILLER (RH)	
	2446930W1	1	PLATE, FILLER (LH)	
	70921332	2	CAPSCREW, 5/16-18 X 3/4	
	70917642	2	WASHER, 5/16, WIDE	
3	Y704726	2	NUT, HEX FLNG TOP LOCK, 5/16-18	
	2446893W91	1	PANEL, FILLER (LH)	
	2446903W91	1	PANEL, FILLER (RH)	
4	71394970	1	HOUSING WLDMT, AUGER (PRIOR S/N HP87101)	
	71403891	1	HOUSING WLDMT, AUGER (EFF. S/N HP87101)	
	70927134	2	J-CLIP, 5/8 DIA X .406 HOLE	
	70921969	20	CAPSCREW, 3/8-16 X 1-1/2	
	Y704734	20	NUT, HEX FLNG TOP LOCK, 3/8-16	
5	71395273	1	FRAME ASY.	
	70921210	4	CAPSCREW, 3/8-16 X 1.0	
	70917378	4	WASHER, 3/8, WIDE	
	Y704734	4	NUT, HEX FLNG TOP LOCK, 3/8-16	
6	50468	1	BEARING, 1.50"	
	17789	2	FLANGE, BEARING	
7	68619	4	BOLT, RD HD SQ NECK, 1/2-13 X 1-1/4	
	Y705046	4	LOCKWASHER, 1/2	
	704031	4	NUT, 1/2-13 REG	
	8	2636000W1	1	PLATE (PRIOR S/N HP87101)(NOT USED EFF. S/N HP87101)
70921965		4	CAPSCREW, 3/8-16 X 3/4	
Y704734		4	NUT, HEX FLNG TOP LOCK, 3/8-16	
9		70590704	1	BEARING, 1.125" W/O COLLAR
10		71127313	2	FLANGE, BEARING
	68759	1	BOLT, RD HD SQ NECK, 3/8-16 X 1	
	768036	2	BOLT, RD HD SQ NECK, 3/8-16 X 1-1/2	
	70916965	3	LOCKWASHER, 3/8	
	70916950	3	NUT, 3/8-16 REG	
	11	2636010W1	1	PLATE (PRIOR S/N HP87101)(NOT USED)
70921965		4	CAPSCREW, 3/8-16 X 3/4	
Y704734		4	NUT, HEX FLNG TOP LOCK, 3/8-16	
12	2474140W1	1	ANGLE, SEAL CLAMPING (PRIOR S/N HP87101)	
13	2474410W1	1	SEAL, REAR AUGER HSG.(PRIOR S/N HP87101)	
14	2581690W1	1	RETAINER, SEAL (PRIOR S/N HP87101)	
	70921333	7	CAPSCREW, 5/16-18 X 1 GR5	
	70917642	7	WASHER, 5/16, WIDE	
	Y704726	7	NUT, HEX FLNG TOP LOCK, 5/16-18	
15	71396453	1	SEAL, REAR AUGER HSG.	
16	Y704734	7	NUT, HEX FLNG TOP LOCK, 3/8-16	
17	70921965	7	CAPSCREW, 3/8-16 X 3/4	
	70917378	7	WASHER, 3/8 WIDE	

CONTINUED

MC00253  
PR: 232

9690 COMBINE  
SEPARATOR

LOWER AUGER HOUSING AND FANNING MILL



MC00253

9690 COMBINE  
SEPARATOR

405

LOWER AUGER HOUSING AND FANNING MILL

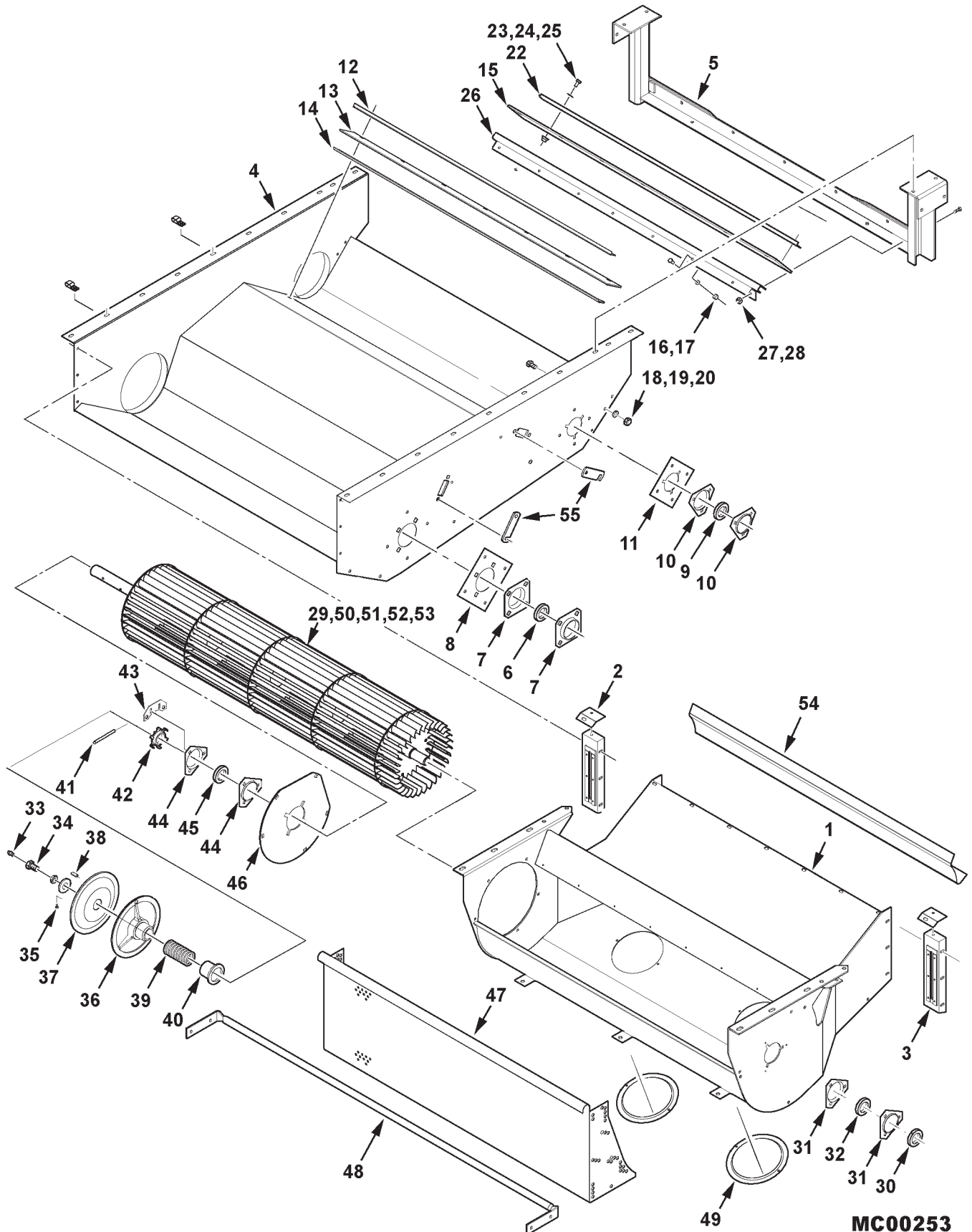
ITEM	NUMBER	QTY	DESCRIPTION
18	70917372	4	NUT, 5/16-18 REG (PRIOR S/N HP87101)
19	70917356	4	LOCKWASHER, 5/16 (PRIOR S/N HP87101)
20	70921332	4	CPSCR, 5/16-18 X 3/4 (PRIOR S/N HP87101)
22	2474140W1	2	ANGLE, SEAL CLAMPING
23	70921332	7	CAPSCREW, 5/16-18 X 3/4
24	70917642	7	WASHER, 5/16 WIDE
25	Y704726	14	NUT, HEX FLNG TOP LOCK, 5/16-18
26	71395855	1	REINFORCEMENT
27	70921210	5	CAPSCREW, 3/8-16 X 1.0
28	Y704734	5	NUT, HEX FLNG TOP LOCK, 3/8-16
29	71412134	1	FAN ASY, SEPARATOR (INCL. ITEMS 50-53)
30	7710551	1	COLLAR, LOCK
31	71192243	2	FLANGE
	68759	3	BOLT, RD HD SH SQ NECK 3/8-16 X 1.0
	70916965	3	LOCKWASHER, 3/8
	70916950	3	NUT, 3/8-16 REG
32	71309117	1	BEARING, W/COLLAR, 1.250
33	70923219	1	FITTING, LUBE, 1/4-28 X 1/2
34	71395571	1	CAPSCREW, SPECIAL, 5/8-11 X 1-1/4
	70917373	1	LOCKWASHER, 5/8
	6555346	1	WASHER, 21/32
35	791319	1	PLUG, HX HD, 1/8-27
36	2442480W2	1	SHEAVE, OUTER
37	71395572	1	SHEAVE, INNER
38	71395573	1	KEY, 5/16 SQ. X 7-1/2
39	2440720W1	1	SPRING
40	71387375	1	BUSHING, FAN DRIVE
41	63834	1	PIN, SPIROL, 1/4 X 2-1/4
42	71315780	1	COLLAR, SENSING
43	71315785	1	BRACKET, SHAFT MONITOR
	70926838	2	SCREW, RD HD SQ NECK 1/2-13 X 1-1/2
	Y705046	2	LOCKWASHER, 1/2
	704056	4	NUT, HEX JAM, 1/2-13 GR2
44	17789	2	FLANGE, BEARING
	68619	2	SCREW, RD HD SQ NECK 1/2-13 X 1-1/4
	Y705046	2	LOCKWASHER, 1/2
	704031	2	NUT, 1/2-13 REG
45	71122510	1	BEARING, FLANGE W/COLLAR
46	71386400	1	PLATE, COVER
	70917642	6	WASHER, 5/16 WIDE
	Y705020	6	LOCKWASHER, 5/16
	70917372	6	NUT, 5/16-18 REG
47	71393824	1	SCREEN, LEAF
	70921965	3	CAPSCREW, 3/8-16 X 3/4
	Y705533	3	WASHER, FLAT, 3/8 HARD
48	71393822B	1	SUPPORT, LEAF SCREEN
	70923114	4	CAPSCREW, 1/2-13 X 1.0
	705541	4	WASHER, FLAT, 1/2 HARD
	Y704742	4	NUT, HX FLNG TOP LOCK, 1/2-13
49	71376758P	2	COVER, INSPECTION
	705012	4	LOCKWASHER, 1/4
	70916622	4	HEXNUT, 1/4-20

CONTINUED

MC00253  
PR: 232

9690 COMBINE  
SEPARATOR

LOWER AUGER HOUSING AND FANNING MILL



MC00253



9690 COMBINE  
SEPARATOR

407

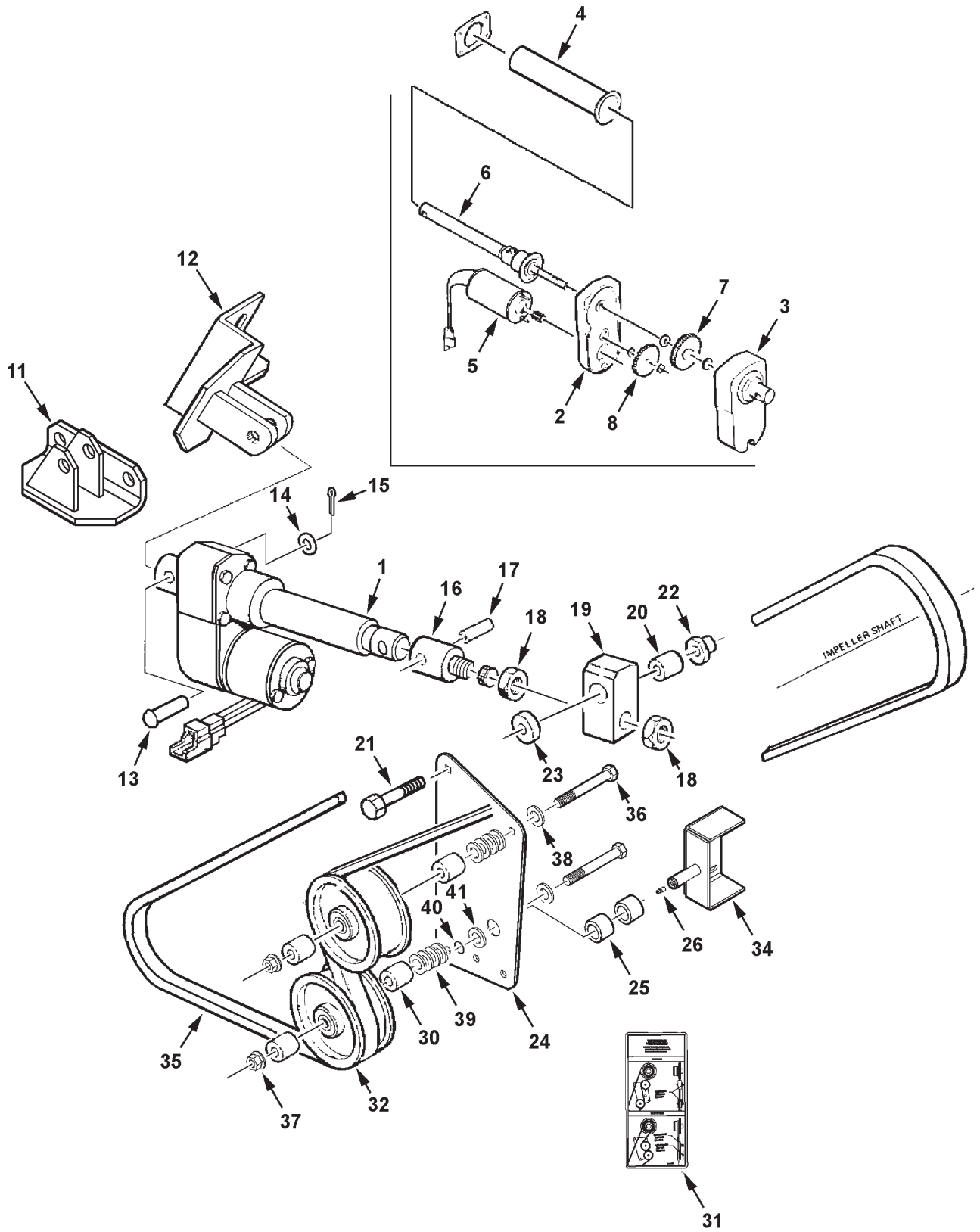
LOWER AUGER HOUSING AND FANNING MILL

ITEM	NUMBER	QTY	DESCRIPTION
50	71391331	1	SHAFT, FAN
51	71354636	4	HEAD ASY, FAN
	71373684	1	HEAD ASY, FAN LH
	7703838	10	CAPSCREW, 5/16-18 X 1-3/4
	Y705608	20	WASHER, 5/16 NARROW
	Y705020	10	LOCKWASHER, 5/16
	70917372	10	NUT, 5/16-18 REG
52	71412130	32	BLADE, FAN
53	71348314	3	RING, BLADE RETAINING
54	71400603	1	VORTEX PLATE, TRANSVERSE FAN
	70925160	16	POP-RIVET, 3/16 X .251-.375 GRIP
55	108202W1	2	STRAP (EFF. S/N HP87101)
	70917642	4	WASHER, 5/16, WIDE
	Y705020	4	LOCKWASHER, 5/16
	70917372	4	NUT, 5/16-18 REG
-	71411658	AR	KIT, SLOW SPEED FAN DRIVE (ORDER THRU DEALER CENTRAL)
	71396326	1	SHEAVE HALF, INNER, SLOW SPEED
	2537670W2	1	SHEAVE HALF, OUTER

MC00253  
PR: 232

9690 COMBINE  
SEPARATOR

VARIABLE SPEED FAN DRIVE



9690 COMBINE  
SEPARATOR

409

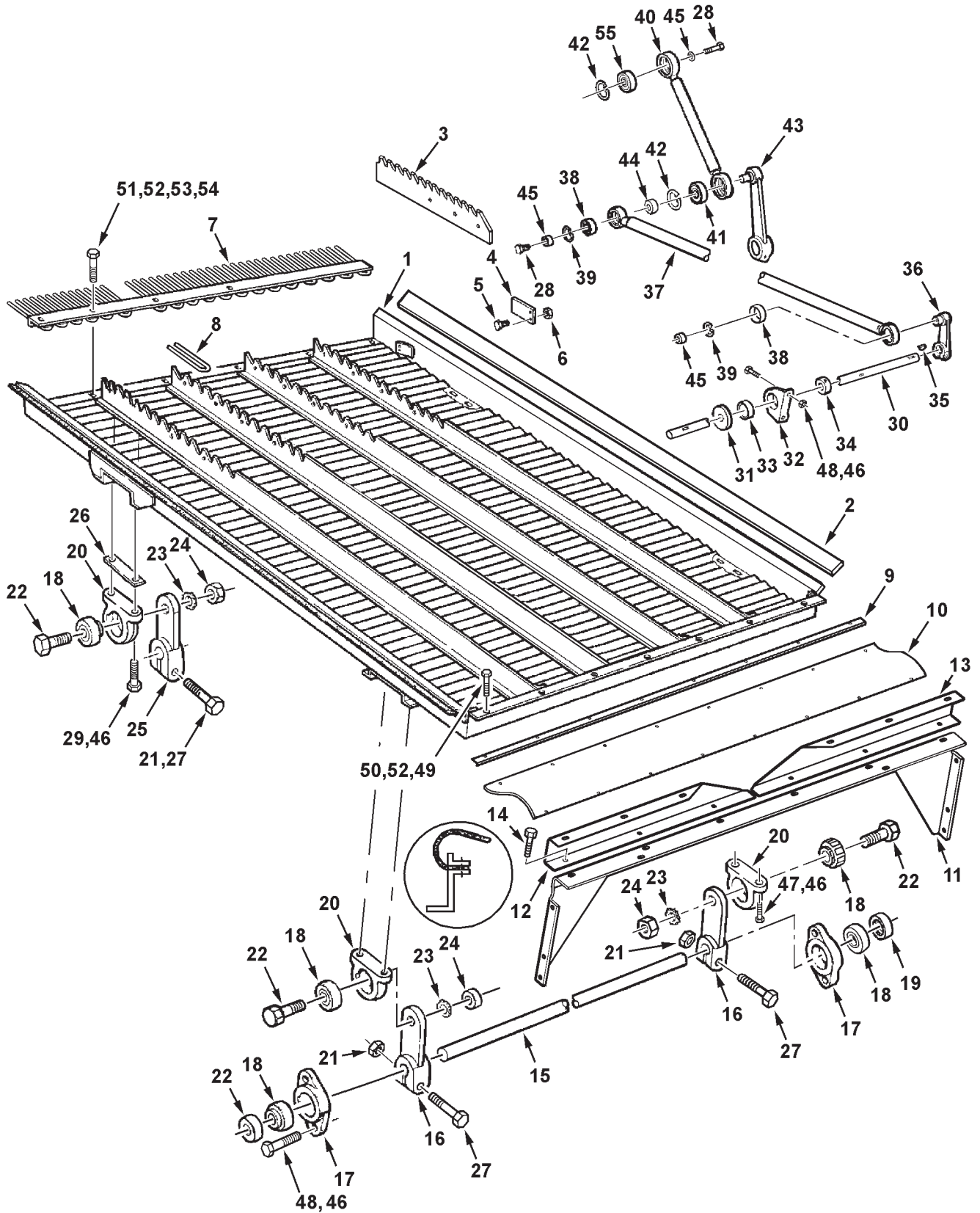
VARIABLE SPEED FAN DRIVE

ITEM	NUMBER	QTY	DESCRIPTION
1	293817M91	1	ACTUATOR MOTOR ASY (INCL. ITEMS 2-8)
2	1068614M91	1	HOUSING ASSEMBLY, FRONT
3	700704854	1	HOUSING ASSEMBLY, REAR
4	1068617M1	1	COVER
5	103657W91	1	MOTOR
6	1068620M91	1	SCREW ASSEMBLY
7	700704927	1	CLUTCH ASSEMBLY
8	700711357	1	GEAR ASSEMBLY, INTERMEDIATE
	-----	1	*GASKET, COVER TUBE
	-----	1	*GASKET, HOUSING
	-----	1	*SEAL, MOTOR
	-----	1	*O-RING
	-----	1	*LIP, SEAL
-	700704856	-	KIT, SEAL (INCLUDES * ITEMS)
11	71399477B	1	BRKT. WLDMT, ANCHOR (EFF. S/N HP87101)
	70921176	2	CAPSCREW, 1/2-13 X 1-1/4 GR5
	Y704742	2	NUT, HEX FLNG TOP LOCK, 1/2-13 UNC
12	2588071W92	1	BRKT. WLDMT, ANCHOR (PRIOR S/N HP87101)
	70921210	2	CAPSCREW, 3/8-16 X 1 GR5
	Y704734	2	NUT, HEX FLNG TOP LOCK, 3/8-16
13	195412M1	1	PIN, CLEVIS, 1/2 X 2
14	Y705624	1	WASHER, NARROW, 1/2
15	70918455	1	COTTER PIN, 5/32 X 1
16	71390093	1	ROD WLMT, CONTROL
17	70922770	1	PIN, SPRING, 1/2 X 1-3/4
18	70913160	2	NUT, 3/4-10 UNC
19	2537720W1	1	BLOCK, PIVOT
20	2446310W1	1	SPACER, .68 ID X .998 X 1.55 LG
21	70923111	1	CAPSCREW, 5/8-11 X 3 GR5
22	700703922	1	NUT, HEX FLNG TOP LOCK, 5/8-11 UNC
23	2464250W1	1	SPACER, 21/32 X 1-1/2 X 3/8
24	71394356B	1	PLATE WLDMT W/BUSH'S (PRIOR S/N HP87101)
	71399481B	1	PLATE WLDMT W/BUSH'S (EFF. S/N HP87101)
25	831268M1	2	BUSHING, 3/4 X 7/8 X 3/4 LG
26	70914687	1	LUBE FITTING, STR, 1/4-28 UNF
30	365098X1	4	SPACER, IDLER FAN DRIVE
31	71392776	1	DECAL, V-S FAN DRIVE
32	2545270W1	2	PULLEY, IDLER
34	71391526	1	BRACKET WLMT, PIVOT
	70921210	2	CAPSCREW, 3/8-16 X 1 GR5
	Y704734	2	NUT, HEX FLNG TOP LOCK, 3/8-16
35	71394352	1	BELT (SEE BELT LISTING)
36	70925705	2	CAPSCREW, 5/8-11 X 5 GR5
37	700703922	2	NUT, HEX FLNG TOP LOCK, 5/8-11 UNC
38	70918433	2	WASHER, 3/4, WIDE
39	70918432	8	WASHER, 5/8, WIDE
40	70927732	1	RETAINING RING, EXTERNAL
41	70923427	1	WASHER, .78 ID X 1.25 X .12 TH.

MC00255  
PR: 236

9690 COMBINE  
SEPARATOR

SEPARATOR PAN  
(PRIOR S/N HS87101)



**9690 COMBINE  
SEPARATOR**

411

**SEPARATOR PAN  
(PRIOR S/N HS87101)**

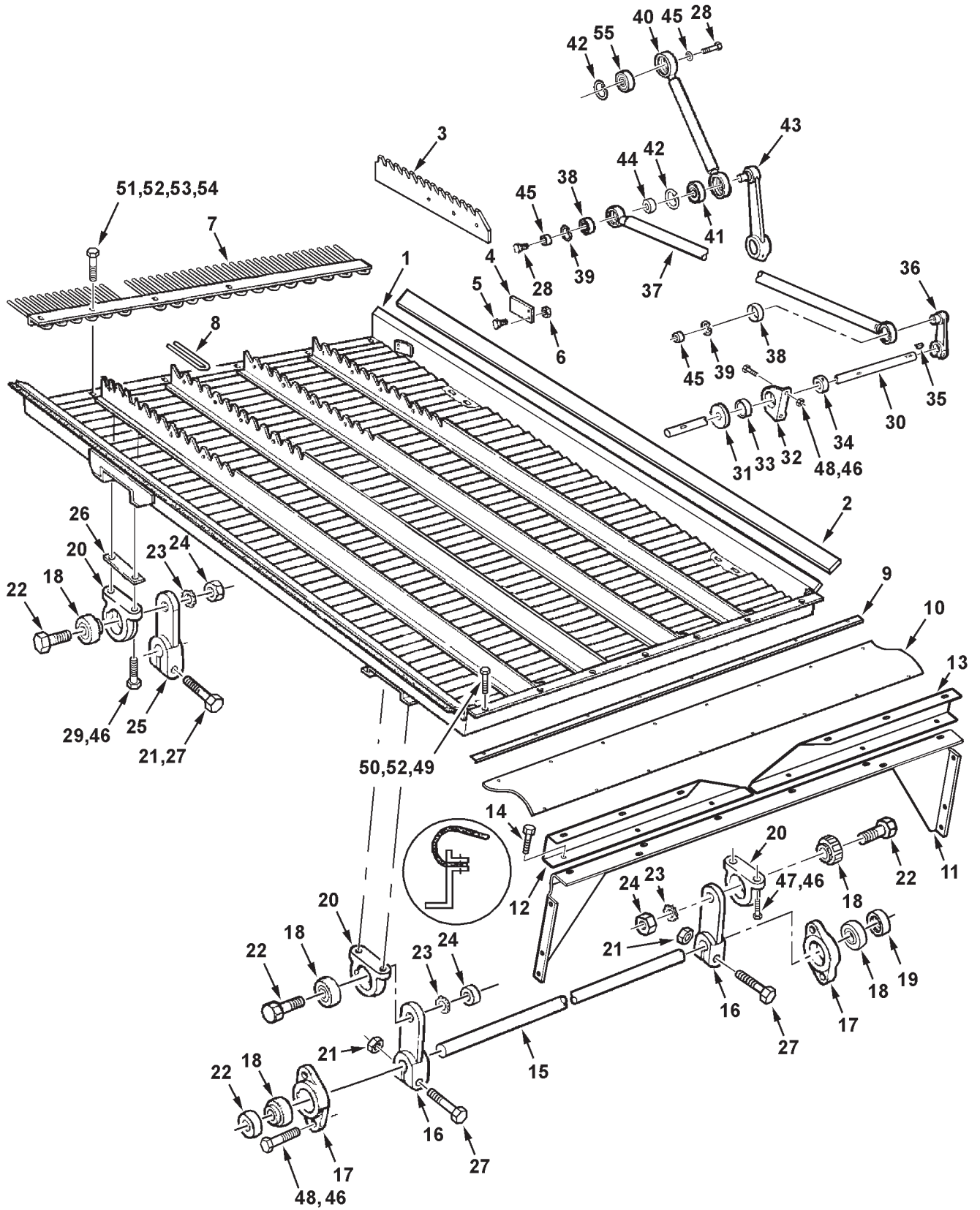
ITEM	NUMBER	QTY	DESCRIPTION
1	1817801W91	1	PAN ASSEMBLY, GRAIN
2	1817730W1	2	SEAL, RUBBER, 1-3/4" X 71-1/4" X 1/8"
	70937253	54	POP RIVET, .188 X .063-.250 LRG HD
3	71393440	4	EXTENSION, SEPARATOR PAN (ACCESSORY) (SEE SHOE SHAKER & SIEVES)
4	1157990W1	2	DEFLECTOR, SEPARATOR PAN
5	70921958	16	CAPSCREW, 1/4-20 X 1/2 GR5
6	70916622	16	NUT, 1/4-20
7	1520233W91	1	COMB ASSEMBLY
8	1114720W1	23	ROD, COMB
9	1505030W1	1	STRIP, CLAMPING
10	2618650W2	1	SEAL, SEPARATOR PAN, REAR
11	105050W91	1	BRACE WLMT, REAR
	70923114	6	CPSCR, 1/2-13 X 1 (EFF. S/N HR87101)
	Y704742	6	NUT, HEX FLANGE TOP LOCK, 1/2-13
	70921966	6	CPSCR, 3/8-16 X 7/8 (PRIOR HR87101)
	Y704734	6	LOCKNUT, HEX FLANGE, 3/8-16
12	104920W2	1	CHANNEL, FILLER LH
13	104921W2	1	CHANNEL, FILLER RH
14	70927075	6	BOLT, CARRIAGE, 5/16-18 UNC X 1
15	2474660W1	1	SHAFT, REAR
16	2443420W1	2	ARM, REAR
17	1501060W1	2	HOUSING
18	71308770	6	BEARING, BALL
19	70522328	2	COLLAR, BEARING
20	2551250W1	4	HOUSING
21	Y704742	4	NUT, HEX FLANGE TOP LOCK, 1/2-13 UNC
22	1564540W1	4	BOLT, HEX SPECIAL, 7/8-9 UNC X 2
23	70929356	4	WASHER, LOCK EXTERNAL TOOTH, 7/8
24	375114X1	4	NUT, HEX JAM, 7/8-9 UNC
25	2443410W1	2	ARM, FRONT
26	1588480W1	2	PLATE
27	70921211	4	CAPSCREW, 1/2-13 UNC X 2-1/2
28	70923473	2	CAPSCREW, 1/2-13 X 1-1/4 GR8
29	70921971	4	CAPSCREW, 3/8-16 UNC X 1-3/4
30	2615130W1	1	SHAFT, FRONT
31	2555310W1	2	SEAL, 1 X 2-1/2 X 1/4
32	W1207843	2	HOUSING & BEARING ASY (INCL. ITEM 33)
	1130100W1	2	HOUSING
33	70590709	1	BEARING, BALL, W/COLLAR
34	K3518	2	COLLAR, BEARING
35	29780X	3	KEY, WOODRUFF, 1/4 X 1, HARD
36	2615140W2	1	ARM
	70921211	1	CAPSCREW, 1/2-13 UNC X 2-1/2
	Y704742	1	NUT, HEX FLANGE TOP LOCK, 1/2-13
37	2615094W91	1	PITMAN ASY (INCL. ITEMS 38 & 39)
	2615101W92	1	PITMAN WLMT
38	1109055	2	BEARING, BALL
39	22289X	2	RING, INTERNAL RETAINING

CONTINUED

MC00015  
PR: 238

9690 COMBINE  
SEPARATOR

SEPARATOR PAN  
(PRIOR S/N HS87101)



9690 COMBINE  
SEPARATOR

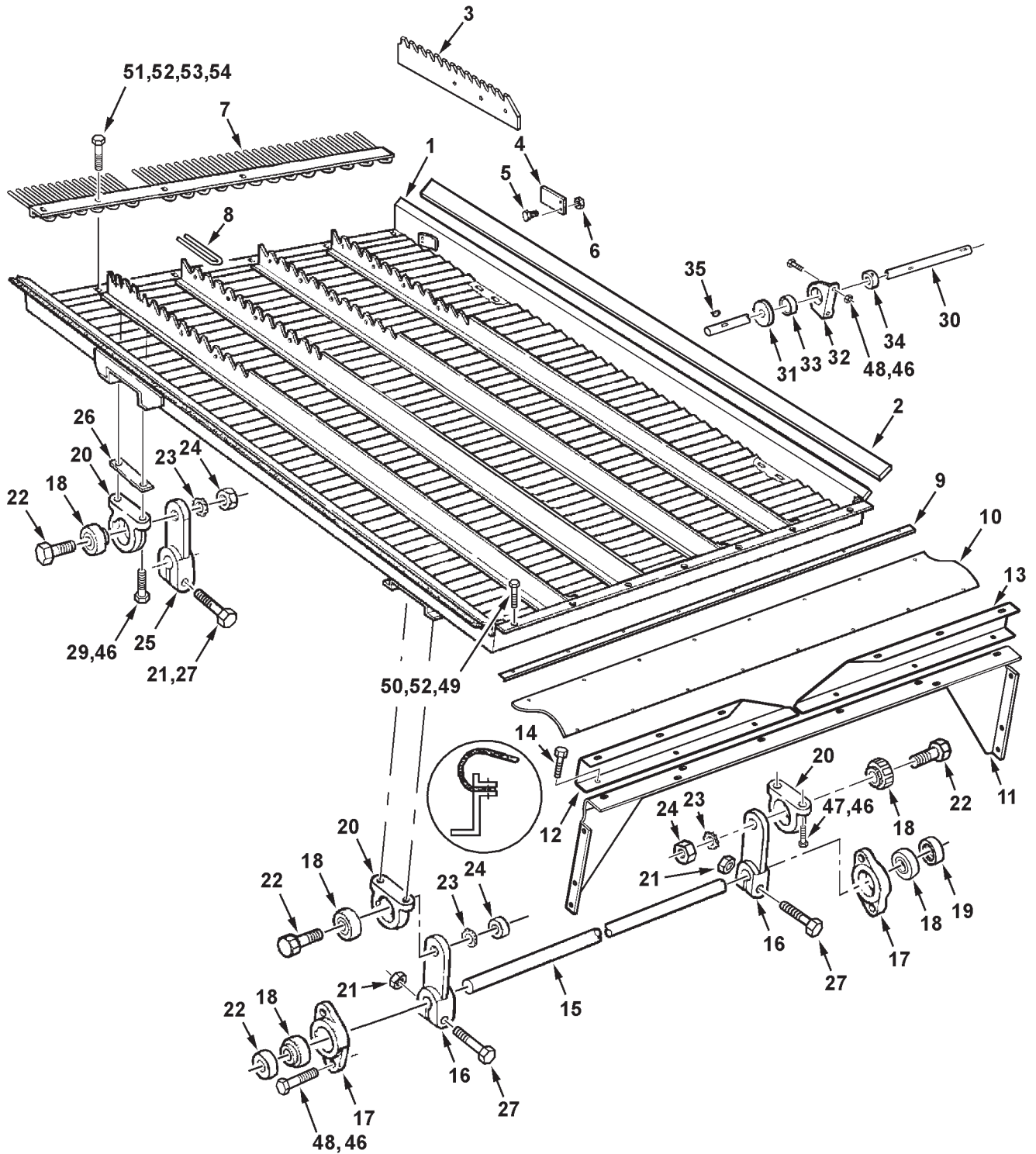
413

SEPARATOR PAN  
(PRIOR S/N HS87101)

ITEM	NUMBER	QTY	DESCRIPTION
40	71396470	1	ARM WLDMT, PITMAN
41	1139003	1	BEARING, ARM (LOWER)
42	70927708	2	RING, INTERNAL SNAP
43	-----	1	ARM WLMT, SHOE SHAKER (SEE "SHAKER SHOE & SIEVES")
44	2615120W1	1	SPACER
45	60049M1	3	SPACER
46	Y704734	16	NUT, HEX FLANGE TOP LOCK, 3/8-16 UNC
47	70923220	4	BOLT, CARRIAGE, 3/8-16 UNC X 1-1/4
48	70920415	8	CAPSCREW, 3/8-16 UNC X 1-1/4
49	Y704726	13	NUT, HEX FLANGE TOP LOCK, 5/16-18
50	70921332	7	CAPSCREW, 5/16-18 UNC X 3/4
51	7700461	6	BOLT, CARRIAGE, 5/16-18 UNC X 3/4
52	70917642	19	WASHER, WIDE FLAT, 5/16
53	70917356	6	LOCKWASHER, 5/16
54	70917372	6	NUT, 5/16-18
55	71396472	1	BEARING, ARM (UPPER)
56	71409415	AR	GAUGE, PITMAN ARM ASSEMBLY (ORDER THRU DEALER CENTRAL)(NOT ILLUSTRATED)

MC00015  
PR: 238

SEPARATOR PAN  
(EFF. S/N HS87101)





9690 COMBINE  
SEPARATOR

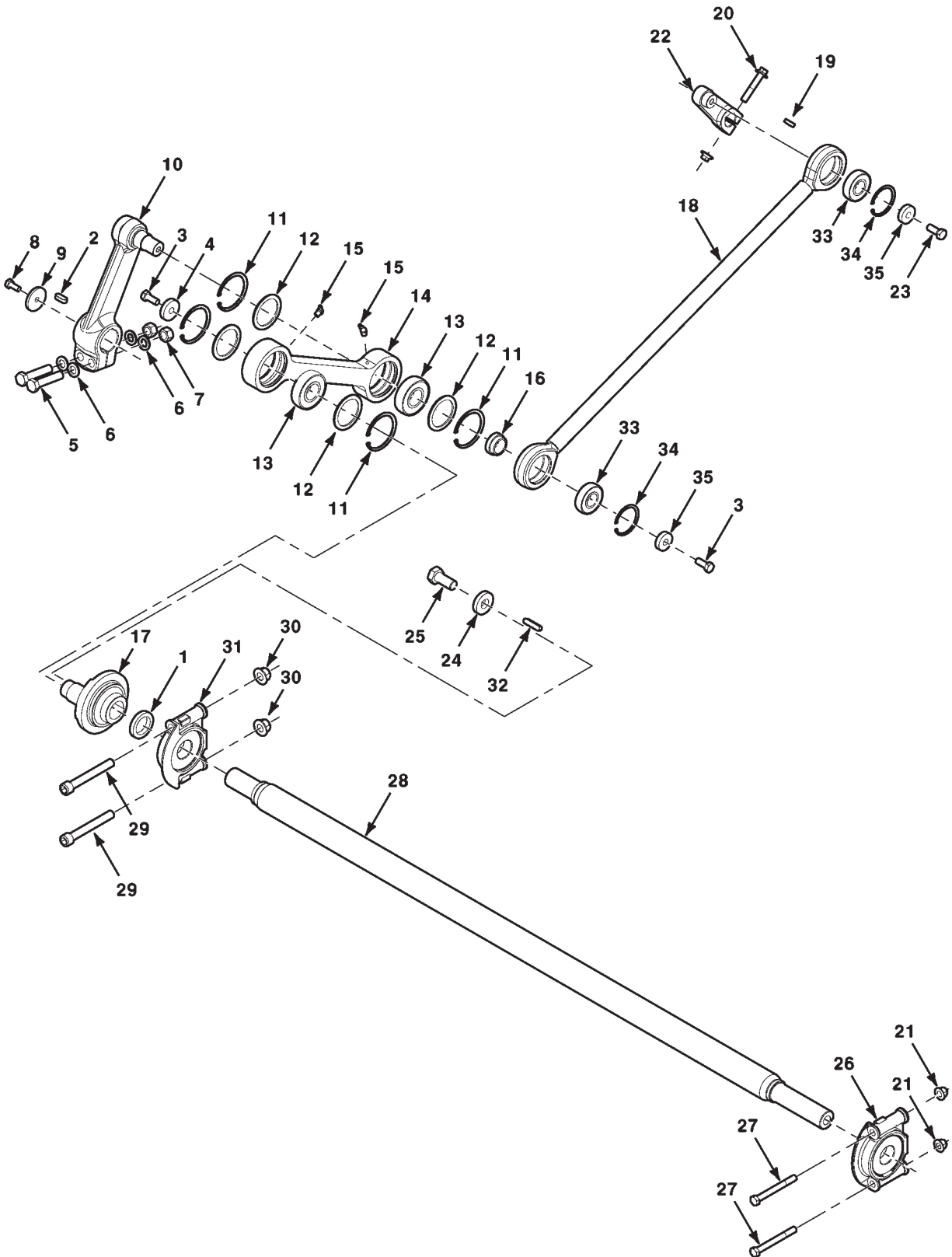
415

SEPARATOR PAN  
(EFF. S/N HS87101)

ITEM	NUMBER	QTY	DESCRIPTION
1	1817801W91	1	PAN ASSEMBLY, GRAIN
2	1817730W1	2	SEAL, RUBBER, 1-3/4" X 71-1/4" X 1/8"
	70937253	54	POP RIVET, .188 X .063-.250 LRG HD
3	71393440	4	EXTENSION, SEPARATOR PAN (ACCESSORY) (SEE SHOE SHAKER & SIEVES)
4	1157990W1	2	DEFLECTOR, SEPARATOR PAN
5	70921958	16	CAPSCREW, 1/4-20 X 1/2 GR5
6	70916622	16	NUT, 1/4-20
7	1520233W91	1	COMB ASSEMBLY
8	1114720W1	23	ROD, COMB
9	1505030W1	1	STRIP, CLAMPING
10	2618650W2	1	SEAL, SEPARATOR PAN, REAR
11	105050W91	1	BRACE WLMT, REAR
	70923114	6	CPSCR, 1/2-13 X 1 (EFF. S/N HR87101)
	Y704742	6	NUT, HEX FLANGE TOP LOCK, 1/2-13
	70921966	6	CPSCR, 3/8-16 X 7/8 (PRIOR HR87101)
	Y704734	6	LOCKNUT, HEX FLANGE, 3/8-16
12	104920W2	1	CHANNEL, FILLER LH
13	104921W2	1	CHANNEL, FILLER RH
14	70927075	6	BOLT, CARRIAGE, 5/16-18 UNC X 1
15	2474660W1	1	SHAFT, REAR
16	2443420W1	2	ARM, REAR
17	1501060W1	2	HOUSING
18	71308770	6	BEARING, BALL
19	70522328	2	COLLAR, BEARING
20	2551250W1	4	HOUSING
21	Y704742	4	NUT, HEX FLANGE TOP LOCK, 1/2-13 UNC
22	1564540W1	4	BOLT, HEX SPECIAL, 7/8-9 UNC X 2
23	70929356	4	WASHER, LOCK EXTERNAL TOOTH, 7/8
24	375114X1	4	NUT, HEX JAM, 7/8-9 UNC
25	2443410W1	2	ARM, FRONT
26	1588480W1	2	PLATE
27	70921211	4	CAPSCREW, 1/2-13 UNC X 2-1/2
29	70921971	4	CAPSCREW, 3/8-16 UNC X 1-3/4
30	2615130W1	1	SHAFT, FRONT
31	2555310W1	2	SEAL, 1 X 2-1/2 X 1/4
32	W1207843	2	HOUSING & BEARING ASY (INCL. ITEM 33)
	1130100W1	2	HOUSING
33	70590709	1	BEARING, BALL, W/COLLAR
34	K3518	2	COLLAR, BEARING
35	29780X	3	KEY, WOODRUFF, 1/4 X 1, HARD
46	Y704734	16	NUT, HEX FLANGE TOP LOCK, 3/8-16 UNC
47	70923220	4	BOLT, CARRIAGE, 3/8-16 UNC X 1-1/4
48	70920415	8	CAPSCREW, 3/8-16 X 1-1/4
49	Y704726	13	NUT, HEX FLANGE TOP LOCK, 5/16-18
50	70921332	7	CAPSCREW, 5/16-18 X 3/4
51	7700461	6	BOLT, CARRIAGE, 5/16-18 UNC X 3/4
52	70917642	19	WASHER, WIDE FLAT, 5/16
53	70917356	6	LOCKWASHER, 5/16
54	70917372	6	NUT, 5/16-18

MC00574  
PR: 71414560-01-11

PITMAN SHAFT  
(EFF. S/N HS87101)



**9690 COMBINE  
SEPARATOR**

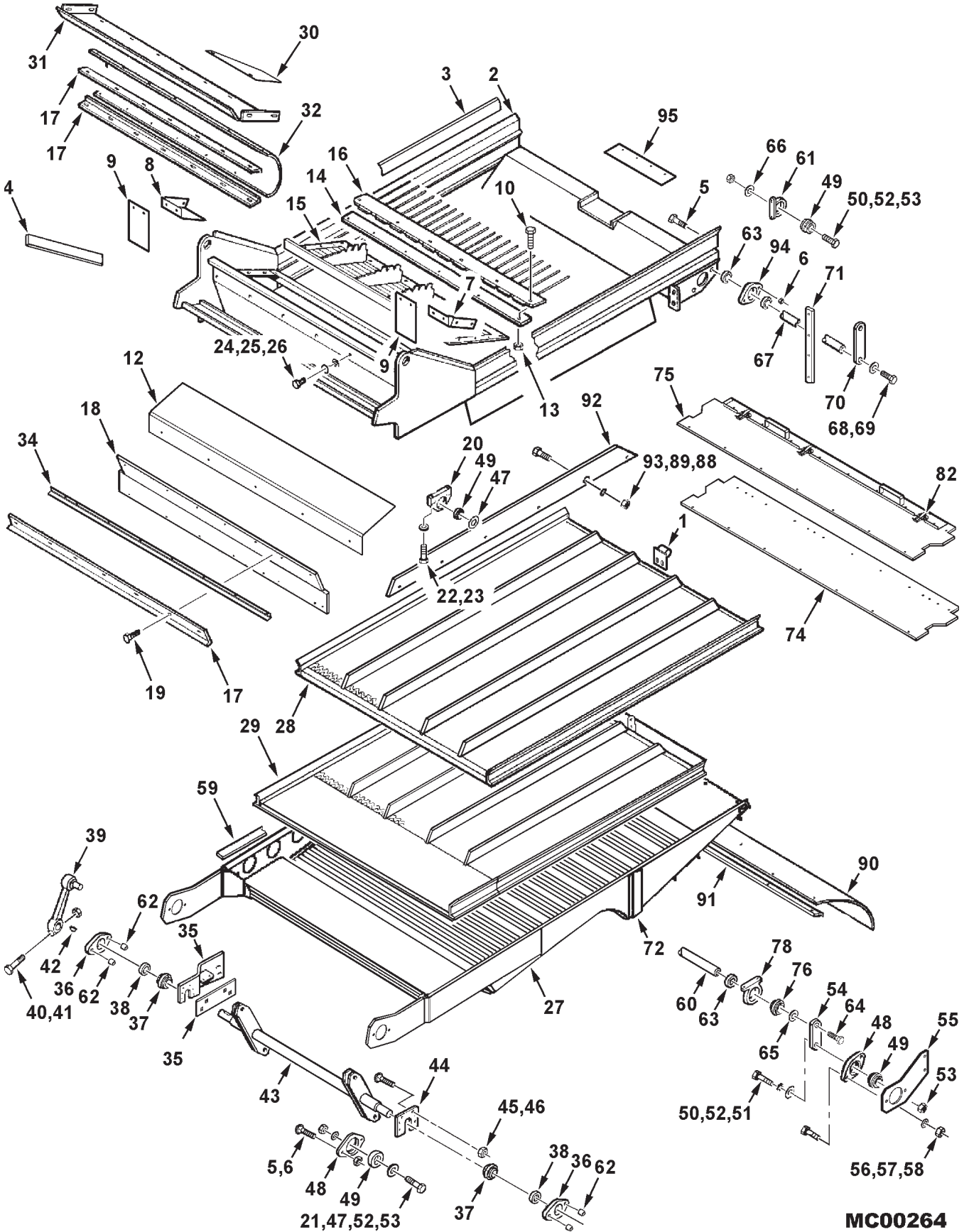
417

**PITMAN SHAFT  
(EFF. S/N HS87101)**

ITEM	NUMBER	QTY	DESCRIPTION
1	71412437	1	SPACER-PITMAN SHAFT
2	3019168X1	1	KEY-PARALLEL, 8 X 12 X 28 MM
3	1440716X1	2	CAPSCREW, M12-1.75 X 30 CL8.8
4	71413456	1	WASHER, .532 ID X 1.75 X .375 TH
5	3019865X1	2	CAPSCREW, M16-2.0 X 75 CL10.9
6	11538	4	WASHER, HARD, .66 ID X 1.13 X .125 TH.
7	3019871X1	2	NUT, M16-2.0, CLASS 10, PH
8	700708349	1	CAPSCREW, M10-1.5 X 25 CL8.8
9	6875314	1	WASHER-PITMAN SHAFT
10	71413028	1	ARM WA-SHOE SHAKER
11	339437X1	4	RING-RETAINING
12	71413047	4	WASHER ASSEMBLY
13	831861M1	2	BEARING-SPHERICAL, BALL
14	71413040	1	LINK-PITMAN
15	70923014	2	LUBE FTG, 1/8 PIPE SPL, 45 DEG
16	71413050	1	SPACER
17	71412441	1	DRIVE HUB-PITMAN
18	2615094W91	1	PITMAN ASY (INCL. ITEMS 33,34)
	2615101W92	1	PITMAN WLMT
19	29780X	1	KEY-WOODRUFF, 1/4 X 1
20	3009227X1	1	BOLT, FLANGE, M12-1.75 X 65 CL10.9
21	5000005X1	3	NUT, HEX FLANGE NYL LOCK, M12 X 1.75
22	2615140W2	1	ARM - WALKER PAN DRIVE
23	8701708	1	CAPSCREW, 1/2-13 X 1-1/4 GR8
24	71412438	1	WASHER, .827 X 1.875 X .375 TH
25	3011004X1	1	CAPSCREW, M20-2.5 X 45 CLASS 10.9
26	----	1	BEARING ASM
	2590650W1	1	HOUSING-BEARING
	31-1588410	1	BEARING-BALL
27	391904X1	2	CAPSCREW, M12-1.75 X 110 CL10.9
28	71412144	1	SHAFT-DRIVE, PITMAN
29	3009316X1	2	CAPSCREW, HEX SOCK, M16X2.0X120 CL 10.9
30	5000006X1	2	NUT, HEX FLANGE NYL LOCK, M16 X 2.0
31	----	1	BRG ASM-PITMAN SHAFT
	71414290	1	HOUSING-BEARING, PITMAN SHAFT
	31-1588410	1	BEARING-BALL
32	339474X1	1	KEY-PARALLEL, 8 X 10 X 45
33	339583X1	2	BEARING, BALL
34	22289X	2	RING, INTERNAL RETAINING
35	60049M1	2	SPACER .532 ID X 1.50 X .394 TH

MC00554  
PR: 71413461-02-11

SHAKER SHOE AND SIEVES



9690 COMBINE  
SEPARATOR

419

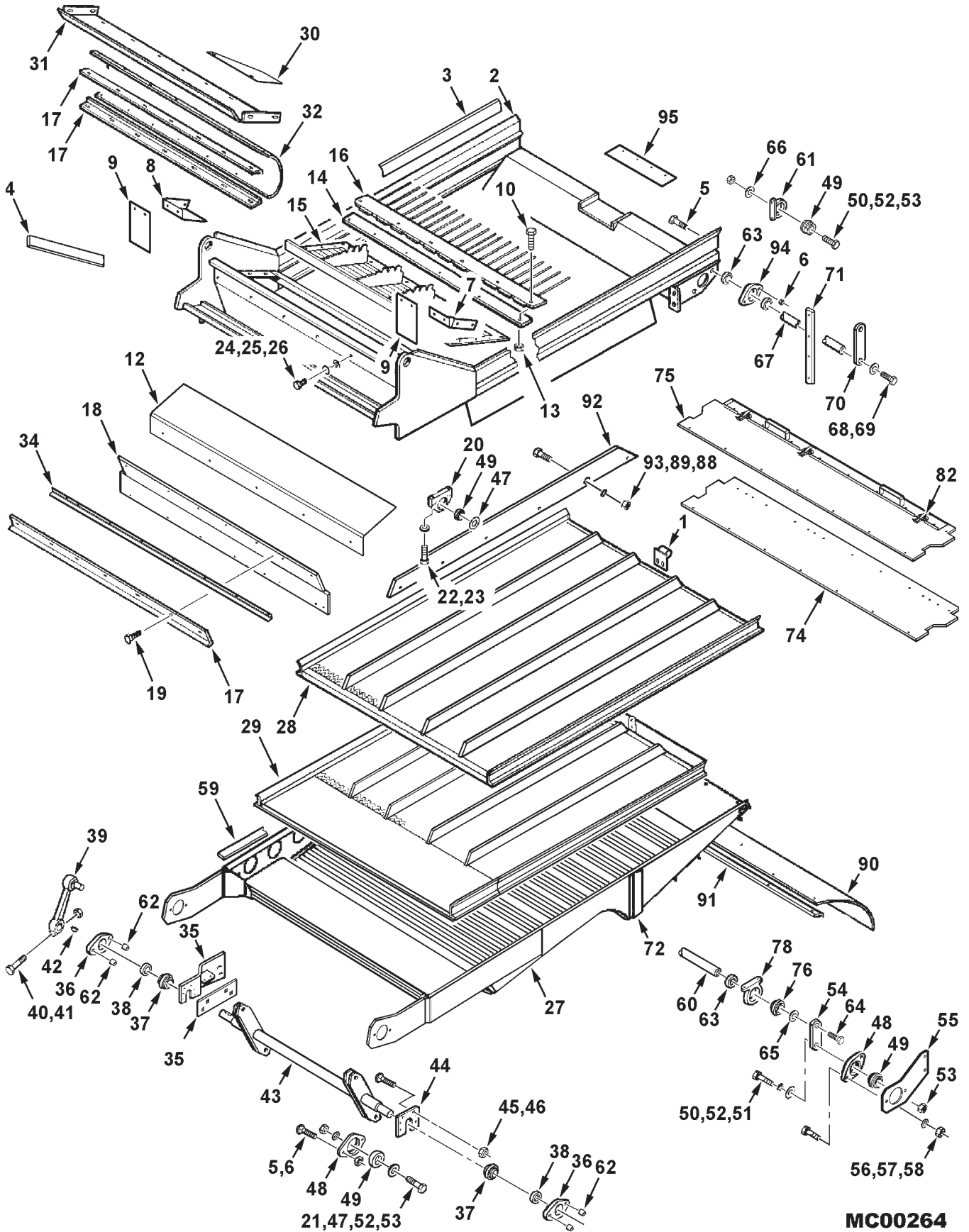
SHAKER SHOE AND SIEVES

ITEM	NUMBER	QTY	DESCRIPTION
1	-----	-	BUSHING, TIE ROD (9790 ONLY)
2	71401848B	1	FRAME WLDMT, CHAFFER & SIEVE
	70937253	48	RIVET, 3/16 X 7/16
3	71386394	2	SEAL, RUBBER, 1-19/64 X 71-45/64 X 1/8
	70937253	38	RIVET, 3/16 X 7/16
4	71394833	2	SEAL, RUBBER
	70937253	10	RIVET, 3/16 X 7/16
5	70920415	8	CAPSCREW, 3/8-16 UNC X 1-1/4
6	Y704734	8	NUT, HEX FLG TOP LOCK, 3/8-16
7	71395582	1	DEFLECTOR, LEFT
	70921332	2	CAPSCREW, 5/16-18 X 3/4
	70921333	1	CAPSCREW, 5/16-18 X 1.0
	7700578	2	BOLT, RD SQ NECK 5/16-18 X 1.0
	Y704726	5	NUT, HEX FLANGE TOP LOCK, 5/16-18
8	71395583	1	DEFLECTOR, RIGHT
	70921332	2	CAPSCREW, 5/16-18 X 3/4
	70921333	1	CAPSCREW, 5/16-18 X 1
	7700578	2	BOLT, RD SQ NECK 5/16-18 X 1
	Y704726	5	NUT, HEX FLANGE TOP LOCK, 5/16-18
9	71395589	2	EXTENSION, DEFLECTOR
10	70921333	6	BOLT, HEX, 5/16-18 UNC X 1-1/4
12	71395261	1	DAMPER, SEPARATOR PLATE
13	Y704726	12	NUT, HEX FLG TOP LOCK, 5/16-18
14	2559900W1	1	STRIP, RUBBER
15	71394957	1	PAN ASSEMBLY, CASCADE
16	2559763W91	1	COMB ASSEMBLY, CASCADE PAN
17	2474140W1	3	ANGLE, SEAL CLAMPING
18	71395576	1	SEAL, CHAFFER FRAME TO FAN HOUSING
19	70921332	7	CAPSCREW, 5/16-18 X 3/4
	70917642	7	WASHER, 5/16 WIDE
20	71401429	2	HOUSING, BEARING (USES 1/2" CAPSCREWS)
21	1564540W1	4	BOLT, HEX SPECIAL, 7/8-9 UNC X 2
22	70922605	4	CAPSCREW, 3/8-16 X 1-1/4 GR8 (PRIOR S/N HN87101)
	70912278	4	CAPSCREW, HEX SOCK HD, 1/2-13 X 1-1/2 (EFF. S/N HN87101)
23	353771X1	4	WASHER, HVY HARDENED FLAT, 3/8 (PRIOR S/N HN87101)
	71406957	4	SPACER, .53 ID X 1.0 (EFF. S/N HN87101)
24	70921332	5	CAPSCREW, 5/16-18 X 3/4
25	70917356	5	LOCKWASHER, 5/16
26	70917642	5	WASHER, WIDE FLAT, 5/16
27	71394962	1	PAN ASY, LOWER SEPARATOR
28	71392698	1	CHAFFER, GRAIN UPPER (1-1/8 SPACING)
	71395865	1	CHAFFER, RICE UPPER (1-5/8 SPACING)
	71397999	1	CHAFFER, CORN UPPER (1-5/8 SPACING)
	71399014	1	KIT, AIRFOIL CHAFFER (ORD. DEALER CNTRL)
	71392681	1	CHAFFER, AIRFOIL
	70923490	3	CAPSCREW, 3/8-16 X 1 GR8
	Y704734	3	NUT, HEX FLANGE TOP LOCK, 3/8-16
	70918266	3	WASHER, 3/8 NARROW
29	71392696	1	SIEVE, GRAIN/RICE, LOWER
	71392697	1	SIEVE, CORN, LOWER
	702514	3	CAPSCREW, 3/8-16 X 2-1/4 GR8
	Y704734	3	NUT, HEX FLANGE TOP LOCK, 3/8-16
	70918266	5	WASHER, 3/8 NARROW

CONTINUED

MC00264  
PR: 240

SHAKER SHOE AND SIEVES



9690 COMBINE  
SEPARATOR

421

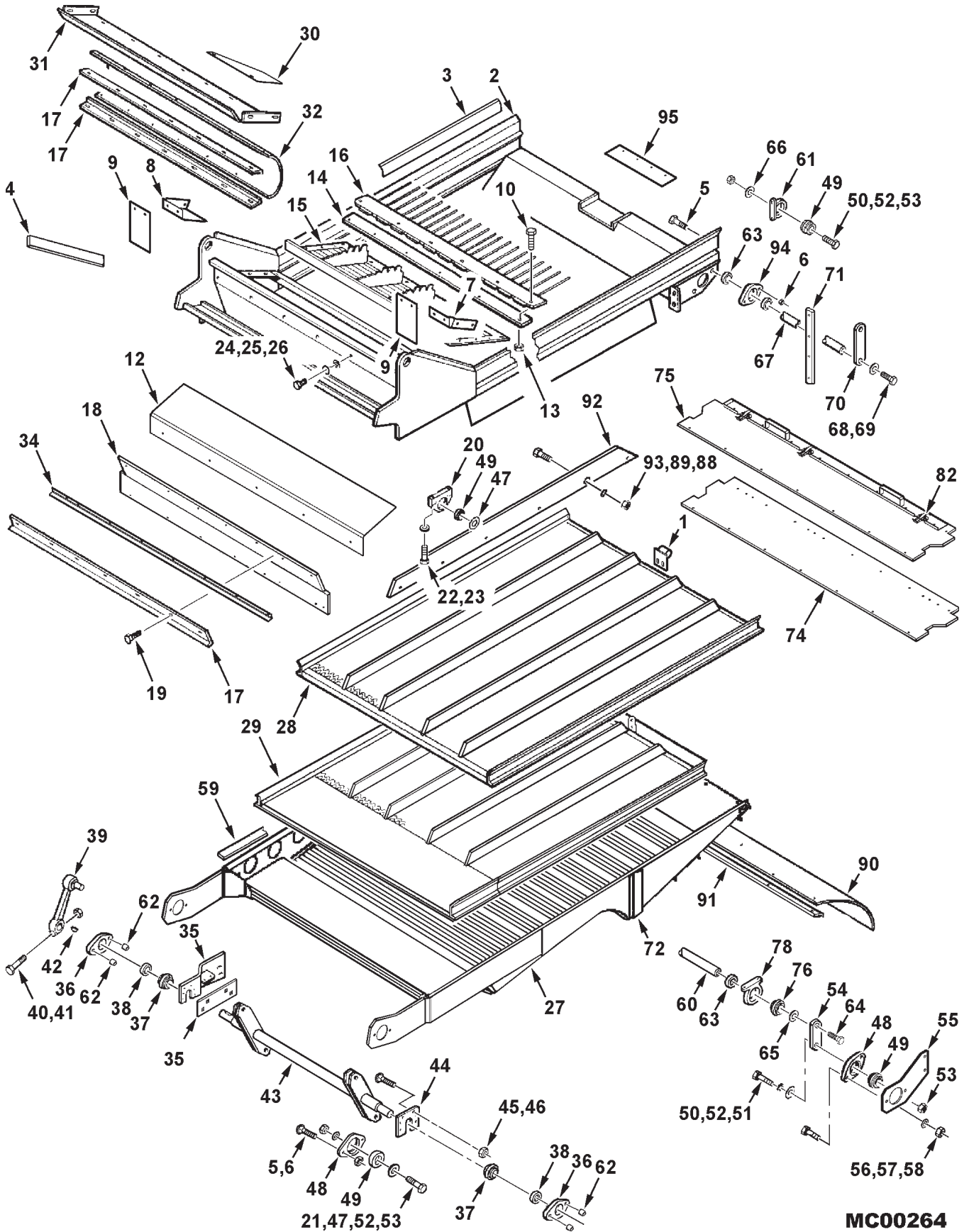
SHAKER SHOE AND SIEVES

ITEM	NUMBER	QTY	DESCRIPTION
30	101126M1	2	SEAL, CORNER (PRIOR S/N HP87101)
	71406454	2	SEAL, CORNER (EFF. S/N HP87101)
	70921332	4	CAPSCREW, 5/16-18 X 3/4
	700709602	4	WASHER, 5/16, WIDE
	Y704726	4	NUT, HEX FLANGE TOP LOCK, 5/16-18
31	2615160W1	1	SHEET, DEFLECTOR
	70921965	4	CAPSCREW, 3/8-16 X 3/4
	70918266	4	WASHER, 3/8, NARROW
	Y704734	4	NUT, HEX FLANGE TOP LOCK, 3/8-16
32	2474130W1	1	SEAL, DEFLECTOR TO CASCADE PAN
	70921332	7	CAPSCREW, 5/16-18 X 3/4
	70923325	7	CAPSCREW, 5/16-18 X 7/8
	Y705608	14	WASHER, 5/16, NARROW
	Y704726	14	NUT, HEX FLANGE TOP LOCK, 5/16-18
34	2474120W1	1	ANGLE, STIFFENER
	70921332	9	CAPSCREW, 5/16-18 X 3/4 GR5
	Y704726	9	NUT, HEX FLG TOP LOCK, 5/16-18
35	71393543	1	SUPPORT ASSEMBLY, GRAIN ELEVATOR
	71400549	1	SPACER PLATE, ELEVATOR SUPPORT
	70926838	4	BOLT, RD HD SQ NECK, 1/2-13 X 1-1/2
	Y704742	4	NUT, HEX FLNG TOP LOCK, 1/2-13
36	2492063W91	2	BEARING & HOUSING ASY, SHAKER SHAFT
	2403570W1	2	HOUSING, BEARING
	70921024	4	CAPSCREW, 1/2-13 X 2.0
	Y704742	4	NUT, HEX FLNG TOP LOCK, 1/2-13
	70923014	2	LUBE FITTING, 1/8 NPT, 45 DEG
37	22602X	2	BEARING, WIDE INNER RACE W/COLLAR
38	14987	2	COLLAR, BEARING
39	2615181W91	1	ARM WLMT, SHOE SHAKER (SERVICE WITH 71409403 & 5/8 HRDWR)
	71409403	1	ARM WLMT, SHOE SHAKER (EFF. S/N HP87--- MID PROD'N RUN)(PRIOR S/N HS87101)
	70921210	1	CAPSCREW, 3/8-16 X 1.0 GR5
	6875314	1	WASHER, SPECIAL
40	70926155	1	CPSCR, 1/2-13 X 3 GR8(W/ 2615181W91 ARM)
	700708270	1	CPSCR, 5/8-11 X 3 GR8 (W/ 71409403 ARM) (PRIOR S/N HS87101)
41	368384X1	1	NUT, 1/2-13 REG (W/ 2615181W91 ARM)
	700702198	1	NUT, 5/8-11 GR8 (W/ 71409403 ARM) (PRIOR S/N HS87101)
	11538	1	WASHER, .66 ID X 1.125 (PRIOR HS87101)
42	70924906	1	KEY, WOODRUFF (PRIOR S/N HS87101)
43	71394960	1	SHAFT WLMT, SHAKER (PRIOR S/N HS87101)
	71412145	1	SHAFT WLMT, SHAKER (EFF. S/N HS87101)
44	2446400W1	1	PLATE, BEARING MOUNTING, LEFT
45	70931809	4	BOLT, CARRIAGE, 1/2-13 UNC X 1-1/4
46	Y704742	4	NUT, HEX FLANGE TOP LOCK, 1/2-13 UNC
47	364578X1	4	WASHER, .906 ID X 1.53 OD X .106
48	1501060W1	4	HOUSING, BEARING
49	71308770	12	BEARING, BALL, W/COLLAR
50	1564540W1	4	CAPSCREW, SPECIAL, 7/8-9 UNC X 2
51	70922285	2	WASHER, WIDE FLAT, 7/8
52	70929356	8	LOCKWASHER, EXT TOOTH, 7/8 (PRIOR HS87101)
53	375114X1	8	NUT, HEX JAM, 7/8-9 UNC
54	2400540W1	2	HANGER, BEARING
55	71394540	2	SUPPORT, REAR SIEVE
56	70920415	4	CAPSCREW, 3/8-16 X 1-1/4 GR5
57	70916965	4	LOCKWASHER, 3/8
58	70916950	4	NUT, 3/8-16 REG

CONTINUED

MC00264  
PR: 240

SHAKER SHOE AND SIEVES





9690 COMBINE  
SEPARATOR

423

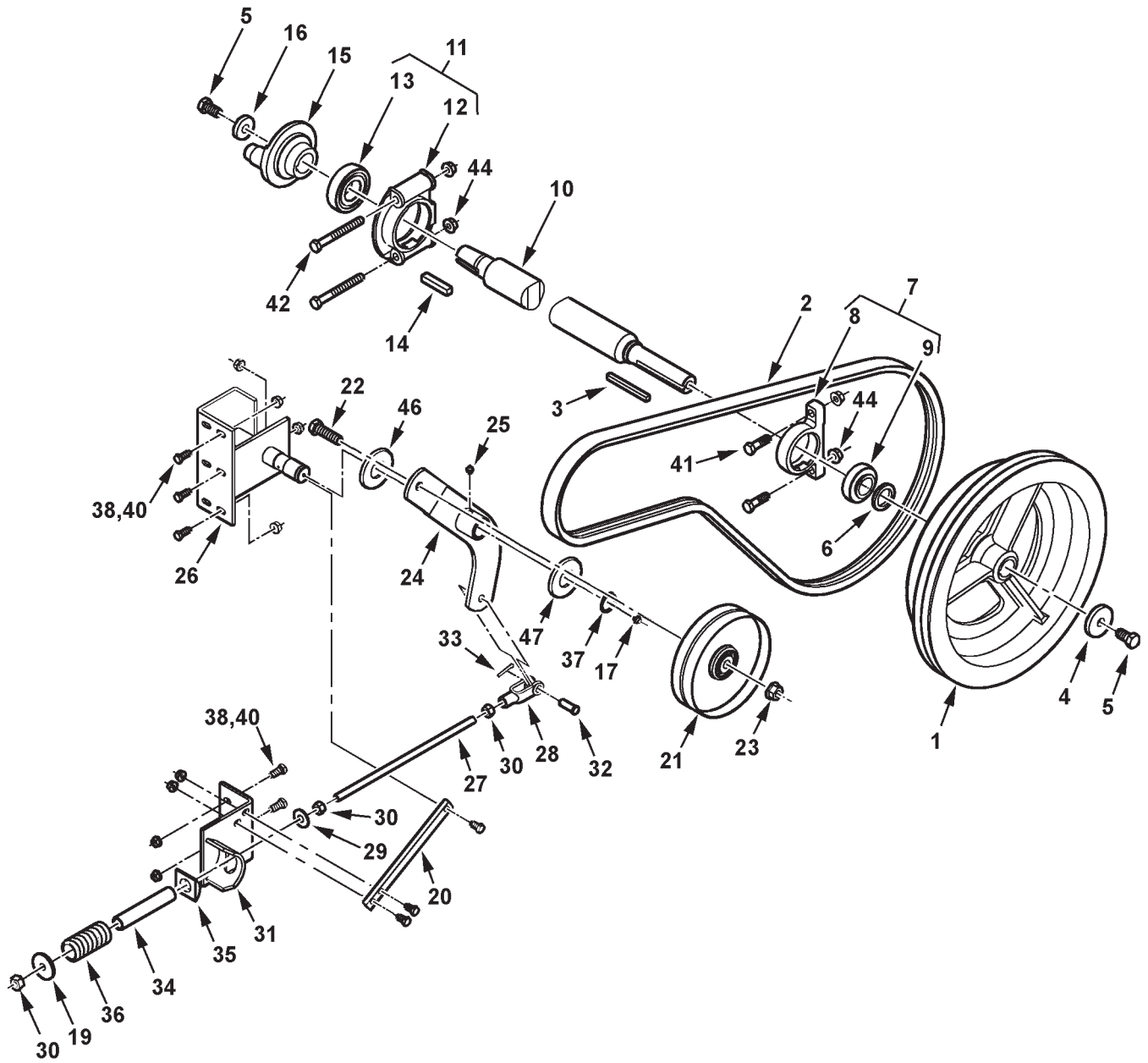
SHAKER SHOE AND SIEVES

ITEM	NUMBER	QTY	DESCRIPTION
59	71394119	2	SEAL, RUBBER, LOWER PAN
	70937253	30	RIVET, BLIND
60	71392692	1	ROD, TIE, REAR SHOE, 1.0 DIA
61	2551250W1	2	HOUSING, BEARING (SHALLOW)
	7701055	4	CAPSCREW, 3/8-16 X 1-3/4 GR5
	70917378	4	WASHER, 3/8 WIDE
	Y704734	4	NUT, HEX FLNG TOP LOCK, 3/8-16
62	71413494	4	SPACER, .622 OD X .510 ID X .45 LG
63	375028X1	4	COLLAR, BEARING, 1.0 ID
64	70923151	2	BOLT, HEX, 5/8-11 UNC X 1-1/4
65	70918432	2	WASHER, WIDE FLAT, 5/8
66	70923544	2	WASHER, 7/8 NARROW
67	71392694	1	ROD TIE, REAR CHAFFER, 1.0 DIA
68	70918268	8	WASHER, NARROW FLAT, 5/8
69	70926161	2	CAPSCREW, 5/8-11 X 1-1/2 GR8
70	71395266	2	BAR, HANGER (PRIOR S/N HS87101)
	71414291	2	BAR, HANGER (EFF. S/N HS87101)
	116616W1	1	BRKT, SHOE SENSOR, RH ONLY
71	2629570W1	2	STRAP, REINFORCING
72	71394841	2	SEAL, RUBBER
74	71394967	2	SEAL, SEPARATOR DOOR
	Y764126	8	POP RIVET, 3/16 X 1/4
75	71394966	1	DOOR ASY, SEPARATOR (INCL. ITEM 74 & 82)
	71396456	1	ANGLE WLDMT, SEPARATOR DOOR
	71394969	1	STRIP, REINF.
76	71308951	2	BEARING, BALL, W/COLLAR
78	71392691	2	BEARING & HOUSING ASY, (SHALLOW)
	2551250W1	2	HOUSING, BEARING (SHALLOW)
	70920415	4	CAPSCREW, 3/8-16 X 1-1/4 GR5
	70917378	4	WASHER, 3/8 WIDE
	Y704734	4	NUT, HEX FLNG TOP LOCK, 3/8-16
82	762975	3	CLAMP, LATCH
	64642	6	RIVET, 3/16 X 1/2
88	70916622	24	NUT, HEX, 1/4-20 UNC (ACCESSORY)
89	70916964	24	WASHER, LOCK, 1/4 (ACCESSORY)
90	2608280W1	1	SEAL, SHOE
91	2608290W1	1	STRIP, SIEVE CLAMP
92	71392677	4	EXTENSION, CHAFFER RISER (ACCESSORY)
93	70921959	24	CAPSCREW, 1/4-20 UNC X 5/8 (ACCESSORY)
94	71392693	2	BEARING & HOUSING ASY.
	1501060W1	2	HOUSING, BEARING
	71308951	2	BEARING, W/COLLAR
95	71393818	1	SEAL, REAR CHAFFER FRAME
	70937253	4	RIVET, BLIND
-	71399009	-	*KIT, SIDE HILL CHAFFER RISERS
	71393440	4	EXTNSN, SEPARATOR PAN (SEE SEPARATOR PAN)
	71396462	4	EXTENSION, CASCADE PAN
	1157990W1	2	DEFLECTOR
	71392677	4	EXTENSION, CHAFFER RISER
-	71378013	-	*KIT, RISER, AIR FOIL CHAFFER DIVIDER
-	71399010	-	*KIT, CHAFFER/SIEVE GRAIN (INCL ITEMS 28,29)
-	71399012	-	*KIT, CHAFFER/SIEVE CORN (INCL ITEMS 28,29)
-	71399014	-	*KIT, AIRFOIL CHAFFER (GRAIN & RICE)

\*ORDER THRU DEALER CENTRAL

MC00264  
PR: 240

PITMAN DRIVE  
(PRIOR S/N HS87101)



**9690 COMBINE  
SEPARATOR**

425

**PITMAN DRIVE  
(PRIOR S/N HS87101)**

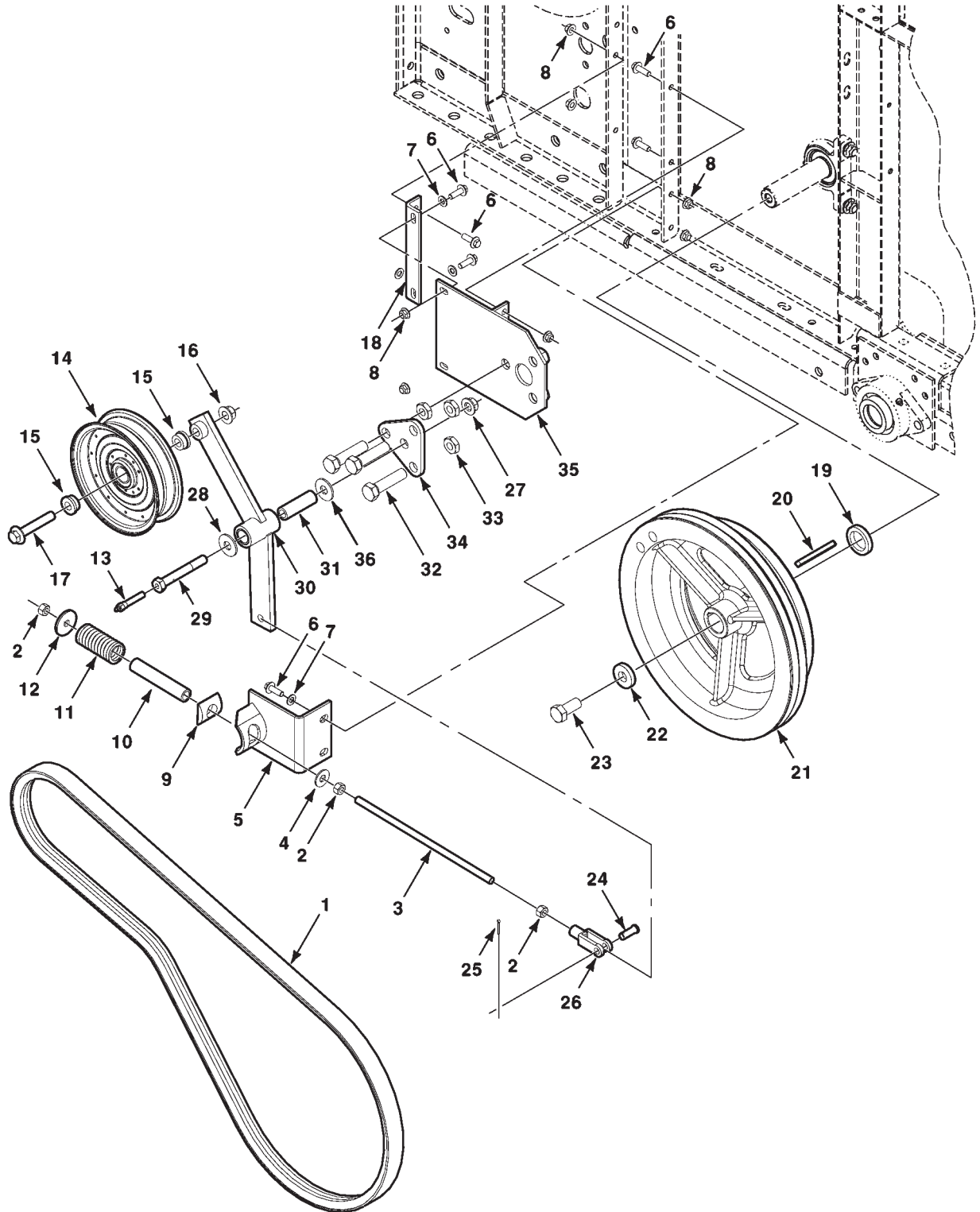
ITEM	NUMBER	QTY	DESCRIPTION
1	2449760W1	1	PULLEY, DRIVE
2	71390199	1	BELT (SEE BELT LISTING)
3	61523	1	KEY, SQ, 3/8 X 4
4	2407570W1	1	WASHER, 21/32 X 2-3/8 X 3/8
5	70923151	2	[A] CAPSCREW, 5/8-11 X 1-1/4 GR5
6	2619570W1	1	SPACER, PITMAN SHEAVE
7	-----	1	[A] BEARING & HSG ASY (ORDER ITEMS 8&9)
8	1605510W1	1	[A] HOUSING
9	50021	1	[A] BEARING BALL
10	2472260W1	1	[A] SHAFT, PITMAN DRIVE
11	-----	1	[A] BEARING & HSG ASY(ORDER ITEMS 12&13)
12	2590650W1	1	[A] HOUSING
13	31-1588410	1	[A] BEARING
14	70918168	1	[A] KEY, 3/8 X 3/8 X 1-3/4
15	71396469	1	[A] HUB, PITMAN DRIVE
16	2476070W1	1	[A] WASHER, 21/32 X 1-3/4 X 3/8
17	13811X	1	LUBE FTG, STR, 1/4-28 TAPER THD
19	70923094	1	WASHER, FLAT, .531 X 2.0 X .180
20	71390853	1	STRAP, REINFORCEMENT
	70921210	3	CAPSCREW, 3/8-16 X 1.0 GR5
	Y704734	3	NUT, HEX FLANGE TOP LOCK, 3/8-16
21	2614090W1	1	IDLER PULLEY, FLAT
22	70921360	1	CAPSCREW, 5/8-11 X 2-1/4 GR5
23	700703922	1	NUT, HEX FLANGE TOP LOCK, 5/8-11
24	2613771W91	1	IDLER ARM WLDMT, PITMAN
25	70914465	1	LUBE FITTING, 1/8-27 NPTF
26	71390851	1	BRACKET ASY, PIVOT
27	71382871	1	ROD, ALL THD, 1/2-13 X 14" LG
28	70937465	1	YOKE
29	70918431	1	WASHER, 1/2 WIDE
30	704031	3	NUT, 1/2-13 UNC, REG
31	71390196	1	BRACKET, PULLEY ROD ANCHOR
32	70929593	1	PIN, CLEVIS, 1/2 X 1-13/64
33	70918452	1	PIN, COTTER, 1/8 X 1.0
34	71382868	1	SPACER, SPRING
35	71356058	1	BLOCK, PIVOT
36	71382716	1	SPRING
37	70926957	1	RING, RETAINING
38	70921210	5	CAPSCREW, 3/8-16 X 1.0 GR5
40	Y704734	5	NUT, HEX FLANGE TOP LOCK, 3/8-16 UNC
41	70919089	2	[A] CAPSCREW, 1/2-13 X 1-3/4 GR5
42	70925974	2	[A] CAPSCREW, 1/2-13 X 4-1/2 GR8
44	Y704742	4	[A] NUT, HEX FLANGE TOP LOCK, 1/2-13
46	104207W1	1	WASHER, SHIM, 1-1/4 X 1-3/4 X .030 TH
47	70937716	1	WASHER, 1-5/16 X 2-1/2 X .150 TH

[A] PRIOR S/N HS87103

MC00378  
PR: 246

9690 COMBINE  
SEPARATOR

PITMAN DRIVE  
(EFF. S/N HS87101)



**9690 COMBINE  
SEPARATOR**

427

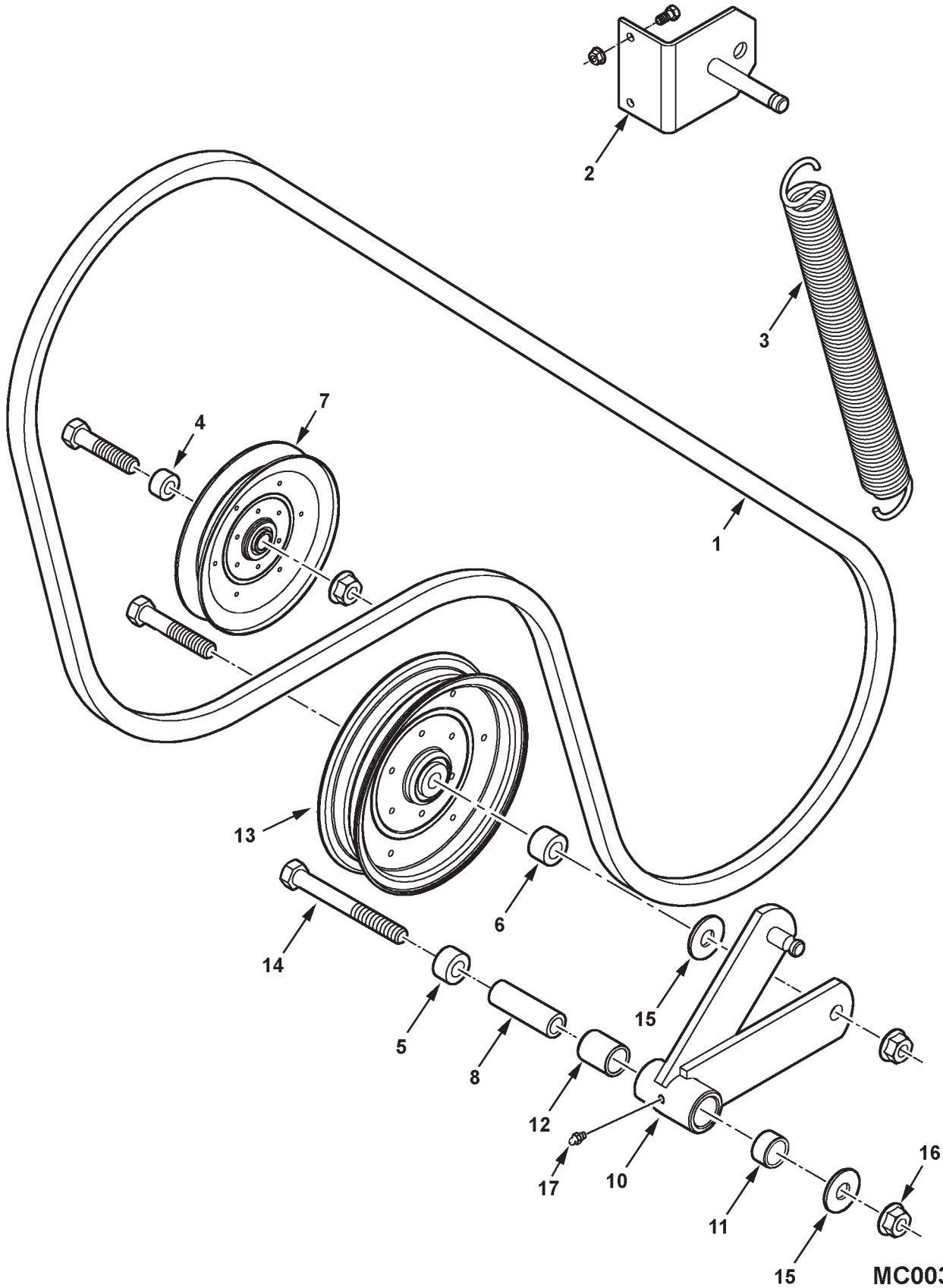
**PITMAN DRIVE  
(EFF. S/N HS87101)**

ITEM	NUMBER	QTY	DESCRIPTION
1	71390199	1	BELT-PITMAN DRIVE
2	704031	3	NUT, 1/2-13 REG
3	71382871	1	ROD-ALL THREAD
4	70918431	1	WASHER, 1/2 WIDE
5	71390196	1	ANCHOR WA-SPRING
6	3009207X1	9	BOLT, FLANGE, M10-1.5 X 30 CL10.9
7	390734X1	4	WASHER, M10, NARROW
8	5000004X1	8	NUT, HEX FLANGE NYL LOCK, M10 X 1.5
9	71356058	1	BLOCK-PIVOT
10	71382868	1	SPACER-SPRING
11	71382716	1	SPRING-IDLER
12	70923094	1	WASHER, .53 X 2.0 X .18 TH.
13	70914767	1	LUBE FTG 1/8 PIPE THREAD FEM, 1.0 LG
	7792922	1	PIPE NIPPLE, 1/8-27 X 2.0 LG
14	71309767	1	IDLER
15	71312602	2	SPACER, IDLER
16	5000006X1	1	NUT, HEX FLANGE NYL LOCK, M16 X 2.0
17	3009244X1	1	BOLT, FLANGE, M16-2.0 X 90 CL10.9
18	71406344	1	ANGLE-SUPPORT
19	2619570W1	1	[A] SPACER, PITMAN SHAFT
	71412437	1	[B] SPACER, PITMAN SHAFT
20	61523	1	[A] KEY, 3/8 SQ X 4"
	339461X1	1	[B] KEY, 8 X 10 X 100 MM
21	2449760W1	1	[A] SHEAVE, PITMAN DRIVEN
	71413043	1	[B] SHEAVE, PITMAN DRIVEN
22	2407570W1	1	[A] WASHER, .66 ID X 2.38 X .38 TH
	71412438	1	[B] WASHER, 21 ID X 48 X 9.5 MM TH
23	70923151	1	[A] CAPSCREW, 5/8-11 X 1-1/4 GR5
	3011004X1	1	[B] CAPSCREW, M20-2.5 X 45 PHOS. CL10.9
24	70929593	1	PIN, CLEVIS, 1/2 X 1.36 LG.
25	70918452	1	COTTER PIN, 1/8 X 1
26	70937465	1	YOKE, ROD END, 1/2-13
27	700703922	1	NUT, HEX FLANGE TOP LOCK, 5/8-11
28	70918432	1	WASHER, 5/8, WIDE
29	2636170W1	1	CAPSCREW, 5/8-11 X 4-1/2, SPECIAL
30	71406345	1	IDLER ARM ASY, PITMAN DRIVE
	1689170W1	2	BUSHING, 1.25 OD X .750 LG
31	2636210W1	1	SLEEVE, PIVOT
32	5000018X1	3	CAPSCREW, M20-2.5 X 80 FULL THD, CL8.8
33	3009747X1	3	JAM NUT, M20 X 2.5
34	71400686	1	PLATE-MOUNTING
35	71406341	1	SUPPORT WA-PIVOT
36	70937005	1	WASHER, 5/8, NARROW, HARD

[A] PRIOR S/N HS87103  
[B] EFF. S/N HS87103

MC00474  
PR: t07a23o20b0010

GRAIN ELEVATOR DRIVE  
(PRIOR S/N HP87101)



**9690 COMBINE  
SEPARATOR**

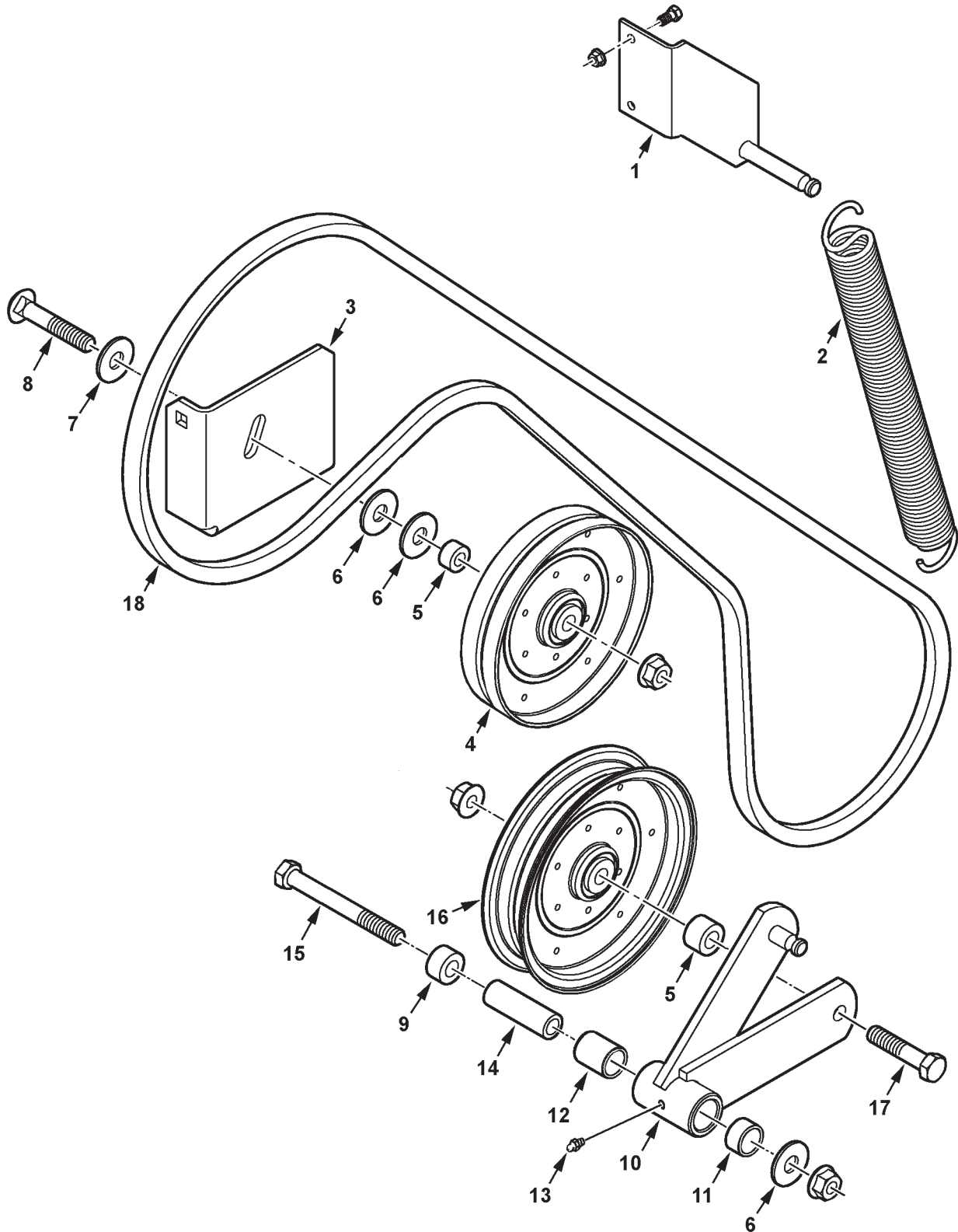
429

**GRAIN ELEVATOR DRIVE  
(PRIOR S/N HP87101)**

ITEM	NUMBER	QTY	DESCRIPTION
1	227455M1	1	BELT, GRAIN ELEVATOR DRIVE
2	2620871W91	1	ANCHOR WLDMT, SPRING
	70921332	2	CAPSCREW, 5/16-18 X 3/4 GR5
	Y704726	2	NUT, HEX FLANGE TOP LOCK, 5/16-18
3	2620920W1	1	SPRING, GRAIN ELEVATOR DRIVE
4	360555X1	1	SPACER, 21/32 X 1-1/4 X 11/16 LG
5	151257M1	1	SPACER, 11/16 X 1-1/4 X 1-3/16 LG
6	2451440W1	1	SPACER, 11/16 X 1-1/4 X 13/16 LG
7	31-2446490	1	IDLER PULLEY, 7-5/16 OD
	70919434	1	CAPSCREW, 5/8-11 X 2-3/4 GR5
	70918432	1	WASHER, WIDE FLAT, 5/8
	700703922	1	NUT, HEX FLANGE TOP LOCK, 5/8-11
8	2441490W1	1	SLEEVE, .640 ID X .992 X 3.06 LG
10	2620853W91	1	ARM ASSEMBLY (INCL. ITEMS 11 & 12)
11	1689170W1	1	BUSHING, 1 X 1-1/4 X 3/4
12	1742670W1	1	BUSHING, 1 X 1-1/4 X 1-1/2
13	2553560W1	1	IDLER, FLAT, 8-3/4 OD
	70925702	1	CAPSCREW, 5/8-11 X 3-1/2 GR5
	70918432	1	WASHER, WIDE FLAT, 5/8
	700703922	1	NUT, HEX FLANGE TOP LOCK, 5/8-11
14	70925706	1	CAPSCREW, 5/8-11 X 5-1/2 GR5
15	70918432	2	WASHER, WIDE FLAT, 5/8
16	700703922	1	NUT, HEX FLANGE TOP LOCK, 5/8-11
17	70914465	1	LUBE FITTING, 1/8-27 NPTF
-	71406309	AR	DRIVE KIT, CLEAN GRAIN (UPGRADE TO ELEV. DRIVE EFF. S/N HP87101)(INCLUDES STRAP 71407326, QTY 1, FOR STEP) (SERVICE COMP'TS ON FOLLOWING PAGE)

MC00379  
PR: t05b04j09c0015

GRAIN ELEVATOR DRIVE  
(EFF. S/N HP87101)





**9690 COMBINE  
SEPARATOR**

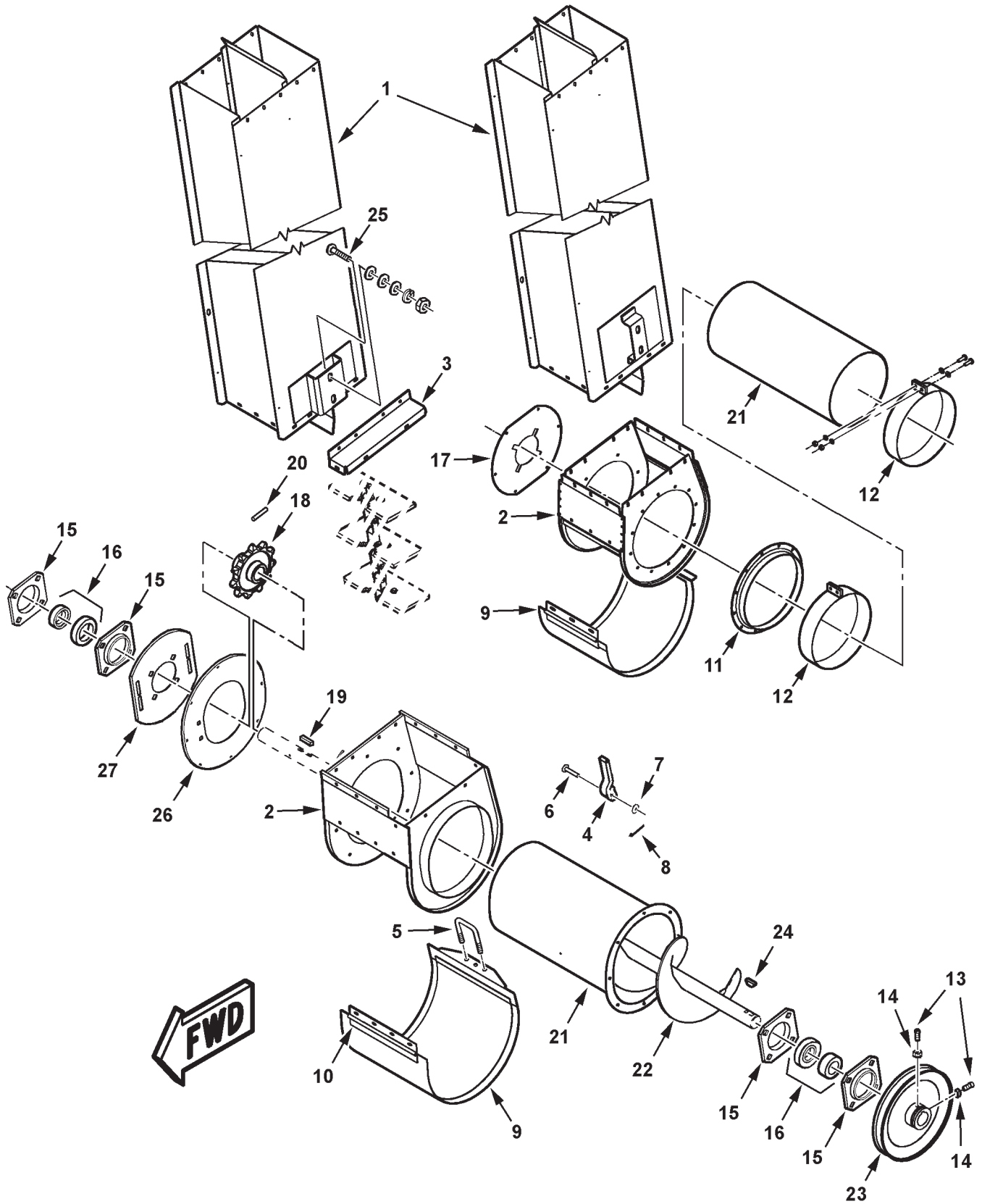
431

**GRAIN ELEVATOR DRIVE  
(EFF. S/N HP87101)**

ITEM	NUMBER	QTY	DESCRIPTION
1	71403684	1	ANCHOR WLDMT, SPRING
	70921332	2	CAPSCREW, 5/16-18 X 3/4 GR5
	Y704726	2	NUT, HEX FLANGE TOP LOCK, 5/16-18
2	1579720W1	1	SPRING, TENSION
3	71403680	1	SUPPORT BRACKET, IDLER
	68619	2	BOLT, RND HD SQ NECK, 1/2-13 X 1-1/4
	70928367	1	BOLT, RND HD SQ NECK, 1/2-13 X 1
	Y704742	3	NUT, HEX FLANGE TOP LOCK, 1/2-13
4	2614090W1	1	IDLER ASY, FLAT
5	2451440W1	2	SPACER, IDLER
6	70918432	3	WASHER, 5/8, WIDE
7	700709608	1	WASHER, 7/8, WIDE
8	364988X1	1	BOLT, RND HD SQ NECK, 5/8-11 X 3-1/2
	700703922	1	NUT, HEX FLANGE TOP LOCK, 5/8-11
9	151257M1	1	SPACER, .688 X 1.188 LG
10	2620853W91	1	ARM ASSEMBLY (INCL. ITEMS 11 & 12)
11	1689170W1	2	BUSHING, 1 X 1.24 X .75 LG (WAS QTY.1)
12	1742670W1	1	BUSHING, 1 X 1.24 X 1.50 LG (PRIOR S/N HP87---, MID-PROD'N RUN)
13	70914465	1	LUBE FITTING, 1/8-27 NPTF
14	2441490W1	1	SLEEVE, .640 ID X .992 X 3.06 LG
15	70925706	1	CAPSCREW, 5/8-11 X 5-1/2 GR5
	700703922	1	NUT, HEX FLANGE TOP LOCK, 5/8-11
16	2553560W1	1	IDLER, FLAT, 8-3/4 OD
17	70921671	1	CAPSCREW, 5/8-11 X 3-1/4 GR5
	700703922	1	NUT, HEX FLANGE TOP LOCK, 5/8-11
18	71403685	1	BELT, GRAIN ELEVATOR DRIVE

MC00380  
PR: t05b04j09c0016

GRAIN ELEVATOR  
LOWER



**9690 COMBINE  
GRAIN BIN & ELEVATOR**

433

**GRAIN ELEVATOR  
LOWER**

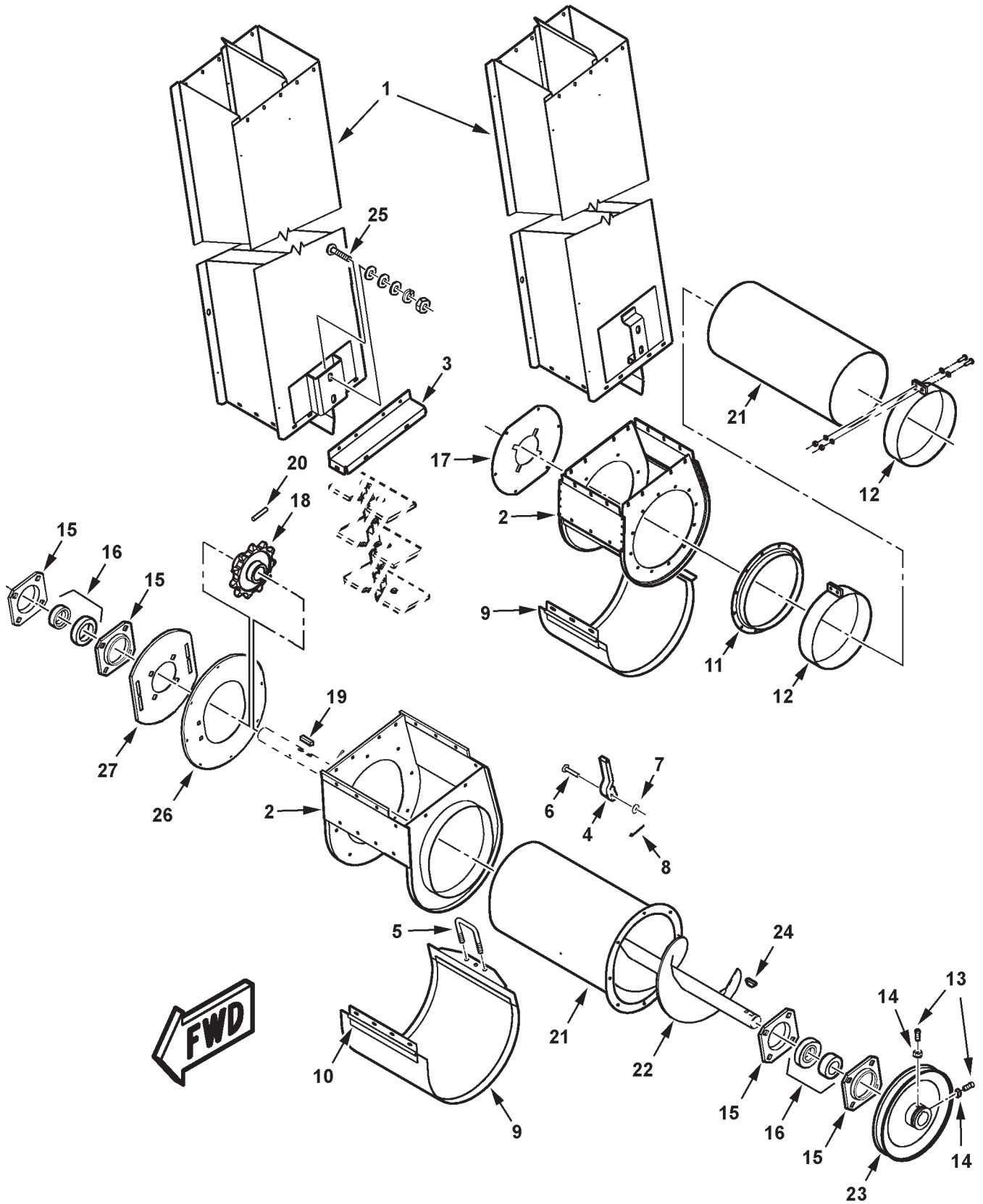
ITEM	NUMBER	QTY	DESCRIPTION
1	71393547	1	BODY & DECALS, ASY (PRIOR S/N HP87101) (DECALS- SEE "LABELS" SECTION)
	71400435	1	BODY WLMT, GR ELEV. (EFF. S/N HP87101)
	71409271	1	BODY WLMT,GR ELEV.RICE (EFF.S/N HP87101)
	71396458	1	BODY & DECALS ASY (EUROPE)
	70931316	10	BOLT, RD HD SQ NECK 1/4-20 X 5/8
	705012	10	LOCKWASHER, 1/4 (PRIOR S/N HP87101)
	70917377	10	WASHER, 1/4, WIDE(PRIOR S/N HP87101)
	70916622	10	NUT, 1/4-20, REG (PRIOR S/N HP87101)
	70931209	10	LOCKNUT, HEX SERR FLANGE, 1/4-20 (EFF. S/N HP87101)
2	71393429	1	BOOT ASY. GR ELEV. (PRIOR S/N HP87101)
	71399994	1	BOOT WLMT, GR ELEV. (EFF. S/N HP87101)
	71409268	1	BOOT WLMT,GR ELEV. RICE(EFF S/N HP87101)
	70931316	14	BOLT, RD HD SQ NECK, 1/4-20 X 5/8
	705012	14	LOCKWASHER, 1/4
	70917377	14	WASHER, 1/4 WIDE (PRIOR S/N HP87101)
	70916622	14	NUT, 1/4-20, REG
3	71399807	1	FILLER WLMT, GR ELEV. (EFF. S/N HP87101)
	71409269	1	FILLER WLMT, GR ELEV. RICE (S/N HP87101)
	70931316	4	BOLT, RD HD SHT SQ NK, 1/4-20 X 5/8
	70931317	4	BOLT, RD HD SHT SQ NK, 1/4-20 X 3/4
	705012	8	LOCKWASHER, 1/4
	70916622	8	NUT, 1/4-20, REG
4	1799410W1	1	LATCH, DOOR
5	71197376	1	U-BOLT, LATCH (PRIOR S/N HP87101)
	70916622	4	NUT, 1/4-20, REG (PRIOR S/N HP87101)
	2476240W1	1	LATCH BOLT, DOOR (EFF. S/N HP87101)
	70916950	4	NUT, 3/8-16 (EFF. S/N HP87101)
6	70927523	1	PIN, CLEVIS, 5/16 X 1-1/2
7	70918265	1	WASHER, WIDE FLAT, 5/16
8	70918447	1	PIN, COTTER, 3/32 X 3/4
9	71393526	1	DOOR WLMT, LOWER (PRIOR S/N HP87101)
	71396467	-	DOOR WLMT, PERFORATED (ACCESSORY)(PRIOR S/N HP87101)
	71400431	1	DOOR WLMT, LOWER (EFF. S/N HP87101)
	71410456	1	* DOOR WLMT,PERFORATED(EFF. S/N HP87101)
	71409265	1	DOOR WLMT, LOWER, RICE (EFF.S/N HP87101)
	70931317	4	BOLT, RD HD,SHT SQ NK, 1/4-20 X 3/4
	353769X1	4	WASHER, HARDENED, 1/4
	705012	4	LOCKWASHER, 1/4
	70916622	4	NUT, 1/4-20, REG
10	2412670W1	1	HINGE, DOOR (PRIOR S/N HP87101)
	71400432	1	HINGE, DOOR (EFF. S/N HP87101)
11	2554680W1	1	FLANGE, ELEVATOR (PRIOR S/N HP87101)
	70931316	12	BOLT, RD HD SQ NECK, 1/4-20 X 5/8
	70916964	12	LOCKWASHER, 1/4
	70916622	12	NUT, 1/4-20, REG
12	2555401W91	2	CLAMP ASY, TUBE (PRIOR S/N HP87101)
	700705614	4	CAPSCREW, 5/16-18 X 1-1/2 FULL THD
	70917642	4	WASHER, 5/16, WIDE
	70917356	4	LOCKWASHER, 5/16
	70917372	4	NUT, 5/16-18, REG

CONTINUED

MC00267  
PR: 250

9690 COMBINE  
GRAIN BIN & ELEVATOR

GRAIN ELEVATOR  
LOWER



**9690 COMBINE  
GRAIN BIN & ELEVATOR**

435

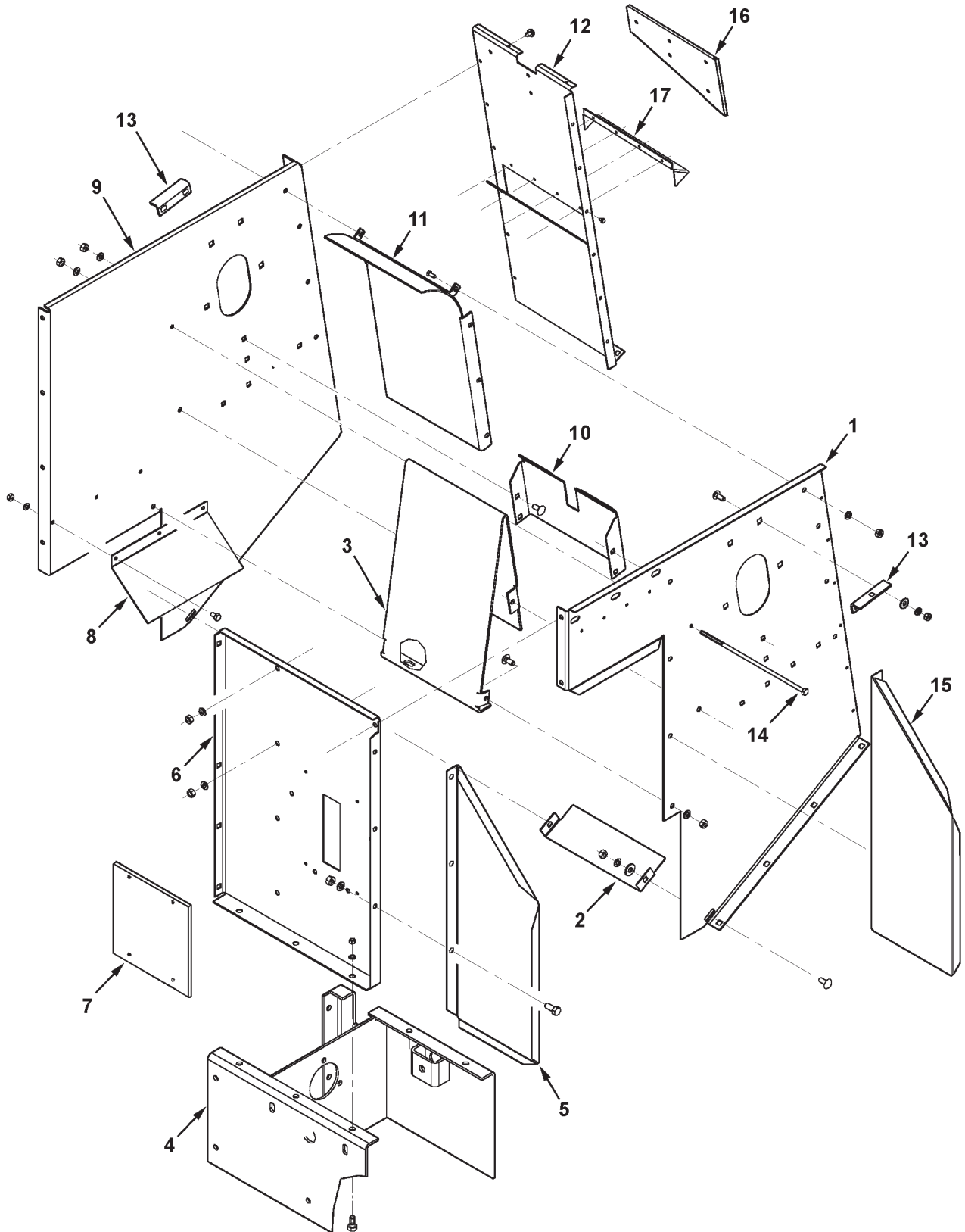
**GRAIN ELEVATOR  
LOWER**

ITEM	NUMBER	QTY	DESCRIPTION
13	70923326	1	SETSCREW,SQ HD, 3/8-16 X 1 (QTY 2, PRIOR S/N HP87101)
	70920469	1	SETSCREW, SQ HD CUP PT, 3/8-16 X 3/4 (EFF. S/N HP87101)
14	70916950	2	NUT, 3/8-16, REG (PRIOR S/N HP87101)
15	17789	4	FLANGE, BEARING
	70931809	8	BOLT, RND HD SQ NK, 1/2-13 X 1-1/4 (WAS QTY 7, PRIOR S/N HP87101)
	70931810	1	BOLT, RND HD SQ NK, 1/2-13 X 1-3/4 (PRIOR S/N HP87101)
	Y705046	8	LOCKWASHER, 1/2
	704031	8	NUT, 1/2-13, REG
16	50468	2	BEARING, BALL, W/COLLAR
	1720176	2	COLLAR
17	2571520W1	1	PLATE, BEARING MOUNT (PRIOR S/N HP87101)
	70931316	6	BOLT, RD HD SQ NECK, 1/4-20 X 5/8
	70916964	6	LOCKWASHER, 1/4
	70916622	6	NUT, 1/4-20, REG
18	2571510W1	1	SPROCKET, GRAIN ELEVATOR
19	61101	1	SQ. KEY, 1/4 X 1/4 X 1-3/4
20	70926977	1	PIN, COILED SPRING, 3/16 X 2-1/4
21	71393546	1	TUBE, BOTTOM,GR ELEV.(PRIOR S/N HP87101)
	71406260	1	TUBE WLMT,BTM,GR ELEV.(EFF. S/N HP87101)
	71409381	1	TUBE, BTM,GR ELEV. RICE(EFF.S/N HP87101)
	7700461	8	BOLT, RD HD SQ NK, 5/16-18 X 3/4
	70917356	8	LOCKWASHER, 5/16
	70917372	8	NUT, 5/16-18, REG
	70933988	8	SPEED NUT, THREAD GRIP, 5/16
22	71392700	1	AUGER ASY, (PRIOR S/N HP87101)
	71394534	1	AUGER ASY (CHROME)
23	108843W1	1	PULLEY, DRIVEN (PRIOR S/N HP87101)
	71403682	1	PULLEY, DRIVEN (EFF. S/N HP87101)
24	70911201	1	KEY, WOODRUFF, 3/8 X 1-1/4 DIA
25	701235	1	CPSCR, 1/2-13 X 1-1/2 (WAS QTY.2 PRIOR S/N HP87101)
	70921176	1	CPSCR, 1/2-13 X 1-1/4 (EFF. S/N HP87101)
	70931187	1	NUT, HEX SERR FLANGE, 1/2-13
	70936525	1	SPEED NUT, THREAD GRIP, 1/2
	705541	2	WASHER, HARD, 1/2 (WAS QTY.4)
	Y705046	1	LOCKWASHER, 1/2 (WAS QTY.2)
	704031	1	NUT, 1/2-13, REG (WAS QTY.2)
26	71400429	1	PLATE, BOOT COVER (EFF. S/N HP87101)
	71409267	1	PLATE, BOOT COVER, RICE(EFF.S/N HP87101)
	70931317	8	BOLT, RD HD SQ NK, 1/4-20 X 3/4
	705012	8	LOCKWASHER, 1/4
	70916622	8	NUT, 1/4-20, REG
27	71400430	1	PLATE, BRG (EFF. S/N HP87101)
	71409266	1	PLATE, BRG, RICE (EFF. S/N HP87101)
	70931350	4	BOLT, RD HD SQ NK, 3/8-16 X 1 GR5
	Y705533	4	WASHER, HARD, 3/8
	70916965	4	LOCKWASHER, 3/8
	70916950	4	NUT, 3/8-16, REG
-	71393534	1	CHAIN ASY. (NOT ILL)(SEE CHAINS, DRIVE)
-	700704010	AR	SILICONE SEALANT, BLACK, 10.2 OZ
-	71407047	AR	* KIT,PERF. ELEV DOORS(EFF. S/N HP87101) (ORDER THRU DEALER CENTRAL)

MC00267  
PR: 250

9690 COMBINE  
GRAIN BIN & ELEVATOR

GRAIN ELEVATOR  
HEAD ASSEMBLY



**9690 COMBINE  
GRAIN BIN & ELEVATOR**

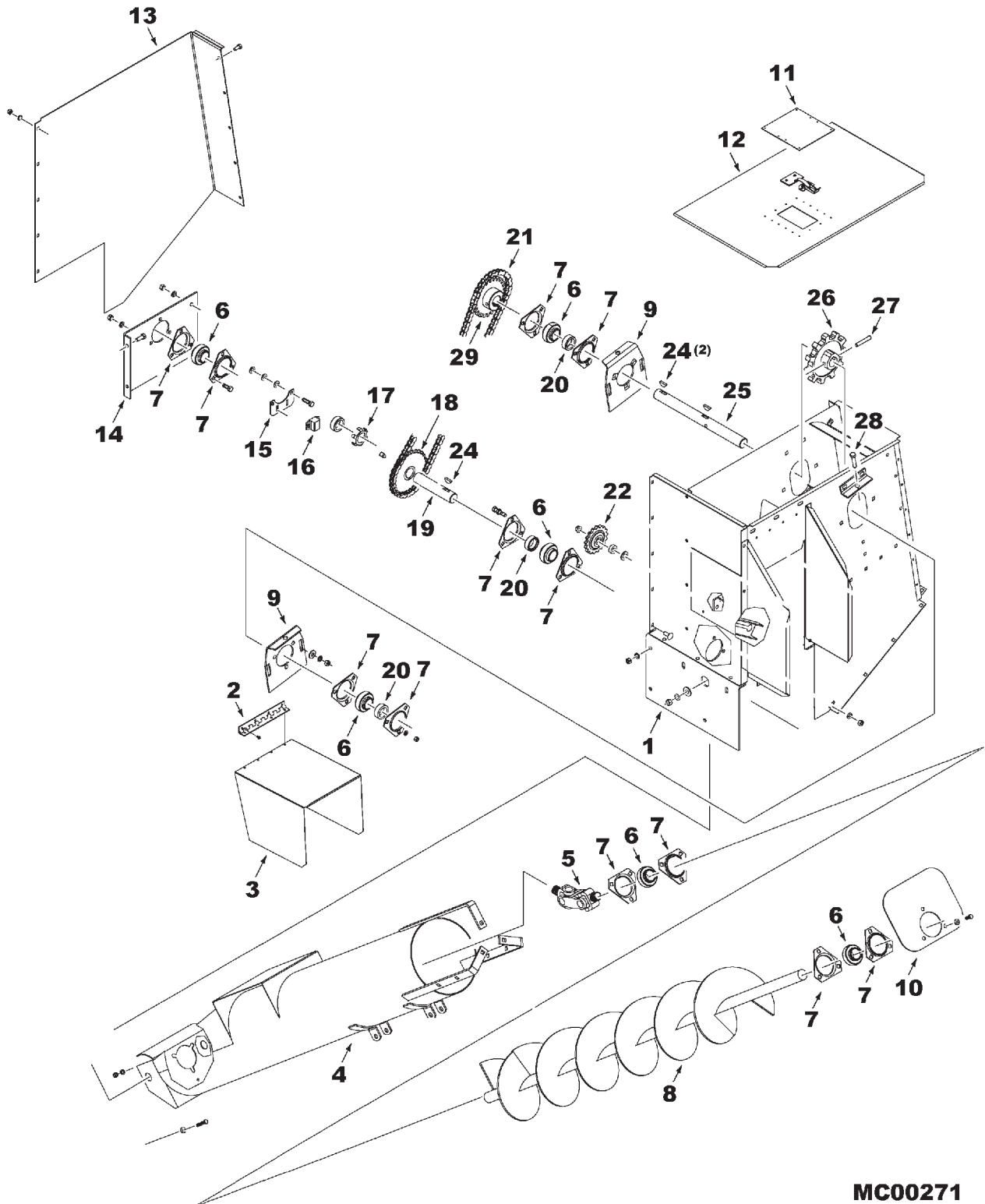
437

**GRAIN ELEVATOR  
HEAD ASSEMBLY**

ITEM	NUMBER	QTY	DESCRIPTION
1	71393268	1	PANEL, GRAIN HEAD SIDE (LH)
	7700461	6	BOLT, RD HD SQ NECK 5/16-18 X 3/4
	70917642	2	WASHER, FLAT 5/16
	Y705020	6	LOCKWASHER, 5/16
	70917372	6	HEXNUT, 5/16-18
2	71393273	1	SEAL, ELEVATOR
3	71393274	1	DIVIDER, GRAIN HEAD
4	71393269	1	SUPPORT ASY., BIN LOADER DRIVE
	70921965	5	CAPSCREW, 5/16-18 X 3/4
	70916965	5	LOCKWASHER, 3/8
	70916950	5	HEXNUT, 3/8
5	71393264	1	EXTENSION, FRONT
	70921332	6	CAPSCREW, 5/16-18 X 3/4
	Y705020	6	LOCKWASHER, 5/16
	70917372	6	HEXNUT, 5/16-18
6	71393263	1	PANEL, GRAIN HEAD FRONT
	70921333	1	CAPSCREW, 5/16-18 X 1.0
	70921332	5	CAPSCREW, 5/16-18 X 3/4
	Y705020	6	LOCKWASHER, 5/16
	70917372	6	HEXNUT, 5/16-18
7	71389842	1	COVER PLATE, ELEV. HEAD, FRONT (NON-FIELDSTAR)
	70924837	4	RIVET
8	71368598	1	DEFLECTOR, BIN LOADER
	70921958	3	CAPSCREW, 1/4-20 X 1/2
	705012	3	LOCKWASHER, 1/4
	70916622	3	HEXNUT, 1/4-20
9	71393265	1	PANEL, GRAIN HEAD (RH)
10	71393405	1	EXTENSION, CENTERBOARD
	7700461	4	BOLT, RD HD SQ NECK 5/16-18 X 3/4
	Y705020	4	LOCKWASHER, 5/16
11	70917372	4	HEXNUT, 5/16-18
	71400915	1	BACK WLMT, ELEV. HEAD(PRIOR S/N HR87101)
	71408514	1	BACK WLMT, ELEV. HEAD (EFF. S/N HR87101)
12	70921332	8	CAPSCREW, 5/16-18 X 3/4
	Y705020	8	LOCKWASHER, 5/16
	70917372	8	HEXNUT, 5/16-18
	71393401	1	REAR PANEL, BIN LDR (PRIOR S/N HN87101)
13	71401452	1	REAR PANEL, BIN LDR (EFF. S/N HN87101 - HN87999)
	71406849	1	REAR PANEL, BIN LDR (EFF. S/N HP87101)
	70925991	12	SCR,HX WSHR HD,TAPPING, 1/4-14 X 1/2
	71327984	2	BRACKET, DRAW BOLT
	70931350	4	BOLT, RD HD SQ NECK, 3/8-16 X 1.0
14	70916965	4	LOCKWASHER, 3/8
	70916950	4	HEXNUT, 3/8
	354273X1	1	SCREW, CAP, 1/4-20 X 10.0
15	705012	1	LOCKWASHER, 1/4
	70916622	1	HEXNUT, 1/4
16	71393402	1	EXTENSION, REAR
17	71401381	1	PLATE, FILLER (NON-FIELDSTAR)(EFF. S/N HN87101)
	7703457	5	CAPSCREW, 1/4-20 X 3/4
	70937101	5	NUT, PUSH-ON, 1/4
	700709601	5	WASHER, 1/4 WIDE
	705012	5	LOCKWASHER, 1/4
	70916622	5	NUT, 1/4-20
	71408501	1	HOOD, RECIRCULATION (EFF. S/N HP87101)
	700717635	4	POP-RIVET, 3/16 X .126-.250 GRIP

MC00270  
PR: 254

GRAIN ELEVATOR  
BIN FILL AUGER





**9690 COMBINE  
GRAIN BIN & ELEVATOR**

439

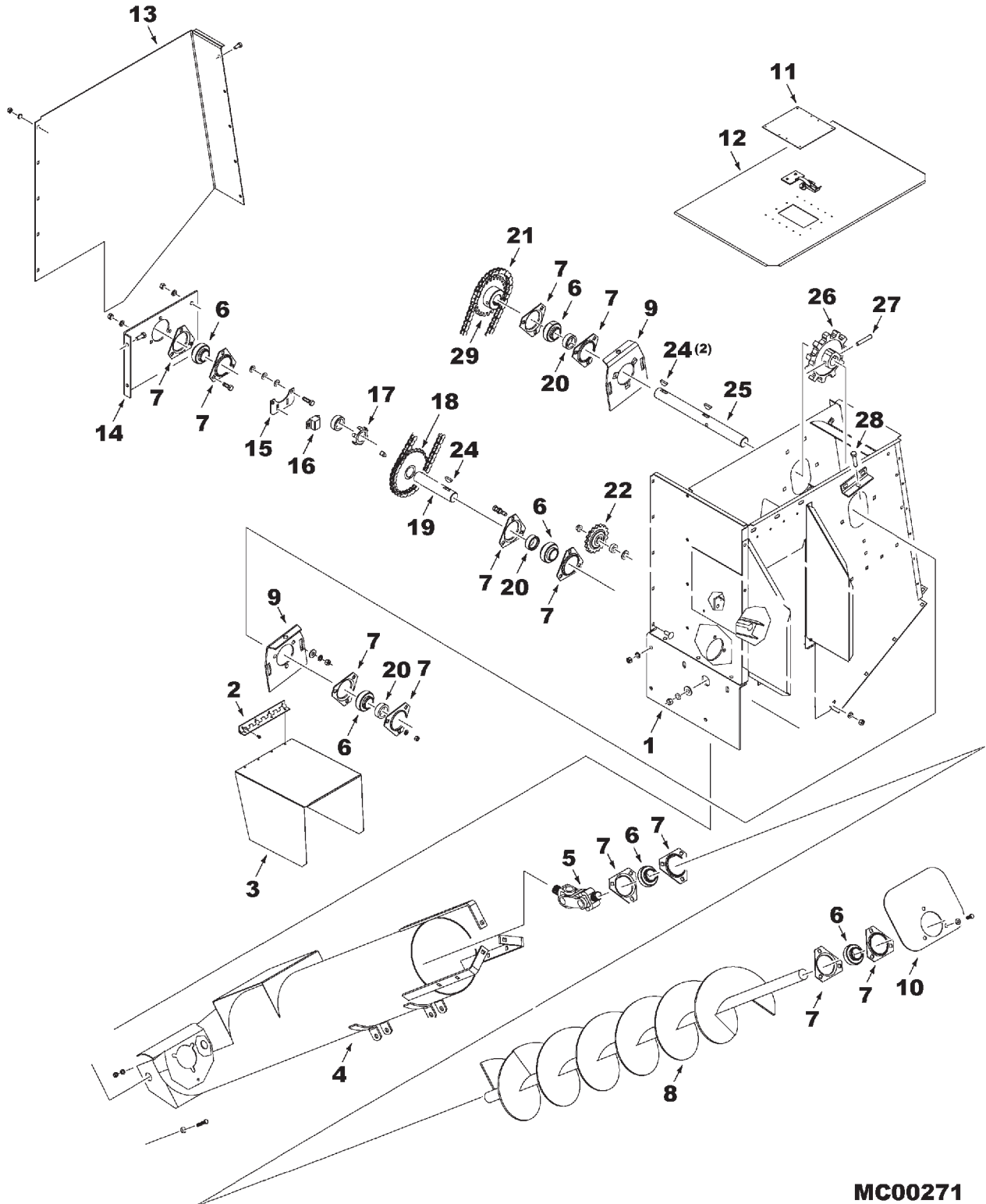
**GRAIN ELEVATOR  
BIN FILL AUGER**

ITEM	NUMBER	QTY	DESCRIPTION
1	-----	1	HEAD ASY, CLEAN GRAIN ELEVATOR (REFERENCE ONLY, SEE BREAKDOWN)
2	71373693	1	HINGE, ELEVATOR BOOT
	70924837	4	RIVET, 3/16 X .277
	700717635	4	RIVET, 3/16 X .402
3	71376042	1	COVER, HINGED
4	71362970	1	TUBE WLDMT, BIN LOADER
	70921176	2	CAPSCREW, 1/2-13 X 1-1/4
	70918431	4	WASHER, 1/2 WIDE
	71188949	2	SPACER
	Y705046	2	LOCKWASHER, 1/2
	704031	2	NUT, 1/2-13 REG
5	71395998	1	U-JOINT ASY., DOUBLE PIVOT
	71124448	2	YOKE
	71396653	2	JOURNAL ASY, U-JOINT
6	71308995	6	BEARING, W/ COLLAR
7	71127313	12	FLANGE
	Y707042	6	BOLT, PLOW 3/8-16 X 1.0
	70931350	7	BOLT, RHSN 3/8-16 X 1.0
	70916965	7	LOCKWASHER, 3/8
	70916950	7	NUT, 3/8-16 REG
8	71388940	1	AUGER, BIN LOADER (CHROME)
9	71393419	2	SUPPORT, BEARING
	70931350	4	BOLT, RHSN 3/8-16 X 1.0
	70917378	4	WASHER, FLAT 3/8
	70916965	4	LOCKWASHER, 3/8
	70916950	4	NUT, 3/8-16 REG
10	71393403B	1	PLATE, DEFLECTOR
	70923220	3	BOLT, RHSN 3/8-16 X 1-1/4
	70916965	3	LOCKWASHER, 3/8
	70917378	3	WASHER, FLAT 3/8
	70916950	3	NUT, 3/8-16 REG
11	71393404	1	PLATE, COVER (NON-FIELDSTAR)(PRIOR S/N HN87101)
	70924799	8	RIVET, 1/8 X .250
12	71395976B	1	TOP COVER ASY,BIN LDR(PRIOR S/N HN87101)
	71401453	1	TOP COVER ASY, BIN LDR (EFF. S/N HN87101 TO HP87999)
	71409402	1	TOP COVER ASY, BIN LDR(EFF. S/N HR87101)
	-----	1	TOP COVER, BIN LDR (ORDER COVER ASY)
	762975	1	CLAMP, OVER-CENTER LATCH
	71344833	1	SEAL, RUBBER
	700717635	4	POP-RIVET, 3/16 X .126-.250 GRIP
	70917380	2	WASHER, .219 ID X .50 OD X 18 GA
13	71393258	1	SHIELD, DRIVE CHAIN, BIN LOADER
	7883317	5	SCREW, HEX WSHR HD, 5/16-18 X 1/2
	7700461	5	BOLT, RND HD SQ NK, 5/16-18 X 3/4
	70917642	5	WASHER, FLAT 5/16
	Y705020	5	LOCKWASHER, 5/16
	70917372	5	NUT, 5/16-18 REG
	70933988	5	NUT, SPEED 5/16
14	71393259	1	SUPPORT, LOADER END
	703249	4	CAPSCREW, 3/8-16 X 1.0
	70916965	4	LOCKWASHER, 3/8
	70916950	4	NUT, 3/8-16 REG

CONTINUED

MC00271  
PR: 256

GRAIN ELEVATOR  
BIN FILL AUGER



**9690 COMBINE  
GRAIN BIN & ELEVATOR**

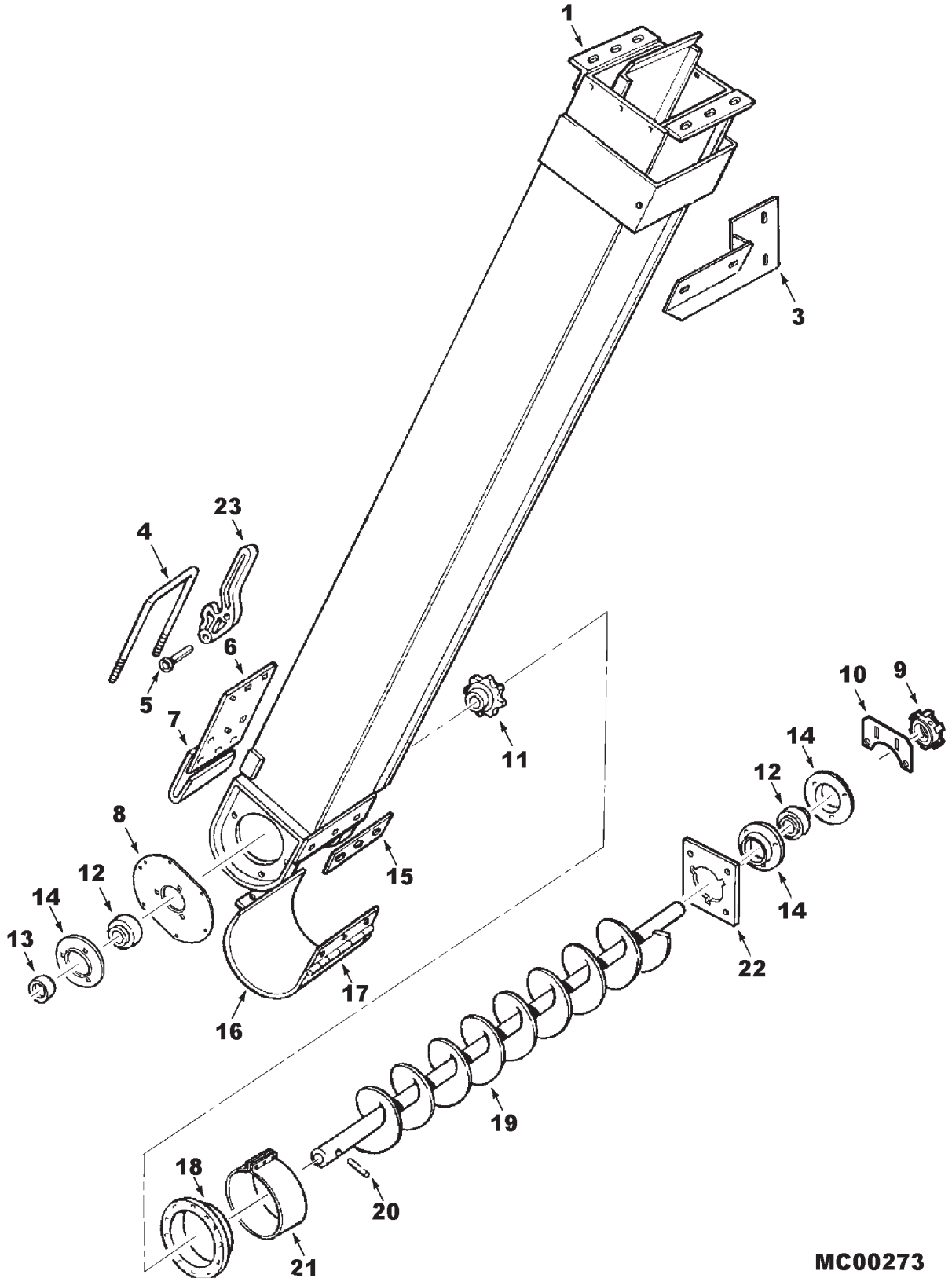
441

**GRAIN ELEVATOR  
BIN FILL AUGER**

ITEM	NUMBER	QTY	DESCRIPTION
15	71188145	1	BRACKET, SHAFT
	70923220	2	BOLT, RHSN 3/8-16 X 1-1/4
	Y705533	6	WASHER, FLAT 3/8
	70916965	2	LOCKWASHER, 3/8
	70916950	2	NUT, 3/8-16 REG
16	71391021	1	SENSOR
	70931317	2	BOLT, RD HD,SHT SQ NK, 1/4-20 X 3/4
	705012	2	LOCKWASHER, 1/4
	70916622	2	NUT, 1/4-20 REG
17	71194367	1	COLLAR WLDMT, SENSING
18	71393260	1	SPROCKET WLDMT, 28 TEETH (QTY 2, PRIOR S/N HN87101)
	70920469	2	SETSCREW, SQ HD CUP PT, 3/8-16 X 3/4
19	71393262	1	SHAFT, DRIVE
20	700717212	3	COLLAR, 1-1/4 ID
21	-----	1	CHAIN,BIN LOADER,#50 (SEE"CHAINS,DRIVE")
22	7087398	1	SPROCKET, IDLER
	70929095	1	BOLT, RD HD SQ NK, 1/2-13 X 2-1/4
	70924113	1	WASHER, FLAT SQ HOLE
	6522940	1	SPACER
	Y704742	1	NUT, HEX FLNG TOP LOCK, 1/2-13
24	29780X	3	KEY, WOODRUFF, 1/4 X 1.0
25	71393261	1	SHAFT, UPPER ELEVATOR
26	2412960W1	1	SPROCKET, DRIVE
27	70916767	1	ROLL PIN, 3/8 X 2 LG
28	70937727	2	CAPSCREW, 3/8-16 X 3-1/4
	70916950	2	NUT, 3/8-16 REG
29	71401462	1	SPROCKET, WLDMT, 38 TEETH
	70920469	2	SETSCREW, SQ HD CUP PT, 3/8-16 X 3/4

MC00271  
PR: 256

RETURN ELEVATOR  
LOWER  
(PRIOR S/N HP87101)



**9690 COMBINE  
GRAIN BIN & ELEVATOR**

443

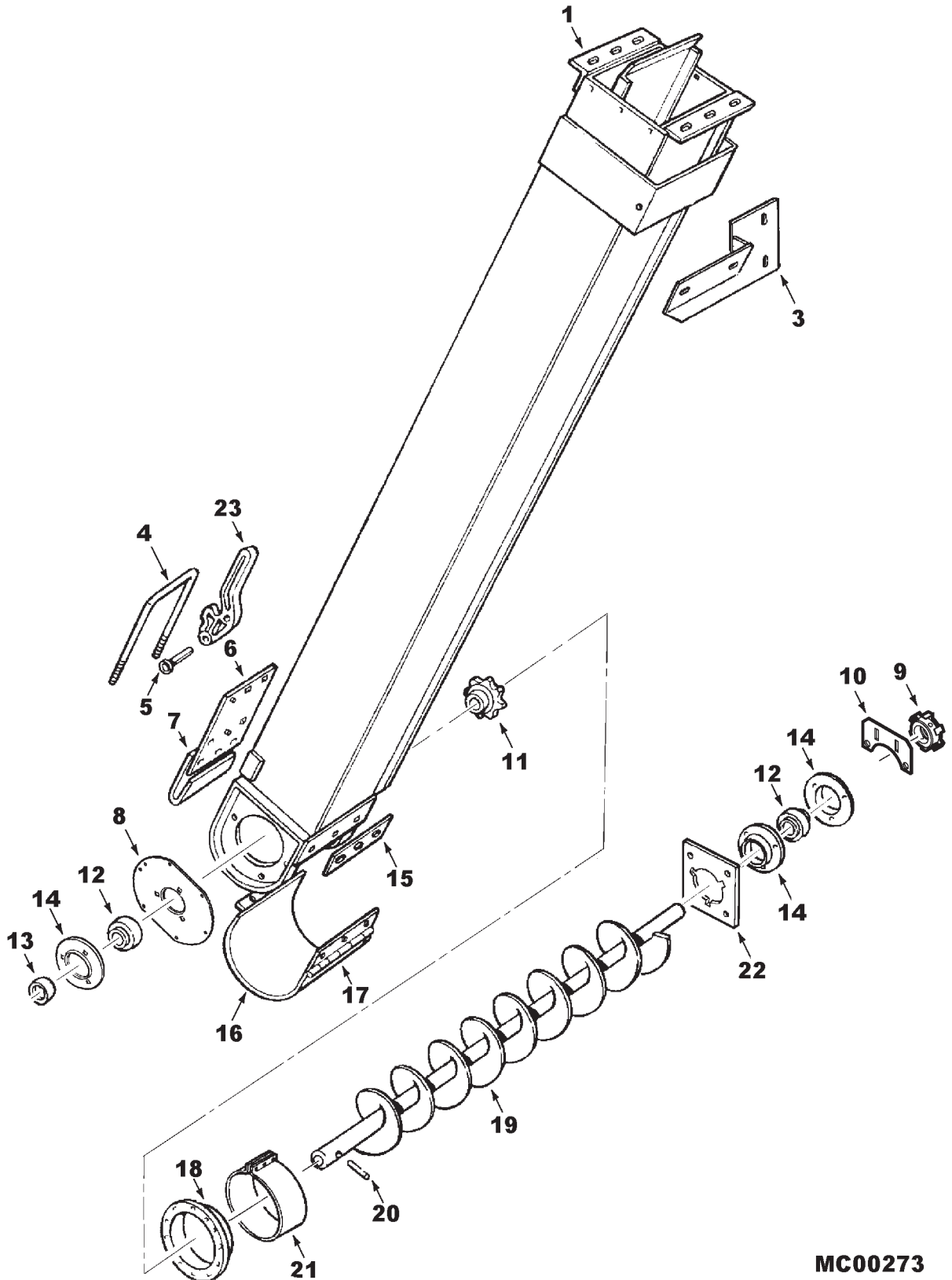
**RETURN ELEVATOR  
LOWER  
(PRIOR S/N HP87101)**

ITEM	NUMBER	QTY	DESCRIPTION
1	71396124	1	BODY ASSEMBLY, RETURN ELEVATOR
	70921210	2	CAPSCREW, 3/8-16 X 1 GR5
	70917378	2	WASHER, 3/8, WIDE
	Y704734	2	NUT, HEX FLANGE TOP LOCK, 3/8-16
3	2620021W91	1	SUPPORT ASSEMBLY, RETURN ELEVATOR
	70921210	2	CAPSCREW, 3/8-16 X 1 GR5
	70923114	2	CAPSCREW, 1/2-13 X 1 GR5
	70917378	2	WASHER, 3/8, WIDE
	Y704734	2	NUT, HEX FLANGE TOP LOCK, 3/8-16
	Y704742	2	NUT, HEX FLANGE TOP LOCK, 1/2-13
4	1651910W1	1	U BOLT, LATCH
	70916950	4	NUT, 3/8-16, REG
5	70927523	1	PIN, CLEVIS, 5/16 X 1-1/2
6	2555180W1	1	PLATE, WEAR
	70931316	8	BOLT, RD HD SQ NECK, 1/4-20 X 5/8
	70916964	8	LOCKWASHER, 1/4
	70916622	8	NUT, 1/4-20, REG
7	2555170W1	1	STRIP, SUPPORT
8	1510740W1	1	PLATE, BEARING
9	71390672	1	WHEEL, SENSOR (W/COLLAR)
10	71188145	1	BRACKET, SHAFT MONITOR
	70916950	2	NUT, 3/8-16, REG
11	W9863030	1	SPROCKET, AUGER, 8 TEETH
12	70590704	2	BEARING, BALL, W/O COLLAR
13	K3518	1	COLLAR, 1.125
14	71127313	3	FLANGE, BEARING
	70931350	3	BOLT, RD HD SQ NECK, 3/8-16 X 1
	70931348	3	BOLT, RD HD SQ NECK, 3/8-16 X 3/4
	70916965	3	LOCKWASHER, 3/8
	70916950	6	NUT, 3/8-16, REG
15	2555190W1	1	STRIP, FILLER
	70931317	3	BOLT, RD HD SQ NECK, 1/4-20 X 3/4
	70917377	3	WASHER, 1/4, WIDE
	70916964	3	LOCKWASHER, 1/4
	70916622	3	NUT, 1/4-20 REG
16	2555211B91	1	DOOR ASSEMBLY, AUGER (PLAIN)
	2555231W91	1	DOOR ASSEMBLY, AUGER (PERF.)(ACCESSORY)
17	2555200W1	1	HINGE, DOOR
18	2555130W1	1	FLANGE
	70931316	12	BOLT, RD HD SQ NECK, 1/4-20 X 5/8
	70916964	12	LOCKWASHER, 1/4
	70916622	12	NUT, 1/4-20, REG

CONTINUED

MC00273  
PR: 260

RETURN ELEVATOR  
LOWER  
(PRIOR S/N HP87101)



9690 COMBINE  
GRAIN BIN & ELEVATOR

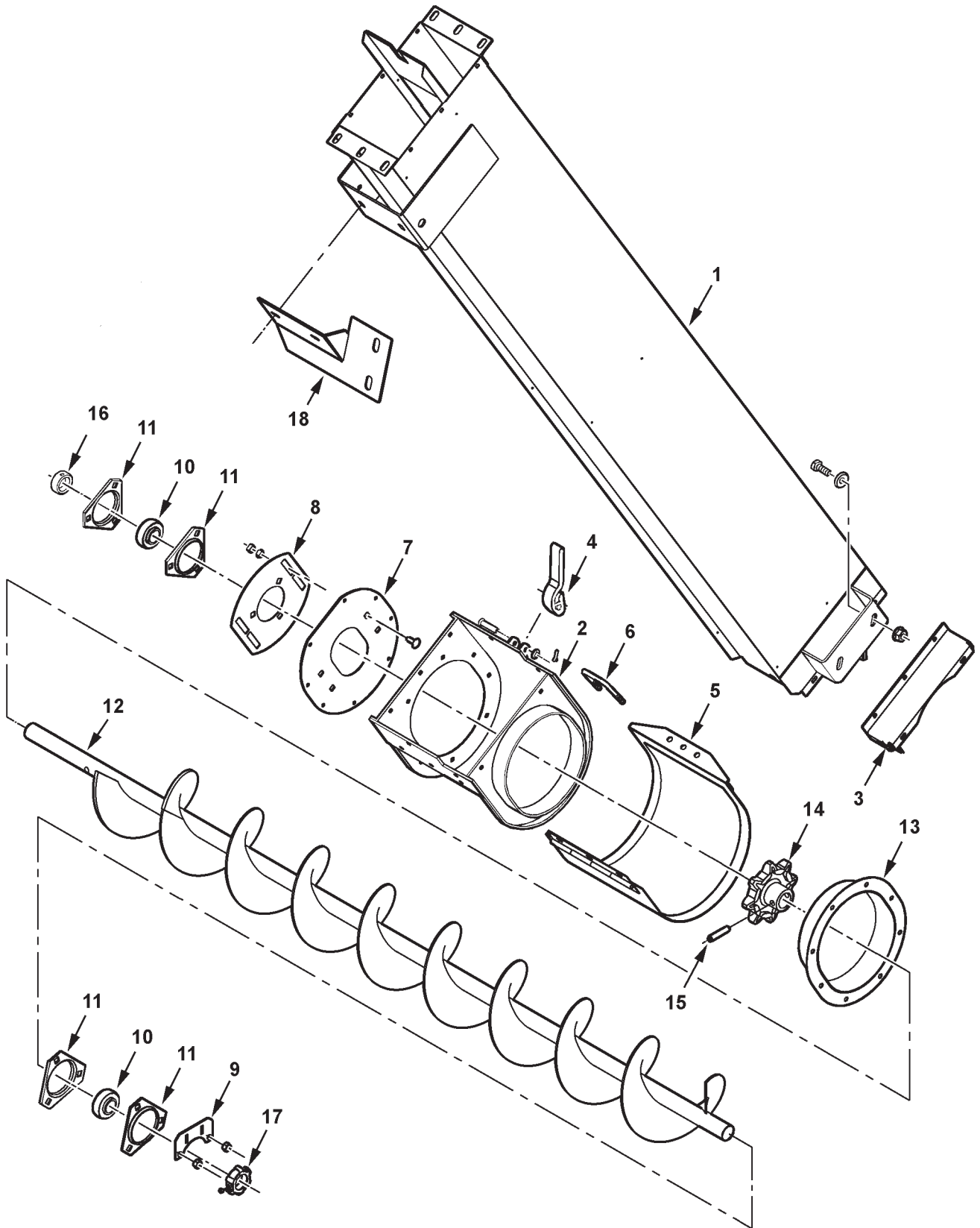
445

RETURN ELEVATOR  
LOWER  
(PRIOR S/N HP87101)

ITEM	NUMBER	QTY	DESCRIPTION
19	71389851	1	AUGER WLDMT, BOTTOM (STD)
	71391339	1	AUGER WLDMT, BOTTOM (CHROME)
20	70915500	1	ROLL PIN, 3/8 X 1-3/4
21	2591531W91	1	CLAMP ASSEMBLY, RETURN ELEVATOR
	373159X1	3	SCREW, PAN HEAD, 5/16-18 X 1-1/2
	70917642	3	WASHER, 5/16, WIDE
	70917356	3	LOCKWASHER, 5/16
	70917372	3	NUT, 5/16-18, REG
22	2636010W1	1	PLATE, RETURN ELEVATOR
	70921965	4	CAPSCREW, 3/8-16 X 3/4 GR5
	Y704734	4	NUT, HEX FLANGE TOP LOCK, 3/8-16
23	1799410W1	1	LATCH, DOOR
	Y705608	1	WASHER, 5/16, NARROW
	70918447	1	PIN, COTTER, 3/32 X 3/4
24	2615233W92	1	CHAIN ASY.(NOT ILL.)(SEE "CHAINS,DRIVE")

MC00273  
PR: 260

RETURN ELEVATOR  
LOWER  
(EFF. S/N HP87101)





**9690 COMBINE  
GRAIN BIN & ELEVATOR**

447

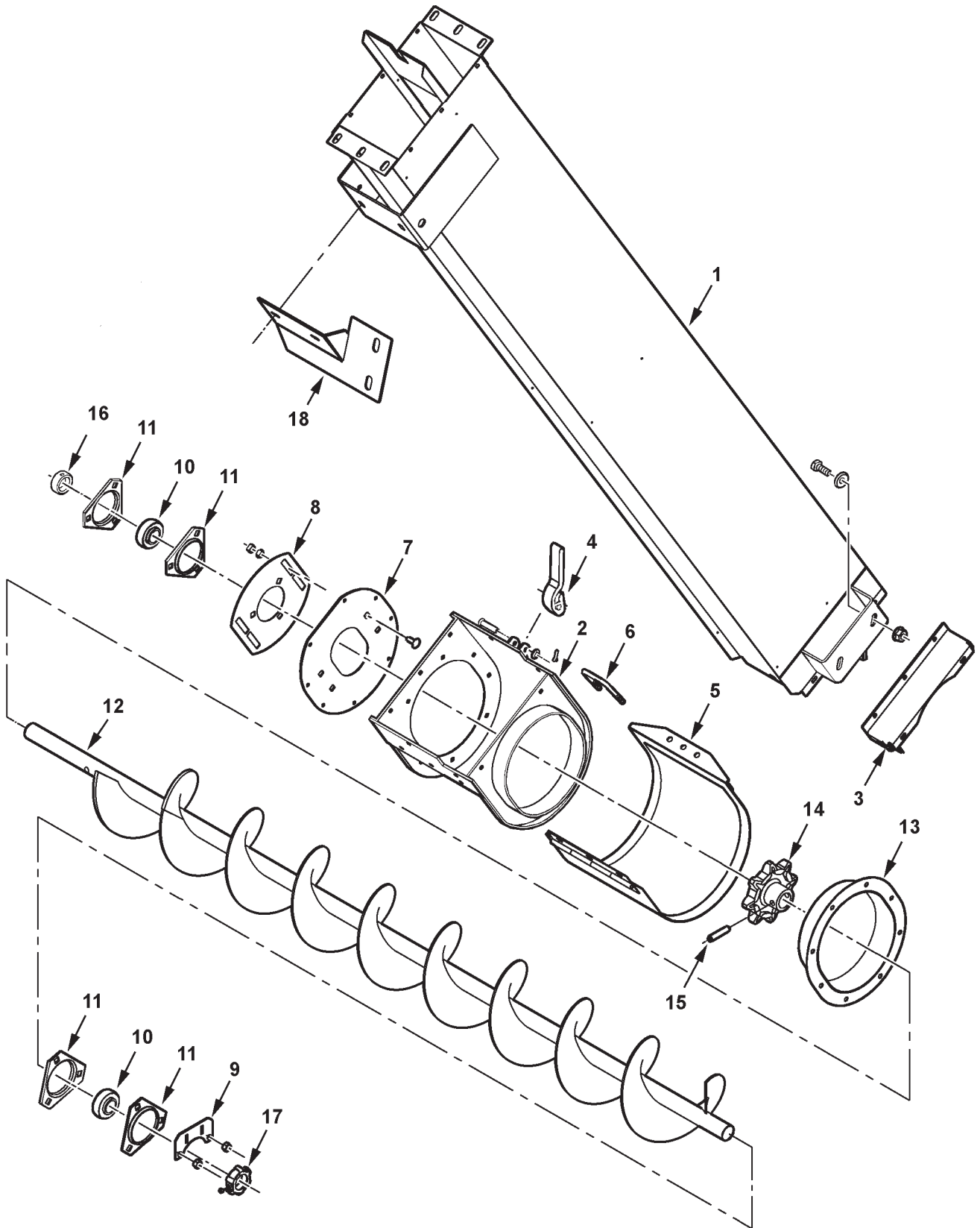
**RETURN ELEVATOR  
LOWER  
(EFF. S/N HP87101)**

ITEM	NUMBER	QTY	DESCRIPTION
1	71401212	1	BODY WLMT, RETURN ELEV.
	71409374	1	BODY WLMT, RETURN, RICE(EFF.S/N HP87101)
	70921966	2	CAPSCREW, 3/8-16 X 7/8 GR5
	Y705533	2	WASHER, 3/8, HARDENED
2	70928352	2	LOCKNUT, LARGE SERR FLANGE, 3/8-16
	71399985	1	BOOT WLMT, LOWER RETURNS
	71409380	1	BOOT WLMT, LOWER RET, RICE (S/N HP87101)
	70931316	5	BOLT, RD HD SQ NECK, 1/4-20 X 5/8
	70916964	5	LOCKWASHER, 1/4
3	70916622	5	NUT, 1/4-20, REG
	71399802	1	FILLER WLMT, BOOT, RETURN ELEV.
	71409384	1	FILLER WLMT, BOOT, RICE(EFF.S/N HP87101)
	70931316	3	BOLT, RD HD SQ NECK, 1/4-20 X 5/8
	70931317	4	BOLT, RD HD SQ NECK, 1/4-20 X 3/4
4	70916964	7	LOCKWASHER, 1/4
	70916622	7	NUT, 1/4-20, REG
	1799410W1	1	LATCH, DOOR
	70927523	1	PIN, CLEVIS, 5/16 X 1-1/2
	Y705608	1	WASHER, 5/16, NARROW
	70918447	1	PIN, COTTER, 3/32 X 3/4
	5	71401224	1
71410458		1	* DOOR WLMT,PERFORATED (EFF.S/N HP87101)
71409382		1	DOOR WLMT, BTM, RICE (EFF. S/N HP87101)
2412670W1		1	HINGE, ELEV. DOOR
70931317		3	BOLT, RD HD SQ NECK, 1/4-20 X 3/4
353769X1		3	WASHER, 1/4, HARDENED
70916964		3	LOCKWASHER, 1/4
6	70916622	3	NUT, 1/4-20, REG
	2476240W1	1	LATCH BOLT, DOOR
	70916950	4	NUT, 3/8-16, REG
	71401220	1	PLATE, COVER, RETURN BOOT
7	71409379	1	PLATE, COVER, BOOT,RICE(EFF.S/N HP87101)
	70931317	8	BOLT, RD HD SQ NECK, 1/4-20 X 3/4
	70916964	8	LOCKWASHER, 1/4
	70916622	8	NUT, 1/4-20, REG
	8	71401221	1
71409370		1	PLATE, BRG, BOOT, RICE (EFF.S/N HP87101)
70931350		4	BOLT, RD HD SQ NECK, 3/8-16 X 1
Y705533		4	WASHER, 3/8, HARDENED
70916965		4	LOCKWASHER, 3/8
70916950		4	NUT, 3/8-16, REG
9	71188145	1	BRACKET, SHAFT MONITOR
	70916950	2	NUT, 3/8-16, REG
10	70590704	2	BEARING, BALL, 1.125, W/O COLLAR

CONTINUED

MC00381  
PR: t05b04j09c0017

RETURN ELEVATOR  
LOWER  
(EFF. S/N HP87101)



**9690 COMBINE  
GRAIN BIN & ELEVATOR**

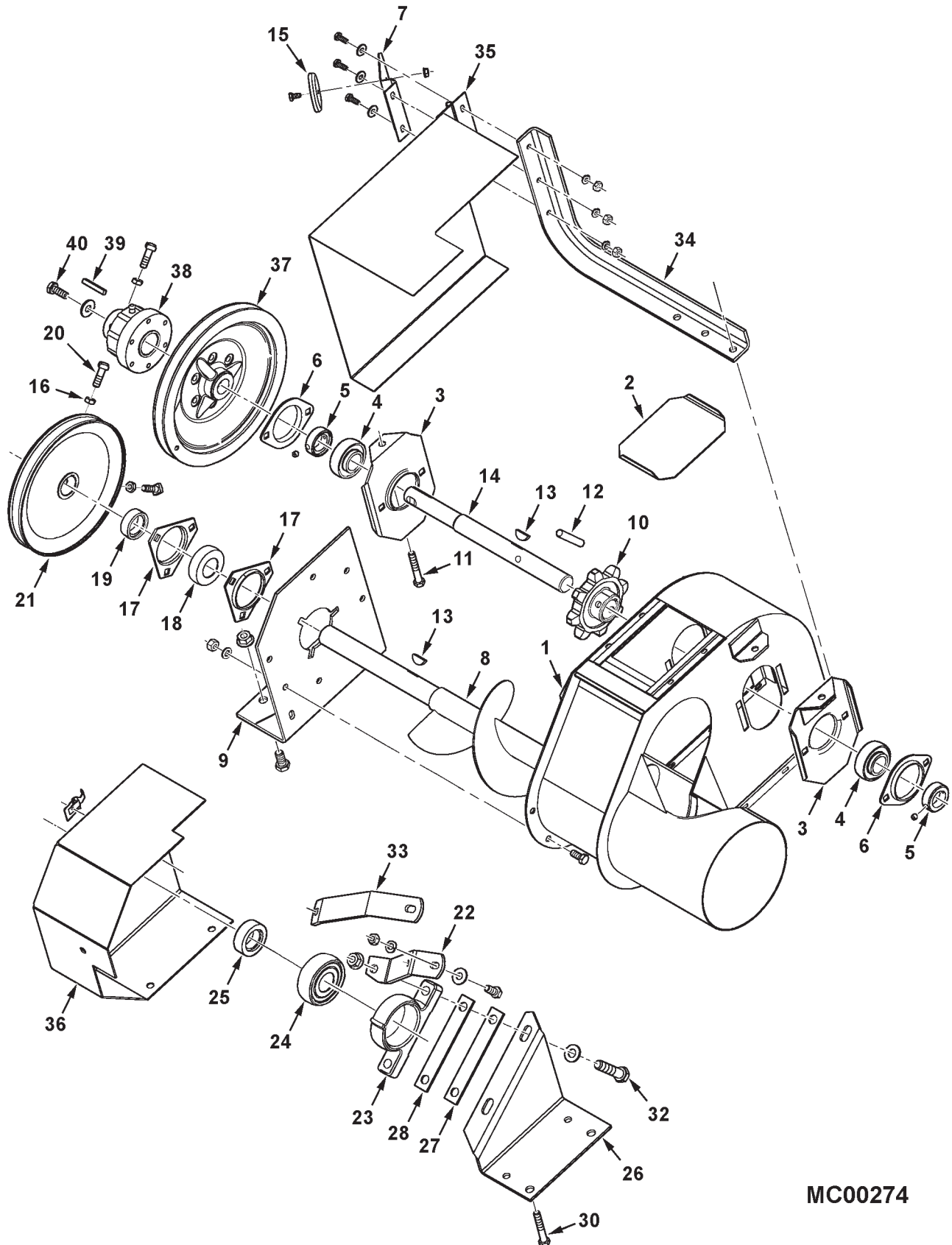
449

**RETURN ELEVATOR  
LOWER  
(EFF. S/N HP87101)**

ITEM	NUMBER	QTY	DESCRIPTION
11	71127313	4	FLANGETTE, BEARING
	Y707042	3	PLOW BOLT, 3/8-16 X 1 GR5 (RH SIDE)
	70916965	3	LOCKWASHER, 3/8
	70916950	3	NUT, 3/8-16, REG
12	71391339	1	AUGER WLMT, CHROME, BOTTOM RETURN
13	71401208	1	EXTENSION WLMT, RH AUGER TROUGH
	71409371	1	EXT'N WLMT, RH TROUGH, RICE(S/N HP87101)
	7700461	8	BOLT, RD HD SQ NECK, 5/16-18 X 3/4
	70917356	8	LOCKWASHER, 5/16
	70917372	8	NUT, 5/16-18, REG
14	W9863030	1	SPROCKET, BOTTOM AUGER
15	70915500	1	ROLL PIN, 3/8 X 1-3/4
16	K3518	1	COLLAR, 1.125
17	71390672	1	COLLAR WLMT, SENSING
18	2620021W91	1	SUPPORT ASSEMBLY, RETURN ELEVATOR
	70921210	2	CAPSCREW, 3/8-16 X 1 GR5
	70923114	2	CAPSCREW, 1/2-13 X 1 GR5
	Y705533	2	WASHER, HARD, .406 X .81 X .065 TH
	705541	2	WASHER, HARD, .53 X 1.06 X .13 TH
	Y704734	2	NUT, HEX FLANGE TOP LOCK, 3/8-16
	Y704742	2	NUT, HEX FLANGE TOP LOCK, 1/2-13
19	71406795	1	CHAIN ASY.(NOT ILL.)(SEE "CHAINS,DRIVE")
-	700704010	AR	SILICONE SEALANT, BLACK, 10.2 OZ
-	71407047	AR	* KIT,PERF. ELEV DOORS(EFF. S/N HP87101) (ORDER THRU DEALER CENTRAL)

MC00381  
PR: t05b04j09c0017

RETURN ELEVATOR  
UPPER



**9690 COMBINE  
GRAIN BIN & ELEVATOR**

451

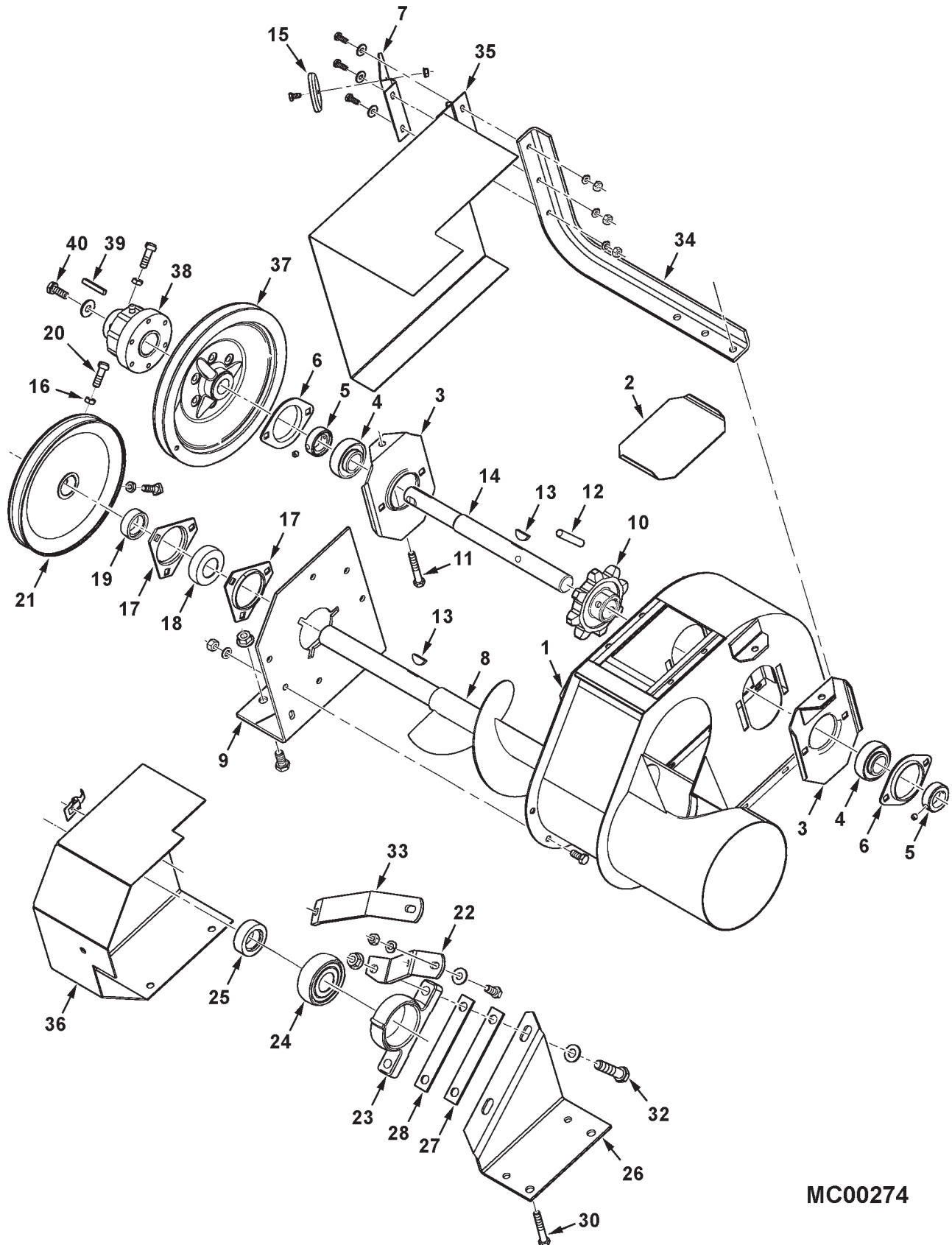
**RETURN ELEVATOR  
UPPER**

ITEM	NUMBER	QTY	DESCRIPTION
1	71396110	1	HEAD ASY., RETURN
	70931317	6	BOLT, RD HD,SHT SQ NK, 1/4-20 X 3/4
	705012	6	LOCKWASHER, 1/4
	70917377	6	WASHER, 1/4, WIDE
	70916622	6	NUT, 1/4-20, REG
	70921210	6	CAPSCREW, 3/8-16 x 1 GR5
	Y705533	6	WASHER, 3/8, HARDENED
	Y704734	6	NUT, HEX FLANGE TOP LOCK, 3/8-16
2	2441970W1	1	DOOR, INSPECTION
3	1510831W91	2	PLATE ASSEMBLY, SUPPORT
4	70590704	2	BEARING, BALL, W/O COLLAR
5	K3518	2	COLLAR, BEARING
6	Y710293	2	FLANGE, BEARING
	70931350	4	BOLT, RD HD,SHT SQ NK, 3/8-16 X 1
	70916965	4	LOCKWASHER, 3/8
	70916950	4	NUT, 3/8-16, REG
7	71397152	1	BRACKET, MAGNET
8	71385680	1	TOP AUGER ASSEMBLY
9	2553251W91	1	SUPPORT ASSEMBLY, BEARING
	70921966	6	CAPSCREW, 3/8-16 x 7/8 GR5
	70916965	6	LOCKWASHER, 3/8
	70916950	6	NUT, 3/8-16, REG
10	9863040W1B	1	SPROCKET, CONVEYOR DRIVE, 8 TEETH
11	873141	2	CAPSCREW, FULL THRD, 3/8-16 X 2-1/2
	70916950	2	NUT, 3/8-16, REG
	Y704734	2	NUT, HEX FLANGE TOP LOCK, 3/8-16
12	70915500	1	PIN, ROLL, 3/8 X 1-3/4
13	29780X	2	KEY, WOODRUFF, 1/4 X 1
14	71390185	1	SHAFT, HEAD, 1 1/2
15	71397153	1	CUP ASY., MAGNETIC
	70921958	1	CAPSCREW, 1/4-20 X 1/2
	70934479	1	NUT, HEX TOP LOCK, 1/4-20
16	70917421	2	JAM NUT, HEX, 3/8-16
17	71127313	2	FLANGETTE, BEARING
	768432	3	BOLT, RD HD SQ NECK, 3/8-16 X 7/8
	70916965	3	LOCKWASHER, 3/8
	70916950	3	NUT, 3/8-16, REG
18	71308984	1	BEARING, BALL W/COLLAR
19	700717212	AR	COLLAR, BEARING
20	70923530	2	SETSCREW, SQ HEAD, 3/8-16 X 1-1/4
21	2553320W1	1	PULLEY, DRIVEN, 9.0 DIA
22	71384922	1	STRAP, BEARING
	70921966	1	CAPSCREW, 3/8-16 X 7/8 GR5
	70917378	1	WASHER, 3/8, WIDE
	70916965	1	LOCKWASHER, 3/8
	70916950	1	NUT, 3/8-16, REG
23	1605510W1	1	HOUSING, BEARING
24	10033	1	BEARING, BALL (W/O COLLAR)
25	7710551	1	COLLAR

CONTINUED

MC00274  
PR: 264

RETURN ELEVATOR  
UPPER



**9690 COMBINE  
GRAIN BIN & ELEVATOR**

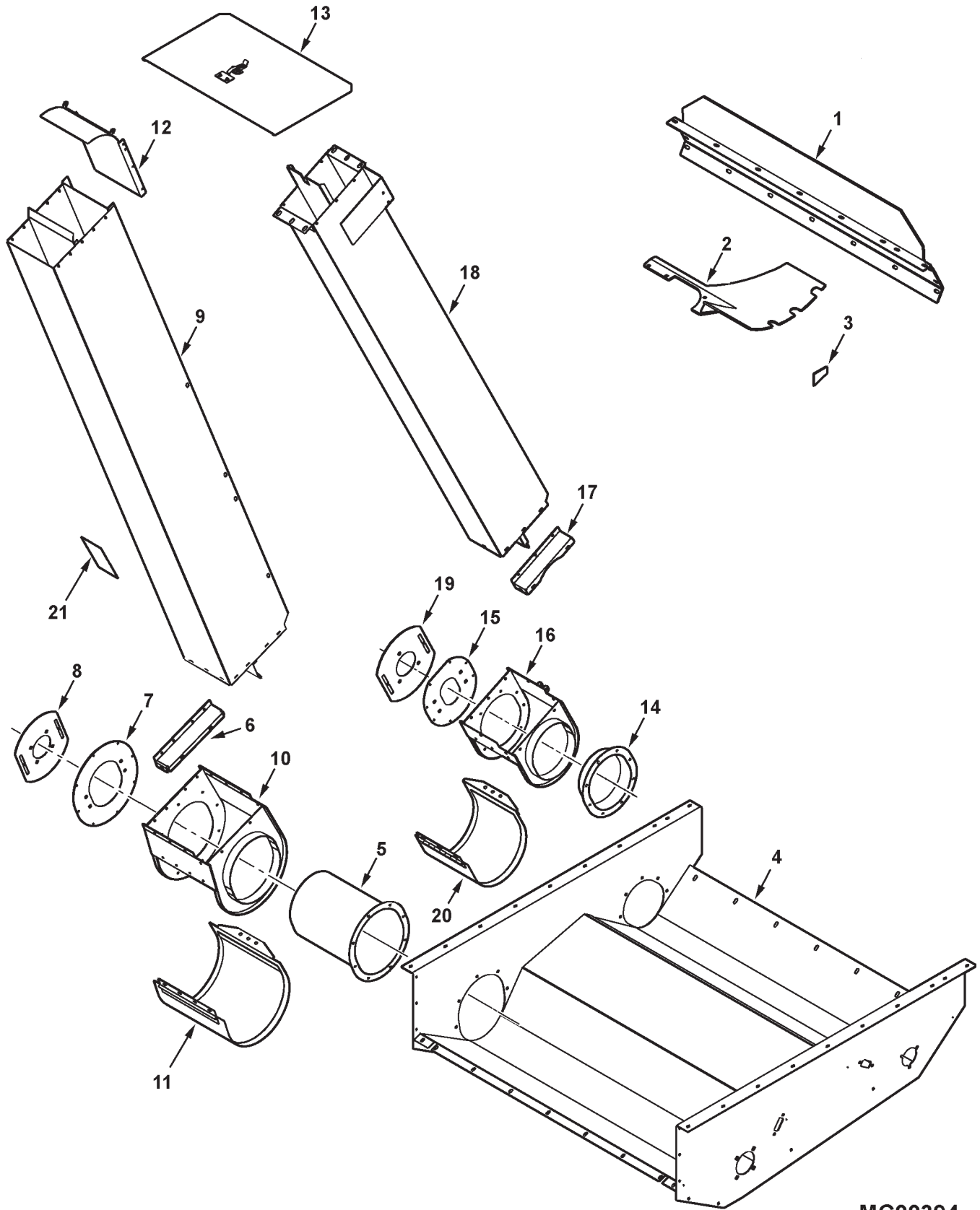
453

**RETURN ELEVATOR  
UPPER**

ITEM	NUMBER	QTY	DESCRIPTION
26	2553271W92	1	PLATE ASSEMBLY
27	2553300W1	AR	SHIM, .060 TH
28	2553290W1	AR	SHIM, .125 TH
30	70923114	2	CAPSCREW, 1/2-13 X 1 GR5
	Y704742	2	NUT, HEX FLANGE TOP LOCK, 1/2-13
32	70922645	2	CAPSCREW, 1/2-13 X 2-1/4 GR5
	Y705624	2	WASHER, 1/2 NARROW
	Y704742	2	NUT, HEX FLANGE TOP LOCK, 1/2-13
33	71410879	1	BRACE STRAP, TOP (EFF. S/N HR87101)
	70920415	1	CAPSCREW, 3/8-16 X 1-1/4 GR5
	Y705533	1	WASHER, 3/8, HARDENED
	Y704734	1	NUT, HEX FLANGE TOP LOCK, 3/8-16
34	101158M1	1	ANGLE, SHIELD
35	71385690	1	UPPER SHIELD ASY.
	70923341	3	CAPSCREW, 1/4-20 X 3/4
	353769X1	3	WASHER, 1/4, HARDENED
	70916964	3	LOCKWASHER, 1/4
	70916622	3	NUT, 1/4, REG
36	71387325	1	LOWER SHIELD ASY.
	70921210	2	CAPSCREW, 3/8-16 X 1 GR5
	Y704734	2	NUT, HEX FLANGE TOP LOCK, 3/8-16
	70537291	1	SNAP, FASTENER
	700717635	1	RIVET
37	71385802	1	SHEAVE ASY.(INCL. BUSHING & LUBE FTG)
	70921332	6	CAPSCREW, 5/16-18 X 3/4 GR5
	70917356	6	LOCKWASHER, 5/16
	71157144	1	BUSHING
	13811X	1	LUBE FTG, STR, 1/4-28 TAPER THD
38	71380994	1	LIMITER, TORQUE
	71350535	AR	KIT, REPAIR, 8 CAMS & SPRINGS
	71350536	AR	KIT, REPAIR, RINGS & LUBE FITTINGS
	70923326	2	SETSCREW, SQ HD, 3/8-16 X 1
	70917421	2	JAM NUT, 3/8-16
39	61085	1	KEY, SQUARE, 1/4 X 1-1/2
40	70921965	1	CAPSCREW, 3/8-16 X 3/4 GR5
	Y705533	1	WASHER, 3/8, HARDENED

MC00274  
PR: 264

STAINLESS STEEL ELEVATOR PACKAGE  
RICE





9690 COMBINE  
GRAIN BIN & ELEVATOR

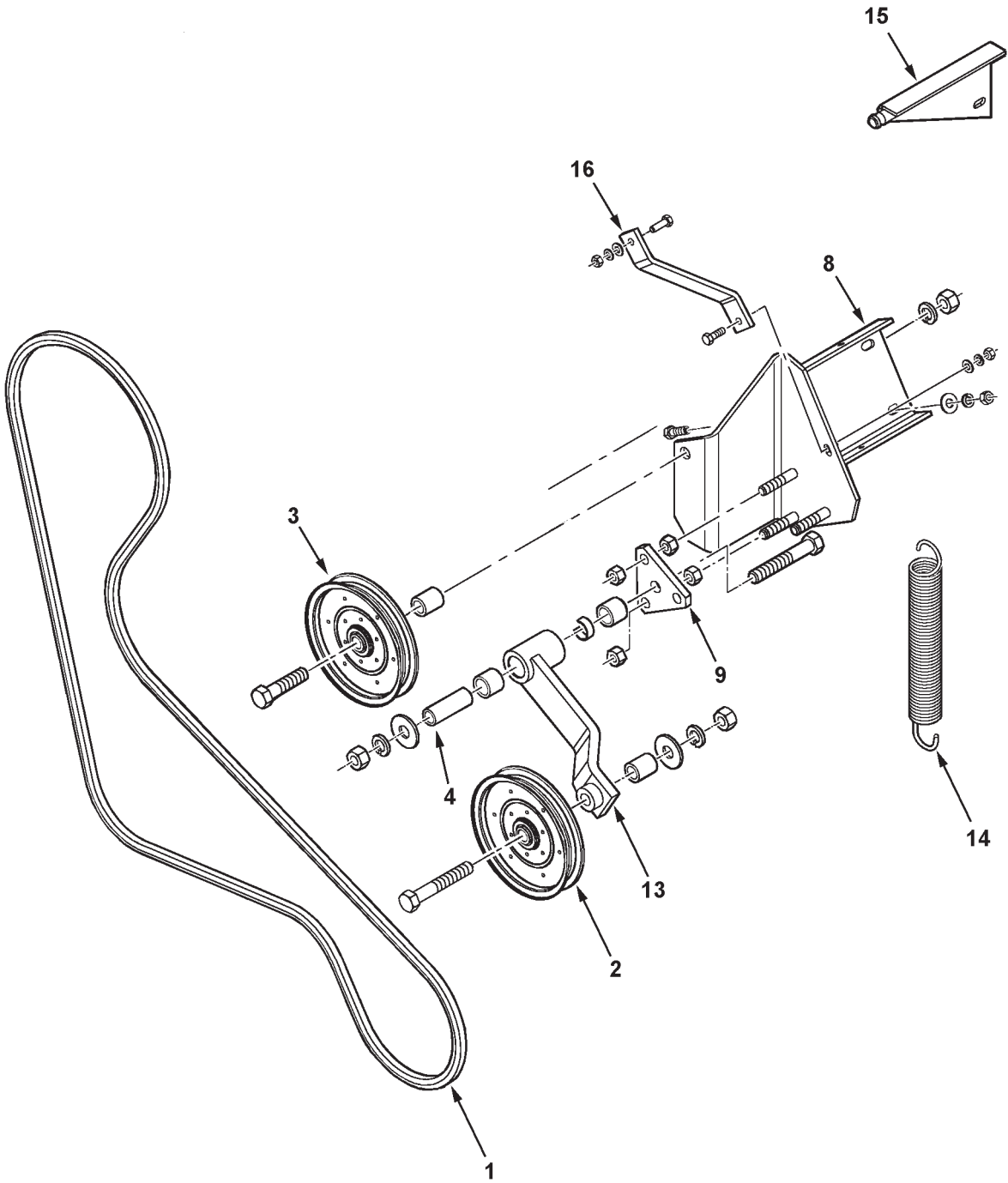
455

STAINLESS STEEL ELEVATOR PACKAGE  
RICE

ITEM	NUMBER	QTY	DESCRIPTION
-	71409418	AR	PACKAGE, STAINLESS STEEL ELEVATOR (INCLUDES FOLLOWING)
1	71409282	1	FLOOR WLMT, INLET
2	71409287	1	PATCH WLMT, RETURN INLET
3	71409284	6	CAP PLATE, CYL. BAR END
4	71403891	1	AUGER HOUSING WLMT (PRIOR S/N HR87101)
5	71409381	1	EXTENSION WLDMT, RH GRAIN AUGER TROUGH
6	71409269	1	FILLER WLDMT, BOOT, GRAIN ELEV.
7	71409267	1	COVER PLATE, GRAIN ELEV. BOOT
8	71409266	1	PLATE, BEARING, GRAIN ELEV. BOOT
9	71409271	1	BODY WLDMT, GRAIN ELEV.
10	71409268	1	BOOT WLDMT, GRAIN ELEV.
11	71409265	1	LOWER DOOR WLMT, GRAIN ELEV.
12	71408514	1	BACK PLATE WLMT, ELEV. HEAD
13	71409402	1	COVER ASY, GRAIN BIN LOADER
14	71409371	1	EXTENSION WLMT, RETURN AUGER TROUGH
15	71409379	1	COVER PLATE, RETURN ELEV. BOOT
16	71409380	1	BOOT WLMT, RETURN ELEV.
17	71409384	1	FILLER WLMT, RETURN ELEV. BOOT
18	71409374	1	BODY WLMT, RETURN ELEV., RICE
19	71409370	1	PLATE, BEARING, RETURN ELEV. BOOT
20	71409382	1	DOOR WLMT, RETURN ELEV.
21	111743W1	2	DECAL, WARNING, ELEVATOR CHAIN
22	71379129	2	DECAL, WARNING, FALLING OFF (NOT ILLUS.)
23	71379126	1	DECAL, WARNING, HIGH PRESSURE FLUID (NOT ILLUS.)
24	71394175	1	DECAL, VALVE STACK (NOT ILLUS.)

MC00394  
PR: t05e27i42b0003

RETURN ELEVATOR DRIVE



**9690 COMBINE  
GRAIN BIN & ELEVATOR**

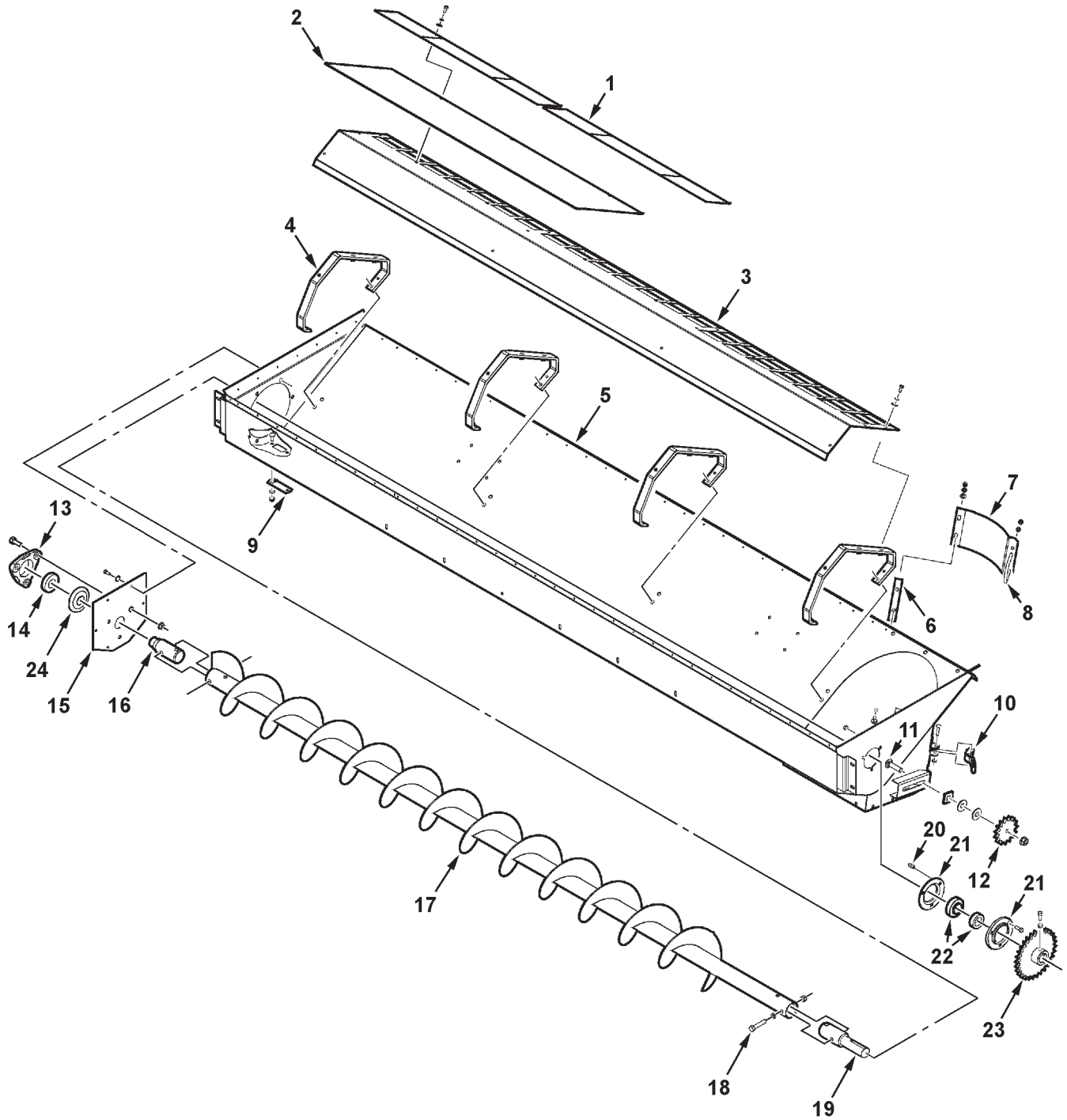
457

**RETURN ELEVATOR DRIVE**

ITEM	NUMBER	QTY	DESCRIPTION
1	71385801	1	BELT, RETURN ELEVATOR DRIVE
2	2447080W1	1	SHEAVE IDLER
	70925703	1	CAPSCREW, 5/8 X 4.0
	70918432	1	WASHER, 5/8 NOM - 10 GA
	6136964	1	SPACER
	70917373	1	LOCKWASHER, 5/8
	70932665	1	NUT, 5/8-11
3	2447080W1	1	SHEAVE IDLER
	7701683	1	CAPSCREW, 5/8-11 X 3
	6136964	1	SPACER
	70932665	2	NUT, 5/8-11
	70917373	2	LOCKWASHER, 5/8
4	71356061	1	SLEEVE, HARD, IDLER PIVOT
	70925703	1	CAPSCREW, 5/8 X 4.0
	70918432	2	WASHER, 5/8 NOM - 10 GA
	70917373	1	LOCKWASHER, 5/8
	70932665	1	NUT, 5/8-11
8	71385694	1	SUPPORT WELDMENT
	70920415	2	CAPSCREW, 3/8-16 X 1-1/4
	70917378	2	WASHER, 3/8
	70916965	2	LOCKWASHER, 3/8
	70916950	2	NUT, 3/8-16
9	71182840	1	PLATE MOUNTING
	70913744	6	NUT, JAM 1/2-13
13	71385697	1	IDLER, ARM W/BUSHINGS
	71356060	2	BUSHING
	71197117	1	SPACER
	70915019	1	FITTING LUBE 1/4-28 X 90 DEG.
	2634840W1	1	DECAL, GREASE (10HR)(PRIOR HR87101)
14	1579720W1	1	SPRING
15	2636631W91	1	ANCHOR WELDMENT, SPRING
	70920415	2	CAPSCREW, 3/8-16 X 1-1/4
	70917378	2	WASHER, 3/8
	70916965	2	LOCKWASHER, 3/8
	70916950	2	NUT, 3/8-16
16	71384912	1	BRACE
	70921333	2	CAPSCREW, 5/16-18 X 1.0
	700709602	2	WASHER, 5/16
	70917356	2	LOCKWASHER, 5/16
	70917372	2	NUT, 5/16-18

71385700  
PR: 268

UNLOADING AUGER  
LOWER



**9690 COMBINE  
GRAIN BIN & ELEVATOR**

459

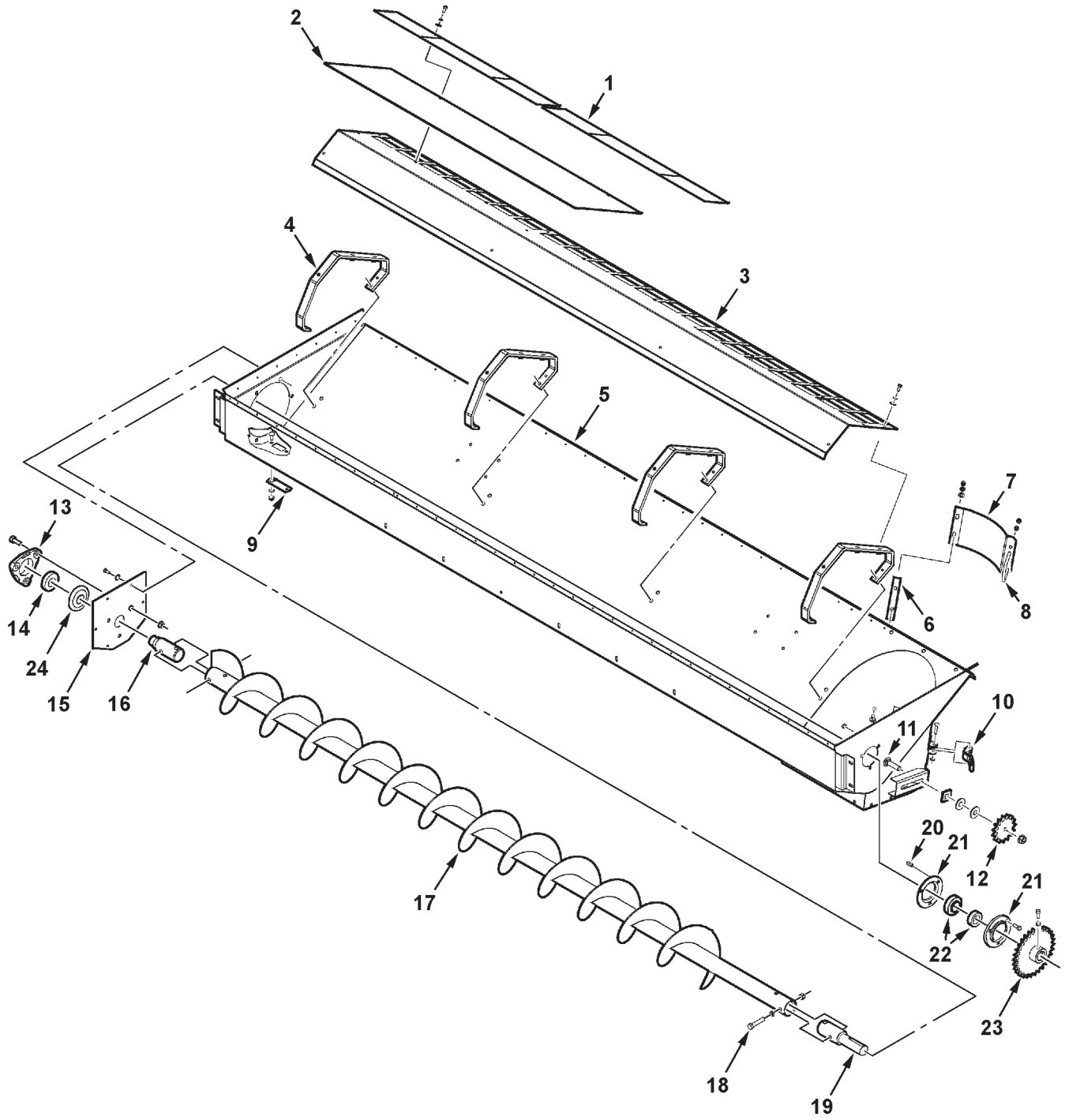
**UNLOADING AUGER  
LOWER**

ITEM	NUMBER	QTY	DESCRIPTION
1	71391975	2	PLATE, SLIDING COVER
	372729X1	4	SCREW, SELF-TAP 5/16-18 X 3/4
	70917356	4	LOCKWASHER, 5/16
	70917642	4	WASHER, FLAT 5/16
2	71396662R	1	THROTTLE, CROSS AUGER
3	71391974	1	COVER, AUGER
	372729X1	12	SCREW, SELF-TAP 5/16-18 X 3/4
4	70917356	12	LOCKWASHER, 5/16
	71390364	4	BRACKET, COVER
	70927477	12	SCREW, SELF-TAP 5/16-18 X 1.0
5	71400922R	1	TROUGH & BOOT WLDMT
6	2476230W1	1	SPACER
7	2476203W1R	1	DOOR ASY
	68759	2	SCREW, RHSSN 3/8-16 X 1.0
	70917378	2	WASHER, FLAT 3/8
	70916965	2	LOCKWASHER, 3/8
	70916950	2	HEXNUT, 3/8-16
8	2476240W1	1	LATCH, BOLT
	70916950	4	HEXNUT, 3/8-16
9	108202W1	1	STRAP
	360503X1	2	SCREW, RHSSN 5/16-18 X 1.0
	70917642	2	WASHER, FLAT 5/16
	70917356	2	LOCKWASHER, 5/16
	70917372	2	HEXNUT, 5/16-18
10	1799410W1	1	LATCH
	70927523	1	PIN, OVAL HD, 5/16 X 1-1/2
	70918265	1	WASHER, FLAT 5/16
	70918447	1	PIN, COTTER 3/32 X 3/4
11	70926694	1	BOLT, RD HD SQ NK, 5/8-11 X 2-1/2
	510060W1	1	SPACER
	70918432	2	WASHER, FLAT 5/8
	700703922	1	LOCKNUT, 5/8-11
12	71378873	1	SPROCKET, IDLER 15T
13	1508070W1P	1	HOUSING, BEARING
	701235	3	CAPSCREW, 1/2-13 X 1-1/2
	Y704742	3	LOCKNUT, 1/2-13
14	831822M1	1	BEARING
15	71391135	1	PLATE, BEARING
	372729X1	6	SCREW, SELF-TAP 5/16-18 X 3/4
	70917356	6	LOCKWASHER, 5/16
16	71391140	1	SHAFT, STUB (RH)
17	71392675	1	AUGER, CROSS (STD)
	71394318	1	AUGER, CROSS (CHROME)

CONTINUED

MC00276  
PR: 270

UNLOADING AUGER  
LOWER



9690 COMBINE  
GRAIN BIN & ELEVATOR

461

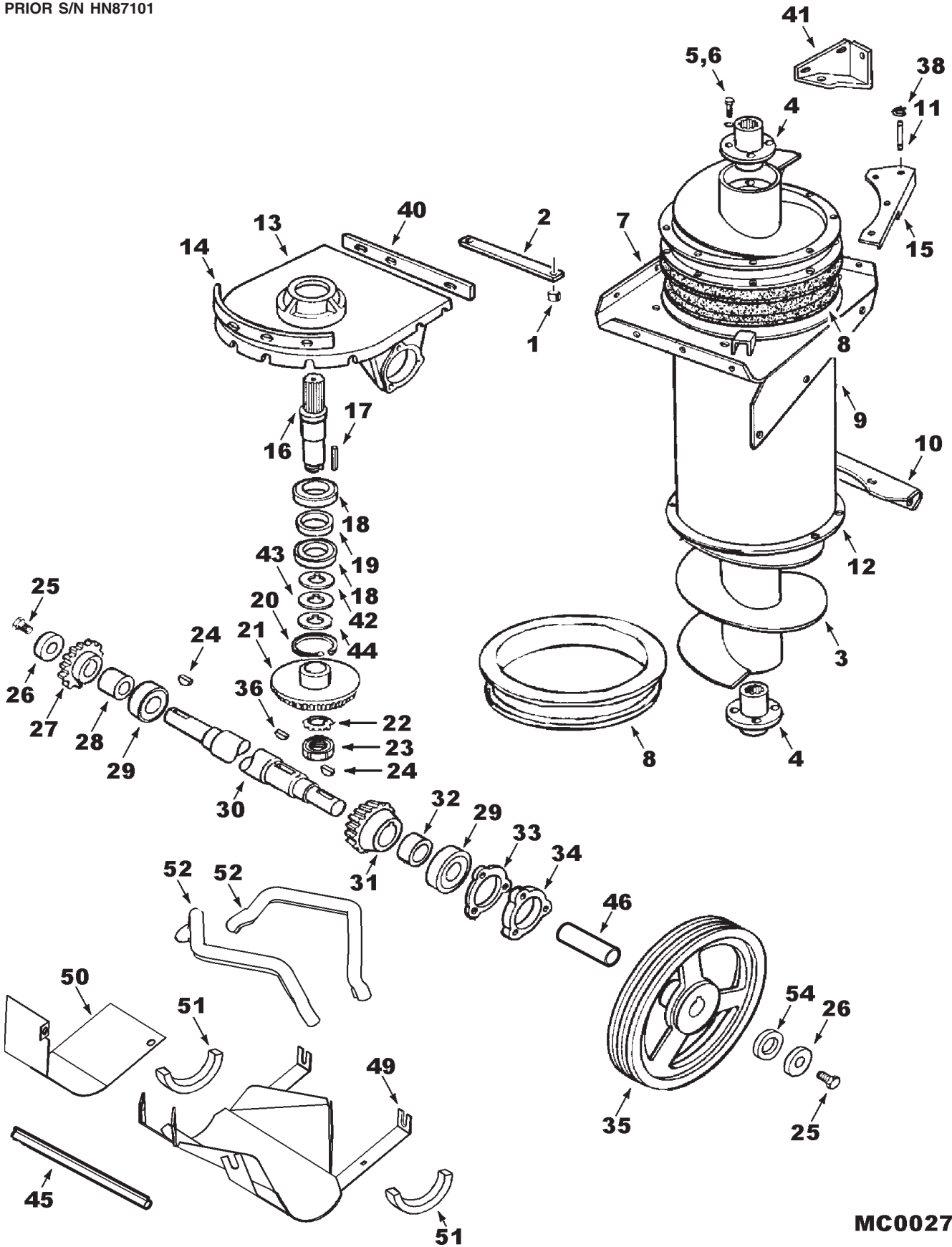
UNLOADING AUGER  
LOWER

ITEM	NUMBER	QTY	DESCRIPTION
18	70923320	4	CAPSCREW, 1/2-13 X 3.0
	71354345	4	SPACER
	Y704742	4	LOCKNUT, 1/2-13
19	71391141	1	SHAFT, STUB (LH)
20	Y761312	1	KEY, 5/16 X 2-1/2
21	700717509	2	FLANGE, BEARING
	68759	3	SCREW, RHSSN 3/8-16 X 1.0
	70916950	3	HEXNUT, 3/8-16
	70916965	3	LOCKWASHER, 3/8
22	50021	1	BEARING, BALL, W/COLLAR
	K3999	1	COLLAR, BRG, 1-3/8 ID X 2-3/16 OD
23	71391133	1	SPROCKET, 42T
	70923326	2	SETSCREW, 3/8-16 X 1.0
	70917421	2	JAMNUT, 3/8-16
24	1508410W1	1	SHIELD, BRG
-	71414301	AR	KIT, RICE UNLOADING AUGER PADDLES (EFF. S/N HN87101)(INCLUDES FOLLOWING) (ORDER THRU BATAVIA PARTS)
	71412973	1	DEFLECTOR PANEL
	71412972	2	PADDLE, CROSS AUGER

NOTE:FOR CHAIN SEE DRIVE CHAINS LISTING

MC00276  
PR: 270

UNLOADING AUGER  
VERTICAL  
PRIOR S/N HN87101





**9690 COMBINE  
GRAIN BIN & ELEVATOR**

463

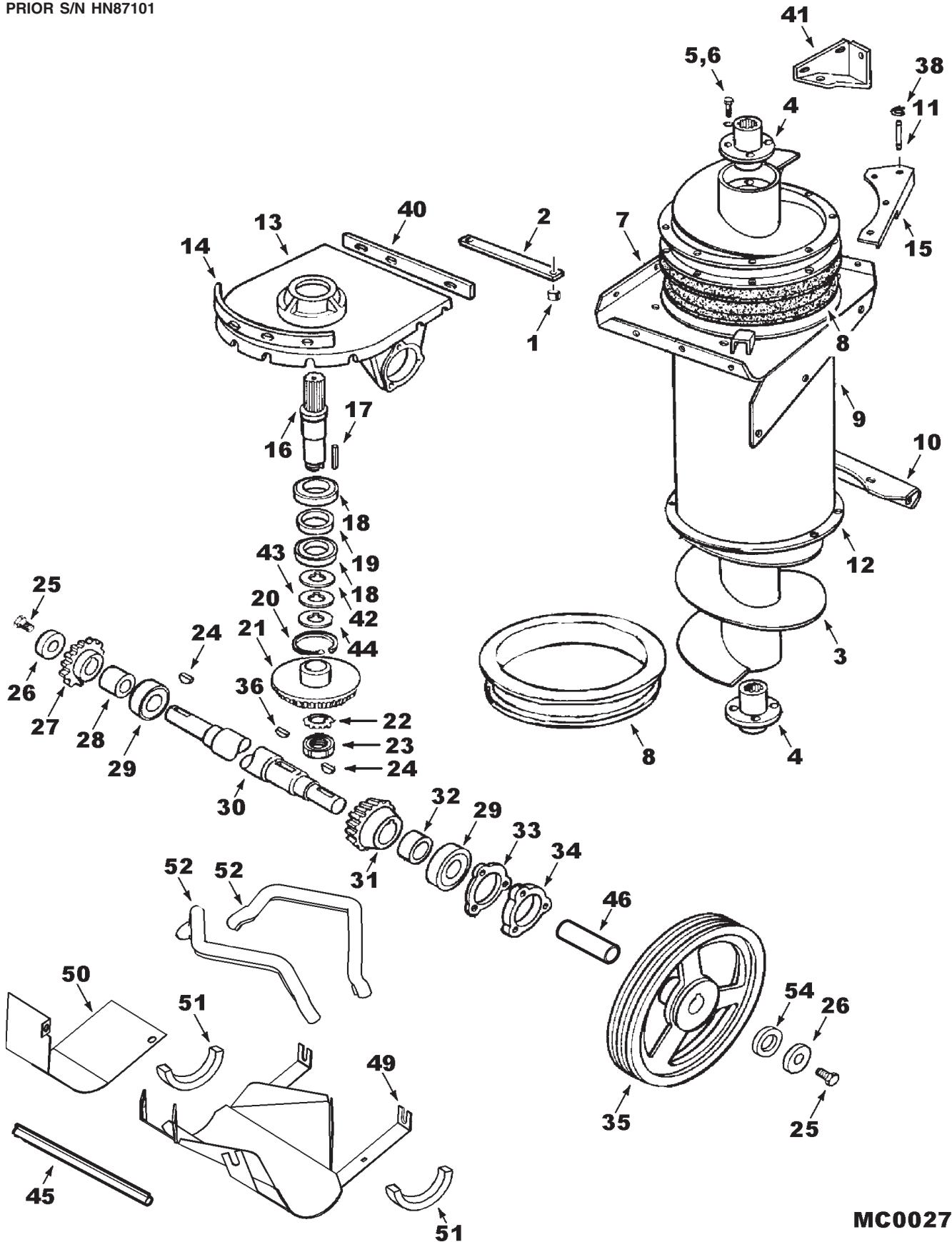
**UNLOADING AUGER  
VERTICAL  
PRIOR S/N HN87101**

ITEM	NUMBER	QTY	DESCRIPTION
1	1786320W1	4	SPACER, .49 X .68 OD X .59 LG
2	2493000W1	2	STRAP, HOLD DOWN, 1 X 12 X 3/8
	70921971	4	CAPSCREW, 3/8-16 X 1-3/4
	70918431	4	WASHER, 1/2 WIDE
	Y704734	4	NUT, HEX FLNG TOP LOCK, 3/8-16
3	71390926	1	AUGER ASSEMBLY, UNLOADER
	71391336	1	AUGER ASSEMBLY, UNLOADER (CHROME)
4	2526120W1	2	HUB, VERTICAL AUGER
5	70920328	8	CAPSCREW, 1/2-13 X 1-1/2 GR5
6	Y705046	8	LOCKWASHER, 1/2
7	71390360	1	GUIDE ASSEMBLY
	70921333	6	CAPSCREW, 5/16-18 X 1 GR5
	Y704726	6	NUT, HEX FLNG TOP LOCK, 5/16-18
	70921210	6	CAPSCREW, 3/8-16 X 1 GR5
	Y704734	6	NUT, HEX FLNG TOP LOCK, 3/8-16
8	104021W1	2	STRIP, WEAR
9	112977W92R	1	TUBE WLDMT, VERTICAL, UNLOADER
10	2601260W1	1	BRACKET, TUBE SUPPORT
	70923220	3	BOLT, RD HD SQ NK, 3/8-16 X 1-1/4
	70917378	3	WASHER, 3/8 WIDE
	Y704734	3	NUT, HEX FLNG TOP LOCK, 3/8-16
11	108575W1	2	PIN, 5/8 X 2 3/4
12	2438160W1	1	RING, LOWER GUIDE
	70931350	2	BOLT, RD HD SQ NK, 3/8-16 X 1 GR5
	70931942	2	SPEED NUT, 3/8
	Y704734	2	NUT, HEX FLNG TOP LOCK, 3/8-16
13	2486140W1	1	HOUSING, VERTICAL AUGER
14	71379825	AR	SHIM, RADIUS, .060 TH (QTY 2 AVE.)
	7701055	2	CAPSCREW, 3/8-16 X 1-3/4
	70921969	12	CAPSCREW, 3/8-16 X 1-1/2
	70917378	28	WASHER, 3/8 WIDE
	Y704734	14	NUT, HEX FLNG TOP LOCK, 3/8-16
15	112716W92	1	BRACKET ASY, CYLINDER PIVOT
	70921176	4	CAPSCREW, 1/2-13 X 1-1/4
	Y704742	4	NUT, HEX FLNG TOP LOCK, 1/2-13
16	2486150W1	1	SHAFT, OUTPUT
17	70903082	1	KEY, SQUARE, 3/8 X 3/8 X 2
18	833059M1	2	BEARING, BALL
19	2486160W1	1	SPACER, 1.59 X 2.0 X .67 LG
20	70925997	1	RING, INTERNAL SNAP
21	2486170W2	1	GEAR, UNLOADER, 35T
22	70932997	1	LOCKWASHER, EXTERNAL TOOTH, 1-3/8
23	70932996	1	LOCKNUT, BALL BEARING, 1-3/8-18UNEF
24	355485X1	2	KEY, WOODRUFF, 5/16 X 2-1/8
25	70921176	2	CAPSCREW, 1/2-13 X 1-1/4 GR5
26	2485470W1	2	WASHER, 17/32 ID X 2 X 3/8 TH
27	71391131	1	SPROCKET WLDMT, DRIVE, 15 TEETH

CONTINUED

MC00278  
PR: 272

UNLOADING AUGER  
VERTICAL  
PRIOR S/N HN87101



**9690 COMBINE  
GRAIN BIN & ELEVATOR**

465

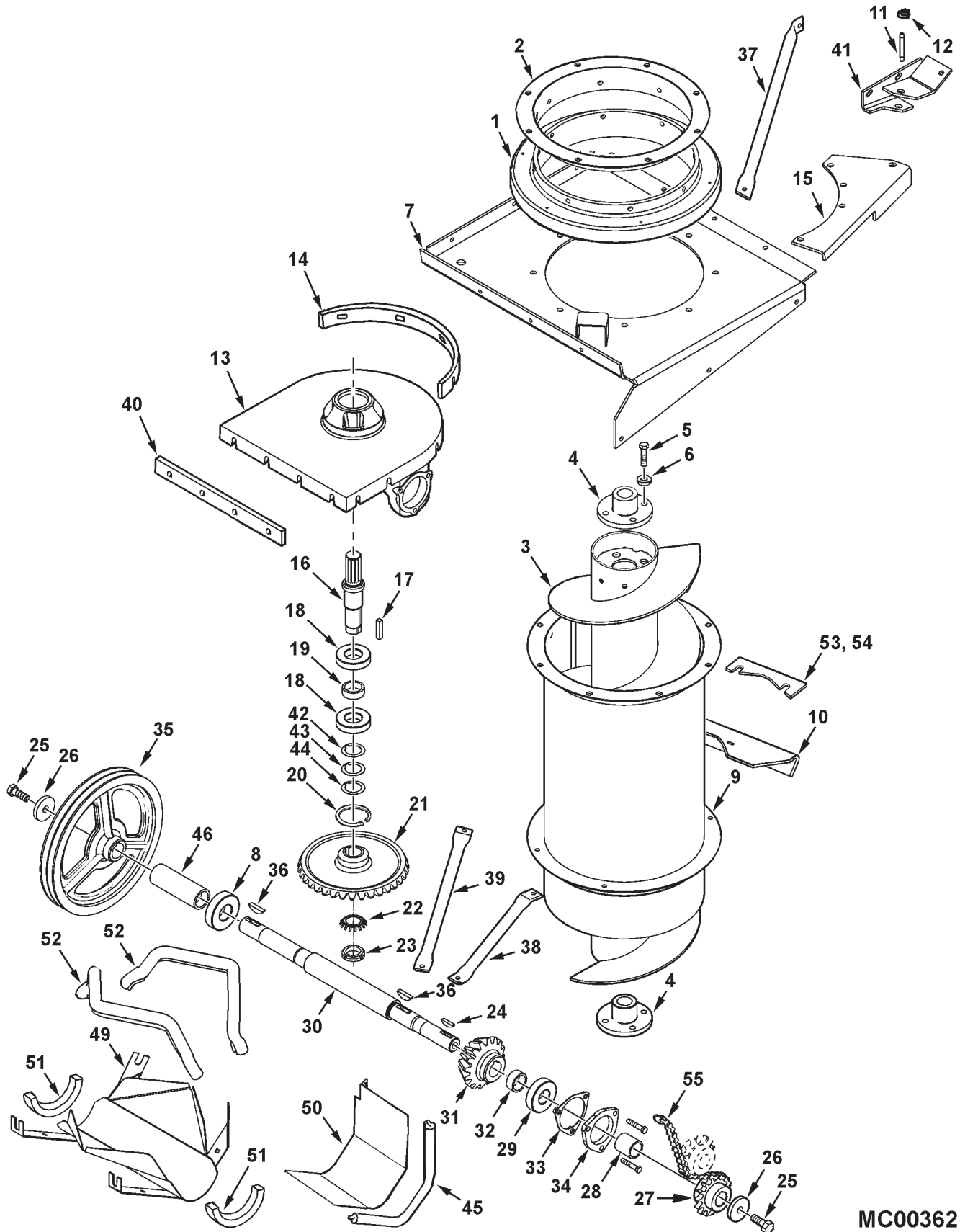
**UNLOADING AUGER  
VERTICAL  
PRIOR S/N HN87101**

ITEM	NUMBER	QTY	DESCRIPTION
28	71397246	1	SPACER, 1.44 ID X 1.75 OD X 1.82 LG
29	354920X1	2	BEARING, BALL
30	71392781	1	SHAFT, INPUT - UNLOADER
31	2460840W2	1	GEAR, PINION, 16T
32	2493870W1	1	SPACER, 1.52 ID X 1.88 OD X .763 LG
33	1500050W1	AR	SHIM, RED, PLASTIC, .002
33	1500060W1	AR	SHIM, BLUE, PLASTIC, .005
33	1500070W1	AR	SHIM, BROWN, PLASTIC, .010
34	2452270W1	1	CAP, BEARING
	70923701	1	CAPSCREW, 3/8-16 X 2
	70922130	2	CAPSCREW, 3/8-16 X 2-1/4
	Y704734	3	NUT, HEX FLNG TOP LOCK, 3/8-16
35	71390860	1	PULLEY, VERTICAL AUGER
36	W937119	1	KEY, WOODRUFF, 3/8 X 2 1/8
38	377690X1	4	RING, RETAINING
40	71379824	AR	SHIM, SIDE, UNLDR BOOT, .060 (2 AVE.)
41	112720W91	1	BRACKET WLMT,CYL.(PRIOR MID S/N HN87---)
	71403919	1	BRACKET WLMT, CYL.(EFF. MID S/N HN87---)
	70921210	1	CAPSCREW, 3/8-16 X 1 GR5
	70921969	1	CAPSCREW, 3/8-16 X 1-1/2 GR5 (PRIOR MID S/N HN87---)
	70920415	1	CPSCR, 3/6-16 X 1-1/4 GR5 (EFF. MID S/N HN87---)
	70917378	2	WASHER, 3/8 WIDE
	Y704734	2	NUT, HEX FLANGE TOP LOCK, 3/8-16
	701235	1	CAPSCREW, 1/2-13 X 1-1/2 GR5
	70923114	1	CAPSCREW, 1/2-13 X 1 GR5
	Y704742	2	NUT, HEX FLANGE TOP LOCK, 1/2-13
42	104740W1	AR	SHIM, .005
43	104741W1	AR	SHIM, .010
44	104742W1	AR	SHIM, .020
45	71395983	1	SEAL, CHAIN COVER
46	71392782	1	SPACER, SLEEVE
49	71391435	1	COVER WLDMT, UNLOADER GEARS
50	71393854	1	COVER, CHAIN
	7700461	3	BOLT, RD HD SQ NK, 5/16-18 X 3/4
	70917372	3	NUT, 5/16-18 REG
	70917356	3	LOCKWASHER, 5/16
	700709602	3	WASHER, 5/16 WIDE
51	71391441	2	FOAM STRIP-ADHESIVE BACK
52	71393916	2	SEAL, GEAR COVER
54	-----	1	SPACER (9790 ONLY)
-	79014728	AR	GREASE
-	70937715	AR	LUBE, DRY FILM, 3M-TFE, SPRAYON

MC00278  
PR: 272

9690 COMBINE  
GRAIN BIN & ELEVATOR

UNLOADING AUGER  
VERTICAL  
EFFECTIVE S/N HN87101



**9690 COMBINE  
GRAIN BIN & ELEVATOR**

467

**UNLOADING AUGER  
VERTICAL  
EFFECTIVE S/N HN87101**

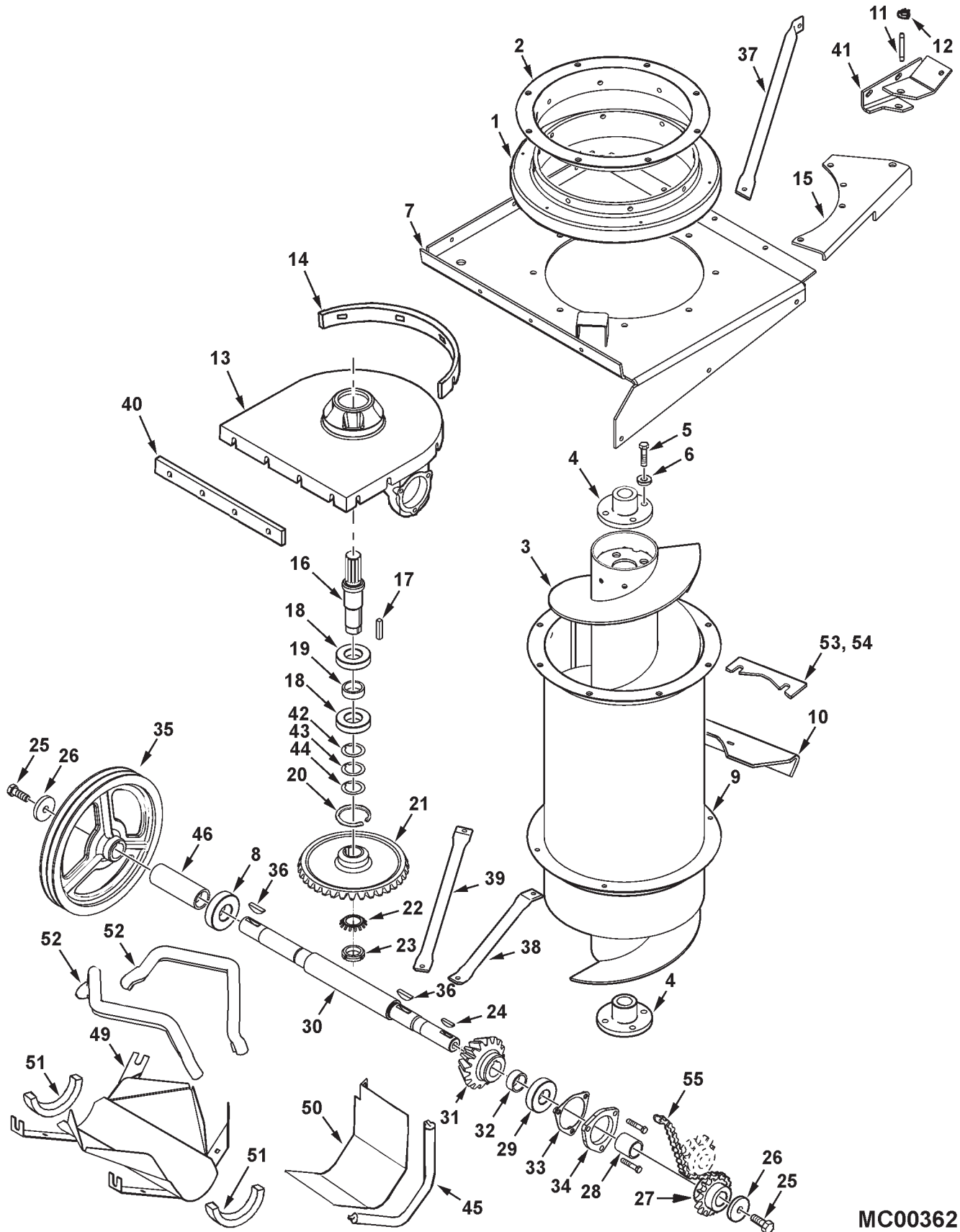
ITEM	NUMBER	QTY	DESCRIPTION
1	71399662	1	SWIVEL ASY, UNLOADER
	-----	1	RACE, SWVL, OUTER (ORDER SWIVEL ASY)
	71382933	1	RACE, SWIVEL, INNER
	70917580	AR	BALL, 1/2" (FULL QTY 112)
	77057	5	LUBE FTG, 90 DEG ELB, 1/4-28 TAPER
	7701188	8	CAPSCREW, 1/2-13 X 1-1/4 GR5
	Y705046	8	LOCKWASHER, 1/2
2	71399661	1	RING, ELBOW ADAPTER
	70934842	9	SCR,HEX SCKT FLAT HD, 3/8-16 X 1-1/4
	70916950	9	NUT, 3/8-16 REG
3	71399858	1	AUGER ASY, UNLOADER, W/HUBS
	71399861	1	AUGER ASY, CHROME, UNLOADER, W/HUBS
4	2526120W1	2	HUB, VERTICAL AUGER
5	70920328	8	CAPSCREW, 1/2-13 X 1-1/2 GR5
6	Y705046	8	LOCKWASHER, 1/2
7	71399656	1	GUIDE WLDMT, UNLOADER, UPPER
	70921333	6	CAPSCREW, 5/16-18 X 1 GR5
	Y704726	6	NUT, HEX FLNG TOP LOCK, 5/16-18
	70921210	6	CAPSCREW, 3/8-16 X 1 GR5
	Y704734	6	NUT, HEX FLNG TOP LOCK, 3/8-16
8	832982M1	1	BEARING, BALL, CYLINDRICAL
9	71399654	1	TUBE WLDMT, VERTICAL, UNLOADER
	70921176	8	CAPSCREW, 1/2-13 X 1-1/4 GR5
	Y705046	8	LOCKWASHER, 1/2
	768036	2	BOLT, RHSN, 3/8-16 X 1-1/2(FULL THD)
	70931942	2	SPEED NUT, 3/8
	Y704734	2	NUT, HEX FLNG TOP LOCK, 3/8-16
10	71399675	1	BRACKET, TUBE SUPPORT
	70923220	3	BOLT, RD HD SQ NK, 3/8-16 X 1-1/4
	70917378	3	WASHER, 3/8 WIDE
	Y704734	3	NUT, HEX FLNG TOP LOCK, 3/8-16
11	108575W1	2	PIN, 5/8 X 2-3/4
12	377690X1	4	RETAINING RING, EXTERNAL
13	71397248	1	HOUSING, GEAR, UNLOADER
14	71379825	AR	SHIM, RADIUS, .060 TH (QTY 2 AVE.)
	7701055	2	CAPSCREW, 3/8-16 X 1-3/4 GR5
	70921969	12	CAPSCREW, 3/8-16 X 1-1/2 GR5
	70917378	28	WASHER, 3/8 WIDE
	Y704734	14	NUT, HEX FLNG TOP LOCK, 3/8-16
15	112716W92	1	BRACKET ASY, CYLINDER PIVOT
	70921176	4	CAPSCREW, 1/2-13 X 1-1/4
	Y704742	4	NUT, HEX FLNG TOP LOCK, 1/2-13
16	2486150W1	1	SHAFT, OUTPUT, 8-7/16 LG
17	70903082	1	KEY, GEAR, 3/8 X 3/8 X 2
18	833059M1	2	BEARING, BALL
19	2486160W1	1	SPACER, 1-39/64 X 2 X 21/32 LG
20	70925997	1	RING, INTERNAL SNAP, 3-17/32 X 7/64
21	2486170W2	1	GEAR, UNLOADER, 35T
22	70932997	1	LOCKWASHER, EXTERNAL TOOTH, 1-3/8
23	70932996	1	LOCKNUT, BALL BEARING, 1-3/8-18UNEF

CONTINUED

MC00362  
PR: t04c24o26a0003

9690 COMBINE  
GRAIN BIN & ELEVATOR

UNLOADING AUGER  
VERTICAL  
EFFECTIVE S/N HN87101



**9690 COMBINE  
GRAIN BIN & ELEVATOR**

469

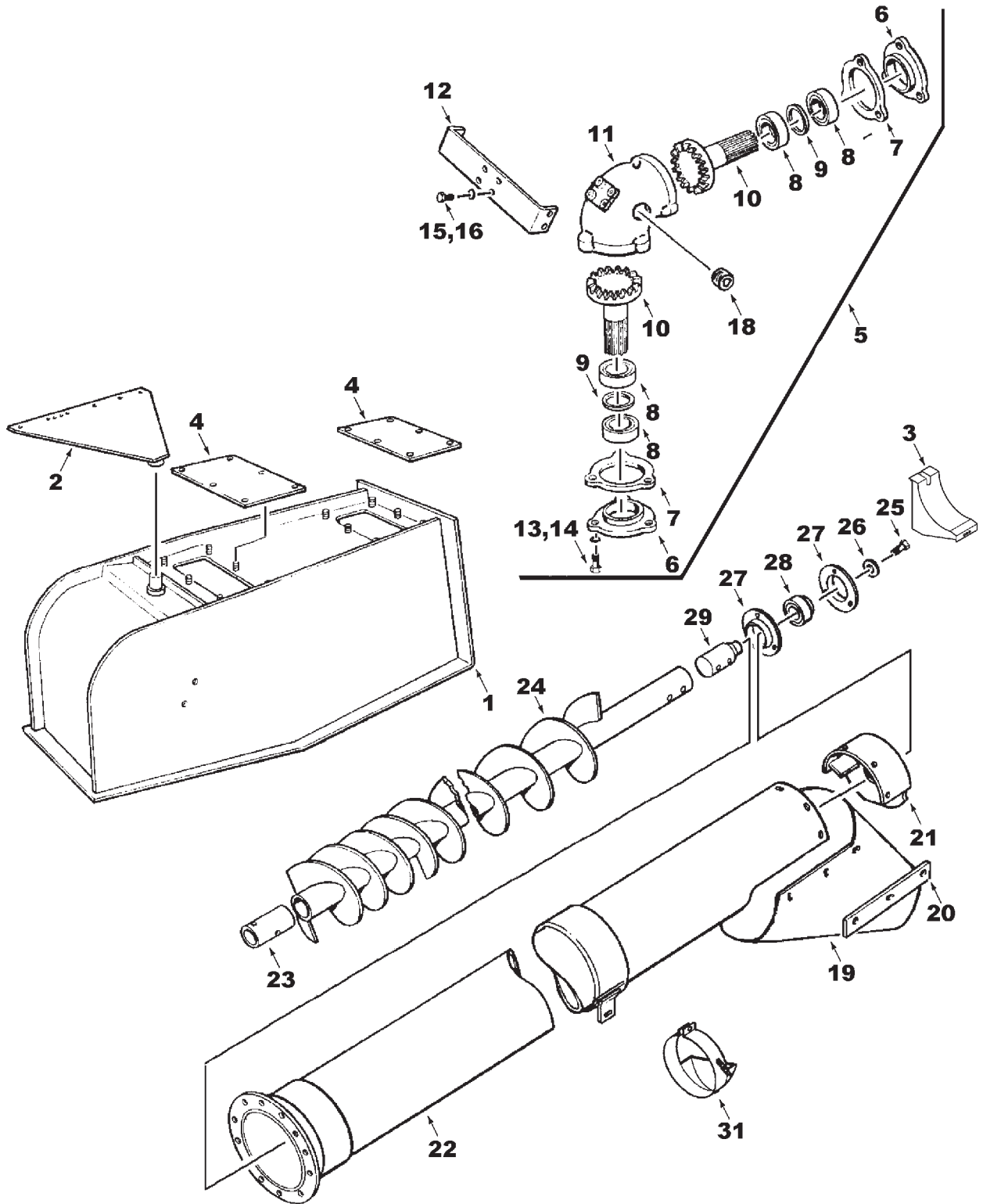
**UNLOADING AUGER  
VERTICAL  
EFFECTIVE S/N HN87101**

ITEM	NUMBER	QTY	DESCRIPTION
24	355485X1	1	KEY, WOODRUFF, 5/16 X 2-1/8
25	70923112	2	CAPSCREW, 5/8-11 X 1-3/4 GR5
26	2407570W1	2	WASHER, .656 X 2.37 OD X .375 TH
27	71391131	1	SPROCKET ASY, DRIVE, 20 TEETH
28	71397246	1	SPACER, 1.44 ID X 1.75 OD X 1.82 LG
29	354920X1	1	BEARING, BALL
30	71397247	1	SHAFT, INPUT
31	2460840W2	1	GEAR, PINION, 16T
32	2493870W1	1	SPACER, 1.52 ID X 1.88 OD X .763 LG
33	1500050W1	AR	SHIM, RED, PLASTIC, .002
33	1500060W1	AR	SHIM, BLUE, PLASTIC, .005
33	1500070W1	AR	SHIM, BROWN, PLASTIC, .010
34	2452270W1	1	CAP, BEARING
	70920415	3	CAPSCREW, 3/8-16 X 1-1/4
35	71397244	1	SHEAVE, DRIVEN, UNLOADER
36	W937119	2	KEY, WOODRUFF, 3/8 X 2 1/8
37	71399674	1	BRACE, SWING CYLINDER
38	71399665	1	BRACE, VERT AUGER TUBE(PRIOR S/N HR87101)
	70921210	2	CAPSCREW, 3/8-16 X 1 GR5
	Y704734	2	NUT, HEX FLANGE TOP LOCK, 3/8-16
39	71399666	1	BRACE, VERT AUGER TUBE
	70921210	2	CAPSCREW, 3/8-16 X 1 GR5
	Y704734	2	NUT, HEX FLANGE TOP LOCK, 3/8-16
40	71379824	AR	SHIM, SIDE, UNLDR BOOT, .060 (2 AVE.)
41	112720W91	1	BRACKET WLDMT, CYLINDER ANCHOR
	70921210	2	CAPSCREW, 3/8-16 X 1 GR5
	70921969	1	CAPSCREW, 3/8-16 X 1-1/2 GR5
	70917378	2	WASHER, 3/8 WIDE
	705038	3	LOCKWASHER, 3/8
	70916950	3	NUT, 3/8-16 REG
42	104740W1	AR	SHIM, .005
43	104741W1	AR	SHIM, .010
44	104742W1	AR	SHIM, .020
45	71395983	1	SEAL, CHAIN COVER
46	71397245	1	SPACER, SLEEVE
49	71391435	1	COVER WLDMT.-UNLOADER GEARS
50	71393854	1	COVER, CHAIN
	7700461	3	BOLT, RD HD SQ NK, 5/16-18 X 3/4
	70917372	3	NUT, 5/16-18 REG
	70917356	3	LOCKWASHER, 5/16 REG
	700709602	3	WASHER, 5/16 WIDE
51	71391441	2	FOAM STRIP-ADHESIVE BACK
52	71393916	2	SEAL, GEAR COVER
53	71411452	AR	SHIM, .127 TH (EFF. S/N HR87101)
54	71411453	AR	SHIM, .071 TH (EFF. S/N HR87101)
55	-----	1	CHAIN, UNLDR DRIVE (SEE "CHAINS DRIVE")
-	79014728	AR	GREASE

\* EFF. S/N HR87101

MC00362  
PR: t04c24o26a0003

UNLOADING AUGER  
UPPER





**9690 COMBINE  
GRAIN BIN & ELEVATOR**

471

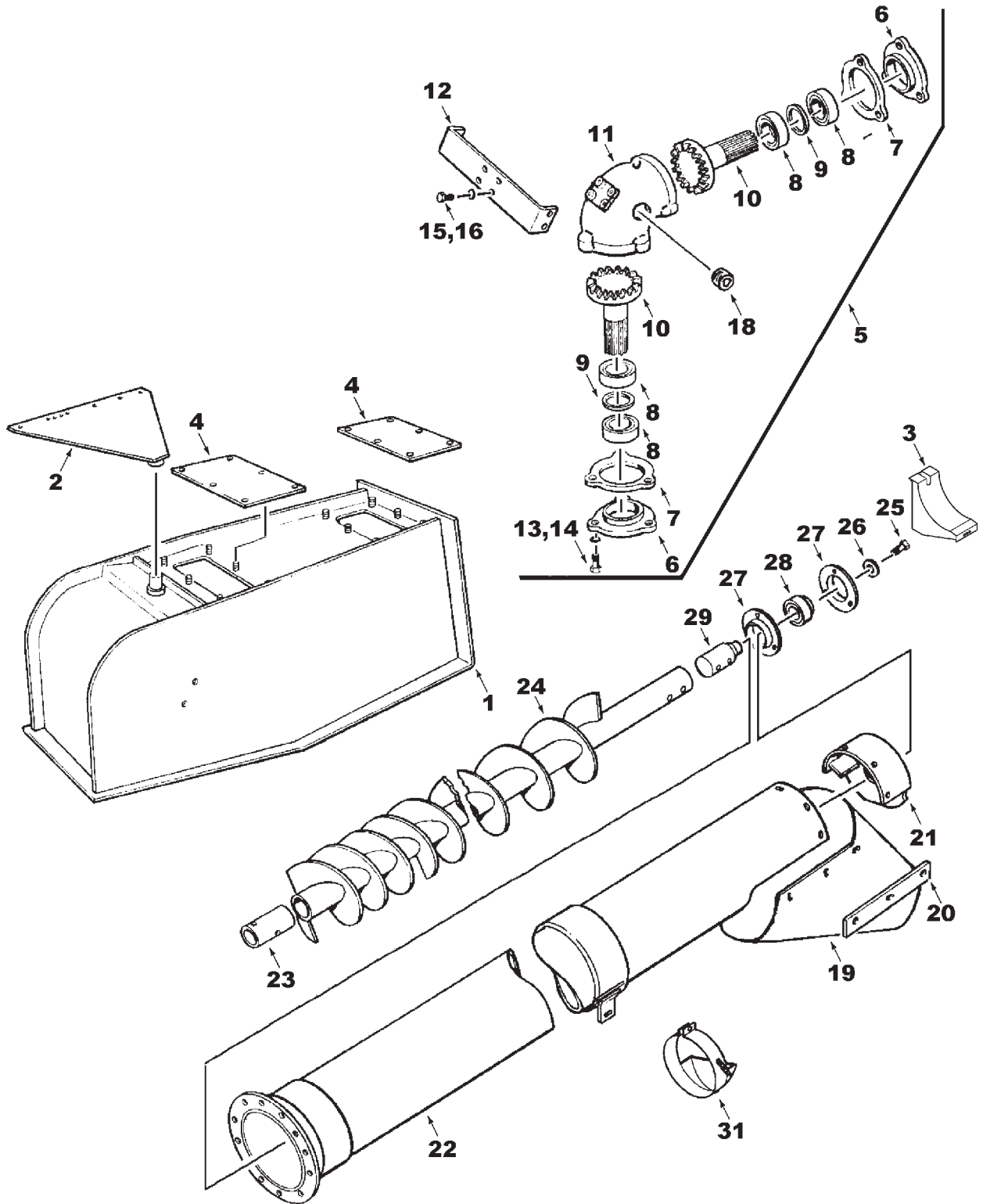
**UNLOADING AUGER  
UPPER**

ITEM	NUMBER	QTY	DESCRIPTION
1	2450441W4	1	ELBOW WLDMT, UNLDR (PRIOR S/N HN87101)
	71399658	1	ELBOW WLDMT, UNLDR (EFF. S/N HN87101)
	70921210	4	CAPSCREW, 3/8-16 X 1
	70918830	1	SCREW, HEX SOCKET FLAT HD, 3/8 X 1
	Y704734	5	NUT, HEX FLANGE TOP LOCK, 3/8-16
2	71390357	1	PLATE ASY, PIVOT
	832563M1	1	BEARING, SLEEVE
	70921210	5	CAPSCREW, 3/8-16 X 1
	70916950	5	NUT, 3/8-16, REG
3	71390756	1	SADDLE WLDMT, UNLOADER TUBE
4	1736870W1	1	PLATE, COVER (QTY 2, PRIOR S/N HN87101)
	71400919	1	PLATE, COVER (EFF. S/N HN87101)
	Y704734	14	NUT, HEX FLANGE TOP LOCK, 3/8-16
5	2414623W1	1	GEARBOX ASSEMBLY
	79017915	AR	GREASE, MOBILE HP, 14 OZ.
	79021671	AR	PIPE SEALANT
6	1737620W1	2	CAP, GEAR BOX
7	1714410W1	AR	SHIM, .005
	1714400W1	AR	SHIM, .010
	1712530W1	AR	SHIM, .020
8	354920X1	4	BEARING, BALL
9	1714430W1	2	SPACER, BEARING
10	2414640W1	2	GEAR, BEVEL, 18T
11	2414630W2	1	HOUSING, GEAR BOX
	70920328	4	CAPSCREW, 1/2 X 1-1/2
	353773X1	4	WASHER, HEAVY HARD, 1/2
	Y704742	4	NUT, HEX FLANGE TOP LOCK, 1/2-13
12	2450500W1	1	SUPPORT, GEAR BOX
13	70923325	6	CAPSCREW, 5/16-18 X 7/8
14	70917356	6	WASHER, LOCK, 5/16
15	70921210	4	CAPSCREW, 3/8-16 X 1
16	70916965	4	WASHER, LOCK, 3/8
18	356044X1	1	PLUG, PIPE HEX SOCKET, 1-11 1/2
19	71400385	1	SPOUT, RUBBER
	70921333	2	CAPSCREW, 5/16-18 X 1
	70917642	4	WASHER, 5/16
	Y704726	2	NUT, HEX FLNG TOP LOCK, 5/16-18
20	1599410W1	2	STRAP, REINFORCEMENT
	70921210	6	CAPSCREW, 3/8-16 X 1
	70917378	6	WASHER, 3/8 WIDE
	Y704734	6	NUT, HEX FLANGE TOP LOCK, 3/8-16
21	1721491W2R	1	CAP ASSEMBLY, END
	70921965	3	CAPSCREW, 3/8-16 X 3/4
	70917378	2	WASHER, 3/8 WIDE
	Y704734	3	NUT, HEX FLANGE TOP LOCK, 3/8-16
22	71396414	1	TUBE WLDMT, HORIZ. (PRIOR S/N HN87101)
	71399669	1	TUBE WLDMT, HORIZ. (EFF. S/N HN87101)
	70921210	12	CAPSCREW, 3/8-16 X 1
	70916965	6	LOCKWASHER, 3/8
	Y704734	6	NUT, HEX FLANGE TOP LOCK, 3/8-16

CONTINUED

MC00277  
PR: 276

UNLOADING AUGER  
UPPER



**9690 COMBINE  
GRAIN BIN & ELEVATOR**

473

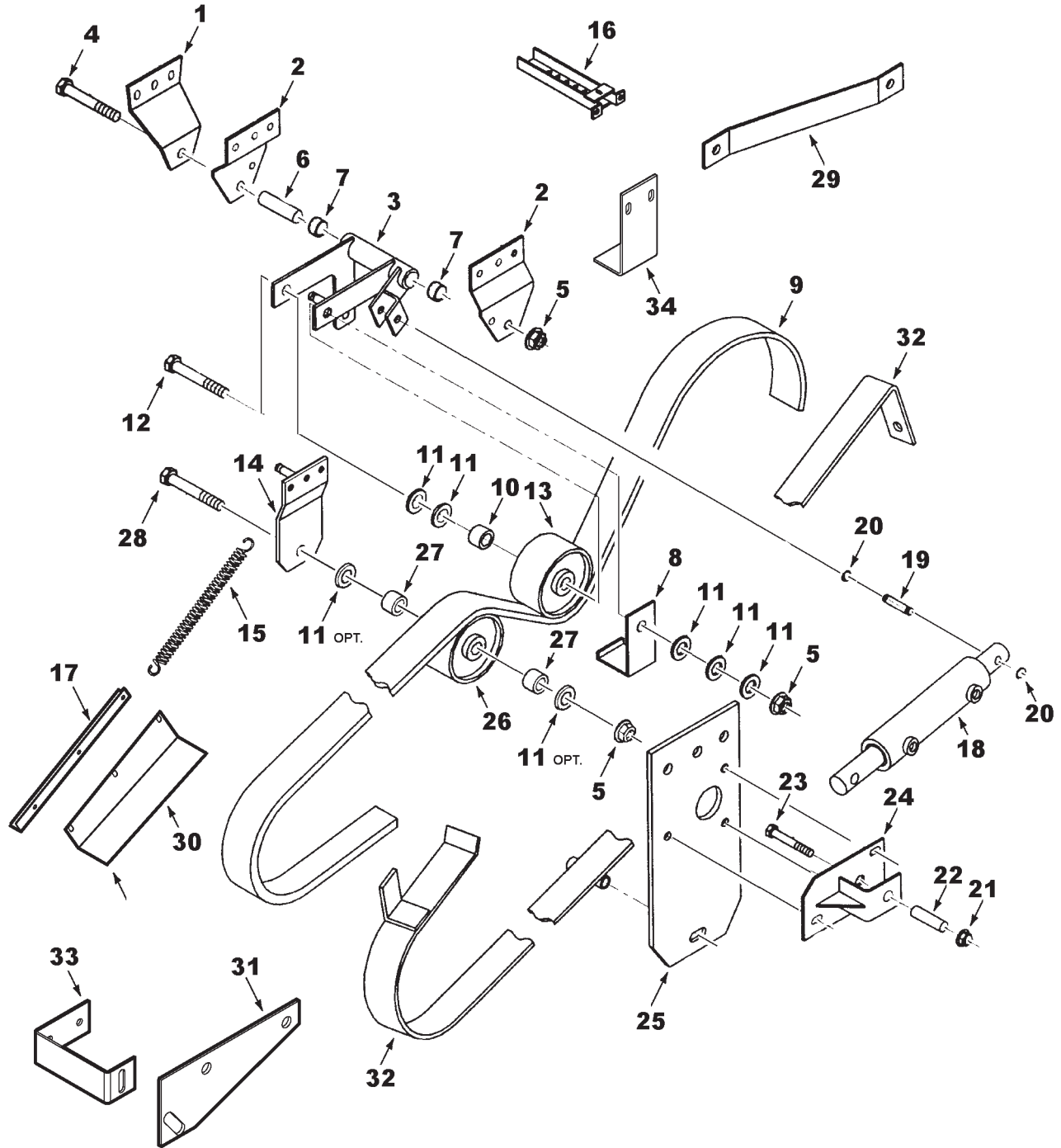
**UNLOADING AUGER  
UPPER**

ITEM	NUMBER	QTY	DESCRIPTION
23	1736510W1	1	COUPLER, DRIVE
	70920990	2	CAPSCREW, 1/2-13 X 3-1/2
	Y705046	2	LOCKWASHER, 1/2
	704031	2	NUT, 1/2-13
24	71390929	1	AUGER ASY, (INCL ITEMS 23 & 29) (PRIOR S/N HN87101)
	71399854	1	AUGER ASY, (INCL ITEMS 23 & 29) (EFF. S/N HN87101)
25	70926126	1	CAPSCREW, 3/4-10 X 1-1/4
	70919332	1	LOCKWASHER, 3/4
26	1716190W1	1	SPACER, 25/32 X 1-5/8 X 1/4 TH
27	51417	2	FLANGETTE
	70931350	3	BOLT, RHSN, 3/8-16 X 1
	Y704734	3	NUT, HEX FLANGE TOP LOCK, 3/8-16
	831822M1	1	BEARING, BALL
29	1737660W1	1	SHAFT, STUB
	70920990	2	CAPSCREW, 1/2-13 X 3-1/2
	Y705046	2	LOCKWASHER, 1/2
	704031	2	NUT, 1/2-13
31	294148M91	1	SPILL SAVER
	79019067	2	SPRINGS
	70936104	1	CAPSCREW, 5/16-18 X 2-3/4 FULL THD.
	70917642	1	WASHER, FLAT, 5/16
	70923362	1	NUT, HEX CNTR LOCK, 5/16-18
	-	71378014	1
-	700707823	AR	SILICONE

MC00277  
PR: 276

9690 COMBINE  
GRAIN BIN & ELEVATOR

UNLOADER DRIVE



**9690 COMBINE  
GRAIN BIN & ELEVATOR**

475

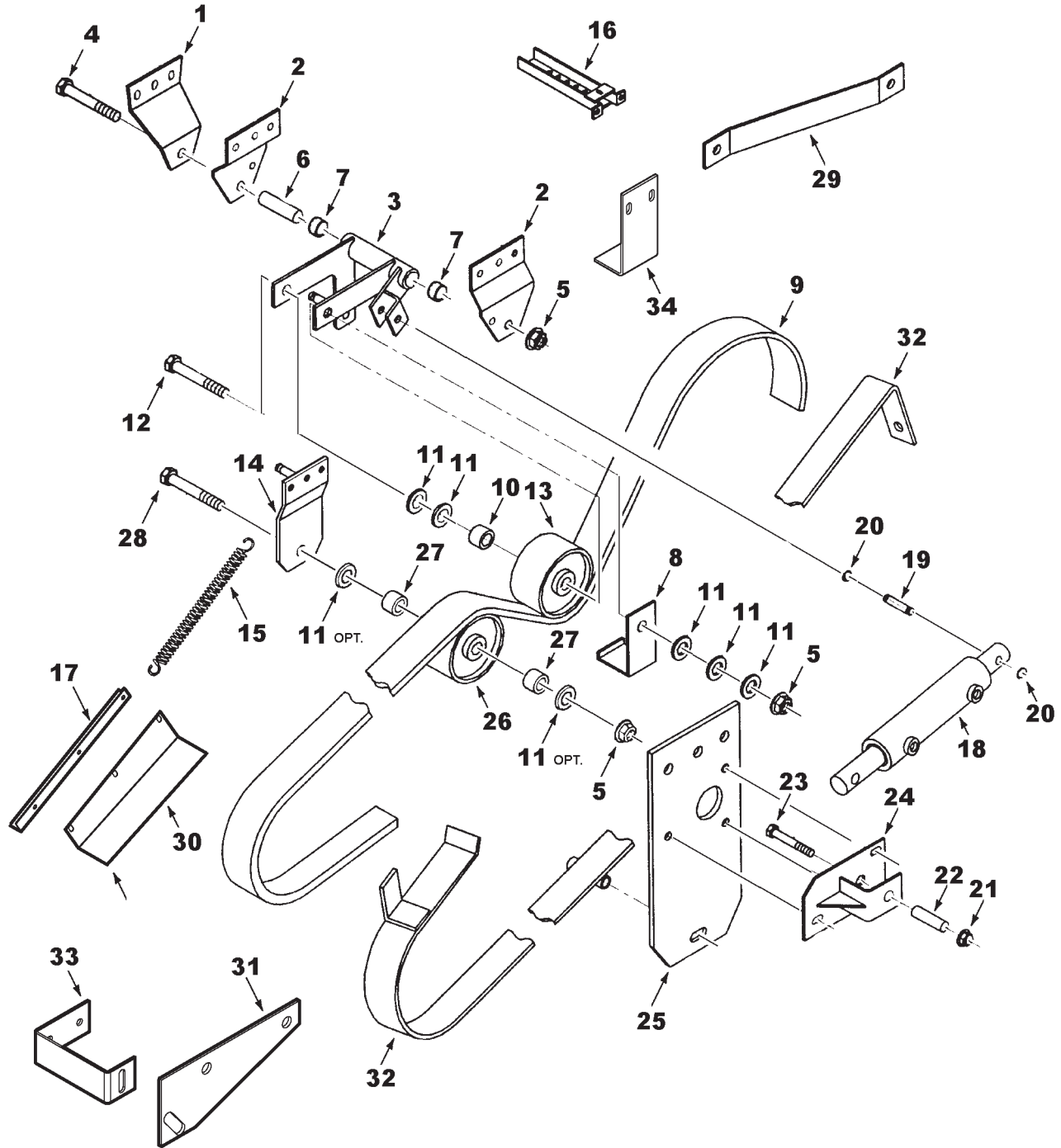
**UNLOADER DRIVE**

ITEM	NUMBER	QTY	DESCRIPTION
1	71388739	1	PLATE
2	108592W1	2	PLATE
	703249	6	CAPSCREW, 3/8-16 X 1 GR5
	Y704734	6	NUT, HEX FLNG TOP LOCK, 3/8-16
3	108586W91	1	IDLER ARM ASY (PRIOR S/N HP87101) (SERVICE W/ 71403710)
	71403710	1	IDLER ARM ASY
4	112774W1	1	BOLT, HEX, SPECIAL, 5/8-11 X 7
5	700703922	3	NUT, HEX FLNG TOP LOCK, 5/8-11
6	2624230W1	1	SLEEVE, IDLER PIVOT
7	1689170W1	2	BUSHING, STEEL
8	108602W1	1	STRAP, BELT GUIDE (PRIOR S/N HP87101)
	71403712B	1	STRAP, BELT GUIDE (EFF. S/N HP87101)
9	101102M1	1	BELT (SEE BELT LISTING)
10	368615X1	1	SPACER
11	70918432	6	WASHER, 5/8 WIDE
12	70923501	1	CAPSCREW, 5/8-11 X 3-3/4 GR5
13	1797450W1	1	IDLER, FLAT, 6.5 DIA (PRIOR S/N HP87101)
	2545270W1	1	IDLER, FLAT, 6.5 DIA (EFF. S/N HP87101)
14	108597W91	1	PLATE ASSEMBLY, INNER IDLER SUPPORT
15	101276M2	1	SPRING
16	2629511W93	1	CHANNEL ASSEMBLY
	703249	9	CAPSCREW, 3/8-16 X 1 GR5
	Y704734	9	NUT, HEX FLNG TOP LOCK, 3/8-16
	70917378	7	WASHER, 3/8 WIDE
17	71392779	1	SUPPORT, UPPER GUIDE
	703249	3	CAPSCREW, 3/8-16 X 1 GR5
	Y704734	3	NUT, HEX FLNG TOP LOCK, 3/8-16
	70917378	3	WASHER, 3/8 WIDE
18	108275W91	1	HYDRAULIC CYLINDER
	71389522	AR	SEAL KIT
19	108575W1	1	PIN, 5/8 X 2.28
20	377690X1	2	RING, RETAINING
21	Y704742	1	NUT, HEX FLNG TOP LOCK, 1/2-13
22	108601W1	1	SPACER
23	70923240	1	CAPSCREW, 1/2-13 X 2-3/4 GR5
24	108593W91	1	ANCHOR BRACKET
	703249	3	CAPSCREW, 3/8-16 X 1 GR5
	Y704734	3	NUT, HEX FLNG TOP LOCK, 3/8-16
25	108599W1	1	PLATE, OUTER IDLER SUPPORT
	703249	3	CAPSCREW, 3/8-16 X 1 GR5
	Y704734	3	NUT, HEX FLNG TOP LOCK, 3/8-16

CONTINUED

MC00279  
PR: 280

UNLOADER DRIVE



**9690 COMBINE  
GRAIN BIN & ELEVATOR**

477

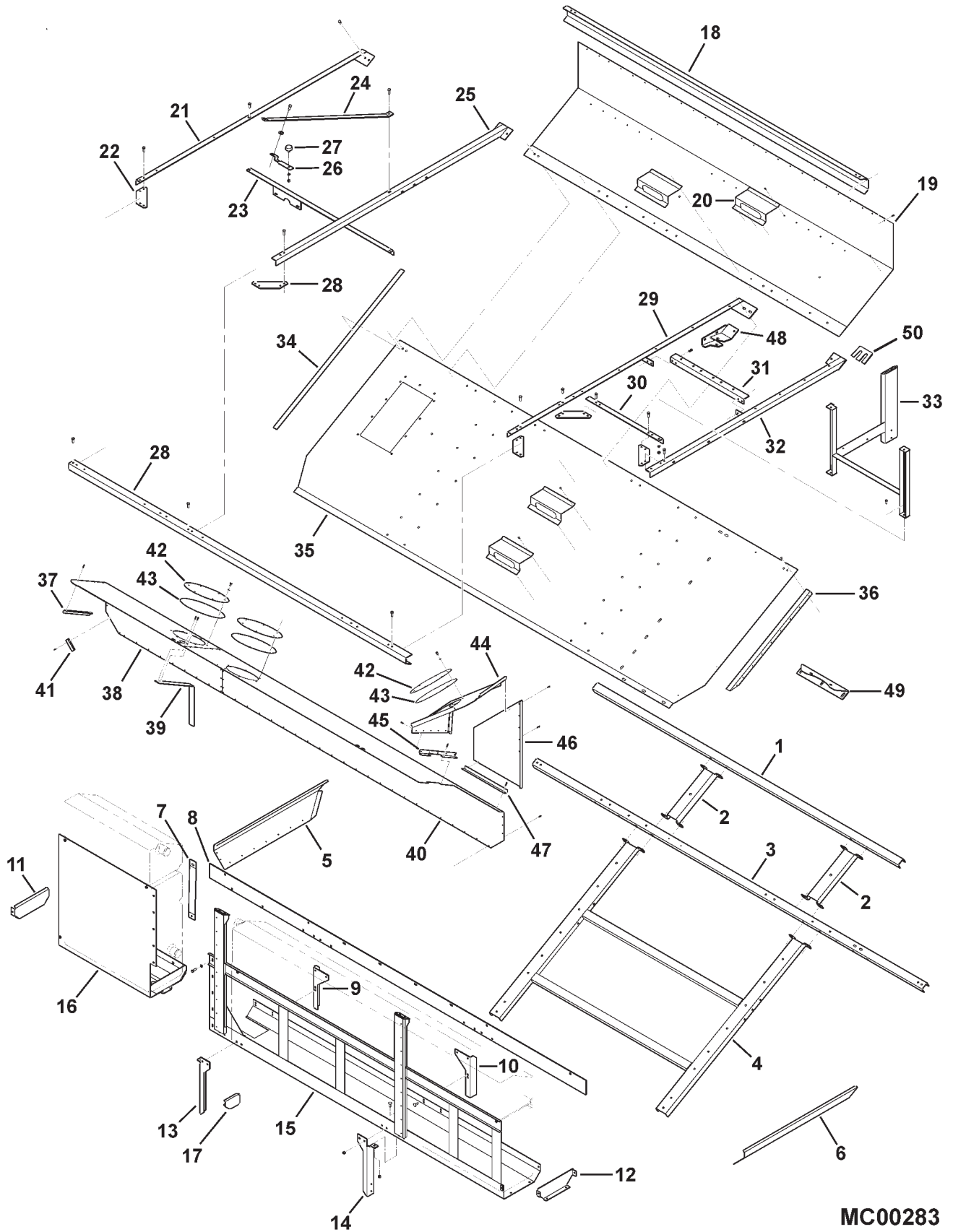
**UNLOADER DRIVE**

ITEM	NUMBER	QTY	DESCRIPTION
26	2545270W1	1	IDLER, FLAT, 6.5 DIA
27	365098X1	2	SPACER
28	70926165	1	CAPSCREW, 5/8-11 X 4-1/2 GR5
29	108600W1	1	STRAP
30	2635460W1	1	GUIDE, BELT
	70921965	3	CAPSCREW, 3/8-16 X 3/4 GR5
	70916965	3	LOCKWASHER, 3/8
	70916950	3	HEX NUT, 3/8-16
	70917378	3	WASHER, 3/8, WIDE
31	101575M1	1	PLATE
	70921210	1	CAPSCREW, 3/8-16 X 1 GR5
	70917378	1	WASHER, 3/8, WIDE
	70916965	1	LOCKWASHER, 3/8
	70916950	1	HEX NUT, 3/8-16
32	71390191	1	GUIDE, BELT
	70921332	2	CAPSCREW, 5/16-18 X 3/4
	70917642	2	WASHER, 5/16, WIDE
	Y704726	2	NUT, HEX FLNG TOP LOCK, 5/16-18
	70923504	1	CAPSCREW, 3/8 X 4-1/2 GR5
	70917378	AR	WASHER, 3/8, WIDE
	Y704734	1	NUT, HEX FLNG TOP LOCK, 3/8-16
33	71392778	1	SUPPORT, LOWER GUIDE
	703249	1	CAPSCREW, 3/8-16 X 1.0 GR5
	70917378	2	WASHER, 3/8, WIDE
	705038	1	LOCKWASHER, 3/8
	70916950	1	HEX NUT, 3/8-16
34	2635230W1	1	GUIDE BRKT, TOP, BELT(PRIOR S/N HN87101)
	71400669	1	GUIDE PLATE, BELT (EFF. S/N HN87101)
	703249	2	CAPSCREW, 3/8-16 X 1 GR5
	Y704734	2	NUT, HEX FLNG TOP LOCK, 3/8-16

MC00279  
PR: 280

9690 COMBINE  
GRAIN BIN & ELEVATOR

GRAIN BIN  
LOWER STRUCTURE





**9690 COMBINE  
GRAIN BIN & ELEVATOR**

479

**GRAIN BIN  
LOWER STRUCTURE**

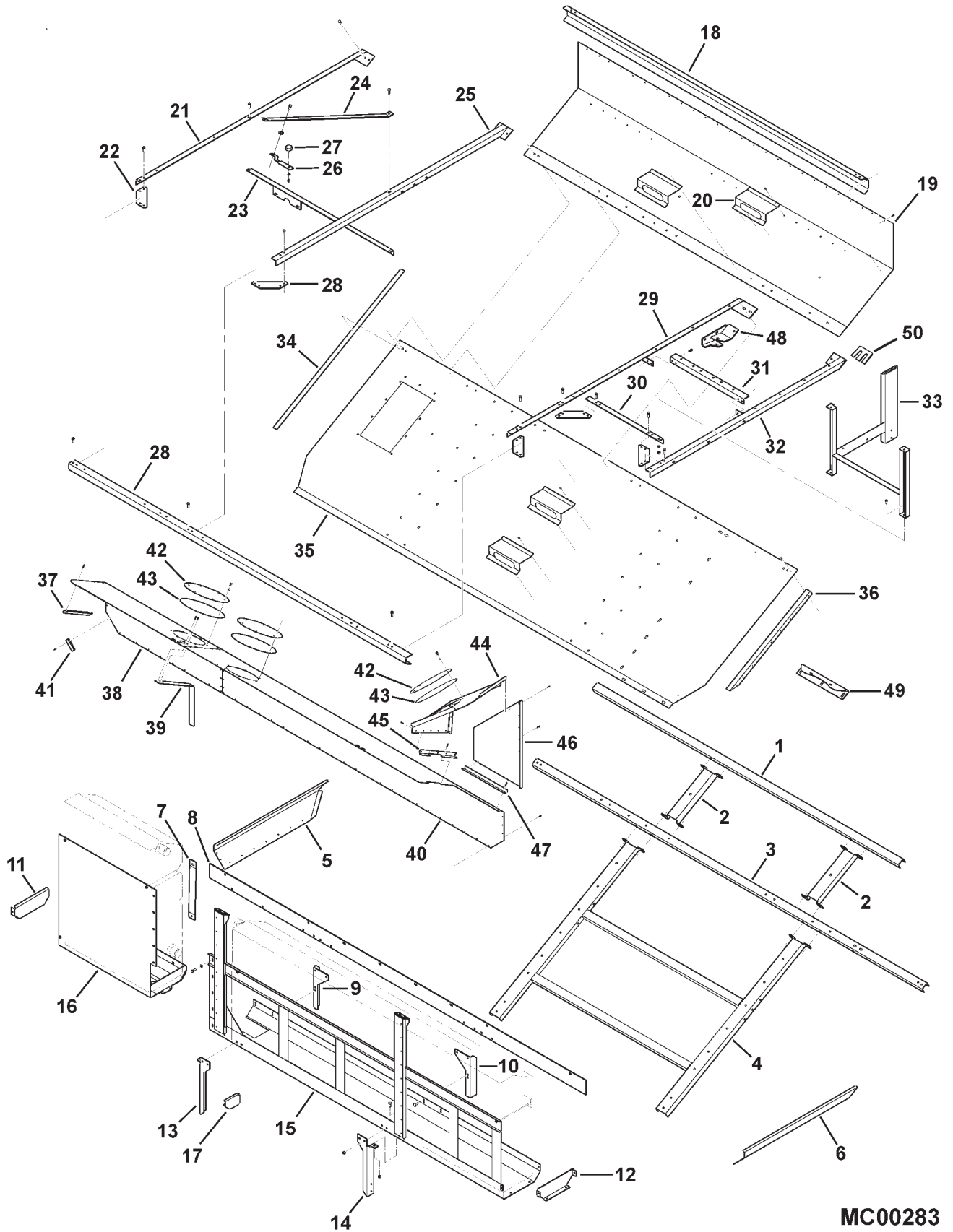
ITEM	NUMBER	QTY	DESCRIPTION
1	71391143	1	CHANNEL, FLOOR UPPER
2	71407327P	2	EXTENSION, UPPER FLOOR CHANNEL
	703249	8	CAPSCREW, 3/8-16 X 1.0
	70917378	8	WASHER, 3/8 WIDE
	705038	8	LOCKWASHER, 3/8
	70916950	8	HEXNUT, 3/8-16
3	71403918	1	CHANNEL, BIN FLOOR
4	71393416	1	CHANNEL WLDMT, FLOOR
	703249	6	CAPSCREW, 3/8-16 X 1.0
	70917378	6	WASHER, 3/8 WIDE
	705038	6	LOCKWASHER, 3/8
	70916950	6	HEXNUT, 3/8-16
5	71391951	1	SHEET, RH, GRAIN BIN
	700717635	7	RIVET, 3/16 X 13/32
6	71391850	1	SHEET, LH, GRAIN BIN
	700717635	7	RIVET, 3/16 X 13/32
7	71393414	2	STRAP, TANK HANGER (RH)
	70931350	4	BOLT, RHSN 3/8-16 X 1.0
	70917378	4	WASHER, 3/8 WIDE
	705038	4	LOCKWASHER, 3/8
	70916950	4	HEXNUT, 3/8-16
8	71393413	1	PLATE, SUPPORT
	70931350	10	BOLT, RHSN 3/8-16 X 1.0
	70917378	10	WASHER, 3/8 WIDE
	705038	10	LOCKWASHER, 3/8
	70916950	10	HEXNUT, 3/8-16
9	71391939	1	SUPPORT, TANK, RH REAR
	7700461	1	BOLT, RHSN 5/16-18 X 3/4
	Y704726	1	NUT, HEX FLNG TOP LOCK, 5/16-18
10	71391938	1	SUPPORT, TANK, LH REAR
	7700461	1	BOLT, RHSN 5/16-18 X 3/4
	Y704726	1	NUT, HEX FLANGE TOP LOCK, 5/16-18
11	71391946	1	END PLATE, RH FUEL TANK
	Y702951	4	SCREW, SELF-TAP 3/8-16 X 3/4
12	71391947	1	END PLATE, LH FUEL TANK
	Y702951	4	SCREW, SELF-TAP 3/8-16 X 3/4
13	71393918	1	POST, TANK, RH FRONT
	7700461	1	BOLT, RHSN 5/16-18 X 3/4
	Y704726	1	NUT, HEX FLANGE TOP LOCK, 5/16-18
	70922784	2	BOLT, RHSN 3/8-16 X 3/4
	Y704734	2	NUT, HEX FLANGE TOP LOCK, 3/8-16
14	71393917	1	POST, TANK, LH FRONT
	7700461	1	BOLT, RHSN 5/16-18 X 3/4
	Y704726	1	NUT, HEX FLANGE TOP LOCK, 5/16-18
	70922784	2	BOLT, RHSN 3/8-16 X 3/4
	Y704734	2	NUT, HEX FLANGE TOP LOCK, 3/8-16
15	71406761B	1	SUPPORT WLDMT, LH FUEL TANK
16	71391935	1	SUPPORT WLDMT, RH FUEL TANK
	703249	5	CAPSCREW, 3/8-16 X 1.0
	705038	5	LOCKWASHER, 3/8
	70917378	5	WASHER, 3/8 WIDE

CONTINUED

MC00283  
PR: 284

9690 COMBINE  
GRAIN BIN & ELEVATOR

GRAIN BIN  
LOWER STRUCTURE



**9690 COMBINE  
GRAIN BIN & ELEVATOR**

481

**GRAIN BIN  
LOWER STRUCTURE**

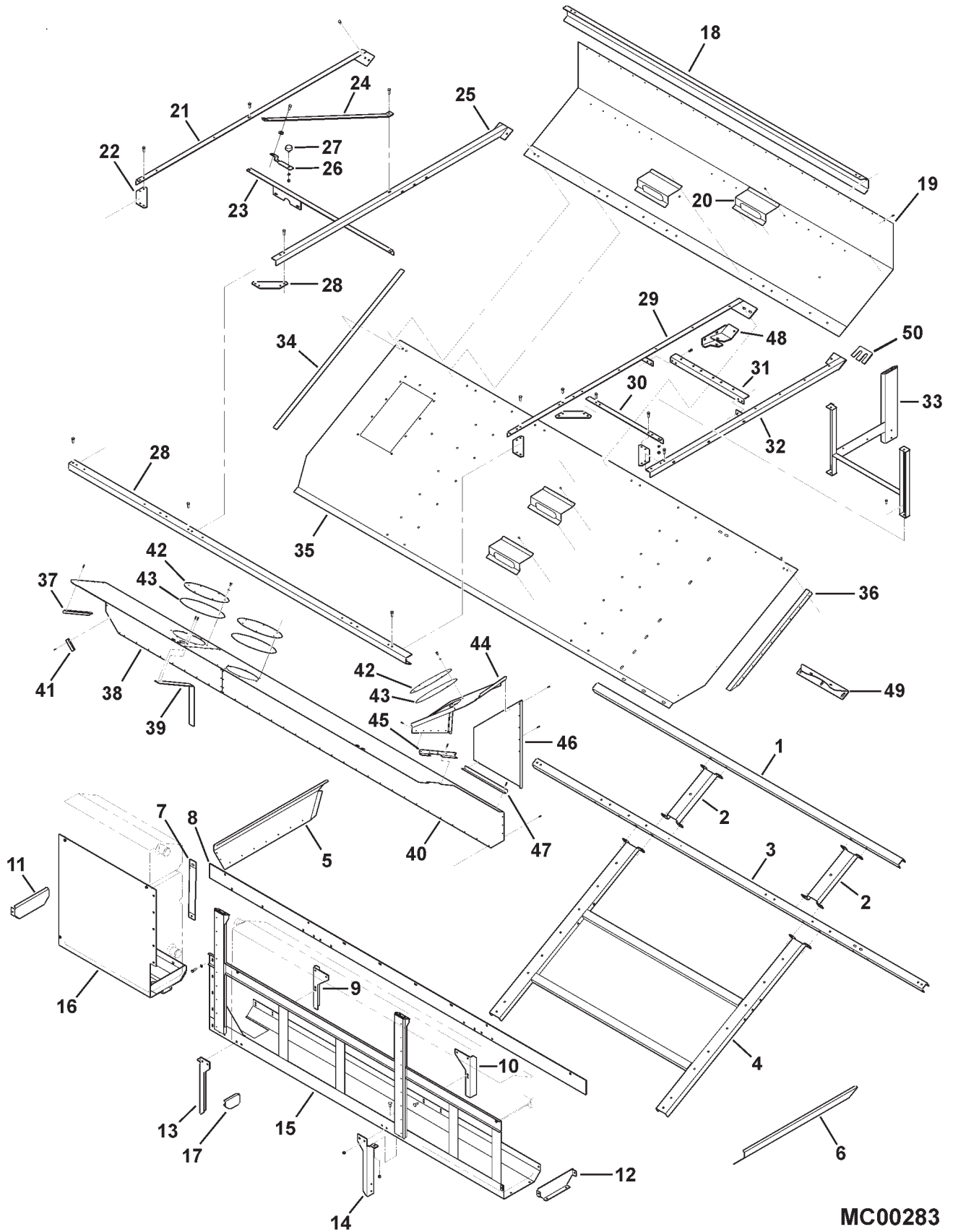
ITEM	NUMBER	QTY	DESCRIPTION
17	71391948	1	END BRKT, LH TANK INSIDE
	Y702951	2	SCREW, SELF-TAP 3/8-16 X 3/4
18	71392620	1	CHANNEL, UPPER FRAME, REAR
	70925160	26	RIVET, 3/16 X .527
19	71391849	1	PANEL, UPPER REAR FLOOR
	700717635	AR	RIVET, 3/16 X .402
	703249	2	CAPSCREW, 3/8-16 X 1.0
	705038	2	LOCKWASHER, 3/8
	70916950	2	HEXNUT, 3/8-16
	70923114	1	CAPSCREW, 1/2-13 X 1 GR5 (EFF. S/N HP87101)
20	71394681	4	STEP
	70925160	12	RIVET, 3/16 X .527
	700717635	12	RIVET, 3/16 X .402
	71394321	AR	TAPE, ANTI-SKID
21	71392657	1	ANGLE, MID-FRAME
	703249	AR	CAPSCREW, 3/8-16 X 1.0
	70917378	AR	WASHER, 3/8 WIDE
	705038	AR	LOCKWASHER, 3/8
	70916950	AR	HEXNUT, 3/8-16
22	71392616	5	GUSSET, FRAME
23	71391147	1	ANGLE, TOP HEAD SUPPORT
24	71394322	1	STRAP
25	71392656	1	ANGLE, CENTER
	703249	AR	CAPSCREW, 3/8-16 X 1.0
	70917378	AR	WASHER, 3/8 WIDE
	705038	AR	LOCKWASHER, 3/8
	70916950	AR	HEXNUT, 3/8-16
26	71394323	1	STRAP, WINDOW HOOK
	70921965	1	CAPSCREW, 3/8-16 X 3/4
	71391654	1	WASHER, NYLON
	Y704734	1	LOCKNUT, FLANGE 3/8-16
27	70547934	1	STOP, RUBBER
	705038	1	LOCKWASHER, 3/8
	70916950	1	HEXNUT, 3/8-16
28	71391956	1	CHANNEL, MID-FRAME FRONT
	703249	20	CAPSCREW, 3/8-16 X 1.0
	705038	20	LOCKWASHER, 3/8
	70916950	20	HEXNUT, 3/8-16
29	71403922	1	ANGLE WLDMT, LEFT INNER, MID-FRAME
	70923114	1	CAPSCREW, 1/2-13 X 1 GR5
	Y704742	1	NUT, HEX FLNG TOP LOCK, 1/2-13
30	71392611	1	ANGLE, FRONT SUPPORT
	703249	AR	CAPSCREW, 3/8-16 X 1.0
	703603	AR	CAPSCREW, 3/8-16 X 1-1/2
	70917378	AR	WASHER, 3/8 WIDE
	705038	AR	LOCKWASHER, 3/8
	70916950	AR	HEXNUT, 3/8-16

CONTINUED

MC00283  
PR: 284

9690 COMBINE  
GRAIN BIN & ELEVATOR

GRAIN BIN  
LOWER STRUCTURE



**9690 COMBINE  
GRAIN BIN & ELEVATOR**

483

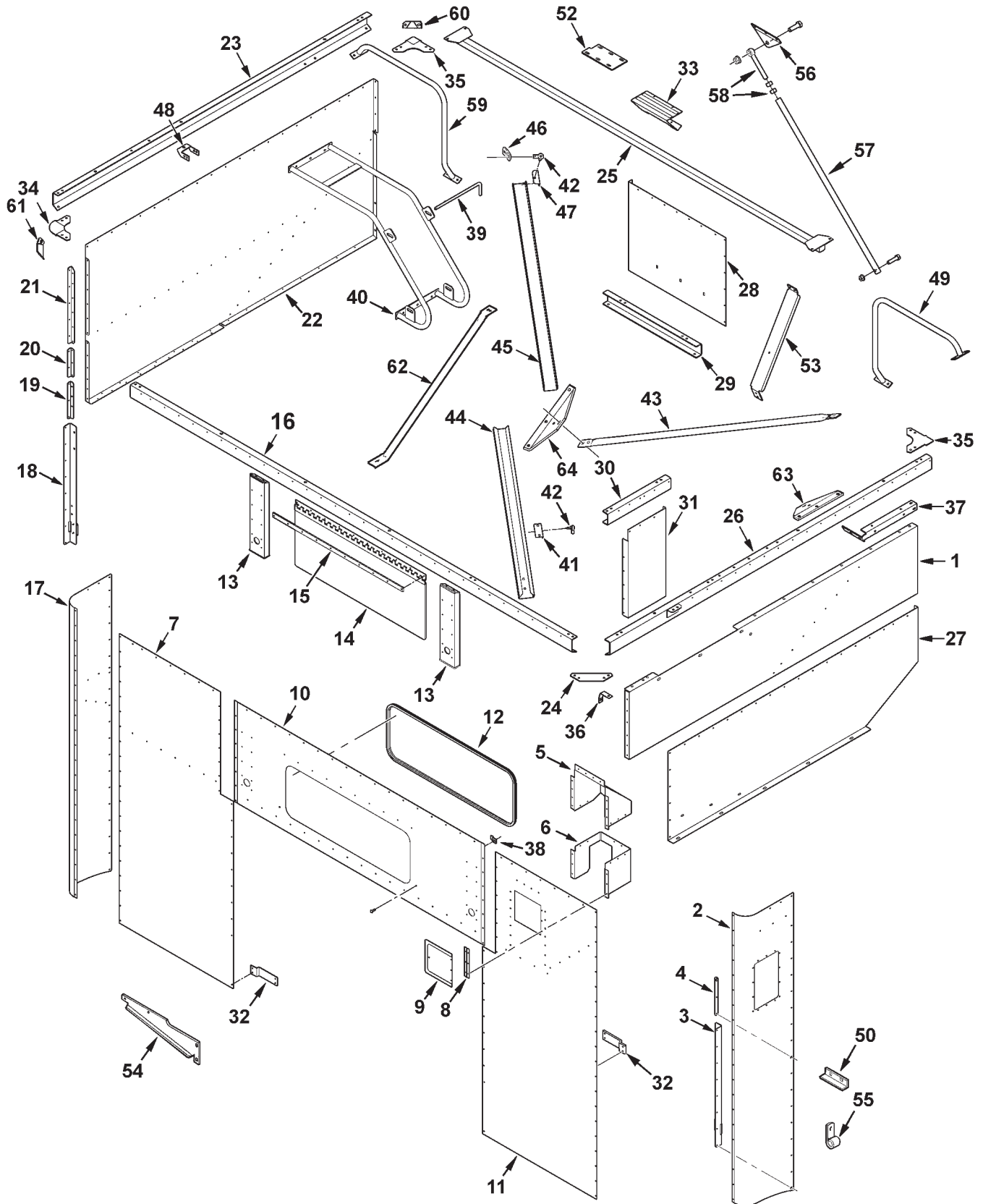
**GRAIN BIN  
LOWER STRUCTURE**

ITEM	NUMBER	QTY	DESCRIPTION
31	71392610	1	ANGLE, REAR SUPPORT
	703249	4	CAPSCREW, 3/8-16 X 1.0
	705038	4	LOCKWASHER, 3/8
	70916950	4	HEXNUT, 3/8-16
32	71392654	1	ANGLE, MID-FRAME OUTER
33	71391957	1	SUPPORT WLDMT, CORNER (LH)
	703249	3	CAPSCREW, 3/8-16 X 1.0
	705038	3	LOCKWASHER, 3/8
	70916950	3	HEXNUT, 3/8-16
34	71390157	1	ANGLE, UPPER MOUNTING (RH)
35	71391848	1	PANEL, FLOOR LOWER
36	71390152	1	ANGLE, MID-PANEL MOUNTING (LH)
	70924837	9	RIVET, 3/16 X .277
37	71391954	1	ANGLE, SIDE, GRAIN BIN
	700717635	4	RIVET, 3/16 X .402
38	71391968	1	COVER, F/TANK (RH)
39	71392605	1	SUPPORT STRAP, FUEL TANK COVER
	700717635	AR	RIVET, 3/16 X .402
40	71391967	1	COVER, LH F/TANK
	70925160	28	RIVET, 3/16 X .527
41	71391146	2	ANGLE, SHEET TIE
	700717635	8	RIVET, 3/16 X .402
42	71376312	3	COVER, ACCESS
	7703457	18	CAPSCREW, 1/4-20 X 3/4
	705012	18	LOCKWASHER, 1/4
	70928705	18	NUT, RETAINER 1/4-20 TYPE J
43	71323575	3	SEAL, COVER
44	71391970	1	TOP COVER, FILLER NECK
45	71391972	1	ANGLE, TOP FILLER NECK
46	71391969	1	COVER, SIDE FILLER NECK
	700717635	13	RIVET, 3/16 X .402
47	71391971	1	ANGLE, SIDE FILLER NECK
	700717635	9	RIVET, 3/16 X .402
48	71403919	1	BRACKET WLDMT, UNLOADER CYL
	70921210	1	CAPSCREW, 3/8-16 X 1 GR5
	70920415	1	CAPSCREW, 3/8-16 X 1-1/4 GR5
	70917378	2	WASHER, 3/8 WIDE
	Y704734	2	NUT, HEX FLNG TOP LOCK, 3/8-16
	701235	1	CAPSCREW, 1/2-13 X 1-1/2 GR5
	Y704742	1	NUT, HEX FLNG TOP LOCK, 1/2-13
49	2601260W1	1	BRKT,LOWER TUBE SUPPT(PRIOR S/N HN87101)
	71399675	1	BRKT,LOWER TUBE SUPPT (EFF. S/N HN87101)
	70923220	3	BOLT, RD HD SQ NK, 3/8-16 X 1-1/4
	70917378	3	WASHER, 3/8 WIDE
	Y704734	3	NUT, HEX FLNG TOP LK, 3/8-16
50	71401461	AR	SHIM (QTY 2 AVE.)

MC00283  
PR: 284

9690 COMBINE  
GRAIN BIN & ELEVATOR

GRAIN BIN  
UPPER STRUCTURE & MOUNTS



**9690 COMBINE  
GRAIN BIN & ELEVATOR**

485

**GRAIN BIN  
UPPER STRUCTURE & MOUNTS**

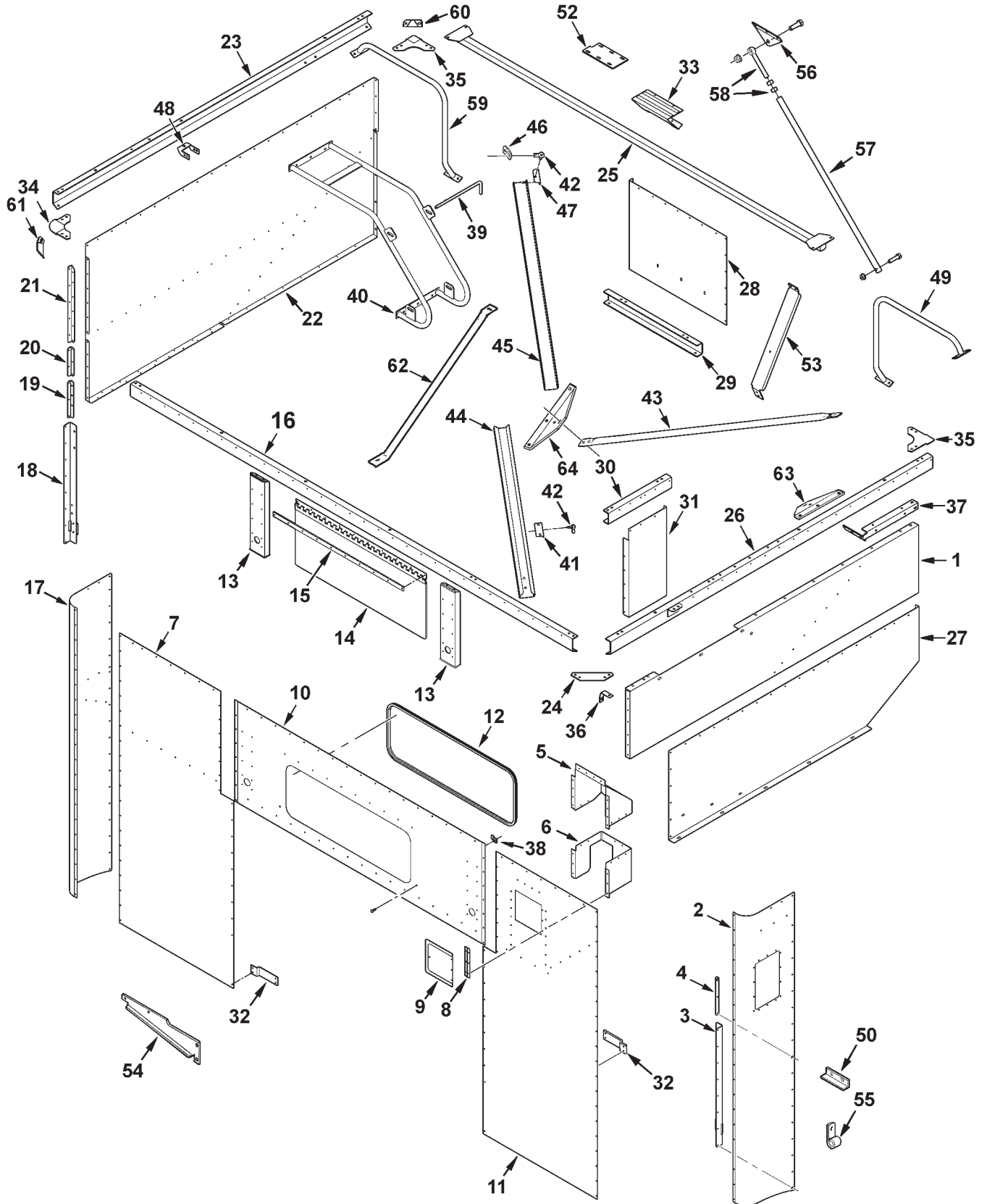
ITEM	NUMBER	QTY	DESCRIPTION
1	71391960	1	PANEL, MID (LH)
	70924837	AR	RIVET, 3/16 X .277
	703249	5	CAPSCREW, 3/8-16 X 1.0
	70917378	2	WASHER, 3/8 WIDE
	705038	4	LOCKWASHER, 3/8
2	70916950	4	HEXNUT, 3/8-16
	71392664	1	PANEL, CORNER (LH)
	700717635	AR	RIVET, 3/16 X .402
	70924837	AR	RIVET, 3/16 X .277
	706176	4	SCREW, TRUSS HD MACH, 5/16-18 X 3/4
	70917642	4	WASHER, 5/16 WIDE
	Y705020	4	LOCKWASHER, 5/16 REG
3	70917372	4	NUT, 5/16-18 REG
	71395996	1	ANGLE, FLANGE LOWER (LH)
	70931350	4	BOLT, RHSN 3/8-16 X 1.0
	70917378	4	WASHER, 3/8 WIDE
	705038	4	LOCKWASHER, 3/8
4	70916950	4	HEXNUT, 3/8-16
	71391150	1	ANGLE, FLANGE UPPER (LH)
	700717635	AR	RIVET, 3/16 X .402
5	71376324	1	SHIELD, BIN SAMPLE, UPPER
	700717635	AR	RIVET, 3/16 X .402
6	71391966	1	SHIELD, BIN SAMPLE, LOWER
	700717635	AR	RIVET, 3/16 X .402
7	71392602	1	PANEL, FRONT (RH)
	700717635	AR	RIVET, 3/16 X .402
8	71373513	1	HINGE, DOOR
	71376349R	1	DOOR
	700717635	3	RIVET, 3/16 X .402
9	71190960	1	KNOB, DOOR
	71391953	1	PANEL, GRAIN BIN FRONT
10	71392601	1	PANEL, FRONT (LH)
	700717635	AR	RIVET, 3/16 X .402
	70924837	AR	RIVET, 3/16 X .277
11	71393257	1	SEAL, WINDOW TRIM
	71390148	2	SUPPORT, FRT BIN VERTICAL
12	703249	8	CAPSCREW, 3/8-16 X 1.0
	705038	8	LOCKWASHER, 3/8
	70916950	8	HEXNUT, 3/8-16
	71393411	1	GLASS ASY., GRAIN BIN
13	70924283	10	RIVET
	71393410	1	PIN, HINGE
	71390764	1	SPACER, HINGE
14	71392618	1	CHANNEL, UPPER FRAME FRONT
	703249	29	CAPSCREW, 3/8-16 X 1.0
	705038	29	LOCKWASHER, 3/8
	70916950	29	HEXNUT, 3/8-16
15	71392663	1	PANEL, CORNER (RH)
	700717635	AR	RIVET, 3/16 X .402
16	71395997	1	ANGLE, FLANGE LOWER (RH)
	71393253	1	ANGLE, FLANGE MID-LOWER (RH)
17	700717635	3	RIVET, 3/16 X .402
	71393252	1	ANGLE, FLANGE MID-UPPER (RH)

CONTINUED

MC00288  
PR: 290

9690 COMBINE  
GRAIN BIN & ELEVATOR

GRAIN BIN  
UPPER STRUCTURE & MOUNTS





**9690 COMBINE  
GRAIN BIN & ELEVATOR**

487

**GRAIN BIN  
UPPER STRUCTURE & MOUNTS**

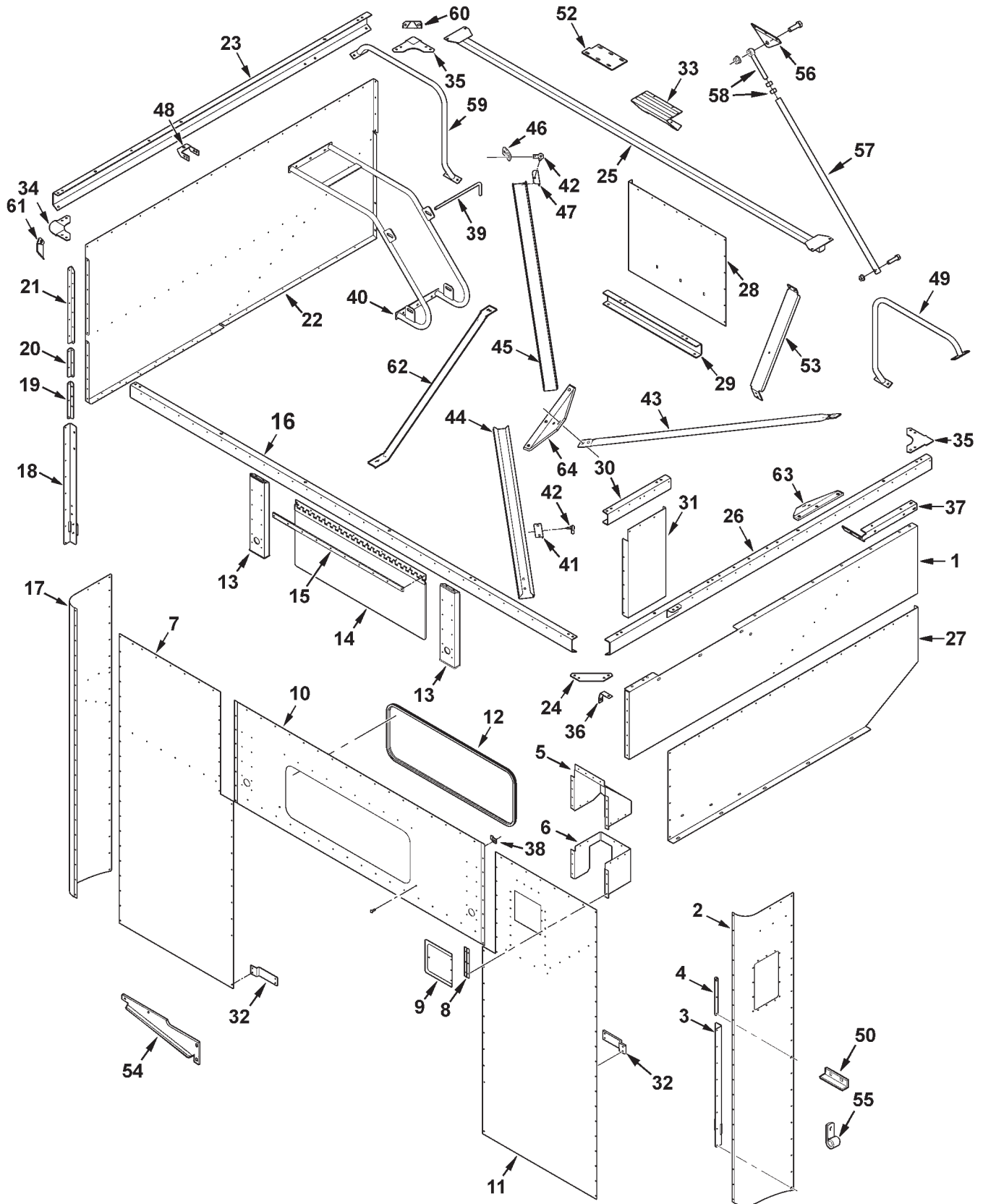
ITEM	NUMBER	QTY	DESCRIPTION
21	71393251	1	ANGLE, FLANGE UPPER (RH)
	700717635	6	RIVET, 3/16 X .402
22	71391964	1	PANEL, UPPER GRAIN BIN (RH)
	700717635	AR	RIVET, 3/16 X .402
	70924837	AR	RIVET, 3/16 X .277
23	71392624	1	CHANNEL, UPPER FRAME OUTER (RH)
24	71392616	4	GUSSET, FRAME
25	71396664	1	BRACE
26	71392658	1	CHANNEL, UPPER FRAME INNER (LH)
27	71391961	1	PANEL, UPPER REAR (LH)
	700717635	AR	RIVET, 3/16 X .402
	70924837	AR	RIVET, 3/16 X .277
	70921965	5	CAPSCREW, 3/8-16 X 3/4
	70917378	5	WASHER, 3/8 WIDE
	705038	5	LOCKWASHER, 3/8
	70916950	5	HEXNUT, 3/8-16
28	71391962	1	PANEL, DIVISION (LH)
	700717635	AR	RIVET, 3/16 X .402
29	71392621	1	CHANNEL, UPPER FRAME SUPPORT
	703249	2	CAPSCREW, 3/8-16 X 1.0
	705038	2	LOCKWASHER, 3/8
	70916950	2	HEXNUT, 3/8-16
30	71392622	1	CHANNEL, UPPER FRAME OUTER (LH)
31	71391963	1	PANEL, FRONT UPPER (LH)
	700717635	AR	RIVET, 3/16 X .402
	70924837	AR	RIVET, 3/16 X .277
	703249	1	CAPSCREW, 3/8-16 X 1.0
	705038	1	LOCKWASHER, 3/8
	70916950	1	HEXNUT, 3/8-16
32	71394325	2	SUPPORT, FRONT PANEL (9690 ONLY)
	700129058	2	SPACER (9790 ONLY)
	7703457	AR	CAPSCREW, 1/4-20 X 3/4
	1703354	AR	NUT, HEX FLANGE TOP LOCK, 1/4-20
33	71394688	1	STEP ASY., GRAIN BIN
	7703457	4	CAPSCREW, 1/4-20 X 3/4
	1703354	4	NUT, HEX FLANGE TOP LOCK, 1/4-20
	71394321	AR	TAPE, ANTI-SKID
34	71394420	1	BRACE, CORNER ROUND
35	71394419	2	BRACE, CORNER SQUARE
36	71395992R	1	BRACKET, FUEL TANK VENT
37	2633681W2	1	SUPPORT
	70921332	5	CAPSCREW, 5/16-18 X 3/4
	70917642	2	WASHER, 5/16 WIDE
	70917356	5	LOCKWASHER, 5/16
	70917372	5	HEXNUT, 5/16-18
38	108610W1	2	CLIP, GLASS RETAINER
	70931449	2	WASHER, 13/32 ID X 1-1/8 OD 7GA
	70937101	2	SPEEDNUT, THRD GRIP 1/4
	7770167	2	BOLT, RD HD SQ NK 1/4-20 X 1.0
	705707	2	WASHER, FLAT 1/4
	705012	2	LOCKWASHER, 1/4
	70916952	2	NUT, WING 1/4-20

CONTINUED

MC00288  
PR: 290

9690 COMBINE  
GRAIN BIN & ELEVATOR

GRAIN BIN  
UPPER STRUCTURE & MOUNTS



**9690 COMBINE  
GRAIN BIN & ELEVATOR**

489

**GRAIN BIN  
UPPER STRUCTURE & MOUNTS**

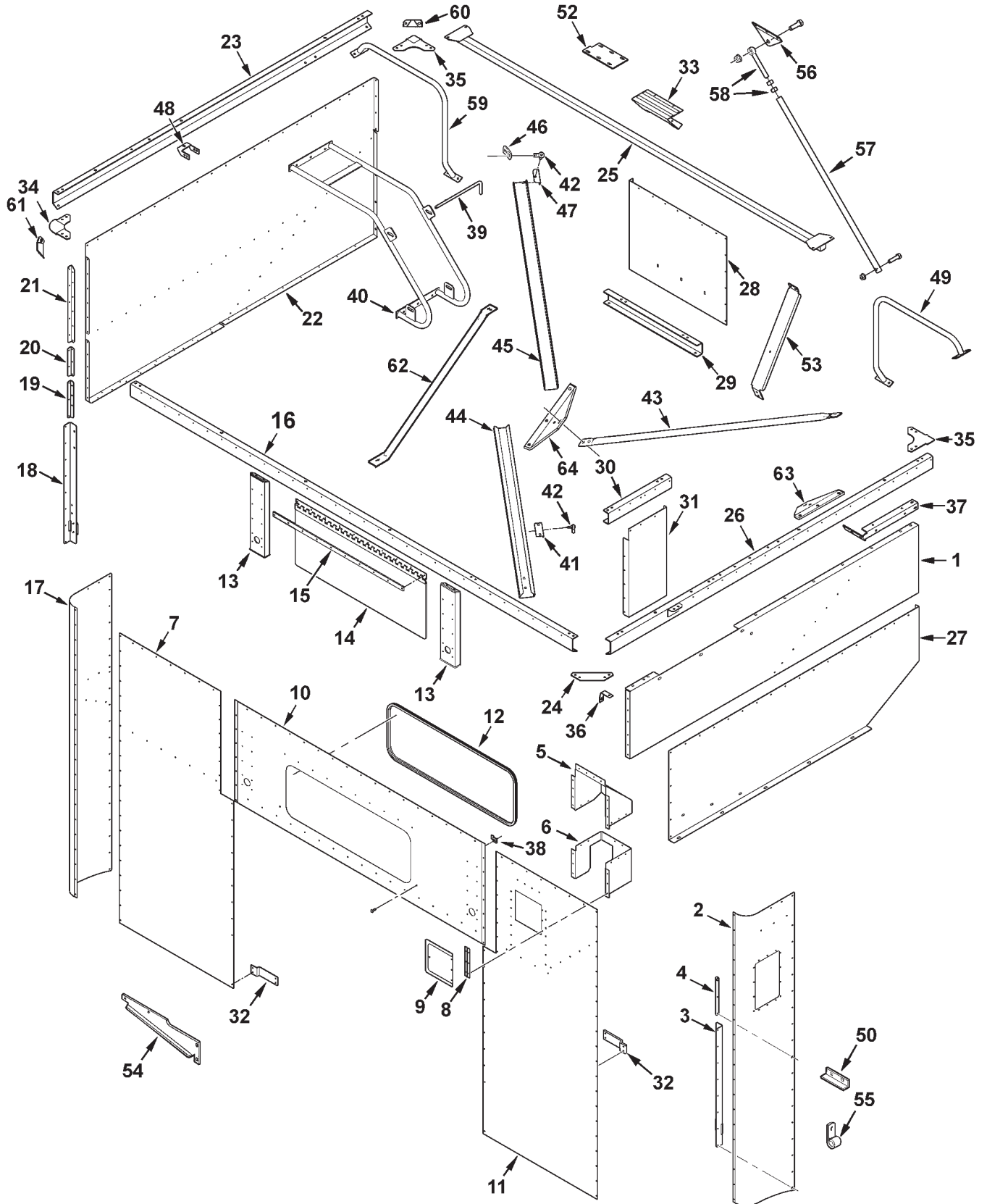
ITEM	NUMBER	QTY	DESCRIPTION
39	71390384	1	ROD, BIN FILL AUGER
	70918431	1	WASHER, FLAT 1/2
	70936348	1	PIN, RETAINER, .125 DIA X 2.56 LG
40	71393901	1	RETAINER, AUGER
	703249	6	CAPSCREW, 3/8-16 X 1.0
	70917378	6	WASHER, 3/8 WIDE
	705038	6	LOCKWASHER, 3/8
	70916950	6	NUT, 3/8-16 REG
41	71393907	1	SUPPORT ANGLE, LOWER CHANNEL
42	71326336	2	JOINT, BALL
43	71408830	1	CROSS BRACE (YR 2005 FIELD CAMPAIGN)
	70921210	4	CAPSCREW, 3/8-16 X 1 GR5
	70917378	4	WASHER, 3/8 WIDE
	Y704734	4	NUT, HEX FLANGE TOP LOCK, 3/8-16
44	71393425P	1	TRAY, LOWER SAMPLE
45	71393424B	1	TRAY, UPPER SAMPLE
46	71393908	1	ANCHOR, SAMPLE TRAY
47	71393909	1	SUPPORT ANGLE, UPPER
48	102903M91	12	HINGE ASY.
	7771769	12	CAPSCREW, 1/2-13 X 3/4
49	71393873	1	RAIL WLDMT, LEFT BIN EXT'N SUPPORT
	703249	4	CAPSCREW, 3/8-16 X 1.0
	705038	4	LOCKWASHER, 3/8
	70916950	4	NUT, 3/8-16 REG
50	71397111	1	ANGLE
52	71394920	1	PLATE, ENG. COVER
	7883408	3	SCREW, HX FLANGE, 3/8-16 X 1-1/4 GR8
	704247	3	LOCKNUT, HEX SERR FLANGE, 3/8-16
53	71393913	2	SUPPORT, REAR GRAIN BIN
	703249	8	CAPSCREW, 3/8-16 X 1.0
	Y704734	8	NUT, HEX FLANGE TOP LOCK, 3/8-16
54	71405933B	1	PLATE, RT TANK SUPPORT
	703249	4	CAPSCREW, 3/8-16 X 1.0
	Y704734	4	NUT, HEX FLANGE TOP LOCK, 3/8-16
55	70936314	1	J-CLIP, 1/2 DIA X .406 MTG. HOLE
	70937685	1	J-CLIP, 3/8 DIA X .406 MTG HOLE
56	71397122	1	ANCHOR
	703249	3	CAPSCREW, 3/8-16 X 1.0
	Y704734	3	NUT, HEX FLANGE TOP LOCK, 3/8-16
57	71397121	1	BRACE (PRIOR S/N HR87101)
	71397124	1	BRACE (EFF. S/N HR87101)
	7701659	1	CAPSCREW, 5/8-11 X 2-1/2
	70918432	3	WASHER, 5/8, WIDE (QTY. 1 PRIOR S/N HR87101)
	700703922	1	NUT, HEX FLANGE TOP LOCK, 5/8-11
58	71343344	1	EYEBOLT
	7702145	1	CAPSCREW, 3/4-10 X 2-1/2
	70918433	3	WASHER, 3/4, WIDE (EFF. S/N HR87101)
	700703923	1	NUT, HEX FLANGE TOP LOCK, 3/4-10
	70913160	2	NUT, 3/4-10 REG

CONTINUED

MC00288  
PR: 290

9690 COMBINE  
GRAIN BIN & ELEVATOR

GRAIN BIN  
UPPER STRUCTURE & MOUNTS



9690 COMBINE  
GRAIN BIN & ELEVATOR

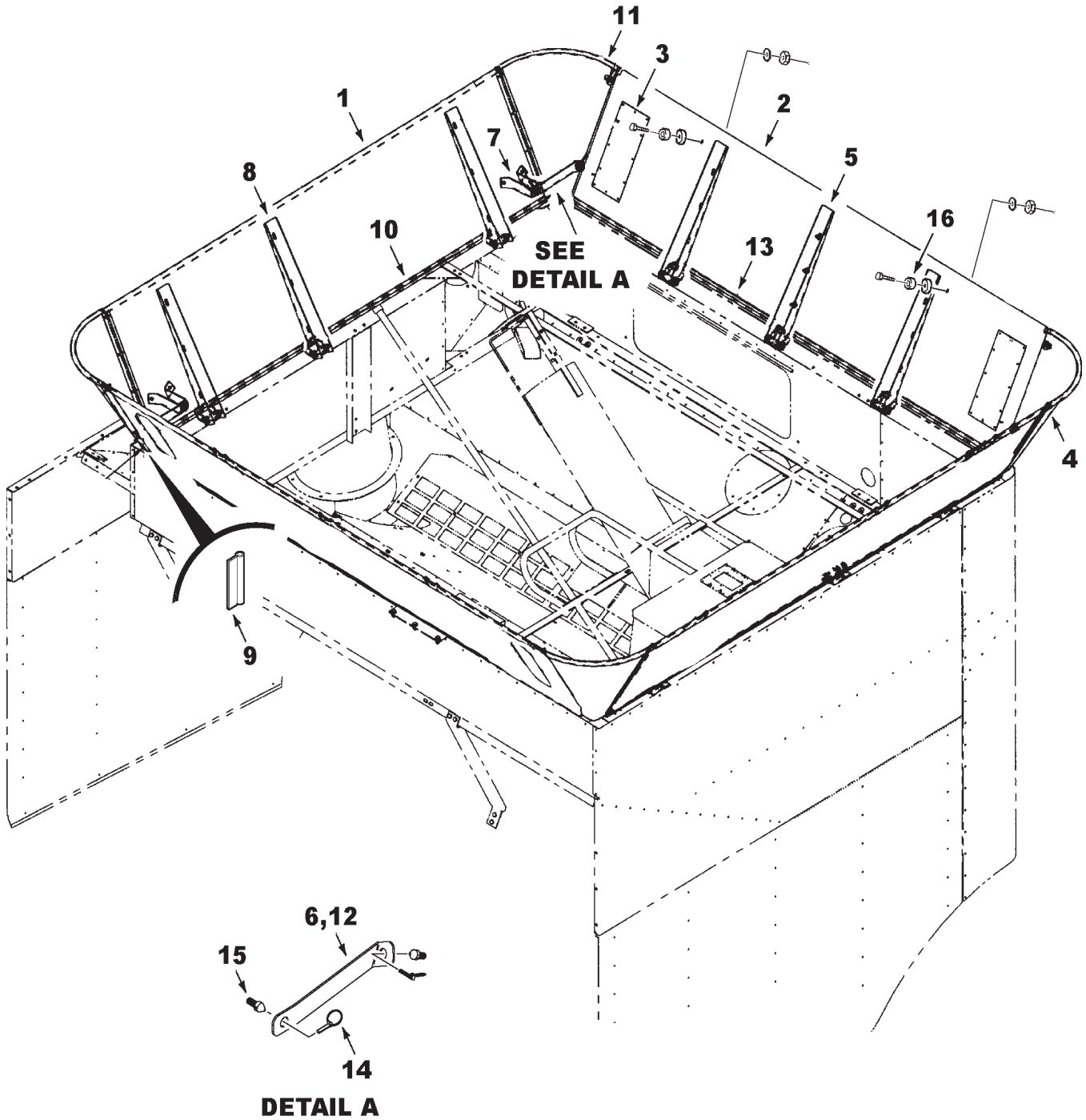
491

GRAIN BIN  
UPPER STRUCTURE & MOUNTS

ITEM	NUMBER	QTY	DESCRIPTION
59	71393875	1	RAIL WLDMT, RT BIN EXT'N SUPPORT
	703249	4	CAPSCREW, 3/8-16 X 1.0
	705038	4	LOCKWASHER, 3/8
	70916950	4	NUT, 3/8-16 REG
60	71399270P	3	GUSSET, CORNER (EFF. S/N HN87101)
61	71399271P	1	GUSSET, CORNER (EFF. S/N HN87101)
	703249	8	CAPSCREW, 3/8-16 X 1.0
	Y704734	8	NUT, HEX FLANGE TOP LOCK, 3/8-16
	70917378	4	WASHER, 3/8 WIDE
62	71403618B	1	BRACE, UNLOADER (EFF. S/N HN87101)
	70920415	2	CAPSCREW, 3/8-16 X 1-1/4 GR5
	705038	2	LOCKWASHER, 3/8
	70916950	2	NUT, 3/8-16 REG
63	71408827	1	BRACKET, X-BRACE, UPPER (YR 2005 FIELD CAMPAIGN)
	70920415	3	CAPSCREW, 3/8-16 X 1-1/4 GR5
	70917378	3	WASHER, 3/8 WIDE
	Y704734	3	NUT, HEX FLANGE TOP LOCK, 3/8-16
64	71408828	1	BRACKET, X-BRACE, LOWER (YR 2005 FIELD CAMPAIGN)
	70928635	3	SCR,HEX WSHR HD TAPPING, 3/8-16 X 1-1/4

MC00288  
PR: 290

BIN EXTENSIONS



**9690 COMBINE  
GRAIN BIN & ELEVATOR**

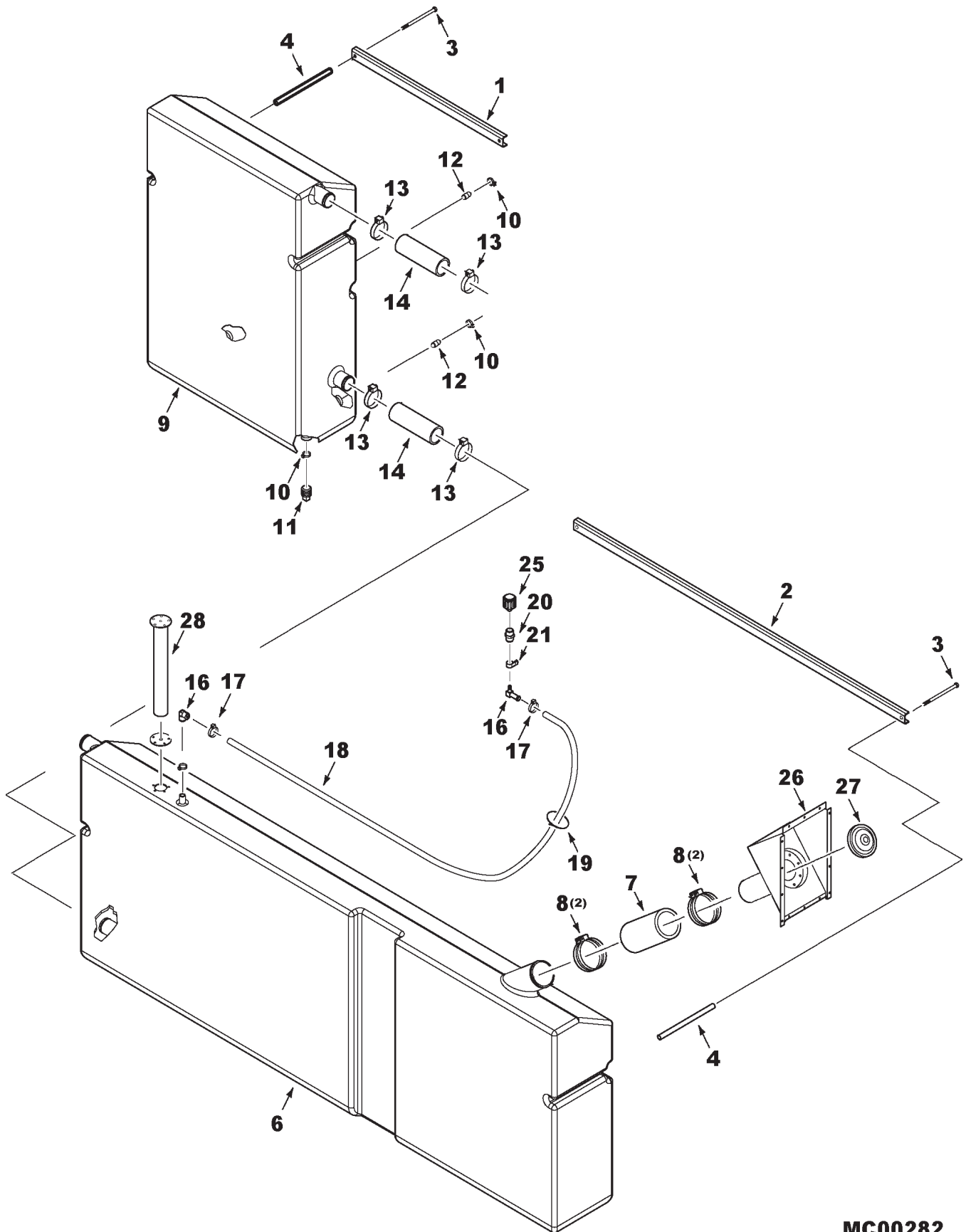
493

**BIN EXTENSIONS**

ITEM	NUMBER	QTY	DESCRIPTION
1	71396404R	2	PANEL ASY., SIDE (W/HINGES)
	71393870	4	HINGE
	700717635	16	RIVET, 3/16 DIA X .25
2	71396403	2	PANEL ASY., END (INCL. ITEM 3)
	71376350	4	PANEL, WINDOW
4	70924837	48	RIVET, 3/16 X 9/32
	71393867	2	CORNER WLDMT, RF AND LR
	70937650	8	RIVET, 3/16 X .402, RED HEAD
5	71393868	6	CHANNEL, HINGE, FRONT & REAR
	7772767	6	CAPSCREW, 3/8-16 X 3-1/2
	700129071	6	SPACER, .531 OD X .875 ID
	Y704734	6	LOCKNUT, HEX FLANGE, 3/8-16
	112845W1	18	SCREW, TRUSS HD, 5/16-18 X 1.0, RED
	70917378	18	WASHER, FLAT 3/8
	70917356	18	LOCKWASHER, 5/16
6	71395386P	2	STRAP, CORNER SUPPORT, RF & LR
	71393871R	4	BRACKET, HINGE MOUNTING
	112845W1	8	SCREW, TRUSS 5/16-18 X 1.0, RED HEAD
8	Y705020	8	LOCKWASHER, 5/16 REG
	70917372	8	NUT, 5/16-18 REG
	71393869	6	CHANNEL, HINGE, SIDES
	7772767	6	CAPSCREW, 3/8-16 X 3-1/2
	700129071	6	SPACER, .531 OD X .875 ID
	Y704734	6	LOCKNUT, HEX FLANGE, 3/8-16
	112845W1	18	SCREW, TRUSS HD, 5/16-18 X 1.0, RED
9	70917378	18	WASHER, FLAT 3/8
	70917356	18	LOCKWASHER, 5/16
	70917372	18	HEXNUT, 5/16-18
10	71395390	4	SEAL, CORNER
	71395388	2	SEAL, SIDE
11	71394418	2	CORNER WLDMT, LF & RR
	70937650	8	RIVET, 3/16 X .402, RED HEAD
12	71395387P	2	STRAP, CORNER SUPPORT, LF & RR
	71395389	2	SEAL, FRONT & REAR PANEL
14	863415	12	PIN, KLIK
	705632	8	WASHER, FLAT 5/8
15	1656110W2	12	PIN, SHIELD LOCK
	70916950	12	NUT, 3/8-16 REG
	705038	12	LOCKWASHER, 3/8
	70917378	12	WASHER, FLAT 3/8 WIDE
16	72509675	4	BUMPER, RUBBER
	7703473	4	CAPSCREW, 1/4-20 X 1-1/4
	700134393	4	SPACER, .47 TH
	705012	4	LOCKWASHER, 1/4
	70916622	4	NUT, 1/4-20 REG

MC00290  
PR: 296

FUEL TANKS





**9690 COMBINE  
GRAIN BIN & ELEVATOR**

495

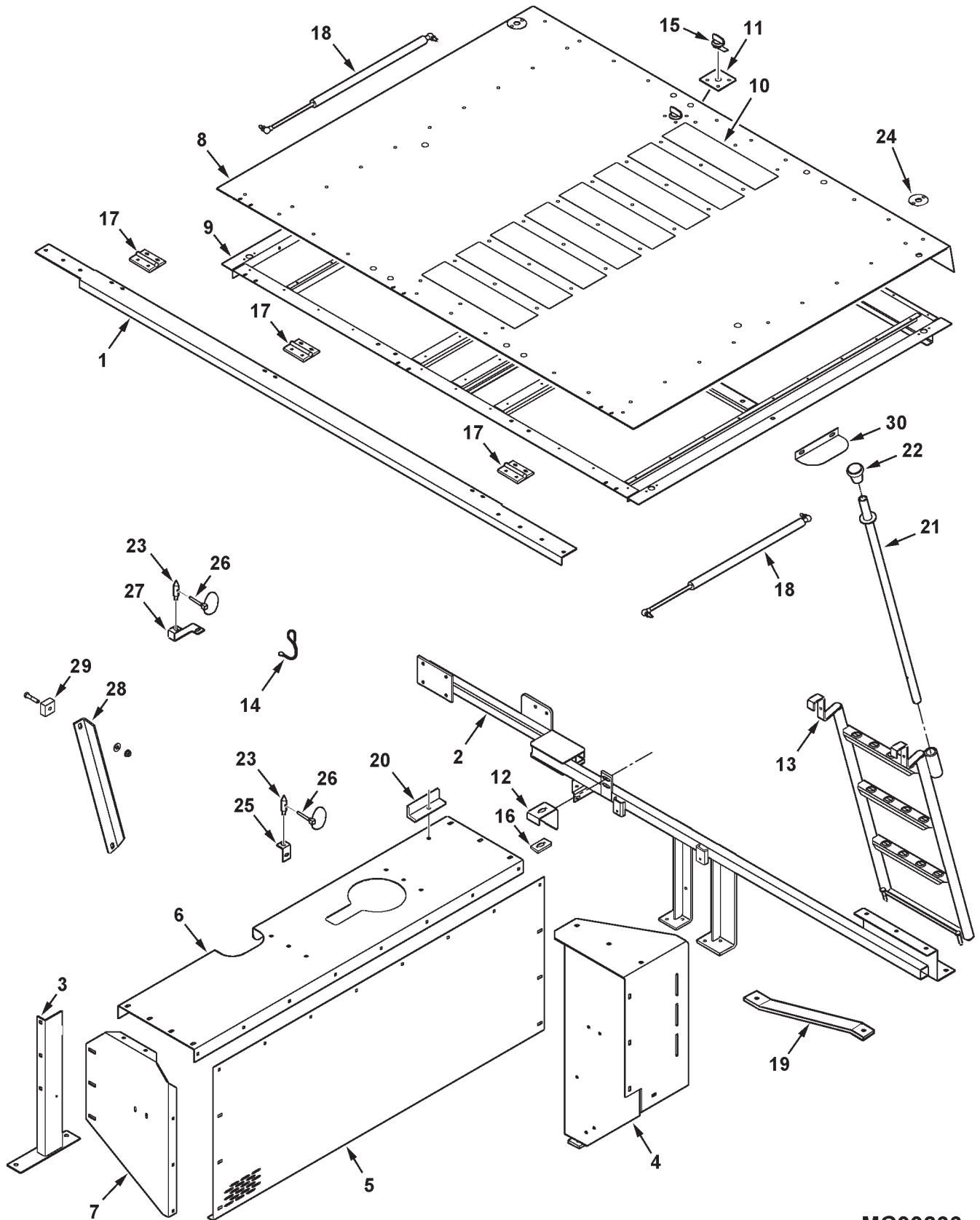
**FUEL TANKS**

ITEM	NUMBER	QTY	DESCRIPTION
1	71389785	1	CHANNEL, TANK RETAINING (RH)
2	71389784	1	CHANNEL, TANK RETAINING (LH)
3	70937179	4	SCREW, CAP, 3/8-16 X 11.0
	705038	4	LOCKWASHER, 3/8
4	71390914	4	SPACER
6	71388751	1	TANK, FUEL (LH)
7	71390241	1	HOSE, FILLER NECK COUPLER
8	3725988M1	4	CLAMP, #60, 3-3/8 TO 4-1/4
9	71388752	1	TANK, FUEL (RH)
10	7020027	3	CLAMP, HOSE, WORM DR, .81-1.50
11	70905262	1	PLUG, SQ HD, 3/4 NPT
12	70901828	2	BUSHING, 3/4 X 1/2 NPT
	700704010	1	SILICONE SEALANT, BLACK, 10.2 OZ.
13	720649	4	CLAMP, HOSE, WORM DR, 2.0-3.0
14	71390242	2	HOSE, COUPLER
16	70931226	2	FITTING, 90DEG. PUSH-ON HOSE
	7020027	1	CLAMP, HOSE, WORM DR, .81-1.50
17	70921910	2	CLAMP, HOSE, WORM DR, .44-.78
18	71390248	1	HOSE, VENT
19	3619622M1	1	TIE, SELF-LOCK .184 X 14.0
20	70922863	1	COUPLER, 1/4-18 NPTF
21	70936747	1	CLAMP, .750 TUBE X .281
	7703457	1	CAPSCREW, 1/4-20 X 3/4
	705012	1	LOCKWASHER, 1/4
	70916622	1	NUT, 1/4-20 REG
25	71186814	1	BREATHER
26	71391932	1	INLET, FUEL
27	71391625	1	CAP, FUEL FILLER
28	71407293	1	SENDER, FUEL LEVEL W/ GASKET (SEE "ELECTRICAL, GRAIN BIN")

MC00282  
PR: 298

9690 COMBINE  
SHIELDS

ENGINE COVERS



**9690 COMBINE  
SHIELDS**

497

**ENGINE COVERS**

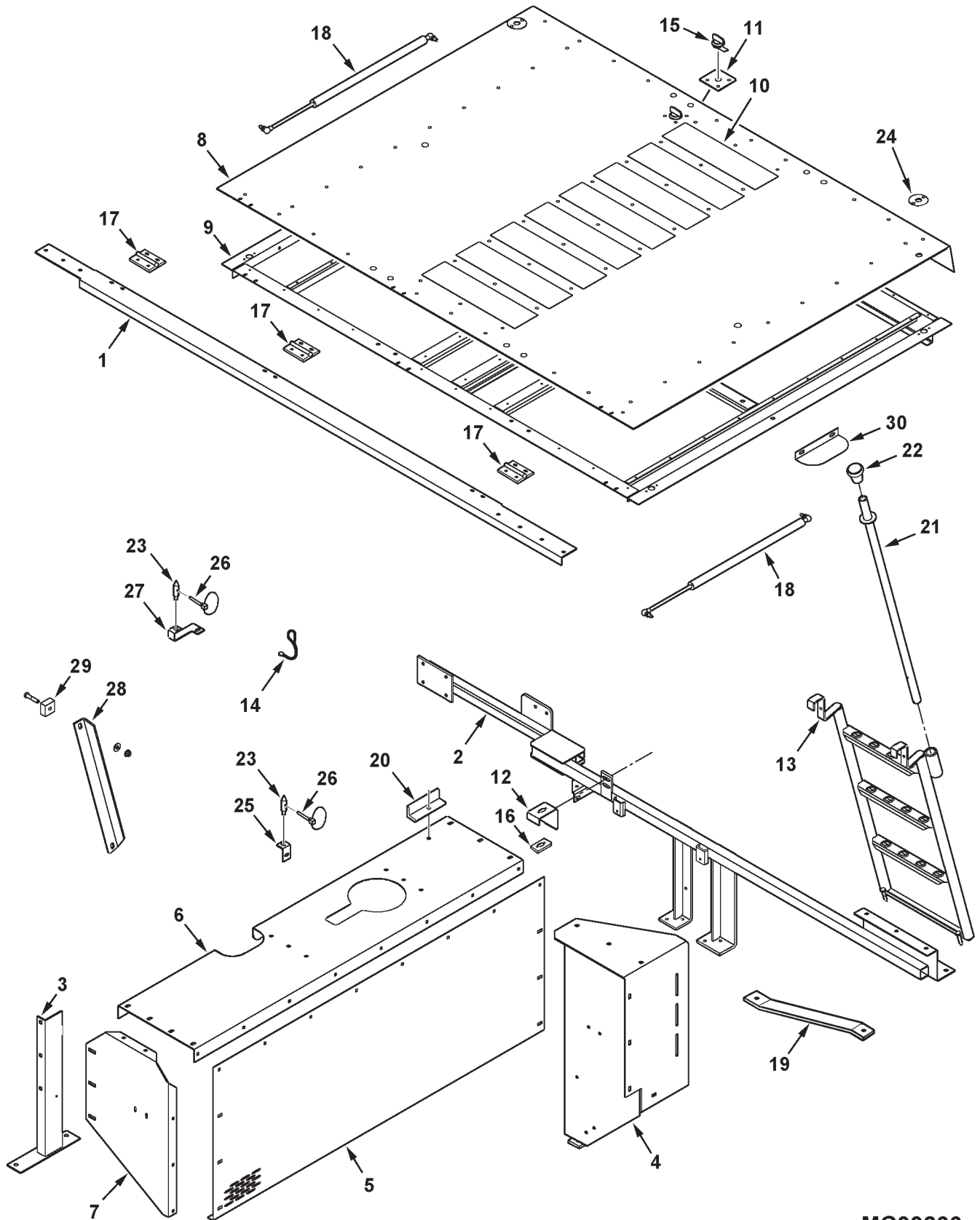
ITEM	NUMBER	QTY	DESCRIPTION
1	71390755	1	CROSS MEMBER, FRONT ENGINE
	7700461	3	BOLT, RHSN 5/16-18 X 3/4
	70917642	3	WASHER, 5/16 WIDE
	70917356	3	LOCKWASHER, 5/16
	70917372	3	NUT, 5/16-18
2	71398202	1	CROSS MMBR WLMT, REAR(PRIOR S/N HN87101)
	71400912	1	CROSS MMBR WLMT, REAR (EFF. S/N HN87101 TO HP87999)
	71410786	1	CROSS MMBR WLMT, REAR (EFF. S/N HR87101)
	70921210	2	CAPSCREW, 3/8-16 X 1 GR5
	70917378	2	WASHER, 3/8 WIDE
	70916965	2	LOCKWASHER, 3/8
	70916950	2	NUT, 3/8-16
	71387962	1	SUPPORT WLDMT., LH FRONT ENGINE
3	70921176	2	CAPSCREW, 1/2-13 X 1-1/4
	Y705046	2	LOCKWASHER 1/2
	704031	2	NUT, 1/2-13
4	71395372	1	SUPPORT WLDMT., LH REAR ENGINE
	70921333	2	CAPSCREW, 5/16-18 X 1
	70917642	2	WASHER, 5/16 WIDE
	70917356	2	LOCKWASHER 5/16
	70917372	2	NUT, 5/16-18
	68759	3	BOLT, RHSN 3/8-16 X 1
	70916965	3	LOCKWASHER 3/8
	70916950	3	NUT, 3/8-16
5	71387759	1	PANEL, LH ENGINE ENCLOSURE
	7700461	14	BOLT, RHSN 5/16-18 X 3/4
	70917642	14	WASHER, 5/16 WIDE
	70917356	14	LOCKWASHER, 5/16
	70917372	14	NUT, 5/16-18
6	71390762	1	TOP PANEL, LH ENGINE (PRIOR S/N HR87101)
	71410651	1	TOP PANEL, LH ENGINE (EFF. S/N HR87101)
	7700461	7	BOLT, RHSN 5/16-18 X 3/4
	7700578	2	BOLT, RHSN 5/16-18 X 1
	70917642	9	WASHER, 5/16 WIDE
	70917356	9	LOCKWASHER, 5/16
	70917372	9	NUT, 5/16-18
7	71395375	1	FRONT, LH ENGINE ENCLOSURE
	68759	3	BOLT, RHSN 3/8-16 X 1
	70917378	3	WASHER, 3/8 WIDE
	70916965	3	LOCKWASHER, 3/8
	70916950	3	NUT, 3/8-16
8	71392846	1	SHEET ASY, W/DECALS (PRIOR S/N HN87101)
	71400911R	1	SHEET ASY, W/DECALS (EFF. S/N HN87101 TO HP87999)
	71410657	1	SHEET ASY, W/DECALS (EFF. S/N HR87101)
	71379132	2	DECAL, WARNING ENGINE
	70937649	65	POP-RIVET, 3/16 X .063-.125 GRIP,RED
	70937650	12	POP-RIVET, 3/16 X .126-.250 GRIP,RED
	7700461	8	BOLT, RD HD SQ NK, 5/16-18 X 3/4
	70917356	8	LOCKWASHER, 5/16
	70917372	8	NUT, 5/16-18

CONTINUED

MC00266  
PR: 300

9690 COMBINE  
SHIELDS

ENGINE COVERS



9690 COMBINE  
SHIELDS

499

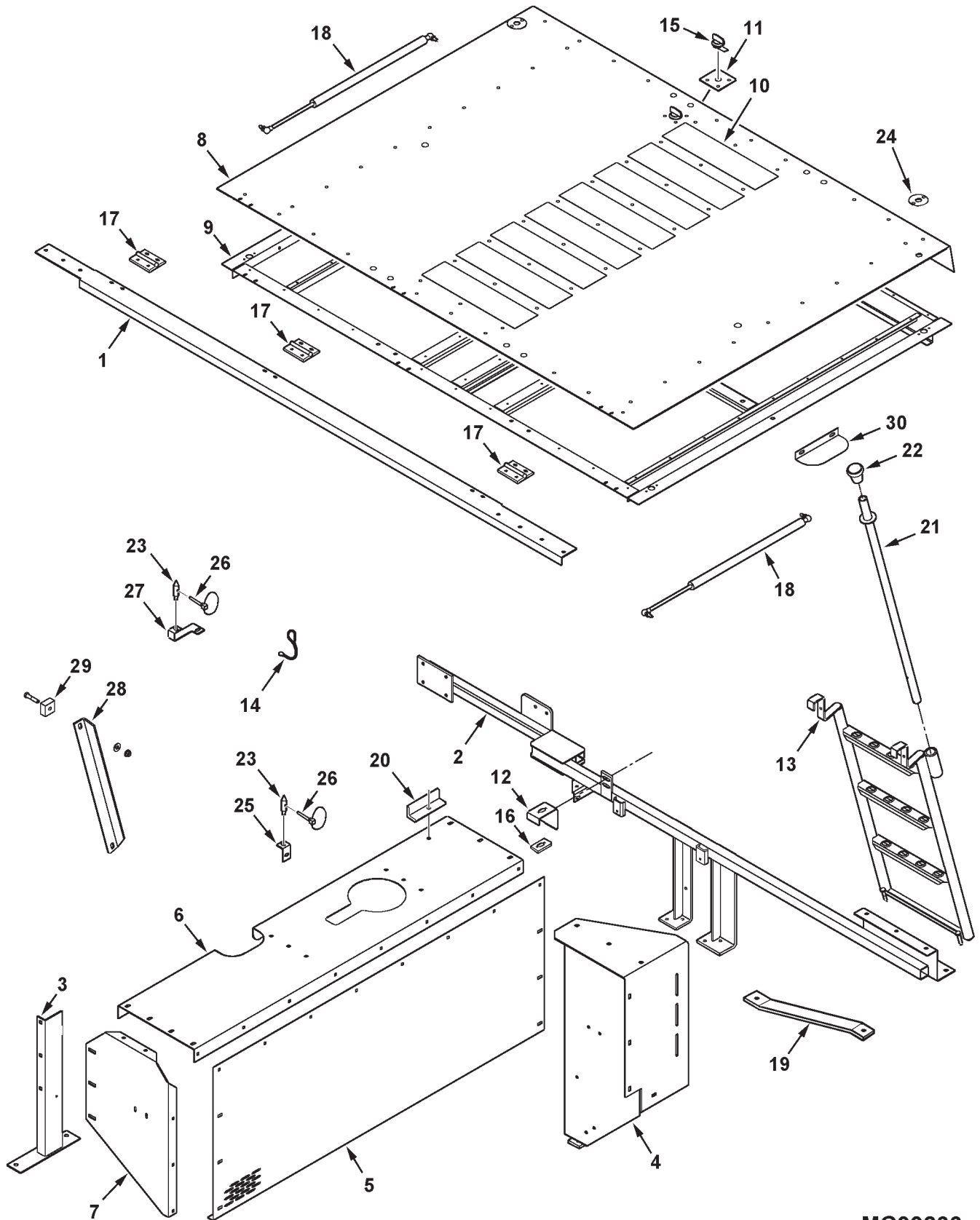
ENGINE COVERS

ITEM	NUMBER	QTY	DESCRIPTION
9	71392847	1	FRAME WLMT, ENG COVER(PRIOR S/N HR87101)
	71410658	1	FRAME WLMT, ENG COVER (EFF. S/N HR87101)
	70931350	2	BOLT, RD HD SQ NK, 3/8-16 X 1 (PRIOR S/N HR87101)
	70916965	2	LOCKWASHER, 3/8
	70916950	2	NUT, 3/8-16 REG
10	71388938	8	TAPE, ANTI-SKID
11	71388942	1	REINF PLATE, LATCH
	70937650	4	POP-RIVET, 3/16 X .126-.250 GRIP,RED
12	71388944	1	RECEIVER BRKT WLMT, ENG COVER (PRIOR S/N HR87101)
	71410659	1	RECEIVER BRKT WLMT, ENG COVER (EFF. S/N HR87101)
	70931350	2	BOLT, RHSN, 3/8-16 X 1
	70917378	2	WASHER, 3/8 WIDE
	70916965	2	LOCKWASHER, 3/8
	70916950	2	NUT, 3/8-16
	71393476	1	LADDER WLMT (PRIOR S/N HN87101)(SERVICE WITH 71400913)
13	71400913	1	LADDER WLMT (EFF S/N HN87101 TO HP87999)
	71410375	1	LADDER WLMT (EFF. S/N HR87101)
	70937714	2	PIN, CLEVIS RETNR, W/RING .25 X 2.5
	71390770	2	CABLE, LANYARD, 6 LG (PRIOR S/N HN87101)
	70934892	2	PIN, CLEVIS RETNR, W/RING .19 X 1.3 (PRIOR S/N HN87101)
14	70931820	2	SCREW, TAPPING #10-16 X 1/2
	700714706	1	LATCH, QUARTER TURN
15	700714529	1	RECEIVER, LATCH
	70924837	2	RIVET, 3/16 X .063-.125 GRIP
16	71345822	3	HINGE
	7703457	12	CAPSCREW, 1/4-20 X 3/4 (PRIOR S/N HR87101)
	70931317	12	BOLT, RD HD SQ NK, 1/4-20 X 3/4 (EFF. S/N HR36101)
	70937101	6	NUT, PUSH-ON, 1/4 (EFF. S/N HR36101)
	70917377	12	WASHER, 1/4 WIDE
	705012	12	LOCKWASHER, 1/4
	70916622	12	NUT, 1/4-20
	71305916	2	GAS SPRING
	71307131	2	STUD/BALL
	71307132	2	CLIP/BALL STUD
17	70917356	4	LOCKWASHER, 5/16
	70917372	4	NUT, 5/16-18
	71395376	1	STRAP, SUPPORT
	70921210	1	CAPSCREW, 3/8-16 X 1
18	Y704734	1	NUT, HEX FLANGE TOP LOCK, 3/8-16
	70923114	1	CAPSCREW, 1/2-13 X 1
	Y704742	1	NUT, HEX FLANGE TOP LOCK, 1/2-13
	71390759R	2	HOLD DOWN ASY (PRIOR S/N HN87101)
	70921210	2	CAPSCREW, 3/8-16 X 1
19	71400736	1	HANDLE WLDMT, ASSIST (EFF. S/N HN87101)
	70937714	1	PIN, CLEVIS RETNR, W/RING, .25 X 2.5
20	70916937	1	PIN, SPRING, 1/4 X 1-1/4
	71379254	1	TIP, CRUTCH (EFF. S/N HN87101)

CONTINUED

MC00266  
PR: 300

ENGINE COVERS



9690 COMBINE  
SHIELDS

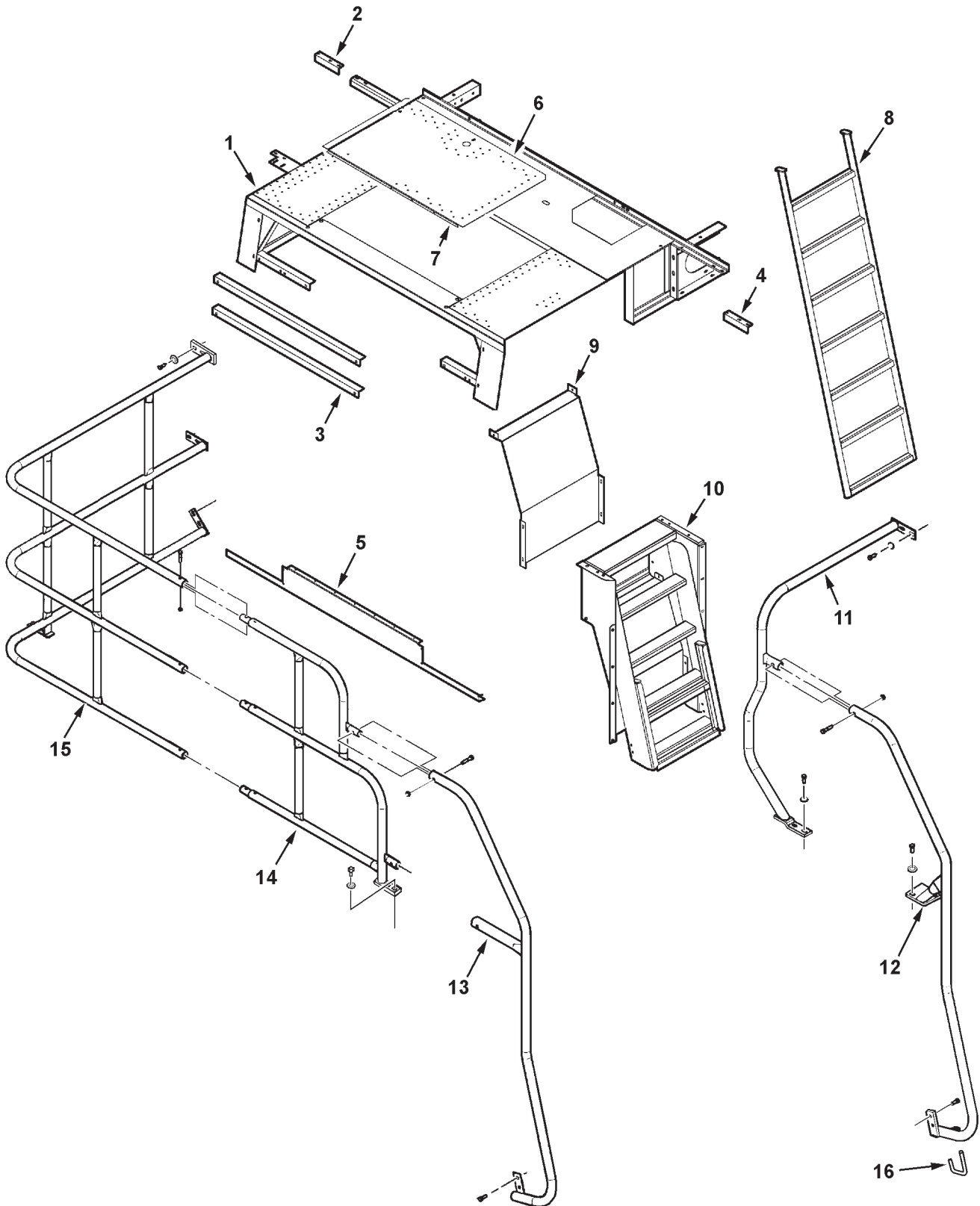
501

ENGINE COVERS

ITEM	NUMBER	QTY	DESCRIPTION
23	1656110W2	2	PIN, SHIELD LOCK (EFF. S/N HN87101)
	70916965	2	LOCKWASHER, 3/8
	70916950	2	NUT, 3/8-16 REG
24	71400739	2	PLATE, PIN RECEIVER (EFF. S/N HN87101)
	700717635	4	RIVET, .188 X .126-.250
25	71400738	2	ANGLE, ENGINE COVER (EFF. S/N HN87101 TO HP87999)
	71410424	1	ANGLE, ENGINE COVER (EFF. S/N HR87101)
	70921965	2	CAPSCREW, 3/8-16 X 3/4
	70916950	1	NUT, 3/8-16 REG
26	863415	2	PIN, KLIK 3/16 X 1 W/CHAIN & COTTER (EFF. S/N HN87101)
27	71410423	1	BRKT, COVER HOLD DOWN (EFF. S/N HR87101)
28	-----	1	BRACE ANGLE (9790 ONLY)
29	-----	1	SPACER PLATE (9790 ONLY)
30	-----	1	COVER (9790 ONLY)

MC00266  
PR: 300

REAR DECK AND LADDER





9690 COMBINE  
SHIELDS

503

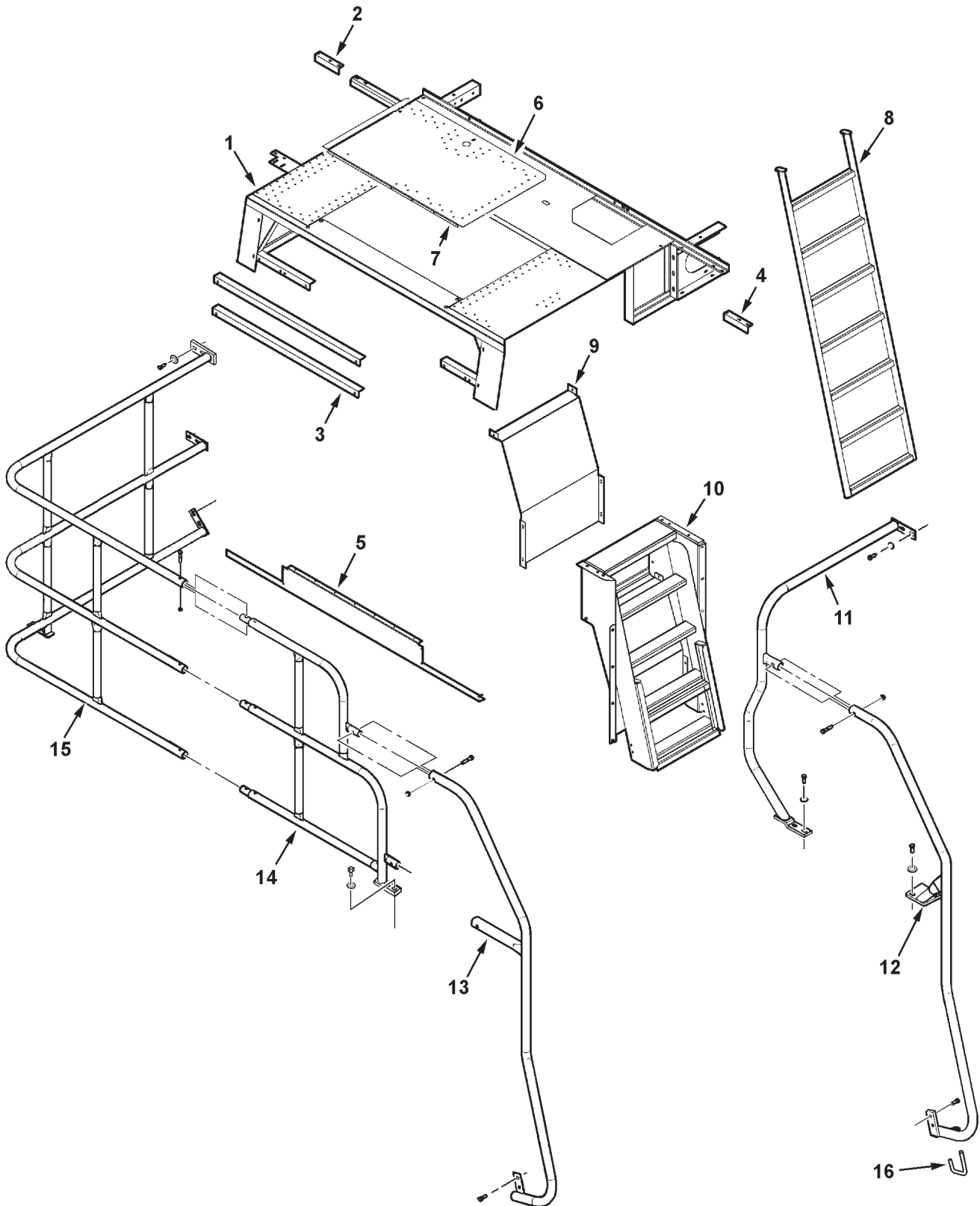
REAR DECK AND LADDER

ITEM	NUMBER	QTY	DESCRIPTION
1	71395359	1	DECK & FLOOR WLMT, RR(PRIOR S/N HR87101)
	71410993	1	DECK & FLOOR WLMT, RR (EFF. S/N HR87101)
	70921210	5	CAPSCREW, 3/8-16 X 1
	70917378	5	WASHER, 3/8
	70916965	5	LOCKWASHER, 3/8
	70916950	5	NUT, 3/8-16
	701235	6	CAPSCREW, 1/2-13 X 1-1/2
	70918431	12	WASHER, WIDE 1/2
	Y705046	6	LOCKWASHER, 1/2
	704031	6	NUT, 1/2-13
2	2630430W1R	2	BRACKET, SHIELD ADJUSTMENT
3	2635250W1R	2	ANGLE, REAR DECK
	706432	2	TRUSS SCREW, 5/16-18 X 1
	70921332	2	CAPSCREW, 5/16-18 X 3/4
	Y705020	4	LOCKWASHER, 5/16
	70917372	4	NUT, HEX 5/16-18
4	2630420W1R	1	BRACKET, SHIELD ADJUSTMENT
	70921210	6	CAPSCREW, HEX, 5/16-18 X 1
	70917642	6	WASHER, FLAT, 5/16
	Y704726	6	NUT, HEX FLANGE TOP LOCK, 5/16-18
5	71393494	1	TRIM REAR, REAR DECK
	70918249	2	MACHINE SCREW, CRTH 5/16-18 X 3/4
	Y705020	2	LOCKWASHER, 5/16
	70917372	2	NUT, HEX 5/16-18
6	71393492	1	DOOR, ROTOR DRIVE ACCESS
	70918249	1	MACHINE SCREW, CRTH 5/16-18 X 3/4
7	71393493	1	HINGE, PIANO 34"
	70937253	14	RIVET, BLIND
8	71386773	1	LADDER, REAR WLDMT
9	71391831	1	SHIELD, REAR LADDER
	71379129	1	DECAL, WARNING FALLING
	71379127	1	DECAL, WARNING SPREADER
	70921332	4	CAPSCREW, 5/16-18 X 3/4
	70917642	4	WASHER, WIDE 5/16
	Y705020	4	LOCKWASHER, 5/16
10	71391835	1	SUPPORT, REAR LADDER
	70921210	6	CAPSCREW, 3/8-16 X 1
	70916965	6	LOCKWASHER, 3/8
	70916950	6	NUT, 3/8-16 REG
	70921332	6	CAPSCREW, 5/16-18 X 3/4
	Y705020	6	LOCKWASHER, 5/16
	70917372	6	NUT, HEX 5/16-18

CONTINUED

MC00265  
PR: 304

REAR DECK AND LADDER



9690 COMBINE  
SHIELDS

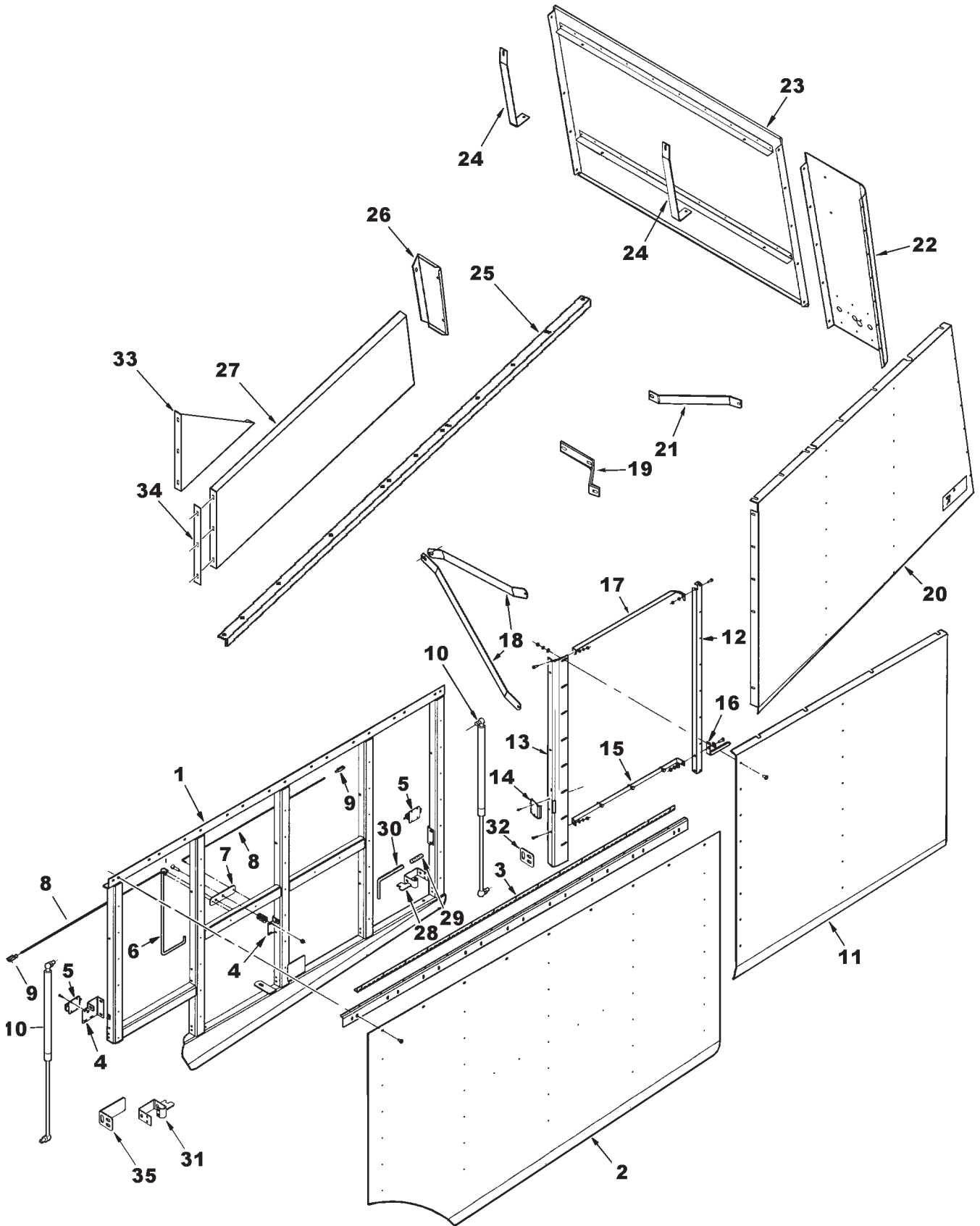
505

REAR DECK AND LADDER

ITEM	NUMBER	QTY	DESCRIPTION
11	71393992	1	RAIL WLMT, RH RR DECK(PRIOR S/N HR87101)
	71406772	1	RAIL WLMT, RH RR DECK (EFF. S/N HR87101)
	70921210	4	CAPSCREW, 3/8-16 X 1
	70916965	4	LOCKWASHER, 3/8
	70916950	4	NUT, 3/8-16 REG
	70917378	4	WASHER, WIDE 3/8
12	71393995	1	GRAB RAIL, RIGHT
	70921210	4	CAPSCREW, 3/8-16 X 1
	70921971	1	CAPSCREW, 3/8-16 X 1-3/4
	70916965	4	LOCKWASHER, 3/8
	70916950	4	NUT, 3/8-16 REG
	70917378	2	WASHER, WIDE 3/8
	7704141	1	NUT, HTLN 3/8-16
	71393994	1	GRAB RAIL, LEFT
13	70921210	2	CAPSCREW, 3/8-16 X 1
	70921971	2	CAPSCREW, 3/8-16 X 1-3/4
	70916965	2	LOCKWASHER, 3/8
	70916950	2	NUT, 3/8-16 REG
	7704141	2	NUT, HTLN 3/8-16
	71393984	1	HANDRAIL, CENTER REAR DECK
14	70921210	2	CAPSCREW, 3/8-16 X 1
	70917378	2	WASHER, WIDE 3/8
15	71390789	1	HANDRAIL, LEFT REAR DECK
	70921210	8	CAPSCREW, 3/8-16 X 1
	70921971	3	CAPSCREW, 3/8-16 X 1-3/4
	70916965	8	LOCKWASHER, 3/8
	70916950	8	NUT, 3/8-16 REG
	70917378	8	WASHER, WIDE 3/8
	7704141	3	NUT, HTLN 3/8-16
16	2632690W1	1	ROD, LADDER SUPPORT
	70918431	1	WASHER, 1/2
	62182	1	COTTER PIN

MC00265  
PR: 304

SIDE SHIELDS  
LEFT SIDE



**9690 COMBINE  
SHIELDS**

507

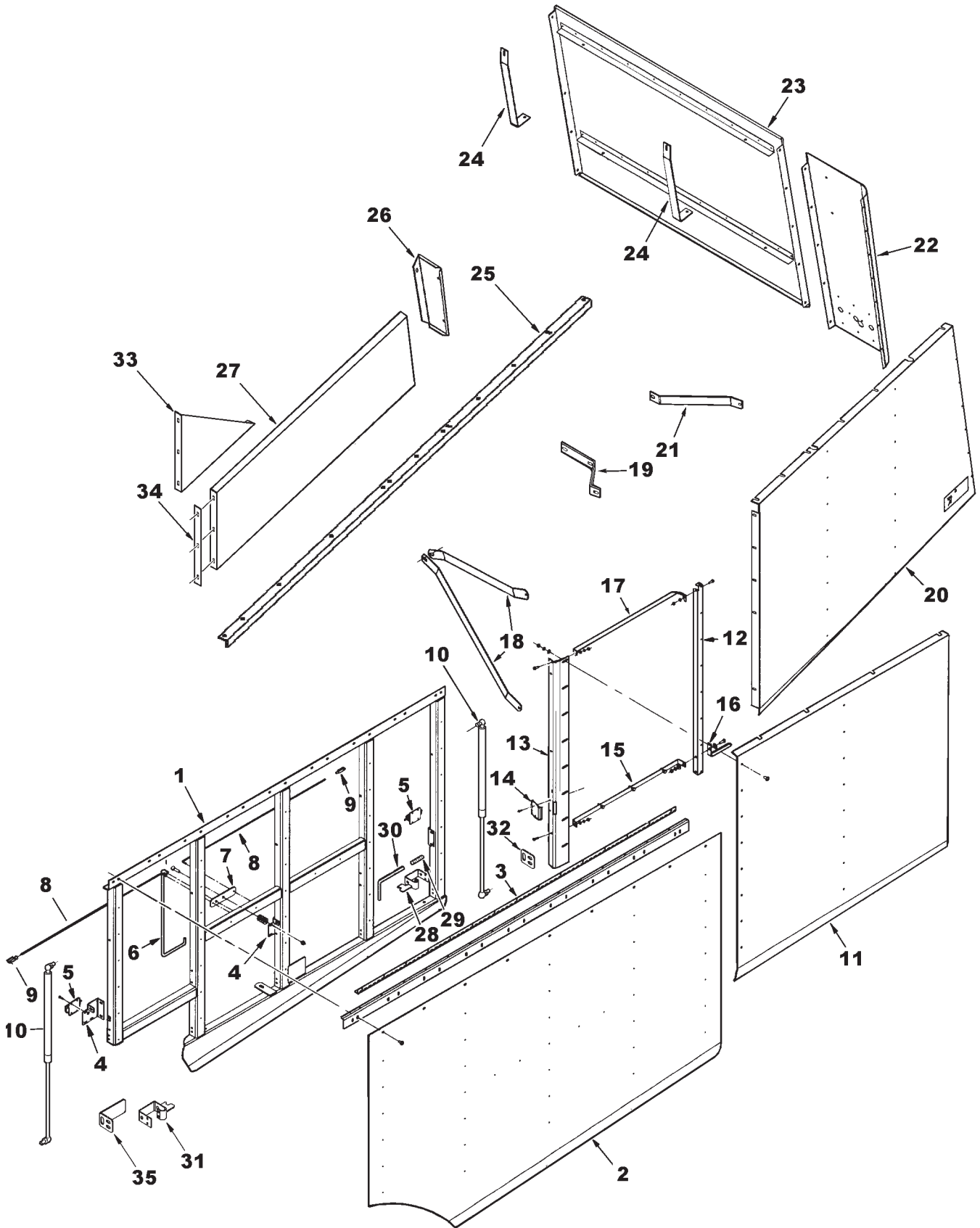
**SIDE SHIELDS  
LEFT SIDE**

ITEM	NUMBER	QTY	DESCRIPTION
-	71398451	1	SHIELD ASY, LEFT FRONT (INCL. ITEMS 1-9 & 28-31)
1	71398452	1	FRAME, SHIELD FRONT
2	71398454	1	SHIELD, FRONT
	71379128	1	DECAL, WARNING
	700721602	9	SCREW, TRUSS HD, RED, 5/16-18 X 5/8
	70931277	9	NUT, HEX SERR FLNG, 5/16-18
	700717635	57	RIVET, .188 X .125-.250
3	71349763	1	HINGE, PIANO
	71398453	1	ANGLE, SHIELD HANGER
	700717635	15	RIVET, .188 X .125-.250
4	71394874	3	MOUNT, LATCH
	7883267	9	SCREW, HEX WSHR HD, 1/4-20 X 1/2
	1703354	9	NUT, HEX FLNG TOP LOCK, 1/4-20
5	71395354	2	LATCH ASY.
	700705088	8	SCREW, PAN #10-24 X 3/4
	70917380	8	WASHER #10
	705004	8	LOCKWASHER
	Y704072	8	NUT, #10-24 GR2
6	71395352	1	HANDLE, SHIELD LATCH
	62026	1	COTTER PIN, 1/16 X 3/4
	70917378	1	WASHER, 3/8 WIDE
7	71395353	1	PIVOT, LATCH
	70920415	1	CAPSCREW, 3/8-16 X 1-1/4
	70917378	4	WASHER, 3/8 WIDE
	Y704635	1	NUT, HEX CENTER LOCK, 3/8-16
8	71396401	2	ROD, LATCH
	62026	2	COTTER PIN, 1/16 X 3/4
	70917380	2	WASHER, #10
9	70929595	2	YOKE
	70929591	2	PIN, CLEVIS
	62026	2	COTTER PIN, 1/16 X 3/4
	Y704445	2	NUT, #10-32 GR2
10	71396402	2	SPRING, GAS
	71339847	2	STUD, BALL 10MM
	Y705020	2	LOCKWASHER, 5/16
	70917372	2	NUT, HEX 5/16-18
11	71392831R	1	SHIELD ASY, MIDDLE (INCL. ITEMS 12-17)
	71392832R	1	SHIELD, LEFT MIDDLE
	70921210	2	CAPSCREW, 3/8-16 X 1
	70916965	2	LOCKWASHER, 3/8
	70916950	2	NUT, 3/8-16 REG
12	71392837	1	ANGLE, STIFFENER
	70937649	5	RIVET, 3/16 X 9/32 RED
13	71393982	1	STIFFENER, STOP
	112845W1	7	SCREW, TRUSS HD, RED, 5/16-18 X 1
	700721916	2	SCREW, TRUSS HD, BLACK, 5/16-18 X 1
	70917642	9	WASHER, WIDE 5/16
	Y705020	9	LOCKWASHER, 5/16
	70917372	9	NUT, HEX 5/16-18
14	71395351	1	PLATE, STRIKER
	700717635	2	RIVET

CONTINUED

MC00268  
PR: 308

SIDE SHIELDS  
LEFT SIDE



**9690 COMBINE  
SHIELDS**

509

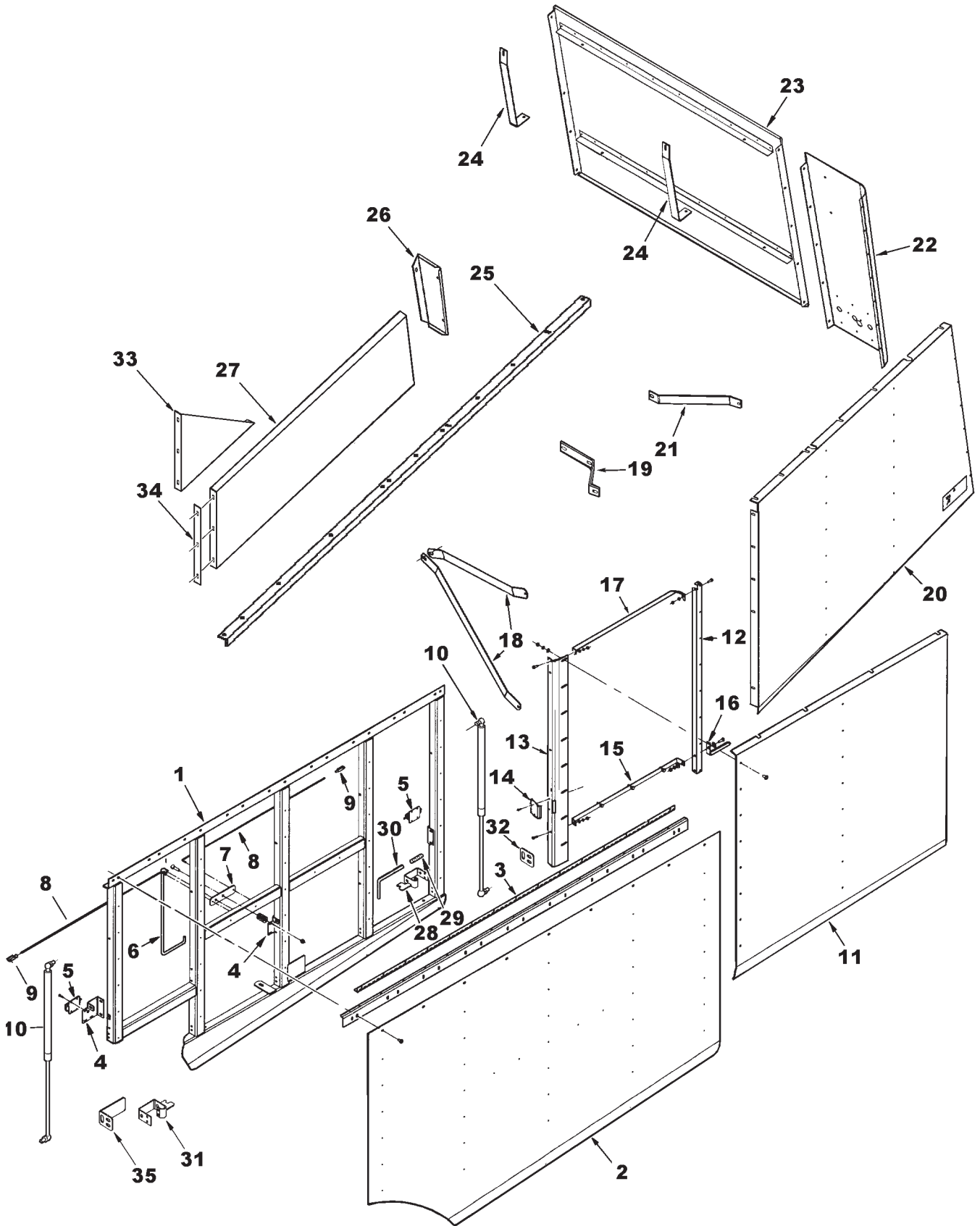
**SIDE SHIELDS  
LEFT SIDE**

ITEM	NUMBER	QTY	DESCRIPTION
15	71393978R	1	STRAP, CATCH
	7703457	1	CAPSCREW, 1/4-20 X 3/4
	70917377	1	WASHER, WIDE 1/4
	705012	1	LOCKWASHER, 1/4
	70916622	1	NUT, HEX 1/4-20
	112845W1	1	SCREW, TRUSS 5/16-18 X 1
	70917642	2	WASHER, WIDE 5/16
	Y705020	1	LOCKWASHER, 5/16
	70917372	1	NUT, HEX 5/16-18
	16	71393977R	1
17	71394405R	1	BRACKET, CONCAVE BLANK
	7703457	2	CAPSCREW, 1/4-20 X 3/4
	70917377	1	WASHER, WIDE 1/4
	705012	2	LOCKWASHER, 1/4
	70916622	2	NUT, HEX 1/4-20
18	71394408R	2	STRAP, SHIELD SUPPORT
	70921333	2	CAPSCREW, 5/16-18 X 1
	70917642	2	WASHER, WIDE 5/16
	Y705020	2	LOCKWASHER, 5/16
	70917372	2	NUT, HEX 5/16-18
	70921210	2	CAPSCREW, 3/8-16 X 1
	70916965	2	LOCKWASHER, 3/8
	70916950	2	NUT, 3/8-16 REG
19	71394873R	1	STRAP, SHIELD SUPPORT BTRY.
	70921333	1	CAPSCREW, 5/16-18 X 1
	70917642	1	WASHER, WIDE 5/16
	Y705020	1	LOCKWASHER, 5/16
	70917372	1	NUT, HEX 5/16-18
	70921210	1	CAPSCREW, 3/8-16 X 1
	70916965	1	LOCKWASHER, 3/8
20	71392833R	1	SHIELD ASY., LEFT REAR
	71379127	1	DECAL, WARNING
	70921333	10	CAPSCREW, 5/16-18 X 1
	70917642	10	WASHER, WIDE 5/16
	Y705020	10	LOCKWASHER, 5/16
	70917372	10	NUT, HEX 5/16-18
21	7703424	3	SCREW, HEX SERR FLANGE, 3/8-16 X 1
	704247	3	NUT, HEX SERR FLANGE, 3/8-16
	71395383R	1	STRAP, SHIELD SUPPORT
	70921333	1	CAPSCREW, 5/16-18 X 1
	70917642	1	WASHER, WIDE 5/16
	Y705020	1	LOCKWASHER, 5/16
	70917372	1	NUT, HEX 5/16-18
	70921210	1	CAPSCREW, 3/8-16 X 1
	70916965	1	LOCKWASHER, 3/8
	70916950	1	NUT, 3/8-16 REG

CONTINUED

MC00268  
PR: 308

SIDE SHIELDS  
LEFT SIDE





**9690 COMBINE  
SHIELDS**

511

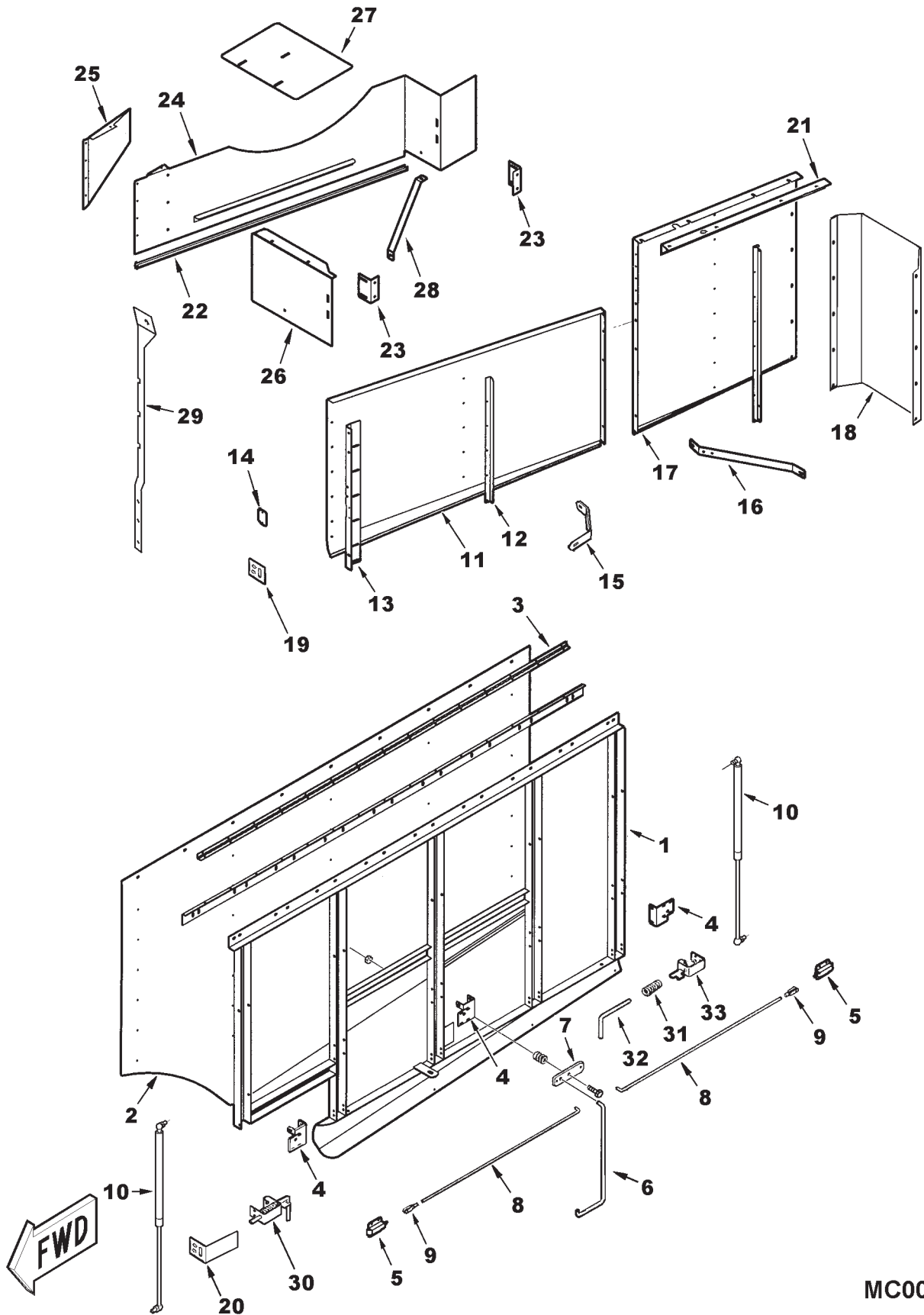
**SIDE SHIELDS  
LEFT SIDE**

ITEM	NUMBER	QTY	DESCRIPTION
22	71392838P	1	SHIELD ASY., LEFT REAR CORNER
	70937649	8	RIVET, 3/16 X 9/32 RED
	112845W1	2	SCREW, TRUSS 5/16-18 X 1
	70917642	2	WASHER, WIDE 5/16
	Y705020	2	LOCKWASHER, 5/16
	70917372	2	NUT, HEX 5/16-18
	70921965	5	CAPSCREW, 3/8-16 X 3/4
	70916965	5	LOCKWASHER, 3/8
	70916950	5	NUT, 3/8-16 REG
23	71392835R	1	SHIELD, REAR
	71379127	1	DECAL, WARNING
24	71394867	2	STRAP, SHIELD SUPPORT, REAR
	70921965	2	CAPSCREW, 3/8-16 X 3/4
	70916965	2	LOCKWASHER, 3/8
	70916950	2	NUT, 3/8-16 REG
25	71393985R	1	SUPPORT, LEFT REAR SHIELD
	703249	2	CAPSCREW, 3/8-16 X 1
	70917378	4	WASHER, WIDE, 3/8
	70916965	2	LOCKWASHER, 3/8
	70916950	2	NUT, 3/8-16 REG
26	71394407R	1	PANEL, END LEFT
	703249	3	CAPSCREW, 3/8-16 X 1
	70917378	4	WASHER, WIDE, 3/8
	70916965	3	LOCKWASHER, 3/8
	70916950	3	NUT, 3/8-16 REG
27	71395378R	1	PANEL, TOP LEFT
	7703424	5	SCREW, HEX SERR FLANGE, 3/8-16 X 1
	704247	5	NUT, HEX SERR FLANGE, 3/8-16
	70920415	3	CAPSCREW, 3/8-16 X 1-1/4
	70917378	3	WASHER, WIDE, 3/8
	70916965	3	LOCKWASHER, 3/8
	70916950	3	NUT, 3/8-16 REG
28	71399198	1	BRACKET WLDMT, RH [A]
	7703457	4	CAPSCREW, 1/4-20 X 3/4
	1703354	4	NUT, HEX FLNG TOP LOCK, 1/4-20
29	Y58040	2	SPRING [A]
30	71399326	2	PIN, LATCH [A]
	70924764	2	PIN, SPRING, 1/8 X 3/4
31	71399199	1	BRACKET WLDMT, LH [A]
	7703457	4	CAPSCREW, 1/4-20 X 3/4
	1703354	4	NUT, HEX FLNG TOP LK, 1/4-20
32	71399329	1	PLATE, LATCH [A]
	7700461	2	BOLT, RND HD SQ NK, 5/16-18 X 3/4
	Y704726	2	NUT, HEX FLANGE TOP LOCK, 5/16-18
33	71400729	1	GUSSET, SHIELD [A]
34	71400461	1	STRAP [A]
35	71399341	1	SUPPORT ANGLE, DOOR STOP [A]
	7700461	2	BOLT, RND HD SQ NK, 5/16-18 X 3/4
	Y704726	2	NUT, HEX FLANGE TOP LOCK, 5/16-18

[A] EFF. S/N HN87101

MC00268  
PR: 308

SIDE SHIELDS  
RIGHT SIDE



**9690 COMBINE  
SHIELDS**

513

**SIDE SHIELDS  
RIGHT SIDE**

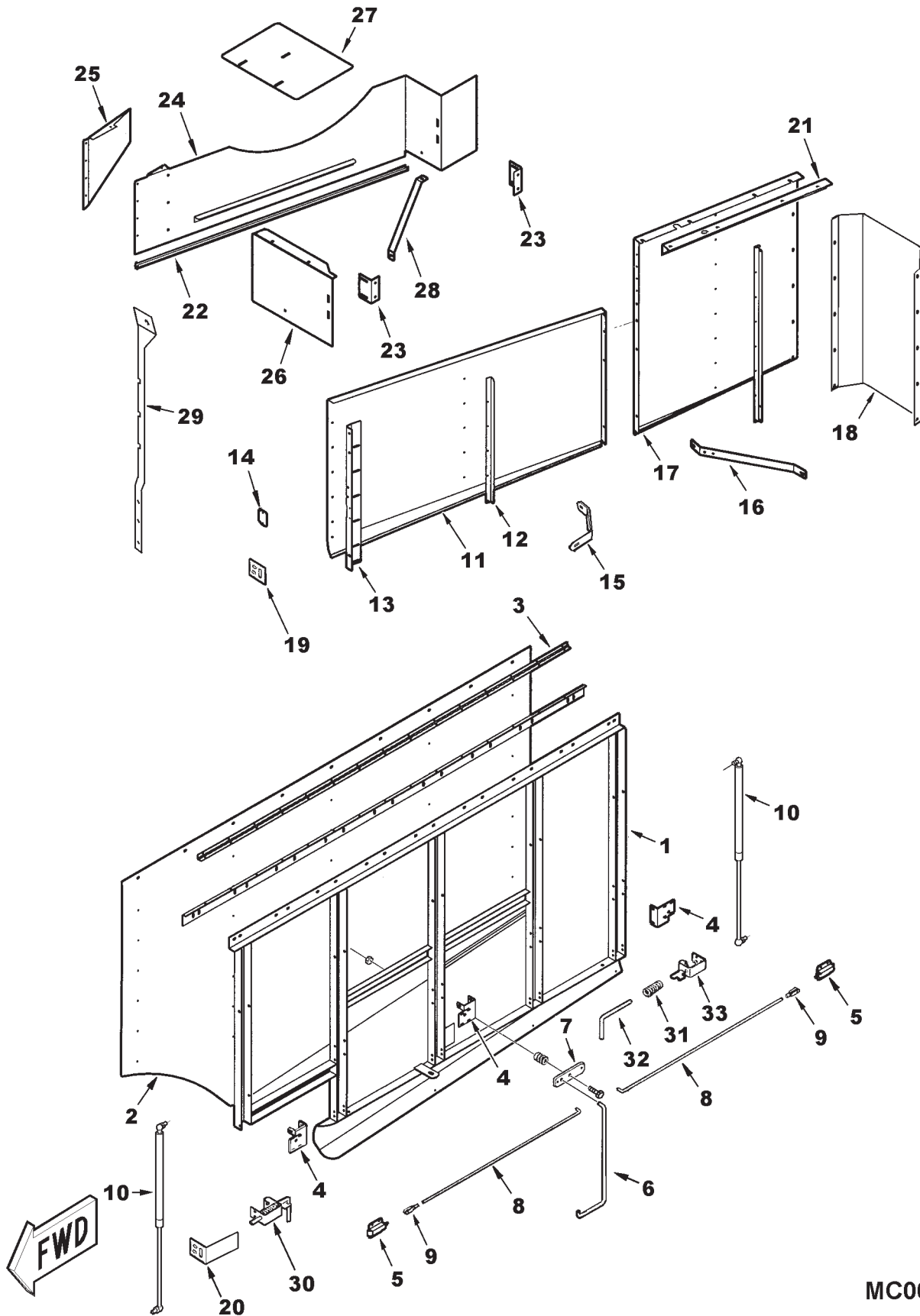
ITEM	NUMBER	QTY	DESCRIPTION
-	71398473	1	SHIELD ASY, RIGHT FRONT (INCL ITEMS 1-9 & 30-33)
1	71398474R	1	FRAME, SHIELD FRONT
2	71398475R	1	SHIELD, FRONT
	71379128	1	DECAL, WARNING
	700721602	9	SCREW, TRUSS HD, RED, 5/16-18 X 5/8
	70931277	9	NUT, HEX SERR FLNG, 5/16-18
	700717635	57	RIVET, .188 X .125-.250
3	71349763	1	HINGE, PIANO
	71398453	1	ANGLE, SHIELD HANGER
	700717635	15	RIVET, .188 X .125-.250
4	71394874	3	MOUNT, LATCH
	7883267	9	SCREW, HEX
	70931209	9	NUT, HEX FLNG, 1/4-20
5	71395354	2	LATCH ASY.
	700705088	8	SCREW, PAN 10-24 X 3/4
	70917380	8	WASHER #10
	705004	8	LOCKWASHER
	Y704072	8	NUT, 10-24 GR2
6	71395352	1	HANDLE, SHIELD LATCH
	62026	1	COTTER PIN, 1/16 X 3/4
	70917378	1	WASHER, 3/8 WIDE
7	71395353	1	PIVOT, LATCH
	70920415	1	CAPSCREW, 3/8-16 X 1-1/4
	70917378	4	WASHER, 3/8 WIDE
	Y704635	1	NUT, HEX CENTER LOCK, 3/8-16
8	71396401	2	ROD, LATCH
	62026	2	COTTER PIN, 1/16 X 3/4
	70917380	2	WASHER #10
9	70929595	2	YOKE
	70929591	2	PIN, CLEVIS
	62026	2	COTTER PIN, 1/16 X 3/4
	Y704445	2	NUT, 10-32 GR2
10	71396402	2	SPRING, GAS
	71339847	2	STUD, BALL 10MM
	Y705020	2	LOCKWASHER, 5/16
	70917372	2	NUT, HEX 5/16-18
11	71393497R	1	SHIELD, MIDDLE (INCL. ITEMS 12-14)
	71392842	1	SHIELD, RIGHT MIDDLE
	70921210	2	CAPSCREW, 3/8-16 X 1
	70916965	2	LOCKWASHER, 3/8
	70916950	2	NUT, 3/8-16 REG
12	71392830	1	ANGLE, STIFFENER
	70937649	5	RIVET, 3/16 X 9/32 RED
13	71394406	1	STIFFENER, STOP
	112845W1	5	SCREW, TRUSS HD, RED, 5/16-18 X 1
	700721916	2	SCREW, TRUSS HD, BLACK, 5/16-18 X 1
	70917642	7	WASHER, WIDE 5/16
	Y705020	7	LOCKWASHER, 5/16
	70917372	7	NUT, HEX 5/16-18
14	71395351	1	PLATE, STRIKER
	70937650	2	RIVET, .188 X .125-.250

CONTINUED

MC00269  
PR: 314

9690 COMBINE  
SHIELDS

SIDE SHIELDS  
RIGHT SIDE



**9690 COMBINE  
SHIELDS**

515

**SIDE SHIELDS  
RIGHT SIDE**

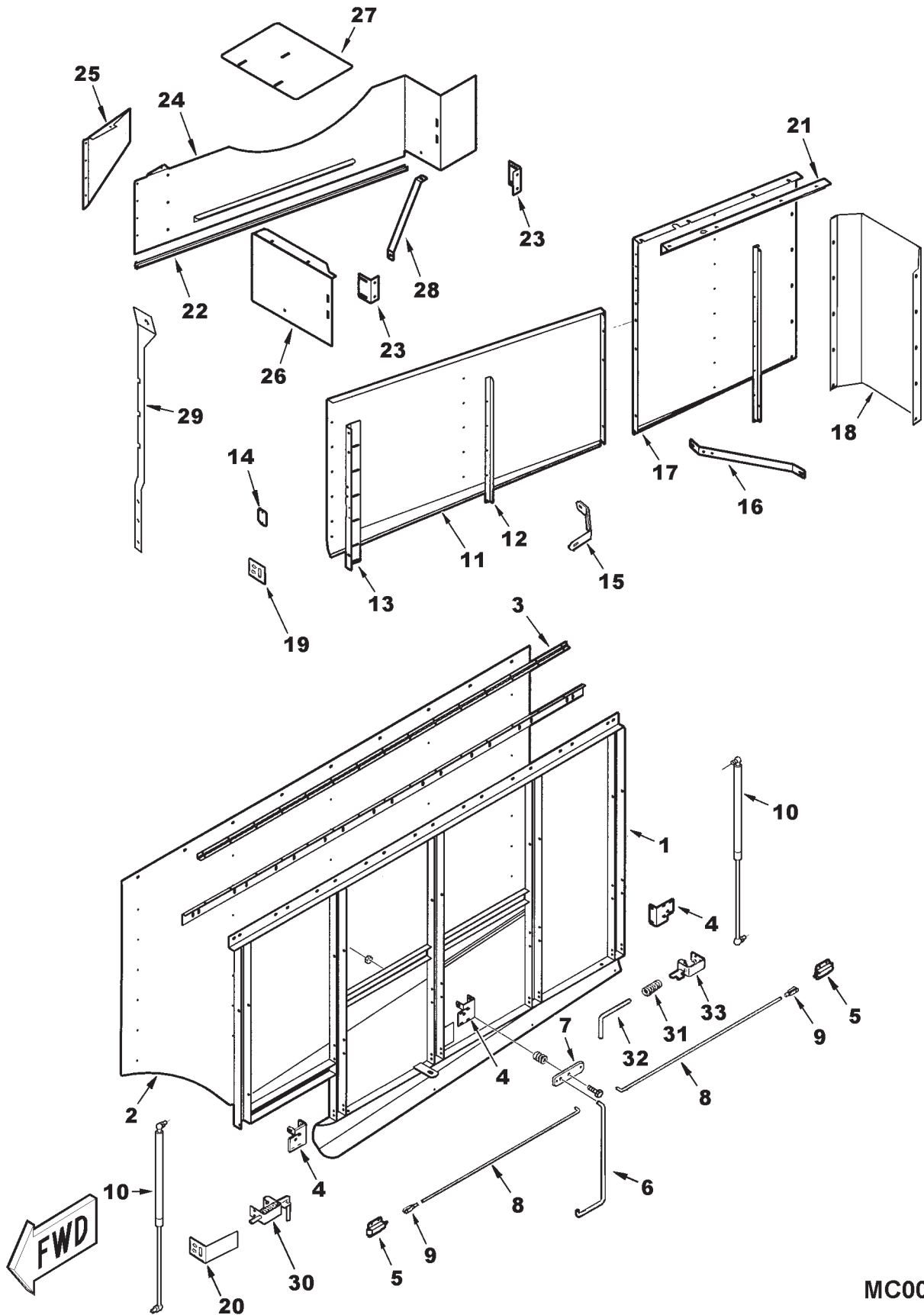
ITEM	NUMBER	QTY	DESCRIPTION
15	71394413R	1	SUPPORT, MIDDLE SHIELD
	70921332	2	CAPSCREW, 5/16-18 X 3/4
	70917642	4	WASHER, WIDE 5/16
	Y705020	2	LOCKWASHER, 5/16
	70917372	2	NUT, HEX 5/16-18
16	71395382R	1	STRAP, SHIELD SUPPORT
	70921333	1	CAPSCREW, 5/16-18 X 1
	70917642	1	WASHER, WIDE 5/16
	Y705020	1	LOCKWASHER, 5/16
	70917372	1	NUT, HEX 5/16-18
	70921210	1	CAPSCREW, 3/8-16 X 1
	70916965	1	LOCKWASHER, 3/8
	70916950	1	NUT, 3/8-16 REG
17	71392841R	1	SHIELD ASY., RIGHT REAR
	112845W1	6	SCREW, TRUSS 5/16-18 X 1
	70921332	3	CAPSCREW, 5/16-18 X 3/4
	70921333	2	CAPSCREW, 5/16-18 X 1
	70917642	10	WASHER, WIDE 5/16
	Y705020	11	LOCKWASHER, 5/16
	70917372	11	NUT, HEX 5/16-18
18	71392836R	1	SHIELD, RIGHT REAR CORNER
	70921333	2	CAPSCREW, 5/16-18 X 1
	70917642	2	WASHER, WIDE 5/16
	Y705020	2	LOCKWASHER, 5/16
	70917372	2	NUT, HEX 5/16-18
19	71399329	1	PLATE, LATCH [A]
	7700461	2	BOLT, RND HD SQ NK, 5/16-18 X 3/4
	Y704726	2	NUT, HEX FLANGE TOP LOCK, 5/16-18
20	71399341	1	SUPPORT ANGLE, DOOR STOP [A]
	7700461	2	BOLT, RND HD SQ NK, 5/16-18 X 3/4
	Y704726	2	NUT, HEX FLANGE TOP LOCK, 5/16-18
21	71394414	1	ANGLE, SHIELD SUPPORT
	70921210	1	CAPSCREW, 3/8-16 X 1
	70917378	1	WASHER, 3/8 NOM
	70916965	1	LOCKWASHER, 3/8
	70916950	1	NUT, 3/8-16 REG
	70921333	1	CAPSCREW, 5/16-18 X 1
	70917642	1	WASHER, WIDE 5/16
	Y705020	1	LOCKWASHER, 5/16
22	71394415	1	EDGE TRIM, 44.0 LG
	71393987	2	BRACKET, ANGLE
23	70921332	4	CAPSCREW, 5/16-18 X 3/4
	70931277	4	LOCKNUT, HEX FLNG SERR, 5/16-18
	71394401	1	SHIELD ASY, 32" ROTARY SCREEN (PRIOR S/N HR87101)
24	71394402	1	SHIELD ASY, 40" SCREEN(EFF. S/N HR87101)
	7700461	2	BOLT, RND HD SQ NK, 5/16-18 X 3/4
	70931277	2	LOCKNUT, HEX FLNG SERR, 5/16-18
	71397310	1	CUTOFF, ROTARY SCREEN(PRIOR S/N HR87101)
25	71397311	1	CUTOFF, ROTARY SCREEN (EFF. S/N HR87101)
	70937649	5	RIVET, 3/16 X .277 RED

CONTINUED

MC00269  
PR: 314

9690 COMBINE  
SHIELDS

SIDE SHIELDS  
RIGHT SIDE



**9690 COMBINE  
SHIELDS**

517

**SIDE SHIELDS  
RIGHT SIDE**

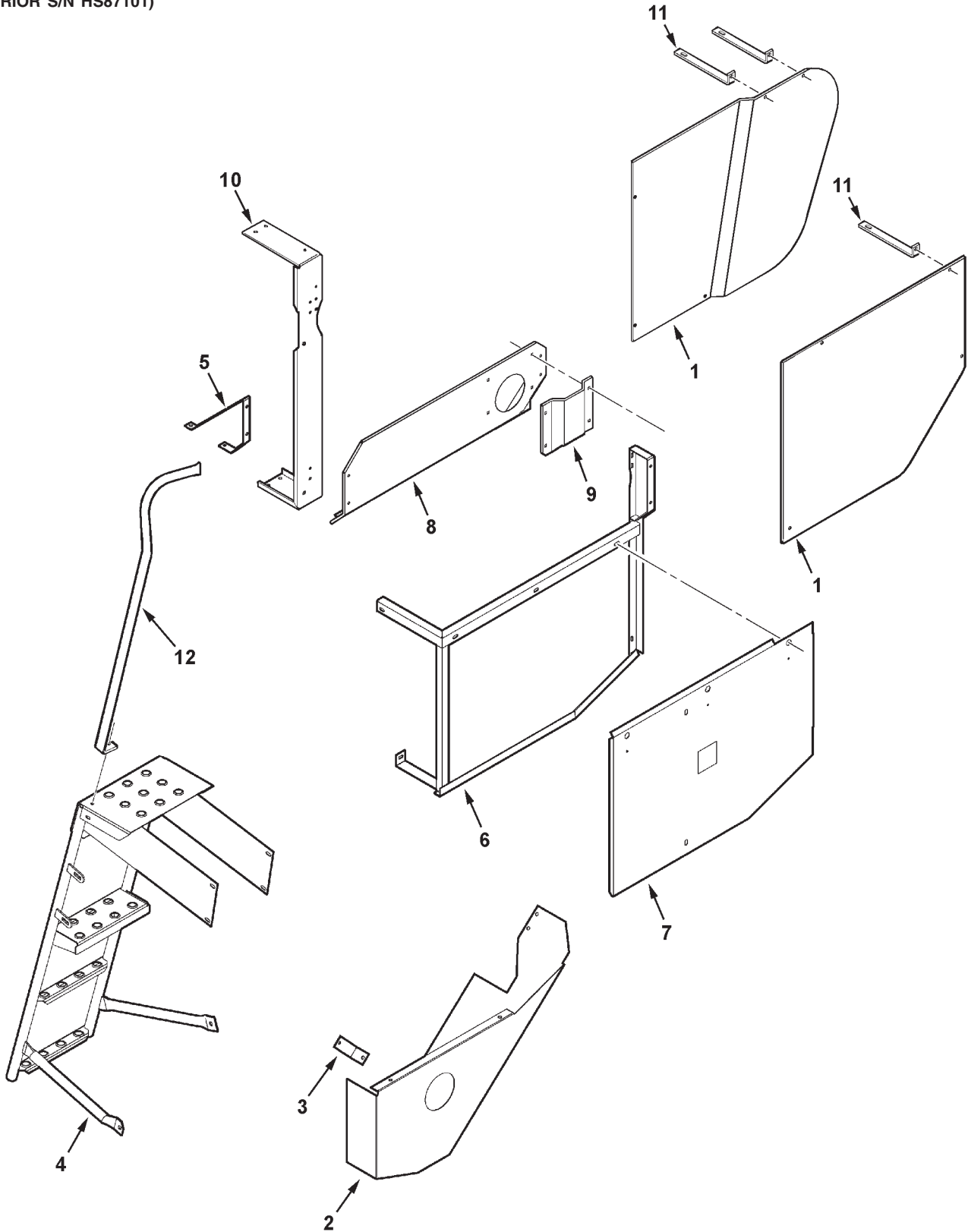
ITEM	NUMBER	QTY	DESCRIPTION
26	71397313	1	DEFLECTOR, MOUNT
	70921332	3	CAPSCREW, 5/16-18 X 3/4
	7700461	2	BOLT, RND HD SQ NK, 5/16-18 X 3/4
	70931277	5	LOCKNUT, HEX FLNG SERR, 5/16-18
27	71394424	1	DEFLECTOR, ROT SCREEN(PRIOR S/N HR87101)
	71394425	1	DEFLECTOR, ROT SCREEN (EFF. S/N HR87101)
	7700461	3	BOLT, RND HD SQ NK, 5/16-18 X 3/4
	70931277	3	LOCKNUT, HEX FLNG SERR, 5/16-18
28	71393986	1	SUPP'T STRAP, DEFL'R (PRIOR S/N HR87101)
29	71394865	1	STRAP, SHIELD SUPPORT
	70921965	4	CAPSCREW, 3/8-16 X 3/4
	70917378	4	WASHER, 3/8 NOM
	70916965	4	LOCKWASHER, 3/8
	70916950	4	NUT, 3/8-16 REG
30	71399198	1	BRACKET WLDMT, RH [A]
	7703457	4	CAPSCREW, 1/4-20 X 3/4
	1703354	4	NUT, HEX FLANGE TOP LOCK, 1/4-20
31	Y58040	2	SPRING [A]
32	71399326	2	PIN, LATCH [A]
	70924764	2	PIN, SPRING, 1/8 X 3/4
33	71399199	1	BRACKET WLDMT, LH [A]
	7703457	4	CAPSCREW, 1/4-20 X 3/4
	1703354	4	NUT, HEX FLANGE TOP LOCK, 1/4-20

[A] EFF. S/N HN87101

MC00269  
PR: 314

9690 COMBINE  
SHIELDS

MUD SHIELDS  
RIGHT SIDE  
(PRIOR S/N HS87101)





**9690 COMBINE  
SHIELDS**

519

**MUD SHIELDS  
RIGHT SIDE  
(PRIOR S/N HS87101)**

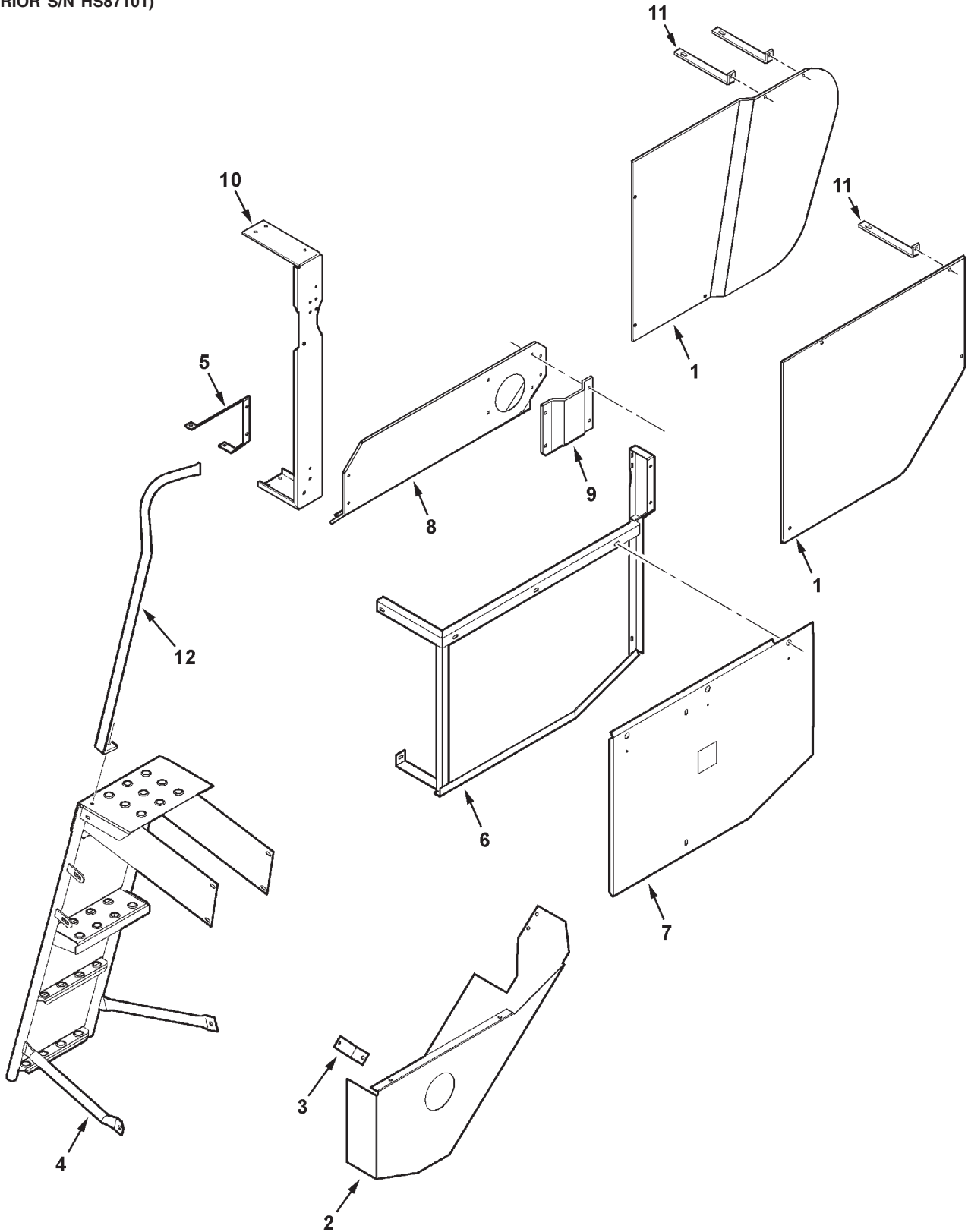
ITEM	NUMBER	QTY	DESCRIPTION
1	71390910	1	SHIELD, RIGHT FRONT (PRIOR S/N HP87101)
	71401643	1	SHIELD, MUD, RIGHT (EFF. S/N HP87101)
	70921210	4	CAPSCREW, 3/8-16 X 1 GR5
	70917378	4	WASHER, 3/8, WIDE
	70916965	4	LOCKWASHER, 3/8
2	70916950	4	NUT, 3/8-16 REG
	71391112	1	SHIELD, RIGHT, LOWER FAN
	70921210	2	CAPSCREW, 3/8-16 X 1 GR5
	70917378	2	WASHER, 3/8, WIDE
	70916965	2	LOCKWASHER, 3/8
3	70916950	2	NUT, 3/8-16 REG
	71395991	1	ANGLE BRACKET, R.H. FAN SHIELD
	70921210	2	CAPSCREW, 3/8-16 X 1 GR5
	70917378	2	WASHER, 3/8, WIDE
4	Y704734	2	NUT, HEX FLANGE TOP LOCK, 3/8-16
	71403624B	1	LADDER WLMT, INSPECTION
	70921210	4	CAPSCREW, 3/8-16 X 1 GR5
	70917378	8	WASHER, 3/8, WIDE
	70916965	4	LOCKWASHER, 3/8
5	70916950	4	NUT, 3/8-16 REG
	71395984	1	BRACKET WLDMT
	70921210	2	CAPSCREW, 3/8-16 X 1 GR5
	70916965	2	LOCKWASHER, 3/8
6	70916950	2	NUT, 3/8-16 REG
	71393924	1	FRAME WLDMT, RIGHT SHIELD
	701235	1	CAPSCREW, 1/2-13 X 1-1/2
	70918431	1	WASHER, 1/2 NOM
	Y705046	1	LOCKWASHER, 1/2
7	704031	1	NUT, 1/2-13
	71391620	1	MUD SHIELD WLDMT, RIGHT REAR
	111670W1	1	DECAL, WARNING
	863415	3	PIN, KLIK
	1656110W2	3	PIN, SHIELD LOCK
	70921333	2	CAPSCREW, 5/16-18 X 1 GR5
	70917642	2	WASHER, 5/16
	Y705020	2	LOCKWASHER, 5/16
	70917372	2	NUT, 5/16-18
	70921210	4	CAPSCREW, 3/8-16 X 1 GR5
	70917378	4	WASHER, 3/8, WIDE
	70916965	4	LOCKWASHER, 3/8
	70916950	4	NUT, 3/8-16 REG
8	71397303	1	SHIELD WLDMT, RIGHT UPPER
	7883325	5	SCR, HEX WSHR HD MACH, 5/16-18 X 3/4

CONTINUED

MC00272  
PR: 318

9690 COMBINE  
SHIELDS

MUD SHIELDS  
RIGHT SIDE  
(PRIOR S/N HS87101)



9690 COMBINE  
SHIELDS

521

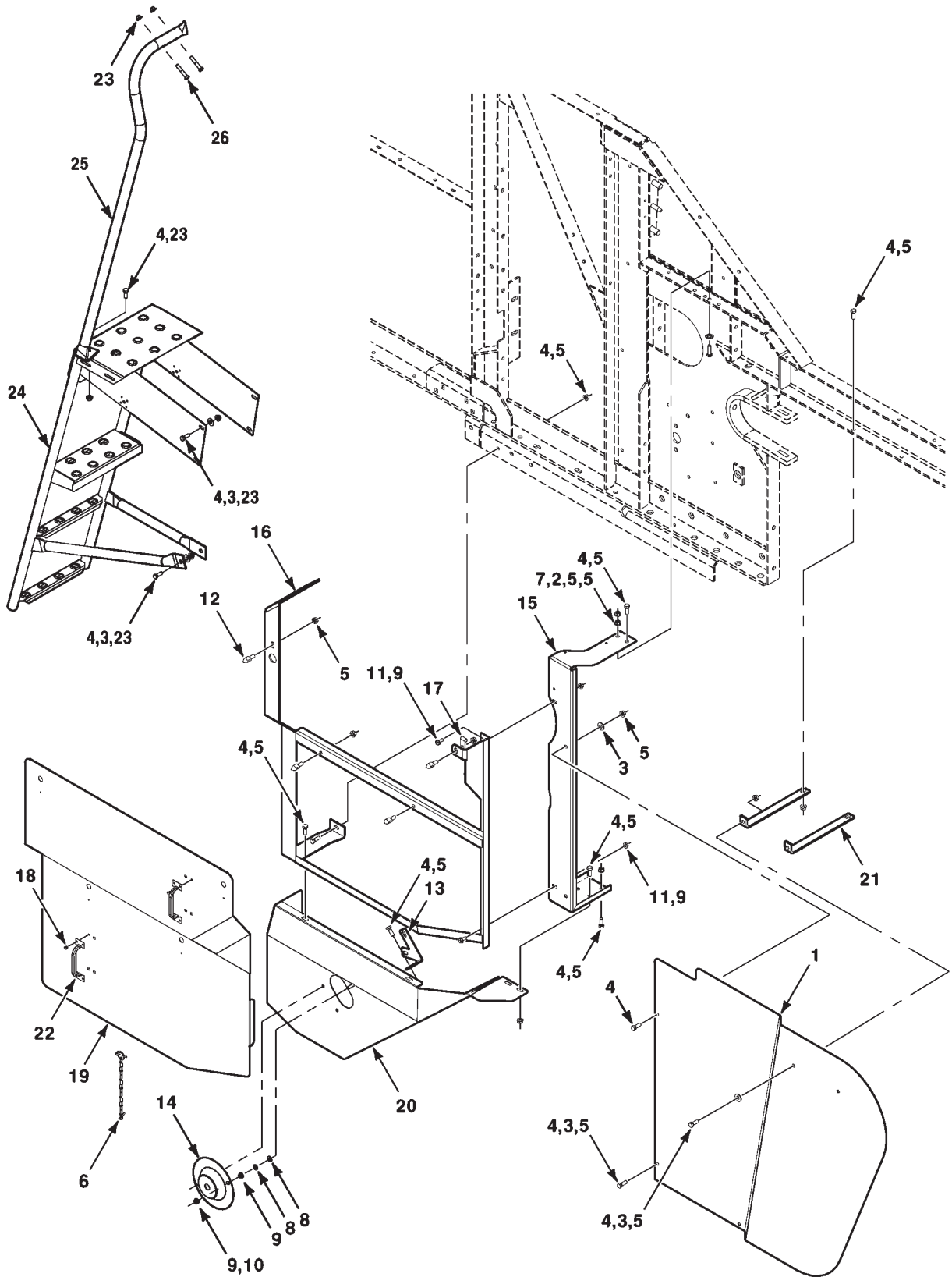
MUD SHIELDS  
RIGHT SIDE  
(PRIOR S/N HS87101)

ITEM	NUMBER	QTY	DESCRIPTION
9	71395993	1	SHIELD, RH, BEATER SHAFT
	360503X1	4	BOLT, RD HD SQ NECK,- 5/16-18 X 1
	Y705020	4	LOCKWASHER, 5/16
	70917372	4	NUT, 5/16-18
	70933988	4	SPEED NUT, 5/16
10	71391113	1	CHANNEL, RH MUDSHIELD(PRIOR S/N HP87101)
	71401661	1	CHANNEL, RH MUDSHIELD (EFF. S/N HP87101)
	70921210	4	CAPSCREW, 3/8-16 X 1 GR5
	70917378	2	WASHER, 3/8, WIDE
	70916965	4	LOCKWASHER, 3/8
	70916950	4	NUT, 3/8-16 REG
11	71390911	1	STRAP, STANDOFF, FRT (PRIOR S/N HP87101)
	71401645B	2	STRAP, STANDOFF, FRT (EFF. S/N HP87101)
	70921210	2	CAPSCREW, 3/8-16 X 1 GR5
	70916965	2	LOCKWASHER, 3/8
	70916950	2	NUT, 3/8-16 REG
12	71398721	1	HANDRAIL (EFF. S/N HN87101)
	7701634	2	CAPSCREW, 3/8-16 X 2 GR5
	70921210	1	CAPSCREW, 3/8-16 X 1 GR5
	Y704734	3	NUT, HEX FLANGE TOP LOCK, 3/8-16

MC00272  
PR: 318

9690 COMBINE  
SHIELDS

MUD SHIELDS  
RIGHT SIDE  
(EFF. S/N HS87101)



9690 COMBINE  
SHIELDS

523

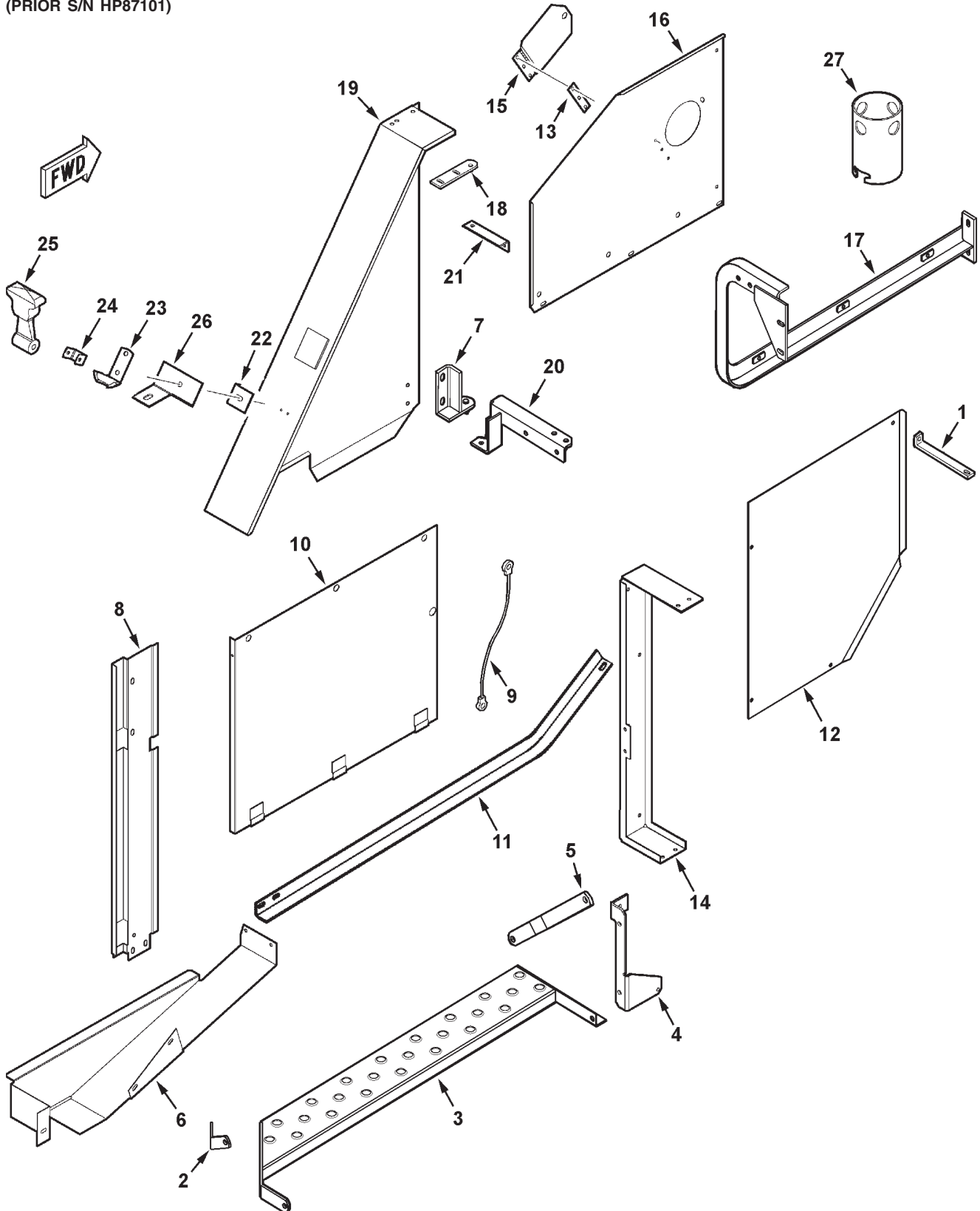
MUD SHIELDS  
RIGHT SIDE  
(EFF. S/N HS87101)

ITEM	NUMBER	QTY	DESCRIPTION
1	71410976	1	SHIELD-MUD, R
2	7705205	1	LOCKWASHER, 3/8 INT/EXT TOOTH
3	70917378	7	WASHER, 3/8 WIDE
4	70921210	15	CAPSCREW, 3/8-16 X 1.0
5	704247	21	NUT, HEX SERR FLANGE, 3/8-16
6	863415	4	KLIK PIN, 3/16, W/ CHAIN & COTTER
7	70920415	1	CAPSCREW, 3/8-16 X 1-1/4
8	Y705525	4	WASHER, 5/16, HARD
9	70931277	6	LOCKNUT, SERR FLANGE, 5/16-18
10	7883333	2	SCREW, HEX WSHR HD MACH, 5/16-18 X 1
11	7883325	2	SCREW, HEX WSHR HD MACH, 5/16-18 X 3/4
12	1656110W2	4	PIN-CENTER, SHIELD LOCK
13	71410115	1	BRACKET-MUDSHIELD
14	71411373	1	CAP
15	71410075	1	CHANNEL-MUD SHIELD, R
16	71410998	1	FRAME WLMT
17	70937685	1	J-CLIP, 3/8 DIA X .406 HOLE
18	70924837	8	POP-RIVET, .188 X .063-.125 GRIP
19	71418128	1	SHIELD WLMT
20	71411372	1	SHIELD-LOWER
21	71401645	2	STRAP, STANDOFF
22	71304149	2	HANDLE
23	Y704734	8	NUT, HEX FLANGE TOP LOCK, 3/8-16
24	71403624B	1	LADDER WA, INSPECTION
25	71398721	1	HANDLE-INSPECTION LADDER
26	70923701	2	CAPSCREW, 3/8-16 X 2 GR5

MC00566  
PR: t07b20n52c0003

9690 COMBINE  
SHIELDS

MUD SHIELDS  
LEFT SIDE  
(PRIOR S/N HP87101)



**9690 COMBINE  
SHIELDS**

525

**MUD SHIELDS  
LEFT SIDE  
(PRIOR S/N HP87101)**

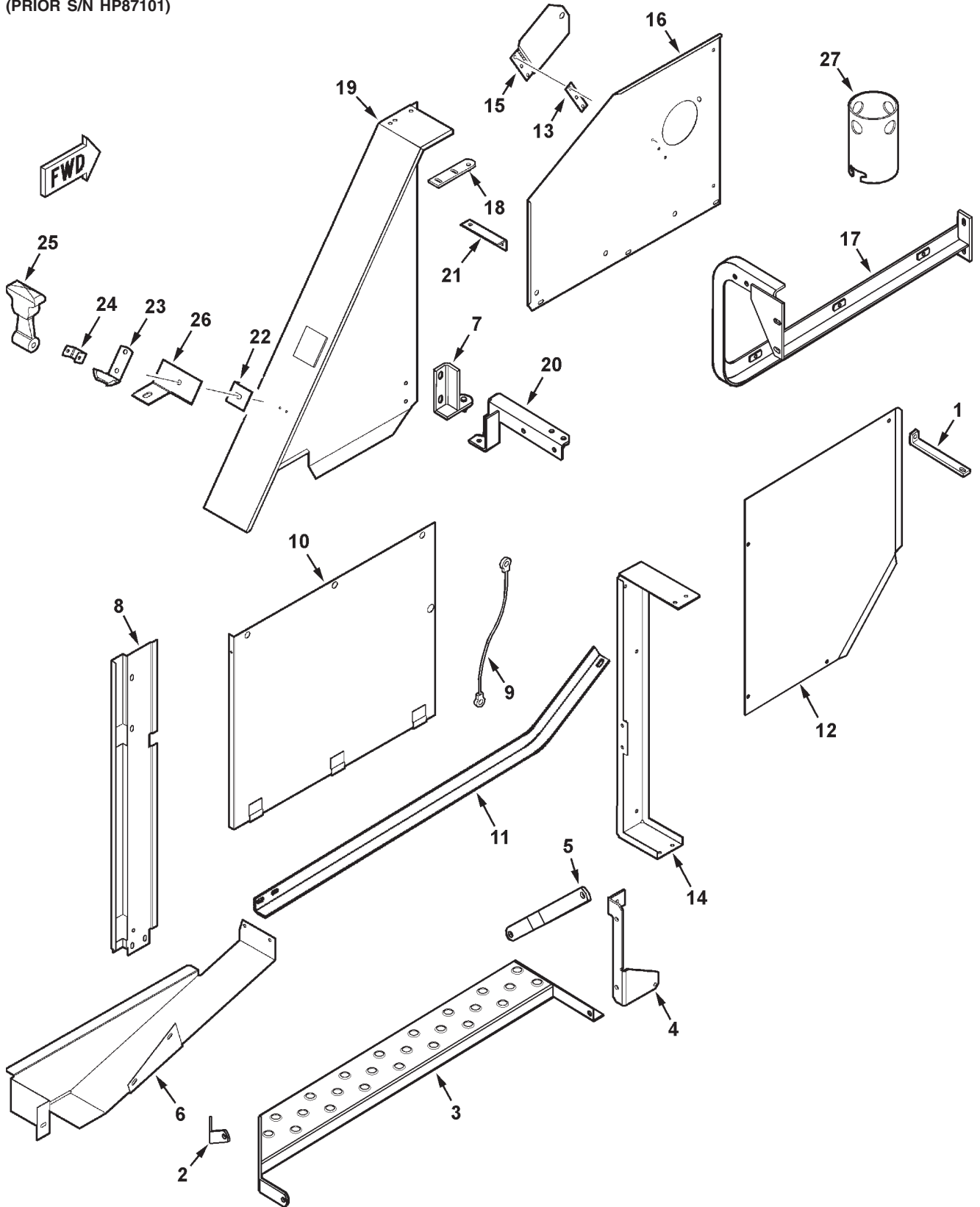
ITEM	NUMBER	QTY	DESCRIPTION
1	71390911	1	STRAP, STANDOFF, FRONT SHIELD
	70920415	2	CAPSCREW, 3/8-16 X 1-1/4 GR5
	70916965	2	LOCKWASHER, 3/8
	70916950	2	NUT, 3/8-16 REG
2	71393919	1	STRAP, STEP SUPPORT, PROCESSOR
3	-----	1	STEP WLDMT, LEFT, PROCESSOR (SERVICE W/ 71399870)
	71399870	1	STEP WLDMT, LEFT, PROCESSOR (MUST USE 71400383 STRAP, ITEM 5)
	70921176	3	CAPSCREW, 1/2-13 X 1-1/4
	Y705046	3	LOCKWASHER, 1/2
	704031	3	NUT, 1/2-13
	70921965	2	CAPSCREW, 3/8-16 X 3/4 GR5
	70917378	2	WASHER, 3/8, WIDE
	70916965	2	LOCKWASHER, 3/8
	70916950	2	NUT, 3/8-16 REG
4	71391181	1	SUPPORT, FRONT, PROCESSOR STEP
5	71391179	1	STRAP, PROCESSOR STEP (SERVICE W/ 71400383)
	71400383	1	STRAP, PROCESSOR STEP
	70921176	4	CAPSCREW, 1/2-13 X 1-1/4 GR5
	Y705046	4	LOCKWASHER, 1/2
	704031	4	NUT, 1/2-13 REG
6	71390913	1	SHIELD, ELEVATOR DRIVE, LEFT
	70921210	2	CAPSCREW, 3/8-16 X 1 GR5
	70917378	2	WASHER, 3/8, WIDE
	70916965	2	LOCKWASHER, 3/8
	70916950	2	NUT, 3/8-16 REG
	101218M91	1	HINGE BRKT WLDMT, LOWER
7	70918452	1	PIN, COTTER, 3/32 X 3/4
	70921210	2	CAPSCREW, 3/8-16 X 1 GR5
	70917378	2	WASHER, 3/8, WIDE
	70916965	2	LOCKWASHER, 3/8
	70916950	2	NUT, 3/8-16 REG
	71388912	1	SUPPORT, LEFT SHIELD
8	70921210	2	CAPSCREW, 3/8-16 X 1 GR5
	70917378	2	WASHER, 3/8, WIDE
	70916965	2	LOCKWASHER, 3/8
	70916950	2	NUT, 3/8-16 REG

CONTINUED

MC00359  
PR: 322

9690 COMBINE  
SHIELDS

MUD SHIELDS  
LEFT SIDE  
(PRIOR S/N HP87101)





**9690 COMBINE  
SHIELDS**

527

**MUD SHIELDS  
LEFT SIDE  
(PRIOR S/N HP87101)**

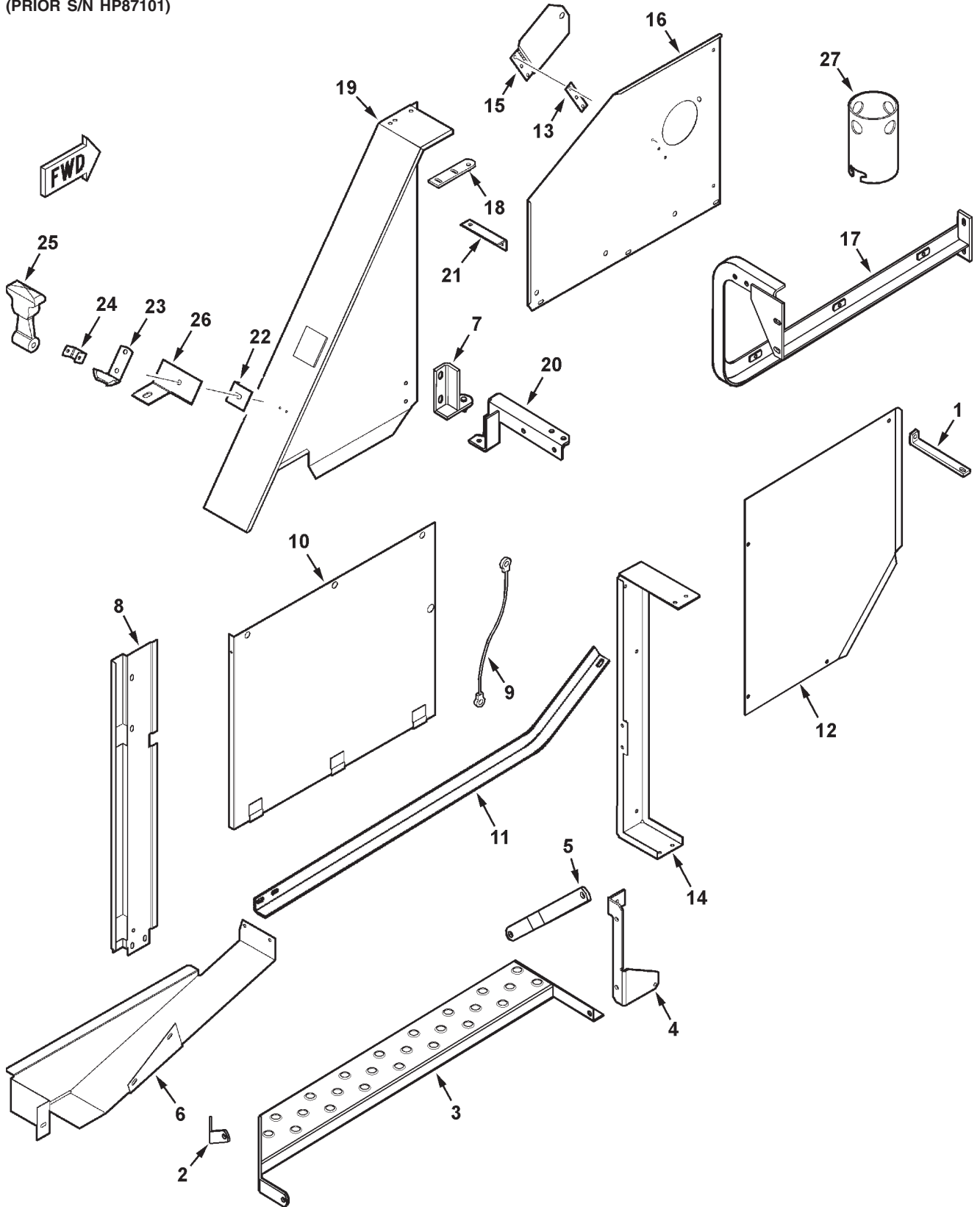
ITEM	NUMBER	QTY	DESCRIPTION
9	112942W1	1	TETHER STRAP, 28IN.
	7703457	1	CAPSCREW, 1/4-20 X 3/4 GR5
	70917377	1	WASHER, 1/4, WIDE
	1703354	1	NUT, HEX FLANGE TOP LOCK, 1/4-20
10	71394303	1	SHIELD WLDMT, LEFT
	111670W1	1	DECAL, WARNING
	70921210	4	CAPSCREW, 3/8-16 X 1 GR5
	70917378	4	WASHER, 3/8, WIDE
	70916965	4	LOCKWASHER, 3/8
11	70916950	4	NUT, 3/8-16 REG
	102158M1	1	ANGLE, SHIELD SUPPORT
	70921210	1	CAPSCREW, 3/8-16 X 1 GR5
	70917378	1	WASHER, 3/8, WIDE
	70916965	1	LOCKWASHER, 3/8
12	70916950	1	NUT, 3/8-16 REG
	71390909	1	SHIELD, LEFT FRONT
	70921965	1	CAPSCREW, 3/8-16 X 3/4 GR5
	70921210	2	CAPSCREW, 3/8-16 X 1 GR5
	70916965	3	LOCKWASHER, 3/8
13	70916950	2	NUT, 3/8-16 REG
	2555190W1	1	SPACER, DOOR
	71404306B	1	CHANNEL, LEFT MUD SHIELD
	70921210	4	CAPSCREW, 3/8-16 X 1 GR5
14	70916965	4	LOCKWASHER, 3/8
	70916950	4	NUT, 3/8-16 REG
	104916W91	1	COVER WLDMT, LEFT SHIELD
	1656110W2	1	PIN, SHIELD LOCK
15	863415	1	PIN, KLIK
	70917378	1	WASHER, 3/8, WIDE
	70916965	1	LOCKWASHER, 3/8
	70916950	1	NUT, 3/8-16 REG
	7703457	3	CAPSCREW, 1/4-20 X 3/4
	70917377	3	WASHER, 1/4, WIDE
	705012	3	LOCKWASHER, 1/4
	70916622	3	NUT, 1/4-20
	71391624	1	SHIELD, UPPER LEFT
	863415	3	PIN, KLIK
16	1656110W2	3	PIN, SHIELD LOCK
	70921965	3	CAPSCREW, 3/8-16 X 3/4 GR5
	70921210	4	CAPSCREW, 3/8-16 X 1 GR5
	70917378	8	WASHER, 3/8, WIDE
	70916965	10	LOCKWASHER, 3/8
	70916950	10	NUT, 3/8-16 REG

CONTINUED

MC00359  
PR: 322

9690 COMBINE  
SHIELDS

MUD SHIELDS  
LEFT SIDE  
(PRIOR S/N HP87101)



**9690 COMBINE  
SHIELDS**

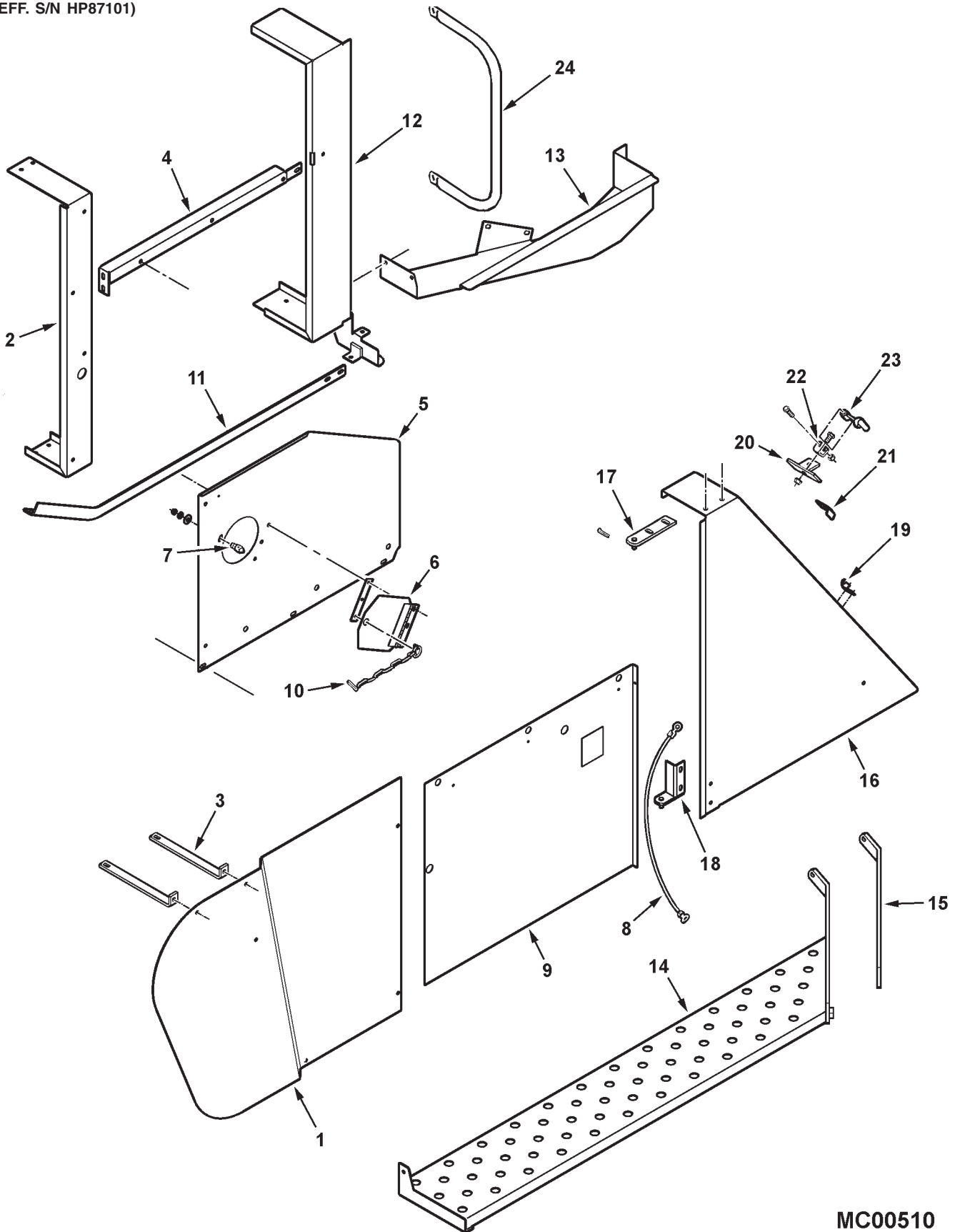
529

**MUD SHIELDS  
LEFT SIDE  
(PRIOR S/N HP87101)**

ITEM	NUMBER	QTY	DESCRIPTION
17	71393923	1	ANGLE WLDMT, LEFT MUD SHIELD
	70921210	2	CAPSCREW, 3/8-16 X 1 GR5
	70917378	2	WASHER, 3/8, WIDE
	70916965	2	LOCKWASHER, 3/8
	70916950	2	NUT, 3/8-16 REG
18	101221M92	1	HINGE WLDMT, UPPER
	70918452	1	COTTER PIN
19	71394306	1	GUARD WLDMT, DRIVE
	70921210	2	CAPSCREW, 3/8-16 X 1 GR5
	70917378	2	WASHER, 3/8, WIDE
	70916965	2	LOCKWASHER, 3/8
	70916950	2	NUT, 3/8-16 REG
20	71393921	1	SUPPORT WLDMT, LH SHIELD
21	102237M1	1	ANGLE, LH SHIELD
	70921210	2	CAPSCREW, 3/8-16 X 1 GR5
	70917378	2	WASHER, 3/8, WIDE
	70916965	2	LOCKWASHER, 3/8
	70916950	2	NUT, 3/8-16 REG
22	101232M1	1	STOP BRACKET, GUARD
23	7025075	1	BRACKET, CATCH
	70916079	2	SCREW, RND HD MACH, #10-24 X 3/8
	705004	2	LOCKWASHER, #10
	70916621	2	NUT, HEX, #10-24 UNC
24	1787520W1	1	ANCHOR BRACKET, RUBBER LATCH
	70921332	1	CAPSCREW, 5/16-18 X 3/4
	Y705020	1	LOCKWASHER, 5/16
	70917372	1	NUT, 5/16-18 REG
25	776682	1	HOOK, RUBBER
	70921962	1	CAPSCREW, 1/4-20 X 1-3/4
	1703354	1	NUT, HEX FLANGE TOP LOCK, 1/4-20
26	101231M1	1	BRACKET, LATCH
	70920415	1	CAPSCREW, 3/8-16 X 1-1/4 GR5
	70919378	1	WASHER, 3/8, WIDE
	Y704734	1	NUT, 3/8-16 REG
27	104500W1	1	TUBE, BEATER UNPLUG

MC00359  
PR: 322

MUD SHIELDS  
LEFT SIDE  
(EFF. S/N HP87101)



**9690 COMBINE  
SHIELDS**

531

**MUD SHIELDS  
LEFT SIDE  
(EFF. S/N HP87101)**

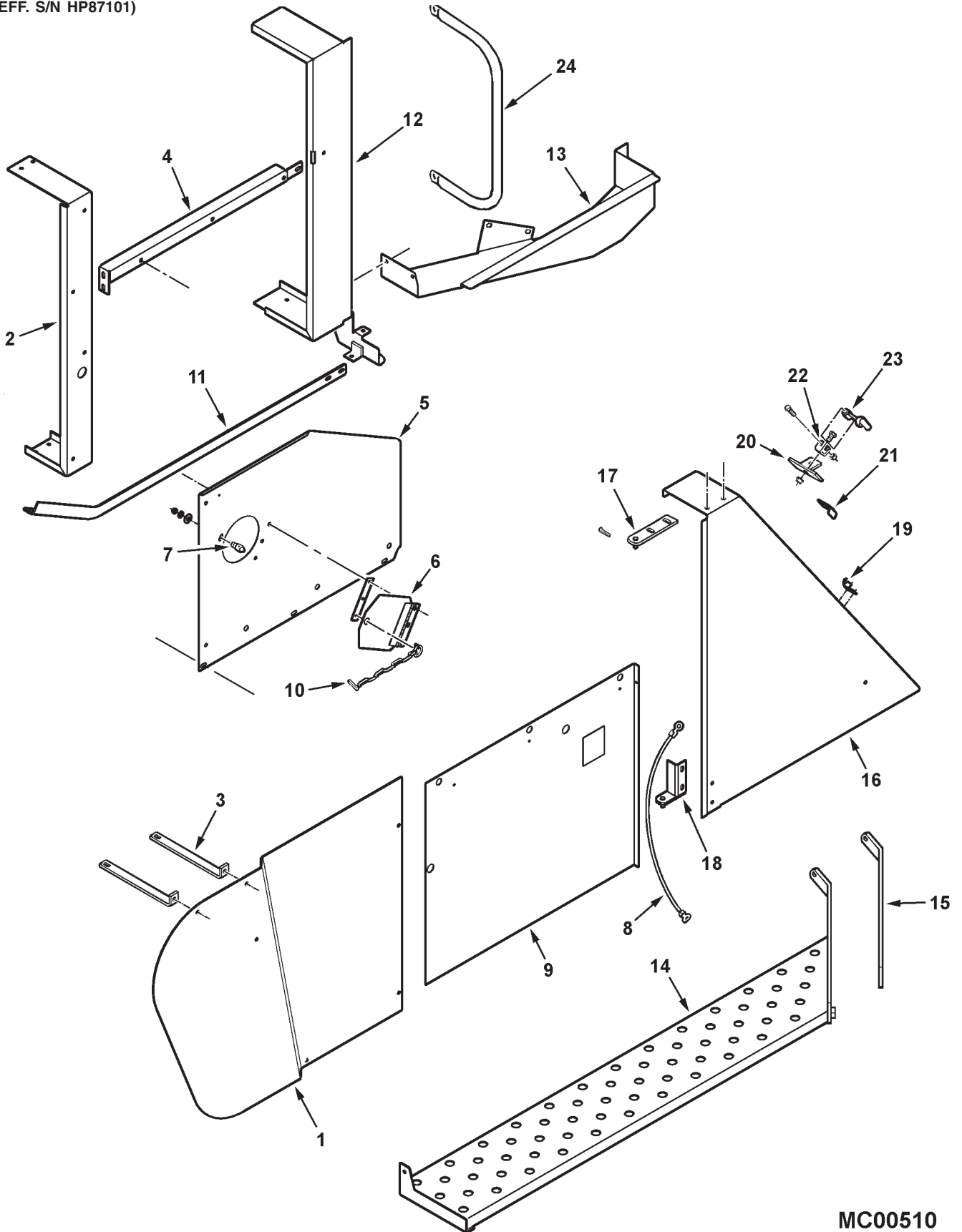
ITEM	NUMBER	QTY	DESCRIPTION
1	71408217	1	MUD SHIELD, LEFT FRT (PRIOR S/N HS87101)
	71409457	1	MUD SHIELD, LEFT FRT (EFF. S/N HS87101)
	70921210	2	CAPSCREW, 3/8-16 X 1 GR5
	70921332	2	CAPSCREW, 5/16-18 X 3/4 GR5
	70917642	2	WASHER, 5/16, WIDE
	70917378	2	WASHER, 3/8, WIDE
	Y704726	2	NUT, HEX FLANGE TOP LOCK, 5/16-18
2	Y704734	2	NUT, HEX FLANGE TOP LOCK, 3/8-16
	71404306	1	CHANNEL, LEFT MUD SHIELD
3	70921210	4	CAPSCREW, 3/8-16 X 1 GR5
	Y704734	4	NUT, HEX FLANGE TOP LOCK, 3/8-16
	71401645	2	STRAP, STANDOFF, MUD SHIELD
4	70921210	2	CAPSCREW, 3/8-16 X 1 GR5
	70917378	2	WASHER, 3/8, WIDE
	Y704734	2	NUT, HEX FLANGE TOP LOCK, 3/8-16
	71401470	1	ANGLE WLDMT, LEFT MUD SHIELD
5	70921210	2	CAPSCREW, 3/8-16 X 1 GR5
	70921965	1	CAPSCREW, 3/8-16 X 3/4 GR5
	70917378	1	WASHER, 3/8, WIDE
	Y704734	3	NUT, HEX FLANGE TOP LOCK, 3/8-16
	71391624	1	SHIELD, UPPER LEFT
6	70921210	2	CAPSCREW, 3/8-16 X 1 GR5
	70921965	3	CAPSCREW, 3/8-16 X 3/4 GR5
	705038	3	LOCKWASHER, 3/8
	70917378	3	WASHER, 3/8, WIDE
	Y704734	2	NUT, HEX FLANGE TOP LOCK, 3/8-16
	104916W91	1	COVER WLDMT, LEFT SHIELD
7	2555190W1	1	SPACER, DOOR
	7703457	3	CAPSCREW, 1/4-20 X 3/4
	70917377	3	WASHER, 1/4, WIDE
	1703354	3	NUT, HEX FLANGE TOP LOCK, 1/4-20
8	1656110W2	4	PIN, SHIELD LOCK
	70917378	4	WASHER, 3/8, WIDE
	705038	4	LOCKWASHER, 3/8
	70916950	4	NUT, 3/8-16 REG
9	112942W1	1	TETHER STRAP, 28IN.
	7703457	1	CAPSCREW, 1/4-20 X 3/4 GR5
	70917377	1	WASHER, 1/4, WIDE
	1703354	1	NUT, HEX FLANGE TOP LOCK, 1/4-20
10	71394303	1	SHEET WLMT, LEFT, W/ DECAL
11	863415	4	PIN-KLIK, W/ CHAIN
	71404305	1	ANGLE, BOTTOM SUPPORT, LH
	70921210	1	CAPSCREW, 3/8-16 X 1 GR5
	70921965	1	CAPSCREW, 3/8-16 X 3/4 GR5
	70917378	1	WASHER, 3/8, WIDE
	Y704734	2	NUT, HEX FLANGE TOP LOCK, 3/8-16

CONTINUED

MC00510  
PR: t05b04j09c0018

9690 COMBINE  
SHIELDS

MUD SHIELDS  
LEFT SIDE  
(EFF. S/N HP87101)



**9690 COMBINE  
SHIELDS**

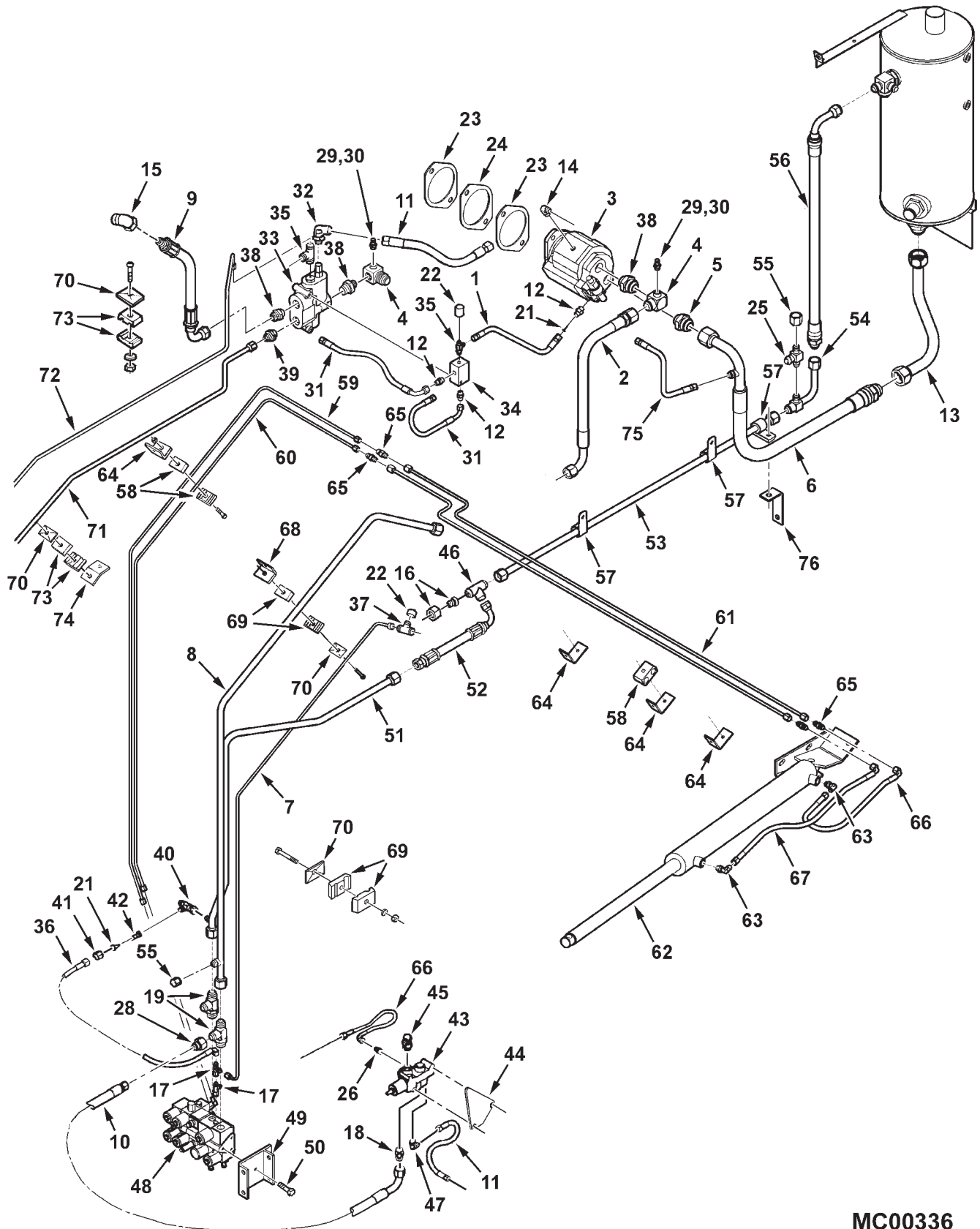
533

**MUD SHIELDS  
LEFT SIDE  
(EFF. S/N HP87101)**

ITEM	NUMBER	QTY	DESCRIPTION
12	71401468	1	CHANNEL WLDMT, LEFT
	70921210	2	CAPSCREW, 3/8-16 X 1 GR5
	70921965	1	CAPSCREW, 3/8-16 X 3/4 GR5
	70917378	2	WASHER, 3/8, WIDE
13	Y704734	3	NUT, HEX FLANGE TOP LOCK, 3/8-16
	71390913	1	SHIELD, ELEVATOR DRIVE, LEFT
	70921210	2	CAPSCREW, 3/8-16 X 1 GR5
	70921965	3	CAPSCREW, 3/8-16 X 3/4 GR5
	70917378	3	WASHER, 3/8, WIDE
14	Y704734	5	NUT, HEX FLANGE TOP LOCK, 3/8-16
	71401463	1	STEP WLDMT, LEFT, PROCESSOR
	70921965	3	CAPSCREW, 3/8-16 X 3/4 GR5
	Y704734	3	NUT, HEX FLANGE TOP LOCK, 3/8-16
	70921176	1	CAPSCREW, 1/2-13 X 1-1/4 GR5
15	Y704742	1	NUT, HEX FLANGE TOP LOCK, 1/2-13
	71393919	1	STRAP, STEP SUPPORT, PROCESSOR
	70921176	2	CAPSCREW, 1/2-13 X 1-1/4 GR5
16	Y704742	2	NUT, HEX FLANGE TOP LOCK, 1/2-13
	71404303B	1	GUARD, DRIVES, W/ DECAL
	101221M92	1	HINGE WLDMT, UPPER GUARD
	101218M91	1	HINGE WLDMT, LOWER GUARD
17	70921210	4	CAPSCREW, 3/8-16 X 1 GR5
	70917378	4	WASHER, 3/8, WIDE
	Y704734	4	NUT, HEX FLANGE TOP LOCK, 3/8-16
	7025075	1	BRACKET, CATCH
18	70916080	2	SCREW, RND HD MACH, #10-24 X 1/2
	705004	2	LOCKWASHER, #10
	70916621	2	NUT, #10-24 UNC
	101231M1	1	BRACKET, LATCH
19	70920415	1	CAPSCREW, 3/8-16 X 1-1/4 GR5
	70917378	1	WASHER, 3/8, WIDE
	Y704734	1	NUT, HEX FLANGE TOP LOCK, 3/8-16
20	101232M1	1	STOP BRACKET, GUARD
21	1787520W1	1	ANCHOR BRACKET, RUBBER LATCH
	70921332	1	CAPSCREW, 5/16-18 X 3/4 GR5
22	Y704726	1	NUT, HEX FLANGE TOP LOCK, 5/16-18
	776682	1	HOOK, RUBBER
	70921962	1	CAPSCREW, 1/4-20 X 1-3/4
23	1703354	1	NUT, HEX FLANGE TOP LOCK, 1/4-20
	71397286	1	HANDLE, ASSIST
	70921210	2	CAPSCREW, 3/8-16 X 1 GR5
24	70917378	2	WASHER, 3/8, WIDE
	Y704734	2	NUT, HEX FLANGE TOP LOCK, 3/8-16

MC00510  
PR: t05b04j09c0018

HYDRAULIC PUMP & LINES  
(PRIOR S/N HR87101)





**9690 COMBINE  
SHIELDS**

535

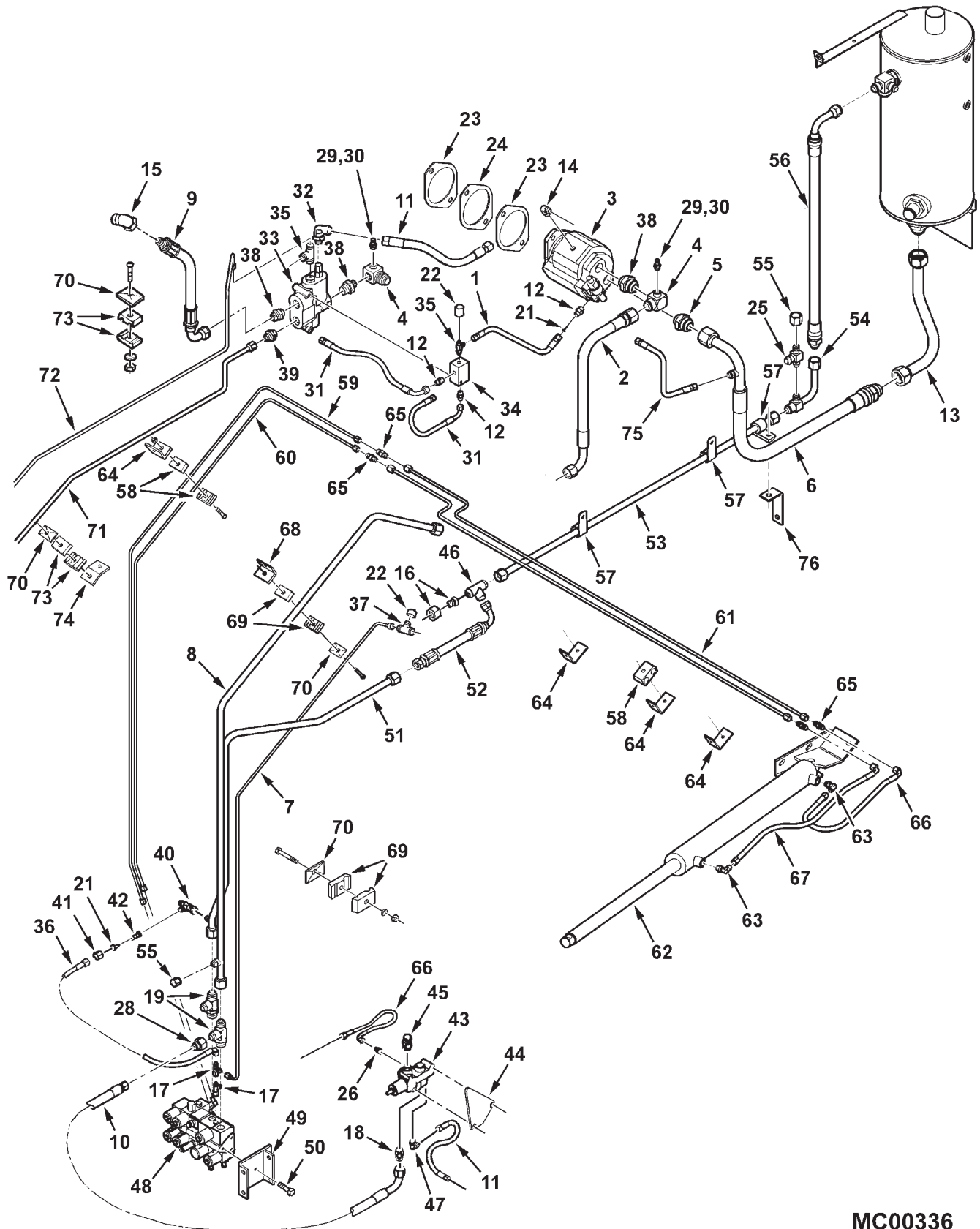
**HYDRAULIC PUMP & LINES  
(PRIOR S/N HR87101)**

ITEM	NUMBER	QTY	DESCRIPTION
1	71392879	1	HOSE ASY, PUMP LS, 1/4
2	71392882	1	HOSE ASY, PUMP PRESSURE
3	71388864	1	PUMP, SYSTEM HYDRAULIC
	70950453	2	CAPSCREW, M12-1.75 X 35 CL8.8
	Y705624	2	WASHER, 1/2 NARROW
4	72526244	1	ELBOW, 90 DEG SPL, 1-5/16-12 JIC X ORB
	70921214	1	O-RING, .116 X 1.17 ID
5	70923343	1	STR CONN, 1-5/8-12 JIC X 1-5/8-12 ORB
	70921235	1	O-RING, .118 X 1.475 ID
6	71388875	1	HOSE ASY, PUMP SUCTION
7	112041W1	1	TUBE ASY, VALVE, LS (PRIOR MID. S/N HN87)(SERVICE W/71399150)
	71399150	1	TUBE ASY, VALVE, LS (EFF. MID S/N HN87...)
8	71394168	1	TUBE ASY, PRESS TO VALVE (PRIOR MID. S/N HN87)(SERVICE W/71399149)
	71399149	1	TUBE ASY, VALVE (EFF. MID. S/N HN87)
9	101588M1	1	HOSE ASY, PRIORITY VALVE OUT, 5/8
10	112050W1	1	HOSE ASY, PRESS TO REEL DRIVE VALVE
11	101650M1	2	HOSE ASY, VALVE DRAIN
12	700701356	3	STR CONN, 7/16-20 JIC X 7/16-20 ORB
	70921883	1	O-RING, .072 X .35 ID
13	-----	-	TUBE ASY, (9790 ONLY)
14	70922523	1	ELBOW, 90 DEG, 9/16-18 JIC X 9/16-18 ORB
	70921885	1	O-RING, .078 X .468 ID
15	70919624	1	ELBOW, 90 DEG, 1-1/16-12, MALE X SWIV FEM (PRIOR MID. S/N HN87)(USED W/TUBE ASY. 71394168)
16	70925852	1	REDUCER, 1-1/16-12 JIC X 9/16-18 MALE
	70919197	1	TUBE NUT, 1-1/16-12
17	700701355	2	TEE, SWIVEL RUN, 7/16-20 JIC
18	70921326	1	STR CONN, 7/8-14 JIC X ORB
	70921205	1	O-RING, .097 X .755 ID
19	70922181	2	TEE, ADJ ORB RUN, 1-1/16-12 JIC X ORB
	70921206	2	O-RING, .116 X .924 ID
21	286501M1	2	CONE FILTER, 1/4
22	700715848	2	CAP, 7/16-20 JIC
23	3929751	2	GASKET, ENGINE FACE & PUMP FACE (CUMMINS)
24	3902603	1	SPACER, PUMP (ORDER FROM CUMMINS)
25	70921298	1	TEE, SWIVEL RUN, 3/4-16 JIC
26	70926292	1	STR CONN, 7/16-20 JIC X 9/16-18 ORB
	70921885	1	O-RING, .078 X .468 ID
28	700701744	1	REDUCER, 1-1/16-12 JIC X 3/4-16 MALE
29	71379303	1	COUPLER, DIAGNOSTIC
30	71379304	1	DUST CAP, HYD COUPLER
31	116640W1	2	HOSE ASY, SHUTTLE VALVE
32	70930510	1	ELBOW, 90 DEG, 9/16-18 JIC X 7/16-20 ORB
	70921883	1	O-RING, .072 X .35 ID
33	71391453	1	VALVE, PRIORITY FLOW DIVIDER
	772418	1	CAPSCREW, 5/16-18 X 3-1/2 GR5
	873026	1	CAPSCREW, 5/16-18 X 4-1/2 GR5
	70917372	2	NUT, 5/16-18 REG
	70917356	2	LOCKWASHER, 5/16 REG
34	72525468	1	VALVE, SHUTTLE
35	70924783	2	TEE, ADJ ORB RUN, 7/16-20 JIC X ORB
	70921883	1	O-RING, .072 X .35 ID
36	71373538	1	HOSE ASY, LS DRAIN, 1/4

CONTINUED

MC00336  
PR: 354

HYDRAULIC PUMP & LINES  
(PRIOR S/N HR87101)



**9690 COMBINE  
SHIELDS**

537

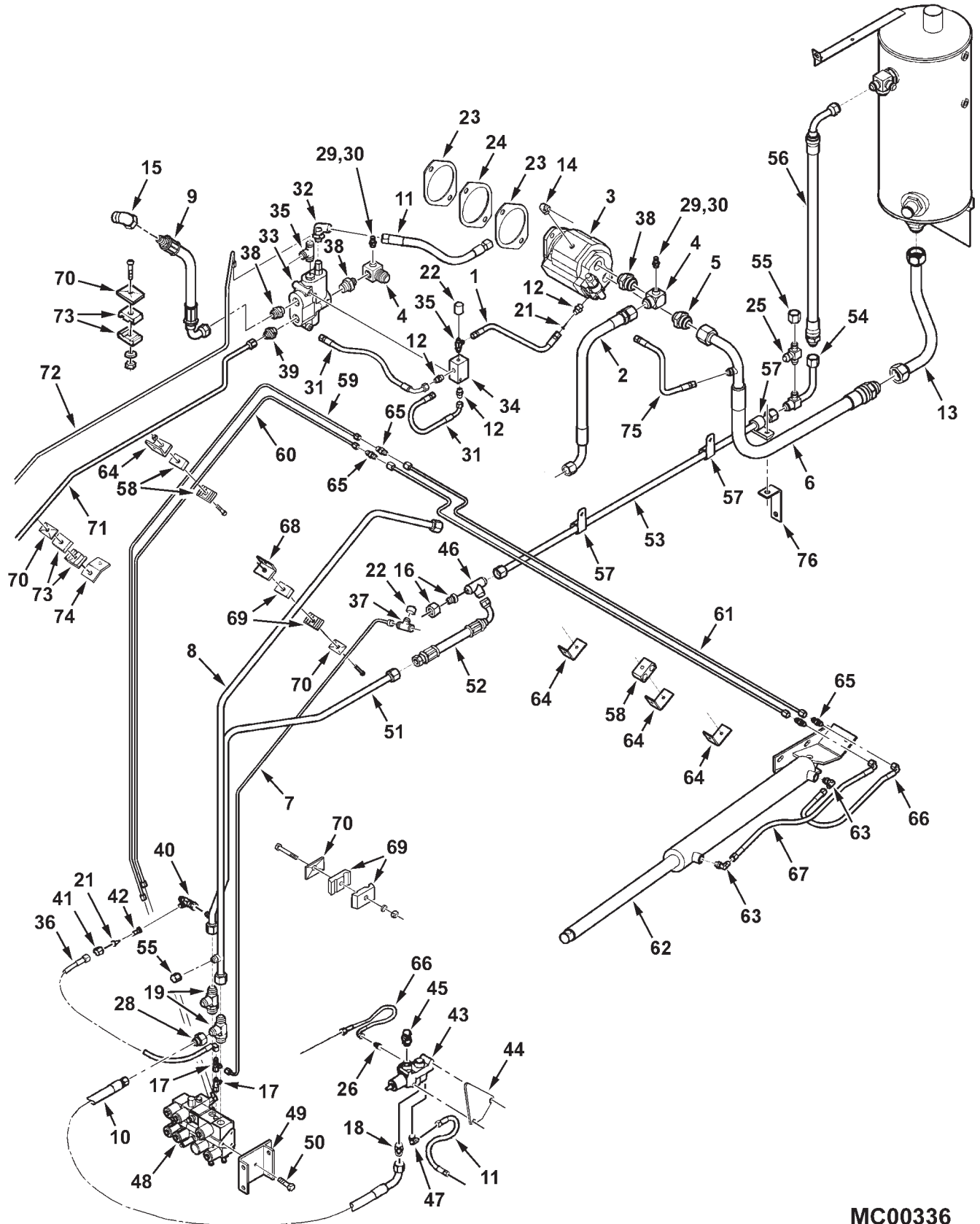
**HYDRAULIC PUMP & LINES  
(PRIOR S/N HR87101)**

ITEM	NUMBER	QTY	DESCRIPTION
37	700701350	1	TEE, UNION, 7/16-20 JIC
38	70935768	2	STR CONN, 1-1/16-12 JIC X 1-5/16-12 ORB
	70921214	2	O-RING, .116 X 1.17 ID
39	700701753	1	STR CONN, 3/4-16 JIC X 1-1/16-12 ORB
	70921206	1	O-RING, .116 X .924 ID
40	70921297	1	TEE, SWIVEL RUN, 9/16-18 JIC
41	846204	1	TUBE NUT, 9/16-18
42	116644W1	1	FITTING, ORIFICE, 7/16-20 JIC
43	104135W91	1	VALVE, REEL DRIVE
	70921719	2	CAPSCREW, 5/16-18 X 2-1/2 GR5
	70917372	2	NUT, 5/16-18 REG
	70917356	2	LOCKWASHER, 5/16
44	71386414	1	PLATE, VALVE MOUNTING
	70921332	2	CAPSCREW, 5/16-18 X 3/4 GR5
	70917372	2	NUT, 5/16-18 REG
	70917356	2	LOCKWASHER, 5/16
45	70921327	1	ELBOW, 90 DEG, 7/8-14 JIC X ORB
	70921205	1	O-RING, .097 X .755 ID
46	700701814	1	TEE, UNION, 1-1/16-12 JIC
47	70922523	1	ELBOW, 90 DEG, 9/16-18 JIC X 9/16-18 ORB
	70921885	1	O-RING, .078 X .468 ID
48	-----	1	VALVE STACK, MAIN CONTROL(SEE BREAKDOWN)
49	108910W91	1	BRACKET WLDMT, VALVE
	7701188	4	CAPSCREW, 1/2-13 X 1-1/4 GR5
	Y705046	4	LOCKWASHER, 1/2 REG
	704031	4	NUT, 1/2-13 REG
50	70927340	3	CAPSCREW, 1/4-20 X 3/4 GR8
	353769X1	3	WASHER, HARD, 1/4
51	112174W1	1	TUBE ASY, RETURN
52	71394174	1	HOSE ASY, RETURN, 3/4
53	2629720W1	1	TUBE ASY, RETURN TO TANK
54	71388085	1	TUBE ASY, RETURN TO TANK
55	70923737	3	CAP, 3/4-16 JIC
56	71388086	1	HOSE ASY, RETURN TO TANK, 3/4
57	70926049	2	CLAMP, 3/4 DIA X .406 HOLE
	Y702951	2	SCREW,HEX HD,TAPPING, 3/8-16 X 3/4
58	148039M1	5	CLAMP PAIR, DOUBLE, 1/4 X 1/4 DIA
	70922837	5	CAPSCREW, 1/4-20 X 1-1/2
	70917377	5	WASHER, WIDE, 1/4
	70916622	5	NUT, 1/4-20 REG
	705012	5	LOCKWASHER, 1/4 REG
59	112043W1	1	TUBE ASY, UNLDR SWING, VALVE LOWER, 1/4 (PRIOR MID. S/N HN87...)(SERVICE W/71401728)
	71401728	1	TUBE ASY, UNLDR SWING, VALVE LOWER, 1/4 (EFF. MID. S/N HN87)
60	112044W1	1	TUBE ASY, UNLDR SWING, VALVE UPPER, 1/4 (PRIOR MID. S/N HN87...)(SERVICE W/71401727)
	71401727	1	TUBE ASY, UNLDR SWING, VALVE UPPER, 1/4 (EFF. MID. S/N HN87)
61	71401729	2	TUBE ASY, UNLDR SWING
62	112785W92	1	HYD CYLINDER, UNLDR SWING(SEE BREAKDOWN) (PRIOR S/N HN87101)
	71399143	1	HYD CYLINDER, UNLDR SWING(SEE BREAKDOWN) (EFF. S/N HN87101)

CONTINUED

MC00336  
PR: 354

HYDRAULIC PUMP & LINES  
(PRIOR S/N HR87101)



9690 COMBINE  
SHIELDS

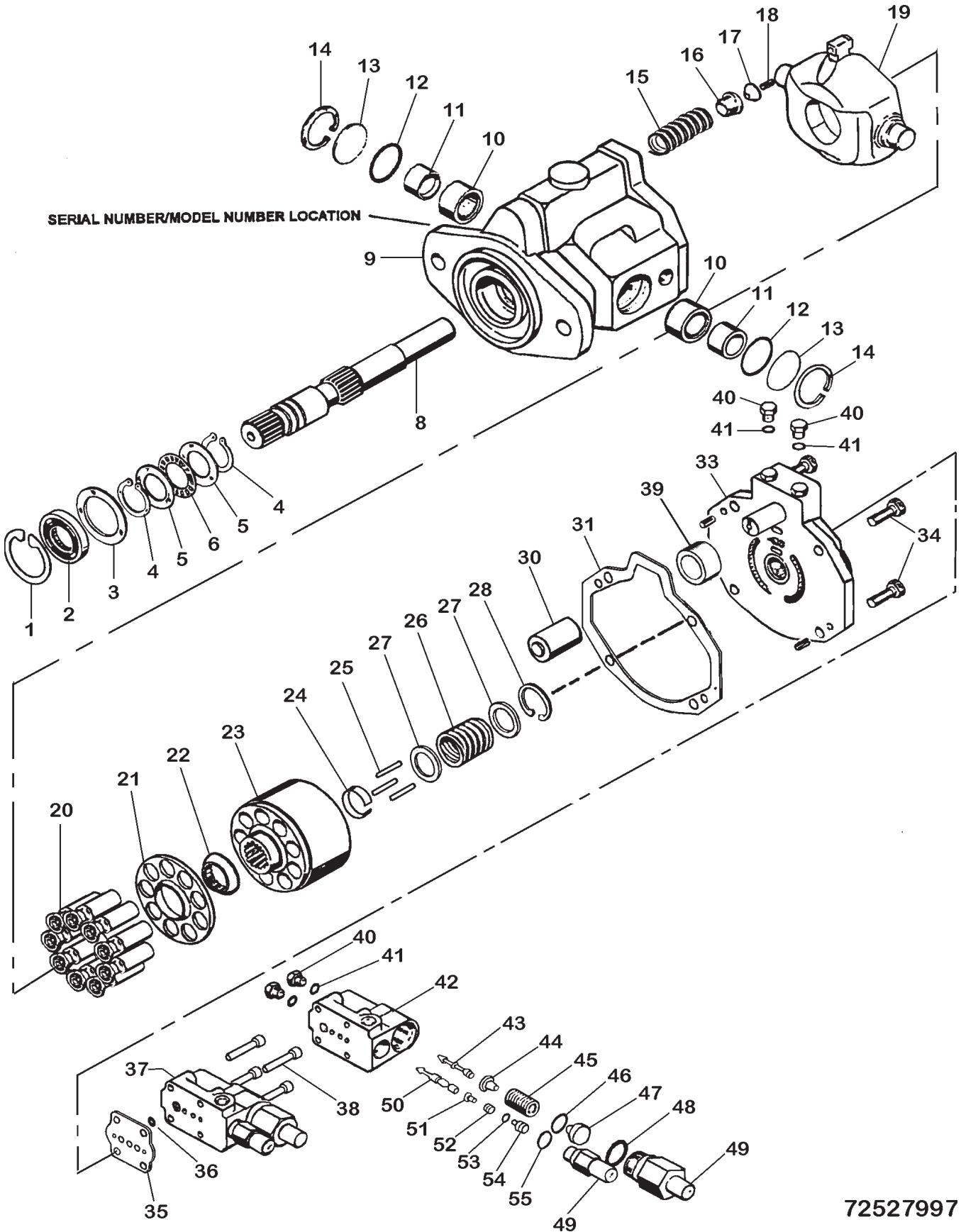
539

HYDRAULIC PUMP & LINES  
(PRIOR S/N HR87101)

ITEM	NUMBER	QTY	DESCRIPTION
63	700701834	2	ELBOW,90 DEG, 7/16-20 JIC X 9/16-18 ORB
	70921885	2	O-RING, .078 X .468 ID
64	101618M1	3	ANGLE BRACKET
	71398203	1	ANGLE BRACKET, LONG
	7703457	4	CAPSCREW, 1/4-20 X 3/4 GR5
	705012	4	LOCKWASHER, 1/4
	70916622	4	NUT, 1/4-20 REG
65	70919214	4	UNION CONNECTOR, 7/16-20 JIC
66	101590M1	1	HOSE ASY, 1/4
67	101598M1	1	HOSE ASY, 1/4
68	101643M91	1	ANGLE BRACKET
	70921332	1	CAPSCREW, 5/16-18 X 3/4 GR5
	70917372	1	NUT, 5/16-18 REG
	70917356	1	LOCKWASHER, 5/16
69	101752M1	2	CLAMP PAIR, DOUBLE, 3/4 X 1/4 DIA
	70921159	1	CAPSCREW, 1/4-20 X 2-1/4 GR5
	7701485	1	CAPSCREW, 1/4-20 X 2 GR5
	705012	2	LOCKWASHER, 1/4
	70916622	1	NUT, 1/4-20 REG
70	101646M1	4	COVER PLATE
71	71391246	1	TUBE ASY, STEERING SUPPLY, 1/2
72	71391252	1	TUBE ASY, STRG L.S., 1/4
73	101751M1	2	CLAMP PAIR, DOUBLE, 1/2 X 1/4 DIA
	7701485	2	CAPSCREW, 1/4-20 X 2 GR5
	705012	2	LOCKWASHER, 1/4
	70916622	2	NUT, 1/4-20 REG
74	112972W1	1	STRAP, TUBE SUPPORT
	70921332	1	CAPSCREW, 5/16-18 X 3/4 GR5
	70917372	1	NUT, 5/16-18 REG
	70917356	1	LOCKWASHER, 5/16
75	71388081	1	HOSE ASY, DRAIN
76	71398139	1	ANGLE BRKT, TUBE SUPPT

MC00336  
PR: 354

PUMP, SYSTEM  
PRIOR S/N HR87101)



9690 COMBINE  
SHIELDS

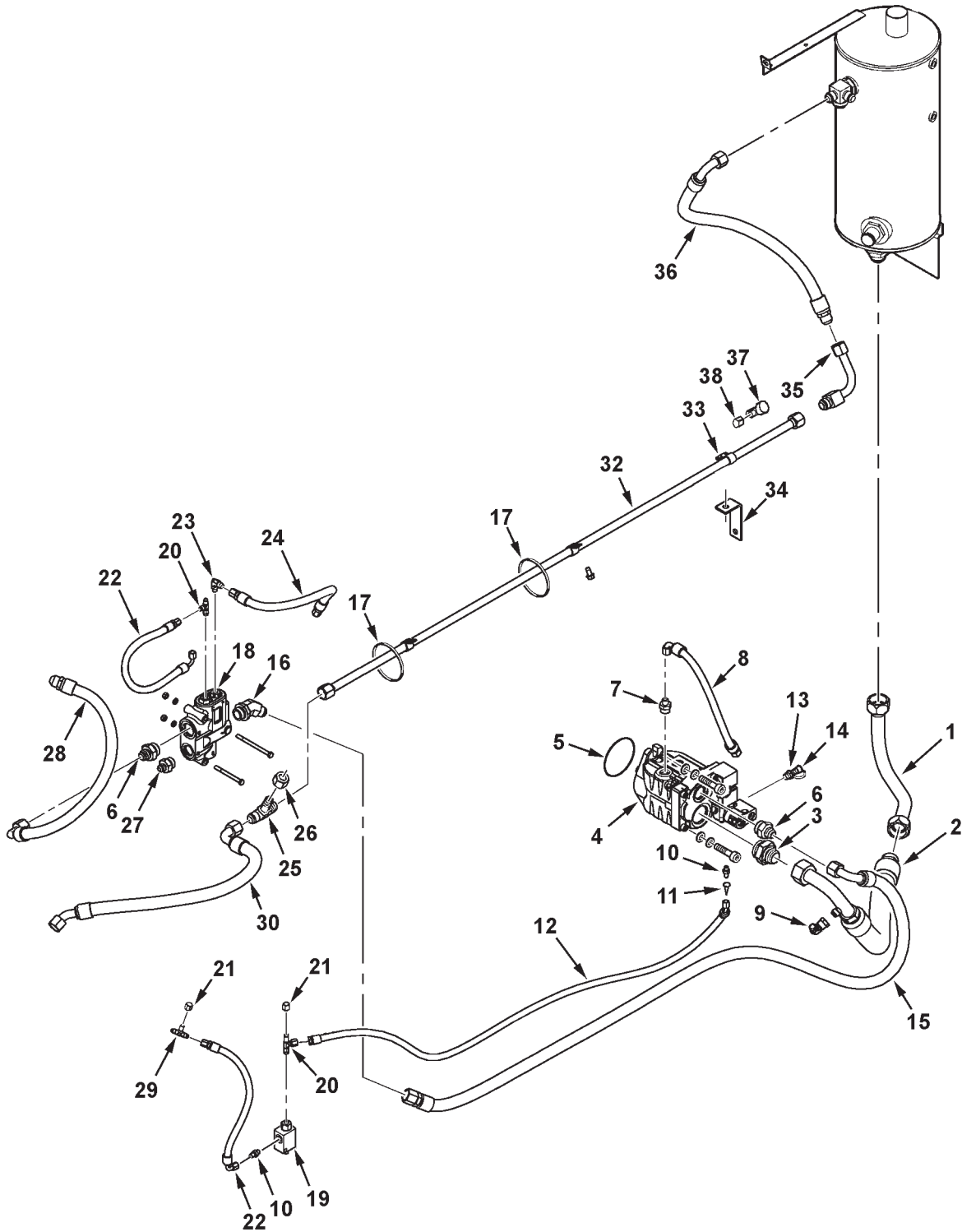
541

PUMP, SYSTEM  
PRIOR S/N HR87101)

ITEM	NUMBER	QTY	DESCRIPTION
-	71388864	1	PUMP, SYSTEM HYDRAULIC
1	70927700	1	* RING, RETAINING
2	70269723	1	* SEAL, SHAFT
3	70269722	1	WASHER
4	72528008	2	* RING, RETAINING
5	70933255	2	RACE, THRUST BEARING
6	70930441	1	BEARING, THRUST
8	104456W1	1	SHAFT, DRIVE
9	72528022	1	HOUSING
10	71012174	2	BEARING, THRUST
11	700719785	2	RACE, INNER
12	70924791	2	* O-RING, .103 X 1.424 ID, 75 DUR
13	700719782	2	COVER, TRUNNION
14	7035983	2	* RING, RETAINING
15	700719780	1	SPRING
16	700719784	1	COLLAR, SPRING
17	700719783	1	BUTTON, PIVOT
18	72528006	1	PIN, ROLL
19	72528024	1	CAMPLATE
20	-----	1	*KIT, PISTON (INCL. 9 PISTONS)
21	-----	1	*SPIDER
22	-----	1	*PIVOT, SPIDER
-	-----	-	*(SERVICE WITH #700706490 KIT ASY.)
23	700706490	1	KIT ASY., ROTATING
24	70267150	1	KEEPER, PIN
25	70267148	3	PIN, LOADING
26	70267155	1	SPRING
27	70261383	2	WASHER
28	355602X1	1	RING, RETAINING
30	72528025	1	PISTON
31	70267132	1	* GASKET
33	104458W91	1	BACKPLATE
34	70920415	4	CAPSCREW, 3/8-16 X 1-1/4
35	70270210	1	* GASKET
36	72528012	1	* O-RING
37	72528004	1	COMPENSATOR ASY.
38	103714W1	4	CAPSCREW
39	-----	1	SPACER (NOT USED)
40	70935836	1	PLUG
41	70921882	1	O-RING, .064 X .301 ID, 90 DUR.
42	-----	1	BODY (NOT SERVICED)
43	-----	1	SPOOL, PRESSURE (NOT SERVICED)
44	70272357	1	CAP, SPRING PIVOT
45	70267167	1	SPRING
46	70935118	1	O-RING, VITON, .103 X .549 ID, 75 DUR.
47	70272358	1	FOLLOWER, FLOW SPRING
48	70935847	1	O-RING, VITON, .103 X .862 ID, 75 DUR.
49	72528014	1	ADJUSTMENT CAP, PRESSURE
50	70272355	1	SPOOL, FLOW
51	70272361	1	PIVOT, SPRING
52	70272365	1	SPRING
53	70936498	1	O-RING, VITON, .070 X .208 ID, 90 DUR.
54	70272360	1	FOLLOWER, FLOW SPRING
55	70928488	1	O-RING, VITON, .078 X .468 ID, 90 DUR.
-	71352945	AR	SEAL REPAIR KIT (INCL. ITEMS MARKED *)

72527997  
PR: 360

HYDRAULIC PUMP & LINES  
SISU ENGINE  
(EFF. S/N HR87101)





**9690 COMBINE  
SHIELDS**

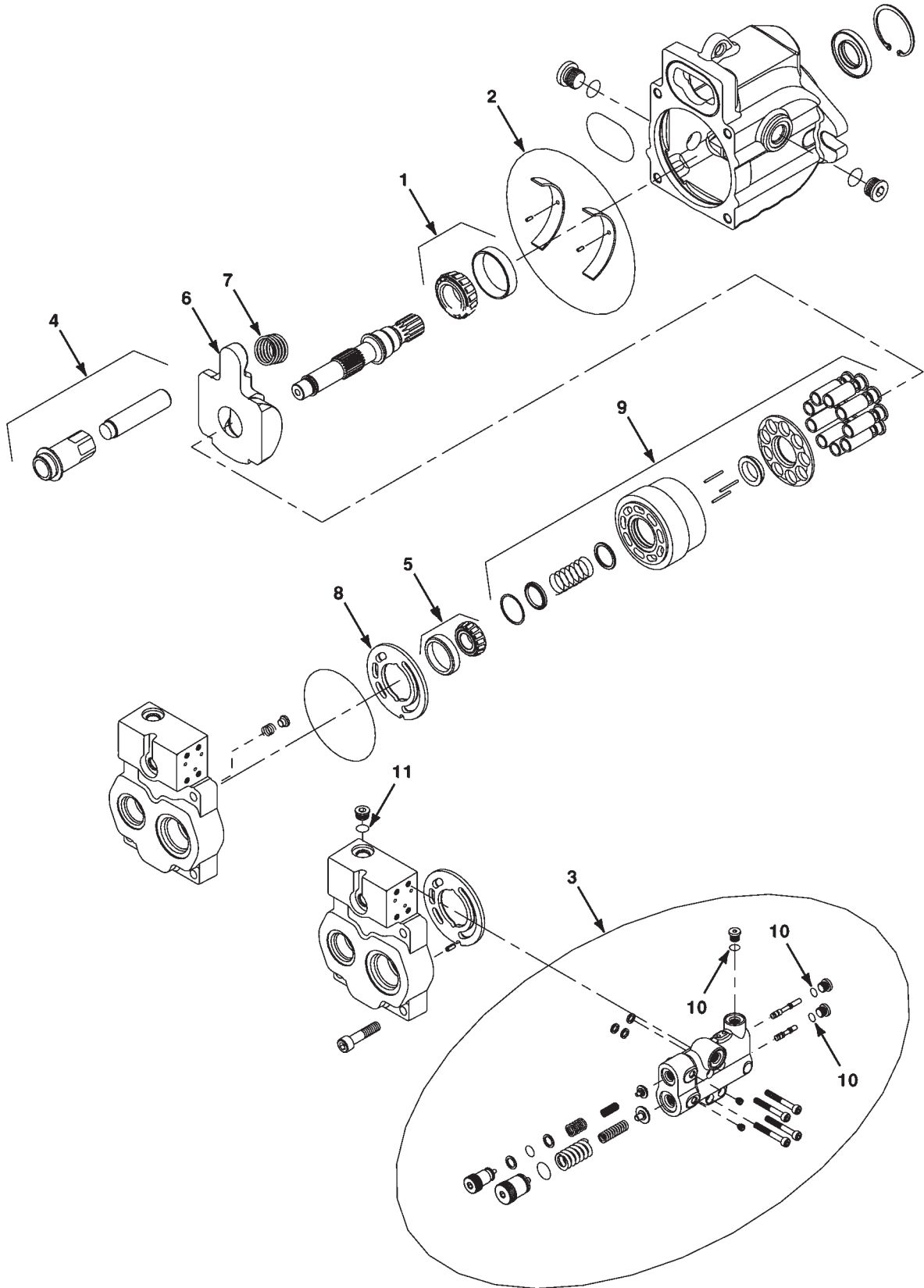
543

**HYDRAULIC PUMP & LINES  
SISU ENGINE  
(EFF. S/N HR87101)**

ITEM	NUMBER	QTY	DESCRIPTION
1	71394140	1	TUBE ASY
2	71410483	1	HOSE ASY, PUMP SUCTION
3	112890W91	1	STR CONN, 1-7/8-12 ORB X 1-5/8-12 JIC
	70921887	1	O-RING, .118 X 1.720 ID
4	71406627	1	PUMP, SYSTEM HYDRAULIC (SEE BREAKDOWN)
	3010013X1	2	CPSCR,HX SKT HD, M14-2.0 X 60 CL12.9
	70934063	2	LOCKWASHER, M14
	700101804	2	WASHER, .562 ID X 1.0 X .127 TH
5	70925310	1	O-RING, .070 X 3.99 ID, 75 DUR
6	70935768	2	STR CONN, 1-1/16-12 JIC X 1-5/16-12 ORB
	70921214	2	O-RING, .116 X 1.17 ID
7	8746018	2	CONNECTOR, STR, 9/16-18 JIC X 7/8-14 ORB
	70921205	2	O-RING, .097 X .755 ID
8	71410484	1	HOSE ASY, PUMP CASE DRAIN
9	70921279	1	ELBOW, 90 DEG, SWIVEL, 3/4-16 JIC
10	700701356	3	CONNECTOR,STR, 7/16-20 JIC X 7/16-20 ORB
	70921883	3	O-RING, .072 X .35 ID
11	286501M1	1	CONE FILTER, 1/4
12	71410485	1	HOSE ASY, LOAD SENSE
13	71379303	1	COUPLER, DIAGNOSTIC
14	71379304	1	DUST CAP, HYD COUPLER
15	71410486	1	HOSE ASY, PUMP TO PRIORITY VALVE
16	70935989	1	ELB, 45 D, 1-1/16-12 JIC X 1-5/16-12 ORB
	70921214	1	O-RING, .116 X 1.171 ID
17	3619622M1	2	TIE, BLACK NYLON, .184 X 14.2 LG
18	71391453	1	VALVE ASY, PRIORITY FLOW DIVIDER
	772418	1	CAPSCREW, 5/16-18 X 3-1/2 GR5
	873026	1	CAPSCREW, 5/16-18 X 4-1/2 GR5
	70917372	2	NUT, 5/16-18 REG
	70917356	2	LOCKWASHER, 5/16 REG
19	72525468	1	VALVE, SHUTTLE
20	70924783	2	TEE, ADJ ORB, RUN, 7/16-20 JIC X ORB
	70921883	1	O-RING, .072 X .35 ID
21	700715848	2	CAP, 7/16-20 JIC
22	116640W1	1	HOSE ASY,SHUTTL VAL(QTY 2 PRIOR HS87101)
23	70930510	1	ELBOW,90 DEG, 9/16-18 JIC X 7/16-20 ORB
	70921883	1	O-RING, .072 X .35 ID
24	101650M1	1	HOSE ASY, PRIORITY VALVE RETURN
25	700701814	1	TEE, UNION, 1-1/16-12 JIC
26	70925852	1	REDUCER, 1-1/16-12 JIC X 9/16-18 MALE
	70919197	1	TUBE NUT, 1-1/16-12
27	700701753	1	STR CONN, 3/4-16 JIC X 1-1/16-12 ORB
	70921206	1	O-RING, .116 X .924 ID
28	101588M1	1	HOSE ASY, PRIORITY VALVE OUT, 5/8 ID (PRIOR S/N HS87101)
29	700701350	1	TEE, UNION, 7/16-20 JIC (PRIOR HS87101)
30	700727621	1	HOSE ASY, RETURN (PRIOR S/N HS87101)
32	71398138	1	TUBE ASY, RETURN TO TANK
33	70926049	3	CLAMP, LINE, 3/4 DIA X .406 HOLE
	Y702951	2	SCR,HX WSHR HD,TAPPING, 3/8-16 X 3/4
	70921977	1	CAPSCREW, 5/16-18 X 1-1/4 GR5
	Y705608	1	WASHER, 5/16 NARROW
	Y704726	1	NUT, HEX FLANGE TOP LOCK, 5/16-18
34	71398139	1	ANGLE BRKT, TUBE SUPPORT
35	71398142	1	TUBE ASY, RETURN TO TANK
36	71388086	1	HOSE ASY, RETURN TO TANK, 3/4
37	70921298	1	TEE, SWIVEL RUN, 3/4-16 JIC
38	70923737	1	CAP, 3/4-16 JIC

MC00401  
PR: t05i09j44b0027

PUMP, SYSTEM  
(EFF. S/N HR87101)



**9690 COMBINE  
SHIELDS**

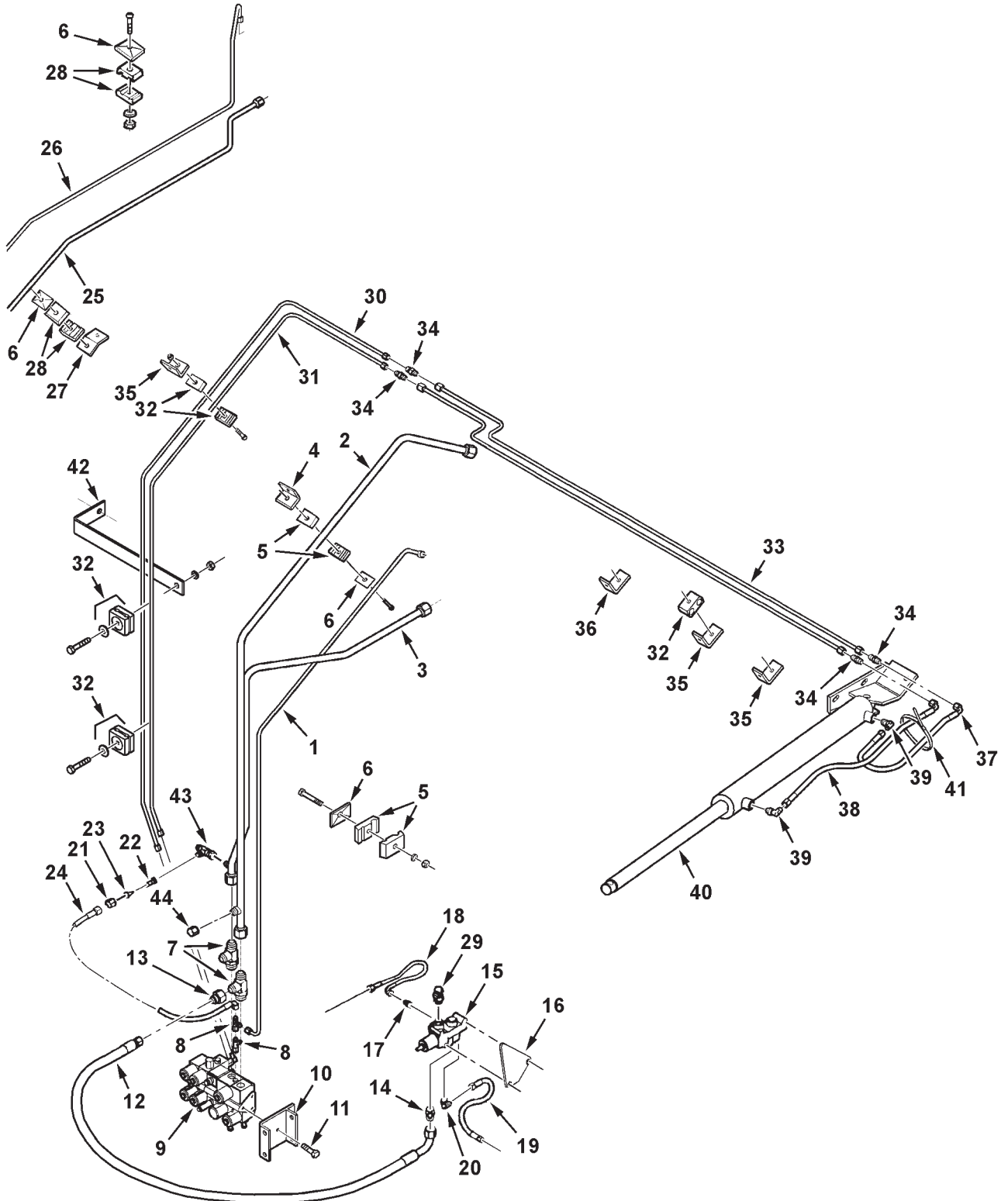
**545**

**PUMP, SYSTEM  
(EFF. S/N HR87101)**

ITEM	NUMBER	QTY	DESCRIPTION
-	71406627	1	PUMP, SYSTEM HYDRAULIC
1	71414689	1	BEARING KIT, FRONT
2	71414688	1	SWASHPLATE BEARING KIT
3	71414687	1	CONTROL KIT
4	700725471	1	KIT-SERVO PISTON
5	71414681	1	BEARING KIT, REAR
6	71414690	1	SWASHPLATE
7	700725468	1	BIAS SPRING
8	71414682	1	VALVE PLATE, CCW, KRL
9	700725475	1	CYLINDER BLOCK KIT 41/45 CC
10	AG727281	3	O-RING
11	70928488	1	O-RING

GC00505  
PR: t07b20n52c0004

**CONTROL VALVE & LINES**  
SISU ENGINE  
(EFF. S/N HR87101-HR87999)



**9690 COMBINE  
SHIELDS**

547

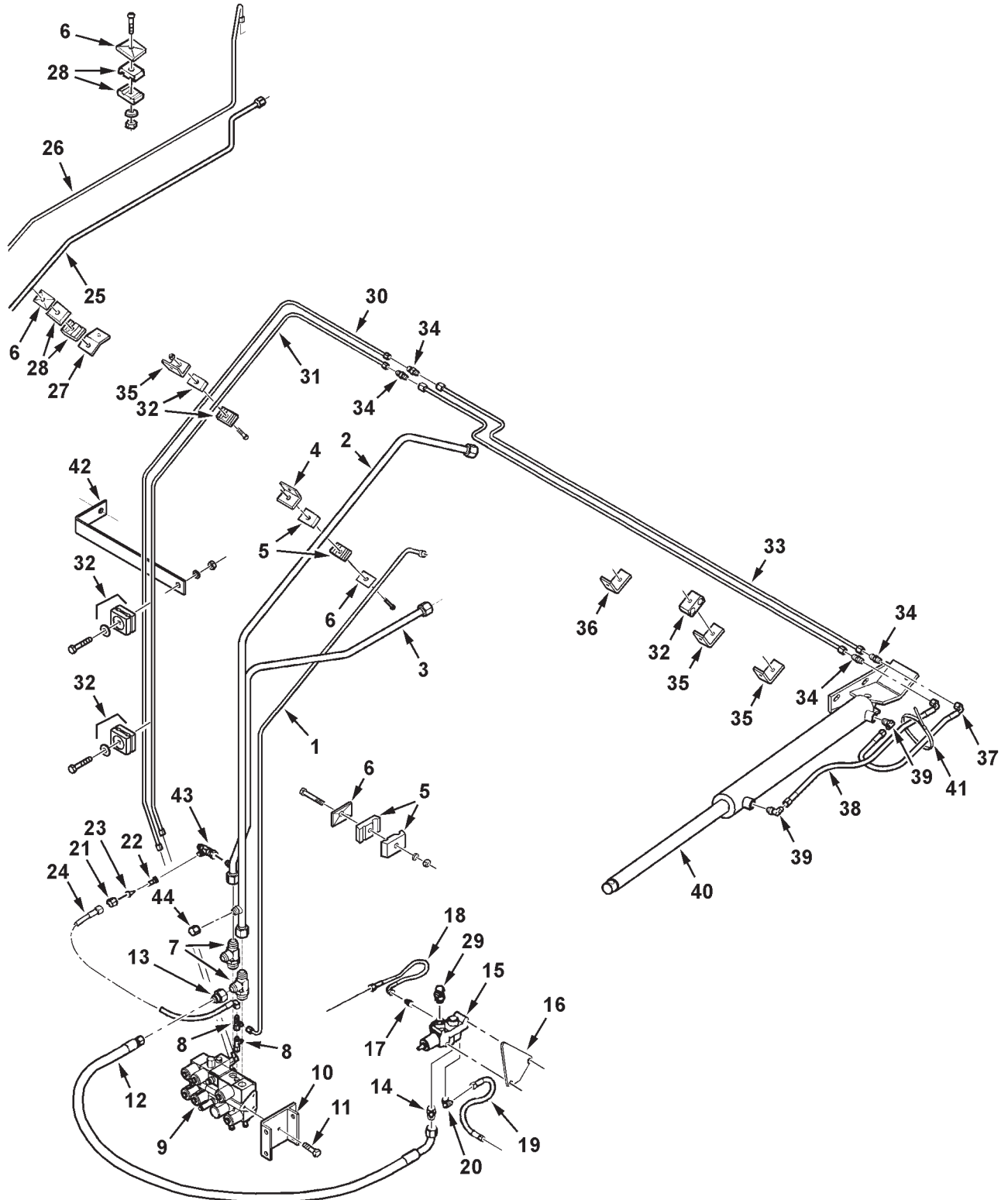
**CONTROL VALVE & LINES  
SISU ENGINE  
(EFF. S/N HR87101-HR87999)**

ITEM	NUMBER	QTY	DESCRIPTION
1	71399150	1	TUBE ASY, CONTROL VALVE, L.S.
2	71399149	1	TUBE ASY, FLOW DIVIDER TO CONTROL VALVE
3	700727622	1	TUBE ASY, CONTROL VALVE, RETURN
4	101643M91	1	ANGLE BRACKET WLMT
	70921332	1	CAPSCREW, 5/16-18 X 3/4 GR5
	70917356	1	LOCKWASHER, 5/16
	70917372	1	NUT, 5/16-18 REG
5	101752M1	2	CLAMP PAIR, DOUBLE, 3/4 & 1/4 DIA
	70921159	1	CAPSCREW, 1/4-20 X 2-1/4 GR5
	7701485	1	CAPSCREW, 1/4-20 X 2 GR5
	705012	2	LOCKWASHER, 1/4
	70916622	1	NUT, 1/4-20 REG
6	101646M1	4	COVER PLATE
7	70922181	2	TEE, ADJ ORB RUN, 1-1/16-12 JIC X ORB
	70921206	2	O-RING, .116 X .924 ID
8	700701355	2	TEE, SWIVEL RUN, 7/16-20 JIC
9	-----	1	VALVE STACK, MAIN CONTROL(SEE BREAKDOWN)
10	108910W91	1	BRACKET WLDMT, VALVE
	7701188	4	CAPSCREW, 1/2-13 X 1-1/4 GR5
	Y705046	4	LOCKWASHER, 1/2
	704031	4	NUT, 1/2-13 REG
11	70927340	3	CAPSCREW, 1/4-20 X 3/4 GR8
	353769X1	3	WASHER, HARD, 1/4
12	112050W1	1	HOSE ASY, PRESS TO REEL DRIVE VALVE
13	700701744	1	REDUCER, 1-1/16-12 JIC X 3/4-16 MALE
14	70921326	1	STR CONN, 7/8-14 JIC X ORB
	70921205	1	O-RING, .097 X .755 ID
15	104135W91	1	VALVE, REEL DRIVE
	70921719	2	CAPSCREW, 5/16-18 X 2-1/2 GR5
	70917372	2	NUT, 5/16-18 REG
	70917356	2	LOCKWASHER, 5/16
16	71386414	1	PLATE, VALVE MOUNTING
	70921333	2	CAPSCREW, 5/16-18 X 1" GR5
	70917372	2	NUT, 5/16-18 REG
	70917356	2	LOCKWASHER, 5/16
17	70926292	1	STR CONN, 7/16-20 JIC X 9/16-18 ORB
	70921885	1	O-RING, .078 X .468 ID
18	101590M1	1	HOSE ASY, 1/4
19	101650M1	1	HOSE ASY, VALVE DRAIN
20	70922523	1	ELBOW, 90 DEG, 9/16-18 JIC X 9/16-18 ORB
	70921885	1	O-RING, .078 X .468 ID
21	846204	1	TUBE NUT, 9/16-18
22	116644W1	1	FITTING, ORIFICE, 7/16-20 JIC
23	286501M1	2	CONE FILTER, 1/4
24	71373538	1	HOSE ASY, L.S. DRAIN, 1/4

CONTINUED

MC00402  
PR: t05i09j44b0028

**CONTROL VALVE & LINES**  
SISU ENGINE  
(EFF. S/N HR87101-HR87999)



9690 COMBINE  
SHIELDS

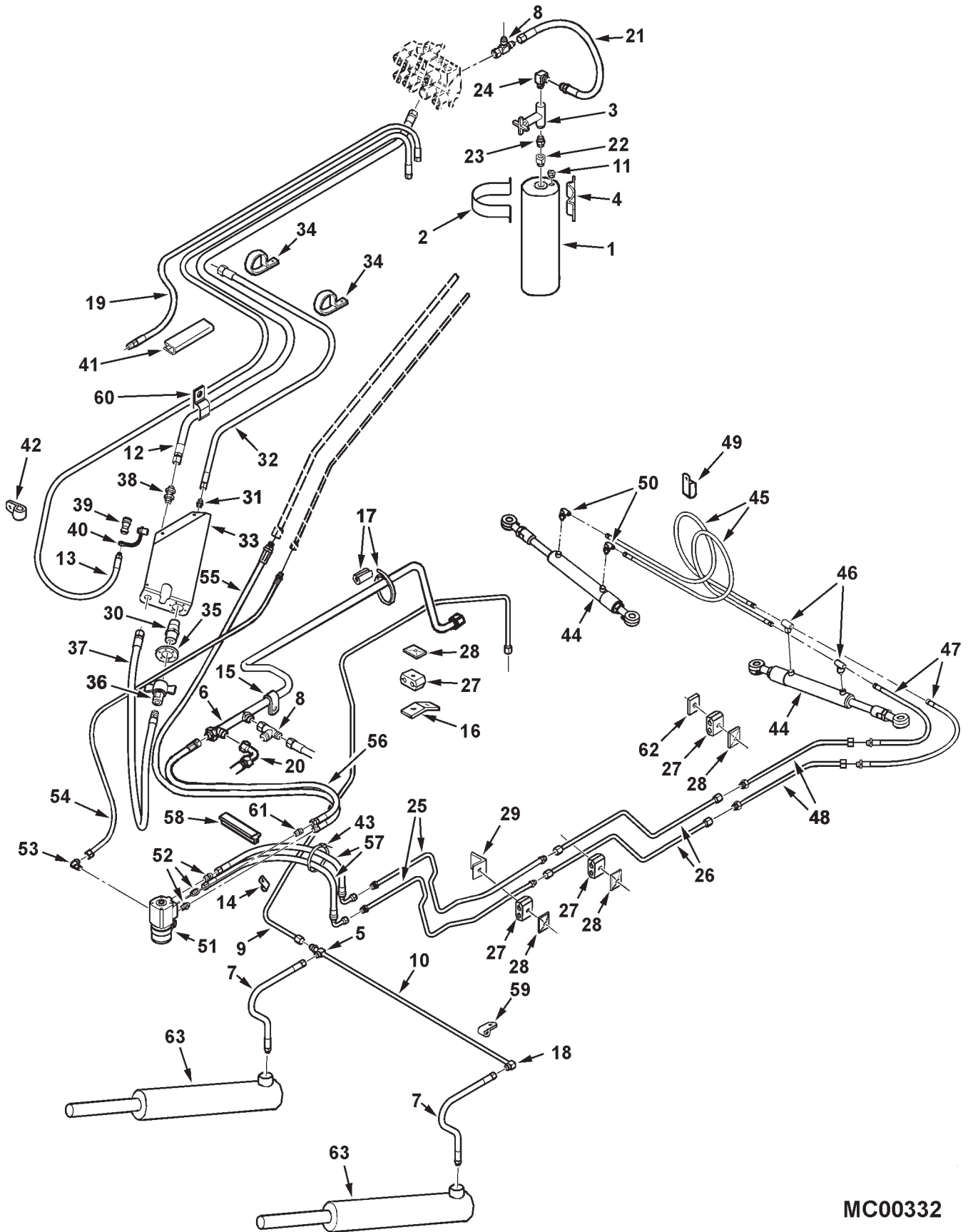
549

CONTROL VALVE & LINES  
SISU ENGINE  
(EFF. S/N HR87101-HR87999)

ITEM	NUMBER	QTY	DESCRIPTION
25	71391246	1	TUBE ASY, STEERING SUPPLY, 1/2
26	71391252	1	TUBE ASY, STEERING L.S., 1/4
27	112972W1	1	STRAP, TUBE SUPPORT
	70921332	1	CAPSCREW, 5/16-18 X 3/4 GR5
	70917372	1	NUT, 5/16-18 REG
	70917356	1	LOCKWASHER, 5/16
28	101751M1	2	CLAMP PAIR, DOUBLE, 1/2 & 1/4 DIA
	7701485	2	CAPSCREW, 1/4-20 X 2 GR5
	705012	2	LOCKWASHER, 1/4
	70916622	2	NUT, 1/4-20 REG
29	70921327	1	ELBOW, 90 DEG, 7/8-14 JIC X ORB
	70921205	1	O-RING, .097 X .755 ID
30	71401728	1	TUBE ASY, UNLDR SWING, VALVE LOWER, 1/4
31	71401727	1	TUBE ASY, UNLDR SWING, VALVE UPPER, 1/4
32	148039M1	6	CLAMP PAIR, DOUBLE, 1/4 & 1/4 DIA
	70922837	6	CAPSCREW, 1/4-20 X 1-1/2
	70917377	6	WASHER, WIDE, 1/4
	70916622	6	NUT, 1/4-20 REG
	705012	6	LOCKWASHER, 1/4
33	71401729	2	TUBE ASY, UNLDR SWING
34	70919214	4	UNION CONNECTOR, 7/16-20 JIC
35	101618M1	3	ANGLE BRACKET
	7703457	3	CAPSCREW, 1/4-20 X 3/4 GR5
	705012	3	LOCKWASHER, 1/4
	70916622	3	NUT, 1/4-20 REG
36	71398203	1	ANGLE BRACKET, LONG
	7703457	1	CAPSCREW, 1/4-20 X 3/4 GR5
	705012	1	LOCKWASHER, 1/4
	70916622	1	NUT, 1/4-20 REG
37	101590M1	1	HOSE ASY, 1/4
38	101598M1	1	HOSE ASY, 1/4
39	700701834	2	ELBOW, 90 DEG, 7/16-20 JIC X 9/16-18 ORB
	70921885	2	O-RING, .078 X .468 ID
40	71399143	1	HYD CYLINDER, UNLDR SWING(SEE BREAKDOWN)
41	3619622M1	1	TIE, BLACK NYLON, .184 X 14.2 LG
42	71412116	1	STRAP, TUBE SUPPORT
	70921333	1	CAPSCREW, 5/16-18 X 1 GR5
	70917642	1	WASHER, 5/16, WIDE
	Y704726	1	NUT, HEX FLANGE TOP LOCK, 5/16-18
43	70921297	1	TEE, SWIVEL RUN, 9/16-18 JIC
44	70923737	1	CAP, 3/4-16 JIC

MC00402  
PR: t05109j44b0028

STEERING & HEADER FUNCTIONS  
(PRIOR S/N HS87101)





9690 COMBINE  
HYDRAULICS

551

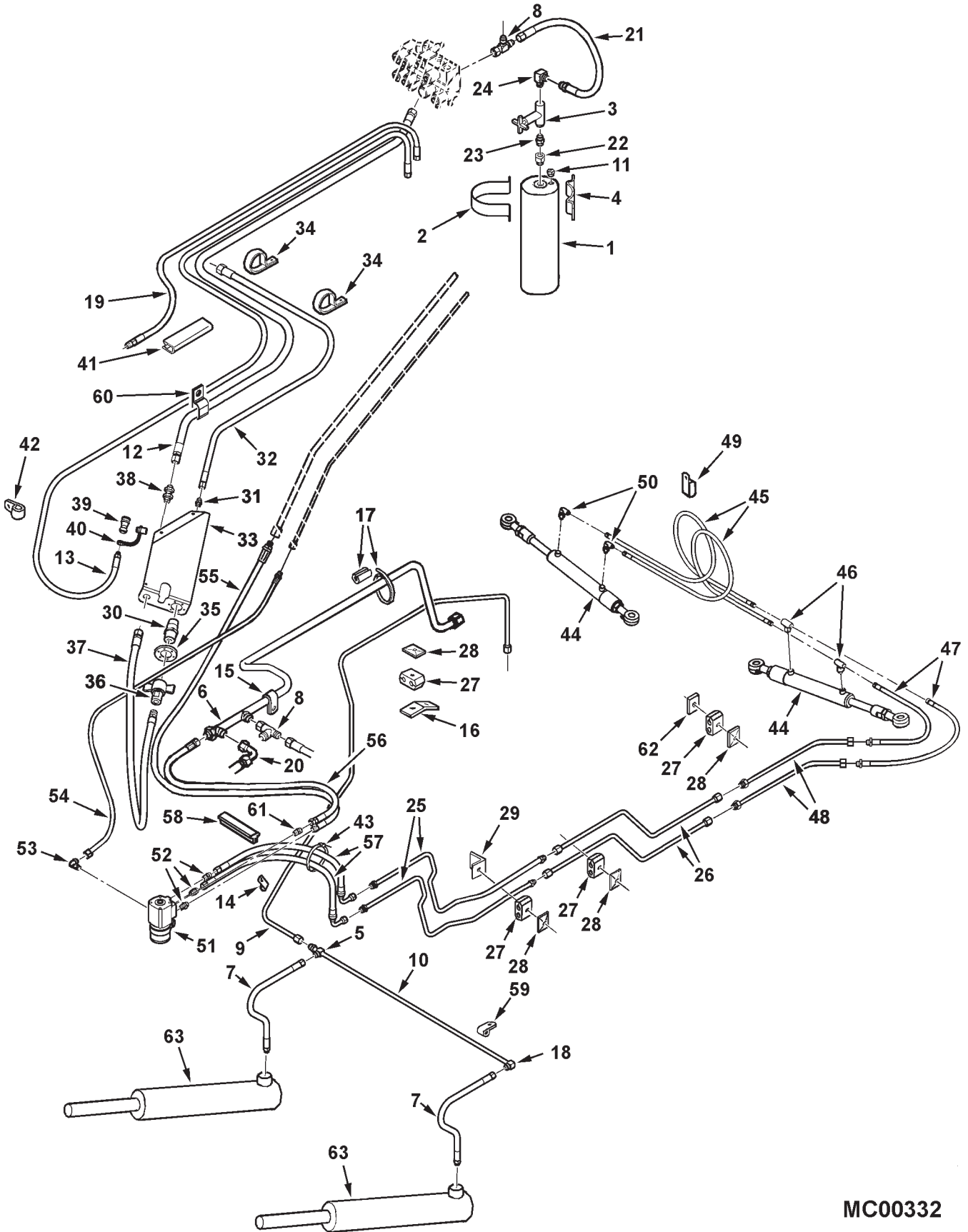
STEERING & HEADER FUNCTIONS  
(PRIOR S/N HS87101)

ITEM	NUMBER	QTY	DESCRIPTION
1	700712632	1	ACCUMULATOR
2	101705M1	2	BRACKET, ACCUMULATOR
	70921977	4	CAPSCREW, 5/16-18 X 1-1/4
	70917642	4	WASHER, WIDE, 5/16
	70917356	4	LOCKWASHER, 5/16
	70917372	4	NUT, 5/16-18
3	71334329	1	VALVE ASY, BALL
4	101698M1	2	PAD, ACCUMULATOR
5	-----	-	TEE, UNION, 3/4-16 JIC (9790 ONLY)
6	71399144	1	TUBE ASY, VALVE RETURN
7	101589M91	2	HOSE ASY., HEADER & ACCUMULATOR
	70921349	2	O-RING, .087 X .644 ID
8	70921298	2	TEE, SWIVEL RUN, 3/4-16 JIC
9	71391236	1	TUBE ASY, HEADER LIFT (PRIOR MID. S/N HN87---)(SERVICE W/71400691)
	71400691	1	TUBE ASY,HDR LIFT (EFF. MID S/N HN87---)
10	116479W1	1	TUBE ASY., HEADER LIFT FRT.
11	357194X1	1	PLUG, HEX HD, 9/16-18 ORB
	70921885	1	O-RING, .078 X .468 ID
12	71394173	1	HOSE ASY., REEL DRIVE, 1/2 ID
13	116482W1	1	HOSE ASY., REEL LIFT, 3/8 ID
14	70925617	2	CLAMP, 1/2 DIA X .406 HOLE (QTY 1 PRIOR S/N HP87101)
	70921333	1	CAPSCREW, 5/16-18 X 1
	700709602	1	WASHER, PLAIN WIDE, 5/16
	Y705046	1	LOCKWASHER, 5/16
	70917372	1	NUT, HEX 5/16-18
15	70926049	1	CLAMP, .750 TUBE X .406 HOLE
	70921333	1	CAPSCREW, 5/16-18 X 1
	700709602	1	WASHER, PLAIN WIDE, 5/16
16	112972W1	1	STRAP, TUBE SUPPORT
	70921332	1	CAPSCREW, 5/16-18 X 3/4
	Y705046	1	LOCKWASHER, 5/16
	70917372	1	NUT, HEX 5/16-18
17	103600W1	1	SLEEVE, SPLIT
	70937133	1	TIE, NYLON LOCKING, .30 X 14.5
18	-----	-	ELBOW, 90 DEG, 3/4-16 JIC (9790 ONLY)
19	-----	1	HOSE ASY, SUPPLY (SEE "HEADER REVERSER")
20	-----	1	HOSE ASY, RETURN (SEE "HEADER REVERSER")
21	71393843	1	HOSE ASY, ACCUMULATOR
22	700705119	1	REDUCER, 1-1/16-12 ORB X 3/4-16 ORB FEM
	70921206	1	O-RING, .116 X .924 ID
23	70933454	1	CONNECTOR, STR. 3/4-16 ORB X 1/2 NPTF
	70921349	1	O-RING, .087 X .644 ID
24	70919195	1	ELBOW, 90 DEG, 3/4-16 JIC X 1/2 NPTF
25	71398227	2	TUBE ASY, STEERING FRT.
26	101596M92	2	TUBE ASY, STEERING, 1/2
27	148022M1	9	CLAMP PAIR, DOUBLE, 1/2 X 1/2 DIA

CONTINUED

MC00332  
PR: 328

STEERING & HEADER FUNCTIONS  
(PRIOR S/N HS87101)



9690 COMBINE  
HYDRAULICS

553

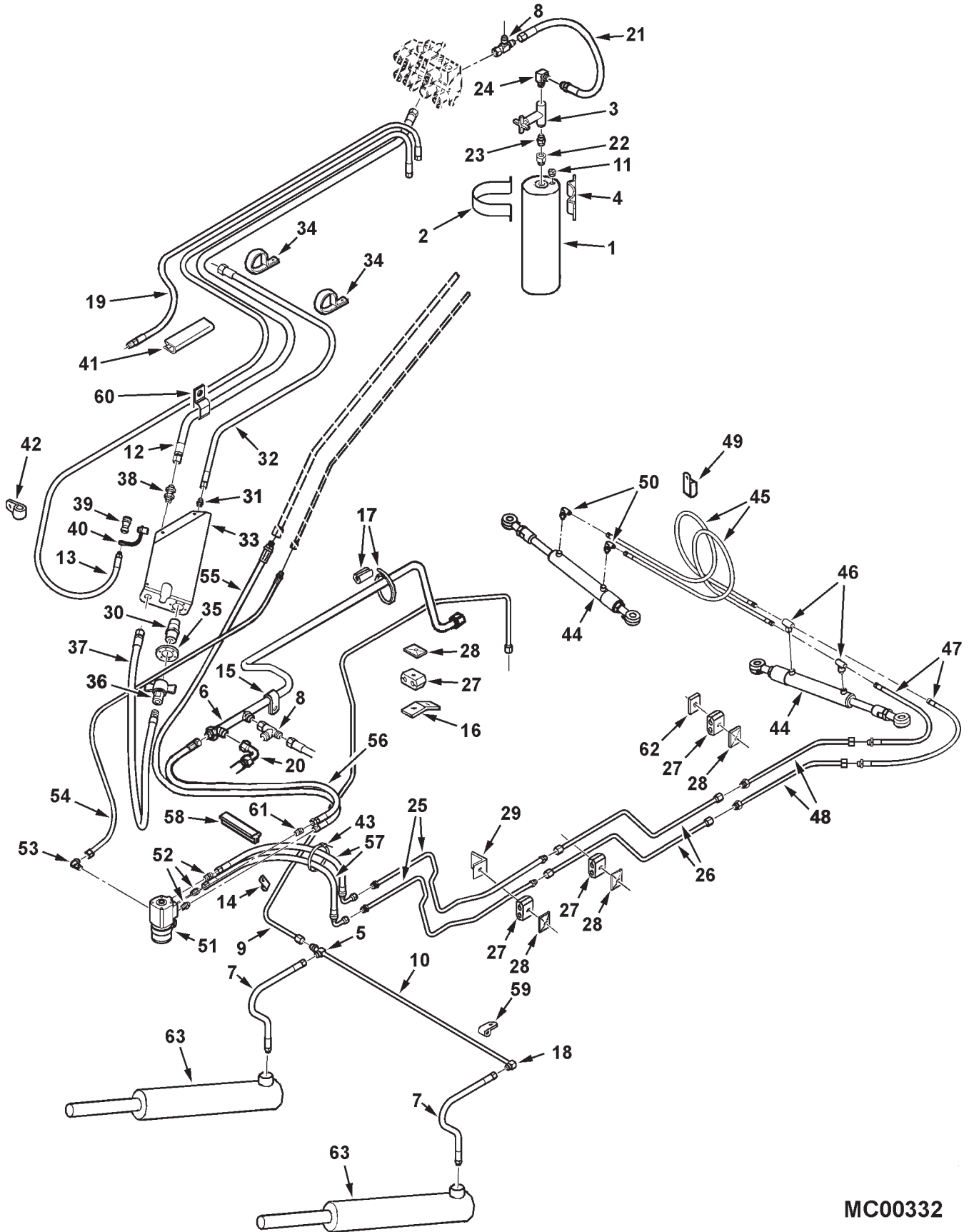
STEERING & HEADER FUNCTIONS  
(PRIOR S/N HS87101)

ITEM	NUMBER	QTY	DESCRIPTION
28	101646M1	9	COVER PLATE
	7701485	7	CAPSCREW, 1/4-20 X 2
	70921159	2	CAPSCREW, 1/4-20 X 2-1/4
	705012	9	LOCKWASHER, 1/4
	70916622	9	NUT, HEX 1/4-20
29	101832M1	2	BRACKET, ANGLE
	703249	2	CAPSCREW, 3/8-16 X 1
	705038	2	LOCKWASHER, 3/8
	70916950	2	NUT, HEX 3/8
30	71365883	1	COUPLING, HYDRAULIC
31	70919128	1	CONNECTION, 3/4-16 JIC X 1/2 NPTF
32	71392881	1	HOSE ASY., REEL RETURN
33	71399119	1	BRACKET, HYD. HOSE DISCONNECT
	703249	2	CAPSCREW, 3/8-16 X 1
	705038	2	LOCKWASHER, 3/8
	70916950	2	NUT, HEX 3/8-16
34	70936467	2	CLAMP, 1-5/8 TUBE X .406 HOLE (PRIOR S/N HP87101)
	7041015	2	CLAMP, 2-1/4 X .531 HOLE(EFF S/N HP87101)
35	71365880	1	FLANGE, HYD. COUPLER
	70925160	6	RIVET
36	71358564	1	COUPLER, HYDRAULIC
37	71362149	1	HOSE ASY, REEL SPEED
38	7846777	1	BULKHEAD UNION, 7/8-14 JIC
39	71328362	1	COUPLING, HALF
40	71328365	1	DUSTCAP, FEMALE
41	71389754	1	MOULDING, EDGE (PRIOR S/N HP87101)
42	70926850	1	CLAMP, .625 TUBE X .281 HOLE
	7703457	1	CAPSCREW, 1/4-20 X 3/4
	705012	1	LOCKWASHER, 1/4
	70916622	1	NUT, HEX 1/4-20
43	70937133	3	TIE, NYLON LOCKING, .300 X 14.5
44	71365245	2	CYL ASY, STRG (STD AXLE)(PRIOR HP87101)
45	71394146	2	HOSE ASY (STD AXLE)(PRIOR S/N HP87101)
	3619622M1	2	CABLE TIE
46	70923894	2	TEE, 9/16-18 ORB BRANCH X 9/16-18 JIC
	70921885	2	O-RING, .078 X .468
47	71394151	2	HOSE ASY, 3/8 (STD AXLE)(PRIOR HP87101)
48	71394150	2	TUBE ASY, STEERING REAR (STD AXLE)
49	70928148	1	CLAMP, 3/4 TUBE X .406 HOLE (STD AXLE)
	372729X1	1	SCR,HEX WSHR HD,TAPPG, 5/16-18 X 3/4
50	70922523	2	ELBOW, 90 DEG, 9/16-18 JIC X 9/16-18 ORB
	70921885	2	O-RING, .078 X .468
51	71392876	1	STEERING CONTROL UNIT
			(NOTE: INDIVIDUAL COMPONENTS NOT SERVICED EXCEPT FOR SEAL KIT.)
-	71391083	AR	SEAL KIT, STEERING CONTROL UNIT

CONTINUED

MC00332  
PR: 328

STEERING & HEADER FUNCTIONS  
(PRIOR S/N HS87101)



9690 COMBINE  
HYDRAULICS

555

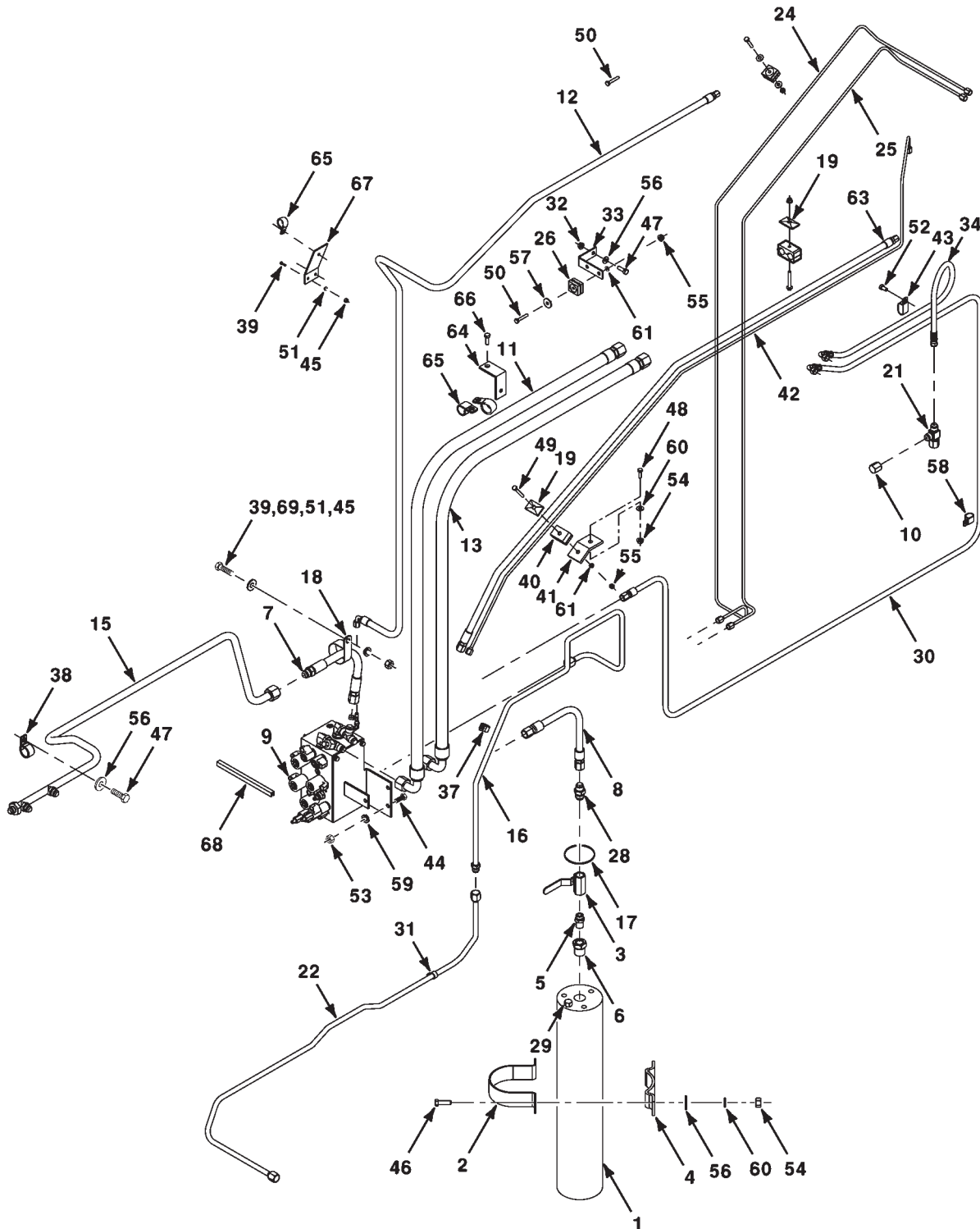
STEERING & HEADER FUNCTIONS  
(PRIOR S/N HS87101)

ITEM	NUMBER	QTY	DESCRIPTION
52	360202X91	3	CONNECTOR, 9/16-18 JIC X 3/4-16 ORB
	70921349	AR	O-RING, .087 X .644
53	70922571	1	ELBOW, 90 DEG, 7/16-20 JIC X 7/16-20 ORB
	70921883	AR	O-RING, .072 X .351
54	71392872	1	HOSE ASY., LOAD SENSE TO SCU
	70937133	3	TIE, NYLON LOCKING, .300 X 14.5
55	71398981	1	HOSE ASY., PRESSURE TO SCU
56	71398980	1	HOSE ASY., RETURN, SCU TO TANK
57	71392875	2	HOSE ASY., SCU FRONT
58	71387797	2	EDGE PROTECTOR
59	70925617	4	CLAMP, .500 TUBE X .406 HOLE
	7703457	4	CAPSCREW, 1/4-20 X 3/4
	700709601	4	WASHER, WIDE PLATED, 1/4
	705012	4	LOCKWASHER, 1/4
	70916622	4	NUT, HEX 1/4-20
60	70936473	2	CLAMP,DOUBLE, 7/8 DIA X .406 HOLE (PRIOR S/N HP87101)
	7041015	3	CLAMP, 2-1/4 X .531 HOLE(EFF S/N HP87101)
	703249	1	CAPSCREW, 3/8-16 X 1
	705038	1	LOCKWASHER, 3/8
	70916950	1	NUT, HEX 3/8-16
61	846337	1	CONNECTOR, MALE, 3/4-16 JIC X ORB
62	71404450	2	SPACER (EFF. S/N HP87101)
63	-----	2	CYLINDER, HEADER LIFT (SEE BREAKDOWN)

MC00332  
PR: 328

9690 COMBINE  
HYDRAULICS

CONTROL VALVE & LINES  
(EFF. S/N HS87101)



9690 COMBINE  
HYDRAULICS

557

CONTROL VALVE & LINES  
(EFF. S/N HS87101)

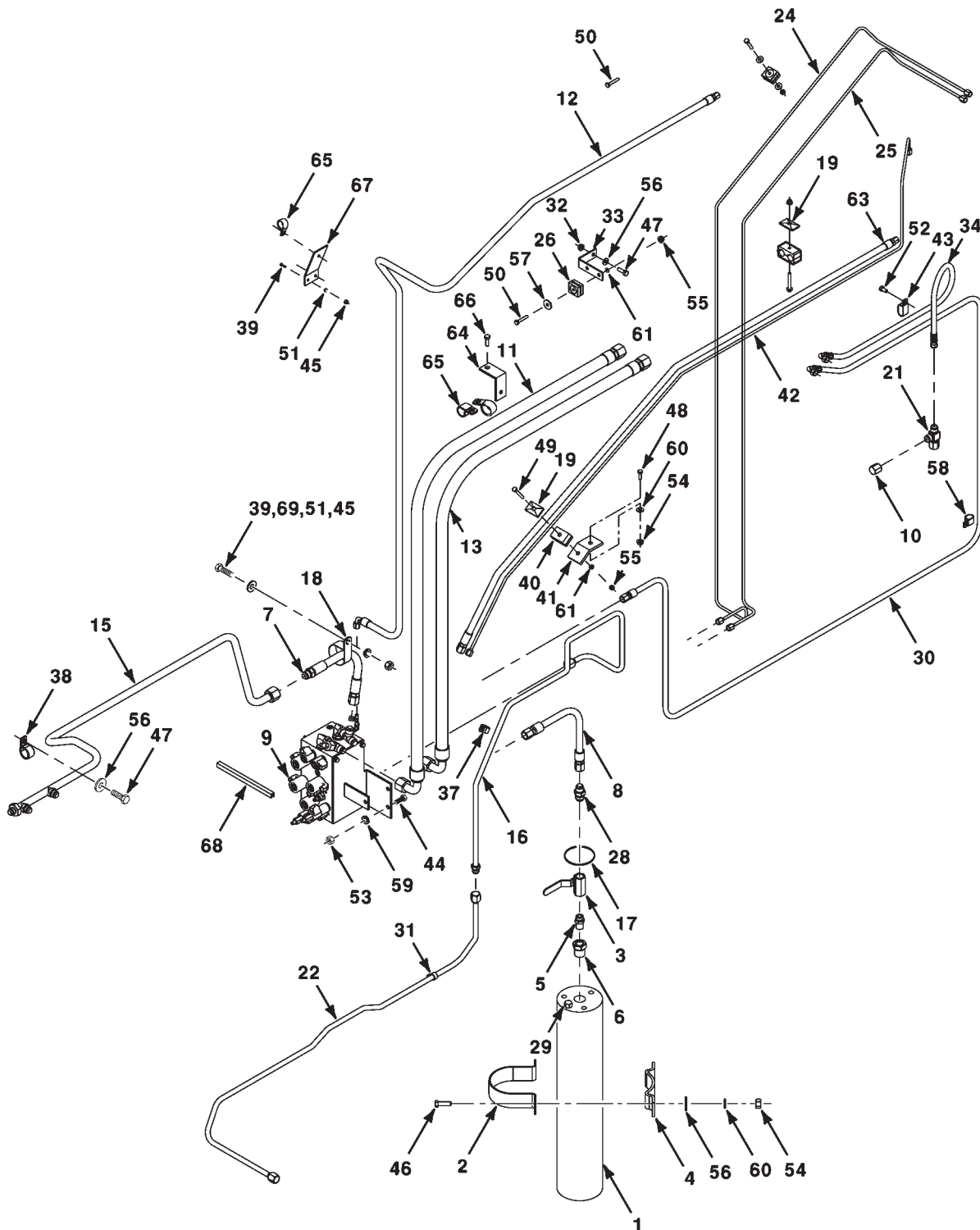
ITEM	NUMBER	QTY	DESCRIPTION
1	700712632	1	ACCUMULATOR
2	101705M1	2	BRACKET-ACCUMULATOR
3	71334329	1	VALVE ASM-BALL
4	101698M1	2	PAD-ACCUMULATOR
5	70933454	1	CONNECTOR, STR. 3/4-16 ORB X 1/2 NPTF
	70921349	1	O-RING, .087 X .644 ID
6	700705119	1	REDUCER, 1-1/16-12 ORB X 3/4-16 ORB FEM
	70921206	1	O-RING, .116 X .924 ID
7	71413427	1	HOSE ASM
8	71411204	1	HOSE ASM, ACCUM
9	-----	1	VALVE ASY, HYDRAULIC (SEE BREAKDOWN)
10	70923737	1	CAP, 3/4-16 JIC
11	71413429	1	HOSE ASM
12	71413444	1	HOSE ASM, LS
13	71413428	1	HOSE ASM
15	71413434	1	TUBE ASM, RETURN
16	71410489	1	TUBE ASM, HDR LIFT
17	70937133	6	TIE-CABLE, 15-1/4
18	7041015	1	CLAMP, TUBE, 2-1/4 DIA X .531 HOLE
19	101646M1	2	COVER PLATE
21	70921298	1	TEE, SWIVEL RUN, 3/4-16 JIC
22	71411826	1	TUBE ASM, HEADER LIFT
24	71413432	1	TUBE ASM-UNLOADER SWING OUT
25	71414223	1	TUBE ASM-UNLOADER SWING IN
26	148039M1	2	CLAMP PAIR, DOUBLE, 1/4 X 1/4 DIA
28	70919128	1	STR CONNECTOR, 1/2 NPTF X 3/4-16 JIC M
29	357194X1	1	PLUG, HEX HD, 9/16-18 ORB
	70921885	1	O-RING, .078 X .468 ID
30	71398238	1	HOSE ASM, ROTARY SCREEN
31	70936314	1	J-CLIP, 1/2 DIA X .406 HOLE
32	Y704726	1	NUT, HEX FLANGE TOP LOCK, 5/16-18
33	71412116	1	BRACKET-TUBE SUPPORT
34	71396266	1	HOSE ASM, ROT SCREEN RETURN
37	70925617	1	CLAMP, LINE, 1/2 DIA X .406 HOLE
38	70926049	1	CLAMP, LINE, 3/4 DIA X .406 HOLE
39	70920415	4	CAPSCREW, 3/8-16 X 1-1/4 GR5
40	101751M1	2	CLAMP PAIR, DOUBLE, 1/2 X 1/4 DIA
41	112972W1	1	STRAP-TUBE SUPPORT
42	71391252	1	TUBE ASM, STRG LOAD SENSE
43	70928148	2	CLAMP, DOUBLE, 3/4 TUBE X .406 HOLE
44	70921176	3	CAPSCREW, 1/2-13 X 1-1/4 GR5
45	70916950	6	NUT, 3/8-16
46	70921977	4	CAPSCREW, 5/16-18 X 1-1/4
47	70921333	2	CAPSCREW, 5/16-18 X 1
48	70921332	1	CAPSCREW, 5/16-18 X 3/4
49	70921963	1	CAPSCREW, 1/4-20 X 2
50	70922837	2	CAPSCREW, 1/4-20 X 1-1/2
51	70916965	6	LOCKWASHER, 3/8
52	Y702951	3	SCREW,HX WSHR HD TAPPG, 3/8-16 X 3/4

CONTINUED

MC00562  
PR: 71412063-04-12

9690 COMBINE  
HYDRAULICS

CONTROL VALVE & LINES  
(EFF. S/N HS87101)





9690 COMBINE  
HYDRAULICS

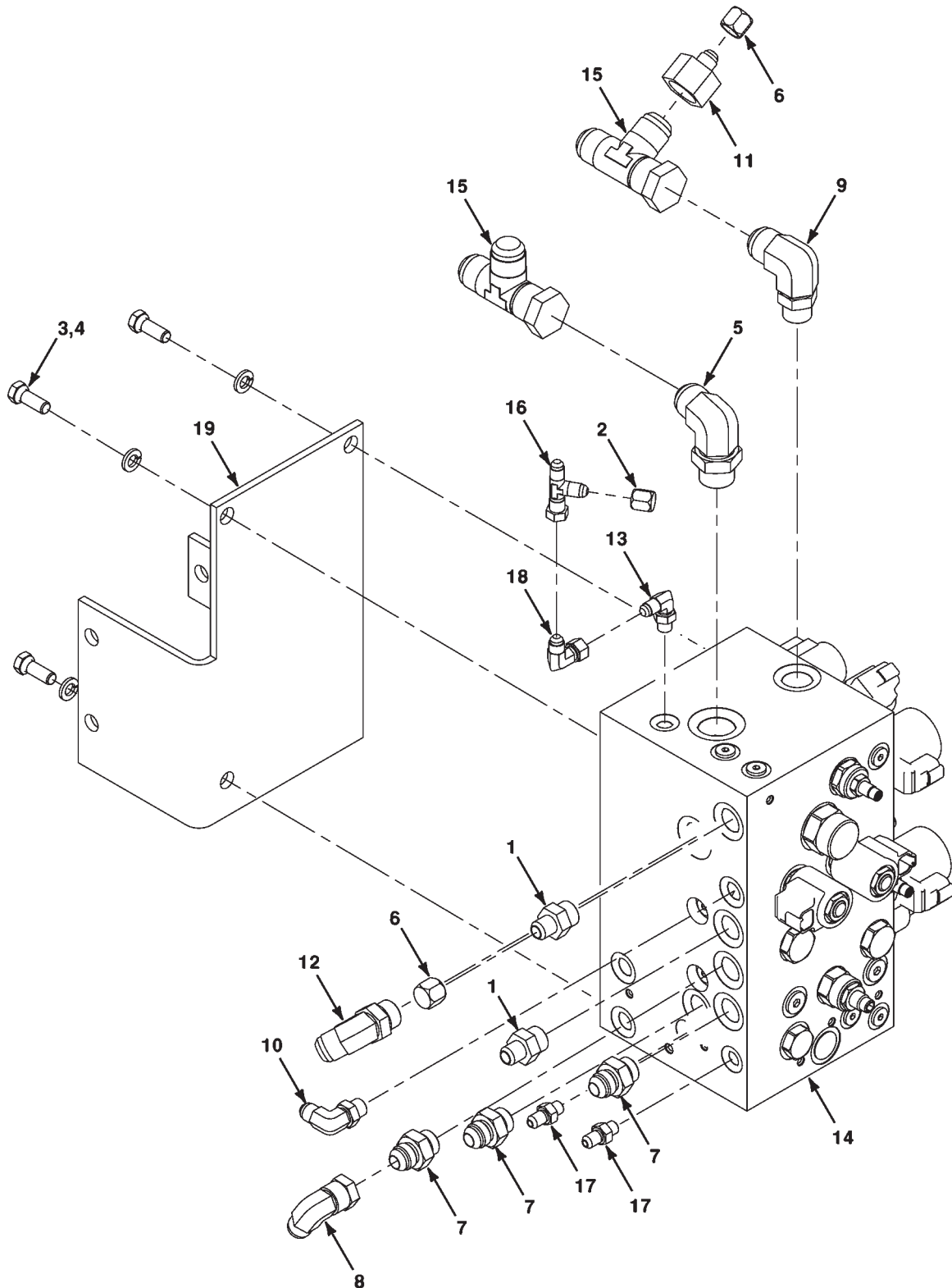
559

CONTROL VALVE & LINES  
(EFF. S/N HS87101)

ITEM	NUMBER	QTY	DESCRIPTION
53	704031	3	NUT, 1/2-13 REG
54	70917372	5	NUT, 5/16-18 REG
55	70916622	5	NUT, 1/4-20 REG
56	70917642	6	WASHER, 5/16 WIDE
57	70917377	2	WASHER, 1/4 WIDE
58	70925619	2	CLAMP, LINE, 11/16 DIA X .406 HOLE
59	Y705046	3	LOCKWASHER, 1/2
60	70917356	5	LOCKWASHER, 5/16
61	705012	5	LOCKWASHER, 1/4
63	71391246	1	TUBE ASY, STEERING SUPPLY
64	71352670	1	BRACKET, TUBE SUPPORT
65	700725832	4	CLAMP, LINE, 1-1/8 DIA X .406 HOLE
66	70921961	1	CAPSCREW, 1/4-20 X 1-1/4
67	71413447	1	BRACKET
68	700715944	2	TRIM-PUSH ON
69	70917378	1	WASHER, 3/8 WIDE

MC00562  
PR: 71412063-04-12

VALVE ASY, HYDRAULIC  
(EFF. S/N HS87101)



9690 COMBINE  
HYDRAULICS

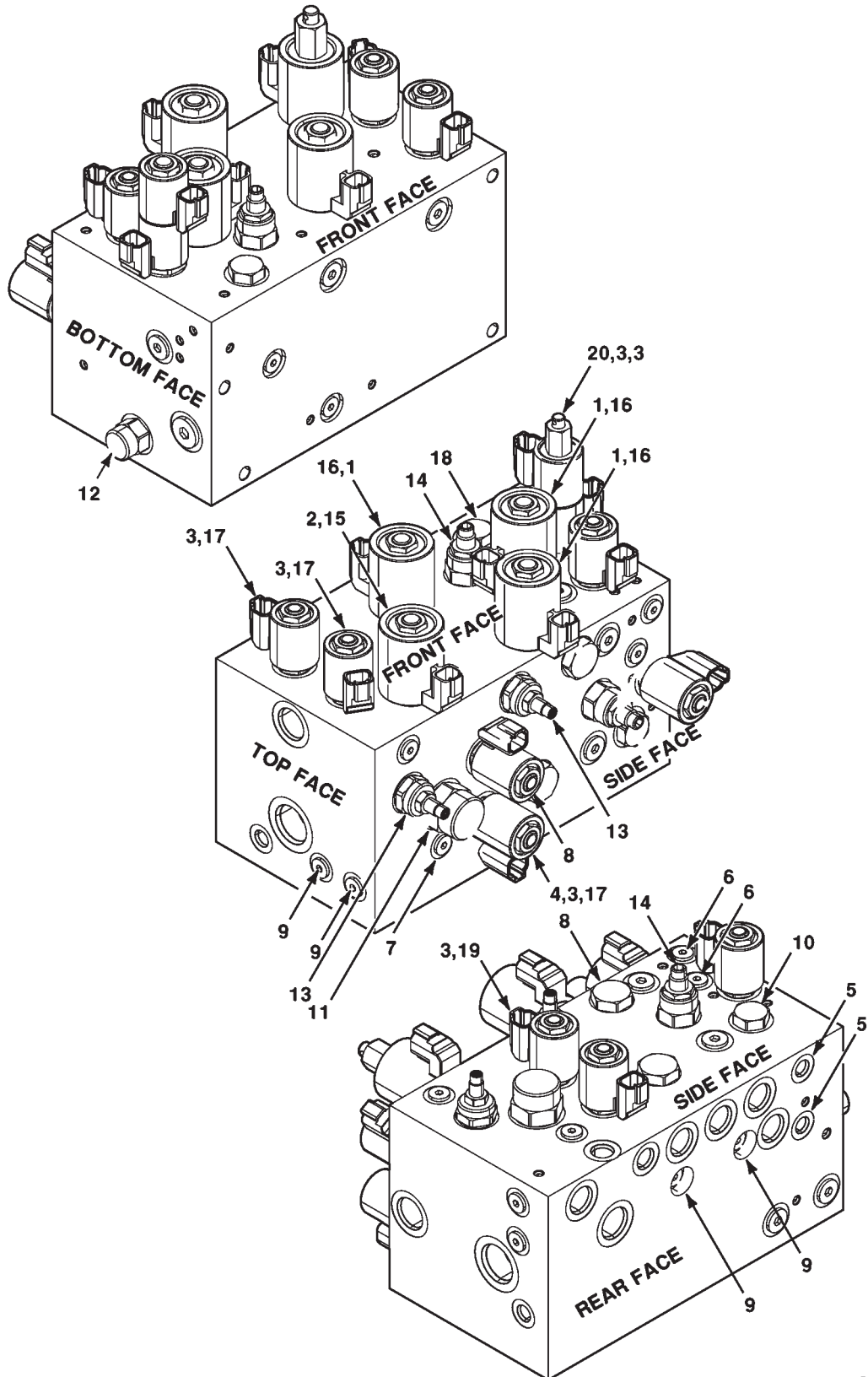
561

VALVE ASY, HYDRAULIC  
(EFF. S/N HS87101)

ITEM	NUMBER	QTY	DESCRIPTION
1	360202X91	2	CONNECTOR, STR, 9/16-18 JIC X 3/4-16 ORB
	70921349	1	O-RING, .087 X .644 ID
2	700715848	1	CAP, 7/16-20 JIC
3	70921210	3	CAPSCREW, 3/8-16 X 1.0 GR5
4	70916965	3	LOCKWASHER, 3/8
5	70921203	1	ELBOW, 90 DEG, 1-1/16-12 ORB X JIC
	70921206	1	O-RING, .116 X .924 ID
6	791541	2	CAP, 9/16-18
7	846337	3	CONNECTOR, STR, 3/4-16 JIC X ORB
	70921349	1	O-RING, .087 X .644 ID
8	70921279	1	ELBOW, 90 DEG SWIVEL, 3/4-16 JIC
9	70922974	1	ELBOW,90 DEG, 7/8-14 ORB X 1-1/16-12 JIC
	70921205	1	O-RING, .097 X .755 ID
10	70922523	1	ELBOW, 90 DEG, 9/16-18 ADJ ORB X JIC
	70921885	1	O-RING, .078 X .468 ID
11	7791361	1	REDUCER, 9/16-18 JIC M X 1-1/16-12 FEM
12	70921328	1	ELBOW, 45 DEG, 7/8-14 JIC X ORB
	70921205	1	O-RING, .097 X .755 ID
13	70922571	1	ELBOW, 90 DEG, 7/16-20 JIC X ORB
	70921883	1	O-RING, .072 X .351 ID
14	71409181	1	VALVE ASY, MAIN CONTROL (SEE BREAKDOWN)
15	70921691	2	TEE, SWIVEL RUN, 1-1/16-12 JIC
16	700701355	1	TEE, SWIVEL RUN, 7/16-20 JIC
17	700701356	2	CONNECTOR, STR, 7/16-20 JIC X ORB
	70921883	1	O-RING, .072 X .351 ID
18	700719027	1	ELBOW, 90 DEG SWIVEL, 7/16-20 JIC
19	71406990	1	SUPPORT WA-VALVE

MC00565  
PR: t07a24m46d0012

VALVE ASY, MAIN CONTROL  
(EFF. S/N HS87101)



9690 COMBINE  
HYDRAULICS

563

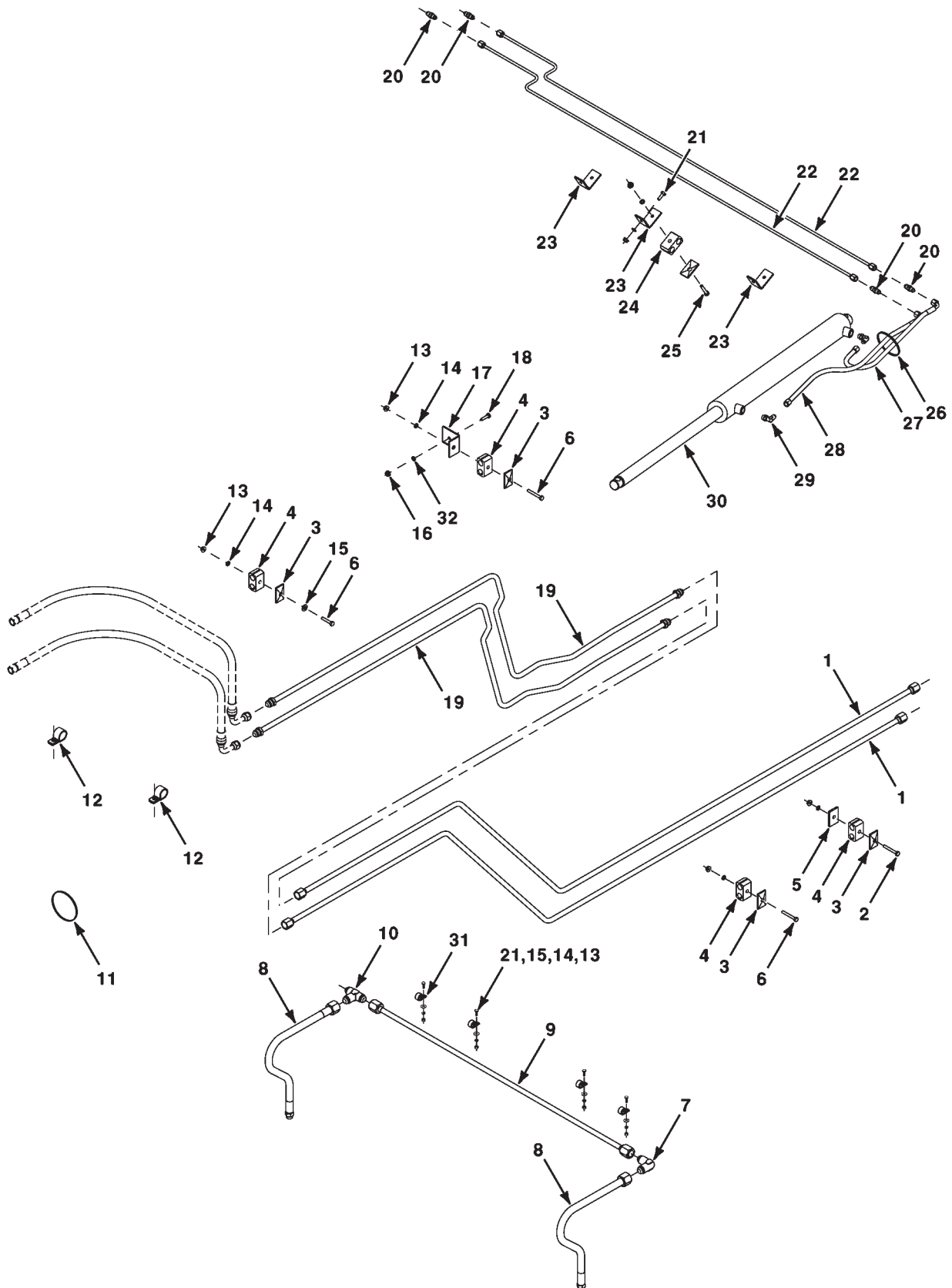
VALVE ASY, MAIN CONTROL  
(EFF. S/N HS87101)

ITEM	NUMBER	QTY	DESCRIPTION
-	71409181	1	VALVE ASY, MAIN CONTROL
1	700728892	3	COIL
2	700728893	1	COIL
3	700728894	6	COIL
4	700728895	1	ORIFICE
5	700728896	2	ORIFICE
6	700728897	2	ORIFICE
7	700728898	1	ORIFICE
8	700728900	2	CHECK VALVE
9	700728901	4	CHECK VALVE
10	700728902	1	DUAL CHECK
11	700728903	1	COMPENSATOR
12	700728904	1	FLOW REGULATOR
13	700728905	2	FLOW REGULATOR
14	700728906	2	NEEDLE VALVE
15	700728908	1	SOLENOID PROPORTIONAL
16	700728909	3	COIL
17	700728910	3	SOLENOID VALVE
18	700728911	1	CAVITY PLUG
19	700728912	1	SOLENOID VALVE
20	700728913	1	SOLENOID VALVE

GC00486  
PR: t06j04m20c0019

9690 COMBINE  
HYDRAULICS

STEERING & HEADER FUNCTIONS  
(EFF. S/N HS87101)



9690 COMBINE  
HYDRAULICS

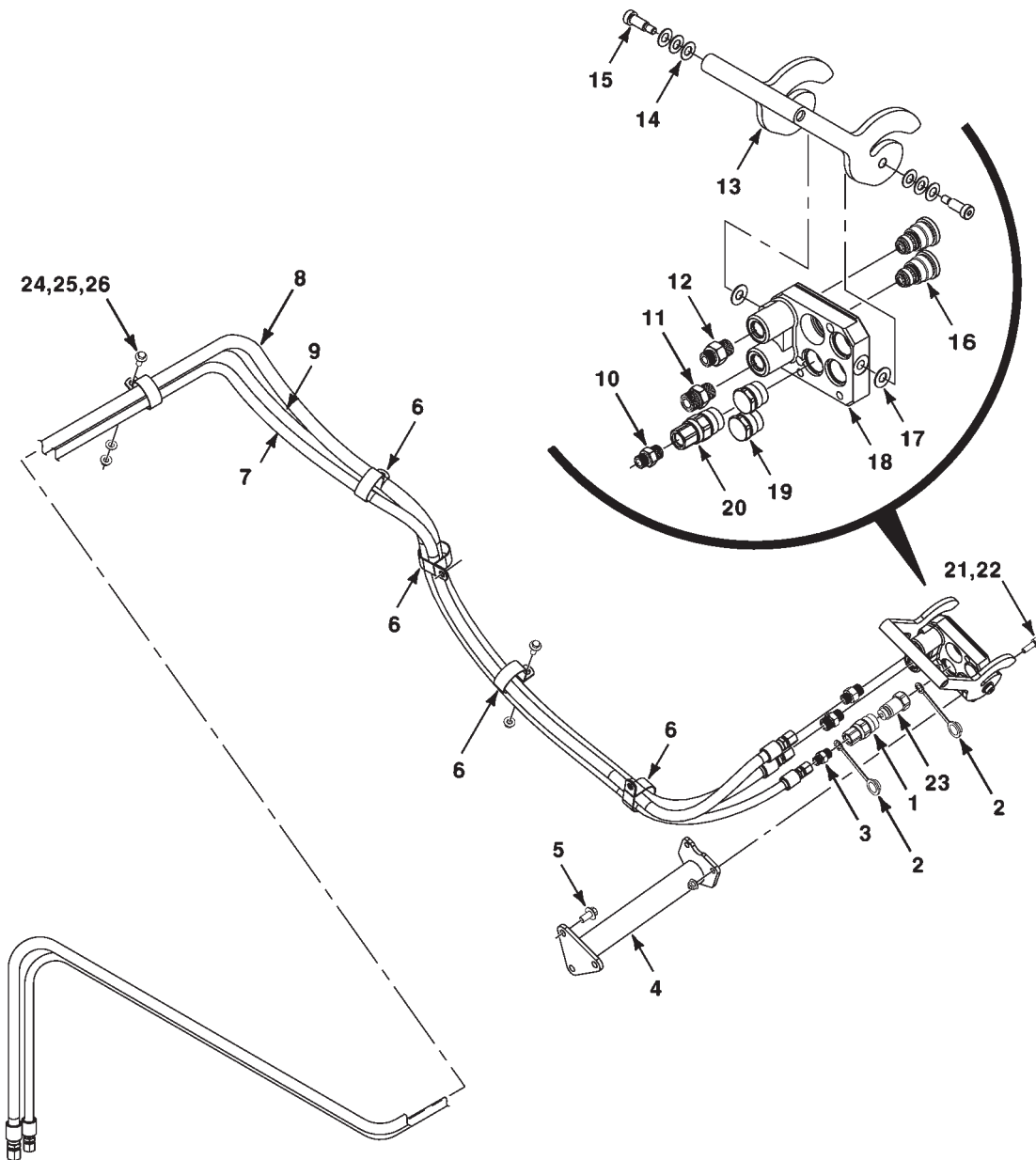
565

STEERING & HEADER FUNCTIONS  
(EFF. S/N HS87101)

ITEM	NUMBER	QTY	DESCRIPTION
1	101596M92	2	TUBE ASY, 1/2 STEERING
2	70921159	2	CAPSCREW, 1/4-20 X 2-1/4
3	101646M1	7	COVER PLATE
4	148022M1	7	CLAMP PAIR, DOUBLE, 1/2 X 1/2 DIA
5	71404450	2	SPACER, 3/16 TH
6	70921963	4	CAPSCREW, 1/4-20 X 2 GR5
7	-----	1	ELBOW,90 DEG, 3/4-16 JIC MALE(9790 ONLY)
8	101589M91	2	HOSE ASM, HEADER LIFT CYL.
9	116479W1	1	TUBE ASM, HEADER LIFT
10	-----	1	TEE, UNION, 3/4-16 JIC MALE (9790 ONLY)
11	70937133	1	TIE-CABLE, .30 X 14.5 LG
12	-----	2	CLAMP, LINE, 5/8 X .281 HOLE (9790 ONLY)
13	70916622	17	NUT, 1/4-20 REG
14	705012	17	LOCKWASHER, 1/4
15	70917377	9	WASHER, 1/4 WIDE
16	70916950	2	NUT, 3/8-16 REG
17	101832M1	2	BRACKET-ANGLE
18	70921210	2	CAPSCREW, 3/8-16 X 1.0
19	71398227	2	TUBE ASY, STEERING FRONT
20	70919214	4	UNION, MALE, 7/16-20 JIC
21	7703457	7	CAPSCREW, 1/4-20 X 3/4
22	71401729	2	TUBE ASM. UNLOADER SWING
23	101618M1	2	BRACKET, TUBE, SHORT
	71398203	1	BRACKET, TUBE, LONG
24	148039M1	3	CLAMP PAIR, DOUBLE, 1/4 X 1/4 DIA
25	70922837	3	CAPSCREW, 1/4-20 X 1-1/2 GR5
26	3619622M1	1	TIE, CABLE, .184 X 14.2 LG
27	101590M1	1	HOSE ASM, UNLOADER
28	101598M1	1	HOSE ASM, UNLOADER
29	700701834	2	ELBOW, 7/16 JIC X 9/16-18 ORB MALE
	70921885	2	O-RING, .078 X .468 ID
30	71399143	1	HYDRAULIC CYL ASY (SEE BREAKDOWN)
31	70925617	4	CLAMP, LINE, 1/2 DIA X .406 HOLE
32	70916965	2	LOCKWASHER, 3/8

MC00561  
PR: 71412075-04-12

HEADER SUPPLY PLUMBING  
(EFF. S/N HS87101)





9690 COMBINE  
HYDRAULICS

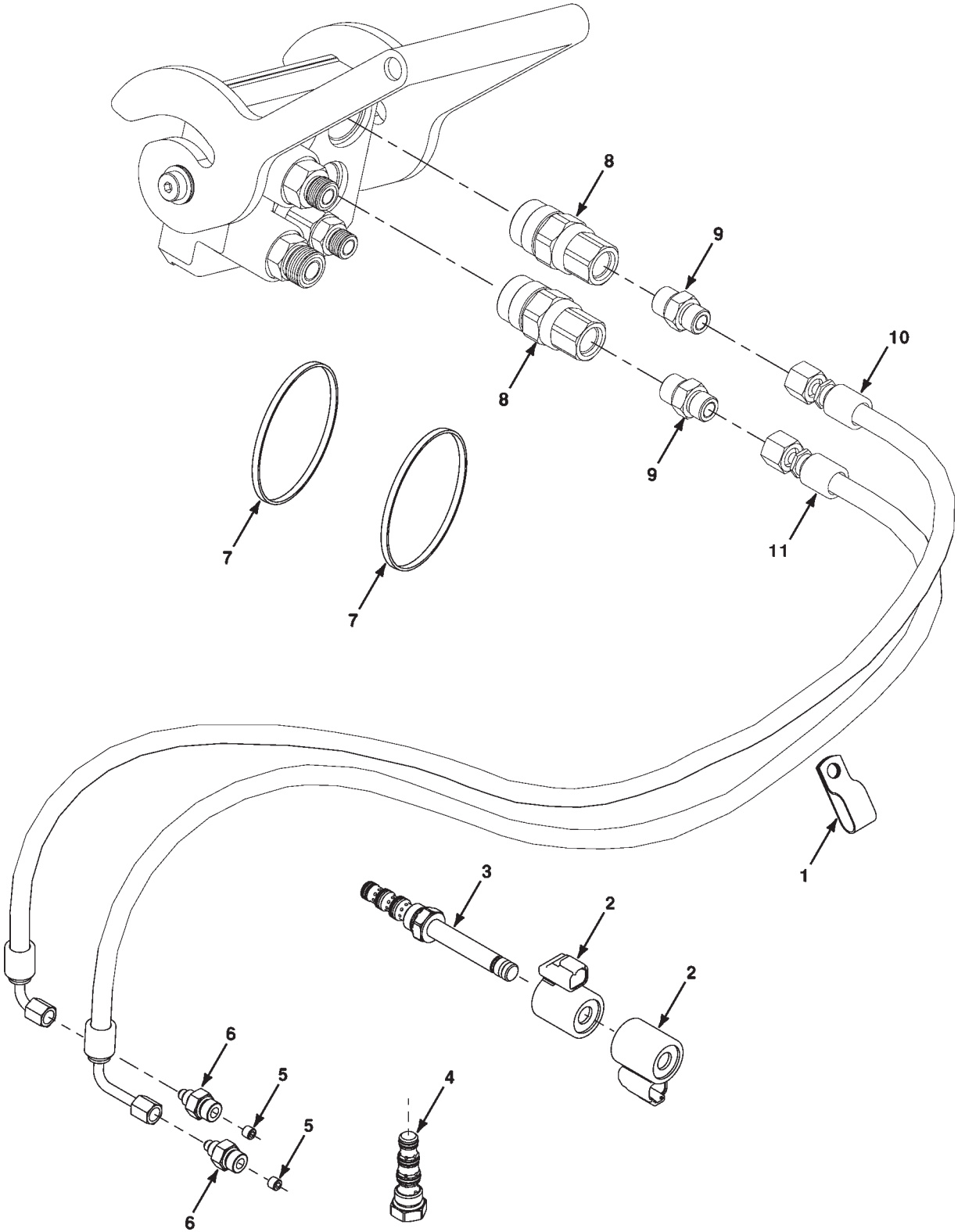
567

HEADER SUPPLY PLUMBING  
(EFF. S/N HS87101)

ITEM	NUMBER	QTY	DESCRIPTION
1	71328362	1	COUPLING HALF, FEM, 1/4 NPTF
2	71328365	2	DUST COVER
3	70919062	1	STR CONNECTOR, 1/4 NPTF X 9/16-18 JIC M
4	71410543	1	MOUNT WA-COUPLER
5	3009219X1	3	BOLT, FLANGE, M12-1.75 X 25 CL10.9
6	7041015	6	CLAMP, TUBE, 2/1/4 DIA X .531 HOLE
7	71413431	1	HOSE ASM-REEL DRIVE RETURN
8	71412057	1	HOSE ASM-REEL DRIVE
9	71413440	1	HOSE ASM-REEL LIFT
10	700728245	1	STR CONNECTOR, 1/4 NPTF X 3/4-16 ORB
	70921349	1	O-RING, .087 X .644 ID
11	71411295	1	CONN. 1-14 ORS X 7/8-14 ORB, MALE
	70930357	1	O-RING, .070 X .614 ID
	70921205	1	O-RING, .097 X .755 ID
12	71411843	1	CONN. 13/16-16 ORS X 7/8-14 ORB, MALE
	70923841	1	O-RING, .070 X .489 I.D.
	70921205	1	O-RING, .097 X .755 ID
13	71411849	1	LEVER-PARKER COUPLER
14	71411848	6	WASHER-SPRING, PARKER CPLR
15	71411846	2	SCREW-PARKER CPLR HANDLE
16	71418944	2	COUPLER CARTRIDGE, PARKER 1/2
17	71411847	2	WASHER, PARKER CPLR
18	71411315	1	PLATE-PARKER CPLR FIXED
19	71411300	2	PLUG-PARKER CPLR
20	71411296	1	CPLR-PARKER 3/8 CARTR FIXED
21	3000258X1	2	SCREW, HEX SOCK, M10-1.5 X 40 CL10.9
22	700711876	2	NUT, FLANGE LOCK, M10 X 1.5
23	71328361	1	COUPLER HALF, MALE, 1/4 NPTF FEM
24	70921210	1	CAPSCREW, 3/8-16 X 1.0 GR5
25	70916965	1	LOCKWASHER, 3/8
26	70916950	1	NUT, 3/8-16 REG

MC00563  
PR: t07a24m46d0013

REEL FORE/AFT, EXPORT  
(EFF. S/N HS87101)



9690 COMBINE  
HYDRAULICS

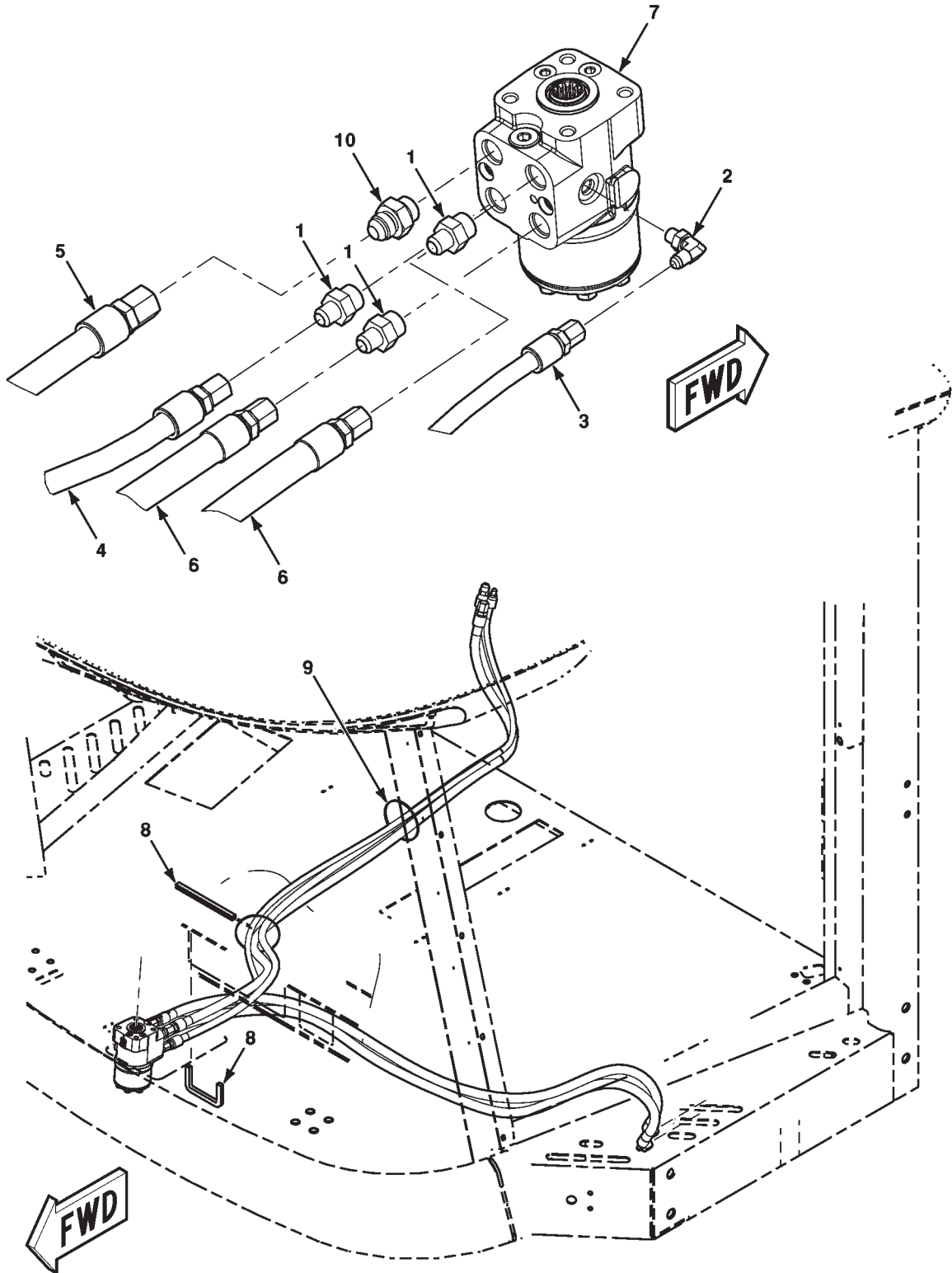
569

REEL FORE/AFT, EXPORT  
(EFF. S/N HS87101)

ITEM	NUMBER	QTY	DESCRIPTION
1	-----	1	CLAMP, DOUBLE (CLASS 8 ONLY)
2	700728894	2	COIL
3	700728913	1	SOLENOID VALVE
4	700728902	1	DUAL CHECK VALVE
5	700724692	2	ORIFICE
6	70926292	2	STR. CONNECTOR, 7/16-20 JIC X 9/16-18 ORB
	70921885	2	O-RING, .078 X .468 ID
7	3619622M1	2	TIE, SELF-LOCKING, .184 X 14.5 LG
8	71411296	2	COUPLER CARTRIDGE, PARKER 3/8
9	71411842	2	STR. CONN, 11/16-16 OFS X 3/4-16 ORB
	70924048	1	O-RING, .070 X .364 ID
	70921349	1	O-RING, .087 X .644 ID
10	71419432	1	HOSE ASM, 1/4 ID X 200" LG
11	71419442	1	HOSE ASM, 1/4 ID X 200" LG

MC00576  
PR: 71420079-01-11

STEERING UNIT PLUMBING  
(EFF. S/N HS87101)



9690 COMBINE  
HYDRAULICS

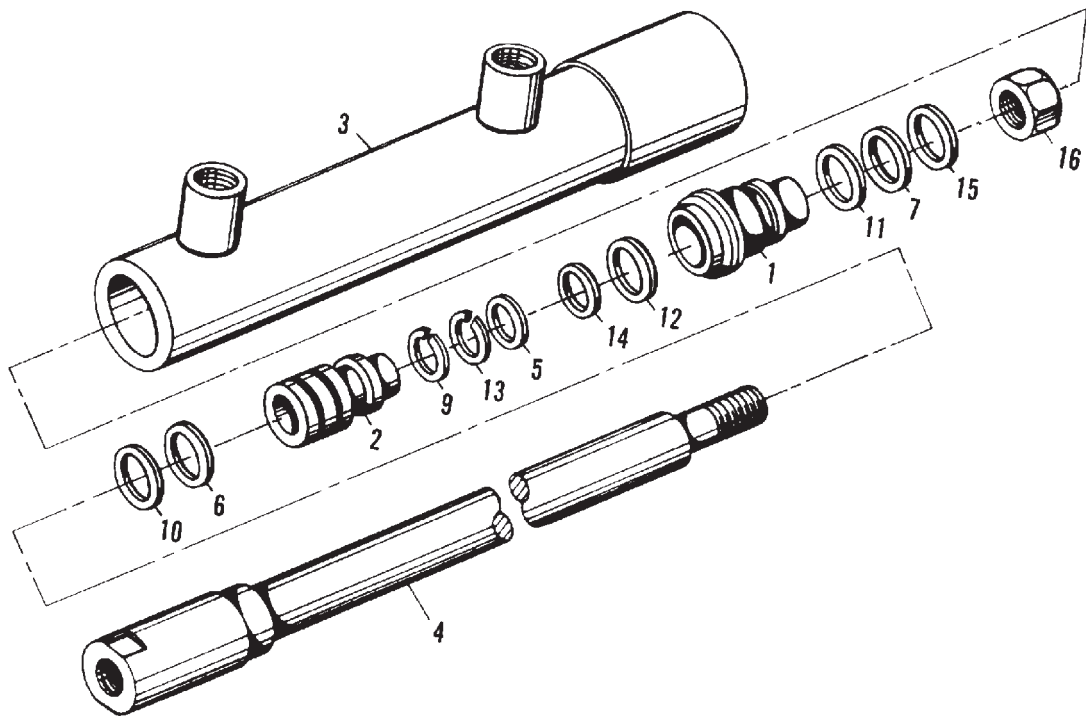
571

STEERING UNIT PLUMBING  
(EFF. S/N HS87101)

ITEM	NUMBER	QTY	DESCRIPTION
1	360202X91	3	CONNECTOR, 9/16-18 JIC X 3/4-16 ORB
	70921349	1	O-RING, .087 X .644 ID
2	70922571	1	ELBOW, 90 DEG, 7/16-20 JIC X ORB
	70921883	1	O-RING .072 X .351 ID
3	71392872	1	HOSE, ASM-LS TO SCU
4	71398981	1	HOSE ASM-PRESS. TO SCU
5	71398980	1	HOSE ASM-RETURN, SCU
6	71392875	2	HOSE ASM-SCU TO STRG. CYL.
7	71392876	1	STEERING CONTROL UNIT
	71391083	1	SEAL KIT, SCU
8	71387797	2	EDGE PROTECTOR
9	70937133	3	TIE, SELF-LOCKING .300 X 14.5 LG.
10	846337	1	CONNECTOR, STR, 3/4-16 JIC X ORB
	70921349	1	O-RING, .087 X .644 ID

MC00564  
PR: t07a24m46d0014

**STEERING CYLINDER**  
STD. ADJUSTABLE AXLE  
(PRIOR S/N HP 87101)



9690 COMBINE  
HYDRAULICS

573

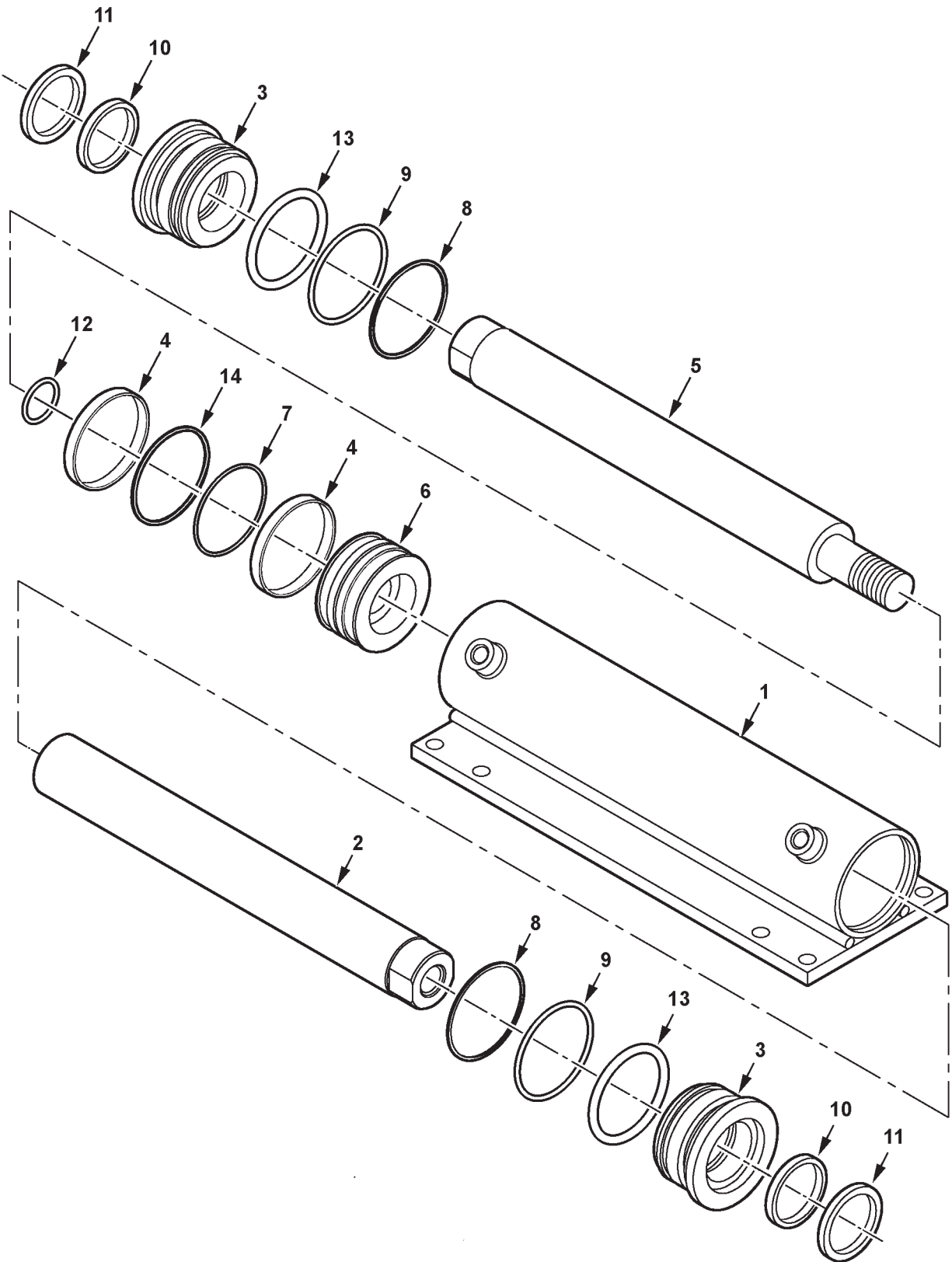
STEERING CYLINDER  
STD. ADJUSTABLE AXLE  
(PRIOR S/N HP 87101)

ITEM	NUMBER	QTY	DESCRIPTION
-	71365245	AR	CYLINDER ASY., POWER STEERING (COMPLETE)
1	71366126	1	PISTON
2	71365102	1	BEARING
3	-----	1	BARREL ASY. (NOT SERVICED, ORDER COMPLETE ASY.)
4	71366127	1	ROD ASY., PISTON
5	-----	1	* WASHER, BACK UP
6	-----	1	* SEAL
7	-----	1	* RING, SLIPPER
9	-----	1	* RING, RETAINING
10	-----	1	* SEAL, WIPER
11	-----	1	* O-RING
12	-----	1	* O-RING
13	-----	1	* RING, LOCK
14	-----	1	* O-RING
15	-----	1	* RING, WEAR
16	10171	1	NUT
-	71365114	AR	KIT, SEAL (INCLS. * ITEMS)

\* SERVICED ONLY IN SEAL KIT

71365245  
PR: 332

**STEERING CYLINDER**  
STD. ADJUSTABLE AXLE  
(EFF. S/N HP87101)





9690 COMBINE  
HYDRAULICS

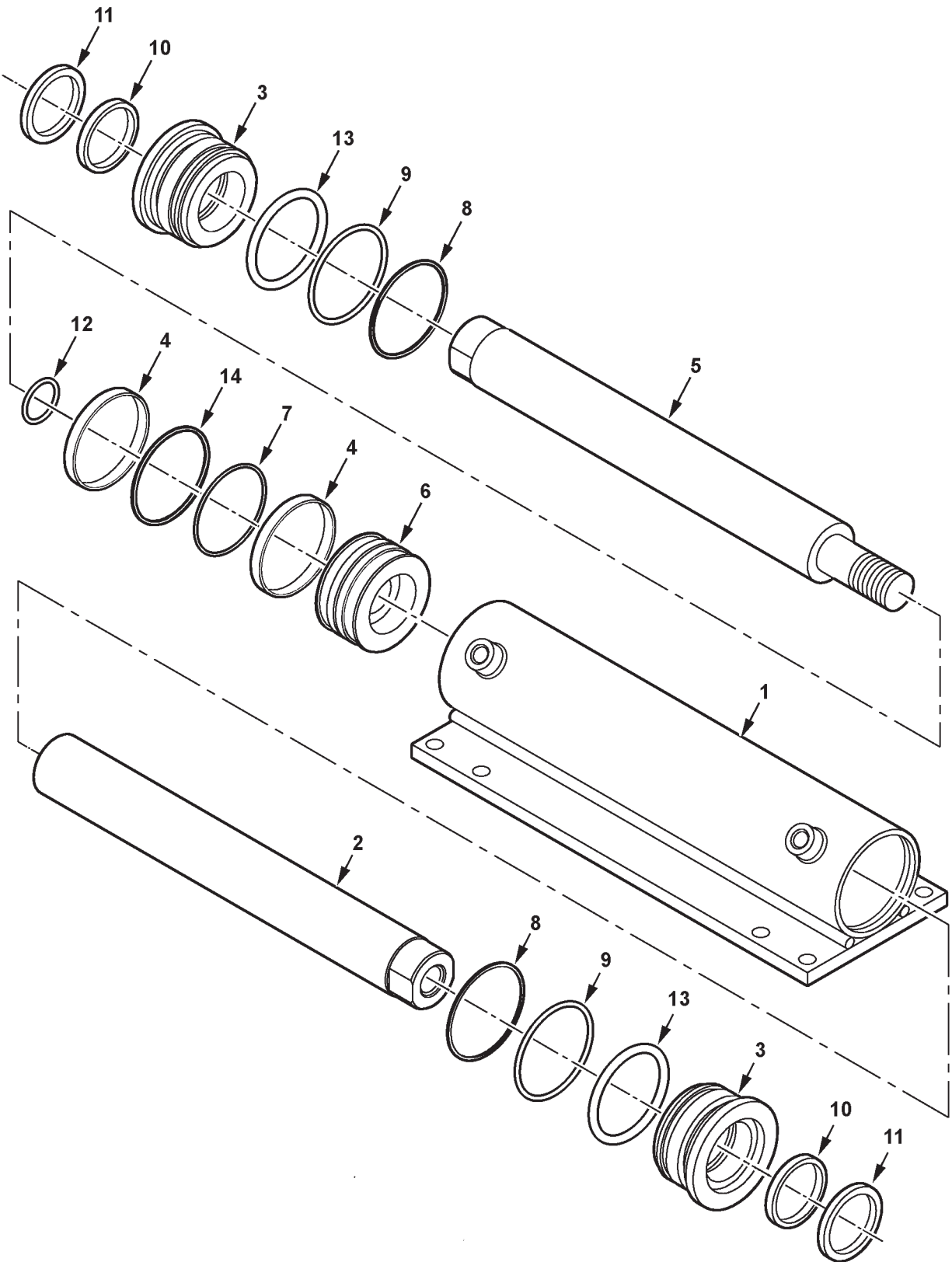
575

STEERING CYLINDER  
STD. ADJUSTABLE AXLE  
(EFF. S/N HP87101)

ITEM	NUMBER	QTY	DESCRIPTION
-	71400719	AR	CYLINDER ASY, STRG (INCLUDES FOLLOWING) (SERVICE COMPLETE CYL. W/ 71406366)
1	71396618	1	HOUSING, CYL.
2	71406296	1	ROD, CYL. INT'L THD
3	71396620	2	HEAD
4	71396621	2	RING, WEAR
5	71406297	1	ROD, CYL. EXT'L THD
6	71396623	1	PISTON
7	----	1	* O-RING
8	----	2	* O-RING
9	----	2	* RING, BACKUP
10	----	2	* U-CUP SEAL
11	----	2	* WIPER SEAL
12	----	1	* O-RING
13	----	2	* RETAINING WIRE
14	----	1	* SEAL, PISTON
-	71396624	AR	SEAL KIT (* ITEMS, SERVICED IN KIT ONLY)
-	71406366	AR	CYLINDER ASY, STRG (INCLUDES FOLLOWING)
-	71412169	AR	SEAL KIT (SOLE SERVICE ITEM)

MC00360  
PR: t05b04j09c0019

STEERING CYLINDER  
RWA AXLE



9690 COMBINE  
HYDRAULICS

577

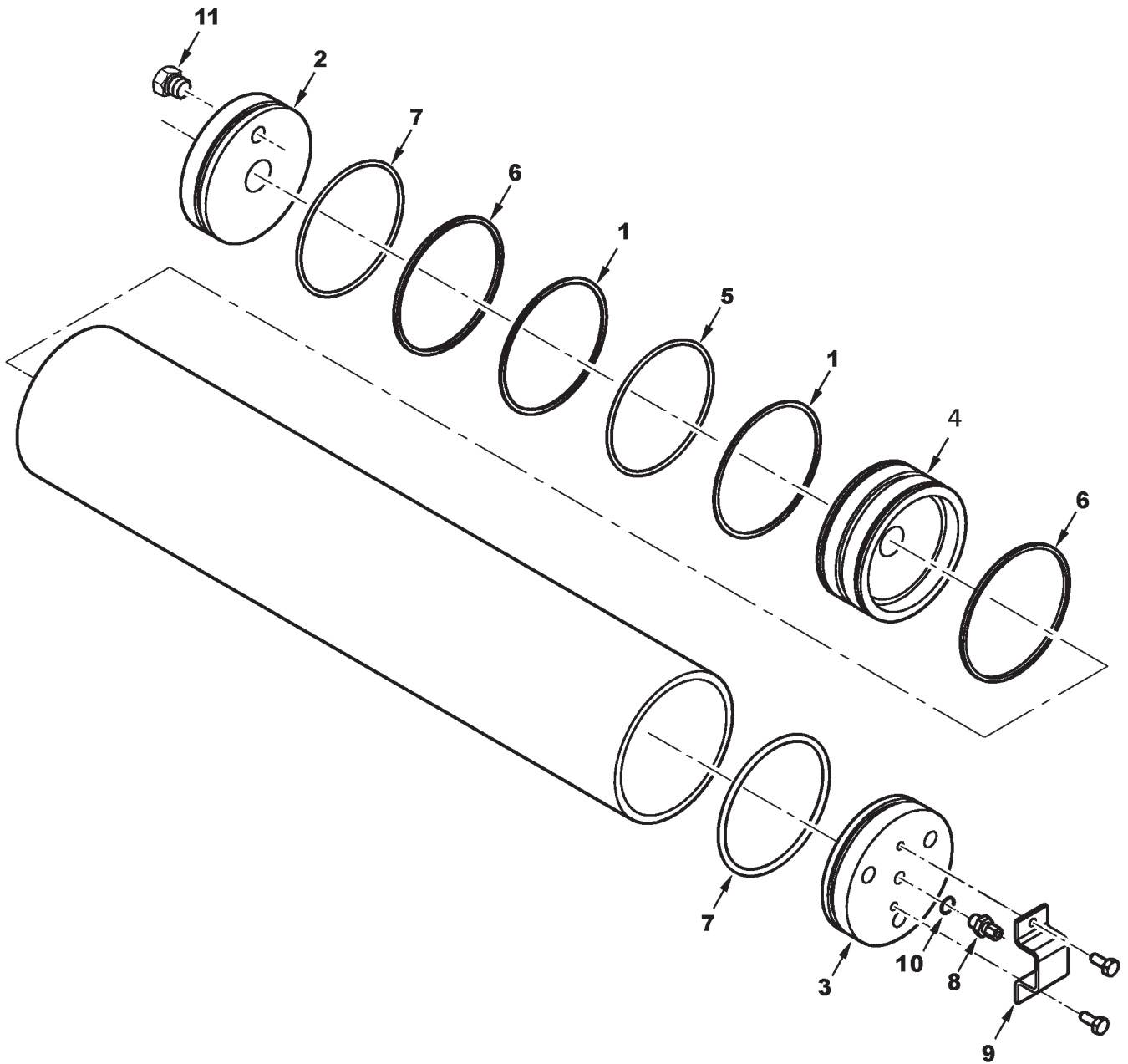
STEERING CYLINDER  
RWA AXLE

ITEM	NUMBER	QTY	DESCRIPTION
-	71396617	AR	CYLINDER ASY, RWA STEERING (COMPLETE)
1	71396618	1	HOUSING, CYL.
2	71396619	1	ROD, CYL. INT'L THD
3	71396620	2	HEAD
4	71396621	2	RING, WEAR
5	71396622	1	ROD, CYL. EXT'L THD
6	71396623	1	PISTON
7	----	1	* O-RING
8	----	2	* O-RING
9	----	2	* RING, BACKUP
10	----	2	* U-CUP SEAL
11	----	2	* WIPER SEAL
12	----	1	* O-RING
13	----	2	* RETAINING WIRE
14	----	1	* SEAL, PISTON
-	71396624	AR	SEAL KIT (INCL. * ITEMS)

\* SERVICED ONLY IN SEAL KIT

MC00360  
PR: 334

ACCUMULATOR  
PARKER



9690 COMBINE  
HYDRAULICS

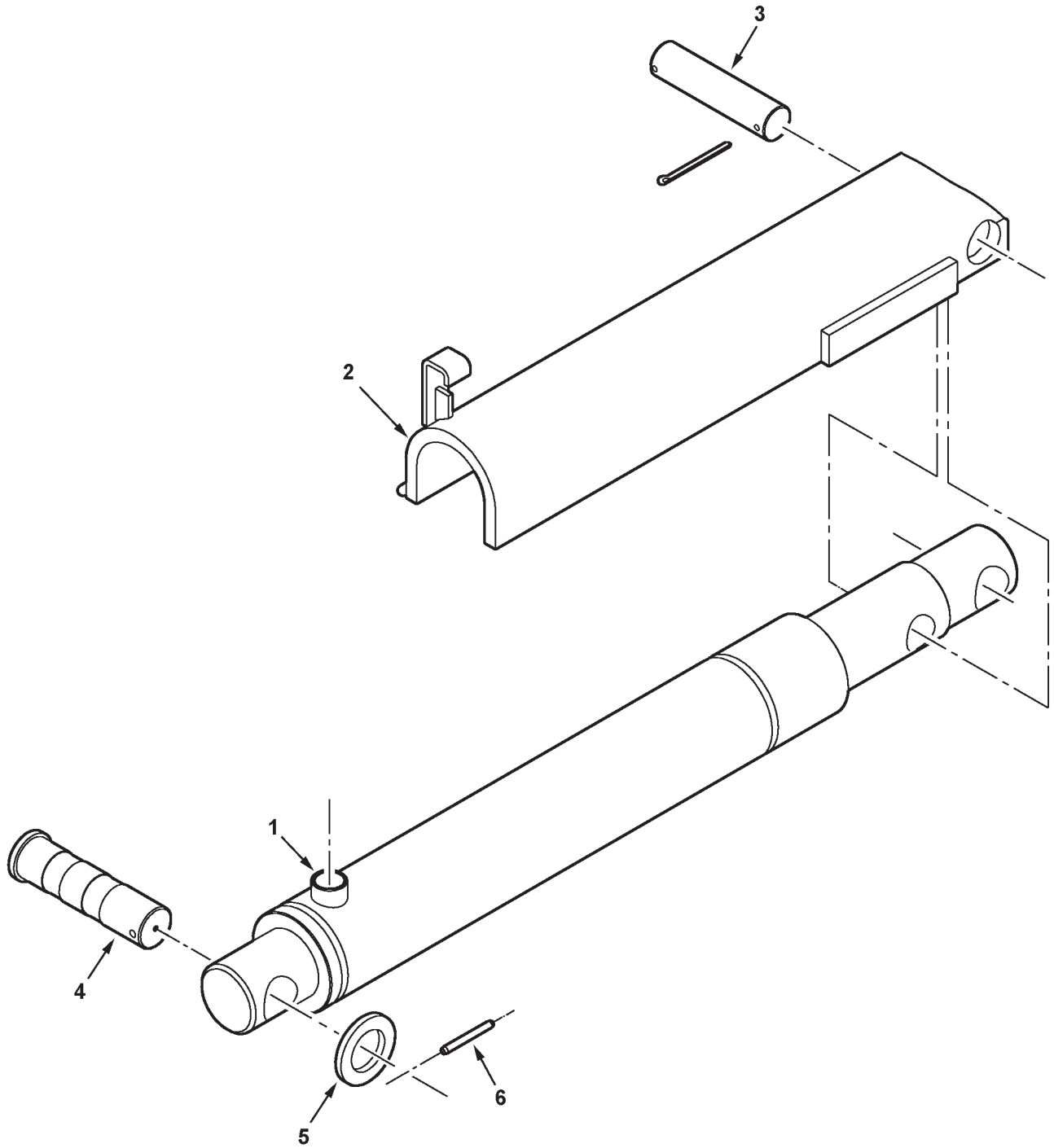
579

ACCUMULATOR  
PARKER

ITEM	NUMBER	QTY	DESCRIPTION
-	700712632	AR	ACCUMULATOR ASY. (INCL. DECALS & ITEMS 1-10)
1	-----	2	RING, TEFLON (BACKUP)
2	700712651	1	CAP, HYDRAULIC
3	700712652	1	CAP, GAS
4	700710957	1	PISTON
5	-----	1	V, O-RING
6	-----	2	RING, TEFLON, PISTON
7	-----	2	SEAL, BODY END
8	72507231	1	VALVE, GAS
	700710959	1	CORE, GAS VALVE
9	700710960	1	PROTECTOR, VALVE
10	-----	1	O-RING, VALVE
11	835087M91	1	PLUG ASY, 9/16-18 ORB
	70921885	1	O-RING, .078 X .468 ID
-	700710961	AR	KIT, SEAL (INCL. ITEMS 1, 5-8 & 10)

71370918  
PR: t04g15o48b0001

HEADER LIFT CYLINDERS



9690 COMBINE  
HYDRAULICS

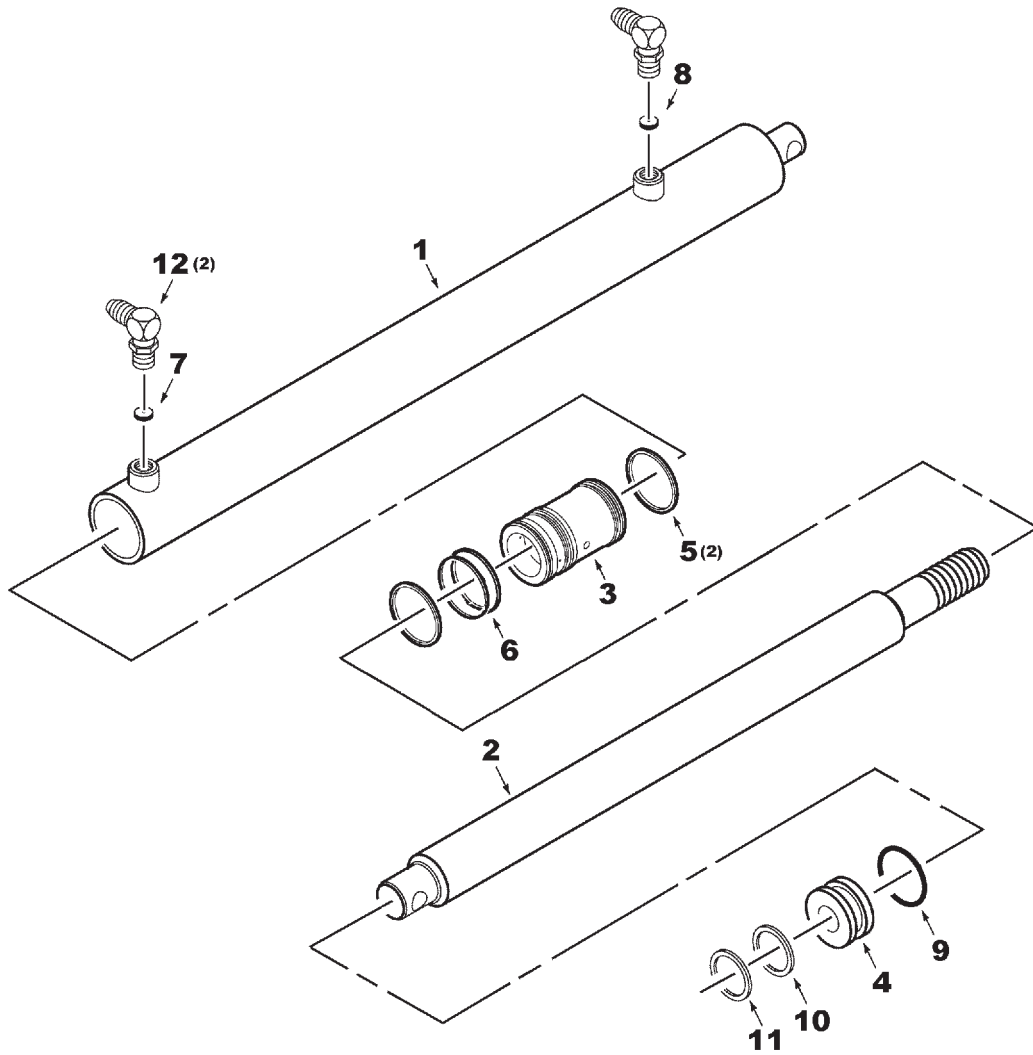
581

HEADER LIFT CYLINDERS

ITEM	NUMBER	QTY	DESCRIPTION
1	116626W1	2	HYDRAULIC CYLINDER, 3"
	71384407	1	PISTON ROD
	71384406	1	BARREL ASSEMBLY
	71384414	1	SEAL KIT
	116627W1	2	HYDRAULIC CYLINDER, 2-3/4"
	71384412	1	PISTON ROD
	71384411	1	BARREL ASSEMBLY
	71384413	1	SEAL KIT
2	116757W1	1	STOP WLDMT, 2-3/4 DIA CYL.
	116759W1	1	STOP WLDMT, 3 DIA CYL.
3	71364024	1	PIN, SAFETY STOP
	70919431	2	COTTER PIN, 3/16 X 2-1/2
4	71364016	4	PIN, HYD. CYLINDER
5	70933818	4	WASHER, 1.53 ID X 2.5 X .25
6	63834	4	PIN, SPIROL, .25 X 2.25
	70910815	AR	WIRE, 16 GA. (CUT TO LENGTH)

MC00105  
PR: 336

UNLOADER SWING CYLINDER





9690 COMBINE  
HYDRAULICS

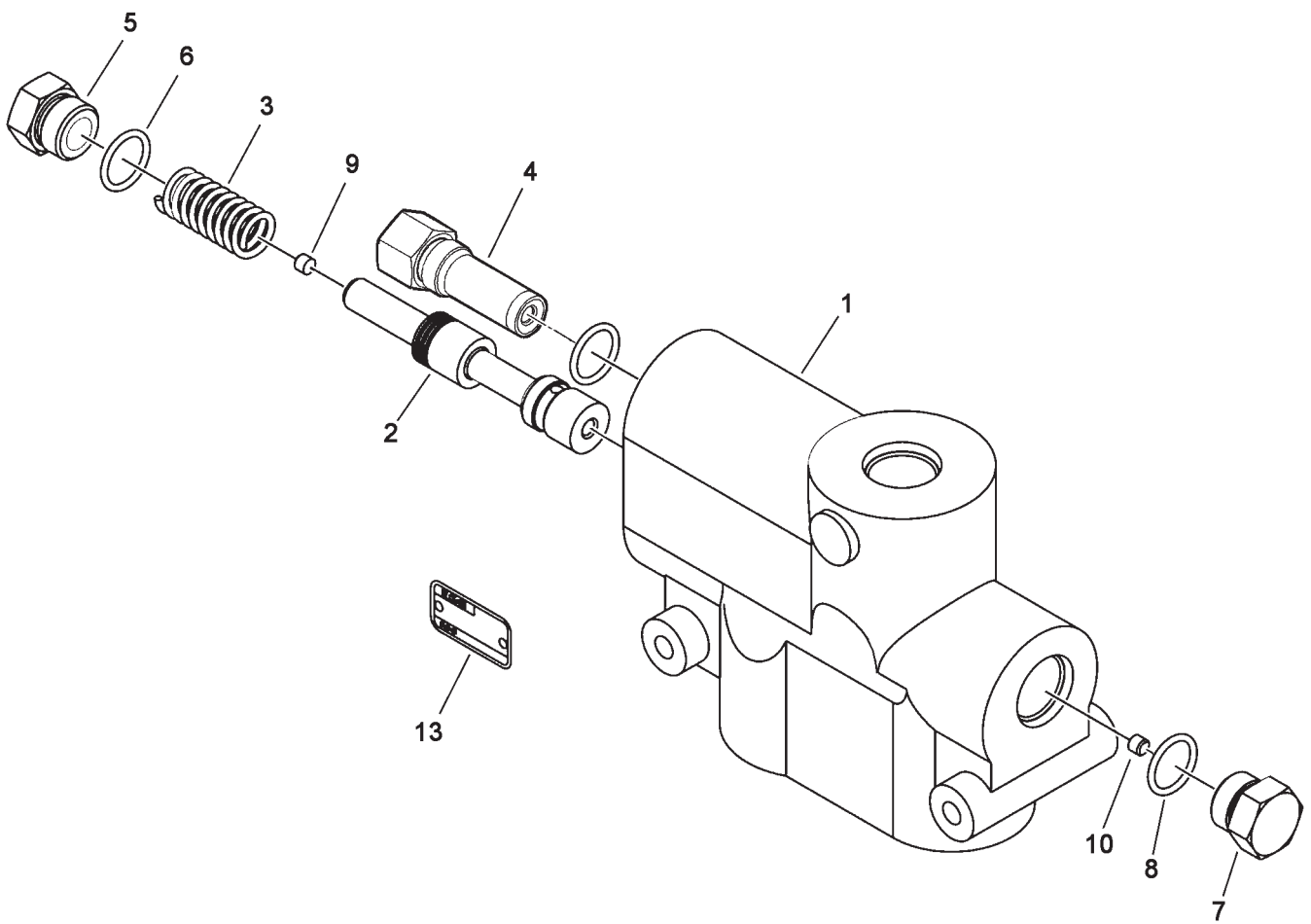
583

UNLOADER SWING CYLINDER

ITEM	NUMBER	QTY	DESCRIPTION
-	112785W92	1	CYLINDER ASY, UNLDR SWING (PRIOR S/N HN87101)
-	71399143	1	CYLINDER ASY, UNLDR SWING (EFF. S/N HN87101)
-	71377945	1	SEAL PKG. (INCL. ITEMS 5,6,9,10,11)
1	116147W91	1	BARREL ASSEMBLY
2	116146W1	1	PISTON ROD
3	116145W1	1	PISTON
4	116143W1	1	HEAD PLATE
5	-----	2	RING, PISTON CAST
6	-----	1	SEAL RING W/ EXPANDER RING, PISTON
7	116149W1	1	ORIFICE PL, THREADED, .0469 DIA. (PRIOR S/N HN87101)
	71401738	1	ORIFICE PL, THREADED, .040 DIA. (EFF. S/N HN87101)
8	116148W1	1	ORIFICE PL, THREADED, .0595 DIA. (PRIOR S/N HN87101)
	71401738	1	ORIFICE PL, THREADED, .040 DIA. (EFF. S/N HN87101)
9	70924114	1	O-RING, .139 X 1.734 ID
10	-----	1	ROD SEAL
11	-----	1	WIPER SEAL
12	70925011	2	ELBOW, 9/16-18 ORB X 7/16-20, 37 DEG FLR
	70921885	2	O-RING, .078 X .468 ID

MC00106A  
PR: 338

PRIORITY VALVE



9690 COMBINE  
HYDRAULICS

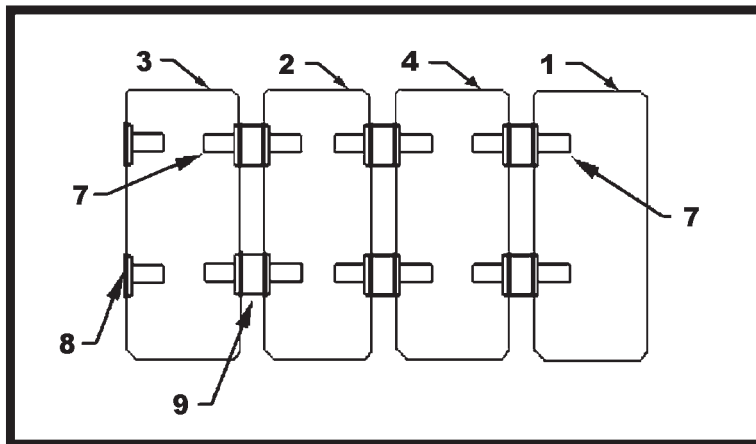
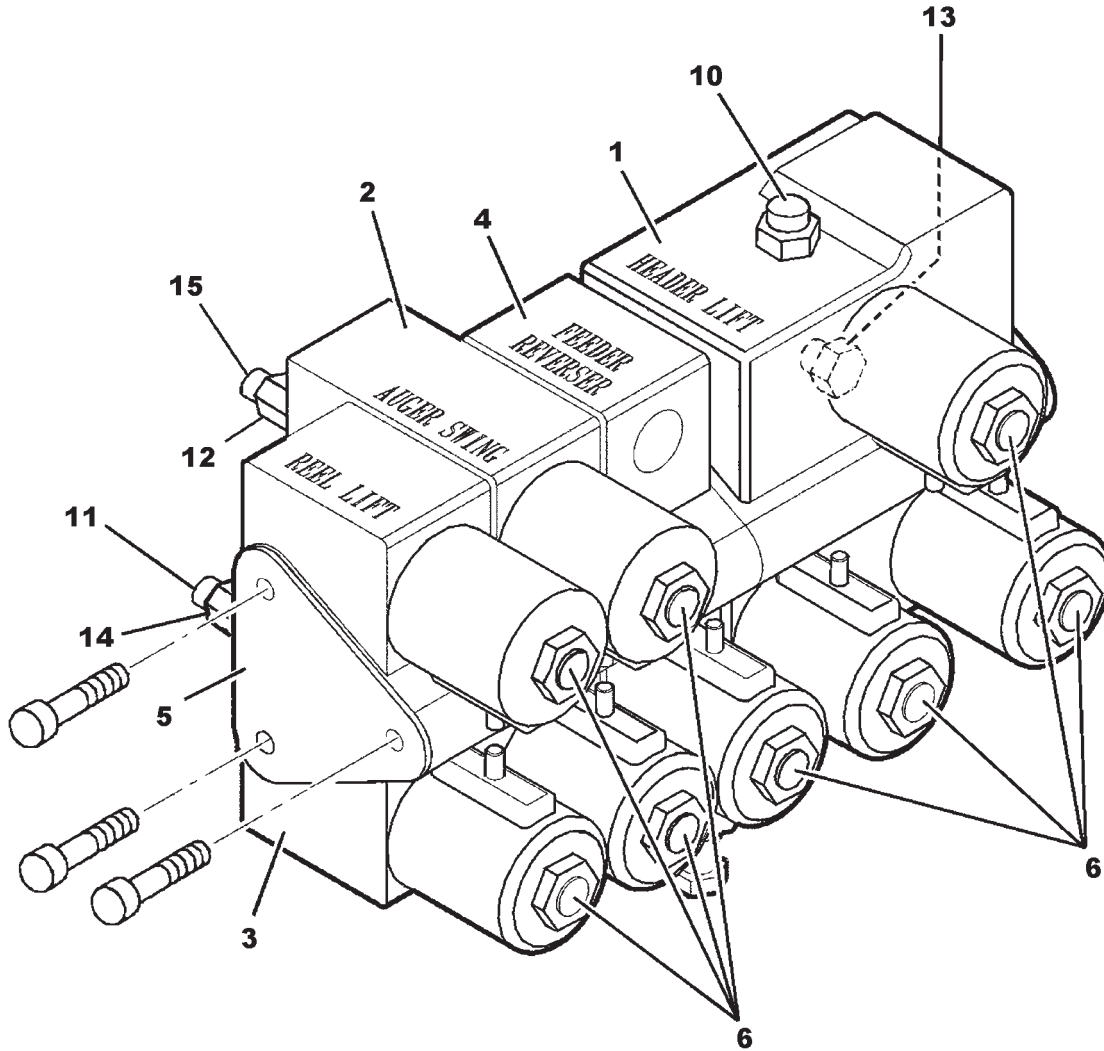
585

PRIORITY VALVE

ITEM	NUMBER	QTY	DESCRIPTION
-	71391453	1	PRIORITY VALVE ASY
1	-----	1	BODY (NOT SERVICED)
2	71392852	1	SPOOL
3	71392853	1	SPRING (150 PSI)
4	71414221	1	VALVE ASY, RELIEF
5	71392854	1	PLUG, ORIFICE
6	70913719	1	O-RING
7	71392855	1	PLUG
8	70913719	1	O-RING
9	71392856	1	SCREW, ORIFICE
10	71392857	1	SCREW, ORIFICE
13	-----	1	NAME PLATE (NOT SERVICED)

71391453  
PR: 340

VALVE STACK, MAIN CONTROL  
(PRIOR S/N HS87101)



TUBE & PLUG ASSEMBLY

9690 COMBINE  
HYDRAULICS

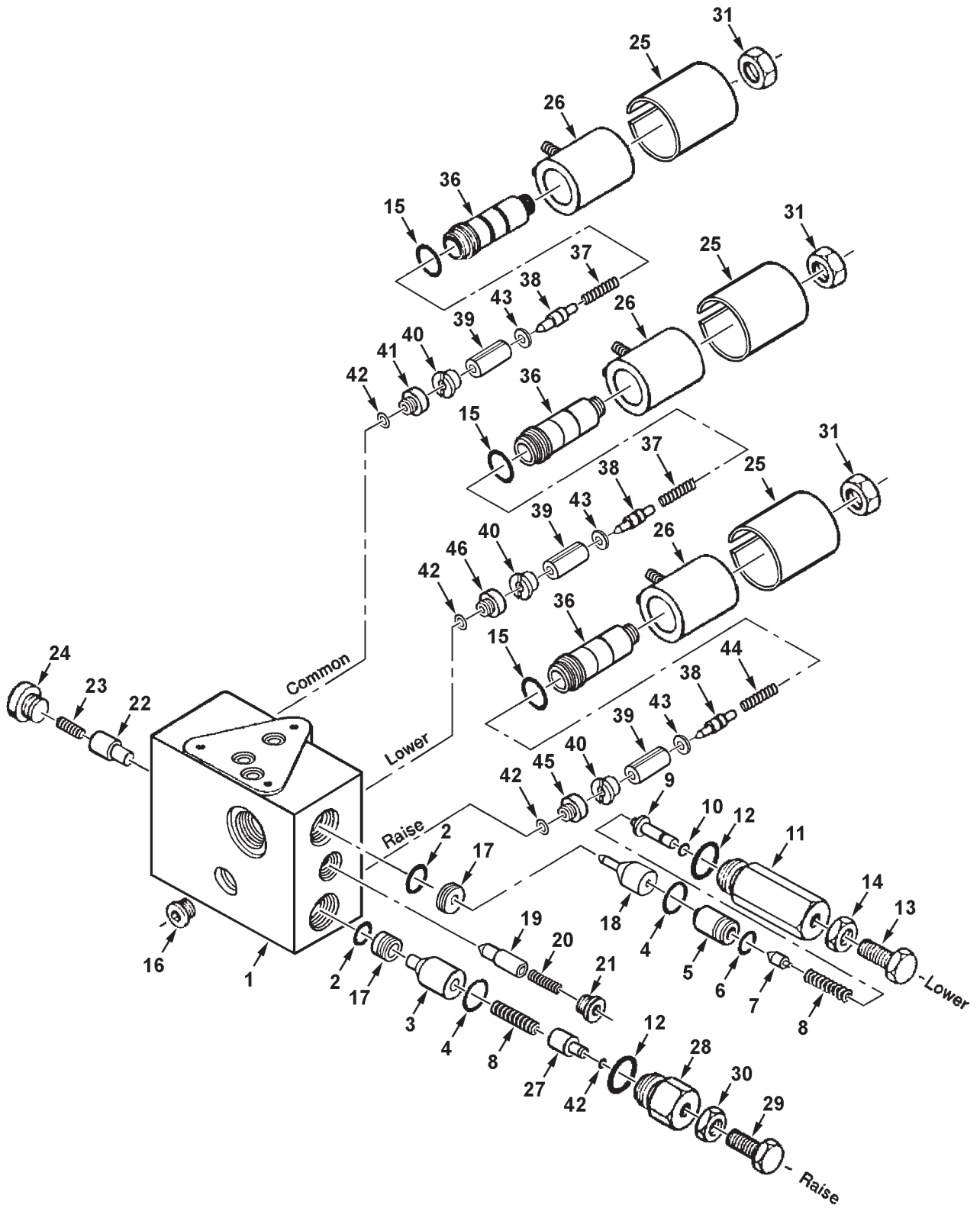
587

VALVE STACK, MAIN CONTROL  
(PRIOR S/N HS87101)

ITEM	NUMBER	QTY	DESCRIPTION
-	71389737	1	VALVE STACK ASSEMBLY
1	71379325	1	VALVE ASSEMBLY, HEADER LIFT
2	116465W91	1	VALVE ASSEMBLY, UNLOADER SWING
3	103766W92	1	VALVE ASSEMBLY, REEL LIFT
4	71386557	1	VALVE ASY, FEEDER REVERSER
	70935781	1	ELBOW, 90 DEG, 3/4-16 JIC X ORB, M
	70921349	1	O-RING, .087 X .644 ID
5	103764W1	1	END PLATE
	71379306	3	BOLT, HEX 1/4-20 X 5-13/16 LG
	70921880	3	WASHER, LOCK EXT. TOOTH 1/4
6	71188504	AR	COIL, 6VDC W/DIODE
	71188503	AR	COVER, COIL
	70915314	AR	NUT, STAMPED 1/2-20
7	1052370M91	6	THRU TUBE ASSEMBLY
	70924048	2	O-RING, .070 X .364 ID
8	103759W91	2	PLUG TUBE ASSEMBLY
	70924048	2	O-RING, .070 X .364 ID
9	104145W91	1	PLUG TUBE ASSEMBLY
	70927903	2	O-RING, .070 X .176 ID
10	70923163	1	STR. CONNECTOR, 7/16-20 JIC X ORB, MALE
	70921883	1	O-RING, .072 X .351 ID
11	70922523	1	ELBOW, 90 DEG, 9/16-18 JIC X ORB, MALE
	70921885	1	O-RING, .078 X .468 ID
12	70930777	2	REDUCER, 3/4-16 ORB X 9/16-18 ORB, FEM
	70921349	2	O-RING, .087 X .644 ID
13	70923717	2	CONNECTOR, STR, 3/4-16 JIC X 7/8-14 ORB
	70921205	2	O-RING, .097 X .755 ID
14	103778W91	1	EXPANDER, 7/16-20 ORB X 9/16-18 ORB, FEM
	70921883	1	O-RING, .072 X .351 ID
15	70925011	2	ELBOW, 90 DEG, 7/16-20 JIC X 9/16-18 ORB
	70921885	2	O-RING, .078 X .468 ID

MC00210A  
PR: 342

HEADER LIFT VALVE



9690 COMBINE  
HYDRAULICS

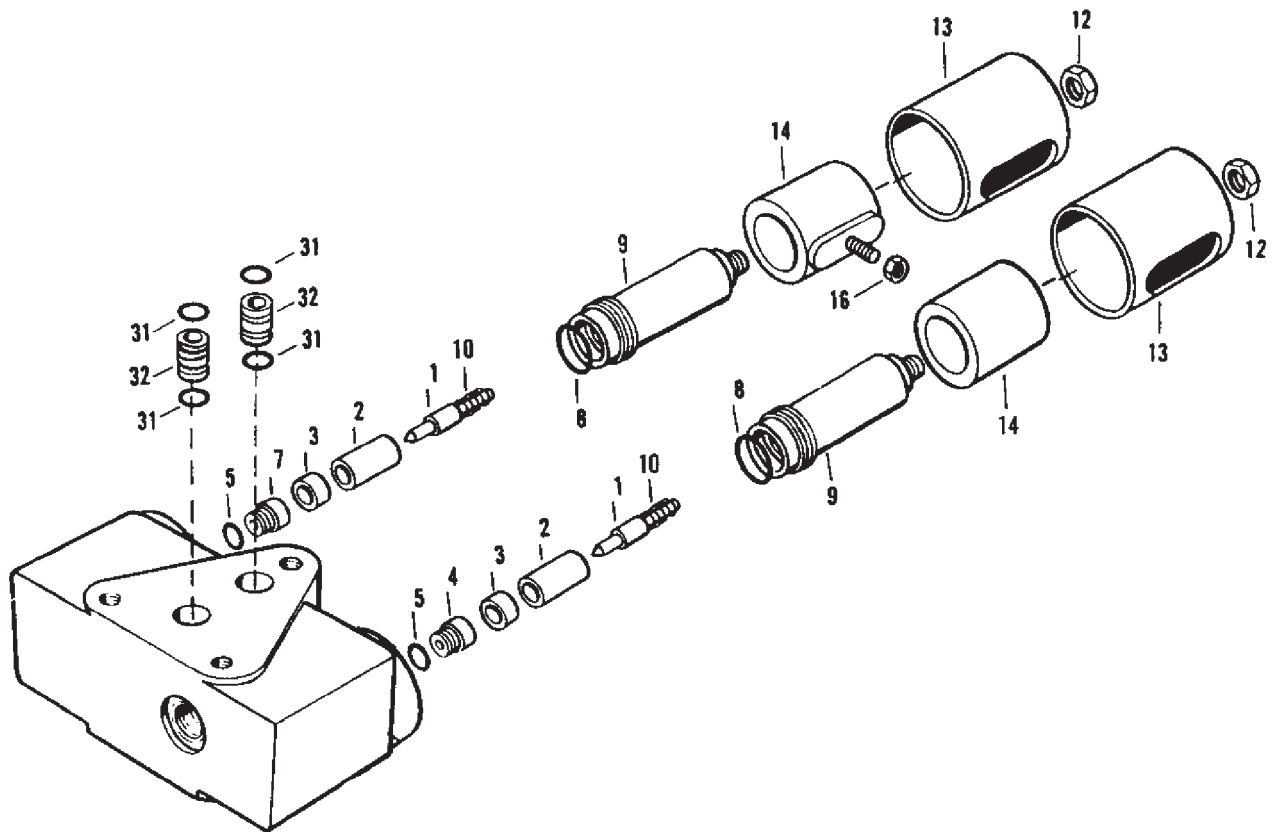
589

HEADER LIFT VALVE

ITEM	NUMBER	QTY	DESCRIPTION
-	71379325	1	VALVE ASSEMBLY, HEADER LIFT
1	-----	1	BODY (ORDER VALVE ASY, HEADER LIFT)
	1052370M91	2	TUBE/SPACER ASY.
	70924048	4	O-RING, .070 X .364 ID
	104145W91	1	PLUG
	70927903	2	O-RING, .070 X .176 ID
2	70926542	2	O-RING, .070 X .551 ID
3	103745W1	1	POPPET, RAISE
4	70923945	2	O-RING, .070 X .739 ID
5	103746W1	1	RETAINER, DASHPOT
6	70923846	1	O-RING, .070 X .489 ID
7	103797W1	1	POPPET, DASHPOT
8	1052337M1	2	SPRING
9	111089W1	1	STOP, ADJUSTABLE
10	70923943	1	O-RING, .070 X .114 ID
11	1052351M1	1	PLUG, ADJUSTING
12	70921205	2	O-RING, 90 DUR, .097 X .755 ID
13	353538X1	1	BOLT, HEX, 3/8-24 X 1
14	70916602	1	NUT, HEX, 3/8-24
15	70935902	3	O-RING (VITON) .070 X .801 ID
16	70935830	1	PLUG, INT. HEX, 9/16-18 ORB
	70921885	1	O-RING, .078 X .468 ID
17	1052349M1	2	ORIFICE, FLOW
18	103747W1	1	POPPET, LOWER
19	103753W1	1	POPPET
20	1052394M1	1	SPRING, PLUG
21	70928605	1	PLUG, HEX SOCKET, 7/16-20 ORB
	70921883	1	O-RING, .072 X .351 ID
22	104128W1	1	POPPET
23	103789W1	1	SPRING
24	104130W91	1	PLUG ASSEMBLY
	70921881	1	O-RING, .064 X .239 ID
25	71188503	3	COVER, COIL
26	71188504	3	COIL
27	103796W1	1	ADJUSTABLE VALVE STOP
28	103754W1	1	CAP, END
29	70921333	1	BOLT, HEX, 5/16-18 UNC X 1
30	70917372	1	NUT, HEX 5/16-18 UNC
31	70915314	3	NUT, STAMPED, 1/2-20
36	104139W91	3	SLEEVE ASSEMBLY
37	71174718	2	SPRING, PLUG
38	71176951	3	POPPET
39	71365101	3	ARMATURE
40	71176964	3	POLE PIECE
41	1052341M1	1	ORIFICE, .104
42	70926356	4	O-RING, .070 X .239 ID
43	71176962	3	WASHER
44	1073032M1	1	SPRING, PLUG (RAISE ONLY)
45	71184415	1	ORIFICE, .055 (RAISE ONLY)
46	71184418	1	ORIFICE, .040 (LOWER ONLY)

MC00233  
PR: 344

REEL LIFT VALVE





9690 COMBINE  
HYDRAULICS

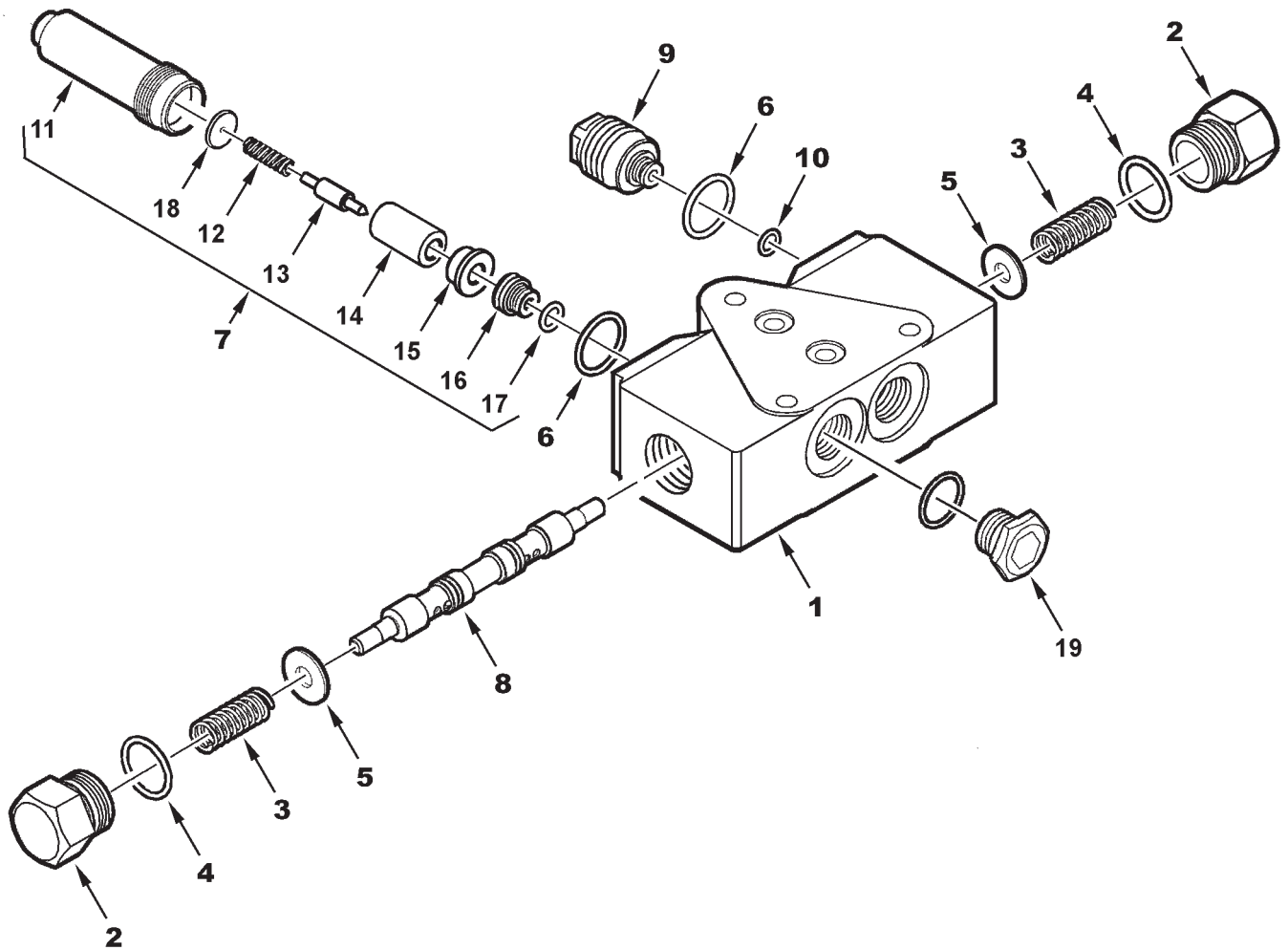
591

REEL LIFT VALVE

ITEM	NUMBER	QTY	DESCRIPTION
-	103766W92	2	REEL LIFT VALVE ASSEMBLY
1	71176951	2	POPPET
2	71176963	2	ARMATURE
3	71176964	2	POLE PIECE
4	71184418	1	ORIFICE, .040, RAISE
5	70926356	2	O-RING, .070 X .239 ID
7	1052384M1	1	ORIFICE, .048, LOWER
8	70930897	2	O-RING, .070 X .801 ID
9	1052359M91	2	SLEEVE ASSEMBLY
10	1073032M1	2	SPRING
12	353438X1	2	PALNUT
13	71188503	2	COVER, COIL
14	71188504	2	COIL
16	358990X1	2	NUT, HEX BRASS, #10-32 UNF
31	70924048	4	O-RING, .070 X .364 ID
32	1052370M91	2	THRU-TUBE ASSEMBLY (INCL. 2 OF ITEM 31)

MC00112  
PR: 346

FEEDER REVERSER VALVE



9690 COMBINE  
HYDRAULICS

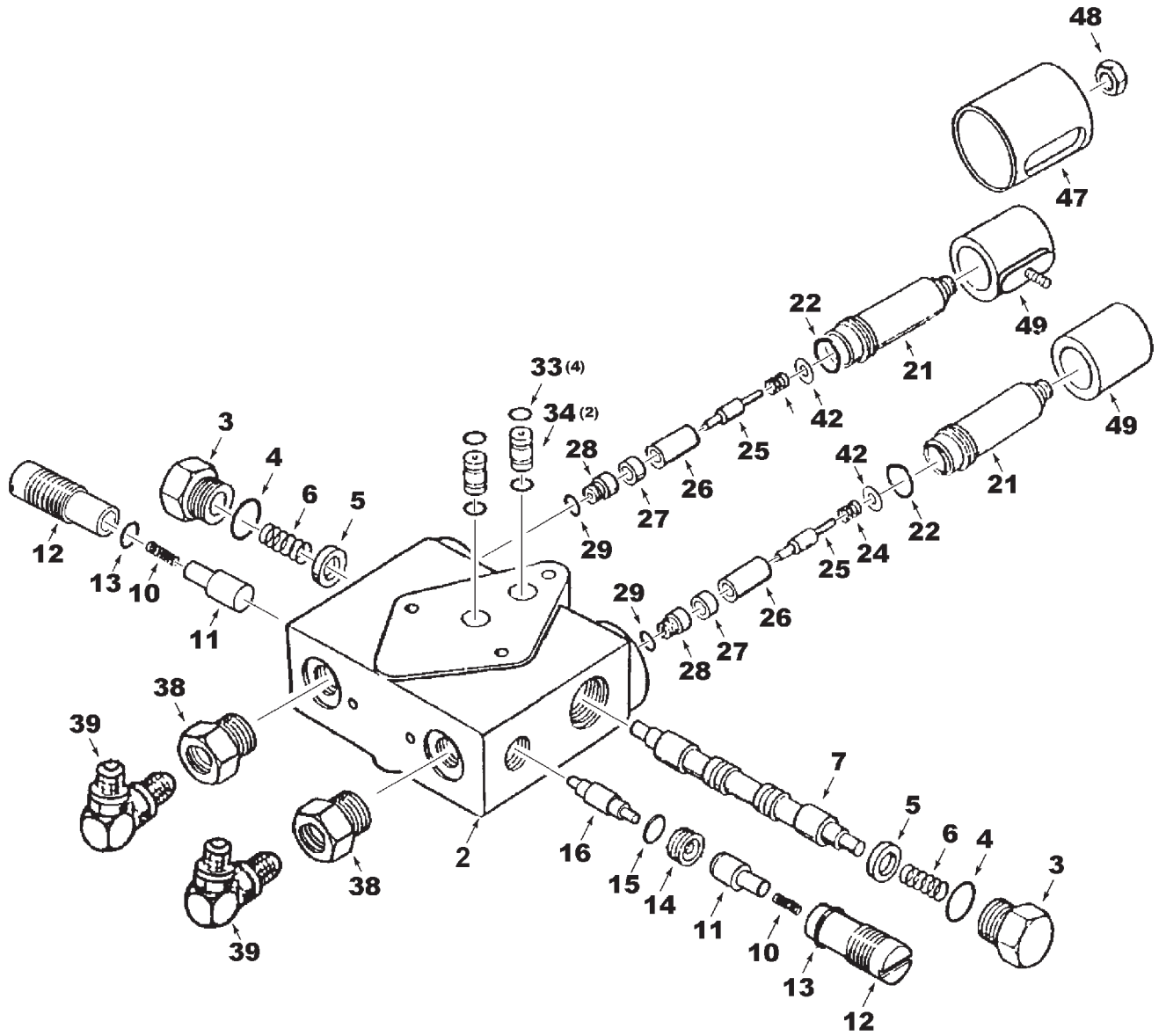
593

FEEDER REVERSER VALVE

ITEM	NUMBER	QTY	DESCRIPTION
-	71389747	-	VALVE ASY. FEEDER REVERSER, W/COIL (INCL. FOLLOWING 4 ITEMS)
-	71188504	1	COIL, 6V, W/DIODE
-	71188503	1	COVER, COIL
-	70915314	1	NUT, STAMPED, 1/2-20
-	71386557	1	VALVE ASY. FEEDER REVERSER, W/O COIL (INCL. ITEMS 1-10)
1	-----	-	BODY, VALVE (ORDER COMPLETE ASSEMBLY)
2	71184401	2	END CAP, HEX
3	71184409	2	SPRING
4	70921205	2	O-RING, .097 X .755 ID
5	71300327	2	RETAINER, SPRING
6	70935902	2	* O-RING, VITON, .070 X .801 ID
7	71374785	1	PILOT ASY, NORMALLY CLOSED (INCL. ITEMS 11-18)
8	71502674	1	SPOOL
9	71386572	1	PLUG, STACK
10	70926356	1	O-RING, .070 X .239 ID
11	104139W91	1	SLEEVE ASY, THREADED
12	71174718	1	SPRING
13	71361243	1	* POPPET, NORM. CLOSED
14	71365101	1	ARMATURE
15	71176964	1	POLE PIECE
16	71184418	1	* ORIFICE, .040 DIA
17	70926356	1	* O-RING, .070 X .239 ID
18	71176962	1	WASHER
19	70927999	1	PLUG, HEX SOCKET HD, 3/4-16 ORB
	70921349	1	O-RING, .087 X .644 ID
-	71361312	AR	POPPET KIT, PILOT ASY (INCL ITEMS W/ *)

71386557  
PR: 348

UNLOADER SWING VALVE



9690 COMBINE  
HYDRAULICS

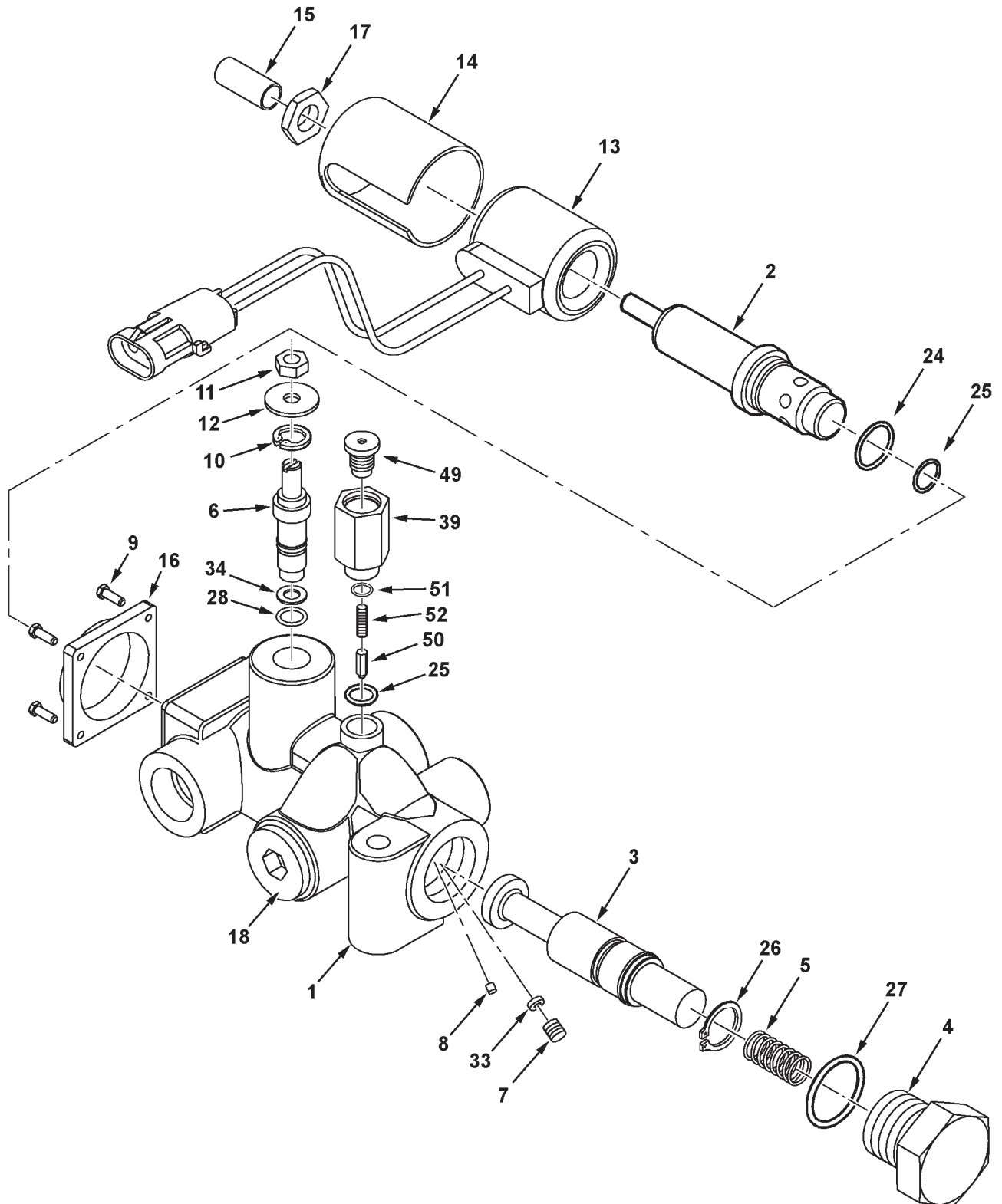
595

UNLOADER SWING VALVE

ITEM	NUMBER	QTY	DESCRIPTION
-	116465W91	1	VALVE, MODULE ASSEMBLY
2	-----	1	BODY, VALVE (ORDER VALVE, MODULE ASY.)
3	105068W1	2	PLUG, VALVE CAP
4	70921205	2	O-RING, .097 X .755 ID
5	71300327	2	RETAINER, SPRING
6	71374794	2	SPRING, SPOOL
7	105076W1	1	SPOOL, VALVE
10	71374790	2	SPRING
11	105085W1	2	POPPET
12	105084W1	2	END CAP, RETAINER
13	70927974	2	O-RING, .103 X .612 ID
14	1055944M1	2	SEAT
15	70923841	2	O-RING, .070 X .489 ID
16	71374793	1	SPOOL, SHUTTLE
21	105077W1	2	SLEEVE ASSEMBLY
22	70935902	2	O-RING, .070 X .801 ID, VITON
24	1052358M1	2	SPRING, POPPET
25	1052393M1	2	POPPET
26	105078W1	2	ARMATURE
27	71176964	2	POLE PIECE
28	71184418	2	ORIFICE, .040
29	70926356	2	O-RING, .070 X .239 ID
33	70924048	6	O-RING, .070 X .364 ID
34	1052370M91	2	THRU-TUBE ASSEMBLY (INCL. 2 OF ITEM 33)
38	70930777	2	REDUCER, 3/4-16 ORB M X 9/16-18 ORB FEM
	70921349	2	O-RING, .087 X .644 ID
39	70925011	2	ELBOW, 90 DEG, 9/16-18 ORB X 7/16-20 JIC
	70921885	2	O-RING, .078 X .468 ID
42	1052408M1	2	WASHER, BRASS
47	71188503	2	COVER, COIL
48	70915314	2	PALNUT, 1/2-20
49	71188504	2	COIL
50	364076X1	1	BOLT, HEX, 1/4-20 UNC X 3-1/2 (NOT ILLUSTRATED)

MC00114  
PR: 350

REEL DRIVE VALVE  
(PRIOR S/N HS87101)



9690 COMBINE  
HYDRAULICS

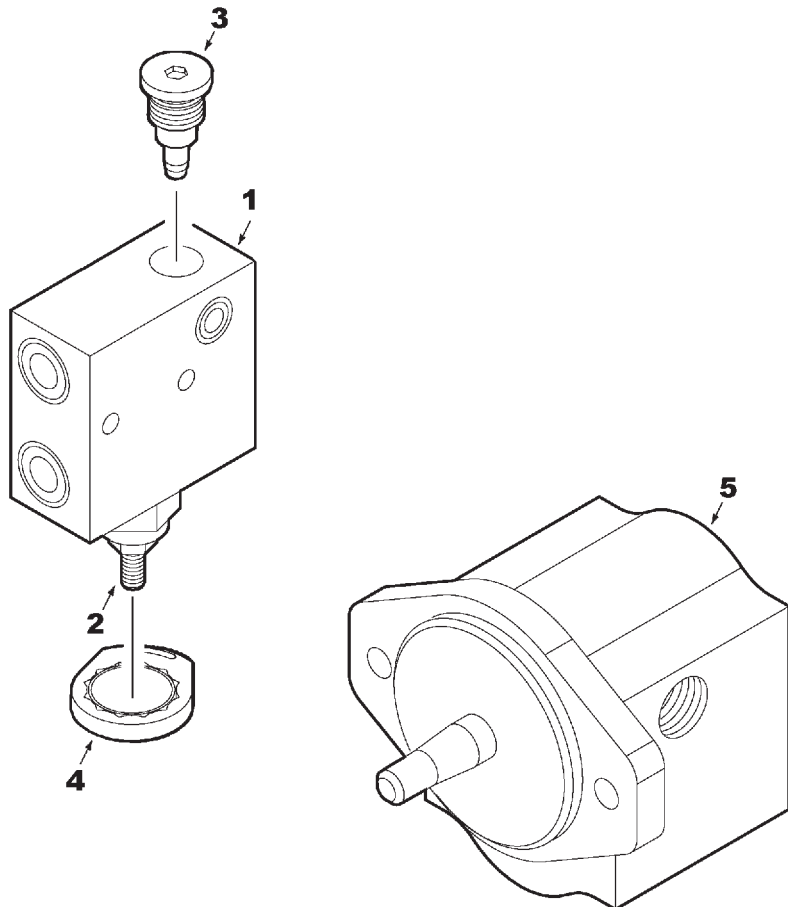
597

REEL DRIVE VALVE  
(PRIOR S/N HS87101)

ITEM	NUMBER	QTY	DESCRIPTION
-	104135W91	1	VALVE ASSEMBLY, REEL DRIVE
1	-----	1	BODY (ORDER VALVE ASY)
2	71361368	1	BODY/BUSHING ASSEMBLY
3	104502W1	1	SPOOL
4	104503W1	1	CAP, SPRING
5	71361357	1	SPRING
6	104505W1	1	PINTEL, MANUAL OVERRIDE
7	71361361	1	ORIFICE ASSEMBLY.025
8	71302422	1	ORIFICE .031
9	71361355	4	BOLT, HEX SOCKET #10-32 UNF X 1/2
10	104512W1	1	RING, RETAINING
11	353919X1	1	NUT, HEX JAM 1/4-28 UNF
12	70917377	1	WASHER, WIDE FLAT 1/4
13	71361358	1	COIL, CONNECTOR ASSEMBLY
14	71188503	1	COVER
15	71362539	1	CAP, PROTECTOR
16	71361359	1	PLATE, MOUNTING
17	353438X1	1	PALNUT
18	70924622	1	PLUG, HEX SOCKET HD, 7/8-14 ORB
	70921205	1	O-RING, .097 X .755 ID
24	70921205	1	O-RING, .097 X .755 ID
25	70921885	2	O-RING, .078 X .468 ID
26	71361367	1	RING, RETAINING
27	70921206	1	O-RING, .116 X .924 ID
28	70923558	1	O-RING, .070 X .239, 75 DURO
33	104510W1	1	SCREEN
34	71361364	1	RING, BACK-UP
39	104508W1	1	CAP, LOAD SENSE END
49	104509W1	1	CAP, END
50	104128W1	1	POPPET
51	70921881	1	O-RING, .064 X .239 ID
52	103789W1	1	SPRING

MC00111A  
PR: 352

ROTARY SCREEN VALVE & MOTOR





9690 COMBINE  
HYDRAULICS

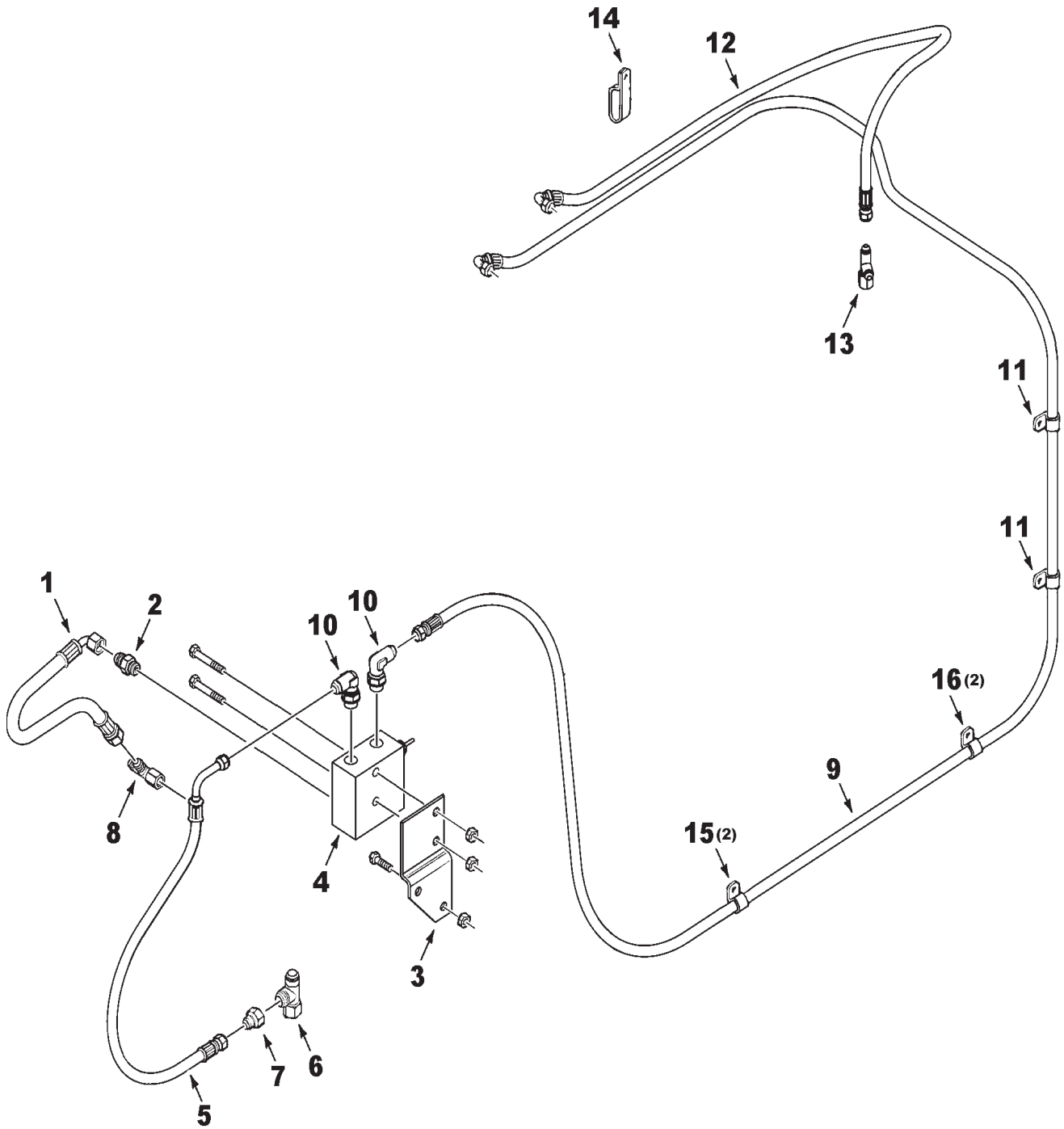
599

ROTARY SCREEN VALVE & MOTOR

ITEM	NUMBER	QTY	DESCRIPTION
1	71396267	1	VALVE, ROTARY SCREEN (INCL ITEMS 2,3,4)
2	71397492	1	CARTRIDGE ASY., FLOW REGULATOR
-	700724693	AR	SEAL KIT, FOR ITEM 2
3	71389743	1	CARTRIDGE ASY., CHECK VALVE
-	700726979	AR	SEAL KIT, FOR ITEM 3
4	71397493	1	LOCK KIT, W/ SCREW
5	71396755	1	HYDRAULIC MOTOR(INCL. KEY, NUT & LKWSHR) (NOTE: INDIVIDUAL COMPONENTS ARE NOT SERVICED EXCEPT FOR SEAL KIT.)
-	71396758	1	SEAL KIT, HYDRAULIC MOTOR

MC00337  
PR: t06d18i14c0005

ROTARY SCREEN MOTOR LINES  
(PRIOR S/N HS87101)



9690 COMBINE  
HYDRAULICS

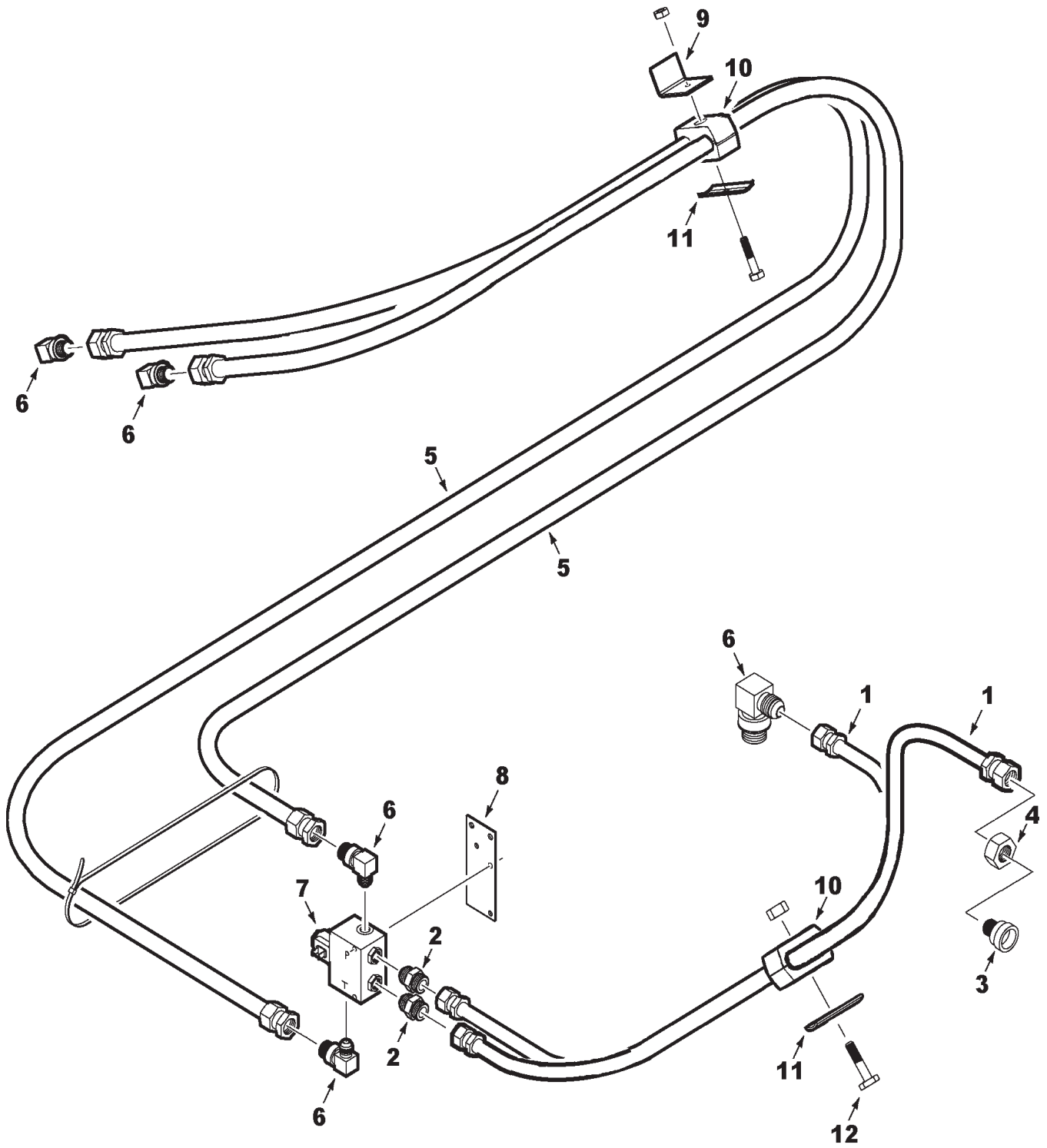
601

ROTARY SCREEN MOTOR LINES  
(PRIOR S/N HS87101)

ITEM	NUMBER	QTY	DESCRIPTION
1	71373538	1	HOSE ASY., LOAD SENSE
2	700701356	1	STR CONNECTOR, 7/16-20, JIC X ORB
	70921883	1	O-RING, .072 X .351 ID
3	71396264	1	BRACKET, ROTARY SCREEN VALVE
	70921333	2	CAPSCREW, 5/16-18 X 1
	70917356	2	LOCKWASHER, 5/16
	70917372	2	NUT, HEX 5/16-18
4	71396267	1	VALVE, ROTARY SCREEN
	70921978	2	CAPSCREW, 5/16-18 X 2 GR5
	70917356	2	LOCKWASHER, 5/16
	70917372	2	NUT, HEX 5/16-18
5	700719105	1	HOSE ASY., ROTARY SCREEN SUPPLY
6	70925468	1	TEE, SWIVEL RUN, 7/8-14 JIC
7	70930224	1	REDUCER FTG., 7/8-14 JIC X 9/16-18 JIC
8	700701355	1	TEE, SWIVEL RUN, 7/16-20 JIC
9	71398238	1	HOSE ASY., PRESS. TO ROTARY SCR BLKHD
10	70922523	2	ELBOW, 90 DEG 9/16-18, JIC X ORB
	70921884	2	O-RING, .078 X .468 ID
11	70925619	2	CLAMP, .69 DIA X .406 HOLE
	Y702951	2	CAPSCREW, 3/8-16 X 3/4 LG
	705038	2	LOCKWASHER, 3/8
	70916950	2	NUT, HEX 3/8-16
12	71396266	1	HOSE ASY., ROTARY SCREEN BLKHD TO TANK
	70937133	2	TIE, SELF LOCKING, .300 X 14.5
13	70921298	1	TEE, SWIVEL RUN, 3/4-16 JIC
14	70928148	1	CLAMP, DOUBLE .750 TUBE X .406 HOLE
	Y702951	1	CAPSCREW, 3/8-16 X 3/4 LG
15	70927134	2	J-CLIP, .62 X .406 HOLE
16	70937682	2	J-CLIP, .75 X .656 HOLE

MC00335  
PR: t06d18i14c0006

UNLOADER ENGAGE LINES



9690 COMBINE  
HYDRAULICS

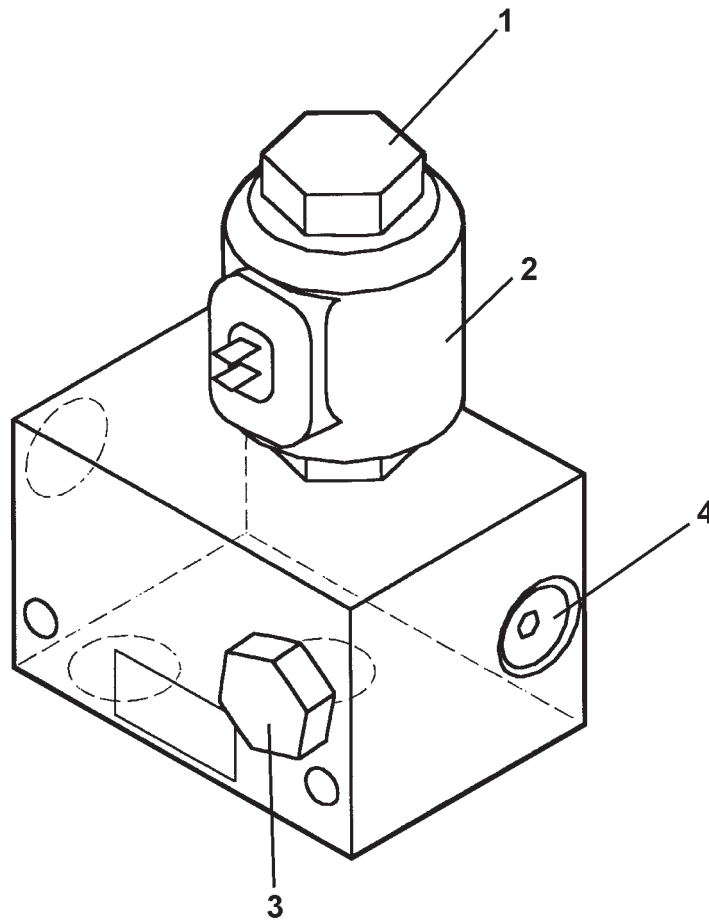
603

UNLOADER ENGAGE LINES

ITEM	NUMBER	QTY	DESCRIPTION
1	112027W1	2	HOSE ASY, 3/8 X 45"
2	846634	2	CONNECTOR, STRAIGHT, 9/16-18 JIC X ORB
	70921885	AR	O-RING, .078 X .468 ID
3	70925852	1	REDUCER FTG., 1-1/16-12 X 9/16-18 JIC
4	70919197	1	TUBE NUT, 1-1/16-12
5	71373403	2	HOSE ASY, 3/8 X 90"
	70937133	1	TIE, NYLON LOCKING, .30 X 14.5
6	70922523	5	ELBOW, 90 DEG, 9/16-18, JIC X ORB
	70921885	AR	O-RING, .078 X .468 ID
7	108531W91	1	VALVE ASY. (SERVICE WITH 71407956)
	71407956	1	VALVE ASY.
	7701964	2	CAPSCREW, 1/4-20 X 2-1/2
	705012	2	LOCKWASHER, 1/4
	70916622	2	NUT, 1/4 REG
8	108925W1	1	PLATE, VALVE MOUNT
	70921332	2	CAPSCREW, 5/16-18 X 3/4
	Y704726	2	NUT, HEX FLANGE TOP LOCK, 5/16-18
9	101832M1	1	ANGLE BRACKET
	70921965	1	CAPSCREW, 3/8-16 X 3/4 GR5
	705038	1	LOCKWASHER, 3/8
	70916950	1	NUT, 3/8-16 REG
10	148203M1	2	CLAMP, DOUBLE, 5/8 X 5/8
11	101646M1	2	COVER PLATE
	7701485	1	CAPSCREW, 1/4-20 X 2 GR5
	705012	1	LOCKWASHER, 1/4
	70916622	1	NUT, 1/4 REG
12	7703507	1	CAPSCREW, 5/16-18 X 2 GR5
	70917356	1	LOCKWASHER, 5/16
	70917372	1	NUT, 5/16 REG

MC00342  
PR: 362

UNLOADER ENGAGE VALVE



9690 COMBINE  
HYDRAULICS

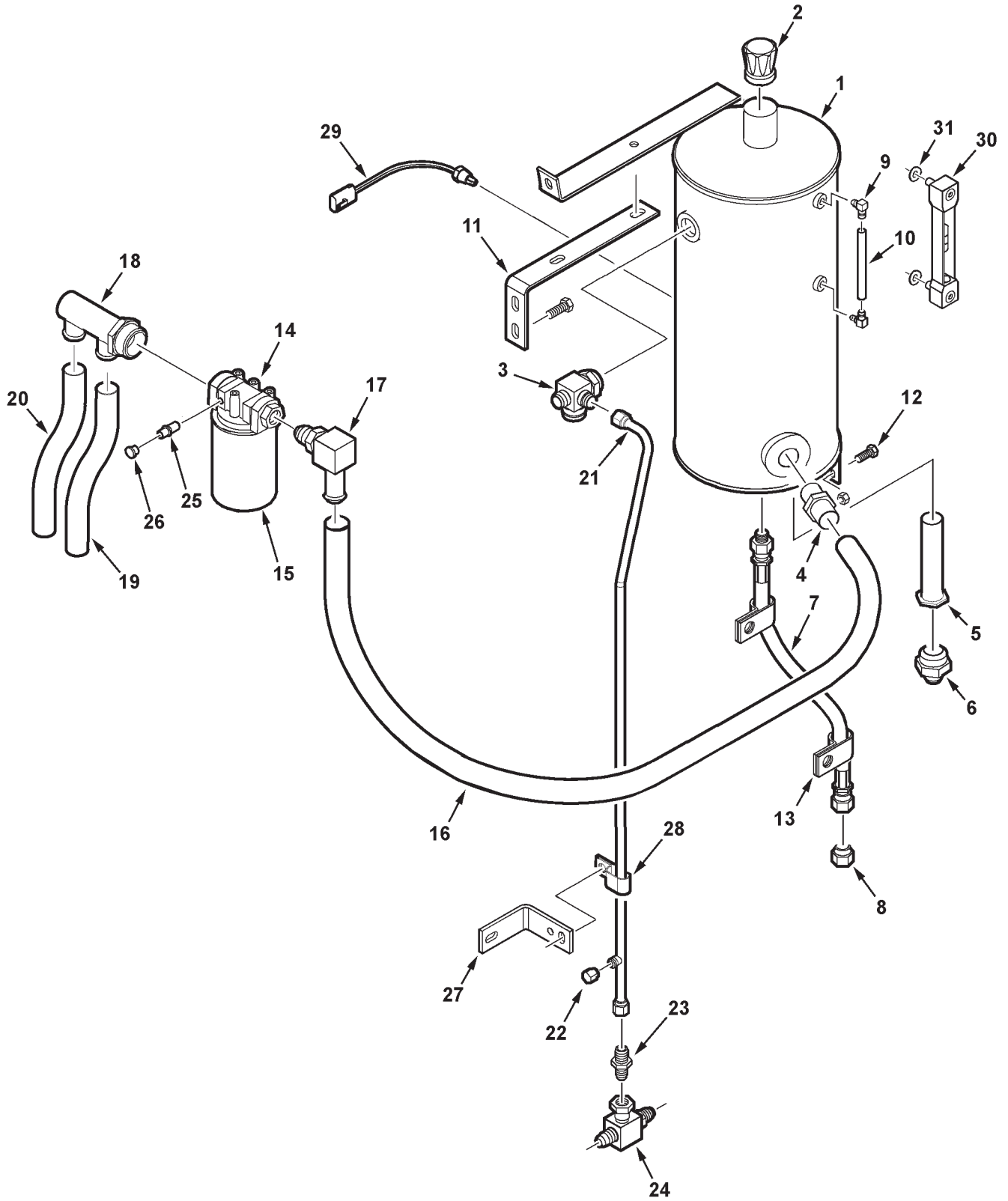
605

UNLOADER ENGAGE VALVE

ITEM	NUMBER	QTY	DESCRIPTION
-	108531W91	1	VALVE, MODULE ASSEMBLY
1	71389729	1	CARTRIDGE, SOLENOID
2	853288	1	COIL
3	71389731	1	VALVE, CHECK
4	71389732	1	PLUG, ORIFICE, .052
-	71389733	1	KIT, SEAL REPAIR
-	71407956	1	VALVE ASSEMBLY
1	700720621	1	CARTRIDGE, VALVE
2	71407957	1	COIL, 12V DC
3	700720917	1	VALVE, CHECK
4	71407958	1	PLUG, ORIFICE, .052

MC00061  
PR: 364

RESERVOIR & FILTER





9690 COMBINE  
HYDRAULICS

607

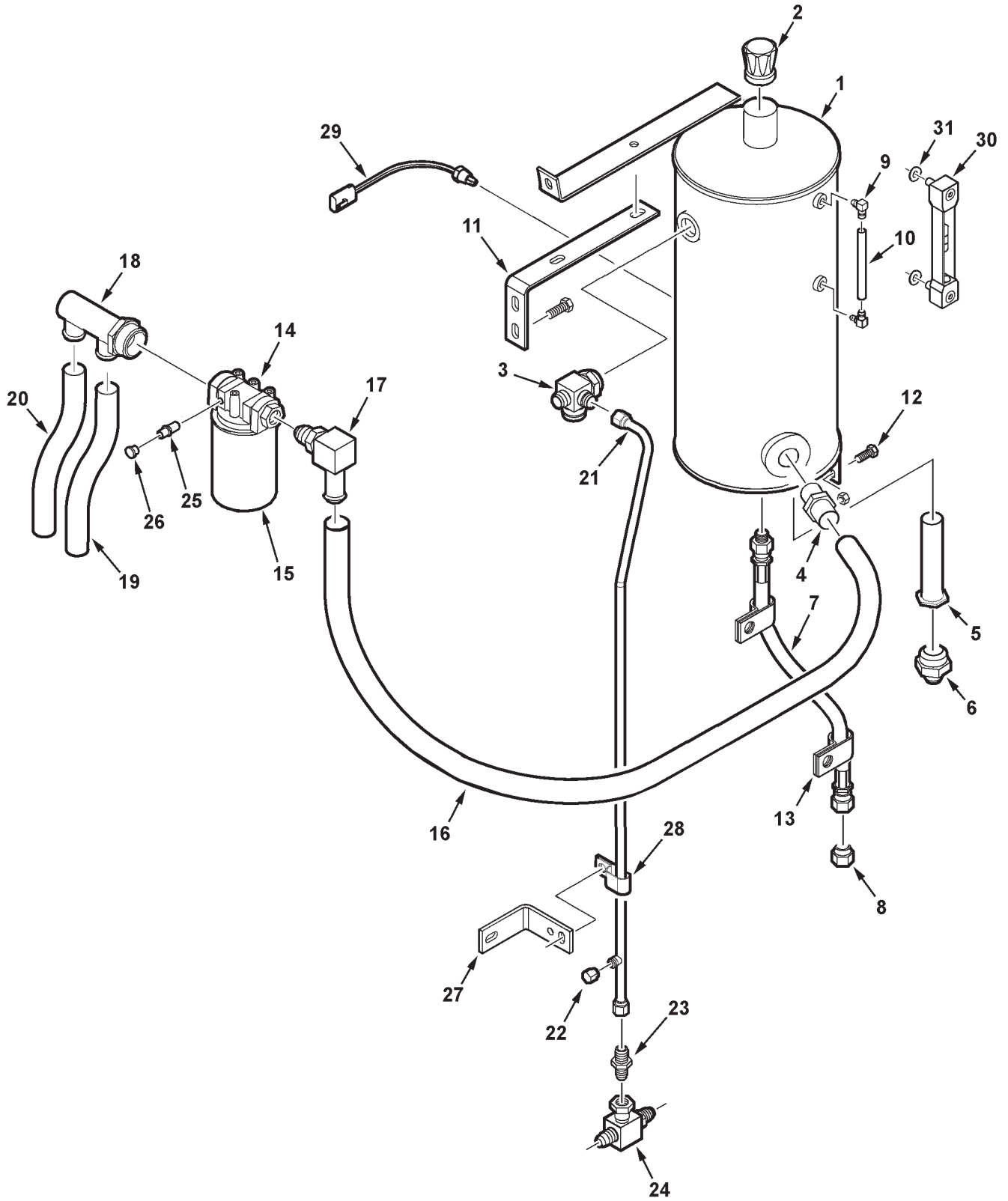
RESERVOIR & FILTER

ITEM	NUMBER	QTY	DESCRIPTION
1	112932W91	1	RESERVOIR WLMT, HYD (PRIOR S/N HR87101)
	71410480	1	RESERVOIR WLMT, HYD (EFF. S/N HR87101 THRU HR87999)
	71411311	1	RESERVOIR WLMT, HYD (EFF. S/N HS87101)
	70923168	1	PLUG, 1-7/8-12 ORB (UNUSED PORT) (EFF. S/N HS87101)
	70921887	1	O-RING, .118 X 1.720 ID
2	112887W1	1	CAP, BREATHER
3	2629073W91	1	FITTING, MANIFOLD RETURN
	70921235	1	O-RING, .118 X 1.475 ID
4	70929257	1	CONNECTOR, 1-7/8-12 ORB X 1-1/2 TUBE
	70921887	1	O-RING, .118 X 1.720 ID
5	112858W91	1	STRAINER ASY.
	70921888	1	O-RING, .118 X 2.337 ID
6	112890W91	1	STR CONN, 1-7/8-12 ORB X 1-5/8-12 JIC
	70921887	1	O-RING, .118 X 1.720 ID
7	108541W1	1	HOSE ASY, OIL DRAIN
8	700712973	1	PLUG, 3/4-16 UNF, JIC
9	133828M91	2	ELBOW, 90 DEG. 3/8 NPTF X 1/2 TUBE (PRIOR S/N HS87101)
	70920333	3	PLUG, HEX HD, 3/8 NPTF
10	133827M1	1	TUBE, NYLON 1/2" (PRIOR S/N HS87101)
11	71385998	1	SUPPORT, RESERVOIR (PRIOR S/N HR87101)
	703249	4	CAPSCREW, 3/8-16 X 1.0
	70917378	2	WASHER, FLAT 3/8
	Y704734	4	NUT, HEX FLANGE TOP LOCK, 3/8-16
12	703249	2	CAPSCREW, 3/8-16 X 1.0
	Y704734	2	NUT, HEX FLANGE TOP LOCK, 3/8-16
13	70927134	2	J-CLIP, 5/8 X .406 HOLE
	703249	2	CAPSCREW, 3/8-16 X 1.0
	705038	2	LOCKWASHER, 3/8
	70916950	2	NUT, 3/8-16 REG
14	104308W1	1	HEAD, FILTER
	70921332	2	CAPSCREW, 5/16-18 X 3/4
	70917356	2	LOCKWASHER, 5/16
15	104309W91	1	ELEMENT, FILTER

CONTINUED

MC00333  
PR: 366

RESERVOIR & FILTER



9690 COMBINE  
HYDRAULICS

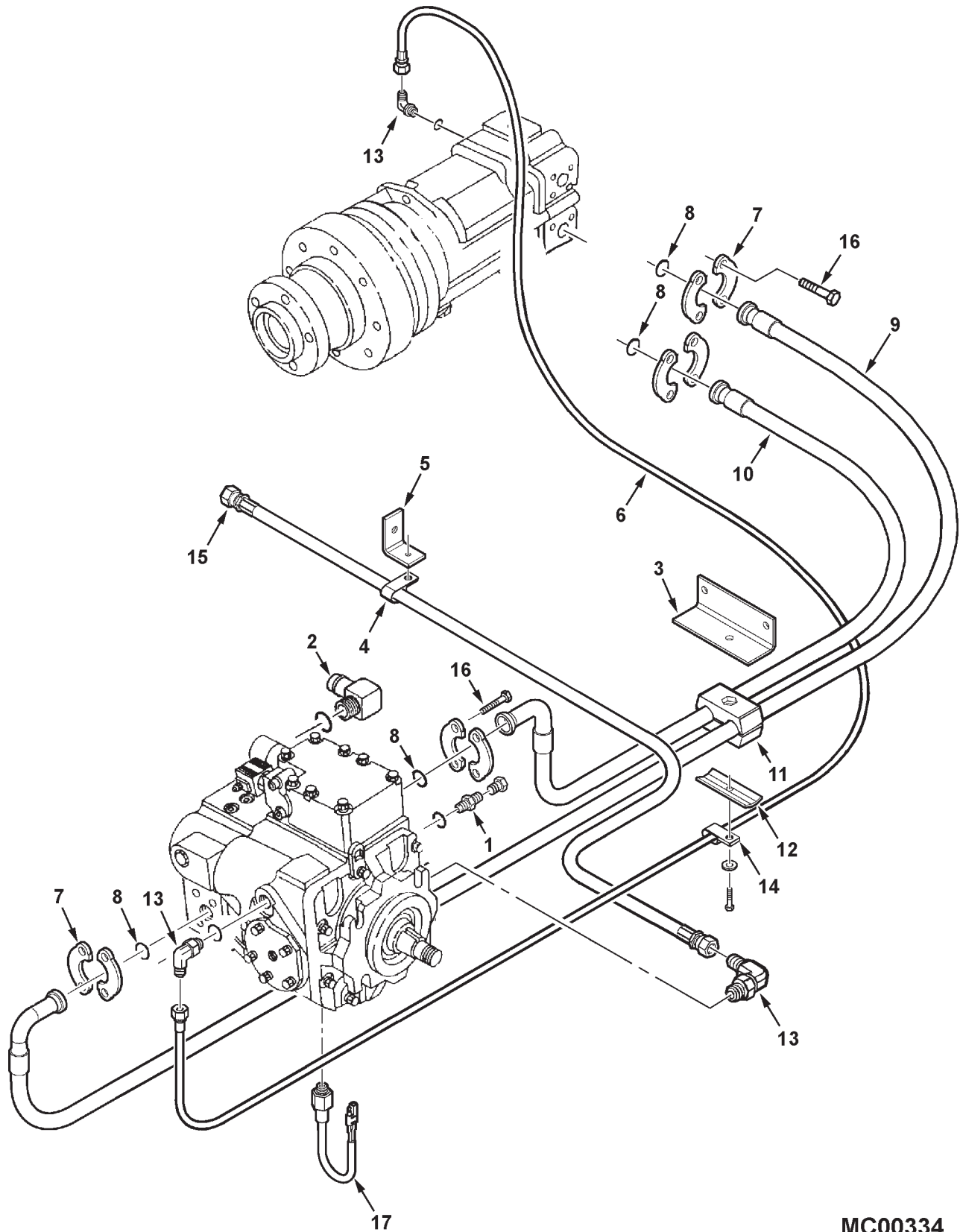
609

RESERVOIR & FILTER

ITEM	NUMBER	QTY	DESCRIPTION
16	71392194	1	HOSE, 1-1/2 ID
	720656	2	CLAMP, HOSE, 1.31-2.25 RANGE
17	70930879	1	ELBOW,90 DEG, 1-7/8-12 ORB X 1-1/2 TUBE
	70921887	1	O-RING, .118 X 1.720 ID
18	104156W91	1	FITTING, MANIFOLD, 1-7/8-12 X 1-1/4 TUBE
	70921887	1	O-RING, .118 X 1.720 ID
19	2630210W2	1	HOSE, 1-1/4 ID, PROPEL SUCTION
	70921912	2	CLAMP, HOSE, 1.06-2.0 RANGE
	3619622M1	1	TIE, SELF LOCKING .184 X 14.19
20	112016W1	1	HOSE, 1-1/4 ID, ROTOR SUCTION
	70921912	2	CLAMP, HOSE, 1.06-2.0 RANGE
21	108247W1	1	TUBE ASY, BYPASS (PRIOR S/N HR87101)
	71391656	1	TUBE ASY, BYPASS (EFF. S/N HR87101)
22	70923737	1	CAP, 3/4-16 JIC
23	71388058	1	VALVE, BYPASS CHECK (PRIOR S/N HR87101)
	71391238	1	VALVE, BYPASS CHECK (EFF. S/N HR87101)
24	2629080W1	1	FITTING, SPECIAL 1-1/4 JIC
25	70919171	1	CONNECTOR, MALE, 1/8 NPTF X 7/16-20 JIC
26	700715848	2	CAP, 7/16-20 JIC
27	71388093	1	STRAP, SUPPORT
	70921210	1	CAPSCREW, 3/8-16 X 1.0
	70916950	1	NUT, 3/8-16 REG
	70917378	1	WASHER, 3/8 WIDE
28	70926049	1	CLAMP,3/4 X .406 HOLE(PRIOR S/N HR87101)
	AG519751	1	CLAMP,1-3/8 X .406 HOLE(EFF S/N HR87101)
	70921332	1	CAPSCREW, 5/16-18 X 3/4 LG
	70917642	1	WASHER, 5/16 WIDE
	70917356	1	LOCKWASHER, 5/16
	70917372	1	NUT, 5/16-18 REG
29	71391418	1	SENSOR, OIL LEVEL (PRIOR S/N HS87101)
30	45080021	1	SIGHT GAUGE ASY (EFF. S/N HS87101) (INCL. FOLLOWING 2 SERVICE ITEMS)
	700729239	1	MOUNT KIT, SIGHT GAUGE (INCL. SCREWS NUTS, O-RINGS & SPACERS)
	700729240	1	TUBE, GLASS
31	700726076	2	WASHER, RUBBER

MC00333  
PR: 366

ROTOR PUMP AND MOTOR LINES



9690 COMBINE  
HYDRAULICS

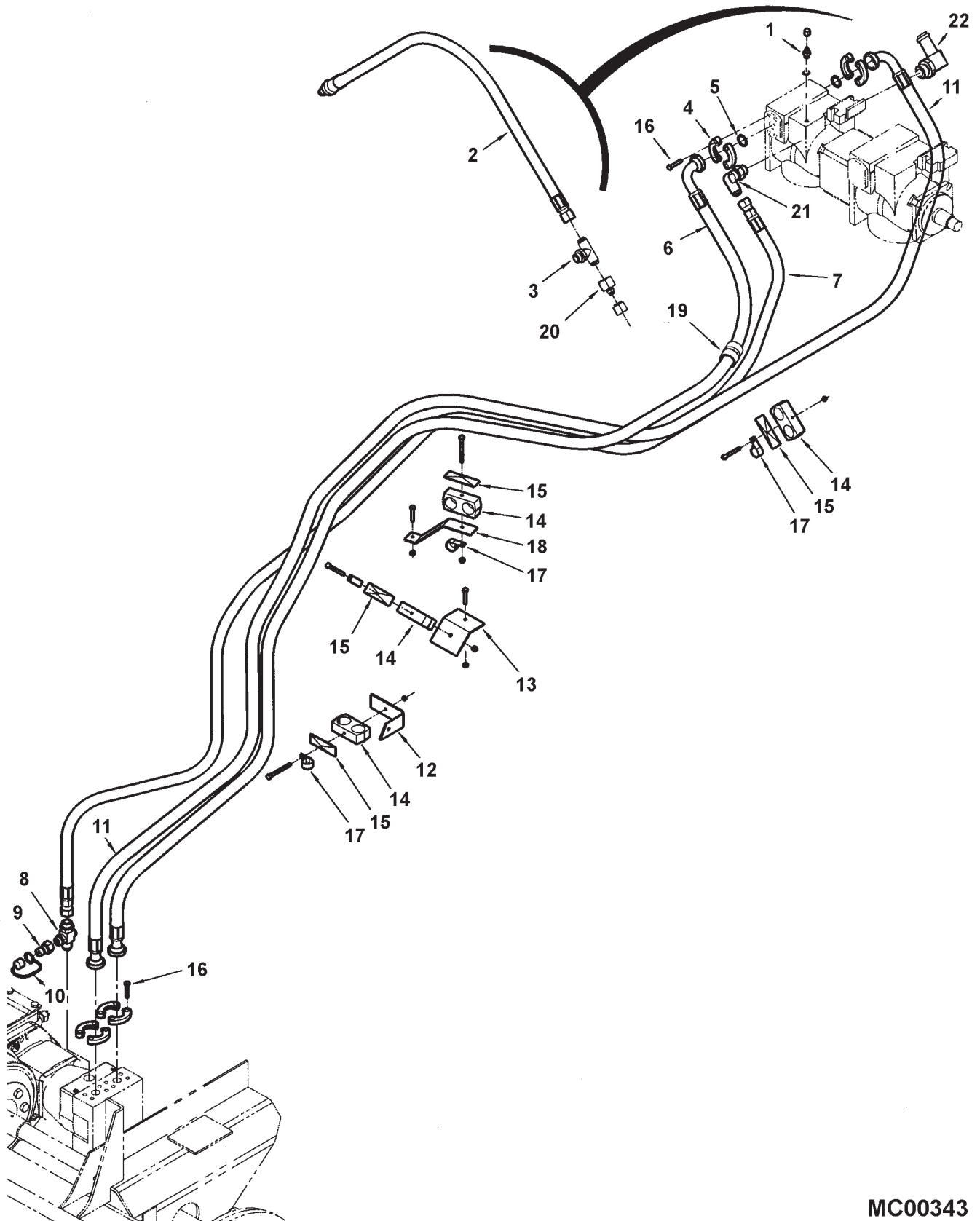
611

ROTOR PUMP AND MOTOR LINES

ITEM	NUMBER	QTY	DESCRIPTION
1	70926292	1	STR CONN, 7/16-20 JIC X 9/16-18 ORB
	70921885	1	O-RING, .078 X .468 ID
	70921467	1	CAP, 7/16-20 JIC
2	8046955	1	ELBOW, 90 DEG, 1-5/8-12 ORB X 1-1/4 STEM
	70921235	1	O-RING, .118 X 1.475 ID
3	2630960W1	1	ANGLE, SUPPORT
	70921966	2	CAPSCREW, 3/8-16 X 7/8
	70916965	2	LOCKWASHER, 3/8
	70916950	2	HEXNUT, 3/8-16
4	293888M1	1	J-CLIP, 1.0 X .344 HOLE
	7703457	1	CAPSCREW, 1/4-20 X 3/4 GR5
	70916622	1	NUT, 1/4-20 REG
	705012	1	LOCKWASHER, 1/4
	70917377	1	WASHER, 1/4 WIDE
5	101618M1	1	ANGLE
6	71388839	1	HOSE ASY, CASE DRAIN
7	700701354	8	CLAMP HALF, SPLIT FLANGE, 1"
8	70926533	4	O-RING, .139 X 1.296 ID, 90 DUR
9	103288M2	1	HOSE ASY, 1" X 100R15 X 87 LG
10	103287M2	1	HOSE ASY, 1" X 100R15 X 74 LG
11	101841M1	1	CLAMP PAIR, DOUBLE, 1-1/2 DIA
	70926106	1	CAPSCREW, 5/16 X 3-1/4
	70917356	1	LOCKWASHER, 5/16
	70917372	1	NUT, 5/16-18 REG
12	101842M1	1	COVER PLATE
13	70921203	3	ELBOW, 90 DEG, 1-1/16-12 ORB X JIC
	70921206	3	O-RING, .116 X .924 ID
14	70936778	1	J-CLIP, 3/4 X .406 HOLE
15	112020W1	1	HOSE ASY
16	70923027	16	CAPSCREW, 7/16-14 UNC X 1-3/4 GR5
17	71389746	1	SWITCH, ROTOR PRESSURE
	70921885	1	O-RING, .078 X .468 ID

MC00334  
PR: 368

PROPEL PUMP AND MOTOR LINES



9690 COMBINE  
HYDRAULICS

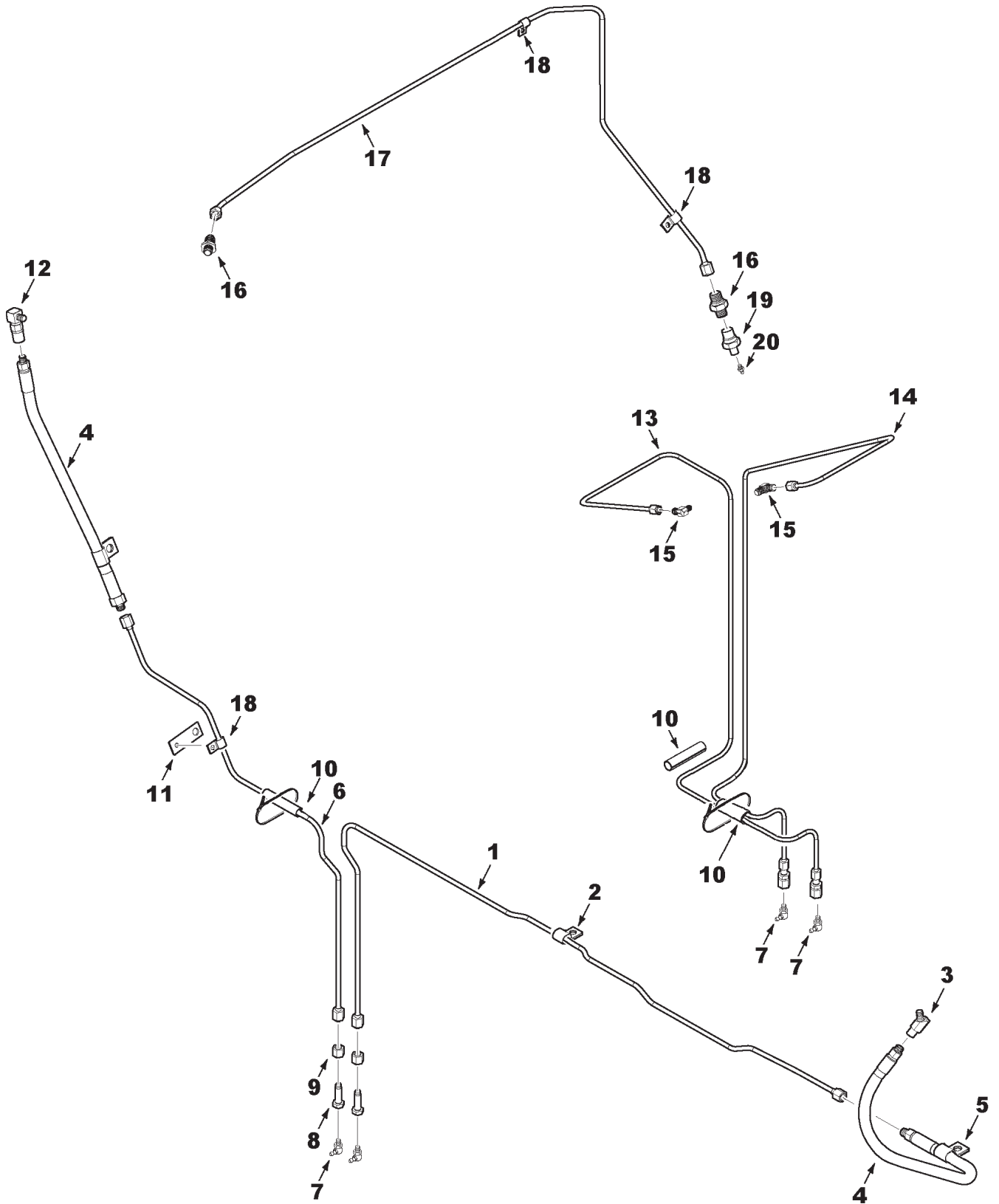
613

PROPEL PUMP AND MOTOR LINES

ITEM	NUMBER	QTY	DESCRIPTION
1	70926292	1	CONN, STR, 7/16-20 JIC X 9/16-18 ORB
	70921885	1	O-RING, .078 X .468 ID
	70921467	1	CAP, 7/16-20 JIC
2	112019W1	1	HOSE ASY, PUMP DRAIN
3	70921318	1	TEE, ORB BRANCH, 1-1/16-12 JIC
	70921206	1	O-RING, .116 X .924 ID
4	700701354	8	CLAMP HALF, SPLIT FLANGE, 1"
5	70926533	4	O-RING, .139 X 1.296 ID, 90 DUR
6	71388092	1	HOSE ASY, 1" X 100R15 X 184" LG
7	71388060	1	HOSE ASY, CASE DRAIN, .75 ID X 181"
8	71391657	1	FITTING, CROSS
	70921205	1	O-RING, .097 X .755 ID
	70921206	1	O-RING, .116 X .924 ID
9	71377941	1	COUPLER, MALE
10	1905376M1	1	CAP, DUST
11	71388059	1	HOSE ASY, 1" X 100R15 X 196" LG
12	101844M1	1	BRACKET, HOSE SUPPORT
	70921333	1	CAPSCREW, 5/16-18 X 1
	70917356	1	LOCKWASHER, 5/16
	70917372	1	NUT, 5/16-18 REG
13	101843M1	1	BRACKET, HOSE SUPPORT
	70921333	1	CAPSCREW, 5/16-18 X 1
	70917356	1	LOCKWASHER, 5/16
	70917372	1	NUT, 5/16-18 REG
14	101841M1	4	CLAMP PAIR, DOUBLE, 1-1/2 DIA
	70926106	4	CAPSCREW, 5/16 X 3-1/4
	70917356	4	LOCKWASHER, 5/16
	70917372	4	NUT, 5/16-18 REG
15	101842M1	4	COVER PLATE
16	70923027	16	CAPSCREW, 7/16-14 UNC X 1-3/4 GR5
17	293888M1	4	J-CLIP, 1.0 X .344 HOLE
18	71377939	1	STRAP, SUPPORT
19	116159W1	1	SPLIT SLEEVE
	3619622M1	1	NYLON TIE
20	70925852	1	REDUCING ADPTR, 1-1/16-12 X 9/16-18 JIC
	70919197	1	NUT, 1-1/16-12, 37 DEG FLARE
21	70921203	1	ELBOW, 90 DEG, 1-1/16-12 ORB X JIC
	70921206	1	O-RING, .116 X .924 ID
22	70931240	1	ELBOW, 90 DEG, 1-5/16-12 ORB X 1-1/4 STEM
	70921214	1	O-RING, .116 X 1.171 ID

MC00343  
PR: 370

GREASE LINES





9690 COMBINE  
HYDRAULICS

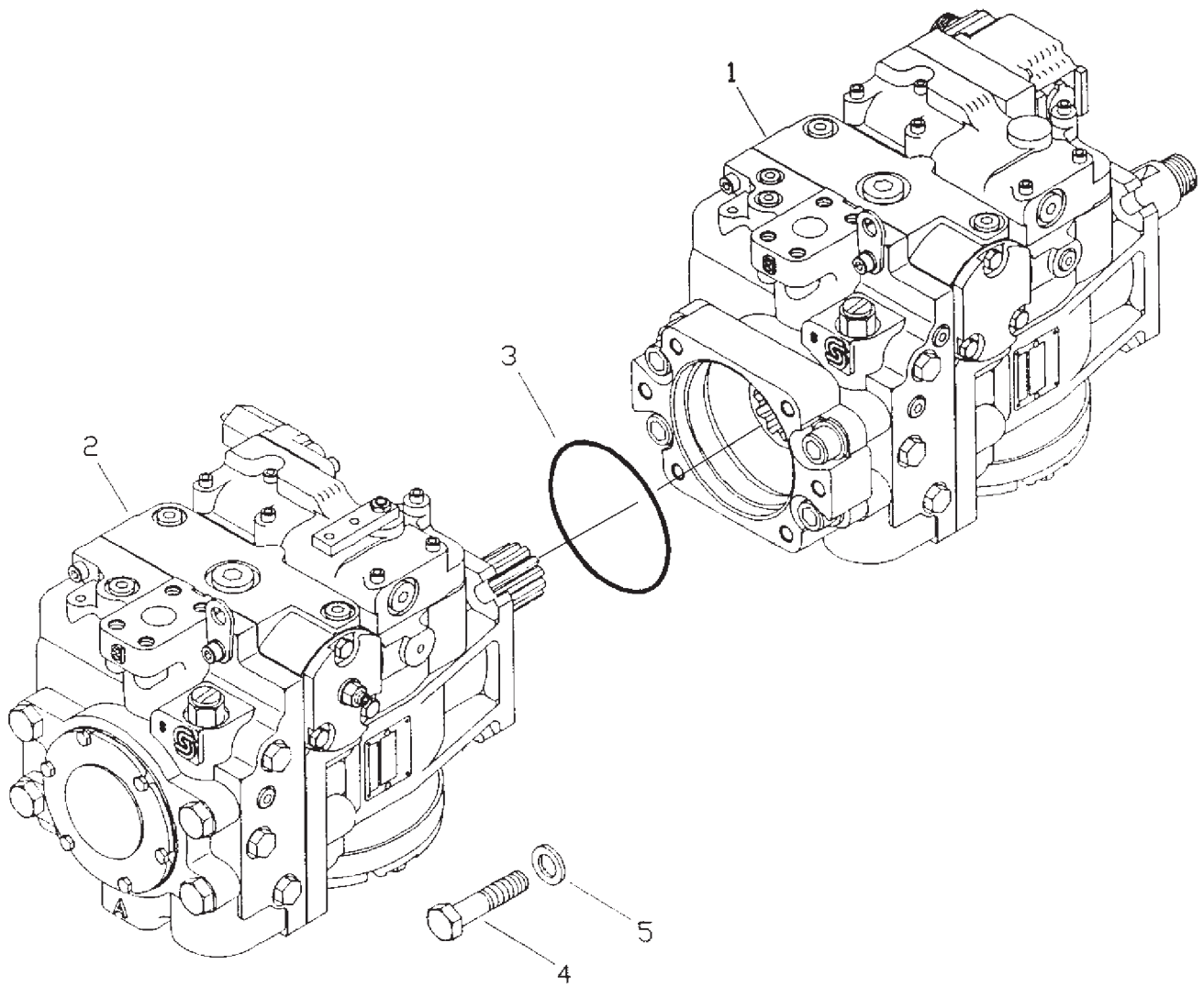
615

GREASE LINES

ITEM	NUMBER	QTY	DESCRIPTION
1	71390866	1	TUBE ASY, ROTOR DRIVE IDLER
2	70928654	1	CLAMP, 1/4 TUBE X .406 HOLE
3	70920655	1	ELBOW,45 DEG, 1/8 NPTF M X 1/8 NTPF FEM
4	71390863	2	HOSE ASY, LUBE
5	70928656	2	CLAMP, 5/8 TUBE X .406 HOLE
	70921965	1	CAPSCREW, 3/8-16 X 3/4
	Y704734	1	NUT, HEX FLNG TOP LOCK, 3/8-16
6	71392766	1	TUBE ASY, C'SHAFT DRIVE IDLER
7	70915276	4	LUBE FITTING, 90 DEG, 1/8 NPTF
8	940134W1	4	BLKHD CONN, 7/16-20 JIC M X 1/8 NPT FEM
9	356612X1	4	NUT, LARGE HEX, 7/16-20
10	2556880W1	3	BOOT, TUBE PROTECTOR
	3619622M1	3	TIE, SELF LOCKING .184 X 14.19
11	71390867	1	SUPPORT, TUBE CLAMP
12	70923690	1	ELBOW, 90 DEG. 1/8-27 NPTF MALE X FEM
13	71386353	1	TUBE ASY, BEATER IDLER
14	71398337	1	TUBE ASY, UNLOADER IDLER
15	70919173	2	ELBOW,90 DEG, 1/8-27 NPTF X 7/16-20 JIC
16	70919171	2	STR CONN, 1/8-27 NPTF X 7/16-20 JIC
17	71389751	1	TUBE ASY, FRONT ROTOR(PRIOR S/N HP87101)
	71400654	1	TUBE ASY, FRONT ROTOR (EFF. S/N HP87101)
18	70926919	3	CLAMP, 1/4 TUBE X .281 HOLE (PRIOR S/N HP87101)
	7703457	3	CAPSCREW, 1/4-20 X 3/4
	70916622	3	NUT, 1/4-20
	705012	3	LOCKWASHER, 1/4
	70928654	1	CLAMP, 1/4 TUBE X .406 HOLE (EFF. S/N HP87101)
	70921210	1	CAPSCREW, 3/8-16 X 1 GR5
	70917378	2	WASHER, 3/8 WIDE
	705038	1	LOCKWASHER, 3/8
	70916950	1	NUT, 3/8-16 REG
19	70922862	1	COUPLING, FEM, 1/8-27 NPTF
20	70914465	1	LUBE FITTING, 1/8-27 NPT, SPL XTRA SHORT

MC00339  
PR: 372

HYDROSTATIC TANDEM PUMPS



**9690 COMBINE  
TRANSMISSION & AXLES**

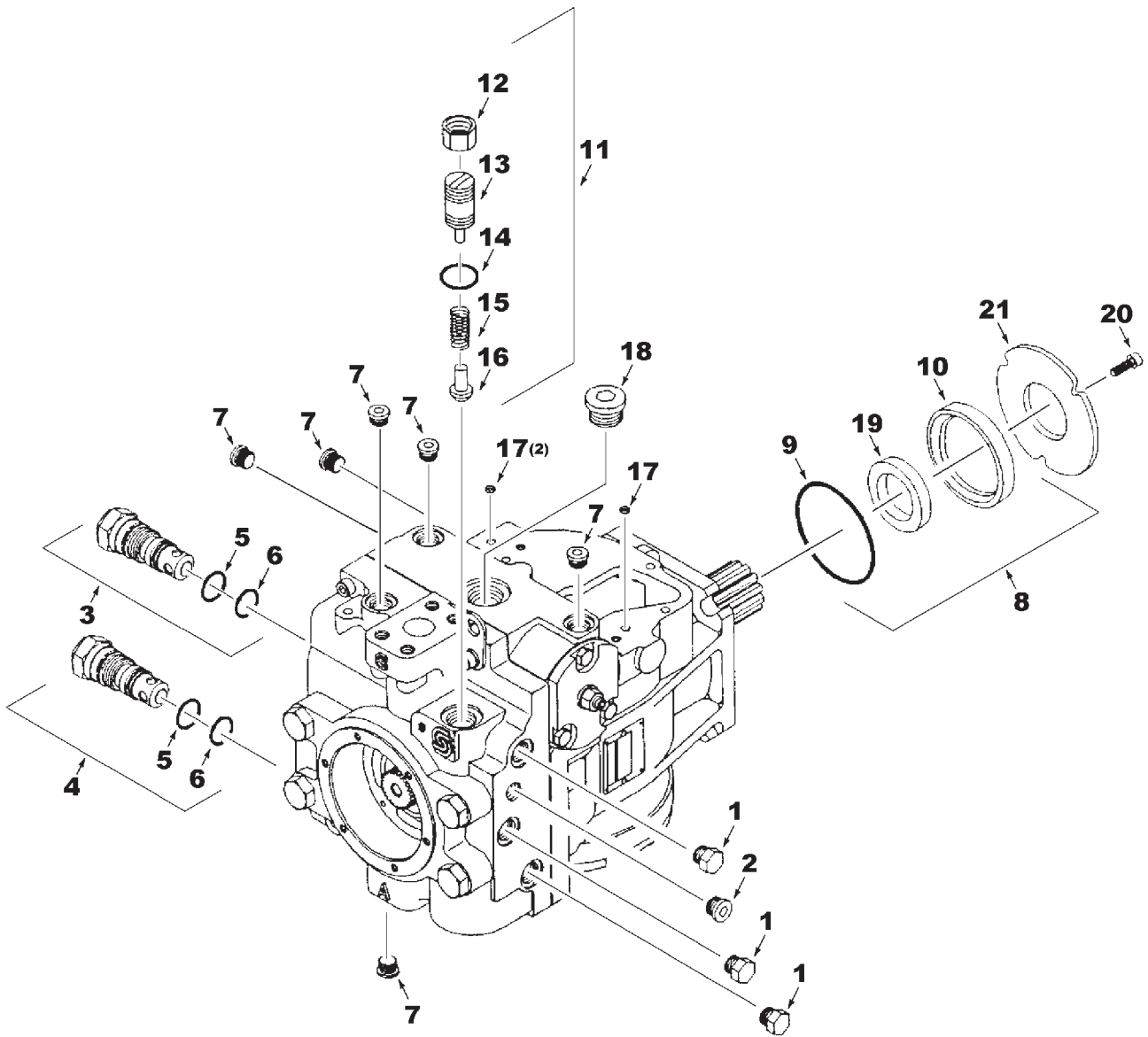
**617**

**HYDROSTATIC TANDEM PUMPS**

ITEM	NUMBER	QTY	DESCRIPTION
-	71389518	1	PUMP, TANDEM (100CC & 75CC DISPL.)
1	71386574	1	PUMP, ROTOR, (100CC DISPL.)
2	71389750	1	PUMP, PROPEL (75CC DISPL.)
3	1081727M1	1	O-RING
4	116281W1	4	SCREW
5	116282W1	4	WASHER

MC00052  
PR: 374

PROPEL PUMP  
COMPONENTS, 1 OF 4



9690 COMBINE  
TRANSMISSION & AXLES

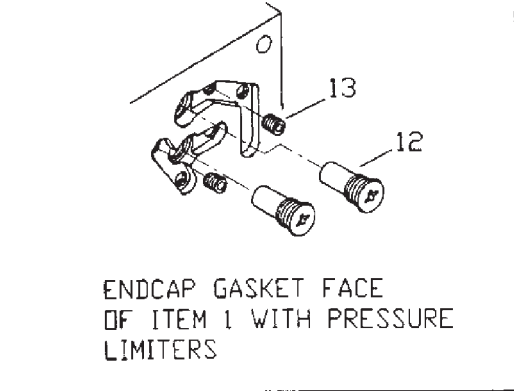
619

PROPEL PUMP  
COMPONENTS, 1 OF 4

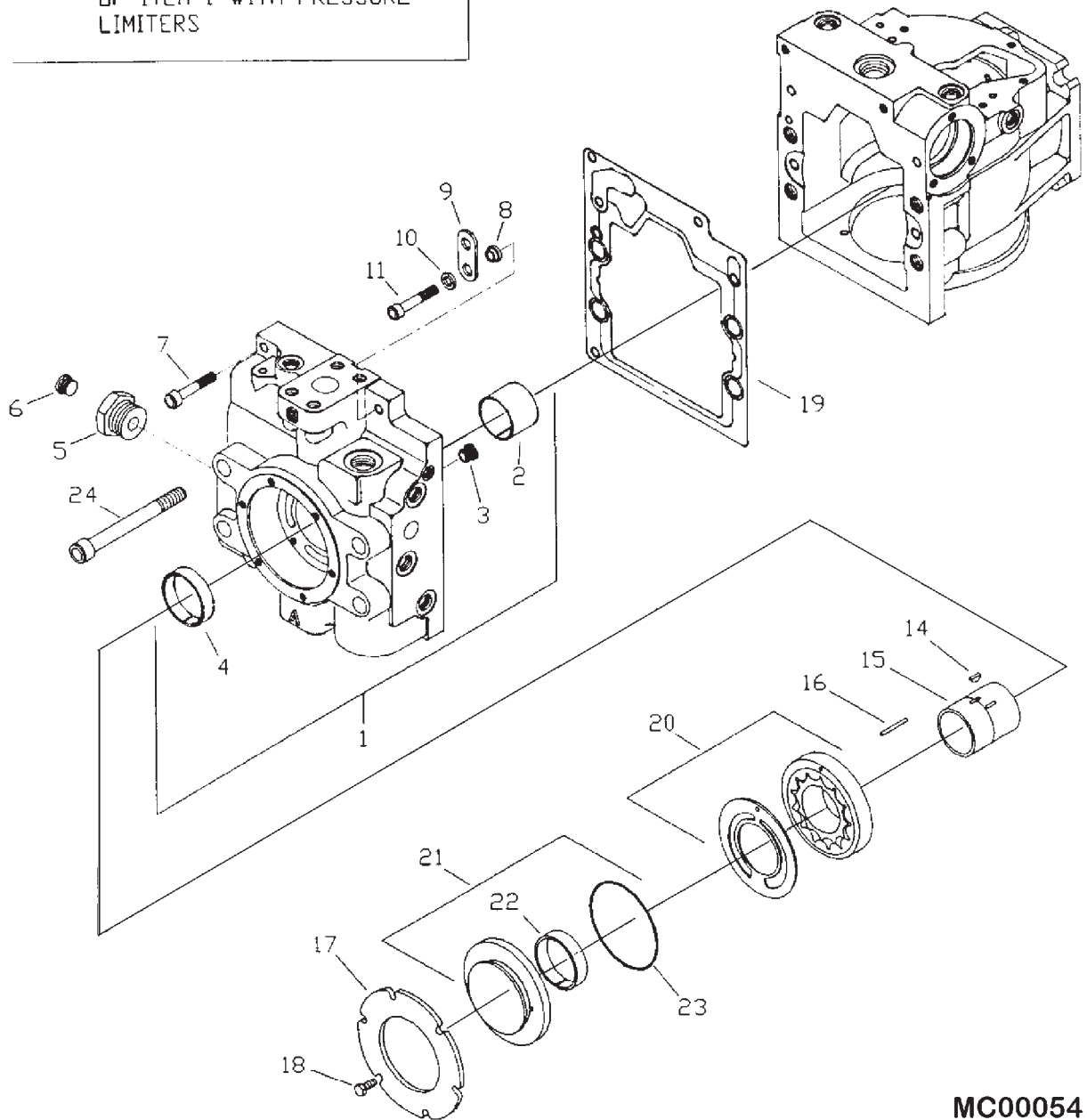
ITEM	NUMBER	QTY	DESCRIPTION
-	71389750	-	PUMP, PROPEL (75CC DISPL.)
1	71374831	3	PLUG
2	70928605	1	PLUG
3	1081707M91	1	MULTI-FUNCTION VALVE KIT
4	1081707M91	1	MULTI-FUNCTION VALVE KIT
5	70923808	1	O-RING
6	70930897	1	O-RING
7	1077604M1	1	PLUG
8	1081693M91	1	SHAFT SEAL ASSEMBLY
9	1081696M1	1	O-RING
10	1081694M1	1	SEAL CARRIER
11	71374918	1	CHARGE RELIEF VALVE KIT
12	1077651M1	1	NUT
13	1077631M91	1	CHARGE RELIEF VALVE PLUG
14	1077648M1	1	O-RING
15	71374859	1	SPRING
16	71374886	1	CHARGE RELIEF POPPET
17	71355339	3	CONTROL FILTER SCREEN
18	1077605M1	1	PLUG
19	1081695M1	1	LIP SEAL
20	71374840	3	METRIC SCREW
21	1081697M1	1	RETAINING PLATE

MC00053  
PR: 376

PROPEL PUMP  
COMPONENTS, 2 OF 4



NOTE:  
ITEM 1 DOES NOT INCLUDE  
ITEMS 8, 9, 10, 3, 7, OR 11.



9690 COMBINE  
TRANSMISSION & AXLES

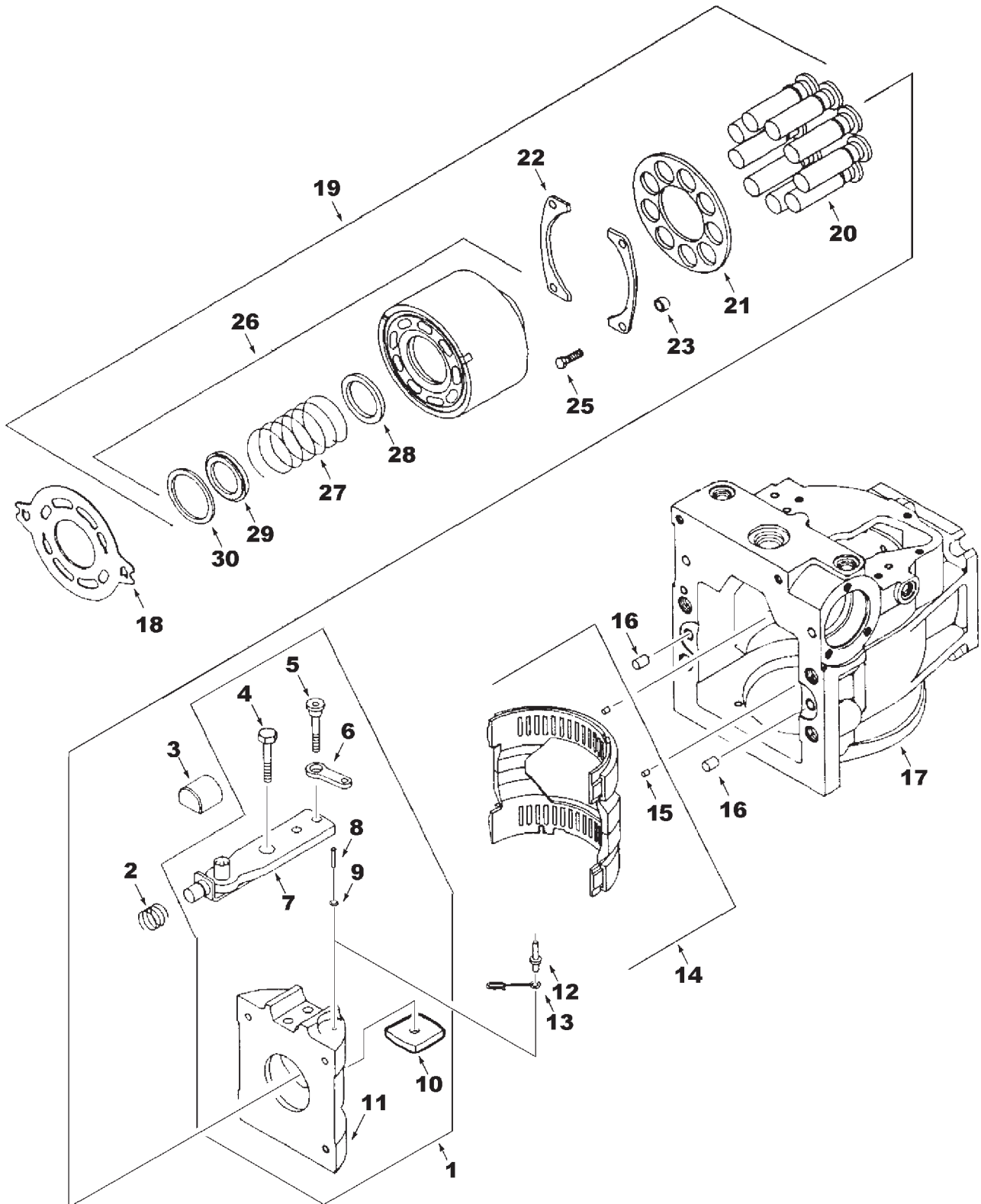
621

PROPEL PUMP  
COMPONENTS, 2 OF 4

ITEM	NUMBER	QTY	DESCRIPTION
1	1081685M91	1	END CAP ASSEMBLY, SIDE PORTS
2	1081686M1	1	JOURNAL BEARING
3	70928605	1	PLUG
4	71374894	1	BUSHING
5	1081706M1	1	REDUCER
6	1077604M1	1	PLUG
7	71374900	1	SCREW
8	71374895	1	LIFTING BRACKET SPACER
9	71374896	1	LIFTING BRACKET
10	71374897	1	WASHER
11	71374900	1	SCREW
12	71374870	2	CHECK VALVE
13	1077684M1	2	PLUG
14	1077656M1	1	KEY
15	71374852	1	CHARGE PUMP SHAFT
16	1081689M1	1	PIN
17	71374853	1	RETAINING PLATE
18	1077658M1	6	SCREW
19	1081687M1	1	END CAP GASKET
20	1081688M91	1	CHARGE PUMP SET
21	71374895	1	CHARGE PUMP COVER ASSEMBLY
22	71374894	1	BUSHING
23	1077661M1	1	O-RING
24	1081690M1	4	SCREW

MC00054  
PR: 378

PROPEL PUMP  
COMPONENTS, 3 OF 4





9690 COMBINE  
TRANSMISSION & AXLES

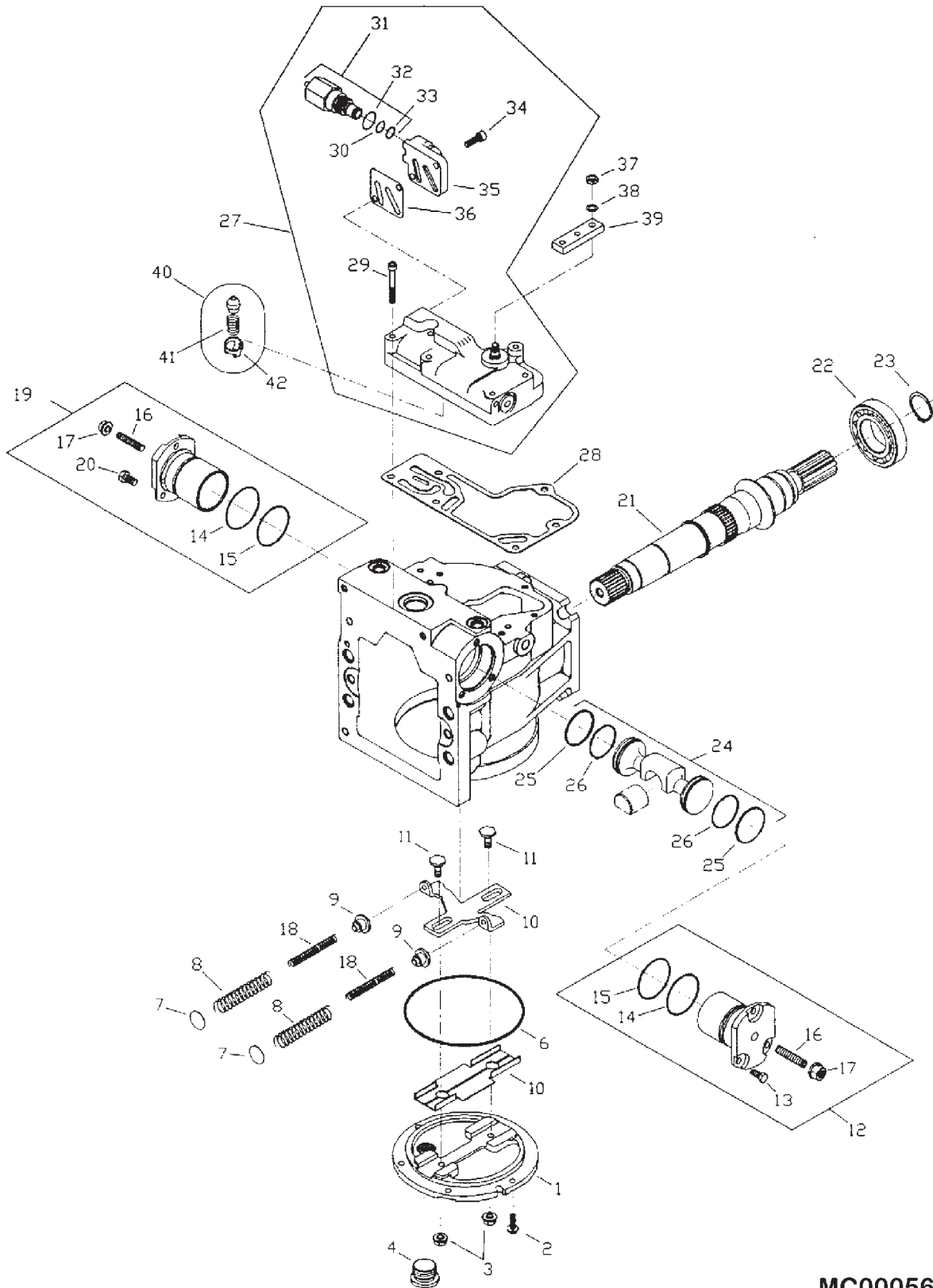
623

PROPEL PUMP  
COMPONENTS, 3 OF 4

ITEM	NUMBER	QTY	DESCRIPTION
1	1081667M91	1	VARIABLE SWASHPLATE ASSEMBLY
2	1081674M1	1	SPRING
3	1081684M1	1	SLIDER BLOCK
4	1081670M1	1	SCREW
5	1081671M1	1	SCREW
6	1081672M1	1	FEEDBACK LINK
7	1081668M91	1	SERVO ARM ASSEMBLY
8	71374884	1	SPIRAL PIN
9	71374883	1	WASHER
10	71374881	1	SWASHPLATE GUIDE
11	1081669M1	1	VARIABLE SWASHPLATE
12	71374885	1	PIN
13	1081673M1	1	CAGE LOCATOR LINK
14	1081656M1	1	BEARING
15	1077602M1	2	PIN
16	71355340	2	PIN
17	1081655M1	1	VARIABLE HOUSING
18	1081666M1	1	VALVE PLATE
19	1081712M91	1	CYLINDER BLOCK KIT
20	1081662M91	9	WELDED PISTON ASSEMBLY
21	1081663M1	1	SLIPPER GUIDE
22	1081664M1	2	SLIPPER GUIDE BEARING
23	1081665M1	4	SPACER
25	1077616M1	4	SCREW
26	1081657M91	1	CYLINDER BLOCK ASSEMBLY
27	1081658M1	1	SPRING
28	1081659M1	1	SPRING SEAT
29	1081660M1	1	SPRING RETAINER
30	1081661M1	1	RETAINING RING

MC00055  
PR: 380

PROPEL PUMP  
COMPONENTS, 4 OF 4



**9690 COMBINE  
TRANSMISSION & AXLES**

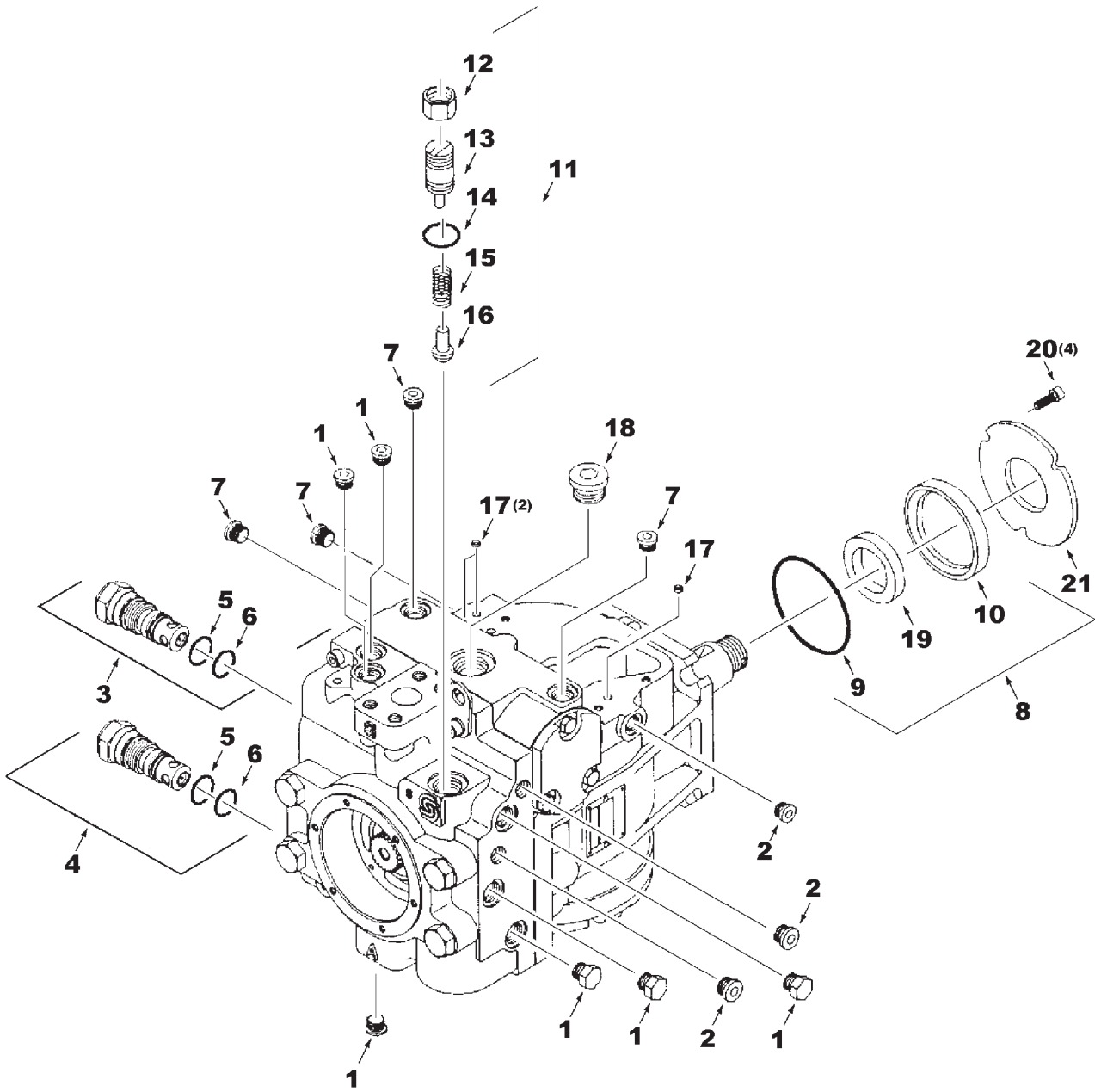
625

**PROPEL PUMP  
COMPONENTS, 4 OF 4**

ITEM	NUMBER	QTY	DESCRIPTION
1	1081675M1	1	SIDE COVER
2	71374890	6	SCREW
3	1077627M1	2	NUT
4	1077605M1	1	PLUG
5	1081683M91	1	SIDE COVER INSERT ASSEMBLY (NOT ILLUS.)
6	1081680M1	1	O-RING
7	1081678M1	2	SHIM
8	1081681M1	2	HELICAL COMPRESSION SPRING
9	1081677M1	2	SPRING SEAT
10	1081676M1	1	LEVELER ASSEMBLY
11	71374961	2	GUIDE POST
12	1081708M91	1	SERVO CYLINDER KIT
13	1077638M1	3	SCREW
14	1081709M1	1	O-RING
15	1081710M1	1	O-RING
16	1081711M1	1	SET SCREW
17	1077627M1	1	NUT, M8
18	1081682M1	2	HELICAL COMPRESSION SPRING
19	1081708M91	1	SERVO CYLINDER KIT
20	1077638M1	3	SCREW
21	1081691M1	1	SHAFT, 14 TOOTH SPLINE
22	1081692M1	1	ROLLER BEARING
23	71355384	1	RETAINING RING
24	1081713M91	1	SERVO PISTON KIT
25	1081715M1	2	PISTON RING
26	1081714M1	2	O-RING
27	71374863	1	MDC KIT, W/O NEUTRAL START (DOES NOT INCLUDE ITEMS 30-36)
28	1081699M1	1	CONTROL GASKET
29	1077673M1	6	SCREW
30	1081702M1	1	O-RING
31	1081700M1	1	SHUNT VALVE
32	AG133717	1	O-RING
33	1081701M1	1	BACK UP RING
34	1081705M1	2	SCREW
35	1081703M1	1	MANIFOLD
36	1081704M1	1	GASKET
37	71374867	1	NUT
38	71374866	1	TOOTHLOCK WASHER
39	71374865	1	CONTROL SHAFT HANDLE
40	71374907	1	CONTROL ORIFICE KIT .032
41	71374908	1	SPRING
42	71374909	1	SPRING RETAINER

MC00056  
PR: 382

ROTOR PUMP  
COMPONENTS, 1 OF 4



9690 COMBINE  
TRANSMISSION & AXLES

627

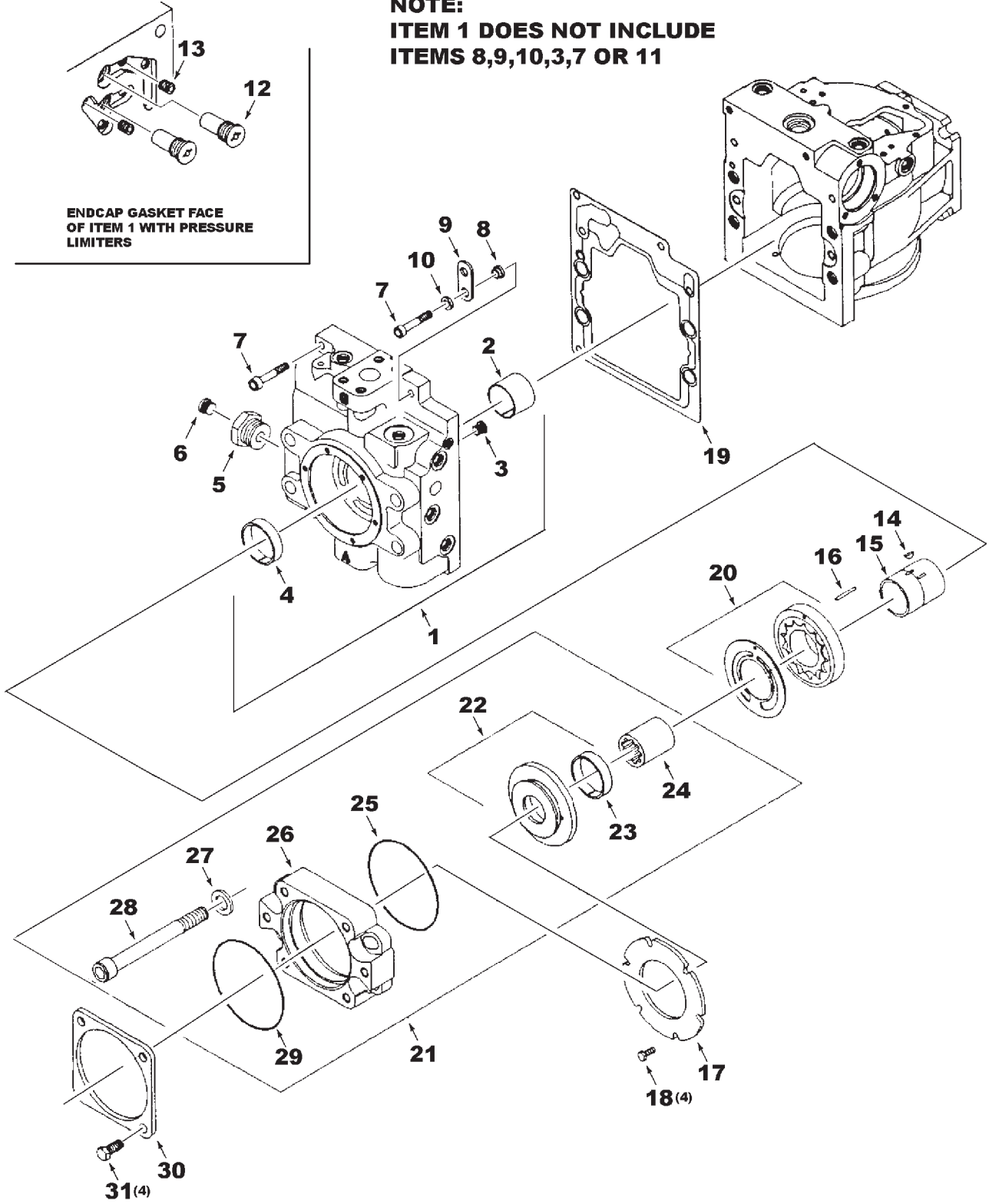
ROTOR PUMP  
COMPONENTS, 1 OF 4

ITEM	NUMBER	QTY	DESCRIPTION
-	71386574	-	PUMP, ROTOR (100CC DISPL.)
1	71374831	6	PLUG
2	70928605	3	PLUG
3	1081707M91	1	KIT, MULTI-FUNCTION VALVE
4	1081707M91	1	KIT, MULTI-FUNCTION VALVE
5	70923808	2	O-RING
6	70930897	2	O-RING
7	1077604M1	4	PLUG
8	71374967	1	SHAFT SEAL ASSEMBLY
9	942253	1	O-RING
10	-----	1	CARRIER, SEAL (ORDER SEAL ASY, IT.8)
11	71374918	1	KIT, CHARGE RELIEF VALVE (INCL IT.12-16)
12	1077651M1	1	NUT
13	1077631M91	1	CHARGE RELIEF VALVE PLUG
14	70928486	1	O-RING
15	71374859	1	SPRING
16	71374836	1	CHARGE RELIEF POPPET
17	71355339	3	CONTROL FILTER SCREEN
18	1077605M1	1	PLUG
19	1077666M1	1	LIP SEAL
20	71374840	4	SCREW, SOCKET HD, M6
21	1081733M1	1	PLATE, RETAINING

MC00057  
PR: 384

**ROTOR PUMP  
COMPONENTS, 2 OF 4**

**NOTE:  
ITEM 1 DOES NOT INCLUDE  
ITEMS 8,9,10,3,7 OR 11**



9690 COMBINE  
TRANSMISSION & AXLES

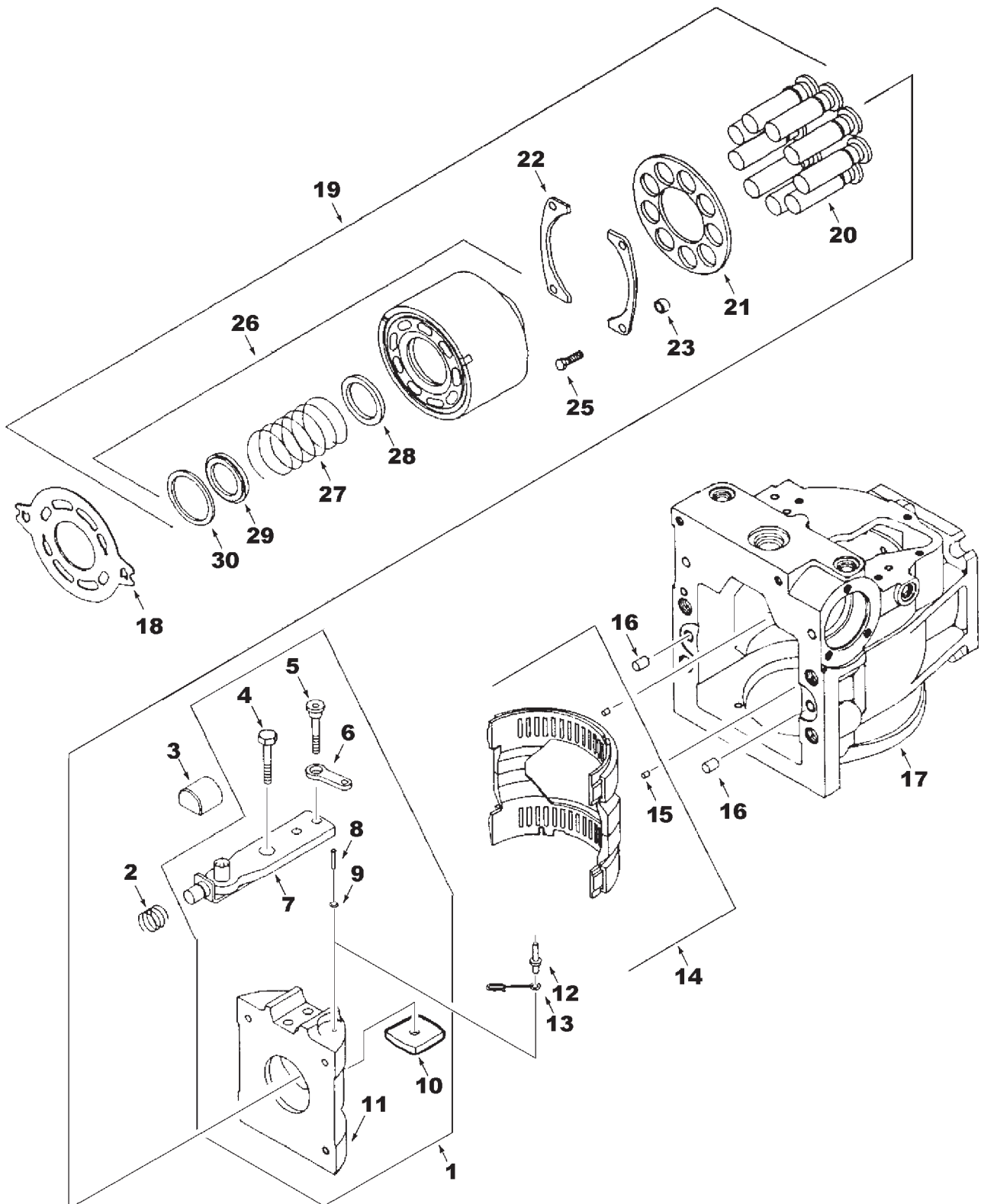
629

ROTOR PUMP  
COMPONENTS, 2 OF 4

ITEM	NUMBER	QTY	DESCRIPTION
1	1077639M92	1	END CAP ASY, SIDE PTS (INCL.ITS 2,4,5,6)
2	71374834	1	JOURNAL BEARING
3	70928605	1	PLUG
4	71374894	1	BUSHING
5	1081706M1	1	PLUG
	71396139	1	O-RING
6	1077604M1	1	PLUG
	70928488	1	O-RING
7	71374900	2	SCREW
8	71374895	1	LIFTING BRACKET SPACER
9	71374896	1	LIFTING BRACKET
10	71374897	1	WASHER
12	71374870	2	CHECK VALVE
13	1077684M1	2	PLUG, PIPE
14	1077656M1	1	KEY
15	71396136	1	SHAFT, CHARGE PUMP
16	1077654M1	1	PIN
17	71374853	1	RETAINING PLATE
18	1077658M1	6	SCREW
19	71374898	1	END CAP GASKET
20	1081720M91	1	CHARGE PUMP SET
21	1081721M1	1	AUX. MOUNTING FLANGE, 'C' 14T
22	1081723M1	1	CHARGE PUMP COVER ASSEMBLY, LH
23	71374894	1	BUSHING
24	71396252	1	COUPLING
25	70926762	1	O-RING
26	1081724M1	1	FLANGE ADAPTOR
27	1081725M1	4	WASHER
28	1081726	4	SOCKET HEAD SCREW
29	1081727M1	1	O-RING
30	1081728M1	1	FLANGE COVER
31	1081729M1	4	SCREW

MC00058  
PR: 386

ROTOR PUMP  
COMPONENTS, 3 OF 4





9690 COMBINE  
TRANSMISSION & AXLES

631

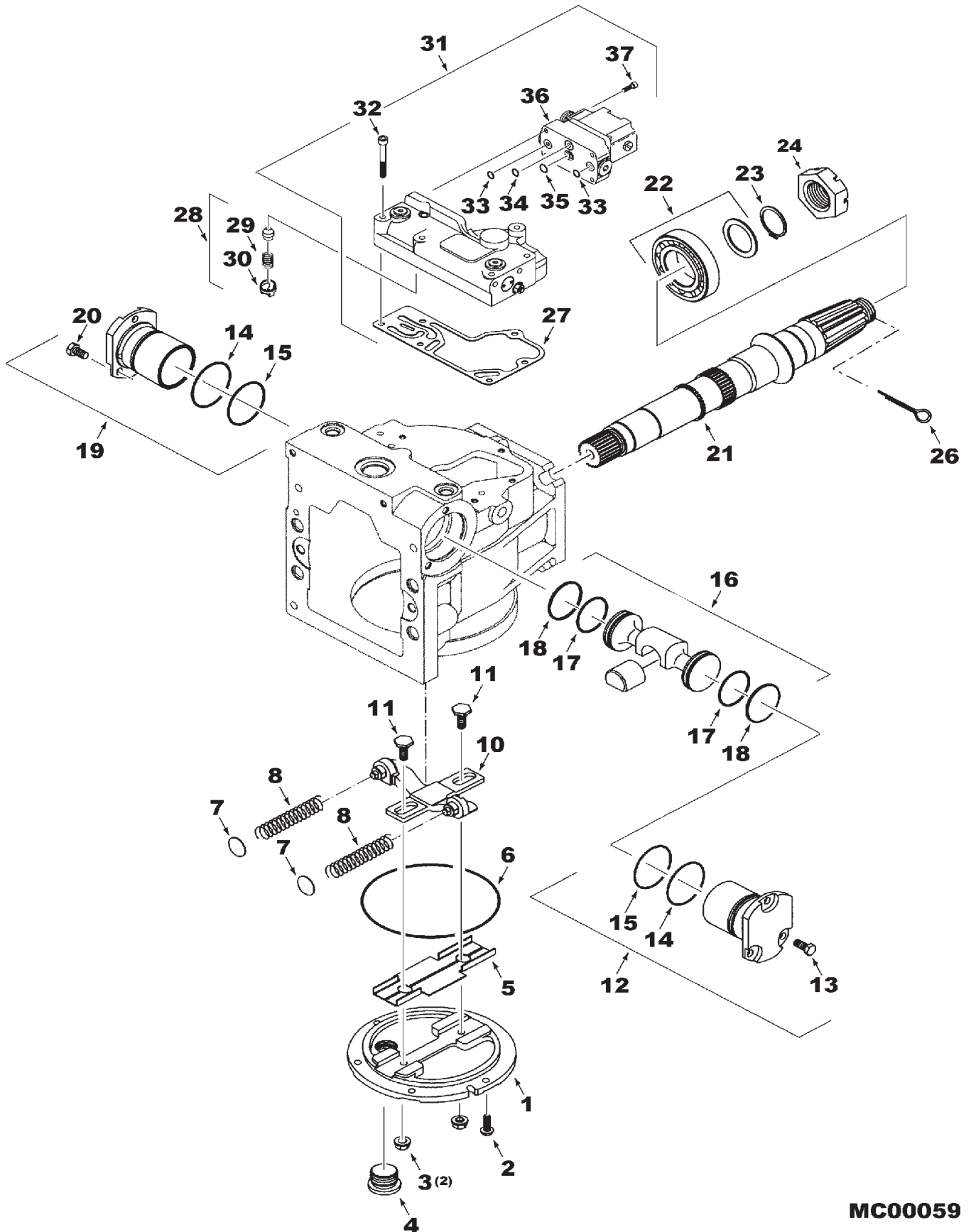
ROTOR PUMP  
COMPONENTS, 3 OF 4

ITEM	NUMBER	QTY	DESCRIPTION
1	71374876	1	VARIABLE SWASHPLATE ASY (INCL. ITEMS 4 - 11 INCLUSIVE)
2	71374886	1	SPRING
3	1077635M2	1	SLIDER BLOCK
4	71374880	1	SCREW
5	71374882	1	SCREW
6	71396127	1	FEEDBACK LINK
7	71374877	1	SERVO ARM ASY
8	71374884	1	SPIRAL PIN
9	71374883	1	WASHER
10	71374881	1	SWASHPLATE GUIDE
11	71374879	1	VARIABLE SWASHPLATE
12	71396128	1	PIN
13	71374875	1	CAGE LOCATOR LINK
14	71374872	1	BEARING
15	1077602M1	2	PIN
16	71355340	2	PIN
17	71374958	1	VARIABLE HOUSING
18	71374959	1	VALVE PLATE, 0.5 DEG.
19	71396140	1	CYLINDER BLOCK KIT
20	71374846	9	WELDED PISTON ASY
21	71374847	1	SLIPPER GUIDE
22	71374904	2	SLIPPER GUIDE BEARING
23	71396141	4	SPACER
25	71396142	4	SCREW
26	71374842	1	CYLINDER BLOCK ASY
27	71374844	1	SPRING
28	71374843	1	SPRING SEAT
29	71374845	1	SPRING RETAINER
30	1077611M1	1	RETAINING RING

MC00055  
PR: 388

9690 COMBINE  
TRANSMISSION & AXLES

ROTOR PUMP  
COMPONENTS, 4 OF 4



9690 COMBINE  
TRANSMISSION & AXLES

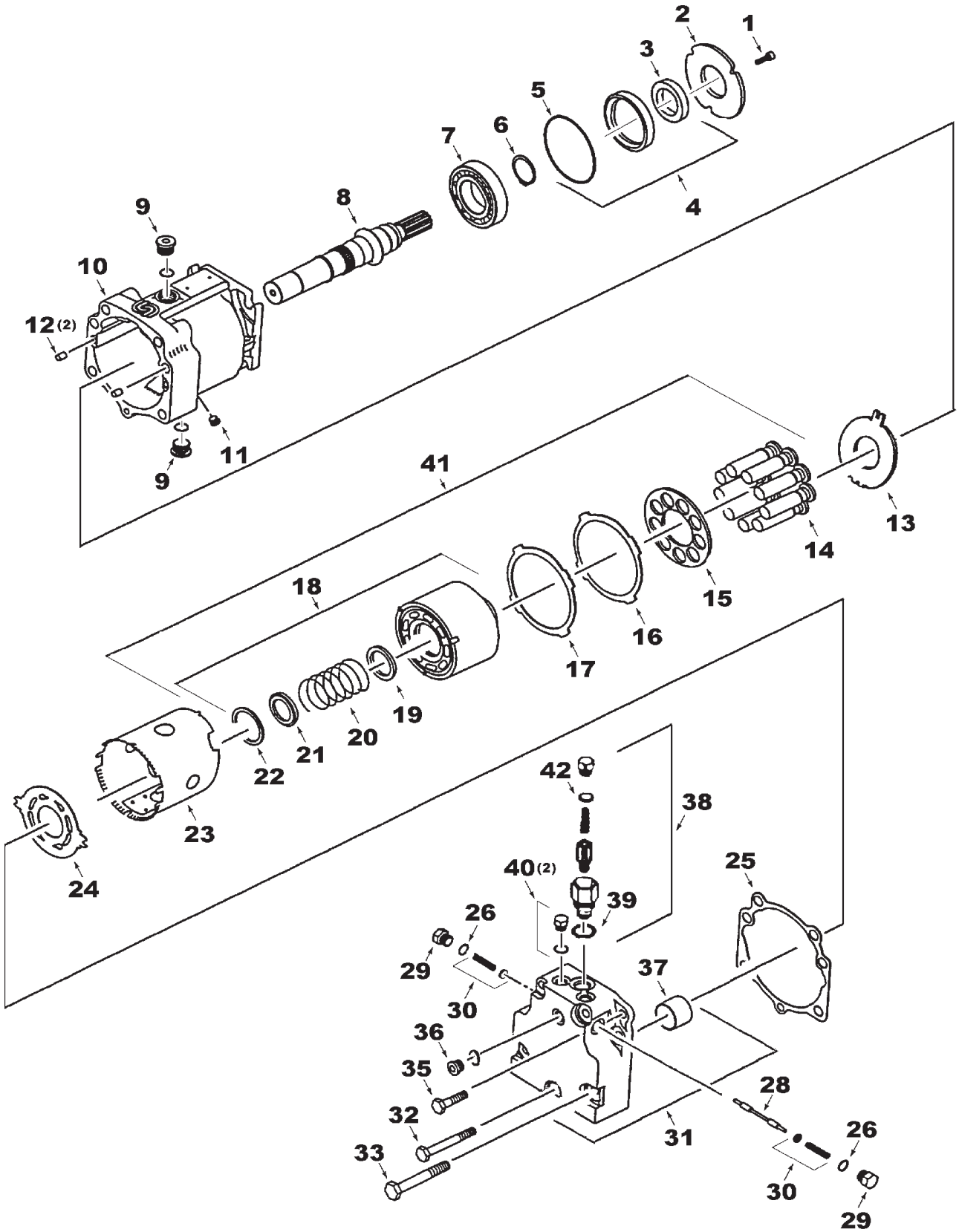
633

ROTOR PUMP  
COMPONENTS, 4 OF 4

ITEM	NUMBER	QTY	DESCRIPTION
1	71374960	1	SIDE COVER
2	71374890	6	SCREW
3	1077627M1	2	NUT
4	1077605M1	1	PLUG
5	71396132	1	INSERT ASY, SIDE COVER
6	1077628M1	1	O-RING
7	71396130	2	SHIM
8	71374891	2	HELICAL COMPRESSION SPRING
10	71396129	1	LEVELER ASSEMBLY
11	71396131	2	GUIDE POST
12	71374901	1	SERVO CYLINDER KIT
13	1077638M1	3	SCREW
14	70931589	2	O-RING
15	1077637M1	2	O-RING
16	71396133	1	SERVO PISTON KIT
17	70923865	2	O-RING
18	71358545	2	PISTON RING
19	71374901	1	SERVO CYLINDER KIT
20	1077638M1	3	SCREW
21	71374860	1	SHAFT, TAPERED SPLINE
22	71396137	1	ROLLER BEARING
23	1077664M1	1	RETAINING RING
24	71356529	1	SLOTTED HEX NUT
26	1081731M1	1	COTTER PIN
27	1081699M1	1	CONTROL GASKET
28	837853M91	1	CONTROL ORIFICE KIT .026
29	71374908	1	SPRING
30	71374909	1	SPRING RETAINER
31	1081734M91	1	EDC
32	1077673M1	6	SCREW
33	1077675M1	2	O-RING
34	71396254	1	O-RING
35	71396255	1	O-RING
36	71396253	1	PCP
37	1077678M1	4	SCREW

MC00059  
PR: 390

MOTOR, HYDRO PROPEL & ROTOR  
COMPONENTS



**9690 COMBINE  
TRANSMISSION & AXLES**

635

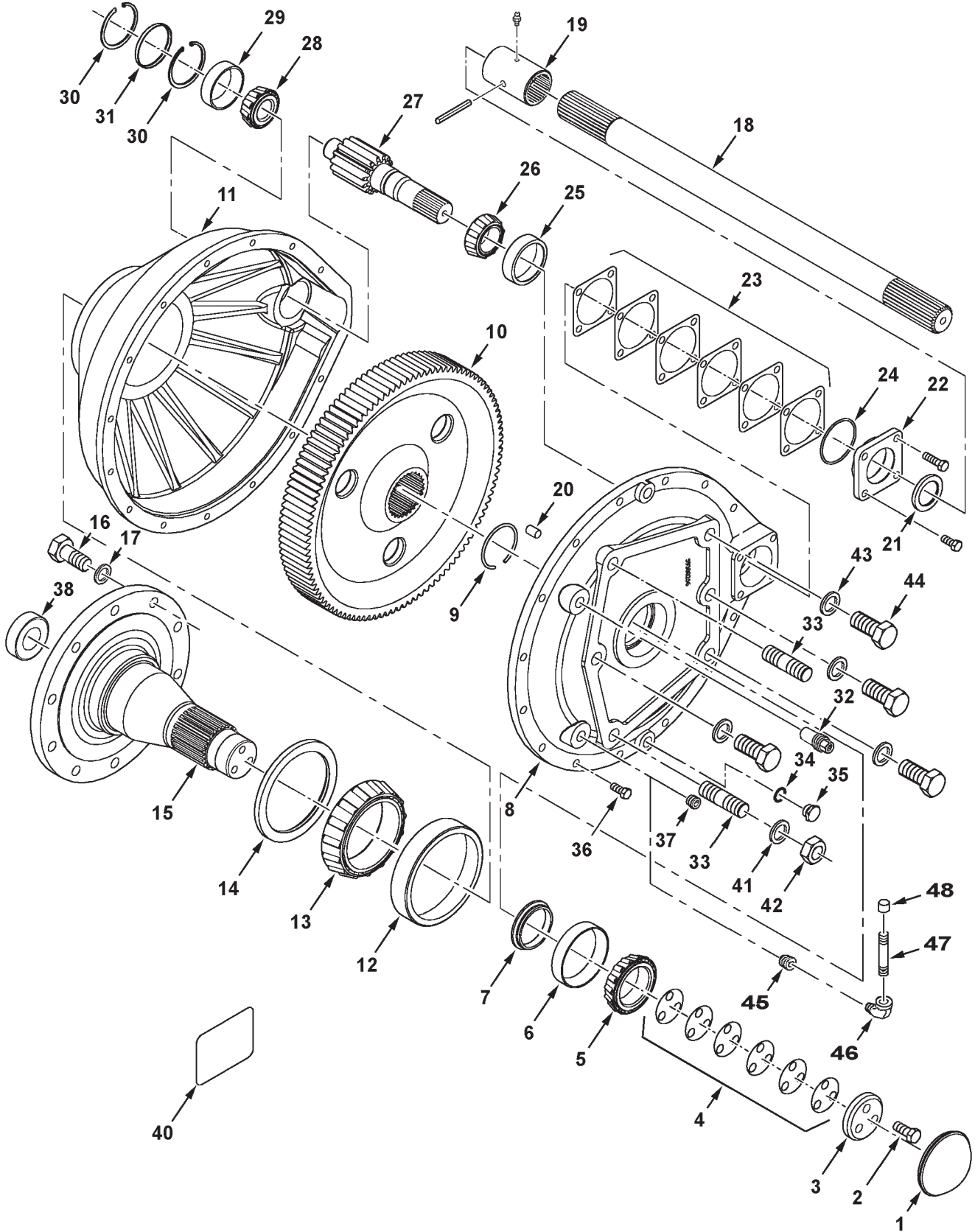
**MOTOR, HYDRO PROPEL & ROTOR  
COMPONENTS**

ITEM	NUMBER	QTY	DESCRIPTION
-	71392870	1	MOTOR, FIXED DISPL, 100cc
-	71374968	AR	OVERHAUL SEAL KIT (INCL ITEMS 3,5,25,39)
1	71374840	4	SCREW, SOCKET HEAD, M6 X 20
2	71397487	1	PLATE, RETAINER
3	1077666M1	1	SEAL
4	71374967	1	CARRIER & SEAL ASY.(INCL. ITEMS 3 & 5)
5	942253	1	O-RING
6	1077664M1	1	RING
7	71396137	1	BEARING, ROLLER
8	71397486	1	SHAFT, 23T
9	1077605M1	2	PLUG
	70935175	2	O-RING, .116 X .924 ID, VITON
10	71397478	1	HOUSING, FIXED
11	700725864	1	PLUG
	70928488	1	O-RING, .078 X .468 ID, VITON
12	71355340	2	PIN
13	71374970	1	PLATE, THRUST
14	71374846	9	PISTON, WELDED
15	71374847	1	RETAINER, SLIPPER
16	71374848	1	RETAINER, SLIPPER GUIDE
17	71374849	1	RETAINER, SLIPPER GUIDE SHIM
18	71374842	1	CYLINDER BLOCK ASY. (INCL ITEMS 19-22)
19	71374843	1	SEAT, SPRING
20	71374844	1	SPRING
21	71374845	1	RETAINER, SPRING
22	1077611M1	1	RING, RETAINING
23	71374827	1	TUBE, HOLDDOWN
24	71374828	1	PLATE, VALVE
25	71397481	1	GASKET, END CAP
26	70928488	2	O-RING, .078 X .468 ID, VITON
28	1077960M1	1	SPOOL, SHUTTLE
29	71397485	2	PLUG, SPECIAL
30	71397484	2	SPRING GUIDE ASY
31	71397480	1	END CAP ASY., TWIN PORTS
32	71397483	1	SCREW
33	1077695M1	4	SCREW
35	1077696M1	2	SCREW
36	700725864	1	PLUG
	71397482	1	O-RING
37	71374834	1	BEARING, JOURNAL
38	71396169	1	CARTRIDGE ASY, CHARGE RELIEF
39	70928486	1	O-RING
40	71374831	2	PLUG
	71397482	1	O-RING
41	71374841	1	KIT, CYLINDER BLOCK, W/PISTONS (INCL. ITEMS 14-18)
42	70928488	1	O-RING, .078 X .468 ID, VITON

GC00377  
PR: 392

9690 COMBINE  
TRANSMISSION & AXLES

FINAL DRIVE, S39  
(PRIOR S/N HS87101)



**9690 COMBINE  
TRANSMISSION & AXLES**

637

**FINAL DRIVE, S39  
(PRIOR S/N HS87101)**

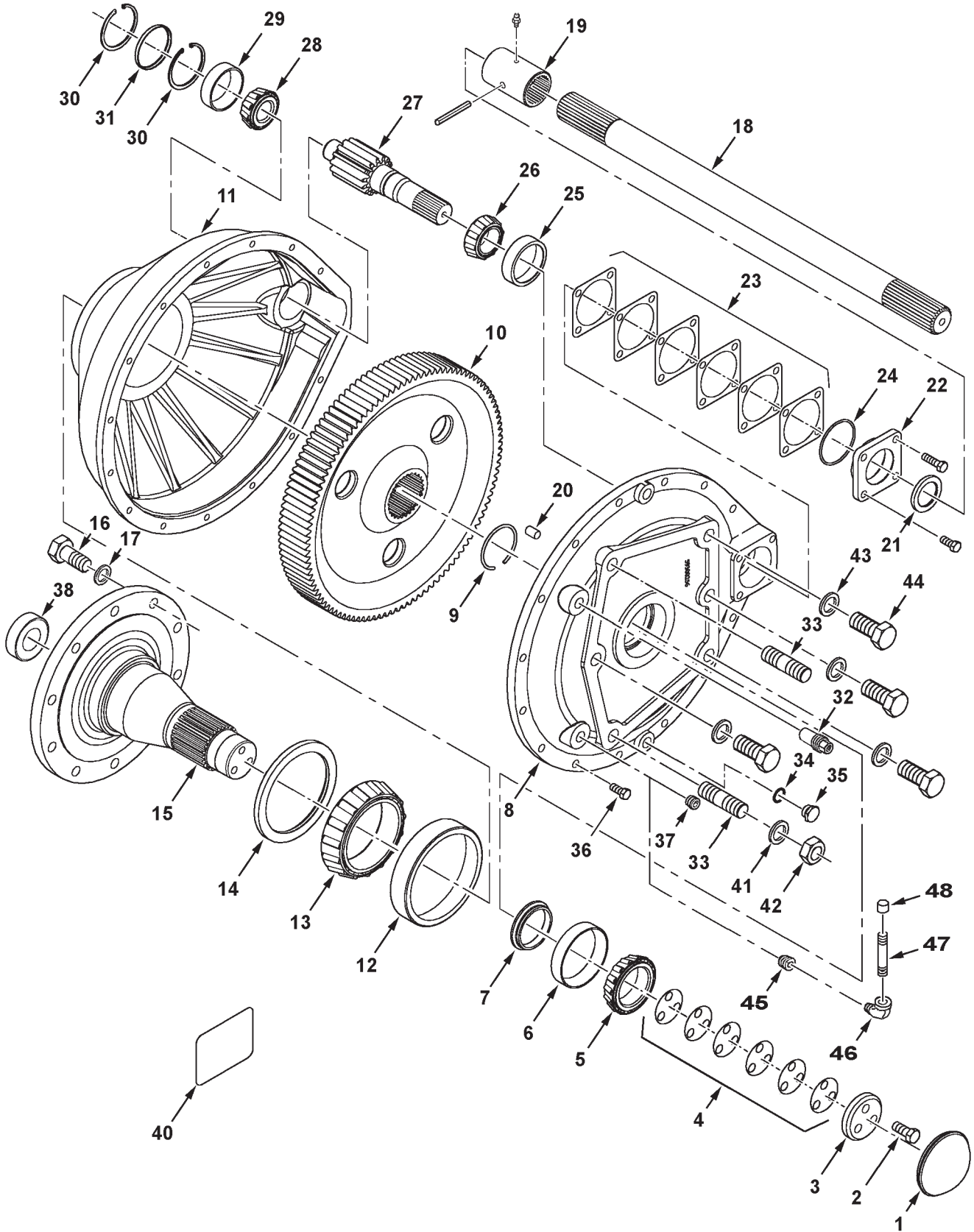
ITEM	NUMBER	QTY	DESCRIPTION
-	71400420	2	FINAL DRIVE ASY. S39 (INCL. 1 PINT OIL)
1	71304261	2	CAP, BEARING
2	70950388	6	CAPSCREW, M16-2.0 X 40; C10.9, PHOS.
3	71391572	2	WASHER - AXLE (HARDENED)
4	71304262	2	SHIM, .005
	71304263	2	SHIM, .007
	71304264	2	SHIM, .010
5	70930884	2	CONE, BEARING
6	70930883	2	CUP, BEARING
7	71304266	2	SPACER, AXLE
8	-----	2	HOUSING, INNER (PRIOR S/N HR87101) (ORDER HOUSING ASY ITEM 11)
	79021649	AR	SILMATE, RTV, (13 OZ. TUBE)
9	71304267	2	RING, SNAP, ROUND
10	71389647	2	GEAR, FINAL DRIVE
11	-----	2	HOUSING, OUTER (PRIOR S/N HR87101)
	71406280	2	HOUSING ASY, S39H (EFF. S/N HR87101) (INCL. ITEMS 8, 20, 36)
12	7713860	2	CUP, BEARING
13	71314481	2	CONE, BEARING
14	7744477	2	SEAL, OIL
15	71327595	2	AXLE
16	70925806	20	CAPSCREW 7/8-9 NC X 3 GR8
17	705665	20	WASHER, HARD .94 ID X 1.75 OD
18	71309514	1	SHAFT, DRIVE, LH
	71309515	1	SHAFT, DRIVE, RH
19	71310379	4	COUPLING (2 REQD W/AXLE RISERS)
	71395825	2	COUPLING, OUTER, (W/AXLE RISERS)
	13811X	4	LUBE FTG, STR, 1/4-28 TAPER THD
	Y763318	4	PIN, SPIROL (2 REQD W/AXLE RISERS)
	70925459	2	PIN, SPIROL ( W/AXLE RISERS)
	70923219	4	ZERK, GREASE
	-----	4	WIRE, LOCK (CAN USE 70910815; CUT TO LENGTH)

CONTINUED

GC00371  
PR: 394

9690 COMBINE  
TRANSMISSION & AXLES

FINAL DRIVE, S39  
(PRIOR S/N HS87101)



GC00371



**9690 COMBINE  
TRANSMISSION & AXLES**

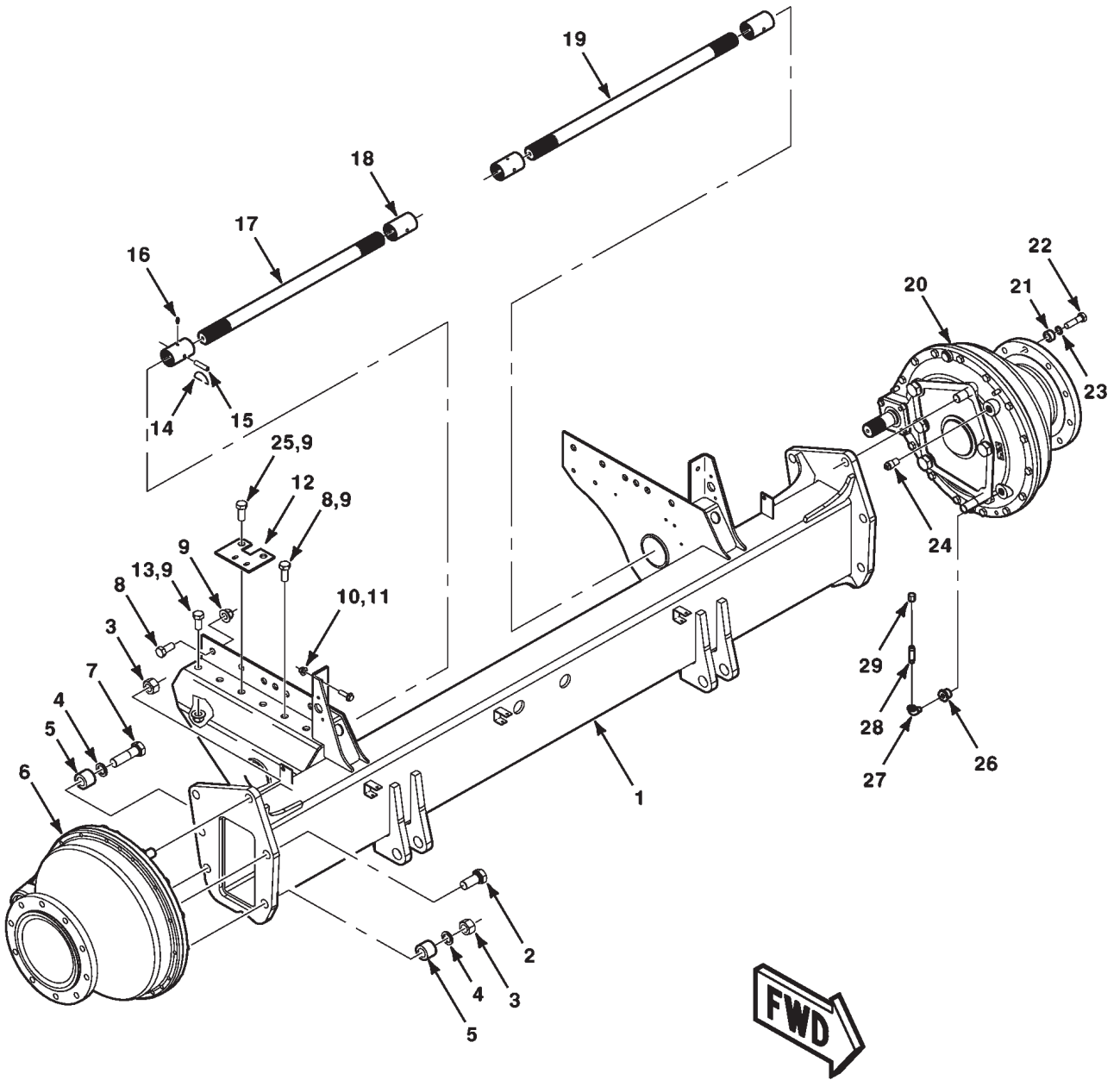
639

**FINAL DRIVE, S39  
(PRIOR S/N HS87101)**

ITEM	NUMBER	QTY	DESCRIPTION
20	70926551	6	PIN, DOWEL, 1/2 X 1
21	700717365	2	SEAL, OIL
22	71304292	2	RETAINER, BEARING
	70950377	4	CAPSCREW M12-1.75 X 30 LG C10.9
	70950417	4	CAPSCREW M12-1.75 X 80 LG C10.9
23	71166170	4	SHIM, .005
	71166171	4	SHIM, .007
	71166172	4	SHIM, .010
24	70923816	2	O-RING, .139 X 3.23 ID
25	71162782	2	CUP, BEARING
26	71162781	2	CONE, BEARING
27	71400418	2	PINION, FINAL DRIVE, 14T
28	70210011	2	CONE, BEARING
29	70210012	2	CUP, BEARING
30	Y52894	4	RING, RETAINING, INT.
31	71304271	2	PLUG, HOLE
32	71340437	2	VENT ASY, W/ FILTER
33	71311456	4	STUD, 1-1/8-7
34	71183757	4	GASKET, PLUG
35	71369299	4	PLUG, MAGNETIC DRAIN
36	5000017X1	28	CAPSCREW, M14-2.0 X 40, C10.9, BLK PHOS.
37	3008469	2	PLUG, PIPE, 3/4 NPTF (PRIOR S/N HR87101)
38	71370926	20	SPACER, WHEEL BOLT .91 ID X 2.0 X 1.0
40	71348455	2	DECAL - TORQUE, 600 FT.LB.
41	71339238	4	WASHER, SPECIAL
42	7704778	4	NUT, 1-1/8-7 REG. GR5
43	70933817	8	CAPSCREW, 1-1/8-7 X 2-1/2 GR 8
44	71339238	8	WASHER, SPECIAL
45	70901840	2	* BUSHING, PIPE, 3/4 NPT X 1/4
46	Y46086	2	* ELBOW, 90 DEG STREET, 1/4 NPT
47	70901480	2	* PIPE NIPPLE, 1/4 NPT X 2" LG
48	71312323	2	* CAP, 1/4 NPT *(EFF. S/N HR87101)
-	79021676	AR	LOCTITE, PRIMER N (6 OZ)
-	79021669	AR	LOCTITE, THREADLOCKER (10 ML)

GC00371  
PR: 394

FRONT AXLE AND FINAL DRIVES  
(EFF. S/N HS87101)



9690 COMBINE  
TRANSMISSION & AXLES

641

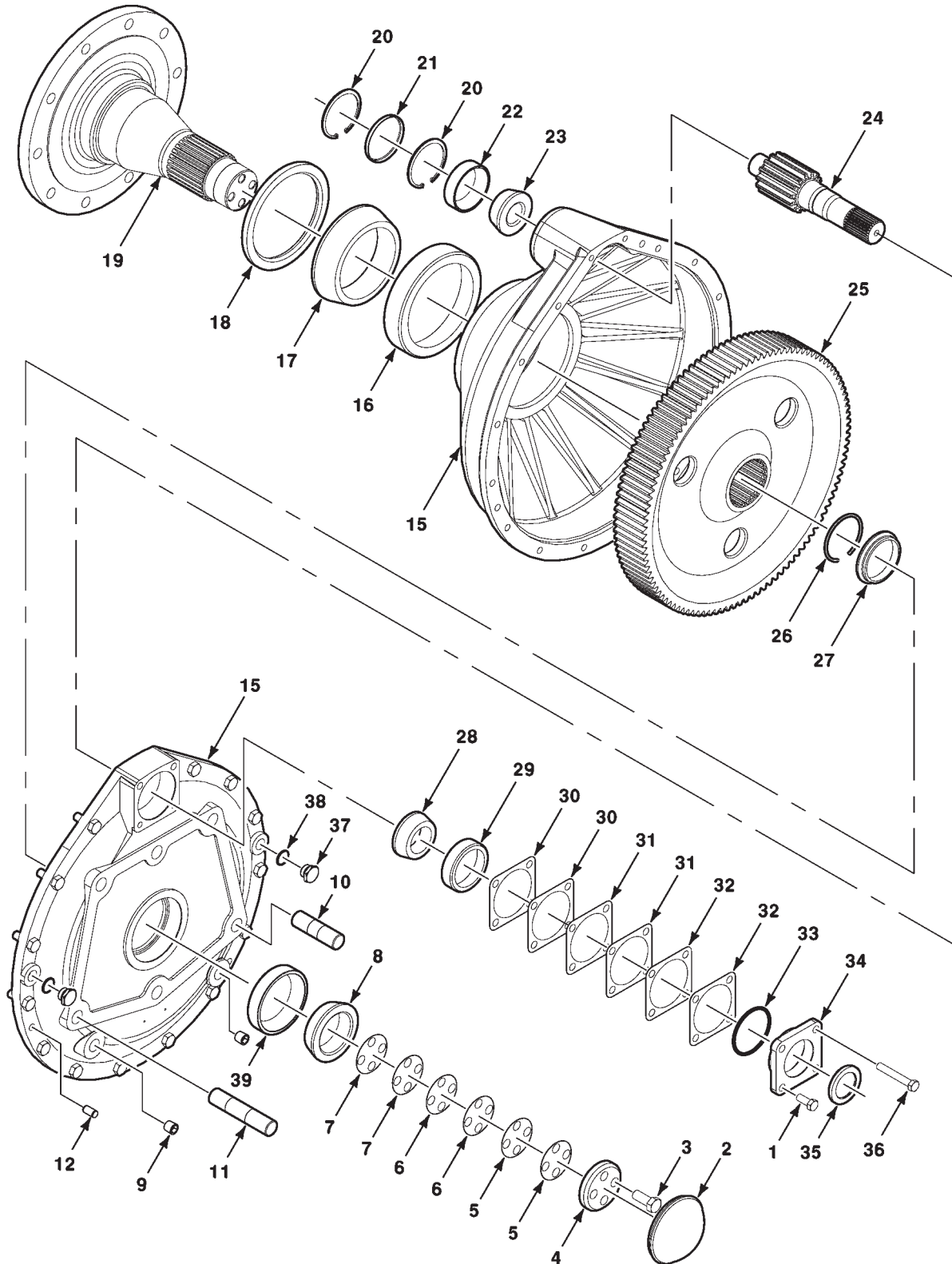
FRONT AXLE AND FINAL DRIVES  
(EFF. S/N HS87101)

ITEM	NUMBER	QTY	DESCRIPTION
1	71389250	1	FRONT AXLE-MACHINED
2	70934417	6	CAPSCREW, 1-1/8-12 X 2-1/2 GR8
3	704627	4	NUT, 1-1/8-12
4	71339238	4	WASHER-SPECIAL
5	71408772	4	SPACER
6	71400422	1	FINAL DRIVE ASY-S40, RH
7	70934422	2	CAPSCREW, 1-1/8-12 X 4 GR8
8	3011004X1	12	CAPSCREW, M20-2.5 X 45 CL8.8
9	5000007X1	20	NUT, HEX FLANGE NYL LOCK, M20 X 2.5
10	3009222X1	4	BOLT, FLANGE, M12-1.75 X 40 CL10.9
11	5000005X1	4	NUT, HEX FLANGE NYL LOCK, M12 X 1.75
12	71408711	2	PLATE-MUDSHIELD
13	1441590X1	4	CAPSCREW-FULL THD, M20-2.5 X 50 CL 8.8
14	8022691	4	WIRE TIE
15	Y763318	4	PIN, COILED SPRING, 3/8 X 2-1/4 LG
16	70923219	4	LUBE FTG, 1/4-28 TAPER DRIVE
17	71309514	1	SHAFT-DRIVE
18	71310379	4	COUPLING
19	71309515	1	SHAFT-DRIVE
20	71400421	1	FINAL DRIVE ASY-S40, LH
21	71370926	20	SPACER
22	700729503	20	CAPSCREW, SPL, 7/8-9 X 3 L9
23	705665	20	WASHER-PLAIN, 7/8
24	71340437	2	VENT W/FILTER
25	3001968X1	4	CAPSCREW, M20-2.5 X 60 CL8.8
26	70901840	2	BUSHING, PIPE, 3/4 NPT X 1/4
27	Y46086	2	ELBOW, 90 DEG STREET, 1/4 NPT
28	70901480	2	PIPE NIPPLE, 1/4-18 NPT X 2" LG
29	71312323	2	CAP, 1/4 NPT

MC00529  
PR: t07b20n52c0005

9690 COMBINE  
TRANSMISSION & AXLES

FINAL DRIVE, S40  
(EFF. S/N HS87101)



**9690 COMBINE  
TRANSMISSION & AXLES**

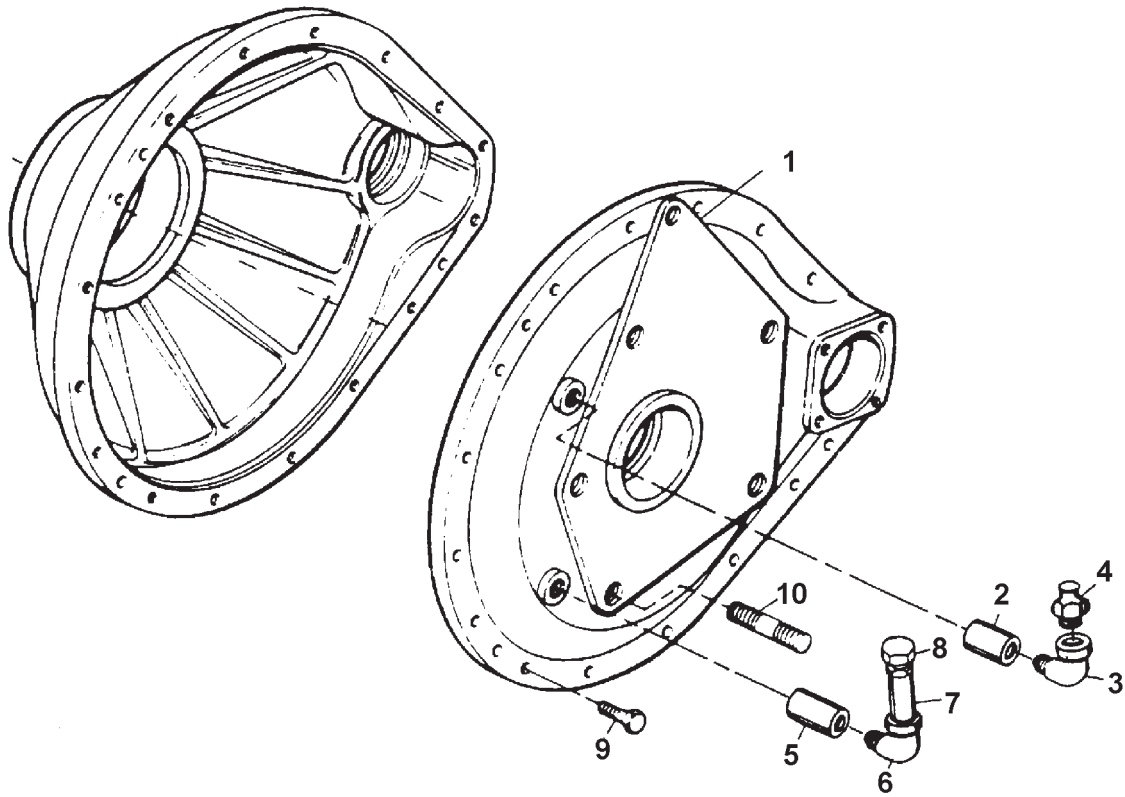
643

**FINAL DRIVE, S40  
(EFF. S/N HS87101)**

ITEM	NUMBER	QTY	DESCRIPTION
-	71400421	1	FINAL DR ASY, LH, S40 (SHOWN) (INCL. 1 PINT OIL)
-	71400422	1	FINAL DR ASY, RH, S40 (INCL. 1 PINT OIL) (SAME AS 71408775 EXCEPT ITEM 10&11)
1	3010492X1	2	CPSR-FL THD,M12-1.75X30 PHOS COAT,CL10.9
2	71304261	1	CAP BEARING S35
3	3010783X1	4	CAPSCREW,M16-2.0X40 PHOS COAT,CLASS 10.9
4	71408769	1	WASHER-AXLE
5	71408768	2	SHIM-.254/.010
6	71408766	2	SHIM-.127/.005"
7	71408767	2	SHIM-.178/.007
8	70930884	1	CONE-BEARING
9	3008469	2	PIPE PLUG PIPE THREAD
10	71409768	1	STUD 1-1/8-12 (LH ASY SHOWN)
	71408773	1	STUD 1-1/8-12 (RH ASY)
11	71408773	1	STUD 1-1/8-12 (LH ASY SHOWN)
	71409768	1	STUD 1-1/8-12 (RH ASY)
12	700718109	3	DOWEL 1/2 X 1
15	71408771	1	HOUSE ASM-FINAL DRIVE
	5000017X1	14	CAPSCREW, M14-2.0 X 40 CL10.9
16	7713860	1	CUP-BEARING
17	71314481	1	CONE-BEARING
18	7744477	1	OIL SEAL
19	71408770	1	AXLE
20	Y52894	2	RING-RETAINING
21	71304271	1	PLUG-HOLE
22	70210012	1	CUP-BEARING
23	70210011	1	CONE-BEARING
24	71400418	1	PINION-14 T FINAL DRIVE
25	71389647	1	GEAR-107T FINAL DRIVE
26	71304267	1	SPAP RING, ROUND SECT.
27	71304266	1	SPACER-AXLE
28	71162781	1	CONE-BEARING
29	71162782	1	CUP-BEARING
30	71166170	2	SHIM .005
31	71166171	2	SHIM .007
32	71166172	2	SHIM .010
33	70923816	1	O-RING 3.53x82.14
34	71304292	1	RETAINER-BRG
35	700717365	1	SEAL-RING
36	3019856X1	2	CAPSCREW, M12-1.75X80 PHOS COAT, CL 10.9
37	71369299	2	PLUG-MAGNETIC DRAIN
38	71183757	2	GASKET
39	70930883	1	CUP-BEARING

MC00530  
PR: t07b20n52c0006

4" AXLE RISERS  
FINAL DRIVE, S39  
(PRIOR S/N HS87101)



9690 COMBINE  
TRANSMISSION & AXLES

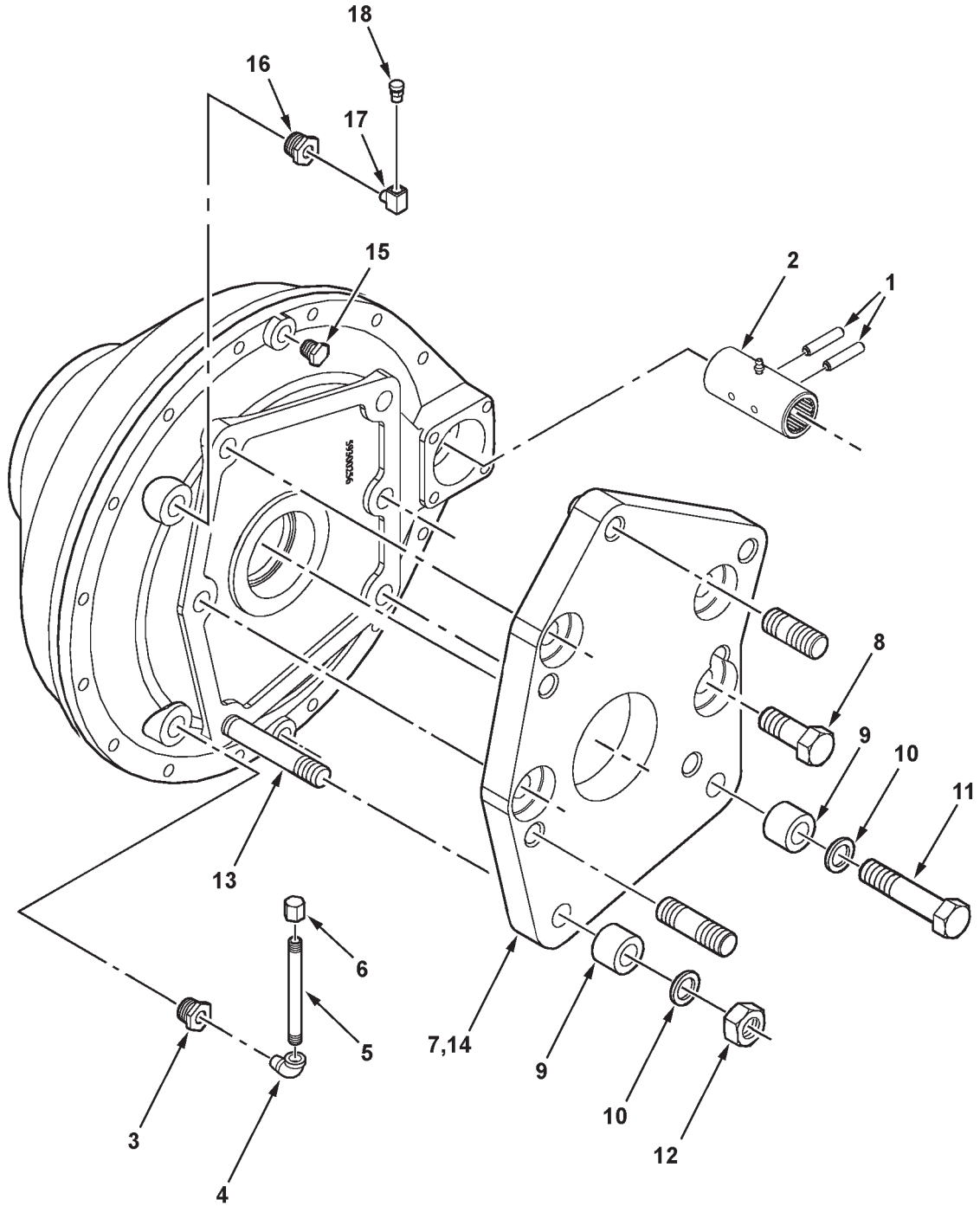
645

4" AXLE RISERS  
FINAL DRIVE, S39  
(PRIOR S/N HS87101)

ITEM	NUMBER	QTY	DESCRIPTION
1	71375751	1	RISER,FINAL DRIVE, LH
	71375752	1	RISER,FINAL DRIVE, RH
	71369307	2	BREATHER PLUG
2	803783	2	BUSHING, PIPE, 3/4 X 1/8
3	70923690	2	ELBOW, 90 DEG STREET, 1/8 NPT
4	7751605	2	VENT, BREATHER
5	70901840	2	BUSHING, PIPE, 3/4 NPT X 1/4
6	Y46086	2	ELBOW, 90 DEG STREET, 1/4 NPT
7	70901480	2	PIPE NIPPLE, 1/4 X 2" LG (PRIOR S/N HR87101)
	70919889	2	PIPE NIPPLE, 1/4 X 5" LG (EFF. S/N HR87101)
8	71312323	2	CAP, 1/4 NPT
9	70933817	12	CAPSCREW, 1-1/8-7 X 2-1/2 GR8
10	71311456	4	STUD,1.125-7
-	79021676	AR	LOCTITE, PRIMER N (6 OZ)
-	79021669	AR	LOCTITE, THREADLOCKER (10 ML)
-	71399049	-	KIT, 4" AXLE RISER (ORDER THRU DEALER CENTRAL)

GC00160  
PR: 398

4" AXLE RISERS  
FINAL DRIVE, S40  
(EFF. S/N HS87101)





9690 COMBINE  
TRANSMISSION & AXLES

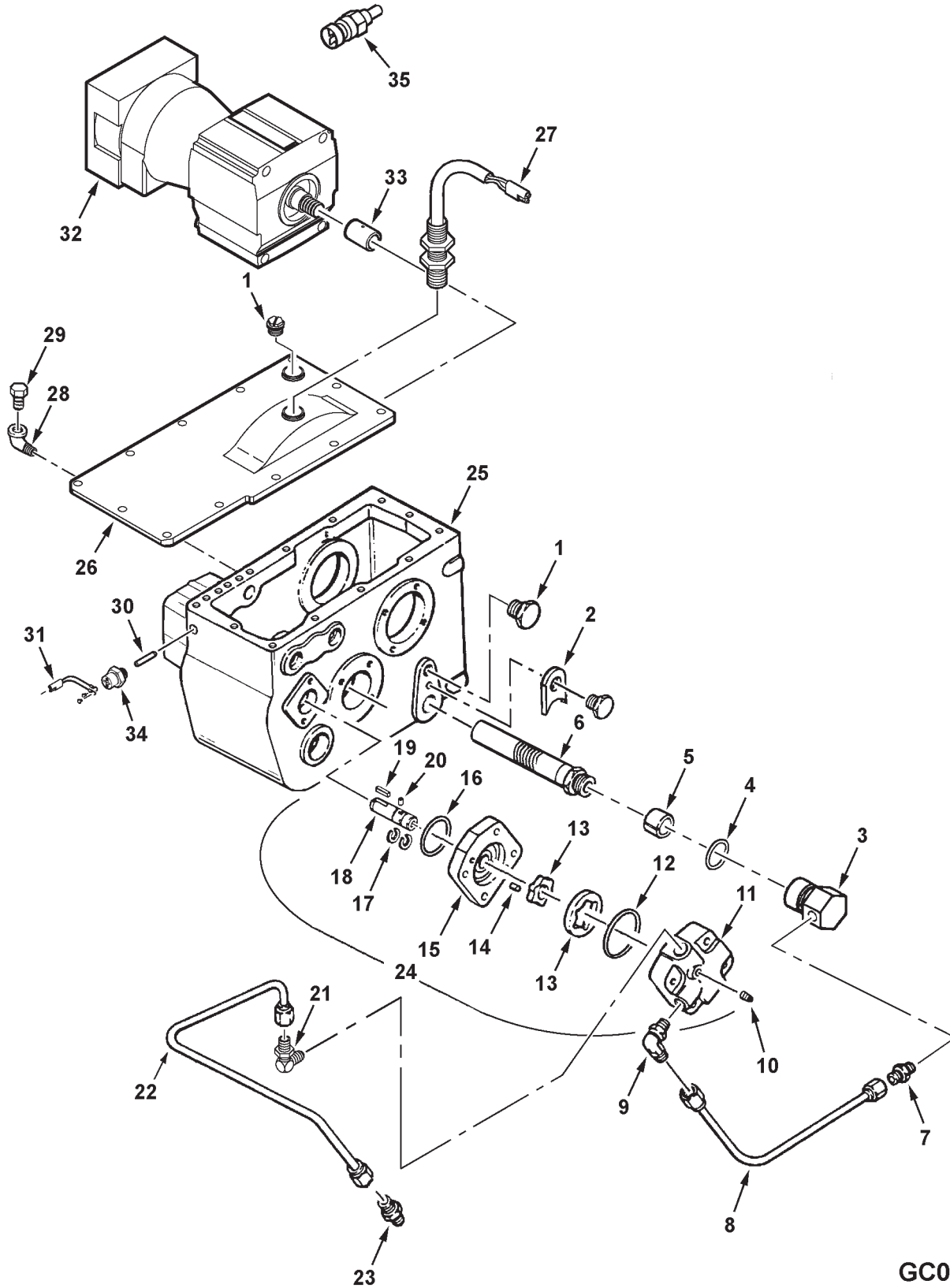
647

4" AXLE RISERS  
FINAL DRIVE, S40  
(EFF. S/N HS87101)

ITEM	NUMBER	QTY	DESCRIPTION
1	70925459	4	PIN, SPIROL, 3/8 X 2-1/2 LG
2	71395825	2	COUPLING, OUTER, 2.50 DIA
3	70901840	2	PIPE BUSHING, 3/4 X 1/4 NPTF
4	Y46086	2	ELBOW, 90 DEG STREET, 1/4 NPTF
5	70919889	2	PIPE NIPPLE, 1/4 NPT X 5" LG
6	71312323	2	CAP, STANDPIPE, 1/4 NPTF
7	71409911	1	RISER PLATE, FINAL DR, RH (SHOWN)
8	70934417	8	CAPSCREW, 1-1/8-12 X 2-1/2 GR8
9	71408772	4	SPACER
10	71339238	4	WASHER, SPECIAL (BOTTOM 2 POS'NS ONLY)
11	70934424	2	CAPSCREW, 1-1/8-12 X 5-1/2 GR8
12	70929602	2	NUT, 1-1/8-12 REG.
13	71412596	2	STUD, 1-1/8-12 X 6.3 LG
14	71409910	1	RISER PLATE, FINAL DR, LH (NOT SHOWN)
15	71369307	2	BREATHER PLUG
16	803783	2	PIPE BUSHING, 3/4 X 1/8 NPTF
17	70923690	2	ELBOW, STREET 1/8 NPT
18	7751605	2	VENT, BREATHER
-	71407139	AR	KIT, 4" AXLE RISER (ORDER THRU DEALER CENTRAL)

GC00503  
PR: 71409913-01-11

TRANSMISSION, GEAR  
PRESSURE LUBE & HYDRO MOTOR



**9690 COMBINE  
TRANSMISSION & AXLES**

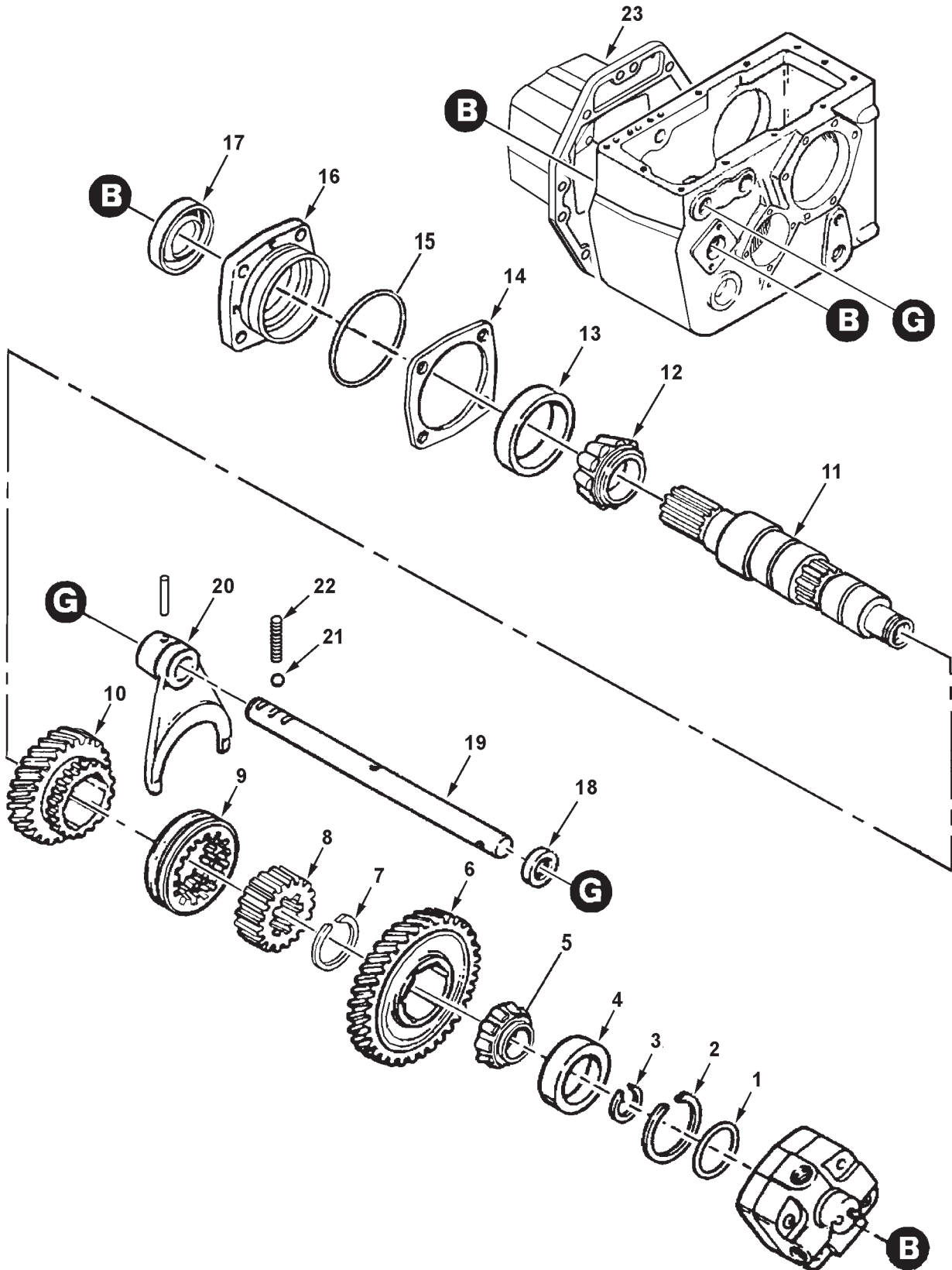
649

**TRANSMISSION, GEAR  
PRESSURE LUBE & HYDRO MOTOR**

ITEM	NUMBER	QTY	DESCRIPTION
-	71377420	-	TRANS. ASY (W/O BRAKES. W/BUILT-IN MOTOR ADAPTER)(SERVICE W/ 71406300)
-	71398354	-	TRANS. ASY (W/O BRAKES)(EFF S/N HM87101 MID-YEAR)(SERVICE W/ 71406300)
-	71406300	-	TRANS. ASY (W/O BRAKES)(EFF S/N HP87101)
	7701659	2	CAPSCREW, 5/8-11 X 2-1/2 GR5
	7701683	2	CAPSCREW, 5/8-11 X 3 GR5
	70924272	4	WASHER, .656 X 1 X 12 GA.
1	70225441	2	PLUG, OIL LEVEL
	70226012	2	GASKET
2	71183535	1	RETAINER, FILTER
	7884570	1	CAPSCREW, M12-1.75 X 20
	339369X1	1	LOCKWASHER, M12
3	71183746	1	MANIFOLD, LUBE SCREEN
4	70925919	1	O-RING, VITON, .139 X 1.484 ID, 75 DUR.
5	71183828	1	MAGNET, PARTICAL
6	71183747	1	SCREEN ASY.
7	846337	1	CONNECTOR, STR, 3/4-16 JIC X ORB
	70921349	1	O-RING, .087 X .644 ID
8	71183750	1	TUBE ASY., FILTER TO PUMP
9	70935781	1	ELBOW, 90 DEG, 3/4-16 JIC X ORB
	70921349	1	O-RING, .087 X .644 ID
10	70901651	1	PLUG, PIPE
11	71184147	1	HOUSING, PUMP
12	70924186	1	O-RING, 75 DURO, .070 X 2.61 ID, UDN -38
13	71335782	1	GEROTOR, INNER & OUTER
14	Y730804	2	PIN, DOWEL, 1/4 X 1/2
15	71184148	1	COVER, REAR
16	70930911	1	O-RING, 75 DURO .103 X 2.30 ID, UDN -141
17	1026105M1	2	RING, RETAINING
18	71335783	1	SHAFT ASY. DRIVE
19	71184145	1	KEY
20	71335784	1	PIN
21	70922523	1	ELBOW, 90 DEG, 9/16-18 ORB X JIC
	70921885	1	O-RING, .078 X .468 ID
22	71377419	1	TUBE ASY., PUMP TO SHAFT
23	70919062	1	CONNECTOR, 9/16-18 JIC X 1/4 NPT
24	71406298	1	PUMP ASY.
	700721684	2	CAPSCREW, SPL HD, M10-1.50 X 45
25	71377709	1	HOUSING, TRANS.
26	71377531	1	COVER, TRANS.
	70950052	12	CAPSCREW, FULL THD, M12-1.75 X 30
27	71389818	1	SENSOR, GND SPEED
28	70923690	1	ELBOW, STREET 1/8 NPT
29	7751605	1	VENT, BREATHER
30	71342217	1	PIN, SWITCH
31	71385907	1	WIRE, START SWITCH
32	71392870	1	MOTOR, FIXED
	701235	4	CAPSCREW, 1/2-13 X 1-1/2 GR5
	70923858	4	WASHER, .53 X 1.25 X .180
33	71390855	1	COUPLER, MOTOR TO INPUT
	7773856	1	CAPSCREW, 1/4-20 X 2-3/4 GR5
	31752	1	LOCKNUT, 1/4-20
34	71342216	1	SWITCH, START
35	71393718	1	SENSOR, HYDRO MOTOR TEMPERATURE
	70936326	1	O-RING, .072 X .414 ID, VITON

GC00372  
PR: 400

TRANSMISSION, GEAR  
INPUT SHAFT & GEARS



**9690 COMBINE  
TRANSMISSION & AXLES**

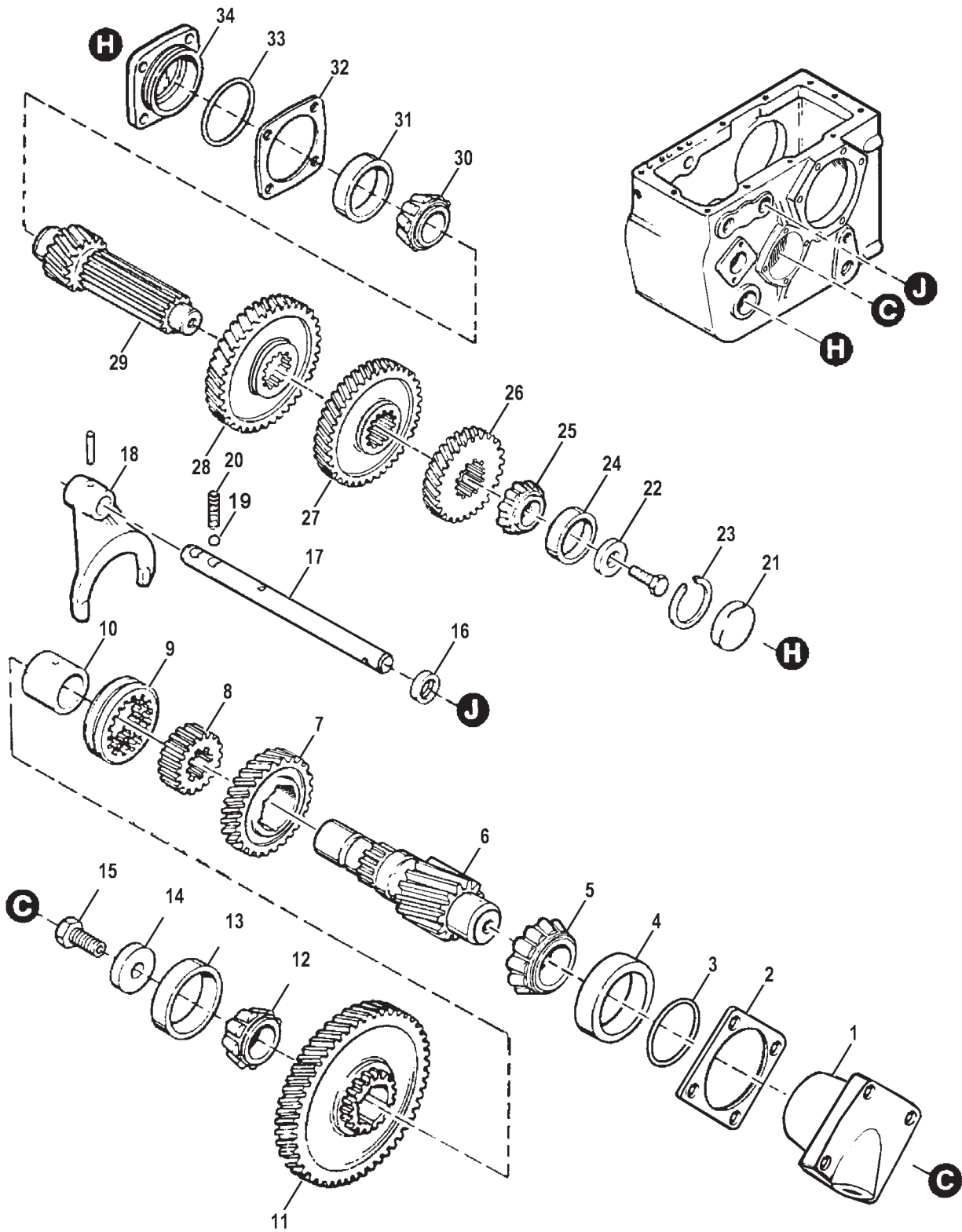
651

**TRANSMISSION, GEAR  
INPUT SHAFT & GEARS**

ITEM	NUMBER	QTY	DESCRIPTION
1	70930911	1	O-RING, 75 DURO .103 X 2.30, UDN -141
2	71184144	1	SNAP RING
3	71184133	AR	SNAP RING, .071 THICK
	71302467	AR	SNAP RING, .072 THICK
	71302468	AR	SNAP RING, .073 THICK
	71184134	AR	SNAP RING, .074 THICK
	71302469	AR	SNAP RING, .075 THICK
	71302470	AR	SNAP RING, .076 THICK
	71184135	AR	SNAP RING, .077 THICK
	71302471	AR	SNAP RING, .078 THICK
4	834581M1	1	CUP, BEARING
5	834580M1	1	CONE, BEARING
6	71377408	1	GEAR, DRIVE, 39 T
7	71183839	1	RING, RETAINING
8	71160040	1	COLLAR
9	71195328	1	COUPLING
10	71377407	1	GEAR, DRIVE, 27 T
11	71399521	1	SHAFT, INPUT
12	74254700	1	CONE, BEARING
13	74254699	1	CUP, BEARING
14	71186745	AR	SHIM, .002 THICK
	71186746	AR	SHIM, .003 THICK
	71175961	AR	SHIM, .005 THICK
	71175962	AR	SHIM, .007 THICK
	71175963	AR	SHIM, .010 THICK
15	70923816	1	O-RING, 75 DURO .139 X 3.234, UDN -236
16	71190292	1	CARRIER, BEARING
	700708349	4	CAPSCREW, M10-1.5 X 25 C8.8
17	71162565	1	SEAL, OIL
18	71160303	1	SEAL, OIL
19	71377548	1	RAIL, SHIFT, 1,2,3 & 4
20	71300509	1	FORK, 1,2,3 & 4
	70923404	1	PIN, COILED SPRING, 5/16 X 1-1/2
21	70917579	1	BALL .4375 DIA
22	71160067	1	SPRING, DETENT
23	71377710	1	HOUSING, MOTOR ADAPTER
	70926551	3	PIN, DOWEL, 1/2 X 1
	70950052	10	CAPSCREW, M12-1.75 X 30 C8.8
-	79021676	AR	LOCTITE, PRIMER N (6 OZ)
-	79021669	AR	LOCTITE, THREADLOCKER (10 ML)

GC00373  
PR: 402

TRANSMISSION, GEAR  
INTERMEDIATE & MAIN SHAFT



**9690 COMBINE  
TRANSMISSION & AXLES**

653

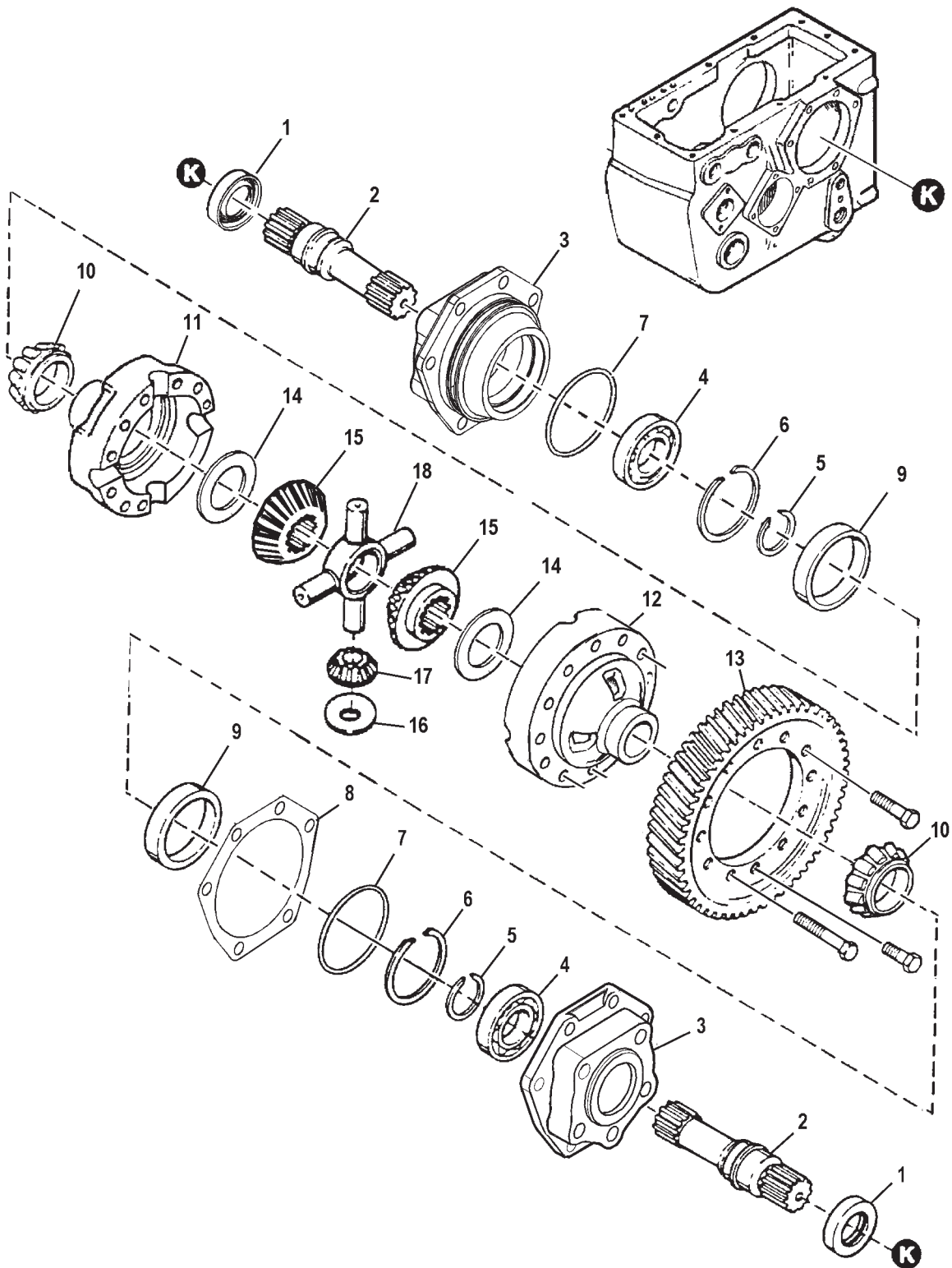
**TRANSMISSION, GEAR  
INTERMEDIATE & MAIN SHAFT**

ITEM	NUMBER	QTY	DESCRIPTION
1	71377415	1	CARRIER, BEARING, MAIN SHAFT
	70950052	4	CAPSCREW, M12-1.75 X 30 C8.8
2	71377712	AR	SHIM, MAIN SHAFT .002
	71377713	AR	SHIM, MAIN SHAFT .003
	71377714	AR	SHIM, MAIN SHAFT .005
	71377715	AR	SHIM, MAIN SHAFT .007
	71377716	AR	SHIM, MAIN SHAFT .010
3	70923818	1	O-RING, 75 DURO .139 X 3.98, UDN -242
4	71377722	1	CUP, BEARING
5	71377723	1	CONE, BEARING
6	71377418	1	SHAFT, MAIN
7	71377416	1	GEAR, DRIVEN 40T
8	71160040	1	COLLAR
9	71195328	1	COUPLING
10	71377711	1	BUSHING, GEAR
11	71377417	1	GEAR, DRIVEN 62T
12	71377535	1	CONE, BEARING
13	71377534	1	CUP, BEARING
14	71177386	1	WASHER, MAINSHAFT
15	7772312	1	CAPSCREW, M16-2.0 X 40 C8.8
16	71160303	1	SEAL, OIL
17	71377549	1	RAIL, SHIFT, HI, LO RANGE
18	71300507	1	FORK, HI, LO RANGE
	70923404	1	PIN, COILED SPRING, 5/16 X 1-1/2
19	70917579	1	BALL .4375 DIA
20	71160067	1	SPRING, DETENT
21	71317628	1	PLUG
22	71177385	1	WASHER
	70950052	1	CAPSCREW, M12-1.75 X 30 C8.8
23	71184144	1	RING, SNAP
24	834581M1	1	CUP, BEARING
25	834580M1	1	CONE, BEARING
26	71377411	1	GEAR, DRIVEN 32T
27	71377412	1	GEAR, DRIVE 42T
28	71377413	1	GEAR, DRIVEN 45T
29	71377414	1	COUNTERSHAFT W/ GEAR 20T
30	70228509	1	CONE, BEARING
31	712208	1	CUP, BEARING
32	71186745	AR	SHIM, .002 THICK
	71186746	AR	SHIM, .003 THICK
	71175961	AR	SHIM, .005 THICK
	71175962	AR	SHIM, .007 THICK
	71175963	AR	SHIM, .010 THICK
33	70923816	1	O-RING, 75 DURO .139 X 3.234, UDN -236
34	71377410	1	CARRIER, BEARING
	700708349	4	CAPSCREW, M10-1.50 X 25 C8.8
-	79021676	AR	LOCTITE, PRIMER N (6 OZ)
-	79021669	AR	LOCTITE, THREADLOCKER (10 ML)

GC00374  
PR: 404

9690 COMBINE  
TRANSMISSION & AXLES

TRANSMISSION, GEAR  
DIFFERENTIAL





**9690 COMBINE  
TRANSMISSION & AXLES**

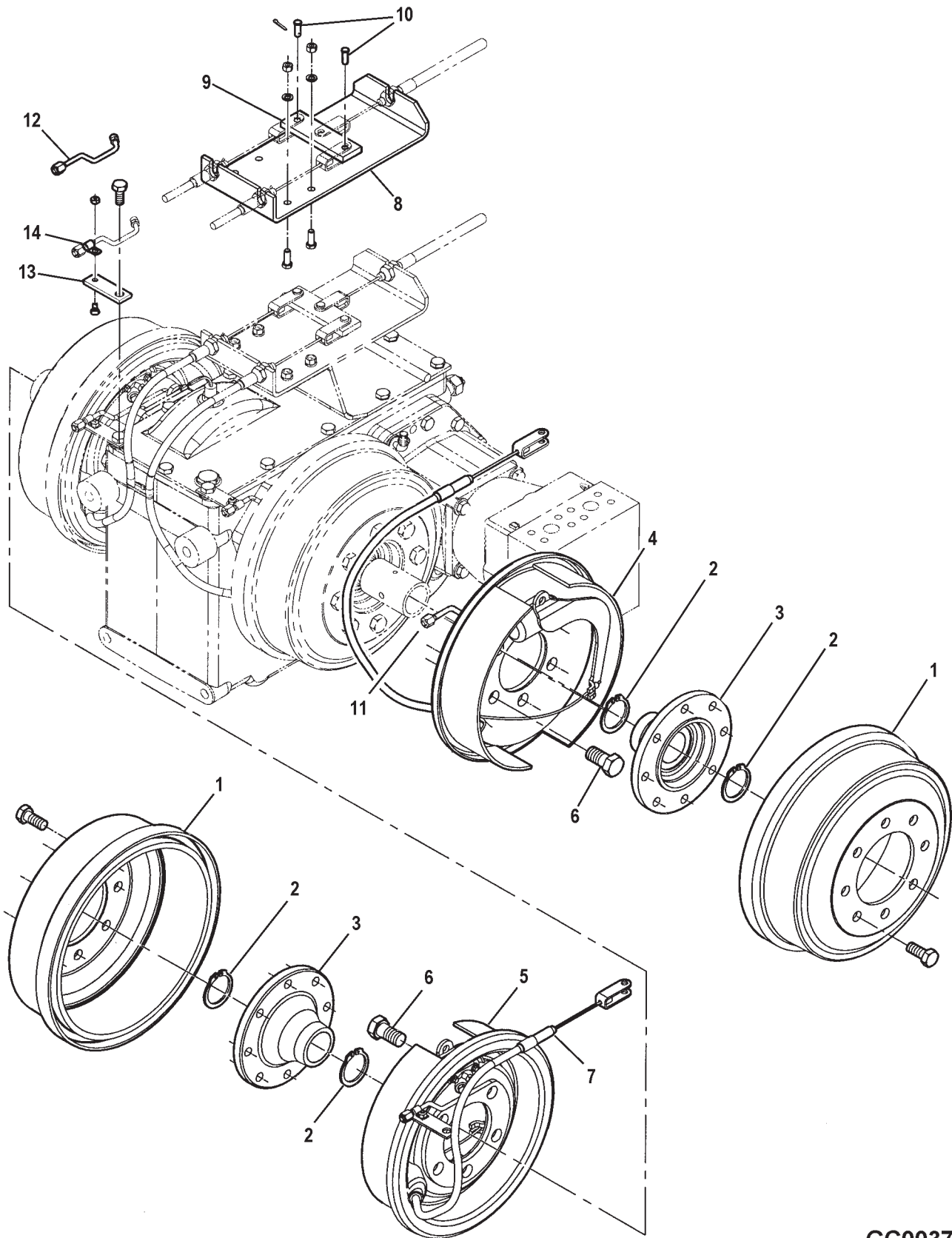
655

**TRANSMISSION, GEAR  
DIFFERENTIAL**

ITEM	NUMBER	QTY	DESCRIPTION
1	71359538	2	SEAL, OIL
2	71390887	2	SHAFT, DIFF OUTPUT
3	71390888	2	CARRIER, BEARING
	7772312	12	CAPSCREW, M16-2 X 40 C8.8
4	1109070	2	BEARING, BALL
5	71160055	2	RING, RETAINING
6	70927321	2	RING, RETAINING
7	70923594	2	O-RING, 75 DURO .139 X 5.98, UDN -258
8	71377717	AR	SHIM, DIFF .002
	71377718	AR	SHIM, DIFF .003
	71377719	AR	SHIM, DIFF .005
	71377720	AR	SHIM, DIFF .007
	71377721	AR	SHIM, DIFF .010
9	70930426	2	CUP, BEARING
10	70930424	2	CONE, BEARING
11	71386867	1	HOUSING, DIFF, PLAIN HALF (1/2" CPSCRWS) (SERVICED W/71398356 HOUSG ASY, BOTH HALVES)(MUST USE 71398330 RING GEAR)
	71398328	1	HOUSING, DIFF, PLAIN HALF (M14 CPSCRWS) (SERVICED W/71398356 HSG ASY, BOTH HLVS)
12	71386866	1	HOUSING, DIFF, GEAR HALF (1/2" CPSCRWS) (SERVICED W/71398356 HOUSG ASY, BOTH HALVES)(MUST USE 71398330 RING GEAR)
	71398329	1	HOUSING, DIFF, GEAR HALF (M14 CPSCRWS) (SERVICED W/71398356 HSG ASY, BOTH HLVS)
13	71347780	1	GEAR, RING, 70T (PRIOR S/N HM87101, MID-YEAR)(SERVICE W/ 71398330)
	70927469	4	CAPSCREW, 1/2-13 X 2-1/4 GR8
	70923154	4	CAPSCREW, 1/2-13 X 1-1/2 GR8
	70926157	8	CAPSCREW, 1/2-13 X 3-3/4 GR8
	70928178	16	WASHER, HARD, .531 X 1.0 X .109
	71398330	1	GEAR, RING, 70T (EFF S/N HM87101, MID-YEAR)
	70950490	12	CAPSCREW, M14-2.0 X 100, CL10.9
	70950382	4	CAPSCREW, M14-2.0 X 35, CL10.9
	70926192	16	WASHER, HARD, .562 ID X 1.25 X .120
	79021676	AR	LOCTITE, PRIMER N (6 OZ)
	79021669	AR	LOCTITE, THREAD LOCKER (10 ML)
14	71160085	2	WASHER, THRUST, SIDE GEAR
15	71344598	2	GEAR, SIDE
16	71347782	4	WASHER, THRUST, PINION
17	71344597	4	PINION
18	71347777	1	SPIDER, DIFFERENTIAL
-	71398327	-	DIFFERENTIAL ASY. (INCL. ITEMS 10-18)
-	71398356	-	HOUSING ASY. (NOT ILL.)(INCL. ITEM 11, 71398328 & ITEM 12, 71398329)

GC00375  
PR: 406

DRUM BRAKES  
SERVICE & PARKING



**9690 COMBINE  
TRANSMISSION & AXLES**

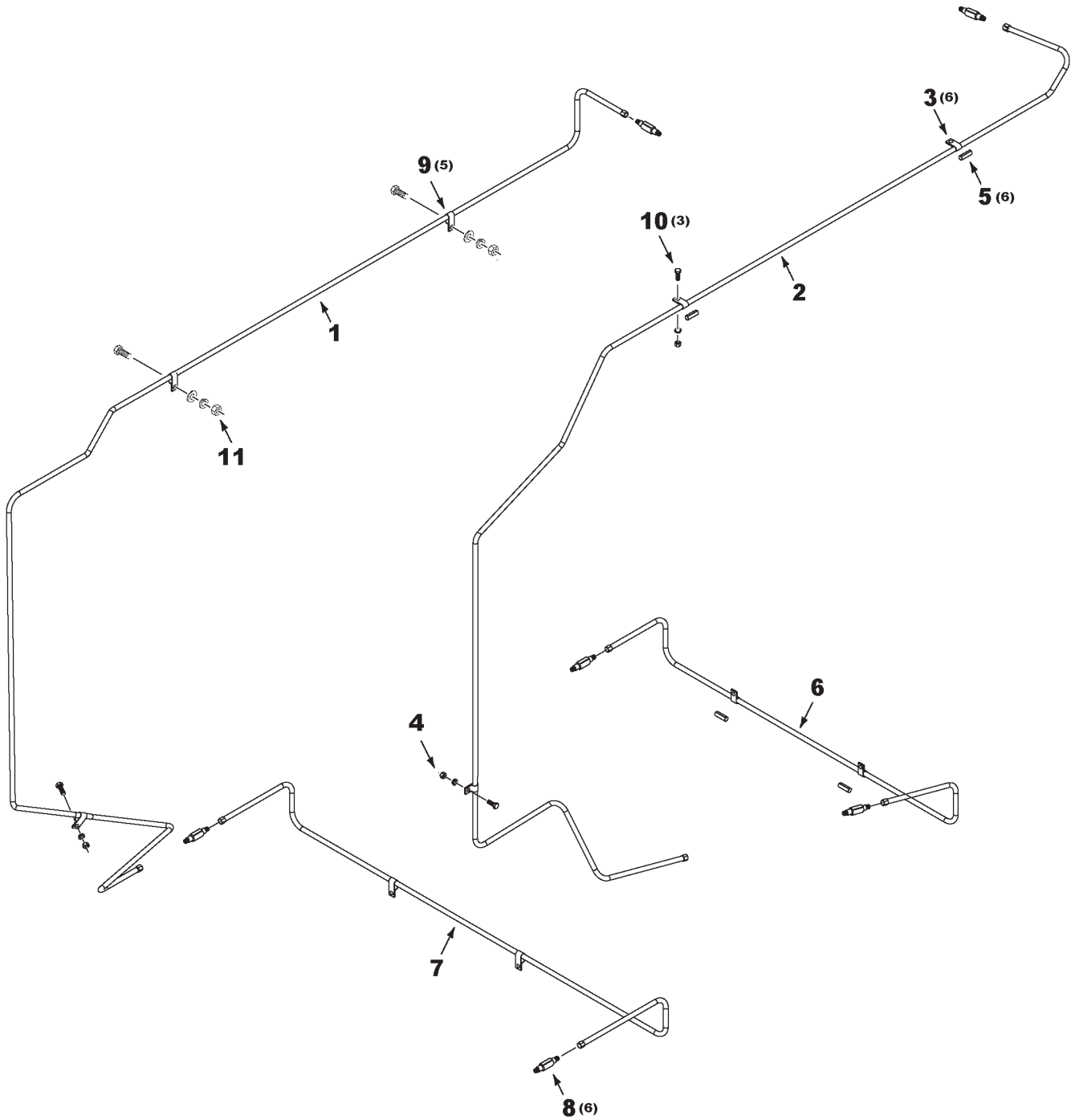
657

**DRUM BRAKES  
SERVICE & PARKING**

ITEM	NUMBER	QTY	DESCRIPTION
1	71392787	2	DRUM, BRAKE
	7771785	16	CAPSCREW, 5/8-11 X 1 GR5
2	70937676	4	RING, RETAINING, INTERNAL
3	71392788	2	HUB, BRAKE DRUM
4	71389232	1	BRAKE ASY. LH
5	71389233	1	BRAKE ASY. RH
	71395151	1	WHEEL CYL. KIT LH
	71395160	1	WHEEL CYL. KIT RH
	71395157	4	BOLT, WHEEL CYL. MOUNTING
	71395158	2	BRAKE SHOE KIT (1 PER SIDE)
	71395159	2	BACKING PLATE WELD ASY
	71395163	4	LINK, CONNECTING, WHEEL CYL.
	71395152	2	SPRING KIT
	71395153	1	ADJUSTER KIT, LH
	71395161	1	ADJUSTER KIT, RH
	71395154	1	PARK BRAKE KIT, LH
	71395162	1	PARK BRAKE KIT, RH
	71395155	2	WASHER, SPRING
	71376446	2	NUT
6	70950394	10	CAPSCREW, M20-2.5 X 45, C10.9
	79021676	AR	LOCTITE, PRIMER N (6 OZ)
	79021669	AR	LOCTITE, THREAD LOCKER (10 ML)
7	71389230	2	CABLE ASY, PARK BRAKE
8	71389229	1	BRACKET, PARK BRAKE CABLES
	703249	4	CAPSCREW, 3/8/16 X 1 GR5
	705038	4	LOCKWASHER, 3/8
	70916950	4	NUT, REG 3/8-16
9	71389235	1	BAR, EQUALIZER
10	763300	3	PIN, CLEVIS 5/16 X 1 LG
	70918452	2	PIN, COTTER 1/8 X 1
11	71396558	1	TUBE ASY, BRAKE, LH
12	71389230	1	TUBE ASY, BRAKE, RH
13	71390867	2	STRAP, TUBE SUPPORT
	70950453	2	CAPSCREW, M12 X 1.75 X 35
	Y705624	8	WASHER, NARROW 1/2
14	70926919	2	CLAMP, 1/4 X .281 HOLE
	70921958	2	CAPSCREW, 1/4-20 X 1/2 LG GR5
	70916622	2	NUT, REG, 1/4-20

GC00376  
PR: 408

DRUM BRAKES  
LINES & FITTINGS



9690 COMBINE  
TRANSMISSION & AXLES

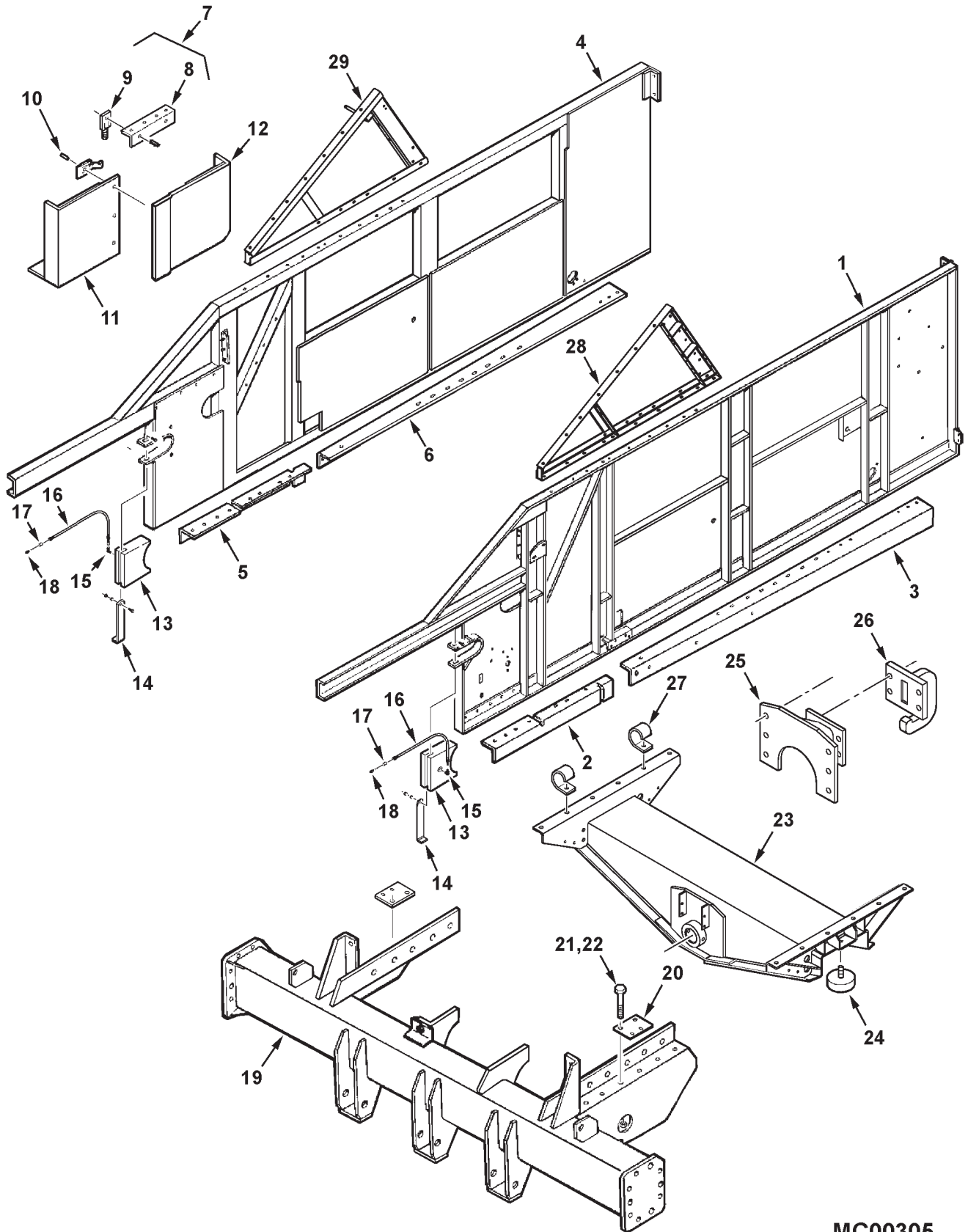
659

DRUM BRAKES  
LINES & FITTINGS

ITEM	NUMBER	QTY	DESCRIPTION
1	71398223	1	TUBE ASY, UPPER LEFT BRAKE
2	71398224	1	TUBE ASY, UPPER RIGHT BRAKE
3	70925617	6	CLAMP, 1/2 X .406 HOLE
4	703249	2	CAPSCREW, 3/8-16 X 1 GR5
	705038	2	LOCKWASHER, 3/8
	70916950	2	NUT, 3/8-16 REG
5	2556880W1	6	RUBBER SLEEVE, 1/4 ID
6	71398226	1	TUBE ASY, LOWER RIGHT BRAKE
7	71393849	1	TUBE ASY, LOWER LEFT BRAKE
8	70919214	6	CONN, UNION, 1/4 JIC
9	70926919	5	CLAMP, 1/4 X .281 HOLE
10	7703457	3	CAPSCREW, 1/4-20 X 3/4 GR5
	705012	3	LOCKWASHER, 1/4
	700709601	3	WASHER, 1/4 WIDE
	70916622	3	NUT, 1/4 REG
11	7703473	1	CAPSCREW, 1/4-20 X 1-1/4 GR5
	705012	1	LOCKWASHER, 1/4
	700709601	1	WASHER, 1/4 WIDE
	70916622	1	NUT, 1/4 REG

MC00344  
PR: 410

MAIN FRAME AND AXLE SUPPORTS



**9690 COMBINE  
TRANSMISSION & AXLES**

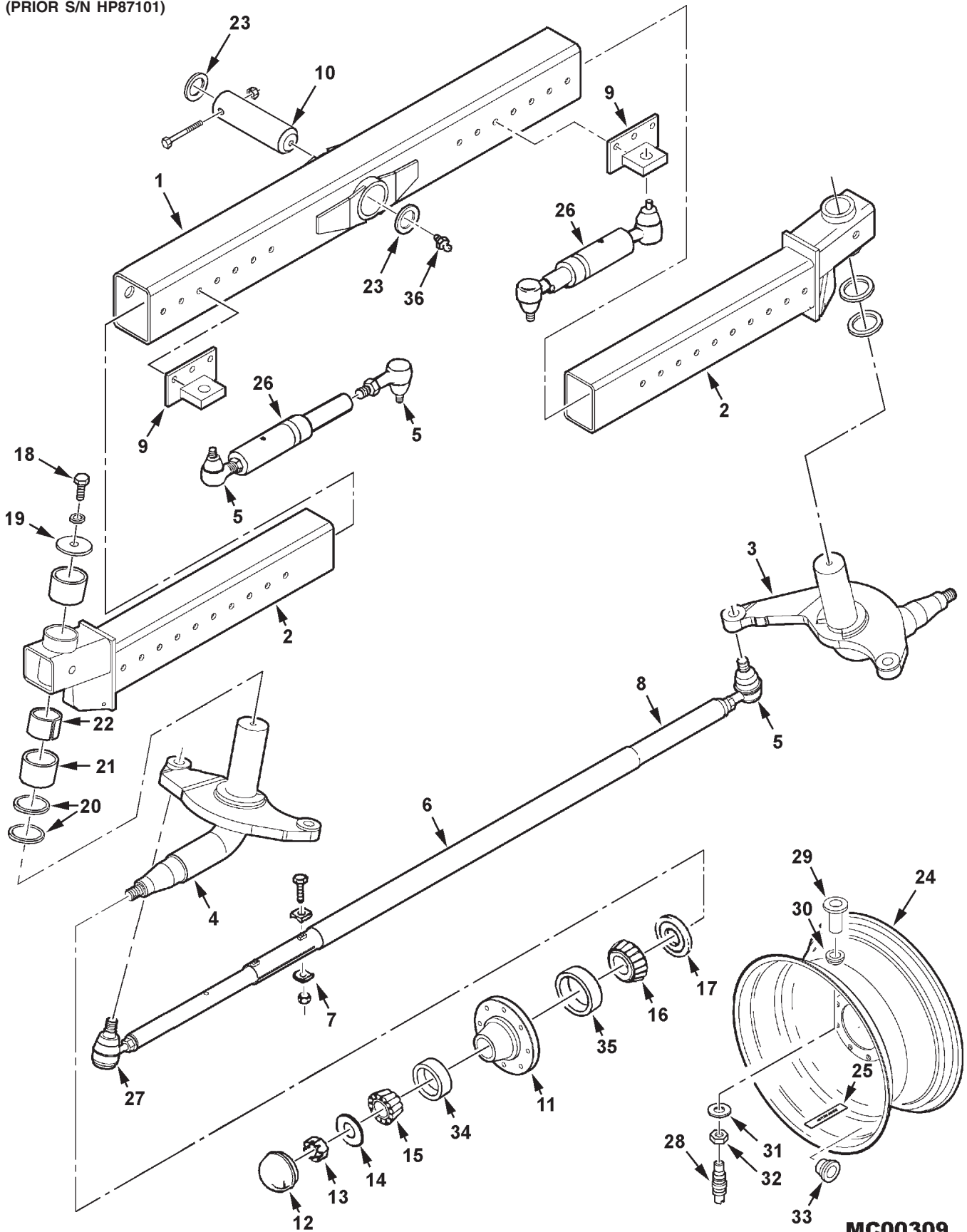
661

**MAIN FRAME AND AXLE SUPPORTS**

ITEM	NUMBER	QTY	DESCRIPTION
1	71390292	1	FRAME & SHEET WLMT,LH(PRIOR S/N HP87101)
	71403880	1	FRAME & SHEET WLMT,LH (EFF. S/N HP87101)
2	71409947	1	SUPPORT WLDMT, LH FRONT FRAME
3	71395585	1	ANGLE, LH FRAME SUPPORT
4	71390502	1	FRAME & SHEET WLMT, RH
5	71409942	1	SUPPORT WLDMT, RH FRONT FRAME
6	71395586	1	ANGLE, RH FRAME SUPPORT
7	2580593W91	8	ANGLE ASY., ACCESS DOOR (INCL. ITEMS 8-10)
8	2580580W1	8	ANGLE, DOOR FRAME
9	70537291	16	FASTENER
10	70924837	16	RIVET
11	2631433W91	4	DOOR ASY, SIDE FRAME, W/FASTENERS(IT. 9)
	2616141W91	4	DOOR WLDMT, SIDE FRAME
12	2616131W91	4	DOOR WLDMT, SIDE FRAME
13	71395332	2	BLOCK, PIVOT FEEDER LOCK
14	2513840W1	2	PIN, PIVOT LOCK BRACKET
	703249	2	CAPSCREW, 3/8-16 X 1 GR5
	705038	2	LOCKWASHER, 3/8
	70916950	2	NUT, REG, 3/8-16 G2
15	70923690	2	ELBOW, STREET, 1/8
16	71365312	2	HOSE, GREASE
	70925097	2	CLAMP, .562 TUBE X .406 HOLE
17	70901763	2	PIPE COUPLING, 1/8 NPT FEM
18	70922887	2	FITTING, GREASE, 1/8
19	71389250	1	FRONT AXLE ASSEMBLY
	70923111	2	CAPSCREW, 5/8-11 X 3
	7701659	2	CAPSCREW, 5/8-11 X 2-1/2
	70924272	4	WASHER, 21/32 X 1 X 12GA.
20	102038M1	2	PLATE
	700706419	4	CAPSCREW, 3/4-10 X 2 GR8
	700703923	4	NUT, HEX FLNG TOP LOCK, 3/4-10
21	70926127	16	CAPSCREW, HEX, 3/4-10 X 1-3/4 GR5
22	700703923	16	NUT, HEX FLNG. LOCK, 3/4-10
23	71389601	1	SUPPORT WLMT, RR AXLE(PRIOR S/N HP87101)
	71406471	1	SUPPORT WLMT, RR AXLE (EFF. S/N HP87101)
	70923112	12	CAPSCREW, 5/8-11 X 1-3/4 GR5
	700703922	12	NUT, HEX FLNG. TOP LOCK, 5/8-11
24	71355063	2	STOP, STEERING AXLE
	Y705046	2	WASHER, LOCK, 1/2
	704031	2	NUT, 1/2-13
25	71404357	1	HITCH WLDMT (EFF. S/N HP87101)
	70921360	6	CAPSCREW, 5/8-11 X 2-1/4 GR5
26	71404359	1	HOOK WLDMT (EFF. S/N HP87101)
	70921360	4	CAPSCREW, 5/8-11 X 2-1/4 GR5
	700703922	4	NUT, HEX FLNG. TOP LOCK, 5/8-11
27	70937682	2	J-CLIP, 3/4 DIA X .656 HOLE
28	71390179	1	FRAME WLMT, LH BIN SUPPORT
	70920415	6	CAPSCREW, 3/8-16 X 1-1/4 GR5
	70921965	6	CAPSCREW, 3/8-16 X 3/4 GR5
	70917378	11	WASHER, WIDE, 3/8
	Y704734	12	NUT, HEX FLANGE TOP LOCK, 3/8-16
29	71393236	1	FRAME WLMT, RH BIN SUPPORT
	70920415	10	CAPSCREW, 3/8-16 X 1-1/4 GR5
	70921965	6	CAPSCREW, 3/8-16 X 3/4 GR5
	70917378	15	WASHER, WIDE, 3/8
	Y704734	16	NUT, HEX FLANGE TOP LOCK, 3/8-16

MC00305  
PR: 412

REAR AXLE & WHEELS  
ADJUSTABLE TREAD  
(PRIOR S/N HP87101)





**9690 COMBINE  
TRANSMISSION & AXLES**

663

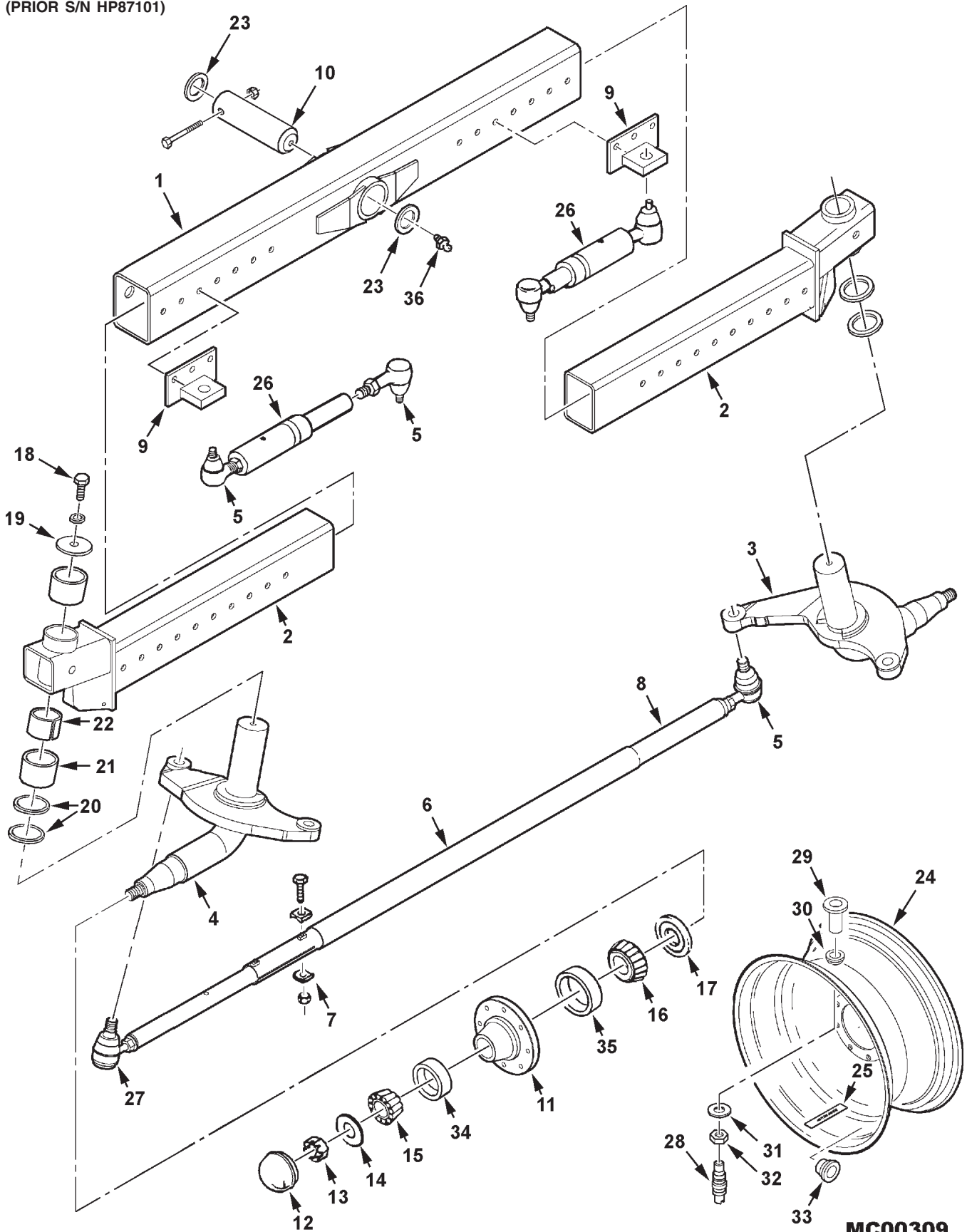
**REAR AXLE & WHEELS  
ADJUSTABLE TREAD  
(PRIOR S/N HP87101)**

ITEM	NUMBER	QTY	DESCRIPTION
1	71389394	1	AXLE ASY, CENTER SECTION, W/BUSHINGS (PRIOR S/N HP87101)
	2441250W1	2	BUSHING
2	71389381	2	EXTENSION ASY., ADJUSTABLE AXLE (INCL. ITEMS 21 & 22)
	13811X	2	LUBE FTG, STR, 1/4-28 TAPER THD
	70922890	4	CAPSCREW, 3/4-10 X 7 GR5
	71359841	4	SPACER, BOLT
	7774466	4	NUT, HEX FLNG SERR LOCK, 3/4-10
3	71389386	1	SPINDLE ASY., RH
4	71389385	1	SPINDLE ASY., LH
5	71307626	5	SOCKET ASY, RH, W/RH THREADS (INCL. SLOTTED NUT, BOOT & LUBE FTG)
	71403681	5	BOOT, RUBBER
	70925731	2	LUBE FTG, 45 DEG, 1/4-28 TAPER
	13811X	3	LUBE FTG, STR, 1/4-28 TAPER THD
	70921295	5	NUT, SLOTTED HEX, 7/8-14UNF
	70925719	5	PIN, COTTER, 1/8 X 2
	70923356	5	NUT, JAM, 1-1/8-12UNF
6	71389356	1	TIE ROD ASY., ADJUSTABLE
7	6661624	4	WASHER, CLAMP
	70929019	2	CAPSCREW, 3/8-16 X 3
	7704141	2	NUT, TOP LOCK, 3/8-16
8	71359772	1	ROD, ADJUSTABLE
9	71389362	2	ANCHOR ASY.
	70936419	6	CAP, 3/4-10 X 7-1/2 GR 5
	71359841	6	SPACER, BOLT
	7774466	6	NUT, HEX FLNG SERR LOCK, 3/4-10
10	2625050W1	1	PIN, REAR AXLE PIVOT
	70920272	1	CAPSCREW, 1/2-13 X 5 GR5
	704858	1	NUT, HEX TOP LOCK, 1/2-13
11	71338308	2	HUB ASY. (INCL. ITEMS 34 & 35)
	70927529	16	CAPSCREW, 5/8-18 X 1-3/4 GR5
	70937005	16	WASHER, HARD, .66 X 1.31 X .095
12	26674	2	CAP, HUB
13	704692	2	NUT, SLOTTED, 1-14 UNF GR2
	70922002	2	PIN, COTTER, 3/16 X 2
14	70936306	2	WASHER, HARD, 1.062 X 2.25 X .25 TH
15	850182M1	2	CONE, BEARING, OUTER
16	71334989	2	CONE, BEARING, INNER
17	71334988	2	SEAL

CONTINUED

MC00309  
PR: 414

REAR AXLE & WHEELS  
ADJUSTABLE TREAD  
(PRIOR S/N HP87101)



**9690 COMBINE  
TRANSMISSION & AXLES**

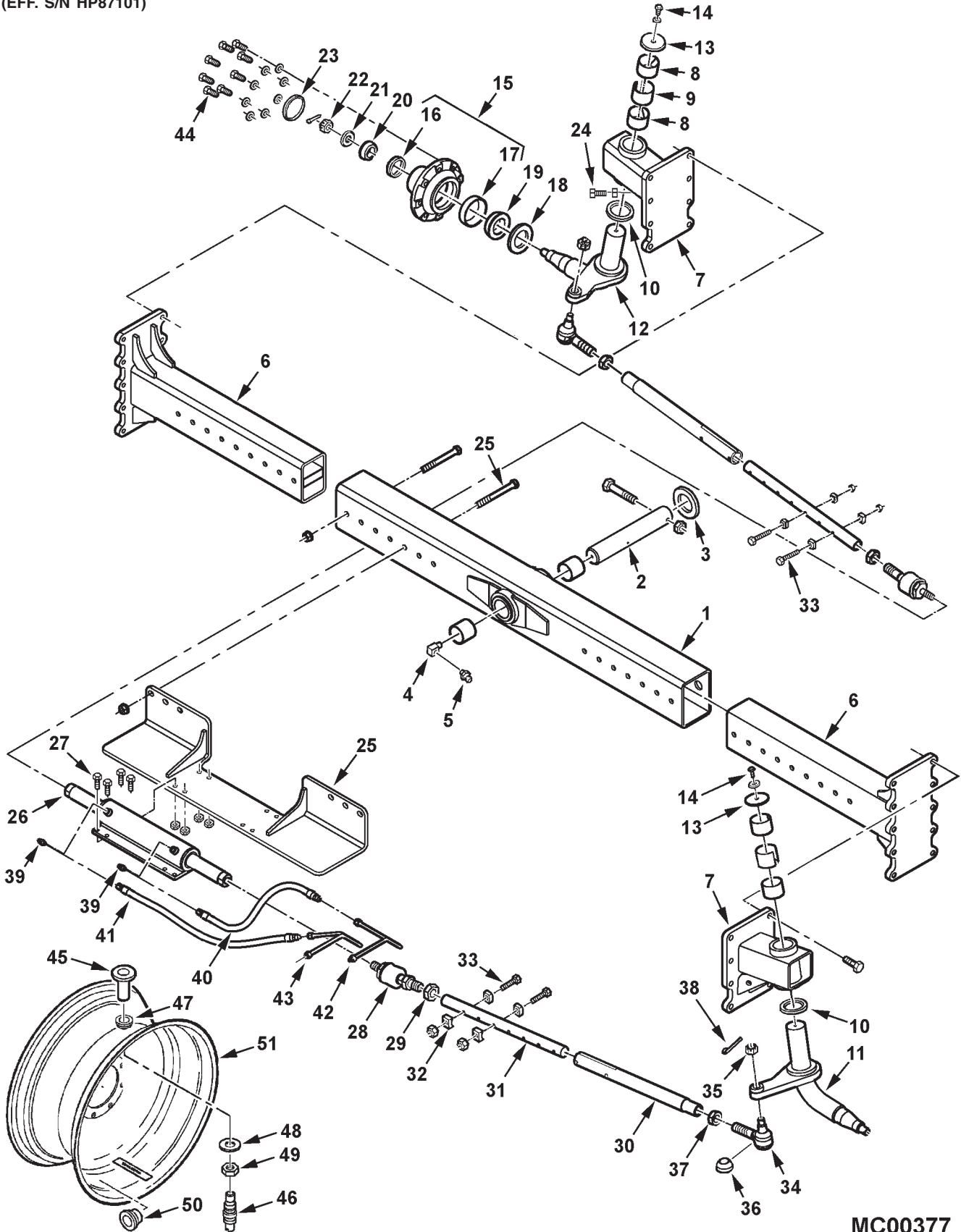
665

**REAR AXLE & WHEELS  
ADJUSTABLE TREAD  
(PRIOR S/N HP87101)**

ITEM	NUMBER	QTY	DESCRIPTION
18	70923114	2	CAPSCREW, 1/2-13 X 1 GR5
	Y705046	2	LOCKWASHER, 1/2
19	71338789	2	WASHER, .531 ID X 3.4 X .229 TH
20	71334986	4	WASHER, THRUST
21	71354306	4	BUSHING
22	71338799	2	SPACER
23	2441340W1	2	WASHER, THRUST
24	71372132	2	WHEEL RIM, 14.9 X 24 TIRE
	71372133	2	WHEEL RIM, 16.9 X 24 TIRE
	71399115	2	WHEEL RIM, 16.9 X 26 TIRE
25	71338651	2	DECAL, 150 FT LB TORQUE
26	71365245	2	CLYINDER ASY., STEERING
27	71359545	1	SOCKET ASY, W/LH THREADS (INCL. SLOTTED NUT, BOOT & LUBE FTG)
	71403681	1	BOOT, RUBBER
	13811X	1	LUBE FTG, STR, 1/4-28 TAPER THD
	70921295	1	NUT, SLOTTED HEX, 7/8-14UNF
	70925719	1	PIN, COTTER, 1/8 X 2
	70937534	1	NUT, JAM, 1-1/8-12UNF LH
28	71170388	2	VALVE HOUSING & CORE ASY, W/ CAP
29	7027469	2	VALVE ASY, CLAMP-IN (COMPLETE)(INCL ITEMS 28, 30, 31, 32)(TUBELESS TIRE)
30	71170390	2	GROMMET, TUBELESS TIRE
31	71175919	2	WASHER, TUBELESS TIRE
32	71175918	2	NUT, TUBELESS TIRE
33	539651M1	2	PLUG, RIM HOLE, TUBELESS TIRE
34	850181M1	1	CUP, BEARING, OUTER
35	195160M1	1	CUP, BEARING, INNER
36	13887X	1	LUBE FITTING, STR, 1/4-18 PTF

MC00309  
PR: 414

REAR AXLE & WHEELS  
ADJUSTABLE TREAD  
(EFF. S/N HP87101)



**9690 COMBINE  
TRANSMISSION & AXLES**

667

**REAR AXLE & WHEELS  
ADJUSTABLE TREAD  
(EFF. S/N HP87101)**

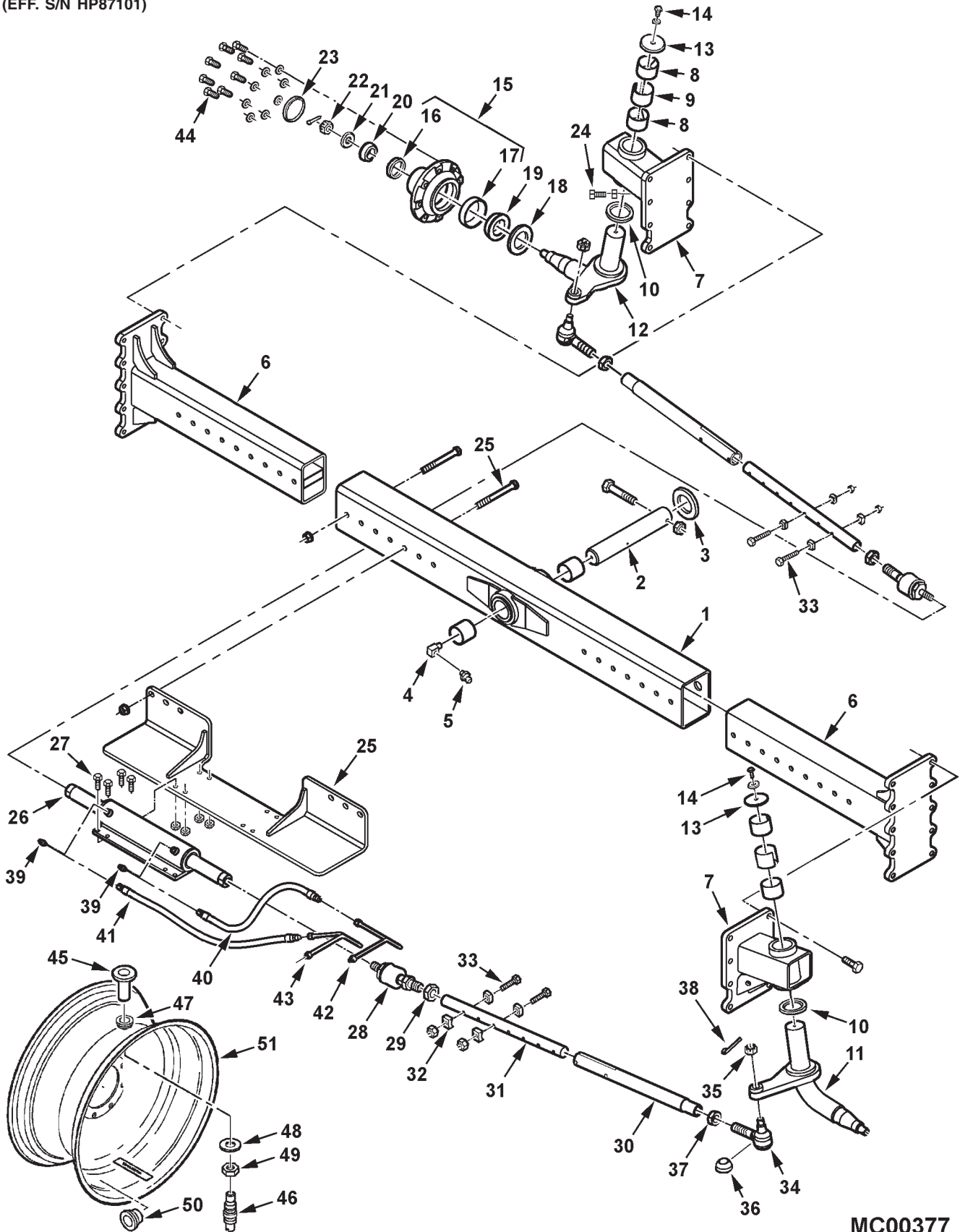
ITEM	NUMBER	QTY	DESCRIPTION
1	71412150	1	AXLE ASY, CENTER SECTION, W/BUSHINGS
	2441250W1	2	BUSHING, PIVOT
2	2625050W1	1	PIN, REAR AXLE PIVOT
	70920272	1	CAPSCREW, 1/2-13 X 5 GR5
	704858	1	NUT, HEX TOP LOCK, 1/2-13
3	2441340W1	2	WASHER, THRUST
4	70925863	1	ELBOW,90 DEG, 1/4 NPTF X 1/4-18 NPTF FEM
5	13887X	1	LUBE FITTING, STR, 1/4-18 PTF
6	71400705B	2	EXTENSION WLDMT, ADJUSTABLE AXLE
	70922890	8	CAPSCREW, 3/4-10 X 7 GR5
	71359841	8	SPACER, HARD
	7774466	8	NUT, HEX FLNG SERR LOCK, 3/4-10
7	71400701B	2	HOUSING WLDMT, SPINDLE, W/BUSHINGS
	13811X	2	LUBE FTG, STR, 1/4-28 TAPER THD
	70925872	16	CAPSCREW, 3/4-10 X 2-1/4 GR5
8	71354306	4	BUSHING, SPINDLE
9	71338799	2	SPACER, BUSHING
10	71334986	4	WASHER, THRUST
11	71400698	1	SPINDLE, WLDMT, LEFT
12	71400693	1	SPINDLE, WLDMT, RIGHT
13	71338789	2	WASHER, .531 ID X 3.4 X .229 TH.
14	70923114	2	CAPSCREW, 1/2-13 X 1 GR5
	Y705046	2	LOCKWASHER, 1/2
15	71338308	2	HUB ASY. (INCL. ITEMS 16 & 17)
16	850181M1	1	CUP, BEARING, OUTER
17	195160M1	1	CUP, BEARING, INNER
18	71334988	2	SEAL, HUB
19	71334989	2	CONE, BEARING, INNER
20	850182M1	2	CONE, BEARING, OUTER
21	70936306	2	WASHER, HARD, 1.062 X 2.25 X .25 TH
22	704692	2	NUT, SLOTTED, 1-14 UNF GR2
	70922002	2	PIN, COTTER, 3/16 X 2
23	26674	2	CAP, HUB
24	70926127	2	CAPSCREW, 3/4-10 X 1-3/4 GR5
	70913160	2	NUT, 3/4-10 REG

CONTINUED

MC00377  
PR: t05b04j09c0020

9690 COMBINE  
TRANSMISSION & AXLES

REAR AXLE & WHEELS  
ADJUSTABLE TREAD  
(EFF. S/N HP87101)



**9690 COMBINE  
TRANSMISSION & AXLES**

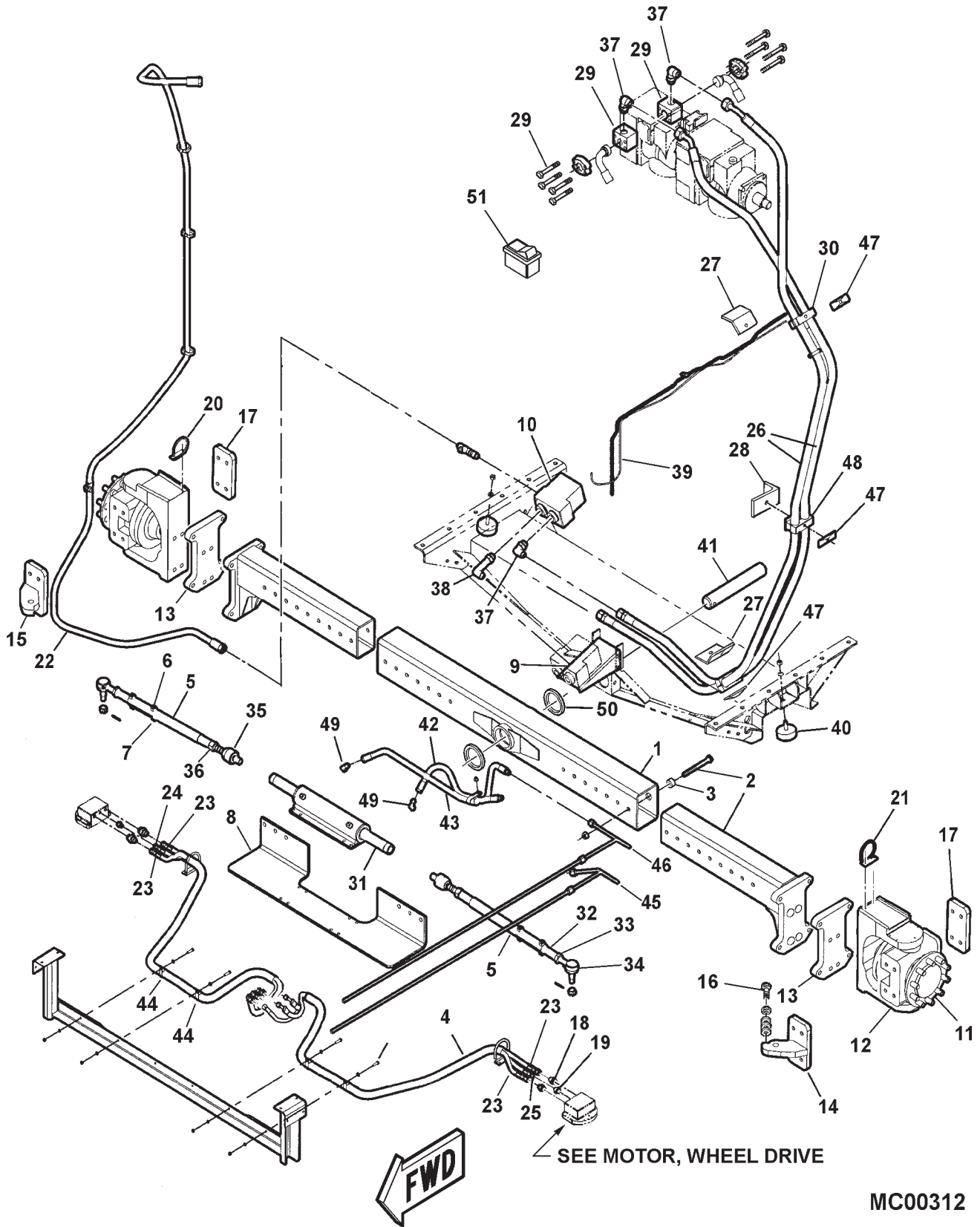
669

**REAR AXLE & WHEELS  
ADJUSTABLE TREAD  
(EFF. S/N HP87101)**

ITEM	NUMBER	QTY	DESCRIPTION
25	71400716B	1	SUPPORT WLDMT, CYLINDER
	70936419	6	CAPSCREW, 3/4-10 X 7-1/2 GR5
	7774466	6	NUT, HEX FLNG SERR LOCK, 3/4-10
26	71400719	1	CYLINDER ASY, STEERING (SEE BREAKDOWN) (SERVICE ASY W/ 71406366)
	71406366	1	CYLINDER ASY, STEERING (SEE BREAKDOWN) (EFF. S/N HR87101 MID-PROD'N RUN)
27	70919089	8	CAPSCREW, 1/2-13 X 1-3/4 GR5
	Y704742	8	NUT, HEX FLANGE TOP LOCK, 1/2-13
28	71403691	2	BALL JOINT, IN-LINE (INCLUDES BOOT)
	71406302	AR	BOOT KIT, BALL JOINT
29	70923230	2	NUT, HEX JAM, 1-1/4-12 UNF
30	71400711	2	TUBE WLDMT, ADJUSTABLE TIE ROD
31	71400710B	2	ROD, ADJUSTABLE TIE
32	6661624	8	WASHER, CLAMP, .390 HOLE
33	70922918	4	CAPSCREW, 3/8-16 X 3-1/4 GR5
	7704141	4	NUT, HEX TOP LOCK, 3/8-16
34	71403690	2	SOCKET ASY, LH THREAD (INCL. IT 35 & 36)
35	70921295	2	NUT, SLOTTED HEX, 7/8-14 UNF
36	71406301	2	SEAL, DIRT
37	70930889	2	NUT, HEX JAM, 1-1/4-12 UNF, LH THD.
38	70925721	2	COTTER PIN, 5/32 X 2
39	70922523	2	ELBOW, 90 DEG, 9/16-18 JIC X ORB MALE
	70921885	2	O-RING, .078 X .468 ID
40	71395172	1	HOSE ASY, STRG CYL.
41	71395173	1	HOSE ASY, STRG CYL.
42	71398228	1	TUBE ASY, STEERING, UPPER
43	71395789	1	TUBE ASY, STEERING, LOWER
44	353613X1	16	CAPSCREW, 5/8-18 X 1-3/4 GR5
	70937005	16	WASHER, HARD, .656 X 1.31 X .095 TH
45	7027469	2	VALVE ASY, CLAMP-IN (TUBELESS)(COMPLETE) (INCL. ITEMS 46, 47, 48, 49)
46	71170388	2	VALVE HOUSING & CORE ASY, W/ CAP
47	71170390	2	GROMMET, TUBELESS TIRE
48	71175919	2	WASHER, TUBELESS TIRE
49	71175918	2	NUT, TUBELESS TIRE
50	539651M1	2	PLUG, RIM HOLE, TUBELESS TIRE
51	71372132	2	WHEEL RIM, 14.9 X 24 TIRE
	71372133	2	WHEEL RIM, 16.9 X 24 TIRE
	71399115	2	WHEEL RIM, 16.9 X 26 TIRE

MC00377  
PR: t05b04j09c0020

REAR AXLE & WHEELS  
REAR WHEEL ASSIST





**9690 COMBINE  
TRANSMISSION & AXLES**

671

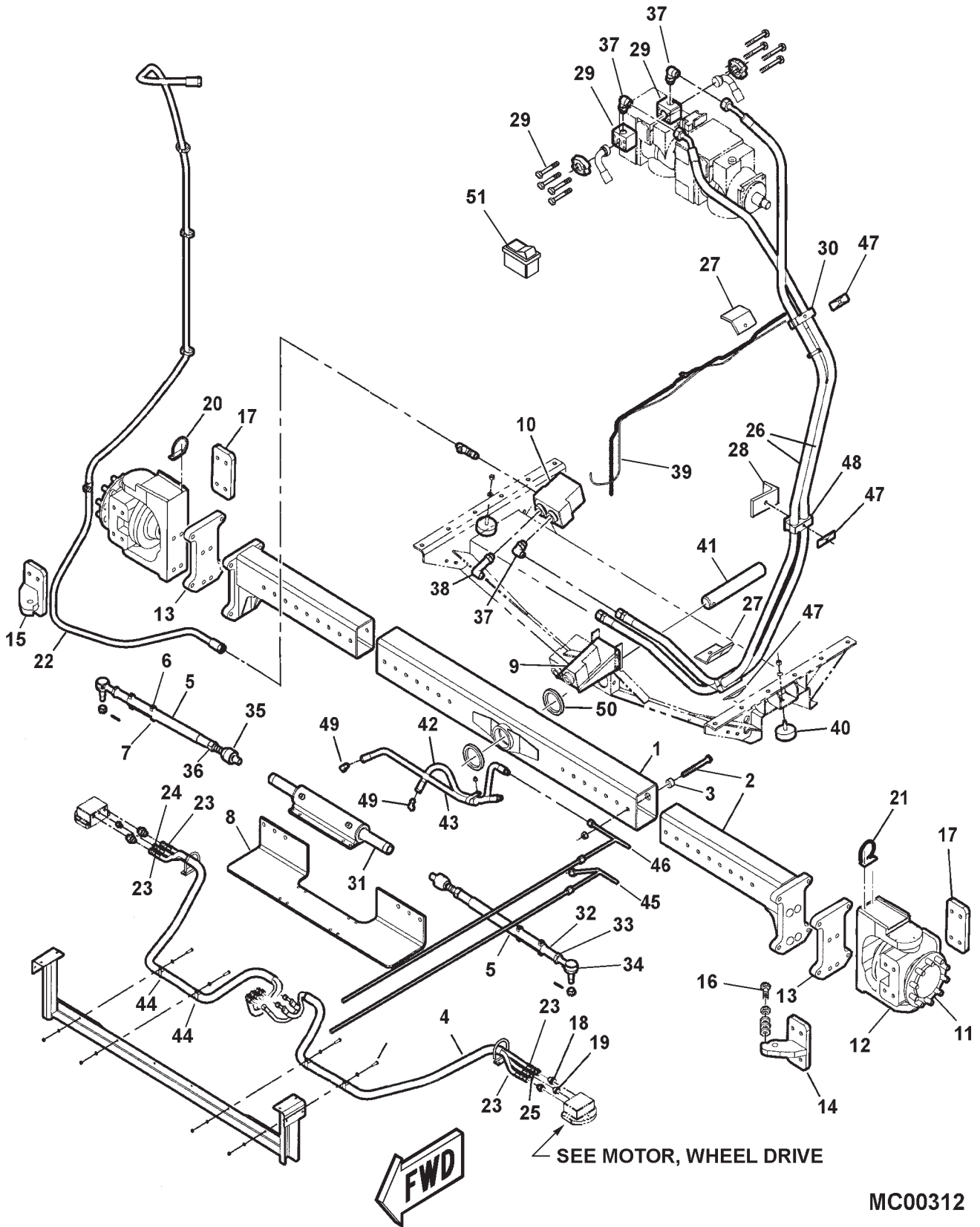
**REAR AXLE & WHEELS  
REAR WHEEL ASSIST**

ITEM	NUMBER	QTY	DESCRIPTION
1	71389394	1	AXLE ASY, CENTER SECTION, W/BUSHINGS
	2441250W1	2	BUSHING
2	71397196	2	EXTENSION ASY.
	100801	8	CAPSCREW, 3/4-10 X 7 GR 8
	70927879	6	CAPSCREW, 3/4-10 X 7-1/2 GR 8
	71397179	14	NUT, HEX FLNG SERR LOCK, 3/4-10
3	112253W1	8	SPACER SLEEVE, HARDENED
4	71397181	2	SLEEVE, CORDURA-PROTECTIVE
5	71397199	2	TIE ROD WLDMT, OUTER
	70924746	4	CAPSCREW, 1/2-13 X 3-1/2 GR8
	71397205	4	NUT, LOCK, 1/2-13
6	71359864	4	CLAMP HALF, TIE ROD
7	71359865	4	SPACER, TIE ROD BOLT, 7/8 OD X .53 ID
8	71397198	1	MOUNT WLDMT, CYLINDER
9	71397204	1	BRACKET, VALVE
	703249	4	CAPSCREW, 3/8-16 X 1 GR5
	Y704734	4	NUT, HEX FLNG. TOP LOCK 3/8-16
10	71396625	1	VALVE ASY.
	70923470	2	CAPSCREW, 3/8-16 X 1-1/2 GR8
	705038	2	LOCKWASHER, 3/8 REG
11	71396580	2	MOTOR, WHEEL DRIVE, 1250CC (SEE WHEEL MOTOR UNIT FOR BREAKDOWN)
12	71397193	2	C-FRAME
	70950420	16	CAPSCREW, M20-2.5 X 80
	70934704	16	WASHER, 3/4 HARD
	71397186	8	DOWEL PIN
13	71397197	2	ENDPLATE
14	71397202	1	EAR WLDMT, TIE ROD (LH)
	71397187	4	CAPSCREW, M20-2.5 X 40, CL 10.9
	70934704	4	WASHER, 3/4 HARD
	71397186	2	DOWEL PIN
15	71397203	1	EAR WLDMT, TIE ROD (RH)
	71397187	4	CAPSCREW, M20-2.5 X 40, CL 10.9
	70934704	4	WASHER, 3/4 HARD
	71397186	2	DOWEL PIN
16	7771629	2	CAPSCREW, 5/8-11 X 2 GR8
	71397180	12	WASHER, HEAVY FLAT, 5/8
	364377X1	2	NUT, JAM 5/8-11 GR5
17	71397185	2	PLATE, MOUNT
	71397187	8	CAPSCREW, M20-2.5 X 40, CL 10.9
	70934704	8	WASHER, 3/4 HARD

CONTINUED

MC00312  
PR: 418

REAR AXLE & WHEELS  
REAR WHEEL ASSIST



**9690 COMBINE  
TRANSMISSION & AXLES**

673

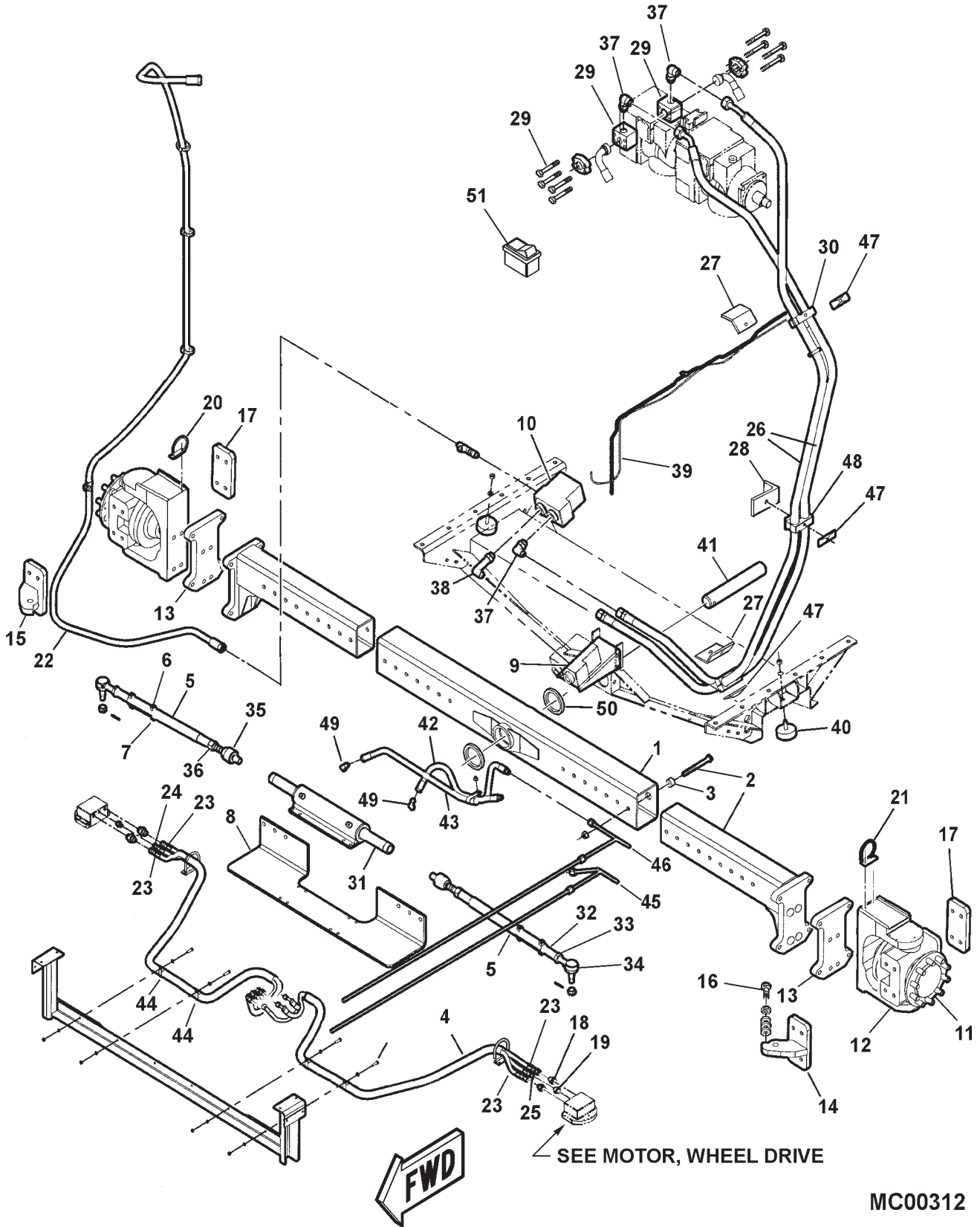
**REAR AXLE & WHEELS  
REAR WHEEL ASSIST**

ITEM	NUMBER	QTY	DESCRIPTION
18	70924296	4	ADAPTER, 1-1/16-12 ORB X 3/4-16 JIC
	70921206	1	O-RING, .116 X .924 ID
19	360202X91	2	ADAPTER, 3/4-16 ORB X 9/16-18 JIC
	70921349	1	O-RING, .087 X .644 ID
20	71397190	1	GUIDE, HOSE (RH)
21	71397191	1	GUIDE, HOSE (LH)
	71396601	4	CAPSCREW, SOCKET HD, M10-1.5 X 25
22	71395787	1	HOSE ASY., RWA TO RESERVIOR, 180" LONG
	3619622M1	5	TIE, SELF LOCKING
	70925621	1	CLAMP, 1.0 TUBE X .406 HOLE
	703249	1	CAPSCREW, 3/8-16 X 1 GR5
	705038	1	LOCKWASHER, 3/8
	70916950	1	NUT, REG 3/8-16
23	1077183M91	4	HOSE ASY. (HI-PRESSURE) (O.L. 69")
24	112283W1	1	HOSE ASY., DRAIN (O.L. 71") (RH)
25	71397189	1	HOSE ASY., DRAIN (O.L. 67") (LH)
26	71384279	2	HOSE ASY, PUMP PRESSURE (O.L. 132")
27	101843M1	2	BRACKET, STEERING HOSE
	703249	2	CAPSCREW, 3/8-16 X 1 GR5
	705038	2	LOCKWASHER, 3/8
	70916950	2	NUT, REG 3/8-16
28	71384284	1	BRACKET, CLAMP
	703249	1	CAPSCREW, 3/8-16 X 1 GR5
	705038	1	LOCKWASHER, 3/8
	70916950	1	NUT, REG 3/8-16
29	71395167	2	ADAPTOR, MANIFOLD BLOCK
	70926533	2	O-RING .139 X 1.296 ID, VITON
	773697	8	CAPSCREW, 7/16-14 X 4
30	102028M1	1	CLAMP, DOUBLE, 1-1/4 DIA
31	71396617	1	CYLINDER ASY, STEERING (SEE BREAKDOWN)
	70921898	8	CAPSCREW, 1/2-13 X 2 GR8
	Y705624	8	WASHER, 1/2 NARROW
	Y704742	8	NUT, HEX FLNG TOP LOCK, 1/2-13
32	71397201	2	TUBE, INNER TIE ROD
33	71397184	2	NUT, JAM 1-1/4-12 LH
34	71397195	2	END, TIE ROD LH
	-----	2	NUT, SLOTTED HEX
	70925719	2	PIN, COTTER, 1/8 X 2
35	71397192	2	SOCKET, INLINE
36	71397194	2	NUT, JAM M30-1.5
37	71355395	3	ELBOW, 90 DEG. -12 ORB X -12 ORFS
	70923843	3	O-RING, .070 X .739 ID
	70921206	3	O-RING, .116 X .924 ID

CONTINUED

MC00312  
PR: 418

REAR AXLE & WHEELS  
REAR WHEEL ASSIST



**9690 COMBINE  
TRANSMISSION & AXLES**

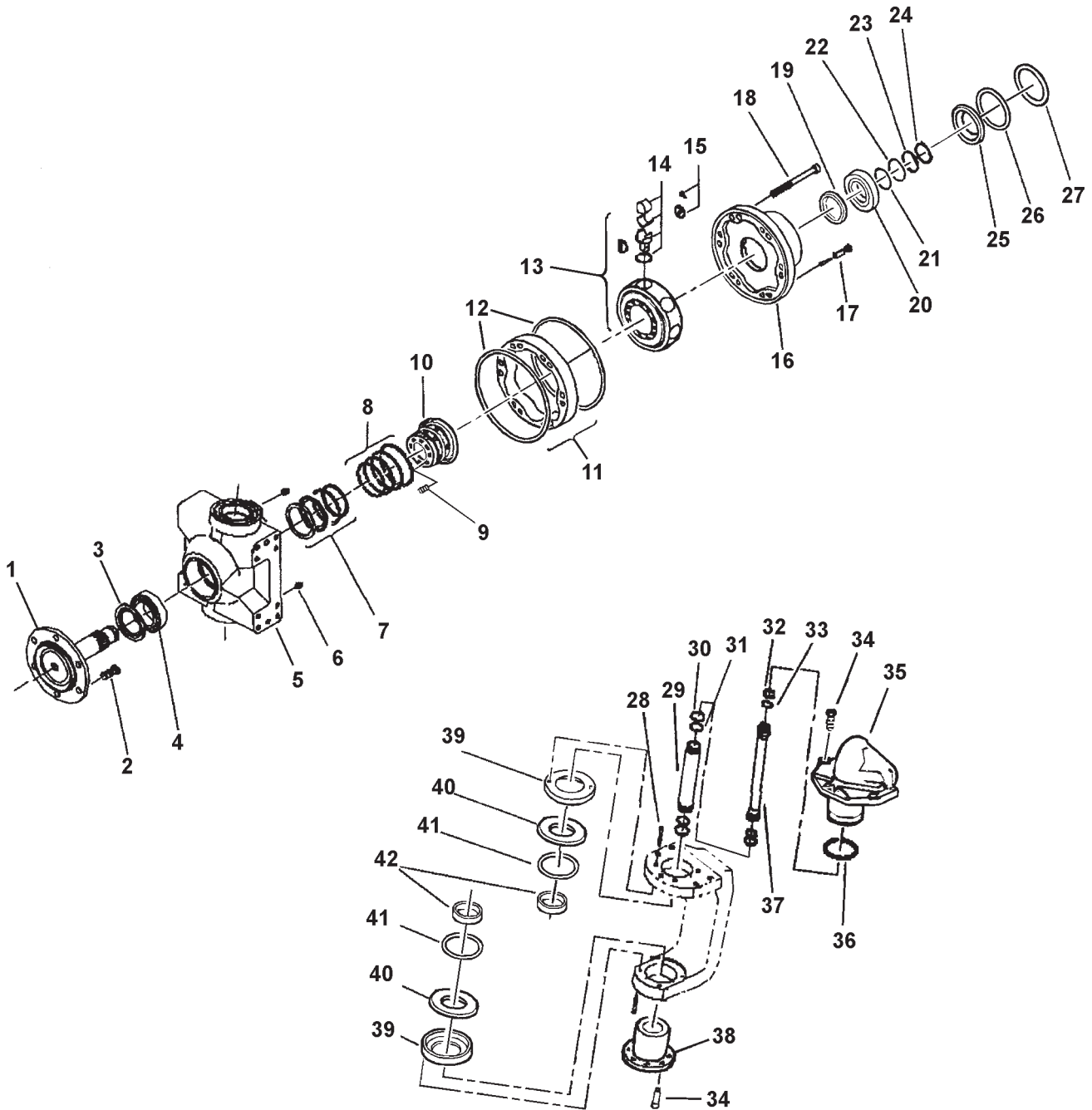
675

**REAR AXLE & WHEELS  
REAR WHEEL ASSIST**

ITEM	NUMBER	QTY	DESCRIPTION
38	71359897	1	ELBOW, 90 DEG., LONG
	70923843	1	O-RING, .070 X .739 ID
	70921206	1	O-RING, .116 X .924 ID
39	102367M1	1	WIRE ASY, 147" LONG
	3619622M1	6	TIE, SELF LOCKING
40	71355063	2	STOP, PIVOT
	Y705046	2	WASHER, LOCK, 1/2
	704031	2	NUT, 1/2-13
41	2625050W1	1	PIN, REAR AXLE PIVOT
	70920272	1	CAPSCREW, 1/2-13 X 5 GR5
	704858	1	NUT, HEX TOP LOCK, 1/2-13
42	71395173	1	HOSE ASY., STEERING CYL. 41.5" (LH)
43	71395172	1	HOSE ASY., STEERING CYL. 29.4" (RH)
44	70929785	4	CLAMP, 2.00 TUBE X .531 HOLE
	703249	2	CAPSCREW, 3/8-16 X 1 GR5
	70920415	2	CAPSCREW, 3/8-16 X 1-1/4 GR5
	705038	4	LOCKWASHER, 3/8
	70916950	4	NUT, REG 3/8-16
45	71395789	1	TUBE ASY., STEERING (RH)
46	71398228	1	TUBE ASY., STEERING (LH)
	70929872	1	CLAMP, .875 TUBE X .406 HOLE
	703249	1	CAPSCREW, 3/8-16 X 1 GR5
	705038	1	LOCKWASHER, 3/8
	70916950	1	NUT, REG 3/8-16
47	101842M1	3	COVER PLATE, DOUBLE HYD HOSE
	70926106	3	CAPSCREW, 5/16-18 X 3-1/4
	7704117	3	NUT, HEX TOP LOCK, 5/16-18
48	101841M1	2	CLAMP PAIR, DOUBLE, 1-1/2 DIA
49	70922523	2	ELBOW, 90 DEG, 9/16-18 JIC X 9/16-18 ORB
	70921885	AR	O-RING, .078 X .468
50	2441340W1	2	WASHER, THRUST
51	71387414	1	SWITCH, RWA, ON/OFF
-	71395065	AR	KIT, RWA AXLE ASY. (FIELD INSTALLED) (ORDER THRU DEALER CENTRAL)

MC00312  
PR: 418

REAR WHEEL ASSIST  
WHEEL MOTOR UNIT



**9690 COMBINE  
TRANSMISSION & AXLES**

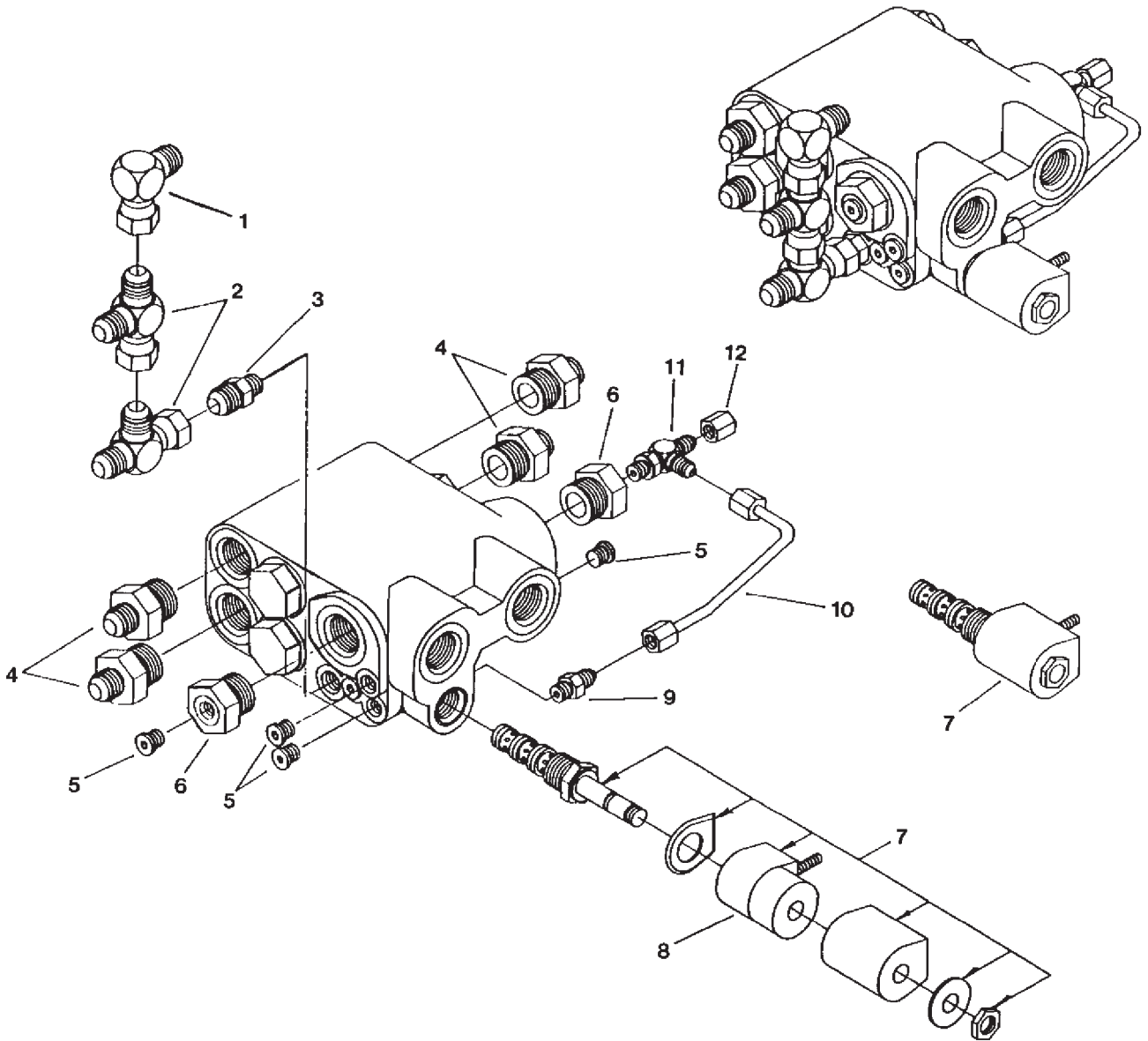
677

**REAR WHEEL ASSIST  
WHEEL MOTOR UNIT**

ITEM	NUMBER	QTY	DESCRIPTION
-	71396580	AR	MOTOR, RWA, 1250 CC
1	71396597	1	SHAFT, WHEEL HUB
2	71359912	10	STUD, M20
3	71396590	1	DEFLECTOR, GREASE SEAL
4	71359946	1	BEARING, OUTER
5	71396584	1	SUPPORT, BEARING
6	71396596	2	FITTING, GREASE
7	71396585	1	SEAL, SHAFT, INNER
8	1081158M91	1	SEAL KIT, DISTRIBUTOR
9	71359923	8	SPRING
10	71359922	1	DISTRIBUTOR, VALVE BLOCK
11	1081151M1	1	CAM RING, (INCL. ITEM 12)
12	71359927	2	O-RING
13	112202W91	1	CYLINDER BLOCK ASY.
14	71396614	10	PISTON KIT
15	112204W91	1	PISTON RETAINER KIT (SERVICES 10 PISTONS)
16	71396598	2	SAFETY PIN
17	71396593	1	HOUSING BACK
18	71396595	14	CAPSCREW, SOCKET HEAD, M12 X 75
19	71396592	1	SPACER
20	71396586	1	BEARING, INNER
21	71396587	1	SHIM PACK
22	71396591	1	SPACER, BEARING
23	71396588	2	RETAINING RING, SPLIT
24	71396589	1	SNAP RING
25	71396581	1	COVER PLATE
26	71396583	1	O-RING
27	71396582	1	SNAP RING
28	71396605	8	CAPSCREW, SOCKET HEAD, M6 X 35
29	71396606	1	PIPE, OUTER
30	71396611	2	RING, BACK-UP, OUTER PIPE
31	71396610	2	O-RING, OUTER PIPE
32	71396613	2	RING, BACK-UP, INNER PIPE
33	71396612	2	O-RING, INNER PIPE
34	71396601	9	CAPSCREW, SOCKET HEAD, M10 X 25
35	71396599	1	PIN, TOP
36	71396608	1	SEAL, TOP PIN
37	71396607	1	PIPE, INNER
38	71396600	1	PIN, BOTTOM
39	71396604	2	SEAL, COVER, PROTECTOR
40	71396603	2	WASHER, THRUST
41	71396609	2	SEAL
42	71396602	2	BUSHING
-	71396594	1	SHIM (NOT ILLUSTRATED)
-	71396615	AR	SEAL KIT (INCL. ITEMS 3, 7, 8, 12 21, 26)
-	71396616	AR	BEARING KIT, KING PIN (INCL. ITEMS 36, 40, 41, 42)

MC00316  
PR: 424

REAR WHEEL ASSIST  
SELECTOR VALVE & FLOW DIVIDER





**9690 COMBINE  
TRANSMISSION & AXLES**

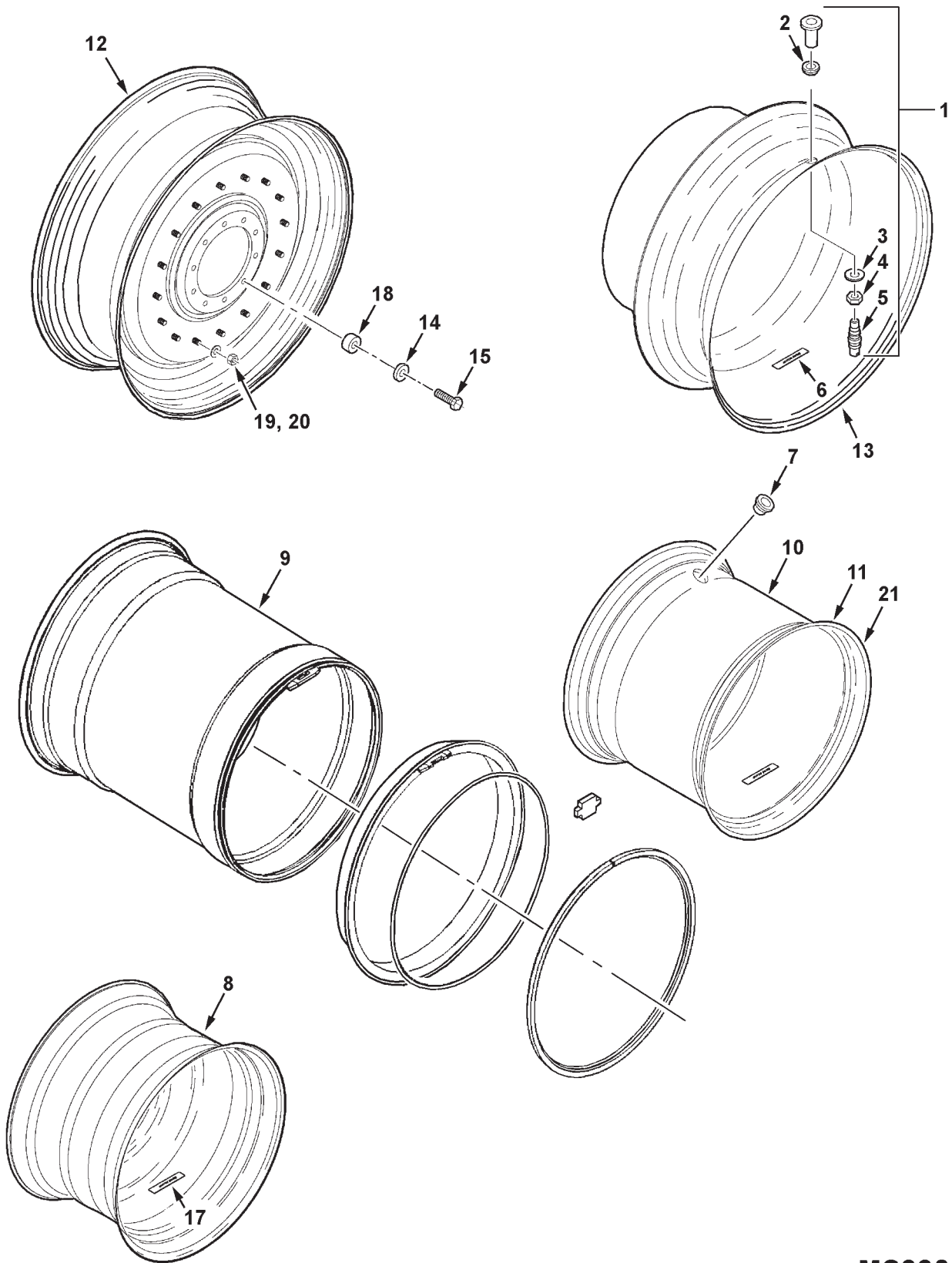
679

**REAR WHEEL ASSIST  
SELECTOR VALVE & FLOW DIVIDER**

ITEM	NUMBER	QTY	DESCRIPTION
-	71396625	1	VALVE ASSEMBLY
1	70921279	1	ELBOW, SWIVEL, 3/4-16 37 DEG. FLARE
2	70921298	2	TEE, SWIVEL RUN, 3/4-16 37 DEG. FLARE
3	70924403	1	CONN, STR. 9/16-18 ORB X 3/4-16 JIC
	70921885	1	O-RING, .078 X .468 ID
4	70924296	4	CONN. STR. 1-1/16-12 ORB X 3/4-16 JIC
	70921206	4	O-RING, .116 X .924 ID
5	70928605	4	PLUG, HEX SOCKET, 7/16-20 ORB-M
	70921883	4	O-RING, .072 X .351 ID
6	1077239M91	2	REDUCER, ORB, 1-1/16-12 M X 7/16-20 FEM.
	70921206	2	O-RING, .116 X .924 ID
7	71359890	1	SOLENOID CARTRIDGE VALVE
8	71359891	1	SOLENOID COIL
9	70923163	1	CONN. STR. 7/16-20 JIC X ORB MALE
	70921883	1	O-RING, .072 X .351 ID
10	71359889	1	TUBE ASY, PILOT PRESSURE
11	70924783	1	TEE, ADJ. RUN, 7/16-20 JIC X ORB
	70921883	1	O-RING, .072 X .351 ID
12	70921467	1	CAP, HEX, 7/16-20 JIC FEM.
	1077240M91	1	PLUG, HEX SOCKET, 7/16-20 ORB
	1077238M91	AR	PLUG, MODIFIED, 3/4-16 ORB
	70922874	AR	PLUG, HEX SOCKET, 5/16-24 ORB
-	112235W91	-	KIT, SEAL, ET-II ORB O-RINGS

MC00074  
PR: 426

WHEELS  
DRIVE



**9690 COMBINE  
TRANSMISSION & AXLES**

681

**WHEELS  
DRIVE**

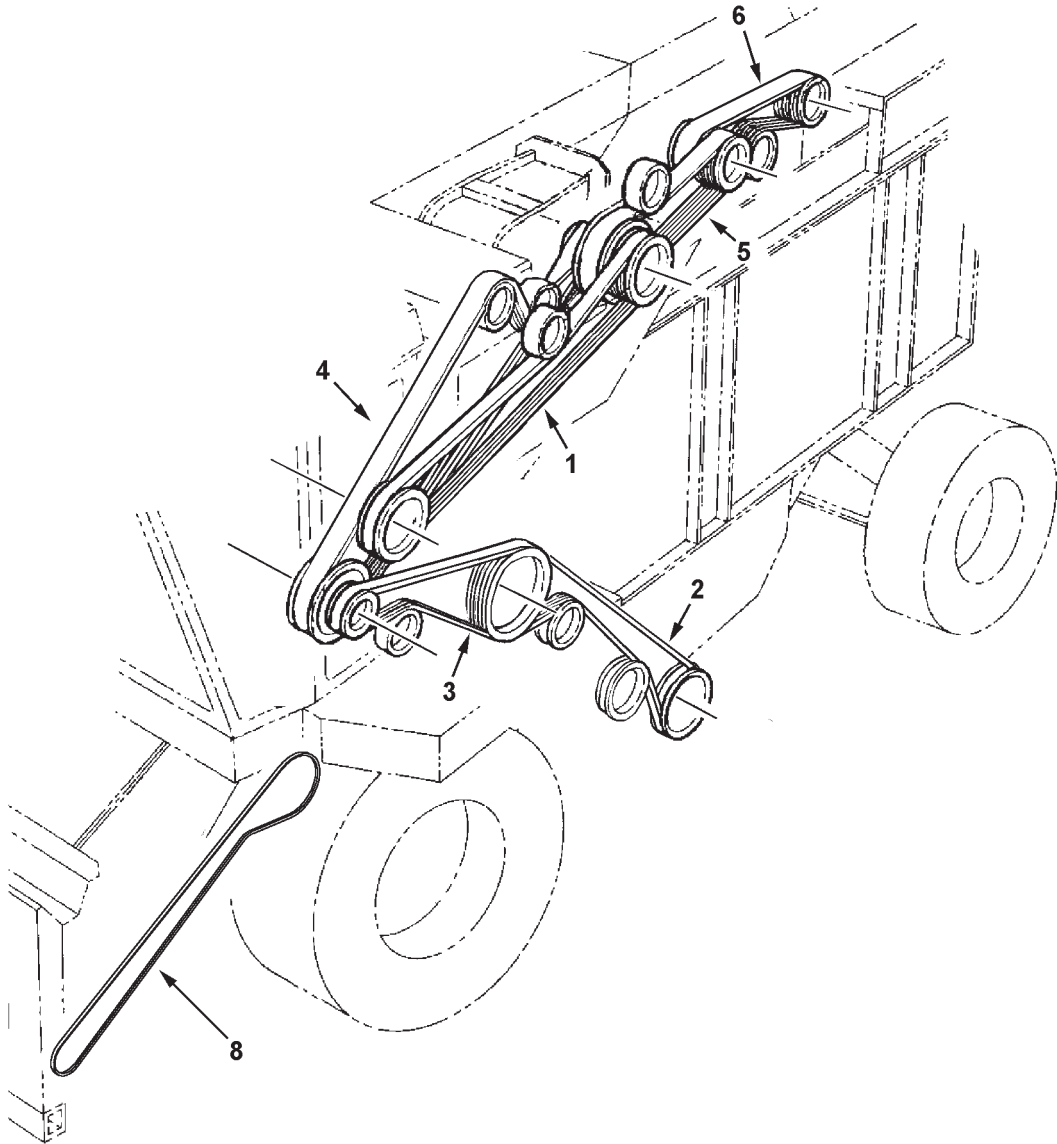
ITEM	NUMBER	QTY	DESCRIPTION
1	7027469	2	VALVE ASY, CLAMP-IN (COMPLETE)(INCL ITEMS 2, 3, 4, 5)(TUBELESS TIRE)
	71169204	AR	PLUG ASY (USED IN PLACE OF ITEM 5)
2	71170390	2	GROMMET, RIM
3	71175919	2	WASHER, ADAPTER HSG
4	71175918	2	NUT, ADAPTER HSG
5	71170388	2	VALVE HOUSING & CORE ASY, W/ CAP
6	71184188	2	DECAL, TORQUE (400 FT. LBS.)
7	539651M1	1	PLUG, RIM HOLE (FOR TUBELESS TIRE)
8	71328912	2	WHEEL - FOR 16.9 X 34 TIRE
9	71396374	2	WHEEL ASY, 32 X 36DWW -FOR 73X44X32 TIRE & 1050/50R-32 TIRE. (INCL. FOLLOWING, LESS VALVE ASY)
	71398241	2	WHEEL, LESS COMPONENTS
	71398242	2	RING, DRIVER, 32"
	71398243	2	LOCKRING, 32"
	71398244	2	O-RING, 32"
	71398245	2	DRIVER KEY
	71401733	2	VALVE STEM ASY, CLAMP-IN
10	71361406	2	WHEEL - FOR 30.5L X 32 TIRE
11	71361406	2	WHEEL - FOR 800/65R-32 TIRE
	71401735	2	WHEEL - FOR 900/60R-32 TIRE
12	71384878	2	WHEEL, INNER DUAL - FOR 18.4R-42 TIRE (INCLS STUD, PRESS-IN, 16 PER WHEEL)
	71398211	2	WHEEL, INNER DUAL - FOR 20.8R-38 TIRE (INCLS STUD, PRESS-IN, 16 PER WHEEL)
	71396348	2	WHEEL, INNER DUAL - FOR 20.8R-42 TIRE (INCLS STUD, PRESS-IN, 16 PER WHEEL)
	71388713	32	STUD, WHEEL (PRESS-IN) 3/4-16 UNF
13	71384879	2	WHEEL, OUTER DUAL - FOR 18.4R-42 TIRE
	71398212	2	WHEEL, OUTER DUAL - FOR 20.8R-38 TIRE
	71396349	2	WHEEL, OUTER DUAL - FOR 20.8R-42 TIRE
14	705665	20	WASHER, HARD, 7/8 WIDE
15	70925806	20	CAPSCREW, 7/8-9 X 3" GR8
17	71348455	2	DECAL, TORQUE, INNER WHEEL (600FT.-LBS)
18	71370926	20	SPACER, WHEEL BOLT (INNER WHEEL)
19	70936298	32	NUT, HVY HEX, 3/4-16UNF GR8
20	Y705566	32	WASHER, HARD, .812 X 1.50 X 9 GA
21	71370934	4	WHEEL, DUAL - FOR 24.5-32 TIRES
	71404432	2	SPACER SPOOL, 19.5" WIDE (NOT ILLUSTR'D)
	700724394	20	CAPSCREW, 7/8-9 X 3-3/4 GR8
	700724395	20	CAPSCREW, M22 X 2.25 X 65 MM CL 10.9
	71404430B	1	PLATE,SPACER, 1" (DECK EXT'N)(NOT ILLUS)

MC00317  
PR: 428

682

9690 COMBINE  
DRIVES

BELTS  
LEFT



MC00389

**9690 COMBINE  
DRIVES**

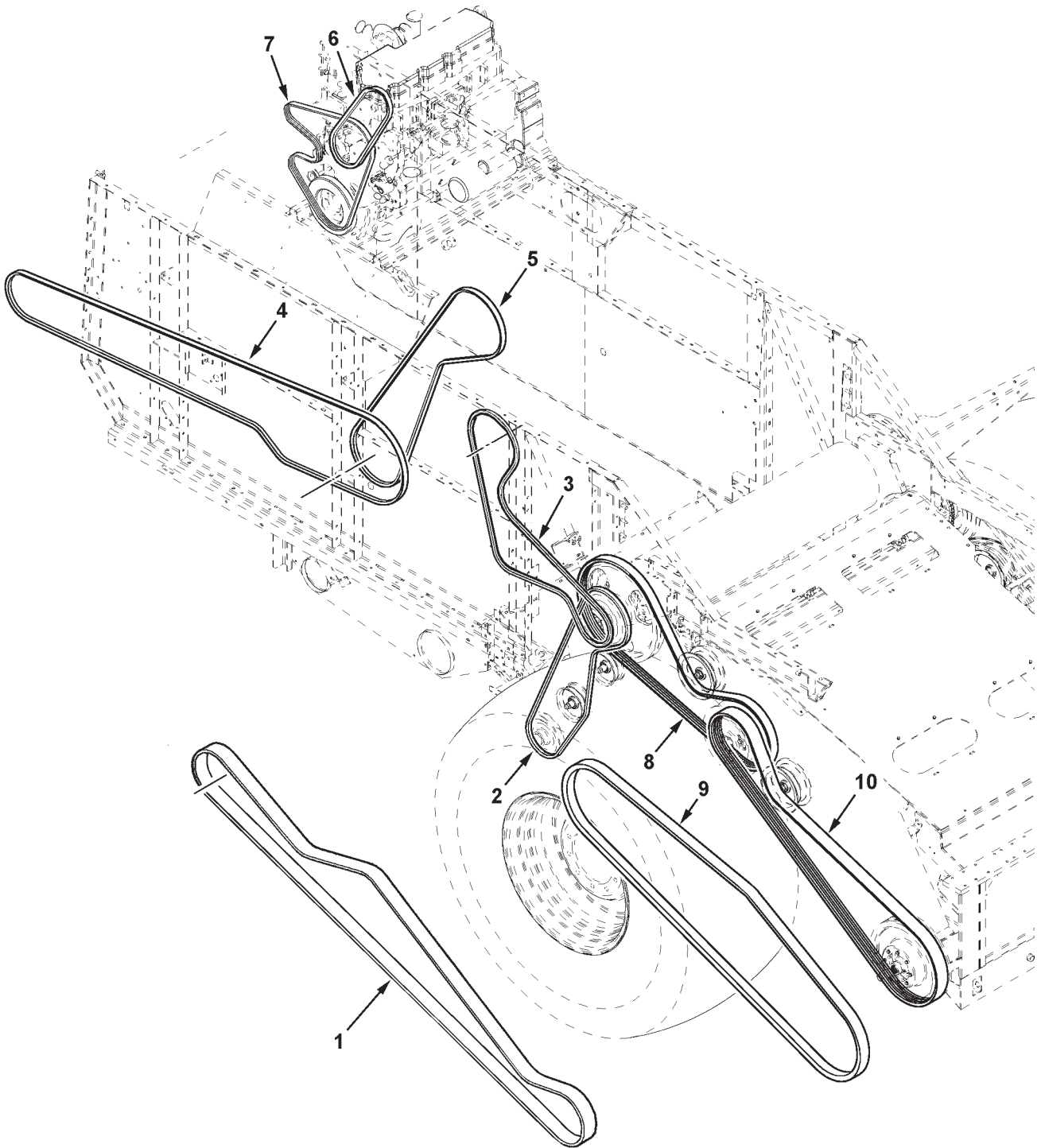
**683**

**BELTS  
LEFT**

ITEM	NUMBER	QTY	DESCRIPTION
1	101102M1	1	BELT, UNLOADER, 149.3"
2	227455M1	1	BELT, GRAIN ELEV, 130" (PRIOR S/N HP87101)
	71403685	1	BELT, GRAIN ELEV, 129.5" (EFF. S/N HP87101)
3	71390199	1	BELT, SHAKER SHOE PITMAN, 100.8"
4	71386352	1	BELT, BEATER, 175.3"
5	71390188	1	BELT, MAIN COUNTERSHAFT, 143.0"
6	71390210	1	BELT, TANDEM PUMP, 90.2" (PRIOR S/N HR87101)
	71396569	1	BELT, TANDEM PUMP, 91.1" (EFF. S/N HR87101)
8	71398388	1	BELT, HDR C'SHAFT TO PIVOT SHAFT, 195.5" (EFF. S/N HP87101)

MC00389  
PR: 430

BELTS  
RIGHT



**9690 COMBINE  
DRIVES**

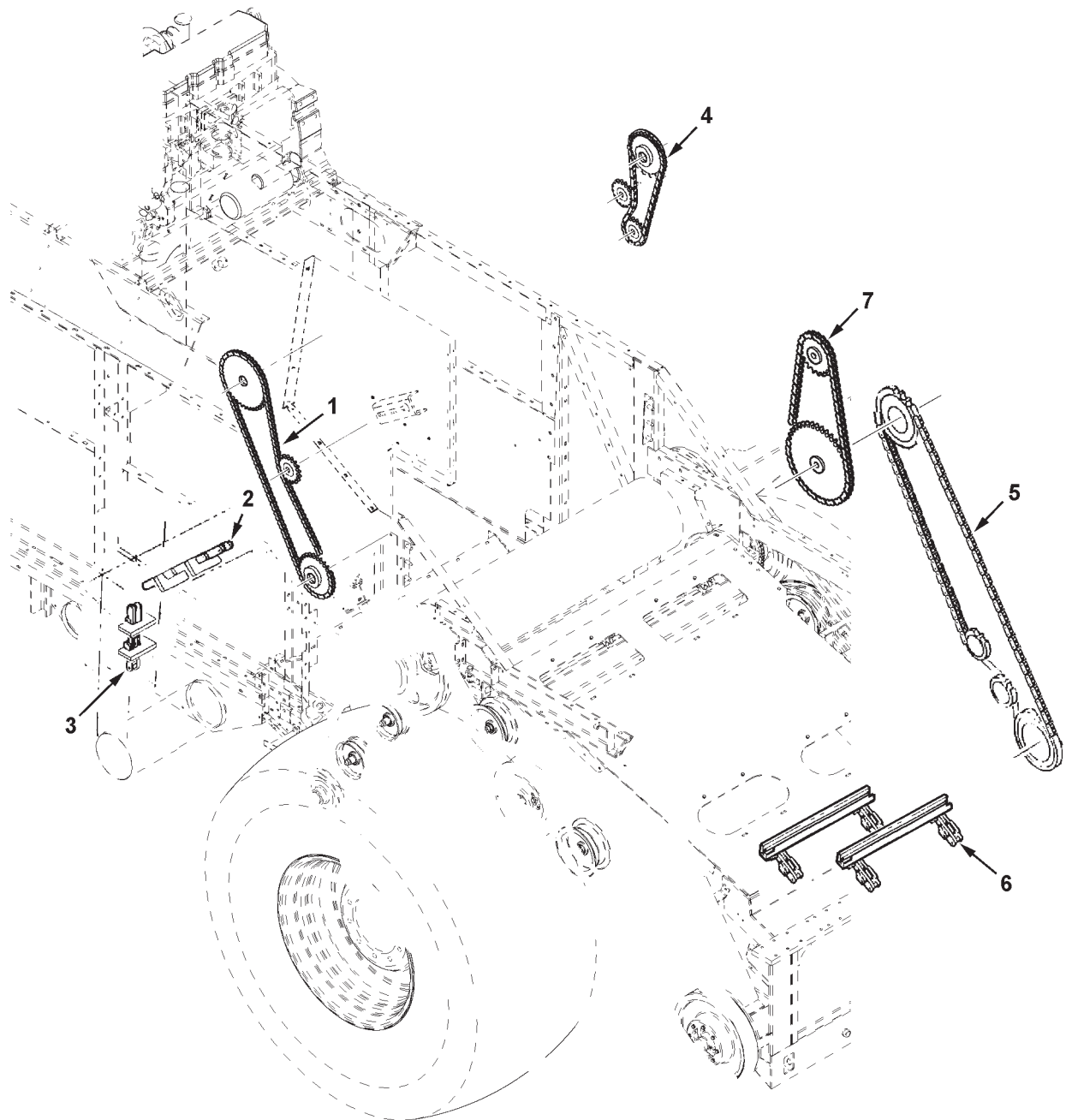
**685**

**BELTS  
RIGHT**

ITEM	NUMBER	QTY	DESCRIPTION
1	71379105	1	BELT, BEATER TO HDR C'SHAFT, 4-V, 217.0" (PRIOR S/N HP87101)
2	71394352	1	BELT, V/S FAN, 115"
3	71385801	1	BELT, RETURN ELEVATOR, 109.6"
4	71388712	1	BELT, CHOPPER SECONDARY, 213.75" (PRIOR S/N HR87101)
	71406339	1	BELT, CHOPPER SECONDARY, 214.2" (EFF. S/N HR87101)
	1680230W1	1	BELT, SPREADER, 233.2"
5	227455M1	1	BELT, SPREADER JACKSHAFT, 130"
	71385837	1	BELT, CHOPPER PRIMARY, 123.75" (PRIOR S/N HR87101)
	71406361	1	BELT, CHOPPER PRIMARY, 136.5" (EFF. S/N HR87101)
6	71148120	1	BELT, A/C COMPRESSOR
7	3289213V	1	BELT, FAN/ALTERNATOR (68.5"LG) (PRIOR S/N HR87101)
	3912004	1	BELT, FAN/ALTERNATOR (68.0"LG ALTERNATE) (PRIOR S/N HR87101)
	71410501V	1	BELT, FAN/ALT. (KIT, PRIOR S/N HR87101)
	V685121585	1	BELT, FAN/ALT., SISU (EFF. S/N HR87101)
8	71398384	1	BELT, BEATER TO FEEDR HOUSE JKSHAFT, 136" (EFF. S/N HP87101)
9	71399505	1	BELT, V.S. TO HEADER C'SHAFT, HM, 157.5" (EFF. S/N HP87101)
10	71399519	1	BELT, JKSHAFT TO HDR C'SHAFT, 3-V, 160.5" (EFF. S/N HP87101)

MC00388  
PR: 432

CHAINS  
DRIVE





**9690 COMBINE  
DRIVES**

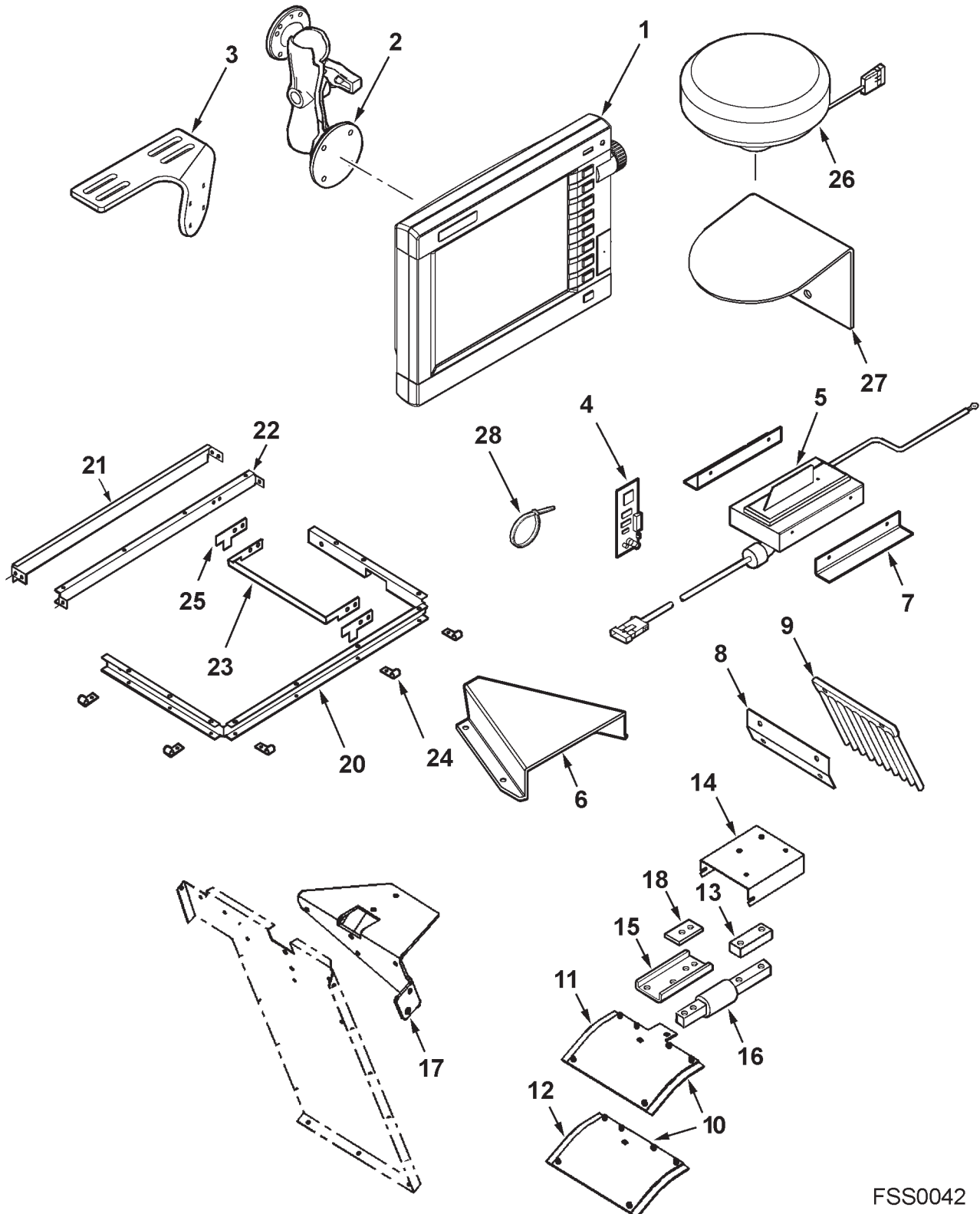
687

**CHAINS  
DRIVE**

ITEM	NUMBER	QTY	DESCRIPTION
1	Y851774	1	CHAIN ASY, BIN FILL, #50, 101 PITCHES, (PLUS 1 CONNECTR)(PRIOR S/N HN87101)
	-----	1	CHAIN #50, 109 PITCHES (USE 107 LINKS OF BULK CHAIN, PLUS 1 CONNECTOR #50 & 1 OFFSET LINK #50 (EFF. S/N HN87101)
	840327M91	1	CHAIN #50, 5/8 PITCH, BULK (10 FT)
	70913682	1	LINK, CONNECTOR, #50
	70913680	1	LINK, OFFSET, #50
2	2615233W92	1	CHAIN ASY, RETURN ELEV. (119 LINKS) (PRIOR S/N HP87101)
	71406795	1	CHAIN ASY, RETURN ELEV. (118 LINKS) (EFF. S/N HP87101)
	70927035	AR	LINK, OFFSET
	70927034	AR	LINK, ROLLER
	70927036	AR	LINK, CONNECTOR
	2605880W91	29	LINK, ATTACHING, PAIR
	W1511670	29	CUP, FLIGHT
	70921333	58	CAPSCREW, 5/16-18 X 1
	70923362	58	NUT, CENTER LOCK, 5/16-18
	70917642	58	WASHER, 5/16, WIDE
	2635690W1	58	SPACER
3	71393534	1	CHAIN ASY., GRAIN ELEVATOR
	71393533	1	CHAIN ASY, LESS SCRAPERS
	71149388	37	LINK, ATTACHING
	70927034	AR	LINK, ROLLER
	70927035	AR	LINK, OFFSET
	71364946	37	SCRAPER
	70921960	74	CAPSCREW, 1/4-20 X 1.0
	700709601	74	WASHER, FLAT 1/4
	Y704395	74	LOCKNUT, 1/4-20
4	----	1	CHAIN, UNLOADER DR, #60, 70 PITCHES (USE 69 LINKS OF BULK CHAIN AND 1 CONNECTOR)
	70921050	AR	CHAIN, #60, 3/4 PITCH, BULK (10 FT)
	70914584	AR	LINK, CONNECTOR, #60
5	71149992	1	CHAIN ASY., FEEDER DRIVE #60 (PRIOR S/N HP87101)
	70914584	AR	LINK, CONNECTOR, #60
6	71449007	1	CHAIN ASY, FEEDER CONVEYOR, W/SLATS (PRIOR S/N HP87101)
	71149999	1	CHAIN ASY, CENTER(PRIOR S/N HP87101)
	71449001	2	CHAIN ASY., SIDE (PRIOR S/N HP87101)
	71449018	1	CHAIN ASY, FEEDER CONVEYOR, W/SLATS (EFF. S/N HP87101)
	71449016	1	CHAIN ASY, CENTER (EFF. S/N HP87101)
	71449015	2	CHAIN ASY., SIDE (EFF. S/N HP87101)
	71149894	AR	LINK, ATTACHING
	70937300	AR	LINK, ROLLER
	71149896	AR	LINK, OFFSET, INCL. PIN & LOCKNUT
	71149895	AR	LINK, COUPLING
	70920397	AR	NUT, NYLON LOCK, 1/4-20
	71395877	28	SLAT, FEEDER CHAIN
	70937603	112	CAPSCREW, LOCKING, 1/2-13 X 3/4 GR8
	70928512	112	NUT, 1/2-13 REG GR8
7	-----	1	CHAIN ASY, FEEDER REVERSER, #60 (EFF. S/N HP87101)
	71449019	1	CHAIN, #60, 71 PITCHES
	70914584	1	CONNECTOR LINK, #60 CHAIN

MC00322  
PR: 434

YIELD MONITOR SYSTEM W/ 1 HZ WAAS DGPS



**9690 COMBINE  
FIELDSTAR II SYSTEM**

689

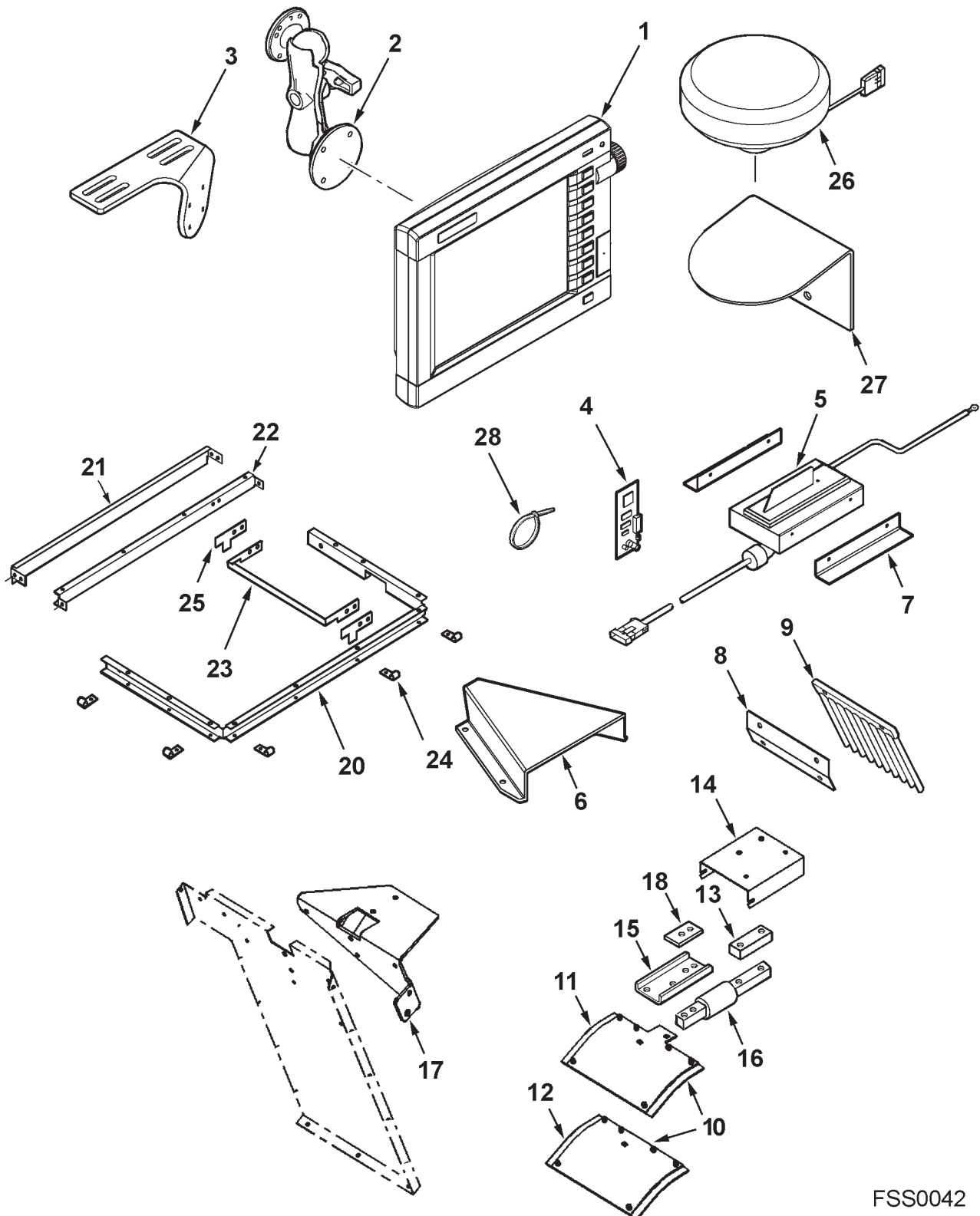
**YIELD MONITOR SYSTEM W/ 1 HZ WAAS DGPS**

ITEM	NUMBER	QTY	DESCRIPTION
-	72570023	AR	KIT, YIELD MONITOR SYSTEM W/ 1 HZ WAAS DGPS
-	71387554	AR	KIT, MOISTURE SENSOR/FUNNEL (INCL. ITEMS 5-9)
1	72571014	1	CONSOLE II, FIELDSTAR (GTA)
	Y705269	4	LOCKWASHER, M6
	7883978	4	CAPSCREW, M6 X 1 X 12
2	71409820	1	BRACKET, CONSOLE MOUNTING
	700705088	4	SCREW, #10-24 X 3/4
	373197X1	4	SCREW, #10-24 X 5/8 (USED W/FLAT BASE PLATE)
	70916621	4	NUT, #10-24
	705004	4	LOCKWASHER, #10
	70917380	4	WASHER, #10
3	71410962	1	PLATE, BASE
	71408376	1	PLATE, BASE, FLAT (USED ON EARLY PROD.) (NOT SHOWN)
4	72571032	1	CARD, INTERFACE
5	71378711	1	SENSOR, MOISTURE
	72516412	AR	CONNECTOR
	72516411	AR	LOCK, SECTION
	72515775	AR	TERMINAL, MALE
	72515771	AR	SEAL
	70937685	3	J-CLIP, 3/8 X .406 HOLE
	Y704015	2	NUT, 5/16-18
6	71387552	1	FUNNEL, MOISTURE SENSOR
	70921332	4	CAPSCREW, 5/16-18 X 3/4
	Y705608	4	WASHER, 5/16
	70917356	4	LOCKWASHER, 5/16
	Y704015	4	NUT, 5/16-18
7	71387553	2	BRACKET, MOISTURE SENSOR
	70931832	4	SCREW, #8-32 X 3/8
	70537291	4	FASTENER, SNAP
	70924837	4	RIVET, 3/16 X 9/32
8	71400588	1	BRACKET, MOISTURE SENSOR FINGERS
9	71393717	1	EXTENSION, FINGERS DIFFUSE
	700711167	2	SCREW, 1/4-20 X 3/4
	70918264	2	WASHER, 1/4
	705012	2	LOCKWASHER, 1/4
	70916622	2	NUT, 1/4-20
10	71401399	1	TARGET ASY., YLD SENSOR (INCLUDE ITEMS 11 & 12)
	W900194-4	2	BOLT, CARRIAGE, 1/4-20 X 1/2
	705012	2	LOCKWASHER, 1/4
	70916622	2	NUT, 1/4-20
11	71401398	1	PLATE, YLD SENSOR TARGET
12	71401390	1	TARGET, UHMW PLASTIC
	70937253	6	RIVET, POP
13	71400581	1	BAR, CLAMP, YIELD SENSOR
14	71400585	1	COVER, YIELD SENSOR
	70921963	2	CAPSCREW, 1/4-20 X 2
	705012	2	LOCKWASHER, 1/4
	70916622	2	NUT, 1/4-20

CONTINUED

FSS0042  
PR: t06e31j25c0001

YIELD MONITOR SYSTEM W/ 1 HZ WAAS DGPS



**9690 COMBINE  
FIELDSTAR II SYSTEM**

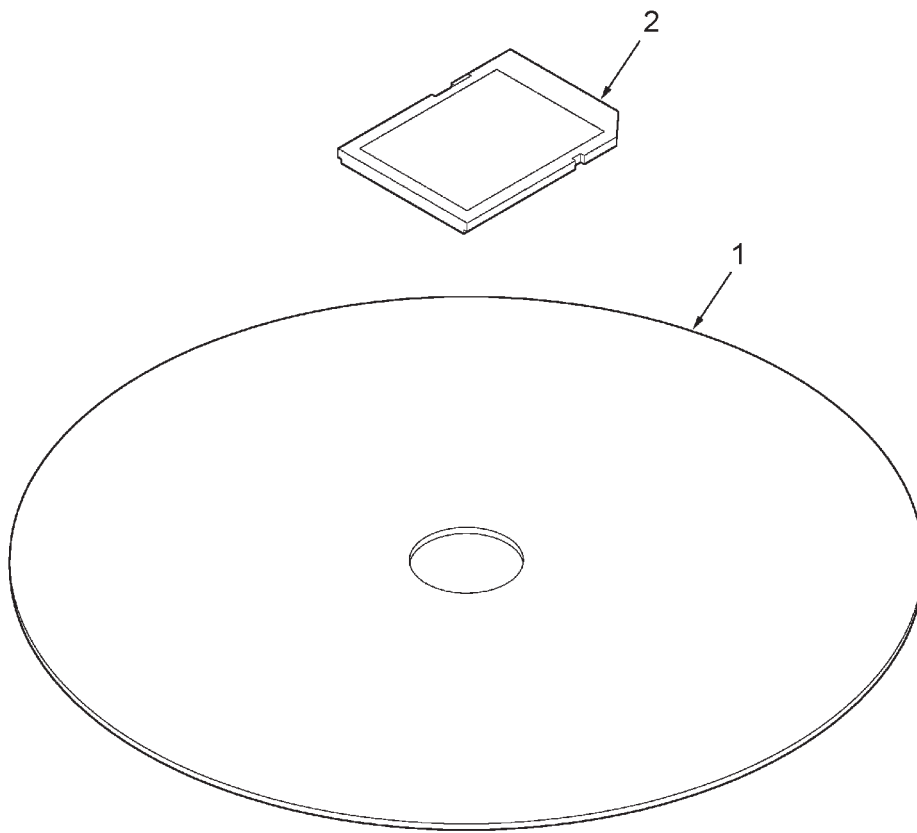
691

**YIELD MONITOR SYSTEM W/ 1 HZ WAAS DGPS**

ITEM	NUMBER	QTY	DESCRIPTION
15	71406842	1	MOUNT, BAR, YIELD SENSOR
16	71399237	1	LOAD BAR, YIELD SENSOR(W/ELECTRICAL BOX)
	700700628	2	MACHINE SCREW, #10-24 X 1/2
	705004	2	LOCKWASHER, #10
	Y704072	2	NUT, 10-24
17	71399241	1	MOUNTING WLDMT., YIELD SENSOR
	7703457	6	CAPSCREW, 1/4-20 X 3/4
	70917377	6	WASHER, WIDE PLAIN 1/4
	705012	6	LOCKWASHER, 1/4
	70916622	6	NUT, 1/4-20
18	71406844	1	PLATE, TARGET CLAMPING
	7703473	2	CAPSCREW, 1/4-20 X 1-1/4
	70917377	2	WASHER, WIDE PLAIN 1/4
	70931209	2	NUT, HEX FLNG SER LK, 1/4-20
19	72571068	1	TAPE, POLYETHYLENE (NOT SHOWN)
20	71399242	1	RISER, 1", ELEV. HEAD
	700704837	10	MACHINE SCREW, #10-24 X 3/8
	705004	10	LOCKWASHER, #10
	Y704072	10	NUT, #10-24
21	71399243	1	RISER, 1", ELEV. HEAD
	700704837	4	MACHINE SCREW, #10-24 X 3/8
	705004	4	LOCKWASHER, #10
	Y704072	4	NUT, #10-24
	70921958	2	CAPSCREW, 1/4-20 X 1/2
	70918264	2	WASHER, 1/4
	705012	2	LOCKWASHER, 1/4
	70916622	2	NUT, 1/4-20
22	71399246	1	RISER PLATE, ELEV. HEAD
	70921958	4	CAPSCREW, 1/4-20 X 1/2
	70918264	4	WASHER, 1/4
	705012	4	LOCKWASHER, 1/4
	70916622	4	NUT, 1/4-20
23	71410927	1	SEAL, YIELD SENSOR
	70921958	4	CAPSCREW, 1/4-20 X 1/2
	705012	4	LOCKWASHER, 1/4
	70916622	4	NUT, 1/4-20
24	71151362	5	CLIP
25	71410926	2	SNUBBER, YIELD SENSOR
26	71395205	1	RECEIVER, 1 HZ WAAS GARMIN
27	71395218	1	BRACKET, ANTENNA
	70921332	2	CAPSCREW, 5/16-18 X 3/4
	Y705608	2	WASHER, 5/16
	70917356	2	LOCKWASHER, 5/16
	Y704015	2	NUT, 5/16-18
	70937685	1	J-CLIP, 3/8
28	70925094	AR	TIE, SELF
29	72571081	1	HARNESS, ADAPTER FIELDSTAR II (CONNECTS CONSOLE II TO COMBINE HARNESS) (NOT SHOWN)
30	71400915	1	BACK, GRAIN ELEVATOR HEAD (NOT SHOWN)
-	71410563C	1	MANUAL, FIELDSTAR OPERATION
-	71410562	1	FORM, WARRANTY

FSS0042  
PR: t06e31j25c0001

SOFTWARE/DATA CARD



**9690 COMBINE  
FIELDSTAR II SYSTEM**

**693**

**SOFTWARE/DATA CARD**

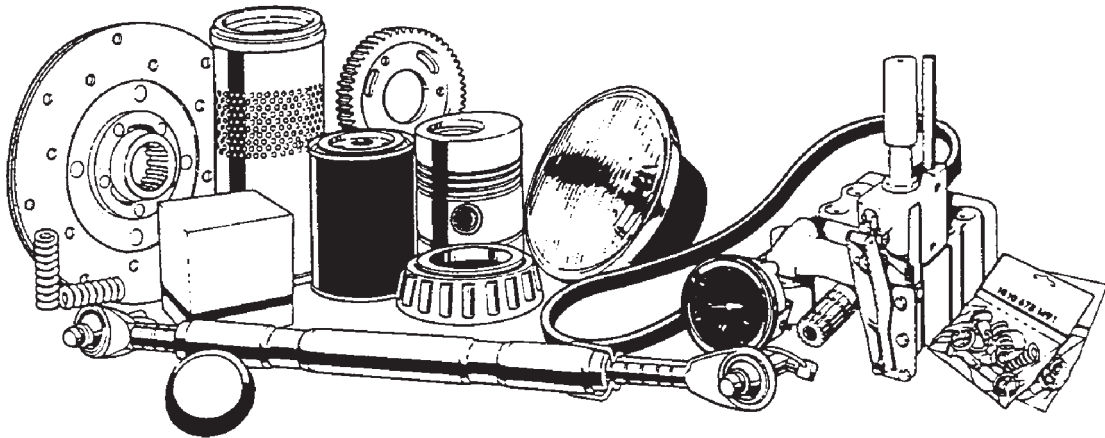
ITEM	NUMBER	QTY	DESCRIPTION
-	72570030	AR	KIT, SOFTWARE PACKAGE, GTA 100/200/300
1	72570001	1	SOFTWARE, GTA 100
	72570002	AR	SOFTWARE, GTA 200 (REQUIRES GTA 100)
	72570003	AR	SOFTWARE, GTA 300 (REQUIRES GTA 100/200)
	72570004	AR	SOFTWARE, GTA 400 (REQUIRES GTA 100/200/300)
2	72571070	AR	CARD, SD (DATA), 256 MB
-	72571136	AR	CARD, FIELDSTAR II PROGRAM [A] (TASK CONTROLLER 1.3.1 & COMBINE SW 2.00)

[A] CAN BE REUSED AS DATA CARD

FSS0043  
PR: t06e31j25c0003

RECOMMENDED DEALER STOCK

# RECOMMENDED DEALER STOCK





**9690 COMBINE  
RECOMMENDED DEALER STOCK**

695

**RECOMMENDED DEALER STOCK**

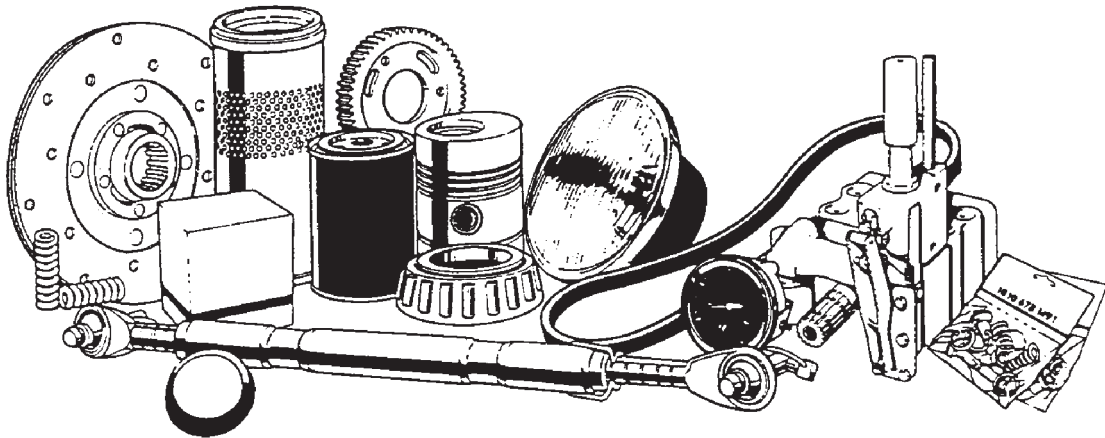
ITEM	NUMBER	QTY	DESCRIPTION
-	71379601	1	A/C COMPRESSOR & CLUTCH ASY
-	81370306	1	ALTERNATOR, 130 AMP, 12 VOLT (REMAN)
-	1907162M1	2	BATTERY
-	70262754	1	BEARING
-	31-1588410	2	BEARING
-	K4037	2	BEARING
-	71392693	1	BEARING ASY.
-	71335184	1	BEARING ASY. 1.75 (W/O COLLAR)
-	71308770	2	BEARING KIT
-	50468	1	BEARING, 1.50"
-	1109055	1	BEARING, BALL
-	71391540	1	BEARING, BALL
-	354920X1	1	BEARING, BALL
-	831822M1	2	BEARING, BALL
-	71154722	1	BEARING, BALL
-	71195913	1	BEARING, BALL
-	10033	1	BEARING, BALL (W/O COLLAR)
-	50021	1	BEARING, BALL W/COLLAR
-	70590704	1	BEARING, BALL, W/O COLLAR
-	70590709	1	BEARING, BALL, W/COLLAR
-	8050866	1	BEARING, CAM FOLLOWER
-	71308984	2	BEARING, FLANGE
-	71309117	1	BEARING, FLANGE
-	71122510	1	BEARING, FLANGE W/COLLAR
-	711770	2	BEARING, ROLLER
-	71148120	1	BELT, A/C COMPRESSOR
-	71386352	1	BELT, BEATER, , KEVLAR 175.3"
-	71385837	1	BELT, CHOPPER PRIMARY, 123.75"
-	71406361	1	BELT, CHOPPER PRIMARY, 136.5"
-	71390188	1	BELT, COUNTERSHAFT, 143"
-	71379105	1	BELT, FEEDER DRIVE
-	3912004	1	BELT, FAN/ALT. DRIVE
-	71410501V	1	BELT, FAN/ALT.
-	V685121585	1	BELT, FAN/ALT., SISU
-	227455M1	1	BELT, GRAIN ELEVATOR, 130"
-	71385801	1	BELT, RETURN ELEVATOR, 109.6"
-	71390210	1	BELT, ROTOR PUMP, 90.1"
-	71396569	1	BELT, ROTOR PUMP, 91.1"
-	71390199	1	BELT, SHAKER SHOE PITMAN, 100.8"
-	227455M1	1	BELT, SPREADER JACKSHAFT, 130"
-	1680230W1	1	BELT, SPREADER, 233.2"
-	71388712	1	BELT, CHOPPER SECONDARY, 213.75"
-	71406339	1	BELT, CHOPPER SECONDARY, 214.2"
-	101102M1	1	BELT, UNLOADER, 149.3"
-	71394352	1	BELT, V/S FAN, 115"
-	1680230W1	1	BELT-SECONDARY DRIVE
-	71382758	6	BLADE, LEFT PADDLE, CHOPPER
-	71382759	6	BLADE, RIGHT PADDLE, CHOPPER
-	71387297	1	BLADE, WIPER
-	1018729M1	10	BULB, 1156
-	70928348	10	BULB, 1157
-	700722351	2	BULB, HALOGEN, 12V (GE #862)
-	71397443	2	BULB, LIGHT
-	71370121	1	BUSHING, ARM

CONTINUED

RDL  
PR: 440

RECOMMENDED DEALER STOCK

# RECOMMENDED DEALER STOCK



**9690 COMBINE  
RECOMMENDED DEALER STOCK**

697

**RECOMMENDED DEALER STOCK**

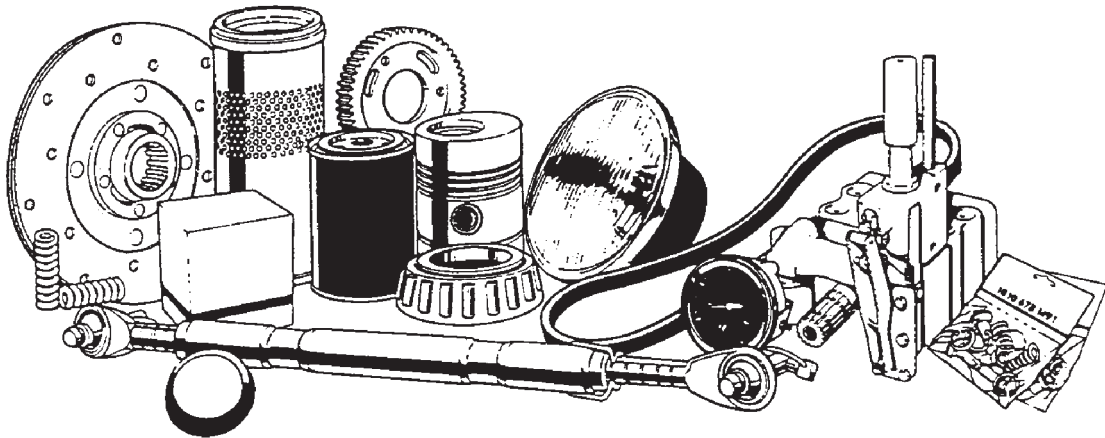
ITEM	NUMBER	QTY	DESCRIPTION
-	71157144	2	BUSHING, BRONZE
-	71387375	1	BUSHING, FAN DRIVE
-	71356060	1	BUSHING, PIVOT
-	71394725	1	CABLE, NEGATIVE BATTERY
-	71396951	1	CABLE, POSITIVE BATTERY
-	71400413	1	CAP, RADIATOR
-	112887W1	2	CAP, RESERVOIR BREATHER
-	Y851774	1	CHAIN ASY, BIN LOADER, #50
-	71393534	1	CHAIN ASY, GRAIN ELEVATOR
-	2615233W92	1	CHAIN ASY, RETURN ELEVATOR
-	71149992	1	CHAIN ASY, FEEDER DRIVE #60
-	71449007	1	CHAIN ASY, FEEDER CONVEYOR, W/SLATS
-	71449018	1	CHAIN ASY, FEEDER CONVEYOR, W/SLATS
-	70921050	2	CHAIN, BULK, #60, 3/4 PITCH, (10 FT)
-	71188504	1	COIL
-	7710551	2	COLLAR, BEARING
-	K3518	2	COLLAR, BEARING
-	K3999	2	COLLAR, BRG., 1-3/8 ID X 2-3/16 OD
-	70228509	2	CONE, BEARING
-	74254700	2	CONE, BEARING
-	74254699	1	CUP, BEARING
-	195160M1	1	CUP, BEARING, INNER
-	W1511670	12	CUP, CONVEYOR FLIGHT
-	71371526	4	CYL BAR, REVERSE, .75 CHROME (GR,CN,SBN)
-	71371520	1	CYLINDER BAR, .75 CHROME (GRN,CRN,SBN)
-	71393893	6	ELEMENT, AIR FILTER
-	71391153	1	ELEMENT, AIR
-	71393893	2	ELEMENT, AIR FILTER
-	104309W91	4	ELEMENT, FILTER
-	1070229M1	2	ELEMENT, PRIMARY
-	1070230M1	1	ELEMENT, SAFETY
-	72511906	4	FUEL FILTER/WATER SEPARATOR
-	V836867595	5	FILTER ELEMENT, FUEL, SISU
-	V836867591	5	PRE-FILTER, FUEL, SISU
-	72516560	12	OIL FILTER, CUMMINS ENGINE
-	V836362567	12	OIL FILTER, SISU ENGINE
-	71372880	1	FILTER,COOLANT(23 UNITS DCA-4/FULL FILL)
-	71130258	2	FLANGE, BEARING
-	71133361	3	FLANGE, BEARING
-	71192243	1	FLANGE, BEARING
-	71370634	1	FLANGE, BEARING, 72MM
-	71127313	3	FLANGE,BEARING
-	70934739	2	FUSE
-	70934740	2	FUSE
-	70935426	2	FUSE, 7.5 AMP
-	700721620	5	FUSE, MINI 3AMP
-	70937605	5	FUSE, MINI 5AMP
-	70937606	5	FUSE, MINI 10AMP
-	70937607	5	FUSE, MINI 15AMP
-	70937608	5	FUSE, MINI 20AMP
-	70937609	5	FUSE, MINI 25AMP
-	70937610	5	FUSE, MINI 30AMP
-	70226012	4	GASKET, DRAIN PLUG
-	71308156	1	IDLER, BELT DRIVE
-	71309768	1	IDLER, FLAT 8"
-	2554761W91	2	IMPELLER WLMT

CONTINUED

RDL  
PR: 440

RECOMMENDED DEALER STOCK

# RECOMMENDED DEALER STOCK



**9690 COMBINE**  
**RECOMMENDED DEALER STOCK**

699

**RECOMMENDED DEALER STOCK**

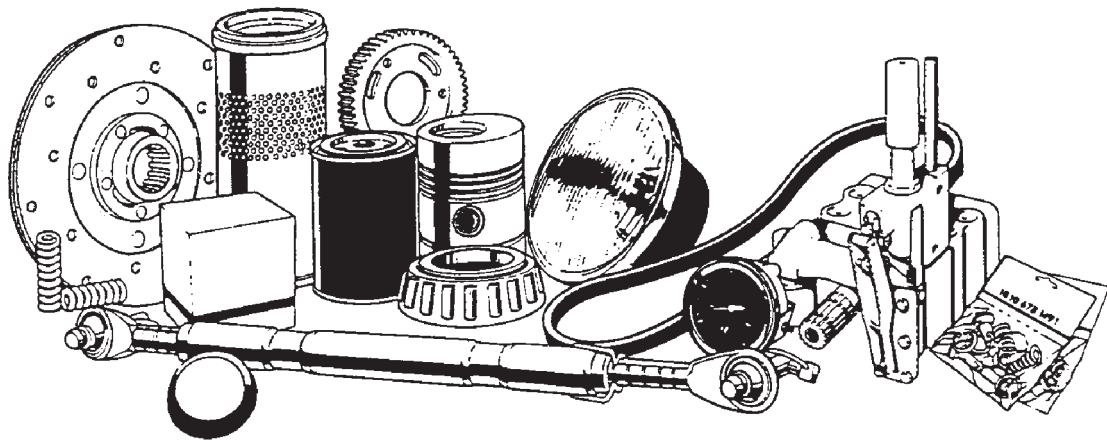
ITEM	NUMBER	QTY	DESCRIPTION
-	71396653	2	JOURNAL ASY, U-JOINT
-	71377109	2	KEY, IGNITION, X2
-	2605880W91	6	LINK ASY, ATTACHING
-	71149388	6	LINK ASY, ATTACHING
-	71149894	6	LINK, ATTACHING
-	70914584	6	LINK, CHAIN CONNECTOR
-	329951M91	6	LINK, CHAIN CONNECTOR
-	71149895	6	LINK, CHAIN COUPLING
-	70927035	6	LINK, CHAIN OFFSET
-	71149896	10	LINK, CHAIN OFFSET
-	70927034	6	LINK, CHAIN ROLLER
-	70937300	10	LINK, CHAIN ROLLER
-	79021669	1	LOCTITE, THREADLOCKER (10 ML)
-	71341450	4	PADDLE, SPREADER
-	71383932	6	PADDLE BLADE KIT, CHOPPER
-	71396971	1	PCB RELAY, 20 AMP
-	71396970	1	PCB RELAY, 40 AMP
-	79021671	1	PIPE SEALANT
-	71376825	1	POSITION SENSOR, 5K POT.
-	71369761	1	RECEIVER, DRYER (R134A)
-	700714529	1	RECEPTICAL
-	72160919	1	RELAY, DIFFERENTIAL LOCK
-	70927732	1	RING,RETAINING
-	70924837	10	RIVET, .188 X .277 LG
-	70925160	10	RIVET, 3/16 X .527
-	70937253	10	RIVET,BLIND 18
-	71364946	1	SCRAPER
-	71407293	1	SENDER, FUEL LEVEL W/GSKT
-	71391869	1	SENSOR, ROTARY POSITION
-	71393718	1	SENSOR, TEMPERATURE
-	79021649	1	SILMATE, RTV, (13 OZ. TUBE)
-	71395877	12	SLAT, FEEDER CHAIN
-	71356061	1	SLEEVE, HARD, IDLER PIVOT
-	2636210W1	1	SLEEVE, PIVOT
-	71345898	1	SPACER, HUB
-	71370926	1	SPACER, WHEEL BOLT .91 ID X 2.0 X 1.0
-	71375335	2	SPRING
-	2571510W1	1	SPROCKET, GRAIN ELEVATOR
-	7087398	1	SPROCKET, IDLER
-	71395250	6	STRAIGHT BLADE, CHOPPER
-	71383934	6	STRAIGHT BLADE KIT, CHOPPER
-	71370496	4	STOP, ARM, FEEDER HOUSING.
-	71370120	2	STOP, DRUM POSITION
-	72509305	1	SWITCH, HIGH PRESSURE
-	700718010	1	SWITCH, IGNITION
-	71351816	1	SWITCH, OIL PRESSURE
-	71397929	1	THERMOSTAT
-	79021668	1	THREAD LOCKER, HIGH STRENGTH

CONTINUED

RDL  
PR: 440

RECOMMENDED DEALER STOCK

# RECOMMENDED DEALER STOCK



**9690 COMBINE**  
**RECOMMENDED DEALER STOCK**

701

**RECOMMENDED DEALER STOCK**

ITEM	NUMBER	QTY	DESCRIPTION
-	71395998	1	U-JOINT ASY, DOUBLE PIVOT
-	30-3076830	1	VALVE, SHUTOFF
-	2498390W1	1	VANE, GUIDE 3 HOLE
-	2467230W1	1	VANE, GUIDE, 5 HOLE
-	2467220W1	1	VANE, GUIDE, 7 HOLE
-	72571014	1	[A] CONSOLE II, FIELDSTAR (GTA)
-	72571081	1	[A] HARNESS, ADAPTER FIELDSTAR II
-	71399237	2	[A] LOAD BAR, YIELD SENSOR(W/ELECT. BOX)
-	71406842	1	[A] MOUNT, BAR, YIELD SENSOR
-	71406844	1	[A] PLATE, TARGET CLAMPING
-	71395205	1	[A] RECEIVER, 1 HZ WAAS GARMIN
-	71378711	1	[A] SENSOR, MOISTURE
-	71410926	4	[A] SNUBBER, YIELD SENSOR
-	71401399	1	[A] TARGET ASY., YLD SENSOR

[A] FIELDSTAR

NOTE: THIS PARTS STOCK LIST  
INDICATES THOSE ITEMS RECOMMENDED  
TO SERVICE FIVE UNITS.

RDL  
PR: 440







©AGCO Corporation, 2007. All rights reserved.  
Printed in U.S.A.

Publication No. 651800M92 (English)  
February, 2007