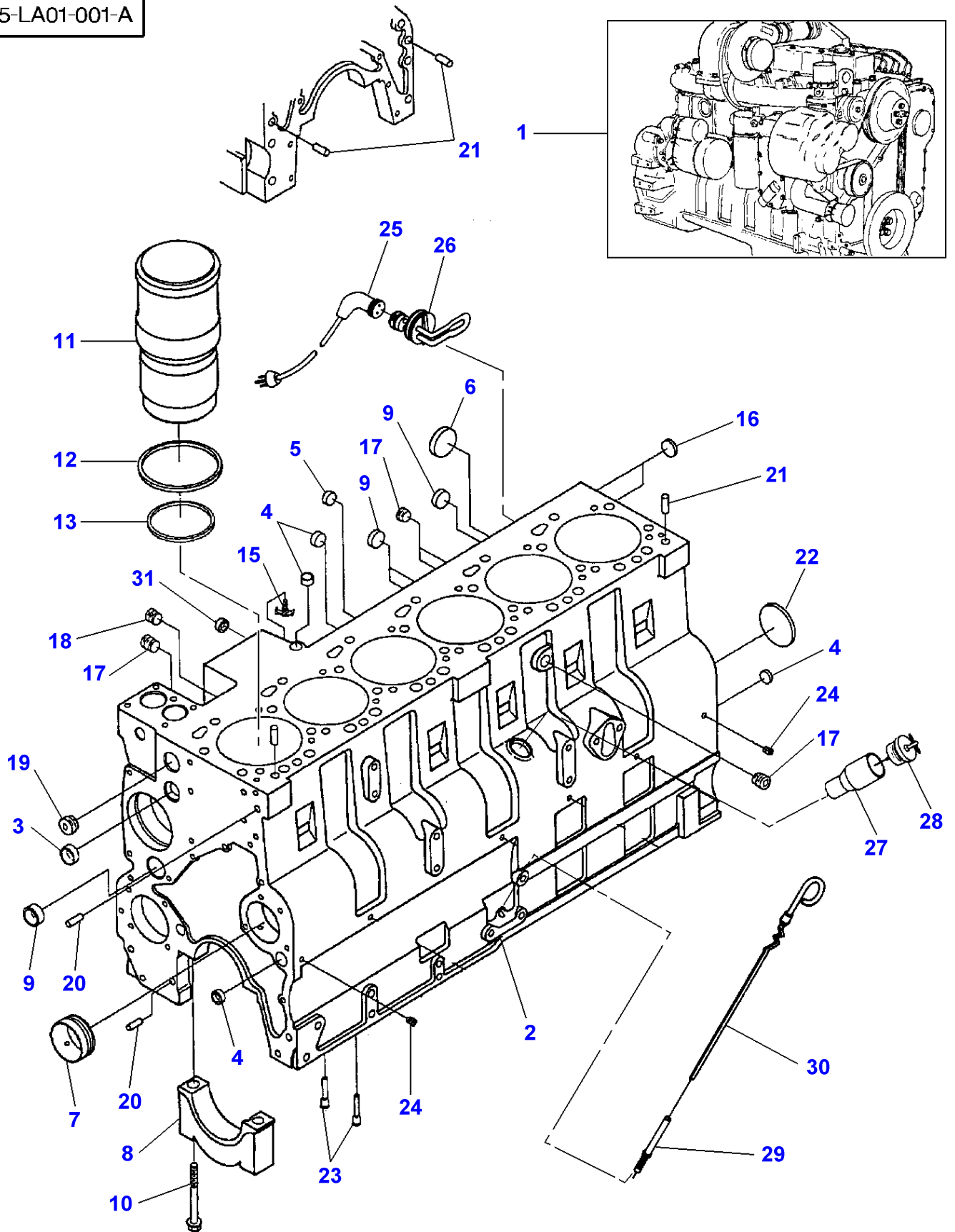




MF 9240 TRACTOR - 1637287  
5-LA01-001-A

5-LA01-001-A



Cylinder Block

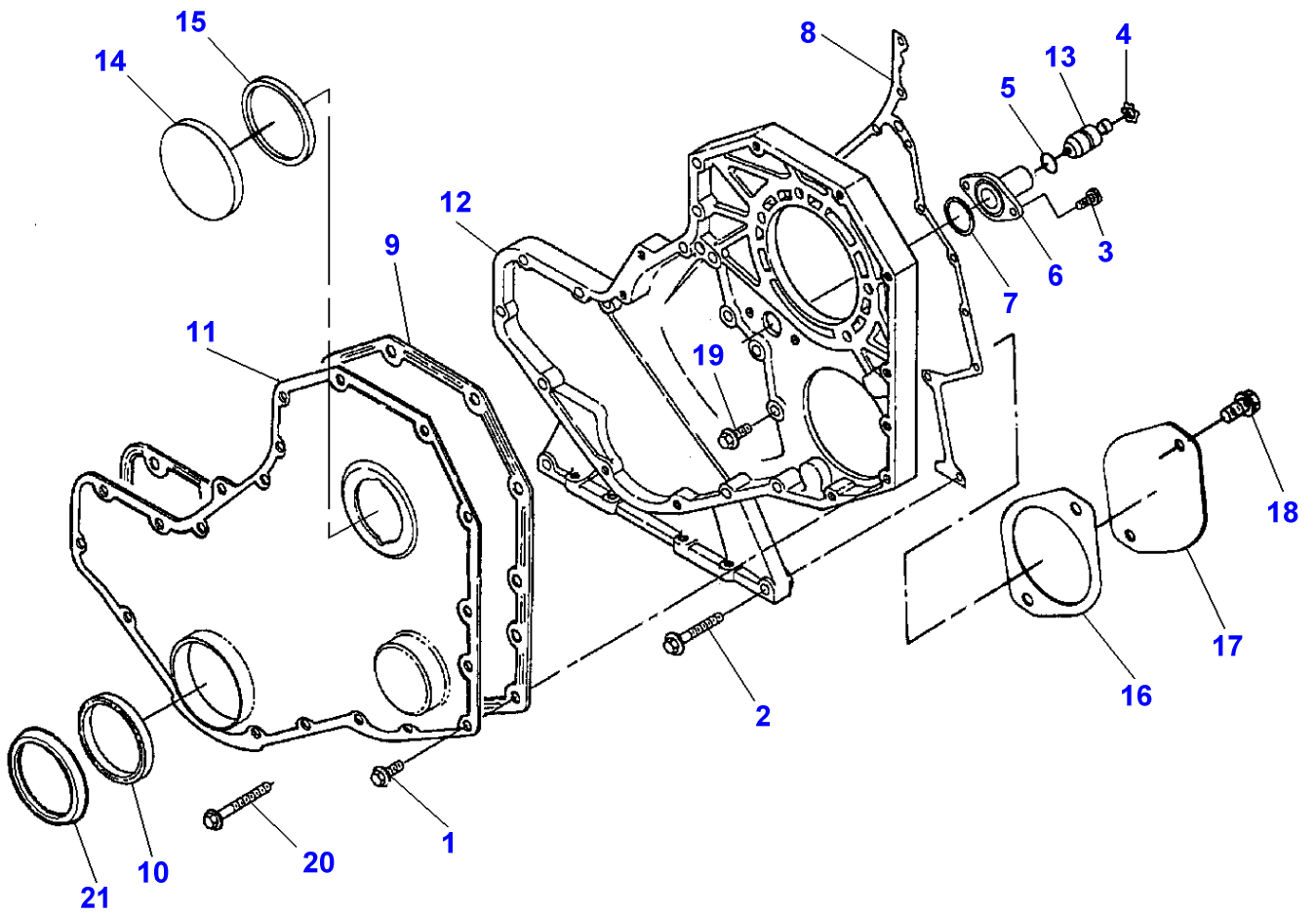
Item	Part Number	Qty	Description	Comments
1	72505337	1	Engine	6CT 8.3 Up to Serial or Engine Number 01-1997
	72513974	1	Engine	6CTA8.3 From Serial or Engine Number 01-1997
2	71369876	1	Block	
3	30-3435857	1	Plug	(2) 1-1/8" OD
4	30-3435830	4	Plug	(2) 13/16" OD
5	71367844	1	Plug	(2)
6	30-3436446	1	Plug	(2) 58.06MM OD
7	30-3435814	7	Bush	(2) STANDARD
	30-3435946	X	Bush	OVERSIZE ...
8	71367984	7	Cap	(2)
9	30-3435822	4	Plug	(2) 1.386 OD
10	71367845	14	Bolt	(2) M14X128 Replace and repair. Old not interchangeable with new 72512585
11	71367846	1	Kit, Liner	See Page - Reference Number 010-0025/13
12	30-3435954	1	Seal	
13	71367847	X	Shim	Thickness 0,25MM
	71367848	X	Shim	Thickness 0,38MM
	71367849	X	Shim	Thickness 0,50MM
14	72512586	1	Kit	[A,B]
15	KS517	1	Plug	(14)
16	72511785	2	Plug	(14)
17	70917970	4	Plug	(14)
18	70904224	2	Plug	(14)
19	70922499	1	Plug	(14)
20	30-3435911	2	Pin	(14)
21	30-3435903	4	Pin	(14) M12X24
22	30-3435873	1	Plug	(14) 2-3/4" OD
23	71368000	12	Nozzle	(14)
24	70917673	6	Plug	(14) Replace and repair. Old not interchangeable with new 72160213
25	72509516	1	Harness	
26	72509517	1	Heater	1000 WATT-240V
27	30-3438309	1	Tube	
28	<del>30-3438317</del>	1	Cap	
29	30-3438287	1	Tube	
30	30-3438295	1	Dipstick	
31	30-3440206	1	Plug	

FOOTNOTE [A] NOT ILLUSTRATED

FOOTNOTE [B] INCLUDES REFERENCE NO.15 THRU 24



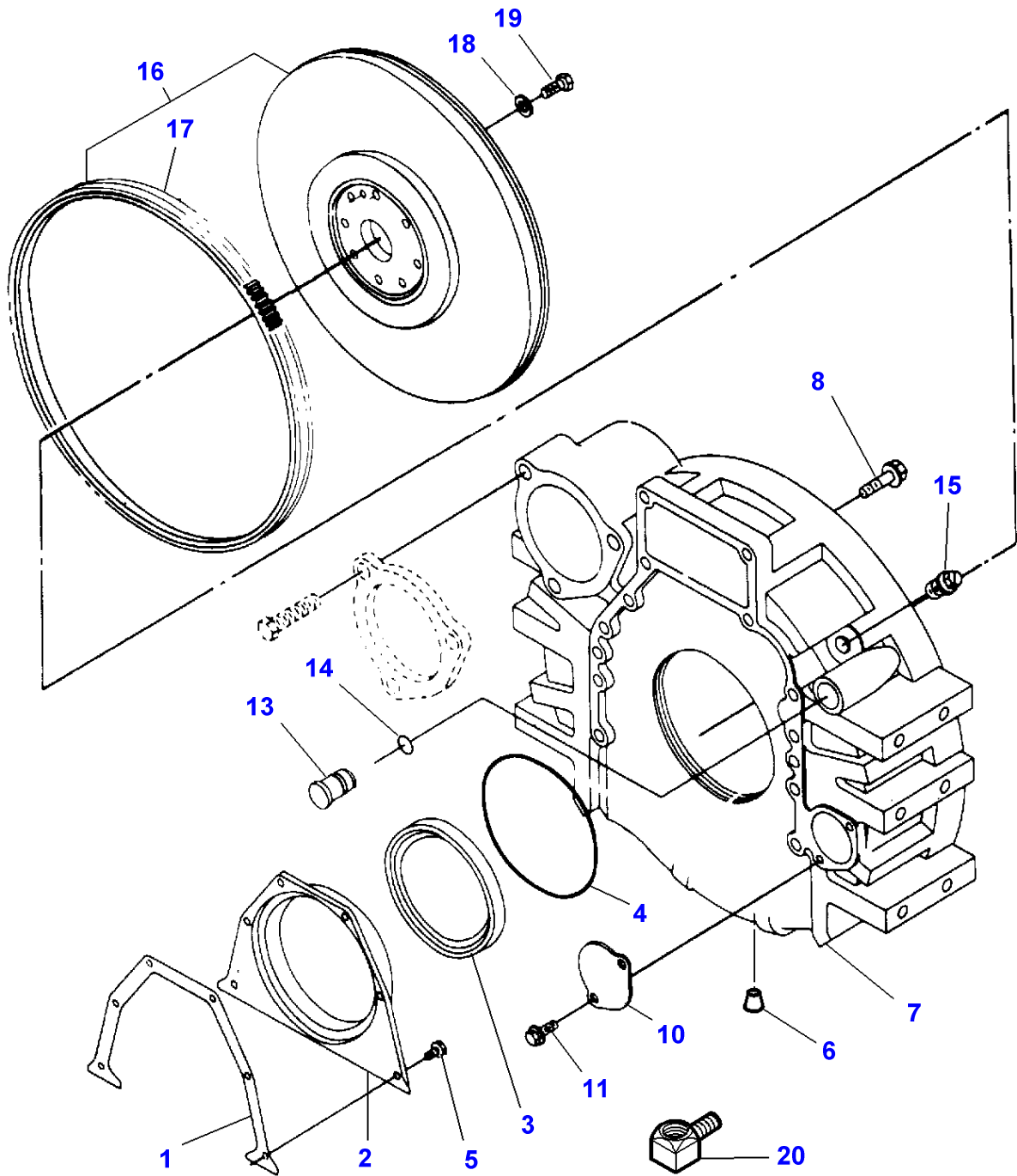
5-LA03-001-A



**Massey Ferguson****MF 9240 TRACTOR - 1637287****1637287****Page010-0010****Timing Gear Housing**

<b>Item</b>	<b>Part Number</b>	<b>Qty</b>	<b>Description</b>	<b>Comments</b>
1	30-3438570	16	Capscrew	M8X16
2	30-3438708	4	Capscrew	M12X50
3	30-3438767	2	Screw	
4	30-3436144	1	Ring	
5	30-3467600	1	Seal	
6	71367724	1	Housing	
7	30-3471322	1	Seal	
8	30-3471365	1	Gasket	Replace and repair. Old not interchangeable with new 72512578
9	71367992	1	Gasket	
10	30-3436179	1	Seal	
11	72512579	1	Cover	
12	71367835	1	Housing	
13	30-3436136	1	Pin	
14	30-3436187	1	Cap	
15	N738385	1	Seal	
16	71367802	1	Gasket	
17	71367803	1	Cover	
18	30-3438686	2	Capscrew	
19	72512580	5	Screw	
20	72512581	6	Screw	
21	30-3501507	1	Shield	OPTION

5-LA40-001-B

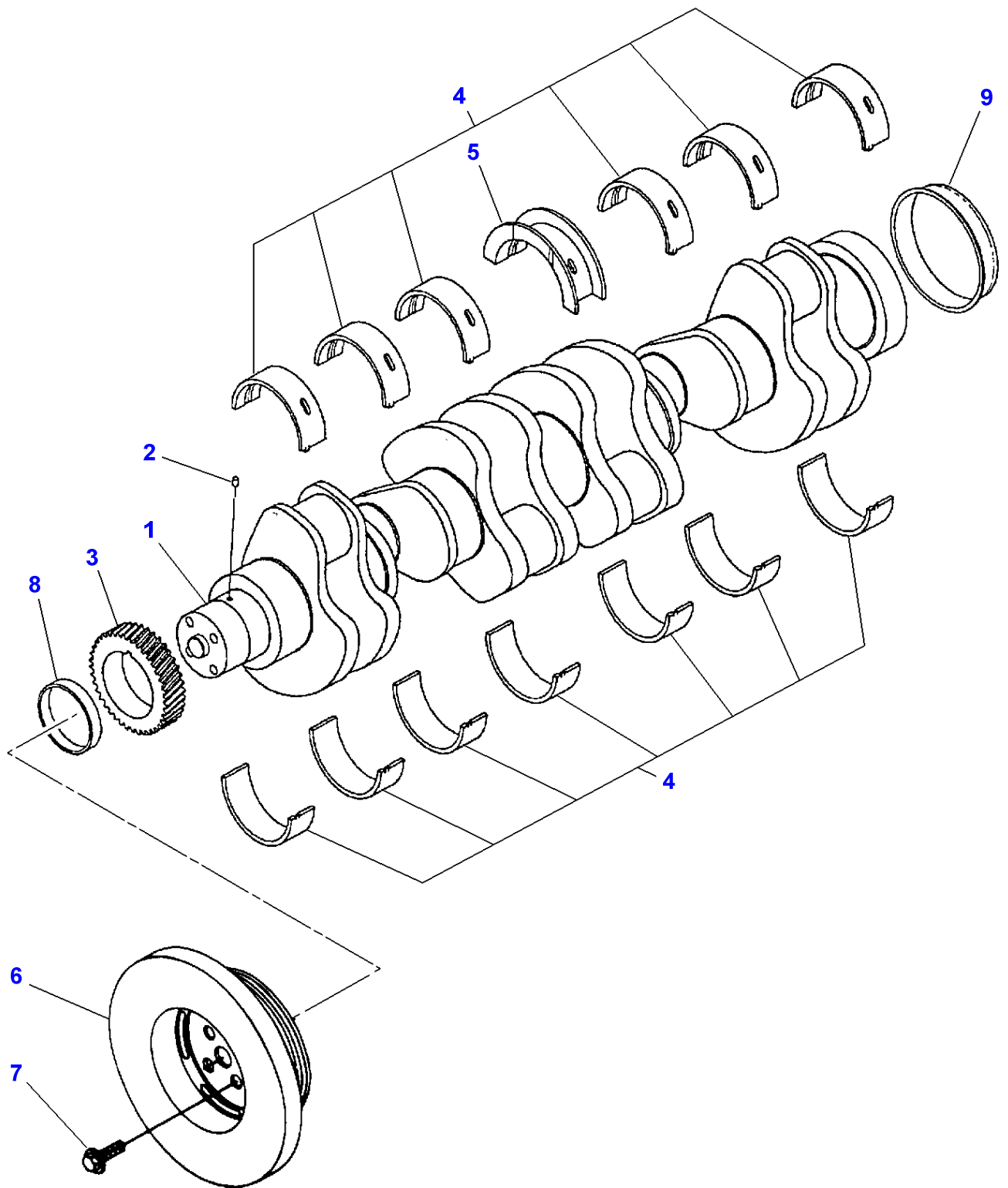


**Massey Ferguson****MF 9240 TRACTOR - 1637287****1637287****Flywheel And Flywheel Housing****Page010-0015**

<b>Item</b>	<b>Part Number</b>	<b>Qty</b>	<b>Description</b>	<b>Comments</b>
1	30-3471357	1	Gasket	
2	30-3437612	1	Cover	
3	30-3437620	1	Seal	150,12MM OD
4	30-3445445	1	Seal	158,12MM ID
5	30-3471330	6	Capscrew	M6X16
6	70904224	1	Plug	
7	30-3437647	1	Housing	
8	71367806	12	Capscrew	M12X40
10	30-3437655	1	Plate	
11	30-3451038	2	Screw	M8X21
13	30-3437663	1	Plug	
14	30-3437671	1	Seal	
15	30-3437698	1	Plug	3/4"-16
16	72508882	1	Flywheel Assy.	
17	30-3437590	1	Gear	(16)
18	30-3438821	8	Washer	
19	70951179	8	Capscrew	M12X40
20	70904224	2	Plug	

**FOOTNOTE [A] NOT ILLUSTRATED**

5-LA30-001-A

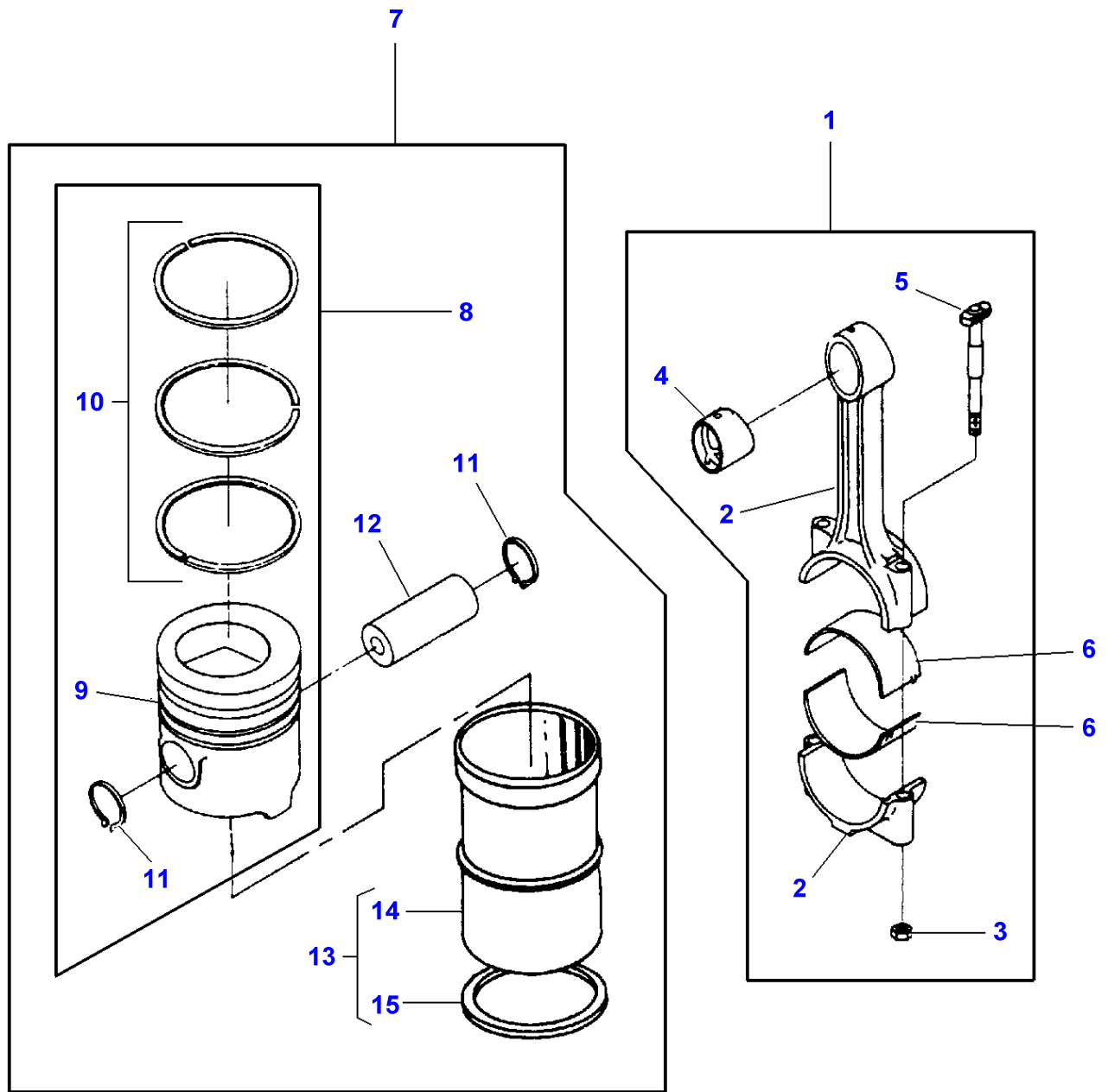




## Crankshaft &amp; Damper pulley

Item	Part Number	Qty	Description	Comments
1	30-3435962	1	Crankshaft	
2	30-3435970	1	Pin	(1)
3	71367994	1	Gear	(1)
4	30-3435997	1	Kit, Bearing	STANDARD
	30-3501019	1	Kit, Bearing	Diameter (-)0,25MM
	71367850	1	Kit, Bearing	Diameter (-)0,50MM
	30-3501000	1	Kit, Bearing	Diameter (-)0,67MM
	72512587	1	Kit, Bearing	Diameter (-)1,01MM
5	72512588	1	Bearing	(4) Diameter STANDARD Thickness 0,25MM OS
	71367698	1	Bearing	(4) Diameter STANDARD Thickness 0,50MM OS
	71367699	1	Bearing	(4) Diameter (+)0,50MM Thickness 0,50MM OS
				Replace and repair. Old not interchangeable with new 72512590
6	30-3467708	1	Damper	Replace and repair. Old not interchangeable with new 72512592
7	30-3438716	4	Capscrew	M14X35
8	72500278	1	Sleeve	
9	30-3454916	1	Sleeve	

5-LA39-001-A

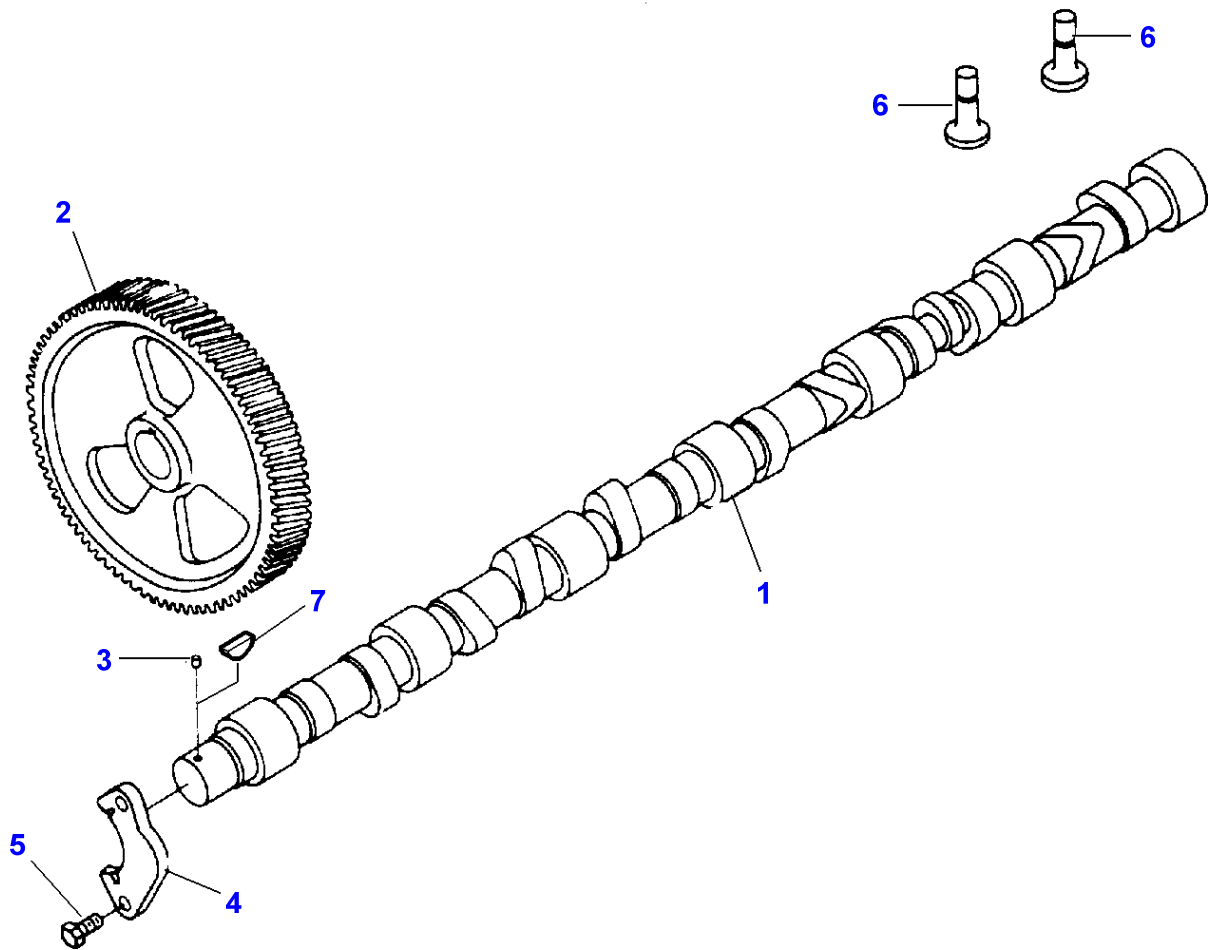


## Pistons And Connecting Rods

Item	Part Number	Qty	Description	Comments
1	30-3436276	6	Kit, Conrod	
2		1	Rod End	(1) Not serviced, order REF 1
3	30-3438872	2	Nut	(1) M12
4	71368123	1	Bush	(1)
5	72512605	2	Bolt	(1)
6	30-3436306	12	Bearing	STANDARD
	30-3436314	12	Bearing	UNDERSIZE.010"
	30-3436322	12	Bearing	UNDERSIZE.020"
	30-3436330	12	Bearing	UNDERSIZE.030"
	72512606	12	Kit, Bearing	UNDERSIZE.040"
7	71367960	6	Kit, Cylinder	STANDARD Up to Serial or Engine Number
	72515489	6	Kit, Cylinder	STANDARD From Serial or Engine Number
8	71367958	6	Kit, Piston	(7)
9		6	Piston	(8) Not serviced, order REF 7
10	30-3436373	6	Ring	(8)
11	30-3469204	12	Ring	(8)
12	30-3436357	6	Piston Pin	
13	71367846	6	Kit, Liner	
14		6	Liner	(13) Not serviced, order REF 13
15	30-3435954	6	Seal	(13)
16	71367999	1	Kit, Liner	[A]

FOOTNOTE [A] NOT ILLUSTRATED

5-LA31-001-A

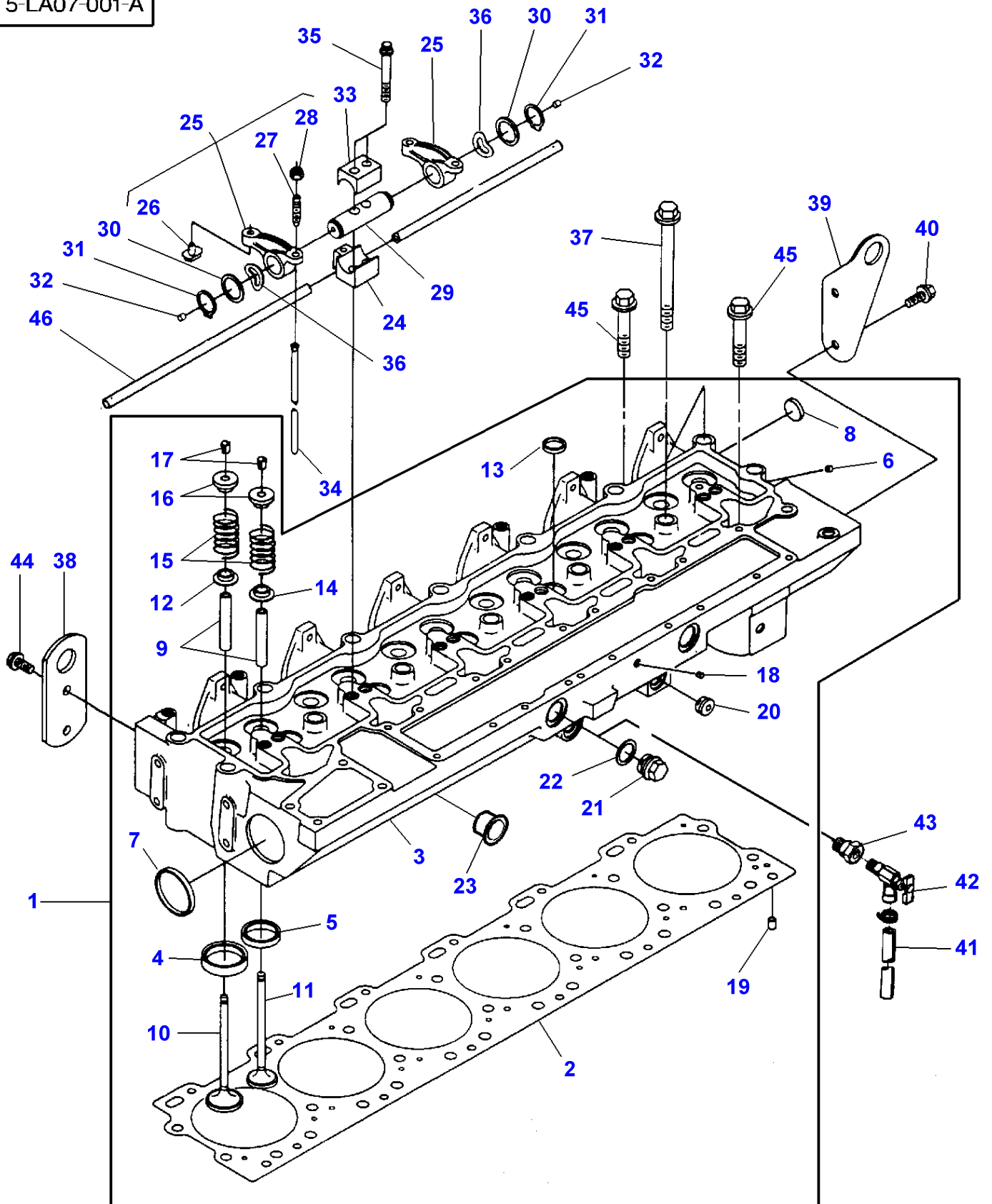


**Massey Ferguson****MF 9240 TRACTOR - 1637287****1637287****Camshaft****Page010-0030**

<b>Item</b>	<b>Part Number</b>	<b>Qty</b>	<b>Description</b>
1	72512608	1	Camshaft
2	71367961	1	Gear
3	71367962	1	Dowel
4	30-3484793	1	Support
5	30-3456269	2	Bolt
6	30-3436268	12	Tappet
7	30-3455025	1	Key

MF 9240 TRACTOR - 1637287  
5-LA07-001-A

5-LA07-001-A





## Cylinder Head - Cylinder Head &amp; Rocker Levers

Item	Part Number	Qty	Description	Comments
1	72512646	1	Cylinder Head	
2	72515596	1	Head Gasket	(1) STANDARD
	71367975	1	Head Gasket	Replace and repair. Old not interchangeable with new 71367966 (1) OVERSIZE0,15MM
	71367976	1	Head Gasket	Replace and repair. Old not interchangeable with new 72512576 (1) OVERSIZE 0,5MM
3		1	Cylinder Head	(1) Not serviced, order REF 1
4	30-3467651	6	Insert	(1)
5	72512647	6	Insert	(1)
6	70927473	1	Plug	(1)
7	30-3436446	2	Plug	(1) 58,06MM OD
8	30-3436454	1	Plug	(1) 1.198"OD
9	30-3436462	12	Guide	(1)
10	30-3501388	6	Valve Inlet	[B] (1) INTAKE
11	30-3436489	6	Valve Exhaust	[B] (1) EXHAUST
12	71368115	6	Seal	(1)
13	30-3440214	5	Plug	(1) 1.131" OD
14	71367973	6	Seal	(1)
15	30-3436527	12	Spring	(1)
16	30-3436535	12	Retainer	(1)
17	30-3436543	12	Collet	(1)
18	70918850	1	Plug	(1) 1/4"
19	30-3435903	1	Pin	(1)
20	70917970	1	Plug	(1) 1/2"
21	30-3436551	2	Plug	(1) M22
22	30-3436578	2	Washer	(1) M22,2 ID
23	71367982	1	Plug	(1)
24	30-3436616	6	Support	
25	30-3436624	12	Rocker	
26		12	Rocker	(25) Not serviced, order REF.25
27	30-3436640	12	Screw	(25) 3/8"-24
28	70916602	12	Nut	(25)
29	72512582	6	Shaft	
30	30-3436667	12	Washer	
31	30-3436683	12	Ring	
32	72512583	2	Rivet	
33	30-3436705	6	Clamp	
34	30-3436713	12	Tappet Rod	
35	30-3438791	12	Capscrew	M10X65
36	30-3436675	12	Washer	
37	72500255	14	Capscrew	
38	30-3437078	1	Bracket	
39	30-3437086	1	Bracket	
40	30-3431266	2	Capscrew	M12X25
41	72504482	1	Hose	5/8"X80 Up to Serial or Engine Number
	72504486	1	Hose	From Serial or Engine Number
	3000483X1	1	Clamp	[A] Replace and repair. Old not interchangeable with new 364124X1
42	71135522	1	Valve	
43	70920757	1	Fitting	
44	30-3438686	2	Capscrew	M12X25
45	72500256	12	Capscrew	
46	71367843	1	Shaft	

**Massey Ferguson**

**MF 9240 TRACTOR - 1637287**

**1637287**

**Cylinder Head - Cylinder Head & Rocker Levers**

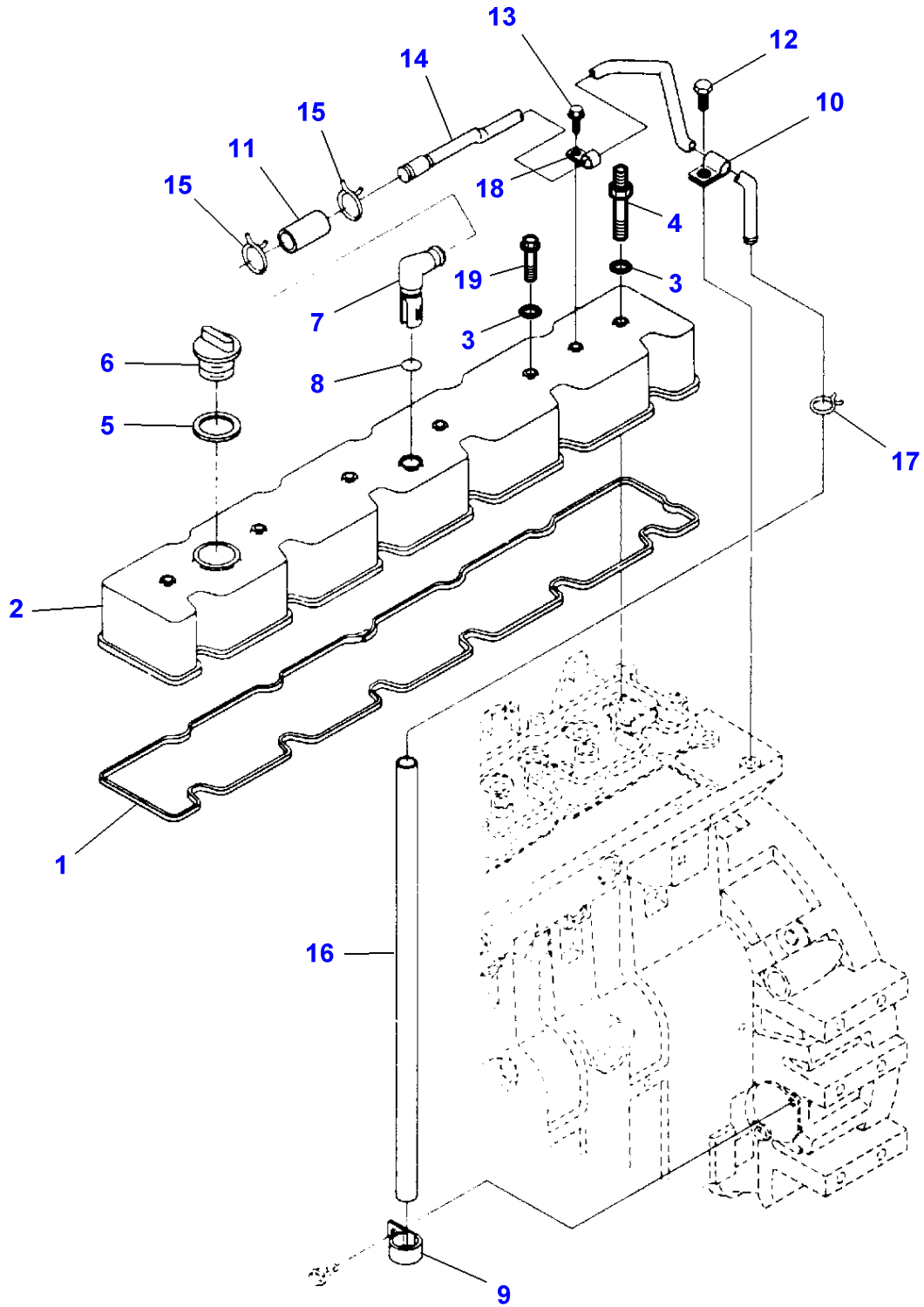
**Page010-0035**

**Item Part Number Qty Description Comments**

FOOTNOTE [A] NOT ILLUSTRATED

FOOTNOTE [B] INCLUDE ITEM 17

5-LA08-001-A



**Massey Ferguson**  
**MF 9240 TRACTOR - 1637287**

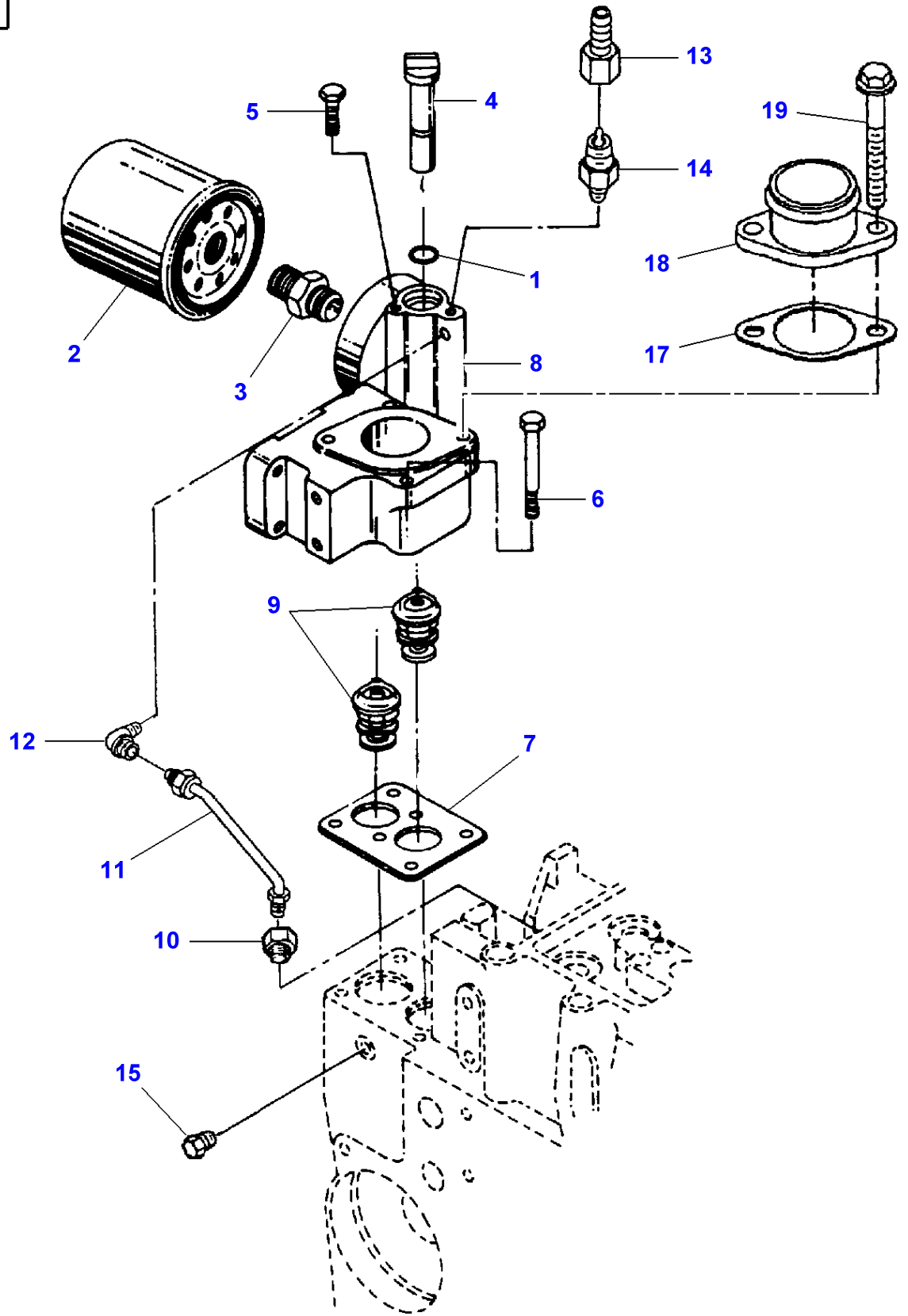
1637287

Page010-0040

**Cylinder Head Cover**

Item	Part Number	Qty	Description	Comments
1	30-3436926	1	Gasket	
2	72512660	1	Cover	
3	30-3436942	6	Seal	9,25MM ID
4	72512661	1	Stud	M8X56MM
5	30-3436950	1	Seal	39,35MM ID
6	30-3436969	1	Plug	
7	71367876	1	Connector	
8	30-3446123	1	Seal	
9	30-3437051	1	Hose Clip	
10	30-3437000	1	Hose Clip	
11	30-3437019	1	Hose	
12	30-3438686	1	Capscrew	M12X25
13	30-3451038	1	Screw	M8X21
14	30-3437027	1	Tube	
15	71367877	2	Clamp	
16	72512591	1	Hose	
17	3000483X1	1	Clamp	Replace and repair. Old not interchangeable with new 364124X1
18	30-3437043	1	Hose Clip	
19	71368105	5	Bolt	M8X56MM

5-LA09-001-A



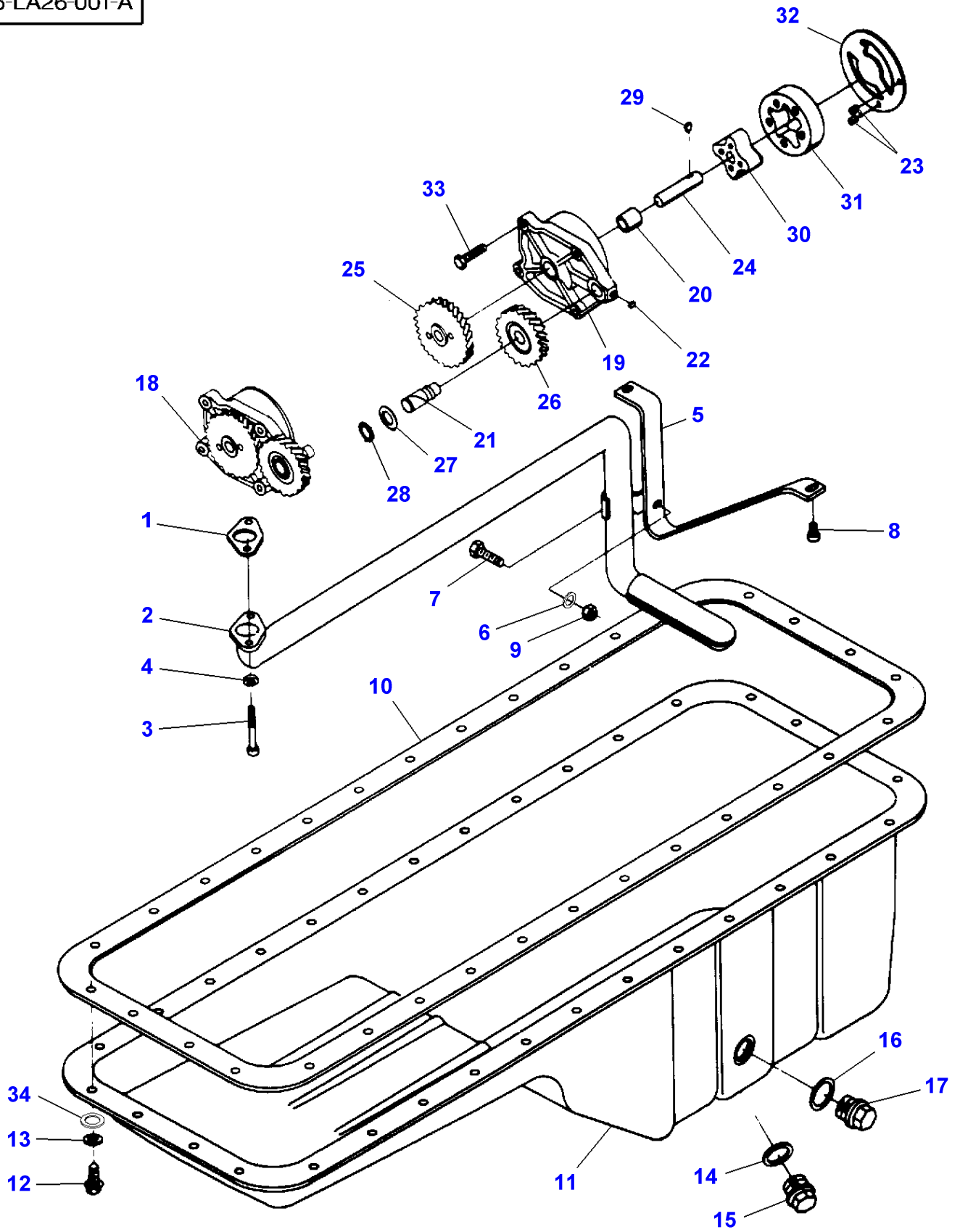
Item	Part Number	Qty	Description	Comments
1	30-3462811	1	O Ring	
2	72509505	1	Element	[B] 12DCA4 UNITS
	30-3448177	1	Element	[B] 2DCA4 UNITS
3	30-3448681	1	Insert	
4	30-3467627	1	Shaft	
5	30-3448746	1	Capscrew	M6X10
6	30-3438651	2	Capscrew	M8X80
7	30-3471462	1	Gasket	
8	30-3458490	1	Housing	
9	30-3438120	2	Thermostat	
10	72512663	1	Connector	
11	72512664	1	Tube	
12	30-3449556	1	Elbow	
13	71367990	1	Connector	
14	71368118	1	Switch	
15	70917673	1	Plug	Replace and repair. Old not interchangeable with new 72160213
16	30-3493903	X	Kit	[A]
17	30-3471454	1	Gasket	
18	30-3467732	1	Connection	
19	30-3438678	2	Bolt	

FOOTNOTE [A] NOT ILLUSTRATED

FOOTNOTE [B] REFER OPERATORS INSTRUCTION BOOK



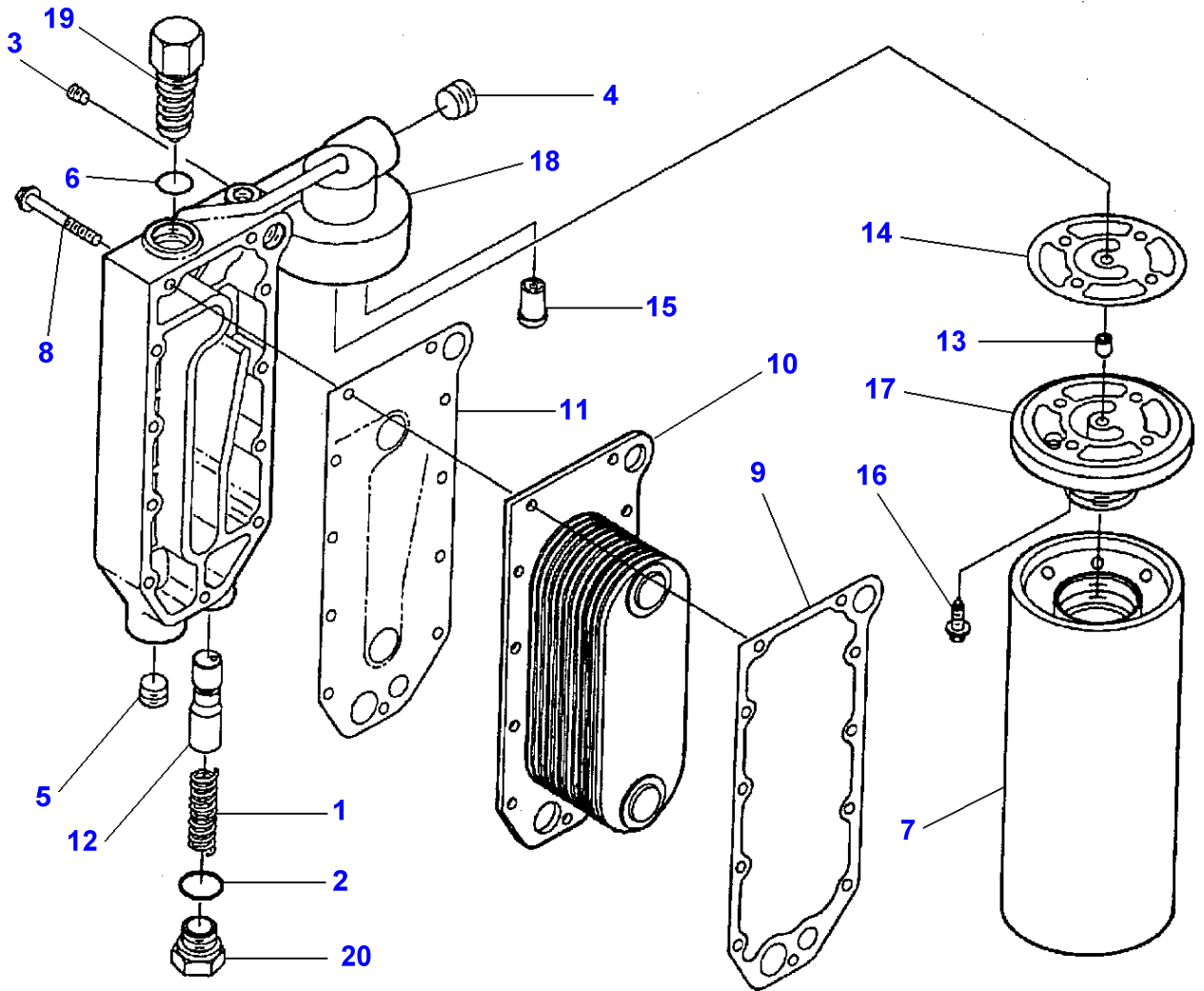
5-LA26-001-A



## Lubricating Oil Sump And Oil Pump

Item	Part Number	Qty	Description	Comments
1	30-3471446	1	Gasket	
2	30-3438163	1	Tube	
3	30-3438775	2	Capscrew	M6X30
4	30-3438171	2	Spacer	
5	30-3467740	1	Brace	
6	71368119	1	Washer	M6
7	71368104	1	Bolt	M6X20
8	30-3471330	3	Capscrew	M6X16
9	70950209	1	Nut	M6
				Replace and repair. Old not interchangeable with new 30-3341739
10	30-3471438	1	Gasket	
11	30-3471284	1	Sump	
12	30-3438759	32	Capscrew	M8X25
13	30-3438252	32	Lock Washer	M8
14	71367818	1	Seal	
15	30-3438244	1	Plug	M18
16	30-3436578	1	Washer	M22
17	30-3436551	1	Plug	M22X14
18	72500254	1	Oil Pump	
19		1	Body	(18) Not serviced, order REF.18
20		1	Bush	(18) Not serviced, order REF.18
21		1	Shaft	(18) Not serviced, order REF.18
22		1	Plug	(18) Not serviced, order REF.18
23		2	Dowel	(18) Not serviced, order REF.18
24		1	Shaft	(18) Not serviced, order REF.18
25		1	Gear	(18) Not serviced, order REF.18
26		1	Gear	(18) Not serviced, order REF.18
27		1	Washer	(18) Not serviced, order REF.18
28		1	Ring	(18) Not serviced, order REF.18
29		1	Key	(18) Not serviced, order REF.18
30		1	Rotor	(18) Not serviced, order REF.18
31		1	Stator	(18) Not serviced, order REF.18
32		1	Plate	(18) Not serviced, order REF.18
33	30-3438961	4	Capscrew	(18) Not serviced, order REF.18
34	30-3341747	32	Washer	M8X30 M8

5-LA12-001-A

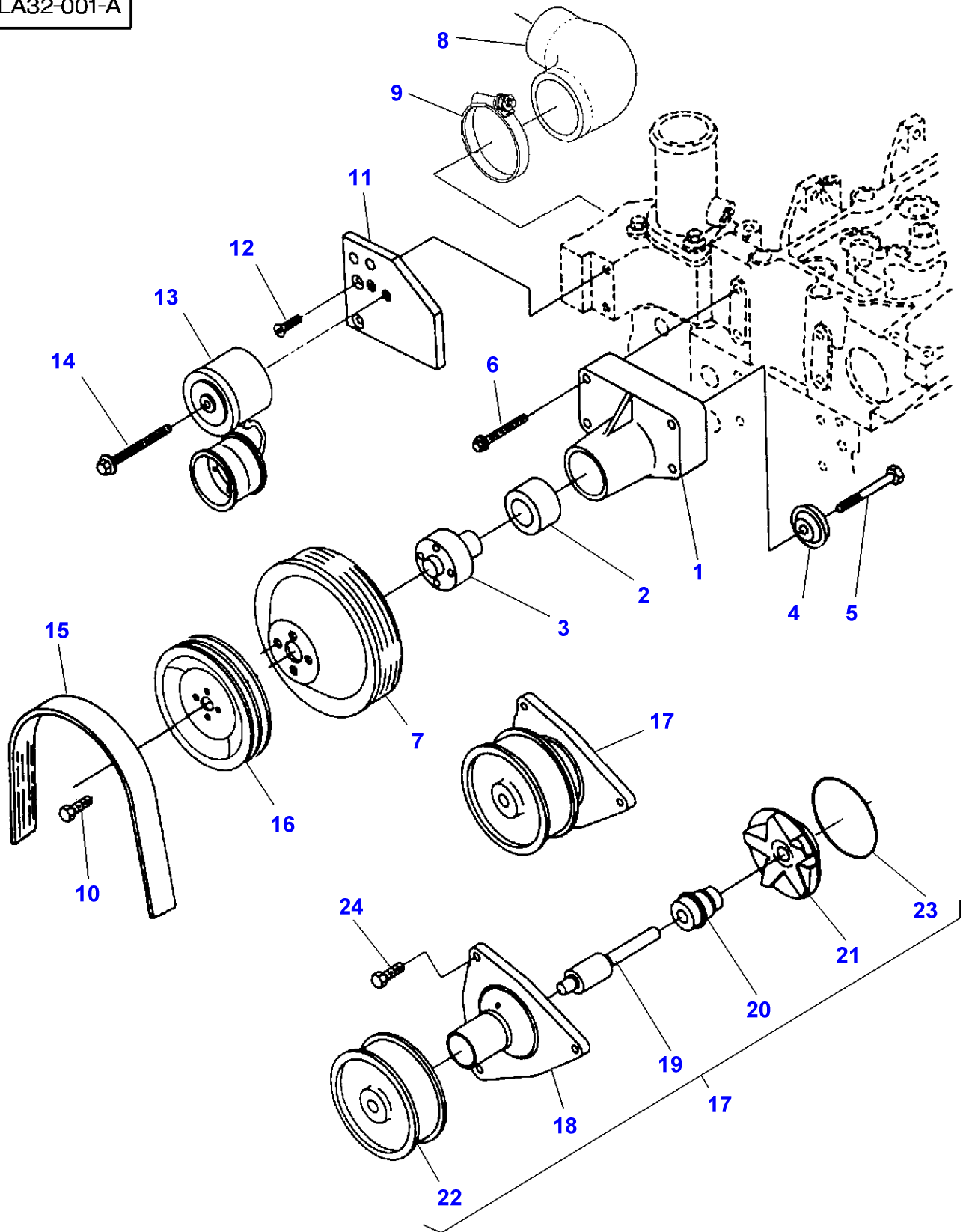


**Massey Ferguson****MF 9240 TRACTOR - 1637287****1637287****Lubricating Oil Cooler And Filter****Page010-0055**

<b>Item</b>	<b>Part Number</b>	<b>Qty</b>	<b>Description</b>	<b>Comments</b>
1	30-3436896	1	Spring	
2	71368112	1	O Ring	
3	70917673	2	Plug	Replace and repair. Old not interchangeable with new 72160213
4	70904224	1	Plug	
5	70904223	1	Plug	
6	71368114	1	O Ring	
7	<b>72501533</b>	1	Filter	Up to Serial or Engine Number DEC 96
	<b>72513286</b>	1	Oil Filter	Repairs and replaces 72515455 From Serial or Engine Number JAN 97
8	71368108	11	Bolt	M8X65
9	30-3471314	1	Gasket	
10	71367988	1	Cooler	
11	71367993	1	Gasket	
12	72500260	1	Plunger	
13	71367991	1	Dowel	
14	71367952	1	Gasket	
15	30-3436845	1	Valve	
16	30-3438759	4	Capscrew	
17	71367995	1	Head	
18	72500259	1	Head	
19	71368116	1	Thermostat	
20	71368102	1	Plug	

MF 9240 TRACTOR - 1637287  
5-LA32-001-A

5-LA32-001-A

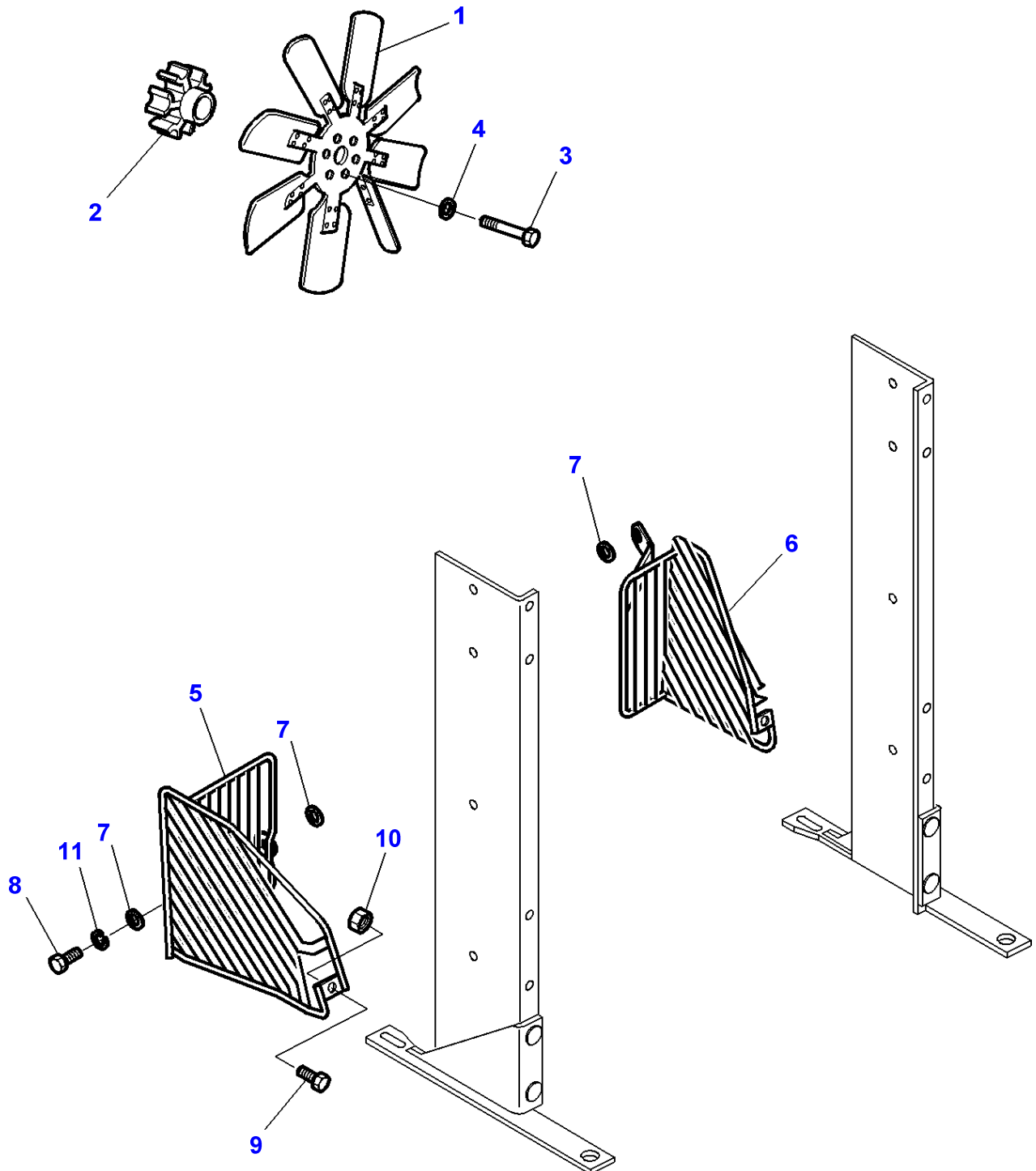


## Water Pump &amp; Fan Drive

Item	Part Number	Qty	Description	Comments
1	30-3438007	1	Kit, Support	
2	30-3438015	1	Bearing	
3	30-3467716	1	Hub	
4	30-3438031	1	Retainer	
5	30-3439003	1	Capscrew	M10X70
6	72162709	4	Capscrew	Replace and repair. Old not interchangeable with new 30-3438635
7	30-3438058	1	Pulley	Diameter 6-7/32"OD
8	30-3438090	1	Hose	
9	71367970	1	Clamp	
10	1112407	4	Capscrew	Replace and repair. Old not interchangeable with new 30-3427684
11	72512594	1	Bracket	
12	72512595	2	Screw	M8X25
13	72515469	1	Tensioner	Replace and repair. Old not interchangeable with new 30-3500969
14	30-3439070	1	Capscrew	
15	72509503	1	Belt	
16	30-3456323	1	Pulley	
17	72515525	1	Pump	Replace and repair. Old not interchangeable with new 30-3436748
18		1	Body	(17) Not serviced, order REF.17
19		1	Clevis Pin	(17) Not serviced, order REF.17
20		1	Seal	(17) Not serviced, order REF.17
21		1	Turbine	(17) Not serviced, order REF.17
22		1	Pulley	(17) Not serviced, order REF.17
23	30-3436799	1	O Ring	(17)
24	30-3456269	3	Bolt	98,02MM ID



5-LA33-001-A

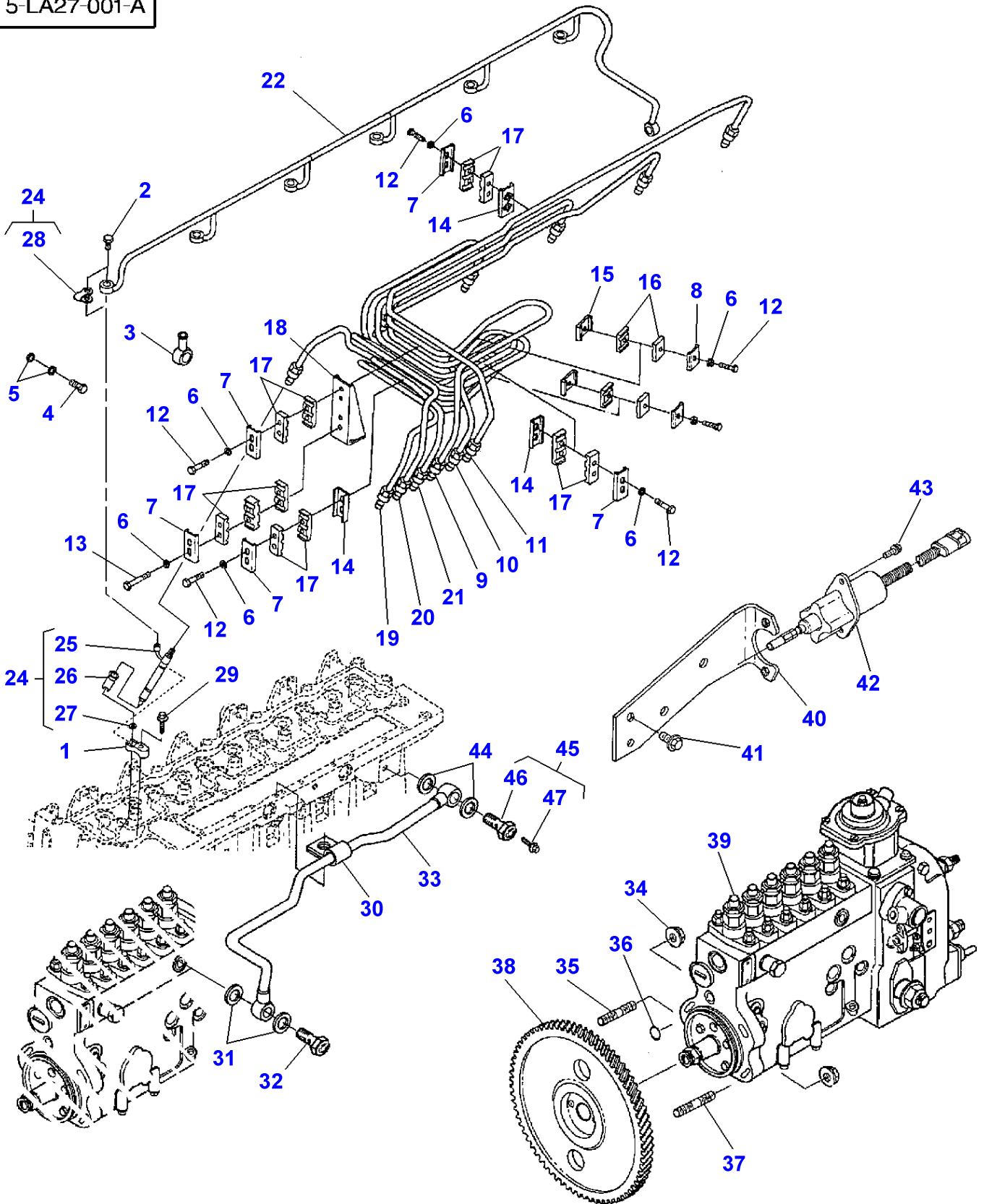


**Massey Ferguson****MF 9240 TRACTOR - 1637287****1637287****Fan Engine - Fan And Engine Guards****Page010-0065**

<b>Item</b>	<b>Part Number</b>	<b>Qty</b>	<b>Description</b>	<b>Comments</b>
1	72508023	1	Fan	
2	72508765	1	Spacer	
3	70950044	4	Capscrew	Up to Serial or Engine Number 01/96 M10X90
	70950043	4	Screw Metric	From Serial or Engine Number 01/96 M10X80
4	70950220	4	Lock Washer	
5	72509168	1	Fence	Right Hand
6	72509170	1	Bar	Left Hand
7	70922465	3	Washer	.344" ID
8	70950018	1	Screw	8-1.25X20
9	70921967	2	Bolt	.375"X1.25
10	366573X1	2	Locknut	.375"
11	1102799	1	Washer	

MF 9240 TRACTOR - 1637287  
5-LA27-001-A

5-LA27-001-A

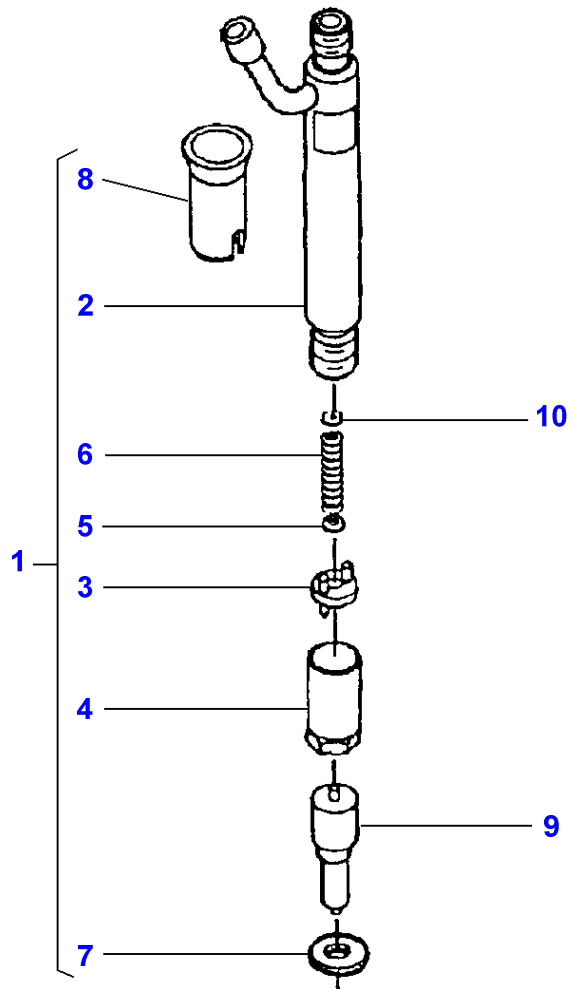


## Injection Pump And Fuel Pipings

Item	Part Number	Qty	Description	Comments
1	30-3437442	6	Clamp	
2	30-3437183	6	Screw	
3	30-3440265	1	Fitting	
4	72501535	1	Banjo Bolt	
5	72501536	2	Seal	
6	70923212	12	Washer	
7	30-3437248	5	Bracket	
8	30-3437264	2	Bracket	
9	72501539	1	Tube	No4
10	72501540	1	Tube	No5
11	72501541	1	Tube	No6
12	72511807	10	Bolt	
13	71368110	2	Bolt	M5X35
14	72501548	3	Bracket	
15	72501550	2	Bracket	
16	71367997	4	Kit, Deadening	
17	71367998	10	Kit, Deadening	
18	72501537	1	Bracket	
19	72501542	1	Tube	No1
20	72501544	1	Tube	No2
21	72501546	1	Tube	No3
22	72501538	1	Tube	
23	71368120	2	Seal	[A]
24	72512609	6	Atomiser	See Page - Reference Number 010-0075/1
25		1	Atomiser Body	(24) Not serviced, order REF 24
26	30-3438848	1	Sleeve	(24)
27	30-3448762	1	Washer	(24)
28	30-3437175	6	Seal	(24)
29	72512610	6	Bolt	
30	71367985	1	Clamp	
31	71368120	2	Seal	
32	30-3437140	1	Screw	
33	71367887	1	Tube	
34	30-3438899	4	Nut	
35	30-3437108	2	Stud	
36	30-3440184	1	O Ring	
37	71367899	2	Stud	
38	71367898	1	Gear	
39	72512597	1	Injection Pump	
40	72512599	1	Bracket	
41	1112407	2	Capscrew	Replace and repair. Old not interchangeable with new 30-3427684
42	72512600	1	Solenoid	
43	30-3471330	2	Capscrew	
44	30-3437159	2	Washer	
45	72515592	1	Screw	Replace and repair. Old not interchangeable with new 30-3440257 Replace and repair. Old not interchangeable with new 30-3437167
46		1	Screw	(45) Not serviced, order REP.45
47	72511802	1	Screw	(45)

FOOTNOTE [A] NOT ILLUSTRATED

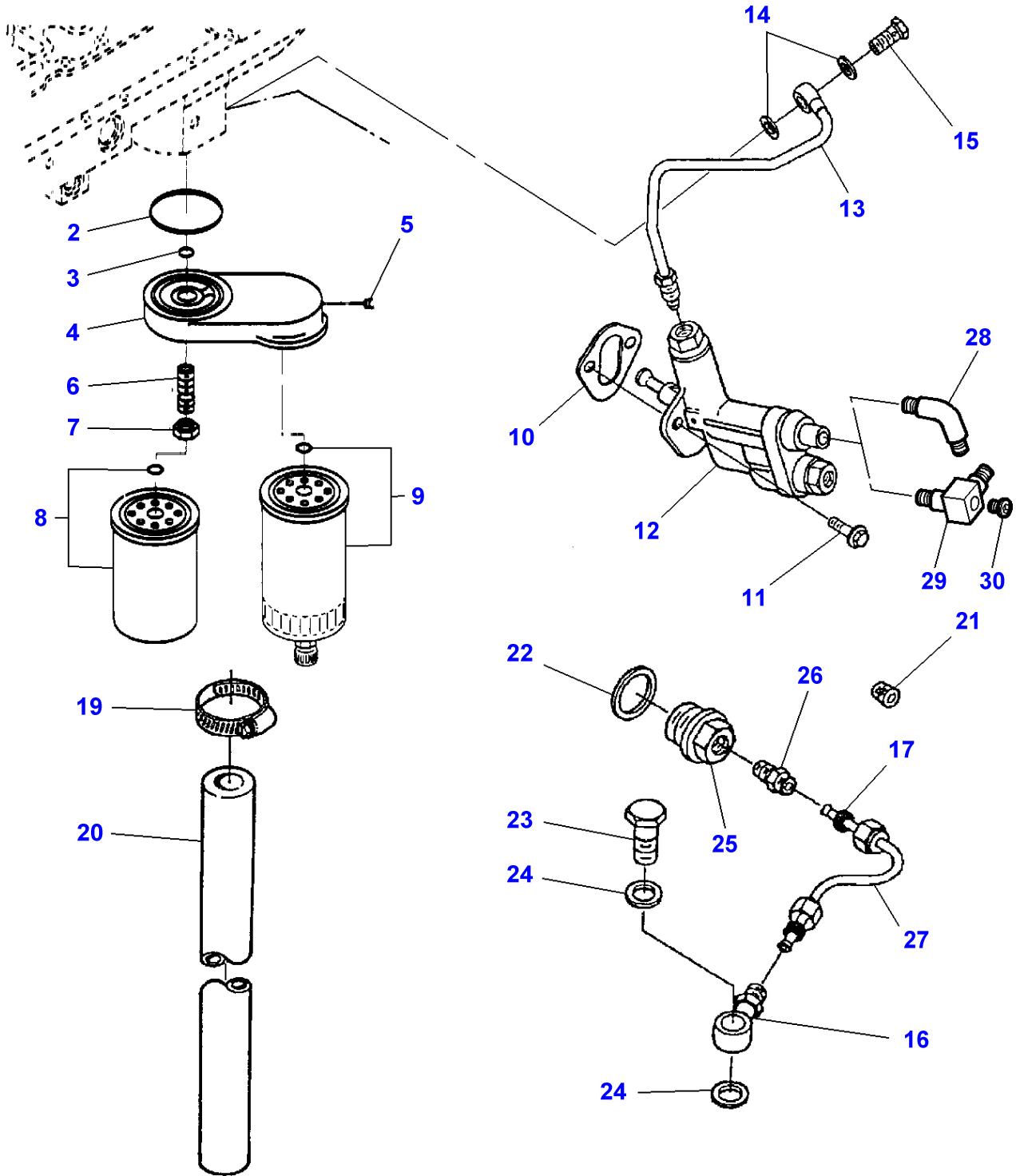
5-LA17-001-A



## Injector

Item	Part Number	Qty	Description	Comments
1	72512609	1	Atomiser	
2		1	Atomiser Body	(1) Not serviced, order REF 1
3	72512611	1	Disc	(1)
4	72512612	1	Retainer	(1)
5	72512613	1	Spring Seat	(1)
6	72512614	1	Spring	(1)
7	30-3448762	1	Washer	(1)
8	30-3438848	1	Sleeve	(1)
9	72512645	1	Nozzle	
10	72512615	X	Shim	Thickness 1,00MM
	72512616	X	Shim	Thickness 1,04MM
	72512617	X	Shim	Thickness 1,08MM
	72512618	X	Shim	Thickness 1,10MM
	72512619	X	Shim	Thickness 1,14MM
	72512620	X	Shim	Thickness 1,18MM
	72512621	X	Shim	Thickness 1,20MM
	72512622	X	Shim	Thickness 1,24MM
	72512623	X	Shim	Thickness 1,28MM
	72512624	X	Shim	Thickness 1,30MM
	72512625	X	Shim	Thickness 1,34MM
	72512626	X	Shim	Thickness 1,38MM
	72512627	X	Shim	Thickness 1,40MM
	72512628	X	Shim	Thickness 1,44MM
	72512629	X	Shim	Thickness 1,48MM
	72512630	X	Shim	Thickness 1,50MM
	72512631	X	Shim	Thickness 1,54MM
	72512632	X	Shim	Thickness 1,58MM
	72512633	X	Shim	Thickness 1,60MM
	72512634	X	Shim	Thickness 1,64MM
	72512635	X	Shim	Thickness 1,68MM
	72512636	X	Shim	Thickness 1,70MM
	72512637	X	Shim	Thickness 1,74MM
	72512638	X	Shim	Thickness 1,78MM
	72512639	X	Shim	Thickness 1,80MM
	72512640	X	Shim	Thickness 1,84MM
	72512641	X	Shim	Thickness 1,88MM
	72512642	X	Shim	Thickness 1,90MM
	72512643	X	Shim	Thickness 1,94MM
	72512644	X	Shim	Thickness 1,98MM

5-LA35-001-A



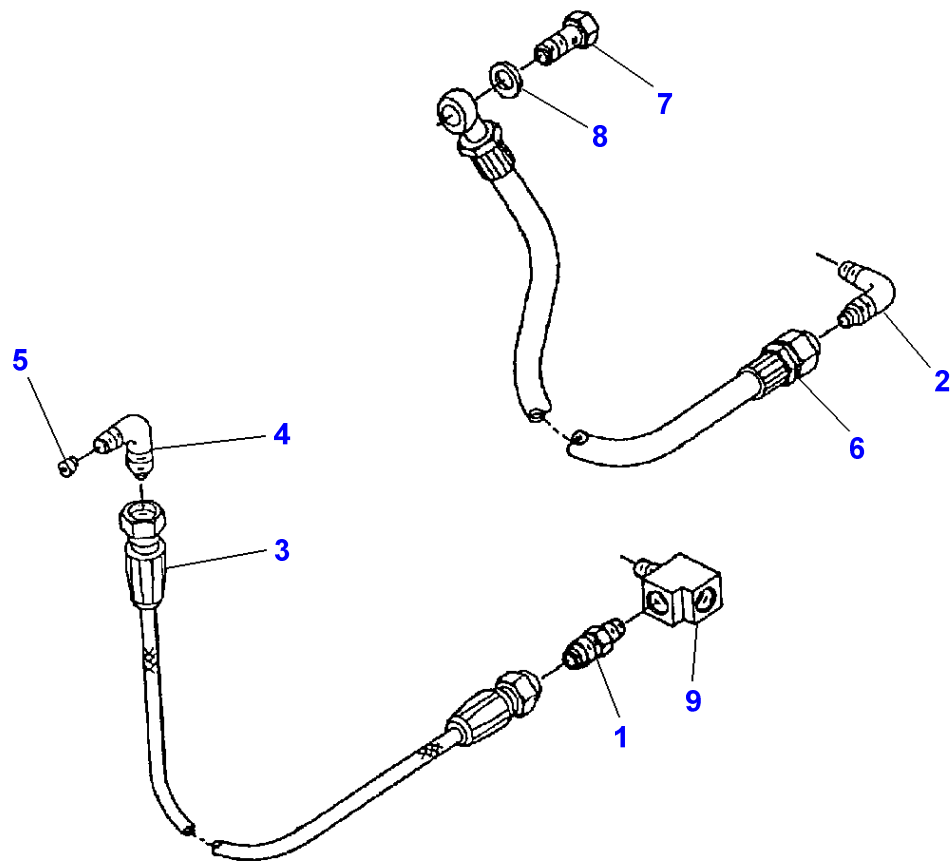
## Feed Pump - Filter &amp; Lines

Item	Part Number	Qty	Description	Comments
1	30-3437523	1	Head	[A]
2	<b>30-3437515</b>	1	Seal	
3	<b>30-3437558</b>	1	Seal	
4	30-3437523	1	Head	
5	30-3436691	1	Plug	.26" OD
6	30-3437566	1	Adaptor	
7	30-3438880	1	Nut	
8	<b>72501530</b>	1	Filter	
9	<b>72501531</b>	1	Filter	
10	30-3469263	1	Gasket	
11	30-3438589	2	Capscrew	
12	72515601	1	Fuel Pump	Replace and repair. Old not interchangeable with new 72501526
13	30-3437507	1	Tube	
14	30-3437159	2	Washer	
15	71367900	1	Banjo Bolt	
16	71367886	1	Connector	
17	30-3455858	2	Olive	
18	<b>72512598</b>	1	Kit, Pump	[A]
19	71368121	1	Clamp	
20	71368122	1	Hose	
21	70919134	1	Plug	
22	30-3436578	1	Washer	
23	30-3437493	1	Banjo Bolt	
24	30-3437159	2	Washer	
25	71367883	1	Adaptor	
26	71367884	1	Connector	
27	72512596	1	Tube	
28	70919195	1	Elbow	Up to Serial or Engine Number 15/01/96
29	72513930	1	Elbow	From Serial or Engine Number 15/01/96
30	70928605	1	Fitting	From Serial or Engine Number 15/01/96

FOOTNOTE [A] NOT ILLUSTRATED



5-LA41-001-A

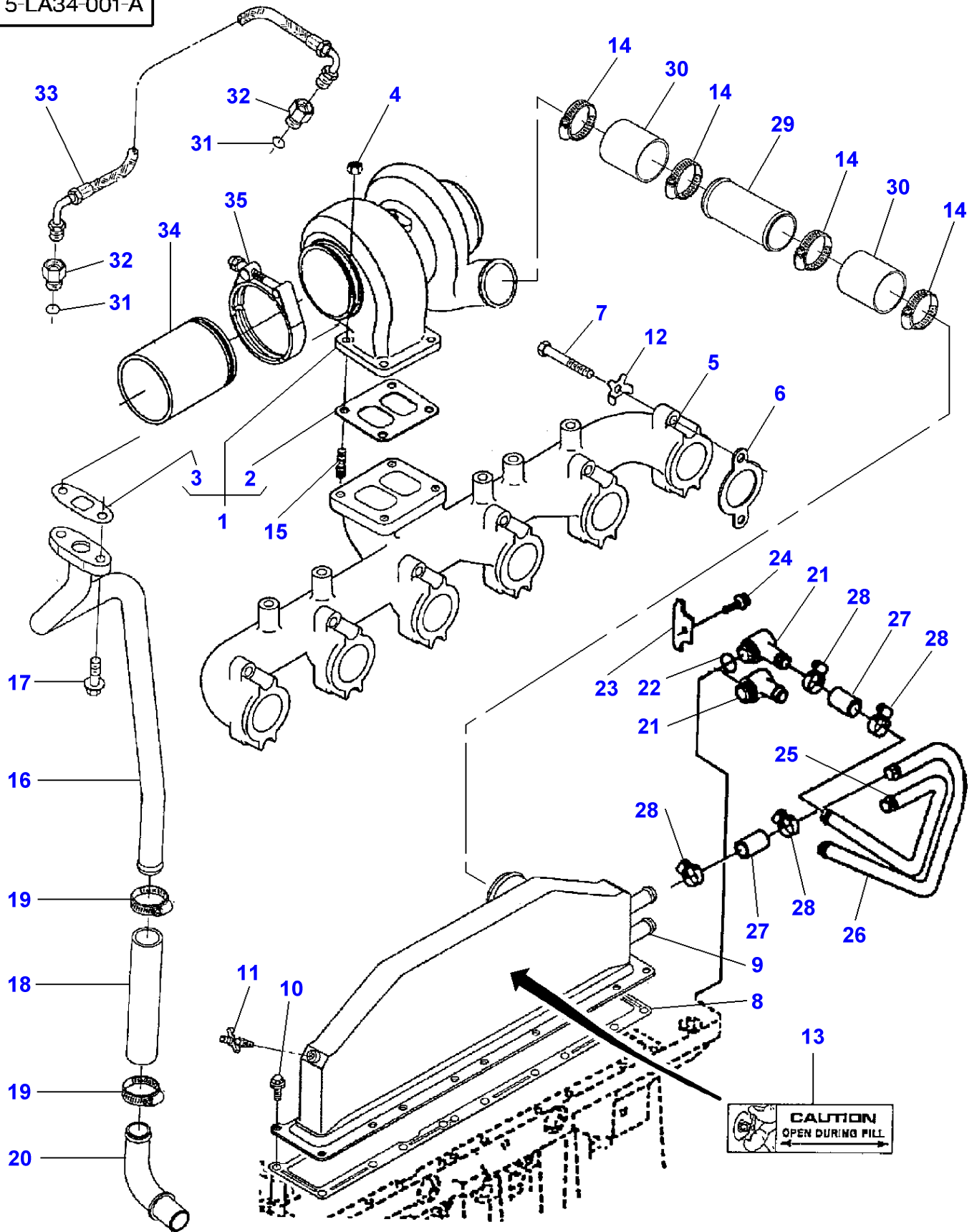


**Massey Ferguson****MF 9240 TRACTOR - 1637287****1637287****Injection Pump Supply - Up to Serial or Engine Number 01-1997****Page010-0085**

<b>Item</b>	<b>Part Number</b>	<b>Qty</b>	<b>Description</b>	<b>Comments</b>
1	71367896	1	Connector	
2	71367890	1	Elbow	
3	72512601	1	Hose	
4	71367891	1	Elbow	
5		1	Plug	Not serviced, order REF. 4
6	71367897	1	Hose Flexible	
7	71367893	1	Banjo Bolt	
8	71367894	1	Seal	
9	72512604	1	Connector	

MF 9240 TRACTOR - 1637287  
5-LA34-001-A

5-LA34-001-A

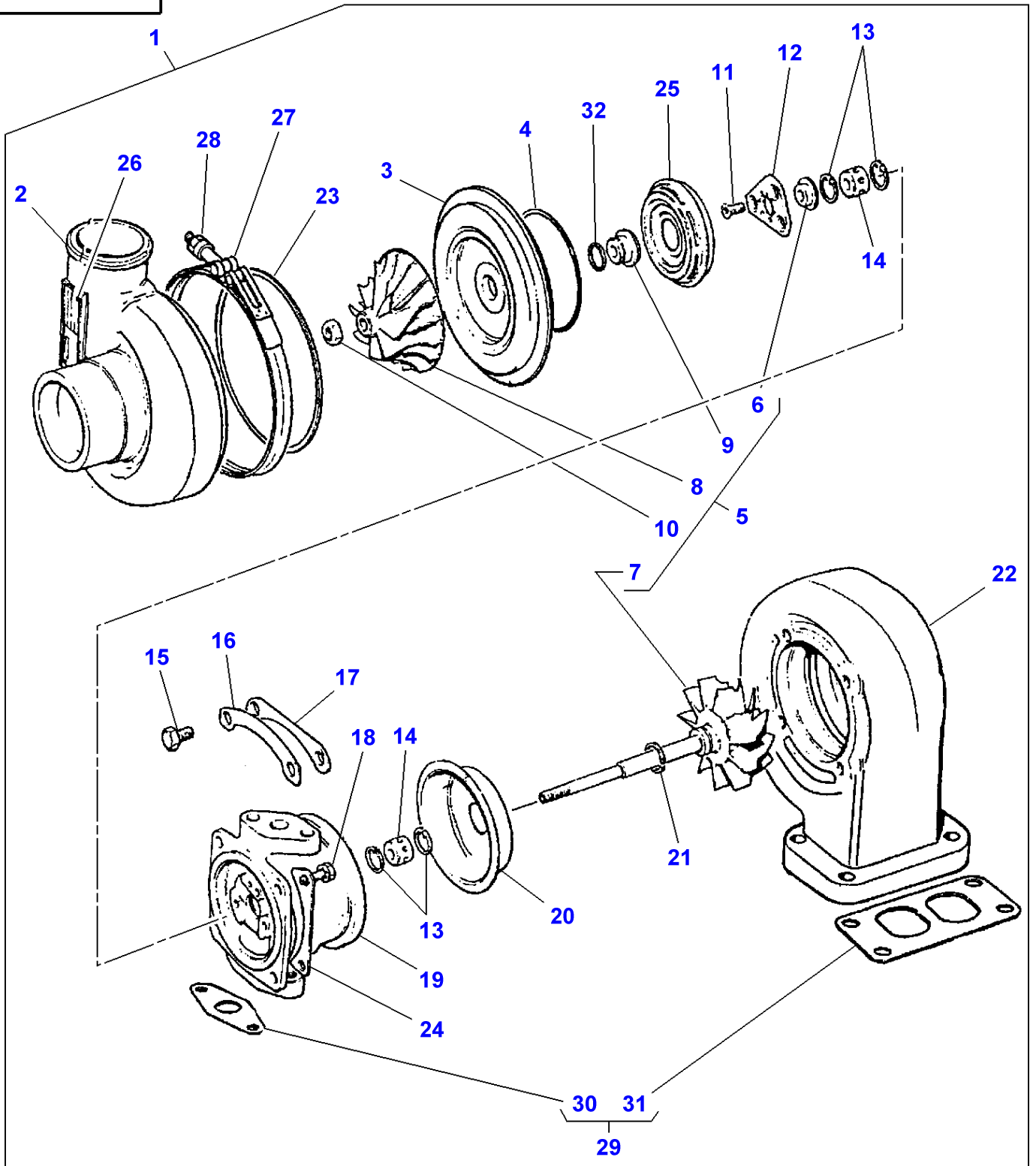


## Turbocharger Aftercooler &amp; Exhaust - Manifold

Item	Part Number	Qty	Description	Comments
1	71367965	1	Turbocharger	See Page - Reference Number 010-0095/1
2	30-3437736	1	Gasket	(1)
3	30-3469247	1	Gasket	(1)
4	71368126	4	Nut	M10
5	72512656	1	Exhaust Manifold	
6	30-3445437	6	Gasket	
7	71368111	12	Screw	M10X70
8	30-3471403	1	Gasket	
9	72512662	1	Cooler	
10	71367810	18	Bolt	M8X25
11	30-3449564	1	Plug	
12	71368101	12	Plate	
13	30-3440230	1	Decal	
14	W10A31087	4	Clamp	
15	30-3437744	4	Stud	
16	72512658	1	Pipe	
17	30-3438589	2	Capscrew	
18	30-3437876	1	Hose	
19	72160236	2	Clamp	
20	30-3437884	1	Tube	
21	71368124	2	Connector	
22	30-3437906	2	Seal	
23	30-3437914	1	Plate	
24	30-3438570	1	Capscrew	
25	30-3437922	1	Tube	
26	30-3437930	1	Tube	
27	71368125	4	Hose	
28	71367877	8	Clamp	
29	72512657	1	Tube	
30	71367969	2	Hose	
31	71368113	2	O Ring	
32	72511732	2	Connector	
33	72512659	1	Hose Flexible	
34	72509267	1	Sleeve	
35	30-3437965	1	Clamp	

MF 9240 TRACTOR - 1637287  
5-LA20-001-A

5-LA20-001-A



## Turbocharger

Item	Part Number	Qty	Description	Comments
1	71367965	1	Turbocharger	
2	72512648	1	Housing	(1)
3	72511738	1	Diffuser	(1)
4	72511810	1	Seal	(1)
5	72512649	1	Turbine	(1)
6	72511731	1	Collar	(5)
7	72512650	1	Shaft	(5)
8	72512651	1	Turbine Wheel	(5)
9	72511823	1	Bush	(5)
10	72511771	1	Nut	(5)
11	72511797	3	Screw	(1)
12	72511704	1	Plate	(1)
13	72511793	4	Circlip	(1)
14	72511703	2	Bearing	(1)
15	72511800	4	Screw	(1)
16	72511770	2	Plate	(1)
17	72511780	2	Plate	(1)
18	72511799	4	Screw	(1)
19	72512652	1	Housing	(1)
20	72511822	1	Shield	(1)
21	72511812	1	Seal	(1)
22	72512653	1	Housing	(1)
23	72511811	1	Seal	(1)
24		X	Not Used	
25	72511701	1	Baffle	(1)
26	72511798	2	Screw	(1)
27	72511729	1	Clamp	(1)
28	72511772	1	Nut	(1)
29	72512655	1	Kit, Gasket	(1)
30	30-3469247	1	Gasket	(29)
31	30-3437736	1	Gasket	(29)
32	72511813	1	Seal	(1)
33	72512654	1	Washer	[A] M6
34	71367964	1	Kit, Repair	[A,B]
35	72511766	1	Kit, Repair	[A,C]

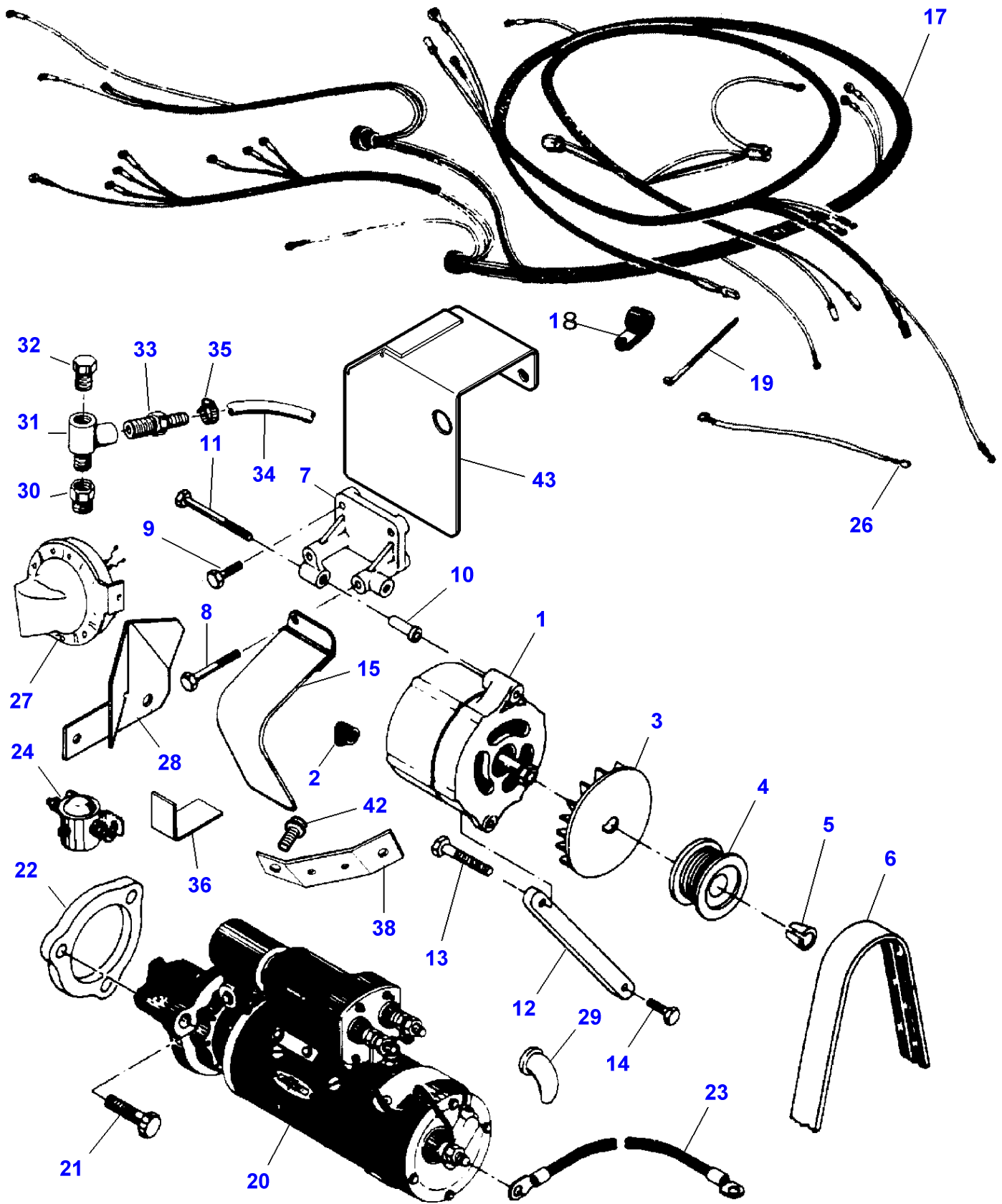
FOOTNOTE [A] NOT ILLUSTRATED

FOOTNOTE [B] INCLUDES REFERENCE NO 4-11-12-13-14-15-16-18-21-29 -32

FOOTNOTE [C] INCLUDES REFERENCE NO 4-11-12-13-14-15-16-18-21-32

MF 9240 TRACTOR - 1637287  
5-AC58-001-B

5-AC58-001-B



## Alternator Starting Motor And Battery

Item	Part Number	Qty	Description	Comments
1	71339975	1	Alternator	See Page - Reference Number 010-0105
2	72161895	1	Boot	
	70950995	1	Nut	[A] M6
3	72160116	1	Fan	
4	30-3425460	1	Pulley	
5	738431	1	Retainer	
6	72509503	1	Belt	
7	71367880	1	Support	
8	71368108	2	Bolt	
9	30-3438597	2	Bolt	
10	30-3438384	1	Spacer	
11	71368106	1	Bolt	M10X90
12	30-3496058	1	Tensioner	
13	30-3440249	1	Bolt	M10X25
	70950020	1	Washer	[A] M10
	70950945	1	Nut	[A] M10
14	71368107	1	Screw	
15	30-3495655	1	Shield	
17	72507212	1	Harness	Up to Serial or Engine Number SN0140
	72511119	1	Harness	From Serial or Engine Number SN 0141
	72512507	1	Harness	Up to Serial or Engine Number SN 0274
18	70927217	1	Clamp	From Serial or Engine Number SN 0275
19	72161736	X	Strap	Length 6-3/4"
	3619622M1	X	Cable Tie	Length 14-1/2"
				Replace and repair. Old not interchangeable with new 70925442
20	737901	1	Startermotor	See Page - Reference Number 010-0110
	3714958M1	1	Decal	[A] SAFETY
21	30-3438805	3	Screw	M12X50
22	30-3448908	1	Spacer	
23		1	Cable	Length 19"
24	71320888	1	Relay	
	70923341	2	Screw	[A] 1/4"-20X3/4"
	355564X1	2	Nut Unc	[A] 1/4"-20
	70916964	2	Lock Washer	[A] 1/4"
25	30-3496082	1	Brace	[A]
26	72161282	1	Wire	
27	72505204	1	Horn	
28	72505380	1	Bracket	
	70930601	1	Screw	[A] 5/16"-18X5/8"
29	72163129	1	Cover	
30	71367883	1	Adaptor	
31	70924183	1	Teepiece	
32	70901651	1	Plug	
33	70937234	1	Connector	
34	72503186	1	Hose	
35	338612X1	2	Hose Clip	
36	72503809	1	Bracket	
37	71359419	1	Shield	[A] Replace and repair. Old not interchangeable with new 72161643
	70951209	1	Nut	[A]
38	366573X1	1	Locknut	Up to Serial or Engine Number S/N 0011
	72512593	1	Bracket	From Serial or Engine Number S/N 0012
39	1112407	2	Capscrew	[A] Replace and repair. Old not interchangeable with new 30-3427684
	353439X1	1	Lock Washer	[A] 1/2"
40	33-0005932	1	Washer	[A]
41	70950717	1	Nut	[A] M6
42	1112407	1	Capscrew	M10X20 Replace and repair. Old not interchangeable with new 30-3427684



**Massey Ferguson**

**MF 9240 TRACTOR - 1637287**

**1637287**

**Alternator Starting Motor And Battery**

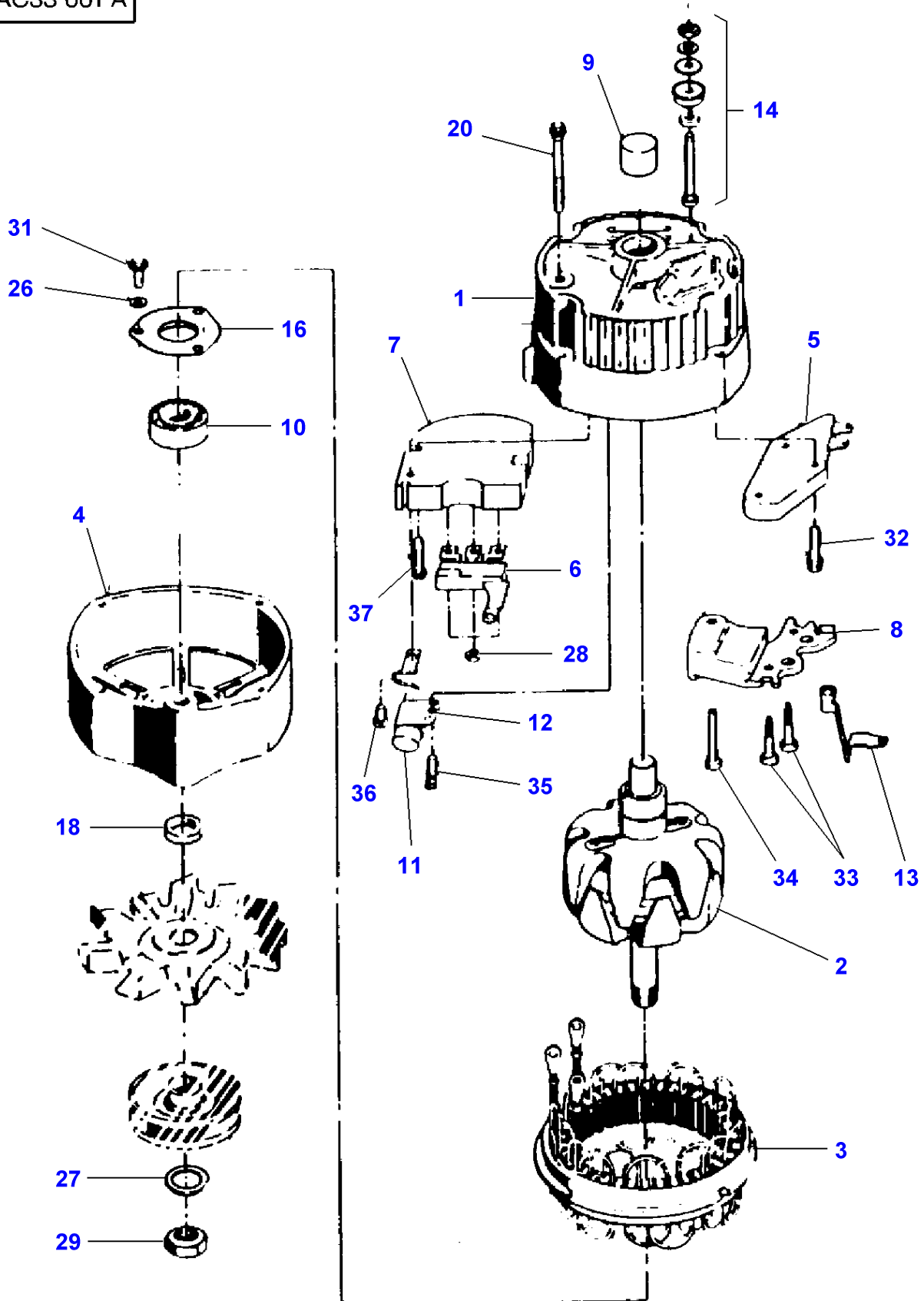
**Page010-0100**

<b>Item</b>	<b>Part Number</b>	<b>Qty</b>	<b>Description</b>	<b>Comments</b>
43	72514398	1	Bracket	[B] From Serial or Engine Number 13-JAN-1997

**FOOTNOTE [A] NOT ILLUSTRATED**

**FOOTNOTE [B] EUROPE ONLY**

5-AC33-001-A

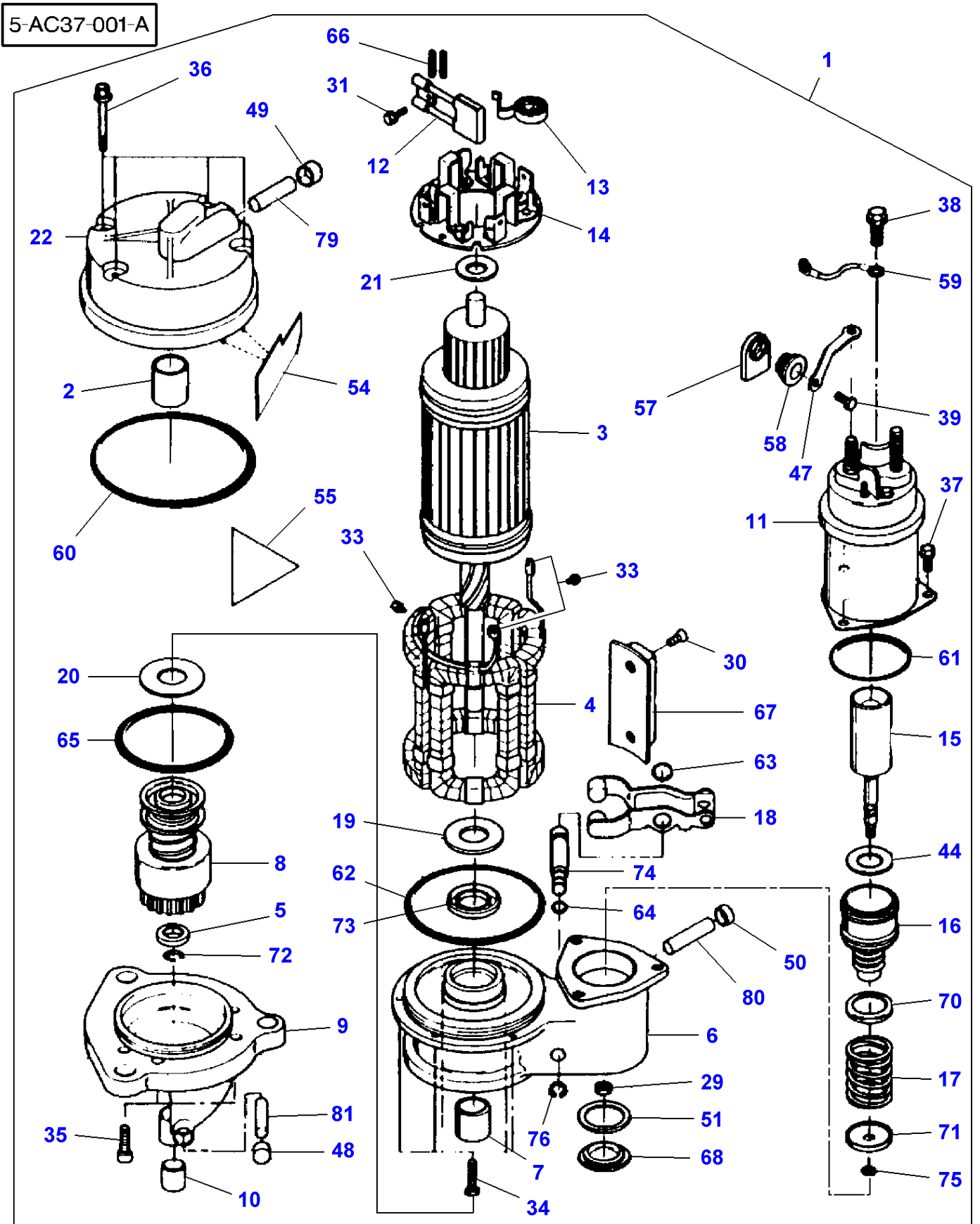


Alternator

Item	Part Number	Qty	Description	Comments
	71339975	1	Alternator	
1	71327154	1	Housing	
2	71327152	1	Kit, Rotor Assy.	
3	71327153	1	Kit, Stator	
4	71327163	1	Housing	
5	71308106	1	Regulator	
6	71327155	1	Diode	
7	71327156	1	Rectifier	
8	71327158	1	Kit, Brush	
9	72162794	1	Bearing	
10	828123M2	1	Bearing Assy	Replace and repair. Old not interchangeable with new 1172655
11	71172896	1	Capacitor	
12		1	Nut	
13	72162796	1	Brush	
14	70262755	1	Bolt	
16	70242826	1	Plate	
18	71340358	1	Collar	
20	70242838	4	Bolt	
26		3	Washer	
27	70237006	1	Washer	
28	70917385	3	Nut	
29	74054799	1	Nut	
31	72162798	3	Screw	
32	70262168	1	Kit, Screw	
33	71173328	2	Kit, Screw	
34	71327160	1	Screw	
35	71173329	1	Screw	
36	71173329	1	Screw	
37	70270851	1	Kit, Screw	
38	71327159	2	Kit, Brush	[A]
39	71340357	1	Collar	[A]

FOOTNOTE [A] NOT ILLUSTRATED

MF 9240 TRACTOR - 1637287  
5-AC37-001-A



**Massey Ferguson**  
**MF 9240 TRACTOR - 1637287**

1637287

Page010-0110

**Starter**

Item	Part Number	Qty	Description	Comments
1	737901	1	Startermotor	
2	71360346	1	Bush	[B] (1)
3	72162816	1	Rotor	(1)
4	72162808	1	Coil	(1)
5		1	Washer	[B,C] (1)
6	72162817	1	Housing	(1)
7		1	Bush	[B] (1)
8	103688W91	1	Gear,Startermotr	(1)
9		1	Drive Housing	(1) Not serviced, order REF.1
10	71360346	1	Bush	[B] (1)
11	72163173	1	Solenoid Switch	(1)
12		4	Brush	[A] (1)
13	1070564M1	4	Spring	[A] (1)
14	72162804	1	Kit, Brush Plate	(1)
15	72162820	1	Flinger	(1)
16	72162821	1	Boot	(1)
17	70241344	1	Spring	(1)
18		1	Shifter	[C] (1)
19		1	Spacer	[B] (1)
20		1	Washer	[B] (1)
21	70276103	1	Washer	[B] (1)
22	72162799	1	Housing	(1)
29	70927029	1	Nut	[B,C] (1)
30	72162815	8	Screw	(1)
31	71333910	2	Screw	(1)
33	71333910	2	Screw	(1)
34	72162818	5	Screw	(1)
35	72162806	6	Screw	(1)
36		4	Screw	[A,B] (1)
37	72162819	3	Kit, Screw	(1)
38	72162819	1	Kit, Screw	(1)
39	72162819	1	Kit, Screw	(1)
44	70241345	1	Washer	(1)
47	72162810	1	Connector	(1)
48	71360348	1	Cup	[B] (1)
49	71360348	1	Cup	[B] (1)
50	71360348	1	Cup	[B] (1)
51	71169066	1	Gasket	[B,C] (1)
54	71359419	1	Shield	(1) Replace and repair. Old not interchangeable with new 72161643
55	72162809	1	Insulator	(1)
57	72162811	1	Insulator	(1)
58	72162812	1	Insulator	(1)
60		1	O Ring	[A,B] (1)
61	1070578M1	1	O Ring	[B,C] (1) Replace and repair. Old not interchangeable with new 71360380
62	71319855	1	O Ring	[B] (1)
63	71333904	1	O Ring	[C] (1)
64	167550A	1	O Ring	[C] (1)

## Starter

Item	Part Number	Qty	Description	Comments
65	71360382	1	O Ring	[B,C] (1)
66	72162807	2	Pin	(1)
67	72162814	1	Shoe	(1)
68	70241352	1	Plug	(1)
70	70268365	1	Retainer	(1)
71	70268364	1	Retainer	(1)
72		1	Clip	[B,C] (1)
73		1	Bush	[B] (1)
74		1	Clevis Pin	[C] (1)
75	72162800	1	Ring	(1)
76		1	Clip	[C] (1)
79		1	Pin	[B] (1)
80		1	Pin	[B] (1)
81		1	Pin	[B] (1)
85	103688W91	1	Gear,Startermotr	[D] (1)
86	72162801	1	Kit, Brush	[E,D]
87	72162802	1	Kit, Seal	[F,D]
88	72162803	1	Kit	[G,D]

**FOOTNOTE [A]** INCLUDED IN KIT MARKED (E)

**FOOTNOTE [B]** INCLUDED IN KIT MARKED (F)

**FOOTNOTE [C]** INCLUDED IN KIT MARKED (G)

**FOOTNOTE [D]** NOT ILLUSTRATED

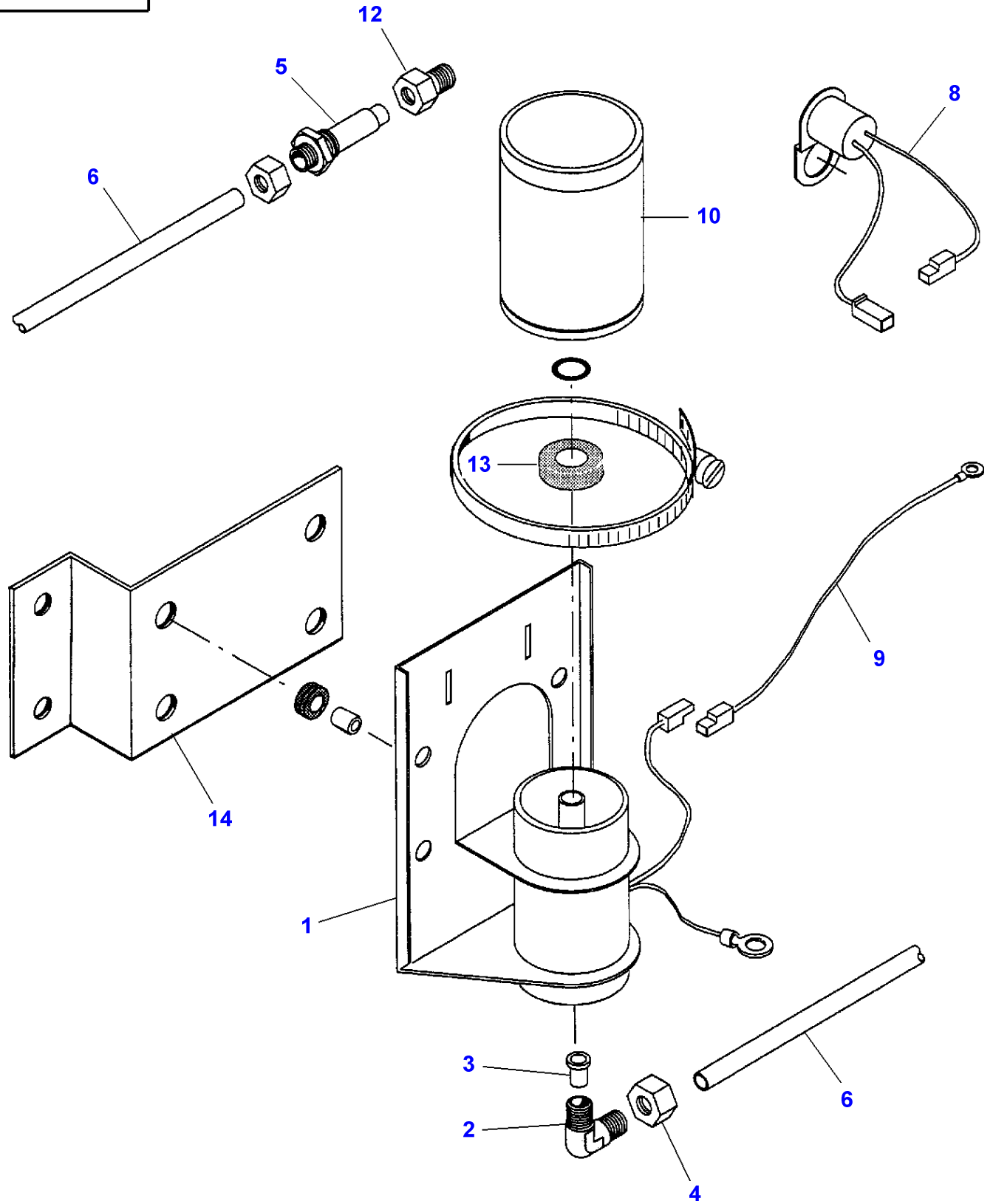
**FOOTNOTE [E]** INCLUDES ITEMS MARKED (A)

**FOOTNOTE [F]** INCLUDES ITEMS MARKED (B)

**FOOTNOTE [G]** INCLUDES ITEMS MARKED (C)

MF 9240 TRACTOR - 1637287  
5-AZ39-001-A

5-AZ39-001-A



**Massey Ferguson**  
**MF 9240 TRACTOR - 1637287**

**Ether Start System**

Item	Part Number	Qty	Description	Comments
1	72163205	1	Valve	
	74057949	1	Gasket	[A]
				Replace and repair. Old not interchangeable with new 30-3381994
2	74057950	1	Adaptor	Replace and repair. Old not interchangeable with new 30-3373274
3	30-3373282	1	Filter	
4	30-3347354	2	Nut	5/16"-24
5	30-3373231	1	Connectors	
	71351965	1	Nozzle	[A]
6	72163207	1	Hose	
8	72504377	1	Guard	
	70950272	1	Capscrew	[A]
				M10X25
	70918199	1	Washer	[A]
				7/16" LOCK
9	72504379	1	Wire	
10	74009959	X	Container	
12	70933965	1	Reducer	1/4"X1/8" PIPE
13	<b>30-3373290</b>	1	Seal	
14	72507449	1	Bracket Assy.	
	72503178	4	Grommet	[A]
	72500985	4	Spacer	[A]
	70921960	4	Screw	[A]
				1/4"-20X1"
	70927009	4	Washer	[A]
	70923358	4	Nut	[A]
				1/4"-20

FOOTNOTE [A] NOT ILLUSTRATED



NO ILLUSTRATED  
NON ILLUSTRE  
NICHT ABGEBILDET  
NO ILLUSTRADO  
NO ILLUSTRATED

## Engine Gaskets Sets - Upper

Item	Part Number	Qty	Description	Comments
1	30-3438503	1	Gasket	STANDARD
	30-3514293	1	Kit, Gasket	Thickness (+)0,15MM
	30-3438511	1	Kit, Gasket	Thickness (+)0,25MM
	72512669	1	Kit, Gasket	Thickness (+)0,50MM
2	30-3437906	2	Seal	(1)
3	30-3436578	2	Washer	(1)
4	30-3436950	1	Seal	(1)
5	30-3437159	4	Washer	(1)
6	30-3437175	7	Seal	(1)
7	<b>71367972</b>	1	O Ring	(1)
8	<b>72512577</b>	1	O Ring	(1)
9	30-3436926	1	Gasket	(1)
10	30-3448762	6	Washer	(1)
11	72515596	1	Head Gasket	(1)
				STANDARD
				Replace and repair. Old not interchangeable with new 71367966
	71367975	1	Head Gasket	Thickness (+)0,15MM
				Replace and repair. Old not interchangeable with new 72512576
	71367975	1	Head Gasket	Thickness (+) 0,25MM
				Replace and repair. Old not interchangeable with new 72512576
	71367976	1	Head Gasket	Thickness (+)0,50MM
12	30-3446123	1	Seal	(1)
13	30-3436942	6	Seal	(1)
14	30-3437736	1	Gasket	(1)
				TURBOCHAR.
15	30-3445437	6	Gasket	(1)
				EXHAUST/MANIF.
16	71368115	12	Seal	(1)
				VALVE/SYST.
17	30-3471454	1	Gasket	(1)
				GASKET CONNEC.
	71367974	1	Gasket	(1)
				GASKET CONNEC.
18	30-3471462	1	Gasket	(1)
				THERMOST.
19	30-3471403	1	Gasket	(1)
				INT./MANIFOLD
20	30-3469247	1	Gasket	(1)
				OIL DRAIN
21	71368101	12	Plate	(1)
22	71368120	2	Seal	(1)
23	<b>30-3437558</b>	1	Seal	[A,B,C]
				(1)
24	71367973	1	Seal	[A,B,C]
				(1)

FOOTNOTE [A] INCLUDED IN REPAIR KIT 72512667

FOOTNOTE [B] INCLUDED IN REPAIR KIT 30-3438511

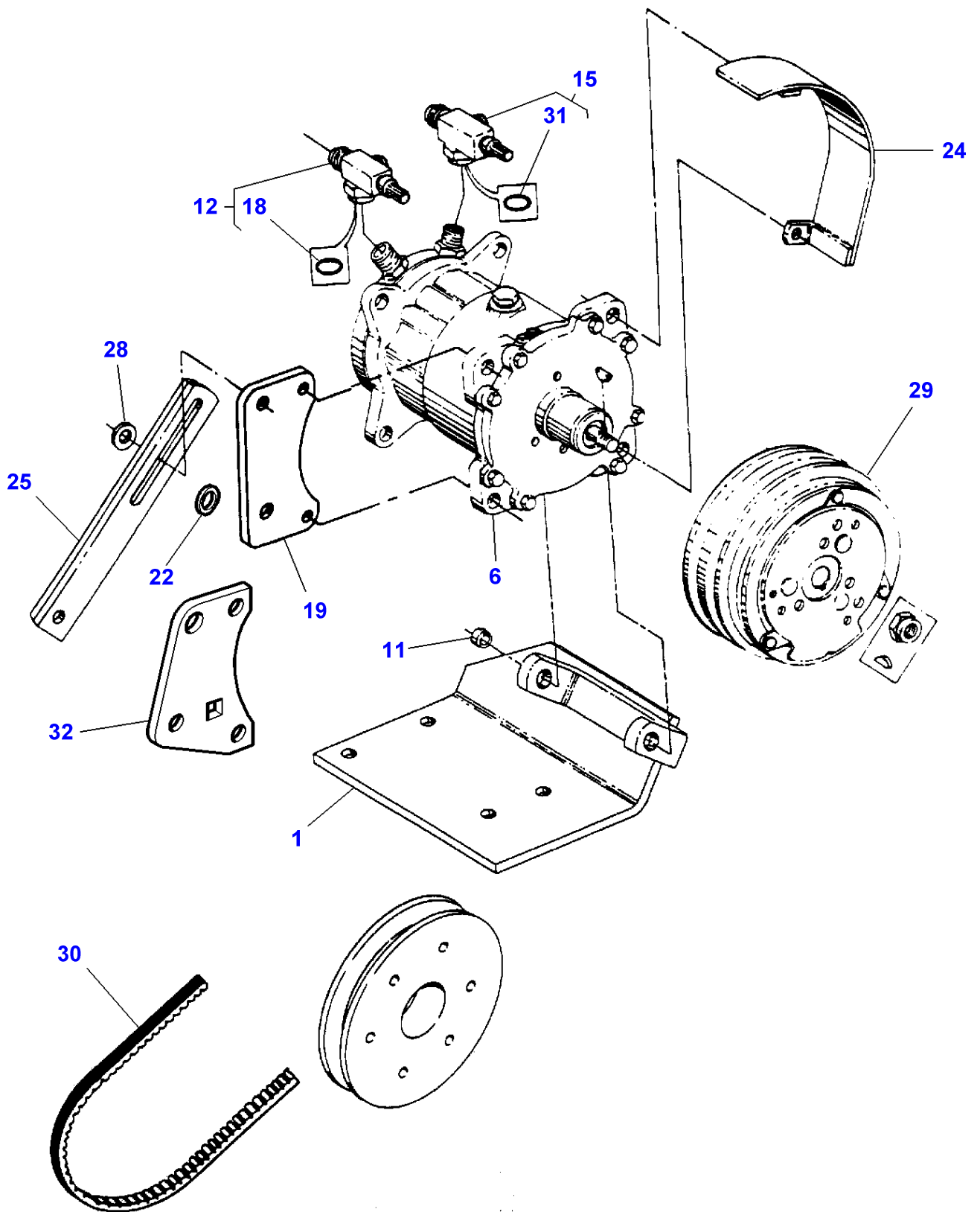
FOOTNOTE [C] INCLUDED IN REPAIR KIT 72512669

NO ILLUSTRATED  
NON ILLUSTRE  
NICHT ABGEBILDET  
NO ILLUSTRADO  
NO ILLUSTRATED

## Engine Gaskets Sets - Lower

Item	Part Number	Qty	Description	Comments
1	30-3438546	1	Kit, Gasket	
2	71367818	1	Seal	(1)
3	30-3438856	1	Washer	(1)
4	30-3436799	1	O Ring	(1)
5	30-3436578	1	Washer	(1)
6	30-3435938	6	Nozzle	(1) NOZZLE/PIST.
7	30-3436179	1	Seal	(1)
8	30-3437620	1	Seal	(1)
9	72515578	1	O Ring	(1) Replace and repair. Old not interchangeable with new 30-3440192
10	30-3445445	1	Seal	(1)
11	30-3467619	1	Gasket	(1)
12	71367992	1	Gasket	(1) GEAR/COVER GEAR/COVER
13	30-3467600	1	Seal	(1)
14	30-3471438	1	Gasket	(1) PAN OIL
15	30-3471322	1	Seal	(1)
16	71367978	1	Seal	(1)
17	30-3471357	1	Gasket	(1) REAR COVER
18	30-3471446	1	Gasket	(1) OIL/PAN
19	30-3471365	1	Gasket	(1) GAER HOUSING
20	30-3469263	1	Gasket	(1) COVER/PLATE
21	30-3471314	1	Gasket	(1) OIL COOL.
22	30-3471373	1	Gasket	(1) LUB/OIL
23	30-3483150	1	Gasket	(1)
24	30-3440184	1	O Ring	(1)
25	30-3437086	1	Bracket	(1)
26	71368000	12	Nozzle	(1) NOZZL.PIST. COOLING
27	71367993	1	Gasket	(1) LUB. OIL COOL.
28	71367979	1	Gasket	(1) HYD. PUMP

5-AC08-001-A



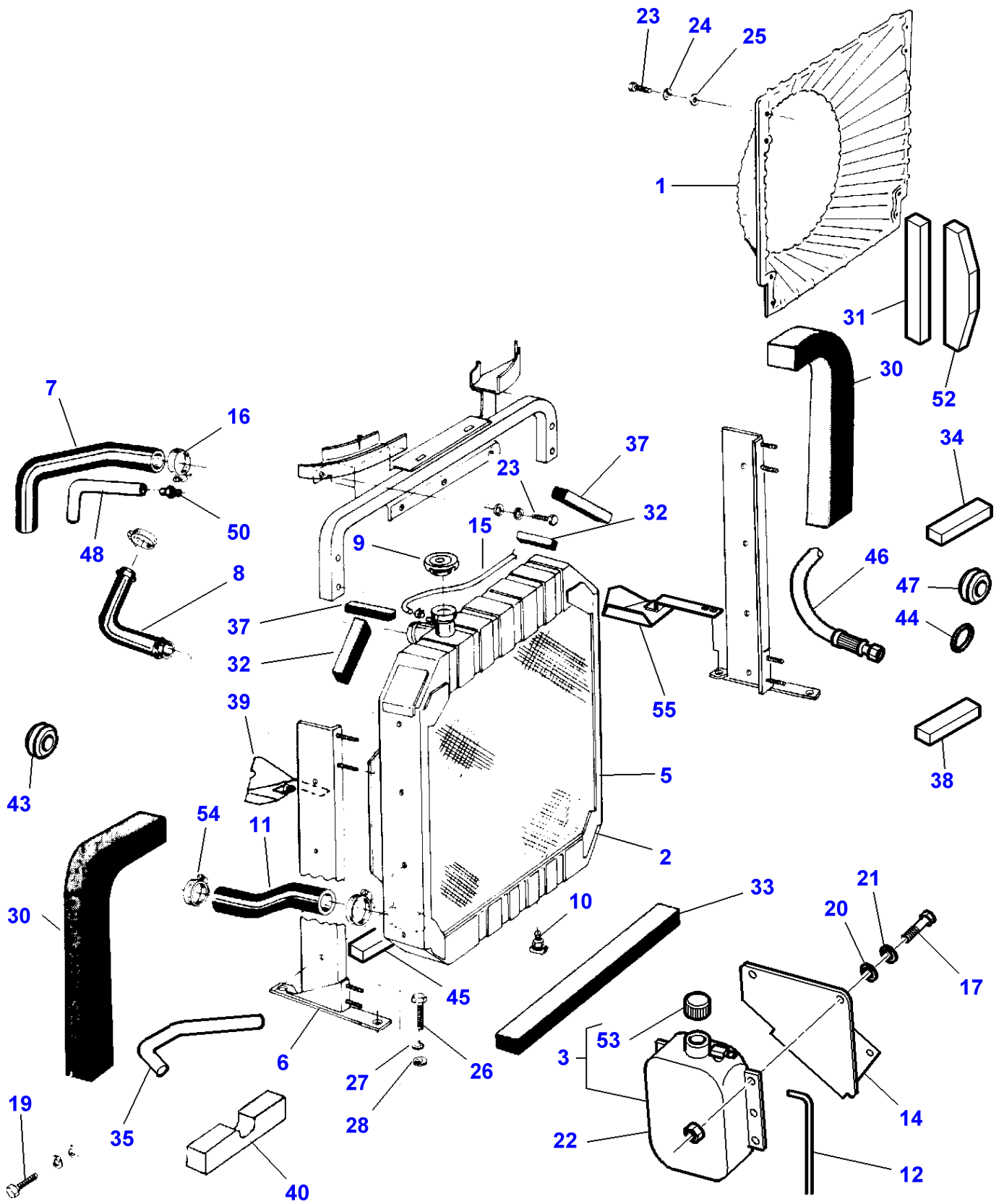
## Cooling System - Air Conditioned Installation

Item	Part Number	Qty	Description	Comments
1	72162191	1	Support	
2	70950036	2	Capscrew	[A] M10
3	70950037	2	Capscrew	[A] M10X30
4	70918265	1	Washer	[A] 5/16"
5	70918199	4	Washer	[A] 5/16" LOCK
6	72504984	1	Compressor	SD7H15
7	354264X1	3	Bolt Unc	[A] Up to Serial or Engine Number 05/96 3/8-16X1-1/2
8	70920415	2	Screw	[A] 3/8"-16X1
9	353434X1	5	Lock Washer	[A] 3/8" LOCK
10	70923518	5	Nut	[A] Up to Serial or Engine Number 05/96 3/8"-16
11	72160927	1	Sleeve	
12	72506695	1	Valve	
13	72507407	1	Cap	[A]
14	72507406	1	Cap	[A]
15	72506696	1	Valve	
16	72507407	1	Cap	[A]
17	72507406	1	Cap	[A]
18	70937297	1	O Ring	(12) 1/16"X9/16" ID
19	30-3348148	1	Plate	Up to Serial or Engine Number 04/96
20	70920415	1	Screw	[A] 3/8"-16X1-1/4"
21	353434X1	1	Lock Washer	[A] 3/8" LOCK
22	70922755	1	Washer	Up to Serial or Engine Number 04/96 .406X1.000X10
	70931449	1	Washer	From Serial or Engine Number 04/96 Up to Serial or Engine Number 09-OCT-1996 .406X1.125X7
	72506551	1	Spacer	From Serial or Engine Number 10-OCT-1996
23	70923518	1	Nut	[A] 3/8"-16 GR5
24	72162167	1	Cowl	Up to Serial or Engine Number 05/96
25	72508476	1	Link	Length 12-3/4"
26	70950019	1	Capscrew	[A] M8X60
27	70917356	1	Lock Washer	[A] 5/16" LOCK
28	70922755	1	Washer	3/8"
29	72507683	1	Clutch	
30	<b>72504442</b>	1	Belt	36 OC
31	70937297	1	O Ring	(15) 1/16"X9/16"ID
32	30-3429865	1	Plate	From Serial or Engine Number 04/96

FOOTNOTE [A] NOT ILLUSTRATED

MF 9240 TRACTOR - 1637287  
5-AC23-001-B

5-AC23-001-B



## Cooling System - Engine - Radiator And Hoses

Item	Part Number	Qty	Description	Comments
1	72505466	1	Shroud	
2	72508773	1	Radiator	Up to Serial or Engine Number 01-1997
	72508761	1	Radiator	From Serial or Engine Number 01-1997
3	72501384	1	Tank	
4	70950035	1	Capscrew	[A] M10X20
5	72506965	1	Support	Left Hand
6	72506967	1	Support	Right Hand
7	72501883	1	Hose	
8	72501884	1	Tube	
9	72501385	1	Radiator Cap	
10	70933036	1	Cock	
11	30-3424243	1	Hose	
12	72502067	1	Hose	
13	70927097	1	Clamp	[A]
14	72507391	1	Bracket	
15	72506969	1	Hose	Up to Serial or Engine Number 03/96 Length 2030MM
	71371601	1	Hose	From Serial or Engine Number 03/96 Length 760MM
16	70925758	2	Clamp	
17	70921333	4	Screw	Up to Serial or Engine Number 09/95 5/16"-18X1"
	70923325	5	Screw	From Serial or Engine Number 09/95 .312-18X8.75
18	70950268	1	Screw	[A] M12X20
19	70921332	8	Screw	5/16"-18X3/4"
20	70917642	11	Washer	
21	70917356	11	Lock Washer	5/16"
22	<b>70917372</b>	5	Nut	5/16"-18
23	70923341	8	Screw	1/4"-20X3/4"
24	70916964	8	Lock Washer	1/4"
25	70917377	8	Washer	
26	70920415	4	Screw	3/8"-16X1-1/4"
27	353434X1	4	Lock Washer	3/8"
28	70924355	4	Washer	3/8"
30	72513533	2	Foam	Replace and repair. Old not interchangeable with new 72505469 25X25X181MM
31	72513531	2	Foam	Replace and repair. Old not interchangeable with new 72505472 38X38X455MM
	72513713	2	Foam	Up to Serial or Engine Number 03/96 38X38X690MM
32	72506974	2	Foam	1"X1"X25.50"
33	72505474	1	Foam	2"X2"X35.75"
34	72505471	1	Foam	1.50"X1"X13.38
35	72509402	2	Hose	
37	72502449	2	Foam	1"X1"X4"
38	72507320	X	Foam	1.50"X1.50"X7"
39	72505383	1	Deflector	
40	72504353	2	Foam	2"X2"X8.50"
41	72508363	1	Hose Assy	[A] Length 50"
42	338612X1	1	Hose Clip	[A]
43	70929351	1	Grommet	
44	71352356	2	Seal	
45	72506975	1	Foam	.5"X1"X20.25"
46	72508768	1	Hose	
47	70929351	1	Grommet	
48	72507807	1	Hose	
49	3000483X1	2	Clamp	[A]
50	70937279	1	Connectors	1/4"HX1/8"
51	3619622M1	2	Cable Tie	[A] Replace and repair. Old not interchangeable with new 70925442
52	72513371	2	Seal	From Serial or Engine Number 03/96 34X38X520MM
53	<b>700713160</b>	1	Plug	(3)



**Massey Ferguson**

**MF 9240 TRACTOR - 1637287**

**1637287**

**Cooling System - Engine - Radiator And Hoses**

**Page010-0135**

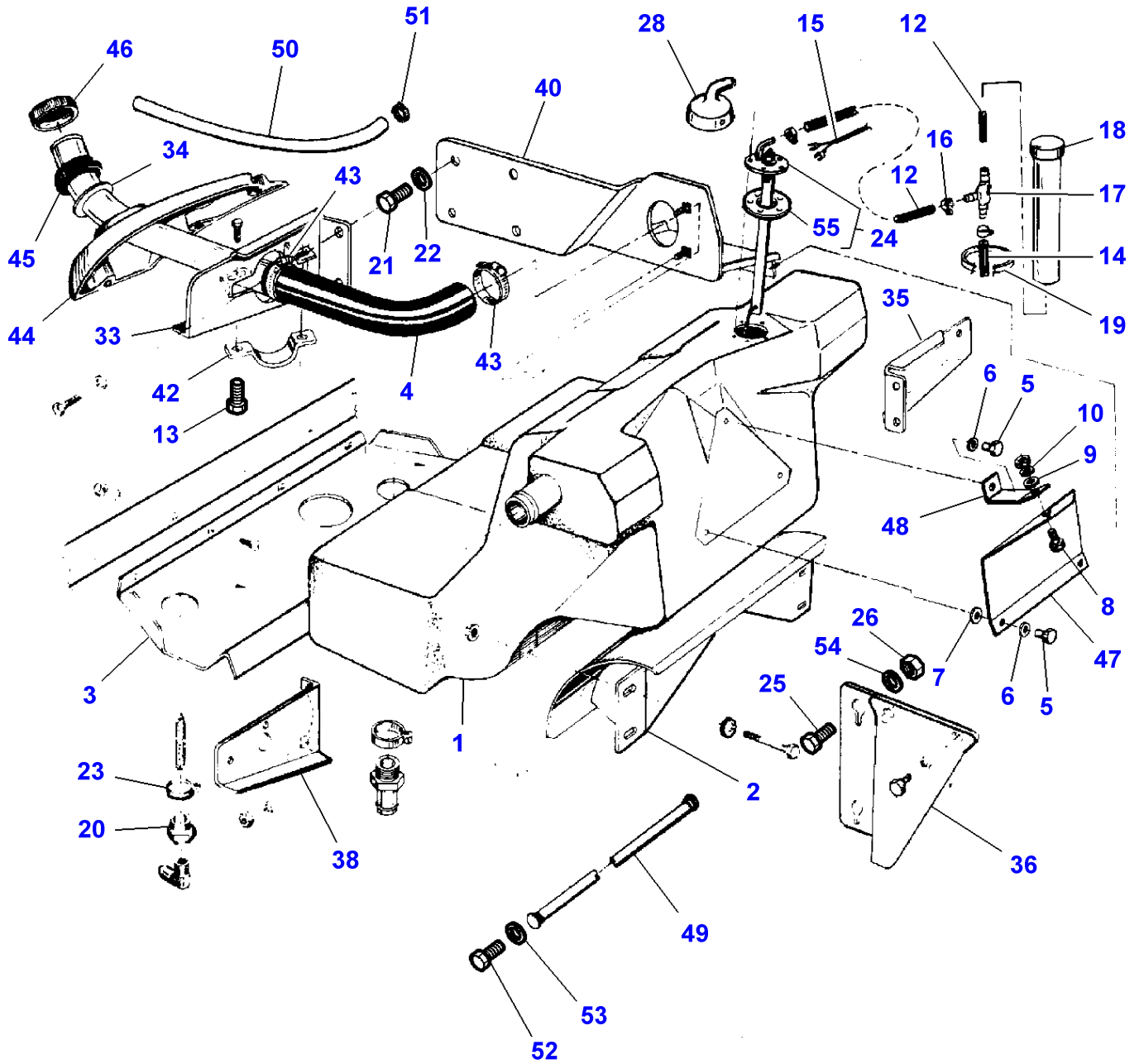
<b>Item</b>	<b>Part Number</b>	<b>Qty</b>	<b>Description</b>	<b>Comments</b>
54	338616X1	3	Hose Clip	
55	72511194	1	Deflector	[B] From Serial or Engine Number 30-SEP-1996

**FOOTNOTE [A]** NOT ILLUSTRATED

**FOOTNOTE [B]** EUROPE ONLY

MF 9240 TRACTOR - 1637287  
5-AC02-001-A

5-AC02-001-A

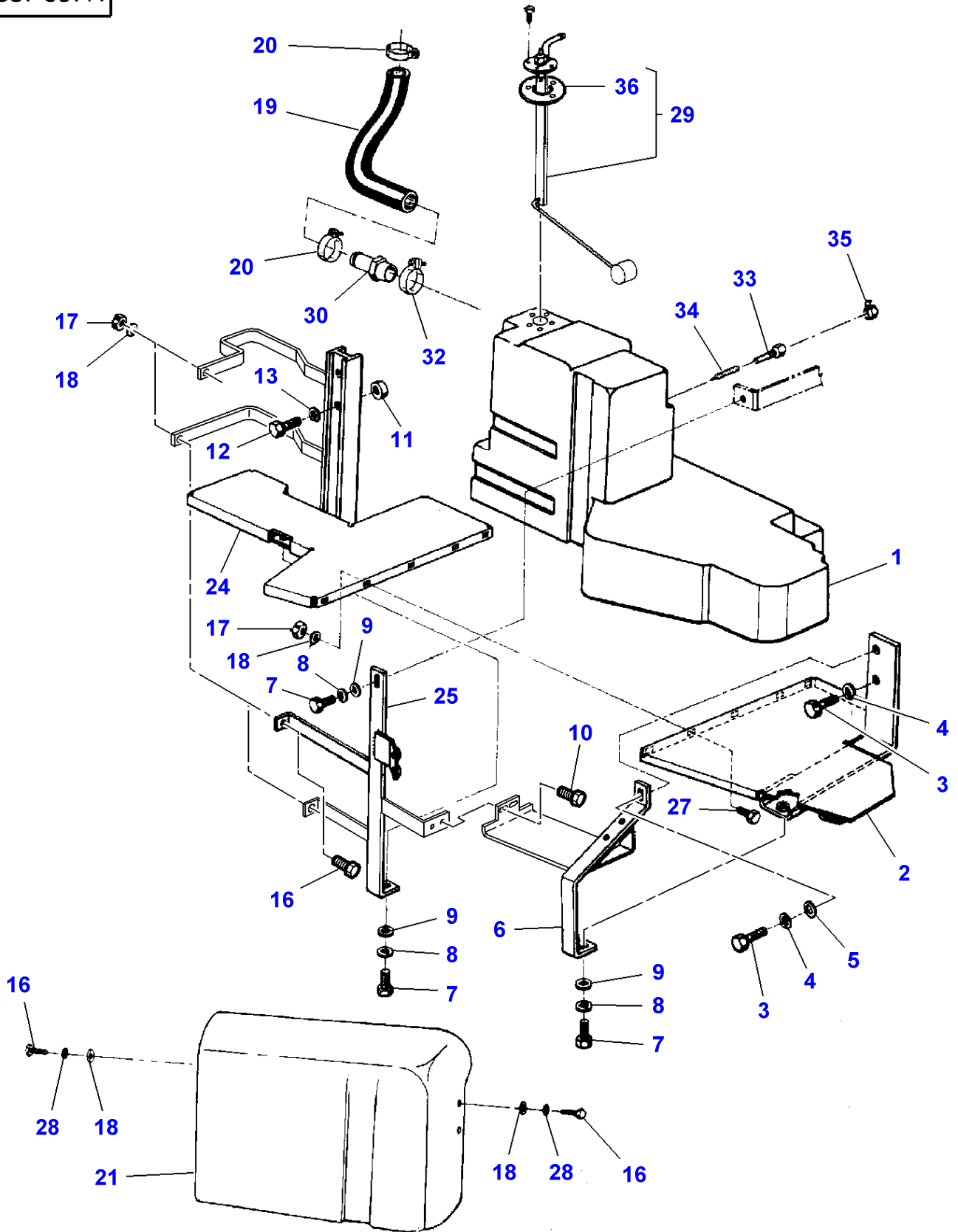


Item	Part Number	Qty	Description	Comments
1	72511880	1	Tank	Replace and repair. Old not interchangeable with new 72500960
2	72503346	1	Kit, Support	
	3714961M1	1	Decal	[A]
3	72500973	1	Tray	
	360513X1	4	Screw	[A] 3/8"X3/4"
	70933410	4	Nut	[A]
	70923502	4	Capscrew	[A] 1/2"-13X4
	70918430	4	Washer	[A]
	70931187	4	Nut	[A]
4	72500951	1	Hose	
5	70928236	3	Screw	
6	70917642	3	Washer	5/16"
7	70931449	2	Washer	13/32"
8	70921959	1	Screw	1/4"-20X5/8"
9	70916964	1	Lock Washer	1/4" LOCK
10	353754X1	1	Washer	1/4"
11	72500956	1	Foam	[A]
12	72503232	2	Hose	
13	70921332	2	Screw	5/16"-18
14	72503234	1	Hose	
15	72502313	1	Wire	
16	70921910	2	Clamp	
17	70937244	1	Teepiece	
18	72503046	1	Tube	
19	<b>70925094</b>	6	Clamp	
20	70926868	1	Connector	1-1/4"X1-1/4"
21	70921210	X	Screw	3/8"-16X1
22	353434X1	X	Lock Washer	3/8" LOCK
23	70928289	1	Clamp	
24	72501365	1	Sender	
25	360513X1	4	Screw	.375X.75
26	<b>70931211</b>	4	Nut	
28	72503038	1	Boot	
33	72503039	1	Support	Left Hand
34	72503041	1	Spout	
35	72513770	1	Brace	Right Hand Repairs and replaces 72503044
36	72503247	1	Fence	Left Hand
	72503248	1	Fence	Right Hand
	353689X1	8	Screw Unc	[A] 3/8"-16X3/4"
	70937278	5	Cap	[A] RUBBER
38	72511132	1	Support	Left Hand
	72511133	1	Support	Right Hand
40	72504651	1	Support	Left Hand
	72504653	1	Support	Right Hand
42	72503048	1	Clamp	
43	71366540	2	Clamp	
44	72503245	1	Support	
45	72503242	1	Grommet	
46	72505250	1	Tank Cap	
47	72505137	1	Bracket	
48	72505144	1	Bracket	
49	72504660	1	Support	
50	72504667	1	Hose	
51	3000483X1	1	Clamp	SAE 8
52	<b>70923114</b>	2	Capscrew	1/2"-13X1
53	353439X1	2	Lock Washer	1/2" LOCK
54	<b>70931942</b>	X	Nut	3/8"
55	72506103	1	Gasket	(24)

FOOTNOTE [A] NOT ILLUSTRATED

MF 9240 TRACTOR - 1637287  
5-AC57-001-A

5-AC57-001-A



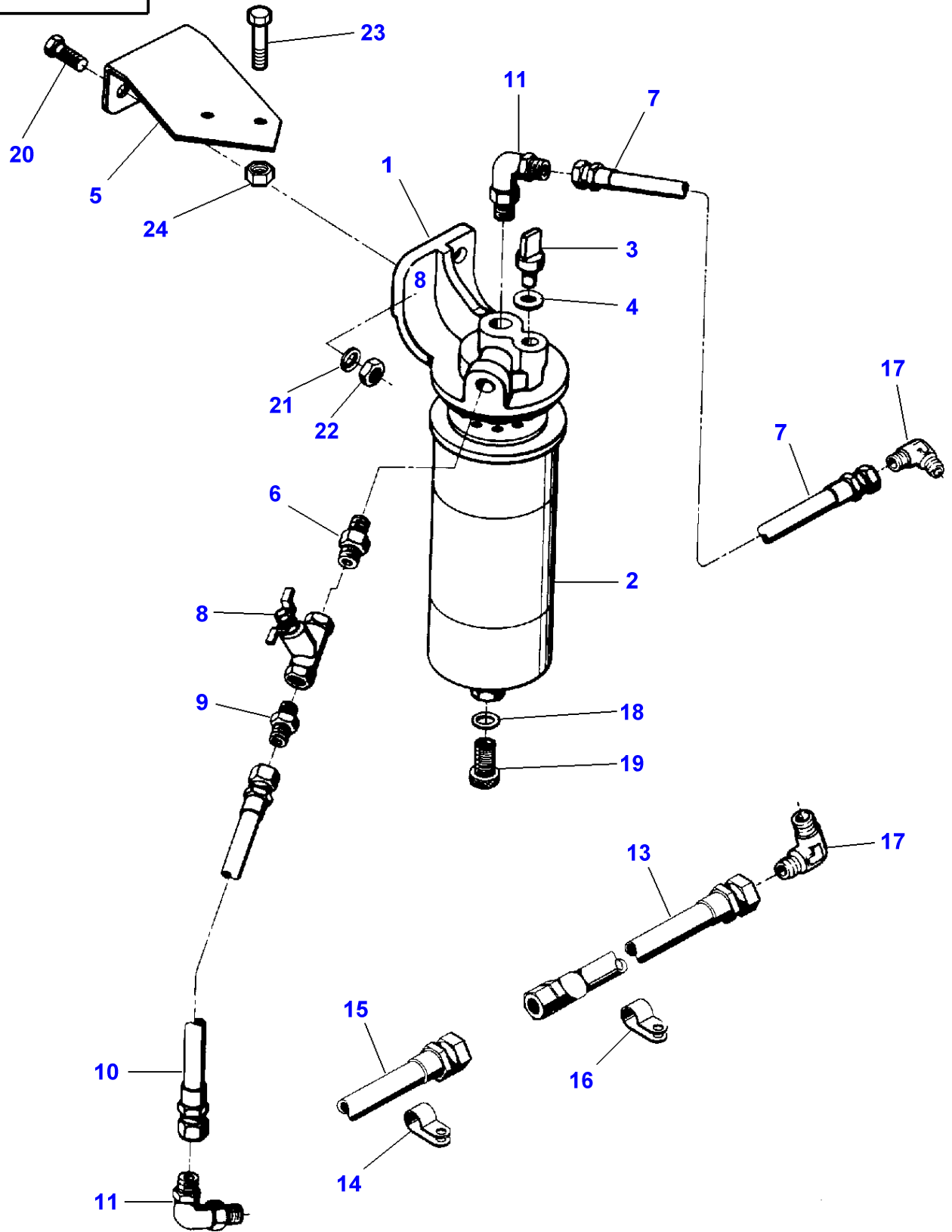
## Fuel System - Fuel Tank Auxiliary

Item	Part Number	Qty	Description	Comments
1	72509746	1	Fuel Tank	Repairs and replaces 72504355
2	72505086	1	Support	
3	70923292	2	Capscrew	3/4"-10X2"
4	353440X1	2	Lock Washer	3/4" LOCK
5	70918269	1	Washer	
6	72504640	1	Strap	Up to Serial or Engine Number 0067
	72509872	1	Strap	From Serial or Engine Number 0068
7	70920415	5	Screw	3/8"-16X1-1/4"
8	353434X1	5	Lock Washer	3/8" LOCK
9	BPN31029	5	Washer	
10	70926115	2	Bolt	From Serial or Engine Number 0068
11	72502738	2	Spacer	
12	70923111	2	Capscrew	5/8"-11X3"
13	353433X1	2	Lock Washer	5/8" LOCK
16	70931333	5	Bolt	5/16"-18X3/4"
17	<b>70917372</b>	6	Nut	5/16"-18
18	70917356	10	Lock Washer	5/16" LOCK
19	72504677	1	Hose	
20	70921912	2	Clamp	N24
21	72511380	1	Cover	Repairs and replaces 72507752
24	72505084	1	Support	Up to Serial or Engine Number SN0067
	72511376	1	Support	From Serial or Engine Number SN0068
25	72505091	1	Strap	Up to Serial or Engine Number SN0067
	72509874	1	Strap	From Serial or Engine Number SN0068
26	355566X1	1	Nut Unc	[A] 3/8"-16
27	70921333	5	Screw	5/16"-18X1"
28	70917642	5	Washer	5/16"
29	72512789	1	Kit	Length 22"
30	70926868	1	Connector	Replace and repair. Old not interchangeable with new 72501364 1-1/4"H X1-1/4"P
32	70928289	1	Clamp	
33	71364272	1	Adaptor	
34	71359378	1	Screen	
35	70936987	1	Clamp	
36	72506103	1	Gasket	(29)

FOOTNOTE [A] NOT ILLUSTRATED

MF 9240 TRACTOR - 1637287  
5-AC44-001-A

5-AC44-001-A



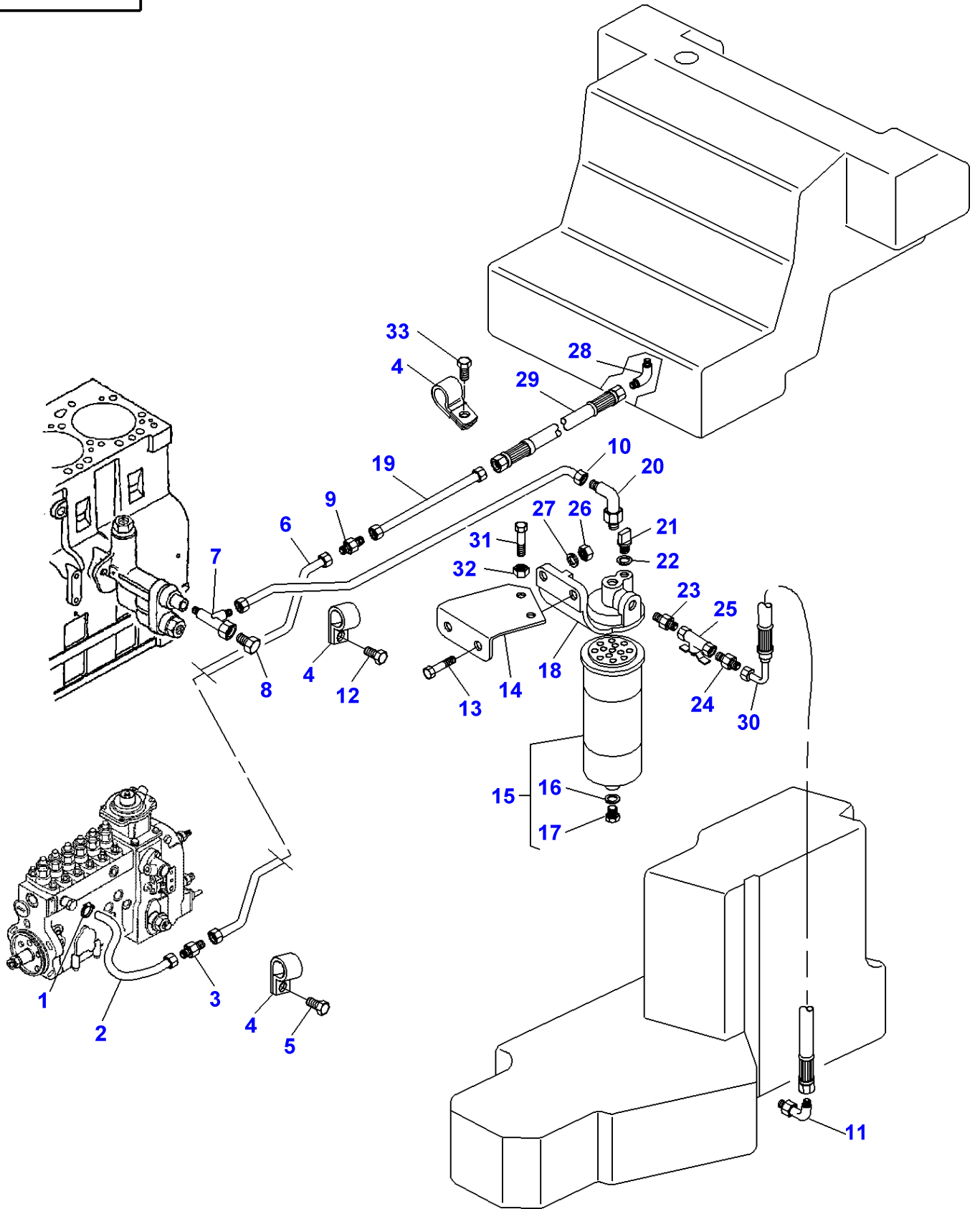
## Fuel System - Up To No

Item	Part Number	Qty	Description	Comments
1	74395419	1	Mounting	
2	<b>74394407</b>	1	Element	
3	74036540	1	Screw	
4	74254873	1	Washer	
5	72506869	1	Support	
6	70937298	1	Connectors	3/8" ORB X1/4" NPTF
7	72507679	1	Hose Assy	3/8"X54
8	72506516	1	Valve	
9	70919062	1	Connectors	3/8"JIC X 1/4"
10	71352934	1	Hose Assy	3/8"X38
11	357197X91	1	Elbow	3/8"X 3/8"
12	831452M1	1	O Ring	Replace and repair. Old not interchangeable with new 70922523 (11) Replace and repair. Old not interchangeable with new 70921885
13	71508986	1	Hose Assy	3/8"X120"
14	70921910	1	Clamp	N6
15	72502224	1	Hose	5/16"X15"
16	70928656	1	Clamp	
	70950035	1	Capscrew	[A] M10X20
	70950220	1	Lock Washer	[A] M10 LOCK
17	70919135	1	Elbow	3/8" JIC X 1/4" NPTF Up to Serial or Engine Number 19-01-1996 From Serial or Engine Number 19-01-1996
	70919206	1	Elbow	
18	<b>70923559</b>	1	O Ring	
19	74036443	1	Plug	
20	70921210	2	Screw	3/8"-16X1"
21	353434X1	2	Lock Washer	3/8"
22	70923518	2	Nut	3/8"-16
23	70930591	2	Capscrew	5/16"X3/4"
24	70931277	2	Nut	5/16"-18

FOOTNOTE [A] NOT ILLUSTRATED

MF 9240 TRACTOR - 1637287  
5-AC44-002-A

5-AC44-002-A



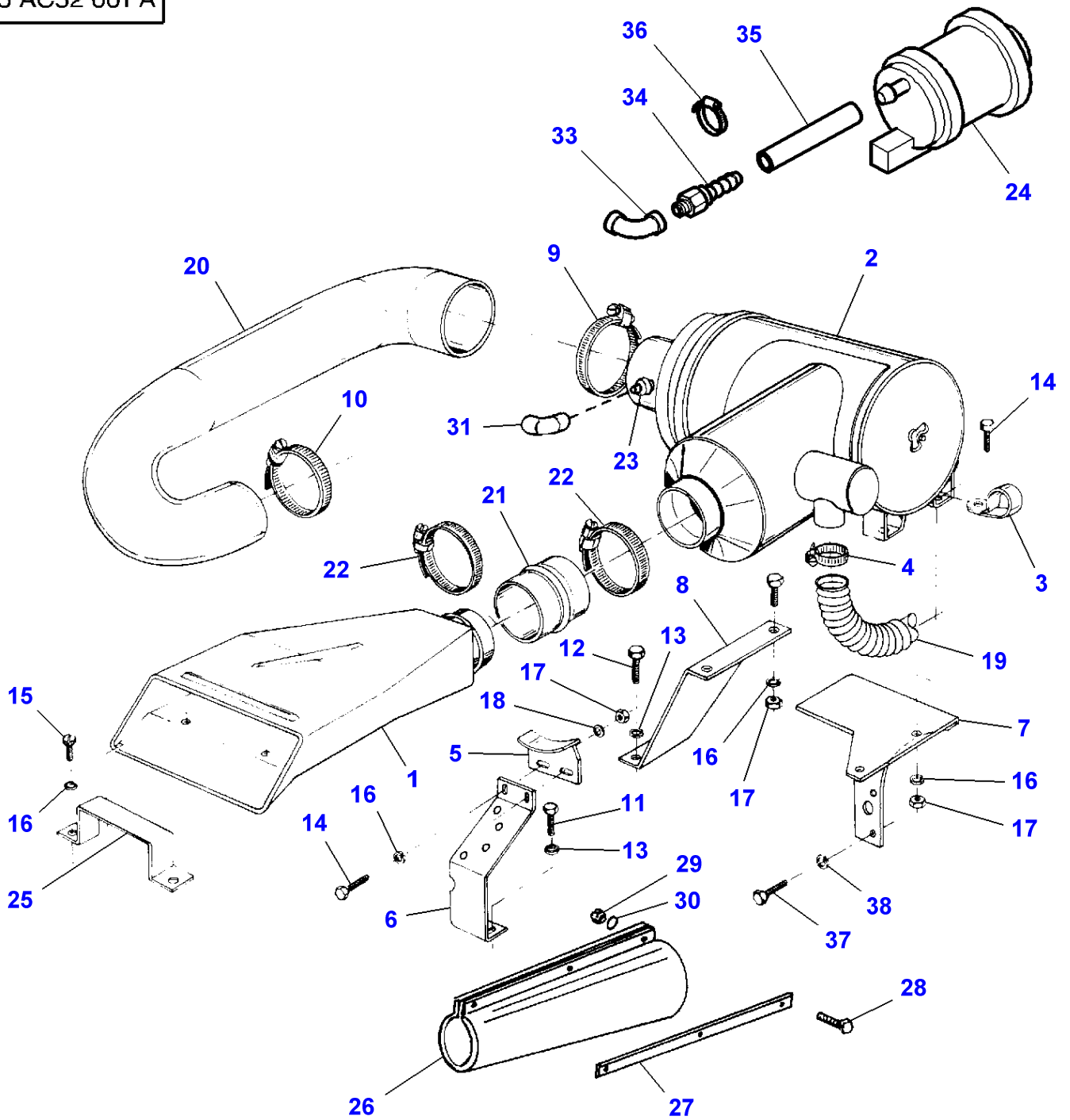


## Fuel System - From No

Item	Part Number	Qty	Description	Comments
1	70921910	1	Clamp	
2	72502224		Hose	
	72514164	1	Hose	From Serial or Engine Number
3	70929102	1	Union	
4	70925617	4	Clamp	
5	70950035	1	Capscrew	
6	72513633	1	Tube	
7	72513930	1	Elbow	
8	70928605	1	Fitting	
9	70919066	1	Union	
10	72513631	1	Tube	
11	357197X91	1	Elbow	Replace and repair. Old not interchangeable with new 70922523
12	70924856	2	Bolt	
13	70921210	2	Screw	
14	72506869	1	Support	
15	<b>74394407</b>	1	Element	
16	<b>70923559</b>	1	O Ring	(15)
17	74036443	1	Plug	(15)
18	74395419	1	Mounting	
19	72513632	1	Tube	
20	70930804	1	Elbow	
21	74036540	1	Screw	
22	74254873	1	Washer	
23	70937298	1	Connectors	
24	70919062	1	Connectors	
25	72506516	1	Valve	
26	70923518	2	Nut	
27	353434X1	2	Lock Washer	
28	70919135	1	Elbow	
29	72513579	1	Tube	
30	71352934	1	Hose Assy	
31	70930591	2	Capscrew	
32	70931277	2	Nut	
33	353675X1	1	Screw Unc	

MF 9240 TRACTOR - 1637287  
5-AC52-001-A

5-AC52-001-A

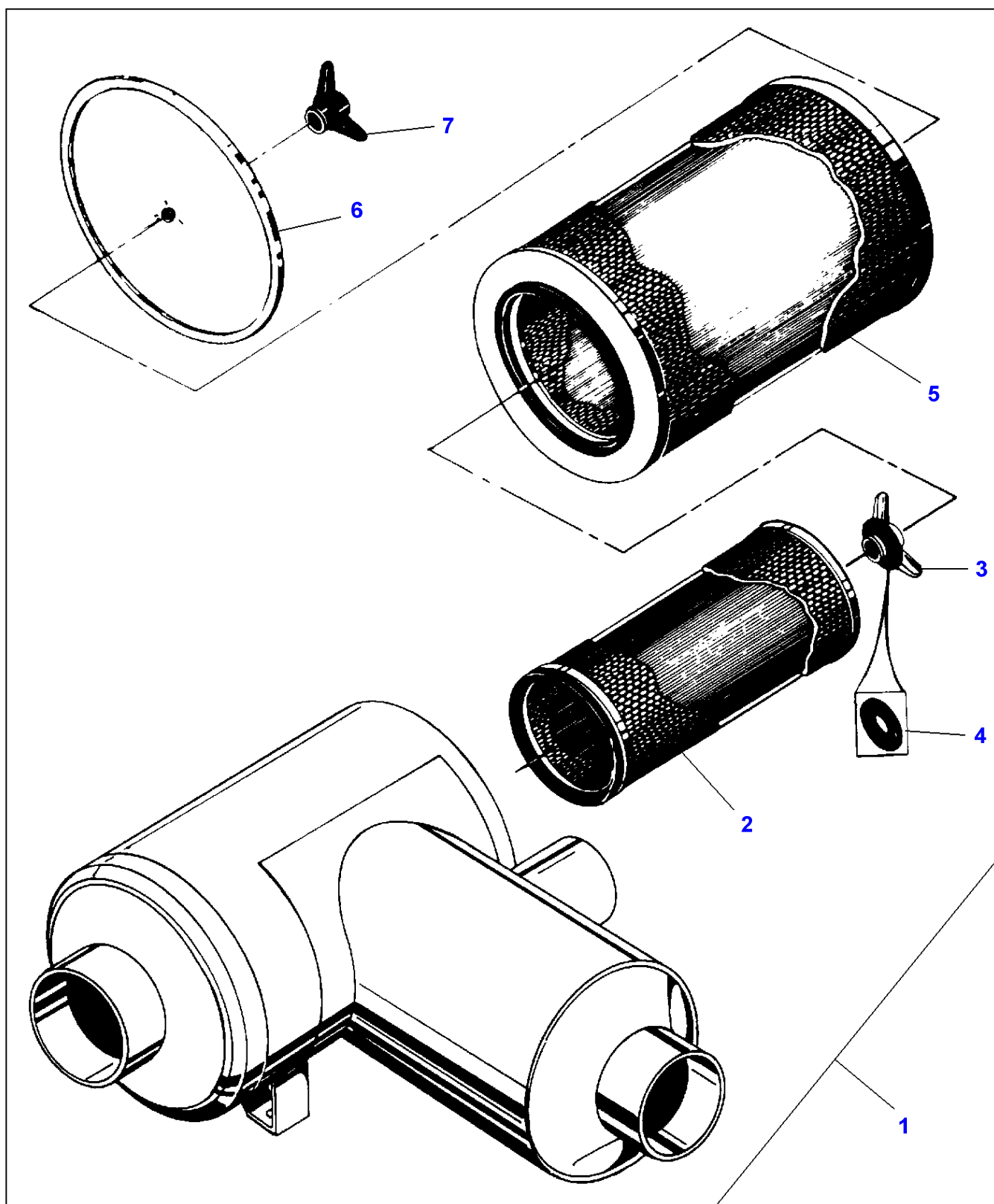


## Intake And Exhaust - Air Cleaner

Item	Part Number	Qty	Description	Comments
1	72501241	1	Duct	
2	72505059	1	Kit, Air Cleaner	
3	70929785	1	Clamp	
4	70921912	2	Clamp	
5	72502113	1	Kit, Support	
6	72501128	1	Brace	
7	72502114	1	Bracket Assy.	
8	72501133	1	Support	
9	70937258	1	Clamp	
10	70925635	1	Clamp	
11	70950037	2	Capscrew	M10X30
12	70950036	2	Capscrew	Up to Serial or Engine Number 05/96 M10X25
	70950035	2	Capscrew	From Serial or Engine Number 05/96 M10X20
13	70918199	4	Washer	7/16"
14	70921210	6	Screw	3/8"-16X1
15	353689X1	2	Screw Unc	.375-16X.75
16	353434X1	8	Lock Washer	3/8"
17	70923518	6	Nut	3/8"-16
18	70918266	4	Washer	3/8"
19	72502115	1	Hose	1-1/2" I.D X32
20	72507916	1	Hose	Replace and repair. Old not interchangeable with new 72502366
21	30-3493091	1	Hose	
22	70936467	2	Clamp	
23	71318065	1	Switch	Up to Serial or Engine Number SN0140
24	<b>72507188</b>	1	Switch	From Serial or Engine Number SN0141
25	72502450	1	Bracket	
26	72506302	1	Sleeve	
27	72506303	2	Strip	
28	70921961	3	Screw	1/4"-20X1-1/4"
29	355564X1	3	Nut Unc	1/4"-20
30	70916964	3	Lock Washer	1/4"
31	70929255	1	Elbow	
32	72508754	1	Decal	[A]
33	70915955	1	Elbow	From Serial or Engine Number SN0141
34	70928454	1	Connector	From Serial or Engine Number SN0141 Up to Serial or Engine Number 17/02/1997
	70937665	1	Hose	From Serial or Engine Number 18/02/1997
35	72507190	1	Hose	From Serial or Engine Number SN0141 Up to Serial or Engine Number 17/02/97
	71376822	1	Hose	From Serial or Engine Number 18/02/1997 Diameter .109 "
36	338612X1	2	Hose Clip	From Serial or Engine Number SN0141
37	70950037	2	Capscrew	Up to Serial or Engine Number 02/96 M10X30
	70950052	2	Bolt	From Serial or Engine Number 02/96 M12X30
38	353439X1	2	Lock Washer	

FOOTNOTE [A] NOT ILLUSTRATED

5-AC52-002-A

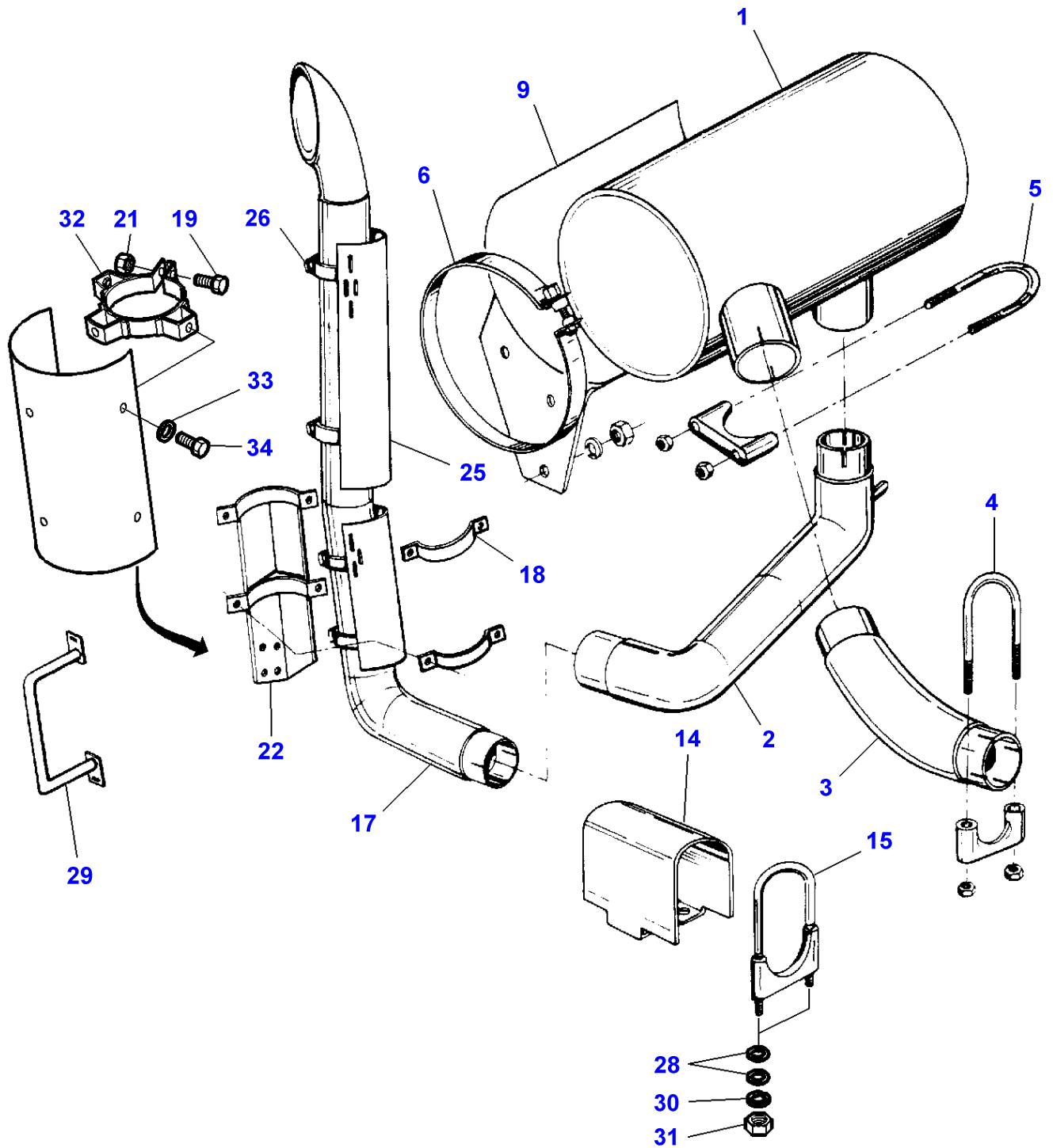


**Massey Ferguson****MF 9240 TRACTOR - 1637287****1637287****Intake And Exhaust - Air Cleaner - Air Cleaner Components****Page010-0165**

<b>Item</b>	<b>Part Number</b>	<b>Qty</b>	<b>Description</b>	<b>Comments</b>
1	72505059	1	Kit, Air Cleaner	
2	<b>72162544</b>	1	Element	
3	<b>70239517</b>	1	Wing Nut	
4	<b>72162562</b>	1	Washer	
5	<b>72162543</b>	1	Element	
6	<b>72162708</b>	1	O Ring	
7	<b>72162712</b>	1	Wing Nut	
8	72508754	1	Decal	[A]

FOOTNOTE [A] NOT ILLUSTRATED

5-AC53-001-B



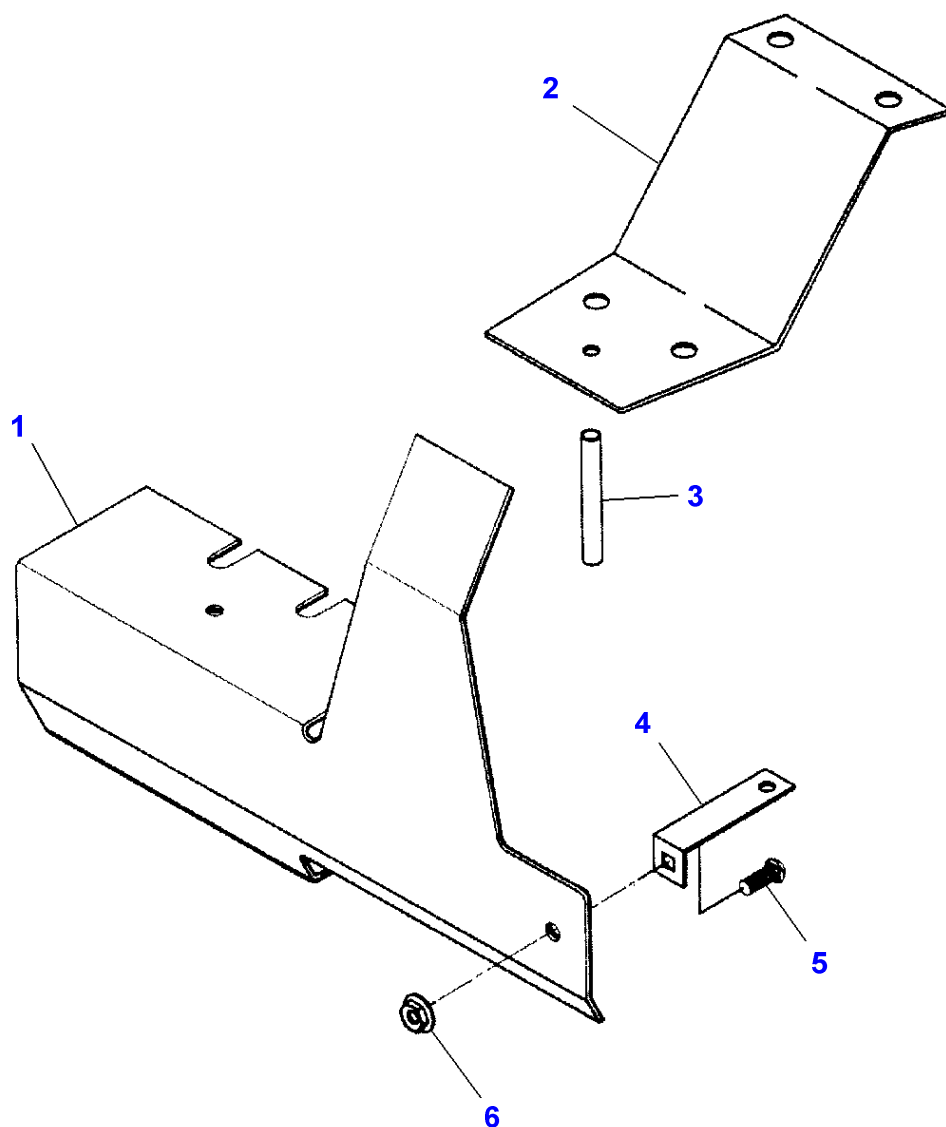
## Exhaust System - Muffler - Muffler And Exhaust Pipes

Item	Part Number	Qty	Description	Comments
1	72504998	1	Muffler	
2	72513450	1	Pipe,Exhaust	
3	72501886	1	Tube	
4	70937251	2	Clamp	
5	72163103	1	Clamp	
6	72161532	1	Band	
7	70921978	1	Capscrew	[A] (6)
8	70923362	1	Nut	[A] (6)
9	72506243	1	Support	Replace and repair. Old interchangeable with new 72503703
10	353689X1	4	Screw Unc	[A]
11	BPN31029	4	Washer	[A]
12	353434X1	4	Lock Washer	3/8 USS [A] LOCK 3/8
13	355566X1	4	Nut Unc	[A]
14	72509809	1	Shield	
15	72163103	2	Clamp	
16	<b>Y704635</b>	2	Nut	[A]
	<b>Y704635</b>	2	Nut	[A,B] Up to Serial or Engine Number 20-OCT-1996
17	72514146	1	Pipe,Exhaust	Replace and repair. Old not interchangeable with new 72505322
18	72507289	2	Strap	
19	70921969	4	Screw	
	70921969	8	Screw	[B] From Serial or Engine Number 21-OCT-1996
20	353434X1	4	Lock Washer	[A]
21	70923518	4	Nut	
	70923518	8	Nut	[B] From Serial or Engine Number 21-OCT-1996
22	72507291	1	Bracket	
23	<b>70923114</b>	4	Capscrew	[A]
24	353439X1	4	Lock Washer	[A]
25	72506078	2	Shield	
26	72506080	1	Clamp	
	72506080	2	Clamp	[B] From Serial or Engine Number 21-OCT-1996
27	70921970	8	Capscrew	[A]
	70921970	8	Capscrew	[B,A] Up to Serial or Engine Number 20-OCT-1996
28	72501783	8	Washer	Up to Serial or Engine Number 06/96
	72501783	8	Washer	[B] Up to Serial or Engine Number 20-OCT-1996
29	72506079	1	Handle	
30	353434X1	4	Lock Washer	
31	<b>70931211</b>	4	Nut	
32	72507395	2	Clamp	[B] From Serial or Engine Number 21-OCT-1996
33	70950448	12	Screw	[B] From Serial or Engine Number 21-OCT-1996
34	1102799	12	Washer	[B] From Serial or Engine Number 21-OCT-1996 Replace and repair. Old not interchangeable with new 70950219

FOOTNOTE [A] NOT ILLUSTRATED

FOOTNOTE [B] EUROPE ONLY

5-AC54-001-A



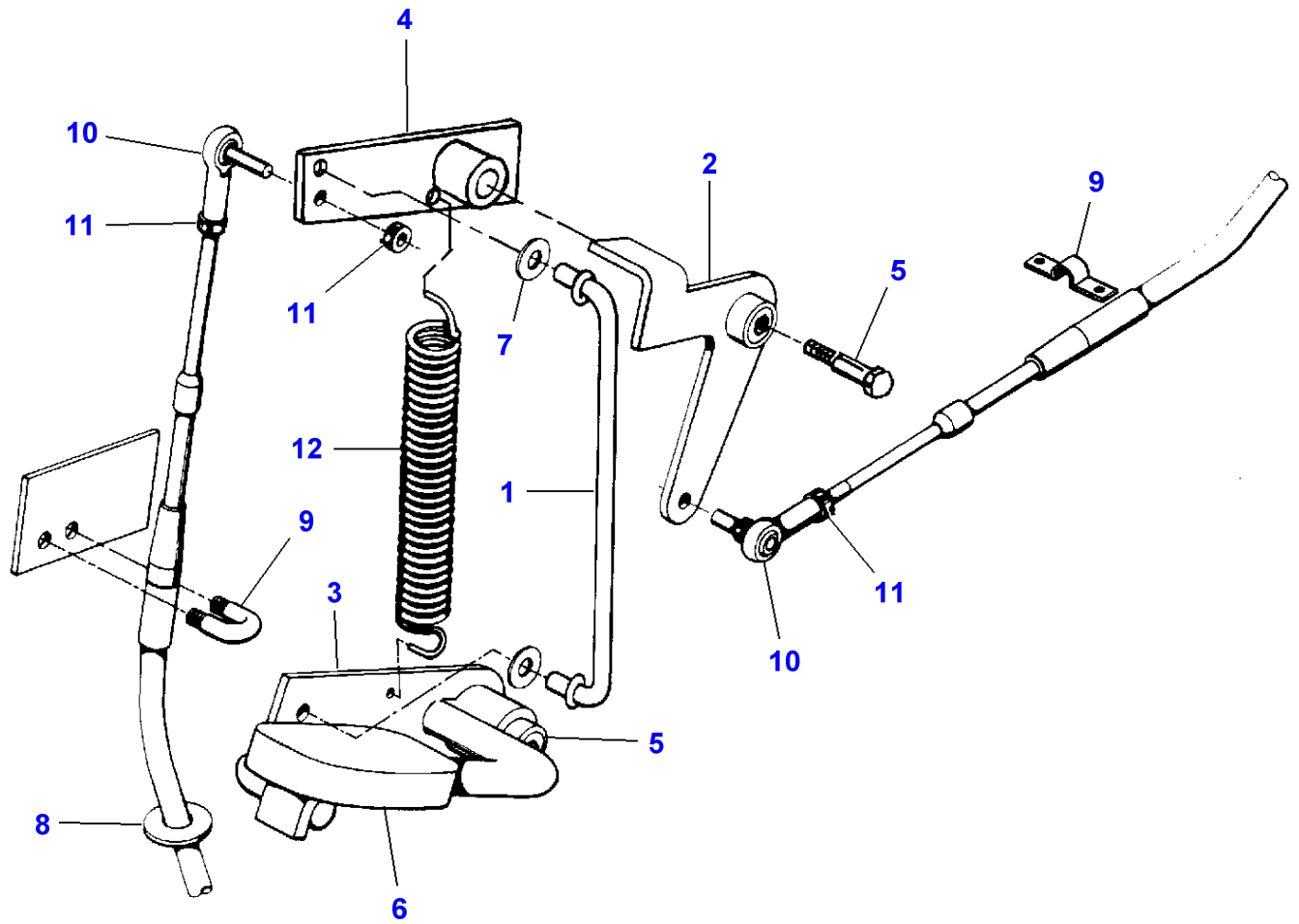


**Exhaust System - Heat Shield**

<b>Item</b>	<b>Part Number</b>	<b>Qty</b>	<b>Description</b>	<b>Comments</b>
1	72511644	1	Shield	Replace and repair. Old not interchangeable with new 72508477
2	72501133	1	Support	Up to Serial or Engine Number 05/96
3	72503192	1	Spacer	
	357021X1	1	Bolt Unc	[A] 5/16"-18 X 5-1/2"
	<b>70917372</b>	1	Nut	[A] 5/16"-18
4	72503190	1	Shank	
5	70950036	1	Capscrew	M10X25
6	70918199	1	Washer	7/16" LOCK

**FOOTNOTE [A] NOT ILLUSTRATED**

5-AC14-001-A

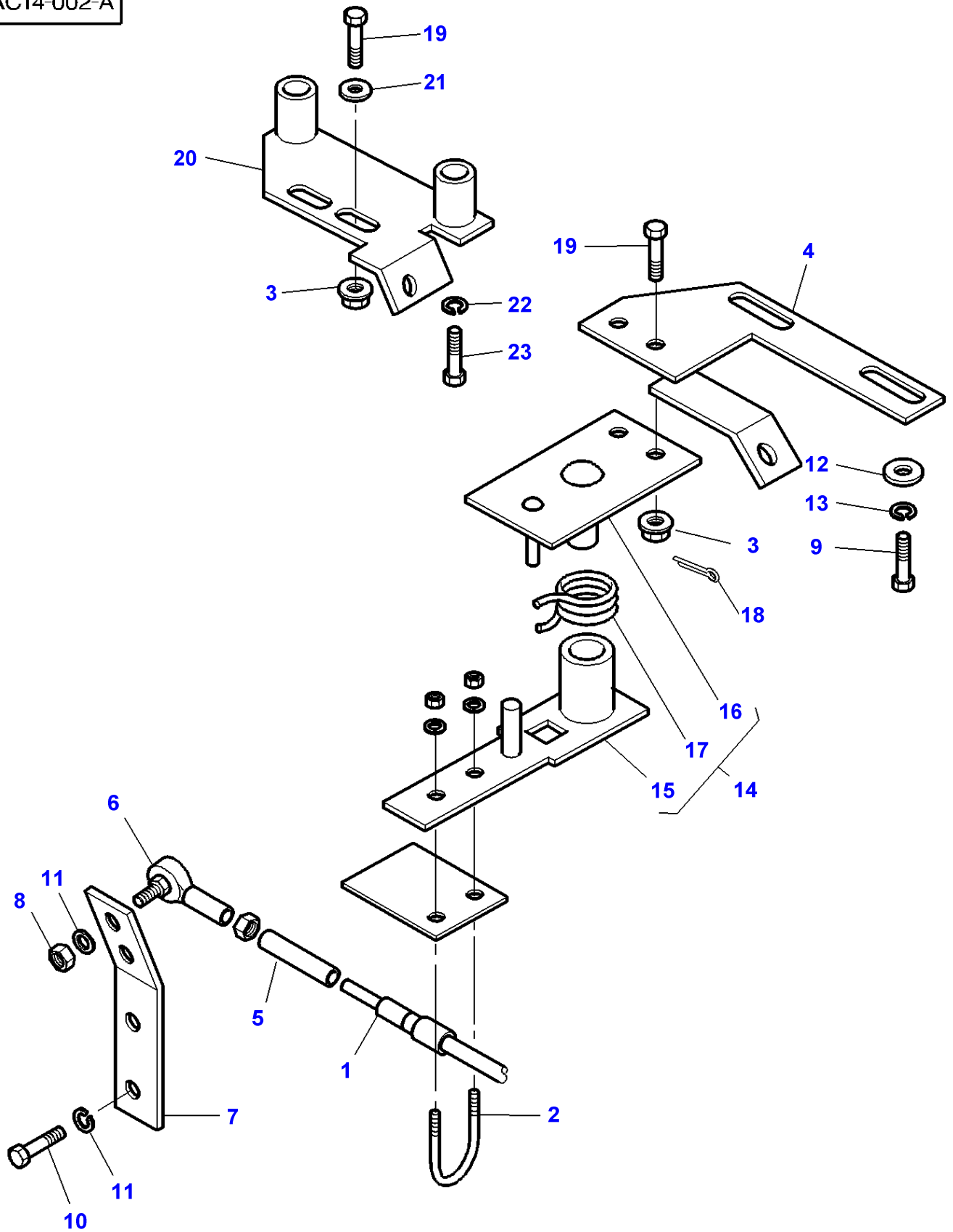


Throttle Controls - Throttle Control-Foot Throttle			
Item	Part Number	Qty	Description Comments
1	72503367	1	Rod
	70923360	2	Pin [A]
2	72502268	1	Bellcrank
3	72502878	1	Foot
4	72502273	1	Bellcrank
5	70935184	2	Screw
	70937308	2	Washer [A] 5/16"
6	71362519	1	Pad
7	353754X1	2	Washer
8	70929167	1	Grommet
9	72501381	1	Clamp
	70930611	2	Screw [A] N10-24X3/8"
10	71351389	2	Toggle
	70917365	2	Lock Washer [A] 10" LOCK
	70917415	2	Nut [A] 10"-32
11	70917415	2	Nut 10"-32
12	71101165	1	Spring
13	72505138	1	Clamp [A]
	70930611	2	Screw [A] N10-24X3/8"
14	70926920	1	Clamp [A] 5/16"X9/32"
15	70921958	1	Capscrew [A] 1/4"-20X1/2"
16	353754X1	1	Washer [A] 1/4"
17	70916964	1	Lock Washer [A] 1/4" LOCK

FOOTNOTE [A] NOT ILLUSTRATED

MF 9240 TRACTOR - 1637287  
5-AC14-002-A

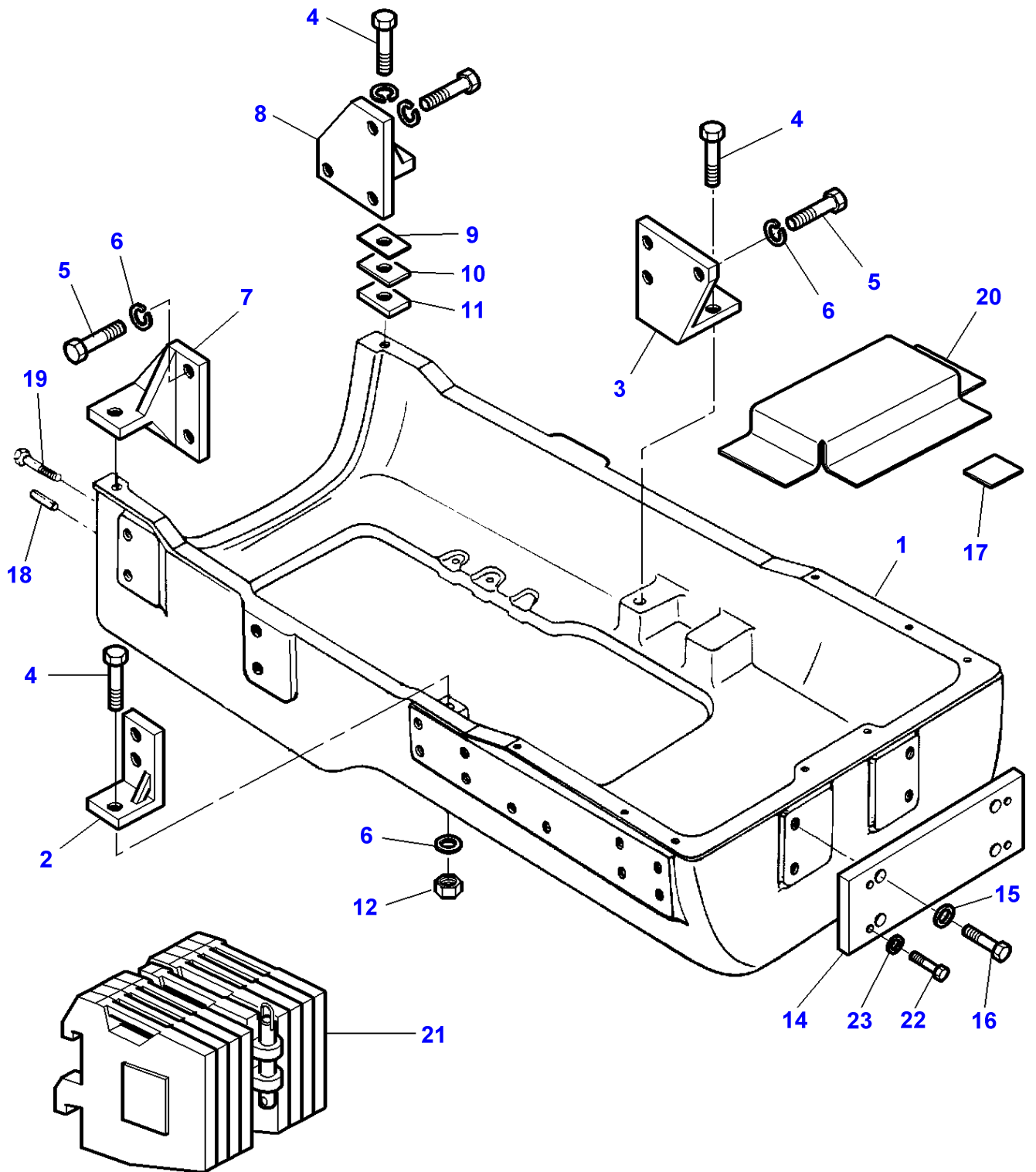
5-AC14-002-A



## Throttle Controls - Throttle Control-Engine

Item	Part Number	Qty	Description	Comments
1	72502788	1	Kit, Cable	
2	72160700	1	U Bolt	
3	70931209	2	Nut	1/4"
4	72509891	1	Bracket	Up to Serial or Engine Number 20/11/1995
5	72161012	1	Seal	
6	71351389	1	Toggle	
7	72504559	1	Arm	
8	70917415	2	Nut	
9	70922586	2	Capscrew	3/8"-16 Up to Serial or Engine Number 20/11/1995
10	70950000	2	Bolt	M6X12
11	70916964	4	Lock Washer	1/4"
12	70917642	2	Washer	Up to Serial or Engine Number 20/11/1995
13	70917356	2	Lock Washer	3/8" LOCK Up to Serial or Engine Number 20/11/1995
14	72509176	1	Support	
15		1	Arm	(14) Not serviced, order REF.14
16		1	Base	(14) Not serviced, order REF.14
17	72509293	1	Spring	(14)
18	70918452	1	Pin	
19	70923341	2	Screw	1/4"-20
20	72509197	1	Support	From Serial or Engine Number 21/11/1995
21	70917377	2	Washer	From Serial or Engine Number 21/11/1995
22	70917356	2	Lock Washer	From Serial or Engine Number 21/11/1995
23	70950022	2	Screw	From Serial or Engine Number 21/11/1995 M8X45MM

5-LA36-001-B

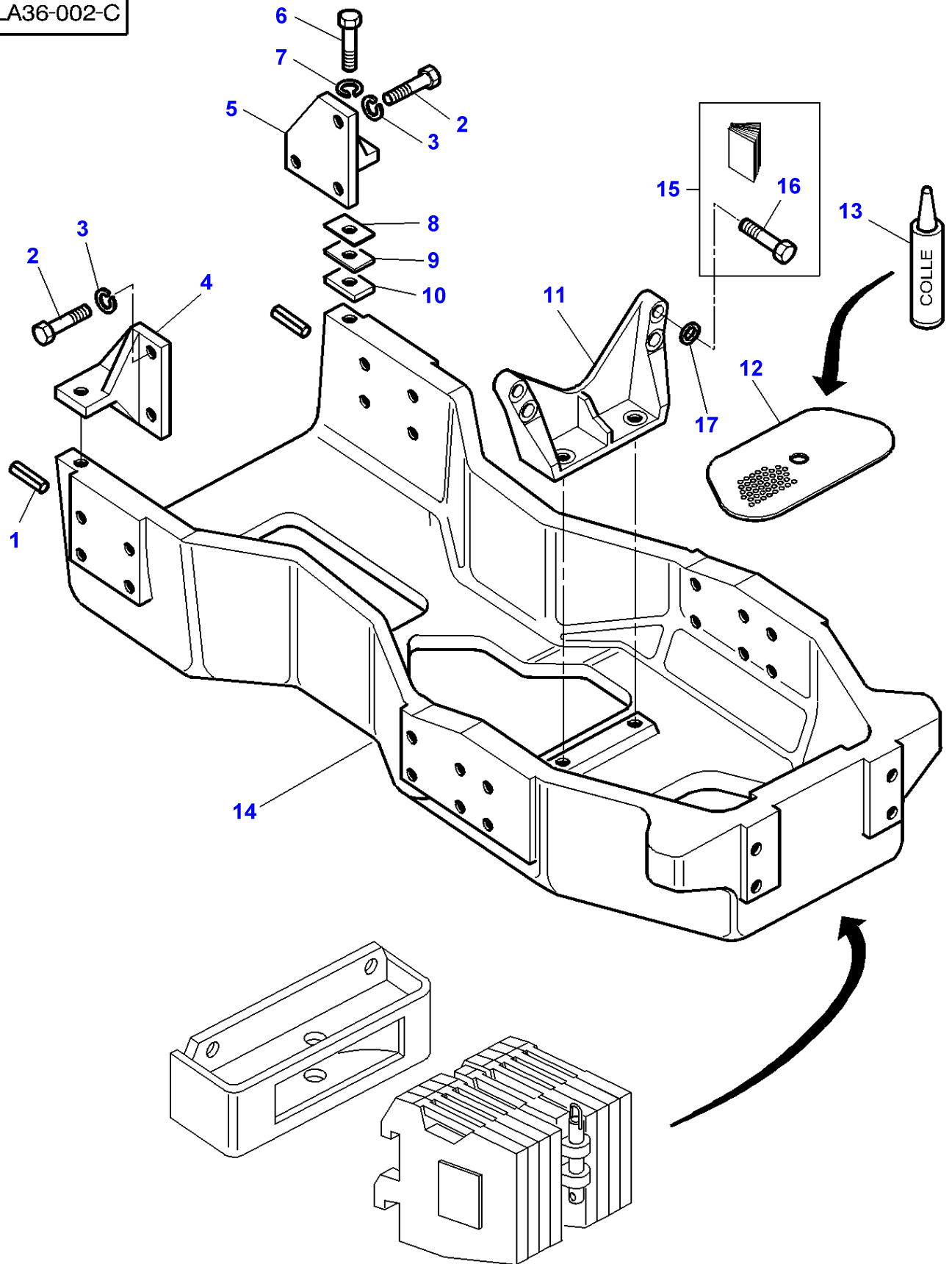


Item	Part Number	Qty	Description	Comments
1	72504144	1	Frame	
2	72501894	1	Mounting	Right Hand
3	72507389	1	Mounting	Left Hand
	72501895	1	Support	Up to Serial or Engine Number 01-1997 Left Hand From Serial or Engine Number 01-1997
4	70921024	4	Screw	1/2"-13X2"
5	70950052	8	Bolt	Up to Serial or Engine Number 05/96 M12X30
	70950453	8	Bolt	From Serial or Engine Number 05/96 M12X35MM
	70950052	5	Bolt	Up to Serial or Engine Number 01-1997 From Serial or Engine Number 01-1997 M12X30
6	353439X1	12	Lock Washer	Up to Serial or Engine Number 01-1997
	70928178	15	Washer	From Serial or Engine Number 01-1997
7	72502372	1	Mounting	Right Hand
8	72502373	1	Mounting	Left Hand
9	72160760	1	Shim	
10	72160761	1	Shim	
11	72160762	1	Shim	
12	70916951	1	Nut	
13	72508775	1	Grille	[A]
14	72509749	1	Adaptor	
15	353440X1	4	Lock Washer	
16	70924763	4	Capscrew	3/4"-10X3.5"
17	70937425	1	Bolt	
18	70937154	2	Dowel	5/8"X1-3/8"
19	70923318	10	Capscrew	3/4"-10X2-1/2"
20	72511181	1	Plate	
21		X	Weight	See Page - Reference Number 100-0015
22	3008654X1	4	Screw	From Serial or Engine Number 02/97 M20X45
23	339378X1	4	Lock Washer	From Serial or Engine Number 02/97

**FOOTNOTE [A]** NOT ILLUSTRATED

MF 9240 TRACTOR - 1637287  
5-LA36-002-C

5-LA36-002-C





**Massey Ferguson****MF 9240 TRACTOR - 1637287**

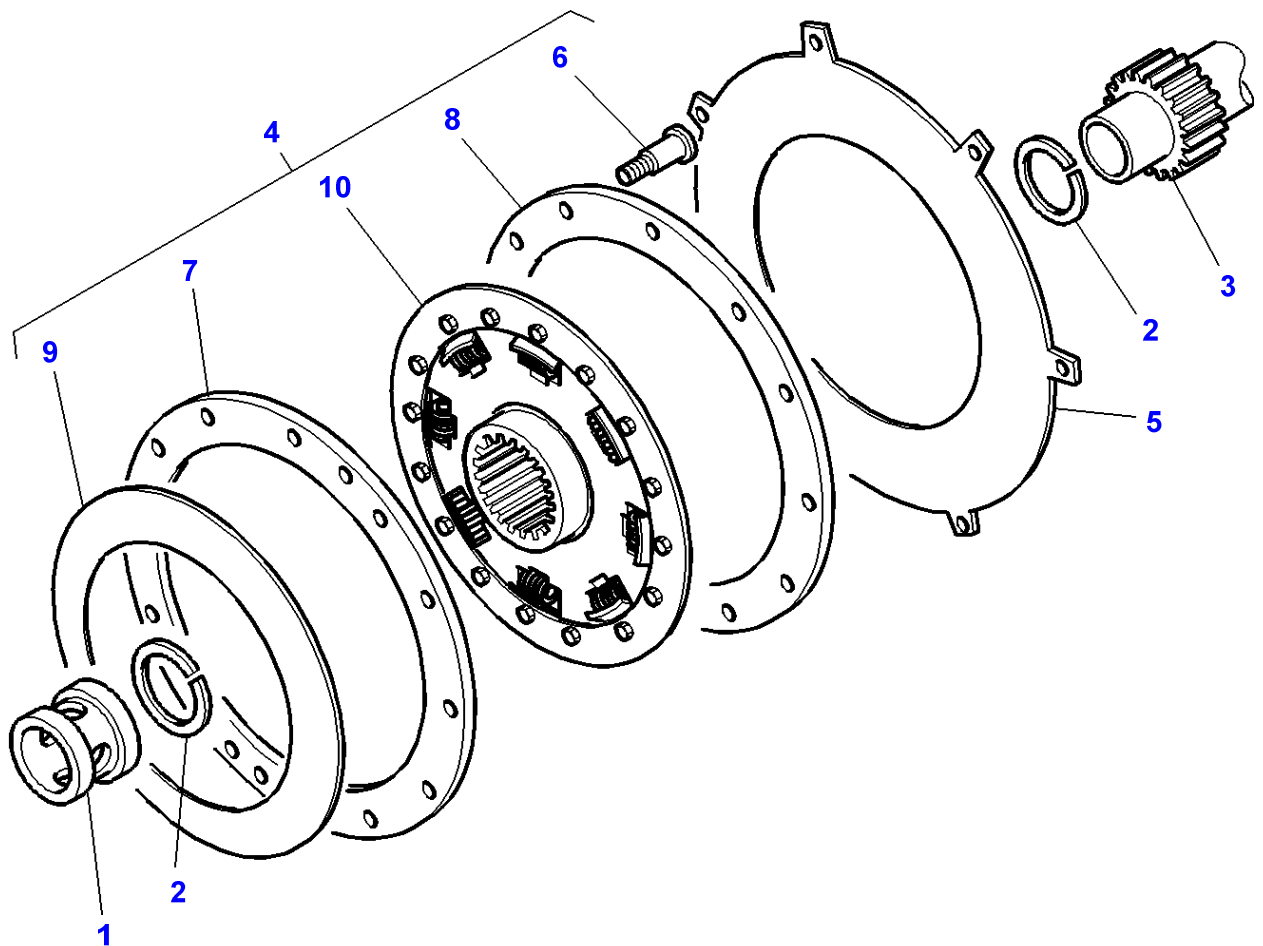
1637287

Engine - Main Frame - From No 0068 Excepted Europe

Page010-0195

Item	Part Number	Qty	Description	Comments
1	70937154	2	Dowel	
2	70950052	6	Bolt	
3	353439X1	6	Lock Washer	
4	72502372	1	Mounting	Right Hand
5	72502373	1	Mounting	Left Hand
6	70921024	2	Screw	
7	353439X1	2	Lock Washer	Diameter 12,7 MM
8	72160760	1	Shim	
9	72160761	1	Shim	
10	72160762	1	Shim	
11	72509545	1	Support	
12	72512942	1	Screen	
13	70937560	1	Tube	
14	72509999	1	Frame	
15	72514455	1	Parts Pack	
16	70950060	4	Capscrew	(15) M12-1.75X100 MM
17	70928178	4	Washer	Diameter 12,7 MM Thickness 1 MM

5-AD01-001-B



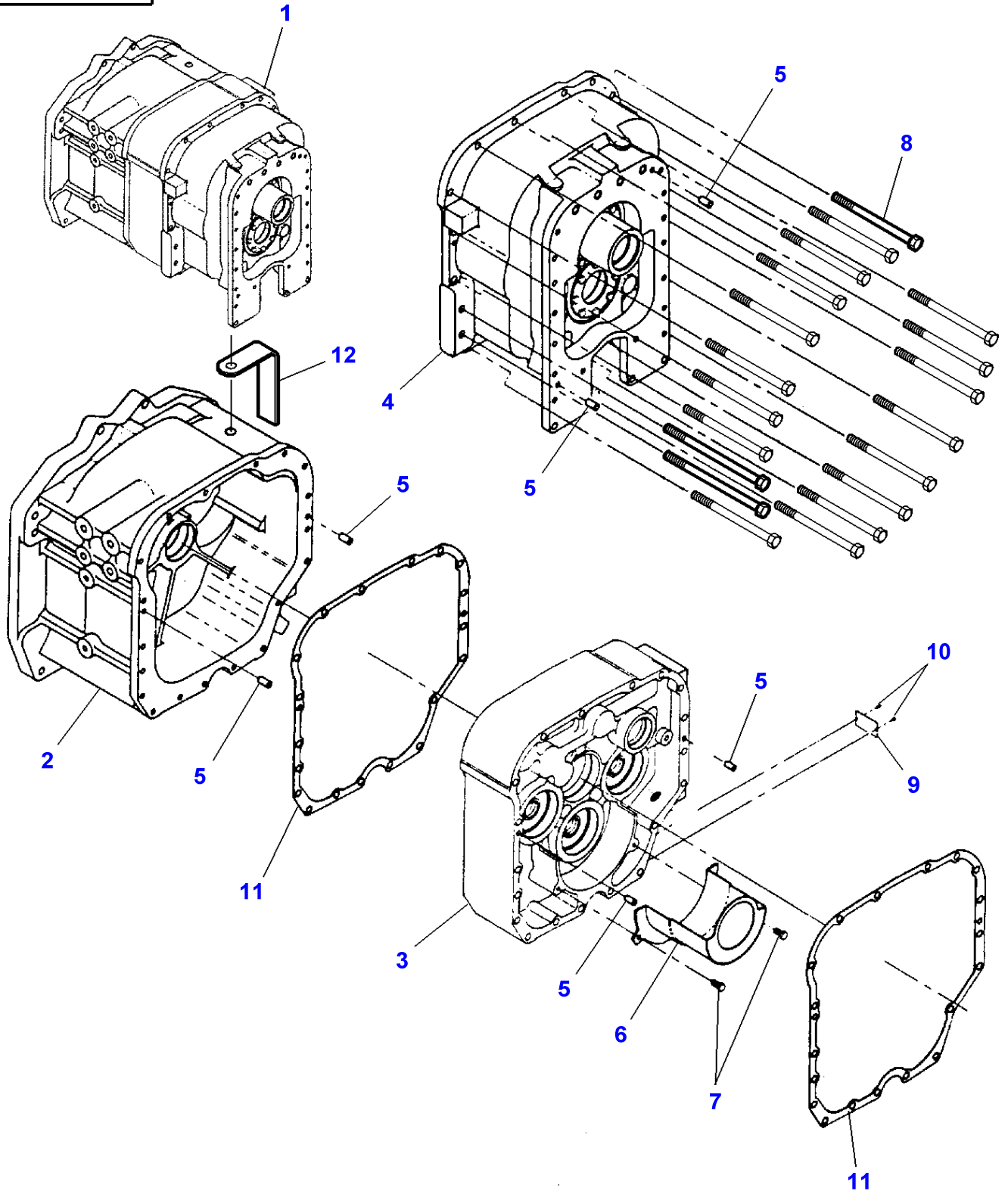
## Clutch

Item	Part Number	Qty	Description	Comments
1	72503499	1	Bearing	Up to Serial or Engine Number S/N 0011
2	70933361	2	Ring	
3	72502757	1	Shaft	
4	72508898	1	Restrictor	
5	72501156	1	Ring	Up to Serial or Engine Number S/N 0011
	72502703	6	Screw	[A] 3/8"-16X1-1/4"
6	72514368	12	Bolt	(4) 7/8"
7	72514369	1	Plate	(4)
8	72514370	1	Plate	(4)
9	<b>72514371</b>	1	Cup Spring	(4)
10	72514372	1	Damper	(4)

FOOTNOTE [A] NOT ILLUSTRATED

MF 9240 TRACTOR - 1637287  
5-AE97-001-A

5-AE97-001-A



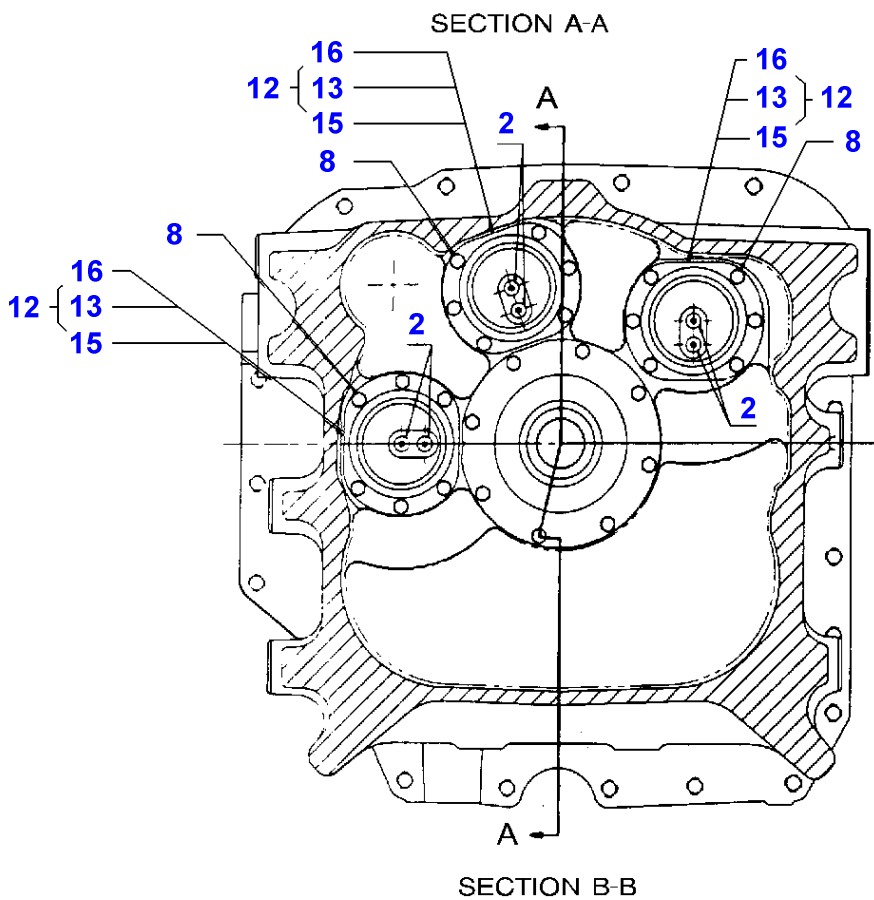
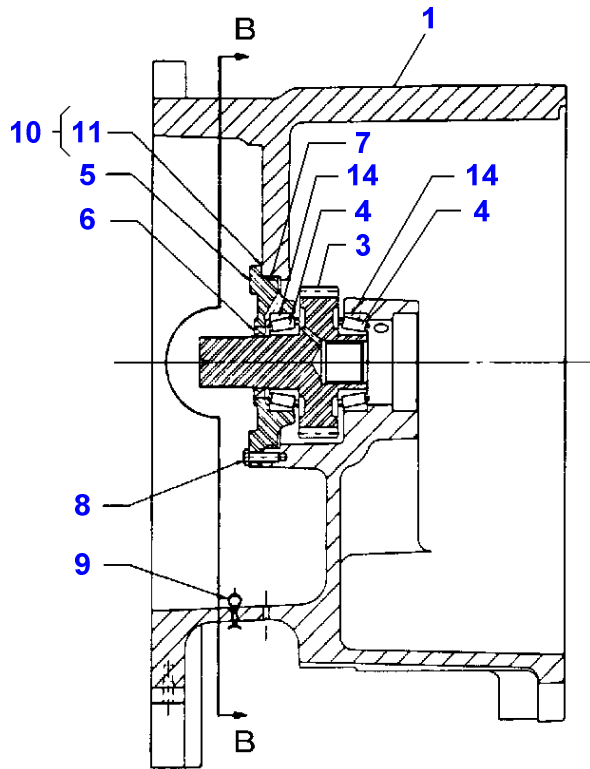
## Transmission

Item	Part Number	Qty	Description	Comments
1	72506042	1	Transmission	18 X 9 POWER SHIFT
	72507093	1	Transmission	[A] 18 X 9 POWER SHIFT
2		1	Housing	(1) FRONT See Page - Reference Number 025-0010/1
3		1	Housing	(1) CENTER See Page - Reference Number 025-0015/1
4		1	Housing	(1) REAR See Page - Reference Number 025-0020/1
5	72503986	6	Pin	(1)
6	72507608	1	Fence	(1)
	72511553	1	Fence	[A] (1)
7	72503928	2	Capscrew	(1)
	72511554	2	Bolt	[A] (1)
8	72503929	19	Capscrew	(1)
9	72503879	1	Plate	(1)
10	72503930	2	Screw	(1)
11	72507065	2	Gasket	(1)
12	72507704	2	Bracket	(1)
13	72511555	2	Washer	[A,B] (1)

FOOTNOTE [A] WITH CREEPER GEAR

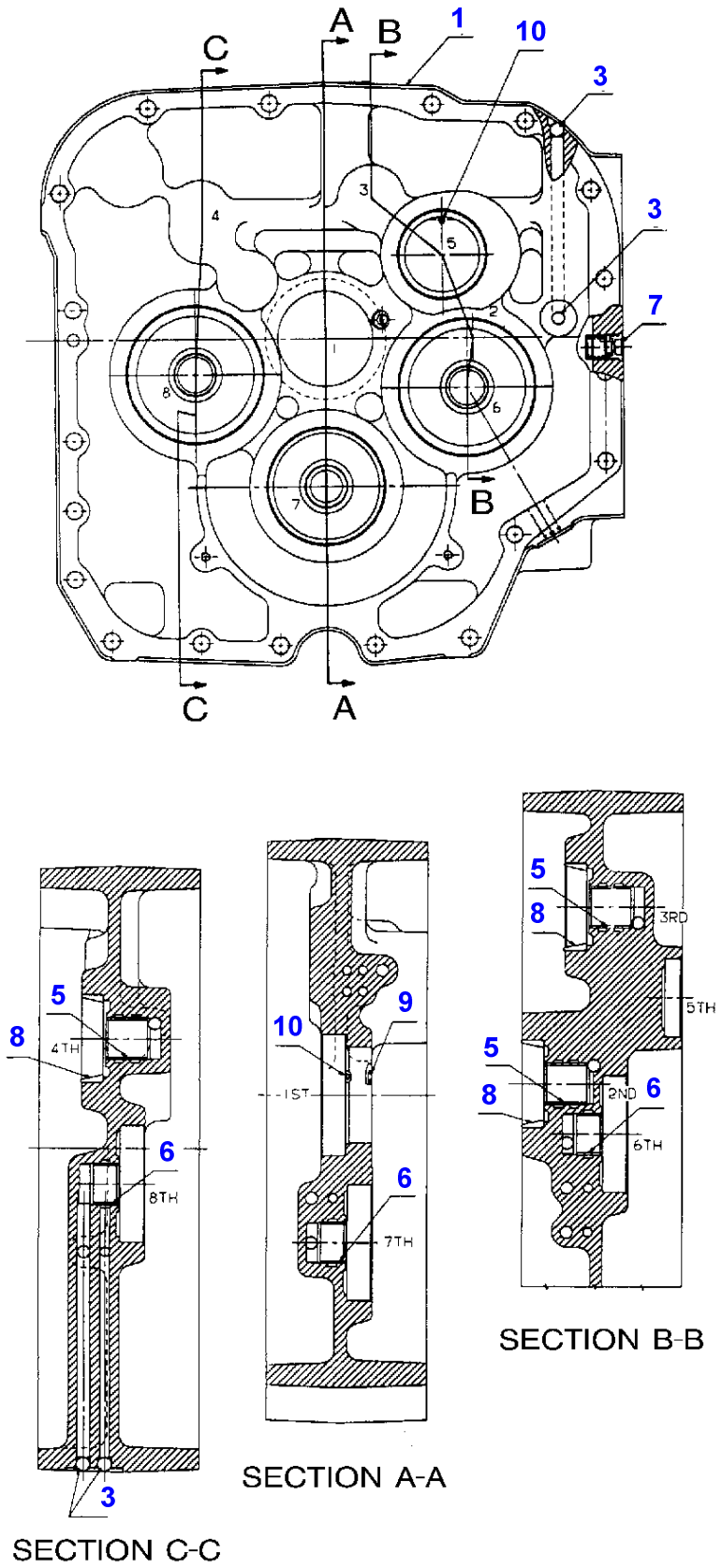
FOOTNOTE [B] NOT ILLUSTRATED

5-AE97-002-A



Item	Part Number	Qty	Description	Comments
1	72507066	1	Housing	
2	72503973	6	Plug	
3	72507068	1	Gear	Number of teeth/spines 42
4	72507069	2	Bearing Assy	
5	72507070	1	Retainer	
6	72503911	1	Seal	
7	72503934	1	O Ring	
8	72507071	26	Capscrew	
9	72503936	1	Pin	
10	72507072	1	Kit	
11	72507526	1	Shim	(10) Thickness .003"
	72507527	1	Shim	(10) Thickness .005"
	72507528	2	Shim	(10) Thickness .010"
	72507529	1	Shim	(10) Thickness .002"
	72507530	1	Shim	(10) Thickness .030"
12	72507073	3	Kit	
13	72507531	1	Shim	(12) Thickness .003"
	72507532	1	Shim	(12) Thickness .005"
	72507533	2	Shim	(12) Thickness .010"
	72507534	1	Shim	(12) Thickness .002"
	72507535	2	Shim	(12) Thickness .030"
14	72507074	2	Bearing Cup	
15	72507075	3	O Ring	
16	72507067	3	Retainer	

5-AE97-003-A

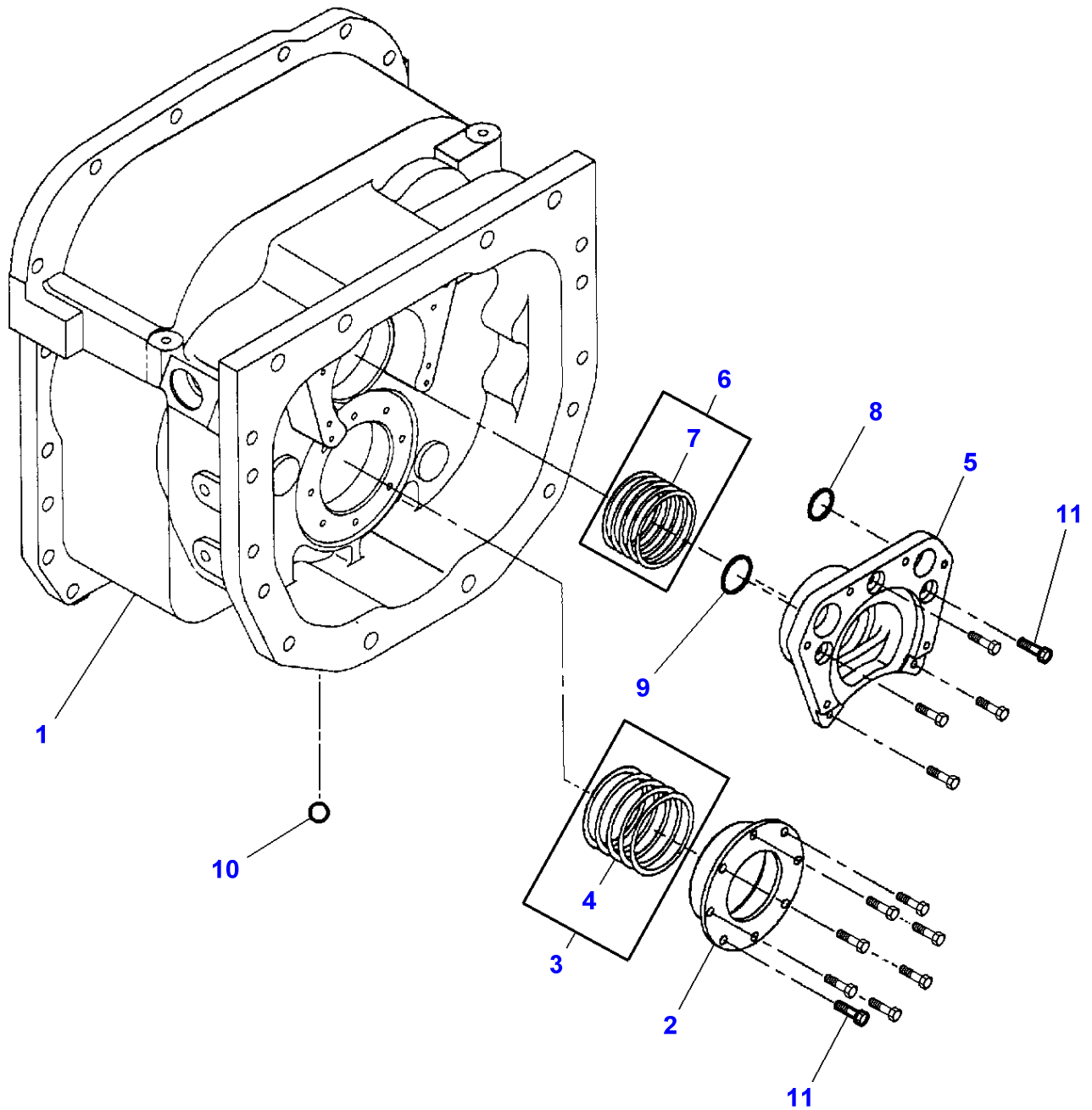




**Massey Ferguson****MF 9240 TRACTOR - 1637287****1637287****Transmission - Housing Assembly - Center****Page025-0015**

<b>Item</b>	<b>Part Number</b>	<b>Qty</b>	<b>Description</b>
1	72507536	1	Housing
3	72503937	4	Ball
5	72503895	3	Sleeve
6	72503927	3	Sleeve
7	72507537	1	Valve
8	72507074	3	Bearing Cup
9	72507538	1	Ball
10	72507539	2	Plug

5-AE97-004-A

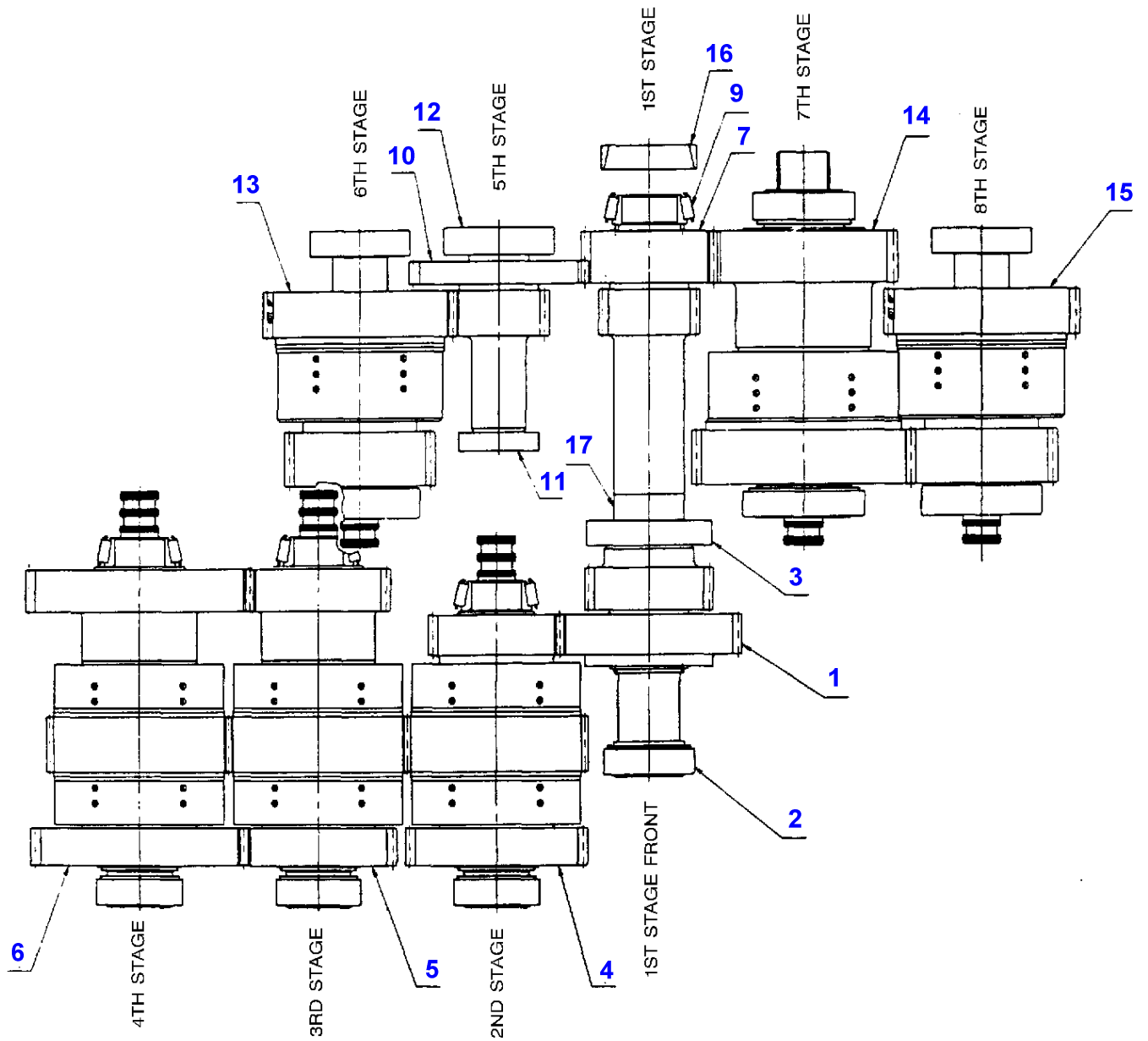


Item	Part Number	Qty	Description	Comments
1	72507540	1	Housing	
	72511556	1	Housing	[A]
	72509700	16	Bolt	[A,B]
2	72507541	1	Retainer	
	72511557	1	Retainer	[A]
3	72507542	1	Shim	
4	72507547	1	Shim	(3) Thickness .003"
	72507548	1	Shim	(3) Thickness .005"
	72507549	2	Shim	(3) Thickness .010"
	72507550	1	Shim	(3) Thickness .002"
	72507551	1	Shim	(3) Thickness .030"
5	72507543	1	Casting	
6	72507544	1	Shim	
7	72507552	1	Shim	(6) Thickness .003"
	72507553	1	Shim	(6) Thickness .005"
	72507554	2	Shim	(6) Thickness .010"
	72507555	1	Shim	(6) Thickness .002"
	72507556	1	Shim	(6) Thickness .030"
8	70933095	1	O Ring	Replace and repair. Old not interchangeable with new 72507545
9	70935478	1	O Ring	Replace and repair. Old not interchangeable with new 72507546
10	72507538	1	Ball	
11	72507071	13	Capscrew	

FOOTNOTE [A] WITH CREEPER GEAR

FOOTNOTE [B] NOT ILLUSTRATED

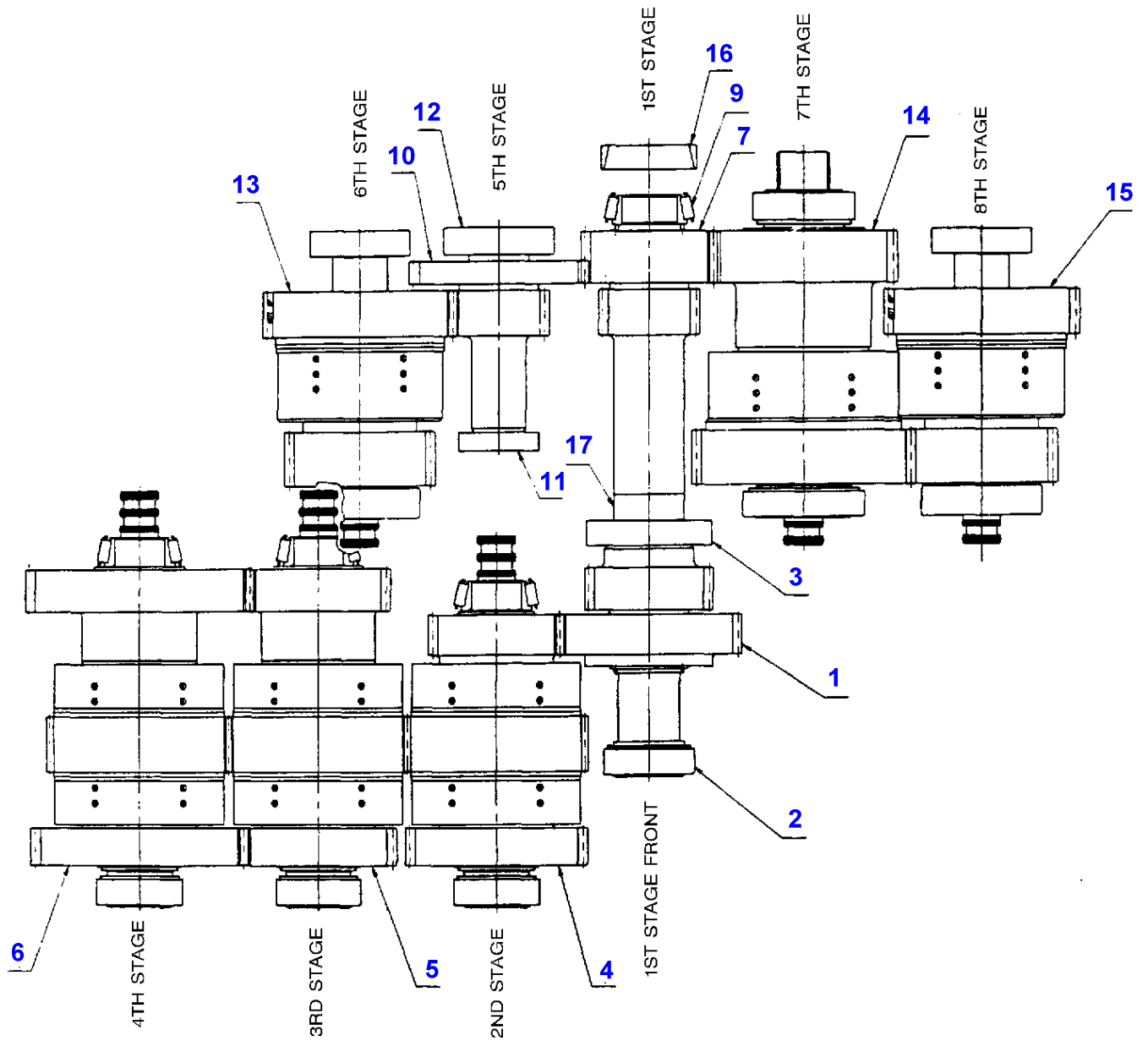
5-AE05-004-A



**Massey Ferguson****MF 9240 TRACTOR - 1637287****1637287****Transmission - Gear Train - Gear Ratio****Page025-0025**

<b>Item</b>	<b>Part Number</b>	<b>Qty</b>	<b>Description</b>	<b>Comments</b>
1	72507557	1	Kit, Shaft	
2	72507558	1	Bearing Assy	
3	72515201	1	Bearing	Replace and repair. Old not interchangeable with new 72507559
4		1	Gear	See Page - Reference Number 025-0045/1
5		1	Gear	See Page - Reference Number 025-0050/1
6		1	Gear	See Page - Reference Number 025-0055/1
7	72507563	1	Kit, Shaft	
9	72507564	1	Bearing Assy	
10	72507565	1	Kit, Shaft	
11	72507566	1	Bearing Assy	
12	72515205	1	Bearing	Replace and repair. Old not interchangeable with new 72507567
13		1	Gear	See Page - Reference Number 025-0030/1
14		1	Gear	See Page - Reference Number 025-0035/1
15		1	Gear	See Page - Reference Number 025-0040/1
16	72507571	1	Bearing Cup	
17	72507572	1	Spacer	

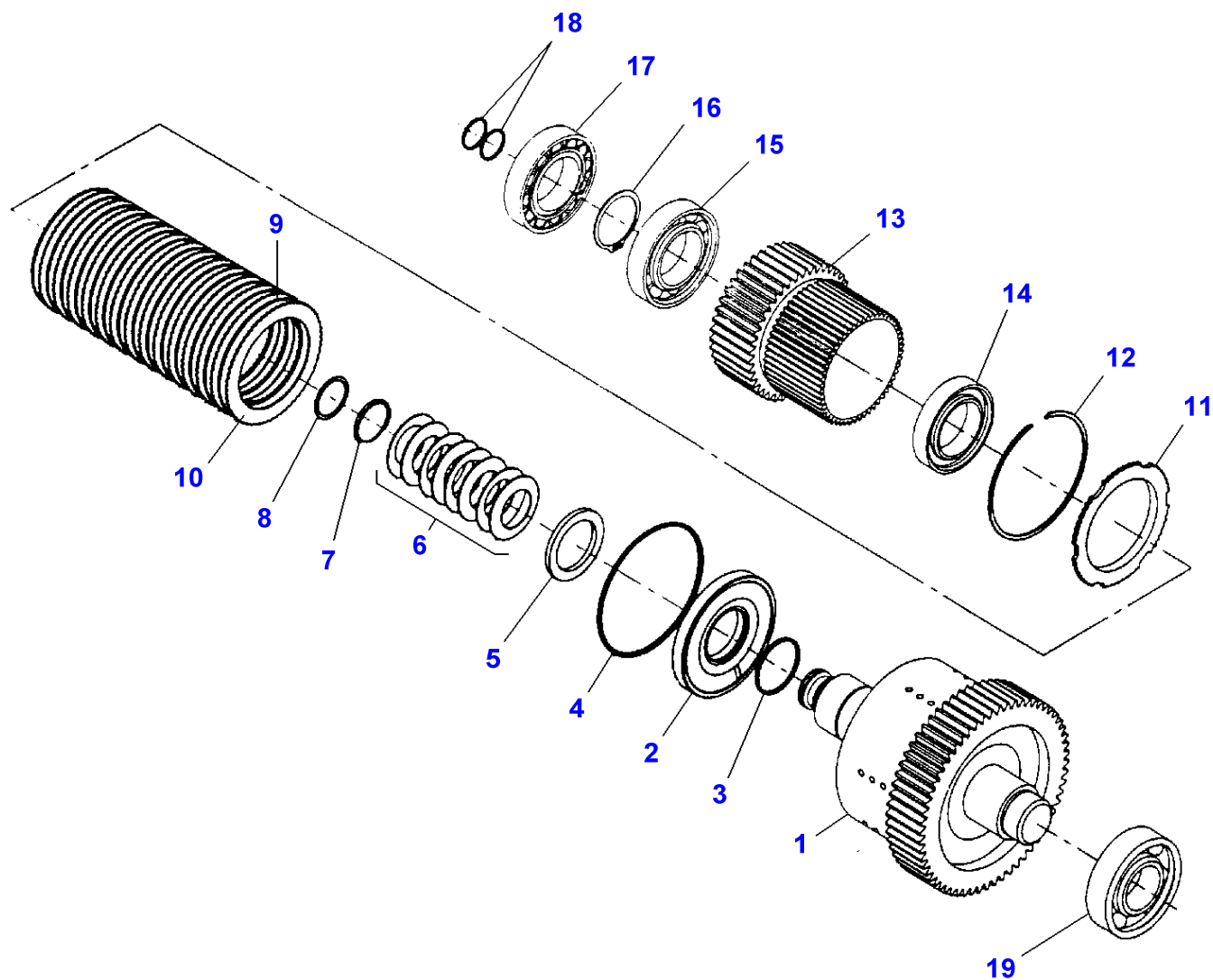
5-AE05-004-A



**Massey Ferguson****MF 9240 TRACTOR - 1637287****1637287****Transmission - Gear Train - Gear Ratio****Page025-0025**

<b>Item</b>	<b>Part Number</b>	<b>Qty</b>	<b>Description</b>	<b>Comments</b>
1	72507557	1	Kit, Shaft	
2	72507558	1	Bearing Assy	
3	72515201	1	Bearing	Replace and repair. Old not interchangeable with new 72507559
4		1	Gear	See Page - Reference Number 025-0045/1
5		1	Gear	See Page - Reference Number 025-0050/1
6		1	Gear	See Page - Reference Number 025-0055/1
7	72507563	1	Kit, Shaft	
9	72507564	1	Bearing Assy	
10	72507565	1	Kit, Shaft	
11	72507566	1	Bearing Assy	
12	72515205	1	Bearing	Replace and repair. Old not interchangeable with new 72507567
13		1	Gear	See Page - Reference Number 025-0030/1
14		1	Gear	See Page - Reference Number 025-0035/1
15		1	Gear	See Page - Reference Number 025-0040/1
16	72507571	1	Bearing Cup	
17	72507572	1	Spacer	

5-AE05-001-A

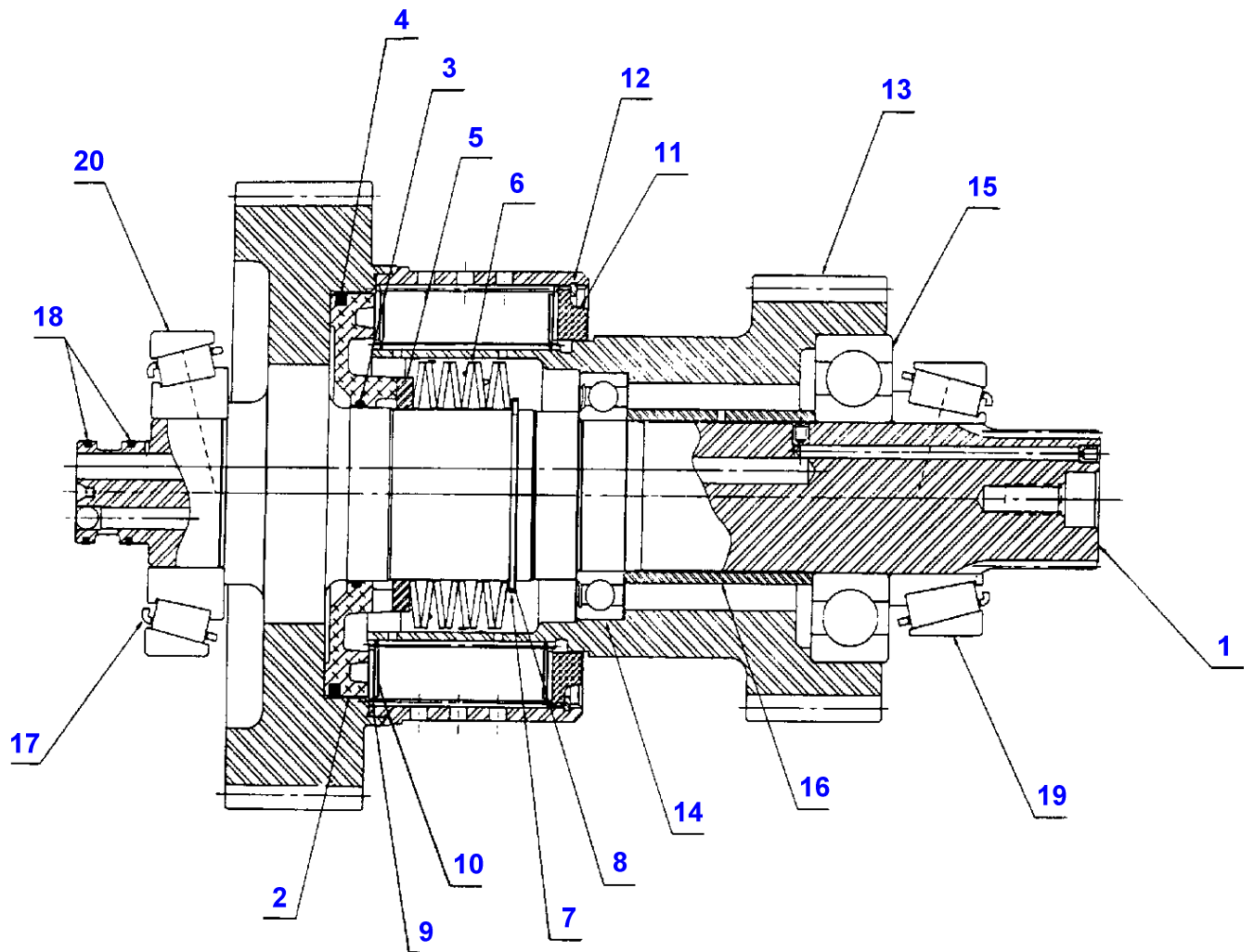




Item	Part Number	Qty	Description	Comments
1	72507600	1	Kit, Shaft	Replace and repair. Old not interchangeable with new 72507587 [A]
	72511561	1	Shaft	
2	72503915	1	Piston	
3	72503944	1	O Ring	
4	<b>72503870</b>	1	Seal	
5	72503945	1	Washer	
6	72503890	8	Spring	
7	72503946	1	Retainer	
8	72503947	1	Ring	
9	72503926	14	Plate	
10	72503894	14	Plate	
11	72503880	1	Retainer	
12	72503948	1	Ring	
13	72507601	1	Gear	Number of teeth/spines 41
14	72503959	1	Bearing	
15	72507589	1	Bearing	
16	72507590	1	Ring	
17	72515203	1	Bearing	Replace and repair. Old not interchangeable with new 72507591
18	72503878	2	Seal	
19	72515204	1	Bearing	Replace and repair. Old not interchangeable with new 72507592

**FOOTNOTE [A]** WITH CREEPER GEAR

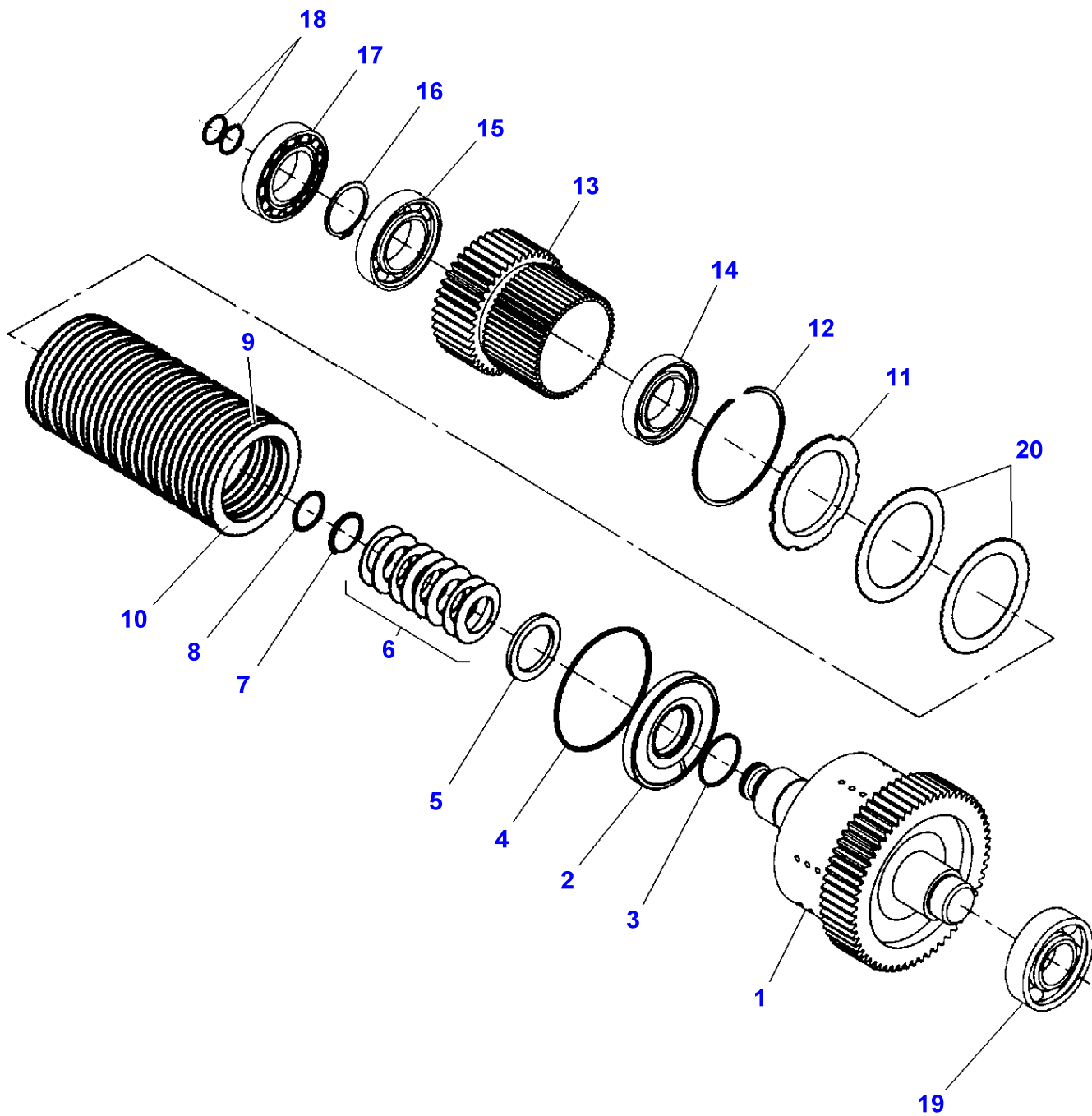
5-AE05-002-A



Item	Part Number	Qty	Description	Comments
1	72515213	1	Shaft	Replace and repair. Old not interchangeable with new 72507593 [A] Replace and repair. Old not interchangeable with new 72511562
	72515214	1	Shaft	
2	72503915	1	Piston	
3	72503944	1	O Ring	
4	<b>72503870</b>	1	Seal	
5	72503945	1	Washer	
6	72503890	2	Spring	
7	72503946	1	Retainer	
8	72503947	1	Ring	
9	72503926	14	Plate	
10	72503894	14	Plate	
11	72503880	1	Retainer	
12	72503948	1	Ring	
13	72507594	1	Gear	Number of teeth/spines 50
14	72503959	1	Bearing	
15	72507595	1	Bearing	
16	72507596	1	Spacer	
17	72507597	1	Bearing	
18	72503878	2	Seal	
19	72507598	1	Bearing	
20	72507599	1	Bearing	

FOOTNOTE [A] WITH CREEPER GEAR

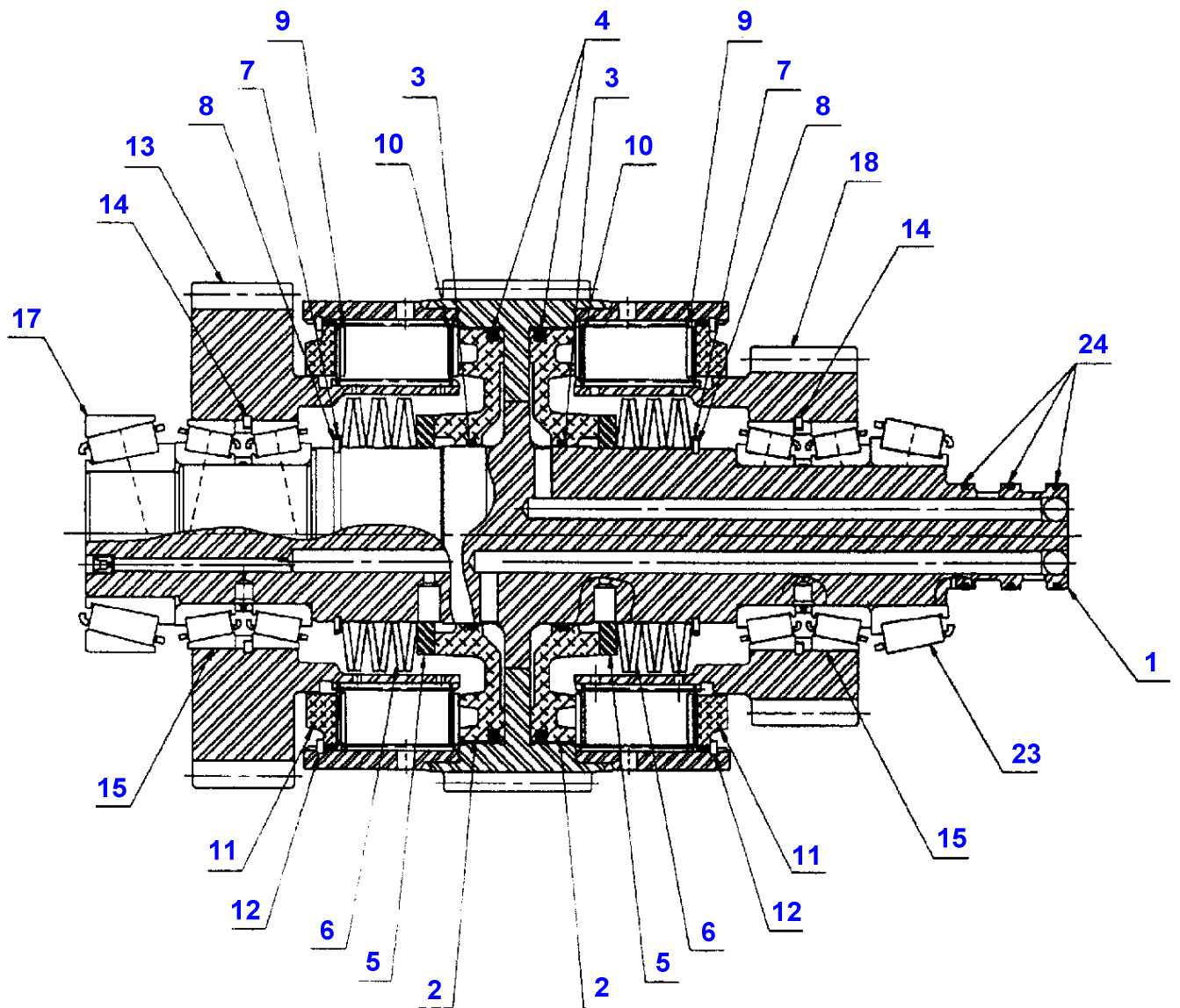
5-AE05-003-A



Item	Part Number	Qty	Description	Comments
1	72507600	1	Kit, Shaft	Up to Serial or Engine Number 18/05/1997
	72515212	1	Shaft	From Serial or Engine Number 19/05/1997
	72511561	1	Shaft	[A]
2	72503915	1	Piston	
3	72503944	1	O Ring	
4	<b>72503870</b>	1	Seal	
5	72503945	1	Washer	
6	72503890	6	Spring	
7	72503946	1	Retainer	
8	72503947	1	Ring	
9	72503926	14	Plate	
10	72503894	14	Plate	
11	72503880	1	Retainer	
12	72503948	1	Ring	
13	72507601	1	Gear	Number of teeth/spines 41
14	72503959	1	Bearing	
15	72507589	1	Bearing	
16	72507590	1	Ring	
17	72515202	1	Bearing	Replace and repair. Old not interchangeable with new 72511563
	72515202	1	Bearing	[A] Replace and repair. Old not interchangeable with new 72511563
18	72503878	2	Seal	
19	72514364	1	Bearing	Replace and repair. Old not interchangeable with new 72507603
20	72511565	1	Plate	
	72503926	1	Plate	

FOOTNOTE [A] WITH CREEPER GEAR

5-AE05-005-A



**Massey Ferguson****MF 9240 TRACTOR - 1637287**

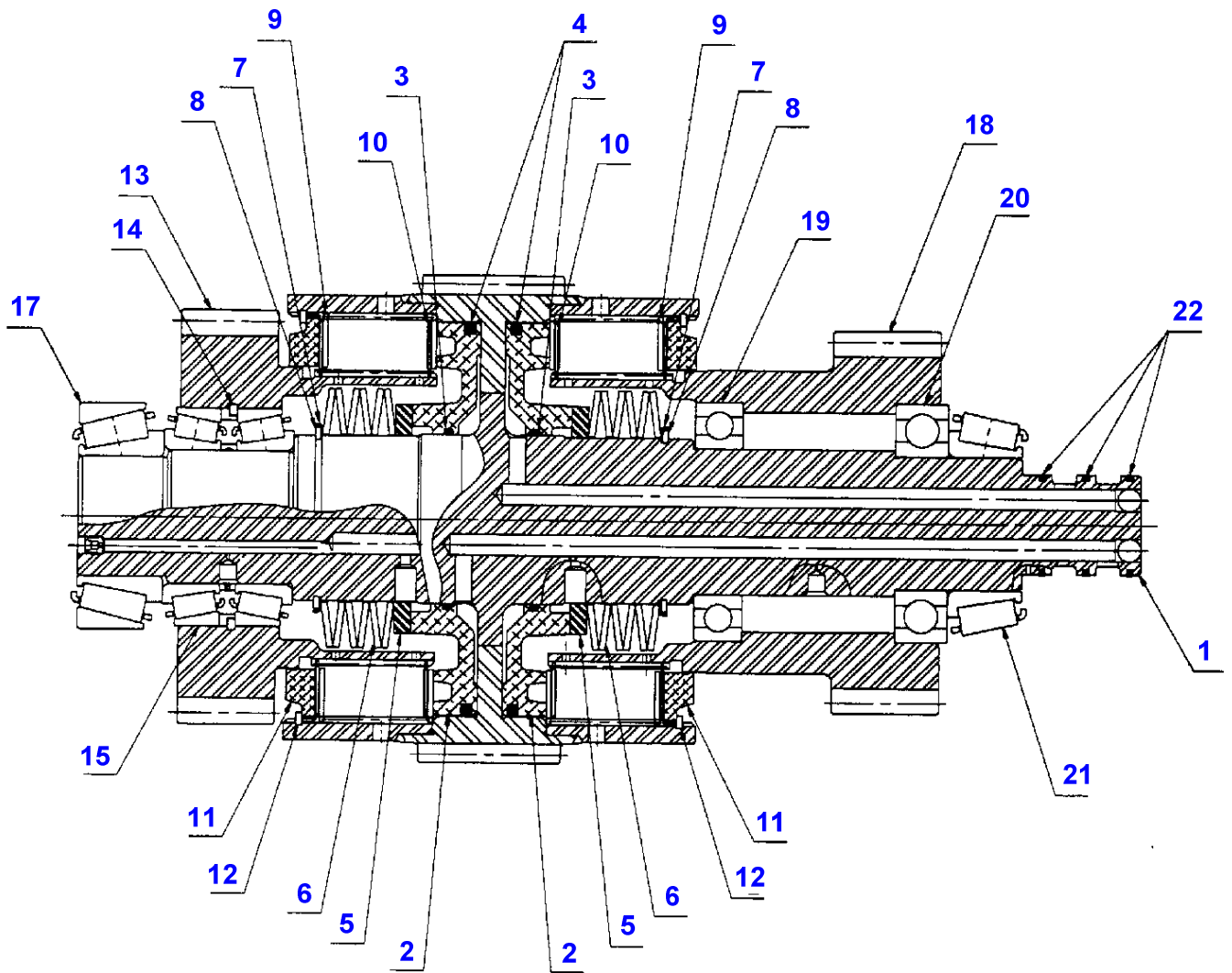
1637287

**Transmission - Gear Train - CLUTCH**

Page025-0045

Item	Part Number	Qty	Description	Comments
1	72507573	1	Kit, Shaft	
2	72503915	2	Piston	
3	72503944	2	O Ring	
4	<b>72503870</b>	2	Seal	
5	72503945	2	Washer	
6	72503890	12	Spring	
7	72503946	2	Retainer	
8	72503947	2	Ring	
9	72503926	18	Plate	
10	72503894	18	Plate	
11	72503880	2	Retainer	
12	72503948	2	Ring	
13	72507574	1	Gear	Number of teeth/spines 55
14	72507575	2	Ring	
15	72507576	2	Bearing Assy	
17	72507577	1	Bearing Assy	
18	72507578	1	Gear	Number of teeth/spines 40
23	72507069	1	Bearing Assy	
24	72503878	3	Seal	

5-AE05-006-A





**Massey Ferguson****MF 9240 TRACTOR - 1637287**

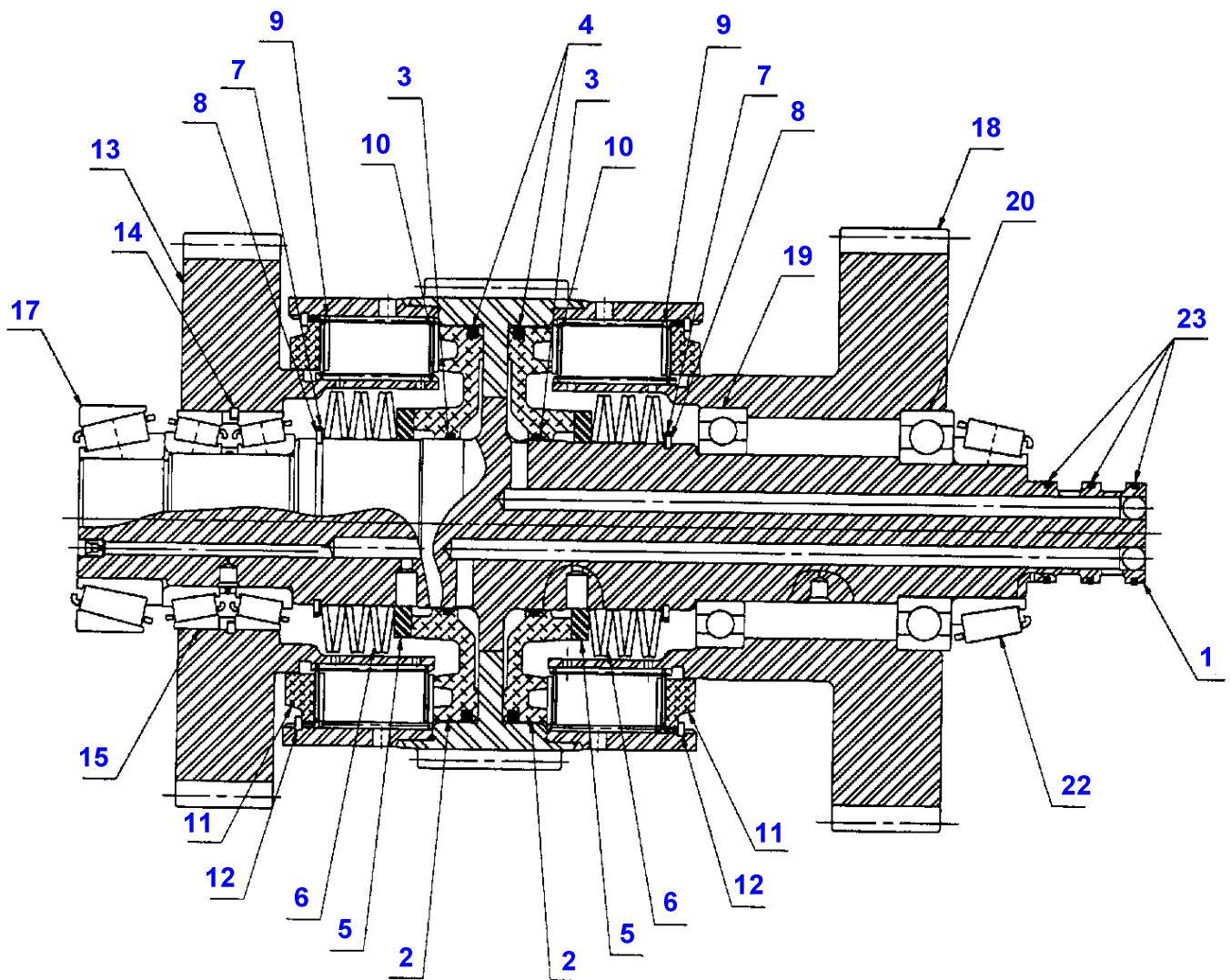
1637287

**Transmission - Gear Train - CLUTCH**

Page025-0050

Item	Part Number	Qty	Description	Comments
1	72507579	1	Kit, Shaft	
2	72503915	2	Piston	
3	72503944	2	O Ring	
4	<b>72503870</b>	2	Seal	
5	72503945	2	Washer	
6	72503890	12	Spring	
7	72503946	2	Retainer	
8	72503947	2	Ring	
9	72503926	18	Plate	
10	72503894	18	Plate	
11	72503880	2	Retainer	
12	72503948	2	Ring	
13	72507580	1	Gear	Number of teeth/spines 47
14	72507575	1	Ring	
15	72507576	1	Bearing Assy	
17	72507577	1	Bearing Assy	
18	72507581	1	Gear	Number of teeth/spines 43
19	72507582	1	Bearing Assy	
20	72507583	1	Bearing Assy	
21	72507069	1	Bearing Assy	
22	72503878	3	Seal	

5-AE05-007-A



**Massey Ferguson****MF 9240 TRACTOR - 1637287**

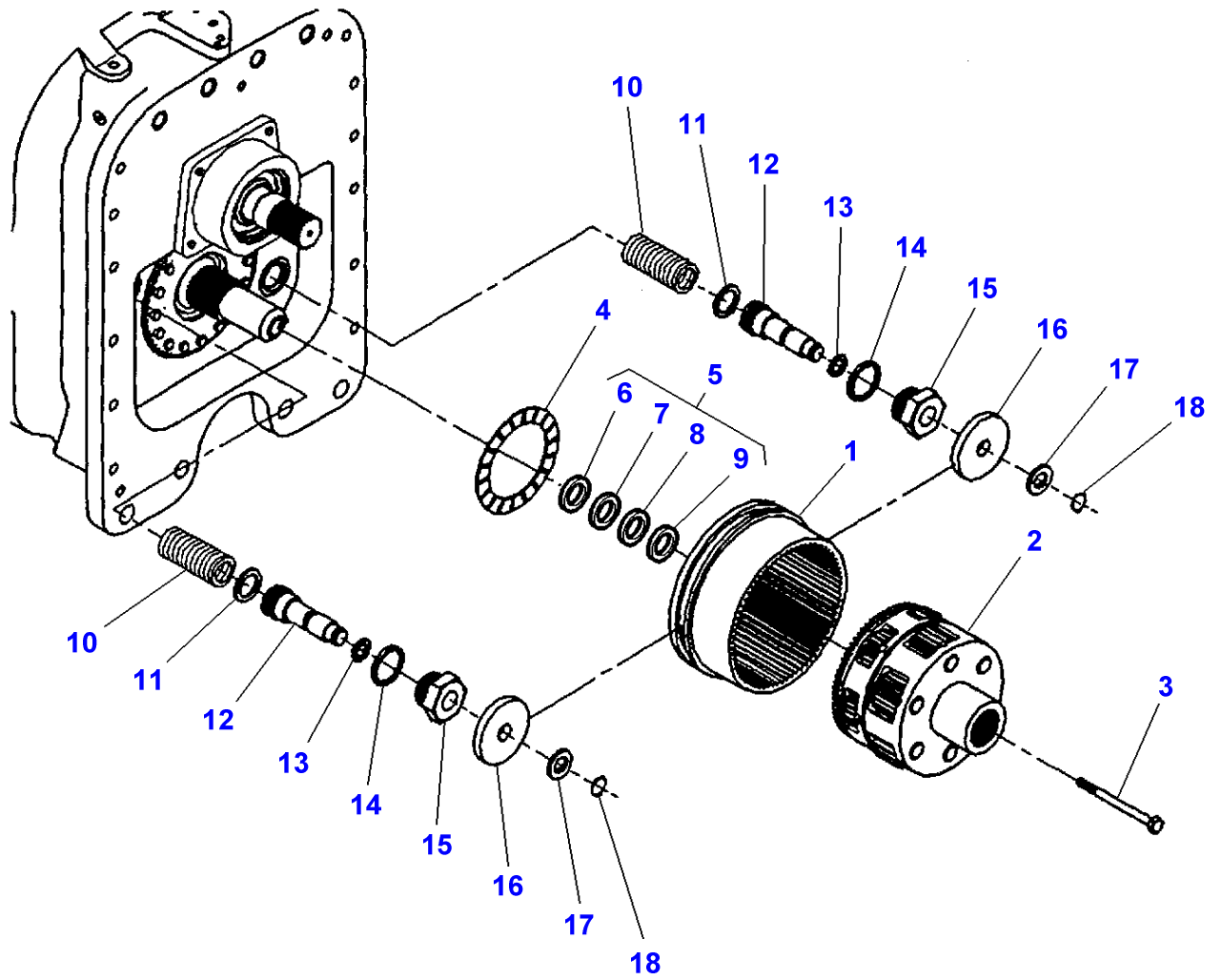
1637287

**Transmission - Gear Train - CLUTCH**

Page025-0055

Item	Part Number	Qty	Description	Comments
1	72507584	1	Kit, Shaft	
2	72503915	2	Piston	
3	72503944	2	O Ring	
4	<b>72503870</b>	2	Seal	
5	72503945	2	Washer	
6	72503890	12	Spring	
7	72503946	2	Retainer	
8	72503947	2	Ring	
9	72503926	18	Plate	
10	72503894	18	Plate	
11	72503880	2	Retainer	
12	72503948	2	Ring	
13	72507585	1	Gear	Number of teeth/spines 65
14	72507575	1	Ring	
15	72507576	1	Bearing Assy	
17	72507577	1	Bearing Assy	
18	72507586	1	Gear	Number of teeth/spines 70
19	72507582	1	Bearing Assy	
20	72507583	1	Bearing Assy	
22	72507069	1	Bearing Assy	
23	72503878	3	Seal	

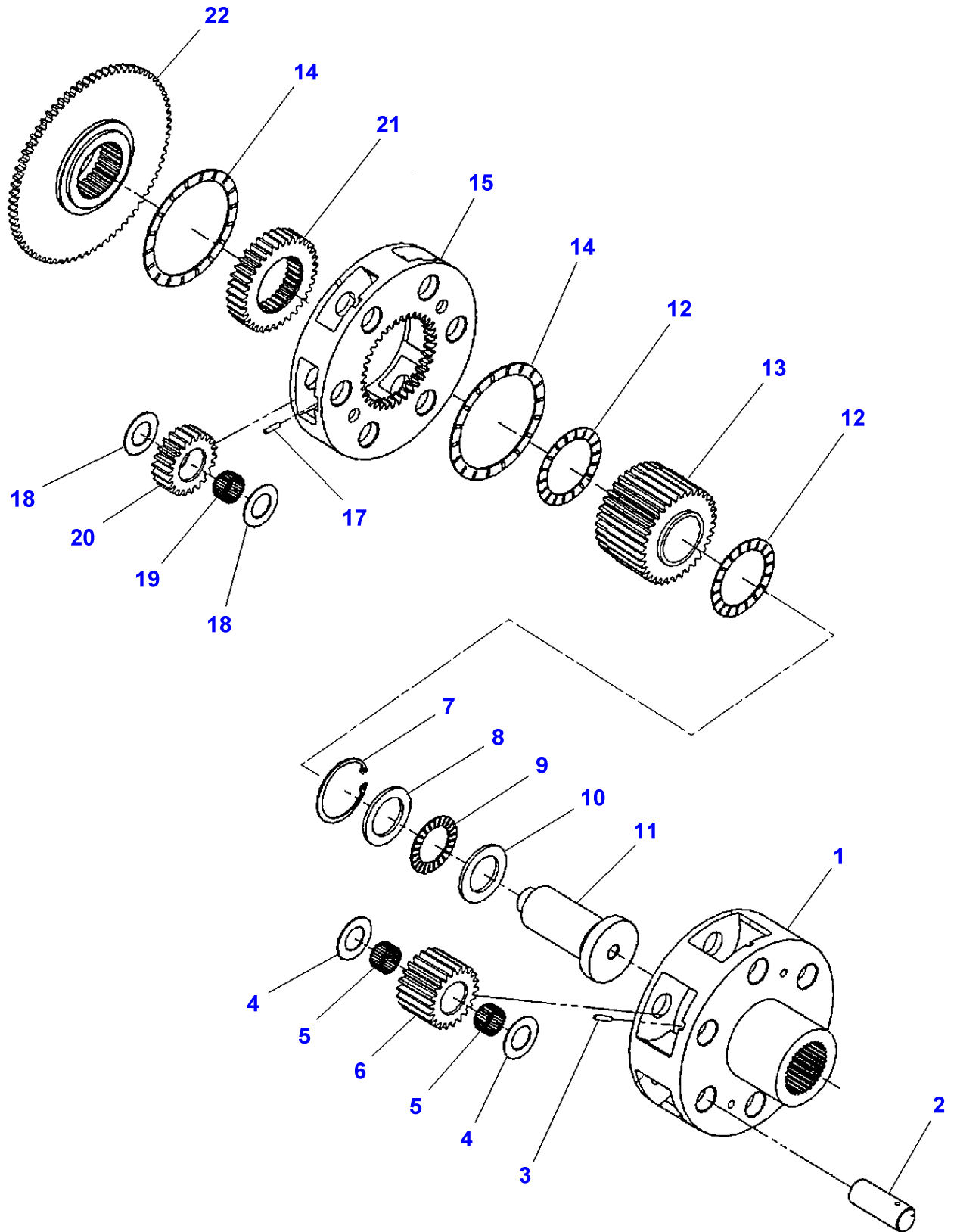
5-AE09-001-A



**Transmission - Creeper Gear**

<b>Item</b>	<b>Part Number</b>	<b>Qty</b>	<b>Description</b>	<b>Comments</b>
1	72511579	1	Ring	
2		1	Planet	1ST & 2ND See Page - Reference Number 025-0065/1
3	72511581	1	Bolt	
4	72511571	1	Bearing	
5	72511583	1	Kit	
6	72511605	1	Shim	(5) Thickness = .003
7	72511606	1	Shim	(5) Thickness = .005
8	72511607	1	Shim	(5) Thickness = .010
9	72511608	1	Shim	(5) Thickness = .020
10	72511572	2	Spring	
11	72511574	2	O Ring	
12	72511573	2	Piston	
13	72511575	2	O Ring	
14	72503969	2	O Ring	
15	72511576	2	Plug	
16	72511577	2	Washer	
17	72511582	2	Washer	
18	72511578	2	Circlip	

5-AE09-002-A



**Massey Ferguson****MF 9240 TRACTOR - 1637287**

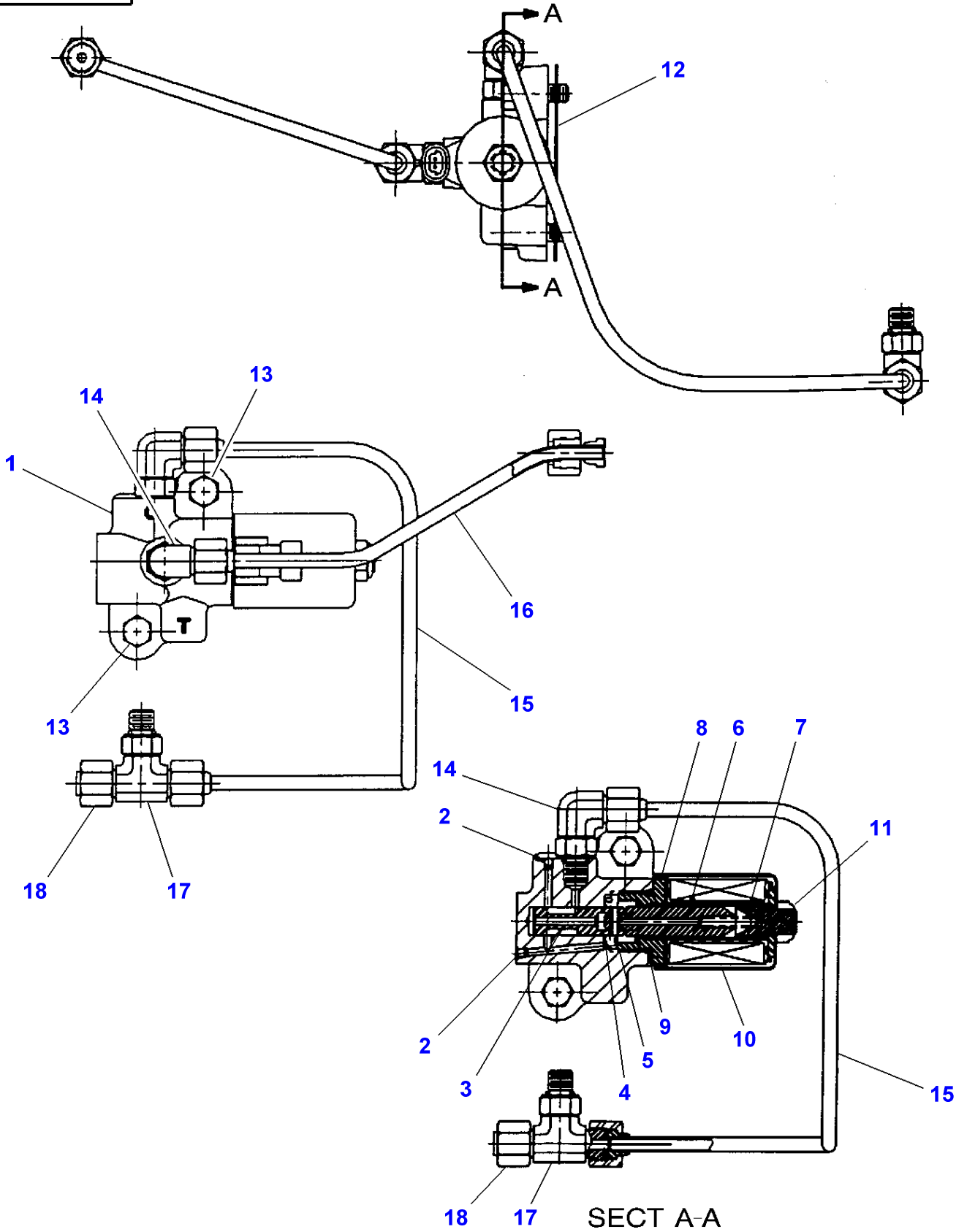
1637287

Page025-0065

**Transmission - Creeper Gear**

<b>Item</b>	<b>Part Number</b>	<b>Qty</b>	<b>Description</b>	<b>Comments</b>
1	72511591	1	Carrier	2ND STAGE
2	72511596	6	Planetary Axle	2ND
3	72511597	6	Pin	
4	72511595	12	Washer	
5	72511594	12	Bearing	
6	72511593	6	Gear	
7	72511592	1	Circlip	
8	72511599	1	Washer	
9	72511600	1	Bearing	
10	72511601	1	Washer	
11	72511598	1	Retainer	
12	72511585	2	Bearing	
13	72511586	1	Gear	
14	72511587	2	Bearing	
15	72511602	1	Carrier	1ST STAGE
16	72511604	6	Shaft	1ST
17	72511597	6	Pin	
18	72511595	12	Washer	
19	72511594	6	Bearing	
20	72511603	6	Gear	
21	72511589	1	Gear	
22	72511590	1	Flange	

5-AE06-001-A





**Massey Ferguson****MF 9240 TRACTOR - 1637287**

1637287

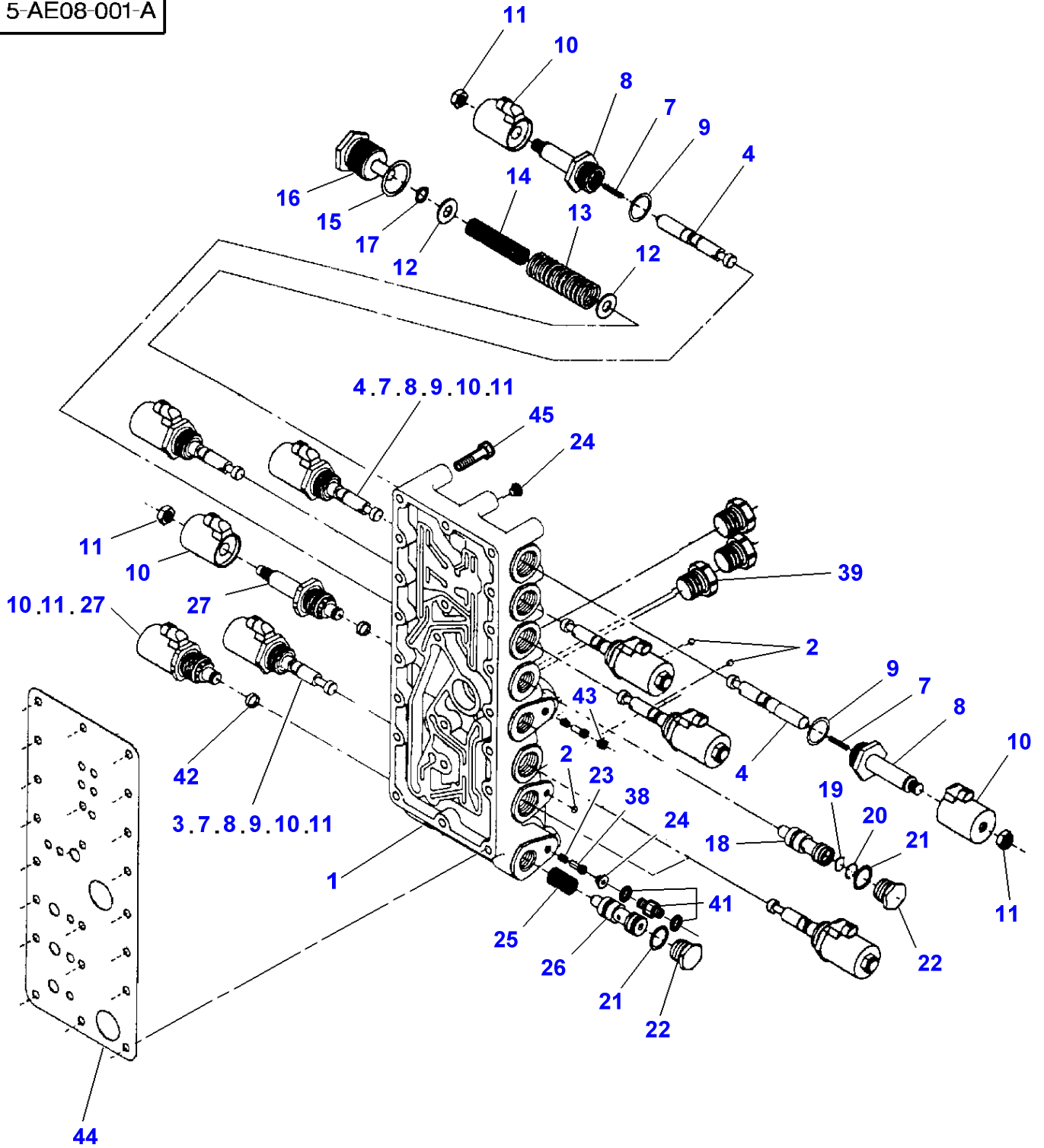
**transmission - Creeper gear valve**

Page025-0070

<b>Item</b>	<b>Part Number</b>	<b>Qty</b>	<b>Description</b>
1	72511610	1	Valve
2	72511611	2	Ball
3	72511612	1	Spool
4	72511613	1	Ring
5	72511614	1	Pin
6	72511615	1	Plunger
7	72503873	1	Spring
8	72503893	1	Core
9	72503966	1	O Ring
10	72511616	1	Coil
11	72503967	1	Stop
12	72511617	1	Gasket
13	72511618	2	Bolt
14	72511619	2	Elbow
15	72511620	1	Tube
16	72511621	1	Tube
17	72511622	1	Fitting
18	72511623	1	Fitting

MF 9240 TRACTOR - 1637287  
5-AE08-001-A

5-AE08-001-A



**Massey Ferguson****MF 9240 TRACTOR - 1637287**

1637287

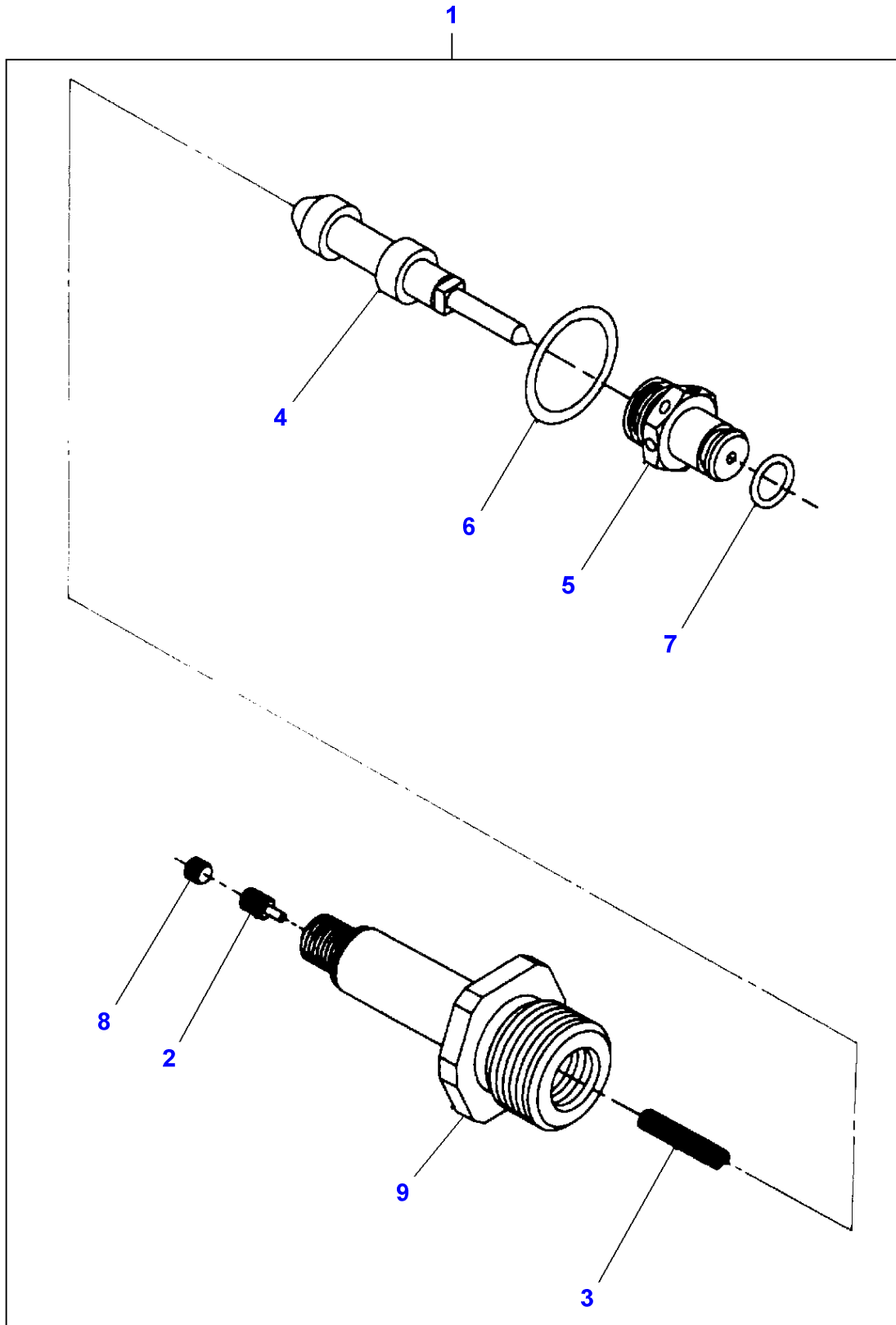
**transmission - Electric Valve-Components**

Page025-0075

Item	Part Number	Qty	Description	Comments
1	72503912	1	Body	
2	72503965	3	Ball	9/32"
	72511567	3	Ball	[A] 9/32"
3	72503902	3	Plunger	
4	72503906	6	Plunger	
7	72503873	9	Spring	
8	72503893	9	Core	
9	72503966	9	O Ring	
10	72507605	11	Coil	6V
11	72503967	11	Stop	
12	72503968	2	Washer	
13	72503876	1	Spring	
14	72503877	1	Spring	
15	72503969	1	O Ring	
16	72503910	1	Plug	
17	72503874	3	Shim	
18	72503875	1	Spool	
19	72503871	1	Plate	
20	72503970	1	Snpring	
21	72503971	3	O Ring	
22	72503972	3	Plug	
23	72503869	2	Plug	
24	72503973	14	Plug	
25	72503892	2	Spring	
26	72503909	2	Spool	
27	72505339	X	Kit, Solenoid	
38	72503903	2	Screen	
39		X	Not Used	
41	72511568	1	Connector	[A]
42	72503908	2	Screen	
43	72503975	1	Plug	
44	72503913	1	Gasket	
45	72503964	22	Capscrew	

**FOOTNOTE [A] WITH CREEPER GEAR**

5-AF48-001-A

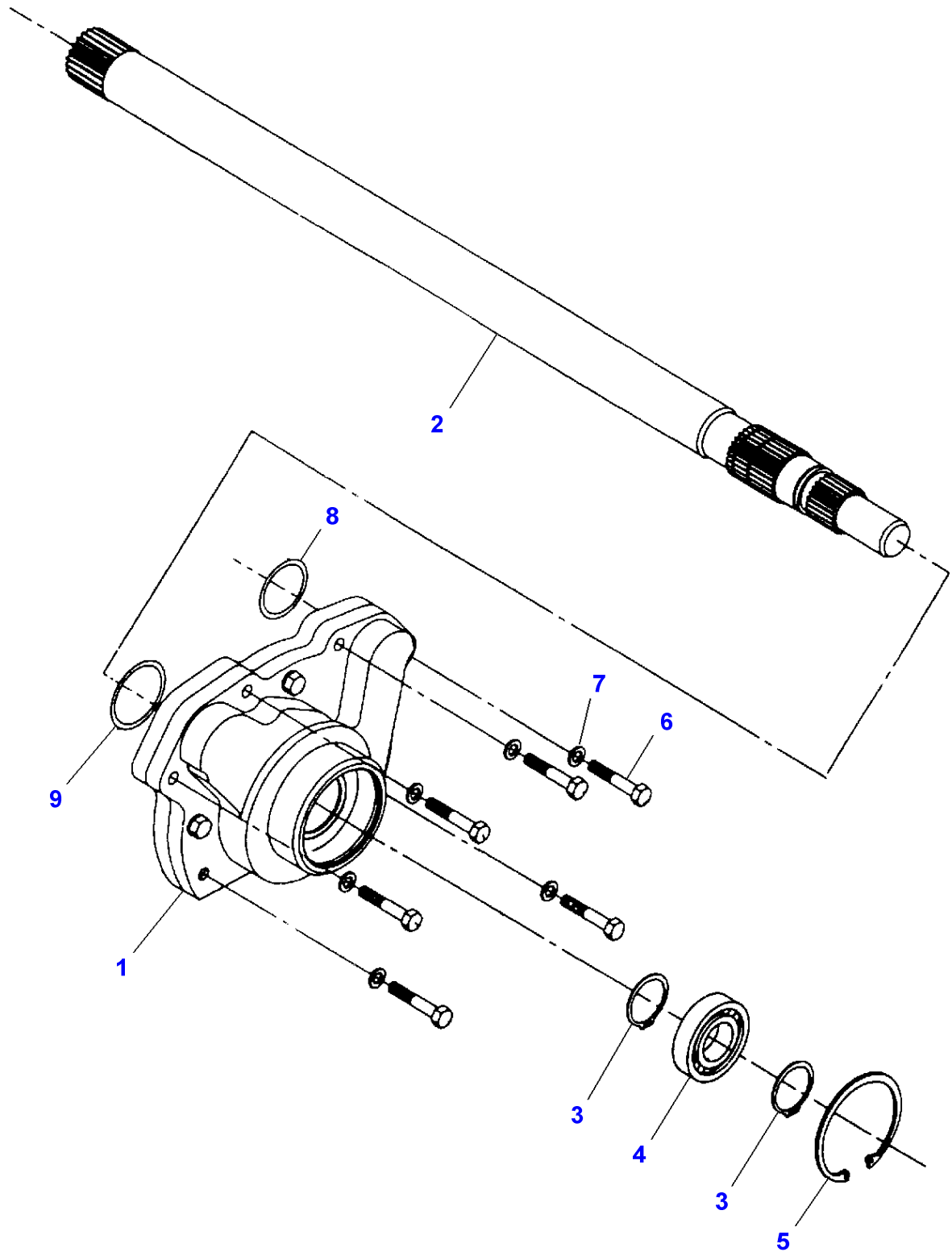


**Massey Ferguson****MF 9240 TRACTOR - 1637287****1637287****transmission - solenoid****Page025-0080**

<b>Item</b>	<b>Part Number</b>	<b>Qty</b>	<b>Description</b>	<b>Comments</b>
1	72505339	1	Kit, Solenoid	
2	72503976	1	Screw	(1)
3		1	Spring	(1) Not serviced, order REF 1
4		1	Poppet	(1) Not serviced, order REF:1
5	72503977	1	Plug	(1)
6	72503966	1	O Ring	(1)
7	72503978	1	O Ring	(1)
8	72503979	1	Screw	(1)
	72511569	1	Screw	[A] (1)
9		1	Body	(1) Not serviced, order REF:1

**FOOTNOTE [A] WITH CREEPER GEAR**

5-AE07-001-A



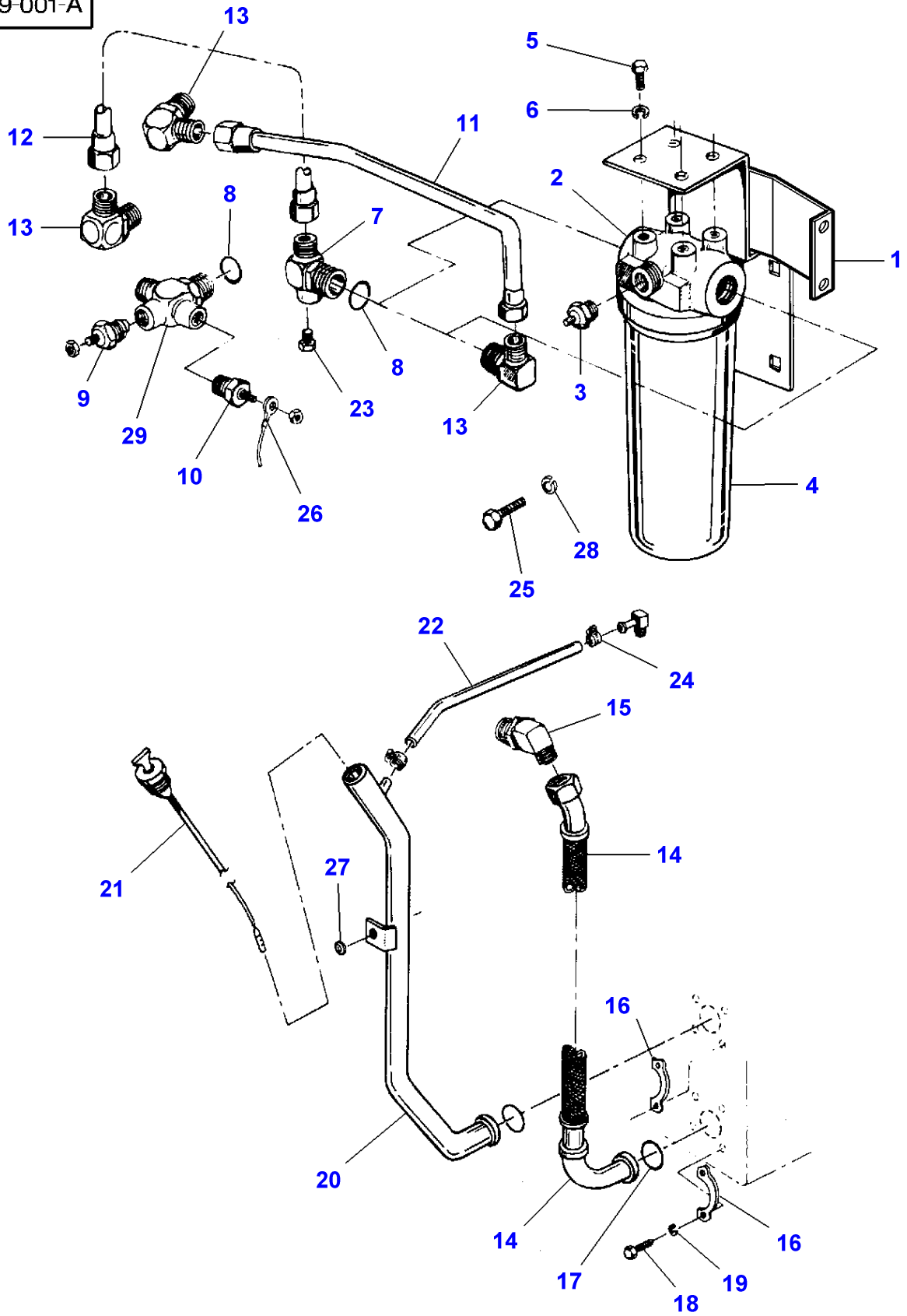
**Massey Ferguson****MF 9240 TRACTOR - 1637287****1637287****transmission - pto shaft****Page025-0085**

<b>Item</b>	<b>Part Number</b>	<b>Qty</b>	<b>Description</b>	<b>Comments</b>
1	72514361	1	Pump	Replace and repair. Old not interchangeable with new 72503907
2	72507607	1	Shaft	
3	72503980	2	Snpring	
4	72514649	1	Bearing	Replace and repair. Old not interchangeable with new 72503981
5	72503982	1	Snpring	
6	72503964	6	Capscrew	
	72511570	6	Bolt	[B]
7	72503963	6	Washer	
8	70933095	1	O Ring	Replace and repair. Old not interchangeable with new 72507545
9	70935478	X	O Ring	Replace and repair. Old not interchangeable with new 72507546

**FOOTNOTE [B] WITH CREEPER GEAR**

MF 9240 TRACTOR - 1637287  
5-AF49-001-A

5-AF49-001-A

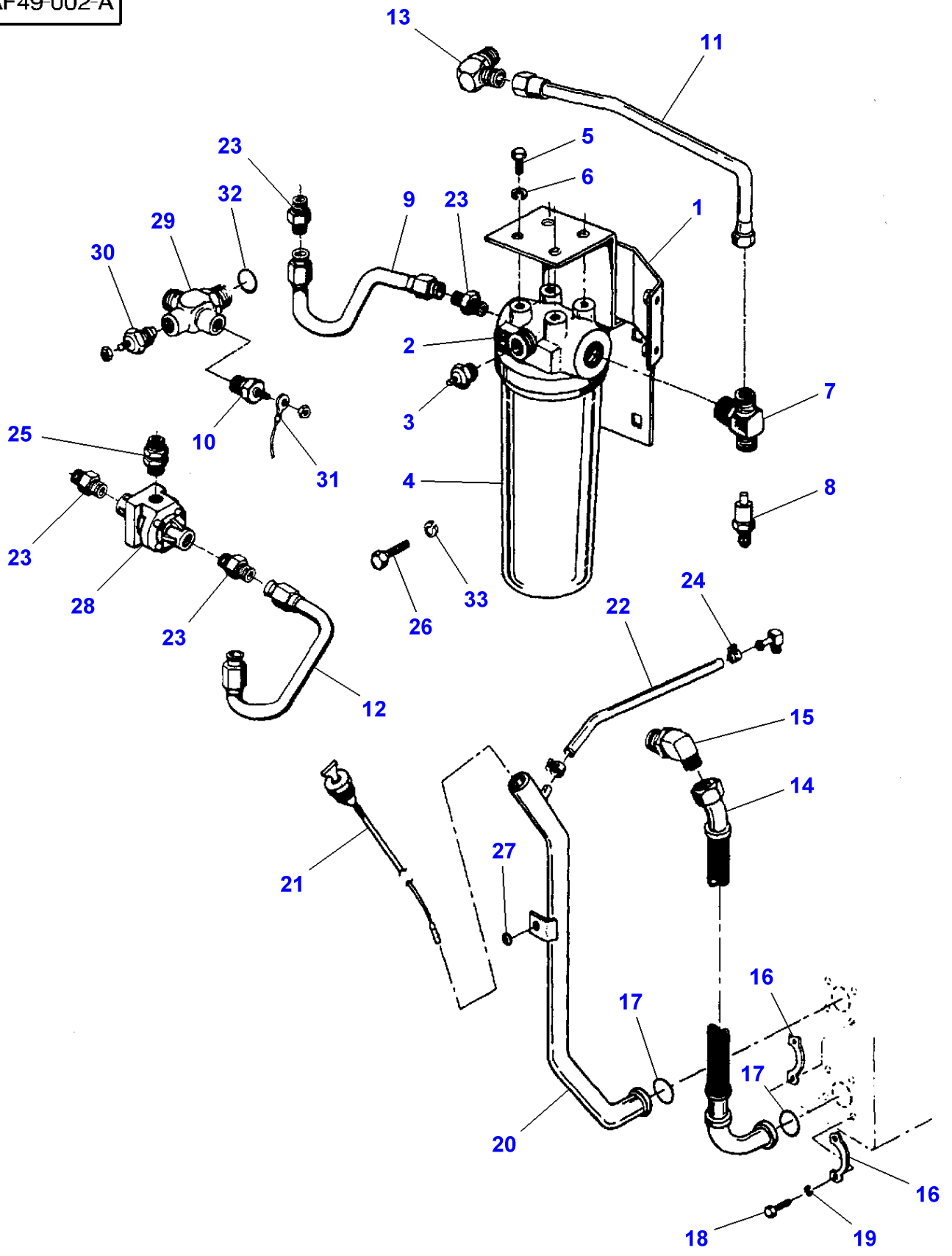




Item	Part Number	Qty	Description	Comments
1	72506683	1	Bracket Assy.	
2	<b>72512847</b>	1	Filter Head	Replace and repair. Old not interchangeable with new 71367625
3	71367611	1	Switch,Indirect	
4	<b>30-3506819</b>	1	Element	
5	353689X1	4	Screw Unc	3/8"-16X3/4"
6	353434X1	4	Lock Washer	LOCK 3/8"
7	72501574	1	Teepiece	
8	70921214	2	O Ring	
9	72503461	1	Switch	
10	72506415	1	Sender	
11	72505254	1	Tube Assy	
12	72501714	1	Tube Assy	
13	70921227	3	Elbow	
14	72501712	1	Hose Assy	
15	72502865	1	Elbow	
16	72501875	4	Flange	1-1/2"
17	70924193	2	O Ring	1.859"X0.139"
18	70919089	8	Screw	1/2"-13X1-3/4"
19	353439X1	8	Lock Washer	LOCK 1/2"
20	72501795	1	Tube Assy	
21	72502673	1	Dipstick	
22	72503381	1	Hose	30R2-20
23	70921517	1	Fitting	
24	338612X1	2	Hose Clip	
25	70923110	2	Screw	3/4"-10X1-1/2"
26	72502322	1	Wire	
27	70937005	1	Washer	
28	353440X1	2	Lock Washer	3/4"
29	72503737	1	Union	

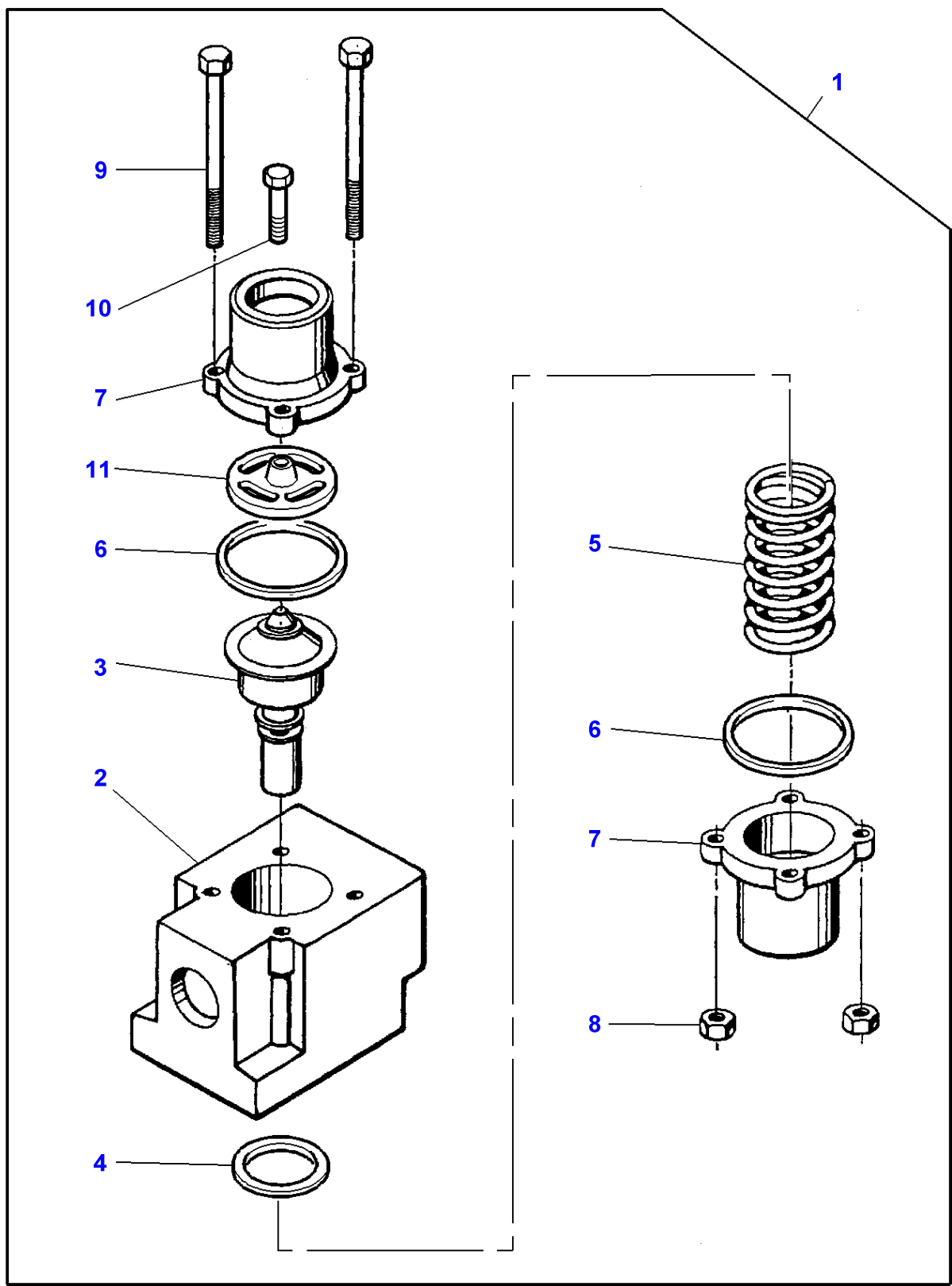
MF 9240 TRACTOR - 1637287  
5-AF49-002-A

5-AF49-002-A



Item	Part Number	Qty	Description	Comments
1	72506683	1	Bracket Assy.	
2	<b>72512847</b>	1	Filter Head	Replace and repair. Old not interchangeable with new 71367625
3	71367611	1	Switch,Indirect	
4	<b>30-3506819</b>	1	Element	
5	353689X1	4	Screw Unc	3/8"-16X3/4"
6	353434X1	4	Lock Washer	LOCK 3/8"
7	72501574	1	Teepiece	
8	71366324	1	Sender	
9	72508230	1	Tube	
10	72506415	1	Sender	
11	72501713	1	Tube	
12	72509241	1	Tube	
13	70921227	1	Elbow	
14	72501712	1	Hose Assy	
15	72502865	1	Elbow	
16	72501875	4	Flange	1-1/2"
17	70924193	2	O Ring	1.859"X0.139"
18	70919089	8	Screw	1/2"-13X1-3/4"
19	353439X1	8	Lock Washer	LOCK 1/2"
20	72501795	1	Tube Assy	
21	72502673	1	Dipstick	
22	72503381	1	Hose	30R2-20
23	70935768	4	Connector	Replace and repair. Old not interchangeable with new 70922997
24	338612X1	2	Hose Clip	
25	72508150	1	Connector	
26	70923110	2	Screw	3/4"-10X1-1/2"
27	70937005	1	Washer	
28	3790883M1	1	Pressure Valve	See Page - Reference Number 025-0100/1 Replace and repair. Old not interchangeable with new 72514174
29	72508232	1	Fitting	
30	72503461	1	Switch	
31	72502322	1	Wire	
32	70921214	1	O Ring	
33	353440X1	2	Lock Washer	3/4"
34	70921214	1	O Ring	

5-AF49-003-A

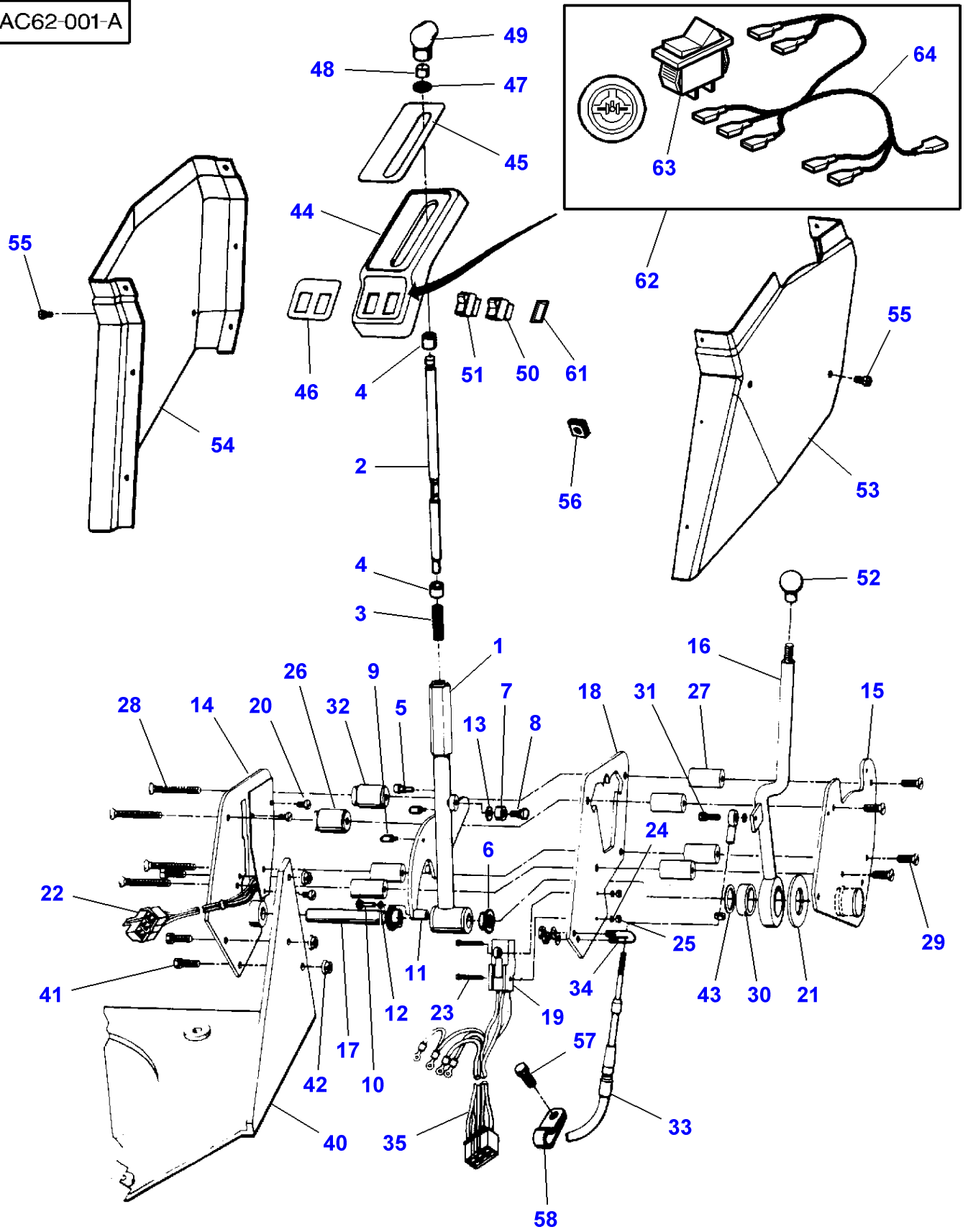


**Massey Ferguson****MF 9240 TRACTOR - 1637287****1637287****Oil Filter - transmission - Valve - From Serial No 0068****Page025-0100**

<b>Item</b>	<b>Part Number</b>	<b>Qty</b>	<b>Description</b>	<b>Comments</b>
1	72508178	1	Valve	
	3790883M1		Pressure Valve	Replace and repair. Old not interchangeable with new 72514174 From Serial or Engine Number 0264
2		1	Body	(1) Not serviced, order REF NO 1
3	72511859	1	Element	(1)
4	72511858	1	Seal	(1)
5		1	Spring	(1) Not serviced, order REF NO 1
6	72511856	2	Seal	(1)
7		2	Fitting	(1) Not serviced, order REF NO 1
8	70923358	4	Nut	(1) 1/4"-20
9	70934293	4	Bolt	(1) 1/4"-20X3"-1/4
10	72514302		Screw	(1) From Serial or Engine Number 0264
11	72514301		Washer	(1) From Serial or Engine Number 0264

MF 9240 TRACTOR - 1637287  
5-AC62-001-A

5-AC62-001-A



## Shift Lever and throttle

Item	Part Number	Qty	Description	Comments
1	72501098	1	Tube	
2	72501459	1	Rod	
3	72501471	1	Spring	
4	72501578	2	Sleeve	
5	70937159	1	Screw	1/4"X1/4"
6	70937224	2	Bearing	FLANGED
7	70937226	1	Bearing	1/4"IDX5/8"OD
8	70937169	1	Screw Special	1/4"X3/8"
9	72502896	1	Magnet	
10	70937245	1	Screw	N10-32X5/8"
11	72505626	1	Lever	3/8"X1/2" N8-32
12	70917365	1	Lock Washer	N10
13	70918011	1	Washer	1/4"IDX3/8"OD
14	72501472	1	Case	Left Hand
15	72503365	1	Case	
16	72501452	1	Lever	
17	72502255	1	Shaft	
18	72505627	1	Quadrant	
19	71310060	1	Switch	
20	70930611	3	Screw	
21	70919393	1	Washer	
22	72501593	1	Switch	
23	70922929	2	Screw	N6-32
24	70928651	2	Washer	N6
25	70917479	2	Nut	N6-32
26	72501455	4	Shifter	
27	72501456	4	Shifter	
28	70937242	4	Screw	
29	70930228	4	Screw	5/16"-18
30	72501085	1	Sleeve	
31	70937245	1	Screw	N10-32X5/8"
32	72503355	2	Spacer	N4516
33	72502787	1	Kit, Cable	
34	72160700	1	U Bolt	
35	72502307	1	Wire	Up to Serial or Engine Number SN0067
	72509313	1	Wire	From Serial or Engine Number SN0068
36	72503356	1	Bearing	[A] ROD END SIZE 3 10
37	70917365	1	Lock Washer	[A] LOCK N10(.190)
38	70916964	2	Lock Washer	[A] LOCK 1/4"
39	70917415	1	Nut	[A] N10-32
40	72514088	1	Shifter	
41	70923341	3	Screw	1/4"-20X3/4"
42	70931209	3	Nut	1/4"
43	70927738	1	Ring	
44	72501591	1	Cover	Up to Serial or Engine Number SN0067
	72509322	1	Cover	From Serial or Engine Number SN0068
	70930611	2	Screw	[A] TAPTITE
	70937249	6	Screw	[A] N8-18X1/2" PANHEAD
45	72502899	1	Decal	
46	72503353	1	Decal	Up to Serial or Engine Number SN0067
	72509323	1	Decal	From Serial or Engine Number SN0068
47	70923558	1	O Ring	1/16"X1/4" ID
48	72501594	1	Button	
49	72501590	1	Knob	
50	72502324	1	Switch	
51	72502325	1	Switch	
52	72502133	1	Knob	
53	72501595	1	Cover	Right Hand
54	72501592	1	Cover	Left Hand
55	70934728	4	Screw	
56	70937552	6	Nut	N10
57	70922586	1	Capscrew	3/8"-16X5/8"

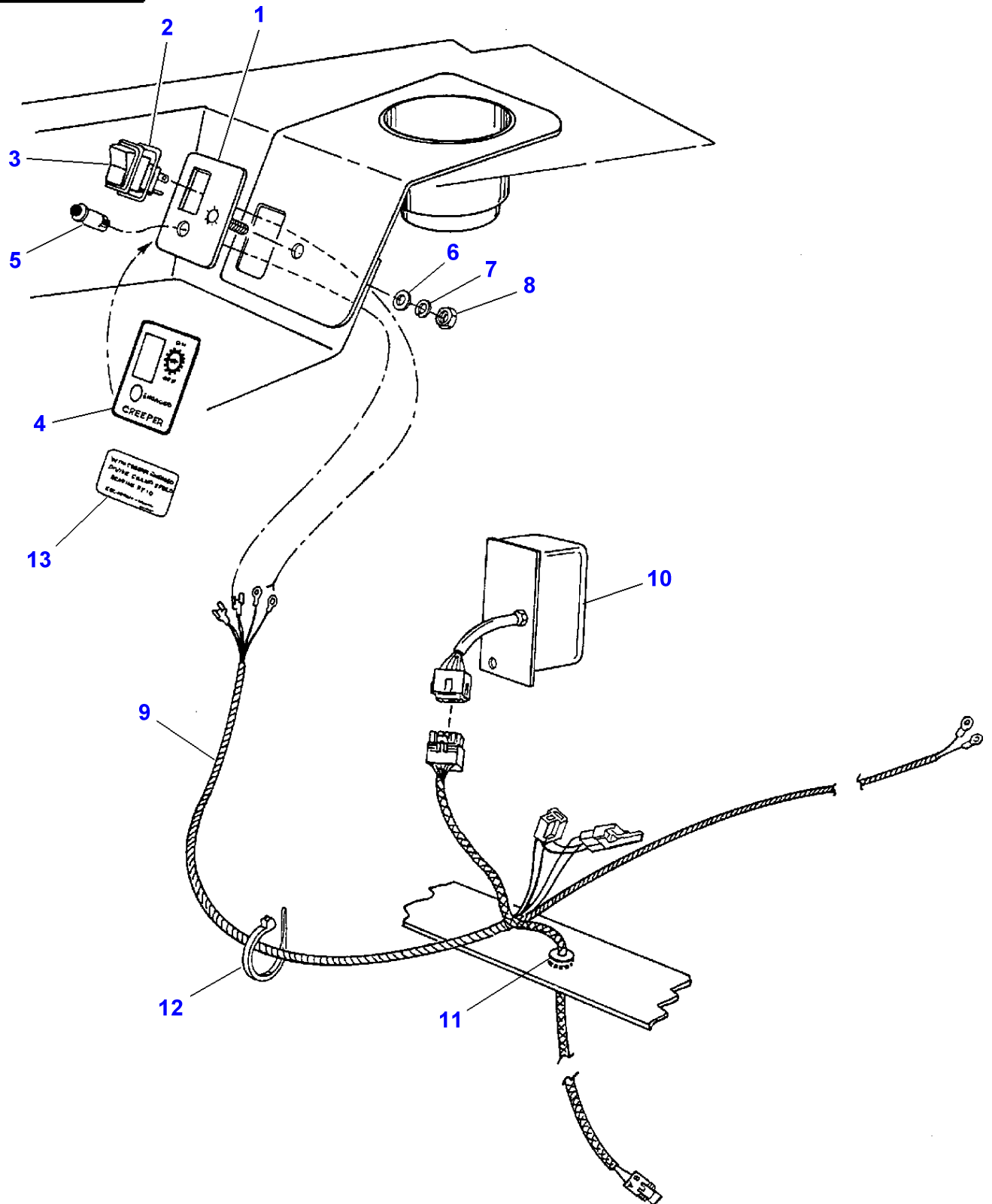
**Massey Ferguson****MF 9240 TRACTOR - 1637287****1637287****Shift Lever and throttle****Page025-0105**

<b>Item</b>	<b>Part Number</b>	<b>Qty</b>	<b>Description</b>	<b>Comments</b>
58	70926917	1	Clamp	
59	72503820	1	Protective Strip	[A]
60	72505094	3	Tie	[A]
61	72509324	1	Shim	
62	72513814	1	Kit	
63	<b>72527625</b>	1	Switch	(62) Replace and repair. Old not interchangeable with new 72513809
64	72513815	1	Harness	(62)
65	72503821	1	Plug	[A]

**FOOTNOTE [A] NOT ILLUSTRATED**



5-AF10-001-A

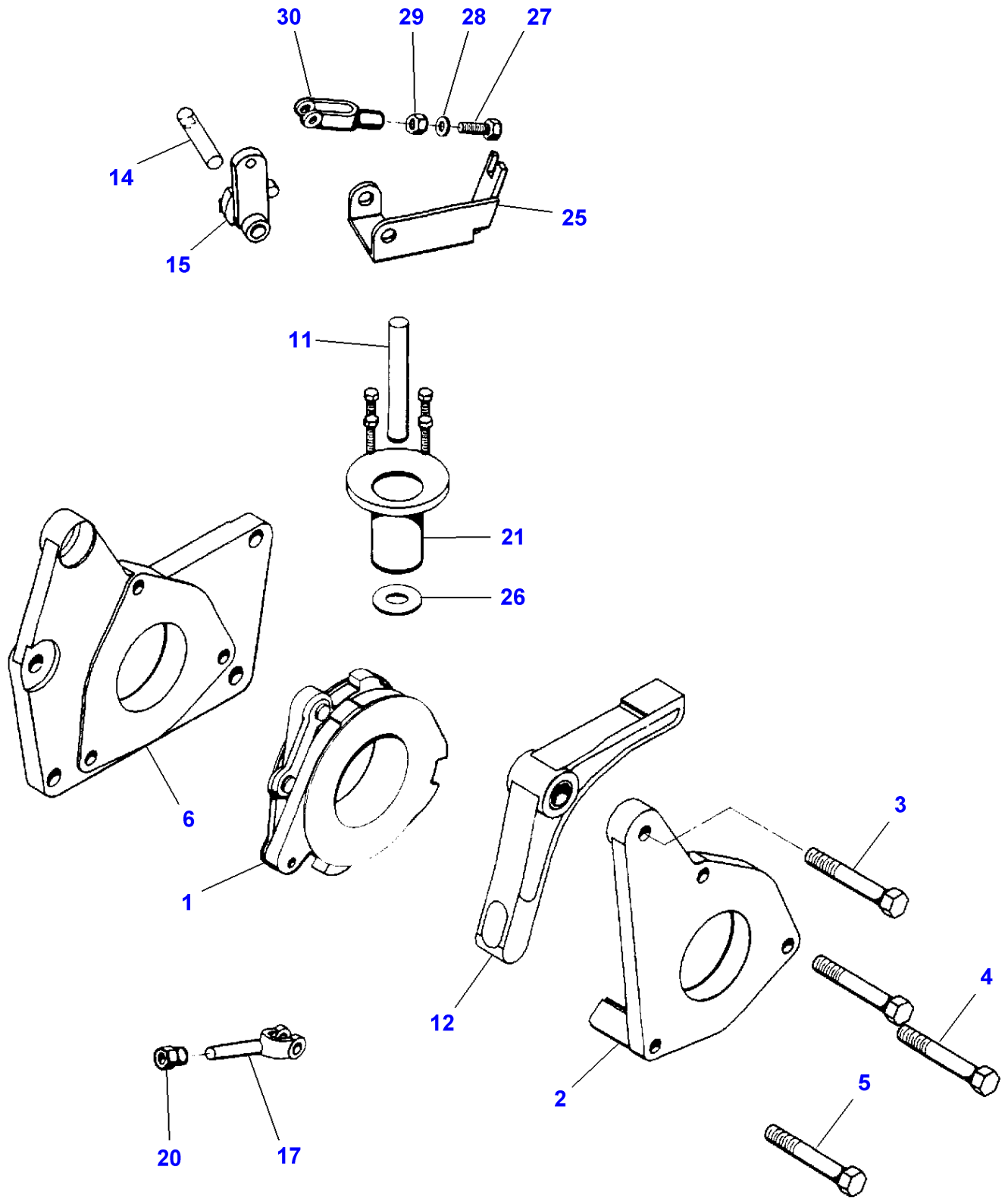


**Massey Ferguson****MF 9240 TRACTOR - 1637287****1637287****Creep Gearbox Control****Page025-0110**

<b>Item</b>	<b>Part Number</b>	<b>Qty</b>	<b>Description</b>	<b>Comments</b>
1	72507830	1	Plate	
2	72509324	1	Shim	
3	72502325	1	Switch	
4	72507833	1	Decal	
5	72509012	1	Indicator	
6	BPN31029	1	Washer	3/8"
7	353434X1	1	Lock Washer	3/8"
8	355566X1	1	Nut Unc	3/8"-16GR2
9	72507710	1	Harness	
10	72512515	1	Module	
11	71170622	1	Grommet	
12	<b>70925094</b>	1	Clamp	
13	72509308	1	Decal	

MF 9240 TRACTOR - 1637287  
5-AG26-002-A

5-AG26-002-A



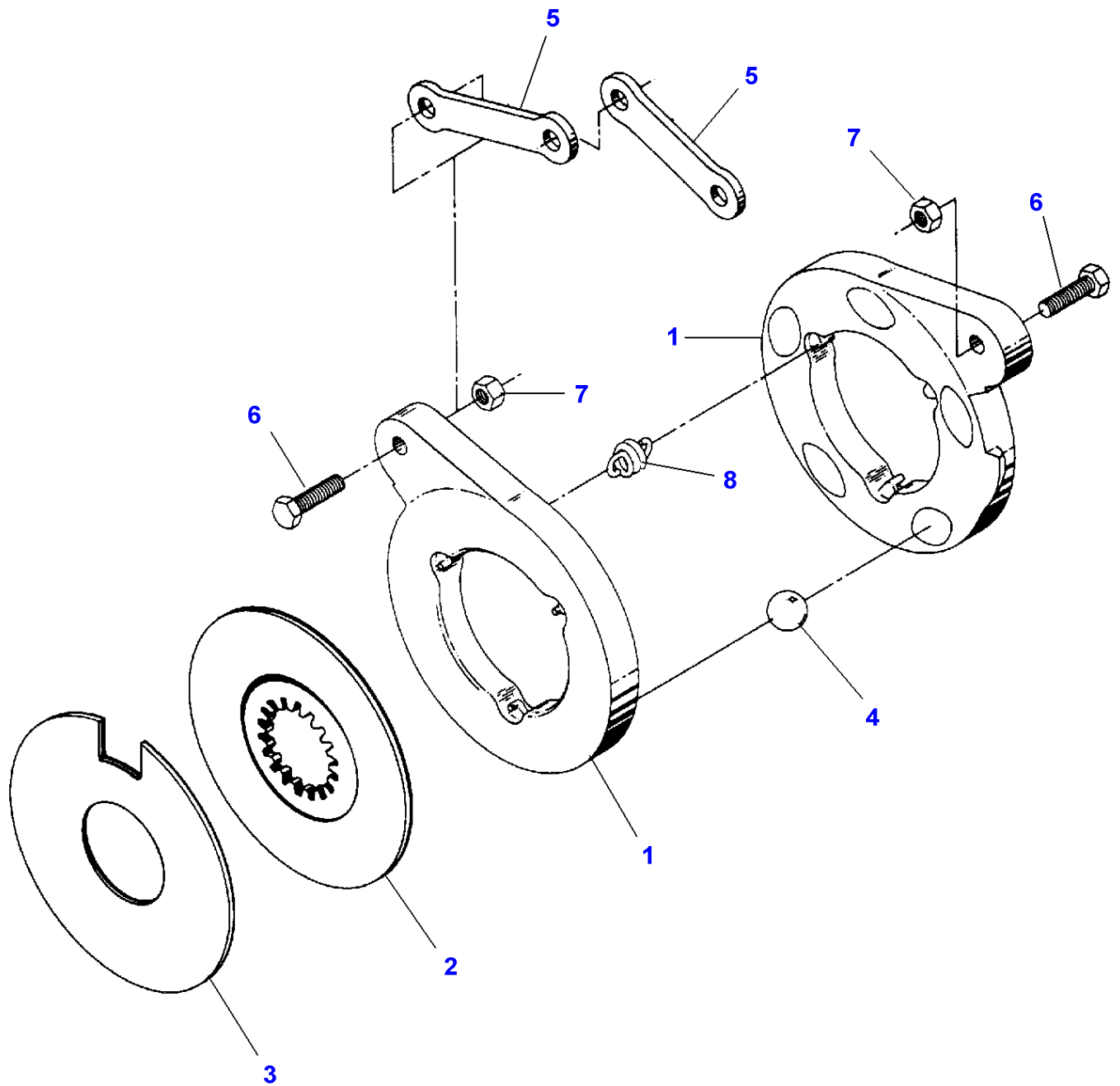
## Handbrake - Lower Control

Item	Part Number	Qty	Description	Comments
1		1	Brake	[B]
2	72504280	1	Housing	
3	70926125	4	Screw	3/4"-10X1
4	70915988	3	Screw	5/8"11X4-1/4"
5	70920645	1	Screw	1-8X4-1/4"
6	72504710	1	Kit, Plate	
7	72504286	1	Bush	[A]
8	70923110	1	Screw	[A] 3/4"-10X1-1/2"
10	70926127	3	Screw	[A] 3/4"-10X1-3/4"
11	72504289	1	Pushrod	
12	72504285	1	Bellcrank	
13	70920645	1	Screw	[A] 1/8"X4-1/4"
14	72504295	1	Clevis Pin	
15	72504704	1	Bracket	
16	70927103	1	Ring	[A]
17	70937255	1	Yoke	
18	70918572	1	Pin	[A] 1/2"X1-1/2" YOKE
19	70918452	1	Pin	[A]
20	72504702	1	Nut	
21	72504287	1	Guide	
22	70921210	2	Screw	[A] 3/8"-16X1
23	353689X1	2	Screw Unc	[A] 3/8"-16X3/4"
24	353434X1	4	Lock Washer	[A]
25	72504707	1	Bracket	
26	72160589	1	Seal	
27	70923240	1	Screw	
28	70918266	1	Washer	
29	70930633	1	Nut	
30	70937465	1	Yoke	
31	70918572	1	Pin	[A] 1/2"X1-1/2" YOKE
32	70918452	1	Pin	[A]

FOOTNOTE [A] NOT ILLUSTRATED

FOOTNOTE [B] NUMBER TO BE ADVISED

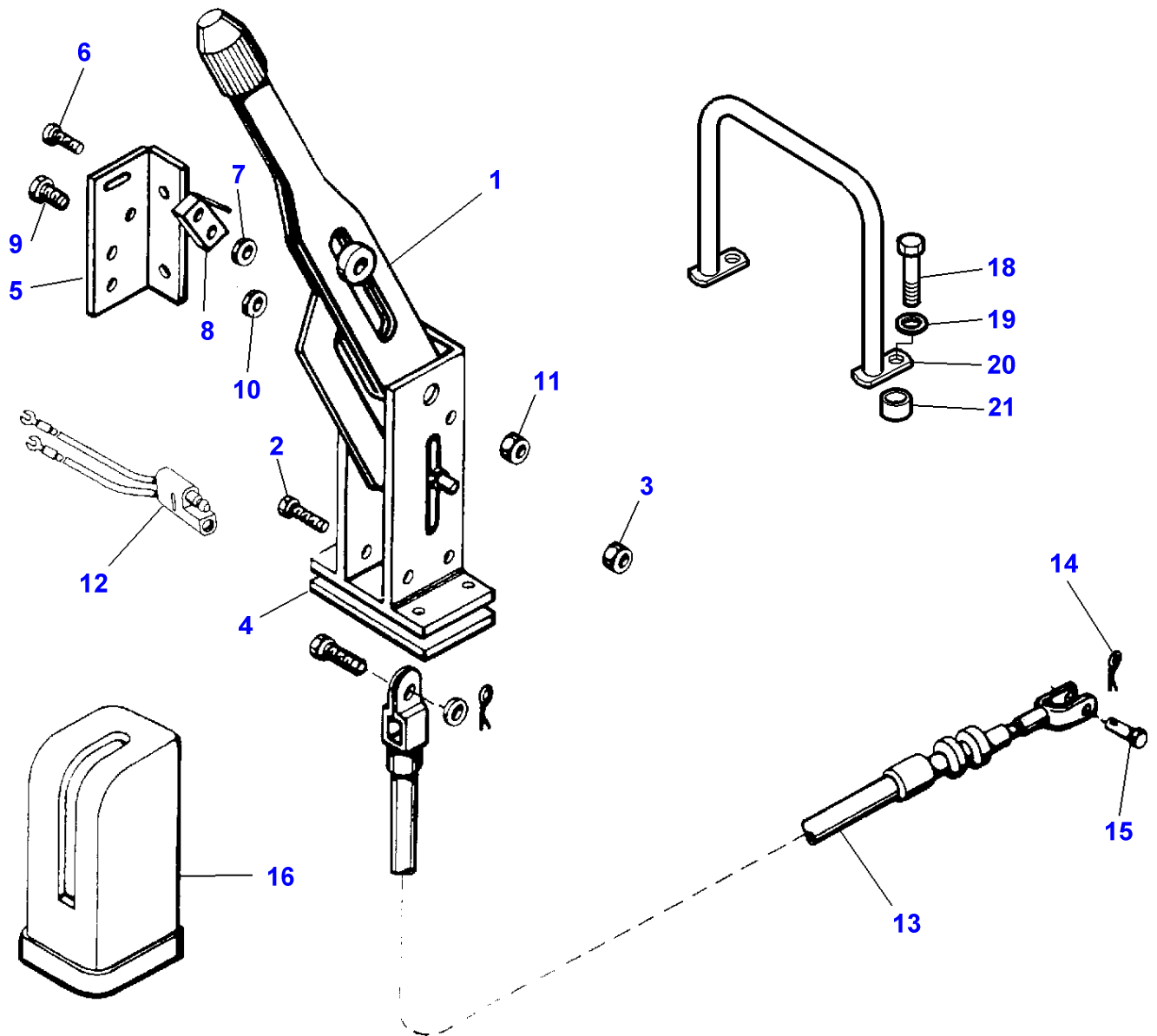
5-AG28-002-A



**Massey Ferguson****MF 9240 TRACTOR - 1637287****1637287****Brakes - Handbrake - Mechanism****Page030-0010**

<b>Item</b>	<b>Part Number</b>	<b>Qty</b>	<b>Description</b>
1	72504713	2	Disc
2	72503557	2	Disc
3	72504714	2	Disc
4	72504718	5	Ball
5	72504703	2	Link
6	72504715	2	Stud
7	72504716	2	Nut
8	72504717	3	Spring

5-AG28-001-A

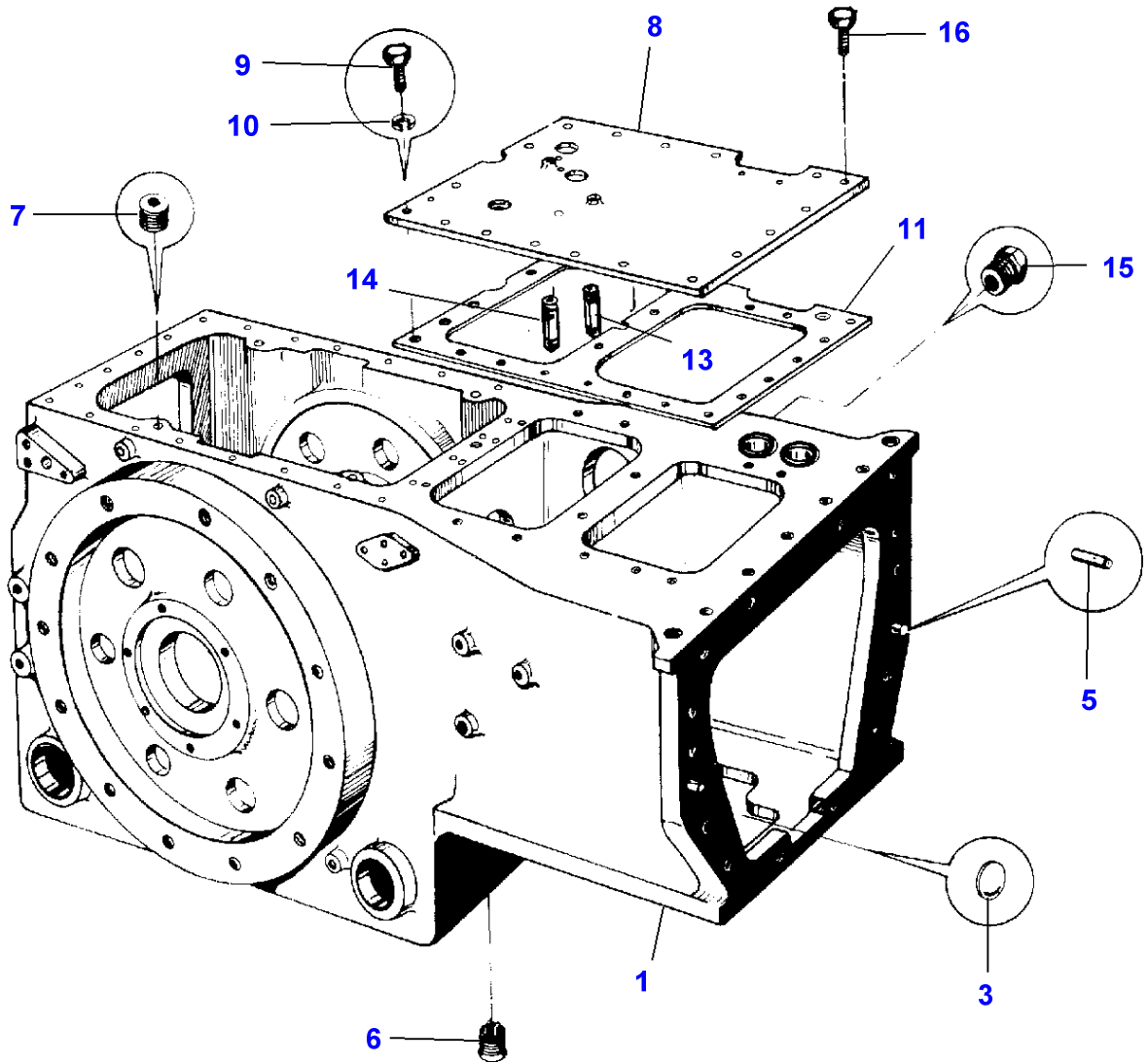


**Massey Ferguson****MF 9240 TRACTOR - 1637287****1637287****Page030-0015****Brakes - Handbrake**

<b>Item</b>	<b>Part Number</b>	<b>Qty</b>	<b>Description</b>	<b>Comments</b>
1	71330574	1	Lever	
2	70921332	4	Screw	5/16"-18X3/4"
3	70931277	4	Nut	5/16"-18
4	71361930	1	Gasket	
5	71331285	1	Support	
6	353689X1	2	Screw Unc	3/8"-16X3/4"
7	<b>70931211</b>	2	Nut	3/8"-16
8	<b>71177826</b>	1	Switch	
9	70922929	2	Screw	N6-32X1
10	70917459	2	Washer	
11	70917479	2	Nut	N6-32
12	71359415	1	Wire	
13	72504701	1	Cable	
14	70927128	1	Pin	
15	70918452	1	Pin	
16	72504664	1	Housing	
17	70931820	2	Screw	10-16
18	354264X1	2	Bolt Unc	3/8"-16X1.75
19	70919312	2	Washer	3/8"
20	72504643	1	Guard	
21	72507846	2	Spacer	



5-AG02-001-A



**Massey Ferguson**  
**MF 9240 TRACTOR - 1637287**

1637287

Page030-0020

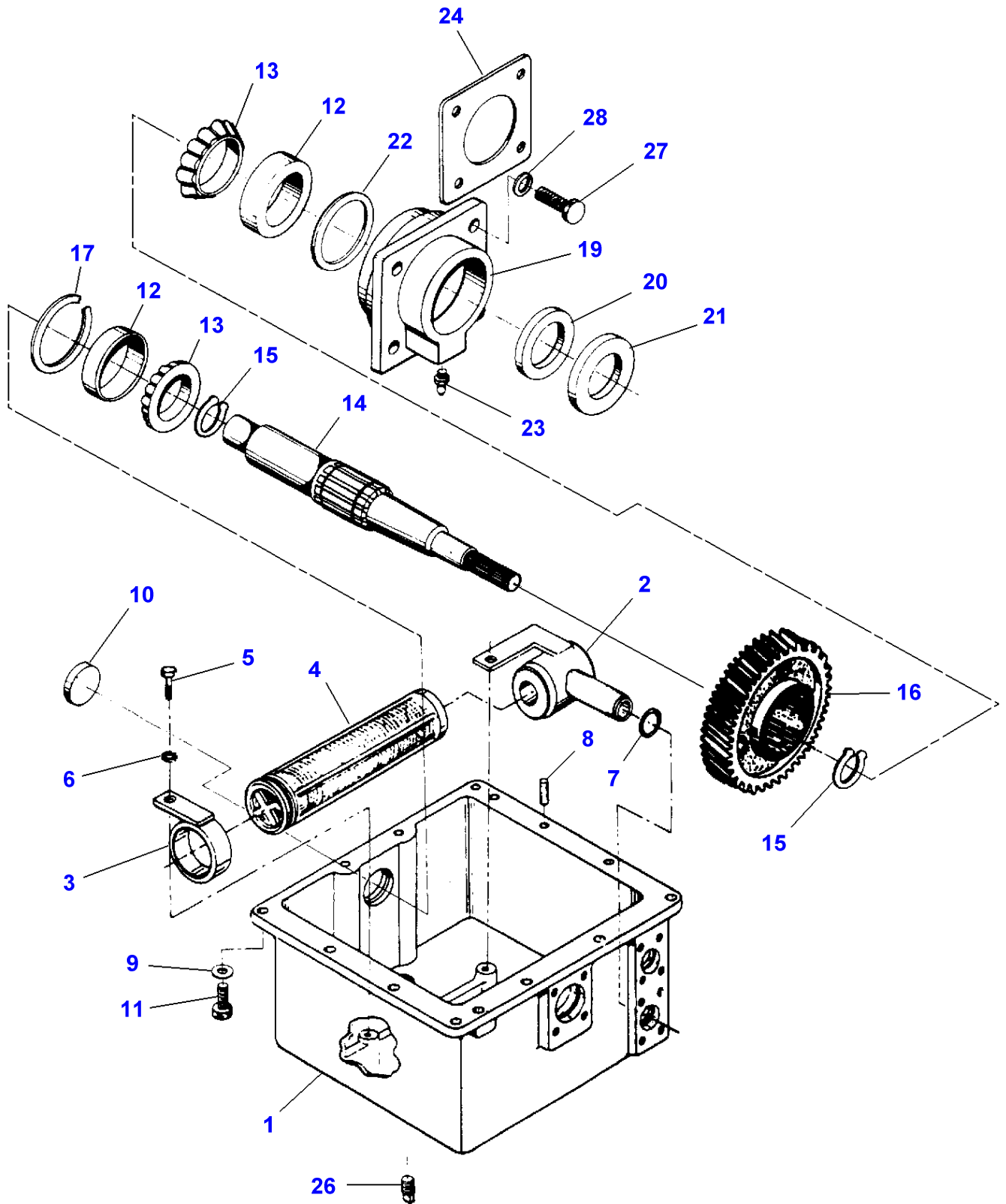
**Rear Axle - Centre Housing**

Item	Part Number	Qty	Description	Comments
1	72506550	1	Housing	
2	70935830	1	Plug	[A] 3/8"
3	70910016	1	Plug	2"-1/4"
5	70937154	2	Dowel	
6	70937186	1	Plug	3/4"NPT
7	70918850	6	Plug	1/8"
8	72504290	1	Cover	
9	70921210	15	Screw	3/8"-16X1
	70921969	4	Screw	[A] 3/8"-16X1-1/2"
10	353434X1	17	Lock Washer	3/8" LOCK
11	72501711	1	Gasket	
13	70937208	1	Nipple	1/8"X4-1/2"
14	70920800	1	Nipple	1/8"X3
	70921910	1	Clamp	
	70925617	1	Clamp	
15	70920134	1	Plug	1/4"
16	70921969	1	Screw	3,8"-16X1-1/2"
17	70923318	18	Capscrew	[A] 3/4"X2-1/2"
	70935022	4	Capscrew	[A] 3/4"X3-1/2"
	70936323	4	Capscrew	[A] 3/4"-10X3

**FOOTNOTE [A] NOT ILLUSTRATED**

MF 9240 TRACTOR - 1637287  
5-AG01-001-A

5-AG01-001-A



**Massey Ferguson  
MF 9240 TRACTOR - 1637287**

1637287

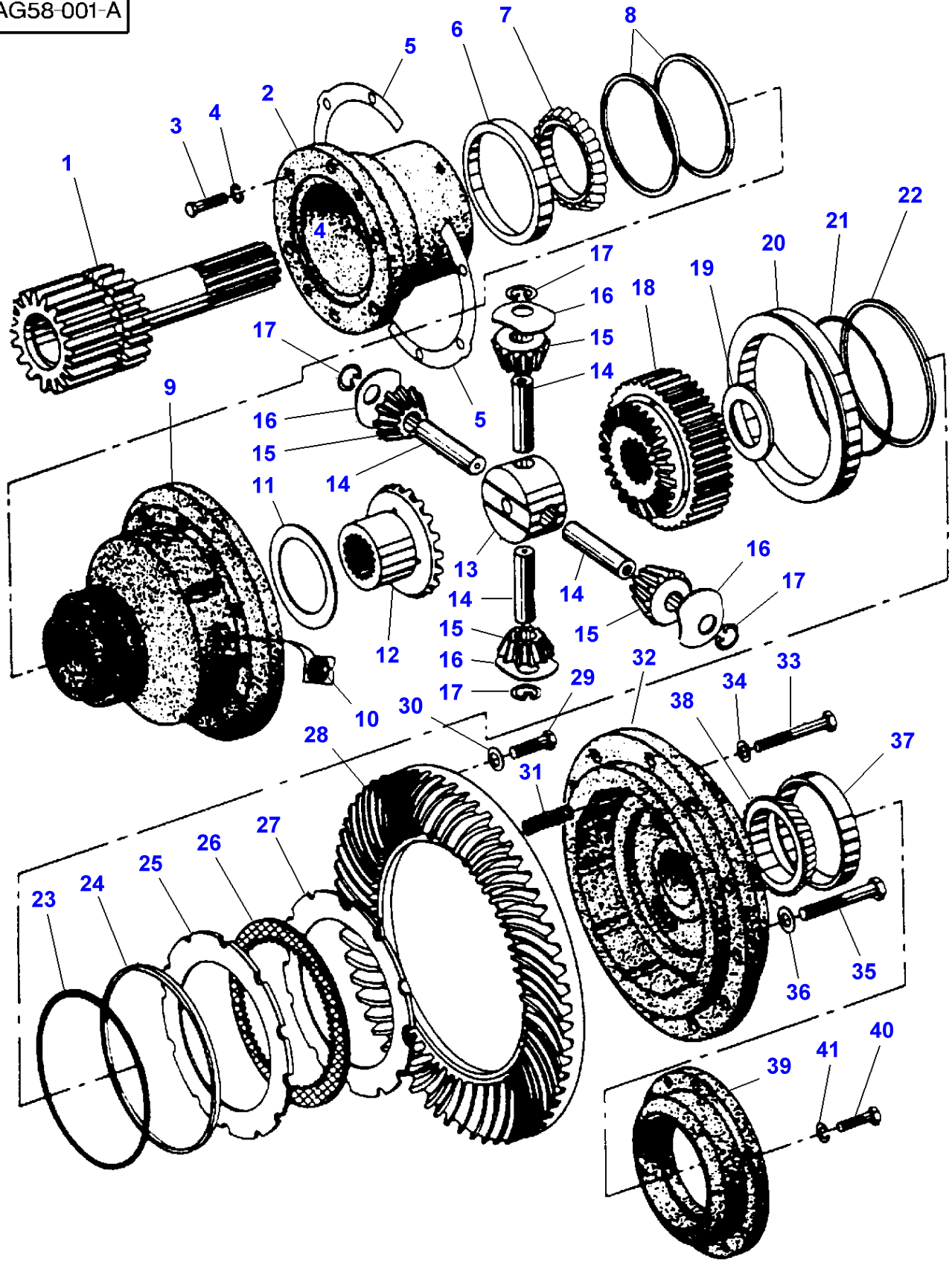
Page 030-0025

**Rear Axle - Oil Sump**

Item	Part Number	Qty	Description	Comments
1	72501177	1	Sump	
2	72501404	1	Kit, Coupling	
3	72501407	1	Kit, Support	
4	72160522	1	Screen	
5	353690X1	1	Screw Unc	3/8"-16X7/8" Replace and repair. Old not interchangeable with new 70921966
6	353434X1	1	Lock Washer	3/8" LOCK
7	70923664	1	O Ring	1-31/64" ID
8	70937154	1	Dowel	5/8"X1-1/2"
9	70928178	12	Washer	17/32"X1
10	107521A	1	Plug	
11	13276AF	12	Cap screw	1/2"-13X1X1.50"
12	70927091	2	Bearing	
13	70927090	2	Bearing	
14	72501180	1	Shaft	
15	358877X1	2	Ring	
16	72501160	1	Gear	Number of teeth/spines 61 Up to Serial or Engine Number 240
	72513901	1	Gear	Number of teeth/spines 60 From Serial or Engine Number 241
17	70927865	1	Ring	
19	30-3502996	1	Retainer	
20	30-3503984	1	Seal	
21	30-3503976	1	Seal	
22	70930278	1	Seal	
23	70912494	1	Greaser	
24	30-3504204	1	Shim	Thickness .004"
	30-3504212	1	Shim	Thickness .007"
	30-3504220	1	Shim	Thickness .015"
26	70937185	1	Plug	1/2" NPT
27	70920415	4	Screw	3/8"-16X1-1/4"
28	70919312	4	Washer	3/8" LOCK

MF 9240 TRACTOR - 1637287  
5-AG58-001-A

5-AG58-001-A



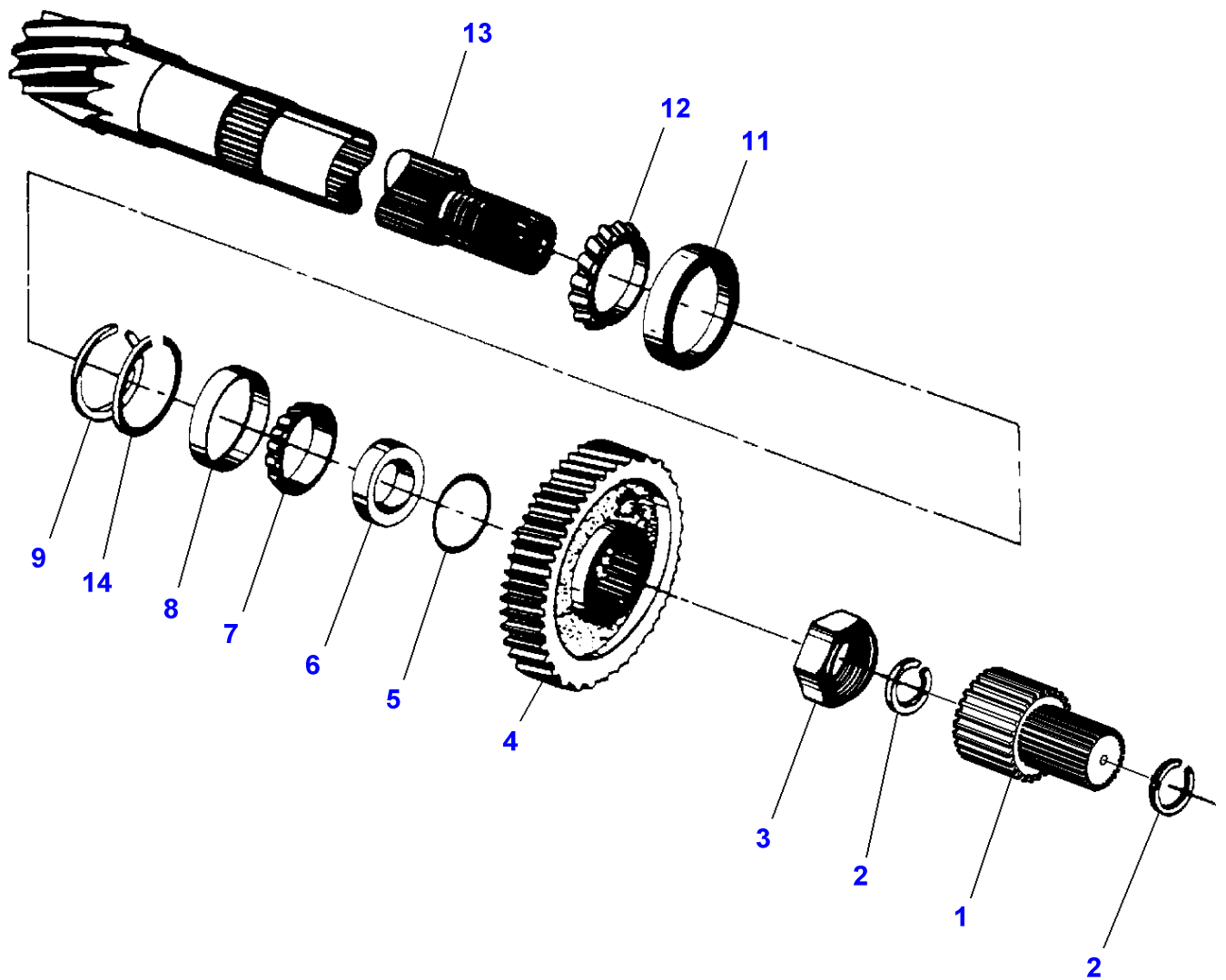
## Differential &amp; Differential Lock

Item	Part Number	Qty	Description	Comments
1	72514630	2	Pinion	Number of teeth/spines 18 Number of teeth/spines 12 Replace and repair. Old not interchangeable with new 72160424
2	72160422	1	Housing	Right Hand
3	70937189	6	Capscrew	1/2"-13X1-3/4"
4	353439X1	6	Lock Washer	1/2"
5	72160364	X	Shim	Thickness .004"
	72160363	X	Shim	Thickness .007"
	72160362	X	Shim	Thickness .015"
6	1850909M91	1	Bearing Assy	Right Hand
7	185251M1	1	Cone	Right Hand
8	72160355	2	Ring	6-5/16" OD
9	30-3104621	1	Carrier	Right Hand Up to Serial or Engine Number 0028
	72512428	1	Carrier	Right Hand From Serial or Engine Number 0029
10	70927473	1	Plug	(9) 1/16"-27
11	72160547	1	Washer	Diameter 41MM Right Hand
12	72160359	1	Gear	Number of teeth/spines 24 Right Hand
13	72512427	1	Spider	Replace and repair. Old not interchangeable with new 72160356
14	72160357	4	Clevis Pin	1/8" OD 3-19/32"
15	72160358	4	Pinion	Number of teeth/spines 12
16	72508720	4	Washer	Replace and repair. Old not interchangeable with new 72160811
17	72160011	4	Ring	
18	72160436	1	Gear	Number of teeth/spines 24 Left Hand
19	72160548	1	Washer	2-1/2" ID Left Hand
20	72160368	1	Piston	Diameter 10MM OD
21	70924140	1	O Ring	1/8"X7 ID
22	72160376	1	Seal	7 51/64" OD
23	70937289	1	O Ring	1/8"X9-1/4" ID
24	72160375	1	Seal	Diameter 10MM OD
25	72160361	1	Plate	11-1/8" OD Up to Serial or Engine Number 0028
26	72160487	5	Disc	10 OD Number of teeth/spines 60
27	72160360	4	Plate	11-1/8" OD Up to Serial or Engine Number 0028
	72160360	5	Plate	11-1/8" OD From Serial or Engine Number 0029
28	72509676	1	Kit, Crownwheel	Number of teeth/spines 55 Up to Serial or Engine Number 67 See Page - Reference Number 030-0035/13
	72513910	1	Kit	Number of teeth/spines 55 From Serial or Engine Number 68 See Page - Reference Number 030-0035/13 Replace and repair. Old not interchangeable with new 72513910
29	70927529	12	Capscrew	5/8"-18X1-3/4"
30	72161724	12	Washer	5/8" OD
31	72161739	4	Spring	Length 2-5/16" Up to Serial or Engine Number 0028
32	72160471	1	Carrier	Left Hand Up to Serial or Engine Number 0028
	72512429	1	Carrier	Left Hand From Serial or Engine Number 0029
33	72160372	4	Capscrew	1/2"-13X4 Up to Serial or Engine Number 0028
34	70928178	4	Washer	1/2" ID Up to Serial or Engine Number 0028
35	72160371	8	Capscrew	5/8"-11X4-1/2" Up to Serial or Engine Number 0028
	72160371	12	Capscrew	5/8"-11X4-1/2" From Serial or Engine Number 0029
36	72161724	8	Washer	5/8" ID Up to Serial or Engine Number 0028
	72161724	12	Washer	5/8" ID From Serial or Engine Number 0029

**Massey Ferguson****MF 9240 TRACTOR - 1637287****1637287****Differential & Differential Lock****Page030-0030**

<b>Item</b>	<b>Part Number</b>	<b>Qty</b>	<b>Description</b>	<b>Comments</b>
37	70937180	1	Bearing Cup	Left Hand Replace and repair. Old not interchangeable with new 70253359
38	70937181	1	Bearing Assy	Left Hand Replace and repair. Old not interchangeable with new 70253360
39	72160423	1	Support	Left Hand
40	70937189	6	Capscrew	1/2"-13X1-3/4"
41	353439X1	6	Lock Washer	1/2"

5-AG09-001-A



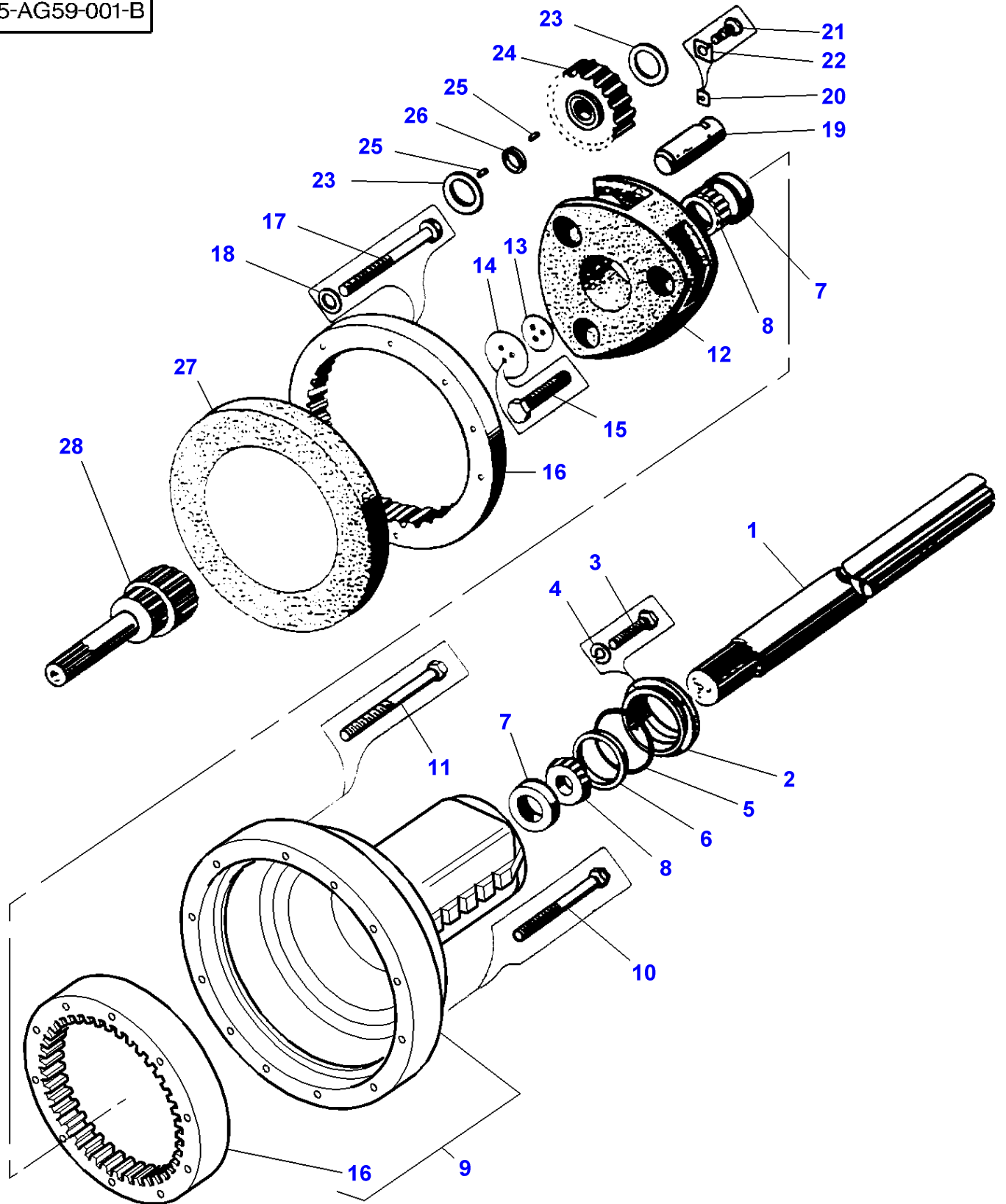


**Massey Ferguson****MF 9240 TRACTOR - 1637287****1637287****Rear Axle - Differential - Pinion Shaft****Page 030-0035**

<b>Item</b>	<b>Part Number</b>	<b>Qty</b>	<b>Description</b>	<b>Comments</b>
1	72507006	1	Coupler	Up to Serial or Engine Number SN0067
	72508284	1	Coupler	From Serial or Engine Number SN0068
2	70928171	2	Ring	
3	72502088	1	Nut	2-1/4"
4	72501161	1	Gear	Number of teeth/spines 55 Up to Serial or Engine Number 240 From Serial or Engine Number 241
	72513902	1	Gear	
5	70923580	1	O Ring	
6	72501182	1	Seal	
7	70937174	1	Bearing Cone	
8	70937175	1	Cup	
9	72160418	1	Ring	5-15/32" OD
11	70937173	1	Bearing	
12	70930869	1	Bearing	
13	72509676	1	Kit, Crownwheel	Number of teeth/spines 9 Up to Serial or Engine Number 67 See Page - Reference Number 030-0030/28
	72513910	1	Kit	Number of teeth/spines 9 From Serial or Engine Number 68 See Page - Reference Number 030-0030/28
14	30-3134504	1	Spacer	Replace and repair. Old not interchangeable with new 72509679

MF 9240 TRACTOR - 1637287  
5-AG59-001-B

5-AG59-001-B



**Massey Ferguson  
MF 9240 TRACTOR - 1637287**

1637287

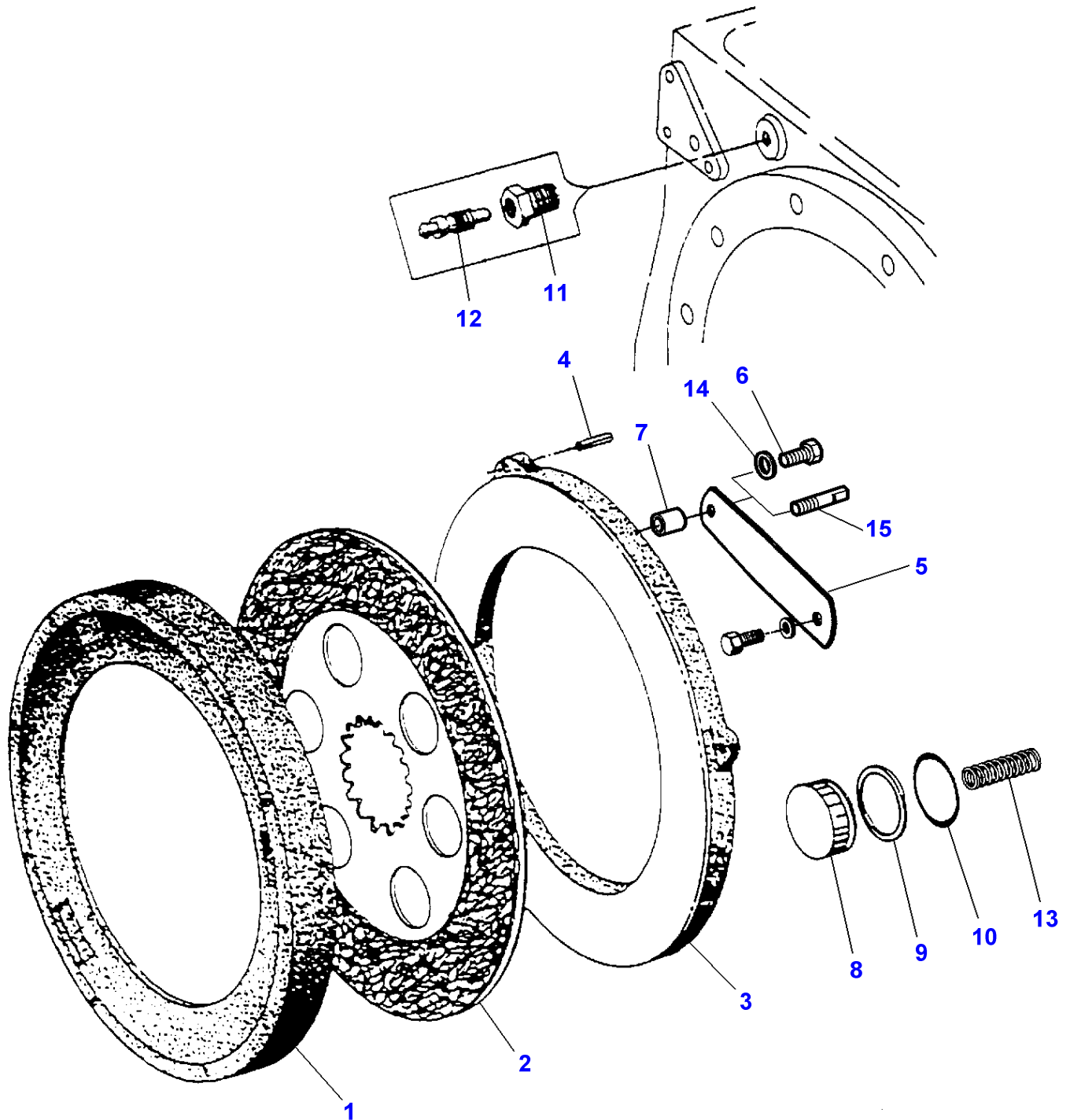
Page030-0040

**Rear Axle - Housing & Final Drive**

Item	Part Number	Qty	Description	Comments
1	72513982	2	Shaft	Length 35"
	72508719	2	Shaft	Length 44"
2	72160421	2	Retainer	
3	70921210	8	Screw	
4	353434X1	8	Lock Washer	
5	70924138	2	O Ring	
6	72160348	2	Seal	
7	70937180	4	Bearing Cup	CUP Replace and repair. Old not interchangeable with new 70253359
8	70937181	4	Bearing Assy	Replace and repair. Old not interchangeable with new 70253360
9	72503575	2	Axle Housing	
	72503629	2	Carrier	Diameter 23.5" Length 19.375"
10	70925387	22	Screw	3/4"-10X4
11	70924742	4	Screw	3/4"-10X4-1/2"
	70936588	X	Sealing Compound	[A]
12	72514716	2	Carrier	Replace and repair. Old not interchangeable with new 72160496
13	72160346	X	Shim	[A] Thickness .004"
	72160345	X	Shim	[A] Thickness .007"
	72160344	X	Shim	[A] Thickness .015"
14	72160347	2	Washer	4-1/4" OD
15	70933424	3	Screw	1/2"20X1-1/2"
16	72160440	2	Crownwheel	(9) Number of teeth/spines 72 Width 1-7/8"
17	70924687	16	Screw	1/2"-13X4-1/2"
18	72160726	16	Washer	1/2" ID
19	72160350	6	Clevis Pin	2-37/64" Length 4-5/8"
20	72160351	6	Retainer	
21	353690X1	6	Screw Unc	3/8"-16X7/8" Replace and repair. Old not interchangeable with new 70921966
22	72160717	6	Clip	
23	72160763	12	Washer	2-37/64" ID 4-11/64" OD
24	72160439	6	Gear	Number of teeth/spines 26 Thickness 2-3/16"
25	72160352	358	Needle	
26	30-3104540	6	Spacer	2-7/8" ID Width 1/4"
27	72512440	2	Plate	
28	72514630	2	Pinion	Number of teeth/spines 18 Number of teeth/spines 12 Replace and repair. Old not interchangeable with new 72160424

**FOOTNOTE [A] NOT ILLUSTRATED**

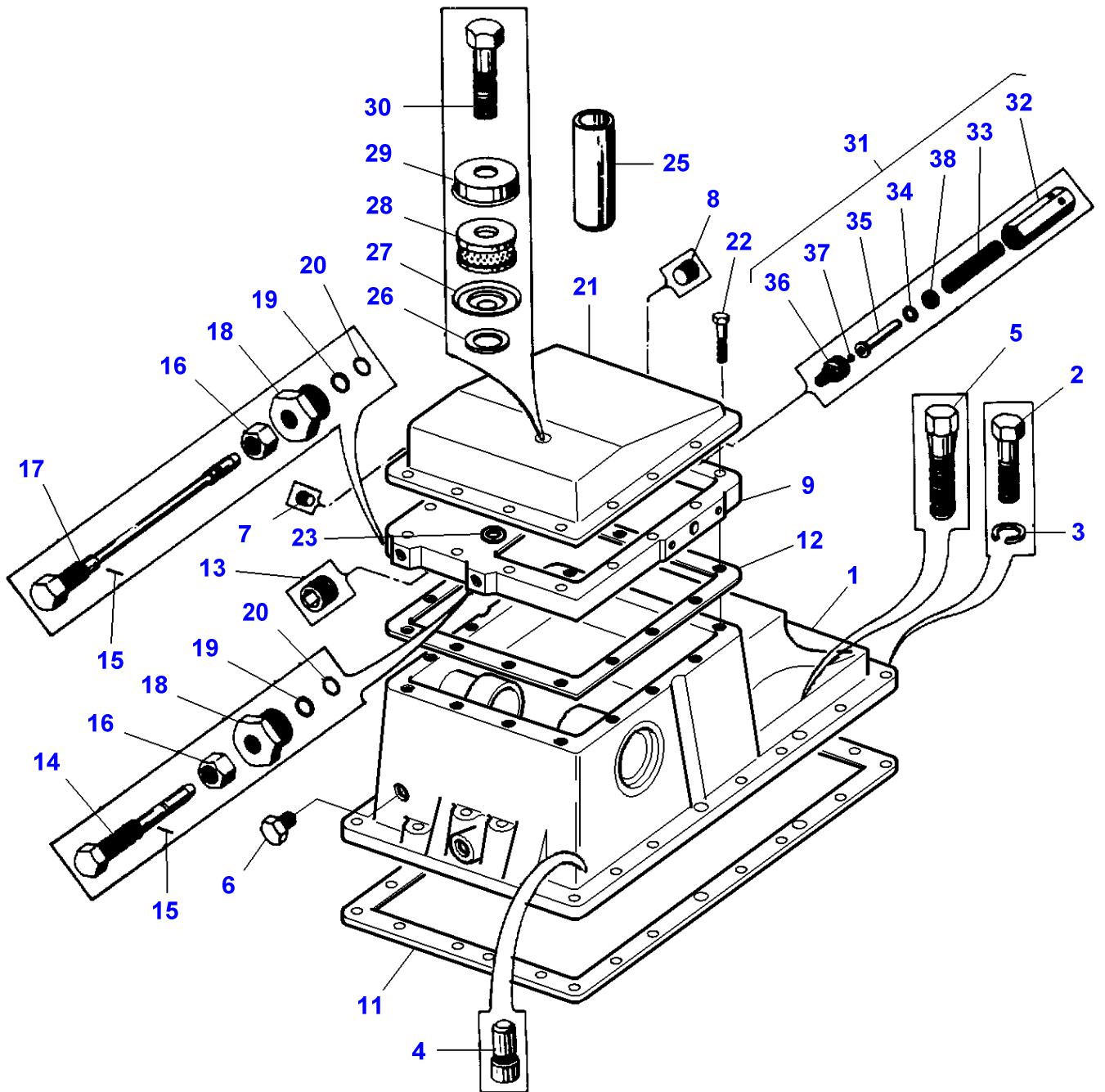
5-AG14-001-A



## Brakes - Disc Brakes

Item	Part Number	Qty	Description	Comments
1	72512440	2	Plate	
2	72506044	2	Brake Disc	Up to Serial or Engine Number 03/96 19-3/4" OD
	72512432	2	Disc	From Serial or Engine Number 03/96 Up to Serial or Engine Number 09/02/97
	<b>72512430</b>	2	Brake Disc	From Serial or Engine Number 10/02/97
3	72162104	2	Plate	Up to Serial or Engine Number 03/96
	72512444	2	Plate	From Serial or Engine Number 03/96
4	72160743	6	Pin	5/16"X1-7/16"
5	72505252	6	Link	Up to Serial or Engine Number 03/96
	72160747	6	Link	From Serial or Engine Number 03/96
6	72160373	6	Bolt	7/16"-14X7/8" SELF LOCKING
7	72504074	6	Spacer	Up to Serial or Engine Number 03/96
8	72504069	6	Piston	2-7/8" OD
9	72160374	6	Seal	
10	70937267	6	O Ring	3/32"X2-7/16" ID
11	72160602	2	Adaptor	1/4" NPT
12	72160601	2	Union	
13	70266947	6	Spring	
14	70929247	12	Washer	
15	72512825	6	Pin	From Serial or Engine Number 03/96

5-AP17-001-A

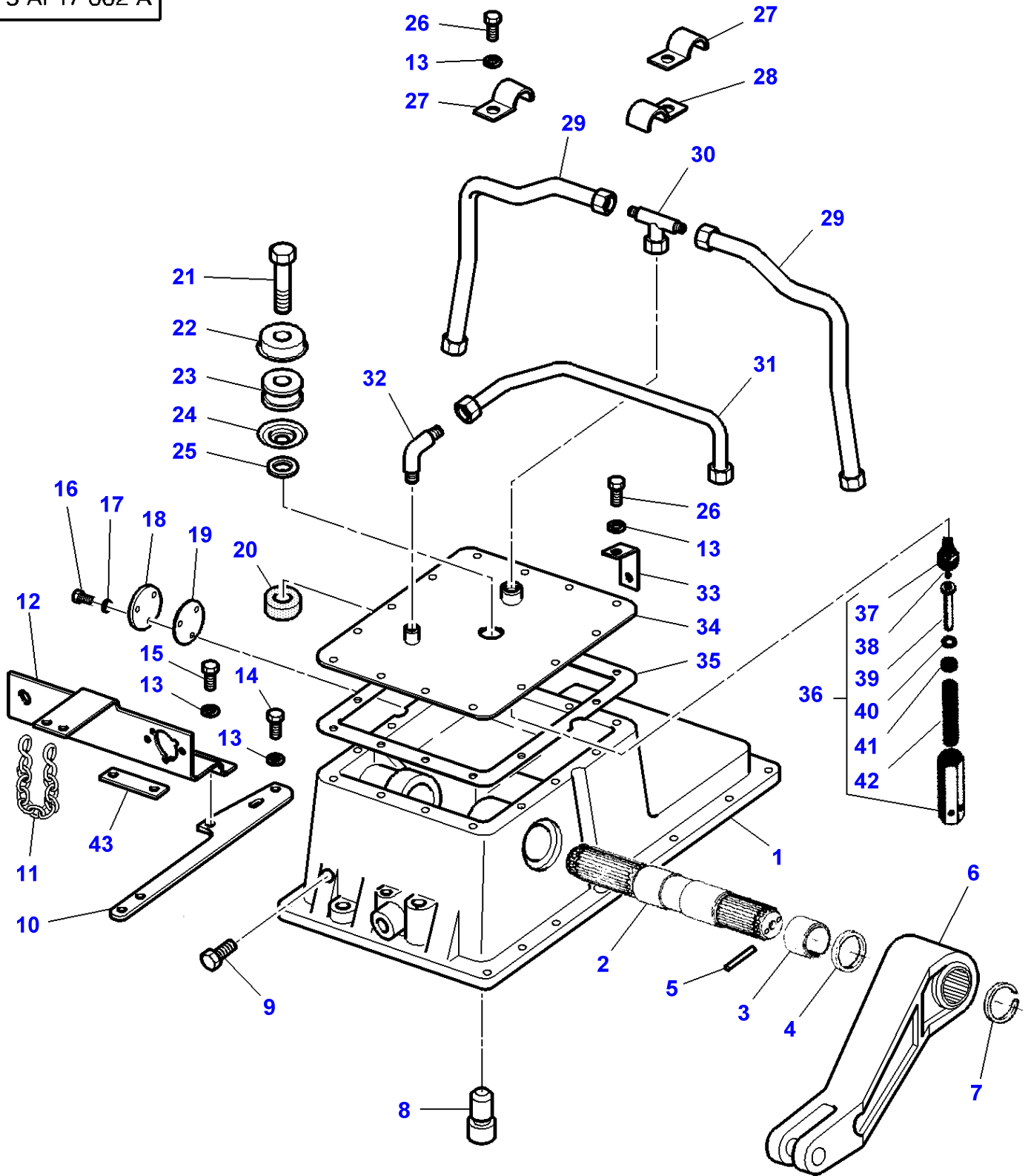


Item	Part Number	Qty	Description	Comments
1	72504230	1	Housing	
2	70919089	7	Screw	1/2"-13X1-3/4"
	70921024	13	Screw	1/2"-13X2
3	353439X1	22	Lock Washer	1/2" LOCK
4	72160066	1	Locator	
5	72160051	4	Screw	5/8"-11X1-1/2"
6	70920340	1	Plug	3/4" SCKT
7	70917672	1	Plug	1/8" NPT
8	70918887	1	Plug	3/8" NPT
9	72160796	1	Manifold	
10	70923376	3	O Ring	[A] 3/32"X9/16" ID
11	72160470	1	Gasket	
12	72161784	1	Gasket	
13	70917970	1	Plug	1/2 NPT
14	72160466	1	Restrictor	Length 3-11/16"
15	70916146	1	Pin	3/32"X1/2"
16	70536270	1	Nut	7/16"-20
17	72160464	1	Restrictor	
18	72160463	2	Support	3/4"-16
19	70928034	2	Ring	.264 ID
20	70923558	2	O Ring	1/16"X1/4" ID
21	72160820	1	Cover	
22	70922130	11	Screw	3/8"-16X2-1/4"
23	70918266	14	Washer	3/8"
24	70921973	3	Screw	[A] 3/8"-16X2-3/4"
25	<b>72160896</b>	1	Baffle	
26	72160041	1	Gasket	
27	72160063	1	Cup	
28	72160502	1	Element,Filter	
29	72160062	1	Cover	
30	70921160	1	Screw	5/16"-18X2-1/4
31	72503475	1	Kit, Valve	
32		1	Body	(31) Not serviced, order REF.31
33	72161000	1	Spring	(31) 3/4" OD Length 2-1/2"
34	72160057	X	Shim	(31) Thickness .010"
35	72160999	1	Plunger	(31)
36	72160083	1	Seat	(31)
37	70921874	1	Ball	(31)
38	72161842	1	Washer	(31) 13/32" ID 23/32" OD

FOOTNOTE [A] NOT ILLUSTRATED

MF 9240 TRACTOR - 1637287  
5-AP17-002-A

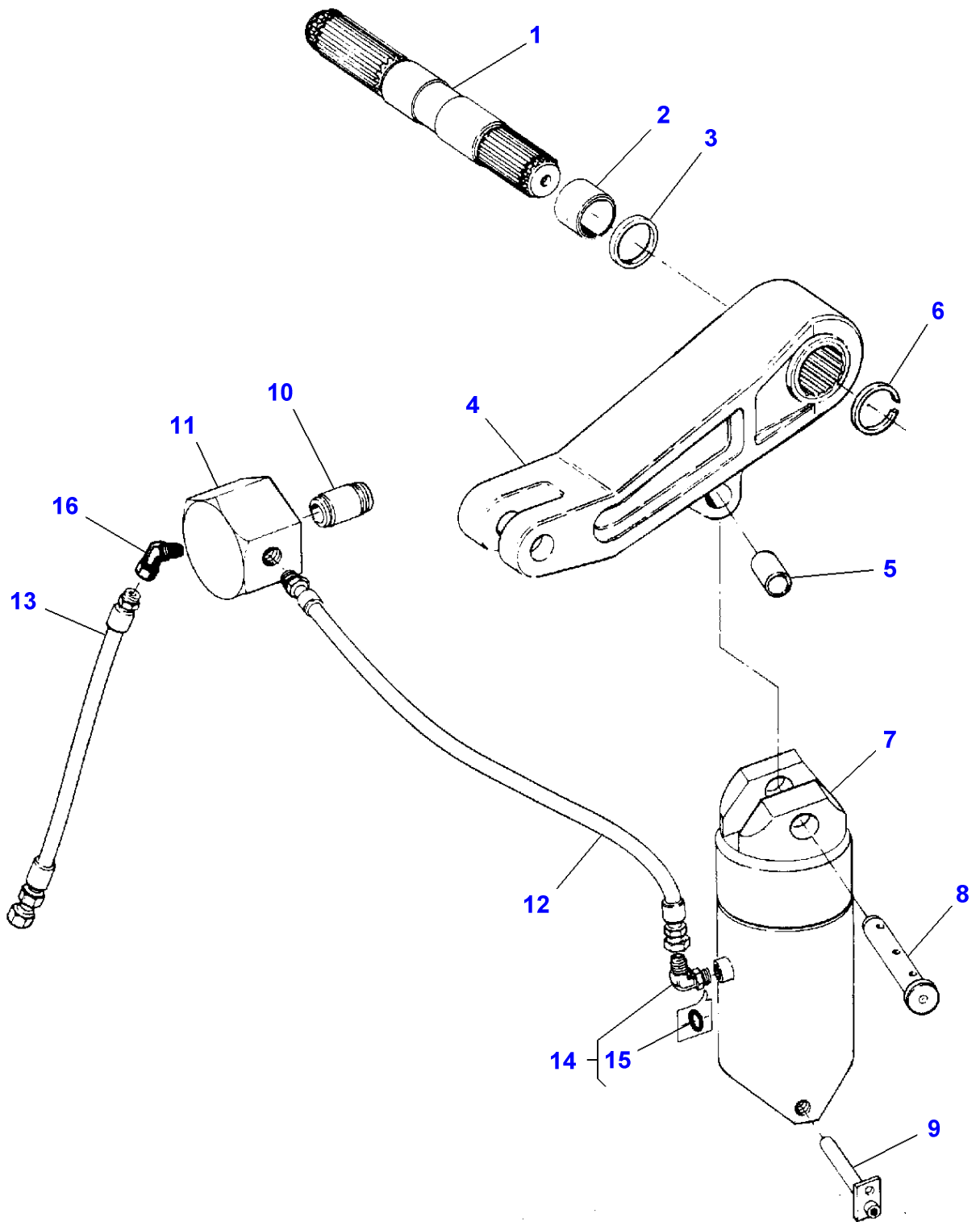
5-AP17-002-A





Item	Part Number	Qty	Description	Comments
1	72504230	1	Housing	
2	72508288	1	Shaft	
3	30-3333108	2	Bush	
4	30-3333116	2	Seal	3" 5/16
5	195479M1	2	Roll Pin	1/8"X5/8"
6	72507748	1	Arm	Left Hand Repairs and replaces 72507748
	72507749	1	Arm	Right Hand Repairs and replaces 72507749 Replace and repair. Old not interchangeable with new 72507746
7	30-3333124	2	Ring	Replace and repair. Old not interchangeable with new 72507747
8	72160066	1	Locator	
9	70920340	1	Plug	3"4"
10	72511545	2	Bracket	
11	72163301	1	Chain	
12	72511548	1	Bracket	
13	70918266	14	Washer	3/8"
14	70921969	4	Screw	3/8" X 1"1/2
15	354264X1	4	Bolt Unc	3/8" X 1"3/4
16	70923341	3	Screw	1/4" X 3/4"
17	70916964	3	Lock Washer	1/4"
18	72509789	1	Cover	
19	72509794	1	Gasket	
20	<b>72160896</b>	1	Baffle	
21	70921160	1	Screw	5/16" X 2"1/4
22	72160062	1	Cover	
23	72160502	1	Element,Filter	
24	72160063	1	Cup	
25	72160041	1	Gasket	
26	70921210	6	Screw	3/8" X 1"
27	70925617	2	Clamp	1/2" X 13/32
28	70926917	1	Clamp	3/8" X 13/32
29	72509795	2	Tube	
30	70923157	1	Teepiece	1/2"X1/2"X1/2"
31	72511435	1	Tube	
32	70919135	1	Elbow	3/8" X 1/4
33	72509788	2	Bracket	
34	72509826	1	Cover	
35	72161784	1	Gasket	Up to Serial or Engine Number
	70936588	1	Sealing Compound	From Serial or Engine Number
36	72503475	1	Kit, Valve	
37	72160083	1	Seat	(36)
38	70921874	1	Ball	(36)
39	72160999	1	Plunger	(36)
40	72160057	1	Shim	(36)
41	72161842	1	Washer	(36)
42	72161000	1	Spring	(36)
43	72511547	1	Spacer	

5-AQ17-001-A

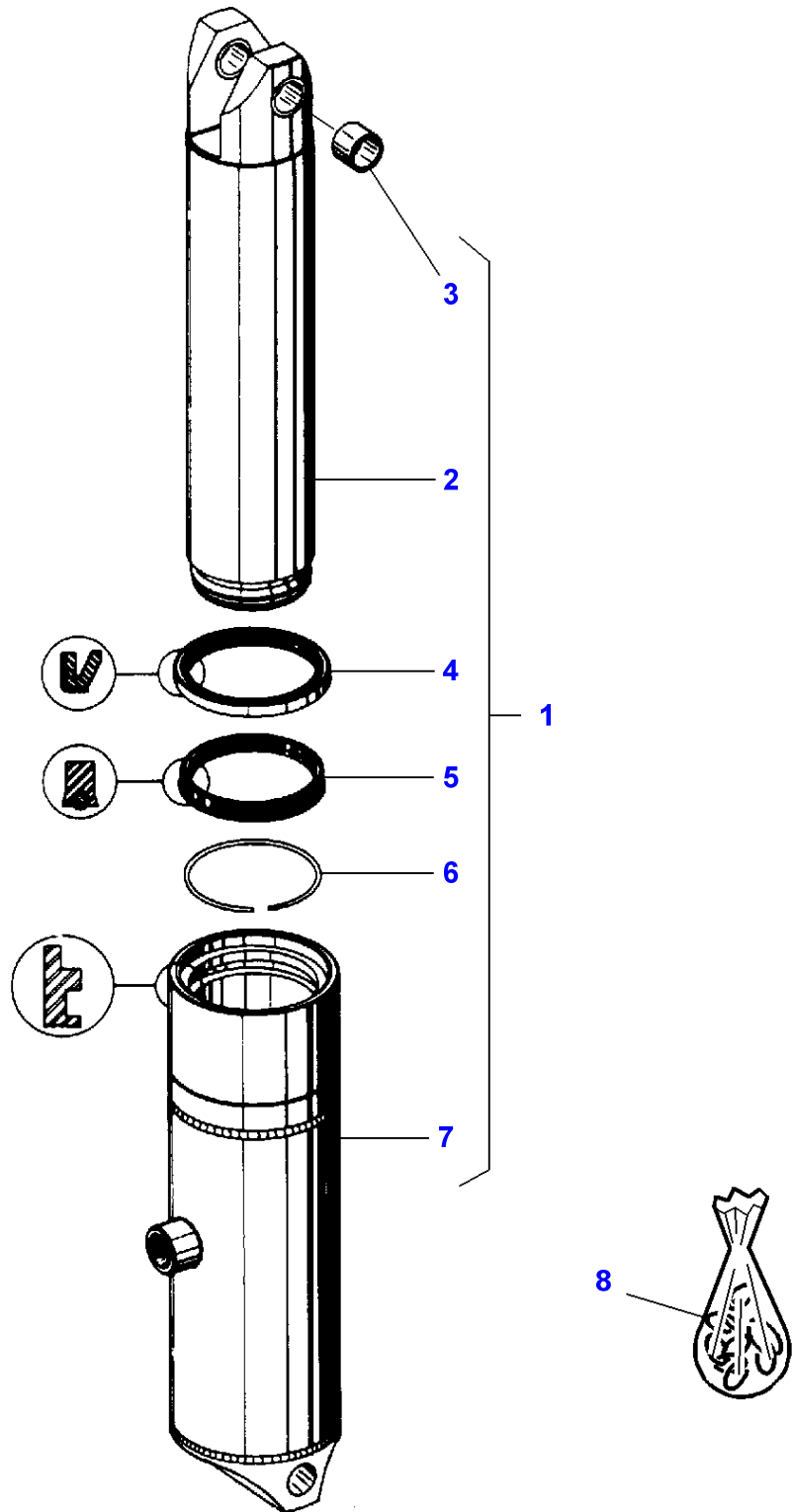


Linkage - Lift Cylinders

Item	Part Number	Qty	Description	Comments
1	72508288	1	Shaft	Up to Serial or Engine Number SN0067 Replace and repair. Old not interchangeable with new 30-3341550
		1	Rocker Shaft	From Serial or Engine Number SN0068
	195479M1	2	Roll Pin	See Page - Reference Number 030-0055/2 [A]
		2	Pin	Up to Serial or Engine Number SN0067 From Serial or Engine Number SN0068
2	30-3333108	2	Bush	See Page - Reference Number 030-0055/5 Up to Serial or Engine Number SN0067 Length 2-3/4 X2
		2	Bush	From Serial or Engine Number SN0068
3	30-3333116	2	Seal	See Page - Reference Number 030-0055/3 Up to Serial or Engine Number SN0067
		2	Seal	From Serial or Engine Number SN0068
4	72504228	1	Arm	See Page - Reference Number 030-0055/4 Right Hand Up to Serial or Engine Number SN0067
	72504229	1	Arm	Right Hand Up to Serial or Engine Number SN0067
		2	Arm	From Serial or Engine Number SN0068 See Page - Reference Number 030-0055/6
	72161104	2	Bush	[A]
5	30-3339300	2	Bush	
6	30-3333124	2	Ring	Up to Serial or Engine Number SN0067
		2	Ring	From Serial or Engine Number SN0068
7	30-3431010	2	Ram	See Page - Reference Number 030-0055/7
8	30-3392961	2	Pin	See Page - Reference Number 040-0010/1
	70912299	2	Washer	[A] 1-1/4"
	70918463	2	Pin	[A]
9	30-3387372	2	Kit, Pin	
	70919089	2	Screw	[A] 1/2"-13X1-3/4"
	353439X1	2	Lock Washer	[A] 1/2" LOCK
10	70916650	1	Nipple	1/2" X4" Up to Serial or Engine Number SN0067
11	30-3039781	1	Elbow	1/2" Up to Serial or Engine Number SN0067
12	30-3394638	1	Hose Assy	Right Hand Up to Serial or Engine Number SN0067
	72511542	1	Hose	Right Hand From Serial or Engine Number SN0068
13	30-3341607	1	Hose Assy	Left Hand Up to Serial or Engine Number SN0067
	72511543	1	Hose	Left Hand From Serial or Engine Number SN0068
14	70935781	2	Elbow	1/2" TUBE X3/4"-16 Replace and repair. Old not interchangeable with new 70921402
15	<b>70921349</b>	2	O Ring	(14) .087X41/64"ID
16	70922779	1	Elbow	FOR 4TH REMOTE 3/8"NPT-45'

FOOTNOTE [A] NOT ILLUSTRATED

5-AQ17-004-A



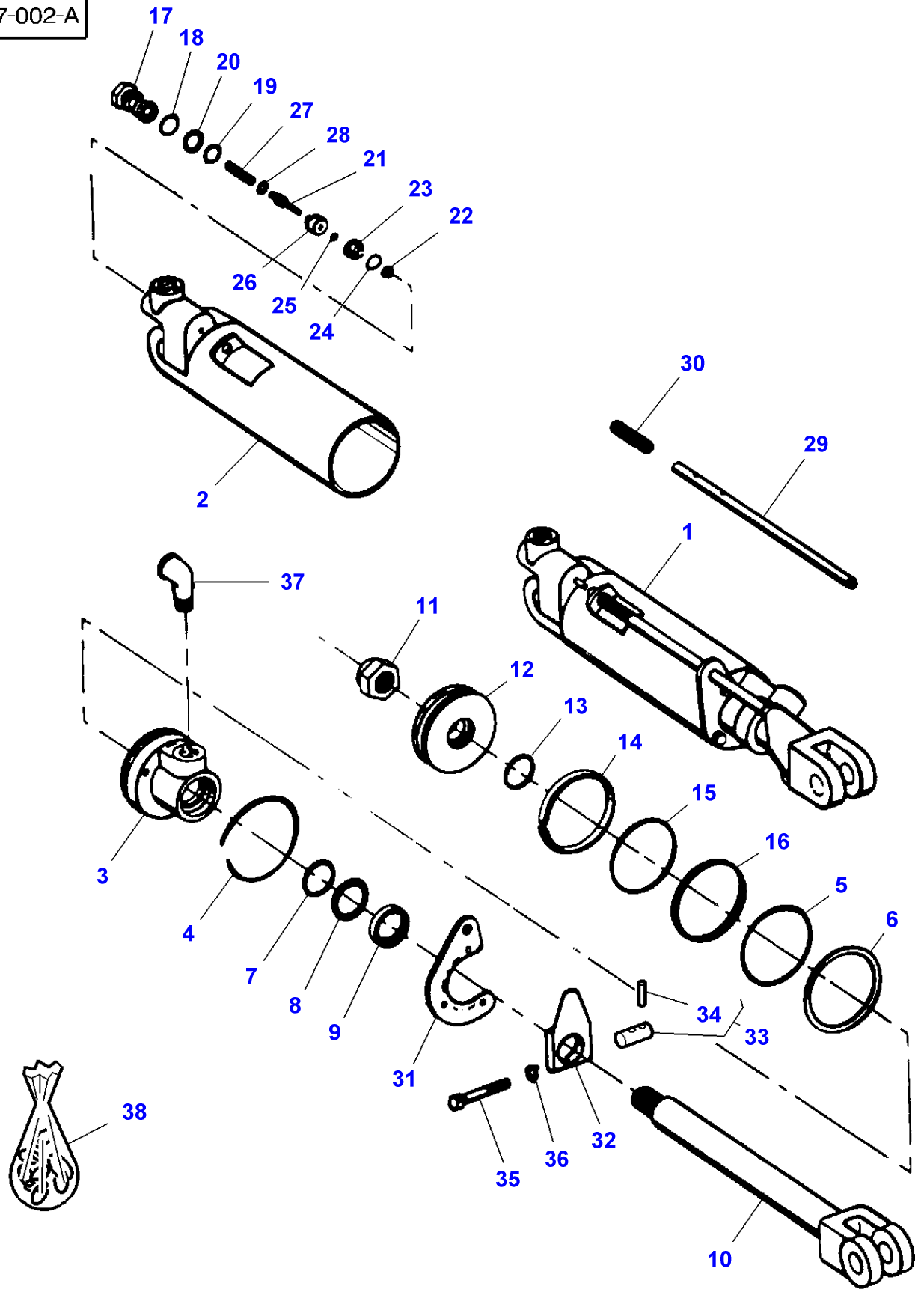
**Massey Ferguson****MF 9240 TRACTOR - 1637287****1637287****Linkage - Lift Cylinders****Page040-0010**

<b>Item</b>	<b>Part Number</b>	<b>Qty</b>	<b>Description</b>	<b>Comments</b>
1	30-3431010	1	Ram	4-1/2"X8-1/4" "ROSENBOOM"
2	30-3434885	1	Cylinder Rod	(1)
3	30-3414108	1	Bush	[B] (1)
4	30-3434907	1	Seal	[B] (1)
5	30-3434931	2	Ring	[B] (1)
6	30-3434915	1	Ring	(1)
7	30-3434893	1	Cylinder Housing	(1)
8	20-7101228	1	Kit, Repair	

**FOOTNOTE [B] INCLUDED IN KIT 20-7101228**

MF 9240 TRACTOR - 1637287  
5-AQ17-002-A

5-AQ17-002-A



Massey Ferguson

MF 9240 TRACTOR - 1637287

1637287

Linkage - Lift Cylinders - Remote Cylinder - 4 Inch

Page040-0015

Item	Part Number	Qty	Description	Comments
1	20-0006168	1	Ram	
2	20-7000270	1	Cylinder Housing	(1)
3	20-7000271	1	Bearing	(1)
4	71311014	1	Bearing	[A] (1)
5	70923817	1	O Ring	[A] (1) 1/8"X3-3/4" ID Replace and repair. Old not interchangeable with new 941667
6	20-7000273	1	Washer	[A] (1)
7	70923650	1	O Ring	[A] (1) 3-3/4" ID
8	20-7000275	1	Washer	[A] (1) 3/16"X1-1/2"ID Replace and repair. Old not interchangeable with new 941728
10	20-7000277	1	Cylinder Rod	(1) 1-1/2" ID
11	20-7000067	1	Locknut	(1) 1-1/8"-12
12	20-7000278	1	Piston	(1) 4" OD
13	70924192	1	O Ring	[A] (1) 1/8"X1-1/2" ID
14	20-7000280	1	Ring	[A] (1)
15	70923931	1	O Ring	[A] (1) 1/8"X3-5/8" ID
16	20-7000282	1	Piston Ring	[A] (1) 4" OD
17	20-7000283	1	Plug	(1)
18	941927	1	O Ring	[A] (1) 3/32"X7/8" ID
19	70923379	1	O Ring	[A] (1) 3/32"X11/16"ID
20	20-7000286	1	Washer	[A] (1) 11/16" ID
21	1043069M1	1	Plunger	(1) Replace and repair. Old not interchangeable with new 20-7000287
22	70255518	1	Seal	[A] (1) 1/2" OD
23	20-7000289	1	Retainer	(1)
24	70923645	1	O Ring	[A] (1) 3/32"X5/8" ID
25	366457X1	1	O Ring	[A] (1) 7/64"X11/64"ID
26	20-7000291	1	Spacer	[A] (1)
27	20-7000292	1	Spring	(1) Length 1-3/4"
28	366458X1	1	O Ring	[A] (1) 7/64"X23/64"ID
29	20-7000294	1	Pushrod	(1) Replace and repair. Old not interchangeable with new 20-7000293 Length 13-9/16"
	50A2867	2	Pin	[B] (1) 5/32"X5/8"
30	20-7000295	1	Spring	(1) Length 2-5/16"

**Massey Ferguson****MF 9240 TRACTOR - 1637287**

1637287

**Linkage - Lift Cylinders - Remote Cylinder - 4 Inch**

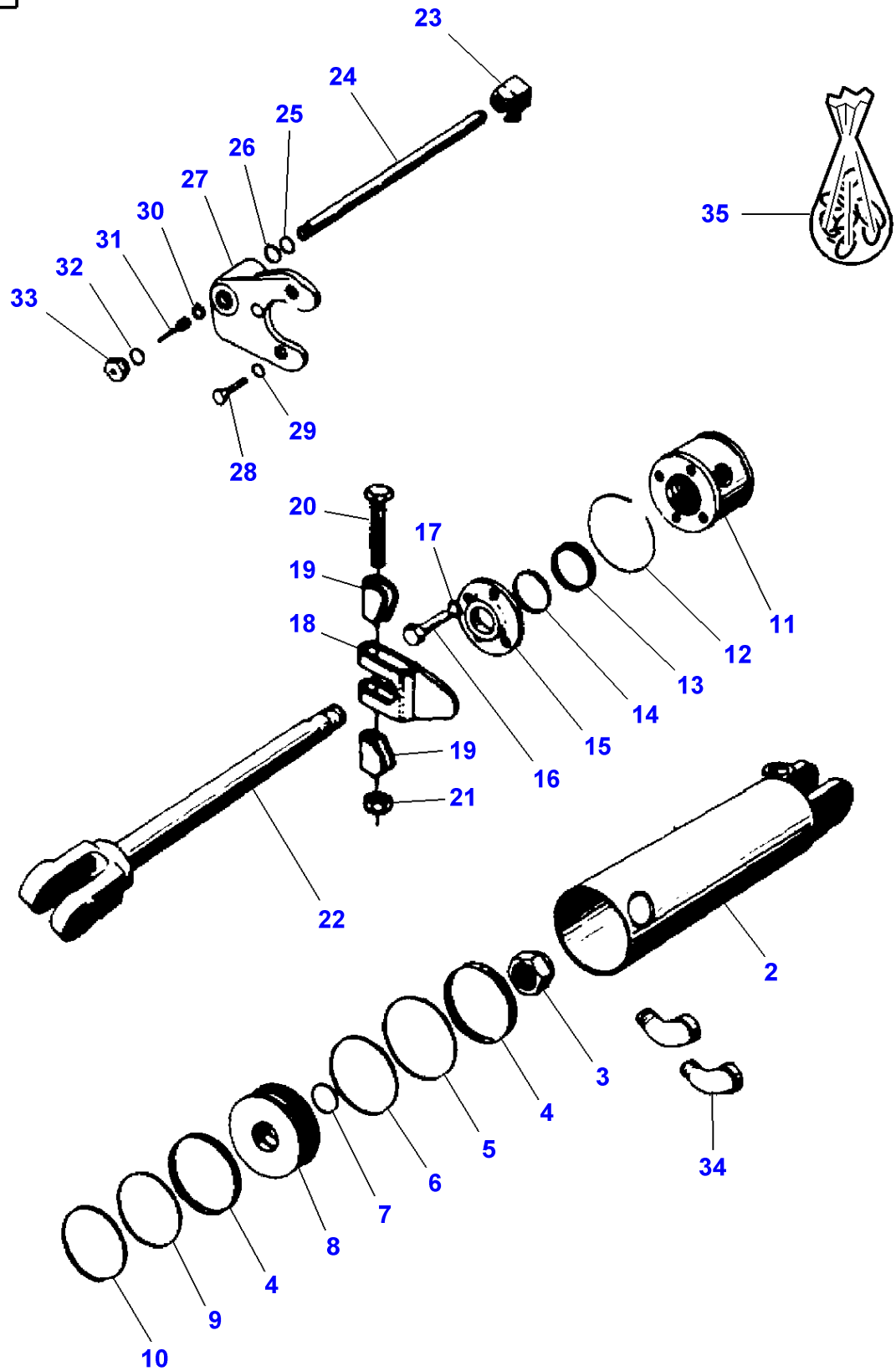
Page040-0015

Item	Part Number	Qty	Description	Comments
30	70912298	1	Washer	[B] (1) 7/16"
31	20-7000296	1	Plate	(1)
31	70921332	1	Screw	[B] (1) 5/16"-18X3/4"
32	30-3371166	1	Clamp	(1)
32	70923938	1	Screw	[B]
33	20-7000298	1	Clevis Pin	(1) 3/8"-24
34	70918463	1	Pin	(33) 1/4"X2
35	908488	1	Screw	(1) 3/8"-24X2-3/4"
36	20-7000299	1	Washer	(1)
37	30-3089053	2	Elbow	(1) 1/2"-14 90'
38	20-7000300	1	Kit, Repair	

**FOOTNOTE [A]** INCLUDED IN KIT 20-700300**FOOTNOTE [B]** NOT ILLUSTRATED



5-AQ17-003-A



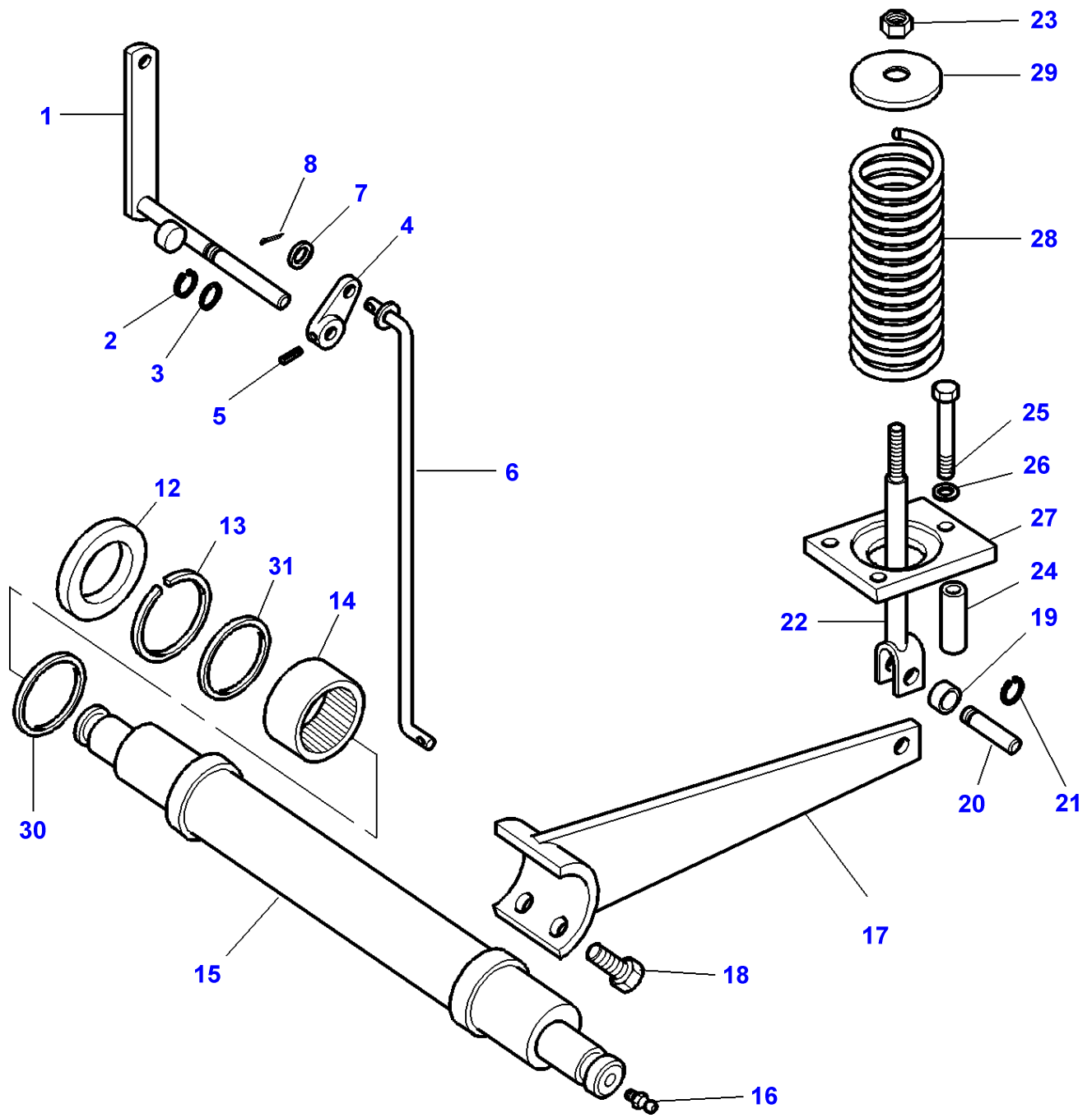
Item	Part Number	Qty	Description	Comments
1		1	Ram	[A] 3-1/2"X8
2		1	Cylinder Housing	(1)
3	20-7000067	1	Locknut	(1)
4	160529A	2	Ring	1-1/8"-12 [B] (1)
5	1068589M1	1	Ring	[B] (1)
6	70923585	1	O Ring	Replace and repair. Old not interchangeable with new 30-3309398 [B] (1)
7	70923812	1	O Ring	1/8"X3-1/8" [B] (1)
8	160537A	1	Piston	1/8"X1-3/16" Replace and repair. Old not interchangeable with new 941644 (1)
9	<b>70923816</b>	1	O Ring	[B] (1)
10	7038466	1	Washer	1/8"X3-1/4" ID [B] (1)
11	160535A	1	Bearing	(1)
12	160542A	1	Ring	[B] (1)
13	160541A	1	Seal	3-11/16" OD [B] (1)
14	160530A	1	Seal	[B] (1)
15	167102A	1	Stop	2" OD (1)
16	70921977	4	Screw	(1)
17	70917356	4	Lock Washer	5/16"-18X1-1/4 (1)
18	30-3371158	1	Clamp	5/16" (1)
19	30-3371166	2	Clamp	(1)
20	70923938	1	Screw	(1)
21	70926933	1	Nut	3/8"-16X3-1/2" (1)
22	160531A	1	Cylinder Rod	3/8"-16 (1)
23	160533A	1	Elbow	(1)
24	160540A	1	Tube	3/8"X1/2" 90' (1)
25	196808A	1	Washer	3/8" (1)
26	70923376	1	O Ring	(1)
27	165991A	1	Housing	3/32"X9/16" ID (1)
28	70921977	3	Screw	(1)
29	70917356	3	Lock Washer	Diameter 5/16"-18 Length 1-1/4" [B] (1)
30	160543A	1	Seal	5/16" [B] (1)
31	160539A	1	Valve	(1)
32	70923645	1	O Ring	(1)
33	160532A	1	Guide	3/32"X5/8" ID (1)
34	30-3089053	2	Elbow	(1)
35	160546AS	1	Kit, Repair	1/2"-14 90'

FOOTNOTE [A] NOT ILLUSTRATED

FOOTNOTE [B] INCLUDED IN KIT 160546AS

MF 9240 TRACTOR - 1637287  
5-AC46-001-A

5-AC46-001-A



**Massey Ferguson****MF 9240 TRACTOR - 1637287**

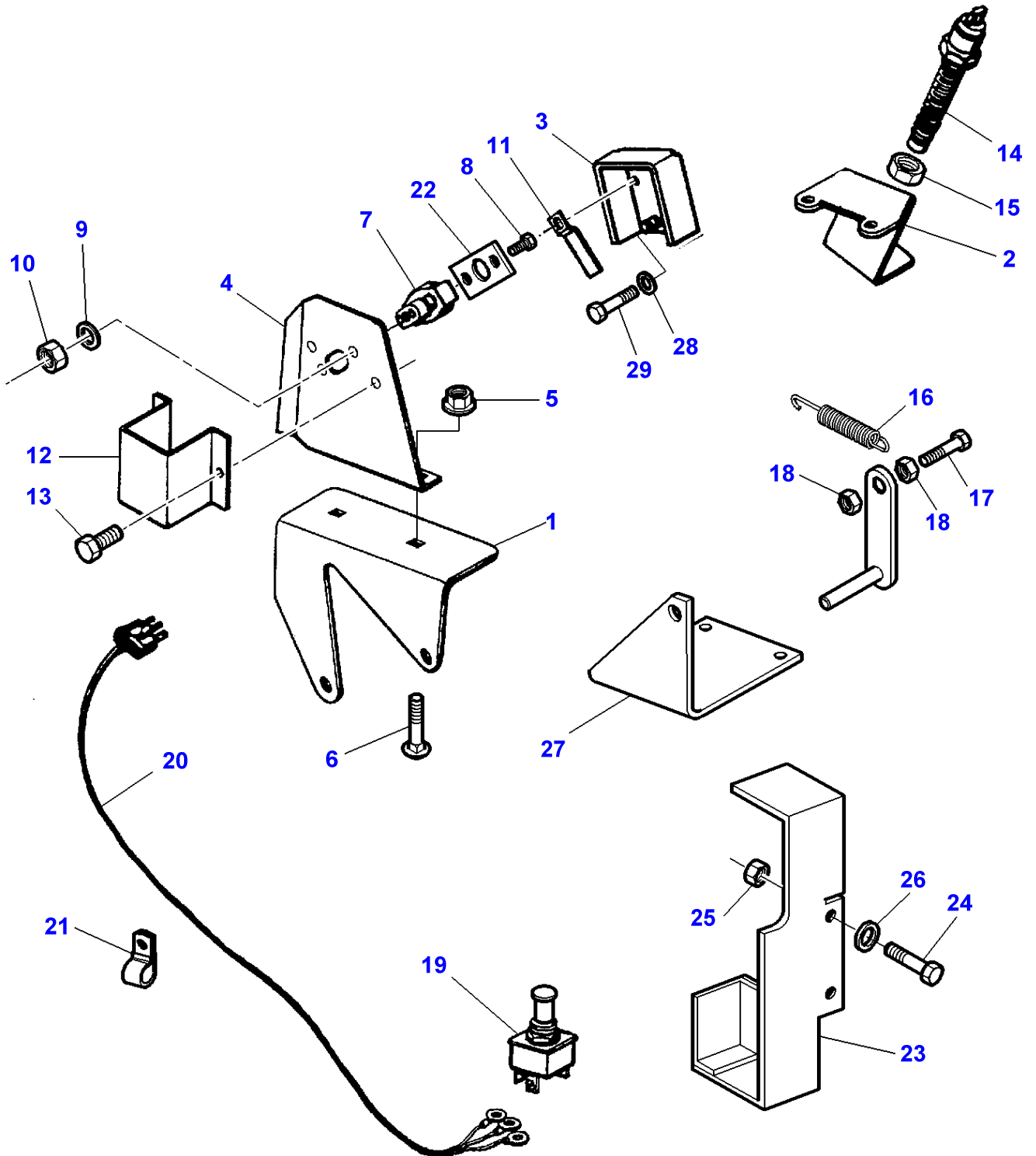
1637287

**Hitch Lift And Drawbar - Three Point Hitch - Draft Sensitive**

Page040-0025

Item	Part Number	Qty	Description	Comments
1	72160574	1	Arm	Up to Serial or Engine Number 0067
	72514153	1	Arm	Replace and repair. Old not interchangeable with new 72509570 From Serial or Engine Number 0068
2	70937196	1	Ring	
3	70923376	1	O Ring	3/32"X9/16"ID
4	72160800	1	Arm	Up to Serial or Engine Number 0067
	72509572	1	Arm	From Serial or Engine Number 0068
5	72160846	1	Pin	3/16"X1-1/4"
6	72509573	1	Rod	Replace and repair. Old not interchangeable with new 72501136
7	70918266	2	Washer	3/8"
8	70918448	3	Pin	3/32"X3/4"
12	72508718	2	Oil Seal	
13	30-3340740	2	Ring	
14	30-3340759	2	Bearing	4-1/4"OD
15	72504231	1	Shaft	Length 26-41/64"
16	<b>13811X</b>	2	Grease Nipple	Replace and repair. Old not interchangeable with new 70912808
17	72501135	1	Arm	
18	70922231	4	Capscrew	5/8"-18X1-1/4"
19	70937194	1	Bearing	5/8"OD
			Needle	
20	72160848	1	Pin	
21	72160849	1	Ring	25/63"
22	30-3340791	1	Rod	
23	70919440	1	Nut	1/2"-20
24	72160468	1	Spacer	Length 2-1/2"
	72160454	1	Spacer	Length 3-1/2"
	72503490	1	Spacer	Length 4-1/2"
25	70923938	1	Screw	3/8"-16X3-1/2"
	70923504	1	Capscrew	3/8"-16X4-1/2"
	357024X1	1	Bolt Unc	3/8"-16X5-1/2"
				Replace and repair. Old not interchangeable with new 70922760
26	353434X1	3	Lock Washer	3/8"LOCK
27	30-3340775	1	Support	
28	30-3340805	1	Spring	
29	72160453	1	Retainer	
30	30-3340767	2	Spacer	
31	30-3408078	2	Washer	

5-AP58-001-C



**Massey Ferguson****MF 9240 TRACTOR - 1637287**

1637287

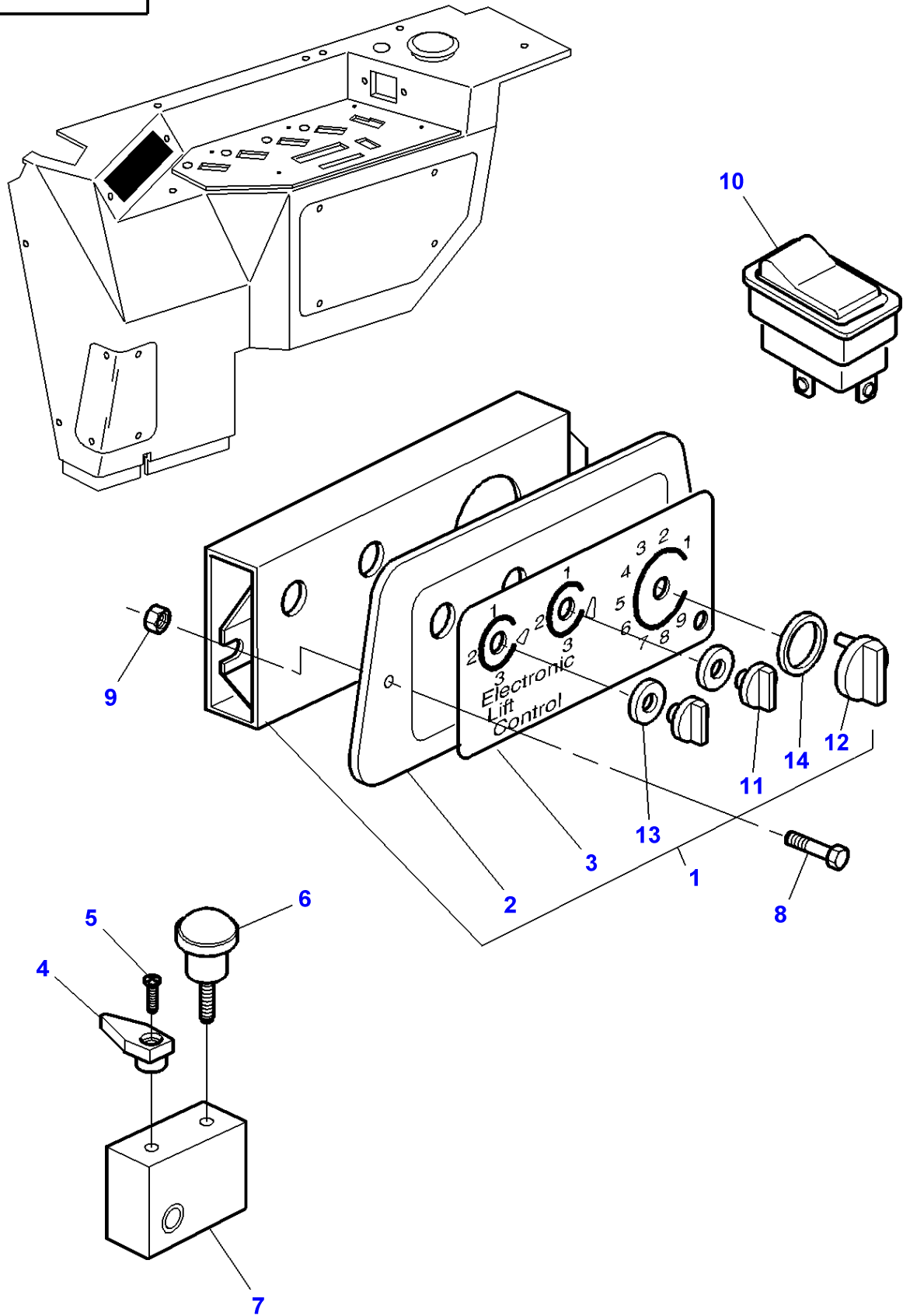
**Electronic Lift - from serial no 0068**

Page040-0030

Item	Part Number	Qty	Description	Comments
1	72511446	1	Platform	
2	72509272	1	Platform	
3	72511137	1	Shield	
4	72511886	1	Support	
5	70931277	2	Nut	5/16"-18FLANGE
6	70931333	2	Bolt	
7	72500808	1	Potentiometer	
8	70922708	2	Screw	No10-32
9	70917365	2	Lock Washer	No10
10	70917415	2	Nut	No10-32
11	72500809	1	Arm	
12	72509269	1	Cover	
13	70930611	2	Screw	No10-24X3/8"
14	72507712	1	Sensor	
15	3385674M1	1	Nut	M24X1.5
16	72511525	1	Spring	
17	368443X1	1	Bolt Unc	3/8"X1"1/2
18	<b>70931211</b>	2	Nut	3/8"-16FLANGED
19	<b>72514550</b>	2	Switch	Replace and repair. Old not interchangeable with new 72506412
20	72506401	2	Harness	
21	70925617	2	Clamp	
22	72511887	1	Lock	
23	72512311	1	Cover	VALVE
24	70921969	2	Screw	
25	355566X1	2	Nut Unc	3/8"-16
26	353434X1	2	Lock Washer	3/8"
27	72507187	1	Bracket	Right Hand SENSOR
28	70917356	2	Lock Washer	
29	70921332	2	Screw	

MF 9240 TRACTOR - 1637287  
5-AP58-002-A

5-AP58-002-A



**Massey Ferguson****MF 9240 TRACTOR - 1637287**

1637287

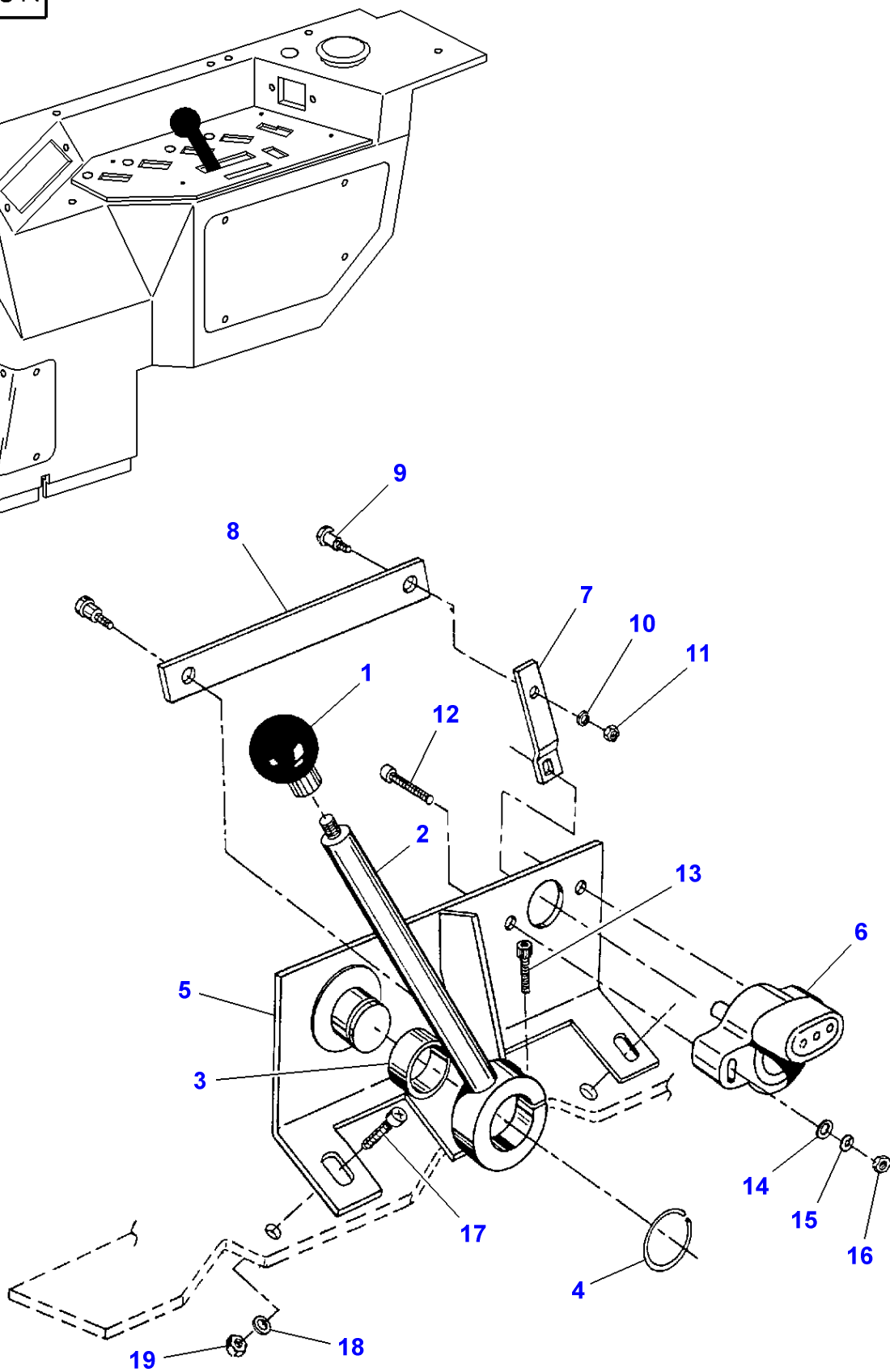
**Electronic Lift - from serial no 0068**

Page040-0035

Item	Part Number	Qty	Description	Comments
1	72512517	1	Module	
2	72509018	1	Bezel	(1)
3	72509019	1	Label	(1)
4	72511305	1	Pointer	
5	70937545	1	Screw	N8-32X1/2
6	72509025	1	Knob	
7	72511172	1	Stop	
8	70937550	2	Capscrew	N8-32
9	70937552	2	Nut	N8-32
10	<b>72509320</b>	1	Switch	
11	72512502	2	Knob	(1)
12	72512503	1	Knob	(1)
13	72512504	2	Washer	(1) Diameter 18MM
14	72512505	1	Washer	(1) Diameter 37MM



5-AP58-003-A



**Massey Ferguson****MF 9240 TRACTOR - 1637287**

1637287

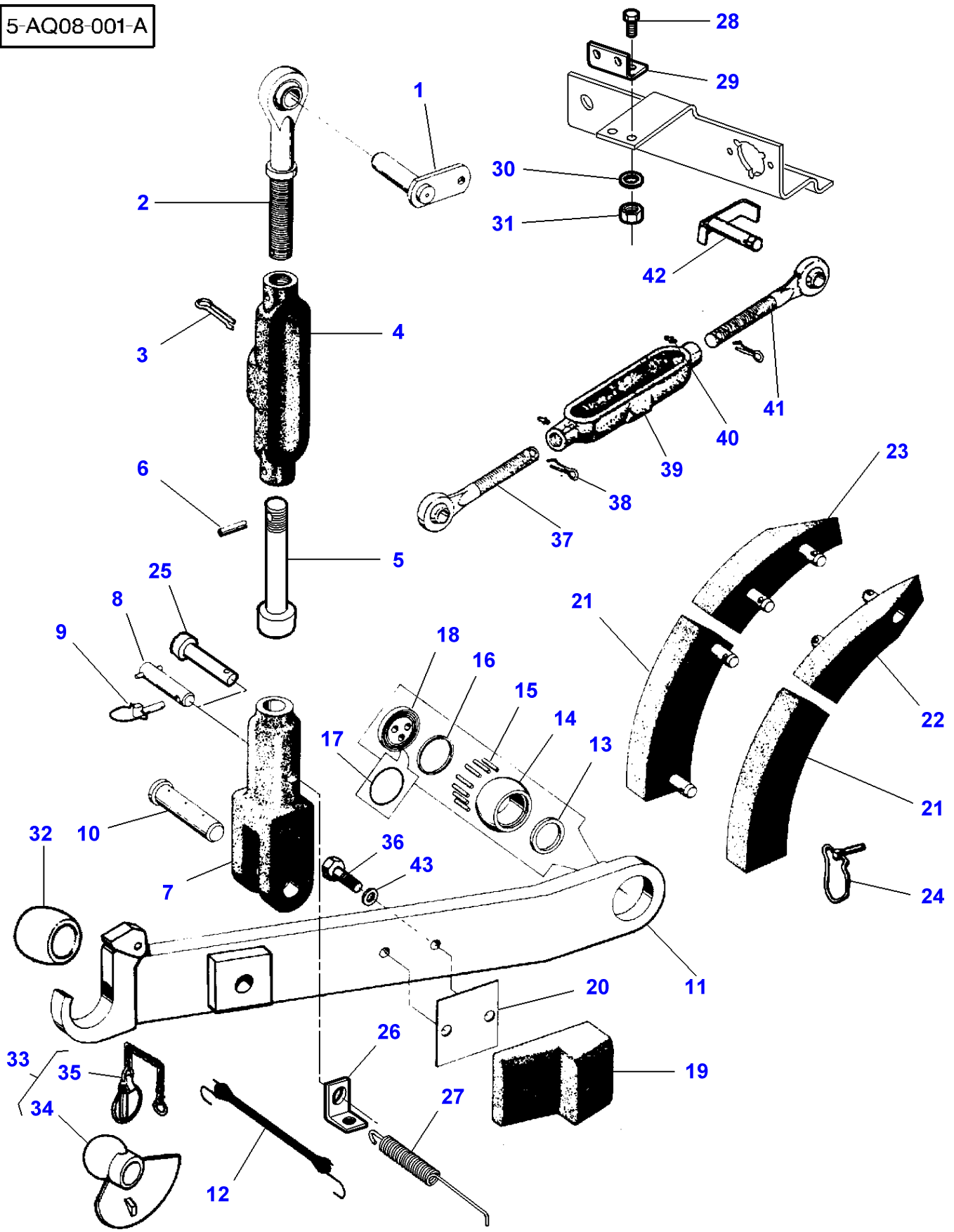
**Electronic Lift - From Serial or Engine Number N 0068**

Page040-0040

Item	Part Number	Qty	Description	Comments
1	72502132	1	Knob	
2	72511167	1	Lever	
3	72501085	1	Sleeve	
4	70927738	1	Ring	
5	72511162	1	Support	
6	72500808	1	Potentiometer	
7	72511306	1	Arm	
8	72511171	1	Link	
9	70937159	1	Screw	1/4X1/4"
10	70910533	1	Washer	N10
11	70916621	1	Nut	N10-24
12	353689X1	2	Screw Unc	3/8"-16X3/4"
13	70937159	1	Screw	1/4X1/4"
14	70917365	2	Lock Washer	N10
15	70923212	2	Washer	N10
16	70917415	2	Nut	N10-32
17	353689X1	2	Screw Unc	3/8-16X3/4
18	BPN31029	2	Washer	3/8"
19	<b>70931211</b>	2	Nut	3/8-16

MF 9240 TRACTOR - 1637287  
5-AQ08-001-A

5-AQ08-001-A



Item	Part Number	Qty	Description	Comments
1	30-3406482	2	Kit, Pin	
	<b>70923114</b>	2	Capscrew	[A] 1/2"-13X1"
	353439X1	2	Lock Washer	[A] 1/2"LOCK
2	30-3360865	2	Screw	1-1/2"-6
3	72161984	2	Pin	
4	30-3393232	2	Turnbuckle	
	70914465	2	Grease Nipple	[A] 1/8"
5	72508808	2	Shaft	
6	70917864	2	Pin	1/2"X2"
7	72503293	2	Clevis	
8	30-3344622	2	Kit, Pin	1"ODX5"LONG Up to Serial or Engine Number SN0067
9	70244066	2	Pin	
10	72504232	2	Pin	
	70929326	4	Washer	[A] 1-1/2"ID
	70918463	2	Pin	[A]
	<b>13811X</b>	2	Grease Nipple	[A] 1/4"-28 Replace and repair. Old not interchangeable with new 70912808
11	72504333	1	Bar	Right Hand Up to Serial or Engine Number SN0160
	72512854	1	Bar	Right Hand From Serial or Engine Number SN0161 CAT 3
	72504331	1	Bar	Left Hand Up to Serial or Engine Number SN0160
	72512852	1	Bar	Left Hand From Serial or Engine Number SN0161 CAT 3
12	30-3343278	1	Strap	Up to Serial or Engine Number SN0067
13	700706005	2	Seal	Replace and repair. Old not interchangeable with new 30-3411370
14	30-3411389	2	Ball	
15	30-3338738	72	Bearing	
16	30-3409279	2	Seal	
17	70935457	2	O Ring	1/16"X2-1/2"
18	30-3409244	X	Retainer	
	70921176	6	Screw	[A] 1/2"-13X1-1/4"
	353439X1	6	Lock Washer	[A] 1/2"LOCK
	<b>13811X</b>	2	Grease Nipple	[A] 1/4"-28 Replace and repair. Old not interchangeable with new 70912808
19	72161958	2	Block	
20	72161930	2	Shim	
21	30-3387399	2	Block	LOWER
22	30-3387402	2	Block	Right Hand
23	30-3387410	2	Block	Left Hand
24	70244066	8	Pin	
25	72509819	2	Pin	1 ODX5-7/64" From Serial or Engine Number SN0068
26	72509818	2	Bracket	From Serial or Engine Number SN0068
27	3617118M1	1	Spring	From Serial or Engine Number SN0068
28	70921210	2	Screw	3/8"-16X1" From Serial or Engine Number SN0068
29	72506224	1	Bracket	From Serial or Engine Number SN0068
30	353434X1	2	Lock Washer	3/8"-REG From Serial or Engine Number SN0068
31	70923518	2	Nut	3/8"-16 From Serial or Engine Number SN0068
32	<b>3042431M1</b>	2	Toggle	CAT 3 Diameter 64MM-37MM
33	<b>3042428M1</b>	2	Toggle	CAT 3 Diameter 64MM-37MM
34		2	Toggle	(33) Not serviced, order REF 33
35	3101913M91	2	Pin	(33) Diameter 16MM

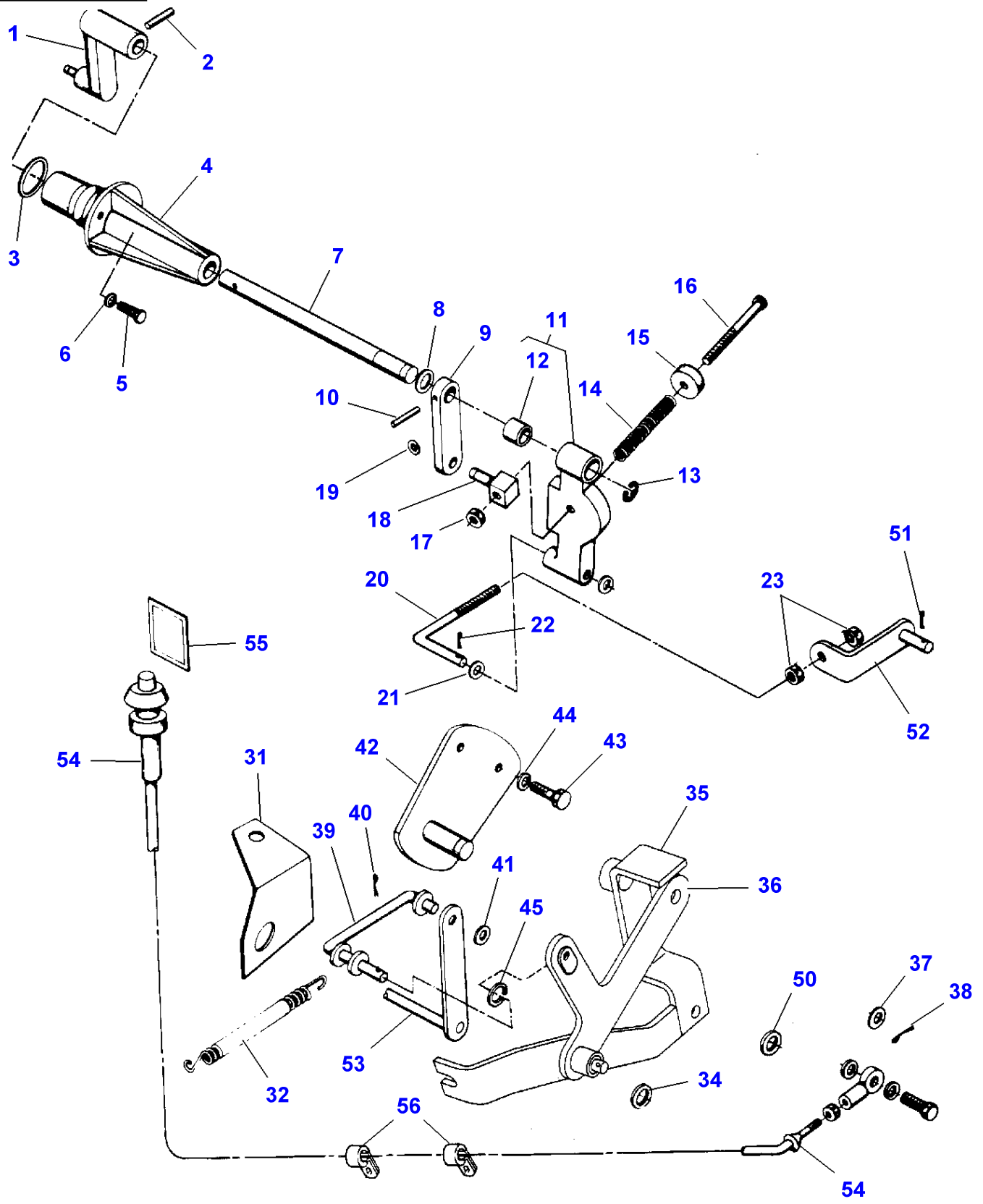
**Massey Ferguson****MF 9240 TRACTOR - 1637287****1637287****Linkage - Top Link With Ball End - Three Point Hitch - Category 3****Page040-0045**

<b>Item</b>	<b>Part Number</b>	<b>Qty</b>	<b>Description</b>	<b>Comments</b>
36	70922664	4	Capscrew	5/8"-11X2"
36	70921360	4	Capscrew	5/8"-11X2.25"
37	72161947	1	Toggle	Length 254MM Up to Serial or Engine Number SN0160
37	72512719	1	Toggle	Length 289,05MM From Serial or Engine Number SN0161
38	72161984	2	Pin	
39	72161957	1	Link	
40	70914465	2	Grease Nipple	
41	72161946	1	Toggle	Length 254MM Up to Serial or Engine Number SN0160
41	72512718	1	Toggle	Length 289,05MM From Serial or Engine Number SN0161
42	72512301	1	Pin	
43	353433X1	4	Lock Washer	5/8" LOCK

**FOOTNOTE [A] NOT ILLUSTRATED**

MF 9240 TRACTOR - 1637287  
5-AC46-002-A

5-AC46-002-A



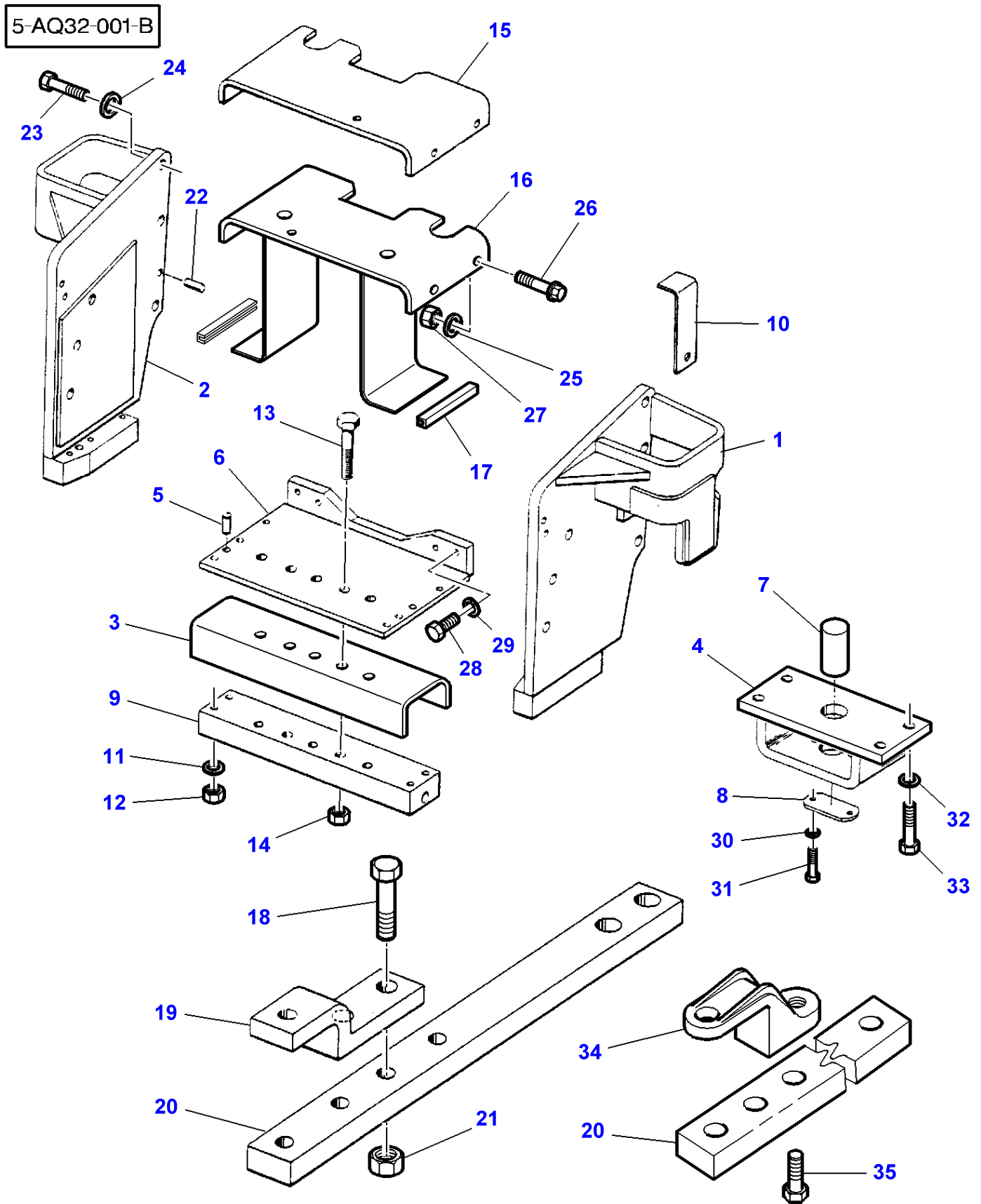
## Hitch Lift And Drawbar - Three Point Hitch - Draft Sensing

Item	Part Number	Qty	Description	Comments
1	72160274	1	Arm	
2	72160053	1	Pin	5/16"X1"
3	<b>70923649</b>	1	O Ring	1/8"X1-1/4"ID
4	72160267	1	Support	
5	70924009	3	Capscrew	1/4"-20X7/8"
6	70916964	3	Lock Washer	1/4"LOCK
7	72160283	1	Shaft	
8	<b>70923845</b>	2	O Ring	1/16"X7/16"ID
9	72160282	1	Arm	
10	70926228	1	Pin	5/32"X1"
11	72160570	1	Arm	
12	72160569	1	Bearing	(11)
13	70937200	1	Ring	
14	72160187	1	Spring	1-1/8"X4-1/2"
15	72160281	1	Retainer	
16	70930691	1	Capscrew	1/4"-28X4"
17	70920437	1	Nut	1/4"-28
18	72160059	1	Swivel	
19	70927791	1	Ring	5/16"
20	72160369	1	Rod	
21	70918266	2	Washer	3/8"
22	70918448	1	Pin	3/32"X3/4"
23	355566X1	2	Nut Unc	3/8"-16
31	72160662	1	Bracket	
32	72160103	1	Spring	
34	70918266	2	Washer	3/8"
35	72509017	1	Link	
36	72509017	1	Link	
37	70918267	2	Washer	4.69"-.922"
38	70918452	1	Pin	
39	72509007	1	Link	
	70917642	1	Washer	[A] 3/8"
40	70918452	2	Pin	
41	70918266	2	Washer	3/8"X.065"T
42	72501091	1	Arm	
43	70921332	2	Screw	5/16"-18X3/4"
44	70917356	1	Lock Washer	5/16"REG
45	72160381	1	Ring	
46	72502790	1	Rod End	[A]
47	70921960	1	Screw	[A] 1/4"X1
48	70924872	1	Washer	[A] 17/64"ID
50	70918430	1	Washer	
51	70918458	1	Cotter	
52	72501466	1	Link	Up to Serial or Engine Number SN0067
53	72160574	1	Arm	
54	72502250	1	Cable	
55	72502795	1	Label	
56		2	Clamp	[B]

**FOOTNOTE [A]** NOT ILLUSTRATED

**FOOTNOTE [B]** NUMBER TO BE ADVISED

MF 9240 TRACTOR - 1637287  
5-AQ32-001-B





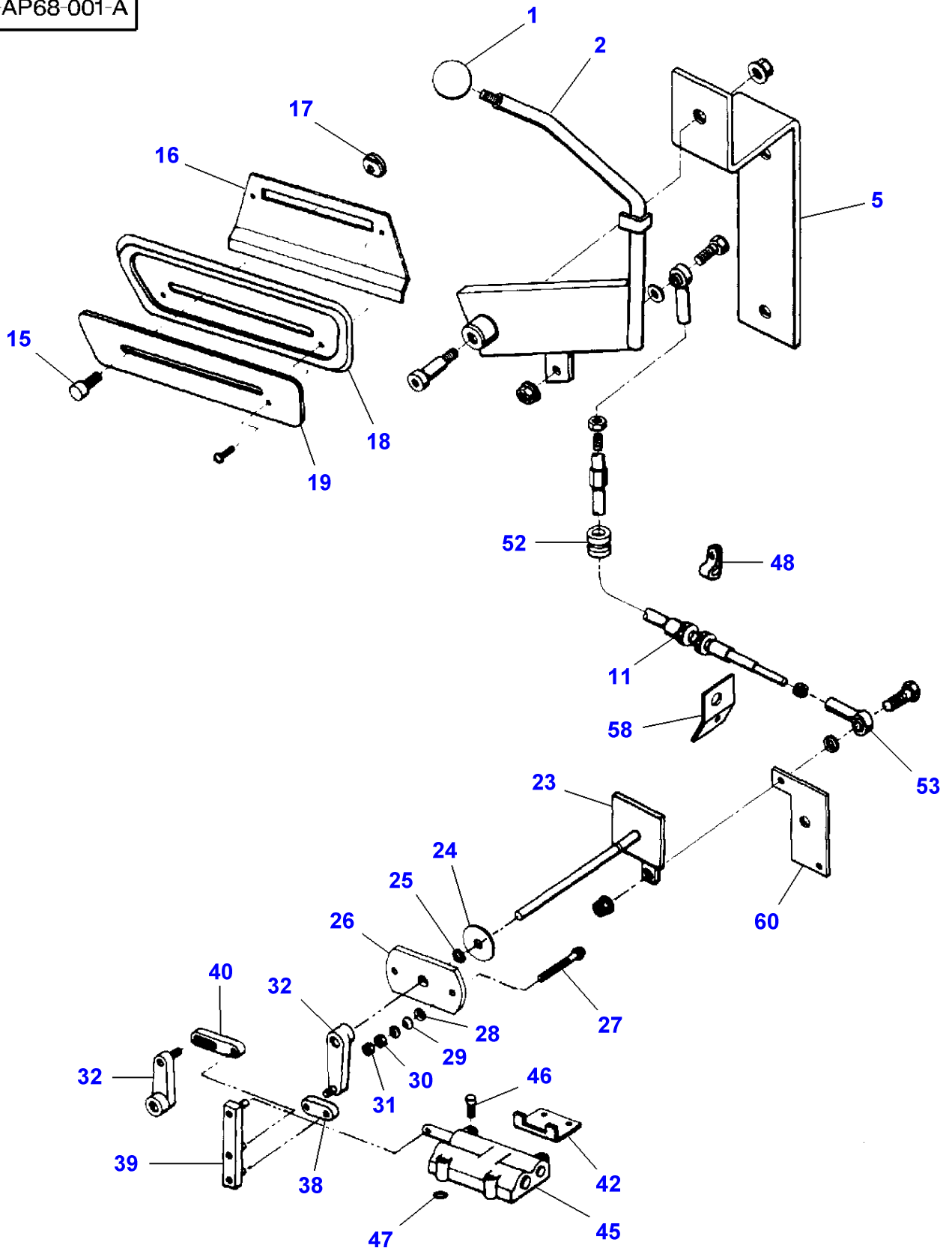
Drawbar

Item	Part Number	Qty	Description	Comments
1	72504343	1	Kit, Support	Right Hand
2	72505253	1	Kit, Support	Left Hand
3	72504159	1	Plate	
4	72504156	1	Anchor	
5	30-3387364	2	Dowel	5/8"X1"1/2
6	72504161	1	Support	
7	72504163	1	Pin	
8	72160077	1	Plate	
9	72504160	1	Support	
10	72504966	1	Bracket	Up to Serial or Engine Number SN0067
	72514436	1	Bracket	From Serial or Engine Number SN0068
11	70919426	4	Washer	7/8"
12	70929501	4	Bolt	7/8"-9X3"1/2
13	70935695	2	Bolt	7/8"-9X5"3/4
14	70922187	2	Nut	7/8"-9
15	72511199	1	Guard	Up to Serial or Engine Number SN0067
16	72511199	1	Guard	From Serial or Engine Number SN0068
17	72511867	2	Moulding	Length =4"3/4
18	70926527	2	Bolt	1"-8X5"
19	72504155	1	Clevis	Up to Serial or Engine Number [A] From Serial or Engine Number SN0016
20	72504154	1	Drawbar	1"-1/2X3"X46" Up to Serial or Engine Number
	72508993	1	Drawbar	From Serial or Engine Number
21	375102X1	2	Nut Unc	1"-8 Up to Serial or Engine Number Replace and repair. Old not interchangeable with new 70922659
22	30-3338770	6	Dowel	7/8"X1-7/8"
23	70916259	6	Capscrew	7/8"-X2"
24	70919426	6	Washer	7/8"
25	353433X1	4	Lock	5/8"
			Washer	
26	70922069	4	Screw	5/8"-11X2"1/4
27	375099X1	2	Nut Unc	5/8"-11 GR2
28	70916259	4	Capscrew	7/8"-9X2"
29	70919426	4	Washer	7/8"
30	353434X1	2	Lock	3/8"
			Washer	
31	70922586	2	Capscrew	3/8"-16X5/8"
32	70919426	4	Washer	7/8"
33	70928607	4	Bolt	7/8"-9X1"-3/4
34	3618567M1	1	Clevis	[A] From Serial or Engine Number 23-SEP-1996
35	70950413	2	Capscrew	[A] From Serial or Engine Number 23-SEP-1996 20-2.5X70

FOOTNOTE [A] EUROPE ONLY  
FOOTNOTE [B] EUROPE EXCEPTED

MF 9240 TRACTOR - 1637287  
5-AP68-001-A

5-AP68-001-A



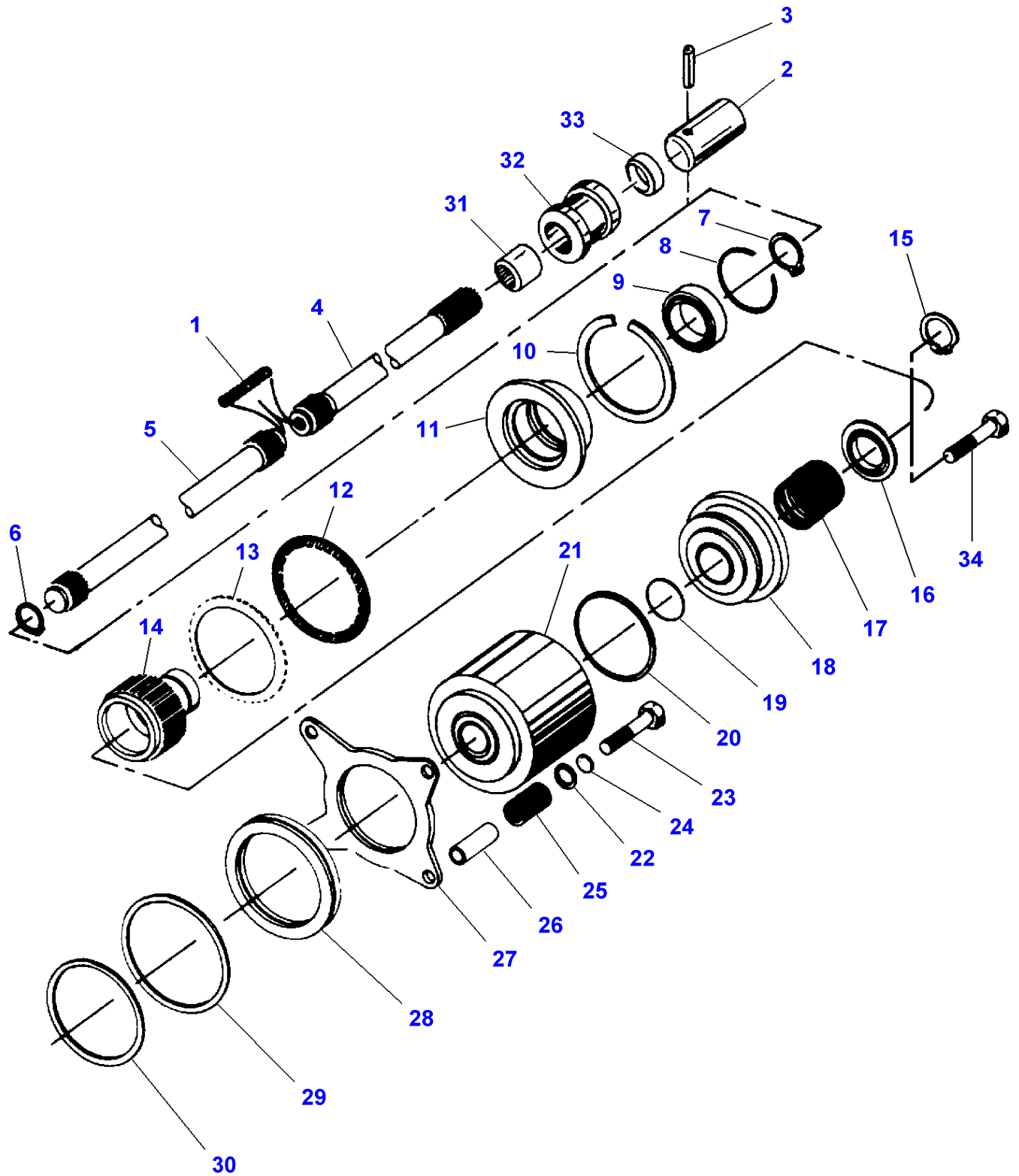
Item	Part Number	Qty	Description	Comments
1	72502132	1	Knob	
2	72507349	1	Lever	
3	70935184	1	Screw	[A] 1/2"
4	<b>70931211</b>	1	Nut	[A] 3/8"-16
5	72506725	1	Support	
6	70936334	1	Toggle	[A]
7	70924872	1	Washer	[A] 1/4"
8	70921961	1	Screw	[A] 1/4"-20X1-1/4"
9	70931209	1	Nut	[A] 1/4"-20
10	70920437	1	Nut	[A] 1/4"-28
11	72502136	1	Kit, Cable	
12	70926920	1	Clamp	[A]
13	70925003	1	Screw	[A] 1/4"-20X1/2"
14	70929167	1	Grommet	[A]
15	72505290	1	Stop	
16	72502779	1	Plate	
17	72505285	1	Block	
18	72502488	1	Bezel	
19	72502782	1	Label	
20	70937322	2	Screw	[A] N8-32X3/4"
21	70917395	2	Washer	[A] N8
22	70917385	2	Nut	[A] N8-32
23	72507340	1	Lever	
24	72160478	1	Washer	5/8"ID 2-1/2"OD 2-1/2" OD
25	<b>70923845</b>	1	O Ring	1/16"X7/16" ID
26	30-3404420	1	Support	
27	70937199	2	Bolt	3/8"-16X2-3/4"
28	72160370	4	Washer	3/8"
29	BPN31029	2	Washer	3/8"
30	70922694	2	Nut	3/8"-16
31	70917421	2	Nut	3/8"-16
32	72160274	2	Arm	
33	70926228	2	Pin	[A] 5/32"X1
34	70926239	1	Washer	[A] 9/16"
35	30-3478122	X	Washer	[A]
36	72508279	X	Washer	[A] 9/32"
37	72508280	X	Washer	[A] 9/64"
38	72160276	1	Link	Length 2"
39	72160275	1	Arm	
40	72160268	1	Link	Length 3-1/4"
41	72160006	4	Ring	[A] 5/16"
42	72160295	1	Stop	
43	70921959	2	Screw	[A] 1/4"-20X5/8"
44	70916964	2	Lock Washer	[A] 1/4" LOCK
45	72160467	1	Valve	See Page - Reference Number 070-0125
46	70910201	4	Screw	3/8"-16X7/8"
47	70923376	3	O Ring	3/32"X9/16"ID
48	72505157	1	Clamp	
49	70931833	2	Screw	[A] 1/4"-20X1/2"
	70937660	2	Screw	W25-20X.625
50	70926917	2	Clamp	[A]

**Massey Ferguson****MF 9240 TRACTOR - 1637287****1637287****Position Controls - Shift Control - Up to Serial or Engine Number N 0067****Page 040-0060**

<b>Item</b>	<b>Part Number</b>	<b>Qty</b>	<b>Description</b>	<b>Comments</b>
51	70918266	2	Washer	3/8"
52	72505158	1	Grommet	
53	72506701	1	Toggle	
54	70924872	1	Washer	[A] 1/4"
55	70921961	1	Screw	[A] 1/4"-20X1-1/4"
56	70931209	1	Nut	[A] 1/4"-20
57	70920437	1	Nut	[A] 1/4"-28
58	72507332	1	Plate	
59	70921960	1	Screw	[A] 1/4"-20X1"
60	72507333	1	Bracket	
61	70921210	1	Screw	[A] 3/8"-16X1"
62	70928352	1	Nut	[A]

**FOOTNOTE [A] NOT ILLUSTRATED**

5-AG23-001-B

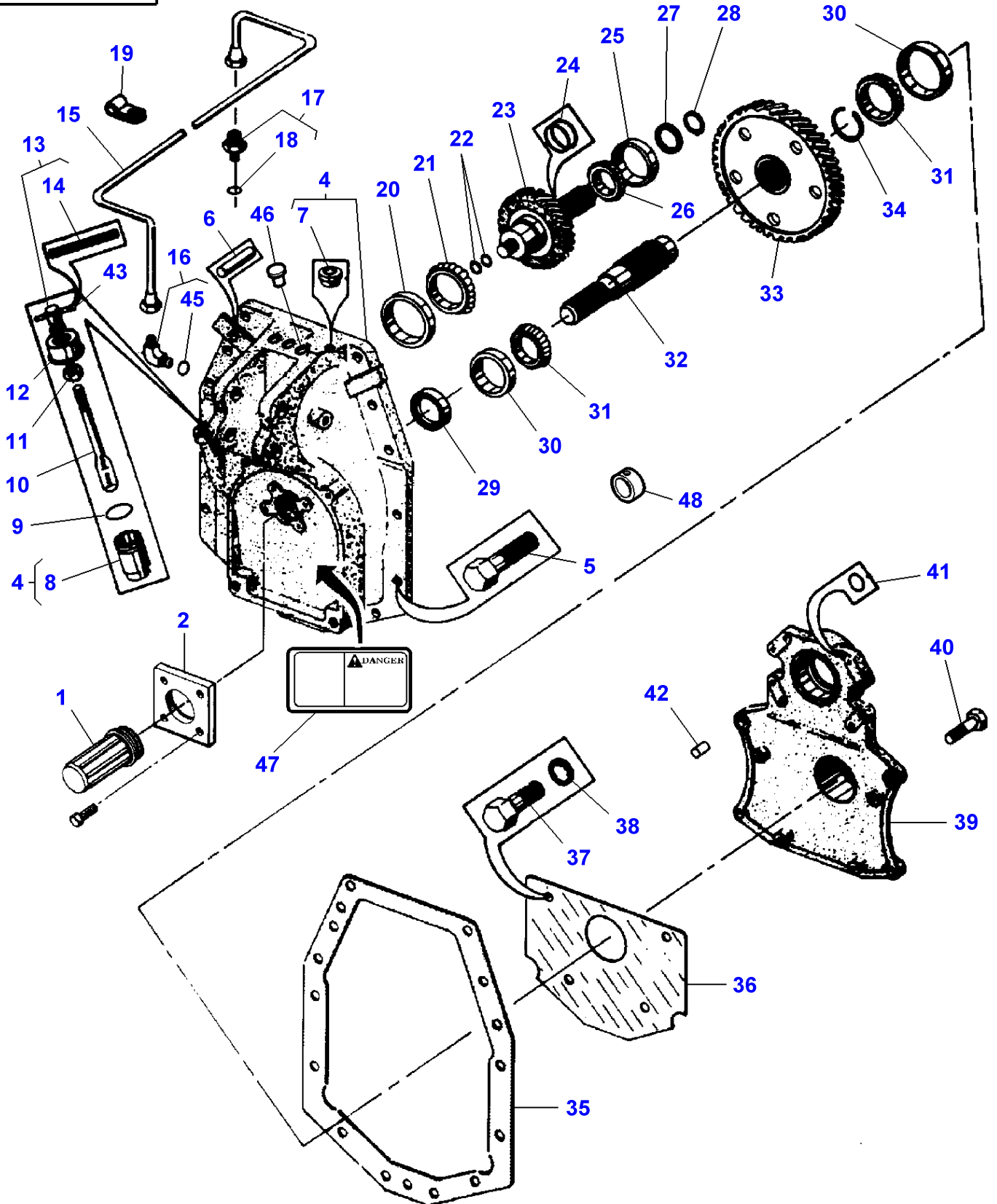


## Independent Power Take Off Clutch

Item	Part Number	Qty	Description	Comments
1	72160277	1	Spring	
2	72502755	1	Coupling	
3	70916016	1	Pin	5/16"X2.2"
4	72501382	1	Shaft	
5	72160911	1	Shaft	21.916"
6	70927744	1	Ring	
7	70926000	1	Ring	
8	72160056	1	Ring	
9	1108986	1	Bearing Assy	
10	72160668	1	Ring	
11	72160448	1	Housing	Up to Serial or Engine Number 28-FEB-1997
	72515220	1	Housing	From Serial or Engine Number 1-MAR-1997
12	72161737	6	Disc	Number of teeth/spines 45
	72161737	7	Disc	Up to Serial or Engine Number 28-FEB-1997 Number of teeth/spines 45 From Serial or Engine Number 1-MAR-1997
13	72161738	7	Plate	Number of teeth/spines 54 Up to Serial or Engine Number 28-FEB-1997
	72161738	8	Plate	Number of teeth/spines 54 From Serial or Engine Number 1-MAR-1997
14	72160449	1	Hub	Up to Serial or Engine Number 28-FEB-1997
	72514188	1	Hub	From Serial or Engine Number 1-MAR-1997
15	70927752	1	Ring	Up to Serial or Engine Number 28-FEB-1997
16	72160450	1	Guide	Up to Serial or Engine Number 28-FEB-1997
	72514187	1	Guide	From Serial or Engine Number 1-MAR-1997
17	72160396	1	Spring	
18	72160447	1	Piston	Up to Serial or Engine Number 28-FEB-1997
	72514190	1	Piston	From Serial or Engine Number 1-MAR-1997
19	70923578	1	O Ring	1/8"X1-7/8"ID
20	70937165	1	Ring	4-1/4"ID X 4-1/2"OD
21	72160446	1	Housing	Up to Serial or Engine Number 28-FEB-1997
	72514352	1	Housing	From Serial or Engine Number 1-MAR-1997
22	72160111	4	Washer	13/32"IDX1"OD
23	<b>354269X1</b>	4	Bolt Unc	3/8"-16X2-1/2" Replace and repair. Old not interchangeable with new 70921972
24	70916803	4	Washer	3/8"
25	72161929	4	Spring	
26	72160540	4	Sleeve	
27	72160655	1	Plate	
28	72160564	1	Piston	
29	70937164	1	Ring	5-3/4"IDX6"OD
30	70937163	1	Ring	5"IDX5-1/4"OD
31	70928862	1	Bush	
32	72501383	1	Hub	
33	70931617	1	Seal	
34	70928416	2	Screw	5/16"-24x3/4 From Serial or Engine Number 1-MAR-1997

MF 9240 TRACTOR - 1637287  
5-AG39-001-B

5-AG39-001-B



Item	Part Number	Qty	Description	Comments
1	72504326	1	Cowl	
2	72220691	1	Adaptor	
3	70921210	4	Screw	[A] 3/8"-16X1
	353434X1	4	Lock Washer	[A] 3/8"
4	72503574	1	Housing	
5	70924744	4	Screw	5/8"-11X1-1/2"
	70926142	4	Screw	7/8"-X2-3/4"
	70929181	2	Screw	7/8"-X4-1/2"
	70921899	4	Screw	5/8"-11X1-1/2"
6	72160069	2	Centraliser	3/4"ODX1-7/16"
7	72160272	2	Insert	(4) 9/16" OD 3/8" TUBE
8	72160588	1	Neck Journal	(4)
9	<b>70923649</b>	1	O Ring	1/8"X1-1/4" ID
10	72160339	1	Dipstick	
11	<b>70917372</b>	1	Nut	5/16"-18
12	72160179	1	Cap	
13	72160315	1	Handle	
14	70919521	1	Pin	(13) 3/16"-2"
15	72504415	1	Tube	1/2" OD
16	70924403	1	Connector	1/2" TUBEX3/8"
17	72162506	1	Connector	1/2" TUBE X9/16"-18
18	831452M1	1	O Ring	(17) 5/64"X15/32" Replace and repair. Old not interchangeable with new 70921885
19	70927177	3	Clamp	1/2" OD
	353690X1	1	Screw Unc	[A] 3/8"-16X7/8" Replace and repair. Old not interchangeable with new 70921966
	BPN31029	1	Washer	[A] 3/8"
20	71162782	1	Bearing Cup	
21	71162781	1	Bearing Cone	
22	72160398	2	Ring	
23	72513988	1	Gear	Number of teeth/spines 36 Replace and repair. Old not interchangeable with new 72503287 Up to Serial or Engine Number 28-FEB-1997
	70923371	2	Ball	[A] 7/32"
	72514365	1	Gear	Number of teeth/spines 36 From Serial or Engine Number 1-MAR-1997
24	<b>70923718</b>	2	Seal	1/8"X1-5/16"ID
25	3000599X1	1	Bearing Cup	
26	3000598X1	1	Cone	
27	72160687	1	Spacer	Up to Serial or Engine Number 28-FEB-1997
28	70927743	1	Ring	Up to Serial or Engine Number 28-FEB-1997
29	70937160	1	Seal	
30	70937162	2	Bearing Cup	
31	70937161	2	Bearing Cone	
32	72160714	1	Shaft	1-3/4" 20 SPLINE
33	72503289	1	Gear	Number of teeth/spines 75
34	72160000	1	Ring	
35	72161798	1	Gasket	
36	72500870	1	Shield	
37	70925694	4	Screw	3/8"-16X1/2"
38	70916803	4	Washer	3/8" LOCK
39	72501603	1	Housing	
	70923371	2	Ball	[A] 7/32"
40	70920328	6	Screw	1/2"-13X1-1/2"
41	70923558	1	O Ring	1/16"X1/4"ID
42	72160007	2	Centraliser	5/8"ODX1"



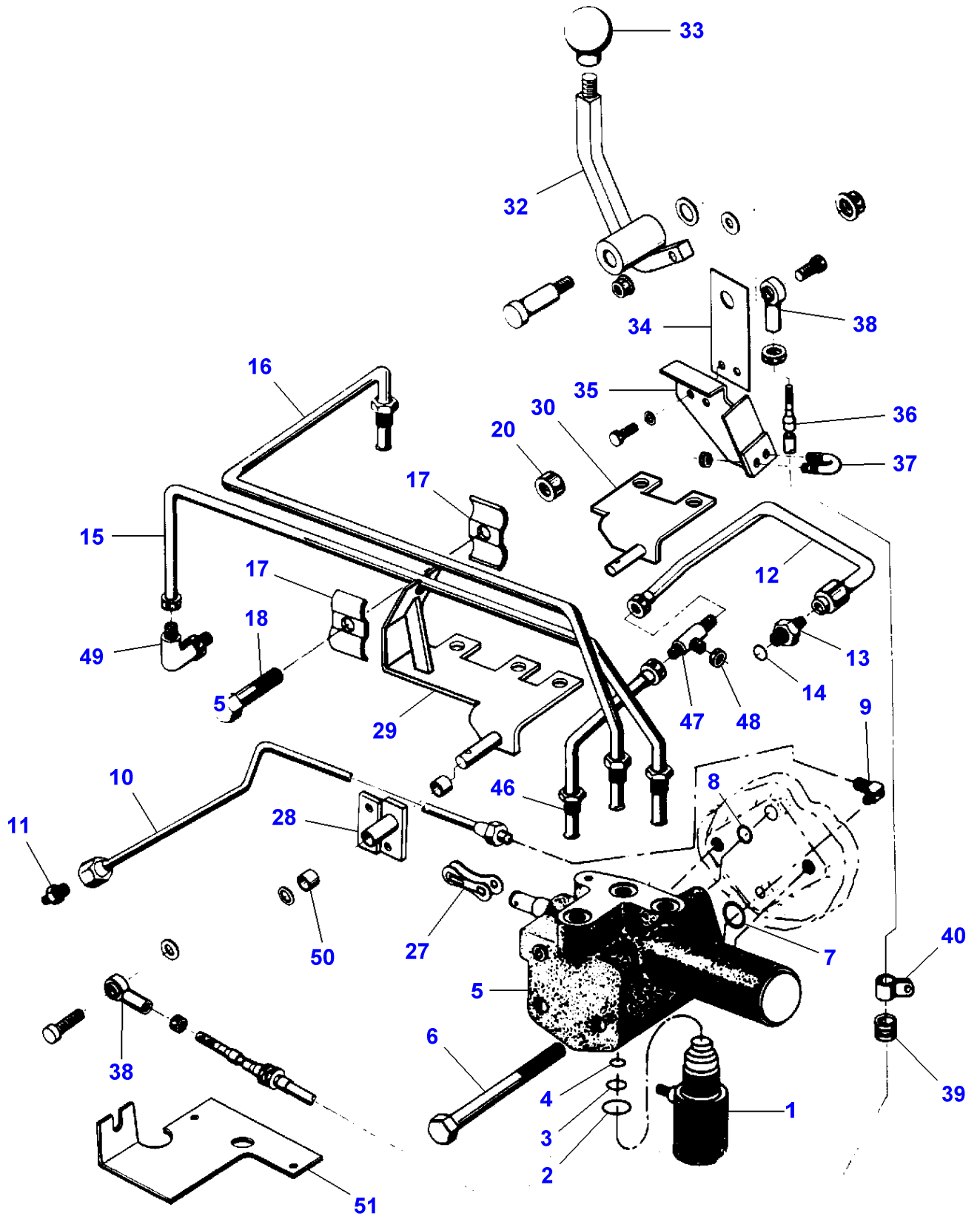
**Massey Ferguson****MF 9240 TRACTOR - 1637287****1637287****Independent Power Take Off Drive Mechanism - One Speed - 1000 Rpm****Page050-0010**

<b>Item</b>	<b>Part Number</b>	<b>Qty</b>	<b>Description</b>	<b>Comments</b>
43	72161720	1	Washer	25/64"ID
44	353439X1	6	Lock Washer	[A] 1/2" LOCK
45	831452M1	1	O Ring	(16) 5/64"X15/32" Replace and repair. Old not interchangeable with new 70921885
46	72160437	3	Plug	
47	72503124	2	Decal	
48	72514359	1	Sleeve	Diameter 1.5"X1"

**FOOTNOTE [A] NOT ILLUSTRATED**

MF 9240 TRACTOR - 1637287  
5-AG27-001-A

5-AG27-001-A



## Differential Lock Controls - Priority Valve-Lines &amp; Fittings

Item	Part Number	Qty	Description	Comments
1	72503804	1	Valve	
2	70921206	1	O Ring	.116"X15/16"ID
3	70923561	1	O Ring	1/16"X5/8"ID
4	70923846	1	O Ring	1/16"X1/2"ID
5	72162106	1	Distributor	
6	70922648	2	Screw	3/8"-16X4"
7	70923376	1	O Ring	3/32"X9/16"ID
8	70923663	1	O Ring	3/32"X3/8"ID
9	70919173	1	Elbow	1/4" OD TUBE X1/8" NPT 90'
10	72501138	1	Tube	1/4"OD
11	70919171	1	Connector	1/4"ODX1/8"NPT
12	72503265	1	Tube Assy	
13	70922522	1	Connector	3/8"TX9/16"-18
14	831452M1	1	O Ring	25/32"X15/32" Replace and repair. Old not interchangeable with new 70921885
15	72504414	1	Tube	3/8"OD
16	72504413	1	Tube	3/8"OD
17	72160113	8	Clamp	
18	70921210	4	Screw	3/8"-16X1"
19	72162062	X	Valve	[A]
20	355566X1	2	Nut Unc	3/8"-16
27	329314M91	1	Link	Replace and repair. Old not interchangeable with new 70918208
28	72502264	1	Bellcrank	
29	72507336	1	Support	Up to Serial or Engine Number SN0067
	70917379	1	Washer	[A]
	70918448	1	Pin	[A] 3/32"X3/4"
30	72509797	1	Bracket	From Serial or Engine Number SN0068
32	72502244	1	Lever	
	70935184	1	Screw	[A]
	70917642	1	Washer	[A] 5/16"
	<b>70931211</b>	1	Nut	[A] 3/8"
33	72502134	1	Knob	
34	72502129	1	Plate	
35	72502147	1	Bracket	Up to Serial or Engine Number SN0067
	70923341	2	Screw	[A] 1/4"-20
	70931209	2	Nut	[A] 1/4"
36	72502247	1	Kit, Cable	
37	72502248	1	Clamp	
38	70936334	2	Toggle	
	70921961	1	Screw	[A] 1/4"-20X1-1/4"
	70922837	1	Screw	[A] 1/4"-20X1-1/2"
	70924872	2	Washer	[A] 17/64"ID
	70931209	2	Nut	[A] 1/4"
	70920437	2	Nut	[A] 1/4"-28
39	72502131	1	Grommet	
40	70926916	1	Clamp	9/16"X9/32"
	70929783	2	Screw	[A]
41	<b>70925094</b>	1	Clamp	[A]
46	72503266	1	Tube Assy	
47	70919087	1	Teepiece	3/8"X3/8"X3/8"
48	70919552	1	Plug	3/8"
49	357197X91	1	Elbow	3/8" Replace and repair. Old not interchangeable with new 70922523
50	70932857	2	Bush	
51	72501583	1	Bracket	
52	70921210	3	Screw	[A] 3/8"-16X1-1/4"
53	70929247	3	Washer	[A] 7/16"

Massey Ferguson

MF 9240 TRACTOR - 1637287

1637287

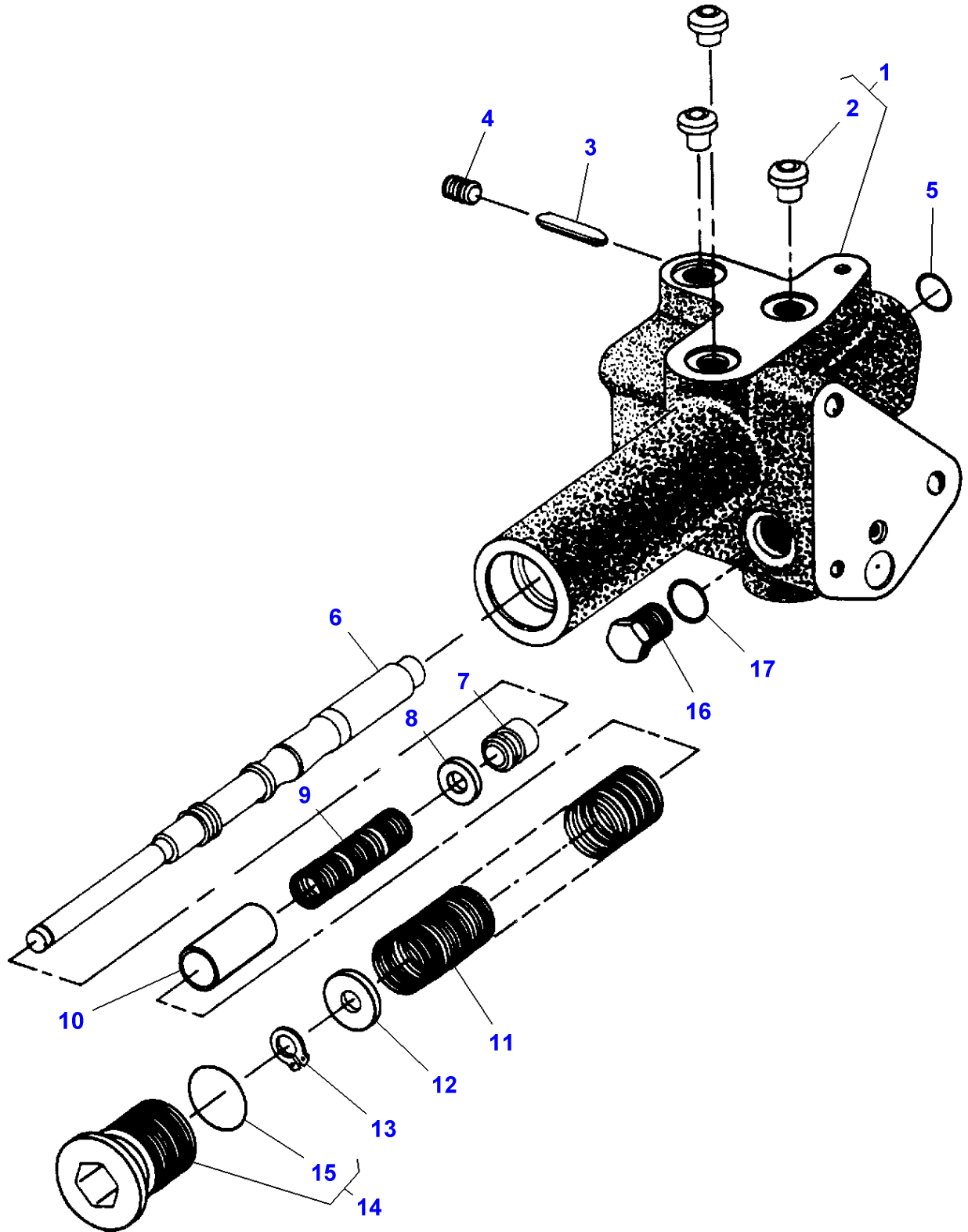
Differential Lock Controls - Priority Valve-Lines & Fittings

Page050-0015

Item Part Number Qty Description Comments

FOOTNOTE [A] NOT ILLUSTRATED

5-AG27-002-A



**Massey Ferguson****MF 9240 TRACTOR - 1637287**

1637287

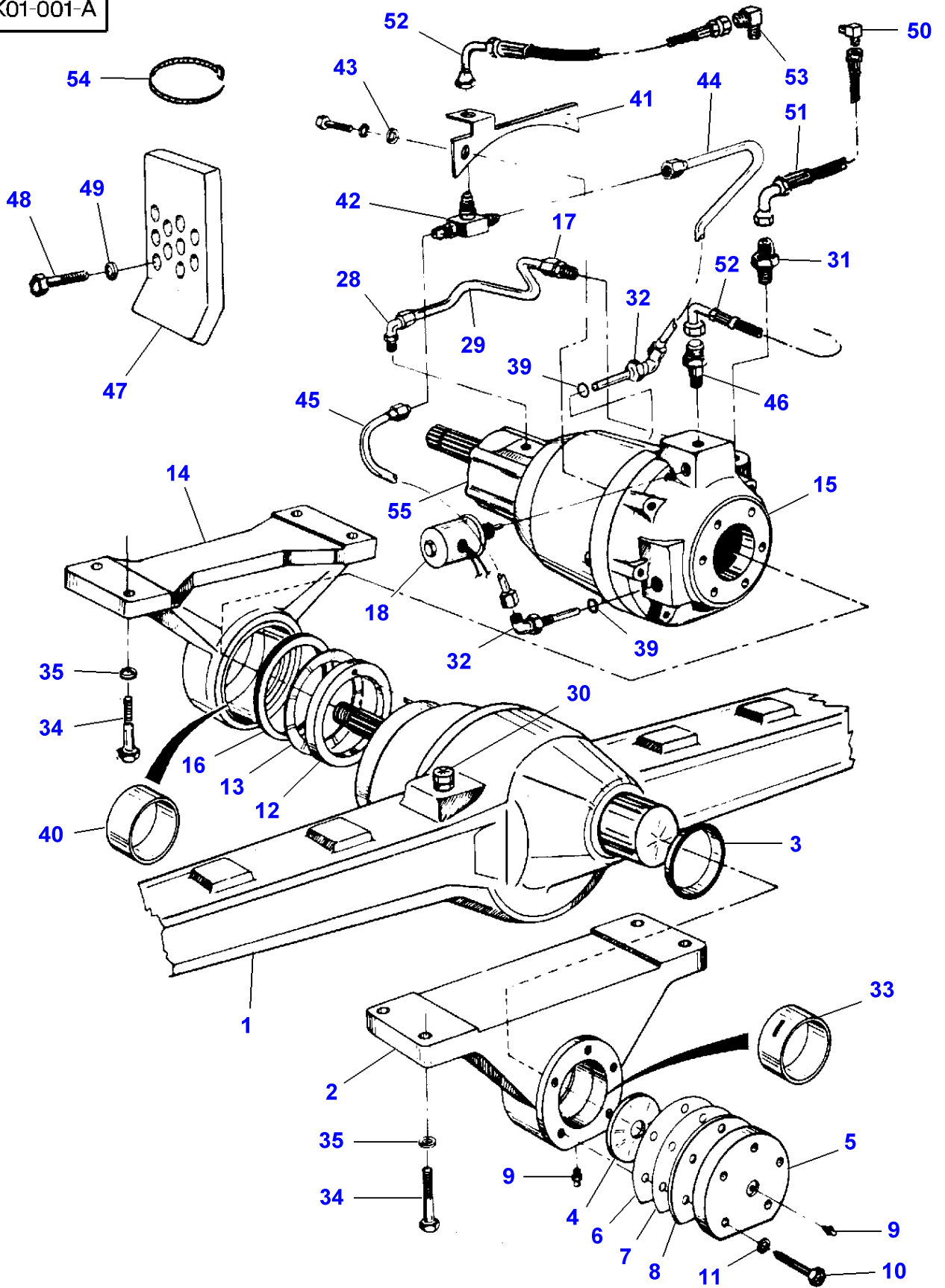
**Differential Lock Controls - Priority Valve Components**

Page050-0020

Item	Part Number	Qty	Description	Comments
1	72162106	1	Distributor	
2	72160272	3	Insert	(1) 9/16"OD 3/8" TUBE
3	72160555	1	Pin	1/4"ODX1-1/8"
4	70917673	1	Plug	1/8"
5	70923645	1	O Ring	3/32"X5/8"ID
6	30-3197522	1	Spool	
7	72160549	1	Sleeve	
8	72160550	1	Washer	27/64" ID X13/16" OD
9	72160554	1	Spring	Length 1-51/64"
10	72160552	1	Sleeve	
11	72160789	1	Spring	Length 6-5/16"
12	72160551	1	Washer	27/64"ID 1-3/32"OD
13	72160553	1	Clip	
14	70928213	1	Plug	1-5/16"-12
15	70921214	1	O Ring	(14) .116"X1" 11/16"ID
16	72162511	1	Plug	9/16"-18
17	831452M1	1	O Ring	5/64"X15/32"ID Replace and repair. Old not interchangeable with new 70921885

MF 9240 TRACTOR - 1637287  
5-AK01-001-A

5-AK01-001-A



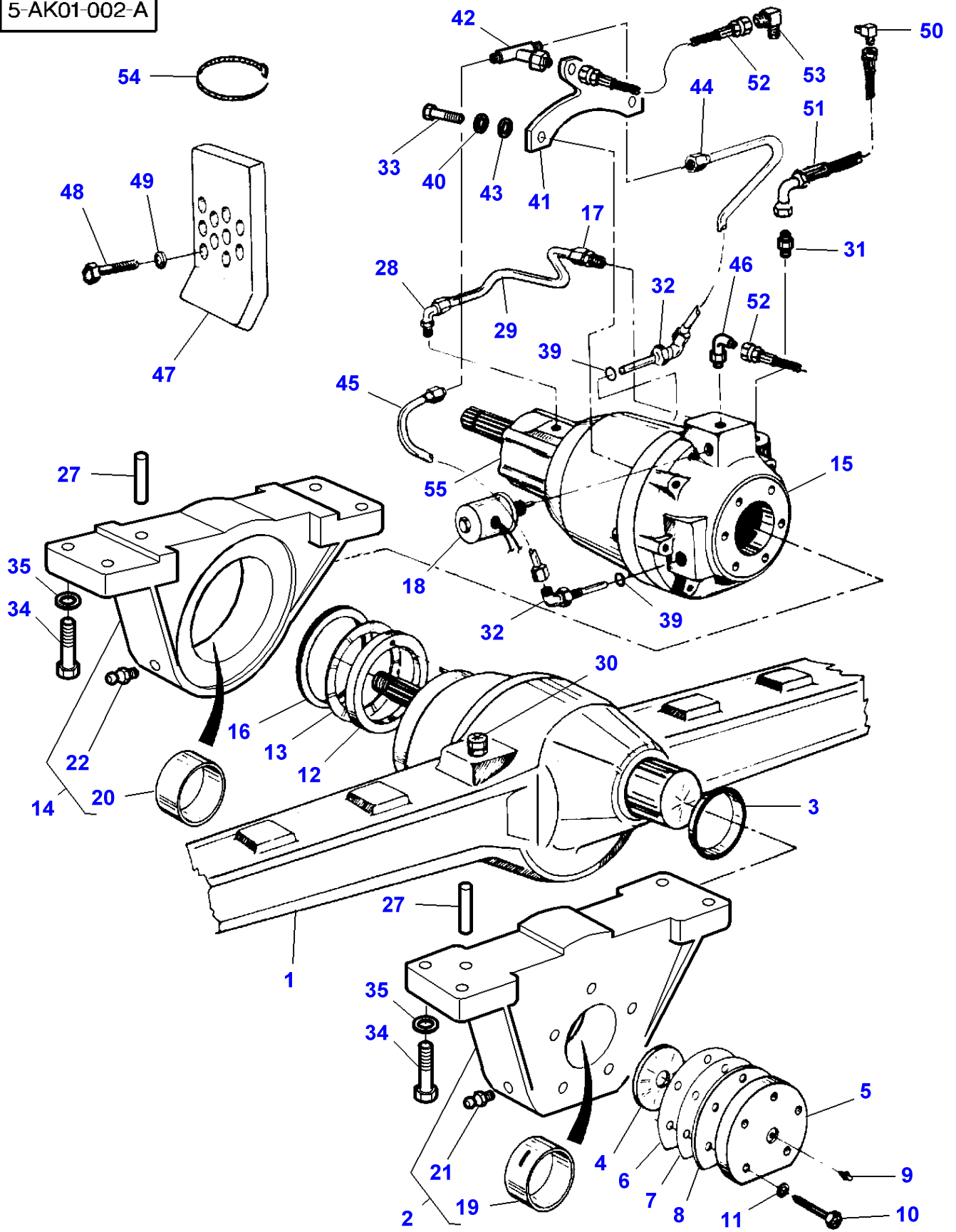
Item	Part Number	Qty	Description	Comments
1	72500714	1	Axle	
2	72501186	1	Kit, Support	
3	72500775	1	Seal	
4	72500771	1	Washer	
5	72500774	1	Blanking Cover	
6	72500768	1	Shim	Thickness .015"
7	72500769	1	Shim	Thickness .021"
8	72500770	1	Shim	Thickness .060"
9	70912494	2	Greaser	
10	70919089	5	Screw	1/2"-13X1.75
11	353439X1	5	Lock Washer	1/2"
12	72500773	1	Spacer	
13	72500772	1	Washer	
14	72501187	1	Kit, Support	
15	72505479	1	Housing	See Page - Reference Number 060-0015/35
16	72500709	2	Seal	
17	70923163	1	Connector	
18	72503804	1	Valve	
28	70922571	1	Elbow	
29	72501198	1	Tube Assy	
30	72162295	1	Breather	
31	72503476	1	Valve	
32	72505258	2	Elbow	
33	72500767	1	Bush	
34	70923111	8	Capscrew	5/8"-11X3"
35	353433X1	8	Lock Washer	5/8"
39	831452M1	2	O Ring	Replace and repair. Old not interchangeable with new 70921885
40	72500766	1	Bush	
41	72503729	1	Bracket	
42	70929190	1	Teepiece	
43	<b>70923550</b>	4	Washer	5/16"X1"
44	72503728	1	Tube Assy	
45	72503727	1	Tube Assy	
46	70925656	1	Connector	
47	72503123	2	Stop	
48	70923292	4	Capscrew	3/4"-10X2"
49	353440X1	4	Lock Washer	3/4"
50	72500717	1	Elbow	
	70923952	1	O Ring	[A]
51	72503734	1	Hose Assy	
52	72503380	2	Hose Assy	
53	70919135	1	Elbow	
54	<b>70925094</b>	4	Clamp	
55	72501158	1	Kit, Clutch	See Page - Reference Number 060-0015/1

FOOTNOTE [A] NOT ILLUSTRATED



MF 9240 TRACTOR - 1637287  
5-AK01-002-A

5-AK01-002-A

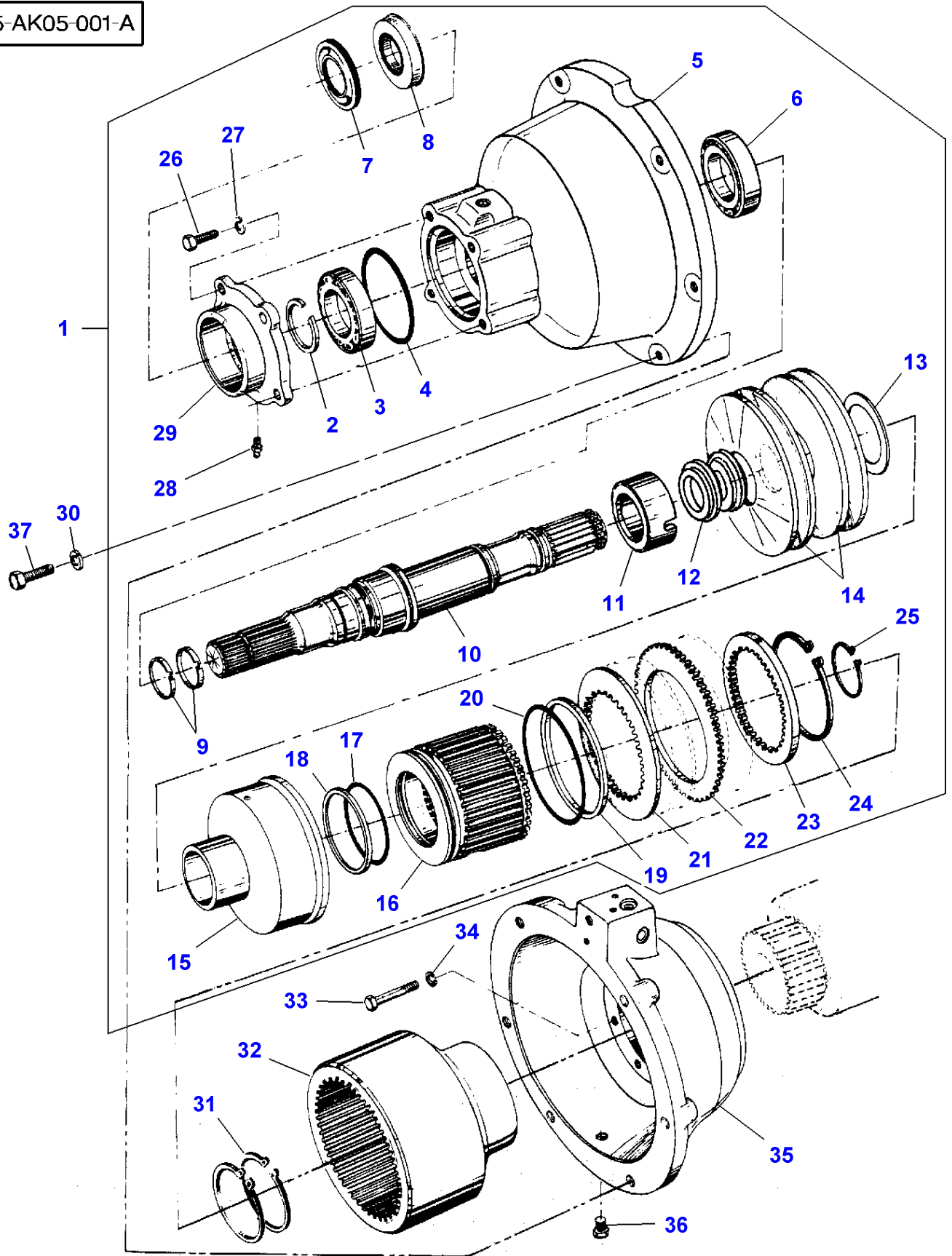


Item	Part Number	Qty	Description	Comments
1	72500714	1	Axle	
2	72509435	1	Support	
3	72500775	1	Seal	
4	72500771	1	Washer	
5	72500774	1	Blanking Cover	
6	72500768	1	Shim	Thickness .015"
7	72500769	1	Shim	Thickness .021"
8	72500770	1	Shim	Thickness .060"
9	70912494	1	Greaser	
10	70919089	5	Screw	1/2"-13X1.75
11	353439X1	5	Lock Washer	1/2"
12	72500773	1	Spacer	
13	72500772	1	Washer	
14	72509443	1	Support	
15	72505479	1	Housing	See Page - Reference Number 060-0015/35
16	72500709	2	Seal	
17	70923163	1	Connector	
18	72503804	1	Valve	
19	72500767	1	Bush	(2)
20	72500766	1	Bush	(14)
21	70912494	1	Greaser	(2)
22	70912494	1	Greaser	(14)
27	70930412	2	Pin	1/2"X2"1/4
28	70922571	1	Elbow	
29	72501198	1	Tube Assy	
30	72162295	1	Breather	
31	72503476	1	Valve	
32	72505258	2	Elbow	
33	70916028	6	Capscrew	1/2"-20X1.75
34	70923111	8	Capscrew	5/8"-11X3.00
35	353433X1	8	Lock Washer	5/8"
39	831452M1	2	O Ring	Replace and repair. Old not interchangeable with new 70921885
40	353439X1	6	Lock Washer	1/2"
41	72511226	1	Bracket	
42	70929190	1	Teepiece	
43	<b>70923550</b>	4	Washer	
44	72511228	1	Tube	
45	72511229	1	Tube	
46	70925656	1	Connector	
47	72503123	2	Stop	
48	70923292	4	Capscrew	3/4"-10X2.00
49	353440X1	4	Lock Washer	3/4"
50	72500717	1	Elbow	
	70923952	1	O Ring	[A]
51	72513931	1	Hose Assy	Replace and repair. Old not interchangeable with new 72503734
52	72509847	2	Hose	
53	70919135	1	Elbow	
54	<b>70925094</b>	4	Clamp	
55	72501158	1	Kit, Clutch	See Page - Reference Number 060-0015/1

FOOTNOTE [A] NOT ILLUSTRATED

MF 9240 TRACTOR - 1637287  
5-AK05-001-A

5-AK05-001-A

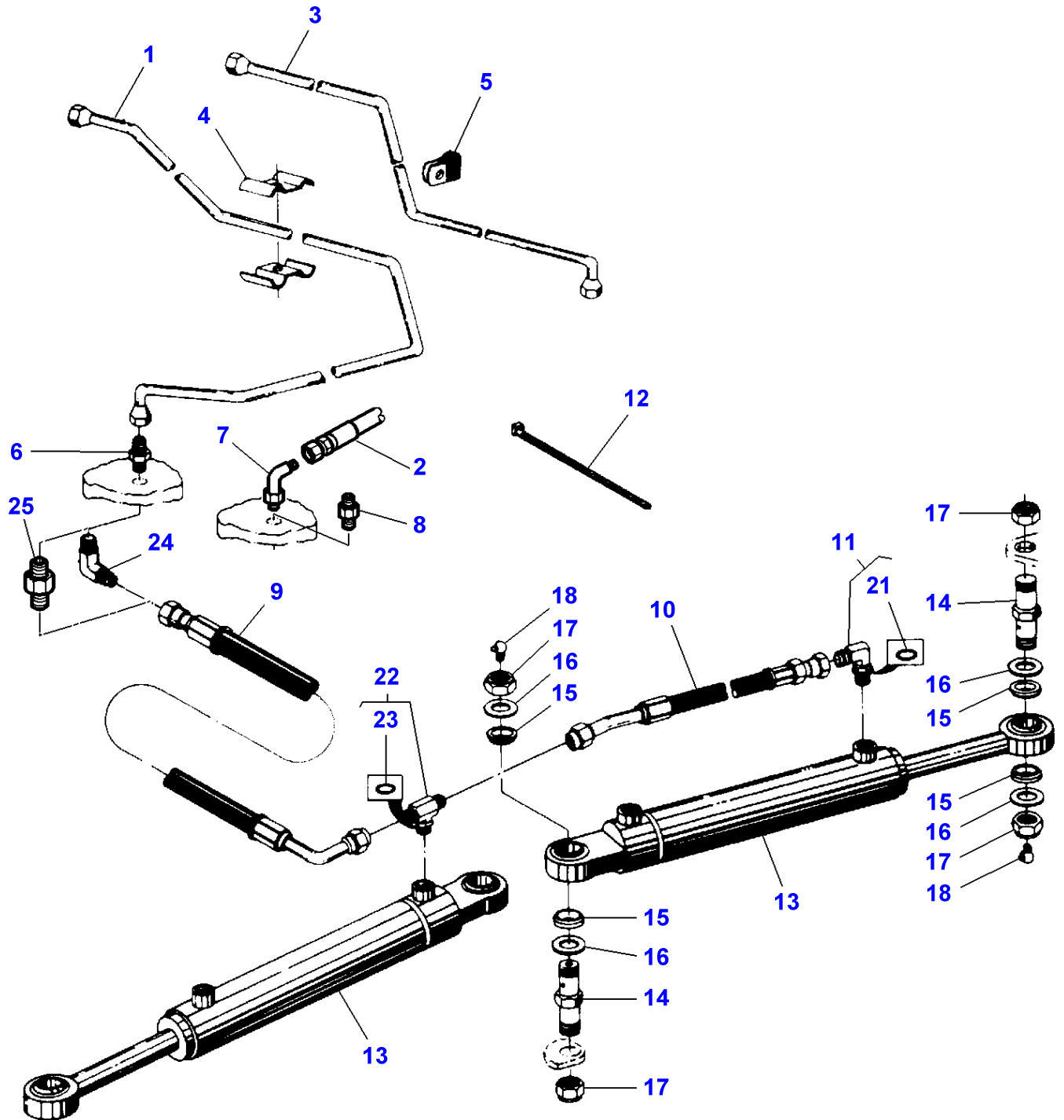


## Front Axle 4 Wheel Drive - Final Drive

Item	Part Number	Qty	Description	Comments
1	72501158	1	Kit, Clutch	
2	70933361	1	Ring	(1)
3	3002233X1	1	Bear. 6009	(1)
4	70924135	1	O Ring	(1) 3/32"X3"ID
5	72502752	1	Cover	(1)
6	1108986	1	Bearing Assy	(1)
7	30-3505901	1	Seal	(1)
8	30-3505928	1	Seal	(1)
9	30-3506169	2	Ring	(1)
10	72508069	1	Kit, Shaft	(1)
	72507095	1	Ring	[A] (1)
11	30-3505944	1	Sleeve	(1)
12	70937166	2	Ring	(1) 3/32"X1 13/32"ID
13	30-3505979	1	Washer	(1) THRUST
14	30-3505960	4	Washer	(1)
15	30-3505952	1	Piston	(1)
16	72508067	1	Hub	(1)
17	70937167	1	O Ring	(1) 3/32"X2-7/8"ID
18	30-3506193	1	Ring	(1)
19	30-3506185	1	Ring	(1)
20	70923659	1	O Ring	(1)
21	72161817	10	Plate	(1)
22	72161788	9	Plate	(1)
23	30-3506010	1	Plate	(1)
24	70927766	1	Ring	(1)
25	72506144	1	Ring	(1)
26	70921210	4	Screw	(1) 3/8"-16X1
27	353434X1	4	Lock Washer	(1) 3/8"
28	<b>13811X</b>	1	Grease Nipple	(1) Replace and repair. Old not interchangeable with new 70912808
29	72500858	1	Retainer	(1)
30	353439X1	6	Lock Washer	1/2"
31	70930837	2	Ring	
32	72500764	1	Housing	
33	354264X1	6	Bolt Unc	3/8"-16X1-3/4"
34	353434X1	6	Lock Washer	3/8"
35	72505479	1	Housing	
	70937170	1	O Ring	[A] 3/32"X8-1/2"ID
36	70922577	1	Plug	
37	70916028	6	Capscrew	

FOOTNOTE [A] NOT ILLUSTRATED

5-AN11-001-B

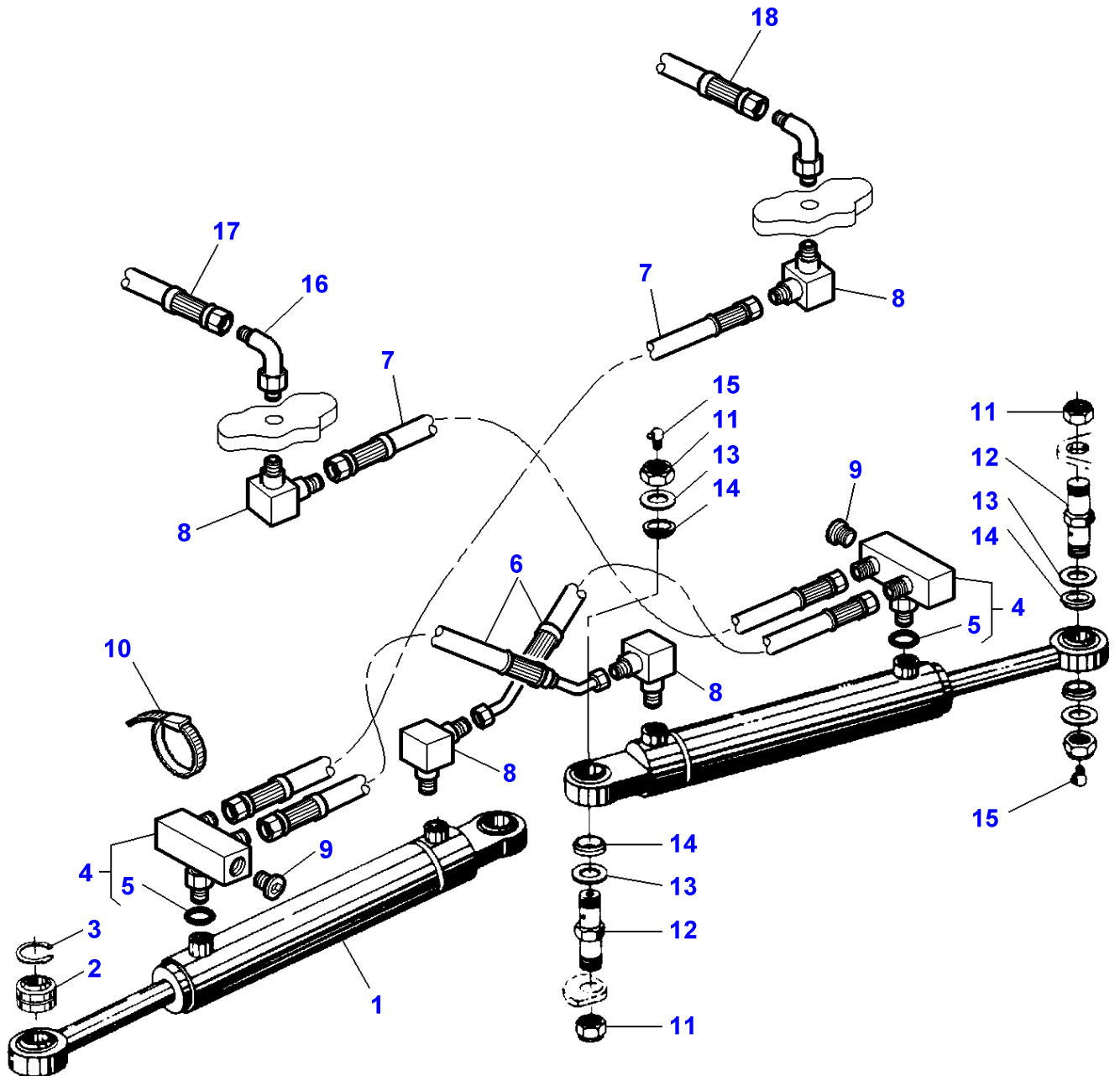


Steering Cylinder

Item	Part Number	Qty	Description	Comments
1	72504061	1	Tube Assy	Right Hand Up to Serial or Engine Number S/N 0011
	72508820	2	Hose	From Serial or Engine Number S/N 0012 Up to Serial or Engine Number SN0067 3/8"X70
2	72509841	1	Hose	From Serial or Engine Number SN0068
3	72504062	1	Tube Assy	Left Hand Up to Serial or Engine Number S/N 0011
4	72160113	5	Clamp	
	70921210	3	Screw	[A] 3/8"
	353434X1	3	Lock Washer	[A] 3/8" LOCK
	355566X1	3	Nut Unc	[A] 3/8"
	70923701	1	Screw	[A] 3/8"-16X2
	70917356	1	Lock Washer	[A]
	<b>70917372</b>	1	Nut	[A] 3/8"-18 GR2
5	70926917	1	Clamp	
6	70922522	2	Connector	Up to Serial or Engine Number SN0067
7	357197X91	1	Elbow	From Serial or Engine Number SN0068 Up to Serial or Engine Number 3/8"X3/8"
8	70922522	2	Connector	Replace and repair. Old not interchangeable with new 70922523 From Serial or Engine Number
9	72161220	2	Hose	
10	72513885	2	Hose	
11	357197X91	4	Elbow	9/16"-18 90' Replace and repair. Old not interchangeable with new 70922523
12	3619622M1	2	Cable Tie	Length 14-3/16" Replace and repair. Old not interchangeable with new 70925442
13	72163177	2	Cylinder	See Page - Reference Number 060-0035/1
14	72161186	4	Stud	
15	72161188	8	Spacer	1"IDX1-1/4" OD
16	70924707	8	Washer	
17	70929610	8	Nut	1-14
18	<b>70915276</b>	4	Nipple	1/8" NPT90'
19	72160270	2	Sleeve	[A]
20	72504056	1	Bracket	[A]
	70923881	1	Capscrew	[A] 5/8"-11
	353433X1	1	Lock Washer	[A] 5/8" LOCK
	70932665	1	Nut	[A] 5/8"-11
21	831452M1	2	O Ring	(11) 5/64"X15/32"ID Replace and repair. Old not interchangeable with new 70921885
22	70923894	2	Teepiece	3/8"X9/16"-18
23	831452M1	2	O Ring	(8) 5/64"X15/32"ID Replace and repair. Old not interchangeable with new 70921885
24	70919136	2	Fitting	3/8X3/8"NPT90' Replace and repair. Old not interchangeable with new 940281
	70922921	2	Elbow	3/8"X3/8"JIC Up to Serial or Engine Number SN0209
25	70922522	2	Connector	3/8"X3/8"JIC From Serial or Engine Number SN0210

FOOTNOTE [A] NOT ILLUSTRATED

5-AN11-003-A

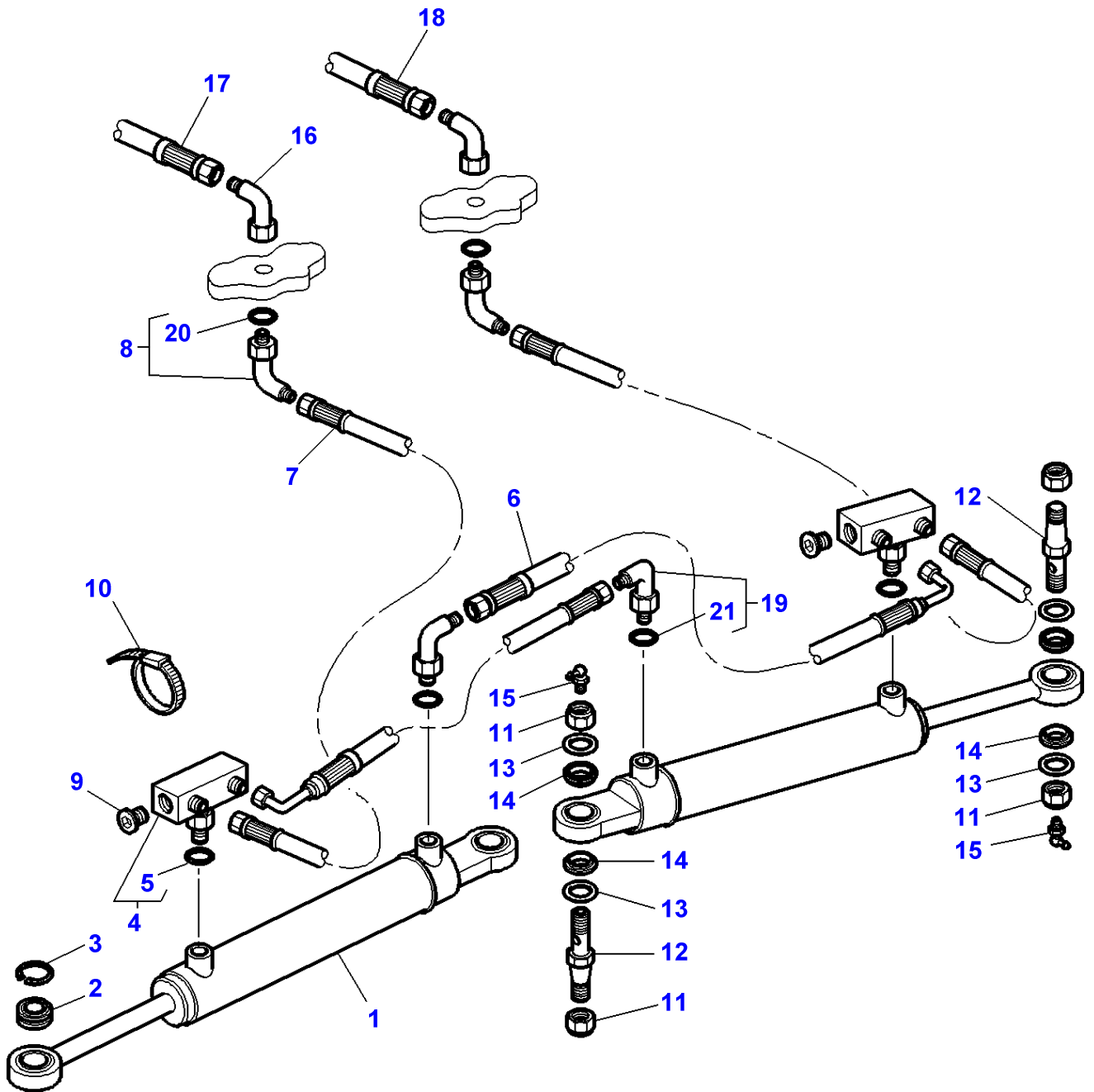


**Massey Ferguson****MF 9240 TRACTOR - 1637287****1637287****Steering Cylinder - FROM 02/05/1996 - EXCEPTED EUROPE - UP TO 14/09/97****Page060-0025**

<b>Item</b>	<b>Part Number</b>	<b>Qty</b>	<b>Description</b>	<b>Comments</b>
1	72163177	2	Cylinder	See Page - Reference Number 060-0035/1
2	72161185	4	Bearing	
3	72161187	4	Ring	
4	72513792	2	Union	
5	831452M1	1	O Ring	(4) Replace and repair. Old not interchangeable with new 70921885
6	72513885	2	Hose	3/8"X30"
7	72513884	2	Hose	3/8"X28.5"
8	357197X91	4	Elbow	3/8"X3/8" Replace and repair. Old not interchangeable with new 70922523
9	70928605	2	Fitting	1/4"
10	70937133	2	Tie	
11	70929610	8	Nut	1-14
12	72161186	4	Stud	
13	70924707	8	Washer	
14	72161188	8	Spacer	1"IDX1-1/4" OD
15	<b>70915276</b>	4	Nipple	1/8" NPT90'
16		2	Elbow	See Page - Reference Number 070-0015/1
17		1	Hose	See Page - Reference Number 070-0015/2
18		1	Hose	See Page - Reference Number 070-0015/36



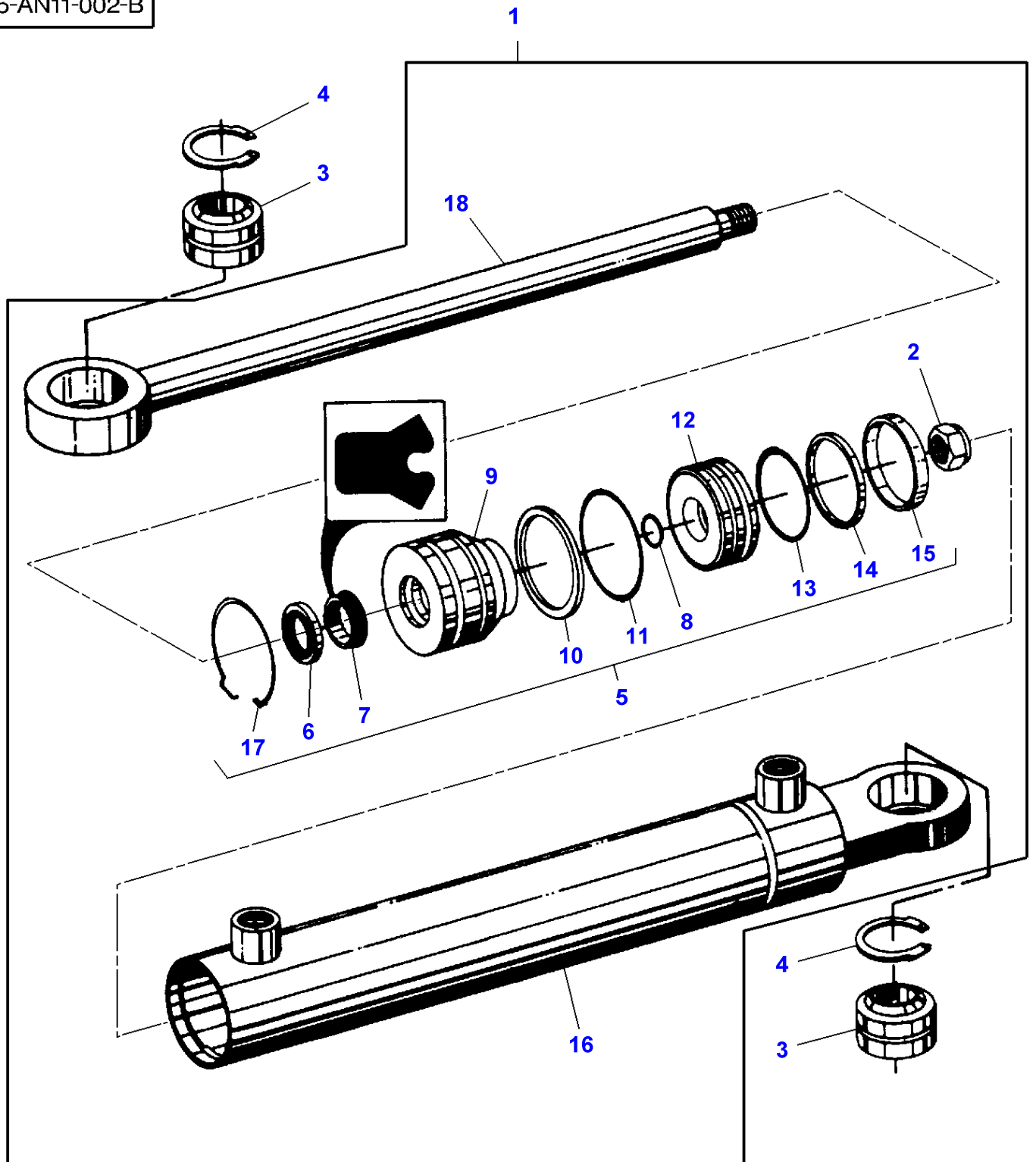
5-AN11-004-A



Item	Part Number	Qty	Description	Comments
1	72163177	2	Cylinder	See Page - Reference Number 060-0035/1
2	72161185	4	Bearing	
3	72161187	4	Ring	
4	72513792	2	Union	
5	831452M1	1	O Ring	(4) Replace and repair. Old not interchangeable with new 70921885
6	72514745	2	Hydr Hose	
7	72514746	2	Hydr Hose	
8	357197X91	2	Elbow	
9	70928605	2	Fitting	1/4"
10	70937133	2	Tie	
11	70929610	8	Nut	1-14
12	72161186	4	Stud	
13	70924707	8	Washer	
14	72161188	8	Spacer	1"IDX1-1/4" OD
15	<b>70915276</b>	4	Nipple	1/8" NPT90'
16		2	Elbow	See Page - Reference Number 070-0015/1
17		1	Hose	See Page - Reference Number 070-0015/2
18		1	Hose	See Page - Reference Number 070-0015/36
19	70925295	2	Elbow	
20	831452M1	1	O Ring	(8)
21	70935790	1	Washer	(19)

MF 9240 TRACTOR - 1637287  
5-AN11-002-B

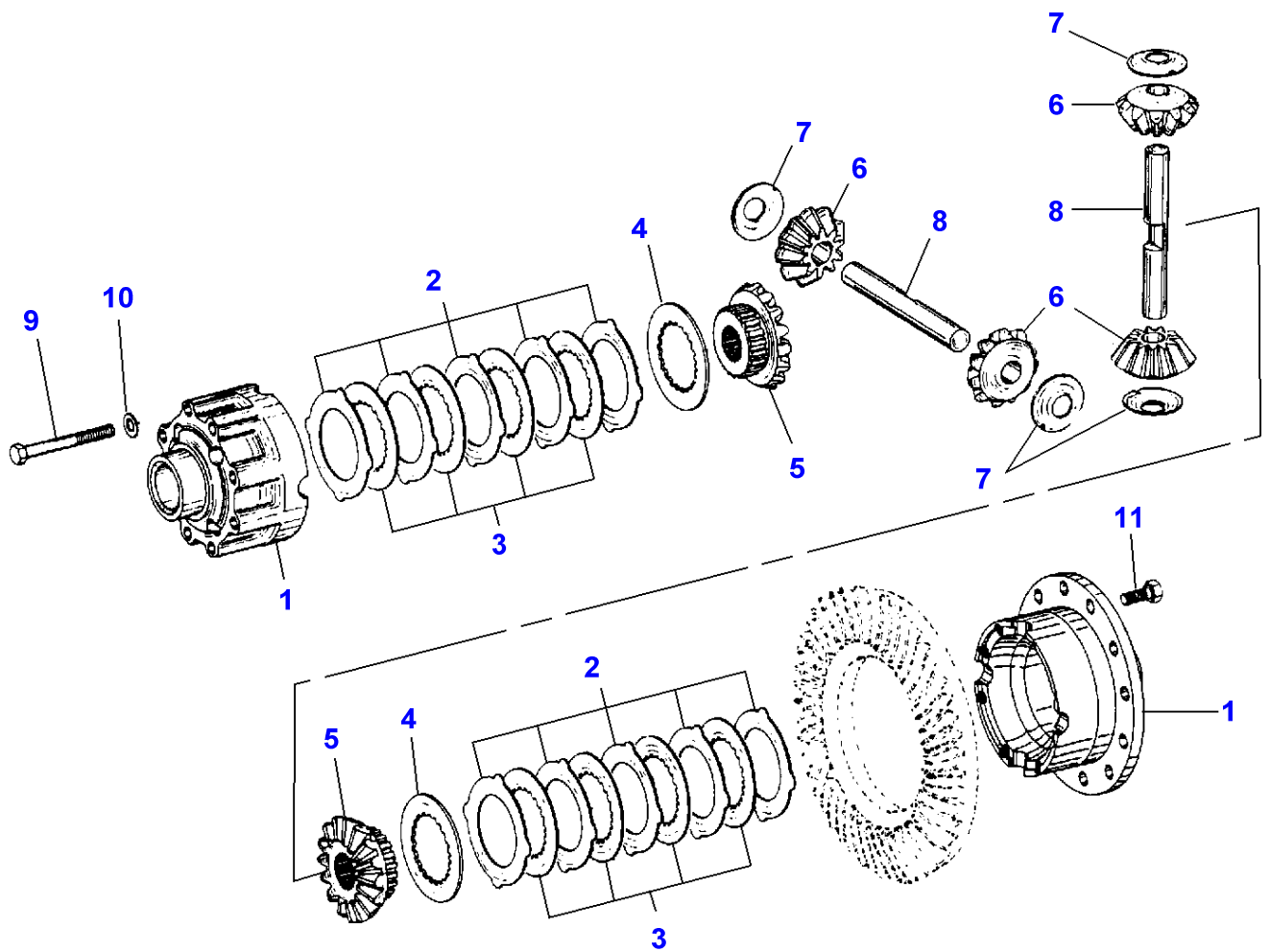
5-AN11-002-B



## Steering Cylinder - Cylinder Components

Item	Part Number	Qty	Description	Comments
1	72163177	1	Cylinder	
2	72162714	1	Nut	(1) 3/4"-16 UTC
3	72161185	2	Bearing	
4	72161187	2	Ring	1-3/4"OD
5	72162718	1	Kit, Seal	(1)
6	72162723	1	Wiper	(5)
7	72162722	1	Seal	(5)
8	70923945	1	O Ring	(5) 1/16"X3/4"ID
9	72162717	1	Gland	(1)
10	72162721	1	Washer	(5)
11	70923826	1	O Ring	(5) 3/16"X1-5/8"ID Replace and repair. Old not interchangeable with new 72162613
12	72162715	1	Piston	(1)
13	72162719	1	O Ring	(5)
14	72162720	1	Ring	(5)
15	72162725	1	Oil Seal	(5)
16	72162713	1	Tube	(1)
17	72162724	1	Wire	(5)
18	72162716	1	Rod	(1)

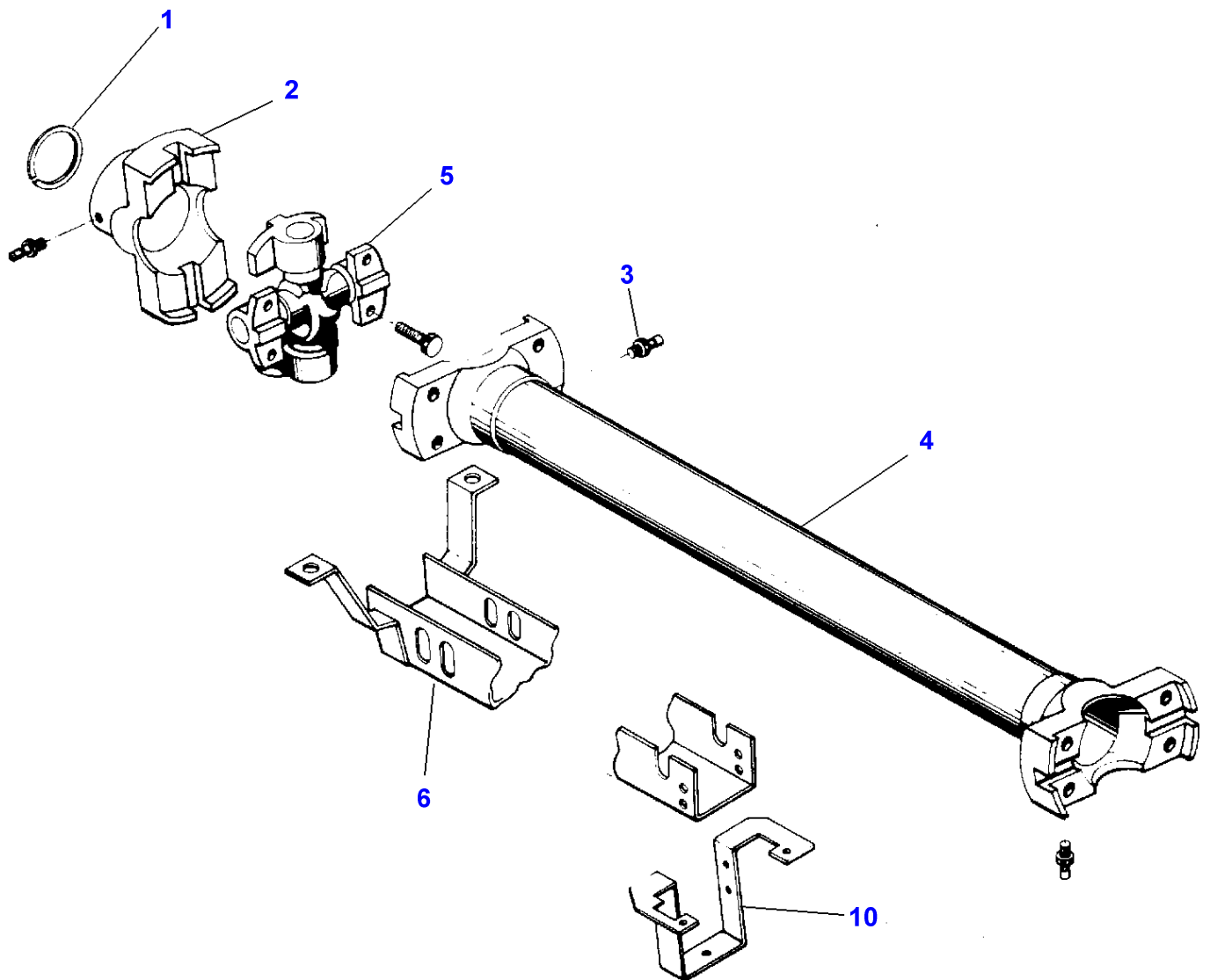
5-AK12-001-A



**Massey Ferguson****MF 9240 TRACTOR - 1637287****1637287****Front Axle 4 Wheel Drive - Differential Lock Mechanism****Page060-0040**

<b>Item</b>	<b>Part Number</b>	<b>Qty</b>	<b>Description</b>	<b>Comments</b>
	4325142	1	Differential	
1	72162727	1	Case	
2	72506027	10	Plate	Thickness 1,8MM
	72162272	10	Plate	Thickness 1,9MM
	72162273	10	Plate	Thickness 2,0MM
3	72162274	8	Disc	
4	72162275	2	Plate	Thickness 3,1MM
5	72162280	2	Gear	Number of teeth/spines 29
6	72162281	4	Pinion	
7	72162282	4	Washer	
8	72162283	2	Shaft	
9	72162728	8	Capscrew	M12X95
10	72162455	8	Washer	M12
11	72162729	12	Capscrew	M14X25

5-AK11-001-A



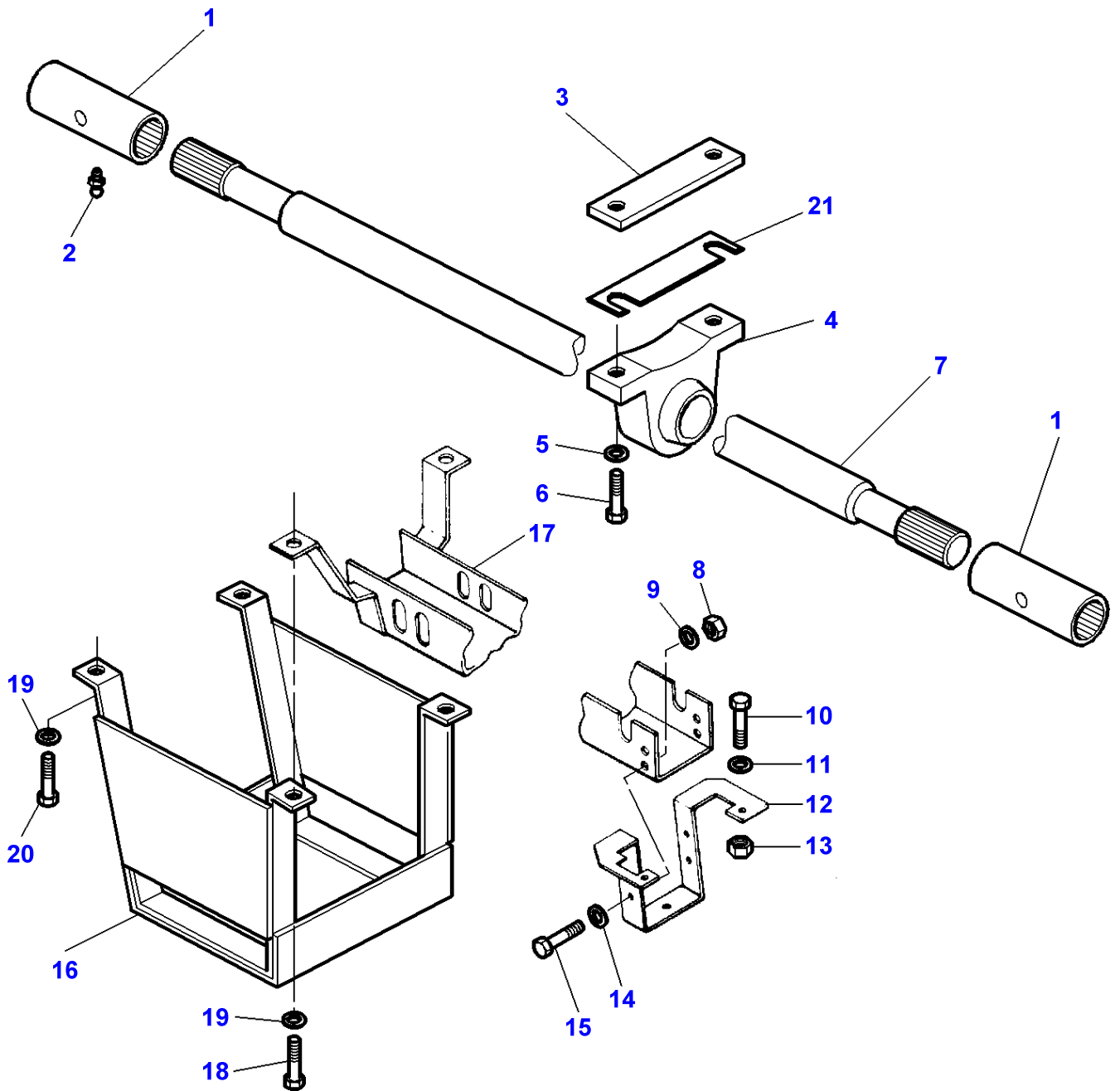
Item	Part Number	Qty	Description	Comments
1	70926982	2	Ring	
2	72501141	2	Yoke	
3	<b>13811X</b>	2	Grease Nipple	Replace and repair. Old not interchangeable with new 70912808
4	72501142	1	Kit, Shaft	
5	72161827	2	Bearing	
	70923433	16	Capscrew	[A] 3/8"-24X1-3/4" GR8
6	72502717	1	Shield	
	70924744	2	Screw	[A] 5/8"
	353433X1	2	Lock Washer	[A] 5/8" LOCK
	70927646	2	Washer	[A] 5/8"
7	72502704	1	Support	[A]
	353689X1	4	Screw Unc	[A] 3/8"-16X3/4"
	BPN31029	4	Washer	[A] 3/8"
	70919312	4	Washer	[A] 3/8" LOCK
	355566X1	4	Nut Unc	[A] 3/8"-16
10		1	Support	[A,B]

FOOTNOTE [A] NOT ILLUSTRATED

FOOTNOTE [B] NUMBER TO BE ADVISED

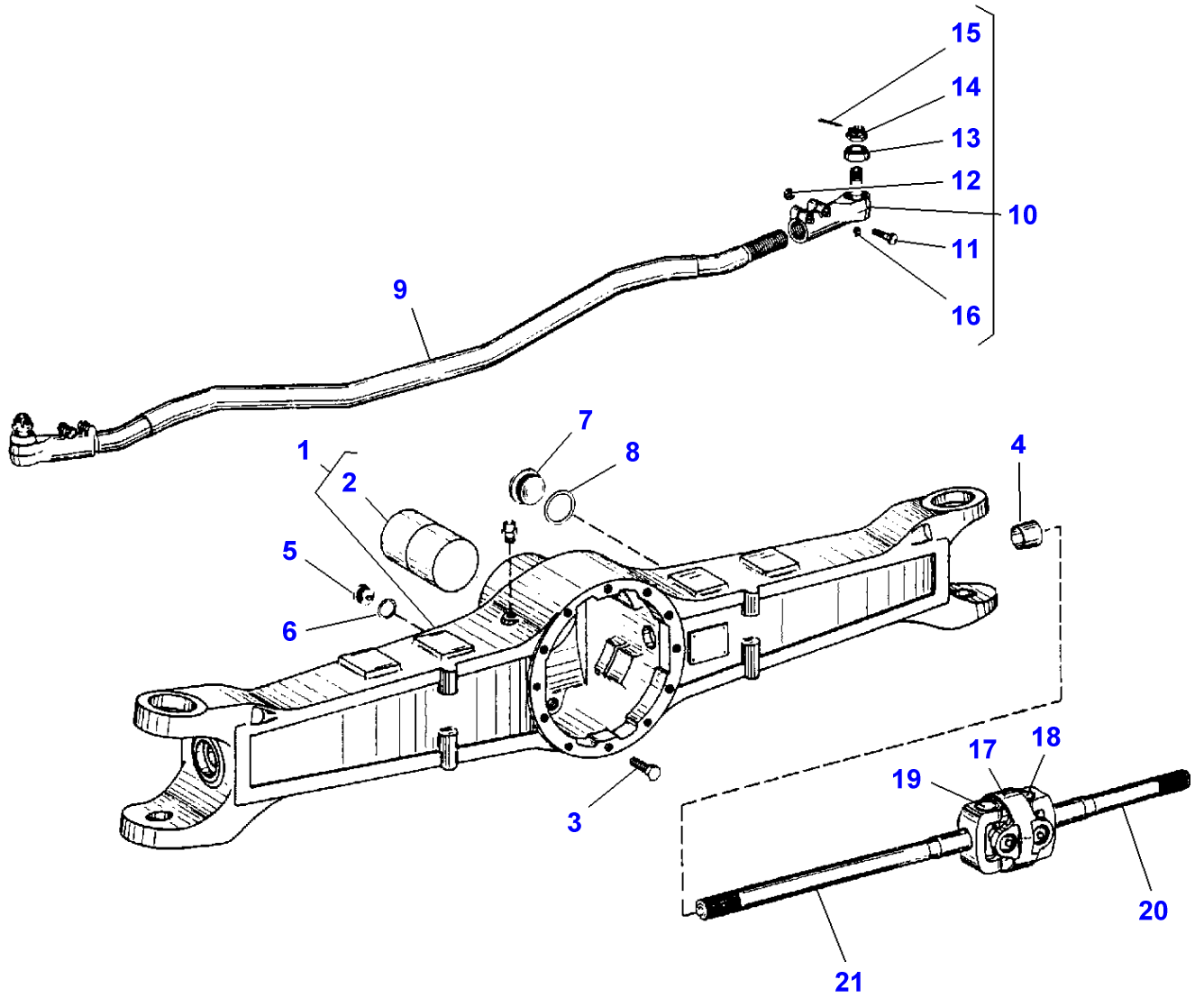


5-AK11-002-A



Item	Part Number	Qty	Description	Comments
1	30-3504476	2	Coupler	
2	70914465	2	Grease Nipple	
3	72509765	1	Spacer	
4	72509763	1	Bearing	
5	70928178	2	Washer	1/2"
6	70922645	2	Capscrew	1/2"-13X2.25
7	72509764	1	Shaft	
8	355566X1	4	Nut Unc	3/8"-16
9	353434X1	4	Lock Washer	3/8"
10	70921973	2	Screw	3/8"-16X2.75
11	70927646	2	Washer	
12	72502704	2	Support	
13	<b>Y704635</b>	2	Nut	3/8"-16
14	BPN31029	4	Washer	3/8"
15	353689X1	4	Screw Unc	3/8"-16X3/4"
16	72509773	1	Deflector	
17	72507121	1	Shield	
18	70924744	2	Screw	5/8"
19	353433X1	4	Lock Washer	5/8"
20	70923112	2	Bolt	5/8"-11X1.75
21	72511185	3	Shim	Thickness .005"
	72511186	3	Shim	Thickness .010"
	72511187	3	Shim	Thickness .015"

5-AK03-001-A

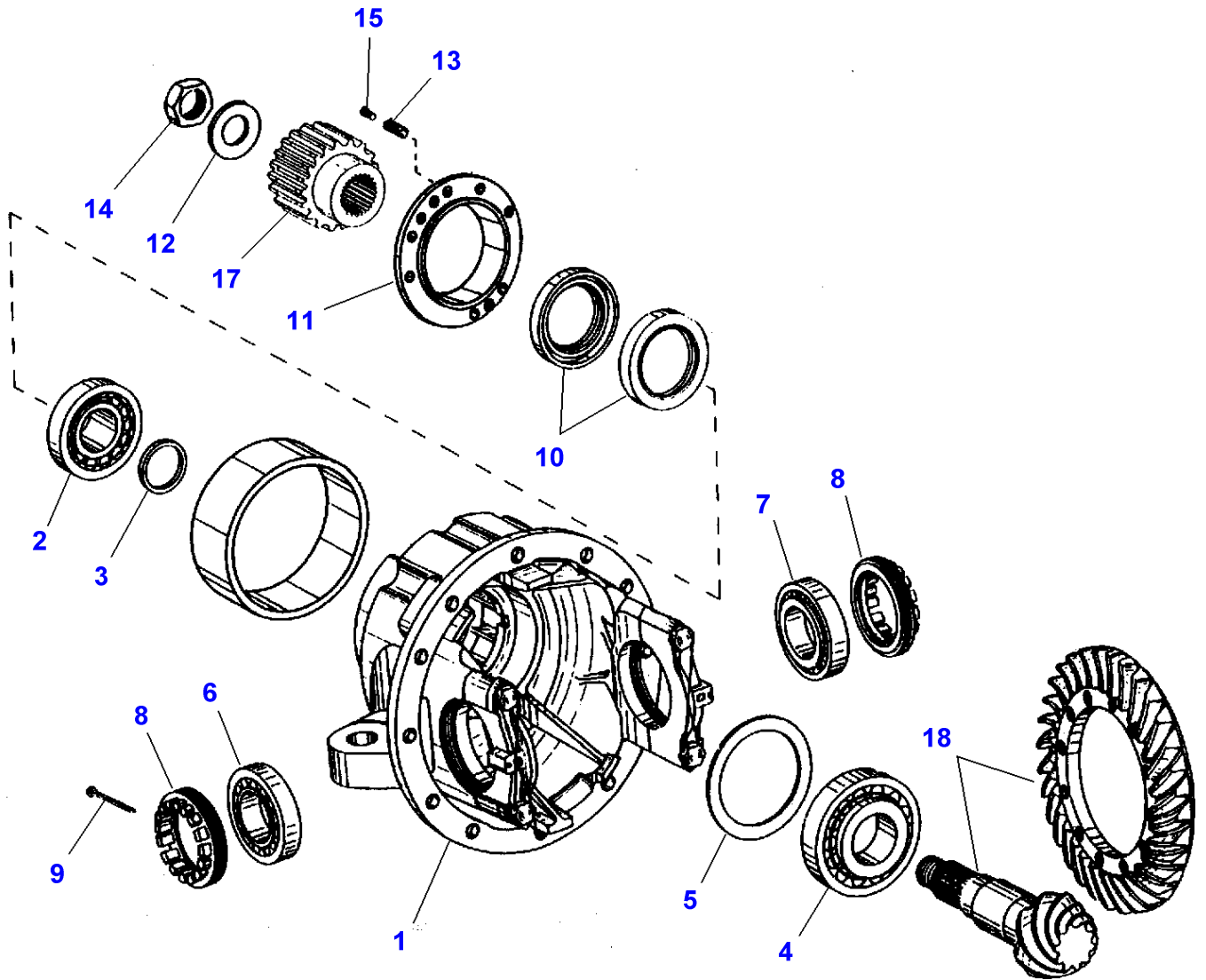


## Front Axle 4 Wheel Drive - Housing

Item	Part Number	Qty	Description	Comments
1	72506029	1	Housing	
2	72506030	1	Clevis Pin	(1)
	72506031	1	Bush	[A] (1)
3	1162825	8	Capscrew	M14X50
	4347037	4	Capscrew	
4	2374317	2	Bush	
5	72506039	1	Plug	
6	72162292	1	Ring	
7	72162293	1	Plug	M42-1,5
8	72162294	1	Ring	
9	72162756	1	Rod	
10	<b>72162306</b>	1	Toggle	Right Hand
	<b>72162307</b>	1	Toggle	Left Hand
				Replace and repair. Old not interchangeable with new 4350393
11	72162732	4	Capscrew	(10) M10-1,0X40MM
12	72162309	4	Nut	(10) M10-1,0
13	72162310	2	Seal	(10)
14	72162311	2	Nut	(10) M24-1,5
15	PZND4021V	2	Pin	(10) M5X50
16	1120697	2	Greaser	(10) M8-1
17	72162300	2	Knuckle	
18	72162302	2	Crosspiece	INNER
19	72162301	2	Crosspiece	OUTER
20	72162303	2	Shaft	OUTER
21	72162304	2	Shaft	INNER

FOOTNOTE [A] NOT ILLUSTRATED

5-AK04-001-A

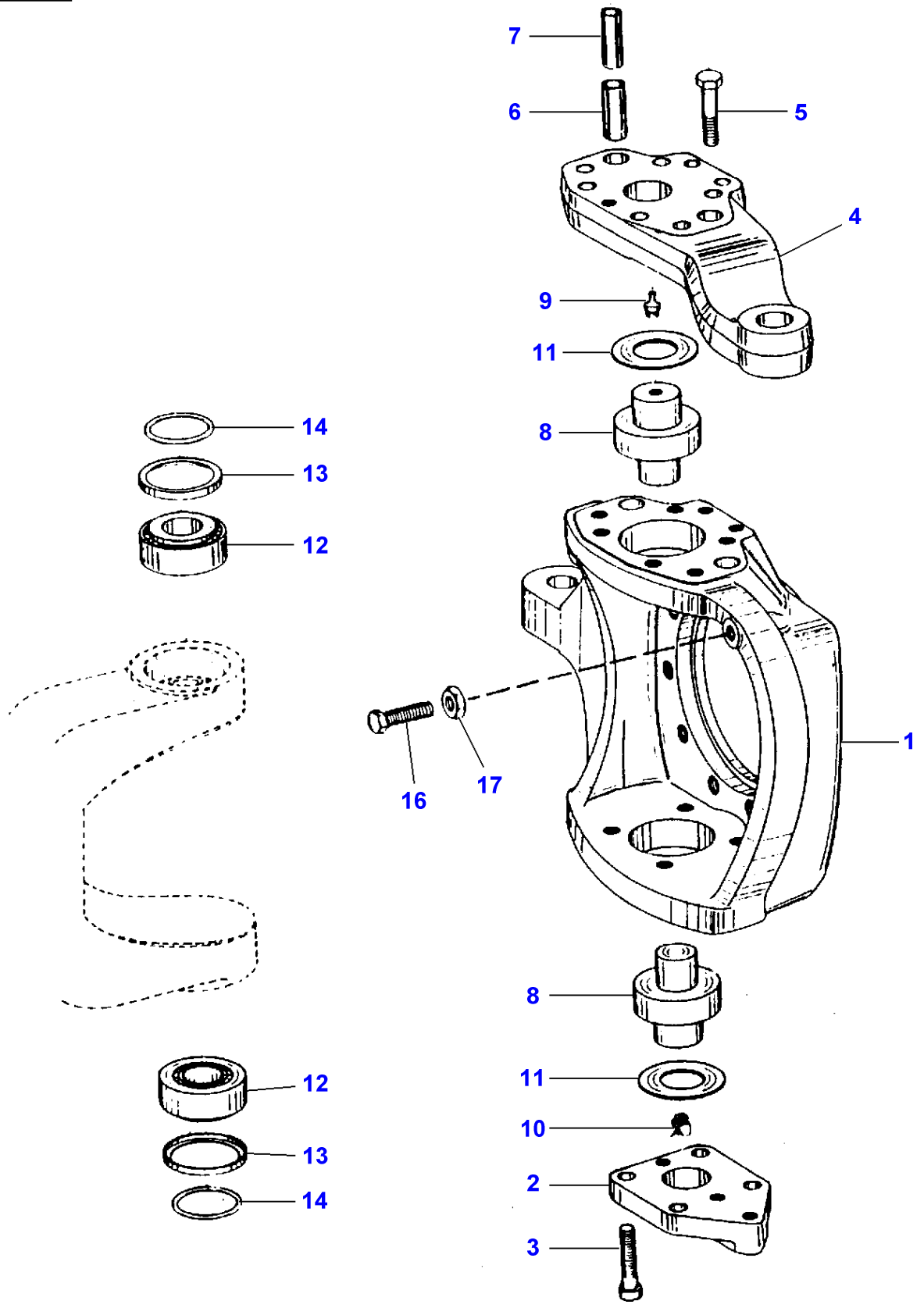


## Front Axle 4 Wheel Drive - Differential

Item	Part Number	Qty	Description	Comments
1	72506017	1	Housing	
2	72506018	1	Bearing	
3	72162237	X	Shim	Thickness 6,6MM
	72162238	X	Shim	Thickness 6,4MM
	72162239	X	Shim	Thickness 6,2MM
	72162240	X	Shim	Thickness 6,0MM
	72162241	X	Shim	Thickness 5,8MM
	72162242	X	Shim	Thickness 5,6MM
	72162243	X	Shim	Thickness 5,4MM
4	72506019	1	Bearing	
5	72162246	X	Shim	Thickness 3,0MM
	72162247	X	Shim	Thickness 2,9MM
	72162248	X	Shim	Thickness 2,8MM
	72162249	X	Shim	Thickness 2,7MM
	72162250	X	Shim	Thickness 2,0MM
	72162251	X	Shim	Thickness 1,9MM
	72162252	X	Shim	Thickness 1,8MM
	72162253	X	Shim	Thickness 1,7MM
	72162254	X	Shim	Thickness 1,6MM
	72162255	X	Shim	Thickness 1,5MM
	72162256	X	Shim	Thickness 1,4MM
	72162257	X	Shim	Thickness 1,3MM
	72162258	X	Shim	Thickness 1,2MM
	72162259	X	Shim	Thickness 1,1MM
6	72506020	1	Bearing	Right Hand
7	72506021	1	Bearing	Left Hand
8	72162264	2	Nut	
9	1132649	2	Pin	
10	72502759	2	Seal	
11	72506023	1	Flange	
12	4325135	1	Washer	
13	72162922	1	Pin	M7X30
14	4324788	1	Nut	M30-1,5
15	72506024	3	Capscrew	M6X20
16	72506025	1	Bush	[A]
17	72506026	1	Flange	
18	72162270	1	Kit, Gear	

FOOTNOTE [A] NOT ILLUSTRATED

5-AK05-002-A

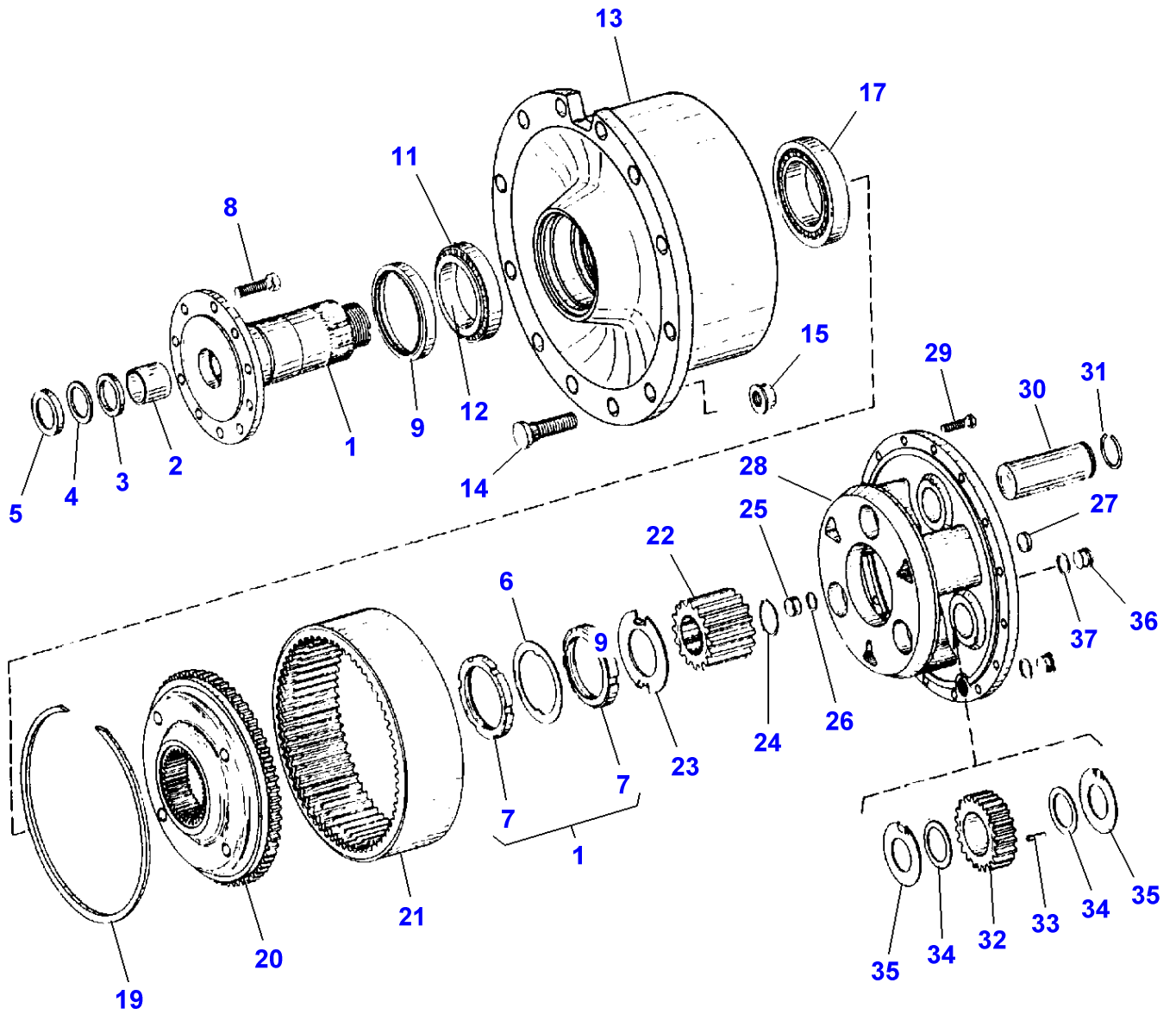


## Front Axle 4 Wheel Drive - Final Drive - Housing

Item	Part Number	Qty	Description	Comments
1	4350433	1	Housing	Left Hand
	4350432	1	Housing	Right Hand
2	72162315	2	Cover	
3	1112619	8	Capscrew	M14X40
4	4325207	1	Arm	Left Hand
				Replace and repair. Old not interchangeable with new 72162317
	72162316	1	Arm	Right Hand
5	1111677	12	Capscrew	M14X55
6	1115520	4	Pin	Diameter 20X50
7	1137371	4	Pin	Diameter 12X50
8	4325209	4	Pivot	
9	1168226	2	Greaser	M10
10	1120698	2	Greaser	45'
11	72162322	X	Shim	Thickness 2,8MM
	72162323	X	Shim	Thickness 2,9MM
	72162324	X	Shim	Thickness 3,0MM
	72162325	X	Shim	Thickness 3,1MM
	72162326	X	Shim	Thickness 3,2MM
	72162327	X	Shim	Thickness 3,3MM
	72162328	X	Shim	Thickness 3,4MM
	72162329	X	Shim	Thickness 3,5MM
	72162330	X	Shim	Thickness 3,6MM
12	72162331	4	Bearing	
13	4324772	4	Cap	
14	4324773	4	O Ring	Diameter 4X57 ID
16	72162752	4	Stop	
17	72162884	4	Nut	M18

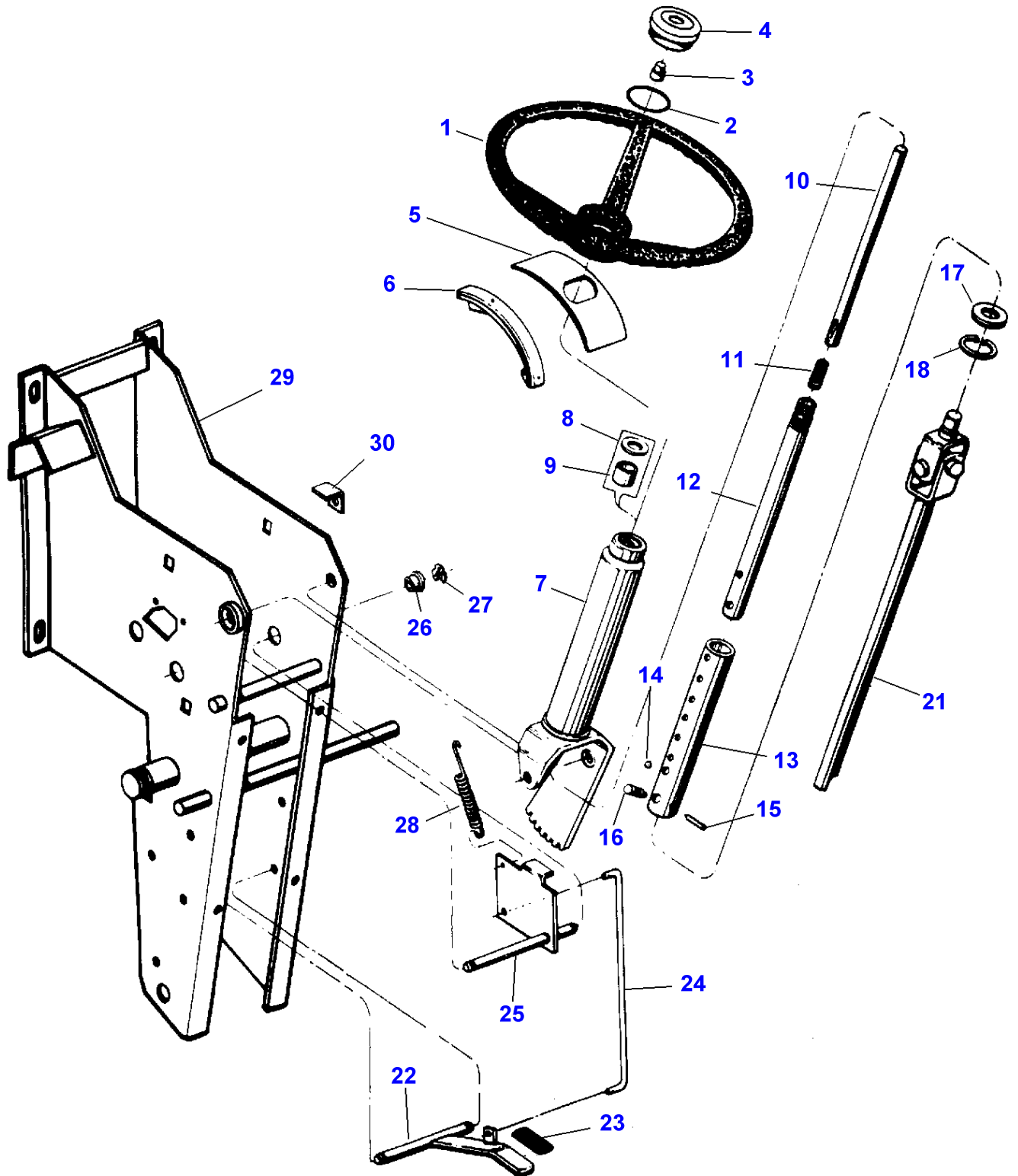


5-AK05-003-A



Item	Part Number	Qty	Description	Comments
1	72162335	2	Spindle	
2	2374317	2	Bush	Replace and repair. Old not interchangeable with new 72162296
3	4341193	2	Seal	Replace and repair. Old not interchangeable with new 72162297
4	4342918	2	Ring	Replace and repair. Old not interchangeable with new 72162298
5	4341194	2	Plate	
6	72162336	2	Washer	
7	72162337	4	Nut	(1) M70X1.5
8	72506034	24	Capscrew	M16X35
9	72506036	2	Seal	Diameter 140MM OD
10	72162339	2	Washer	
11	834951M1	2	Cone Cup	
12	4336119	2	Bearing Cone	
13	72162342	2	Hub	
14	72162343	24	Bolt	M22-1.5
15	72162344	24	Nut	M22
17	72506035	2	Bearing	
19	72162347	2	Ring	
20	72162734	2	Carrier	
21	72162349	2	Gear	Number of teeth/spines 63
22	72162350	2	Gear	Number of teeth/spines 15
23	72162351	2	Washer	
24	72162352	2	Ring	
25	72162353	2	Plug	
26	72162354	X	Shim	Thickness 0,3MM
	72162355	X	Shim	Thickness 0,5MM
	72162356	X	Shim	Thickness 1,0MM
	72162357	X	Shim	Thickness 3,0MM
27	72162358	2	Cap	
28	72162735	2	Carrier	
29	1112619	32	Capscrew	M14X40
30	72162360	6	Pin	
31	72162361	6	Ring	
32	4346050	6	Gear	
33	72162363	138	Roller	
34	72506037	12	Washer	
35	72162365	12	Washer	
36	72506038	4	Plug	M24-1.5
37	72162292	4	Ring	

5-AN04-001-A

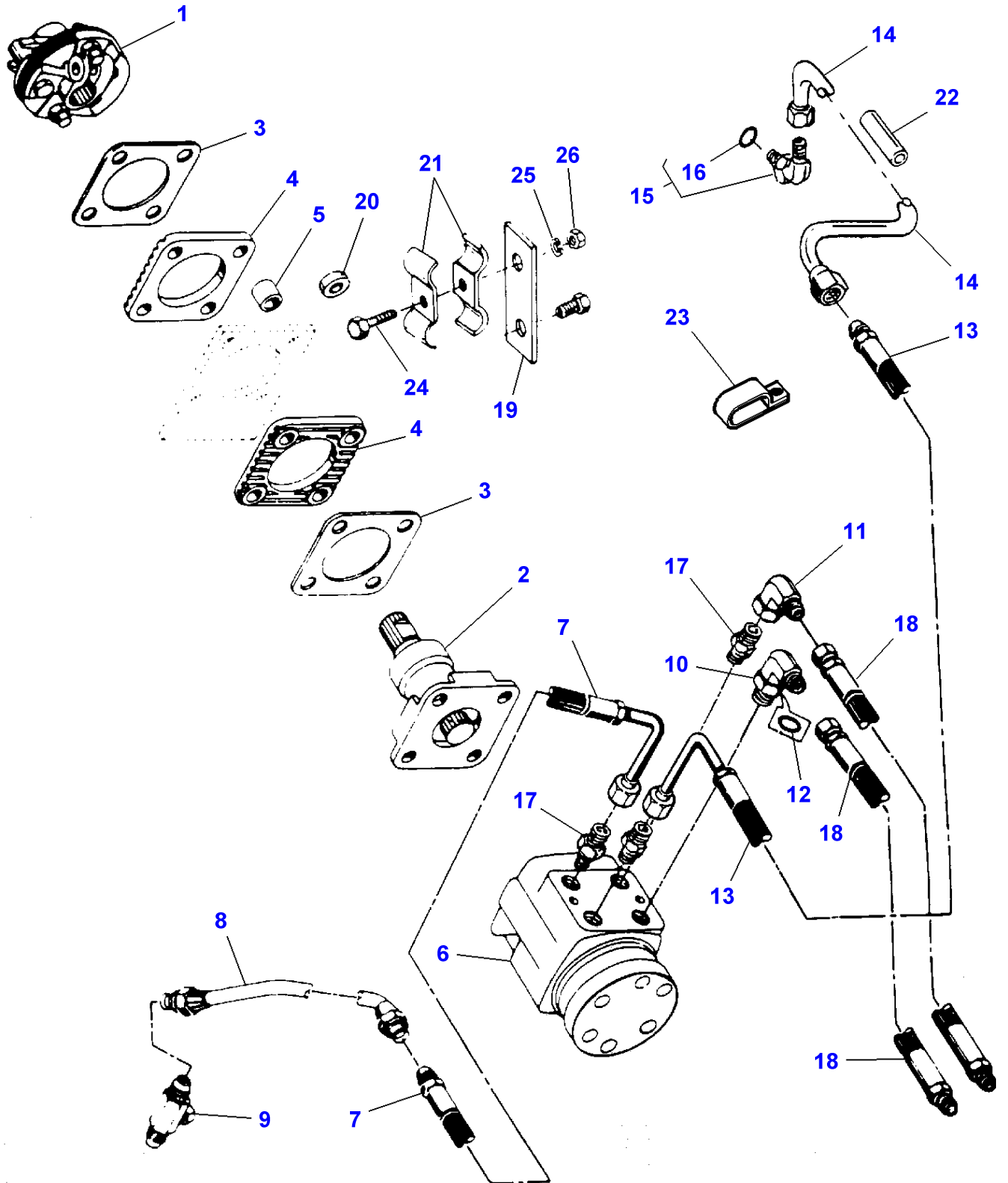


## Steering - Steering Wheel And Column

Item	Part Number	Qty	Description	Comments
1	71142487	1	Steering Wheel	
	70922133	1	Nut	[A] 3/4"-16 3/4"-16
2	359188X1	1	O Ring	1/8"X2-3/4" ID
3	72160860	1	Button	
4	71362894	1	Cap	
5	72160750	1	Muff	
6	72160825	2	Guide	
	70937030	2	Screw	[A] N8X1
	70937140	2	Screw	[A] N8X1-1/4"
7	30-3366790	1	Column	
	70924204	2	Screw	[A] 1/2"-13X1-1/2" SLOTTED
	70913744	2	Nut	[A] 1/2"-13
8	831135M1	1	Seal	1-1/8" OD
9	72162088	1	Bush	Length 7/8" 7/8"IDX1-1/8OD
10	72161939	1	Shaft	Length 9-5/8" 1/2" OD
11	72161921	1	Spring	Length 1-3/8" 31/64" OD
12	72161935	1	Tube	
13	72161937	1	Tube	1-1/4" Length 7-7/8"
14	70924855	1	Ball	Diameter 3/8"
15	70915935	1	Pin	5/16"X1-1/4"
16	72161938	1	Pin	
17	72161936	1	Bush	7/8" ID 1-3/4" OD
18	70925993	1	Clip	1-15/16" OD
21	72501065	1	Shaft	Length 20-5/8"
22	72501071	1	Pedal	
23	72161983	1	Cover	3/4"X2-1/2"
24	72501070	1	Rod	Length 12-3/16"
	70917377	2	Washer	[A] 1/4"
	70918452	2	Pin	[A] 1/8"X1
25	72161962	1	Latch	
26	71361783	4	Bush	
27	70227976	4	Ring	13/32" ID
28	72503693	1	Spring	Length 6
29	72501059	1	Pedestal	
	70931649	4	Screw	[A] 3/8"-16X3/4"
	70935966	2	Screw	[A] 3/8"-16X1-1/4"
	70922586	2	Capscrew	[A] 3/8"-16X5/8"
	70918266	8	Washer	[A] 3/8"
	353434X1	8	Lock Washer	[A] 3/8"
30	72501058	1	Shank	
	360513X1	1	Screw	[A] 3/8"-16X3/4"
	70931211	1	Nut	[A] 3/8"-16

FOOTNOTE [A] NOT ILLUSTRATED

5-AN06-001-A



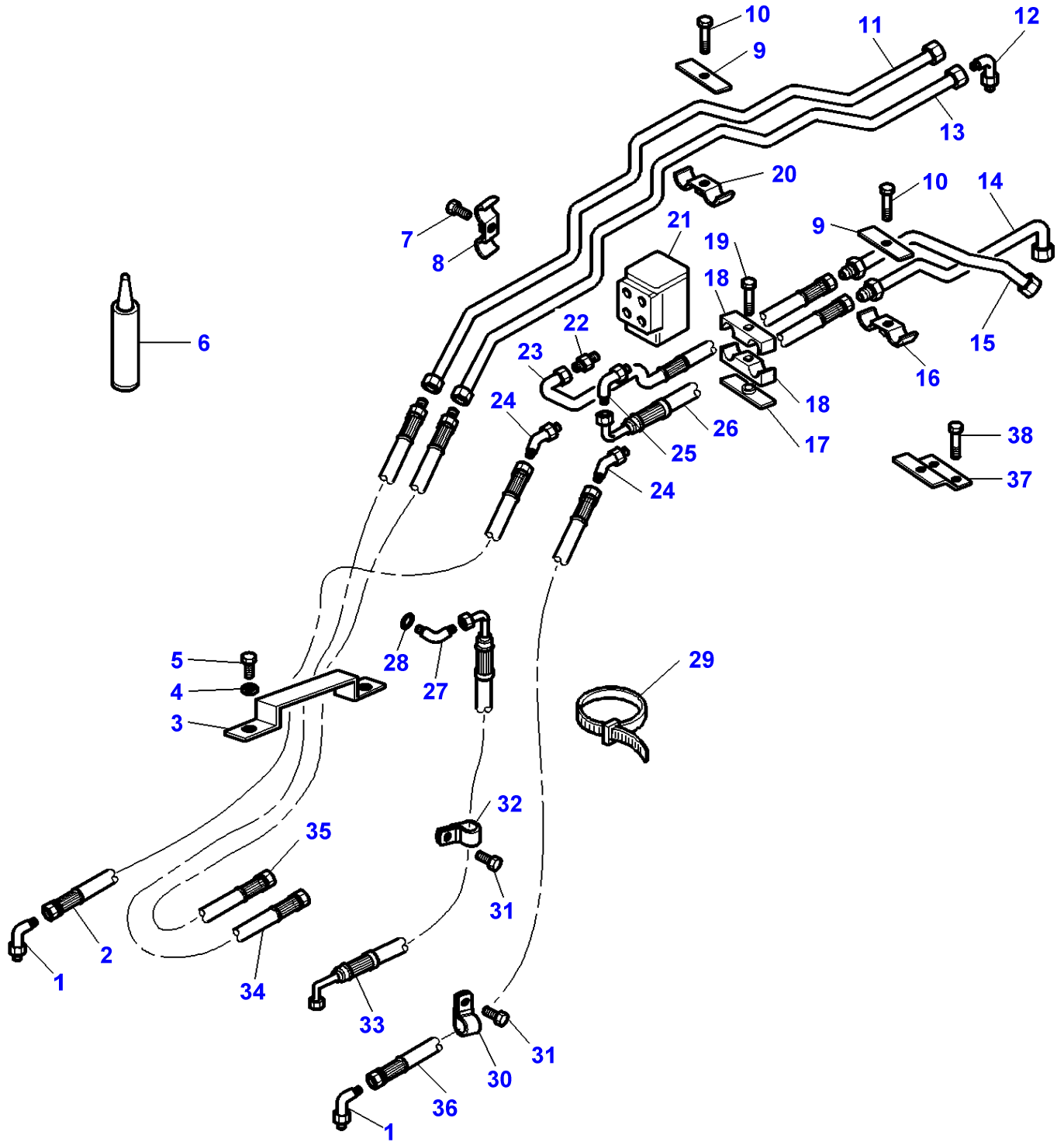
## Steering Hydraulic Lines

Item	Part Number	Qty	Description	Comments
1	72160908	1	Isolator	
	70920352	2	Capscrew	[A] 3/8"-24X1-1/4"
2	72160907	1	Column	
	72504036	1	Seal	[A]
3	72513774	2	Plate	Replace and repair. Old not interchangeable with new 71362364
4	72160835	2	Plate	
5	72160836	4	Sleeve	5/8" OD Length 5/8"
6	72508200	1	Steering Unit	
	<b>354269X1</b>	4	Bolt Unc	[A] 3/8"-16X2-1/2" Replace and repair. Old not interchangeable with new 70921972
	70919312	2	Washer	[A] 3/8" LOCK
7	<b>72514441</b>	1	Hose	Replace and repair. Old not interchangeable with new 72504952
8	72508503	1	Tube Assy	1/2" OD
9	70921276	1	Teepiece	
10	70923905	1	Elbow	3/8"X1/2"X90'
11	364603X1	1	Elbow	3/8"X3/8"X90' Replace and repair. Old not interchangeable with new 70921013
12	<b>70921349</b>	2	O Ring	.087"X41/64"ID
13	<b>72514751</b>	1	Hose	Replace and repair. Old not interchangeable with new 72504962
14	72508504	1	Tube Assy	1/2" OD Replace and repair. Old not interchangeable with new 72502872
15	70923905	1	Elbow	3/4"-16X90'
16	<b>70921349</b>	1	O Ring	(15) 0.087"X41/64ID
17	360202X91	3	Union	3/8"X1/2"X90'
18	72504052	2	Hose	Up to Serial or Engine Number S/N 0011 Length 18-5/8"
19	72503376	1	Bracket	
	70925359	1	Screw	5/16"-18X1-1/2
20	<b>70923574</b>	4	Ring	47/64"IDX1.345
21	72160113	2	Clamp	
22	72160271	1	Sleeve	
23	72507793	1	Bracket	[A]
	70936474	1	Clamp	Diameter 1"
	72504953	1	Clamp	Diameter 1.25"
	<b>70931211</b>	2	Nut	[A] 3/8"-16
24	70921221	1	Capscrew	5/16"-18X1-1/2
25	70917356	3	Lock Washer	5/16"
26	<b>70917372</b>	3	Nut	5/16"-18

FOOTNOTE [A] NOT ILLUSTRATED

MF 9240 TRACTOR - 1637287  
5-AN06-002-B

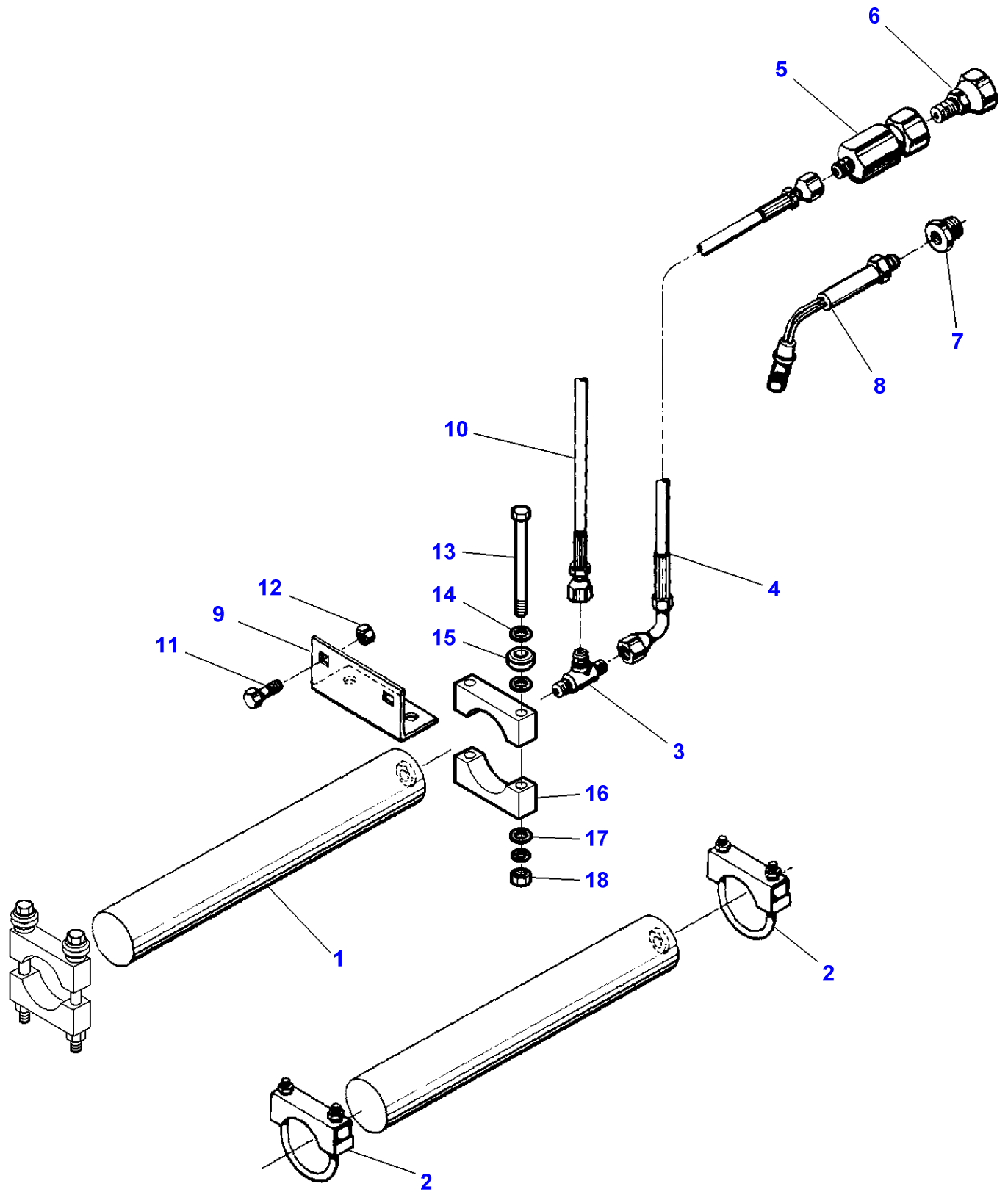
5-AN06-002-B



Item	Part Number	Qty	Description	Comments
1	357197X91	2	Elbow	3/8"X3/8" Replace and repair. Old not interchangeable with new 70922523
2	72513797	1	Hose Assy	3/8"X67.5"
3	72513307	2	Guide	
4	70917356	4	Lock Washer	5/16"
5	70921332	4	Screw	5/16"-18X3/4"
6	79014631	1	Sealer	
7	70931202	1	Screw	5/16"-18X1"1/4
8	72160113	1	Clamp	
9	72512319	2	Clamp	
10	70922127	2	Screw	5/16"-18X1"3/4
11	72513597	1	Tube Assy	
12	70922872	1	Elbow	1/2"X1/4" Not serviced, order + REP.6
13	72513598	1	Tube Assy	
14	72513302	1	Tube Assy	
15	72513303	1	Tube Assy	
16	72512315	1	Clamp	1/2" TUBE
17	72513608	1	Plate	Up to Serial or Engine Number 27/07/97
18	72512317	1	Clamp	3/4" TUBE Up to Serial or Engine Number 27/07/97
19	70925960	1	Screw	5/16"-18X1"1/2 Up to Serial or Engine Number 27/09/97
20	72513599	1	Clamp	
21	72508200	1	Steering Unit	See Page - Reference Number 070-0030/1
22	360202X91	1	Union	3/8"X1/8"
23	72513304	1	Hose Assy	
24	70922507	2	Elbow	1/2"X1/2"
25	70937637	1	Elbow	1/2"X1/2"
26	<b>72514752</b>	1	Hose	Replace and repair. Old not interchangeable with new 72513883
27	72500717	1	Elbow	Not serviced, order + REP.6
28	70923952	1	O Ring	.070"X.301"
29	70937133	2	Tie	
30	70928656	1	Clamp	
31	70950037	2	Capscrew	M10-1"1/2X30MM
32	70925617	1	Clamp	
33	72503734	1	Hose Assy	1/4"X59"
34	72513889	1	Hose	1/4"X54"
35	72513890	1	Hose	3/8"X50"
36	72513796	1	Hose Assy	3/8"X63.5"
37	72514729	1	Bracket	From Serial or Engine Number 28/07/98
38	70921969	1	Screw	3/8"-16X1.5



5-AN06-003-A

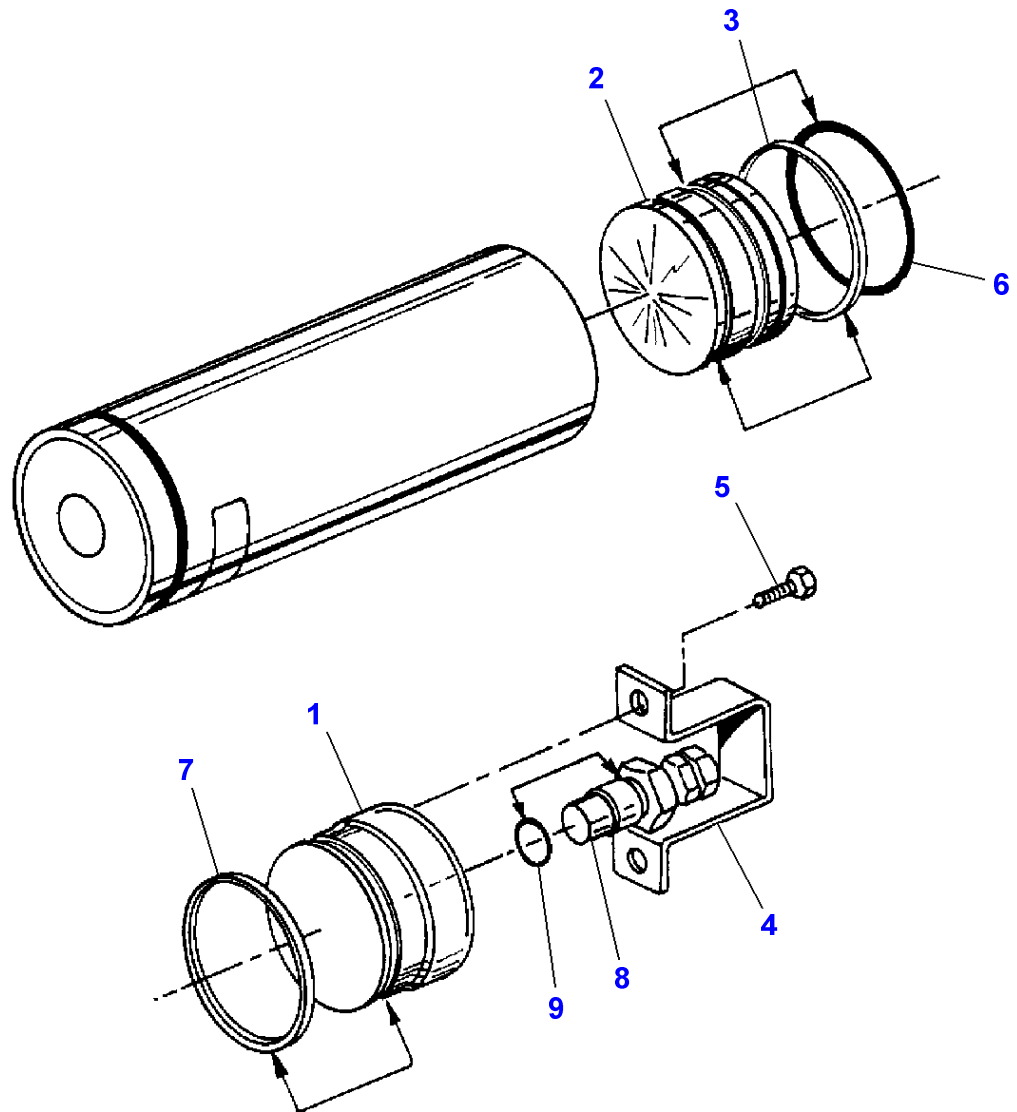


## Steering Hydraulic Lines - Accumulator

Item	Part Number	Qty	Description	Comments
1	72504511	1	Accumulator	
2	70937333	2	Clamp	2-3/8" Up to Serial or Engine Number SN0067
3	70922792	1	Teepiece	
4	72505256	1	Hose Flexible	
5	72504501	1	Valve	
6	70937264	1	Adaptor	3/4"-1/2"
7	70937265	1	Reducer	3/4"-1/2"
	<b>70921349</b>	1	O Ring	[A]
8	72504902	1	Switch	
9	72511873	1	Bracket	
	70917356	2	Lock Washer	[A]
10	<b>72514751</b>	1	Hose	Replace and repair. Old not interchangeable with new 72504962
11	70927075	2	Bolt	5/16"-18X1
12	<b>70917372</b>	2	Nut	
13	70925692	4	Bolt	5/16"-18X4"1/2 From Serial or Engine Number SN0068
14	70917642	12	Washer	From Serial or Engine Number SN0068
15	70937294	4	Grommet	5/16"ID From Serial or Engine Number SN0068
16	70937595	4	Clamp	From Serial or Engine Number SN0068
17	70917356	4	Lock Washer	5/16" From Serial or Engine Number SN0068
18	<b>70917372</b>	4	Nut	5/16"-18 From Serial or Engine Number SN0068

FOOTNOTE [A] NOT ILLUSTRATED

5-AN06-004-A

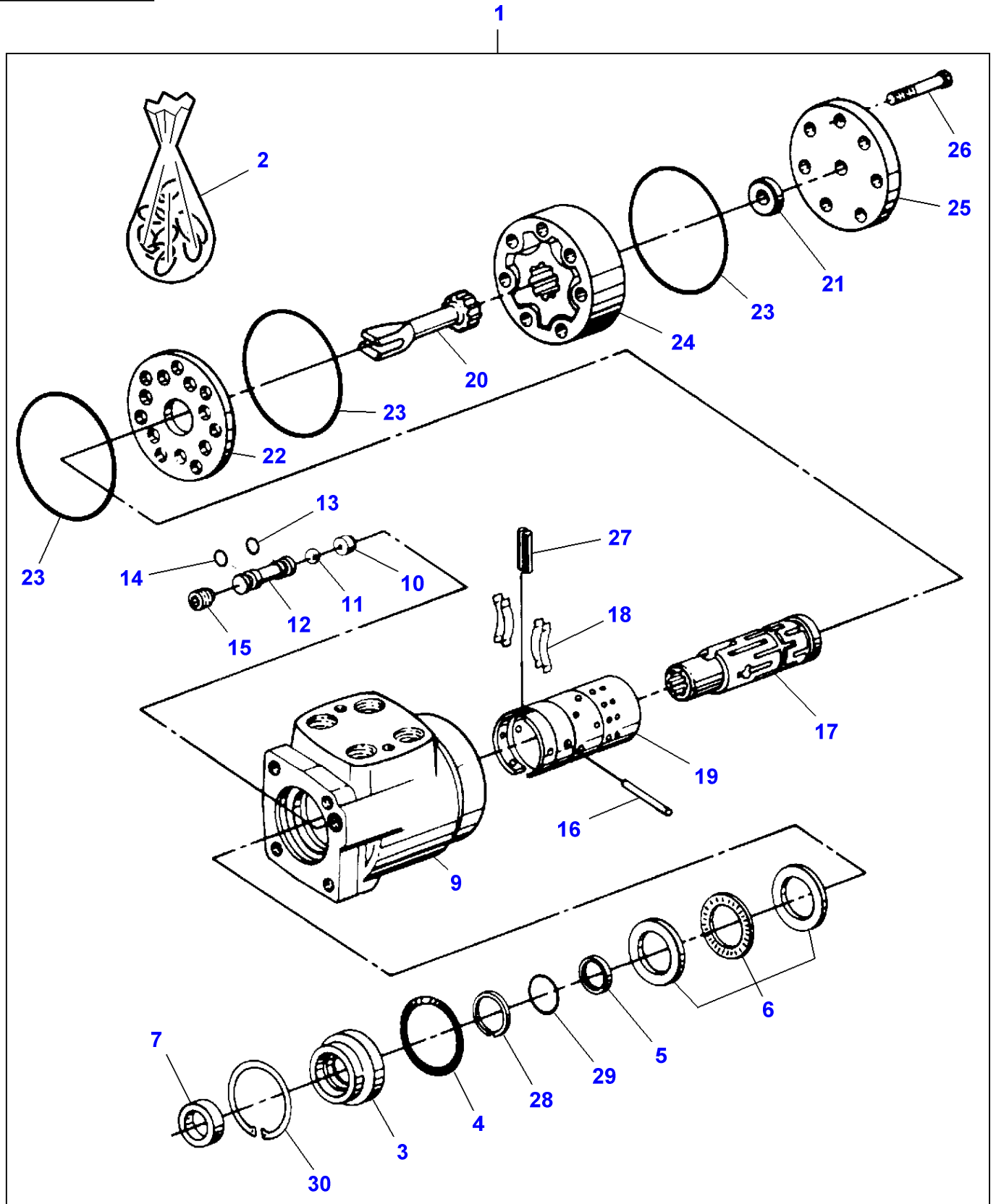


**Massey Ferguson****MF 9240 TRACTOR - 1637287****1637287****Steering Hydraulic Lines - Accumulator Components****Page070-0025**

<b>Item</b>	<b>Part Number</b>	<b>Qty</b>	<b>Description</b>	<b>Comments</b>
	72504511	1	Accumulator	
1	72506525	1	Cap	
2	72507226	1	Piston	
3	72507227	2	Ring	TEFLON
4	72507228	1	Cowl	
5	72507229	2	Screw	
6	72507233	1	O Ring	
7	72507230	1	Seal	
8	72507231	1	Valve	
9	72507232	1	O Ring	

MF 9240 TRACTOR - 1637287  
5-AN07-001-A

5-AN07-001-A

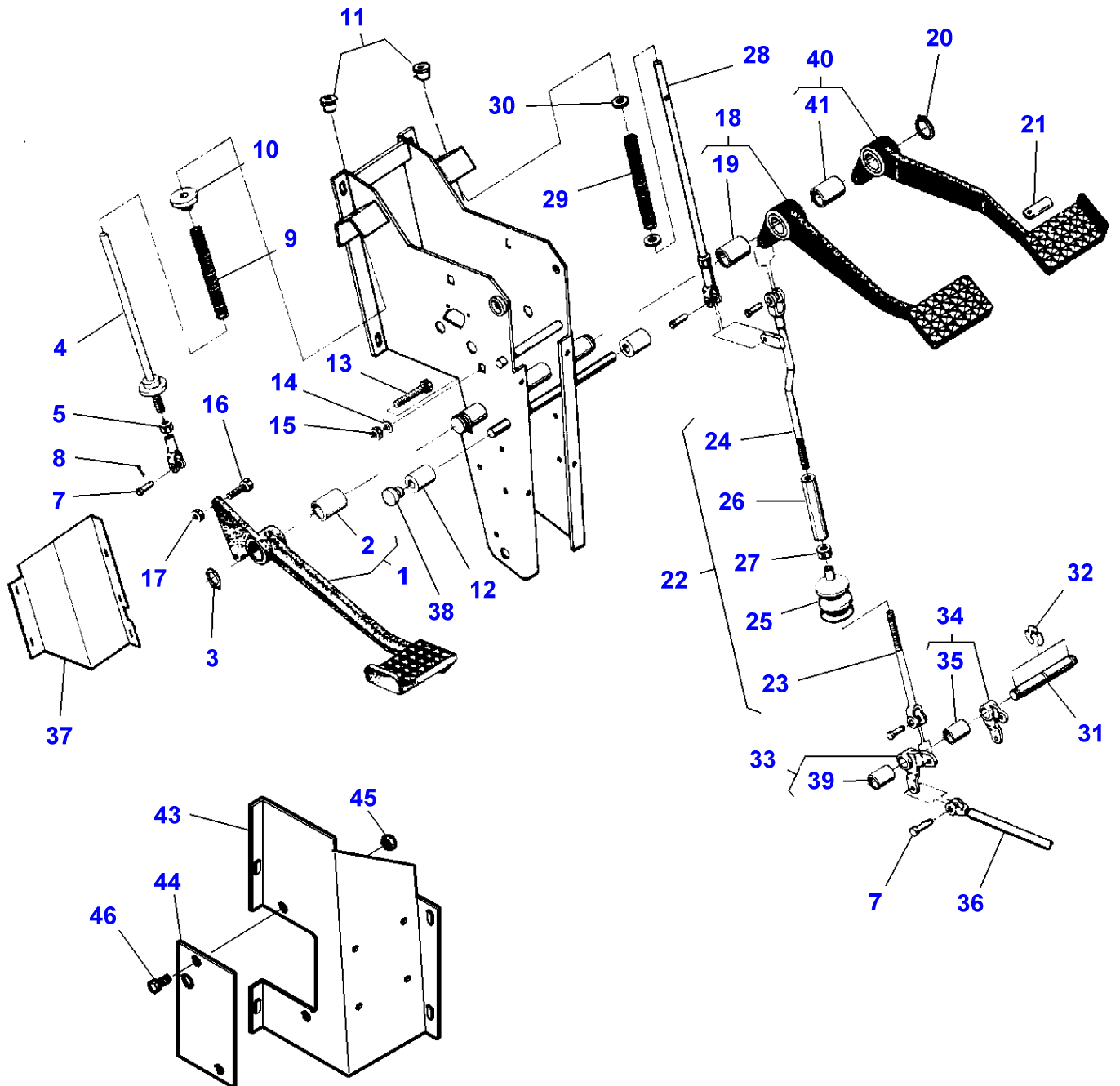


## Steering - Steering Pump

Item	Part Number	Qty	Description	Comments
1	72508200	1	Steering Unit	
2	72162863	1	Kit, Seal	(1)
3	70261991	1	Bush	(1)
4	70923578	1	O Ring	(2) 1/8"X1-7/8" ID
5	72162187	1	Seal	(2)
6	70271588	1	Kit, Needle	(1)
7	70239182	1	Seal	(2)
9		1	Housing	(1) Not serviced, order REF. 1
10	1096946M1	1	Retainer	(1)
11	70914893	1	Ball	(1) 1/4"
12	1096947M1	1	Ball Socket	(1)
13	<b>70923559</b>	1	O Ring	(2) 1/16"X5/16" ID
14	72161745	1	O Ring	(2) 1/16"X3/8" ID
15	72162113	1	Setscrew	(1) 9/16"-18
16	72162461	1	Pin	(1)
17		1	Spool	(1) Not serviced, order REF. 1
18	72162462	4	Spring	(1)
19		1	Sleeve	(1) Not serviced, order REF. 1
20	1034072M1	1	Link	(1)
21	72162115	1	Spacer	(1)
22	72162109	1	Plate	(1)
23	70933874	3	O Ring	(2) 1/16"X2-7/8"ID Replace and repair. Old not interchangeable with new 72162515
24	72162114	1	Gear	(1)
25	72162110	X	Cap	(1)
26	72162637	7	Capscrew	(1) 5/16"-24 1-7/8"
27	72162186	2	Spacer	(1)
28	72162188	1	Ring	(2)
29	70261994	1	O Ring	(2)
30	72162642	1	Ring	(1)

MF 9240 TRACTOR - 1637287  
5-AG26-001-B

5-AG26-001-B



## Handbrake - Lower Control - And clutch pedal

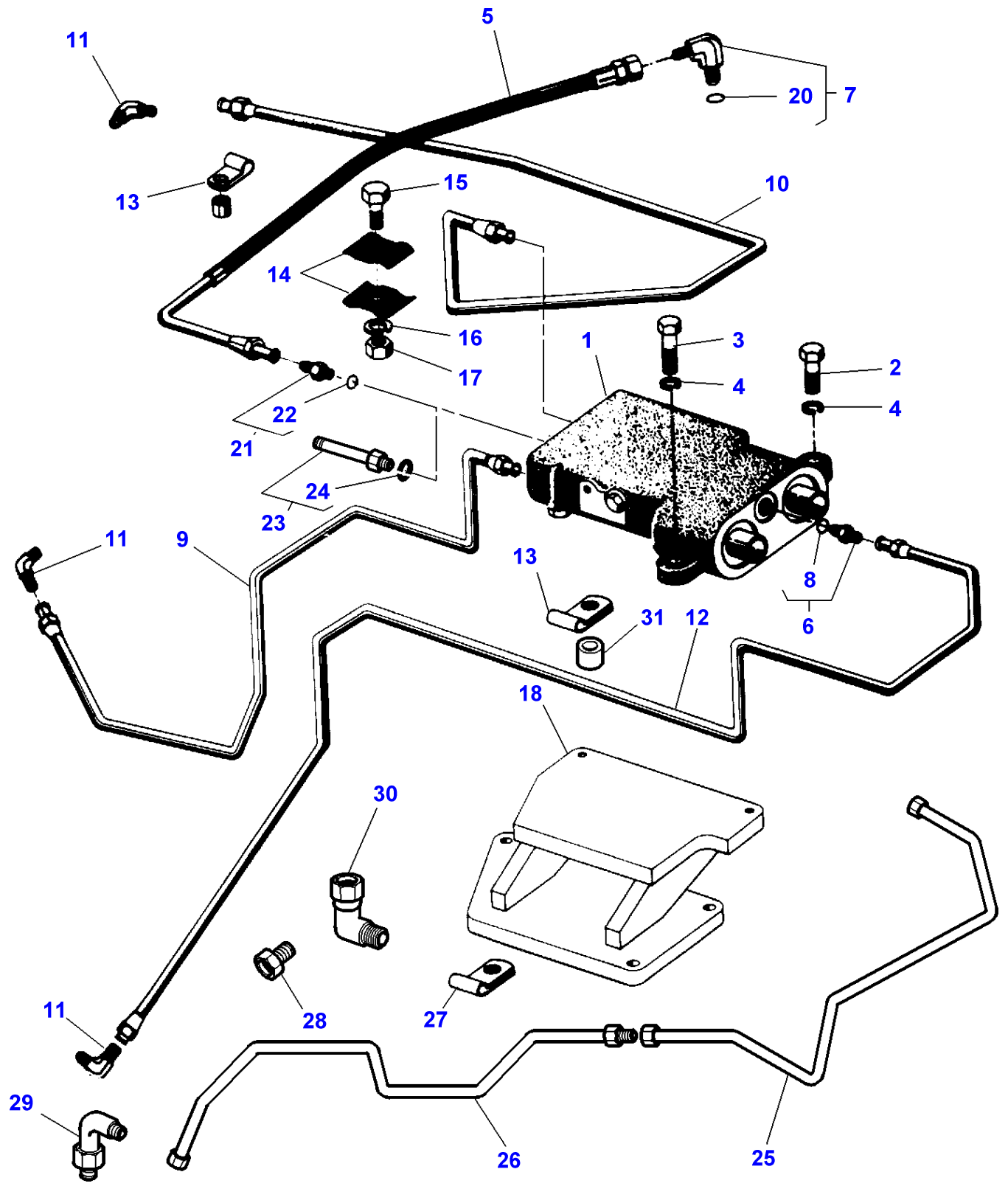
Item	Part Number	Qty	Description	Comments
1	72502399	1	Pedal	
2	72162078	1	Bush	(1)
3	70926957	1	Ring	
4	72501066	1	Kit, Rod	
5	70918403	1	Nut	3/8-24UNF
6	70924121	1	Yoke	[A]
7	70923087	9	Pin	3/8"
8	70918448	9	Pin	3/32"X1
9	72504029	1	Spring	1-45/64"X8-3/4
10	72501069	1	Washer	
11	72160887	3	Bush	
12	72501075	3	Hose	1/2" ID
13	70922024	1	Bolt	
14	70917379	1	Washer	1/2" SAE
15	<b>70931211</b>	1	Nut	3/8" WHIZ
16	70927538	1	Screw	1/2"X1/2"
17	<b>70931211</b>	1	Nut	3/8" WHIZ
18	72161926	1	Pedal	Left Hand
19	72162078	1	Bush	(18)
20	70926957	1	Ring	
21	72161918	1	Plate	
	70916001	1	Pin	[A]
22	72501563	2	Rod	
23	72501562	1	Rod	(22)
24	72501560	1	Rod	(22)
25	72160586	1	Boot	(22)
26	72503142	1	Turnbuckle	(22)
27	353431X1	2	Nut Unf	(22)
28	72501565	2	Rod	
29	72161956	2	Spring	
30	70918266	2	Washer	13/32"X13/16"
31	72501566	1	Shaft	
32	70937196	2	Ring	3/4 SHAFT
33	72160839	1	Bellcrank	
34	72160904	1	Bellcrank	
35	72161967	1	Bush	(34)
36	72501555	2	Rod	
37	72502903	1	Cover	Left Hand Up to Serial or Engine Number S/N 0011
	72509280	1	Cover	Left Hand From Serial or Engine Number S/N 0012
	72502904	1	Cover	Right Hand Up to Serial or Engine Number 20/03/1997
	72509279	1	Cover	Right Hand Up to Serial or Engine Number S/N 0011 From Serial or Engine Number S/N 0012
38	72160686	2	Bumper	
39	72161967	1	Bush	(33)
40	72161925	1	Pedal	Right Hand
41	72162078	1	Bush	(40)
42	72509281	1	Shield	
	360513X1	2	Screw	[A] 3/8"-16X3/4"
	<b>70931211</b>	2	Nut	[A] 3/8"-16 FLANGED
	72161944	1	Trim	[A]
43	72514242	1	Cover	Left Hand From Serial or Engine Number 21/03/97
44	72514243	1	Cover	From Serial or Engine Number 21/03/1997
45	<b>70923516</b>	2	Nut	From Serial or Engine Number 21/03/1997
46	70930918	2	Screw	From Serial or Engine Number 21/03/1997 Diameter .25-20

FOOTNOTE [A] NOT ILLUSTRATED



MF 9240 TRACTOR - 1637287  
5-AG32-001-B

5-AG32-001-B



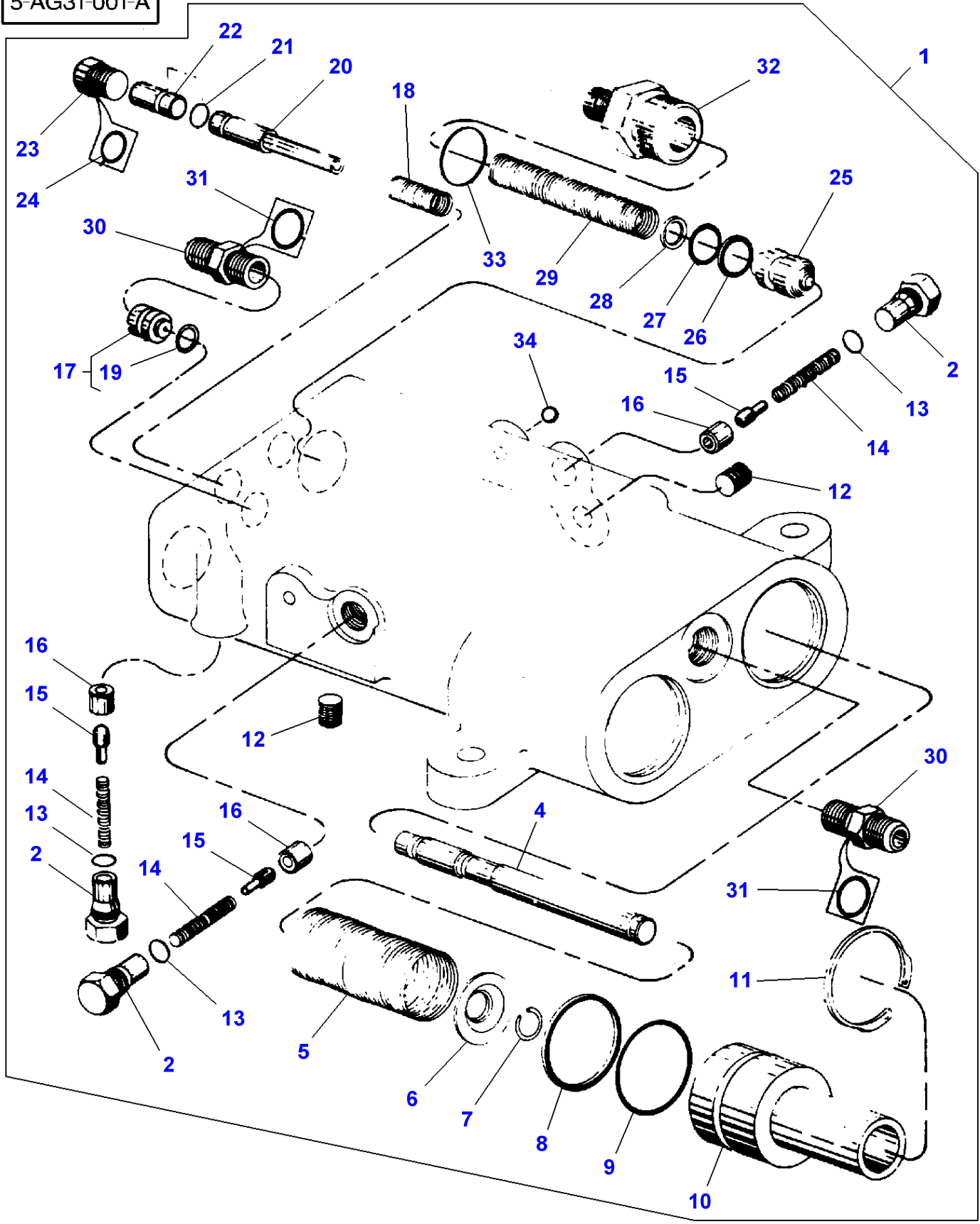
## Brake Pipes And Master Cylinder

Item	Part Number	Qty	Description	Comments
1	72160575	1	Brake Valve	Up to Serial or Engine Number 239 See Page - Reference Number 070-0045/1
	72514305	1	Brake Valve	From Serial or Engine Number 240 See Page - Reference Number 070-0050/1
2	70920415	2	Screw	3/8"-16X1-1/4"
3	70921969	3	Screw	3/8"-16X1-1/2"
4	353434X1	2	Lock Washer	3/8" LOCK
5	72512835	1	Hose Flexible	Repairs and replaces 72160738
6	70922522	1	Connector	9/16"-18
7	70925295	1	Elbow	3/8"X3/8"
8	831452M1	2	O Ring	(6) .078X15/32" ID Replace and repair. Old not interchangeable with new 70921885
9	72501836	1	Tube	Right Hand 3/8" OD Up to Serial or Engine Number SN0067
	72511227	1	Tube	Right Hand 3/8" OD From Serial or Engine Number SN0068
10	72504473	1	Tube	Left Hand
11	70919135	2	Elbow	1/4" NPT 90'
12	72504459	1	Tube	3/8" OD Up to Serial or Engine Number 239
13	72160114	2	Clamp	
	70921969	1	Screw	[A]
14	72160113	4	Clamp	
15	70921977	2	Screw	5/16"-18X1-1/4
16	70917356	2	Lock Washer	5/16" LOCK
17	<b>70917372</b>	2	Nut	5/16"-18
18	72501703	1	Support	
19	70921969	3	Screw	[A] 3/8"-16X1-1/2"
20	831452M1	1	O Ring	(7) .078X15/32" ID Replace and repair. Old not interchangeable with new 70921885
21	70922522	1	Connector	Up to Serial or Engine Number 239 9/16"-18
22	72162518	1	O Ring	(21) 6.078x15/32" ID
23	72512874	1	Union	From Serial or Engine Number 240
24	831452M1	1	O Ring	(23) Replace and repair. Old not interchangeable with new 70921885
25	72513949	1	Tube	From Serial or Engine Number 240
26	72513950	1	Tube	From Serial or Engine Number 240
27	70937190	2	Clamp	
28	72513948	1	Bush	
29	70921327	1	Elbow	
30	70919624	1	Elbow	
31	72160031	1	Spacer	

FOOTNOTE [A] NOT ILLUSTRATED

MF 9240 TRACTOR - 1637287  
5-AG31-001-A

5-AG31-001-A

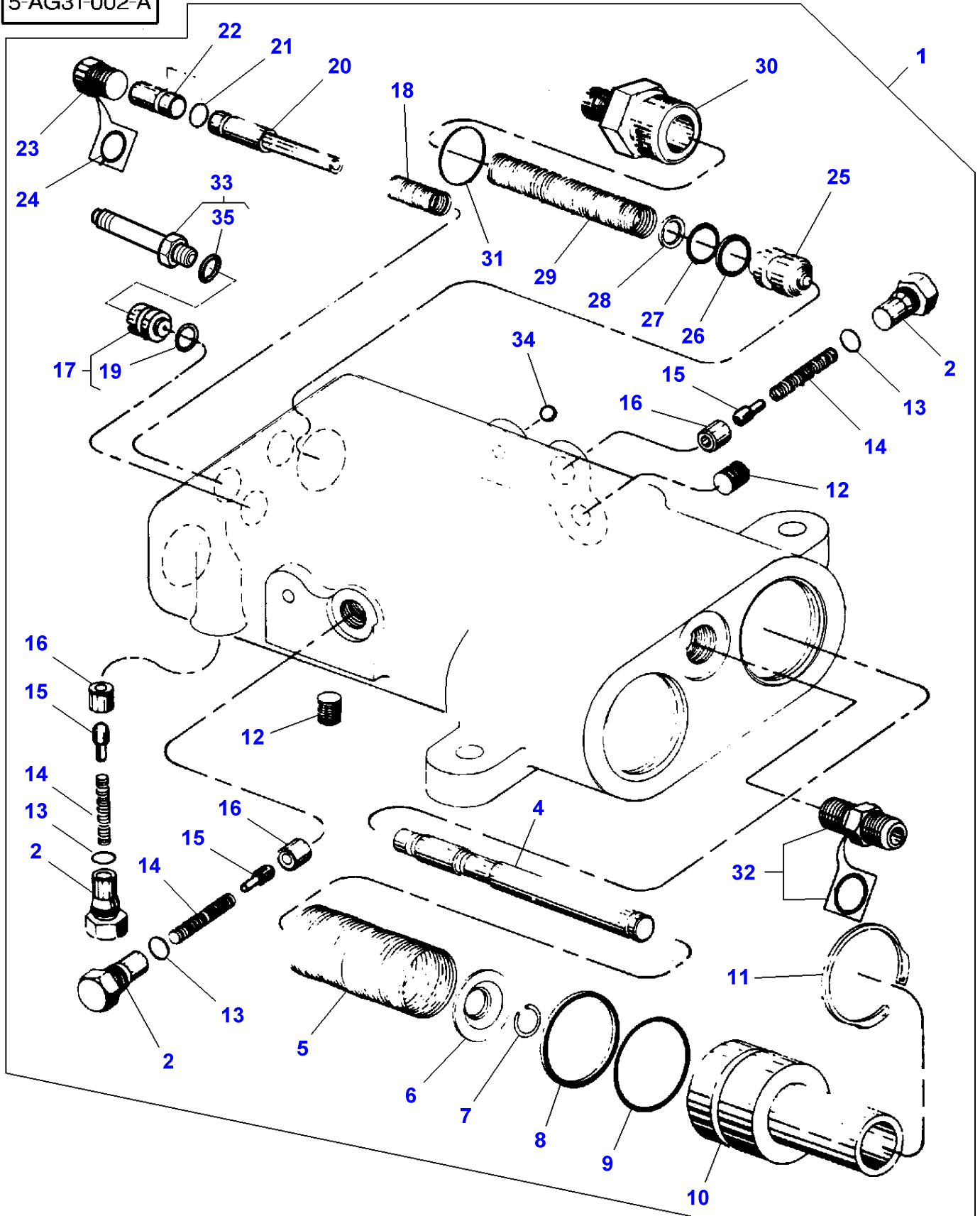


## Master Cylinder - Up to Serial or Engine Number 239

Item	Part Number	Qty	Description	Comments
1	72160575	1	Brake Valve	
2	72160756	3	Plug	(1) 1/2"-20X15/16"
4	72160766	2	Spool	(1)
5	72160596	2	Spring	(1)
6	72160411	2	Guide	(1)
7	72160429	2	Clip	(1)
8	70924791	1	O Ring	(1) 3/32"X1-7/16"
9	72161804	2	Ring	(1) 1-11/16" OD
10	72160544	2	Piston	(1)
11	70929701	2	Clip	(1) 1-13/16"
12	70917673	3	Plug	(1) Replace and repair. Old not interchangeable with new 72160613 1/8"
13	70921884	3	O Ring	(1) 0.72X13/32" ID
14	72160615	3	Spring	(1) Length 1-1/4"
15	72160893	3	Poppet	(1)
16	72160892	3	Seat	(1)
17	72160779	1	Brake Valve	(1) 0.35
18	72160546	2	Spring	(1)
19	<b>70923559</b>	1	O Ring	(17) 1/16"X5/16" ID
20	72160677	1	Spool	(1)
21	70923558	2	O Ring	(1) 1/16"X1/4" ID
22	72160612	2	Piston	(1)
23	70929663	2	Plug	(1) 1/2"-20
24	70921884	2	O Ring	(1) 0.72X13/32" ID
25	72160543	2	Piston	(1)
26	70937198	2	Ring	(1) 3/32"X7/16" ID 5/8" OD Replace and repair. Old not interchangeable with new 72160185
27	<b>70923548</b>	2	O Ring	(1) 3/32"X7/16" ID
28	72160536	2	Washer	(1) 3/8"IDX9/16OD
29	72160545	2	Spring	(1) Thickness 2-23/64"
30	72160415	2	Connector	(1) 3/8" TUBE 7/8"-14
31	70921205	2	O Ring	(1) 0.97X3/4" ID
32	70922522	2	Connector	(1) 3/8T X9/16"-18
33	831452M1	2	O Ring	(1) 0.78X15/32" ID Replace and repair. Old not interchangeable with new 70921885
34	<b>70916537</b>	6	Ball	(1) 9/32"

MF 9240 TRACTOR - 1637287  
5-AG31-002-A

5-AG31-002-A



Massey Ferguson

MF 9240 TRACTOR - 1637287

1637287

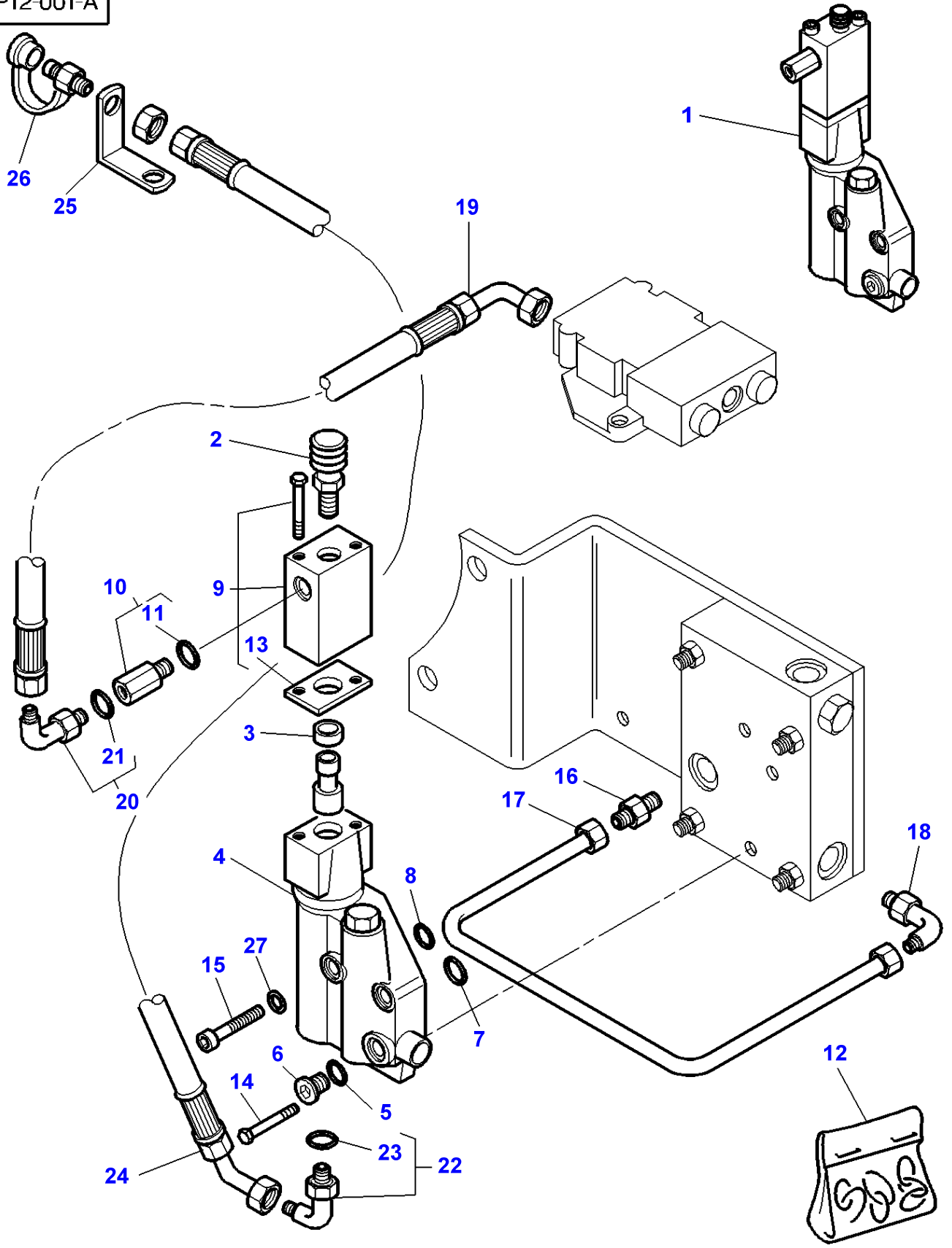
Page 070-0050

Master Cylinder - From Serial or Engine Number 240

Item	Part Number	Qty	Description	Comments
1	72514305	1	Brake Valve	
2	72160756	4	Plug	(1) 1/2"-20X15/16"
4	72160766	2	Spool	(1)
5	72160596	2	Spring	(1)
6	72160411	2	Guide	(1)
7	72160429	2	Clip	(1)
8	70924791	1	O Ring	(1) 3/32"X1-7/16"
9	72161804	2	Ring	(1) 1-11/16" OD
10	72160544	2	Piston	(1)
11	70929701	2	Clip	(1) 1-13/16"
12	70917673	3	Plug	(1) Replace and repair. Old not interchangeable with new 72160613 1/8"
13	70921884	4	O Ring	(1) 0.72X13/32" ID
14	72160615	4	Spring	(1) Length 1-1/4"
15	72160893	4	Poppet	(1)
16	72160892	4	Seat	(1)
17	72160779	1	Brake Valve	(1) 0.35
18	72160546	2	Spring	(1)
19	<b>70923559</b>	1	O Ring	(17) 1/16"X5/16" ID
20	72160677	1	Spool	(1)
21	70923558	2	O Ring	(1) 1/16"X1/4" ID
22	72160612	2	Piston	(1)
23	70929663	2	Plug	(1) 1/2"-20
24	70921884	2	O Ring	(1) 0.72X13/32" ID
25	72160543	2	Piston	(1)
26	70937198	2	Ring	(1) 3/32"X7/16" ID 5/8" OD Replace and repair. Old not interchangeable with new 72160185
27	<b>70923548</b>	2	O Ring	(1) 3/32"X7/16" ID
28	72160536	2	Washer	(1) 3/8"IDX9/16OD
29	72160545	2	Spring	(1) Thickness 2-23/64"
30	72160415	2	Connector	(1) 3/8" TUBE 7/8"-14
31	70921205	2	O Ring	(1) 0.97X3/4" ID
32	70931889	1	Union	(1) 3/8T X9/16"-18
33	72513946	1	Union	(1) 0.78X15/32" ID
34	<b>70916537</b>	6	Ball	(1) 9/32"
35	831452M1	1	O Ring	(33) Replace and repair. Old not interchangeable with new 70921885

MF 9240 TRACTOR - 1637287  
5-AP12-001-A

5-AP12-001-A



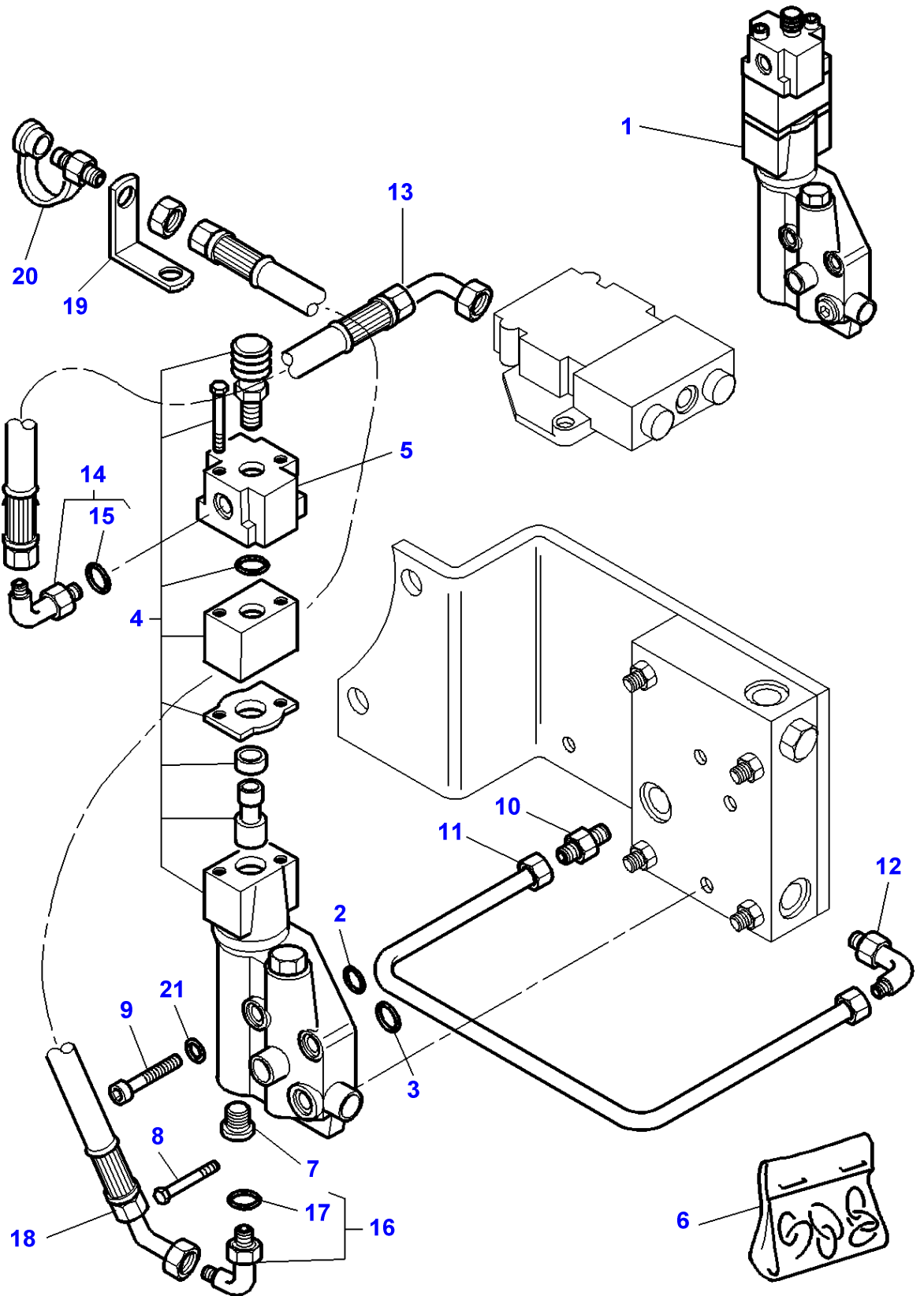
Item	Part Number	Qty	Description	Comments
1	3615802M1	1	Pressure Valve	BOSCH
2	3103513M1	1	Pressure Valve	(1)
3	3106326M1	1	Bush	(1)
4		1	Body	(1)
				Not serviced, order REF.1
5	3106328M1	1	O Ring	(1)
6	3106330M1	1	Plug	(1)
7	3102896M1	2	O Ring	(1)
				Diameter 20X2,5MM
8	3102897M1	1	O Ring	(1)
				Diameter 9X2MM
9	3106331M1	1	Head	(1)
10	3582065M1	1	Non Return Valve	(1)
11	3019393X1	1	O Ring	(10)
12	3102155M91	1	Kit, Repair	
13	1719044M1	1	Gasket	(9)
14	70926269	1	Screw	5/16"-18X1.25"
15	70925610	2	Screw	.312-18x3.00
16	70922522	1	Connector	3/8"
17	72511235	1	Tube	
18	357197X91	1	Elbow	3/8"
				Replace and repair. Old not interchangeable with new 70922523
19	72509848	1	Hose Flexible	
20	3019408X91	1	Elbow	1/4"
21	3019393X1	1	O Ring	(20)
22	3019651X91	1	Elbow	3/8"
23	3019397X1	1	O Ring	(22)
24	72509846	1	Hose Flexible	
25	72509137	1	Angle	
26	3616259M1	1	Plug	
27	70917642	2	Washer	

FOOTNOTE [A] DETAIL TO BE ADVISED



MF 9240 TRACTOR - 1637287  
5-AP12-002-A

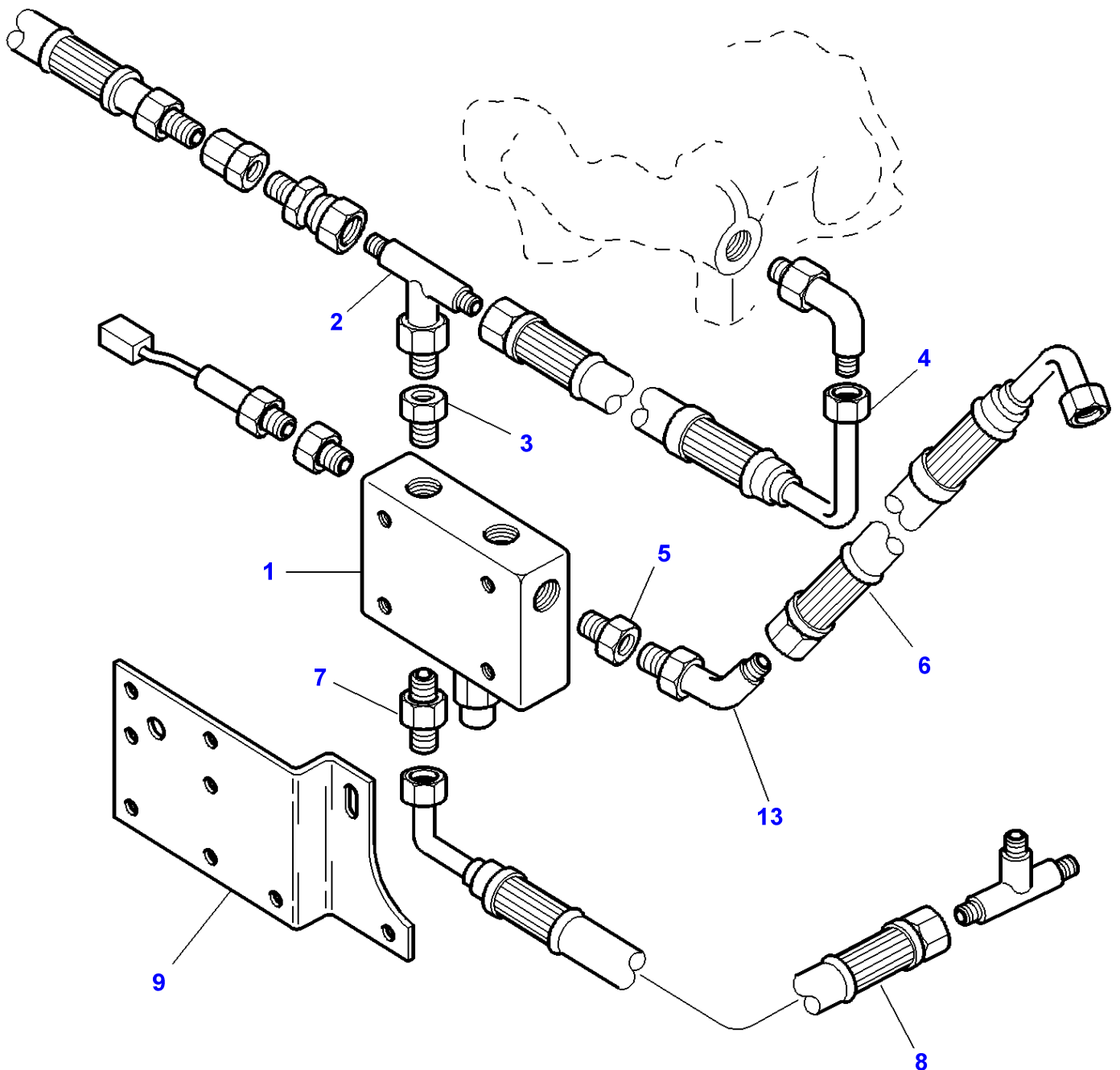
5-AP12-002-A



**Massey Ferguson****MF 9240 TRACTOR - 1637287****1637287****Trailer Brakes - Pipes And Fittings - From Serial or Engine Number N 0068****Page070-0060**

<b>Item</b>	<b>Part Number</b>	<b>Qty</b>	<b>Description</b>	<b>Comments</b>
1	3714974M1	1	Brake Valve	BOSCH
2	3102896M1	2	O Ring	(1) Diameter 20X2,5MM
3	3102897M1	1	O Ring	(1) Diameter 9X2MM
4	3108215M91	1	Head	(1)
5		1	Head	(1) Not serviced, order REF No4
6	3108214M91	1	Kit, Seal	(1)
7	3100940M1	1	Plug	(1)
8	70926269	1	Screw	5/16"-18X1.25"
9	70925610	2	Screw	.312-18x3.00
10	70922522	1	Connector	3/8"
11	72511235	1	Tube	
12	357197X91	1	Elbow	3/8" Replace and repair. Old not interchangeable with new 70922523
13	72509848	1	Hose Flexible	
14	3019408X91	1	Elbow	1/4"
15	3019393X1	1	O Ring	(14)
16	3019651X91	1	Elbow	3/8"
17	3019397X1	1	O Ring	(16)
18	72509846	1	Hose Flexible	
19	72509137	1	Angle	
20	3616259M1	1	Plug	
21	70917642	2	Washer	

5-AP06-001-A



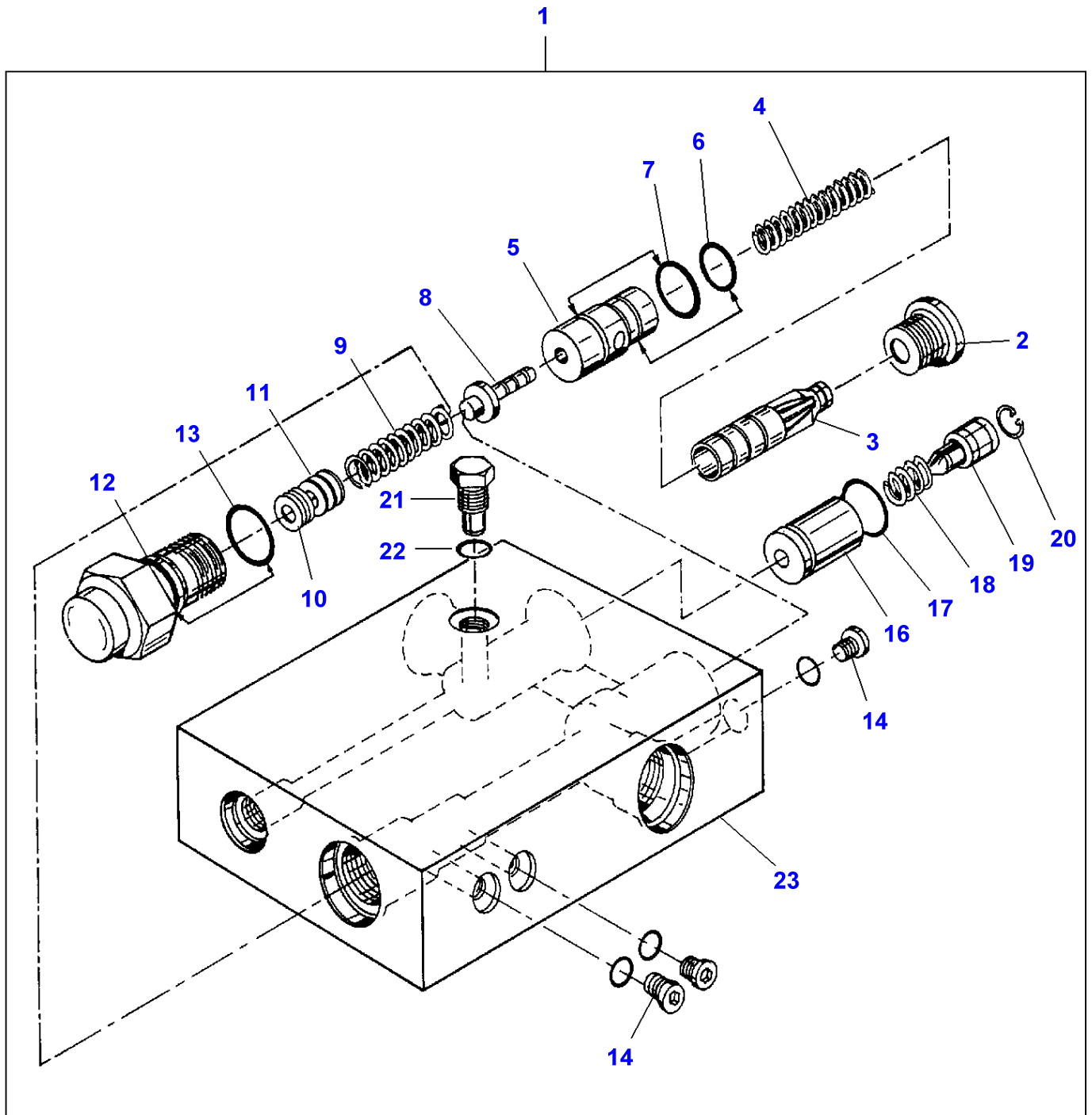
## Spool Valve - Pipes And Fittings

Item	Part Number	Qty	Description	Comments
1	72504470	1	Distributor	Up to Serial or Engine Number SN0067 See Page - Reference Number 070-0070/1
	72509835	1	Distributor	[B] From Serial or Engine Number SN0068 See Page - Reference Number 070-0075/1
2	70921318	1	Teepiece	
3	70937266	1	Adaptor	
4	72505257	1	Hose Assy	
5	70921217	1	Adaptor	
6	72512442	1	Hose Assy	Replace and repair. Old not interchangeable with new 72504959
7	70922522	1	Connector	
8	72504958	1	Hose Assy	
9	72504956	1	Bracket	
10	70922918	4	Screw	[A] 3/8"-16X3-1/4"
11	353434X1	4	Lock Washer	[A] 3/8" LOCK
12	70923518	5	Nut	[A] 3/8"-16
13	70921728	1	Elbow	From Serial or Engine Number 02/96

FOOTNOTE [A] NOT ILLUSTRATED

FOOTNOTE [B] WITH ELECTRONIC LIFT

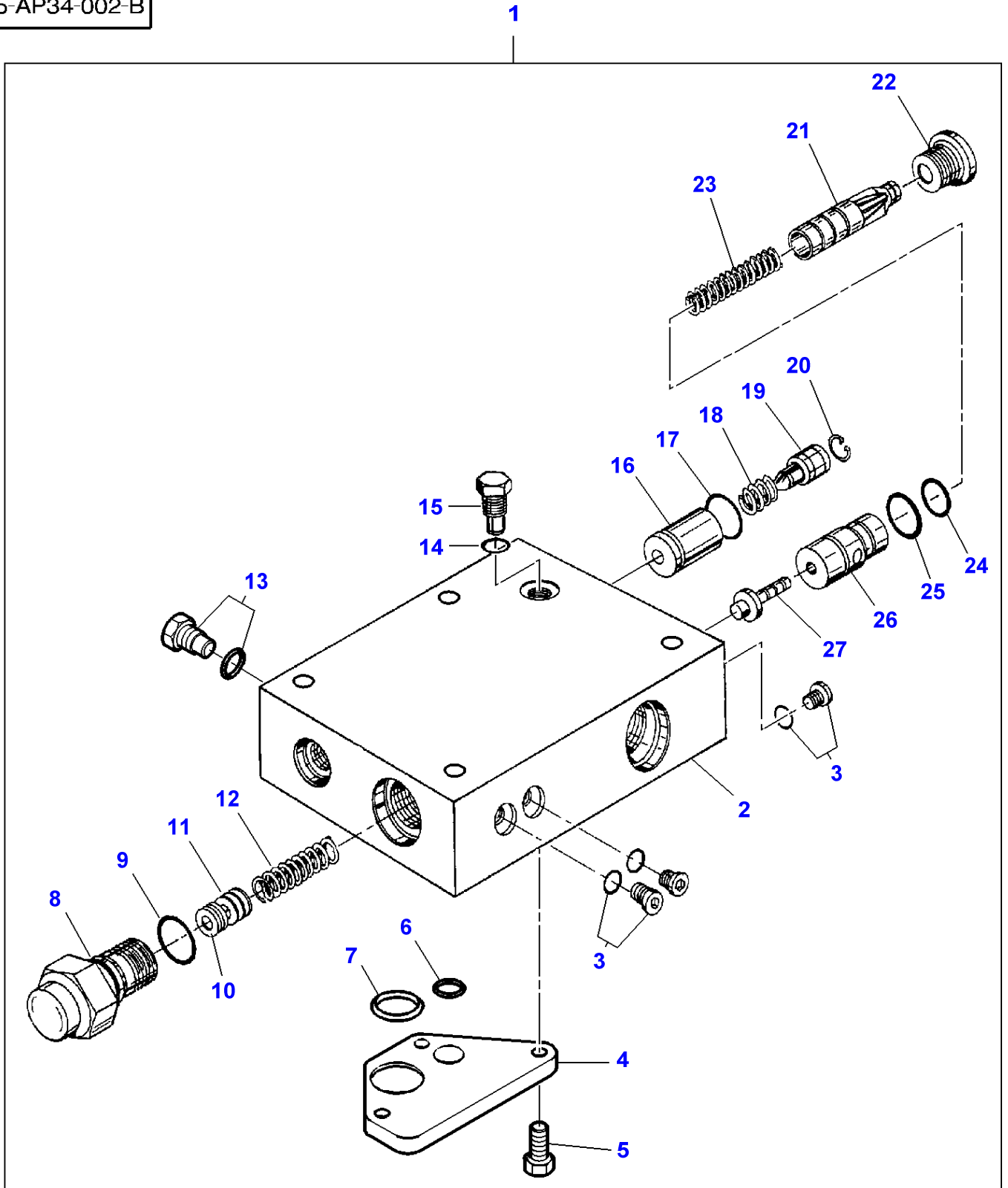
5-AP34-001-B



<b>Item</b>	<b>Part Number</b>	<b>Qty</b>	<b>Description</b>	<b>Comments</b>
1	72509835		Distributor	
2	70924621	1	Plug	(1)
3	72160299	1	Spool	(1)
4	72160277	1	Spring	(1)
5	72160259	1	Piston	(1)
6	70923945	1	O Ring	(1)
7	70923848	1	O Ring	(1)
8	72160258	1	Spool	(1)
9	72160254	1	Spring	(1)
10	72160256	5	Shim	(1) Thickness .0149"
11	72160255	3	Shim	(1) Thickness .004"
12	72160260	1	Plug	(1)
13	70923948	1	O Ring	(1)
14	70927998	3	Plug	(1) 1/8"
16	72160343	1	Piston	(1)
17	70923808	1	O Ring	(1)
18	72160294	1	Spring	(1)
19	72160293	1	Poppet	(1)
20	70927686	1	Clip	(1)
21	72504469	1	Plug	(1)
22	70921883	1	O Ring	(1)
23	72509833	1	Body	(1)

MF 9240 TRACTOR - 1637287  
5-AP34-002-B

5-AP34-002-B



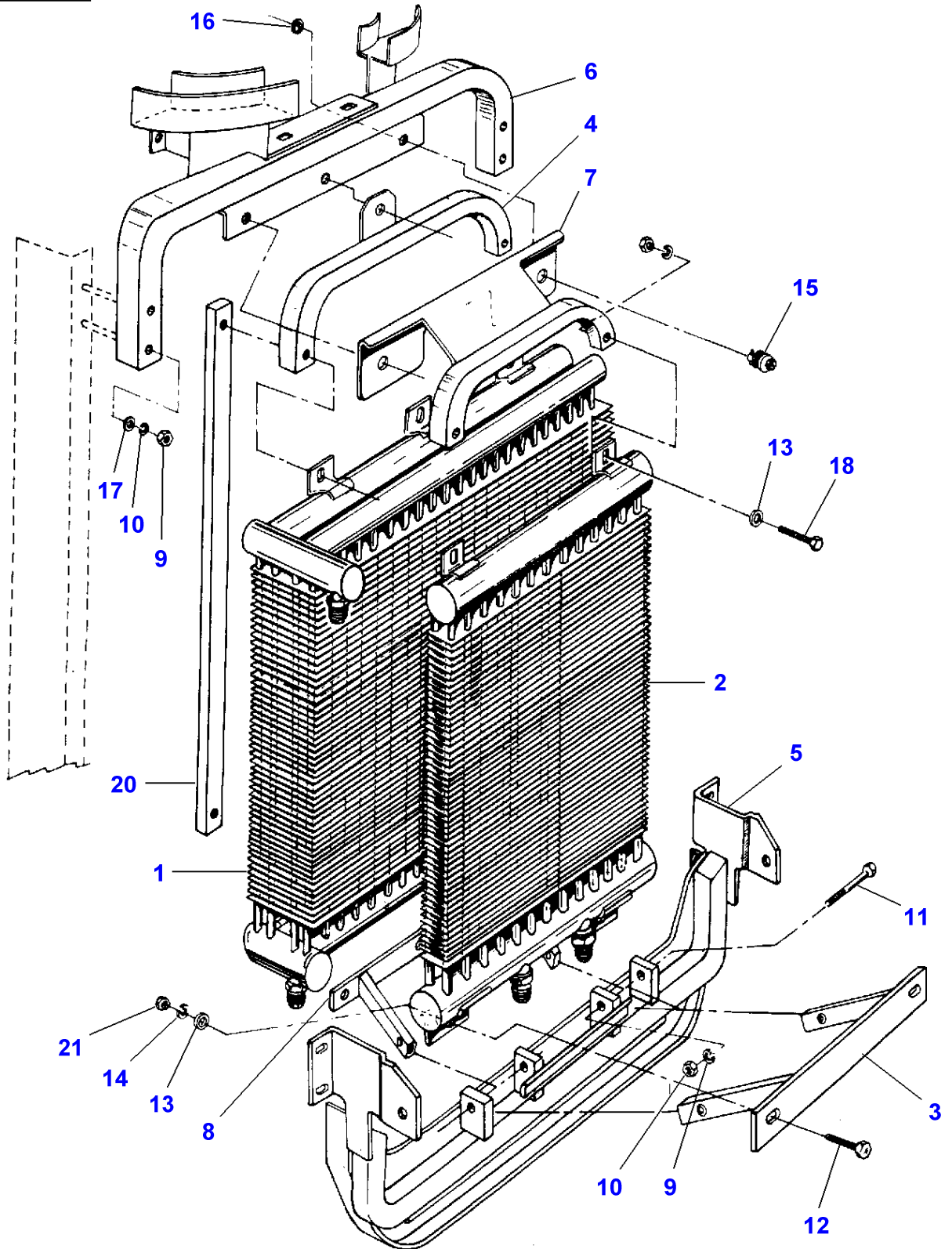
**Massey Ferguson****MF 9240 TRACTOR - 1637287****1637287****Distributor - From Serial or Engine Number N 0068****Page070-0075**

<b>Item</b>	<b>Part Number</b>	<b>Qty</b>	<b>Description</b>	<b>Comments</b>
1	72509835	1	Distributor	
2	72509833	1	Body	(1)
3	70927998	3	Plug	(1) 1/8"
4	72509834	1	Cover	(1)
5	70921333	3	Screw	(1) .312"
6	72511230	1	O Ring	(1) 2 X 10MM
7	72511231	1	O Ring	(1) 2,5 X 20MM
8	72160260	1	Plug	(1)
9	70923948	1	O Ring	(1)
10	72160256	5	Shim	(1) Thickness .0149"
11	72160255	3	Shim	(1) Thickness .004"
12	72160254	1	Spring	(1)
13	70922577	2	Plug	(1)
14	70921883	1	O Ring	(1)
15	72504469	1	Plug	(1)
16	72160343	1	Piston	(1)
17	70923808	1	O Ring	(1)
18	72160294	1	Spring	(1)
19	72160293	1	Poppet	(1)
20	70927686	1	Clip	(1)
21	72160299	1	Spool	(1)
22	70924621	1	Plug	(1)
23	72160277	1	Spring	(1)
24	70923945	1	O Ring	(1)
25	70923848	1	O Ring	(1)
26	72160259	1	Piston	(1)
27	72160258	1	Spool	(1)



MF 9240 TRACTOR - 1637287  
5-AP19-002-A

5-AP19-002-A

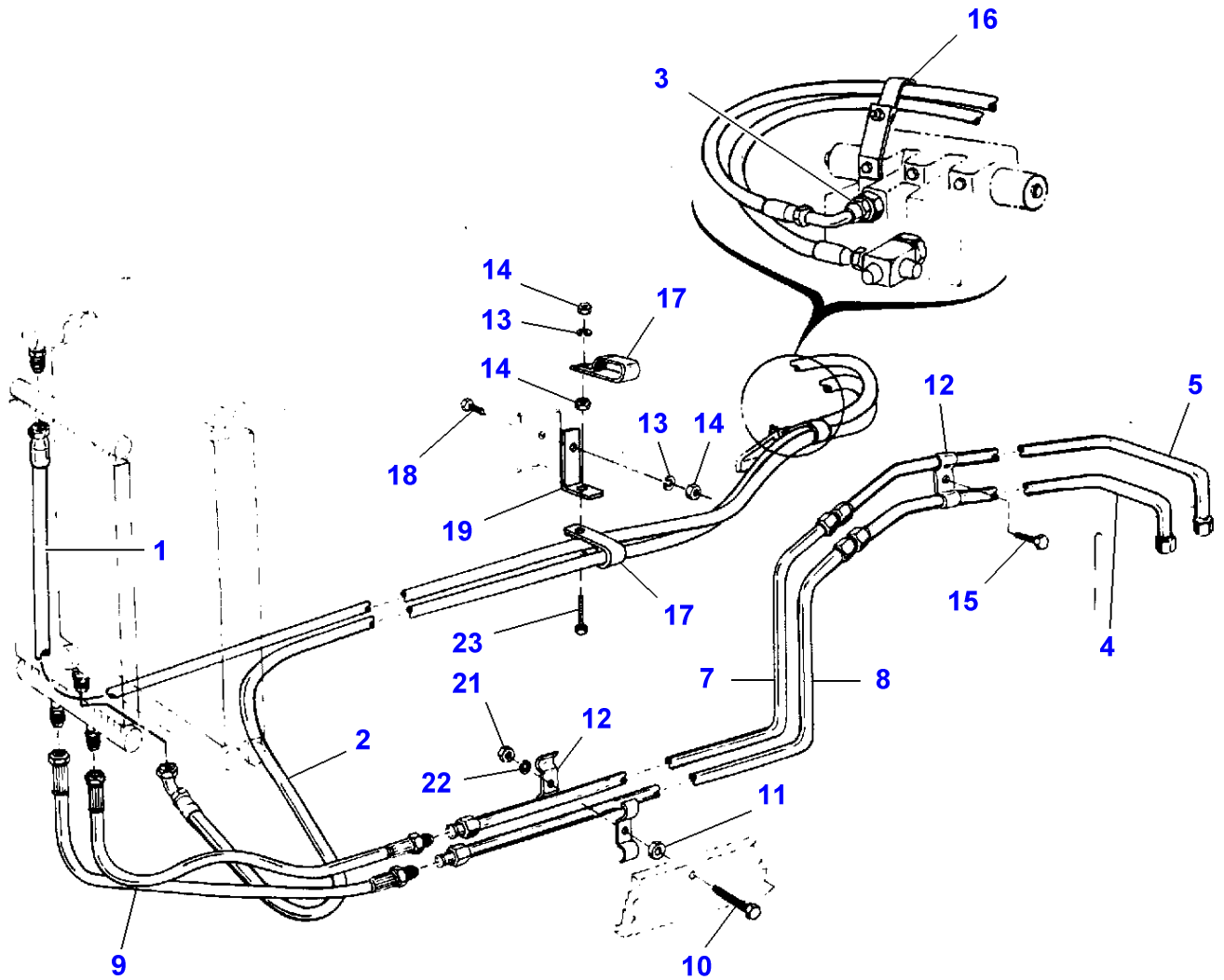


## Oil Cooler

Item	Part Number	Qty	Description	Comments
1	71367612	1	Cooler	
2	71366748	1	Cooler	
3	72501983	1	Bracket Assy.	
4	72501979	1	Bracket	
5	72501899	1	Bracket	
6	72502433	1	Bracket	
7	72501988	1	Bracket	
8	72501984	1	Pivot	
9	<b>70917372</b>	10	Nut	5/16"-18
10	70917356	10	Lock Washer	5/16" LOCK
11	70929020	2	Capscrew	5/16"-18X3
12	70921210	5	Screw	3/8"-16X1
13	BPN31029	9	Washer	3/8" USS
14	353434X1	9	Lock Washer	3/8" LOCK
15	30-3432009	3	Stud	
16	72161189	3	Retainer	
17	70917377	8	Washer	
18	70922130	2	Screw	3/8"-18X2
19	70921969	2	Screw	[A] 3/8"-18X1-1/2"
20	72503445	2	Stiffener	
21	355566X1	5	Nut Unc	

FOOTNOTE [A] NOT ILLUSTRATED

5-AP19-001-A



**Massey Ferguson****MF 9240 TRACTOR - 1637287**

1637287

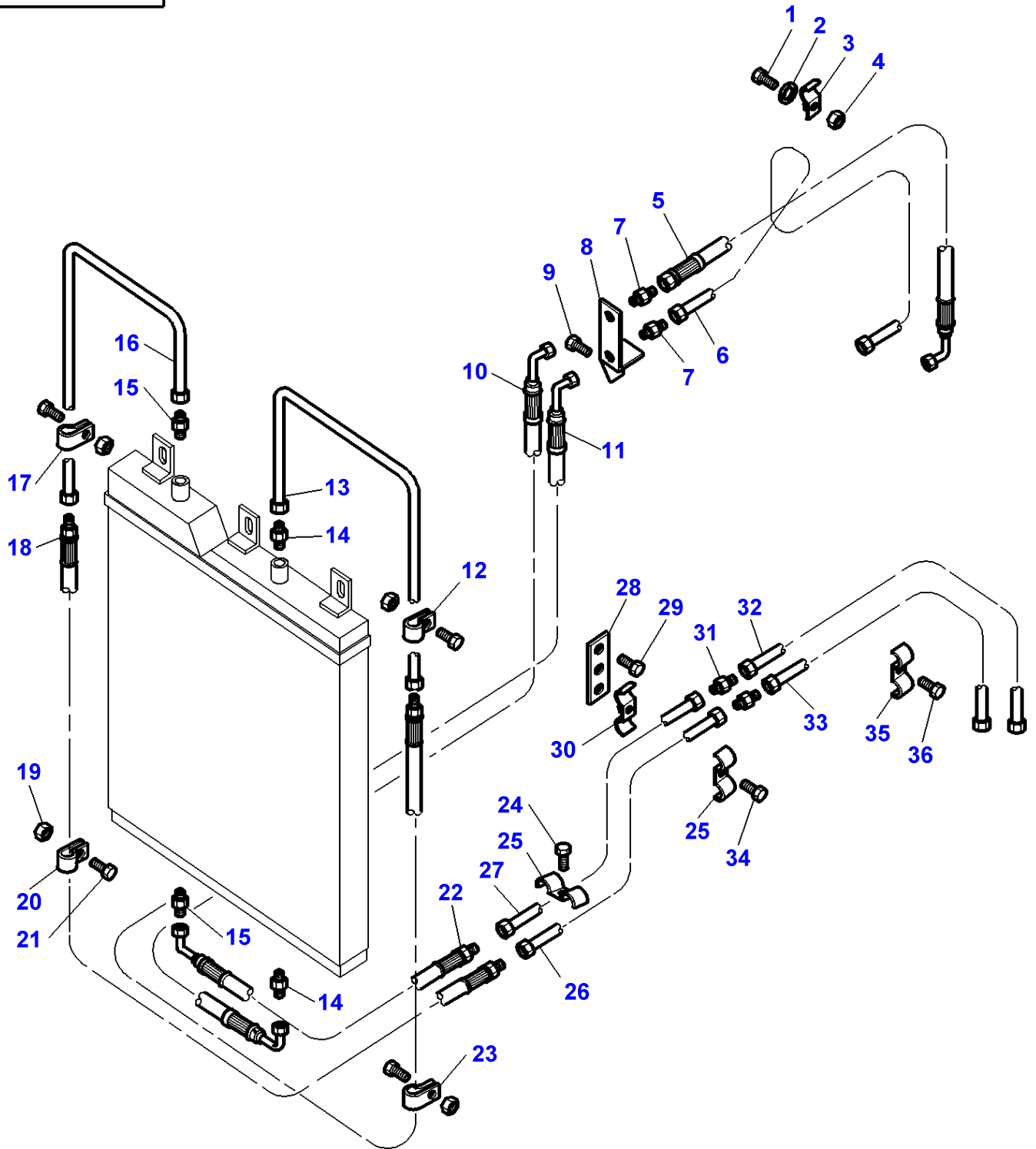
Page070-0085

Item	Part Number	Qty	Description	Comments
1	72502954	1	Hose Assy	
2	72502953	1	Hose Assy	
3	70935768	1	Connector	1X3/4" Replace and repair. Old not interchangeable with new 70922997
4	72508226	1	Tube Assy	
5	72508227	1	Tube Assy	
6	70921368	2	Union	[A] 5/8" JIC
7	72504059	1	Tube Assy	
8	72504060	1	Tube Assy	
9	72507424	2	Hose Assy	5/8"X34
10	70925691	2	Capscrew	5/16"-18X4
11	72160031	2	Spacer	
12	72160113	5	Clamp	
13	70917356	2	Lock Washer	5/16" LOCK
14	<b>70917372</b>	3	Nut	5/16"-18
15	70930600	1	Screw	5/16"-18X1-1/2
16	72503531	1	Bracket	
17	70936474	1	Clamp	1.0
	72504953	2	Clamp	1-1/4"
18	70921333	1	Screw	5/16"-18X1
19	71332019	1	Bracket	
20	70921210	1	Screw	[A] 3/8"-16X1
21	355566X1	3	Nut Unc	
22	353434X1	2	Lock Washer	3/8" LOCK
23	70921677	1	Screw	

FOOTNOTE [A] NOT ILLUSTRATED

MF 9240 TRACTOR - 1637287  
5-AP19-003-A

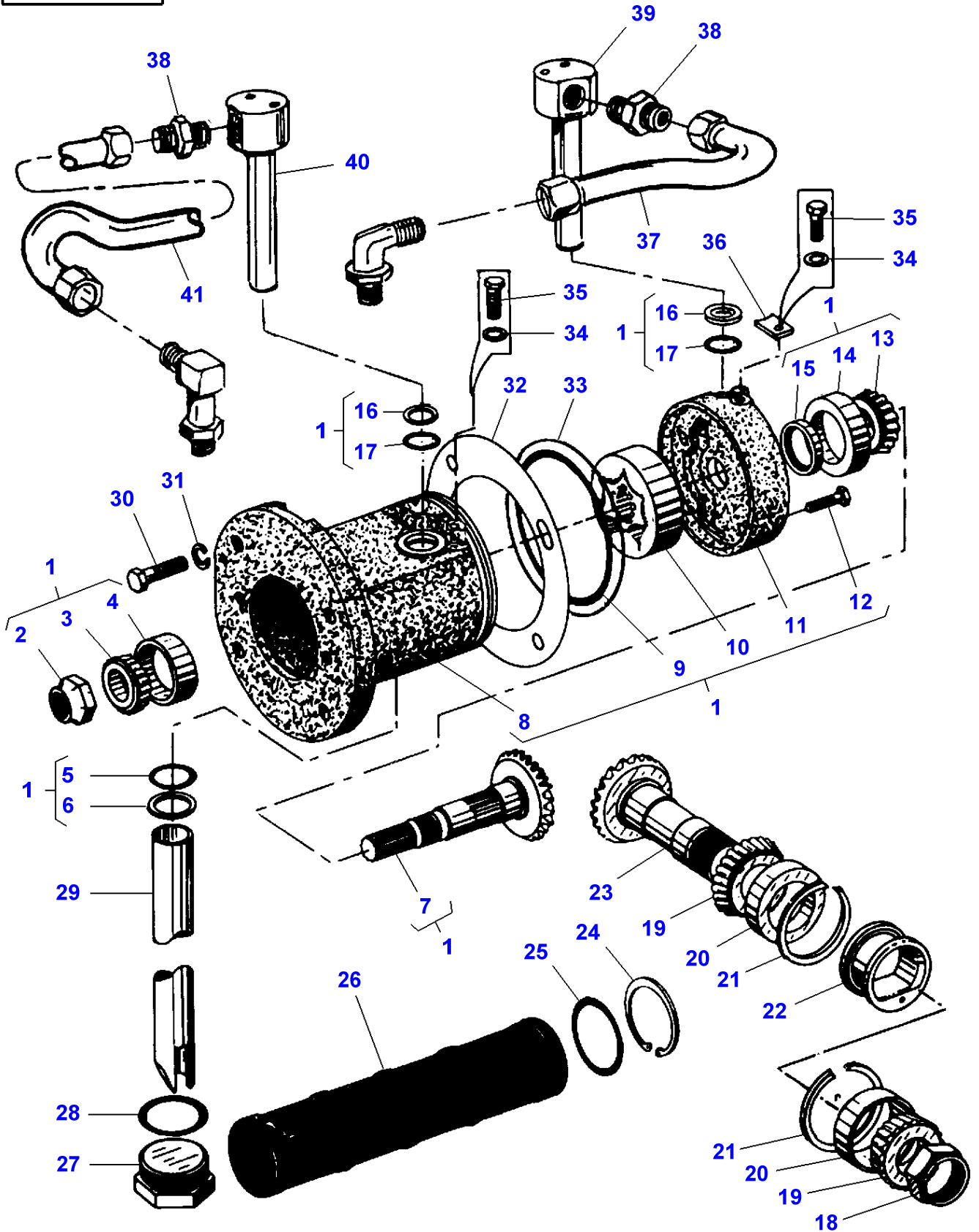
5-AP19-003-A



Item	Part Number	Qty	Description	Comments
1	70922873	1	Screw	5/16"-12X4"3/4
2	70917642	1	Washer	1/32"X4"3/4
3	70926049	1	Clamp	3/4" TUBE X.406"
4	72508236	1	Nut	
5	72513393	1	Hose Flexible	3/4"X38"
6	72513594	1	Tube	
7	70927063	2	Union	3/4"x3/4"
8	72513396	1	Bracket	
9	70950052	1	Bolt	M12-1"3/4X30MM
10	72513592	1	Hose Flexible	3/4"X116.5"
11	72513591	1	Hose Flexible	3/4"X80"
12	70926049	1	Clamp	3/4" TUBE X.406"
13	72508135	1	Tube Assy	
14	70921217	2	Adaptor	3/4"X3/4"
15	70921326	2	Connector	5/8"X5/8"
16	72508134	1	Tube Assy	
17	70928656	1	Clamp	5/8" TUBE X.406"
18	72513590	1	Hose Flexible	5/8"X58"
19	70928352	1	Nut	3/4"-16
20	70925621	1	Clamp	1" TUBE X .406"
21	70935966	4	Screw	3/4"X1"25
22	72513589	1	Hose Flexible	5/8"X30.5"
23	70936466	1	Clamp	1"-1/8X.406"
24	70921719	1	Screw	5/16"-18X2.50"
25	72512316	2	Clamp	5/8"
26	72513644	1	Tube	
27	72513643	1	Tube	
28	72513779	1	Bracket	
29	70950268	2	Screw	M12-1"3/4X20MM
30	72512319	2	Clamp	
31	70921368	2	Union	5/8"X5/8"
32	72513312	1	Tube	
33	72513315	1	Tube	
34	70922127	1	Screw	5/16"-18X1"3/4
35	72160113	1	Clamp	9/16" TUBE
36	70930600	1	Screw	5/16"-18X1"1/2

MF 9240 TRACTOR - 1637287  
5-AP32-001-A

5-AP32-001-A



Hydraulic Pump

Item	Part Number	Qty	Description	Comments
1	72501839	1	Pump	Up to Serial or Engine Number SN0067
	72511244	1	Pump	From Serial or Engine Number SN0068
2	72160516	1	Nut	(1) 1-1/16"-20
3	70937219	1	Bearing Cone	(1)
4	832190M1	1	Bearing Cup	(1)
5	70923664	1	O Ring	(1) 1/8"1-1/2" ID Up to Serial or Engine Number SN0067
6	70926620	1	Washer	(1) 1/8"1-1/2" ID Up to Serial or Engine Number SN0067
	70926620	1	Washer	(1) .174"X1.522ID From Serial or Engine Number SN0068
7	72507052	1	Shaft	(1) Number of teeth/spines 26 Up to Serial or Engine Number SN0067
	72500944	1	Shaft	(1) From Serial or Engine Number SN0068
8	72501412	1	Body	(1)
9	70924138	1	O Ring	(1) 1/8"X5-3/4"ID Up to Serial or Engine Number SN0067
	70927925	1	O Ring	(1) .103"X5.487 From Serial or Engine Number SN0068
10	72161095	1	Stator	(1)
11	72161094	1	Housing	(1)
12	70921969	3	Screw	(1) 3/8"-16X1-1/2"
13	70937209	1	Bearing Cone	(1)
14	70937210	1	Bearing Cup	(1)
15	72161951	1	Poppet	(1) 1-7/8" OD
16	72501420	2	Gasket	(1) Up to Serial or Engine Number SN0067
	<b>70923575</b>	2	O Ring	(1) .139"X.984 ID From Serial or Engine Number SN0068
17	70926616	2	Ring	(1)
18	72160393	1	Nut	
19	833095M1	2	Bearing Cone	
20	70937206	2	Bearing Cup	
21	70937176	2	Ring	3-27/64" OD
22	72160920	1	Distributor	
23	72507053	1	Gear	Number of teeth/spines 24 Up to Serial or Engine Number SN0067
	72509695	1	Gear	From Serial or Engine Number SN0068
24	70927709	1	Clip	3-3/16" OD
25	70923828	1	O Ring	3/16"X2-1/2 ID
26	72160522	1	Screen	
27	72160886	1	Plug	
28	70921888	1	O Ring	
29	72501410	1	Tube	1-1/2" OD 16-7/16" LONG
30	70919089	4	Screw	1/2"-13X1-3/4"
31	353439X1	4	Lock Washer	1/2" LOCK
32	72503268	X	Shim	Thickness .0149"
	72503269	X	Shim	Thickness .0070"
	72503267	X	Shim	Thickness .0040"
33	70924138	1	O Ring	1/8"X5-3/4"
34	70918265	1	Washer	5/16"
35	70921332	2	Screw	5/16"-18X3/4"
36		1	Plate	[B]
37	72501422	1	Tube	Diameter 1" OD
38	70921228	2	Adaptor	1"BX1"T
39	72501418	1	Manifold	
40	72501416	1	Manifold	
41	72501421	1	Tube	Diameter 1" OD



**Massey Ferguson****MF 9240 TRACTOR - 1637287****1637287****Hydraulic Pump****Page070-0095**

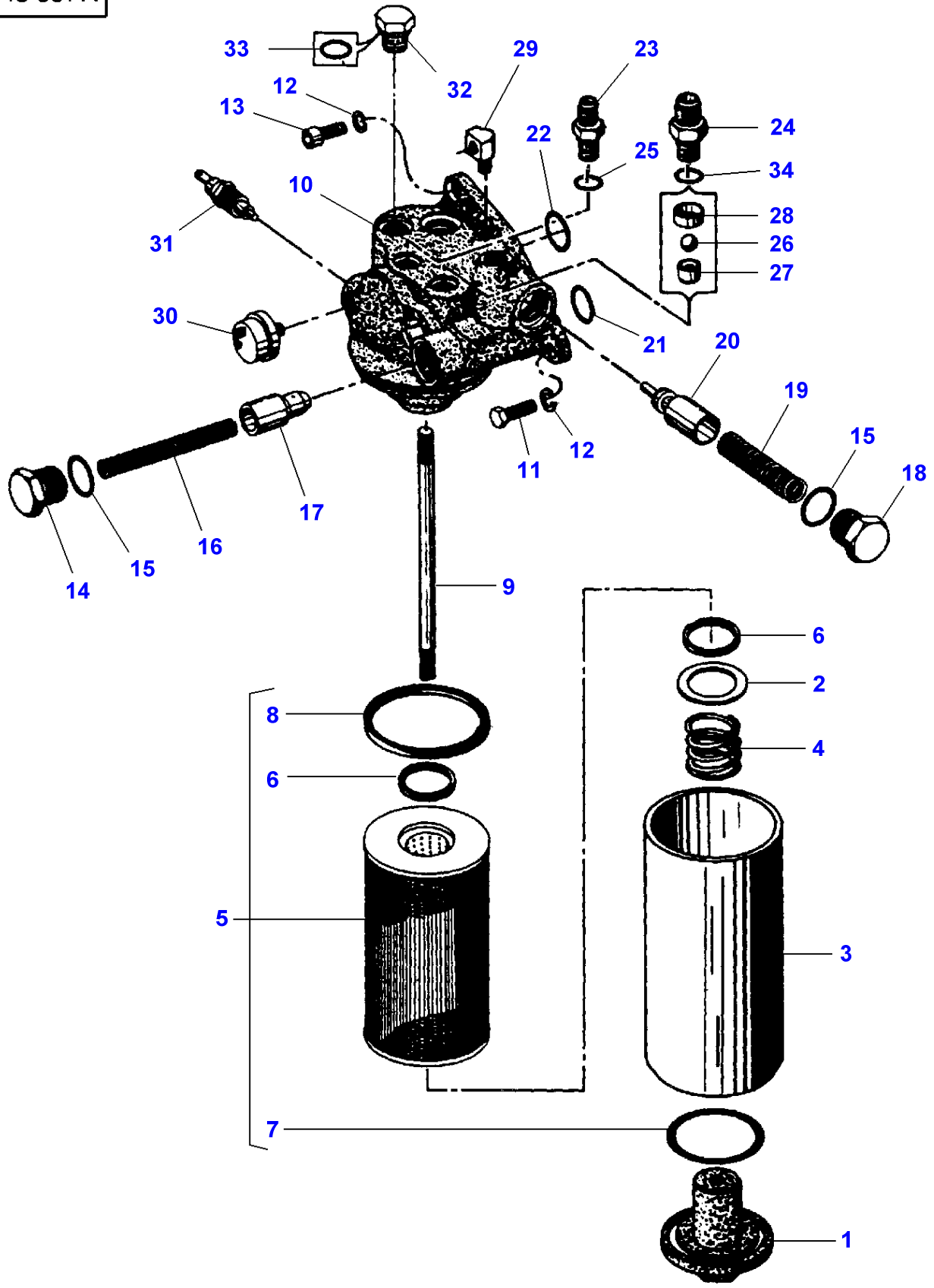
<b>Item</b>	<b>Part Number</b>	<b>Qty</b>	<b>Description</b>	<b>Comments</b>
42	70921210	1	Screw	[A] 3/8"-13X1
43	70916803	1	Washer	[A] 3/8"

FOOTNOTE [A] NOT ILLUSTRATED

FOOTNOTE [B] NUMBER TO BE ADVISED

MF 9240 TRACTOR - 1637287  
5-AP43-001-A

5-AP43-001-A



**Massey Ferguson****MF 9240 TRACTOR - 1637287**

1637287

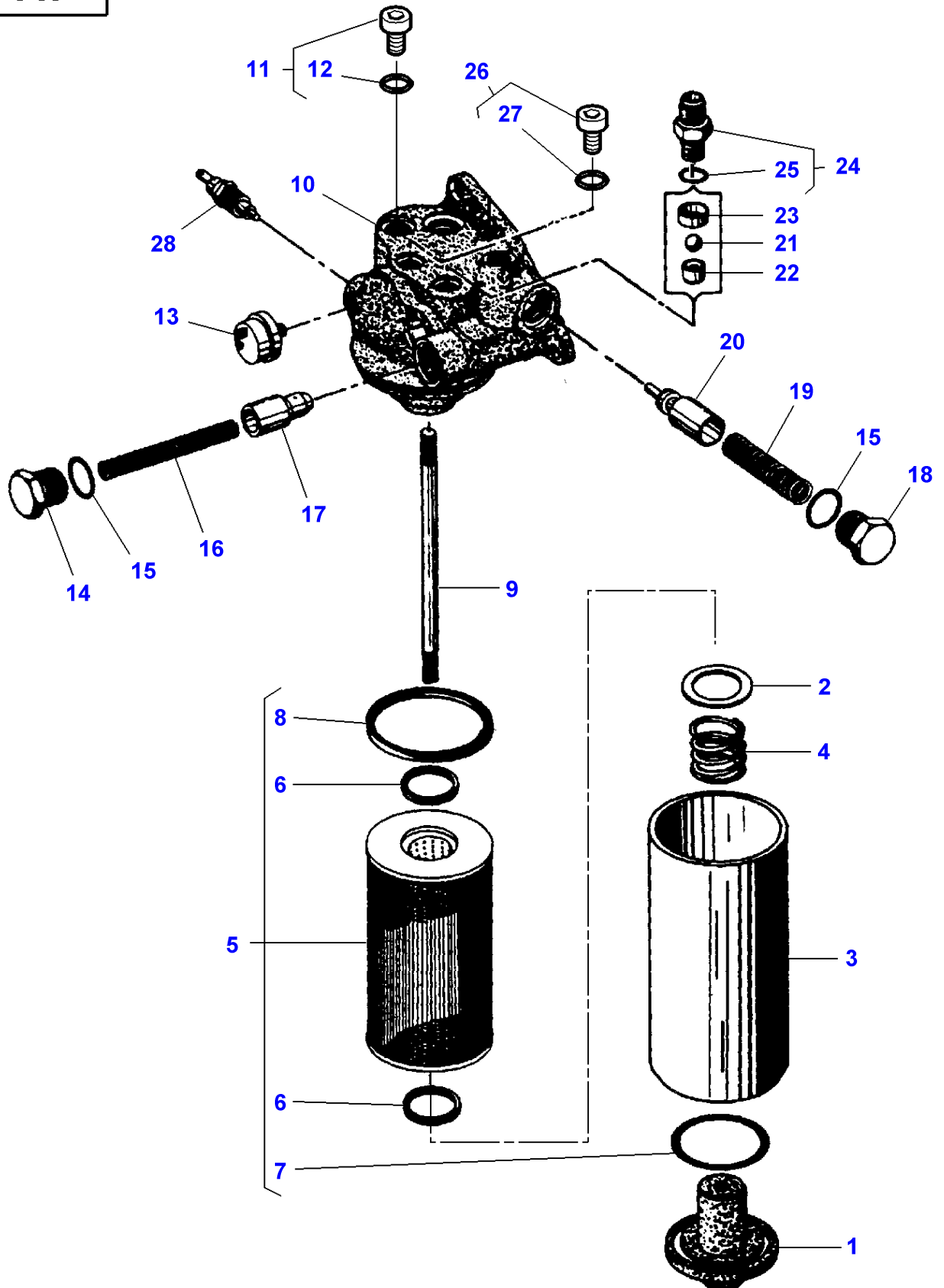
Oil Filter - Oil Filter Without Elect Hyd Draft Sense System Up To No 0067

Page 070-0100

Item	Part Number	Qty	Description	Comments
1	72160495	1	Support	
2	72160334	1	Washer	1-25/32" ID 2-1/2" OD
3	72160333	1	Container	
4	72160934	1	Spring	
5	<b>72509129</b>	1	Hydr. Element	
6	<b>72160335</b>	2	Gasket	(5) 1-3/4" ID
7	359188X1	1	O Ring	(5) 1/8"X2-3/4" ID
8	<b>72161791</b>	1	Seal	(5) 4-23/64" ID
9	72160492	1	Stud	1/2"-13X10-1/4
10	72160772	1	Body	
11	70920415	1	Screw	3/8"-16X1-1/4"
12	353434X1	2	Lock Washer	3/8" LOCK
13	70910201	1	Screw	3/8"-16X7/8"
14	72160400	1	Plug	1-5/16"-12
15	70921214	2	O Ring	.118X1-11/64"
16	72160620	1	Spring	
17	72160688	1	Poppet	
18	72161099	1	Plug	1-5/16"-12
19	72161224	1	Spring	29/32" OD Length 2-59/64"
20	72161082	1	Spool	
21	70923568	1	O Ring	3/32"X1-3/16ID
22	70931404	1	O Ring	3/32"X1-3/8"
23	70922522	1	Connector	
24	70924403	1	Connector	
25	831452M1	1	O Ring	(23) 5/64"X15/32"ID Replace and repair. Old not interchangeable with new 70921885
26	70921874	2	Ball	
27	72160892	2	Seat	
28	72160817	2	Bush	
29	70914138	1	Elbow	1/8" NPT 90'
30	71166993	1	Switch	
31	72506415	1	Sender	
32	70927999	1	Plug	
33	<b>70921349</b>	1	O Ring	(32)
34	831452M1	1	O Ring	(24) 5/64"X15/32"ID Replace and repair. Old not interchangeable with new 70921885

MF 9240 TRACTOR - 1637287  
5-AP43-002-A

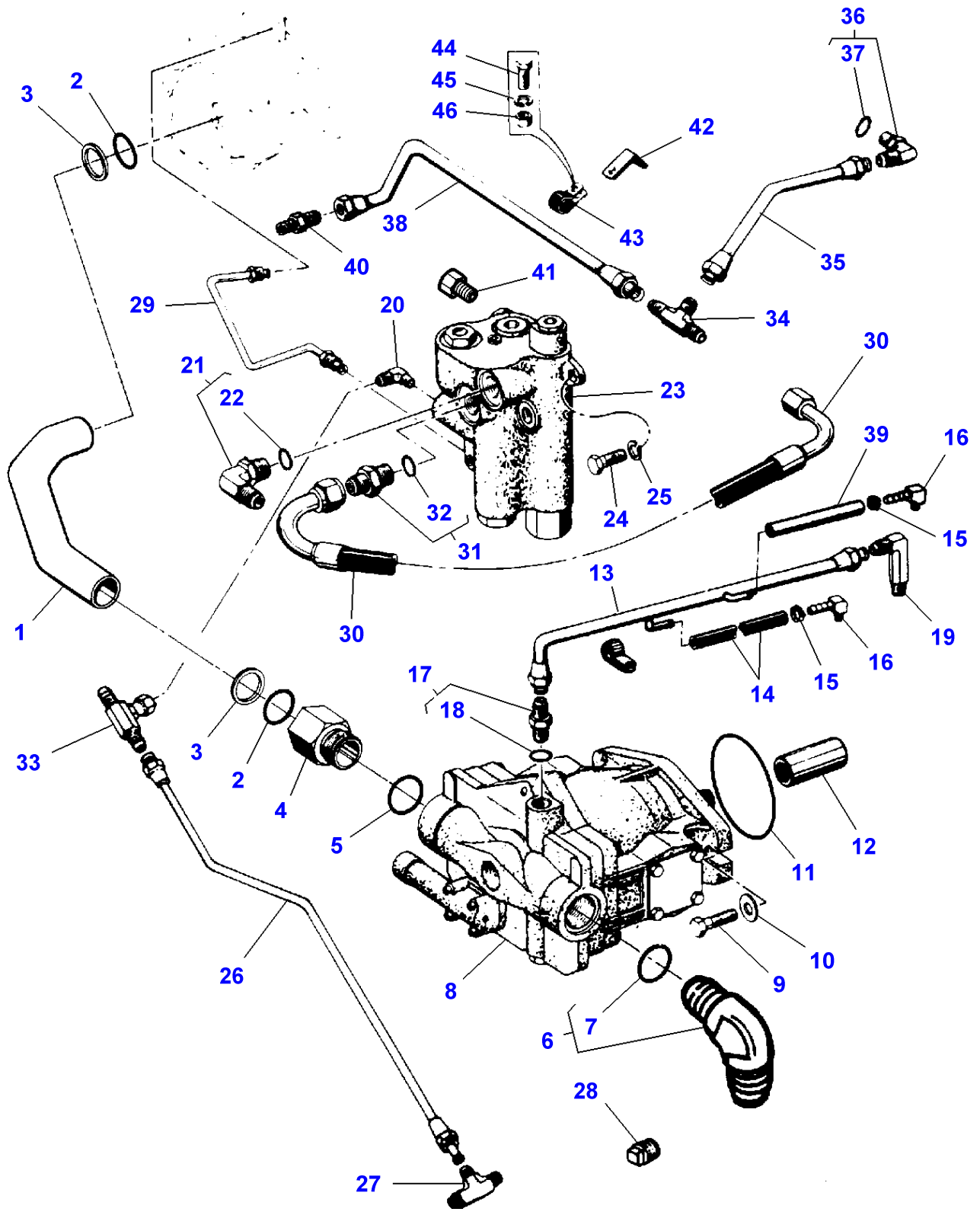
5-AP43-002-A



Item	Part Number	Qty	Description	Comments
1	72160495	1	Support	
2	72160334	1	Washer	
3	72161019	1	Container	
4	72160934	1	Spring	
5	<b>72511240</b>	1	Hydr. Element	
6	<b>72160335</b>	2	Gasket	(5)
7	<b>70923816</b>	1	O Ring	(5) 1/8"X3-1/4"ID
8	<b>72161791</b>	1	Seal	(5)
9	72161020	1	Stud	
10	72160772	1	Body	
11	70927999	1	Plug	
12	<b>70921349</b>	1	O Ring	(11)
13	71166993	1	Switch	
14	72160400	1	Plug	
15	70921214	2	O Ring	.116X1-11/64"
16	72160620	1	Spring	
17	72161951	1	Poppet	
18	72161099	1	Plug	
19	72161224	1	Spring	
20	72161082	1	Spool	
21	70921874	1	Ball	Replace and repair. Old not interchangeable with new 70915771
22	72160892	2	Seat	
23	72160817	1	Bush	
24	70924403	1	Connector	
25	831452M1	1	O Ring	(24) 5/64"X15/32"ID Replace and repair. Old not interchangeable with new 70921885
26	70926697	1	Plug	
27	831452M1	1	O Ring	(26) 5/64"X15/32"ID Replace and repair. Old not interchangeable with new 70921885
28	72506415	1	Sender	

MF 9240 TRACTOR - 1637287  
5-AP67-001-A

5-AP67-001-A

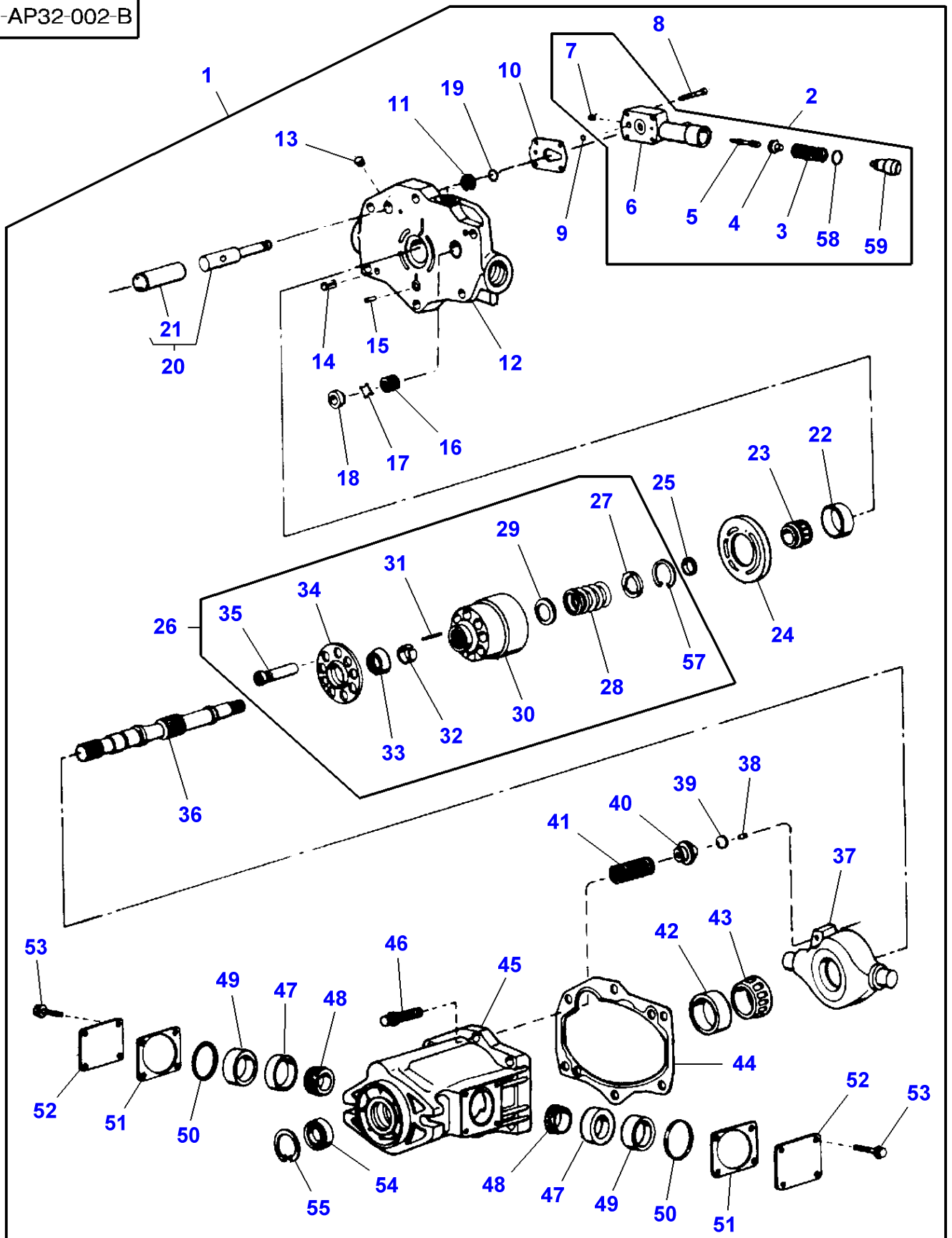


## Pump Pressure Control Valve &amp; Lines

Item	Part Number	Qty	Description	Comments
1	72503261	1	Tube	1-1/2" OD
2	70923664	2	O Ring	1/8"X1-1/2" ID
3	70926620	2	Washer	
4	72160705	1	Adaptor	1-7/8"-12
5	70921887	1	O Ring	.118X1-23/32ID
6	70922632	1	Elbow	1-5/16"-12
7	70921214	1	O Ring	(6) .118X1-23/32ID
8	72503469	1	Pump	See Page - Reference Number 070-0115
9	70921176	2	Screw	1/2"-13X1-1/4"
10	70917379	2	Washer	1/2"
11	70923659	1	O Ring	3/32"X4 ID
12	72500943	1	Coupling	
13	72503262	1	Tube	
14	72160321	1	Hose	5/16" ID X9
15	338612X1	2	Hose Clip	1/2"
16	70931713	3	Elbow	1/8"NPT 90'
17	70923717	1	Connector	3/4"-16X7/8"-14
18	70921205	1	O Ring	(17) .097X3/4" ID
19	70936755	1	Elbow	3/8" NPT 90'
20	70919195	1	Elbow	1/2" NPT 90'
21	70921203	1	Elbow	1/16"-12 90'
22	70921206	X	O Ring	.116X15/16" ID
23	72503474	1	Valve	See Page - Reference Number 070-0120
24	70920415	2	Screw	3/8"-16X1-1/4"
25	353434X1	2	Lock Washer	3/8" LOCK
26	72161055	1	Tube	
27	70921990	1	Teepiece	1/2X1/2JICX3/8 NPT
28	70901657	1	Plug	
29	72160494	1	Tube	5/16" OD
30	72512441	1	Hose Flexible	Replace and repair. Old not interchangeable with new 72507519
31	70921217	1	Adaptor	1-1/16"-12
32	70921206	1	O Ring	(31) .116X15/16"
33	70921276	1	Teepiece	3/4"-16
34	70921141	1	Teepiece	7/8"-14
35	72160528	1	Tube	5/8" OD
36	70921327	1	Elbow	7/8"-14 90'
37	70921205	1	O Ring	Up to Serial or Engine Number SN0067 (36) .097X3/4" ID Up to Serial or Engine Number SN0067
38	72504460	1	Tube	5/8" OD Up to Serial or Engine Number SN0067
	72509828	1	Tube	5/8" OD From Serial or Engine Number SN0068
39	72501411	1	Hose	5/16" ID X12
40	70921368	1	Union	5/8"X5/8"
41	70927999	1	Plug	1/2"
42	72501087	2	Bracket	
43	70928656	2	Clamp	
44	353690X1	2	Screw Unc	3/8"-16X3/4" Replace and repair. Old not interchangeable with new 70921966
45	353434X1	2	Lock Washer	3/8"
46	70923518	2	Nut	

MF 9240 TRACTOR - 1637287  
5-AP32-002-B

5-AP32-002-B





## Hydraulic Pump - Pump Components

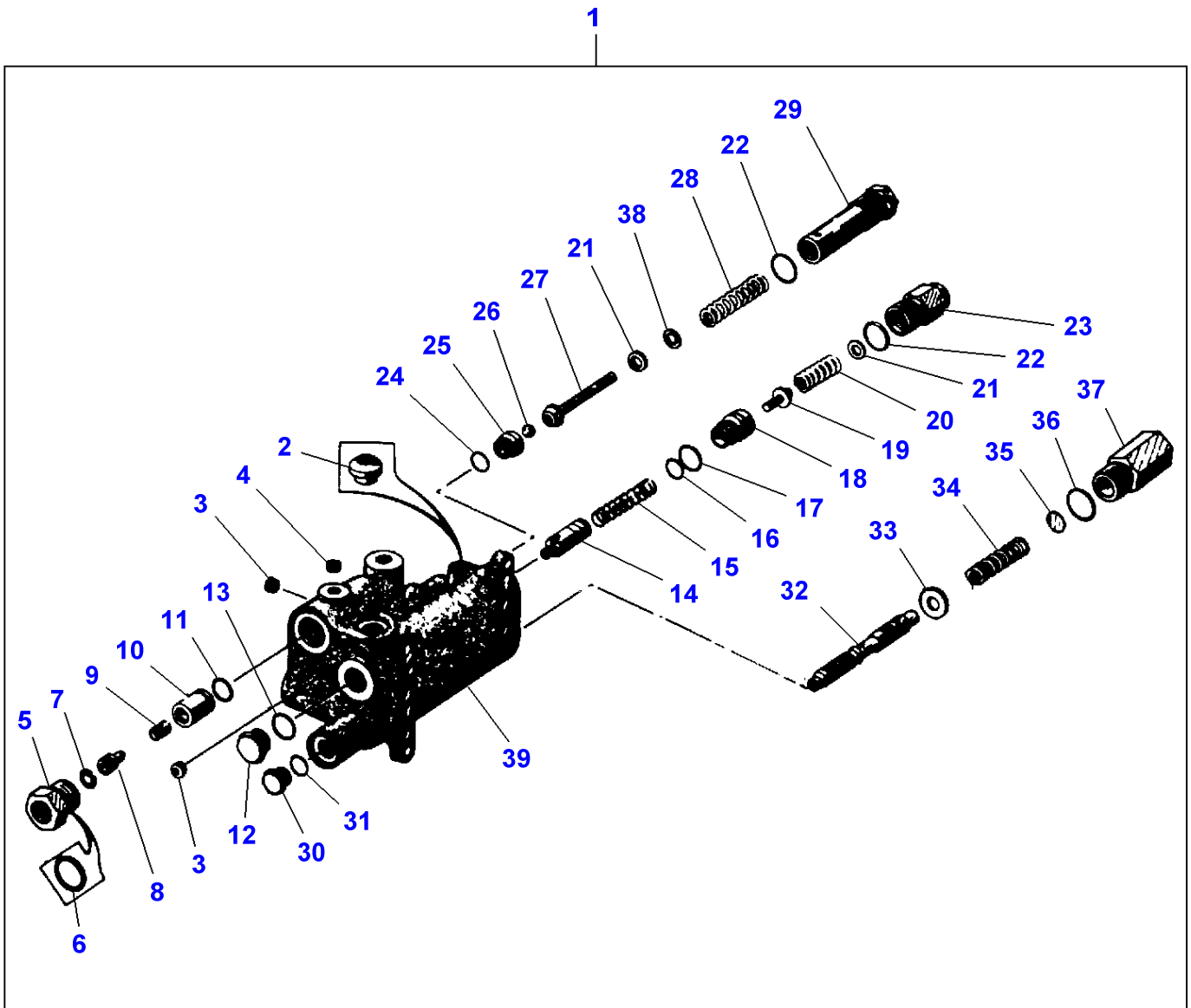
Item	Part Number	Qty	Description	Comments
1	72503469	1	Pump	NPVE19L-2-30-C
2	72162075	1	Compensator	(1)
3	72162467	1	Spring	(2)
4	72162466	1	Spring Pot	(2)
5		1	Spool	(2)
6		1	Body	Not serviced, order REF.1 (2) Not serviced, order REF.1
7	70927473	1	Plug	(2)
8	72162636	4	Screw	(1)
9	<b>70923559</b>	1	O Ring	(1) 1/16"X4/16" ID
10	72162116	1	Gasket	(1)
11	72162073	1	Ring	(1)
12		1	Housing	(1) Not serviced, order REF.1
13	70917673	1	Plug	(1)
14	72162500	2	Pin	(1) 3/8"X3/4"
15	72162122	1	Pin	(1)
16	72162123	1	Spring	(1)
17	72162124	1	Valve	(1)
18	72162125	1	Seat	(1)
19	70935117	1	O Ring	(1) 3/32"X1/2" ID
20	72163091	1	Kit, Piston	(1)
21		1	Piston	(20) Not serviced, order REF.20
22	70228153	1	Bearing Cup	(1)
23	<b>70228152</b>	1	Bearing Cone	(1)
24	72161829	1	Plate	(1)
25	72162128	1	Kit, Spacer	(1)
26	72161834	1	Kit, Piston	(1)
27	72162129	1	Washer	(1)
28	72162130	1	Spring	(26)
29	72162131	1	Washer	(26)
30		1	Body	(26) Not serviced, order REF.26
31	72162132	3	Pin	(26)
32	72162133	1	Retainer	(26)
33	72162134	1	Bush	(26)
34	72162135	1	Plate	(26)
35		1	Piston	(26) Not serviced, order REF.26
36	72506517	1	Shaft	(1)
37	72162137	1	Yoke	(1)
38	70917947	1	Pin	(1) 3/16"X1/2"
39	72162138	1	Spring Pot	(1)
40	72162139	1	Spring Pot	(1)
41	72162140	1	Spring	(1)
42	70241380	1	Bearing Cup	(1)
43	72162540	1	Bearing Cone	(1)
44	72161830	1	Gasket	(1)
45		1	Housing	(1) Not serviced, order REF.1
46	72162679	1	Screw	(1) 3/8"-16X1-1/2"
47	832190M1	2	Bearing Cup	(1)
48	70937219	2	Bearing Cone	(1)
49	72162141	2	Spacer	(1)
50	70923684	2	O Ring	(1) 3/32"X2-1/16" ID
51	72161831	1	Shim	(1)
52	72162142	2	Cover	(1)
53	72162678	8	Screw	(1) 1/4"-20X1/2"G8
54	72161832	1	Seal	(1)
55	70925993	1	Clip	(1)

**Massey Ferguson****MF 9240 TRACTOR - 1637287****1637287****Hydraulic Pump - Pump Components****Page070-0115**

<b>Item</b>	<b>Part Number</b>	<b>Qty</b>	<b>Description</b>	<b>Comments</b>
56	72161833	1	Seal	[B] (1)
57	70927696	1	Clip	(1) 1-13/16"
58	70924003	1	O Ring	Replace and repair. Old not interchangeable with new 72162528 (2)
59	72162468	1	Plug	1/16"X9/16" ID (2)

**FOOTNOTE [B] NOT ILLUSTRATED**

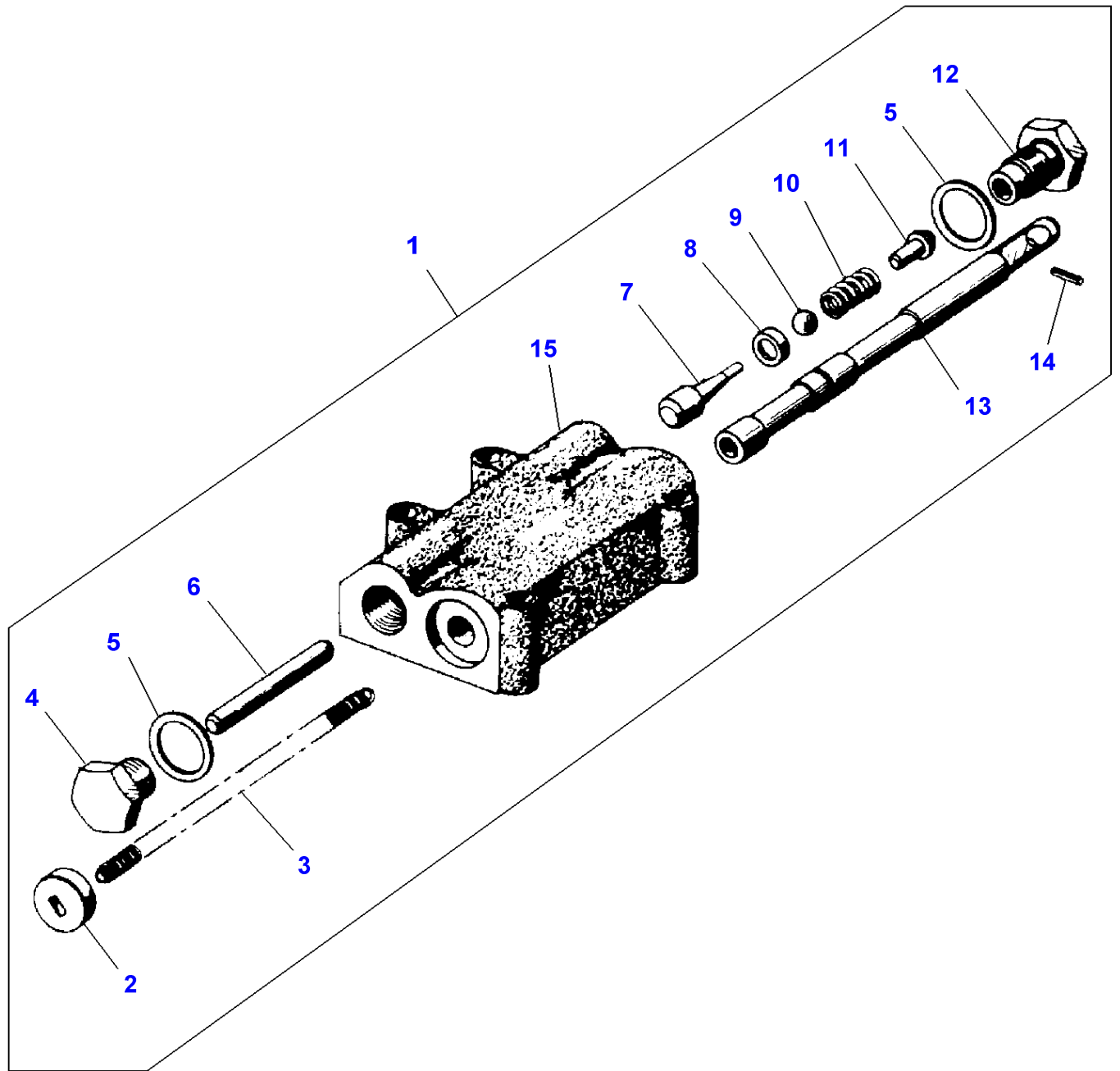
5-AP63-001-B



## Pressure Regulator Valve

Item	Part Number	Qty	Description	Comments
1	72503474	1	Valve	
2	72162071	1	Insert	(1) 1/16"OD 5/16" TUBE
3	70919134	2	Plug	(1) 1/8"
4	70917673	1	Plug	(1) 1/4"
5	72160405	1	Union	(1) 1-3/16"-12
6	70921886	1	O Ring	(1) 0.116"X1 3/64" ID
7	70927686	1	Clip	(1)
8	72160293	1	Poppet	(1)
9	72160294	1	Spring	(1)
10	72160343	1	Piston	(1)
11	70923808	1	O Ring	(1) 1/16"X7/8"ID
12	70924621	1	Plug	(1) 1"-1/16"-12
13	70921206	1	O Ring	(1) .116"X15/16"ID
14	72160299	1	Spool	(1)
15	72160277	1	Spring	(1)
16	70923945	1	O Ring	(1) 1/16"X3/4"ID
17	70923848	1	O Ring	(1) 1/16"X1"ID
18	72160259	1	Piston	(1)
19	72160258	1	Spool	(1)
20	72160254	1	Spring	(1)
21	72160255	X	Shim	(1) Thickness .004"
	72160256	X	Shim	(1) Thickness .0149"
22	70923948	2	O Ring	(1) 3/32"X1-1/4"
23	72160260	1	Plug	(1)
24	70923376	1	O Ring	(1) 3/32"X9/16"
25	72160253	1	Spring Pot	(1)
26	70917579	1	Ball	(1) Diameter 7/16"
27	72160995	1	Plunger	(1) .840" OD
28	72161841	1	Spring	(1) Length 3-7/16"
29	72160994	1	Plug	(1)
30	70927999	1	Plug	(1) 3/4"-16
31	70921886	1	O Ring	(1) .087"X41/64"ID
32	72160501	1	Spool	(1)
33	72160257	1	Washer	(1)
34	72160523	1	Spring	(1) Length 6-53/64"
35	72160532	X	Shim	(1) Thickness .33"
	72160533	X	Shim	(1) Thickness .060"
36	70921214	1	O Ring	(1) .118"X1" 11/64" ID
37	72160524	1	Plug	(1) 1"-5/16"-12
38	72161842	1	Washer	(1) 13/32" ID 23/32" OD
39	72161123	1	Body	(1)

5-AQ26-001-A



**Massey Ferguson****MF 9240 TRACTOR - 1637287**

1637287

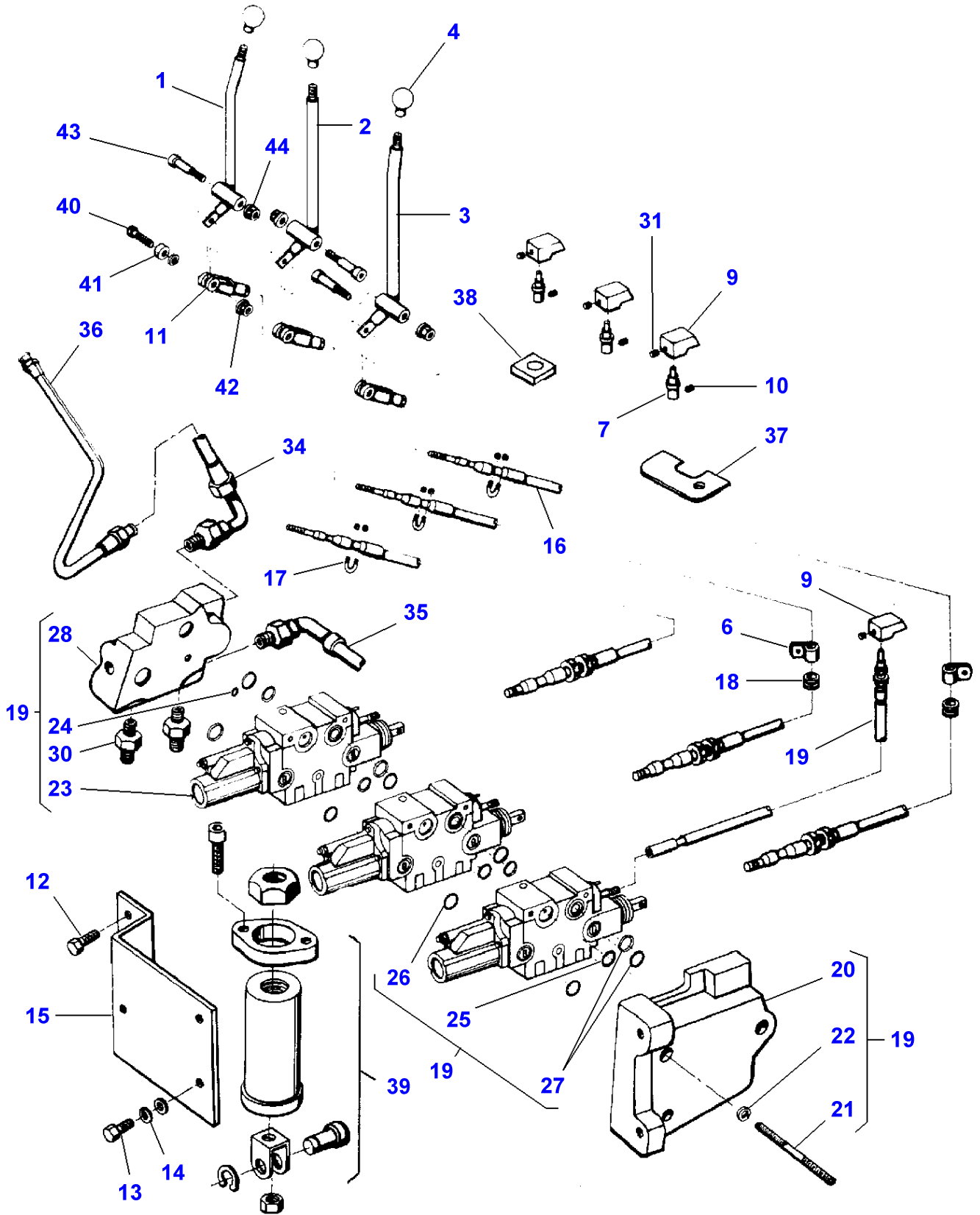
**Hydraulics Equipment - Valve**

Page070-0125

Item	Part Number	Qty	Description	Comments
1	72160467	1	Valve	
2	72160264	1	Plug	(1)
3	72160280	1	Spring	(1)
4	72160266	1	Plug	(1) 3/4"-16
5	72160013	2	Washer	(1)
6	72160472	1	Stem	(1)
7		1	Spool	(1) Not serviced, order REF.1
8	72160058	1	Spring Pot	(1)
9	70924068	1	Ball	(1) Diameter 7/16"
10	72160015	1	Spring	(1)
11	72160262	1	Spacer	(1)
12	72160263	1	Plug	(1) 3/4"-16
13		1	Spool	(1) Not serviced, order REF.1
14	70916146	X	Pin	(1) 3/32"X1/2"
15		1	Body	(1) Not serviced, order REF.1

MF 9240 TRACTOR - 1637287  
5-AP69-001-A

5-AP69-001-A



## Control Valve - Shift Control

Item	Part Number	Qty	Description	Comments
1	72505017	1	Lever	
2	72505019	1	Lever	
3	72505021	1	Lever	Up to Serial or Engine Number SN0067
	72506263	1	Lever	From Serial or Engine Number SN0068
4	72502132	3	Knob	
5	3619622M1	1	Cable Tie	[A] Replace and repair. Old not interchangeable with new 70925442
6	70926916	4	Clamp	9/16"X9/32"
	70925003	3	Screw	[A] 1/4"X1/2"
7	72505016	3	Turn Button	
8	72506392	1	Knob	[A]
9	72502486	4	Button	
10	72502130	3	Stop	
11	70936334	3	Toggle	
	70920437	3	Nut	[A] 1/4"-28
12	70924742	1	Screw	3/4"X24-1/2"
13	354264X1	3	Bolt Unc	Up to Serial or Engine Number SN0067
14	353434X1	3	Lock Washer	
15	72503467	1	Bracket	Up to Serial or Engine Number SN0067
	70923518	3	Nut	[A]
16	72505161	1	Kit, Cable	3RD REMOTE Up to Serial or Engine Number SN0067
	72505162	2	Kit, Cable	1ST/2ND REM Up to Serial or Engine Number SN0067
	72509023	3	Cable	1ST/2ND REM From Serial or Engine Number SN0068
17	72502248	3	Clamp	
18	72502131	4	Grommet	
19	72503466	1	Distributor	Up to Serial or Engine Number SN0067
		X	Distributor	From Serial or Engine Number SN0068 See Page - Reference Number 070-0135
20	72504463	1	Cover	(19)
21	72506217	3	Stud	(19) 3/8"-16X9
	70923518	3	Nut	[A] (19) 3/8"-16
22	353434X1	3	Lock Washer	(19) 3/8" LOCK
23	72161190	3	Distributor	(19) See Page - Reference Number 070-0145/1
24	70927903	1	O Ring	(19) 1/16"X3/16"
25	70924191	3	O Ring	(19) 1/8"X3/4"
26	<b>70923988</b>	8	O Ring	(19) 3/32"X15/16"
27	70924110	4	O Ring	(19) 1/8"X1 ID
28	72504462	1	Manifold	(19)
29	72160255	12	Shim	[A] (19) Thickness .004"
30	70935768	2	Connector	(19) Up to Serial or Engine Number SN0067 Replace and repair. Old not interchangeable with new 70922997
31	70923520	4	Screw	N8-32X1/4"
32	70923166	1	Plug	[A] Up to Serial or Engine Number SN0067
33	72509022	1	Cable	Up to Serial or Engine Number S/N 0011
34	72504957	1	Hose Flexible	Up to Serial or Engine Number SN0067
35	72504475	1	Hose Flexible	
36	72504964	1	Tube	5/8" OD
37	72505014	3	Decal	
38	72505015	3	Plate	
39	72505170	1	Adaptor	
40	70921961	3	Screw	1/4"-20X1-1/4"



**Massey Ferguson**

**MF 9240 TRACTOR - 1637287**

**1637287**

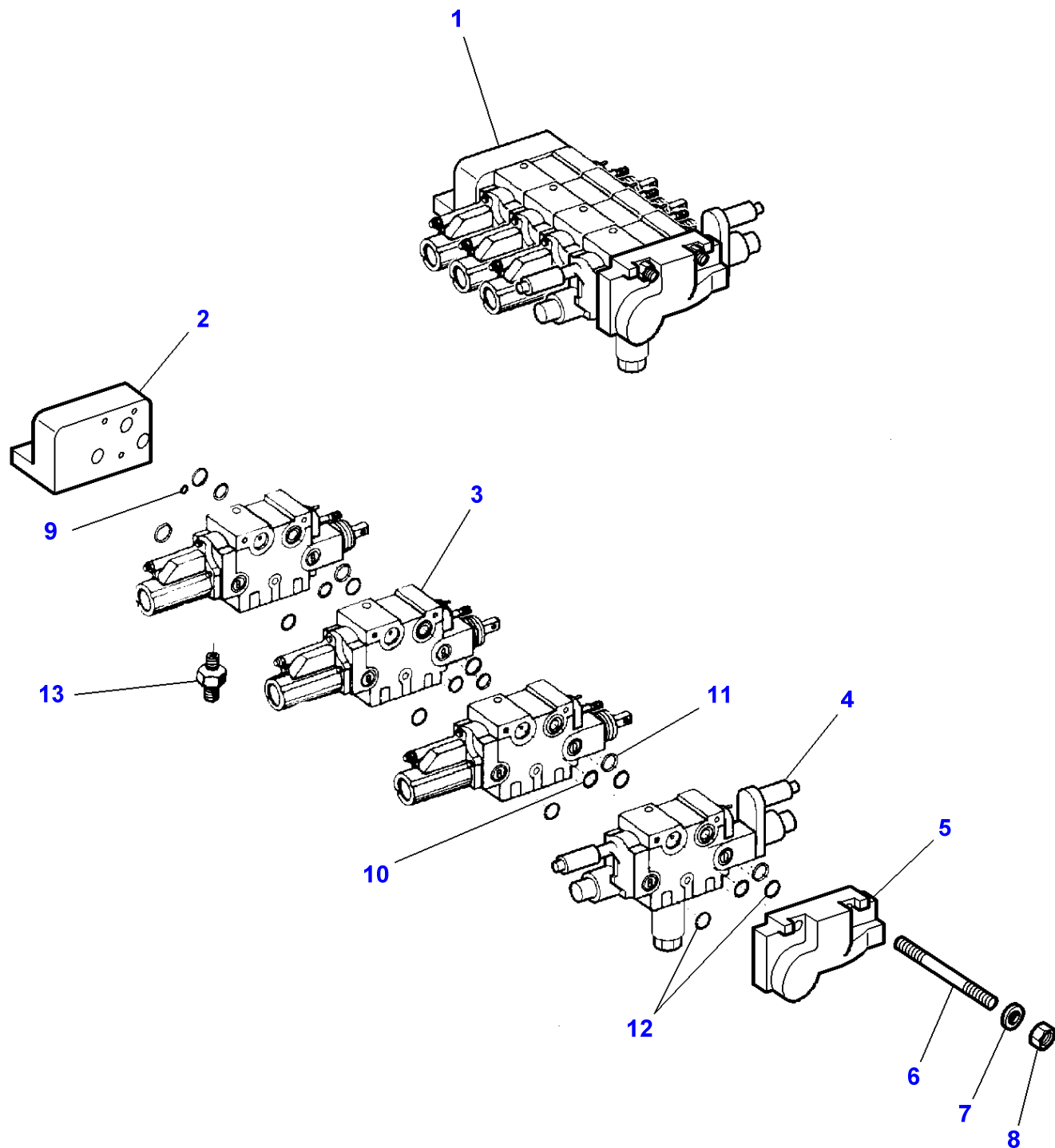
**Control Valve - Shift Control**

**Page070-0130**

<b>Item</b>	<b>Part Number</b>	<b>Qty</b>	<b>Description</b>	<b>Comments</b>
41	70924872	3	Washer	17/64" ID
42	70931209	3	Nut	1/4"-20
43	70935184	3	Screw	
44	<b>369064X1</b>	3	Nut Unc	3/8"

FOOTNOTE [A] NOT ILLUSTRATED

5-AP69-002-A



**Massey Ferguson****MF 9240 TRACTOR - 1637287**

1637287

**Control Valve - Shift Control - From Serial or Engine Number N 0068**

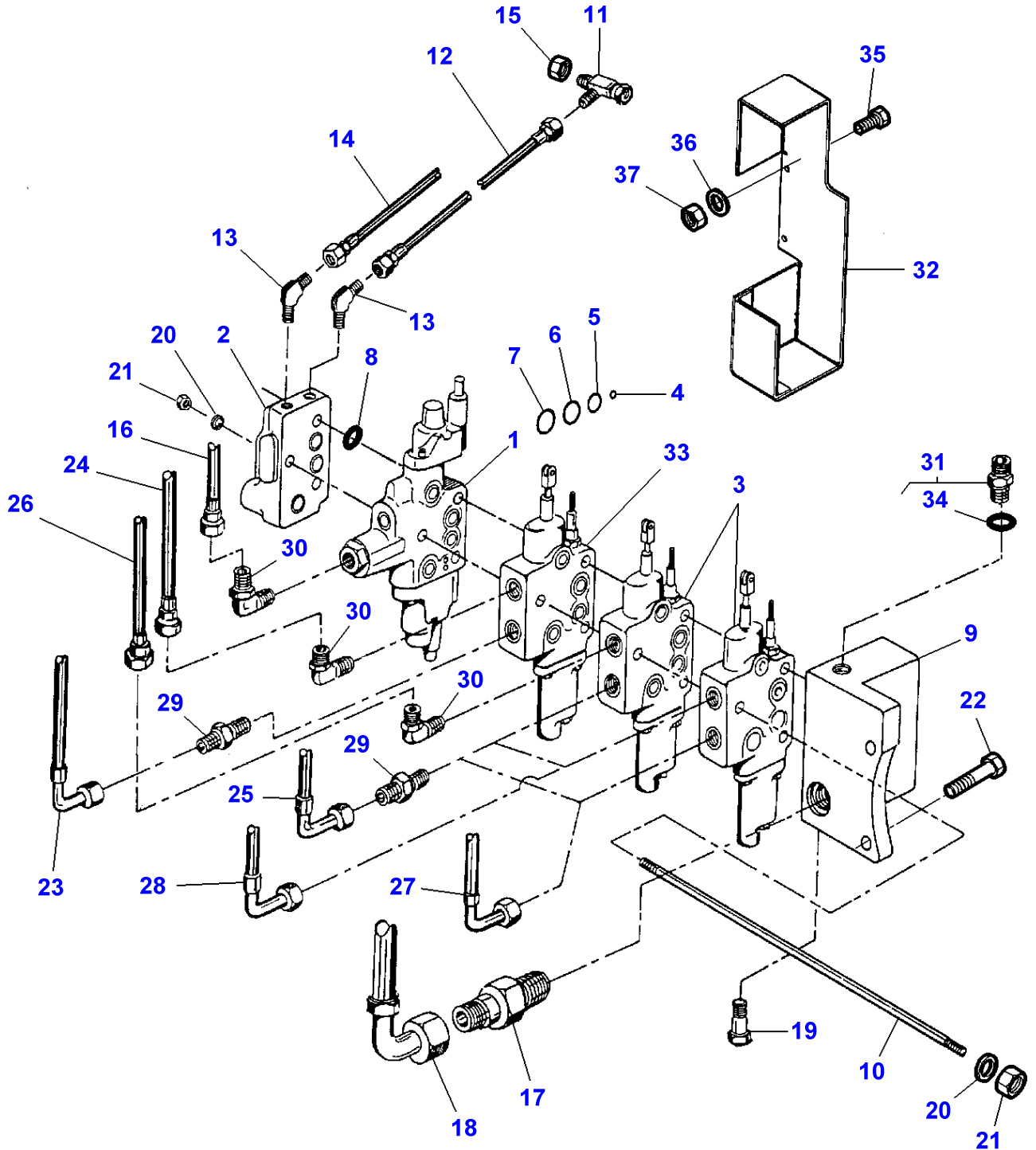
Page070-0135

Item	Part Number	Qty	Description	Comments
1	72509130	1	Distributor	
2	72508502	1	Cover	(1)
3	72508183	3	Distributor	[A] (1)
4	72506523	1	Distributor	[A] (1)
5	72506524	1	Cover	(1)
6	72511529	3	Stud	(1) 3/8"-16X10"1/2
7	353434X1	3	Lock Washer	(1) 3/8"-REG
8	70923518	3	Nut	(1) 3/8"-16
9	70927903	5	O Ring	(1) 1/16"X3/16"
10	70924191	4	O Ring	(1) 1/8"X3/4"
11	70924110	5	O Ring	(1) 1/8"X1 ID
12	<b>70923988</b>	10	O Ring	(1) 3/32"X15/16"
13	70921217	1	Adaptor	3/4"X3/4"

**FOOTNOTE [A]** DETAIL TO BE ADVISED

MF 9240 TRACTOR - 1637287  
5-AP36-001-A

5-AP36-001-A

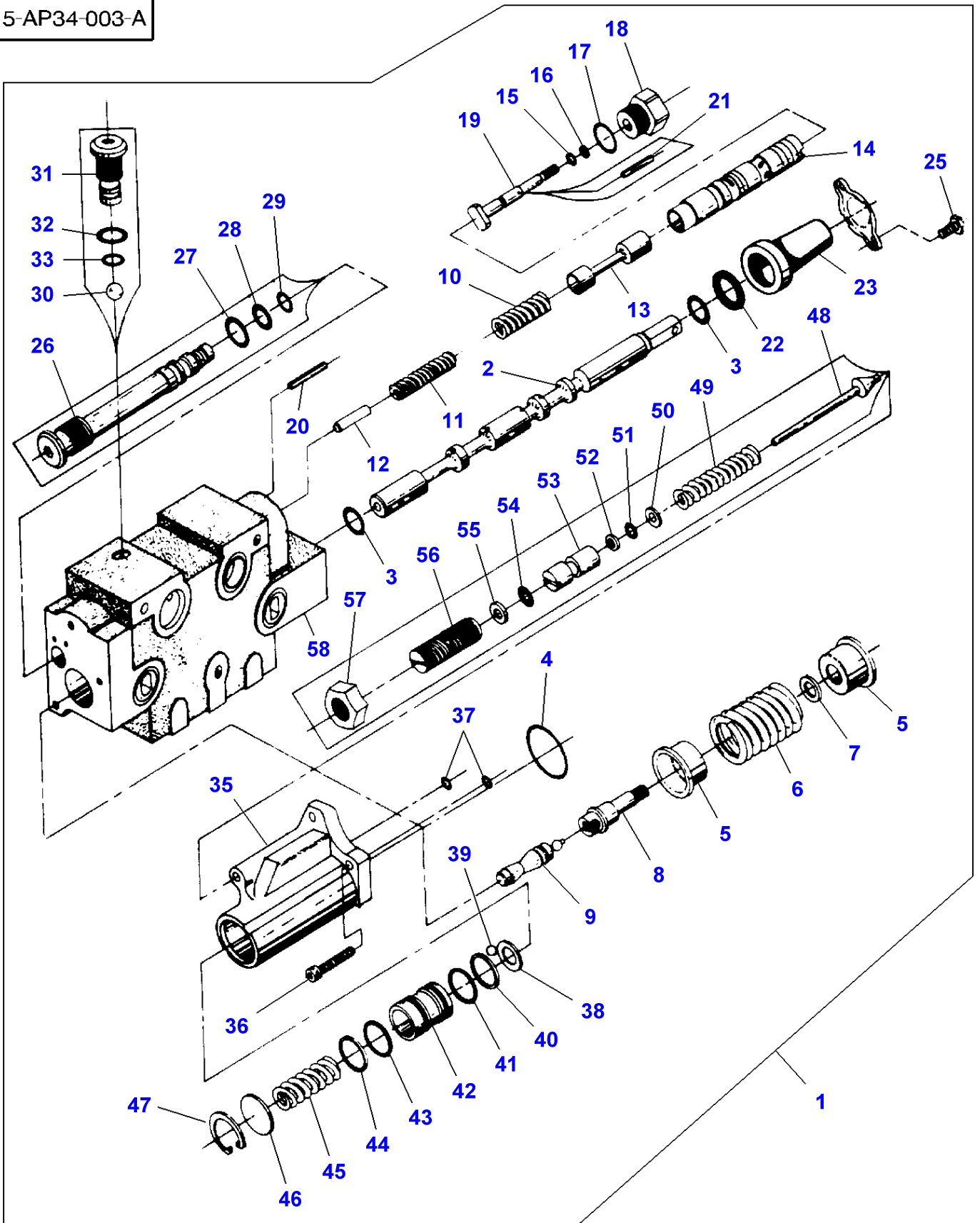


Item	Part Number	Qty	Description	Comments
1	72506523	1	Distributor	See Page - Reference Number 070-0150/1
2	72506524	1	Cover	
3	72508183	2	Distributor	[A]
4	70927903	5	O Ring	1/16"X3/16"
5	70924191	4	O Ring	1/8"X3/4"
6	<b>70923988</b>	10	O Ring	3/32"X15/16"
7	70924110	5	O Ring	1/8"X1"
8	72160255	15	Shim	Thickness .004"
9	72508502	1	Cover	
10	72511529	3	Stud	3/8-16X10-1/2
11	70921297	1	Teepiece	
12	72511533	1	Hose	1/4"X25"
13	70923643	2	Elbow	
14	72511532	1	Hose	1/4"X40"
15	70919552	1	Plug	
16	72511530	1	Hose Flexible	1/2"X25"
17	70921217	1	Adaptor	
18	72504475	1	Hose Flexible	1/4"X24"
19	70927999	1	Plug	
20	353434X1	3	Lock Washer	
21	70923518	3	Nut	
22	70923126	2	Bolt	
23	72511534	1	Hose	1/2X59"
24	72511535	1	Hose	1/2"X57"
25	72511536	1	Hose	1/2"X59"
26	72511537	1	Hose	1/2"X54-1/2"
27	72511541	1	Hose	1/2"X47-1/2"
28	72511540	1	Hose	1/2"X45-1/2"
29	70923717	4	Connector	
30	70924786	3	Elbow	
31	70921326	1	Connector	
32	72512311	1	Cover	
33	72503465	1	Pressure Valve	[A]
34	70921205	1	O Ring	(31)
35	70920415	2	Screw	
36	353434X1	2	Lock Washer	
37	355566X1	2	Nut Unc	

FOOTNOTE [A] DETAILS TO BE ADVISED

MF 9240 TRACTOR - 1637287  
5-AP34-003-A

5-AP34-003-A



Item	Part Number	Qty	Description	Comments
1	72161190	1	Distributor	
2		1	Spool	(1) Not serviced, order REF.1
3	<b>70923719</b>	2	O Ring	[C] (1) 3/32"X3/4"ID
4	70923564	1	O Ring	[A] (1) 1/16"X1-1/4"ID Replace and repair. Old not interchangeable with new 72161753
5	72162198	2	Retainer	(1)
6	72162199	1	Spring	(1)
7	72162200	1	Spacer	(1)
8	72162201	1	Coupling	(1)
9	72162202	1	Shaft	(1)
10	72162203	1	Spring	[B] (1) 5/8" OD-1/4"ID Length 2-13/32"
11	72162204	1	Spring	[B] (1) 27/64" OD Length 2-13/64" 2-13/64" LONG
12	72162220	1	Stem	(1)
13	72162205	1	Spool	(1)
14	72162206	1	Spool	(1)
15	70923944	1	O Ring	[B] (1) 1/16"X3/16"ID
16	72162207	1	Ring	[B] (1)
17	70921205	1	O Ring	[B] (1) 31/32"X3/4"ID
18	72162208	1	Plug	(1) 7/8"-14
19	72162209	1	Shaft	(1)
20	70918111	1	Pin	[B] (1) 1/8"X1
21	368020X1	1	Pin	[B] (1) 1/8"X1-1/4"
22	72162210	1	Filter	(1)
23	72505170	1	Adaptor	(1)
24	72162219	1	Guard	(1)
25	72162710	2	Screw	(1) 1/4"-20X1/2"
26	72162214	1	Valve	(1) 7/16"-20
27	70921883	1	O Ring	[C] (1) 3/4"X11/32"
28	72162215	1	O Ring	[C] (1) 1/16"X1/4"ID
29	72162216	1	O Ring	[C] (1) 1/16"X7/32"ID
30	72163093	1	Ball	[C] (1) Diameter 3/16"
31	72162217	1	Plug	[C] (1) 3/8"-24
32	70921882	X	O Ring	[C] (1) 43/84"X5/16"ID
33	72162218	1	O Ring	[C] (1) 1/16"X3/16"ID

Distributor - Up to Serial or Engine Number N 0067

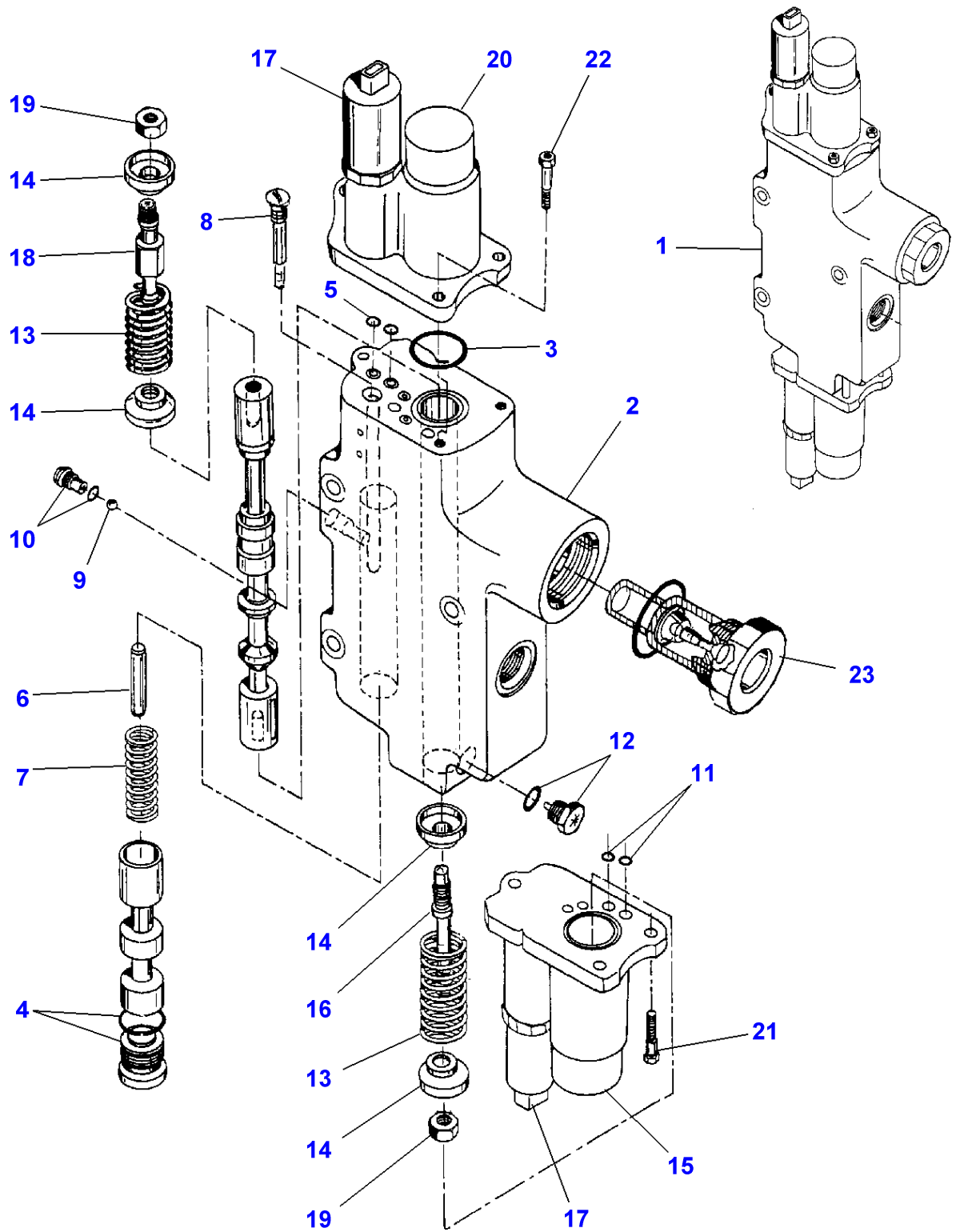
Item	Part Number	Qty	Description	Comments
35	72162450	1	Housing	(1)
36	72162711	3	Screw	(1) 1/4"-20X1"
37	70926356	2	O Ring	[A] (1) 1/16"X1/4"ID Replace and repair. Old not interchangeable with new 72161772
38	72162221	1	Washer	(1)
39	70915903	8	Ball	(1) Diameter 7/32"
40		1	Ring	[A] (1) Not serviced, order REF.59
41	70923562	1	O Ring	[A] (1) 1/16"X15/16"ID Replace and repair. Old not interchangeable with new 72161750
42	72161855	1	Piston	(1)
43	70923848	1	O Ring	[A] (1) 1/16"X1"ID
44	72161856	1	Ring	[A] (1)
45	72162223	1	Spring	(1)
46	72162222	1	Retainer	(1)
47		1	Clip	[A] (1) 1-5/16"OD Not serviced, order REF.59
48	72162225	1	Poppet	[A] (1)
49	72162226	1	Spring	[A] (1)
50	72162227	1	Washer	(1)
51	70923944	1	O Ring	[A] (1) 1/16"X3/16"ID
52	72162207	1	Ring	[A] (1)
53	72161858	1	Piston	(1)
54	70923943	1	O Ring	[A] (1) 1/16"X1/8"ID
55	72162229	1	Ring	[A] (1)
56	72162228	1	Screw	(1)
57	<b>70917372</b>	1	Nut	(1) 3/8"-24
58	72161190	1	Distributor	(1)
59	72161857	1	Kit, Seal	[E,D] DETENT HOUSING
60	72161853	1	Kit, Seal	[F,D] FLOW CONTROL
61	72161854	1	Kit, Spool	[G,D] SPOOL

**FOOTNOTE [A]** INCLUDED IN KIT MARKED (E)  
**FOOTNOTE [B]** INCLUDED IN KIT MARKED (F)  
**FOOTNOTE [C]** INCLUDED IN KIT MARKED (G)  
**FOOTNOTE [D]** NOT ILLUSTRATED  
**FOOTNOTE [E]** INCLUDES ITEMS MARKED (A)  
**FOOTNOTE [F]** INCLUDES ITEMS MARKED (B)  
**FOOTNOTE [G]** INCLUDES ITEMS MARKED (C)



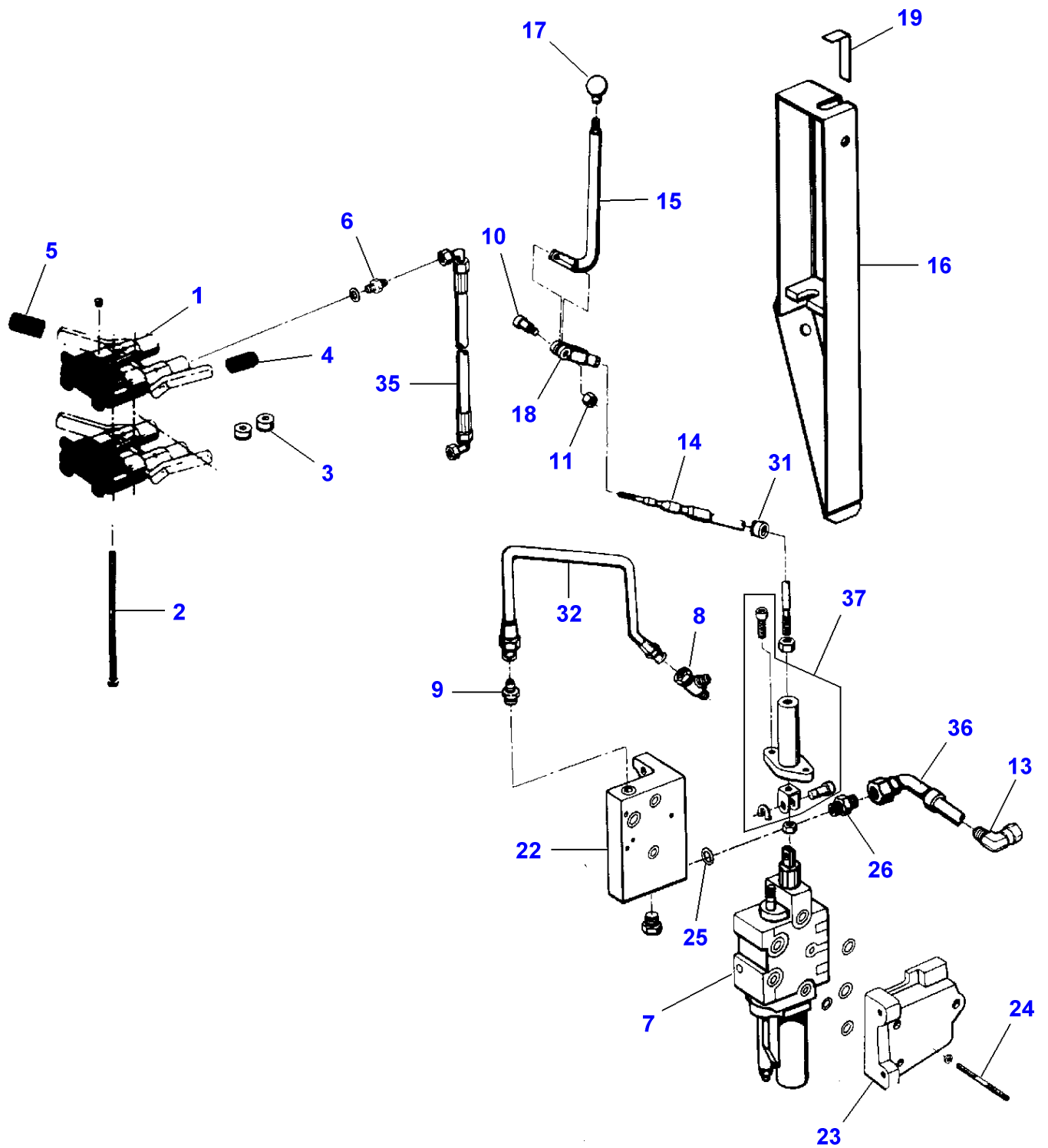
MF 9240 TRACTOR - 1637287  
5-AP34-004-A

5-AP34-004-A



<b>Item</b>	<b>Part Number</b>	<b>Qty</b>	<b>Description</b>	<b>Comments</b>
1	72506523	1	Distributor	
2		1	Distributor	(1) Not serviced, order REF NO 1
3	1884795M1	2	Ring	(1)
4	72512701	2	Plug	(1)
5	70927903	2	O Ring	(1)
6	72512702	1	Pin	(1)
7	72512703	1	Spring	(1)
8	72162214	1	Valve	(1)
9	72512705	1	Bearing Ball	(1)
10	72162217	1	Plug	(1)
11	70937616	2	O Ring	(1)
12	72512707	1	Plug	(1)
13	72512708	2	Spring	(1)
14	72512709	4	Retainer	(1)
15	72512710	1	Housing	(1)
16	72512711	1	Coupling	(1)
17	72512712	2	Solenoid	(1)
18	72512713	1	Coupling	(1)
19	72512714	1	Nut	(1)
20	72512715	1	Housing	(1)
21	72512716	3	Screw	(1)
22	72162711	2	Screw	(1)
23	72509148	1	Poppet	(1)

5-AP70-001-A

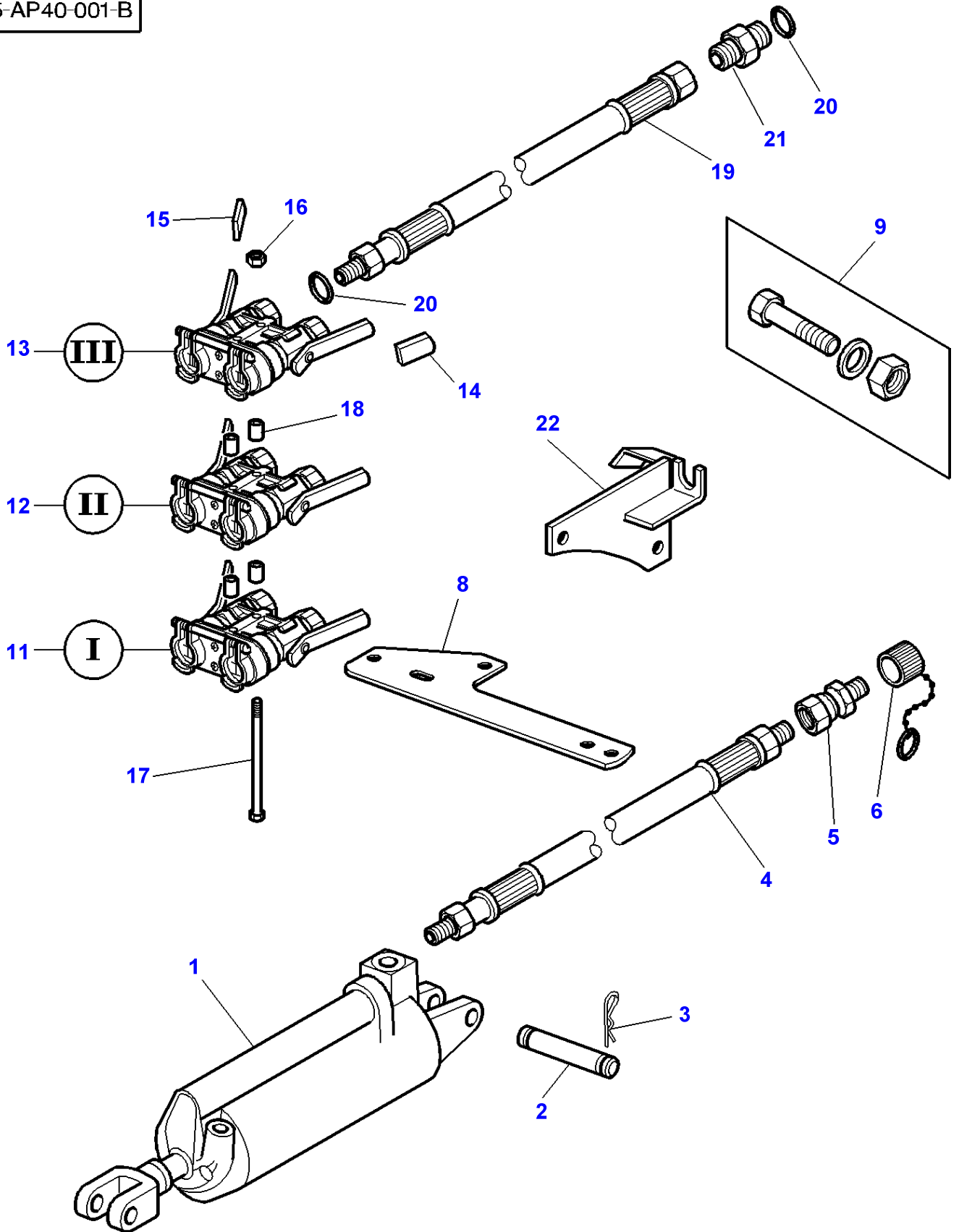


## Distributor - 4TH

Item	Part Number	Qty	Description	Comments
1	30-3389987	1	Female Coupler	
	353434X1	2	Lock Washer	[A] 3/8" LOCK
	70923518	2	Nut	[A] 3/8"-16 GR5
2	357035X1	2	Bolt Unc	3/8"-16X6
	70923518	2	Nut	[A] 3/8"-16 GR5
	353434X1	2	Lock Washer	[A] 3/8" LOCK
3	72502969	2	Spacer	
4	72161043	1	Helmet	Right Hand
5	72161045	1	Helmet	Left Hand
6	70923717	4	Connector	
7	72508183	1	Distributor	
8	70925468	1	Teepiece	5/16X5/16X5/16
9	70921326	1	Connector	5/8"X5/8"
10	70921961	1	Screw	1/4"-20X1-1/4"
11	70931209	1	Nut	1/4"X20
13	70925037	1	Elbow	3/4JICX3/4NPTF
14	72507829	1	Cable	
15	72505736	1	Lever	
	70935184	1	Screw	[A]
	<b>70931211</b>	1	Nut	[A]
16	72505743	1	Cowl	
	70917356	2	Lock Washer	[A] 5/16" LOCK
	<b>70917372</b>	2	Nut	[A] 5/16"X18 GR2
17	72502132	1	Knob	
18	70936334	1	Toggle	
	70924872	2	Washer	[A] 17/64" ID
19	72099178	1	Decal	
20	72505746	1	Moulding	[A]
21	70929807	4	Tie	[A]
22	72505502	1	Manifold	
23	72504463	1	Cover	
24	72505732	1	Stud	
25	70927903	1	O Ring	1/16"X3/16"
26	70921217	1	Adaptor	3/4"X3/4"
27	70927999	1	Plug	[A] 1/2"
30	72505742	1	Decal	[A]
31	70925738	1	Grommet	13/16"X1/2"
32	72508507	1	Tube	
34	70917631	1	Plug	[A]
35	72508211	1	Hose Flexible	53" LIFT
	72508210	1	Hose Flexible	53" DROP
36	72505693	1	Hose Flexible	
37	72505170	1	Adaptor	

**FOOTNOTE [A] NOT ILLUSTRATED**

5-AP40-001-B



Item	Part Number	Qty	Description	Comments
1	20-0006168	2	Ram	4"X8" See Page - Reference Number 040-0015/1
2	K2071A	1	Clevis Pin	Diameter 1" Length 3-11/16"
3	K2072	8	Hair Pin	
4	K3745A	4	Hose Flexible	Length 57
	79001993	4	Hose Flexible	Length 84
	105611A	4	Hose Flexible	Length 100
	103366A	4	Hose Flexible	Length 124
	162922A	4	Hose Flexible	Length 144
5	70594977	4	Coupler	Replace and repair. Old not interchangeable with new 30-3288730
6	1905376M1	4	Cap	
8	72503744	2	Bracket	Up to Serial or Engine Number SN0067
	72511545	2	Bracket	From Serial or Engine Number SN0068
9	70925701	1	Capscrew	9/16"-12X3"
	70920326	2	Washer	9/16" LOCK
	70920384	2	Nut	9/16"-12
11	72161040	2	Female Coupler	See Page - Reference Number 070-0165/1
	357024X1	2	Bolt Unc	[A] 3/8"-16X5-1/2" Replace and repair. Old not interchangeable with new 70922760
	353434X1	2	Lock Washer	[A] 3/8" LOCK
	70923518	2	Nut	[A] 3/8"-16
12	72161041	1	Female Coupler	See Page - Reference Number 070-0165/1
	70924786	5	Elbow	[A] 1/2"X5/8"ORB
	357024X1	2	Bolt Unc	[A] 3/8"-16X5-1/2" Replace and repair. Old not interchangeable with new 70922760
	353434X1	2	Lock Washer	[A] 3/8" LOCK
	70923518	2	Nut	[A] 3/8"-16
13	72161042	1	Female Coupler	See Page - Reference Number 070-0165/1
14	72161043	3	Helmet	Right Hand
15	72161045	3	Helmet	Left Hand
16	70923392	1	Rivet	Diameter 11/32" Replace and repair. Old not interchangeable with new 70933611
17	357035X1	2	Bolt Unc	3/8"-16X6" Up to Serial or Engine Number SN0067
	70923938	2	Screw	3/8"-16X3" Up to Serial or Engine Number SN0067
	357024X1	2	Bolt Unc	.376-16X5.50" From Serial or Engine Number SN0068 Replace and repair. Old not interchangeable with new 70922760
	70922918	2	Screw	3/8"-16X3"1/4 From Serial or Engine Number SN0068
18	72502969	6	Spacer	Up to Serial or Engine Number SN0067
19	72503386	2	Hose	[B] Length 25-1/2"
	72503259	4	Hose Flexible	[C] Length 22-1/2"
20	70921205	10	O Ring	.097"X3/4" ID
21	70923717	8	Connector	1/2"X5/8"ORB X 3/4"-14
22	72504965	1	Bracket	Up to Serial or Engine Number SN0067
	72505164	1	Bracket	From Serial or Engine Number SN0068
23	72504451	2	Hose Assy	[A] ASSY 1ST-3RD REMOTE COUPLER Up to Serial or Engine Number SN0067
	72511535	1	Hose	[A] 1/2"X57" ASSY 1ST-3RD From Serial or Engine Number SN0068

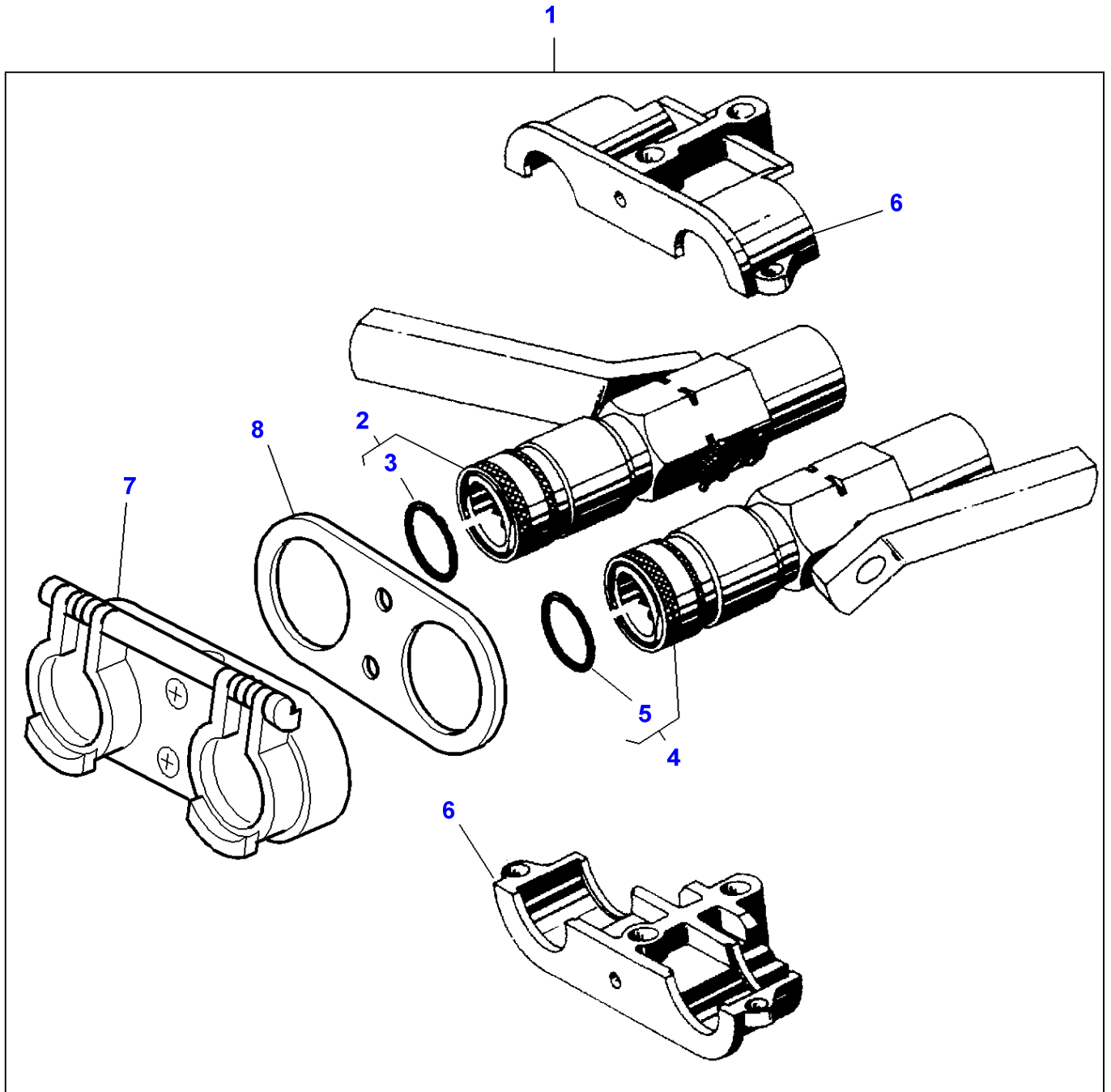
Item	Part Number	Qty	Description	Comments
24	72504452	2	Hose Assy	[A] ASSY 1ST-3RD REMOTE COUPLER Up to Serial or Engine Number SN0067
24	72511534	1	Hose	[A] 1/2"X60" ASSY 1ST-3RD From Serial or Engine Number SN0068
25	72504453	1	Hose Assy	[A] ASSY 2D REMOTE COUPLER Up to Serial or Engine Number SN0067
25	72511537	1	Hose	[A] 1/2"X54"1/2 ASSY 2D From Serial or Engine Number SN0068
26	72504454	1	Hose Assy	[A] ASSY 2D REMOTE COUPLER Up to Serial or Engine Number SN0067
26	72511536	1	Hose	[A] 1/2"X59" ASSY 2D From Serial or Engine Number SN0068
27	70921368	1	Union	[A] 5/8"JIC X 5/8"JIC Up to Serial or Engine Number SN0067
28	72511540	1	Hose	[A] 1/2"X47"1/2 From Serial or Engine Number SN0068
29	72511541	1	Hose	[A] 1/2"X45"1/2 From Serial or Engine Number SN0068
30	72511530	1	Hose Flexible	[A] 1/2"X25" From Serial or Engine Number SN0068

**FOOTNOTE [A]** NOT ILLUSTRATED

**FOOTNOTE [B]** VALVE REAR PORT TO RH NO1 & 2 COUPLER

**FOOTNOTE [C]** VALVE FRONT PORT TO LH COUPLER NO 1 & 2

5-AP40-002-B





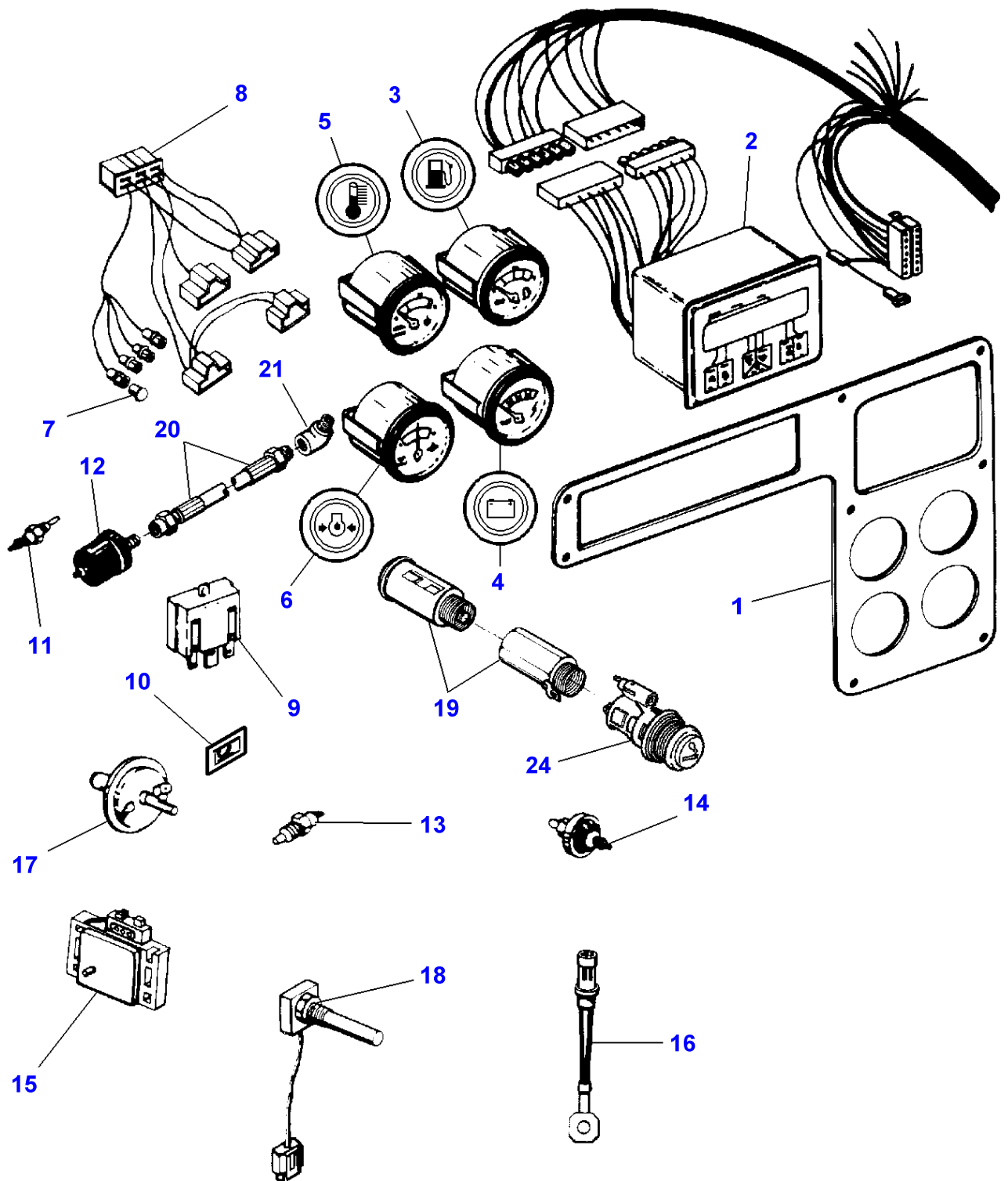
**Massey Ferguson****MF 9240 TRACTOR - 1637287****1637287****Page070-0165****Hydraulic Coupling - Component Parts**

<b>Item</b>	<b>Part Number</b>	<b>Qty</b>	<b>Description</b>	<b>Comments</b>
1	72161040	1	Female Coupler	FEMALE No 1
	72161041	1	Female Coupler	FEMALE No 2
	72161042	1	Female Coupler	FEMALE No 3
2	<b>3902108M92</b>	1	Female Coupler	(1) Left Hand
3	<b>70923851</b>	1	O Ring	(2)
4	<b>3902107M92</b>	1	Female Coupler	(1) Right Hand
5	<b>70923851</b>	1	O Ring	(4) 1/8"X13/16" ID
6	72163347	2	Clamp	(1)
7	70275304	1	Housing	(1) No 1
	72161845	1	Housing	(1) No 2
	72161846	1	Housing	(1) No 3
8	70275302	1	Gasket	(1)
9	70917388	2	Screw	[A] (1) N10-24X3/4"
10	70917365	2	Lock Washer	[A] (1) N10
11	70936995	2	Screw	[A] (1) 1/4"-20X1-1/4"

**FOOTNOTE [A] NOT ILLUSTRATED**

MF 9240 TRACTOR - 1637287  
5-AC15-001-A

5-AC15-001-A



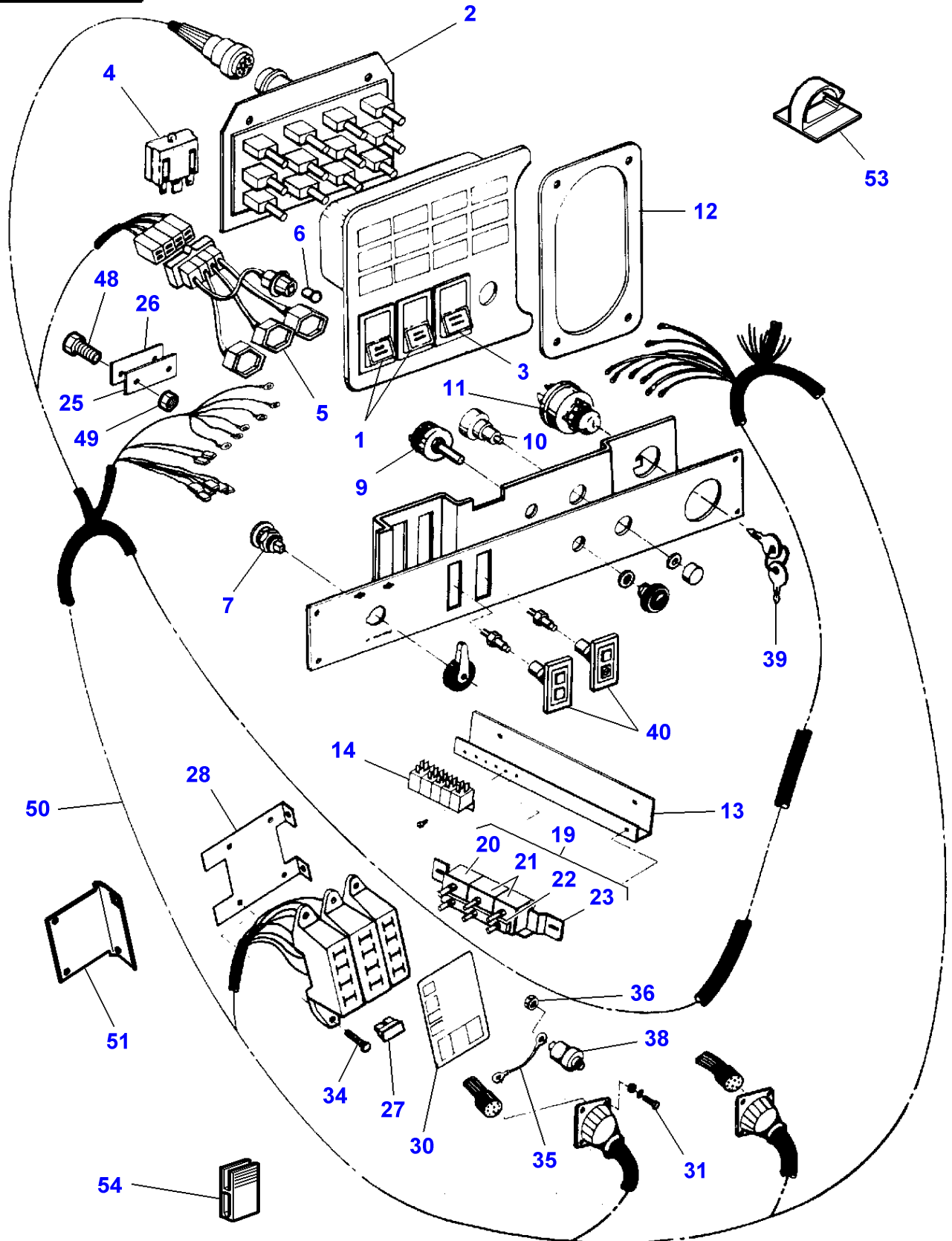
Item	Part Number	Qty	Description	Comments
1	72501357	1	Panel	
2	72512513	1	Monitor	Replace and repair. Old not interchangeable with new 72163029
3	71366323	1	Fuel Indicator	
4	71366314	1	Voltmeter	
5	71366316	1	Gauge	
6	71366315	1	Gauge	
7	71312856	4	Bulb	
8	72502301	1	Harness	
9	700705642	1	Buzzer	
10	70932720	4	Retainer	
11	71366324	1	Sender	
12	72500727	1	Sender	Up to Serial or Engine Number 31-12-1995
	<b>72512518</b>	1	Sender	From Serial or Engine Number 01-01-1996
13	72506415	1	Sender	
	70937460	1	Bush	[A]
14	71351816	1	Switch	
15	<b>72502305</b>	1	Transmitter	[B]
	70923194	2	Screw	[A] 10"-32X1
	70917365	2	Lock Washer	[A] 10" LOCK
	70917415	2	Nut	[A] 10"-32
16	72503808	1	Sensor	
17	71318065	1	Switch	
18	72500814	2	Sensor	
	70923645	2	O Ring	[A]
19	71365476	1	Lighter	
20	72506402	1	Hose Assy	Up to Serial or Engine Number 31-12-1995
21	70920655	1	Elbow	
22	72503802	1	Adaptor	[A] M18X3/8"
23	70920780	1	Fitting	[A]
24	71365477	1	Lighter	

FOOTNOTE [A] NOT ILLUSTRATED

FOOTNOTE [B] TURBO PRESSURE TRANSDUCER

MF 9240 TRACTOR - 1637287  
5-AU21-001-B

5-AU21-001-B



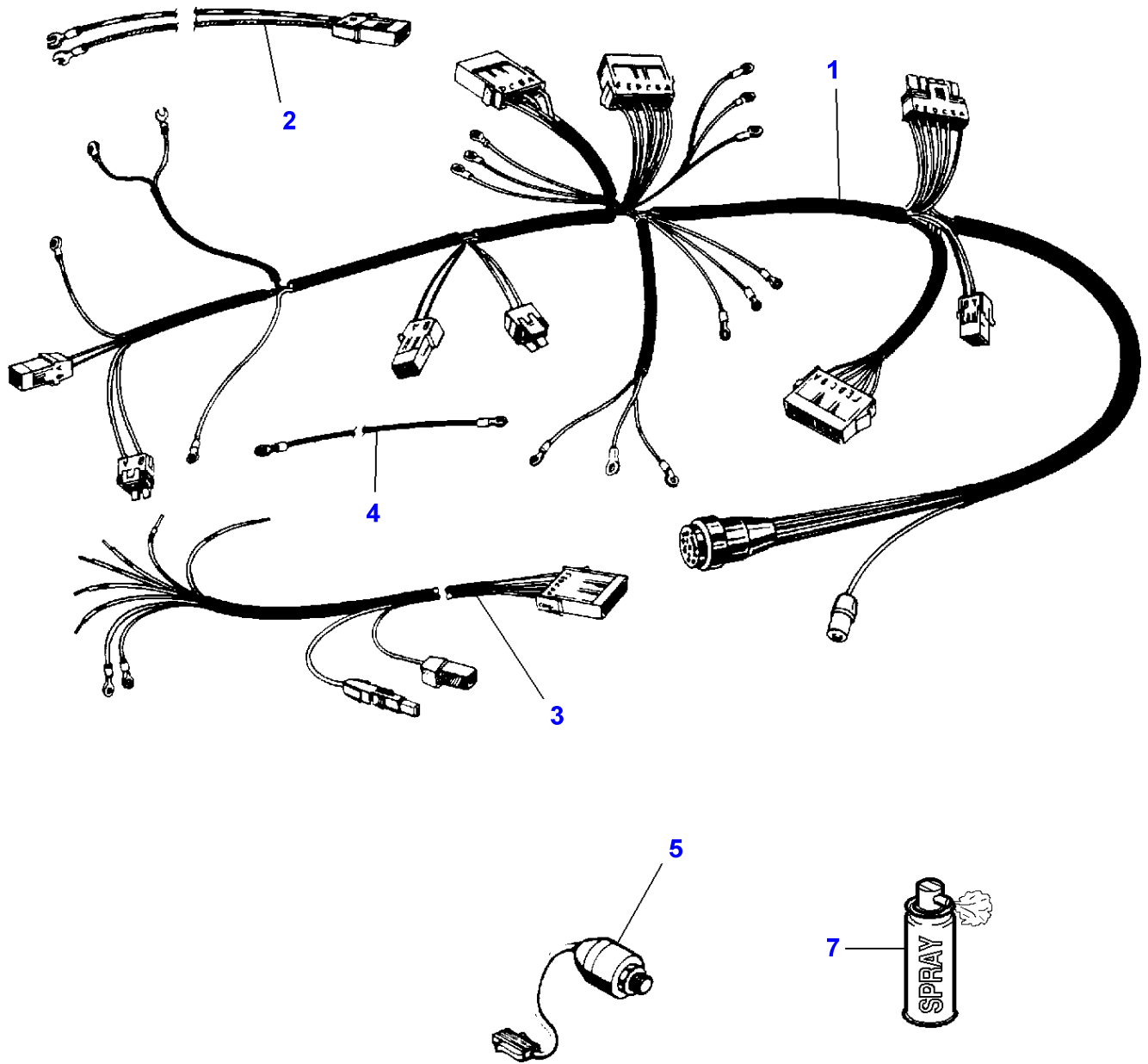
Item	Part Number	Qty	Description	Comments
1	71364179	2	Switch	TWO POLE
	70937583	4	Capscrew	[A] N6-32X5/16"
2	72500818	1	Printed Circuit	
	70937583	4	Capscrew	[A] N6-32X5/16"
3	72503823	1	Switch	HEADLIGHT
	70937583	2	Capscrew	[A] N6-32X5/16"
4	700705642	1	Buzzer	
5	72504913	1	Harness	
6	71193271	13	Control Light	
7	72504563	1	Switch	
8	72505207	1	Bulb	[A]
9	72507705	1	Switch	
10	71368623	1	Switch	
11	71325523	1	Switch	
12	72501373	1	Panel	
13	72501362	1	Bracket	
14	72501374	1	Relay	
15	<b>72160919</b>	9	Relay	[A]
	72161787	8	Screw	From Serial or Engine Number SN0068
16	70930611	10	Screw	[A] 1/4"X1/2"
17	70917365	2	Lock Washer	[A] N10 LOCK
18	70916621	2	Nut	[A] 10"-24
19		1	Breaker	[B] Up to Serial or Engine Number SN0067
	72506118	1	Breaker	From Serial or Engine Number SN0068
20	72162656	1	Fuse	(19) 20A Up to Serial or Engine Number SN0067
	530180M1	1	Breaker	(19) 25A From Serial or Engine Number SN0068
21	72163081	2	Fuse	(19) 30A
22	72502323	2	Bar	(19)
23	72501361	1	Bracket	(19)
24	357024X1	2	Bolt Unc	[A] 1/4"X1/2" Replace and repair. Old not interchangeable with new 70922760
25	72502383	1	Spacer	Up to Serial or Engine Number SN0067
26	72506607	1	Strip	Up to Serial or Engine Number SN0067
27	<b>3387318M1</b>	5	Fuse	5A Up to Serial or Engine Number SN0067
	70937605	3	Fuse	5A From Serial or Engine Number SN0068
	<b>3620025M1</b>	2	Fuse	10A Up to Serial or Engine Number SN0067
	70937606	3	Fuse	10A Replace and repair. Old not interchangeable with new 1695939M1
				From Serial or Engine Number SN0068
	70937606	2	Fuse	10A Up to Serial or Engine Number 31-12-1995
				From Serial or Engine Number 01-01-1996
	<b>3620026M1</b>	1	Fuse	15A Up to Serial or Engine Number SN0067
	70937607	1	Fuse	15A From Serial or Engine Number SN0068
				Up to Serial or Engine Number 31-12-1995
	70937607	2	Fuse	15A From Serial or Engine Number 01-01-1996
	<b>1695940M1</b>	2	Fuse	20A Up to Serial or Engine Number SN0067
	70937608	2	Fuse	20A From Serial or Engine Number SN0068
	<b>3387322M1</b>	1	Fuse	25A Up to Serial or Engine Number SN0067

Item	Part Number	Qty	Description	Comments
27	70937609	1	Fuse	25A From Serial or Engine Number SN0068
27	3712661M1	1	Fuse	30A Up to Serial or Engine Number SN0067
27	70937610	1	Fuse	30A From Serial or Engine Number SN0068
28	72501363	1	Bracket	Up to Serial or Engine Number SN0067
29	72509314	1	Switch	[A]
30	72507197	1	Decal	Up to Serial or Engine Number SN0067
30	72511105	1	Decal	From Serial or Engine Number 05/95 Up to Serial or Engine Number 01-01-1996 For UK only or any text in English only For Germany only or any text in German only
30	72513401	1	Decal	From Serial or Engine Number 02-01-1996 For UK only or any text in English only For Germany only or any text in German only
30	72509347	1	Decal	From Serial or Engine Number SN0068 Up to Serial or Engine Number 19-03-1996 For France only or any text in French only
30	72513841	1	Decal	From Serial or Engine Number 20-03-1996 For France only or any text in French only
31	70922928	8	Screw	N6-32X1/2"
32	70928651	8	Washer	[A] N6
33	70917479	8	Nut	[A] N6-32
34	70933386	4	Screw	N10-24X3/4"
35	72507212	1	Harness	Up to Serial or Engine Number SN0067
35	72511110	1	Wire	Length 500MM From Serial or Engine Number SN0068
36	355566X1	3	Nut Unc	3/8"-16
37	70916803	1	Washer	[A] 3/8"
38	72500822	1	Terminal	
39	71377109	1	Ignition Key	Replace and repair. Old not interchangeable with new 72505604
40	72162367	2	Indicator	
41	72162379	3	Socket	[A]
42	72504919	1	Lens	[A]
43	72504920	1	Lens	[A]
44	72505202	1	Lens	[A]
45	72504921	1	Lens	[A]
46	70937583	4	Capscrew	[A] N6-32X1/4"
47	70937583	2	Capscrew	[A] N6-32X1/4"
48	70921958	2	Capscrew	1/4"-20X1/2" From Serial or Engine Number SN0068
49	70931209	2	Nut	1/4" From Serial or Engine Number 05/95
50	72507716	1	Harness	Up to Serial or Engine Number SN0067
50	72511512	1	Harness	From Serial or Engine Number SN0068 Up to Serial or Engine Number 31-12-1995
50	72512506	1	Harness	From Serial or Engine Number 01-01-1996
51	72509325	1	Bracket	From Serial or Engine Number SN0068
52	72160663	2	Screw	[A] 1/4"X1/2" From Serial or Engine Number SN0068
53	72160252	13	Tie	From Serial or Engine Number SN0068
54	71375902	1	Fastener	From Serial or Engine Number SN0240

FOOTNOTE [A] NOT ILLUSTRATED

FOOTNOTE [B] NOT SERVICED-ORDER DETAIL

5-AC55-001-B



<b>Item</b>	<b>Part Number</b>	<b>Qty</b>	<b>Description</b>	<b>Comments</b>
1	72507210	1	Harness	[B] Up to Serial or Engine Number SN0140
	72511121	1	Harness	[B] From Serial or Engine Number SN0141 Up to Serial or Engine Number 31-12-1995
	72512524	1	Harness	[B] From Serial or Engine Number 01-01-1996
	72161282	1	Wire	[A]
	70921332	1	Screw	[A] 5/16"-18X3/4"
	70916803	1	Washer	[A] 3/8"
2	72502306	1	Wire	
3	72511103	1	Harness	
4	72502322	1	Wire	
	70931832	1	Screw	[A] 8"-32X3/8"
5	72500817	1	Switch	
6	72507710	1	Harness	[A]
7	3930850M2	1	Dismantling Spry	[C]

**FOOTNOTE [A]** NOT ILLUSTRATED

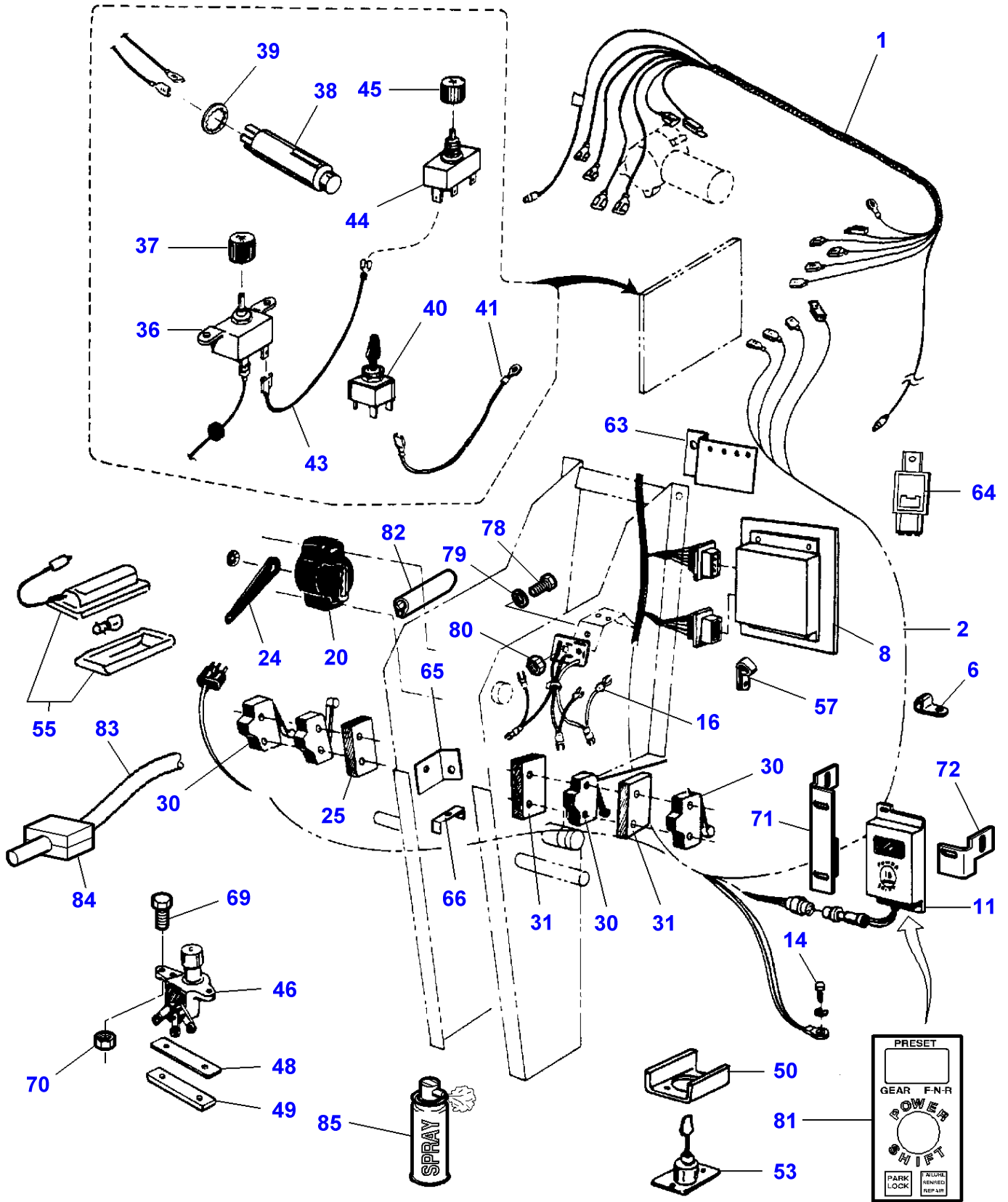
**FOOTNOTE [B]** EUROPE ONLY

**FOOTNOTE [C]** OXIDE INHIBITORS TO EXTERNAL ELECTRICAL CONNECTORS



MF 9240 TRACTOR - 1637287  
5-AU16-001-B

5-AU16-001-B



Massey Ferguson

MF 9240 TRACTOR - 1637287

1637287

Tractor Cab - Electrical Wiring

Page080-0020

Item	Part Number	Qty	Description	Comments
1	72503311	1	Harness	
	70931822	1	Screw	[A] 5/16"X45/64
2	72507716	1	Harness	Up to Serial or Engine Number SN0067
	72511512	1	Harness	From Serial or Engine Number SN0068
	72512506	1	Harness	Up to Serial or Engine Number 31-12-1995
3	70929783	1	Screw	From Serial or Engine Number 01-01-1996
4	353434X1	1	Lock Washer	[A] 3/8"
5	355566X1	1	Nut Unc	[A] 3/8"
6	70936747	1	Clamp	3/4"X9/32"
7	70925003	1	Screw	[A] 1/4"-20X1/2"
8	72500803	1	Control	Up to Serial or Engine Number SN0067
	72512514	1	Control	From Serial or Engine Number SN0068
				Replace and repair. Old not interchangeable with new 72507702
9	70929783	4	Screw	[A] 1/4"-20X1"
10	70916964	4	Lock Washer	[A] 1/4"
11	72500804	1	Onboard Computor	
12	<b>72505208</b>	1	Bulb	[A]
13	70925003	3	Screw	[A] 1/4"-20X1/2"
14	70925003	3	Screw	1/4"-20X1/2"
15	353439X1	1	Lock Washer	[A] 1/4"
16	72503805	1	Module	
17	70918149	1	Screw	[A] N10-32X3/4"
18	70917365	1	Lock Washer	[A] N10
19	70917415	1	Nut	[A] N10-32
20	72500808	1	Potentiometer	
21	70923194	2	Screw	[A] N10-32
22	70917365	2	Lock Washer	[A] N10
23	70917415	2	Nut	[A] N10-32
24	72500809	1	Arm	
25	72501351	1	Plate	
26	70917440	2	Screw	[A] N6X2
27	70917458	2	Washer	[A]
28	70928651	2	Washer	[A] N6
29	70917479	2	Nut	[A] N6-32
30	71310060	4	Switch	
31	72503803	2	Plate	
32	70925479	2	Screw	[A] N6-32X3
33	70917440	2	Screw	[A] N6-32X2
34	70928651	4	Washer	[A] N6 LOCK
35	70917479	4	Nut	[A] N6-32
36	72162641	1	Thermostat	
37	72162649	1	Knob	
38	72162669	1	Light	
39	72162695	1	Retainer	
40	72162643	1	Switch	
41	71362761	1	Wire	
42	70933386	2	Screw	[A] 10"-24X3"
43	71195543	1	Wire	Up to Serial or Engine Number 02-JAN-96

## Tractor Cab - Electrical Wiring

Item	Part Number	Qty	Description	Comments
44	71380935	1	Switch	Replace and repair. Old not interchangeable with new 71195109
45	72162649	1	Knob	
46	72500824	1	Switch	
47	70929783	2	Screw	[A] Up to Serial or Engine Number SN0067
48	72502383	1	Spacer	Up to Serial or Engine Number SN0067
49	72506607	1	Strip	Up to Serial or Engine Number SN0067
50	72503138	1	Bracket	
51	70937291	2	Screw	[A] 8"-18X1-1/4"
52	70937029	2	Nut	[A]
53	72502614	1	Roof Light	
54	<b>71129920</b>	1	Bulb	[A] N194
55	72161022	1	Kit, Lamp	
56	72162688	1	Lens	[A]
57	70928464	1	Clamp	
58	<b>72160919</b>	4	Relay	[A]
59	70918149	4	Screw	[A] 10"-32X3/4"
60	70917365	4	Lock Washer	[A] 10 LOCK
61	70917415	4	Nut	[A] 10"-32
62	72504819	1	Switch	[A,B]
63	72504925	1	Bracket	
64	72504567	1	Blinker Unit	
65	72505210	1	Bracket	
66	72505211	1	Retainer	
67	70923194	1	Screw	[A]
68	<b>70925094</b>	2	Clamp	[A]
69	70921958	2	Capscrew	1/4"-20X1/2" From Serial or Engine Number SN0068
70	70931209	2	Nut	1/4" From Serial or Engine Number 05/95
71	72511318	1	Bracket	From Serial or Engine Number SN0068
72	72511319	1	Bracket	From Serial or Engine Number SN0068
73	70931833	4	Screw	[A] 1/4"X1/2" From Serial or Engine Number SN0068
74	70931209	3	Nut	[A] 1/4" From Serial or Engine Number SN0068
75	70916964	1	Lock Washer	[A] 1/4" From Serial or Engine Number SN0068
76	70917377	3	Washer	[A] 1/4" From Serial or Engine Number SN0068
77	355564X1	3	Nut Unc	[A] 1/4" From Serial or Engine Number SN0068
78	70922929	1	Screw	
79	70917459	2	Washer	
80	70917479	2	Nut	
81	72512501	1	Decal	
82	72511867	2	Moulding	
83	71344765	3	Tubing	[C] From Serial or Engine Number 02-JAN-96
84	72513402	1	Inductor	[C] From Serial or Engine Number 02-JAN-96
85	3930850M2	1	Dismantling Spry	[D]

FOOTNOTE [A] NOT ILLUSTRATED

FOOTNOTE [B] WIPER/WASHER

FOOTNOTE [C] EUROPE ONLY

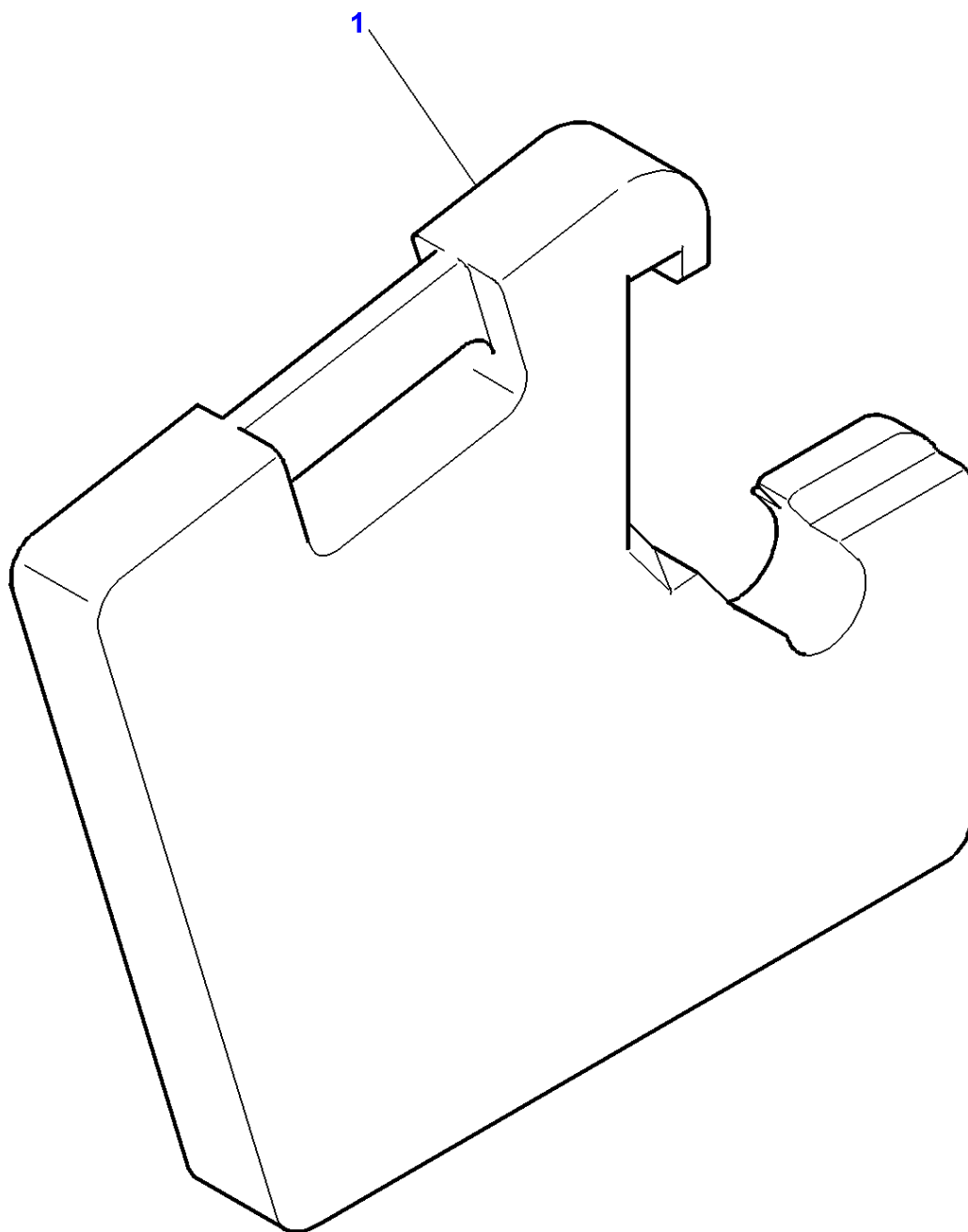
FOOTNOTE [D] OXIDE INHIBITORS TO EXTERNAL ELECTRICAL CONNECTORS

NO ILLUSTRATED  
NON ILLUSTRE  
NICHT ABGEBILDET  
NO ILLUSTRADO  
NO ILLUSTRATED

**Massey Ferguson****MF 9240 TRACTOR - 1637287****1637287****Page080-0025****Radar**

<b>Item</b>	<b>Part Number</b>	<b>Qty</b>	<b>Description</b>	<b>Comments</b>
1	72161680	1	Radar	
2	72163217	1	Cable	
3	70931272	4	Capscrew	1/4"-20X4"
4	70917377	8	Washer	1/4"
5	70916964	4	Lock Washer	1/4" LOCK
6	355564X1	4	Nut Unc	1/4"-20
7	72161679	1	Bracket	
8	BPN31029	1	Washer	3/8"
9	353434X1	2	Lock Washer	3/8"
10	70923518	2	Nut	3/8"-16

5-AX09-001-A



**Massey Ferguson**

**MF 9240 TRACTOR - 1637287**

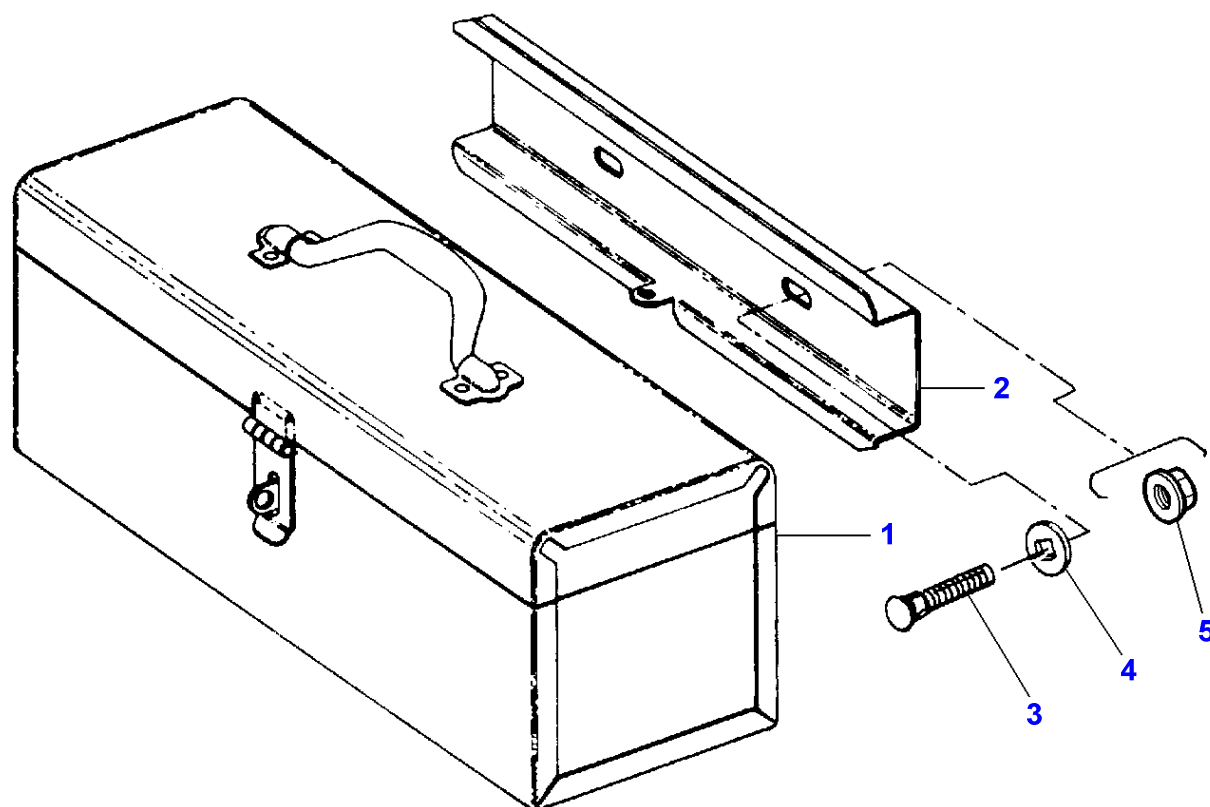
**1637287**

**Weight - Front**

**Page 100-0005**

<b>Item</b>	<b>Part Number</b>	<b>Qty</b>	<b>Description</b>
1	30-3528960	X	Weight

5-AR08-001-A

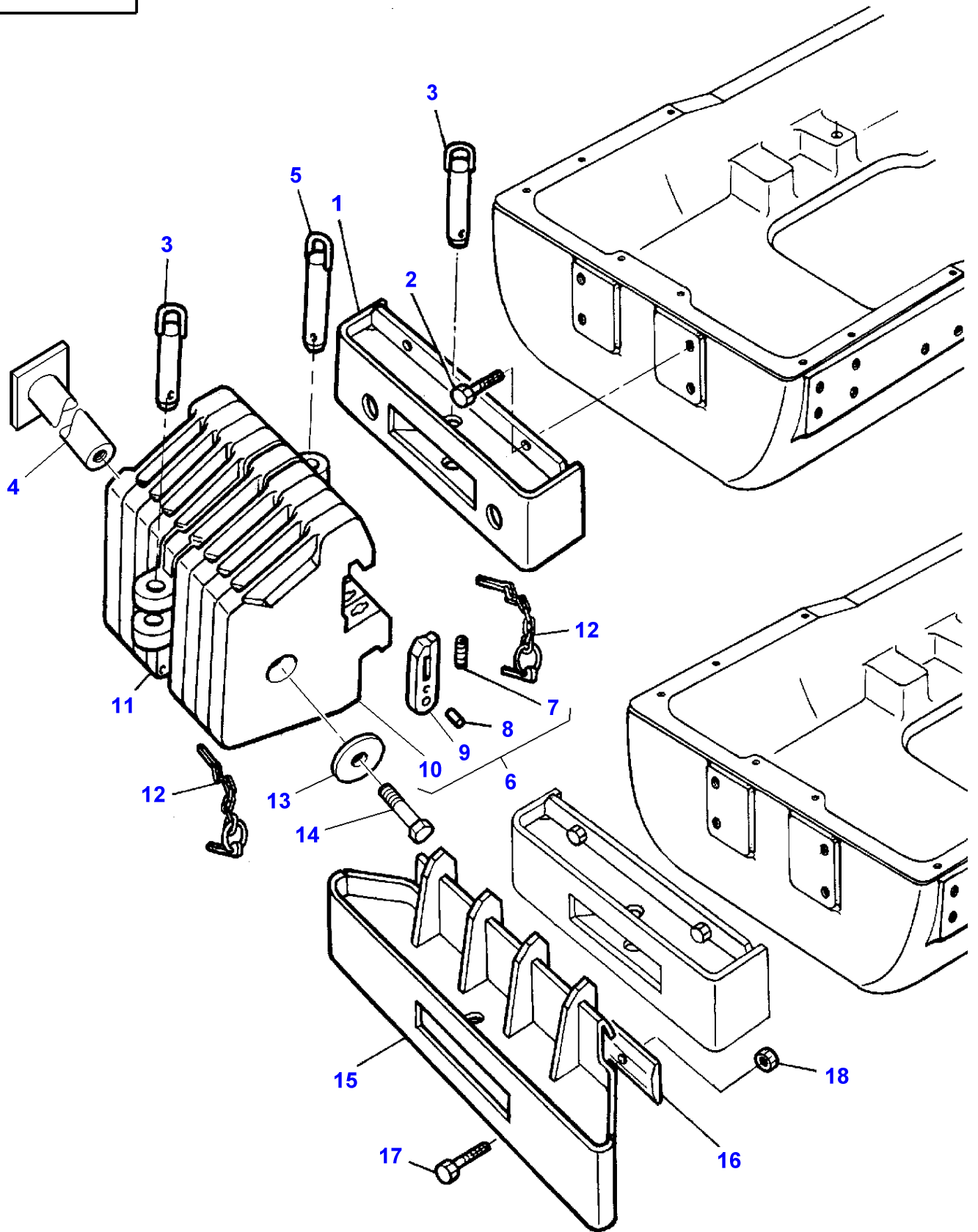




**Massey Ferguson****MF 9240 TRACTOR - 1637287****1637287****Tool Box****Page 100-0010**

<b>Item</b>	<b>Part Number</b>	<b>Qty</b>	<b>Description</b>	<b>Comments</b>
1	72160035	1	Tool Box	
2	72509278	1	Bracket	Replace and repair. Old not interchangeable with new 72504045
3	70931377	2	Bolt	5/8"-11X1-1/4"
4	72507660	2	Spacer	
5	70930921	2	Nut	5/8"-11

5-AX15-001-A



## Weight Frame And Tow Pin

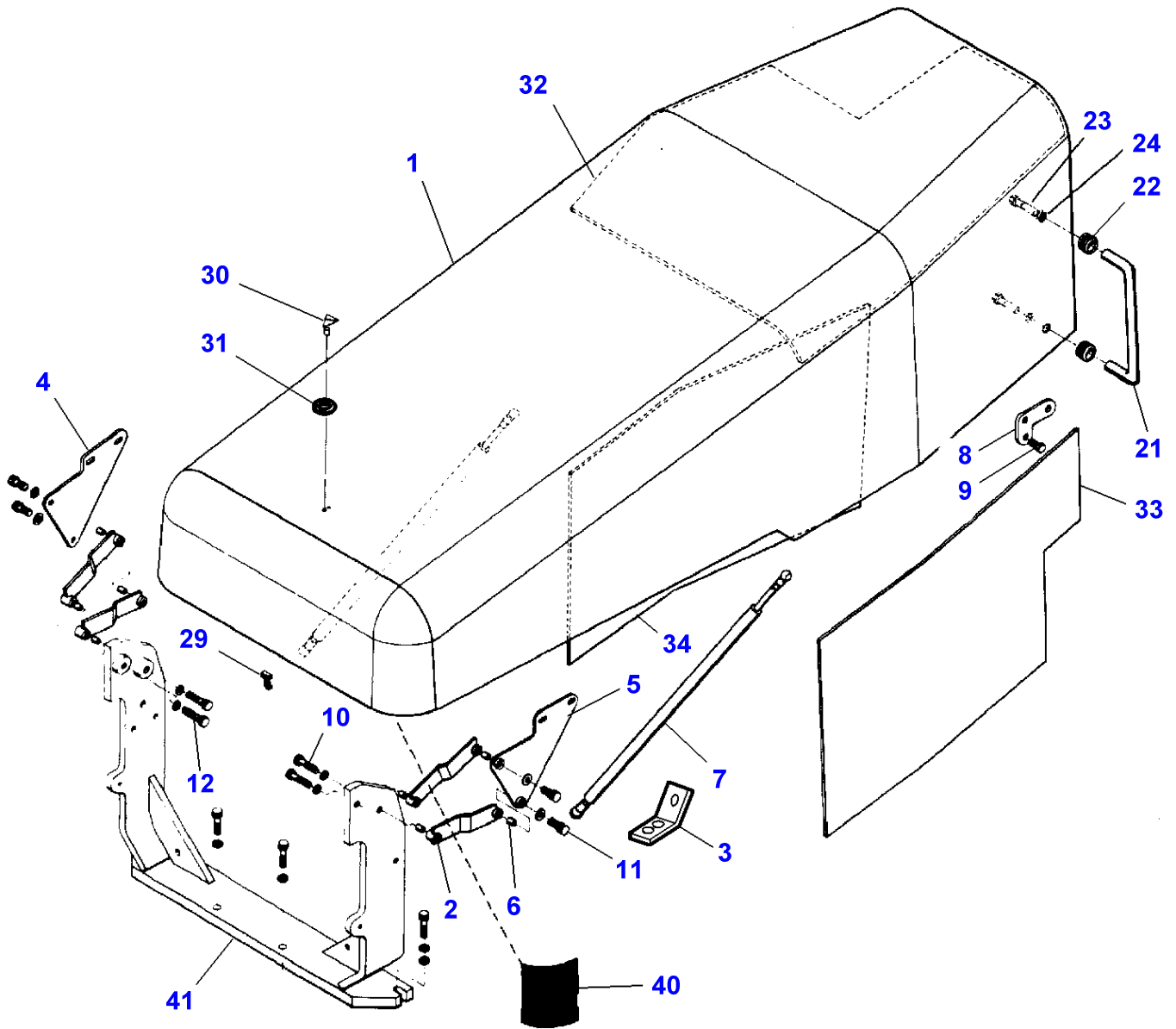
Item	Part Number	Qty	Description	Comments
1	3580888M2	1	Support	
2	1441704X1	4	Screw Metric	M20X40MM
	3384129M1	4	Screw	[B] M20X50MM
				Replace and repair. Old not interchangeable with new 1441590X1
3	3387270M91	1	Pin Hitch	Length 171,5MM
4	3618713M1	1	Bridle	Length 478MM
	3618712M1	1	Bridle	Length 558MM
5	3382813M91	1	Pin Hitch	Length 215MM
6	3774697M91	X	Weight	45KG Length 50MM
	3582867M92	X	Weight	45KG Length 35MM
7	1680172M1	1	Spring	(6)
8	339080X1	1	Roll Pin	(6) Diameter 6X24MM
9	3581636M1	1	Hasp	(6)
10		1	Weight	(6) Not serviced, order REF No6
11	3382789M4	1	Weight	
12	3382812M91	1	Pin	
13	3385963M1	1	Washer	M16
14	339881X1	1	Hex. Sock. Screw	M16X60MM
	390864X1	1	Bolt Metric	M16X80MM
15	3580894M94	1	Frame	[A]
16	3580897M2	1	Plate	
17	391889X1	2	Screw	M16X70MM
18	339034X1	2	Nut	M16

FOOTNOTE [A] FOR WEIGHT 50MM ONLY

FOOTNOTE [B] DRIVE FRONT PTO

MF 9240 TRACTOR - 1637287  
5-AR03-001-A

5-AR03-001-A

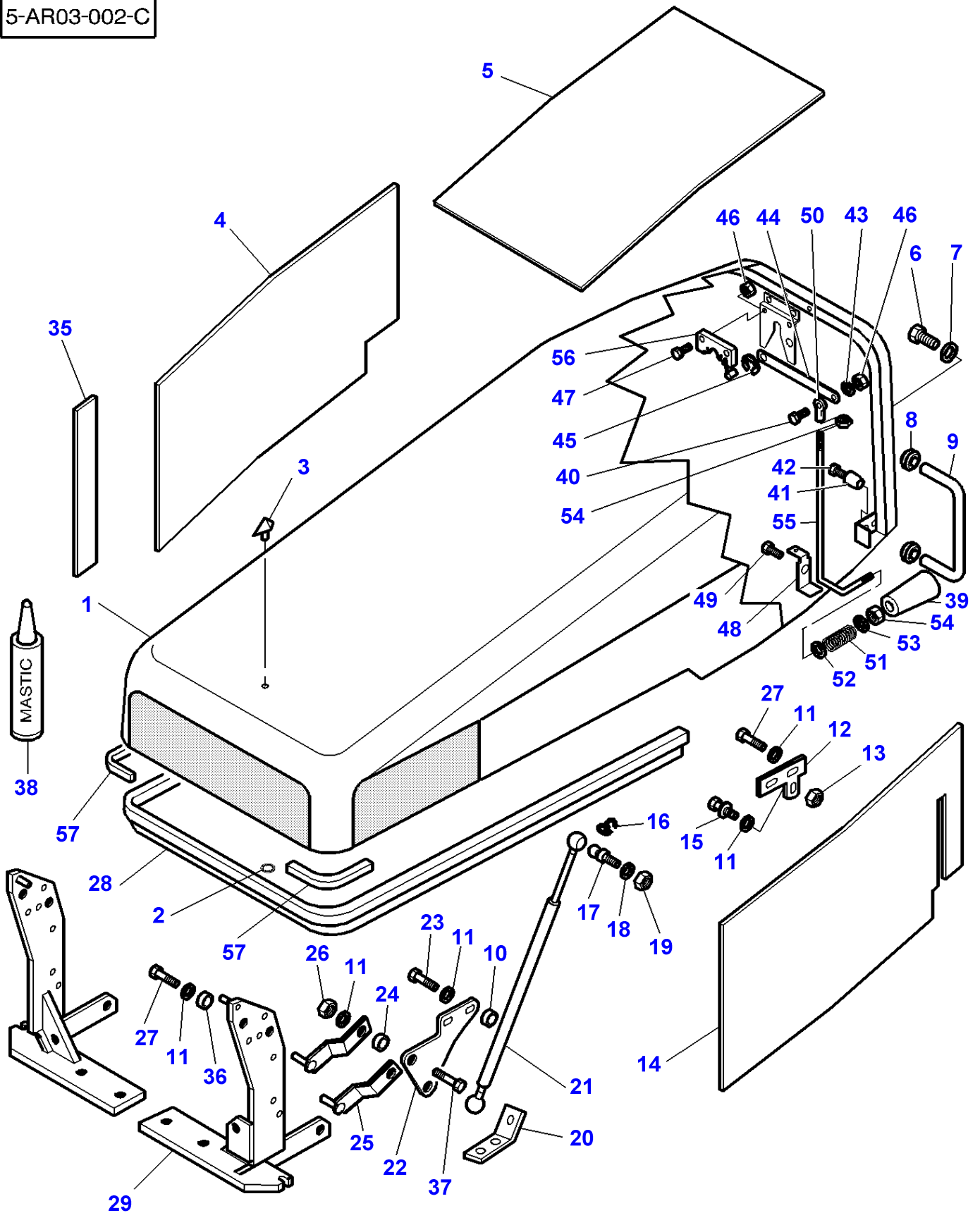


Item	Part Number	Qty	Description	Comments
1	72505671	1	Hood	
2	72501641	4	Kit, Lift	
3	72506558	1	Bracket	
4	72503326	1	Plate	Right Hand
	70921024	1	Screw	1/2"-13X2
5	72508676	1	Plate	
	70921024	1	Screw	1/2"-13X2
6	72501018	4	Bush	
7	72501013	2	Ram	
	71339847	4	Ball	
	71307132	4	Clip	
	<b>70917372</b>	4	Nut	5/16"-18
	70917356	4	Lock Washer	5/16"
8	72505056	2	Plate	
9	71362459	2	Bolt	
	70935041	2	Nut	
	70917379	2	Washer	1/2"
10	70917379	14	Washer	1/2"
11	70919089	4	Screw	1/2"-13X1-3/4
12	<b>70923114</b>	4	Capscrew	1/2"-13X1
17	70916951	4	Nut	[A] 1/2"
18	70922645	2	Capscrew	[A] 1/2"-13X2-1/4
19	70921176	4	Screw	[A] 1/2"-13X1-1/4
21	72503342	1	Handle	
22	70930743	2	Grommet	
23	354264X1	2	Bolt Unc	3/8"-16X1-3/4
24	70918266	2	Washer	13/32"X13/16"
29	72509213	1	Seal	
30	72504076	1	Marker	
31	72504077	1	Clip	[A]
32	72512965	1	Protector	
33	72512966	1	Protector	Left Hand
34	72509471	1	Shield	Right Hand
35	72508439	4	Shield	[A]
36	72508913	2	Foam	[A]
37	72508912	1	Shield	[A]
38	72508888	1	Seal	[A]
39	72508910	1	Seal	[A]
40	72505390	2	Decal	
41	72501640	1	Kit, Support	
	70921969	2	Screw	[A] 3/8"X1-1/2"
	353434X1	2	Lock Washer	[A] 3/8"
	70918266	2	Washer	[A] 13/32"X13/16"
	70919089	2	Screw	[A] 1/2"-13X1-3/4"
	353439X1	2	Lock Washer	[A] 1/2"
	72506298	2	Rod	[A]

FOOTNOTE [A] NOT ILLUSTRATED

MF 9240 TRACTOR - 1637287  
5-AR03-002-C

5-AR03-002-C



Item	Part Number	Qty	Description	Comments
1	72509927	1	Bonnet	[A]
	72509927	1	Bonnet	[C] Up to Serial or Engine Number 19/12/95
	72506747	1	Bonnet	[C] From Serial or Engine Number 20/12/1995 Up to Serial or Engine Number SN5019
	72509927	1	Bonnet	[C] From Serial or Engine Number SN5020
2	72504077	1	Clip	
3	72504076	1	Marker	
4	72512967	1	Protector	Right Hand Replace and repair. Old not interchangeable with new 72509471
5	72512965	1	Protector	Replace and repair. Old not interchangeable with new 72509467
6	354264X1	2	Bolt Unc	3/8"-16X1.75
7	70918266	2	Washer	3/8"
8	70930743	2	Grommet	Up to Serial or Engine Number 03/97 Diameter 32MM
	70930743	2	Grommet	From Serial or Engine Number 03/97 Diameter 42MM
9	72503342	1	Handle	
10	72512975	2	Spacer	[C]
11	70917379	12	Washer	1/2"
12	72505056	2	Plate	
13	70935041	2	Nut	7/16"-14
14	72512966	1	Protector	Left Hand Replace and repair. Old not interchangeable with new 72509470
15	71362459	2	Bolt	
16	71307132	4	Clip	
17	71339847	4	Ball	
18	70917356	4	Lock Washer	5/16"
19	<b>70917372</b>	2	Nut	5/16"-18
20	72506558	2	Bracket	
21	72501013	2	Ram	
22	72509756	1	Plate	Right Hand
	70930743	1	Grommet	Replace and repair. Old not interchangeable with new 72514658
23	<b>70923114</b>	4	Capscrew	[A] 1/2"-13X1.00 .500-13X1.50
	70920328	4	Screw	
24	72508379	4	Bush	
25	72508448	4	Lifter	
26	70924650	4	Nut	1/2"-13
27	70921176	4	Screw	1/2"-13X1.25
28	72509213	1	Seal	
29	72508657	1	Support	Right Hand
	72508659	1	Support	Left Hand
30	72508439	4	Shield	[B]
31	72508913	2	Foam	[B]
32	72508912	1	Shield	[B]
33	72508888	1	Seal	[B]
34	72508910	1	Seal	[B]
35	70937625	X	Protector	From Serial or Engine Number 06/95
36	72513440	4	Bush	[C]
37	70919089	2	Screw	[C] .500X15X1.756
38	70937282	1	Loctite	TYPE 6600
	70937281	1	Loctite	TYPE 6610
39	72162668	1	Knob	[A] From Serial or Engine Number SN0275
	72162668	1	Knob	[C] From Serial or Engine Number SN5020
40	70921960	1	Screw	[A] From Serial or Engine Number SN0275 1/4-20X1.00
	70921960	1	Screw	[C] From Serial or Engine Number SN5020 1/4-20X1.00
41	72514208	2	Guide	[A] From Serial or Engine Number SN0275
	72514208	2	Guide	[C] From Serial or Engine Number SN5020

Item	Part Number	Qty	Description	Comments
42	70912277	2	Capscrew	[A] From Serial or Engine Number SN0275 1/2-13X1.25
42	70912277	2	Capscrew	[C] From Serial or Engine Number SN5020 1/2-13X1.25
43	70917377	1	Washer	[A] From Serial or Engine Number SN0275
43	70917377	1	Washer	[C] From Serial or Engine Number SN5020
44	72514206	1	Lever	[A] From Serial or Engine Number SN0275
44	72514206	1	Lever	[C] From Serial or Engine Number SN5020
45	70227976	1	Ring	[A] From Serial or Engine Number SN0275 Replace and repair. Old not interchangeable with new 70927792
45	70227976	1	Ring	[C] From Serial or Engine Number SN5020 Replace and repair. Old not interchangeable with new 70927792
46	70931209	3	Nut	[A] From Serial or Engine Number SN0275
46	70931209	3	Nut	[C] From Serial or Engine Number SN5020
47	70911960	2	Capscrew	[A] From Serial or Engine Number SN0275 1/4-20X1.00
47	70911960	2	Capscrew	[C] From Serial or Engine Number SN5020 1/4-20X1.00
48	72514213	1	Bracket	[A] From Serial or Engine Number SN0275
48	72514213	1	Bracket	[C] From Serial or Engine Number SN5020
49	70926115	1	Bolt	[A] From Serial or Engine Number SN0275 1/2-13X.75
49	70926115	1	Bolt	[C] From Serial or Engine Number SN5020 1/2-13X.75
50	72502226	1	Clevis	[A] From Serial or Engine Number SN0275
50	72502226	1	Clevis	[C] From Serial or Engine Number SN5020
51	71309691	1	Spring	[A] From Serial or Engine Number SN0275
51	71309691	1	Spring	[C] From Serial or Engine Number SN5020
52	353754X1	1	Washer	[A] From Serial or Engine Number SN0275
52	353754X1	1	Washer	[C] From Serial or Engine Number SN5020
53	70937101	1	Nut	[A] From Serial or Engine Number SN0275
53	70937101	1	Nut	[C] From Serial or Engine Number SN5020
54	70920435	2	Nut	[A] From Serial or Engine Number SN0275
54	70920435	2	Nut	[C] From Serial or Engine Number SN5020
55	72514212	1	Rod	[A] From Serial or Engine Number SN0275
55	72514212	1	Rod	[C] From Serial or Engine Number SN5020
56	72501021	1	Latch	[A] From Serial or Engine Number SN0275
56	72501021	1	Latch	[C] From Serial or Engine Number SN5020
57	72504363	2	Foam	From Serial or Engine Number 10/02/1997 Length 24"



**Massey Ferguson**

**MF 9240 TRACTOR - 1637287**

**1637287**

Sheet Metal - Hood - From Serial or Engine Number 0012

**Page 100-0025**

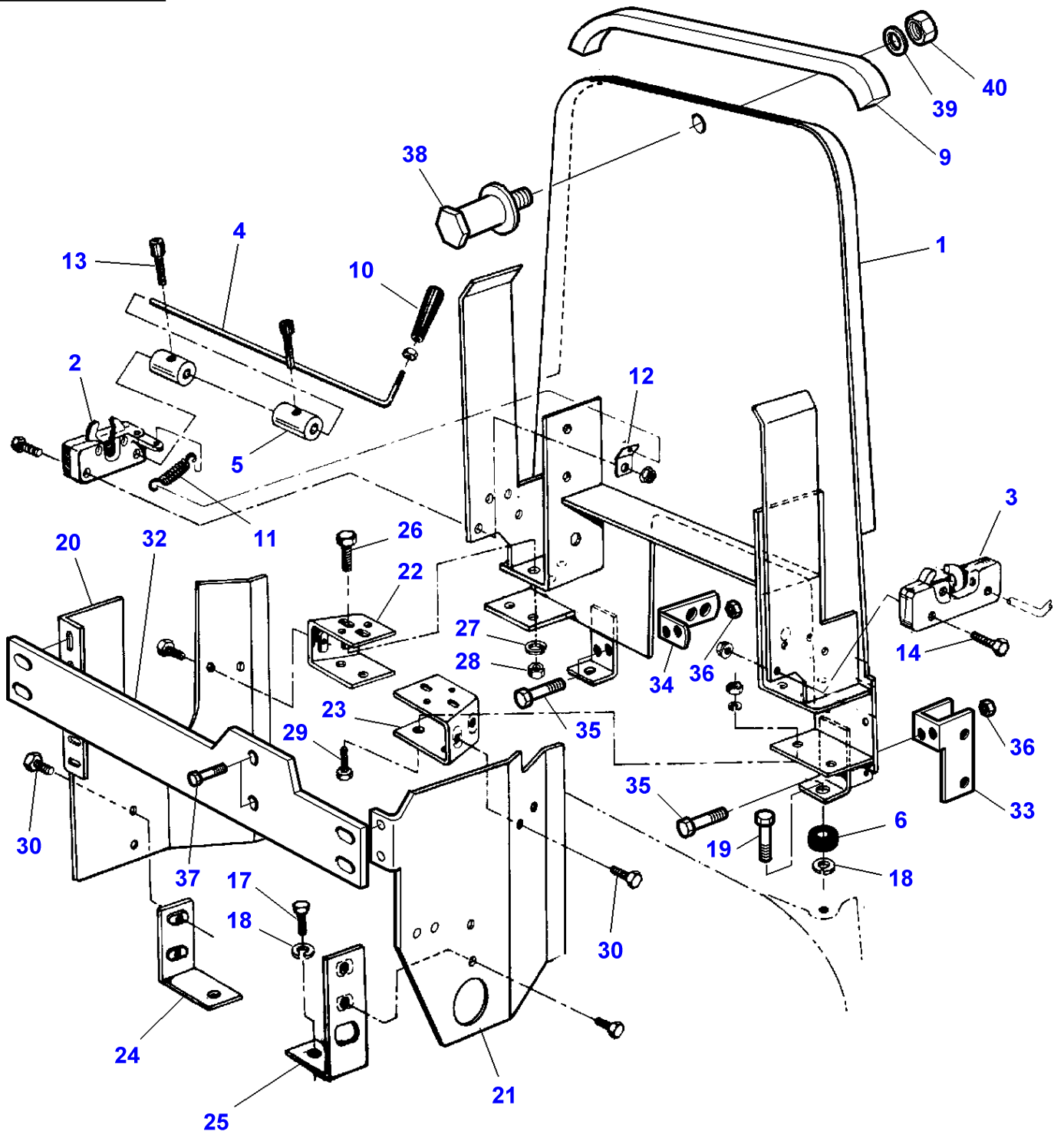
**Item Part Number Qty Description Comments**

**FOOTNOTE [B] NOT ILLUSTRATED**

**FOOTNOTE [C] EUROPE EXCEPTED**

MF 9240 TRACTOR - 1637287  
5-AR03-003-B

5-AR03-003-B



## Sheet Metal - Hood - Brackets And Assembling Parts

Item	Part Number	Qty	Description	Comments
1	72513604	1	Support	Replace and repair. Old not interchangeable with new 72501937
2	72161441	1	Latch	Right Hand
3	72501021	1	Latch	Left Hand
4	72508921	1	Rod	
5	72501970	2	Spacer	
6	72501750	2	Spacer	
9	72504857	1	Gasket	
10	72162668	1	Knob	
11	72163326	1	Spring	
12	72163269	1	Clip	
13	70926269	2	Screw	
14	70922837	6	Screw	1/4"-20X1
15	70916964	4	Lock	1/4" LOCK
			Washer	
16	355564X1	5	Nut Unc	
17	70921210	2	Screw	3/8"-16X1
18	353434X1	4	Lock	3/8" LOCK
			Washer	
19	70920415	2	Screw	3/8"-16X1
20	72506553	1	Sheet Metal	Right Hand Up to Serial or Engine Number S/N 0011
	72509026	1	Sheet Metal	Right Hand From Serial or Engine Number S/N 0012
21	72504988	1	Side	Left Hand Up to Serial or Engine Number S/N 0011
	72509036	1	Panel	Left Hand
22	72503785	1	Mounting	Right Hand Up to Serial or Engine Number S/N 0011
	72509031	1	Panel	Right Hand From Serial or Engine Number S/N 0012
23	72503787	1	Mounting	Left Hand Up to Serial or Engine Number S/N 0011
	72509033	1	Panel	Left Hand From Serial or Engine Number S/N 0012
24	72504207	1	Bracket	Right Hand
25	72504210	1	Bracket	Left Hand
26	70921333	4	Screw	5/16"-18X1
27	70917356	4	Lock	5/16" LOCK
			Washer	
28	<b>70917372</b>	4	Nut	5/16"-18
29	70923341	4	Screw	1/4"-20
30	70921332	8	Screw	5/16"-18
31	70931209	6	Nut	1/4"
32	72514378	1	Stiffener	From Serial or Engine Number S/N 0012 Replace and repair. Old not interchangeable with new 72509037
33	72513928	1	Bracket	[A] From Serial or Engine Number 02/96
34	72513893	1	Bracket	[A] From Serial or Engine Number 02/96
35	70923341	4	Screw	[A] From Serial or Engine Number 02/96
36	70931209	4	Nut	[A] From Serial or Engine Number 02/96
37	70950453	2	Bolt	M12X35
	70950053	2	Capscrew	M12X40
38	72513270	1	Latch	From Serial or Engine Number SN0275
39	70918430	1	Washer	From Serial or Engine Number SN0275
40	70935041	1	Nut	From Serial or Engine Number SN0275

**FOOTNOTE [A] EUROPE EXCEPTED**

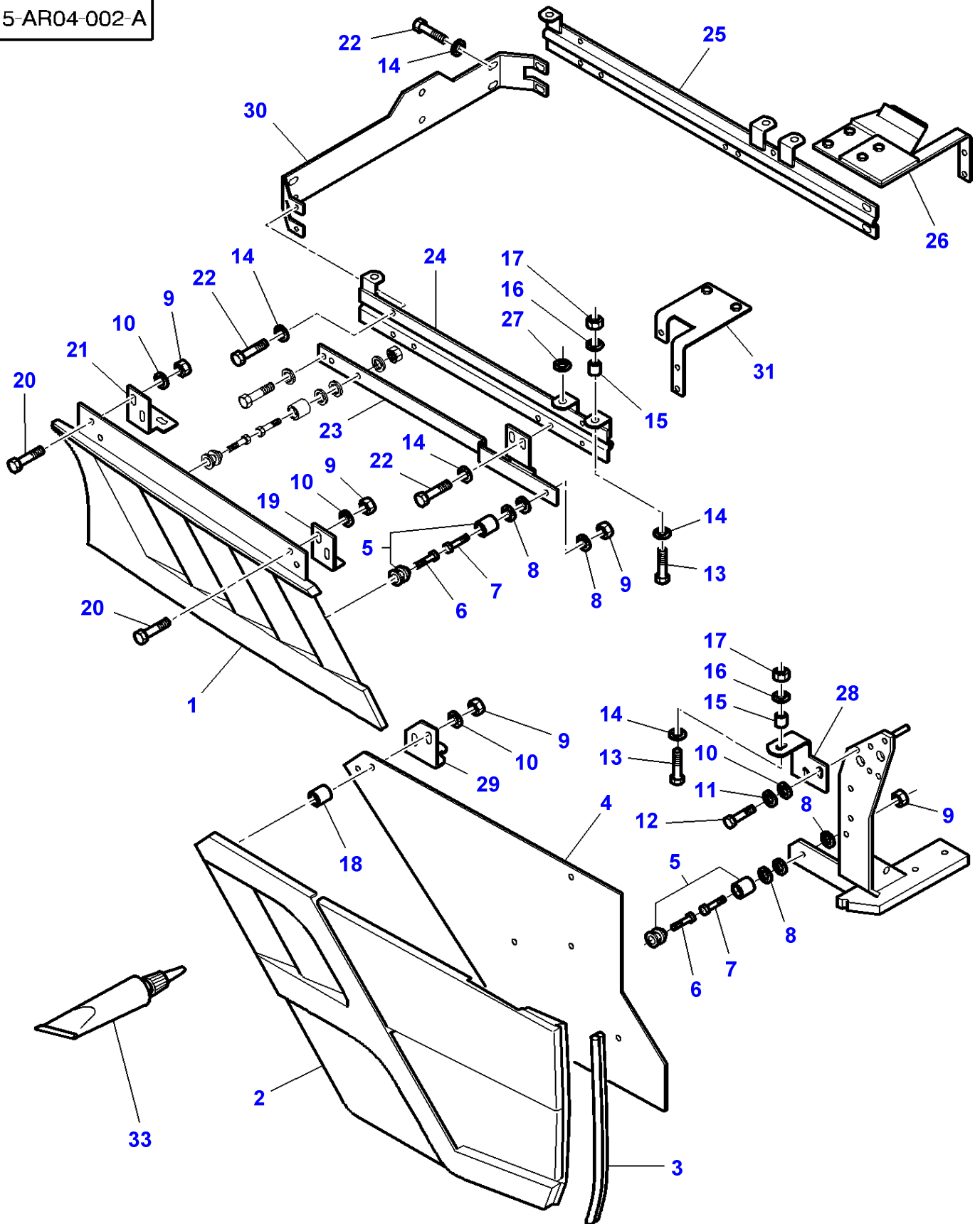


Item	Part Number	Qty	Description	Comments
1	72513968	1	Panel	Left Hand Replace and repair. Old not interchangeable with new 72509941
2	72513969	1	Panel	Right Hand Replace and repair. Old not interchangeable with new 72509942
3	70950000	12	Bolt	[A] M6X12
4	72502936	2	Panel	
5	72502409	6	Rubber	
6	70919380	24	Washer	
7	70921958	26	Capscrew	
8	355564X1	6	Nut Unc	
9	70921960	2	Screw	
10	70937260	4	Screw	
11	72505055	1	Washer	
13	353754X1	26	Washer	
14	72509949	1	Panel	Left Hand
15	72509950	1	Panel	Right Hand
16	72502940	2	Mounting	
17	72505713	1	Mounting	
18	72505667	1	Mounting	
19	72504225	1	Panel	
	70937259	2	Screw	
20	72504203	1	Panel	
21	72503790	1	Panel	
22	72504202	1	Panel	
23	72501774	1	Mounting	
24	72501774	2	Mounting	
25	70927075	16	Bolt	5/16"-18X1
26	70921210	4	Screw	3/8"-16X1
27	70922465	4	Washer	
28	353434X1	4	Lock Washer	3/8"
29	70937269	8	Capscrew	5/16"-18X5/8"
30	70917642	18	Washer	5/16"
31	70917356	24	Lock Washer	5/16"
32	<b>70917372</b>	24	Nut	5/16"-18
33	70950036	3	Capscrew	M10
34	70950229	3	Washer	M10
36	72501775	4	Shank	
37	70950220	3	Lock Washer	
38	72504119	1	Shank	
39	72504132	2	Mounting	
40	72504133	2	Mounting	

FOOTNOTE [A] NOT ILLUSTRATED

MF 9240 TRACTOR - 1637287  
5-AR04-002-A

5-AR04-002-A



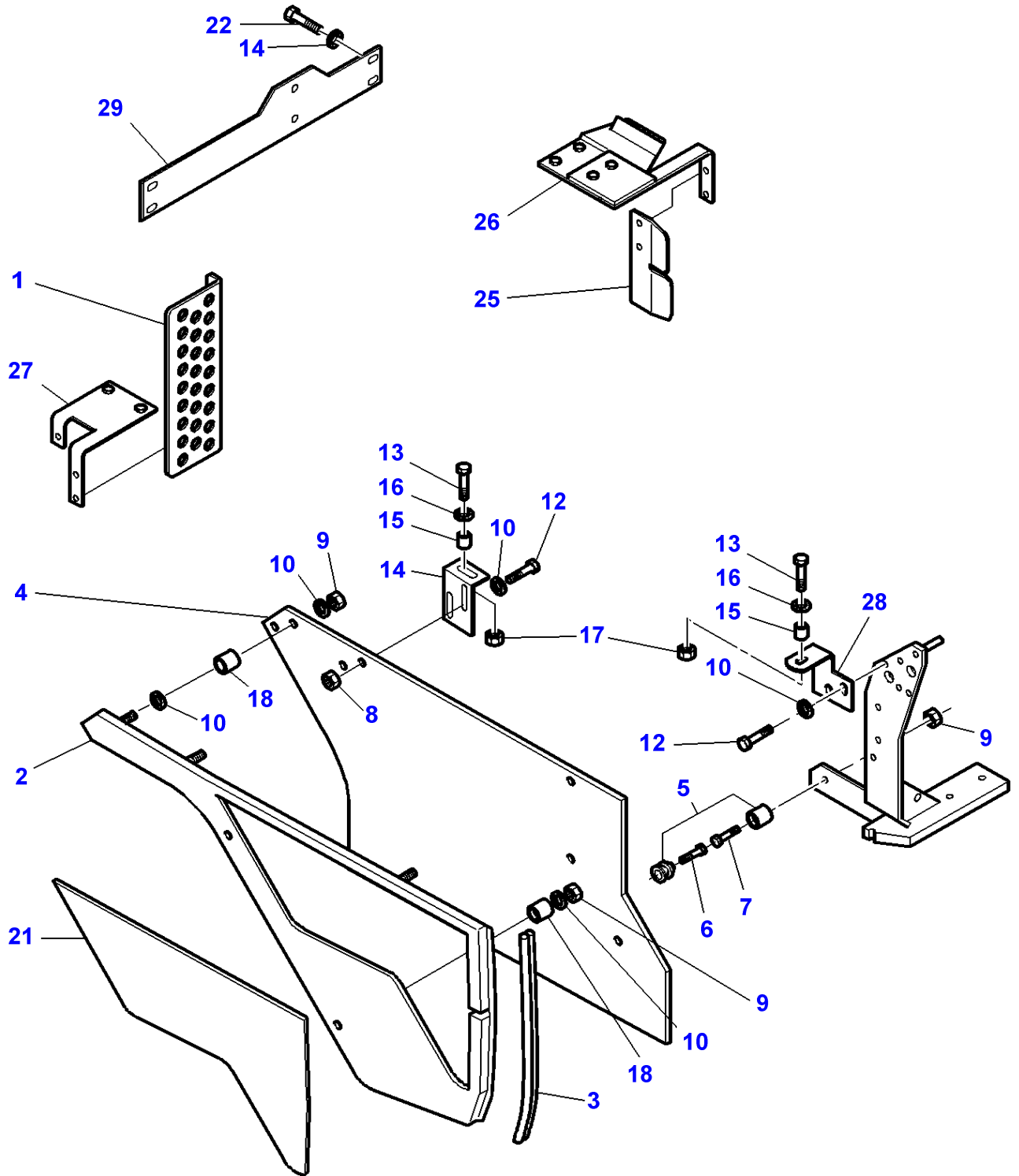
Item	Part Number	Qty	Description	Comments
1	72509950	1	Panel	Right Hand
	72509949	1	Panel	Left Hand
2	72513969	1	Panel	Right Hand
	72513968	1	Panel	Left Hand
				Replace and repair. Old not interchangeable with new 72509942
				Replace and repair. Old not interchangeable with new 72509941
3	72509484	1	Seal	Length 19.38"
4	72509496	1	Panel	Right Hand
	72509495	1	Panel	Left Hand
5	72502409	6	Rubber	
6	70901230	6	Screw	
7	70937260	6	Screw	1/4"-20X1.5
8	70919380	6	Washer	9/32" IDX1.5OD
9	70931209	26	Nut	1/4"-20
10	353754X1	24	Washer	1/4"
11	70916964	4	Lock Washer	1/4"
12	70923341	4	Screw	1/4"-20X3/4"
13	72508775	8	Grille	5/16"-18X3/4"
14	70917356	24	Lock Washer	5/16"
15	71367347	8	Spacer	
16	70918265	8	Washer	5/16"
17	<b>70917372</b>	8	Nut	5/16"-18
18	72508860	6	Spacer	Length 7/16"
19	72511460	1	Bracket	Right Hand
	72511459	1	Bracket	Left Hand
20	70918157	8	Capscrew	
21	72508948	1	Bracket	Right Hand
	72508947	1	Bracket	Left Hand
22	70921332	16	Screw	5/16"-18X3/4"
23	72508937	1	Rail	Right Hand
	72508939	1	Rail	Left Hand
24	72508932	1	Rail	Right Hand
25	72508930	1	Rail	Left Hand
26	72509047	1	Bracket	Left Hand
27	70917642	2	Washer	5/16"
28	72509482	1	Bracket	Right Hand
	72509483	1	Bracket	Left Hand
29	72511462	1	Bracket	Right Hand
	72511461	1	Bracket	Left Hand
30		1	Support	[A]
31		1	Support	[A]
32	72508859	6	Spacer	[B]
				Length 39/64"
33	70937620	1	Adhesive	

FOOTNOTE [A] NUMBER TO BE ADVISED

FOOTNOTE [B] NOT ILLUSTRATED

MF 9240 TRACTOR - 1637287  
5-AR04-004-A

5-AR04-004-A



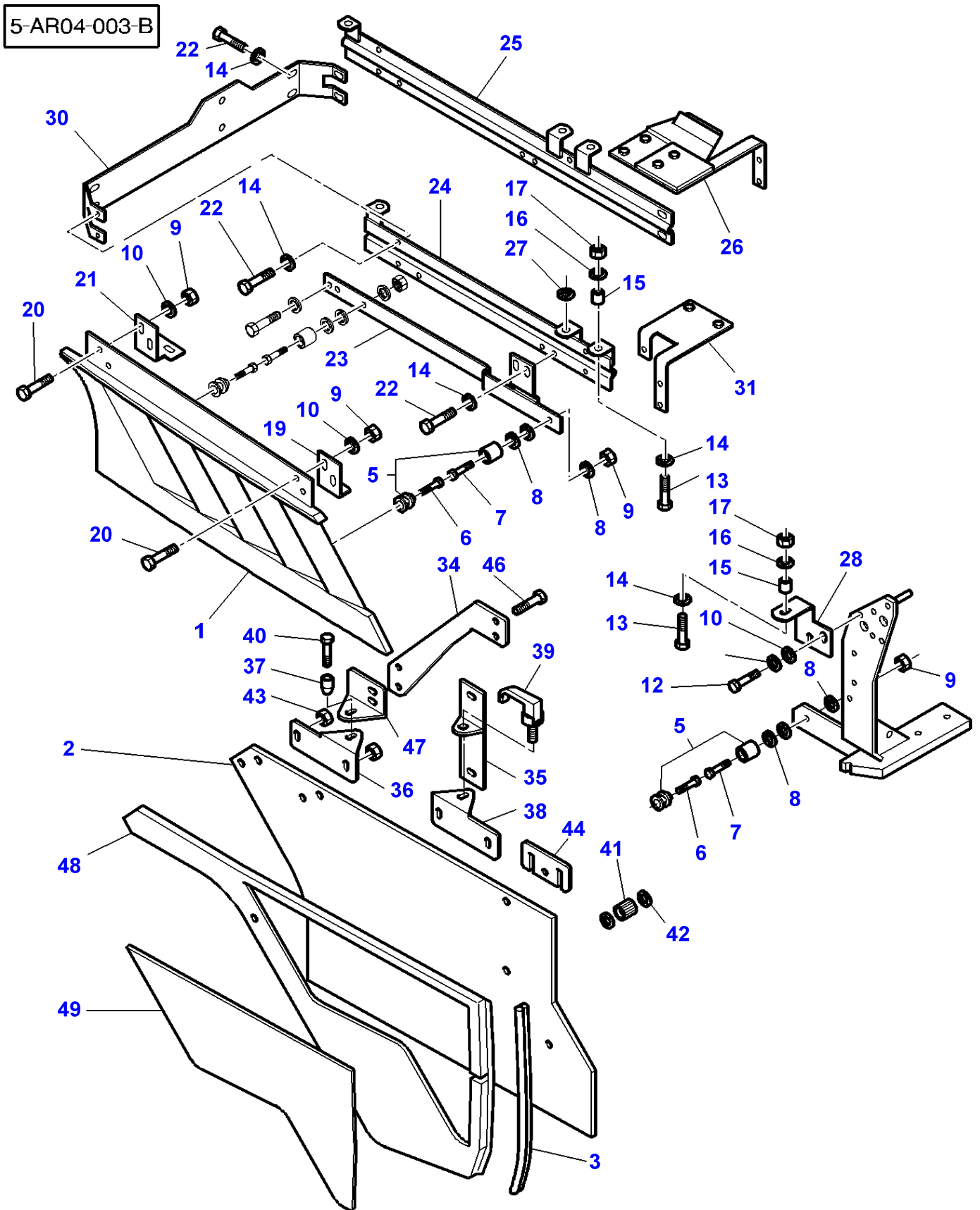


Item	Part Number	Qty	Description	Comments
1	72514457	1	Guard	Left Hand From Serial or Engine Number 13-JAN-1997
	72514397	1	Guard	Right Hand From Serial or Engine Number 13-JAN-1997
2	72513969	1	Panel	Right Hand Replace and repair. Old not interchangeable with new 72509942
	72513968	1	Panel	Left Hand Replace and repair. Old not interchangeable with new 72509941
3	72509484	2	Seal	Length 19.38"
4	72509209	1	Panel	Left Hand
	72509210	1	Panel	Right Hand
5	72502409	2	Rubber	
6	70901230	8	Screw	
7	70937260	2	Screw	1/4"-20X1.5
8	70937627	2	Helmet	
9	70931209	12	Nut	1/4"-20
10	353754X1	14	Washer	1/4"
11	70916964	4	Lock Washer	[B] 1/4"
12	70923341	4	Screw	1/4"-20X3/4"
13	70937425	4	Bolt	.312-18X1.00
14	72508482	1	Angle	Left Hand
	72508492	1	Angle	Right Hand
15	71367347	4	Spacer	
16	70917642	12	Washer	
17	70927557	8	Nut	5/16"-18
18	72508860	10	Spacer	Length 7/16"
19	70921333	4	Screw	[B] .312-18X1.00
20	70918157	8	Capscrew	[B]
21	72512972	1	Panel	Right Hand
	72512973	1	Panel	Left Hand
22	70921332	16	Screw	5/16"-18X3/4"
23	<b>70917372</b>	4	Nut	[B] .312-18
24	70917356	4	Lock Washer	[B]
25	72514396	1	Bracket	Left Hand From Serial or Engine Number 13-JAN-1997
26	72509047	1	Bracket	Left Hand
27		1	Support	[A]
28	72509482	1	Bracket	Right Hand
	72509483	1	Bracket	Left Hand
29		1	Support	See Page - Reference Number 100-0030/32

FOOTNOTE [A] NUMBER TO BE ADVISED

FOOTNOTE [B] NOT ILLUSTRATED

MF 9240 TRACTOR - 1637287  
5-AR04-003-B



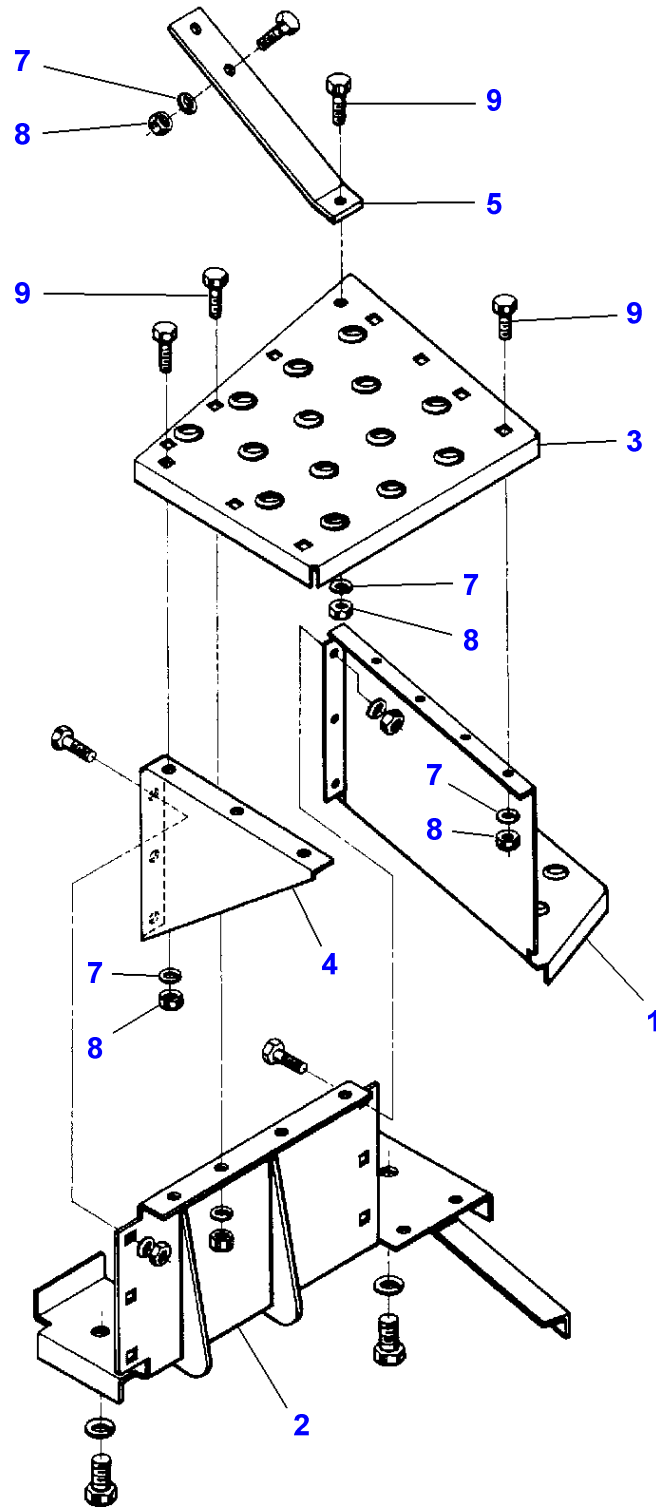
Item	Part Number	Qty	Description	Comments
1	72509950	1	Panel	Right Hand
	72509949	1	Panel	Left Hand
2	72513449	1	Panel	Right Hand
	72513445	1	Panel	Left Hand
3	72509484	2	Seal	
4	72509496	1	Panel	Right Hand
	72509495	1	Panel	Left Hand
5	72502409	6	Rubber	
6	70901230	6	Screw	
7	70937260	6	Screw	1/4"-20X1.5
8	70919380	6	Washer	9/32" IDX1.5OD
9	70931209	22	Nut	1/4"-20
10	353754X1	24	Washer	1/4"
11	70916964	4	Lock Washer	1/4"
12	70921958	6	Capscrew	0.250-20X0.50
13	72508775	8	Grille	5/16"-18X3/4"
14	70917356	24	Lock Washer	5/16"
15	71367347	8	Spacer	
16	70918265	8	Washer	5/16"
17	<b>70917372</b>	8	Nut	5/16"-18
18	72508860	4	Spacer	Length 11MM
	72508859	4	Spacer	Length 15MM
	72513370	2	Spacer	Length 8MM
19	72511460	1	Bracket	Right Hand
	72511459	1	Bracket	Left Hand
20	70918157	8	Capscrew	
21	72508948	1	Bracket	Right Hand
	72508947	1	Bracket	Left Hand
22	70921332	16	Screw	5/16"-18X3/4"
23	72508937	1	Rail	Right Hand
	72508939	1	Rail	Left Hand
24	72508932	1	Rail	Right Hand
25	72508930	1	Rail	Left Hand
26	72509047	1	Bracket	Left Hand
27	70917642	2	Washer	5/16"
28	72509482	1	Bracket	Right Hand
	72509483	1	Bracket	Left Hand
29	72511462	1	Bracket	Right Hand
	72511461	1	Bracket	Left Hand
30		1	Support	[A]
31		1	Support	[A]
32	72508859	6	Spacer	[B] Length 39/64"
33	70937620	1	Adhesive	
34	72512943	1	Bracket	Right Hand
	72512944	1	Bracket	Left Hand
35	72512977	2	Bracket	
36	72512982	1	Bracket	Right Hand
	72512981	1	Bracket	Left Hand
37	72513359	4	Pin	
38	72512987	1	Bracket	Right Hand
	72512986	1	Bracket	Left Hand
39	72513358	2	Latch	
40	70923341	4	Screw	.250-20X.75
41	72509675	2	Bumper	
42	70919380	4	Washer	
43	70931209	12	Nut	
44	72513363	2	Plate	
45	72512983	2	Bracket	
46	70931333	4	Bolt	0.312-18X0.75
47	70931277	4	Nut	
48	72513832	1	Panel	[C] Left Hand
	72513834	1	Panel	[C] Right Hand
49	72513831	1	Panel	Left Hand
	72513833	1	Screen	Right Hand

FOOTNOTE [A] NUMBER TO BE ADVISED

FOOTNOTE [B] NOT ILLUSTRATED

FOOTNOTE [C] RED

5-AS02-001-A



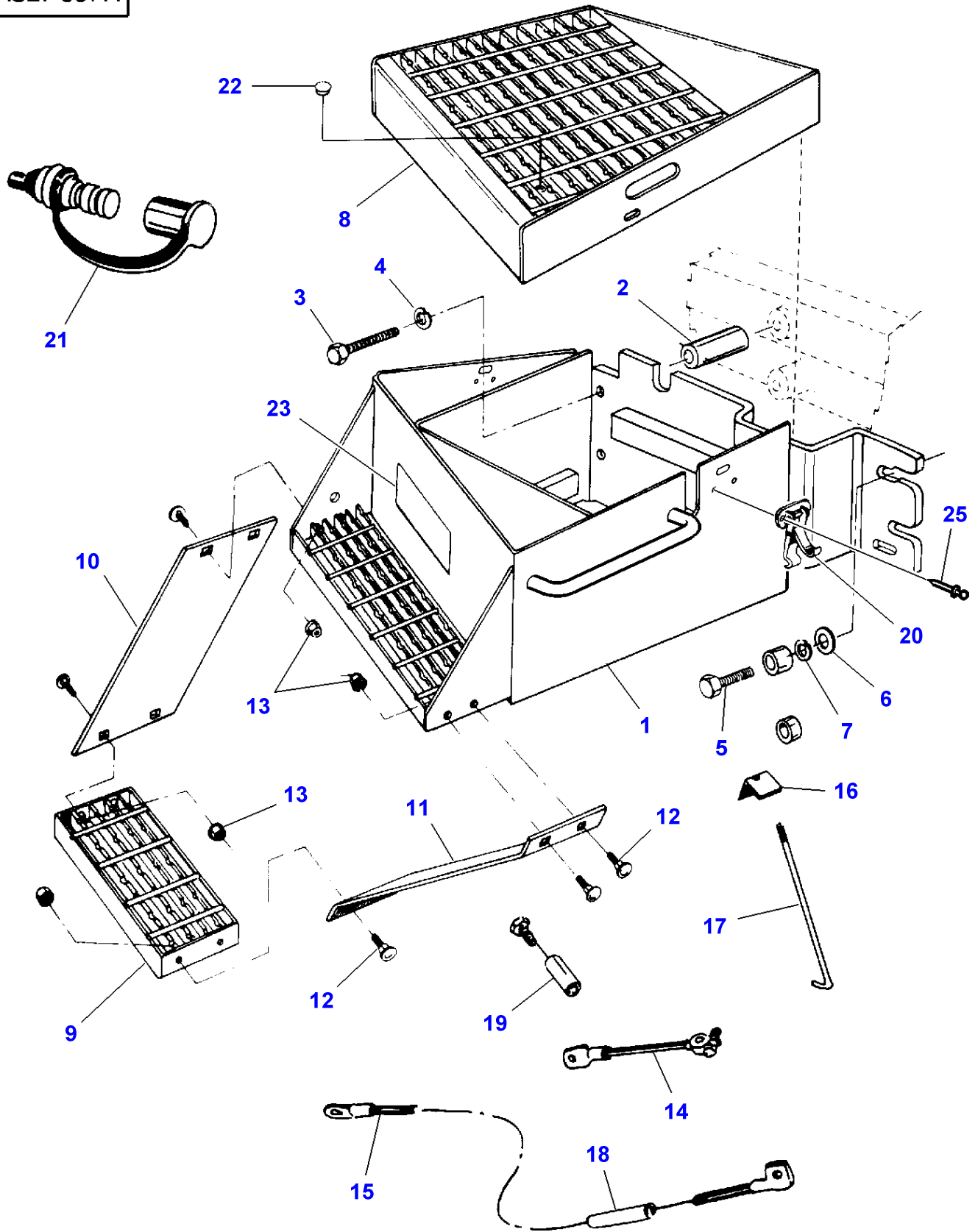
**Massey Ferguson**  
**MF 9240 TRACTOR - 1637287**

**Footstep - Right Side**

Item	Part Number	Qty	Description	Comments
1	72504638	1	Support	
	70921176	1	Screw	[A] 1/2"-13X1-1/4"
	353439X1	1	Lock Washer	[A] 1/2" LOCK
2	72504628	1	Step	
	<b>70923114</b>	2	Capscrew	[A] 1/2"-13X1"
	353439X1	2	Lock Washer	[A] 1/2" LOCK
3	72505100	1	Step	
	70931333	4	Bolt	[A] 5/16"X3/4"
	70917356	4	Lock Washer	[A] 5/16" LOCK
	<b>70917372</b>	4	Nut	[A] 5/16"-18
4	72505098	1	Gusset	REAR
5	72504629	1	Strap	
	70927075	1	Bolt	[A] 5/16"
	70921977	2	Screw	[A] 5/16"- 18X1-1/4"
	70917356	3	Lock Washer	[A] 5/16" LOCK
	<b>70917372</b>	3	Nut	[A] 5/16"-18
7	70917356	14	Lock Washer	5/16" LOCK
8	<b>70917372</b>	14	Nut	5/16"-18
9	70931333	11	Bolt	5/16"X3/4"

**FOOTNOTE [A] NOT ILLUSTRATED**

5-AS27-001-A



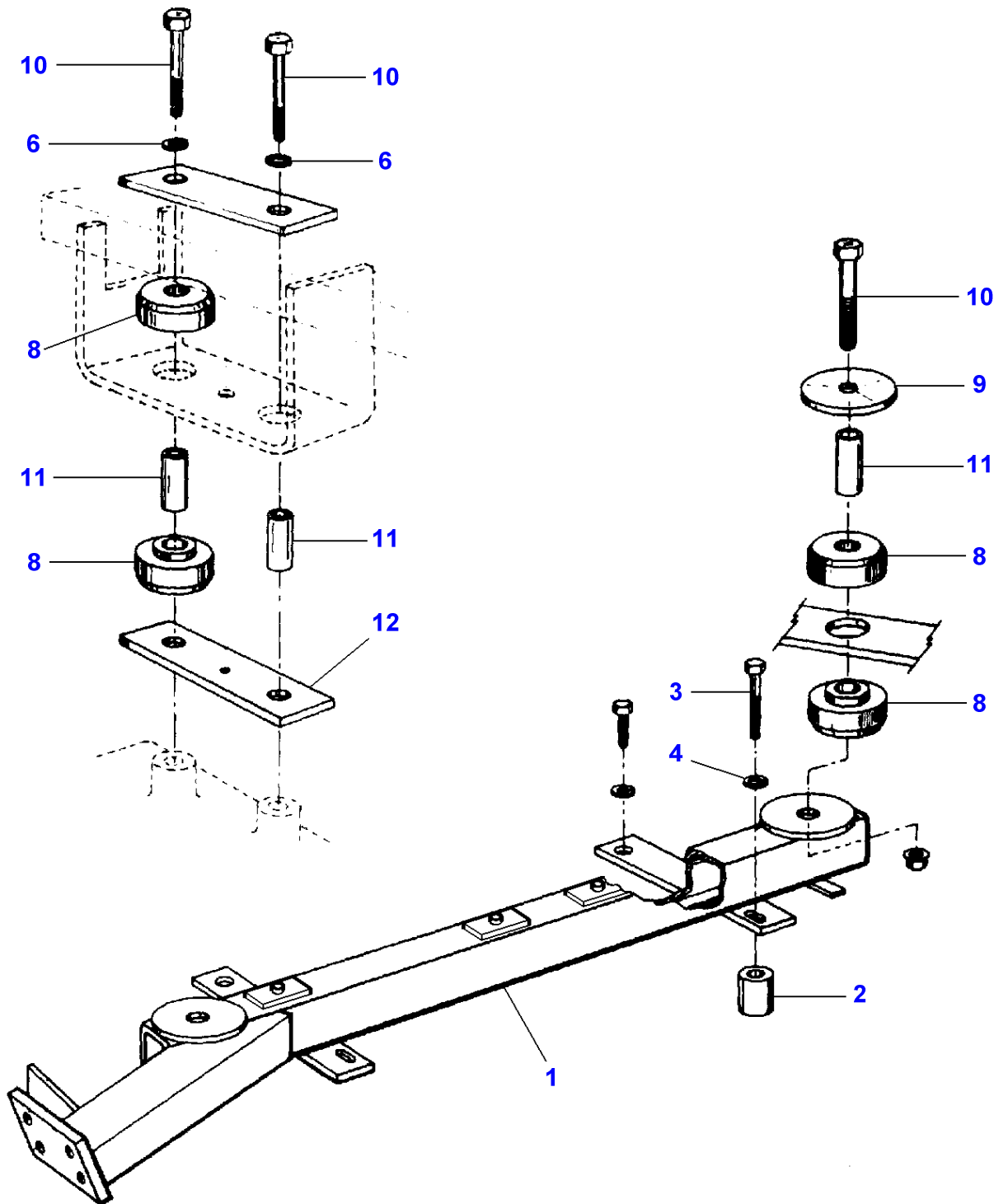
## Footstep And Battery Box

Item	Part Number	Qty	Description	Comments
1	72509867	1	Box	
2	72503061	2	Spacer	
3	70925707	2	Capscrew	3/4"-10X3"
4	353440X1	2	Lock Washer	3/4"
5	70924744	2	Screw	5/8"-11X1"-1/2
6	70918432	2	Washer	
7	353433X1	2	Lock Washer	5/8"
8	72507690	1	Cover	
9	72503515	1	Step	
10	72509859	1	Side	Right Hand
11	72509860	1	Side	Left Hand
12	360513X1	8	Screw	3/8"X3/4"
13	<b>70931211</b>	8	Nut	3/8"
14	71366307	1	Cable	
	353689X1	1	Screw Unc	[A]
	70916803	1	Washer	[A]
15	72503317	1	Cable	
	353689X1	1	Screw Unc	[A]
	70916803	1	Washer	[A]
16	72160805	1	Shank	
17	72160712	1	Rod	
	70917377	1	Washer	[A] 1/4" FLAT
	355564X1	3	Nut Unc	[A] 1/4"-20
18	72503320	3	Sleeve	3/4"
19	72161812	1	Sleeve	
	70923292	1	Capscrew	[A] 3/4"-10X2.0"
20	71127991	2	Latch	
21	72500823	1	Terminal	
22	70923392	1	Rivet	Replace and repair. Old not interchangeable with new 70933611
23	3714946M1	1	Decal	
24		2	Battery	[A,B] 420 Amp / 66 Ah
25	70923392	4	Rivet	3/16"X13/32" Replace and repair. Old not interchangeable with new 70933611

FOOTNOTE [A] NOT ILLUSTRATED

FOOTNOTE [B] PLEASE REFER TO MARKETING CATALOG

5-AU79-001-A





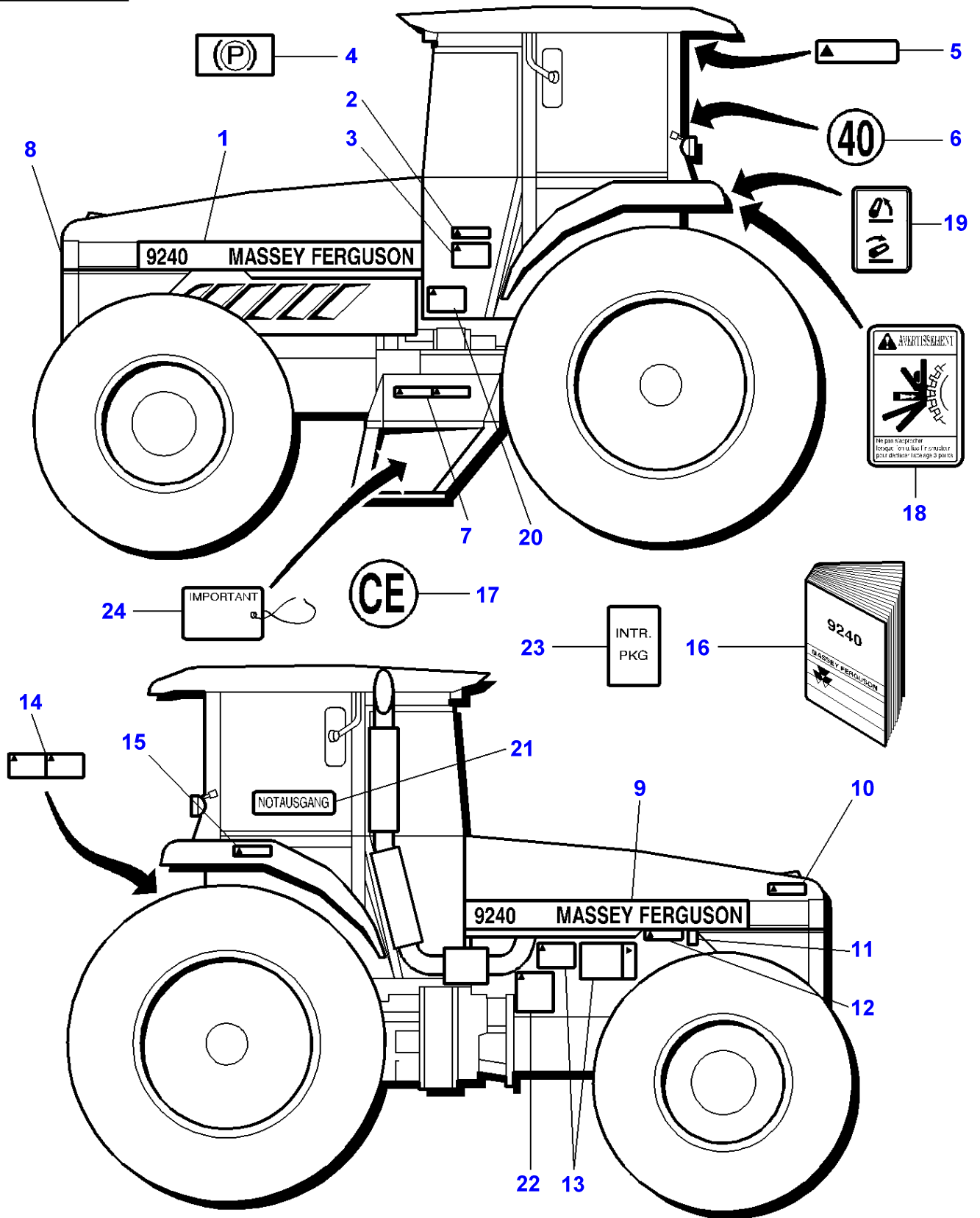
**Massey Ferguson****MF 9240 TRACTOR - 1637287****1637287****Tractor Cab - Cab Mountings****Page 100-0065**

<b>Item</b>	<b>Part Number</b>	<b>Qty</b>	<b>Description</b>	<b>Comments</b>
1	72513606	1	Support	Replace and repair. Old not interchangeable with new 72507281
2	72502037	2	Spacer	
3	70923320	2	Capscrew	1/2"-13X3
4	353439X1	2	Lock Washer	1/2" LOCK
5	70923110	2	Screw	[A] 3/4"-10X1-1/2"
6	353440X1	6	Lock Washer	3/4" LOCK
7	70924450	2	Nut	[A] 3/4"-10
8	72511960	6	Support	Replace and repair. Old not interchangeable with new 72506500
9	72160476	2	Washer	25/32" ID X3 5/16" OD
10	70925387	6	Screw	3/4"-10X4"
11	72503525	6	Tube	25/32"IDX1"OD Length 1-15/16"
12	72160561	4	Plate	

**FOOTNOTE [A] NOT ILLUSTRATED**

MF 9240 TRACTOR - 1637287  
5-AR11-001-A

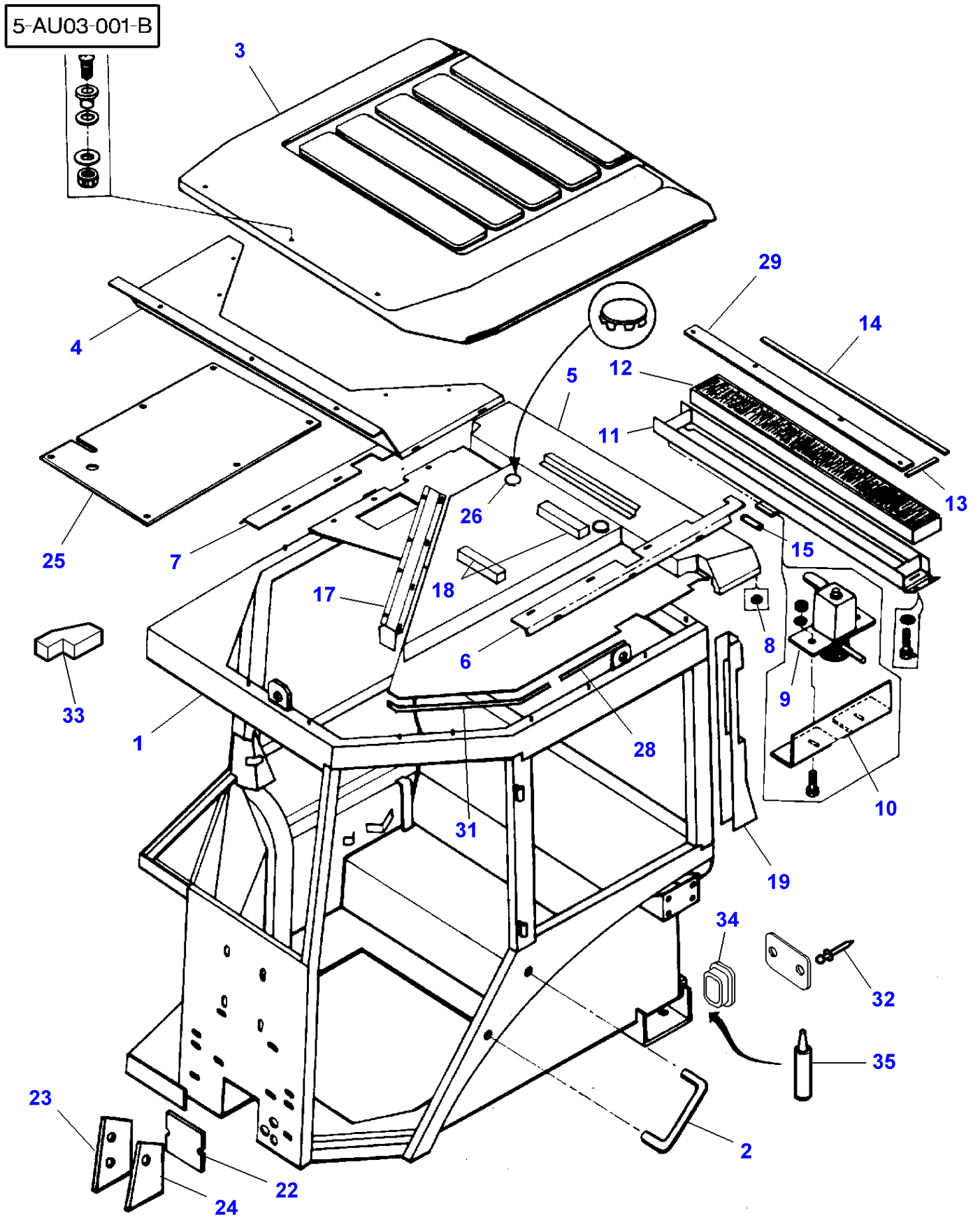
5-AR11-001-A



Decals

Item	Part Number	Qty	Description	Comments
1	72509852	1	Decal	Left Hand
2	3580313M1	1	Decal	For France only or any text in French only
	3761155M1	1	Decal	For Germany only or any text in German only
	3580315M1	1	Decal	For UK only or any text in English only
3	3597443M1	1	Decal	For Germany only or any text in German only
	3595689M1	1	Decal	For UK only or any text in English only
4	3580502M1	1	Decal	
5	3580320M5	1	Decal	For France only or any text in French only
	3581524M4	1	Decal	For Germany only or any text in German only
	3580321M5	1	Decal	For UK only or any text in English only
6	3595689M1	1	Decal	For Germany only or any text in German only
7	3596045M1	1	Decal	For France only or any text in French only
	3597446M1	1	Decal	For Germany only or any text in German only
	3595679M1	1	Decal	For UK only or any text in English only
8	72509930	2	Decal	
9	72509851	1	Decal	Right Hand
10	3596029M1	1	Decal	For France only or any text in French only
	3595685M1	1	Decal	For UK only or any text in English only
11	3697199M1	2	Decal	
12	3596037M1	2	Decal	For France only or any text in French only
	3597428M1	2	Decal	For Germany only or any text in German only
	3595678M1	2	Decal	For UK only or any text in English only
13	3596467M1	1	Decal	For France only or any text in French only
	3597449M1	1	Decal	For Germany only or any text in German only
	3699634M1	1	Decal	For UK only or any text in English only
14	3581564M1	1	Decal	For France only or any text in French only
	3581563M1	1	Decal	For UK only or any text in English only
	72511939	1	Decal	For Germany only or any text in German only
15	3761155M2	1	Decal	For Germany only or any text in German only
16	72509856	1	Instruction Book	For France only or any text in French only Up to Serial or Engine Number SN0067
	72509857	1	Instruction Book	For Germany only or any text in German only Up to Serial or Engine Number SN0067
	72509858	1	Instruction Book	For UK only or any text in English only Up to Serial or Engine Number SN0067
	72514386	1	Booklet	For France only or any text in French only From Serial or Engine Number SN0068
	72514387	1	Booklet	For Germany only or any text in German only From Serial or Engine Number SN0068
	72514385	1	Booklet	For UK only or any text in English only From Serial or Engine Number SN0068
17	N17863	1	Decal	
18	72507000	2	Decal	For UK only or any text in English only
	72507489	2	Decal	For France only or any text in French only
	72511929	2	Decal	For Germany only or any text in German only
19	72506323	1	Decal	For UK only or any text in English only
20	3761155M2	1	Decal	For Germany only or any text in German only
21	72511945	1	Decal	For Germany only or any text in German only
	72512766	1	Decal	For UK only or any text in English only
	72512772	1	Decal	For France only or any text in French only
22	3714958M1	1	Decal	
23	72511947	1	Instructions	
24	72162057	1	Decal	

MF 9240 TRACTOR - 1637287  
5-AU03-001-B



## Tractor Cab - Frame

Item	Part Number	Qty	Description	Comments
1	72505520	1	Body	
	3714948M1	2	Decal	[A]
2	72503342	1	Handle	
	70932844	2	Washer	[A] 13/32"IDX1"
	70931649	2	Screw	[A] 3/8"-16X3/4"
3	72505807	1	Roof	
	70921333	16	Screw	5/16"-18X1"
	71367347	16	Spacer	
	72161100	16	Washer	13/32" ID 3/4"ODX3/16"
	70917642	32	Washer	5/16"
	70931277	16	Nut	5/16"-18
4	72503073	1	Support	
5	72509671	1	Duct	
	70922858	2	Fastener	5/16"-18
6	71367343	1	Shank	Left Hand
	70923341	2	Screw	[A] 1/4"-20X3/4"
	353754X1	4	Washer	[A] 1/4"
	70916964	2	Lock Washer	[A]
	355564X1	2	Nut Unc	[A] 1/4"-20
7	71367342	1	Shank	Right Hand
	BPN31029	6	Washer	[A] 3/8"
	353434X1	6	Lock Washer	[A] 3/8"LOCK
	70923518	6	Nut	[A] 3/8"-16
8	72160959	1	Plug	1/4"
9	72160698	1	Latch	
	70923341	2	Screw	1/4"-20X3/4"
	70916964	2	Lock Washer	1/4"LOCK
	70931209	4	Nut	1/4"-20
10	72160697	1	Shank	
11	72161044	1	Retainer	
	70923341	3	Screw	[A] 1/4"-20X3/4"
	70916964	3	Lock Washer	[A] 1/4"
12	<b>72160249</b>	1	Element,Air Fitr	
13	72160945	2	Gasket	3/8"X3/4"X7"
14	72160946	2	Gasket	3/8"X3/4"X49"
	71187207	4	Foam	1/4"X1/2"X50"
15	72160512	5	Moulding	
16	72160203	1	Plug	[A] 5/8"
17	72513767	1	Panel	
	70933386	4	Screw	[A] 10"-24X3/4"
	70927009	4	Washer	[A] 1/4"
	70916964	4	Lock Washer	[A] 1/4"LOCK
	70931209	4	Nut	[A] 1/4"-20
18	72160928	2	Strip	2"X2"X10"
19	72504657	1	Cover	Right Hand
	72504658	1	Cover	Left Hand
	70931833	16	Screw	[A] 1/4"-20X3/4"
	70937660	16	Screw	W25-20X.625
20	72503407	2	Shield	[A]
21	70933322	1	Plug	[A]
22	72504026	1	Bar	
23	72504027	1	Bar	Right Hand
24	72504028	1	Bar	Left Hand
25	72507251	1	Cover	

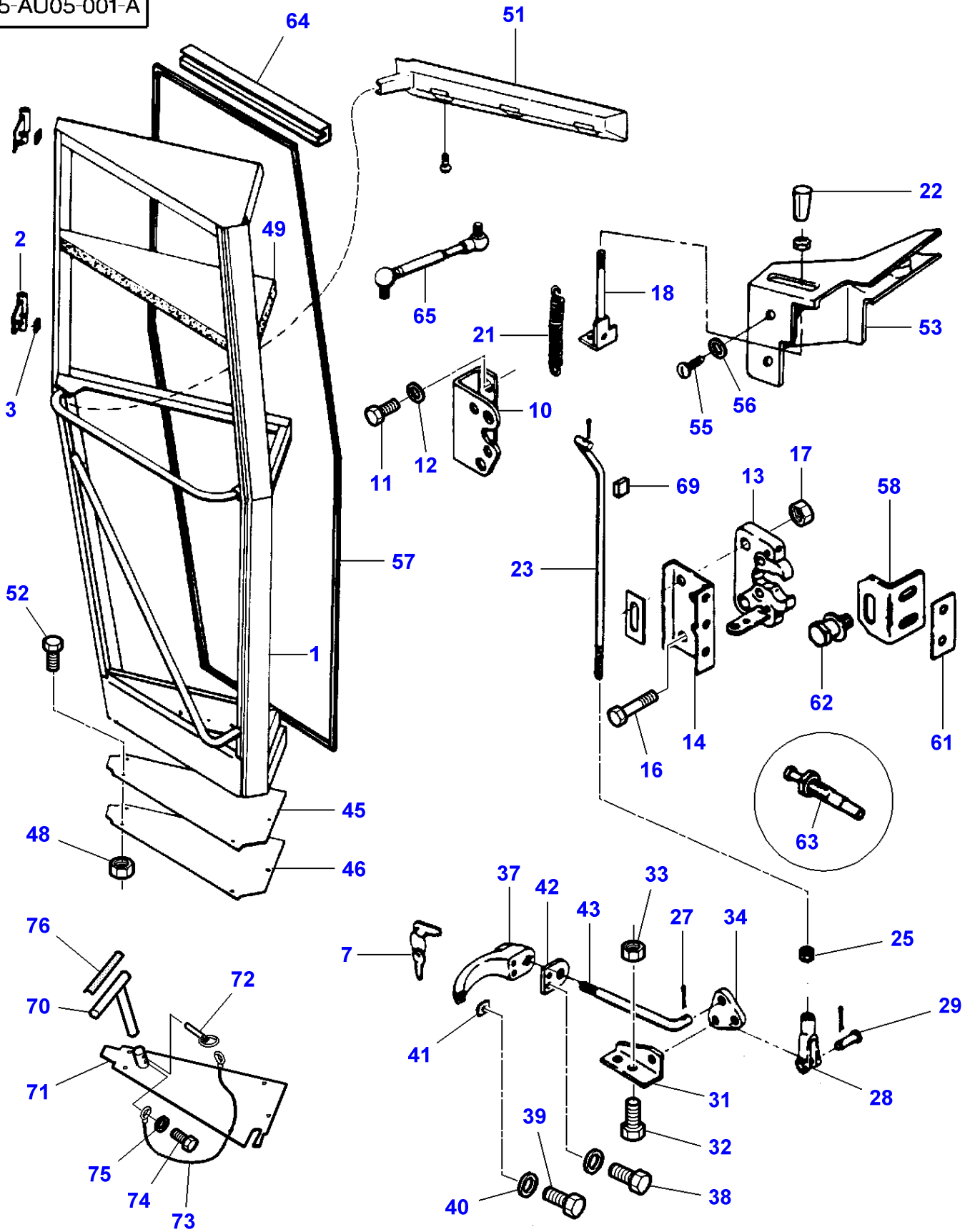
**Tractor Cab - Frame**

<b>Item</b>	<b>Part Number</b>	<b>Qty</b>	<b>Description</b>	<b>Comments</b>
25	70931822	6	Screw	[A] 5/16"-12X34
26	70926605	2	Plug	
28	72513752	2	Foam	Replace and repair. Old not interchangeable with new 72508974
29	72513751	1	Foam	Replace and repair. Old not interchangeable with new 72506995
30	71362390	7	Seal	[A]
31	72513753	2	Foam	[A] Replace and repair. Old not interchangeable with new 72508975
32	<b>70924280</b>	2	Rivet	
33	72513757	1	Plug	From Serial or Engine Number 01/01/96
34	72514238	2	Plug	From Serial or Engine Number 29-AUG-1996
35	70937560	1	Tube	From Serial or Engine Number 29-AUG-1996

**FOOTNOTE [A] NOT ILLUSTRATED**

MF 9240 TRACTOR - 1637287  
5-AU05-001-A

5-AU05-001-A



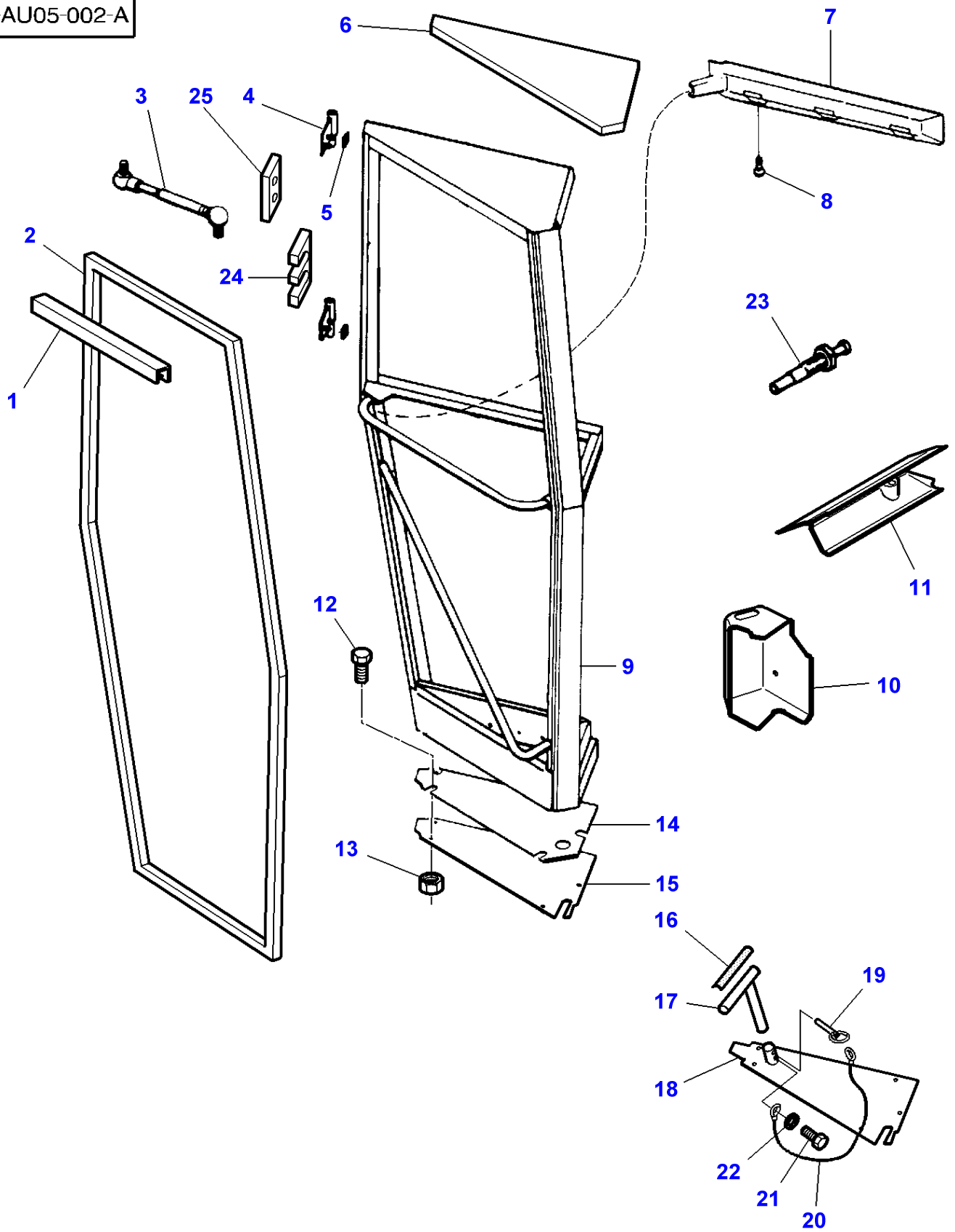
Item	Part Number	Qty	Description	Comments
1	72502046	1	Door	
2	72509299	2	Hinge	Replace and repair. Old not interchangeable with new 72509283
3	72509287	1	Shim	Thickness .048"
4	72509288	1	Shim	[A] Thickness .105"
5	70931277	4	Nut	[A] 5/16"-18
6	70918266	4	Washer	[A] 13/32"X13/16"
7	72161702	1	Key	
8	71187207	X	Foam	[A]
9	72506072	16	Bumper	[A]
10	72513773	1	Bracket	Replace and repair. Old not interchangeable with new 72507659
11	70930591	2	Capscrew	5/16"-18X3/4"
12	70918265	4	Washer	5/16"
13	72161441	1	Latch	
14	72161317	1	Bracket Assy.	
15	72500677	1	Clip	[A]
16	70922837	4	Screw	5/16"
17	70931209	5	Nut	5/16"
18	72507655	1	Lever	
19	70918210	1	Screw	[A] N6-32X1/2"
20	70917479	1	Nut	[A] 6"-32
21	72163326	1	Spring	
22	72161319	1	Handle	
23	72502049	1	Rod	
24	353754X1	5	Washer	[A]
25	70914192	1	Nut	1/4"-28GR2
26	70933339	1	Pin	[A]
27	70918445	2	Pin	0,063"X1/2"
28	70923272	1	Yoke	
29	70924229	1	Pin	
30	70923360	1	Pin	[A]
31	72502378	1	Support	
32	70921959	2	Screw	[A] 1/4"-20
33	355564X1	2	Nut Unc	[A] 1/4"-20
34	72161436	1	Bellcrank	
35	72161211	1	Screw	[A] 1/4"-20X1"
36	72162015	1	Nut	[A]
37	72161440	1	Handle	
38	70950003	2	Capscrew	M6X30
39	70950450	1	Capscrew	M6X25
40	70916964	3	Lock Washer	1/4" LOCK
41	72501491	1	Spacer	
42	72501492	1	Spacer	
43	72502048	1	Rod	
44	70933339	1	Pin	[A]
45	72509820	1	Mat	Repairs and replaces 72503504
46	72502925	1	Plate	
47	70931833	5	Screw	[A] 1/4"-20X1/2"
48	<b>70923516</b>	5	Nut	
49	72162788	1	Trim	
50	70949511	X	Adhesive	[A]
51	72502173	1	Shroud	
52	72161211	4	Screw	1/4"-20X 1"
53	72502172	1	Shroud	
54	70929406	4	Clip	[A]
55	70937262	2	Screw	N10-24X3/8"
56	70923212	2	Washer	
57	72502601	1	Gasket	
58	72504489	1	Bracket	
59	70931649	2	Screw	[A] 3/8"-16X3/4"
60	70918266	2	Washer	[A] 13/32"X13/16"



Item	Part Number	Qty	Description	Comments
61	72162748	1	Shim	
62	71362459	1	Bolt	
63	72161223	1	Switch	
64	72504049	1	Retainer	
65	72502390	1	Spring	
66	3478565M1	2	Ball Joint	[A] 5/16"-18 Replace and repair. Old not interchangeable with new 71307131
67	<b>70917372</b>	2	Nut	[A] 5/16"-18
68	70917356	2	Lock Washer	[A] 5/16" LOCK
69	71187207	1	Foam	1/4"X1/2"X1/2"
70	72511178	1	Rest	From Serial or Engine Number 13/03/95
71	72511179	1	Plate	From Serial or Engine Number 13/03/95
72	70927535	1	Pin	From Serial or Engine Number 13/03/95
73	72511190	1	Cable	From Serial or Engine Number 13/03/95
74	70930487	1	Screw	From Serial or Engine Number 13/03/95
75	70917365	1	Lock Washer	From Serial or Engine Number 13/03/95
76	71173500	1	Strip	From Serial or Engine Number 13/03/95

FOOTNOTE [A] NOT ILLUSTRATED

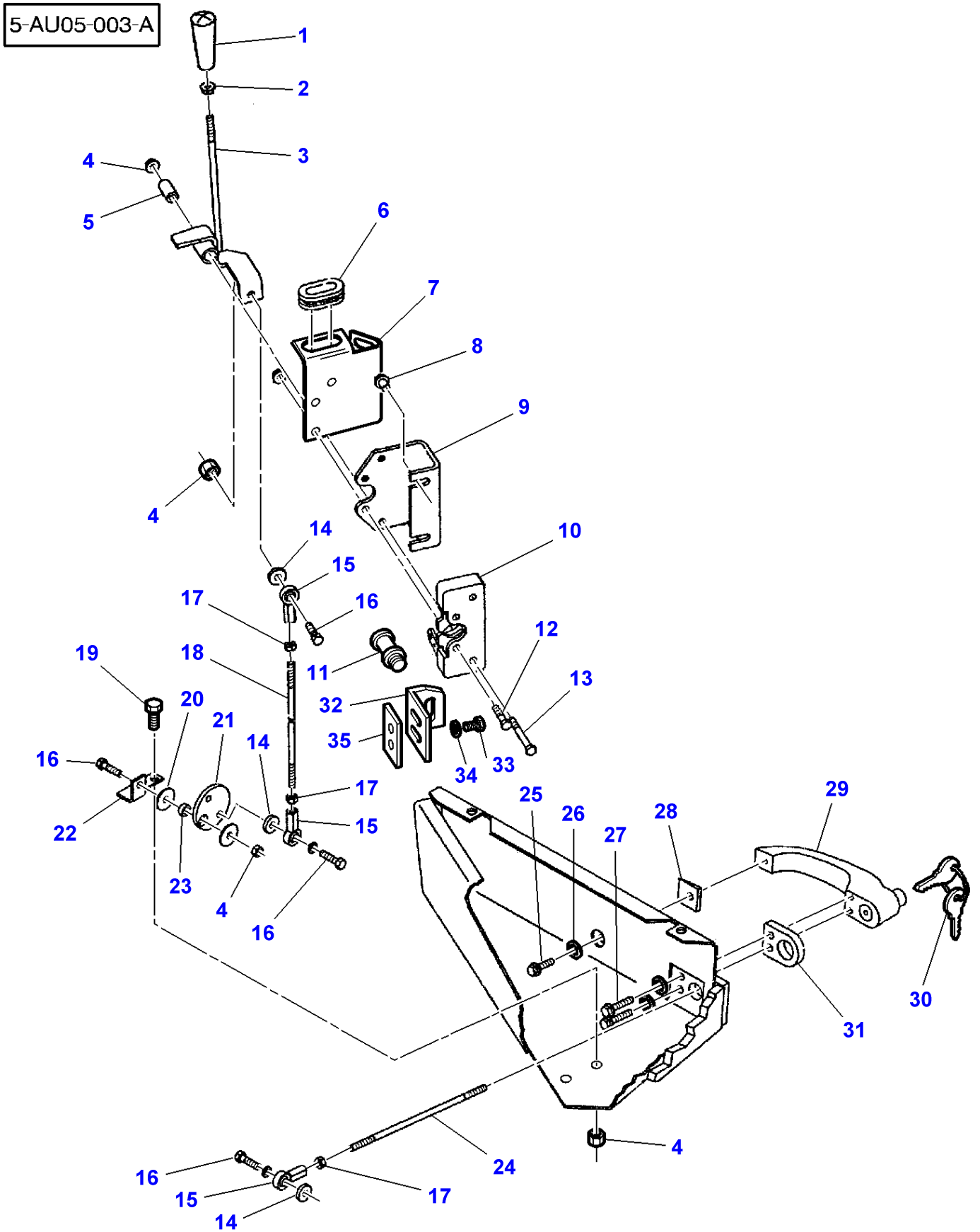
5-AU05-002-A



Item	Part Number	Qty	Description	Comments
1	72504049	1	Retainer	
2	72502601	1	Gasket	
3	72502390	1	Spring	
4	72509299	2	Hinge	Replace and repair. Old not interchangeable with new 72509283
	72513759	2	Hinge	Up to Serial or Engine Number 01/01/96
5	72509287	1	Shim	From Serial or Engine Number 02/01/96 Thickness .48"
	72509288	1	Shim	Up to Serial or Engine Number 02/96 Thickness .105" Up to Serial or Engine Number 02/96
6	72162788	1	Trim	
7	72502173	1	Shroud	
8	72161211	4	Screw	1/4"X5/8"
9	72502046	1	Door	
10	72509296	1	Cover	
11	72509295	1	Cover	
12	72161211	2	Screw	1/4-20 X 1"
	70934728	5	Screw	1/4"X3/4"
13	<b>70923516</b>	7	Nut	1/4"
14	72509289	1	Mat	
15	72502925	1	Plate	
16	71173500	1	Strip	
17	72511178	1	Rest	
18	72511179	1	Plate	
19	70927535	1	Pin	
20	72511190	1	Cable	
21	70930487	1	Screw	
22	70917365	1	Lock Washer	
23	72161223	1	Switch	
24	72513761	2	Shim	Thickness .48" From Serial or Engine Number 02/96
	72513762	2	Shim	Thickness 1.05" From Serial or Engine Number 02/96
25	72513756	2	Gasket	From Serial or Engine Number 02/01/96 Thickness 1/32"
26	3478565M1	2	Ball Joint	(3) Replace and repair. Old not interchangeable with new 71307131
27	70917356	2	Lock Washer	
28	<b>70917372</b>	2	Nut	
29	72501571	1	Cover	[A]
30	72503341	2	Trim	[A]
	72503348	2	Trim	[A] Length 5.25

FOOTNOTE [A] NOT ILLUSTRATED

MF 9240 TRACTOR - 1637287  
5-AU05-003-A



**Massey Ferguson****MF 9240 TRACTOR - 1637287**

1637287

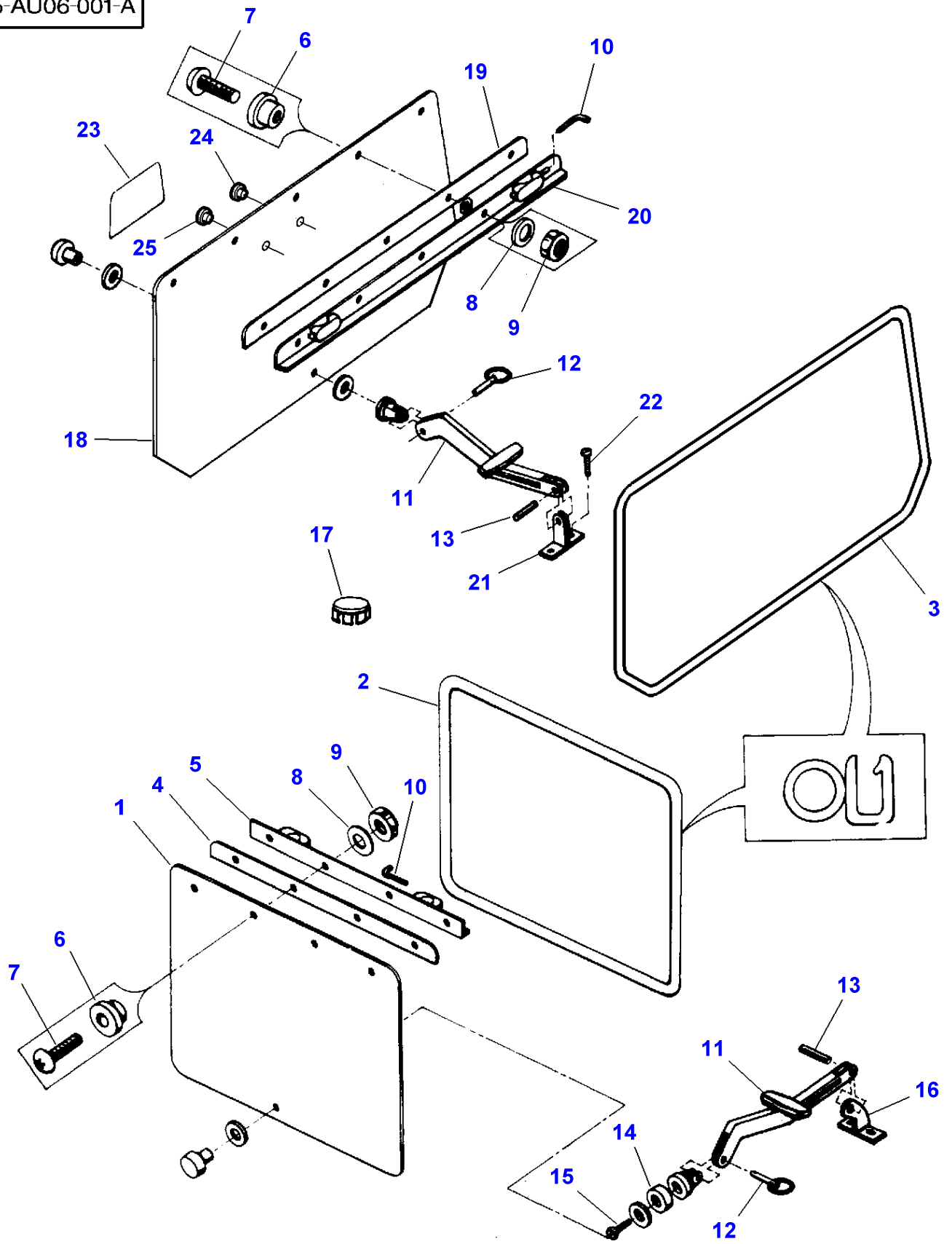
Tractor Cab - Doors - From Serial or Engine Number 0068

Page 110-0020

Item	Part Number	Qty	Description	Comments
1	72161319	1	Handle	
2		1	Nut	
3	72508952	1	Lever	
4	70931209	10	Nut	1/4"
5	72509276	1	Spacer	
6	70929858	1	Grommet	
7	72508960	1	Bracket	
8	70931648	2	Bolt	
9	72513773	1	Bracket	Replace and repair. Old not interchangeable with new 72507659
10	72161441	1	Latch	
11	71362459	1	Bolt	
12	70922837	3	Screw	1/4"X1.5"
13	70923282	1	Bolt	1/4"X2.5"
14	70924872	3	Washer	
15	70936334	3	Toggle	
16	70921960	4	Screw	1/4"X1"
17	70914192	3	Nut	1/4"
18	72508956	1	Rod	
19	70921958	2	Capscrew	1/4"X1/2
20	70927009	2	Washer	17/64"X7/8"
21	72508958	1	Plate	
22	72508959	1	Bracket	
23	72509277	1	Spacer	
24	72508957	1	Rod	
25	70950450	1	Capscrew	M6X25
26	70916964	3	Lock Washer	
27	70950003	2	Capscrew	M6X30
28	72501491	1	Spacer	
29	72161440	1	Handle	
30	72161702	1	Key	
31	72501492	1	Spacer	
32	72504489	1	Bracket	
33	70931649	2	Screw	
34	70918266	2	Washer	
35	72162748	2	Shim	

MF 9240 TRACTOR - 1637287  
5-AU06-001-A

5-AU06-001-A

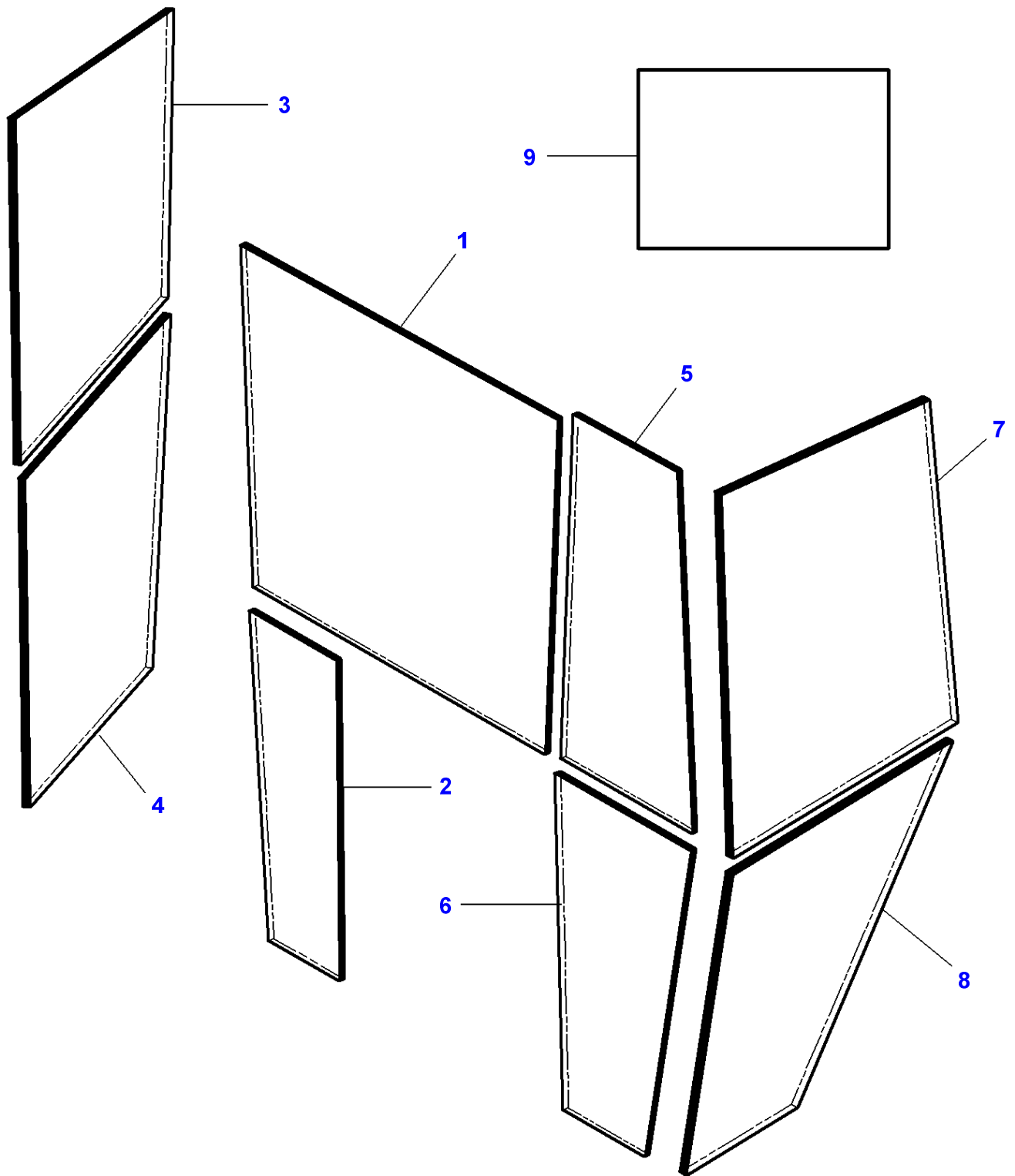


## Tractor Cab - Windows

Item	Part Number	Qty	Description	Comments
1	72508375	1	Glass	Right Hand
2	72503519	1	Seal	
3	90001247	1	Trim	
4	72161996	1	Pad	
5	72502913	1	Hinge	Right Hand
6	72161999	9	Spacer	
7	72161211	9	Screw	
8	72162016	18	Washer	
9	72162015	9	Nut	
10	72160417	4	Pin	
11	71364349	2	Latch	
12	72509885	2	Pin	3/16"X1.3
13	70921291	2	Pin	
14	72502162	1	Spacer	
15	70950907	1	Screw	M5X25
16	72504034	1	Support	
	70934728	2	Screw	[A]
17	3101653M1	2	Cap	
18	72509803	1	Glass	
19	72161997	1	Pad	
20	72162010	1	Hinge	
21	72502166	2	Anchor	
22	70934728	2	Screw	
23	71511220	1	Decal	[A] 75MM
24	3477704M1	1	Plug	
25	3477703M1	1	Plug	
26	72162017	1	Sealing Compound	[A]

FOOTNOTE [A] NOT ILLUSTRATED

5-AU06-002-A



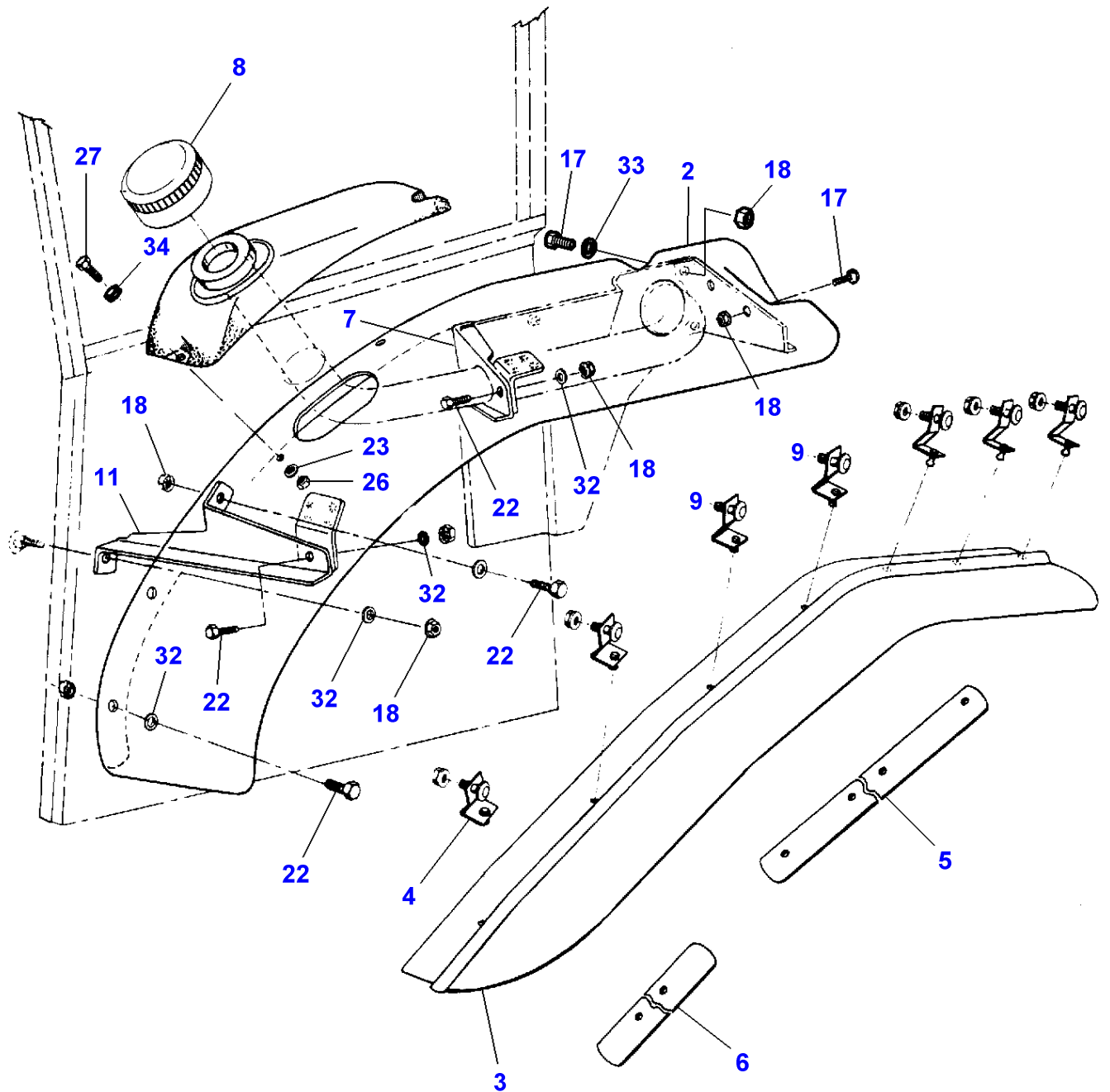


**Tractor Cab - Windows - Cab Glass Specifications**

<b>Item</b>	<b>Part Number</b>	<b>Qty</b>	<b>Description</b>	<b>Comments</b>
1	72509438	1	Glass	Up to Serial or Engine Number 04/06/96 Right Hand
	72501653	1	Glass	From Serial or Engine Number 05/06/96
2	72509441	1	Glass	Right Hand
3	72509439	1	Glass	Right Hand
4	72509440	1	Glass	Right Hand
5	72509437	1	Glass	Left Hand
6	72509442	1	Glass	Left Hand
7	72509804	1	Glass	Left Hand
8	72509805	1	Glass	Left Hand
9	72509445	1	Glass	Left Hand
10	70937560	1	Tube	[A]
	72500968	3	Foam	[A]

**FOOTNOTE [A] NOT ILLUSTRATED**

5-AU07-001-A

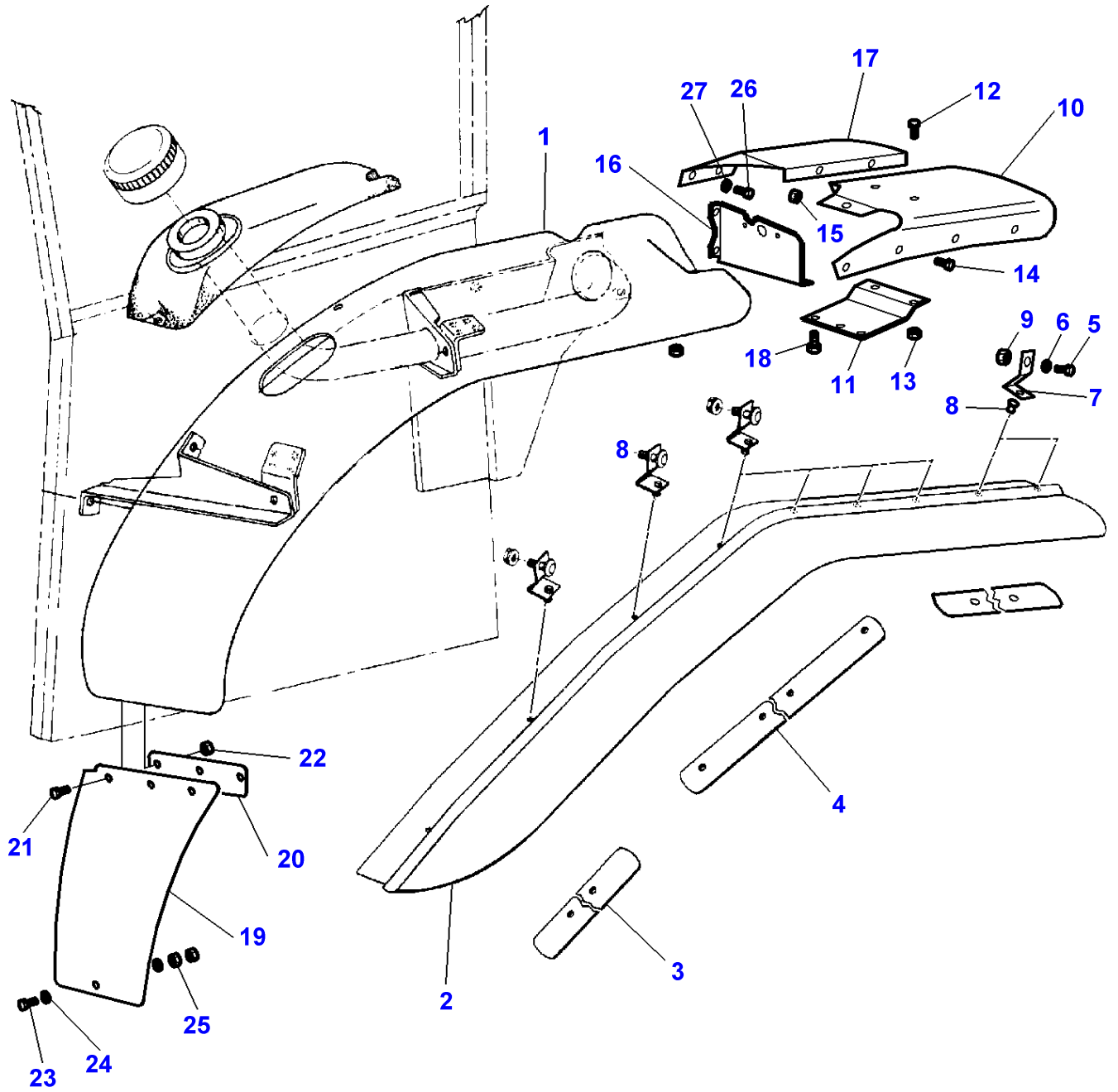


## Tractor Cab - Fenders

Item	Part Number	Qty	Description	Comments
1	72511128	1	Fender	[A] Left Hand
2	72511130	1	Fender	Right Hand
3	72507804	1	Fender	
4	72505244	10	Extension	
	70936460	10	Screw	[A]
	70931277	10	Nut	[A] 5/16"-18
	70925160	10	Rivet	[A]
5	72505232	4	Reinforcement	REAR
6	72505233	2	Reinforcement	FRONT
7	72506621	1	Support	Left Hand
	72506622	1	Support	Right Hand
8	72505250	1	Tank Cap	
11	72503249	1	Support	Left Hand
	72503250	1	Support	Right Hand
17	70931350	10	Bolt	Right Hand 3/8"X1"
18	<b>70931211</b>	24	Nut	3/8"
22	70921210	18	Screw	3/8"-16
23	70917377	3	Washer	
26	70931277	6	Nut	5/16"-18
27	70921333	3	Screw	5/16"-18
32	70924356	6	Washer	
33	<b>70931942</b>	X	Nut	
34	70923510	3	Grommet	

FOOTNOTE [A] NOT ILLUSTRATED

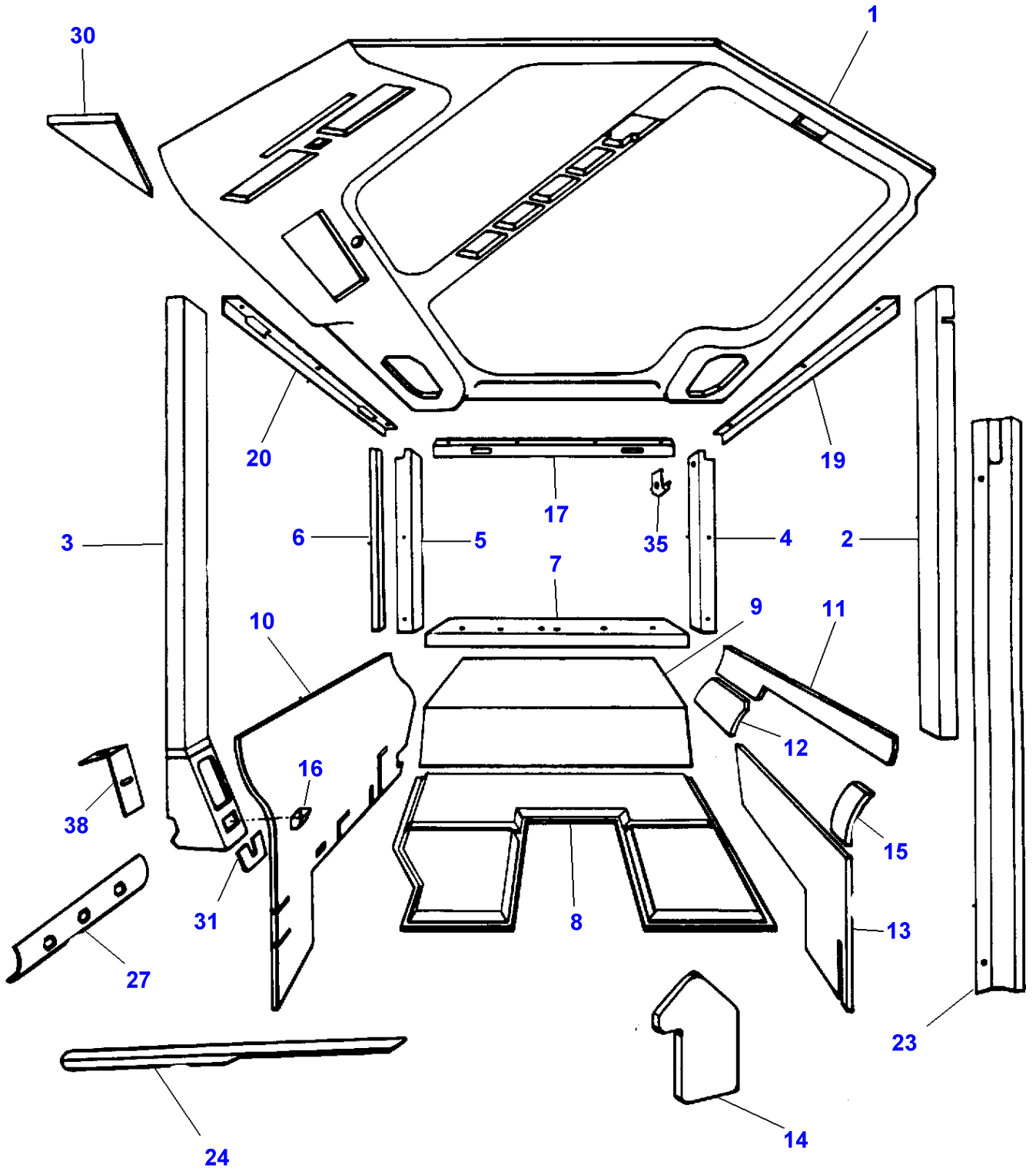
5-AU07-002-A



Item	Part Number	Qty	Description	Comments
1	72511128	1	Fender	Left Hand
	72511130	1	Fender	Right Hand
2	72511148	2	Extension	
3	72505233	4	Reinforcement	
4	72505232	2	Reinforcement	
5	70936460	18	Screw	5/16"-18X3/4"
6	72501750	4	Spacer	27/64"X3/8"
7	72505244	18	Extension	
8	70925160	18	Rivet	
9	70931277	18	Nut	5/16"-18
10	72511143	1	Extension	Left Hand
	72511144	1	Extension	Right Hand
11	72511149	1	Support	Left Hand
	72511150	1	Support	Right Hand
12	70936460	6	Screw	5/16"-18X3/4"
13	70931277	6	Nut	5/16"-18
14	70936460	4	Screw	5/16"-18X3/4"
15	70931277	4	Nut	5/16"-18
16	72511132	1	Support	Left Hand
	72511133	1	Support	Right Hand
17	72511145	1	Support	Left Hand
	72511146	1	Support	Right Hand
18	70924856	6	Bolt	5/16"-18X1/2"
19	72509253	1	Guard	Left Hand
20	72509275	1	Stiffener	Left Hand
21	70930595	3	Bolt	5/16"X1"1/4
				Left Hand
22	70931277	3	Nut	5/16"-18
				Left Hand
23	70921974	1	Bolt	3/8"-16X1"1/2
				Left Hand
24	70922611	2	Washer	13/32"
				Left Hand
25	355566X1	2	Nut Unc	3/8"-16
				Left Hand
26	70925205	4	Capscrew	5/16"-18X5/8"
27	70918265	4	Washer	5/16"

MF 9240 TRACTOR - 1637287  
5-AU19-001-A

5-AU19-001-A

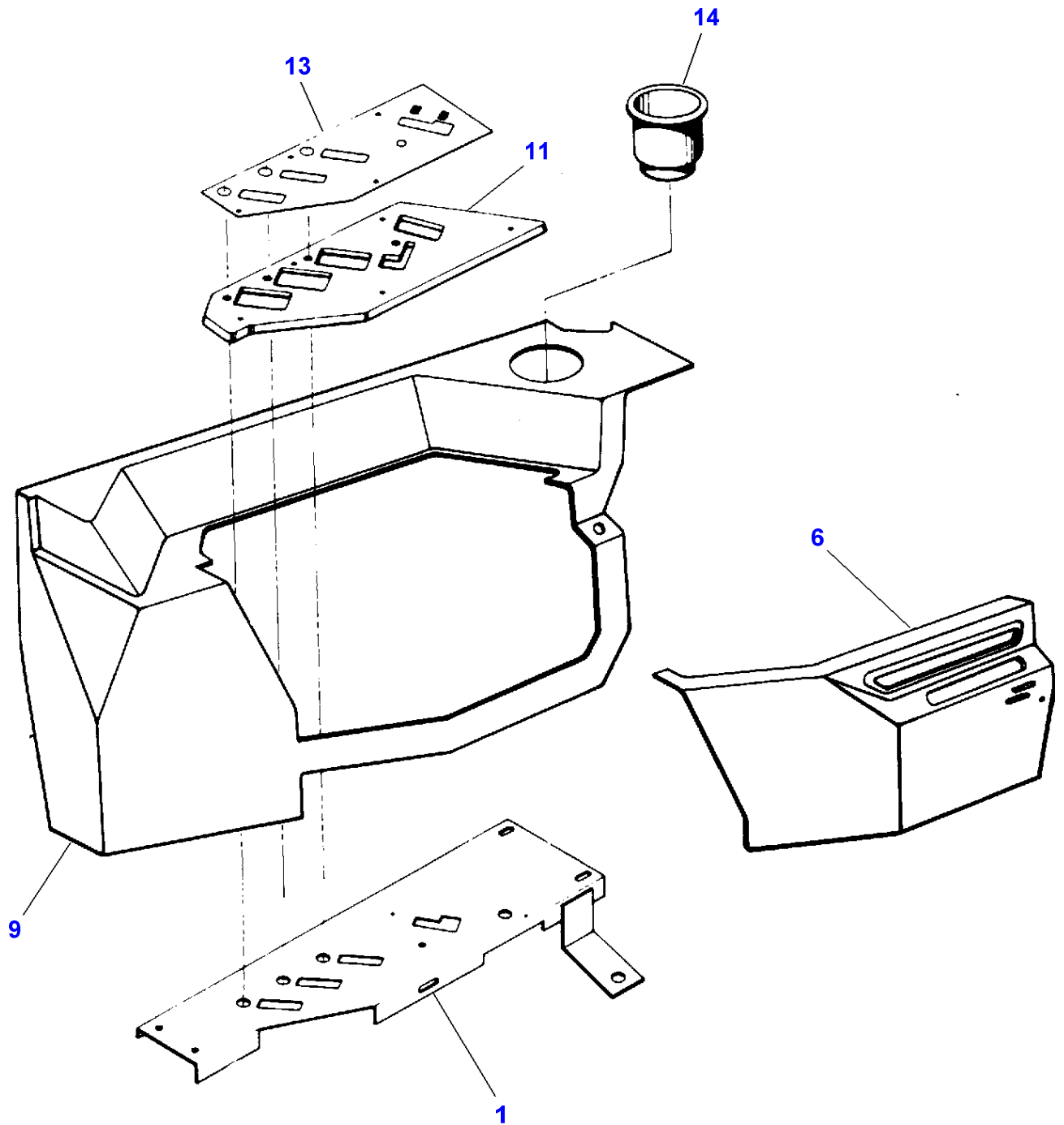


Tractor Cab - Cladding

Item	Part Number	Qty	Description	Comments
1	72503128	1	Support	
2	72502391	1	Cover	Left Hand
3	72505141	1	Cover	Right Hand
	72511310	1	Cover	Up to Serial or Engine Number SN0067 Right Hand From Serial or Engine Number SN0068
4	72502155	1	Cover	Left Hand
5	72502156	1	Cover	Right Hand
6	72500956	1	Foam	
7	72502154	1	Panel	
8	72509882	1	Liner	
9	72501496	1	Liner	
10	72503143	1	Foam	Right Hand
11	72503144	1	Foam	Left Hand
12	72503145	1	Foam	Left Hand
13	72503146	1	Foam	Left Hand
14	72504663	1	Insert	Left Hand
15	72503148	1	Foam	Left Hand
16	72502796	1	Ashtray	
17	72503139	1	Retainer	
18	3714962M1	1	Decal	[A]
19	72502650	1	Retainer	
20	72502625	1	Retainer	
21	70936593	12	Screw	[A] 10"-16
22	70930654	12	Nut	[A]
23	72502153	1	Cover	Left Hand
24	72502167	1	Cover	Right Hand
25	70929831	3	Screw	[A] 5/16"-18X1/2"
26	70929406	5	Clip	[A]
27	72502168	1	Cover	Right Hand
28	70929831	2	Screw	[A] 5/16"-18X1/2"
29	70929406	5	Clip	[A]
30	72162773	1	Foam	Right Hand
31	72503354	1	Plate	
32	70923862	2	Screw	[A] N6-32X3/4"
33	70917459	2	Washer	[A] N6 LOCK
34	70917479	2	Nut	[A] N6-32
35	72502797	1	Hook	
36	70934728	1	Screw	[A] 1/4"-20X1"
37	70931209	1	Nut	[A] 1/4"-20
38	72503822	1	Bracket	
		1	Bracket	From Serial or Engine Number SN0068
39	70931833	4	Screw	[A] 1/4"-20X1/2"
40	70931209	2	Nut	[A] 1/4"-20
41	72507672	1	Duct	[A]
42	<b>70923516</b>	13	Nut	[A] 1/4"-20
43	72506184	X	Tape	[A]
44	72506176	X	Adhesive	[A]
45	70935072	1	Screw	[A]
46	70917459	2	Washer	[A] N6-9/64"
47	72507672	1	Duct	From Serial or Engine Number 05/06/96

FOOTNOTE [A] NOT ILLUSTRATED

5-AU19-002-A





**Massey Ferguson****MF 9240 TRACTOR - 1637287**

1637287

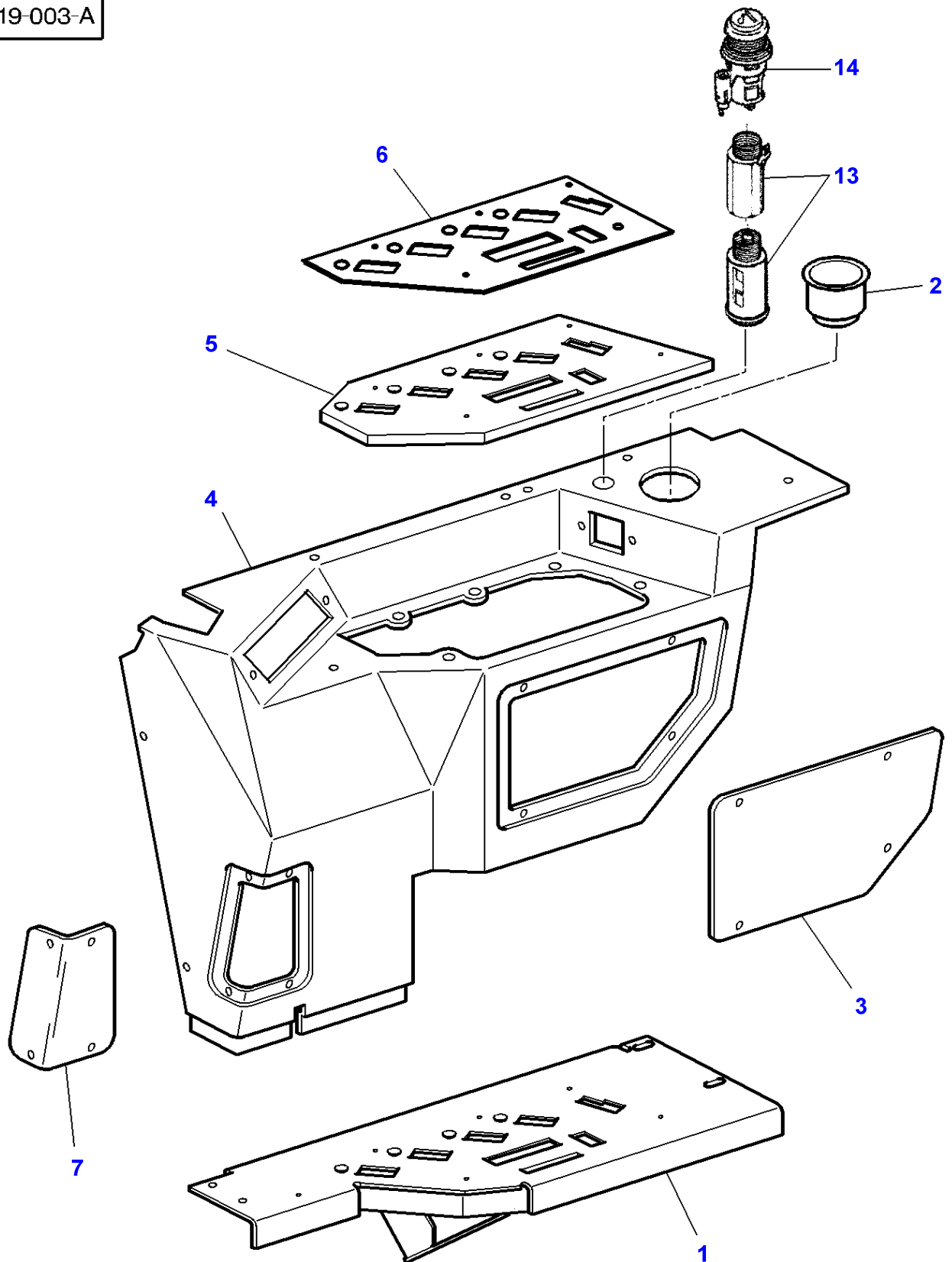
**Tractor Cab - Cladding - Console Rh Up To Serial No 0067**

Page 110-0050

Item	Part Number	Qty	Description	Comments
1	72505152	1	Plate	
2	353689X1	4	Screw Unc	[A] 3/8"-16X3/4"
3	BPN31029	4	Washer	[A] 3/8"USS
4	353434X1	4	Lock Washer	[A] 3/8 LOCK
5	<b>70931211</b>	4	Nut	[A] 3/8"
6	72505159	1	Panel	Right Hand
7	70937550	3	Capscrew	[A] N8X3/4"
8	70937552	3	Nut	[A] N8
9	72502251	1	Console	Right Hand
10	70931833	5	Screw	[A] 1/4"-20X1/2"
11	72502500	1	Bezel	
12	70937550	5	Capscrew	[A] N8X3/4"
13	72502781	1	Label	Right Hand
14	72502783	1	Cup	

**FOOTNOTE [A] NOT ILLUSTRATED**

5-AU19-003-A



**Massey Ferguson****MF 9240 TRACTOR - 1637287**

1637287

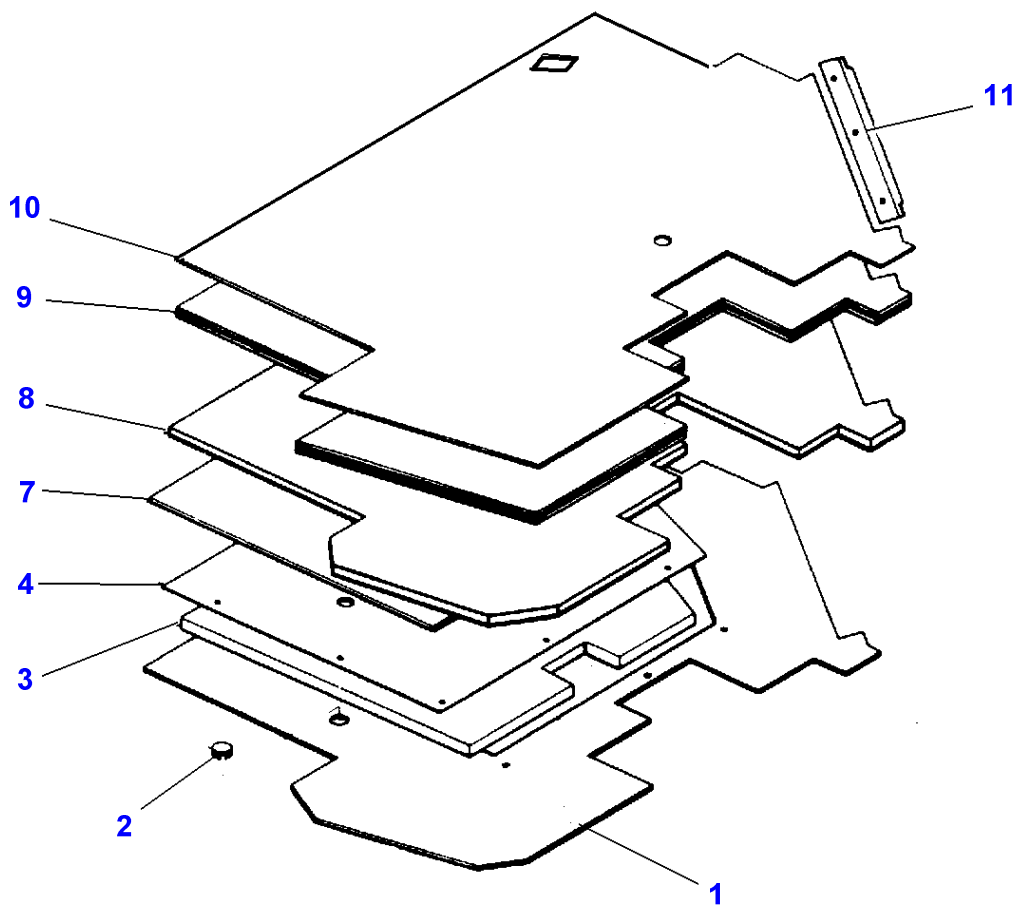
Tractor Cab - Cladding - Console Rh From Serial No 0068 Electronic Lift

Page 110-0055

Item	Part Number	Qty	Description	Comments
1	72511151	1	Support	
2	72502783	1	Cup	
3	72511309	1	Cover	Right Hand
4	72511308	1	Console	Right Hand
5	72511302	1	Bezel	
6	72511303	1	Label	Right Hand
7	72505298	1	Cover	
8	70917378	4	Washer	[A] 3/8"USS
9	353434X1	2	Lock Washer	[A] 3/8 LOCK
10	70937550	8	Capscrew	[A] N8X3/4"
11	70937552	8	Nut	[A] N8
12	70937660	9	Screw	[A] W 25-20X.625
13	71365476	1	Lighter	
14	71365477	1	Lighter	
15	<b>70923516</b>	2	Nut	[A]
16	353689X1	4	Screw Unc	[A]

**FOOTNOTE [A] NOT ILLUSTRATED**

5-AU15-001-A

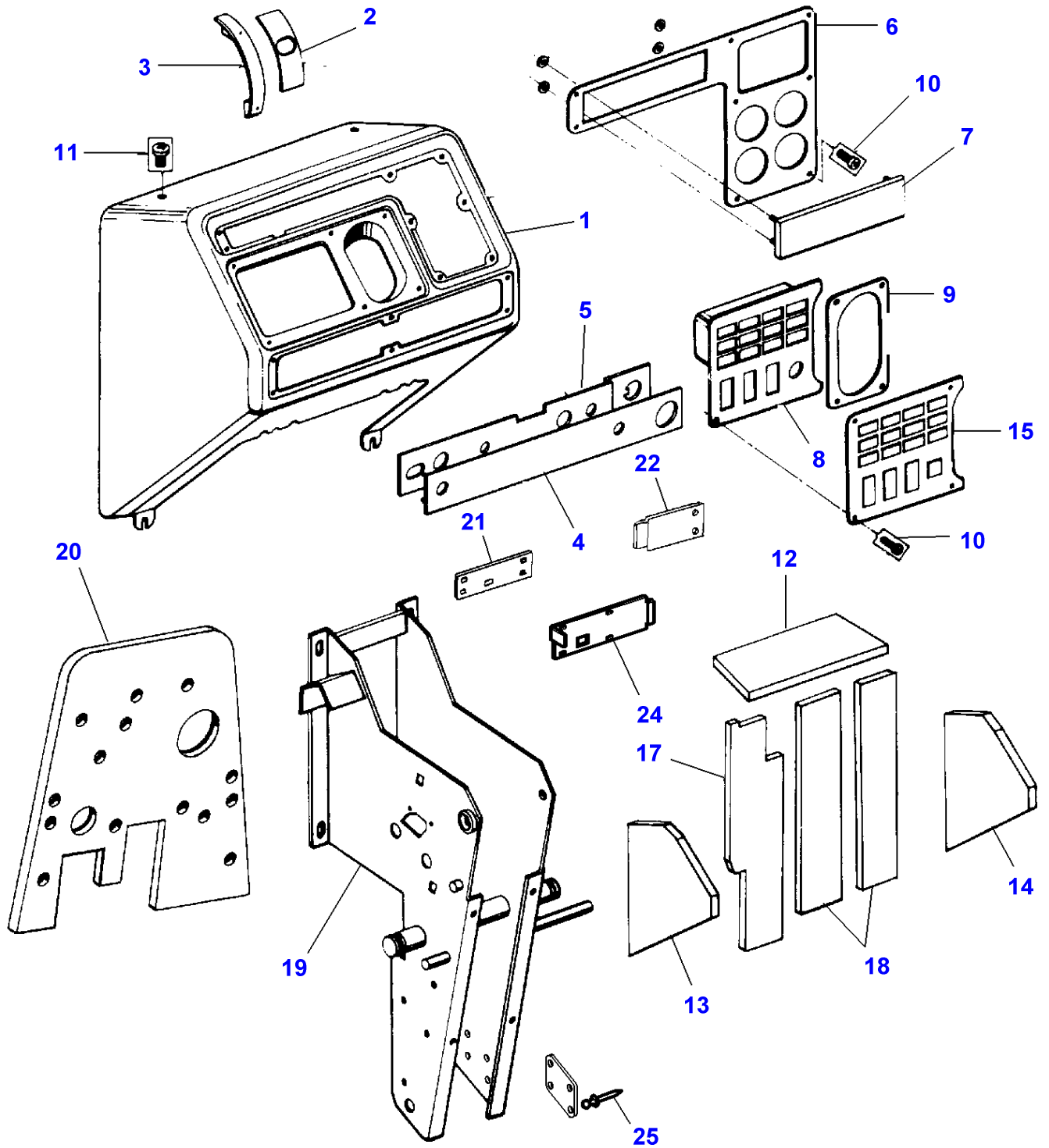


**Tractor Cab - Floor Panels**

<b>Item</b>	<b>Part Number</b>	<b>Qty</b>	<b>Description</b>	<b>Comments</b>
1	72506196	1	Pad	
2	70926605	1	Plug	
3	72504654	1	Pad	
4	72513602	1	Floor	
5	70937257	9	Screw	[A] 3/8"-16
6	353434X1	9	Lock Washer	[A] 3/8"LOCK
7	72509298	1	Pad	
8	72506197	1	Mat	
9	72506198	1	Mat	
10	72505116	1	Mat	Up to Serial or Engine Number SN0067
	72511112	1	Mat	From Serial or Engine Number SN0068
	72511113	1	Mat	From Serial or Engine Number 02/01/96
11	72506606	1	Retainer	
12	70937256	3	Screw	[A] 1/4"-20X2"
13	72503674	2	Plate	[A]
14	70922030	4	Screw	[A] N10-24X1/2"

**FOOTNOTE [A] NOT ILLUSTRATED**

5-AC56-001-A

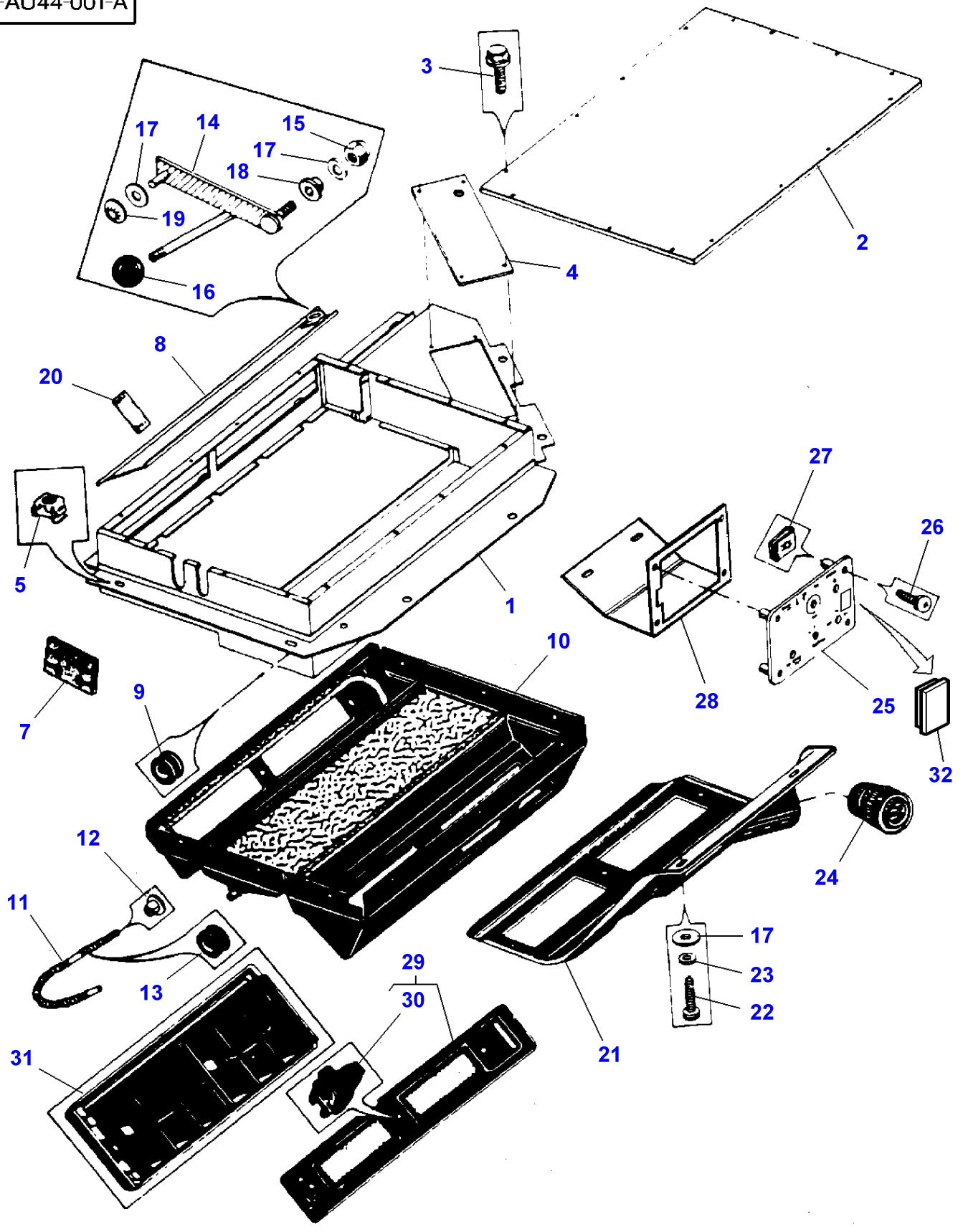


Instrument Panel

Item	Part Number	Qty	Description	Comments
1	72503310	1	Console	
2	72160750	1	Muff	
3	72160825	2	Guide	
	70937030	4	Screw	[A]
	70937140	4	Screw	[A]
4	72507725	1	Panel	
	72161787	6	Screw	[A] 8"-32
5	72503824	1	Plate	
6	72501357	1	Panel	
	72161787	8	Screw	[A] 8"-32
7	71362813	1	Muff	
	70932720	4	Retainer	[A]
8	72501355	1	Panel	
	71193271	1	Control Light	[A]
	72161787	4	Screw	[A] 8"-32
9	72501373	1	Panel	
	72161787	4	Screw	[A] 8"-32
10	72161787	20	Screw	N8-32
11	72160856	4	Screw	Up to Serial or Engine Number 01/95 1/4"-20X3/4"
	72162016	2	Washer	[A] 1/4"
	70930918	4	Screw	From Serial or Engine Number 01/95 1/4"-20X1/2"
12	72161028	1	Insulation	
13	72161027	1	Insulation	Left Hand
14	72161046	1	Insulation	Right Hand
15	72505201	1	Label	
16	72509312	1	Decal	[A] INSTRUMENT LOWER
17	72502908	1	Bar	
18	72502908	1	Bar	
19	72501059	1	Pedestal	
	70931649	4	Screw	[A] 3/8"-16X3/4"
	70935966	2	Screw	[A] 3/8"X1-1/4"
20	72506980	1	Insulating Plate	
21	72505105	1	Cover	Up to Serial or Engine Number 05/95
22	72505106	1	Cover	Up to Serial or Engine Number 05/95
	70937268	2	Screw	[A] 1/4"-20 Up to Serial or Engine Number 05/95
23	72509308	1	Decal	[A] CREEPER
24	72509321	1	Cover	From Serial or Engine Number SN0068
25	70923398	4	Rivet	Up to Serial or Engine Number Diameter .156"
	<b>70924837</b>	2	Rivet	From Serial or Engine Number Diameter .188"

FOOTNOTE [A] NOT ILLUSTRATED

5-AU44-001-A





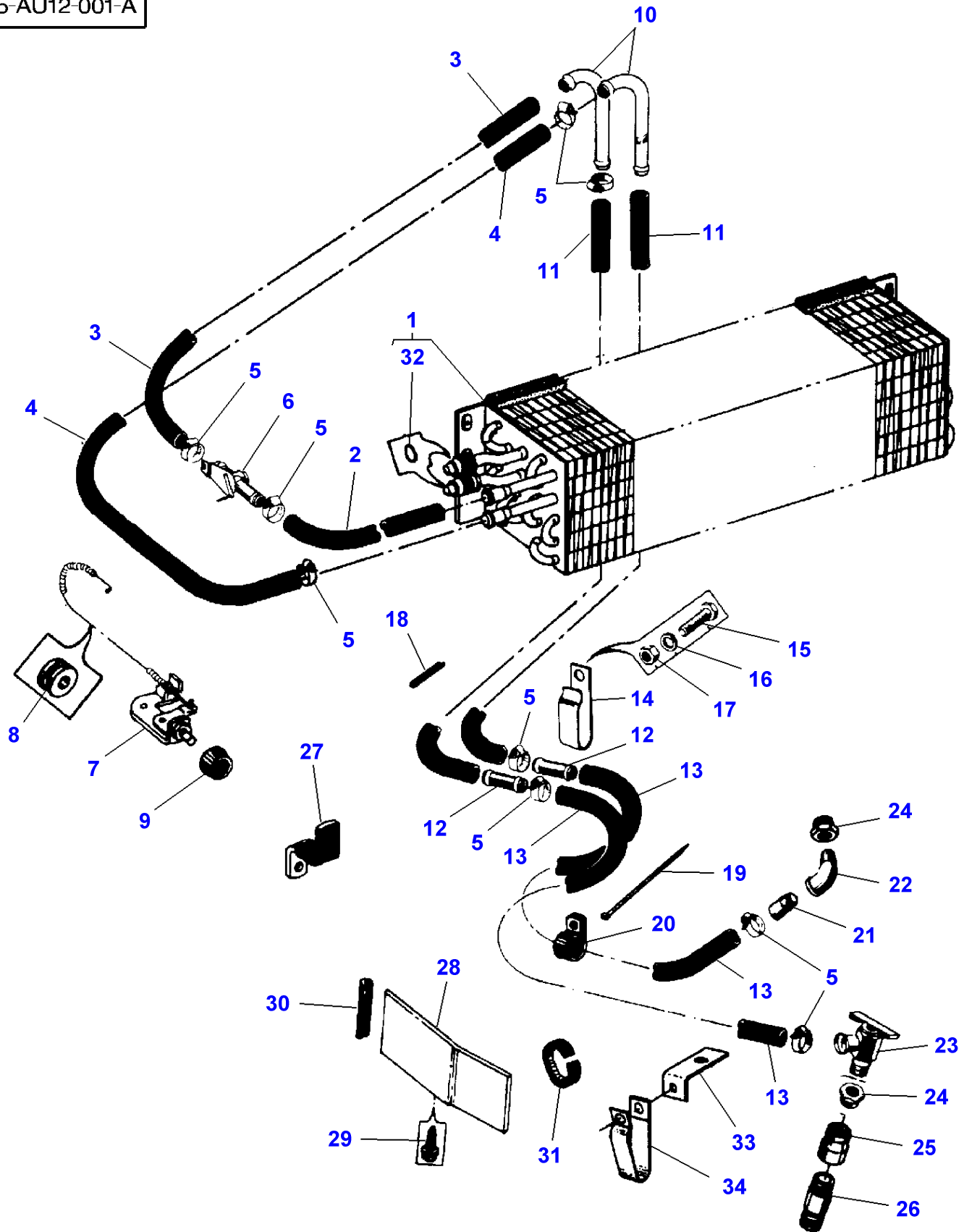
Air Conditioner

Item	Part Number	Qty	Description	Comments
1	72162703	1	Case	
	BPN31029	7	Washer	[A] 3/8"
	353434X1	7	Lock Washer	[A] 3/8" LOCK
	70923518	7	Nut	[A] 3/8"-16
2	72509220	1	Cover	
3	70933386	12	Screw	N10-24X5/8"
	70910533	11	Washer	[A] N10 LOCK
4	72507255	1	Plate	
	70927428	4	Screw	[A]
	70921880	4	Washer	[A]
5	70934040	2	Nut	3/8"-16
	353689X1	2	Screw Unc	[A] 3/8"-16X3/4"
	BPN31029	2	Washer	[A] 3/8"
7	72504492	1	Gasket	
8	72162701	1	Shutter	Up to Serial or Engine Number 29/01/1996
	72514091	1	Panel	From Serial or Engine Number 30/01/1996
9	72162697	1	Grommet	
10	72162702	1	Pan	
11	72160626	1	Hose	1/2"IDX105-1/2
	70926049	2	Clamp	[A]
12	72160587	1	Restrictor	
13	70929351	1	Grommet	11/16"ID
14	72162700	1	Lever	
15	72162648	1	Nut	1/4"-28
16	72162668	1	Knob	
17	72162647	5	Washer	
18	72162696	1	Spacer	
19	72162650	1	Nut	
20	72162667	1	Decal	
21	72503337	1	Duct	
22	72161076	1	Screw	1/4"-20X3/4"
	72161076	2	Screw	1/4"-20X3/4"
	70934728	2	Screw	Up to Serial or Engine Number 02/96 .25-20X.75 From Serial or Engine Number 02/96
	72161072	2	Fastener	[A] 1/4"-20
23	72161077	3	Washer	7/32"ID
	72162016	2	Washer	From Serial or Engine Number 02/96
24	72161024	1	Louvre	
25	72505101	1	Panel	
26	72161169	4	Screw	N10-24X1-3/4"
27	70925316	4	Fastener	N10-24
28	72512525	1	Bracket	
	70925003	2	Screw	[A] 1/4"-20X1/2"
	70917377	2	Washer	[A] 1/4"USS
29	72503339	1	Filter	
30	72161971	3	Latch	(29)
31	72160706	2	Louvre	
32	72161266	1	Cover	From Serial or Engine Number 02-JAN-96

FOOTNOTE [A] NOT ILLUSTRATED

MF 9240 TRACTOR - 1637287  
5-AU12-001-A

5-AU12-001-A



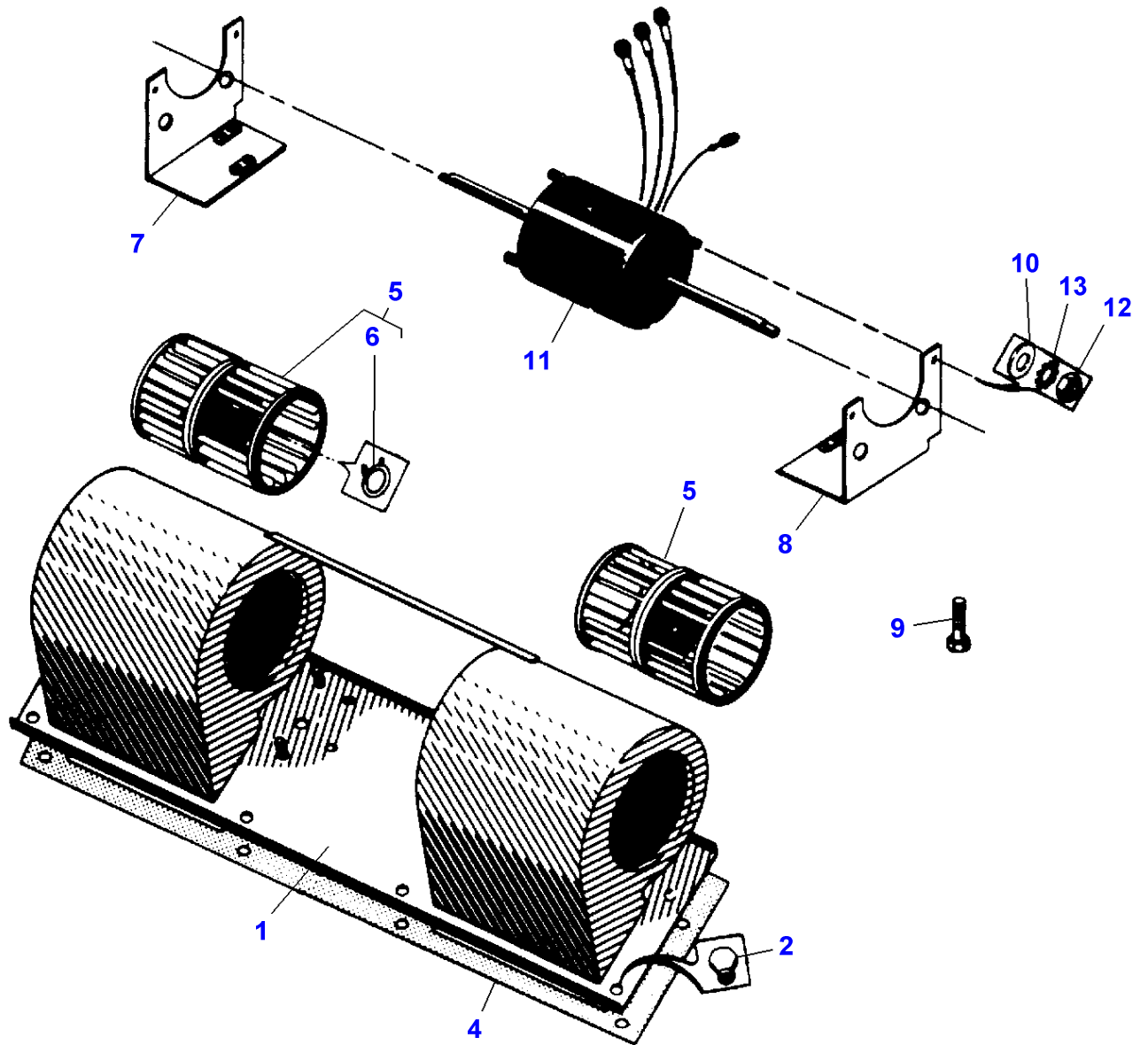
**Massey Ferguson**  
**MF 9240 TRACTOR - 1637287**

**Tractor Cab - Heater**

Item	Part Number	Qty	Description	Comments
1	72162194	1	Coil	
	70921959	4	Screw	[A] 1/4"-20X5/8"
	70921880	4	Washer	[A] 1/4" LOCK
2	72503131	1	Hose	5/8"IDX12-1/2"
3	72503134	1	Hose	5/8"IDX15-1/2"
4	72503135	1	Hose	5/8"IDX29"
	30-3285278	1	Hose	5/8"IDX72-1/2"
5	3000483X1	14	Clamp	3/4" Replace and repair. Old not interchangeable with new 364124X1
6	30-3284204	1	Valve	
7	30-3395251	1	Control	Length 24-1/4"
8	72161175	1	Grommet	1/4"IDX5/8"OD
9	72504816	1	Knob	
10	30-3177777	2	Tube	90'
11	30-3177203	2	Hose	5/8"IDX72"
12	30-3094391	2	Connector	
13	30-3535673	2	Hose	5/8"IDX150"
14	72160327	1	Support	
15	70921210	1	Screw	3/8"-16X1"
16	353434X1	1	Lock Washer	3/8" LOCK
17	70923518	1	Nut	3/8"-16
18	72160597	4	Moulding	Length 2"
19	72161736	9	Strap	Length 6-3/4"
	3619622M1	4	Cable Tie	Length 14-1/2" Replace and repair. Old not interchangeable with new 70925442
20	70929872	1	Clip	7/8"ODX13/32"
21	70917026	1	Connector	3/8"NPTX1-1/2"
22	70925864	1	Elbow	3/8"NPT,90'
23	30-3076830	1	Valve	
24	70936774	2	Fitting	1/2" TO 3/8"
25	70901828	1	Reducer	3/4" TO 1/2"
26	70901513	1	Nipple	3/4"X3
27	72103163	1	Support	Replace and repair. Old not interchangeable with new 72160840
	353689X1	1	Screw Unc	[A] 3/8"-16X3/4"
	353434X1	1	Lock Washer	[A] 3/8" LOCK
	70923519	1	Nut	[A] 3/8"-16
28	72160813	1	Shield	Right Hand
29	72161245	2	Screw	1/4"-20X1/2"
30	72160858	1	Moulding	Length 3-1/4"
31	72160815	1	Moulding	Length 11"
32	<b>70923845</b>	2	O Ring	(1) 1/16"X7/16"ID
33	72161255	1	Bracket	
	<b>70923114</b>	1	Capscrew	[A] 1/2"-13X1"
	353439X1	1	Lock Washer	[A] 1/2" LOCK
	375098X1	1	Nut Unc	[A] 1/2"-13
34	70937137	1	Clamp	15/16"X17/32"
	70925205	1	Capscrew	[A] 5/16"-18X5/8"
	70918199	1	Washer	[A] 5/16" LOCK
	<b>70917372</b>	1	Nut	[A] 5/16"-18

**FOOTNOTE [A] NOT ILLUSTRATED**

5-AU63-001-A

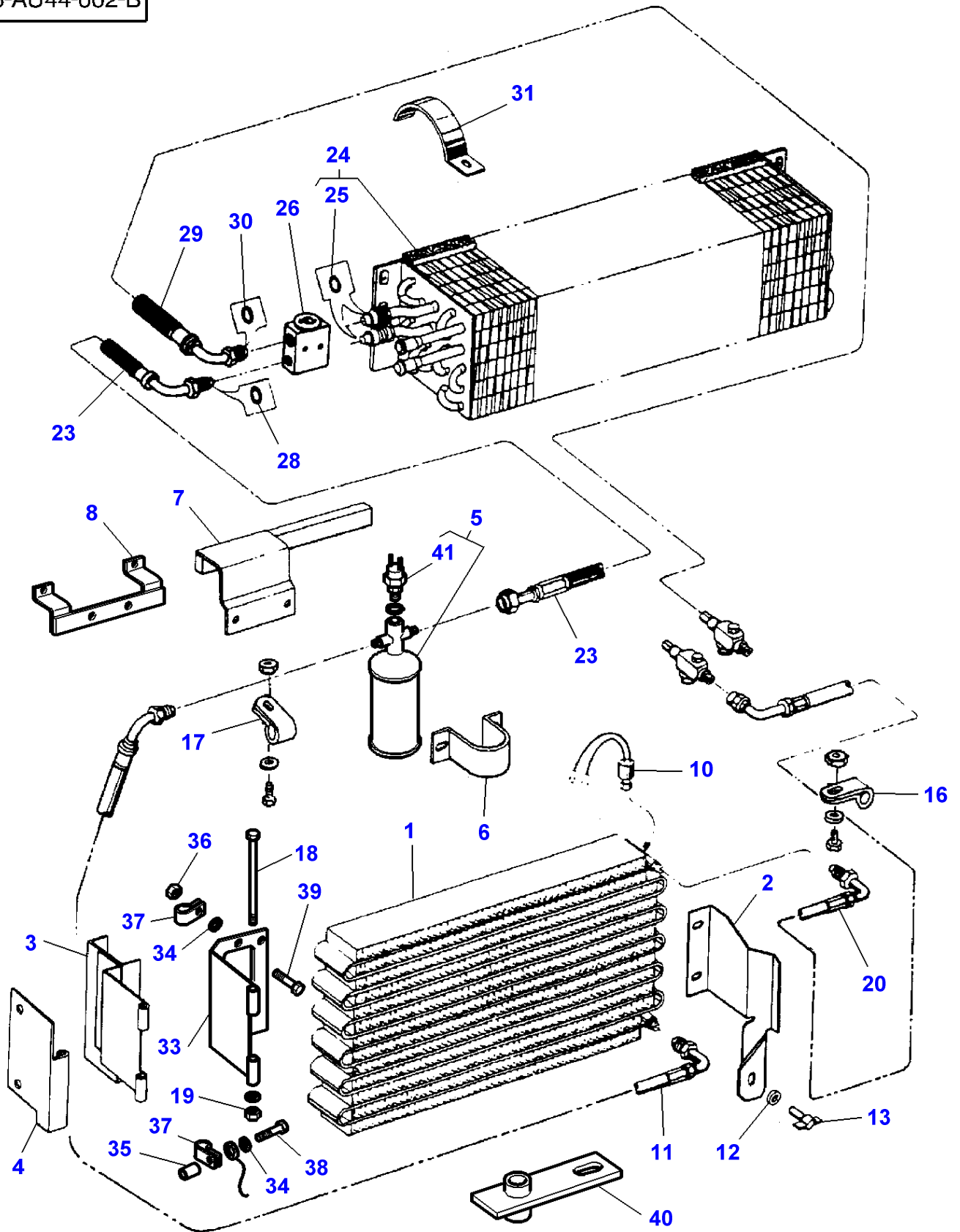


**Massey Ferguson****MF 9240 TRACTOR - 1637287****1637287****Page 110-0080****Tractor Cab - Blower Unit**

<b>Item</b>	<b>Part Number</b>	<b>Qty</b>	<b>Description</b>	<b>Comments</b>
1	72162090	1	Housing	
2	70921959	8	Screw	1/4"-20X5/8"
4	72162103	1	Pad	
5	72162117	2	Wheel	
6	72162530	4	Clamp	(5)
7	72162094	1	Bracket	Right Hand
8	72162093	1	Bracket	Left Hand
9	70921959	8	Screw	1/4"-20X5/8"
10	70923212	4	Washer	
11	72162089	1	Motor	3 SPEED
12	70917415	4	Nut	N10-32
13	70922711	4	Washer	N10 LOCK

MF 9240 TRACTOR - 1637287  
5-AU44-002-B

5-AU44-002-B



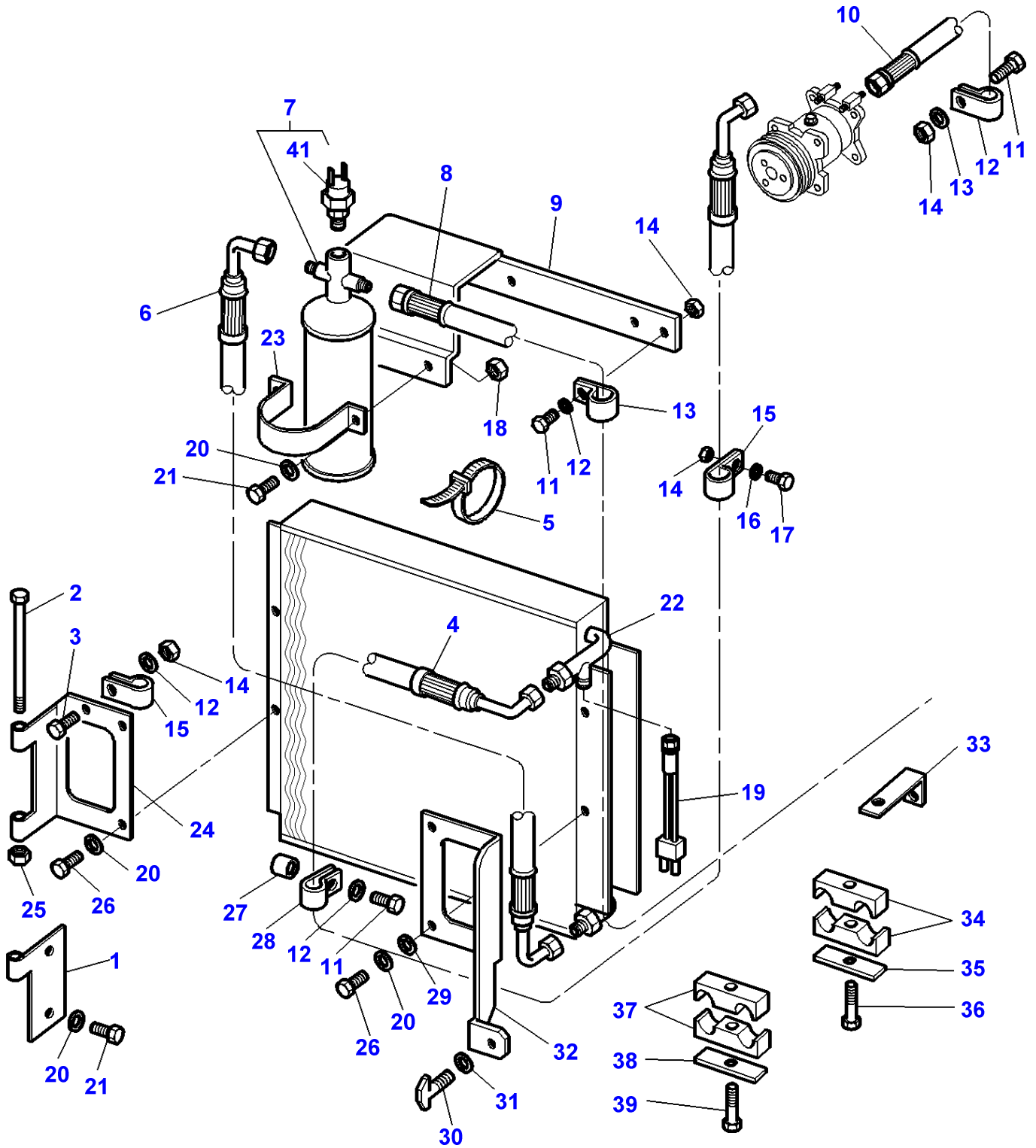
Air Conditioner

Item	Part Number	Qty	Description	Comments
1	72504990	1	Condenser	
2	72509220	1	Cover	
3	72505364	1	Bracket	Up to Serial or Engine Number 10/95
4	72505888	1	Support	
5	72502208	1	Filter	
6	72160509	1	Clamp	
	70921333	4	Screw	[A] 5/16"-18X1"
	70918265	4	Washer	[A] 5/16"
	70917356	8	Lock Washer	[A] 5/16" LOCK
	<b>70917372</b>	4	Nut	[A] 5/16"-18
7	72502371	1	Bracket Assy.	Up to Serial or Engine Number 27/04/95
8	72511863	1	Support	From Serial or Engine Number 28/04/95
9	72161189	1	Retainer	[A]
10	72506492	1	Switch	
11	72506860	1	Hose Assy	
12	353675X1	4	Screw Unc	5/16"-18X1/2"
13	30-3432009	1	Stud	
16	70925621	1	Clamp	
	70950036	1	Capscrew	M10
	70950220	1	Lock Washer	
17	70926049	2	Clamp	3/4"O.D.TX3/4"
18	357035X1	1	Bolt Unc	3/8"-16X6"
19	<b>Y704635</b>	1	Nut	
20	72506857	1	Hose Assy	
23	72506852	1	Hose Assy	
24	72162194	1	Coil	
25	<b>70923845</b>	2	O Ring	(24) 1/16"X7/16" ID
26	72506807	1	Valve	
28	<b>70923559</b>	1	O Ring	1/16"X5/16"ID
29	72506855	1	Hose Assy	
30	70924003	1	O Ring	1/16"X9/16"ID
31	72160702	1	Bracket	
	70920784	1	Screw	[A] N8-18X1/2"
32	<b>70925094</b>	X	Clamp	[A]
33	72513381	1	Bracket	From Serial or Engine Number 10/95 Replace and repair. Old not interchangeable with new 72508699
34	353434X1	4	Lock Washer	From Serial or Engine Number 10/95
35	72160031	1	Spacer	From Serial or Engine Number 10/95
36	355566X1	3	Nut Unc	From Serial or Engine Number 10/95
37	70929748	1	Clamp	From Serial or Engine Number 10/95
38	70921969	1	Screw	From Serial or Engine Number 10/95
39	353689X1	3	Screw Unc	From Serial or Engine Number 10/95
40	72513784	1	Bracket	[B] From Serial or Engine Number 04/96
41	<b>72514245</b>	1	Switch	(5)

FOOTNOTE [A] NOT ILLUSTRATED  
FOOTNOTE [B] EUROPE EXCEPTED

MF 9240 TRACTOR - 1637287  
5-AU44-003-B

5-AU44-003-B

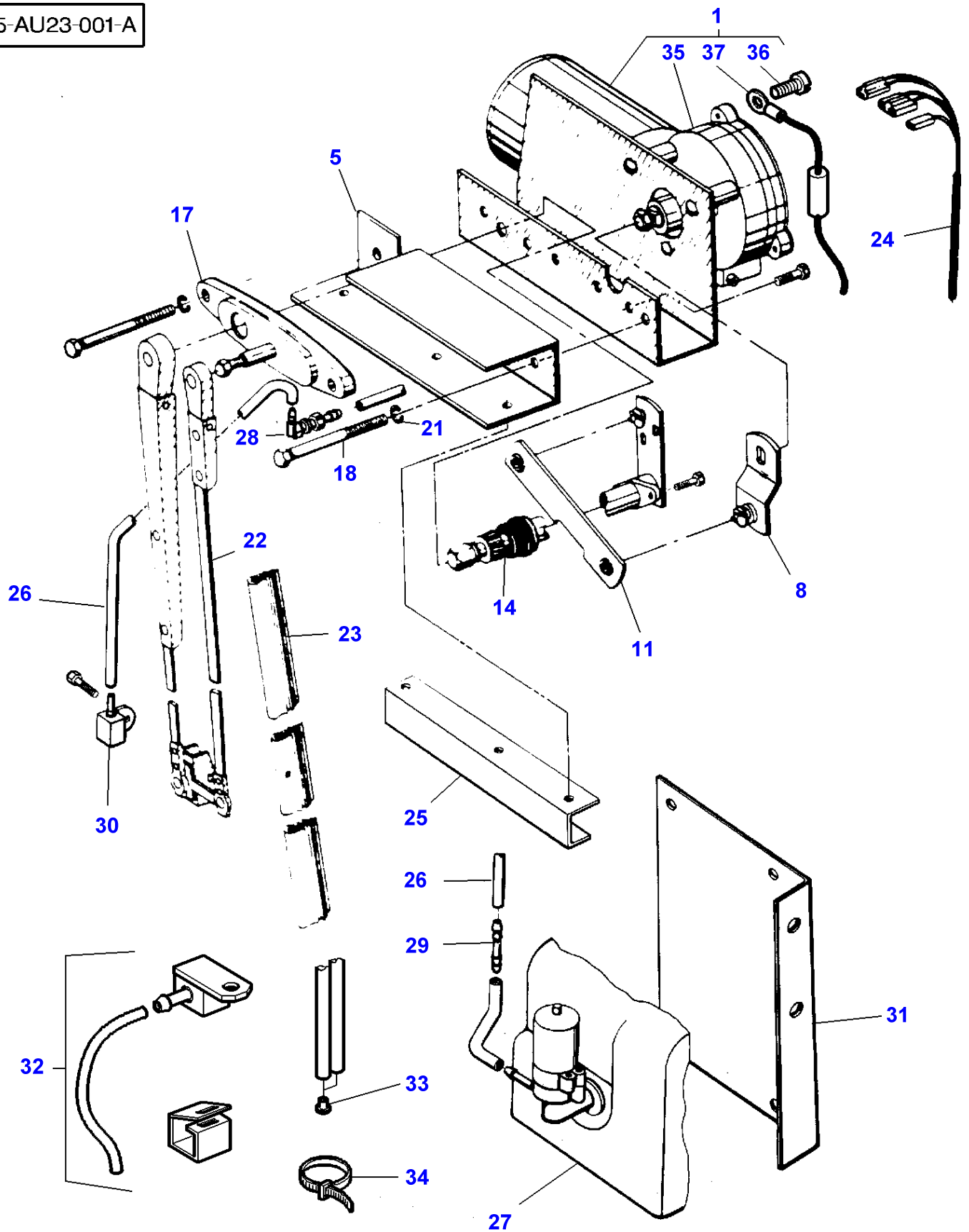




Item	Part Number	Qty	Description	Comments
1	72505888	1	Support	
2	357035X1	1	Bolt Unc	3/8"-16X6"
3	353689X1	2	Screw Unc	3/8"-16X3/4"
4	72509061	1	Hose	
5	<b>70925094</b>	2	Clamp	0.184"X7.31"
6	72509060	1	Hose	
7	72502208	1	Filter	
8	72506852	1	Hose Assy	
9	72502371	1	Bracket Assy.	
10	72506855	1	Hose Assy	
11	70921969	2	Screw	3/8"-16X1"1/2
12	353434X1	4	Lock Washer	3/8"
13	70936466	1	Clamp	1"1/8 TUBE
14	355566X1	3	Nut Unc	3/8"-16
15	70925621	2	Clamp	1" TUBE
16	70950220	1	Lock Washer	10MM
17	70950036	1	Capscrew	M10-1"1/2X25MM
18	<b>70917372</b>	2	Nut	5/16"-18
19	72509305	1	Switch	
20	70917356	8	Lock Washer	5/16"
21	70921333	4	Screw	5/16"-18X1"
22	72504990	1	Condenser	
23	72160509	1	Clamp	
24	72513381	1	Bracket	
25	<b>Y704635</b>	1	Nut	3/8"-16
26	353675X1	4	Screw Unc	5/16"-18X1/2"
27	72160031	1	Spacer	0.493"X0.62"
28	70929748	1	Clamp	1"1/4 TUBE
29	70918265	2	Washer	5/16"
30	30-3432009	1	Stud	
31	72161189	1	Retainer	
32	72509220	1	Cover	
33	72513892	1	Bracket	
34	72513789	1	Clamp	1"X3/4"
35	72513608	1	Plate	
36	70921221	1	Capscrew	5/16"-16X1"1/2
37	72513790	1	Clamp	1"1/8X1"1/8
38	72512319	1	Clamp	
39	70935494	1	Screw	5/16"-16X1"3/4
40	70926049	1	Clamp	3/4"X0.4"
41	<b>72514245</b>	1	Switch	(7)

MF 9240 TRACTOR - 1637287  
5-AU23-001-A

5-AU23-001-A

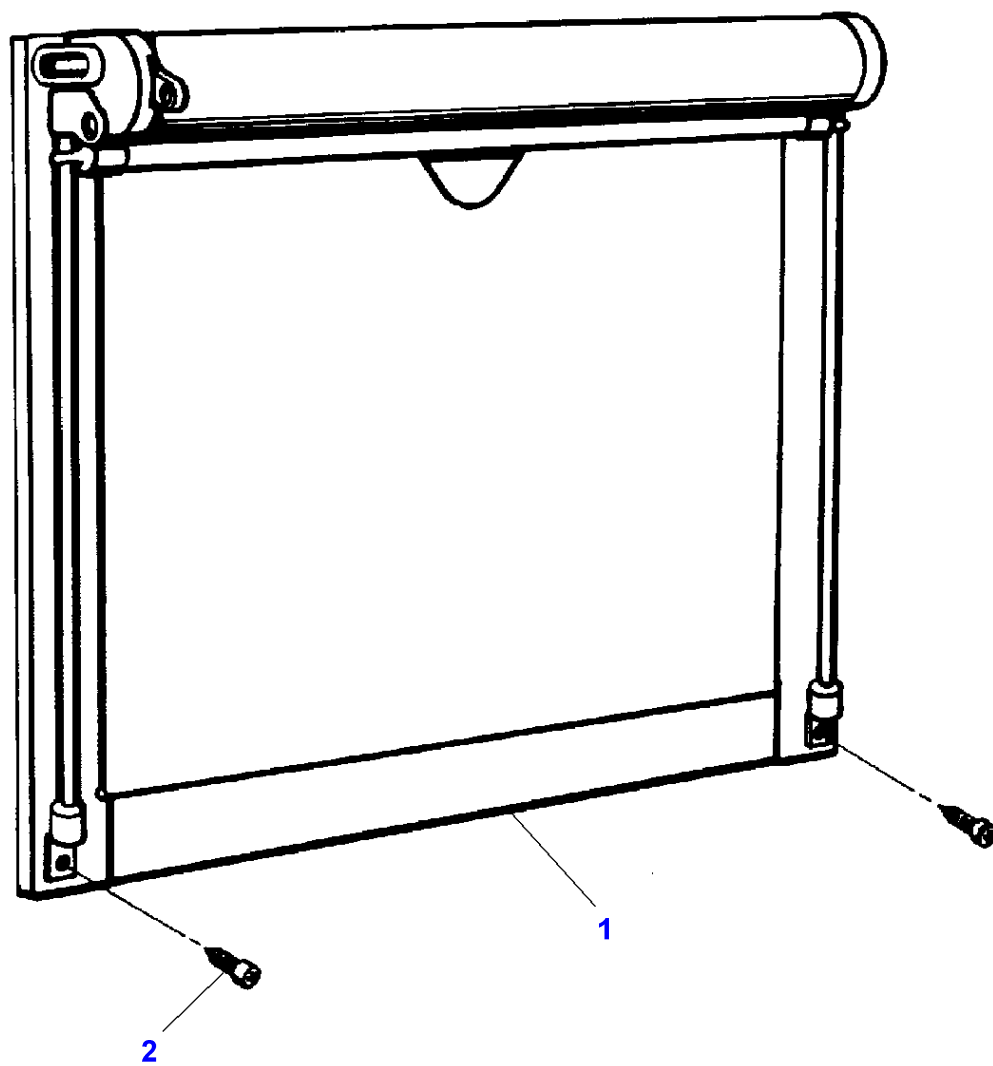


## Tractor Cab - Windscreen Wiper

Item	Part Number	Qty	Description	Comments
1	72513423	1	Wiper Motor	12V
2	30-3498042	1	Bracket	[A]
3	70916399	3	Capscrew	[A] 1/4"-28X5/8"
4	70921880	3	Washer	[A] 1/4" LOCK
5	72504488	1	Channel	
6	70928575	2	Capscrew	[A] 1/4"-28X3/8"
7	70921880	2	Washer	[A] 1/4" LOCK
8	72163240	1	Arm	
9	72163248	2	Screw	[A] N6X1/4"
10	72163247	2	Washer	[A] N6
11	72161960	1	Link	
12	72161976	2	Washer	[A] .22"IDX.56"OD
13	72161977	2	Spring Clip	[A] (11)
14	72163241	1	Shaft	
15	70918149	2	Screw	[A] N10-32X3/4"
16	70922711	2	Washer	[A] N10
17	71361819	1	Kit, Adaptor	
18	70916403	2	Capscrew	1/4"-28X2-1/2"
19	70929926	2	Capscrew	[A] 1/4"-28X2-3/4"
20	353754X1	4	Washer	[A] 1/4"
21	70916964	4	Lock Washer	1/4"LOCK
22	72163243	1	Arm	
23	72163244	1	Blade	
24	72503311	1	Harness	
25	72504476	1	Bracket	
26	72504821	1	Hose	3/16"X13"
27	72504820	1	Reservoir	
28	72504822	2	Fitting	
29	72505122	1	Union	
30	72505103	1	Nozzle	
31	72508358	1	Support	Up to Serial or Engine Number SN0067
32	72504815	1	Kit, Wiper	
33	72513691	2	Plug	
34	<b>70925094</b>	1	Clamp	
35	71361815	1	Motor	(1)
36	70937583	1	Capscrew	(1) .6-32X .25
37	72513422	1	Harness	(1)

FOOTNOTE [A] NOT ILLUSTRATED

5-AU28-001-A



**Massey Ferguson**

**MF 9240 TRACTOR - 1637287**

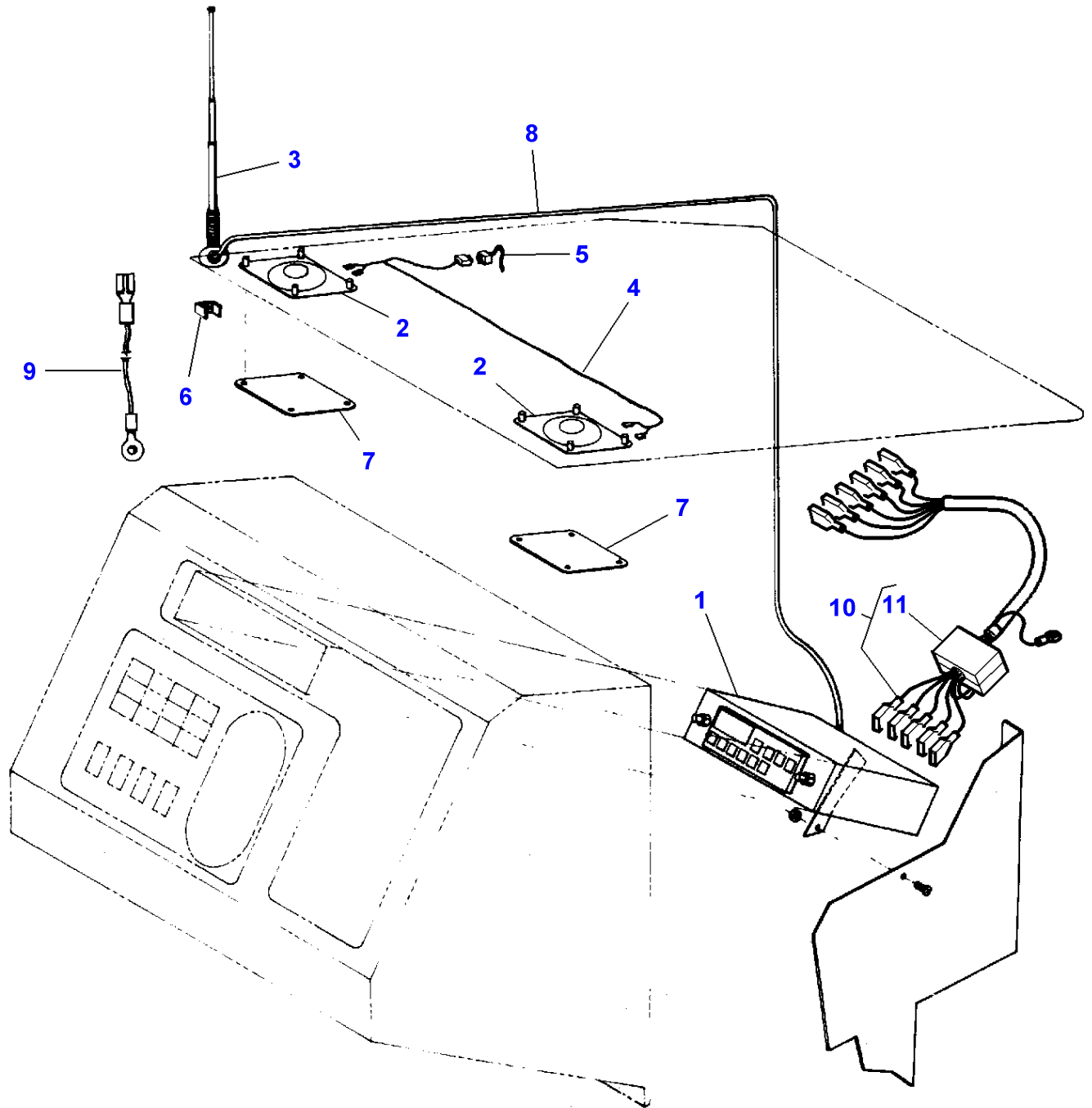
**1637287**

**Tractor Cab - Sun shield**

**Page 110-0100**

<b>Item</b>	<b>Part Number</b>	<b>Qty</b>	<b>Description</b>	<b>Comments</b>
1	72505119	1	Blind	
2	70925801	1	Screw	N8-32X5/16"

5-AU26-001-A



**Tractor Cab - Radio Installation**

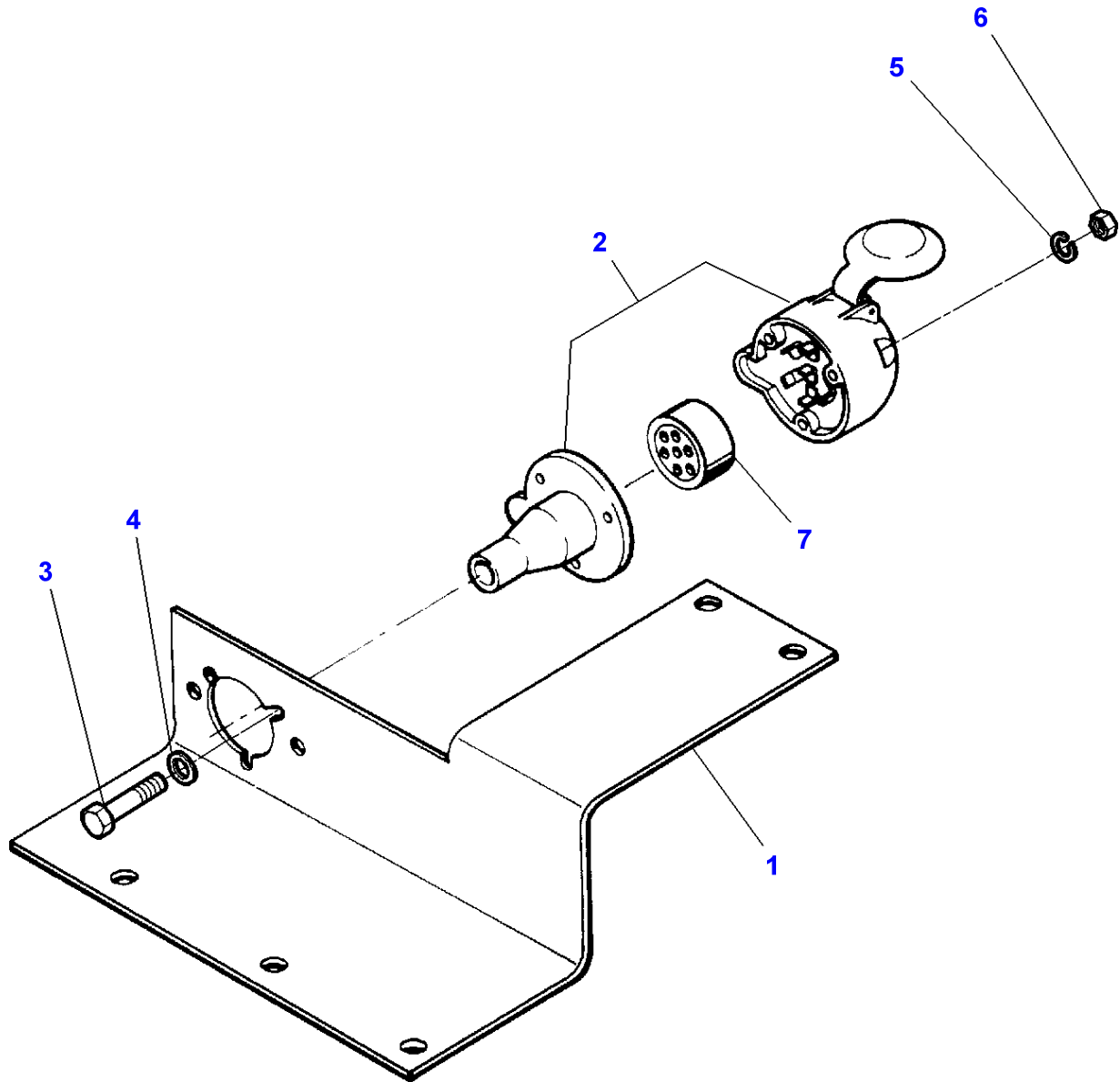
<b>Item</b>	<b>Part Number</b>	<b>Qty</b>	<b>Description</b>	<b>Comments</b>
1		1	Radio	[A]
2	72503319	2	Speaker	
	RE220015	2	Speaker	
3	RE210004	1	Antenna	
4	72502315	1	Harness	
5	72507716	1	Harness	Up to Serial or Engine Number SN0067
	72511512	1	Harness	From Serial or Engine Number SN0068
6	RE560213	1	Support	
7	30-3502910	2	Plate	
8	RE530004	1	Wire	
9	72503816	1	Wire	
10	72513402	1	Inductor	[B,C]
11	72513403	1	Harness	[B,C] (10)

**FOOTNOTE [A]** NUMBER TO BE ADVISED

**FOOTNOTE [B]** WITH ELECTRONIC LIFT

**FOOTNOTE [C]** EUROPE ONLY

5-AW17-001-A



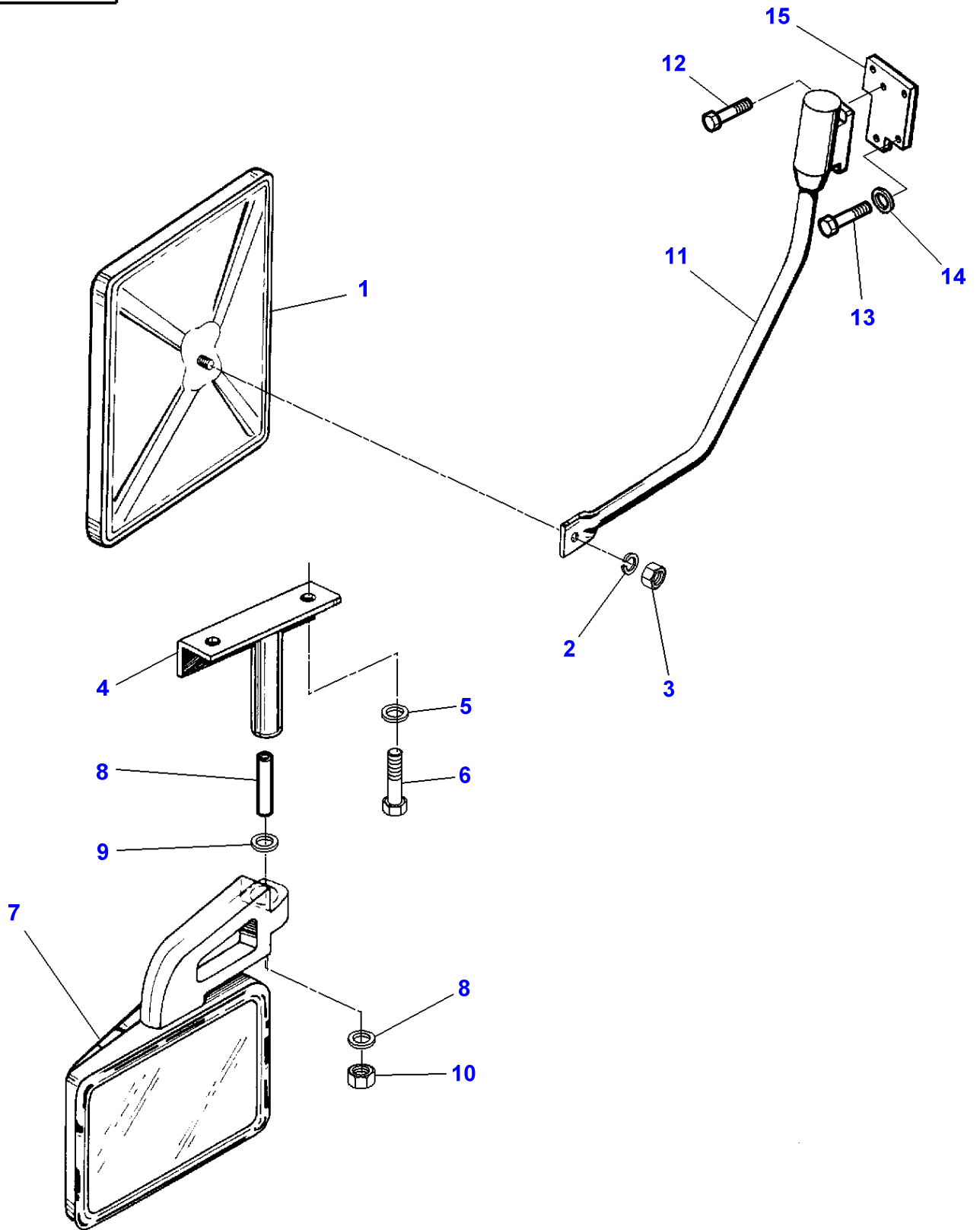


**Massey Ferguson****MF 9240 TRACTOR - 1637287****1637287****Lighting Equipment Rear - Trailer Receptacle****Page 110-0110**

<b>Item</b>	<b>Part Number</b>	<b>Qty</b>	<b>Description</b>	<b>Comments</b>
1	72503745	1	Bracket	Up to Serial or Engine Number SN0067
2	3304479M91	1	Socket 7 Pin Sf	
3	70933626	3	Screw	N10-32X1-3/4"
4	70923212	3	Washer	N10
5	70917365	3	Lock Washer	N10
6	70917415	3	Nut	N10-32
7	72505206	1	Connector	
8	72525721	1	Cap	[A]

FOOTNOTE [A] NOT ILLUSTRATED

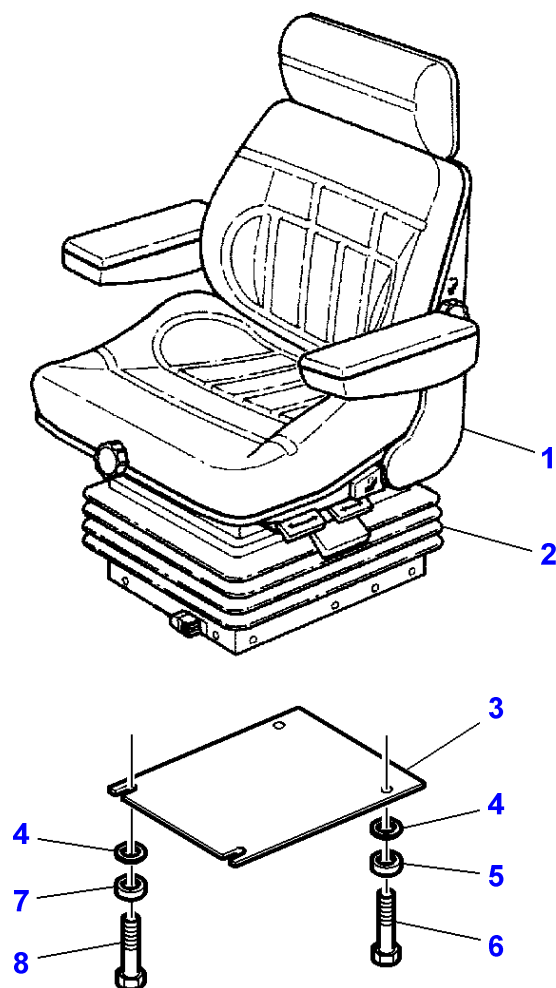
5-AU29-001-A



**Massey Ferguson****MF 9240 TRACTOR - 1637287****1637287****Tractor Cab - External Mirrors****Page 110-0115**

<b>Item</b>	<b>Part Number</b>	<b>Qty</b>	<b>Description</b>	<b>Comments</b>
1	72505142	2	Mirror	
2	353434X1	2	Lock Washer	3/8" LOCK
3	355566X1	2	Nut Unc	3/8"
4	72163234	1	Bracket	
5	70916964	2	Lock Washer	1/4" LOCK
6	70923341	2	Screw	1/4"-20X3/4"
7	72163235	1	Mirror	
8	70920090	1	Setscrew	1/4"-20X2"
9	70917377	2	Washer	1/4"
10	70923358	1	Nut	1/4"-20
11	72507380	1	Arm	Right Hand
	72507381	1	Arm	Left Hand
12	70919106	4	Screw	
13	70923897	6	Capscrew	
14	70919310	6	Washer	
15	72506598	2	Plate	

5-AV07-001-A



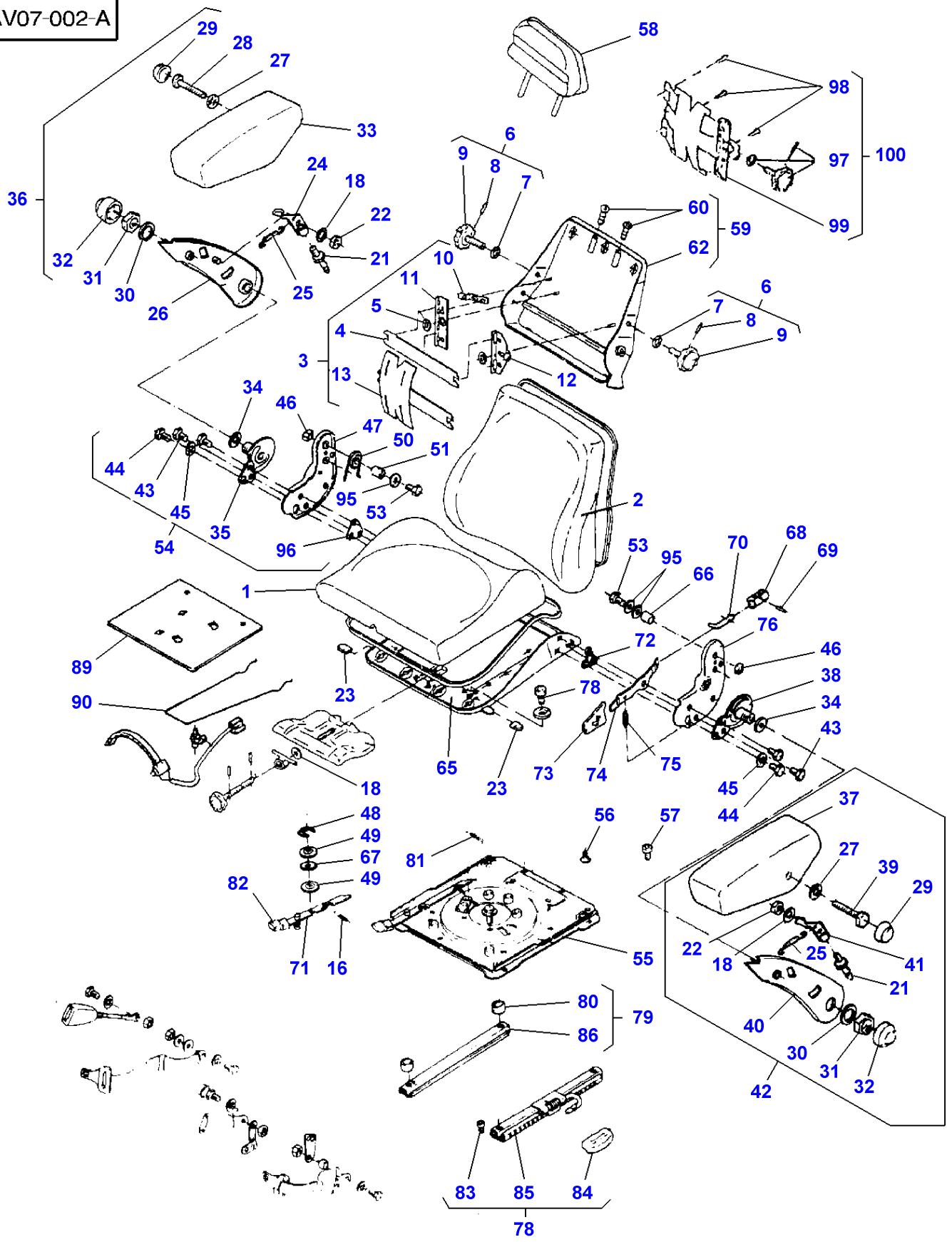
Item	Part Number	Qty	Description	Comments
1	72502480	1	Kit, Seat	
2	72502481	1	Suspension	Up to Serial or Engine Number NO 0155 See Page - Reference Number 110-0130
	72511955	1	Suspension	From Serial or Engine Number NO 0156 Up to Serial or Engine Number NO 0220 See Page - Reference Number 110-0135
	72514237	1	Suspension	[B] From Serial or Engine Number NO 0221
	70924874	4	Washer	[A]
	70950020	4	Washer	[A] M8
	70931350	4	Bolt	[A] 3/8"X1
	<b>70931942</b>	4	Nut	[A]
	<b>70931211</b>	4	Nut	[A] 3/8"
3	72509812	1	Spacer	
4	72509816	4	Washer	
5	72509814	2	Spacer	
6	70922869	2	Bolt	3/8"X1-3/4"
7	70920138	2	Washer	
8	70923220	2	Bolt	3/8"X1-3/4"

FOOTNOTE [A] NOT ILLUSTRATED

FOOTNOTE [B] DETAIL TO BE ADVISED

MF 9240 TRACTOR - 1637287  
5-AV07-002-A

5-AV07-002-A



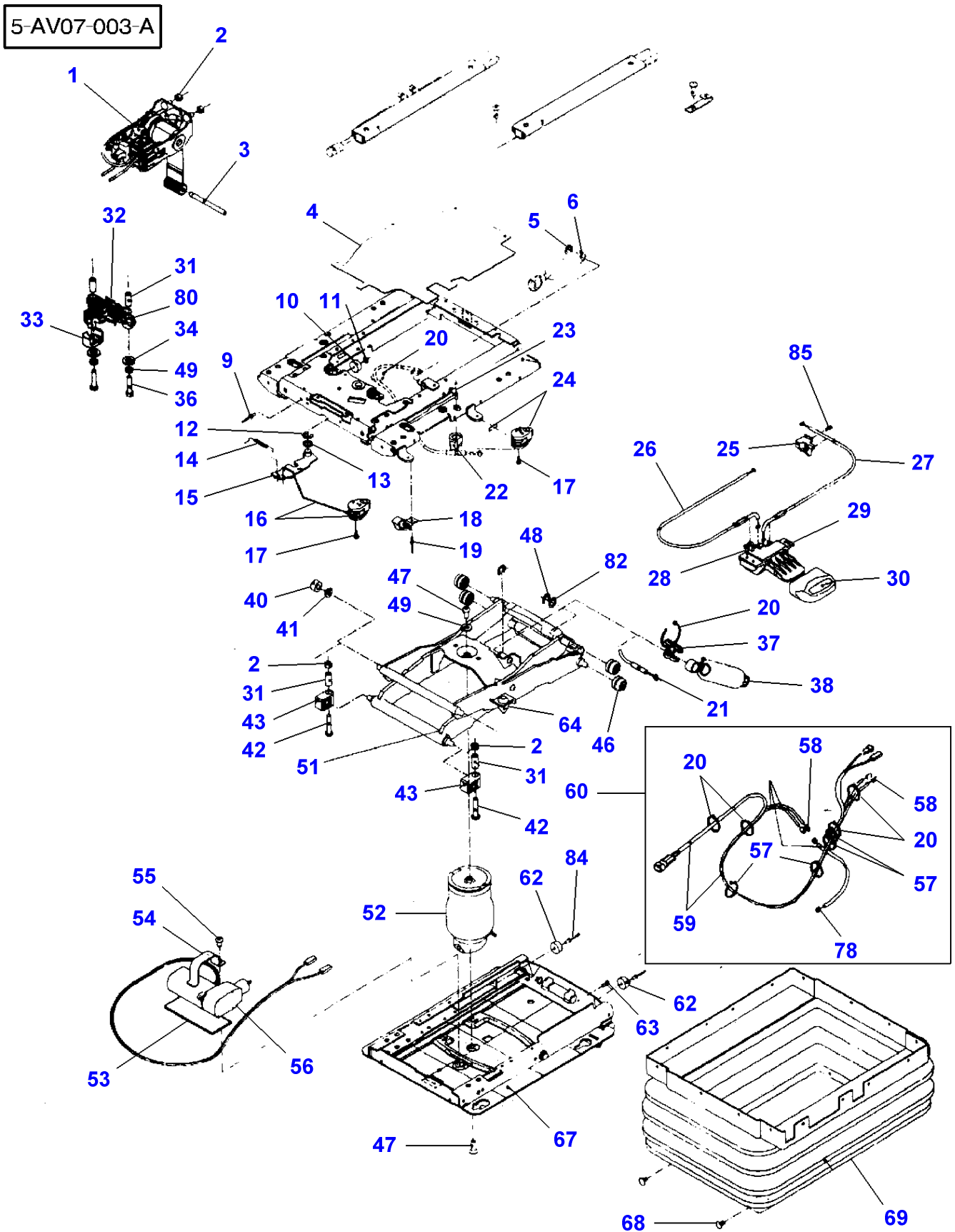
Item	Part Number	Qty	Description	Comments
1	71365202	1	Cushion	
2	71365203	1	Cushion	
3	72504727	1	Support	Up to Serial or Engine Number 5 MARS 1996
4	3101502M1	2	Plate	(3)
5	3104669M1	2	Ring	(3)
6	72504726	2	Spindle	Up to Serial or Engine Number 5 MARS 1996
7	3104674M1	2	Disc	(6)
8	1441723X1	2	Spirol Pin	(6)
9	71365204	2	Spindle	(6)
10	3104671M1	1	Bearing	(3)
11	3104670M1	1	Angle	(3)
12	3105826	1	Angle	(3)
13	3103615M1	1	Plate	(3)
16	72504728	1	Spring	
18	72504729	2	Washer	
21	71365206	2	Spindle	
22	72504730	2	Nut	
23	71365207	1	Cap	
24	3106354M1	1	Lever	
25	3106353M1	2	Spring	
26	3106352M1	1	Holder	
27	3101507M1	2	Strap	
28	391561X1	1	Hex. Sock. Screw	
29	1719939M1	2	Cap	Up to Serial or Engine Number 5 MARS 1996
30	1443512X1	2	Washer	
31	3101518M1	2	Nut	
32	3101493M1	2	Cap	
33	3106351M1	1	Armrest	
34	3101655M1	2	Washer	
35	72504734	1	Plate	
36	72504735	1	Armrest	
37	71342660	1	Armrest	
38	3106347M1	1	Plate	
39	72504736	1	Screw	Up to Serial or Engine Number 5 MARS 1996
	72514080	1	Screw	From Serial or Engine Number 6 MARS 1996 M10X45MM
40	71365211	1	Support	
41	3106345M1	1	Lever	
42	72504737	1	Armrest	
43	3101504M1	4	Screw	
	72514075	4	Screw	M8X30MM
44	353563X1	2	Bolt Unf	
45	3101522M1	2	Tooth Washer	
46	1441461X1	2	Locknut	
47	3105795M1	1	Support	
48	72504740	1	Washer	
49	390972X1	2	Washer Metric	
50	3105793M1	1	Spring	
51	3105794M1	1	Distance Piece	Up to Serial or Engine Number 5 MARS 1996
	72514077	1	Tube	From Serial or Engine Number 6 MARS 1996
53	339337X1	2	Hex. Sock. Screw	
54	72504742	1	Fitting	
55	72504743	1	Swivel	
56	1719896M1	2	Plug	
57	1441000X1	4	Screw Metric	
58	72504744	1	Extension	
59	72504745	1	Back Rest	
60	3101494M1	2	Bush	
62	71365218	1	Back Rest	
65	71365220	1	Pan	
66	72504746	1	Tube	
67	72504747	1	Washer	
68	3105788M1	1	Excluder	
69	3008285X1	1	Roll Pin	
70	3105801M1	1	Holder	
71	72504749	1	Lever	
72	72504750	1	Plate	
73	71365252	1	Handle	
74	3105800M1	1	Lever	
75	3105797M1	1	Spring	
76	3105802M1	1	Support	

Item	Part Number	Qty	Description	Comments
77	72504751	1	Adjuster	[A]
78	72504755	1	Rail	
79	72504756	1	Rail	
80	391039X1	2	Washer Metric	
81	3105797M1	1	Spring	
82	72504753	1	Handle	
83	391148X1	4	Screw	
84	71365260	1	Handle	
85	72504754	1	Rail	
86	3104908M1	1	Slipper	
87	72502480	1	Kit, Seat	[A]
89	71365262	1	Plate	
90	71365263	1	Hoop	
95	391039X1	4	Washer Metric	
96	72504759	1	Plate	
97	72514079	1	Spindle	(100) From Serial or Engine Number 6 MARS 1996
98	72514076	3	Rivet	(100) From Serial or Engine Number 6 MARS 1996
99	72514083	1	Plate	(100) From Serial or Engine Number 6 MARS 1996
100	72514078	1	Support	From Serial or Engine Number 6 MARS 1996

FOOTNOTE [A] NOT ILLUSTRATED



MF 9240 TRACTOR - 1637287  
5-AV07-003-A

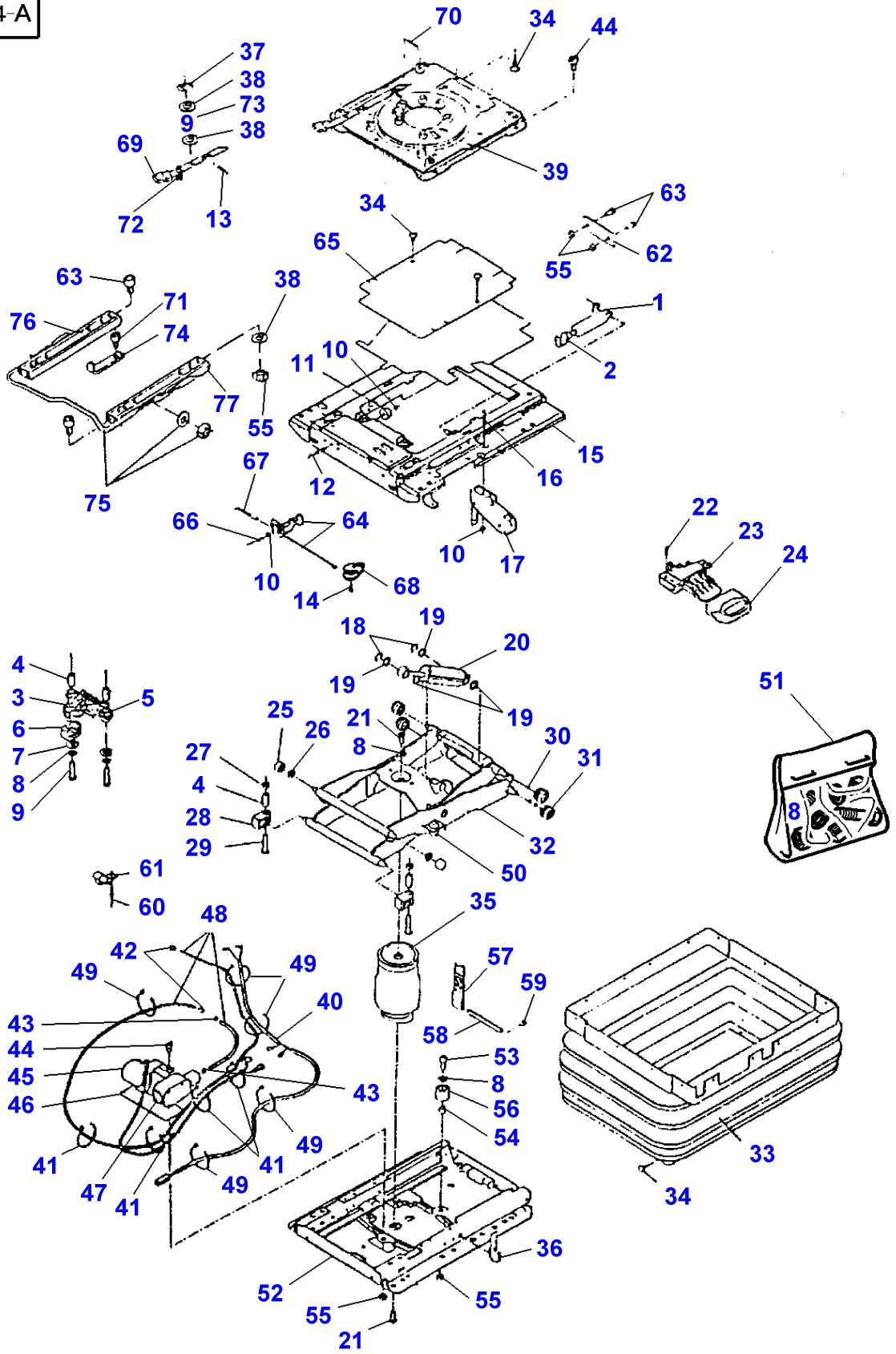


Item	Part Number	Qty	Description	Comments
1	72504779	1	Control	
2	1441461X1	4	Locknut	
3	72504780	1	Bolt	
4	72504781	1	Cover	
5	72504740	1	Washer	
6	72504783	1	Shock Absorber	
8	72504784	1	Suspension	[A]
9	3103603M1	1	Rivet	
10	72504785	1	Bumper	
11	72504786	1	Washer	
13	3189393M1	1	Washer	
14	72504788	1	Spring	
15	72504789	1	Lever	
16	72504790	1	Handle	
17	3004550X1	2	Screw Metric	
18	72504791	2	Stop	
19	72504792	2	Rivet	
20	3105397M1	8	Cable Clamp	
21	72504793	1	Cable	
22	72504794	1	Guide	
23	3103288M1	1	Rivet	
24	72504795	1	Handle	
25	72504796	1	Housing	
26	72504797	1	Cable	
27	72504798	1	Cable	
28	72504799	3	Screw	
29	72504800	1	Handle	
30	72504801	1	Cap	
31	3105404M1	4	Tube	
32	72504803	1	Isolator	
33	72504804	1	Bumper	
34	3102265M1	2	Washer	
36	339009X1	2	Hex. Sock. Screw	
37	72504805	1	Bearing	
38	72504806	1	Shock Absorber	
40	3105382M1	2	Bearing Needle	
41	72504807	2	Ring	
42	72504818	2	Screw	
43	72504809	2	Bearing	
46	72504810	1	Roller	
47	72504811	2	Screw	
48	72504812	2	Washer	
49	390972X1	3	Washer Metric	
51	72504760	1	Arm	
52	72504761	1	Suspension	
53	72504762	1	Plate	
54	72504763	1	Bracket	
55	3001414X1	1	Screw Metric	
56	72504764	1	Compressor	
57	72504765	4	Fastener	
58	72504766	2	Nipple	
59	72504767	1	Cable	
60	72504768	1	Kit, Hose	
62	72504769	2	Bumper	
63	72504770	1	Screw	
64	1719867M1	2	Protector	
67	72504771	1	Suspension	[A]
68	1719896M1	20	Plug	
69	72504772	1	Bellows	
77	72511955	1	Suspension	[A]
78	3105395M1	1	Hose Clip	
79	72504774	1	Plate	[A]
80	72504775	2	Bush	
82	3101663M1	1	Washer	
84	72504777	2	Rivet	
85	72504778	1	Screw	

FOOTNOTE [A] NOT ILLUSTRATED

MF 9240 TRACTOR - 1637287  
5-AV07-004-A

5-AV07-004-A



**Massey Ferguson****MF 9240 TRACTOR - 1637287**

1637287

**Main Seat - Turning Air Pressure.Suspension Up To NO 0220**

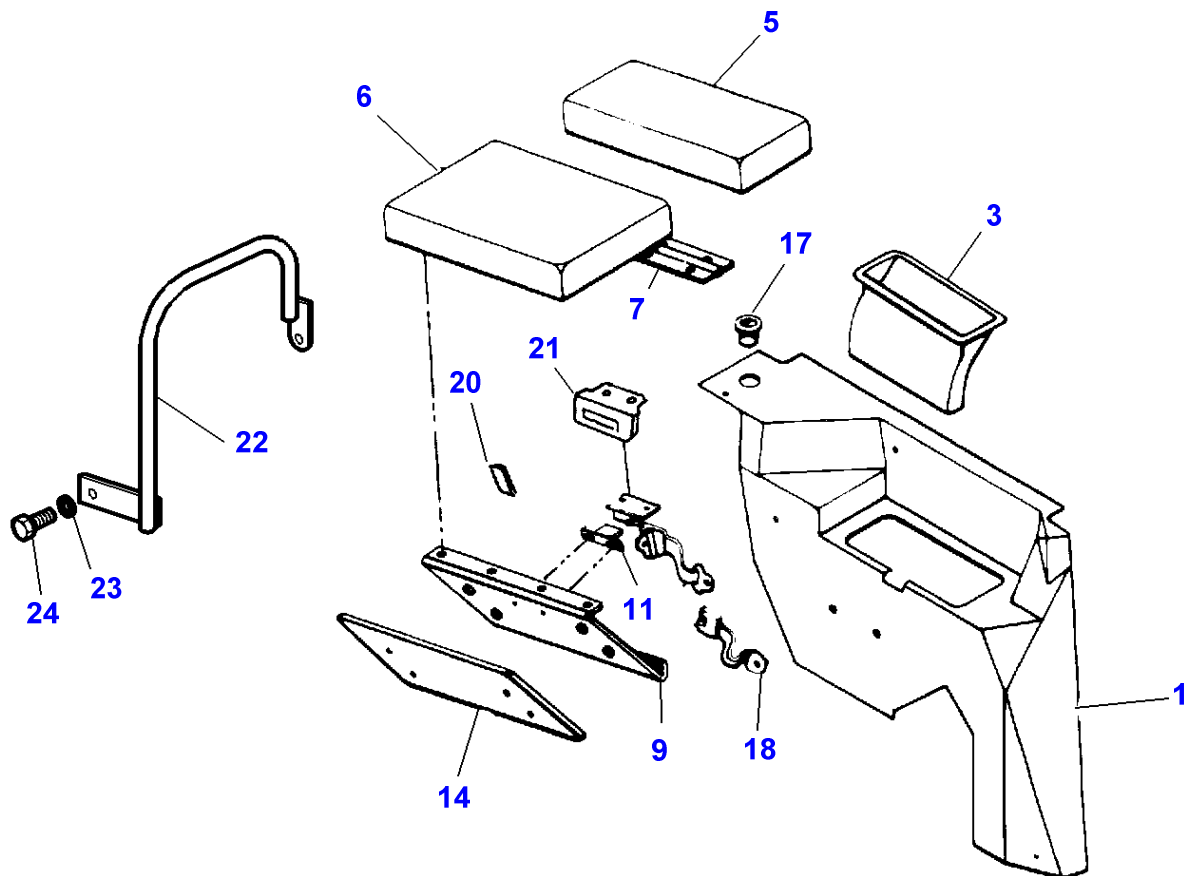
Page 110-0135

Item	Part Number	Qty	Description
1	72504740	1	Washer
2	72504783	1	Shock Absorber
3	72504803	1	Isolator
4	3105404M1	4	Tube
5	72504775	2	Bush
6	72504804	1	Bumper
7	3102265M1	2	Washer
8	390972X1	4	Washer Metric
9	339009X1	2	Hex. Sock. Screw
10	72504786	3	Washer
11	72504785	1	Bumper
12	3103603M1	1	Rivet
13	72514085	1	Spring
14	72514066	1	Screw
15	72514058	1	Suspension
16	3103289M1	1	Rivet
17	72514059	1	Control
18	72504812	2	Washer
19	3101663M1	4	Washer
20	72514060	1	Shock Absorber
21	72504811	2	Screw
22	72504799	3	Screw
23	72514061	1	Control
24	72504801	1	Cap
25	79015881	2	Needle
26	72504807	2	Ring
27	1441461X1	2	Locknut
28	72504809	2	Bearing
29	72504808	2	Screw
30	72514057	3	Plate
31	72504810	4	Roller
32	72504760	1	Arm
33	72514062	1	Bellows
34	1719896M1	26	Plug
35	72504761	1	Suspension
36	72514063	1	Retainer
37	72504740	1	Washer
38	390972X1	6	Washer Metric
39	72504743	6	Swivel
40	72514073	1	Cable
41	72504765	4	Fastener
42	72504766	2	Nipple
43	3105395M1	2	Hose Clip
44	3001414X1	5	Screw Metric
45	72504763	1	Bracket
46	72504762	1	Plate
47	72504764	1	Compressor
48	72514064	1	Tube
49	6216699	5	Fastener
50	1719867M1	2	Protector
51	72504774	1	Plate
52	72514065	1	Suspension
53	72514054	1	Screw
54	72514053	1	Tube
55	339169X1	8	Nut
56	72514067	1	Bumper
57	72514068	1	Seat Cover
58	72504780	1	Bolt
59	3000926X1	1	Screw
60	72504792	2	Rivet
61	72514056	2	Stop
62	72514072	1	Plate
63	1441000X1	5	Screw Metric
64	72514070	1	Lever
65	72514069	1	Cover
66	72504778	1	Screw
67	72514071	1	Spring
68	71365327	1	Handle
69	72504753	1	Handle
70	3105797M1	1	Spring
71	391148X1	1	Screw

**Massey Ferguson****MF 9240 TRACTOR - 1637287****1637287****Main Seat - Turning Air Pressure.Suspension Up To NO 0220****Page 110-0135**

<b>Item</b>	<b>Part Number</b>	<b>Qty</b>	<b>Description</b>
72	72504749	1	Lever
73	72514074	1	Washer
74	72514086	1	Screw
75	72514051	1	Lever
76	72514082	1	Rail
77	72514081	1	Rail

5-AV03-001-A



## Secondary Seat - Floormats And Instructor'S Seat

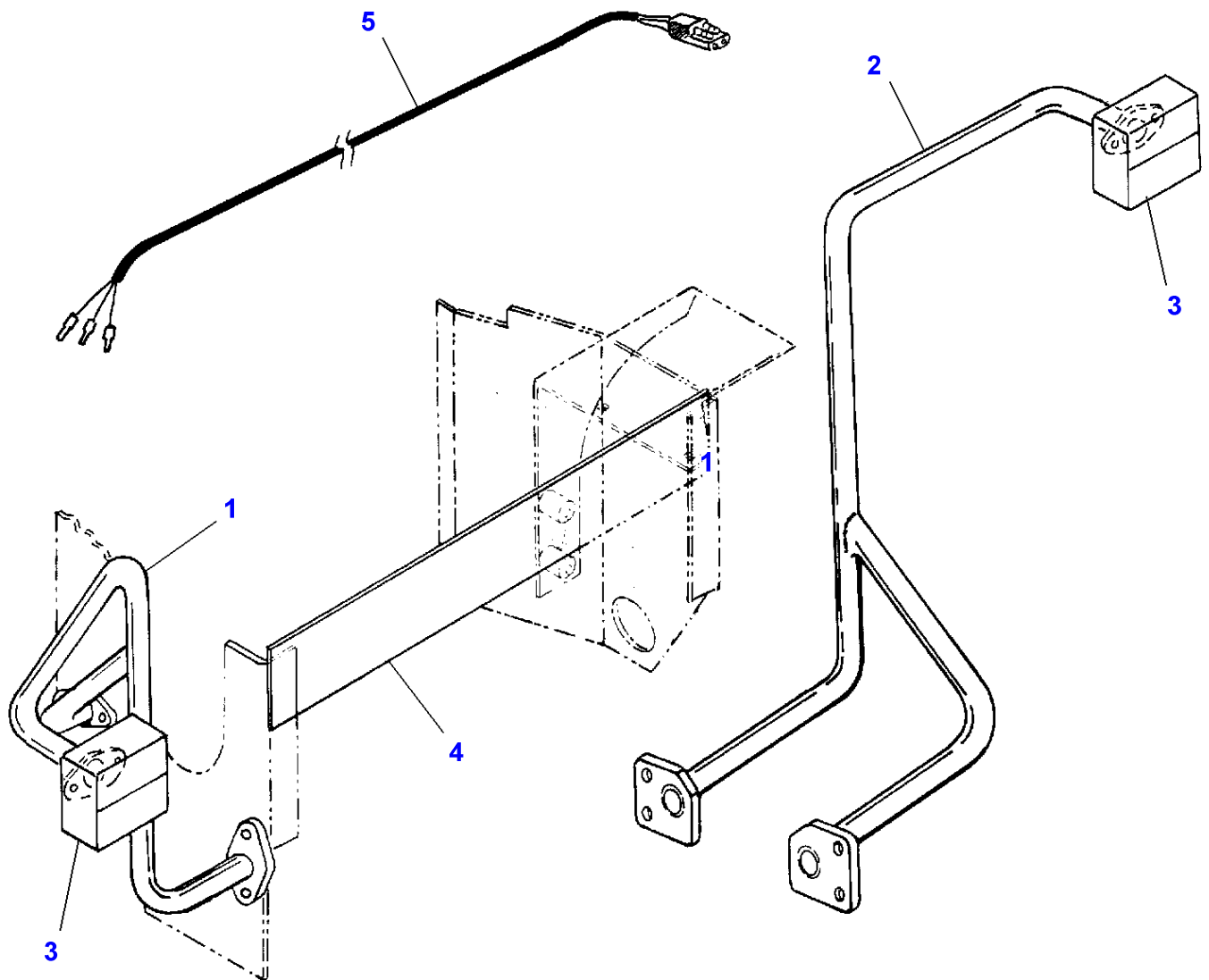
Item	Part Number	Qty	Description	Comments
1	72502300	1	Console	Left Hand
2	70931833	2	Screw	[A] 1/4"-20X1/2"
	70937660	2	Screw	W 25-20X.625
3	72502298	1	Pocket	Left Hand
4	72161034	2	Screw	[A] 10"-16X3/4"
5	72502291	1	Cushion	
6	72502290	1	Cushion	
7	72502296	1	Hinge	
8	70929543	12	Screw	[A] N10-24X.75" Up to Serial or Engine Number 29-AUG-1996
	70937061	12	Screw	N10-24X.75" From Serial or Engine Number 29-AUG-1996 PHILIPS
9	72503662	1	Hinge	
10	70930594	8	Cap screw	[A] 1/4"-20X3/4"
11	72505639	1	Latch	
12	70930611	2	Screw	[A] 10"-24X3/8"
13	72160684	4	Washer	[A] N6 LOCK
14	72503664	1	Cover	
15	72161034	4	Screw	[A] 10"-16X3/4"
16	<b>70923516</b>	4	Nut	[A] 1/4"-20
17	72502783	1	Cup	
18	72502789	1	Kit, Belt	
19	70935486	2	Screw	[A] 1/2"-13X1"
20	72505640	1	Striker	
21	72505012	1	Plate	[C]
	72505012	1	Plate	[B] Up to Serial or Engine Number 24-DEC-1996
	72514241	1	Plate	[B] From Serial or Engine Number 26-DEC-1996
22	72509877	1	Tube	
23	353439X1	2	Lock Washer	1/2"
24	70920328	2	Screw	1/2"X1-1/2"
25	70933322	1	Plug	[A]

FOOTNOTE [A] NOT ILLUSTRATED

FOOTNOTE [B] EUROPE ONLY

FOOTNOTE [C] EUROPE EXCEPTED

5-AW02-001-A





**Massey Ferguson****MF 9240 TRACTOR - 1637287**

1637287

**Lighting Equipment - Front - Front Position Lamp**

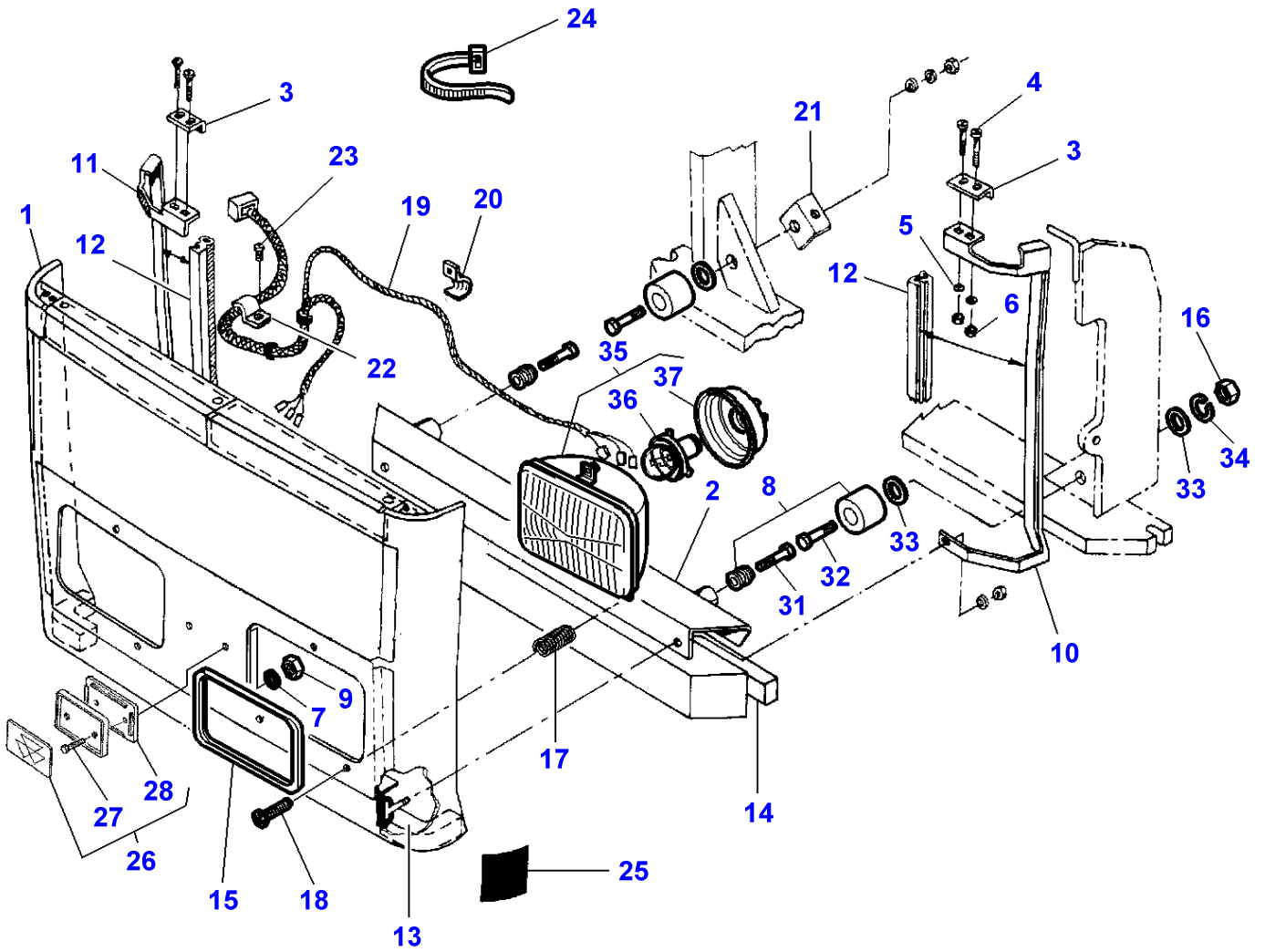
Page 120-0005

Item	Part Number	Qty	Description	Comments
1	72505415	1	Bar	Right Hand
	70920415	2	Screw	[A] 3/8"-16X1-1/4"
	70919312	2	Washer	[A] 3/8"
2	72505418	1	Bar	Up to Serial or Engine Number 02/96 Left Hand
	72513956	1	Support	[B] From Serial or Engine Number 02/96 Left Hand
	70950036	2	Capscrew	[A] M10
	70950220	2	Lock Washer	[A] LOCK
3	72258989	2	Kit, Lighting	
4	72505422	1	Bar	
5	72507211	2	Wire	
6	70928681	4	Bolt	[A]
7	70950037	2	Capscrew	[A]

FOOTNOTE [A] NOT ILLUSTRATED

FOOTNOTE [B] WITH FRONT FENDERS

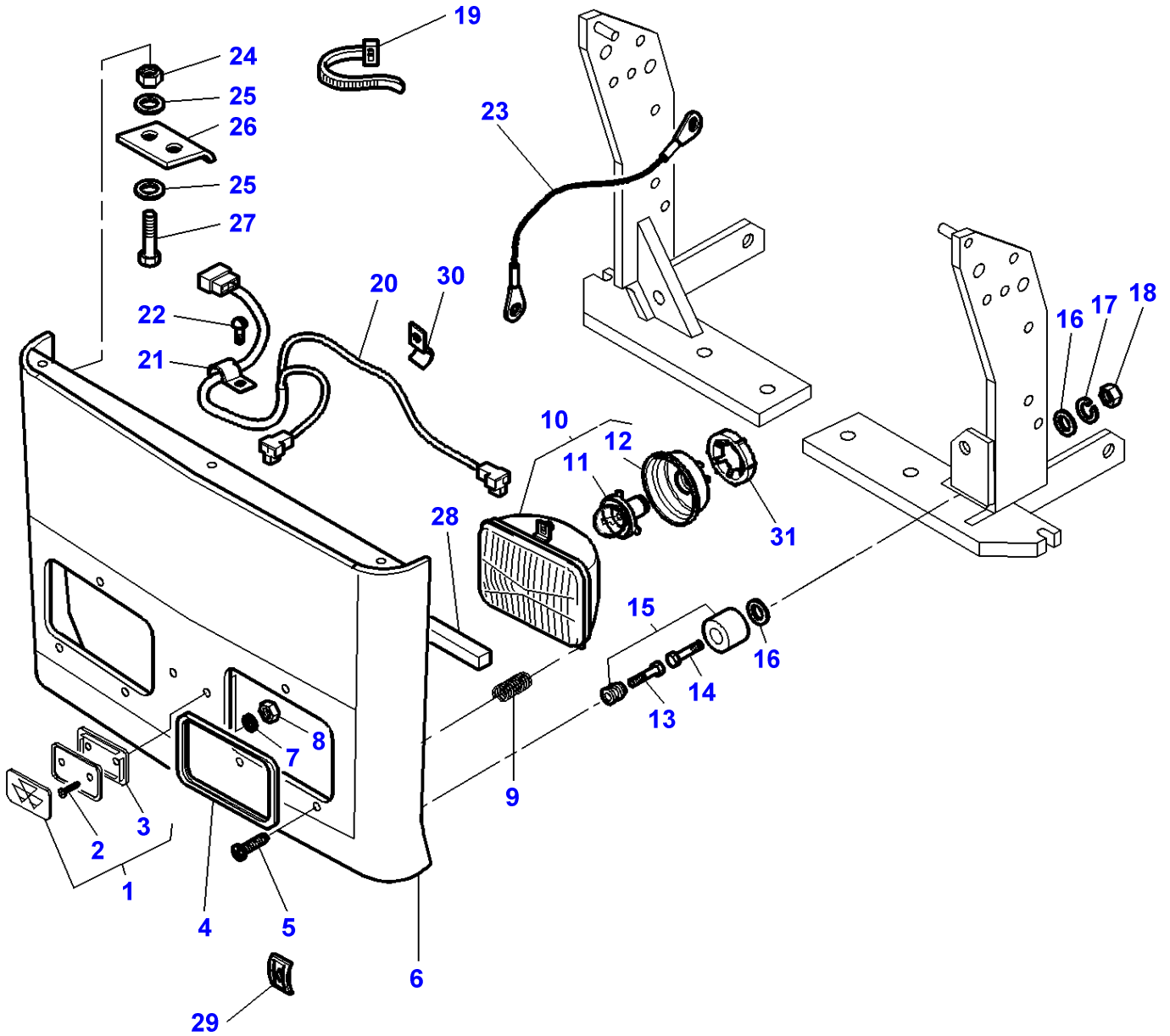
5-AW02-002-A



Item	Part Number	Qty	Description	Comments
1	72511397	1	Grille	
2	72502424	1	Bracket	
3	72508586	2	Angle	
4	70921319	4	Washer	
	70918158	4	Screw	
5	70918158		Screw	
	70921319	4	Washer	
6	70931209	4	Nut	1/4"-20
7	70916964	2	Lock Washer	
8	72502409	2	Rubber	
9	70950717	2	Nut	
10	72504086	1	Support	Left Hand
11	72504088	1	Support	Right Hand
12	72504092	1	Seal	
	72504281	1	Seal	Right Hand
13	72504282	1	Foam	
14	72504428	1	Foam	
15	72505386	2	Trim	
16	355564X1	5	Nut Unc	
17	3388266M1	6	Spring	
18	70937306	6	Screw	N10-24X1,75"
19	72506419	1	Harness	
20	71151362	1	Clamp	
21	72507209	1	Bracket	
22	70926920	1	Clamp	
23	70925991	1	Screw	
24	<b>70925094</b>	2	Clamp	
25	72505393	2	Decal	
26	3701634M91	1	Emblem	
27	392526X1	2	Screw Metric	(26) M6X45
28	3701633M1	1	Plate	(26)
29	70919381	1	Washer	[A]
30	70928245	3	Plug	[A]
31	70901230	2	Screw	1/4"
32	70937260	2	Screw	1/4"-20X1/2"
33	70919380	6	Washer	9/32" ID
34	70916964	5	Lock Washer	1/4" LOCK
35	<b>1693944M93</b>	2	Headlamp	
36	<b>961866M1</b>	1	Bulb H/L 45/40w	(35)
37	3388264M1	1	Cap	(35)

FOOTNOTE [A] NOT ILLUSTRATED

5-AW02-003-B



Item	Part Number	Qty	Description	Comments
1	3701634M91	1	Emblem	
2	392526X1	2	Screw Metric	(1) M6X45
3	3701633M1	1	Plate	(1)
4	72505386	2	Trim	
5	70937306	6	Screw	N10-24X1,75"
6	72511397	1	Grille	[A]
	72511397	1	Grille	[B]
				Up to Serial or Engine Number 0263
	72511949	1	Screen	[B]
				From Serial or Engine Number 0264
7	70916964	1	Lock Washer	[A]
	70916964	1	Lock Washer	[B]
				Up to Serial or Engine Number 19/12/95
8	70950717	1	Nut	[A]
	70950717	1	Nut	[B]
				Up to Serial or Engine Number 19/12/95
9	3388266M1	6	Spring	
10	<b>1693944M93</b>	2	Headlamp	Alternative 72514546
11	<b>961866M1</b>	1	Bulb H/L 45/40w	(10)
	<b>72514529</b>	1	Bulb	(10)
				H4-12V / 60/55W
12	3388264M1	1	Cap	(10)
				Alternative 72514530
13	70901230	2	Screw	1/4"
14	70937260	2	Screw	[A]
				1/4"-20X1.5
	70937260	2	Screw	[B]
				Up to Serial or Engine Number 19/12/95
				1/4"-20X1.5
	70937261	2	Screw	[B]
				From Serial or Engine Number 20/12/95
				1/4"-20X2.00
15	72502409	2	Rubber	
16	70919380	5	Washer	9/32" ID
17	70916964	5	Lock Washer	[A]
	70916964	4	Lock Washer	[B]
				Up to Serial or Engine Number 19/12/95
				1/4" LOCK
18	70916964	4	Lock Washer	[A]
	355564X1	2	Nut Unc	[B]
				Up to Serial or Engine Number 19/12/95
	70931209	2	Nut	[B]
				From Serial or Engine Number 20/12/95
19	<b>70925094</b>	3	Clamp	
20	72506419	1	Harness	Up to Serial or Engine Number SN0067
	72507717	1	Harness	From Serial or Engine Number SN0068
21	70926920	2	Clamp	
22	70931822	1	Screw	[A]
	70931822	1	Screw	[B]
				Up to Serial or Engine Number 19/12/95
				.312-12X.750
	70918249	1	Screw	[B]
				From Serial or Engine Number 20/12/95
				.312-18X.750
23	72509939	1	Cable	
24	70931209	4	Nut	1/4"-20
25	72508438	6	Spacer	
26	72508586	2	Angle	
27	70918158	4	Screw	.250-20X1.00
				Up to Serial or Engine Number 29-OCT-1996
	70922270	4	Screw	.250-20X1.25
				From Serial or Engine Number 30-OCT-1996
28	72509465	2	Seal	[A]
	72509465	2	Seal	[B]
				Up to Serial or Engine Number 19/12/95
29	70937557	2	Nut	[B]
				From Serial or Engine Number 20/12/95
30	71151362	1	Clamp	[B]
				From Serial or Engine Number 20/12/95
31	72514531	2	Gasket	

**Massey Ferguson**

**MF 9240 TRACTOR - 1637287**

**1637287**

**Lighting Equipment - Front - Headlights And Grille From S/N 0012**

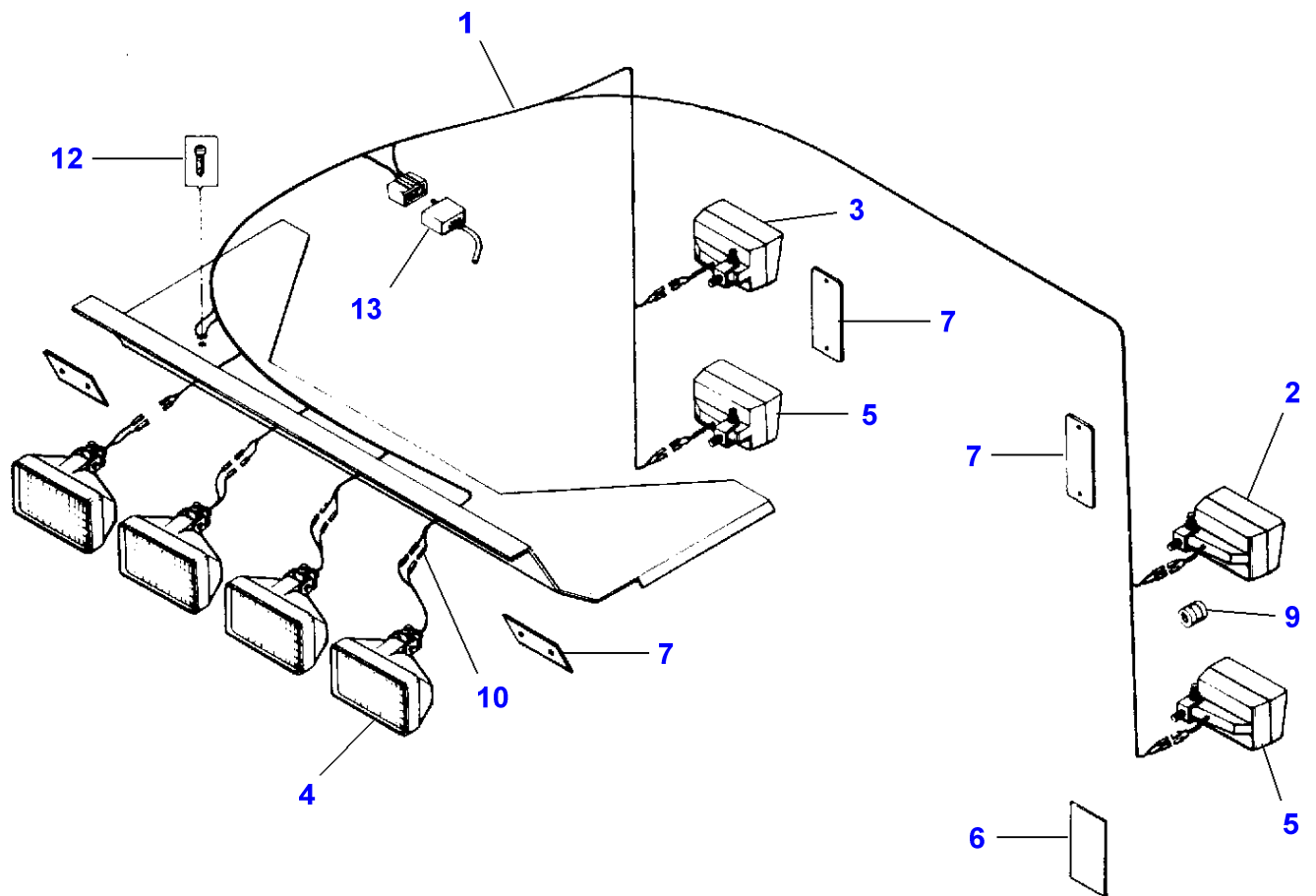
**Page 120-0015**

<b>Item</b>	<b>Part Number</b>	<b>Qty</b>	<b>Description</b>	<b>Comments</b>
-------------	--------------------	------------	--------------------	-----------------

**FOOTNOTE [A] EUROPE ONLY**

**FOOTNOTE [B] EUROPE EXCEPTED**

5-AW05-001-A



**Massey Ferguson****MF 9240 TRACTOR - 1637287**

1637287

**Field Lights - Up to Serial or Engine Number 01/1995**

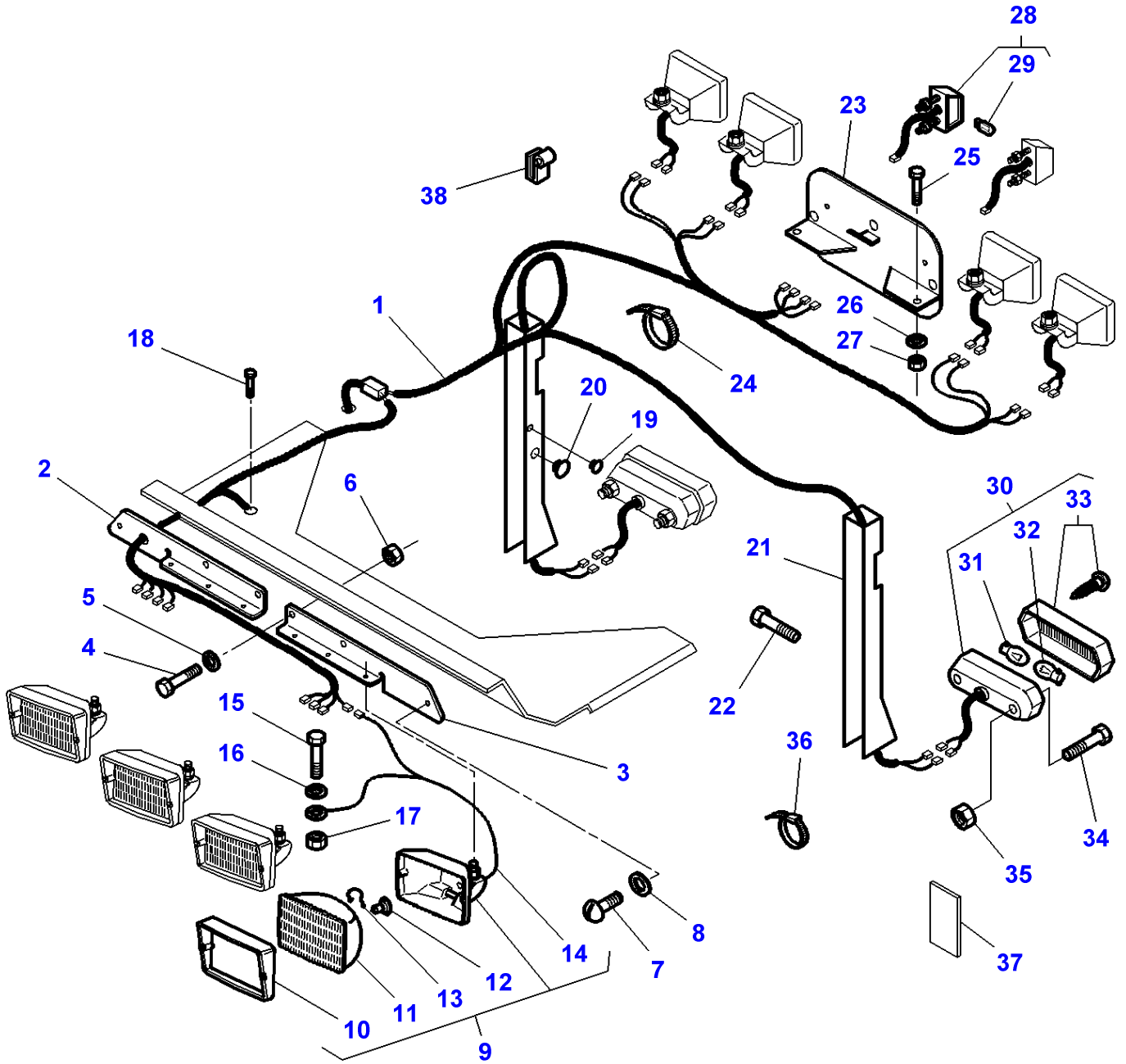
Page 120-0020

Item	Part Number	Qty	Description	Comments
1	72504901	1	Harness	
2	72503305	1	Lamp	Left Hand
	72507723	1	Beam	[A]
	353434X1	2	Lock Washer	[A]
				3/8" LOCK
	BPN31029	2	Washer	[A]
				3/8"
	355566X1	2	Nut Unc	[A]
				3/8"-16
3	72503306	1	Lamp	
	72507723	1	Beam	[A]
	353434X1	2	Lock Washer	[A]
				3/8" LOCK
	BPN31029	2	Washer	[A]
				3/8"
	355566X1	2	Nut Unc	[A]
				3/8"-16
4	72503307	4	Lamp	
	72507723	1	Beam	[A]
5	72503372	2	Lamp	
	70921960	4	Screw	[A]
				1/4"-20X1
	70931209	4	Nut	[A]
				1/4"-20
	70926917	2	Clamp	[A]
6	72505630	2	Reflector	
	70917448	4	Screw	[A]
				10-24X2.0
7	72505135	2	Plate	
	70916080	4	Screw	[A]
				10-24X1/2
9	70929167	2	Grommet	
10	71182466	8	Connector	
12	70925592	1	Screw	1/4"-20X3/4"
13	72507716	1	Harness	
14	72503375	1	Light	[A]

**FOOTNOTE [A] NOT ILLUSTRATED**



5-AW05-002-A



**Massey Ferguson****MF 9240 TRACTOR - 1637287**

1637287

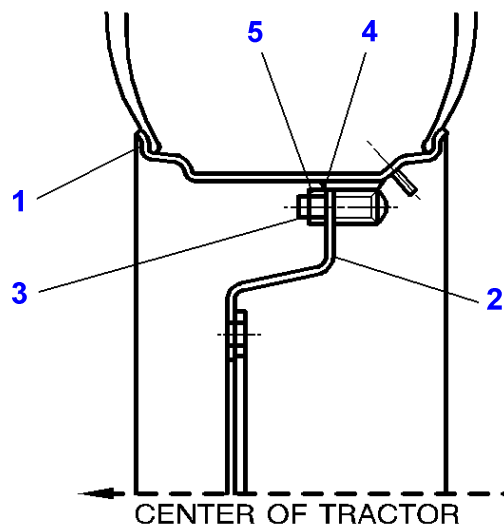
**Field Lights - From Serial or Engine Number 01/1995**

Page 120-0025

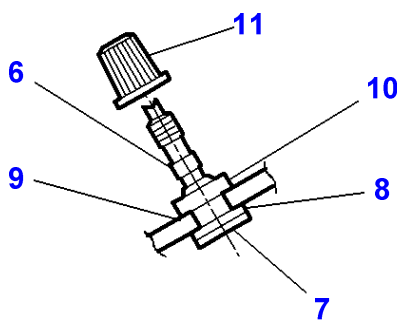
Item	Part Number	Qty	Description	Comments
1	72512522	1	Harness	
2	72509668	1	Bracket	Right Hand
3	72509669	1	Bracket	Left Hand
4	<b>70923114</b>	4	Capscrew	1/2"-13X1"
5	70917379	4	Washer	1/2"
6	70931187	4	Nut	1/2"-13
7	70917388	2	Screw	
8	70923212	2	Washer	
9	3387863M91	8	Lamp	
10	3104790M1	1	Case Assy	(9)
11	3104791M1	1	Lamp Insert	(9)
12	<b>1628494M1</b>	1	Bulb H3	(9)
13	3104792M1	1	Spring	(9)
14	3106815M1	1	Harness	(9)
15	353689X1	4	Screw Unc	3/8"-16X3/4"
16	70917378	4	Washer	3/8"
17	<b>70931211</b>	4	Nut	3/8"-16
18	70925592	1	Screw	1/4"-20X3/4"
19	70917629	2	Plug	15/32"
20	70918377	2	Plug	5/8"
21	72504657	1	Cover	Right Hand
	72504658	1	Cover	Left Hand
22	70937660	16	Screw	W 25-20X.625
23	72512512	1	Bracket	
24	<b>70925094</b>	4	Clamp	
25	353689X1	2	Screw Unc	3/8"-16X3/4"
26	BPN31029	2	Washer	3/8"
27	<b>70931211</b>	2	Nut	3/8"-16
28	3619018M91	2	N/Plate Lamp	
29	<b>3002706X1</b>	1	Bulb 12v 10w	(28)
30	72503372	2	Lamp	REAR RED/AMBER
31	<b>621235M1</b>	1	Bulb 12v 21w Sbc	(30)
32	<b>908543M1</b>	1	Bulb S/L 21/5w	(30)
33	3310307M91	1	Lens	(30)
34	70921960	2	Screw	1/4"-20X1"
35	70931209	2	Nut	1/4"-20
36	70926917	1	Clamp	3/8"X13/32"
37	72505630	2	Reflector	
38	71120130	1	Tie	

5-AL01-001-B

FRONT



FRONT WHEEL



AIR VALVE

## Front Wheels

Item	Part Number	Qty	Description	Comments
1	70276234	1	Rim	[D] W16LX42
	3902928M1	1	Rim	[B] 28XW18L SIRMAC
	72508985	1	Rim	[B] 28XW18L TITAN
	72512347	1	Rim	[B,C]
	72513740	1	Rim	[A] 30XW15L
2	3902927M1	1	Disc	Diameter 614MM SIRMAC
	72512677	1	Disc	[B] TITAN
	72513741	1	Disc	[A] 30"X 3"
3	3902887M1	8	Screw	M18X125 SIRMAC
	72506938	X	Bolt	M16X50
4	390974X1	8	Washer Metric	SIRMAC
	338577X1	X	Washer	43/84"
5	339617X1	8	Nut	M18 SIRMAC
	70950947	X	Nut	
6	71170388	1	Valve	
7	71361976	1	Adaptor	
8	71170390	1	Grommet	
9	71175919	1	Washer	
10	71175918	1	Nut	
11	71169204	1	Plug	[C]

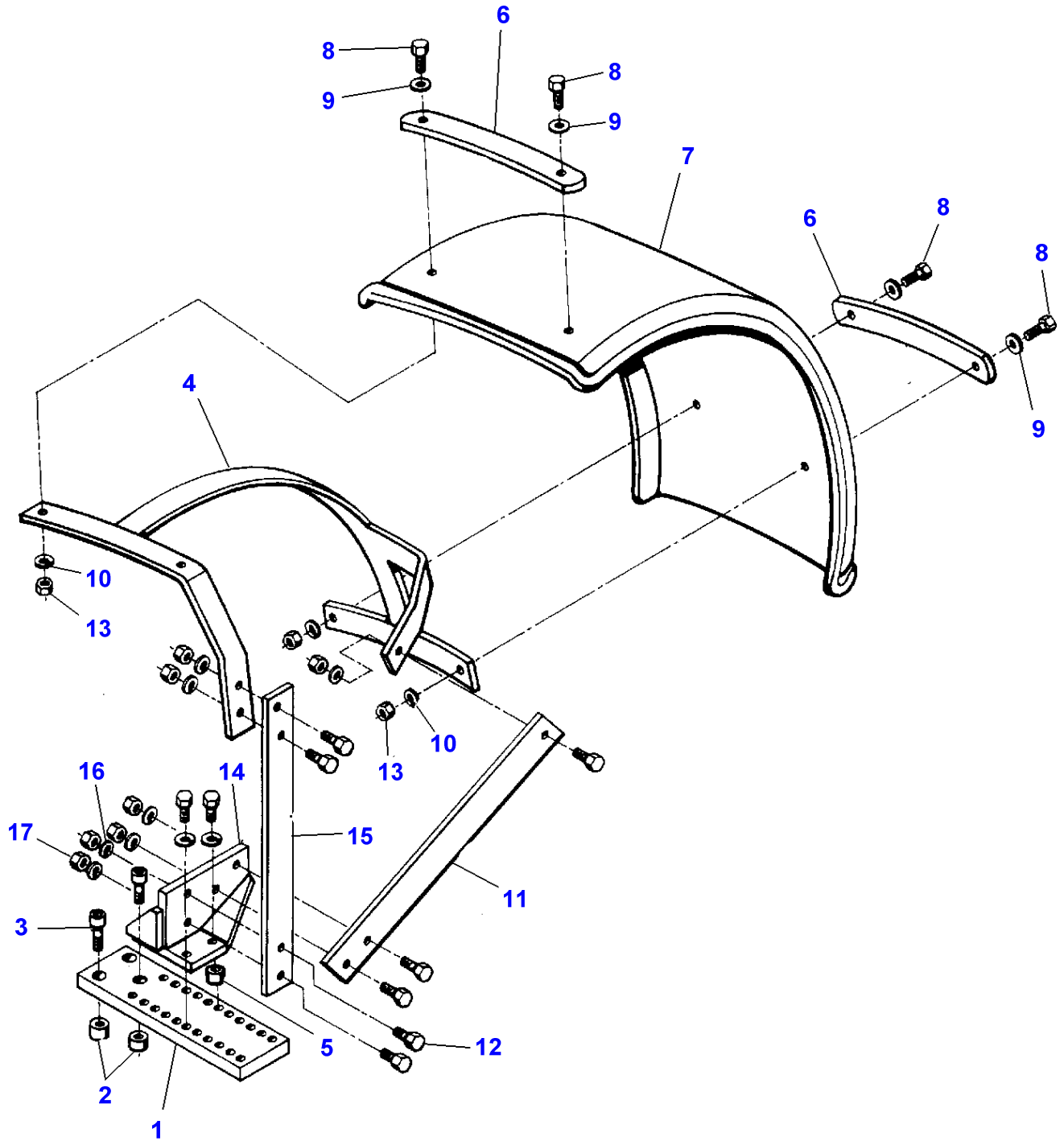
**FOOTNOTE [A]** FOR USE WITH 480/70-R30 TYRES

**FOOTNOTE [B]** USE WITH TYRES 600/65R28

**FOOTNOTE [C]** WITH TWO VALVES STEM HOLES

**FOOTNOTE [D]** FOR USE WITH 18.4R-42 TYRES

5-AS18-001-B

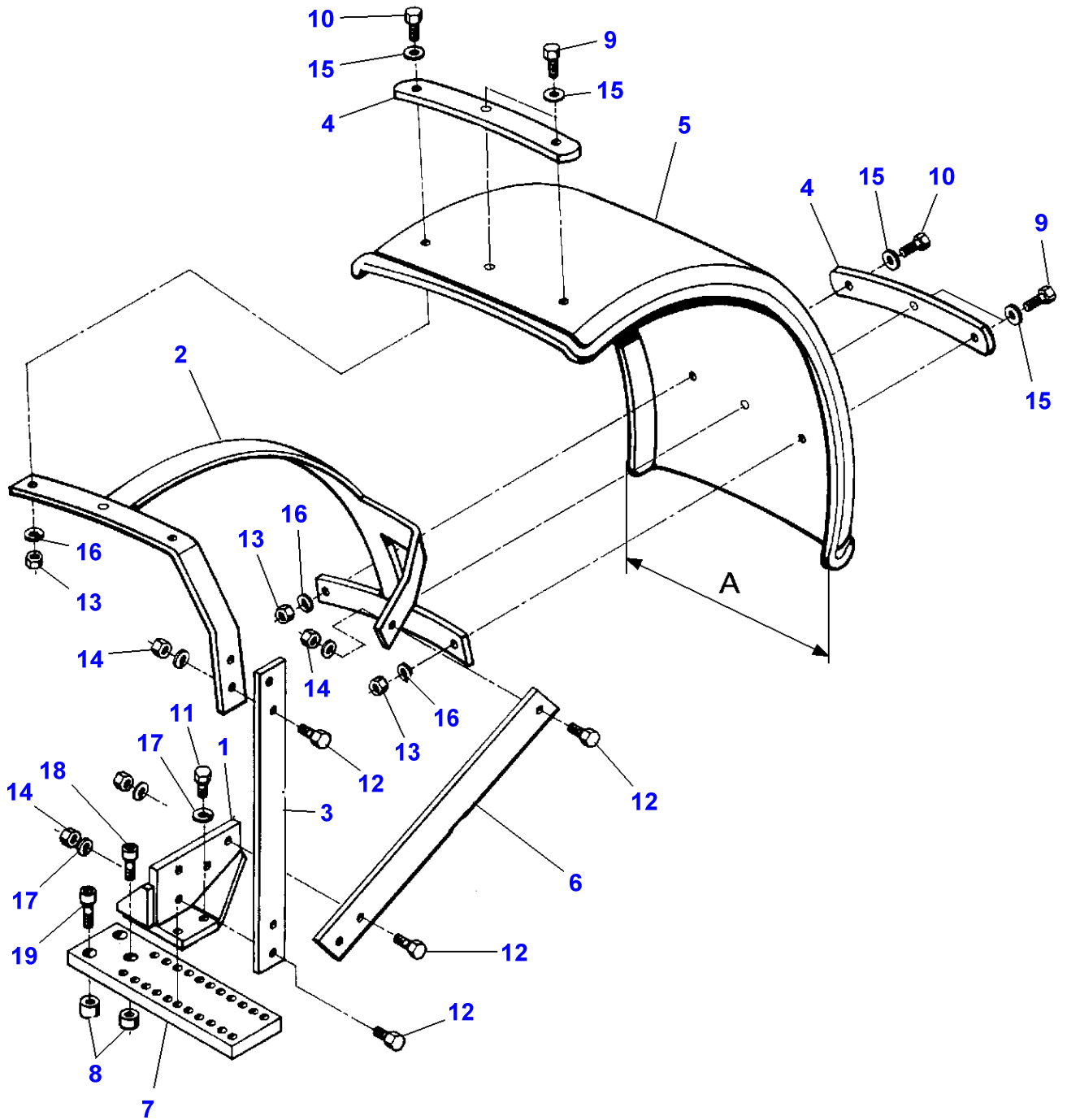


## Fenders - Front - Standard

Item	Part Number	Qty	Description	Comments
1	72161668	2	Plate	
2	72161669	6	Spacer	
3	70951299	2	Capscrew	M12X45
	70951300	4	Capscrew	M12X65
4	72506090	1	Bracket Assy.	Right Hand
	72506091	1	Bracket Assy.	Left Hand
5	72161672	8	Spacer	
6	30-3487865	2	Plate	
7	72504400	2	Fender	[A] Width 620MM
8	70921969	8	Screw	3/8"-16X1-1/2"
9	70918266	16	Washer	3/8"
10	353434X1	8	Lock Washer	3/8" LOCK
11	72504399	2	Support	
12	70921024	10	Screw	1/2"-13X2"
13	70923518	8	Nut	3/8"-16
14	72503697	1	Base	Right Hand
	72503699	1	Base	Left Hand
15	72504398	2	Support	
16	353439X1	10	Lock Washer	1/2" LOCK
17	375098X1	10	Nut Unc	1/2"-13

**FOOTNOTE [A]** USE WITH TYRES 600/65R28

5-AS18-002-A



## Fenders - Front - WIDE

Item	Part Number	Qty	Description	Comments
1	72503699	1	Base	Right Hand
	72503697	1	Base	Left Hand
2	72506090	1	Bracket Assy.	Right Hand
	72506091	1	Bracket Assy.	Left Hand
3	72504398	2	Support	
4	72514399	4	Support	
5	72514400	2	Fender	[A] Width A = 620MM
	72514460	1	Fender	[B] Width A = 540MM Right Hand
	72514459	1	Fender	[B] Width A = 540MM Left Hand
6	72506095	2	Bracket	
7	72161668	2	Plate	
8	72503695	8	Spacer	
9	70921969	8	Screw	.375-16X1.50
10	70921210	4	Screw	.375-16X1.00
11	70922645	8	Capscrew	.500-13X.2.25
12	70921024	14	Screw	.500-13X2.00
13	70923518	12	Nut	.375-16
14	375098X1	14	Nut Unc	.500-13
15	70918266	16	Washer	Diameter .375
16	353434X1	12	Lock Washer	Diameter .375
17	353439X1	22	Lock Washer	.500
18	70951304	2	Capscrew	M12X50
19	70951306	4	Capscrew	M12X80

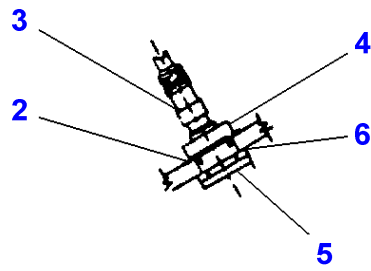
FOOTNOTE [A] USE WITH TYRES 600/65R28

FOOTNOTE [B] USED WITH 540/65R30 TYRES

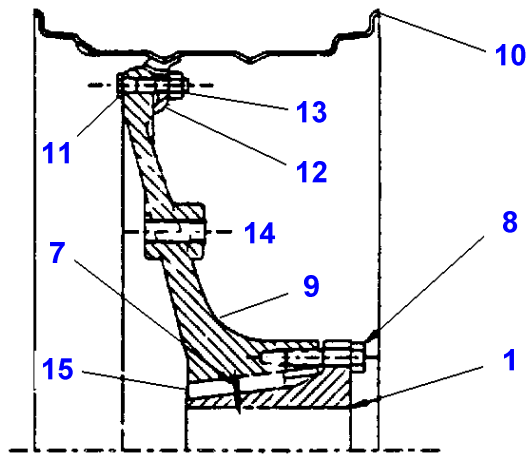


5-AM01-003-B

REAR



AIR VALVE



REAR WHEEL  
CAST WHEEL

Rear Wheels

Item	Part Number	Qty	Description	Comments
1	72161654	2	Hub	3-7/8" I.D Alternative Y72160685
	72160685	2	Hub	3-7/8" I.D Alternative Y72161654
2	71175919	1	Washer	
3	71170388	1	Valve	
4	71175918	1	Nut	
5	71361976	1	Adaptor	
6	71170390	1	Grommet	
7	70915797	2	Pin	3/16"X1-1/4"
8	70925707	12	Capscrew	3/4"-10X3
9	72160749	2	Disc	
	72163172	2	Disc	[C]
10	72161954	2	Rim	[B,E] W18 LH-42
	72512342	2	Rim	[C]
11	72507440	16	Bolt	[C]
	364988X1	16	Bolt Unc	
	353433X1	16	Lock Washer	[A] 5/8"
12	72160170	16	Clamp	
13	375099X1	16	Nut Unc	5/8"-11
	70933034	16	Nut	[C]
14	30-3506452	2	Plug	
15	72160036	2	Key	3/4SQX4-1/2
	72160377	4	Key	3/4SQX15-1/4
	72513977	4	Key	.75"X19.88"
	72513983	4	Key	[A] Replace and repair. Old not interchangeable with new 72513980 19X19X336MM
16	71169204	1	Plug	[A]
17	71355047	1	Plug	

FOOTNOTE [A] NOT ILLUSTRATED

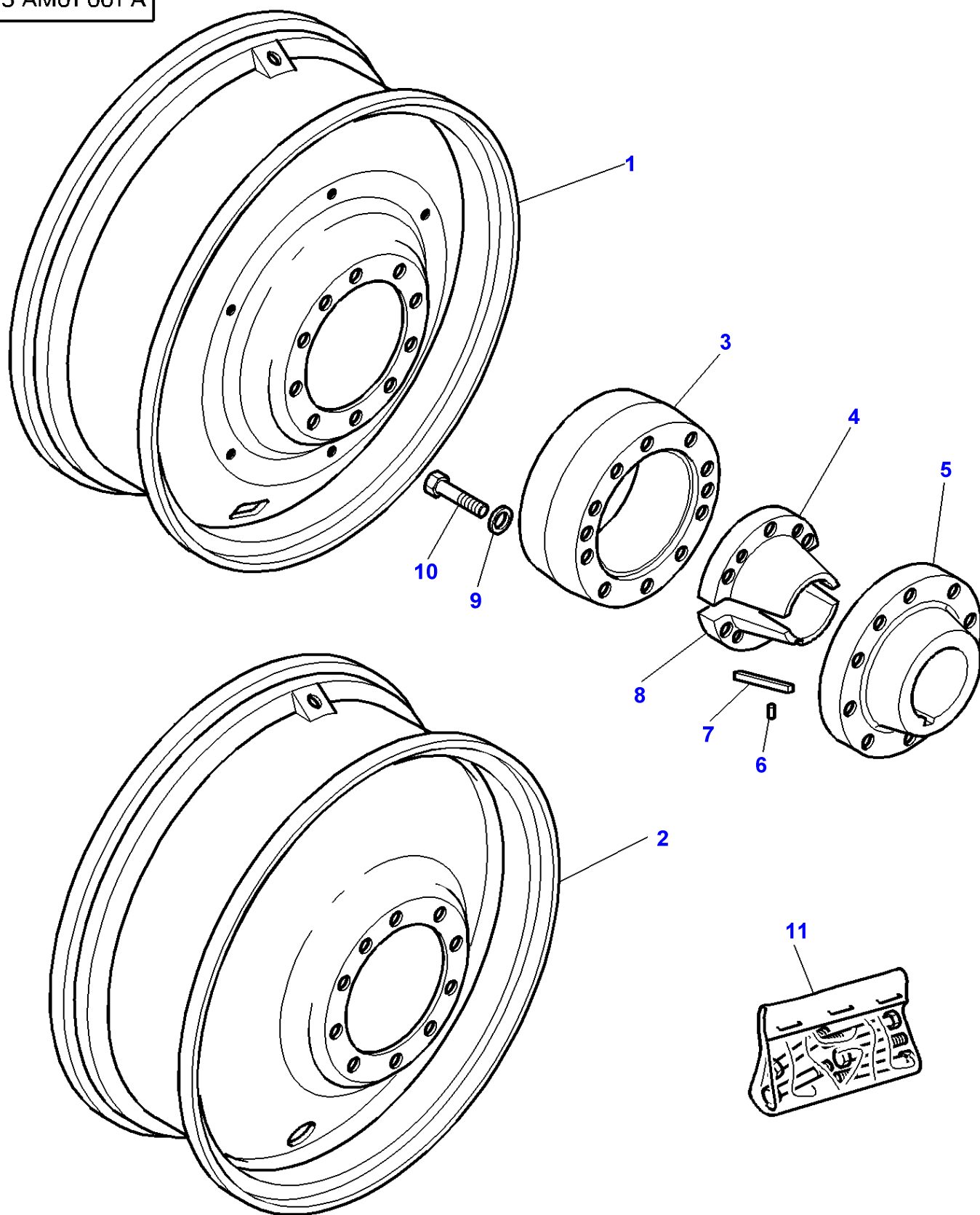
FOOTNOTE [B] USED WITH 20.8-42 TYRES

FOOTNOTE [C] FOR WHEEL 710/70R38

FOOTNOTE [D] FOR REAR AXLE 98"

FOOTNOTE [E] USED WITH 580/70R42 TYRES

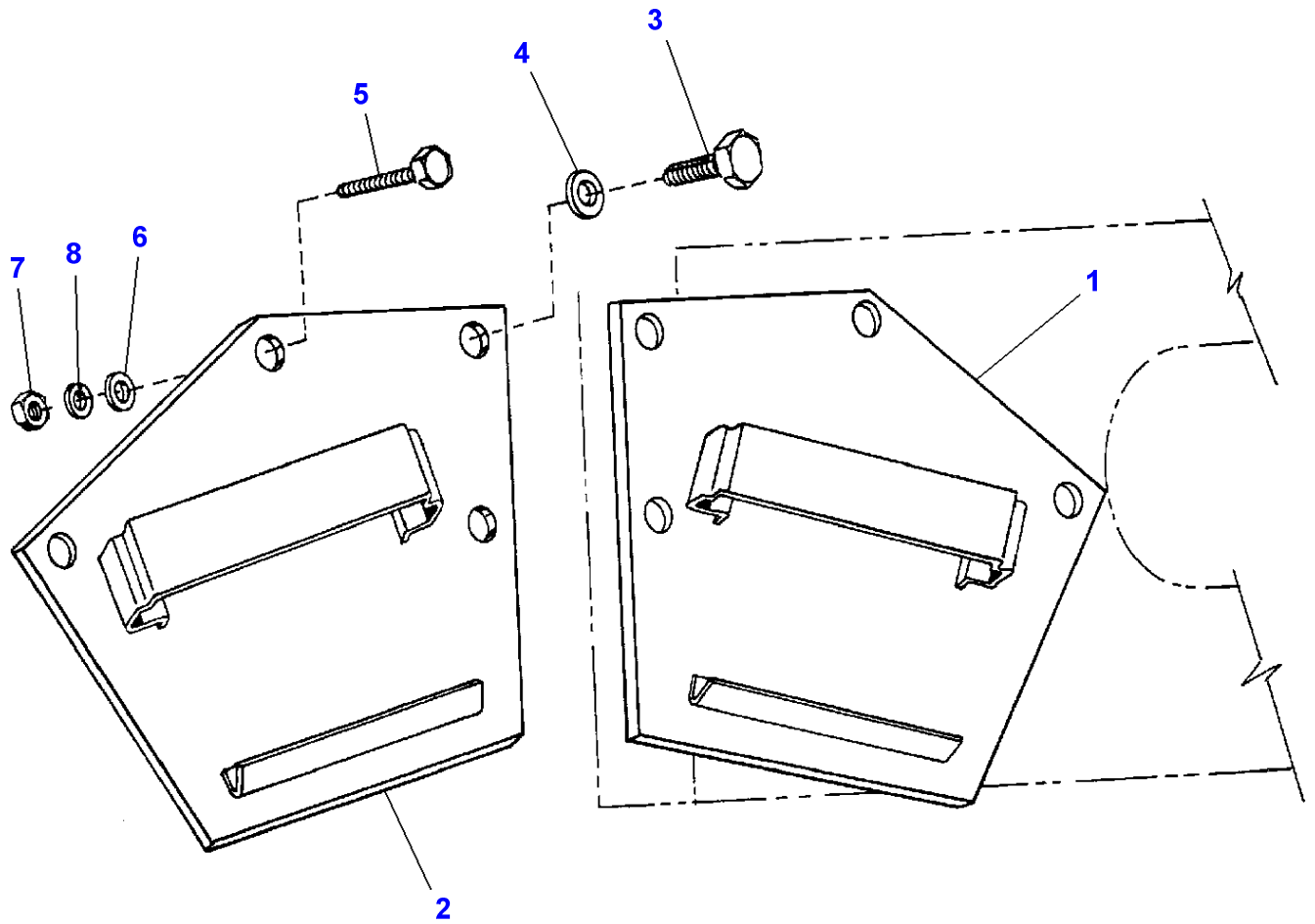
5-AM01-001-A



**Massey Ferguson****MF 9240 TRACTOR - 1637287****1637287****Rear Wheels - FIXED DUAL WHEELS****Page 130-0025**

<b>Item</b>	<b>Part Number</b>	<b>Qty</b>	<b>Description</b>	<b>Comments</b>
1	72512682	2	Rim	42XW18L
2	72161298	2	Wheel	38XW18L
3	72201024	2	Spacer	
4	72161654	2	Hub	
5	72160909	2	Hub	
6	70915797	2	Pin	
7	72160036	2	Key	
8	72160685	2	Hub	
9	72160831	20	Washer	
10	70925707	12	Capscrew	.750-10X3.0
	70923292	8	Capscrew	.750-10X2.0
11	72201154	1	Parts Pack	

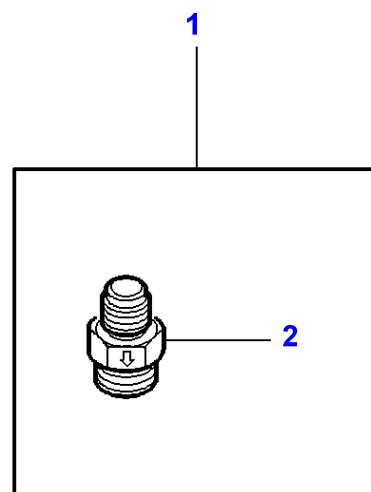
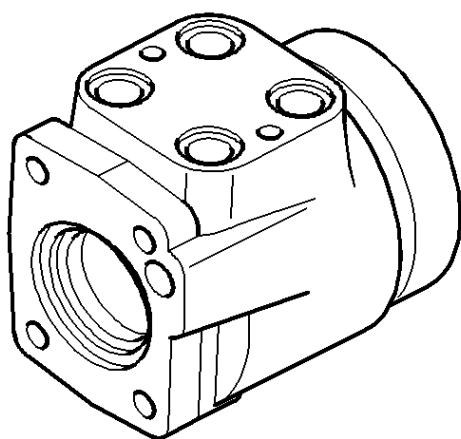
5-AX37-001-A



**Massey Ferguson****MF 9240 TRACTOR - 1637287****1637287****Wheel Wedges - Chock Mount Brackets****Page 130-0030**

<b>Item</b>	<b>Part Number</b>	<b>Qty</b>	<b>Description</b>	<b>Comments</b>
1	72507385	1	Holder	Right Hand Up to Serial or Engine Number SN0067
	72507386	1	Holder	Right Hand From Serial or Engine Number SN0068
2	72507387	1	Holder	Left Hand Up to Serial or Engine Number SN0067
	72507388	1	Holder	Left Hand From Serial or Engine Number SN0068
3	70926127	4	Screw	3/4"-10X1-3/4"
4	353440X1	4	Lock Washer	3/4"LOCK
5	<b>354269X1</b>	1	Bolt Unc	3/8"-16X2 Replace and repair. Old not interchangeable with new 70921972
6	BPN31029	1	Washer	3/8"
7	355566X1	1	Nut Unc	3/8"-16GR2
8	70922755	1	Washer	13/32"ID

5-AN07-002-A



**Massey Ferguson**

**MF 9240 TRACTOR - 1637287**

**1637287**

**Steering - Steering Pump**

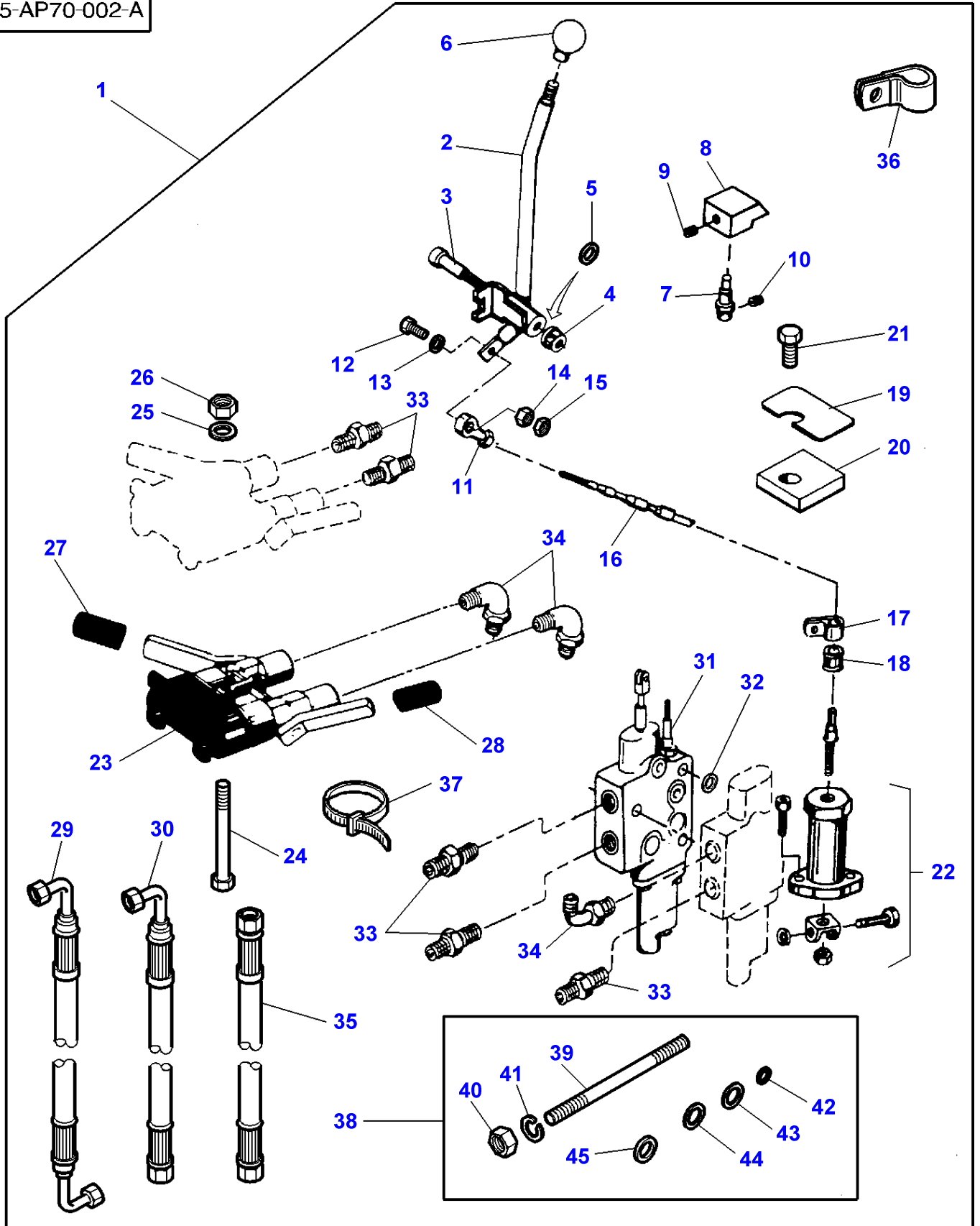
**Page 140-0005**

<b>Item</b>	<b>Part Number</b>	<b>Qty</b>	<b>Description</b>	<b>Comments</b>
1	72512849	1	Kit, Attaching	
2		1	Valve Check	(1)



MF 9240 TRACTOR - 1637287  
5-AP70-002-A

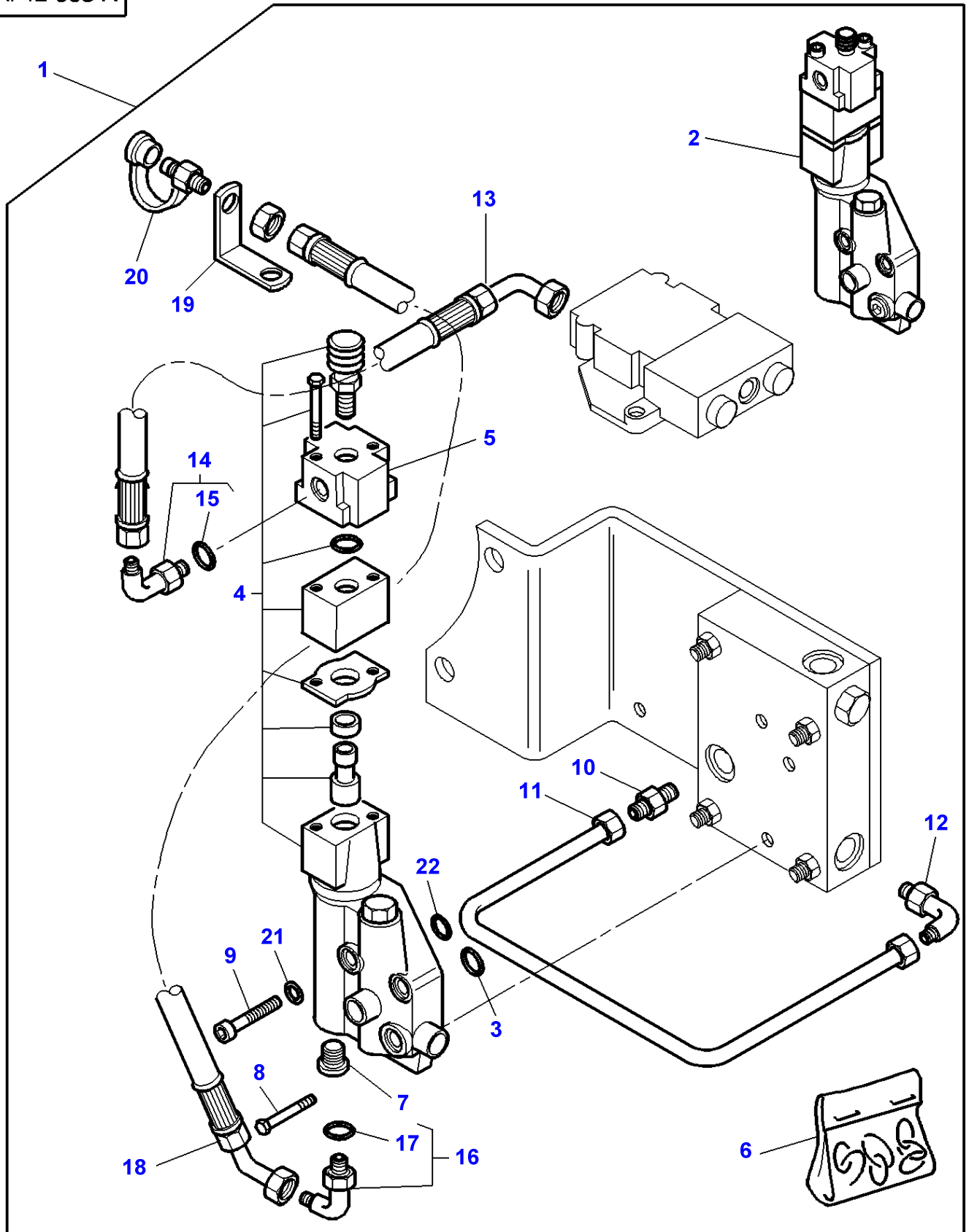
5-AP70-002-A



Item	Part Number	Qty	Description	Comments
1	72512267	1	Valve	
2	72506265	1	Lever	(1)
3	70935184	1	Screw	(1) 1/2x1-1/2
4	<b>70931211</b>	1	Nut	(1)
5	70937308	1	Washer	(1)
6	72502132	1	Knob	(1)
7	72505016	1	Turn Button	(1)
8	72502486	1	Button	(1)
9	70923520	1	Screw	(1)
10	72502130	1	Stop	(1)
11	70936334	1	Toggle	(1)
12	70921961	1	Screw	(1) 1/4-20x1-1/4
13	70924872	1	Washer	(1)
14	70931209	1	Nut	(1)
15	70920437	1	Nut	(1)
16	72509024	1	Cable	(1)
17	72502248	1	Clamp	(1)
18	72502131	1	Grommet	(1)
19	72505014	1	Decal	(1)
20	72505015	1	Plate	(1)
21	70933386	1	Screw	(1)
22	72511962	1	Adaptor	(1)
23	30-3389987	1	Female Coupler	(1)
24	357024X1	2	Bolt Unc	(1) .375"-16X5.50" Replace and repair. Old not interchangeable with new 70922760
25	353434X1	2	Lock Washer	(1)
26	70923518	2	Nut	(1)
27	72161043	1	Helmet	(1) Left Hand
28	72161045	1	Helmet	(1) Right Hand
29	72511538	1	Hose Flexible	(1) 1/2x51
30	72511539	1	Hose Flexible	(1) 1/2x47
31	72508183	1	Distributor	(1)
32	70927903	5	O Ring	(1)
33	70923717	3	Connector	(1)
34	70924786	1	Elbow	(1)
35	72511531	1	Hose Flexible	(1) 1/2x26.75
36	70926916	1	Clamp	(1) Diameter 14MM
37	70929807	3	Tie	(1)
38	72511870	1	Kit	(1)
39	72512307	3	Stud	(38)
40	70923518	3	Nut	(38)
41	353434X1	3	Lock Washer	(38)
42	70924191	6	O Ring	(38) 1/8x3/4
43	70924110	6	O Ring	(38) 1/8x1
44	<b>70923988</b>	12	O Ring	(38) 3/32x15/16
45	72160255	18	Shim	(38)

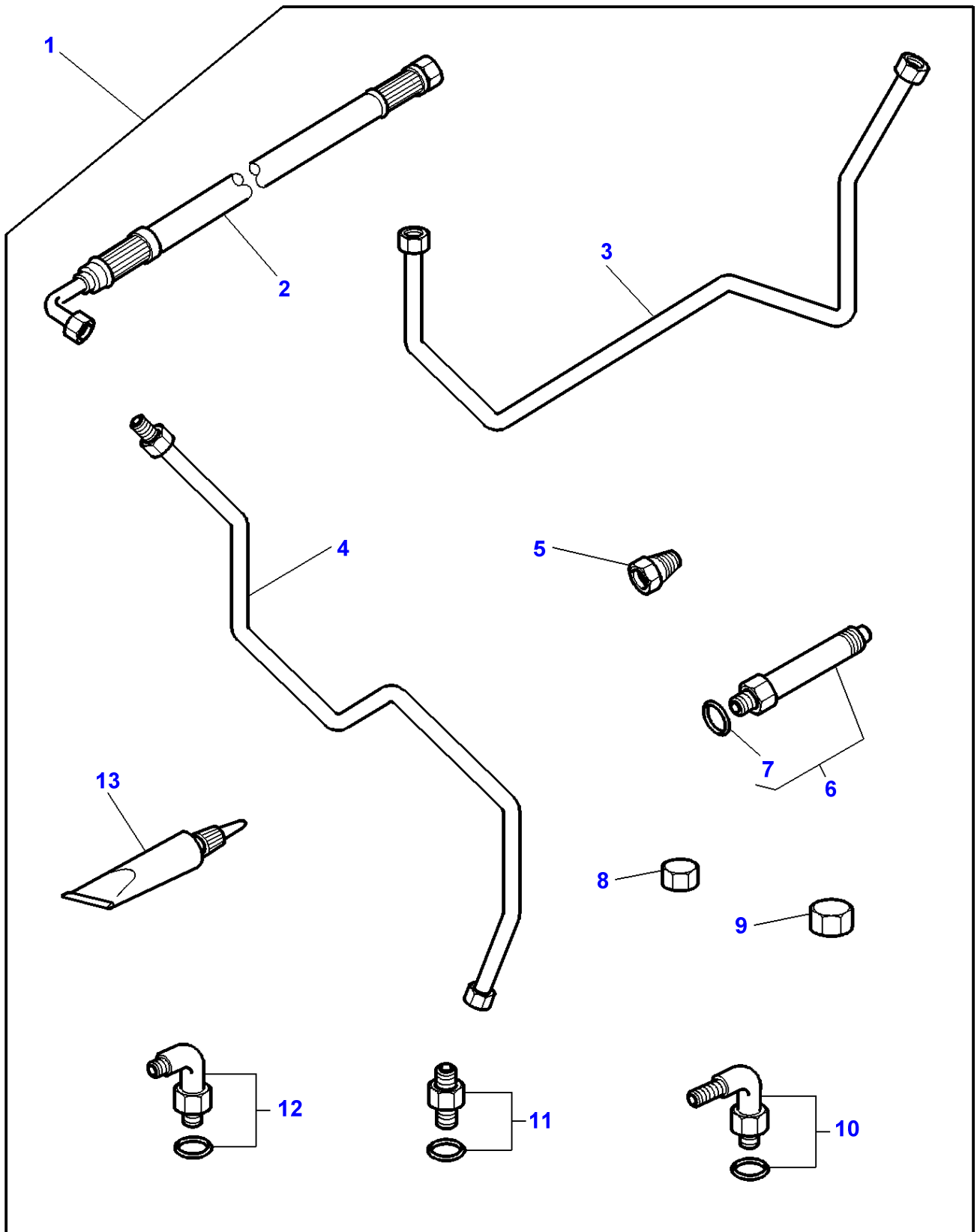
MF 9240 TRACTOR - 1637287  
5-AP12-003-A

5-AP12-003-A



Item	Part Number	Qty	Description	Comments
1	72513141	1	Accessory Code	BOSCH
2	3714974M1	1	Brake Valve	(1)
3	3102897M1	1	O Ring	(2) Diameter 9X2MM
4	3108215M91	1	Head	(2)
5		1	Head	(2) Not serviced, order REF No4
6	3108214M91	1	Kit, Seal	(2)
7	3100940M1	1	Plug	(2)
8	70926269	1	Screw	(1) 5/16"-18X1.25"
9	70925610	2	Screw	(1) .312-18x3.00
10	70922522	1	Connector	(1) 3/8"
11	72511235	1	Tube	(1)
12	357197X91	1	Elbow	(1) 3/8" Replace and repair. Old not interchangeable with new 70922523
13	72509848	1	Hose Flexible	(1)
14	3019408X91	1	Elbow	(1) 1/4"
15	3019393X1	1	O Ring	(14)
16	3019651X91	1	Elbow	(1) 3/8"
17	3019397X1	1	O Ring	(16)
18	72509846	1	Hose Flexible	(1)
19	72509137	1	Angle	(1)
20	3616259M1	1	Plug	(1)
21	70917642	2	Washer	(1)
22	3102896M1	2	O Ring	(2) Diameter 20X2.5MM

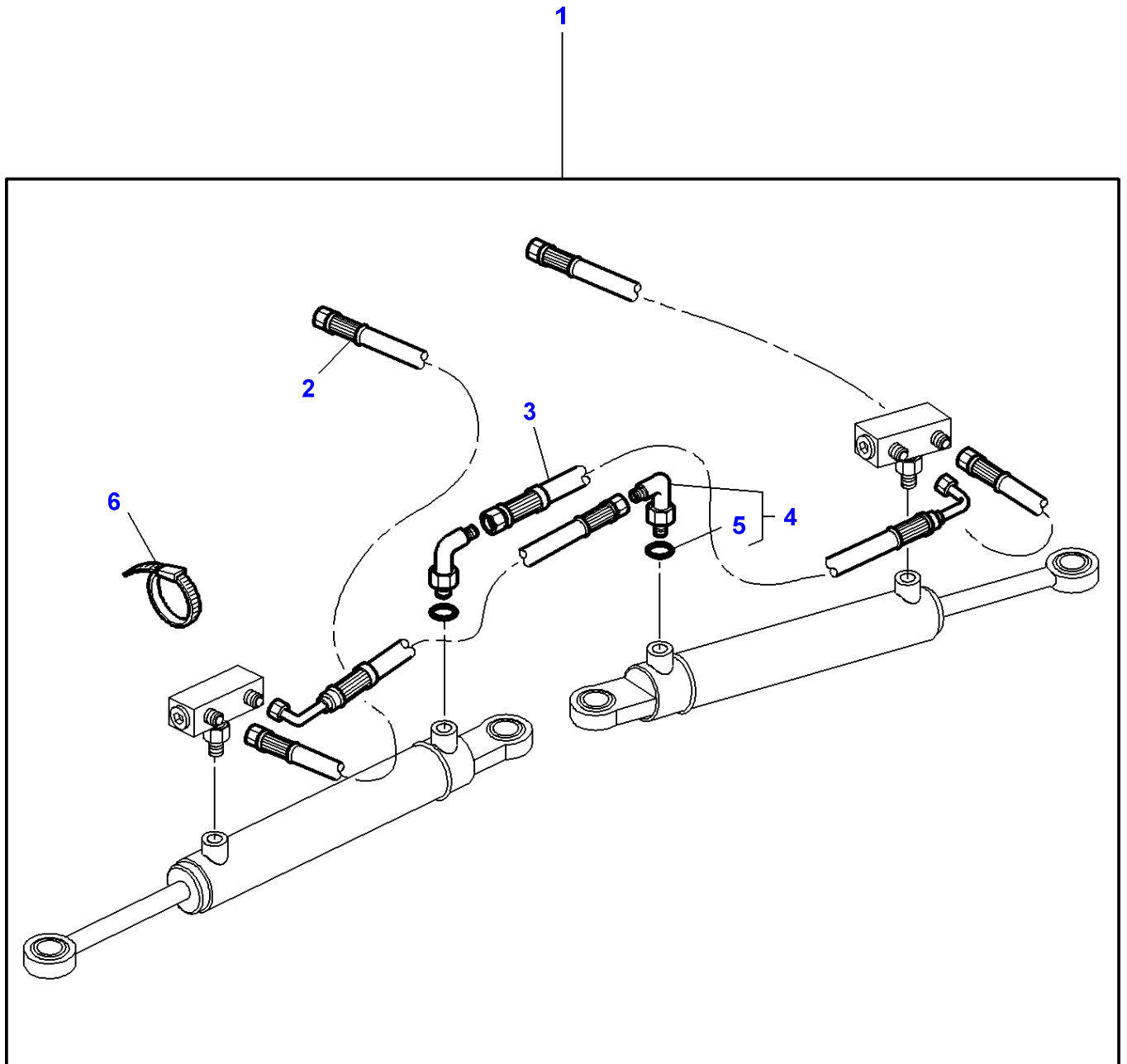
5-AG17-001-A



**Massey Ferguson****MF 9240 TRACTOR - 1637287****1637287****Brakes - Hydraulic Pipes - BREAKE RETURN KIT****Page 140-0020**

<b>Item</b>	<b>Part Number</b>	<b>Qty</b>	<b>Description</b>	<b>Comments</b>
1	72514151	1	Kit	
2	72512835	1	Hose Flexible	(1)
3	72513949	1	Tube	(1)
4	72513950	1	Tube	(1)
5	72513948	1	Bush	(1)
6	72513946	1	Union	(1)
7	831452M1	1	O Ring	(6)
				Replace and repair. Old not interchangeable with new 70921885
8	70919552	1	Plug	(1) 3/8"
9	70923002	1	Cap	(1) 5/8"
10	70925295	1	Elbow	(1)
11	70931889	1	Union	(1)
12	70921327	1	Elbow	(1)
13	79014631	1	Sealer	(1)

5-AN11-005-A

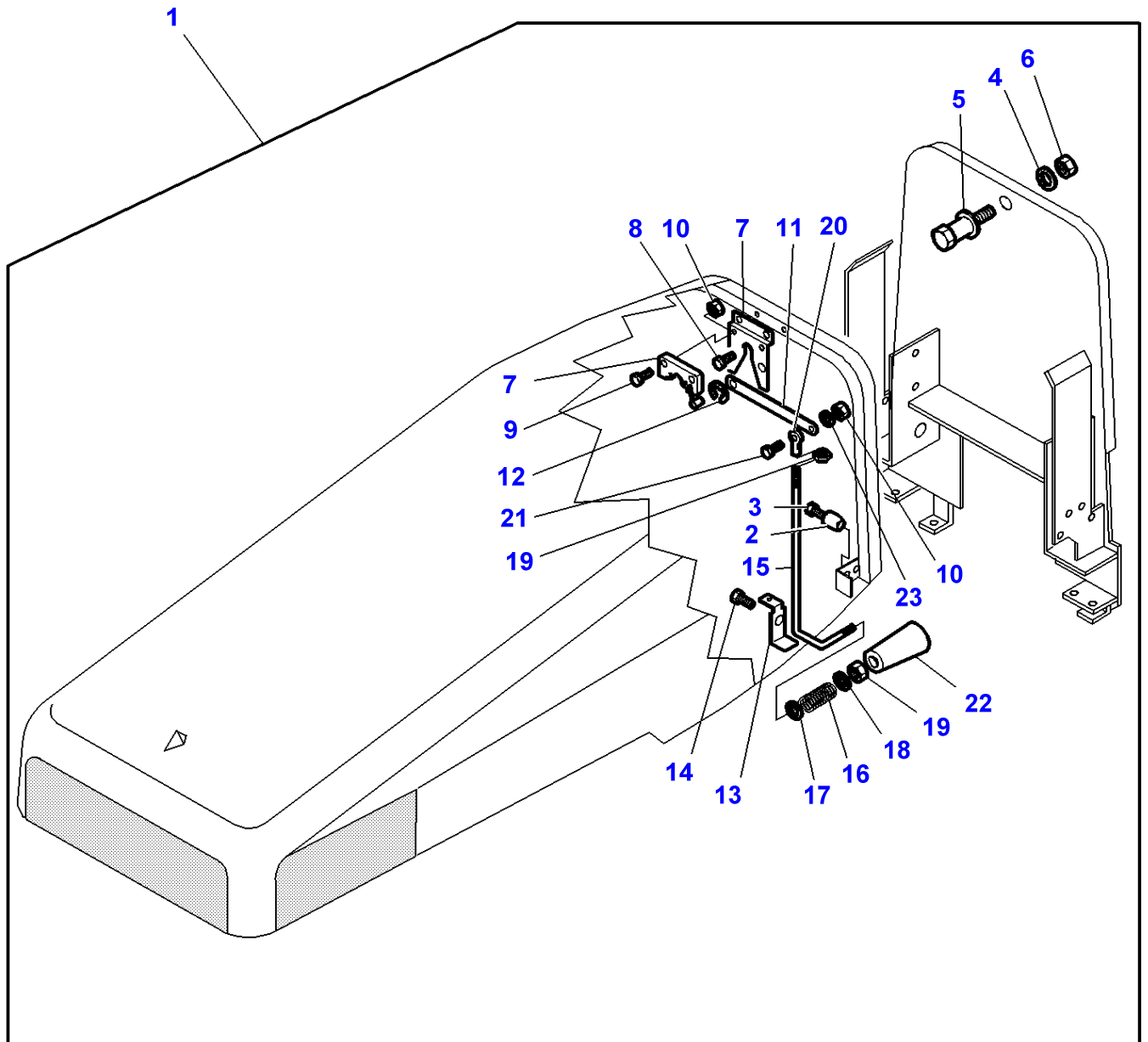


**Massey Ferguson****MF 9240 TRACTOR - 1637287****1637287****Steering Cylinder****Page 140-0025**

<b>Item</b>	<b>Part Number</b>	<b>Qty</b>	<b>Description</b>	<b>Comments</b>
1	72514748	1	Kit	
2	72514746	2	Hydr Hose	(1)
3	72514745	2	Hydr Hose	(1)
4	70925295	2	Elbow	(1)
5	70935790	1	Washer	(4)
6	70937133	2	Tie	(1)



5-AR03-004-A



**Massey Ferguson****MF 9240 TRACTOR - 1637287**

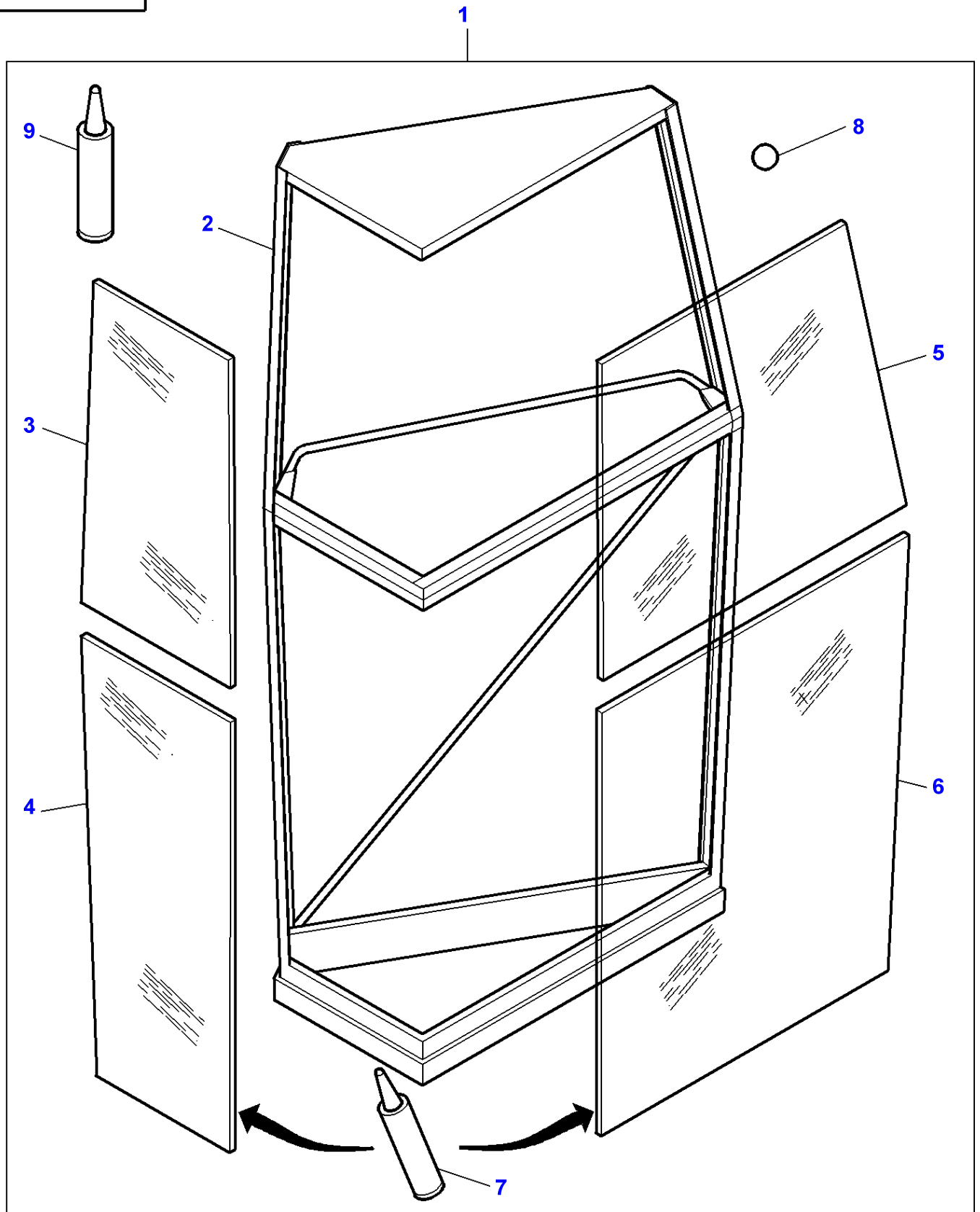
1637287

**Sheet Metal - Hood - LATCH**

Page 140-0030

Item	Part Number	Qty	Description	Comments
1	72514582	1	Kit	
2	72514208	2	Guide	(1)
3	70912277	2	Capscrew	(1) 1/2-13X1 1/4
4	70918430	1	Washer	(1) 7/17
5	72513270	1	Latch	(1)
6	70935041	1	Nut	(1) 7/16-14
7	72514211	1	Bracket	(1)
8	70923683	2	Screw	(1) 3/8-16X3/4
9	70921960	2	Screw	(1) 1/4-20X1 1/4
10	70931209	3	Nut	(1) 1/4-20
11	72514206	1	Lever	(1)
12	70227976	1	Ring	(1)
13	72514213	1	Bracket	(1)
14	70926115	1	Bolt	(1) 1/2-13X3/4
15	72514212	1	Rod	(1)
16	71309691	1	Spring	(1)
17	353754X1	1	Washer	(1)
18	70937101	1	Nut	(1) 1/4
19	70920435	2	Nut	(1) 1/4-20
20	72502226	1	Clevis	(1)
21	70921960	1	Screw	(1) 1/4-20X1
22	72162668	1	Knob	(1)
23	70917377	1	Washer	(1)

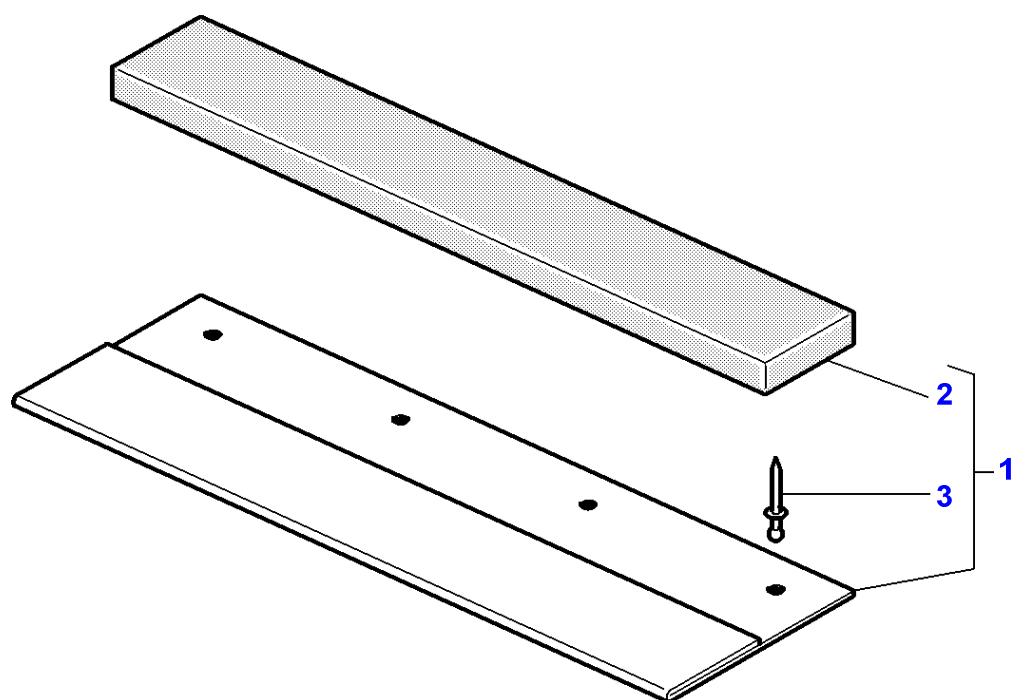
5-AU05-004-A



**Massey Ferguson****MF 9240 TRACTOR - 1637287****1637287****Tractor Cab - Doors****Page 140-0035**

<b>Item</b>	<b>Part Number</b>	<b>Qty</b>	<b>Description</b>	<b>Comments</b>
1	72513772	1	Door	
2	72502046	1	Door	(1)
3	72509437	1	Glass	(1)
4	72509442	1	Glass	(1)
5	72509804	1	Glass	(1)
6	72509805	1	Glass	(1)
7	72161874	1	Seal	(1)
8	72506072	16	Bumper	(1)
9	72506489	1	Adhesive	(1)

5-AU09-001-A



**Massey Ferguson**

**MF 9240 TRACTOR - 1637287**

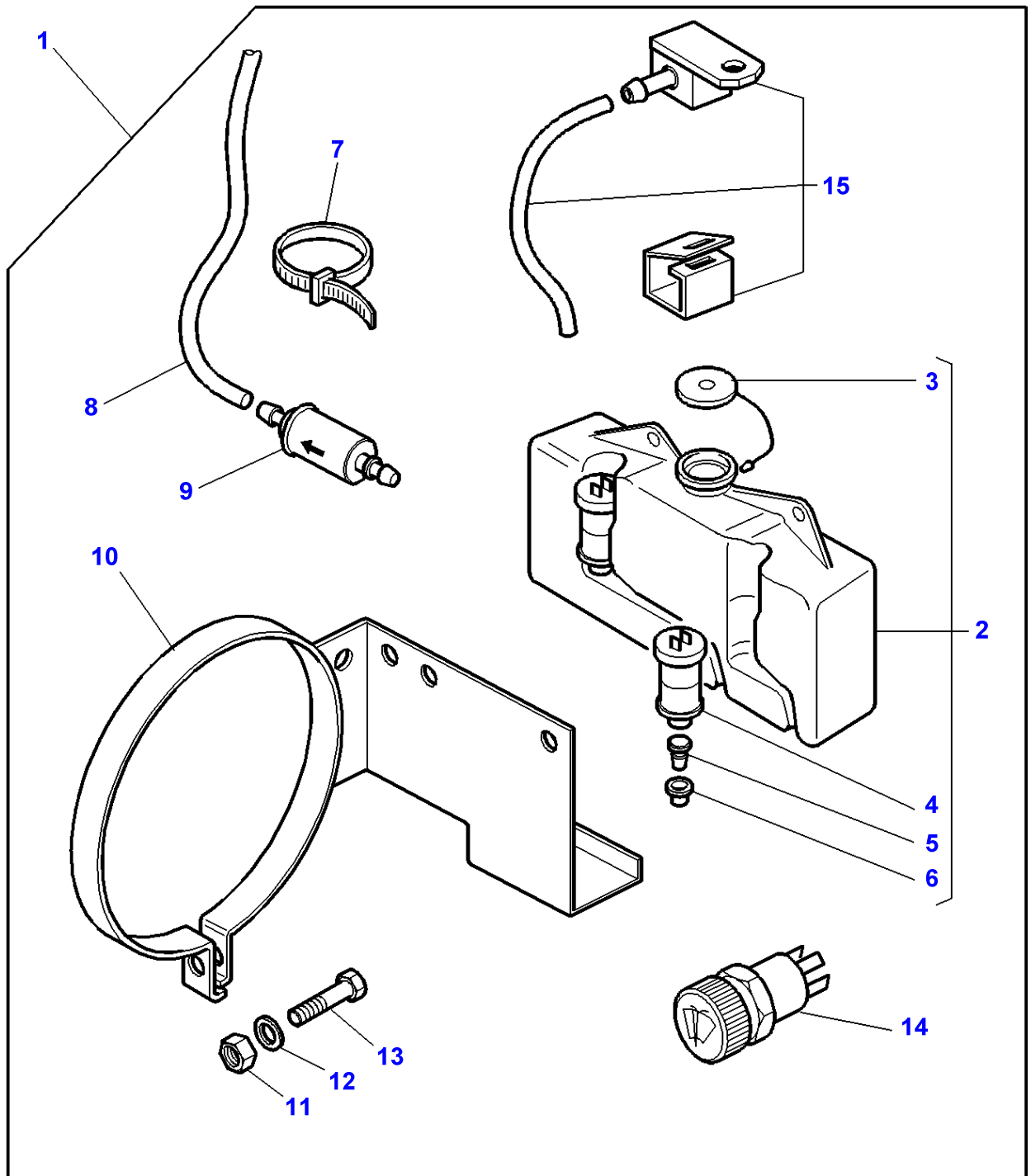
**1637287**

**Tractor Cab - Air Intake**

**Page 140-0040**

<b>Item</b>	<b>Part Number</b>	<b>Qty</b>	<b>Description</b>	<b>Comments</b>
1	72513765	1	Kit	
2	71362390	2	Seal	(1)
3	70924946	4	Rivet	(1) .125"X.232"

5-AU24-001-A



**Massey Ferguson****MF 9240 TRACTOR - 1637287**

1637287

Page 140-0045

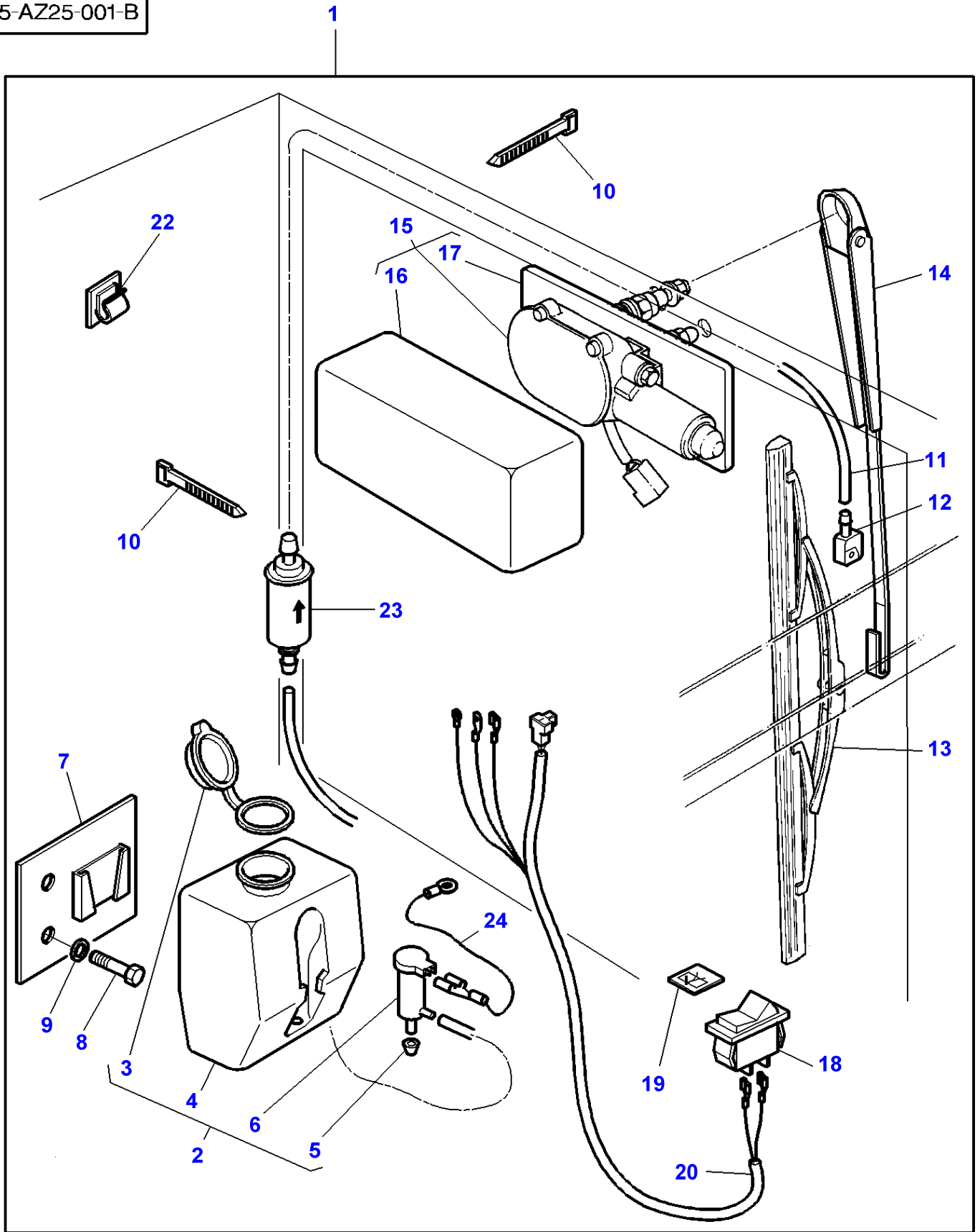
**Tractor Cab - Windscreen Washer**

Item	Part Number	Qty	Description	Comments
1	72513128	1	Kit, Attaching	
2	3582444M91	1	Tank	(1)
3	3106496M1	1	Plug	(2)
4	3582441M1	1	Water Pump	(2)
5	3582442M1	1	Plug	(2)
6	3582443M1	1	Gasket	(2)
7	<b>70925094</b>	6	Clamp	(1)
8	72513695	1	Hose	(1) Diameter .156" Length 72"
9	3583086M1	1	Pressure Valve	(1)
10	72512774	1	Bracket	(1)
11	<b>70931211</b>	3	Nut	(1)
12	70931449	2	Washer	(1)
13	70921210	2	Screw	(1) .38"-18X1.00"
	70923701	1	Screw	(1) .38"-16X2.00"
14	72504819	1	Switch	(1)
15	72504815	1	Kit, Wiper	(1)
16	BPN31029	2	Washer	[A] (1)

FOOTNOTE [A] NOT ILLUSTRATED



5-AZ25-001-B

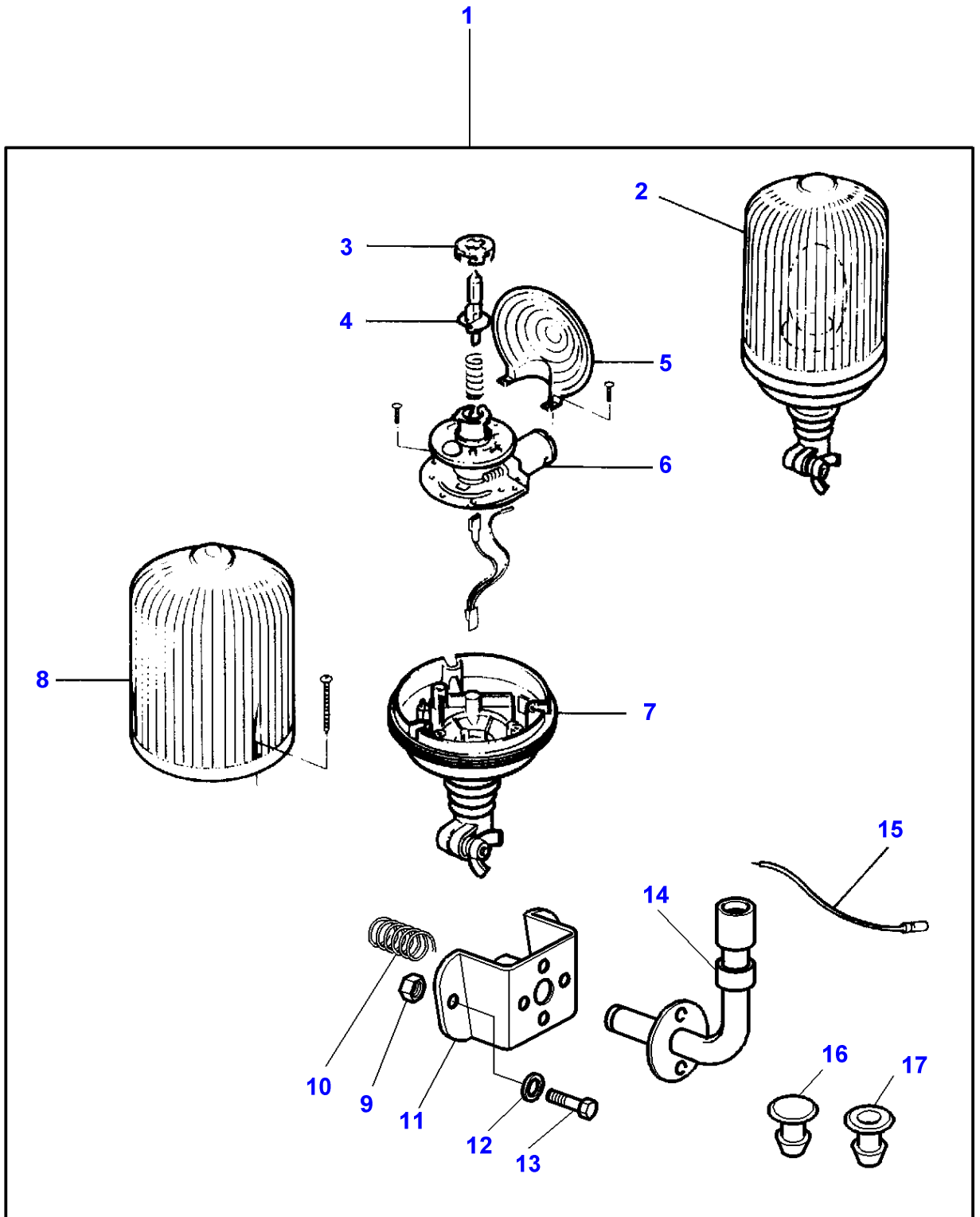


## Windscreen Wiper - Rear

Item	Part Number	Qty	Description	Comments
1	72513123	1	Kit, Attaching	
2	1680522M91	1	Water Tank	(1)
3	1897099M1	1	Cap	(2)
4	1897101M1	1	Bottle	(2)
5	1897100M1	1	Grommet	(2)
6	<b>1895827M1</b>	1	Pump	(2)
7	72513801	1	Bracket	(1)
8	70950268	2	Screw	(1) M12X20MM
9	1102801	2	Washer	(1)
10	3619622M1	3	Cable Tie	(1) Replace and repair. Old not interchangeable with new 3598534M1
11	72513804	1	Pipe,Water	(1) Length 1067MM
12	3761580M1	1	Jet	(1)
13	3406992M91	1	Wiper Blade	(1)
14	3406991M91	1	Wiper Arm	(1)
15	3597357M92	1	Wiper Motor	(1)
16	3901261M1	1	Cover	(15)
17	3901262M1	1	Bracket	(15)
18	<b>1694361M1</b>	1	Switch,Indirect	(1)
19	3611540M1	1	Insert	(1)
20	72513404	1	Harness	(1)
21	70935112	3	Clip	[A] (1)
22	3760697M1	2	Clip	(1)
23	3583086M1	1	Pressure Valve	(1)
24	72503816	1	Wire	(1)

FOOTNOTE [A] NOT ILLUSTRATED

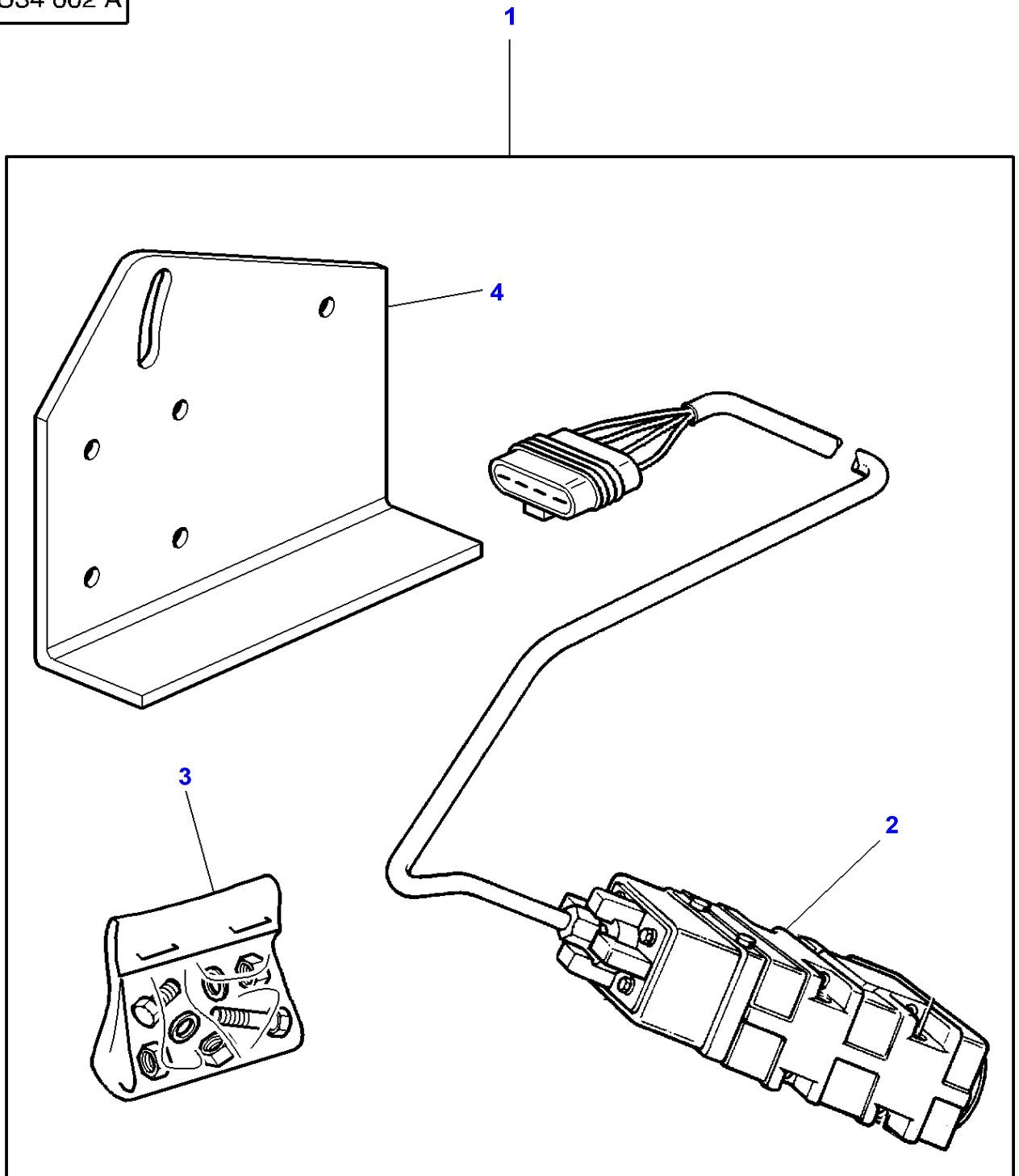
5-AW11-001-A



**Lighting Kits**

<b>Item</b>	<b>Part Number</b>	<b>Qty</b>	<b>Description</b>	<b>Comments</b>
1	72513127	1	Kit, Attaching	
2	3772210M91	1	Turning Light	(1)
3		1	Bush	(2) Not serviced, order REF No 2
4	<b>3405180M1</b>	1	Bulb 12v	(2)
5		1	Reflectingmirror	(2) Not serviced, order REF No 2
6	3901265M1	1	Electric Motor	(2)
7		1	Support	(2) Not serviced, order REF No 2
8	3901264M1	1	Lens	(2)
9	339169X1	2	Nut	(1)
10	3713259M1	1	Spring	(1)
11	3713256M2	1	Support	(1)
12	339374X1	2	Lock Washer	(1)
13	70950019	2	Capscrew	(1)
14	3713257M1	1	Tube	(1)
15	390974X1	1	Washer Metric	(1)
16	3713404M1	1	Plug	(1)
17	3713405M2	1	Grommet	(1)

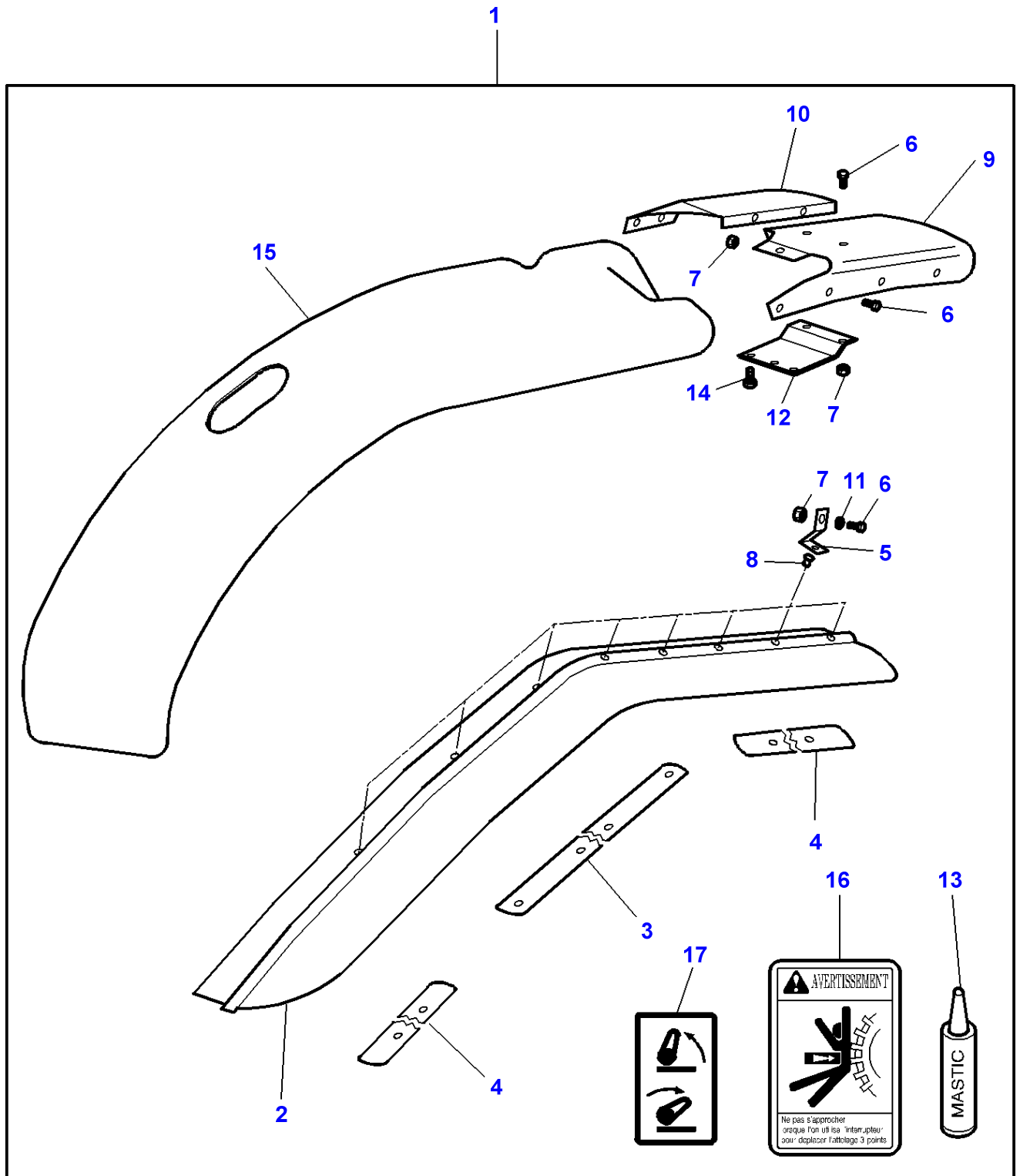
5-AU34-002-A



**Radar**

<b>Item</b>	<b>Part Number</b>	<b>Qty</b>	<b>Description</b>	<b>Comments</b>
1	3902539M91	1	Accessory Code	For UK only or any text in English only
	3902540M91	1	Accessory Code	
2	3714290M2	1	Speed Detector	(1) For UK only or any text in English only
	3714291M2	1	Speed Detector	(1)
3	72500267	1	Kit, Hardware	(1)
4	72161679	1	Bracket	(1)

5-AU07-003-A

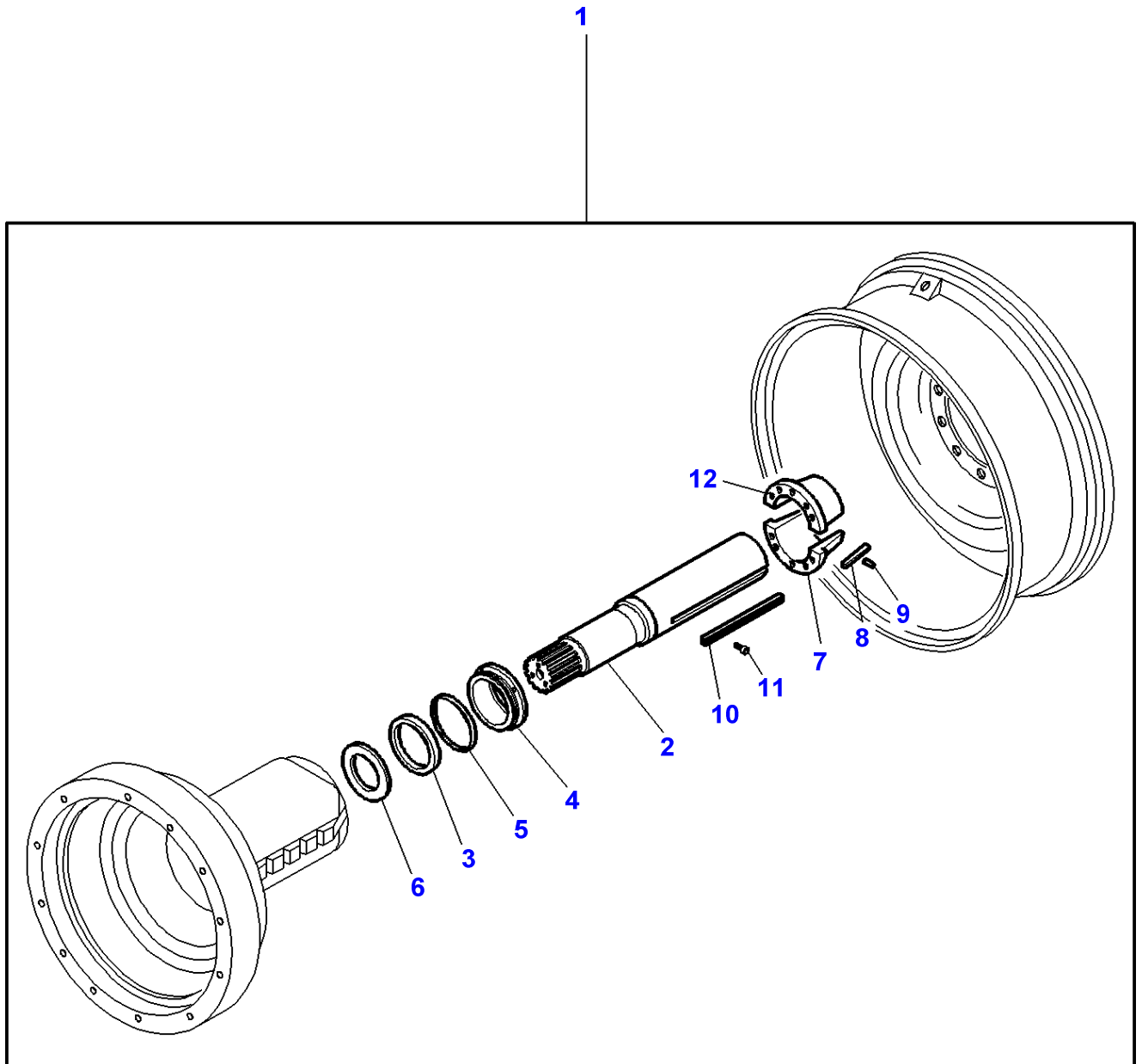


## Tractor Cab - Fenders

Item	Part Number	Qty	Description	Comments
1	72513957	1	Kit	Left Hand
	72513959	1	Kit	Right Hand
2	72511148	1	Extension	(1)
3	72511898	1	Stiffener	(1)
				Length 845MM
4	72511899	2	Stiffener	(1)
				Length 355MM
5	72511896	9	Support	(1)
6	70936460	12	Screw	(1)
				.312-18X.75
7	70931277	17	Nut	(1)
8	70925160	9	Rivet	(1)
9	72511143	1	Extension	(1)
				Left Hand
	72511144	1	Extension	(1)
				Right Hand
10	72511145	1	Support	(1)
				Left Hand
	72511146	1	Support	(1)
				Right Hand
11	72501750	2	Spacer	(1)
12	72511149	1	Support	(1)
13	70937560	X	Tube	(1)
14	70924856	3	Bolt	(1)
				.312-18X.50
15	72511128	1	Fender	(1)
				Left Hand
	72511130	1	Fender	(1)
				Right Hand
16	72507489	1	Decal	(1)
				For France only or any text in French only
	72511929	1	Decal	(1)
				For Germany only or any text in German only
	72507000	1	Decal	(1)
				For UK only or any text in English only
17	72506323	1	Decal	(1)



5-AG59-002-A



**Massey Ferguson****MF 9240 TRACTOR - 1637287**

1637287

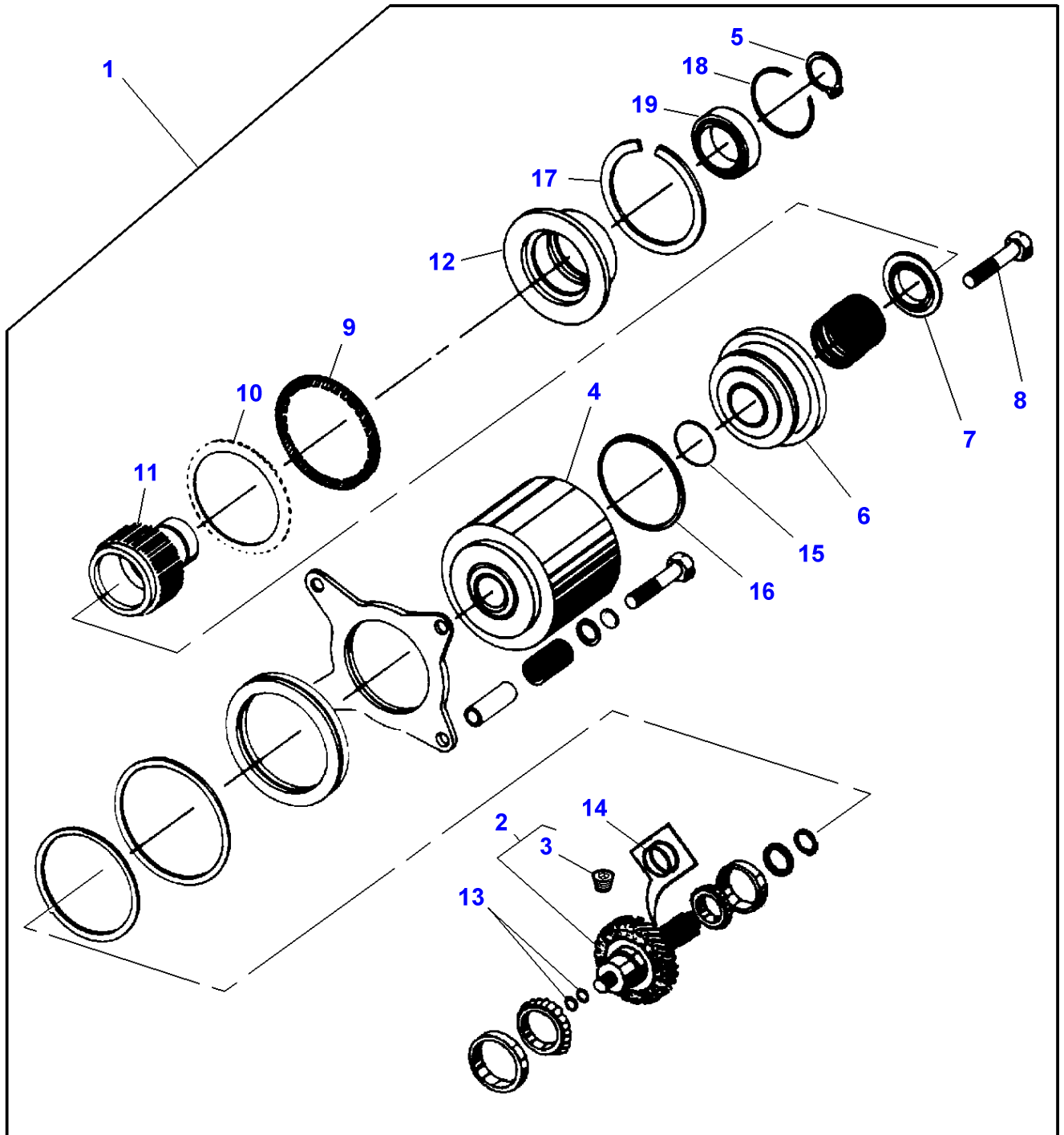
**Rear Axle - Housing & Final Drive - Hub For Dual Wheels / 110mm Axle Long**

Page 140-0070

Item	Part Number	Qty	Description	Comments
1	72514647	1	Kit, Shaft	[A]
2	72514634	2	Shaft	(1)
3	<b>72514640</b>	2	Oil Seal	(1)
4	<b>72514637</b>	2	Gasket	(1)
5	70924138	2	O Ring	(1)
6	72160344	X	Shim	(1) Thickness .015"
	72160345	X	Shim	(1) Thickness .007"
	72160346	X	Shim	(1) Thickness .004"
7	72511212	2	Hub	(1)
8	<b>72512326</b>	2	Key	(1)
9	70915711	2	Roll Pin	(1) Diameter 3/16"X1"
10	<b>72514639</b>	2	Key	(1)
11	70951346	2	Screw	(1) M10X16
12	72511225	2	Hub	(1)

**FOOTNOTE [A] ONLY P/NS WITH ITEMS ARE INCLUDED IN THE KIT**

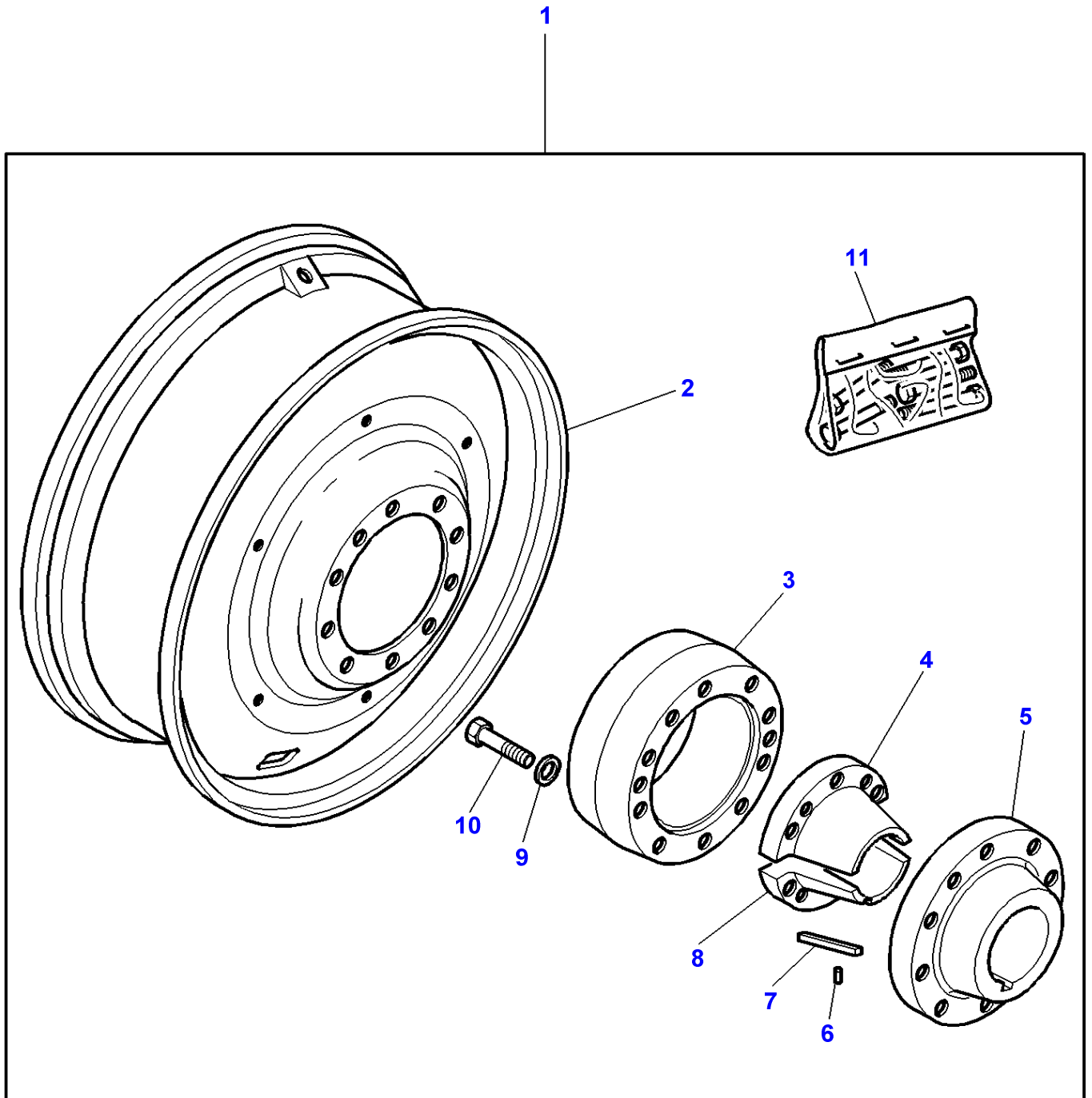
5-AG39-002-A



Item	Part Number	Qty	Description	Comments
1	72514631	1	Clutch	[A]
2	72514365	1	Gear	(1) Number of teeth/spines 36
3	70927473	1	Plug	(1)
4	72514352	1	Housing	(1)
5	70926000	6	Ring	(1)
6	72514190	1	Piston	(1)
7	72514187	1	Guide	(1)
8	70928416	3	Screw	(1) Diameter 5/16-24X3/4
9	72161737	7	Disc	(1)
10	72161738	8	Plate	(1)
11	72514188	1	Hub	(1)
12	72515220	1	Housing	(1)
13	72160398	2	Ring	(1)
14	<b>70923718</b>	2	Seal	(1) Diameter .139X1.296 ID
15	70923578	1	O Ring	(1) Diameter .139X1.859 ID
16	70937165	1	Ring	(1)
17	72160668	1	Ring	(1)
18	72160056	1	Ring	(1)
19	72514650	1	Bearing	(1)

**FOOTNOTE [A]** ONLY P/NS WITH ITEMS ARE INCLUDED IN THE KIT

5-AM01-002-A



**Massey Ferguson****MF 9240 TRACTOR - 1637287****1637287****Rear Wheels - FIXED DUAL WHEELS****Page 140-0080**

<b>Item</b>	<b>Part Number</b>	<b>Qty</b>	<b>Description</b>	<b>Comments</b>
1	72513136	1	Kit, Wheel	
2	72512682	2	Rim	(1) W18L X 42
3	72201024	2	Spacer	(1)
4	72161654	2	Hub	(1)
5	72160909	2	Hub	(1)
6	70915797	2	Pin	(1)
7	72160036	2	Key	(1)
8	72160685	2	Hub	(1)
9	72160831	20	Washer	(1)
10	70925707	12	Capscrew	(1) .750-10X3"
	70923292	8	Capscrew	(1) .750-10X2"
11	72201154	1	Parts Pack	(1)