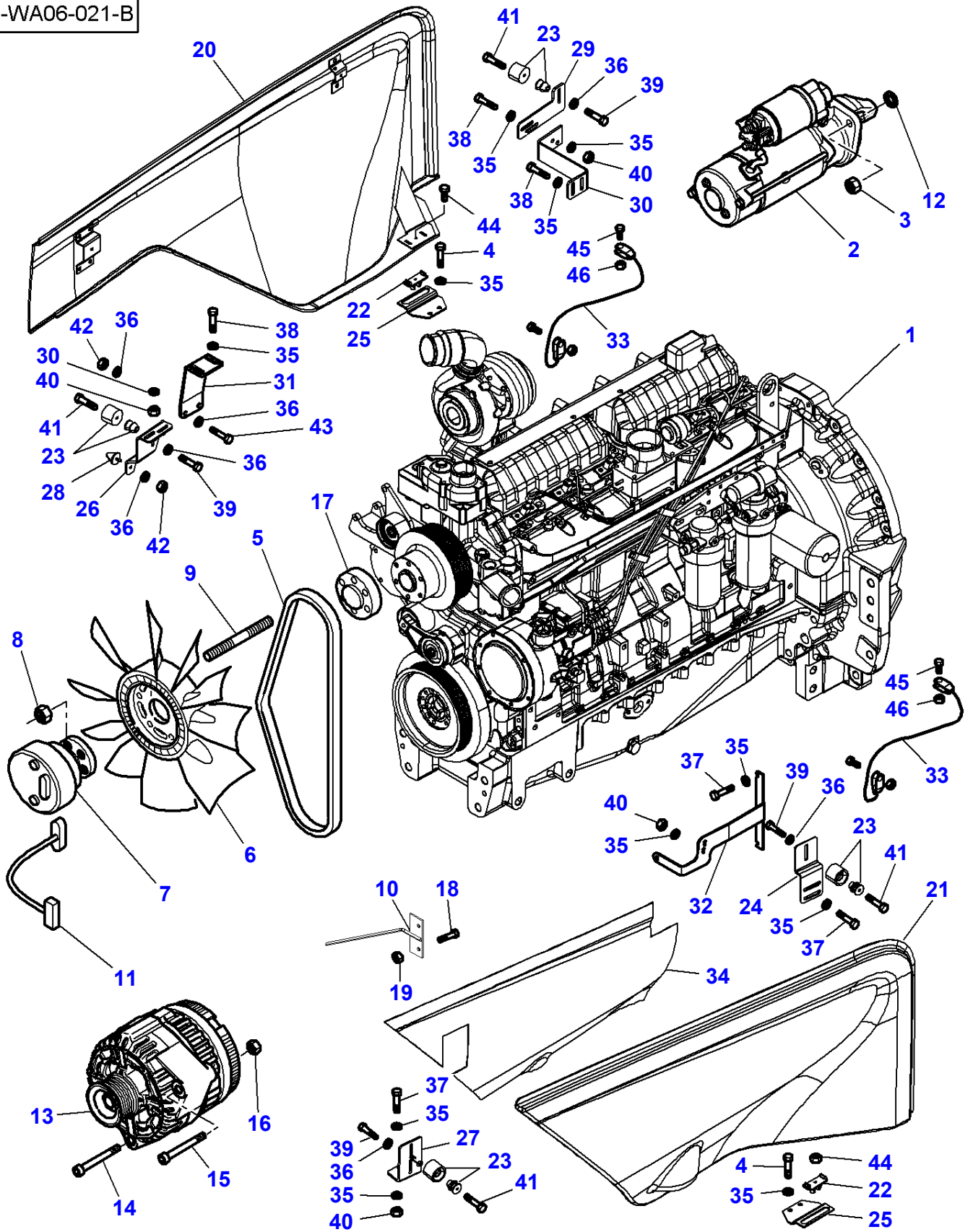


Page Title	Page Number
Engine And Equipment	010-0005
Alternator & Bracket	010-0010
Alternator	010-0015
Starter	010-0020
Cylinder Block	010-0025
Timing Gear Housing	010-0030
Crankshaft, Pistons And Connecting Rods	010-0035
Valve Mechanism And Camshaft	010-0040
Cylinder Head	010-0045
Cylinder Head Cover	010-0050
Lubricating Oil Sump	010-0055
Lubricating Oil Cooler And Filter	010-0060
Water Pump	010-0065
Fuel Injection Equipment	010-0070
Fuel Injection Equipment	010-0075
Low Pressure Fuel System	010-0080
Air Induction And Exhaust System	010-0085
Turbocharger - Pipes	010-0090
Electronic Engine Management	010-0095
Engine Repair Kits - Piston- Cylinder Head With Valves	010-0100
Engine Gaskets Sets	010-0105
Heater Engine Block - 110 V	010-0110
Heater Engine Block - 220 V	010-0115
Cab Heating System - Engine Part	010-0120
Fuel Tank & Attachments	010-0125
Additional Tank	010-0130
Fuel Pipes	010-0135
Batteries And Cables - Without Battery Cut-Off W/O Positive Connection	010-0140
Batteries And Cables - Without Battery Cut-Off With Positive Connection	010-0145
Batteries And Cables - With Battery Cut-Off W/O Positive Connection	010-0150
Cooling System - Air Conditioned Installation	010-0155
Compressor	010-0160
Cooling System - Engine	010-0165
Cooling System - Engine	010-0170
Air Cooler	010-0175
Air Filter - Dry - Dual Element	010-0180
Air Filter - Dry - Dual Element	010-0185
Vertical Exhaust On The Side - Not for USA	010-0190
Vertical Exhaust On The Side - For United States of America	010-0195
Throttle Controls	010-0200
Throttle Controls	010-0205

MF 8450/8460 TRACTOR - 1637447
1-WA06-021-B

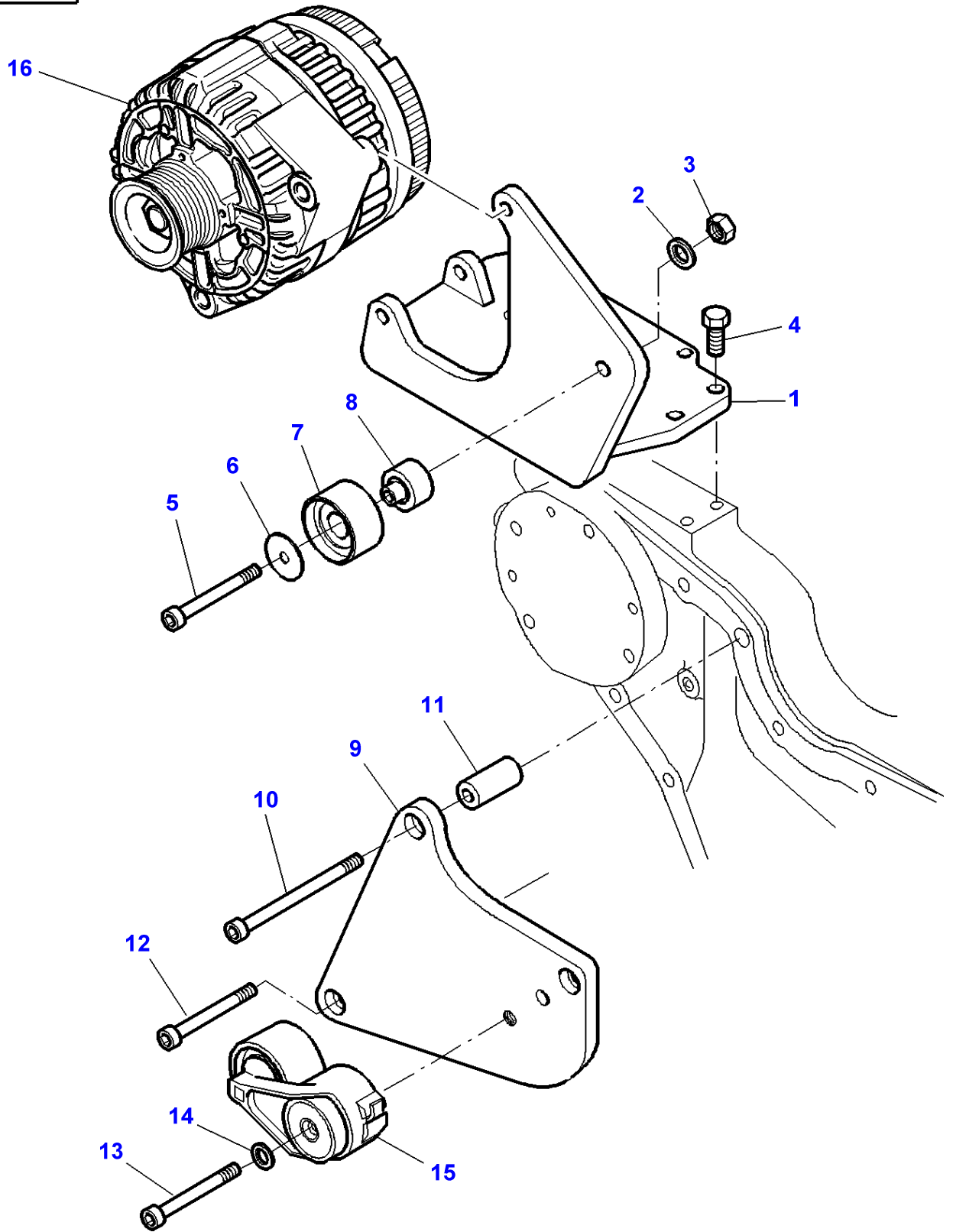
1-WA06-021-B



Engine And Equipment

Item	Part Number	Qty	Description	Comments
1	V832861160	1	Engine	MF 8450 74 ETA
	V832861161	1	Engine	MF 8460 74 ETA
2	3823621M91	1	Startermotor	See Page - Reference Number 010-0020/1
3	339402X1	3	Nut	M10
4	339009X1	4	Hex. Sock. Screw	M8 X 35
5	4275919M1	1	Belt	Length 1940 MM
6	4274231M1	1	Fan	Diameter 650 MM
7	4276064M1	1	Clutch	
8	1441932X1	6	Nut Metric	M10
9	3011353X1	6	Stud	M10 X 52
10	4276881M3	1	Support	
11	4272811M2	1	Harness	
12	3778469M1	1	Spacer	Thickness 15 MM
13	3789453M91	1	Alternator	See Page - Reference Number 010-0015/0 150 AMP
14	339269X1	1	Hex. Sock. Screw	M10 X 100
15	3009502X1	1	Hex. Sock. Screw	M10 X 80
16	339402X1	2	Nut	M10
17	4270818M1	1	Spacer	Thickness 30 MM
18	339560X1	2	Hex. Sock. Screw	M6 X 16
19	339030X1	2	Nut Metric	M6
20	4275844P91	1	Panel	Left Hand
21	4276108P91	1	Panel	Right Hand
22	3800376M1	2	Buffer	
23	72502409	4	Rubber	
24	4270244M5	1	Support	
25	3783047M5	2	Support	
26	4270660M3	1	Support	
27	4270260M1	1	Support	
28	3780947M1	1	Stop	
29	4271215M2	1	Angle.	
30	4274205M1	1	Support	
31	4274206M2	1	Support	
32	3786486M3	1	Angle.	Up to Serial or Engine Number N345073
	4278660M1	1	Angle.	From Serial or Engine Number N345074
33	3783347M2	2	Cable	
34	4275845M1	1	Protector	
35	390972X1	22	Washer	Diameter 8-17 X 1,7
36	390971X1	9	Washer	Diameter 6-12 X 1,5
37	339124X1	5	Hex. Sock. Screw	M8 X 16
38	339761X1	6	Hex. Sock. Screw	M8 X 25
39	391074X1	4	Hex. Sock. Screw	M6 X 12
40	339169X1	7	Nut	M8
41	339804X1	4	Hex. Sock. Screw	M6 X 25
42	339030X1	3	Nut Metric	M6
43	339666X1	2	Hex. Sock. Screw	M6 X 20
44	3010934X1	2	Rivet	
45	339560X1	4	Hex. Sock. Screw	M6 X 16
46	1441500X1	4	Locknut	M6

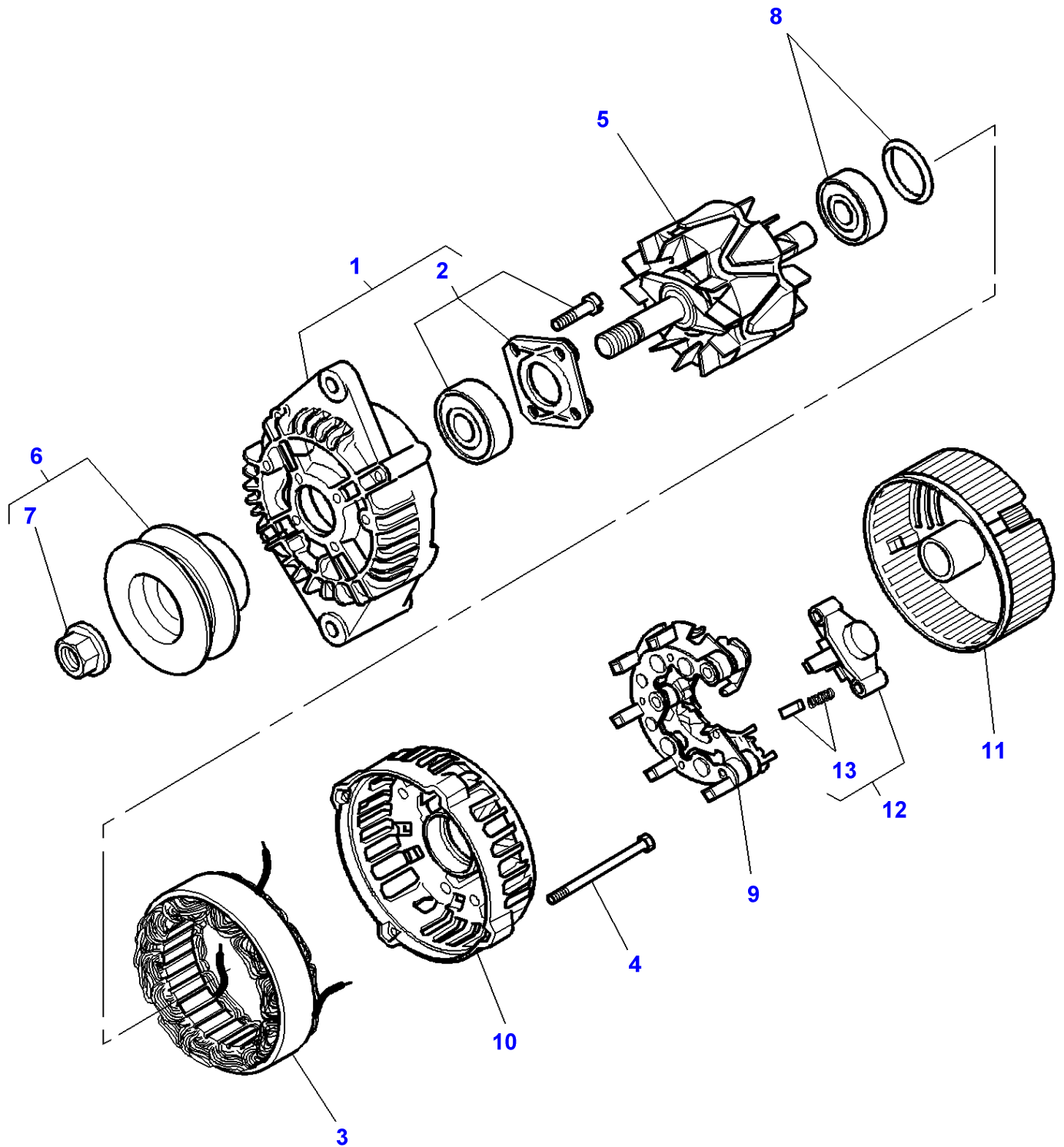
1-WA10-007-A



Alternator & Bracket

Item	Part Number	Qty	Description	Comments
1	V836866853	1	Bracket	
2	V500451202	1	Washer	
3	V510601202	1	Nut	M12
4	V528801800	4	Screw	M10 X 25
5	V581705510	1	Screw	M12 X 70
6	V836866312	1	Flange	
7	V836866570	1	Roller	
8	V836866855	1	Shaft	
9	V836866856	1	Bracket	
10	V581704800	2	Bolt	M8 X 130
11	V836120104	3	Sleeve	
12	V581804710	2	Screw	M8 X 70
13	V581705130	1	Screw	M10 X 80
14	V500951000	1	Washer	
15	V836866320	1	Tightener	
16	3789453M91	1	Alternator	150 AMP See Page - Reference Number 010-0015/0

1-WC35-005-B

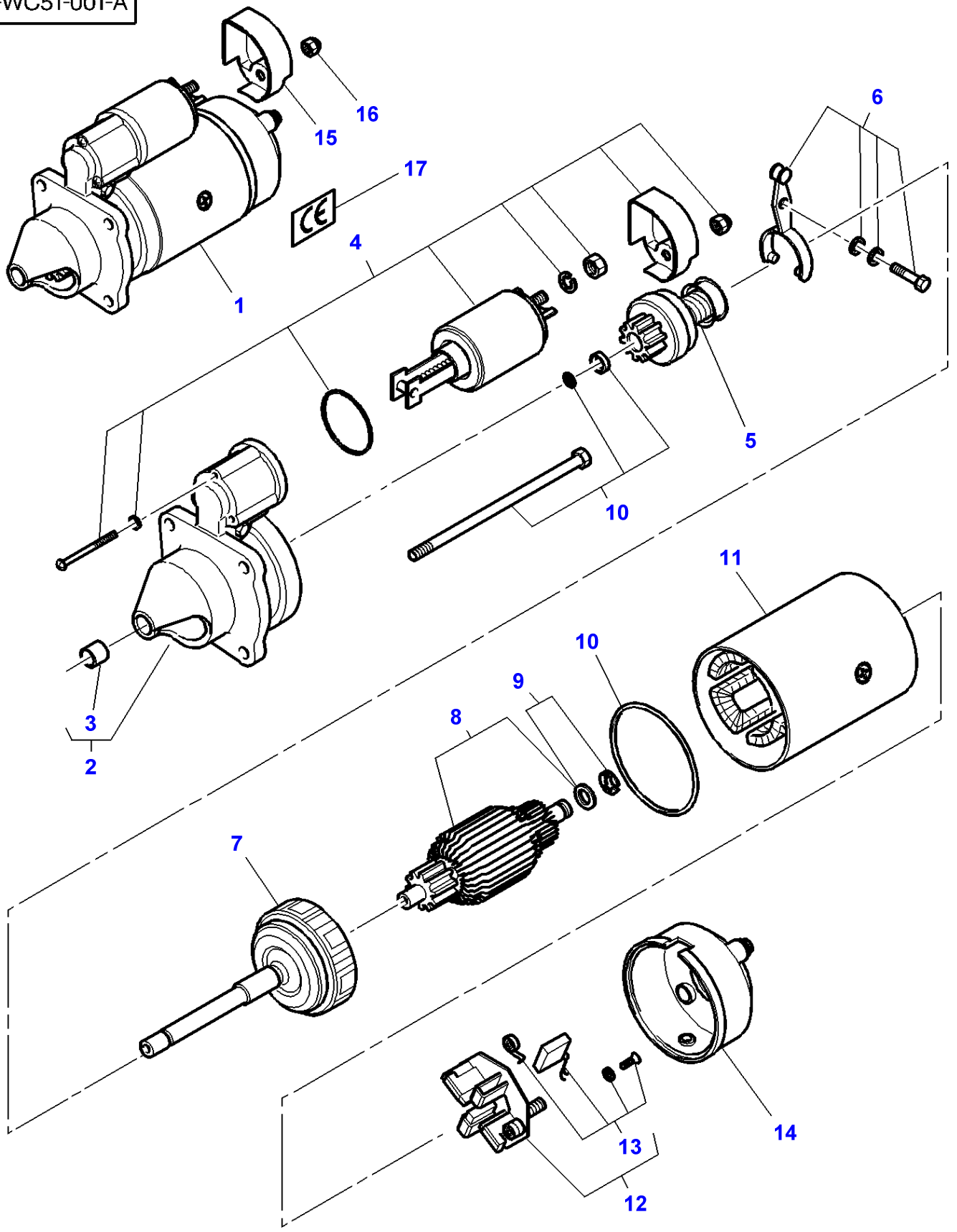


Alternator

Item	Part Number	Qty	Description	Comments
	3789453M91	1	Alternator	150 A
1		1	Kit, Drive	Not serviced,order REF. 0
2	3907186M91	1	Kit, Bearing	(1)
3		1	Stator	Not serviced,order REF. 0
4	3907187M1	1	Bolt	
5		1	Rotor	Not serviced,order REF. 0
6	3907189M91	1	Pulley	
7		1	Parts Pack	(6) Not serviced,order REF. 6
8	3907193M91	1	Kit, Bearing	
9	3907190M91	1	Rectifier	
10		1	Housing	Not serviced,order REF. 0
11	3907191M1	1	Cover	
12	3907192M91	1	Regulator	
13		1	Brush	(12) Not serviced,order REF. 12

MF 8450/8460 TRACTOR - 1637447
1-WC51-001-A

1-WC51-001-A



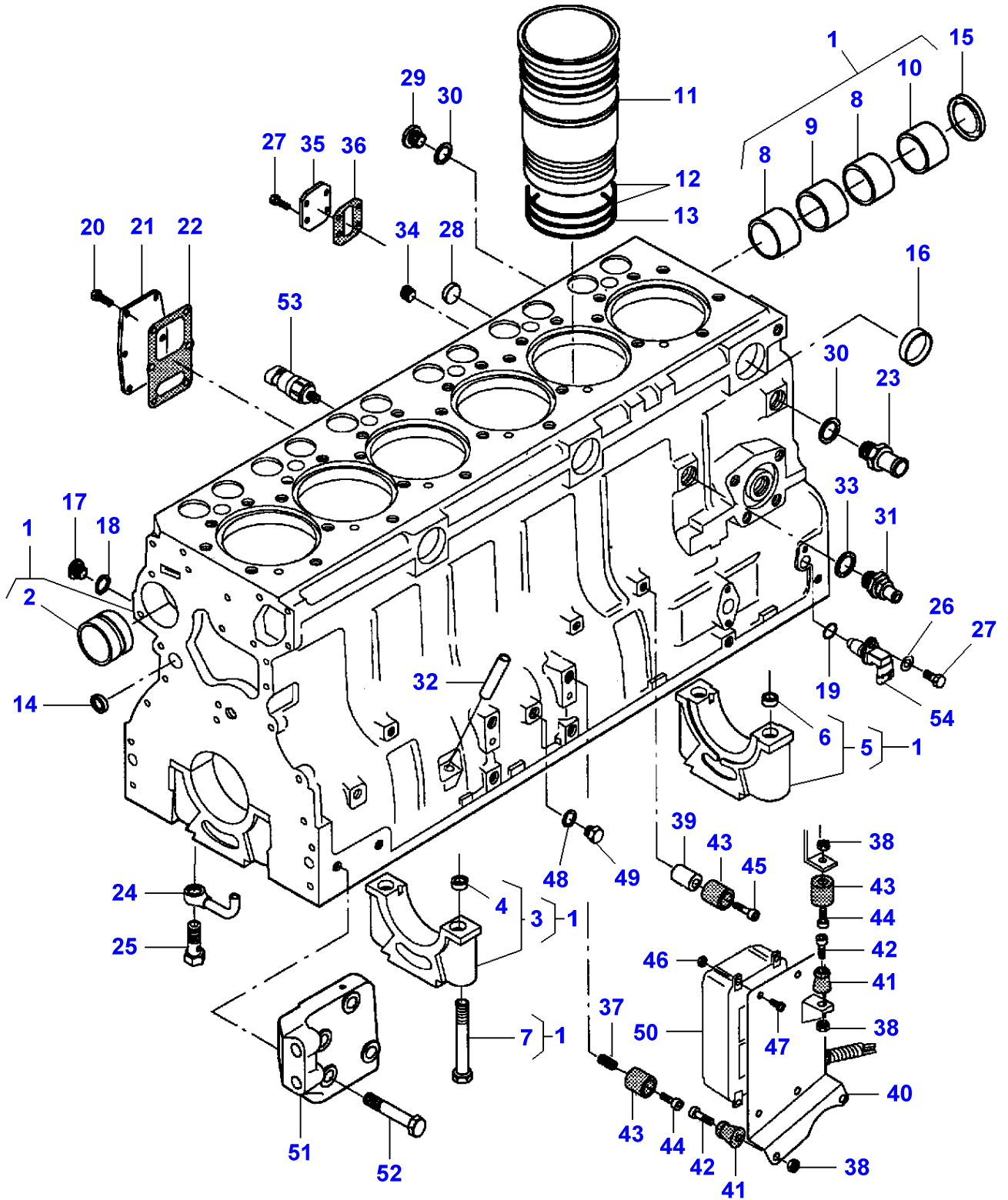
Starter

Item	Part Number	Qty	Description	Comments
1	3823621M91	1	Statermotor	[A]
2		1	Housing	(1) Not serviced,order REF. 1
3	3903761M1	1	Bearing	(2)
4	3904366M91	1	Kit, Solenoid	(1)
5	3904360M1	1	Drive Gear	(1)
6	3904361M91	1	Kit, Lever	(1)
7		1	Reducer	(1) Not serviced,order REF. 1
8		1	Rotor	(1) Not serviced,order REF. 1
9	3904362M91	1	Kit, Bearing	(1)
10	3904363M91	1	Parts Pack	(1)
11		1	Stator	(1) Not serviced,order REF. 1
12	3904364M91	1	Holder	(1)
13	3904365M91	1	Kit, Brush	(12)
14		1	Cover	(1) Not serviced,order REF. 1
15	3786093M1	1	Protector	
16	3786092M1	1	Nut	M10
17	3788193M1	1	Label	

FOOTNOTE [A] THE APPROPRIATE SAFETY DECALS MUST BE ORDERED AND FITTED TO THIS PART

MF 8450/8460 TRACTOR - 1637447
1-WH01-001-B

1-WH01-001-B

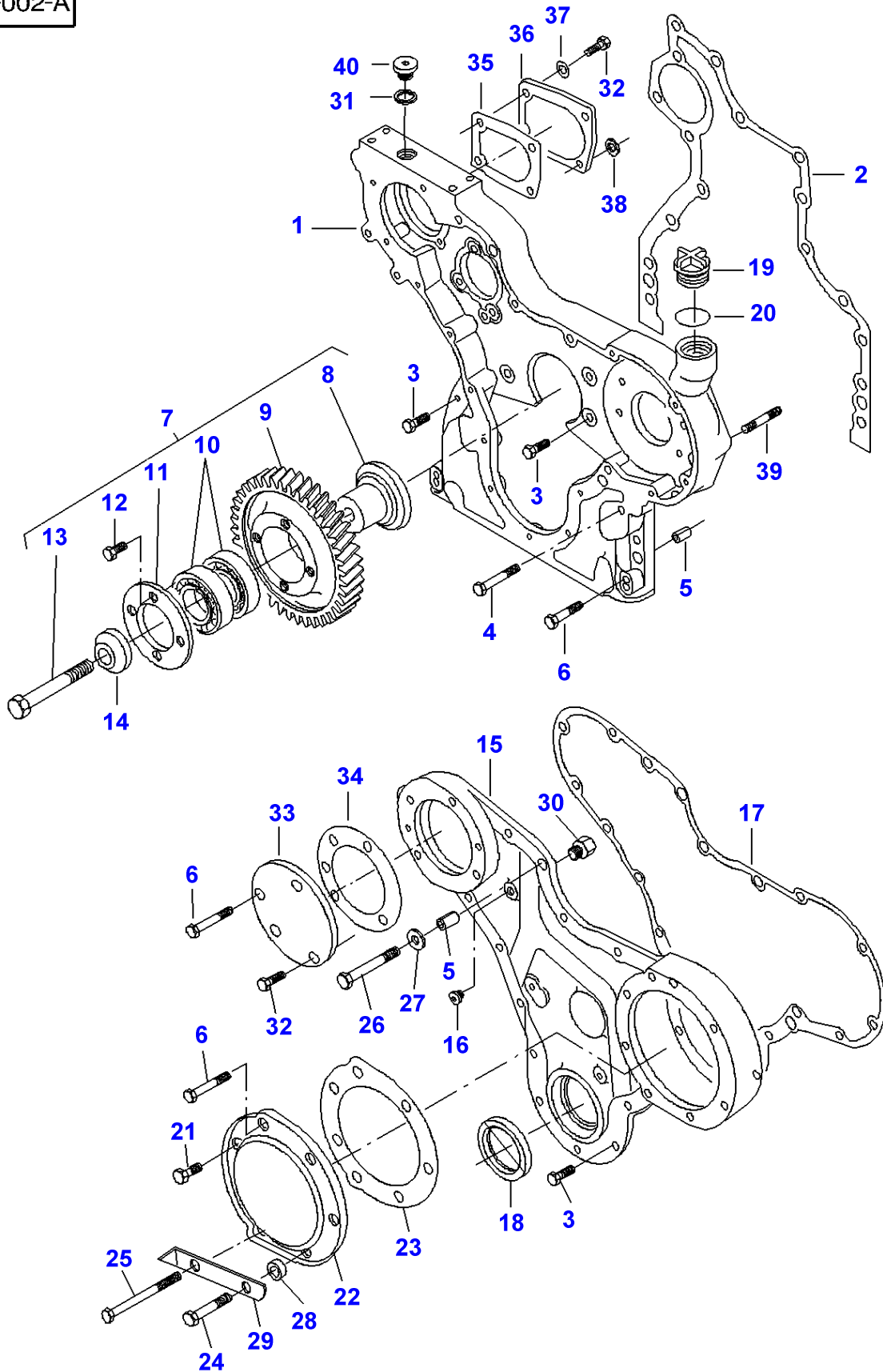


Cylinder Block

Item	Part Number	Qty	Description	Comments
1	V836866110	1	Cylinder Block	
2	V836866069	1	Bush	(1)
3		6	Bearing Carrier	(1) Not serviced,order REF. 1
4	V836214478	12	Bush	(3)
5		1	Bearing Carrier	(1) Not serviced,order REF. 1
6	V836214478	2	Bush	(5)
7	V529903180	14	Screw	(1)
8	V836852460	2	Bush	(1)
9	V836852459	1	Bush	(1)
10	V836852461	1	Bush	(1)
11	V836666990	6	Liner	
	V836647933	X	Liner	Thickness 9,08 MM
	V836647934	X	Liner	Thickness 9,13 MM
	V836647935	X	Liner	Thickness 9,23 MM
12	V836647502	12	O Ring	
13	V836647503	6	O Ring	
14	V640016016	4	Plug	
15	V836852744	1	Plug	
16	V640016040	3	Plug	
17	V640325110	3	Plug	
18	V615571014	4	Seal	
19	VKH7070	1	O Ring	
20	V528801380	6	Screw	M8 X 20
21	V836847994	1	Cover	
22	V836322852	1	Gasket	
23	V836119837	1	Union	
24	V836855093	6	Pipe	
25	V836338601	6	Valve.	
26	V500050840	1	Washer	
27	V528801362	5	Screw	M8 X 16
28	V640016018	1	Plug	
29	V640325018	1	Plug	
30	V615881822	2	Seal	
31	V836664377	1	Cock	
32	V836014334	1	Pipe	
33	V615881824	1	Seal	
34	V640025010	1	Plug	
35	V836866957	1	Cover	
36	V836866958	1	Gasket	
37	V836859153	1	Nipple	
38	V510600802	4	Nut	M8
39	V836136475	1	Bush	
40	V836867134	1	Bracket	
41	V836666095	3	Knob	
42	V581804630	3	Screw	M8 X 30
43	V836666094	3	Bush	
44	V581804580	2	Screw	M8 X 16
45	V581804640	1	Screw	M8 X 35
46		X	Not Used	
47	V572504172	4	Screw	M6 X 12
48	V615881216	1	Gasket	
49	V640045112	1	Plug	
50		1	Control Unit	See Page - Reference Number 010-0095/1
51		X	Not Used	
52		X	Not Used	
53	V836866613	1	Sensor	See Page - Reference Number 010-0095/3
54	V836866392	1	Eng.Speed Sensor	See Page - Reference Number 010-0095/5

MF 8450/8460 TRACTOR - 1637447
1-WH20-002-A

1-WH20-002-A

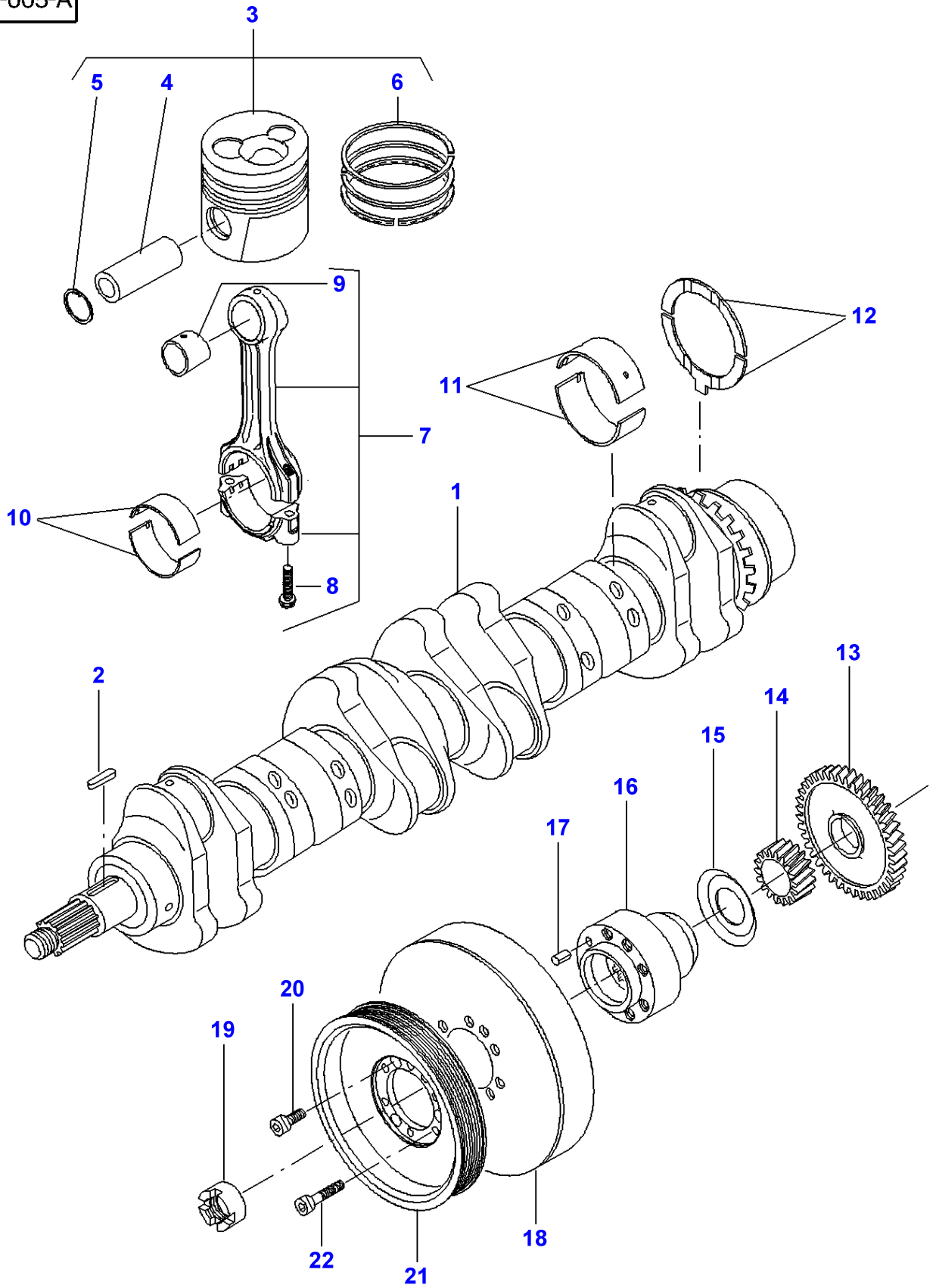


Timing Gear Housing

Item	Part Number	Qty	Description	Comments
1	V836866410	1	Timing Gear Case	
2	V836647419	1	Gasket	
3	V528801400	17	Screw	M8 X 25
4	V529801470	1	Screw	M8 X 60
5	V598359850	4	Pin	
6	V529801440	8	Screw	M8 X 45
7	V836647946	1	Gear	
8	V836647937	1	Shaft	(7)
9	V836122756	1	Gear	(7)
10	V610071079	1	Ball Bearing	(7)
11	V836122759	1	Flange	(7)
12	V528801360	4	Screw	(7) M8 X 16
13	V529902720	1	Screw	M14 X 85
14	V836122758	1	Flange	
15	V836117328	1	Cover	
16	V588204963	1	Plug	(15)
17	V836117329	1	Gasket	
18	V614105880	1	Seal	
	V835328899	1	Chock	Thickness 3 MM
19	V836017927	1	Plug	
20	V614603540	1	O Ring	
21	V528801360	2	Screw	M8 X 16
22	V836120144	1	Cover	
23	V836112272	1	Gasket	
24	V529801460	1	Screw	M8 X 55
25	V529801560	1	Screw	M8 X 105
26	V529801500	4	Screw	M8 X 75
27	V836120989	1	Washer	
28	V836019695	2	Sleeve	
29	V836352823	1	Plate	
30	V836647774	1	Screw	
31	V615881822	1	Seal	
32	V528801380	5	Screw	M8 X 20
33	V836117337	1	Cover	
34	V836117338	1	Gasket	
35	V836022077	1	Gasket	
36	V836122076	1	Cover	
37	V500950800	3	Washer	
38	V836015967	1	Washer	
39	V546801815	4	Stud	M10 X 30
40	V640325018	1	Plug	

MF 8450/8460 TRACTOR - 1637447
1-WH02-005-A

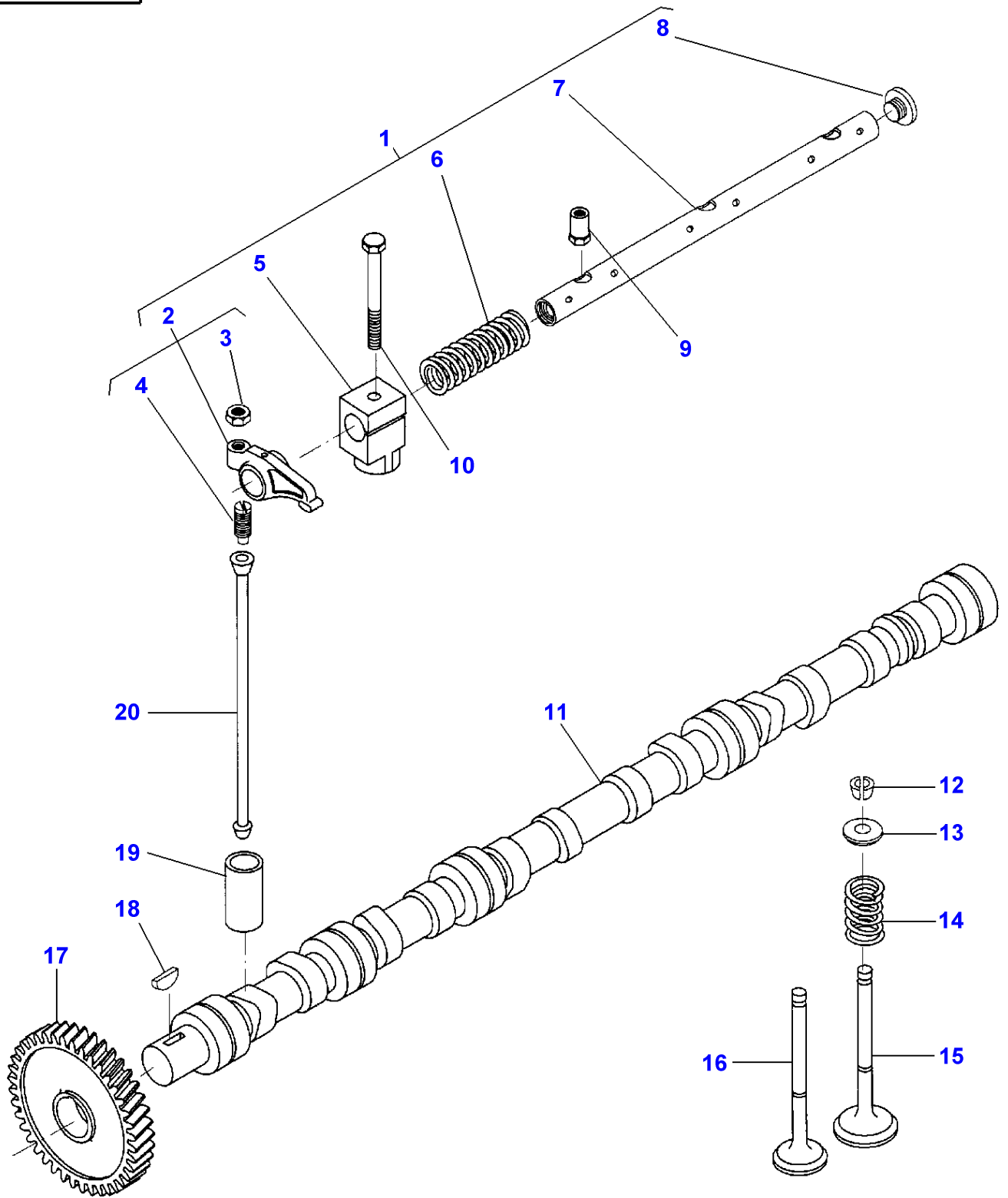
1-WH02-005-A



Crankshaft, Pistons And Connecting Rods

Item	Part Number	Qty	Description	Comments
1	V836866476	1	Crankshaft	
2	V603345110	1	Key	
3	V836866181	6	Piston	
4		6	Piston Pin	(3) Not serviced,order REF. 3
5		12	Circlip	(3) Not serviced,order REF. 3
6	V836640078	6	Kit, Piston Ring	(3)
7	V836840928	1	Kit, Conrod	
	V836666430	6	Conrod	1935-1954g F
	V836666431	X	Conrod	1955-1974g V
	V836666432	X	Conrod	1975-1994g X
	V836666433	X	Conrod	1995-2014g Y
	V836666434	X	Conrod	2015-2034g W
	V836666435	X	Conrod	2035-2054g Z
	V836666436	X	Conrod	2055-2074g G
8	V836864141	12	Screw	(7) TORX E18
9	V836110646	6	Bush	(7)
10	V836110552	6	Bearing	STANDARD Diameter 67,981MM 68,000MM
	V836112762	X	Bearing	Diameter 67,731MM 67,750MM
	V836112763	X	Bearing	Diameter 67,481MM 67,500MM
	V836112765	X	Bearing	Diameter 66,981MM 67,000MM
	V836112767	X	Bearing	Diameter 66,481MM 66,500MM
	V836140950	X	Bearing	Diameter OUTER 1,0mm INNER 0,5MM
11	V836655514	7	Main Bearing	STANDARD Diameter 84,985MM 85,020MM
	V836655536	X	Main Bearing	Diameter 84,735MM 84,770MM
	V836655537	X	Main Bearing	Diameter 84,485MM 84,520MM
	V836655538	X	Main Bearing	Diameter 83,985MM 84,020MM
	V836655539	X	Main Bearing	Diameter 83,485MM 83,520MM
12	V836119459	2	Chock	STANDARD
	V836120332	X	Thrust Washer	Thickness 0,1MM
	V836120333	X	Thrust Washer	Thickness 0,2MM
13	V836119550	1	Pinion	
14	V836122840	1	Pinion	
15	V836122732	1	Ring	
16	V836322586	1	Hub	
17	V595954600	1	Pin	
18	V836340689	1	Damper	
19	V836847641	1	Nut	
20	V581804620	3	Screw	
21	V836866527	1	Pulley	
22	V581804640	6	Screw	

1-WH22-001-A



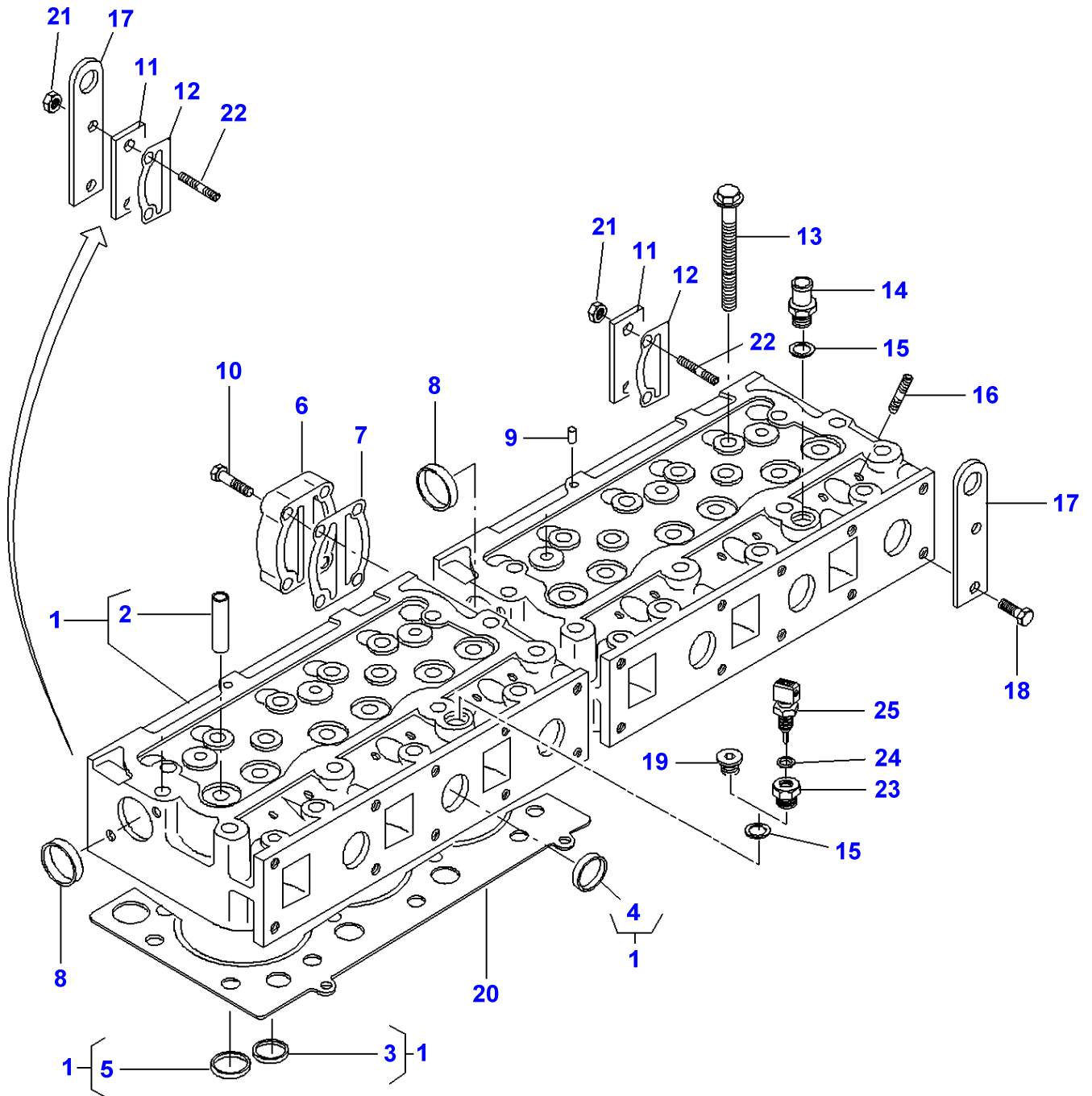
Valve Mechanism And Camshaft

Item	Part Number	Qty	Description	Comments
1	V836666610	2	Rocker Shaft	Replace and repair. Old not interchangeable with new V836655911
2	V836666608	12	Rocker	(1) Replace and repair. Old not interchangeable with new V836655873
3	V512861000	12	Nut	(2)
4	V836655866	12	Adjusting Screw	(2)
5	V836666609	6	Bracket	(1)
6	V836655884	4	Spring	(1)
7	V836655870	2	Shaft	(1)
8	V836655899	4	Plug	(1)
9	V836655406	4	Nut	
10	V529801910	2	Screw	M10 X 80
11	V836862528	1	Camshaft	Replace and repair. Old not interchangeable with new V836866054
12	V836646382	24	Cotter	
13	V836646381	12	Cup	
14	V836646380	12	Spring	
15	V836646356	6	Valve Inlet	
16	V836646357	6	Valve Exhaust	
17	V836647920	1	Gear	
18	V603305760	1	Key	
19	V836014264	12	Tappet	
20	V836655867	12	Rod	

FOOTNOTE [A] FOR VALVE INLET**FOOTNOTE [B]** FOR VALVE EXHAUST

MF 8450/8460 TRACTOR - 1637447
1-WH03-005-B

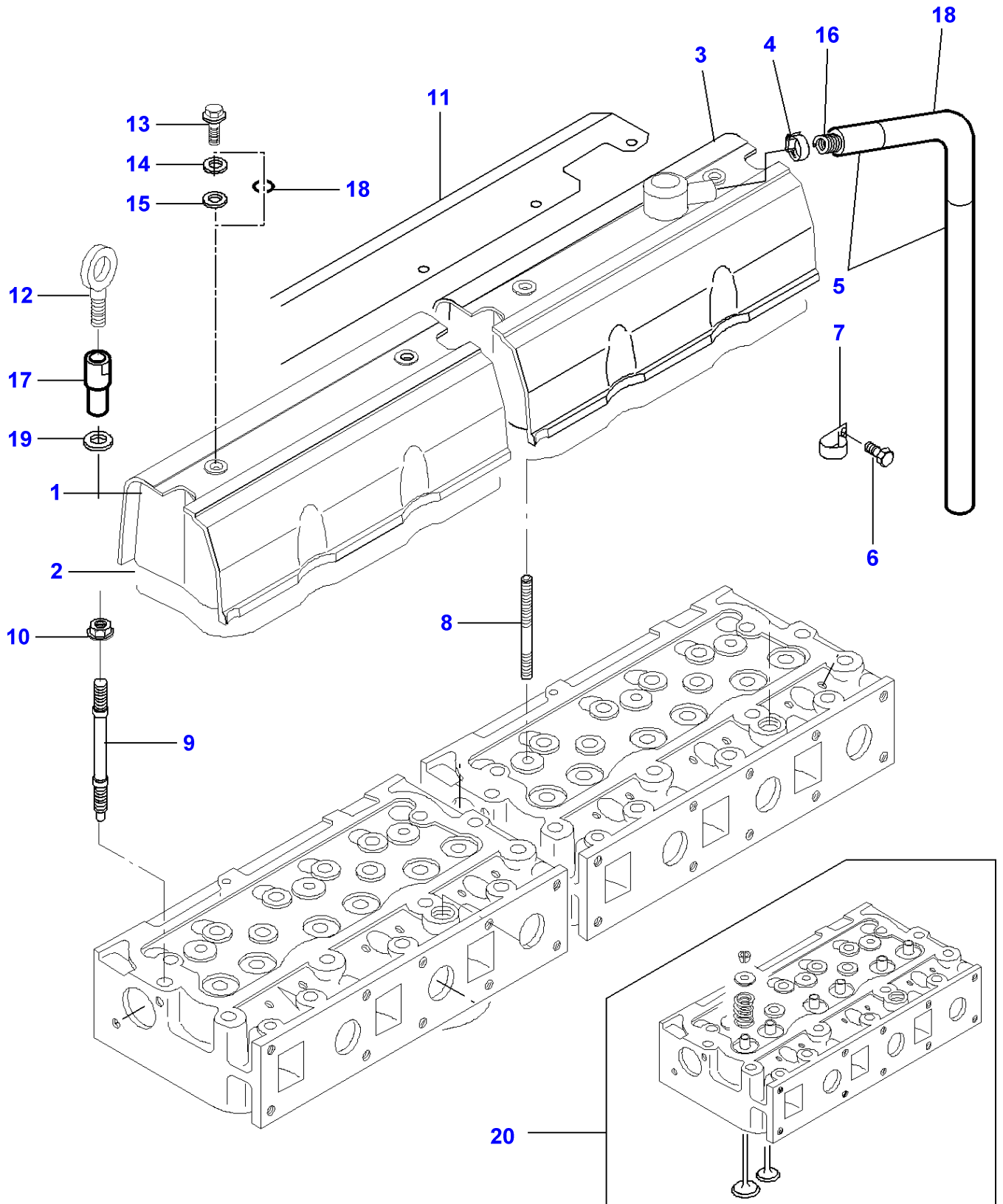
1-WH03-005-B



Cylinder Head

Item	Part Number	Qty	Description	Comments
1	V836855381	2	Cylinder Head	
2	V836647601	12	Guide	(1)
3	V836647600	6	Pressure Valve	(1)
4	V836647942	10	Plug	(1)
5	V836647936	6	Valve Seat	(1)
6	V836855348	1	Connector	
7	V836867390	1	Gasket	Replace and repair. Old not interchangeable with new V836866214
8	V640016045	2	Plug	
9	V595959140	2	Pin	
10	V528801830	4	Screw	M10 X 40
11	V836855350	1	Plate	
12	V836867391	1	Gasket	
13	V836859104	32	Screw	
14	V836119837	1	Union	
15	V615881822	2	Seal	
16	V546901435	12	Stud	M8 X 40
17	V836859722	1	Plate	
18	V528801800	2	Screw	M10 X 25
19			Not Used	
20	V836666302	2	Head Gasket	
21	V504801000	2	Nut	M10
22	V836659785	2	Stud	
23	V636359676	1	Adaptor	
24	V615871014	1	O Ring	
25	V836864360	1	Temp. Sensor	

1-WH23-002-A

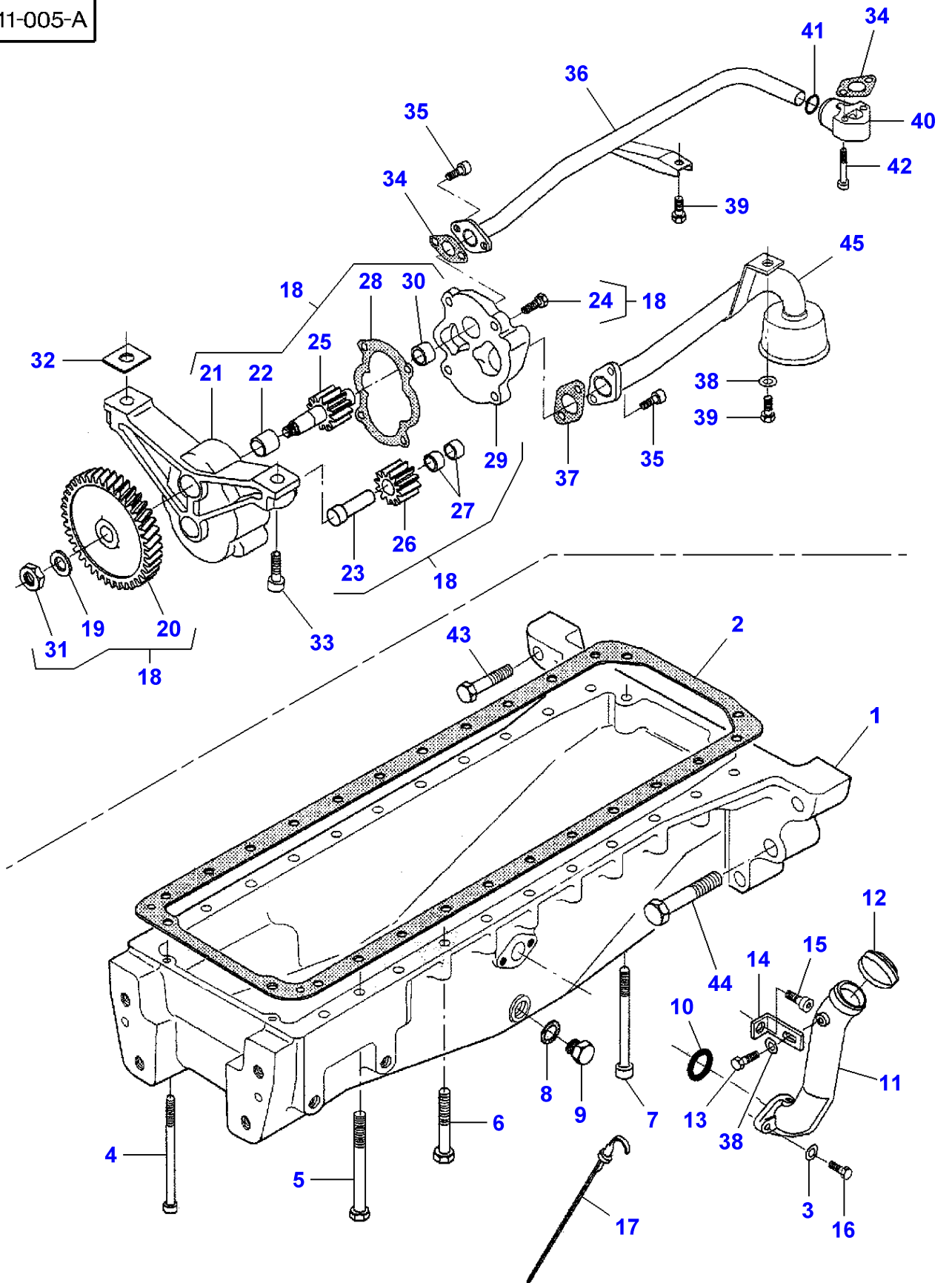


Cylinder Head Cover

Item	Part Number	Qty	Description	Comments
1	V836666801	1	Valve Cover	
2	V614795940	2	Gasket	
3	V836667206	1	Valve Cover	
4	V602088532	1	Band	
5	V836755007	1	Hose Flexible	
6	V528801760	1	Screw	M10 X 16
7	V836659539	1	Band	
8	V546801900	4	Stud	M10 X 75
9	V836859109	2	Stud	
10	V836859110	2	Nut	
11			Not Used	
12	V836640752	1	Shackle	
13	V528801780	4	Screw	M10 X 20
14			Not Used	
15			Not Used	
16	V836659103	1	Spring	
17	V836666340	1	Nut Special	
18	V614901030	4	O Ring	
19	V500151302	2	Washer	
20	V836640897	2	Cylinder Head	

MF 8450/8460 TRACTOR - 1637447
1-WH11-005-A

1-WH11-005-A

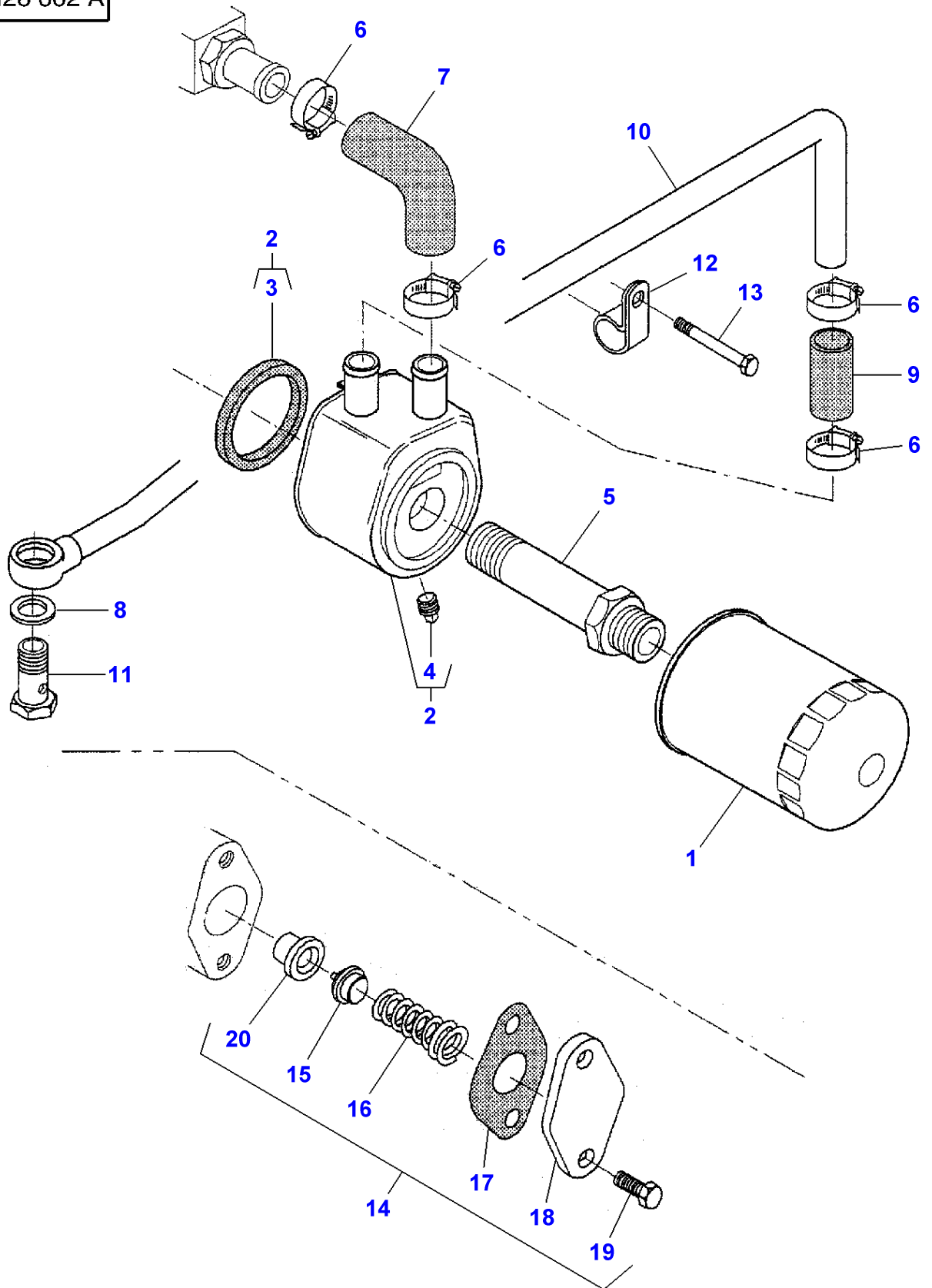


Lubricating Oil Sump

Item	Part Number	Qty	Description	Comments
1	V836866840	1	Sump	
2	V836322183	1	Gasket	
3	V500950800	2	Washer	
4	V581704840	2	Screw	M8 X 170
5	V529701950	6	Screw	M10 X 100
6	V529701880	16	Screw	M10 X 65
7	V581705200	2	Screw	M10 X 130
8	V615881827	1	Seal	
9	V836655493	1	Plug	M18
10	V614603230	1	O Ring	
11	V836855400	1	Breather	
12	V836659697	1	Cap	
13	V528801362	1	Screw	M8 X 16
14	V836655401	1	Support	
15	V581805800	1	Screw	M14 X 20
16	V528801380	2	Screw	M8 X 20
17	V836338637	1	Dipstick	
18	V836855300	1	Oil Pump	
19	V836122910	1	Washer	(18)
20	V836338667	1	Gear	(18)
21	V836338186	1	Frame	(18)
22	V836322909	1	Bush	(18)
23	V836322906	1	Shaft	(18)
24	V528801380	4	Screw	(18) M8 X 20
25	V836338182	1	Gear	(18)
26	V836338180	1	Gear	(18)
27	V836322909	2	Bush	(18)
28	V836338188	1	Gasket	(18)
29	V836855297	1	Cover	(18)
30	V836322909	1	Bush	(18)
31	V504861000	1	Nut	(18) M10
32	V836007871	X	Shim	
33	V581805050	2	Screw	M10 X 40
34	V836008449	2	Gasket	
35	VHC9326	4	Screw	M8 X 20
36	V836866569	1	Pipe,Oil	
37	V836338201	1	Gasket	
38	V500150840	2	Washer	
39	V528801362	2	Screw	M8 X 16
40	V836866563	1	Connector	
41	V614702230	1	O Ring	
42	V581804680	2	Screw	M8 X 55
43	V529903090	6	Screw	M16 X 70
44	V529904330	2	Screw	M22 X 90
45	V836867346	1	Pipe	

MF 8450/8460 TRACTOR - 1637447
1-WH26-002-A

1-WH26-002-A

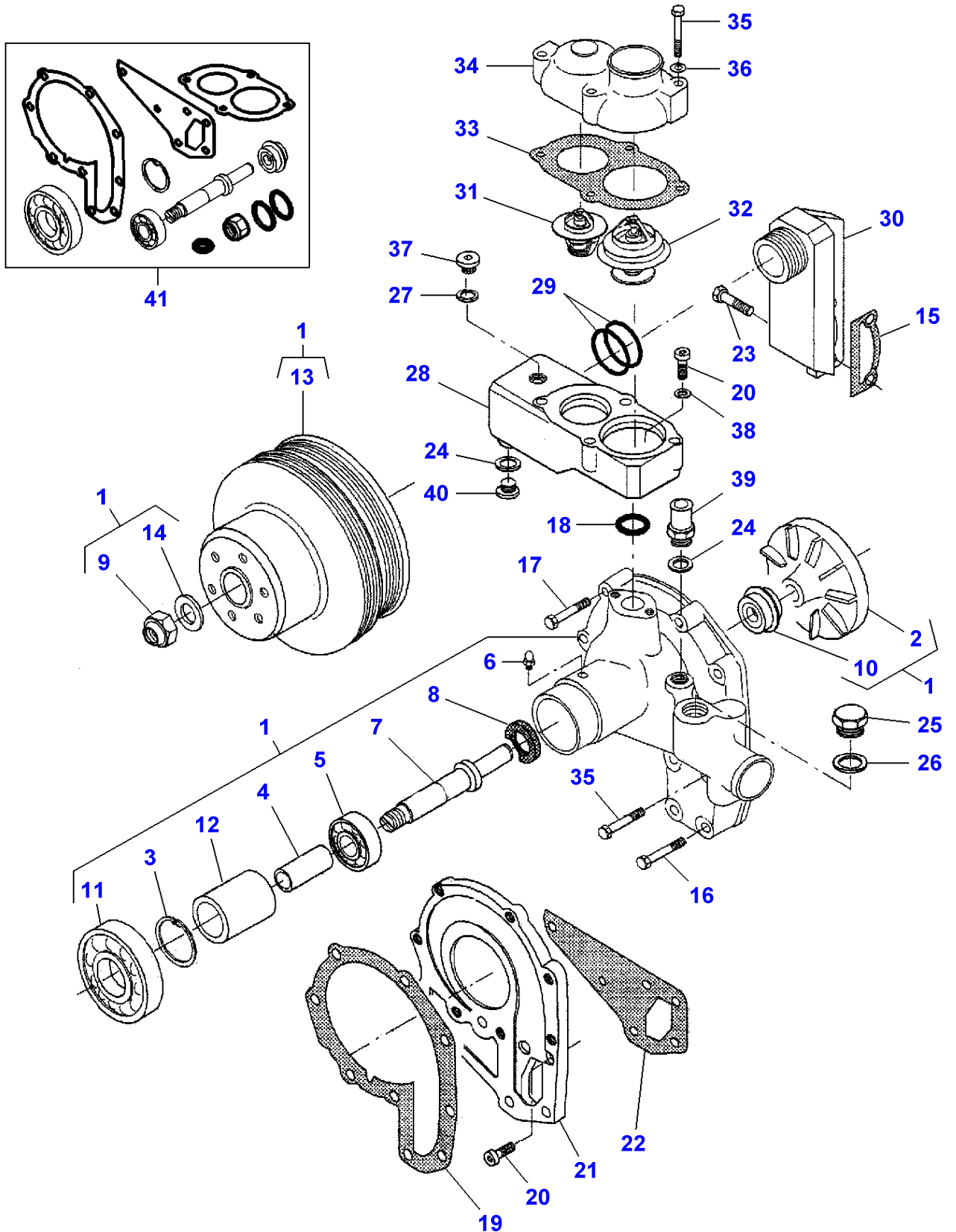


Lubricating Oil Cooler And Filter

Item	Part Number	Qty	Description	Comments
1	V836662111	1	Filter	
2	V836859699	1	Oil Cooler	
3	V836862235	1	Ring	(2)
4	V640025006	1	Plug	(2)
5	V836859700	1	Nipple	
6	V602079516	4	Clamp	
7	V836859899	1	Hose	
8	V615881822	2	Seal	
9	V836129978	1	Hose	
10	V836847929	1	Pipe	
11	V640435015	1	Screw	
12	V602074615	1	Clamp	
13	V529801480	1	Screw	M8 X 65
14	V836662130	1	Control Valve	
15	V836659522	1	Plate	(14)
16	V836864056	1	Spring	(14)
17	V836322190	1	Gasket	(14)
18	V836659524	1	Cover	(14)
19	V528801380	2	Screw	(14) M8 X 20
20	V836659521	1	Valve Seat	(14)

MF 8450/8460 TRACTOR - 1637447
1-WH28-005-A

1-WH28-005-A

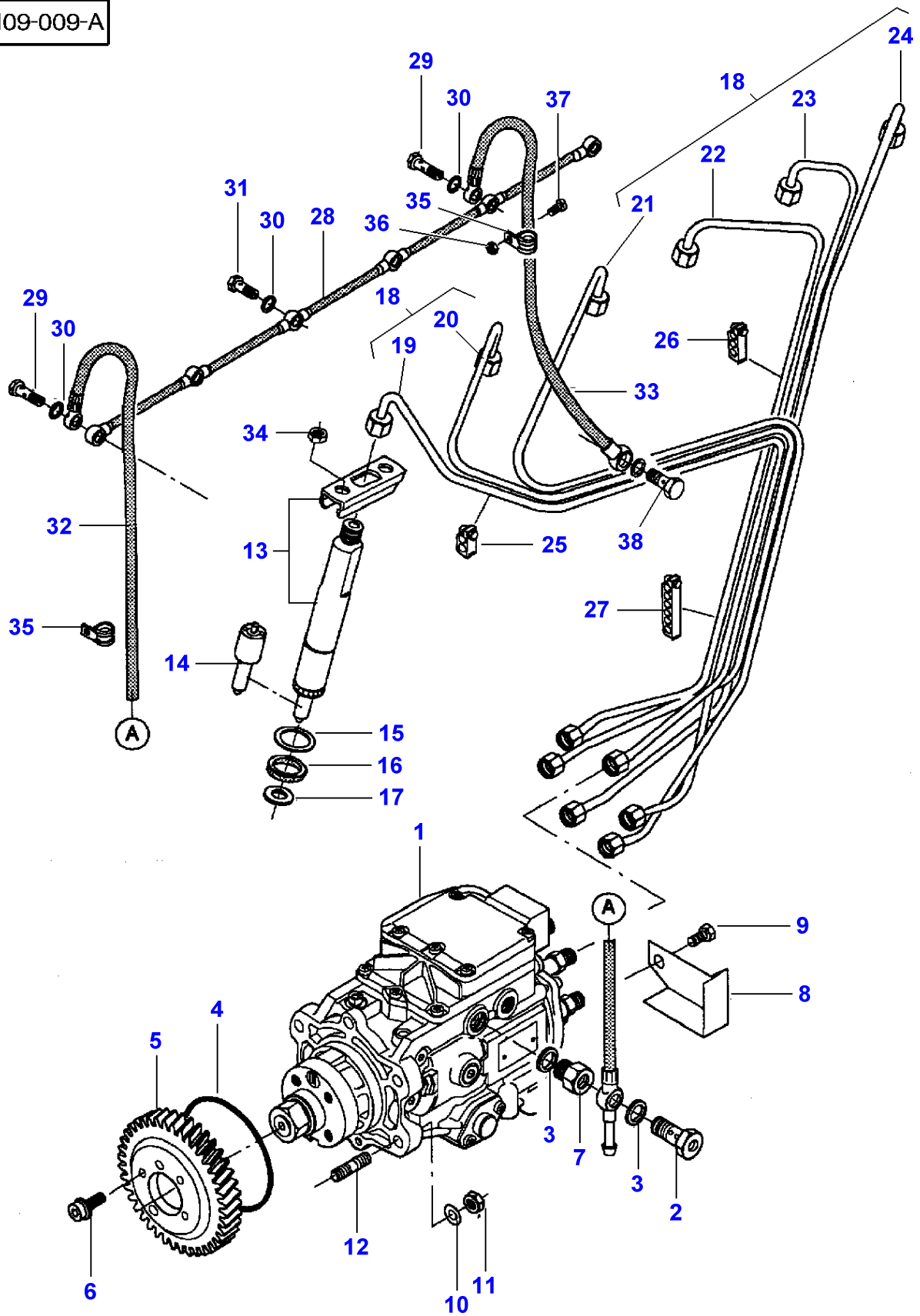


Water Pump

Item	Part Number	Qty	Description	Comments
1	V836867227	1	Water Pump	
2	V836336047	1	Impeller	(1)
3	V617330052	1	Circlip	(1)
4	V836336317	1	Spacer	(1)
5	V610063044	1	Bearing Assy	(1)
6	V644441006	1	Greaser	(1)
7	V836119259	1	Shaft	(1)
8	V614102636	1	Oil Seal	(1)
9	V510611402	1	Nut	(1)
10	V835339425	1	Gasket	(1)
11	V610062134	1	Bearing Assy	(1)
12	V836336318	1	Sleeve	(1)
13	V836867182	1	Pulley	(1)
14	V836652343	1	Washer	(1)
15	V836867391	1	Gasket	
16	V529801460	2	Screw	M8 X 55
17	V529801430	6	Screw	M8 X 40
18	V614602930	1	O Ring	
19	V836338525	1	Gasket	
20	V581804620	5	Screw	M8 X 25
21	V836847909	1	Housing	
22	V836866742	1	Gasket	
23	V529801850	2	Screw	M10 X 50
24	V615881822	1	Seal	
25	V640045126	1	Plug	
26	V615892631	1	Seal	
27	V615881418	1	Seal	
28	V836847880	1	Housing	
29	V614604958	2	O Ring	
30	V836855368	1	Pipe	
31	V836015156	1	Thermostat	
32	V836331590	1	Thermostat	
33	V836329632	1	Gasket	
34	V836329631	1	Cover	
35	V529801450	5	Screw	M8 X 50
36	V500950800	4	Washer	
37	V640325014	1	Plug	
38	V836015967	2	Washer	
39	V836119837	1	Union	
40	V640325018	1	Plug	
41	V836340257	1	Kit, Repair	

MF 8450/8460 TRACTOR - 1637447
1-WH09-009-A

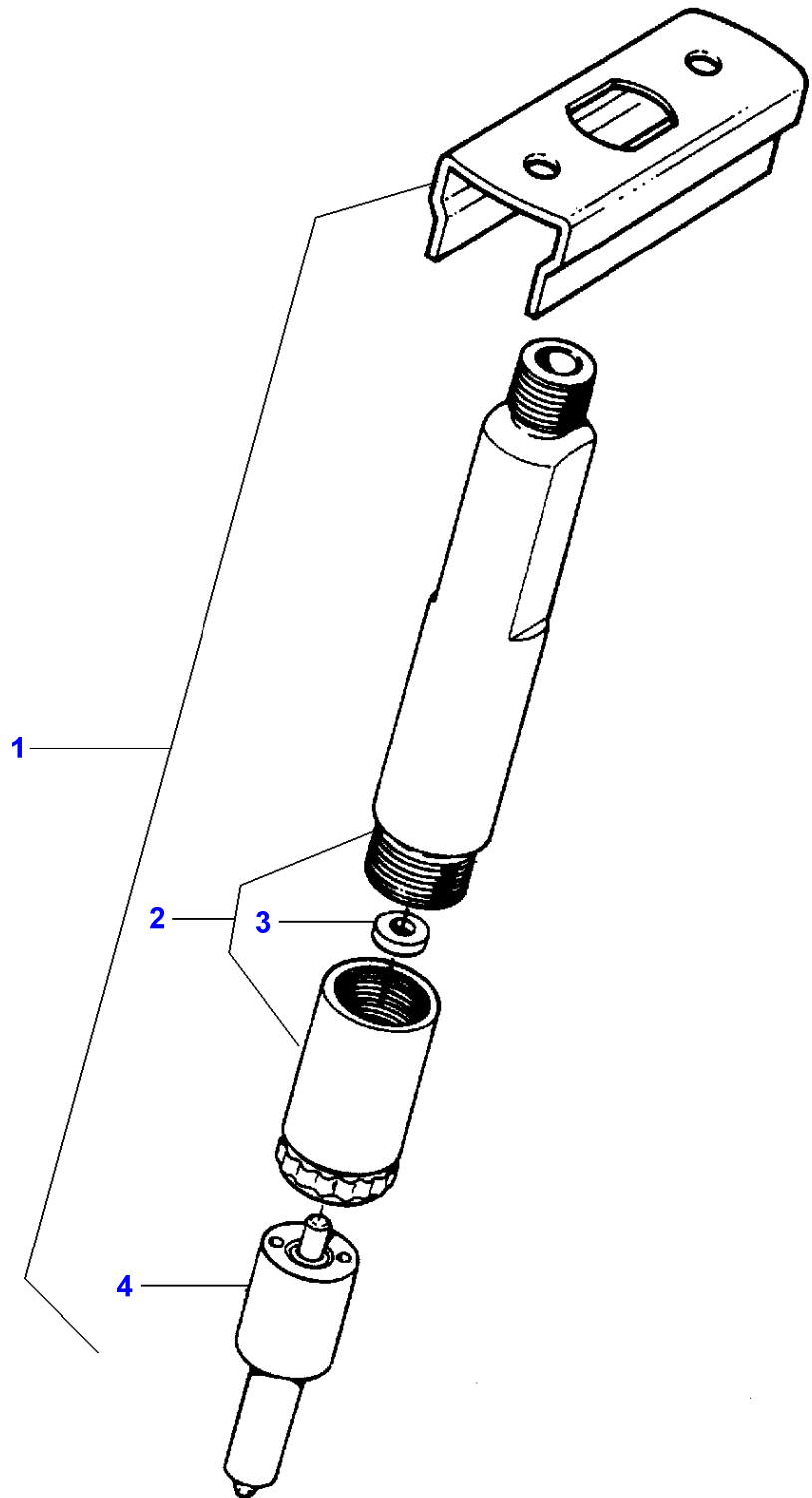
1-WH09-009-A



Fuel Injection Equipment

Item	Part Number	Qty	Description	Comments
1	V836864609	1	Injection Pump	
2	V836864679	1	Pressure Valve	
3	V615881418	3	Seal	
4	V614606825	1	O Ring	
5	V836867020	1	Gear	
6	V588704620	4	Screw	M8 X 25
7	V836336934	1	Union	
8	V836866428	1	Cover	
9	V528801342	2	Screw	M8 X 10
10	V500151050	4	Washer	
11	V504801000	4	Nut	M10
12	V546801815	4	Stud	M10 X 30
13	V836854791	6	Atomiser	
14	V836854792	6	Nozzle	(13) 270 Bars
15	V836652170	6	Washer	
16	V835336276	6	Seal	
17	V899901495	6	Washer	
18	V836866412	1	Kit, Pipe	
19		1	Injection Pipe	(18) CYL. 1
20		1	Injection Pipe	(18) CYL. 2
21		1	Injection Pipe	(18) CYL. 3
22		1	Injection Pipe	(18) CYL. 4
23		1	Injection Pipe	(18) CYL. 5
24		1	Injection Pipe	(18) CYL. 6
25	V836664517	1	Clamp	(18)
26	V836664518	2	Clamp	(18)
27	V836664521	2	Clamp	(18)
28	V836847522	1	Pipe	(18)
29	V835336943	2	Screw	
30	V615870610	14	Seal	
31	V835331289	4	Screw	
32	V836666647	1	Pipe	
33	V836666512	1	Pipe	
34	V504800800	12	Nut	M8
35	V602069813	2	Clamp	
36	V504600502	1	Nut	M5
37	V572503372	1	Screw	M5 X 12
38	V640435006	1	Screw	See Page - Reference Number 010-0080/16

1-WH09-002-A

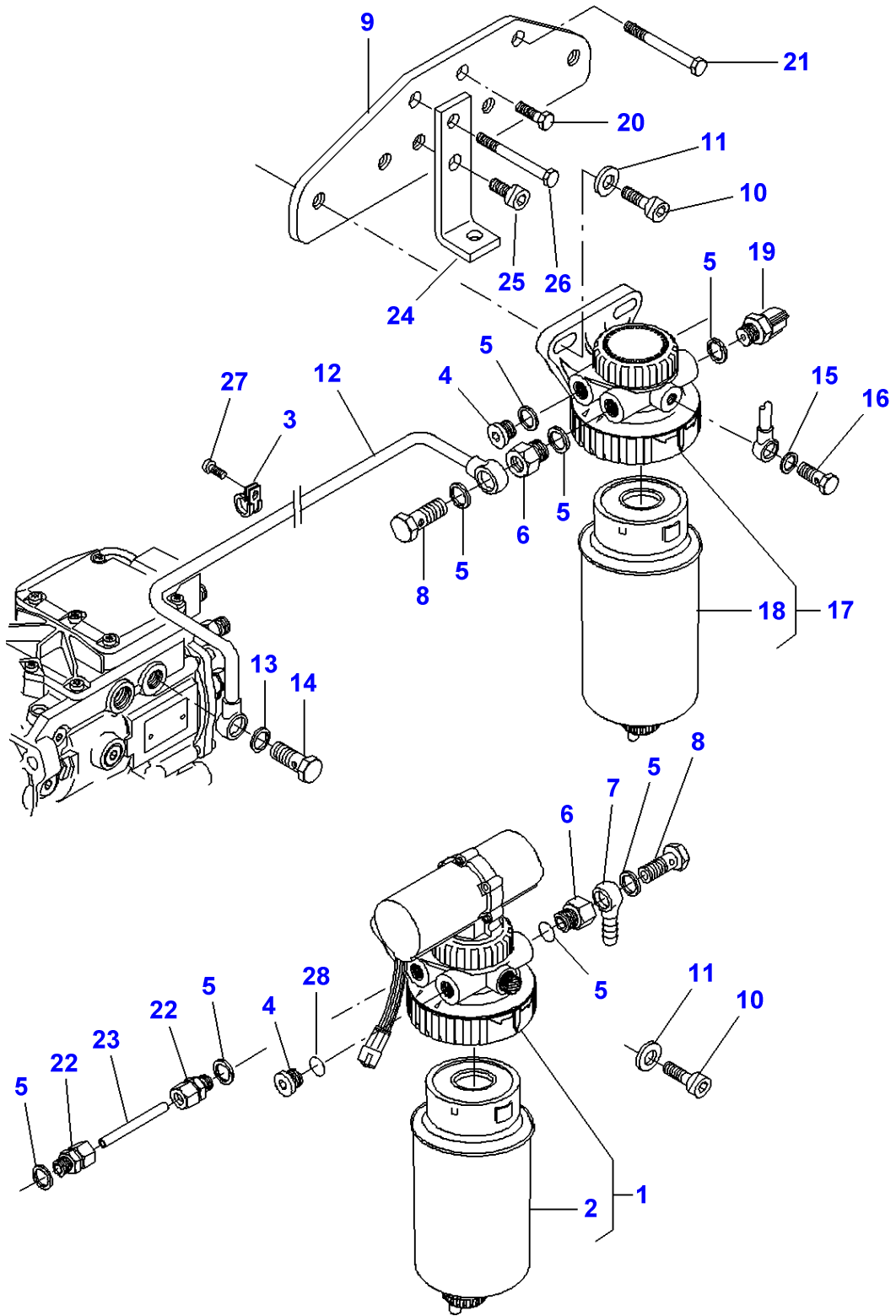


Fuel Injection Equipment

Item	Part Number	Qty	Description	Comments
1	V836854791	1	Atomiser	
2		1	Body	(1) Not serviced,order REF. 1
3	V836862000	X	Chock	(2) Thickness 1,00 MM
	V836862001	X	Chock	(2) Thickness 1,05 MM
	V836862002	X	Chock	(2) Thickness 1,10 MM
	V836862003	X	Chock	(2) Thickness 1,15 MM
	V836862004	X	Chock	(2) Thickness 1,20 MM
	V836862005	X	Chock	(2) Thickness 1,25 MM
	V836862006	X	Chock	(2) Thickness 1,30 MM
	V836862007	X	Chock	(2) Thickness 1,35 MM
	V836862008	X	Chock	(2) Thickness 1,40 MM
	V836862009	X	Chock	(2) Thickness 1,45 MM
	V836862010	X	Chock	(2) Thickness 1,50 MM
	V836862011	X	Chock	(2) Thickness 1,55 MM
	V836862012	X	Chock	(2) Thickness 1,60 MM
	V836862013	X	Chock	(2) Thickness 1,65 MM
	V836862014	X	Chock	(2) Thickness 1,70 MM
	V836862015	X	Chock	(2) Thickness 1,75 MM
	V836862016	X	Chock	(2) Thickness 1,80 MM
	V836862017	X	Chock	(2) Thickness 1,85 MM
	V836862018	X	Chock	(2) Thickness 1,90 MM
	V836862019	X	Chock	(2) Thickness 1,95 MM
4	V836854792	1	Nozzle	(1)

MF 8450/8460 TRACTOR - 1637447
1-WH14-007-B

1-WH14-007-B

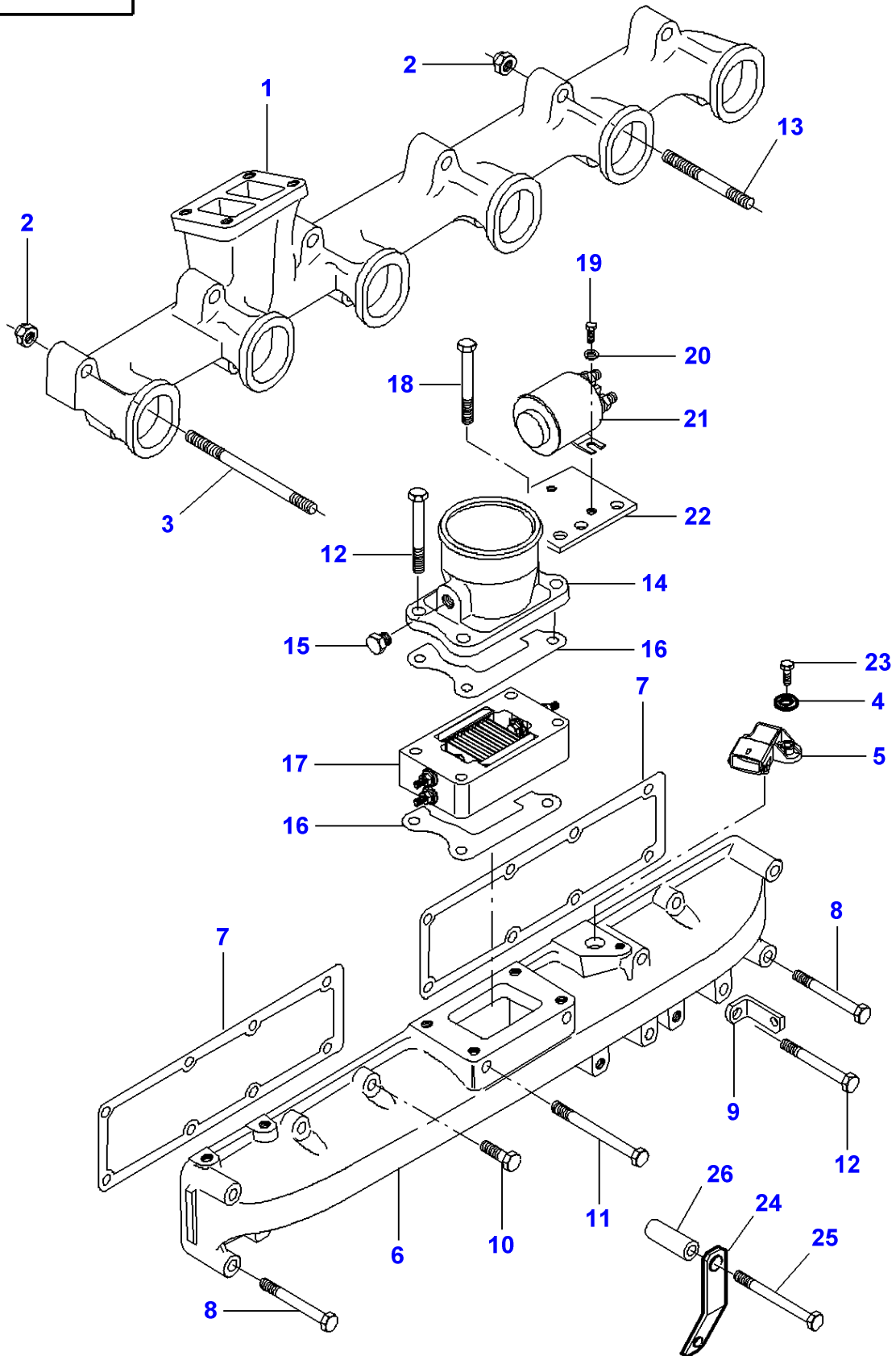


Low Pressure Fuel System

Item	Part Number	Qty	Description	Comments
1	V836867383	1	Pre Cleaner	
2	V836862600	1	Fuel Filter	(1)
3	V602074608	1	Clamp	
4	V640325014	3	Plug	
5	V615881420	10	Gasket	
6	V836336934	2	Union	
7	V640255210	1	Pipe	
8	V640435010	2	Screw	
9	V836866481	1	Bracket	
10	V581705030	4	Screw	M10 X 30
11	V836122910	4	Washer	
12	V836866718	1	Pipe	
13	V615881216	2	Gasket	
14	V640435008	1	Screw	
15	V615571014	2	Seal	
16	V640435006	1	Screw	
17	V836866306	1	Fuel Filter	
18	V836862602	1	Fuel Filter	(17)
19	V836666797	1	Sensor	0,05-0,2 Bars
20	V528801380	1	Screw	M8 X 20
21	V529801530	1	Screw	M8 X 90
22	V641086010	2	Union	
23	V836866644	1	Pipe	
24	V836866418	1	Support	
25	V528801760	1	Screw	M10 X 16
26	V529801550	1	Screw	M8 X 95
27	V581804182	1	Screw	M6 X 16
28	V614601125	2	O Ring	

MF 8450/8460 TRACTOR - 1637447
1-WH18-007-B

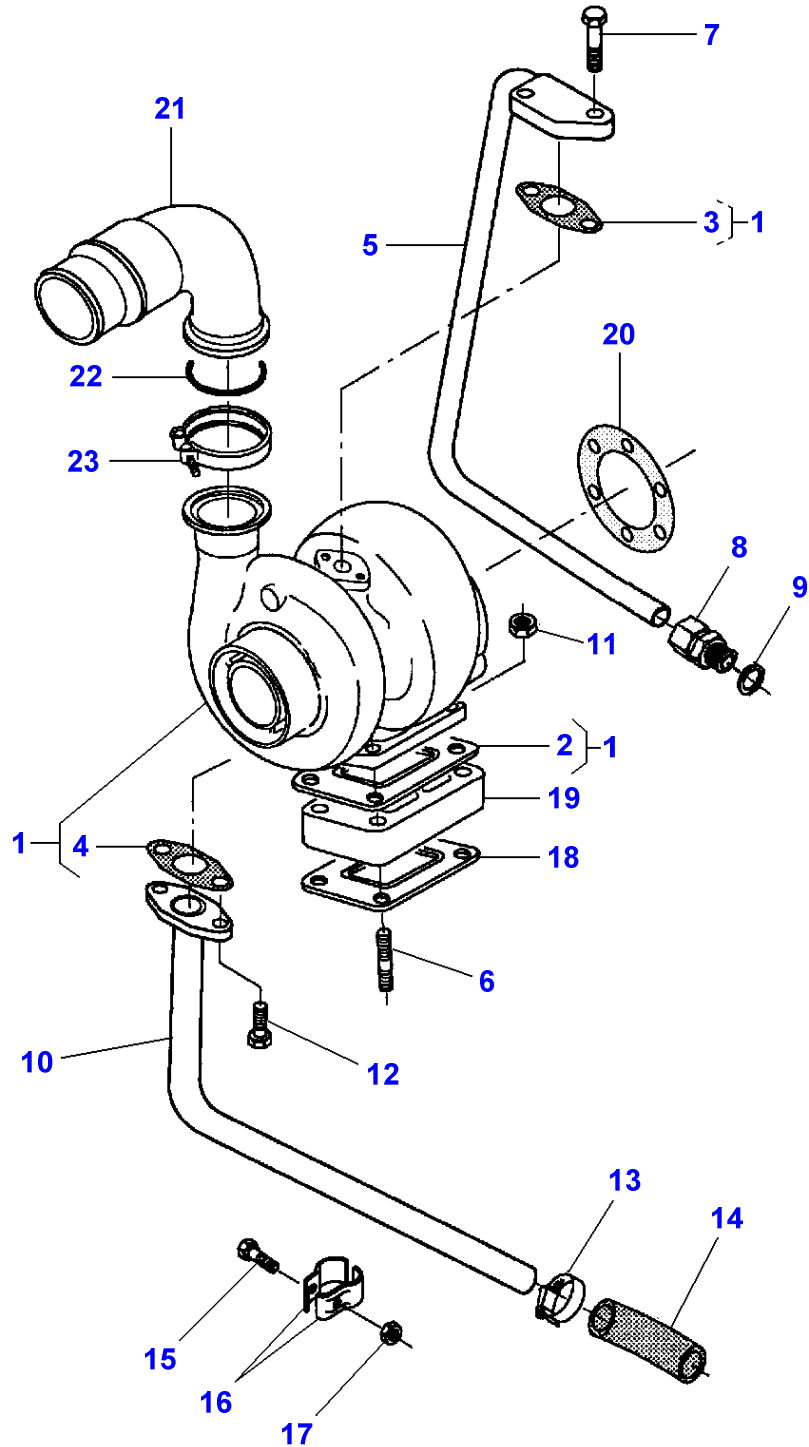
1-WH18-007-B



Air Induction And Exhaust System

Item	Part Number	Qty	Description	Comments
1	V836859378	1	Exhaust Manifold	
2	V513601002	12	Nut	
3	V836859034	3	Stud	M10 X 130
4	V500050642	1	Washer	
5	V836666980	1	Sensor	See Page - Reference Number 010-0095/4
6	V836866827	1	Ind.Manifold	
7	V836847496	2	Gasket	
8	V529801470	3	Screw	M8 X 60
9	V836338662	1	Support	
10	V528801410	4	Adjusting Screw	M8 X 30
11	V529801530	2	Screw	M8 X 90
12	V529801480	3	Screw	M8 X 65
13	V836855995	9	Stud	M10 X 113
14	V836866152	1	Pipe	
15	V640305012	1	Plug	
16	V836847532	2	Gasket	
17	V836864398	1	Heater	
18	V529801490	2	Screw	M8 X 70
19	V528800762	2	Screw	M5 X 16
20	V500150532	2	Washer	
21	V836666759	1	Solenoid	12V
22	V836866699	1	Bracket	
23	V528801080	1	Screw	M6 X 20
24	V836659276	1	Support	
25	V529801520	1	Screw	M8 X 85
26	V836866960	1	Distance Piece	

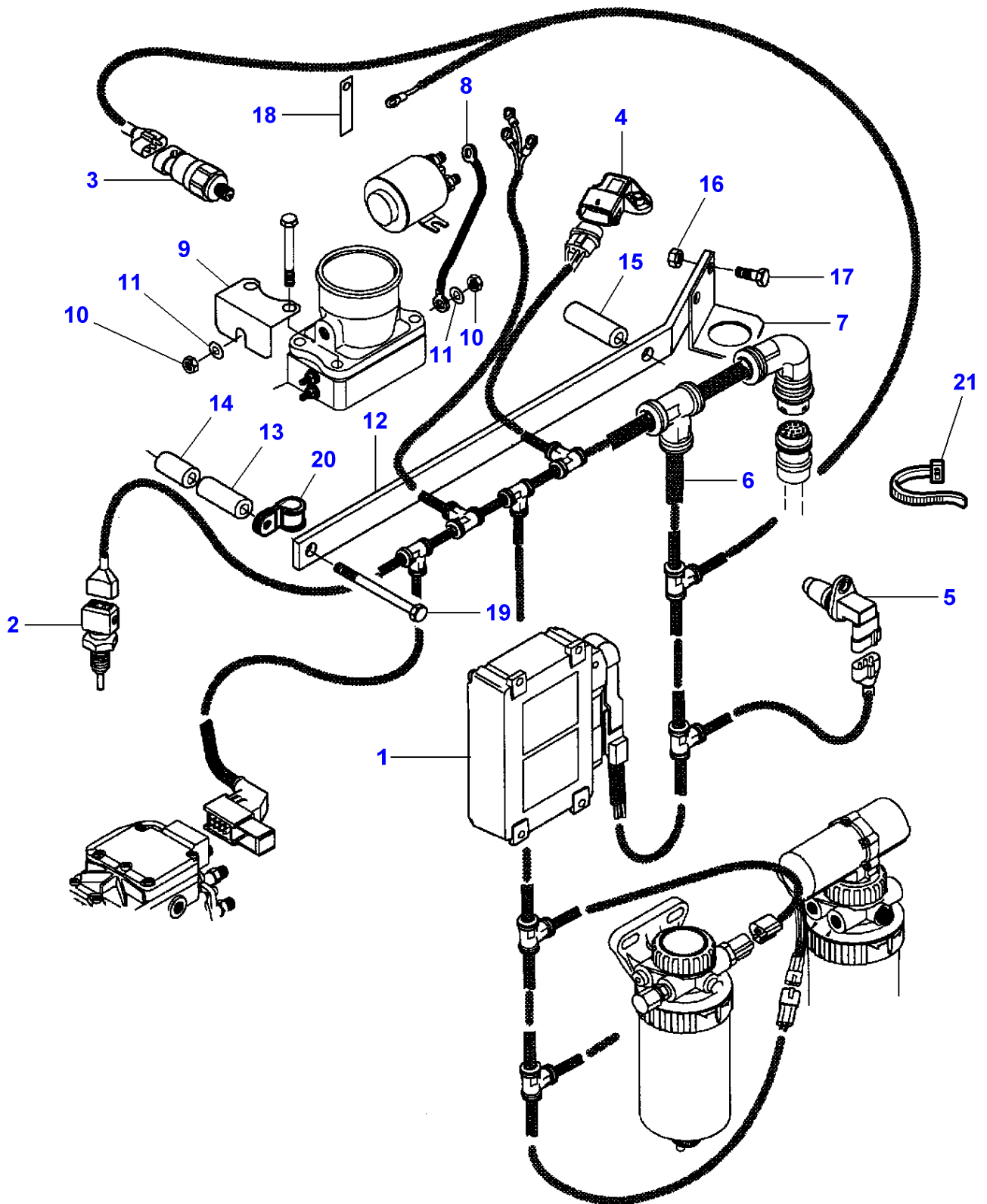
1-WH24-002-A



Turbocharger - Pipes

Item	Part Number	Qty	Description	Comments
1	V836866584	1	Turbocharger	
2	V836316726	1	Gasket	(1)
3	V836308344	1	Joint.	(1)
4	V836324580	1	Joint.	(1)
5	V836859328	1	Pipe	
6	V546801840	4	Bolt	M10 X 45
7	V528801410	2	Adjusting Screw	M8 X 30
8	V641086012	1	Union	
9	V615881620	1	Seal	
10	V836859327	1	Pipe	
11	V521601000	4	Nut	
12	V528801380	2	Screw	M8 X 20
13	V602087528	2	Clamp	
14	V836647576	1	Hose Flexible	
15	V529801112	1	Screw	M6 X 30
16	V835324324	2	Bracket	
17	V504600602	1	Nut	
18	V836316726	1	Gasket	
19	V836855630	1	Bridle	
20	V836338985	1	Gasket	
21	V836866381	1	Pipe	
22	V614606225	1	O Ring	
23	V836866454	1	Clamp	

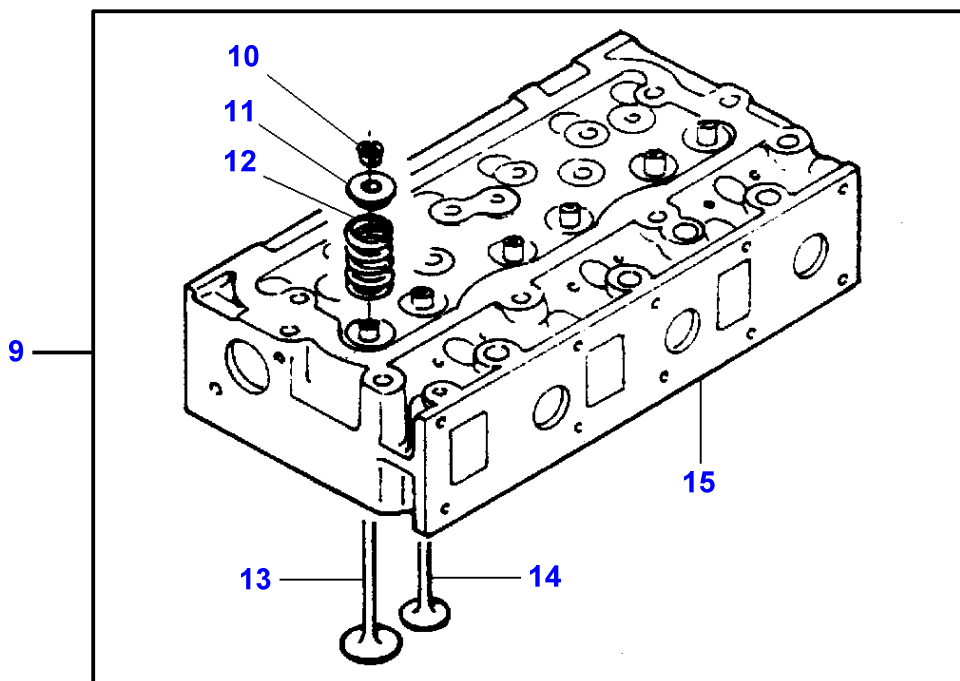
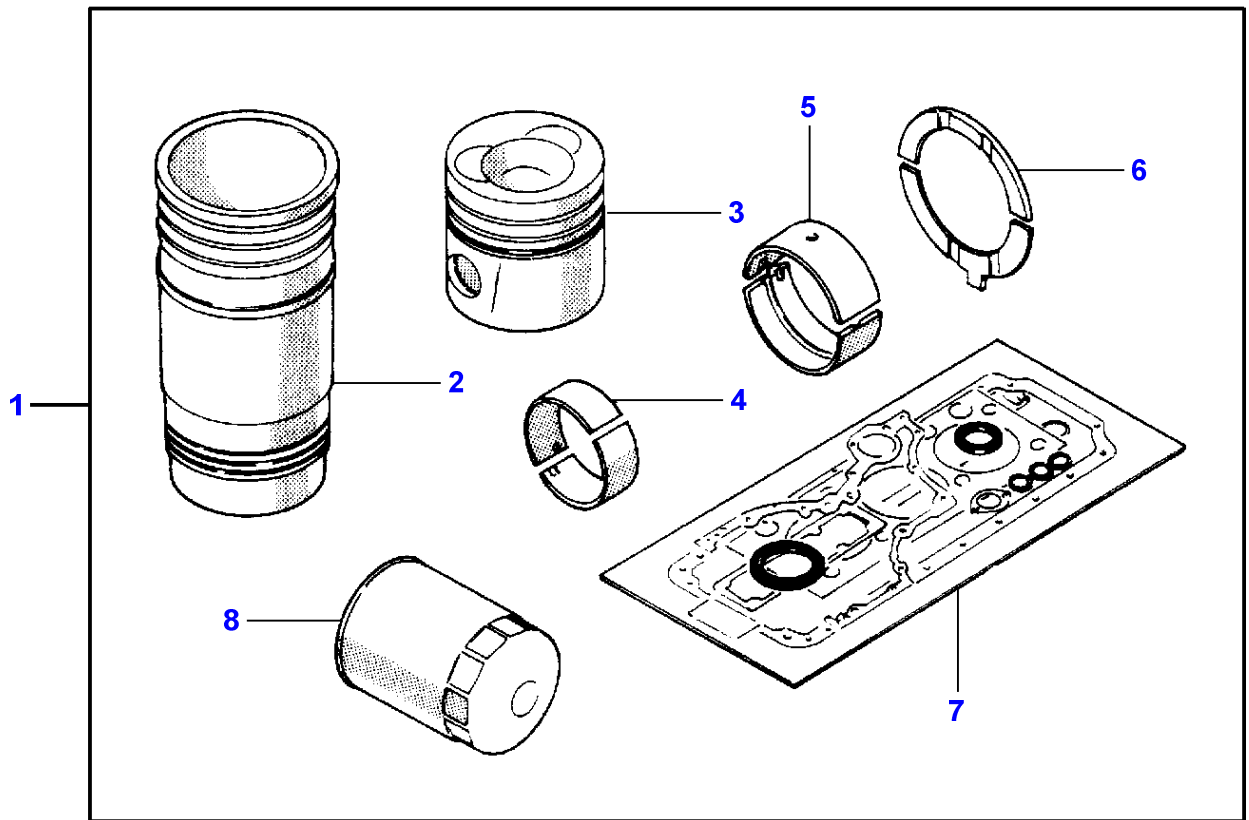
1-WH40-001-B



Electronic Engine Management

Item	Part Number	Qty	Description	Comments
1	V836864743	1	Control Unit	MF 8450
	V836864744	1	Control Unit	MF 8460
2	V836864360	1	Temp. Sensor	
3	V836866613	1	Sensor	
4	V836666980	1	Sensor	
5	V836866392	1	Eng.Speed Sensor	
6	V836866955	1	Kit, Harness	
7	V836866831	1	Support	
8	V836866713	1	Wire	
9	V836866714	1	Support	
10	V504600602	2	Nut	M6
11	V500050642	2	Washer	
12	V836867061	1	Support	
13	V836659144	1	Spacer	Length 59 MM
14	V835338121	1	Sleeve	Length 41,5 MM
15	V836759434	1	Sleeve	Length 73 MM
16	V504800800	2	Nut	M8
17	V528801360	2	Screw	M8 X 16
18	V836083428	4	Band	
19	V529801595	2	Screw	M8 X 140
20	V602060612	1	Fastener	
21	V835329746	11	Cable Tie	

1-WH30-001-A



Massey Ferguson**MF 8450/8460 TRACTOR - 1637447**

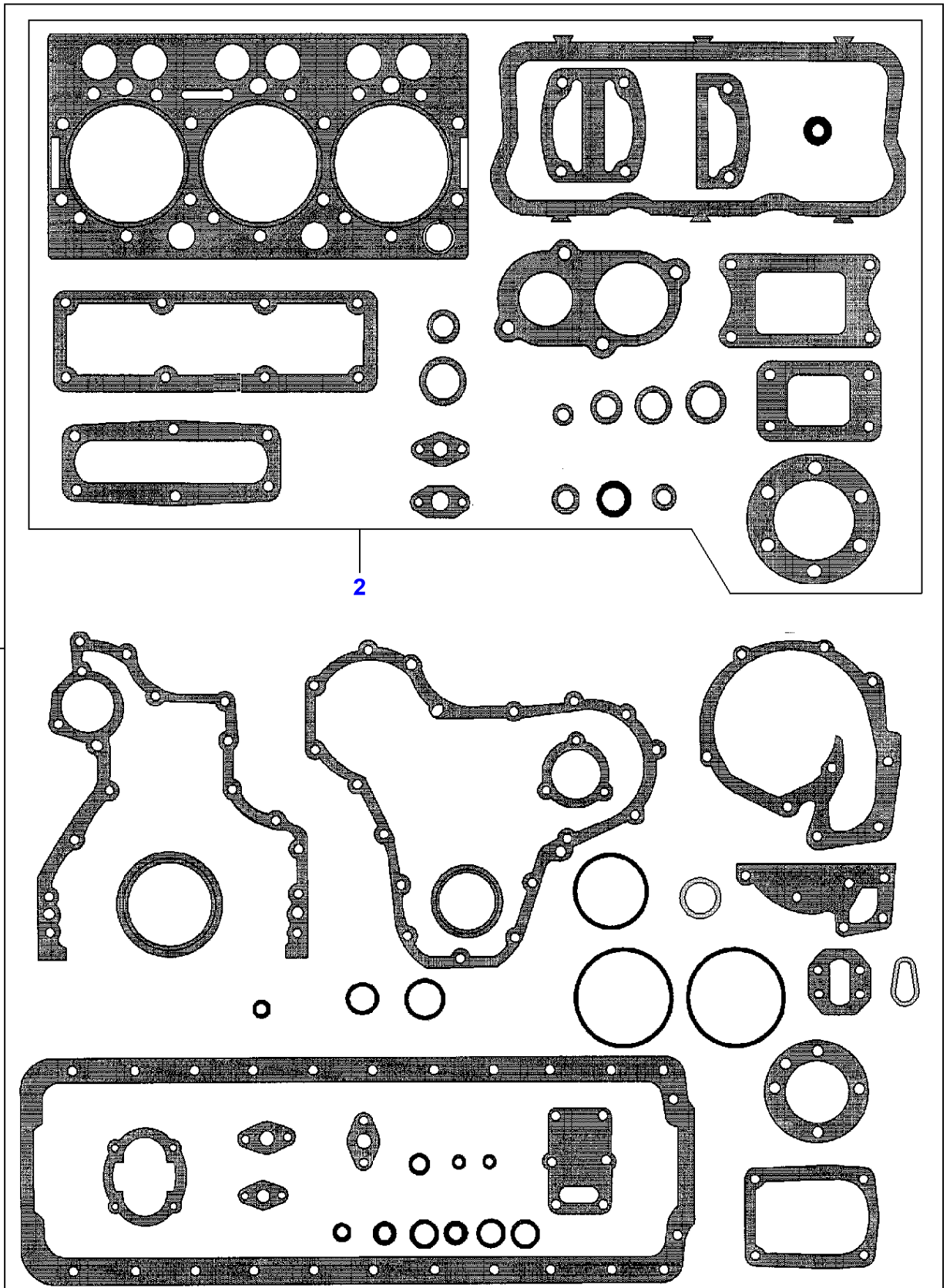
1637447

Engine Repair Kits - Piston- Cylinder Head With Valves

Page010-0100

Item	Part Number	Qty	Description	Comments
1	V836862436	1	Kit, Repair	
2	V836666990	6	Liner	(1)
3	V836866181	6	Piston	(1)
4	V836110552	6	Bearing	(1)
5	V836655514	7	Main Bearing	(1)
6	V836119459	2	Chock	(1)
7	V836840271	1	Kit,Joint/Gasket	(1)
8	V836662111	1	Filter	(1)
9	V836640897	2	Cylinder Head	
10	V836646382	12	Cotter	(9)
11	V836646381	6	Cup	(9)
12	V836646380	6	Spring	(9)
13	V836646357	3	Valve Exhaust	(9)
14	V836646356	3	Valve Inlet	(9)
15	V836855381	1	Cylinder Head	(9)

1-WH15-001-A



Massey Ferguson

MF 8450/8460 TRACTOR - 1637447

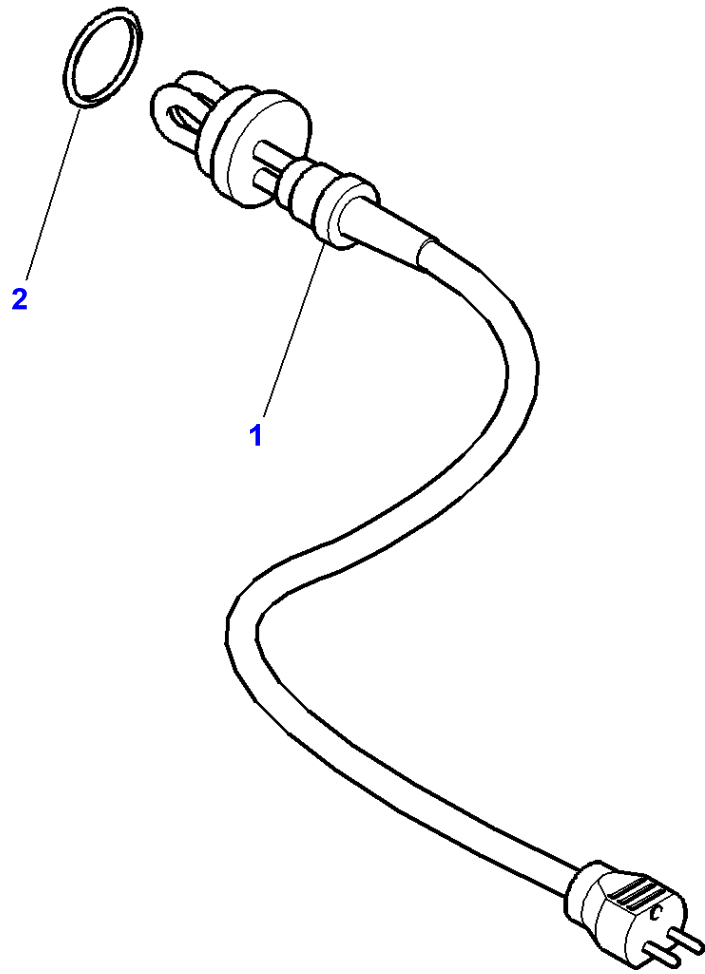
1637447

Engine Gaskets Sets

Page010-0105

Item	Part Number	Qty	Description	Comments
1	V836840271	1	Kit,Joint/Gasket	
2	V836840270	1	Kit,Joint/Gasket	(1)

1-WC38-004-A



Massey Ferguson

MF 8450/8460 TRACTOR - 1637447

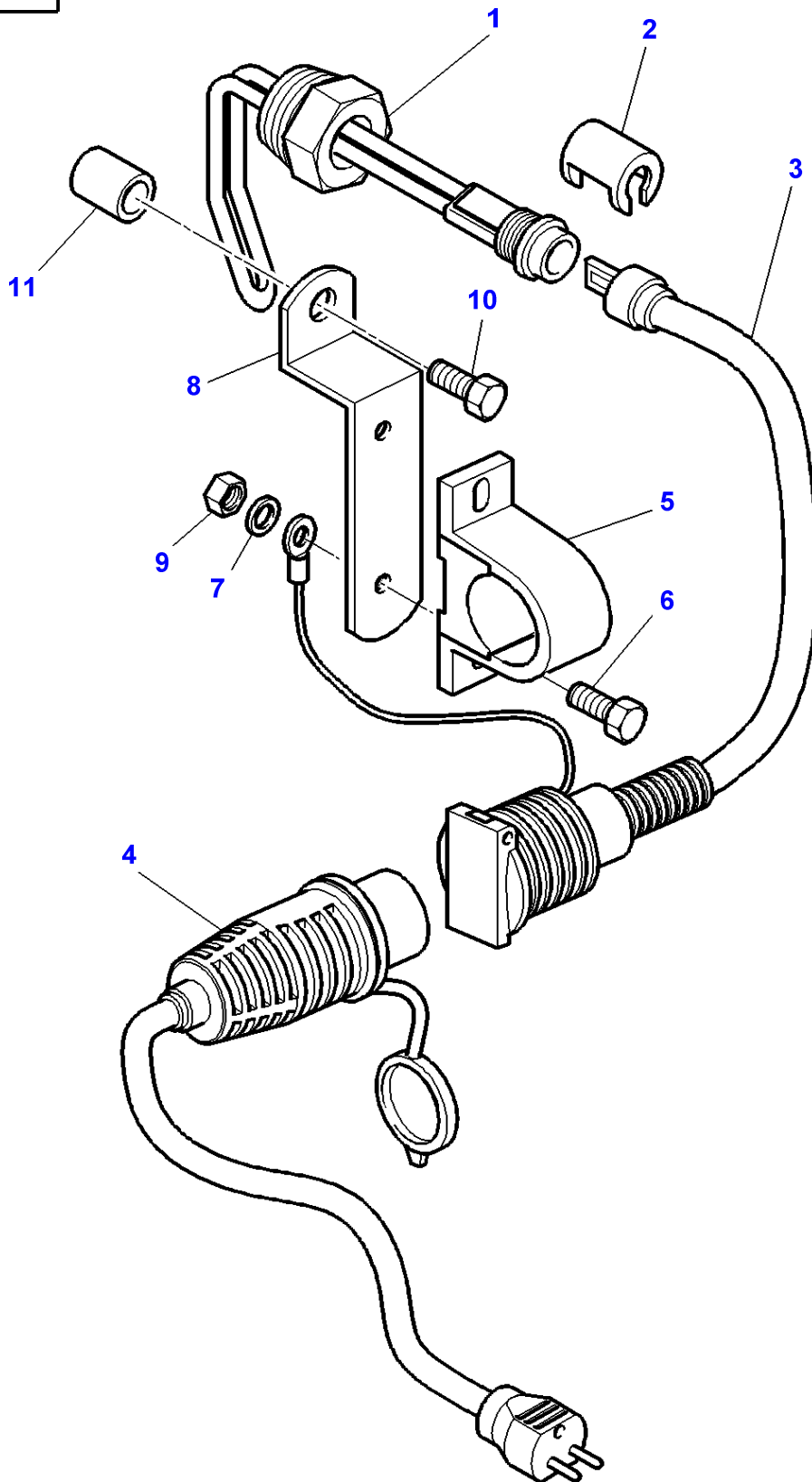
1637447

Heater Engine Block - 110 V

Page010-0110

Item	Part Number	Qty	Description
1	3780214M1	1	Heater
2	V836840998	1	O Ring

1-WC38-003-A



Massey Ferguson**MF 8450/8460 TRACTOR - 1637447**

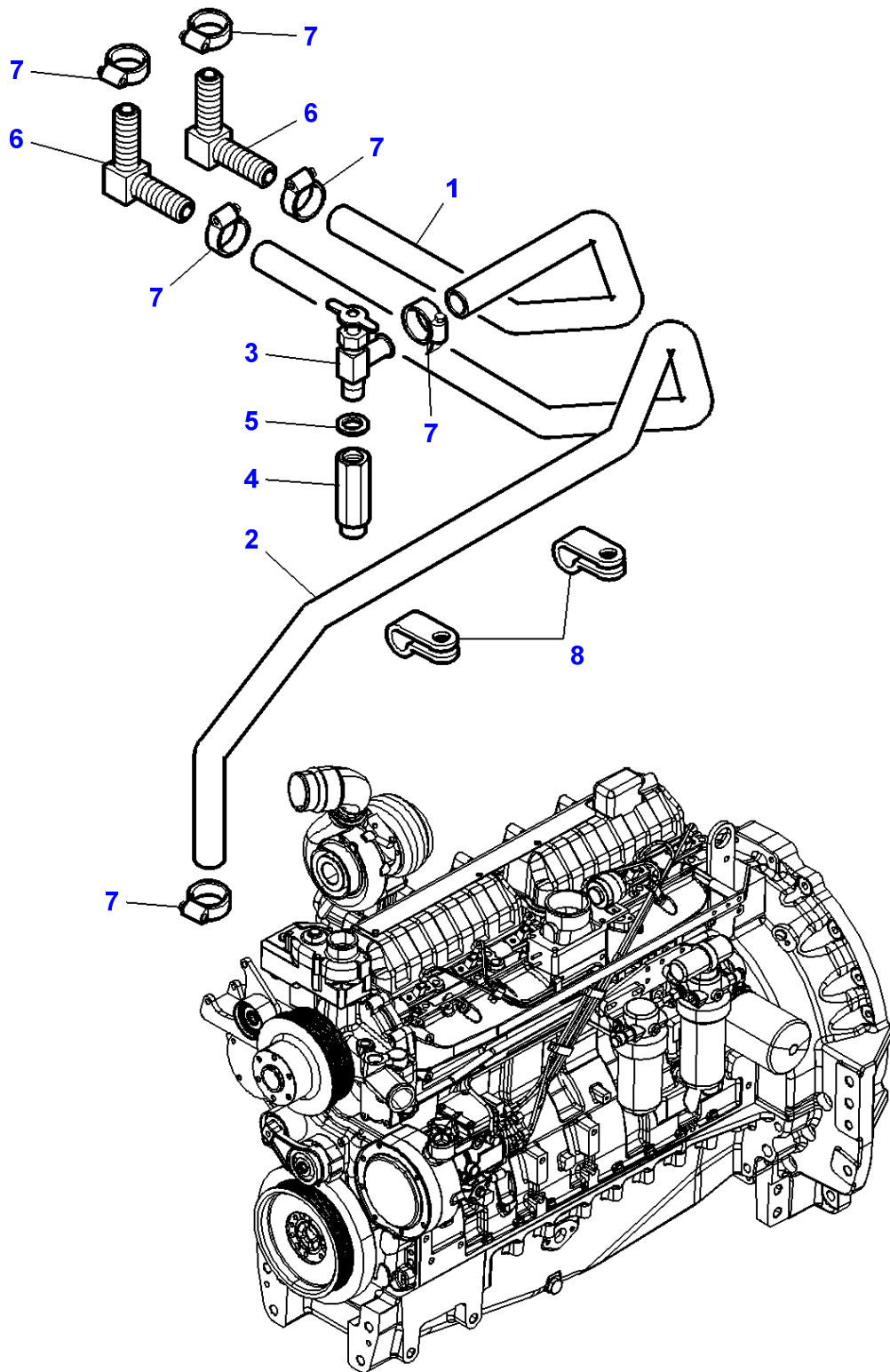
1637447

Page010-0115

Heater Engine Block - 220 V

Item	Part Number	Qty	Description	Comments
1	3615752M2	1	Element	
2	3611974M1	1	Clip	
3	4270172M1	1	Harness	
4	4270169M1	1	Lead	
5	4270098M1	1	Clamp	
6	3010567X1	2	Plough Bolt	M5 X 16
7	339381X1	1	Lock Washer	
8	4270462M1	1	Support	
9	3010477X1	2	Nut Metric	M5
10	339123X1	1	Hex. Sock. Screw	M8 X 20
11	3778809M1	1	Spacer	Diameter 9-12 X 7

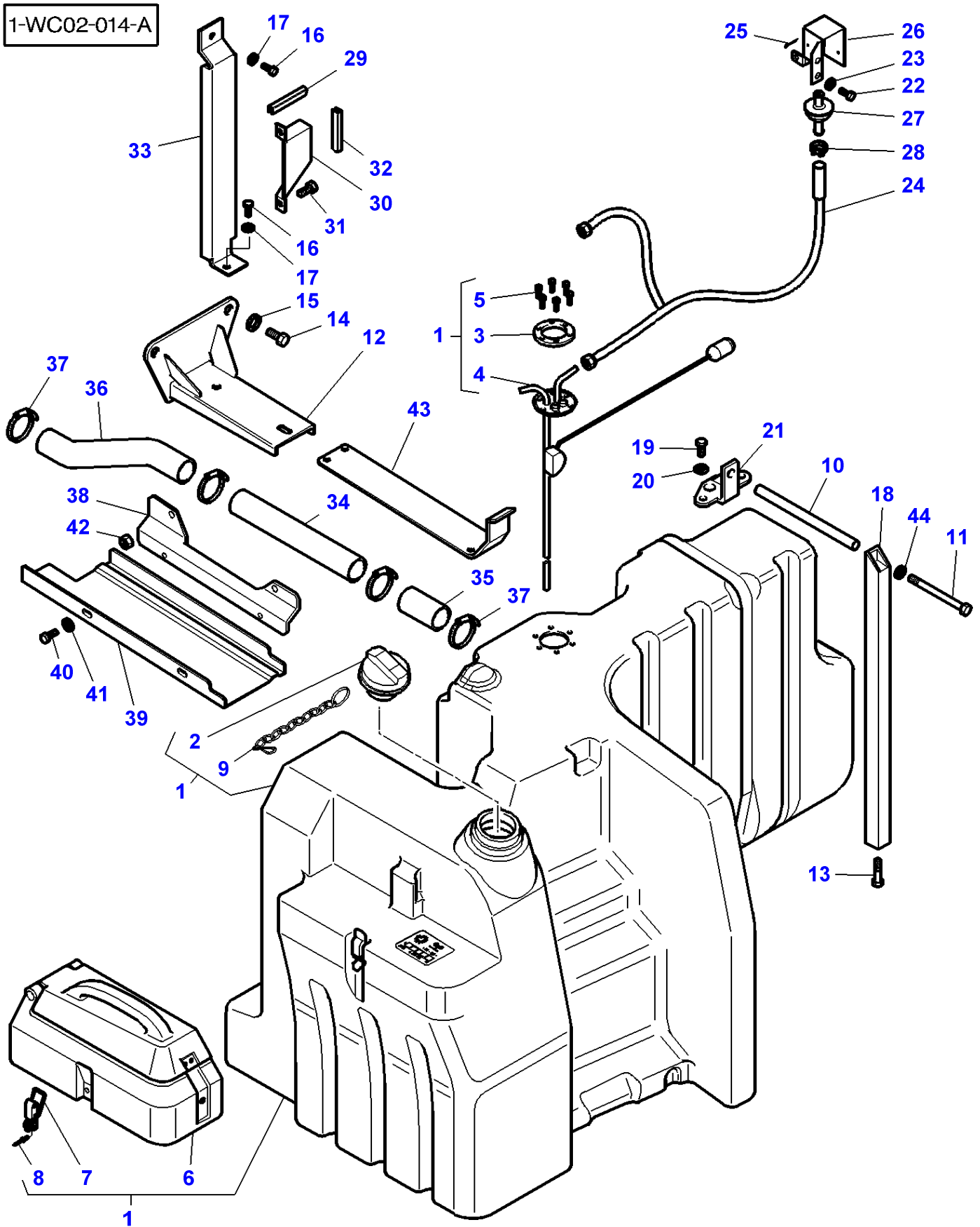
1-WC28-004-A



Cab Heating System - Engine Part

Item	Part Number	Qty	Description	Comments
1	4277373M1	1	Hose	Length 950 MM
2	4277823M1	1	Hose	Length 1800 MM
3	30-3076830	1	Valve.	
4	5015331M1	1	Adaptor	
5	339526X1	1	Seal	Diameter 18-24 X 1,5
6	3788222M1	2	Elbow	
7	3820729M1	6	Hose Clip	
8	3581424M1	2	Clip	Diameter 30 - M8
	4273333M1	2	Clamp	Diameter 45 - M8

MF 8450/8460 TRACTOR - 1637447
1-WC02-014-A

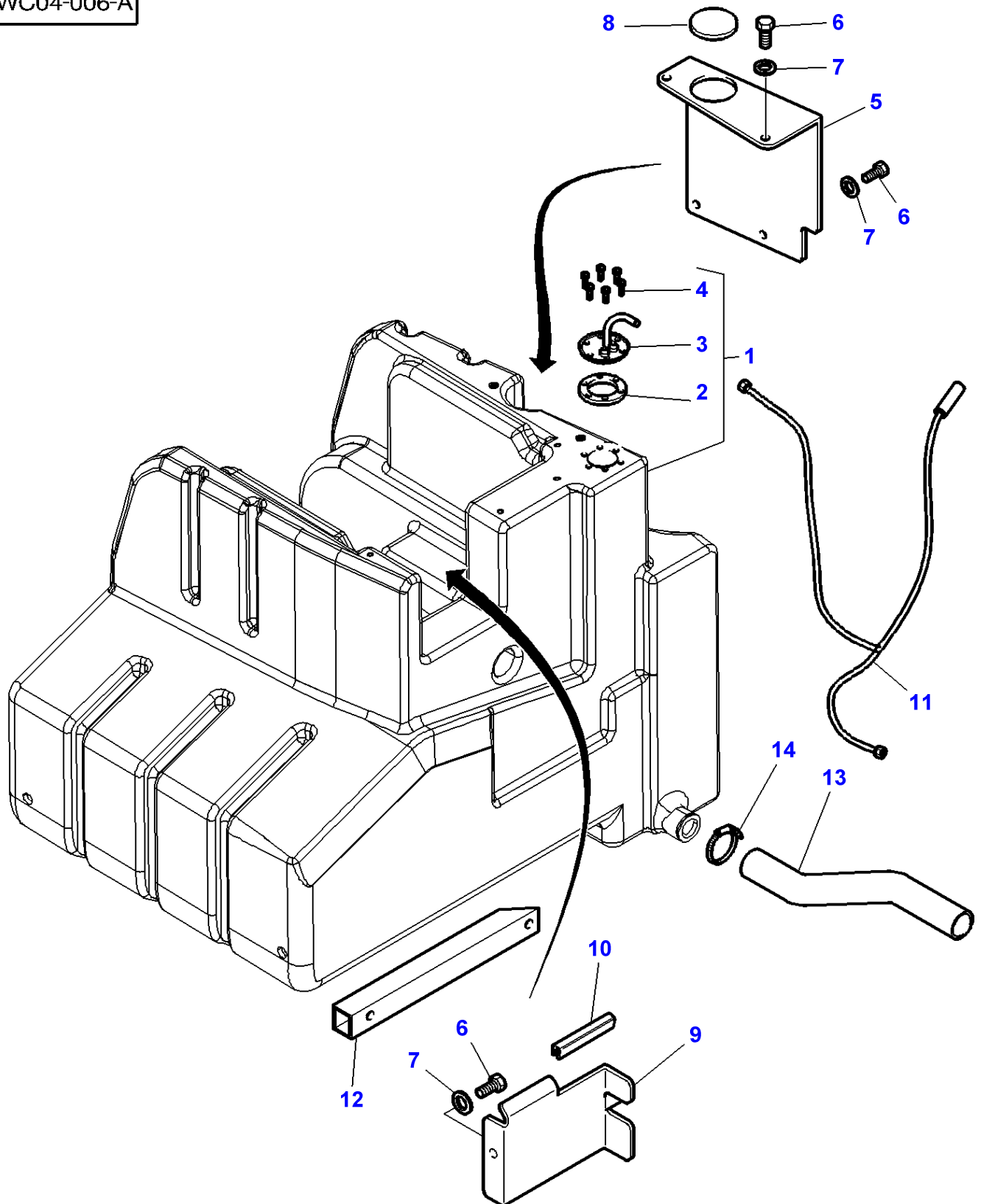


Fuel Tank & Attachments

Item	Part Number	Qty	Description	Comments
1	4275493M92	1	Tank	
2	3786050M1	1	Plug	(1)
3	4279002M1	1	Gasket	(1)
4	4279578M2	1	Fuel Gauge	(1)
5	3005728X1	6	Screw	(1) No 10 X 16
6	3786754M91	1	Tool Box	(1)
7	3786764M1	1	Latch	(1)
8	3005728X1	2	Screw	(1) No 10 X 16
9	4275605M1	1	Chain	(1)
10	4279591M1	1	Tube	Length 148 MM
11	3011649X1	1	Screw	M10 X 180
12	4275582M2	1	Support	
13	390122X1	1	Hex. Sock. Screw	M10 X 80
14	391269X1	2	Hex. Sock. Screw	M16 X 30
15	1441664X1	2	Washer	Diameter 16-30 X 3
16	3009491X1	2	Hex. Sock. Screw	M10 X 20
17	390734X1	2	Washer	Diameter 10-21 X 2
18	4279582M1	1	Reinforcement	
19	3009491X1	3	Hex. Sock. Screw	M10 X 20
20	390734X1	3	Washer	Diameter 10-21 X 2
21	4275583M2	1	Bridle	
22	339123X1	1	Hex. Sock. Screw	M8 X 20
23	390972X1	1	Washer	Diameter 8-17 X 1,7
24	4278965M1	1	Hydr. Hose	
25	1442970X1	2	Pin	Diameter 4 X 63
26	3808024M2	1	Housing	
27	3808023M91	1	Non Return Valve	
28	3712465M1	1	Hose Clip	Diameter 15 MM
29	4277715M1	1	Protector	Length 60 MM
30	916101170010	1	Protector	
31	339560X1	2	Hex. Sock. Screw	M6 X 16
32	4277714M1	1	Protector	[A] Length 45 MM
33	4277720M1	1	Stop	
34	4275653M2	1	Tube	
35	4274265M1	1	Hose	
36	4277471M1	1	Hose	Length 300 MM
37	338618X1	4	Hose Clip	Diameter 50-70
38	4276942M3	1	Angle.	
39	4276949M1	1	Cowl	
40	3009491X1	2	Hex. Sock. Screw	M10 X 20
41	390734X1	2	Washer	Diameter 10-21 X 2
42	339034X1	2	Nut	M16
43	4279012M2	1	Stop	
44	390734X1	1	Washer	

FOOTNOTE [A] CUT TO REQUIRED LENGTH

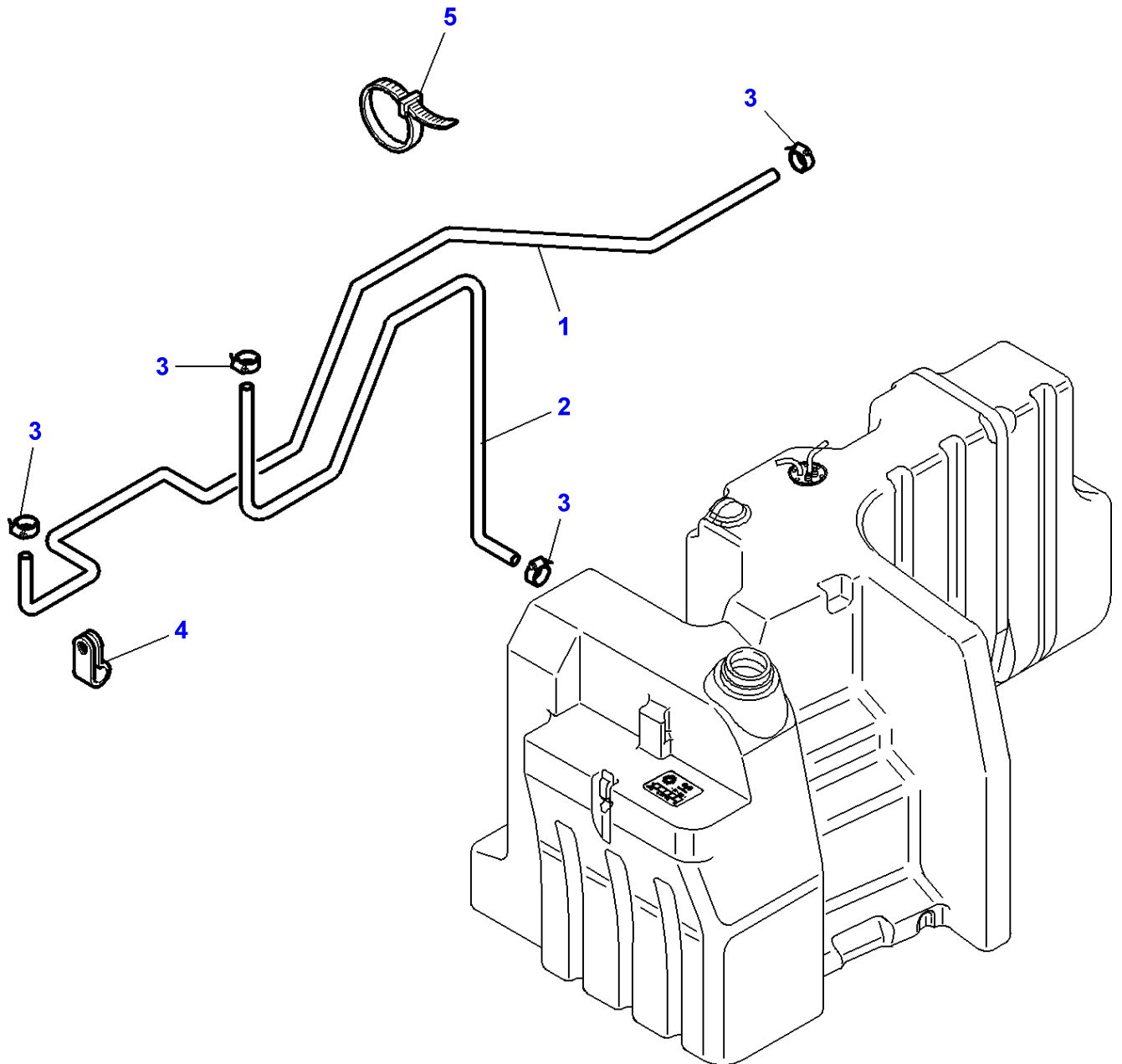
1-WC04-006-A



Massey Ferguson**MF 8450/8460 TRACTOR - 1637447****1637447****Additional Tank****Page010-0130**

Item	Part Number	Qty	Description	Comments
1	4275495M91	1	Tank	
2	1617869M2	1	Gasket	(1)
3	4275229M2	1	Tube	(1)
4	3005728X1	6	Screw	(1) No 10 X 16
5	4277512M2	1	Cowl	
6	3007934X1	6	Screw	CBZ M6 X 16
7	391038X1	6	Washer	Diameter 6-18 X 1,5
8	4277511M1	1	Plug	Diameter 62 MM
9	4278335M1	1	Shield	
10	4271654M1	1	Gasket	Length 75 MM
11	4278965M1	1	Hydr. Hose	
12	4279592M1	1	Stop	
13	4277471M1	1	Hose	Length 300 MM
14	338618X1	1	Hose Clip	Diameter 50-70

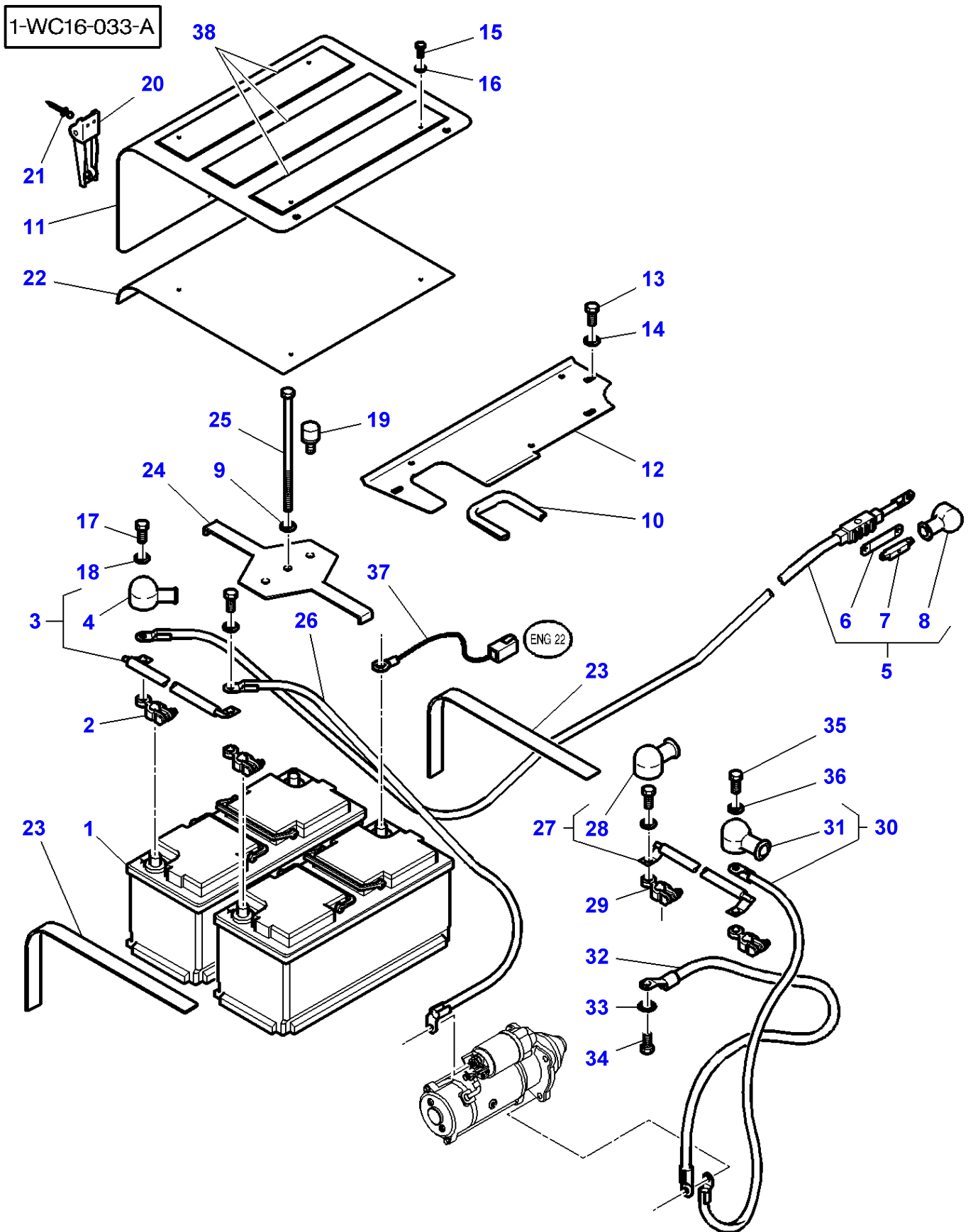
1-WH16-005-A



Fuel Pipes

Item	Part Number	Qty	Description	Comments
1	3785624M1	1	Hydr. Hose	Length 1850 MM Up to Serial or Engine Number N309086
	4280428M2	1	Hydr. Hose	Length 2100 MM From Serial or Engine Number N309087
2	3580971M1	1	Hydr. Hose	Length 2100 MM Up to Serial or Engine Number N309086
	4280429M2	1	Hydr. Hose	Length 1850 MM From Serial or Engine Number N309087
3	3777425M1	4	Clamp	Diameter 14 MM Up to Serial or Engine Number 07-NOV-2004
4	3387756M1	1	Clip	Diameter 16 - M8
5	3619622M1	3	Cable Tie	

MF 8450/8460 TRACTOR - 1637447
1-WC16-033-A



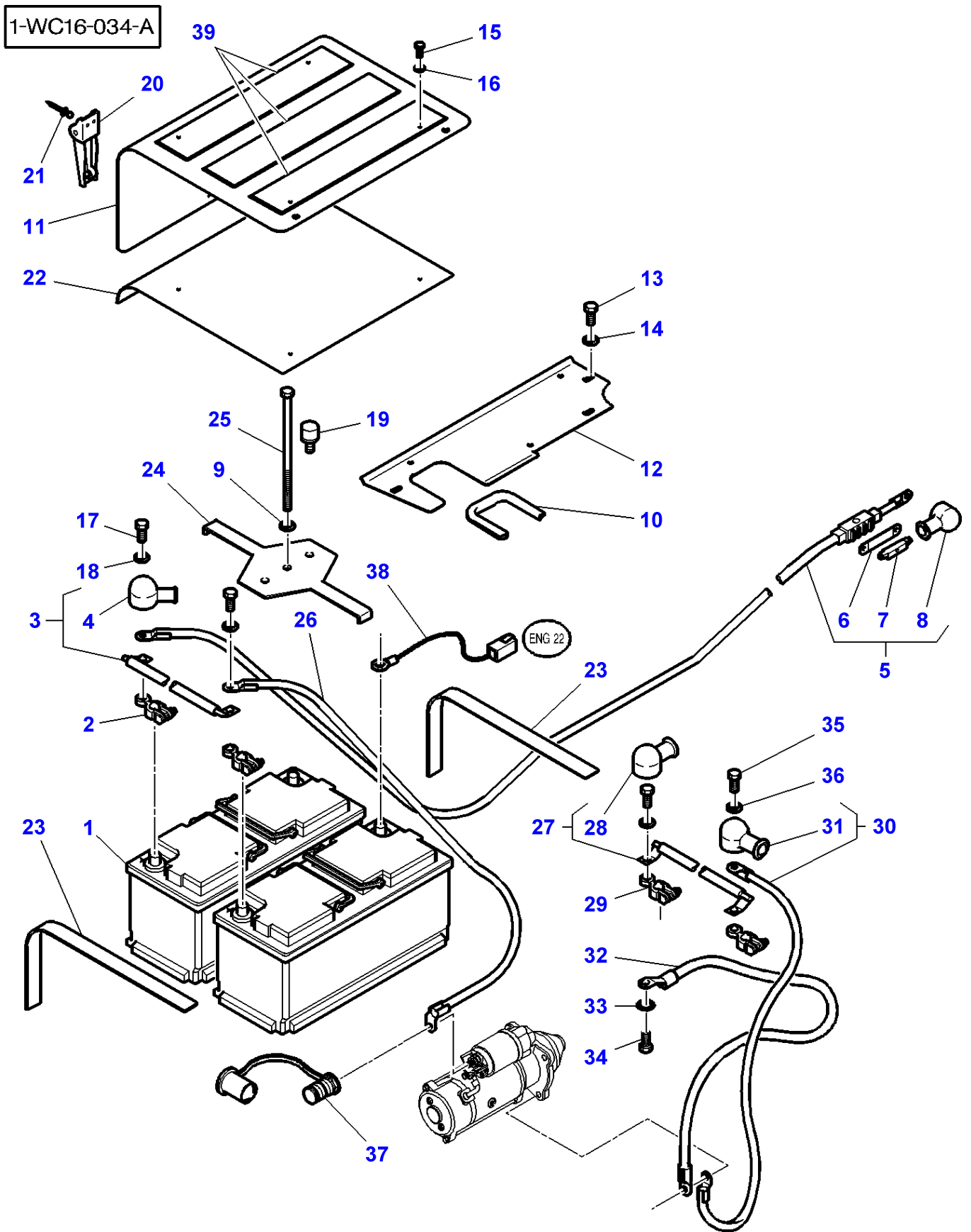
Batteries And Cables - Without Battery Cut-Off W/O Positive Connection

Item	Part Number	Qty	Description	Comments
1		2	Battery	[A,B]
2	4276408M1	2	Connector	+
3	4274946M1	1	Cable	Length 190 MM +
4	3784666M1	2	Helmet	(3)
5	4274519M2	1	Cable	Length 1870 MM +
6	4276186M1	1	Fuse	(5) 150 AMP
7	3789733M1	1	Case Assy	(5)
8	3784666M1	1	Helmet	(5)
9	390597X1	1	Washer	Diameter 10-30 X 2,5
10	3784893M1	1	Gasket	Length 204 MM
11	4278304M2	1	Cover	
12	4278305M2	1	Bridle	
13	339124X1	4	Hex. Sock. Screw	M8 X 16
14	390972X1	4	Washer	Diameter 8-17 X 1,7
15	338828X1	4	Rivet	
16	3001856X1	4	Washer	Diameter 4-12 X 1,1
17	1440433X1	2	Hex. Sock. Screw	M10 X 16
18	390734X1	2	Washer	Diameter 10-21 X 2
19	4278306M1	2	Shock Absorber	
20	4278351M1	1	Tie	
21	3010021X1	2	Rivet	
22	4278782M1	1	Sound Reduction	
23	4278758M1	1	Gasket	
24	4275106M2	1	Bridle	
25	392882X1	1	Hex. Sock. Screw	M10 X 240
26	4274520M1	1	Cable	Length 1220 MM +
27	4274518M1	1	Cable	Length 190 MM -
28	3784666M1	2	Helmet	(27)
29	4276409M1	2	Connector	-
30	4275488M2	1	Cable	
31	3784666M1	1	Helmet	(30)
32	3788045M1	1	Cable	Length 750 MM -
33	3010604X1	1	Washer	
34	3009491X1	1	Hex. Sock. Screw	M10 X 20
35	339124X1	2	Hex. Sock. Screw	M8 X 16
36	390972X1	2	Washer	Diameter 8-17 X 1,7
37	4276513M1	1	Harness	Length 1800 MM
38	4280036M1	3	Rubber Strap	370 X 70

FOOTNOTE [A] PLEASE REFER TO MARKETING CATALOG

FOOTNOTE [B] THE APPROPRIATE SAFETY DECALS MUST BE ORDERED AND FITTED TO THIS PART

MF 8450/8460 TRACTOR - 1637447
1-WC16-034-A

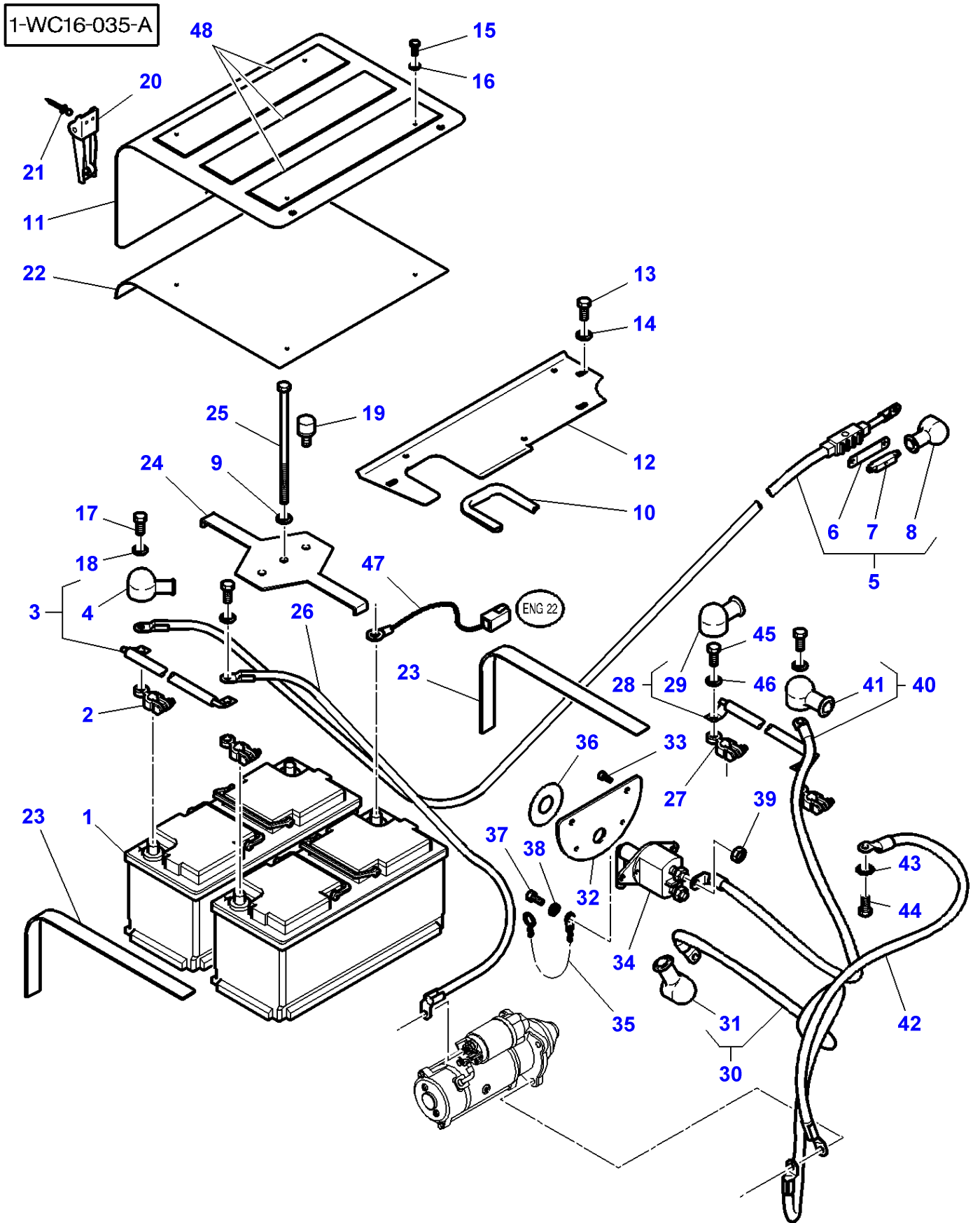


Item	Part Number	Qty	Description	Comments
1		2	Battery	[A,B]
2	4276408M1	2	Connector	+
3	4274946M1	1	Cable	Length 190 MM +
4	3784666M1	2	Helmet	(3)
5	4274519M2	1	Cable	Length 1870 MM +
6	4276186M1	1	Fuse	(5) 150 AMP
7	3789733M1	1	Case Assy	(5)
8	3784666M1	1	Helmet	(5)
9	390597X1	1	Washer	Diameter 10-30 X 2,5
10	3784893M1	1	Gasket	Length 204 MM
11	4278304M2	1	Cover	
12	4278305M2	1	Bridle	
13	339124X1	4	Hex. Sock. Screw	M8 X 16
14	390972X1	4	Washer	Diameter 8-17 X 1,7
15	338828X1	4	Rivet	
16	3001856X1	4	Washer	Diameter 4-12 X 1,1
17	1440433X1	2	Hex. Sock. Screw	M10 X 16
18	390734X1	2	Washer	Diameter 10-21 X 2
19	4278306M1	2	Shock Absorber	
20	4278351M1	1	Tie	
21	3010021X1	2	Rivet	
22	4278782M1	1	Sound Reduction	
23	4278758M1	1	Gasket	
24	4275106M2	1	Bridle	
25	392882X1	1	Hex. Sock. Screw	M10 X 240
26	4274520M1	1	Cable	Length 1220 MM +
27	4274518M1	1	Cable	Length 190 MM -
28	3784666M1	2	Helmet	(27)
29	4276409M1	2	Connector	-
30	4275488M2	1	Cable	
31	3784666M1	1	Helmet	(30)
32	3788045M1	1	Cable	Length 750 MM -
33	3010604X1	1	Washer	
34	3009491X1	1	Hex. Sock. Screw	M10 X 20
35	339124X1	2	Hex. Sock. Screw	M8 X 16
36	390972X1	2	Washer	Diameter 8-17 X 1,7
37	5015252M1	1	Connector	
38	4276513M1	1	Harness	Length 1800 MM
39	4280036M1	3	Rubber Strap	370 X 70

FOOTNOTE [A] PLEASE REFER TO MARKETING CATALOG

FOOTNOTE [B] THE APPROPRIATE SAFETY DECALS MUST BE ORDERED AND FITTED TO THIS PART

MF 8450/8460 TRACTOR - 1637447
1-WC16-035-A



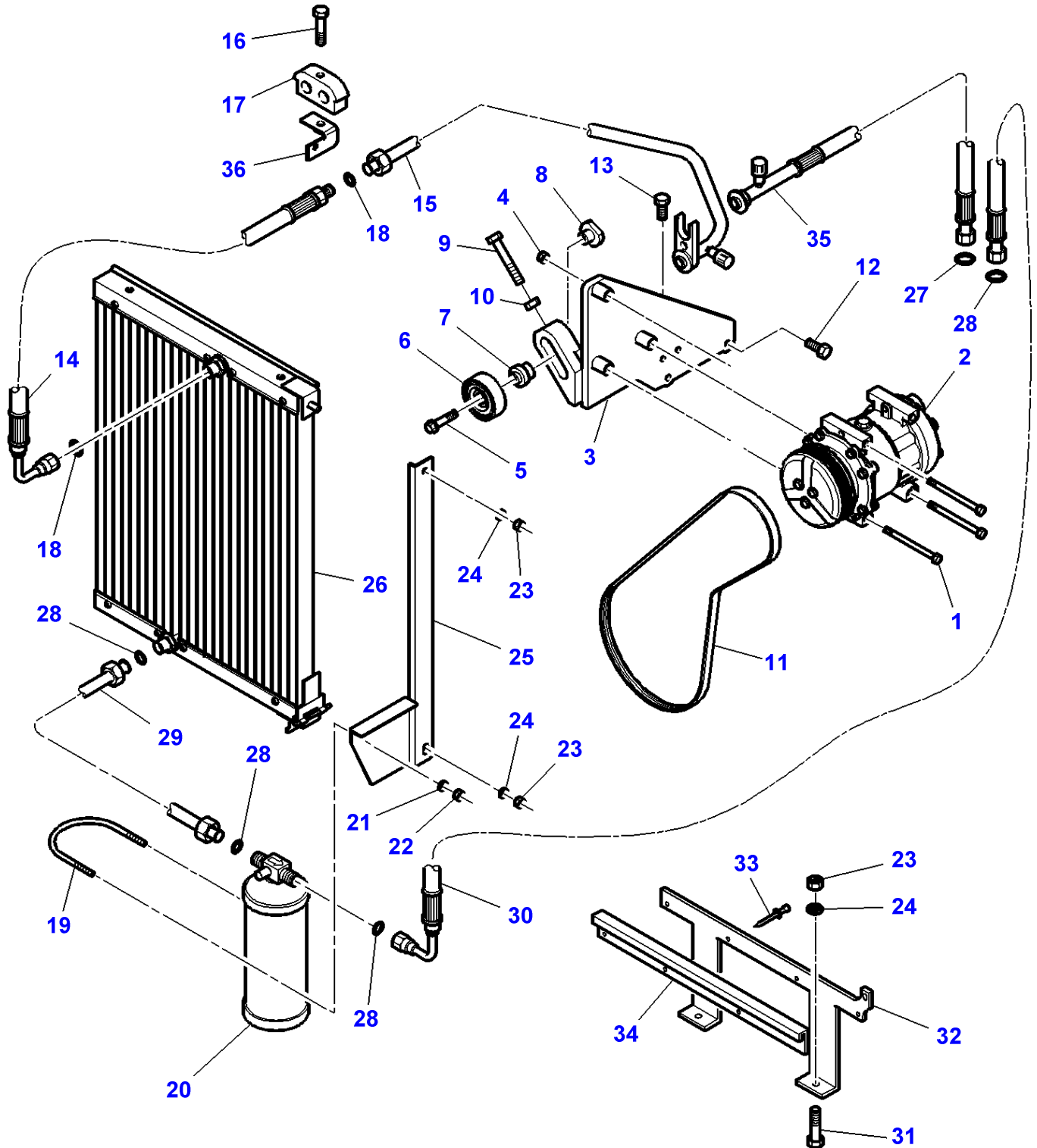
Batteries And Cables - With Battery Cut-Off W/O Positive Connection

Item	Part Number	Qty	Description	Comments
1		2	Battery	[A,B]
2	4276408M1	2	Connector	+
3	4274946M1	1	Cable	Length 190 MM
4	3784666M1	2	Helmet	(3)
5	4274519M2	1	Cable	Length 1870 MM
6	4276186M1	1	Fuse	(5) 150 AMP
7	3789733M1	1	Case Assy	(5)
8	3784666M1	1	Helmet	(5)
9	390597X1	1	Washer	Diameter 10-30 X 2,5
10	3784893M1	1	Gasket	Length 204 MM
11	4278304M2	1	Cover	
12	4278305M2	1	Bridle	
13	339124X1	4	Hex. Sock. Screw	M8 X 16
14	390972X1	4	Washer	Diameter 8-17 X 1,7
15	338828X1	4	Rivet	
16	3001856X1	4	Washer	Diameter 4-12 X 1,1
17	1440433X1	2	Hex. Sock. Screw	M10 X 16
18	390734X1	2	Washer	Diameter 10-21 X 2
19	4278306M1	2	Shock Absorber	
20	4278351M1	1	Tie	
21	3010021X1	2	Rivet	
22	4278782M1	1	Sound Reduction	
23	4278758M1	1	Gasket	
24	4275106M2	1	Bridle	
25	392882X1	1	Hex. Sock. Screw	M10 X 240
26	4274520M1	1	Cable	Length 1220 MM
27	4276409M1	2	Connector	-
28	4274518M1	1	Cable	Length 190 MM
29	3784666M1	2	Helmet	(28)
30	4275544M1	1	Cable	Length 1400 MM
31	3784666M1	1	Helmet	(30)
32	4275007M1	1	Support	
33	339123X1	2	Hex. Sock. Screw	M8 X 20
34	3613598M91	1	Switch	
35	3613599M91	1	Chain	
36	3613600M1	1	Decal	
37	339666X1	2	Hex. Sock. Screw	M6 X 20
38	390971X1	2	Washer	Diameter 6-12 X 1,5
39	339030X1	2	Nut Metric	M6
40	4275771M1	1	Battery Cable	Length 1400 MM
41	3784666M1	1	Helmet	(40)
42	3788045M1	1	Cable	Length 750 MM
43	3010604X1	1	Washer	
44	3009491X1	1	Hex. Sock. Screw	M10 X 20
45	339124X1	2	Hex. Sock. Screw	M8 X 16
46	390972X1	2	Washer	Diameter 8-17 X 1,7
47	4276513M1	1	Harness	Length 1800 MM
48	4280036M1	3	Rubber Strap	370 X 70

FOOTNOTE [A] PLEASE REFER TO MARKETING CATALOG

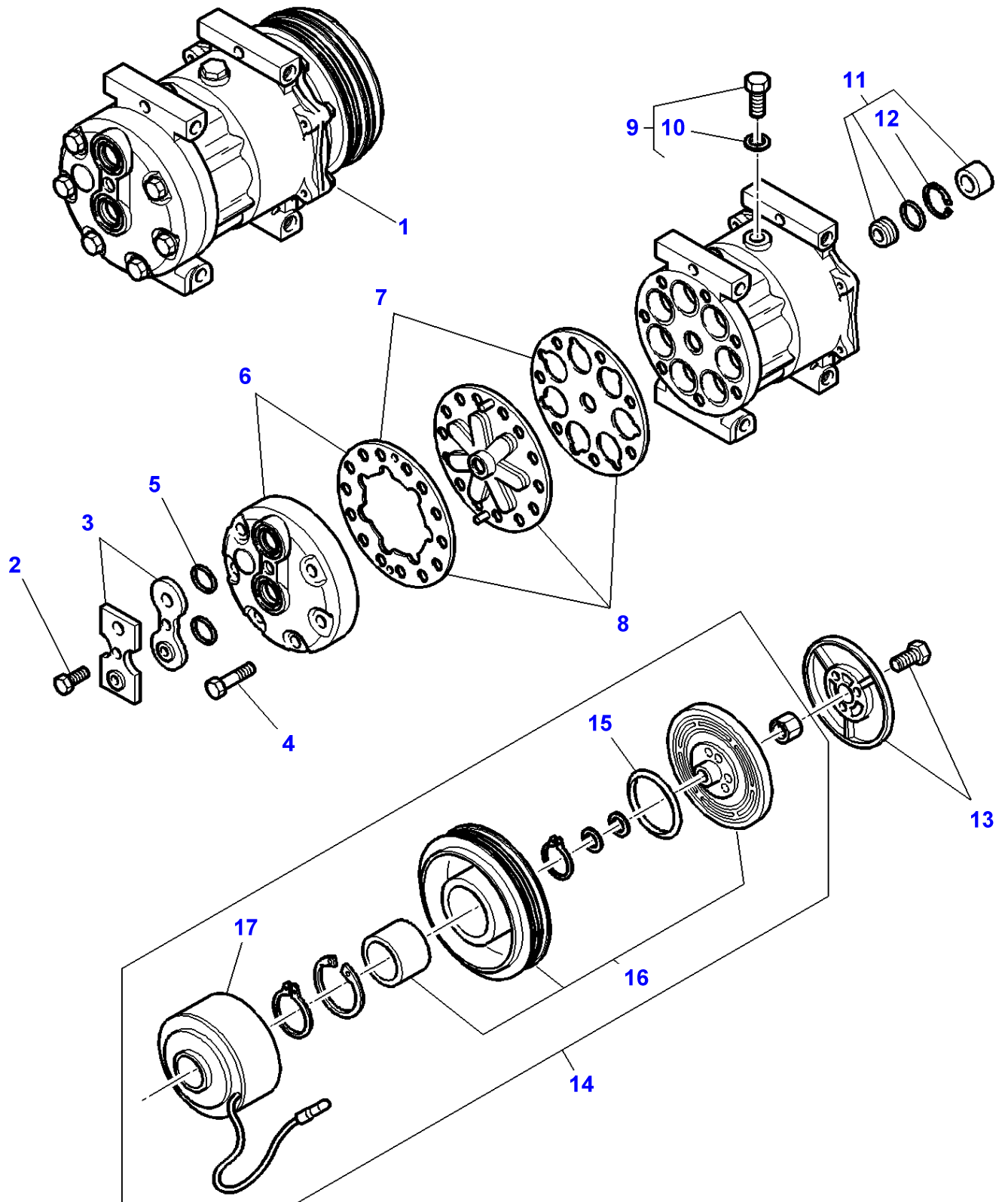
FOOTNOTE [B] THE APPROPRIATE SAFETY DECALS MUST BE ORDERED AND FITTED TO THIS PART

1-WC08-015-A



Item	Part Number	Qty	Description	Comments
1	391245X1	3	Hex. Sock. Screw	M8 X 130
2	3789035M1	1	Compressor	See Page - Reference Number 010-0160/1
3	4271881M3	1	Support	
4	394367X1	3	Locknut	M8
5	3010239X1	1	Plough Bolt	M10 X 45
6	4270319M1	1	Roller Assy	
7	4270055M2	1	Bush	
8	4270054M1	1	Nut Special	M10
9	390122X1	1	Hex. Sock. Screw	M10 X 80
10	339402X1	1	Nut	M10
11	4281345M1	1	Belt	Length 1100 MM
12	390246X1	2	Hex. Sock. Screw	M8 X 70
13	3009491X1	1	Hex. Sock. Screw	M10 X 20
14	4278051M1	1	Hydr. Hose	Length 1200 MM
15	4278220M1	1	Tube	
16	339011X1	1	Hex. Sock. Screw	M8 X 45
17	3789722M1	2	Bridle	Diameter 15 / 15
18	3010472X1	2	O Ring	Diameter 10,82 MM
19	3383977M1	1	Stirrup	
20	3712495M1	1	Filter	
21	390971X1	2	Washer	Diameter 6-12 X 1,5 MM
22	339030X1	2	Nut Metric	M6
23	339169X1	5	Nut	M8
24	390972X1	4	Washer	Diameter 8-17 X 1,7
25	3785878M3	1	Support	
26	3785702M1	1	Condenser	
27	3010473X1	1	O Ring	Diameter 14 MM
28	3010471X1	5	O Ring	Diameter 7,65 MM
29	3787886M1	1	Tube	
30	4272202M1	1	Hydr. Hose	Length 3000 MM
31	339123X1	2	Hex. Sock. Screw	M8 X 20
32	4276222M3	1	Plate	
33	3010021X1	4	Rivet	
34	3787634M1	1	Support	
35	4272092M1	1	Hydr. Hose	Length 1140 MM
36	4280067M1	1	Support	

1-WC49-001-A

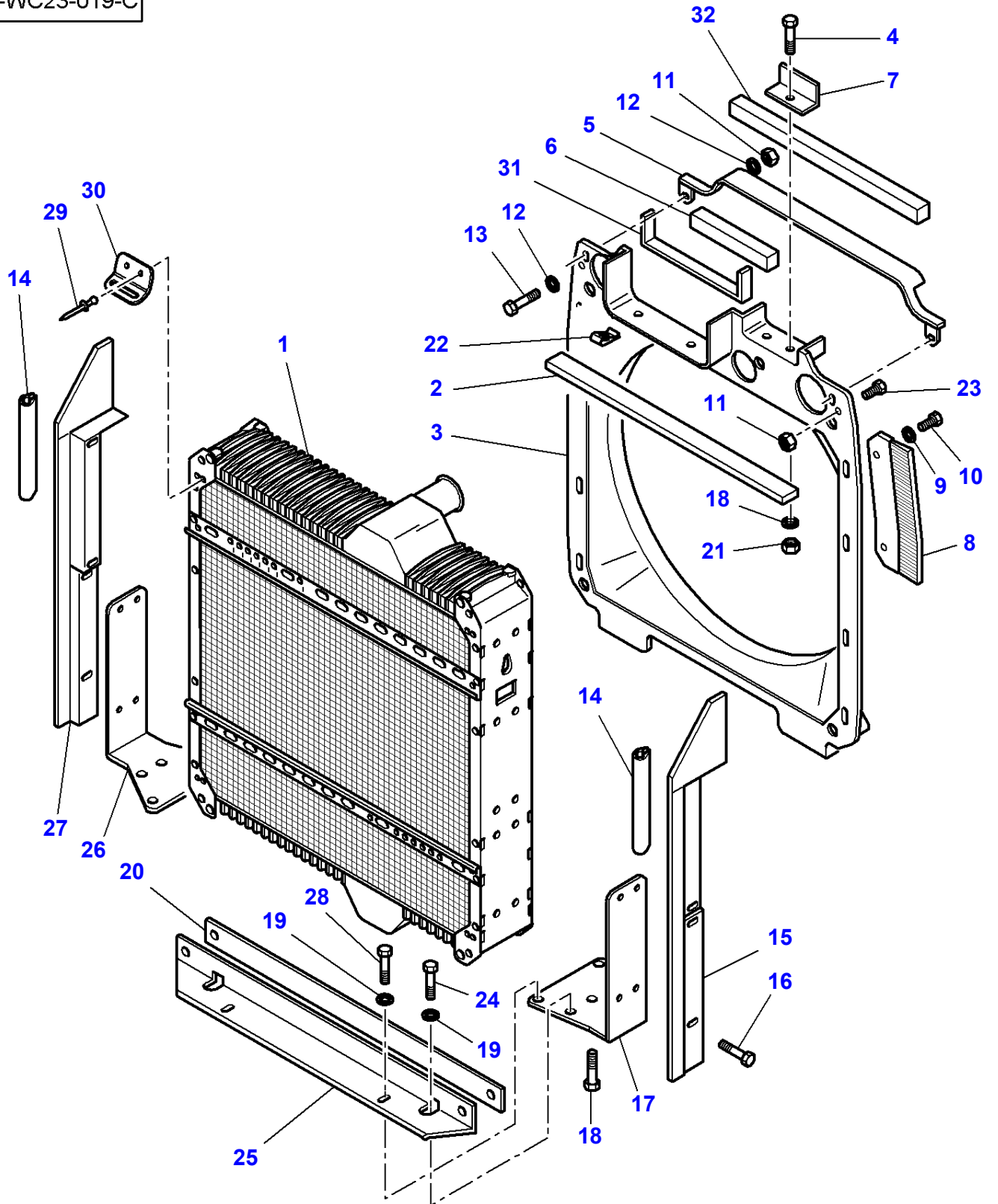


Compressor

Item	Part Number	Qty	Description	Comments
1	3789035M1	1	Compressor	
2	3901157M1	1	Screw	(1)
3	3903258M91	1	Kit	(1)
4	3901154M1	1	Screw	(1)
5	3901155M1	1	O Ring	(1)
6	3901147M91	1	Head	(1)
7	3903256M91	1	Kit, Gasket	(1)
8	3903255M91	1	Kit	(1)
9	3901152M91	1	Plug	(1)
10	3901153M1	1	O Ring	(9)
11	3907059M91	1	Kit, Joint	(1)
12	3907060M1	1	Snpring	(11)
13	3903259M91	1	Kit	(1)
14	3907061M91	1	Clutch	(1)
15	3901162M1	1	Cover	(14)
16	3907062M91	1	Rotor	(14)
17	3907063M91	1	Coil	(14)

MF 8450/8460 TRACTOR - 1637447
1-WC23-019-C

1-WC23-019-C



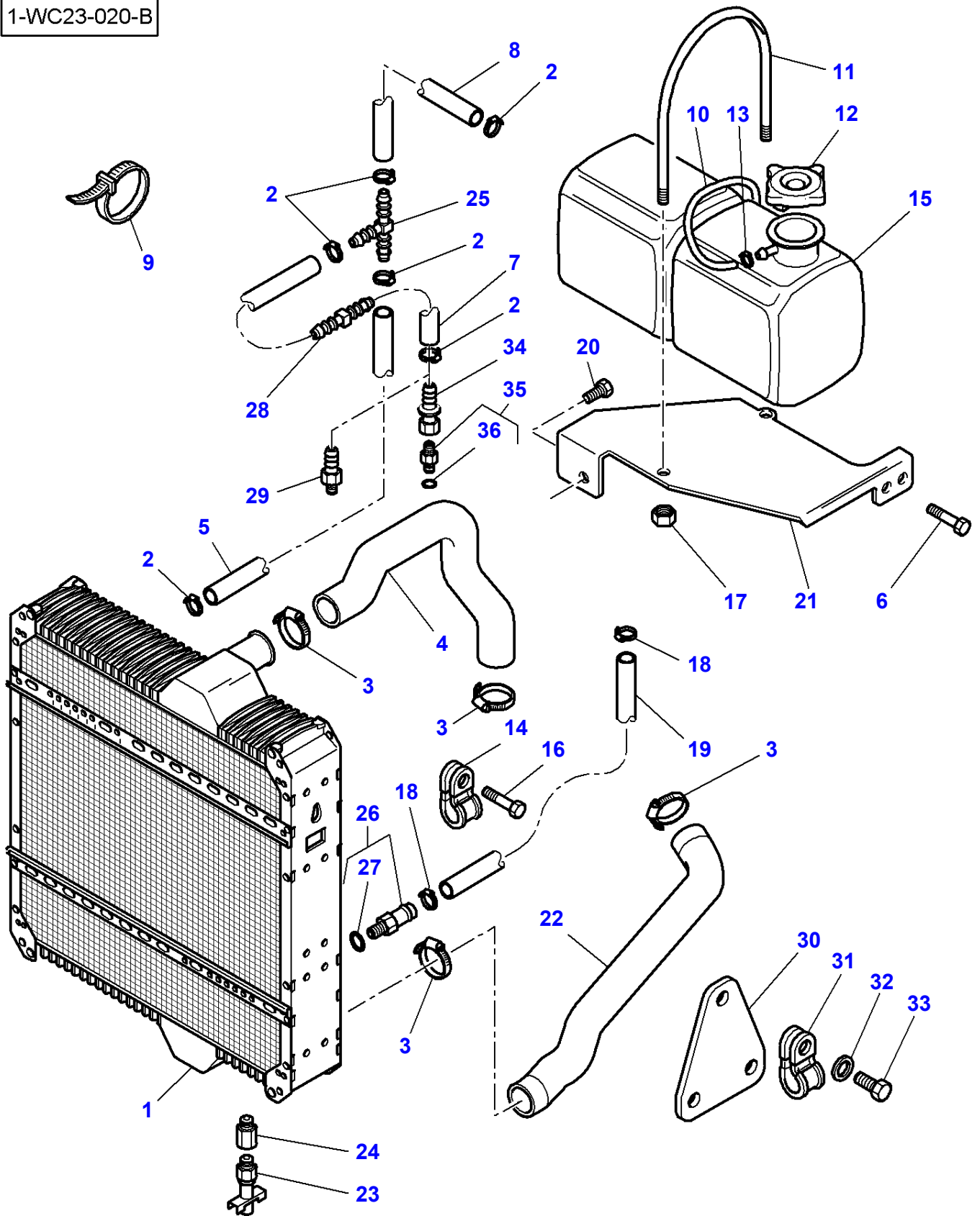
Cooling System - Engine

Item	Part Number	Qty	Description	Comments
1	3788381M1	1	Water Cooler	[A]
2	72504363	2	Foam	12 X 25 X 610
3	3787503M4	1	Shroud	
4	339123X1	1	Hex. Sock. Screw	M8 X 20
5	3785976M2	1	Support	
6	3389703M1	1	Skate	38 X 38 X 160
7	4277721M1	1	Angle.	
8	3783099M4	1	Gasket	Right Hand
	3783100M4	1	Gasket	Left Hand
9	390972X1	8	Washer	Diameter 8-17 X 1,7
10	339124X1	8	Hex. Sock. Screw	M8 X 16
11	339169X1	4	Nut	M8
12	390972X1	4	Washer	Diameter 8-17 X 1,7
13	339761X1	2	Hex. Sock. Screw	M8 X 25
14	3011018X1	2	Seal	Length 700 MM
15	3781629M1	1	Support	Left Hand
16	339123X1	8	Hex. Sock. Screw	M8 X 20
17	3781911M1	1	Support	Left Hand
18	390972X1	1	Washer	Diameter 8-17 X 1,7
19	390735X1	6	Washer	Diameter 12-24 X 2,5
20	3783101M1	1	Gasket	Length 745 MM
21	339169X1	1	Nut	M8
22	3010070X1	2	Nut	M6
23	339123X1	2	Hex. Sock. Screw	M8 X 20
24	3009505X1	2	Hex. Sock. Screw	M12 X 25
25	3783046M1	1	Support	
26	3781621M1	1	Support	Right Hand
27	3781630M1	1	Support	Right Hand
28	3009506X1	4	Hex. Sock. Screw	M12 X 30
29	3010021X1	4	Rivet	Diameter 4.8 x 9
30	3789249M1	2	Angle.	
31	5016145M2	2	Gasket	
32	3783670M2	1	Gasket	Length 750 MM

FOOTNOTE [A] THE APPROPRIATE SAFETY DECALS MUST BE ORDERED AND FITTED TO THIS PART

MF 8450/8460 TRACTOR - 1637447
1-WC23-020-B

1-WC23-020-B



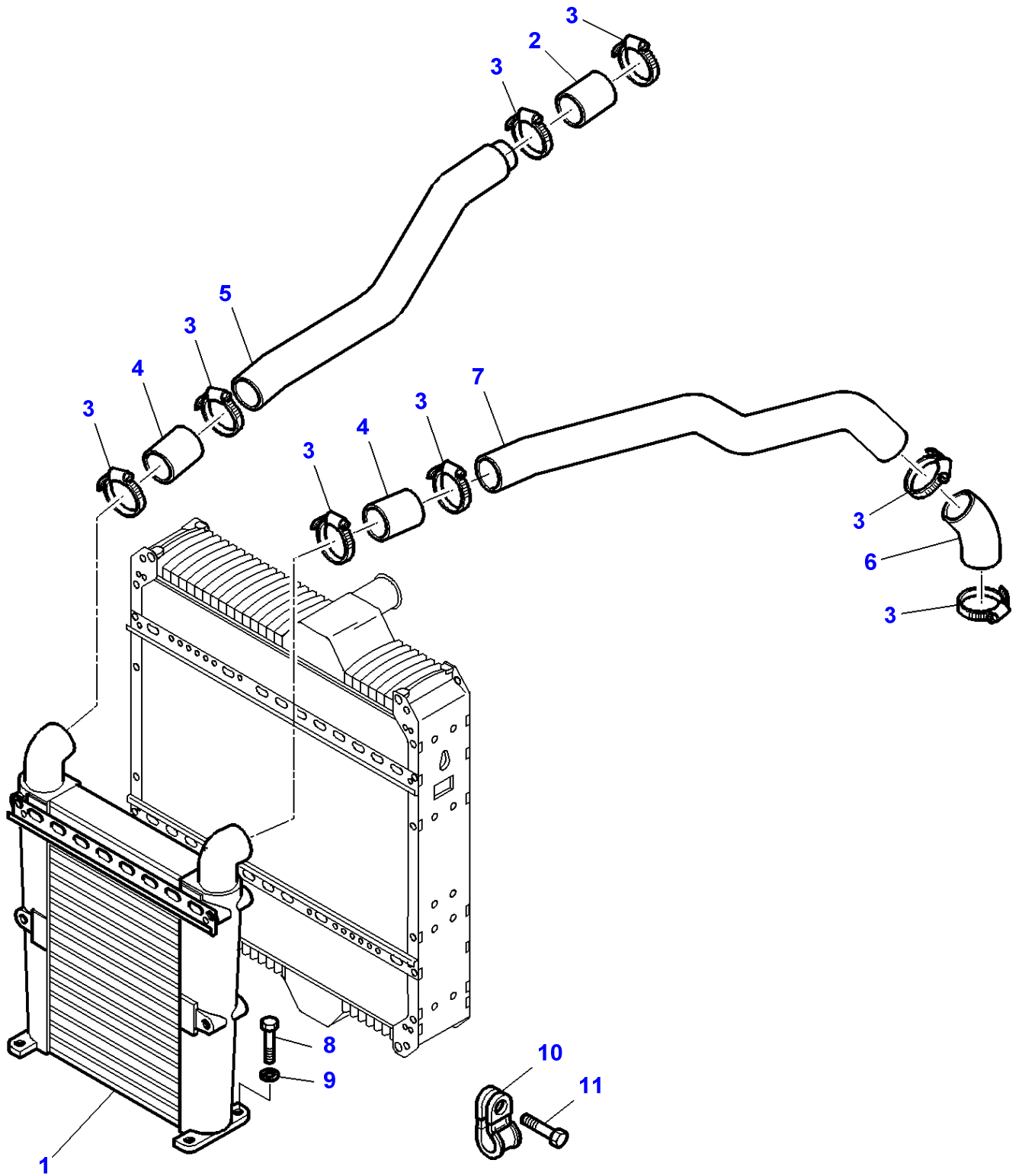
Cooling System - Engine

Item	Part Number	Qty	Description	Comments
1	3788381M1	1	Water Cooler	[A]
2	3000483X1	6	Hose Clip	Diameter 12-22
3	338618X1	4	Hose Clip	Diameter 50-70
4	4278292M1	1	Hose	
5	4278566M1	1	Hose	Length 900 MM
6	339124X1	2	Hex. Sock. Screw	M8 X 16
7	3783573M1	1	Hydr. Hose	[B] Length 650 MM
8	3777798M1	1	Hose	Length 750 MM
9	3619622M1	2	Cable Tie	
10	3583427M1	1	Tube	
11	4275245M1	1	Bridle	M8
12	3787612M1	1	Plug	
13	338612X1	1	Hose Clip	Diameter 10-16
14	3581424M1	3	Clip	Diameter 25 MM
15	4275025M2	1	Tank	[A] Up to Serial or Engine Number N345026
	4280681M1	1	Tank	[A] From Serial or Engine Number N345027
16	339123X1	1	Hex. Sock. Screw	M8 X 20
17	339169X1	2	Nut	M8
18	338615X1	2	Clamp	Diameter 25-40
19	3786408M1	1	Hose	Length 1700 MM
20	3009491X1	1	Hex. Sock. Screw	M10 X 20
21	4274910M3	1	Support	
22	3780110M2	1	Hose	
23	70229210	1	Cock	
24	5016190M1	1	Adaptor	
25	3779038M1	1	Union	
26	5016824M91	1	Connectors	
27	831497M1	1	O Ring	(26)
28	3010671X1	1	Union	Up to Serial or Engine Number Diameter 10/6
29	3010841X1	1	Connectors	Up to Serial or Engine Number Diameter 1/4 - M10
30	3787789M2	1	Strap	
31	3580988M1	1	Clip	Diameter 80 - M8
32	390972X1	1	Washer	
33	339124X1	1	Hex. Sock. Screw	M8 X 16
34	4279936M1	1	Union	From Serial or Engine Number
35	3019692X91	1	Union	From Serial or Engine Number Diameter M14
36	3019395X1	1	O Ring	(35)

FOOTNOTE [A] THE APPROPRIATE SAFETY DECALS MUST BE ORDERED AND FITTED TO THIS PART

FOOTNOTE [B] CUT TO REQUIRED LENGTH

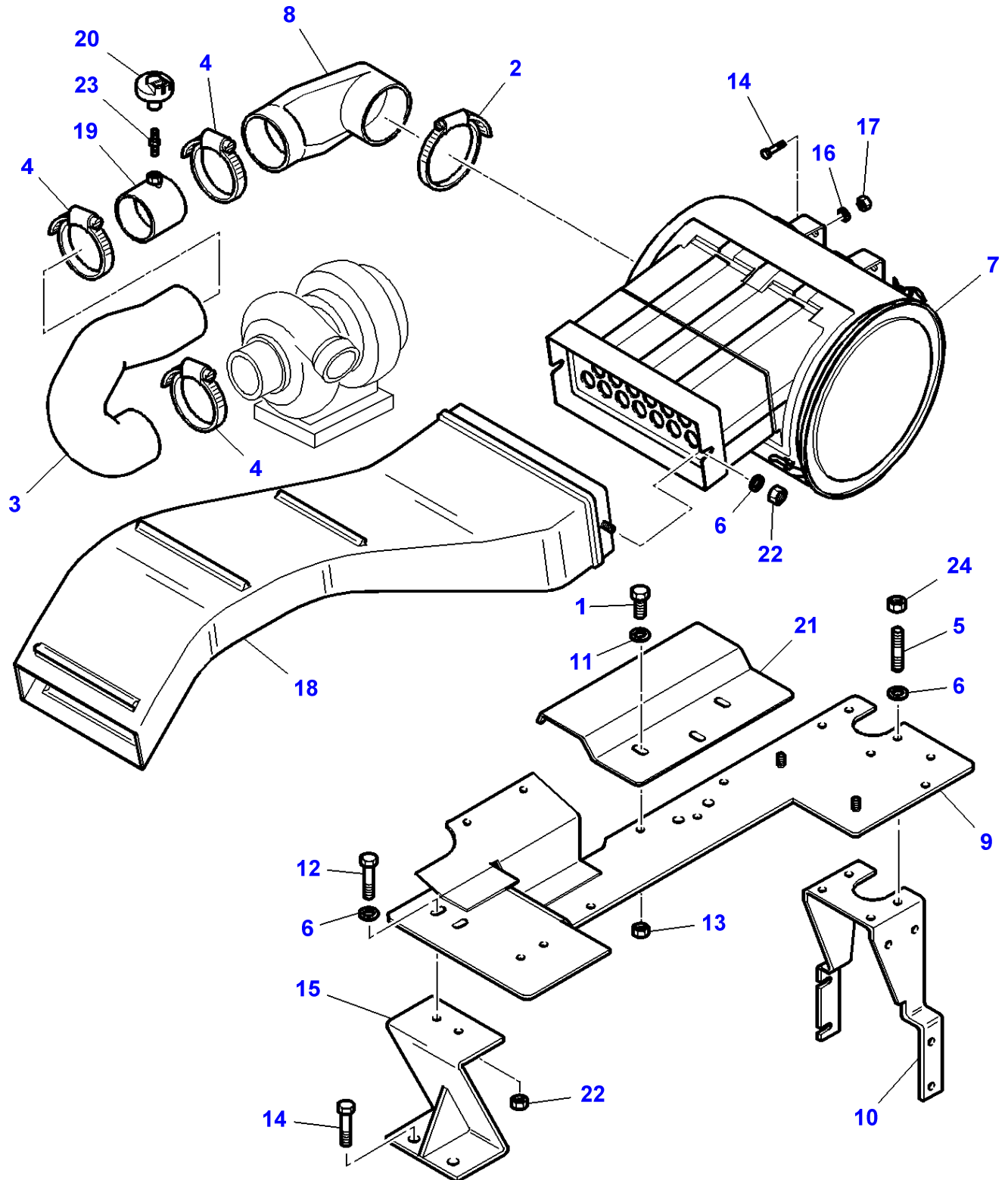
1-WC65-002-A



Air Cooler

Item	Part Number	Qty	Description	Comments
1	4276485M1	1	Cooler	
2	3788617M1	1	Hose	Left Hand
3	3010156X1	8	Clamp	Diameter 70-90
4	3784918M1	2	Hose	Length 100MM
5	4276586M2	1	Tube	
6	3789396M1	1	Hose	
7	4276119M2	1	Tube	
8	339010X1	4	Hex. Sock. Screw	M8X40
9	390972X1	4	Washer	
10	3581507M1	2	Clip	Diameter 18MM
11	339761X1	2	Hex. Sock. Screw	M8 X 25

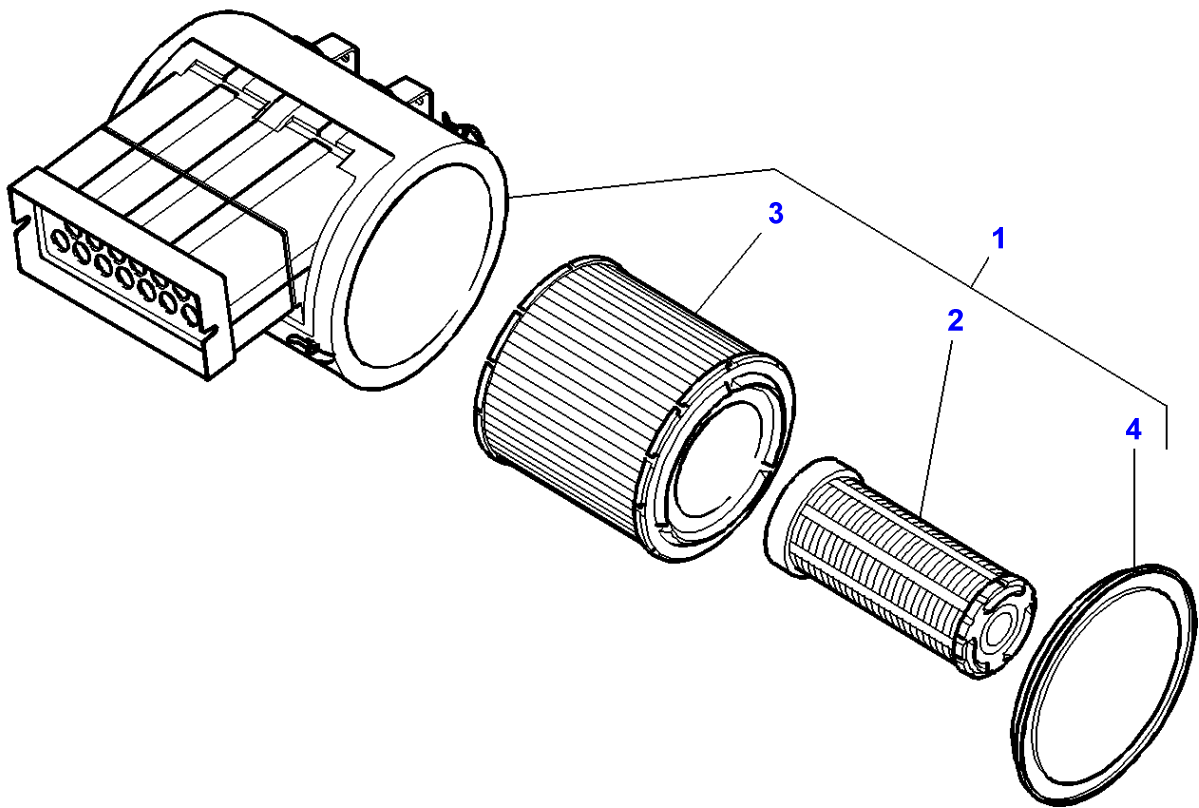
1-WC20-014-B



Air Filter - Dry - Dual Element

Item	Part Number	Qty	Description	Comments
1	339123X1	3	Hex. Sock. Screw	M8 X 20
2	3010162X1	1	Clamp	Diameter 130-155
3	4273355M1	1	Hose	
4	3010160X1	3	Clamp	Diameter 110-135
5	391005X1	4	Stud	M10 X 25
6	390734X1	8	Washer	
7	4278222M91	1	Air Filter	See Page - Reference Number 010-0185/1
8	3788163M1	1	Tube	
9	4277707M92	1	Support	
10	5015609M91	1	Support	
11	390972X1	3	Washer	
12	3009492X1	2	Hex. Sock. Screw	M10 X 25
13	339169X1	3	Nut	M8
14	1440716X1	6	Hex. Sock. Screw	M12 X 30
15	3786433M93	1	Support	
16	390735X1	4	Washer	
17	3009695X1	4	Nut	M12
18	4278207M2	1	Hose	
19	4273730M1	1	Tube	
20	3808462M1	1	Pressure Switch	
21	3789482M2	1	Cowl	
22	339402X1	4	Nut	M10
23	1028097M1	1	Filter	
24	339402X1	4	Nut	M10

1-WC20-015-A

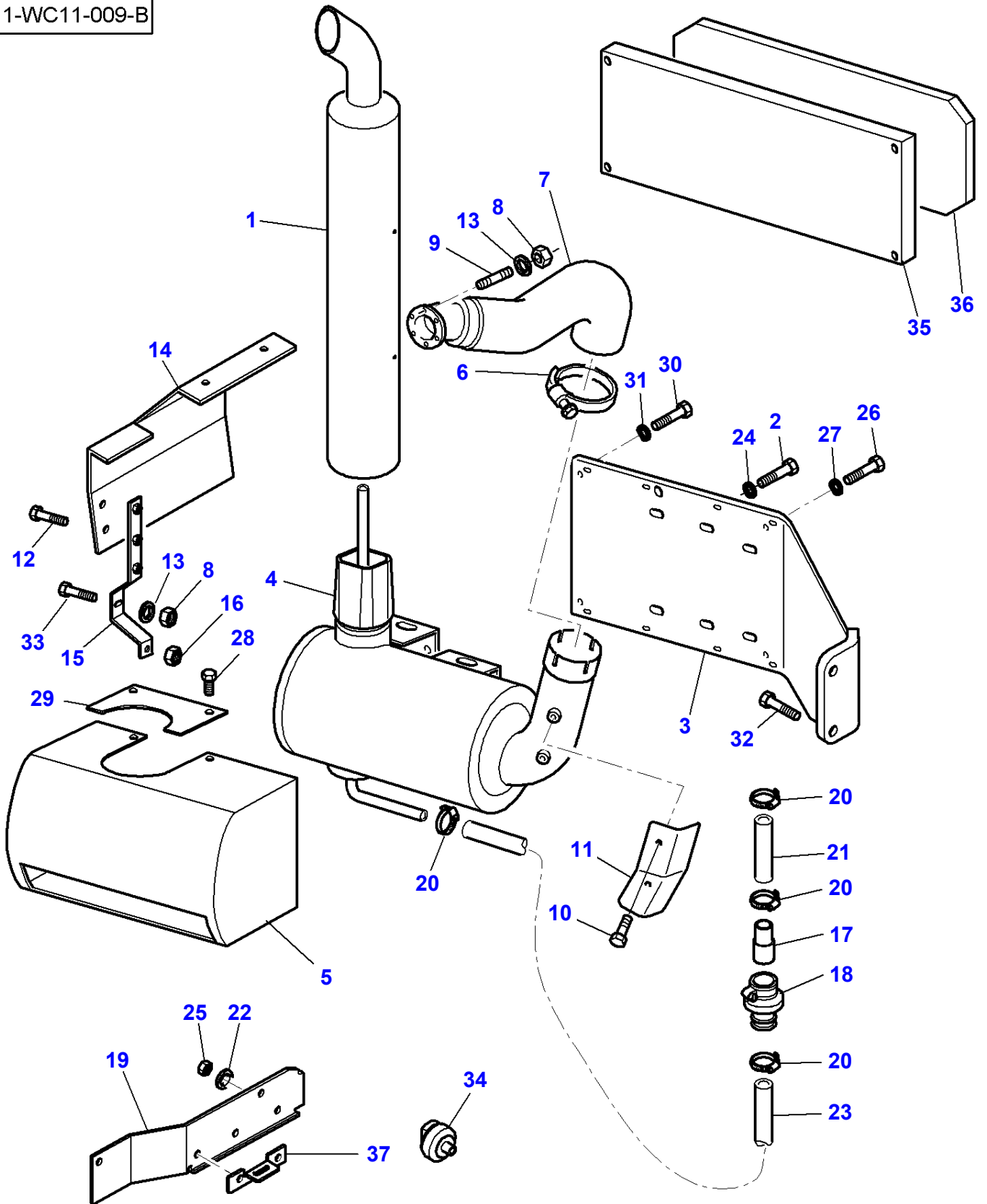


Massey Ferguson**MF 8450/8460 TRACTOR - 1637447****1637447****Air Filter - Dry - Dual Element****Page010-0185**

Item	Part Number	Qty	Description	Comments
1	4278222M91	1	Air Filter	
2	4270018M1	1	Air Fitr.Element	(1)
3	4278631M1	1	Air Fitr.Element	(1)
4	4278565M1	1	Cover	(1)

MF 8450/8460 TRACTOR - 1637447
1-WC11-009-B

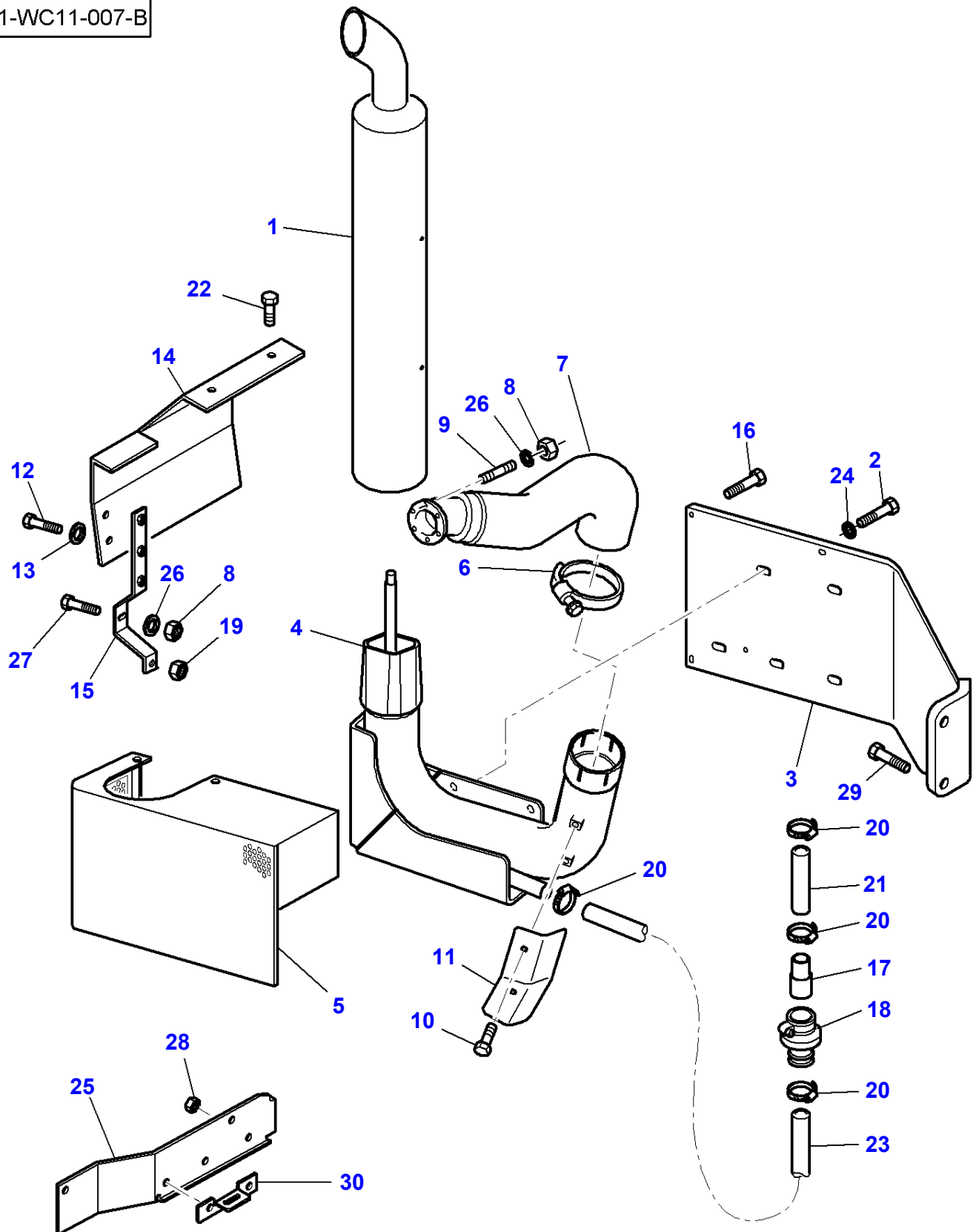
1-WC11-009-B



Item	Part Number	Qty	Description	Comments
1	4272777M2	1	Tube	AGCO 0037
2	3009509X1	6	Hex. Sock. Screw	M12 X 45
3	4275001M2	1	Support	
4	4278589M1	1	Silencer	AGCO 0058
5	4278886M2	1	Cowl	
6	3782608M1	1	Clamp	Diameter 119 MM
7	4276472M1	1	Adaptor	
8	3010572X1	7	Nut	M8
9	391001X1	6	Stud	M8 X 25
10	339228X1	3	Hex. Sock. Screw	M8 X 12
11	3789287M1	1	Cowl	
12	391074X1	2	Hex. Sock. Screw	M6 X 12
13	390972X1	7	Washer	Diameter 8-17 X 1,7
14	4277489M2	1	Cowl	
15	4277490M1	1	Reinforcement	
16	339402X1	1	Nut	M10
17	3782356M1	1	Adaptor	Diameter 32-40 MM Length 60 MM
18	3780483M1	1	Non Return Valve	
19	4270257M3	1	Cowl	Up to Serial or Engine Number N356012
	4280575M2	1	Cowl	From Serial or Engine Number N356013
20	338615X1	4	Clamp	Diameter 25-40 MM
21	3386626M1	1	Suction Hose	[A] Length 740 MM
22	390735X1	3	Washer	Diameter 12-24 X 2,5
23	3038134M1	1	Tube	Length 1270 MM
24	390735X1	6	Washer	Diameter 12-24 X 2,5
25	3009695X1	3	Nut	M12
26	339009X1	8	Hex. Sock. Screw	M8 X 35
27	390972X1	8	Washer	Diameter 8-17 X 1,7
28	339124X1	2	Hex. Sock. Screw	M8 X 16
29	4270726M1	1	Plate	
30	339010X1	4	Hex. Sock. Screw	M8 X 40
31	390972X1	8	Washer	Diameter 8-17 X 1,7
32	339881X1	2	Hex. Sock. Screw	M16 X 60
33	339228X1	2	Hex. Sock. Screw	M8 X 12
34	3808462M1	1	Pressure Switch	
35	4278885M1	1	Cowl	
36	4278897M1	1	Sound Reduction	
37	4279547M1	1	Support	From Serial or Engine Number N356013

FOOTNOTE [A] CUT TO REQUIRED LENGTH

1-WC11-007-B

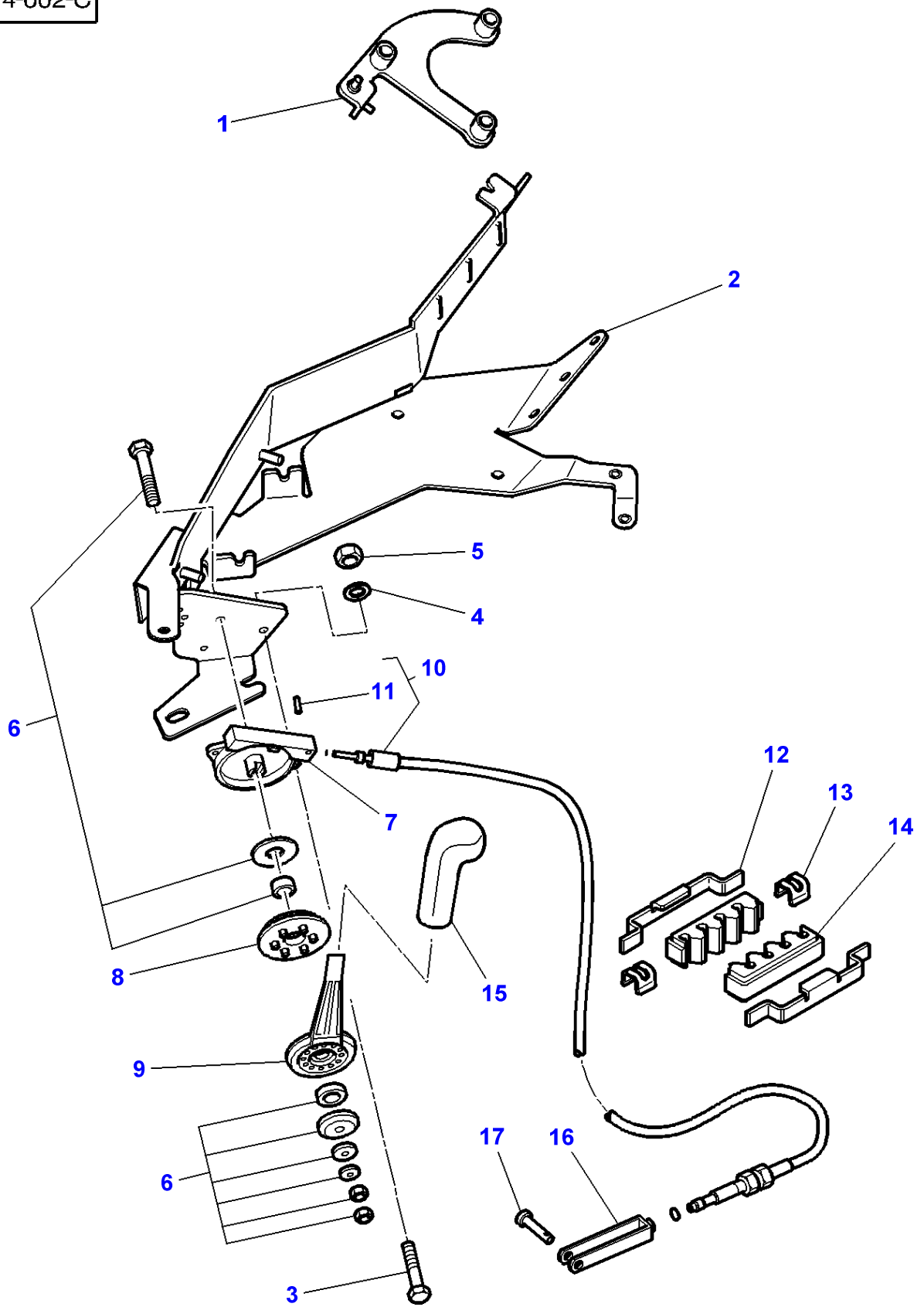


Vertical Exhaust On The Side - For United States of America

Item	Part Number	Qty	Description	Comments
1	4272777M2	1	Tube	AGCO 0037
2	3009510X1	5	Hex. Sock. Screw	M12 X 50
3	4277149M4	1	Support	
4	4271731M1	1	Tube	
5	4273141M2	1	Cowl	
6	3782608M1	1	Clamp	Diameter 119 MM
7	4276472M1	1	Adaptor	
8	3010572X1	7	Nut	M8
9	391001X1	6	Stud	M8 X 25
10	339228X1	2	Hex. Sock. Screw	M8 X 12
11	3789287M1	1	Cowl	
12	339560X1	2	Hex. Sock. Screw	M6 X 16
13	390971X1	2	Washer	Diameter 6-12 X 1,5
14	4277489M2	1	Cowl	
15	4277490M1	1	Reinforcement	
16	339010X1	4	Hex. Sock. Screw	M8 X 40
17	3782356M1	1	Adaptor	Diameter 32-40 MM Length 60 MM
18	3780483M1	1	Non Return Valve	
19	339402X1	1	Nut	M10
20	338615X1	4	Clamp	Diameter 25-40 MM
21	3386626M1	1	Suction Hose	[A] Length 740 MM
22	339124X1	2	Hex. Sock. Screw	M8 X 16
23	3038134M1	1	Tube	Length 1270 MM
24	390735X1	5	Washer	Diameter 12-24 X 2,5
25	4270257M3	1	Cowl	Up to Serial or Engine Number N356012
	4280575M2	1	Cowl	From Serial or Engine Number N356013
26	390972X1	7	Washer	Diameter 8-17 X 1,7
27	339124X1	1	Hex. Sock. Screw	M8 X 16
28	3009695X1	3	Nut	M12
29	339881X1	2	Hex. Sock. Screw	M16 X 60
30	4279547M1	1	Support	From Serial or Engine Number N356013

FOOTNOTE [A] CUT TO REQUIRED LENGTH

1-WC14-002-C

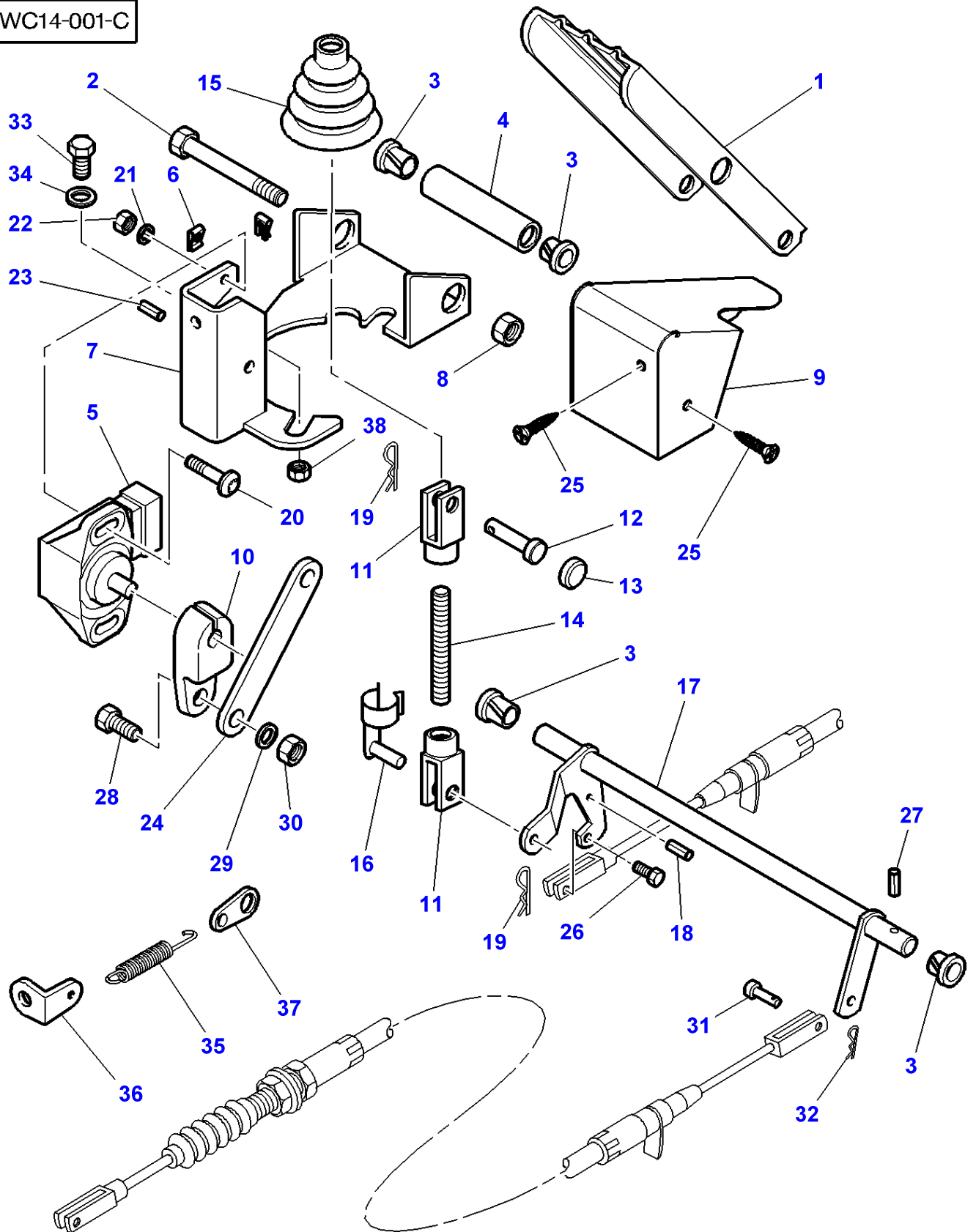


Throttle Controls

Item	Part Number	Qty	Description	Comments
1	4270719M3	1	Support	
2	3787580M93	1	Support	
3	339563X1	3	Hex. Sock. Screw	M5 X 20
4	3019560X1	3	Washer	Diameter 5-15 X 1,5
5	1441494X1	3	Nut Metric	M5
6	3785336M3	1	Parts Pack	
7	3786152M2	1	Case Assy	
8	3789513M1	1	Flange	
9	3785335M3	1	Lever	
10	4271798M3	1	Cable	
11	339303X1	1	Dowel	(10)
12	4270509M2	2	Support	
13	4270510M1	2	Clip	
14	4270508M1	2	Bridle	
15	3785000M1	1	Handle	
16	3616399M1	1	Stirrup	
17	832297M1	1	Clevis Pin	

MF 8450/8460 TRACTOR - 1637447
1-WC14-001-C

1-WC14-001-C

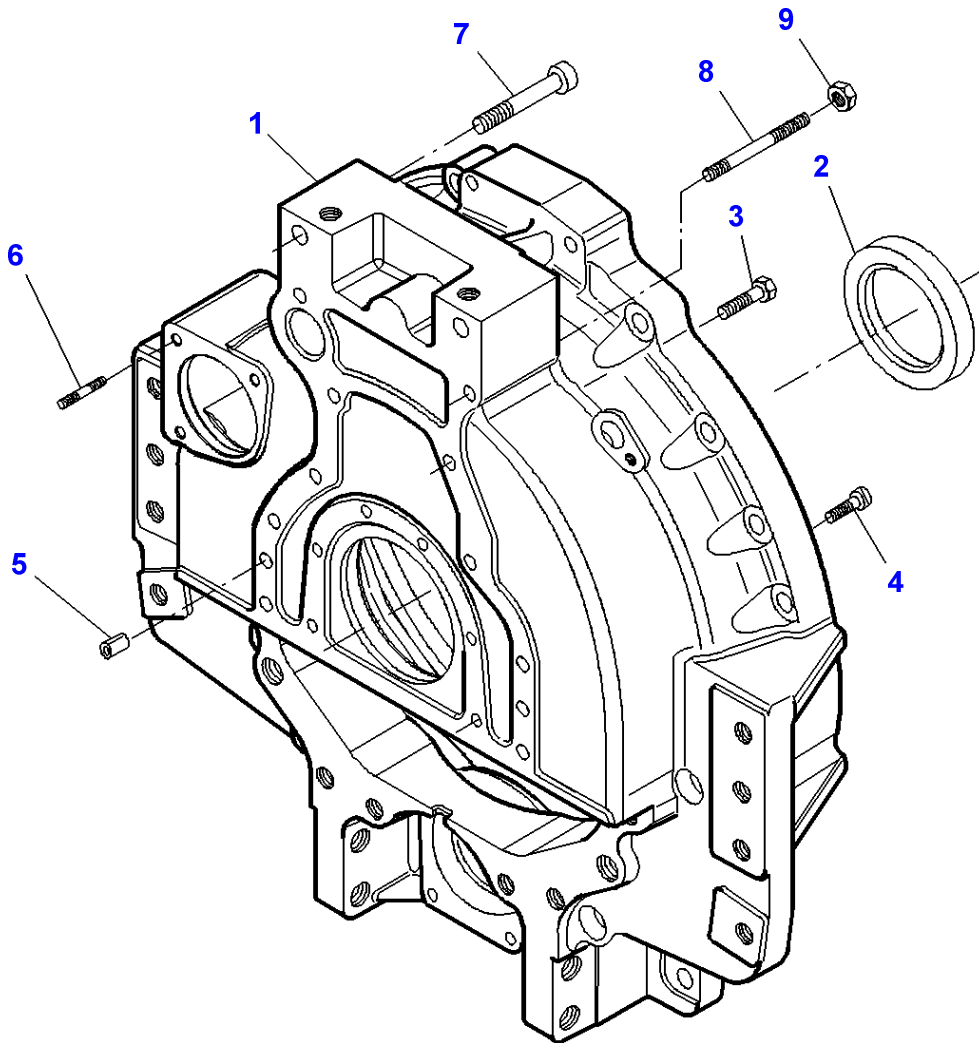


Throttle Controls

Item	Part Number	Qty	Description	Comments
1	3712851M91	1	Pedal	
2	391286X1	1	Hex. Sock. Screw	M8 X 85
3	3385913M2	4	Bush	
4	3712867M1	1	Spacer	Diameter 9-12 X 74
5	3784361M1	1	Transducer	
6	3715142M1	2	Nut	M5
7	4270814M1	1	Support	
8	394367X1	1	Locknut	M8
9	3784343M2	1	Cowl	
10	4271320M1	1	Rod Link	
11	392463X1	2	Yoke	Diameter 6 X 36
12	392235X1	1	Clevis Pin	Diameter 6 X 20
13	1699748M1	1	Plug	Diameter 9,5 MM
14	3712866M2	1	Stem	M6 X 70
15	3712886M1	1	Bellows	
16	3713042M1	1	Clevis Pin	
17	4278950M91	1	Rod	
18	339548X1	1	Pin	Diameter 4 X 20
19	357145X1	2	Pin	
20	3010804X1	2	Screw	M4 X 16
21	339761X1	2	Hex. Sock. Screw	M8 X 25
22	3019139X1	1	Nut	M4
23	1441728X1	1	Pin	Diameter 4 X 16
24	3784341M2	1	Rod	
25	3010578X1	2	Screw	M5 X 10
26	391883X1	1	Hex. Sock. Screw	M5 X 25
27	1442994X1	2	Pin	Diameter 3 X 25
28	339560X1	1	Hex. Sock. Screw	M6 X 16
29	390971X1	1	Washer	Diameter 6-12 X 1,5
30	1441500X1	2	Locknut	M6
31	3007850X1	2	Clevis Pin	Diameter 6 X 12
32	357145X1	1	Pin	
33	339123X1	2	Hex. Sock. Screw	M8 X 20
34	390972X1	2	Washer	Diameter 8-17 X 1,7
35	3618683M1	1	Spring	Length 113 MM
36	4274354M1	1	Strap	
37	3785031M1	1	Strap	
38	394367X1	2	Locknut	M8

Page Title	Page Number
Front Spacer	020-0005
Front Spacer	020-0010
Flywheel & Flywheel Housing	020-0015
Clutch Control	020-0020

1-WD02-013-A

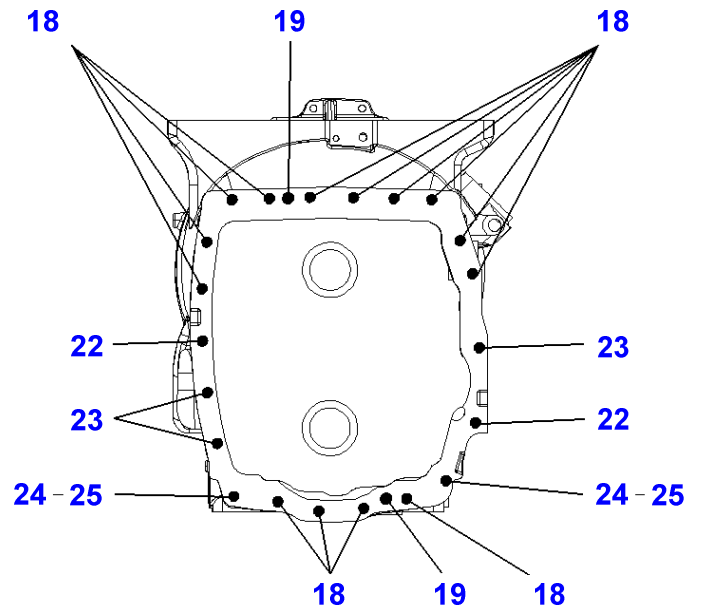
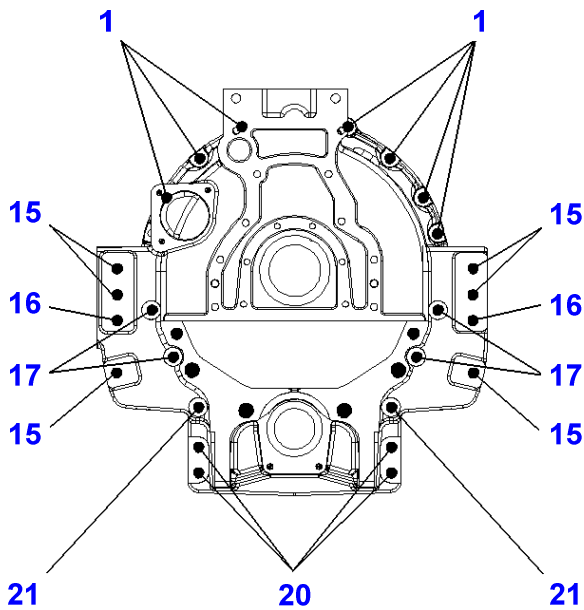
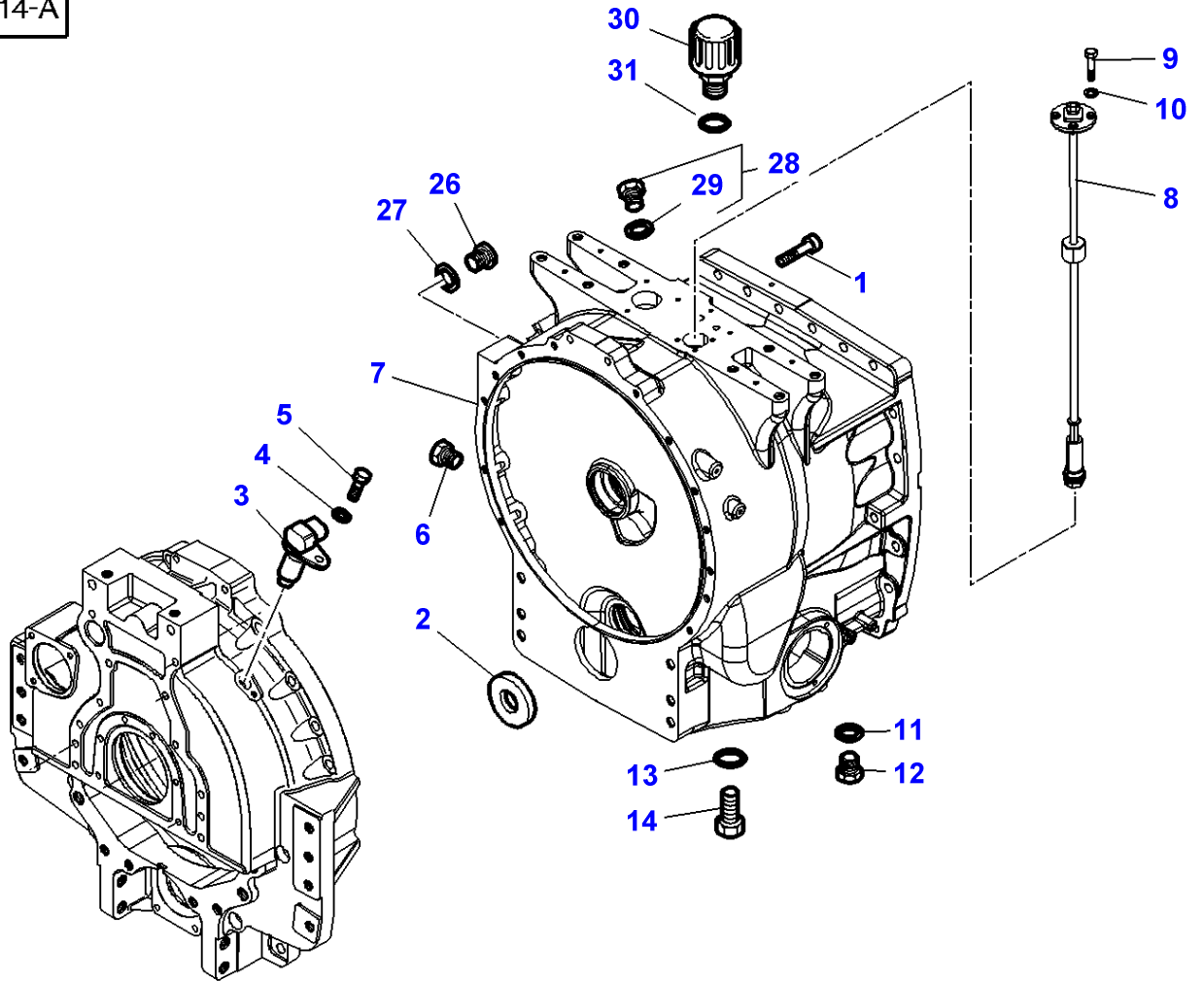


Front Spacer

Item	Part Number	Qty	Description	Comments
1	V836866842	1	Housing	
2	V614500002	1	Seal	
3	V528702230	8	Screw	M12 X 40
4	V581705030	6	Screw	M10 X 30
5	V598359850	2	Pin	
6	V546801815	3	Stud	M10 X 30
7	V581706370	2	Screw	M16 X 100
8	V546802330	2	Stud	M12 X 90
9	V504601200	2	Nut	M12

MF 8450/8460 TRACTOR - 1637447
1-WD02-014-A

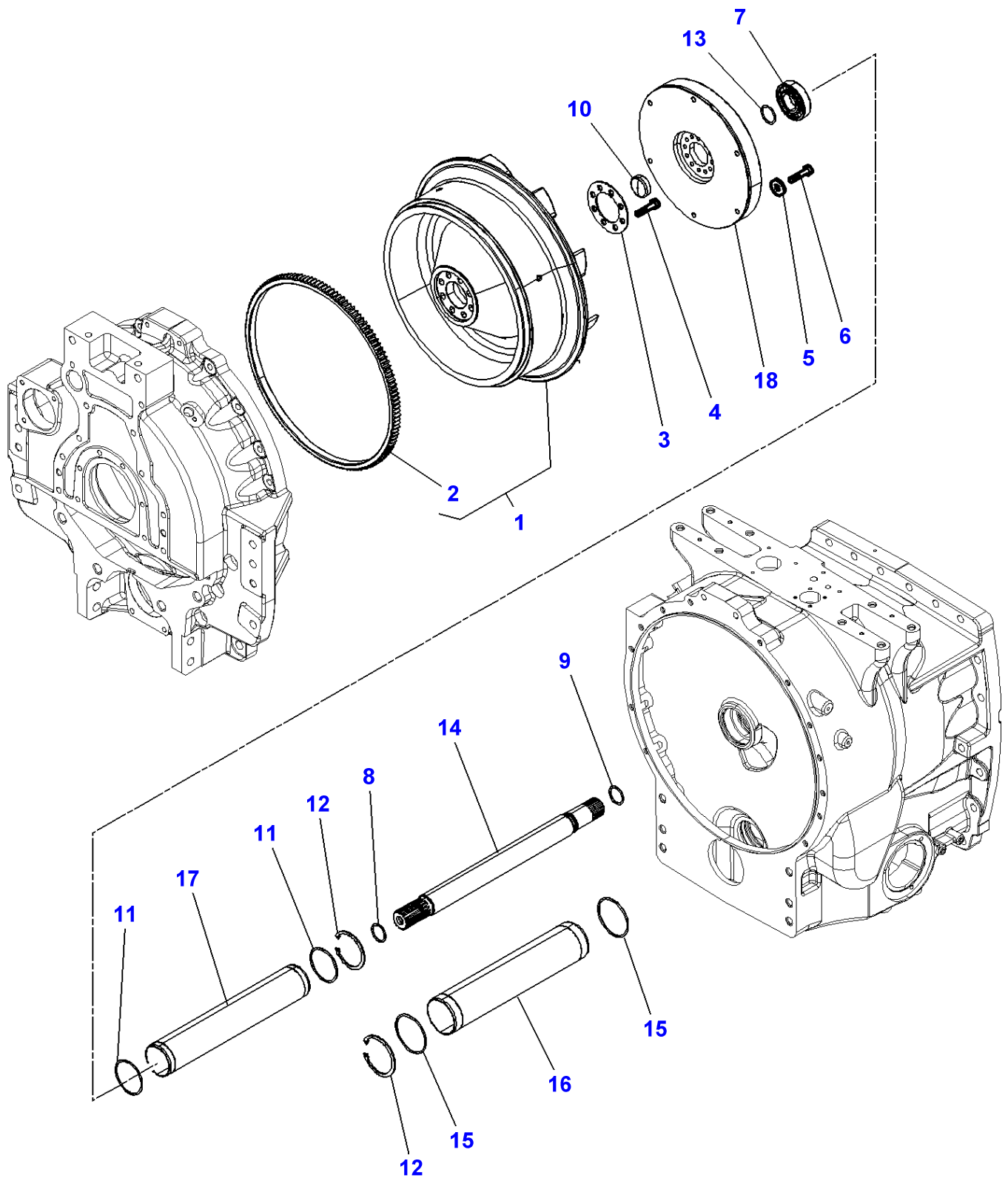
1-WD02-014-A



Front Spacer

Item	Part Number	Qty	Description	Comments
1	3011279X1	9	Screw	M12 X 60
2	816.920.011.031	1	Disc	
3	G816.970.020.040	1	Hall Sensor	
4	339374X1	1	Lock Washer	
5	3009285X1	1	Screw	M8 X 16
6	4278268M1	1	Plug	
7	903.100.050.031	1	Spacer	
8	G916.970.020.021	1	Fuel Transmitter	
9	339721X1	4	Hex. Sock. Screw	M5 X 16
10	3019560X1	4	Washer	
11	X540.008.278.000	1	Ring	26 X 31
12	X483.803.200.000	1	Plug	M26 X 1,5
13	X540.009.478.000	1	Ring	30 X 36 X 2
14	916.101.050.100	1	Screw	M30 X 1,5
15	3010556X1	6	Screw Metric	M20 X 70
16	3714795M1	2	Centraliser	
17	3011281X1	4	Screw	M12 X 150
18	3009930X1	14	Bolt	M16 X 70
19	X505.578.900.000	2	Dowel	
20	3011023X1	4	Screw	M18 X 65
21	3011282X1	2	Screw	M18 X 150
22	3019874X1	2	Screw Metric	M16 X 115
23	3010007X1	3	Screw Metric	M16 X 60
24	3011610X1	2	Stud	M16 X 70,24
25	3019871X1	2	Nut Metric	M16
26	X483.803.201.000	1	Screw	M26X1,5
27	X540.008.278.000	1	Ring	26X31
28	3011105X91	4	Plug	M22X1,5
29	3011036X1	1	Seal	(28)
30	3716934M1	1	Breather	
31	3011495X1	1	Bush	

1-WA07-015-A

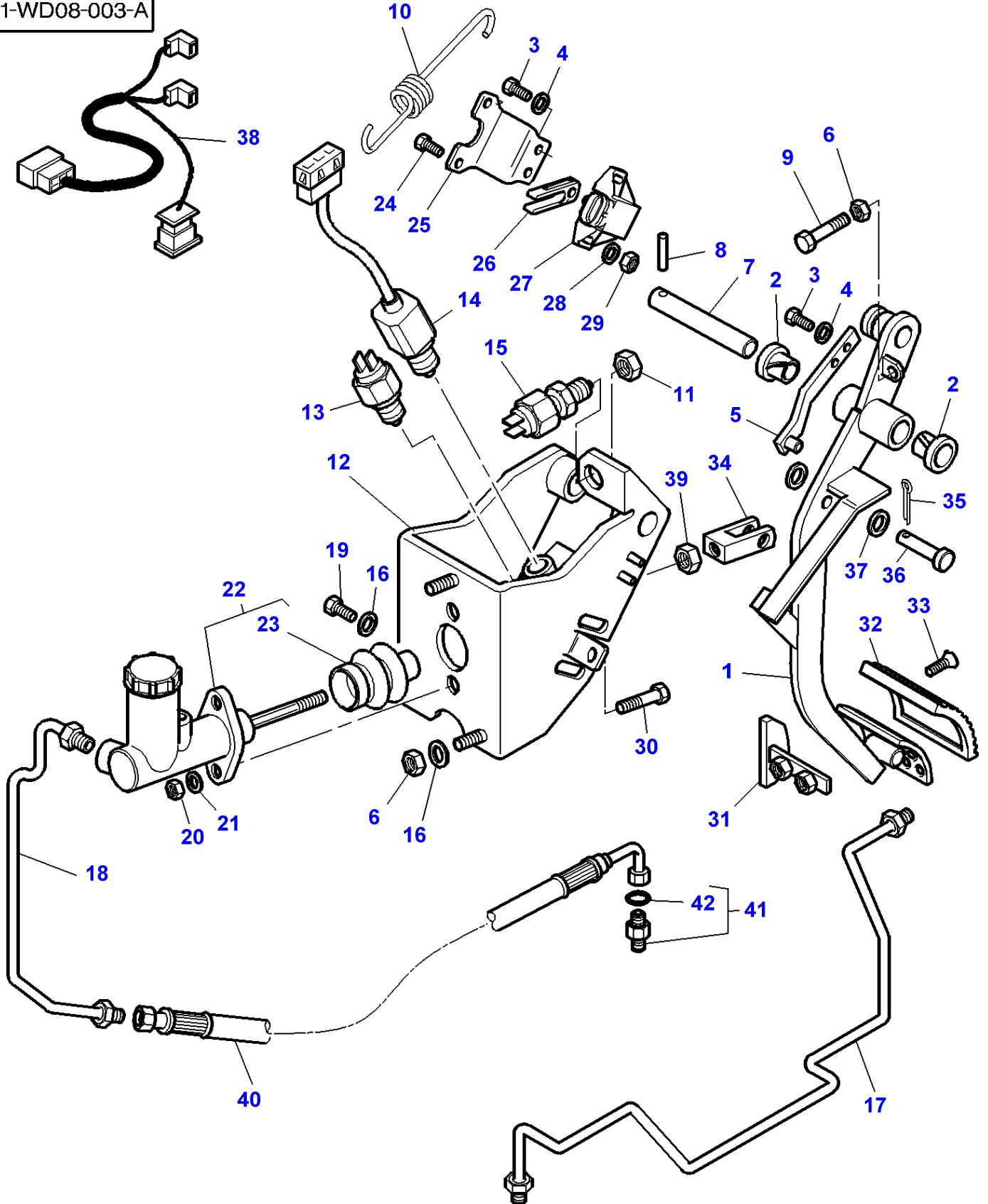


Flywheel & Flywheel Housing

Item	Part Number	Qty	Description	Comments
1	3788330M91	1	Flywheel	
2	1619032M1	1	Crownwheel	(1) Number of teeth/spines 132
3	4274701M1	1	Washer	
4	3019851X1	8	Hex. Sock. Screw	M12 X 45
5	390734X1	6	Washer	
6	3010842X1	6	Hex. Sock. Screw	M10 X 60
7	833059M1	1	Bearing	
8	X548.892.900.000	1	O Ring	
9	X548.901.801.000	1	O Ring	Diameter 36,2 X 3
10	4271289M1	1	Plug	
11	X548.953.366.000	2	O Ring	Diameter 69,44 X 3,53
12	339437X1	2	Circlip	Diameter 80MM
13	339820X1	1	Circlip	Diameter 40 X 1,5
14	916.100.421.100	1	Drive Shaft	
15	X548.963.400.000	2	O Ring	Diameter 78,97 X 3,53
16	916.100.050.070	1	Pipe	Diameter 80 X 2,5
17	916.100.050.060	1	Pipe	Diameter 70 X 3
18	916.100.421.052	1	Hydrau Damper	

MF 8450/8460 TRACTOR - 1637447
1-WD08-003-A

1-WD08-003-A



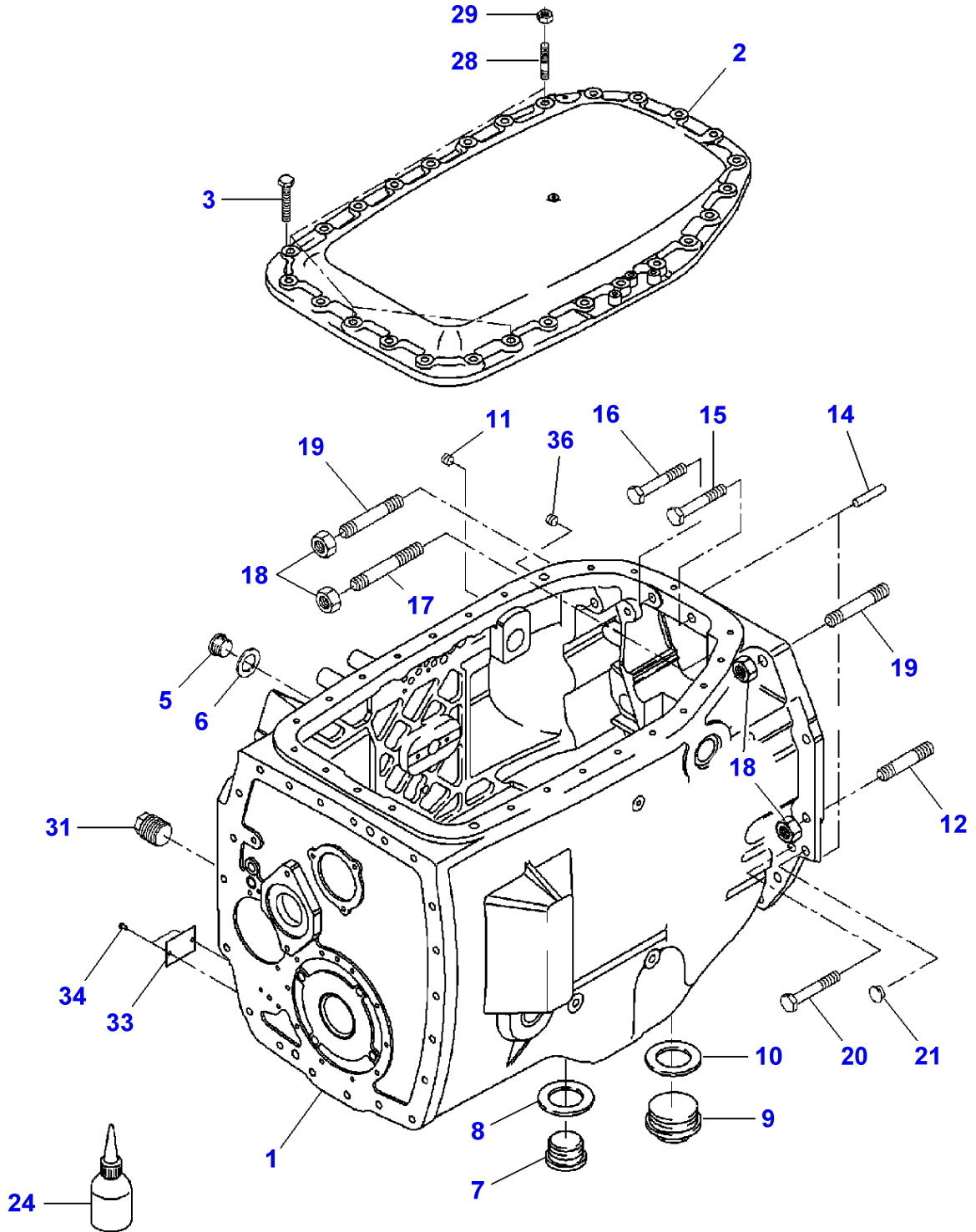
Clutch Control

Item	Part Number	Qty	Description	Comments
1	3785645M5	1	Pedal	
2	3385604M1	2	Bearing	
3	3009281X1	4	Screw	M6 X 16
4	390971X1	4	Washer	Diameter 6-12 X 1,5
5	4270193M1	1	Strap	
6	339169X1	3	Nut	M8
7	3780939M1	1	Clevis Pin	Diameter 15 X 100
8	391290X1	1	Pin	Diameter 5 X 30
9	4271907M1	1	Screw	M8 X 25
10	3788068M1	1	Spring	
11	339070X1	1	Nut	M14
12	4271987M1	1	Support	
13	4272778M1	1	Switch,Indirect	
14	3783832M2	1	Switch,Indirect	
15	4271809M1	1	Switch,Indirect	
16	390972X1	3	Washer	Diameter 8-17 X 1,7
17	4275085M2	1	Tube	
18	4275099M1	1	Tube	
19	339123X1	1	Hex. Sock. Screw	M8 X 20
20	339402X1	2	Nut	M10
21	390734X1	2	Washer	Diameter 10-21 X 2
22	4278077M1	1	Main Cylinder	
23	3903845M1	1	Bellows	(22)
24	3010818X1	2	Screw Metric	M4 X 20
25	4270192M1	1	Strap	
26	411301050040	1	Fork	
27	3784361M1	1	Transducer	
28	390468X1	4	Washer	Diameter 4-9 X 1
29	3019139X1	2	Nut	M4
30	3009493X1	2	Hex. Sock. Screw	M10 X 30
31	3714488M3	1	Stop	
32	1626321M2	1	Skate	
33	392404X1	2	Screw	M5 X 16
34	4278844M1	1	Clevis	
35	1442994X1	1	Pin	Diameter 3 X 25
36	3019214X1	1	Clevis Pin	Diameter 12 X 40
37	1444351X1	2	Washer	
38	3783857M1	1	Harness	
39	392310X1	1	Nut	
40	4276159M1	1	Hydr. Hose	Length 1100 MM
41	338716X91	1	Union	M12X1,5
42	338761X1	1	Gasket	(41)

Page Title	Page Number
Transmission - Housing	025-0005
Gear Box	025-0010
Inner Housing	025-0015
Planetary Drive	025-0020
Pump Shaft	025-0025
Accumulator Shaft	025-0030
Hydraulic Pump	025-0035
Hydraulic Motor	025-0040
Duct Plate	025-0045
Adjusting Device	025-0050
Transmission Control	025-0055
Adjusting Device	025-0060
Group Gear Shifting	025-0065
Transmission Control - Emergency Control - Drive Line	025-0070
Transmission Control - Emergency Control - Range	025-0075
Control Armrest - Up To P005005	025-0080
Control Armrest - From P005006	025-0085
Control Armrest - For Dyna-Step Tractors - United States Only Up To P005005	025-0090
Control Armrest - For Dyna-Step Tractors - United States Only From P005006	025-0095
Joystick For Distributor With electrodynamic Control	025-0100

MF 8450/8460 TRACTOR - 1637447
1-WE97-006-A

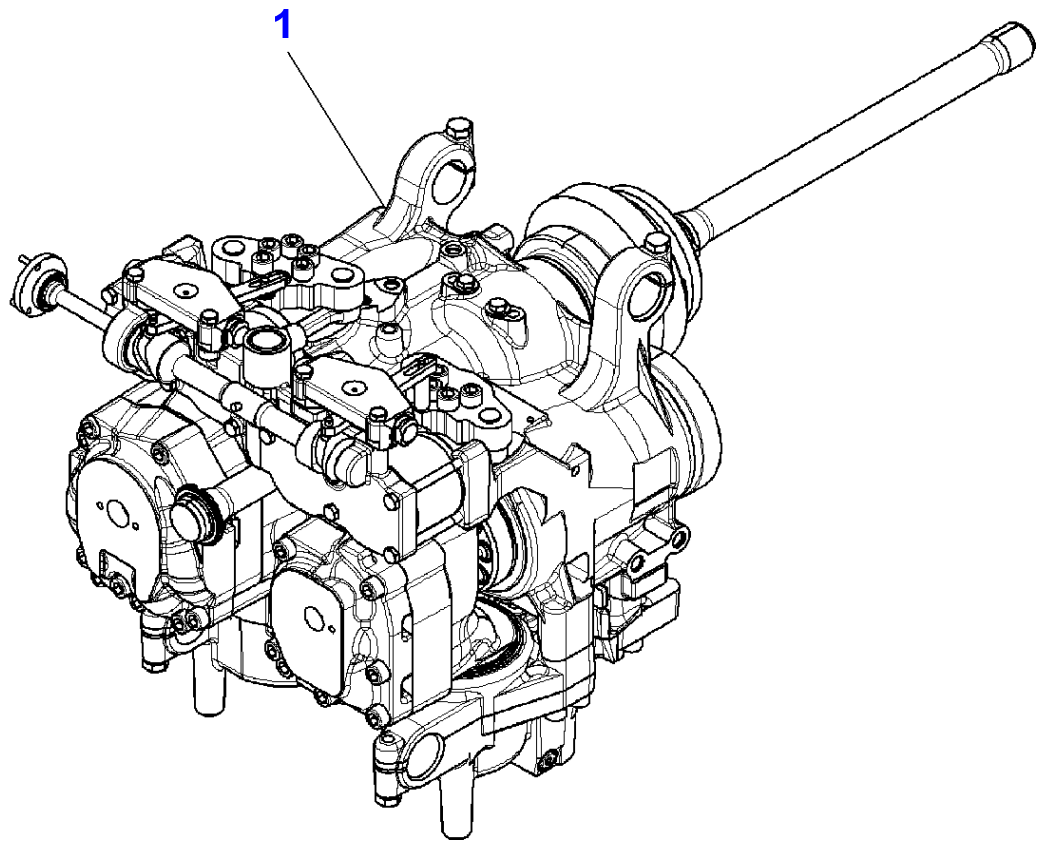
1-WE97-006-A



Transmission - Housing

Item	Part Number	Qty	Description	Comments
1	903.100.050.021	1	Transm.Housing	
2	916.101.050.060	1	Cover	
3	X487.536.041.000	23	Hex. Sock. Screw	M12 X 50
5	X483.801.200.000	1	Screw	M16 X 1,5
6	X540.004.878.000	1	Ring	
7	X483.804.801.000	3	Plug	M33 X 2
8	X540.010.278.000	3	Ring	
9	X483.807.201.000	2	Capscrew	M42 X 2
10	X540.012.278.000	2	Ring	
11	X483.500.200.000	1	Screw	M10
12	X489.145.701.000	2	Stud	M16 X 55
14	X505.578.900.000	2	Dowel	M6 X 32
15	X486.546.301.000	1	Hex. Sock. Screw	M16 X 80
16	X486.546.506.000	1	Hex. Sock. Screw	M16 X 90
17	X489.148.906.000	2	Stud	M16 X 110
18	X428.204.005.000	7	Nut	M16
19	X489.146.201.000	3	Stud	M16 X 75
20	X487.545.606.000	8	Hex. Sock. Screw	M16 X 60
21	X499.502.495.000	3	Plug	
24	X903.050.074.000	X	Loctite	
28	205.100.150.130	4	Stud	
29	X428.203.241.000	4	Nut	M12
31	926.110.050.010	1	Screw	
33	903.100.050.110	1	Identity Plate	
34	X419.432.887.000	2	Nail, Notched	
36	X483.500.200.000	2	Screw	M10 X 1

1-WG89-001-A



Massey Ferguson

MF 8450/8460 TRACTOR - 1637447

1637447

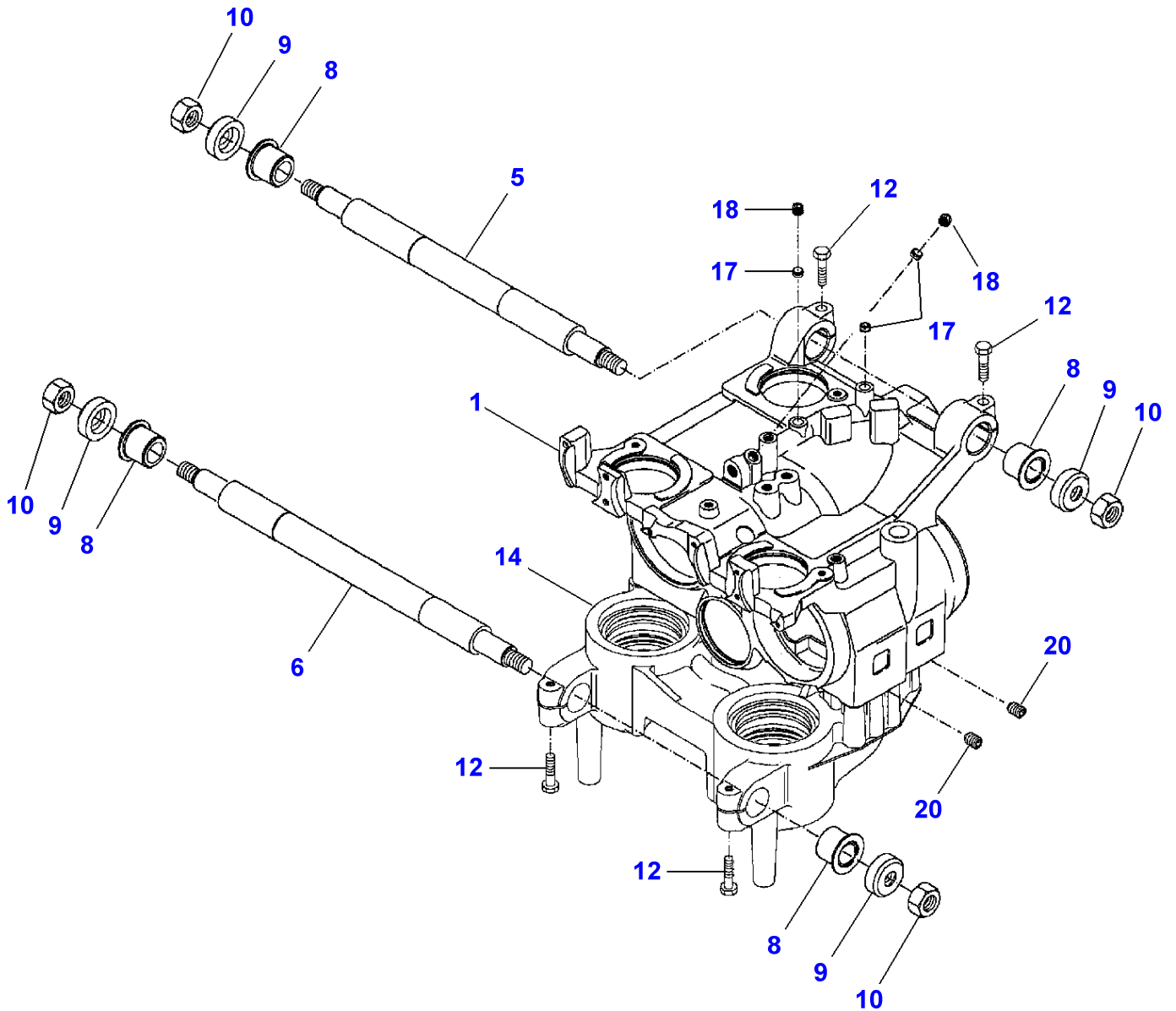
Gear Box

Page025-0010

Item	Part Number	Qty	Description	Comments
1	0099.047.000.000	1	Gearbox	
	Z099.047.000.000	1	Gearbox MI 200	[A]

FOOTNOTE [A] STANDARD EXCHANGE

1-WG67-002-A

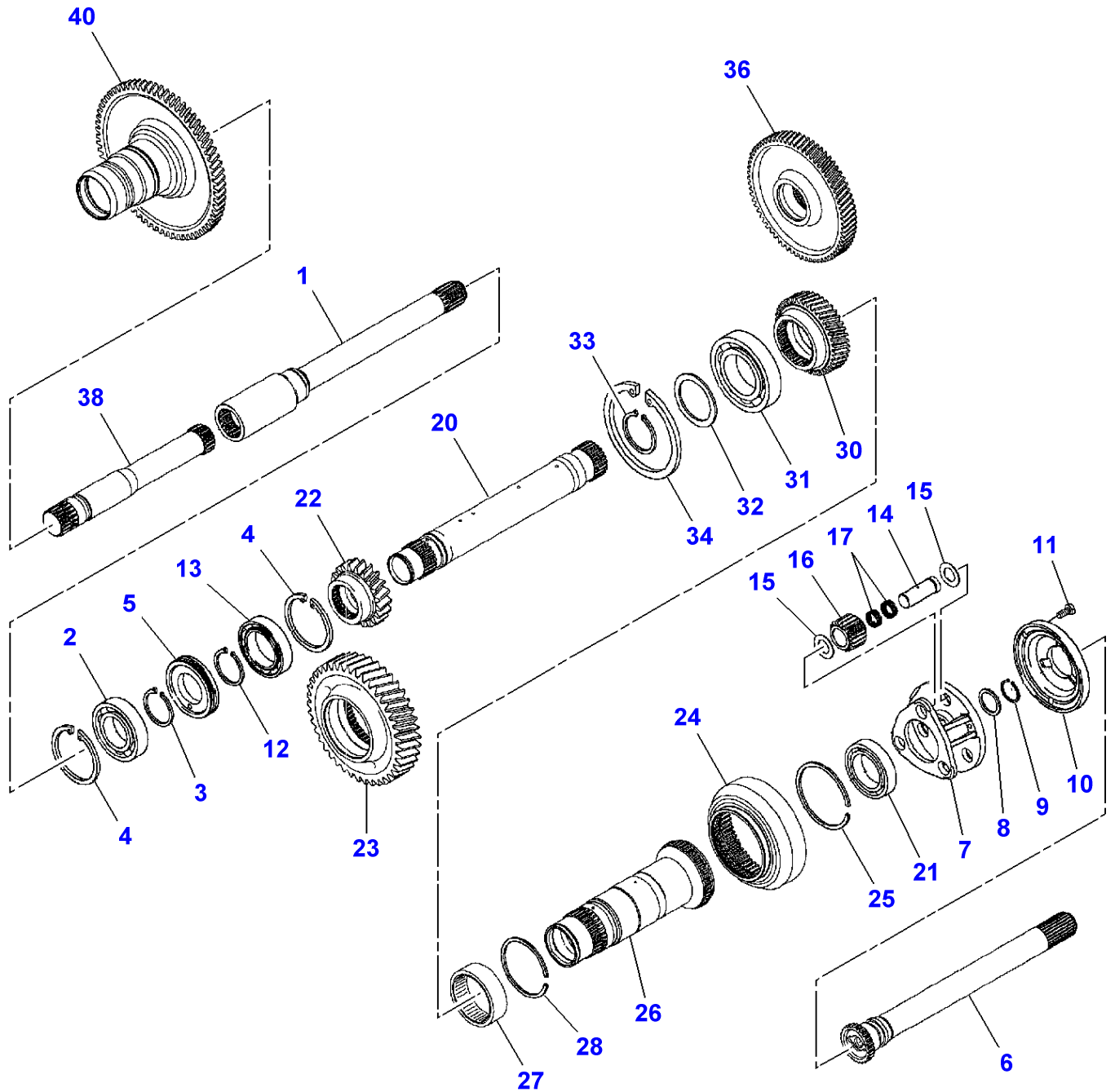


Inner Housing

Item	Part Number	Qty	Description	Comments
1		1	Housing	[A] See Page - Reference Number 025-0010/1
5	916.100.630.011	1	Shaft	
6	916.100.630.020	1	Shaft	
8	H916.100.630.010	4	Bush	
9	916.100.630.030	4	Ring	
10	X434.105.040.000	4	Nut	M20
12		4	Hex. Sock. Screw	[A]
14		1	Plate	See Page - Reference Number 025-0045/1
17		3	Nozzle	[A]
18		3	Plug	[A]
20		2	Screw	M12 X 1,5 [A]

FOOTNOTE [A] NOT SUPPLIED SEPARATELY

1-WG68-002-A

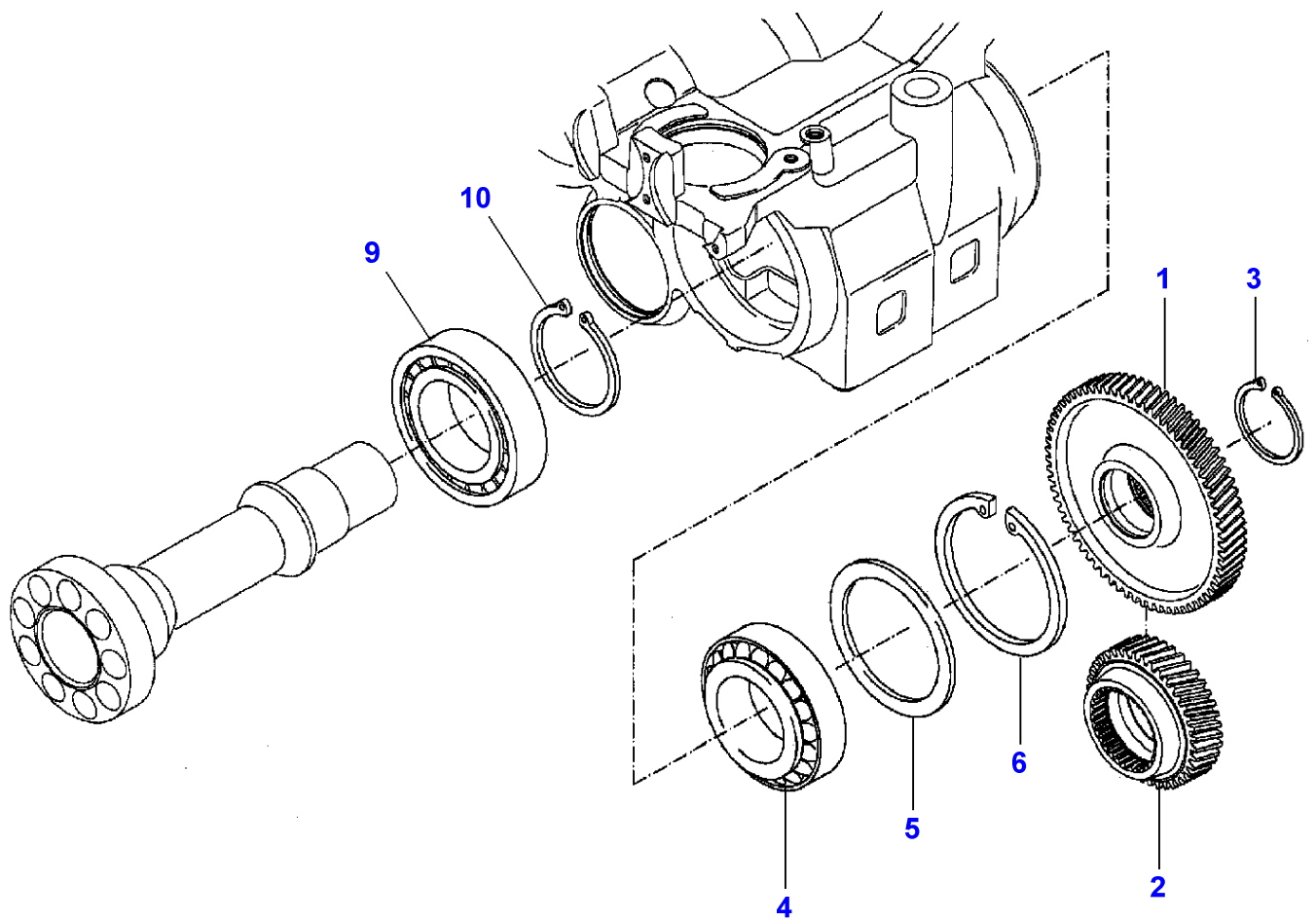


Planetary Drive

Item	Part Number	Qty	Description	Comments
1		1	Shaft	[A]
2		1	Bearing Assy	[A]
3		1	Circlip	[A]
4		2	Circlip	[A]
5		1	Tube	[A]
6	916100080300	1	Shaft	See Page - Reference Number 050-0005/42
7		1	Carrier	[A]
8		1	Chock	[A]
9		1	Circlip	[A]
10	916100080181	1	Cover	
11		3	Hex. Sock. Screw	[A] M8 X 25
12		1	Kit, Circlip	[A]
13		1	Bearing Assy	[A]
14		3	Clevis Pin	[A]
15		6	Washer	[A]
16		3	Diff Pinion	[A] Number of teeth/spines 20
17		6	Needle Cage	[A]
20		1	Shaft	[A] Number of teeth/spines 27
21		1	Bearing Assy	[A]
22		1	Pinion	[A] Number of teeth/spines 22
23		1	Shaft	See Page - Reference Number 025-0030/1
24		1	Annular Gear	[A]
25		1	Ring	[A] Diameter 95 X 2,5
26		1	Shaft	[A]
27		1	Bearing Assy	[A] Diameter 68 X 25
28		1	Ring	[A] Diameter 82 X 2
30		1	Pinion	[A] Number of teeth/spines 30
31		1	Bearing Assy	[A]
32		1	Kit, Washer	[A]
33		1	Circlip	[A] Diameter 60 X 2
34		1	Circlip	[A] Diameter 110 X 4
36		1	Pinion	See Page - Reference Number 025-0025/1
38	916101080070	1	Shaft	
40		1	Pinion	See Page - Reference Number 070-0055/1

FOOTNOTE [A] NOT SUPPLIED SEPARATELY

1-WG69-002-A

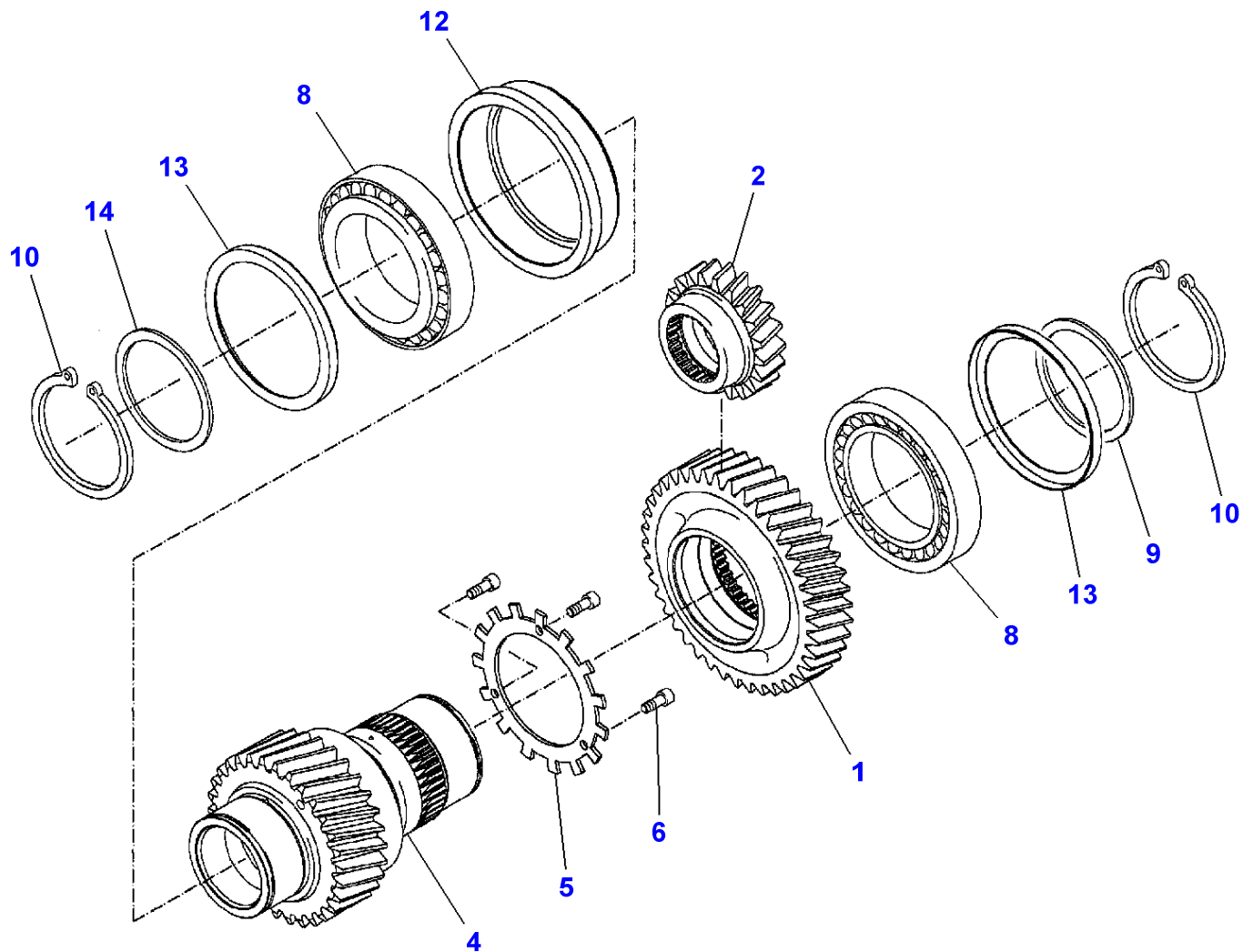


Pump Shaft

Item	Qty	Description	Comments
1	1	Pinion	[A] Number of teeth/spines 48
2	1	Pinion	[A] See Page - Reference Number 025-0020/30
3	1	Circlip	[A] Diameter 55 X 3
4	1	Ball Bearing	[A]
5	1	Chock	[A]
6	1	Circlip	[A] Diameter 125 X 4
9	1	Bearing Assy	[A]
10	1	Circlip	[A]

FOOTNOTE [A] NOT SUPPLIED SEPARATELY

1-WG70-002-A

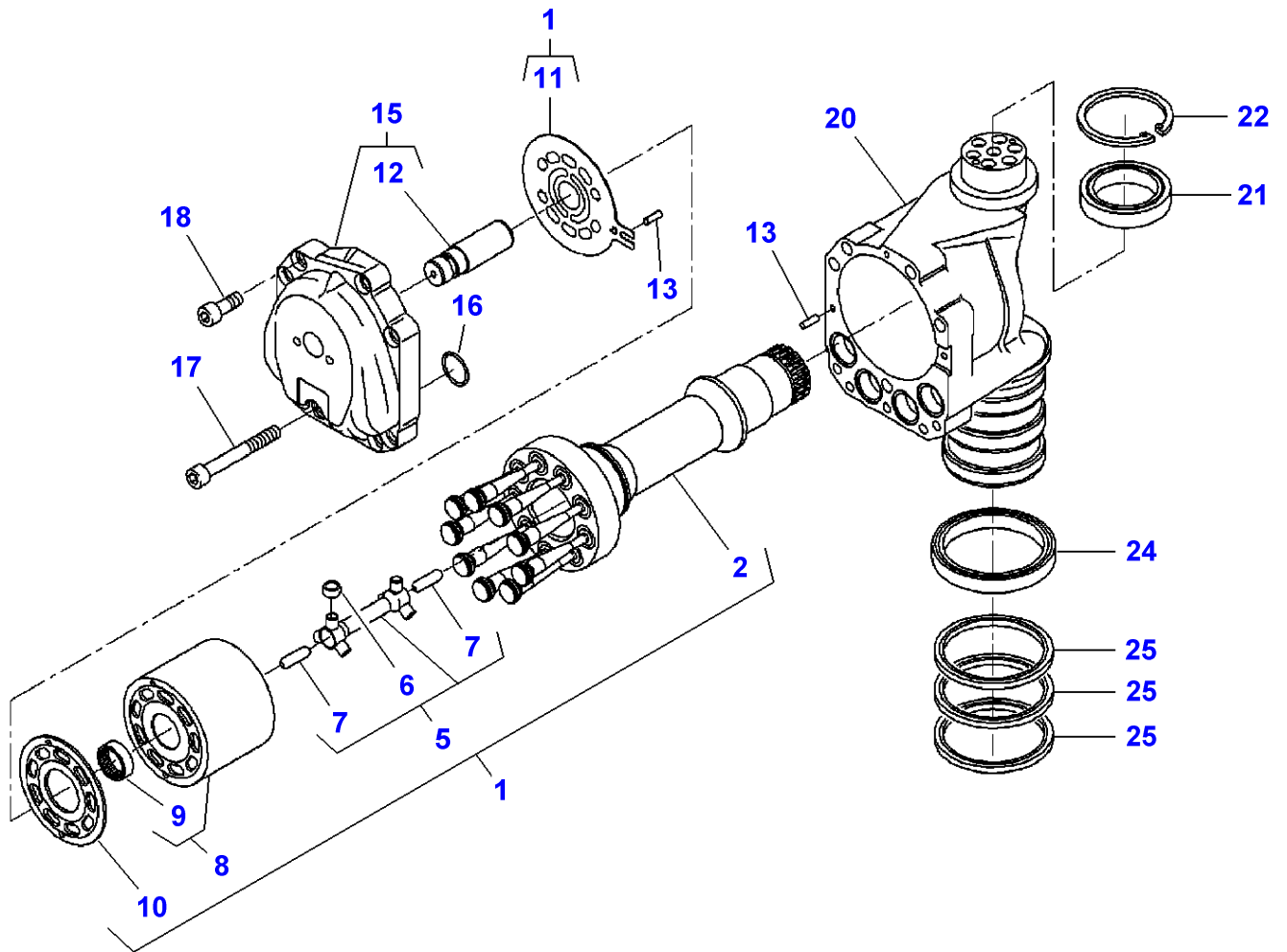


Accumulator Shaft

Item	Qty	Description	Comments
1	1	Pinion	[A] Number of teeth/spines 45
2	1	Pinion	See Page - Reference Number 025-0020/22
4	1	Shaft	[A] Number of teeth/spines 29
5	1	Pinion	[A]
6	3	Hex. Sock. Screw	[A] M6 X 12
8	2	Ball Bearing	[A]
9	1	Shim	[A]
10	2	Circlip	[A]
12	1	Ring	[A]
13	2	Shield	[A]
14	1	Kit, Washer	[A]

FOOTNOTE [A] NOT SUPPLIED SEPARATELY

1-WP32-003-A

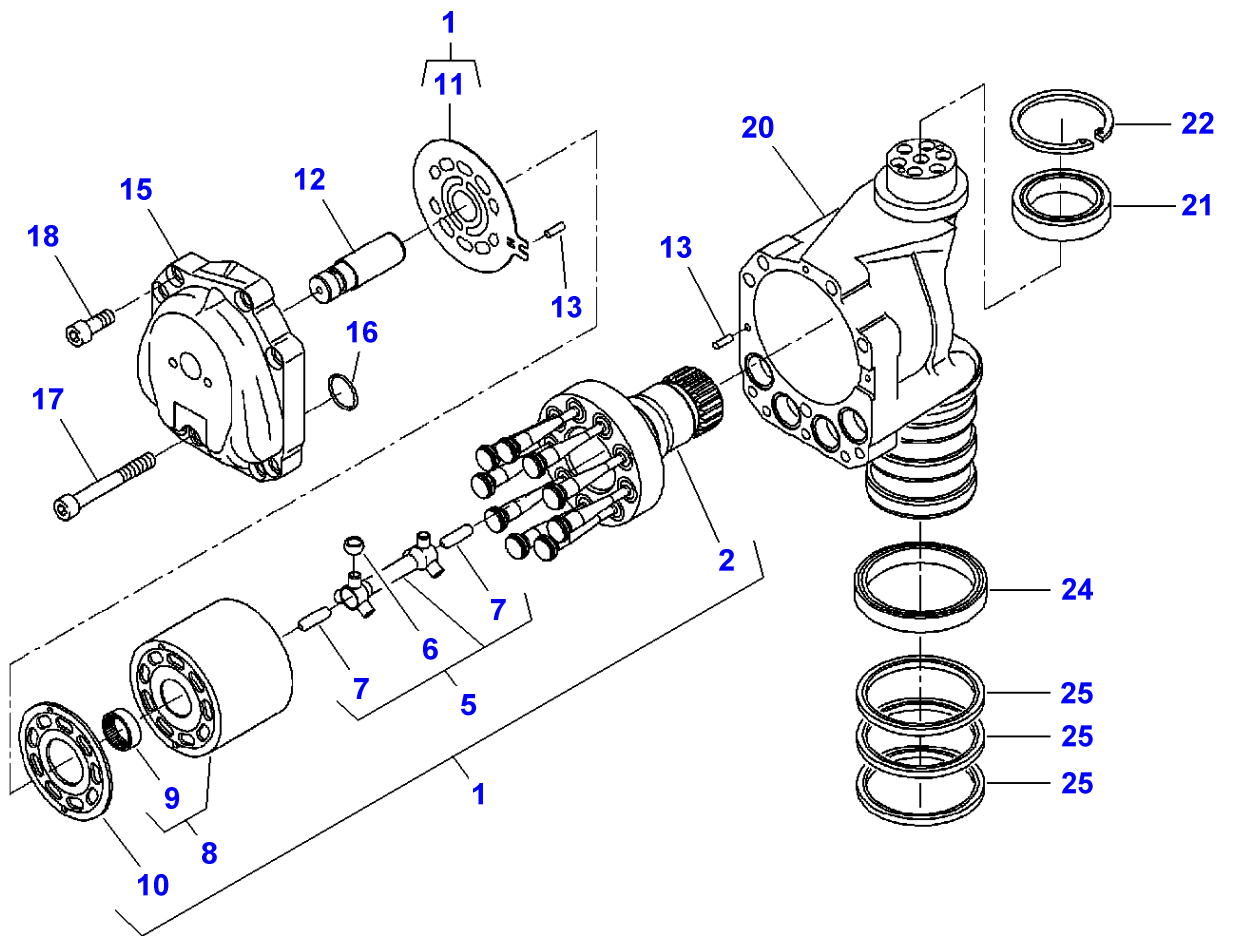


Hydraulic Pump

Item	Part Number	Qty	Description	Comments
1		1	Assembly Set	[A]
2		1	Shaft	[A]
				(1)
5		1	Clevis Pin	[A]
				(1)
6		1	Bush	[A]
				(5)
7		1	Clevis Pin	[A]
				(5)
8		1	Cylinder	[A]
				(1)
9		1	Bearing Assy	[A]
				(8)
10		1	Plate	[A]
				(1)
11	916.100.430.311	1	Plate	(1)
12		1	Clevis Pin	(15)
				Not serviced,order REF. 15
13	X506.239.300.000	2	Dowel	Diameter 6 X 20
15	H916.100.430.012	1	Cover	
16	X548.885.102.000	4	O Ring	Diameter 29,1 X 2,55
17	X485.019.801.000	1	Hex. Sock. Screw	M12 X 80
18	X485.019.206.000	9	Hex. Sock. Screw	M12 X 50
20	916.101.430.101	1	Housing	
21	X620.430.501.000	1	Bearing	60 X 85 X 16
22	X530.107.946.000	1	Circlip	
24	X622.348.000.000	1	Bearing Roller	95 X 115 X 15
25	G916.101.430.050	3	Gasket	

FOOTNOTE [A] NOT SUPPLIED SEPARATELY

1-WP26-002-A

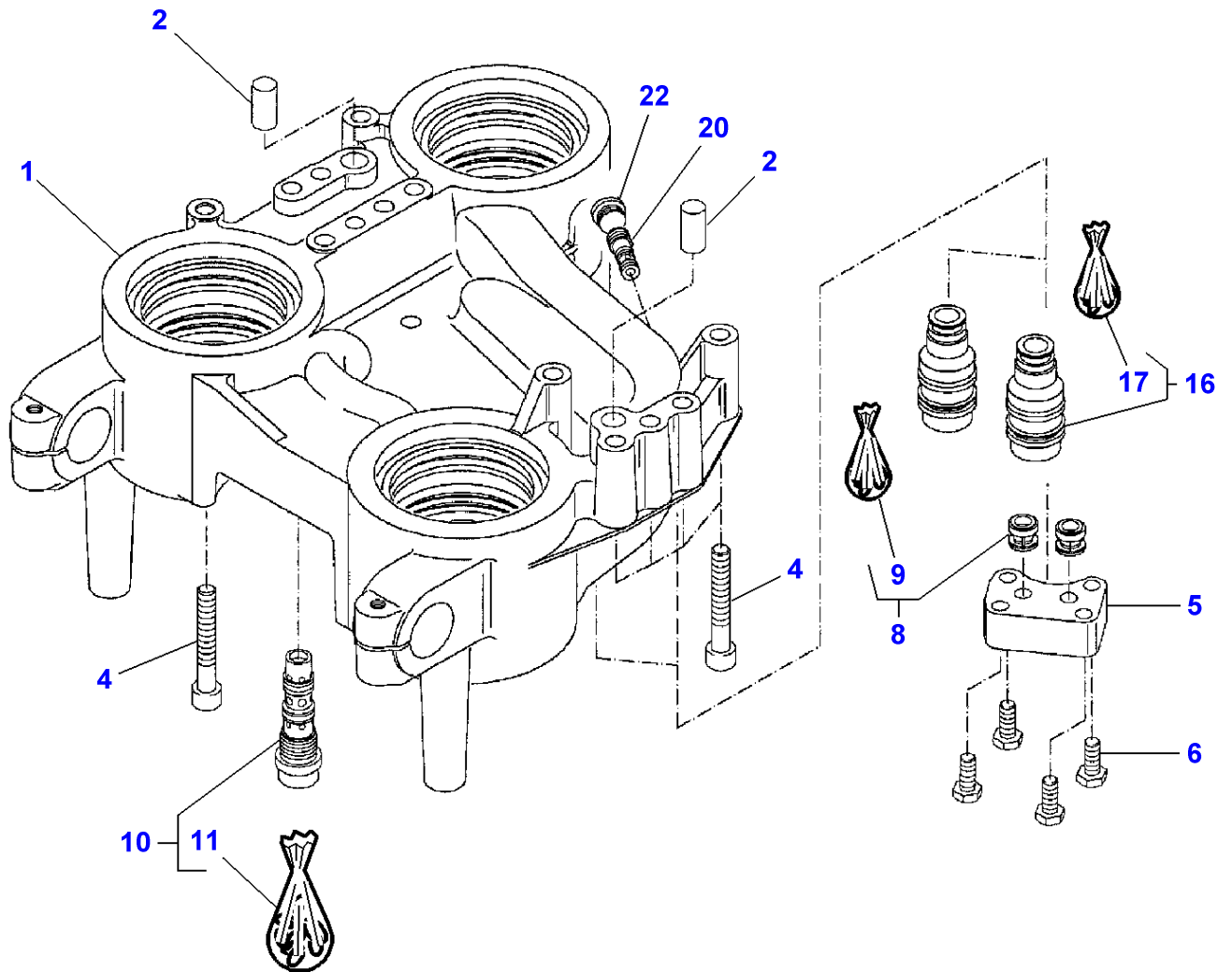


Hydraulique Motor

Item	Part Number	Qty	Description	Comments
1		1	Assembly Set	[A]
2		1	Shaft	[A] (1)
5		1	Gasket	[A] (1)
6		1	Bush	[A] (5)
7		2	Clevis Pin	[A] (5)
8		1	Cylinder	[A] (1)
9		1	Bearing Assy	[A] (8)
10		1	Plate	[A] (1)
11		1	Plate	[A] (1)
12		1	Clevis Pin	[A]
13		2	Pin	[A]
15		1	Cover	[A]
16	X548.885.102.000	4	O Ring	29,1 X 2,55
17		1	Screw	[A] M12 X 80
18		9	Screw	[A] M12 X 50
20		1	Housing	[A]
21		1	Bearing	[A] 60 X 85 X 16
22		1	Circlip	[A]
24		1	Bearing Roller	[A] 95 X 115 X 15
25		3	Gasket	[A]

FOOTNOTE [A] NOT SUPPLIED SEPARATELY

1-WG72-002-A

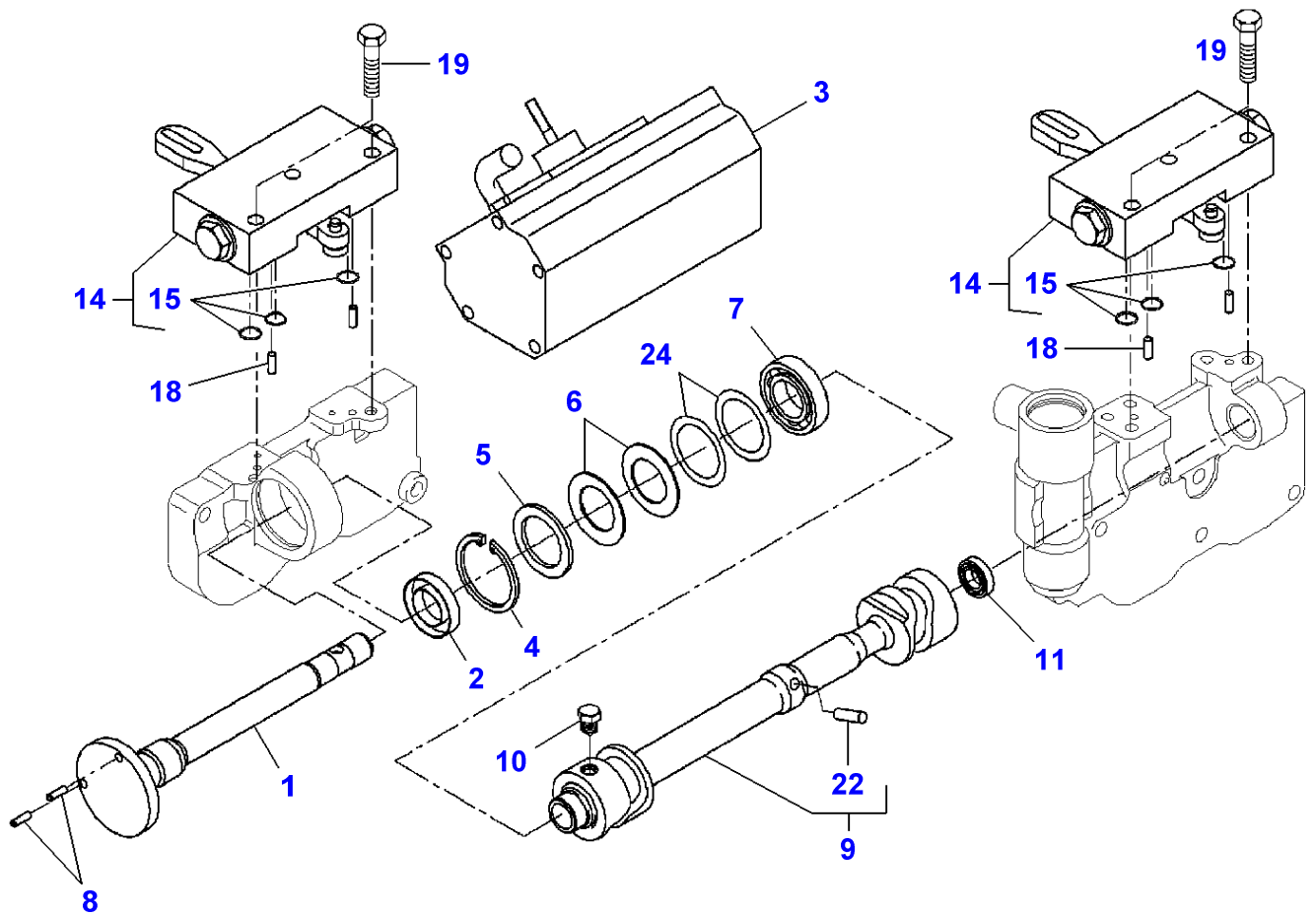


Duct Plate

Item	Part Number	Qty	Description	Comments
1		1	Plate	[A] See Page - Reference Number 025-0010/1
2		2	Pin	[A]
4		13	Screw	[A] M12 X 80
5	916.100.430.020	1	Flange	
6		4	Screw	[A] M10 X 40
8	X600.585.202.000	2	Non Return Valve	
9	X600.585.202.010	1	Kit, Joint	(8)
10	G916.101.430.020	1	Flushing Valve	
11	F916.100.430.010	1	Kit, Joint	(10)
16	G716.100.430.011	2	Discharge Valve	Repairs and replaces G716100430010
17	F716.100.430.010	1	Kit, Joint	(16)
20	G916.101.430.030	1	Valve.	
22	X483.900.400.000	1	Screw	M12 X 1,5

FOOTNOTE [A] NOT SUPPLIED SEPARATELY

1-WG73-003-A

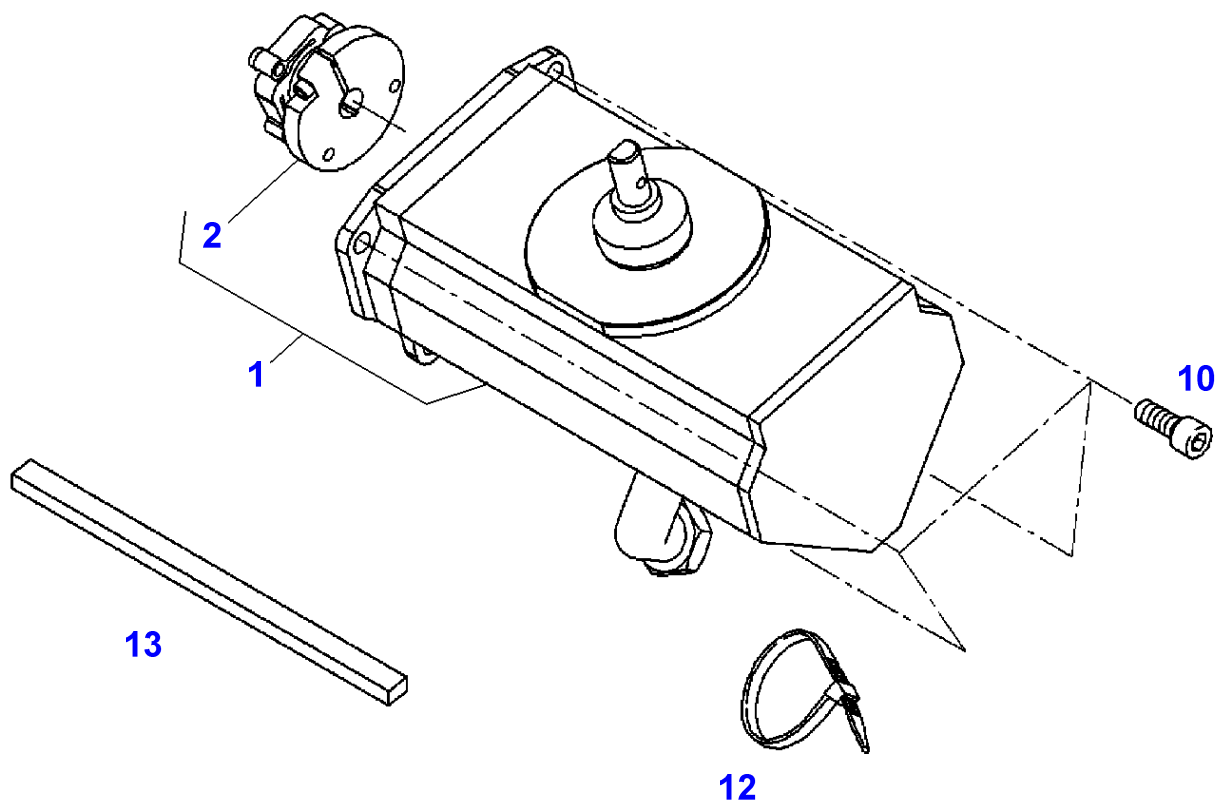


Adjusting Device

Item	Part Number	Qty	Description	Comments
1	916.101.530.010	1	Shaft	
2	X550.035.200.000	1	Oil Seal	22 X 35 X 8/7
3		1	Control	See Page - Reference Number 025-0055/1
4	X530.105.346.000	1	Circlip	Diameter 42 X 1,75
5	X534.538.146.000	2	Backup Ring	
6	X699.239.900.000	2	Cup Spring	
7	X607.305.302.000	1	Ball Bearing	
8	916.970.160.400	2	Peg	
9	H926.103.530.020	1	Shaft	
10	916.100.530.170	1	Hex. Sock. Screw	
11	X606.722.501.000	1	Ball Bearing	
14	G916.100.530.013	2	Regulator	
15	X548.823.200.000	3	O Ring	(14) Diameter 9,25 X 1,78
18		4	Pin	[A]
19		4	Hex. Sock. Screw	[A]
22	X506.239.300.000	1	Dowel	M6 X 20
24	G001.990.200.140	1	Kit, Washer	

FOOTNOTE [A] NOT SUPPLIED SEPARATELY

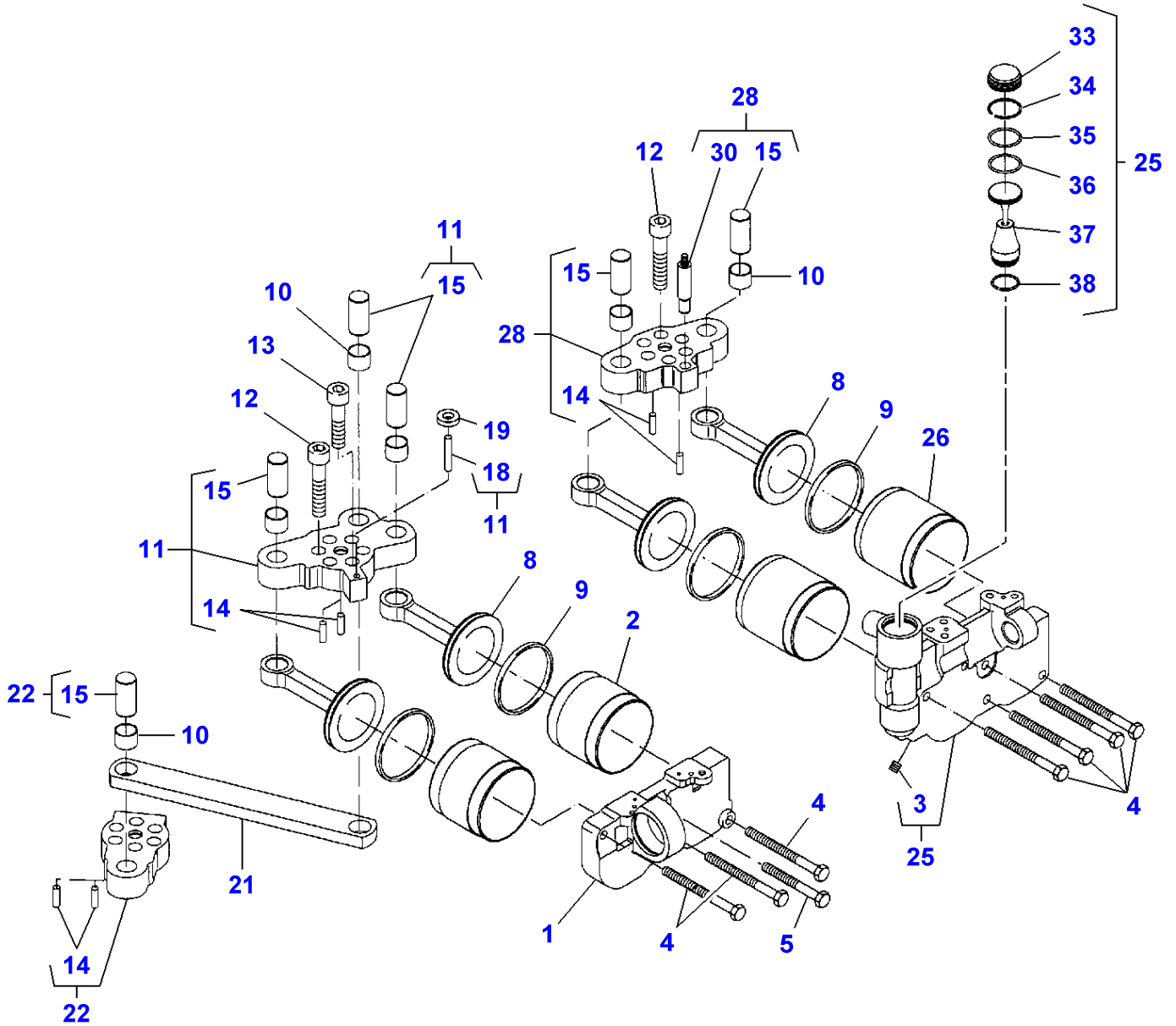
1-WG88-001-A



Massey Ferguson**MF 8450/8460 TRACTOR - 1637447****1637447****Transmission Control****Page025-0055**

Item	Part Number	Qty	Description	Comments
1	G701.970.160.012	1	Control	
2	F916.970.160.011	1	Coupling	(1)
10	X485.007.301.000	4	Hex. Sock. Screw	M8 X 20
12	X668.980.522.000	2	Cable Tie	
13	X903.005.286.000	X	Sealing Strip	Length 100 MM

1-WG73-004-A



Adjusting Device

Item	Part Number	Qty	Description	Comments
1	718.100.531.020	1	Housing	
2	916.100.530.041	2	Pipe	
3		1	Hex. Sock. Screw	(25) M8 X 8 Not serviced,order REF. 25
4		7	Hex. Sock. Screw	[A] M8 X 90
5		1	Hex. Sock. Screw	[A] M8 X 70
8	916.100.530.051	4	Piston	
9	X547.502.700.000	4	Sump Gasket	Diameter 70 X 4,2
10		6	Bearing	[A]
11		1	Lever	[A,B]
12		17	Screw	[A] M12 X 50
13		1	Screw	[A] M12 X 40
14		6	Pin	[A]
15		6	Clevis Pin	[A]
18		1	Pin	[A]
19		3	Washer	[A]
21		1	Shackle	[A]
22		1	Lever	[A,D]
25	H718.100.531.010	1	Housing	
26	916.100.530.060	2	Pipe	
28		1	Lever	[A,C]
30		1	Clevis Pin	[A]
33		1	Cover	(25) Not serviced,order REF. 25
34		1	Ring	(25) Not serviced,order REF. 25
35		1	Gasket	(25) Not serviced,order REF. 25
36		1	Gasket	(25) Not serviced,order REF. 25
37		1	Clevis Pin	(25) Not serviced,order REF. 25
38		1	Gasket	(25) Not serviced,order REF. 25

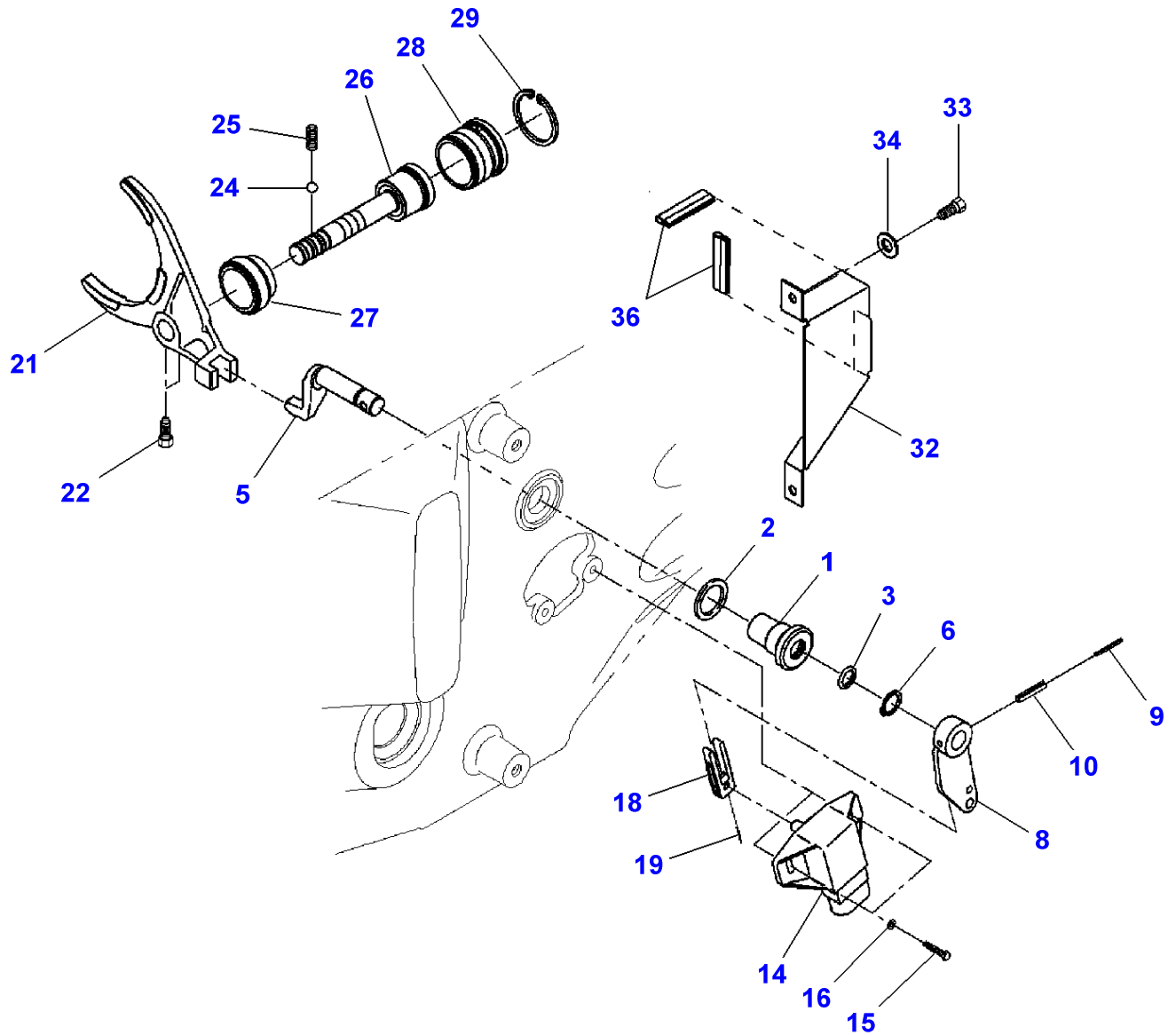
FOOTNOTE [A] NOT SUPPLIED SEPARATELY

FOOTNOTE [B] INCLUDES REF. 14,15,18

FOOTNOTE [C] INCLUDES REF. 14,15,30

FOOTNOTE [D] INCLUDES REF. 14,15

1-WG75-002-A



Massey Ferguson**MF 8450/8460 TRACTOR - 1637447**

1637447

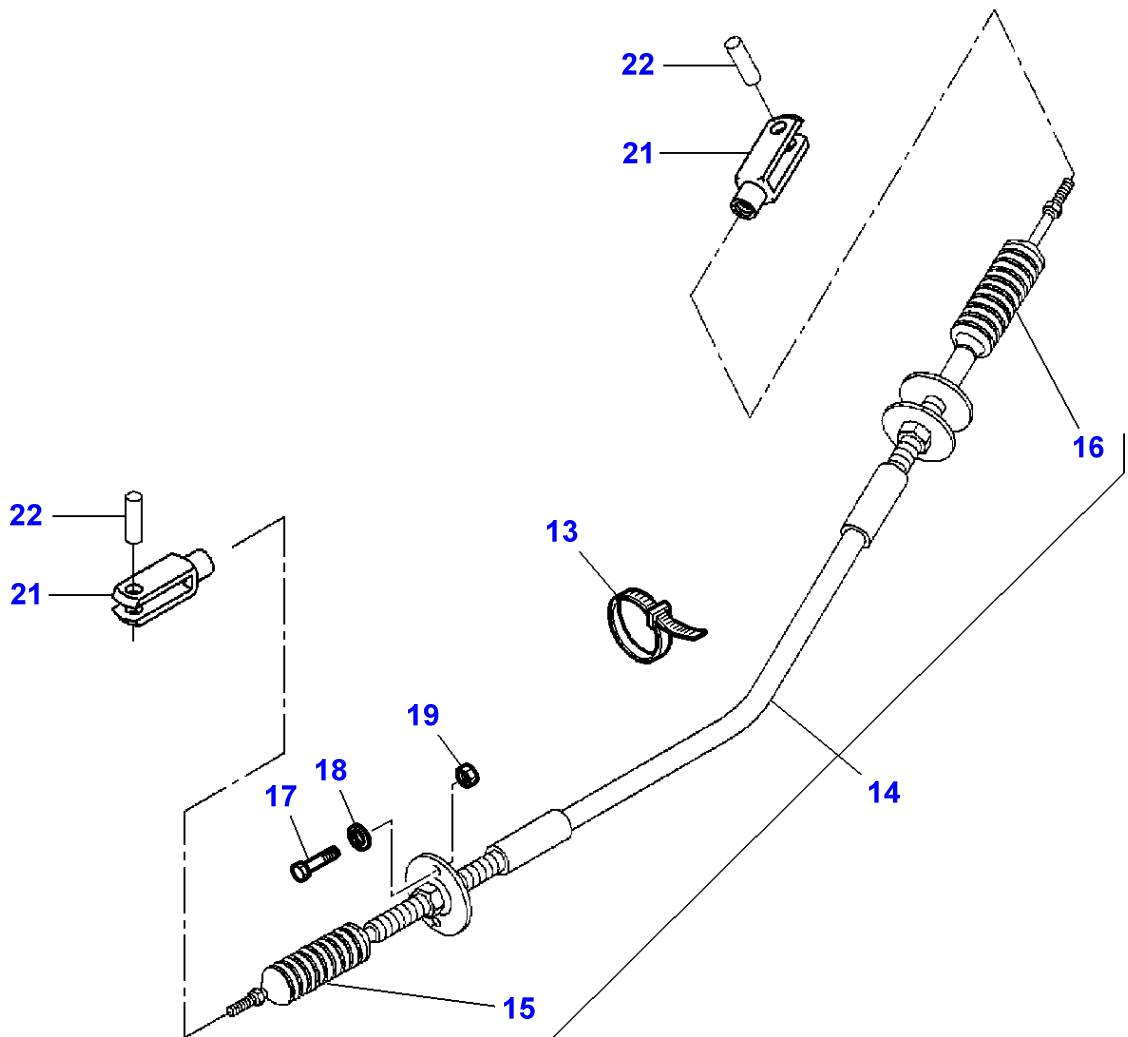
Group Gear Shifting

Page025-0065

Item	Part Number	Qty	Description	Comments
1		1	Guide Bush	[A]
2	X540.008.278.000	1	Ring	
3	X548.848.066.000	1	O Ring	
5	205.116.300.081	1	Finger	
6	X530.014.446.000	1	Circlip	
8	H916.101.170.010	1	Lever	
9	X500.613.146.000	1	Roll Pin	
10	X500.624.946.000	1	Roll Pin	
14	G916.971.020.033	1	Sensor	
15	X487.513.841.000	2	Hex. Sock. Screw	M4 X 16
16	X450.003.308.000	2	Disc	
18	916.101.170.020	1	Driving	
19	X500.604.900.000	1	Roll Pin	
21	926.103.080.020	1	Shift Fork	
22	X477.027.705.000	2	Hex. Sock. Screw	M8 X 20
24	X624.206.000.000	1	Ball	
25	012.100.090.080	1	Spring	
26	926.103.080.010	1	Cylinder Rod	
27	716.101.081.020	1	Piston	
28	716.101.081.030	1	Cover	
29	X530.105.946.000	1	Circlip	
32	916.101.170.010	1	Protector	
33	X490.522.300.000	2	Hex. Sock. Screw	
34	X450.005.108.000	2	Washer	
36	X304.285.000.000	1	Protective Strip	Length 100 MM 1X 30 MM 1X 60 MM

FOOTNOTE [A] NOT SUPPLIED SEPARATELY

1-WG77-002-A



Massey Ferguson**MF 8450/8460 TRACTOR - 1637447**

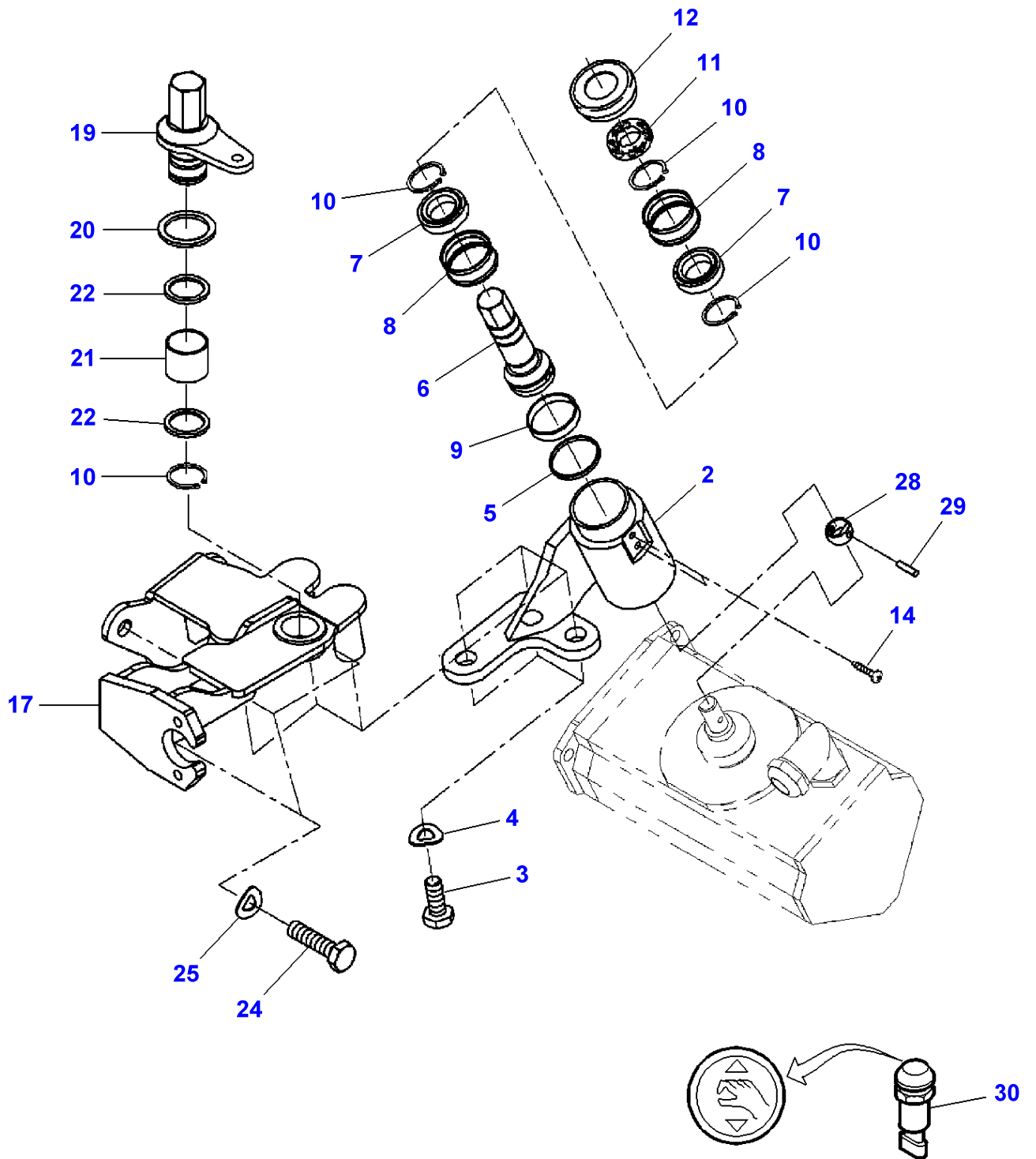
1637447

Transmission Control - Emergency Control - Drive Line

Page025-0070

Item	Part Number	Qty	Description	Comments
13	X668.980.522.000	2	Cable Tie	
14	G716.100.090.971	1	Control Cable	
15	F716.100.090.010	1	Bellows	(14)
16	F716.100.090.020	1	Bellows	(14)
17	X487.520.441.000	2	Hex. Sock. Screw	M6 X 12
18	X521.403.047.000	2	Spring Plate	
19	X428.202.239.000	2	Nut	M6
21	X410.115.601.000	2	Fork Head	
22	X407.201.401.000	2	Pin	

1-WG76-002-A



Massey Ferguson**MF 8450/8460 TRACTOR - 1637447**

1637447

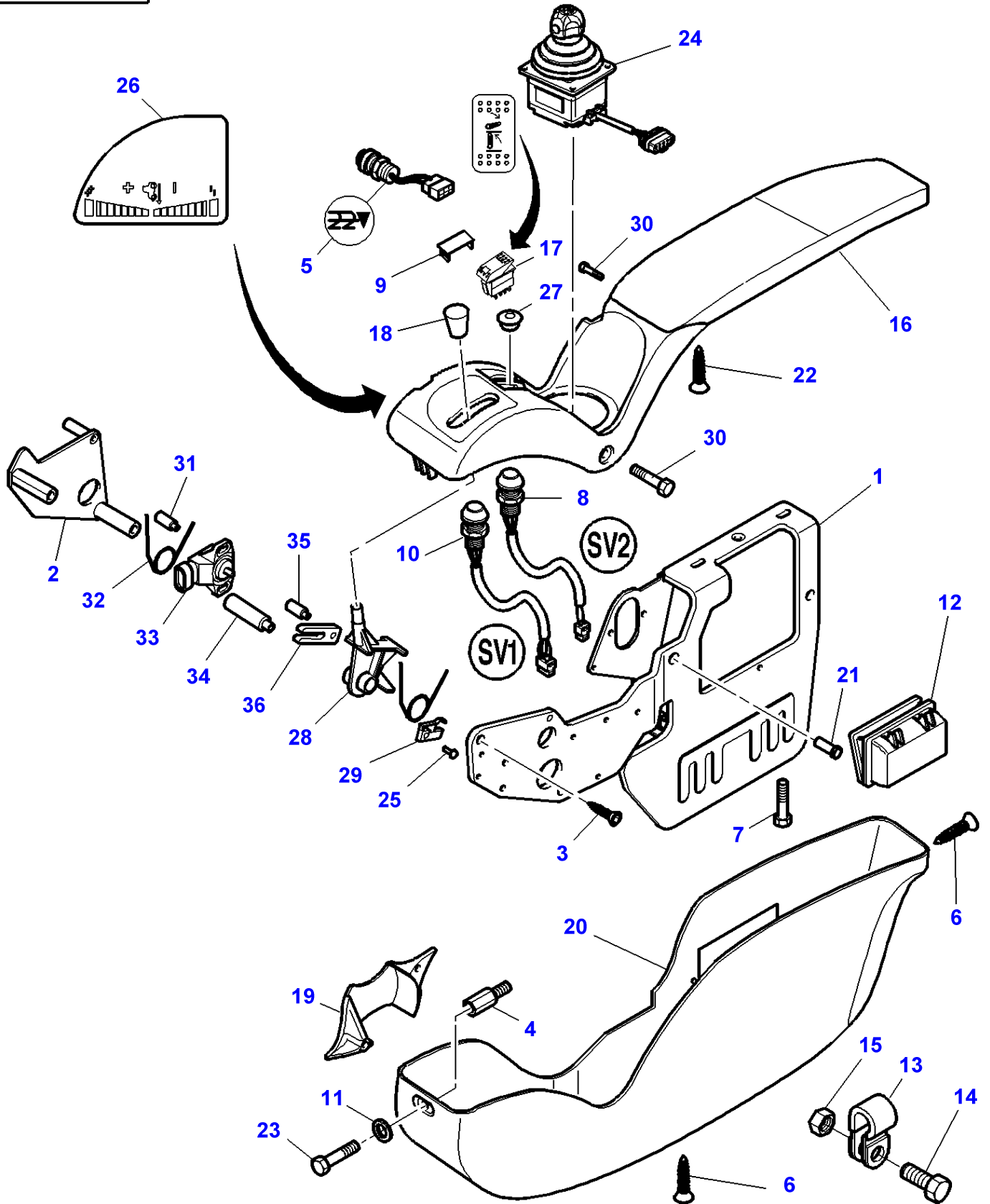
Transmission Control - Emergency Control - Range

Page025-0075

Item	Part Number	Qty	Description	Comments
2	716.100.090.710	1	Console	
3	X487.531.541.000	3	Hex. Sock. Screw	M10 X 25
4	X521.404.447.000	3	Spring Plate	
5	X534.310.246.000	1	Snapping	
6	411.101.090.201	1	Shaft	
7	X607.395.200.000	2	Ball Bearing	
8	916.100.090.250	2	Ring	
9	916.101.090.221	1	Ring	
10	X530.002.746.000	4	Circlip	
11	178.100.360.050	1	Ring	
12	F150.403.090.340	1	Ring	
14	X490.617.400.000	4	Screw	M4 X 8
17	H903.100.090.310	1	Console	
19	716.100.090.270	1	Lever	
20	246.860.030.130	1	Gasket	
21	X605.009.000.000	1	Bearing Bush	
22	X534.537.246.000	2	Backup Ring	
24	X487.531.741.000	3	Hex. Sock. Screw	M10 X 30
25	X521.404.447.000	3	Spring Plate	
28	716.100.090.211	1	Ring	
29	X505.529.200.000	1	Dowel	
30	G716.970.160.030	1	Pressure Switch	

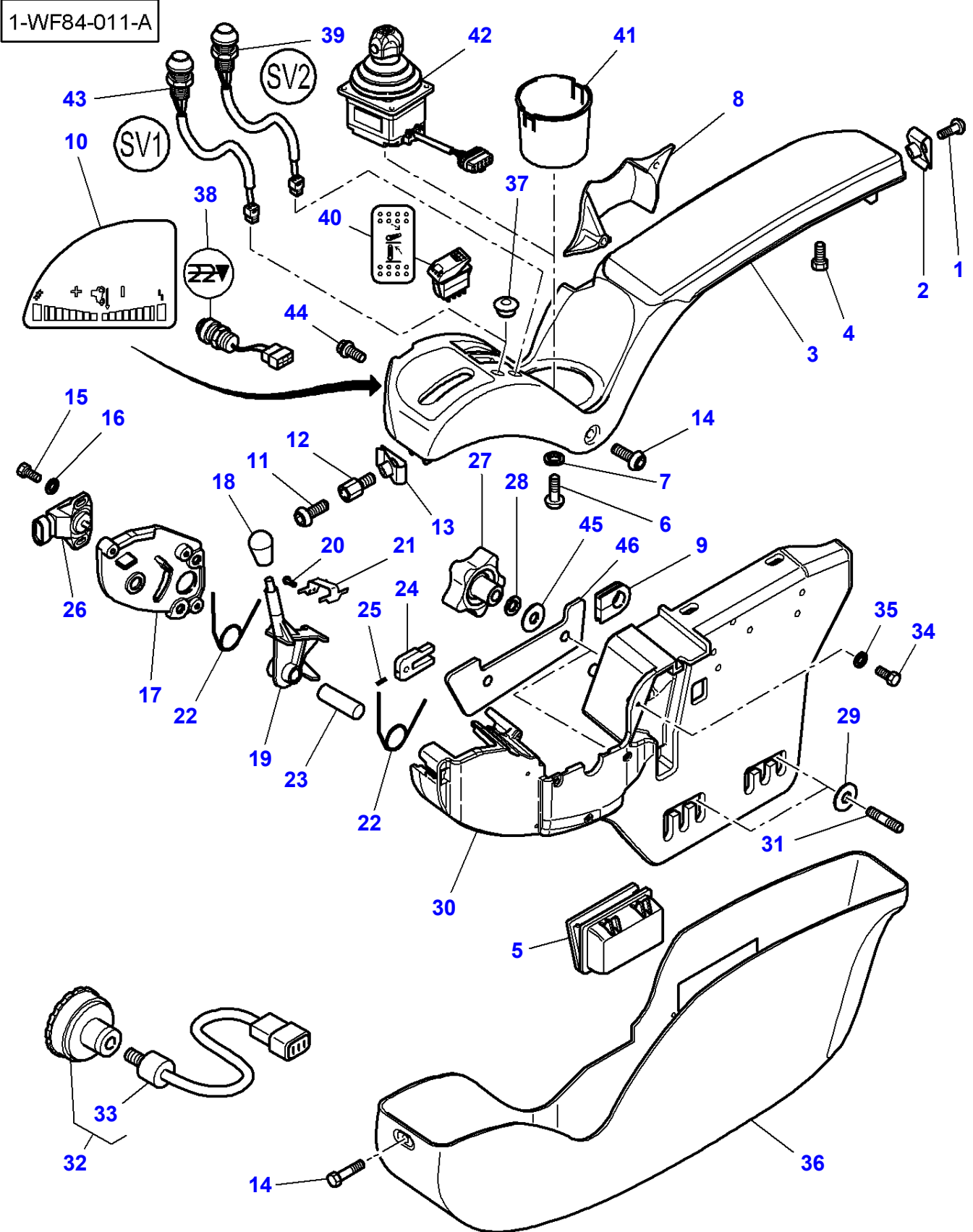
MF 8450/8460 TRACTOR - 1637447
1-WF84-005-A

1-WF84-005-A



Item	Part Number	Qty	Description	Comments
1	4270586M1	1	Support	
2	3789804M2	1	Counterplate	
3	3009439X1	2	Screw	M8 X 16
4	3786164M1	1	Spacer	
5	4270756M2	1	Switch,Indirect	
6	3010506X1	2	Screw	M5 X 16
7	339123X1	2	Hex. Sock. Screw	M8 X 20
8	3789802M1	1	Switch,Indirect	SV 2
9	3713151M1	X	Tap	
10	3787494M1	1	Switch,Indirect	SV 1
11	3001856X1	2	Washer	Diameter 4-12 X 1,1
12	3781512M1	1	Ashtray	
13	3779547M1	1	Clamp	Diameter 22 - M10
14	3009494X1	1	Hex. Sock. Screw	M10 X 35
15	339402X1	1	Nut	M10
16	3787499M1	1	Envelope	
17	4270970M3	1	Switch,Indirect	
18	3787495M1	1	Knob	
19	3784381M1	1	Muff	
20	4279786M92	1	Cladding	
21	3580776M1	1	Nut	M5
22	4270255M1	1	Screw	No 5 X 22
23	3011175X1	1	Screw	M5 X 8
24	3785028M93	1	Joystick	See Page - Reference Number 025-0100/1
25	3787143M1	2	Screw	M3 X 8
26	3789803M1	1	Decal	
27	3784237M1	1	Plug	
28	4272403M2	1	Support	
29	4273509M2	1	Plate	
30	3010578X1	5	Screw	M5 X 10
31	3789807M1	2	Stop	
32	3788452M1	2	Spring	
33	4274087M1	1	Potentiometer	
34	3784446M1	1	Clevis Pin	Diameter 12 X 50
35	4274734M1	2	Stop	
36	411301050040	1	Fork	

MF 8450/8460 TRACTOR - 1637447
1-WF84-011-A



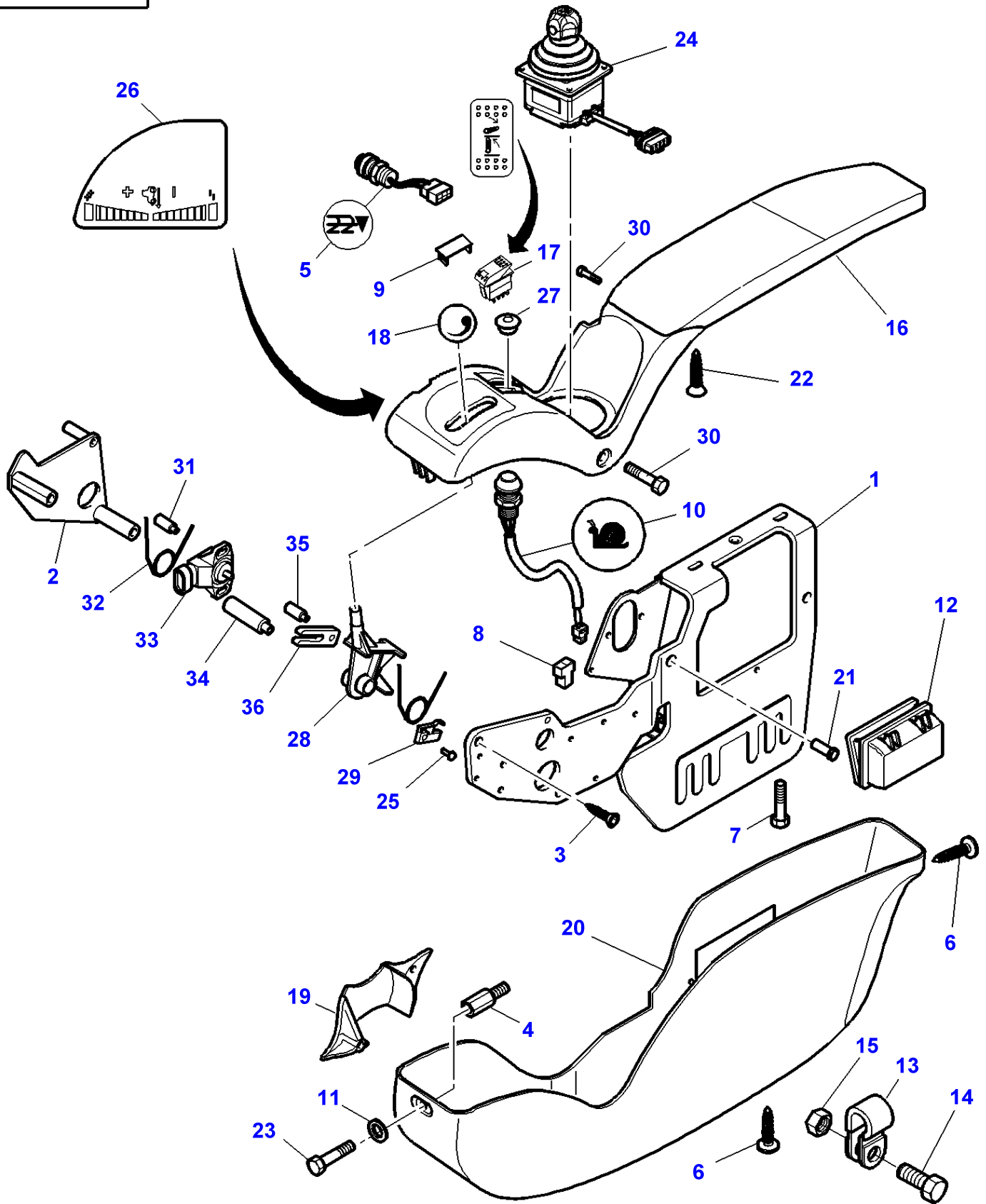
Control Armrest - From P005006

Item	Part Number	Qty	Description	Comments
1	3010506X1	1	Screw	M5 X 16
2	3715143M1	1	Nut	
3	4279032M1	1	Envelope	
4	339123X1	2	Hex. Sock. Screw	M8 X 20
5	3781512M1	1	Ashtray	
6	4270255M1	2	Screw	No 5x22
7	3001856X1	2	Washer	
8	3784381M1	1	Muff	
9	4271408M2	1	Grommet	
10	4280225M1	1	Decal	
11	3011175X1	1	Screw	M5 X 8
12	3786164M1	1	Spacer	
13	3715143M1	1	Nut	
14	4271132M1	X	Screw	3.5 x 14
15	3010351X1	2	Screw	M4 X 12
16	339102X1	2	Washer	
17	4279927M1	1	Plate	
18	3787495M1	1	Knob	
19	4279874M1	1	Support	
20	3787143M1	2	Screw	
21	4273509M2	1	Plate	
22	3788452M1	2	Spring	
23	4280199M1	1	Clevis Pin	
24	4279929M1	1	Fork	
25	1442958X1	1	Split Pin	Diameter 6 x 20
26	4274087M1	1	Potentiometer	
27	3786216M1	2	Button	
28	3778519M1	2	Washer	Diameter 10-27 x 1.8
29	1440264X1	2	Washer Metric	Diameter 10.5 x 4
30	4277372M1	1	Support	
31	3008483X1	2	Stud	M10 X 35
32	4278663M2	1	Potentiometer	[A]
33	3907530M1	1	Potentiometer	[A] (32)
34	3010351X1	2	Screw	M4 X 12
35	339102X1	2	Washer	
36	4279786M92	1	Cladding	
37	3784237M1	2	Plug	
38	4270756M2	1	Switch, Indirect	
39	3789802M1	1	Switch, Indirect	SV1
40	4270970M3	1	Switch, Indirect	
41	3784376M1	1	Support	
42	3785028M93	1	Joystick	See Page - Reference Number 025-0100/1
43	3787494M1	1	Switch, Indirect	SV2
44	3010578X1	1	Screw	M5 X 10
45		X	Not Used	
46	4281343M1	1	Reinforcement	

FOOTNOTE [A] WITH AUTOTRONIC 5

MF 8450/8460 TRACTOR - 1637447
1-WF84-006-A

1-WF84-006-A



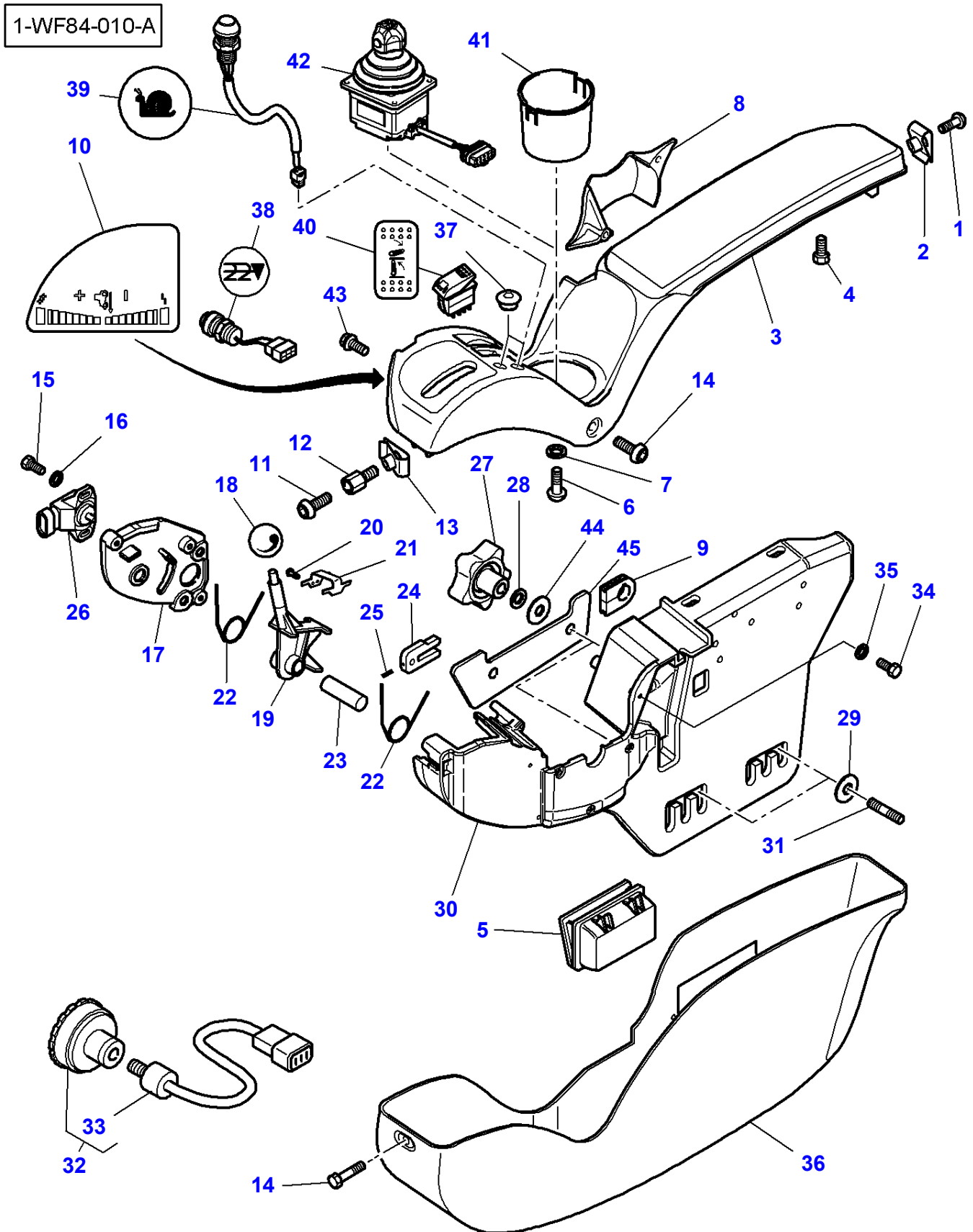
Item	Part Number	Qty	Description	Comments
1	4270586M1	1	Support	
2	3789804M2	1	Counterplate	
3	3009439X1	2	Screw	M8 X 16
4	3786164M1	1	Spacer	
5	4270756M2	1	Switch,Indirect	
6	3010506X1	2	Screw	M5 X 16
7	339123X1	2	Hex. Sock. Screw	M8 X 20
8	4275664M1	1	Connectors	
9	3713151M1	X	Tap	
10	4275697M1	1	Switch,Indirect	
11	3001856X1	2	Washer	Diameter 4-12 X 1,1
12	3781512M1	1	Ashtray	
13	3779547M1	1	Clamp	Diameter 22 - M10
14	3009494X1	1	Hex. Sock. Screw	M10 X 35
15	339402X1	1	Nut	M10
16	3787499M1	1	Envelope	
17	4270970M3	1	Switch,Indirect	
18	4275656M1	1	Knob	
19	3784381M1	1	Muff	
20	4279786M92	1	Cladding	
21	3580776M1	1	Nut	M5
22	4270255M1	1	Screw	No 5 X 22
23	3011175X1	1	Screw	M5 X 8
24	3785028M93	1	Joystick	See Page - Reference Number 025-0100/1
25	3787143M1	2	Screw	M3 X 8
26	3789803M1	1	Decal	
27	3784237M1	1	Plug	[E,G]
28	4272403M2	1	Support	
29	4273509M2	1	Plate	
30	3010578X1	5	Screw	M5 X 10
31	3789807M1	2	Stop	
32	3788452M1	2	Spring	
33	4274087M1	1	Potentiometer	
34	3784446M1	1	Clevis Pin	Diameter 12 X 50
35	4274734M1	2	Stop	
36	411301050040	1	Fork	

FOOTNOTE [A] WITHOUT HYDRAULIC LIFT

FOOTNOTE [E] WITHOUT JOYSTICK

FOOTNOTE [G] BLACK

MF 8450/8460 TRACTOR - 1637447
1-WF84-010-A

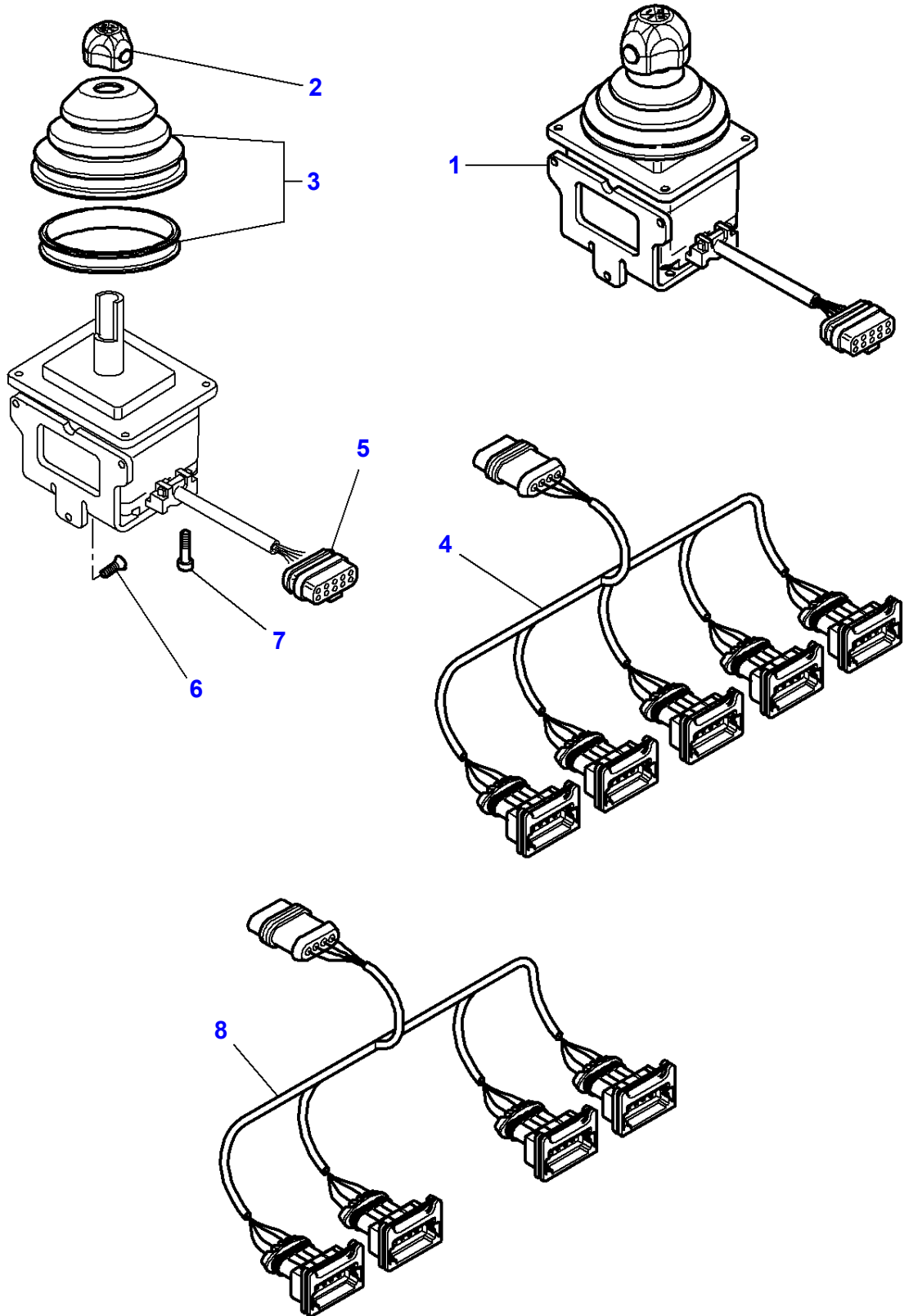


Item	Part Number	Qty	Description	Comments
1	3010506X1	1	Screw	M5 X 16
2	3715143M1	1	Nut	
3	4279032M1	1	Envelope	
4	339123X1	2	Hex. Sock. Screw	M8 X 20
5	3781512M1	1	Ashtray	
6	4270255M1	2	Screw	No 5x22
7	3001856X1	2	Washer	
8	3784381M1	1	Muff	
9	4271408M2	1	Grommet	
10	4280225M1	1	Decal	
11	3011175X1	1	Screw	M5 X 8
12	3786164M1	1	Spacer	
13	3715143M1	1	Nut	
14	4271132M1	X	Screw	3.5 x 14
15	3010351X1	2	Screw	M4 X 12
16	339102X1	2	Washer	
17	4279927M1	1	Plate	
18	4275656M1	1	Knob	
19	4279874M1	1	Support	
20	3787143M1	2	Screw	
21	4273509M2	1	Plate	
22	3788452M1	2	Spring	
23	4280199M1	1	Clevis Pin	
24	4279929M1	1	Fork	
25	1442958X1	1	Split Pin	Diameter 6 x 20
26	4274087M1	1	Potentiometer	
27	3786216M1	2	Button	
28	3778519M1	2	Washer	Diameter 10-27 x 1.8
29	1440264X1	2	Washer Metric	Diameter 10.5 x 4
30	4277372M1	1	Support	
31	3008483X1	2	Stud	M10 X 35
32	4278663M2	1	Potentiometer	[A]
33	3907530M1	1	Potentiometer	[A] (32)
34	3010351X1	2	Screw	M4 X 12
35	339102X1	2	Washer	
36	4279786M92	1	Cladding	
37	3784237M1	2	Plug	
38	4270756M2	1	Switch, Indirect	
39	4275697M1	1	Switch, Indirect	
40	4270970M3	1	Switch, Indirect	
41	3784376M1	1	Support	
42	3785028M93	1	Joystick	See Page - Reference Number 025-0100/1
43	3010578X1	1	Screw	M5 X 10
44		X	Not Used	
45	4281343M1	1	Reinforcement	

FOOTNOTE [A] WITH AUTOTRONIC 5

MF 8450/8460 TRACTOR - 1637447
1-WP20-003-B

1-WP20-003-B



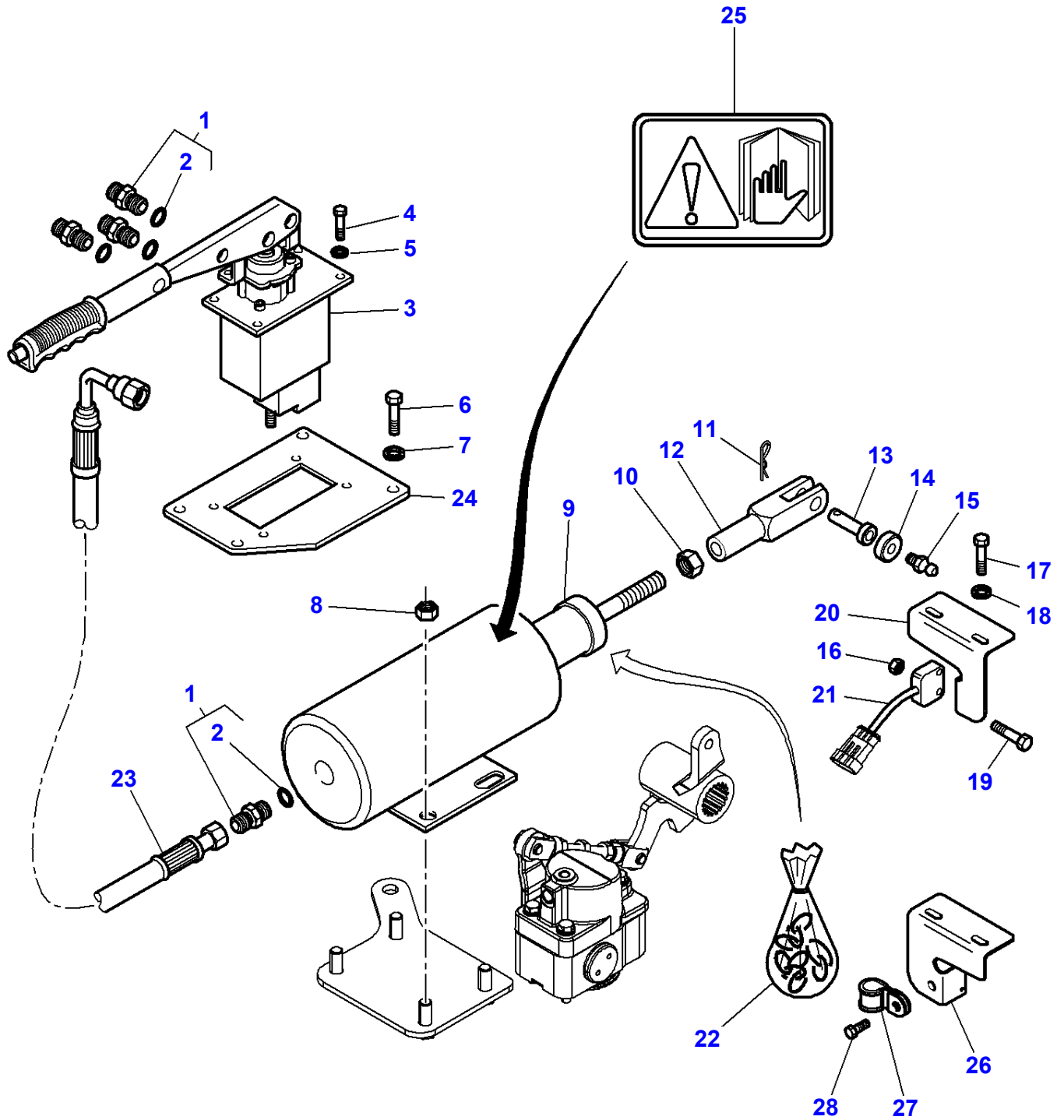
Item	Part Number	Qty	Description	Comments
1	3785028M93	1	Joystick	
2	3903673M91	1	Shell	(1)
3	3903672M91	1	Bellows	(1)
4	4277733M91	1	Harness	[B]
5	3902473M1	1	Connectors	(1)
6	3011000X1	3	Screw	M5 X 12
7	3010354X1	4	Screw	M4 X 25
8	4271167M2	1	Harness	[A]

FOOTNOTE [A] 4 DISTRIBUTORS WITH ELECTRIC CONTROL

FOOTNOTE [B] 5 DISTRIBUTORS WITH ELECTRIC CONTROL

Page Title	Page Number
Handbrake	030-0005
Handbrake - Without Breake Beam	030-0010
Handbrake - Tie Rod	030-0015
Wheel shaft housing	030-0020
Oil Level Indicator	030-0025
Differential	030-0030
Bevel Drive	030-0035
Bevel Drive	030-0040
Rear Axle Housings - Inner Final Drive Gear	030-0045
Disc Brakes	030-0050
Cardan Brake	030-0055
Lift Arms	030-0060
Angle Sensor	030-0065

1-WG28-012-C

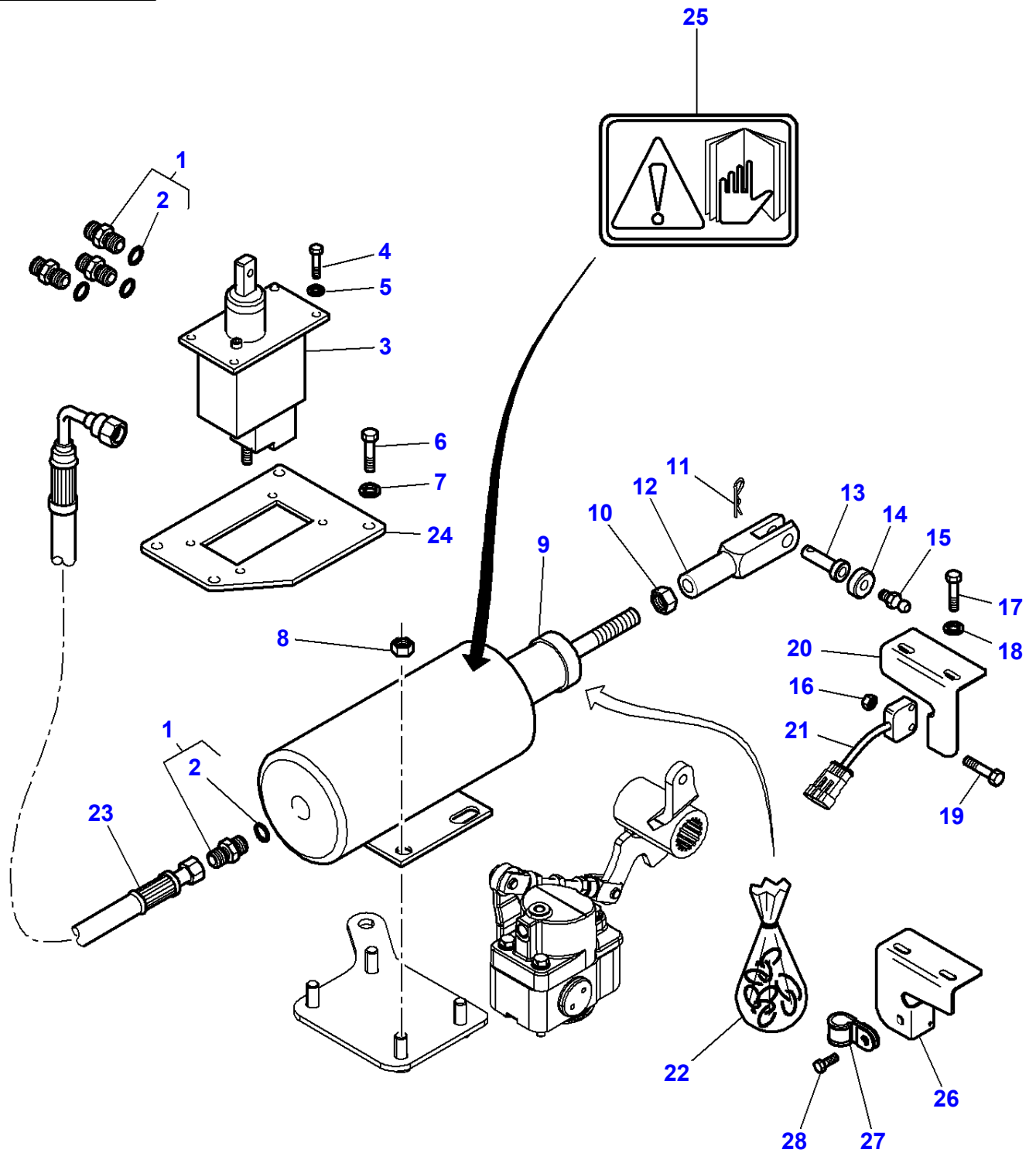


Handbrake

Item	Part Number	Qty	Description	Comments
1	3011038X91	4	Union	
2	338762X1	1	Seal	(1)
3	4274587M91	1	Lever	
4	339560X1	4	Hex. Sock. Screw	M6 X 16
5	3019571X1	4	Washer	
6	339761X1	4	Hex. Sock. Screw	M8 X 25
7	390972X1	4	Washer	
8	339054X1	4	Nut	
9	3788718M1	1	Ram	[A]
10	1440231X1	1	Nut Metric	
11	1442034X1	1	Split Pin	
12	4274903M2	1	Clevis	
13	916.100.030.010	1	Pin	
14	X830.120.050.000	1	Magnet	
15	3019880X1	1	Screw Metric	M4 X 12
16	1443615X1	2	Nut Metric	
17	3011539X1	2	Screw	M6 X 3-13
18	390971X1	2	Washer	
19	1442172X1	2	Hex. Sock. Screw	M4 X 16
20	916.100.030.020	1	Holder	Up to Serial or Engine Number 30-JAN-2005
21	H312.900.150.010	1	Solenoid Switch	
22	3907421M91	1	Kit,Joint/Gasket	
23	4276153M1	1	Hydr. Hose	Length 550MM
24	4276681M1	1	Support	
25	4278652M1	1	Decal	
26	4280936M1	1	Support	From Serial or Engine Number 31-JAN-2005
27	3581424M1	1	Clip	From Serial or Engine Number 31-JAN-2005
28	339228X1	1	Hex. Sock. Screw	M8 X 12 From Serial or Engine Number 31-JAN-2005

FOOTNOTE [A] THE APPROPRIATE SAFETY DECALS MUST BE ORDERED AND FITTED TO THIS PART

1-WG28-013-C

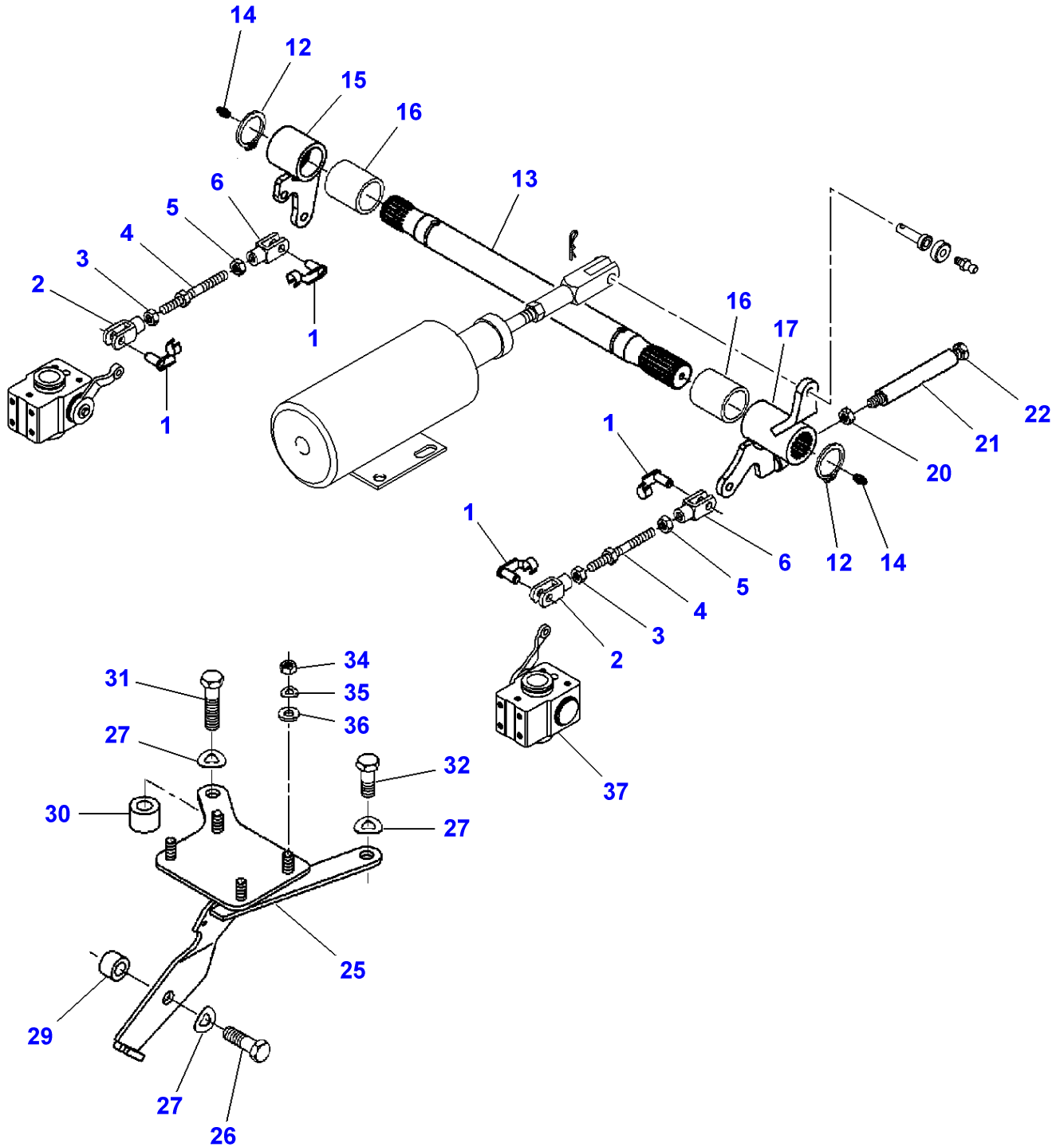


Handbrake - Without Brake Beam

Item	Part Number	Qty	Description	Comments
1	3011038X91	4	Union	
2	338762X1	1	Seal	(1)
3	4276982M91	1	Block	
4	339560X1	4	Hex. Sock. Screw	M6 X 16
5	3019571X1	4	Washer	
6	339761X1	4	Hex. Sock. Screw	M8 X 25
7	390972X1	4	Washer	
8	339054X1	4	Nut	
9	3788718M1	1	Ram	[A]
10	1440231X1	1	Nut Metric	
11	1442034X1	1	Split Pin	
12	4274903M2	1	Clevis	
13	916.100.030.010	1	Pin	
14	X830.120.050.000	1	Magnet	
15	3019880X1	1	Screw Metric	M4 X 12
16	1443615X1	2	Nut Metric	
17	3011539X1	2	Screw	M6 X 3-13
18	390971X1	2	Washer	
19	1442172X1	2	Hex. Sock. Screw	M4 X 16
20	916.100.030.020	1	Holder	Up to Serial or Engine Number 30-AVR-2005
21	H312.900.150.010	1	Solenoid Switch	
22	3907421M91	1	Kit,Joint/Gasket	
23	4276153M1	1	Hydr. Hose	Length 550MM
24	4276681M1	1	Support	
25	4278652M1	1	Decal	
26	4280936M1	1	Support	From Serial or Engine Number 31-JAN-2005
27	3581424M1	1	Clip	From Serial or Engine Number 31-JAN-2005
28	339228X1	1	Hex. Sock. Screw	M8 X 12 From Serial or Engine Number 31-JAN-2005

FOOTNOTE [A] THE APPROPRIATE SAFETY DECALS MUST BE ORDERED AND FITTED TO THIS PART

1-WG28-011-A



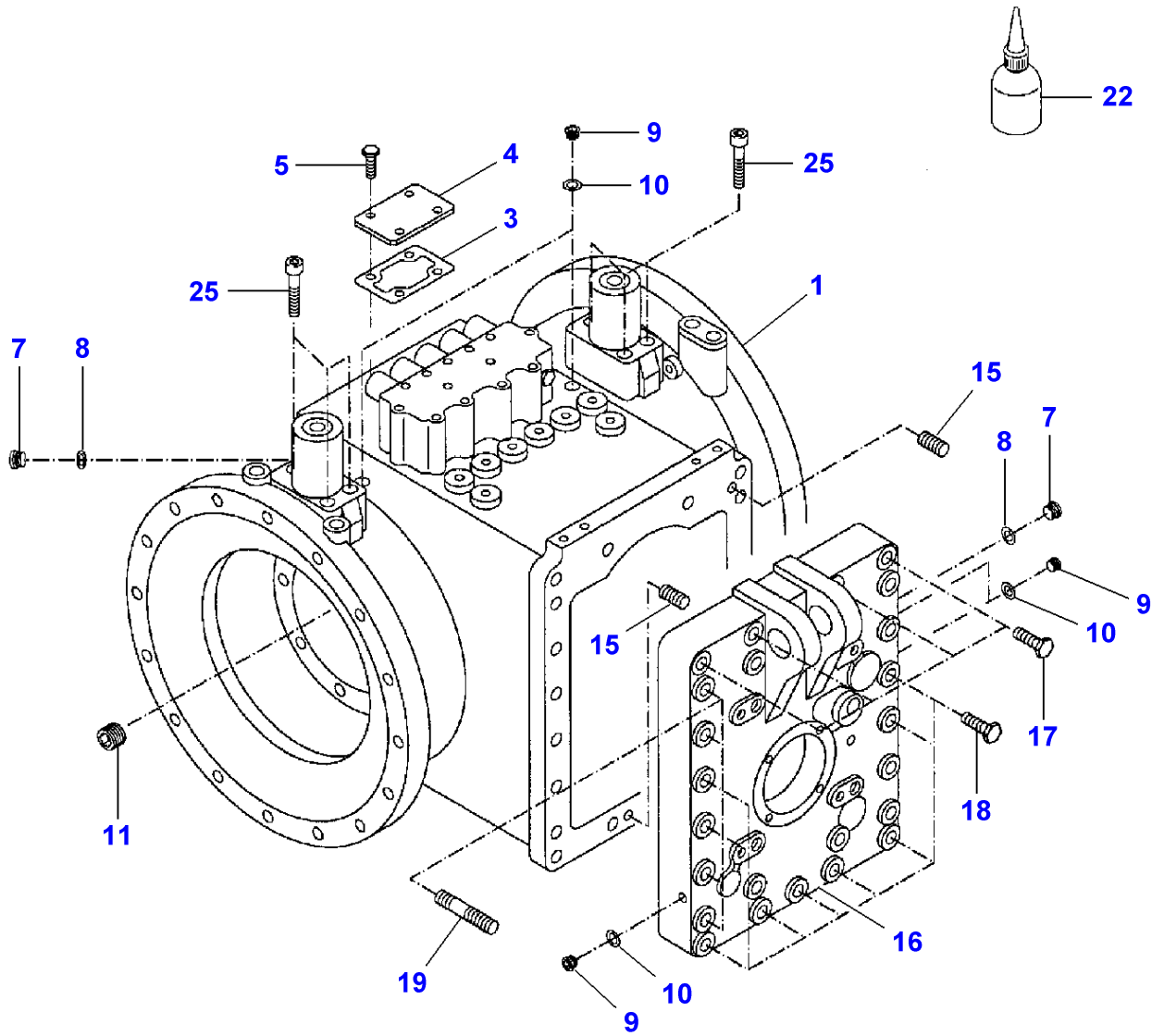
Handbrake - Tie Rod

Item	Part Number	Qty	Description	Comments
1	X407.202.001.000	4	Pin	
2	X410.124.605.000	2	Fork Head	
3	X428.202.839.000	2	Nut	
4	H822.100.030.040	2	Threaded Part	
5	X428.202.739.000	2	Nut	M10
6	X410.125.801.000	2	Fork Head	
12	X530.004.246.000	2	Circlip	Diameter 34 X 1,5
13	822.100.030.040	1	Shaft	[A]
14	X662.516.200.000	2	Grease Nipple	
15	H822.100.030.030	1	Lever	
16	155.302.010.110	2	Bush	
17	H822.100.030.020	1	Lever	
20	X434.103.240.000	1	Nut	M12
21	X591.202.101.000	1	Hose	Length 0,10 M
22	X487.537.500.000	1	Hex. Sock. Screw	M12 X 150
25	H916.150.030.020	1	Bearing Plate	
26	X487.545.441.000	1	Hex. Sock. Screw	M16 X 50
27	X521.406.647.000	3	Spring Plate	
29	138.715.140.010	1	Distance Piece	
30	205.800.580.030	1	Bush	
31	X487.545.902.000	1	Hex. Sock. Screw	M16 X 65
32	X487.545.241.000	1	Hex. Sock. Screw	M6 X 40
34	X428.203.239.000	4	Nut	M12
35	X521.405.047.000	4	Spring Plate	
36	X453.608.408.000	2	Disc	
37		1	Wheel Cylinder	See Page - Reference Number 070-0050/36

FOOTNOTE [A] ORDER + X662 516 200 000 (X2)

MF 8450/8460 TRACTOR - 1637447
1-WE70-004-A

1-WE70-004-A

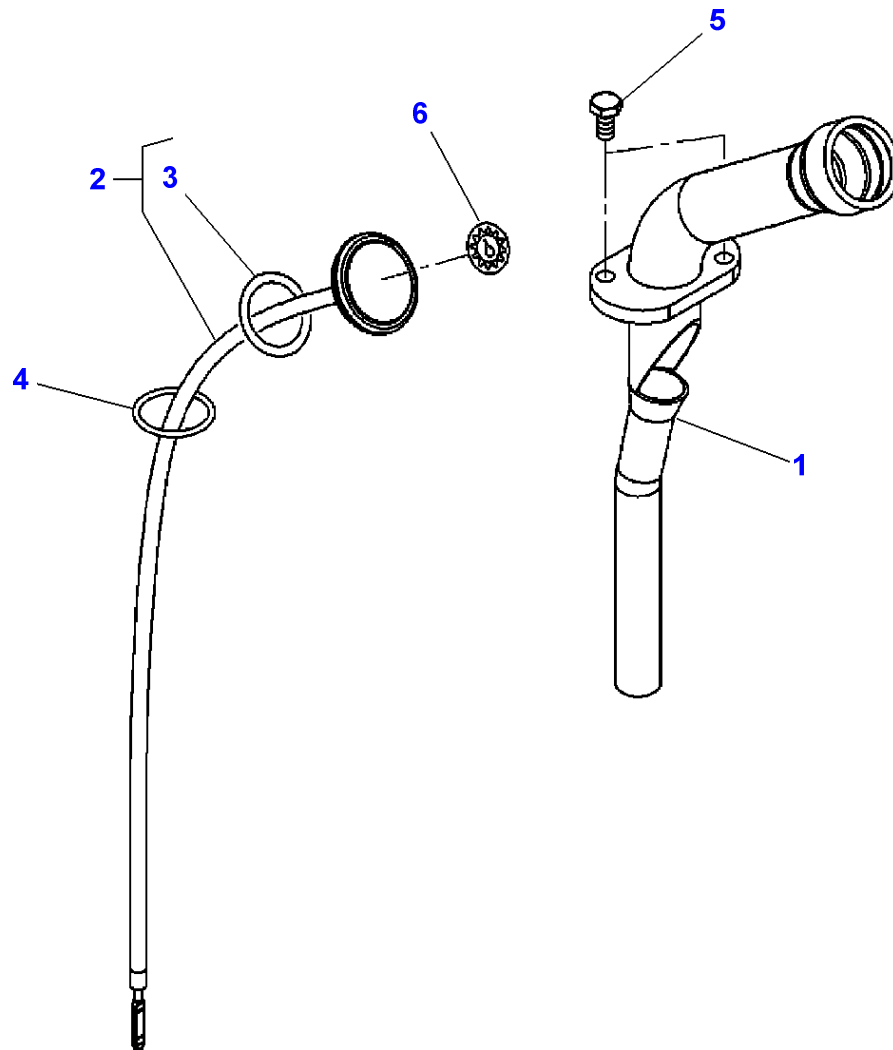


Wheel shaft housing

Item	Part Number	Qty	Description	Comments
1	916.150.050.010	1	Axle Housing	
3	822.100.050.140	1	Gasket	
4	822.100.050.130	1	Cover	
5	X487.526.841.000	4	Hex. Sock. Screw	M8 X 16
7	X483.800.401.000	2	Screw	M12 X 1,5
8	X540.003.678.000	2	Ring	
9	X483.800.000.000	5	Screw	M10 X 1
10	X540.003.078.000	5	Ring	
11	X483.500.800.000	2	Screw	M14 X 1,5
15	X505.578.900.000	2	Dowel	M6 X 32
16	926.150.050.020	1	Cover	[A]
17	X486.551.406.000	4	Hex. Sock. Screw	M18 X 90
18	X486.551.706.000	9	Hex. Sock. Screw	M18 X 110
19	X482.953.200.000	8	Stud	M18 X 130
22	X903.050.074.000	X	Loctite	
25	X485.013.605.000	6	Hex. Sock. Screw	

FOOTNOTE [A] ORDER + X505 578 900 (X2)

1-WE71-002-A

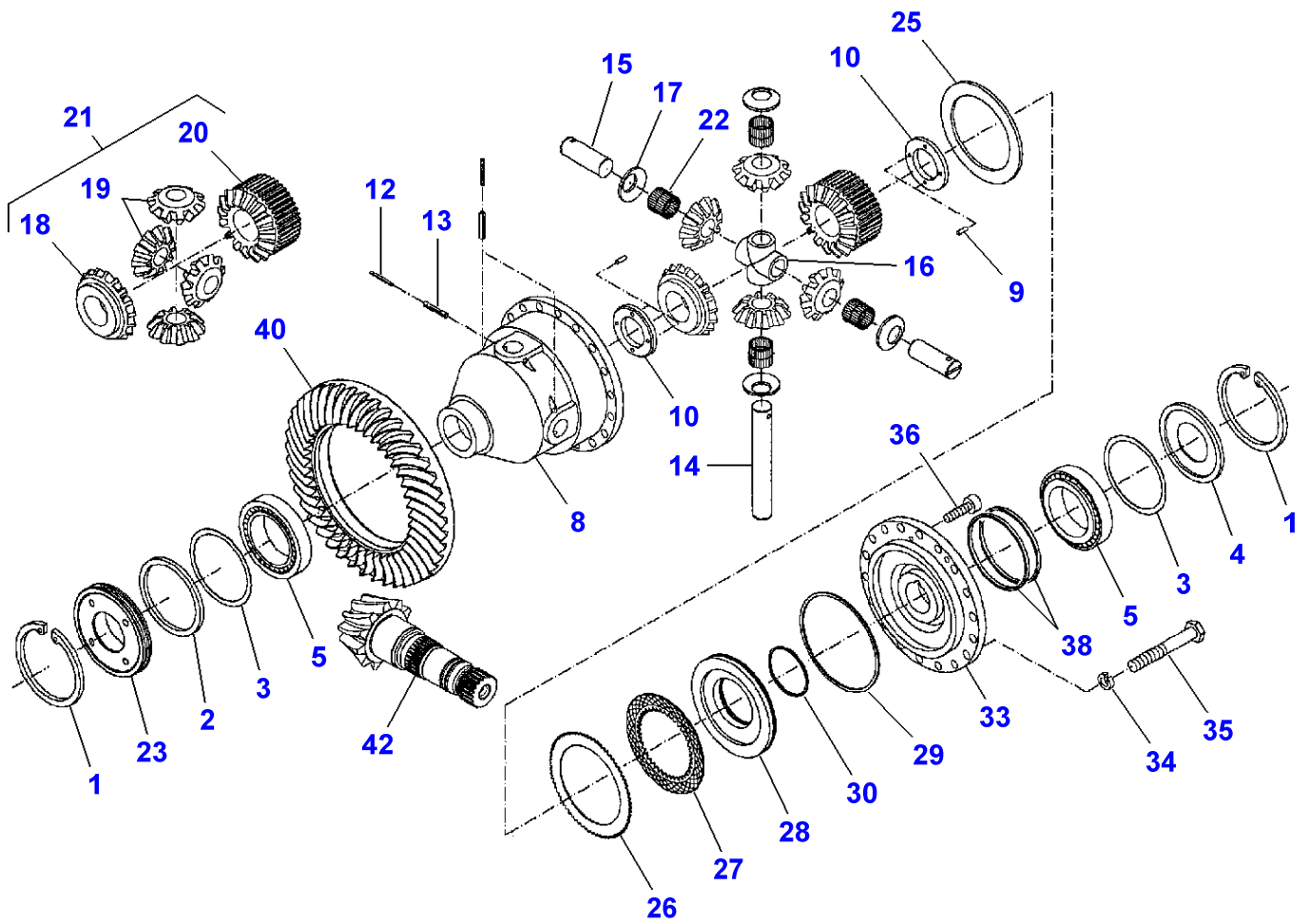


Massey Ferguson**MF 8450/8460 TRACTOR - 1637447****1637447****Oil Level Indicator****Page030-0025**

Item	Part Number	Qty	Description	Comments
1	H926.150.480.010	1	Filler	
2	H916.100.480.020	1	Oil Dipstick	
3	F822.100.480.010	1	Joint.	(2)
4	X548.895.001.000	1	O Ring	34 X 3
5	X487.527.741.000	2	Hex. Sock. Screw	M8 X 20
6	205.100.480.010	1	Decal	

MF 8450/8460 TRACTOR - 1637447
1-WG60-002-A

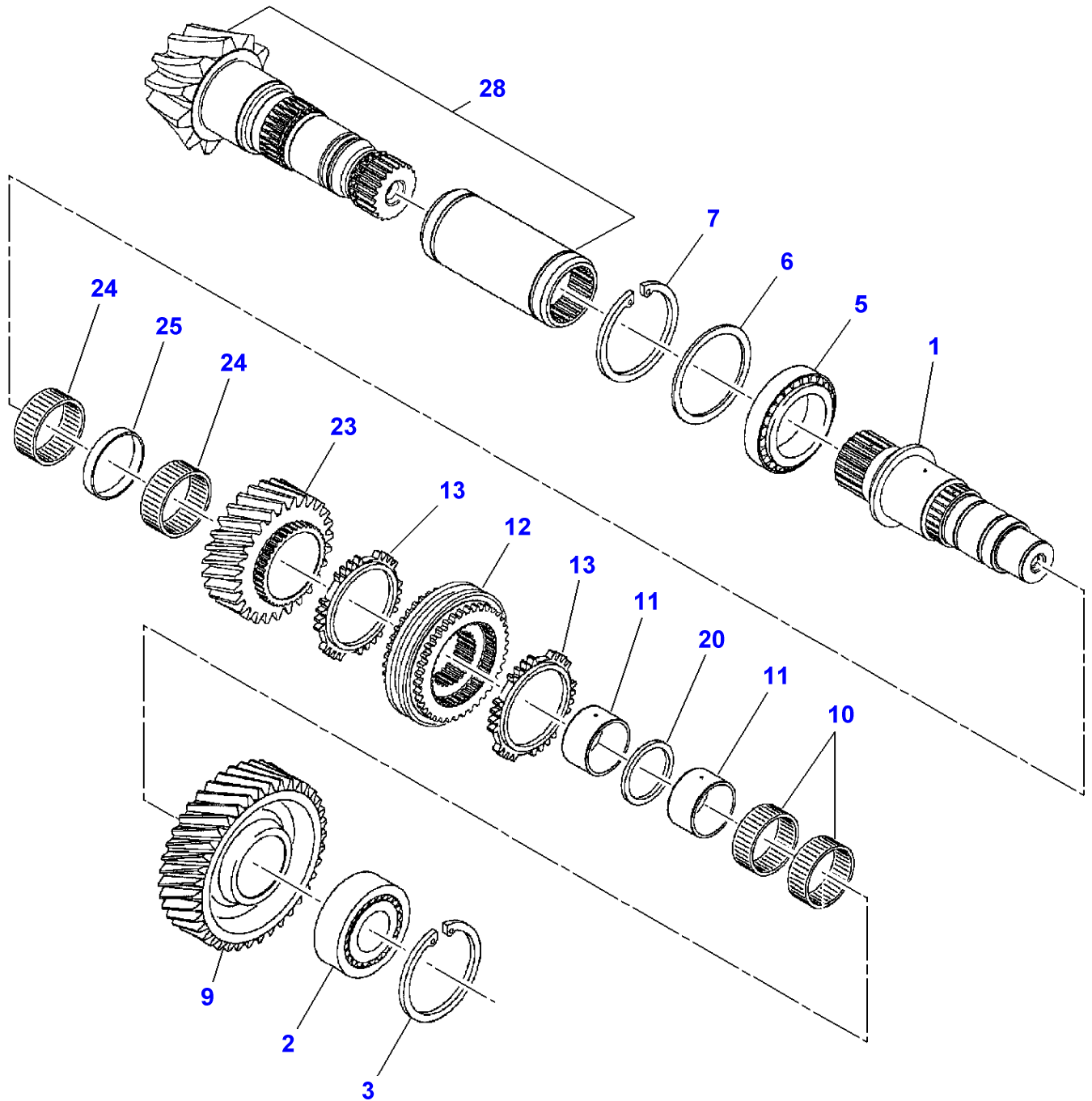
1-WG60-002-A



Differential

Item	Part Number	Qty	Description	Comments
1	X530.109.946.000	2	Circlip	
2			Not Used	
3	X534.683.000.000	X	Shim	Thickness 0,15 MM
	X534.683.100.000	X	Shim	Thickness 0,20 MM
	X534.683.300.000	X	Shim	Thickness 0,30 MM
	X534.683.700.000	X	Shim	Thickness 0,50 MM
4	822.100.010.060	1	Disc	
5	G822.100.150.020	2	Cup And Cone	
8	926.150.010.030	1	Diff Housing	
9	X506.239.300.000	4	Dowel	Diameter 6 X 20
10	822.100.010.210	2	Ring	
12	X500.622.300.000	3	Roll Pin	Diameter 5 X 50
13	X500.629.146.000	3	Roll Pin	Diameter 8 X 50
14	926.150.010.050	1	Clevis Pin	
15	926.150.010.060	2	Clevis Pin	
16	926.150.010.070	1	Support	
17	926.150.010.080	4	Thrust Washer	
18		1	Planet	(21) Not serviced,order REF. 21
19		4	Diff Pinion	(21) Not serviced,order REF. 21
20		1	Planet	(21) Not serviced,order REF. 21
21	G926.150.010.010	1	Kit, Bevel Gear	
22	X622.048.500.000	4	Roller Cage	
23	926.150.010.040	1	Spacer	
25	822.100.010.140	1	Ring	
26	822.100.010.130	10	External Disc	
27	822.100.010.120	9	Internal Disc	
28	822.100.010.160	1	Piston	
29	822.100.010.200	1	Support Cover	
30	822.100.010.190	1	Support Cover	
33	822.100.010.040	1	Flange	
34	345.300.100.110	18	Disc	
35	X486.536.200.000	18	Hex. Sock. Screw	M8 X 30
36	X485.007.605.000	2	Hex. Sock. Screw	M8 X 30
38	X560.718.800.000	2	Plain Compr.Ring	Diameter 140 X 5,5
40		1	Annular Gear	See Page - Reference Number 030-0040/19
42		1	Pinion Shaft	See Page - Reference Number 030-0040/18

1-WG71-004-A

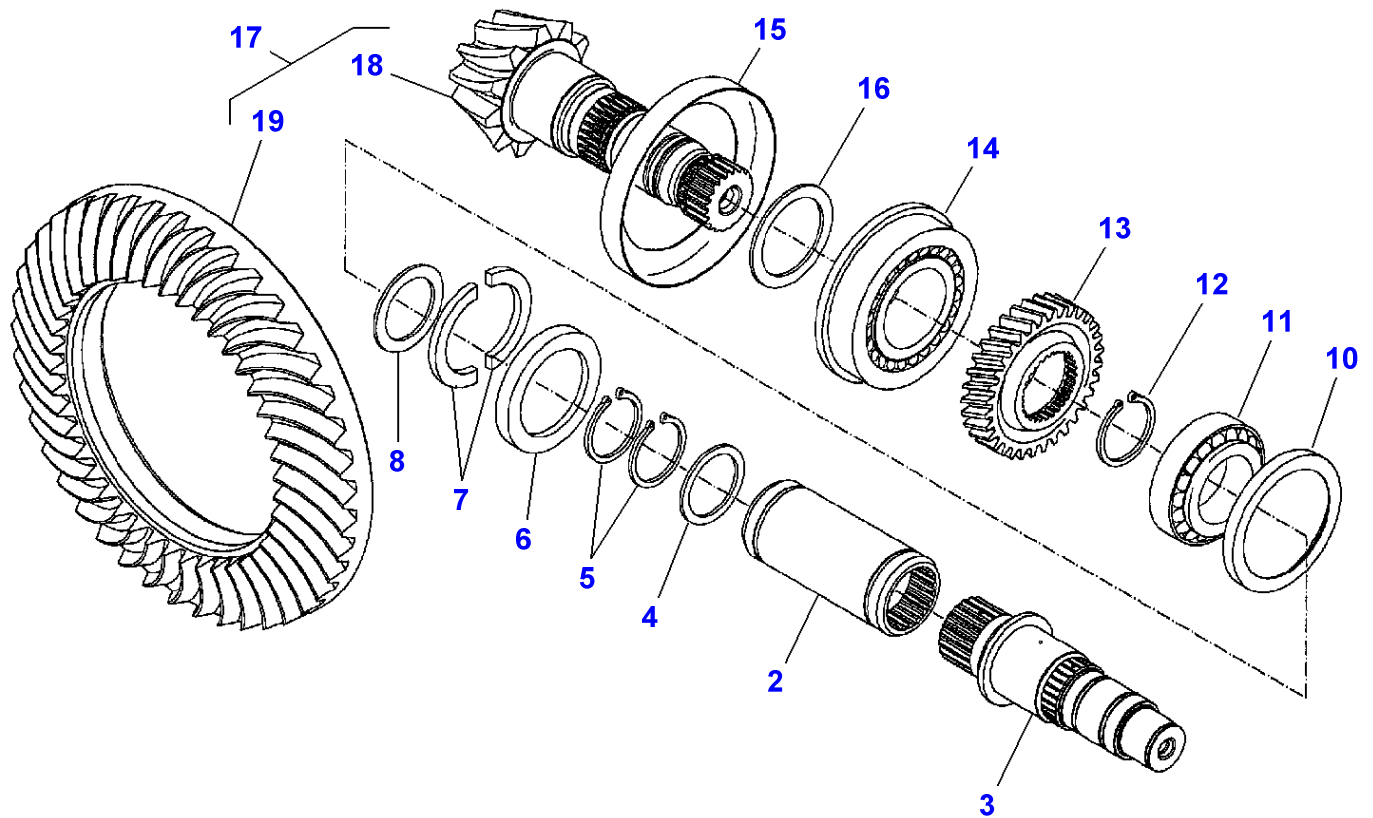


Bevel Drive

Item	Qty	Description	Comments
1	1	Shaft	[A]
2	1	Ball Bearing	[A]
3	1	Circlip	[A]
5	1	Ball Bearing	[A]
6	1	Kit, Washer	[A]
7	1	Circlip	[A]
9	1	Pinion	[A] Number of teeth/spines 40
10	2	Needle Cage	[A] 55 X 60 X 30
11	2	Bush	[A]
12	1	Synchro Unit	[A]
13	2	Bush	[A]
20	1	Washer	[A]
23	1	Pinion	[A] Number of teeth/spines 30
24	2	Needle Cage	[A] 60 X 65 X 20
25	1	Insert	[A]
28	1	Kit, Bevel Gear	See Page - Reference Number 030-0040/17

FOOTNOTE [A] NOT SUPPLIED SEPARATELY

1-WG71-003-A

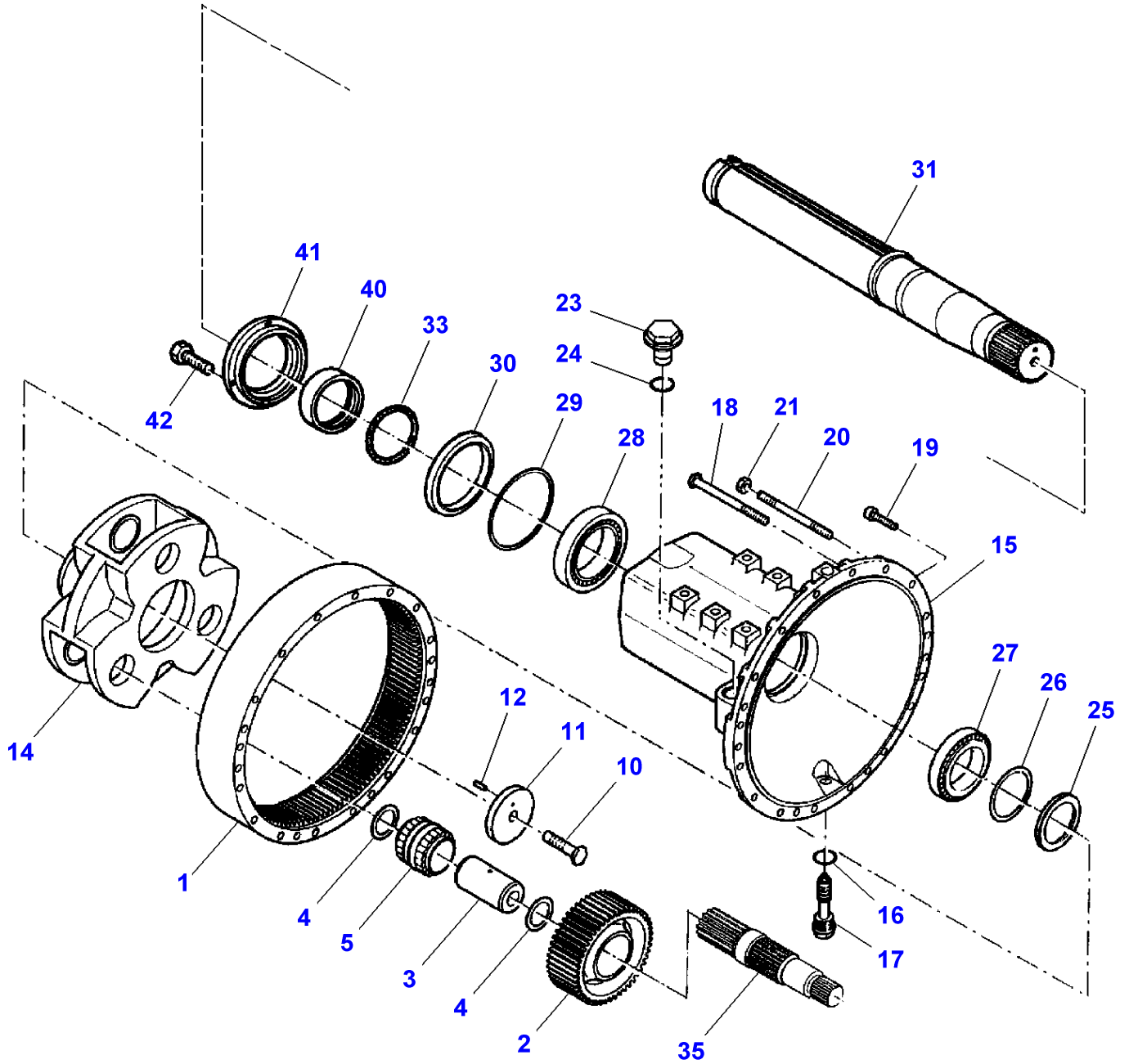


Bevel Drive

Item	Part Number	Qty	Description	Comments
2	916.101.410.010	1	Thimble	
3		1	Shaft	See Page - Reference Number 030-0035/1
4	X534.538.900.000	1	Backup Ring	
5	X530.017.746.000	2	Circlip	Diameter 55 X 3
6	916.100.410.030	1	Ring	
7	916.100.410.040	2	Ring	
8	G001.990.200.630	1	Kit, Washer	
10	916.100.410.060	1	Sheet Metal	
11	X619.072.600.007	1	Cup And Cone	
12	X530.017.846.000	1	Circlip	Diameter 58 X 3
13		1	Pinion	See Page - Reference Number 060-0050/3
14	X619.057.201.003	1	Cup And Cone	68 X 140 X 20
15	926.102.410.030	1	Sheet Metal	
16	G001.990.200.640	1	Kit, Washer	
17	G916.101.411.010	1	Kit, Bevel Gear	
18		1	Pinion Shaft	(17) Not serviced,order REF. 17
19		1	Annular Gear	(17) Not serviced,order REF. 17

MF 8450/8460 TRACTOR - 1637447
1-WG18-005-A

1-WG18-005-A



Item	Part Number	Qty	Description	Comments
1	824.101.150.031	2	Pressure Pipe	
2	718.150.151.300	6	Spur Gear	[A]
3	822.100.150.140	6	Clevis Pin	
4	X530.106.546.000	12	Circlip	Diameter 62 X 2
5	G822.100.150.050	6	Kit, Roller	[C]
10	822.100.150.120	2	Hex. Sock. Screw	
11	822.100.150.080	2	Plate	
12	X500.628.246.000	2	Roll Pin	Diameter 8 X 22
14	926.101.150.210	2	Planet Carrier	
15	903.150.150.100	2	Axle Housing	
16	X540.007.478.000	2	Ring	
17	H822.100.150.020	2	Magnet	
18	X486.537.601.000	20	Hex. Sock. Screw	M12 X 160
	X486.537.501.000	29	Hex. Sock. Screw	M12 X 150
19	X493.619.205.000	4	Hex. Sock. Screw	M12 X 50
20	X489.138.600.000	6	Stud	M12 X 155
	X489.137.100.000	1	Stud	M12 X 135
21	X428.203.205.000	7	Nut	M12
23	X484.404.001.000	4	Plug	M30
24	X540.009.478.000	4	Ring	
25	926.101.150.240	4	Ring	
26	X534.781.500.000	X	Shim	Thickness 0,50 MM
	X534.781.600.000	X	Shim	Thickness 0,60 MM
	X534.781.700.000	X	Shim	Thickness 0,70 MM
27	G926.101.150.040	2	Cup And Cone	
28	G926.160.150.200	2	Cup And Cone	
29	X549.030.900.000	2	O Ring	Diameter 190,17 X 2,62
30	H822.100.150.040	2	Oil Seal	
31	926.101.150.070	2	Shaft	29"
	926.101.150.060	2	Shaft	40"
33	X548.999.066.000	2	O Ring	Diameter 118 X 4
35	916.150.150.101	2	Shaft	
40	926.101.150.260	2	Spacer	
41	926.160.150.220	2	Cover	
42	X487.527.741.000	8	Hex. Sock. Screw	M8 X 20

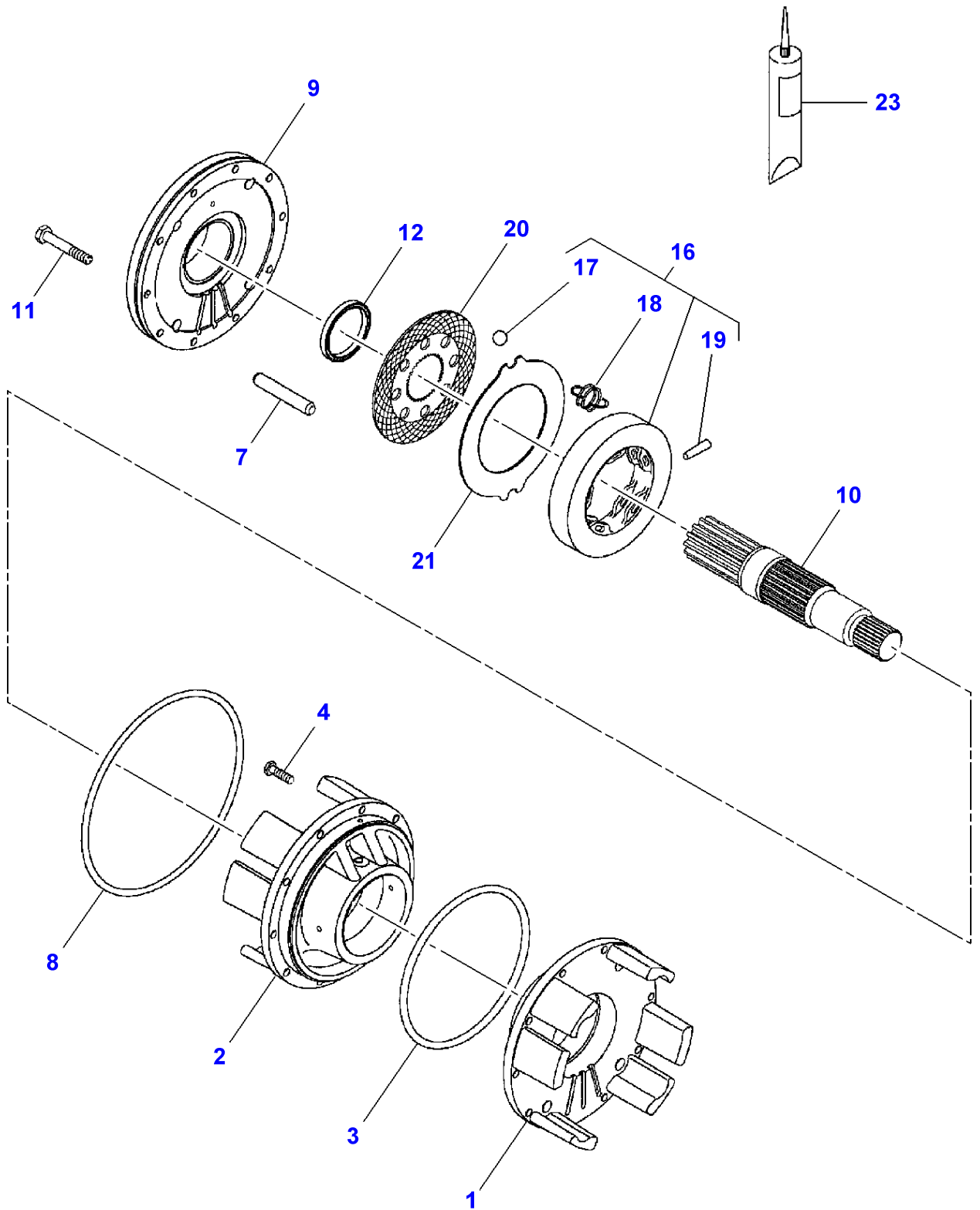
FOOTNOTE [A] ORDER + 822 100 150 140 + G822 100 0150 050

FOOTNOTE [B] ORDER + 926 150 150 061 + G926 150 150 050

FOOTNOTE [C] ORDER + 718 150 151 300

FOOTNOTE [D] ORDER + 926 150 150 040

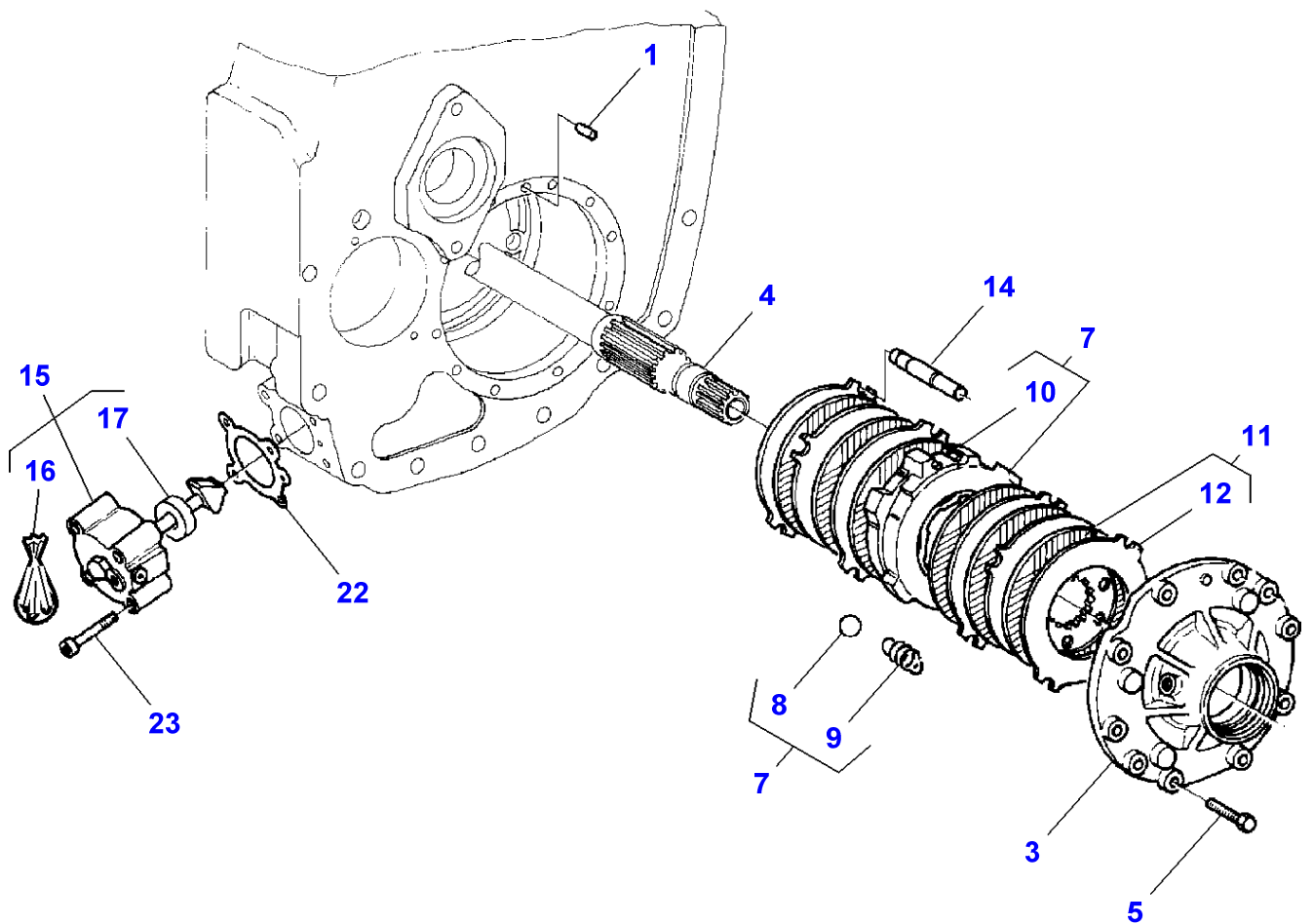
1-WG14-003-A



Disc Brakes

Item	Part Number	Qty	Description	Comments
1	926.150.010.020	1	Bearing Flange	Right Hand
2	926.150.010.010	1	Bearing Flange	Left Hand
3	X549.041.100.000	1	O Ring	Diameter 267 X 3
4	X487.535.806.000	4	Hex. Sock. Screw	M12 X 40
7	926.150.150.080	8	Pin	
8	X549.044.100.000	2	O Ring	Diameter 310 X 3
9	926.150.150.070	2	Brake Plate	
10		2	Shaft	See Page - Reference Number 030-0045/35
11	X486.537.601.000	20	Hex. Sock. Screw	M12 X 160
12	X550.150.200.000	2	Oil Seal	
16	F822.100.150.010	2	Disc	
17	F822.100.150.020	5	Ball	(16)
18	F822.100.150.030	5	Tension Spring	(16)
19	X505.558.539.000	2	Dowel	(16)
20	F822.100.150.040	12	Brake Disc	
21	716.150.150.500	12	External Disc	
23	X903.050.074.000	X	Loctite	

1-WG15-002-A

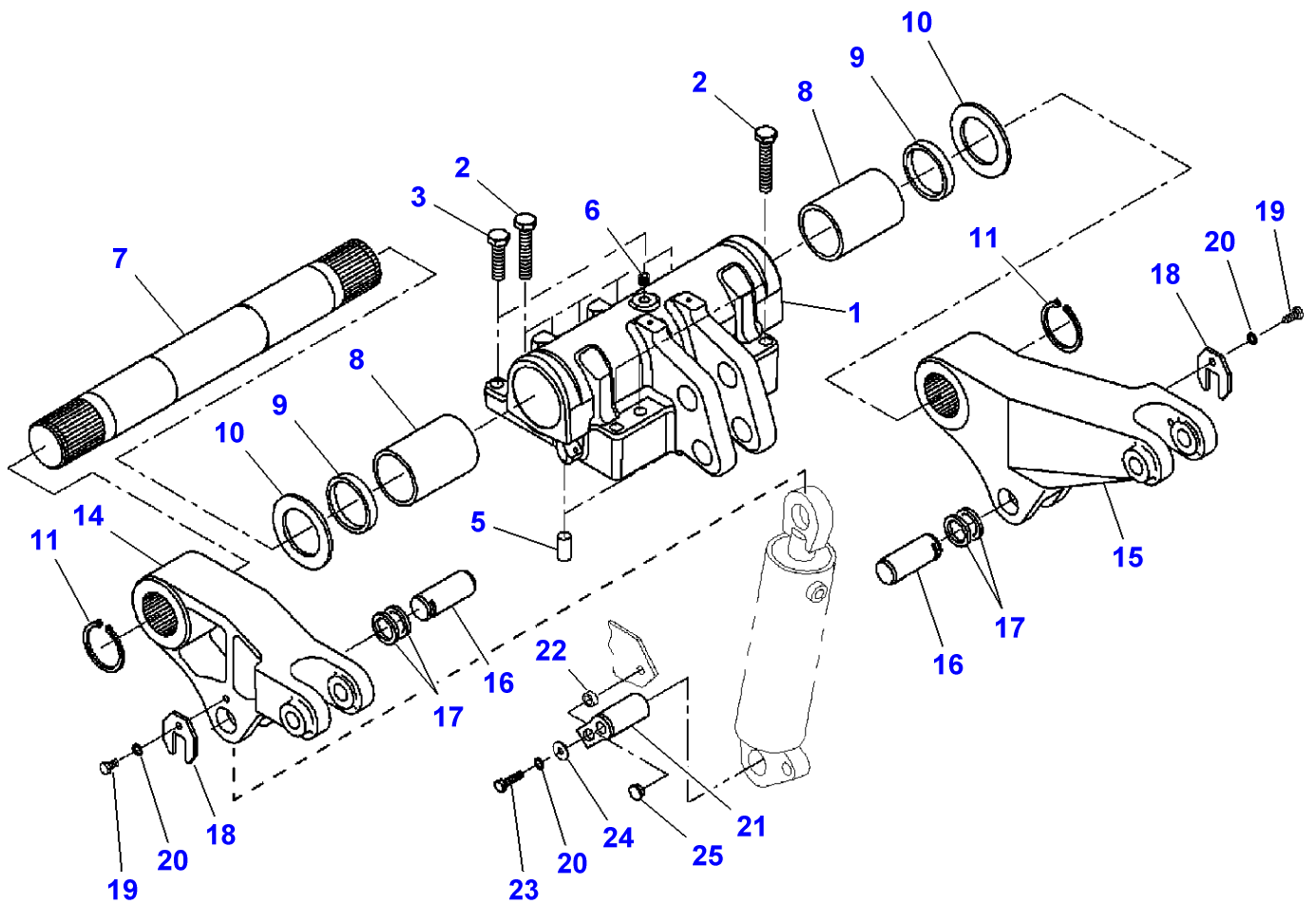


Massey Ferguson**MF 8450/8460 TRACTOR - 1637447****1637447****Cardan Brake****Page030-0055**

Item	Part Number	Qty	Description	Comments
1	X505.544.539.000	1	Dowel	Diameter 6 X 16
3	916.100.320.061	1	Cover	
4		1	Shaft	See Page - Reference Number 060-0045/5
5	X487.531.941.000	10	Hex. Sock. Screw	M10 X 40
7	G916.100.320.030	1	Disc	
8	F822.100.150.020	4	Ball	(7)
9	F822.100.150.030	4	Tension Spring	(7)
10	X505.558.539.000	2	Dowel	(7)
11	G001.990.200.330	1	Parts Pack	
12		1	Plate	(11) Not serviced,order REF. 11
14	916.100.320.190	4	Pin	
15	G916.100.070.030	1	Cylinder	[A]
16	F916.100.070.010	1	Kit, Joint	(16)
17	F524.101.070.170	1	Seal	(16)
22	916.100.070.010	1	Gasket	
23	X485.008.606.000	4	Hex. Sock. Screw	M8 X 80

FOOTNOTE [A] ORDER + 916 100 070 010

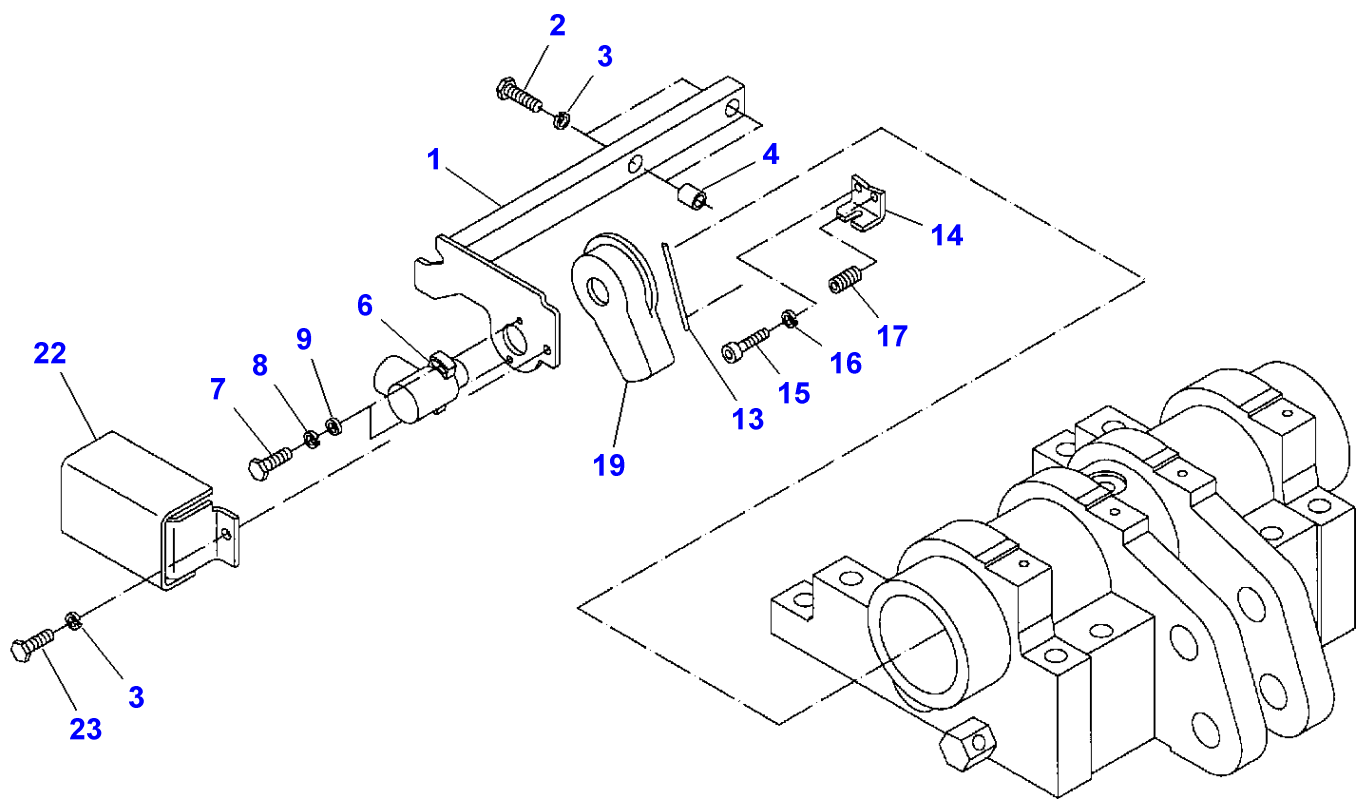
1-WP74-003-A



Lift Arms

Item	Part Number	Qty	Description	Comments
1	G930.860.030.010	1	Support	
2	X486.551.800.000	10	Hex. Sock. Screw	M18 X 120
3	X486.551.000.000	2	Hex. Sock. Screw	M18 X 70
5	X505.585.617.000	2	Dowel	Diameter 6 X 36
6	X483.501.600.000	1	Screw	M18
7	816.860.030.110	1	Shaft	
8	816.860.030.040	2	Bush	
9	X550.150.400.000	2	Oil Seal	80 X 100 X 10
10	816.860.030.050	2	Disc	
11	X530.007.246.000	2	Circlip	
14	903.860.030.010	1	Arm	
15	903.860.030.020	1	Arm	
16	716.860.030.080	2	Pin	
17	816.860.030.070	4	Ring	
18	716.920.010.100	2	Locking Plate	
19	X487.531.301.000	2	Hex. Sock. Screw	M10 X 20
20	X520.804.401.000	4	Lock Washer	
21	H816.860.030.042	2	Pin	
22	816.870.030.060	2	Bush	
23	X487.531.541.000	2	Hex. Sock. Screw	M10 X 25
24	X454.407.508.000	2	Disc	
25	X499.501.100.000	2	Plug	

1-WQ20-002-A

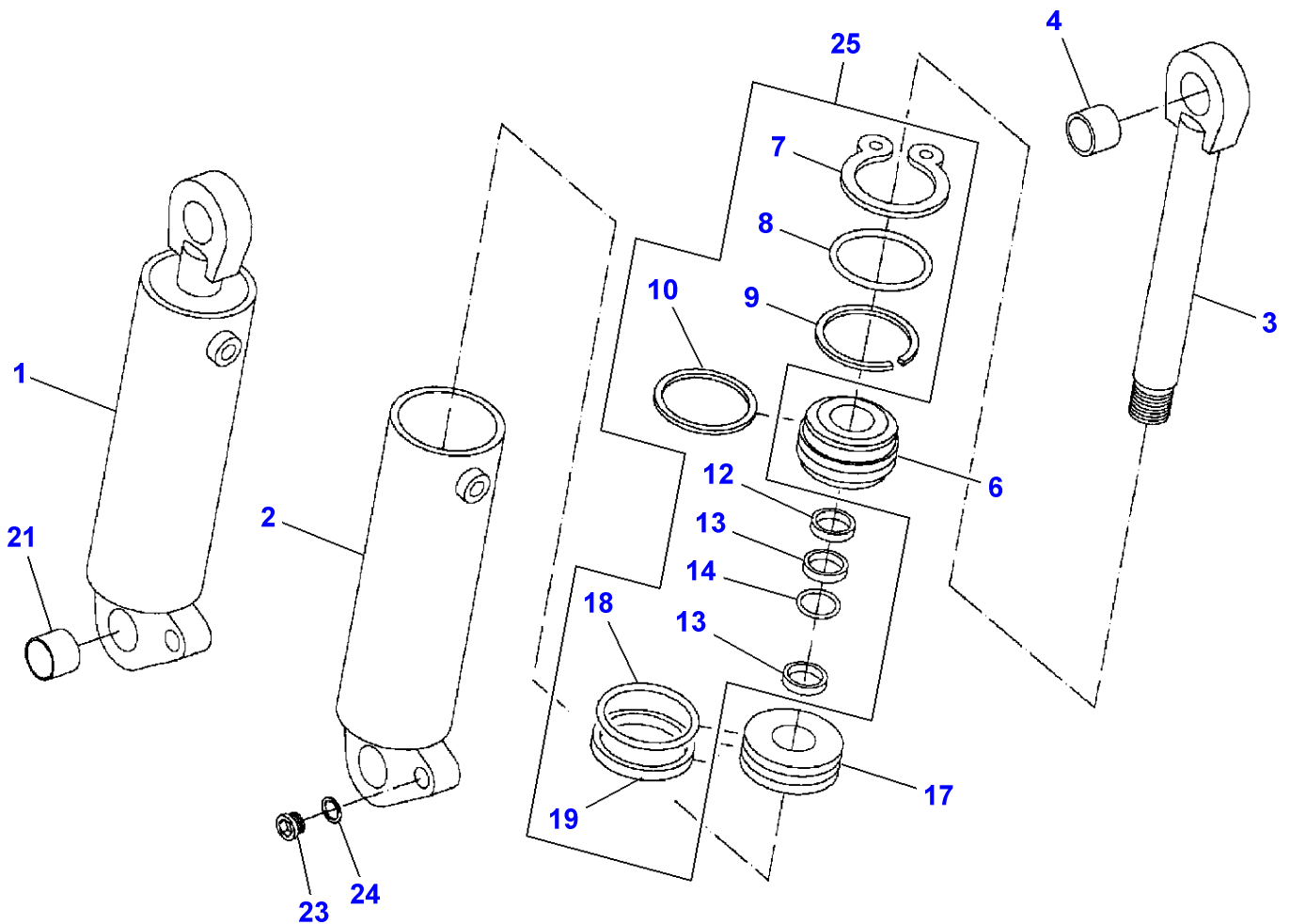
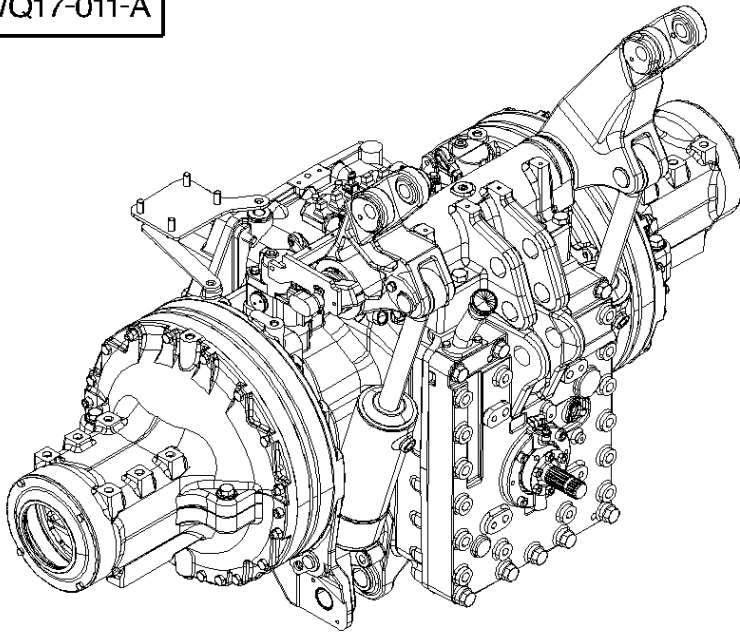


Massey Ferguson**MF 8450/8460 TRACTOR - 1637447****1637447****Angle Sensor****Page030-0065**

Item	Part Number	Qty	Description	Comments
1	H816.860.100.022	1	Holder	
2	X487.528.141.000	2	Hex. Sock. Screw	M8 X 30
3	X520.803.901.000	3	Lock Washer	
4	816.860.100.120	2	Bush	
6	G716.860.100.040	1	Transducer	
7	X485.002.501.000	2	Hex. Sock. Screw	M5 X 12
8	X520.802.601.000	2	Lock Washer	
9	X450.003.908.000	2	Disc	
13	816.860.100.080	1	Spring Wire	
14	816.860.100.032	1	Angle.	
15	X485.009.405.000	1	Hex. Sock. Screw	M8 X 16
16	X523.703.900.000	1	Lock Washer	
17	X500.628.246.000	1	Roll Pin	Diameter 8 X 22
19	816.860.100.020	1	Cover	
22	524.860.100.100	1	Protector	
23	X487.527.441.000	1	Hex. Sock. Screw	M8 X 12

Page Title	Page Number
Lift Cylinders - Right Side	040-0005
Lift Cylinders - Left Side	040-0010
Lift Cylinders Feeding	040-0015
Levelling box	040-0020
Top Link With Hook End	040-0025
Top Link With Ball End	040-0030
Top Link Lock	040-0035
Sensing Pin	040-0040
Lower Bar With Hook	040-0045
Lower Bar With Toogle	040-0050
Tube Stabilizers	040-0055
Automatic Stabilizers	040-0060
Shoe Stabilizers	040-0065
Drawbar	040-0070
Swinging Drawbar - With DROMONE Automatic Hook	040-0075
Swinging Drawbar - ISO STANDARD	040-0080
Swinging Drawbar - ISO STANDARD	040-0085
Swinging Drawbar - ISO STANDARD	040-0090
Swinging Drawbar - ISO STANDARD - WITH ROLLERS	040-0095
Swinging Drawbar - SAE STANDARD	040-0100
Swinging Drawbar - Piton Attachment	040-0105
Swinging Drawbar - Ball And Sscket Hitch	040-0110
Swinging Drawbar Support	040-0115
Swinging Drawbar Support - ISO STANDARD - WITH ROLLERS	040-0120
Swinging Drawbar Support	040-0125
Swinging Drawbar Support - WITH LONG HAY LADDER	040-0130
Long Hay Ladder	040-0135
Swinging Drawbar Tidying - With DROMONE Automatic Hook	040-0140
Hitch	040-0145
Hitch - For Italy only or any text in Italian only	040-0150
Hitch - For Italy only or any text in Italian only	040-0155
Hitch - For Germany only or any text in German only	040-0160
Automatic Hitch - With Remote Control	040-0165
Autohitch - Dromone - Hydraulic Control	040-0170
Automatic Hitch - With Remote Control	040-0175
Front Linkage - Hydraulic	040-0180
Front Linkage - Hydraulic - Accumulator	040-0185
Front Linkage - Hydraulic - With Front Linkage 35000N	040-0190
Front Linkage - Hydraulic - With Front Linkage 50000N	040-0195
Front Linkage 35000N	040-0200
Front Linkage 35000N	040-0205
Front Linkage 50000N	040-0210
Front Linkage 50000N	040-0215

1-WQ17-011-A



Massey Ferguson**MF 8450/8460 TRACTOR - 1637447**

1637447

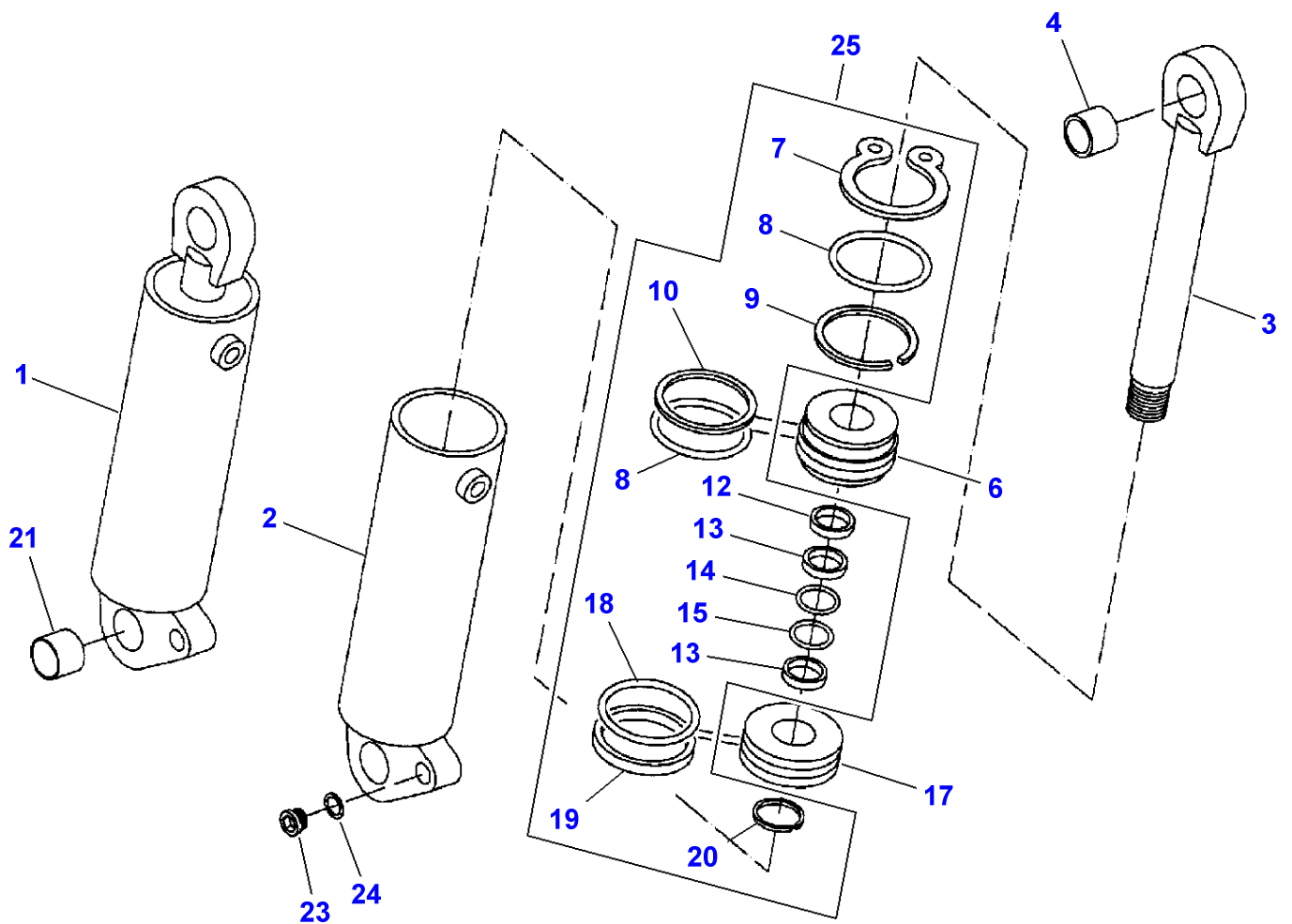
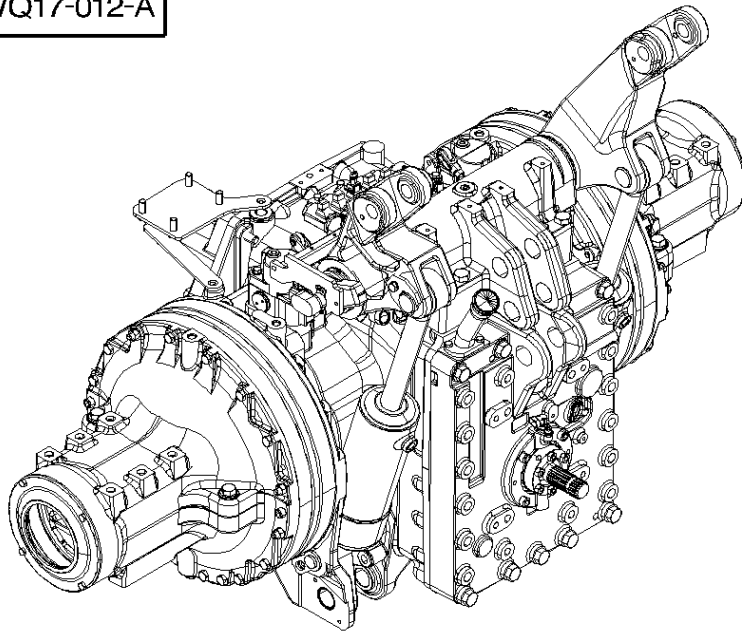
Page040-0005

Lift Cylinders - Right Side

Item	Part Number	Qty	Description	Comments
1	G924.860.030.011	1	Hydraulic, Cylin	[A] Right Hand 40/100;247/452
2		1	Body	(1) Not serviced,order REF. 1
3	F924.860.030.030	1	Rod	(1)
4	X605.028.000.000	1	Bearing Bush	(1)
6	F924.860.030.010	1	Guide Bush	(1)
7	X530.008.300.000	1	Circlip	(1) Diameter 95 X 3
8	X548.972.066.000	1	O Ring	(1) Diameter 88 X 3
9	F924.860.030.020	1	Snapping	(1)
10	X547.583.600.000	1	Sump Gasket	(1) 93,8 X 6,9
12	X540.410.601.000	1	Stripper	(1)
13	X560.240.001.000	2	Ring	(1)
14	X548.317.400.000	1	V-Seal	(1) 40 X 48 X 7
17	F924.860.030.050	1	Piston	(1)
18	X560.242.800.000	1	Ring	(1)
19	X547.587.200.000	1	Sump Gasket	(1)
21	X605.018.000.000	1	Bearing Bush	(1)
23	X483.801.600.000	1	Screw	(1) M18
24	X540.005.478.000	1	Ring	(1)
25	G001.990.011.310	1	Kit, Seal	[B]

FOOTNOTE [A] INCLUDE ITEMS 2 TO 24**FOOTNOTE [B]** INCLUDE ITEMS 7 TO 10-12 TO 14-18-19

1-WQ17-012-A



Lift Cylinders - Left Side

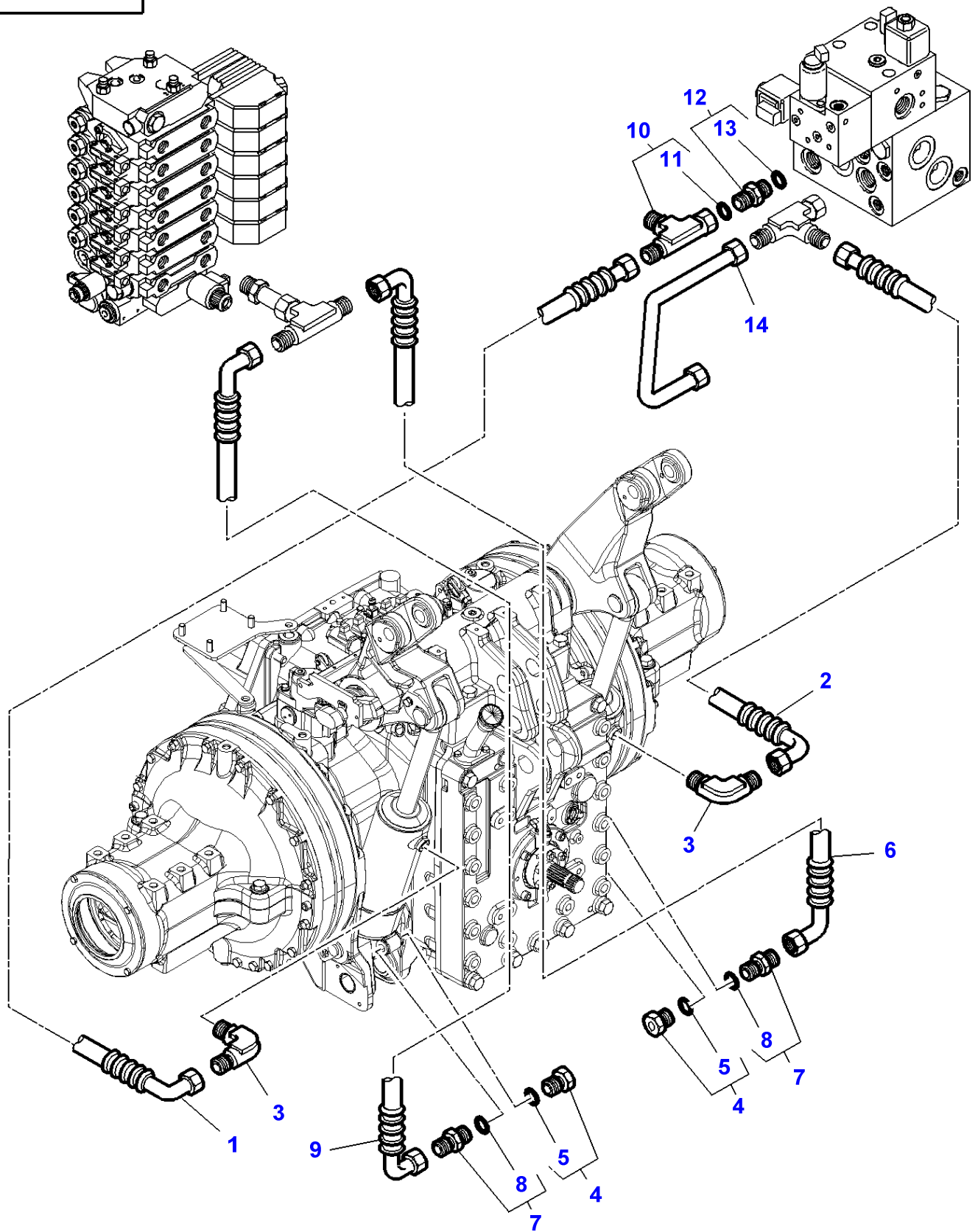
Item	Part Number	Qty	Description	Comments
1	G816.860.030.011	1	Hydraulic, Cylin	[A] Left Hand 40/90;247/452
2	H816.860.030.030	1	Tube	(1)
3	H816.860.030.020	1	Rod	(1)
4	X605.028.000.000	1	Bearing Bush	(1)
6	816.860.030.600	1	Bearing Bush	(1)
7	X530.007.946.000	1	Circlip	(1) Diameter 85 X 3
8	X548.967.266.000	2	O Ring	(1) Diameter 82,14 X 3,53
9	285.860.030.430	1	Snapping	(1)
10	X566.310.801.000	1	Backup Ring	(1)
12	X547.580.001.000	1	Sump Gasket	(1) Diameter 40 X 6,3
13	X560.240.001.000	2	Ring	(1)
14	X547.530.002.000	1	Sump Gasket	(1) Diameter 40 X 4,2
15	X547.530.000.000	1	Sump Gasket	(1) Diameter 40 X 4,2
17	816.860.030.610	1	Piston	(1)
18	X547.500.100.000	1	Sump Gasket	(1) Diameter 90 X 6,3
19	X820.500.475.000	1	Ring	(1)
20	X533.210.646.000	1	Snapping	(1)
21	X605.018.000.000	1	Bearing Bush	(1)
23	X483.801.600.000	1	Screw	(1) M18
24	X540.005.478.000	1	Ring	(1)
25	G001.990.011.150	1	Kit, Seal	[B]

FOOTNOTE [A] INCLUDE ITEMS 2 TO 24

FOOTNOTE [B] INCLUDE ITEMS 7 TO 15-18 TO 20

MF 8450/8460 TRACTOR - 1637447
1-WP08-007-A

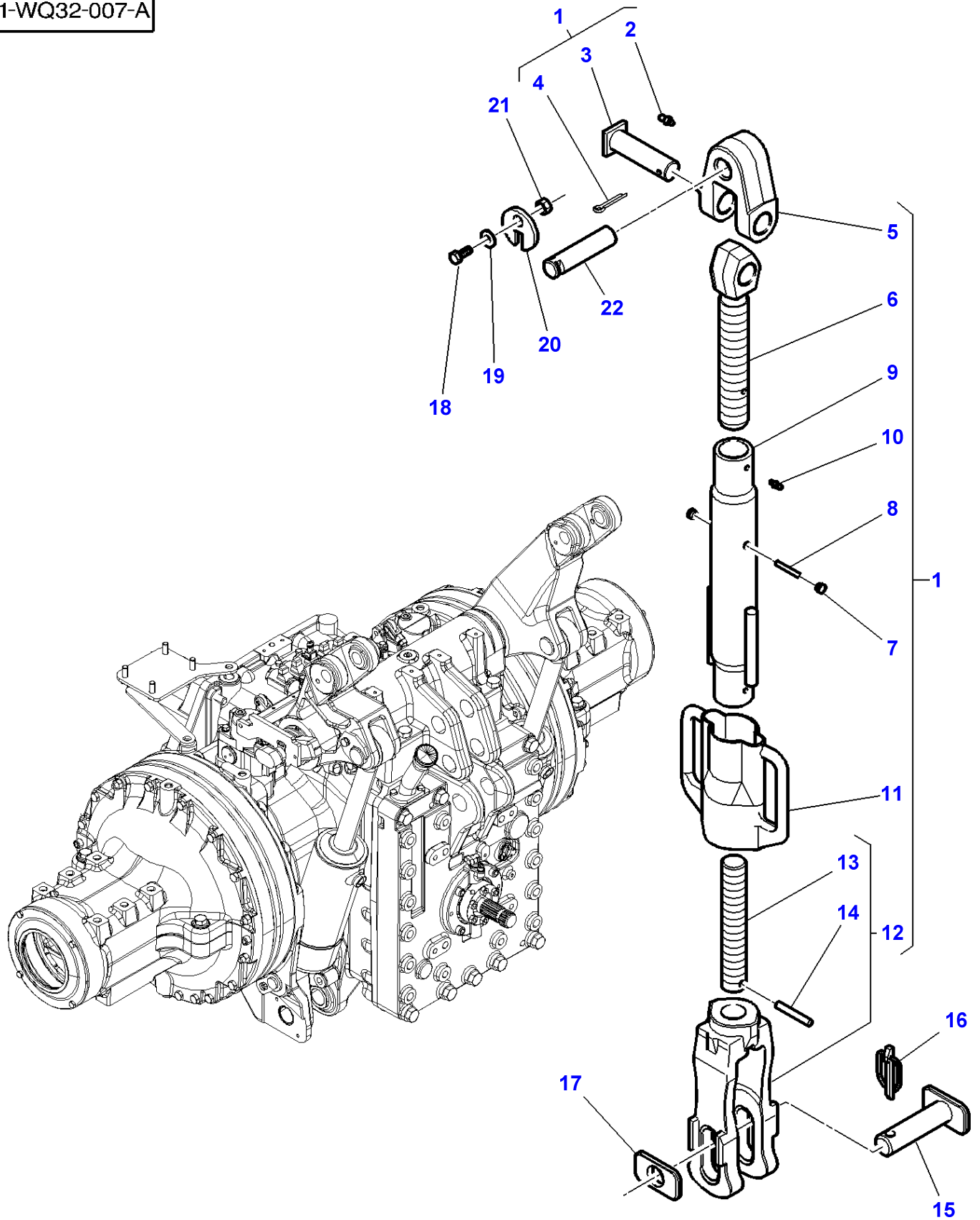
1-WP08-007-A



Lift Cylinders Feeding

Item	Part Number	Qty	Description	Comments
1	4276134M1	1	Hydr. Hose	Length 1100MM
2	4276135M1	1	Hydr. Hose	Length 1050MM
3	4276131M1	2	Union	
4	3011103X91	2	Plug	M18
5	338764X1	1	Seal	(4)
6	4276136M1	1	Hydr. Hose	Length 1400MM
7	338717X91	2	Union	M18
8	338764X1	1	Seal	(7)
9	4276137M2	1	Hydr. Hose	Length 1000MM
10	3011089X91	2	Union	
11	3011147X1	1	O Ring	(10)
12	3011040X91	2	Union	M22X1.5
13	3011036X1	1	Seal	(12)
14	4276170M1	1	Tube	

1-WQ32-007-A

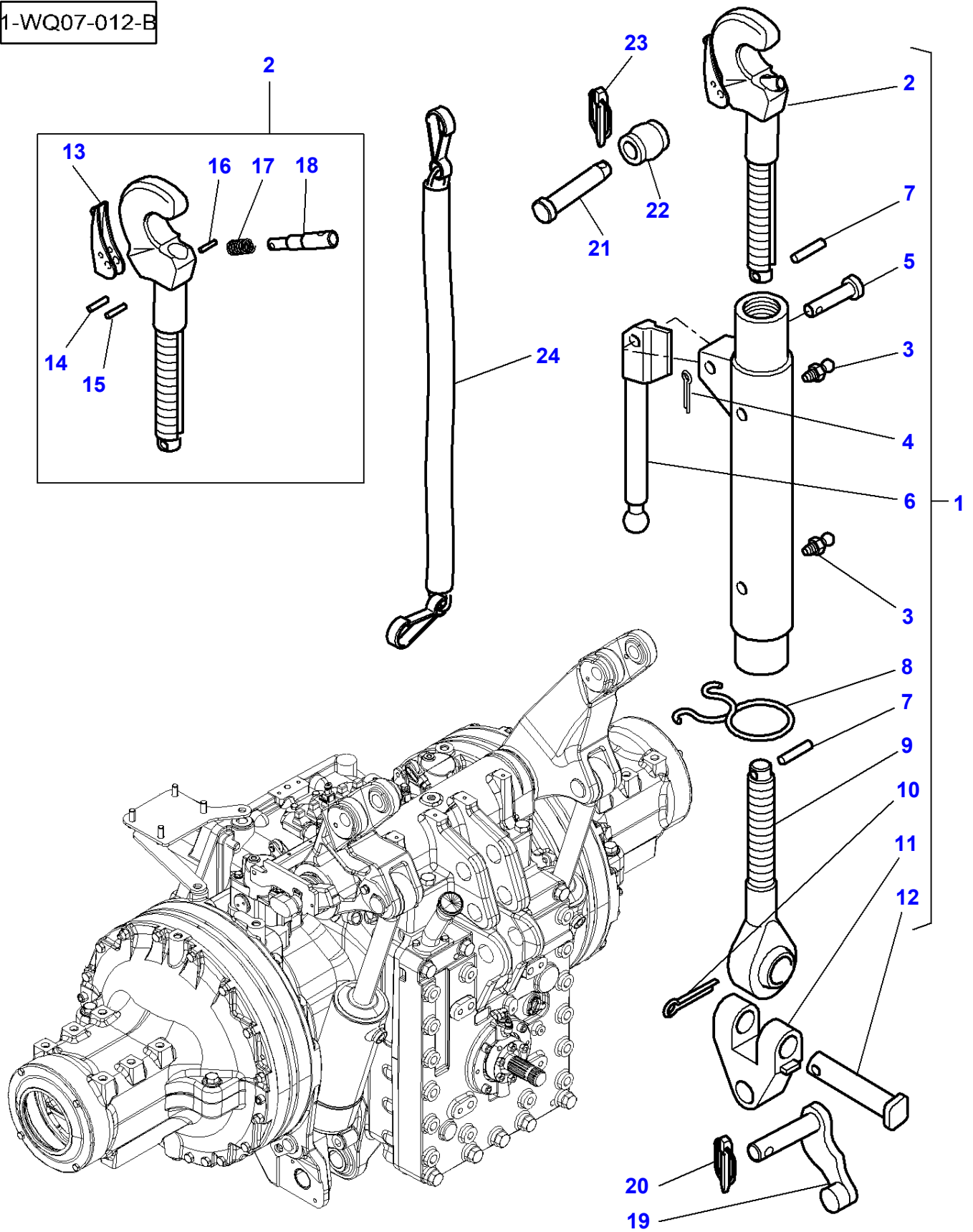


Levelling box

Item	Part Number	Qty	Description	Comments
1	4271564M91	2	Draglink	
2	339608X1	1	Grease Nipple	(1) M10
3	3715690M1	1	Clevis Pin	(1)
4	354092X1	1	Pin	(1)
5	4271819M1	1	Clevis	(1)
6	3788407M1	1	Draglink	(1)
7	3789540M1	2	Plug	(1)
8	339135X1	1	Pin	(1)
9		1	Tube	(1)
				Not serviced,order REF No 1
10	3715689M1	2	Greaser	(1) M6
11	4270811M1	1	Handle	(1)
12	3788403M91	1	Clevis	(1)
13	3788405M1	1	Clevis Pin	(12)
14	339307X1	1	Pin	(12) Diameter 6 X 50
15	3788414M1	2	Clevis Pin	
16	3792034M1	2	Pin	
17	3788415M1	2	Plate	
18	339451X1	2	Hex. Sock. Screw	M10 X 30
19	390597X1	2	Washer	Diameter 10-30 X 2,5
20	926870030020	2	Locking Plate	
21	926870030030	2	Bush	
22	926870030010	2	Pin	

MF 8450/8460 TRACTOR - 1637447
1-WQ07-012-B

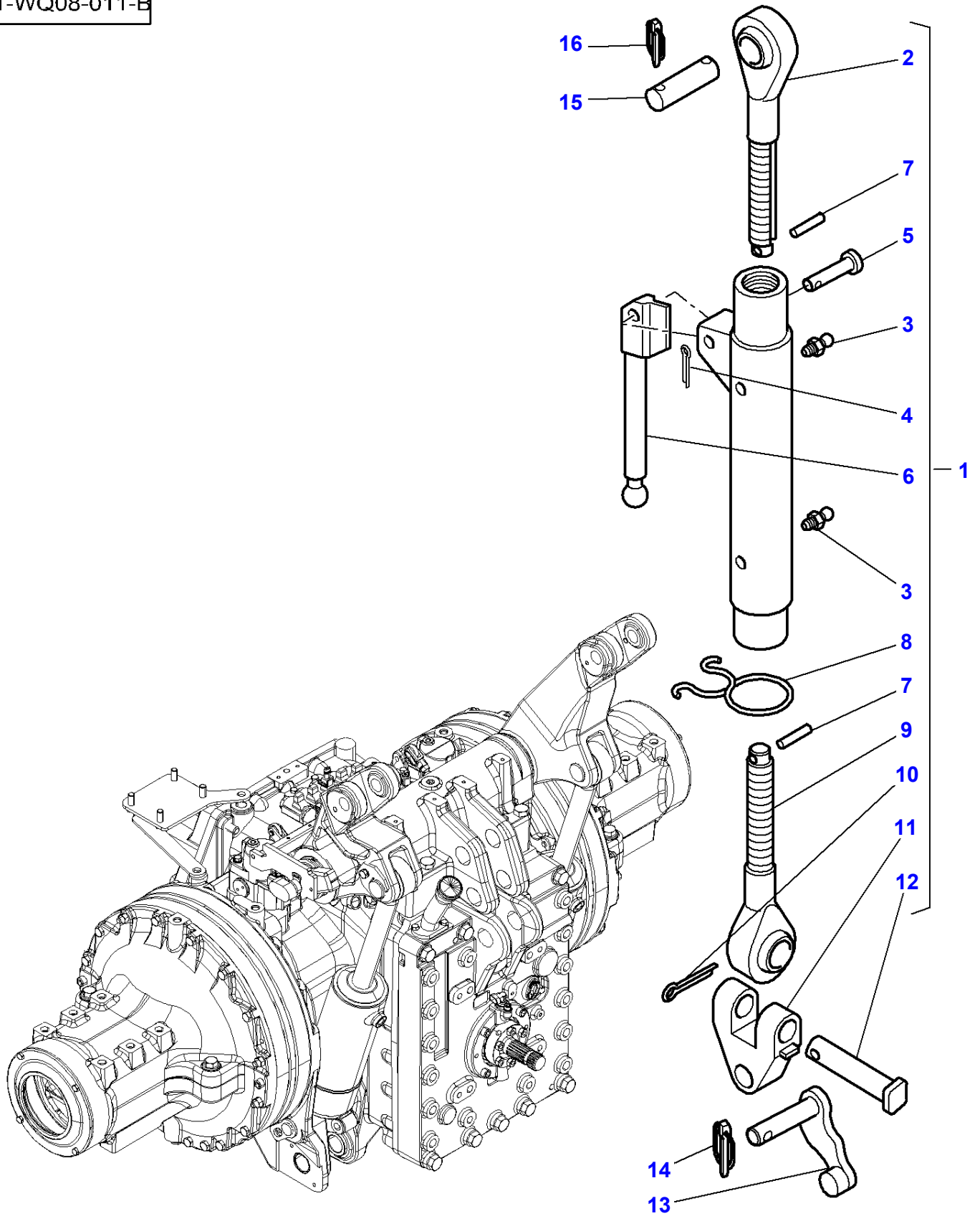
1-WQ07-012-B



Top Link With Hook End

Item	Part Number	Qty	Description	Comments
1	4271217M91	1	Top Link	CAT 3 Length 754/974MM
2	4271219M91	1	Hook	(1) CAT 3
3	339608X1	2	Grease Nipple	(1)
4	1442967X1	1	Pin	(1)
5	4271225M1	1	Pin	(1)
6	4271224M1	1	Handle	(1)
7	339192X1	2	Pin	(1)
8	4271557M1	1	Spring	(1)
9	4271221M1	1	Draglink	(1)
10	354092X1	1	Pin	(1)
11	4271222M1	1	Clevis	(1)
12	4271223M1	1	Plate	(1)
13	3796211M91	1	Lever	(2)
14	339080X1	1	Roll Pin	(2) Diameter 6 X 24MM
15	390538X1	1	Pin	(2) Diameter 5 X 24MM
16	339806X1	1	Pin	(2)
17	3788537M1	1	Spring	(2)
18	3715849M2	1	Clevis Pin	(2)
19	H926.870.050.021	1	Pin	
20	3387161M2	1	Pin	Diameter 12 X 45MM
21	3582043M2	1	Clevis Pin	CAT 2/3
	367073X1	1	Clevis Pin	CAT 3
22	3042433M1	1	Toggle	CAT 2/3
	3042434M1	1	Toggle	CAT 3
23	3387161M2	1	Pin	
24	3619219M1	1	Chain	Length 3700 MM
	3903995M1	1	Chain	Length 1500 MM

1-WQ08-011-B



Massey Ferguson**MF 8450/8460 TRACTOR - 1637447**

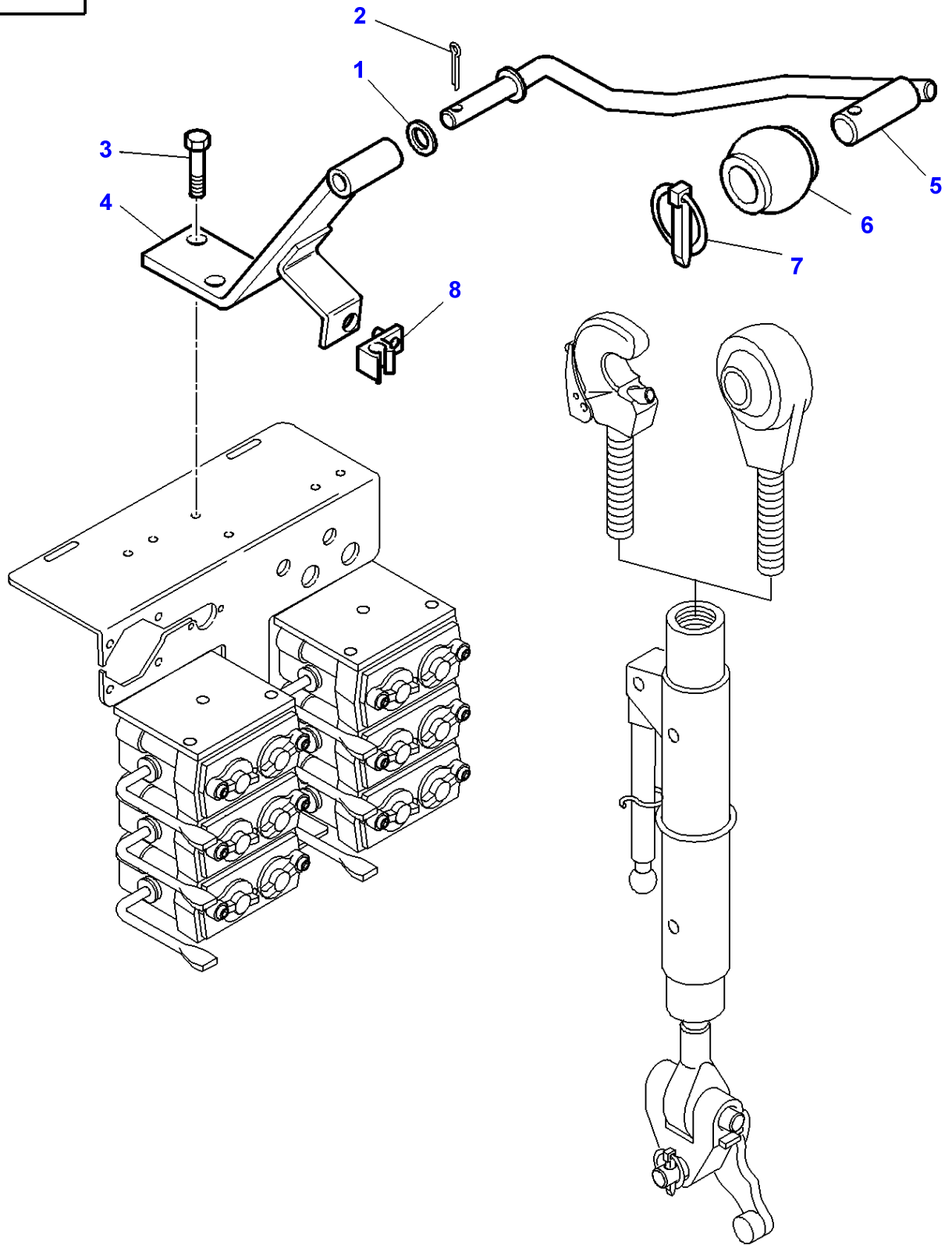
1637447

Top Link With Ball End

Page040-0030

Item	Part Number	Qty	Description	Comments
1	4275811M91	1	Top Link	CAT 3 Length 754/974MM
2	4275809M91	1	Draglink	(1) CAT 3
3	339608X1	2	Grease Nipple	(1)
4	1442967X1	1	Pin	(1)
5	4271225M1	1	Pin	(1)
6	4271224M1	1	Handle	(1)
7	339192X1	2	Pin	(1)
8	4271557M1	1	Spring	(1)
9	4275810M1	1	Draglink	(1)
10	354092X1	1	Pin	(1)
11	4271222M1	1	Clevis	(1)
12	4271223M1	1	Plate	(1)
13	H926.870.050.021	1	Pin	
14	3387161M2	1	Pin	Diameter 12 X 45MM
15	184.870.050.020	1	Bush	
16	3387161M2	1	Pin	

1-WQ34-011-A



Massey Ferguson**MF 8450/8460 TRACTOR - 1637447**

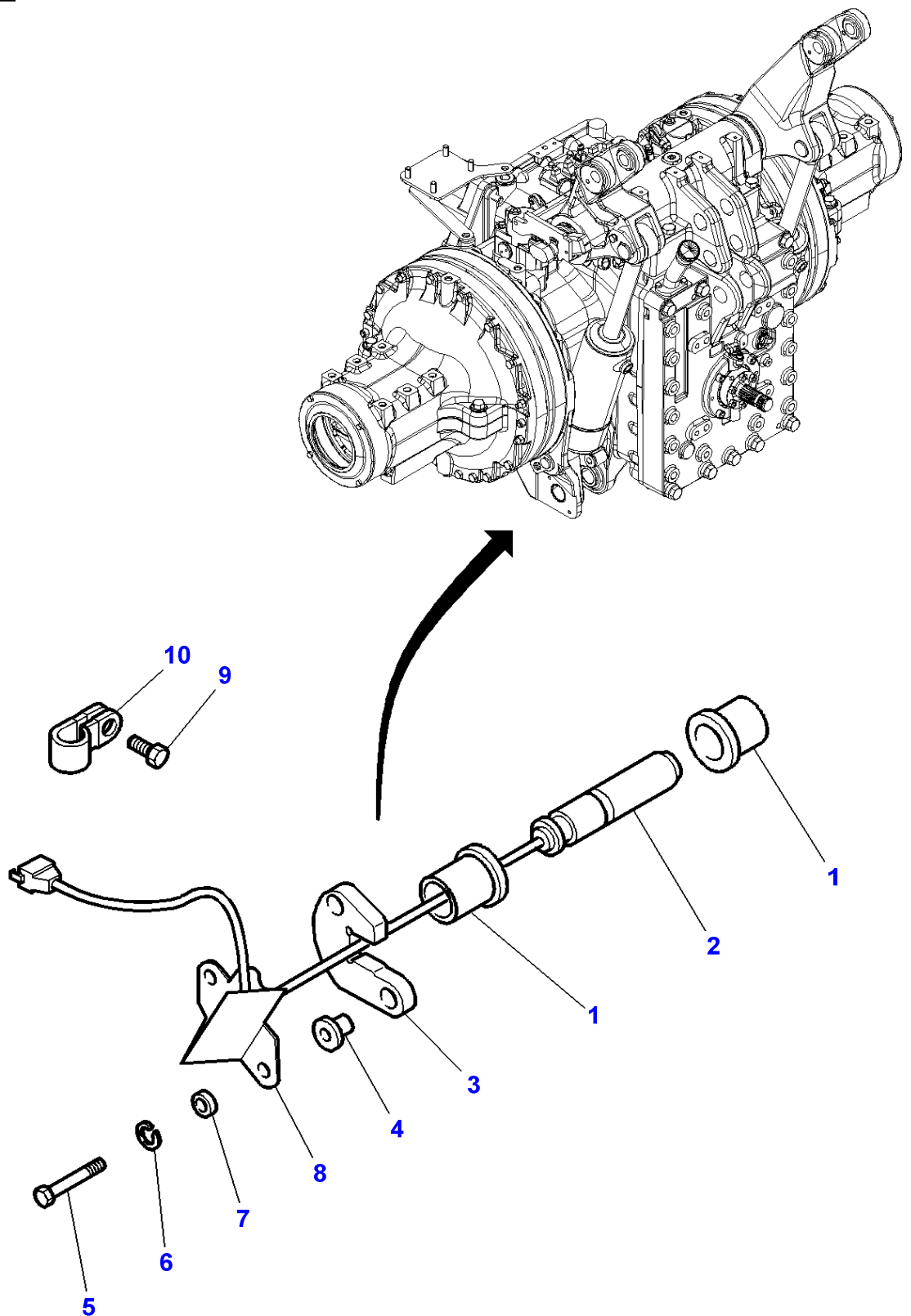
1637447

Top Link Lock

Page040-0035

Item	Part Number	Qty	Description	Comments
1	339615X1	1	Washer	
2	354080X1	1	Split Pin	
3	339761X1	2	Hex. Sock. Screw	M8 X 25
4	3789956M1	1	Support	
5	3789957M2	1	Support	
6	3042433M1	1	Toggle	
7	3011024X1	1	Pin	
8	3798993M1	1	Clip	

1-WQ11-007-B



Massey Ferguson**MF 8450/8460 TRACTOR - 1637447**

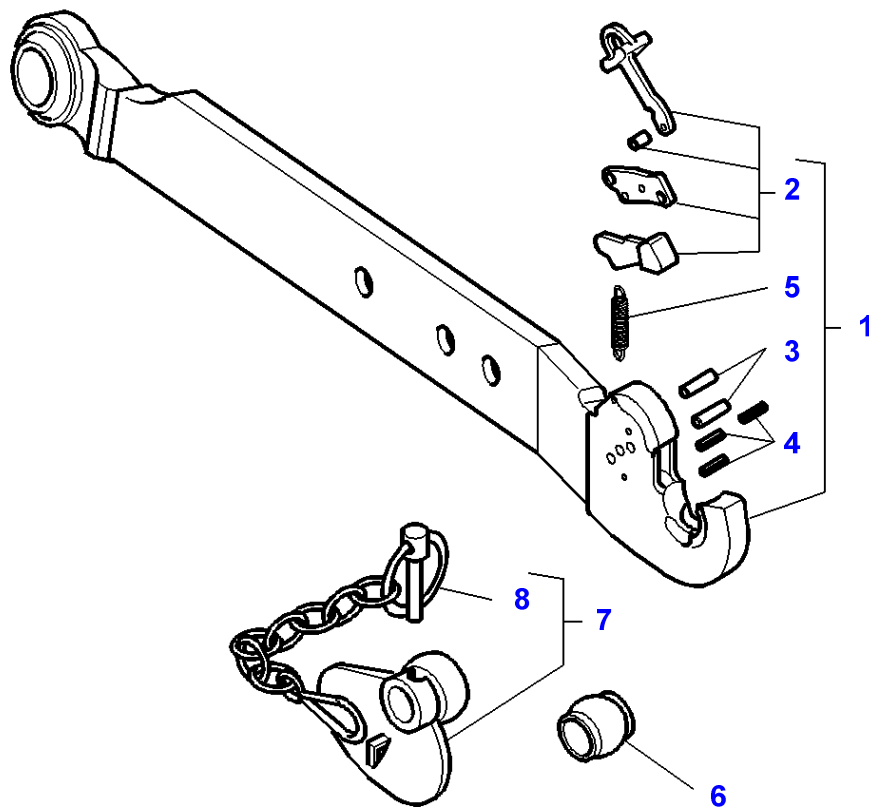
1637447

Sensing Pin

Page040-0040

Item	Part Number	Qty	Description	Comments
1	903860070010	4	Bush	
2	3716981M1	2	Inductive Sensor	
3	816860070011	2	Locking Plate	
4	199860070010	4	Bush	
5	339019X1	4	Hex. Sock. Screw	M10 X 50
6	339376X1	4	Lock Washer	
7	281880010070	4	Ring	
8	816860070030	1	Protector	Left Hand
	816860070040	1	Protector	Right Hand
9	391074X1	2	Hex. Sock. Screw	
10	3389841M1	2	Clip	

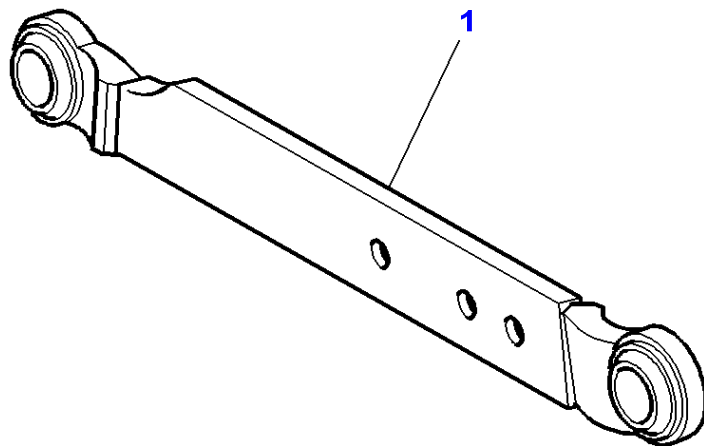
1-WQ09-007-A



Massey Ferguson**MF 8450/8460 TRACTOR - 1637447****1637447****Lower Bar With Hook****Page040-0045**

Item	Part Number	Qty	Description	Comments
1	3789398M91	1	Bar	Right Hand CAT 3
	3789399M91	1	Bar	Left Hand CAT 3
2	3903954M91	1	Kit, Lever	(1)
3	3903948M91	1	Kit, Roll Pins	(1)
4	3903947M91	1	Kit, Roll Pins	(1)
5	3903949M1	1	Spring	(1)
6	3042430M1	2	Toggle	CAT 2/3
	3042431M1	2	Toggle	CAT 3
7	3042427M1	2	Toggle	CAT 2/3
	3042428M1	2	Toggle	CAT 3
8	3102086M91	1	Linch Pin	(7)

1-WQ06-005-A



Massey Ferguson

MF 8450/8460 TRACTOR - 1637447

1637447

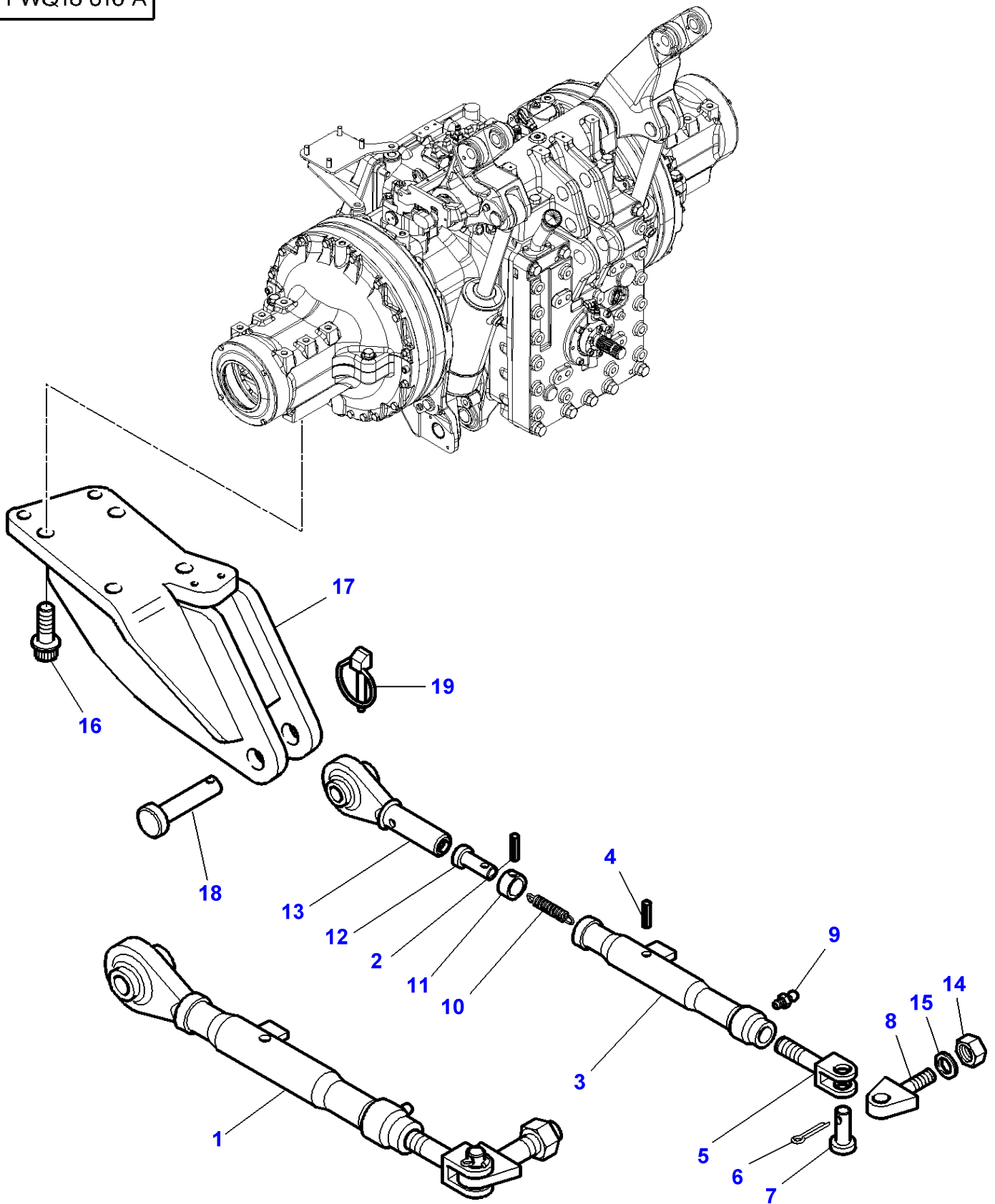
Lower Bar With Toggle

Page040-0050

Item	Part Number	Qty	Description	Comments
1	4275847M91	1	Bar	Right Hand CAT 3
	4275848M91	1	Bar	Left Hand CAT 3

MF 8450/8460 TRACTOR - 1637447
1-WQ16-010-A

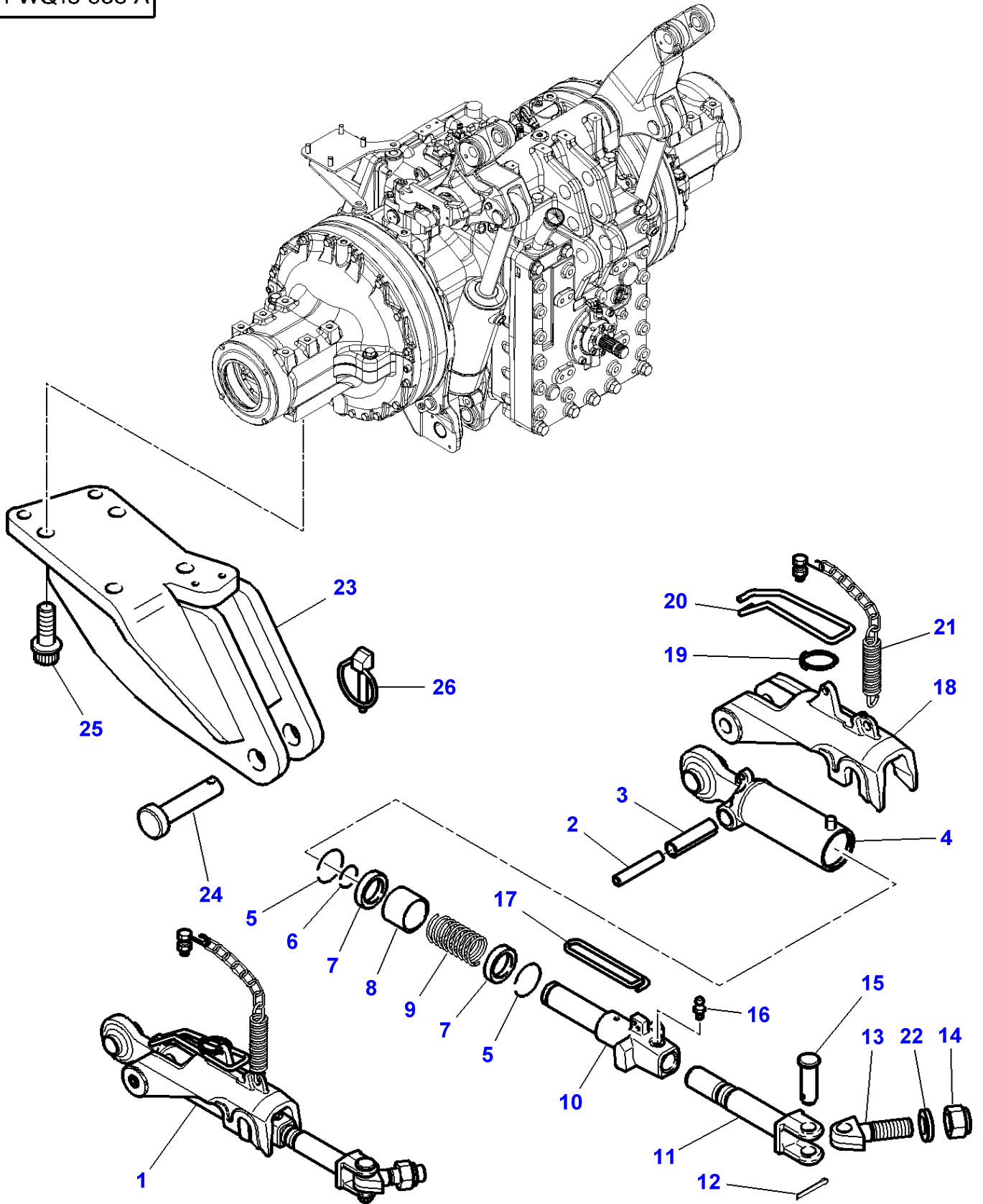
1-WQ16-010-A



Tube Stabilizers

Item	Part Number	Qty	Description	Comments
1	4271572M91	2	Stabiliser	Length 407/502
2	391290X1	1	Pin	(1) Diameter 5 X 30
3	3794472M91	1	Tube	(1)
4	3819644M1	1	Spirol Pin	(1) Diameter 8 X 50
5	3790004M1	1	Clevis	(1)
6	391371X1	1	Split Pin	(1) Diameter 5 X 40
7	3019228X1	1	Clevis Pin	(1)
8	4271109M1	1	Journal	(1)
9	339608X1	1	Grease Nipple	(1)
10	3615711M1	1	Spring	(1)
11	3615709M1	1	Sleeve	(1)
12	3615710M1	1	Clevis Pin	(1)
13	3794411M91	1	Toggle	(1)
14	3010067X1	1	Locknut	(1)
15	4271602M1	1	Washer	(1)
16	3011608X1	8	Screw	M20 X 75
17	4271568M1	1	Support	Left Hand
	4271569M1	1	Support	Right Hand
18	3582043M2	2	Clevis Pin	
19	3792034M1	2	Pin	

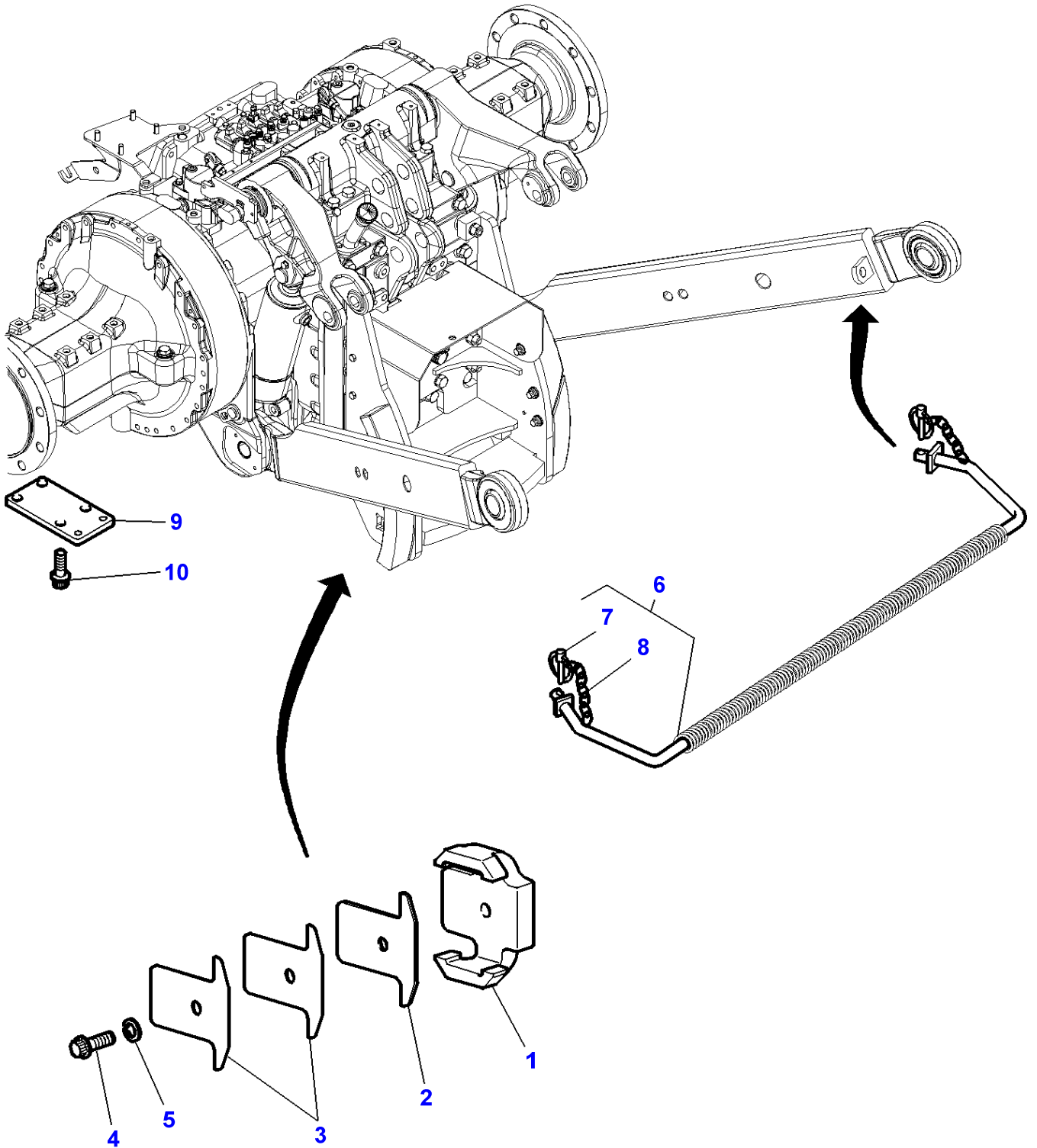
1-WQ19-006-A



Automatic Stabilizers

Item	Part Number	Qty	Description	Comments
1	4271707M93	2	Stabiliser	
2	4271699M1	1	Pin	(1)
3	4271698M1	1	Pin	(1)
4	4271696M1	1	Toggle	(1)
5	4271690M1	2	Bush	(1)
6	4271694M1	1	Bush	(1)
7	4271691M1	2	Spacer	(1)
8	4271693M1	1	Spacer	(1)
9	4271692M1	1	Spring	(1)
10	4271688M1	1	Tube	(1)
11	4271708M1	1	Clevis	(1)
12	391371X1	1	Split Pin	(1)
13	4271109M1	1	Journal	(1)
14	3010067X1	1	Locknut	(1)
15	3019228X1	1	Clevis Pin	(1)
16	339608X1	1	Grease Nipple	(1)
17	4271689M1	1	Spring	(1)
18	4271697M1	1	Latch	(1)
19	4271700M1	1	Ring	(1)
20	4271695M1	1	Handle	(1)
21	4271703M91	1	Chain	(1)
22	4271602M1	1	Washer	(1)
23	4271568M1	1	Support	Left Hand
	4271569M1	1	Support	Right Hand
24	3582043M2	2	Clevis Pin	
25	3011608X1	8	Screw	M20 X 75
26	3792034M1	2	Pin	

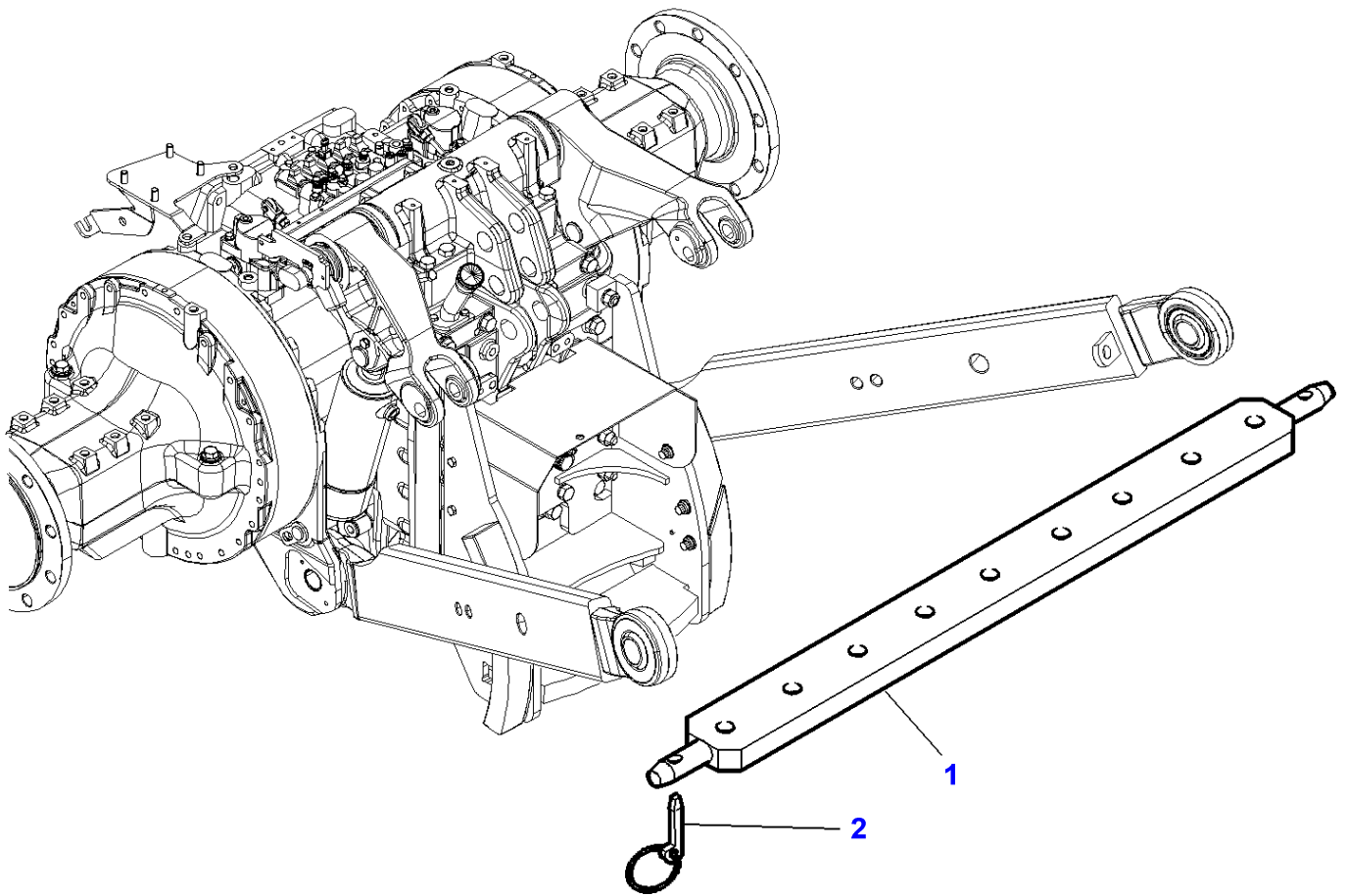
1-WQ15-004-B



Massey Ferguson**MF 8450/8460 TRACTOR - 1637447****1637447****Shoe Stabilizers****Page040-0065**

Item	Part Number	Qty	Description	Comments
1	926871040050	2	Stop	
2	926871040070	2	Base Plate	
3	926871040080	4	Base Plate	
4	3009805X1	2	Screw Metric	M16 X 60
5	339377X1	2	Lock Washer	
6	3792237M1	1	Spring	
7	3105774M1	2	Pin	(6)
8	3105772M1	2	Ring	(6)
9	4279957M1	2	Support	
10	3011608X1	8	Screw	M20 X 75

1-WQ14-002-A



Massey Ferguson

MF 8450/8460 TRACTOR - 1637447

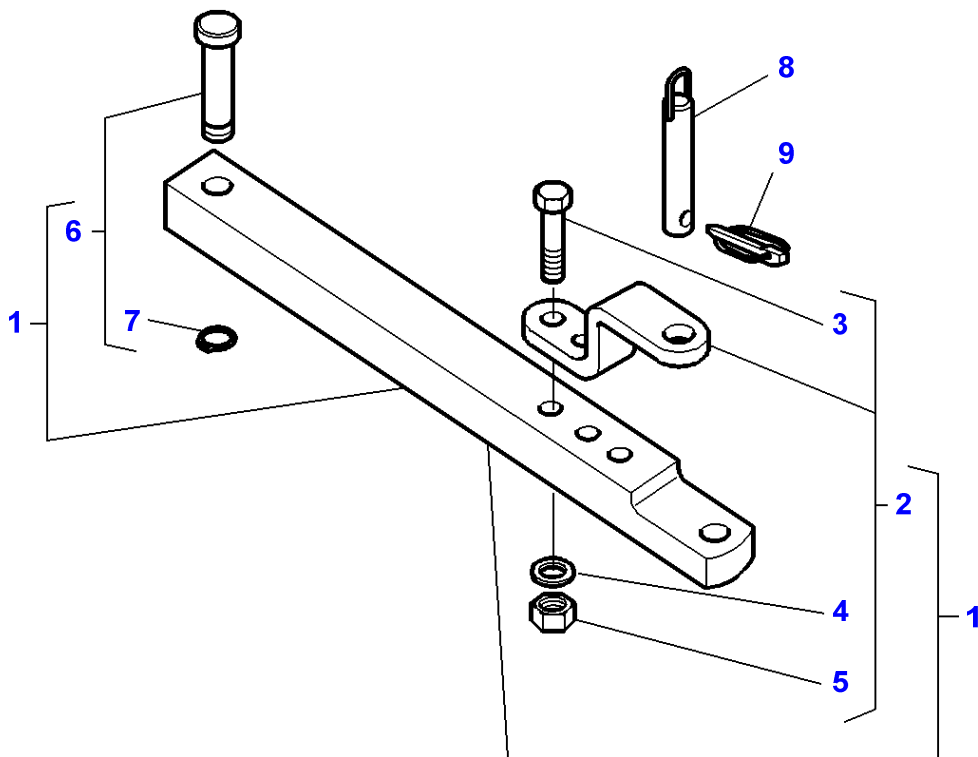
1637447

Drawbar

Page040-0070

Item	Part Number	Qty	Description
1	3387153M1	1	Bar
2	3581687M1	2	Pin

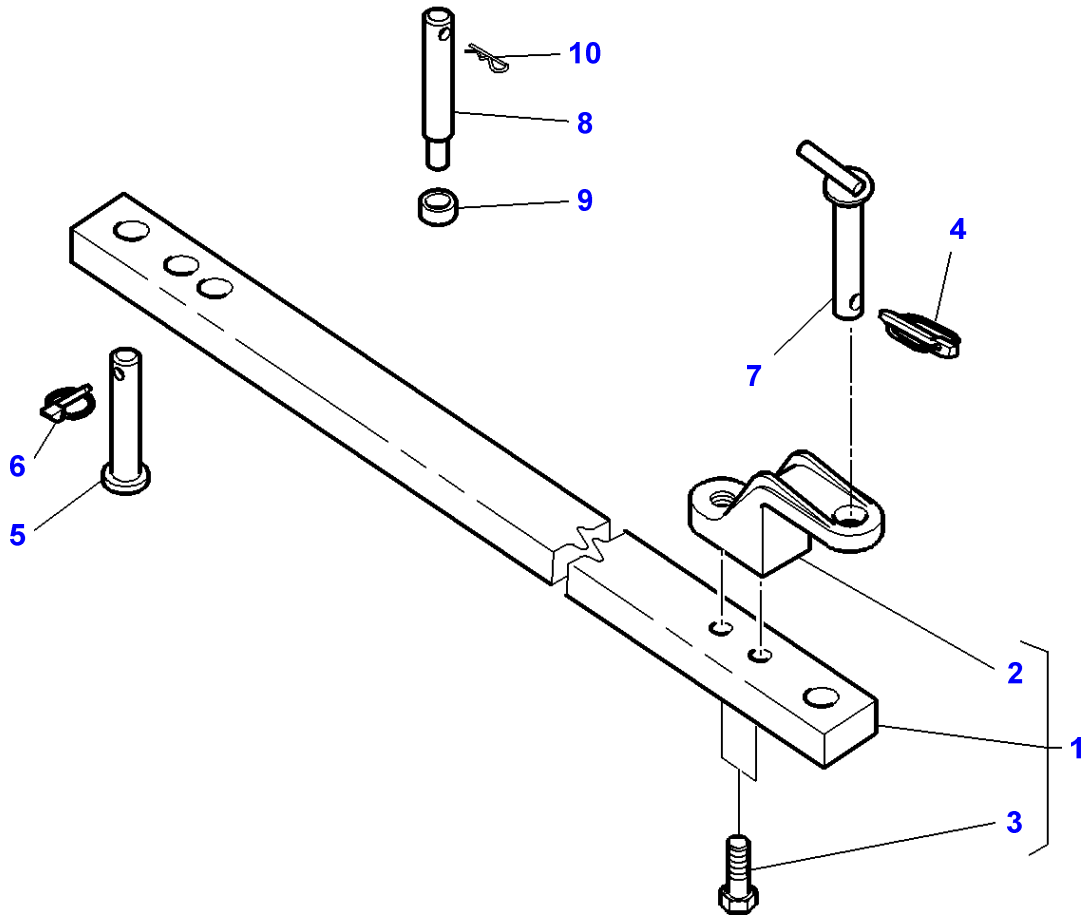
1-WQ12-022-A



Massey Ferguson**MF 8450/8460 TRACTOR - 1637447****1637447****Swinging Drawbar - With DROMONE Automatic Hook****Page040-0075**

Item	Part Number	Qty	Description	Comments
1	3792662M91	1	Bar	ISO
2	3907058M91	1	Clevis	(1)
3	339616X1	2	Hex. Sock. Screw	(2) M16 X 120 MM
4	1441664X1	2	Washer	(2)
5	339034X1	2	Nut	(2)
6	3907049M91	1	Clevis Pin	(1)
7	1440447X1	1	Circlip	(6)
8	3790349M92	1	Pin Hitch	Diameter 30 X 191 MM
9	3382826M1	1	Pin	Diameter 10 X 45 MM

1-WQ12-026-A



Massey Ferguson**MF 8450/8460 TRACTOR - 1637447**

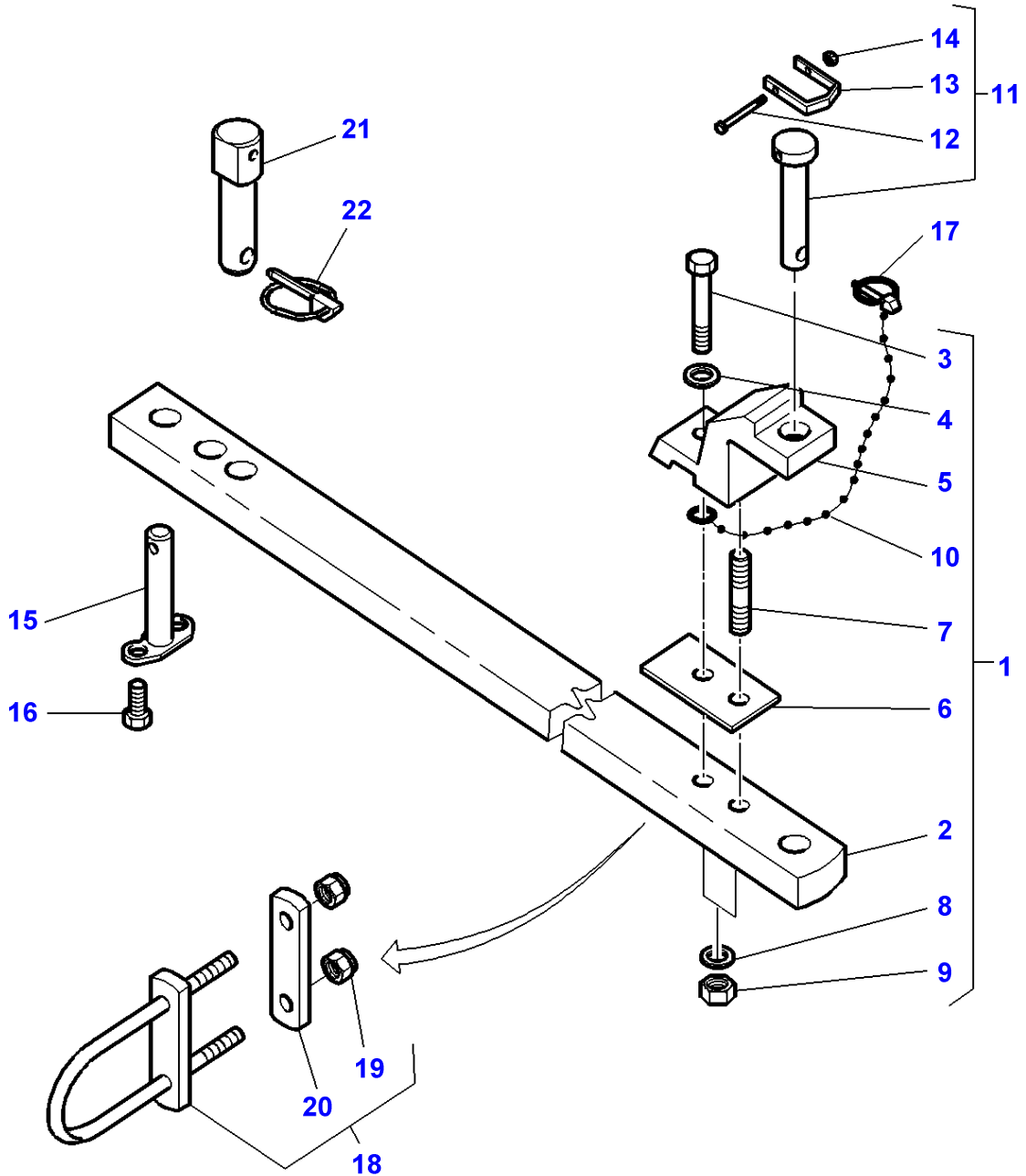
1637447

Swinging Drawbar - ISO STANDARD

Page040-0080

Item	Part Number	Qty	Description	Comments
1	4270650M91	1	Bar	50X80X720MM
2	3793414M1	1	Clevis	(1)
3	3011383X1	2	Hex. Sock. Screw	(1) M20 X 80
4	3792034M1	1	Pin	
5	3011338X1	1	Clevis Pin	Diameter 30MM
6	3382826M1	1	Pin	
7	4272346M2	1	Pin Hitch	Diameter 30X179MM
8	4270649M1	2	Clevis Pin	
9	4270652M1	2	Spacer	
10	3010334X1	2	Hair Pin	

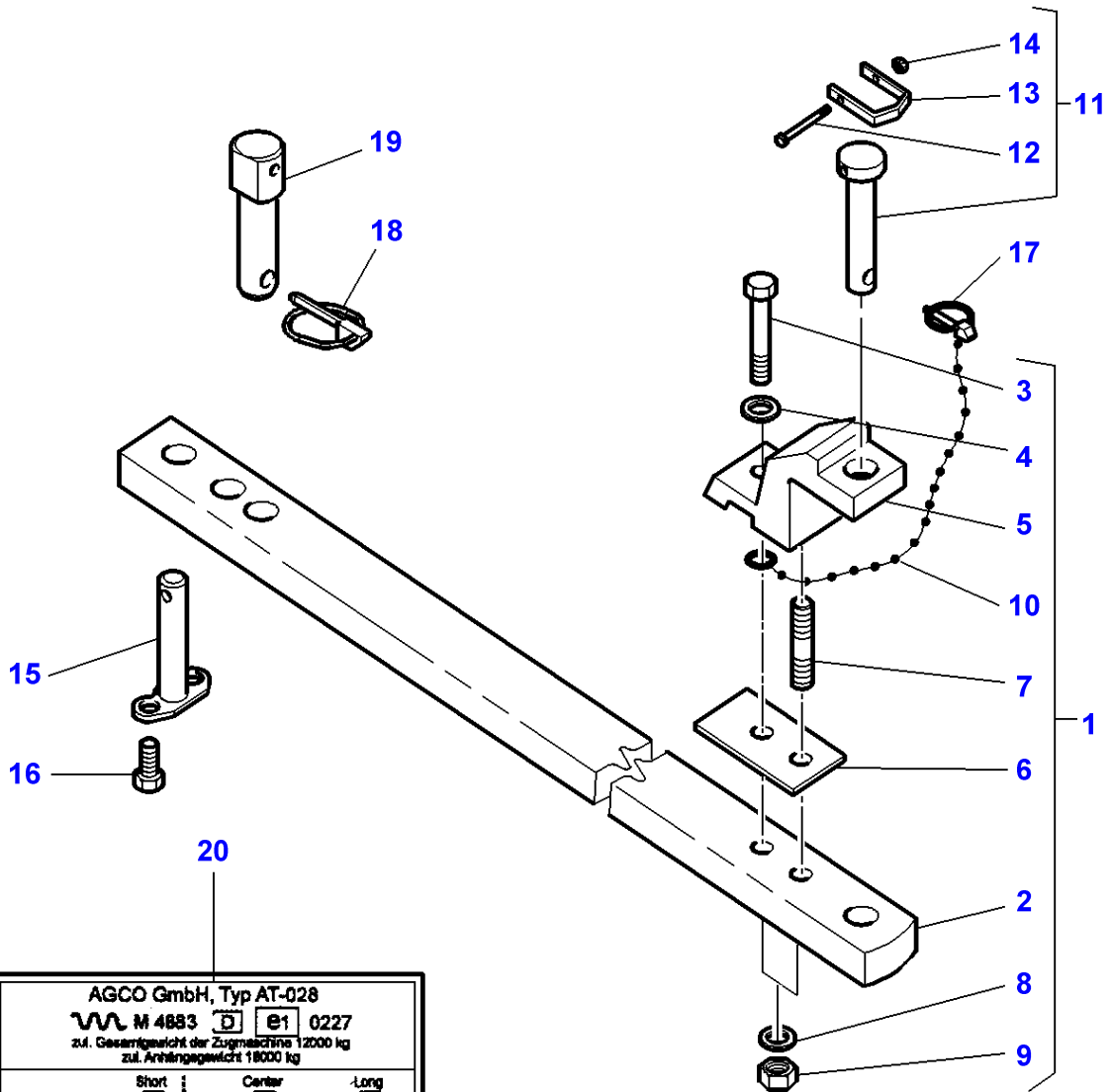
1-WQ12-027-A



Swinging Drawbar - ISO STANDARD

Item	Part Number	Qty	Description	Comments
1	G716.501.120.062	1	Tie Rod	
2	716.501.120.630	1	Tie Rod	(1)
3	3581985M1	1	Hex. Sock. Screw	(1) M16X90
4	339377X1	1	Lock Washer	(1)
5		1	Yoke	(1) Not serviced,order REF NO 1
6	716.501.120.620	1	Chock	(1)
7	920.501.120.100	1	Stud	(1)
8	1440319X1	1	Washer Blister	(1)
9	3009746X1	1	Nut	(1) M20
10	H716.921.050.030	1	String	(1)
11	G916.501.120.050	1	Clevis Pin	Diameter 30MM
12	339132X1	1	Hex. Sock. Screw	(11) M8X75
13	920.500.120.520	1	Stirrup	(11)
14	394367X1	1	Locknut	(11)
15	H816.500.120.020	1	Plug.	
16	3009492X1	2	Hex. Sock. Screw	M10X25
17	3382826M1	1	Pin	
18	G920.501.120.020	1	Stirrup	
19	391237X1	2	Nut Metric	(18) M16
20	920.501.120.040	1	Strap	(18)
21	716.501.120.030	2	Pin	
22	3792034M1	2	Pin	

1-WQ12-028-A

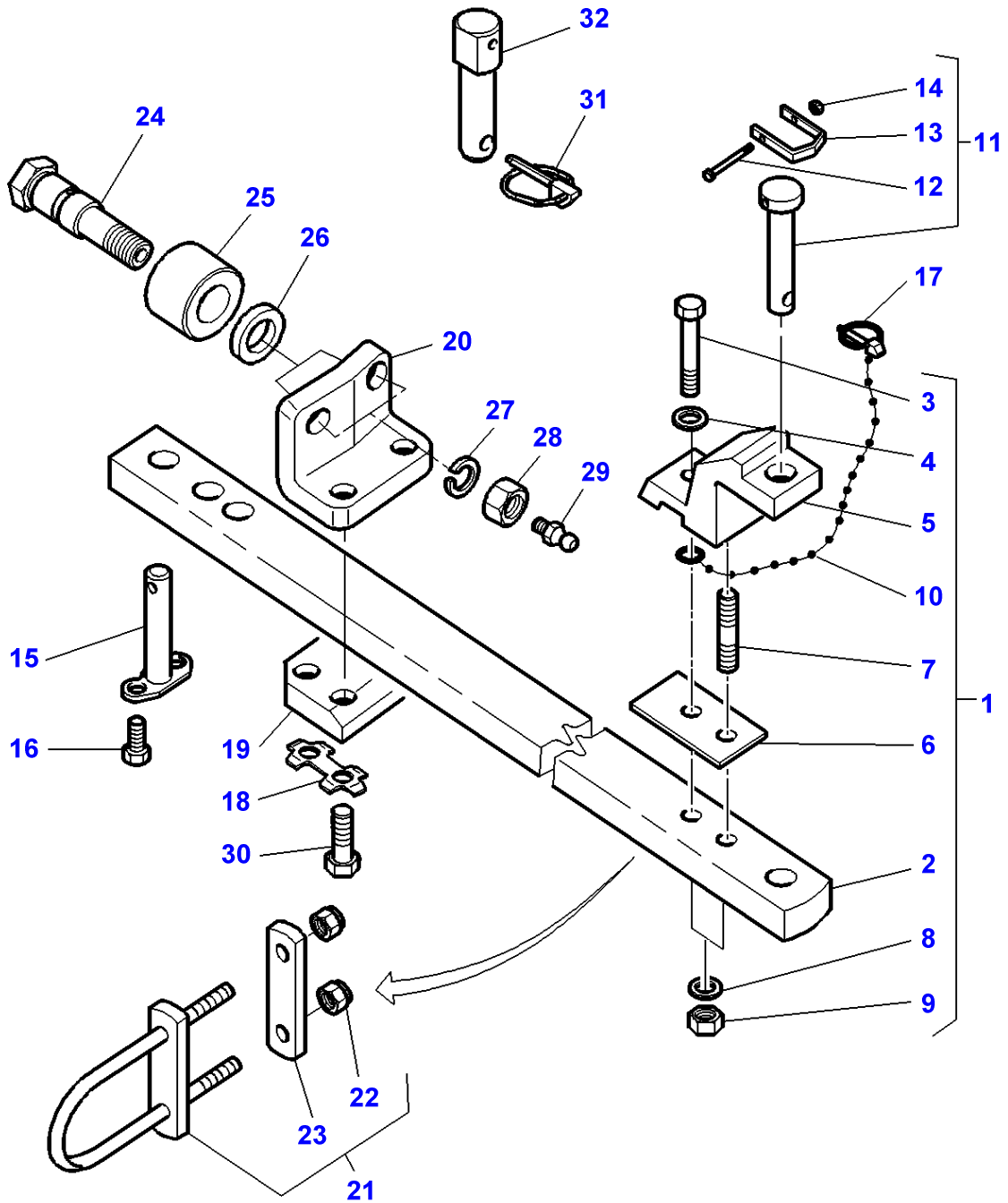


AGCO GmbH, Typ AT-028 M 4883 E1 0227 z.M. Gesamtgewicht der Zugmaschine 12000 kg zul. Anhängergewicht 18000 kg		
Straße Street Rue 2000 kg	Short 1500 kg	Center 1000 kg
Dyn.-Test >40 km/h BVZO TA 31	Acker Field Champ 500 kg	
PTO Short up to 350 mm Center up to 500 mm		
Verwendbar nur an Zugmaschinen nach §43 Abs. 4 StVZO Nur in Verbindung mit Zugösen: DIN 9678, ISO 8822-1		

Swinging Drawbar - ISO STANDARD

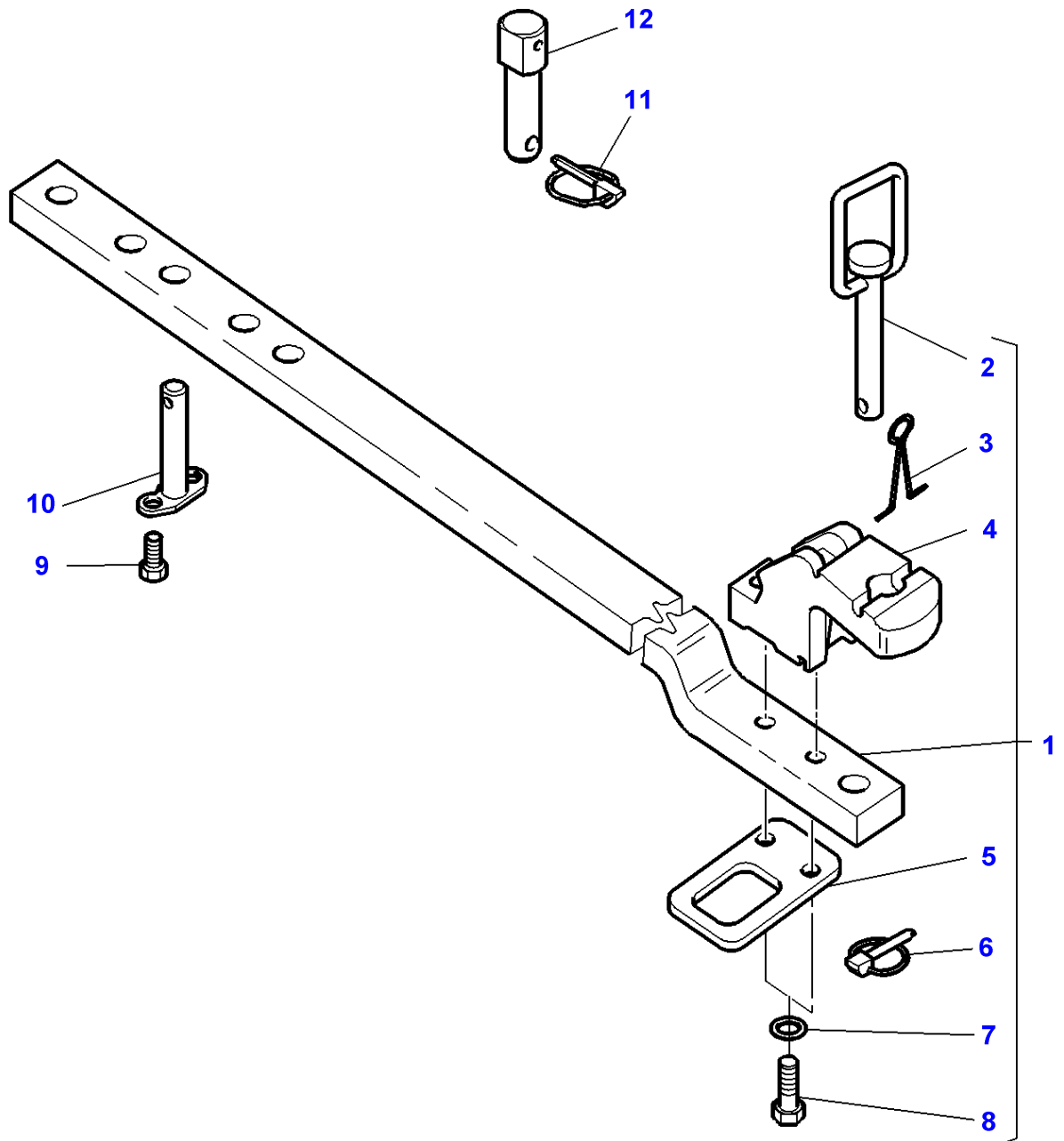
Item	Part Number	Qty	Description	Comments
1	G716.501.120.062	1	Tie Rod	
2	716.501.120.630	1	Tie Rod	(1)
3	3581985M1	1	Hex. Sock. Screw	(1) M16X90
4	339377X1	1	Lock Washer	(1)
5		1	Yoke	(1) Not serviced,order REF NO 1
6	716.501.120.620	1	Chock	(1)
7	920.501.120.100	1	Stud	(1)
8	1440319X1	1	Washer Blister	(1)
9	3009746X1	1	Nut	(1) M20
10	H716.921.050.030	1	String	(1)
11	G916.501.120.050	1	Clevis Pin	Diameter 30MM
12	339132X1	1	Hex. Sock. Screw	(11) M8X75
13	920.500.120.520	1	Stirrup	(11)
14	394367X1	1	Locknut	(11)
15	H816.500.120.020	1	Plug.	
16	3009492X1	2	Hex. Sock. Screw	M10X25
17	3382826M1	1	Pin	
18	3792034M1	2	Pin	
19	916.501.120.050	2	Pin	
20	916.501.120.060	1	Decal	

1-WQ12-029-A



Item	Part Number	Qty	Description	Comments
1	G716.501.120.062	1	Tie Rod	
2	716.501.120.630	1	Tie Rod	(1)
3	3581985M1	1	Hex. Sock. Screw	(1) M16X90
4	339377X1	1	Lock Washer	(1)
5		1	Yoke	(1) Not serviced,order REF NO 1
6	716.501.120.620	1	Chock	(1)
7	920.501.120.100	1	Stud	(1)
8	1440319X1	1	Washer Blister	(1)
9	3009746X1	1	Nut	(1) M20
10	H716.921.050.030	1	String	(1)
11	G916.501.120.050	1	Clevis Pin	Diameter 30MM
12	339132X1	1	Hex. Sock. Screw	(11) M8X75
13	920.500.120.520	1	Stirrup	(11)
14	394367X1	1	Locknut	(11)
15	H816.500.120.020	1	Plug.	
16	3009492X1	2	Hex. Sock. Screw	M10X25
17	3382826M1	1	Pin	
18	3790457M1	2	Tongue	
19	3791470M1	1	Counterplate	
20	3791467M2	1	Angle.	M20X80
21	G920.501.120.020	1	Stirrup	
22	391237X1	2	Nut Metric	(21) M16
23	920.501.120.040	1	Strap	(21)
24	3791469M1	2	Clevis Pin	
25	3581980M1	2	Roll	
26	3791823M1	2	Washer	
27	353443X1	2	Lock Washer	
28	375102X1	2	Nut Unc	
29	364461X1	2	Grease Nipple	
30	391332X1	4	Hex. Sock. Screw	M10 X 100 MM
31	3011352X1	2	Pin	
32	3010560X1	2	Clevis Pin	

1-WQ12-030-A



Massey Ferguson**MF 8450/8460 TRACTOR - 1637447**

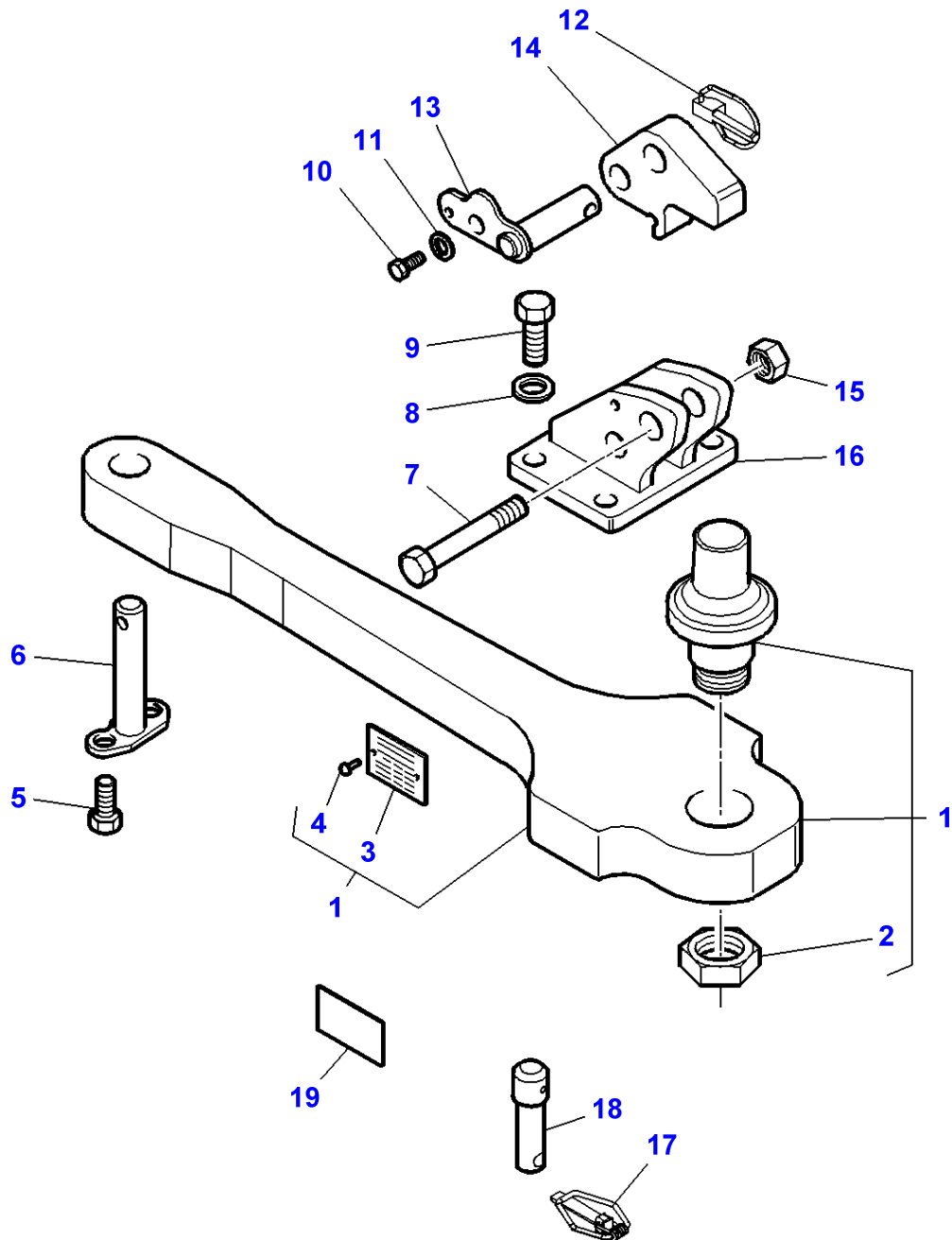
1637447

Swinging Drawbar - SAE STANDARD

Page040-0100

Item	Part Number	Qty	Description	Comments
1	4277061M91	1	Drawbar	
2	3795142M1	1	Pin Hitch	(1)
3	3795143M1	1	Spring	(1)
4	3795141M1	1	Clevis	(1)
5	3795530M1	1	Shackle	(1)
6	3581687M1	1	Pin	(1)
7	385365X1	2	Washer	(1)
8	3010945X1	2	Hex. Sock. Screw	(1) M20 X 105
9	3009492X1	2	Hex. Sock. Screw	M10 X 25
10	H816.500.120.020	1	Plug.	
11	3792034M1	2	Pin	
12	716.501.120.030	2	Pin	

1-WQ25-001-A



Massey Ferguson**MF 8450/8460 TRACTOR - 1637447**

1637447

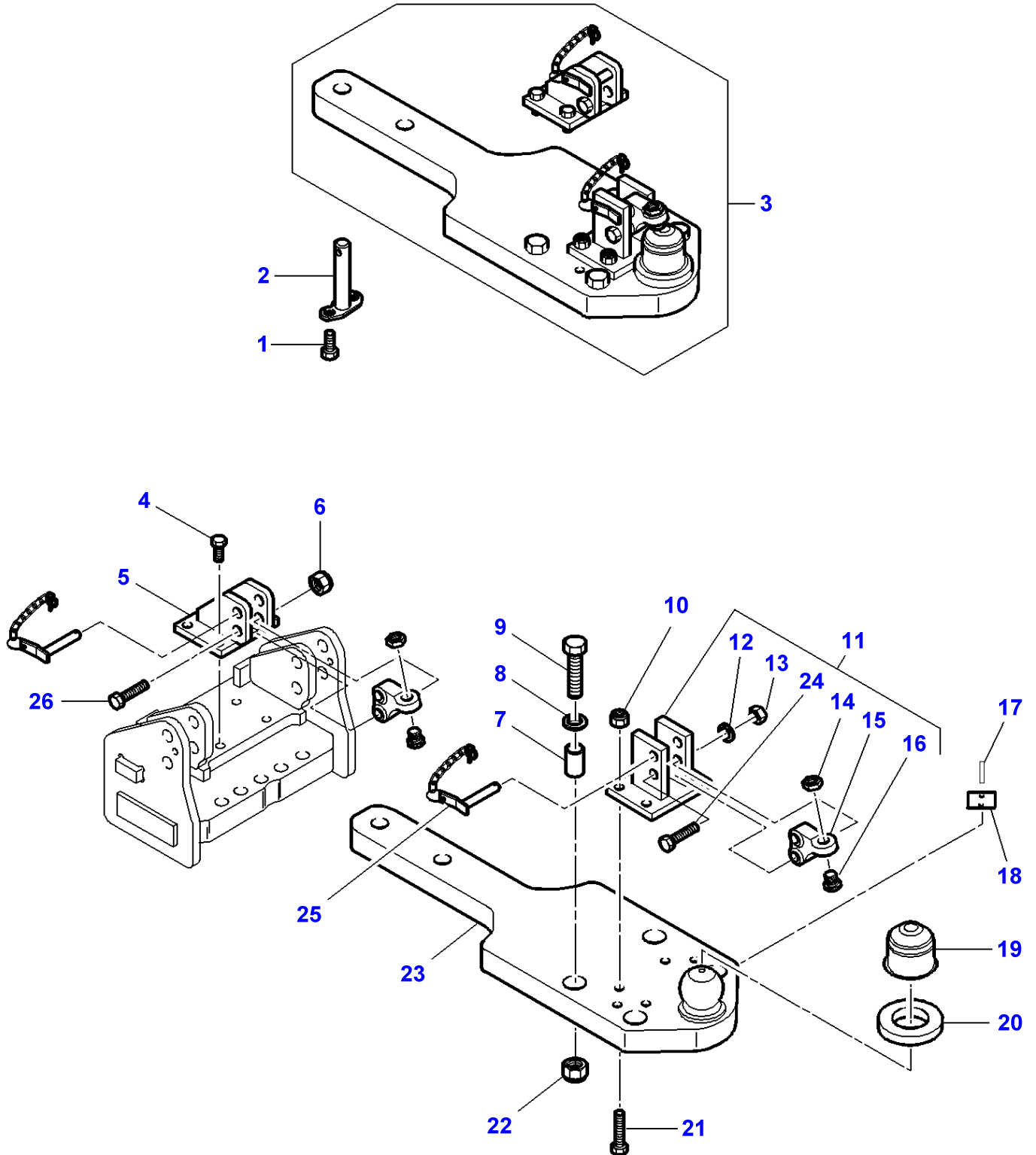
Swinging Drawbar - Piton Attachment

Page040-0105

Item	Part Number	Qty	Description	Comments
1	H716.501.900.101	1	Piton	
2	199.870.030.160	1	Nut	(1)
3	716.501.900.140	1	Identity Plate	(1)
4	X419.432.887.000	2	Nail, Notched	(1)
5	3009492X1	2	Hex. Sock. Screw	M10 X 25
6	H816.500.120.020	1	Plug.	
7	391332X1	1	Hex. Sock. Screw	M20 X 100
8	339377X1	4	Lock Washer	
9	339275X1	4	Hex. Sock. Screw	M16 X 35
10	3009285X1	1	Screw	M8 X 16
11	281.100.350.040	1	Bush	
12	3382826M1	1	Pin	
13	H916.501.120.061	1	Pin	
14	916.501.120.220	1	Latch	
15	3009747X1	1	Nut	
16	H916.501.120.070	1	Support	
17	3792034M1	2	Pin	
18	916.501.120.050	2	Pin	
19	916.501.120.070	2	Decal	

MF 8450/8460 TRACTOR - 1637447
1-WQ26-001-A

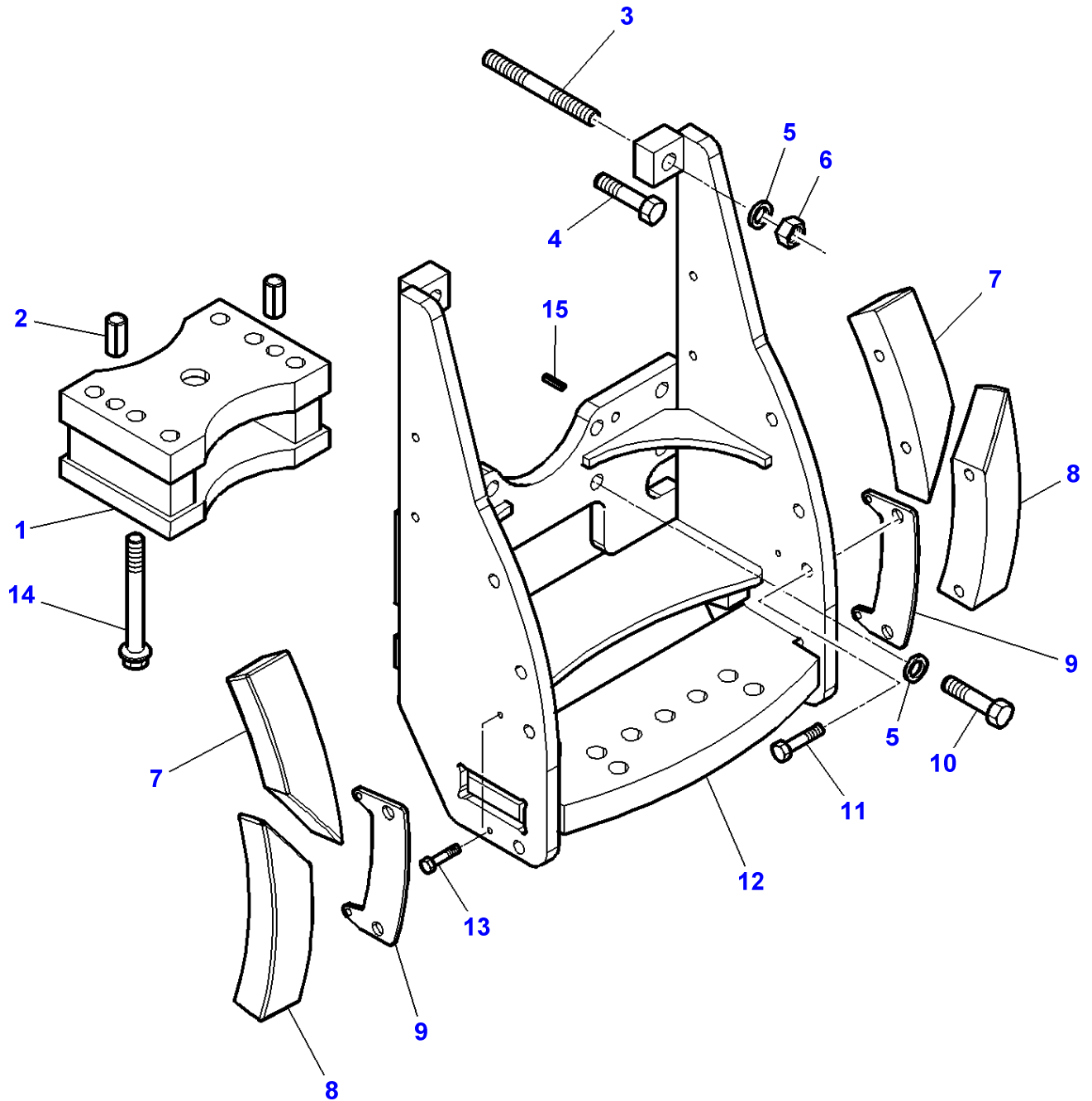
1-WQ26-001-A



Swinging Drawbar - Ball And Scket Hitch

Item	Part Number	Qty	Description	Comments
1	3009492X1	2	Hex. Sock. Screw	M10 X 25
2	H816.500.120.020	1	Plug.	
3	G916.501.120.200	1	Support	
4	X487.545.141.000	4	Hex. Sock. Screw	(3)
5	F916.501.120.020	1	Console	(3)
6	X434.105.040.000	2	Nut	(3)
7	F718.501.900.020	2	Bush Assy	(3)
8	F117.501.901.040	2	Disc	(3)
9	F718.501.900.030	2	Screw	(3)
10	X430.004.000.000	4	Nut	(3)
11	F117.501.901.020	1	Control Lock	(3)
12	X520.807.801.000	1	Lock Washer	(11)
13	F916.501.120.080	1	Nut	(11)
14	F916.501.120.060	1	Nut	(11)
15	F916.501.120.050	1	Trigger	(11)
16	F916.501.120.070	1	Adjusting Screw	(11)
17	X419.432.987.000	2	Nail, Notched	(3)
18	F916.501.120.040	1	Identity Plate	(3)
19	F117.501.901.050	1	Cap	(3)
20	F117.501.901.060	1	Seal	(3)
21	X486.546.505.000	4	Hex. Sock. Screw	(3)
22	X430.005.803.000	2	Nut	(3)
23	F916.501.120.010	1	Frame	(3)
24	X486.556.000.000	1	Hex. Sock. Screw	(3)
25	F916.501.120.030	1	Bolt	(3)
26	X486.555.905.000	1	Hex. Sock. Screw	(3)

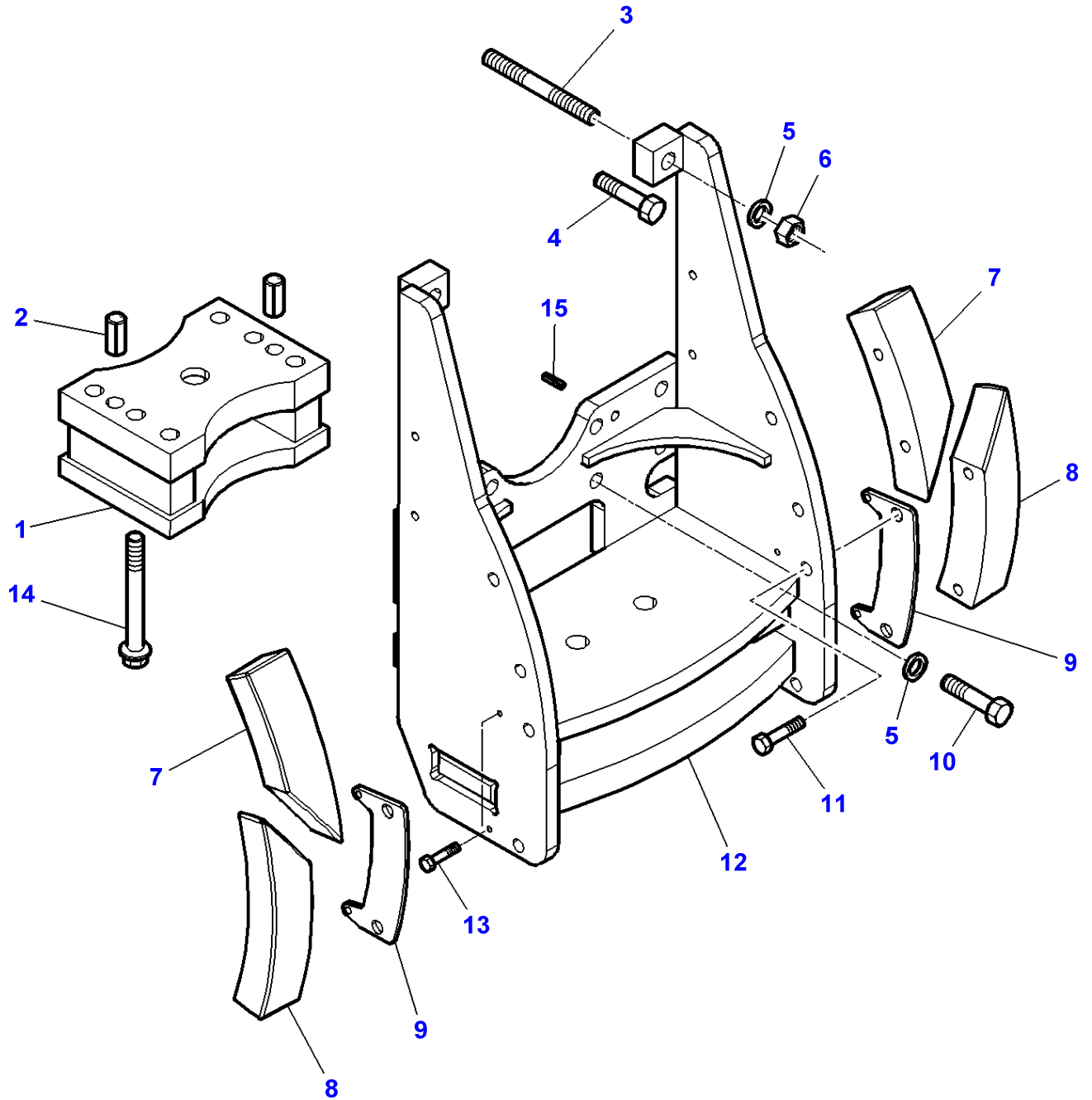
1-WQ36-024-A



Swinging Drawbar Support

Item	Part Number	Qty	Description	Comments
1	H920.500.120.100	1	Fulcrum	
2	X505.585.617.000	2	Dowel	
3	3011546X1	6	Stud	M18 X 135
4	3011545X1	2	Hex. Sock. Screw	M18 X 110
5	339648X1	10	Lock Washer	Up to Serial or Engine Number 05-DEC-2004
6	3011390X1	6	Nut	
7	926.871.040.020	1	Skid	Right Hand Top
	926.871.040.010	1	Skid	Left Hand Top
8	926.871.040.040	1	Skid	Right Hand Bottom
	926.871.040.030	1	Skid	Left Hand Bottom
9	926.871.040.060	2	Plate	
10	3011538X1	4	Hex. Sock. Screw	M18 X 50
11	3384131M1	4	Hex. Sock. Screw	M16 X 55
	3010885X1	4	Hex. Sock. Screw	M16 X 45
12	H920.501.120.110	1	Frame	
13	339337X1	4	Hex. Sock. Screw	M8 X 30
14	3011194X1	6	Screw	M20 X 150
15	X505.559.459.000	2	Dowel	

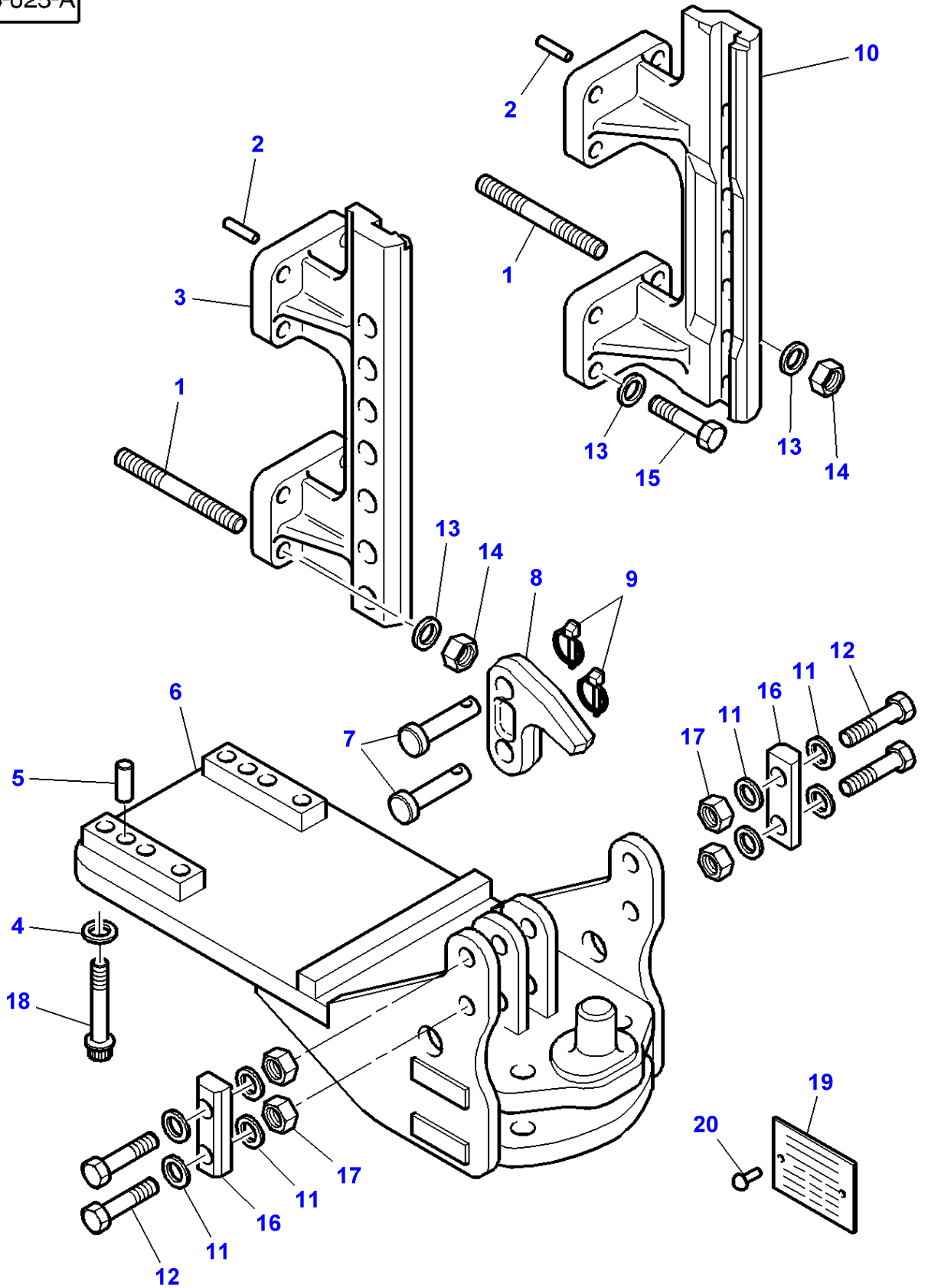
1-WQ36-026-A



Massey Ferguson**MF 8450/8460 TRACTOR - 1637447****1637447****Swinging Drawbar Support - ISO STANDARD - WITH ROLLERS****Page040-0120**

Item	Part Number	Qty	Description	Comments
1	H920.500.120.100	1	Fulcrum	
2	X505.585.617.000	2	Dowel	
3	3011546X1	6	Stud	M18 X 135
4	3011545X1	2	Hex. Sock. Screw	M18 X 110
5	339648X1	10	Lock Washer	Up to Serial or Engine Number 05-DEC-2004
6	3011390X1	6	Nut	
7	926.871.040.020	1	Skid	Right Hand Top
	926.871.040.010	1	Skid	Left Hand Top
8	926.871.040.040	1	Skid	Right Hand Bottom
	926.871.040.030	1	Skid	Left Hand Bottom
9	926.871.040.060	2	Plate	
10	3011538X1	4	Hex. Sock. Screw	M18 X 50
11	3384131M1	4	Hex. Sock. Screw	M16 X 55
	3010885X1	4	Hex. Sock. Screw	M16 X 45
12	4276505M91	1	Support	
13	339337X1	4	Hex. Sock. Screw	M8 X 30
14	3011194X1	6	Screw	M20 X 150
15	X505.559.459.000	2	Dowel	

1-WQ36-025-A



Massey Ferguson**MF 8450/8460 TRACTOR - 1637447**

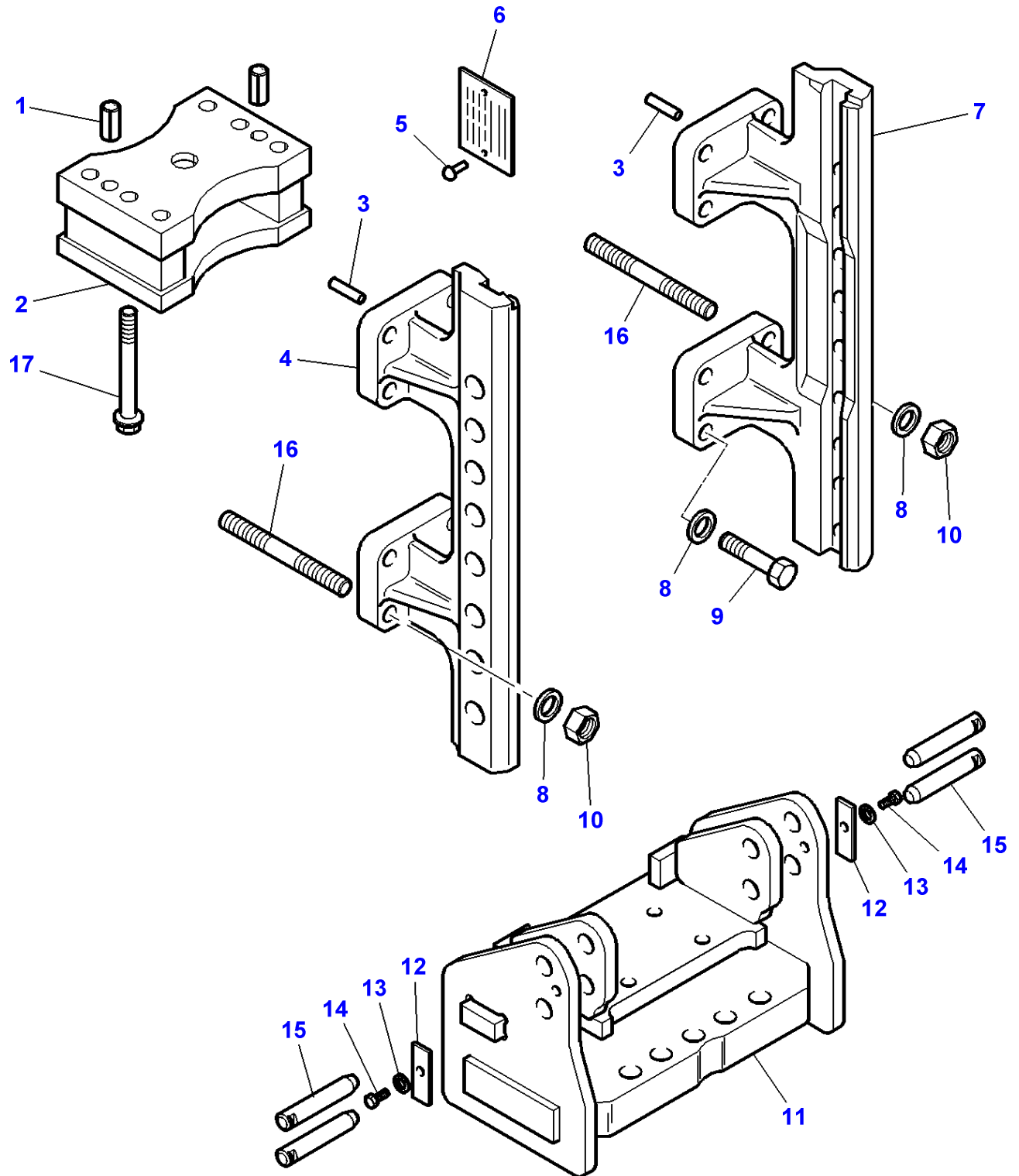
1637447

Swinging Drawbar Support

Page040-0125

Item	Part Number	Qty	Description	Comments
1	3011546X1	8	Stud	M18 X 135
2	X505.559.459.000	4	Dowel	
3	816.500.060.041	1	Slide Rail	Left Hand
4	385365X1	6	Washer	
5	X505.585.617.000	2	Dowel	
6	4271570M92	1	Support	
7	3797361M1	2	Clevis Pin	
8	3797125M1	1	Hook	
9	3382824M1	2	Pin	
10	816.500.060.051	1	Slide Rail	Right Hand
11	3010505X1	8	Washer	
12	3580796M1	4	Hex. Sock. Screw	M22 X 100
13	339648X1	16	Lock Washer	
14	3011390X1	8	Nut	
15	3011517X1	8	Hex. Sock. Screw	M18 X 55
16	4271601M1	2	Thruster	
17	3581642M1	4	Nut	
18	3010563X1	6	Screw	M20 X 90
19	816.500.060.090	1	Identity Plate	
20	X419.432.887.000	2	Nail, Notched	

1-WQ36-027-A



Massey Ferguson**MF 8450/8460 TRACTOR - 1637447**

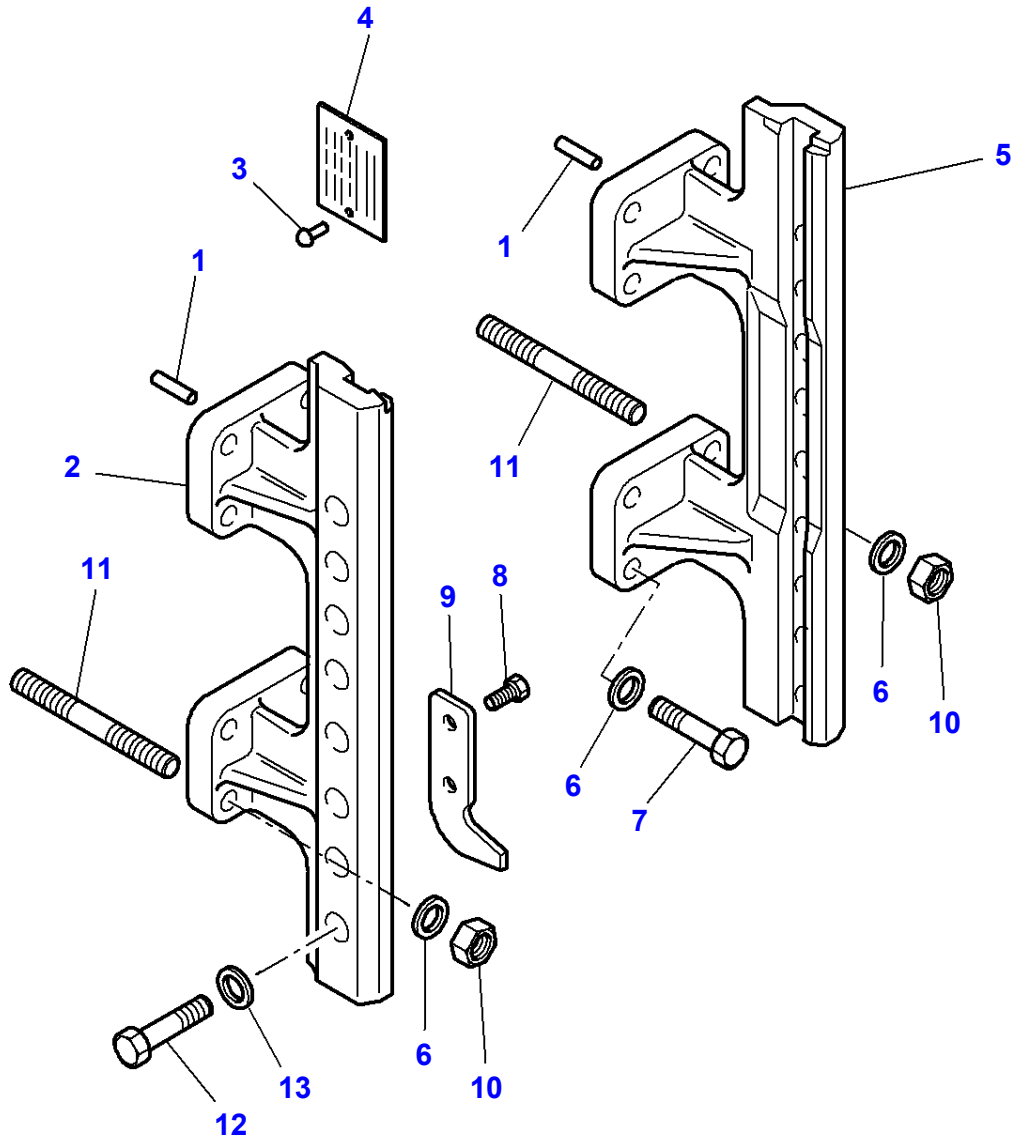
1637447

Swinging Drawbar Support - WITH LONG HAY LADDER

Page040-0130

Item	Part Number	Qty	Description	Comments
1	X505.585.617.000	2	Dowel	
2	H920.500.120.100	1	Fulcrum	
3	X505.559.459.000	4	Dowel	
4	816.500.060.012	1	Slide Rail	Left Hand
5	X419.432.887.000	2	Nail, Notched	
6	816.500.060.090	1	Identity Plate	
7	816.500.060.022	1	Slide Rail	Right Hand
8	339648X1	16	Lock Washer	Up to Serial or Engine Number 05-DEC-2004
9	3011517X1	8	Hex. Sock. Screw	M18 X 55
10	3011390X1	8	Nut	
11	H916.501.120.102	1	Frame	
12	716.501.120.200	2	Locking Plate	
13	339374X1	2	Lock Washer	
14	339123X1	2	Hex. Sock. Screw	M8 X 20
15	916.501.120.030	2	Pin	
16	3011546X1	8	Stud	M18 X 135
17	3011194X1	6	Screw	M20 X 150

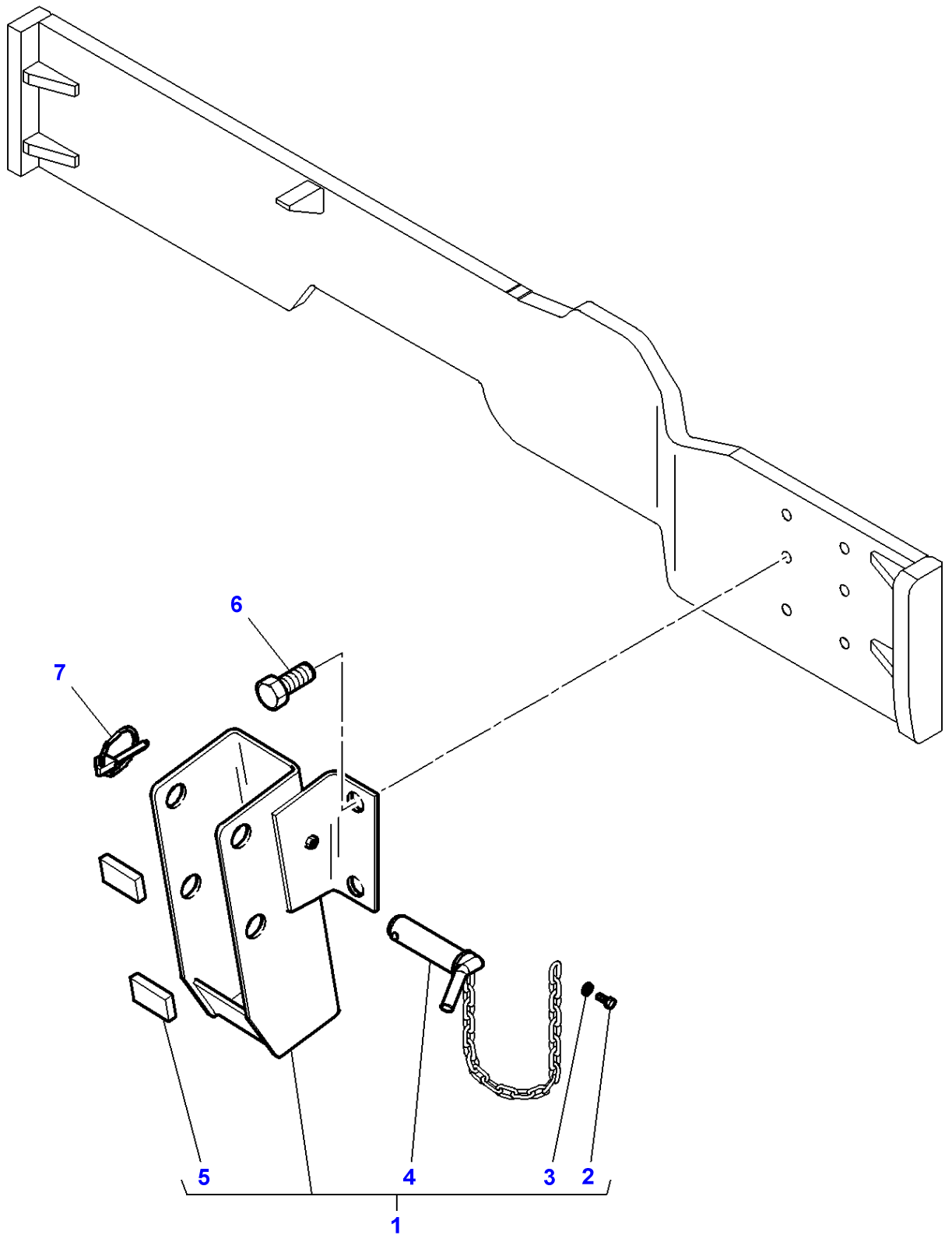
1-WQ30-001-B



Massey Ferguson**MF 8450/8460 TRACTOR - 1637447****1637447****Long Hay Ladder****Page040-0135**

Item	Part Number	Qty	Description	Comments
1	X505.559.459.000	2	Dowel	
2	816.500.060.012	1	Slide Rail	Left Hand
3	X419.432.887.000	2	Nail, Notched	
4	816.500.060.090	1	Identity Plate	
5	816.500.060.022	1	Slide Rail	Right Hand
6	339648X1	10	Lock Washer	Up to Serial or Engine Number 05-DEC-2004
7	3011517X1	8	Hex. Sock. Screw	M18 X 55
8	3009491X1	2	Hex. Sock. Screw	M10 X 20
9	816.500.060.070	1	Stop	
10	3011390X1	8	Nut	
11	3011546X1	8	Stud	M18 X 135
12	3010757X1	4	Hex. Sock. Screw	M22 X 70
13	392913X1	4	Washer	Diameter 23-39 X 3

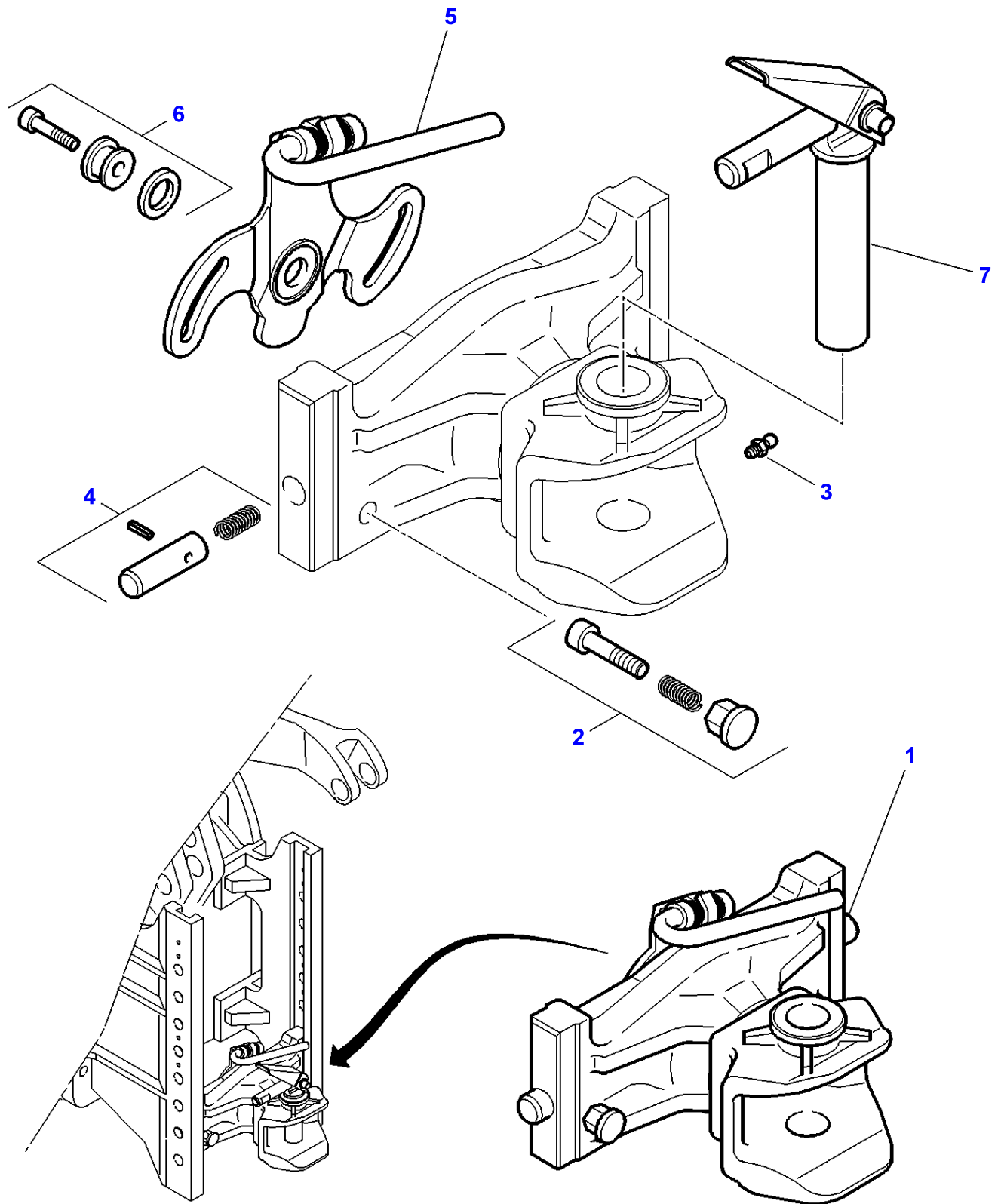
1-WQ13-009-A



Massey Ferguson**MF 8450/8460 TRACTOR - 1637447****1637447****Swinging Drawbar Tidying - With DROMONE Automatic Hook****Page040-0140**

Item	Part Number	Qty	Description	Comments
1	4273764M91	1	Stuffing Box	
2	339560X1	1	Hex. Sock. Screw	(1) M6 X 16
3	390971X1	1	Washer	(1)
4	3788588M91	1	Clevis Pin	(1)
5	3782881M1	2	Gasket	(1)
6	1441704X1	2	Hex. Sock. Screw	M20 X 40
7	3382824M1	1	Pin	

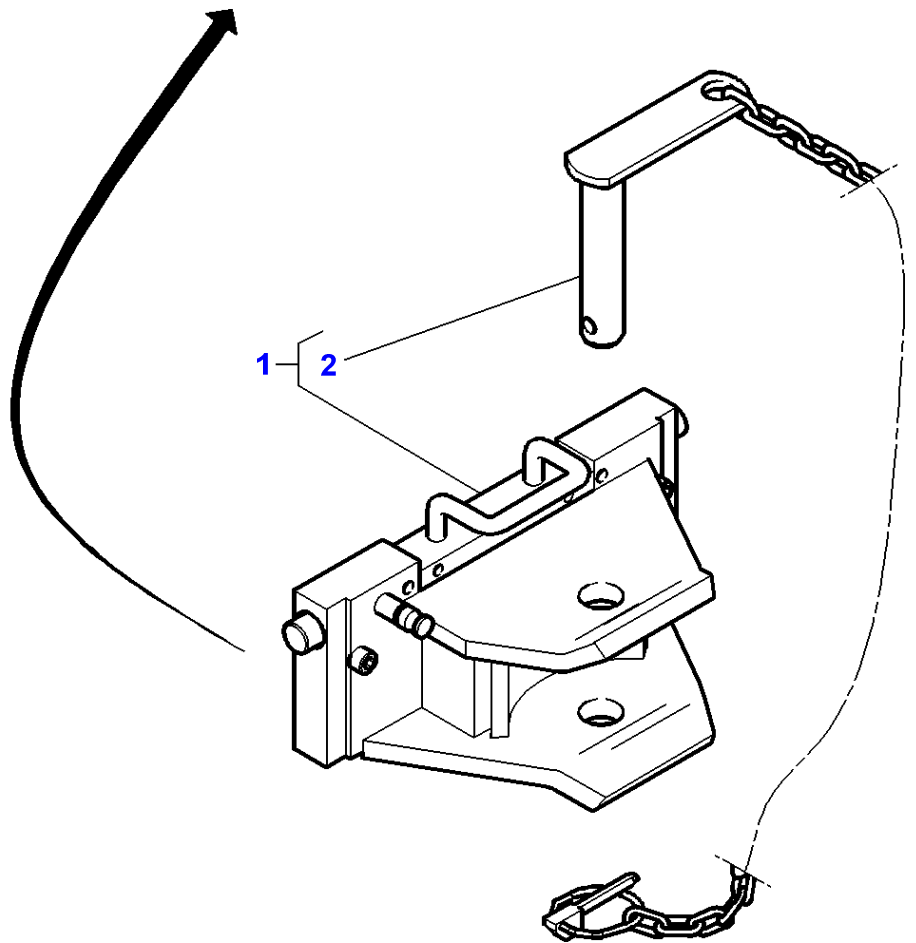
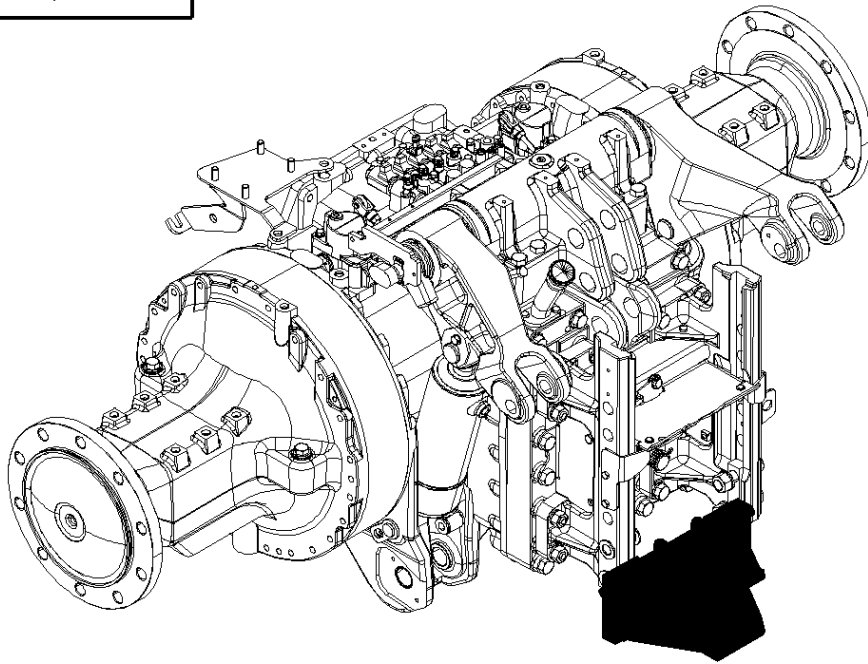
1-WQ18-021-B



Massey Ferguson**MF 8450/8460 TRACTOR - 1637447****1637447****Hitch****Page040-0145**

Item	Part Number	Qty	Description	Comments
1	G816.500.071.012	1	Hitch	
2	F816.500.070.120	1	Securing Piece	(1)
3	X662.516.102.000	1	Grease Nipple	(1)
4	F816.500.070.140	1	Pin	(1)
5	F816.500.070.130	1	Disc	(1)
6	F816.500.070.150	1	Kit, Attaching.	(1)
7	4271199M1	1	Clevis Pin	

1-WQ18-022-A



Massey Ferguson

MF 8450/8460 TRACTOR - 1637447

1637447

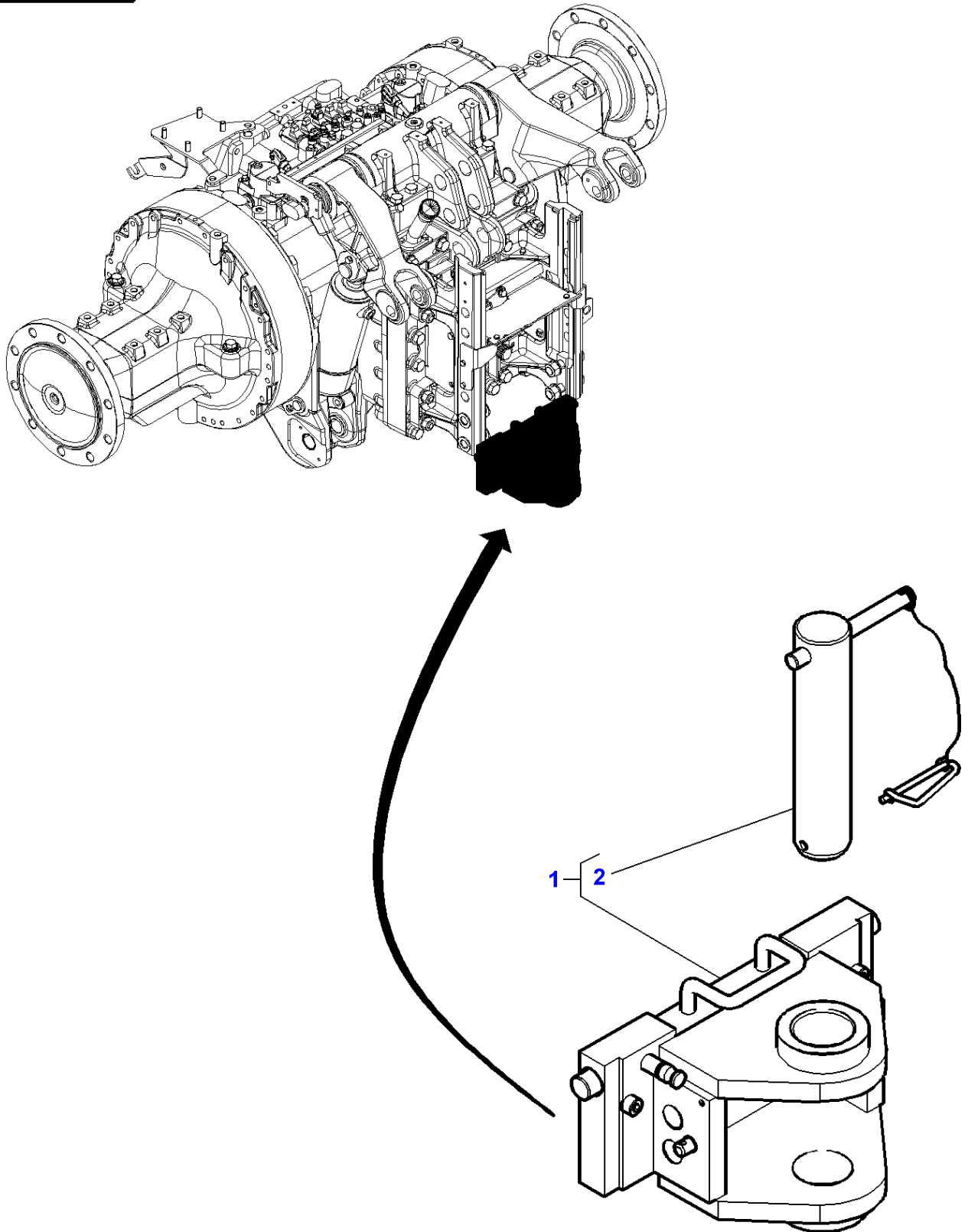
Hitch - For Italy only or any text in Italian only

Page040-0150

Item	Part Number	Qty	Description	Comments
1	4276935M91	1	Clevis	[A] 6T
2	4276937M1	1	Pin Hitch	(1)

FOOTNOTE [A] DETAILS TO BE ADVISED

1-WQ18-023-A



Massey Ferguson

MF 8450/8460 TRACTOR - 1637447

1637447

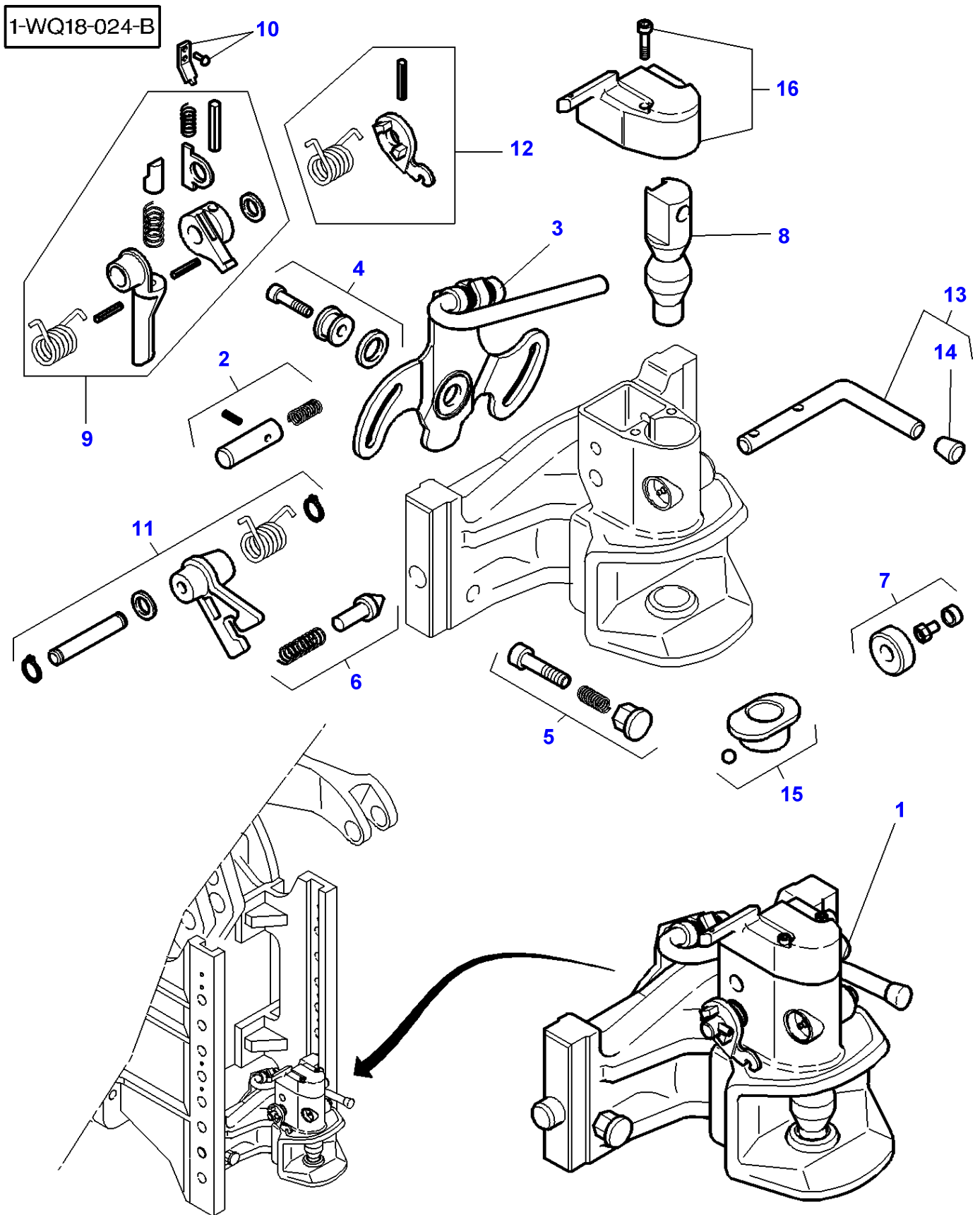
Hitch - For Italy only or any text in Italian only

Page040-0155

Item	Part Number	Qty	Description	Comments
1	4276938M91	1	Clevis	[A] 20T
2	4276940M1	1	Pin Hitch	(1)

FOOTNOTE [A] DETAILS TO BE ADVISED

MF 8450/8460 TRACTOR - 1637447
1-WQ18-024-B



Massey Ferguson**MF 8450/8460 TRACTOR - 1637447**

1637447

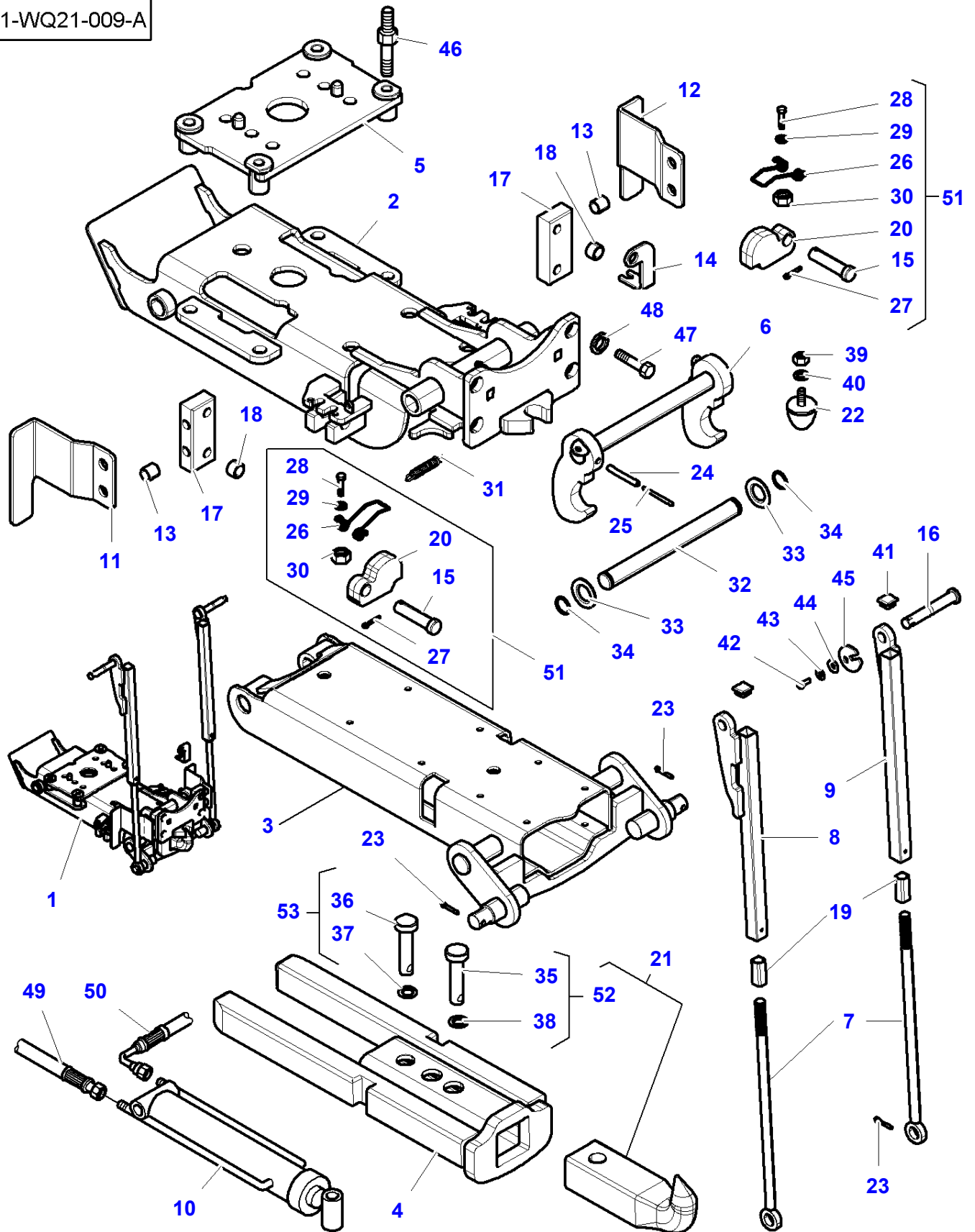
Hitch - For Germany only or any text in German only

Page040-0160

Item	Part Number	Qty	Description	Comments
1	G816.500.072.040	1	Hitch	
2	F816.500.070.140	1	Pin	(1)
3	F816.500.070.130	1	Disc	(1)
4	F816.500.070.150	1	Kit, Attaching.	(1)
5	F816.500.070.120	1	Securing Piece	(1)
6	F816.500.070.180	1	Peg	(1)
7	F816.500.070.020	1	Cover	(1)
8	F816.500.070.160	1	Pin Hitch	(1)
9	F816.500.070.030	1	Lever	(1)
10	F816.500.070.100	1	Spring Carrier	(1)
11	F816.500.070.170	1	Lever	(1)
12	F816.500.070.040	1	Lever	(1)
13	F816.500.070.070	1	Hand Lever	(1)
14	F284.501.061.110	1	Grip	(13)
15	F816.500.070.190	1	Bush	(1)
16	F816.500.070.060	1	Cover	(1)

MF 8450/8460 TRACTOR - 1637447
1-WQ21-009-A

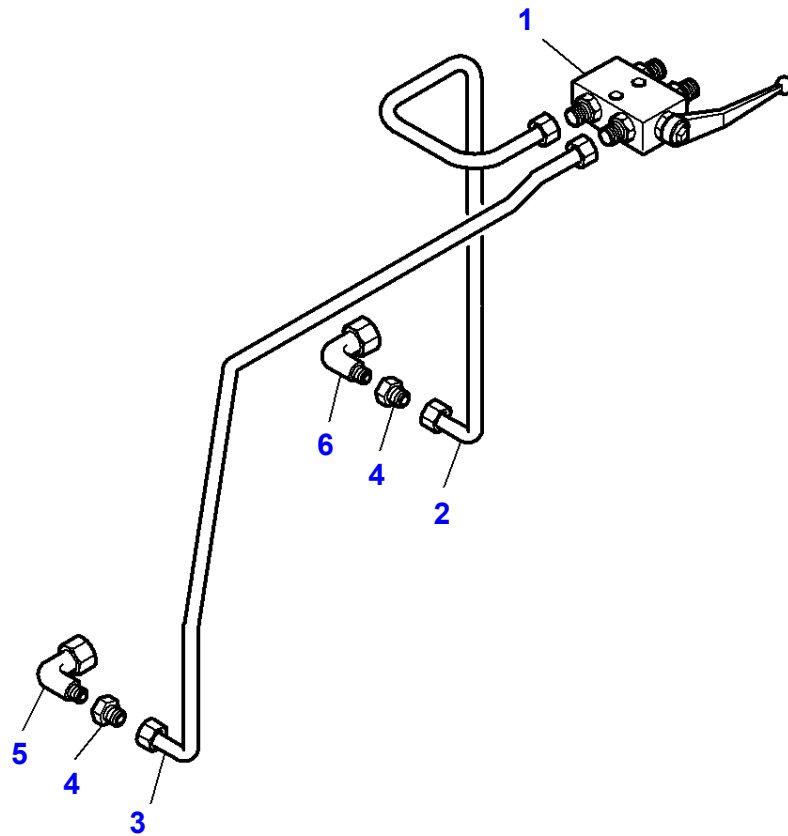
1-WQ21-009-A



Automatic Hitch - With Remote Control

Item	Part Number	Qty	Description	Comments
1	4277063M91	1	Hook	Not serviced,order REF.No1
2		1	Frame	
3	4277076M91	1	Housing	
4	4277079M91	1	Pedestal	
5	4277872M91	1	Support	
6	4277072M91	1	Hook	
7	4277085M91	2	Stem	
8	4277083M91	1	Slider Bearing	Left Hand
9	4277089M91	1	Slider Bearing	Right Hand
10	4273101M1	1	Ram	
11	4279943M1	1	Stop	Left Hand
12	4279319M1	1	Stop	Right Hand
13	4279937M1	4	Spacer	
14	4279938M1	1	Thruster	
15	3788498M1	2	Pin	(51)
16	4277087M1	2	Clevis Pin	
17	4279941M1	2	Bracket	
18	3907098M91	4	Kit, Spacer	
19	3792081M1	2	Nut	
20	3795809M1	2	Latch	(51)
21	3907048M91	1	Hook	
22	3907051M91	1	Buffer	
23	390721X1	2	Pin	Diameter 8 X 40
24	1442857X1	1	Roll Pin	Diameter 10 X 80
25	1444437X1	1	Pin	Diameter 6 X 80
26	3788499M1	2	Spring	(51)
27	391018X1	2	Pin	(51) Diameter 5 X 36
28	339337X1	4	Hex. Sock. Screw	(51) M8 X 30
29	390972X1	8	Washer	(51) Diameter 8-17 X 1,7
30	394367X1	4	Locknut	(51) M8
31	3795807M1	1	Spring	
32	3907093M91	1	Clevis Pin	
33	3788518M1	2	Washer	
34	3788519M1	2	Ring	
35	3792650M1	1	Clevis Pin	(52)
36	3907047M91	1	Clevis Pin	(53)
37	352438X1	1	Circlip	(53)
38	1440477X1	1	Circlip	(52)
39	1440329X1	1	Locknut	M10
40	390734X1	1	Washer	Diameter 10-21 X 2
41	3789881M1	2	Plug	
42	3009493X1	2	Hex. Sock. Screw	M10 X 30
43	926870030030	2	Bush	
44	390597X1	2	Washer	Diameter 10-30 X 2,5
45	926870030020	2	Locking Plate	
46	3011551X1	10	Screw	M20 X 50
47	3010894X1	4	Hex. Sock. Screw	M20 X 50
48	385365X1	4	Washer	Diameter 20-37 X 5
49	4271961M1	1	Hydr. Hose	Length 1450 MM
50	4279674M1	1	Hydr. Hose	Length 1550 MM
51	3907044M91	2	Latch	
52	3907049M91	1	Clevis Pin	(21)
53	3907047M91	1	Clevis Pin	

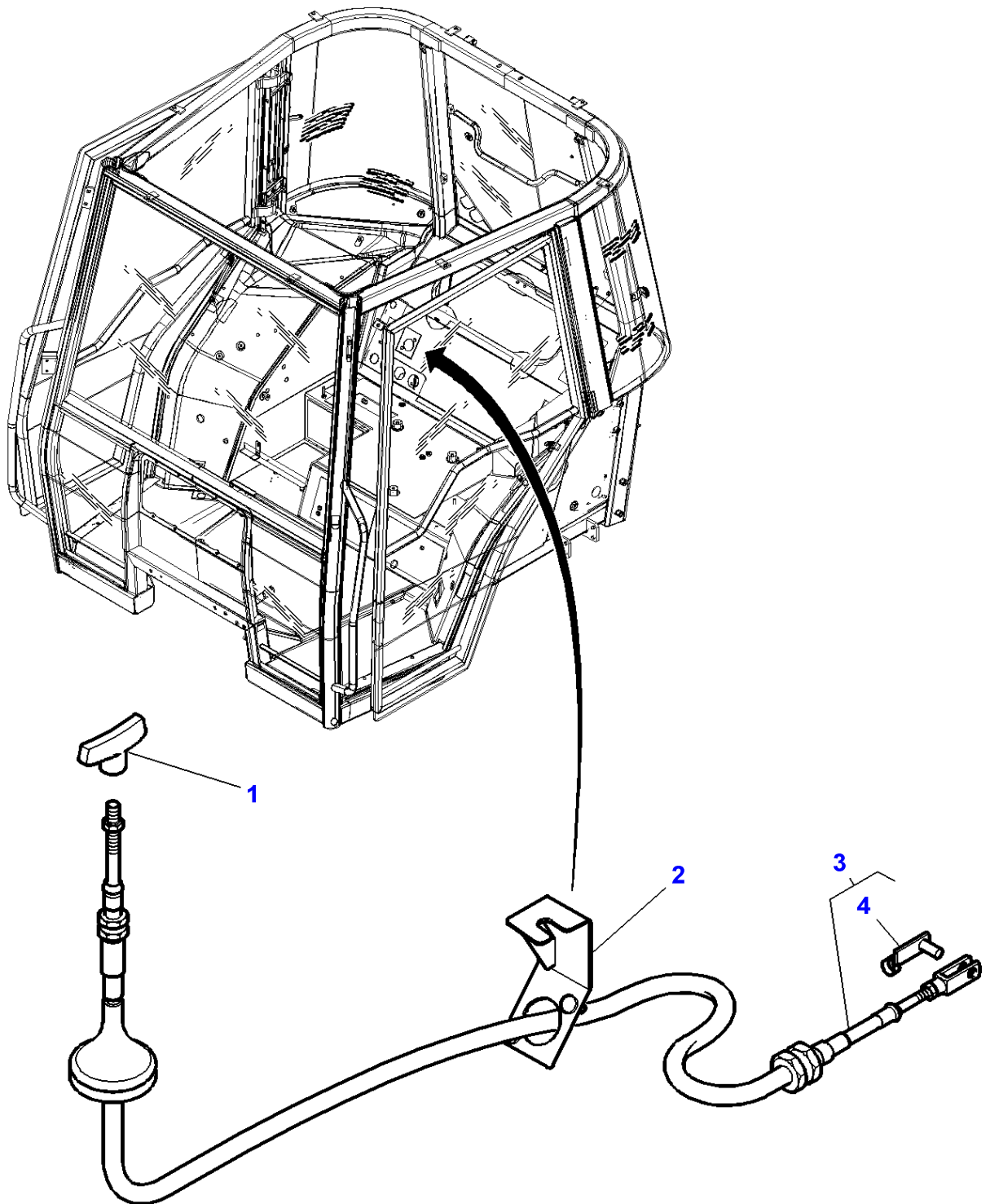
1-WQ22-007-A



Massey Ferguson**MF 8450/8460 TRACTOR - 1637447****1637447****Autohitch - Dromone - Hydraulic Control****Page040-0170**

Item	Part Number	Qty	Description
1	3792875M92	1	Vane
2	4278480M1	1	Tube
3	4278479M1	1	Tube
4	3011071X91	2	Union
5	3011085X91	1	Union
6	3011084X91	1	Union

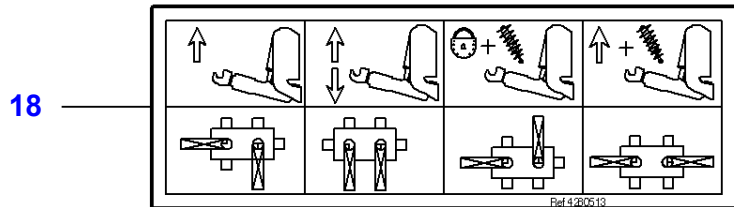
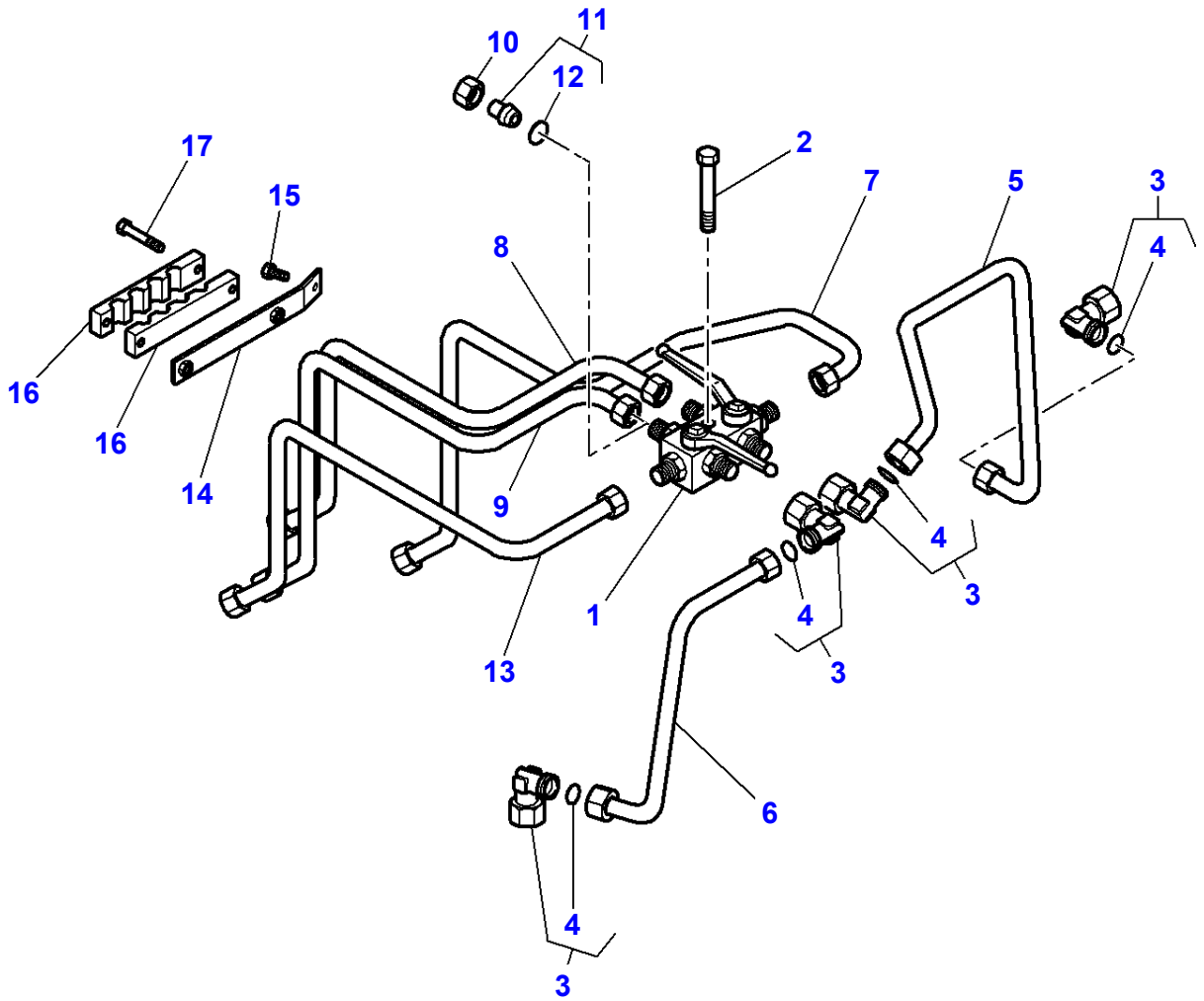
1-WQ21-005-B



Massey Ferguson**MF 8450/8460 TRACTOR - 1637447****1637447****Automatic Hitch - With Remote Control****Page040-0175**

Item	Part Number	Qty	Description	Comments
1	4271479M1	1	Handle	
2	4270512M1	1	Support	
3	4271478M2	1	Cable	Length 1800 MM
4	3600191M1	1	Clevis Pin	(3)

1-WQ39-018-B



Massey Ferguson**MF 8450/8460 TRACTOR - 1637447**

1637447

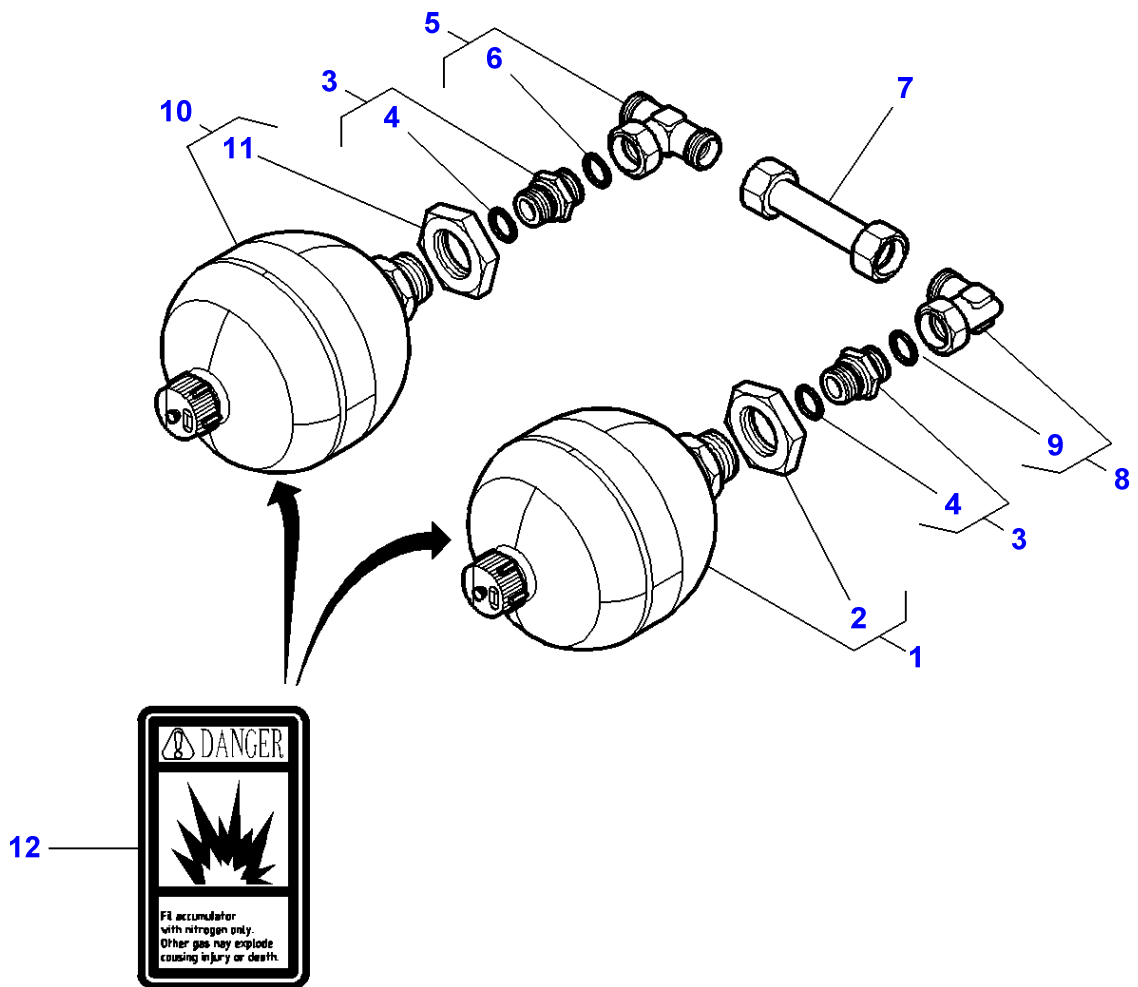
Page040-0180

Front Linkage - Hydraulic

Item	Part Number	Qty	Description	Comments
1	4275566M1	1	Vane	
2	1441967X1	2	Screw Metric	M6 X 45
3	3011085X91	3	Union	M22
4	3011147X1	1	O Ring	(3)
5	4278478M1	1	Tube	
6	4276168M1	1	Tube	
7	4277427M1	1	Tube	
8	4278477M1	1	Tube	
9	4278476M1	1	Tube	[A]
10	3011119X1	1	Nut	[B]
11	3011136X91	1	Tap	[B]
12	3011147X1	1	O Ring	[B] (11)
13	4277426M1	1	Tube	
14	4278481M1	1	Support	
15	339228X1	1	Hex. Sock. Screw	M8 X 12
16	4275693M2	2	Bridle	
17	339229X1	2	Hex. Sock. Screw	M6 X 40
18	4280513M1	1	Decal	

FOOTNOTE [A] WITH ACCUMULATOR**FOOTNOTE [B] WITHOUT ACCUMULATOR**

1-WQ39-019-A



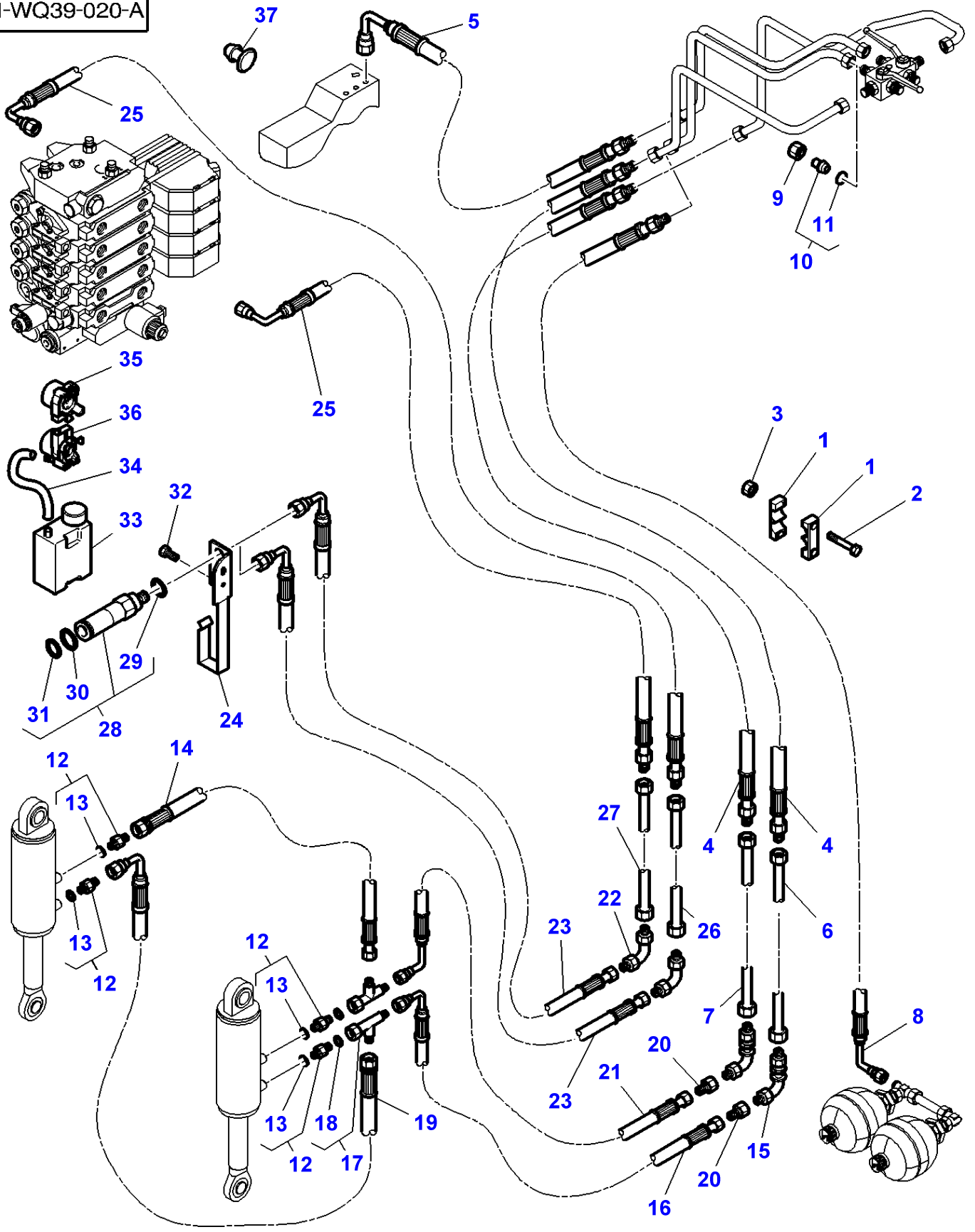
Front Linkage - Hydraulic - Accumulator

Item	Part Number	Qty	Description	Comments
1	4276645M1	1	Accumulator	[A] 44 Bars
2	3907430M1	1	Nut	(1)
3	3011548X91	2	Union	
4	3011154X1	1	Gasket	(3)
5	3011093X91	1	Union	M22
6	3011147X1	1	O Ring	(5)
7	4277428M2	1	Tube	
8	3011085X91	1	Union	
9	3011147X1	1	O Ring	(8)
10	4278484M1	1	Accumulator	[A] 17 Bars
11	3907430M1	1	Nut	(10)
12	3777021M3	1	Decal	

FOOTNOTE [A] THE APPROPRIATE SAFETY DECALS MUST BE ORDERED AND FITTED TO THIS PART

MF 8450/8460 TRACTOR - 1637447
1-WQ39-020-A

1-WQ39-020-A



Item	Part Number	Qty	Description	Comments
1	3786069M1	2	Bridle	
2	339229X1	2	Hex. Sock. Screw	M6 X 40
3	1441500X1	2	Locknut	M6
4	4276161M2	2	Hydr. Hose	Length 1450 MM
5	4278482M1	1	Hydr. Hose	Length 1370 MM
6	4276747M3	1	Tube	
7	4276746M3	1	Tube	
8	4278475M1	1	Hydr. Hose	[A] Length 900 MM
9	3011119X1	1	Nut	[B]
10	3011136X91	1	Tap	[B]
11	3011147X1	1	O Ring	[B] (10)
12	3011223X91	4	Union	
13	338923X1	1	Gasket	(23)
14	4278098M1	1	Hydr. Hose	Length 640 MM
15	3011065X1	2	Union	
16	4278100M1	1	Hydr. Hose	Length 480 MM
17	3011289X91	2	Teepiece	
18	3011146X1	1	O Ring	(17)
19	4278099M1	1	Hydr. Hose	Length 400 MM
20	3011071X91	2	Union	
21	4278101M1	1	Hydr. Hose	Length 520 MM
22	3011065X1	2	Union	[C]
23	4278096M1	2	Hydr. Hose	[C] Length 580 MM
24	4278318M2	1	Strap	[C]
25	4276160M2	2	Hydr. Hose	[C] Length 1700 MM
26	4276749M3	1	Tube	[C]
27	4276748M3	1	Tube	[C]
28	3785907M2	2	Female Coupler	[C]
29	3903520M1	1	Gasket	[C] (28)
30	3903512M2	1	Snapping	[C] (28)
31	368374X1	1	O Ring	[C] (28)
32	339761X1	2	Hex. Sock. Screw	[C] M8 X 25
33	3794303M1	1	Can	[C]
34	4279254M1	1	Hydr. Hose	[C] Length 100 MM
35	4278347M1	1	Breather	[C]
36	4278348M1	1	Breather	[C]
37	3389680M1	2	Plug	[D] Diameter 25,5 MM
	3713404M1	2	Plug	[D] Diameter 15 MM

FOOTNOTE [A] WITH ACCUMULATOR

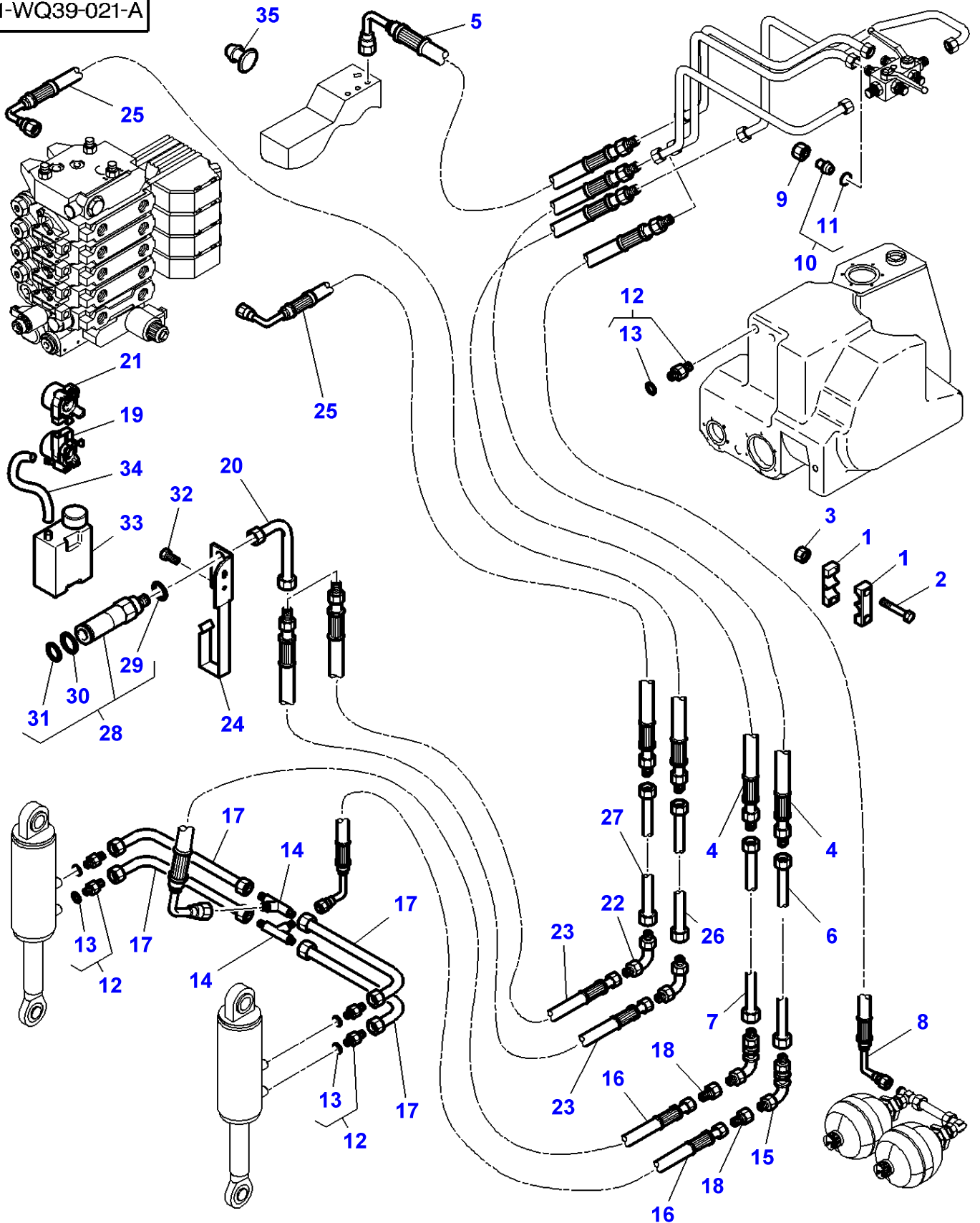
FOOTNOTE [B] WITHOUT ACCUMULATOR

FOOTNOTE [C] WITH HYDRAULIC COUPLING

FOOTNOTE [D] WITHOUT HYDRAULIC COUPLING

MF 8450/8460 TRACTOR - 1637447
1-WQ39-021-A

1-WQ39-021-A



Item	Part Number	Qty	Description	Comments
1	3786069M1	2	Bridle	
2	339229X1	2	Hex. Sock. Screw	M6 X 40
3	1441500X1	2	Locknut	M6
4	4276161M2	2	Hydr. Hose	Length 1450 MM
5	4278482M1	1	Hydr. Hose	Length 1370 MM
6	4276747M3	1	Tube	
7	4276746M3	1	Tube	
8	4278475M1	1	Hydr. Hose	[A] Length 900 MM
9	3011119X1	1	Nut	[B]
10	3011136X91	1	Tap	[B]
11	3011147X1	1	O Ring	[B] (10)
12	3011223X91	4	Union	
13	338923X1	1	Gasket	(12)
14	338737X1	2	Union	
15	3011065X1	2	Union	
16	4278100M1	2	Hydr. Hose	Length 480 MM
17	4279253M1	4	Tube	
18	3011071X91	2	Union	
19	4278348M1	1	Breather	[C]
20	4279248M1	2	Tube	[C]
21	4278347M1	1	Breather	[C]
22	3011065X1	2	Union	[C]
23	4279250M1	2	Hydr. Hose	[C] Length 580 MM
24	4278318M2	1	Strap	[C]
25	4276160M2	2	Hydr. Hose	[C] Length 1700 MM
26	4276749M3	1	Tube	[C]
27	4276748M3	1	Tube	[C]
28	3785907M2	2	Female Coupler	[C]
29	3903520M1	1	Gasket	[C] (28)
30	3903512M2	1	Snapping	[C] (28)
31	368374X1	1	O Ring	[C] (28)
32	339761X1	2	Hex. Sock. Screw	[C] M8 X 25
33	3794303M1	1	Can	[C]
34	4279254M1	1	Hydr. Hose	[C] Length 100 MM
35	3389680M1	2	Plug	[D] Diameter 25,5 MM
	3713404M1	2	Plug	[D] Diameter 15 MM

FOOTNOTE [A] WITH ACCUMULATOR

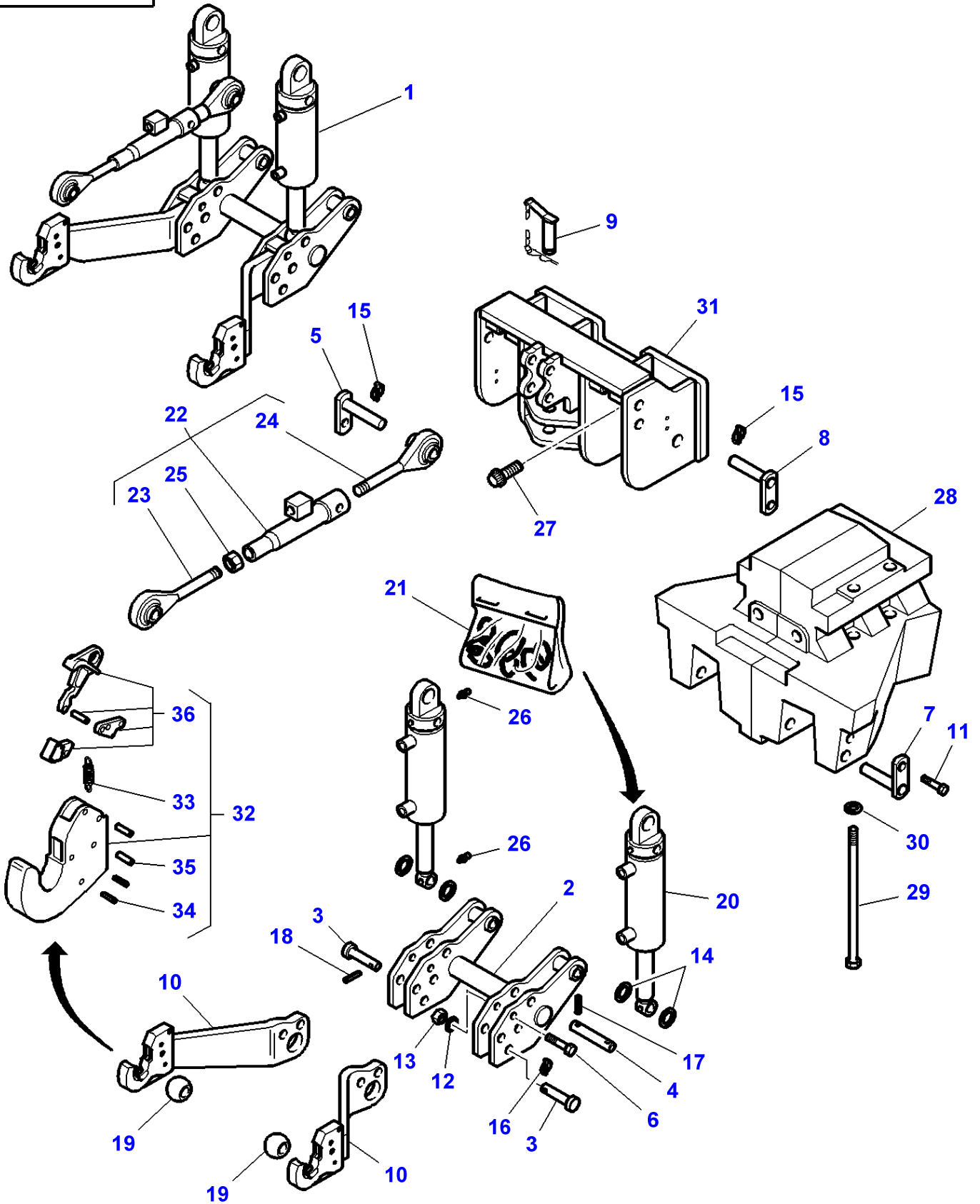
FOOTNOTE [B] WITHOUT ACCUMULATOR

FOOTNOTE [C] WITH HYDRAULIC COUPLING

FOOTNOTE [D] WITHOUT HYDRAULIC COUPLING

MF 8450/8460 TRACTOR - 1637447
1-WQ37-023-A

1-WQ37-023-A

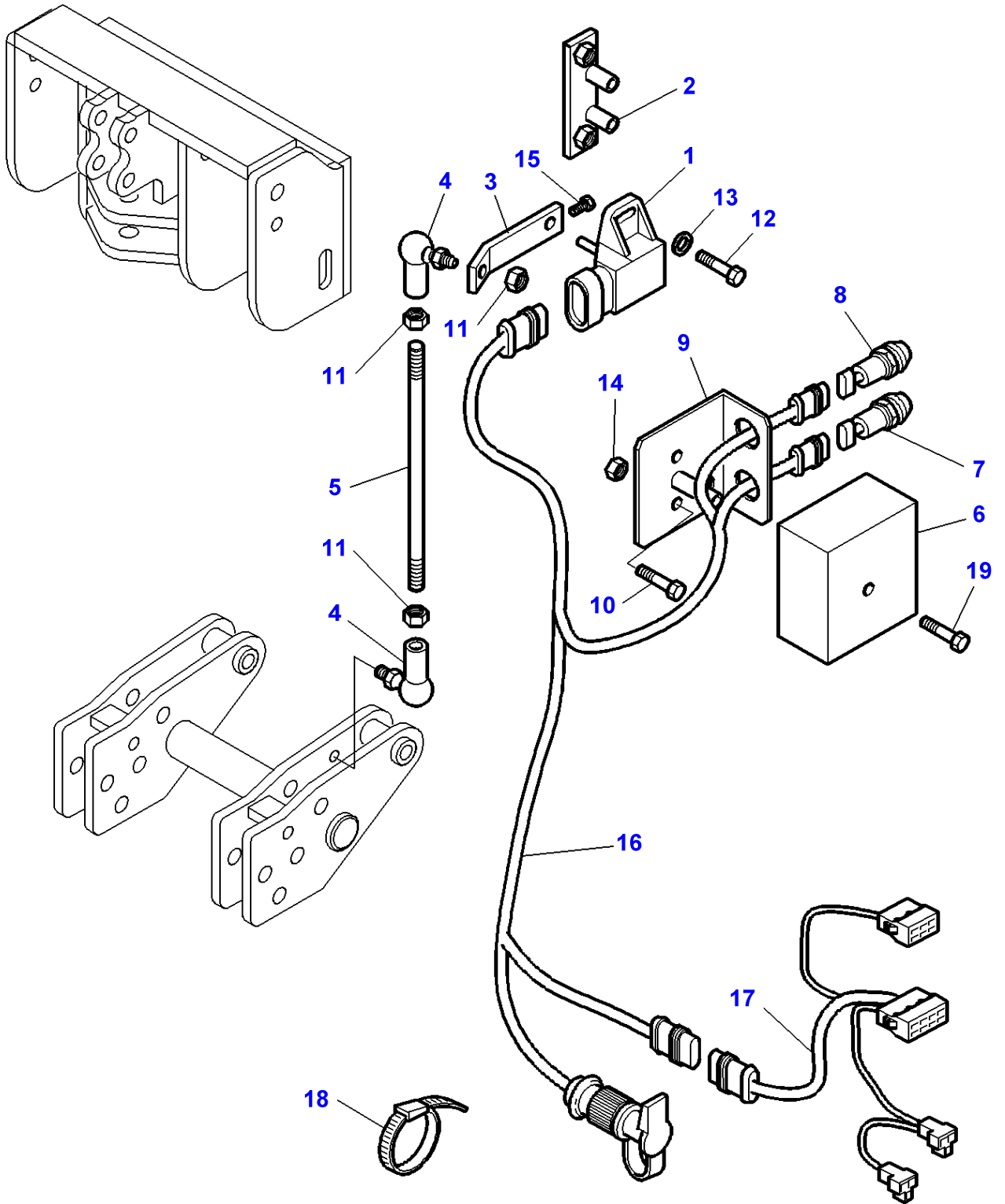


Front Linkage 35000N

Item	Part Number	Qty	Description	Comments
1	4276569M91	1	Hitch	
2	4276572M1	1	Support	(1)
3	3788596M1	4	Clevis Pin	(1)
4	3788597M1	2	Clevis Pin	(1)
5	3782680M1	1	Clevis Pin	(1)
6	3788599M1	2	Clevis Pin	(1)
7	4271645M1	2	Clevis Pin	(1)
8	4271646M1	2	Clevis Pin	(1)
9	3712122M1	1	Clevis Pin	(1)
10	3788600M1	1	Arm	(1)
				Right Hand
	3788601M1	1	Arm	(1)
				Left Hand
11	3382952M1	2	Hex. Sock. Screw	(1)
				M16 X 50
12	1443512X1	2	Washer	(1)
13	3788603M1	2	Locknut	(1)
				M24
14	3788604M1	4	Washer	(1)
				Diameter 36-50 X 4
15	3782684M1	3	Clip	(1)
				Diameter 8 MM
16	3788605M1	2	Clip	(1)
				Diameter 10,5 MM
17	3788607M1	2	Pin	(1)
				Diameter 8 X 50
18	3788608M1	2	Pin	(1)
				Diameter 12 X 50
19	3782685M1	2	Toggle	(1)
				CAT 3
	3782686M1	2	Toggle	(1)
				CAT 2-3
20	4276570M1	1	Ram	(1)
				Right Hand 3504846069RO
	4278050M1	1	Ram	(1)
				Left Hand 3504846068RO
21	3903317M91	1	Kit, Joint	(20)
22	3788609M1	1	Bar	(1)
23	3900885M1	1	Toggle	(22)
24	3903895M1	1	Toggle	(22)
25	3900887M1	1	Nut	(22)
				M30
26	3900862M1	4	Greaser	(1)
				M6
27	3010563X1	8	Screw	M20 X 90
28	4271642M2	1	Weight	
29	3010965X1	4	Hex. Sock. Screw	M20 X 420
30	385365X1	4	Washer	Diameter 20-37 X 5
31	4276571M1	1	Support	
32		1	Hook	CAT 3/2
				Not serviced, order REF. 10
33	3903949M1	1	Spring	(32)
34	3903947M91	1	Kit, Roll Pins	(32)
35	3903948M91	1	Kit, Roll Pins	(32)
36	3903946M91	1	Kit, Lever	(32)

MF 8450/8460 TRACTOR - 1637447
1-WQ37-024-A

1-WQ37-024-A



Front Linkage 35000N

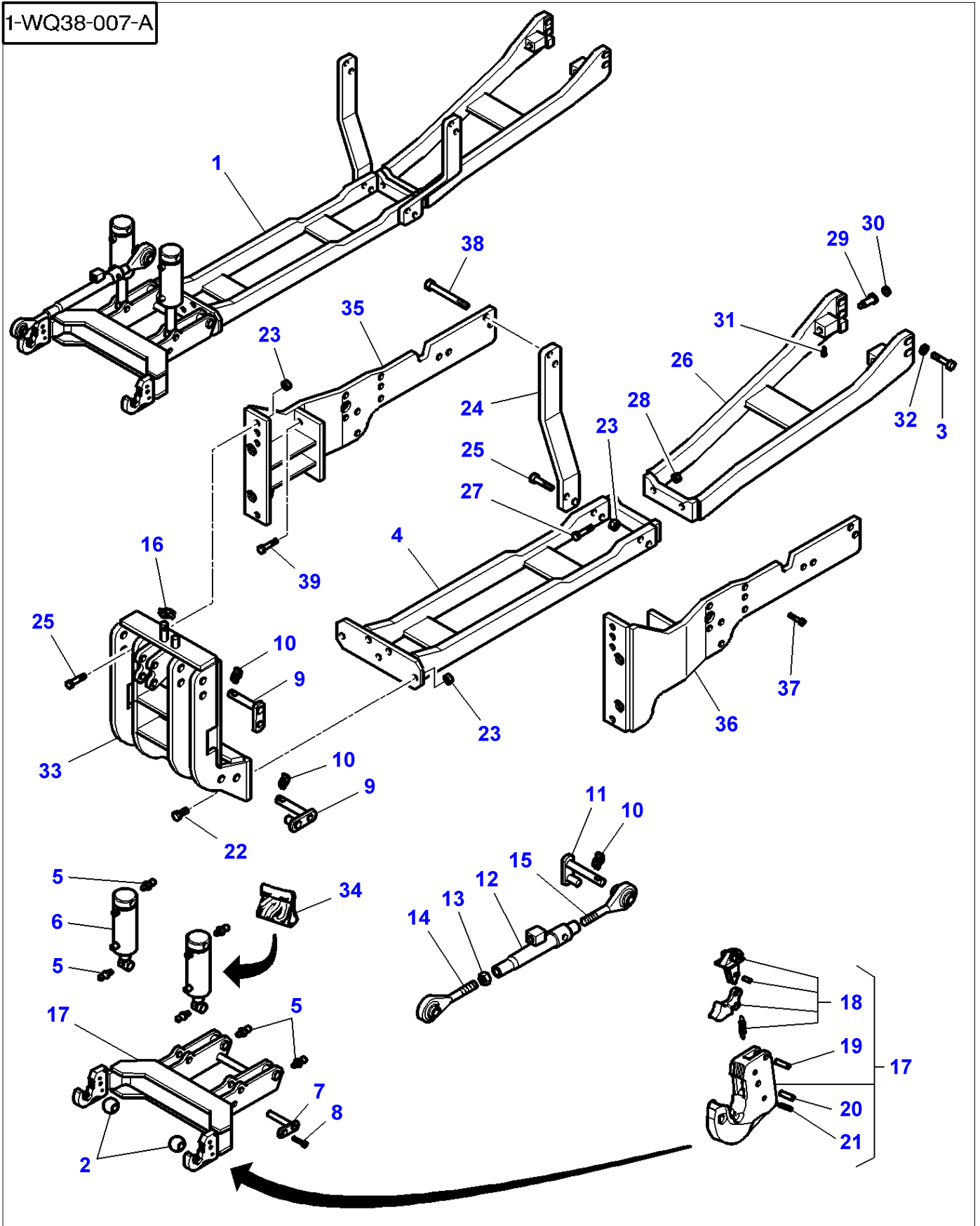
Item	Part Number	Qty	Description	Comments
1	3784361M1	1	Transducer	
2	3786146M2	1	Support	
3	3786147M2	1	Rod Link	Length 100 MM
4	3778648M1	2	Stub	M8
5	3786158M2	1	Stem	M8 Length 385 MM
6	3786187M1	1	Cover	
7	3714137M1	1	Switch,Indirect	[A]
8	3714138M1	1	Switch,Indirect	[B]
9	3786188M1	1	Support	
10	339009X1	2	Hex. Sock. Screw	M8 X 35
11	3011202X1	3	Nut	M8
12	1442171X1	2	Hex. Sock. Screw	M4 X 10
13	339102X1	2	Washer	Diameter 4-9 X 1
14	339169X1	2	Nut	M8
15	3011203X1	1	Screw	M4 X 10
16	3786263M1	1	Harness	Up to Serial or Engine Number 26-OCT-2004
	4280288M1	1	Harness	From Serial or Engine Number 27-OCT-2004
17	3786264M2	1	Harness	Up to Serial or Engine Number 26-OCT-2004 Length 2150 MM
18	3619622M1	X	Cable Tie	
19	391074X1	1	Hex. Sock. Screw	M6 X 12

FOOTNOTE [A] UP

FOOTNOTE [B] DOWN

MF 8450/8460 TRACTOR - 1637447
1-WQ38-007-A

1-WQ38-007-A

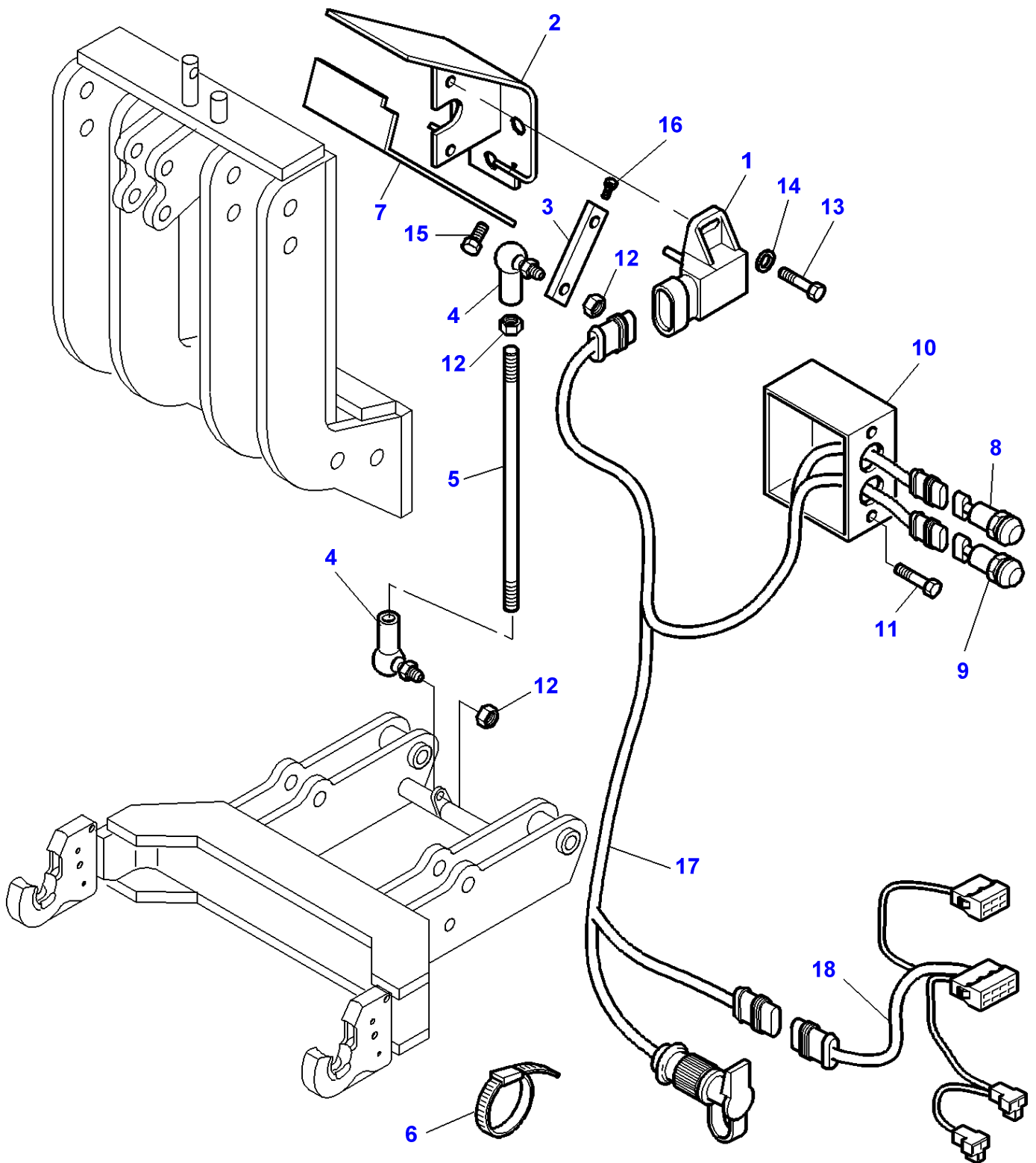


Front Linkage 50000N

Item	Part Number	Qty	Description	Comments
1	4273685M91	1	Hitch	
2	3782685M1	2	Toggle	(1) CAT 3
	3782686M1	2	Toggle	(1) CAT 2-3
3	3010915X1	4	Hex. Sock. Screw	(1) M20 X 70
4	4276033M1	1	Transverse	(1)
5	3900862M1	6	Greaser	(1) M6
6	4276810M1	2	Ram	(1)
7	3783023M1	2	Clevis Pin	(1)
8	339020X1	2	Hex. Sock. Screw	(1) M12 X 20
9	3783022M1	4	Clevis Pin	(1)
10	3782684M1	5	Clip	(1) Diameter 8 X 45
11	3783024M1	1	Support	(1)
12	3783027M1	1	Body	(1)
13	3010927X1	1	Nut	(1) M36
14	3783029M1	1	Toggle	(1) Right Hand
15	3783030M1	1	Toggle	(1) Left Hand
16	3782691M1	1	Clip	(1) Diameter 6 X 45
17	3783021M2	1	Arm	(1)
18	3903314M91	1	Kit, Repair	(17)
19	3006429X1	1	Pin	(17) Diameter 10 X 36
20	3008317X1	1	Pin	(17) Diameter 13 X 36
21	339783X1	1	Pin	(17) Diameter 6 X 32
22	3001968X1	5	Hex. Sock. Screw	(1) M20 X 60
23	3009747X1	17	Nut	(1) M20
24	3783168M1	1	Stirrup	(1) Right Hand
	3783169M1	1	Stirrup	(1) Left Hand
25	391329X1	12	Hex. Sock. Screw	(1) M20 X 70
26	4273684M1	1	Transverse	(1)
27	3010164X1	2	Hex. Sock. Screw	(1) M18 X 80
28	392335X1	2	Nut	(1) M18
29	3619813M1	2	Screw	(1)
30	3619814M1	2	Washer	(1)
31	1440349X1	2	Screw	(1) M8 X 30
32	390039X1	4	Washer	(1)
33	4276811M3	1	Frame	
34	3903317M91	1	Kit, Joint	
35	3783633M6	1	Runner	Right Hand
36	3783632M5	1	Runner	Left Hand
37	3384129M1	8	Hex. Sock. Screw	M20 X 55
	391329X1	4	Hex. Sock. Screw	M20 X 70
38	391914X1	4	Hex. Sock. Screw	M20 X 110
39	3384129M1	2	Hex. Sock. Screw	M20 X 55

MF 8450/8460 TRACTOR - 1637447
1-WQ38-008-A

1-WQ38-008-A



Front Linkage 50000N

Item	Part Number	Qty	Description	Comments
1	3784361M1	1	Transducer	
2	3786259M1	1	Support	
3	3786098M2	1	Rod Link	Length 56 MM
4	3782780M1	2	Stub	M6
5	3786131M2	1	Stem	M6 Length 24 MM
6	3619622M1	10	Cable Tie	
7	3786133M2	1	Cowl	
8	3714137M1	1	Switch,Indirect	[A]
9	3714138M1	1	Switch,Indirect	[B]
10	3786186M2	1	Support	
11	339009X1	2	Hex. Sock. Screw	M8 X 35
12	3011202X1	3	Nut	M8
13	1442171X1	2	Hex. Sock. Screw	M4 X 10
14	339102X1	2	Washer	Diameter 4-9 X 1
15	3009491X1	2	Hex. Sock. Screw	M10 X 20
16	3011203X1	1	Screw	M4 X 10
17	3786263M1	1	Harness	Up to Serial or Engine Number 26-OCT-2004
	4280288M1	1	Harness	From Serial or Engine Number 27-OCT-2004
18	3786264M2	1	Harness	Up to Serial or Engine Number 26-OCT-2004 Length 2150 MM

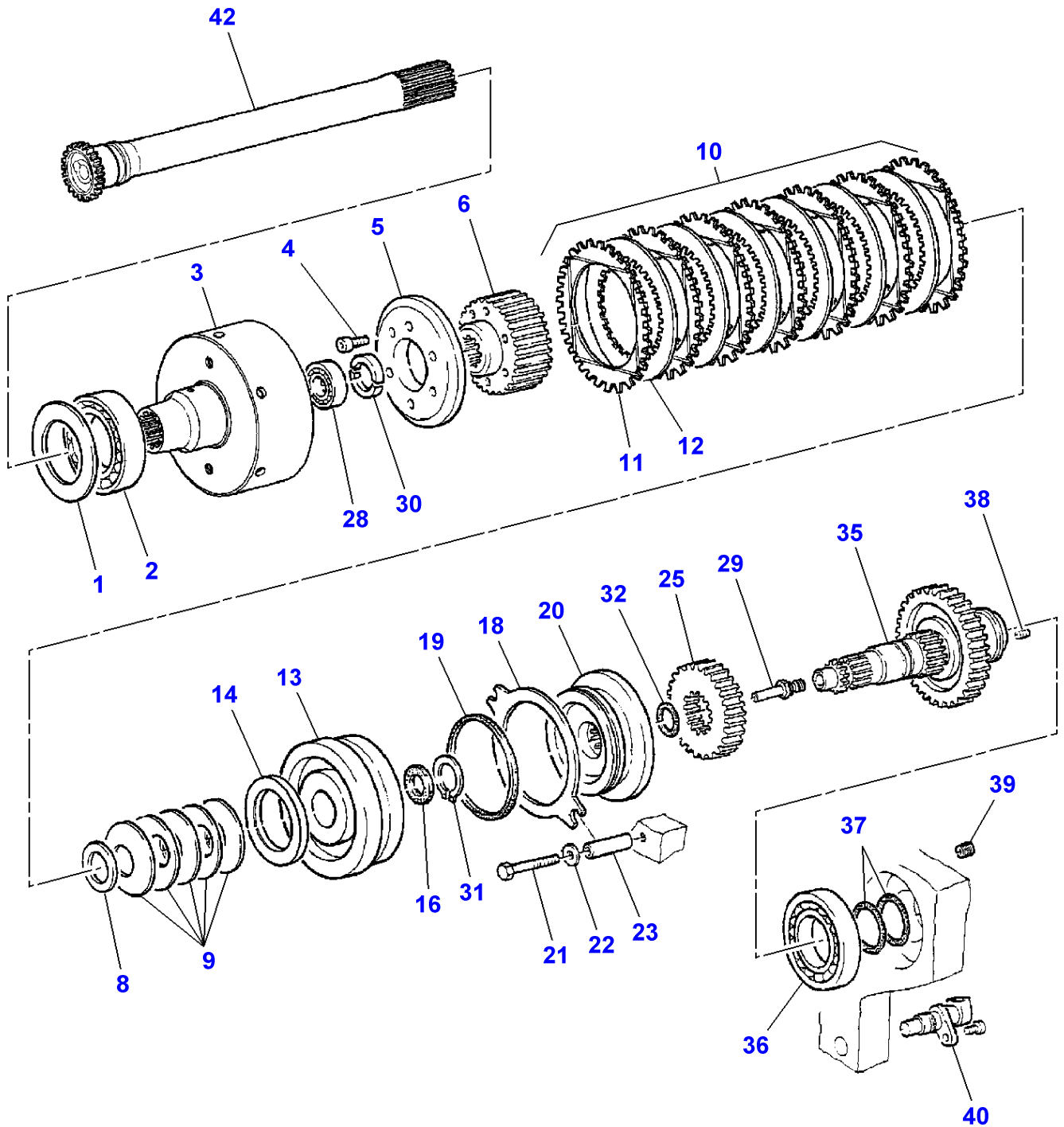
FOOTNOTE [A] UP

FOOTNOTE [B] DOWN

Page Title	Page Number
Independant Power Take Off Clutch	050-0005
Engine P . T . O - Flange - Bridle	050-0010
Engine P . T . O - Cylinder	050-0015
Engine P . T . O - Pipes	050-0020
Guard - Pto - WITH CLEVIS QUICK ADJUSTMENT	050-0025
Guard - Pto	050-0030
Guard - Pto	050-0035

MF 8450/8460 TRACTOR - 1637447
1-WG23-013-A

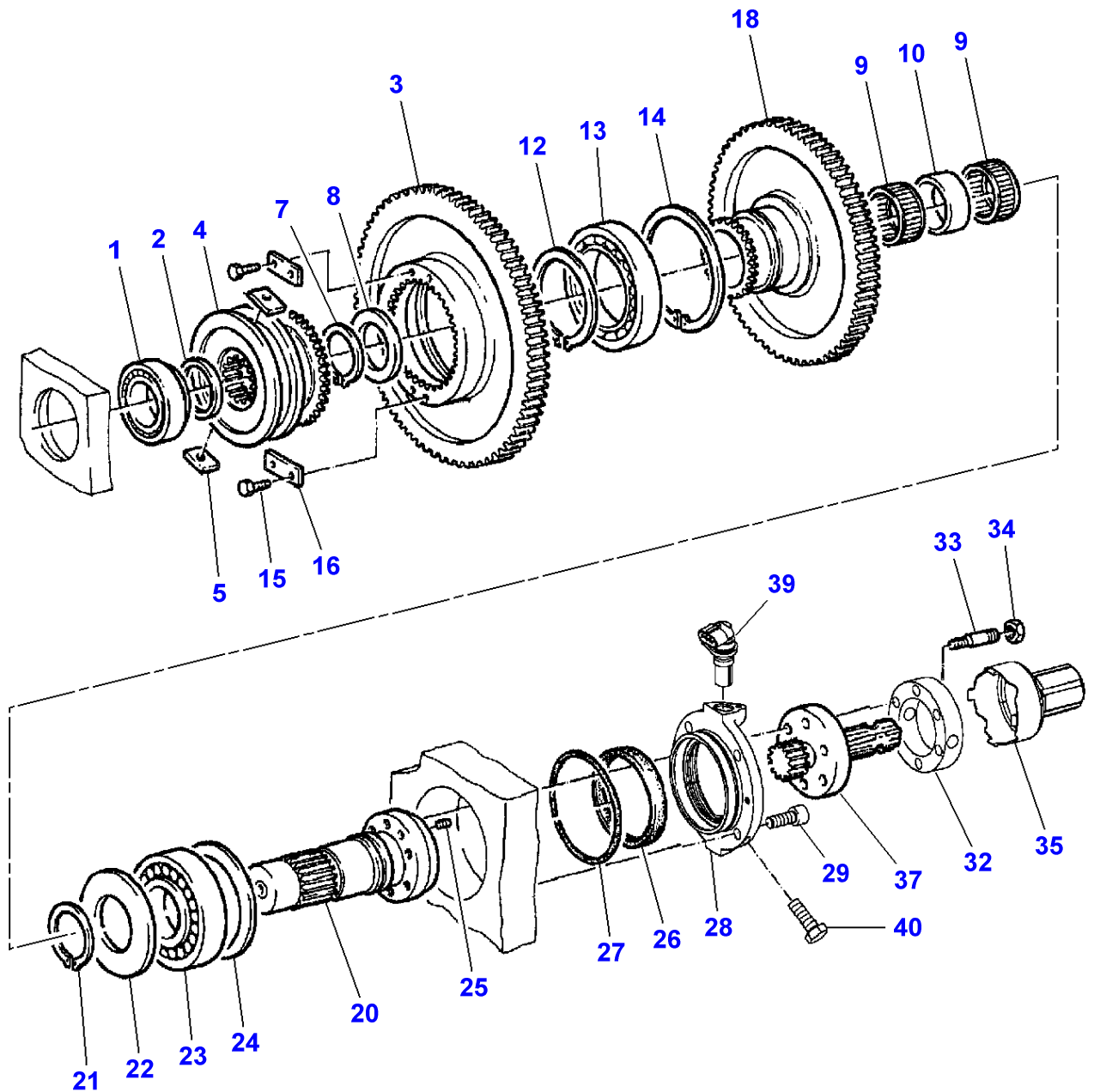
1-WG23-013-A



Independent Power Take Off Clutch

Item	Part Number	Qty	Description	Comments
1	X534.677.046.000	X	Shim	Thickness 0,10 MM
	X534.677.146.000	X	Shim	Thickness 0,30 MM
2	X605.506.311.000	1	Ball Bearing	
3	926.150.220.160	1	Clutch Housing	
4	X493.607.305.000	6	Hex. Sock. Screw	M8 X 20
5	822.100.220.170	1	Backup Ring	
6	822.100.220.040	1	Disc Carrier	
8	X534.767.700.000	X	Shim	Thickness 0,50 MM
	X534.767.900.000	X	Shim	Thickness 1,00 MM
9	822.100.220.510	5	Cup Spring	
10	G926.150.220.040	1	Kit, Disc	
11		7	External Disc	(10) Not serviced,order REF. 10
12		6	Internal Disc	(10) Not serviced,order REF. 10
13	822.100.220.840	1	Piston	
14	822.100.220.860	1	Ring	
16	822.100.220.530	1	Support Cover	
18	514.100.220.630	1	Compens. Sheet	
19	822.100.220.380	1	Support Cover	
20	822.100.220.850	1	Brake Disc	
21	X487.532.541.000	2	Hex. Sock. Screw	M10 X 70
22	X521.404.447.000	2	Spring Plate	
23	822.100.220.080	2	Bush	
25	822.100.220.340	1	Spur Gear	Not for USA 750-1000 TR/MM Number of teeth/spines 25
	824.100.220.010	1	Spur Gear	540-1000 TR/MM Number of teeth/spines 22
28	H822.100.220.070	1	Ball Bearing	
29	916.100.220.010	1	Nozzle	
30	199.100.080.110	2	Banjo Fitting	
31	X530.005.446.000	1	Circlip	Diameter 45 X 1,75
32	X548.909.366.000	1	O Ring	Diameter 40,2 X 3
35	822.100.220.520	1	Shaft	
36	G822.100.220.030	1	Bearing Roller	
37	X560.505.900.000	2	Plain Compr.Ring	
38	X412.823.106.000	1	Screw	M10 X 12
39	822.100.220.120	1	Shroud	
40		1	Transmitter	See Page - Reference Number 090-0085/11
42	916.100.080.300	1	Shaft	

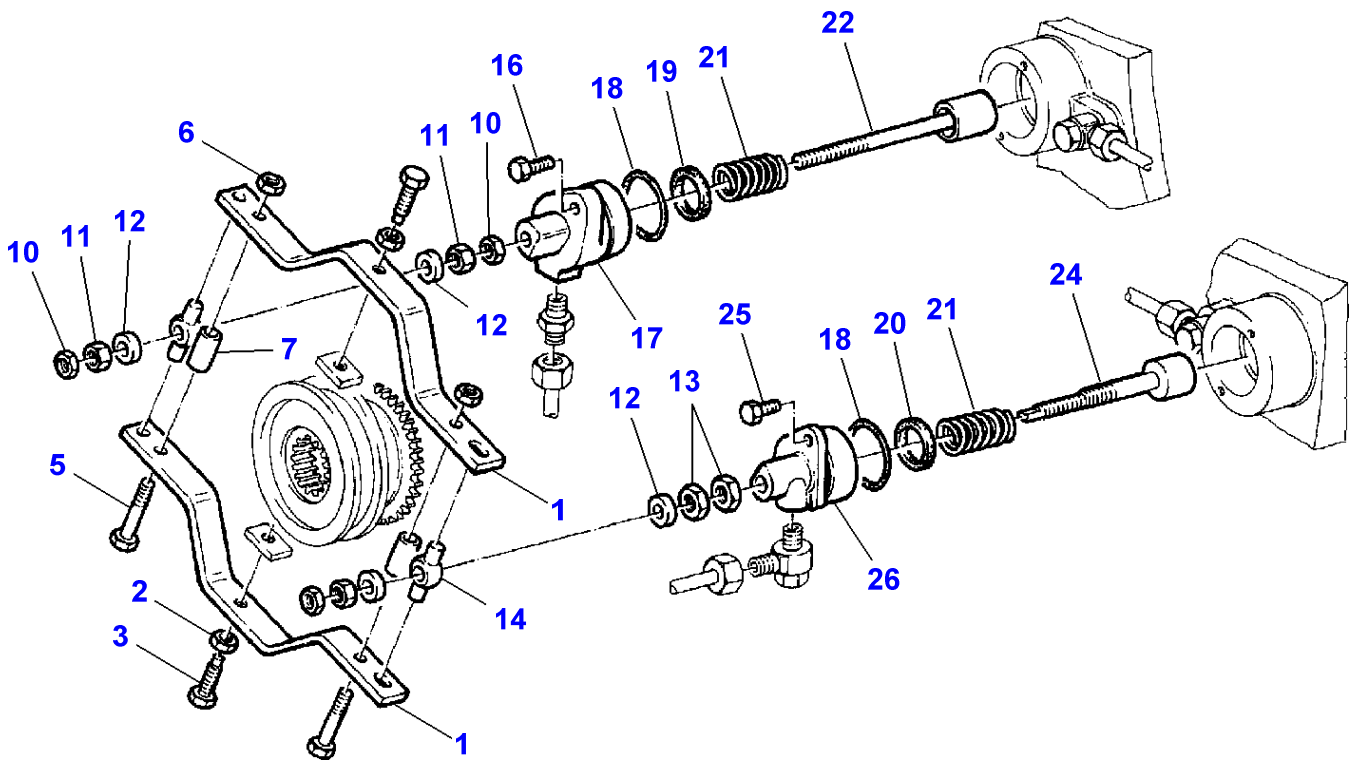
1-WG78-002-A



Item	Part Number	Qty	Description	Comments
1	X619.049.041.009	1	Cup And Cone	
2	X534.566.246.000	1	Backup Ring	Diameter 50 X 62
3	822.100.220.310	1	Spur Gear	Not for USA 750-1000 TR/MM Number of teeth/spines 74
	824.100.220.020	1	Spur Gear	540-1000 TR/MM Number of teeth/spines 83
4	822.100.220.330	1	Coupler	
5	822.100.220.150	2	Slide	
7	X530.006.146.000	1	Circlip	Diameter 55 X 2
8	822.100.220.210	1	Disc	
9	H312.100.222.020	2	Needle Cage	
10	822.100.220.220	1	Spacer	
12	X530.007.946.000	1	Circlip	Diameter 85 X 3
13	X605.506.600.000	1	Ball Bearing	
14	X530.325.046.000	1	Circlip	Diameter 130 X 4
15	X487.520.041.000	4	Hex. Sock. Screw	M6 X 16
16	822.100.220.200	2	Stop	
18	822.100.220.300	1	Spur Gear	Number of teeth/spines 65
20	H822.100.220.010	1	Shaft	
21	X530.009.100.000	1	Circlip	Diameter 65 X 4
22	716.151.220.210	1	Thrust Washer	
23	X619.049.341.009	1	Cup And Cone	
24	X534.678.300.000	X	Shim	Thickness 0,10 MM
	X534.678.400.000	X	Shim	Thickness 0,15 MM
	X534.678.500.000	X	Shim	Thickness 0,20 MM
	X534.678.600.000	X	Shim	Thickness 0,30 MM
	X534.678.700.000	X	Shim	Thickness 0,50 MM
25	X413.420.206.000	2	Grub Screw	M6 X 16
26	X550.162.800.000	1	Oil Seal	95 X 110 X 10
27	X548.994.700.000	1	O Ring	Diameter 114 X 3
28	926.150.220.200	1	Cover	
29	X485.018.905.000	4	Hex. Sock. Screw	M12 X 35
32	926.150.220.050	1	Spacer	
33	X489.132.106.000	6	Stud	M10 X 50
34	X428.202.805.000	6	Nut	M10
35	926.150.220.060	1	Pto Guard	
37	926.150.220.040	1	Pto Shaft	Number of teeth/spines 21
	926.150.220.030	1	Pto Shaft	[A] Number of teeth/spines 6
	926.150.220.020	1	Pto Shaft	Number of teeth/spines 20
39		1	Transmitter	See Page - Reference Number 090-0085/11
40	X487.545.241.000	1	Hex. Sock. Screw	M16 X 40

FOOTNOTE [A] OPTION ONLY

1-WG90-001-A



Massey Ferguson**MF 8450/8460 TRACTOR - 1637447**

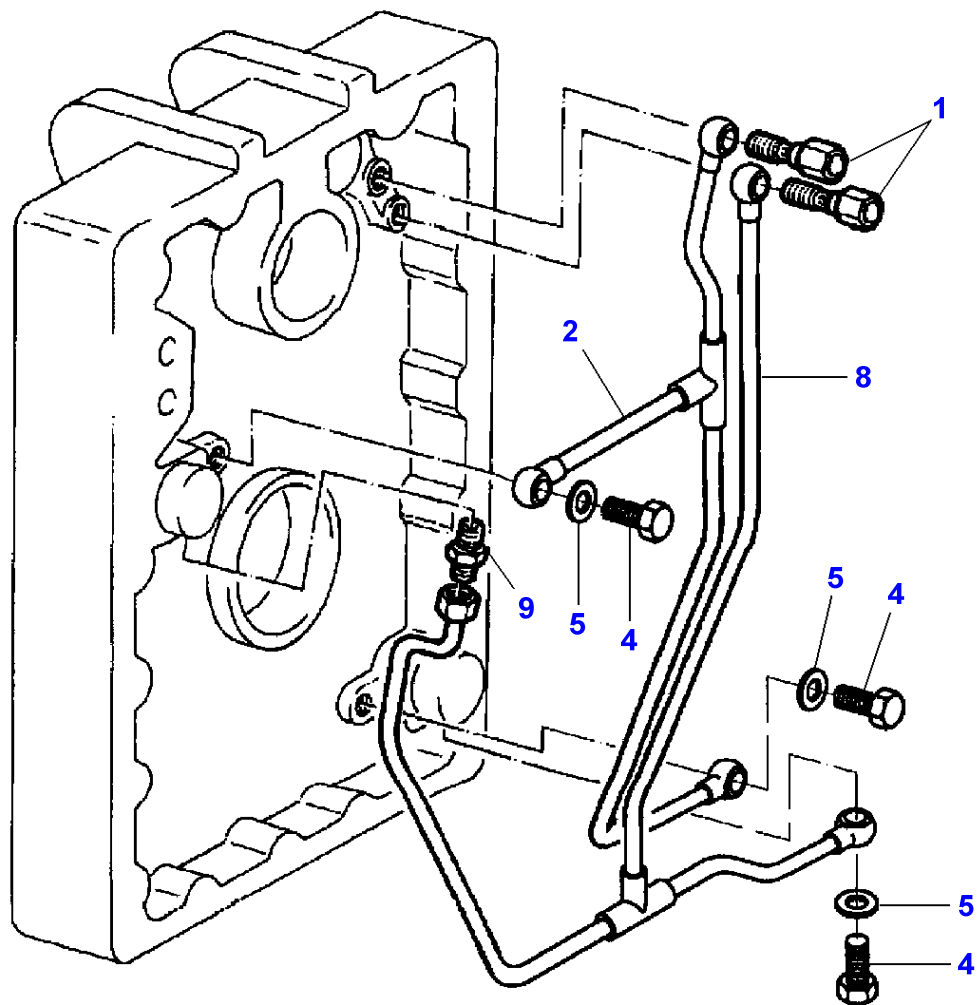
1637447

Engine P . T . O - Cylinder

Page050-0015

Item	Part Number	Qty	Description	Comments
1	822.100.220.250	2	Stirrup	
2	X428.203.203.000	2	Nut	M12
3	822.100.220.390	2	Stud	
5	X487.532.541.000	2	Hex. Sock. Screw	M10 X 70
6	X428.202.839.000	2	Nut	M10
7	822.100.220.260	2	Tube	
10	X428.803.240.000	3	Nut	M12
11	X428.203.203.000	3	Nut	M12
12	822.100.220.470	4	Disc	
13	X428.804.040.000	2	Nut	M16
14	822.100.220.240	2	Spacer	
16	X487.531.941.000	2	Hex. Sock. Screw	M10 X 40
17	822.100.220.100	1	Cylinder	
18	X548.926.801.000	2	O Ring	Diameter 50 X 3
19	X548.766.700.000	1	Seal Section	
20	X548.767.000.000	1	Seal Section	
21	822.100.220.110	2	Comp.Spring	
22	H822.100.220.080	1	Piston	
24	822.100.220.610	1	Piston	
25	X487.531.505.000	2	Hex. Sock. Screw	M10 X 25
26	822.100.220.620	1	Cylinder	

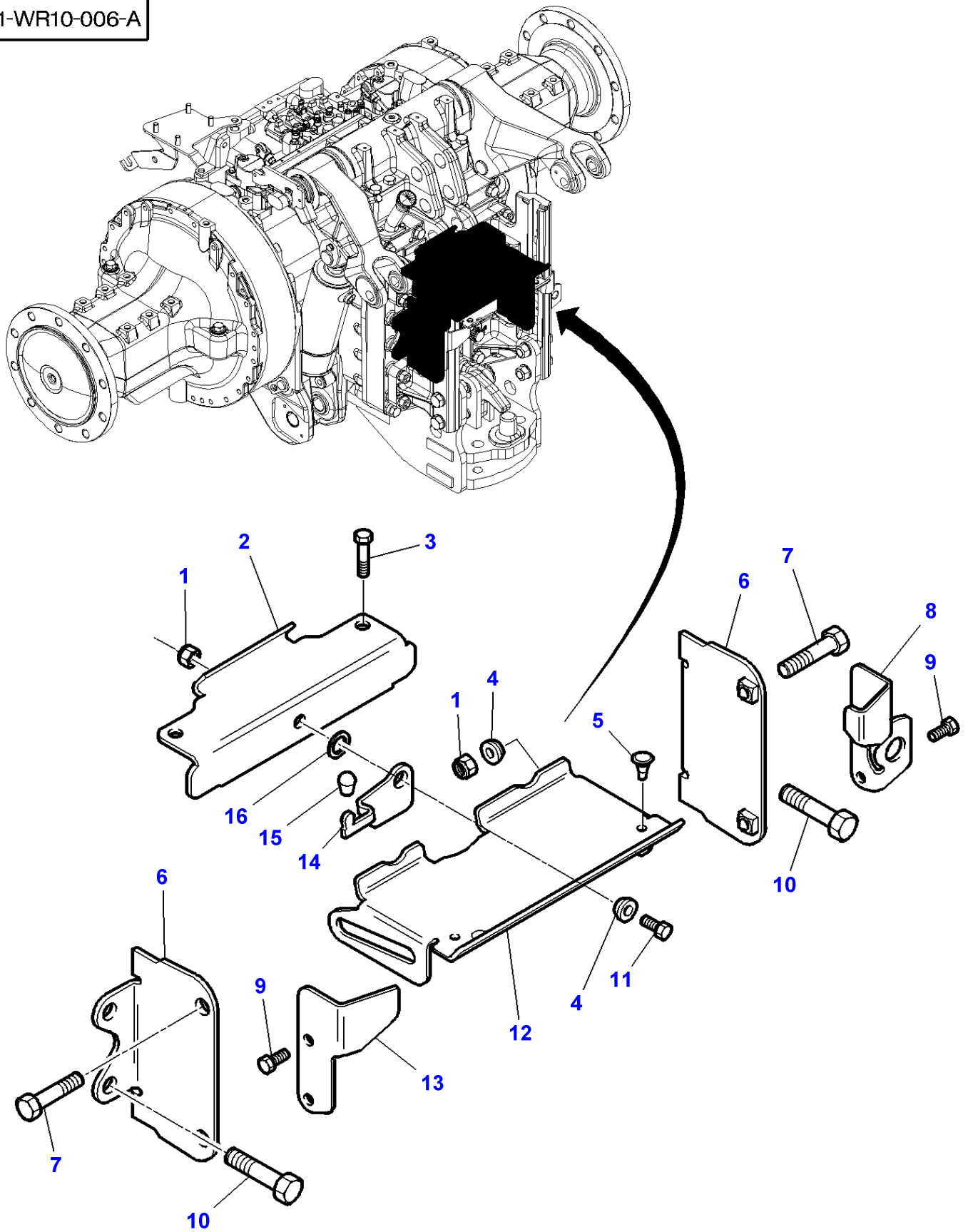
1-WG29-003-A



Massey Ferguson**MF 8450/8460 TRACTOR - 1637447****1637447****Engine P . T . O - Pipes****Page050-0020**

Item	Part Number	Qty	Description
1	822.100.620.400	2	Center Piece
2	H822.100.620.310	1	Pipe
4	822.100.620.460	3	Union
5	X450.008.708.000	3	Washer
8	H822.100.620.300	1	Pipe
9	822.100.620.450	1	Thread. Part

1-WR10-006-A



Massey Ferguson**MF 8450/8460 TRACTOR - 1637447**

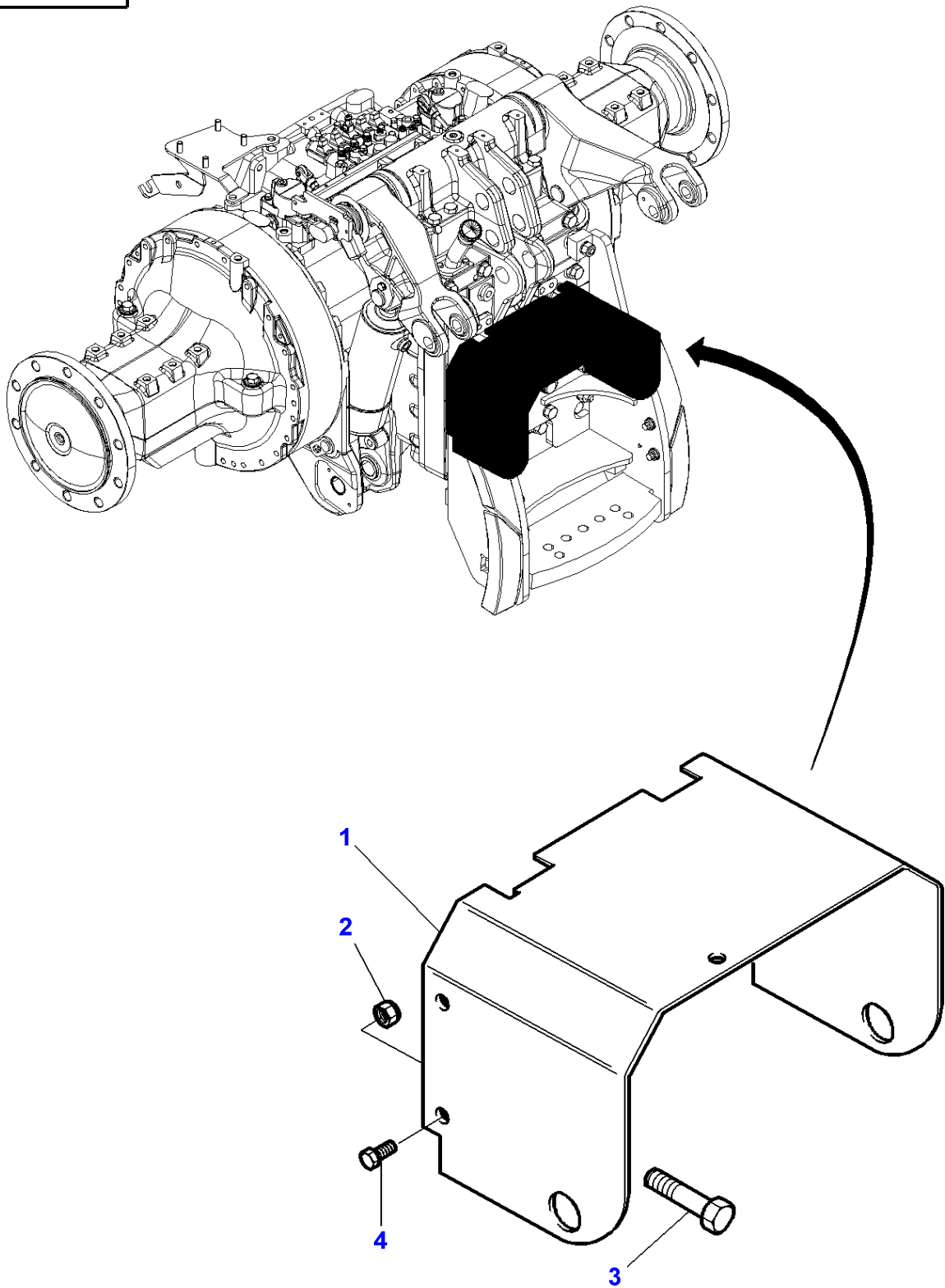
1637447

Guard - Pto - WITH CLEVIS QUICK ADJUSTMENT

Page050-0025

Item	Part Number	Qty	Description	Comments
1	1440329X1	3	Locknut	
2	H916.501.110.010	1	Holder	
3	339337X1	2	Hex. Sock. Screw	M8 X 30
4	816.960.700.020	3	Bush	
5	205.900.163.040	2	Plug	
6	H916.501.110.021	2	Protector	
7	3009494X1	2	Hex. Sock. Screw	M10 X 35
8	916.501.110.060	1	Stand	Right Hand
9	339123X1	4	Hex. Sock. Screw	M8 X 20
10	3011545X1	4	Hex. Sock. Screw	M18 X 110
11	3009492X1	1	Hex. Sock. Screw	M10 X 25
12	916.501.110.031	1	Flap	
13	916.501.110.050	1	Stand	Left Hand
14	916.501.110.040	1	Lever	
15	X562.555.063.000	1	Cap	
16	311.200.020.050	1	Disc	

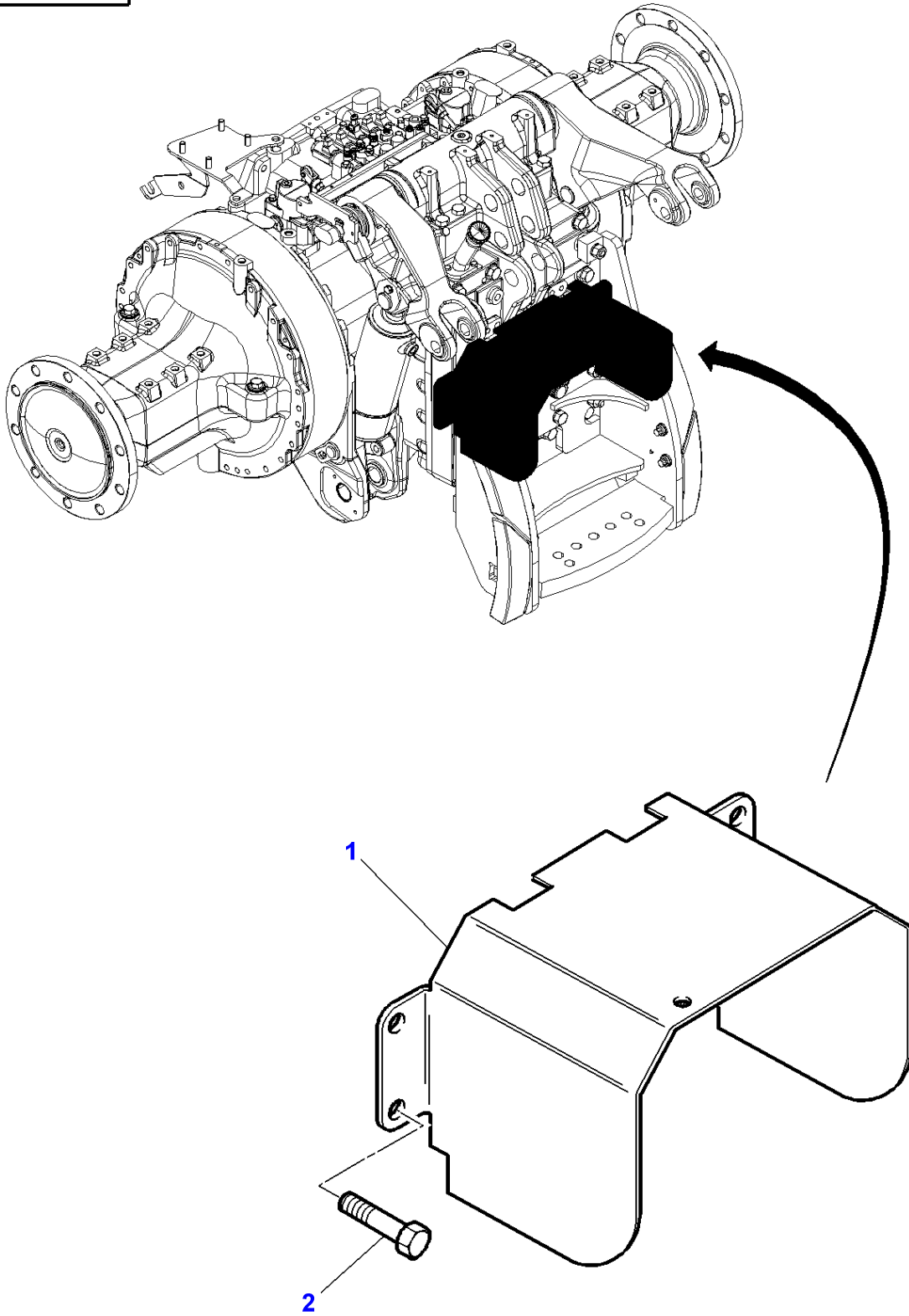
1-WR10-007-A



Massey Ferguson**MF 8450/8460 TRACTOR - 1637447****1637447****Guard - Pto****Page050-0030**

Item	Part Number	Qty	Description	Comments
1	920501110010	1	Pto Guard	
2	339402X1	4	Nut	
3	3011545X1	4	Hex. Sock. Screw	M18 X 110
4	3009494X1	4	Hex. Sock. Screw	M10 X 35

1-WR10-008-A



Massey Ferguson

MF 8450/8460 TRACTOR - 1637447

1637447

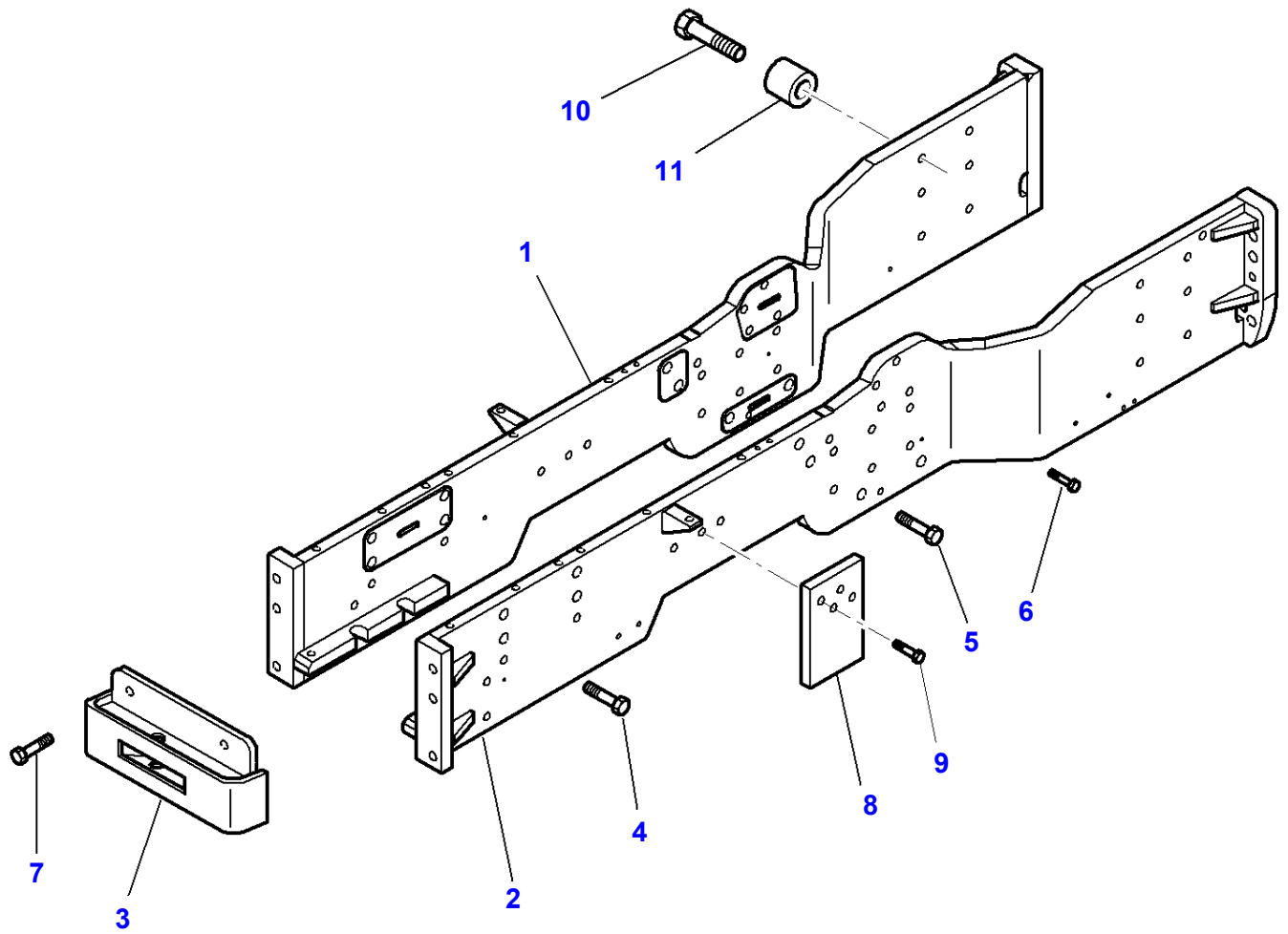
Guard - Pto

Page050-0035

Item	Part Number	Qty	Description	Comments
1	4276969M1	1	Cowl	
2	3011545X1	4	Hex. Sock. Screw	M18 X 110

Page Title	Page Number
Weight Frame And Tow Pin	060-0005
Weight Frame And Tow Pin	060-0010
Weight Frame And Tow Pin - With Front Lift	060-0015
Weight Frame And Tow Pin	060-0020
Belly Weight	060-0025
Front Axle 4 Wheel Drive - Bracket	060-0030
Front Axle 4 Wheel Drive - Differential Lock Mechanism	060-0035
Guard And Transmission Shaft	060-0040
Front Axle 4 Wheel Drive - Clutch	060-0045
Front Axle 4 Wheel Drive - Clutch	060-0050
Front Axle 4 Wheel Drive	060-0055
Front Axle 4 Wheel Drive - Housing	060-0060
Front Axle 4 Wheel Drive - Differential	060-0065
Front Axle 4 Wheel Drive - Final Drive	060-0070

1-WX15-011-B



Weight Frame And Tow Pin

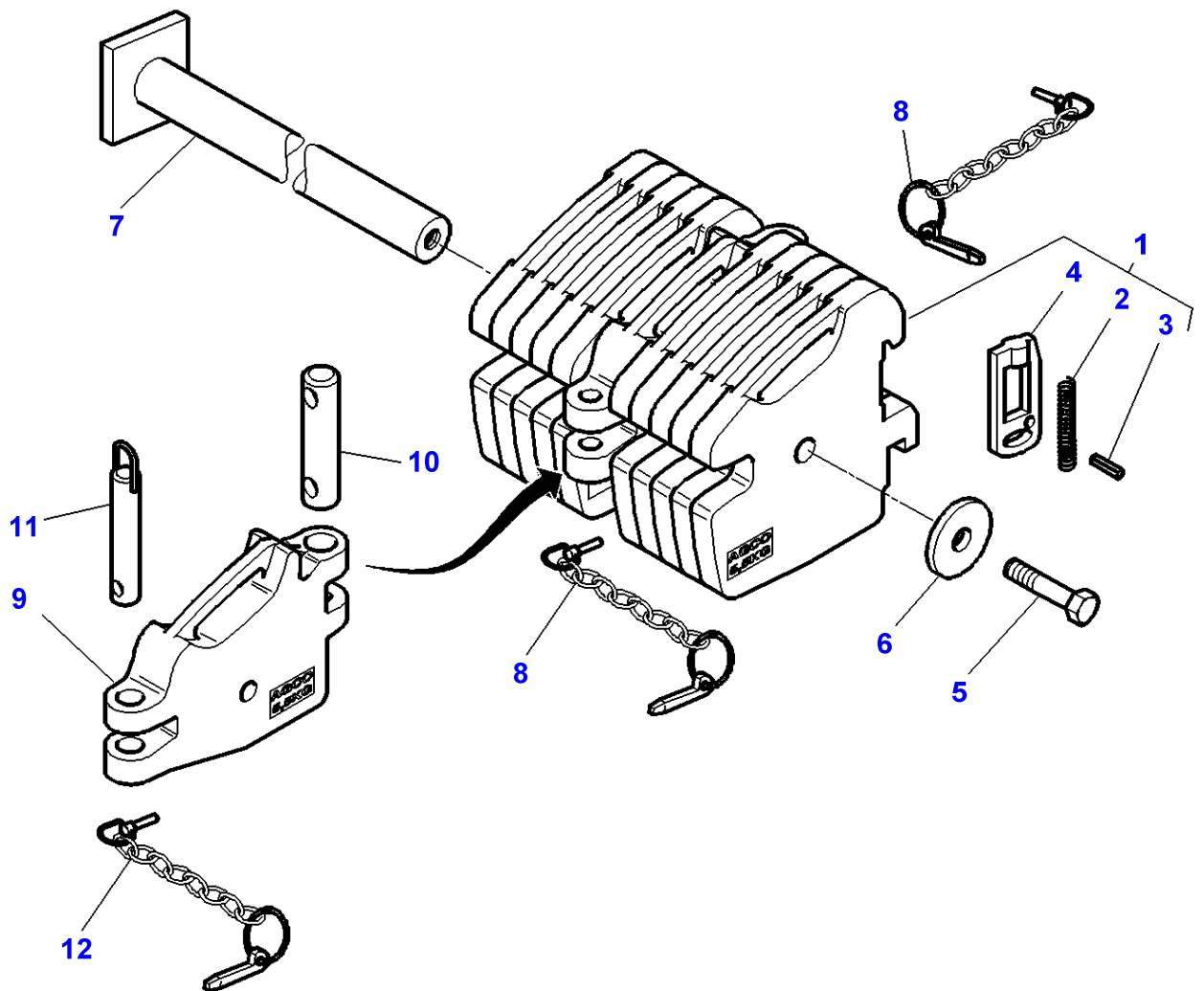
Item	Part Number	Qty	Description	Comments
1	4278255M93	1	Runner	Right Hand
2	4278254M93	1	Runner	Left Hand
3	3781211M93	1	Support	
4	3581527M1	12	Hex. Sock. Screw	[A] M20 X 75
	3581527M1	12	Hex. Sock. Screw	[B] M20 X 75
	3010966X1	6	Hex. Sock. Screw	[C] M20 X 75
	3010976X1	2	Screw	[C] M20 X 75
	391914X1	4	Hex. Sock. Screw	[C] M20 X 110
5	3010915X1	4	Hex. Sock. Screw	M20 X 70
6	3010782X1	8	Hex. Sock. Screw	M14 X 55
7	3384129M1	4	Hex. Sock. Screw	M20 X 55
8	5015565M1	2	Plate	
9	3010894X1	4	Hex. Sock. Screw	M20 X 50
	3010915X1	4	Hex. Sock. Screw	[C] M20 X 70
10	3001968X1	1	Hex. Sock. Screw	M20 X 60
11	3011675X1	1	Spacer	Diameter 21-28.5 X 30

FOOTNOTE [A] WITHOUT FRONT LINKAGE

FOOTNOTE [B] WITH FRONT LINKAGE 35000N

FOOTNOTE [C] WITH FRONT LINKAGE 50000N

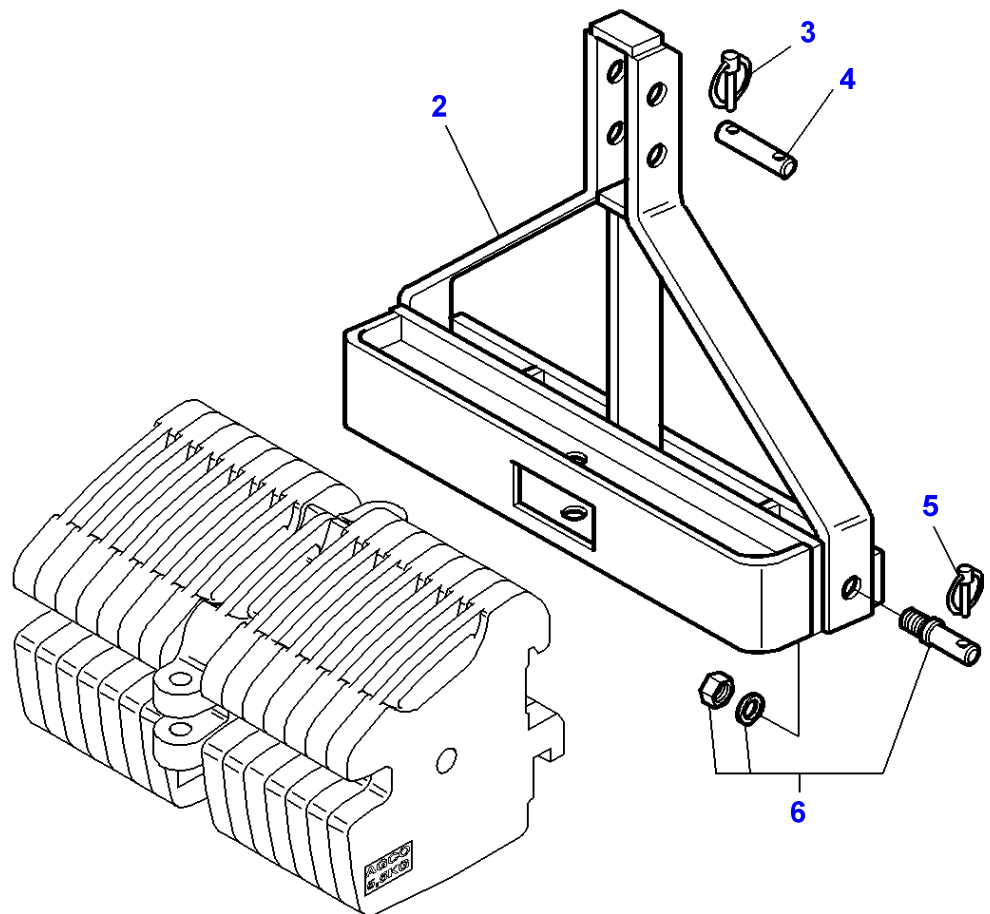
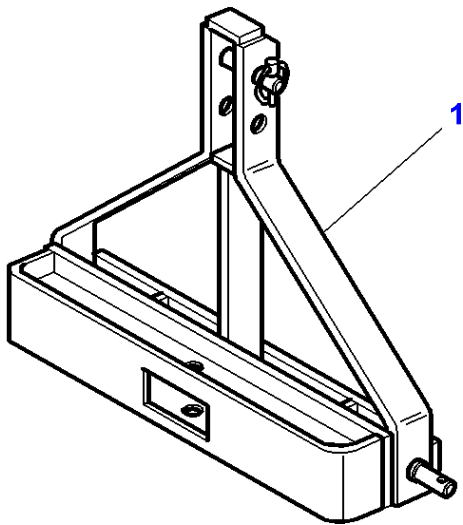
1-WX15-009-A



Massey Ferguson**MF 8450/8460 TRACTOR - 1637447****1637447****Weight Frame And Tow Pin****Page060-0010**

Item	Part Number	Qty	Description	Comments
1	3784628M12	X	Weight	Thickness 0,45 MM 55KG
2	1680172M1	1	Spring	(1)
3	339080X1	1	Roll Pin	(1) Diameter 6 X 24
4	3581636M1	1	Hasp	(1)
5	3009132X1	1	Hex. Sock. Screw	M16 X 50
	390190X1	1	Hex. Sock. Screw	M16 X 140
6	3385963M1	1	Washer	Diameter 17,2-68 X 6 MM
7	3788795M1	1	Bridle	Length 520 MM
	3619728M1	1	Bridle	Length 343 MM
8	3382812M91	2	Pin	
9	3784591M2	1	Weight	
10	3782456M1	1	Pin Hitch	Diameter 30 Length 245 MM
11	3790349M92	1	Pin Hitch	Diameter 30 Length 191 MM
12	3382812M91	1	Pin	

1-WX15-003-A

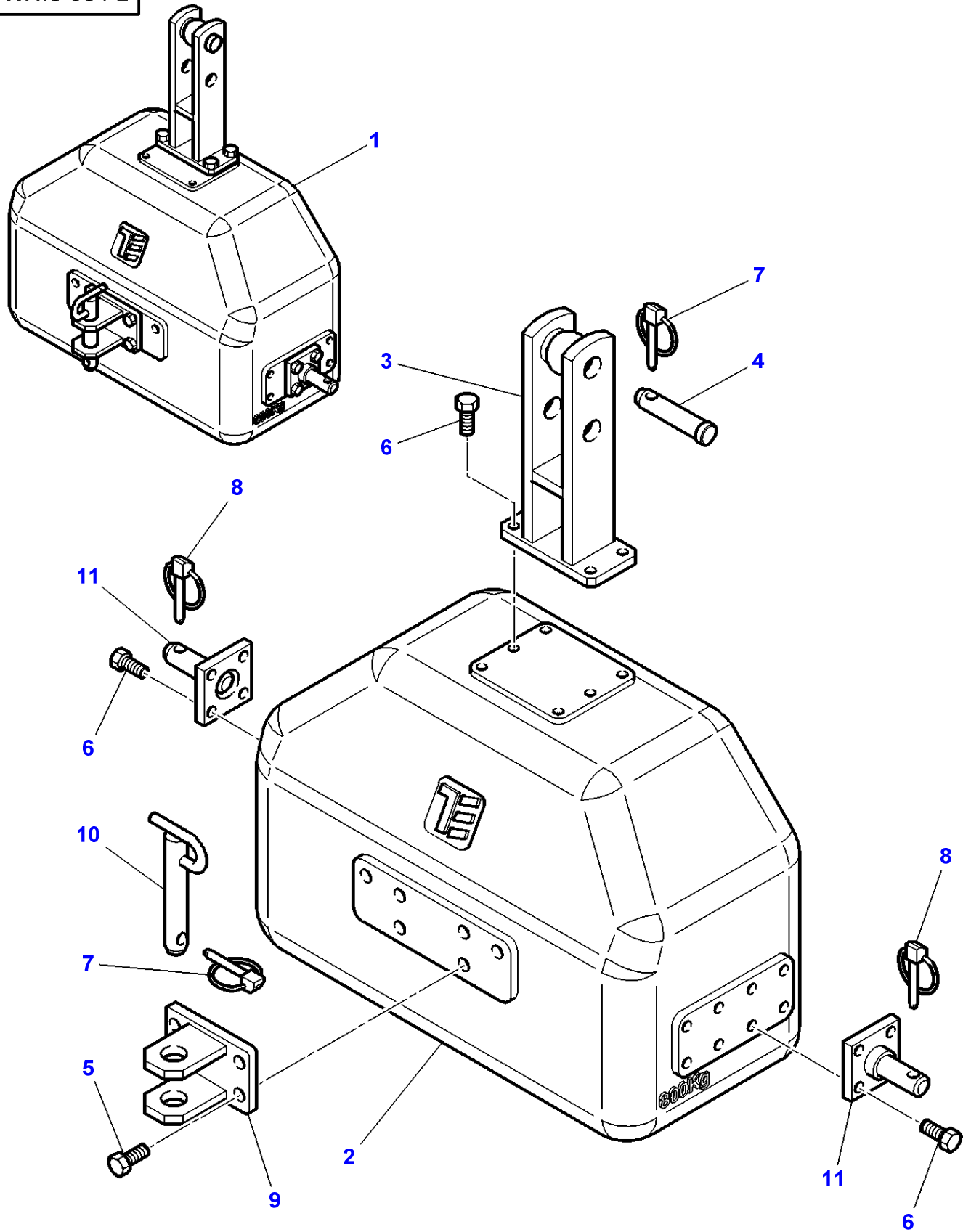


Massey Ferguson**MF 8450/8460 TRACTOR - 1637447****1637447****Weight Frame And Tow Pin - With Front Lift****Page060-0015**

Item	Part Number	Qty	Description	Comments
1	3786462M91	1	Support	
2		1	Support	(1) Not serviced,order REF. 1
3	3782684M1	1	Clip	(1)
4	3903839M1	1	Clevis Pin	(1)
5	3903841M1	1	Clip	(1)
6	3903840M1	1	Piton	(1)

MF 8450/8460 TRACTOR - 1637447
1-WX15-004-B

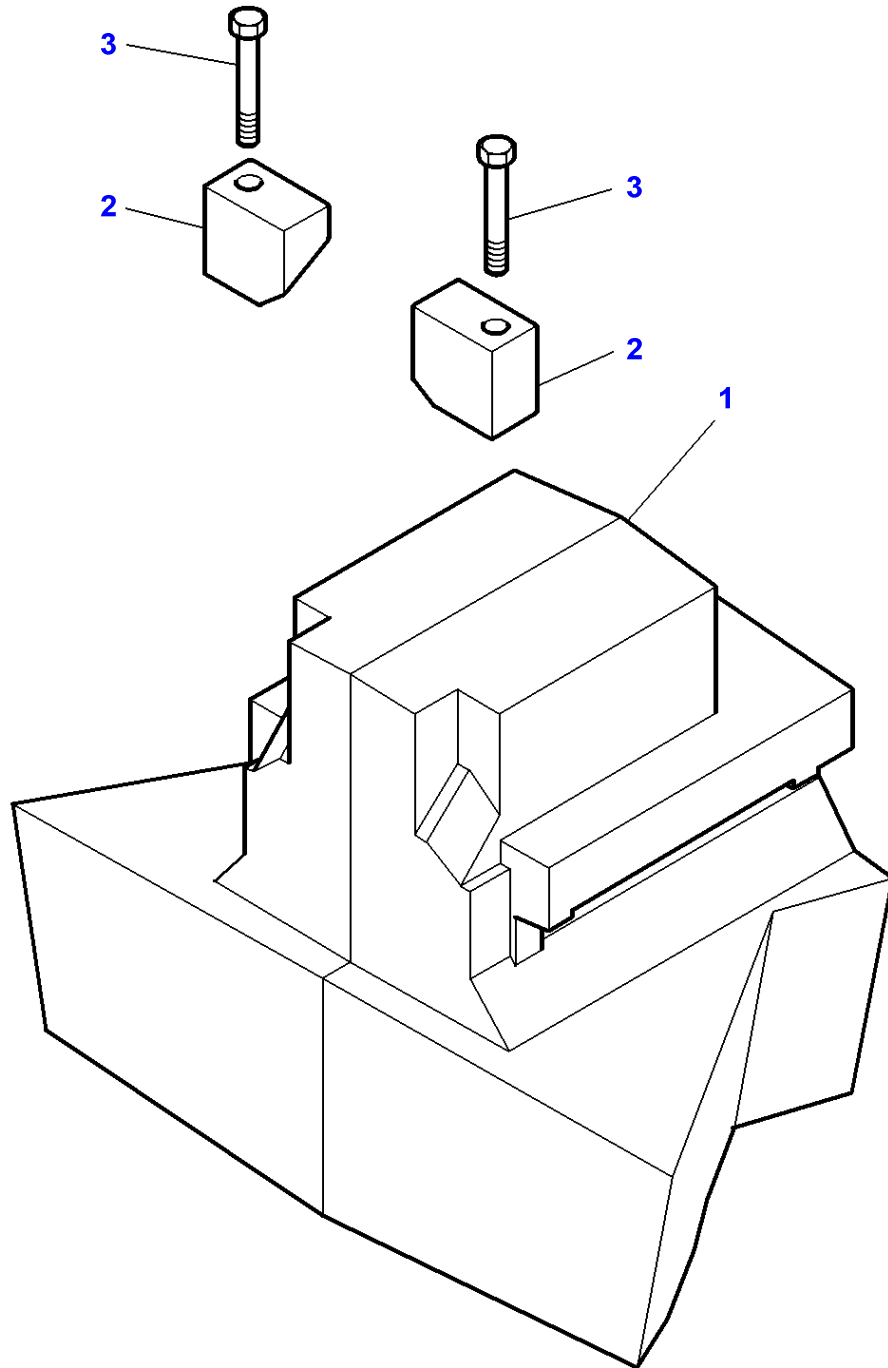
1-WX15-004-B



Weight Frame And Tow Pin

Item	Part Number	Qty	Description	Comments
1	4271480M91	1	Weight	800KG
2		1	Weight	(1) Not serviced,order REF. 1
3	3907226M1	1	Support	(1)
4	3903839M1	1	Clevis Pin	(1)
5	391269X1	4	Hex. Sock. Screw	(1) M16 X 30
6	3011611X1	12	Hex. Sock. Screw	(1) M16 X 45
7	3782684M1	2	Clip	(1) Diameter 8 MM
8	3903841M1	2	Clip	(1) Diameter 11 MM
9	3907227M1	1	Clevis	(1)
10	3900263M91	1	Pin	(1)
11	3907225M1	2	Piton	(1)

1-WJ07-008-A

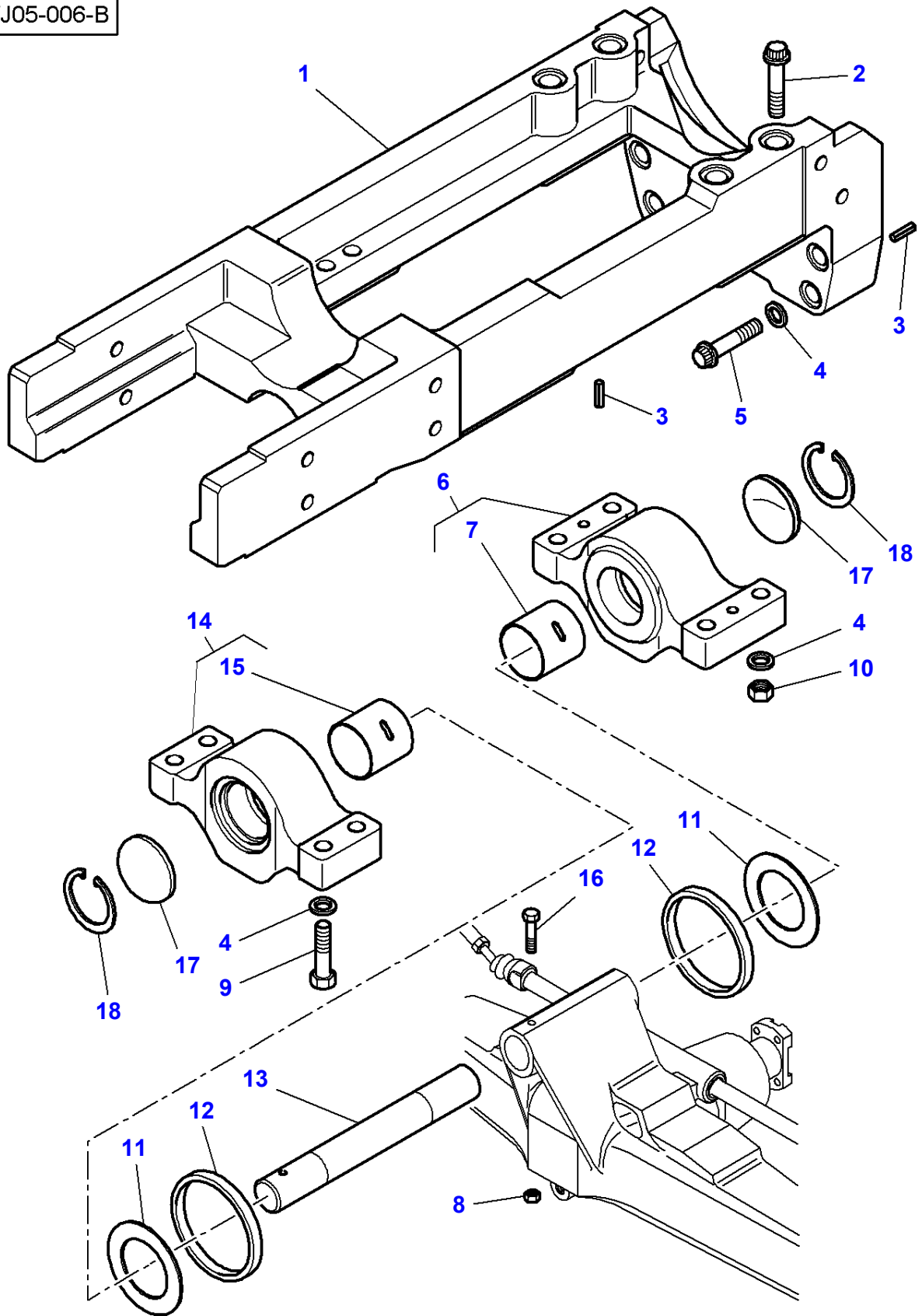


Massey Ferguson**MF 8450/8460 TRACTOR - 1637447****1637447****Belly Weight****Page060-0025**

Item	Part Number	Qty	Description	Comments
1	3779507M6	1	Weight	500 KG
2	3779514M2	1	Bridle	Right Hand
	3779515M2	1	Bridle	Left Hand
3	3011422X1	2	Screw	M16 X 175

MF 8450/8460 TRACTOR - 1637447
1-WJ05-006-B

1-WJ05-006-B



Massey Ferguson**MF 8450/8460 TRACTOR - 1637447**

1637447

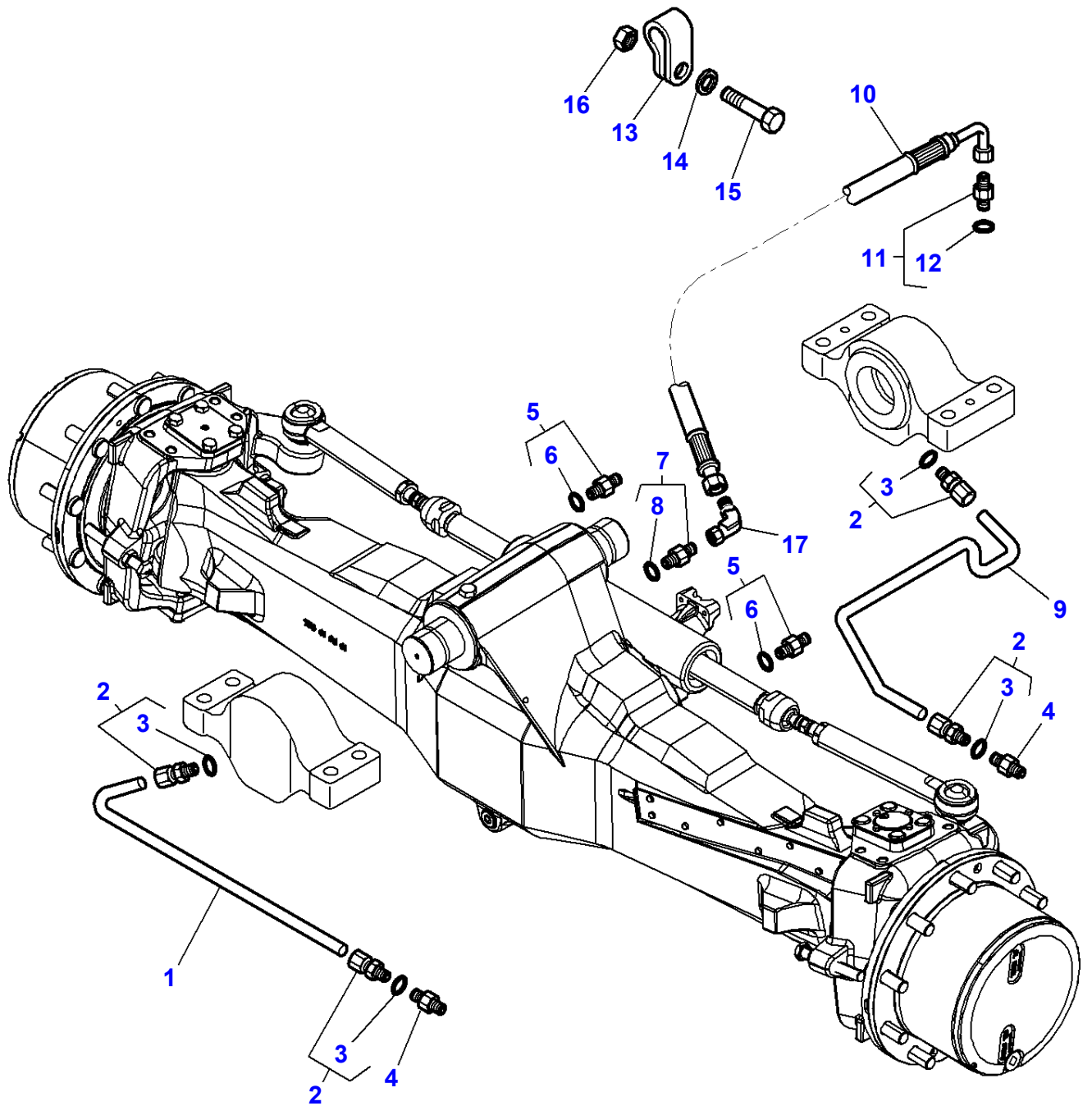
Page060-0030

Front Axle 4 Wheel Drive - Bracket

Item	Part Number	Qty	Description	Comments
1	3780872M3	1	Axle Holder	
2	3010850X1	1	Screw	M20 X 170
	3010852X1	3	Screw Metric	M20 X 200
3	372081X1	4	Locator	
4	385365X1	12	Washer	
5	3010557X1	4	Screw Metric	M20 X 100
6	3787719M11	1	Bearing Carrier	
7	3787722M2	1	Bush	(6) Diameter 70 MM
8	339034X1	1	Nut	M16
9	3010563X1	4	Screw	M20 X 90
10	3009746X1	4	Nut	M20
11	3785075M1	2	Thrust Washer	Diameter 70-115 X 4
12	3788079M1	2	Gasket	Diameter 120 X 8
13	3787723M1	1	Clevis Pin	
14	3787717M11	1	Bearing Carrier	
15	3787722M2	1	Bush	(14)
16	3384132M1	1	Hex. Sock. Screw	M16 X 150
17	391549X1	2	Plug	
18	339437X1	2	Circlip	

MF 8450/8460 TRACTOR - 1637447
1-WK12-003-B

1-WK12-003-B

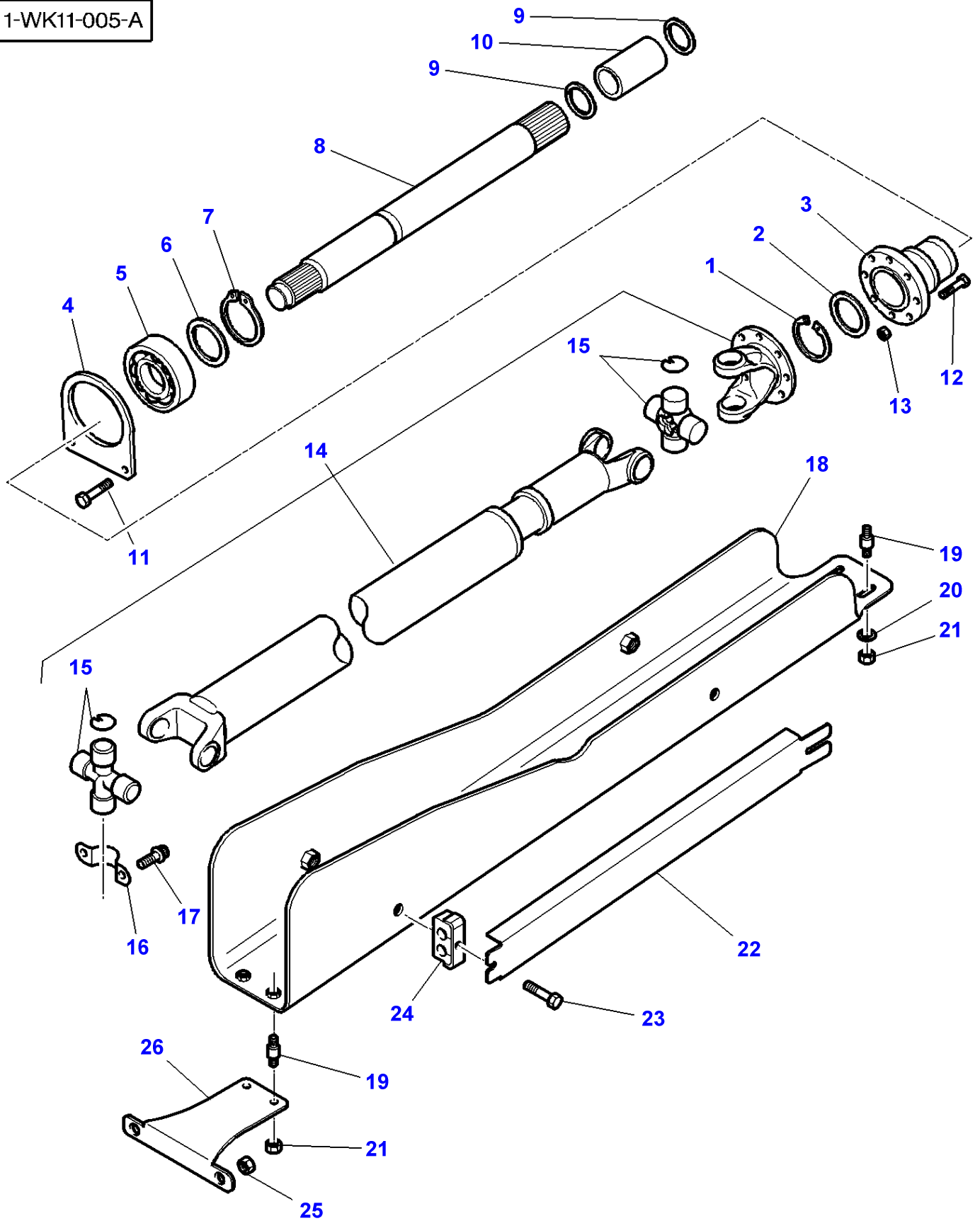


Front Axle 4 Wheel Drive - Differential Lock Mechanism

Item	Part Number	Qty	Description	Comments
1	3788783M1	1	Tube	
2	3002070X91	4	Connector	
3	338760X1	1	O Ring	(2)
4	339608X1	2	Grease Nipple	M10
5	3011049X91	2	Union	
6	3019396X1	1	O Ring	(5)
7	338795X91	1	Union	M14 X 1,5
8	338762X1	1	Seal	(7)
9	3788784M1	1	Tube	
10	4276146M1	1	Hydr. Hose	Length 3700MM
11	3011619X91	1	Union	
12	338762X1	1	Seal	(11)
13	3387756M1	1	Clip	
14	3714197M1	1	Washer	
15	339337X1	1	Hex. Sock. Screw	M8 X 30
16	339169X1	1	Nut	M8
17	4280507M1	1	Union	From Serial or Engine Number

MF 8450/8460 TRACTOR - 1637447
1-WK11-005-A

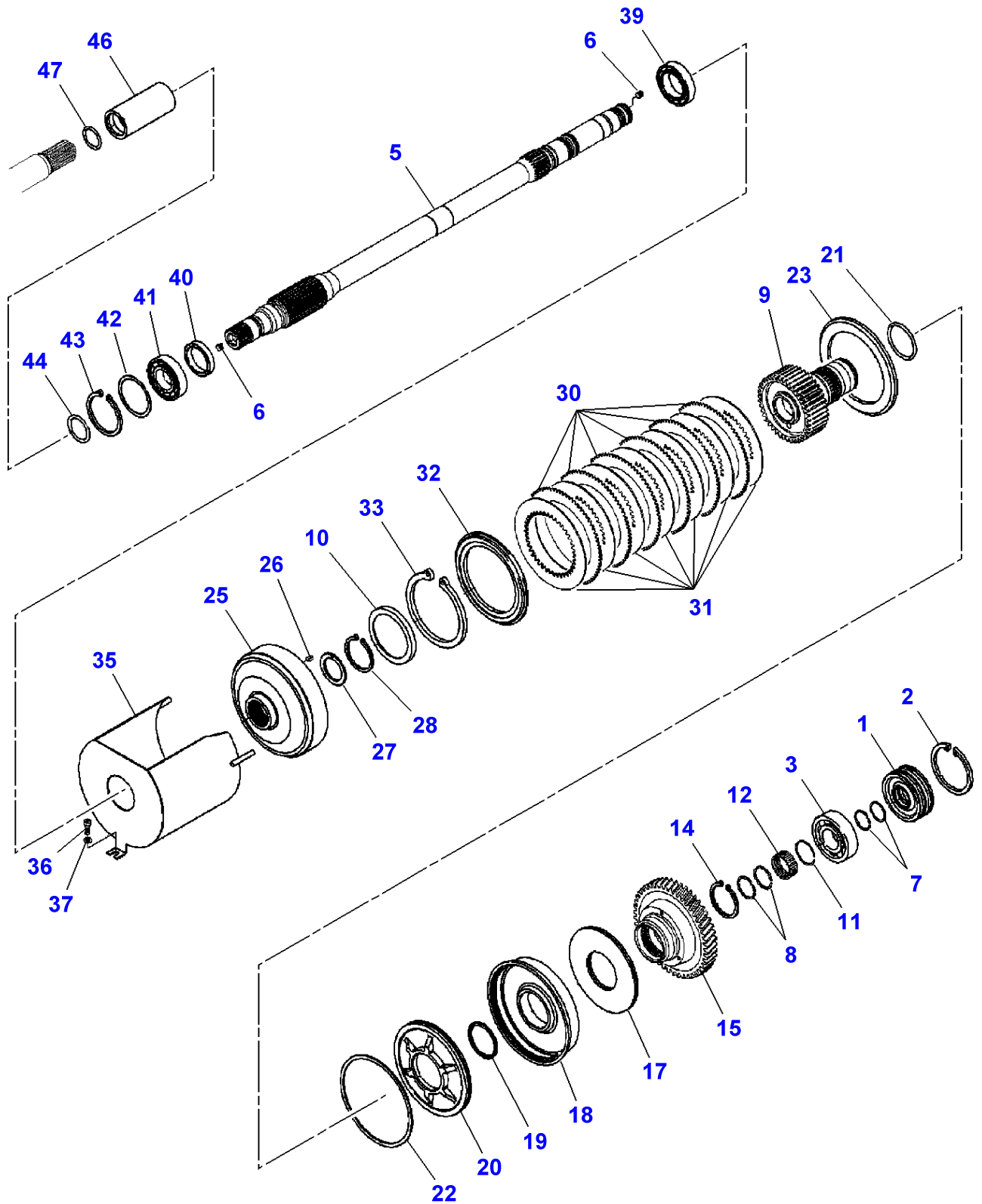
1-WK11-005-A



Guard And Transmission Shaft

Item	Part Number	Qty	Description	Comments
1	1441786X1	1	Circlip	
2	822.100.320.060	1	Ring	
3	3788813M1	1	Sleeve	
4	3789032M1	1	Bridle	
5	339602X1	1	Bear. 6212 2rs	
6	X534.539.346.000	1	Backup Ring	
7	339605X1	1	Circlip	Diameter 57MM
8	903.100.320.010	1	Shaft	Length 551,5MM
9	3008359X1	2	O Ring	Diameter 36,5 X 3
10	916.101.320.100	1	Bush	
11	392892X1	2	Hex. Sock. Screw	M10 X 35
12	3010749X1	8	Screw Metric	M10 X 30
13	1441932X1	8	Nut Metric	M10
14	4271815M91	1	Universal Joint	
15	3907427M91	2	Crosspiece	(14)
16	4277510M1	2	Bridle	
17	4277509M1	4	Screw	
18	4273655M1	1	Cowl	
19	658081M2	4	Damper	
20	391039X1	2	Washer Metric	
21	394367X1	4	Locknut	M8
22	3789475M1	2	Cowl	
23	339010X1	4	Hex. Sock. Screw	M8 X 40
24	3789441M1	4	Bridle	
25	3010349X1	2	Nut	M14
26	4277717M1	1	Support	

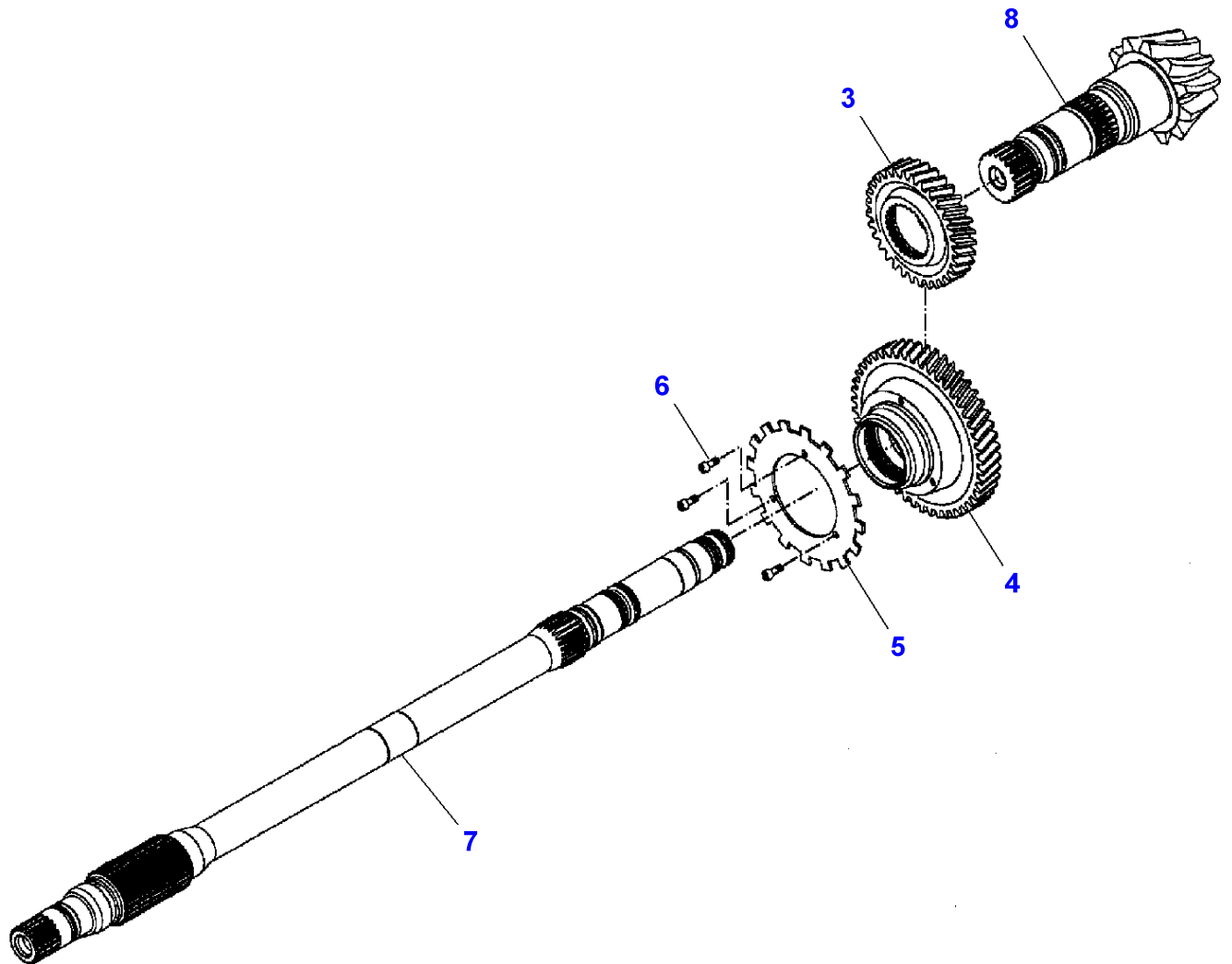
1-WK15-011-A



Front Axle 4 Wheel Drive - Clutch

Item	Part Number	Qty	Description	Comments
1	916.100.320.080	1	Cover	
2	X530.108.346.000	1	Circlip	
3	X620.414.500.001	1	Bearing Roller	
5	916.100.320.070	1	Shaft	
6	X412.823.006.000	2	Grub Screw	M10 X 10
7	X560.703.600.000	2	Plain Compr.Ring	
8	X560.703.700.000	2	Plain Compr.Ring	
9	916.101.320.151	1	Disc Carrier	
10	916.100.410.060	1	Sheet Metal	
11	X533.813.400.000	1	Snapping	Diameter 47 X 1,5
12	X638.525.149.000	1	Needle Cage	42 X 47 X 17
14	X530.216.846.000	1	Circlip	Diameter 63 X 3
15		1	Pinion	See Page - Reference Number 060-0050/4
17	G916.100.320.010	1	Kit, Spring	
18	916.100.320.161	1	Piston	
19	916.100.320.170	1	Support Cover	
20	916.101.320.120	1	Disc	
21	X548.949.815.000	1	O Ring	Diameter 67 X 2,5
22	916.100.320.110	1	Support Cover	
23	916.100.320.131	1	Plate	
25	916.100.320.010	1	Clutch Housing	
26	X500.615.046.000	1	Roll Pin	4 X 10
27	916.100.320.040	1	Disc	
28	X531.206.800.000	1	Circlip	Diameter 65 X 2,5
30	822.100.010.130	6	External Disc	
31	822.100.010.120	7	Internal Disc	
32	916.100.320.140	1	Plate	
33	X530.209.700.000	1	Circlip	Diameter 130 X 4
35	H916.100.320.010	1	Protector	
36	X487.526.841.000	1	Hex. Sock. Screw	M8 X 16
37	X450.006.308.000	1	Washer	
39	X606.705.900.000	1	Ball Bearing	
40	X550.108.900.000	1	Shaft Seal	50 X 65 X 8
41	H312.100.200.100	1	Ball Bearing	
42	015.149.020.035	1	Shim	Thickness 1,00 MM
	015.149.020.030	X	Shim	Thickness 0,10 MM
	015.149.020.036	X	Shim	Thickness 0,15 MM
	015.149.020.031	X	Shim	Thickness 0,20 MM
	015.149.020.032	X	Shim	Thickness 0,40 MM
43	X530.107.446.000	1	Circlip	Diameter 80 X 2,5
44	X548.901.801.000	1	O Ring	Diameter 36,2 X 3
46	916.101.320.100	1	Bush	
47	X548.901.801.000	1	O Ring	Diameter 36,2 X 3

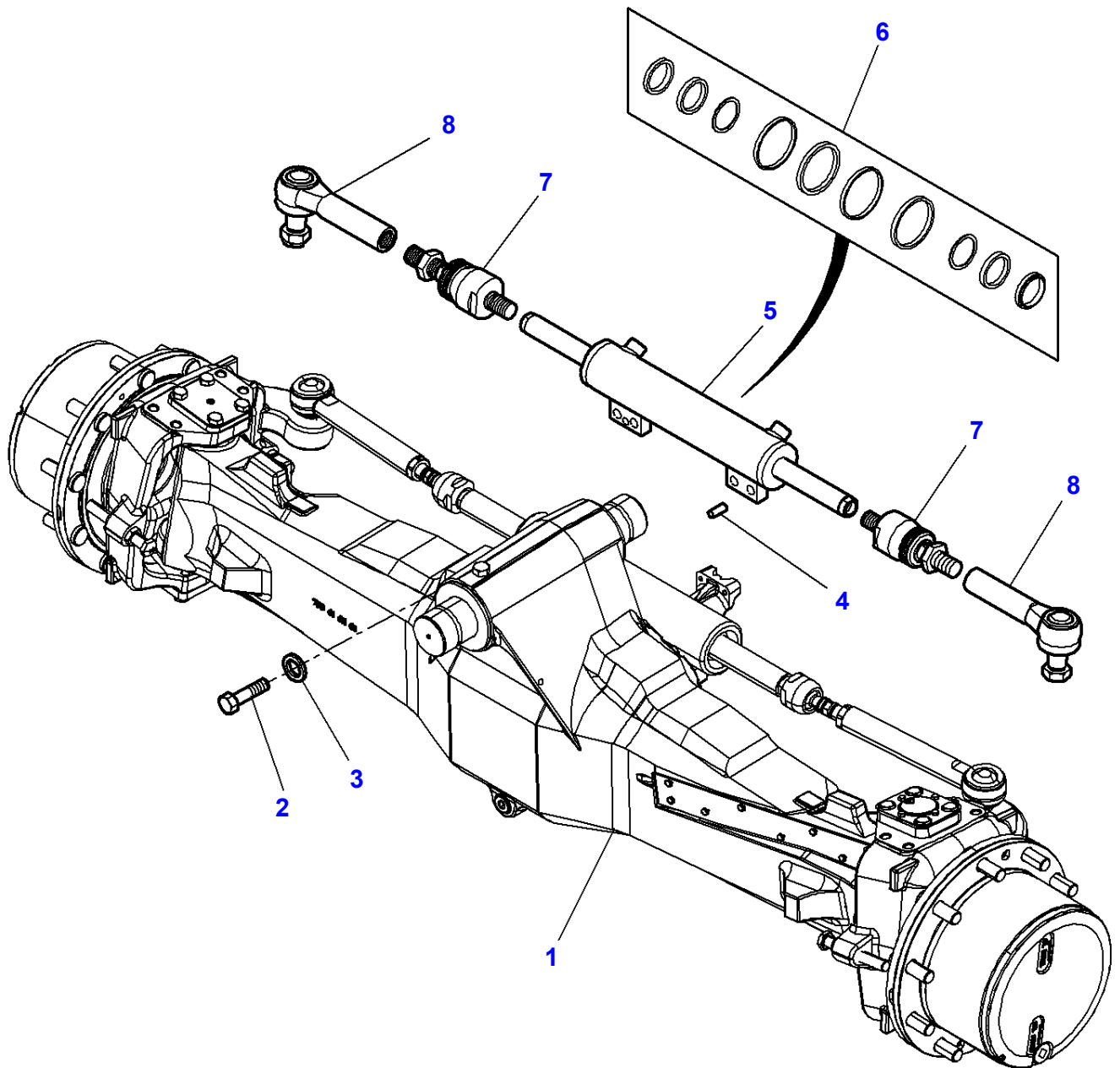
1-WK15-012-A



Massey Ferguson**MF 8450/8460 TRACTOR - 1637447****1637447****Front Axle 4 Wheel Drive - Clutch****Page060-0050**

Item	Part Number	Qty	Description	Comments
3	916.101.381.010	1	Spur Gear	
4	916.101.381.020	1	Spur Gear	
5	916.100.380.100	1	Gear	
6	X485.004.700.000	3	Hex. Sock. Screw	M16 X 10
7		1	Shaft	See Page - Reference Number 060-0045/5
8		1	Pinion Shaft	See Page - Reference Number 030-0040/18

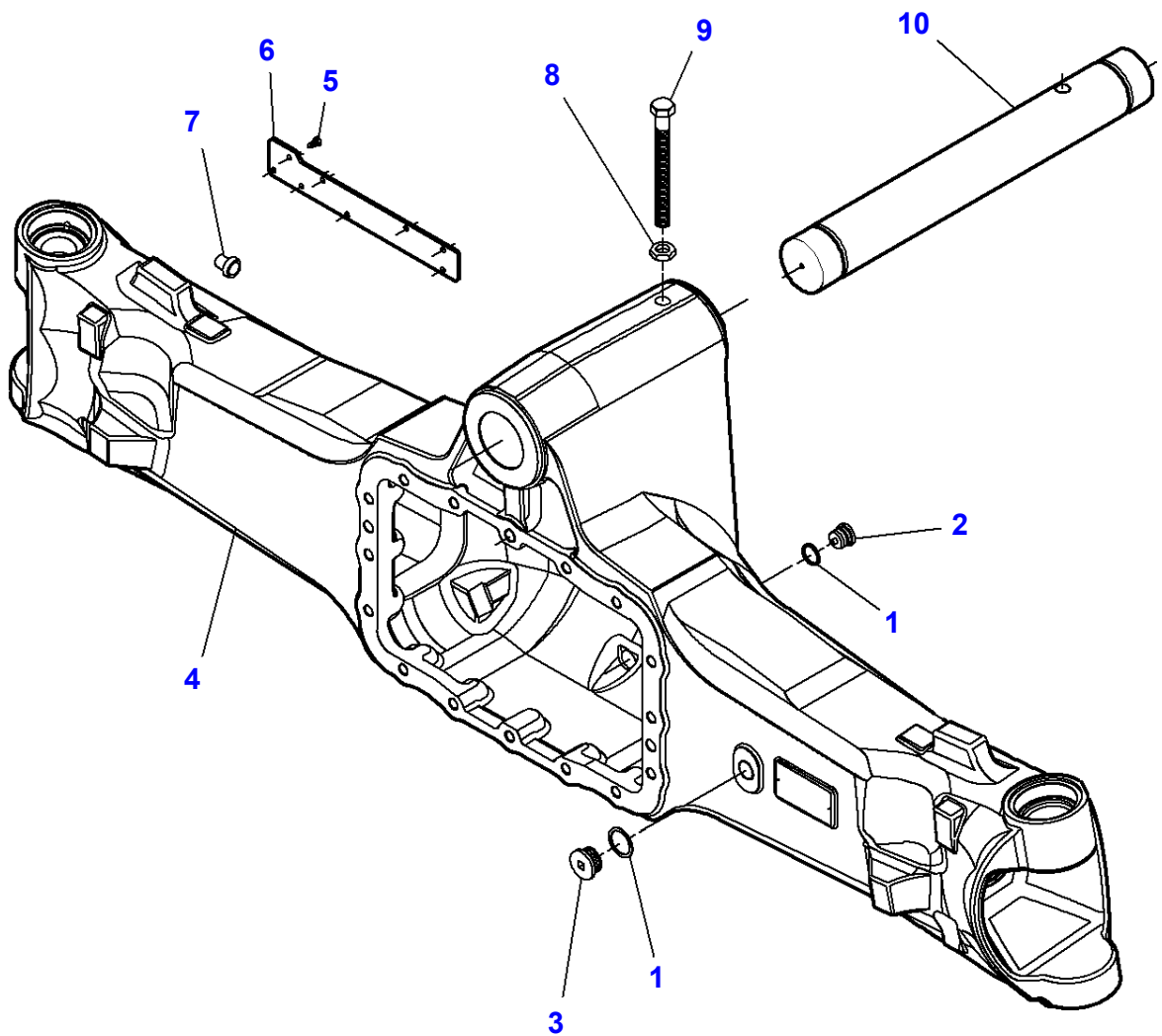
1-WK01-004-B



Massey Ferguson**MF 8450/8460 TRACTOR - 1637447****1637447****Front Axle 4 Wheel Drive****Page060-0055**

Item	Part Number	Qty	Description	Comments
1	3766282M91	1	Front Live Axle	TYPE AG 210
2	016163810	4	Screw	
3	011043818	4	Washer	
4	3764700M1	2	Dowel	
5	7502462402	1	Ram	
6	7502445014	1	Kit, Seal	(5)
7	7502445012	1	Ball Joint	
8	7502445013	1	Toggle	

1-WK03-006-A

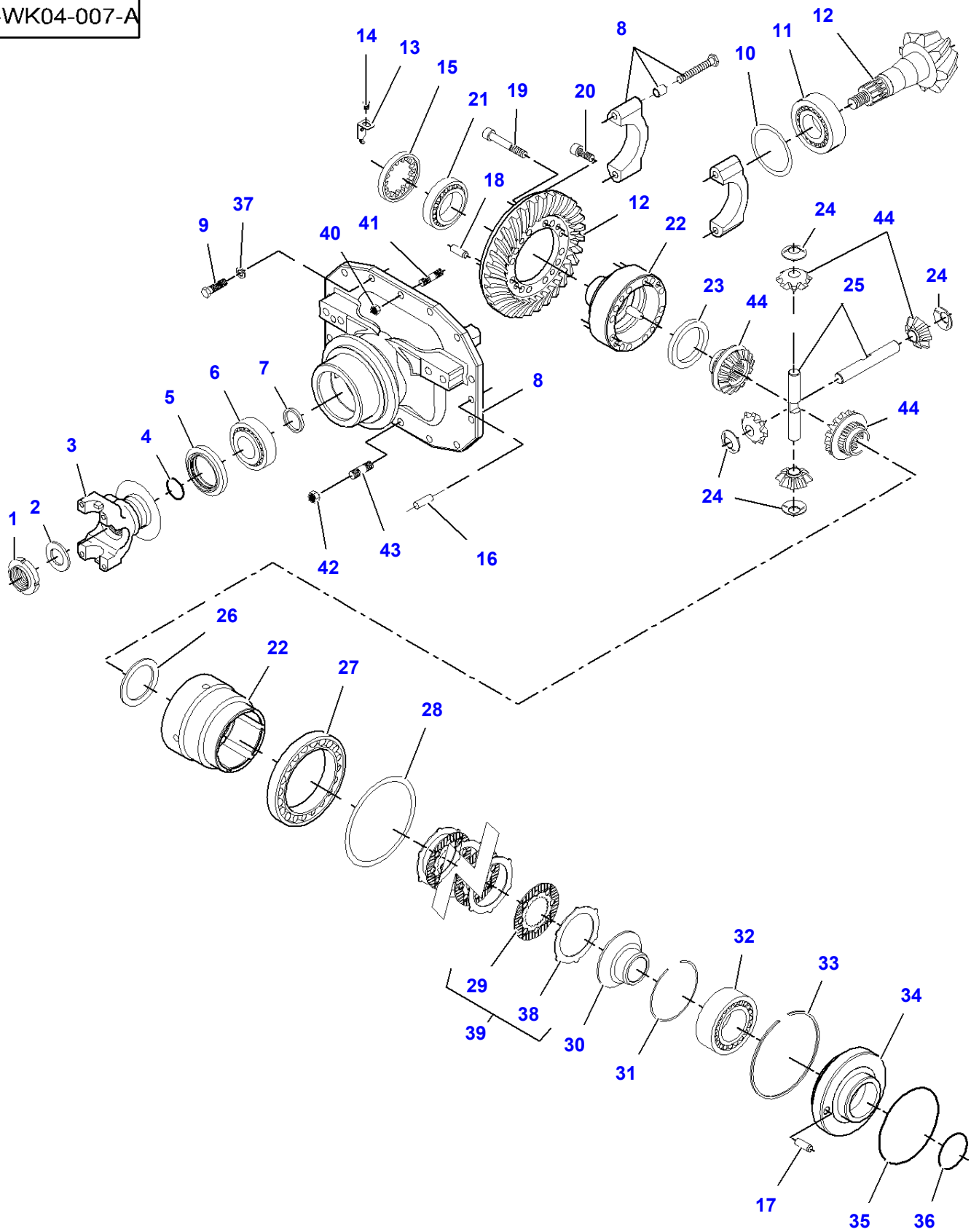


Massey Ferguson**MF 8450/8460 TRACTOR - 1637447****1637447****Front Axle 4 Wheel Drive - Housing****Page060-0060**

Item	Part Number	Qty	Description	Comments
1	X540.007.678.000	2	Ring	TYPE AG 210
2	385.300.020.130	1	Magnet	
3	00065060	1	Plug	
4	7500170405	1	Housing	
5	000054058	8	Screw	
6	7500604201	1	Fence	
7	7500604301	1	Bush	
8	006033208	1	Nut	
9	016033621	1	Screw	
10	7600101401	1	Clevis Pin	

MF 8450/8460 TRACTOR - 1637447
1-WK04-007-A

1-WK04-007-A



Front Axle 4 Wheel Drive - Differential

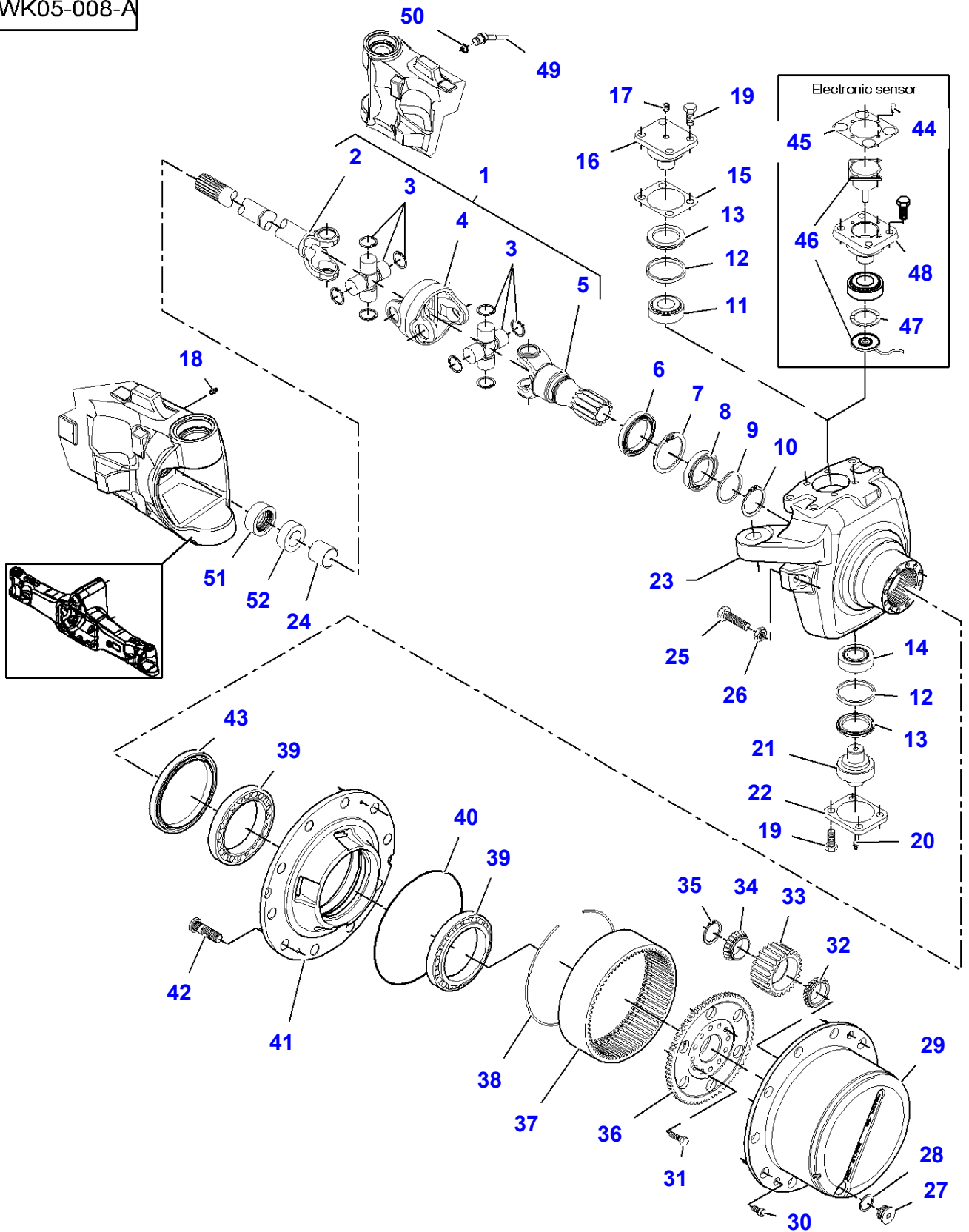
Item	Part Number	Qty	Description	Comments
1	3765039M1	1	Nut	
2	3765040M1	1	Washer	
3	7500471701	1	Bridle	
4	366434X1	1	O Ring	
5	7600401201	1	Seal	
6	3764593M1	1	Bearing	
7	3764216M1	X	Spacer	Thickness 6 MM
	3764217M1	X	Spacer	Thickness 6,03MM
	3764218M1	X	Spacer	Thickness 6,06MM
	3764219M1	X	Spacer	Thickness 6,09MM
	3764220M1	X	Spacer	Thickness 6,12MM
	3764221M1	X	Spacer	Thickness 6,15MM
	3764222M1	X	Spacer	Thickness 6,18MM
	3764223M1	X	Spacer	Thickness 6,21MM
	3764224M1	X	Spacer	Thickness 6,24MM
	3764225M1	X	Spacer	Thickness 6,27MM
	3764226M1	X	Spacer	Thickness 6,30MM
	3764227M1	X	Spacer	Thickness 6,33MM
	3764228M1	X	Spacer	Thickness 6,36MM
	3764229M1	X	Spacer	Thickness 6,39MM
	3764230M1	X	Spacer	Thickness 6,42MM
	3764231M1	X	Spacer	Thickness 6,45MM
	3764232M1	X	Spacer	Thickness 6,48MM
	3764233M1	X	Spacer	Thickness 6,51MM
	3764234M1	X	Spacer	Thickness 6,54MM
	3764235M1	X	Spacer	Thickness 6,57MM
	3764236M1	X	Spacer	Thickness 6,60MM
	3764237M1	X	Spacer	Thickness 6,63MM
	3764238M1	X	Spacer	Thickness 6,66MM
	3764239M1	X	Spacer	Thickness 6,69MM
	3764240M1	X	Spacer	Thickness 6,72MM
	3764241M1	X	Spacer	Thickness 6,75MM
	3764242M1	X	Spacer	Thickness 6,78MM
	3764243M1	X	Spacer	Thickness 7,03MM
8	7500471503	1	Support	
9	3764012M1	13	Fork	
10	3428487M1	X	Chock	Thickness 0,10 MM
	3428488M1	X	Chock	Thickness 0,15 MM
	3428489M1	X	Chock	Thickness 0,30 MM
	3428490M1	X	Chock	Thickness 0,50MM
	3428491M1	X	Chock	Thickness 0,70MM
	3428492M1	X	Chock	Thickness 1.00MM
11	3764266M1	1	Bearing	
12	7500450301	1	Kit, Bevel Gear	
13	3427466M1	1	Locking Plate	
14	1444071X1	1	Hex. Sock. Screw	
15	3427462M1	1	Ferrule	
16	3764700M1	2	Dowel	
17	014020913	1	Dowel	
18	014013773	2	Dowel	
19	016043693	16	Screw	
20	X487.535.706.000	16	Hex. Sock. Screw	
21	005093707	1	Bearing Taper	
22	7500470801	1	Housing	
23	7080402401	1	Washer	
24	7500400601	4	Washer	
25	000215040A	2	Clevis Pin	
26	000245837	4	Washer	
27	005103613	1	Bearing Taper	
28	013013570	X	Chock	Thickness 0.15 MM
	013013571	X	Chock	Thickness 0.20 MM
	013013572	X	Chock	Thickness 0.50 MM
29	7500402301	15	Clutch Disc	
30	7500401301	1	Bridle	
31	002073632	1	Snapping	
32	005013685	1	Bearing Assy	
33	002063423	1	Snapping	
34	7500401202	1	Piston	
35	1120700802	1	O Ring	
36	7500402401	1	O Ring	
37	011053790	16	Washer	

Massey Ferguson**MF 8450/8460 TRACTOR - 1637447****1637447****Front Axle 4 Wheel Drive - Differential****Page060-0065**

Item	Part Number	Qty	Description	Comments
38	7500401401	16	Clutch Disc	
39	7500460002	1	Clutch Disc	
40	006053774	1	Nut	
41	7600101501	1	Stud	
42	006011489	2	Nut	
43	017023490	2	Stud	
44	7500470203	1	Gear	

MF 8450/8460 TRACTOR - 1637447
1-WK05-008-A

1-WK05-008-A

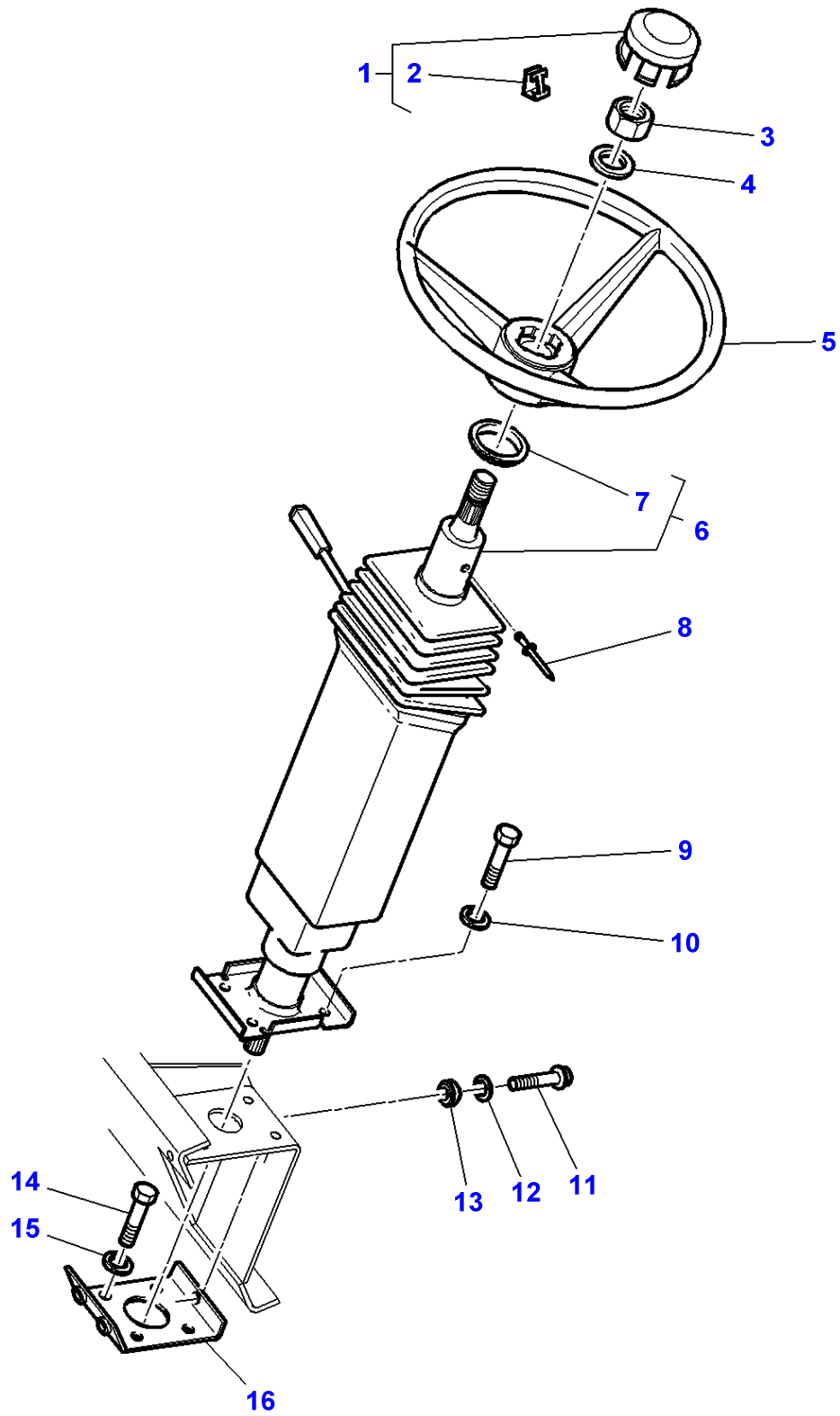


Front Axle 4 Wheel Drive - Final Drive

Item	Part Number	Qty	Description	Comments
1	7500661201	1	Universal Joint	Left Hand
	7500661301	1	Universal Joint	Right Hand
2	7500645012	1	Shaft	(1) Left Hand
	7500645013	1	Shaft	(1) Right Hand
3	7500645010	2	Crosspiece	(1)
4	7500645011	1	Knuckle	(1)
5	7500645009	1	Shaft	
6	7600601602	2	Seal	
7	002020087	2	Snapring	
8	005013534	2	Bearing Assy	
9	000245560B	2	Washer	
10	002013405	2	Snapring	
11	005100497	2	Bearing Assy	
12	7500604701	4	Spacer	
13	7500604601	4	Seal	
14	3766050M1	2	Bearing Assy	
15	F718.301.020.290	X	Disc	Thickness 0,2 MM
	F718.301.020.300	X	Disc	Thickness 0,5 MM
16	7500604401	1	Pivot	
17	016083444	1	Screw	
18	339004X1	2	Greaser	
19	016010786	16	Screw	
20	339003X1	2	Greaser	
21	3766058M1	2	Pin	
22	000145120	2	Support	
23	7500605101	1	Housing	Left Hand
	7500605001	1	Housing	Right Hand
24	F718.301.020.520	2	Cup	
25	000057721	4	Screw	
26	000058321	4	Nut	
27	000065114	2	Plug	
28	000050147	2	Gasket	
29	7500601503	2	Carrier	
30	016050435	4	Screw	
31	016313721	24	Screw	
32	005723547	8	Bearing Assy	
33	7500600903	8	Gear	
34	005723590	8	Bearing Assy	
35	7500601901	8	Snapring	
36	7500600702	2	Support	
37	7500600602	2	Annular Gear	
38	2900601402	2	Snapring	
39	005101427	4	Bearing Assy	
40	001051119	2	O Ring	
41	7500604901	2	Impeller Hub	
42	000057080	20	Stud	
43	000051867	4	Seal	
44	016010367	4	Screw	
45	7450600901	1	Cover	
46	7450661202	1	Transducer	
47	7500604801	1	Washer	
48	7500604501	1	Pivot	
49	7450100301	1	Connectors	
50	001051577	1	O Ring	
51	3765756M1	2	Oil Seal	
52	3428090M1	2	Fence	

Page Title	Page Number
Steering Wheel And Telescopic Column	070-0005
Steering Wheel And Telescopic Column	070-0010
Lighting Power Shuttle Drive	070-0015
Steering Pump	070-0020
Steering Hydraulic Lines	070-0025
Brackets Pedal	070-0030
Brake Pedals	070-0035
Brakes - Hydraulic Pipes	070-0040
Brakes - Hydraulic Pipes	070-0045
Hydraulic Brake Assy	070-0050
Pump Drive	070-0055
Lube Oil Pump - Filter	070-0060
Feed Pump - System Comfort	070-0065
Gear Box Lubrication	070-0070
Gear Box Lubrication - Interior	070-0075
Hydraulic Circuit - Transmission	070-0080
Hydraulic Circuit - Transmission - Hydraulic Valve Block	070-0085
Hydraulic Valve Block - Pressure Filter	070-0090
Hydraulic Valve Block	070-0095
Hydraulic Valve Block - Solenoid Valve - Up to Serial or Engine Number - 903/0104	070-0100
Hydraulic Valve Block - Solenoid Valve - From Serial or Engine Number - 903/0201	070-0105
Hydraulic Valve Block - Hydraulic Lines	070-0110
Oil Cooler - Transmission Hydraulic	070-0115
Auxiliary Hydraulics - Tank	070-0120
Auxiliary Hydraulics - Accumulator	070-0125
Auxiliary Hydraulics - Trailer Braking	070-0130
Auxiliary Hydraulics	070-0135
Hydraulique Manifold	070-0140
Auxiliary Hydraulics - Pump Filter Suction	070-0145
Hydraulic Pump	070-0150
Auxiliary Hydraulics	070-0155
Auxiliary Distributors Installation - Hydraulic Lines With 4 Distributors	070-0160
Auxiliary Distributors Installation - Hydraulic Lines With 5 Distributors	070-0165
Auxiliary Distributor - 4 DISTRIBUTORS ELECTRODYNAMIQUE	070-0170
Auxiliary Distributor - 5 DISTRIBUTORS ELECTRODYNAMIQUE	070-0175
Auxiliary Distributor	070-0180
Hydraulic Coupling - 4 DISTRIBUTORS ELECTRODYNAMIQUE	070-0185
Hydraulic Coupling - 5 DISTRIBUTORS ELECTRODYNAMIQUE	070-0190
Hydraulic Coupling	070-0195
Male Coupler	070-0200
Oil Recovery	070-0205
CONTROL WITH 2 DISTRIBUTORS ELECTRODYNAMIQUE - AND 2 DUAL CONTROL - 4 Distributors	070-0210
Control With 2 Distributors Electrodynamic - +1 MECHANICAL CONTROL + 2 DUAL - 5 DISTRIBUTORS	070-0215

1-WN04-001-A

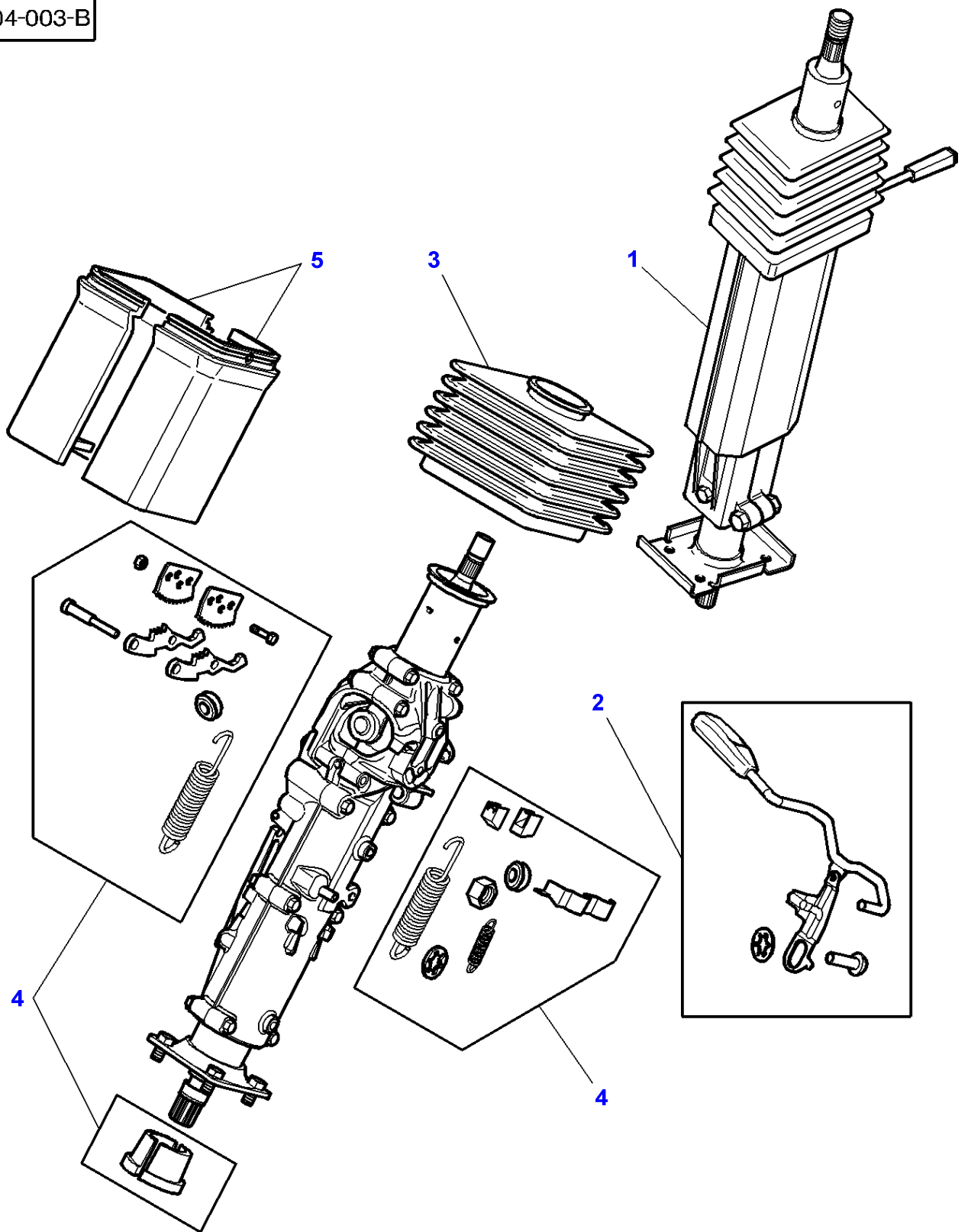


Steering Wheel And Telescopic Column

Item	Part Number	Qty	Description	Comments
1	3759758M92	1	Cap	
2	3817055M1	2	Clip	(1)
3	339070X1	1	Nut	M14
4	390973X1	1	Washer Metric	Diameter 15-28 X 2,5
5	3809661M1	1	Steering Wheel	
6	4273495M92	1	Steering Column	See Page - Reference Number 070-0010/1
7	3902578M1	1	Gasket	(6)
8	3011268X1	1	Rivet	4 X 7,5 MM
9	339124X1	4	Hex. Sock. Screw	M8 X 16
10	1440921X1	4	Washer Metric	Diameter 8-22 X 2
11	3009778X1	3	Screw	M10 X 35
12	3389958M1	6	Washer	Diameter 10,5-28 X 2
13	1619912M1	3	Vibration Mount	
14	339282X1	4	Hex. Sock. Screw	M10 X 16
15	390734X1	4	Washer	Diameter 10-21 X 2
16	3388920M94	1	Support	

FOOTNOTE [A] FOR JAPANESE MARKET ONLY

1-WN04-003-B

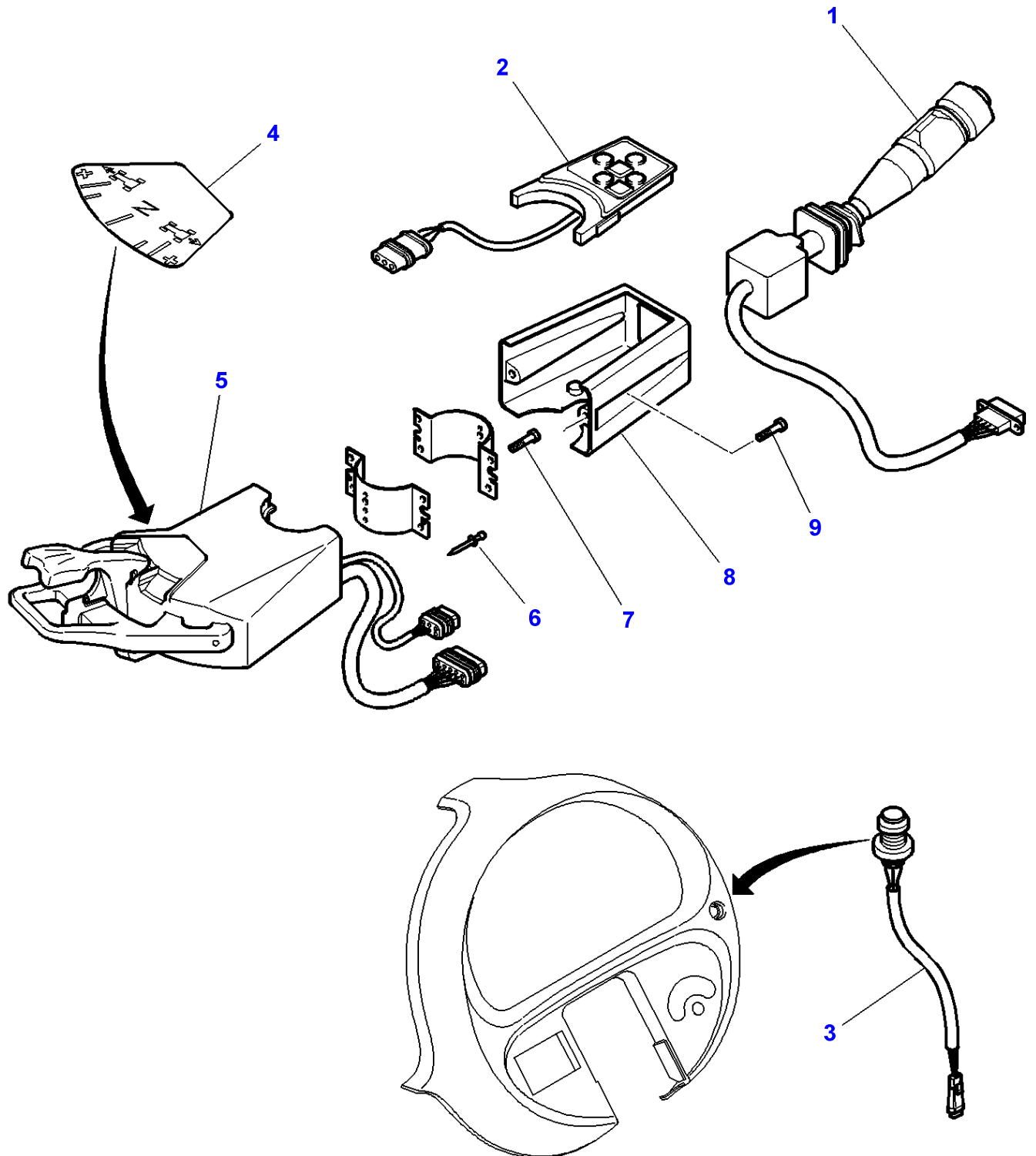


Massey Ferguson**MF 8450/8460 TRACTOR - 1637447****1637447****Steering Wheel And Telescopic Column****Page070-0010**

Item	Part Number	Qty	Description	Comments
1	4273495M92	1	Steering Column	
2	3907403M91	1	Kit, Lever	[A] (1)
3	3907405M91	1	Bellows	(1)
4	3907402M91	1	Kit, Repair	[A] (1)
5	3907404M91	1	Case Assy	[A] (1)

FOOTNOTE [A] NOT DETAILED

1-WN14-001-B



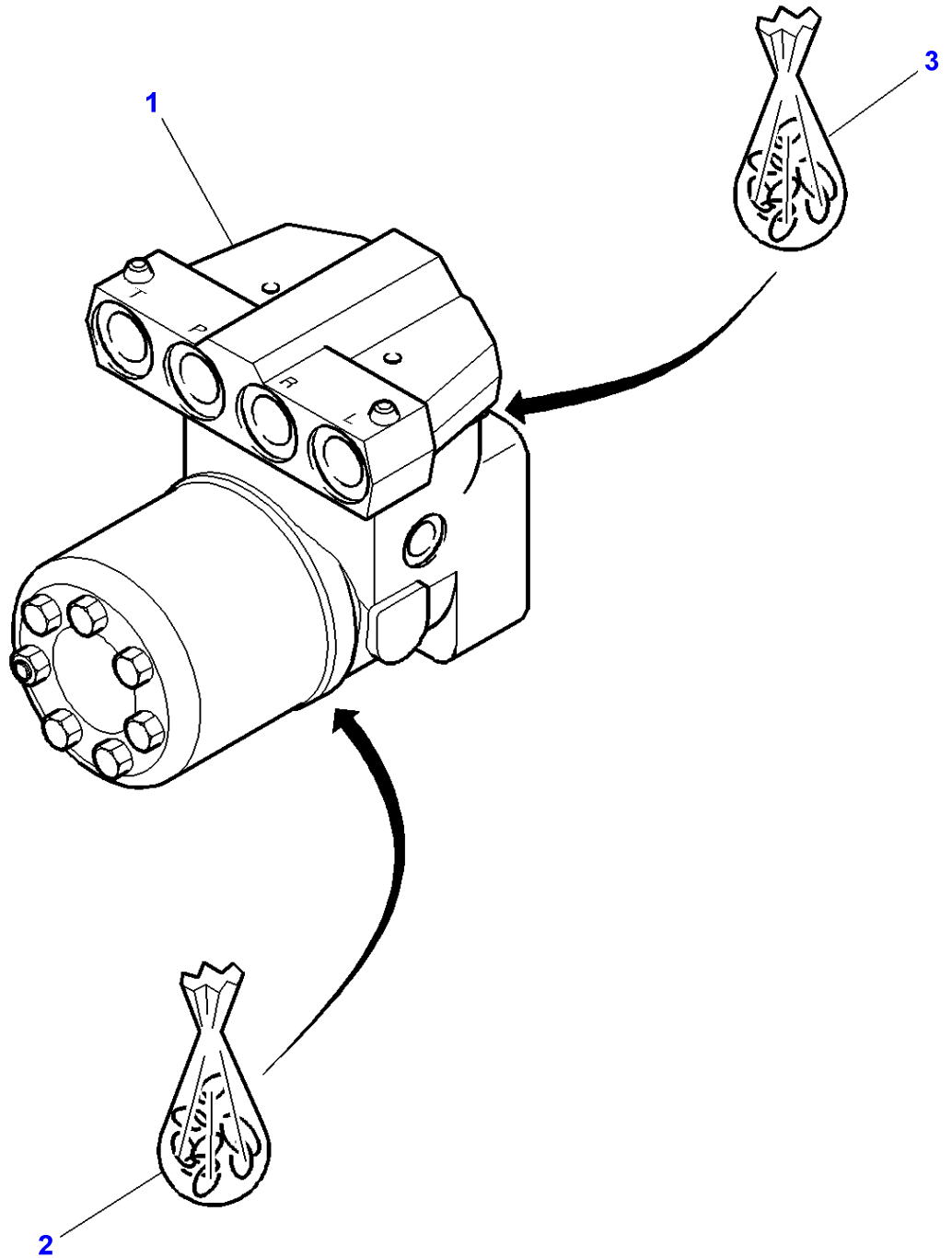
Lighting Power Shuttle Drive

Item	Part Number	Qty	Description	Comments
1	3713669M3	1	Switch,Indirect	
2	3787415M1	1	Wobble Drive	
3	3789331M1	1	Switch	
4	4272209M1	1	Decal	
5	3787500M92	1	Wobble Drive	[A]
6	3011268X1	1	Rivet	
7	3713785M1	4	Screw	M4 X 16
8	4271331M1	1	Case Assy	
9	3010895X1	1	Screw Metric	M4 X 35
	3010818X1	1	Screw Metric	M4 X 20

FOOTNOTE [A] WITH PARKING BRAKE

FOOTNOTE [B] WITHOUT PARKING BRAKE

1-WN07-001-A



Steering Pump

Item	Part Number	Qty	Description	Comments
1	4271164M1	1	Distributor	[Z]
2	3903005M91	1	Parts Pack	
3	3907009M91	1	Kit,Joint/Gasket	

FOOTNOTE [A] OPEN CENTRE HYDRAULIC

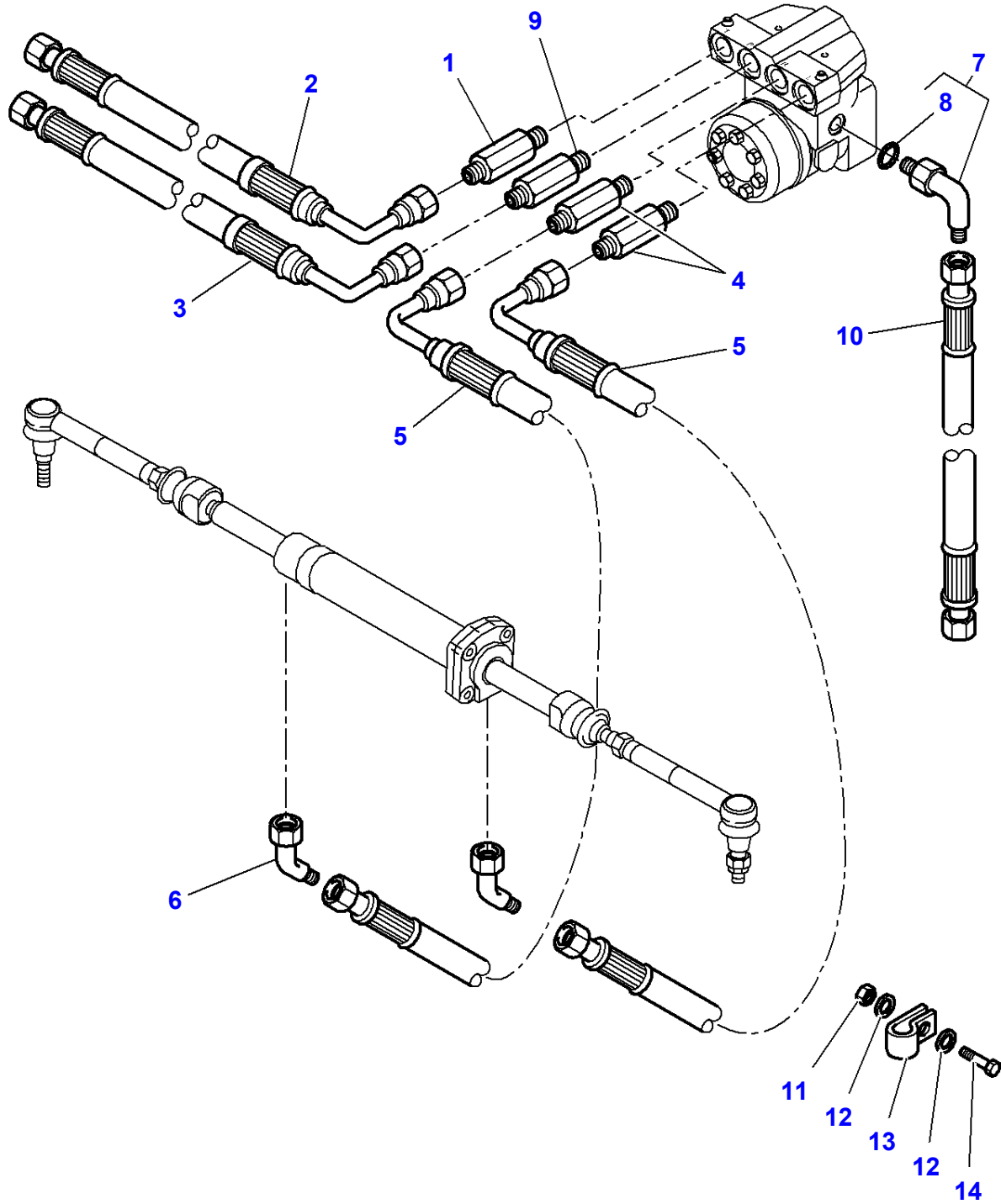
FOOTNOTE [B] TWIN FLOW LOAD SENSING

FOOTNOTE [C] LOAD SENSING

FOOTNOTE [D] NUMBER TO BE ADVISED

FOOTNOTE [Z] NOT DETAILED

1-WN06-026-B

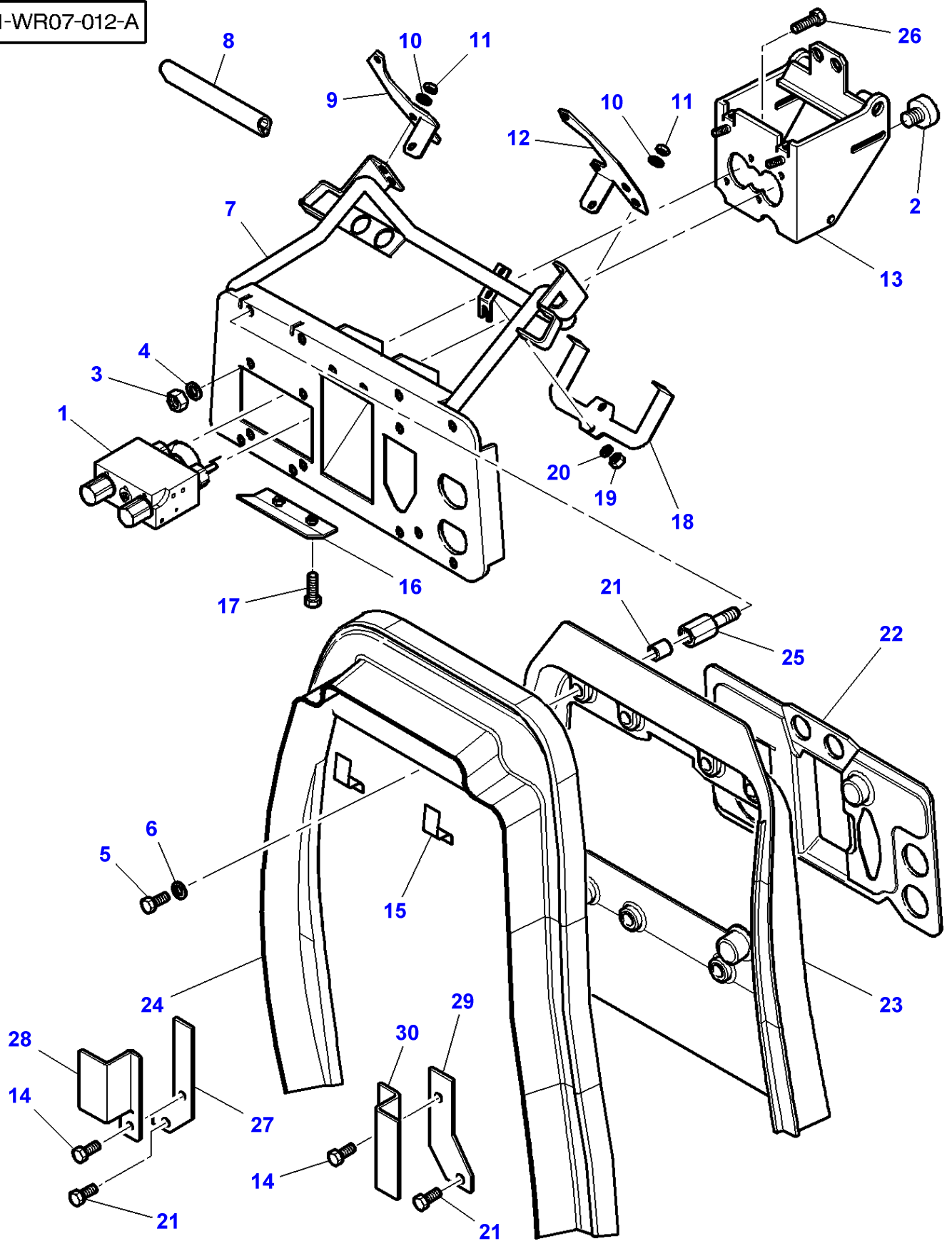


Steering Hydraulic Lines

Item	Part Number	Qty	Description	Comments
1	3789721M1	1	Union	
2	4276126M3	1	Hydr. Hose	
3	4276125M1	1	Hydr. Hose	
4	4272115M1	2	Union	
5	4276127M1	2	Hydr. Hose	
6	3787918M1	2	Union	
7	4279816M1	1	Union	M12 / M14
8	3011061X1	1	O Ring	(7)
9	4274551M1	1	Union	
10	4276124M1	1	Hydr. Hose	
11	394367X1	1	Locknut	
12	391039X1	2	Washer Metric	
13	3581131M1	1	Clip	Diameter 20 - M8
14	339168X1	1	Hex. Sock. Screw	M8 X 50

MF 8450/8460 TRACTOR - 1637447
1-WR07-012-A

1-WR07-012-A



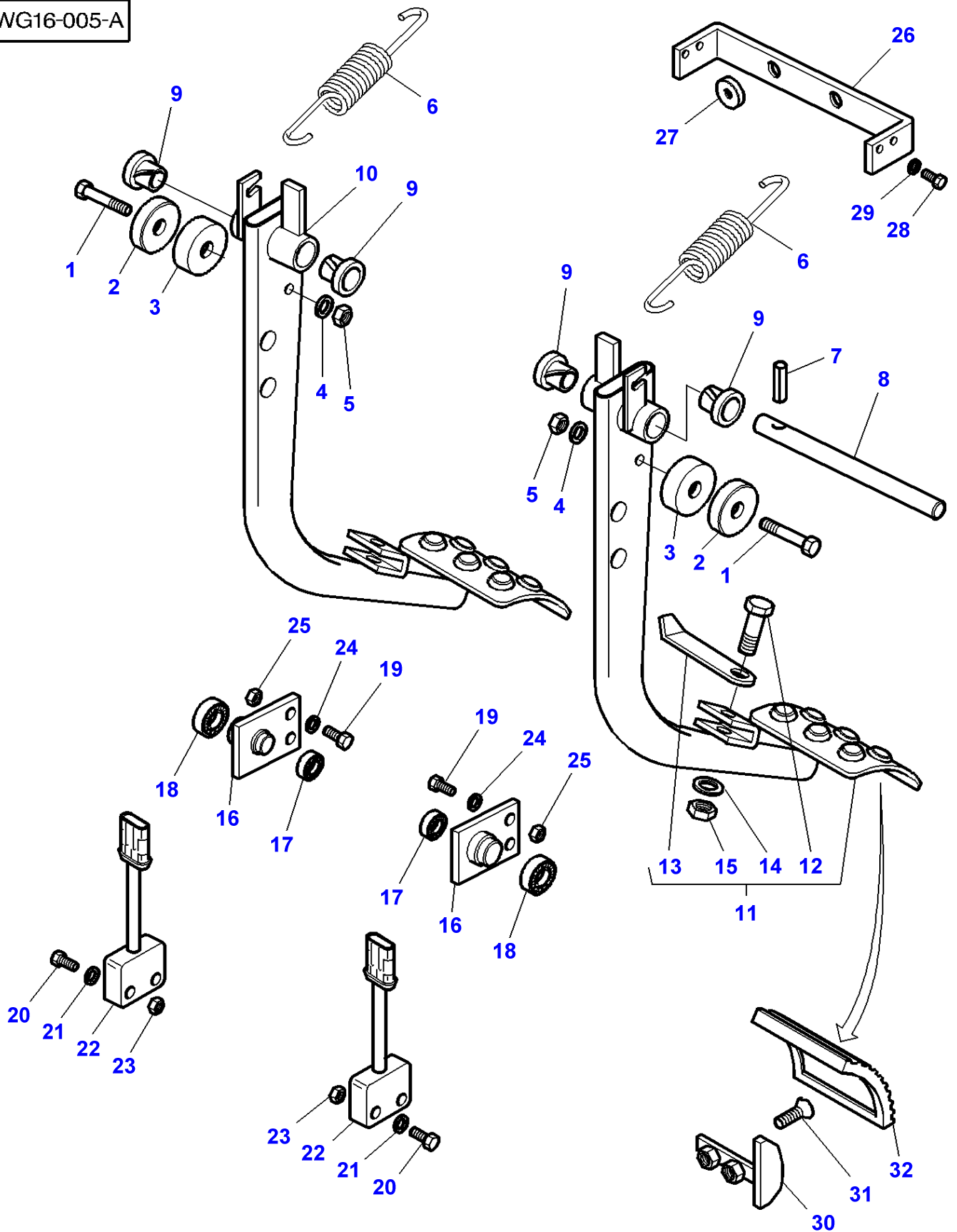
Brackets Pedal

Item	Part Number	Qty	Description	Comments
1	4270774M1	1	Pressure Valve	
2	4270770M4	1	Button	
3	339169X1	2	Nut	M8
4	390972X1	4	Washer	Diameter 8-17 X 1,7
5	339124X1	8	Hex. Sock. Screw	M8 X 16
	339761X1	2	Hex. Sock. Screw	M8 X 25
6	391039X1	8	Washer Metric	Diameter 8-24 X 2
7	4270570M95	1	Support	
8	3580695M1	1	Gasket	[A] Length 1600 MM
9	4270577M2	1	Plate Clamping	Right Hand
10	390971X1	4	Washer	Diameter 6-12 X 1,5
11	1441462X1	4	Locknut	M6
12	4270576M2	1	Plate Clamping	Left Hand
13	4270599M1	1	Support	
14	339666X1	2	Hex. Sock. Screw	M6 X 20
15	4276478M1	2	Strap	
16	3785650M1	1	Stop	
17	339666X1	2	Hex. Sock. Screw	M6 X 20
18	4271236M1	1	Strap	
19	1441462X1	2	Locknut	M6
20	390971X1	2	Washer	Diameter 6-12 X 1,5
21	339123X1	2	Hex. Sock. Screw	M8 X 20
22	4272627M4	1	Case Assy	
23	4271063M4	1	Bulkhead	
24	4276474M1	1	Protector	
25	4274753M2	8	Stud	M8 X 50
26	339666X1	4	Hex. Sock. Screw	M6 X 20
27	4275483M1	1	Strap	
28	4275484M1	1	Strap	
29	4275485M1	1	Strap	
30	4275486M1	1	Strap	

FOOTNOTE [A] CUT TO REQUIRED LENGTH

MF 8450/8460 TRACTOR - 1637447
1-WG16-005-A

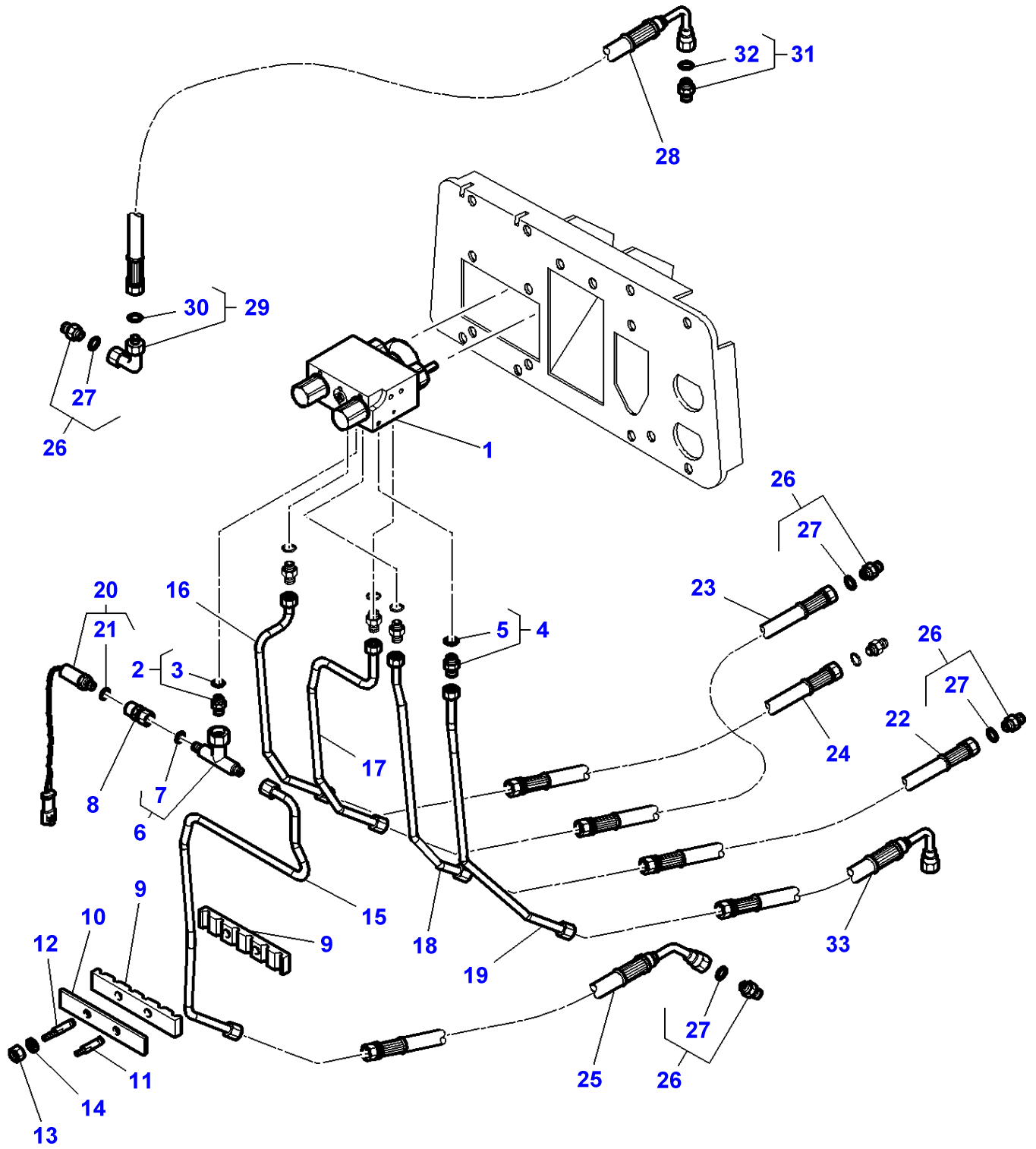
1-WG16-005-A



Brake Pedals

Item	Part Number	Qty	Description	Comments
1	3010895X1	2	Screw Metric	M4 X 35
2	X830.120.050.000	2	Magnet	
3	3788754M1	2	Spacer	Diameter 26 X 14
4	339102X1	2	Washer	Diameter 4-9 X 1
5	3019139X1	2	Nut	M4
6	3785651M1	2	Spring	
7	391290X1	1	Pin	Diameter 5 X 30
8	3785652M2	1	Clevis Pin	Diameter 15 X 154
9	3385604M1	4	Bearing	
10	4271598M2	1	Brake Pad	Right Hand
11	4272615M92	1	Brake Pad	Left Hand
12	391990X1	1	Screw	(11) M8 X 25
13	4272621M1	1	Latch	(11)
14	1441782X1	1	Spring	(11)
15	394367X1	1	Locknut	(11) M8
16	4270768M2	2	Support	
17	391077X1	2	Bear. 6005 2rs	Diameter 47-25
18	339800X1	2	Bear. 6007 2rs	Diameter 62-35
19	3009508X1	4	Hex. Sock. Screw	M12 X 40
20	3010818X1	4	Screw Metric	M4 X 20
21	339102X1	4	Washer	Diameter 4-9 X 1
22	H312.900.150.010	2	Solenoid Switch	
23	1443615X1	4	Nut Metric	M4
24	390735X1	4	Washer	Diameter 12-24 X 2,5
25	1440330X1	4	Locknut	M12
26	4270773M1	1	Stop	
27	3713404M1	2	Plug	Diameter 15
28	3009280X1	4	Screw	M6 X 12
29	390971X1	4	Washer	Diameter 6-12 X 1,5
30	3714488M3	1	Stop	
31	392404X1	2	Screw	M5 X 12
32	1626321M2	2	Skate	

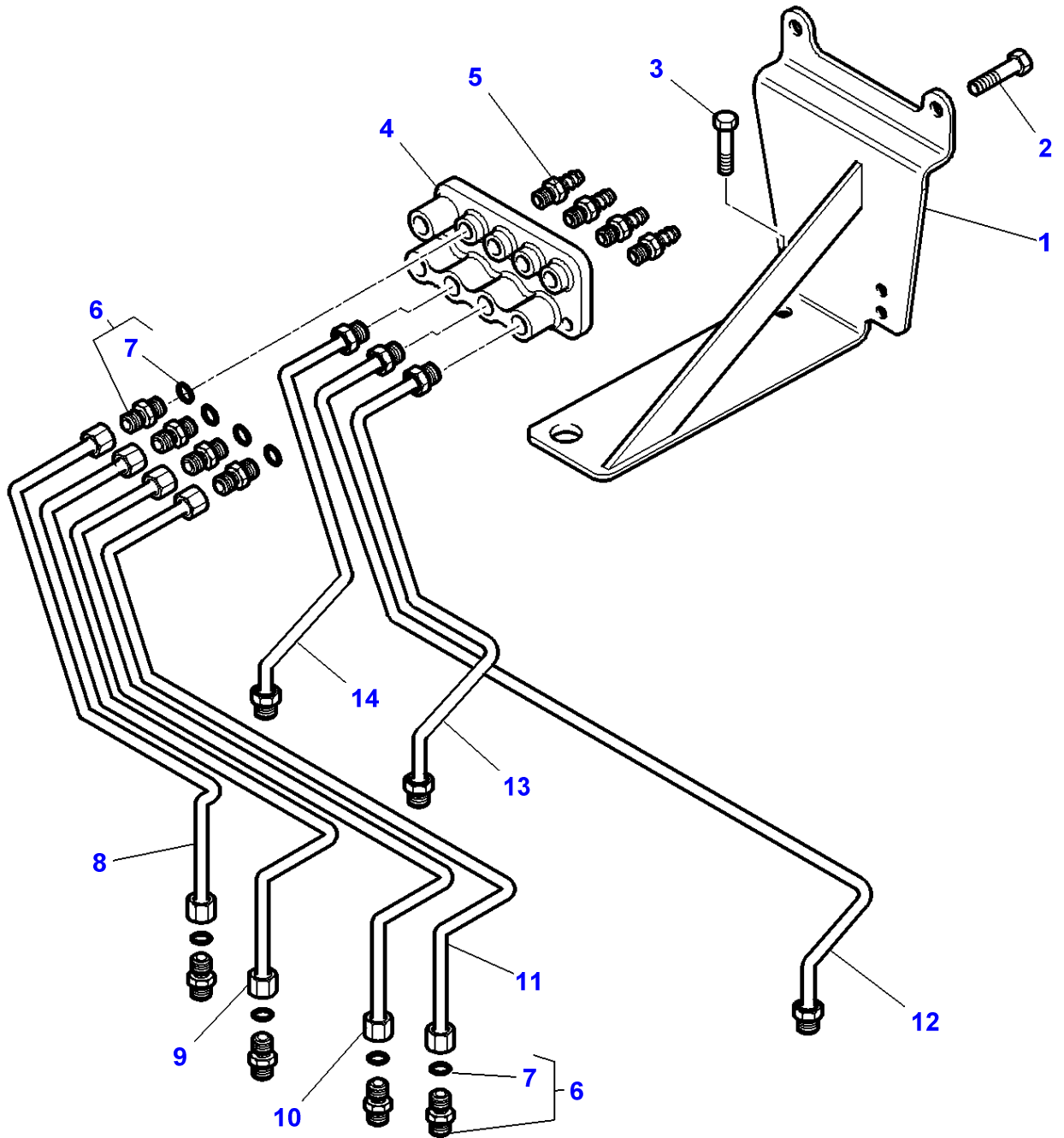
1-WG17-003-A



Brakes - Hydraulic Pipes

Item	Part Number	Qty	Description	Comments
1	4270774M1	1	Pressure Valve	
2	3011554X91	1	Union	M12X1.5
3	338761X1	1	Gasket	(2)
4	3011038X91	4	Union	M14X1.5
5	338762X1	1	Seal	(4)
6	3011553X91	1	Teepiece	M16x1.5
7	3011144X1	1	O Ring	(6)
8	4276754M1	1	Union	
9	4275100M1	2	Bridle	
10	4275670M1	1	Plate	
11	3778279M1	1	Stud	M8 X 28
12	4270451M1	1	Stud	M8 / M6
13	1441500X1	1	Locknut	M6
14	391038X1	3	Washer	Diameter 6-18 X 1,5
15	4275096M2	1	Tube	
16	4275094M1	1	Tube	
17	4275095M1	1	Tube	
18	4275097M1	1	Tube	
19	4275098M1	1	Tube	
20	4275671M1	1	Transducer	
21	3907427M1	1	Gasket	(20)
22	4276152M2	1	Hydr. Hose	Length 1450 MM
23	4276156M1	1	Hydr. Hose	Length 2100 MM
24	4276155M1	1	Hydr. Hose	Length 1700 MM
25	4277412M2	1	Hydr. Hose	Length 1700 MM
26	3011038X91	4	Union	M14X1.5
27	338762X1	1	Seal	(26)
28	4276158M1	1	Hydr. Hose	Length 1700 MM
29	3011543X91	1	Union	M16X1.5
30	3011144X1	1	O Ring	(29)
31	3011547X91	1	Union	M16X1.5
32	338763X1	1	Seal	(31)
33	4276157M1	1	Hydr. Hose	Length 400 MM

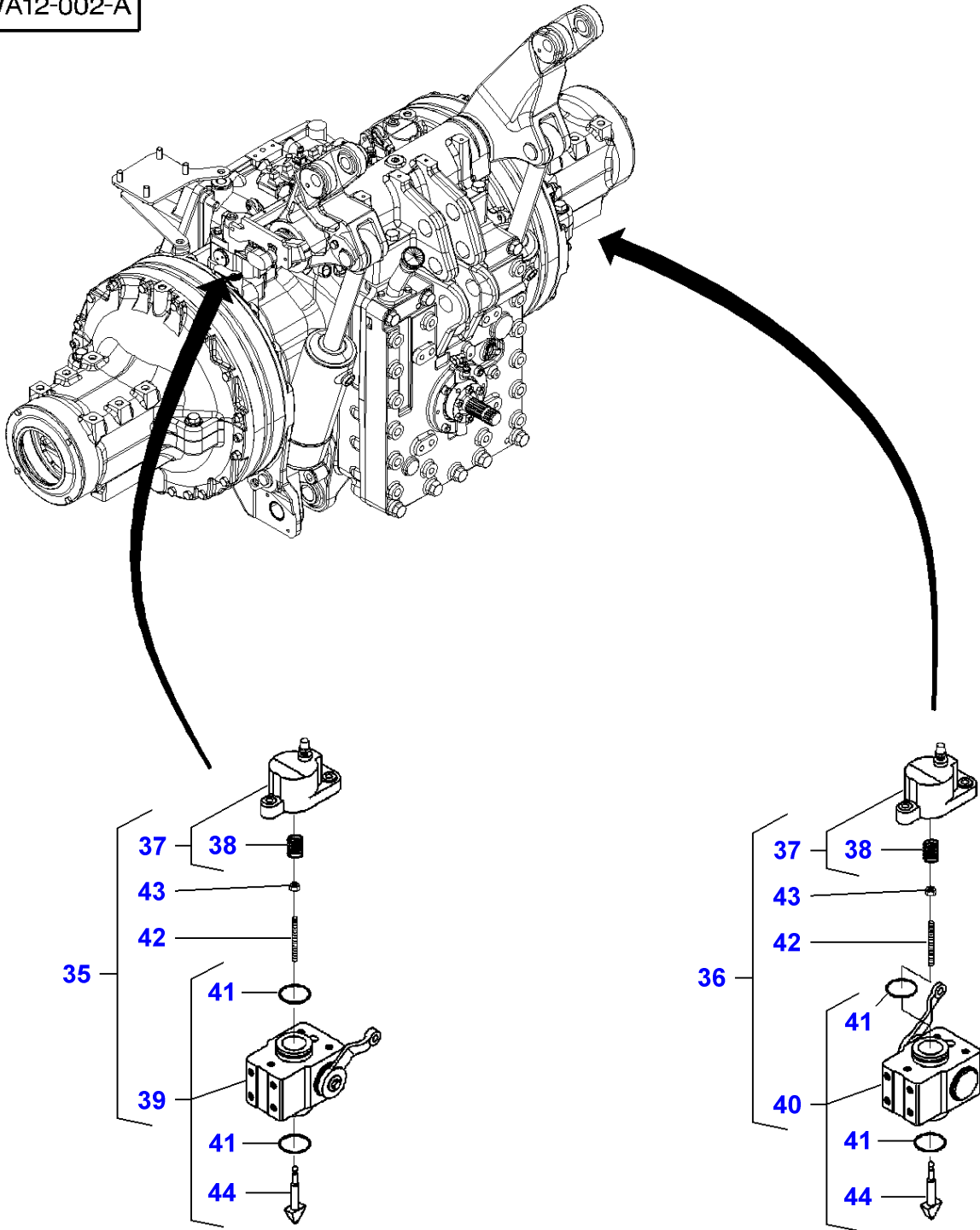
1-WG17-004-A



Brakes - Hydraulic Pipes

Item	Part Number	Qty	Description	Comments
1	4275565M2	1	Support	
2	339123X1	2	Hex. Sock. Screw	M8 X 20
3	3009493X1	1	Hex. Sock. Screw	M10 X 30
4	903.150.070.010	1	Center Piece	
5	G514.100.100.060	4	Breather Valve	
6	338906X91	8	Union	
7	338760X1	1	O Ring	(6)
8	4274999M1	1	Tube	
9	4274998M1	1	Tube	
10	4274997M1	1	Tube	
11	4274996M1	1	Tube	
12	4274986M1	1	Tube	
13	4275000M1	1	Tube	
14	4274985M1	1	Tube	

1-WA12-002-A



Hydraulic Brake Assy

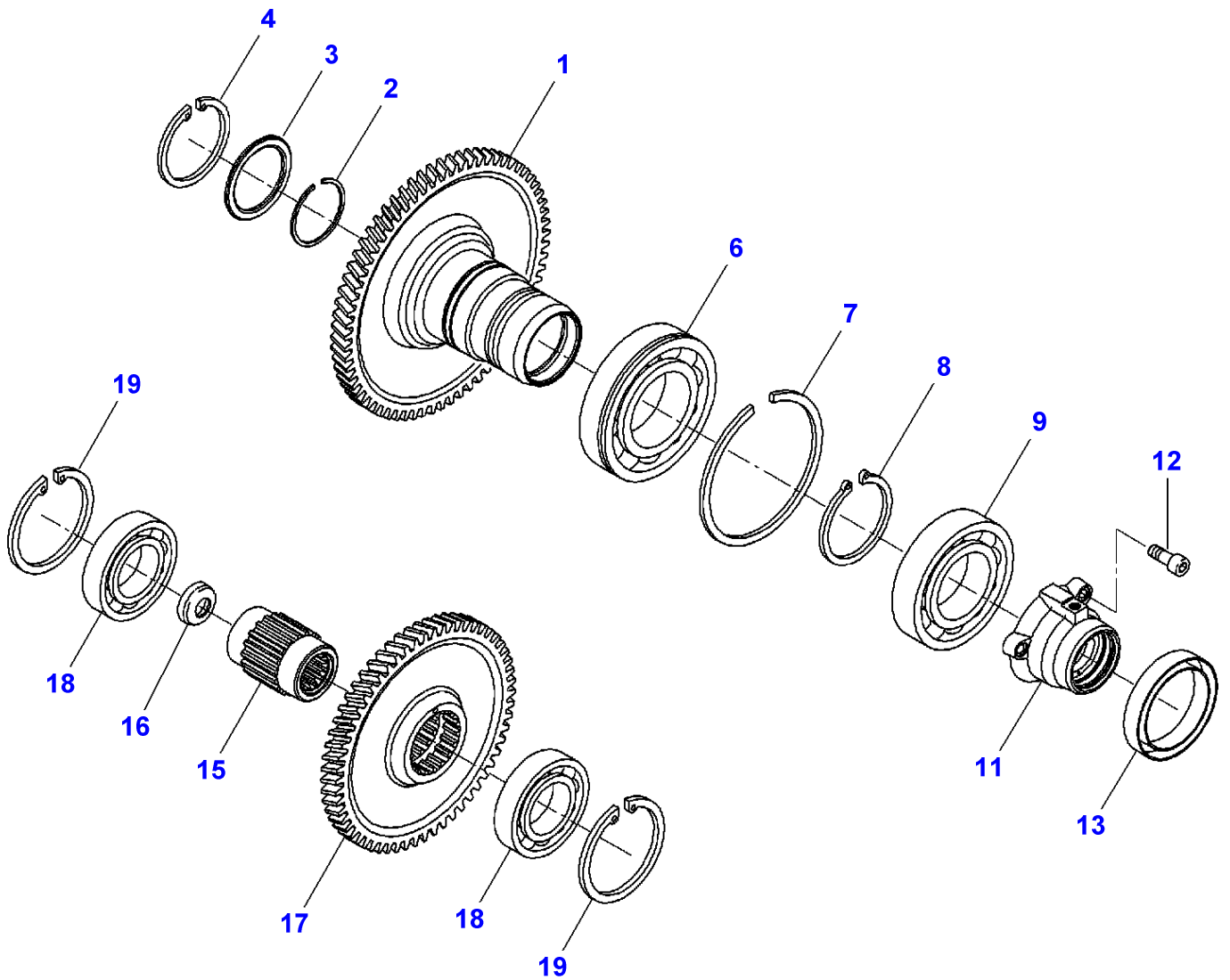
Item	Part Number	Qty	Description	Comments
35	G903.150.070.100	1	Cylinder	[A]
36	G903.150.070.110	1	Cylinder	[B]
37	F716.150.070.050	1	Cyl Head Part	
38	F822.100.070.060	1	Comp.Spring	(37)
39	G822.100.070.380	1	Wheel Cylinder	[C]
40	G822.100.070.390	1	Wheel Cylinder	[C]
41	F822.100.070.040	2	O Ring	
42	F524.101.070.140	1	Grub Screw	
43	X428.202.839.000	1	Nut	M10
44	F822.100.070.030	1	Wedge	

FOOTNOTE [A] INCLUDES REF : 37 TO 39-41 TO 44

FOOTNOTE [B] INCLUDES REF : 37-38-40 TO 44

FOOTNOTE [C] INCLUDES REF : 41-44

1-WG80-002-A



Massey Ferguson**MF 8450/8460 TRACTOR - 1637447**

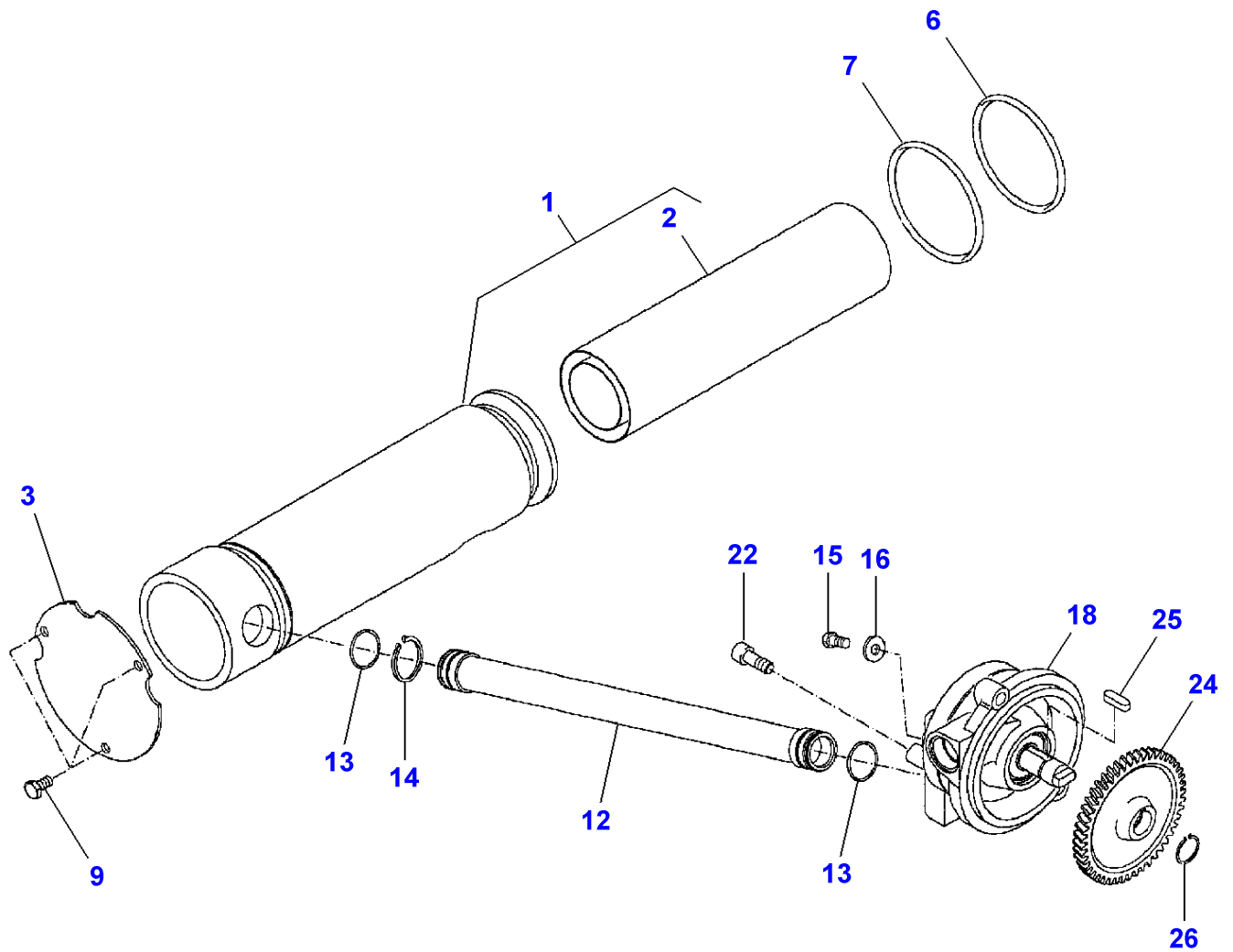
1637447

Pump Drive

Page070-0055

Item	Part Number	Qty	Description	Comments
1	903.100.490.050	1	Spur Gear	
2	X533.212.000.000	1	Snpring	
3	916.100.490.040	1	Disc	
4	X530.106.046.000	1	Circlip	Diameter 52 X 2
6	X605.511.411.003	1	Ball Bearing	
7	X532.503.846.000	1	Snpring	
8	X530.006.146.000	1	Circlip	Diameter 55 X 2
9	X605.505.900.000	1	Ball Bearing	
11	903.100.490.010	1	Housing	
12	X485.013.205.000	3	Hex. Sock. Screw	M10 X 30
13	X550.108.900.000	1	Shaft Seal	50 X 65 X 8
15	903.100.490.080	1	Shaft	
16	903.100.490.170	1	Cover	
17	903.100.490.060	1	Spur Gear	
18	X605.505.811.000	2	Ball Bearing	
19	X530.107.246.000	2	Circlip	Diameter 75 X 2,5

1-WG82-002-A



Massey Ferguson**MF 8450/8460 TRACTOR - 1637447**

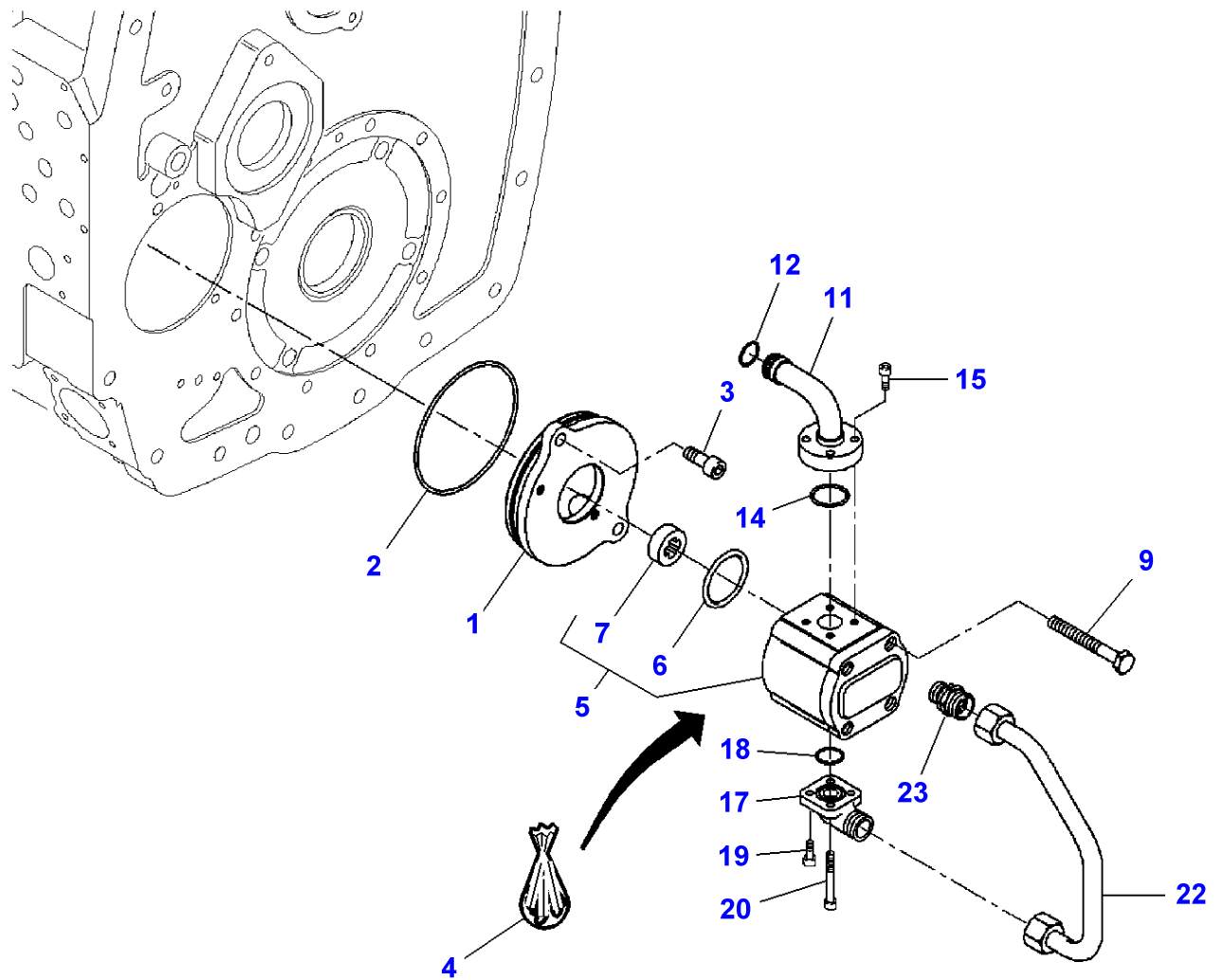
1637447

Lube Oil Pump - Filter

Page070-0060

Item	Part Number	Qty	Description	Comments
1	G916.100.490.021	1	Suction Filter	
2	F916.100.490.010	1	Filter	(1)
3	916.100.490.180	1	Cover	
6	X548.987.066.000	1	O Ring	Diameter 105 X 3
7	X548.989.201.000	1	O Ring	Diameter 108 X 3
9	X487.527.941.000	3	Hex. Sock. Screw	M8 X 25
12	H916.100.490.010	1	Pipe	
13	X548.878.200.000	2	O Ring	Diameter 27 X 3
14	X530.004.146.000	1	Circlip	Diameter 32 X 1,5
15	X487.526.841.000	1	Hex. Sock. Screw	M8 X 16
16	178.810.030.450	1	Disc	
18	G916.100.490.011	1	Oil Pump	
22	X485.013.305.000	2	Hex. Sock. Screw	M10 X 35
24	903.100.490.100	1	Spur Gear	
25	178.107.080.030	1	Key Parallel	
26	X530.215.446.000	1	Circlip	Diameter 20 X 1,5

1-WG92-001-A



Massey Ferguson**MF 8450/8460 TRACTOR - 1637447**

1637447

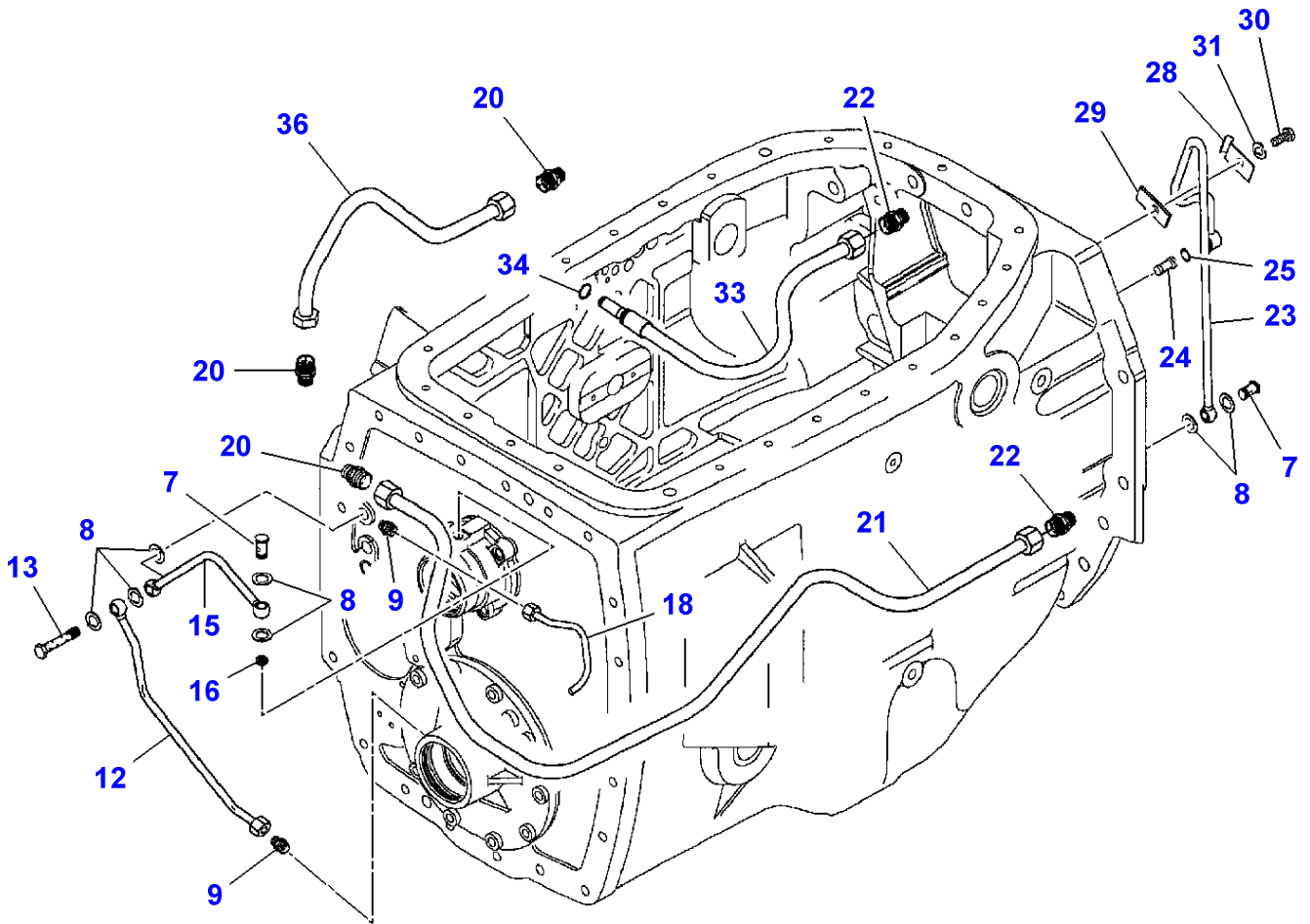
Feed Pump - System Comfort

Page070-0065

Item	Part Number	Qty	Description	Comments
1	916.100.490.131	1	Cover	
2	X548.995.902.000	1	O Ring	Diameter 115 X 2,5
3	X485.013.205.000	2	Hex. Sock. Screw	M10 X 30
4	F279.940.050.040	1	Kit, Joint	
5	G916.100.490.030	1	Gear Pump	
6	F916.100.490.020	1	O Ring	(5)
7	F279.940.050.030	1	Driving	(5)
9	X487.534.001.000	2	Hex. Sock. Screw	M10 X 105
11	H718.100.490.010	1	Union	
12	X548.848.016.000	1	O Ring	Diameter 16 X 3
14	X548.868.966.000	1	O Ring	Diameter 22,3 X 2,4
15	X485.005.305.000	4	Hex. Sock. Screw	M6 X 25
17	X593.816.300.000	1	Flanged Socket	
18	X548.860.601.000	1	O Ring	Diameter 20 X 2,5
19	X485.004.405.000	2	Hex. Sock. Screw	M16 X 16
20	X485.005.405.000	2	Hex. Sock. Screw	M16 X 30
22	H916.100.490.030	1	Tube	
23	X592.501.300.000	1	Thread. Part	

MF 8450/8460 TRACTOR - 1637447
1-WG83-002-A

1-WG83-002-A



Gear Box Lubrication

Item	Part Number	Qty	Description	Comments
7	X494.515.300.000	2	Banjo Bolt	
8	X540.003.678.000	7	Ring	
9	X592.501.000.000	2	Thread. Part	
12	H903.100.470.010	1	Pipe	[F]
13	X494.515.201.000	1	Banjo Bolt	
15	H916.100.470.131	1	Pipe	[D]
16	916.100.470.121	1	Nozzle	
18	H916.100.470.110	1	Pipe	[A]
20	X592.501.300.000	3	Thread. Part	
21	H916.100.470.121	1	Pipe	[C]
22	X592.501.303.000	2	Thread. Part	M16 X 1,5
23	H916.100.470.100	1	Pipe	[B]
24	198.100.080.520	1	Lub.Oil Pipe	
25	X548.818.015.000	1	O Ring	Diameter 8 X 2,5
28	268.600.130.110	1	Clip	
29	025.840.020.110	1	Plate	
30	X487.526.841.000	1	Hex. Sock. Screw	M8 X 16
31	X450.006.308.000	1	Washer	
33	H916.100.620.121	1	Pressure Hose	[C]
34	X530.014.200.000	1	Circlip	Diameter 16 X 1,2
36	H916.100.620.011	1	Pipe	[E]

FOOTNOTE [A] CONTROL PUMP

FOOTNOTE [B] BEVEL GEAR LUBRICATION

FOOTNOTE [C] REAR AXLE

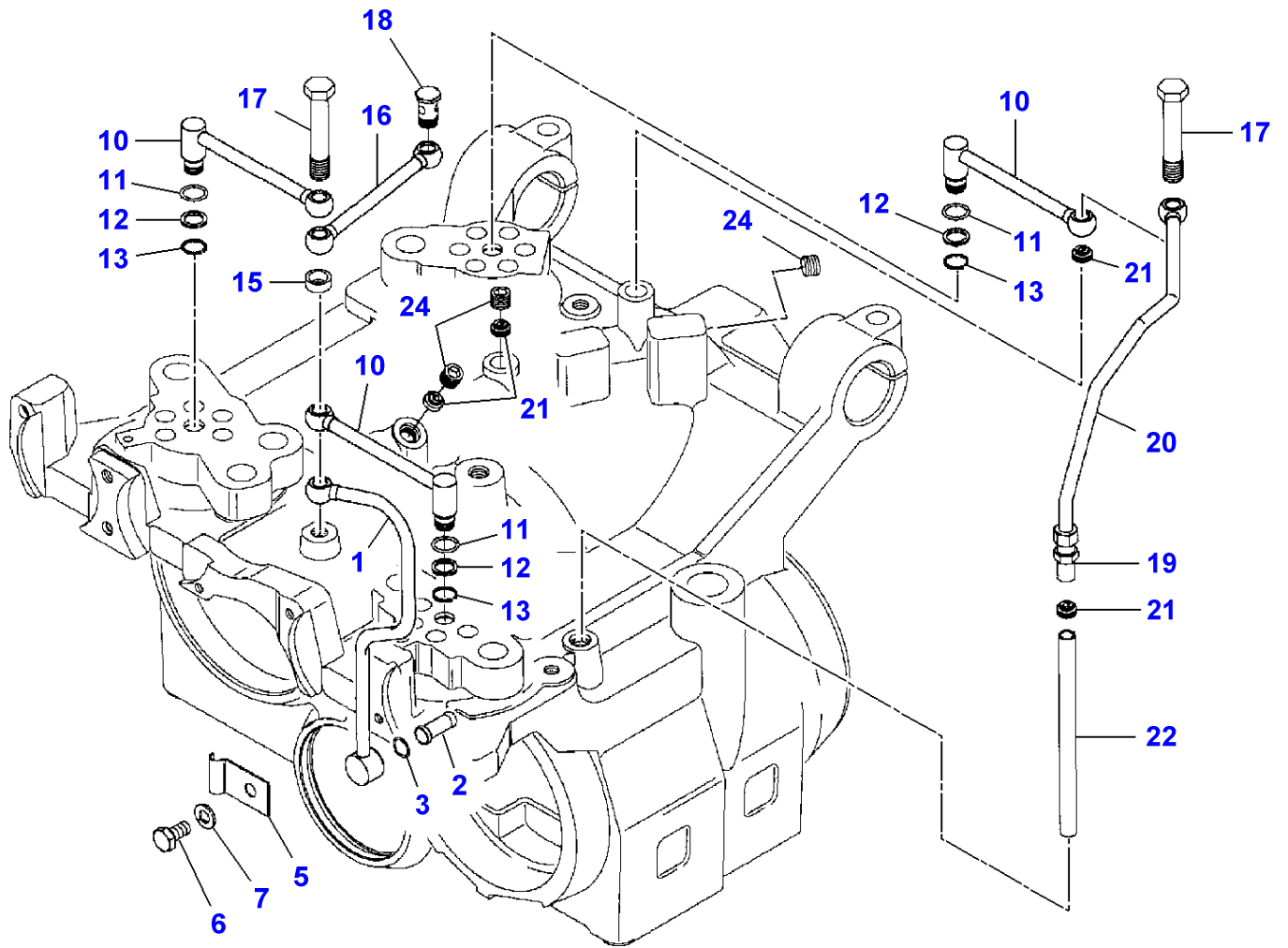
FOOTNOTE [D] INPUTSHAFT

FOOTNOTE [E] DISTRIBUTOR

FOOTNOTE [F] BRAKE TRANSMISSION SHAFT

MF 8450/8460 TRACTOR - 1637447
1-WG84-002-A

1-WG84-002-A

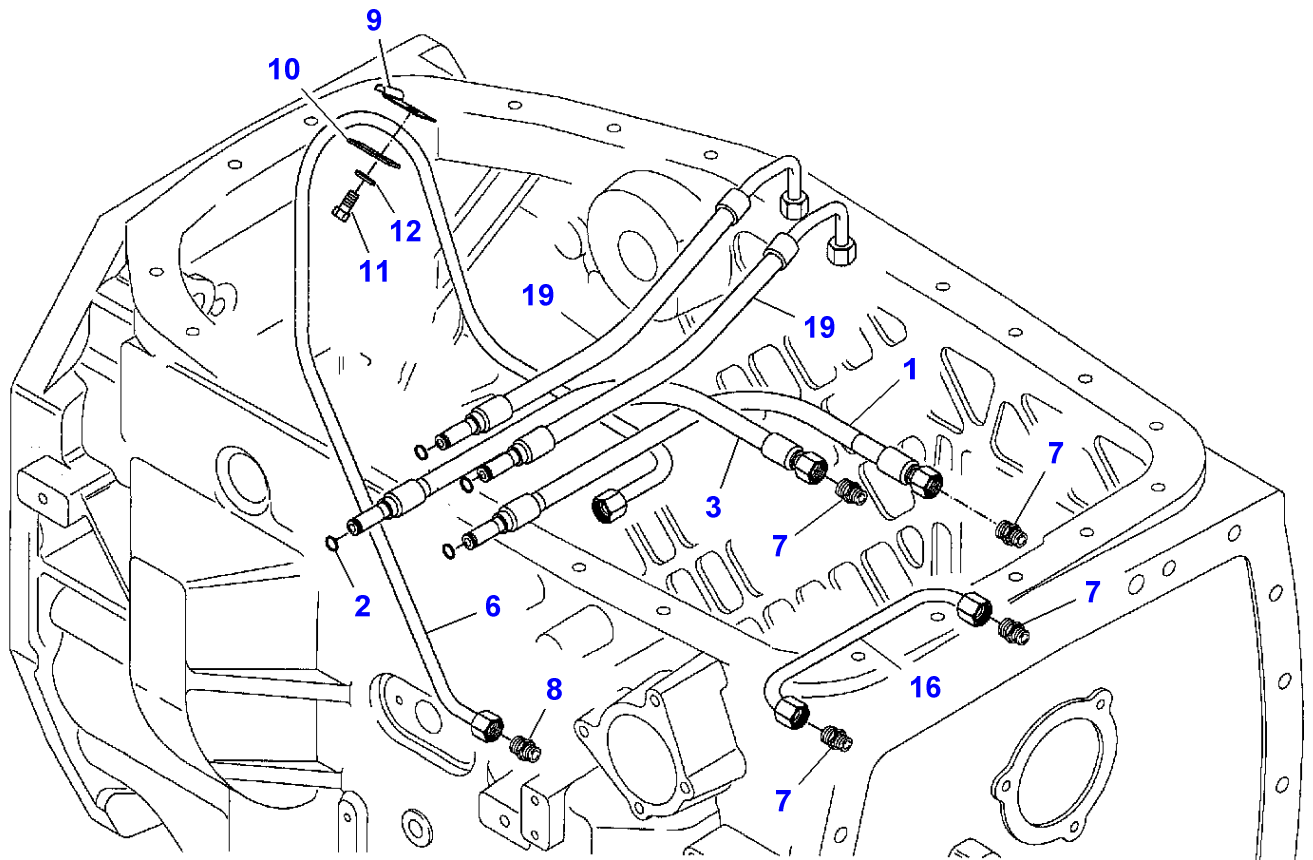


Gear Box Lubrication - Interior

Item	Part Number	Qty	Description	Comments
1	H916.100.470.230	1	Pipe	[A]
2	198.100.080.520	1	Lub.Oil Pipe	
3	X548.818.015.000	1	O Ring	Diameter 8 X 2,5
5	268.600.130.110	1	Clip	
6	X487.527.741.000	1	Hex. Sock. Screw	M8 X 20
7	X450.006.308.000	1	Washer	
10	H916.100.470.200	3	Pipe	
11	X548.833.602.000	3	O Ring	Diameter 12,3 X 2,4
12	X534.535.346.000	3	Backup Ring	
13	X530.001.146.000	3	Circlip	Diameter 12 X 1
15	225.100.100.160	1	Sleeve	
16	H916.100.470.220	1	Pipe	
17	916.100.470.210	2	Banjo Bolt	
18	X494.515.300.000	1	Banjo Bolt	
19	X592.501.000.000	1	Thread. Part	
20	X591.652.500.000	1	Pressure Hose	
21	916.100.470.121	4	Nozzle	
22	916.100.470.240	1	Pipe	
24	X483.500.600.000	3	Plug	M12 X 1,5

FOOTNOTE [A] MAIN SHAFT

1-WG94-001-A

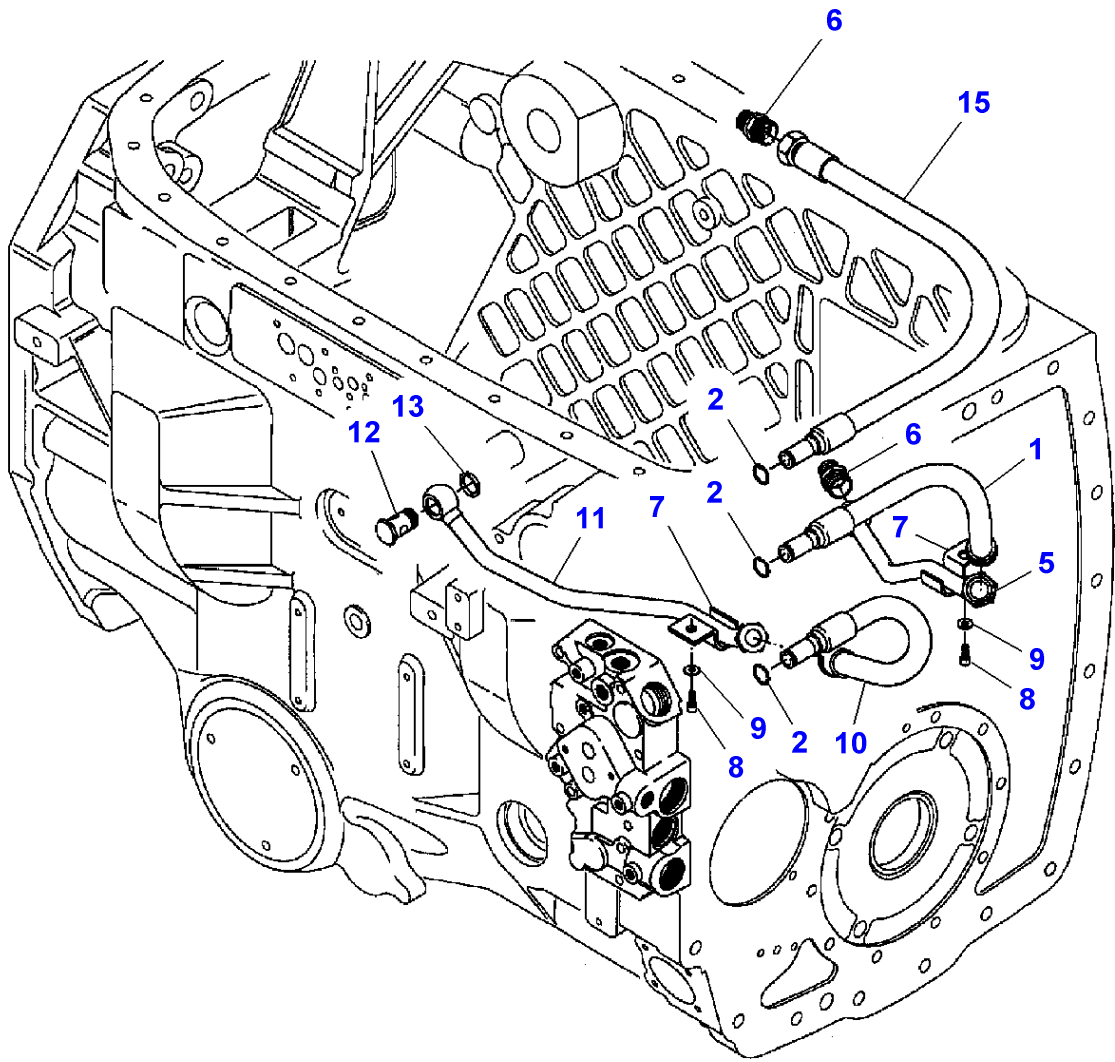


Hydraulic Circuit - Transmission

Item	Part Number	Qty	Description	Comments
1	H916.100.620.101	1	Pressure Hose	[A]
2	X531.001.146.000	5	Circlip	Diameter 12 X 1,0
3	H916.100.620.101	1	Pressure Hose	[D]
6	H916.101.620.011	1	Pipe	[C]
7	X592.501.100.000	4	Thread. Part	
8	X592.502.500.000	1	Thread. Part	
9	268.600.130.110	1	Clip	
10	025.840.020.110	1	Plate	
11	X487.527.741.000	1	Hex. Sock. Screw	M8 X 20
12	X450.006.308.000	1	Washer	
16	H916.100.620.071	1	Pipe	[A]
19	H411.100.620.100	2	Pressure Hose	[B]

FOOTNOTE [A] REGULATOR**FOOTNOTE [B]** SELECTOR RAM**FOOTNOTE [C]** CONTROL**FOOTNOTE [D]** SPEED RESTRICTOR

1-WG94-002-A



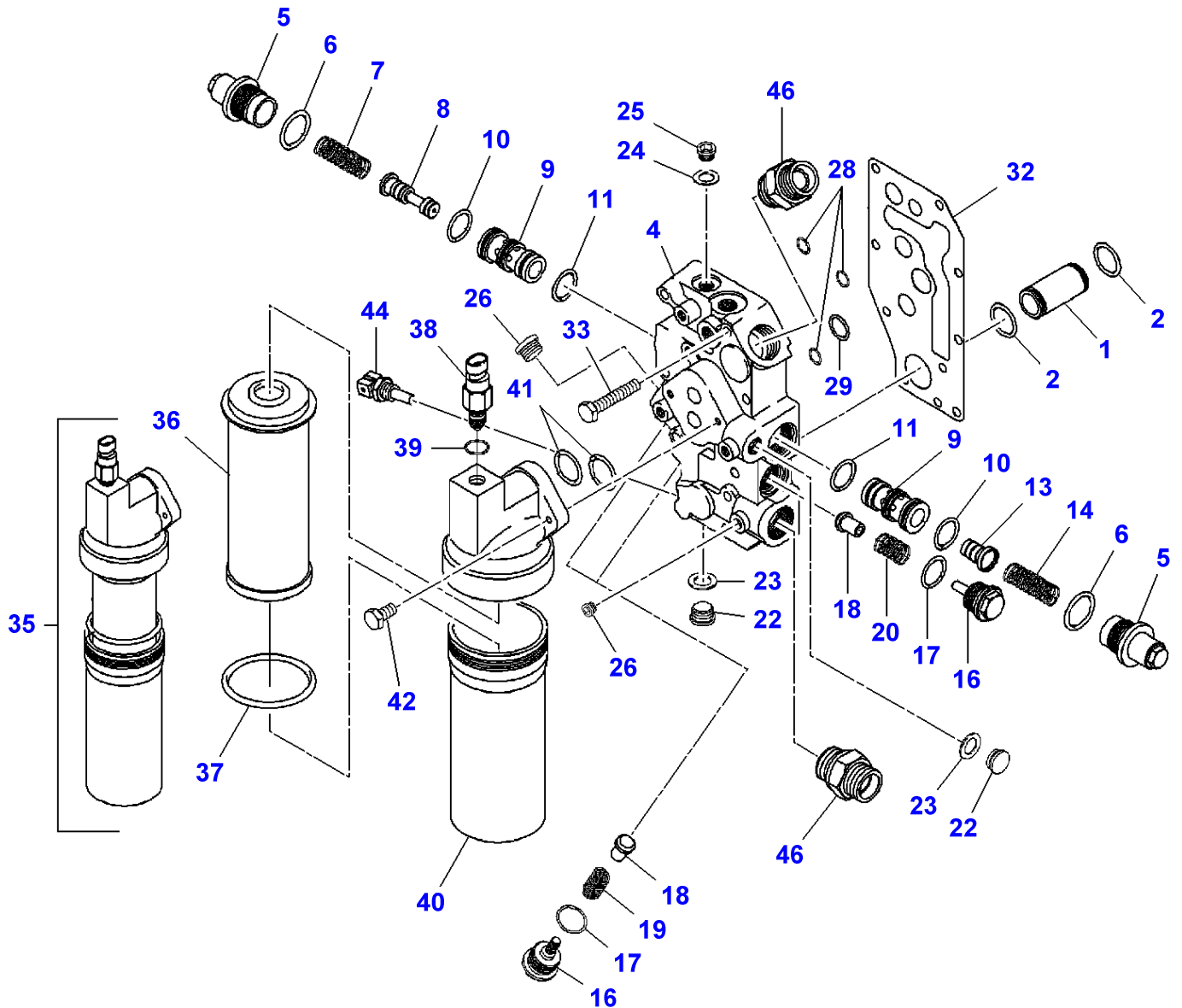
Hydraulic Circuit - Transmission - Hydraulic Valve Block

Item	Part Number	Qty	Description	Comments
1	H916.100.620.130	1	Pressure Hose	[A]
2	X530.014.200.000	3	Circlip	Diameter 16 X 1,2
5	H916.101.620.020	1	Pipe	[A]
6	X592.501.300.000	2	Thread. Part	
7	238.950.010.010	2	Clip	
8	X485.013.105.000	2	Hex. Sock. Screw	M10 X 25
9	X450.907.508.000	2	Disc	
10	H916.100.620.142	1	Pressure Hose	[B]
11	H916.100.620.061	1	Pipe	[B]
12	205.950.010.340	1	Banjo Bolt	
13	X542.541.001.000	1	Seal	
15	H916.100.620.121	1	Pressure Hose	[C]

FOOTNOTE [A] FEED SUPPLY**FOOTNOTE [B]** OUTPUT**FOOTNOTE [C]** HOUSING

MF 8450/8460 TRACTOR - 1637447
1-WG85-002-A

1-WG85-002-A



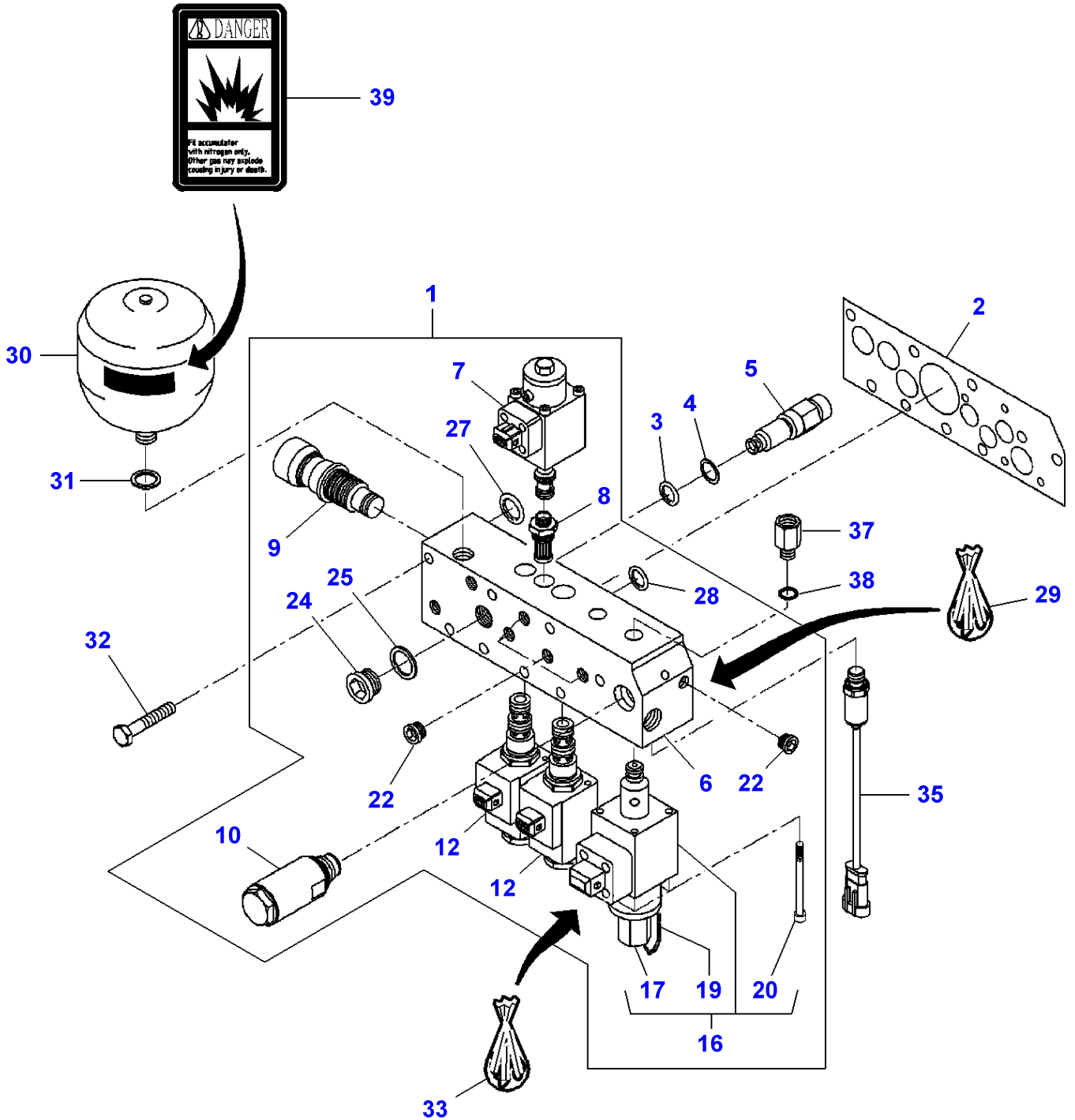
Hydraulic Valve Block - Pressure Filter

Item	Part Number	Qty	Description	Comments
1	916.100.600.220	1	Pipe	
2	X548.871.400.000	2	O Ring	Diameter 24 X 2,5
4	G916.100.600.020	1	Valve Block	[A]
5	395.100.600.040	2	Sleeve	(4)
6	X548.881.466.000	2	O Ring	(4) Diameter 28 X 3
7	916.100.600.030	1	Comp.Spring	(4)
8	916.100.600.061	1	Piston	(4)
9	395.100.600.020	2	Cartridge	(4)
10	X548.871.466.000	2	O Ring	(4) Diameter 24 X 2,5
11	X548.870.566.000	2	O Ring	(4) Diameter 23,3 X 2,4
13	916.100.600.070	1	Piston	(4)
14	916.100.600.040	1	Comp.Spring	(4)
16	916.100.600.100	3	Screw	(4)
17	X548.868.866.000	3	O Ring	(4) Diameter 22,2 X 3
18	514.100.600.080	3	Cone	(4)
19	916.100.600.050	3	Comp.Spring	(4)
20	514.100.600.090	1	Comp.Spring	(4)
22	X483.801.600.000	2	Screw	(4) M18
23	X540.005.478.000	2	Ring	(4) Diameter 18 X 22
24	X540.004.278.000	1	Ring	(4) Diameter 14 X 20
25	X483.800.800.000	1	Plug	(4) M14
26	X483.900.000.000	6	Screw	(4) M10
28	X548.829.200.000	3	O Ring	(4) Diameter 11 X 3
29	X548.857.366.000	1	O Ring	(4) Diameter 18,72 X 2,62
32	916.100.600.210	1	Gasket	
33	X486.528.705.000	8	Hex. Sock. Screw	M8 X 60
35	G916.100.600.044	1	Filter	
36	F916.100.600.010	1	Filter Insert	(35)
37	X548.960.666.000	1	O Ring	(35) Diameter 76 X 2,5
38	F916.100.600.040	1	Switch	(35)
39	X548.833.602.000	1	O Ring	(35) Diameter 12,3 X 2,4
40	F916.100.600.030	1	Housing	(35)
41	X548.881.466.000	2	O Ring	Diameter 28 X 3
42	X487.528.105.000	2	Hex. Sock. Screw	M8 X 30
44		1	Temp. Sensor	See Page - Reference Number 090-0085/38
46	X592.501.600.000	2	Thread. Part	

FOOTNOTE [A] ORDER + 916 100 600 210

MF 8450/8460 TRACTOR - 1637447
1-WG86-002-A

1-WG86-002-A



Hydraulic Valve Block

Item	Part Number	Qty	Description	Comments
1	G916.101.600.012	1	Valve Block	[E]
2	916.100.600.201	1	Gasket	
3	X548.809.016.000	1	O Ring	Diameter 5,3 X 2,4
4	X566.300.600.000	1	Backup Ring	Diameter 10 X 5,9 X 1
5	716.100.600.091	1	Union	
6		1	Body	(1) Not serviced,order REF. 1
7	G916.100.600.142	1	Solenoid Valve	[B] (1)
8	G916.100.600.180	1	Insert Element	(1)
9	G916.101.600.020	1	Discharge Valve	(1)
10	G718.100.600.113	1	Slave Cylinder	(1)
12	G312.100.600.110	2	Directional Valv	[C] (1)
16	G716.100.600.122	1	Discharge Valve	[A] (1)
17	F716.100.600.080	1	Cap Nut	(16)
19	F716.100.600.090	1	Chain	(16)
20	F716.100.600.040	4	Hex. Sock. Screw	(16)
22	X483.900.000.000	5	Screw	(1) M10
24	X483.801.200.000	1	Screw	(1) M16
25	X540.004.878.000	1	Ring	(1) Diameter 16 X 22
27	X548.829.200.000	1	O Ring	(1) Diameter 11 X 3
28	X548.813.100.000	4	O Ring	(1) Diameter 6,5 X 3
29	F916.101.600.010	1	Kit, Joint	
30	H916.100.600.010	1	Pressure Tank	[F]
31	X540.004.278.000	1	Ring	Diameter 14 X 20
32	X486.528.705.000	7	Hex. Sock. Screw	M8 X 60
33	F716.100.600.100	1	Kit, Joint	
35		1	Transmitter	See Page - Reference Number 090-0085/25
37	X596.135.200.000	1	Thread. Part	
38	X540.003.878.000	1	Ring	Diameter 12 X 18
39	3777021M3	1	Decal	

FOOTNOTE [A] CLUTCH

FOOTNOTE [B] EMERGENCY CONTROL

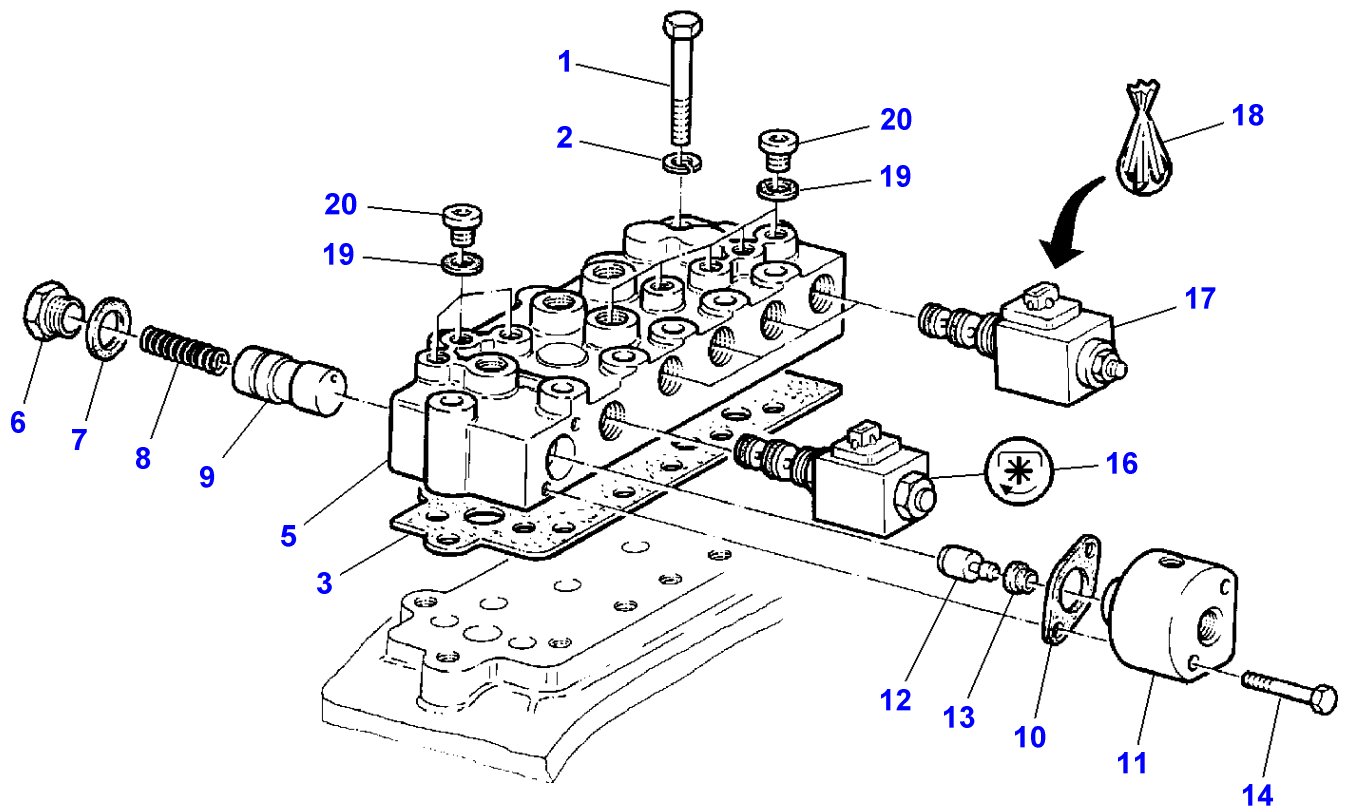
FOOTNOTE [C] GROUP GEAR SHIFTING

FOOTNOTE [D] ORDER + 718 150 151 300

FOOTNOTE [E] ORDER + 916 100 600 201

FOOTNOTE [F] THE APPROPRIATE SAFETY DECALS MUST BE ORDERED AND FITTED TO THIS PART

1-WG91-002-A



Massey Ferguson**MF 8450/8460 TRACTOR - 1637447**

1637447

Hydraulic Valve Block - Solenoid Valve - Up to Serial or Engine Number 903/0104

Page070-0100

Item	Part Number	Qty	Description	Comments
1	X486.529.005.000	12	Hex. Sock. Screw	M8 X 70
2	X520.803.901.000	12	Lock Washer	
3	822.100.600.021	1	Gasket	
5	G926.150.600.100	1	Valve Block	[A] Repairs and replaces G916100600030
6	X494.206.000.000	1	Screw	(5) M22
7	X540.006.678.000	1	Ring	(5)
8	822.100.600.060	1	Comp.Spring	(5)
9	822.100.600.030	1	Piston	(5)
10	822.100.600.070	1	Gasket	(5)
11	822.100.600.051	1	Timing Gear Case	(5)
12	822.100.070.451	1	Piston	(5)
13	X548.301.500.000	1	V-Seal	(5)
14	X487.522.341.000	2	Hex. Sock. Screw	(5) M6 X 50
16	G716.150.200.060	1	Valve.	(5)
17	G411.151.600.020	4	Directional Valv	[B,C,D,E,F] (5)
18	F411.151.600.010	1	Kit, Joint	(17) ARGO-HYTOS
	F312.100.600.040	1	Kit, Joint	(17) BOSCH
	F312.100.600.050	1	Kit, Joint	(17) HYDAC
19	X540.003.078.000	8	Ring	(5)
20	X483.800.000.000	8	Screw	(5) M10

FOOTNOTE [A] ORDER + 822 100 600 021

FOOTNOTE [B] DIFFERENTIAL LOCK

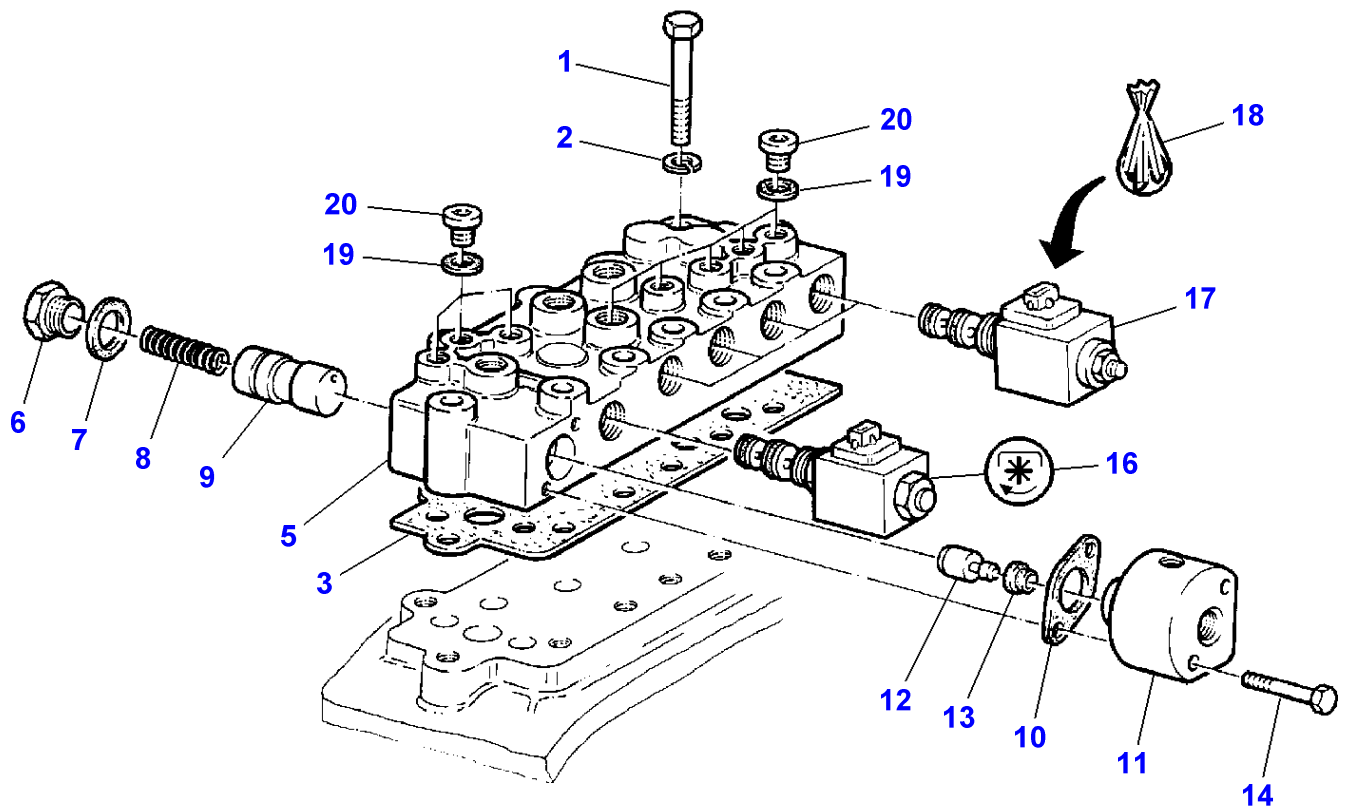
FOOTNOTE [C] POWER TAKE OFF 750 TR/MM

FOOTNOTE [D] POWER TAKE OFF 1000

FOOTNOTE [E] 4 WHEEL DRIVE

FOOTNOTE [F] PTO BRAKES

1-WG91-001-A



Massey Ferguson**MF 8450/8460 TRACTOR - 1637447**

1637447

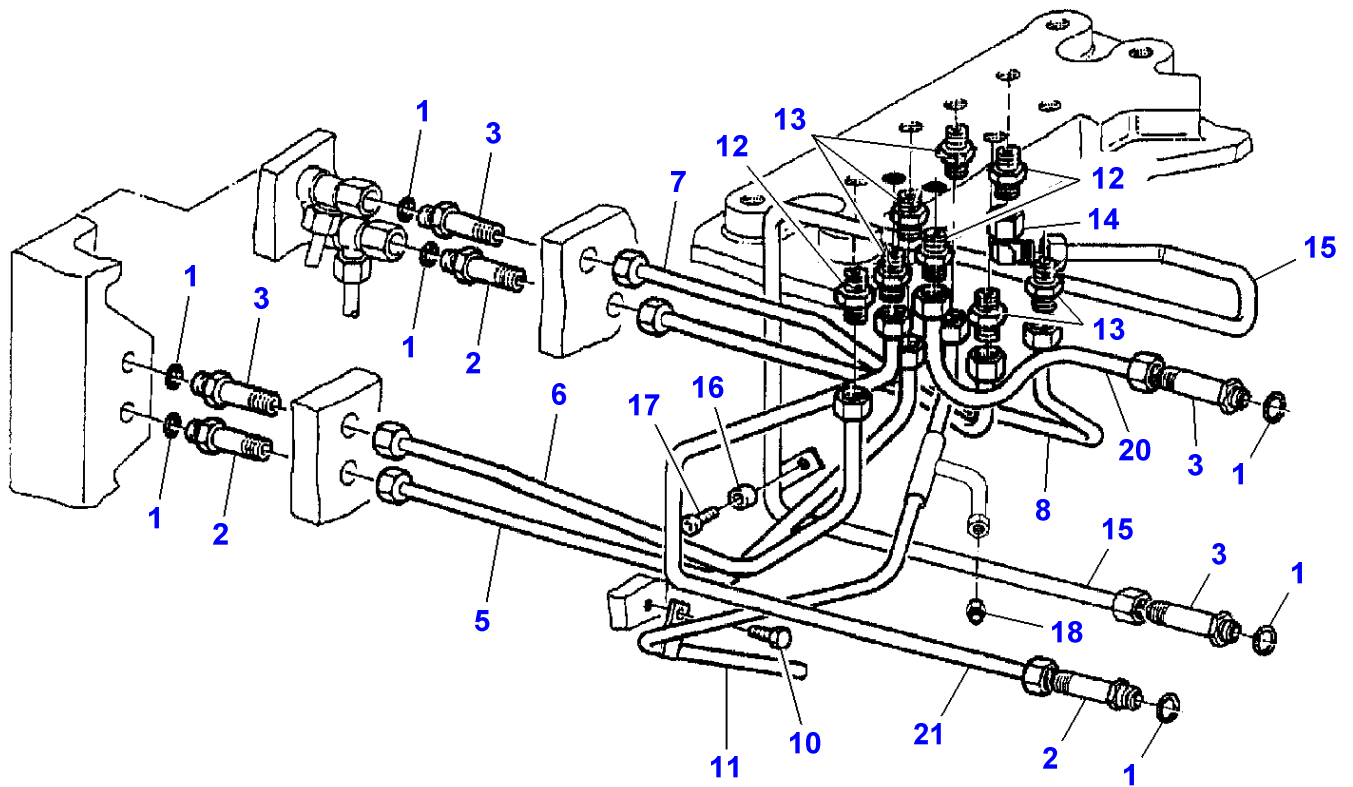
Hydraulic Valve Block - Solenoid Valve - From Serial or Engine Number 903/0201

Page070-0105

Item	Part Number	Qty	Description	Comments
1	X486.529.005.000	12	Hex. Sock. Screw	M8 X 70
2	X520.803.901.000	12	Lock Washer	
3	822.100.600.021	1	Gasket	
5	G903.150.600.100	1	Valve Block	[A]
6	F903.150.600.030	1	Screw	(5)
7	X548.859.400.000	1	O Ring	(5) Diameter 19,4 X 2,1
8	822.100.600.060	1	Comp.Spring	(5)
9	F903.150.600.010	1	Piston	(5)
10	822.100.600.070	1	Gasket	(5)
11	F903.150.600.020	1	Timing Gear Case	(5)
12	822.100.070.451	1	Piston	(5)
13	X548.301.500.000	1	V-Seal	(5)
14	X487.522.341.000	2	Hex. Sock. Screw	(5) M6 X 50
16	G716.150.200.060	1	Valve.	(5)
17	G411.151.600.020	4	Directional Valv	[B,C,D,E,F] (5)
18	F411.151.600.010	1	Kit, Joint	(17)
19	X540.003.078.000	8	Ring	(5)
20	X483.800.000.000	8	Screw	(5) M10

FOOTNOTE [A] ORDER + 822 100 600 021**FOOTNOTE [B]** DIFFERENTIAL LOCK**FOOTNOTE [C]** POWER TAKE OFF 750 TR/MM**FOOTNOTE [D]** POWER TAKE OFF 1000**FOOTNOTE [E]** 4 WHEEL DRIVE**FOOTNOTE [F]** PTO BRAKES

1-WG93-001-A



Massey Ferguson**MF 8450/8460 TRACTOR - 1637447**

1637447

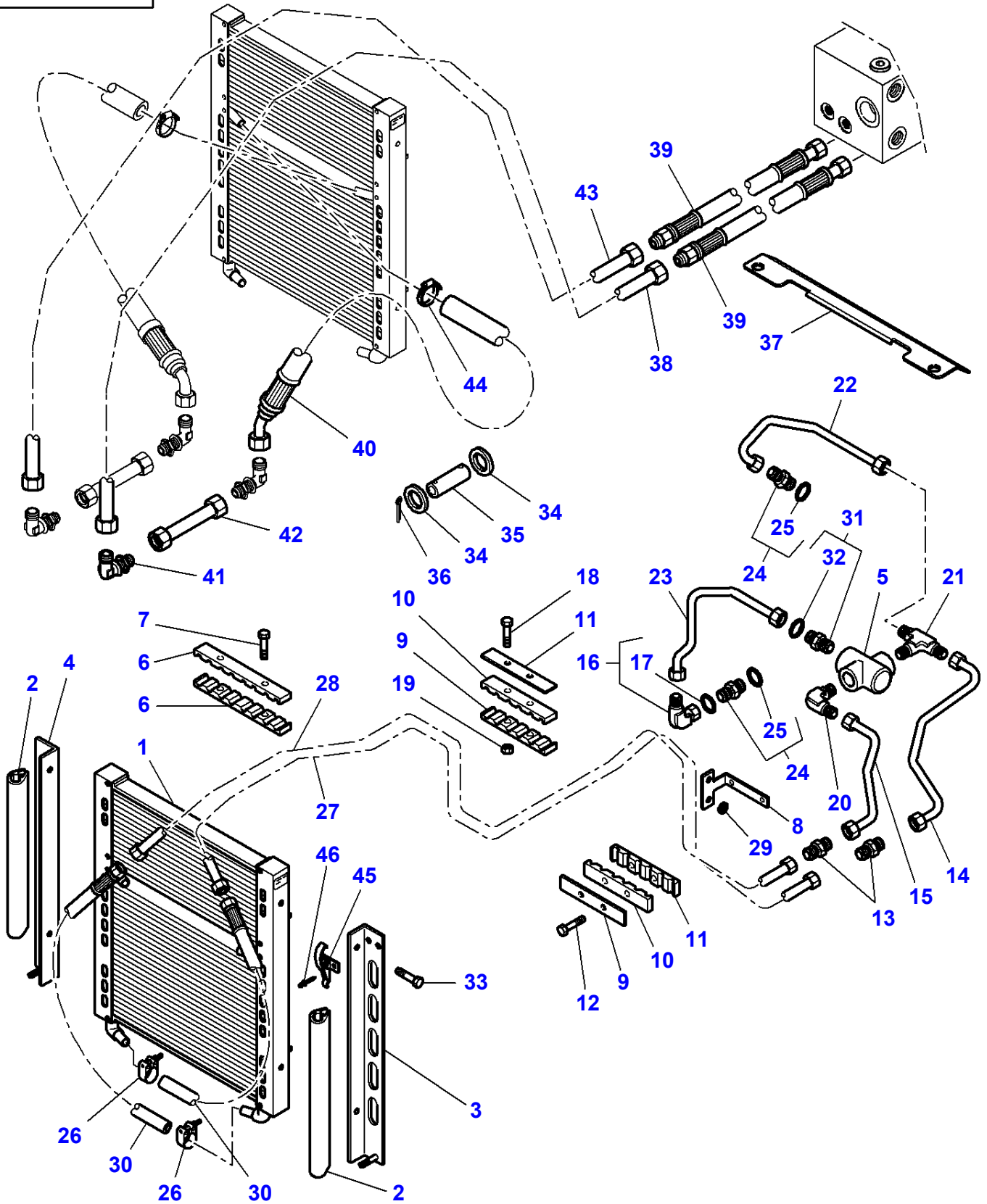
Hydraulic Valve Block - Hydraulic Lines

Page070-0110

Item	Part Number	Qty	Description	Comments
1	X548.830.066.000	7	O Ring	Diameter 11,3 X 2,4
2	716.150.620.060	4	Union	
3	822.100.620.310	3	Union	
5	H822.100.620.220	1	Tube	
6	H822.100.620.210	1	Tube	
7	H822.100.620.240	1	Tube	
8	H822.100.620.250	1	Tube	
10	X487.527.305.000	1	Hex. Sock. Screw	M8 X 10
11	H916.150.620.200	1	Tube	
12	X592.501.200.000	3	Thread. Part	
13	X592.501.100.000	5	Thread. Part	
14	X584.316.900.000	1	Union	
15	H916.100.620.260	1	Tube	
16	822.100.620.320	1	Bush	
17	X493.613.105.000	1	Hex. Sock. Screw	M10 X 25
18	X592.501.100.000	1	Thread. Part	
20	H916.100.620.270	1	Tube	
21	H916.100.620.280	1	Tube	

MF 8450/8460 TRACTOR - 1637447
1-WP19-015-C

1-WP19-015-C

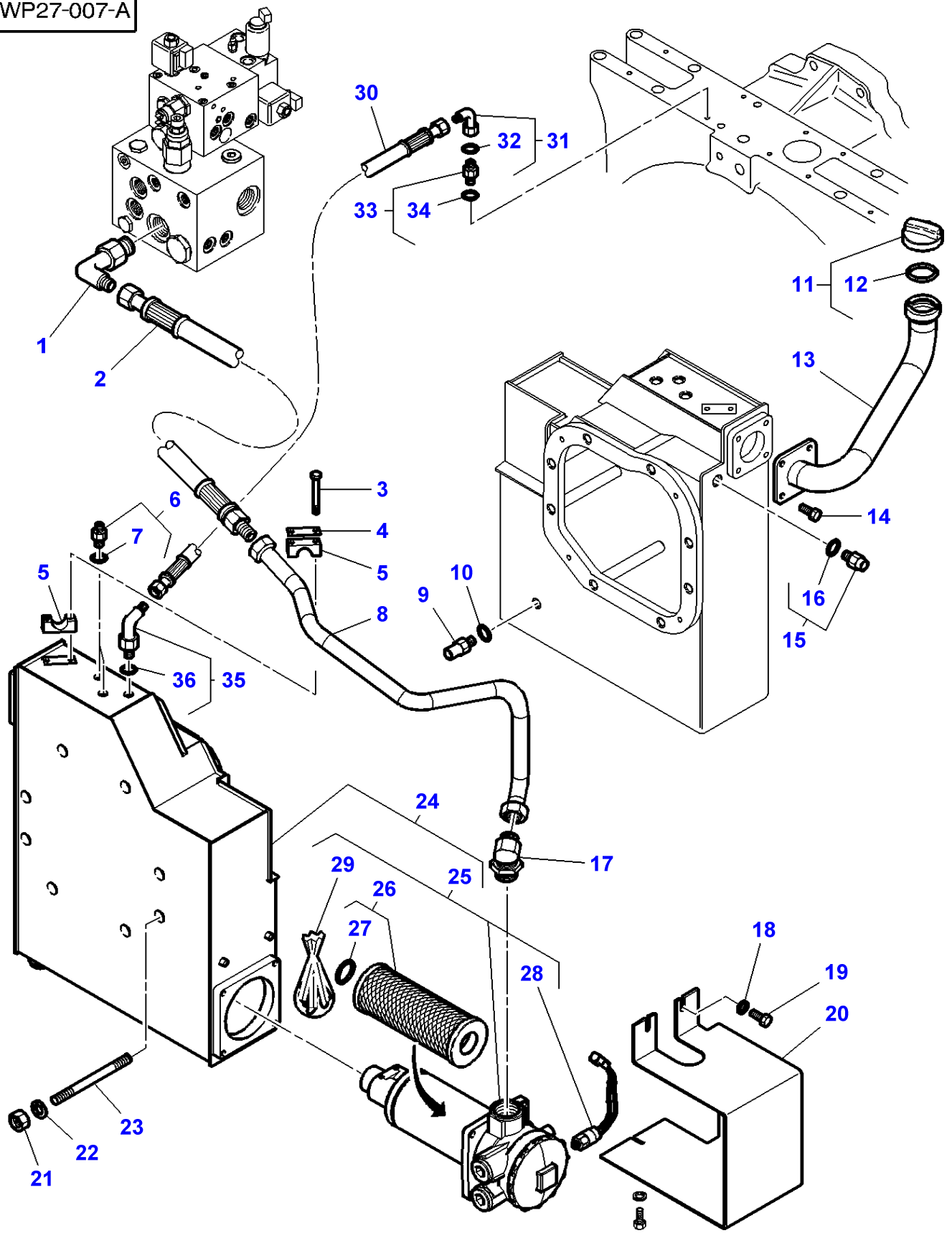


Oil Cooler - Transmission Hydraulic

Item	Part Number	Qty	Description	Comments
1	4279293M1	1	Oil Cooler	
2	3782344M1	3	Gasket	Length 475MM
3	4279556M1	1	Baffle	Left Hand
4	4279555M1	1	Baffle	Right Hand
5	4278849M1	1	Vane	
6	4275070M3	2	Bridle	
7	3009257X1	2	Screw	M6 X 35
8	4277411M3	1	Support	
9	4275691M2	2	Bridle	
10	4275692M2	2	Bridle	
11	4275693M2	2	Bridle	
12	3015134X1	2	Hex. Sock. Screw	M6 X 65
13	3011222X1	2	Union	
14	4279819M1	1	Tube	
15	4279814M1	1	Tube	
16	3011593X91	1	Union	M30 X 2
17	3011063X1	1	O Ring	(16)
18	1440922X1	2	Hex. Sock. Screw	M6 X 60
19	1441500X1	2	Locknut	M6
20	4279661M1	1	Union	
21	4279820M1	1	Union	
22	4279812M1	1	Tube	
23	4279811M2	1	Tube	
24	3011533X91	2	Union	M33
25	3011037X1	1	Seal	(24)
26	3788734M1	2	Clamp	Diameter 27/29
27	4276743M3	1	Tube	
28	4276742M3	1	Tube	
29	390597X1	2	Washer	Diameter 10-30 X 2,5
30	4276141M2	2	Hydr. Hose	Length 1150 MM
31	3011639X91	1	Union	
32	3011037X1	1	Seal	(31)
33	339560X1	4	Hex. Sock. Screw	M6 X 16
34	339424X1	4	Washer	Diameter 10,5-18 X 1,6
35	3781233M1	2	Roll	
36	1442967X1	4	Pin	Diameter 2,5 X 16
37	4279824M2	1	Spacer	
38	4276744M3	1	Tube	
39	4276142M1	2	Hydr. Hose	Length 1400 MM
40	4276144M2	2	Hydr. Hose	Length 950 MM
41	3011594X1	4	Union	
42	4276751M1	2	Tube	
43	4276745M3	1	Tube	
44	4277422M1	2	Clamp	Diameter 23-25
45	3783272M1	2	Latch	Up to Serial or Engine Number 29-AUG-2004
	3824482M91	2	Kit, Fitting	From Serial or Engine Number 30-AUG-2004
46	3010021X1	4	Rivet	

MF 8450/8460 TRACTOR - 1637447
1-WP27-007-A

1-WP27-007-A

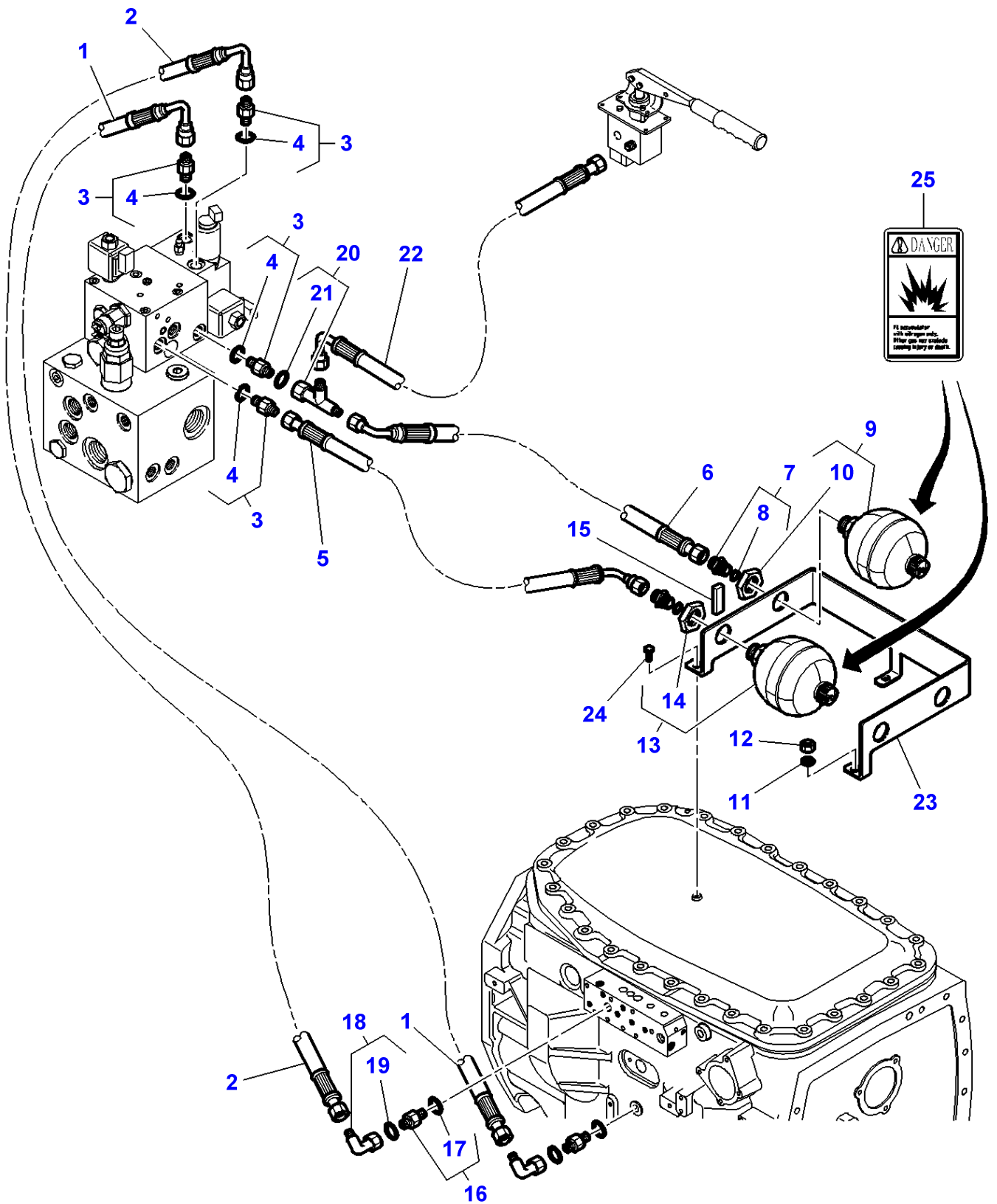


Auxiliary Hydraulics - Tank

Item	Part Number	Qty	Description	Comments
1	3787911M1	1	Union	M33X2
2	4276132M1	1	Hydr. Hose	Length 800MM
3	391244X1	2	Hex. Sock. Screw	M6X45
4	4273689M1	1	Plate	
5	4273688M1	2	Bridle	
6	338717X91	2	Union	M18X1.5
7	338764X1	1	Seal	(6)
8	4275578M1	1	Tube	
9	3618249M1	1	Inductive Sensor	
10	1440012X1	1	Gasket	Diameter 14-20X1,5
11	3011107X91	1	Plug	M33X2
12	3011037X1	1	Seal	(11)
13	4274249M1	1	Tube	
14	339124X1	4	Hex. Sock. Screw	M8X16
15	3001345X91	1	Union	M16X1.5
16	338763X1	1	Seal	(15)
17	4276644M1	1	Union	
18	390971X1	3	Washer	
19	339230X1	3	Hex. Sock. Screw	M6X10
20	4275579M2	1	Cowl	
21	339402X1	8	Nut	M10
22	390734X1	8	Washer	
23	3010684X1	8	Stud	M10X212
24	4278269M91	1	Hydraulic Tank	
25	4275577M91	1	Filter	(24)
26	4276648M1	1	Filter Insert	(25)
27	3907428M1	1	O Ring	(26)
28	3789379M1	1	Indicator	(25)
29	3907429M91	1	Kit, Joint	(25)
30	4276666M1	1	Hydr. Hose	Length 650MM
31	3011082X91	1	Elbow	
32	3011144X1	1	O Ring	(31)
33	338716X91	1	Union	M12X1.5
34	338761X1	1	Gasket	(33)
35	4276133M1	1	Union	M16X1.5
36	338763X1	1	Seal	(35)

MF 8450/8460 TRACTOR - 1637447
1-WP27-006-A

1-WP27-006-A



Auxiliary Hydraulics - Accumulator

Item	Part Number	Qty	Description	Comments
1	4276148M1	1	Hydr. Hose	[C] 18B Length 1080MM
2	4276147M1	1	Hydr. Hose	[B] 18B Length 750MM
3	3011038X91	4	Union	M14X1.5
4	338762X1	1	Seal	(3)
5	4276151M1	1	Hydr. Hose	Length 550MM
6	4276149M1	1	Hydr. Hose	Length 500MM
7	3011550X91	2	Union	1/2
8	3011154X1	1	Gasket	(7)
9	4275558M1	1	Accumulator	[A] 108B
10	3907430M1	1	Nut	(9)
11	390735X1	2	Washer	
12	3019862X1	2	Nut Metric	M12
13	4276645M1	1	Accumulator	[A] 44B
14	3907430M1	1	Nut	(13)
15	3580695M1	1	Gasket	Length 80MM
16	3011547X91	2	Union	M16X1.5
17	338763X1	1	Seal	(16)
18	3011543X91	2	Union	M16X1.5
19	3011144X1	1	O Ring	(18)
20	3011544X91	1	Union	M16X1,5
21	3011144X1	1	O Ring	(20)
22	4276150M1	1	Hydr. Hose	Length 650MM
23	4275571M3	1	Support	
24	339282X1	1	Hex. Sock. Screw	M10X16
25	3777021M3	1	Decal	

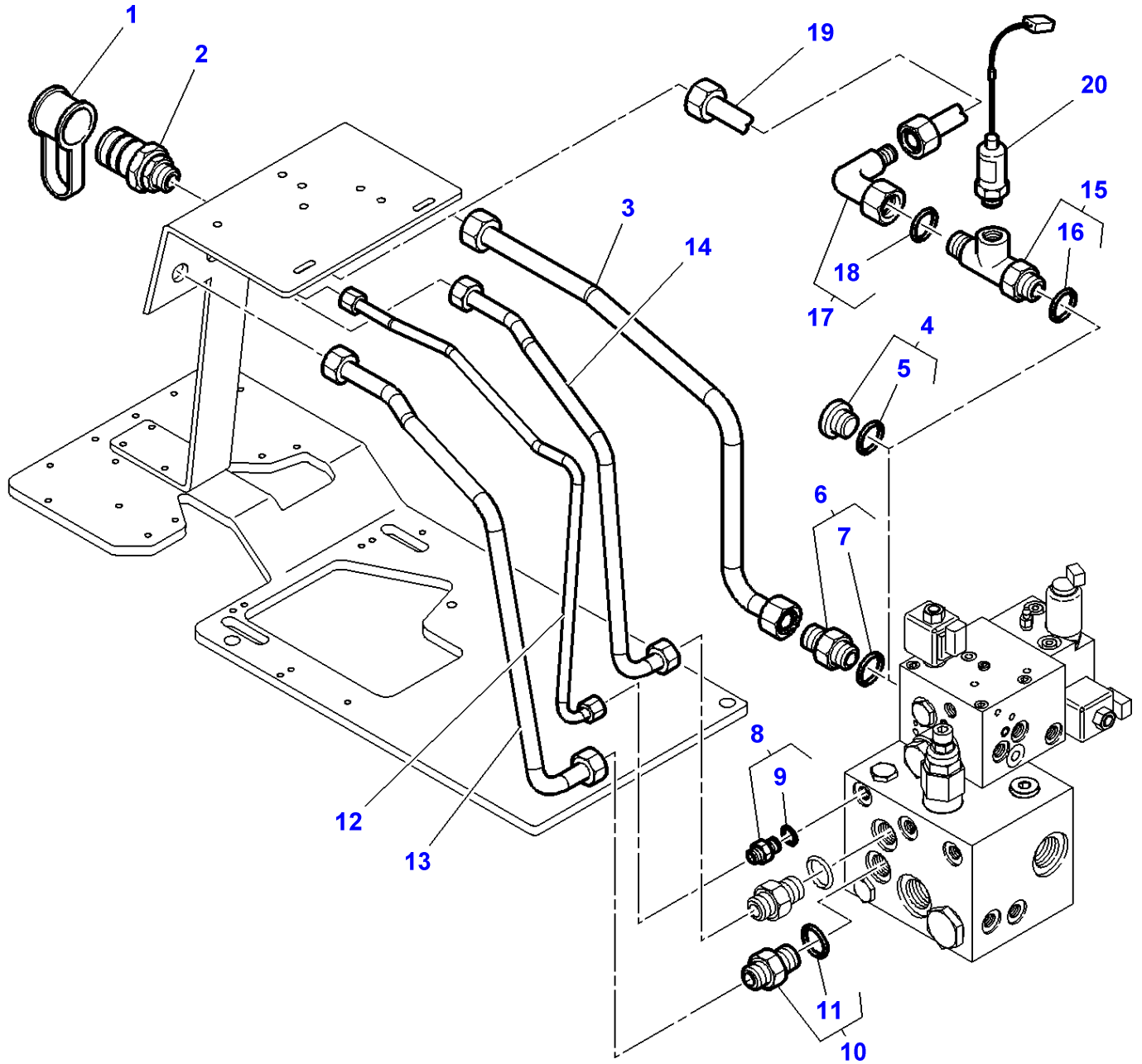
FOOTNOTE [A] THE APPROPRIATE SAFETY DECALS MUST BE ORDERED AND FITTED TO THIS PART

FOOTNOTE [B] FEED SUPPLY

FOOTNOTE [C] RETURN

MF 8450/8460 TRACTOR - 1637447
1-WP27-008-B

1-WP27-008-B



Auxiliary Hydraulics - Trailer Braking

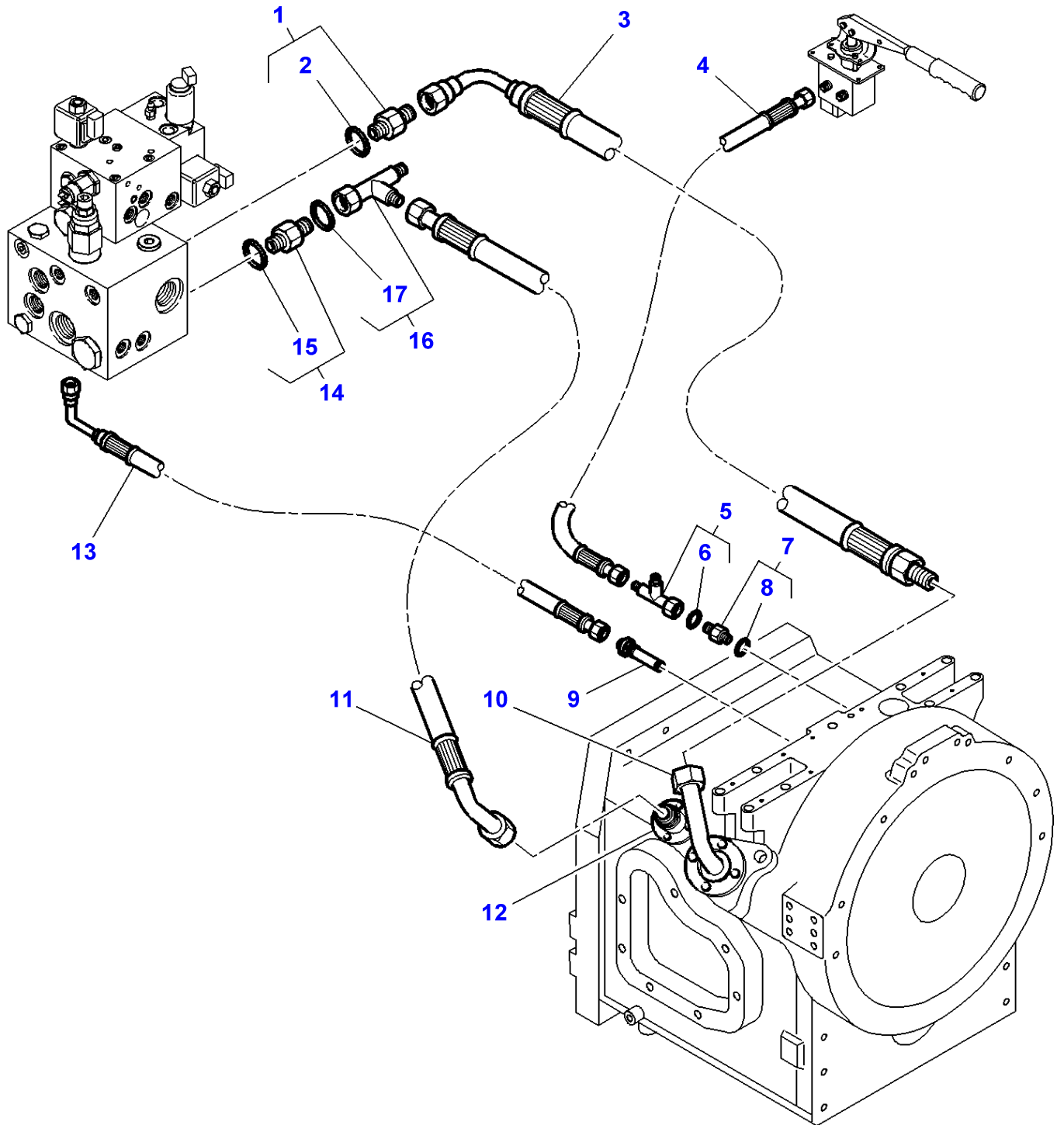
Item	Part Number	Qty	Description	Comments
1	4277197M1	1	Helmet	[A]
2	3786820M2	1	Female Coupler	[A]
3	4274984M1	1	Tube	[A]
4	3011105X91	1	Plug	[B] M22X1.5
5	3011036X1	1	Seal	(4)
6	3011040X91	1	Union	[A] M22X1.5
7	3011036X1	1	Seal	(6)
8	338795X91	1	Union	M14X1.5
9	338762X1	1	Seal	(8)
10	3011041X91	2	Union	M22X1.5
11	3011036X1	1	Seal	(10)
12	4274983M1	1	Tube	
13	4274982M1	1	Tube	
14	4274981M1	1	Tube	
15	4279909M1	1	Union	For Italy only or any text in Italian only
16	3019398X1	1	O Ring	(15)
17	3011085X91	1	Union	For Italy only or any text in Italian only
18	3011147X1	1	O Ring	(17)
19	4279908M1	1	Tube	For Italy only or any text in Italian only
20		1	Harness	[C]

FOOTNOTE [A] WITH TRAILOR BRAKING

FOOTNOTE [B] WITHOUT TRAILOR BRAKE

FOOTNOTE [C] NUMBER TO BE ADVISED

1-WP27-011-A

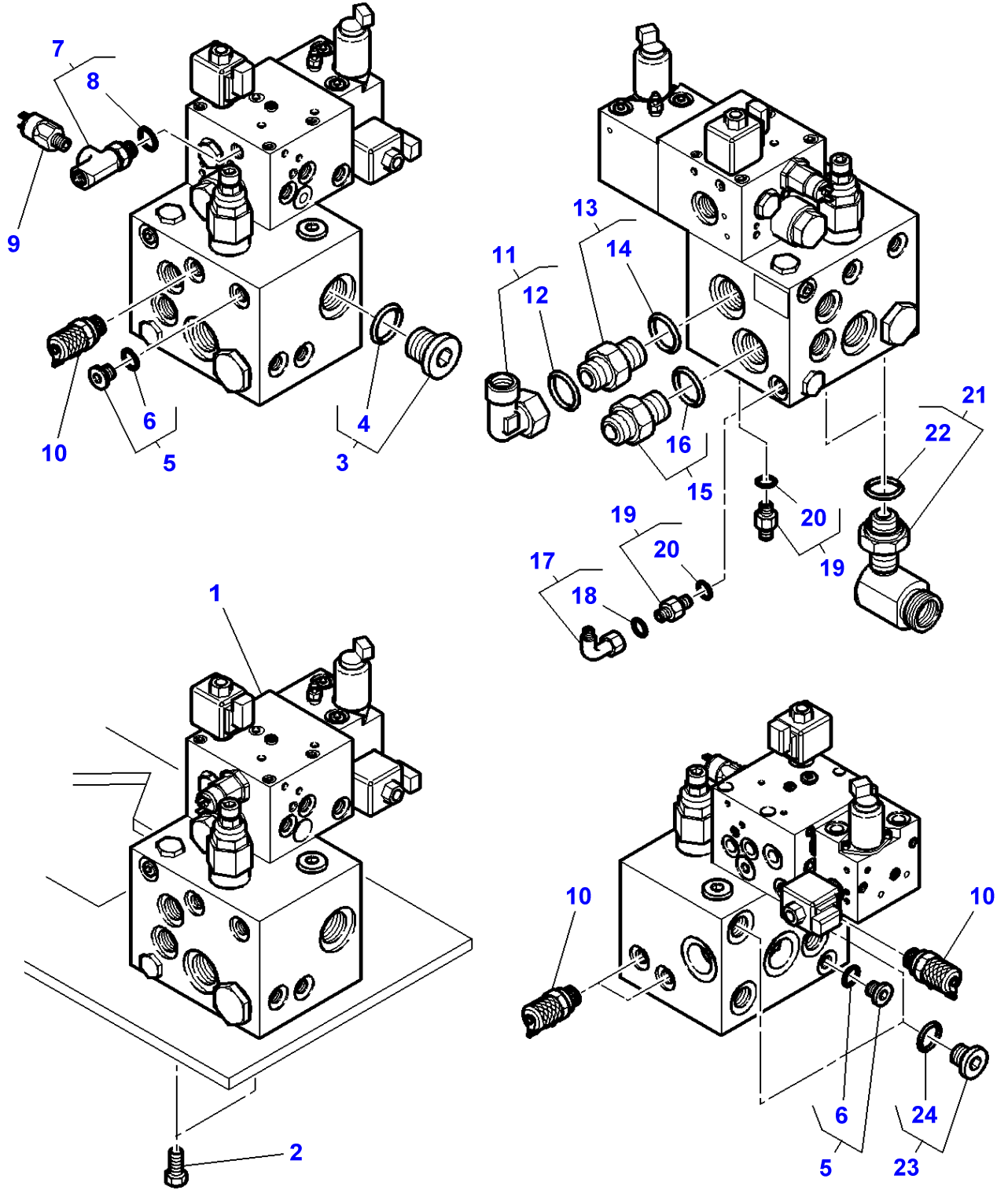


Auxiliary Hydraulics

Item	Part Number	Qty	Description	Comments
1	3011043X91	1	Union	M33X2
2	3011037X1	1	Seal	(1)
3	4274558M1	1	Hydr. Hose	Length 1050MM
4	4276154M1	1	Hydr. Hose	Length 1100MM
5	3011544X91	1	Union	
6	3011144X1	1	O Ring	(5)
7	3011554X91	1	Union	M12X1.5
8	338761X1	1	Gasket	(7)
9		1	Union	See Page - Reference Number 070-0145/30
10		1	Tube	See Page - Reference Number 070-0145/4
11	4276123M1	1	Hydr. Hose	Length 1000MM
12		1	Union	See Page - Reference Number 070-0155/18
13	4276130M1	1	Hydr. Hose	Length 1100MM
14	3011040X91	1	Union	M22X1.5
15	3011036X1	1	Seal	(14)
16	3011089X91	1	Union	M22X1.5
17	3011147X1	1	O Ring	(16)

MF 8450/8460 TRACTOR - 1637447
1-WP25-003-A

1-WP25-003-A



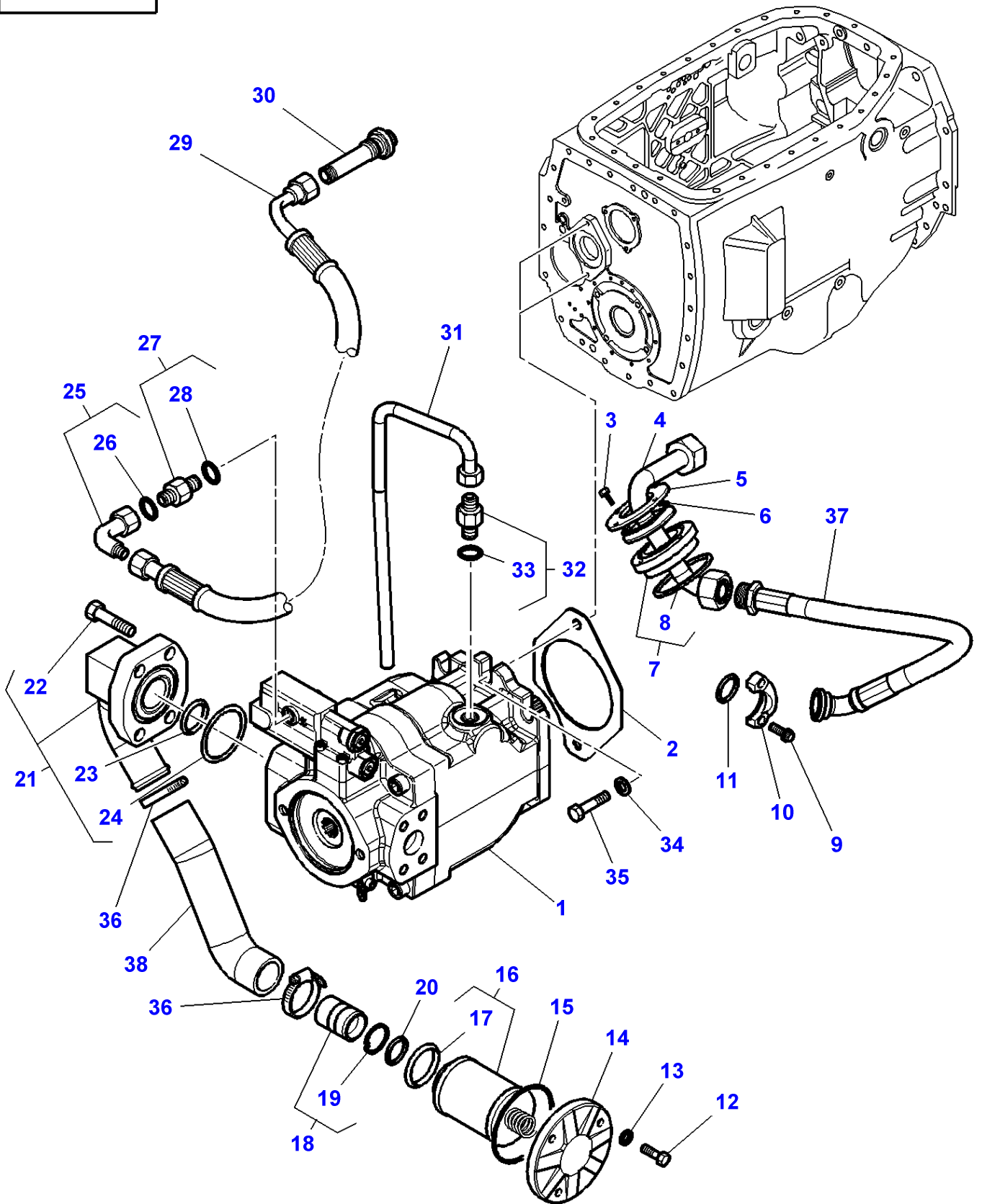
Hydraulique Manifold

Item	Part Number	Qty	Description	Comments
1	4274585M91	1	Pressure Valve	[A]
2	3009505X1	2	Hex. Sock. Screw	M12X25
3	3011107X91	1	Plug	M33X2
4	3011037X1	1	Seal	(3)
5	3011099X91	2	Plug	M14X1.5
6	338762X1	1	Seal	(5)
7	4278267M1	1	Union	
8	195562M1	1	O Ring	(7)
9	4278368M1	1	Pressure Switch	105 B
10	3785665M1	4	Pressure Intake	
11	3011088X91	1	Elbow Nipple	M36X2
12	3011150X1	1	O Ring	(11)
13	3011043X91	1	Union	M33X2
14	3011037X1	1	Seal	(13)
15	3011042X91	1	Union	M33X2
16	3011037X1	1	Seal	(15)
17	3011543X91	1	Union	M16X1.5
18	3011144X1	1	O Ring	(17)
19	3011038X91	2	Union	M14X1.5
20	338762X1	1	Seal	(19)
21	4277200M2	2	Union	M22X1.5
22	1442477X1	1	Gasket	(21)
23	3011105X91	2	Plug	M22X1.5
24	3011036X1	1	Seal	(23)

FOOTNOTE [A] DETAIL TO BE ADVISED

MF 8450/8460 TRACTOR - 1637447
1-WP27-009-A

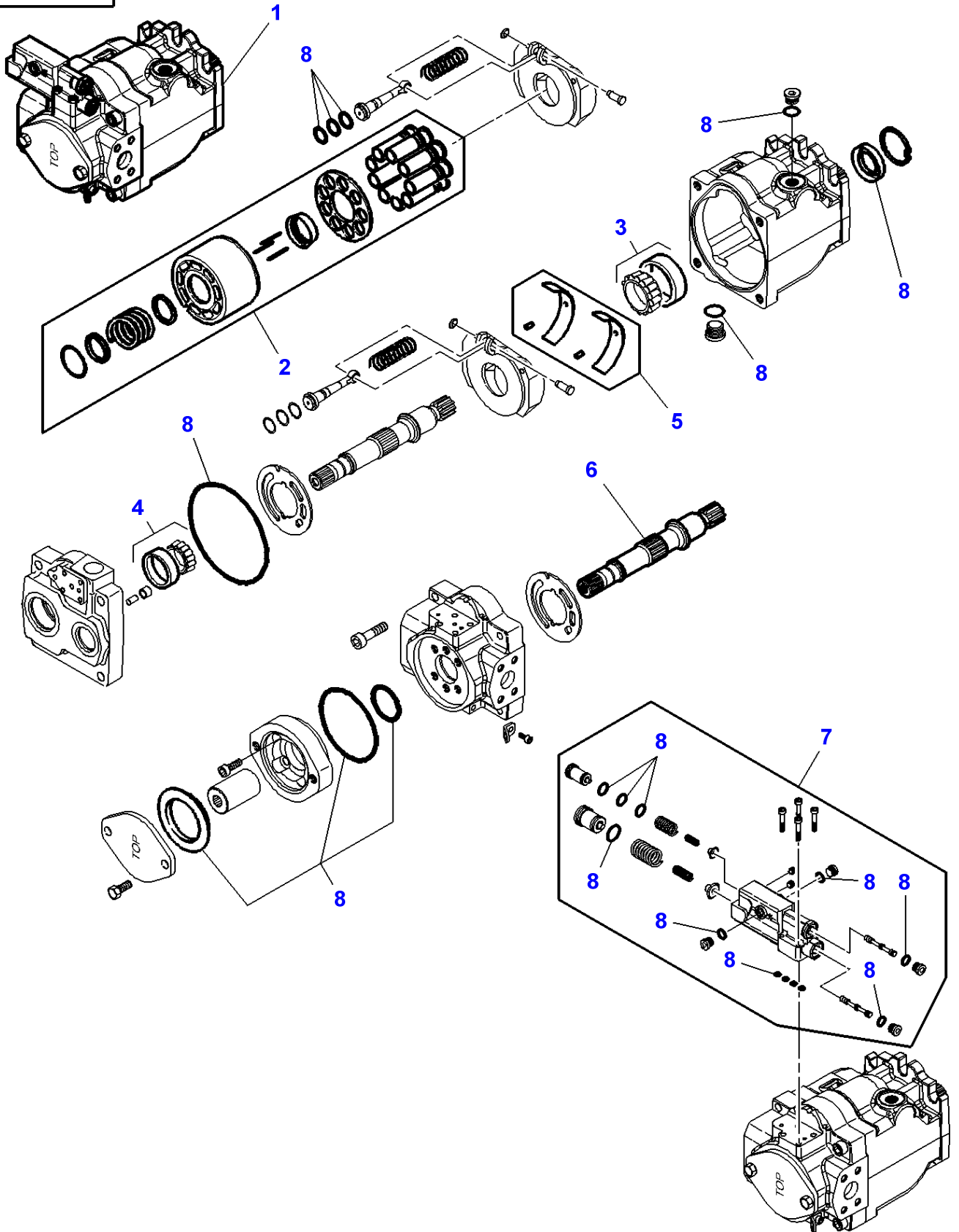
1-WP27-009-A



Item	Part Number	Qty	Description	Comments
1	4272110M1	1	Hydraulic Pump	See Page - Reference Number 070-0150/1
2	816.940.010.010	1	Sump Gasket	
3	339560X1	4	Hex. Sock. Screw	M6X16
4	4274546M91	1	Tube	
5	4275574M1	1	Washer	
6	4274560M1	1	O Ring	Diameter 69,45X3,53
7	4275572M91	1	Plug	
8	4276652M1	1	Joint.	(7)
9	367788X1	4	Screw	3/8
10	3787910M1	2	Bridle	
11	359305X1	1	O Ring	
12	339010X1	3	Hex. Sock. Screw	M8X40
13	339374X1	3	Lock Washer	
14	716.100.490.110	1	Cover	
15	X548.989.200.000	1	O Ring	
16	G916.951.010.010	1	Suction Filter	
17	X548.922.800.000	1	O Ring	(16)
18	G916.951.010.020	1	Intake Stack	
19	X533.212.000.000	1	Snapping	(18)
20	X548.907.866.000	1	O Ring	
21	4274545M1	1	Bridle	
22	358176X1	4	Screw	(21)
23	3907461M1	1	O Ring	(21)
				Diameter 37,69X3,53
24	3907462M1	1	O Ring	(21)
				Diameter 56,74X3,53
25	3011082X91	1	Elbow	
26	3011144X1	1	O Ring	(25)
27	3011314X91	1	Union	
28	70921883	1	O Ring	(27)
29	4276128M1	1	Hydr. Hose	Length 450MM
30	4275576M1	1	Union	M18X1.5
31	4276668M1	1	Tube	
32	3011059X91	1	Union	7/8
33	70921886	1	O Ring	(32)
34	338686X1	2	Washer	
35	3019863X1	2	Hex. Sock. Screw	M12X35
36	338617X1	2	Hose Clip	Diameter 40- 60
37	4276129M1	1	Hydr. Hose	Length 700MM
38	4275559M1	1	Hose	

MF 8450/8460 TRACTOR - 1637447
1-WP32-004-A

1-WP32-004-A

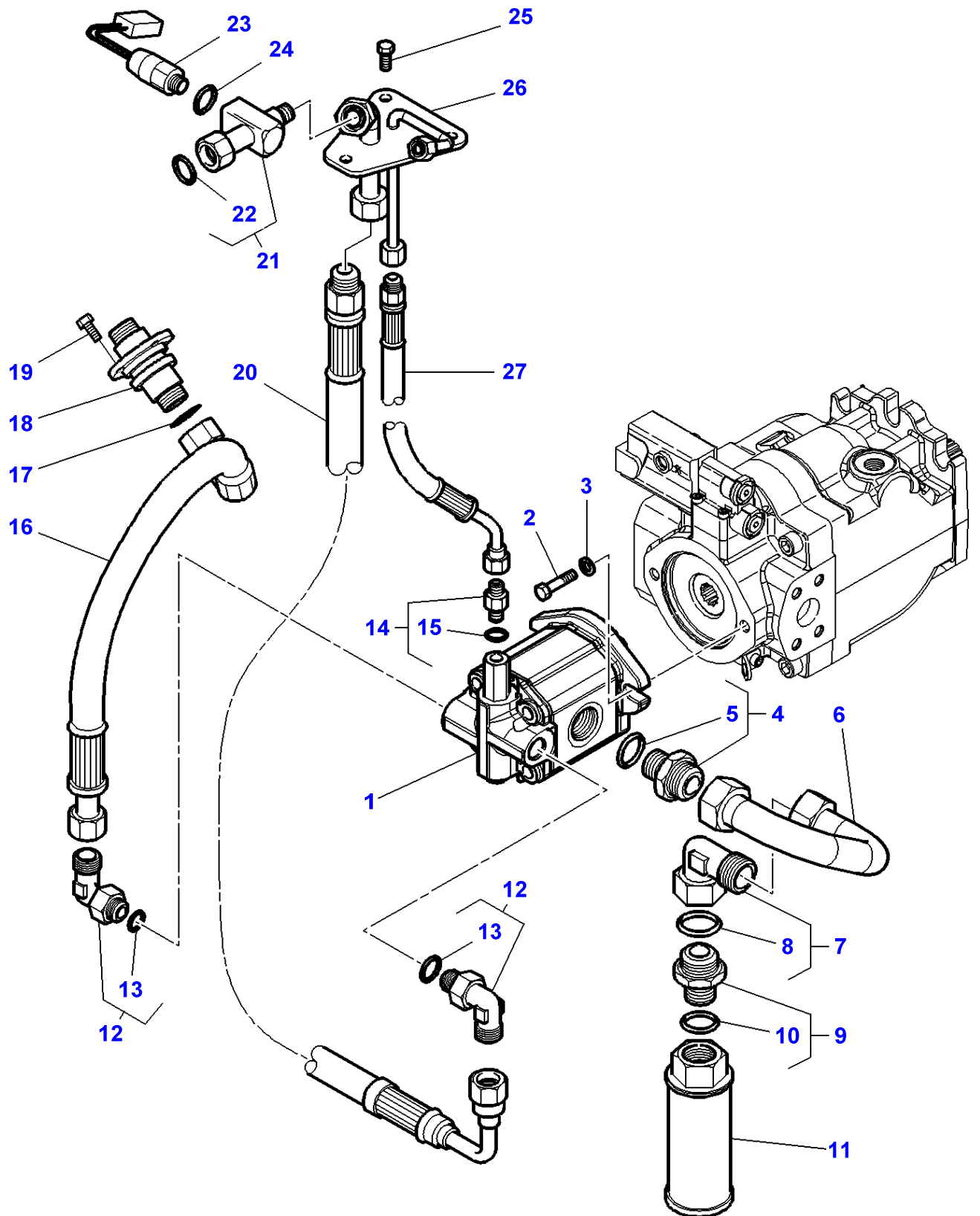


Hydraulic Pump

Item	Part Number	Qty	Description	Comments
1	4272110M1	1	Hydraulic Pump	
2	3907469M91	1	Kit, Piston	(1)
3	3907466M91	1	Bearing Assy	(1)
4	3907467M91	1	Bearing Assy	(1)
5	3907468M91	1	Parts Pack	(1)
6	3907465M1	1	Shaft	(1) Number of teeth/spines 14
7	3907464M91	1	Drive	(1)
8	3907463M91	1	Kit, Joint	(1)

MF 8450/8460 TRACTOR - 1637447
1-WP27-010-A

1-WP27-010-A

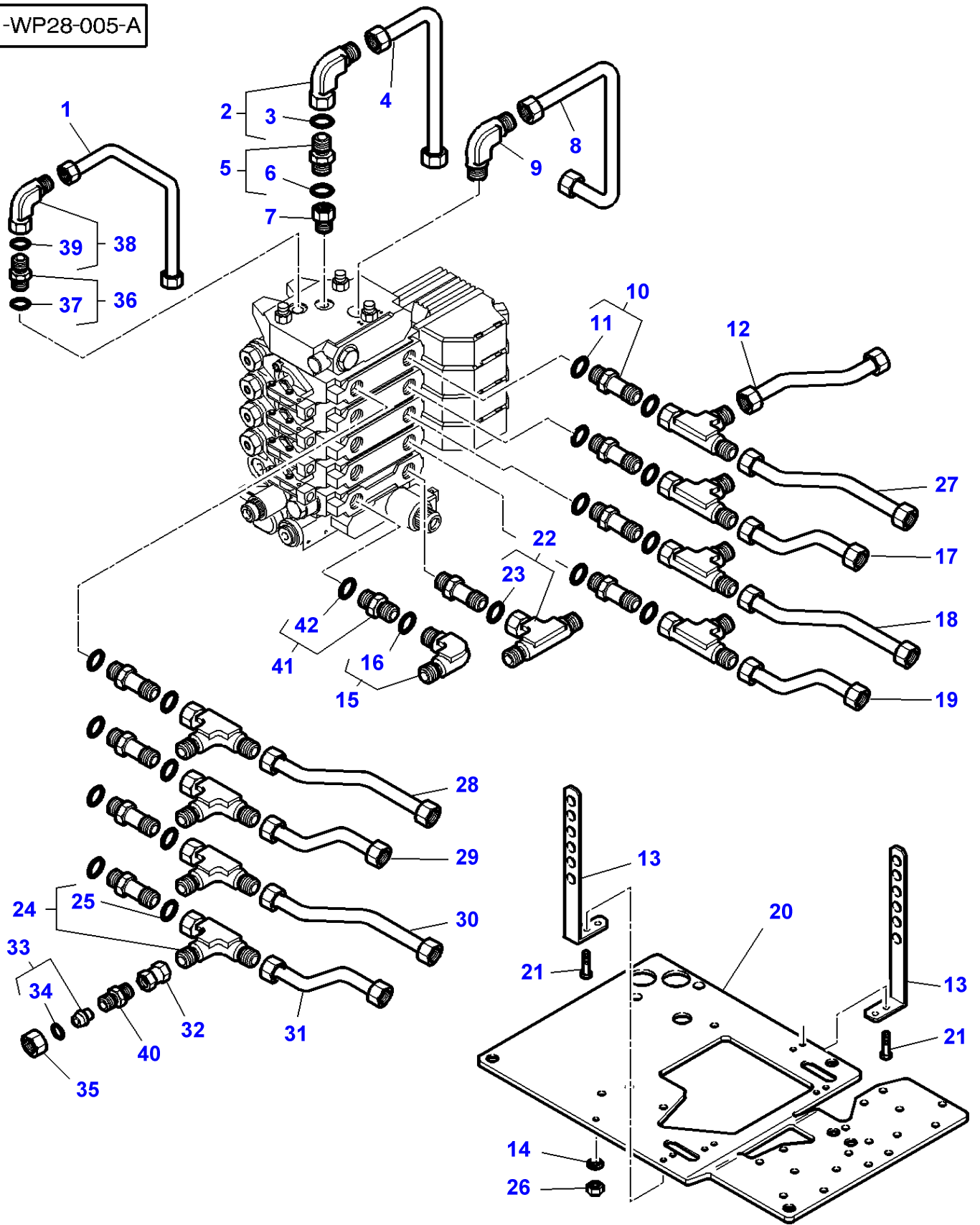


Auxiliary Hydraulics

Item	Part Number	Qty	Description	Comments
1	4272111M1	1	Gear Pump	
2	357740X1	2	Screw Unc	3/8
3	385362X1	2	Washer	
4	3011582X91	1	Union	
5	835025M1	4	O Ring	(4)
6	4275570M1	1	Tube	
7	3011087X91	1	Union	
8	3011149X1	1	O Ring	(7)
9	3011044X91	1	Union	
10	3011037X1	1	Seal	(9)
11	3787655M2	1	Strainer	
12	4275573M1	2	Union	
13	3019397X1	1	O Ring	(12)
14	3011618X91	1	Union	M10
15	338760X1	1	O Ring	(14)
16	4276120M1	1	Hydr. Hose	Length 430MM
17	X548.887.266.000	1	O Ring	
18	4275575M1	1	Union	
19	339160X1	4	Hex. Sock. Screw	M5X10
20	4276122M1	1	Hydr. Hose	Length 650MM
21	4277199M1	1	Union	
22	3011147X1	1	O Ring	(21)
23	4278263M1	1	Transducer	8 BARS
24	1440012X1	1	Gasket	
25	339124X1	3	Hex. Sock. Screw	M8X16
26	4274547M91	1	Tube	
27	4276121M1	1	Hydr. Hose	Length 220MM

MF 8450/8460 TRACTOR - 1637447
1-WP28-005-A

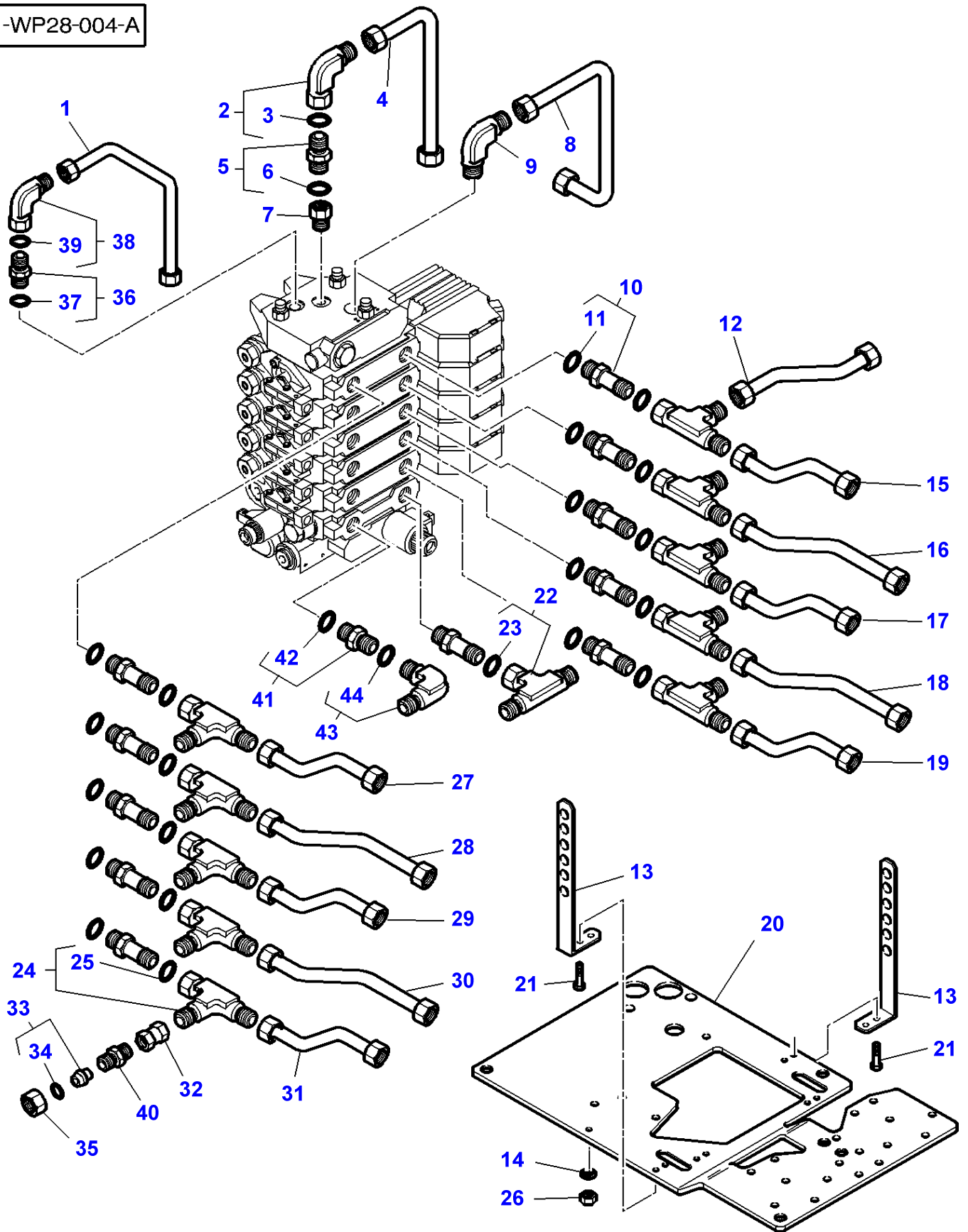
1-WP28-005-A



Item	Part Number	Qty	Description	Comments
1	4275551M1	1	Tube	
2	3011082X91	1	Elbow	
3	3011144X1	1	O Ring	(2)
4	4275555M1	1	Tube	
5	3011045X91	1	Union	M12
6	3011061X1	1	O Ring	(5)
7	3793729M1	1	Reducer	
8	4275553M1	1	Tube	
9	3787920M1	1	Union	
10	4274990M2	9	Union	M22
11	3019398X1	1	O Ring	(10)
12	4274975M1	4	Tube	
13	4274987M1	2	Support	
14	390972X1	3	Washer	
15	3011085X91	1	Union	
16	3011147X1	1	O Ring	(15)
17	4274838M1	1	Tube	
18	4274836M1	1	Tube	
19	4274834M1	1	Tube	
20	4274562M1	1	Support	
21	339230X1	4	Hex. Sock. Screw	M6 X 10
22	3011093X91	1	Union	
23	3011147X1	1	O Ring	(22)
24	3011089X91	8	Union	
25	3011147X1	1	O Ring	(24)
26	339169X1	3	Nut	M8
27	4274840M1	1	Tube	
28	4274839M1	1	Tube	
29	4274837M1	1	Tube	
30	4274835M1	1	Tube	
31	4274833M1	1	Tube	
32	4274976M1	4	Tube	
33	3011136X91	8	Tap	
34	3011147X1	1	O Ring	(33)
35	3011119X1	8	Nut	
36	3011055X91	1	Union	M33
37	3011062X1	1	O Ring	(36)
38	3011088X91	1	Elbow Nipple	
39	3011150X1	1	O Ring	(38)
40	338725X1	8	Union	
41	3011534X91	1	Union	
42	3019398X1	1	O Ring	(41)

MF 8450/8460 TRACTOR - 1637447
1-WP28-004-A

1-WP28-004-A

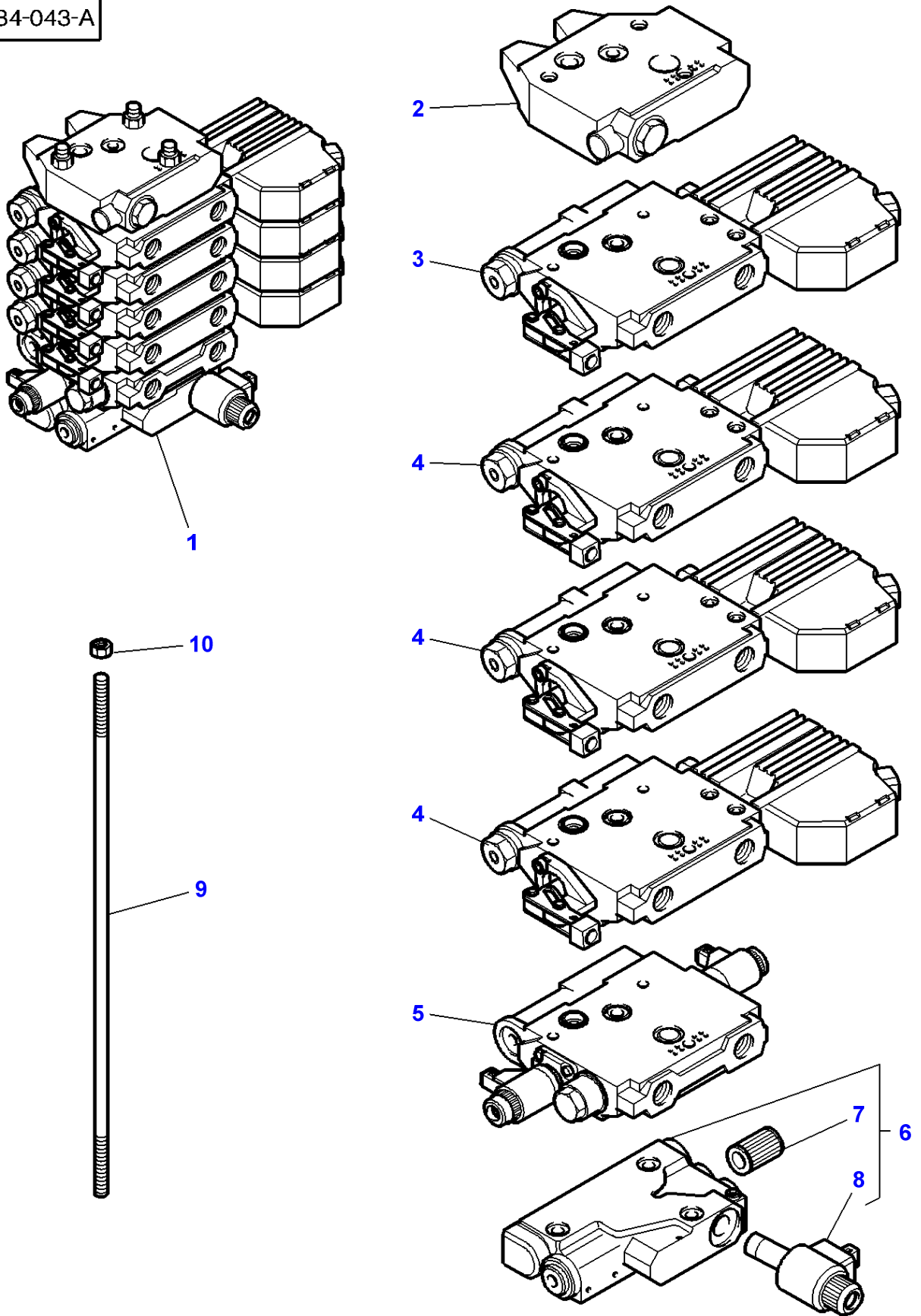


Item	Part Number	Qty	Description	Comments
1	4275550M1	1	Tube	
2	3011082X91	1	Elbow	
3	3011144X1	1	O Ring	(2)
4	4275554M1	1	Tube	
5	3011045X91	1	Union	M12
6	3011061X1	1	O Ring	(5)
7	3793729M1	1	Reducer	
8	4275552M1	1	Tube	
9	3787920M1	1	Union	
10	4274990M2	11	Union	M22
11	3019398X1	1	O Ring	(10)
12	4274975M1	5	Tube	
13	4274987M1	2	Support	
14	390972X1	3	Washer	
15	4274973M1	1	Tube	
16	4274840M1	1	Tube	
17	4274838M1	1	Tube	
18	4274836M1	1	Tube	
19	4274834M1	1	Tube	
20	4274562M1	1	Support	
21	339230X1	4	Hex. Sock. Screw	M6 X 10
22	3011093X91	1	Union	
23	3011147X1	1	O Ring	(22)
24	3011089X91	10	Union	
25	3011147X1	1	O Ring	(24)
26	339169X1	3	Nut	M8
27	4274972M1	1	Tube	
28	4274839M1	1	Tube	
29	4274837M1	1	Tube	
30	4274835M1	1	Tube	
31	4274833M1	1	Tube	
32	4274976M1	5	Tube	
33	3011136X91	10	Tap	
34	3011147X1	1	O Ring	(33)
35	3011119X1	10	Nut	
36	3011055X91	1	Union	M33
37	3011062X1	1	O Ring	(36)
38	3011088X91	1	Elbow Nipple	
39	3011150X1	1	O Ring	(38)
40	338725X1	10	Union	
41	3011534X91	1	Union	
42	3019398X1	1	O Ring	(41)
43	3011085X91	1	Union	
44	3011147X1	1	O Ring	(43)

FOOTNOTE [A] NUMBER TO BE ADVISED

MF 8450/8460 TRACTOR - 1637447
1-WP34-043-A

1-WP34-043-A



Item	Part Number	Qty	Description	Comments
1		1	Distributor	[E]
2	3796110M1	1	Element	(1)
3	3796026M7	1	Distributor	[A,B,C] (1)
4	3796027M7	3	Distributor	[A,B] (1)
5	3796179M2	1	Control Valve	[D,F] (1)
6	3796028M2	1	Element	(1)
7	G001.990.100.010	1	Kit, Filter	(6)
8	3903960M1	1	Electrovalve	(6)
9	3799724M1	3	Stud	(1) M8 X 306
10	339169X1	3	Nut	(1) M8

FOOTNOTE [A] DISTRIBUTOR WITH ELECTRIC CONTROL

FOOTNOTE [B] DIST 4 POSITIONS, FLOW ADJUST, DOUBLE ACTION, ZERO LEAK

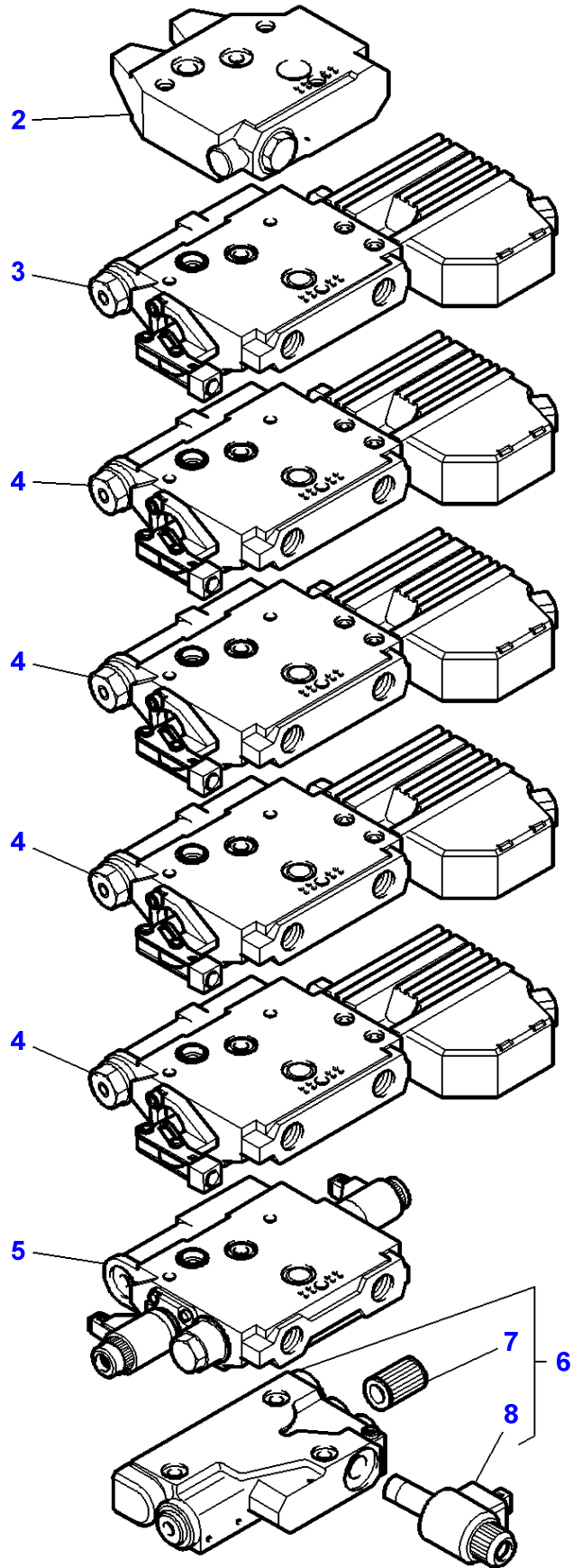
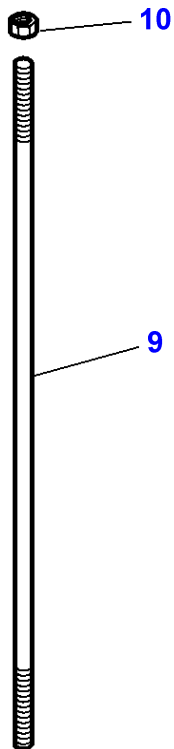
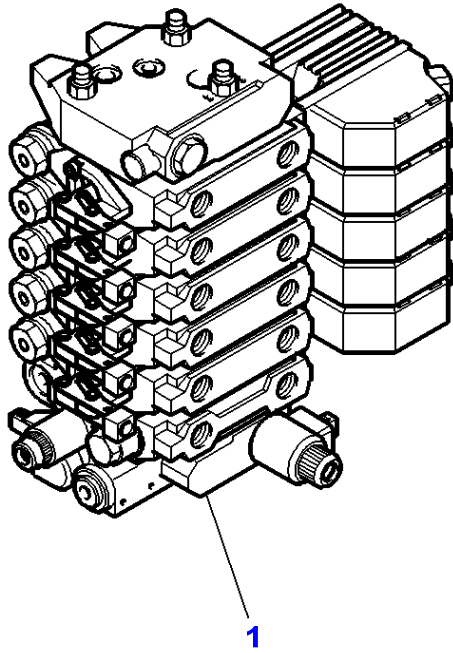
FOOTNOTE [C] WITH TIGHTNESS BALLS

FOOTNOTE [D] HYDRAULIC LIFT VALVE

FOOTNOTE [E] ORDER DETAIL

FOOTNOTE [F] DETAILS TO BE ADVISED

1-WP34-042-A



Item	Part Number	Qty	Description	Comments
1		1	Distributor	[E]
2	3796110M1	1	Element	(1)
3	3796026M7	1	Distributor	[A,B,C] (1)
4	3796027M7	4	Distributor	[A,B] (1)
5	3796179M2	1	Control Valve	[D,F] (1)
6	3796028M2	1	Element	(1)
7	G001.990.100.010	1	Kit, Filter	(6)
8	3903960M1	1	Electrovalve	(6)
9	3799725M1	3	Stud	(1) M8 X 346
10	339169X1	3	Nut	(1) M8

FOOTNOTE [A] DISTRIBUTOR WITH ELECTRIC CONTROL

FOOTNOTE [B] DIST 4 POSITIONS, FLOW ADJUST, DOUBLE ACTION, ZERO LEAK

FOOTNOTE [C] WITH TIGHTNESS BALLS

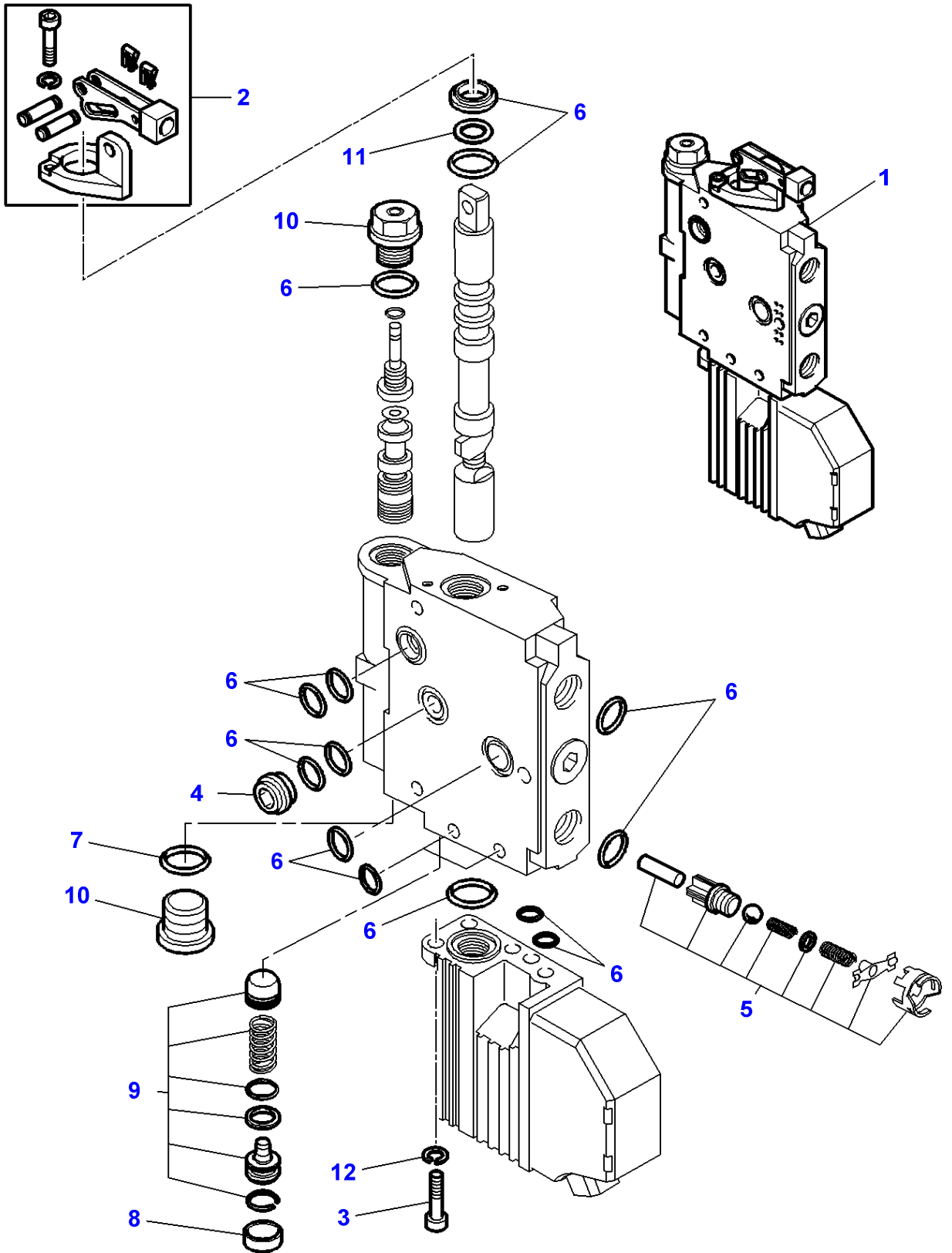
FOOTNOTE [D] HYDRAULIC LIFT VALVE

FOOTNOTE [E] ORDER DETAIL

FOOTNOTE [F] DETAILS TO BE ADVISED

MF 8450/8460 TRACTOR - 1637447
1-WP34-027-A

1-WP34-027-A



Auxiliary Distributor

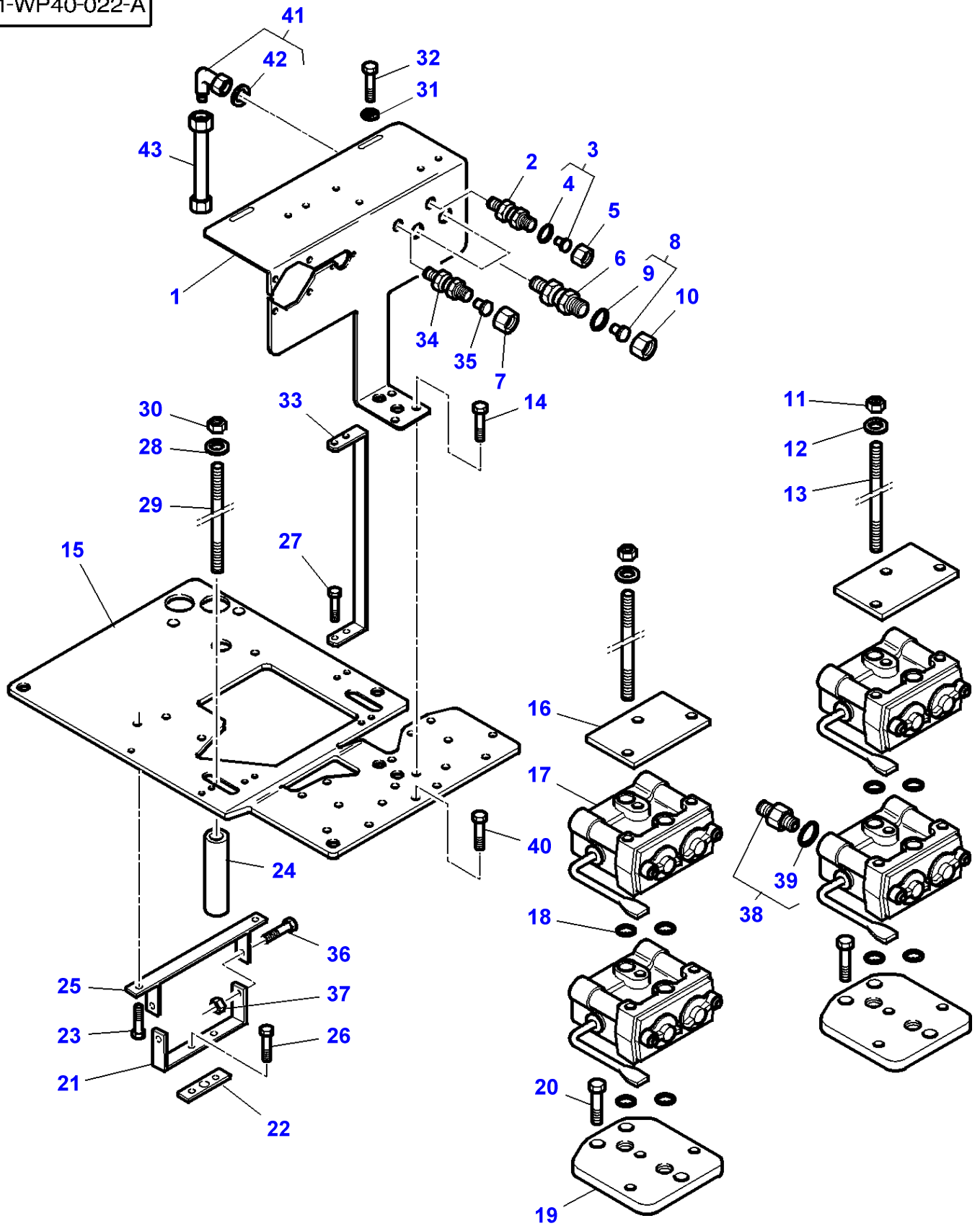
Item	Part Number	Qty	Description	Comments
1	3796026M7	1	Distributor	[A,B]
	3796027M7	1	Distributor	[A]
2	3797284M1	1	Drive	(1)
3	3009281X1	3	Screw	(1) M6 X 16
4	3108248M1	1	Bypass	(1)
5	3903864M91	1	Parts Pack	(1)
6	3903869M92	1	Kit,Joint/Gasket	(1)
7	3108243M1	1	Washer	(1)
8	3903856M1	1	Plug	(1)
9	3904676M91	1	Parts Pack	(1)
10	3108244M1	2	Plug	(1)
11	3904668M1	1	Washer	(1)
12	391130X1	3	Lock Washer	(1)

FOOTNOTE [A] DIST 4 POSITIONS, FLOW ADJUST, DOUBLE ACTION, ZERO LEAK

FOOTNOTE [B] WITH TIGHTNESS BALLS

MF 8450/8460 TRACTOR - 1637447
1-WP40-022-A

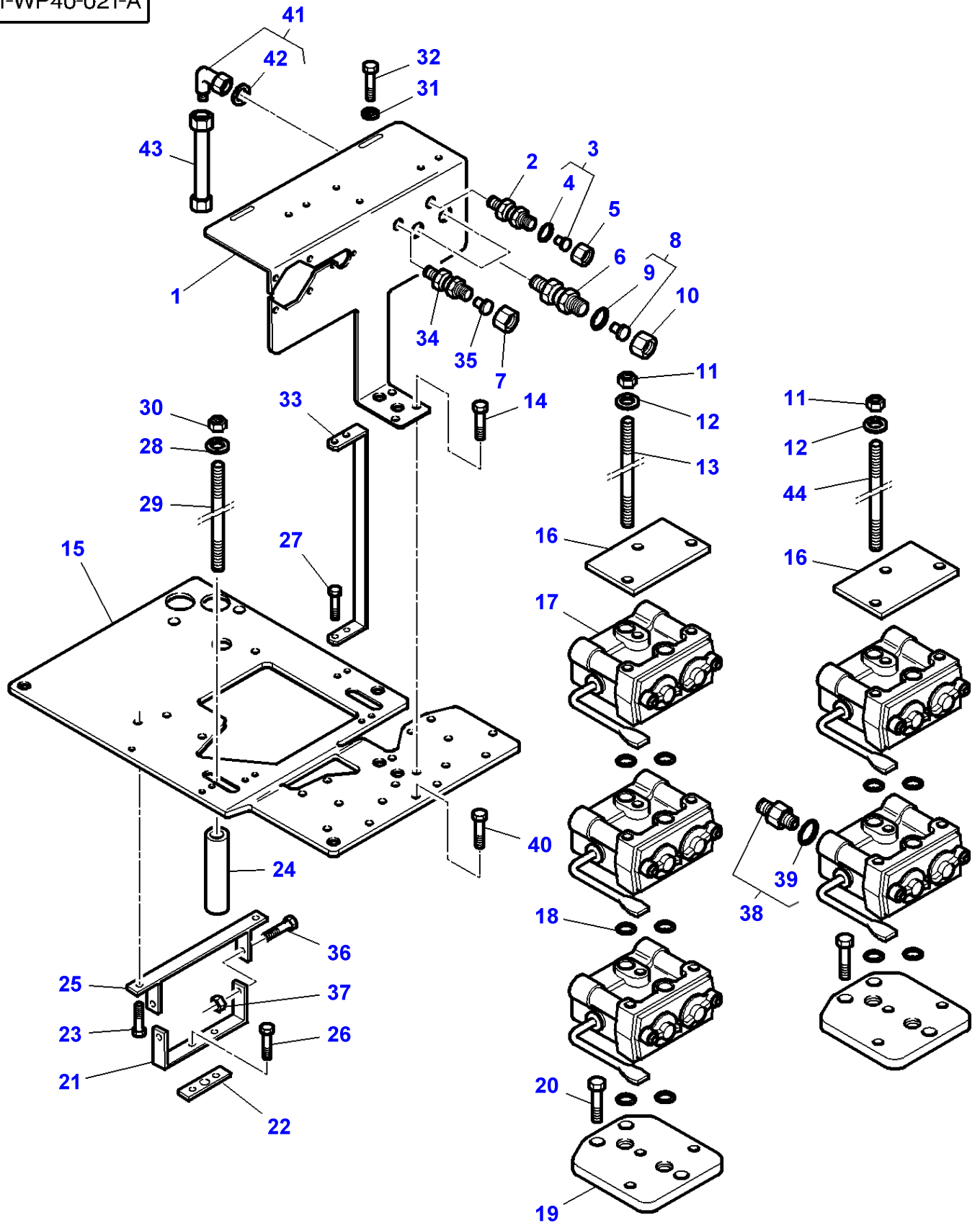
1-WP40-022-A



Item	Part Number	Qty	Description	Comments
1	4277183M1	1	Support	
2	3001317X1	1	Union	
3	3011132X91	1	Tap	
4	3011145X1	1	O Ring	(3)
5	3011117X1	1	Nut	
6	3011404X91	2	Union	
7	3011118X1	1	Nut	
8	3011138X91	2	Tap	
9	3011148X1	1	O Ring	(8)
10	3011120X1	2	Nut	
11	3005908X1	6	Cap Nut	
12	390972X1	6	Washer	
13	4275557M1	6	Stem	M8 X 175MM
14	339228X1	2	Hex. Sock. Screw	M8 X 12
15	4274562M1	1	Support	
16	3792734M1	2	Plate	
17	3796260M1	4	Female Coupler	See Page - Reference Number 070-0195/1
18	3007432X1	12	O Ring	
19	4274829M2	2	Support	
20	3009285X1	6	Screw	M8 X 16
21	4278264M1	1	Support	
22	822100070411	1	Gasket	
23	339282X1	2	Hex. Sock. Screw	M10 X 16
24	4274977M1	2	Spacer	
25	4278265M1	1	Support	
26	339124X1	2	Hex. Sock. Screw	M8 X 16
27	391074X1	4	Hex. Sock. Screw	M6 X 12
28	390974X1	2	Washer Metric	
29	4276649M1	2	Stem	
30	3011390X1	2	Nut	
31	390971X1	4	Washer	
32	339230X1	4	Hex. Sock. Screw	M6 X 10
33	4275580M1	2	Support	
34	1442332X91	1	Union	
35	3011134X91	1	Tap	
36	3009494X1	2	Hex. Sock. Screw	M10 X 35
37	1441932X1	2	Nut Metric	M10
38	3011534X91	8	Union	M22
39	3019398X1	1	O Ring	(38)
40	391990X1	2	Screw	M8 X 25
41	3011084X91	1	Union	
42	3011146X1	1	O Ring	(41)
43	4277192M1	1	Tube	

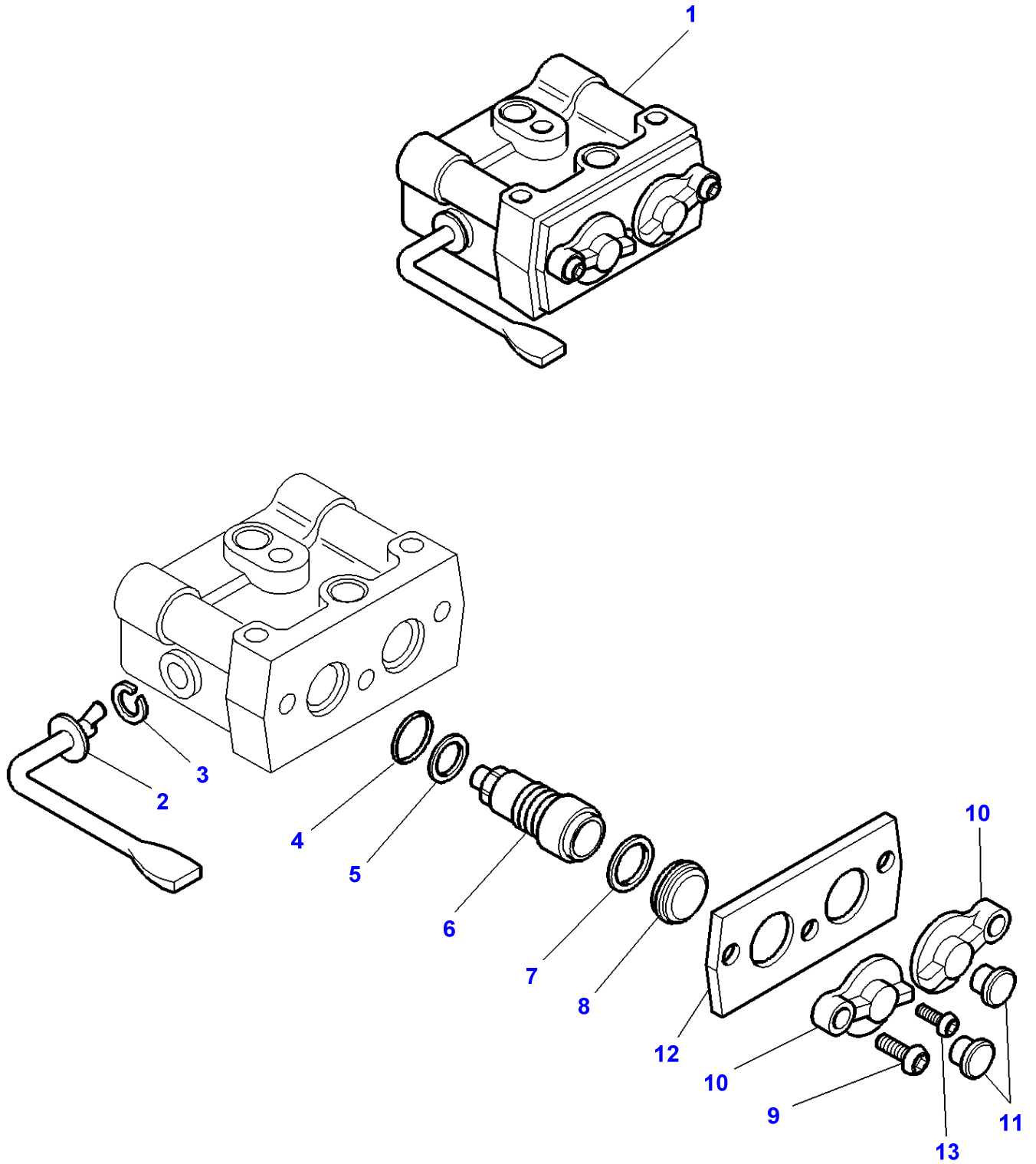
MF 8450/8460 TRACTOR - 1637447
1-WP40-021-A

1-WP40-021-A



Item	Part Number	Qty	Description	Comments
1	4277182M1	1	Support	
2	3001317X1	1	Union	
3	3011132X91	1	Tap	
4	3011145X1	1	O Ring	(3)
5	3011117X1	1	Nut	
6	3011404X91	2	Union	
7	3011118X1	1	Nut	
8	3011138X91	2	Tap	
9	3011148X1	1	O Ring	(8)
10	3011120X1	2	Nut	
11	3005908X1	6	Cap Nut	
12	390972X1	6	Washer	
13	4275556M1	3	Stem	M8 X 245
14	339228X1	2	Hex. Sock. Screw	M8 X 12
15	4274562M1	1	Support	
16	3792734M1	2	Plate	
17	3796260M1	5	Female Coupler	See Page - Reference Number 070-0195/1
18	3007432X1	14	O Ring	
19	4274829M2	2	Support	
20	3009285X1	6	Screw	M8 X 16
21	4278264M1	1	Support	
22	822100070411	1	Gasket	
23	339282X1	2	Hex. Sock. Screw	M10 X 16
24	4274977M1	2	Spacer	
25	4278265M1	1	Support	
26	339124X1	2	Hex. Sock. Screw	M8 X 16
27	391074X1	4	Hex. Sock. Screw	M6 X 12
28	390974X1	2	Washer Metric	
29	4276649M1	2	Stem	
30	3011390X1	2	Nut	
31	390971X1	4	Washer	
32	339230X1	4	Hex. Sock. Screw	M6 X 10
33	4275580M1	2	Support	
34	1442332X91	1	Union	
35	3011134X91	1	Tap	
36	3009494X1	2	Hex. Sock. Screw	M10 X 35
37	1441932X1	2	Nut Metric	M10
38	3011534X91	10	Union	M22
39	3019398X1	1	O Ring	(38)
40	391990X1	2	Screw	M8 X 25
41	3011084X91	1	Union	
42	3011146X1	1	O Ring	(41)
43	4277192M1	1	Tube	
44	4275557M1	3	Stem	M8 X 175MM

1-WP40-015-A



Hydraulic Coupling

Item	Part Number	Qty	Description	Comments
1	3796260M1	1	Female Coupler	
2	3903463M91	1	Lever	(1)
3	3903462M1	1	Circlip	(1)
4	3903465M1	2	Gasket	(1)
5	3903464M1	2	Gasket	(1)
6	3903972M91	2	Kit, Cartridge	(1) Replace and repair. Old not interchangeable with new 3903461M91
7	3903460M1	2	Clip	(1)
8	3903459M1	2	Seal	(1)
9	3903455M1	2	Screw	(1)
10	3903456M1	2	Tap	(1)
11	3796263M1	2	Plug	[A]
	3796264M1	2	Plug	[B]
	3796262M1	2	Plug	[C]
	3796261M1	2	Plug	[D]
	4300879M1	2	Plug	[E]
12	3903458M1	1	Plate	(1)
13	3903457M1	1	Screw	(1)

FOOTNOTE [A] BLACK

FOOTNOTE [B] RED

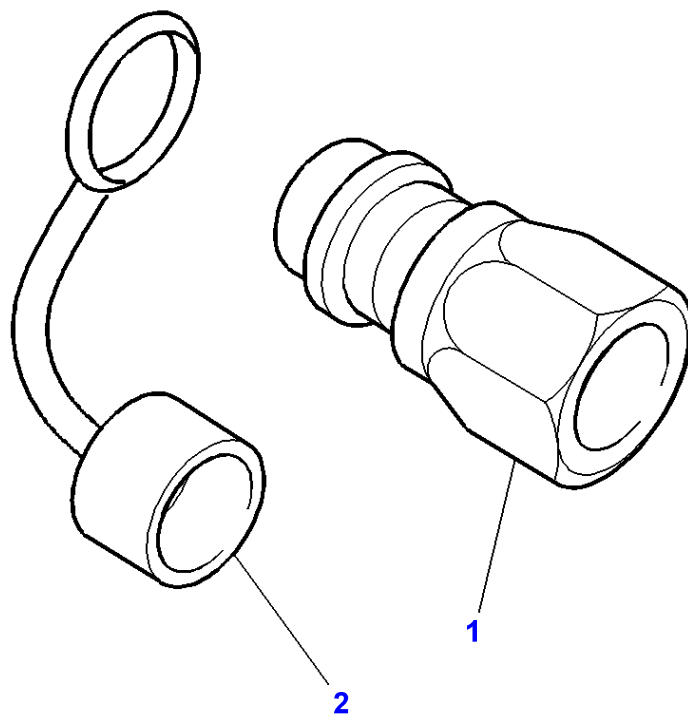
FOOTNOTE [C] GREEN

FOOTNOTE [D] YELLOW

FOOTNOTE [E] BLUE

FOOTNOTE [F] BROWN

1-WP43-001-A

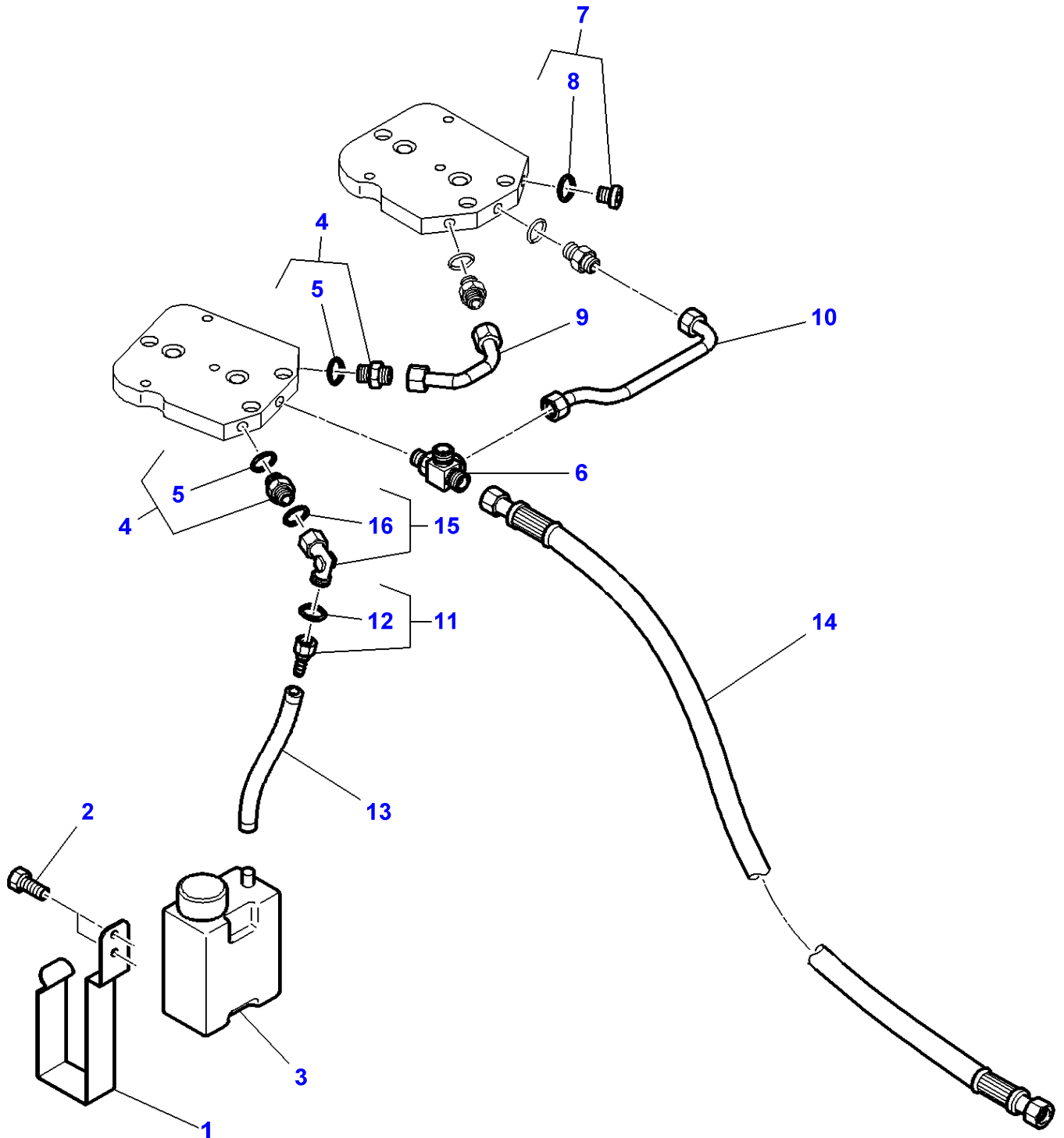


Massey Ferguson**MF 8450/8460 TRACTOR - 1637447****1637447****Male Coupler****Page070-0200**

Item	Part Number	Qty	Description	Comments
1	3583932M1	X	Male Coupler	M18X1,5
	1026700M91	X	Male Coupler	3/4"
2	3615822M1	X	Cap	

MF 8450/8460 TRACTOR - 1637447
1-WP41-019-A

1-WP41-019-A

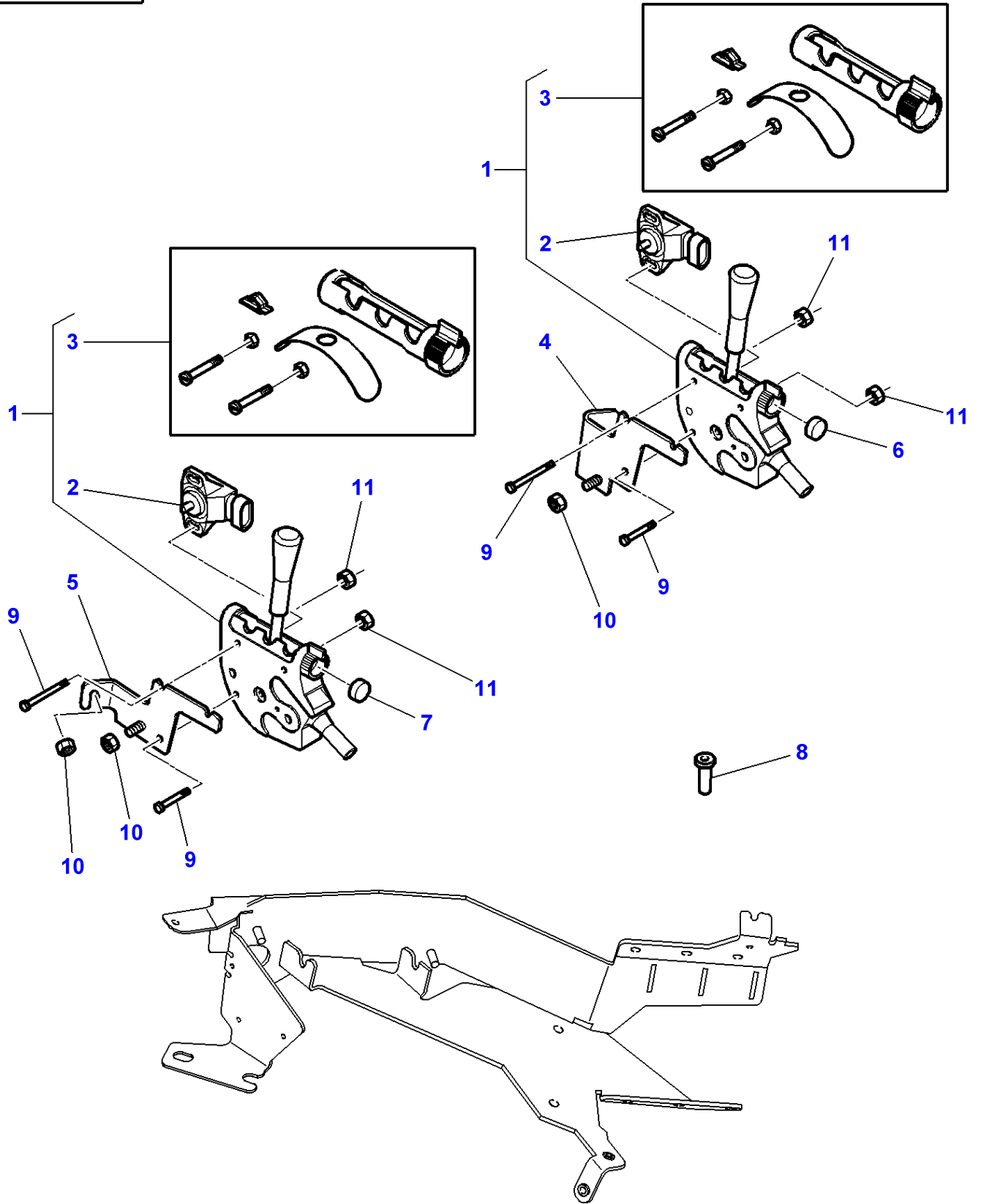


Oil Recovery

Item	Part Number	Qty	Description	Comments
1	4274980M1	1	Support	
2	390916X1	2	Hex. Sock. Screw	M6 X 8
3	3794303M1	1	Can	
4	338795X91	4	Union	M14
5	338762X1	1	Seal	(4)
6	4277193M1	1	Union	M14
7	3011099X91	1	Plug	M14X1,5
8	338762X1	1	Seal	(7)
9	4274830M1	1	Tube	
10	4274831M2	1	Tube	
11	4274995M1	1	Union	
12	1441121X1	1	O Ring	(11)
13	4276166M2	1	Hydr. Hose	Length 210 MM
14	4276167M1	1	Hydr. Hose	
15	3011083X91	1	Union	M16X1,5
16	3011145X1	1	O Ring	(15)

MF 8450/8460 TRACTOR - 1637447
1-WP58-003-A

1-WP58-003-A



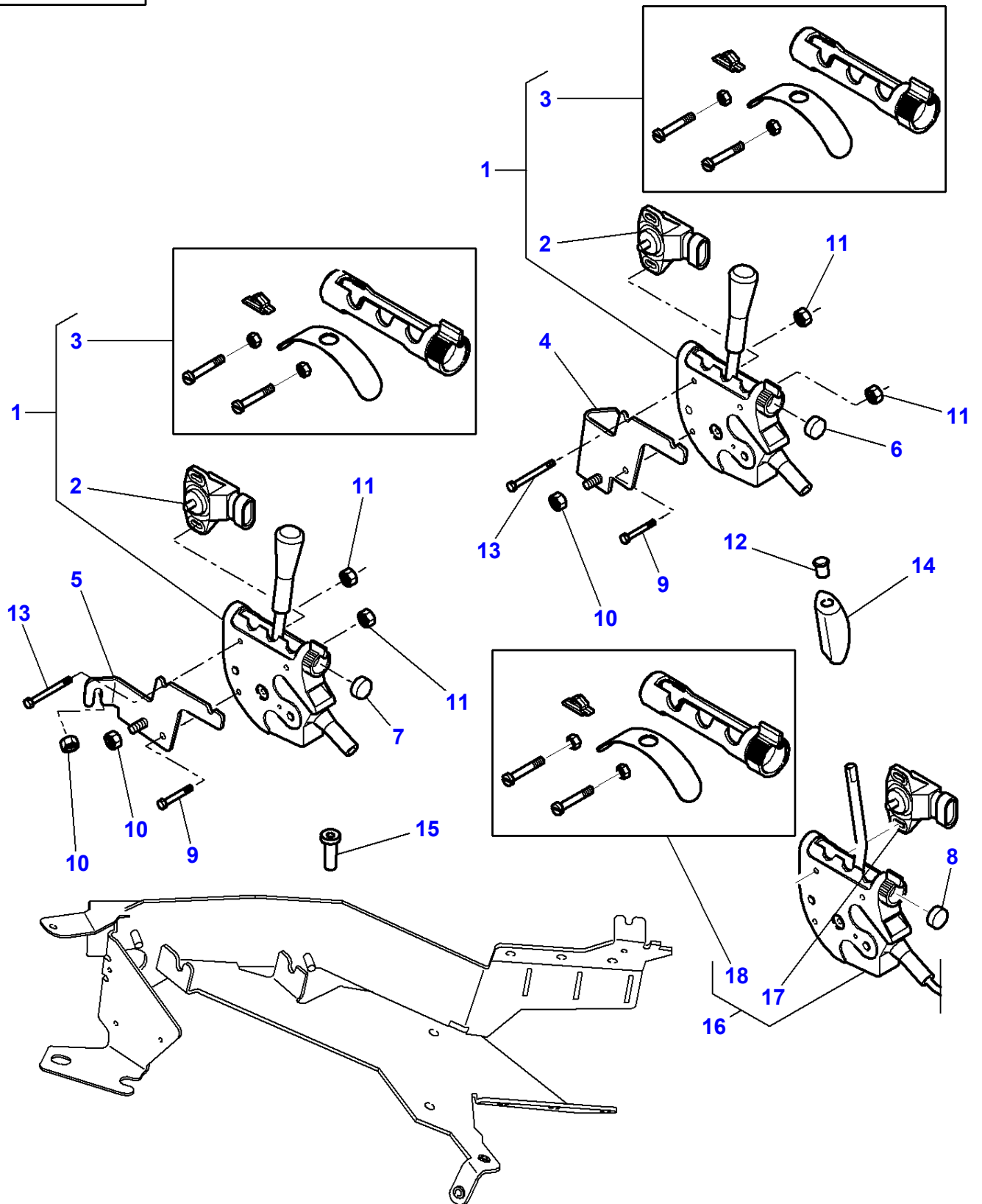
Item	Part Number	Qty	Description	Comments
1	3787595M91	2	Wobble Drive	
2	3797129M1	1	Position Sensor	(1)
3	3907279M91	1	Parts Pack	(1)
4	4270720M2	1	Plate Clamping	
5	4271369M2	1	Plate Clamping	
6	3787596M2	1	Padding	[B]
7	3787597M2	1	Padding	[A]
8	3787578M1	4	Plug	
9	391244X1	6	Hex. Sock. Screw	M6 X 45
10	394367X1	4	Locknut	M8
11	1441500X1	6	Locknut	M6

FOOTNOTE [A] BLACK

FOOTNOTE [B] YELLOW

MF 8450/8460 TRACTOR - 1637447
1-WP44-001-B

1-WP44-001-B



Item	Part Number	Qty	Description	Comments
1	3787595M91	2	Wobble Drive	
2	3797129M1	1	Position Sensor	(1)
3	3907279M91	1	Parts Pack	(1)
4	4270720M2	1	Plate Clamping	
5	4271369M2	1	Plate Clamping	
6	3787596M2	1	Padding	[B]
7	3787597M2	1	Padding	[A]
8	3787600M2	1	Padding	[C]
9	391244X1	3	Hex. Sock. Screw	M6 X 45
10	394367X1	4	Locknut	M8
11	1441500X1	6	Locknut	M6
12	3715496M1	1	Muff	
13	3009035X1	3	Hex. Sock. Screw	M6 X 75
14	3715495M1	1	Handle	
15	3787578M1	4	Plug	
16	4277700M91	1	Wobble Drive	
17	3797129M1	1	Position Sensor	(16)
18	3907279M91	1	Parts Pack	(16)

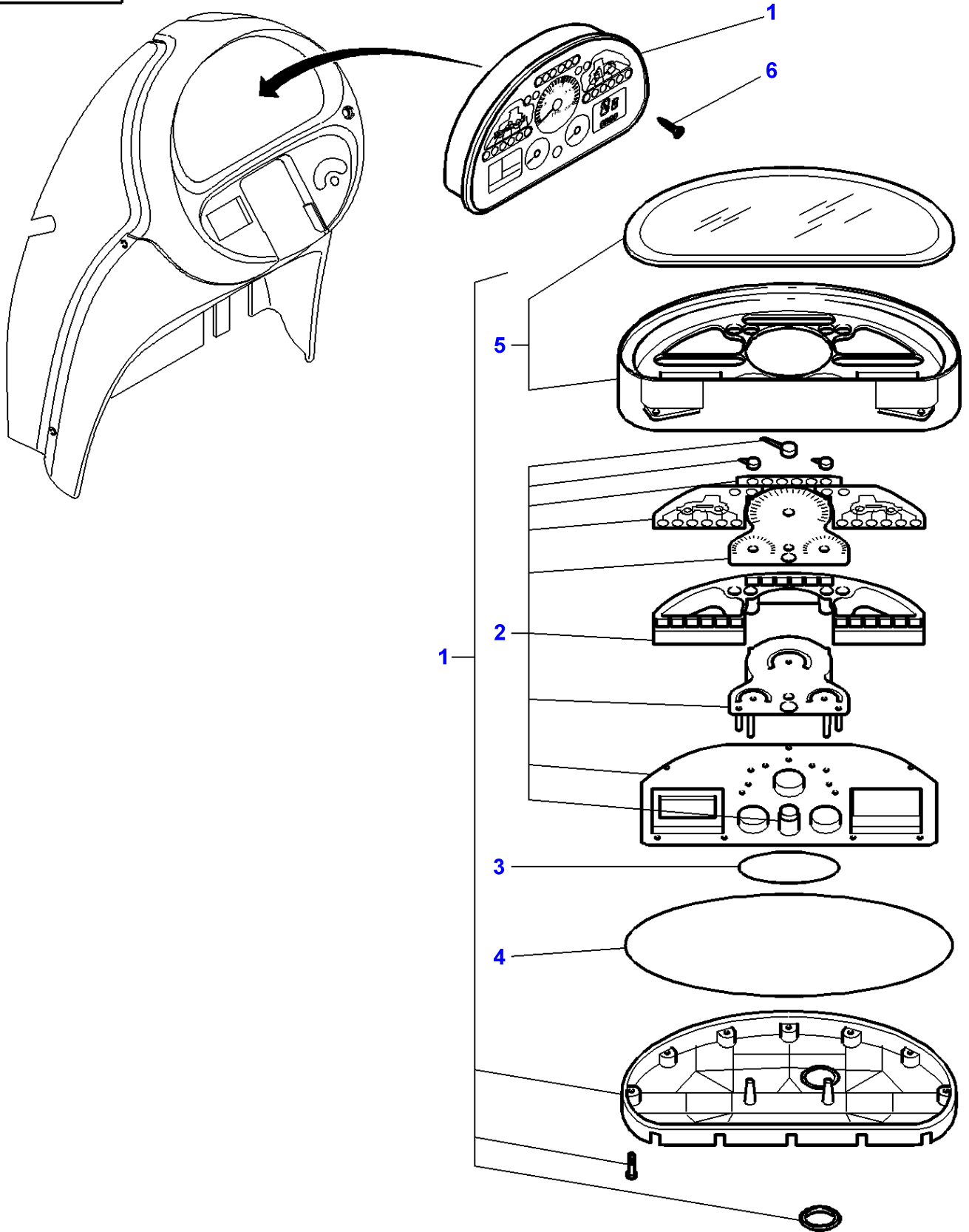
FOOTNOTE [A] BLACK

FOOTNOTE [B] YELLOW

FOOTNOTE [C] BLUE

Page Title	Page Number
Instrument Panel And Instruments - With Dot Matrix	080-0005
Electric Equipment & Instrument Panel	080-0010
Side Console Switches	080-0015
External Controls Fitted On The Rear Fenders	080-0020
Engine Harness	080-0025
Instrument Panel Harness	080-0030
Instrument Panel Harness - Armrest	080-0035
Instrument Panel Harness - Armrest - For Dyna-Step Tractors - United States Only	080-0040
Plate Relay & Fuse Holder	080-0045
Roof Harness	080-0050
Pillar Harness	080-0055
Front Lightning Harness	080-0060
Rear Lightning Harness - Not for USA	080-0065
Rear Lightning Harness - For United States of America	080-0070
Trailer Electric Socket	080-0075
Trailer Electric Socket - For United States of America	080-0080
Field Lights Harness - Handold	080-0085
Automatic Air Conditioner Harness & Sensors	080-0090

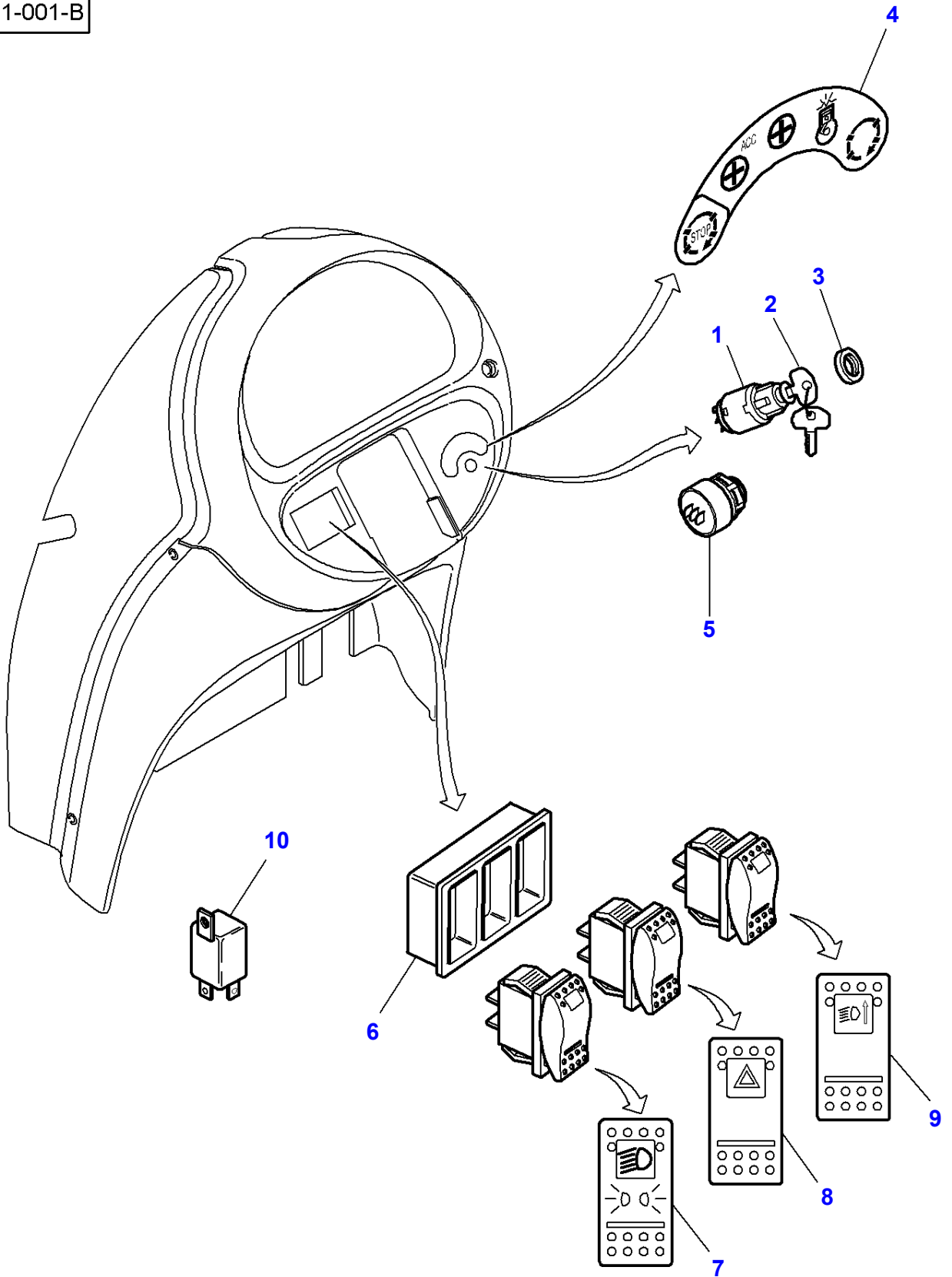
1-WC15-001-C



Massey Ferguson**MF 8450/8460 TRACTOR - 1637447****1637447****Instrument Panel And Instruments - With Dot Matrix****Page080-0005**

Item	Part Number	Qty	Description	Comments
1	3787409M93	1	Instrument Panel	
2		1	Printed Circuit	(1) Not serviced,order REF. 1
3	3907246M1	1	Gasket	(1)
4	3907247M1	1	Gasket	(1)
5	3907532M91	1	Panel	(1)
6	3010791X1	4	Screw	M4 X 20

1-WU21-001-B



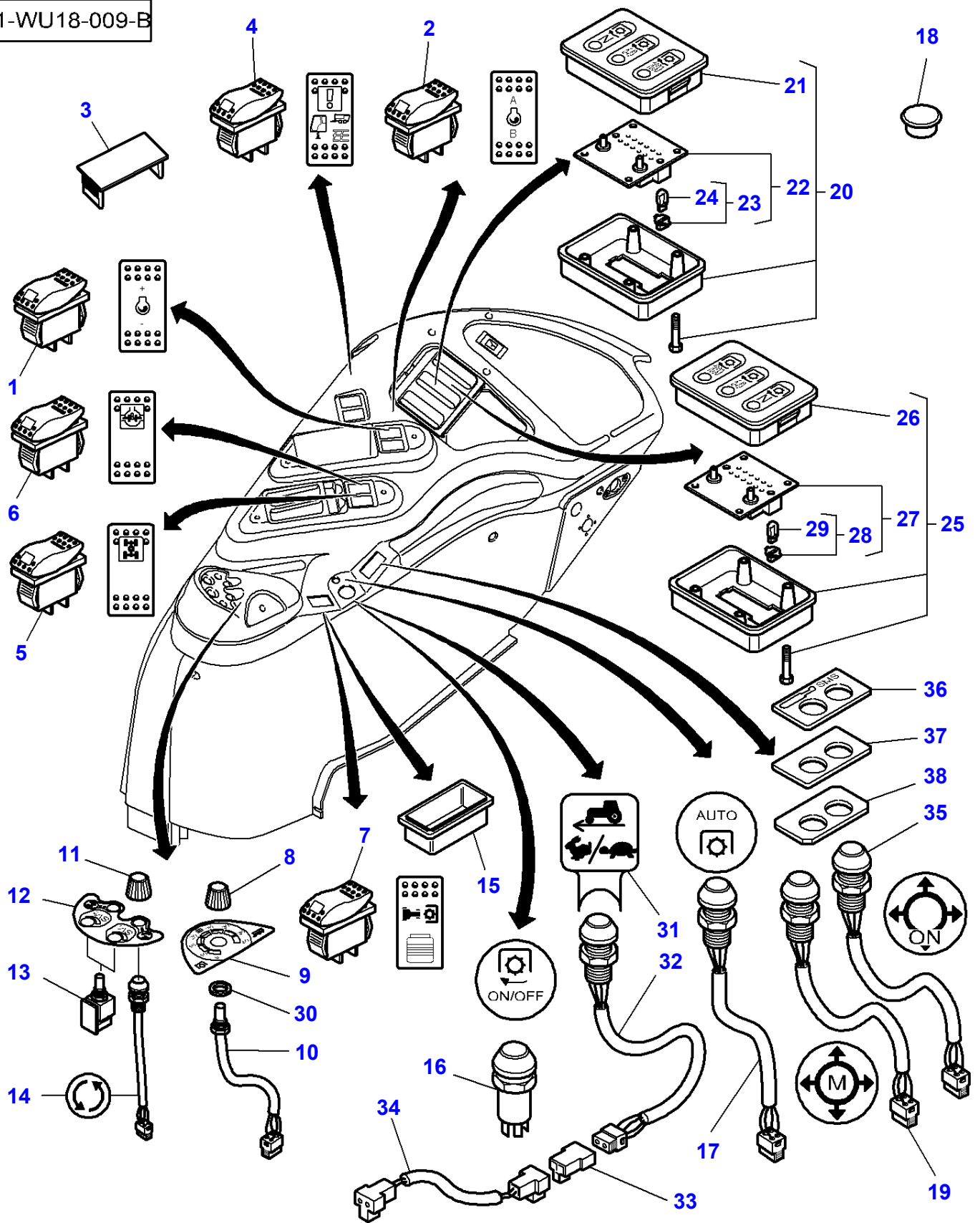
Massey Ferguson**MF 8450/8460 TRACTOR - 1637447****1637447****Electric Equipment & Instrument Panel****Page080-0010**

Item	Part Number	Qty	Description	Comments
1	3779699M1	1	Switch,Indirect	
2	3813361M1	1	Ignition Key	
3	1694534M1	1	Nut	
4	4271558M1	1	Decal	
5	3713367M1	1	Horn	
6	3809798M1	1	Housing	
7	4271342M1	1	Switch,Indirect	
8	4271916M2	1	Switch,Indirect	
9	4271343M1	1	Switch,Indirect	Not for USA
10		X	Not Used	

FOOTNOTE [A] FOR JAPANESE MARKET ONLY

MF 8450/8460 TRACTOR - 1637447
1-WU18-009-B

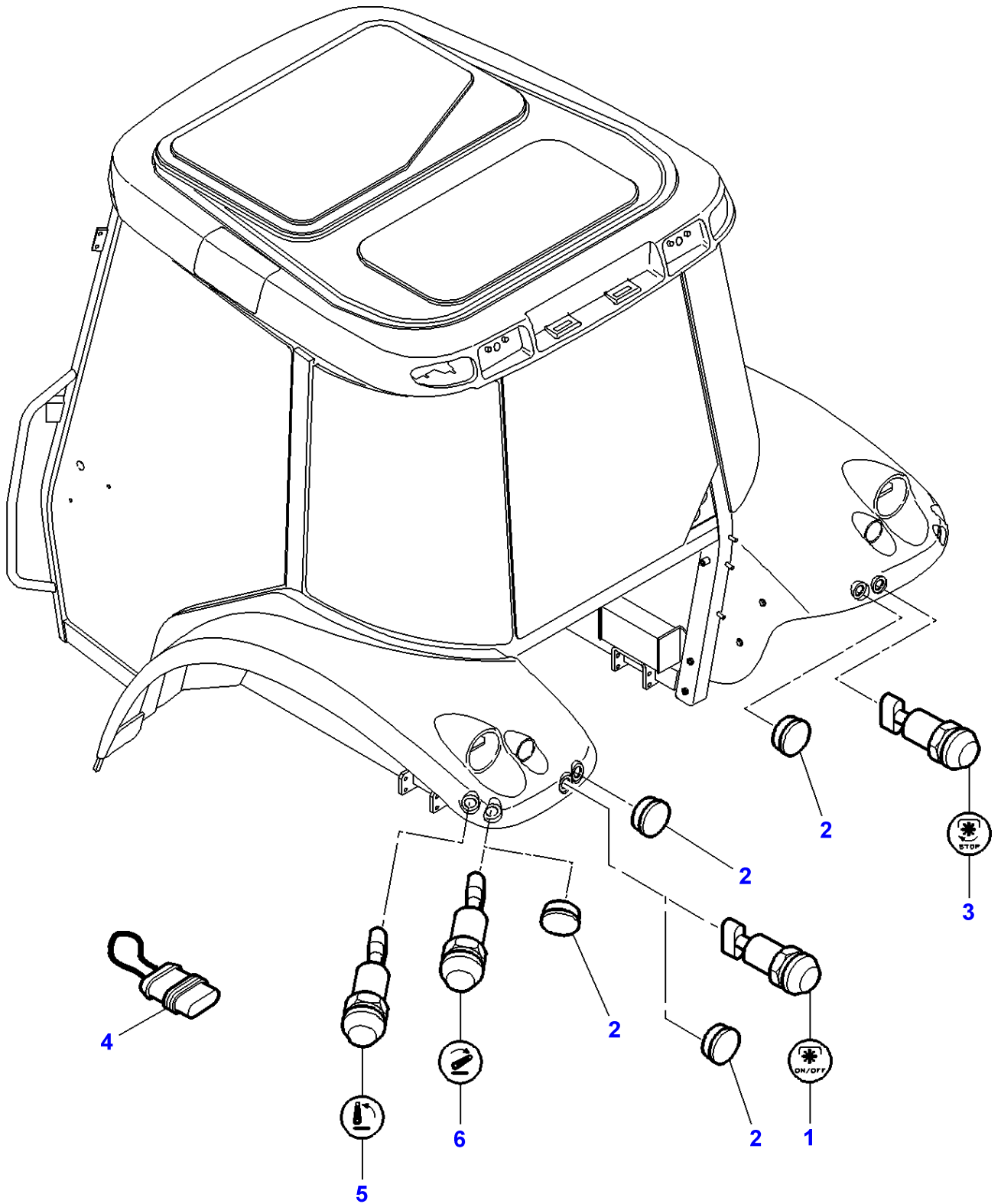
1-WU18-009-B



Side Console Switches

Item	Part Number	Qty	Description	Comments
1	4271346M1	1	Switch,Indirect	+/-
2	4271347M1	1	Switch,Indirect	A/B
3	3713151M1	X	Tap	
4	4271351M2	1	Switch,Indirect	
5	4271349M2	1	Switch,Indirect	Four Wheel Drive
6	4271348M2	1	Switch,Indirect	
7	3783086M1	1	Switch,Indirect	
8	4273261M1	1	Button	
9	4271338M2	1	Decal	
10	4270162M2	1	Potentiometer	
11	4273260M1	2	Button	
12	4271337M2	1	Decal	
13	3788160M2	2	Meter	
14	3789331M1	2	Switch	
15	4271925M1	1	Support	
16	4271992M2	1	Switch,Indirect	
17	4270755M1	1	Switch,Indirect	
18	3784237M1	1	Plug	
19	4271759M1	1	Switch,Indirect	
20	4277367M2	1	Console	750/1000 RPM
21	3907423M91	1	Case Assy	(20)
22		1	Printed Circuit	(20) Not serviced,order REF. 20
23	3713385M1	2	Lamp Socket	(22)
24	3405185M1	1	Bulb 12v 1.2w	(23)
25	4277366M2	1	Console	540/1000 RPM
26	3907422M91	1	Case Assy	(25)
27		1	Printed Circuit	(25) Not serviced,order REF. 25
28	3713385M1	2	Lamp Socket	(27)
29	3405185M1	1	Bulb 12v 1.2w	(28)
30	3619096M1	1	Washer	Diameter 10,5 X 32
31	4280318M1	1	Decal	For United States of America
32	4280311M1	1	Switch,Indirect	For United States of America
33	4275664M1	1	Connectors	For United States of America Up to Serial or Engine Number N310019
34	4279863M1	1	Harness	For United States of America Up to Serial or Engine Number N310019
35	4271760M1	1	Switch,Indirect	
36	4279054M1	1	Decal	
37	4279044M1	1	Plate	
38	4279046M1	1	Support	

1-WU22-001-C



External Controls Fitted On The Rear Fenders

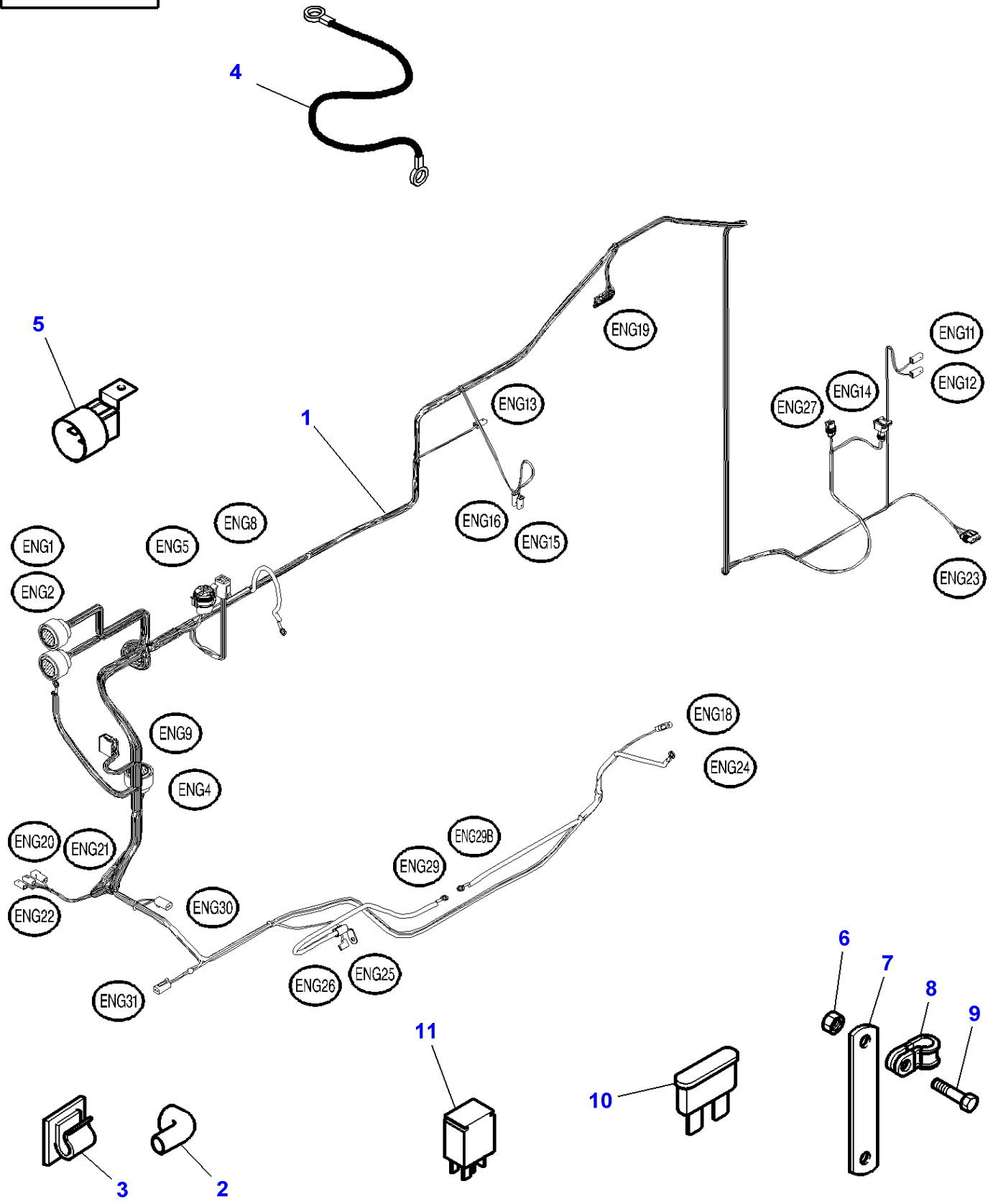
Item	Part Number	Qty	Description	Comments
1	4271992M2	X	Switch,Indirect	
2	4274755M2	X	Plug	Diameter 31 MM
3	4276343M2	1	Switch,Indirect	For United States of America
4	3782172M1	1	Wire	
5	4270313M2	2	Switch,Indirect	[A]
6	4270312M2	2	Switch,Indirect	[B]

FOOTNOTE [A] UP

FOOTNOTE [B] DOWN

FOOTNOTE [C] WITHOUT HYDRAULIC LIFT

1-WW20-011-A

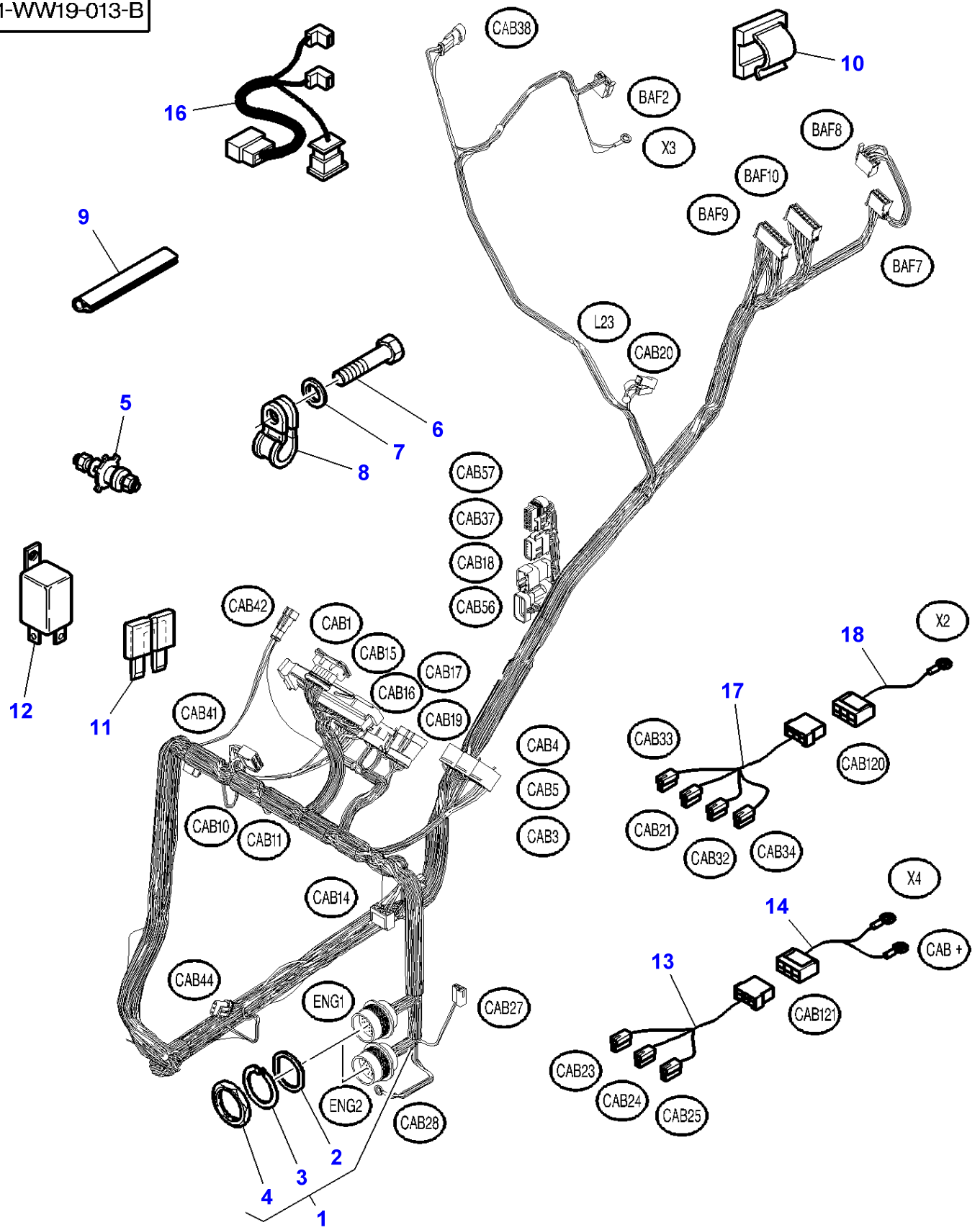


Engine Harness

Item	Part Number	Qty	Description	Comments
1	4278184M93	1	Harness	
2	3784666M1	1	Helmet	
3	3582094M1	24	Tie	
4	3712175M2	1	Wire	Length 400 MM
5	3779879M1	2	Relay	12V - 50A
6	339169X1	1	Nut	M8
7	3778841M2	1	Strap	
8	3010808X1	1	Clip	Diameter 40 - M8
9	339123X1	1	Hex. Sock. Screw	M8 X 20
10	4271799M1	3	Fuse	5 AMP
	4271801M1	2	Fuse	10 AMP
	4271802M1	2	Fuse	15 AMP
11	4272431M1	4	Relay	12V - 10/20A 4RD 007 814-01

MF 8450/8460 TRACTOR - 1637447
1-WW19-013-B

1-WW19-013-B



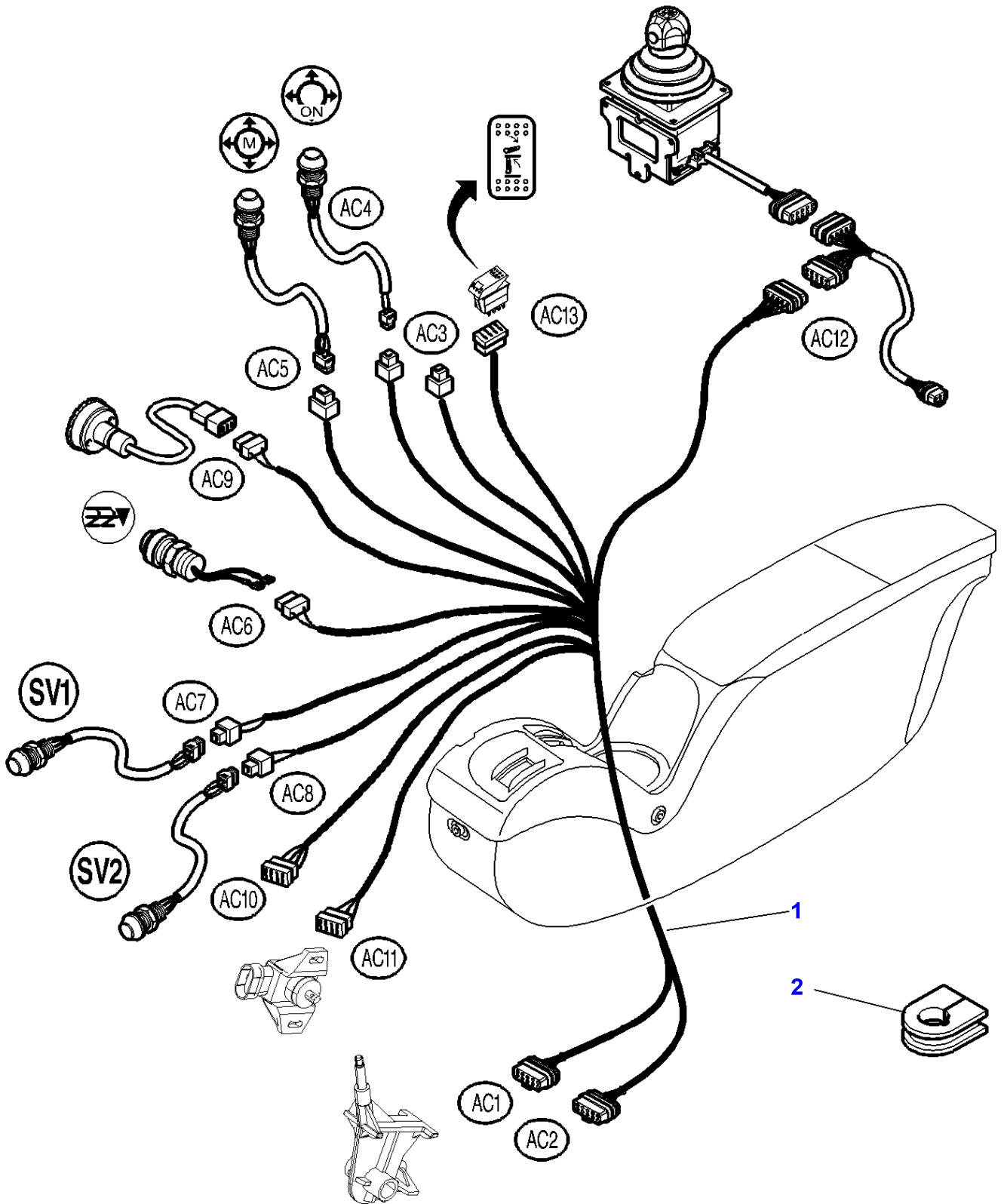
Instrument Panel Harness

Item	Part Number	Qty	Description	Comments
1	4276766M91	1	Harness	
2	3013355X1	1	Seal	(1)
3	3013354X1	1	Washer	(1)
4	3013353X1	1	Nut	(1)
5	72500822	1	Terminal	
6	390992X1	1	Hex. Sock. Screw	M8 X 50
7	22428X	1	Lock Washer	
8	3581424M1	1	Clip	Diameter 25 MM
9	3580695M1	1	Gasket	[A] Length 1600 MM
10	3760697M1	1	Tie	
11	4271801M1	1	Fuse	10 AMP
	4271842M1	1	Fuse	40 AMP
12	4272431M1	1	Relay	12V - 10/20A 4RD 007 814-01
13	4276768M91	1	Harness	
14	4277434M91	1	Harness	
15	4278720M1	14	Tie	[B]
16	3783857M1	1	Harness	
17	4276769M91	1	Harness	
18	4277205M91	1	Harness	Length 630 MM

FOOTNOTE [A] CUT TO REQUIRED LENGTH

FOOTNOTE [B] NOT ILLUSTRATED

1-WW18-002-B



Massey Ferguson

MF 8450/8460 TRACTOR - 1637447

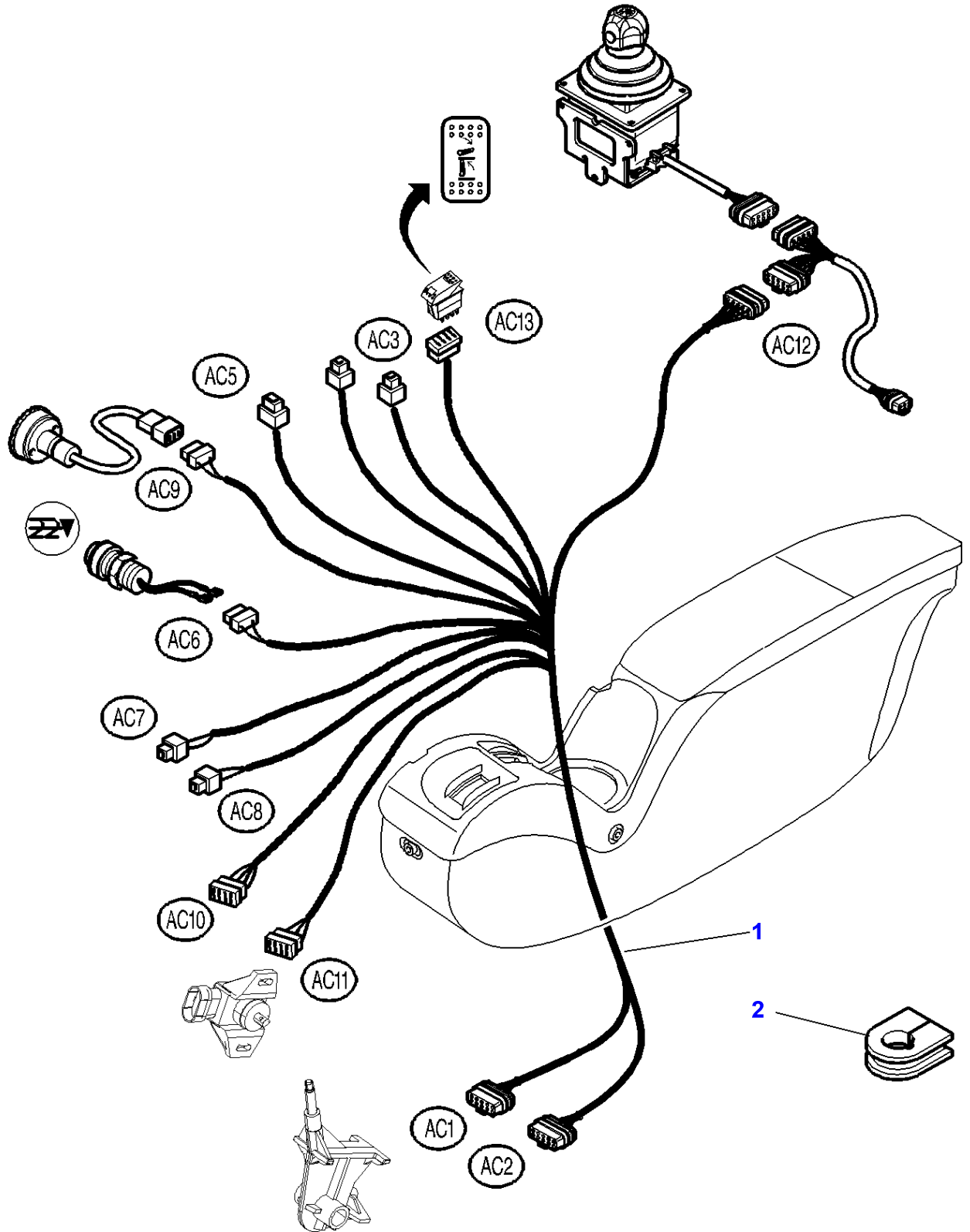
1637447

Instrument Panel Harness - Armrest

Page080-0035

Item	Part Number	Qty	Description	Comments
1	3789824M3	1	Harness	
2	4271408M2	1	Grommet	Diameter 19 MM

1-WW18-003-A



Massey Ferguson

MF 8450/8460 TRACTOR - 1637447

1637447

Instrument Panel Harness - Armrest - For Dyna-Step Tractors - United States Only

Page080-0040

Item	Part Number	Qty	Description	Comments
1	3789824M3	1	Harness	
2	4271408M2	1	Grommet	Diameter 19 MM

MF 8450/8460 TRACTOR - 1637447
1-WW50-001-D

1-WW50-001-D

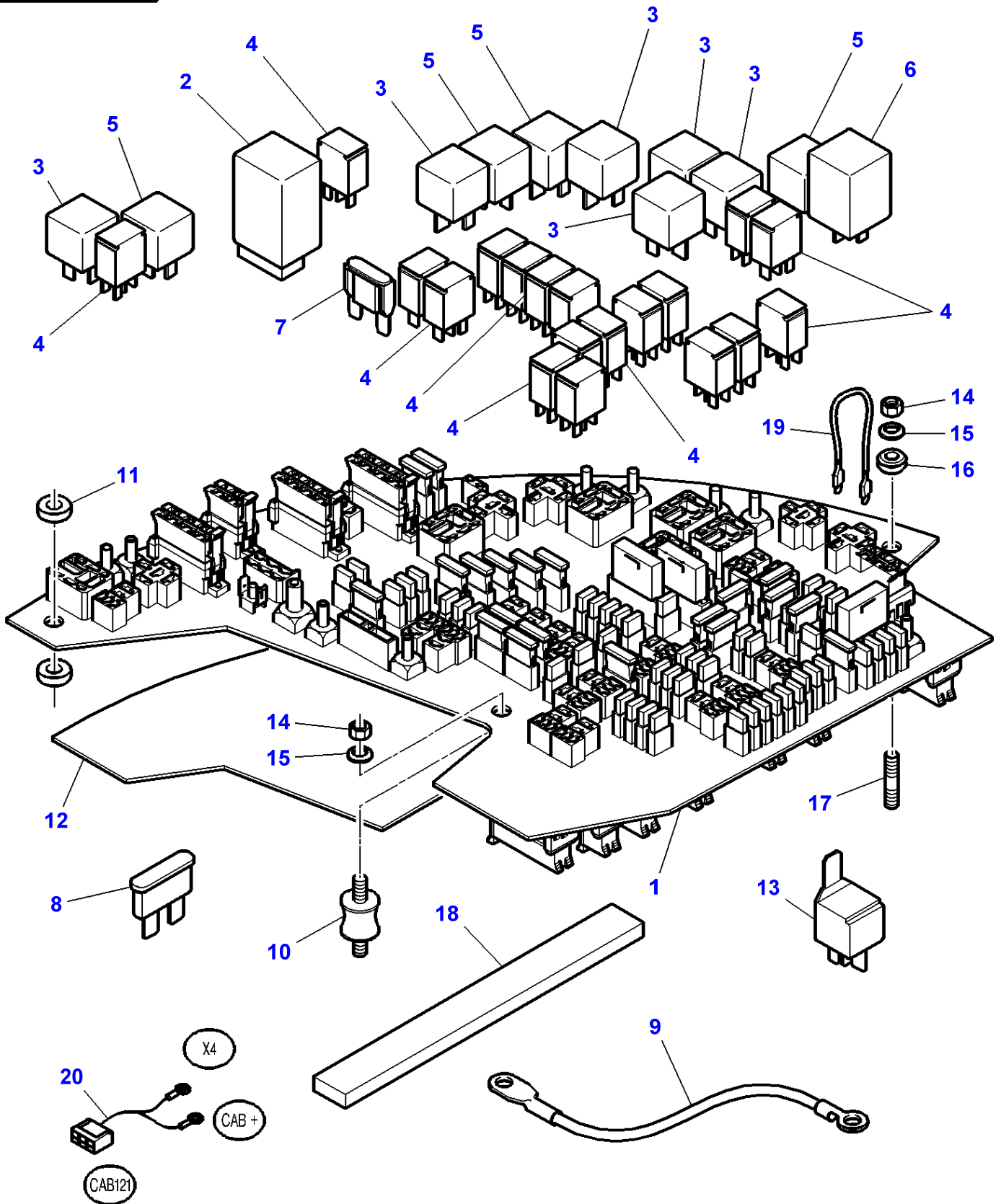


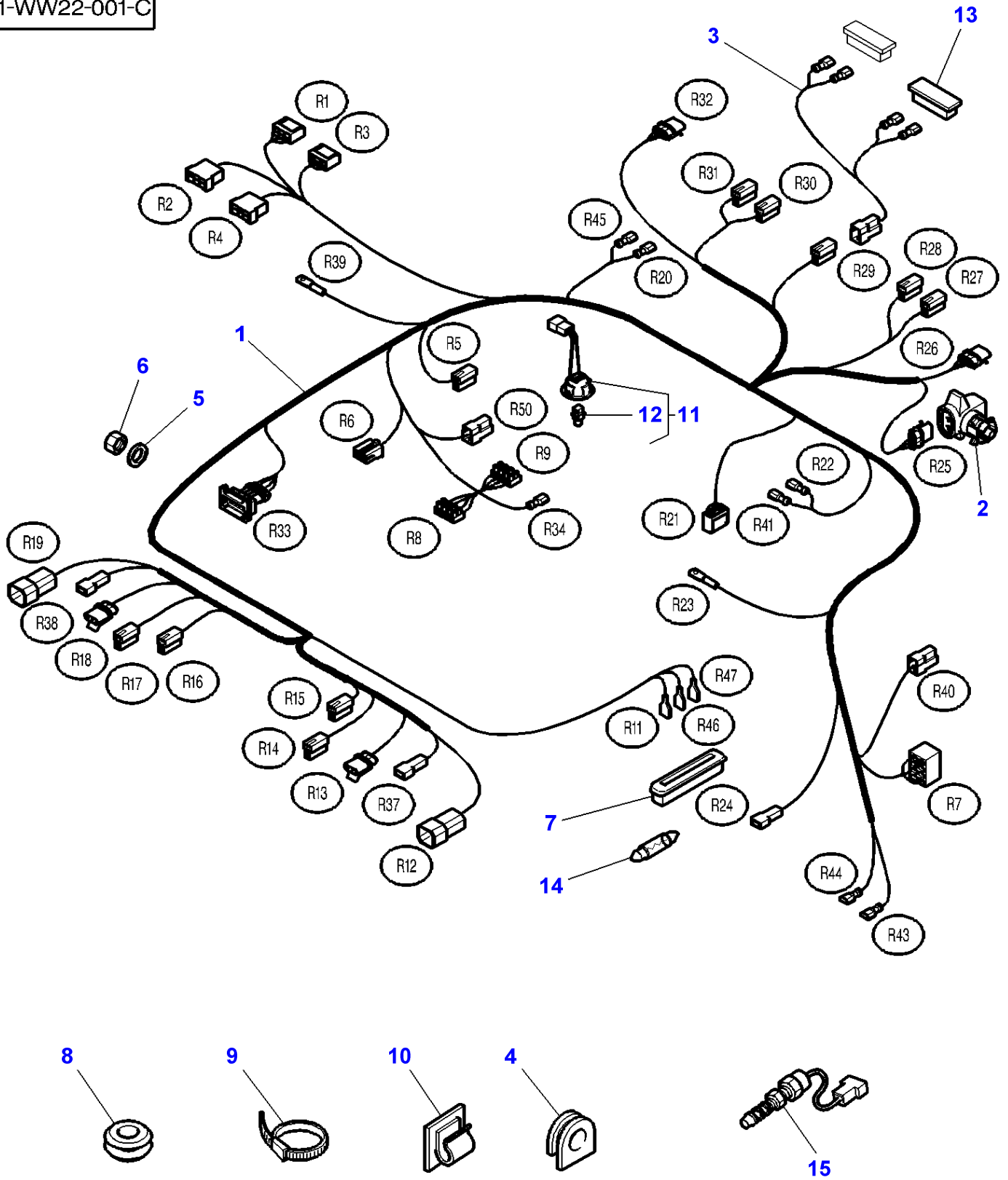
Plate Relay & Fuse Holder

Item	Part Number	Qty	Description	Comments
1	4275903M92	1	Plate Clamping	[D]
2	4271990M1	1	Blinker	
	4271989M1	1	Blinker	For United States of America
3	4270844M1	X	Relay	[E] 12V 4RA 007 793-03
4	4272431M1	X	Relay	[E] 12V 10/20A 4RD 007 814-01
5	4272432M1	X	Relay	[E] 12V 4RD 007 794-02
6	4271991M1	1	Relay	
7	4271803M1	1	Fuse	[E] 50 AMP Length 29,2MM
8	4271799M1	X	Fuse	[E] 5 AMP Length 11,2MM
	4271800M1	X	Fuse	[E] 7.5 AMP Length 11,2MM
	4271801M1	X	Fuse	[E] 10 AMP Length 11,2MM
	4271802M1	X	Fuse	15 AMP Length 11,2MM
	3580868M1	X	Fuse	[E] 3 AMP Length 19,5 MM
	3387321M1	X	Fuse	15 AMP Length 19,5 MM
	3780003M1	X	Fuse	[E] 20 AMP Length 19MM
	3387322M1	X	Fuse	[E] 25 AMP Length 19MM
	3712661M1	X	Fuse	[E] 30 AMP Length 19MM
	4271842M1	X	Fuse	40 AMP Length 29,2MM
9	4272011M1	1	Harness	[A] Length 580 MM Diameter 10 + 8
	3787520M2	1	Harness	[B] Length 610 MM Diameter 10 + 10
	4275698M1	1	Cable	[A] Length 2000 MM Diameter 8 + 8
	4277435M91	1	Harness	[A] Length 390 MM Diameter 10 + 8
10	4271913M1	1	Dowel	
11	4271914M1	1	Washer	
12	4273612M1	1	Foam	
13	3387326M2	1	Relay	12V-50A 4RA 007 793-04
14	339030X1	3	Nut Metric	M6
	1441500X1	1	Locknut	[C] M6
15	391038X1	3	Washer	
16	3814812M1	2	Grommet	
17	3019057X1	1	Stud	M6 X 30
	3019056X1	1	Stud	M6 X 25
18	4277850M1	1	Gasket	Length 865 X 7 X 4
19	4276825M1	1	Wire	Length 100 MM
20		1	Not Used	Up to Serial or Engine Number N051053

Plate Relay & Fuse Holder

Item	Part Number	Qty	Description	Comments
FOOTNOTE	[A]		BLACK	
FOOTNOTE	[B]		RED	
FOOTNOTE	[C]		CHECK NUT	
FOOTNOTE	[D]		PREEQUIPED PLATE CLAMPING	
FOOTNOTE	[E]		BELONGS TO ASSEMBLY 4275903M91	
FOOTNOTE	[F]		DYNA-6	
FOOTNOTE	[G]		NOT USED	
FOOTNOTE	[H]		WITH AUTO POWER V I	

1-WW22-001-C



Roof Harness

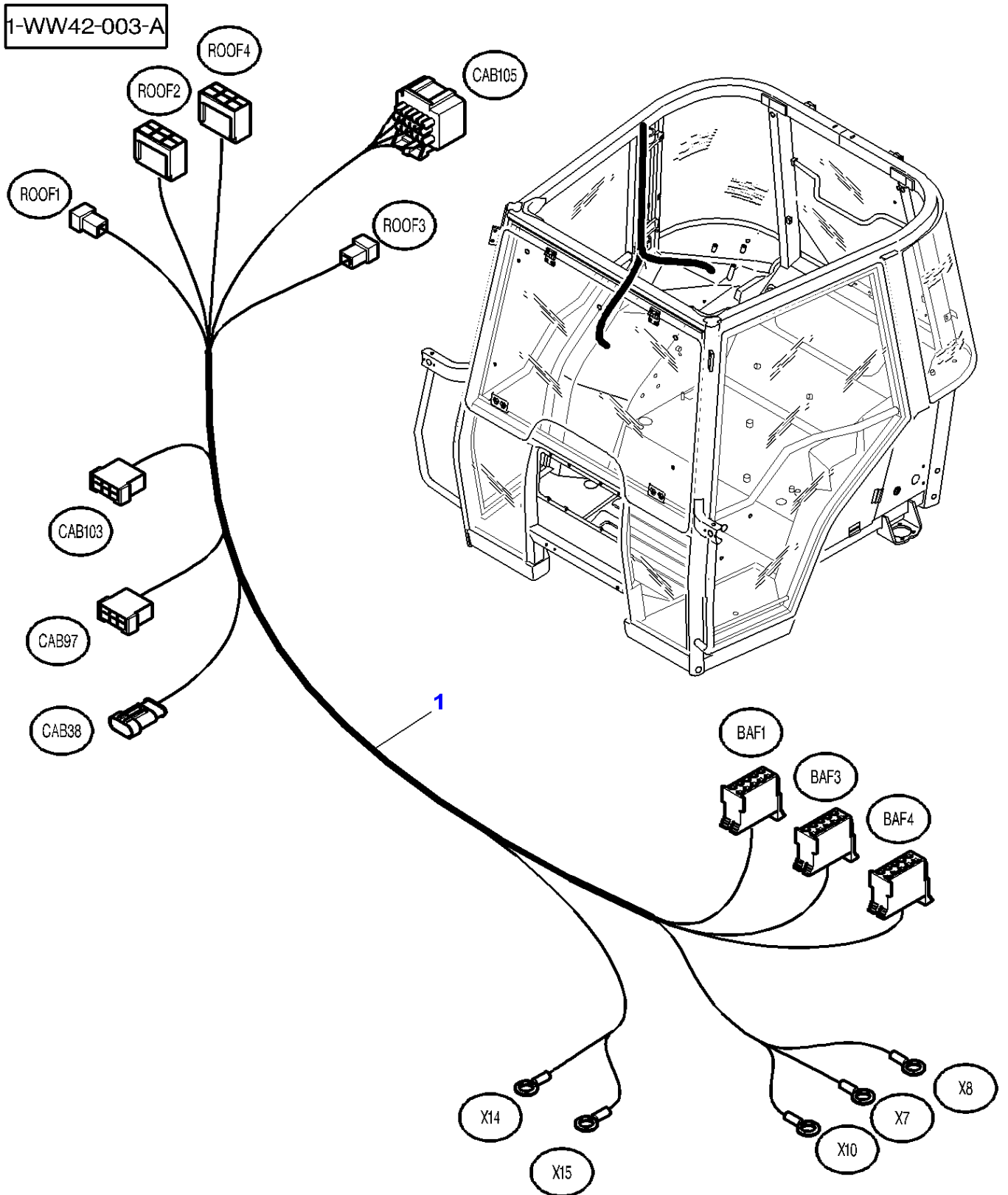
Item	Part Number	Qty	Description	Comments
1	4277241M91	1	Harness	
	4277244M91	1	Harness	[B]
2	3714264M1	1	Transmitter	[A]
3	3787513M91	1	Harness	
4	3387555M1	1	Grommet	Diameter 11 MM
5	3001856X1	X	Washer	Diameter 4-12 X 1,1
6	3019139X1	X	Nut	M4
7	3385820M1	1	Roof Light	
8	367439X1	1	Grommet	Diameter 15-25
	3714694M1	1	Grommet	Diameter 7-21
9	3619622M1	X	Cable Tie	
10	1677803M1	3	Clip	
11	3786673M1	1	Roof Light	[C]
12	3907271M1	1	Bulb 12v 5w	(11)
13	3786670M1	2	N/Plate Lamp	
14	3385821M1	1	Bulb 12v 10w	
15	3780395M2	1	Switch,Indirect	

FOOTNOTE [A] TEMPERATURE SENSOR

FOOTNOTE [B] USED WITH OPTIONAL FRONT WORKLAMPS

FOOTNOTE [C] CONSOLE READING LAMP

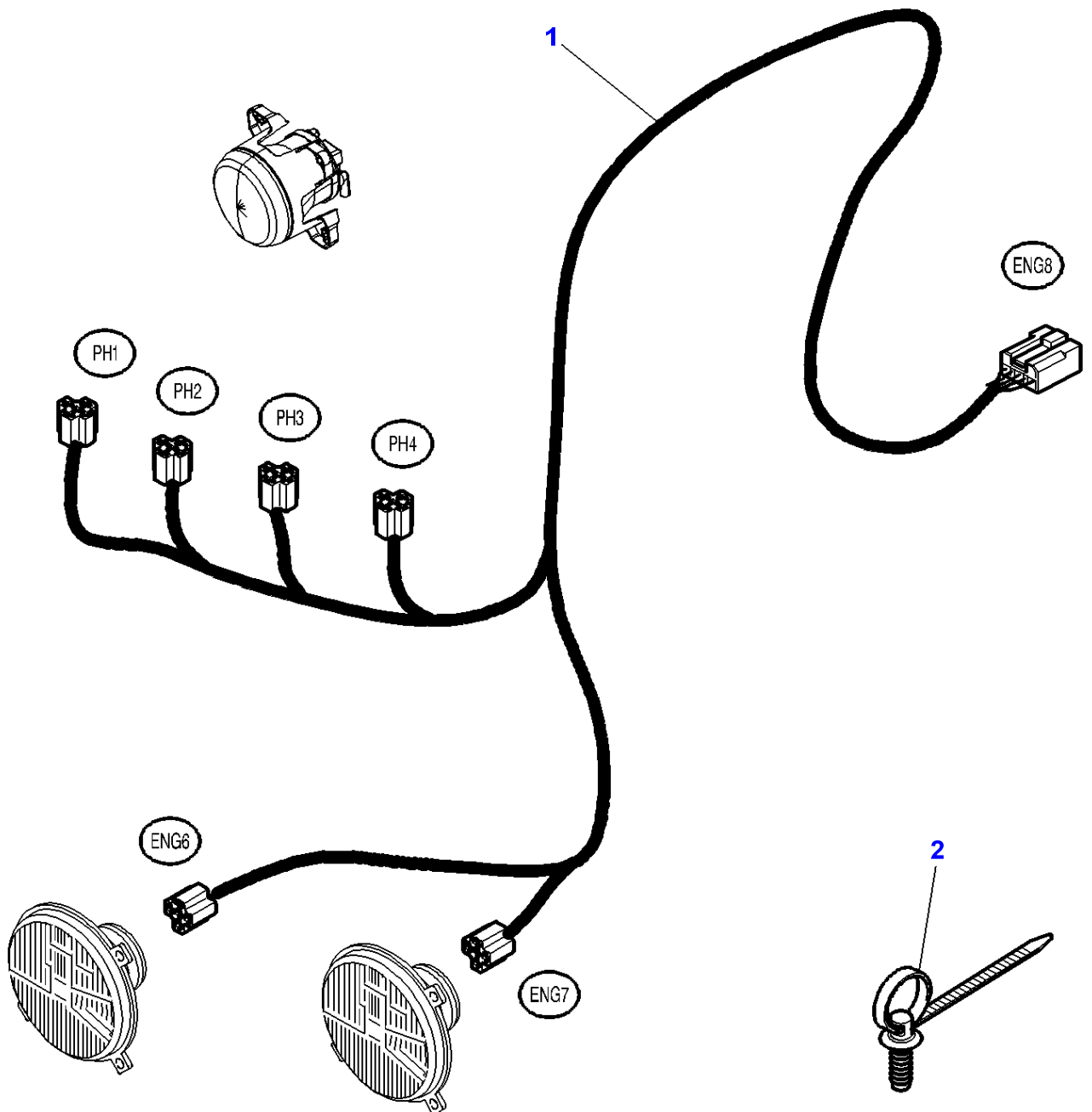
MF 8450/8460 TRACTOR - 1637447
1-WW42-003-A



Pillar Harness

Item	Part Number	Qty	Description	Comments
1	4278258M92	1	Harness	Up to Serial or Engine Number N328016
	4278258M93	1	Harness	From Serial or Engine Number N328017
	4278258M92	1	Harness	For United States of America
				Up to Serial or Engine Number P004002
	4278258M93	1	Harness	For United States of America
				From Serial or Engine Number P004003

1-WW44-001-A



Massey Ferguson

MF 8450/8460 TRACTOR - 1637447

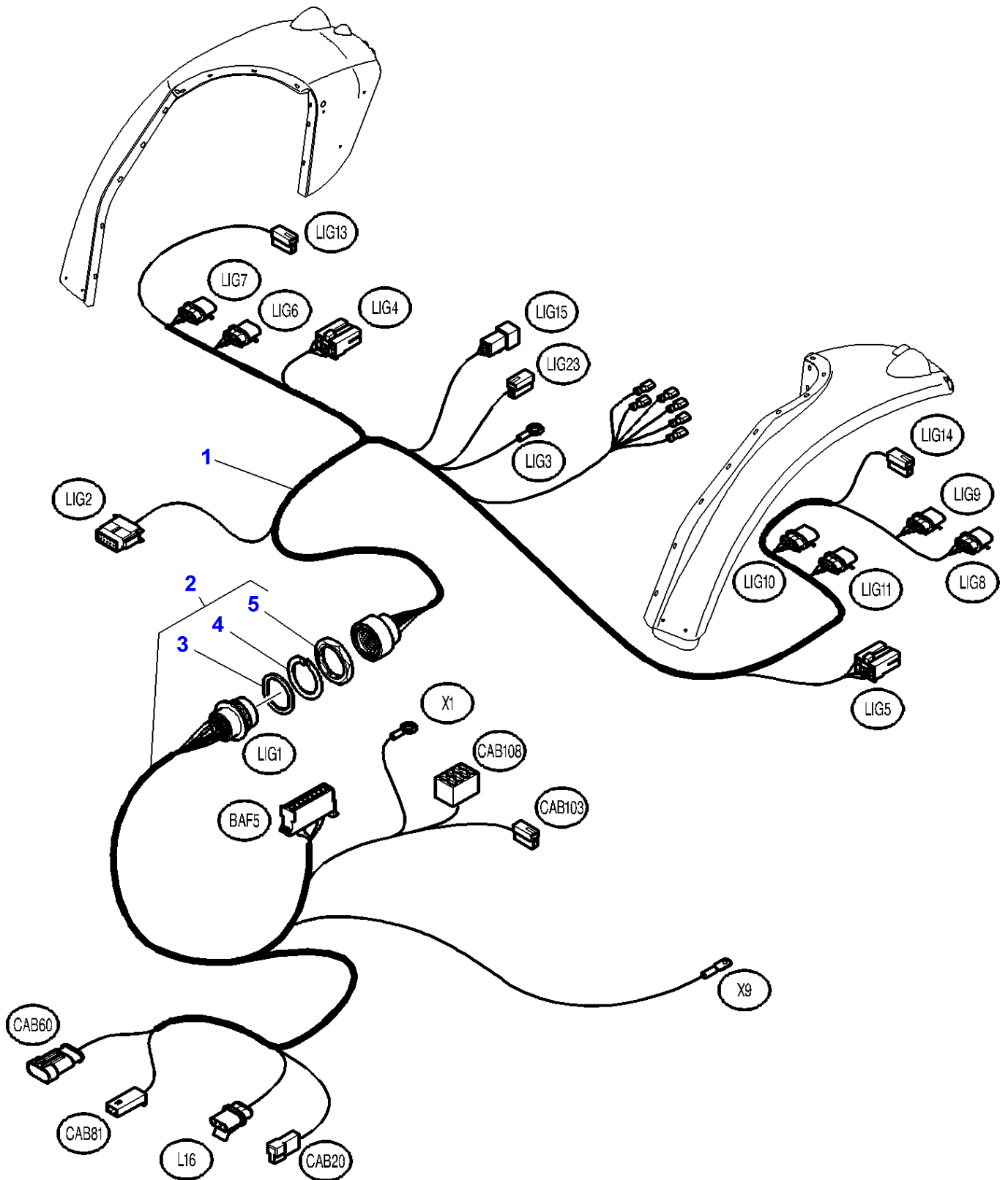
1637447

Front Lightning Harness

Page080-0060

Item	Part Number	Qty	Description	Comments
1	4278401M92	1	Harness	
2	4278314M1	10	Clamp	Length 167MM

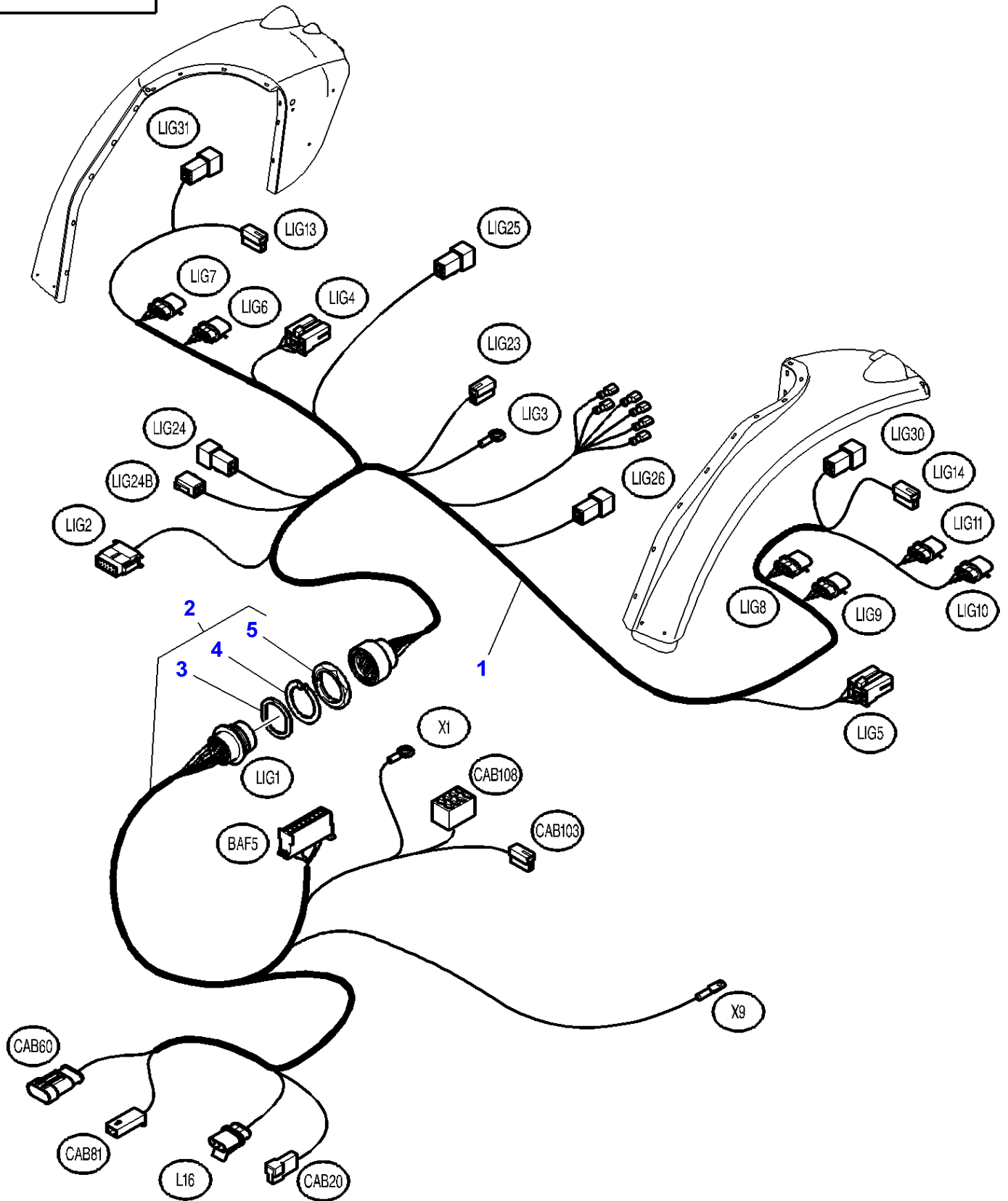
1-WW43-007-B



Massey Ferguson**MF 8450/8460 TRACTOR - 1637447****1637447****Rear Lightning Harness - Not for USA****Page080-0065**

Item	Part Number	Qty	Description	Comments
1	3787528M93	1	Harness	Up to Serial or Engine Number N328016
	3787528M94	1	Harness	From Serial or Engine Number N328017
2	4276770M92	1	Harness	Up to Serial or Engine Number N328016
	4276770M93	1	Harness	From Serial or Engine Number N328017
3	3013355X1	1	Seal	(2)
4	3013354X1	1	Washer	(2)
5	3013353X1	1	Nut	(2)

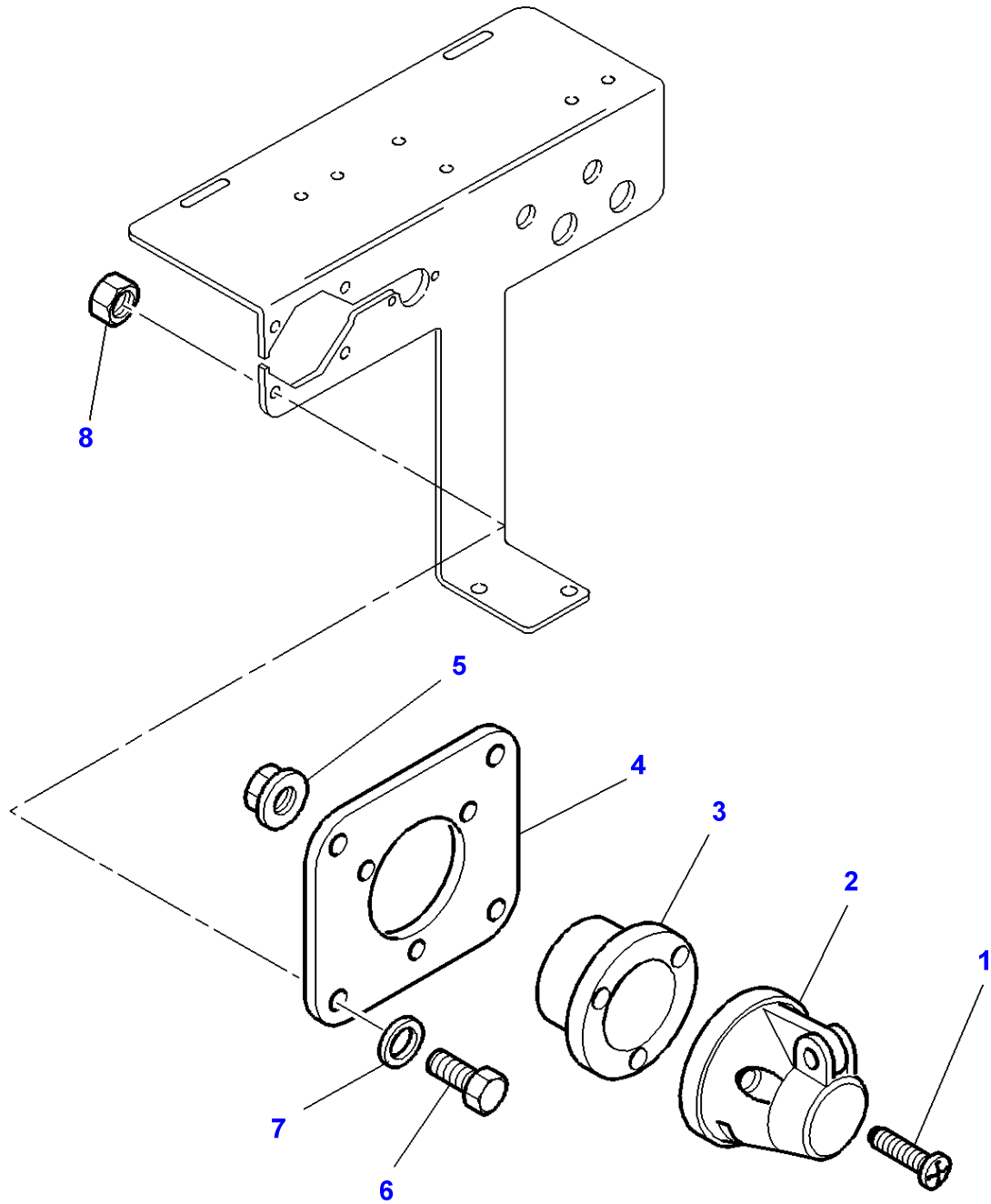
1-WW43-008-B



Massey Ferguson**MF 8450/8460 TRACTOR - 1637447****1637447****Rear Lightning Harness - For United States of America****Page080-0070**

Item	Part Number	Qty	Description	Comments
1	4278756M2	1	Harness	Up to Serial or Engine Number P004002
	4278756M3	1	Harness	From Serial or Engine Number P004003
2	4278975M91	1	Harness	Up to Serial or Engine Number P004002
	4278975M92	1	Harness	From Serial or Engine Number P004003
3	3013355X1	1	Seal	(2)
4	3013354X1	1	Washer	(2)
5	3013353X1	1	Nut	(2)

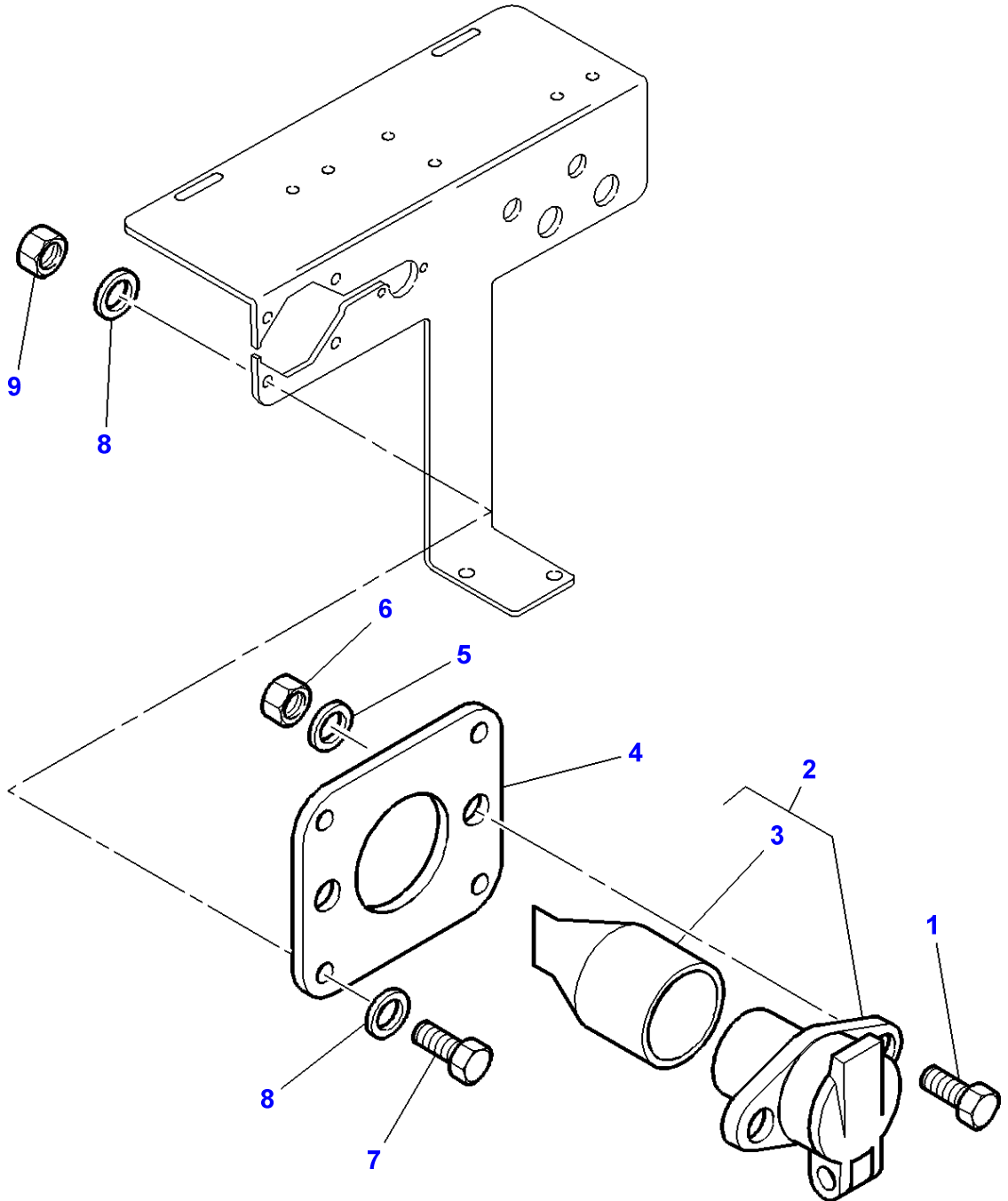
1-WW39-008-A



Massey Ferguson**MF 8450/8460 TRACTOR - 1637447****1637447****Trailer Electric Socket****Page080-0075**

Item	Part Number	Qty	Description	Comments
1	3009538X1	3	Screw	M5 X 35
2	409965M1	1	Socket 7 Pin Sup	
3	3041656M2	1	Plate	
4	3785913M1	1	Support	
5	3010477X1	3	Nut Metric	M5
6	339560X1	4	Hex. Sock. Screw	M6 X 16
7	339375X1	4	Lock Washer	
8	339030X1	4	Nut Metric	M6

1-WW39-009-A



Massey Ferguson**MF 8450/8460 TRACTOR - 1637447**

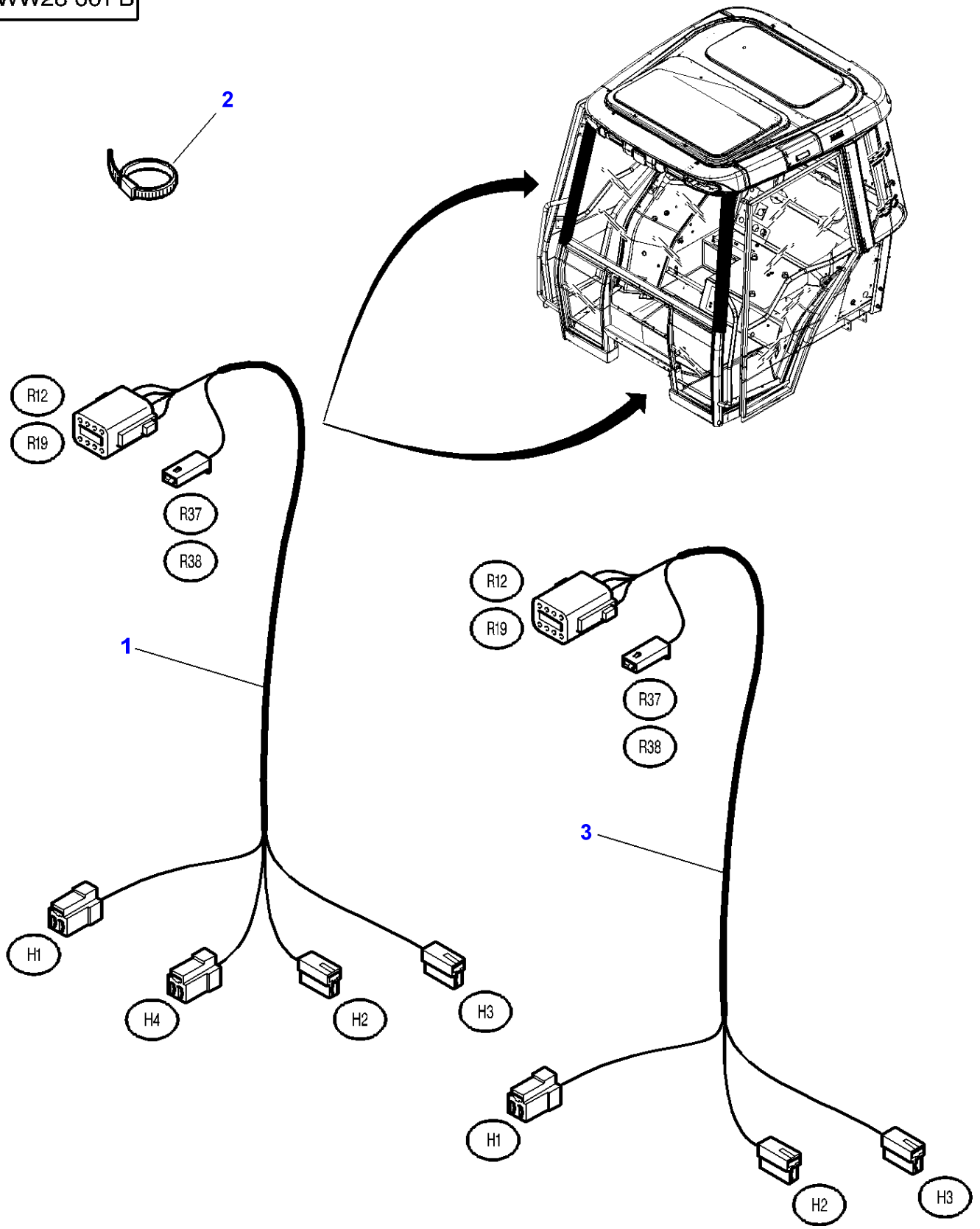
1637447

Trailer Electric Socket - For United States of America

Page080-0080

Item	Part Number	Qty	Description	Comments
1	339123X1	2	Hex. Sock. Screw	M8 X 20
2	3715923M91	1	Intake	
3	3715925M1	1	Helmet	(2)
4	3785914M1	1	Support	
5	339374X1	2	Lock Washer	
6	339169X1	2	Nut	M8
7	339560X1	4	Hex. Sock. Screw	M6 X 16
8	339375X1	4	Lock Washer	
9	339030X1	4	Nut Metric	M6

1-WW28-001-B



Massey Ferguson

MF 8450/8460 TRACTOR - 1637447

1637447

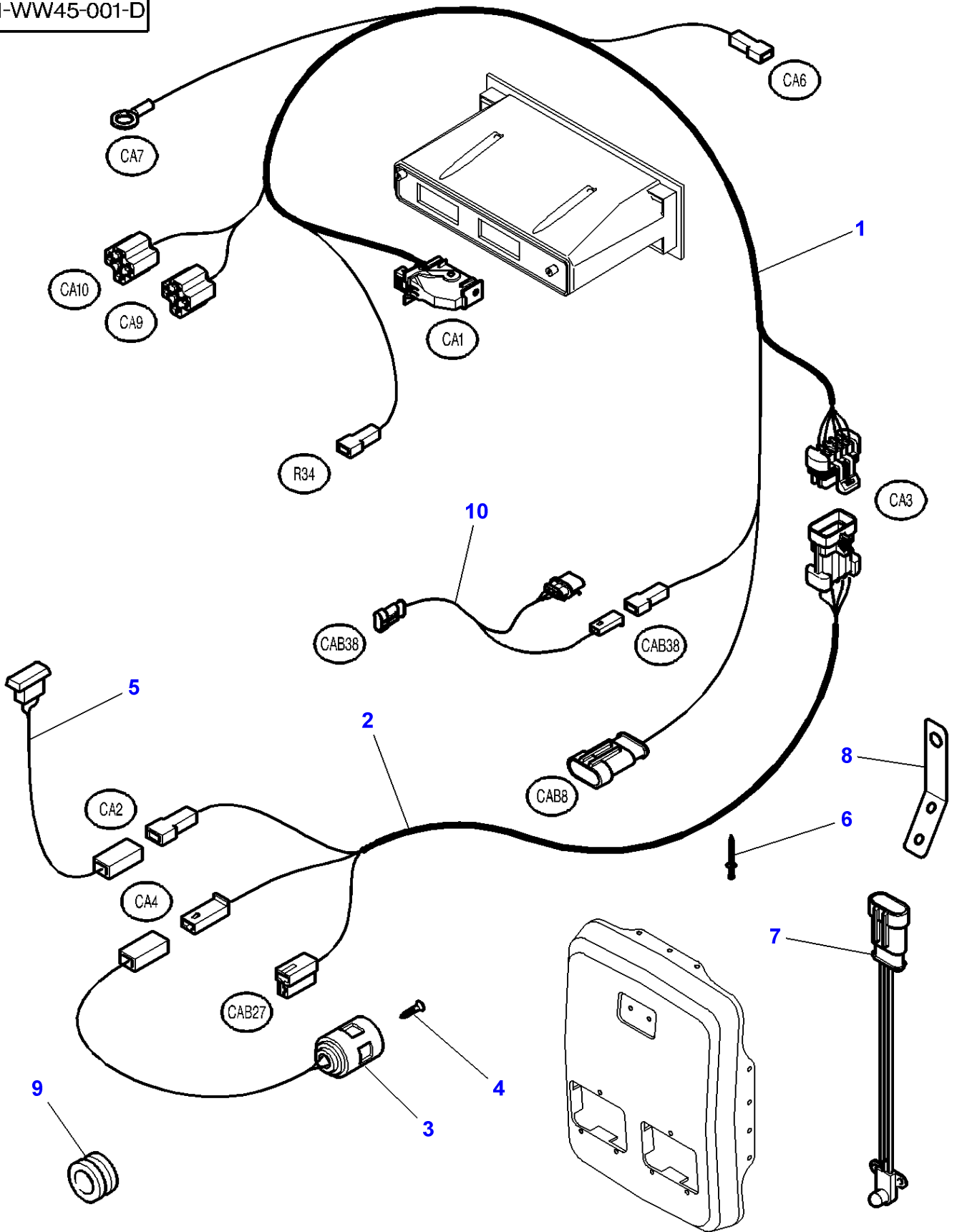
Field Lights Harness - Handold

Page080-0085

Item	Part Number	Qty	Description	Comments
1	3787512M91	2	Harness	[A]
2	3619622M1	X	Cable Tie	
3	4273146M1	2	Harness	

FOOTNOTE [A] USED WITH WAY LIGHTS FITTED ON THE GUIDEWAY

1-WW45-001-D



Automatic Air Conditioner Harness & Sensors

Item	Part Number	Qty	Description	Comments
1	4272347M2	1	Harness	
2	4272151M3	1	Harness	
3	3787192M1	1	Temp. Sensor	[A]
4	3787143M1	2	Screw	
5	3787185M1	1	Transducer	[C]
6	338662X1	2	Rivet	Diameter 2,4 MM
7	3787184M1	1	Temp. Sensor	[B]
8	4272846M1	1	Support	
9	3783677M1	1	Grommet	Diameter 7-21
10			Not Used	

FOOTNOTE [A] INSIDE TEMPERATURE SENSOR

FOOTNOTE [B] OUTSIDE TEMPERATURE SENSOR

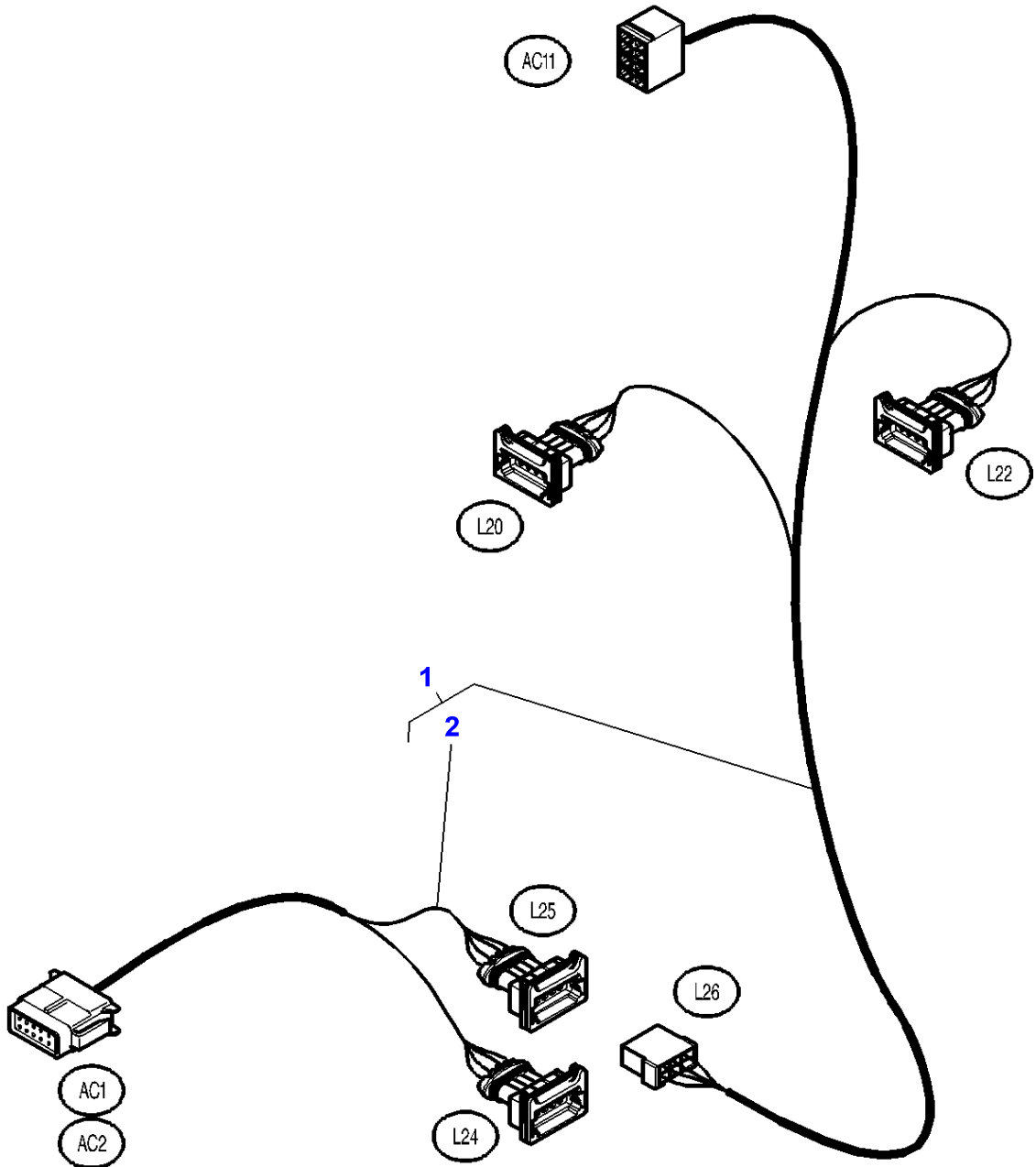
FOOTNOTE [C] SOLAR SENSOR

FOOTNOTE [D] DYNA-6

FOOTNOTE [E] NOT USED

Page Title	Page Number
Electrical Wiring - Without Electronic Lift	090-0005
Electronic Lift - Main Harness - Cab	090-0010
Electronic Lift - Main Harness - With Dual Control	090-0015
SENSOR HARNESS DUAL CONTROL	090-0020
Electronic Lift - Main Harness - Without Dual Control	090-0025
Electronic Lift - Console - Without Radar	090-0030
Electronic Lift - Console - With Radar	090-0035
ABOARD COMPUTER AND PLATE LIGHTING EQUIPEMENT	090-0040
ABOARD COMPUTER AND PLATE LIGHTING EQUIPEMENT	090-0045
ABOARD COMPUTER AND PLATE LIGHTING EQUIPEMENT	090-0050
Radar	090-0055
Fieldstar	090-0060
Control Box - Cab	090-0065
Control Box Harness & Cab Controls	090-0070
Side Console Harness - Cab	090-0075
Transmission Main Harness	090-0080
Electronic Equipment - Sensors	090-0085

1-WW04-001-A



Massey Ferguson

MF 8450/8460 TRACTOR - 1637447

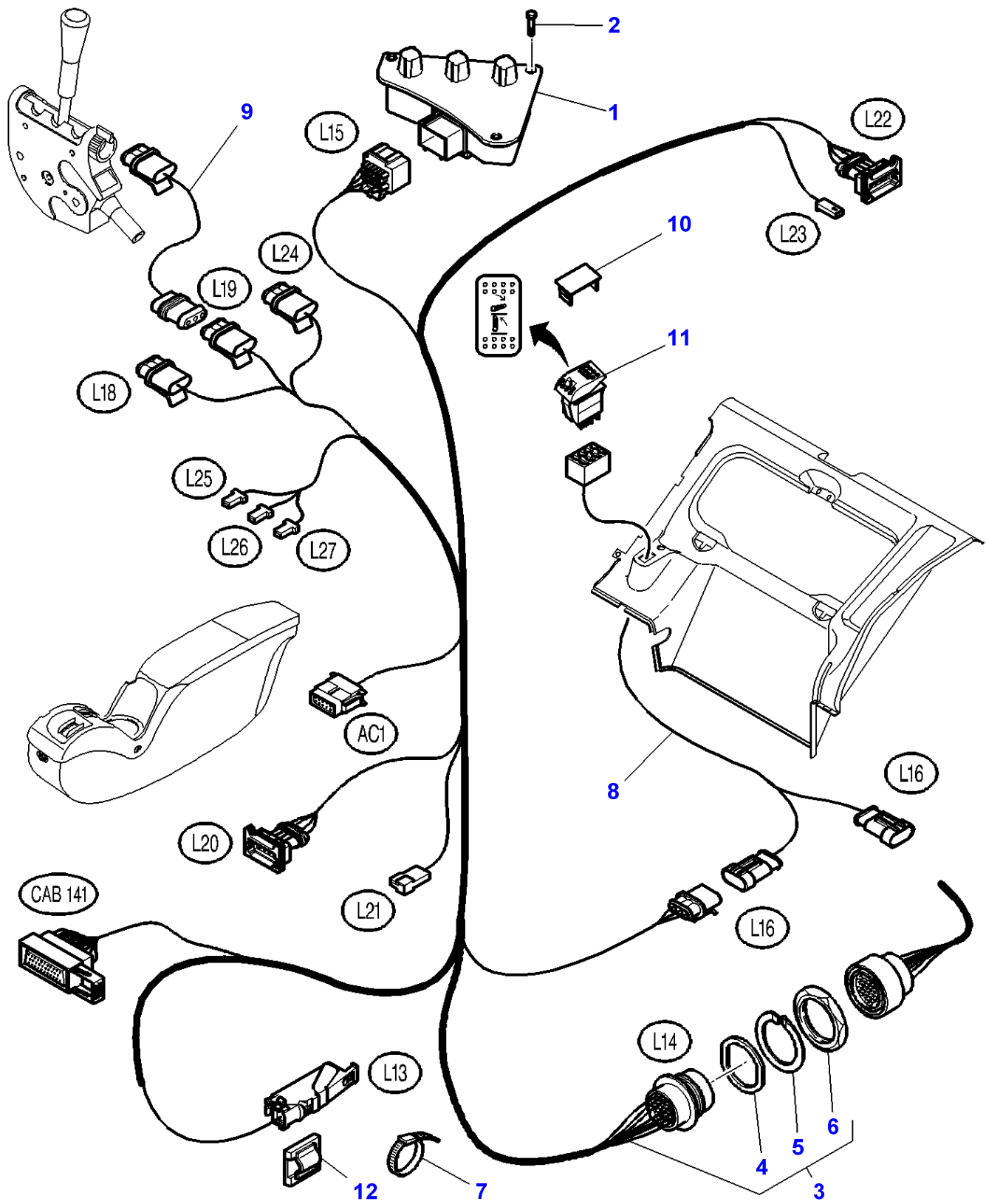
1637447

Electrical Wiring - Without Electronic Lift

Page090-0005

Item	Part Number	Qty	Description	Comments
1	3788426M1	1	Harness	
2		1	Harness	(1) Not serviced,order REF. 1

1-WP33-017-B



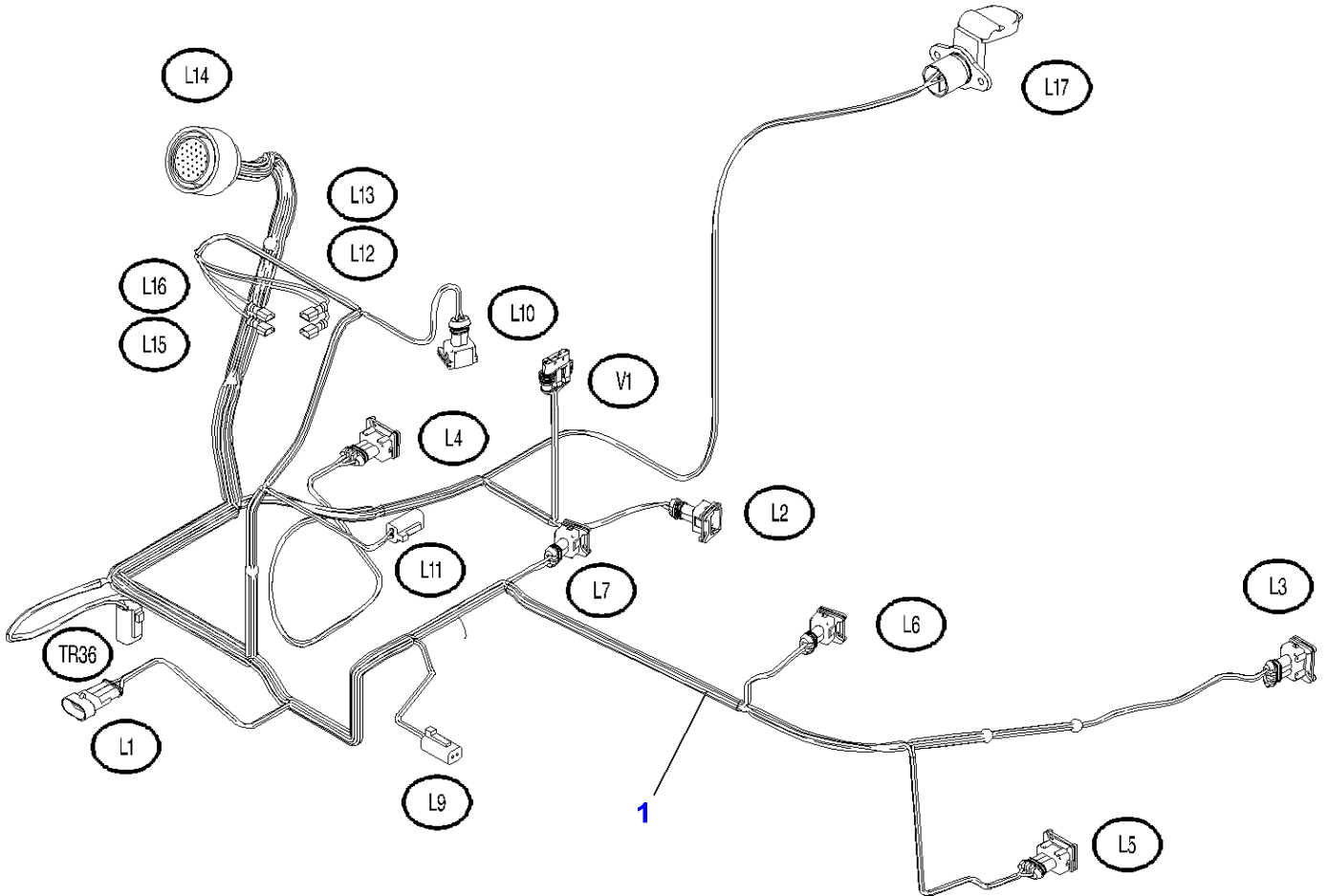
Electronic Lift - Main Harness - Cab

Item	Part Number	Qty	Description	Comments
1	4278661M91	1	Electron Console	[B] See Page - Reference Number 090-0030/1
	4278662M91	1	Electron Console	[A] See Page - Reference Number 090-0035/1
2	3010506X1	4	Screw	M5 X 16
	3010804X1	4	Screw	M4 X 16
3	4277438M93	1	Harness	
4	3013355X1	1	Seal	(3)
5	3013354X1	1	Washer	(3)
6	3013353X1	1	Nut	(3)
7	3619622M1	X	Cable Tie	
8	3787437M1	1	Harness	
9	4279872M1	1	Harness	Length 150 MM
10	3713151M1	1	Tap	
11	4271356M1	1	Switch,Indirect	
12	3582094M1	2	Tie	

FOOTNOTE [A] WITH RADAR

FOOTNOTE [B] WITHOUT RADAR

1-WP33-016-A



Massey Ferguson

MF 8450/8460 TRACTOR - 1637447

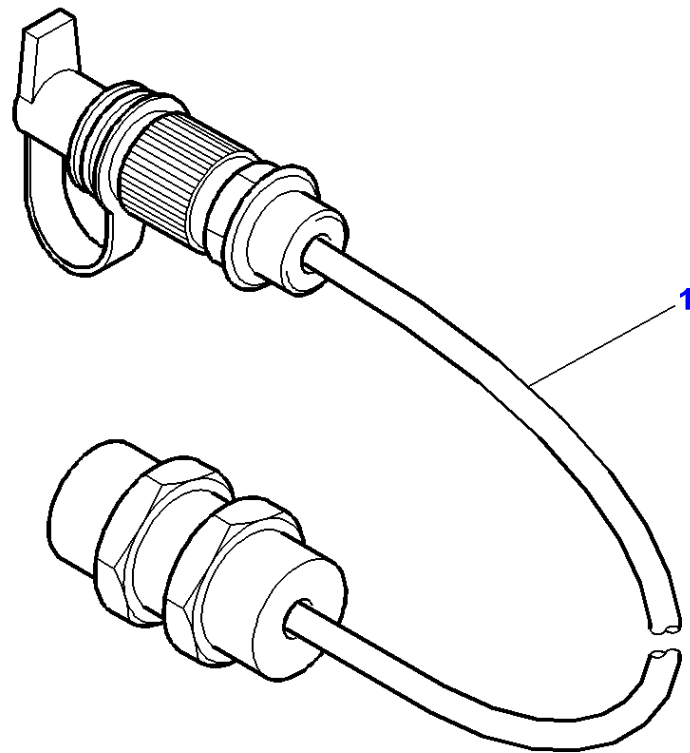
1637447

Electronic Lift - Main Harness - With Dual Control

Page090-0015

Item	Part Number	Qty	Description
1	4277437M93	1	Harness

1-WF85-001-A



Massey Ferguson

MF 8450/8460 TRACTOR - 1637447

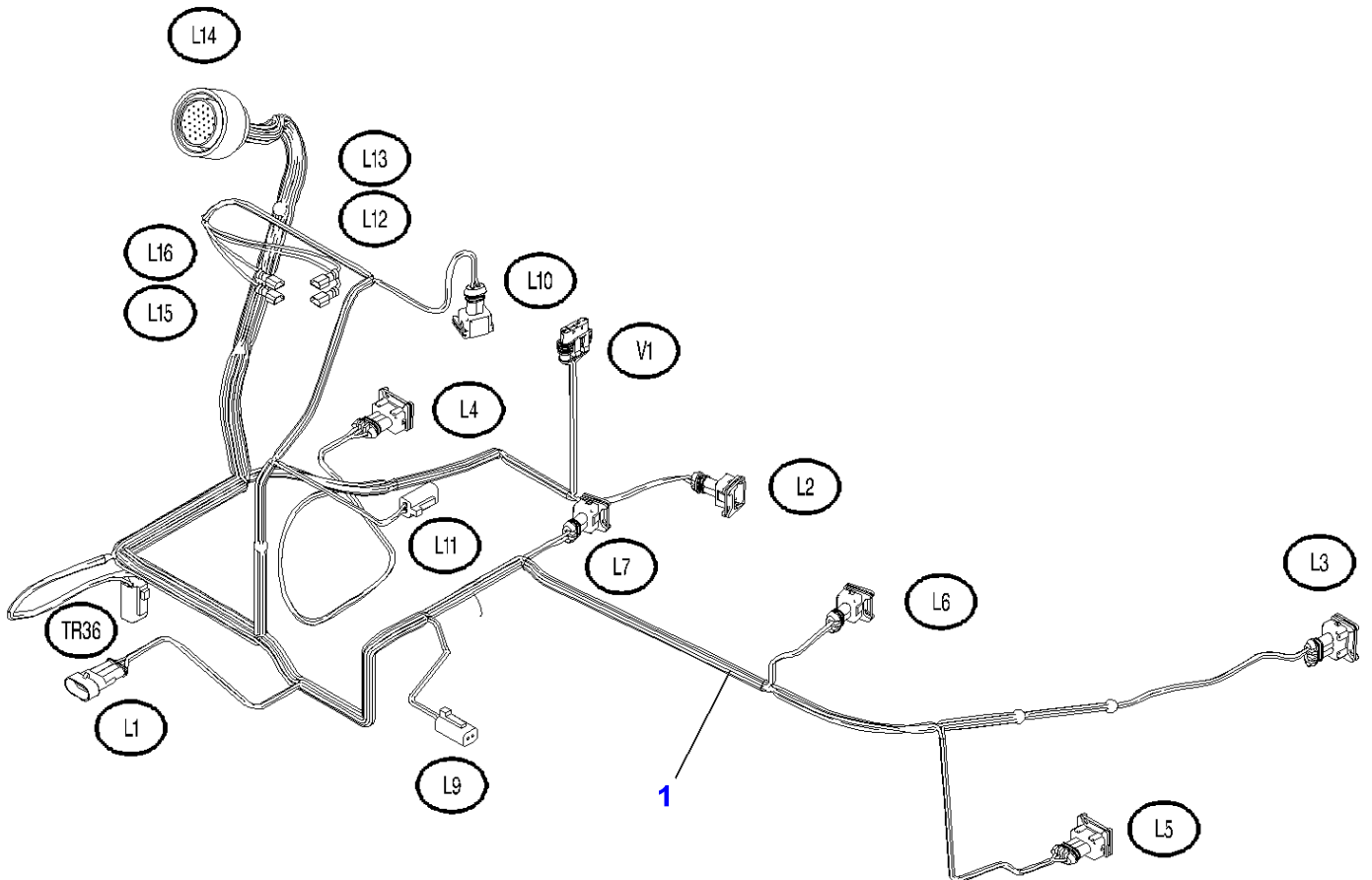
1637447

SENSOR HARNESS DUAL CONTROL

Page090-0020

Item	Part Number	Qty	Description
1	3784995M91	1	Harness

1-WP33-015-A



Massey Ferguson

MF 8450/8460 TRACTOR - 1637447

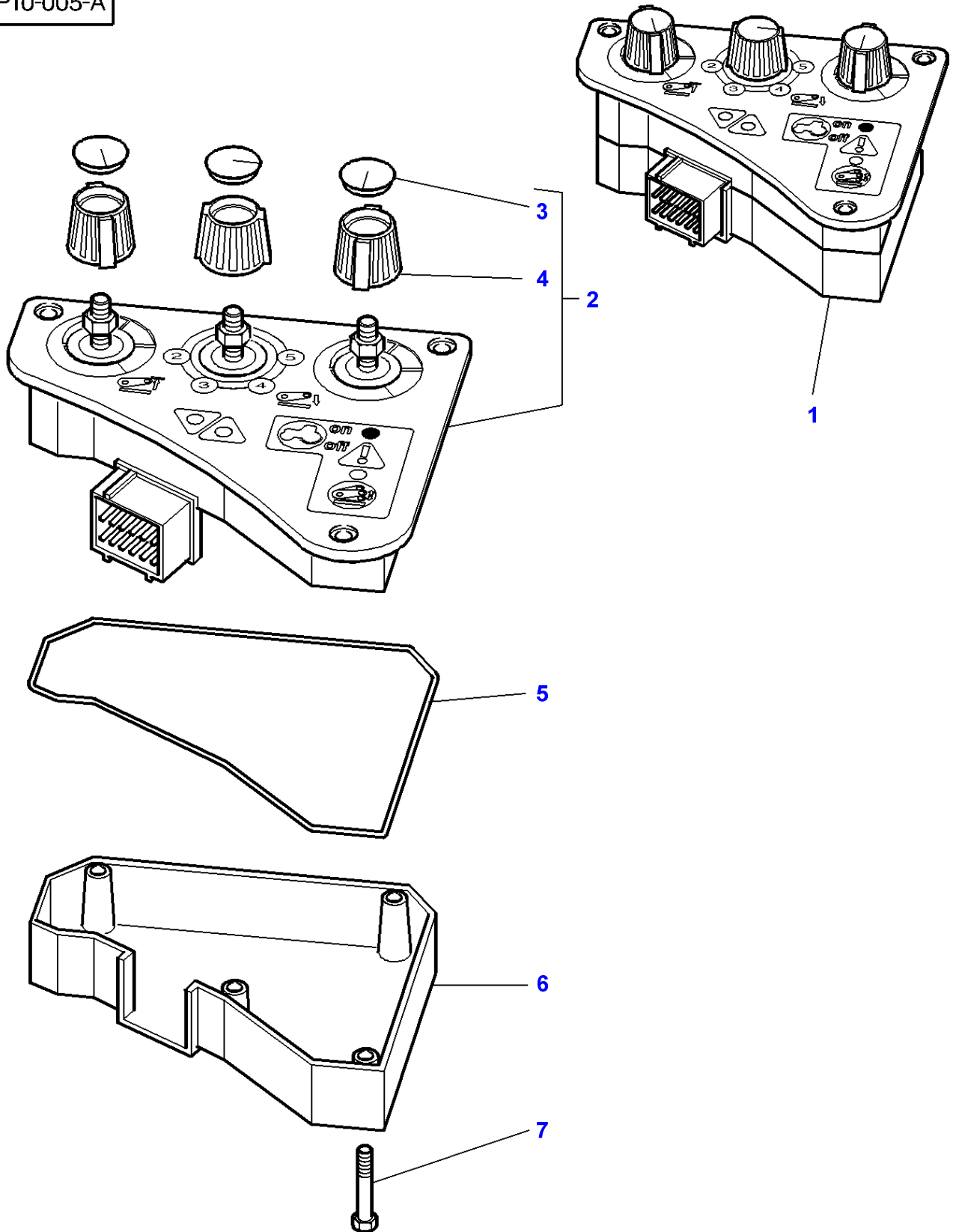
1637447

Electronic Lift - Main Harness - Without Dual Control

Page090-0025

Item	Part Number	Qty	Description
1	4278176M93	1	Harness

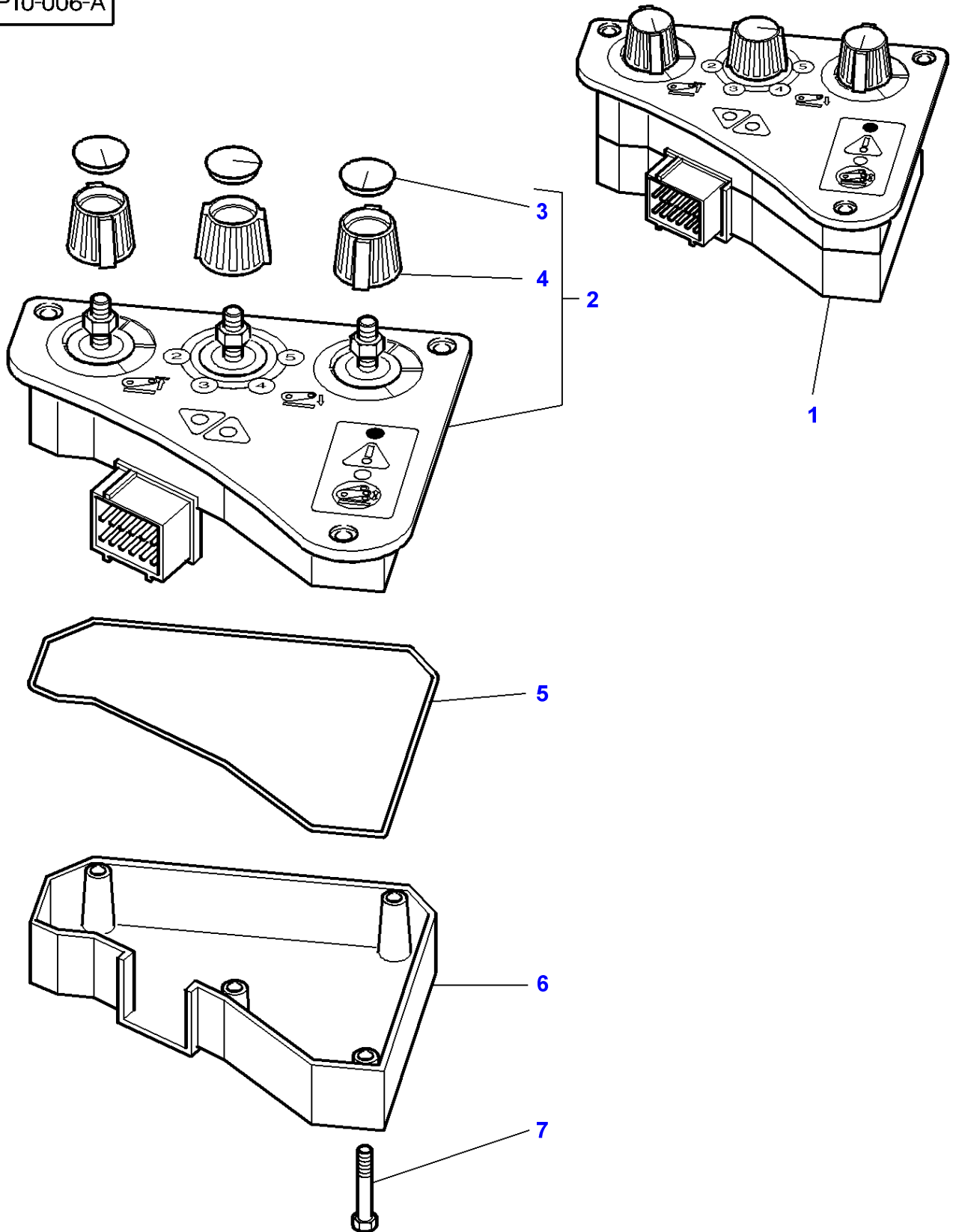
1-WP10-005-A



Item	Part Number	Qty	Description	Comments
1	4278661M91	1	Electron Console	
2		1	Case Assy	(1) Not serviced,order REF. 1
3	3902440M1	3	Helmet	(2)
4	3903452M1	3	Button	(2)
5	3907250M1	1	Seal	(1)
6		1	Case Assy	(1) Not serviced,order REF. 1
7		4	Screw	[A] (1)

FOOTNOTE [A] NOT DETAILED

1-WP10-006-A

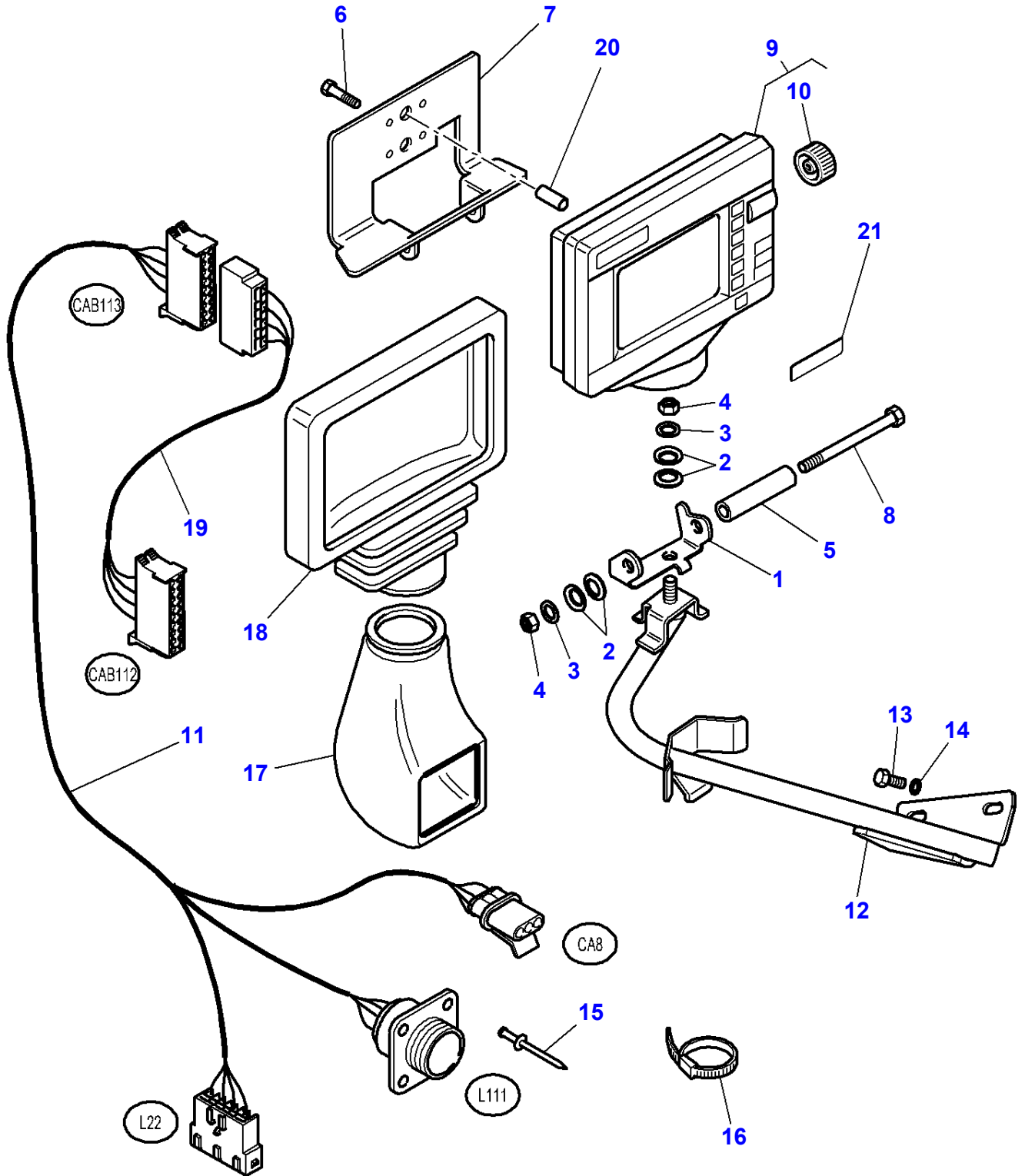


Electronic Lift - Console - With Radar

Item	Part Number	Qty	Description	Comments
1	3787429M1	1	Electron Console	
2		1	Case Assy	(1) Not serviced,order REF. 1
3	3902440M1	3	Helmet	(2)
4	3903452M1	3	Button	(2)
5	3907250M1	1	Seal	(1)
6		1	Case Assy	(1) Not serviced,order REF. 1
7		4	Screw	[A] (1)

FOOTNOTE [A] NOT DETAILED

1-WU31-003-C



ABOARD COMPUTER AND PLATE LIGHTING EQUIPEMENT

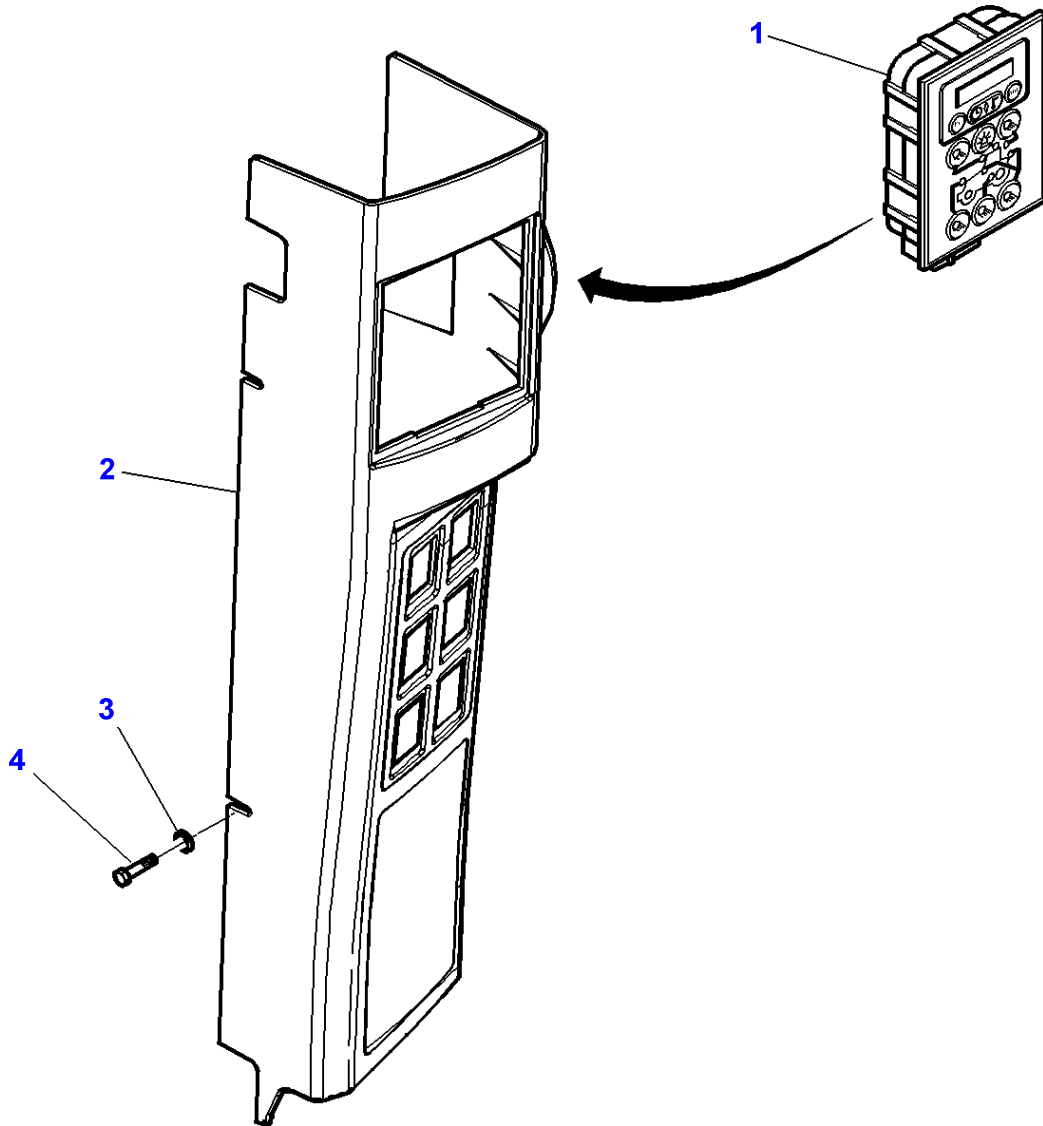
Item	Part Number	Qty	Description	Comments
1	4277643M1	1	Support	
2	3386192M1	4	Washer	Diameter 8-26
3	3010467X1	2	Washer	Diameter 9-30 X 2
4	394367X1	2	Locknut	M8
5	3712867M1	1	Spacer	Diameter 9-12 X 74
6	339721X1	4	Hex. Sock. Screw	M5 X 16
7	4277644M1	1	Support	
8	339013X1	1	Hex. Sock. Screw	M8 X 110
9	4277666M91	1	Onboard Computer	[A]
	4277459M93	1	Onboard Computer	[B]
	4277461M91	1	Onboard Computer	[C]
10	3907557M1	1	Button	(9)
11	4280179M1	1	Harness	
12	4277640M91	1	Tube	
13	339123X1	2	Hex. Sock. Screw	M8 X 20
14	390972X1	2	Washer	Diameter 8-17 X 1,7
15	3011214X1	4	Rivet	
16	3619622M1	10	Cable Tie	
17	4278792M91	1	Bellows	
18	4278789M91	1	Bellows	
19	4277219M93	1	Harness	
20	3011600X1	4	Spacer	Diameter 7-10,5 MM
21	4277472M1	1	Decal	

FOOTNOTE [A] BLACK AND WHITE SCREEN

FOOTNOTE [B] COLOR SCREEN

FOOTNOTE [C] VIDEO COLOR SCREEN AND ENTREE

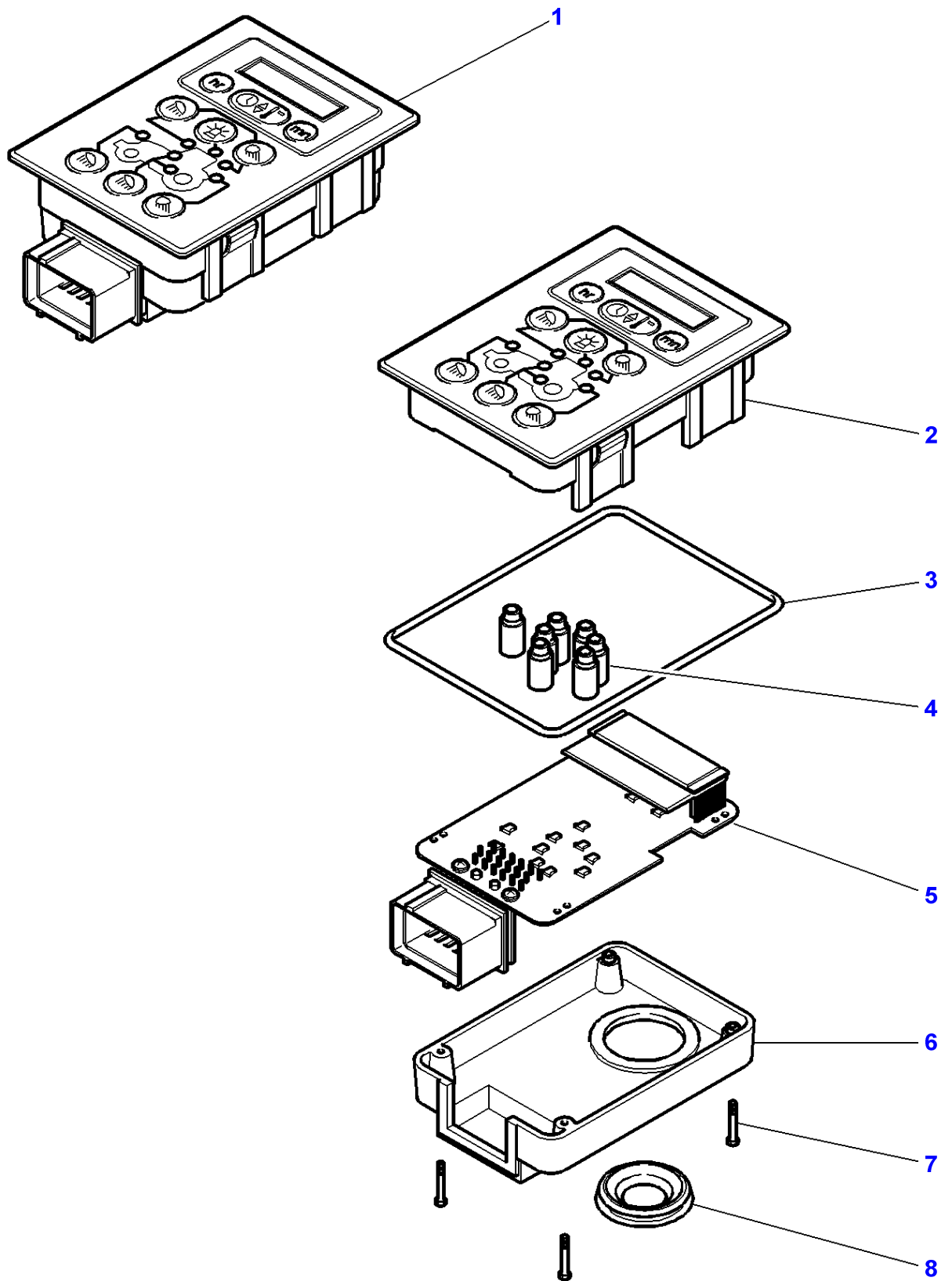
1-WU31-004-A



ABOARD COMPUTER AND PLATE LIGHTING EQUIPEMENT

Item	Part Number	Qty	Description	Comments
1	3786382M3	1	Module	See Page - Reference Number 090-0050/1
	3786383M3	1	Module	See Page - Reference Number 090-0050/1 For United States of America
2		1	Mounting	See Page - Reference Number 110-0085/14
3	390469X1	4	Washer	Diameter 5-10 X 1,5
4	3010578X1	4	Screw	M5 X 10

1-WU31-002-A

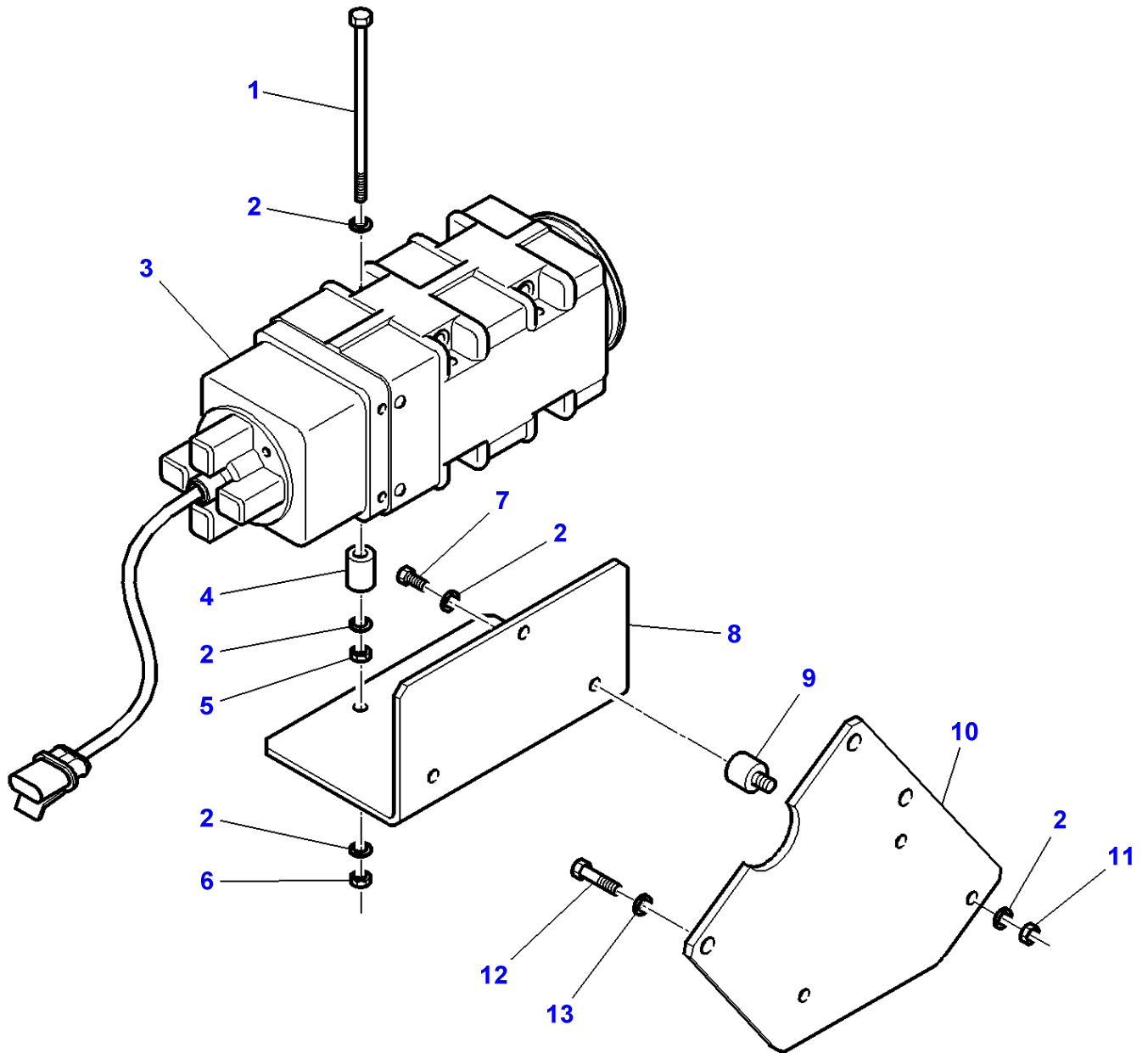


ABOARD COMPUTER AND PLATE LIGHTING EQUIPEMENT

Item	Part Number	Qty	Description	Comments
1	3786382M3	1	Module	
	3786383M3	1	Module	For United States of America
2	3907252M91	1	Case Assy	(1) For United States of America
	3907256M91	1	Case Assy	(1)
3	3907253M1	1	Seal	(1)
4		7	Guide	[A] (1) Not serviced,order REF. 1
5		1	Printed Circuit	(1) Not serviced,order REF. 1
6		1	Case Assy	[A] (1)
7		4	Screw	[A] (1)
8	3907255M1	1	Helmet	(1)

FOOTNOTE [A] NOT DETAILED

1-WU34-004-A

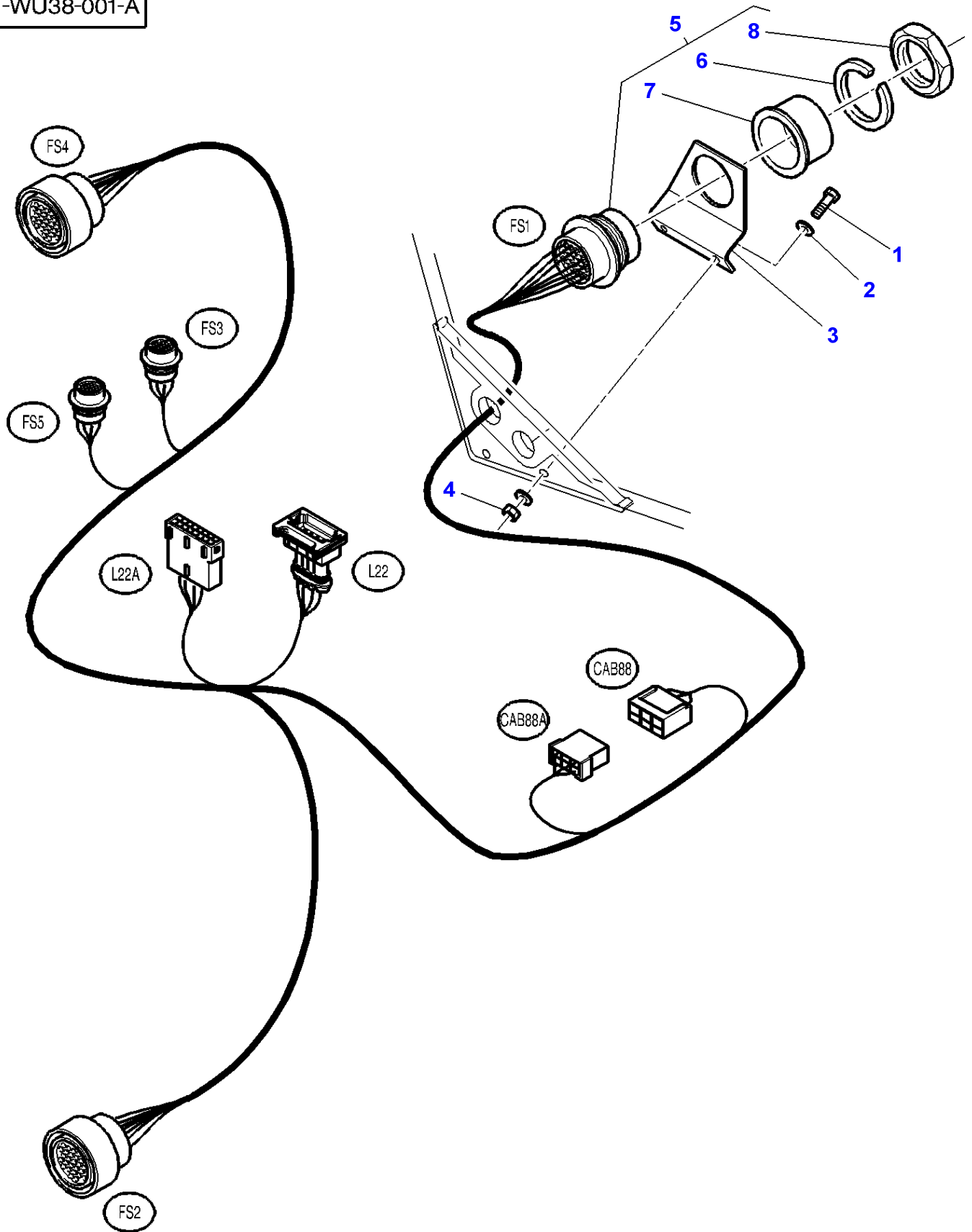


Radar

Item	Part Number	Qty	Description	Comments
1	3019894X1	4	Hex. Sock. Screw	M6 X 100
2	390971X1	18	Washer	Diameter 6-12 X 1,5
3	3714290M2	1	Speed Detector	[A] GHZ 24.300 For UK only or any text in English only
	3714291M2	1	Speed Detector	[A] GHZ 24.125
4	3582802M1	4	Spacer	Diameter 8-16 X 22
5	1440207X1	4	Nut Metric	M6
6	339030X1	4	Nut Metric	M6
7	339230X1	3	Hex. Sock. Screw	M6 X 10
8	3781310M1	1	Support	
9	3583548M1	3	Dowel	
10	4277540M2	1	Support	
11	339030X1	3	Nut Metric	M6
12	339123X1	3	Hex. Sock. Screw	M8 X 20
13	390972X1	3	Washer	Diameter 8-17 X 1,7

FOOTNOTE [A] THE APPROPRIATE SAFETY DECALS MUST BE ORDERED AND FITTED TO THIS PART

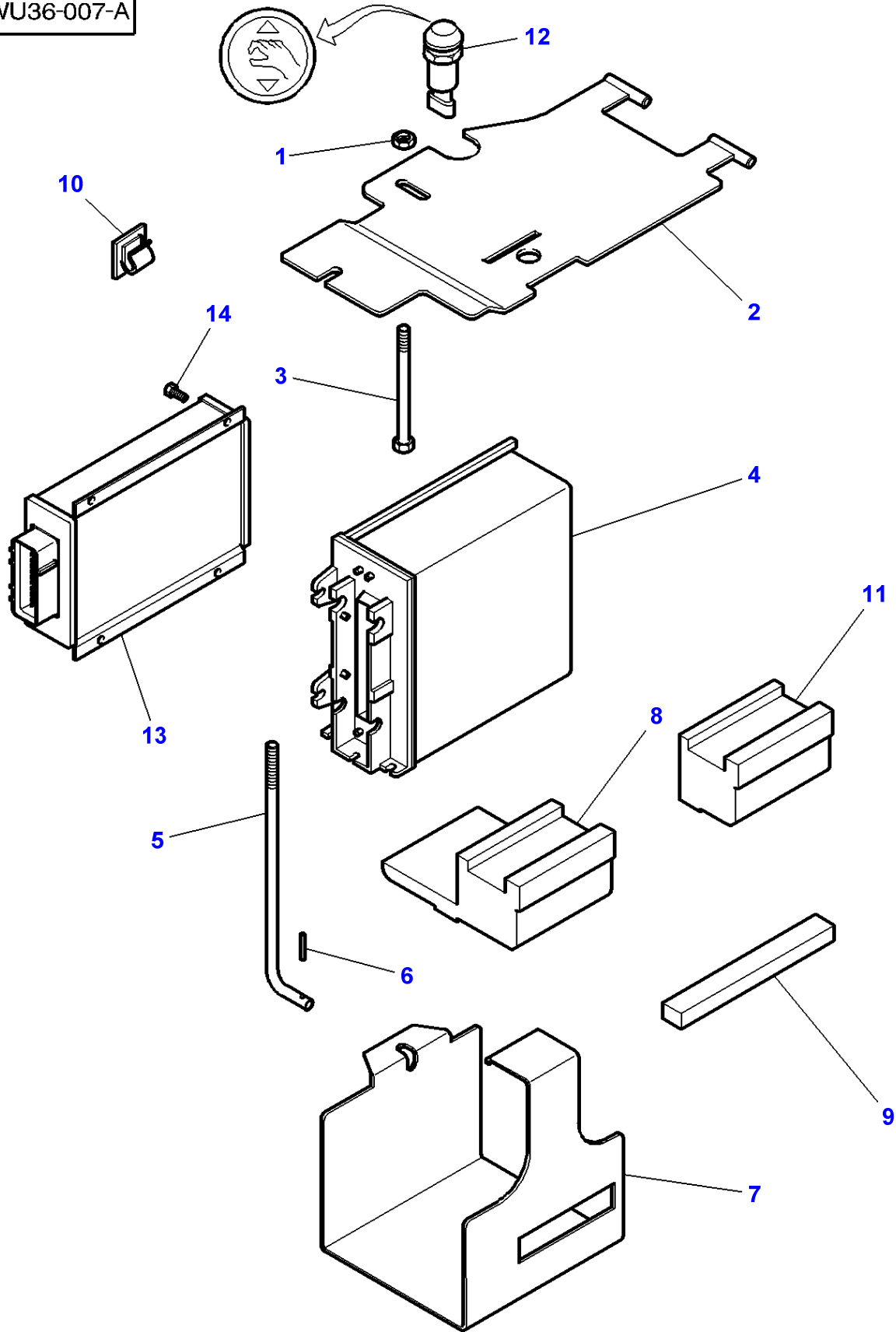
1-WU38-001-A



Item	Part Number	Qty	Description	Comments
1	339666X1	2	Hex. Sock. Screw	M6 X 20
2	390971X1	4	Washer	Diameter 6-12 X 1,5
3	4276068M1	1	Support	
4	339030X1	2	Nut Metric	M6
5	4275724M2	1	Harness	
6	3907278M1	1	Washer	(5)
7	3907276M1	1	Plug	(5)
8	3907277M1	1	Nut	(5)

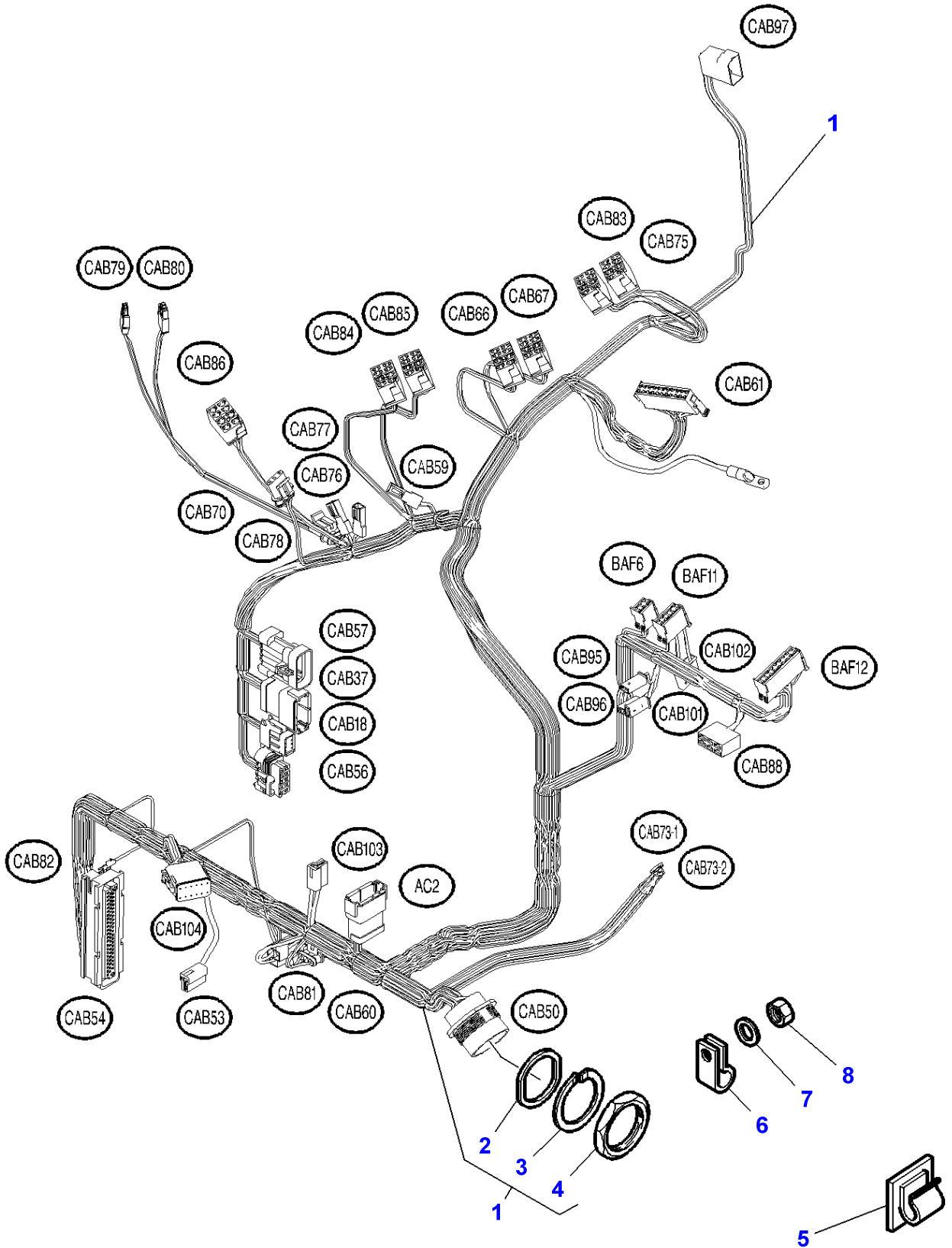
MF 8450/8460 TRACTOR - 1637447
1-WU36-007-A

1-WU36-007-A



Item	Part Number	Qty	Description	Comments
1	394367X1	1	Locknut	M8
2	4270515M1	1	Plate	
3	339136X1	1	Hex. Sock. Screw	M8 X 90
4	G701.970.070.015	1	Electronic Box	Replace and repair. Old not interchangeable with new G701970070013
5	4270516M1	1	Stem	M8
6	70934582	1	Pin	Diameter 3 X 26
7	4270517M1	1	Support	
8	4271648M1	1	Chock	
9	3778749M1	2	Foam	25 X 15 X 80
	3580639M1	1	Gasket	13 X 6 X 200
10	3582094M1	4	Tie	
11	4271640M1	1	Chock	
12	G716.970.160.030	1	Pressure Switch	
13	3796241M94	1	Switch Box	
14	3010804X1	4	Screw	M4 X 16
	3010506X1	4	Screw	M5 X 16

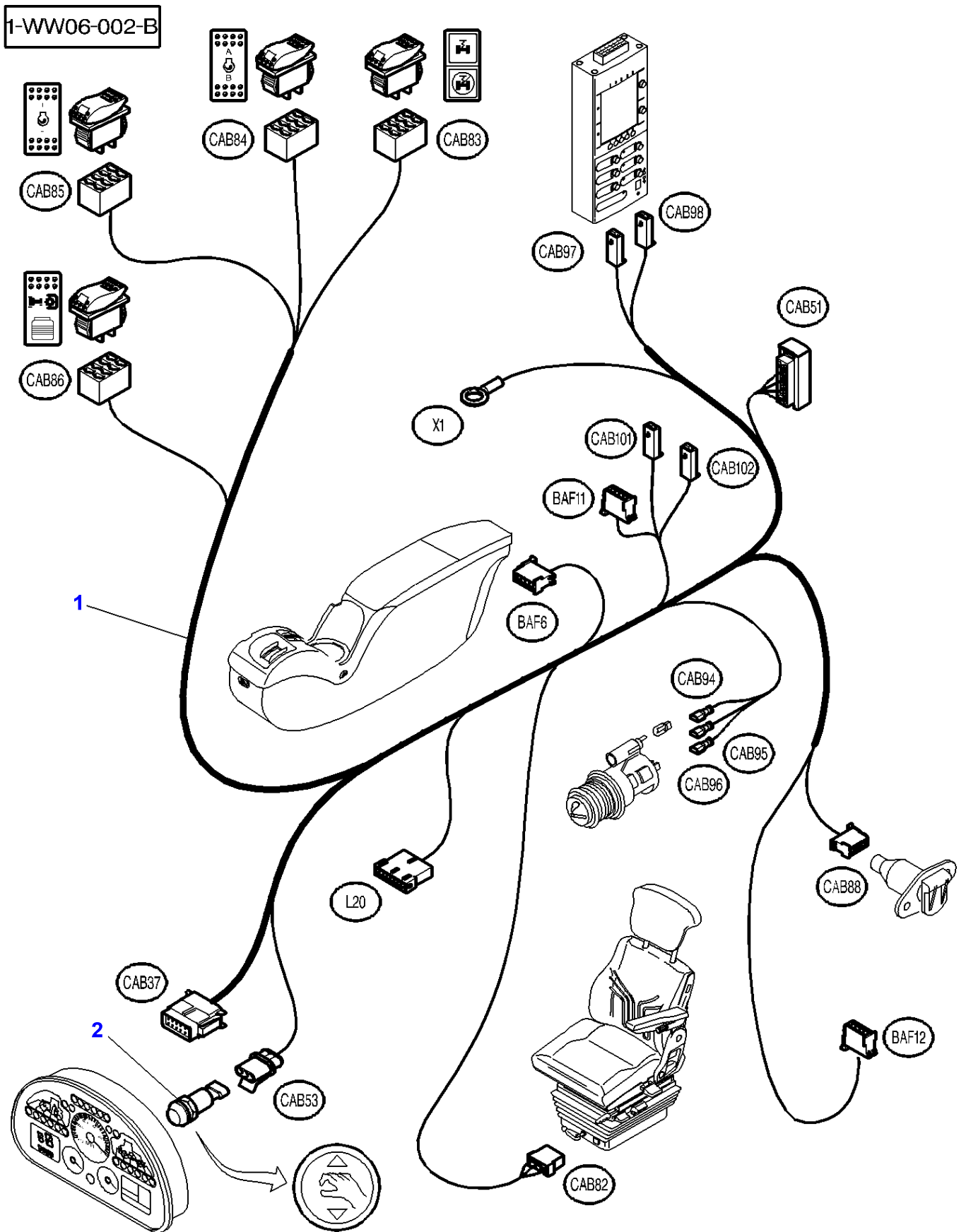
1-WW09-003-B



Control Box Harness & Cab Controls

Item	Part Number	Qty	Description	Comments
1	4276763M92	1	Harness	
2	3013355X1	1	Seal	(1)
3	3013354X1	1	Washer	(1)
4	3013353X1	1	Nut	(1)
5	3582094M1	2	Tie	
6	3389841M1	1	Clip	Diameter 12 - M6
7	390971X1	1	Washer	Diameter 6-12 X 1,5
8	339030X1	1	Nut Metric	M6

MF 8450/8460 TRACTOR - 1637447
1-WW06-002-B



Massey Ferguson

MF 8450/8460 TRACTOR - 1637447

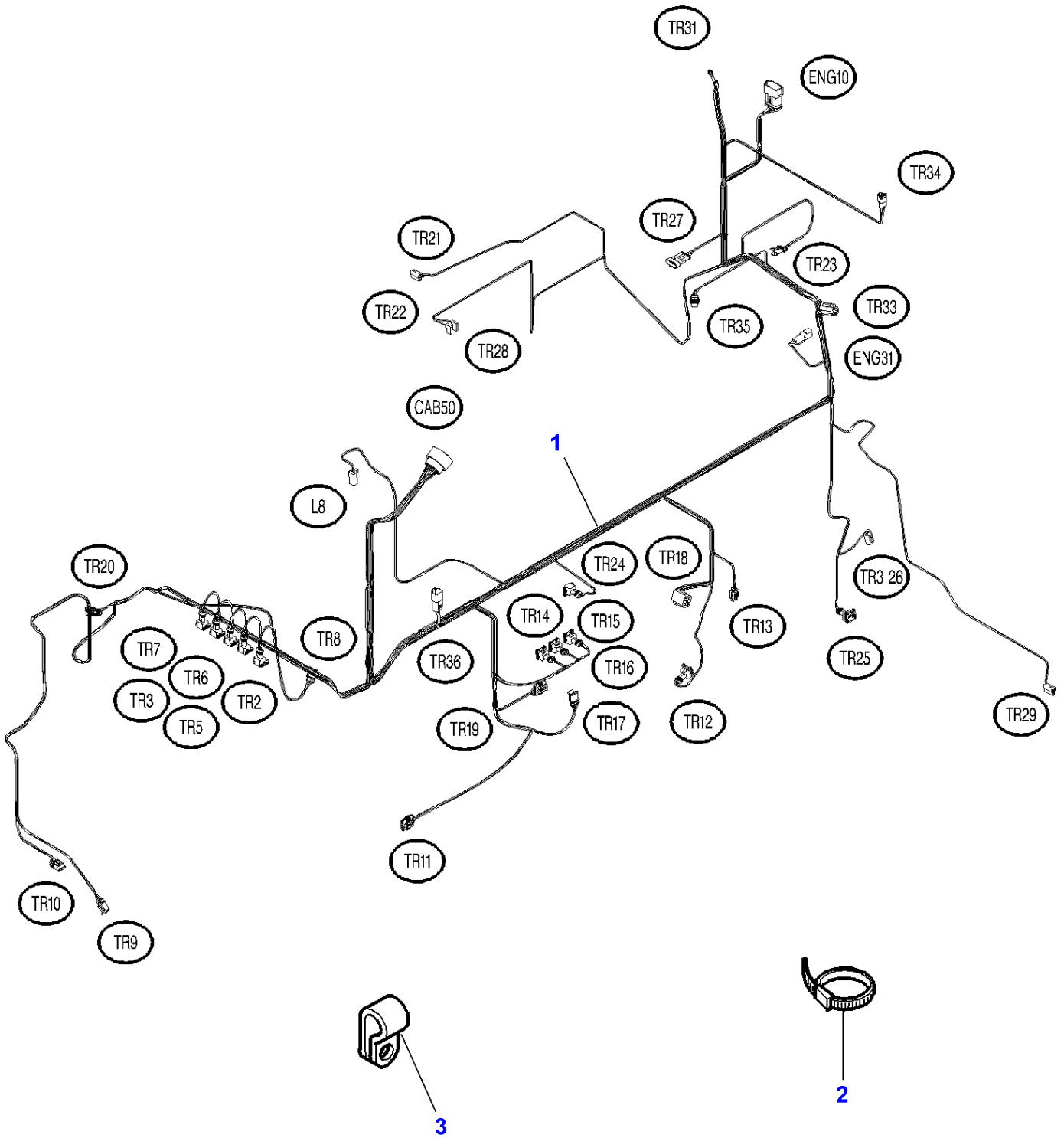
1637447

Side Console Harness - Cab

Page090-0075

Item	Part Number	Qty	Description
1	4271327M92	1	Harness
2	G716.970.160.030	1	Pressure Switch

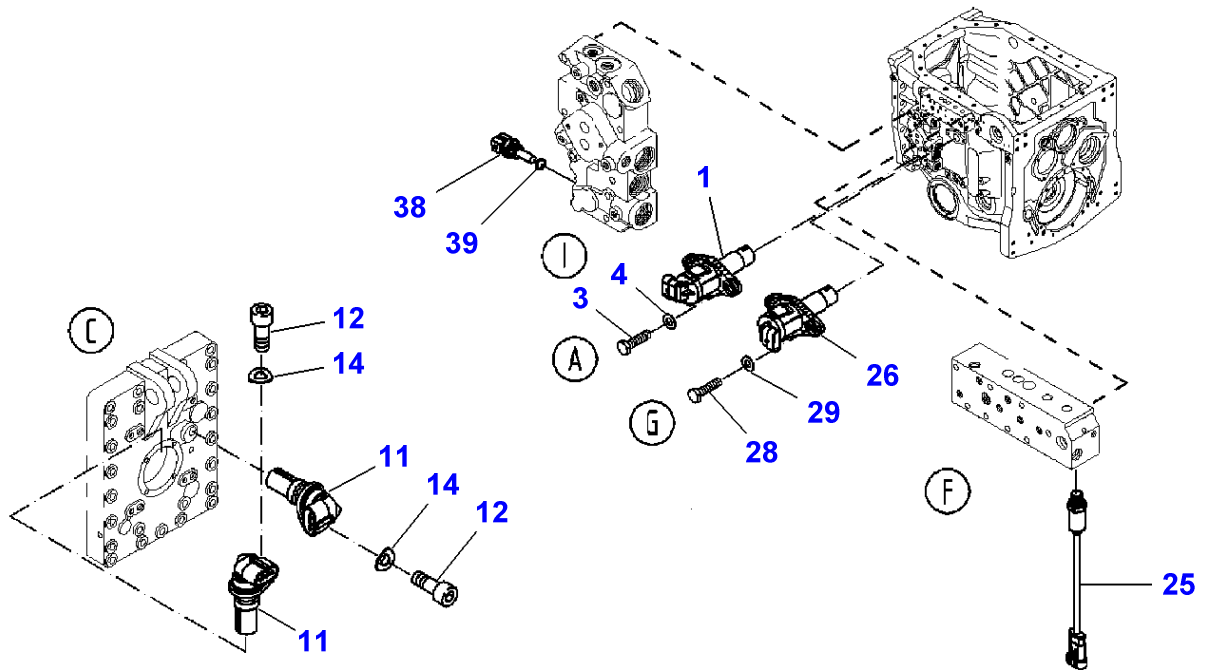
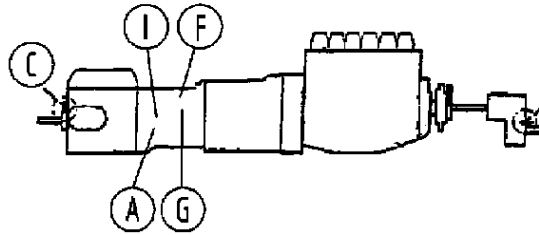
1-WW08-013-A



Massey Ferguson**MF 8450/8460 TRACTOR - 1637447****1637447****Transmission Main Harness****Page090-0080**

Item	Part Number	Qty	Description	Comments
1	4277436M93	1	Harness	
2	3619622M1	X	Cable Tie	
3	4278721M1	2	Clamp	Diameter 22 - M12

1-WU37-006-A



Electronic Equipment - Sensors

Item	Part Number	Qty	Description	Comments
1	G916.970.020.014	1	Sensor	[A]
3	X487.527.741.000	2	Hex. Sock. Screw	M8 X 20
4	X450.006.308.000	2	Washer	
11	G816.970.020.040	2	Hall Sensor	[B]
12	X485.009.405.000	2	Hex. Sock. Screw	M8 X 16
14	X521.403.947.000	2	Spring Plate	
25	G718.970.020.020	1	Press.Transducer	[C]
26	G916.970.020.014	1	Sensor	[D]
28	X487.527.741.000	2	Hex. Sock. Screw	M8 X 20
29	X450.006.308.000	2	Washer	
38	H312.100.360.030	1	Temp. Sensor	[E]
39	X540.004.078.000	1	Ring	

FOOTNOTE [A] TRANSMITTER DRIVING-SPEED "A"

FOOTNOTE [B] TRANSMITTER P.T.O RPM REAR "C" 40MM

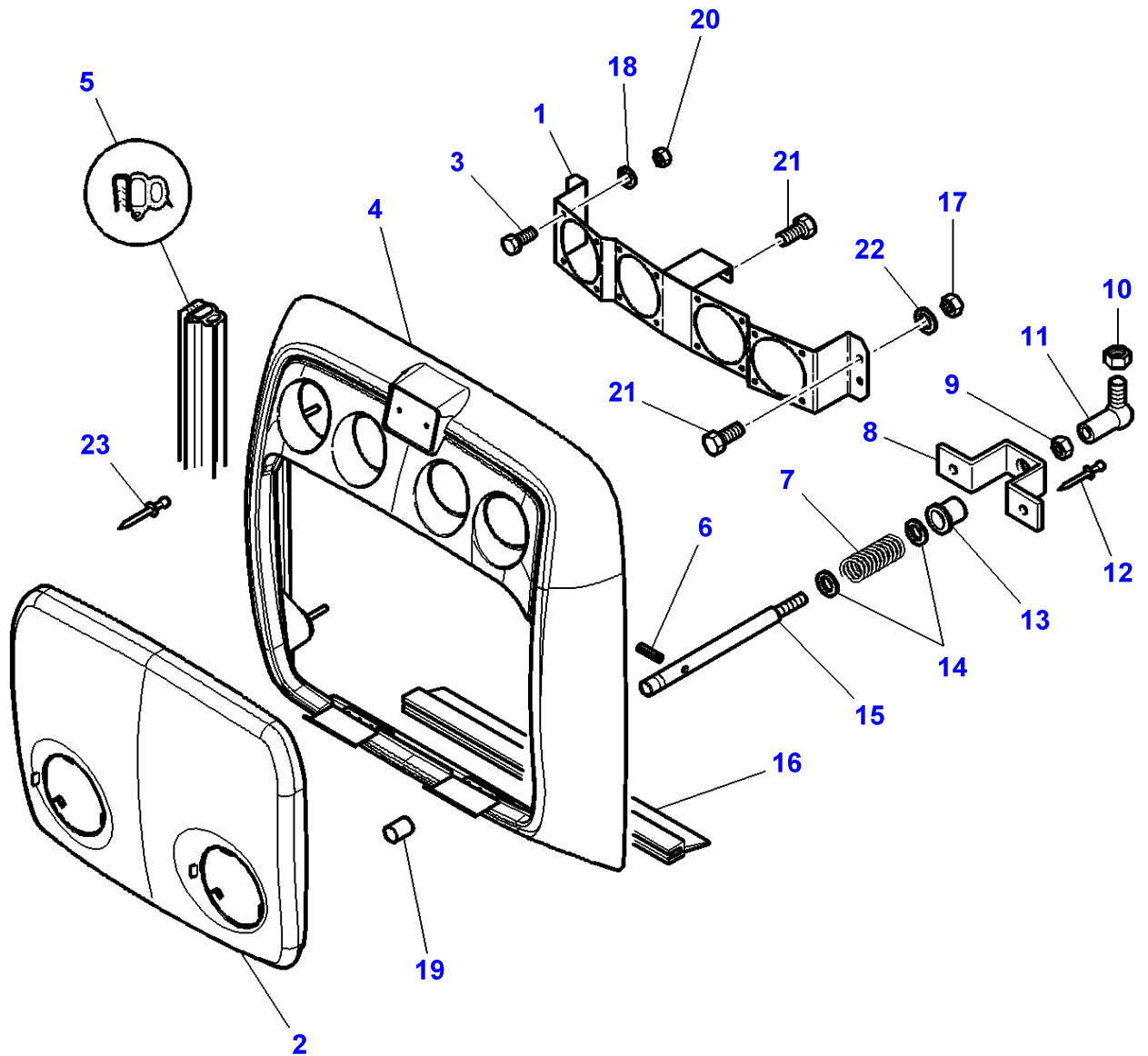
FOOTNOTE [C] TRANSMISSION "F"

FOOTNOTE [D] GEARBOX SPEED SENSOR "G"

FOOTNOTE [E] OIL TEMPERATURE TRANMISSION "I"

Page Title	Page Number
Sheet Metal - Grille	100-0005
Sheet Metal - Hood	100-0010
Sheet Metal - Screen Frame	100-0015
Sheet Metal - Hood Frame	100-0020
Footstep	100-0025
Emblems	100-0030
Speed Charts - For Dyna-Step Tractors - United States Only	100-0035
Decals - Safety - For UK only or any text in English only	100-0040
Decals - Safety - United States only - SEE NEXT PAGE FOR DECAL LOCATION	100-0045
Decals - Safety - For United States of America	100-0050
Decals - Safety - For France only or any text in French only	100-0055
Decals - Safety - For Germany only or any text in German only	100-0060
Decals - Safety - For Italy only or any text in Italian only	100-0065
Decals - Safety - For Spanish	100-0070
Decals - Safety - For Sweden	100-0075
Decals - Safety - Denmark	100-0080
Decals - Safety - For Norway	100-0085
Literature	100-0090

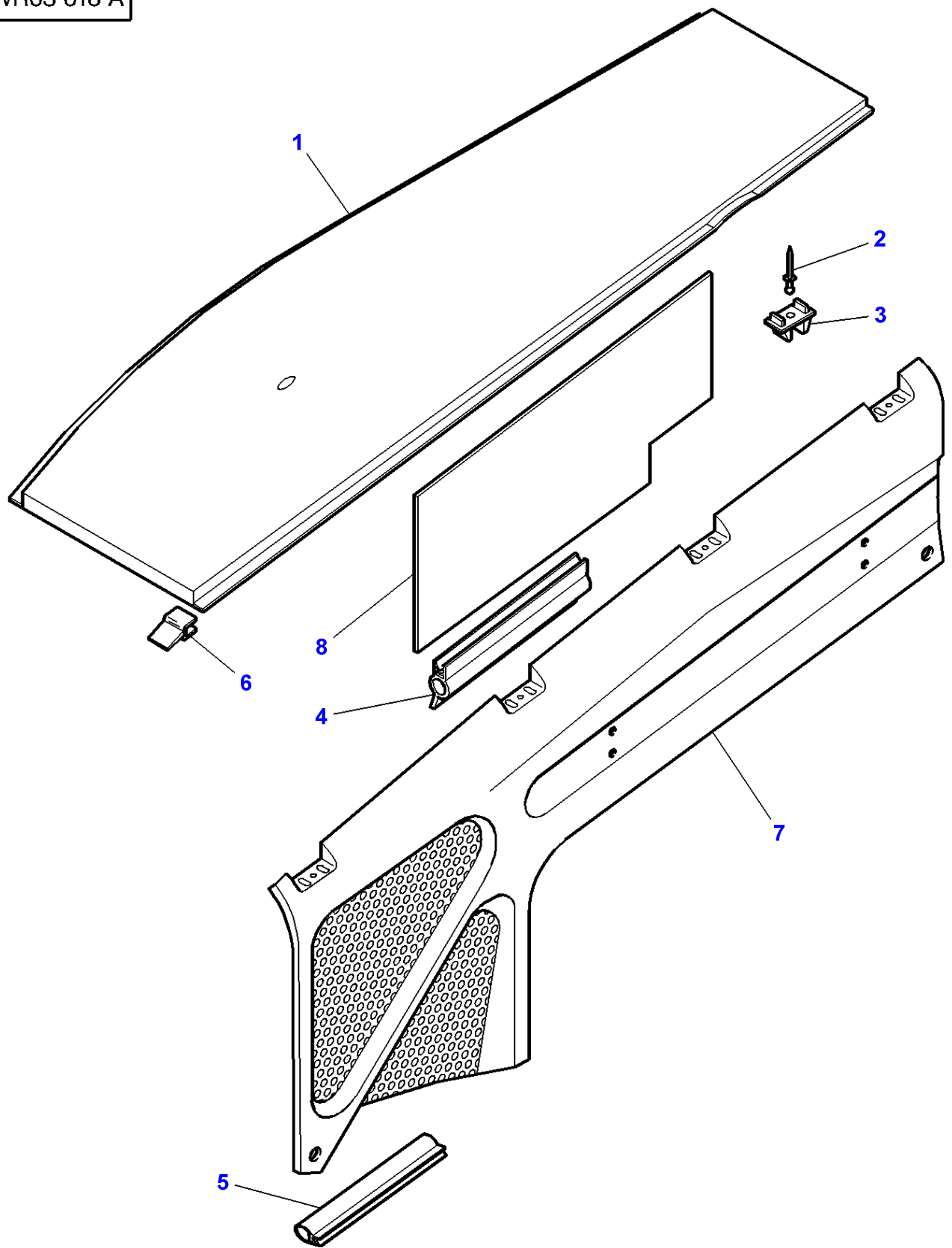
1-WR02-011-A



Sheet Metal - Grille

Item	Part Number	Qty	Description	Comments
1	4272147M3	1	Support	
2	4271863P93	1	Grille	
3	339666X1	16	Hex. Sock. Screw	M6X20
4	4271869P94	1	Screen	
5	3783309M2	1	Gasket	Length 2130MM
6	1442962X1	1	Split Pin	
7	5017249M1	1	Spring	
8	4279952M1	1	Strap	
9	1440085X1	1	Nut Metric	
10	1441500X1	1	Locknut	
11	3782780M1	1	Stub	
12	338828X1	2	Rivet	M8X16
13	72160887	1	Bush	
14	390734X1	2	Washer	
15	4278218M2	1	Stem	
16	4270704M1	1	Gasket	Length 730MM
17	390345X1	4	Nut Metric	M8
18	390971X1	16	Washer	
19	5016517M1	1	Button	
20	339030X1	16	Nut Metric	
21	339124X1	6	Hex. Sock. Screw	M8X16
22	390972X1	4	Washer	
23	376820X1	16	Rivet	Diameter 4,8X12,5

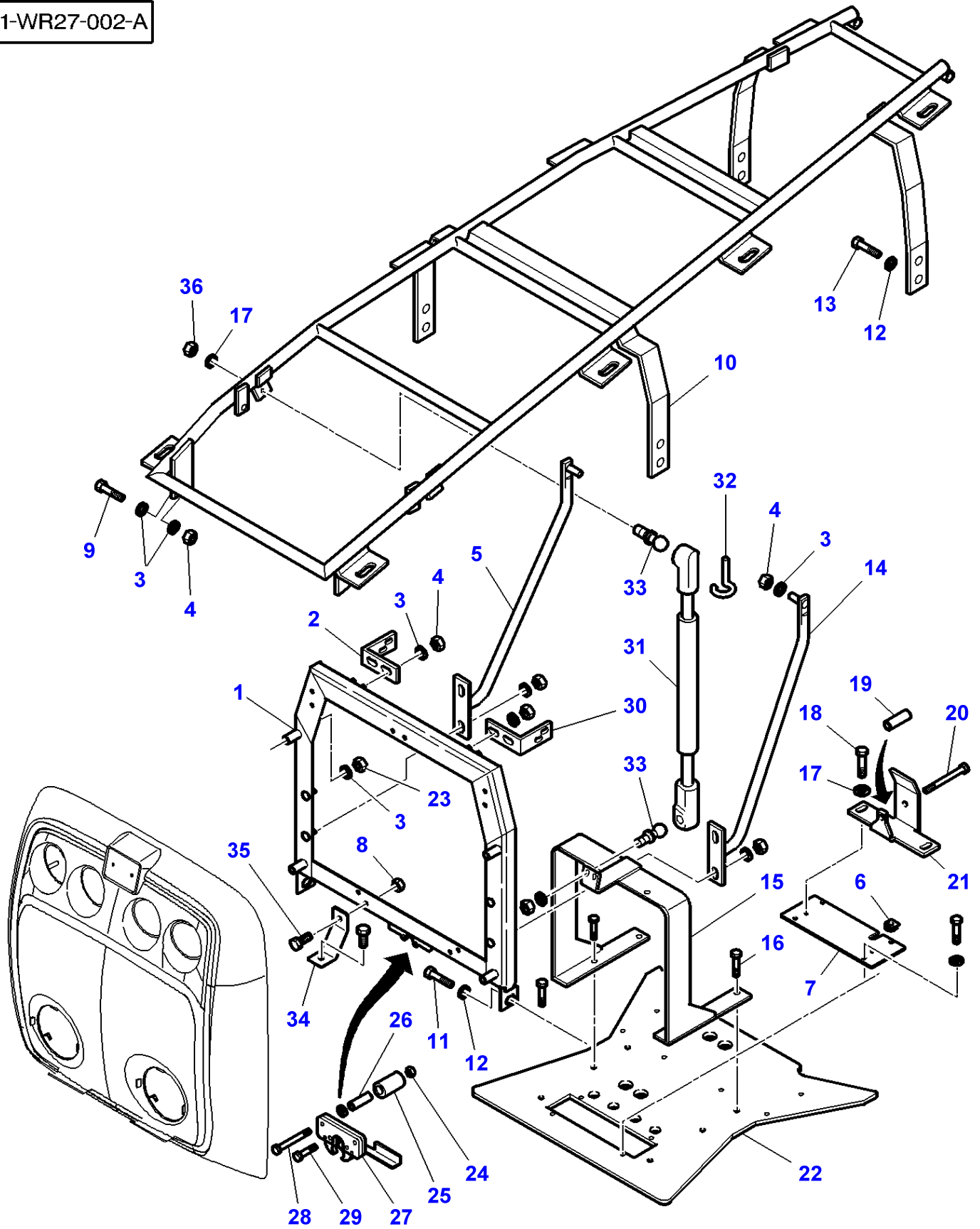
1-WR03-016-A



Massey Ferguson**MF 8450/8460 TRACTOR - 1637447****1637447****Sheet Metal - Hood****Page 100-0010**

Item	Part Number	Qty	Description	Comments
1	3781322P3	1	Bonnet.	
2	3010934X1	8	Rivet	
3	3800376M1	8	Buffer	
4	3784954M1	2	Seal	Length 540MM
5	4270704M1	1	Gasket	Length 730MM
6	3783543M1	2	Gasket	Length 50MM
7	4275003P94	1	Panel	Left Hand
	4275002P94	1	Panel	Right Hand
8	3783113M1	1	Protector	

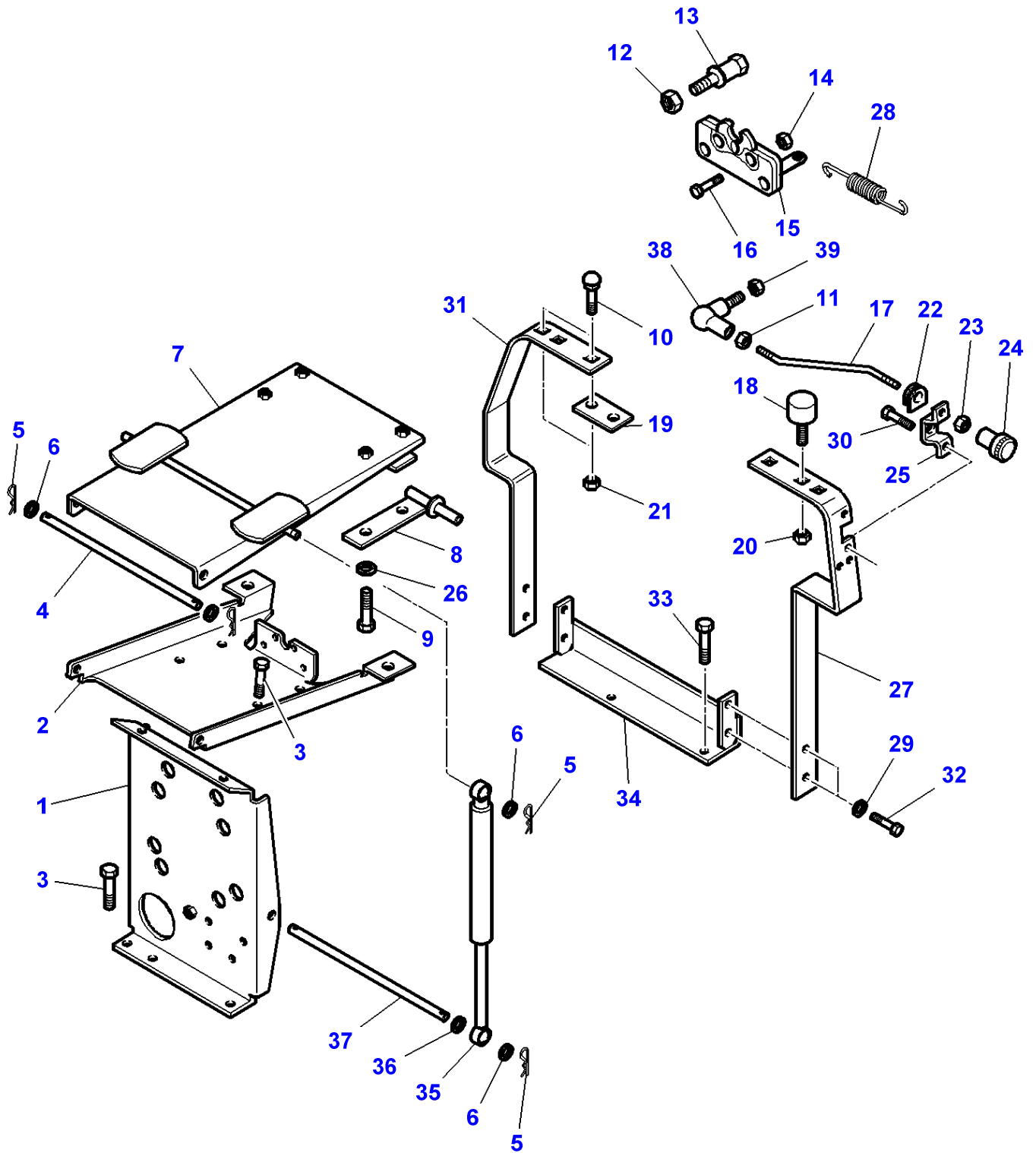
1-WR27-002-A



Sheet Metal - Screen Frame

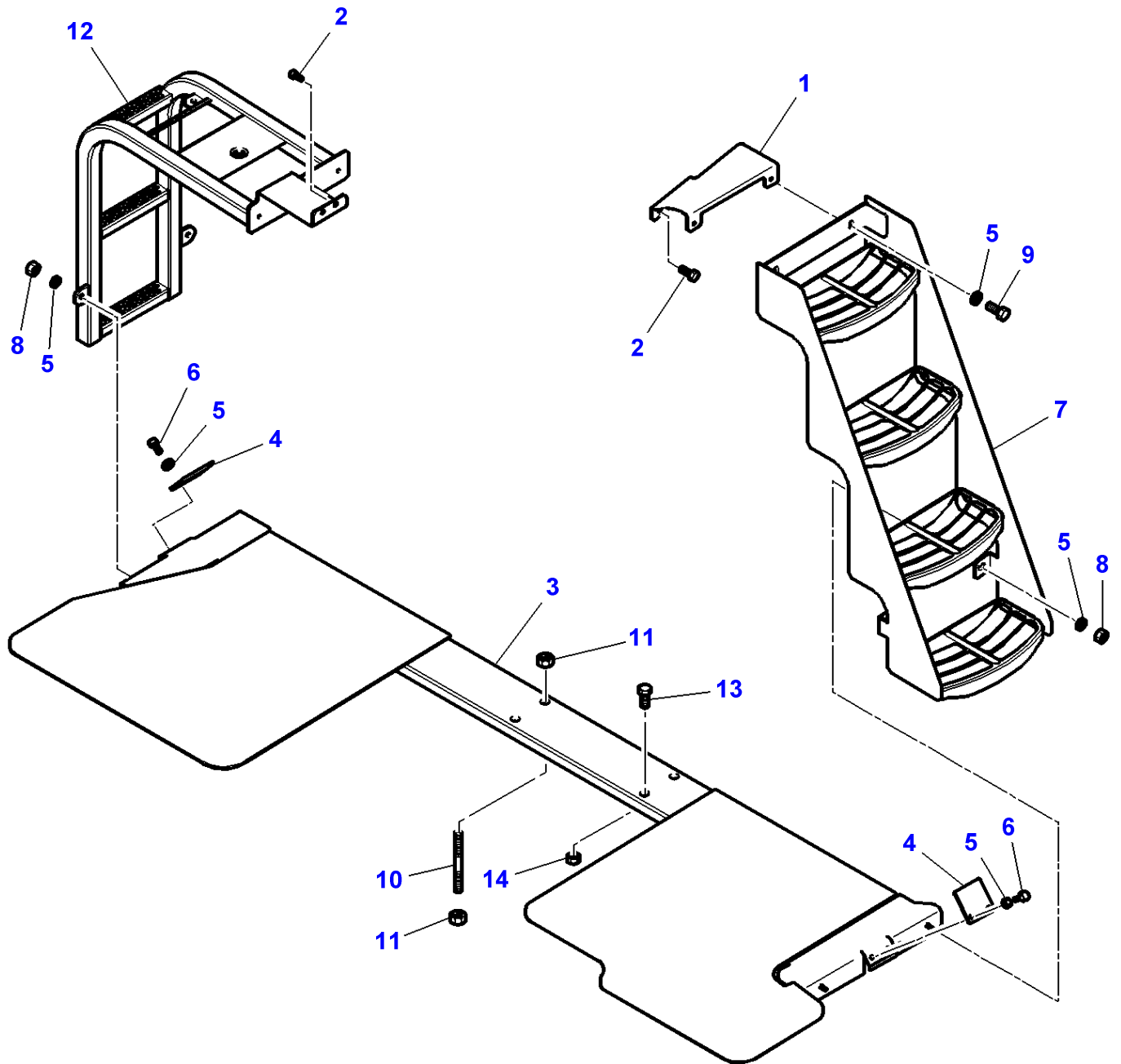
Item	Part Number	Qty	Description	Comments
1	4271950M93	1	Chassis	
2	4272003M1	1	Angle.	Right Hand
3	390734X1	X	Washer	
4	339402X1	X	Nut	
5	4271946M91	1	Tube	Right Hand
6	3387555M1	1	Grommet	Diameter 17
7	4278095M1	1	Trap	
8	339169X1	X	Nut	M8
9	3009492X1	4	Hex. Sock. Screw	M10X25
10	4274907M92	1	Chassis	
11	1440433X1	2	Hex. Sock. Screw	M10X16
12	390597X1	8	Washer	
13	3009492X1	8	Hex. Sock. Screw	M10X25
14	4271947M91	1	Tube	Left Hand
15	4277620M92	1	Support	
16	3009493X1	6	Hex. Sock. Screw	M10X30
17	390972X1	X	Washer	
18	339123X1	6	Hex. Sock. Screw	M8X20
19	3782811M2	1	Spacer	
20	390246X1	1	Hex. Sock. Screw	M8X70
21	4278183M1	1	Support	
22	4277622M4	1	Shield	
23	1441932X1	4	Nut Metric	M10
24	1441500X1	4	Locknut	
25	3781233M1	2	Roll	
26	3781976M1	2	Spacer	
27	5016791M1	1	Latch	
28	1441714X1	2	Hex. Sock. Screw	M6X70
29	339096X1	2	Hex. Sock. Screw	M6X35
30	4272004M1	1	Angle.	Left Hand
31	3788102M1	2	Ram	
32	71307132	4	Clip	
33	3778880M1	4	Toggle	
34	4278326M1	2	Reinforcement	
35	339124X1	4	Hex. Sock. Screw	M8X16
36	390345X1	4	Nut Metric	M8

1-WR25-003-A



Item	Part Number	Qty	Description	Comments
1	4274917M2	1	Plate	
2	4274740M2	1	Plate	
3	3009493X1	4	Hex. Sock. Screw	M10 X 30
4	5016813M1	1	Clevis Pin	Length 279,4 MM
5	1442962X1	6	Split Pin	
6	390734X1	6	Washer	Diameter 10-21 X 2
7	4274741M94	1	Plate	
8	3782699M92	1	Pivot	Right Hand
	3782702M92	1	Pivot	Left Hand
9	3010923X1	4	Hex. Sock. Screw	M12 X 20
10	390809X1	4	Screw Special	M10 X 25
11	339030X1	1	Nut Metric	M6
12	70935041	1	Nut	
13	72513270	1	Latch	
14	339030X1	4	Nut Metric	M6
15	72161441	1	Latch	
16	339262X1	4	Hex. Sock. Screw	M6 X 30
17	4274912M2	1	Stem	
18	4274918M1	2	Stop	
19	4274957M1	1	Chock	
20	339169X1	2	Nut	M8
21	339402X1	4	Nut	M10
22	3387555M1	1	Grommet	
23	339030X1	1	Nut Metric	M6
24	3783419M1	1	Button	
25	4274911M2	1	Support	
26	390735X1	4	Washer	Diameter 12-24 X 2,5
27	4274738M3	1	Support	Left Hand
28	3580581M1	1	Spring	Length 128 MM
29	390734X1	2	Washer	
30	339721X1	2	Hex. Sock. Screw	M5 X 16
31	4274742M3	1	Support	Right Hand
32	3009493X1	4	Hex. Sock. Screw	M10 X 30
33	391269X1	2	Hex. Sock. Screw	M16 X 30
34	4275439M93	1	Support	
35	3783428M2	2	Ram	
36	5016817M1	2	Spacer	
37	5016451M1	1	Bracket	Length 321,8 MM
38	3782780M1	1	Stub	
39	1441500X1	1	Locknut	

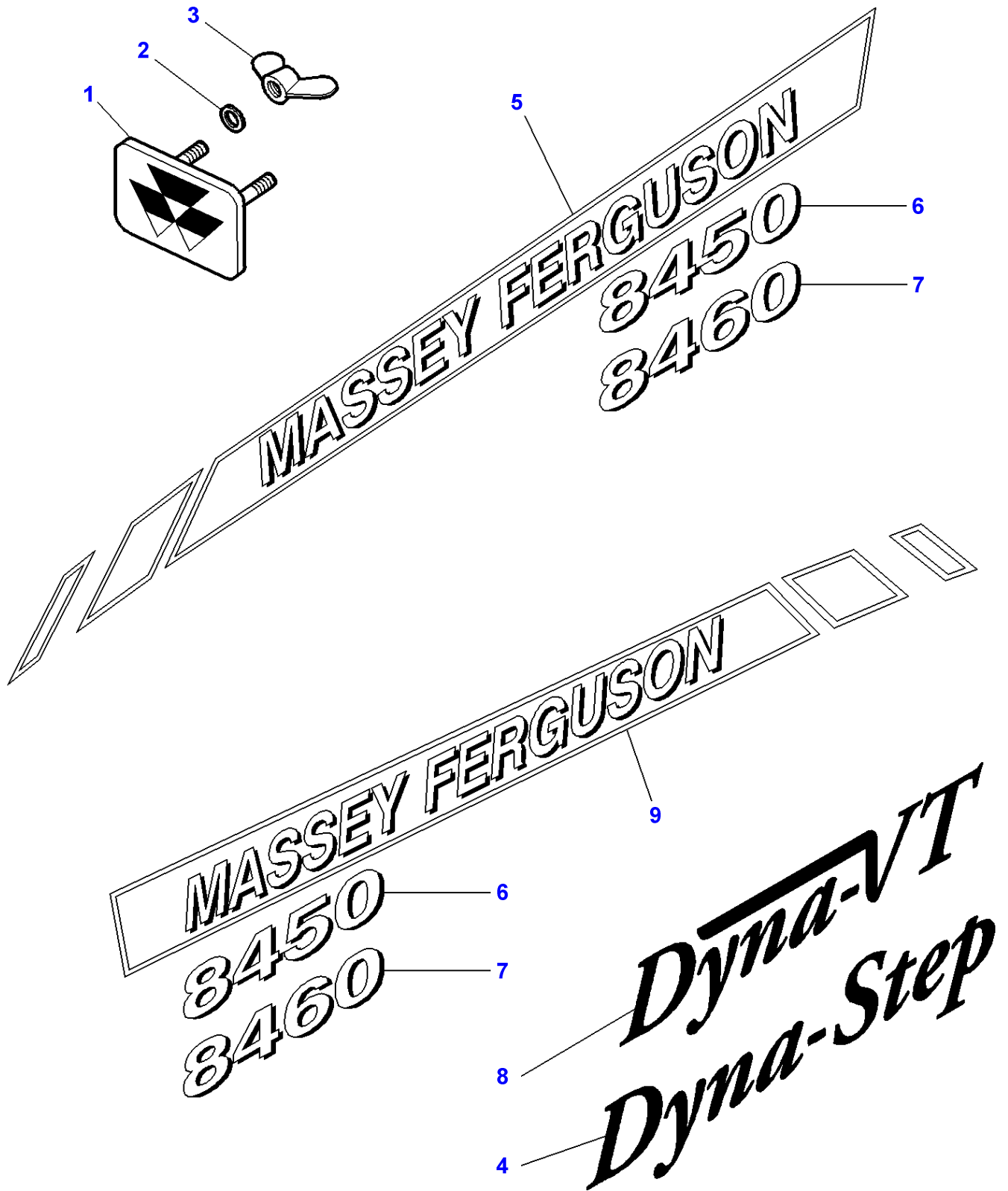
1-WS02-012-B



Footstep

Item	Part Number	Qty	Description	Comments
1	4278049M1	1	Support	Left Hand
2	3009492X1	4	Hex. Sock. Screw	M10 X 25
3	4275585M93	1	Support	
4	3786299M1	2	Bridle	
5	390972X1	10	Washer	Diameter 8-17 X 1,7
6	339124X1	4	Hex. Sock. Screw	M8 X 16
7	3787215M91	1	Step	Left Hand
8	339169X1	4	Nut	M8
9	339761X1	2	Hex. Sock. Screw	M8 X 25
10	3011610X1	2	Stud	M16 X 70
11	339034X1	4	Nut	M16
12	4275463M93	1	Step	Right Hand
13	391889X1	2	Hex. Sock. Screw	M16 X 70
14	339034X1	2	Nut	M16

1-WR05-027-A

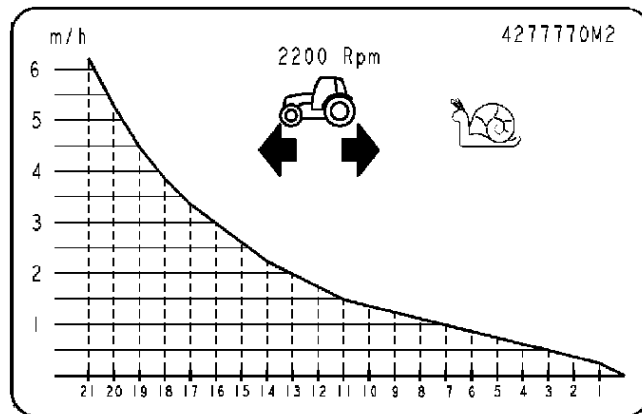
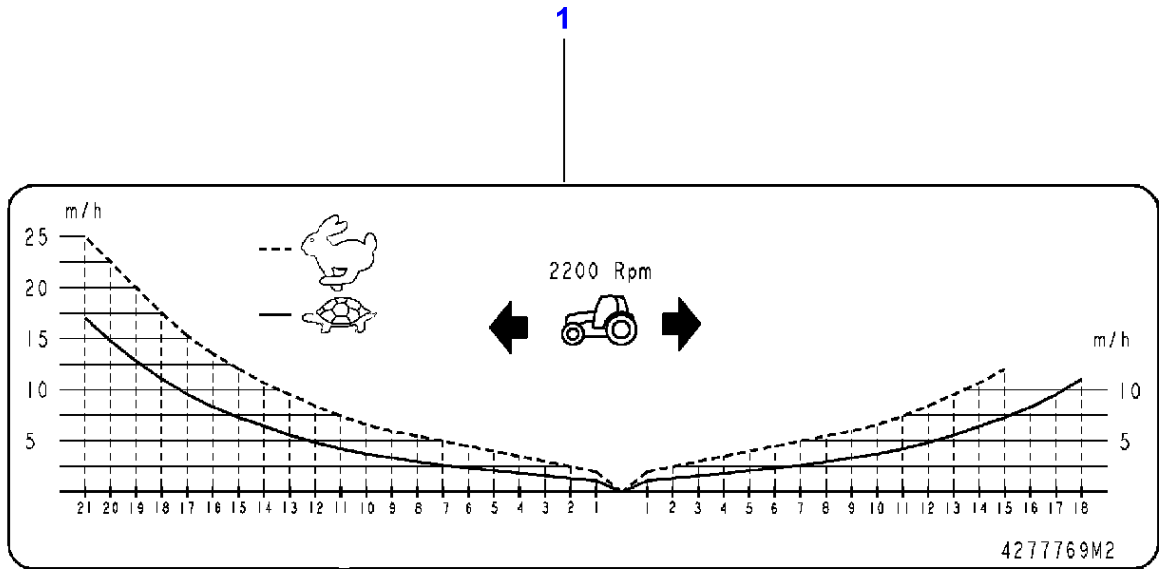


Emblems

Item	Part Number	Qty	Description	Comments
1	4271262M92	1	Emblem	
2	390971X1	2	Washer	Diameter 6-12 X 1,5 MM
3	1441500X1	2	Locknut	M6
4	4275502M1	2	Decal	For United States of America
5	4270760M1	1	Decal	Left Hand
6	4270762M1	2	Decal	MF 8450
7	4270763M1	2	Decal	MF 8460
8	4274857M1	2	Decal	
9	4270761M1	1	Decal	Right Hand

MF 8450/8460 TRACTOR - 1637447
1-WR12-016-A

1-WR12-016-A



2

Massey Ferguson

MF 8450/8460 TRACTOR - 1637447

1637447

Speed Charts - For Dyna-Step Tractors - United States Only


Page 100-0035

Item	Part Number	Qty	Description	Comments
1	4277769M2	1	Decal	
2	4277770M2	1	Decal	[A]

FOOTNOTE [A] WITH CREEPER GEAR

1-WR13-031-A

CAUTION



Before operating, read operator's instruction book thoroughly.

Do not start engine until everyone is a safe distance from tractor and equipment.

Keep all shields, covers and guards in place while engine is running.

Keep hands, feet and clothing away from power driven or moving parts.

Always drive with due care and attention.

If differential lock does not disengage automatically, depress clutch pedal or use pedals that always be coupled together when independent brakes are not being used.

Before leaving tractor, apply parking brake, lower equipment, stop engine and remove key from starter switch.

When attaching equipment check operator's instruction book for front and rear axle load limits.

Place transmission shift lever in neutral, apply parking brake before using external lift controls.

Ensure that all wheel and rim nuts are tightened as specified in operator's instructions book.

On public roads use SMV emblem and flashing warning light where required by law.

DO NOT REMOVE OR OBSCURE DECAL

4 275 285 M1

1

7



TOWING INSTRUCTIONS


Put transmission in neutral !
Maximum towing speed 10 Km/h (6mph)
Maximum towing distance 8 km (5 miles).

4 275 232 M1

2

13

WARNING




PLEASE ENSURE PICKUP HITCH IS LATCHED AND FULLY RETRACTED BEFORE TRANSPORT!

5




9



IT IS OPERATIVE TO USE THE TRANSMISSION OIL RECOMMENDED IN THE OPERATING MANUAL.

3113699 M1

WARNING




High pressure steam and hot water. Remove filler cap with extreme care. DO NOT REMOVE OR OBSCURE DECAL 3595685 M1

6

8


CAUTION



TO AVOID POSSIBLE TRACTOR OVERTURN, PULL ONLY FROM DRAWBAR OR LOWER LINKS OF THREE POINT HITCH


2752579 M1

WARNING



Before working on the tractor or removing this cover, disconnect negative leads to all Battery

CAUTION




Do not short across starter terminals to start engine. Never start engine while standing on the ground. Start engine only with start key from operator's seat, ensuring that gearbox and PTO are in neutral with parking brake applied.

DO NOT REMOVE OR OBSCURE DECAL 3598432 M1


4

WARNING



Before working on the tractor, disconnect negative leads to all batteries.

WARNING




Before removing any battery, disconnect all negative leads before positive leads.

DO NOT REMOVE OR OBSCURE DECAL 3595679 M1


10

CAUTION



Keep all shields, covers and guards fastened in place while engine is running.

WARNING




Beware hot parts


DO NOT REMOVE OR OBSCURE DECAL 3595678 M1

11

CAUTION




If tractor is overturning, hold onto steering wheel. Do not leave seat



3582315 M1

3


WARNING



Always disengage PTO and stop engine before attaching or detaching PTO shafts or working on PTO driven equipment.

Always fit PTO cover when PTO is not in use.

CAUTION



Do not stand between tractor and equipment when operating controls.

Tow only with MF approved tractor drawbar or hitch

DO NOT REMOVE OR OBSCURE DECAL 3581563 M1

12

Item	Part Number	Qty	Description	Comments
1	4275285M2	1	Decal	
2	4275232M1	1	Decal	
3	3580315M1	1	Decal	
4	3596432M1	1	Decal	
5	4271915M1	1	Decal	
6	3595685M1	1	Decal	
7	3782489M1	1	Decal	
8	2752579M1	1	Decal	
9	3713699M1	1	Decal	
10	3595679M1	1	Decal	
11	3595678M1	1	Decal	
12	3581563M1	1	Decal	
13	3781401M1	1	Decal	[A]

FOOTNOTE [A] WITH AUTOMATIC HITCH

MF 8450/8460 TRACTOR - 1637447
1-WR13-038-A

1-WR13-038-A

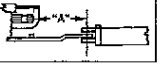
7

WARNING

TO PREVENT PERSONAL INJURY

- Position and lock drawbar directly in line with tractor PTO as follows:

PTO RPM	SHAFT SIZE	DISTANCE "A"
540	1 1/2" (38.1 mm)	256 mm (10.08 in)
1000	1 3/4" (44.45 mm)	400 mm (15.75 in)
1000	1 7/8" (47.63 mm)	528 mm (20.8 in)



- Do not operate the PTO at speeds faster than the speed recommended by the implement manufacturer.
- Operate the tractor at the proper PTO speed as indicated on the monitor to prevent overspeeding of the PTO. Limit maximum PTO speeds to 630 RPM (540 RPM shaft) and 1167 RPM (1000 RPM shaft).

8

WARNING

Engage the parking brake to prevent tractor movement with the engine off.

Clutch WILL NOT hold tractor in place, even though transmission is in gear.

Unexpected tractor movement may cause serious injury.

10

WARNING



Keep hands clear of fan and belts while engine is running.

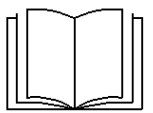
13

WARNING



Stay clear of linkage when rotating oil cooler.

CAUTION



To avoid injury

Read the Operator Instruction Book for safety information and operating instructions.

Fasten your seat belt before tractor operation.

Start engine only when seated in operator's seat.

Make sure everyone is clear of tractor and equipment before starting engine or operation.

Keep all shields covers and guards in place and stay away from moving parts while engine is running.

Place transmission shift lever in neutral and apply parking brake before using external 3-point hitch controls.

Apply parking brake, lower equipment, stop engine and remove key before leaving the tractor unattended.

Wait for all movement to stop before servicing tractor or equipment.


Securely support or block lifted implements which must be in the raised position for servicing or adjustment.

Couple brake pedals together for road travel.

Use flashing warning lights and SAE emblem when on public roads except where prohibited by law.

Always drive with care and attention.

DANGER **DANGER** **WARNING**



Pull only from approved drawbar or lower links of 3 points linkage at horizontal position or below.

Rotating driveline contact may cause serious injury or death.

Stand clear when using controls to move 3 points hitch.

Keep all driveline, tractor and equipment shields in place during operation.

11

4

DANGER




Start only from seat with transmission and PTO in neutral. Starting in gear kills.


5

15

WARNING



Beware hot parts




To avoid personal injury, keep all shields, covers and guards in place while engine is running.


17

2

WARNING



USE SEAT BELT



Do not jump if tractor tips.

WARNING

Battery posts terminals and related accessories contain lead and lead compounds, chemicals known to the State of California to cause cancer and reproductive harm. Wash hands after handling.

DANGER



Flammable. With nitrogen only. Other gas may explode causing injury or death.

14

WARNING



High pressure steam and hot water. Remove filter cap with extreme care.

1

9


IMPORTANT

To ensure proper operation, use transmission oil specified in the Operator Instruction Book.

12

6

WARNING



Remove negative cables from batteries before removing solenoid cover and before servicing electrical system.

DANGER explosive gases

Always shield eyes and face from battery. Cigarettes, flames or sparks could cause battery to explode. Do not charge or use booster cables or adjust post connections without proper instruction or training.

POISON causes severe burns

Contains sulphuric acid. Avoid contact with skin, eyes or clothing in event of accident flush with water and call a physician immediately.

Keep out of reach of children

Shield eyes Explosive gas Avoid sparks and flame Sulphuric acid

DO NOT REMOVE OR OBSCURE DECAL 3596 959611

6

TOWING INSTRUCTIONS

Put transmission in neutral !


Maximum towing speed 10 Km/h (6mph)

Maximum towing distance 8 km (5 miles).

4 275 232 M1

3

WARNING



Instructor seat:

- not intended for use by children
- for use by training or service person only.

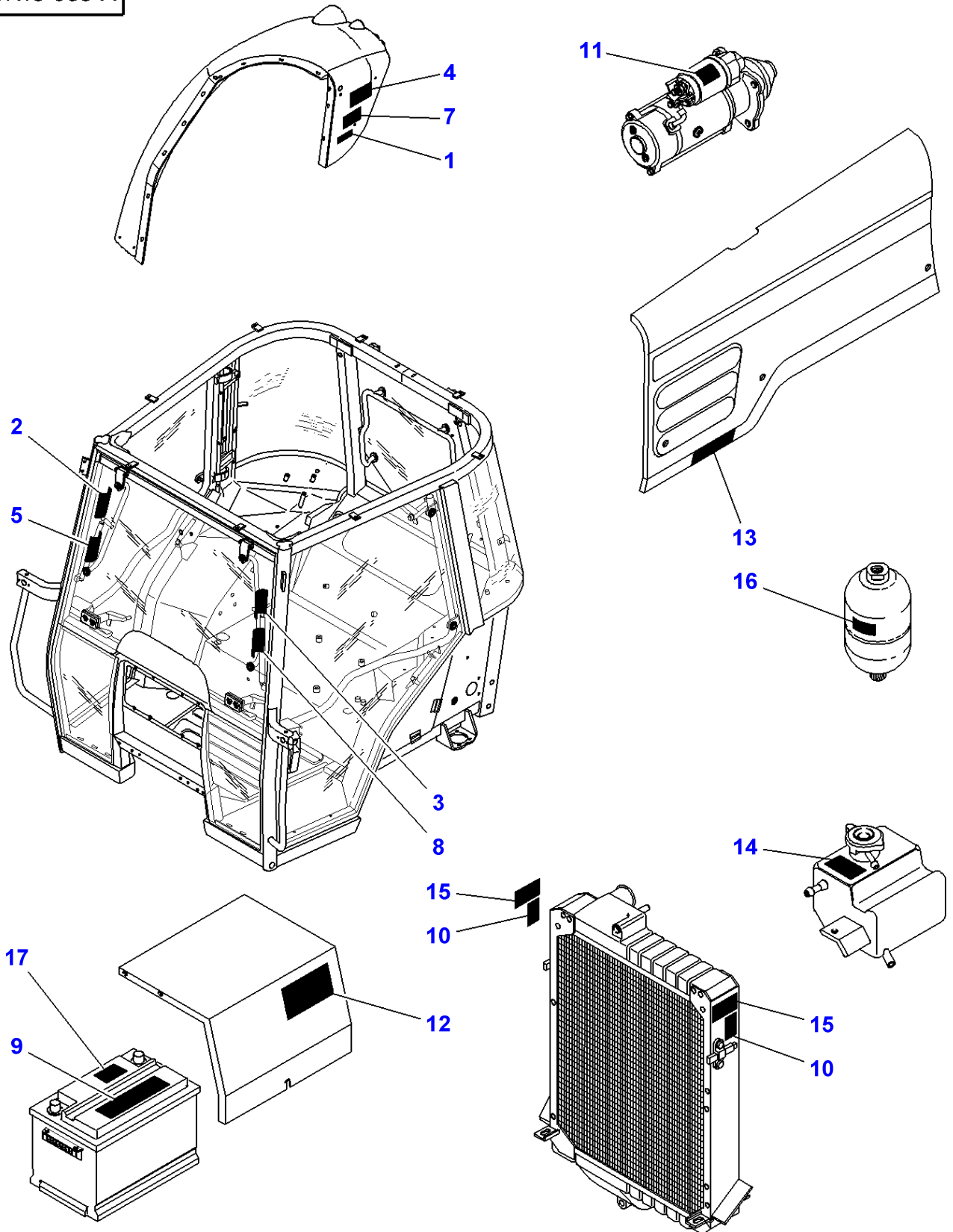
Use seat belt adjusted snugly.

Massey Ferguson**MF 8450/8460 TRACTOR - 1637447****1637447****Decals - Safety - United States only - SEE NEXT PAGE FOR DECAL LOCATION****Page 100-0045**

Item	Part Number	Qty	Description
1	3777020M1	1	Decal
2	3808567M2	1	Decal
3	3787683M1	1	Decal
4	3808558M3	1	Decal
5	3808550M3	1	Decal
6	4275232M1	1	Decal
7	72503125	1	Decal
8	3777017M2	1	Decal
9	3810054M1	2	Decal
10	3808500M2	2	Decal
11	5016264M1	1	Decal
12	5016204M1	1	Decal
13	5016744M1	2	Decal
14	3808561M3	1	Decal
15	3808555M2	2	Decal
16	3777021M3	1	Decal
17	3786812M1	2	Decal

MF 8450/8460 TRACTOR - 1637447
1-WR13-039-A

1-WR13-039-A



Massey Ferguson**MF 8450/8460 TRACTOR - 1637447**

1637447

Decals - Safety - For United States of America

Page 100-0050

Item	Part Number	Qty	Description	Comments
1	3777020M1	1	Decal	
2	3808567M2	1	Decal	
3	3787683M1	1	Decal	
4	3808558M3	1	Decal	
5	3808550M3	1	Decal	
6	4275232M1	1	Decal	[A]
7	72503125	1	Decal	
8	3777017M2	1	Decal	
9	3810054M1	2	Decal	
10	3808500M2	2	Decal	
11	5016264M1	1	Decal	
12	5016204M1	1	Decal	
13	5016744M1	2	Decal	
14	3808561M3	1	Decal	
15	3808555M2	2	Decal	
16	3777021M3	1	Decal	
17	3786812M1	2	Decal	

FOOTNOTE [A] NOT ILLUSTRATED

1-WR13-032-A



1  **ATTENTION**
Vapeur sous haute pression et eau chaude.
Retirez le bouchon avec précaution.
NE PAS ENLEVER OU COUVRIR CETTE DÉCAL 3596029 M1

10  **ATTENTION**
POUR ÉVITER LE CAPOTAGE DU TRACTEUR, NE REMORQUER QU'AVEC LA BARRE DE TIRAGE OU AVEC LES BRAS INFÉRIEURS DE L'ATTELAGE EN TROIS POINTS.
539013 M1


3 **CONSIGNE DE REMORQUAGE**
Mettre la sélection de gamme (1-11) sur position milieu (neutre)!
Vitesse maxi 10 Km/h
Distance maxi 8 km
4 275 234 M1


5  **AVERTISSEMENT**
Si le tracteur se renverse, tenir le volant.
Ne pas quitter le siège.

NE PAS ENLEVER OU COUVRIR CETTE DÉCAL 3580313 M1

11 


6  **ATTENTION**
Débrancher les câbles négatifs des batteries avant de retirer ce couvercle ou d'intervenir sur le tracteur

6  **AVERTISSEMENT**
Ne pas mettre les bornes en court-circuit pour faire démarrer le moteur.
Ne pas faire démarrer le moteur sans être assis sur le siège.
Ne faire démarrer le moteur qu'avec la clé, la transmission et la PTO étant en point mort, et le frein à main serré.
NE PAS ENLEVER OU COUVRIR CETTE DÉCAL 3596467 M1


7  **UTILISER IMPÉRATIVEMENT L'HUILE DE TRANSMISSION PRÉCONISÉE PAR LE LIVRET D'UTILISATION.**
3713698M1

4  **ATTENTION**
Débrancher les câbles négatifs de toutes les batteries avant d'intervenir sur le tracteur.

ATTENTION
Avant de déposer une batterie, débrancher les câbles négatifs avant les câbles positifs.
NE PAS ENLEVER OU COUVRIR CETTE DÉCAL 3596045M1


12  **AVERTISSEMENT**
Toujours maintenir les garants et protecteurs en place pendant que le moteur tourne

ATTENTION
Pièces chaudes
NE PAS ENLEVER OU COUVRIR CETTE DÉCAL 3596037 M1

8  **ATTENTION**
Toujours désenclencher la PTO et arrêter le moteur avant d'accoupler ou de désaccoupler un arbre de PTO ou avant d'intervenir sur un instrument entraîné par PTO.
Toujours monter le garant de PTO lorsque la PTO n'est pas utilisée.

AVERTISSEMENT
Ne jamais se tenir entre le tracteur et l'instrument lorsqu'on actionne les commandes.
N'utiliser qu'une barre de traction ou un attelage agréés par MF.
NE PAS ENLEVER OU COUVRIR CETTE DÉCAL 3581564 M1

AVERTISSEMENT



Avant d'utiliser l'outil attentivement le livret d'utilisation.

Avant de mettre le moteur en marche, s'assurer qu'il n'y a personne à proximité de l'appareil.

Toujours maintenir les garants et protecteurs en place pendant que le moteur tourne.

Éloigner les mains, les pieds et les vêtements de toutes pièces entraînés ou en mouvement.

Toujours conduire avec attention.

Si le blocage du différentiel ne se désengage pas suffisamment, enferrer la pédale d'embrayage.

Les pédales de frein doivent toujours être fermées lorsque les freins d'urgence ne sont pas utilisés.

Avant de cultiver le tracteur, serrez le frein à main puis laissez l'instrument, arrêter le moteur et retirer la clé.

Avant d'attacher un instrument voir le livret d'utilisation pour vérifier les charges maximales d'essieu avant et arrière.

Mettre le levier de vitesses au neutre et serrez le frein à main pour pouvoir utiliser les commandes additionnelles de relevage.

Ventiler que tous les égrès de roues et les joints se soient serrés au couple indiqué dans le livret.

Sur un pont quel qu'il soit, ne jamais ventiler lentement les pneus lorsque la roue est à l'arrêt.

NE PAS ENLEVER OU COUVRIR CETTE DÉCAL 4275287 M1


9 



Item	Part Number	Qty	Description
1	3596029M1	1	Decal
2	4275287M1	1	Decal
3	4275234M1	1	Decal
4	3596045M1	1	Decal
5	3580313M1	1	Decal
6	3596467M2	1	Decal
7	3713698M1	1	Decal
8	3581564M1	1	Decal
9	3782489M1	1	Decal
10	539613M1	1	Decal
11	4271915M1	1	Decal
12	3596037M1	1	Decal

1-WR13-033-A

WARNUNG



Vor dem Gebrauch muss die Benutzerhandbuch sorgfältig durchgelesen werden.

Vor dem Legenstart des Motors sicherstellen, dass sich niemand in der Nähe des Geräts befindet.

Die Sicherheits- und Schutzvorrichtungen während des Laufens des Motors immer an ihrem Platz lassen.

Blinde, Felle und Kleingepäckchen von allen beweglichen und drehenden Teilen entfernt halten. Immer vorsichtig fahren.

Wenn die Differenzialsperrung nicht automatisch eingegriffen wird, das Kopplungsgetriebe sichern.

Die Bremspedale müssen immer geparkt sein, wenn die unabhangigen Bremsen nicht verwendet werden.

Vor dem Verlassen des Schleppers die Fahrstillbremse anziehen, das Werkzeug absetzen und den Motor abstellen. Das Zundschlo sichern.

Vor dem Koppeln irgend eines Gerats im Benutzerhandbuch nachlesen, um die Mindestlasten an der Vorder- und an der Hinterräder zu prüfen.

Das Schindelm auf Leerlauf stellen und die Fahrstillbremse anziehen, um die externen Backenscheiben des K. ubers zu sichern.

Sicherstellen dass alle Radnuten und Felgenrinnen auf das im Handbuch angegebene Ma ausgegossen sind.

Auf offentlichen Verkehrsstraen das Schild Nr. 4275 233 M1 benutzen und, wenn dies gesetzlich vorgeschrieben ist, die Verkehrsregeln verwenden.

ANZEIGEN NICHT ENTFERNEN ODER VERDECKEN

4 275 288 M1

2

ACHTUNG!
Vor jedem Eingriff in Schlepper stets Minuspol-Leiter von Batterien losklemmen.


ACHTUNG!
Vor dem Batterieausbau stets Minusleiter vor den Pluspolleitern losklemmen.
KLEBESCHILD NICHT ABNEHMEN NOCH OBERKLEBEN 350746 M1

3

WARNUNG!
Sicherungshauben und Schutzvorrichtungen bei laufendem Motor aufgesetzt lassen.

ACHTUNG!
Heistellen!
KLEBESCHILD NICHT ABNEHMEN NOCH OBERKLEBEN 358748 M1

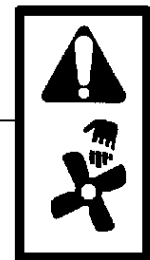
6



UNBEDINGT DAS IN DER BETRIEBSANLEITUNG EMPFOHLENE OL VERWENDEN
3713700M1

4

ABSCHLEPPVORSCHRIFT
Getriebe bereichsschaltung (1-11) über notbetätigung auf mittelstellung!
Max geschwindigkeit 10 Km/h
Max entfernung 8 km
4 275 233 M1



7

VORSICHT
Bei Zugarbeiten nur die dafür vorgesehenen Vorrichtungen verwenden (Zugmaul, Zuggendel 3-Pkt. - Gerange/Ackerschleife), damit sich der Schlepper nicht überschlägt.
Haftschild nicht abnehmen oder überkleben bei Unleserlichkeit Haftschild erneuern!
3581570 M2

5

ACHTUNG!
Bevor dieser Deckel abgenommen oder im Schlepper Eingriffe vorgenommen werden sind Minuspol-Leiter von den Batterien loszuklemmen.

WARNUNG!
Klemmen zum Anlassen des Motors nie kurzschließen.
Motor nie anlassen, ohne schon auf dem Fahrersitz zu sitzen.
Motor nur mit zugehörigem Kontaktschlüssel bei neutral geschalteten Getriebe und PTO-Zapfwelle und bei abgezogener Handbremse anlassen.
KLEBESCHILD NICHT ABNEHMEN NOCH OBERKLEBEN 359744 M1




9

ACHTUNG!
Die Stabi.-Straben der Unterlenker schlepperseitig in der oberen Bohrung befestigen für im Boden arbeitende Anbaugerate, die wahrend der Arbeit seitliche Beweglichkeit erfordern.
Bei diesen Geraten die beiden Stabi.-Straben im ausgehobenen Zustand einstellen damit das Gerat starrgestellt ist.
Die Stabi.-Straben schlepperseitig der unteren Bohrung befestigen für Anbaugerate, die wahrend der Arbeit starr geföhrt werden mussen (z.B. Schiebedungerstreuer).
Siehe auch Betriebsanleitung.
3583497 M1

Item	Part Number	Qty	Description
1	4275288M1	1	Decal
2	3597446M1	1	Decal
3	3597428M1	1	Decal
4	4275235M1	1	Decal
5	3597449M2	1	Decal
6	3713700M1	1	Decal
7	3581570M2	1	Decal
8	4271915M1	1	Decal
9	3583497M1	1	Decal
10	3782489M1	1	Decal

1-WR13-034-A

AVVERTIMENTO



Prima di utilizzare, leggere attentamente il manuale di utilizzazione.

Prima di mettere il motore in marcia, verificare che non ci sia nessuno, operatore nelle immediate vicinanze dell'apparato.

Mantenere sempre i pezzi di protezione e le protezioni in posizione durante la fase di funzionamento del motore.

Allentare le viti, i pioli e gli altri da tutti i pezzi movimentati o messi in movimento.

Chiudere sempre con attenzione.

Se il blocco del differenziale non si disinnesta automaticamente, premere il pedale della frizione.

I pedali del freno devono essere sempre generalizzati quando i freni indipendenti non sono utilizzati.

Prima di lasciare il trattore, tirare il freno a mano, abbassare lo strumento, spegnere il motore e togliere la chiave.

Prima di agganciare lo strumento, leggere il manuale di utilizzazione per verificare i carichi massimi degli assi anteriori e posteriori.

Mettere la leva del cambio in posizione neutro e tirare il freno a mano per potere utilizzare i comandi esterni di sollevamento.

Verificare che tutti i dadi delle ruote e dei cerchioni sono stretti alle coppie indicate nel manuale.

Sulla via pubblica, utilizzare il sistema veicolo lento e le luci di emergenza quando la legge lo richiede.

NON STACCARE O NASCONDERE LA DECALCOMANIA

4 275 289 M1

2

AVVERTENZA

Si il trattore si rovescia tenere il volante.
Non abbandonare il sedile.




NON STACCARE O NASCONDERE LA DECALCOMANIA 358153 M1

3

AVVERTENZA



5

AVVERTENZA



4

RACCOMANDAZIONI AL RIMORCHIO

Mettere la selezione di gamma (1-11) Sulla posizione centrale (neutro) !
Velocità massima 10 Km/h
Distanza massima 8 km

4 275 238 M1

6

ATTENZIONE

PER EVITARE IL RIBALTAMENTO DEL TRATTORE, TRAINATE SOLO CON LA BARRA DI TRAINO O CON LE ESTREMITA' INFERIORI DELL'ATTACCO A 3 PUNTI

NON STACCARE O NASCONDERE LA DECALCOMANIA 358157 M2

7

AVVERTENZA


PER LA TRASMISSIONE UTILIZZARE OBBLIGATORIAMENTE L'OLIO RACCOMANDATO NEL LIBRETTO D'USO.

3713701 M1

8

AVVERTENZA

Staccare i cavi negativi di tutte le batterie prima d'intervenire sul trattore.



9

ATTENZIONE

Prima di rimuovere una batteria, staccare i cavi negativi prima dei cavi positivi.

NON STACCARE O NASCONDERE LA DECALCOMANIA 3537447 M1



ATTENZIONE

L'impianto contiene liquido pressurizzato e caldo.
Togliere il tappo lentamente

NON STACCARE O NASCONDERE LA DECALCOMANIA 3597432 M1



11

ATTENZIONE

Staccare i cavi negativi delle batterie prima di tagliare questo coperchio o d'intervenire sul trattore.



AVVERTENZA

Non mettere i morsetti in corto circuito per avviare il motore.
Non avviare il motore senza essere seduti sul sedile.
Avviare il motore solo con la chiave con la trasmissione o la PDP (presa di potenza) in folle ed il freno a mano inserito.


NON STACCARE O NASCONDERE LA DECALCOMANIA 3597450 M1



10

AVVERTENZA

Mantenere sempre le sicurezze ed i protettori al loro posto quando il motore gira.



ATTENZIONE

Pezzi caldi


NON STACCARE O NASCONDERE LA DECALCOMANIA 3597429 M1



12

ATTENZIONE


Disinnestare sempre la PTO e spegnere il motore prima di accoppiare o disaccoppiare un albero di PTO a prima d'intervenire su uno strumento azionato da PTO. Montare sempre la sicurezza di PTO quando quest'ultima non viene utilizzata.



AVVERTENZA

Non sostare mai fra lo strumento ed il trattore quando si azionano i comandi.
Utilizzare unicamente una barra di trazione od un attacco autorizzato da MF.

NON STACCARE O NASCONDERE LA DECALCOMANIA 3581568 M1



1

Massey Ferguson**MF 8450/8460 TRACTOR - 1637447****1637447****Decals - Safety - For Italy only or any text in Italian only****Page 100-0065**

Item	Part Number	Qty	Description
1	3581566M1	1	Decal
2	4275289M1	1	Decal
3	3581533M2	1	Decal
4	3782489M1	1	Decal
5	4271915M1	1	Decal
6	4275236M1	1	Decal
7	3581571M2	1	Decal
8	3713701M1	1	Decal
9	3597447M1	1	Decal
10	3597450M2	1	Decal
11	3597432M1	1	Decal
12	3597429M1	1	Decal

1-WR13-035-A

9

UTILIZAR IMPERATIVAMENTE EL ACEITE DE TRANSMISION RECOMENDADO EN EL MANUAL DE USUARIO.

11

10

CONSIGNA DE REMOLQUE

Colocar la seleccion de gamma (111) en la posicion del medio (neutro) !
Velocidad maxima 10 Km/h
Distancia maxima 8 km 4 275 237 M1

1

ADVERTENCIA

Antes de utilizar, leer cuidadosamente el folleto de utilización.

Antes de poner en marcha el motor, cerciorarse de que no haya nadie a proximidad del aparato.

Mantener siempre los guardas y protectores en su sitio mientras funcione el motor.

Alejar las manos, los pies y la ropa de cualquier pieza accionada o en movimiento.

Conducir siempre con atención.

Si el bloqueo del diferencial no se acciona automáticamente, hundir el pedal de estiramiento.

Los pedales de freno siempre deben estar empujados cuando se utilizan los frenos independientes.

Antes de abandonar el tractor, accionar el freno de mano, bajar el instrumento, parar el motor y retirar la llave.

Antes de enganchar un instrumento ver el folleto de utilización para verificar las cargas máximas de los ejes delantero y trasero.

Colocar la palanca de velocidades en neutro y accionar el freno de mano para poder utilizar los mandos exteriores de elevación.

Verificar que todas las tuercas de las ruedas y de llantas estén apretadas con el par indicado en el folleto.

En la vía pública, utilizar el emblemado de velocidad lenta y las luces de emergencia cuando la ley lo exija.

NO QUITAR O CUBRIR ESTA CALCOMANIA
4 275 290 M1

12

8

ADVERTENCIA

Si el tractor vuelca, sujetar el volante.
No abandonar el asiento.

NO RETIRAR NI CUBRIR ESTA CALCOMANIA 3581532 M1

2

ADVERTENCIA

Desconectar los cables negativos de todas las baterías antes de intervenir en el tractor.

ATENCION

Piezas calientes

NO RETIRAR NI CUBRIR ESTA CALCOMANIA 3597430 M1

3

ADVERTENCIA

Mantener siempre protecciones y protectores en su sitio mientras el motor esté en marcha.

ATENCION

Antes de retirar una batería, desconectar los cables negativos antes que los cables positivos.

NO RETIRAR NI CUBRIR ESTA CALCOMANIA 3597448M1

4

ATENCION

Vapor de alta presión y agua caliente. Quite el tapon con sumo cuidado.

NO RETIRAR NI CUBRIR ESTA CALCOMANIA 3597 433 M1

5

ATENCION

PARA EVITAR EL VOLTEO DEL TRACTOR, REMOLCAR SOLAMENTE CON LA BARRA TRACCION O CON LOS BRAZOS INFERIORES DEL ENGANCHE DE TRES PUNTOS.

3581573 M2

6

ATENCION

Siempre desengrane la TDF y pare el motor antes de acoplar o de desacoplar los ejes de TDF o ajustar el equipo mandado por TDF. Siempre coloque la defensa de TDF cuando no se emplea la TDF. Siempre lape la TDF cuando no se usa.

ADVERTENCIA

No se ponga entre el tractor y el equipo cuando se accionen los mandos.
Remolque solamente con una barra o enganche aprobado MF.

NO RETIRAR NI CUBRIR ESTA CALCOMANIA 3581558 M1

7

ATENCION

Antes de trabajar en el tractor o quitar esta tapa, desconecte los cables negativos en todas las baterías

ADVERTENCIA

No ponga en cortocircuito los terminales del arrancador para poner en marcha el motor.
No ponga en marcha el motor estando de pie.
Arranque el motor con la llave desde el asiento comprobando que la caja de cambios y la TDF estén en neutral y el freno de estacionamiento este apretado.

NO RETIRAR NI CUBRIR ESTA CALCOMANIA 3597451 M1

Massey Ferguson**MF 8450/8460 TRACTOR - 1637447**

1637447

Decals - Safety - For Spanish

Page 100-0070

Item	Part Number	Qty	Description
1	4275290M1	1	Decal
2	3597430M1	1	Decal
3	3597448M1	1	Decal
4	3597433M1	1	Decal
5	3581573M2	1	Decal
6	3581568M1	1	Decal
7	3597451M2	1	Decal
8	3581532M1	1	Decal
9	3713702M1	1	Decal
10	4275237M1	1	Decal
11	3782489M1	1	Decal
12	4271915M1	1	Decal

MF 8450/8460 TRACTOR - 1637447
1-WR13-030-A

1-WR13-030-A

1

VARNING

Urkoppla alltid kraftuttaget och slänska motorn före till- och frånkoppling av kraftöverföringsaxlar eller vid arbete på kraftuttagsdriven maskin.

Montera alltid skyddskåpan över kraftuttagets axeltapp, då kraftuttaget inte används.

VARNING

Stå aldrig mellan traktor och utrustning vid manövrering av manöverorganen.

Använd endast av M.F. godkänd dragstång eller lyftstråkar vid bogsering.



VARNING

Koppla loss batteriernas jordkablar (-) innan något arbete påbörjas på traktorn eller detta skydd tas bort.

VARNING

Håll fast i ratten (handtaget) om traktorn stjämler
HOPPA EJ!

TA INTE BORT ELLER FÖRSTÖR DEKALEN

VARNING

Starta aldrig motorn genom att kortsluta startmotorns poler.

Stå inte vid sidan av traktorn och starta motorn.

Sitt alltid på sätet vid start av motorn och använd startnyckeln. Se till att parkeringsbrömsen är låsdraget och att växelkåpan och kraftuttaget är i neutralläge.

TA INTE BORT ELLER FÖRSTÖR DEKALEN

CAUTION

TO AVOID POSSIBLE TRACTOR OVERTURN, PULL ONLY FROM DRAWBAR OR LOWER LINKS OF THREE POINT HITCH

2752579 M1

WARNING

High pressure steam and hot water. Remove filler cap with extreme care.

DO NOT REMOVE OR OBSCURE DECAL 3595585 M1

IT IS IMPERATIVE TO USE THE TRANSMISSION OIL RECOMMENDED IN THE OPERATING MANUAL

3713629M1

VARNING

Före användning, läs noggrant igenom (s.e.n.) säkerhetsboken.

Fråna motorn skiljes ifrån. Inom en dag om ett litet ögon öron befinner sig i apparatens närhet.

Håll alltid alla skyddsanordningar och säkerhetsåtgärder på plats så länge motorn är på.

Håll händerna, fötterna och ansiktet borta från drivna delar och de ar rörelse.

Kör alltid försiktigt.

Om olje- eller vätskeavfall kommer loss av oavsiktligt, tveka inte att rapportera detta.

Använd badda bromspedaler samtidigt när du inte använder en i väntande bromsning.

Innan du använder traktorn, ska du ha handboken, sank för arbetsredskapet, slänska motorn och ska du är kontrollerad.

Innan du köper av ett eller ett betredslap, ska upp instruktionsboken och kontrollera max baklast i sig på fram- och bakaxlarna

Sätt växelkåpan i neutralläge och dra åt handbromsen för att kunna använda efterna lyftkontrollen.

Kontrollera att hjulmuttrar och fälgskivorna är strävt till det moment som står i instruktionsboken.

På allmän väg, använd s-öften för långsamt färd och på alla på varningsskyltens när egen kopplingsdelen på justerbar.

TA INTE BORT ELLER FÖRSTÖR DEKALEN.

4 275 286 M1

BOGSEINGSANVISNINGAR

I mittenläge (neutraläge)
Max hastighet 10 Km/tim
Max sträcka 8 km

4 275 233 M1

STARTINSTRUKTION

Skjut in stopprelaget. Ge full gas vid alla startar. Släpp gasreglaget efter start.

Varmt väder eller varm motor
Vrid till läge S.

Kallt väder eller kall motor
Vrid till läge H. Håll kvar i 15-20 sek. vrid sedan till läge H+S. Om motorn inte startar inom 15 sek. vrid tillbaka till läge H. Håll kvar i 10 sek. vrid sedan till läge H+S. När motorn startat, vrid tillbaka till läge H. Håll kvar i max 15 sek. tills motorn går jämnt.

VIKTIGT

Om motorn inte startar, vänta tills startmotorn slannat före nästa startförsök.

VARNING

Before working on the tractor, disconnect negative leads to all batteries.

VARNING

Before removing any battery, disconnect all negative leads before positive leads.

DO NOT REMOVE OR OBSCURE DECAL 3595679 M1

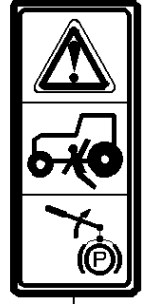
CAUTION

Keep all shields, covers and guards fastened in place while engine is running.

VARNING

Beware hot parts

DO NOT REMOVE OR OBSCURE DECAL 3595678 M1



Massey Ferguson**MF 8450/8460 TRACTOR - 1637447**

1637447

Decals - Safety - For Sweden


Page 100-0075

Item	Part Number	Qty	Description
1	3618264M1	1	Decal
2	4275286M1	1	Decal
3	4275233M1	1	Decal
4	4271915M1	1	Decal
5	3713699M1	1	Decal
6	3595685M1	1	Decal
7	2752579M1	1	Decal
8	3595679M1	1	Decal
9	3595678M1	1	Decal
10	3782489M1	1	Decal
11	3618260M1	1	Decal
12	3618261M1	1	Decal
13	3618262M1	1	Decal

1-WR13-036-A

1

ADVARSEL



Læs instruktionsbogen inden ibrugtagning.
Se efter, at der ikke befinder sig nogen i nærheden af maskinen, før motoren sættes i gang.
Sørg for, at skærme og sikkerhedsanordninger altid sidder på plads, når motoren går.
Hold hænder, fødder og vej væk fra drejende skruer eller skærme i løbetiden.
Vær altid opmærksom under kørslen.
Træd løbepedalen ned, hvis differentialspærren ikke kobler fra automatisk.
Bremspedalerne skal altid være sammenkoblet, når de uafhængige bremsere ikke bruges.
Træk håndbremsen, sænk redskabet, stand motor, og tag nøglen ud, inden traktoren forlader.
Så op i instruktionsbogen for at kontrollere de læste tilfælde betingelser på for- og bagaksel, før redskaber tilkobles.
Sæt kørgestangen i færdig, og træk håndbremsen for at kunne bruge de nødvendige tilføjelsesanordninger.
Se efter, at alle hjul- og fælgerstækker er spændt til det i instruktionsbogen angivte moment.
På offentlig vej skal der søvendes skilt med angivne fart og kørselsretning, når bilen kræver det.
DETTE MÆRKAT MÅ IKKE TILDÆKES ELLER FJERNES
4 275 291 M1

2

**DET ER FOR DERES SKYLD!
SKJÆRMENE ER MONTERET
LAD DEM BLIVE PÅ PLADS**

MD 12 MÅ IKKE TILDÆKES ELLER FJERNES. N° 3716044 M1

4

ADVARSEL
Træk kun fra trækbom eller liftarme.
MÅ IKKE TILDÆKES ELLER FJERNES. N° 3718011 M1

6

ADVARSEL



Stå ikke mellem redskab og traktor ved betjening af hydraulikhåndtag.
MÅ IKKE TILDÆKES ELLER FJERNES. N° 3718072 M1

8

ADVARSEL
FØR TILKOBLING, JUSTERING ELLER ARBEJDE PÅ PTO TRUKNE REDSKABER SKAL PTO UDTAG FRAKOBLES OG MOTOREN STOPPES
MÅ IKKE TILDÆKES ELLER FJERNES. N° 3718072 M1

13

ADVARSEL
Varmt vand under tryk, fjern dækket med forsigtighed.
MÅ IKKE TILDÆKES ELLER FJERNES. N° 3716002 M1

12

Fare ved EI-svejsning
Ved elektro-svejsning skal batterikablerne først aftages, da motorens vekselstrøms-dynamo ellers ødelægges. Dette gælder også ved svejsning af påmonterede redskaber.
MÅ IKKE TILDÆKES ELLER FJERNES. N° 3716002 M1

5

ADVARSEL
Start ALDRIG motoren ved kørtlutning af starter.
MÅ IKKE TILDÆKES ELLER FJERNES. N° 3716002 M1

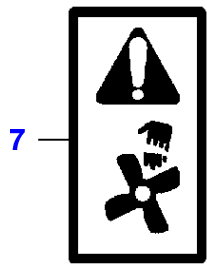
10

ADVARSEL
VED VÆLTNING HOLD DA FAST I RATTET SPRING IKKE AF
FØRERHUSET GØKKENDT AF DIREKTORATET FOR ARBEJDSSTILSYNET
MÅ IKKE TILDÆKES ELLER FJERNES. N° 3716002 M1

ADVARSEL
Før arbejde på traktoren afmonteres stækabel(er) på batteri(er).

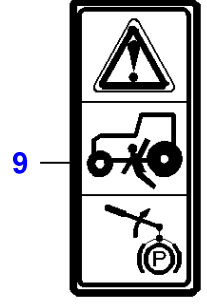
11

ADVARSEL
Ved demontering af batteri afmonteres stækabel ALTID først.
MÅ IKKE TILDÆKES ELLER FJERNES. N° 3716002 M1



3

REGLER FOR BUGSERING/ANHÆNGERTRÆK
Set omrørvelren (1-11) i midterstilling (frigear) i Max hastighed 10 Km/t Max strekning 8 km
4 275 238 M1




Decals - Safety - Denmark

Item	Part Number	Qty	Description
1	4275291M1	1	Decal
2	3715064M1	1	Decal
3	4275238M1	1	Decal
4	3715011M1	1	Decal
5	3715069M1	1	Decal
6	3715072M1	1	Decal
7	4271915M1	1	Decal
8	3715012M1	1	Decal
9	3782489M1	1	Decal
10	3715067M1	1	Decal
11	3715065M1	1	Decal
12	3715068M1	1	Decal
13	3715063M1	1	Decal

1-WR13-037-A

ADVARSEL



Før du bruker traktoren må du lese brukerveiledningen grundig.

Før du setter motoren i gang må du kontrollere at det ikke befinnes seg noen i nærheten av apparatet.

Føringssene og beskyttelsesnett må alltid holdes på plass når motoren går.

Hold hender, føtter og haler unna alle deler som fenses med eller av i bevegelse.

Utvris alltid værvarsel når du kjører.

Etvis differensialsperreren ikke kople seg ut automatisk, må du trykke inn klapppedalen.

Bremsepedalene må alltid dobbel når det ikke brukes uvbelegte bremsen.

Før du forlater traktoren trekker du til håndbremsen, senker lufttrykket, stanser motoren og trekker ut nøtstikket.

Før du kople til et instrument må du sjekke maksimalt for- og bakkestrykk i brukerveiledningen.

Sett gir til nøytral og trekk til håndbremsen for å kunne bruke de utvendige luftstrykingene.

Kontroller at alle hjulmontere og felger er trukket til med momentet som er angitt i brukerveiledningen.

På offentlig vei må du bruke symboler for langsomme kjøretøy og nedlys når loven krevrer dette.

IKKE TA BORT ELLER DEKK TIL DETTE MERKET

4 275 292 M1

2

SLEPEINSTRUKSJON

Sett omrdevalget (1-11) i midstilling (nøytral) !

Maks hastighet 10 Km/t

Maks distanse 8 km

4 275 239 M1

4

FORSIKTIG

Varmt vann og damp under trykk. Påfyllingslokket må fjernes med den aller største forsiktighet. IKKE FJERN ELLER TILDEKK DETTE MERKET 3715 583 M1

5

FORSIKTIG

TREKK BARE FRA TREKKBOM ELLER TREKKESTENGER SLIK AT TRAKTOREN IKKE KAN TIPPE RUNDT. IKKE FJERN ELLER TILDEKK DETTE MERKET 3715588M1

9

DET ER HELT NØDVENDIG Å BRUKE DEN TRANSMISJONSOLJEN SOM ER BESKRIVET I INSTRUKSJONS-BOKEN. 3715591 M1

ADVARSEL

Hvis traktoren velter, hold fast i rattet og forsøk ikke å hoppe av.



IKKE FJERN ELLER TILDEKK DETTE MERKET 3715589 M1

7

8





ADVARSEL

Fjern minusledningene til alle batteriene før dette dekslet fjernes, eller arbeid igangsettes på traktoren.

FORSIKTIG

Start aldri motoren ved å kortslutte starteren. Start aldri motoren fra utsiden av førerhuset. Sitt alltid i setet, bruk startnøkkelen, sørg for at gir og kraftuttak er i nøytral og parkeringsbremsen tiltrukket når traktoren startes.

IKKE FJERN ELLER TILDEKK DETTE MERKET 3715 590M1

10

FORSIKTIG

Ta av den negative ledningen på alle batteriene, før du utfører arbeide på traktoren.

FORSIKTIG

Når du skal ta av et batteri, ta først av alle negative ledninger før de positive.

IKKE FJERN ELLER TILDEKK DETTE MERKET 3715584 M1

11

FORSIKTIG

Ha alle vernebeskyttere i orden og på plass når motoren er igang.

ADVARSEL

Varmt!

IKKE FJERN ELLER TILDEKK DETTE MERKET 3715585 M1

12

6




ADVARSEL

Kople alltid fra kraftuttaket og stopp motoren ved til- eller frakopling av kraftoverføringsaksel, eller ved arbeid på kraftoverføringsakselen er skikkelig tilkople og har tilstrekkelig overlapping. Skru på beskyttelseshylen når kraftuttak ikke er i bruk.

FORSIKTIG

Stå ikke mellom traktor og redskap når hydraulikken betjenes. Tauing/sleping må kun gjøres i trekkroken.

IKKE FJERN ELLER TILDEKK DETTE MERKET 3715587 M1

1

Massey Ferguson**MF 8450/8460 TRACTOR - 1637447**

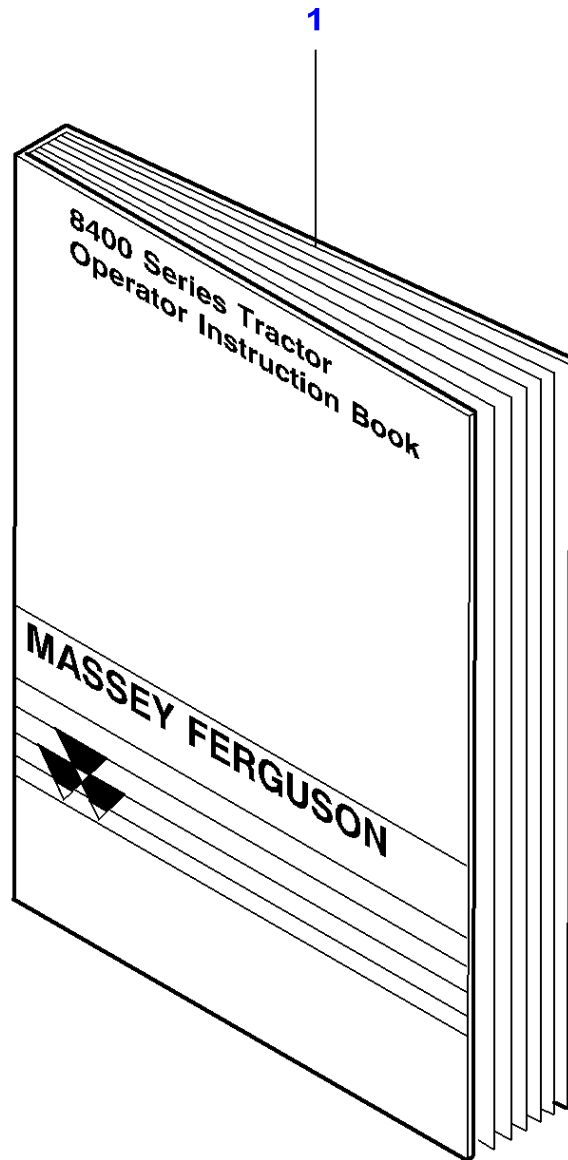
1637447

Decals - Safety - For Norway

Page 100-0085

Item	Part Number	Qty	Description
1	3715587M1	1	Decal
2	4275292M1	1	Decal
3	4275239M1	1	Decal
4	3715583M1	1	Decal
5	3715588M1	1	Decal
6	4271915M1	1	Decal
7	3715589M1	1	Decal
8	3782489M1	1	Decal
9	3715591M1	1	Decal
10	3715590M1	1	Decal
11	3715584M1	1	Decal
12	3715585M1	1	Decal

1-WR06-009-A



Literature

Item	Part Number	Qty	Description	Comments
1	3378486M1	1	Instruction Book	For UK only or any text in English only
	3378485M1	1	Instruction Book	For France only or any text in French only
	3378487M1	1	Instruction Book	For Germany only or any text in German only
	3378489M1	1	Instruction Book	For Italy only or any text in Italian only
	3378491M1	1	Instruction Book	For Norway
	3378492M1	1	Instruction Book	For Sweden
	3378488M1	1	Instruction Book	[A]
	3378490M1	1	Instruction Book	[B]
	3378593M1	1	Instruction Book	For United States of America

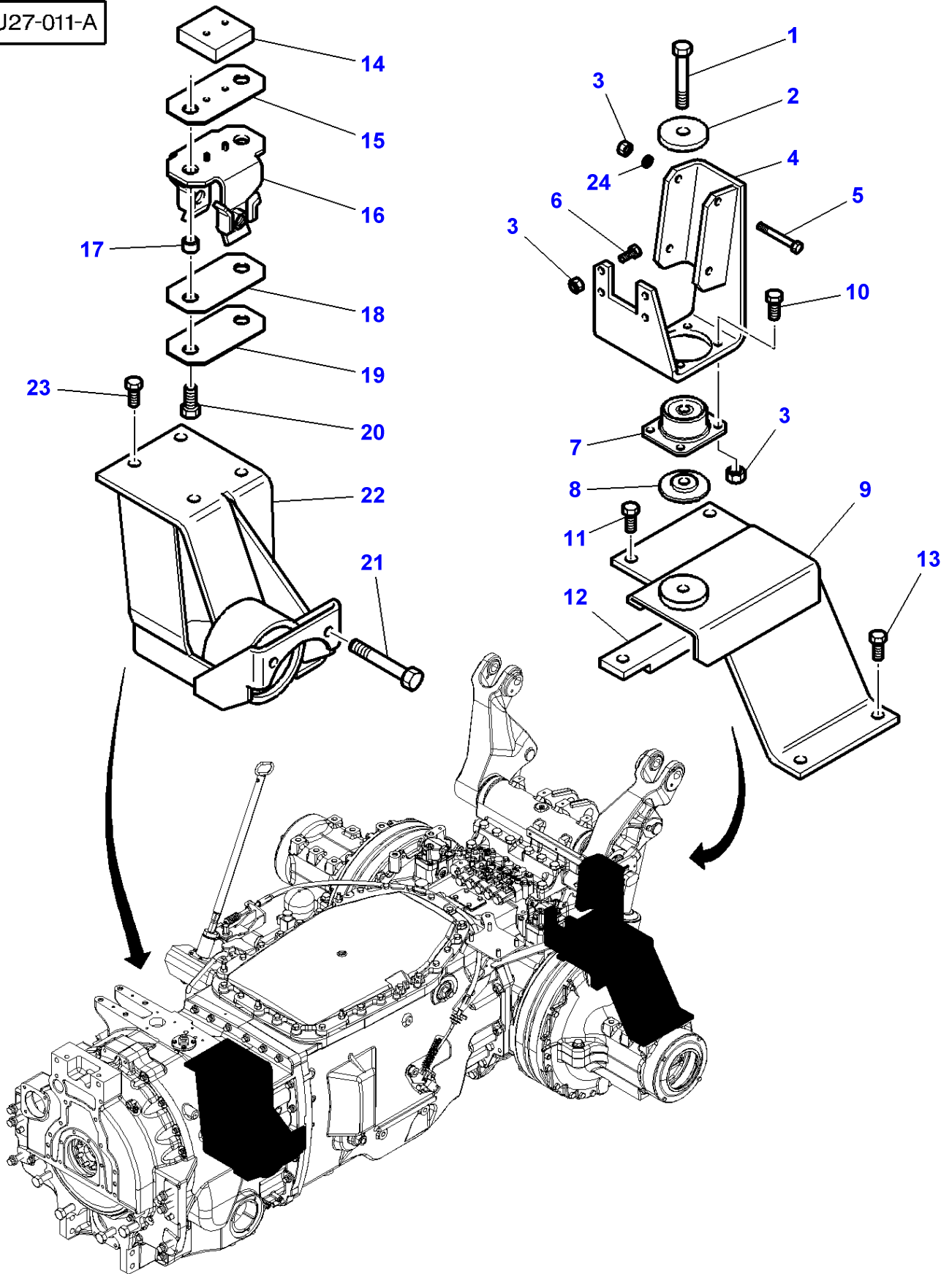
FOOTNOTE [A] SPAIN

FOOTNOTE [B] DENMARK

Page Title	Page Number
Cab Mountings	110-0005
Cab Mountings - With Suspension	110-0010
Suspended Cab Control Unit	110-0015
Suspended Cab Control Unit - Pressue Regulator And Filter	110-0020
Suspended Cab Control Unit - Compressor	110-0025
Suspended Cab Control Unit - AIR TANK	110-0030
Tractor Cab	110-0035
Doors	110-0040
Glass	110-0045
Side Window Mechanism	110-0050
Rear Window Mechanism	110-0055
Roof	110-0060
Heating Hatchway	110-0065
Air Hatchway	110-0070
Tractor Cab - Cladding	110-0075
Tractor Cab - Cladding - Dressing Roof	110-0080
Tractor Cab - Cladding	110-0085
Tractor Cab - Cladding	110-0090
Instrument Panel Cladding	110-0095
Tractor Cab - Cab Insulation	110-0100
Tractor Cab - Cab Insulation	110-0105
Tractor Cab - Fenders	110-0110
Heater - Hoses	110-0115
Heater - Hoses	110-0120
Heater	110-0125
Air Conditioner - Hose	110-0130
Air Conditioner - Hose - Standard Roof - Manual Air Conditioner	110-0135
Air Conditioner - Hose - Standard Roof - Automatic Air Conditioner	110-0140
Air Conditioner - Standard Roof - Manual Air Conditioner	110-0145
Air Conditioner - Standard Roof - Automatic Air Conditioner	110-0150
Heater - High Cold	110-0155
Cab Filter	110-0160
Heater Control	110-0165
Front Windscreen Wiper	110-0170
Windscreen Washer	110-0175
Rear Window Wiper - Up to Serial or Engine Number - N271049	110-0180
Rear Window Wiper - From Serial or Engine Number - N271050	110-0185
Canopy - Standard Roof	110-0190
Radio Installation	110-0195
Electrical Plug And Cigar Lighter - ISO STANDARD	110-0200
Electrical Plug And Cigar Lighter - SAE STANDARD	110-0205
Internal Mirrors	110-0210
External Mirrors	110-0215
External Mirrors	110-0220
Electric Control Rear Reflecting Miror	110-0225
Seat	110-0230
Seat	110-0235
Seat	110-0240
Seat	110-0245
Seat - AIR PRESSURE SEAT WITH AUTOMATIC ADJUSTMENT - LUXUY	110-0250
Seat - AIR PRESSURE SEAT WITH AUTOMATIC ADJUSTMENT - LUXUY	110-0255
Seat Belt	110-0260
Secondary Seat	110-0265

MF 8450/8460 TRACTOR - 1637447
1-WU27-011-A

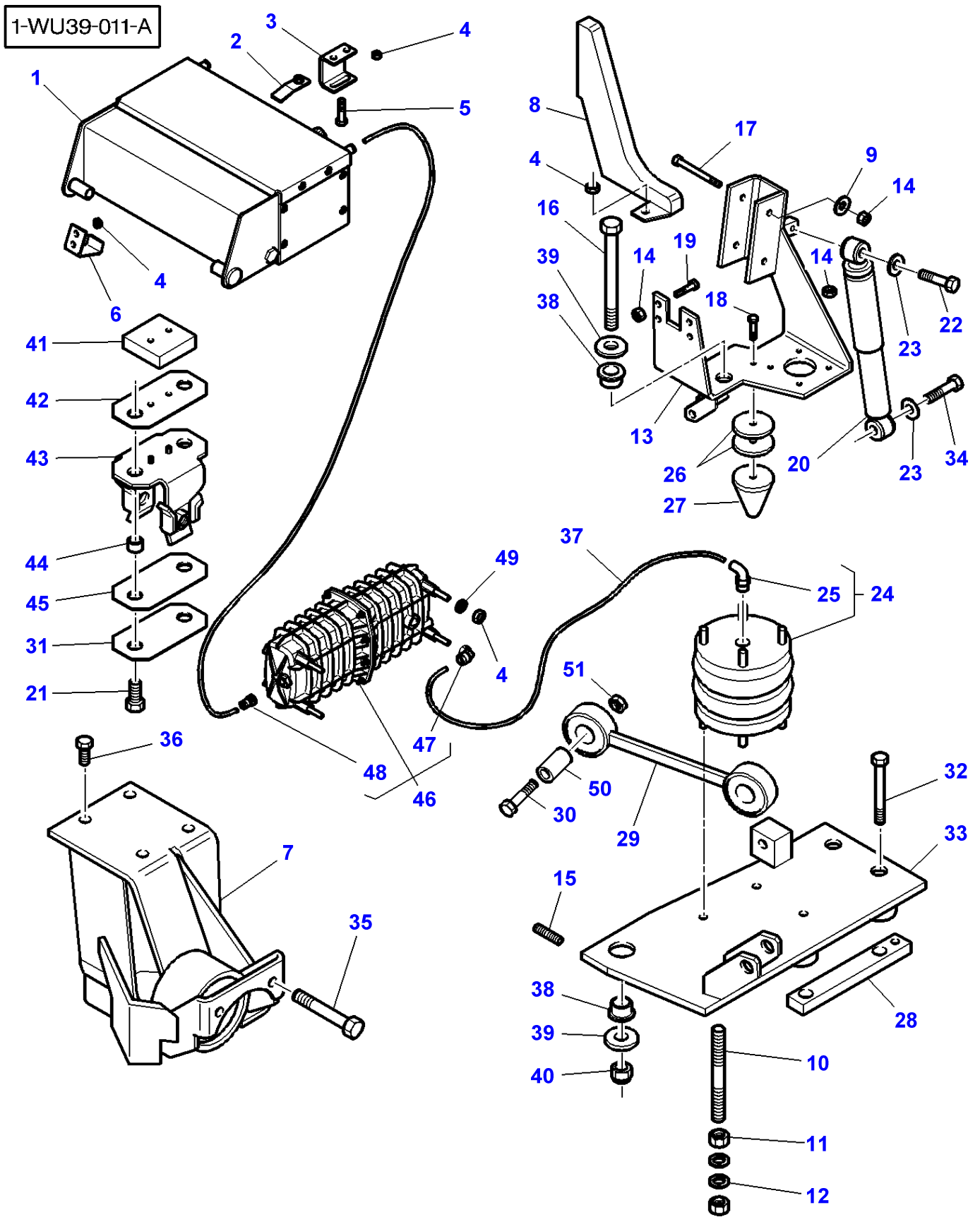
1-WU27-011-A



Cab Mountings

Item	Part Number	Qty	Description	Comments
1	339182X1	2	Hex. Sock. Screw	M16 X 90
2	3712809M2	2	Spacer	Diameter 17-72 X 8
3	339402X1	20	Nut	M10
4	3786991M3	1	Foot	Left Hand
	3786992M3	1	Foot	Right Hand
5	339234X1	4	Hex. Sock. Screw	M10 X 120
6	3009493X1	8	Hex. Sock. Screw	M10 X 30
7	3712693M1	2	Vibration Mount	2000N
8	3388272M1	2	Washer	Diameter 17-38-75
9	4274927M2	1	Support	Left Hand
	4274928M1	1	Support	Right Hand
10	3009492X1	8	Hex. Sock. Screw	M10 X 25
11	3019865X1	4	Hex. Sock. Screw	M16 X 75
12	4276934M1	1	Spacer	Right Hand
	4279956M1	1	Spacer	Left Hand
13	3009132X1	4	Hex. Sock. Screw	M16 X 50
14	4271078M1	2	Plate	
15	4274223M1	2	Plate	Thickness 3 MM
16	4278827M92	2	Support	
17	4274225M91	4	Spacer	
18	4275620M1	2	Plate	Thickness 4 MM
19	4279533M1	2	Plate	Thickness 5 MM
20	391120X1	4	Hex. Sock. Screw	M16 X 45
21	391914X1	2	Hex. Sock. Screw	M20 X 110
22	4276062M95	1	Support	Left Hand
	4276063M95	1	Support	Right Hand
23	390419X1	8	Hex. Sock. Screw	M16 X 40
24	385362X1	8	Washer	

MF 8450/8460 TRACTOR - 1637447
1-WU39-011-A

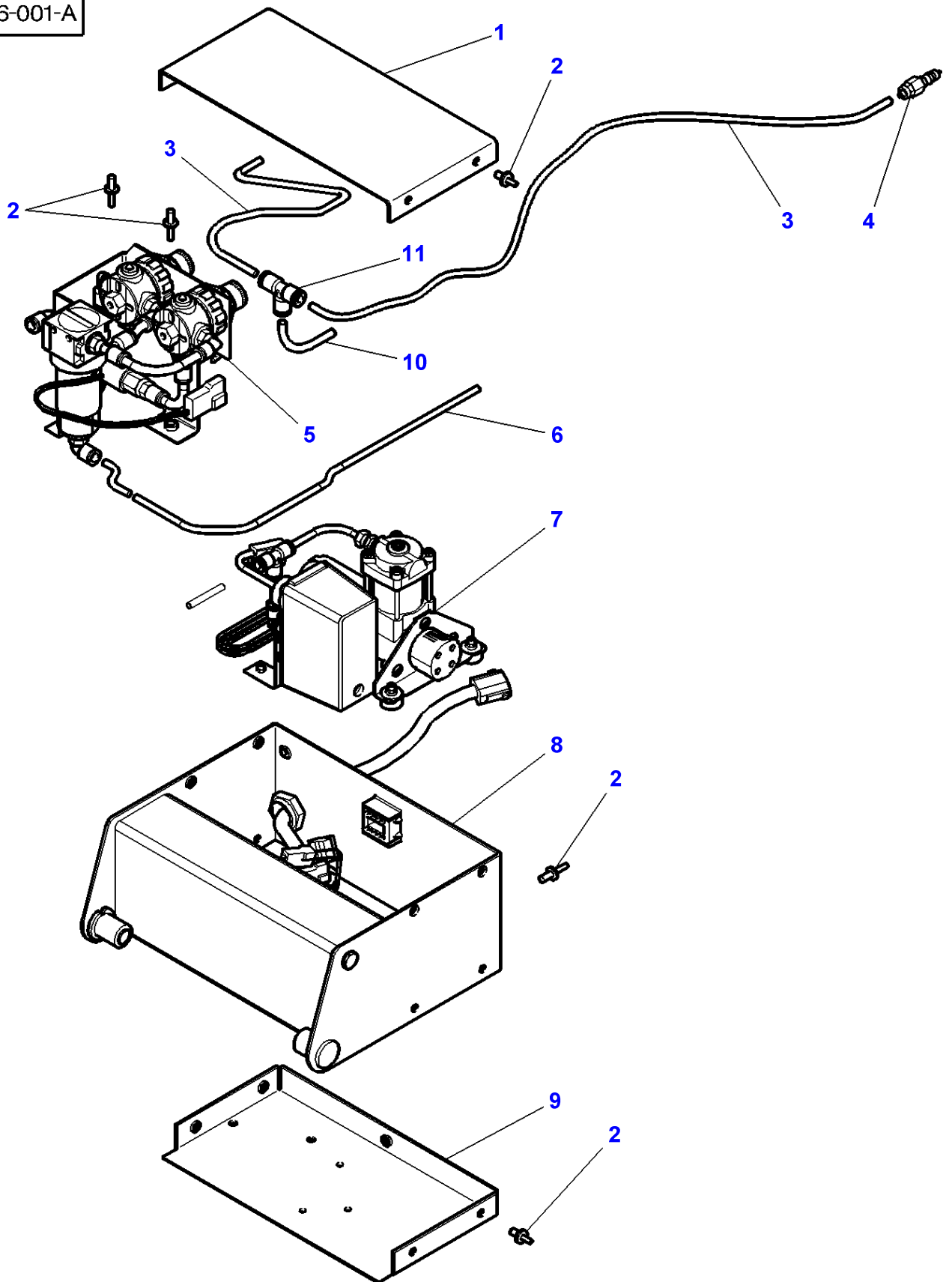


Cab Mountings - With Suspension

Item	Part Number	Qty	Description	Comments
1	3787065M92	1	Control Box	See Page - Reference Number 110-0015
2	3789906M2	1	Support	
3	3789905M2	1	Support	
4	339169X1	12	Nut	M8
	394367X1	X	Locknut	[A] M8
5	339123X1	7	Hex. Sock. Screw	M8 X 20
6	3789904M1	2	Hinge	
7	4279013M92	1	Support	Left Hand
	4279014M92	1	Support	Right Hand
8	4278784M2	1	Cowl	Right Hand
	4278785M2	1	Cowl	Left Hand
9	385362X1	8	Washer	
10	3786267M1	2	Stem	M16 X 300
11	339034X1	4	Nut	M16
12	3010875X1	4	Washer	Diameter 16-30 X 5
13	4274968M1	1	Foot	Left Hand
	4274969M1	1	Foot	Right Hand
14	339402X1	8	Nut	M10
15	4279690M1	2	Stem	M16 X 55
16	3010613X1	2	Hex. Sock. Screw	M20 X 280
17	339234X1	4	Hex. Sock. Screw	M10 X 120
18	339291X1	2	Hex. Sock. Screw	M8 X 55
19	3009493X1	8	Hex. Sock. Screw	M10 X 30
20	4279945M1	2	Shock Absorber	
21	391120X1	4	Hex. Sock. Screw	M16 X 45
22	3009515X1	4	Hex. Sock. Screw	M12 X 80
23	391212X1	4	Washer	Diameter 13-37 X 3
24	4273315M91	2	Shock Absorber	
25	4271561M1	1	Union	(24)
26	3787081M1	4	Chock	
27	4274350M1	2	Stop	
28	4276934M1	2	Spacer	
29	4273003M92	2	Linkage	
30	3019865X1	4	Hex. Sock. Screw	M16 X 75
31	4279533M1	2	Plate	Thickness 5 MM
32	339182X1	4	Hex. Sock. Screw	M16 X 90
	339881X1	4	Hex. Sock. Screw	M16 X 60
33	4274970M1	1	Support	Left Hand
	4274971M1	1	Support	Right Hand
34	3009512X1	2	Hex. Sock. Screw	M12 X 60
35	391914X1	2	Hex. Sock. Screw	M20 X 110
36	390419X1	8	Hex. Sock. Screw	M16 X 40
37	4278783M1	2	Hydr. Hose	
38	3787068M1	4	Bearing Carrier	
39	3787069M1	4	Thrust Washer	
40	3010067X1	2	Locknut	M20
41	4271078M1	2	Plate	
42	4274223M1	2	Plate	Thickness 3 MM
43	4278827M92	2	Support	
44	4274225M91	4	Spacer	
45	4275620M1	2	Plate	Thickness 4 MM
46	4273332M92	2	Accumulator	2 L
47	4274577M1	1	Union	(46)
48	4273336M1	1	Union	(46)
49	390597X1	6	Washer	Diameter 10-30 X 2,5
50	4275897M1	4	Spacer	
51	339034X1	4	Nut	M16

FOOTNOTE [A] CHECK NUT

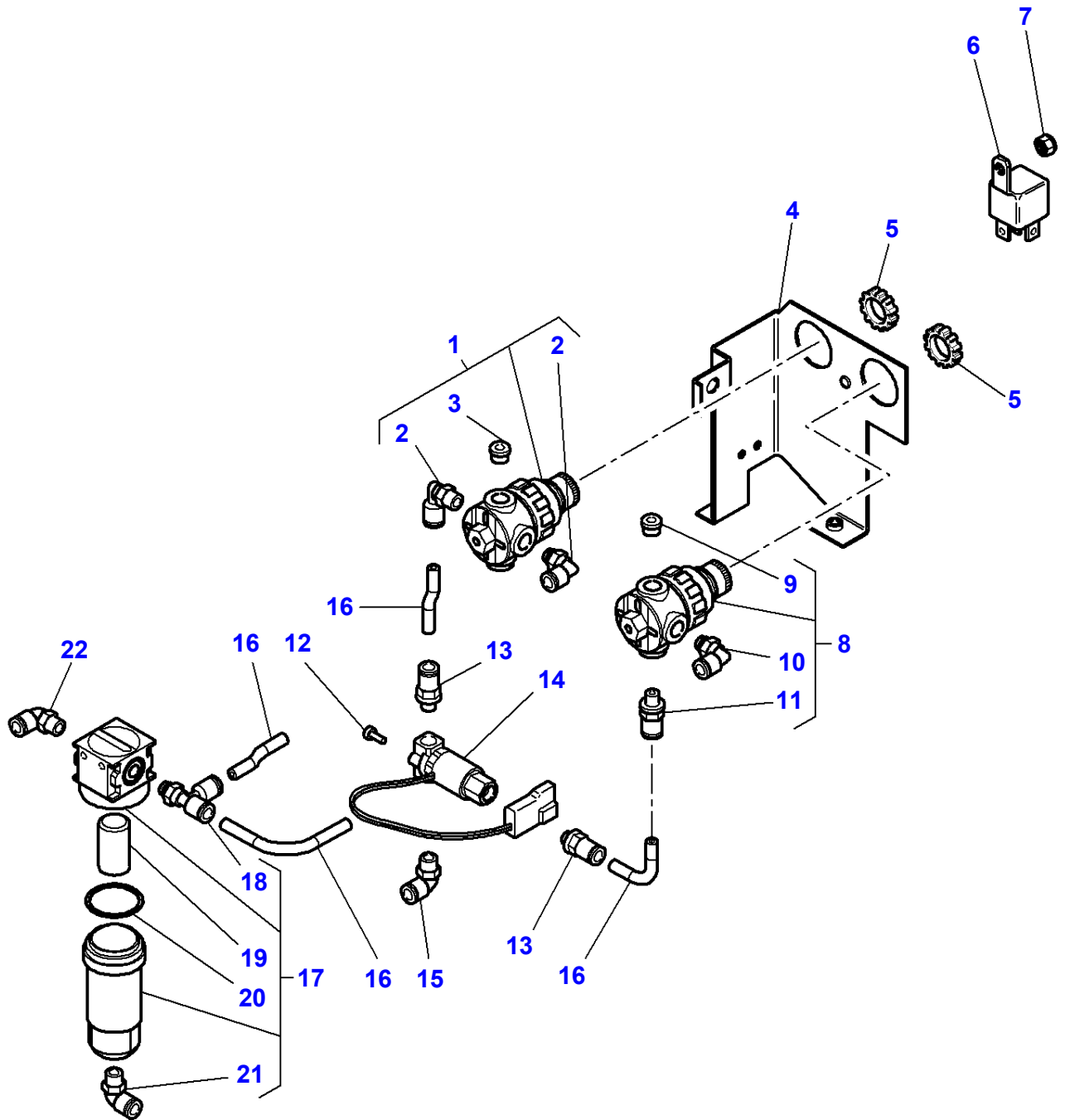
1-WU46-001-A



Suspended Cab Control Unit

Item	Part Number	Qty	Description	Comments
1	4275950M1	1	Cover	
2	3007920X1	11	Screw	M6 X 12
3		2	Tube	Not serviced,order REF. 6
4	4275874M91	1	Blow Off Valve	
5		1	Kit, Air Cleaner	See Page - Reference Number 110-0020
6	4275963M1	1	Pipe	
7		1	Compressor	See Page - Reference Number 110-0025
8		1	Air Tank	See Page - Reference Number 110-0030
9	4275951M1	1	Plate	
10		1	Exhaust Pipe	Not serviced,order REF. 6
11	4275947M1	1	Union	

1-WU46-005-A

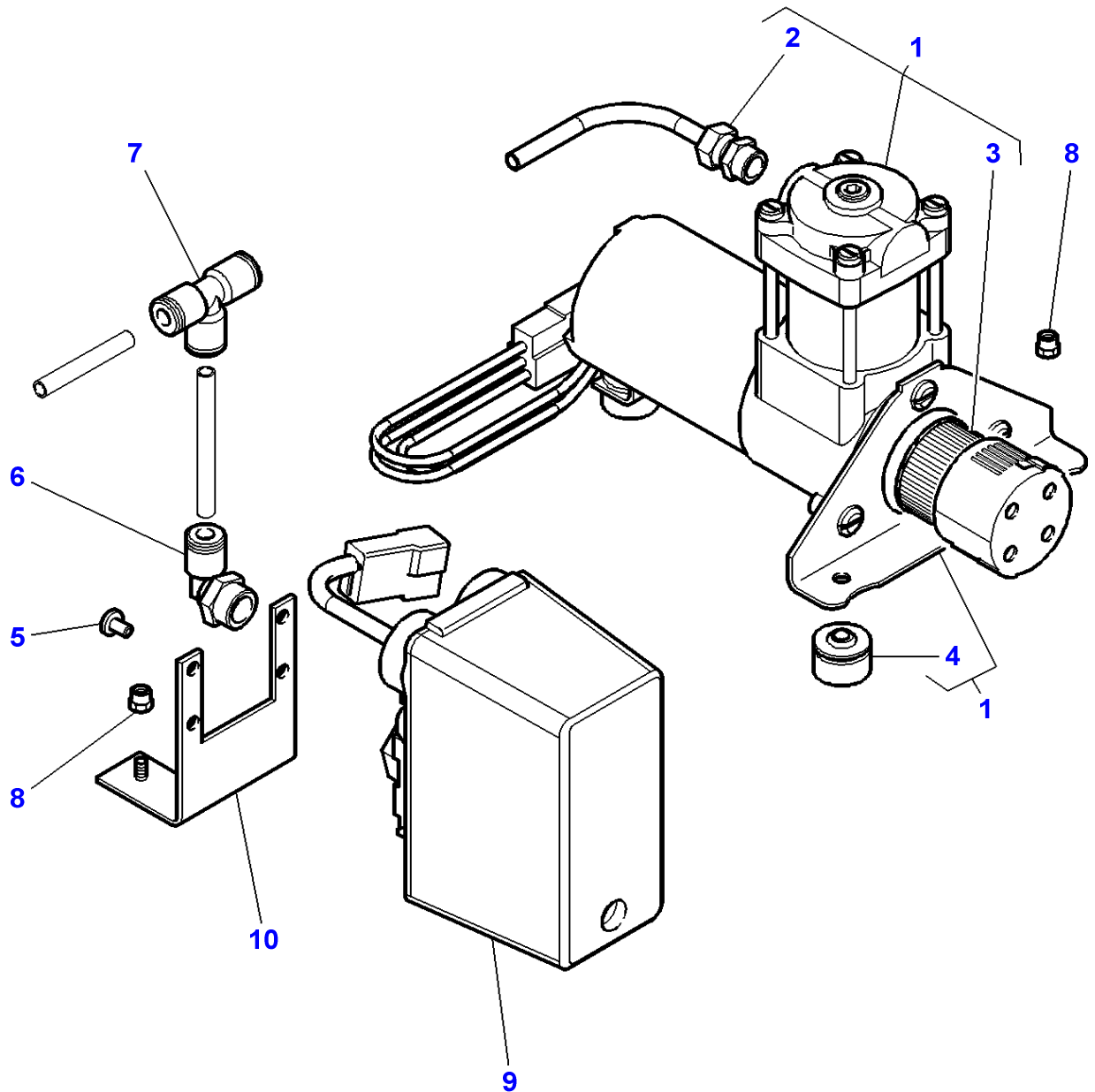


Suspended Cab Control Unit - Pressue Regulator And Filter

Item	Part Number	Qty	Description	Comments
1	4275825M91	1	Regulator	2,65 BAR
2	4275911M1	2	Union	(1) 1/8"- 6/4
3	4275909M1	1	Plug	(1) 1/8"
4	4275921M1	1	Plate	
5	3907551M1	2	Nut	
6	4275922M1	1	Relay	
7	3019139X1	1	Nut	
8	4275824M91	1	Regulator	2,10 BAR
9	4275909M1	1	Plug	(8) 1/8"
10	4275911M1	1	Union	(8) 1/8"- 6/4
11	4273336M1	1	Union	(8) 1/8"- 6/4
12	3019880X1	2	Screw Metric	M4 X 12
13	4273336M1	2	Union	
14	4275916M1	1	Electrovalve	
15	4275911M1	1	Union	
16	4275963M1	X	Pipe	[A] Length 1135MM
17	4275814M91	1	Filter	
18	4275914M1	1	Teepiece	(17)
19	4276397M1	1	Filter Insert	(17)
20	4276396M1	1	O Ring	(17)
21	4275911M1	1	Union	(17)
22	4275911M1	1	Union	

FOOTNOTE [A] CUT TO REQUIRED LENGTH

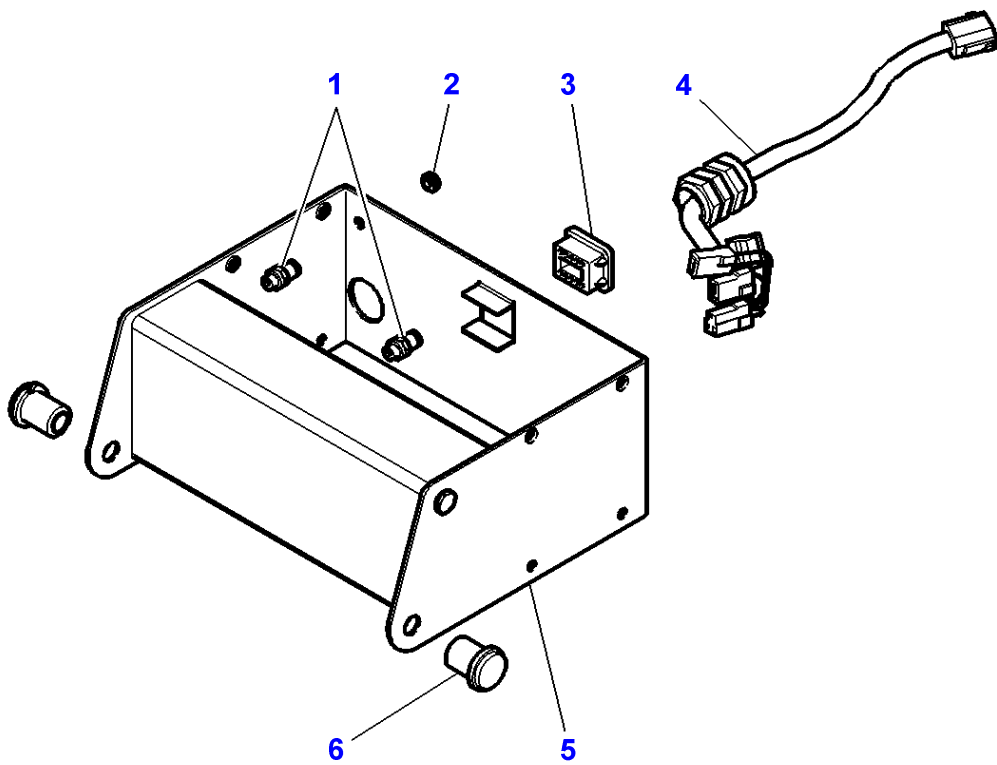
1-WU46-003-B



Suspended Cab Control Unit - Compressor

Item	Part Number	Qty	Description	Comments
1	4275812M91	1	Compressor	
2	4277531M91	1	Tube	(1)
3	4277532M91	1	Filter	(1)
4	4275977M1	2	Vibration Mount	(1)
5	3009530X1	2	Screw	
6	4275942M1	1	Union	
7	4275947M1	1	Union	
8	3019139X1	5	Nut	
9	4275943M91	1	Regulator	
10	4275944M1	1	Angle.	

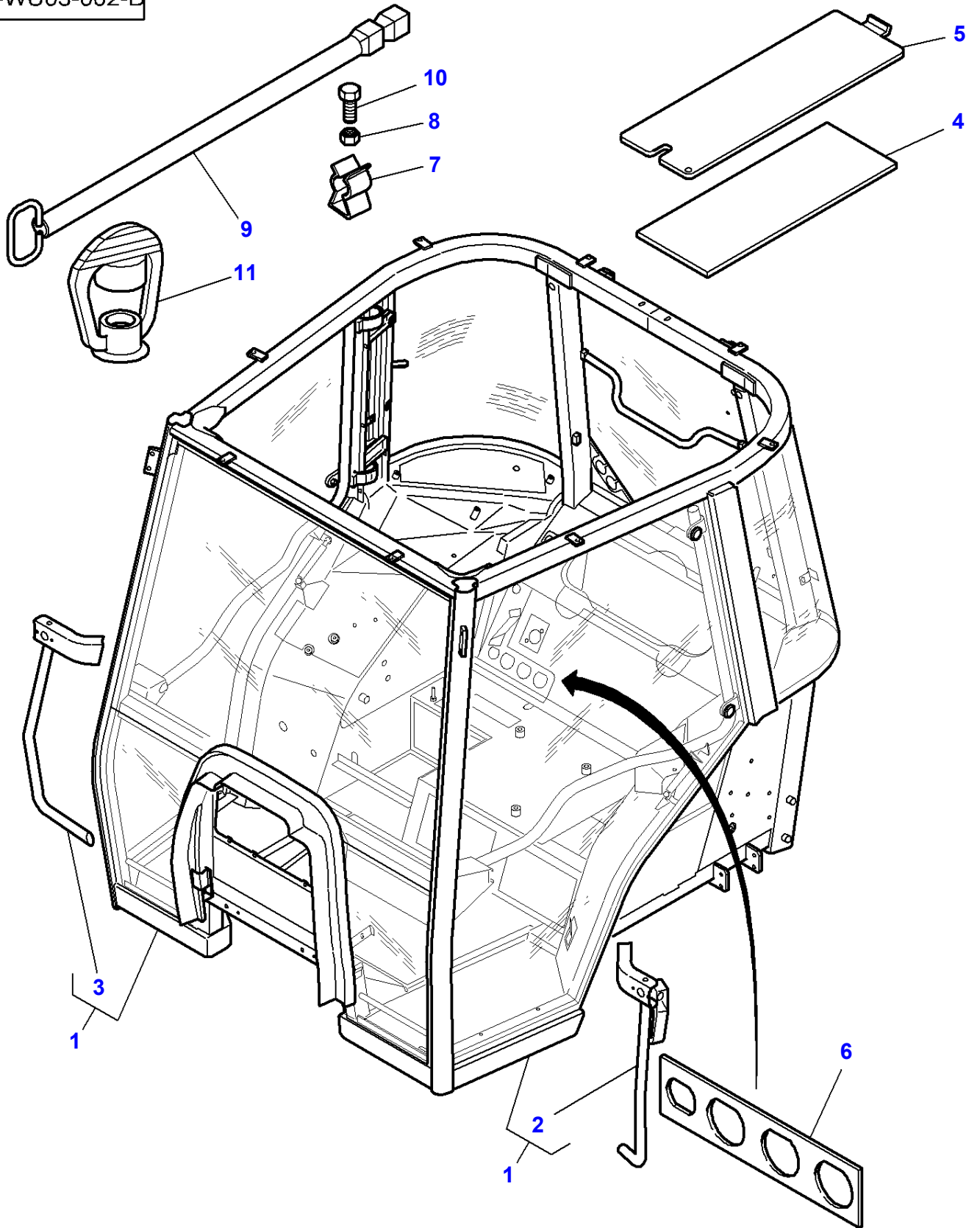
1-WU46-004-A



Massey Ferguson**MF 8450/8460 TRACTOR - 1637447****1637447****Suspended Cab Control Unit - AIR TANK****Page 110-0030**

Item	Part Number	Qty	Description
1	4273336M1	2	Union
2	4275937M1	3	Grommet
3	4275939M1	1	Latch
4	4275910M1	1	Harness
5	4274301M1	1	Box
6	4275938M1	2	Sleeve

1-WU03-002-D



Tractor Cab

Item	Part Number	Qty	Description	Comments
1	4279923M91	1	Cab	[B]
	4279924M91	1	Cab	[C]
2	3907537M1	1	Guideway	(1) Left Hand
3	3907481M1	1	Guideway	(1) Right Hand
4	4273198M1	1	Foam	
5	4273193M1	1	Trap	
6	4276716M1	1	Shield	Up to Serial or Engine Number
7	4276502M1	2	Clip	
8	339169X1	2	Nut	Up to Serial or Engine Number 03-2005 M8
9	G701.100.090.800	1	Tool	
10	3009285X1	2	Screw	From Serial or Engine Number 03-2005 M8 X 16
11	3617859M1	1	Helmet	From Serial or Engine Number 03-2005

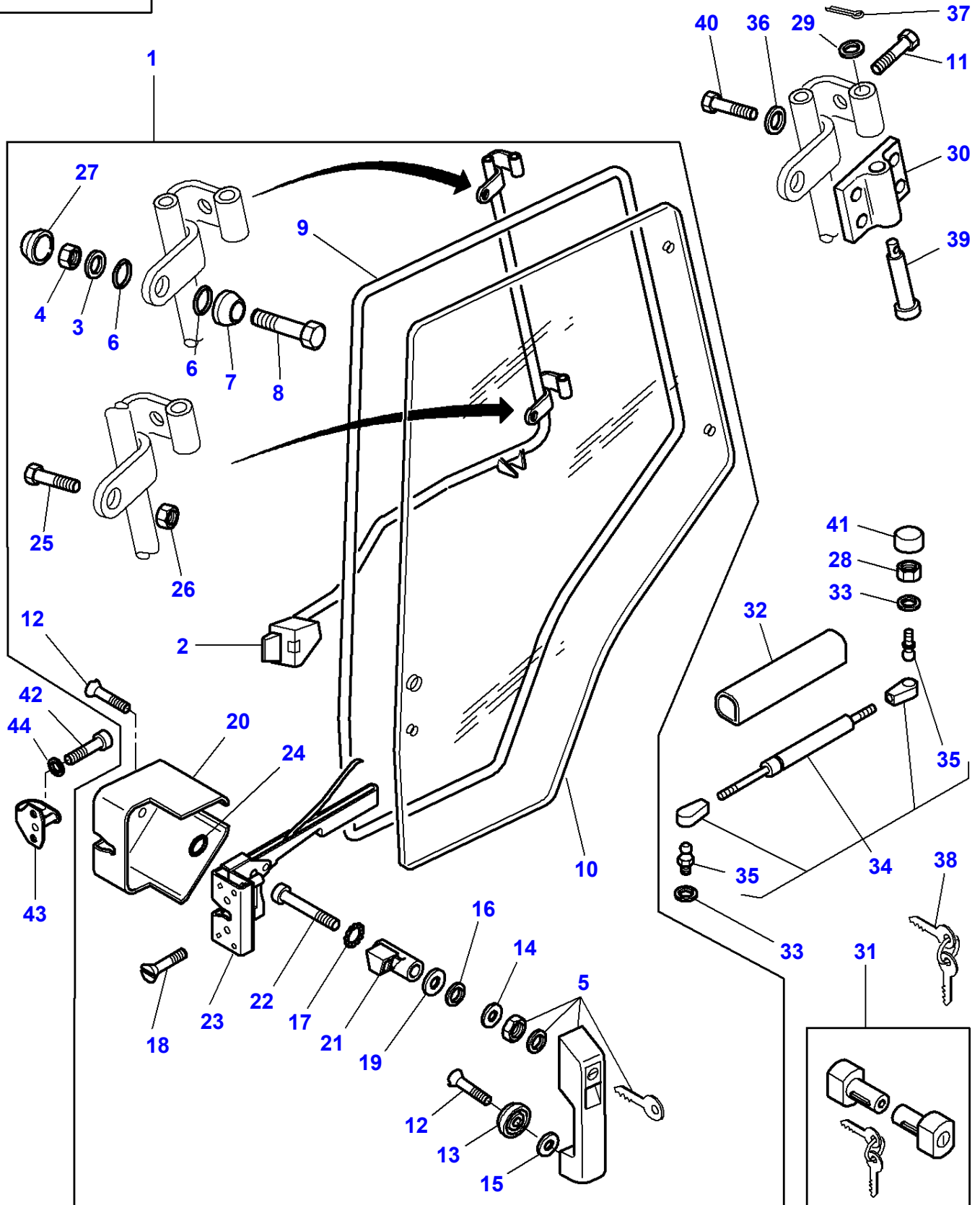
FOOTNOTE [A] WITH 50KPH TRACTOR

FOOTNOTE [B] WITH FRONT SCREEN 5MM

FOOTNOTE [C] WITH FRONT SCREEN 6MM

MF 8450/8460 TRACTOR - 1637447
1-WU05-002-B

1-WU05-002-B



Doors

Item	Part Number	Qty	Description	Comments
1	4275243M92	1	Gate	Right Hand
	4275242M91	1	Gate	Left Hand
2	4272772M1	1	Guideway	(1) Left Hand
	4272773M2	1	Guideway	(1) Right Hand
3	385361X1	2	Washer	(1) Diameter 9-17 X 3,2
4	394367X1	2	Locknut	(1) M8
5	3902356M91	1	Handle	[A] (1) No 610
6	3902365M1	2	Washer	(1) Diameter 8-30 X 3
7	4276449M1	2	Pedestal	(1)
8	3009444X1	2	Screw	(1) M8 X 40
9	3902122M1	1	Seal	(1)
10	4272775M1	1	Window	(1) Right Hand
	4272774M1	1	Window	(1) Left Hand
11	1442900X1	1	Screw	(1) M8 X 55 Replace and repair. Old not interchangeable with new 3008857X1
12	3902411M1	2	Screw	(1) M6 X 16
13	3902145M1	1	Skate	(1)
14	3902366M1	1	Washer	(1) Diameter 28-42 X 2
15	3902367M1	1	Washer	(1) Diameter 5-18 X 1
16	3011035X1	1	Washer	(1) Diameter 6-12 X 1,5
17	391289X1	1	Lock Washer	(1)
18	3902498M1	2	Screw Metric	(1) M6 X 25
19	391038X1	1	Washer	(1) Diameter 6-18 X 1,5
20	4276448M1	1	Muff	(1) Right Hand
	4276447M1	1	Muff	(1) Left Hand
21	3903504M1	1	Latch	(1)
22	3001757X1	1	Bolt	(1) M6 X 40
23	3804663M1	1	Latch	(1) Left Hand
	3804662M1	1	Latch	(1) Right Hand
24	4276446M1	1	Washer	(1) Diameter 14-28 X 3
25	339091X1	1	Hex. Sock. Screw	(1) M8 X 45
26	339169X1	1	Nut	(1) M8
27	3616277M1	2	Helmet	(1)
28	339169X1	2	Nut	M8
29	3903187M1	4	Washer	Diameter 12-22 X 1,2
30	3902116M1	4	Hinge	
31	3902370M91	1	Parts Pack	No 610
32	3902415M1	2	Protector	
33	391025X1	4	Lock Washer	
34	3902121M4	1	Ram	Left Hand
	4279925M1	1	Ram	Right Hand
35	3902773M1	2	Toggle	(34)
36	385361X1	16	Washer	Diameter 9-17 X 3,2
37	1442963X1	4	Split Pin	Diameter 2,5 X 32
38	3902584M91	1	Kit, Spanner	
39	3903186M1	4	Clevis Pin	
40	3902414M1	16	Screw	M8 X 20

Doors

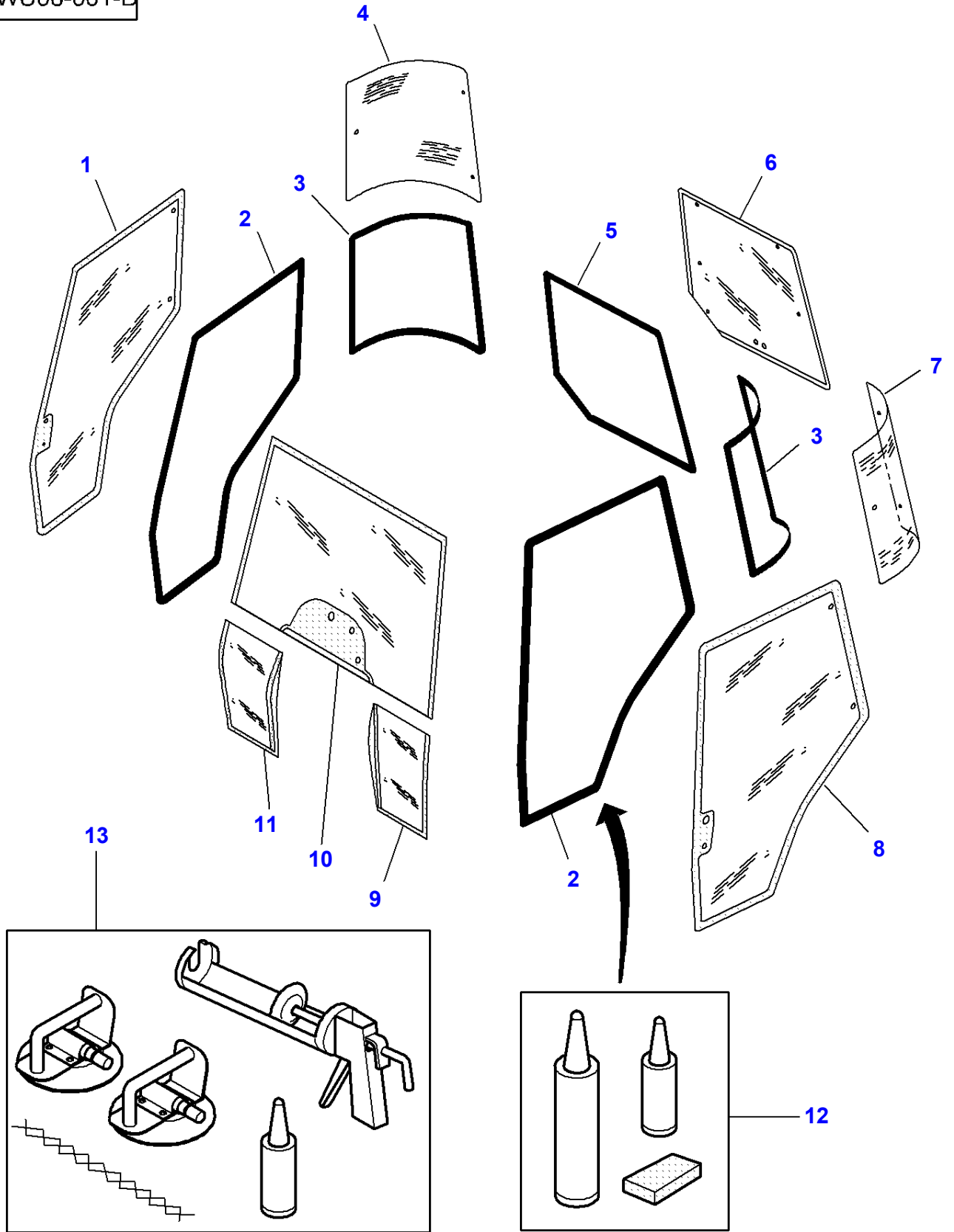
Item	Part Number	Qty	Description	Comments
41	3616277M1	2	Helmet	
42	3010775X1	4	Screw	M6 X 25
43	3902372M1	2	Latch	
44	391038X1	4	Washer	Diameter 6-18 X 1,5

FOOTNOTE [A] NUMBER STAMPED ON THE LOCK

FOOTNOTE [B] CAB WITH FLAT BOTTOM

FOOTNOTE [C] CAB WITH TUNNEL BOTTOM

1-WU06-001-D

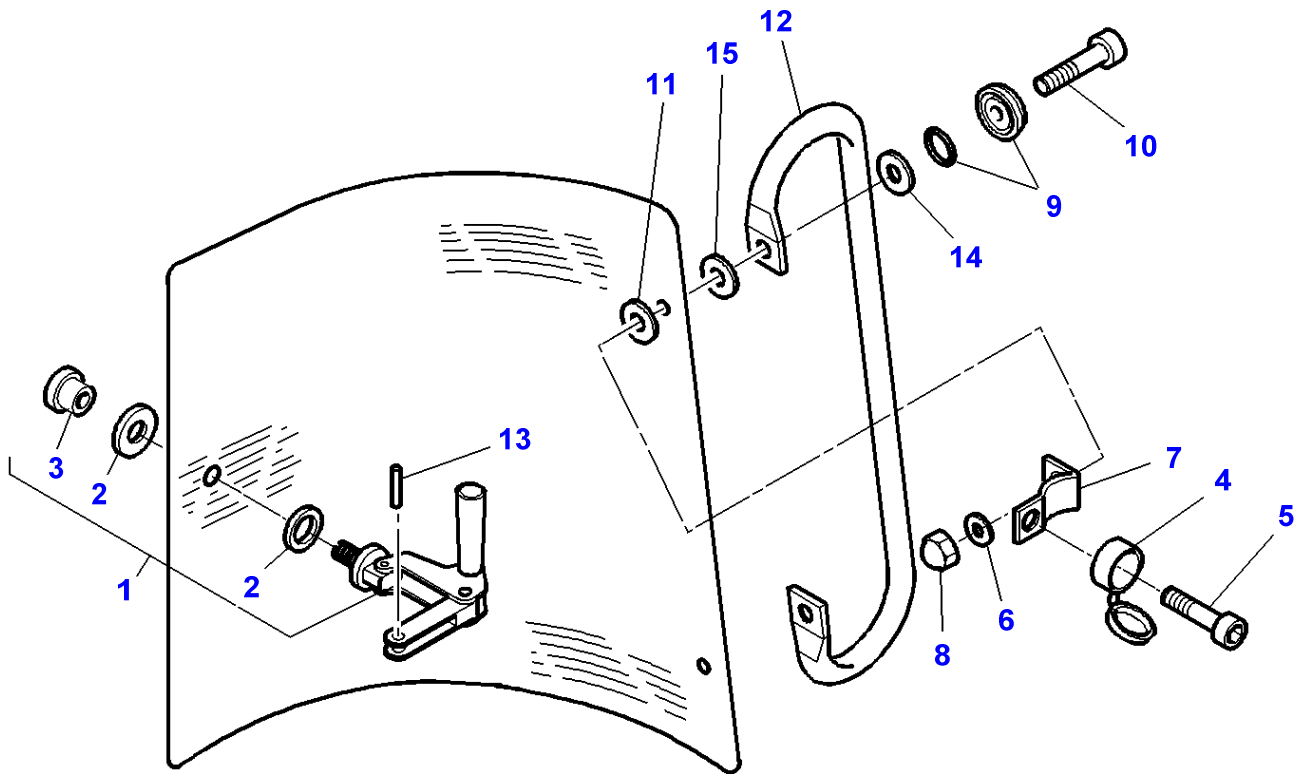


Glass

Item	Part Number	Qty	Description	Comments
1	4272775M1	1	Window	Right Hand
2	3902122M1	2	Seal	
3	3902133M1	2	Seal	
4	3902131M1	1	Window	Right Hand
5	3902144M1	1	Seal	
6	3715438M1	1	Window	
7	3902130M1	1	Window	Left Hand
8	4272774M1	1	Window	Left Hand
9	3902149M1	1	Window	Left Hand
10	4273518M1	1	Windscreen	Thickness 6 MM
	4273519M1	1	Windscreen	Thickness 5 MM
11	3902150M1	1	Window	Right Hand
12	3902373M93	1	Glazing Kit	
13	3902503M91	1	Parts Pack	

FOOTNOTE [A] WITH 50KPH TRACTOR

1-WU85-001-C



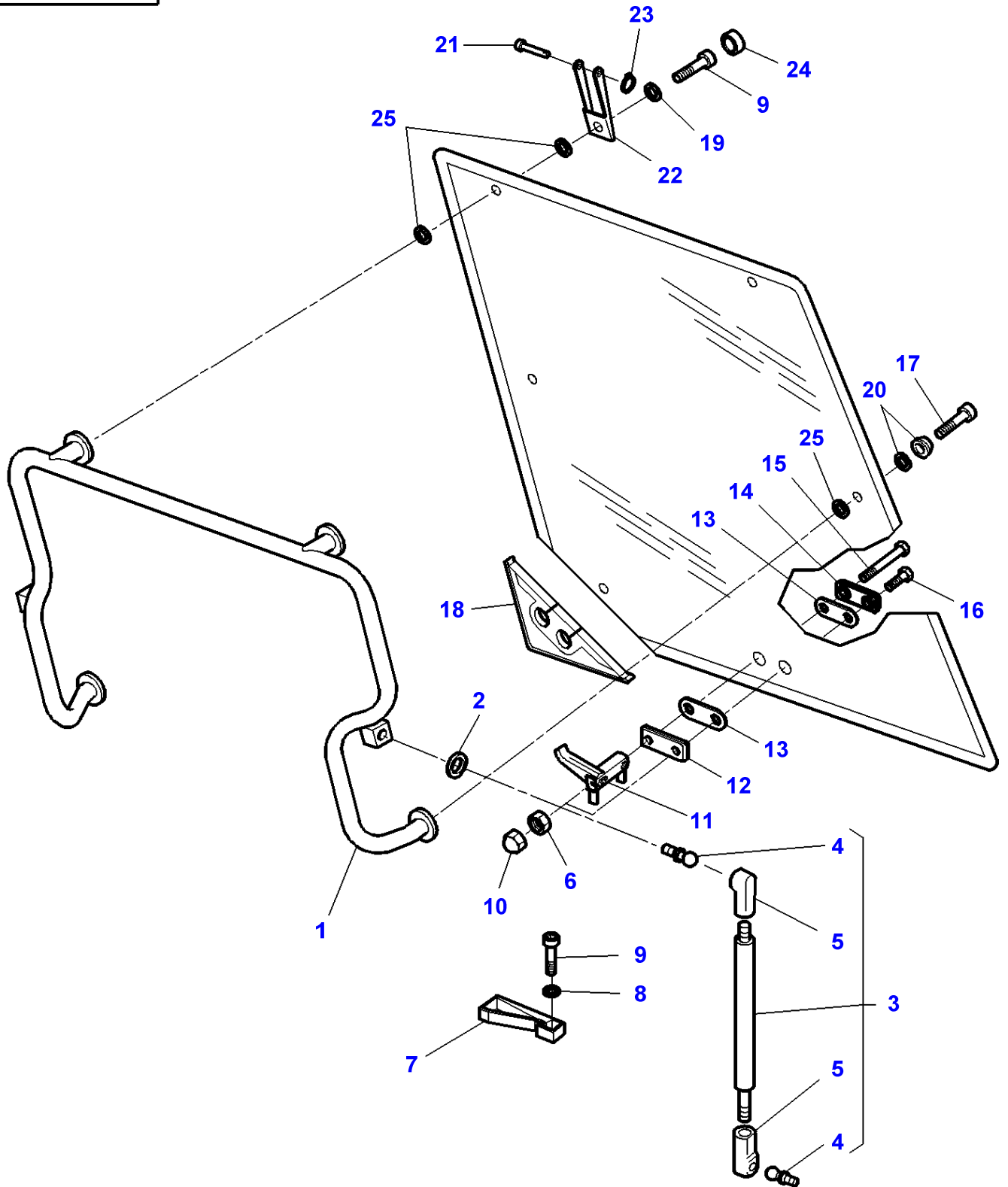
Side Window Mechanism

Item	Part Number	Qty	Description	Comments
1	3476132M91	1	Stay	Right Hand
	3476133M91	1	Stay	Left Hand
2	3478052M1	2	Washer	(1)
3	3478051M1	2	Nut	(1)
4	3902129M1	4	Muff	
5	3010775X1	4	Screw	M6 X 25
6	3011035X1	4	Washer	Diameter 6-12 X 1,5
7	3902128M1	4	Hinge	
8	3902455M1	4	Cap Nut	M6
9	3902145M1	4	Skate	
10	4275839M1	4	Screw	M6 X 35
11	3903189M1	4	Washer	Diameter 10,9-30 X 2
	3902365M1	4	Washer	Diameter 8-30 X 3
12	3783201M1	2	Guideway	[A]
13	1440396X1	2	Dowel	5 X 12
14	3902367M1	2	Washer	Diameter 5-18 X 1
15	4274622M1	4	Washer	Diameter 8-20 X 3

FOOTNOTE [A] CAB WITH FLAT BOTTOM

FOOTNOTE [B] CAB WITH TUNNEL BOTTOM

1-WU84-001-B



Massey Ferguson**MF 8450/8460 TRACTOR - 1637447**

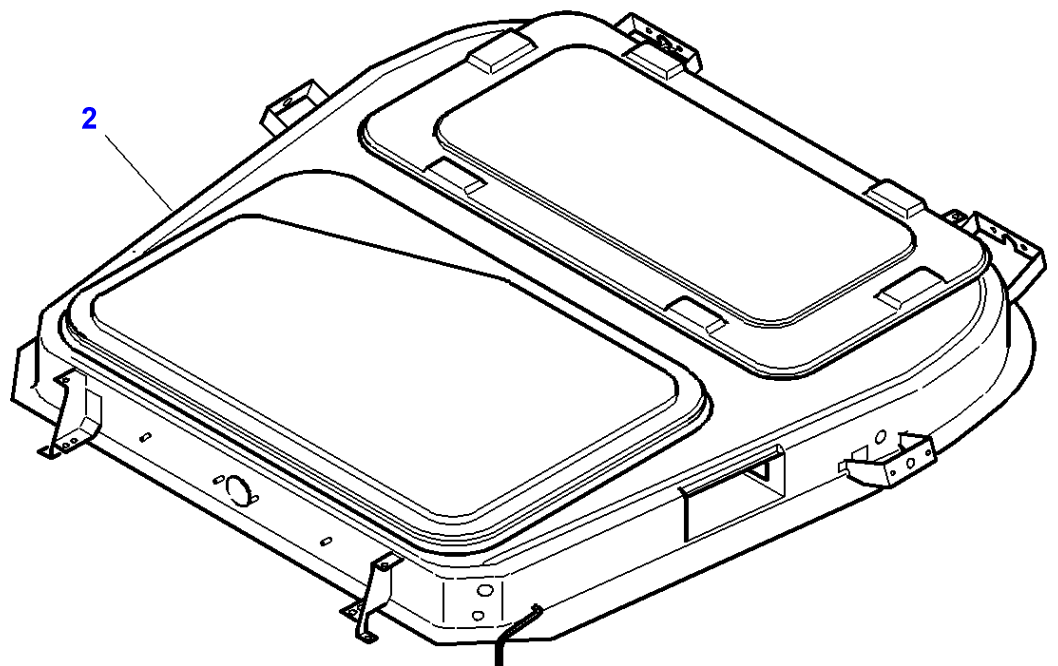
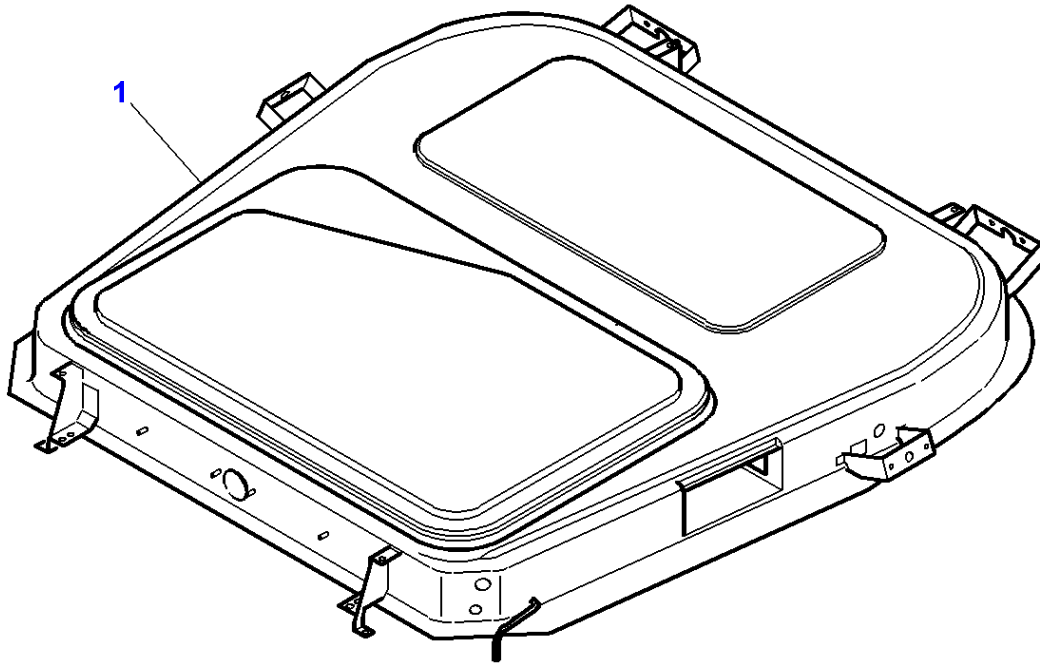
1637447

Page 110-0055

Rear Window Mechanism

Item	Part Number	Qty	Description	Comments
1	3902135M92	1	Support	
2	391025X1	4	Lock Washer	
3	3902140M1	2	Ram	
4		2	Toggle	(3) Not serviced,order REF. 3
5		2	Toggle	(3) Not serviced,order REF. 3
6	1440329X1	2	Locknut	M10
7	3619610M1	1	Thruster	
8	391289X1	2	Lock Washer	
9	3010775X1	4	Screw	M6 X 25
10	3619609M1	2	Helmet	M10
11	3619605M1	1	Handle	
12	3619604M1	1	Plate	
13	3619906M1	2	Gasket	
14	3619603M1	1	Plate	
15	3619907M1	1	Screw	M10 X 130
16	3619908M1	1	Screw	M10 X 35
17	3010775X1	2	Screw	M6 X 25
18	3806376M1	1	Seal	
19	385361X1	2	Washer	
20	3902145M1	2	Skate	
21	3902137M1	2	Clevis Pin	
22	3902136M2	2	Clevis	
23	1440988X1	2	Circlip	
24	3902129M1	2	Muff	
25	3902365M1	6	Washer	Diameter 8-30 X 3 MM

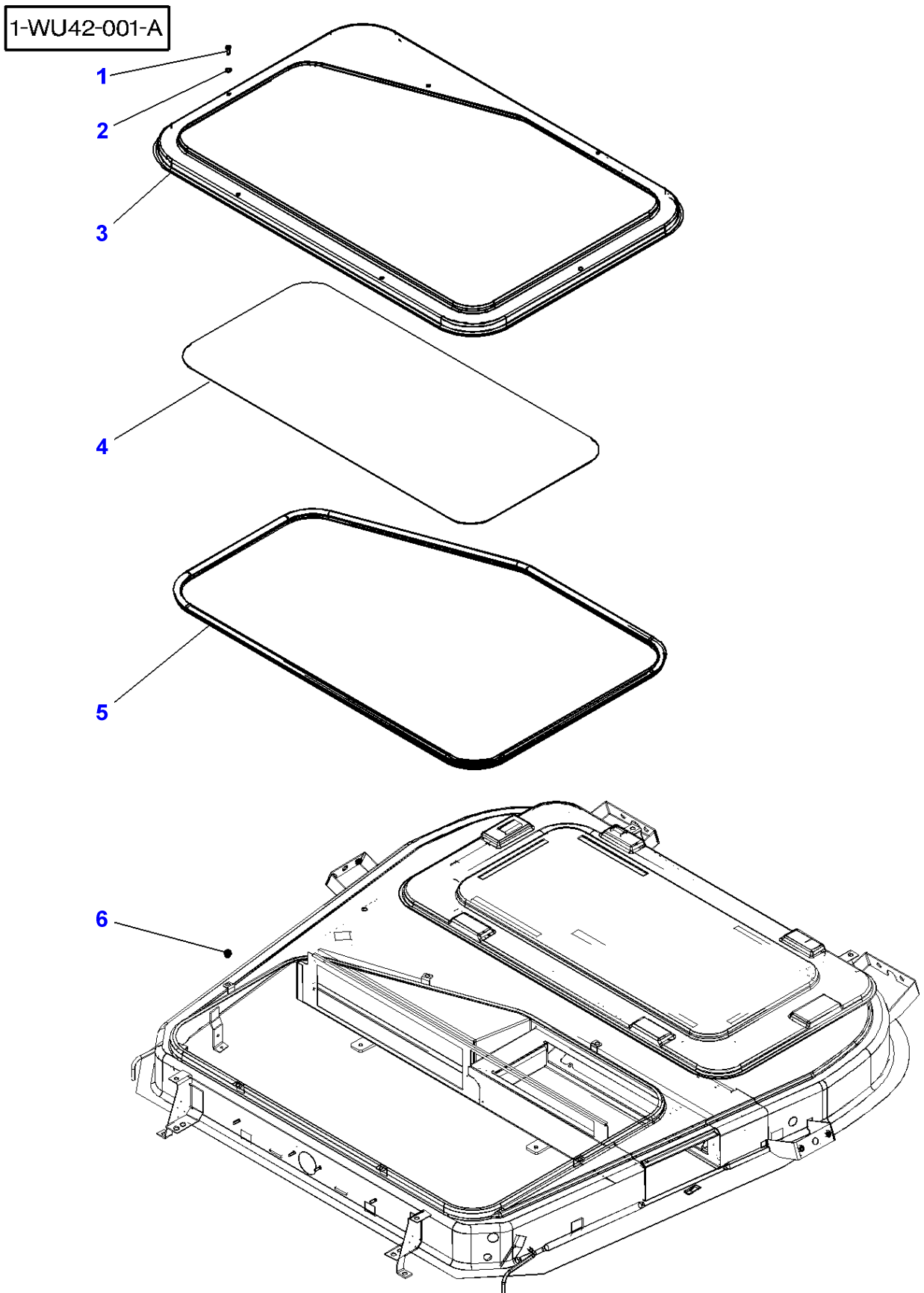
1-WU02-001-C



Roof

Item	Part Number	Qty	Description	Comments
1	3786624M93	1	Roof	
2	3786626M93	1	Roof	[A]

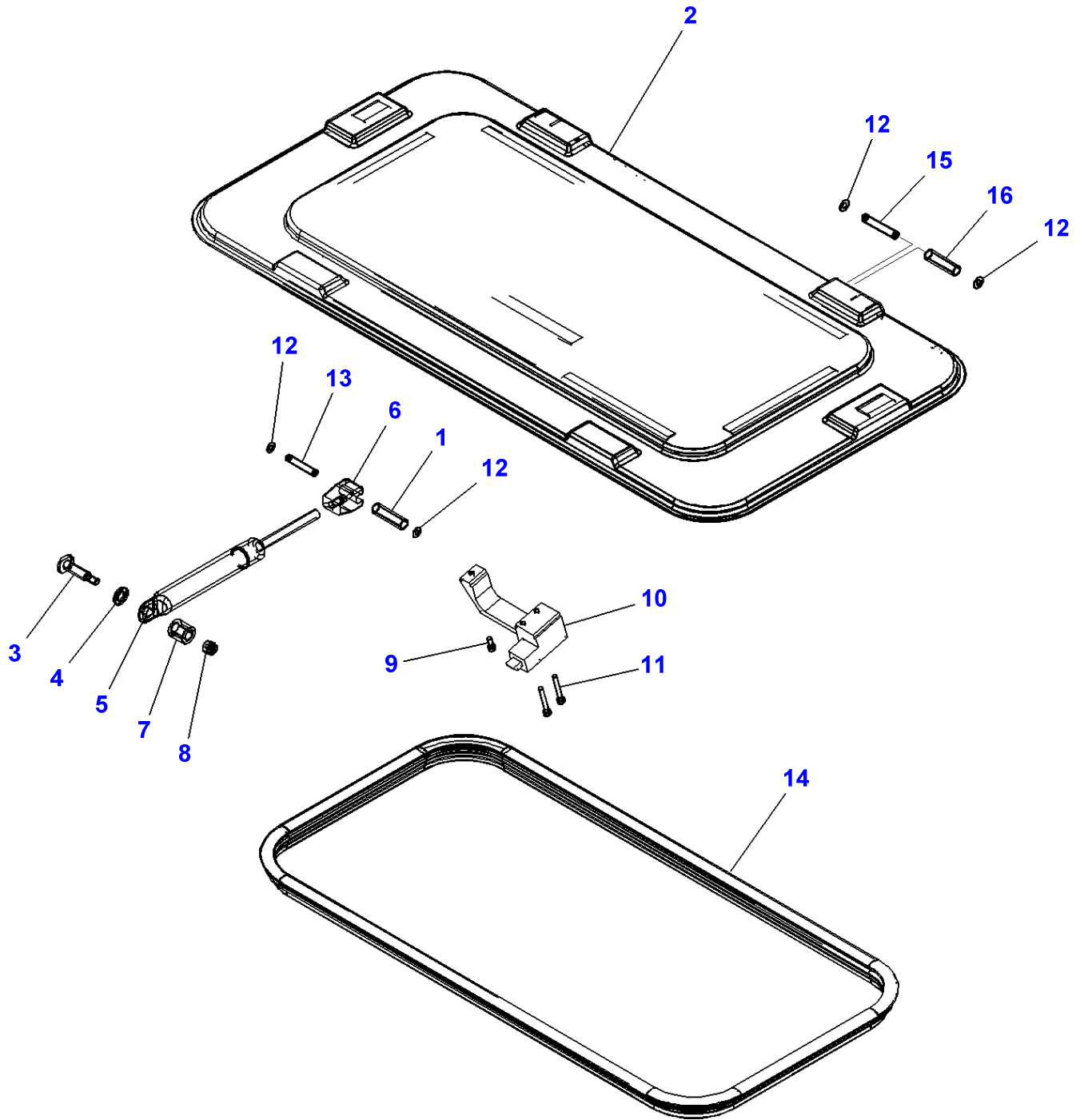
FOOTNOTE [A] WITH ROOF HATCH



Heating Hatchway

Item	Part Number	Qty	Description	Comments
1	339560X1	6	Hex. Sock. Screw	M6 X 16
2	390971X1	6	Washer	Diameter 6-12 X 1,5 MM
3	3787166M92	1	Trap	
4	3788932M1	1	Sound Reduction	
5	3786637M1	1	Gasket	
6	3580774M1	6	Nut	M6

1-WU43-001-A

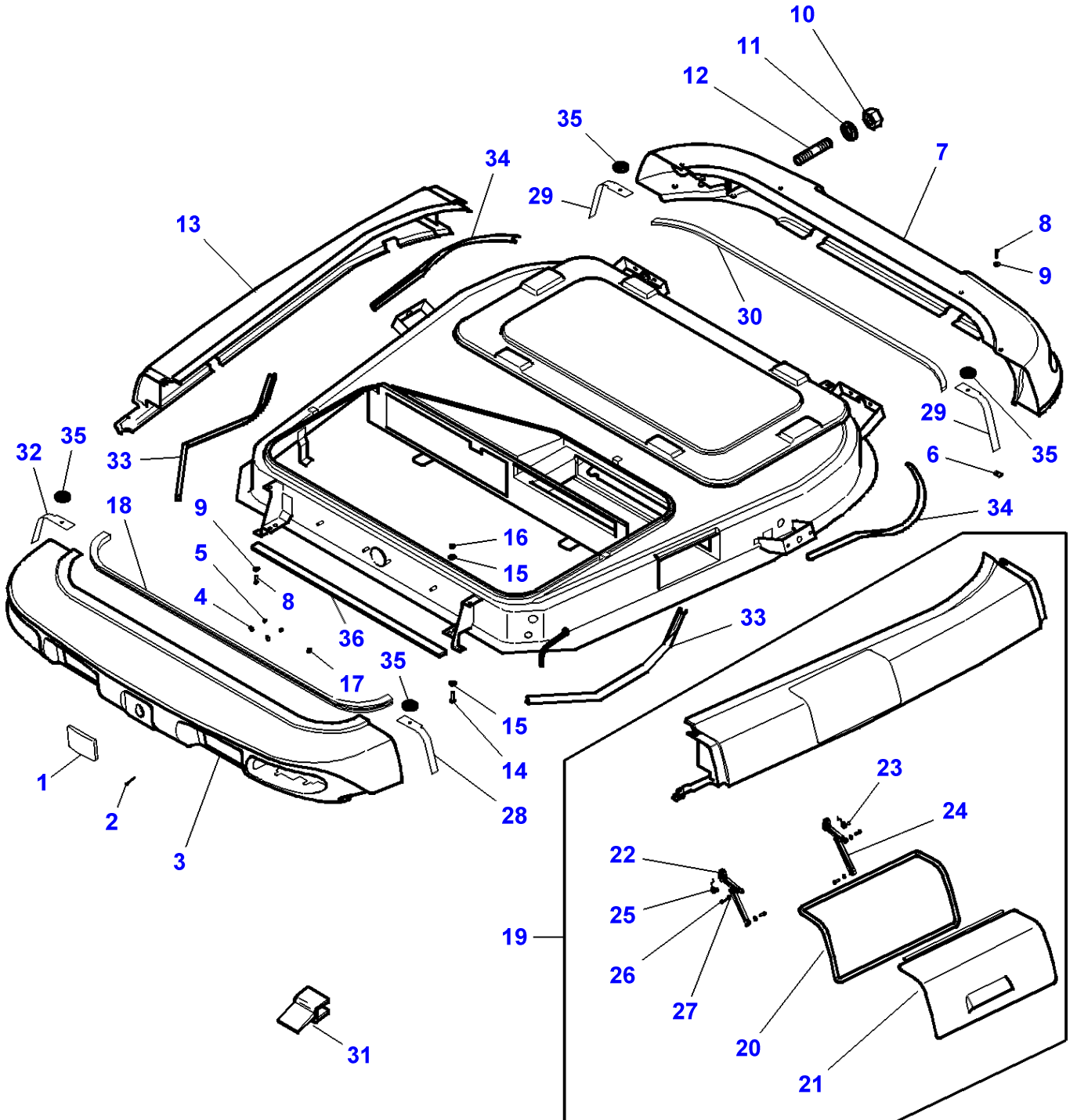


Air Hatchway

Item	Part Number	Qty	Description	Comments
1	3303076M1	2	Bush	
2	3787167M91	1	Trap	
3	3788925M1	2	Pivot	
4	3301741M1	2	Washer	
5	3303021M91	2	Gas Strut	
6	3303019M3	2	Head	
7	3788935M1	2	Spacer	
8	1441500X1	2	Locknut	M6
9	395579X1	1	Screw Metric	M6 X 16
10	3388511M91	1	Handle	
11	3009284X1	2	Screw	M6 X 45
12	3000261X1	6	Clip	
13	3303075M1	2	Clevis Pin	
14	3788931M1	1	Gasket	
15	3303074M1	2	Clevis Pin	
16	3303077M1	2	Bush	

MF 8450/8460 TRACTOR - 1637447
1-WU19-004-D

1-WU19-004-D



Tractor Cab - Cladding

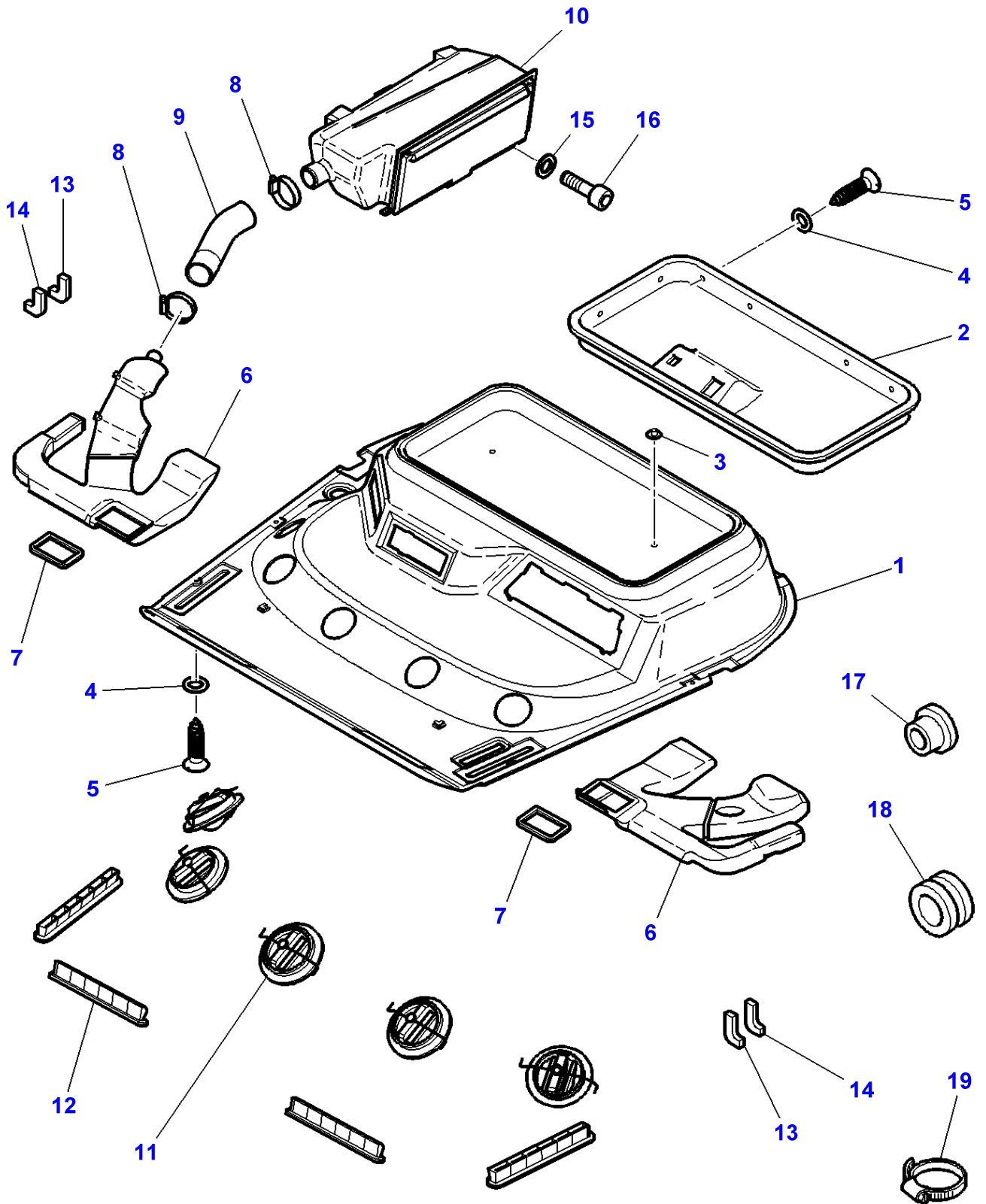
Item	Part Number	Qty	Description	Comments
1	3808163M91	1	Badge	
2	3817216M1	3	Screw	M4 X 19
3	3788202M93	1	Visor	[A]
	3788205M93	1	Visor	[B]
	3786642M93	1	Visor	For United States of America
4	3019560X1	2	Washer	Diameter 5-15 X 1,5
5	1441494X1	2	Nut Metric	M5
6	3010070X1	4	Nut	M6
7	3786695M92	1	Visor	
	3787174M92	1	Visor	For United States of America
8	339666X1	10	Hex. Sock. Screw	M6 X 20
9	391038X1	10	Washer	Diameter 6-18 X 1,5
10	1440022X1	4	Stud	M8 X 20
11	390972X1	4	Washer	Diameter 8-17 X 1,7
12	339169X1	4	Nut	M8
13	3788209M93	1	Visor	Right Hand
14	339761X1	43	Hex. Sock. Screw	M8 X 25
15	3010597X1	8	Tab Washer	Diameter 8-22
16	339169X1	4	Nut	M8
17	3817218M1	4	Spring Nut	Diameter 4,5
18			Not Used	
19	3787162M93	1	Visor	Left Hand
20	3787141M1	1	Gasket	(19)
21	3786648M1	1	Trap	(19)
22	3787180M1	2	Rod Link	(19)
23	3787182M1	1	Spring	(19)
				Right Hand
24	3787181M1	2	Rod Link	(19)
25	3787183M1	1	Spring	(19)
				Left Hand
26	3787143M1	4	Screw	(19)
				M3 X 8
27	390752X1	4	Washer Metric	(19)
28	4278385M1	1	Gasket	Length 220 MM
29	4278387M1	2	Gasket	Length 270 MM
30			Not Used	
31	3783543M1	2	Gasket	Length 50 MM
32	4278386M1	1	Gasket	Length 220 MM
33	4278388M1	2	Gasket	Length 520 MM
34	4278389M1	2	Gasket	Length 800 MM
35	3902365M1	4	Washer	Diameter 8-30
36	4278398M1	2	Gasket	Length 1230 MM

FOOTNOTE [A] WITH 2 HEADLAMPS

FOOTNOTE [B] WITH 4 HEADLAMPS

MF 8450/8460 TRACTOR - 1637447
1-WU19-016-A

1-WU19-016-A



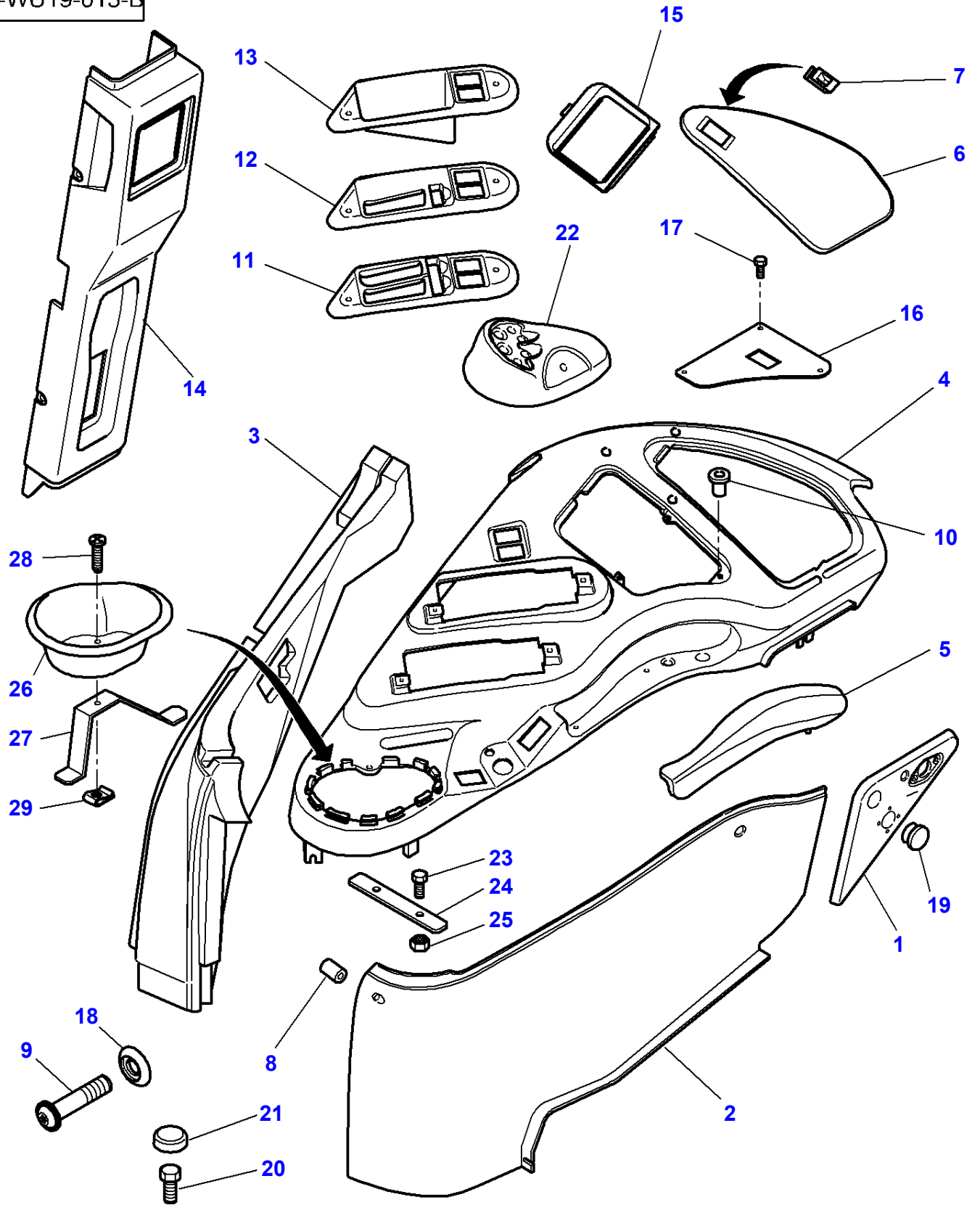
Tractor Cab - Cladding - Dressing Roof

Item	Part Number	Qty	Description	Comments
1	4273536M92	1	Cladding	[A]
	4273535M92	1	Facing	
2	3788213M1	1	Facing	
3	4271027M1	2	Nut	[A] M8
4	1427000M1	X	Washer	Diameter 5,2-16 X 4 MM
5	3010506X1	X	Screw	M5 X 16
6	3786684M1	1	Pipe	Left Hand
	3786672M1	1	Pipe	Right Hand
7	3615352M1	2	Gasket	
8	338617X1	2	Hose Clip	Diameter 40-60
9	4271111M1	1	Sheath	
10	4273542M91	1	Holder	
11	3786678M1	5	Vent	
12	4273677M1	4	Ventilator	
13	4271133M1	2	Gasket	Right Hand
14	4271112M1	2	Gasket	Left Hand
15	391038X1	3	Washer	Diameter 6-18 X 1,5
16	1440350X1	3	Screw Metric	M6 X 20
17	3580599M1	1	Plug	Diameter 22 MM
18	3783677M1	1	Grommet	Diameter 7-17-21
19	3619622M1	2	Cable Tie	

FOOTNOTE [A] WITHOUT ROOF HATCH

MF 8450/8460 TRACTOR - 1637447
1-WU19-015-B

1-WU19-015-B



Tractor Cab - Cladding

Item	Part Number	Qty	Description	Comments
1	4279100M91	1	Triangle	
2	4279097M91	1	Panel	
3	4279109M91	1	Envelope	
	4279302M91	1	Cladding	[A]
4	4270864M92	1	Plate Clamping	
	4273513M92	1	Plate Clamping	For United States of America
5	3789486M1	1	Armrest	
6	4270868M91	1	Cover	
	4273512M91	1	Cover	For United States of America
7	4270986M1	1	Hasp	
8	4272208M1	1	Spacer	Diameter 7-13 X 14,8
9	3010578X1	X	Screw	M5 X 10
	3010506X1	X	Screw	M5 X 16
	3011434X1	X	Screw	M5 X 30
10	4277656M1	3	Insert	M4
11	3787570M1	1	Cover	
12	4270711M1	1	Cover	
13	4270709M1	1	Cover	
14	4276954M91	1	Mounting	Right Hand
	4278016M91	1	Mounting	Right Hand For United States of America
15	4270710M1	1	Grille	
16	3788427M1	1	Blanking Plate	[B]
17	3010506X1	3	Screw	M5 X 16
18	1427000M1	X	Washer	Diameter 5,2-16 X 4
19	4275985M1	3	Tap	[C] Diameter 32 MM
20	3009491X1	3	Hex. Sock. Screw	M10 X 20
21	3824109M1	3	Cap	
22	4270876M91	1	Console	
23	1440922X1	2	Hex. Sock. Screw	M6 X 60
24	4273192M1	1	Plate	
25	3019123X1	2	Nut	M6
26	4270951M1	1	Pocket	For United States of America
27	4274211M1	1	Strap	For United States of America
28	3010506X1	1	Screw	For United States of America M5 X 16
29	3715143M1	1	Nut	For United States of America

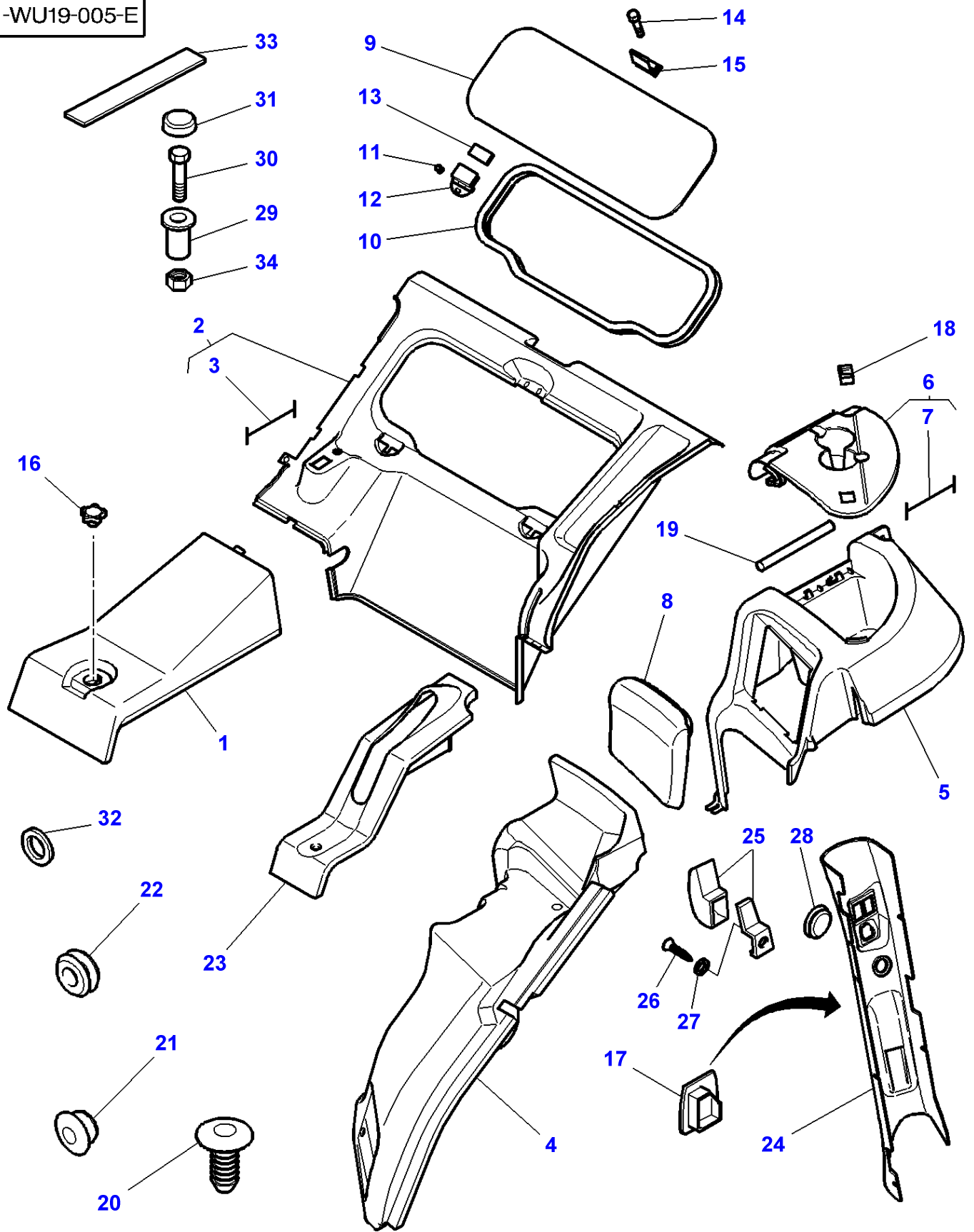
FOOTNOTE [A] WITH DATATRONIC

FOOTNOTE [B] WITHOUT HYDRAULIC LIFT

FOOTNOTE [C] WITHOUT ELECTRICAL PLUG

MF 8450/8460 TRACTOR - 1637447
1-WU19-005-E

1-WU19-005-E



Tractor Cab - Cladding

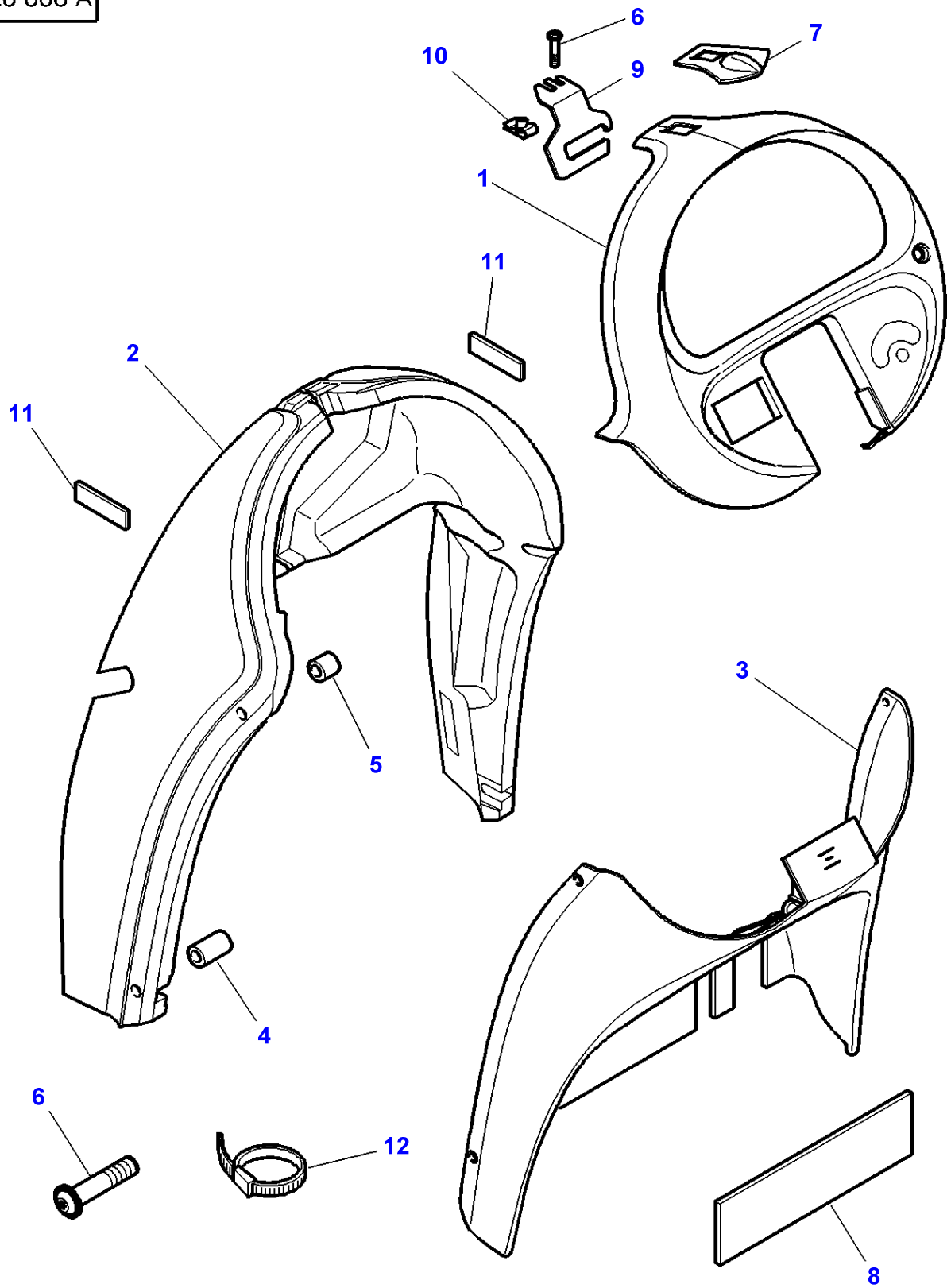
Item	Part Number	Qty	Description	Comments
1	4279112M91	1	Cover	
2	4279115M91	1	Rear Window	
3	4270988M1	1	Tie	(2) Length 110 MM
4	4279121M91	1	Envelope	
5	4279118M91	1	Locker	
6	4270882M93	1	Cover	
7	4270987M1	1	Tie	(6) Length 450 MM
8	4279127M91	1	Back Rest	
9	3714482M1	1	Window	
10	3786411M1	1	Gasket	Length 1385 MM
11	3902455M1	2	Cap Nut	M6
12	3784336M1	2	Hinge	
13	3784894M1	2	Gasket	Length 50 MM
14	3010506X1	2	Screw	M5 X 16
15	3784337M1	1	Latch	
16	4270514M1	1	Button	
17	4271912M1	1	Muff	[A]
18	4270986M1	1	Hasp	
19	4270984M1	1	Clevis Pin	
20	4275041M1	X	Button	Diameter 10 MM
	4275057M1	X	Button	Diameter 7 MM
21	3713587M1	1	Plug	Diameter 22 MM
	3041932M1	1	Plug	[B] Diameter 13 - 19 MM
22	1803494M1	1	Grommet	Diameter 15-10-3
23	4279869M91	1	Muff	
24	4270881M91	1	Mounting	
25	3810912M91	1	Hook	
26	3010578X1	1	Screw	M5 X 10
27	390469X1	1	Washer	Diameter 5-10 X 1,5
28	4275985M1	1	Tap	Diameter 32 MM
29	3715991M1	1	Spacer	Diameter 8,5-11,4
30	339337X1	1	Hex. Sock. Screw	M8 X 30
	339009X1	2	Hex. Sock. Screw	M8 X 35
31	3616277M1	3	Helmet	
32	1427000M1	9	Washer	Diameter 5,2-16 X 4
33	3778749M1	2	Foam	25 X 15 X 80
34	339169X1	2	Nut	M8

FOOTNOTE [A] WITH OUT ELECTRIC CONTROL REAR REFLECTING MIRROR

FOOTNOTE [B] WITHOUT AUTOMATIC HITCH

FOOTNOTE [C] WITHOUT SECONDARY SEAT

1-WU20-006-A



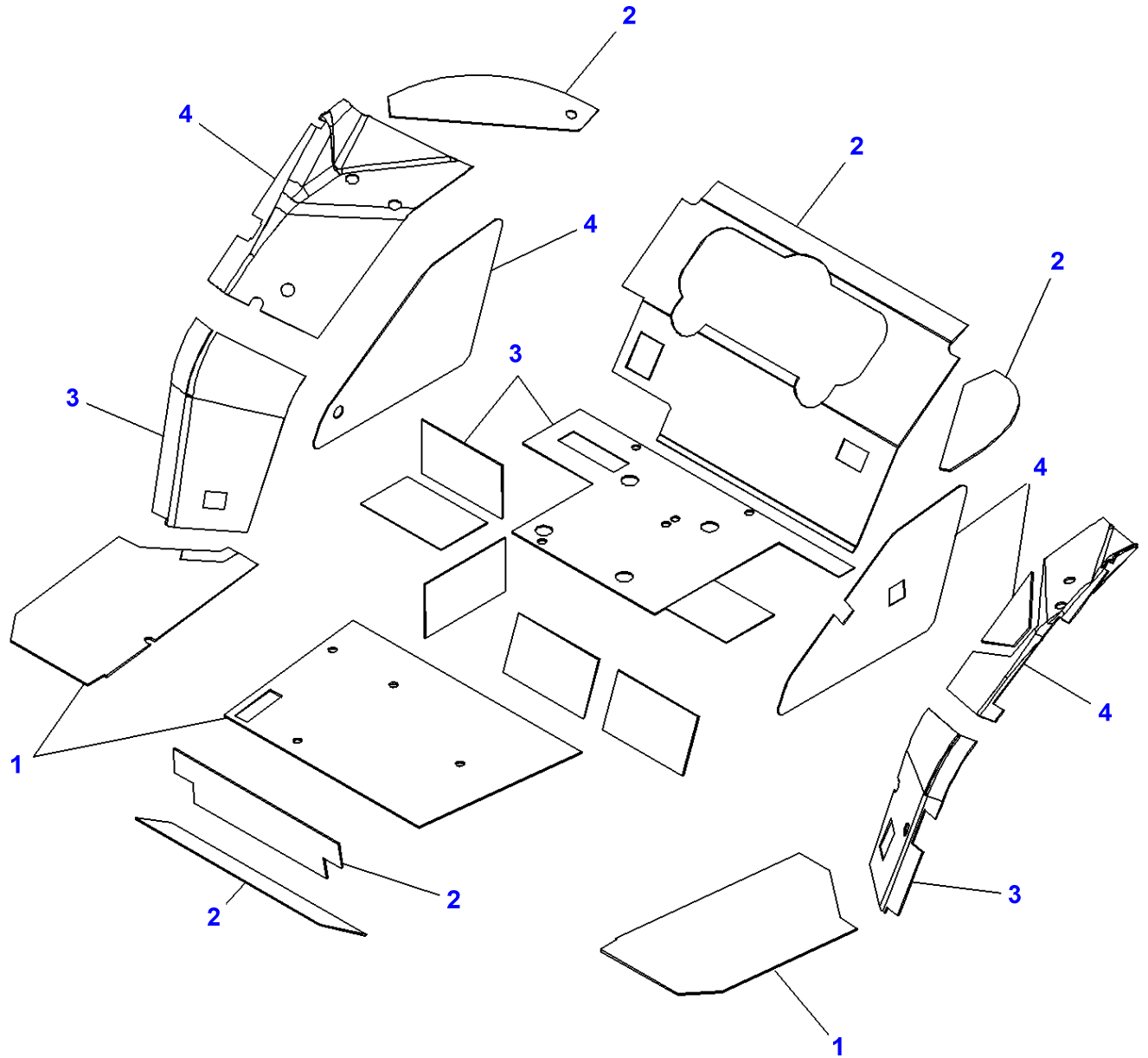
Instrument Panel Cladding

Item	Part Number	Qty	Description	Comments
1	4270884M93	1	Plate Clamping	
	4273510M93	1	Plate Clamping	For United States of America
2	4279106M91	1	Envelope	
3	4279103M91	1	Panel	
4	4272688M1	2	Spacer	Diameter 15-M5 X 25
5	4272687M2	2	Spacer	Diameter 15-M5 X 11
6	3010578X1	X	Screw	M5 X 10
	3010506X1	X	Screw	M5 X 16
	3011434X1	X	Screw	M5 X 30
7	4276813M1	1	Flange	[B]
	4276867M1	1	Flange	[C]
8	4271499M1	1	Trim	520 X 150
9	4276864M2	1	Support	
10	3715143M1	X	Nut	M5
11	3814980M1	4	Pad	
12	3619622M1	X	Cable Tie	

FOOTNOTE [B] AUTOMATIC AIR CONDITIONER

FOOTNOTE [C] MANUAL AIR CONDITIONER

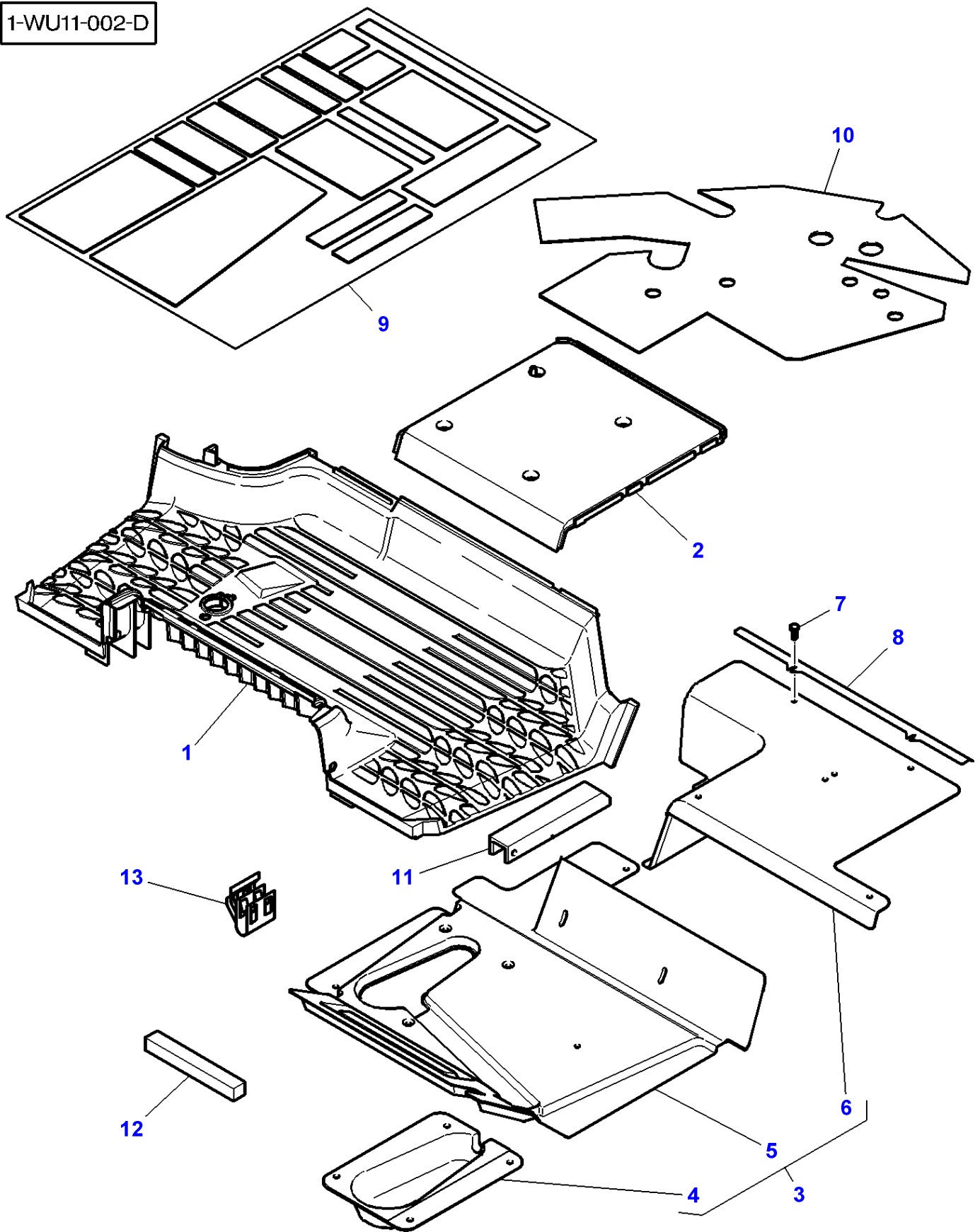
1-WU11-005-A



Tractor Cab - Cab Insulation

Item	Part Number	Qty	Description
1	3789928M92	1	Sound Reduction
2	3789926M96	1	Sound Reduction
3	3789925M96	1	Sound Reduction
4	3789927M95	1	Sound Reduction

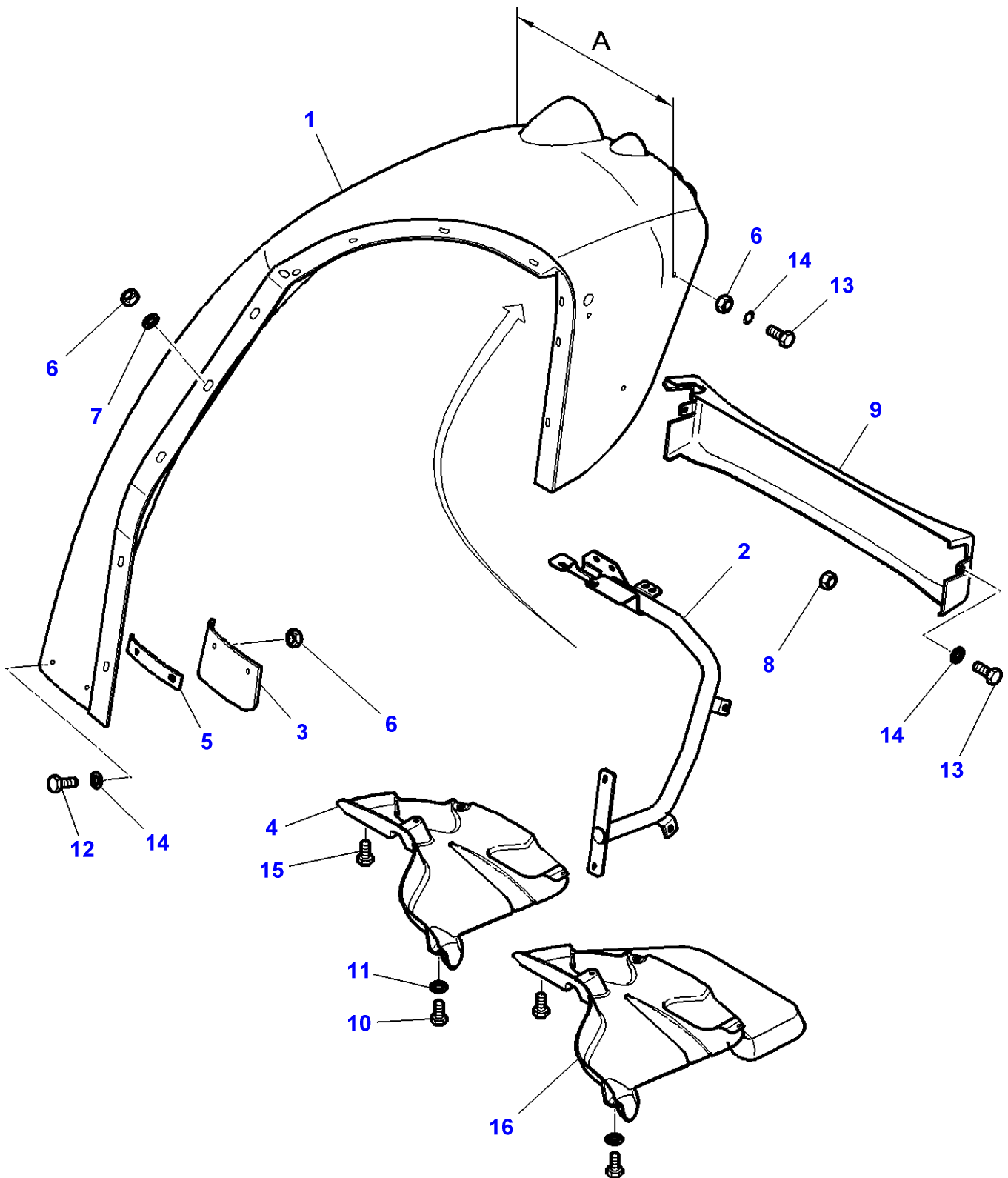
1-WU11-002-D



Tractor Cab - Cab Insulation

Item	Part Number	Qty	Description	Comments
1	4270891M92	1	Mat	
2	4270892M91	1	Mat	
3	4271510M93	1	Fence	
4		1	Fence	(3) Not serviced,order REF. 3
5		1	Fence	(3) Not serviced,order REF. 3
6		1	Fence	(3) Not serviced,order REF. 3
7	3010506X1	X	Screw	M5 X 16
8	4271488M1	1	Strap	
9	4271481M92	1	Sound Reduction	
10	4271512M3	1	Foam	Right Hand
11	4277104M1	1	Chock	
12	3778749M1	2	Foam	25 X 15 X 80
13	4275137M1	1	Clip	

1-WU07-002-C



Tractor Cab - Fenders

Item	Part Number	Qty	Description	Comments
1	3786915P1	1	Fender	[B,C] Left Hand A = 578 MM
	3786913P1	1	Fender	[B,D] Left Hand A = 721 MM
	3786919P1	1	Fender	[B,E] Left Hand A = 843 MM
	3786916P1	1	Fender	[B,C] Right Hand A = 578 MM
	3786914P1	1	Fender	[B,D] Right Hand A = 721 MM
	3786920P1	1	Fender	[B,E] Right Hand A = 843 MM
2	3787111M1	1	Support	[C] Left Hand
	3787113M1	1	Support	[D] Left Hand
	3787115M1	1	Support	[E] Left Hand
	3787112M1	1	Support	[C] Right Hand
	3787114M1	1	Support	[D] Right Hand
	3787116M1	1	Support	[E] Right Hand
3	3787129M1	1	Extension	[C] Left Hand
	4277275M1	1	Extension	[C] Right Hand
	3787130M1	1	Extension	[D,E] Right Hand
	4277274M1	1	Extension	[D,E] Left Hand
4	3787123M1	1	Protector	[C] Left Hand
	3787125M1	1	Protector	[D] Left Hand
	3787127M1	1	Protector	[E] Left Hand
	3787124M1	1	Protector	[C] Right Hand
	3787126M1	1	Protector	[D] Right Hand
	3787128M1	1	Protector	[E] Right Hand
5	3787195M1	2	Support	[C]
	3787196M1	2	Support	[D,E]
6	394367X1	34	Locknut	M8
7	391039X1	24	Washer Metric	Diameter 8-24 X 2
8	1427024M1	2	Nut	M8
9	4275169P1	1	Band	[B]
10	3009280X1	6	Screw	M6 X 12
11	390971X1	10	Washer	Diameter 6-12 X 1,5
12	3010910X1	4	Screw	M8 X 25
13	339761X1	6	Hex. Sock. Screw	M8 X 25
14	385361X1	14	Washer	Diameter 9-17 X 3,2
15	3009280X1	4	Screw	M6 X 12
16	4271145M1	1	Extension	[D,A] Left Hand
	4271147M1	1	Extension	[E,A] Left Hand
	4271146M1	1	Extension	[D,A] Right Hand
	4271148M1	1	Extension	[E,A] Right Hand

FOOTNOTE [A] USED WITH EXTENSION FENDERS

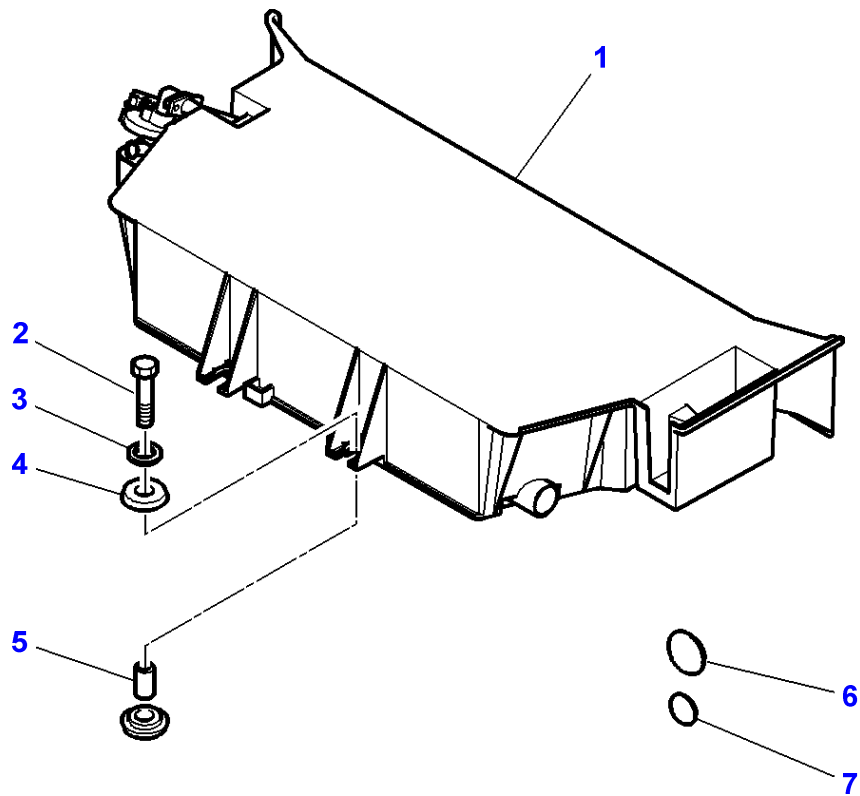
FOOTNOTE [B] THE APPROPRIATE SAFETY DECALS MUST BE ORDERED AND FITTED TO THIS PART

FOOTNOTE [C] FOR WHEELBASE 2,00 M

FOOTNOTE [D] FOR WHEELBASE 2,30 M

FOOTNOTE [E] FOR WHEELBASE 2,55 M

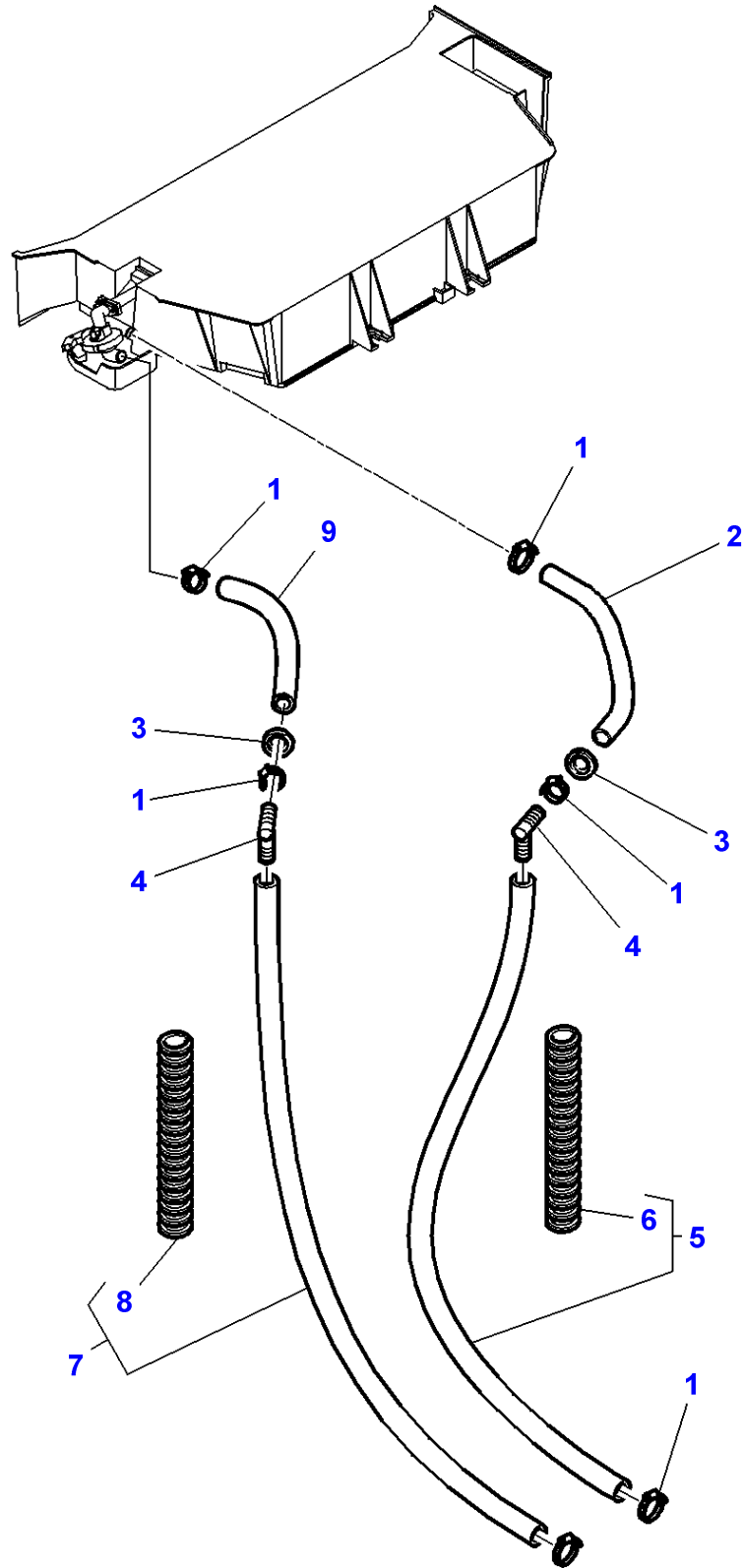
1-WU13-001-B



Heater - Hoses

Item	Part Number	Qty	Description	Comments
1	4272838M92	1	Heater	See Page - Reference Number 110-0125/1
2	339337X1	4	Hex. Sock. Screw	M8 X 30
3	391039X1	4	Washer Metric	Diameter 8-24 X 2
4	3387512M1	8	Buffer	
5	3387513M1	4	Spacer	Diameter 9-11 X 16
6	3808629M1	1	Grommet	Diameter 22,5 MM
7	3808628M1	1	Grommet	Diameter 16,3 MM

1-WU13-006-A

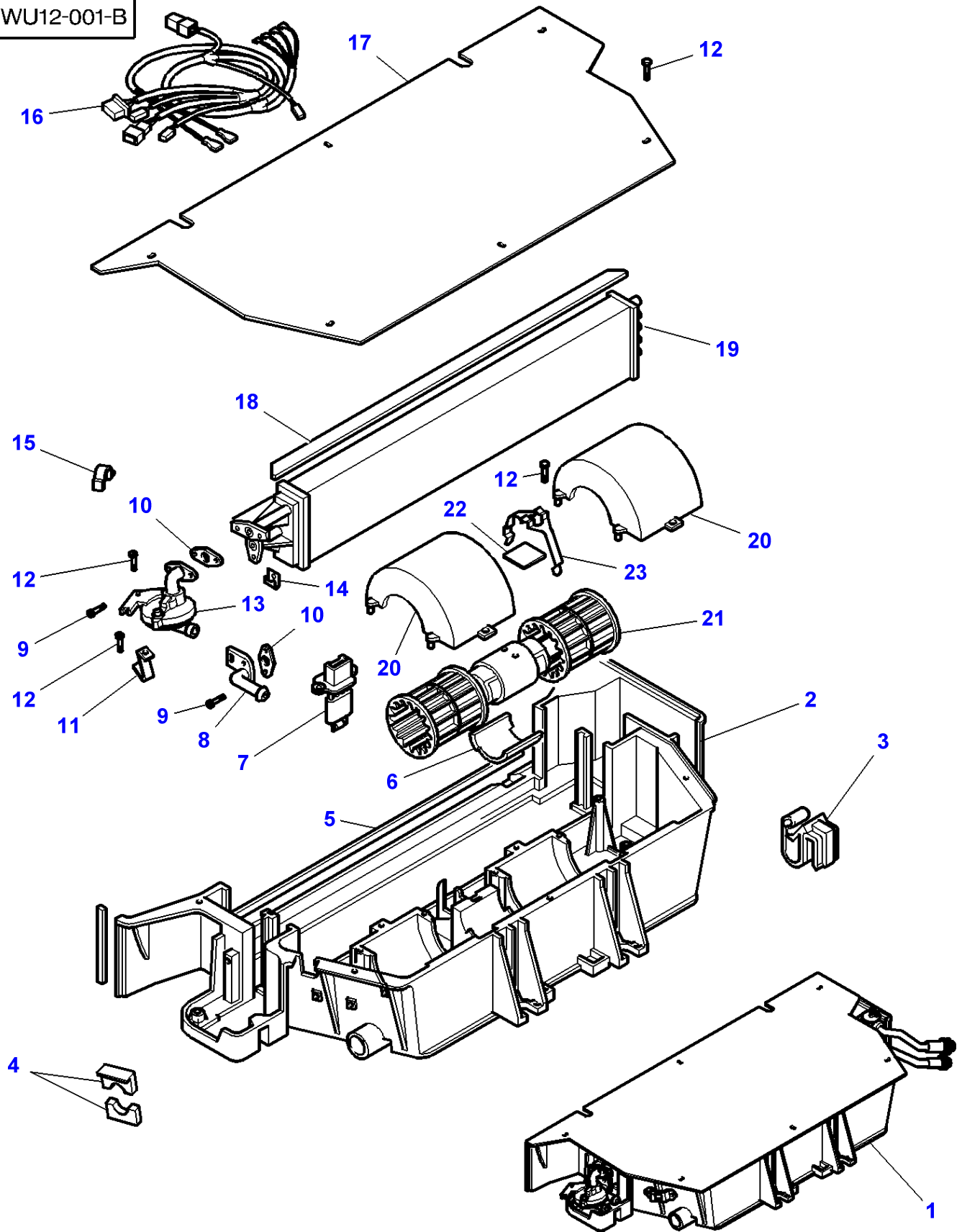


Heater - Hoses

Item	Part Number	Qty	Description	Comments
1	3019564X1	8	Hose Clip	Diameter 16-25
2	3787187M1	1	Hose	Length 330 MM
3	3788224M1	2	Grommet	
4	3788222M1	2	Elbow	
5	4277810M92	1	Hose	Length 1720 MM
6	4272050M1	1	Sheath	(5) Length 500 MM
7	4277809M91	1	Hose	Length 1740 MM
8	4272050M1	1	Sheath	(7) Length 400 MM
9	3787186M1	1	Hose	Length 200 MM

MF 8450/8460 TRACTOR - 1637447
1-WU12-001-B

1-WU12-001-B

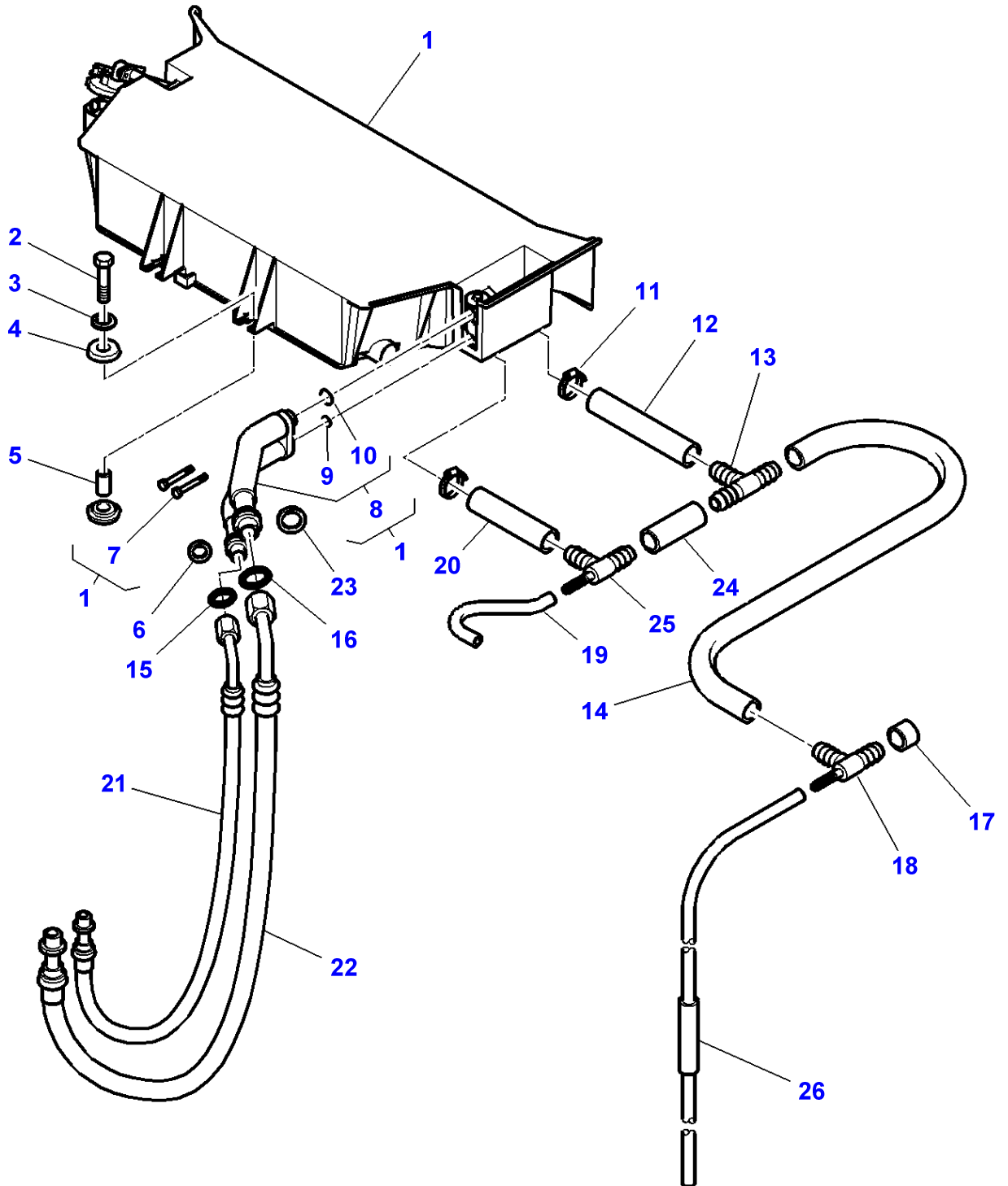


Heater

Item	Part Number	Qty	Description	Comments
1	4272838M92	1	Heater	
2	3907309M1	1	Housing	(1)
3	3907306M1	1	Clip	(1)
4	3907303M1	1	Foam	(1)
5	3902322M1	1	Foam	(1)
6	3907302M1	1	Protector	(1)
7	3907288M2	1	Resistor	(1)
8	3907301M1	1	Elbow	(1)
9	3904319M1	4	Screw	(1) 4,8X19
10	3902327M1	2	Gasket	(1)
11	3907296M1	1	Strap	(1)
12	365916X1	12	Self Tap Screws	(1) 4X12
13	3907300M1	1	Cock	(1)
14	3902090M1	4	Nut	(1)
15	3904589M1	1	Clip	(1)
16	3907308M91	1	Harness	(1)
17	3310839M1	1	Plate	(1)
18	3310849M1	1	Foam	(1)
19	3310827M92	1	Radiator	(1)
20	3310833M1	2	Cover	(1)
21	3907297M91	1	Engine	(1)
22		1	Plate	[A] (1)
23	3902320M1	1	Strap	(1)

FOOTNOTE [A] NOT DETAILED

1-WU45-011-A



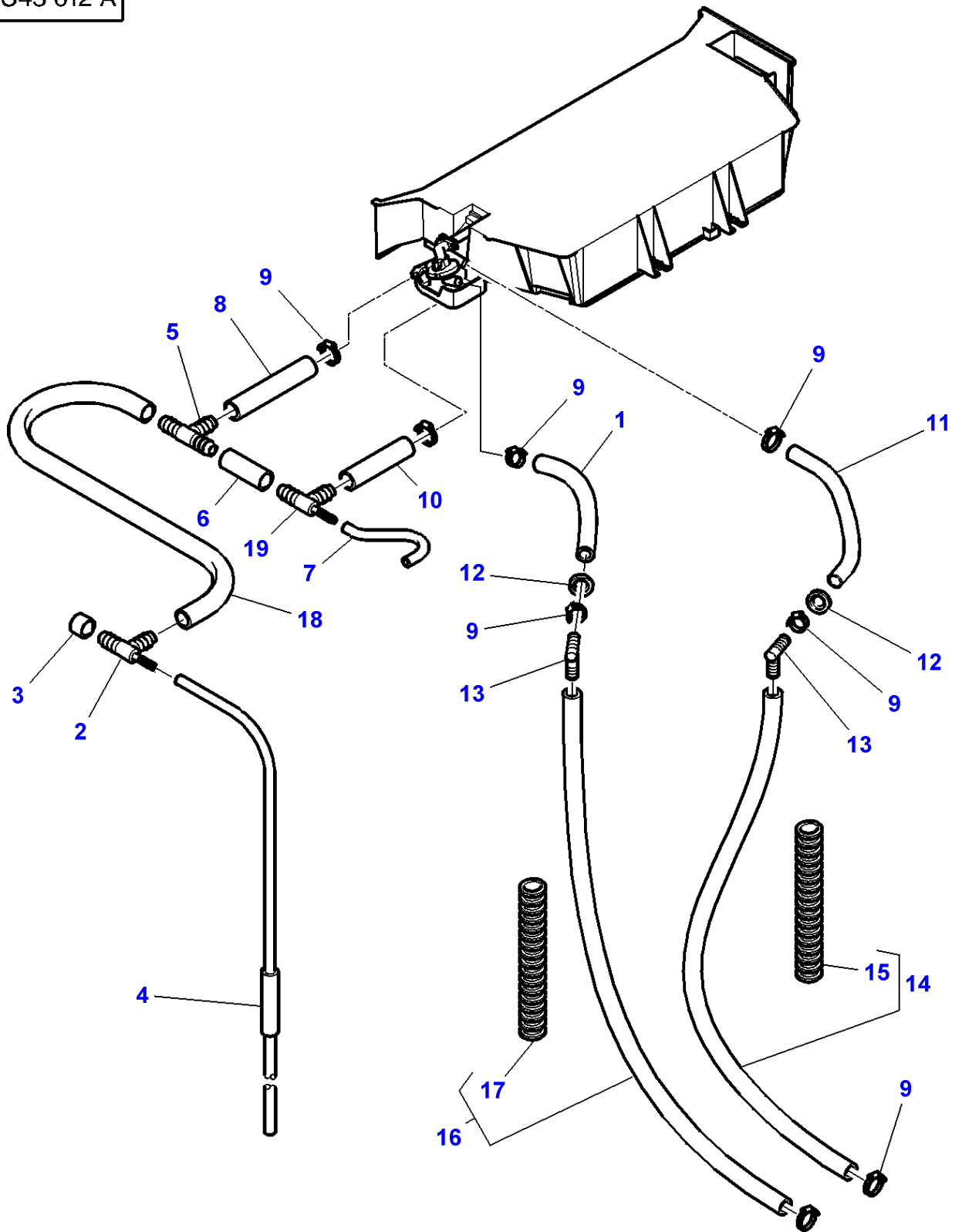
Air Conditioner - Hose

Item	Part Number	Qty	Description	Comments
1	4272839M92	1	Air Conditioner	[A] See Page - Reference Number 110-0145/1
	4272840M91	1	Air Conditioner	[B] See Page - Reference Number 110-0150/1
2	339337X1	4	Hex. Sock. Screw	M8 X 30
3	391039X1	4	Washer Metric	Diameter 8-24 X 2
4	3387512M1	8	Buffer	
5	3387513M1	4	Spacer	Diameter 9-11 X 16
6	3011495X1	1	Bush	Diameter 16 MM
7	3001758X1	2	Screw Metric	(1) M6 X 50
8	3786651M91	1	Tube Assy	(1)
9	3820743M1	1	O Ring	(8) Diameter 6,7 X 1,8
10	3820742M1	1	O Ring	(8) Diameter 13,4 X 2,4
11	3019564X1	2	Hose Clip	Diameter 16-25
12	3777617M1	1	Hose	Length 218 MM
13	3010683X1	1	Teepiece	
14	3778361M1	1	Water Hose	Length 529 MM
15	3010471X1	1	O Ring	Diameter 7,65 MM
16	3010473X1	1	O Ring	Diameter 14 MM
17	3777737M1	1	Plug	
18	3388779M1	1	Union	
19	4275132M1	1	Hose	Length 100 MM
20	3777615M1	1	Hose	Length 179 MM
21	4273289M1	1	Hydr. Hose	Length 2300 MM
22	4273290M1	1	Hydr. Hose	Length 2400 MM
23	3011496X1	1	Bush	Diameter 22 MM
24	3777613M1	1	Hose	Length 60 MM
25	3388779M1	1	Union	
26	4276778M91	1	Tube Assy	Length 850 MM

FOOTNOTE [A] MANUAL AIR CONDITIONER

FOOTNOTE [B] AUTOMATIC AIR CONDITIONER

1-WU45-012-A



Massey Ferguson**MF 8450/8460 TRACTOR - 1637447**

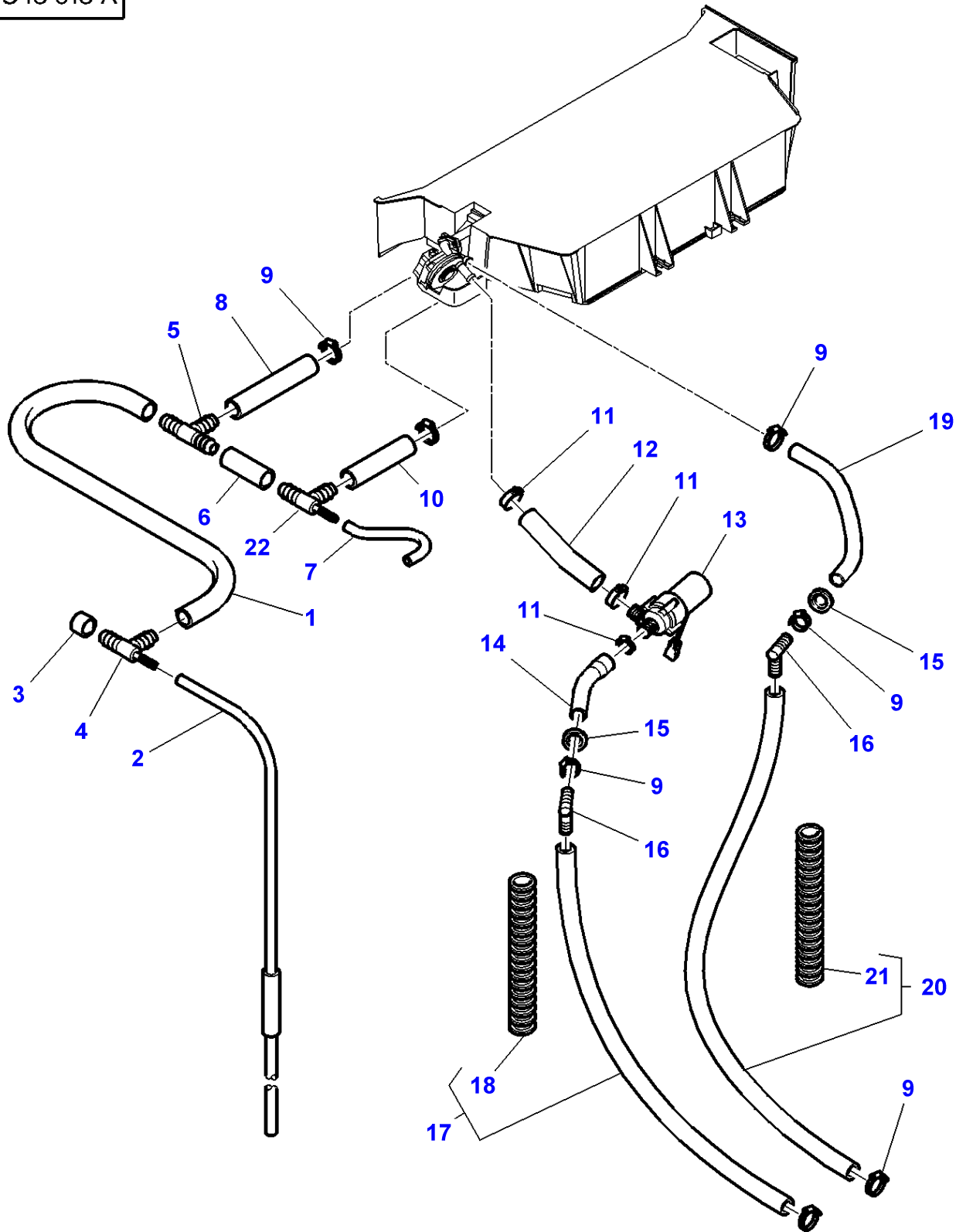
1637447

Air Conditioner - Hose - Standard Roof - Manual Air Conditioner

Page 110-0135

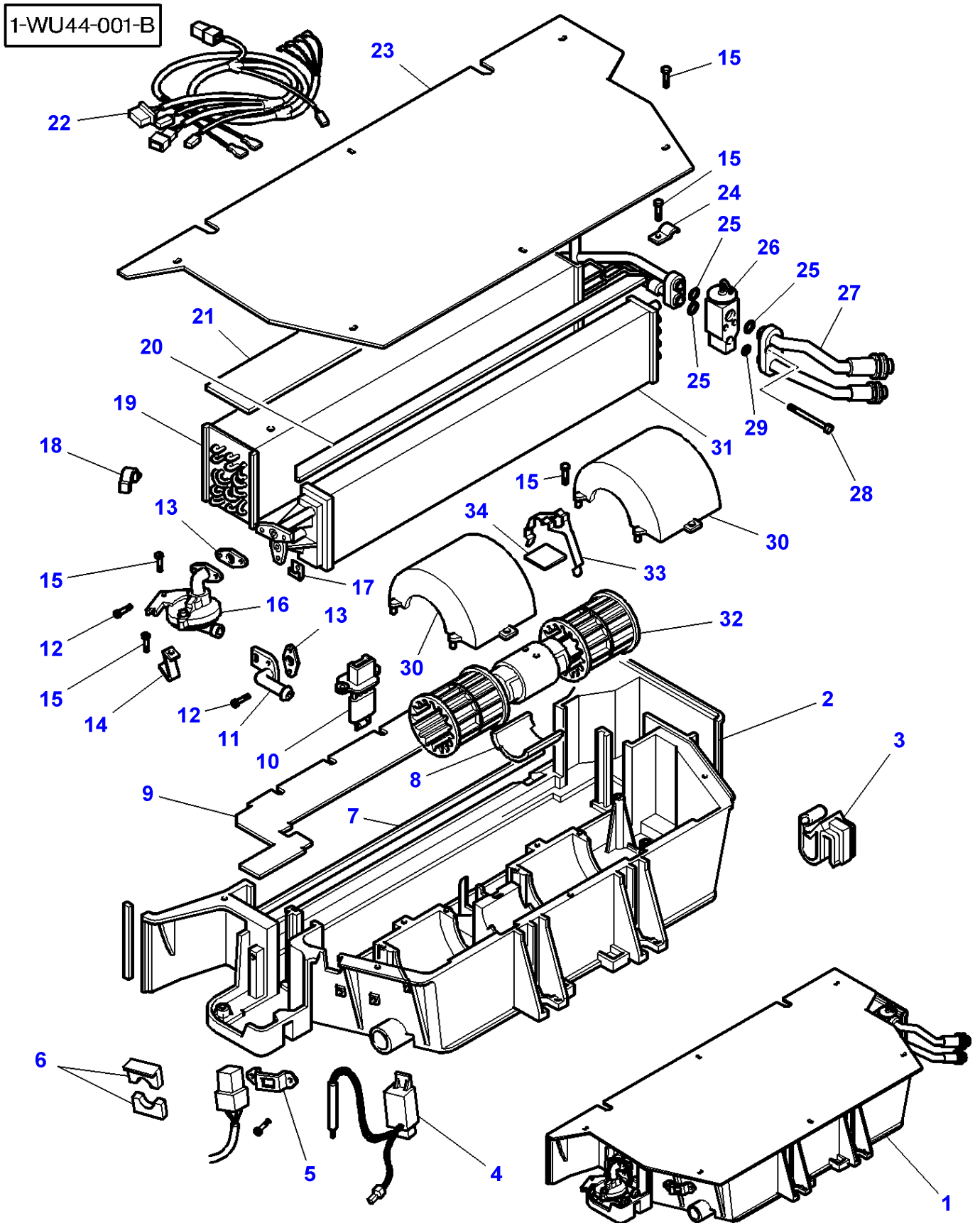
Item	Part Number	Qty	Description	Comments
1	3787186M1	1	Hose	Length 200 MM
2	3388779M1	1	Union	
3	3777737M1	1	Plug	
4	4276778M91	1	Tube Assy	Length 850 MM
5	3010683X1	1	Teepiece	
6	3777613M1	1	Hose	Length 60 MM
7	4275132M1	1	Hose	Length 100 MM
8	3777617M1	1	Hose	Length 218 MM
9	3019564X1	8	Hose Clip	Diameter 16-25
10	3777615M1	1	Hose	Length 179 MM
11	3787187M1	1	Hose	Length 330 MM
12	3788224M1	2	Grommet	
13	3788222M1	2	Elbow	
14	4277810M92	1	Hose	Length 1720 MM
15	4272050M1	1	Sheath	(14) Length 400 MM
16	4277809M91	1	Hose	Length 1740 MM
17	4272050M1	1	Sheath	(16) Length 400 MM
18	3778361M1	1	Water Hose	Length 529 MM
19	3388779M1	1	Union	

1-WU45-013-A



Item	Part Number	Qty	Description	Comments
1	3778361M1	1	Water Hose	Length 529 MM
2	4276778M91	1	Tube Assy	
3	3777737M1	1	Plug	
4	3388779M1	1	Union	
5	3010683X1	1	Teepiece	
6	3777613M1	1	Hose	Length 60 MM
7	4275132M1	1	Hose	Length 100 MM
8	3777617M1	1	Hose	Length 218 MM
9	3019564X1	8	Hose Clip	Diameter 16-25
10	3777615M1	1	Hose	Length 179 MM
11	338614X1	3	Hose Clip	Diameter 20-32
12	4271129M1	1	Hose	Length 145 MM
13	3712744M1	1	Water Pump	
14	4272841M1	1	Hose	Length 150 MM
15	3788224M1	2	Grommet	
16	3788222M1	2	Elbow	
17	4277809M91	1	Hose	Length 1740 MM
18	4272050M1	1	Sheath	(17) Length 400 MM
19	3787187M1	1	Hose	Length 330 MM
20	4277810M92	1	Hose	Diameter 1720 MM
21	4272050M1	1	Sheath	(20) Length 400 MM
22	3388779M1	1	Union	

MF 8450/8460 TRACTOR - 1637447
1-WU44-001-B



Air Conditioner - Standard Roof - Manual Air Conditioner

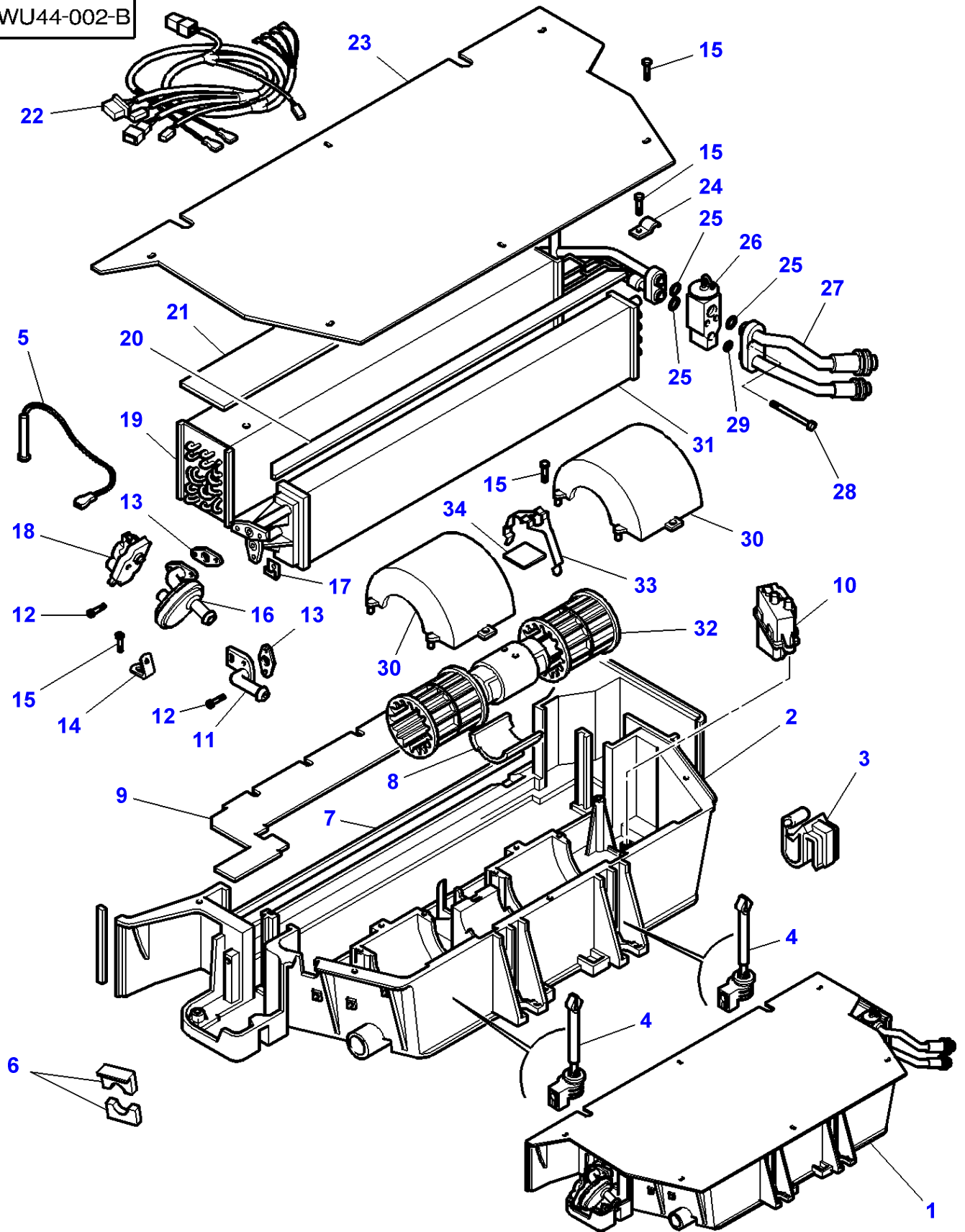
Item	Part Number	Qty	Description	Comments
1	4272839M92	1	Air Conditioner	[A]
2	3907307M1	1	Housing	(1)
3	3907306M1	1	Clip	(1)
4	3907305M1	1	Thermostat	(1)
5	3907304M1	1	Strap	(1)
6	3907303M1	1	Foam	(1)
7	3902322M1	1	Foam	(1)
8	3907302M1	1	Protector	(1)
9	3902329M2	1	Plate	(1)
10	3904295M1	1	Resistor	(1)
11	3907301M1	1	Elbow	(1)
12	3904319M1	4	Screw	(1) 4,8X19
13	3902327M1	2	Gasket	(1)
14	3907296M1	1	Strap	(1)
15	365916X1	13	Self Tap Screws	(1) 4X12
16	3907300M1	1	Cock	(1)
17	3902090M1	4	Nut	(1)
18	3904589M1	1	Clip	(1)
19	3902331M92	1	Evaporator	(1)
20	3310849M1	1	Foam	(1)
21	3902332M1	1	Foam	(1)
22	3907299M91	1	Harness	(1)
23	3310839M1	1	Plate	(1)
24	3310836M1	1	Strap	(1)
25	3902500M1	3	Gasket	(1)
26	3902334M91	1	Regulator	(1)
27	3907298M91	1	Tubing	(1)
28	3904328M1	2	Screw	(1) M6X50
29	3902550M1	1	O Ring	(1)
30	3310833M1	2	Cover	(1)
31	3310827M92	1	Radiator	(1)
32	3907297M91	1	Engine	(1)
33	3902320M1	1	Strap	(1)
34		1	Plate	[B] (1)

FOOTNOTE [A] MANUAL AIR CONDITIONER

FOOTNOTE [B] NOT DETAILED

MF 8450/8460 TRACTOR - 1637447
1-WU44-002-B

1-WU44-002-B



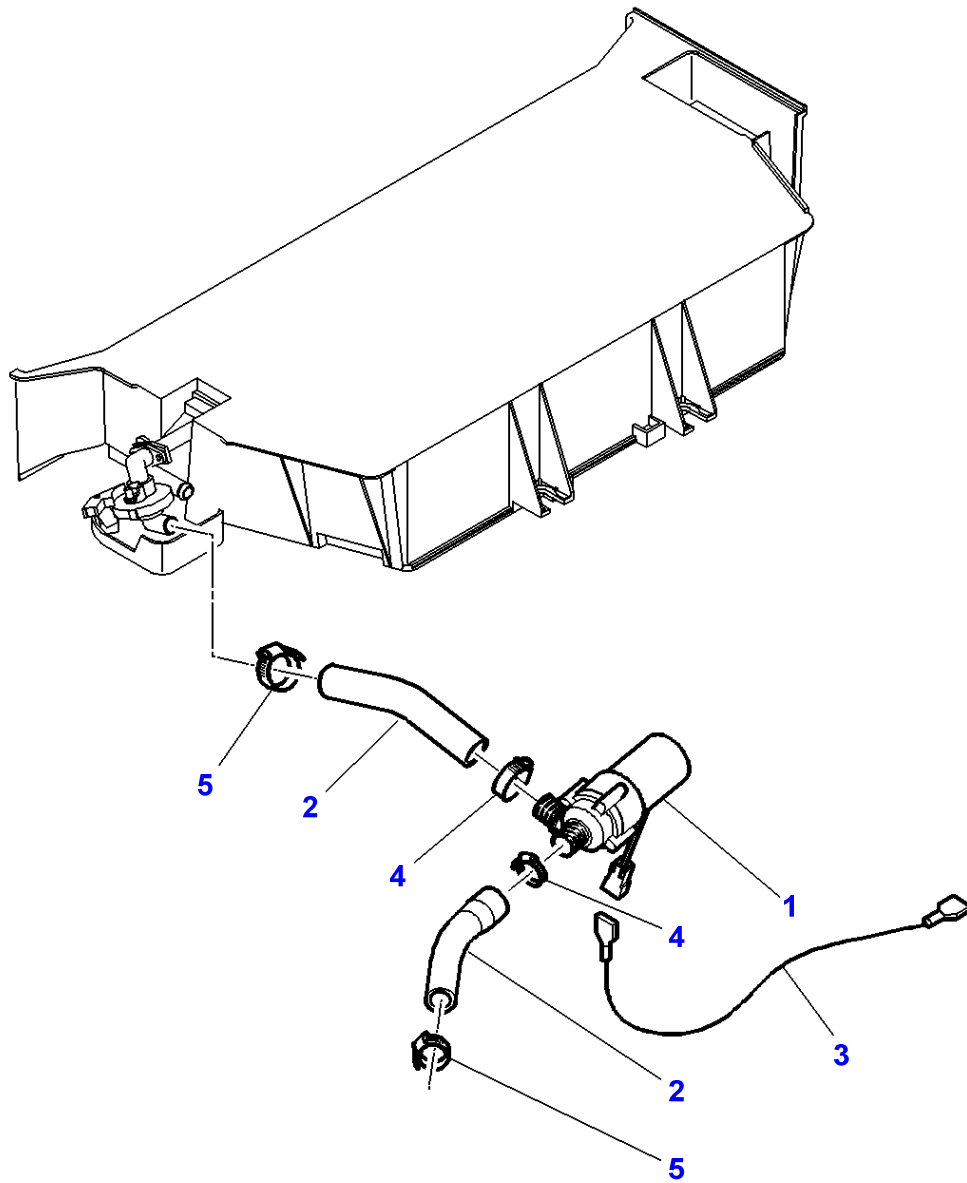
Air Conditioner - Standard Roof - Automatic Air Conditioner

Item	Part Number	Qty	Description	Comments
1	4272840M91	1	Air Conditioner	[A]
2	3907307M1	1	Housing	(1)
3	3907306M1	1	Clip	(1)
4	3907313M1	2	Sensor	(1)
5	3907316M1	1	Sender	(1)
6	3907303M1	2	Foam	(1)
7	3902322M1	1	Foam	(1)
8	3907302M1	1	Protector	(1)
9	3902329M2	1	Plate	(1)
10	3907310M1	1	Regulator	(1)
11	3907301M1	1	Elbow	(1)
12	3904319M1	4	Screw	(1) 4,8 X 19
13	3902327M1	2	Gasket	(1)
14	3907314M1	1	Strap	(1)
15	365916X1	15	Self Tap Screws	(1) 4 X 12
16	3907312M1	1	Cock	(1)
17	3902090M1	4	Nut	(1)
18		1	Engine	(1) Not serviced,order REF. 16
19	3902331M92	1	Evaporator	(1)
20	3310849M1	1	Foam	(1)
21	3902332M1	1	Foam	(1)
22	3907315M1	1	Harness	(1)
23	3310839M1	1	Plate	(1)
24	3310836M1	1	Strap	(1)
25	3902500M1	3	Gasket	(1)
26	3902334M91	1	Regulator	(1)
27	3907298M91	1	Tubing	(1)
28	3904328M1	2	Screw	(1)
29	3902550M1	1	O Ring	(1)
30	3310833M1	1	Cover	(1)
31	3310827M92	1	Radiator	(1)
32	3907297M91	1	Engine	(1)
33	3902320M1	1	Strap	(1)
34		1	Plate	[B] (1)

FOOTNOTE [A] AUTOMATIC AIR CONDITIONER

FOOTNOTE [B] NOT DETAILED

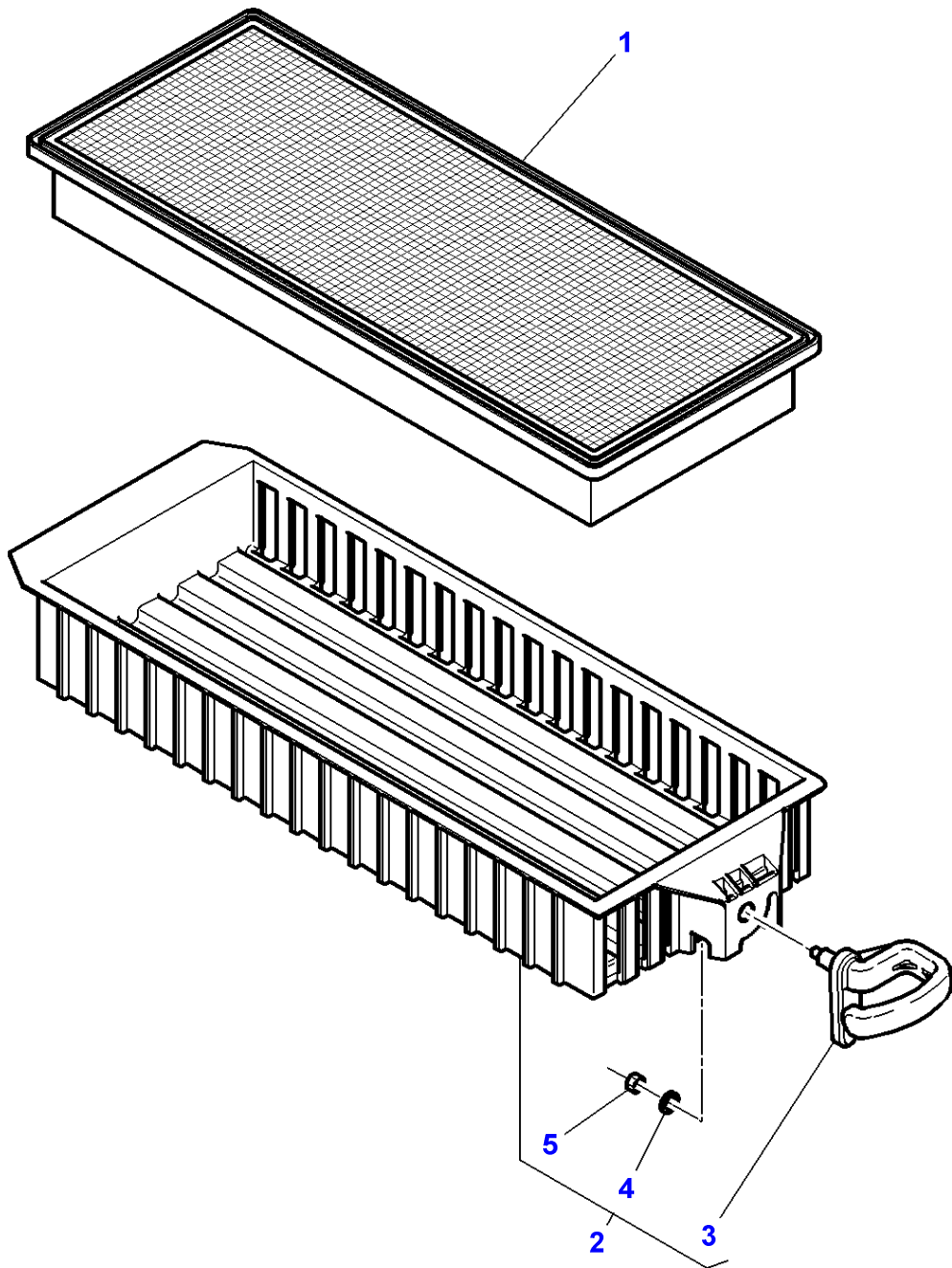
1-WU49-001-C



Massey Ferguson**MF 8450/8460 TRACTOR - 1637447****1637447****Heater - High Cold****Page 110-0155**

Item	Part Number	Qty	Description	Comments
1	3712744M1	1	Water Pump	
2	4272841M1	2	Hose	Length 150 MM
3	4270484M1	1	Switch,Indirect	
4	338614X1	2	Hose Clip	Diameter 20-32
5	3019564X1	2	Hose Clip	Diameter 16-25

1-WU48-001-A



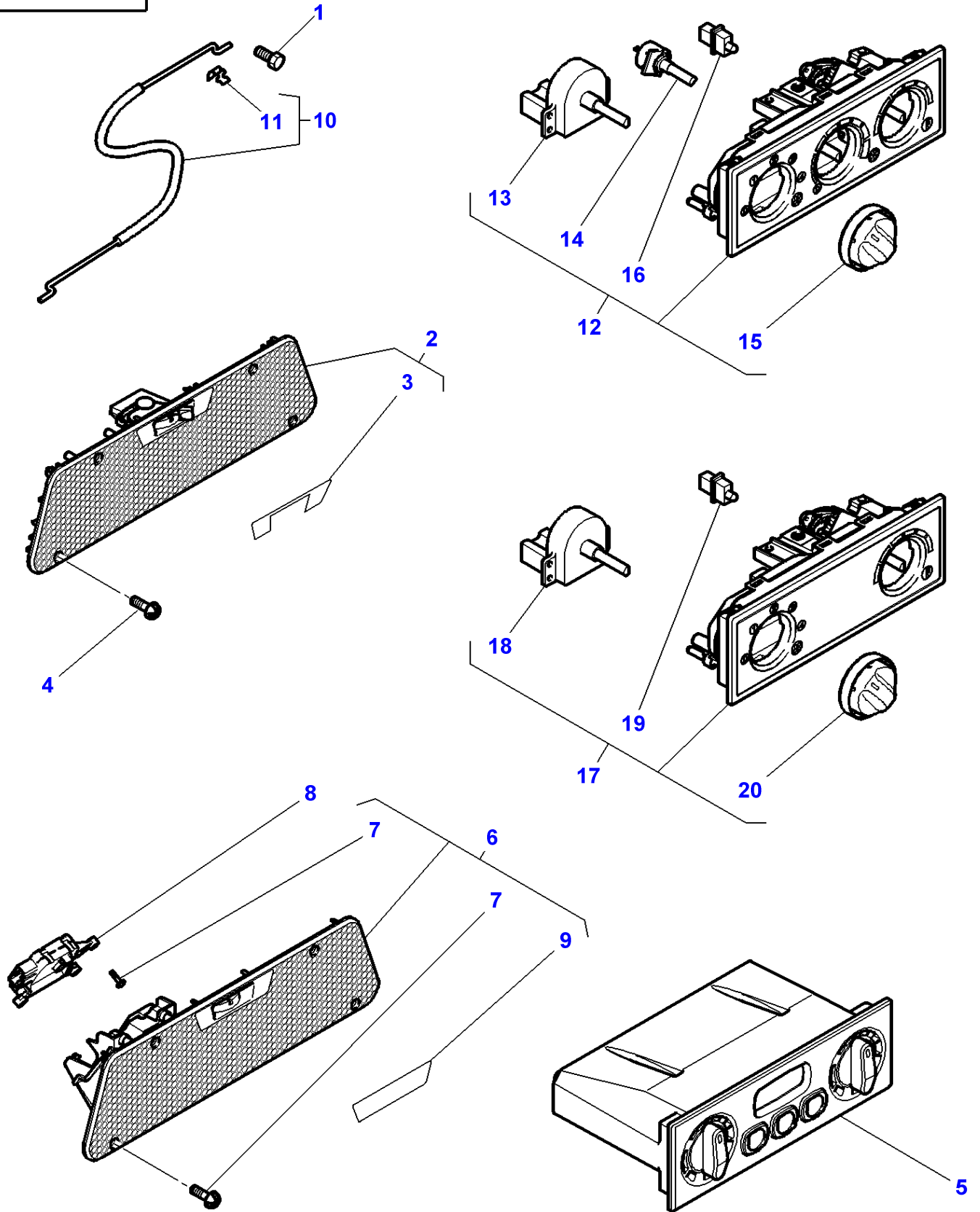
Massey Ferguson**MF 8450/8460 TRACTOR - 1637447****1637447****Cab Filter****Page 110-0160**

Item	Part Number	Qty	Description	Comments
1	3786649M1	1	Cab Filter	200 X 500
	4271140M1	1	Cab Filter	[A]
2	3786650M91	1	Frame Assy	
3	3788950M91	1	Handle	(2)
4	390971X1	1	Washer	(2) Diameter 6-12 X 1,5
5	1441462X1	1	Locknut	(2) M6

FOOTNOTE [A] CARBON FILTER

MF 8450/8460 TRACTOR - 1637447
1-WU40-001-E

1-WU40-001-E



Heater Control

Item	Part Number	Qty	Description	Comments
1	1442171X1	1	Hex. Sock. Screw	[A,C] M4 X 10
2	4273553M93	1	Ventilator	[A,C]
3	4273546M3	1	Decal	(2)
4	3010804X1	4	Screw	M4 X 16
5	3786660M95	1	Plate Control	[B,D]
6	4273543M92	1	Ventilator	[B]
7	4271132M1	7	Screw	[B] (6) M3,5 X 14
8	4271130M1	1	Engine	
9	4272833M2	1	Decal	[B] (6)
10	4271161M1	1	Cable	[A]
11	1696477M1	1	Clip	[A] (10)
12	3786659M2	1	Plate Control	[A]
13	3907283M1	1	Connectors	(12)
14	3907282M1	1	Potentiometer	(12)
15	3907285M1	3	Knob	(12)
16	3907284M1	1	Diode	(12)
17	3786700M2	1	Plate Control	[C]
18	3907283M1	1	Connectors	(17)
19	3907284M1	1	Diode	(17)
20	3907285M1	2	Knob	(17)

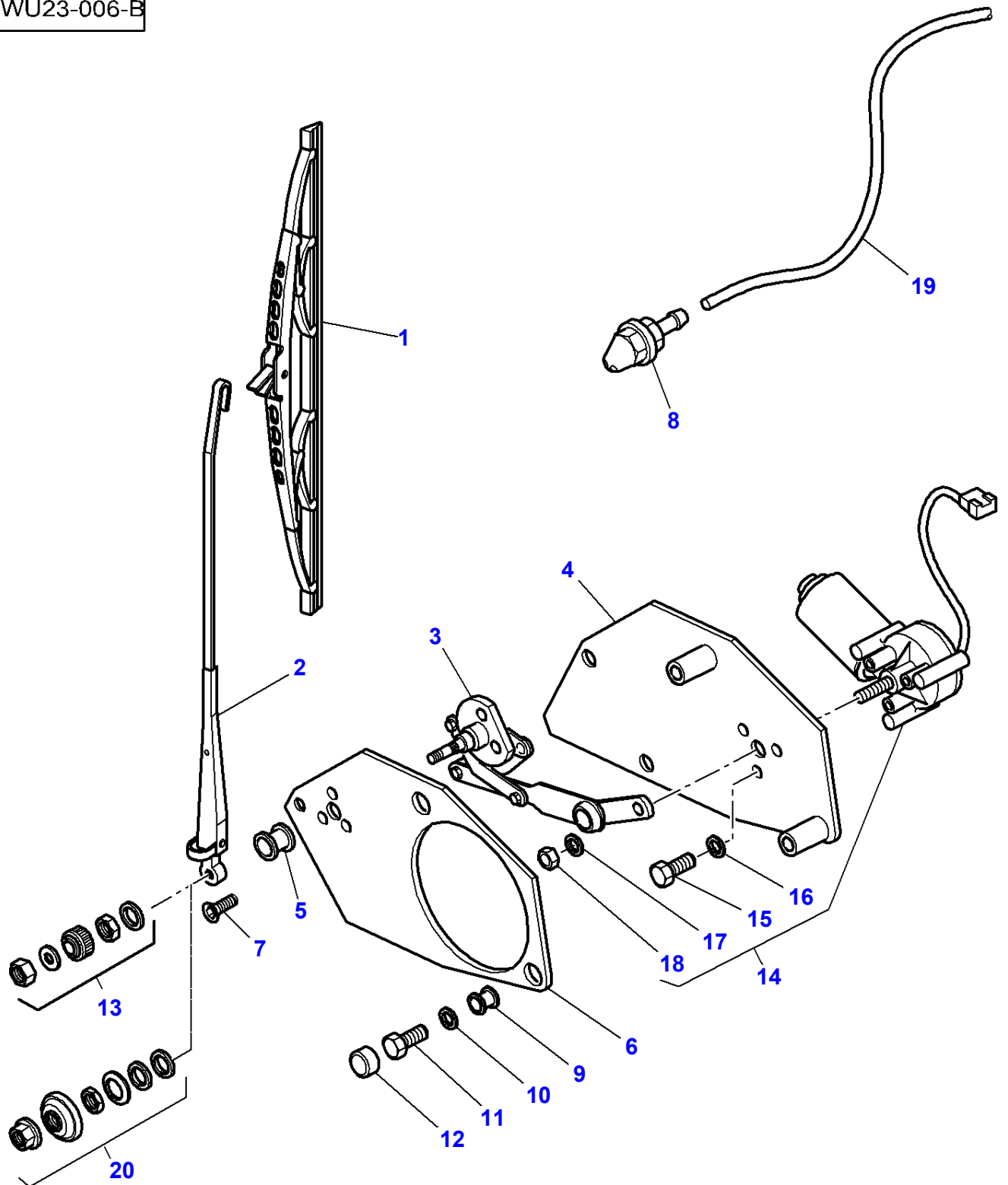
FOOTNOTE [A] MANUAL AIR CONDITIONER

FOOTNOTE [B] AUTOMATIC AIR CONDITIONER

FOOTNOTE [C] HEATER

FOOTNOTE [D] NOT DETAILED

1-WU23-006-B

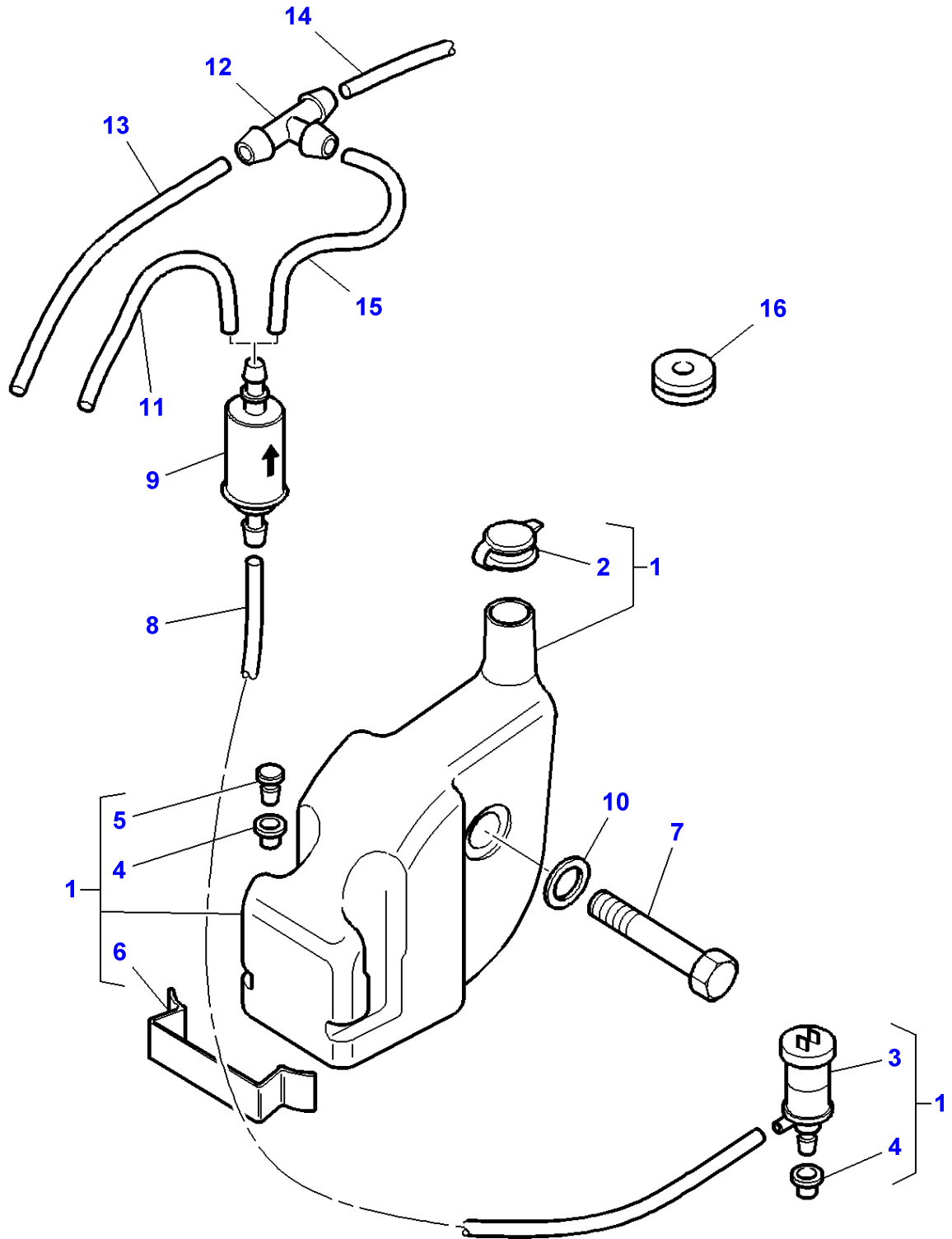


Front Windscreen Wiper

Item	Part Number	Qty	Description	Comments
1	3777648M1	1	Wiper Blade	Up to Serial or Engine Number N268072 Length 500 MM
	4275053M1	1	Wiper Blade	From Serial or Engine Number N268073 Length 500 MM
2	3777649M1	1	Wiper Arm	Up to Serial or Engine Number N268072 Length 375 MM
	4275054M1	1	Wiper Arm	From Serial or Engine Number N268073 Length 375MM
3	4275056M1	1	Tie Rod	
4	3777699M2	1	Support	
5	4277495M1	1	Grommet	Diameter 28 MM
6	3777700M2	1	Support	
7	3010762X1	3	Screw	M5 X 10
8	3389664M1	2	Jet	
9	4277496M1	2	Grommet	Diameter 16 MM
10	391039X1	2	Washer Metric	Diameter 8-24 X 2 MM
11	339337X1	2	Hex. Sock. Screw	M8 X 30
12	3616277M1	2	Helmet	M8
13	3778258M1	1	Parts Pack	Up to Serial or Engine Number N268072
14	3777698M92	1	Wiper Motor	Up to Serial or Engine Number N268072
	4275055M1	1	Wiper Motor	From Serial or Engine Number N268073
15	339560X1	3	Hex. Sock. Screw	(14) M6 X 16
16	391289X1	3	Lock Washer	(14) Up to Serial or Engine Number N268072
17	3008914X1	1	Tab Washer	(14)
18	339169X1	1	Nut	(14) M8
19	3786778M1	1	Hose Flexible	[B] Length 1840 MM
	3786780M1	1	Hose Flexible	Length 1550 MM
20	3907533M91	1	Kit, Hardware	From Serial or Engine Number N268073

FOOTNOTE [B] WITHOUT REAR WIPER AND WASHER WINDSCREEN

1-WU24-001-C



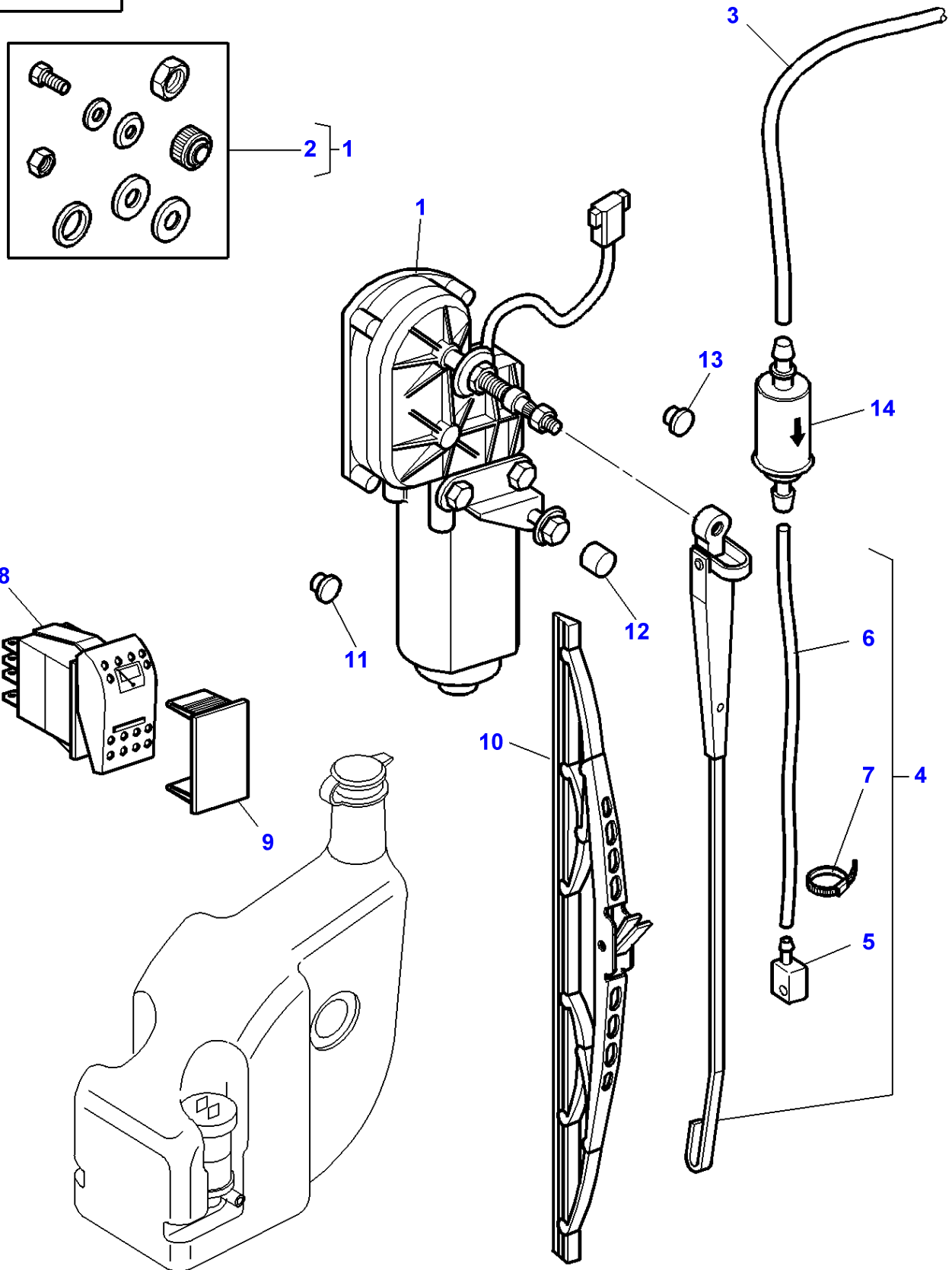
Windscreen Washer

Item	Part Number	Qty	Description	Comments
1	3786775M91	1	Tank	
2	3786800M1	1	Tank Cap	(1)
3	3582441M1	1	Water Pump	(1)
4	3582443M1	2	Gasket	(1)
5	3582442M1	1	Plug	(1)
6	4274610M1	1	Clip	(1)
7	339368X1	1	Hex. Sock. Screw	M8 X 60
8	3786779M1	1	Hose Flexible	Length 1330 MM
9	3583086M1	1	Pressure Valve	
10	3010467X1	1	Washer	Diameter 8-30 X 2 MM
11	3786778M1	1	Hose Flexible	[A] Length 1840 MM
12	3583069M1	1	Teepiece	
13	3786780M1	1	Hose Flexible	Length 1550 MM
14	3786782M1	1	Hose Flexible	Length 1580 MM
15	3786781M1	1	Hose Flexible	Length 300 MM
16	3714694M1	1	Grommet	Diameter 7-21

FOOTNOTE [A] WITHOUT REAR WIPER AND WASHER WINDSCREEN

FOOTNOTE [B] WITH HIGH VISIBILITY ROOF

1-WU25-004-A

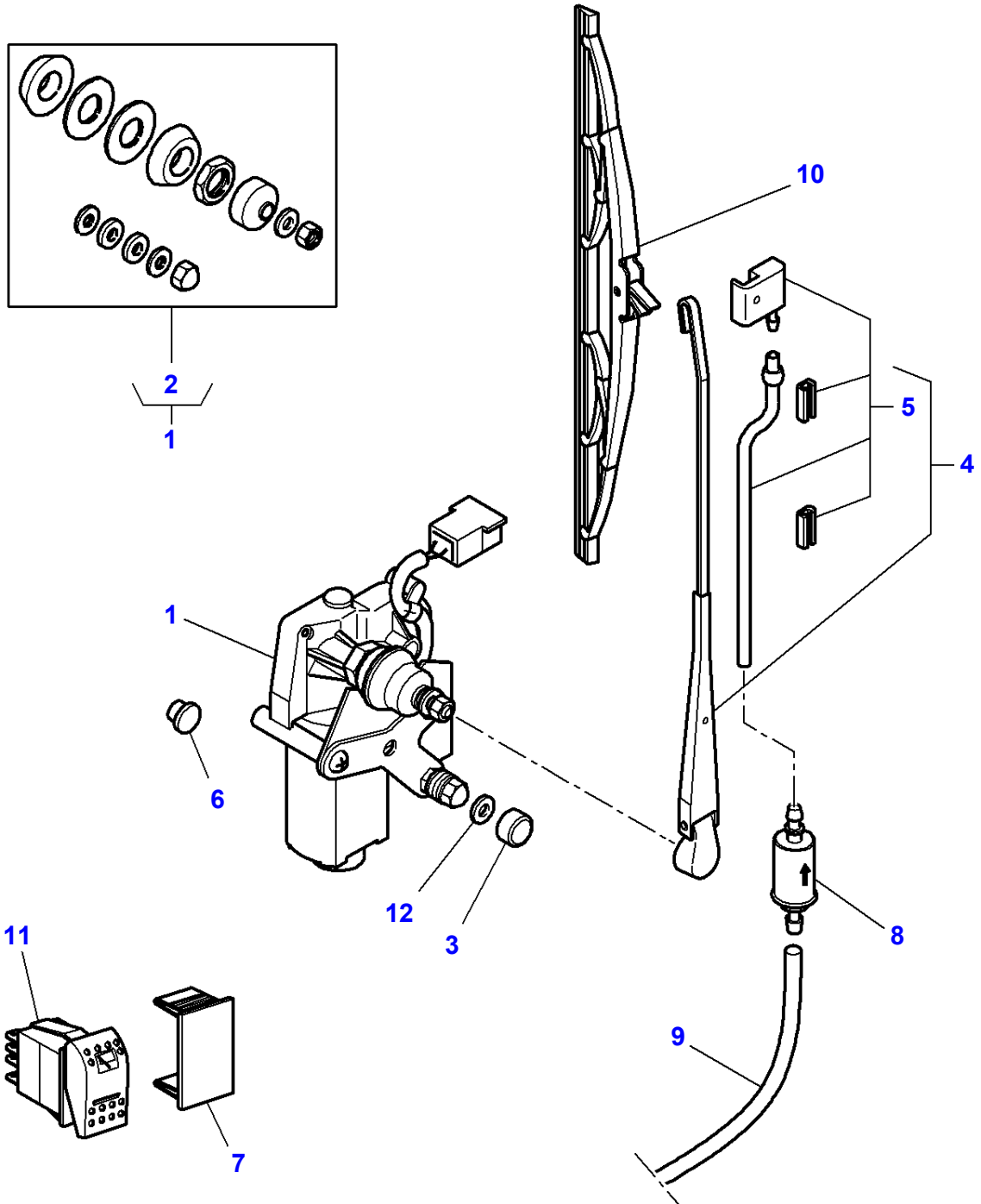


Massey Ferguson**MF 8450/8460 TRACTOR - 1637447****1637447****Rear Window Wiper - Up to Serial or Engine Number N271049****Page 110-0180**

Item	Part Number	Qty	Description	Comments
1	3715610M2	1	Wiper Motor	
2	3902580M91	1	Parts Pack	(1)
3	3786782M1	1	Hose Flexible	Length 1580 MM
4	3713196M2	1	Wiper Arm	Length 372 MM
5	3902461M1	1	Jet	(4)
6	3902462M1	1	Tube	(4)
7	3902463M1	1	Clamp	(4)
8	4271344M1	1	Switch,Indirect	
9	3713151M1	1	Tap	[A]
10	3713195M1	1	Wiper Blade	Length 450 MM
11	3713742M1	1	Plug	[A] Diameter 9,5 MM
12	3616277M1	X	Helmet	
13	3713741M1	1	Plug	[A] Diameter 17,5 MM
14	3583086M1	1	Pressure Valve	

FOOTNOTE [A] WITHOUT REAR WIPER AND WASHER WINDSCREEN

1-WU25-008-A

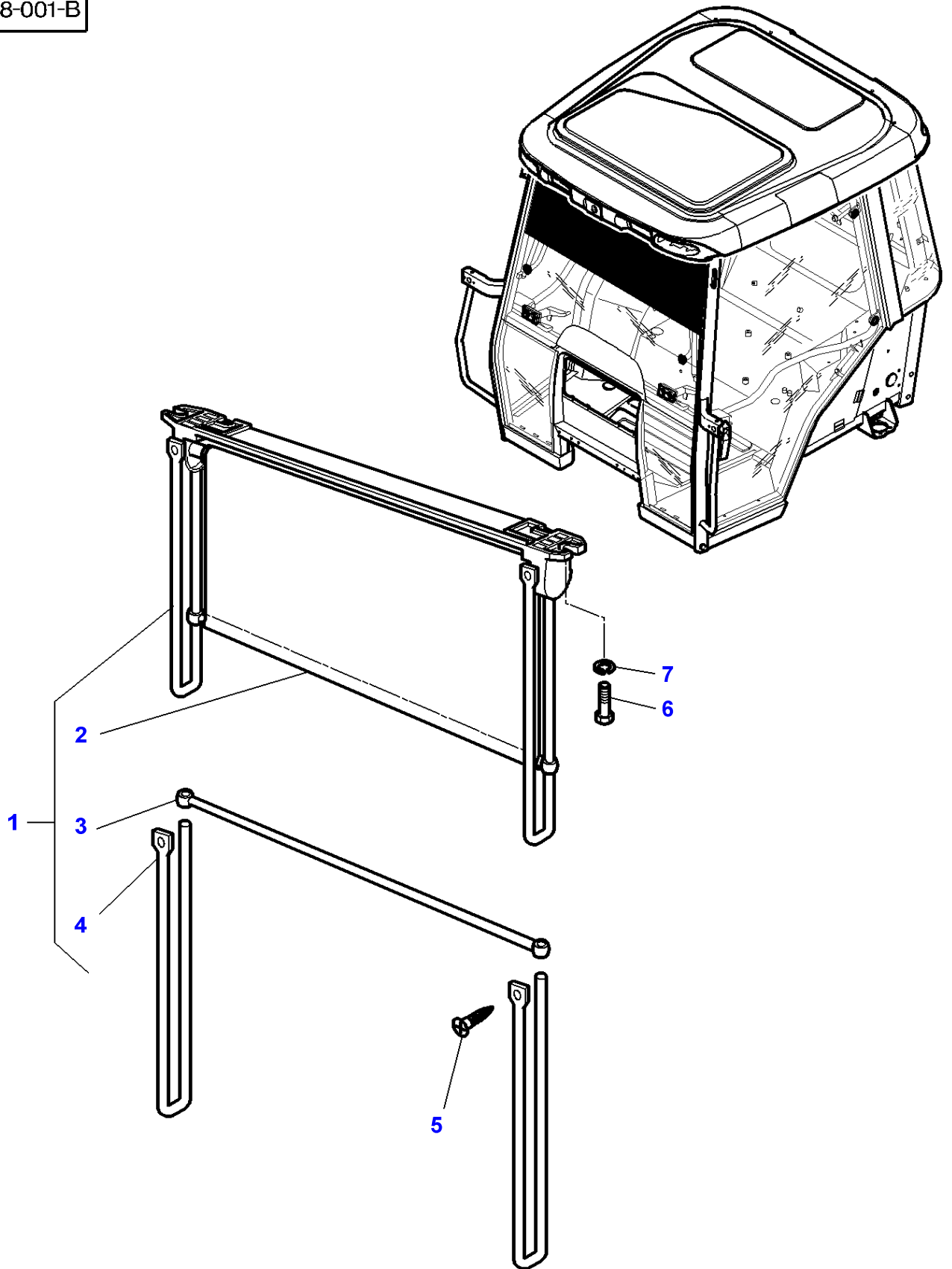


Massey Ferguson**MF 8450/8460 TRACTOR - 1637447****1637447****Rear Window Wiper - From Serial or Engine Number N271050****Page 110-0185**

Item	Part Number	Qty	Description	Comments
1	4275051M1	1	Wiper Motor	
2	3907550M91	1	Parts Pack	(1)
3	3616277M1	1	Helmet	
4	4275050M1	1	Wiper Arm	Length 372 MM
5	3907575M91	1	Parts Pack	(4)
6	3713742M1	1	Plug	[B] Diameter 9,5 MM
	3713741M1	1	Plug	[B] Diameter 17,5 MM
7	3713151M1	1	Tap	[B]
8	3583086M1	1	Pressure Valve	
9	3786782M1	1	Hose Flexible	Diameter 1580 MM
10	4275049M1	1	Wiper Blade	Length 450 MM
11	4271344M1	1	Switch, Indirect	
12	4274622M1	1	Washer	[C] Diameter 8 - 20 X 3 MM

FOOTNOTE [B] WITHOUT REAR WIPER AND WASHER WINDSCREEN**FOOTNOTE [C] RUBBER**

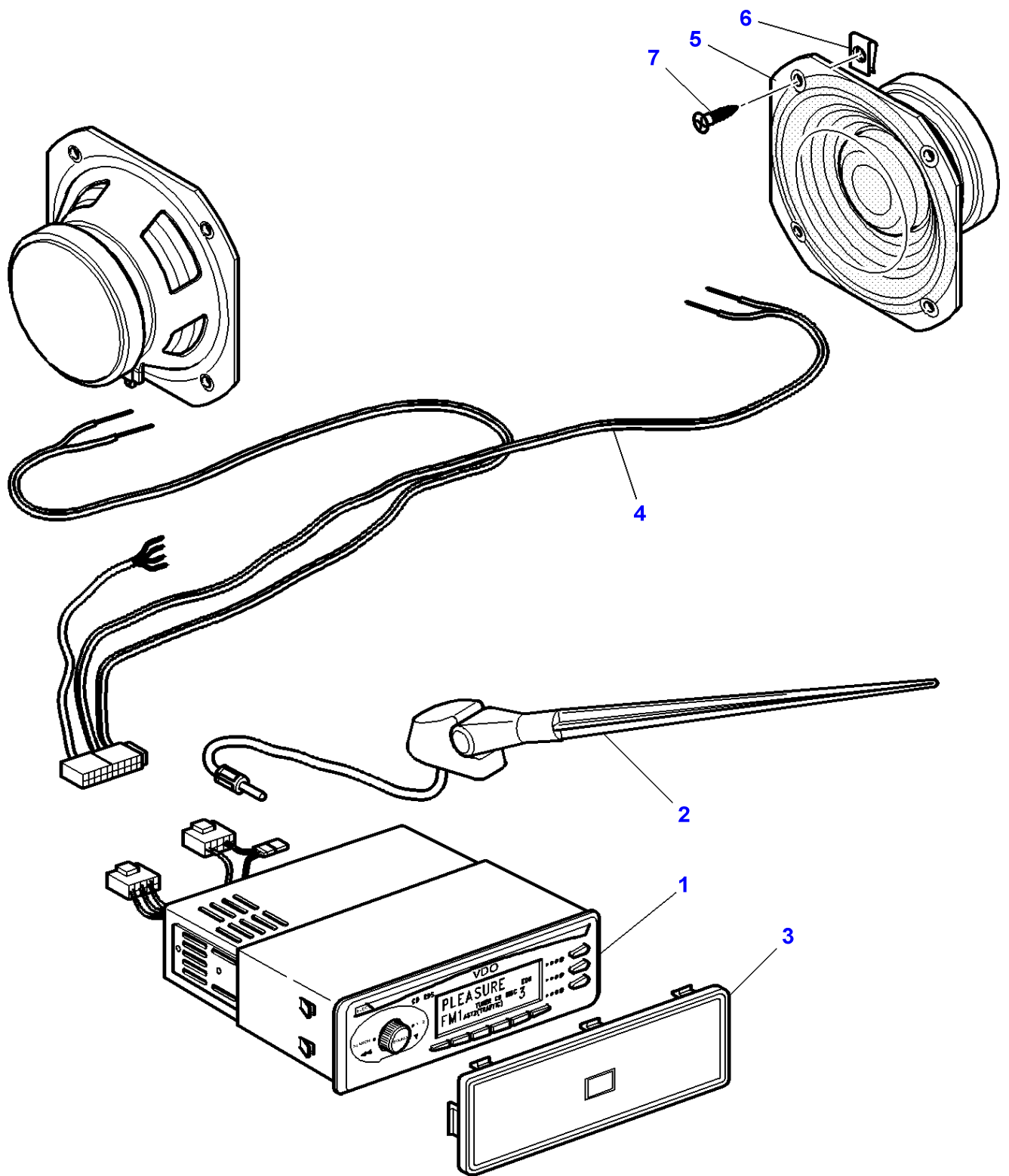
1-WU28-001-B



Massey Ferguson**MF 8450/8460 TRACTOR - 1637447****1637447****Canopy - Standard Roof****Page 110-0190**

Item	Part Number	Qty	Description	Comments
1	3714072M91	1	Canopy	
2	3902176M91	1	Panel	(1)
3	3902175M91	1	Bar	(1)
4	3902174M91	2	Rod	(1)
5	365924X1	2	Screw	(1) CBZ N10 X 16
6	1440350X1	2	Screw Metric	M6 X 20
7	339375X1	2	Lock Washer	

1-WU26-001-D



Radio Installation

Item	Part Number	Qty	Description	Comments
1	4271751M91	1	Radio Cas Push B	[B]
	3788235M91	1	Radio Push Butt.	[D]
	3788236M91	1	Radio Push Butt.	[E]
2	4277283M92	1	Top Aerial	
3	3580173M1	1	Plate	[A]
4	3786676M2	1	Harness	
5	4274735M1	2	Speaker	
6	3715142M1	8	Nut	
7	3010506X1	8	Screw	M5 X 16

FOOTNOTE [A] WITHOUT RADIO

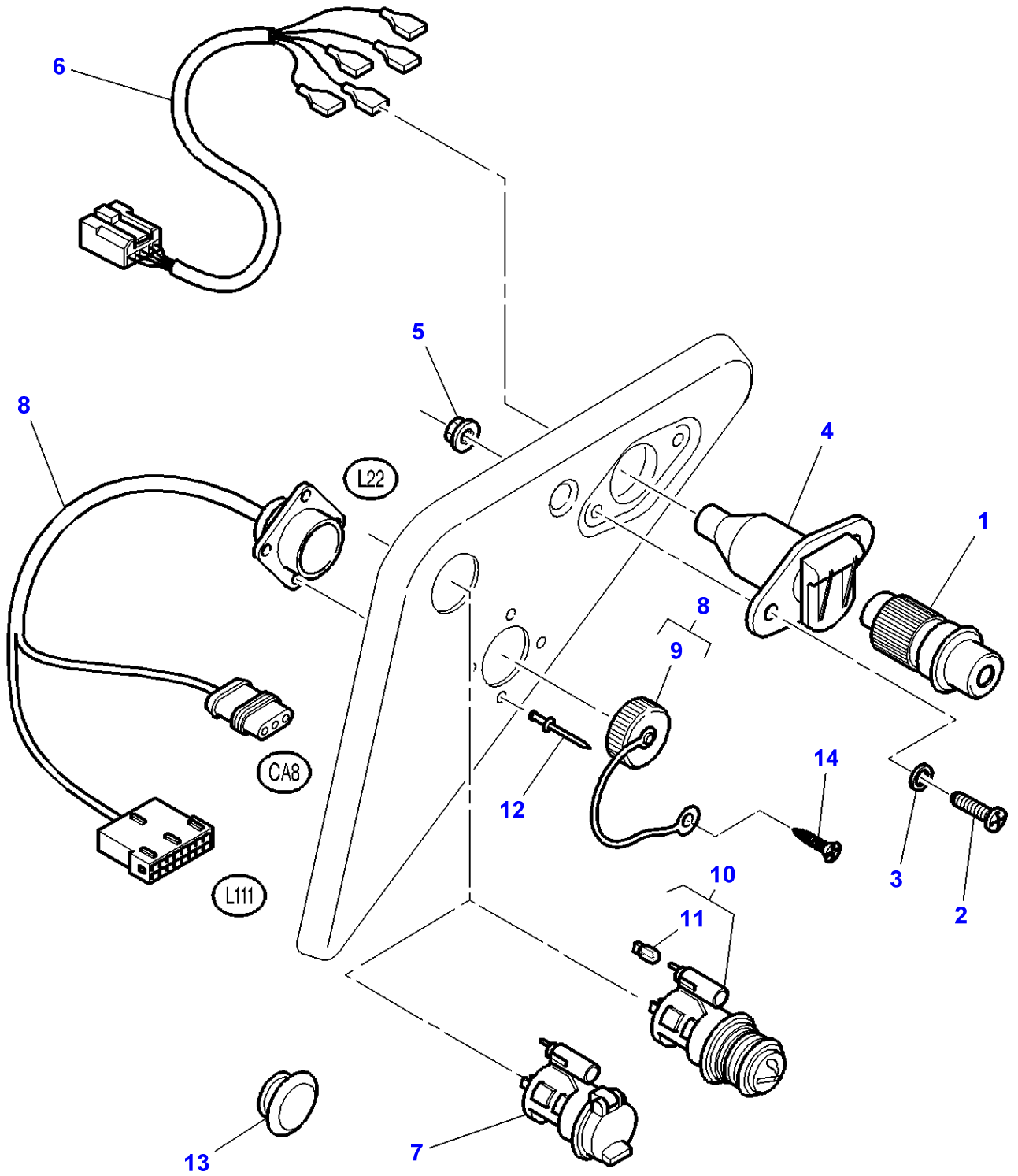
FOOTNOTE [B] WITH RADIO CASSETTE

FOOTNOTE [C] WITH RADIO CASSETTE + PHONE INTAKE

FOOTNOTE [D] WITH RADIO CD

FOOTNOTE [E] WITH RADIO CD + PHONE INTAKE

1-WU33-002-D



Massey Ferguson**MF 8450/8460 TRACTOR - 1637447**

1637447

Electrical Plug And Cigar Lighter - ISO STANDARD

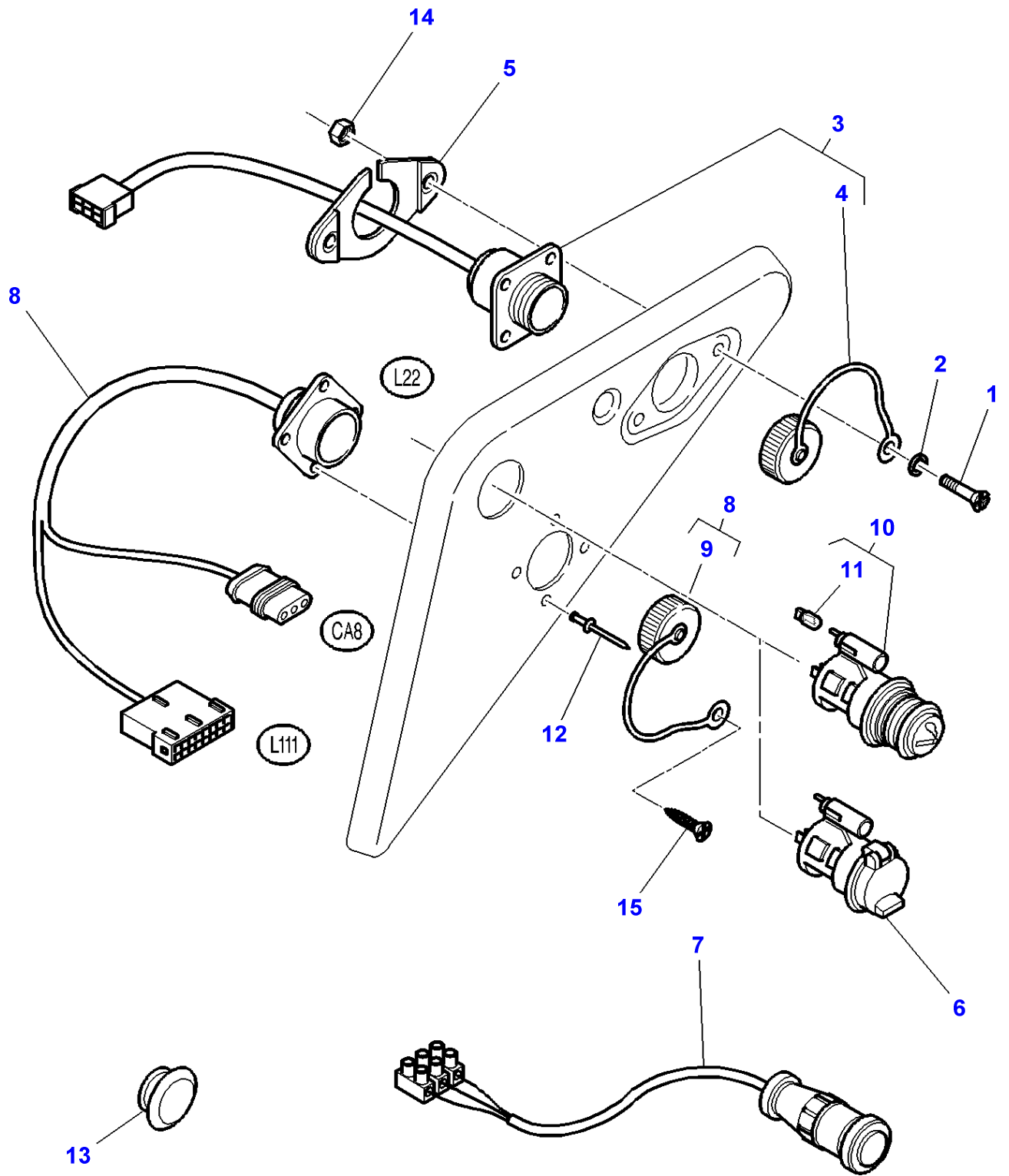
Page 110-0200

Item	Part Number	Qty	Description	Comments
1	G205.900.900.020	1	Electrical Plug	
2	3010804X1	2	Screw	M4 X 16
3	3001856X1	2	Washer	Diameter 4-12 X 1,1
4	3713127M1	1	Electric Socket	Replace and repair. Old not interchangeable with new 3760033M1
5	1443615X1	2	Nut Metric	M4
6	3714516M2	1	Harness	
7	4272534M1	1	Intake	[B]
8	3778708M2	1	Harness	[A]
9	3900383M1	1	Plug	(8)
10	3617848M91	1	Lighter	
11	3302213M1	1	Bulb 12v 1.2w	(10)
12	3011214X1	4	Rivet	Diameter 3,2 MM
13	4275985M1	1	Tap	Diameter 25,4
14	3580257M1	1	Screw	M5X20

FOOTNOTE [A] WITHOUT DATATRONIC

FOOTNOTE [B] PHONE INTAKE

1-WU33-001-D



Massey Ferguson**MF 8450/8460 TRACTOR - 1637447**

1637447

Electrical Plug And Cigar Lighter - SAE STANDARD

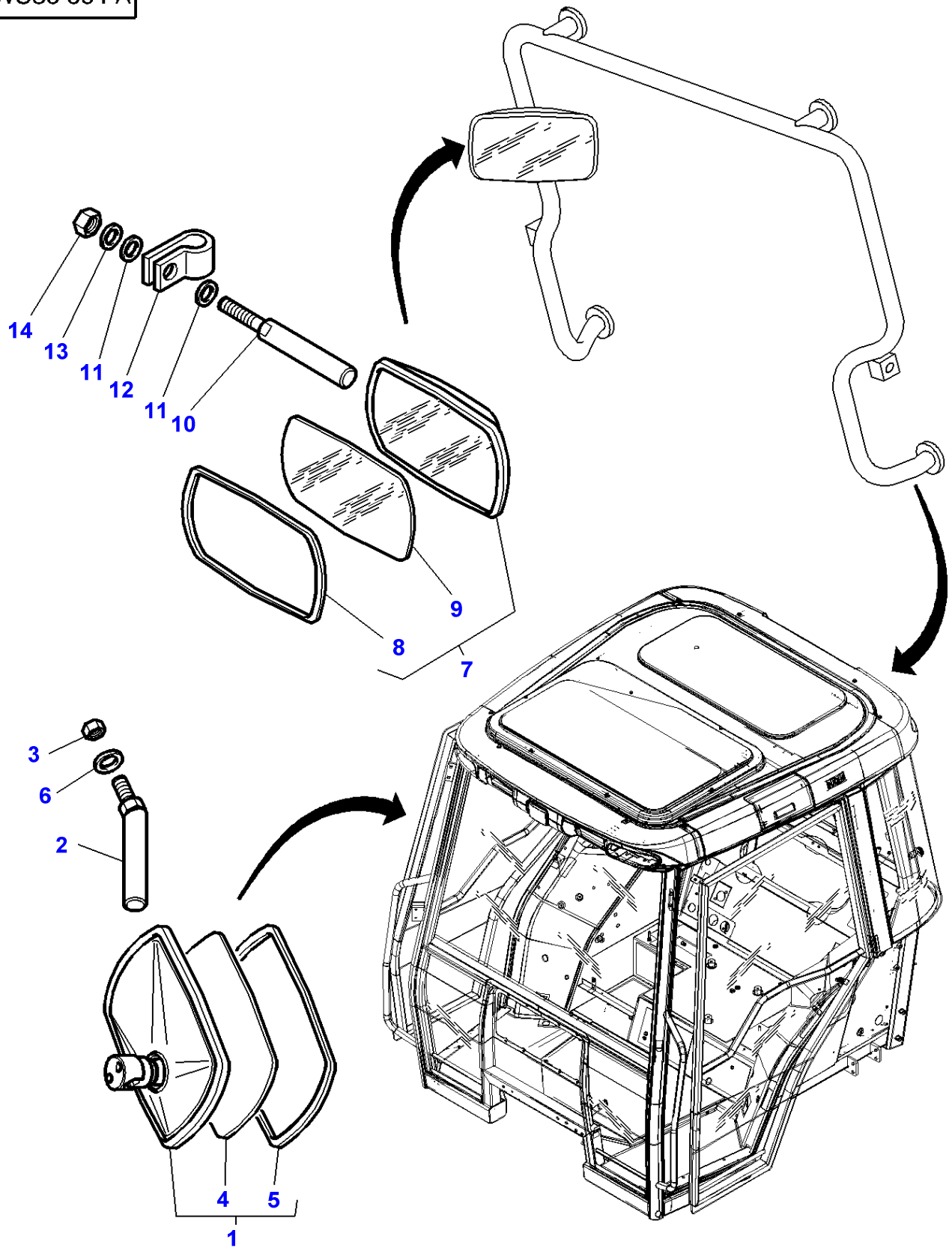
Page 110-0205

Item	Part Number	Qty	Description	Comments
1	3010804X1	2	Screw	M4 X 16
2	3001856X1	2	Washer	Diameter 4-12 X 1,1
3	3786495M2	1	Intake	
4	3900383M1	1	Plug	(3)
5	4273771M2	1	Plate	
6	4272534M1	1	Intake	[B]
7	3779786M2	1	Plug 7 Pin Male	
8	3778708M2	1	Harness	[A]
9	3900383M1	1	Plug	(8)
10	3617848M91	1	Lighter	
11	3302213M1	1	Bulb 12v 1.2w	(10)
12	3011214X1	4	Rivet	Diameter 3,2 MM
13	4275985M1	1	Tap	Diameter 25,4-32MM
14	1443615X1	2	Nut Metric	M4
15	3580257M1	1	Screw	M5X20

FOOTNOTE [A] WITHOUT DATATRONIC

FOOTNOTE [B] PHONE INTAKE

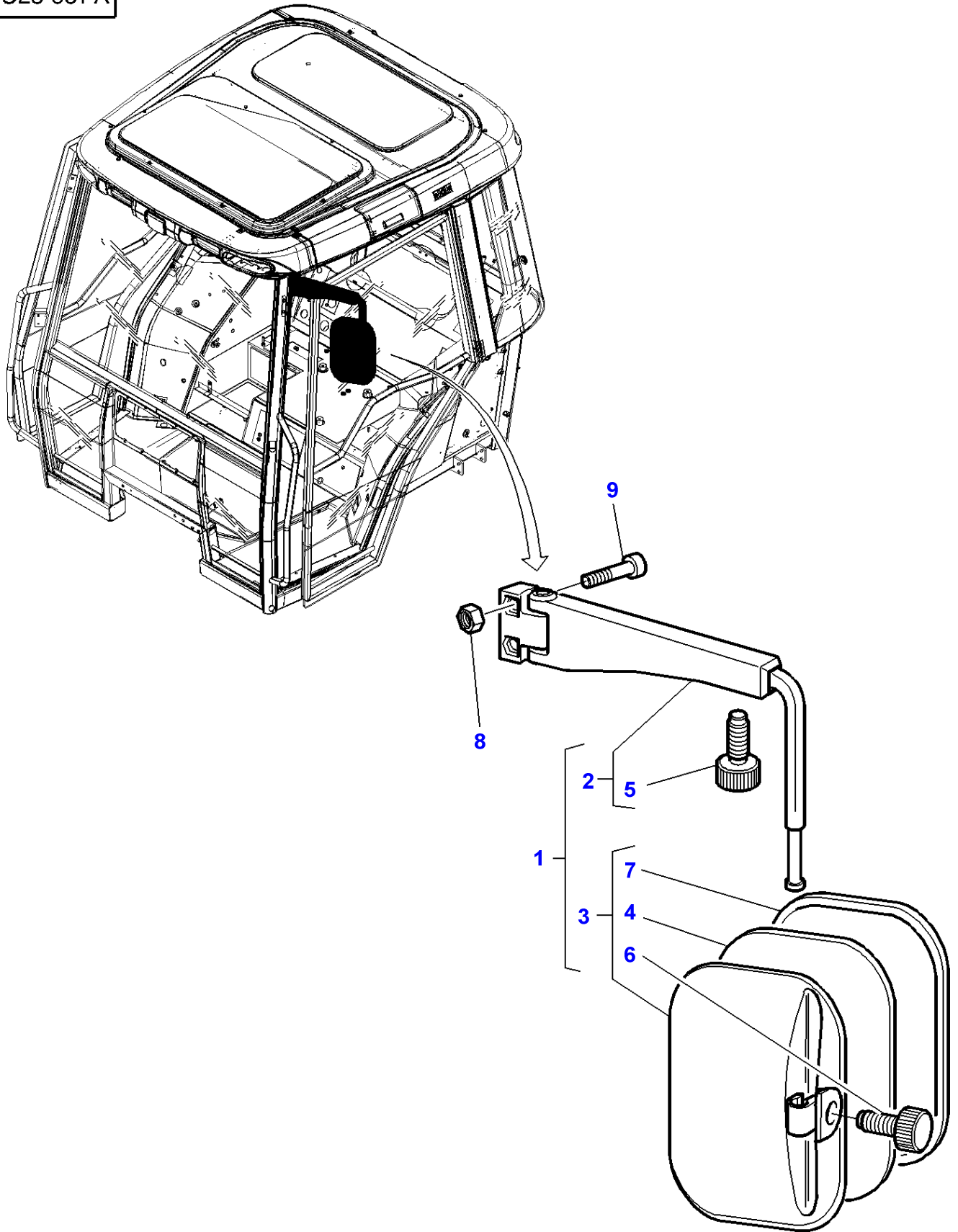
1-WU30-004-A



Internal Mirrors

Item	Part Number	Qty	Description	Comments
1	3806618M91	1	Mirror	
2	3778091M1	1	Clevis Pin	
3	339402X1	1	Nut	M10
4	3904487M1	1	Mirror Glass	(1)
5	3904491M1	1	Gasket	(1)
6	390734X1	1	Washer	
7	3806618M91	1	Mirror	
8	3904491M1	1	Gasket	(7)
9	3904487M1	1	Mirror Glass	(7)
10	3581239M1	1	Clevis Pin	
11	385362X1	2	Washer	Diameter 10-20 X 3
12	3581507M1	1	Clip	Diameter 18 - M10
13	391026X1	1	Lock Washer	Diameter 10-18
14	339402X1	1	Nut	M10

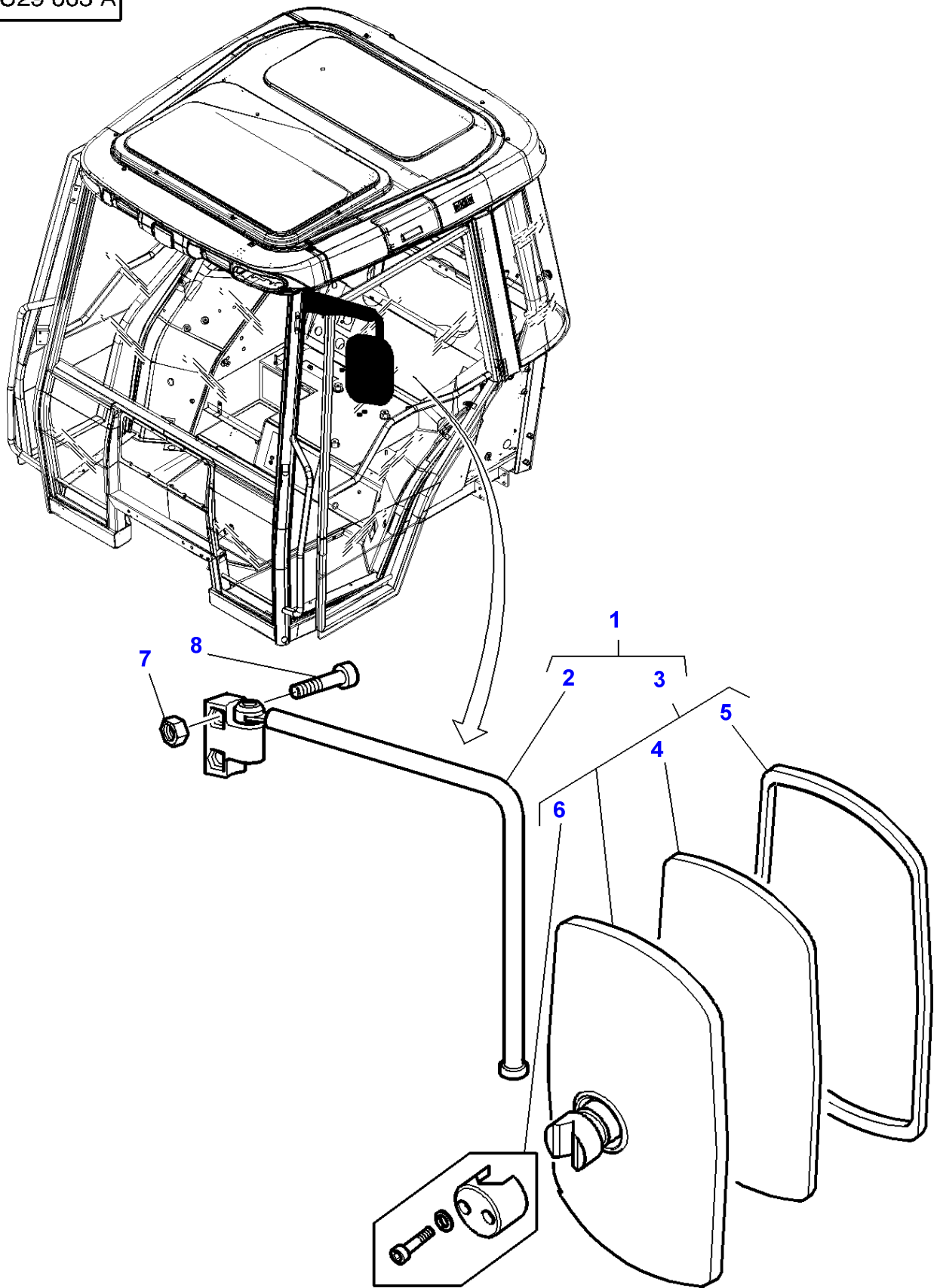
1-WU29-001-A



External Mirrors

Item	Part Number	Qty	Description	Comments
1	3787146M91	1	Mirror	Left Hand
	3787147M91	1	Mirror	Right Hand
2	3787145M91	1	Arm	(1)
3	3787152M1	1	Mirror	(1)
4	3904488M1	1	Mirror Glass	(3)
5	3907103M1	1	Setscrew	(2)
6	3907108M1	1	Setscrew	(3)
7	3907109M1	1	Gasket	(3)
8	1440329X1	4	Locknut	M10
9	3011368X1	4	Screw	M10 X 30

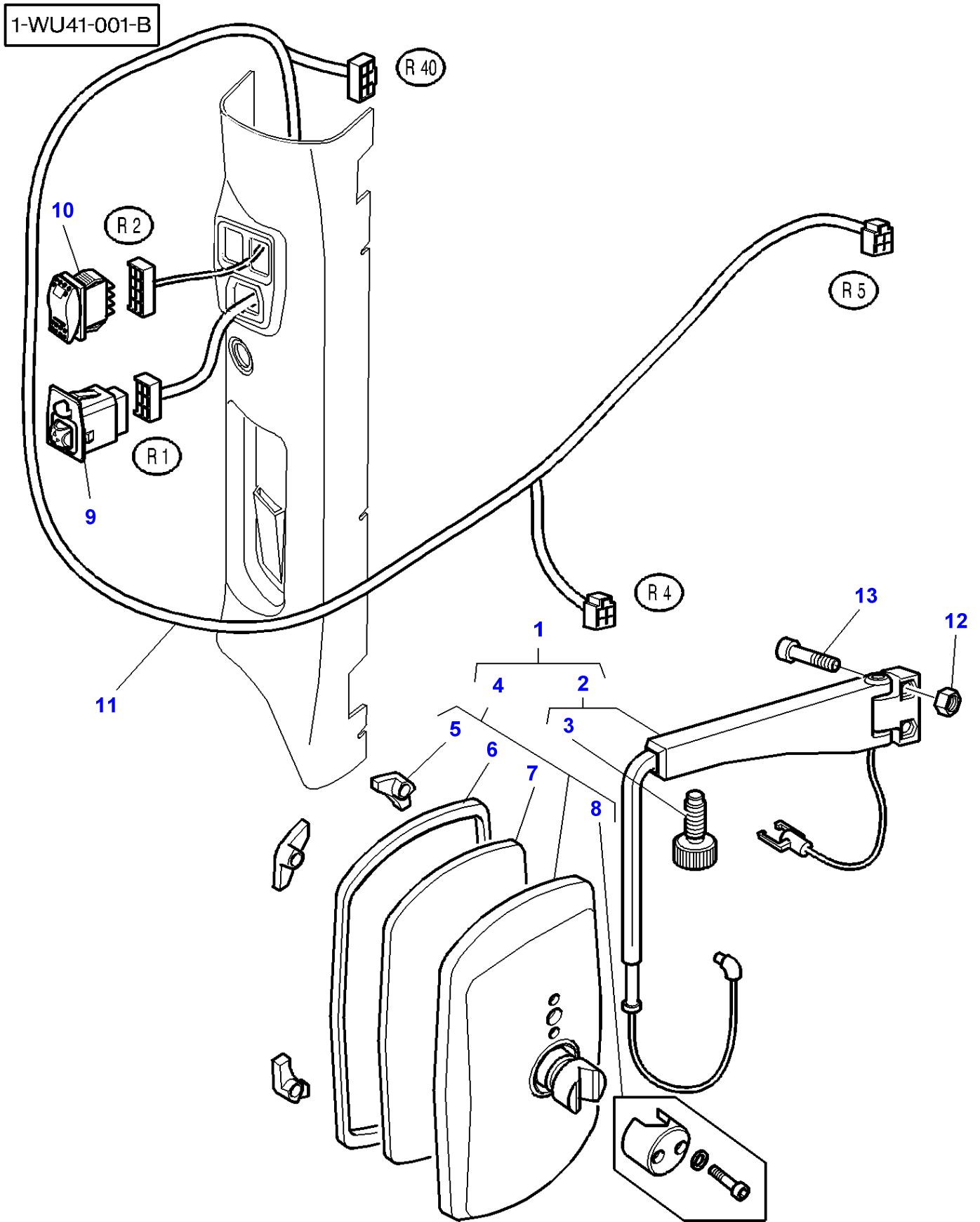
1-WU29-003-A



External Mirrors

Item	Part Number	Qty	Description	Comments
1	3787148M91	1	Mirror	Left Hand
	3787149M91	1	Mirror	Right Hand
2	3787144M91	1	Arm	(1)
3	3806614M91	1	Mirror	(1)
4	1894397M1	1	Mirror Glass	(3) 172 X 280 MM
5	3904489M1	1	Gasket	(3)
6	3907105M91	1	Parts Pack	(3)
7	1440329X1	4	Locknut	M10
8	3011368X1	4	Screw	M10 X 30

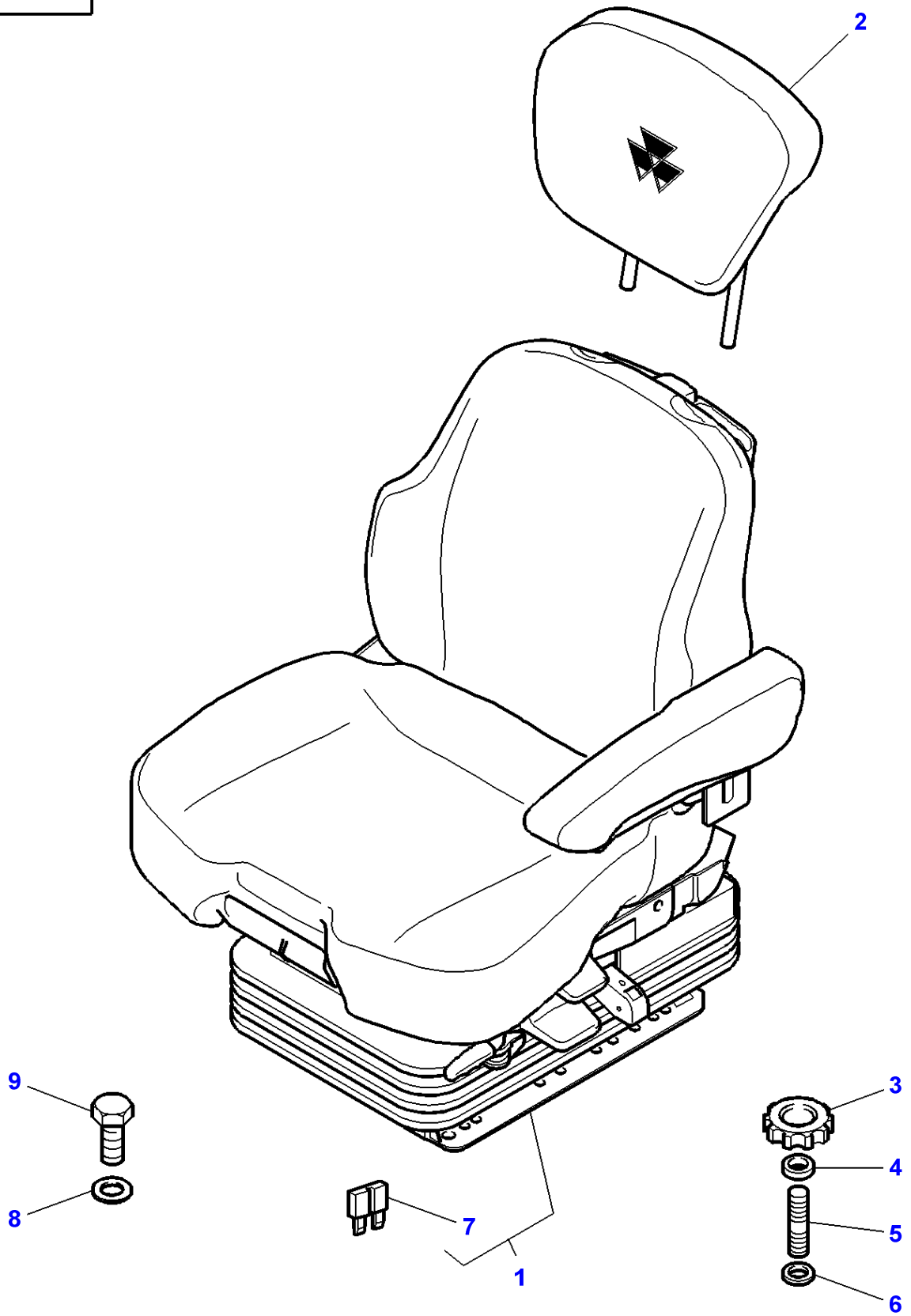
MF 8450/8460 TRACTOR - 1637447
1-WU41-001-B



Electric Control Rear Reflecting Miror

Item	Part Number	Qty	Description	Comments
1	3787154M91	1	Mirror	Left Hand
	3787155M91	1	Mirror	Right Hand
2	3787156M91	1	Arm	(1)
3	3907103M1	1	Setscrew	(2)
4	3787157M1	1	Mirror	(1)
5	3904493M1	4	Gusset	(4)
6	3904492M1	1	Gasket	(4)
7	3907104M1	1	Mirror Glass	(4)
8	3907102M91	1	Parts Pack	(4)
9	4270273M1	1	Drive	
10	4271345M1	1	Switch,Indirect	
11	4271865M2	1	Harness	
12	1440329X1	4	Locknut	M10
13	3011368X1	4	Screw	M10 X 30

1-WV01-004-B



Seat

Item	Part Number	Qty	Description	Comments
1	4272521M91	1	Seat	[A] See Page - Reference Number 110-0250 See Page - Reference Number 110-0255
	4272520M91	1	Seat	[B] See Page - Reference Number 110-0235 See Page - Reference Number 110-0240
	4272517M91	1	Seat	[C] See Page - Reference Number 110-0235 See Page - Reference Number 110-0245
2	4272525M91	1	Head Rest	
3	3786216M1	2	Button	
4	3616096M1	2	Spacer	Diameter 10,5-32X5
5	3008483X1	2	Stud	M10X35
6	3778519M1	2	Washer	Diameter 10-27X1,8
7	3387322M1	1	Fuse	[A,B] (1) 25 AMP.
8	390972X1	4	Washer	
9	3009285X1	4	Screw	M8X16

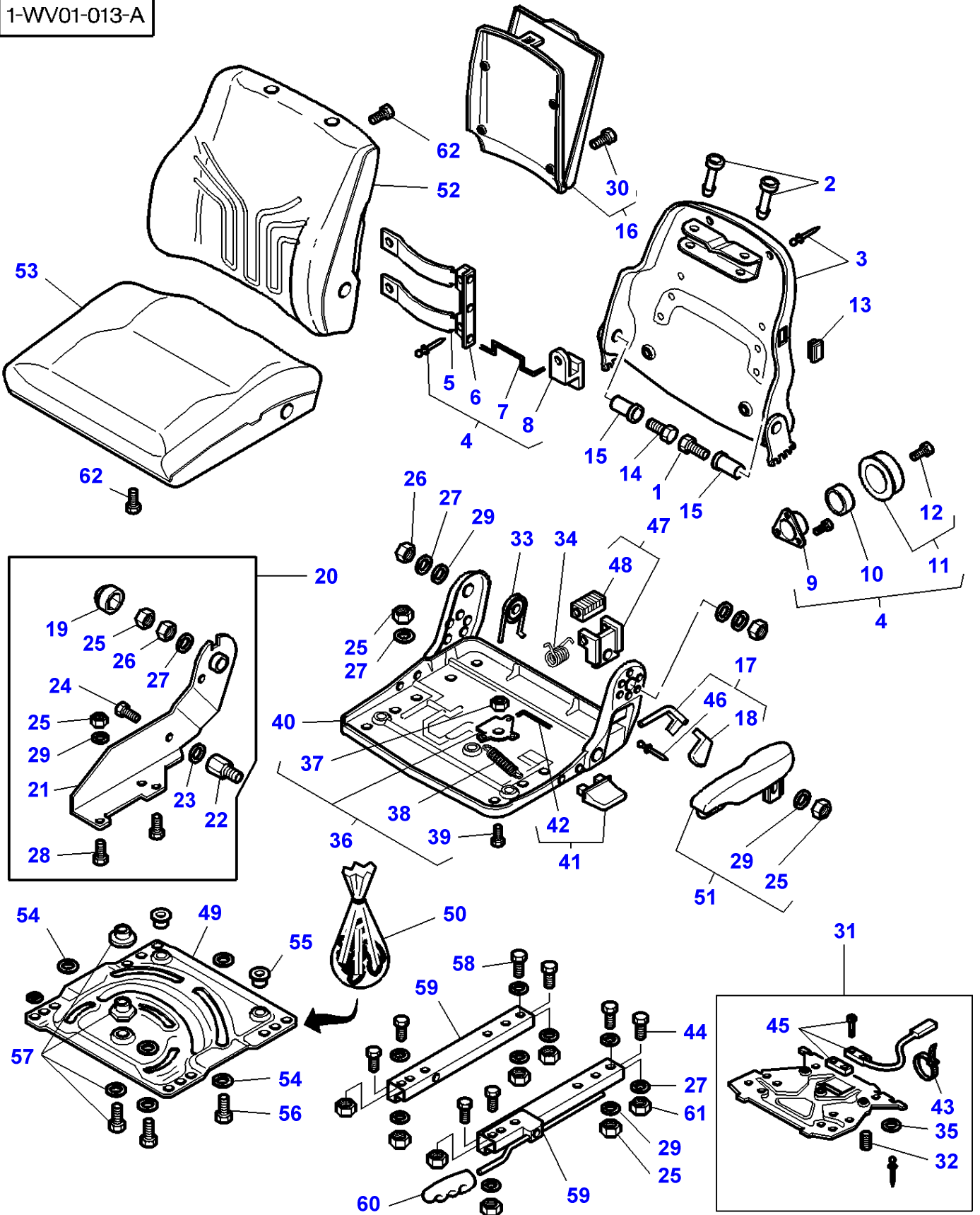
FOOTNOTE [A] AIR PRESSURE SEAT WITH AUTOMATIC ADJUSTMENT - LUXUY

FOOTNOTE [B] AIR PRESSURE SEAT WITH AUTOMATIC ADJUSTMENT

FOOTNOTE [C] AIR PRESSURE SEAT WITH MANUAL ADJUSTMENT

MF 8450/8460 TRACTOR - 1637447
1-WV01-013-A

1-WV01-013-A

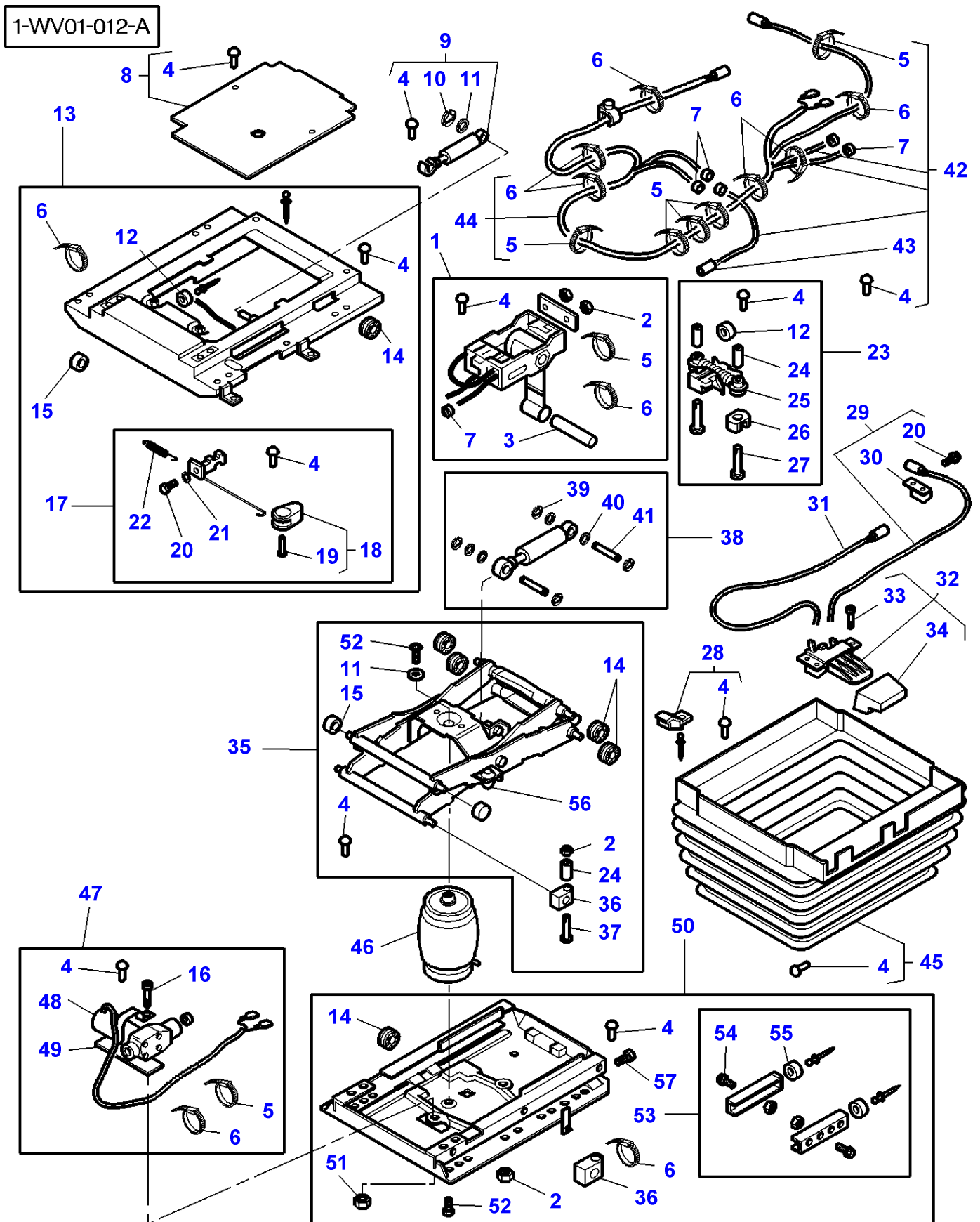


Seat

Item	Part Number	Qty	Description	Comments
	4272520M91	1	Seat	
	4272517M91	1	Seat	
1	339010X1	1	Hex. Sock. Screw	M8X40
2	3903626M1	2	Insert	
3	3903625M91	1	Back Rest	
4	3903628M91	1	Support	
5	3903601M1	2	Plate	
6	3903602M1	1	Plate	
7	3903600M1	1	Rod	
8	3903633M1	1	Driving	
9	3903632M1	1	Holder	
10	3903631M1	1	Cam	
11	3903630M91	1	Handle	
12	392831X1	1	Screw	M6 X 10
13	3903598M1	1	Tap	
14	339168X1	1	Hex. Sock. Screw	M8 X 50
15	3903634M1	2	Tube	
16	3903603M1	1	Pocket	
17	3904264M1	1	Lever	
18	3904265M1	1	Handle	
19	3903607M1	1	Clevis	
20	3907123M91	1	Support	
21		1	Support	Not serviced,order REF. 20
22	3907121M1	1	Bolt	
23	3903605M1	1	Insert	
24	353557X1	1	Bolt Unf	7/16-20 X 20
25	339169X1	X	Nut	M8
26	3000193X1	2	Nut	M8
27	391565X1	X	Washer Metric	M8
28	3009439X1	2	Screw	M8 X 16
29	391039X1	X	Washer Metric	M8
30	3903093M1	5	Screw	M4X8
31	3907126M91	1	Timing Device	
32	3907124M1	1	Spring	
33	3903615M1	1	Spring	
34	3903788M1	1	Spring	
35	3102401M1	2	Buffer	
36	3903635M91	1	Lever	
37	3903623M1	1	Insert	
38	3104902M1	1	Spring	
39	339228X1	1	Hex. Sock. Screw	M8 X 12
40	3907122M1	1	Frame	
41	3903611M91	1	Handle	
42	3903612M1	1	Rod	
43	3903106M1	1	Tie	
44	3009285X1	5	Screw	M8 X 16 Replace and repair. Old not interchangeable with new 1441000X1
45	3907125M91	1	Switch	
46		X	Rivet	[A]
47	3904270M1	1	Support	
48	3904269M1	1	Stop	
49	3903622M91	1	Plate	
50	3904275M1	1	Parts Pack	
51	3904442M91	1	Armrest	Left Hand
52	3907117M1	1	Cushion	
53	3907118M1	1	Cushion	
54	390735X1	8	Washer	Diameter 13 X 2.5-0.12
55	3903616M1	2	Bearing	
56	3903610M1	4	Bolt	
57	3903967M91	1	Parts Pack	
58	339124X1	4	Hex. Sock. Screw	M8 X 16
59	3903621M91	1	Kit, Slider	
60	3903595M1	1	Handle	
61	3904089M1	4	Nut	M8
62	3903965M1	7	Screw	M5 X 25

FOOTNOTE [A] NOT SERVICED

MF 8450/8460 TRACTOR - 1637447
1-WV01-012-A



Seat

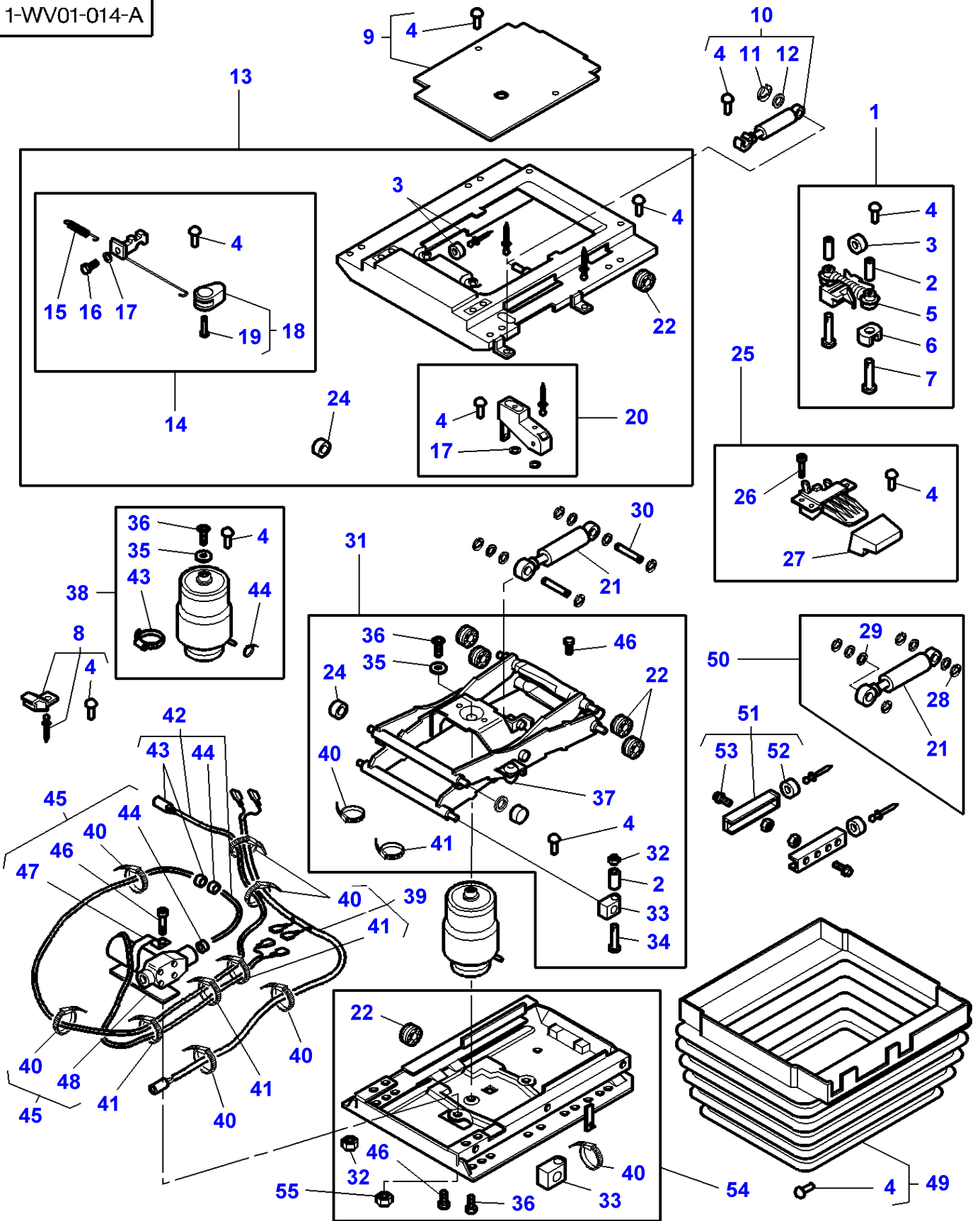
Item	Part Number	Qty	Description	Comments
	4272520M91	1	Seat	
1	3903129M91	1	Lever	
2	3000193X1	4	Nut	M8
3	3903130M1	1	Clevis Pin	
4	1719896M1	24	Plug	
5	3903068M1	4	Tie	4,7x204 MM
6	3903106M1	5	Tie	2,5x102 MM
7	3903052M1	4	Olive	
8	3903037M91	1	Housing	
9	3903039M91	1	Shock Absorber	
10	1441206X1	1	Lock Washer	Diameter 6 MM
11	391565X1	2	Washer Metric	Diameter 8.4 MM
12	3903040M1	1	Buffer	
13	3903132M91	1	Suspension	
14	3903050M1	4	Roller	
15	3903815M1	2	Pulley	
16	3001414X1	1	Screw Metric	M8x12
17	3903045M91	1	Rod Link	
18	3903180M91	1	Handle	
19	3903065M1	1	Screw	4x14
20	3904444M1	2	Screw	3.5x12
21	339362X1	1	Washer	Diameter 4,3 MM
22	3903044M1	2	Spring	
23	3903032M91	1	Shock Absorber	(1)
24	3105404M1	4	Tube	(1)
25	3903033M1	2	Insert	
26	3903034M1	2	Buffer	
27	339287X1	2	Hex. Sock. Screw	M8x35
28	3903036M1	2	Stop	
29	3903138M91	1	Cable	
30	3903136M1	1	Support	
31	3903137M91	1	Cable	
32	3903164M91	1	Selector	Replace and repair. Old interchangeable with new 3903043M91
33	3904087M1	3	Bolt	M5X16
34	3903042M1	1	Handle	
35	3903047M91	1	Suspension	
36	3903049M1	2	Bearing Carrier	
37	3903066M1	2	Screw	
38	3903058M91	1	Shock Absorber	
39	390287X1	4	Lock Washer	
40	3101663M1	4	Washer	
41	3903035M1	2	Clevis Pin	
42	3903141M91	1	Hydr. Hose	
43	3105395M1	2	Hose Clip	
44	3903140M91	1	Cable	
45	3903139M91	1	Bellows	
46	3903051M91	1	Accumulator	
47	3903057M91	1	Compressor	
48	3903053M1	1	Clamp	
49	3903054M1	1	Plate	
50	3903059M91	1	Fit Plate Seat	
51	3000193X1	1	Nut	M8
52	3903067M1	2	Screw	M8x20
53	3903062M1	1	Stop	
54	3101996M1	2	Screw Special	M8x16
55	3102401M1	2	Buffer	
56	1719867M1	2	Protector	
57	3000926X1	1	Screw	M5x10
58	3903135M91	1	Kit, Repair	[A,B]

FOOTNOTE [A] INCLUDE ITEM 2/4/5/6/11/12/14/15/24/25/ 26/36/51/52/53/56/58

FOOTNOTE [B] NOT ILLUSTRATED

MF 8450/8460 TRACTOR - 1637447
1-WV01-014-A

1-WV01-014-A



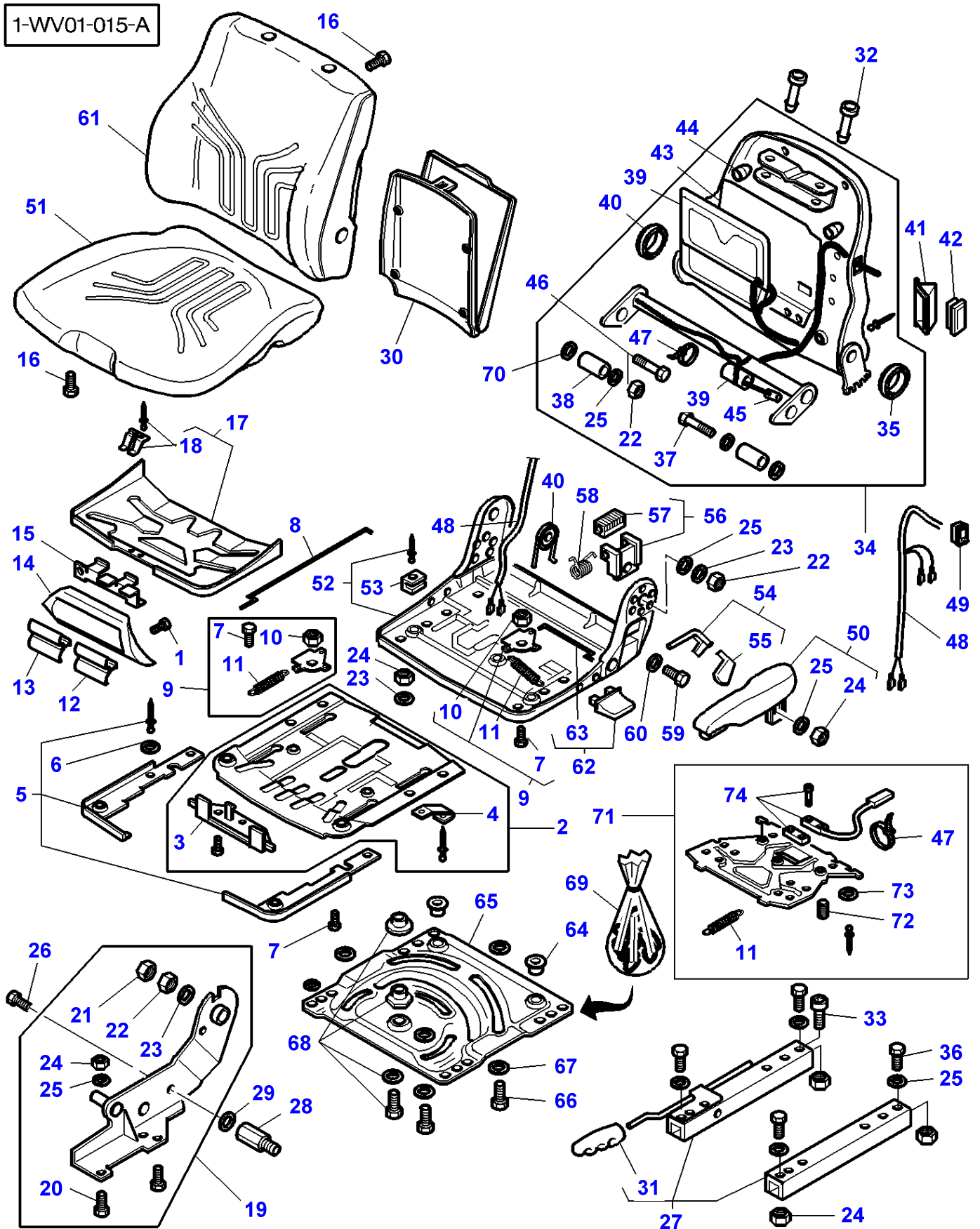
Seat

Item	Part Number	Qty	Description	Comments
	4272517M91	1	Seat	
1	3903032M91	1	Shock Absorber	
2	3105404M1	4	Tube	
3	3903040M1	1	Buffer	
4	1719896M1	24	Plug	
5	3903033M1	2	Insert	
6	3903034M1	1	Buffer	
7	339287X1	2	Hex. Sock. Screw	M8 X 35
8	3903036M1	2	Stop	
9	3903037M91	1	Housing	
10	3903039M91	1	Shock Absorber	
11	1441206X1	1	Lock Washer	
12	391565X1	1	Washer Metric	
13	3903038M91	1	Fit Plate Seat	
14	3903045M91	1	Rod Link	
15	3903044M1	2	Spring	
16	3904444M1	1	Screw	3,5 X 12
17	339362X1	3	Washer	
18	3903180M91	1	Handle	
19	3903065M1	1	Screw	4 X 14
20	3903041M91	1	Parts Pack	
21		1	Ram	Not serviced,order REF. 50
22	3903050M1	4	Roller	
23	3903135M91	1	Kit, Repair	[A,B]
24	3903815M1	2	Pulley	
25	3903313M91	1	Drive	
26	3904087M1	3	Bolt	M5 X 16
27	3903042M1	1	Handle	
28	390287X1	4	Lock Washer	
29	3101663M1	3	Washer	
30	3903035M1	2	Clevis Pin	
31	3903047M91	1	Suspension	
32	3000193X1	3	Nut	M8
33	3903049M1	2	Bearing Carrier	
34	3903066M1	2	Screw	
35	391565X1	1	Washer Metric	
36	3903067M1	2	Screw	8 X 20
37	1719867M1	2	Protector	
38	3903051M91	1	Accumulator	
39	3903056M91	1	Cable	
40	3903106M1	7	Tie	
41	3903068M1	4	Tie	
42	3904445M91	1	Kit, Repair	
43	3903052M1	2	Olive	
44	3105395M1	2	Hose Clip	
45	3903057M91	1	Compressor	
46	3001414X1	1	Screw Metric	M8 X 12
47	3903053M1	1	Clamp	
48	3903054M1	1	Plate	
49	3903060M91	1	Bellows	
50	3903058M91	1	Shock Absorber	
51	3903062M1	1	Stop	
52	3102401M1	2	Buffer	
53	3101996M1	2	Screw Special	M8 X 16
54	3903059M91	1	Fit Plate Seat	
55	3000193X1	1	Nut	M8

FOOTNOTE [A] INCLUDE ITEM 2/3/4/6/22/24/33/35/36/37/40/41 /44/46/51

FOOTNOTE [B] NOT ILLUSTRATED

MF 8450/8460 TRACTOR - 1637447
1-WV01-015-A



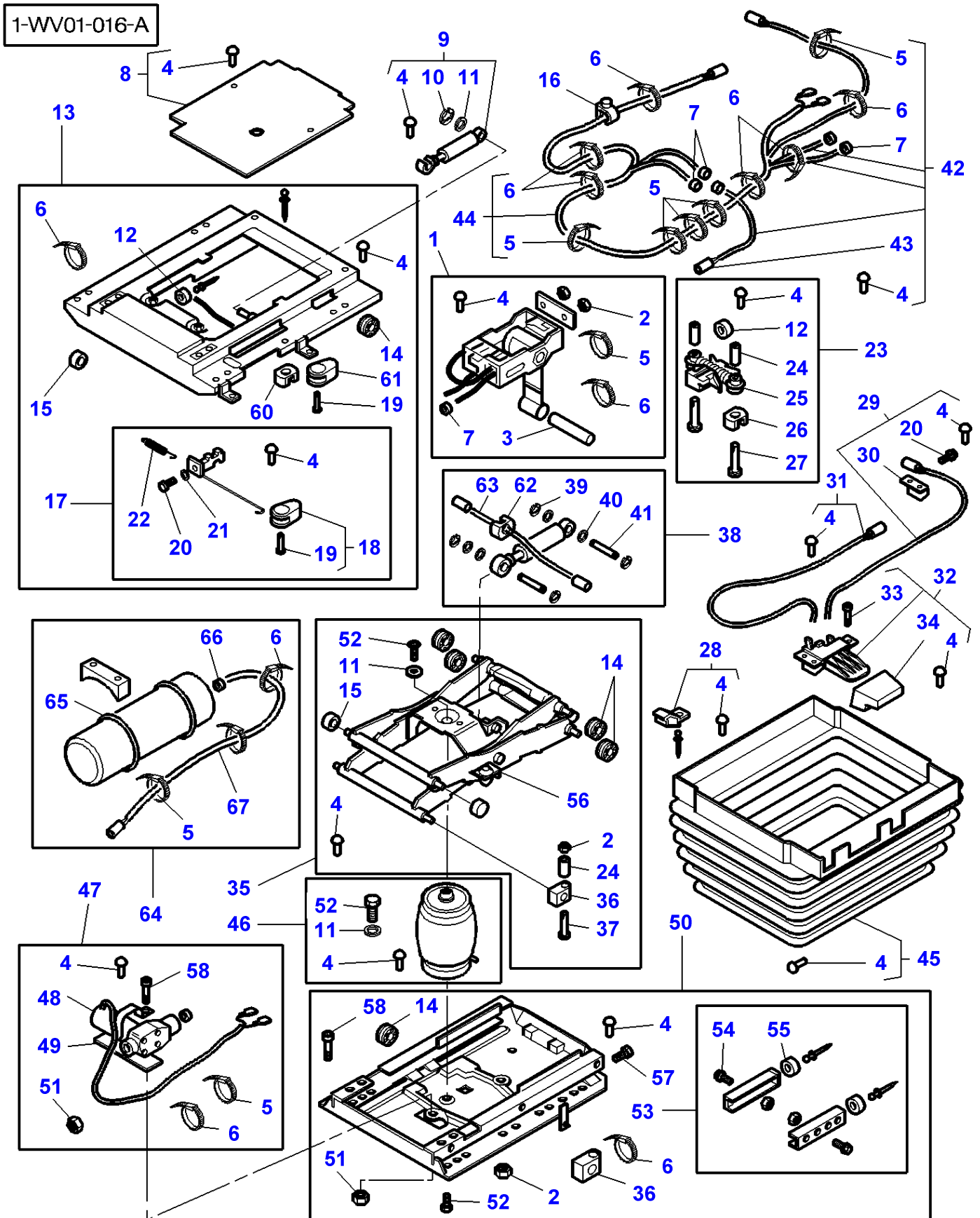
Item	Part Number	Qty	Description	Comments
	4272521M91	1	Seat	
1	3904087M1	2	Bolt	5x16
2	3903780M91	1	Frame	
3	3903785M91	1	Adjuster	
4	3903781M1	1	Shield	
5	3903784M91	1	Housing	
6	339362X1	2	Washer	
7	339228X1	2	Hex. Sock. Screw	M8x12
8	3903783M1	1	Rod	
9	3903635M91	2	Lever	
10	3903623M1	2	Insert	
11	3104902M1	2	Spring	
12	3903794M1	1	Muff	
13	3903793M91	1	Handle	
14	3903792M91	1	Housing	
15	3903791M1	1	Lever	
16	3903965M1	8	Screw	M5x25
17	3903789M91	1	Positioner	
18	3903790M91	1	Shield	
19	3907123M91	1	Support	
20	3009439X1	4	Screw	M8x16
21	3903607M1	1	Clevis	
22	3000193X1	2	Nut	M8
23	391565X1	9	Washer Metric	
24	339169X1	10	Nut	M8
25	391039X1	9	Washer Metric	
26	353557X1	1	Bolt Unf	7/16-20x20
27	3903621M91	1	Kit, Slider	
28	3907121M1	1	Bolt	
29	3903605M1	1	Insert	
30	3903603M1	1	Pocket	
31	3903595M1	1	Handle	
32	3903626M1	2	Insert	
33	3009285X1	4	Screw	M8x16 Replace and repair. Old not interchangeable with new 1441000X1
34	3903795M91	1	Back Rest	
35	3907136M1	1	Washer	
36	339124X1	4	Hex. Sock. Screw	M8x16
37	339168X1	2	Hex. Sock. Screw	M8x50
38	3903796M1	2	Tube	
39	3903800M1	1	Support	
40	3903779M1	1	Spring	
41	3903798M1	1	Cover	
42	3903843M1	1	Switch	
43	3903799M91	1	Plate	
44	1719867M1	2	Protector	
45	3903970M1	3	Spring	
46	3903806M1	1	Screw	M8x60
47	3903106M1	9	Tie	
48	3903801M1	1	Harness	
49	3903804M1	1	Switch	[A]
50	3904442M91	1	Armrest	
51	3907135M1	1	Cushion	
52	3903787M91	1	Frame	
53	3903786M1	1	Skate	
54	3904264M1	1	Lever	
55	3904265M1	1	Handle	
56	3904270M1	1	Support	
57	3904269M1	1	Stop	
58	3903788M1	1	Spring	
59	353562X1	1	Bolt Unf	7/16-20X35
60	353428X1	1	Nut Unf	7/16-20
61	3907134M1	1	Cushion	
62	3903611M91	1	Handle	
63	3903612M1	1	Rod	(62)
64	3903616M1	2	Bearing	
65	3903622M91	1	Plate	
66	3903610M1	4	Bolt	
67	390735X1	8	Washer	
68	3903967M91	1	Parts Pack	
69	3904275M1	1	Parts Pack	

Massey Ferguson**MF 8450/8460 TRACTOR - 1637447****1637447****Seat - AIR PRESSURE SEAT WITH AUTOMATIC ADJUSTMENT - LUXUY****Page 110-0250**

Item	Part Number	Qty	Description	Comments
70	1444351X1	2	Washer	
71	3907126M91	1	Timing Device	
72	3907124M1	3	Spring	
73	3105034M1	2	Shock Absorber	
74	3907125M91	1	Switch	

FOOTNOTE [A] HEATER

MF 8450/8460 TRACTOR - 1637447
1-WV01-016-A

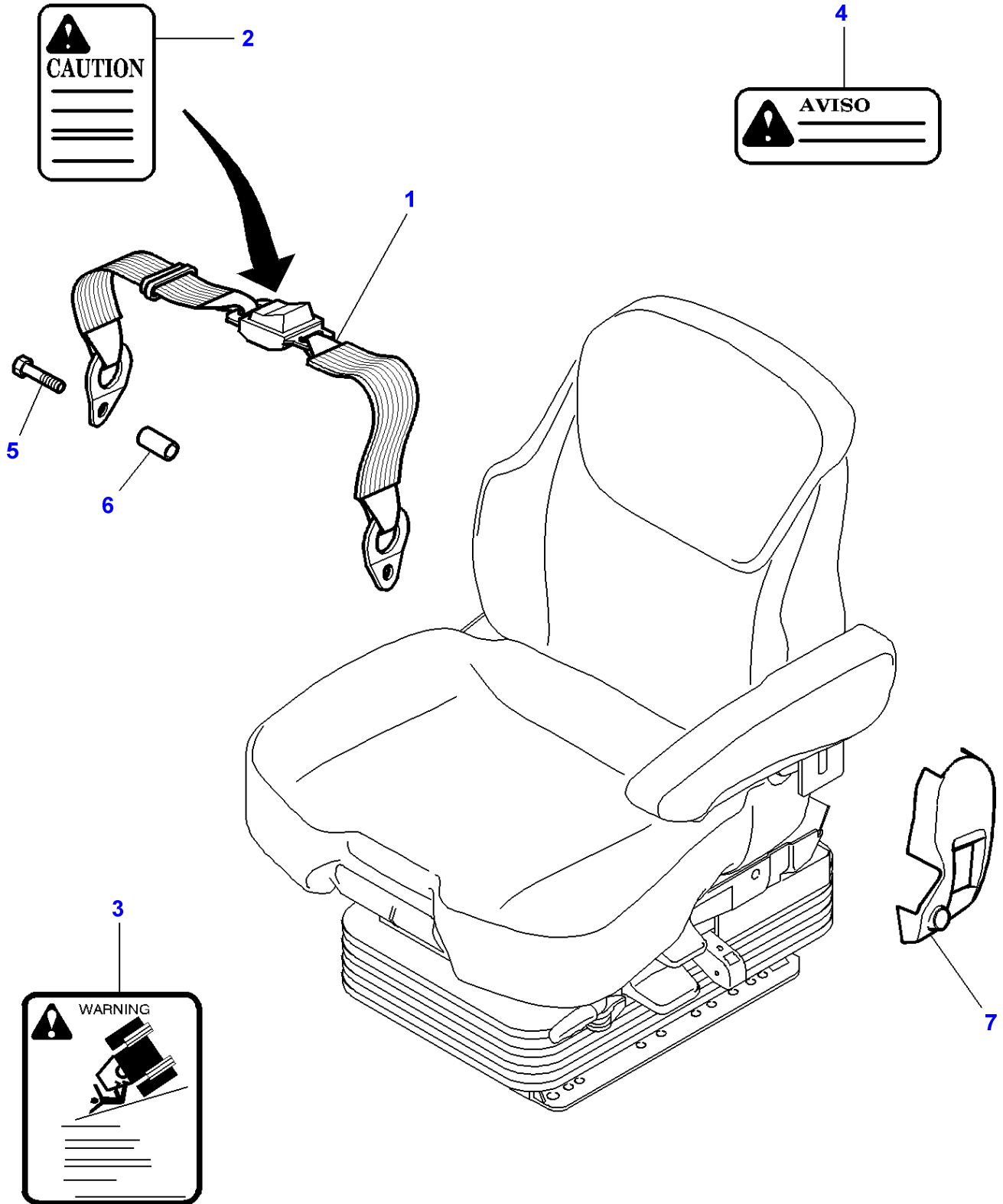


Item	Part Number	Qty	Description	Comments
	4272521M91	1	Seat	
1	3903129M91	1	Lever	
2	3000193X1	5	Nut	M8
3	3903130M1	1	Clevis Pin	
4	1719896M1	24	Plug	
5	3903068M1	4	Tie	4,7x204 MM
6	3903106M1	5	Tie	2,5x102 MM
7	3903052M1	4	Olive	
8	3903037M91	1	Housing	
9	3903039M91	1	Shock Absorber	
10	1441206X1	1	Lock Washer	Diameter 6 MM
11	391565X1	2	Washer Metric	Diameter 8.4 MM
12	3903040M1	1	Buffer	
13	3903814M91	1	Fit Plate Seat	
14	3903816M1	4	Roller	
15	3903815M1	2	Pulley	
16	3903823M1	1	Cable Clamp	
17	3903045M91	1	Rod Link	
18	3903180M91	1	Handle	
19	3903065M1	1	Screw	4x14
20	3904444M1	2	Screw	3.5x12MM
21	339362X1	1	Washer	Diameter 4,3 MM
22	3903044M1	2	Spring	
23	3903032M91	1	Shock Absorber	(1)
24	3105404M1	4	Tube	(1)
25	3903033M1	2	Insert	
26	3903034M1	2	Buffer	
27	339287X1	2	Hex. Sock. Screw	M8x35
28	3903036M1	2	Stop	
29	3903138M91	1	Cable	
30	3903136M1	1	Support	
31	3903137M91	1	Cable	
32	3903164M91	1	Selector	Replace and repair. Old interchangeable with new 3903043M91
33	3904087M1	3	Bolt	M5X16
34	3903042M1	1	Handle	
35	3903047M91	1	Suspension	
36	3903049M1	2	Bearing Carrier	
37	3903066M1	2	Screw	
38	3903822M91	1	Shock Absorber	
39	390287X1	4	Lock Washer	
40	3101663M1	4	Washer	
41	3903035M1	2	Clevis Pin	
42	3903141M91	1	Hydr. Hose	
43	3105395M1	2	Hose Clip	
44	3903817M91	1	Cable	
45	3903172M91	1	Bellows	
46	3903051M91	1	Accumulator	
47	3903057M91	1	Compressor	
48	3903053M1	1	Clamp	
49	3903054M1	1	Plate	
50	3903059M91	1	Fit Plate Seat	
51	3000193X1	1	Nut	M8
52	3903067M1	2	Screw	M8x20
53	3903062M1	1	Stop	
54	3101996M1	2	Screw Special	M8x16
55	3102401M1	2	Buffer	
56	1719867M1	2	Protector	
57	3000926X1	1	Screw	M5x10
58	3903480M1	1	Screw	M8x12
59	3903135M91	1	Kit, Repair	[A,B]
60	3903819M91	1	Guide	
61	3903818M91	1	Handle	
62	3903820M91	1	Bearing Carrier	
63	3903821M91	1	Cable	
64	3903827M91	1	Accumulator	
65	3903961M1	2	Cable Clamp	7.6x387
66	3903824M1	2	Clamp	
67	3903825M1	1	Facing	

FOOTNOTE [A] INCLUDE ITEM 2/4/5/6/11/12/14/15/24/25/ 26/36/51/52/53/56/58

FOOTNOTE [B] NOT ILLUSTRATED

1-WZ02-001-A



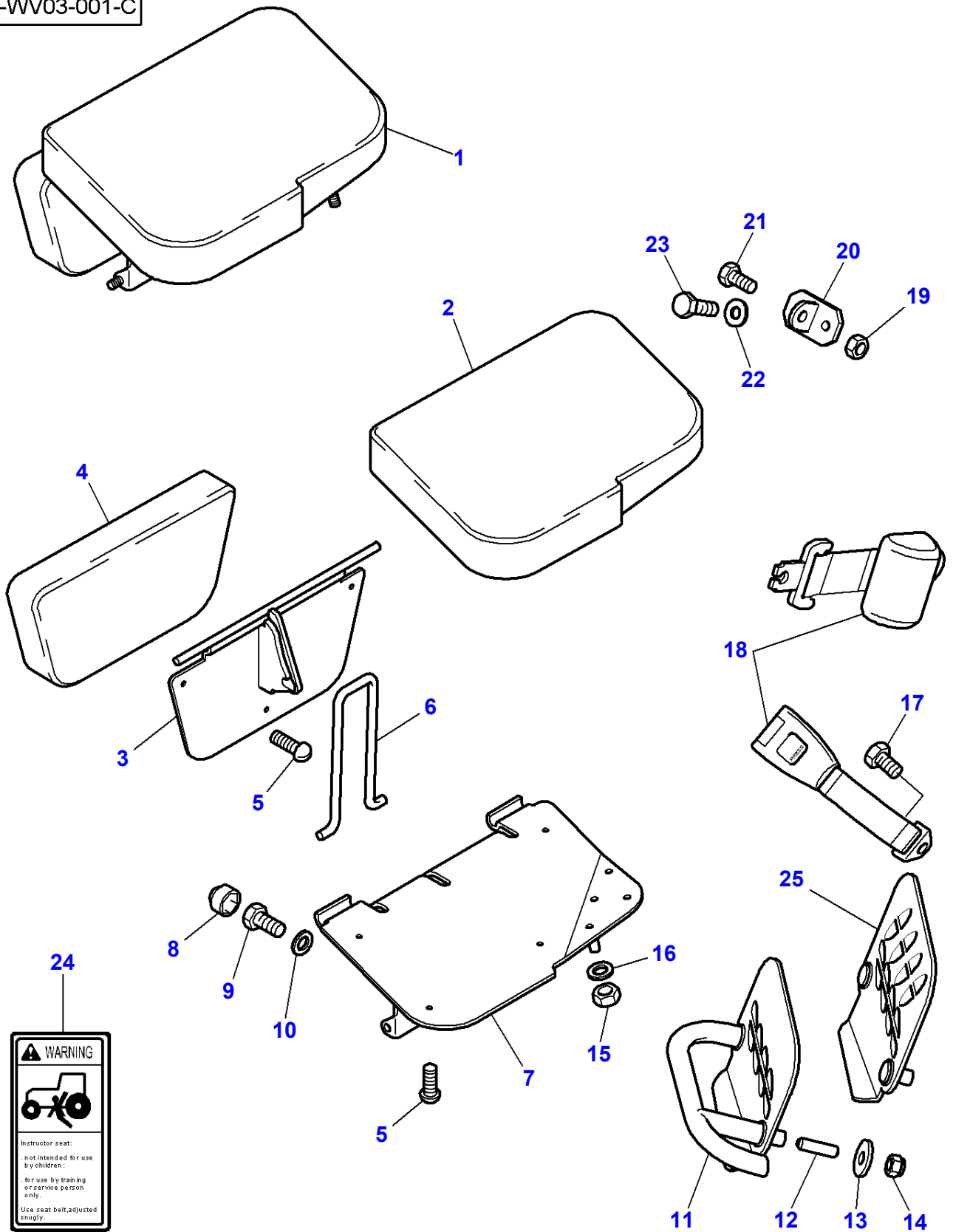
Seat Belt

Item	Part Number	Qty	Description	Comments
1	3785693M91	1	Safety Belt	
2	523784M3	1	Decal	For UK only or any text in English only
	3597445M1	1	Decal	[A]
3	3760678M1	1	Decal	For UK only or any text in English only
	3760733M1	1	Decal	For France only or any text in French only
4	3597454M1	1	Decal	[A]
5	361530X1	2	Bolt Unf	
6	3011445X1	2	Spacer	
7	4272529M1	1	Cover	
	4272528M1	1	Cover	[B]

FOOTNOTE [A] SPANISH

FOOTNOTE [B] WITHOUT SEAT BELT

1-WV03-001-C



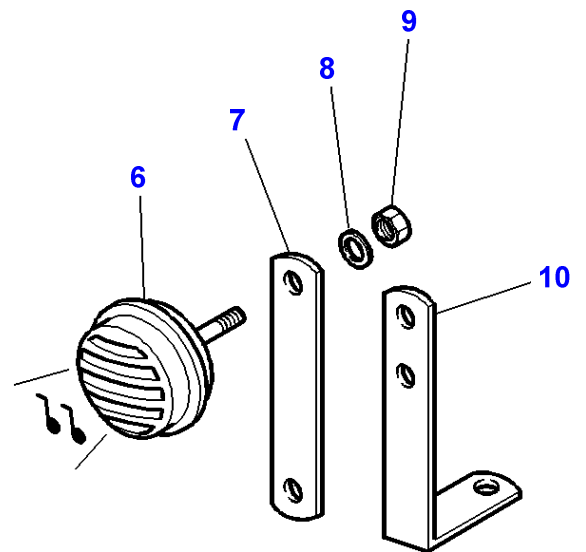
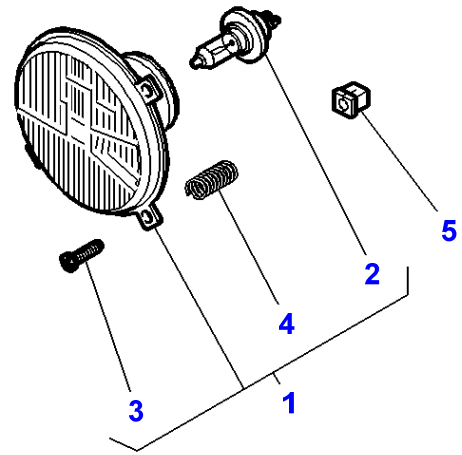
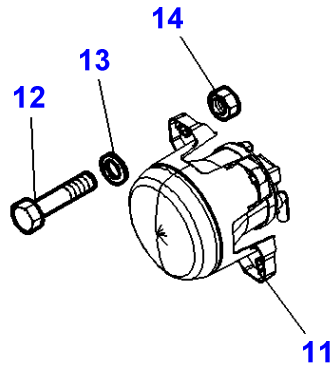
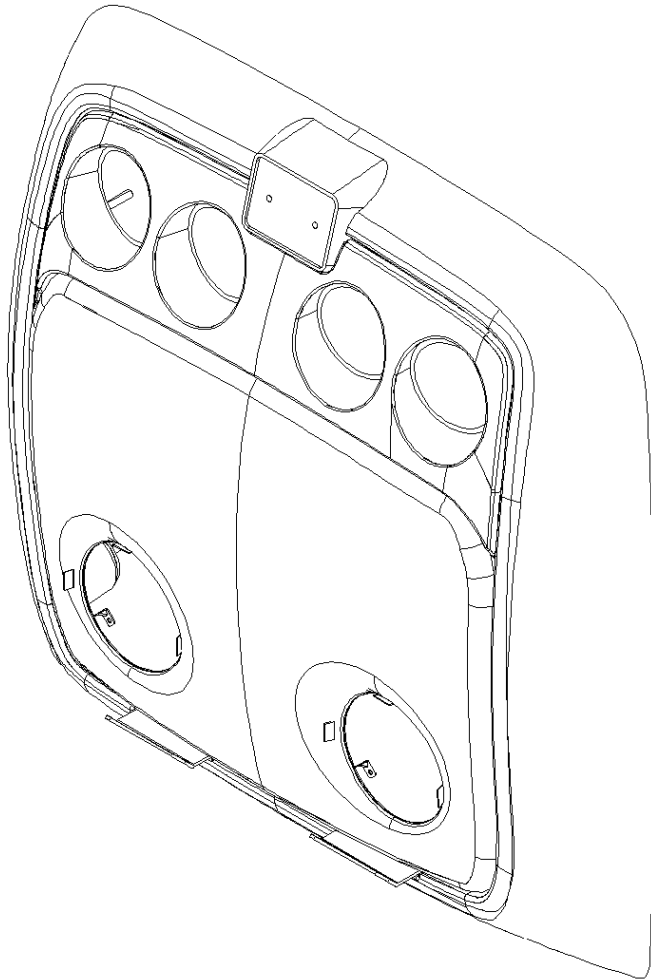
Secondary Seat

Item	Part Number	Qty	Description	Comments
1	4270578M91	1	Seat	
2	4271009M91	1	Cushion	(1)
3	4270581M1	1	Support	(1)
4	4271012M91	1	Cushion	(1)
5	3713140M1	9	Screw	(1)
6	4270583M1	1	Stand	(1)
7	4270579M1	1	Support	(1)
8	3616277M1	1	Helmet	
9	339123X1	1	Hex. Sock. Screw	M8 X 20
10	390972X1	1	Washer	Diameter 8-17 X 1,7 MM
11	4271528M1	1	Foot Rest	
12	1440022X1	2	Stud	M8 X 20
13	3010467X1	2	Washer	Diameter 8-30 X 2 MM
14	394367X1	2	Locknut	M8
15	394367X1	2	Locknut	M8
16	390972X1	2	Washer	Diameter 8-17 X 1,7 MM
17	353558X1	2	Bolt Unf	7/16-20 X 16
18	3789236M1	1	Safety Belt	
19	338600X1	1	Nut Unf	7/16-20
20	3715118M1	1	Support	
21	353558X1	1	Bolt Unf	7/16-20 X 16
22	390972X1	2	Washer	Diameter 8-17 X 1,7 MM
23	339123X1	2	Hex. Sock. Screw	M8 X 20
	339124X1	2	Hex. Sock. Screw	[A] M8 X 16
24	3787683M1	1	Decal	For United States of America
25	4276204M1	1	Plate	

FOOTNOTE [A] WITHOUT SEAT BELT

Page Title	Page Number
Lighting Equipment - Front	120-0005
Lighting Equipment - Front	120-0010
Lighting Equipment - Front - For United States of America	120-0015
Field Lights	120-0020
Field Lights - XENON / PIVOTING	120-0025
Traffic Warning	120-0030
Lighting Equipment - Rear	120-0035
Lighting Equipment - Rear - For United States of America	120-0040
Lighting Equipment - Rear - Japan Only	120-0045
Rotating Light	120-0050

1-WW02-016-A



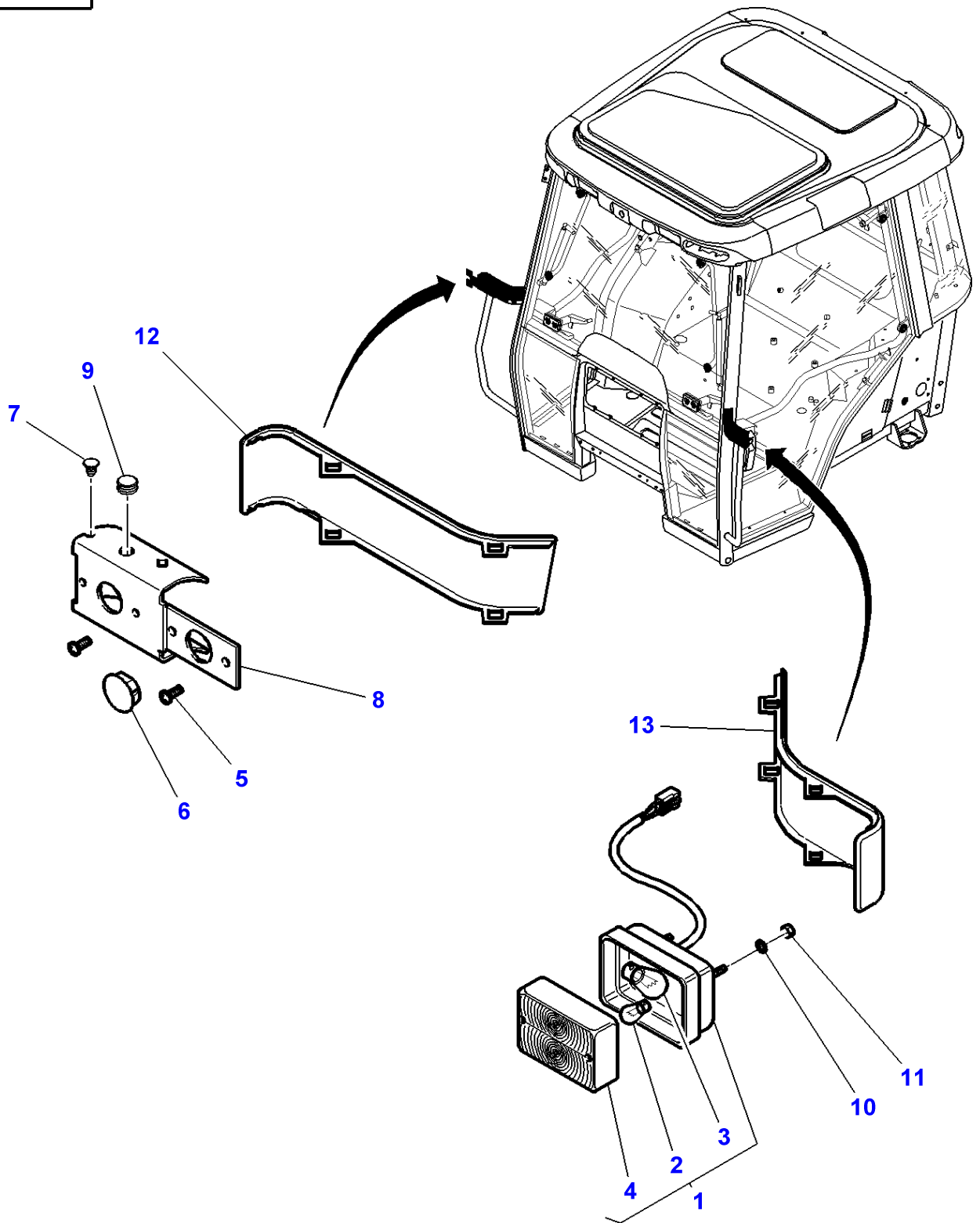
Lighting Equipment - Front

Item	Part Number	Qty	Description	Comments
1	3788220M91	2	Lamp	[B] Up to Serial or Engine Number N271034
	3788221M91	2	Lamp	[A] Up to Serial or Engine Number N287071
	4278938M91	2	Lamp	[B] From Serial or Engine Number N271035
	4278939M91	2	Lamp	[A] From Serial or Engine Number N287072
2	3713341M1	1	Bulb 12v 60/55w	(1)
3	3907011M1	6	Screw	(1)
4	3907012M1	6	Spring	(1) Up to Serial or Engine Number
	3907476M1	6	Spring	(1) From Serial or Engine Number
5	3809347M1	6	Nut	
6	1678404M1	1	Horn	
7	3778841M2	1	Strap	
8	339374X1	1	Lock Washer	
9	339169X1	1	Nut	M8
10	656632M4	1	Bracket	
11	4271840M92	4	Lamp	
12	3008862X1	16	Hex. Sock. Screw	M4 X 20
13	3001856X1	16	Washer	Diameter 4-12 X 1,1
14	1443615X1	16	Nut Metric	M4

FOOTNOTE [A] LEFT HAND DIP LIGHTS

FOOTNOTE [B] RIGHT HAND DIP LIGHTS

1-WW02-009-A



Lighting Equipment - Front

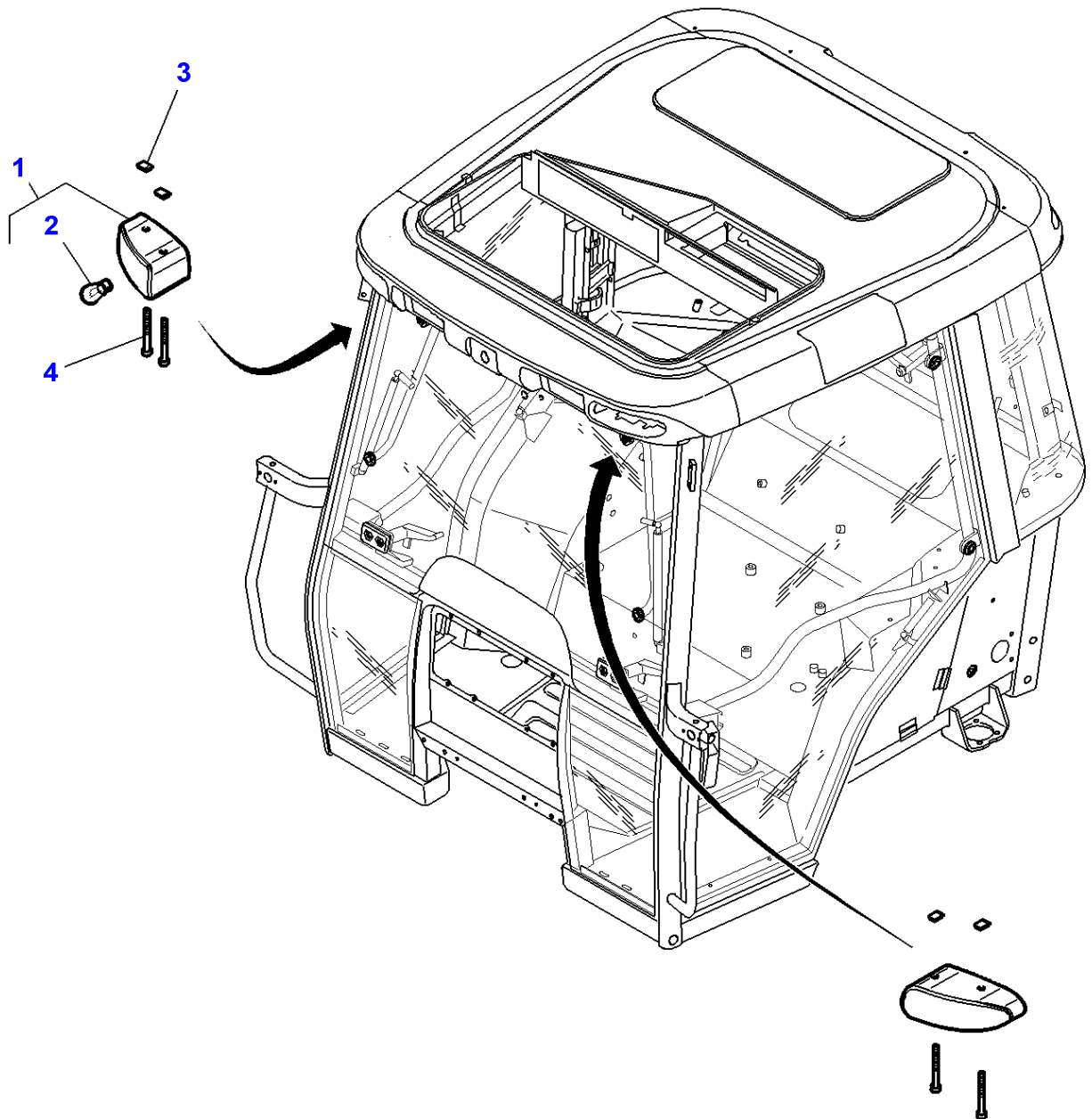
Item	Part Number	Qty	Description	Comments
1	3786791M92	2	Contour Light	Not for USA
2	1420037M1	1	Bulb 12v 5w	(1)
3	621235M1	1	Bulb 12v 21w Sbc	(1)
4	3105505M1	1	Lens	(1)
5	3010578X1	8	Screw	M5 X 10
6	3596314M1	3	Plug	Diameter 25,5
7	4275043M1	6	Plug	Diameter 6
8	4273311M1	1	Support	Right Hand
9	3042523M1	1	Plug	Diameter 10
10	390469X1	4	Washer	
11	3010477X1	4	Nut Metric	M5
12	4273312M1	1	Muff	Right Hand
13	4272746M1	1	Muff	Left Hand

FOOTNOTE [A] WITH HIGH VISIBILITY ROOF

FOOTNOTE [B] DETAILS TO BE ADVISED

FOOTNOTE [C] USED WITHOUT OPTIONAL FRONT WORKLAMPS

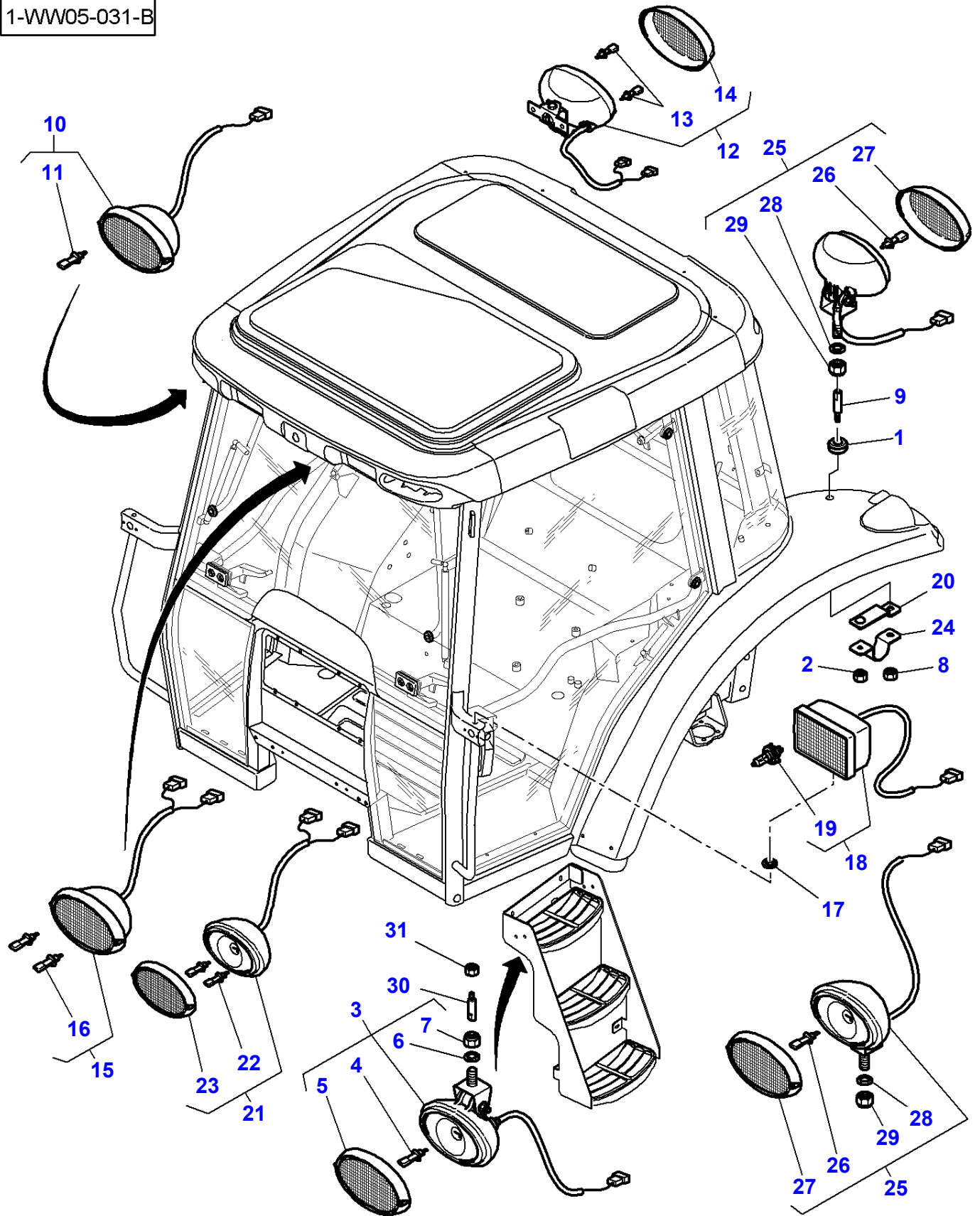
1-WW02-006-A



Massey Ferguson**MF 8450/8460 TRACTOR - 1637447****1637447****Lighting Equipment - Front - For United States of America****Page 120-0015**

Item	Part Number	Qty	Description	Comments
1	3787345M1	2	Flasher	
2	621235M1	1	Bulb 12v 21w Sbc	(2)
3	3010070X1	4	Nut	M6
4	3011362X1	4	Screw	M6 X 90

1-WW05-031-B



Field Lights

Item	Part Number	Qty	Description	Comments
1	70921230	4	Grommet	Diameter 27-35
2	1440329X1	4	Locknut	M10
3	3788699M93	2	Worklamp	
4	1628494M1	1	Bulb H3	(3) 12V-55W
5	3907280M91	1	Lens	(3)
6	1441075X1	1	Cup Spring	(3)
7	1440329X1	1	Locknut	(3) M10
8	339169X1	2	Nut	M8
9	5016887M2	2	Spacer	
10	3786664M91	X	Worklamp	[A]
11	1628494M1	1	Bulb H3	(10) 12V-55W
12	3786666M91	2	Worklamp	
13	1628494M1	2	Bulb H3	(12) 12V-55W
14	3907064M1	1	Lens	(12)
15	3786665M91	2	Worklamp	[B]
16	1628494M1	2	Bulb H3	(15) 12V-55W
17	385362X1	2	Washer	Diameter 10-20 X 3
18	3786693M91	2	Lamp	[C]
19	3713341M1	1	Bulb 12v 60/55w	(18) H4
20	4273760M1	2	Bridle	
21	4276983M91	2	Worklamp	[B] For United States of America
22	1628494M1	2	Bulb H3	(25) 12V-55W
23	3907064M1	2	Lens	(25)
24	4273761M2	2	Bridle	
25	3786668M93	X	Worklamp	[A]
26	1628494M1	1	Bulb H3	(25) 12V-55W
27	3907280M91	1	Lens	(25)
28	1441075X1	1	Cup Spring	(25)
29	1440329X1	1	Locknut	(25) M10
30	5016887M2	1	Spacer	
31	339402X1	1	Nut	M10

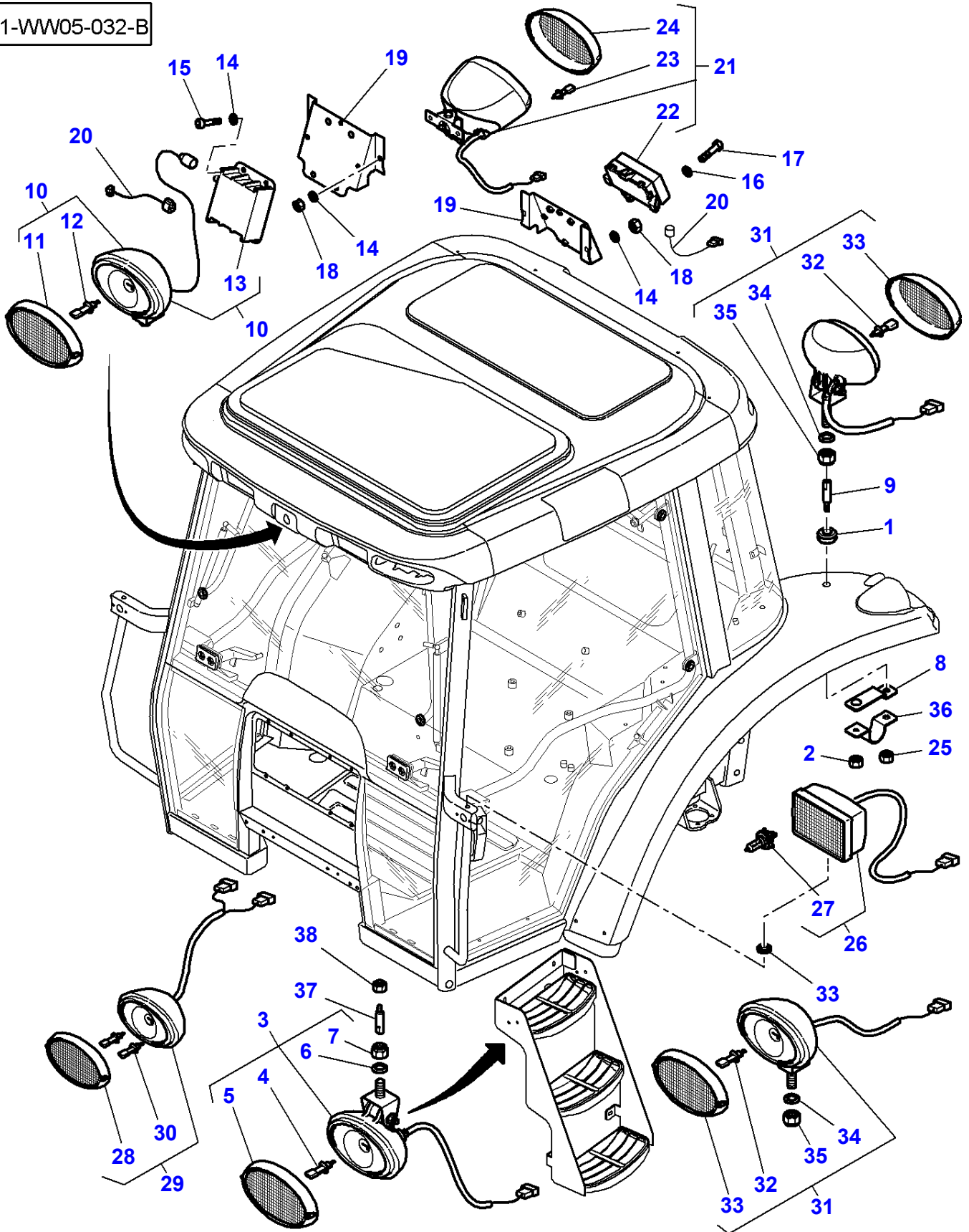
FOOTNOTE [A] WITH 1 BULB WORKLIGHT

FOOTNOTE [B] WITH 2 BULB WORKLIGHT

FOOTNOTE [C] WAY LIGHTS

MF 8450/8460 TRACTOR - 1637447
1-WW05-032-B

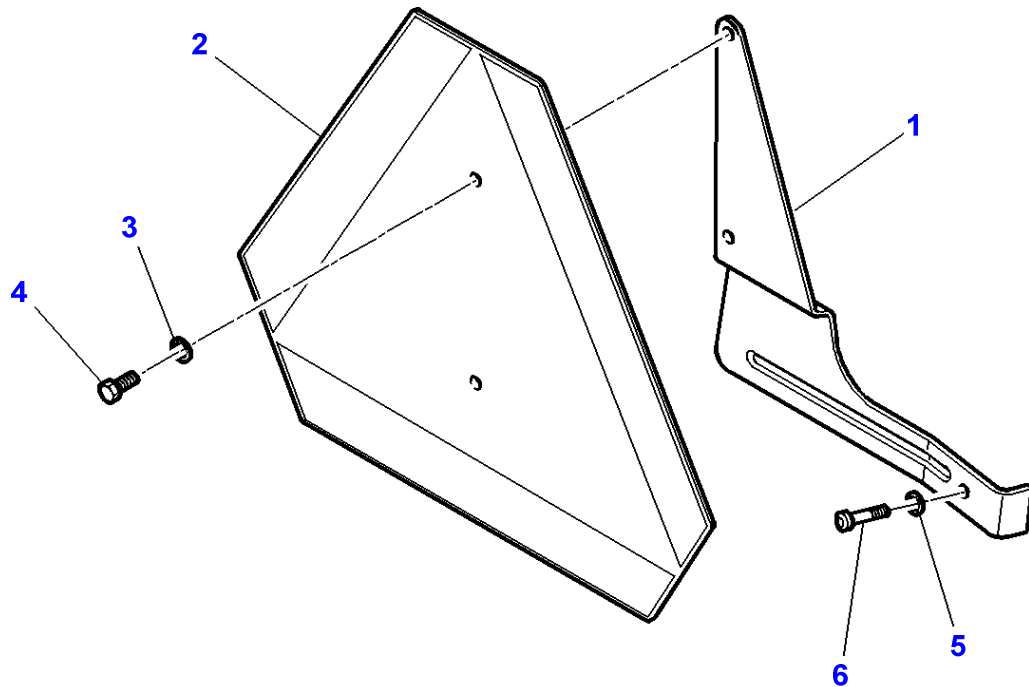
1-WW05-032-B



Field Lights - XENON / PIVOTING

Item	Part Number	Qty	Description	Comments
1	70921230	4	Grommet	Diameter 27-35
2	1440329X1	4	Locknut	M10
3	3788699M93	2	Worklamp	
4	1628494M1	1	Bulb H3	(3) 12V-55W
5	3907280M91	1	Lens	(3)
6	1441075X1	1	Cup Spring	(3)
7	1440329X1	1	Locknut	(3) M10
8	4273760M1	2	Bridle	
9	5016887M2	2	Spacer	
10	3788231M91	2	Lamp	
11	3907078M1	1	Lens	(10)
12	3907077M1	1	Bulb	(10)
13	3907075M1	1	Transformer	(10)
14	390971X1	16	Washer	Diameter 6-12 X 1,5
15	3009281X1	8	Screw	M6 X 16
16	390469X1	6	Washer	
17	339387X1	6	Screw Metric	
18	339030X1	8	Nut Metric	M6
19	3787136M1	4	Support	
20	4272566M1	4	Harness	Length 400 MM
21	3788232M91	2	Lamp	
22	3907383M1	1	Transformer	(21)
23	3907384M1	1	Bulb	(21)
24	3907385M1	1	Lens	(21)
25	339169X1	2	Nut	M8
26	3786693M91	2	Lamp	Not for USA
27	3713341M1	1	Bulb 12v 60/55w	(26) H4
28	3907064M1	1	Lens	(29)
29	4276983M91	2	Worklamp	For United States of America
30	1628494M1	2	Bulb H3	(29) 12V-55W
31	3786668M93	X	Worklamp	
32	1628494M1	1	Bulb H3	(31) 12V-55W
33	3907280M91	1	Lens	(31)
34	1441075X1	1	Cup Spring	(31)
35	1440329X1	1	Locknut	(31) M10
36	4273761M2	2	Bridle	
37	5016887M2	1	Spacer	
38	339402X1	1	Nut	M10

1-WW27-001-A

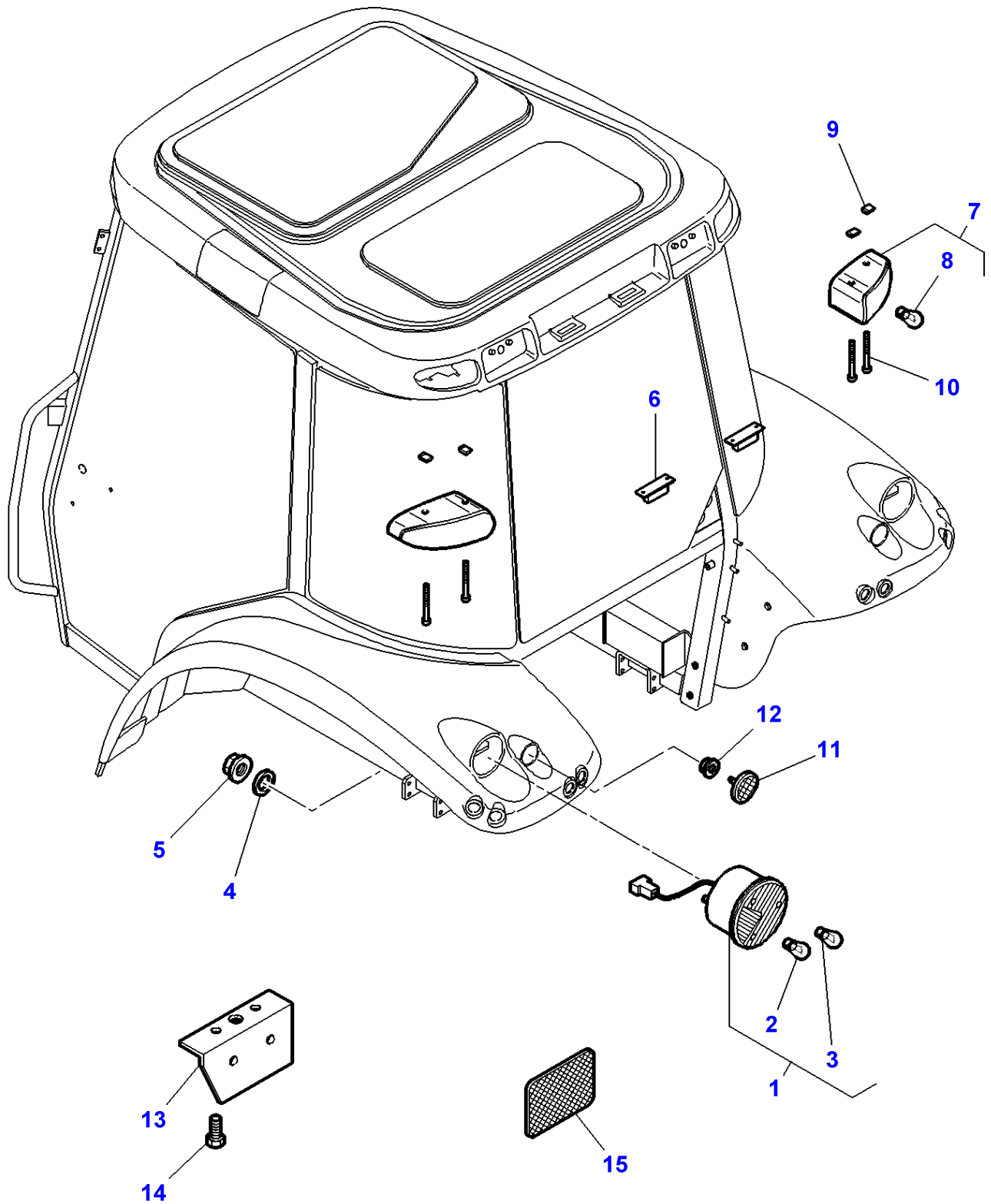


Traffic Warning

Item	Part Number	Qty	Description	Comments
1	4271554M1	1	Support	
2	3712185M1	1	Triangle	[A]
	3789701M1	1	Triangle	[B]
3	339375X1	2	Lock Washer	
4	339560X1	2	Hex. Sock. Screw	M6 X 16
5	4275846M1	1	Washer	Diameter 6,7-12,2 X 3
6	4275839M1	1	Screw	M6 X 35

FOOTNOTE [A] CEE STANDARD**FOOTNOTE [B]** SAE STANDARD**FOOTNOTE [C]** WIDE FENDER

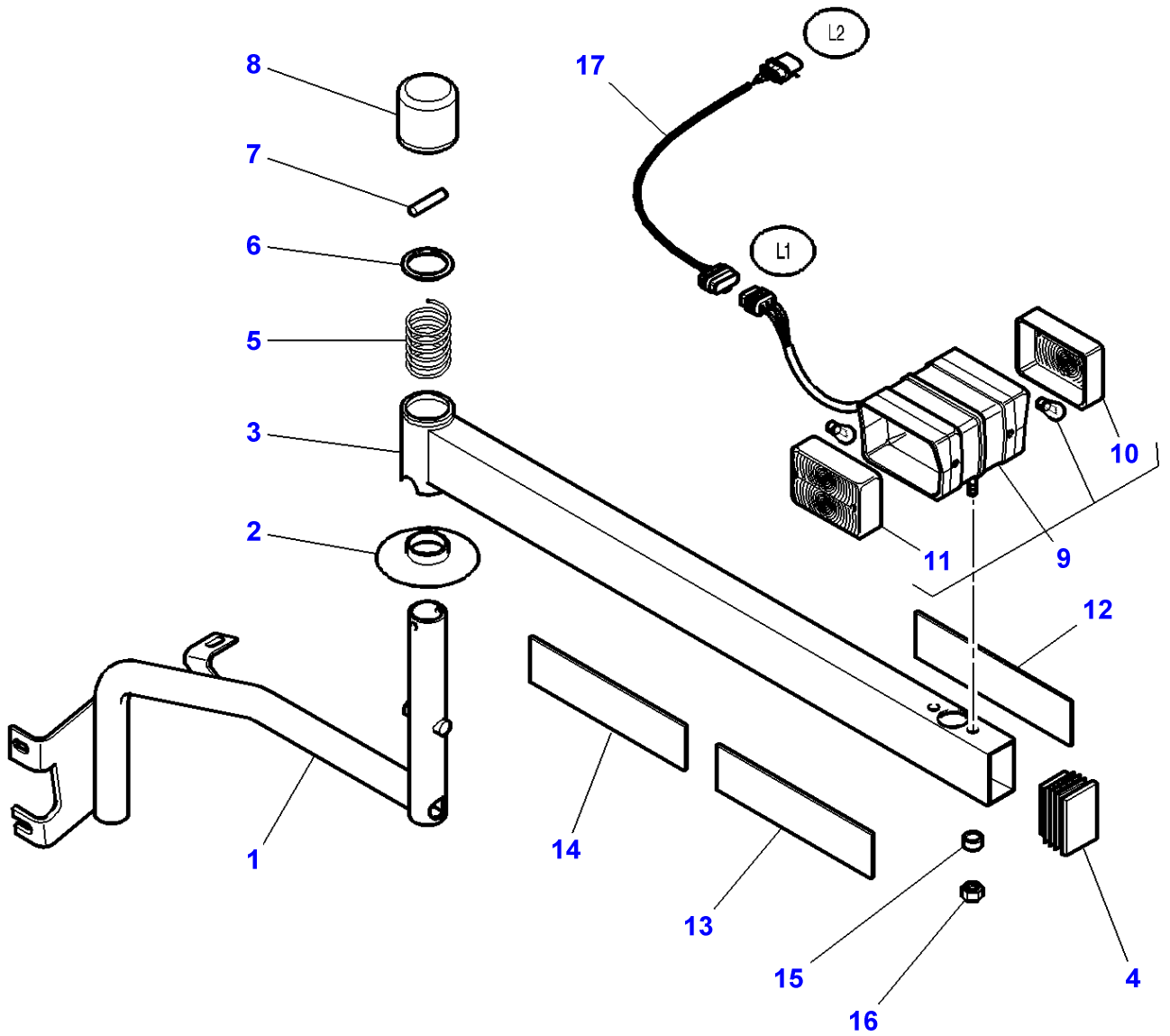
1-WW03-018-A



Lighting Equipment - Rear

Item	Part Number	Qty	Description	Comments
1	3786689M91	1	Lh Rear Lamp	
	3786690M91	1	Rh Rear Lamp	
	3786691M91	1	Lh Rear Lamp	For United States of America
	3786692M91	1	Rh Rear Lamp	For United States of America
2	621235M1	1	Bulb 12v 21w Sbc	(1)
3	908543M1	1	Bulb S/L 21/5w	(1)
4	390971X1	4	Washer	Diameter 6-12 X 1,5
5	1441500X1	4	Locknut	M6
6	3786670M1	2	N/Plate Lamp	
7	3787345M1	2	Flasher	
8	621235M1	1	Bulb 12v 21w Sbc	(7)
9	3010070X1	4	Nut	
10	3011362X1	4	Screw	M6 X 90
11	4271028M1	2	Reflector	
12	3010477X1	2	Nut Metric	M5
13	3052943M2	1	Bearer	Right Hand
	3052944M2	1	Bearer	Left Hand
14	339124X1	4	Hex. Sock. Screw	M8 X 16
15	3618951M1	2	Reflector	

1-WW03-001-B



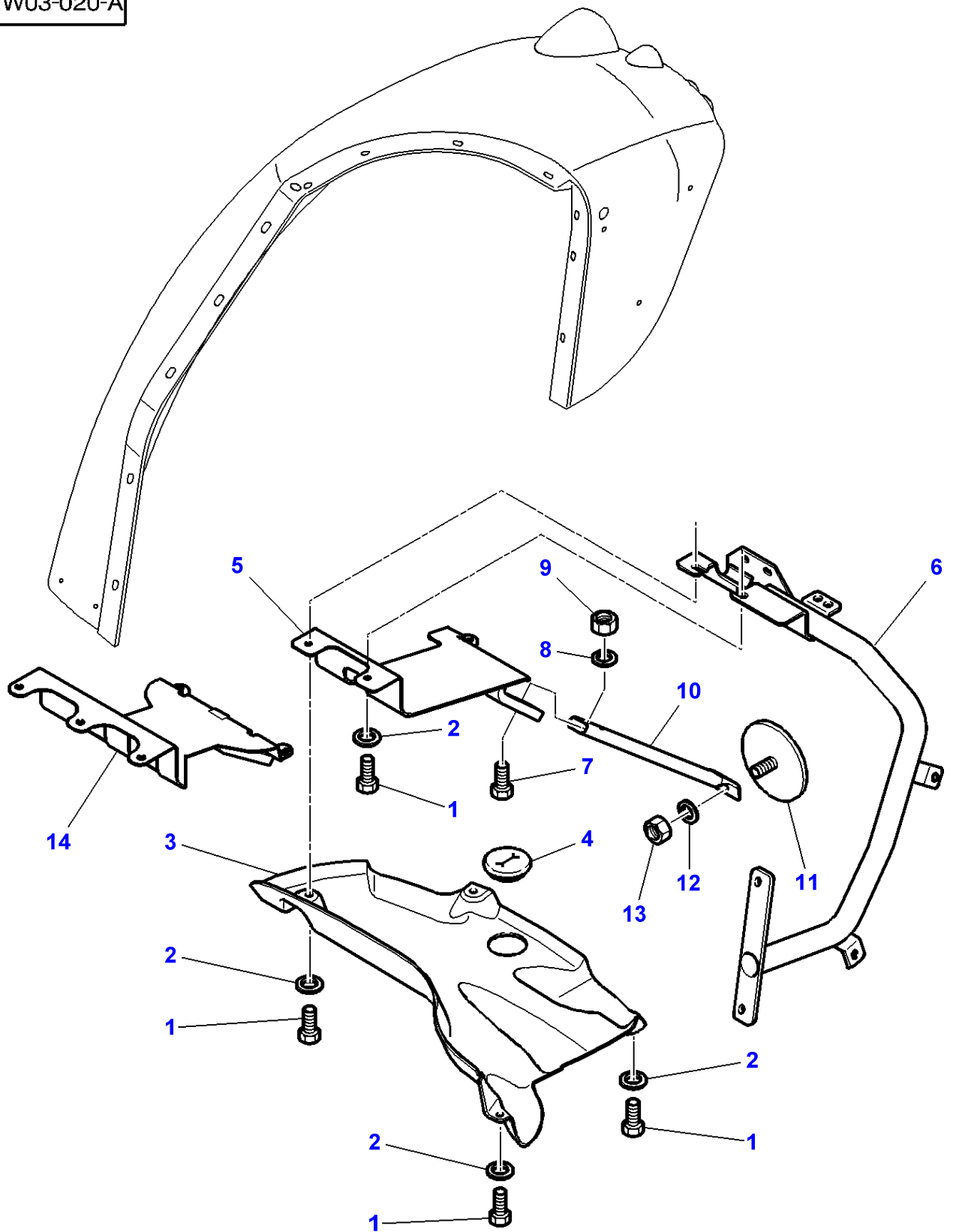
Item	Part Number	Qty	Description	Comments
1	4273244M91	1	Support	Left Hand
	4273245M91	1	Support	Right Hand
2	3788367M2	1	Gasket	
3	3788385M93	1	Support	Left Hand
	3788386M93	1	Support	Right Hand
4	3788368M1	1	Tap	
5	3788364M2	1	Spring	
6	3788365M2	1	Washer	
7	3019546X1	1	Pin	8 X 45
8	3788369M1	1	Plug	
9	3788465M2	1	Light	
10	3907168M91	1	Lens	(9)
11	3310902M91	1	Lens	(9)
12	3788462M1	1	Reflectingmirror	[A]
13	3788461M1	1	Reflectingmirror	[B]
14	3788460M1	1	Reflectingmirror	[C]
15	3580848M1	2	Spacer	Diameter 11-20 X 14,5 MM
16	339169X1	2	Nut	M8
17	4274333M1	2	Harness	

FOOTNOTE [A] YELLOW

FOOTNOTE [B] RED

FOOTNOTE [C] ORANGE

1-WW03-020-A



Lighting Equipment - Rear - Japan Only

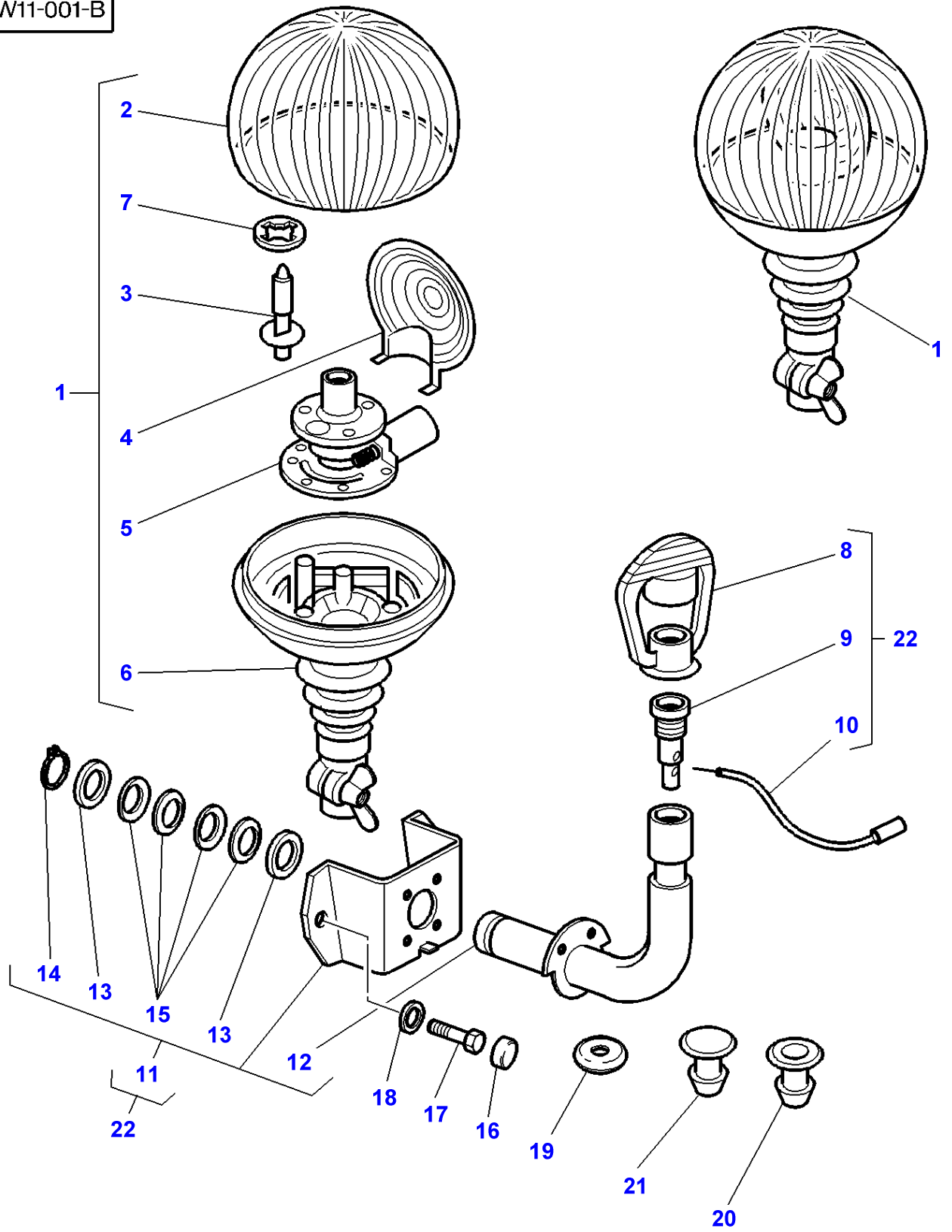
Item	Part Number	Qty	Description	Comments
1	1440350X1	X	Screw Metric	M6 X 20
	3009281X1	X	Screw	M6 X 16
	3009280X1	X	Screw	M6 X 12
2	390971X1	X	Washer	
3		1	Protector	See Page - Reference Number 110-0110/4 See Page - Reference Number 110-0110/16
4	4278067M1	1	Tap	
5	4278059M1	1	Support	[B] Left Hand
	4278058M1	1	Support	[B] Right Hand
	4278061M1	1	Support	[C] Left Hand
	4278060M1	1	Support	[C] Right Hand
6		1	Support	See Page - Reference Number 110-0110/2
7	339804X1	4	Hex. Sock. Screw	M6 X 25
8	3011035X1	4	Washer	
9	1441500X1	4	Locknut	M6
10	4277284M1	2	Support	
11	4271028M1	2	Reflector	
12	3019560X1	2	Washer	
13	1441917X1	2	Locknut	M5
14	4276791M1	2	Support	[A]

FOOTNOTE [A] FOR WHEELBASE 2,00 M

FOOTNOTE [B] FOR WHEELBASE 2,30 M

FOOTNOTE [C] FOR WHEELBASE 2,55 M

1-WW11-001-B



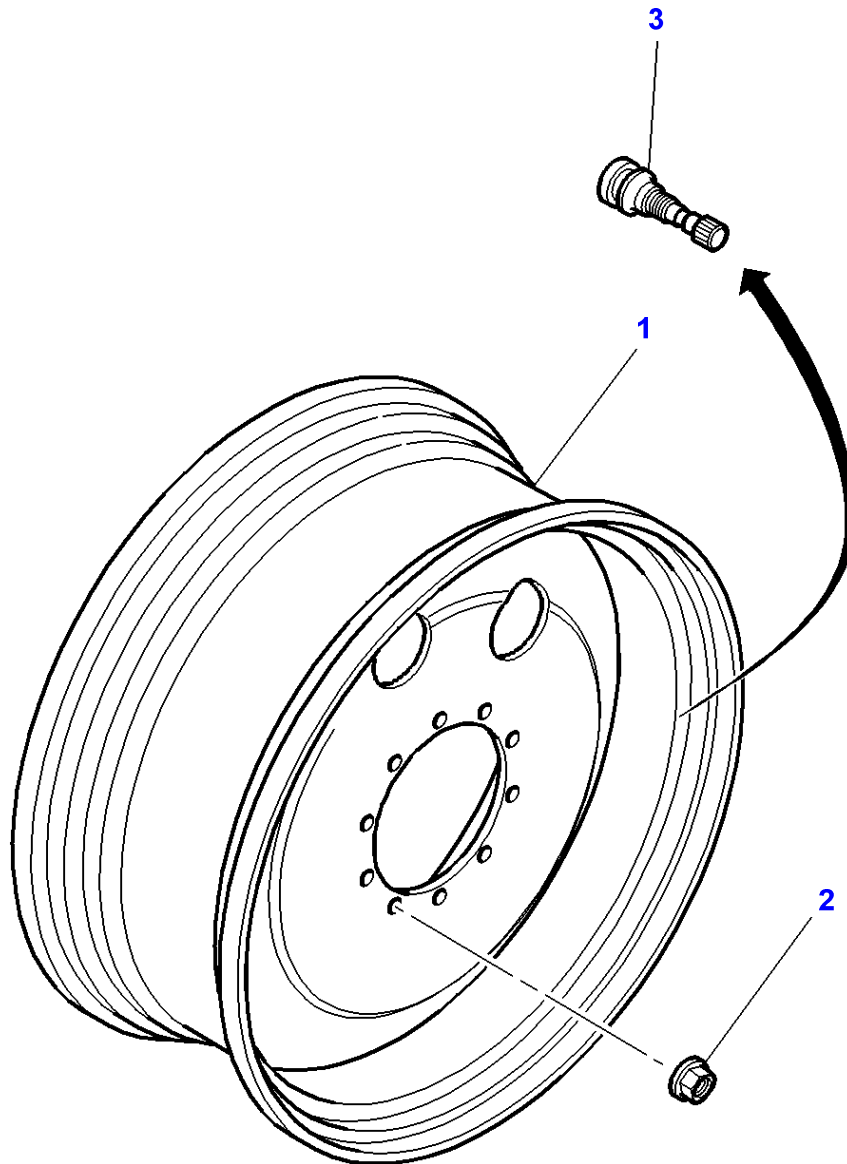
Rotating Light

Item	Part Number	Qty	Description	Comments
1	3715144M92	1	Turning Light	
2	3902469M1	1	Lens	(1)
3	3405180M1	1	Bulb 12v	(1)
4	3900282M1	1	Reflectingmirror	(1)
5	3900285M1	1	Engine	(1)
6		1	Support	(1)
				Not serviced,order REF. 1
7	3900281M1	1	Bush	(1)
8	3617859M1	1	Helmet	(22)
9	3617860M1	1	Intake	(22)
10	3713260M1	1	Wire	(22)
11	4271246M91	1	Support	(22)
12	3778023M1	1	Tube	(11)
13	3778025M1	2	Washer	(11)
				45 X 23 X 3
14	3006699X1	1	Clip	(11)
				22 X 1,2
15	3778094M1	4	Washer	(11)
				45X22,4X1,5
16	3616277M1	2	Helmet	M8
17	339123X1	2	Hex. Sock. Screw	M8 X 20
18	390972X1	2	Washer	Diameter 8-17 X 1,7
19	3714694M1	1	Grommet	Diameter 7-21
20	3713405M2	1	Grommet	Diameter 7-15
21	3713404M1	1	Plug	Diameter 15
22	4274925M91	1	Support	

FOOTNOTE [B] WITH HIGH VISIBILITY ROOF

Page Title	Page Number
Front Wheels - 4 Wheel Drive - Wheel Hub 10 Holes Assembling	130-0005
Front Wheels - 4 Wheel Drive - Wheel Hub 12 Holes Assembling	130-0010
Front Wheels - 4 Wheel Drive - Wheel Hub 10 Holes Assembling	130-0015
Front Wheels - 4 Wheel Drive - Wheel Hub 12 Holes Assembling	130-0020
Front Wheels - 4 Wheel Drive - Wheel Hub 12 Holes Assembling	130-0025
Front Axle 4 Wheel Drive - Mudguards And Supports - Rigid	130-0030
Front Axle 4 Wheel Drive - Mudguards And Supports - Pivoting	130-0035
Front Axle 4 Wheel Drive - Mudguards And Supports	130-0040
Rear Wheels - Wheel Hub 10 Holes Assembling	130-0045
Rear Wheels - Wheel Hub 10 Holes Assembling	130-0050
Rear Wheels - Wheel Hub 10 Holes Assembling	130-0055
Rear Wheels	130-0060
Rear Wheels - Fixing By Cone - Shaft Diameter 110 mm / Cone/Wheel Hub Reversed	130-0065
Rear Wheels - Fixing By Cone - Short Shaft Diameter 110MM - With Spacers for Dual Wheels Cone/Wheel Hub Reversed	130-0070
Wheel Weights	130-0075
Wheel Wedges	130-0080

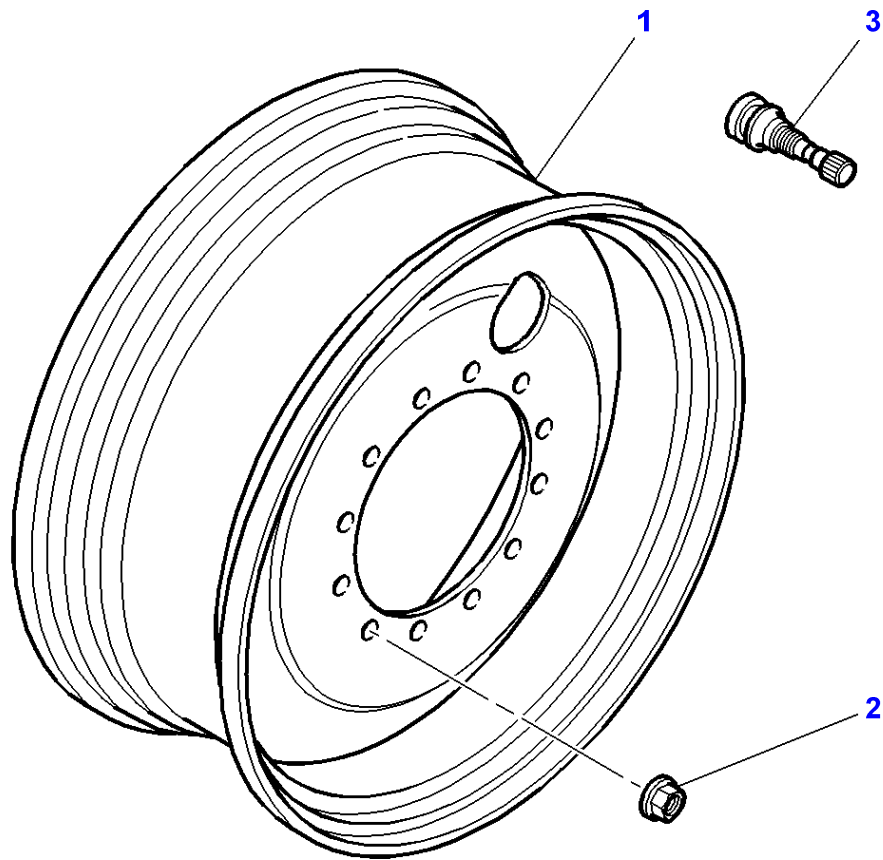
1-WL03-002-D



Massey Ferguson**MF 8450/8460 TRACTOR - 1637447****1637447****Front Wheels - 4 Wheel Drive - Wheel Hub 10 Holes Assembling****Page 130-0005**

Item	Part Number	Qty	Description	Comments
1	3787689M1	2	Rim	W14L X 28"
	3786703M1	2	Rim	W15L X 28"
	3788572M1	2	Rim	W23 X 30"
2	3712611M2	20	Nut Special	M22
3	4274219M1	2	Pressure Valve	

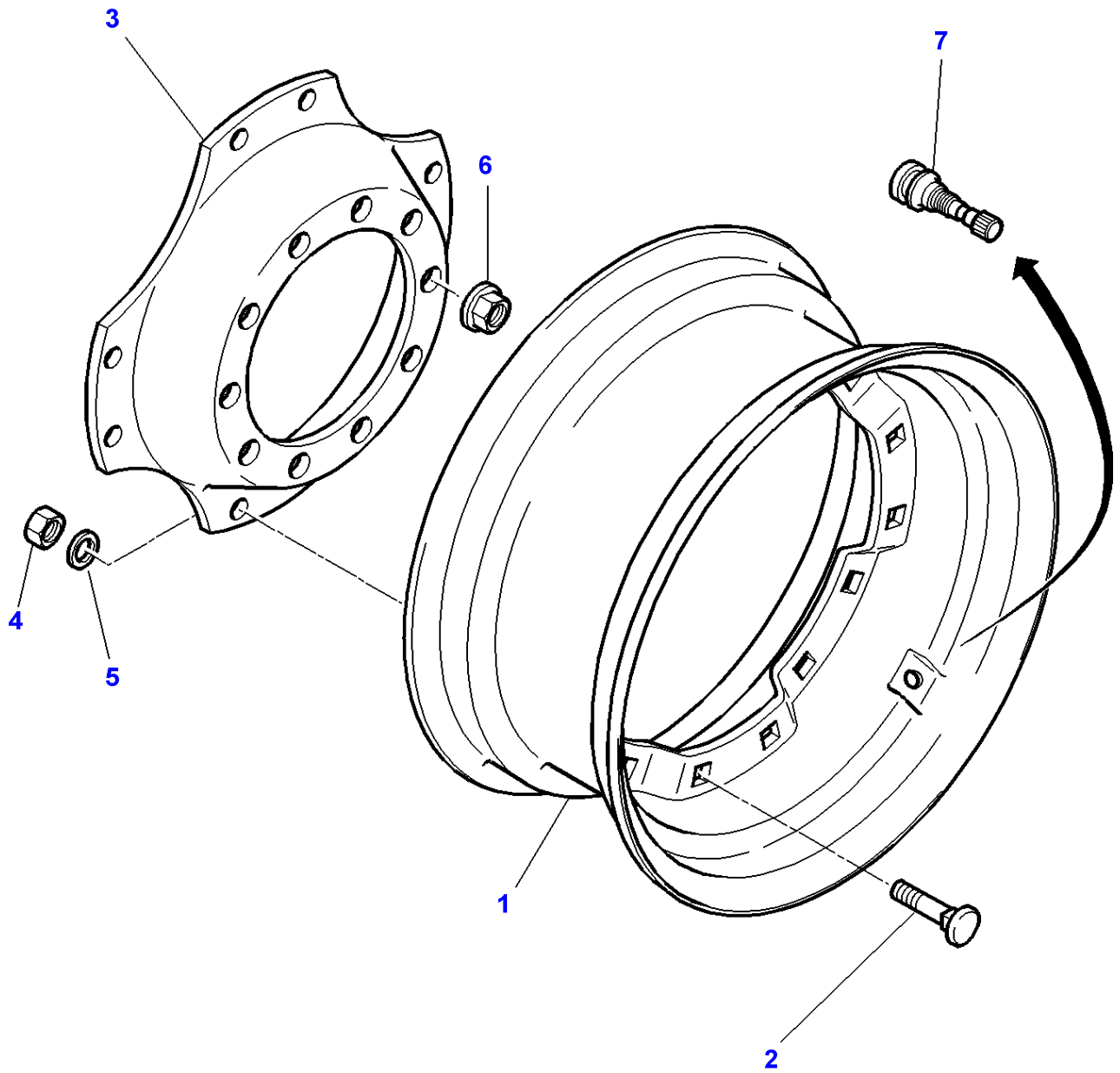
1-WL03-011-A



Massey Ferguson**MF 8450/8460 TRACTOR - 1637447****1637447****Front Wheels - 4 Wheel Drive - Wheel Hub 12 Holes Assembling****Page 130-0010**

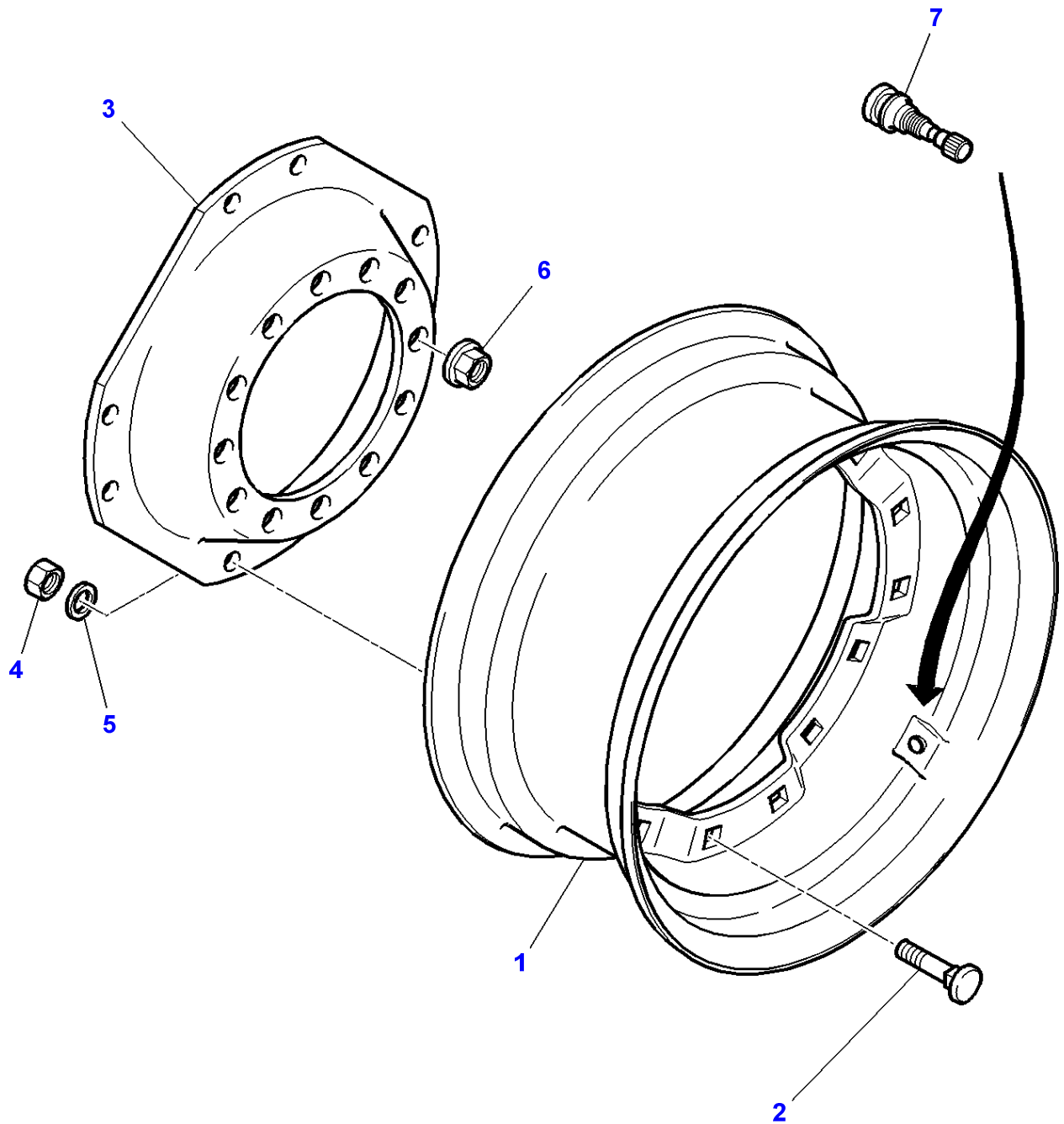
Item	Part Number	Qty	Description	Comments
1	3788573M1	2	Rim	DWW 23A X 30"
2	3712611M2	24	Nut Special	M22
3	4274219M1	2	Pressure Valve	

1-WL03-004-C



Item	Part Number	Qty	Description	Comments
1	3786508M1	2	Rim	W15L X 26"
	3786607M1	2	Rim	W18L X 28"
	72514724	2	Rim	WH 12 X 28"
				Repairs and replaces 3786509M1
	3785778M1	2	Rim	DWW 13 X 30"
	3785786M1	2	Rim	W13 X 34"
	3786510M1	2	Rim	W15 X 28"
	3786511M1	2	Rim	W10 X 34"
	3785240M1	2	Rim	DWW 15L X 30"
	3786087M1	2	Rim	W15L X 34"
	4271722M1	2	Rim	WH10 X 38"
2	3785847M1	16	Screw	M16 X 40
3	3785241M1	2	Disc	28" / 30"
	3786512M1	2	Disc	26"
	3786088M1	2	Disc	34"
	4271723M1	2	Disc	38"
4	3785846M1	16	Nut	M16
5	3785848M1	16	Washer	Diameter 16,3 X 31,5
6	3712611M2	20	Nut Special	M22
7	4274219M1	2	Pressure Valve	

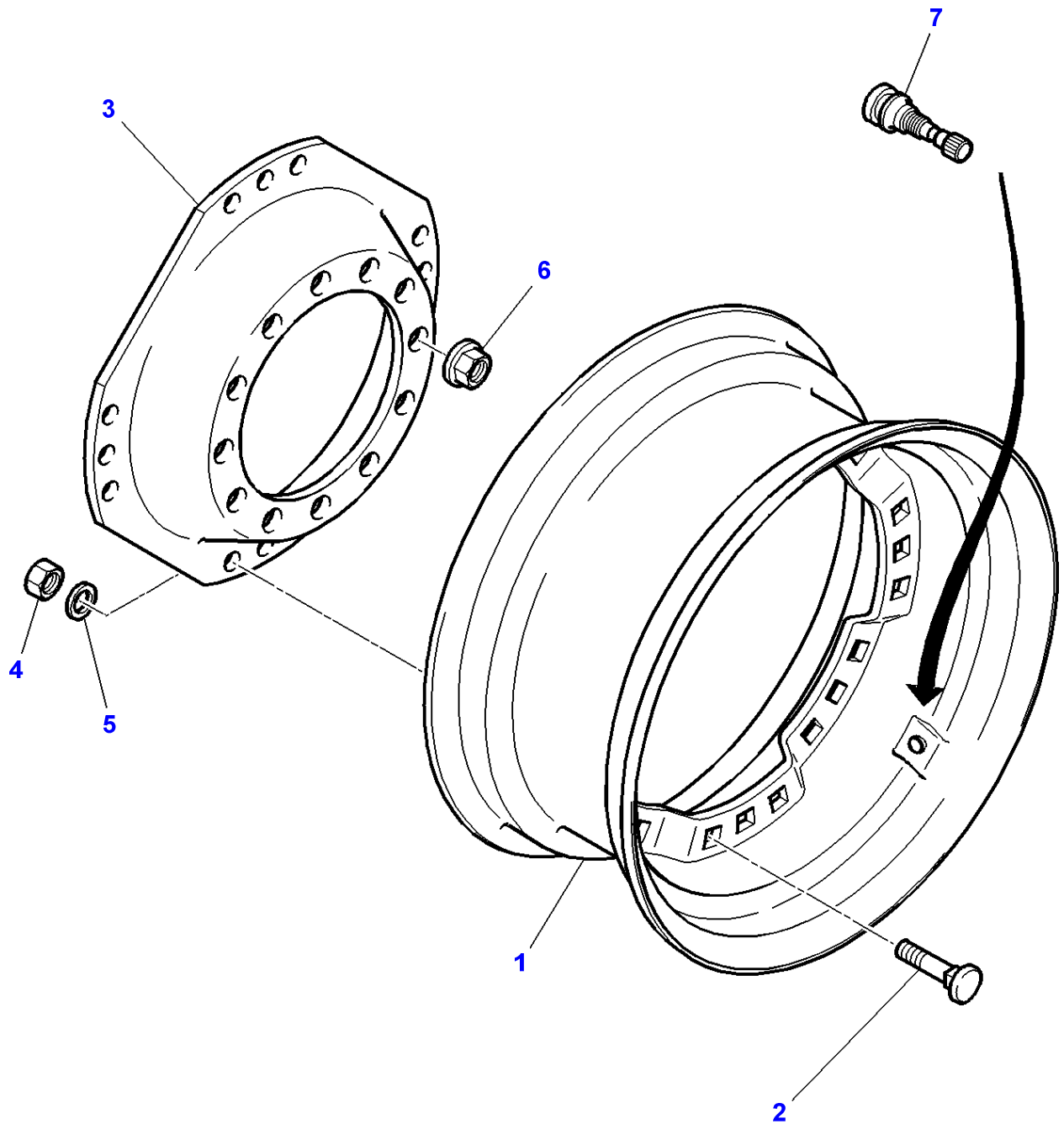
1-WL03-012-A



Massey Ferguson**MF 8450/8460 TRACTOR - 1637447****1637447****Front Wheels - 4 Wheel Drive - Wheel Hub 12 Holes Assembling****Page 130-0020**

Item	Part Number	Qty	Description	Comments
1	3786607M1	2	Rim	W18L X 28"
	3785778M1	2	Rim	DWW 13 X 30"
	3785240M1	2	Rim	DWW 15L X 30"
	3785786M1	2	Rim	W13 X 34"
2	3785847M1	16	Screw	
3	3785098M1	2	Disc	34"
	4270526M1	2	Disc	28"
4	3785846M1	16	Nut	
5	3785848M1	16	Washer	
6	3712611M2	24	Nut Special	M22
7	4274219M1	2	Pressure Valve	

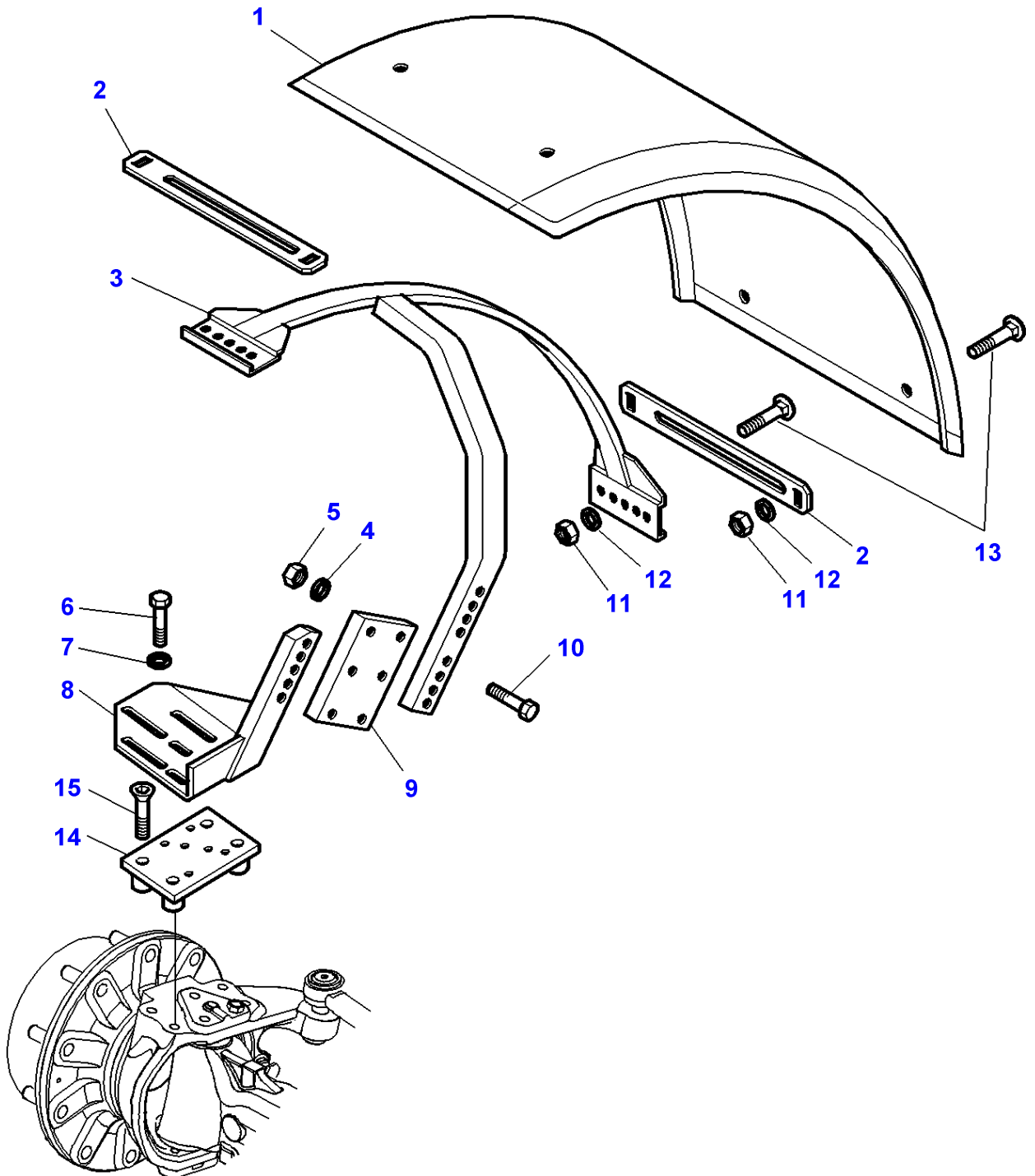
1-WL03-013-A



Massey Ferguson**MF 8450/8460 TRACTOR - 1637447****1637447****Front Wheels - 4 Wheel Drive - Wheel Hub 12 Holes Assembling****Page 130-0025**

Item	Part Number	Qty	Description	Comments
1	4271722M1	2	Rim	W10 X 38"
2	3785847M1	24	Screw	
3	4271724M1	2	Disc	38"
4	3785846M1	24	Nut	
5	3785848M1	24	Washer	
6	3712611M2	24	Nut Special	M22
7	4274219M1	2	Pressure Valve	

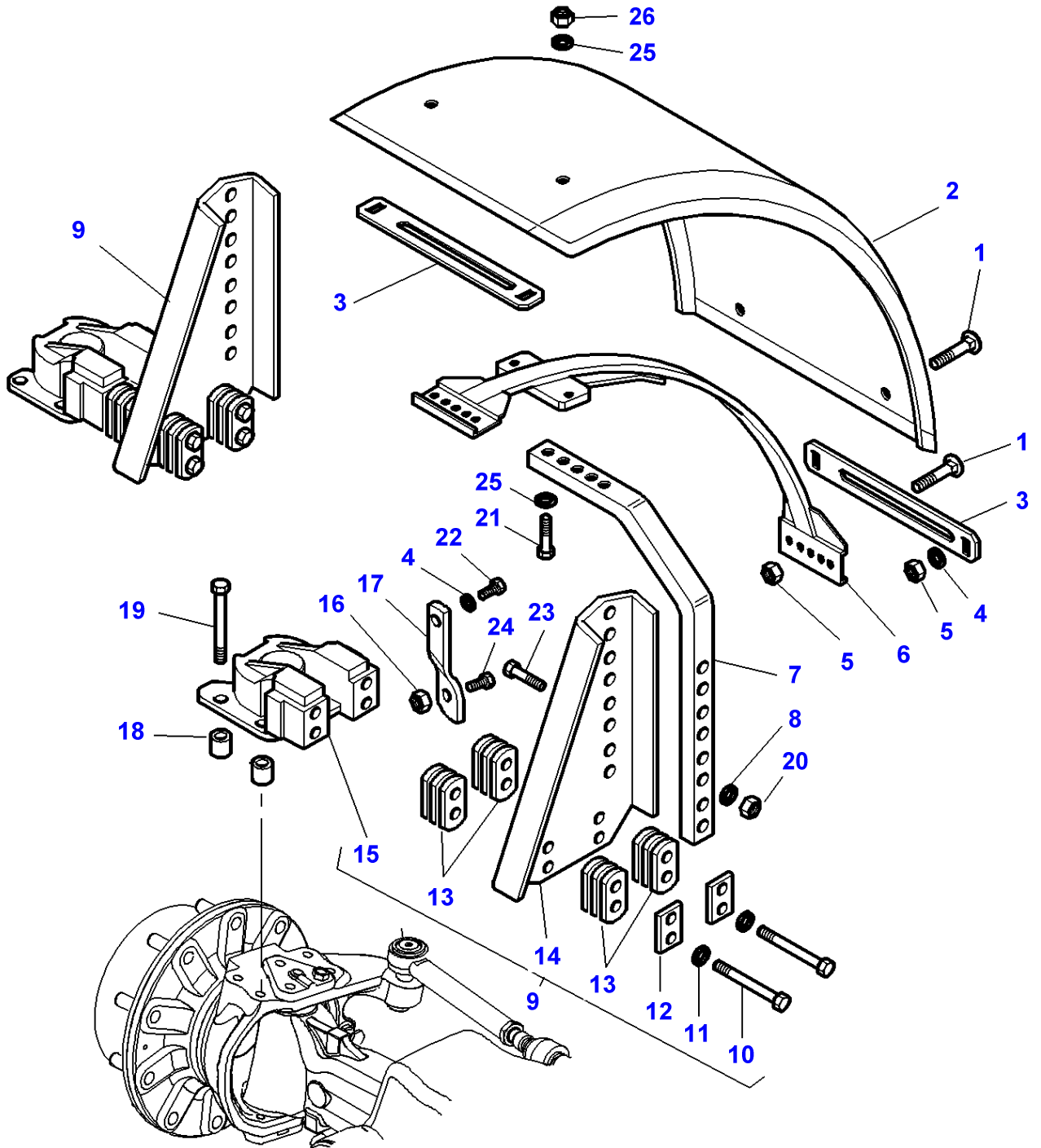
1-WK14-002-A



Front Axle 4 Wheel Drive - Mudguards And Supports - Rigid

Item	Part Number	Qty	Description	Comments
1	3619229M2	2	Fender	Width 470 MM
	3779567M1	2	Fender	Width 520 MM
	3780467M1	2	Fender	Width 620 MM
2	3777586M2	4	Plate	Length 340 MM
	3777587M2	4	Plate	Length 400 MM
	3780468M2	4	Plate	Length 448 MM
3	3777588M1	1	Support	Left Hand
	3777590M1	1	Support	Right Hand
4	390735X1	8	Washer	Diameter 12-24 X 2,5
5	3009695X1	8	Nut	M12
6	3009492X1	6	Hex. Sock. Screw	M10 X 25
7	390597X1	6	Washer	Diameter 10-30 X 2,5
8	3784571M1	1	Support	Left Hand
	3784572M1	1	Support	Right Hand
9	3779565M2	2	Spacer	
10	3009513X1	8	Hex. Sock. Screw	M12 X 65
11	339402X1	12	Nut	M10
12	390734X1	12	Washer	Diameter 10-21 X 2
13	390809X1	12	Screw Special	M10 X 25
14	3784569M1	2	Support	
15	3009480X1	8	Screw	M16 X 60

1-WK14-003-B

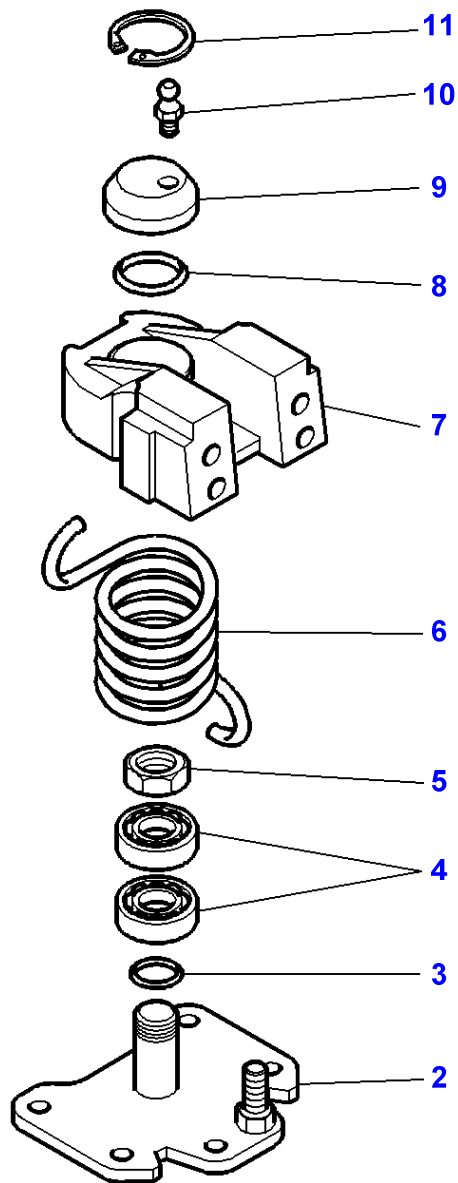
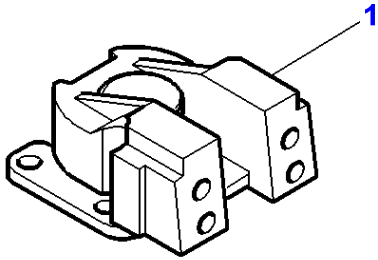


Front Axle 4 Wheel Drive - Mudguards And Supports - Pivoting

Item	Part Number	Qty	Description	Comments
1	390809X1	12	Screw Special	M10 X 25
2	3619229M2	2	Fender	Width 470 MM
	3779567M1	2	Fender	Width 520 MM
	3780467M1	2	Fender	Width 620 MM
3	3777586M2	4	Plate	Length 340 MM
	3777587M2	4	Plate	Length 400 MM
	3780468M2	4	Plate	Length 448 MM
4	390734X1	14	Washer	Diameter 10-21 X 2
5	339402X1	12	Nut	M10
6	3784948M1	2	Safety Frame	
7	3784947M2	2	Arm	
8	390735X1	8	Washer	Diameter 12-24 X 2,5
9	3784945M92	1	Pivot	Right Hand
	3784946M92	1	Pivot	Left Hand
10	1442602X1	4	Hex. Sock. Screw	(9) M10 X 100
11	390734X1	4	Washer	(9) Diameter 10-21 X 2
12	3785052M1	2	Bridle	(9)
13	3785051M1	26	Spacer	(9)
14	3785050M1	1	Plate	(9) Left Hand
	3785049M1	1	Plate	(9) Right Hand
15	3785109M2	1	Pivot	(9) Right Hand See Page - Reference Number 130-0040/1
	3785306M2	1	Pivot	(9) Left Hand See Page - Reference Number 130-0040/1
16	339054X1	2	Nut	M12
17	3788128M3	1	Strap	Up to Serial or Engine Number N335044 Left Hand
	4280475M1	1	Strap	From Serial or Engine Number N335045 Left Hand
	3788127M3	1	Strap	Up to Serial or Engine Number N335044 Right Hand
	4280473M1	1	Strap	From Serial or Engine Number N335045 Right Hand
18	3385920M1	8	Spacer	Up to Serial or Engine Number N335044 Diameter 17.6-32 X 40
	3011172X1	8	Spacer	From Serial or Engine Number N335045 Diameter 17.6-32 X 30
19	391889X1	8	Hex. Sock. Screw	M16 X 70
	339881X1	8	Hex. Sock. Screw	M16 X 60
20	1442190X1	4	Locknut	M12
21	1441226X1	4	Hex. Sock. Screw	M12 X 40
22	1441302X1	2	Hex. Sock. Screw	M10 X 30
23	3009510X1	4	Hex. Sock. Screw	M12 X 50
24	1440716X1	2	Hex. Sock. Screw	M12 X 30
25	1441664X1	8	Washer	Diameter 16-30 X 3
26	1442190X1	4	Locknut	M12

FOOTNOTE [A] WITH FRONT AXLE SUSPENDED

1-WK14-004-A

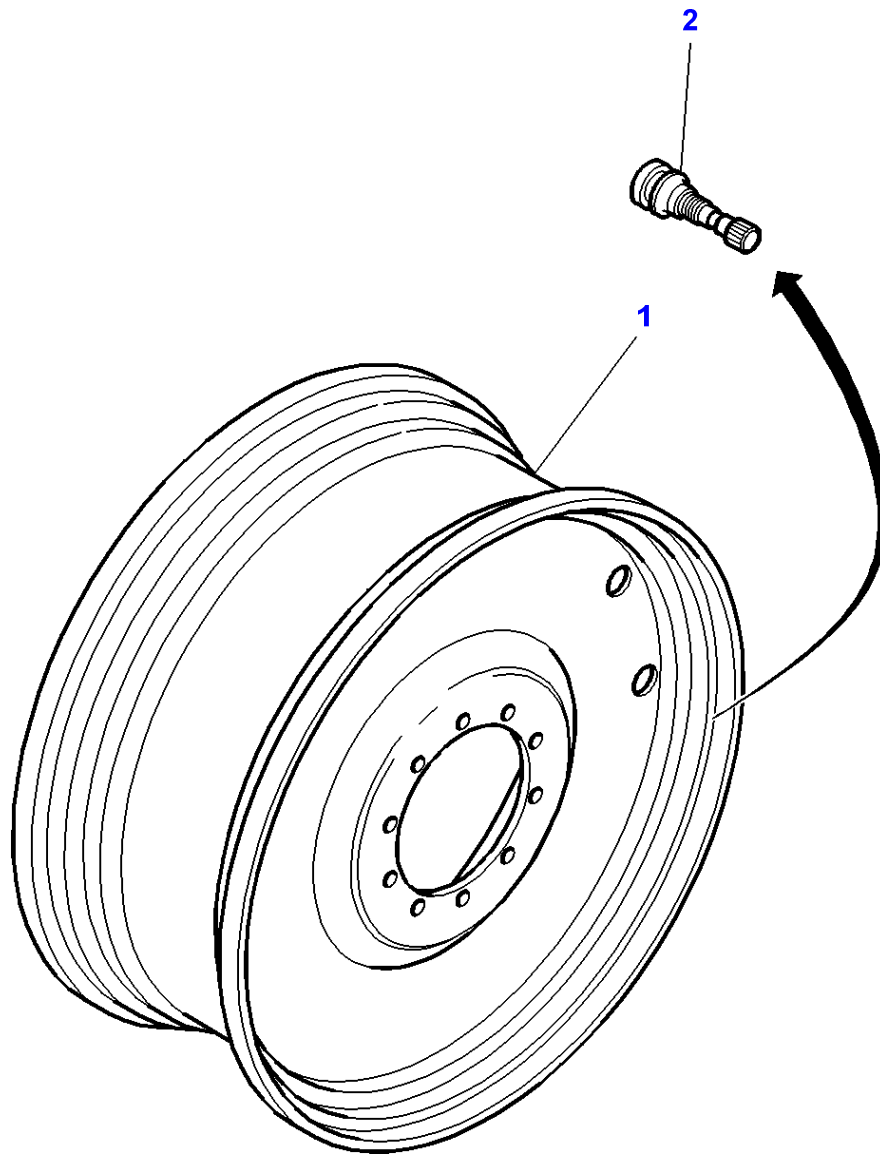


Front Axle 4 Wheel Drive - Mudguards And Supports

Item	Part Number	Qty	Description	Comments
1	3785306M2	1	Pivot	Left Hand
	3785109M2	1	Pivot	Right Hand
2		1	Pedestal	(1) Not serviced,order REF. 1
3	3903902M1	1	Gasket	(1)
4	3903897M1	2	Bearing Assy	(1)
5	3000845X1	1	Top Locknut	(1) M25
6	3903899M1	1	Spring	(1) Left Hand
	3903898M1	1	Spring	(1) Right Hand
7		1	Cover	(1) Not serviced,order REF. 1
8	3903903M1	1	Gasket	(1)
9	3903896M1	1	Cover	(1)
10	3903900M1	1	Greaser	(1)
11	3903901M1	1	Segment	(1)

FOOTNOTE [A] FRONT AXLE FIXED**FOOTNOTE [B]** WITH FRONT AXLE SUSPENDED

1-WM01-004-C



Rear Wheels - Wheel Hub 10 Holes Assembling

Item	Part Number	Qty	Description	Comments
1	3784119M1	2	Rim	[D,I] DWW 14L X 38"
	3781970M2	2	Rim	[A,J] DWW 16L X 38"
	3781971M2	2	Rim	[B,J] DWW 18L X 38"
	3781972M2	2	Rim	[C] DWW 23A X 38"
	3781968M2	2	Rim	[E,J] DWW 16L X 42"
	3781969M2	2	Rim	[F,J] DWW 18L X 42"
	3787712M1	2	Rim	[G,J] W 13 X 46"
	3781982M2	2	Rim	[J] DD 16 X 46"
2	4274219M1	2	Pressure Valve	

FOOTNOTE [A] USED WITH 16.9-18.4-20.8-420/85-460/85-480/70 -520/70-540/65 X 38" TYRES

FOOTNOTE [B] USED WITH 20.8-520/70-520/85-580/70-600/65 -650/65 X 38" TYRES

FOOTNOTE [C] USED WITH 650/85-710/70 X 38" TYRES

FOOTNOTE [D] USED WITH 16,9 - 420/85 X 38" TYRES

FOOTNOTE [E] USED WITH 18.4 X 42" TYRES

FOOTNOTE [F] USED WITH 20.8-620/70-350/65-520/85 X 42" TYRES

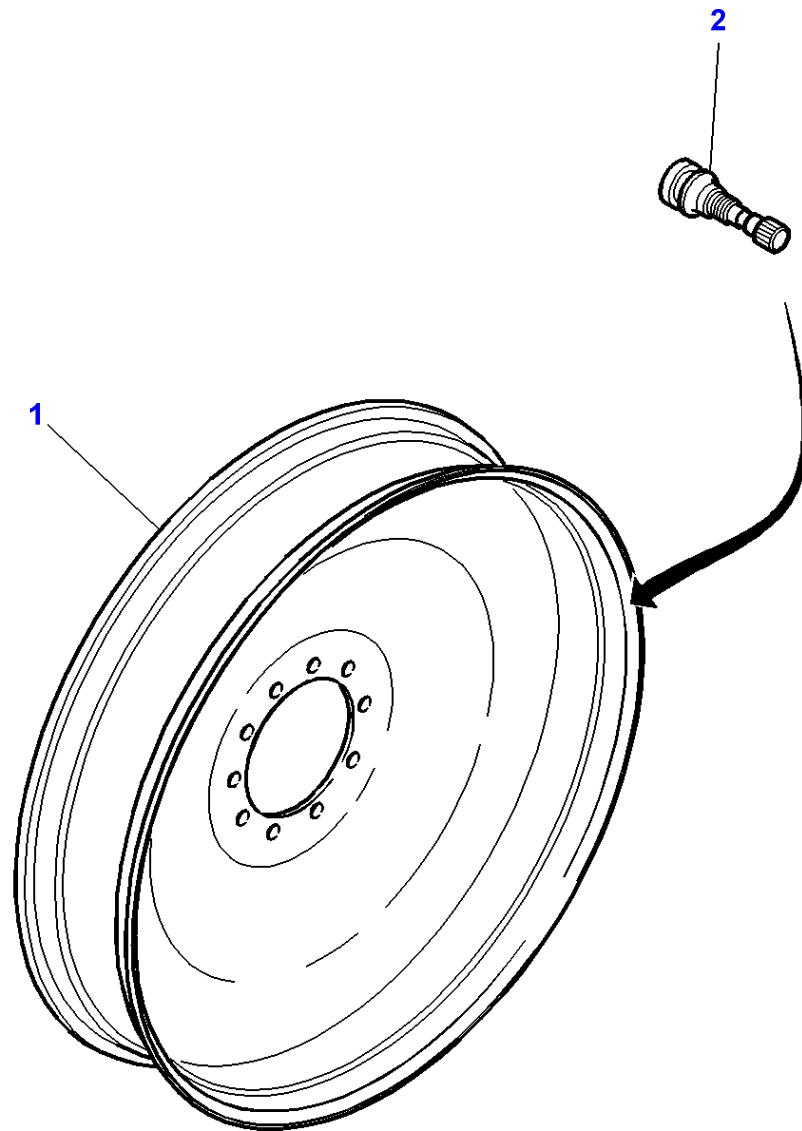
FOOTNOTE [G] USED WITH 19.90" X 46" TYRES

FOOTNOTE [H] USED WITH 18.4 - 520/85 X 46" TYRES

FOOTNOTE [I] WITH SHAFT DIAMETER 82 MM

FOOTNOTE [J] CAN BE TWINED FITTED

1-WM01-008-B



Massey Ferguson

MF 8450/8460 TRACTOR - 1637447

1637447

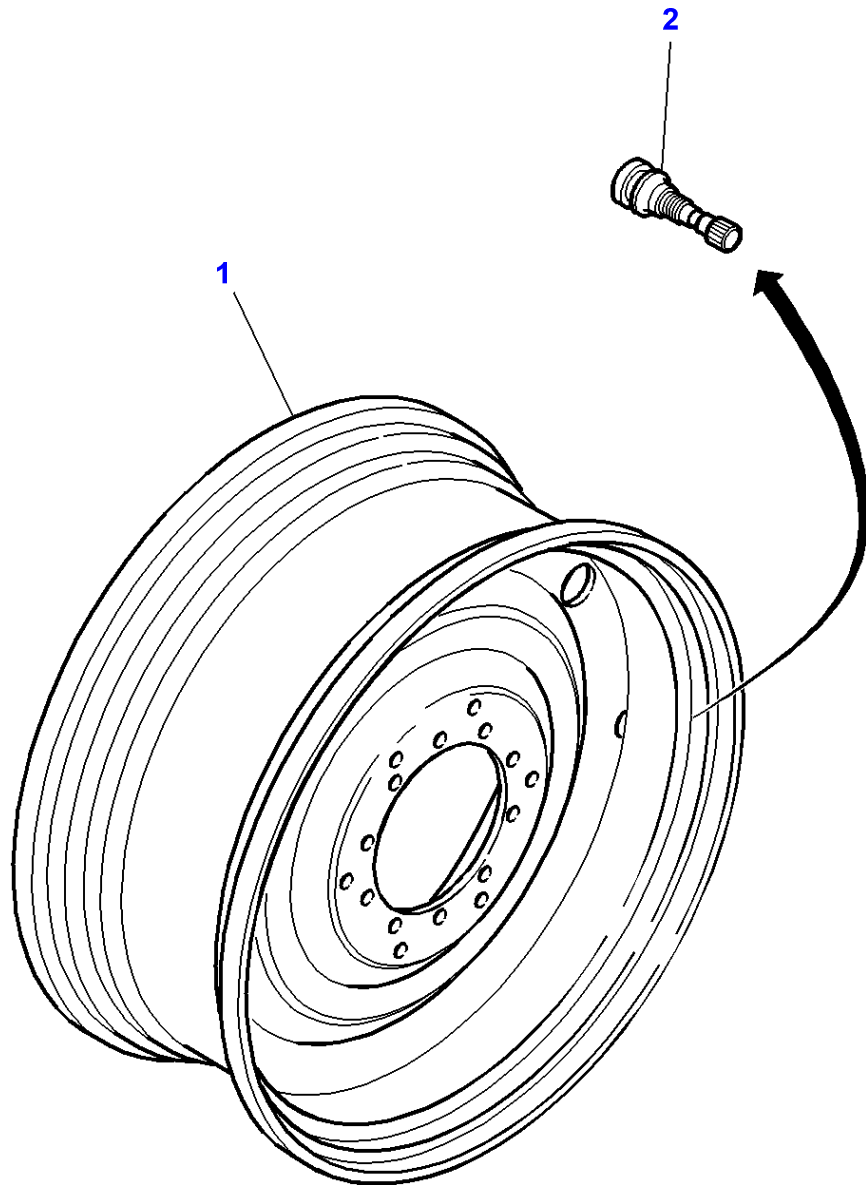
Rear Wheels - Wheel Hub 10 Holes Assembling

Page 130-0050

Item	Part Number	Qty	Description	Comments
1	4271725M1	2	Rim	[A] W10 X 50"
2	4274219M1	2	Pressure Valve	

FOOTNOTE [A] CAN BE TWINED FITTED

1-WM01-009-A



Massey Ferguson

MF 8450/8460 TRACTOR - 1637447

1637447

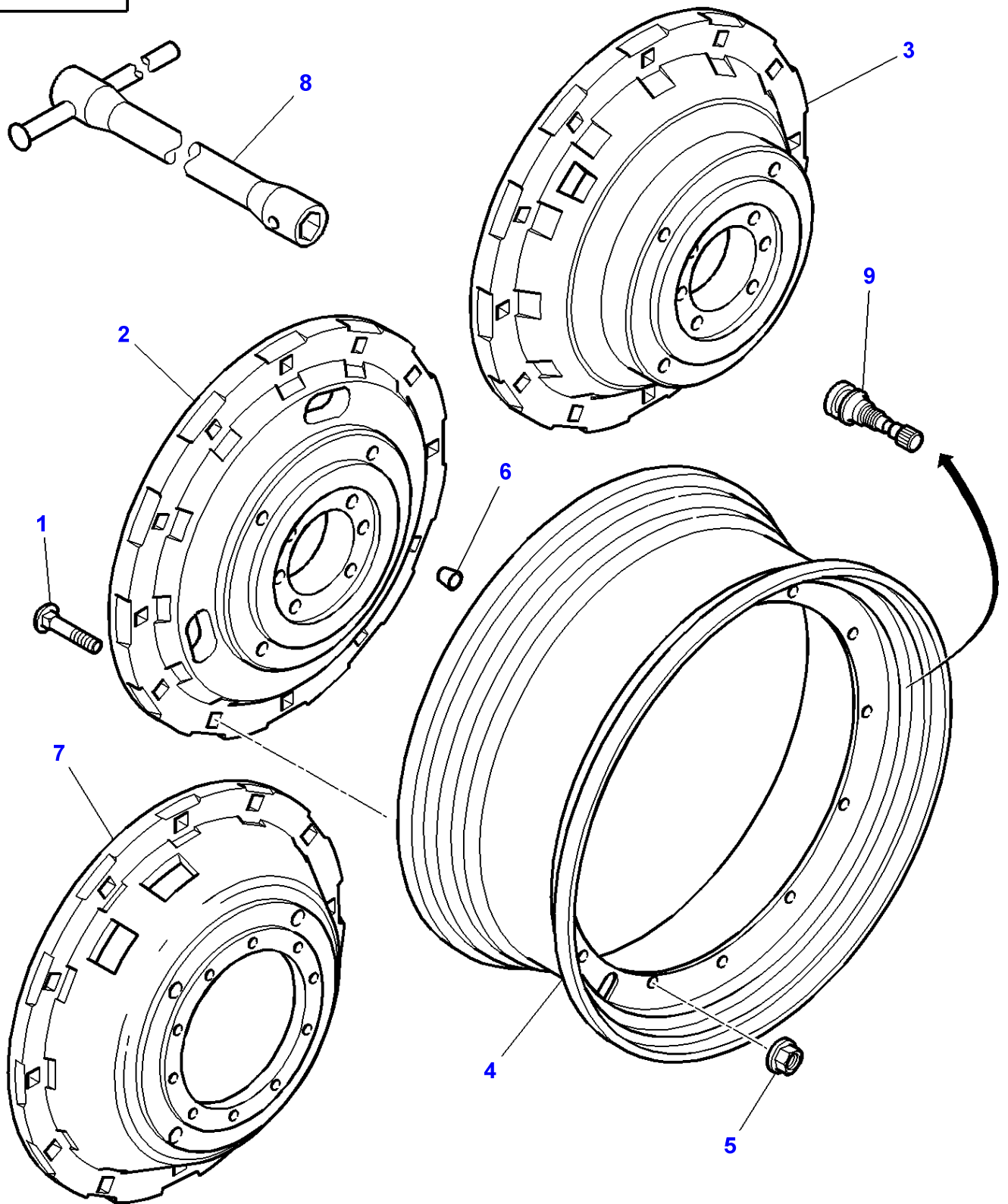
Rear Wheels - Wheel Hub 10 Holes Assembling

Page 130-0055

Item	Part Number	Qty	Description	Comments
1	3788574M1	2	Rim	[A] DWW 27A X 42"
2	4274219M1	2	Pressure Valve	

FOOTNOTE [A] CAN BE TWINED FITTED

1-WM01-012-A



Rear Wheels

Item	Part Number	Qty	Description	Comments
1	3384603M1	24	Bolt	M18 X 95
2	3582139M4	2	Flange	38" 195 KG
3	3615370M3	2	Flange	38" 260 KG
4	3781929M1	2	Rim	[F,G,I] DWW 16L X 38"
	3781930M1	2	Rim	[F,I] DWW 18L X 38"
	3782154M1	2	Rim	[F] DWW 23A X 38"
	3781926M1	2	Rim	[D,F] DWW 16L X 42"
	3782155M1	2	Rim	[C,F] DWW 18L X 42"
	3787713M1	2	Rim	[A,F,G] W 13 X 46"
	3782157M2	2	Rim	[B,F] DD 16 X 46"
	4271726M1	2	Rim	[E] W 10 X 50"
5	3384600M2	24	Nut Special	M18
6	3780302M1	8	Dowel	
7	3716108M3	1	Disc	38" 209 KG
8	3386406M1	1	Spanner	
9	4274219M1	2	Pressure Valve	

FOOTNOTE [A] WITH RIM 3716108M3 CAN BE TWINED FITTED WITH WHEEL 3787712M1

FOOTNOTE [B] WITH RIM 3716108M3 CAN BE TWINED FITTED WITH WHEEL 3781982M1

FOOTNOTE [C] WITH RIM 3716108M3 CAN BE TWINED FITTED WITH WHEEL 3781969M2

FOOTNOTE [D] WITH RIM 3716108M3 CAN BE TWINED FITTED WITH WHEEL 3781968M2

FOOTNOTE [E] WITH RIM 3716108M3 CAN BE TWINED FITTED WITH WHEEL 4271725M1

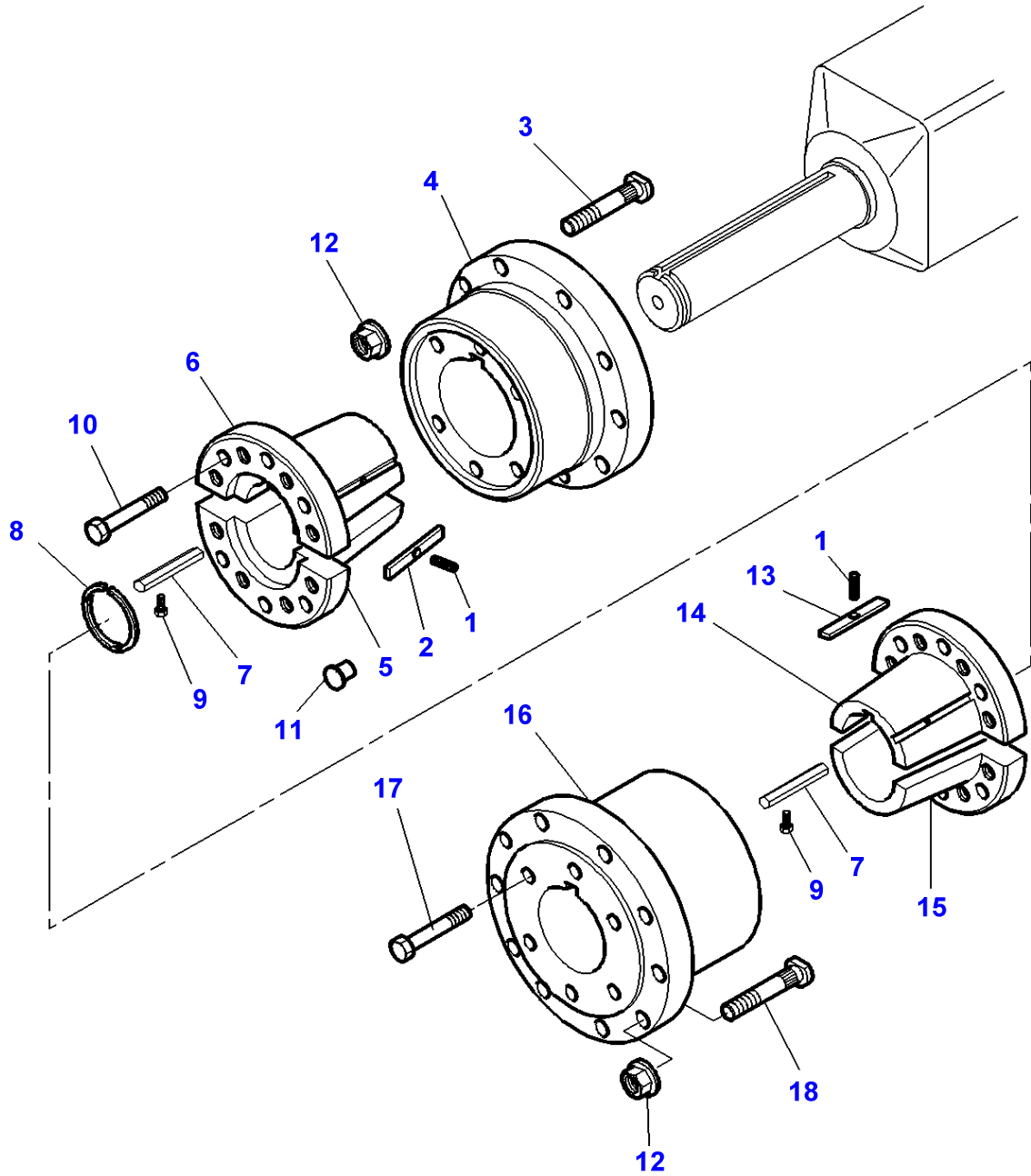
FOOTNOTE [F] WITH RIM 3716108M3 CAN BE TWINED FITTED

FOOTNOTE [G] WITH RIM 3582139M4+3615370M3 CAN BE TWINED FITTED

FOOTNOTE [H] WITH RIM 3716108M3 CAN BE TWINED FITTED WITH WHEEL 4271729M1

FOOTNOTE [I] WITH RIM 3716108M3 CAN BE TWINED FITTED WITH WHEEL 3781971M1

1-WM05-007-A

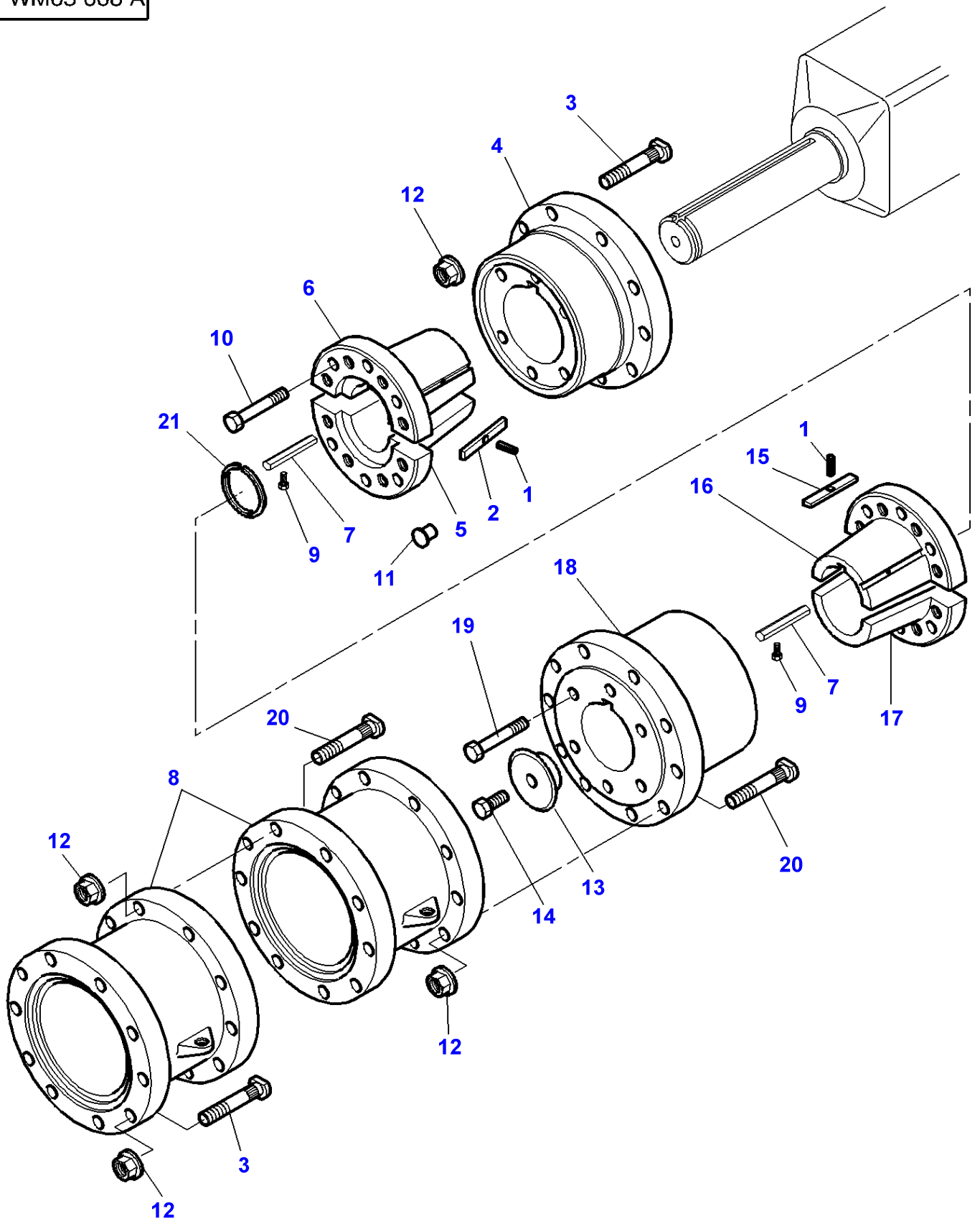


Item	Part Number	Qty	Description	Comments
1	763786M1	2	Pin	Diameter 3 X 19 (Single Wheels)
	763786M1	2	Pin	Diameter 3 X 19 (Dual Wheels)
2	509816M3	2	Key	(Single Wheels)
	509816M3	2	Key	(Dual Wheels)
3	3792488M2	20	Stud	[A] M22 X 78 (Single Wheels)
	3792488M2	20	Stud	[A] M22 X 78 (Dual Wheels)
	3716105M2	20	Stud	[B] M22 X 100 (Single Wheels)
	3716105M2	20	Stud	[B] M22 X 100 (Dual Wheels)
4	3716107M2	2	Hub	(Single Wheels)
	3716107M2	2	Hub	(Dual Wheels)
5	3716269M1	2	Cone	Length 198 MM (Single Wheels)
	3716269M1	2	Cone	Length 198 MM (Dual Wheels)
6	3716268M1	2	Cone	Length 198 MM (Single Wheels)
	3716268M1	2	Cone	Length 198 MM (Dual Wheels)
7	3716106M4	2	Key	(Single Wheels)
	3716106M4	2	Key	(Dual Wheels)
8	3010765X1	2	Ring	(Single Wheels)
	3010765X1	2	Ring	(Dual Wheels)
9	1440350X1	2	Screw Metric	M6 X 20 (Single Wheels)
	1440350X1	2	Screw Metric	M6 X 20 (Dual Wheels)
10	3010569X1	12	Hex. Sock. Screw	M20 X 80 (Single Wheels)
	3010569X1	12	Hex. Sock. Screw	M20 X 80 (Dual Wheels)
11	3791968M1	16	Plug	(Single Wheels)
	3791968M1	16	Plug	(Dual Wheels)
12	3712611M2	20	Nut Special	M22 (Single Wheels)
	3712611M2	20	Nut Special	M22 (Dual Wheels)
13	3787102M1		Key	(Dual Wheels)
14	3786847M1		Cone	(Dual Wheels)
15	3786848M1		Cone	(Dual Wheels)
16	3786490M1		Hub	(Dual Wheels)
17	3580230M1		Hex. Sock. Screw	M20 X 190 (Dual Wheels)
18	3792488M2		Stud	[A] M22 X 78 (Dual Wheels)

FOOTNOTE [A] WITH RIM STEEL

FOOTNOTE [B] WITH CAST WHEELS

1-WM05-008-A



Rear Wheels - Fixing By Cone - Short Shaft Diameter 110MM - With Spacers for Dual Wheels Cone/Wheel Hub Reversed

Item	Part Number	Qty	Description	Comments
1	763786M1	4	Pin	
2	509816M3	4	Key	
3	3792488M2	40	Stud	M22 X 78
	3792488M2	20	Stud	[D,E] M22 X 78
4	3716107M2	2	Hub	[A]
5	3716269M1	4	Cone	Length 198 MM
6	3716268M1	4	Cone	Length 198 MM
7	3716106M4	4	Key	
8	3786577M2	4	Spacer	
9	1440350X1	4	Screw Metric	M6 X 20
10	3010569X1	24	Hex. Sock. Screw	M20 X 80
11	3791968M1	32	Plug	
12	3712611M2	80	Nut Special	M22 X 1,5
13	3787332M1	2	Thrust Washer	[C]
14	3001462X1	2	Hex. Sock. Screw	[C] M24 X 60
15	3787102M1	2	Key	
16	3786847M1	2	Cone	Length 174 MM
17	3786848M1	2	Cone	Length 174 MM
18	3786490M1	2	Hub	[B]
19	3580230M1	16	Hex. Sock. Screw	M20 X 190
20	3716105M2	40	Stud	M22 X 100
	3716105M2	60	Stud	[D,E] M22 X 100
21	3010765X1	2	Ring	[F]

FOOTNOTE [A] 6 HOLES FIXING

FOOTNOTE [B] 8 HOLES FIXING

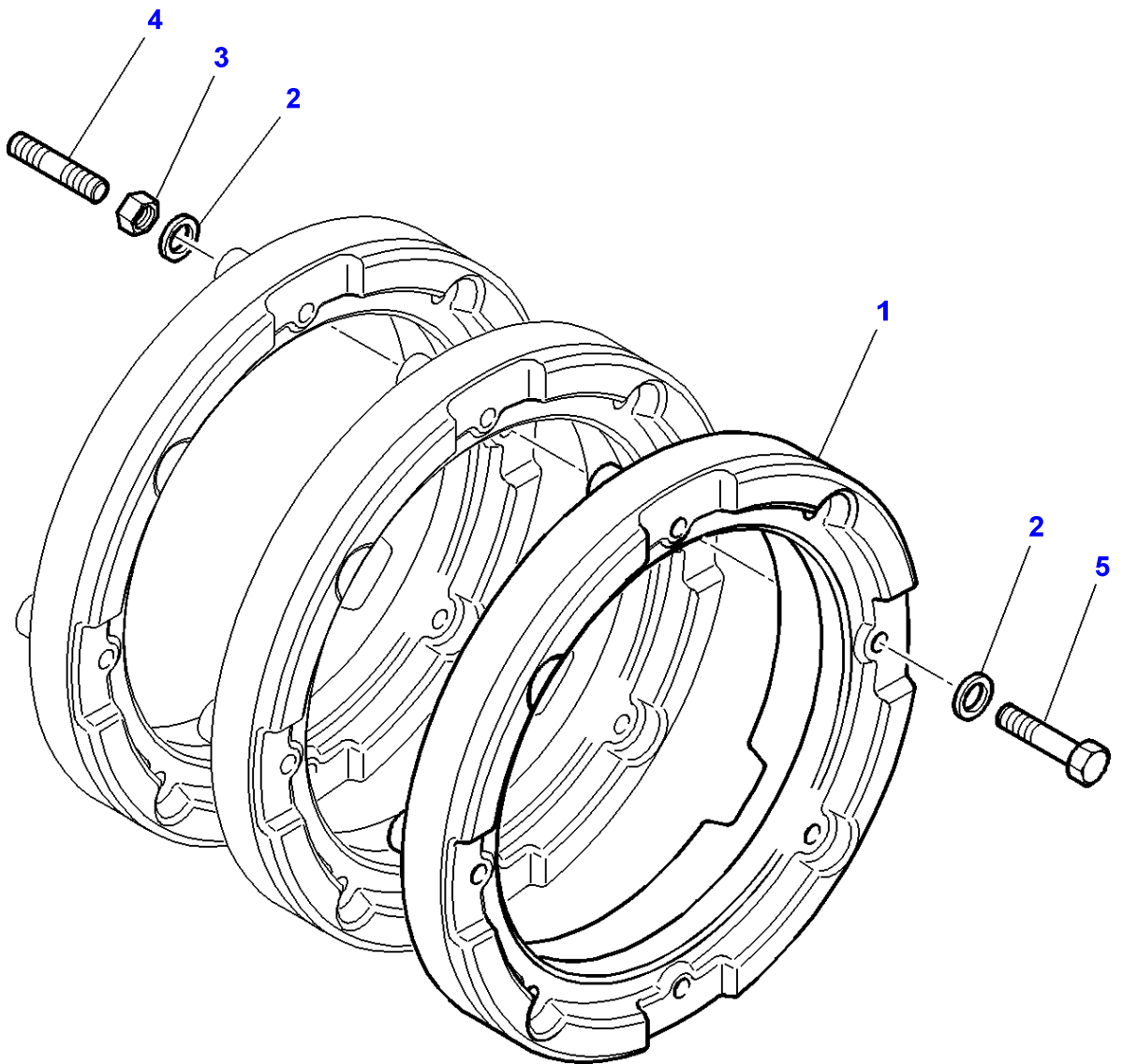
FOOTNOTE [C] WITH SHORT SHAFT

FOOTNOTE [D] WITH CAST WHEELS

FOOTNOTE [E] WITH RIM STEEL

FOOTNOTE [F] WITH LONG SHAFT

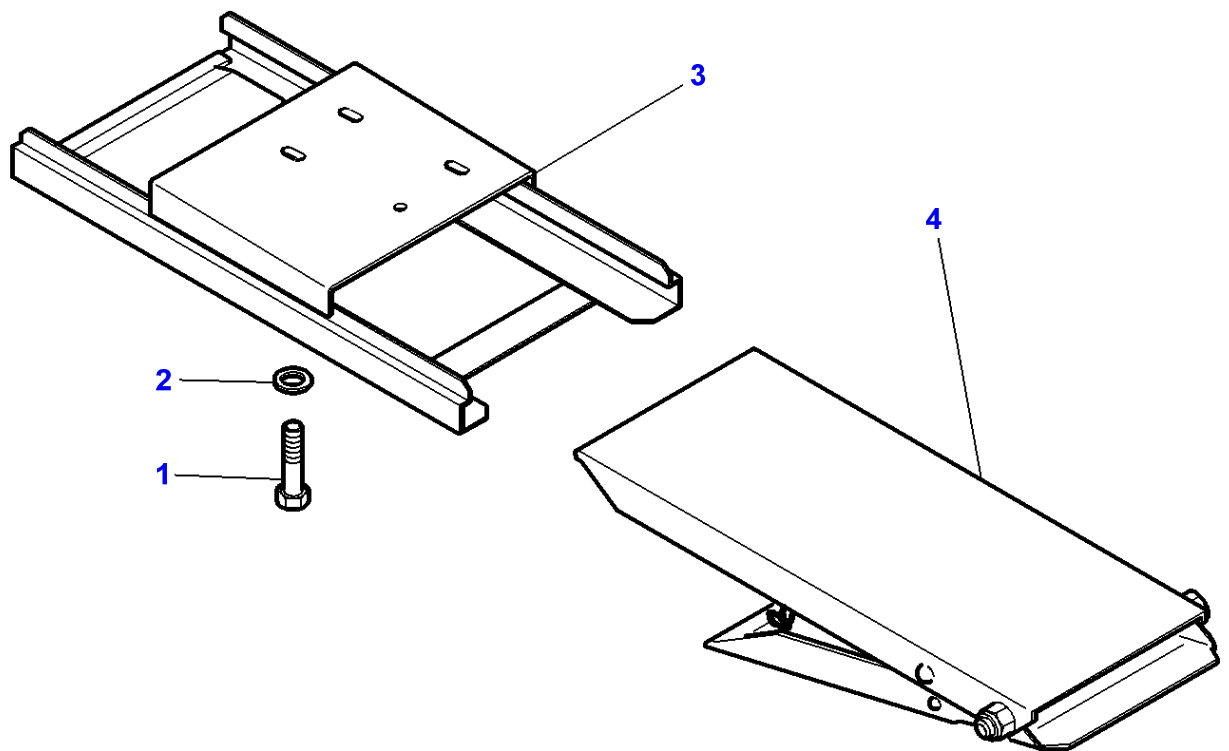
1-WX17-002-A



Massey Ferguson**MF 8450/8460 TRACTOR - 1637447****1637447****Wheel Weights****Page 130-0075**

Item	Part Number	Qty	Description	Comments
1	3789077M1	X	Weight	50 KG
	3789078M1	X	Weight	200 KG
2	3019575X1	X	Washer	Diameter 17-44 X 3
3	339034X1	X	Nut	M16
4	3386466M1	X	Stud	M16 X 65
	3009933X1	X	Stud	M16-135
5	3009244X1	X	Plough Bolt	M16 X 90
	3009248X1	X	Plough Bolt	M16 X 130

1-WX37-008-A



Wheel Wedges

Item	Part Number	Qty	Description	Comments
1	339124X1	4	Hex. Sock. Screw	M8 X 16
2	390972X1	4	Washer	
3	4278080M2	1	Support	
4	4274765M1	1	Chock	