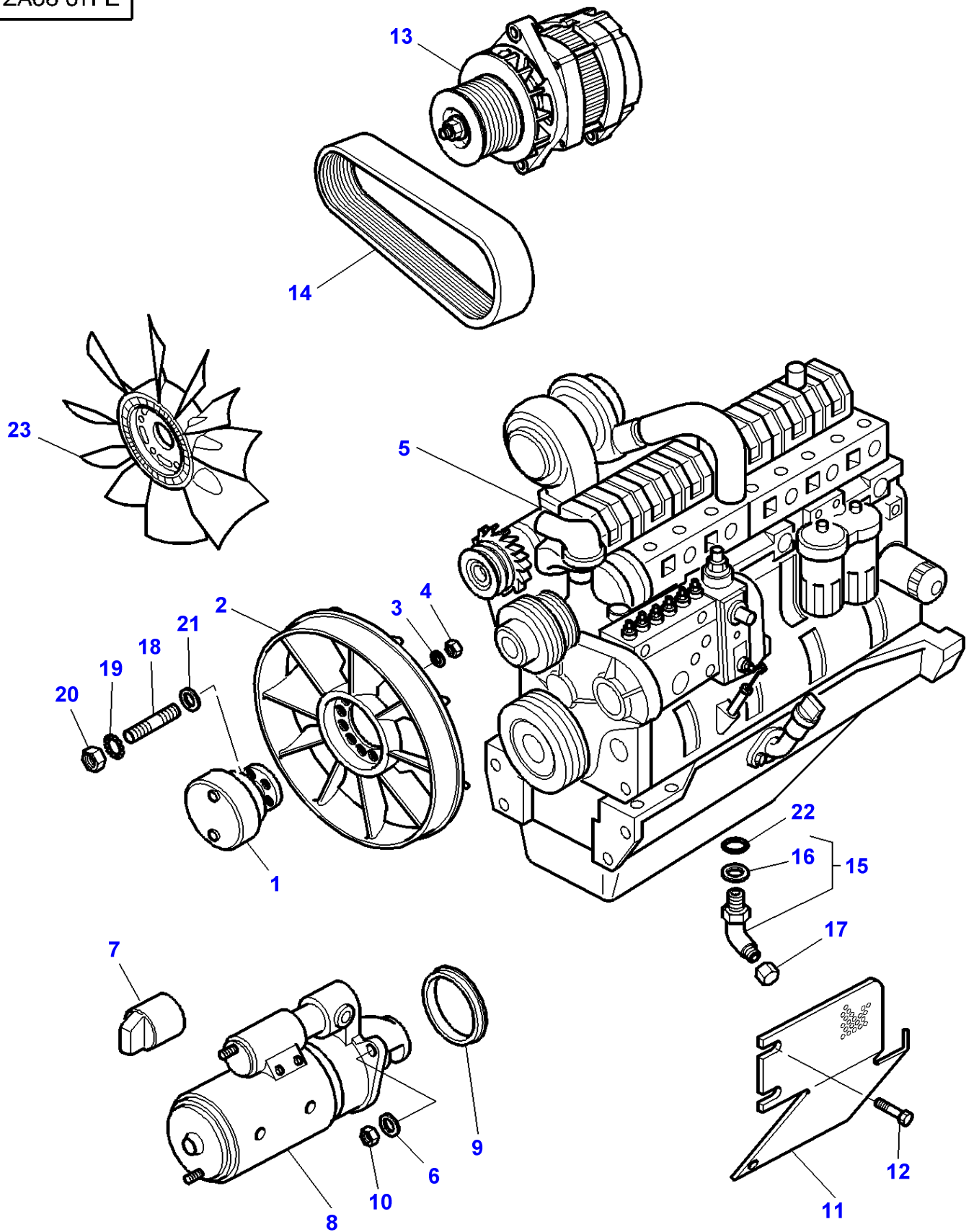




1-ZA06-011-E

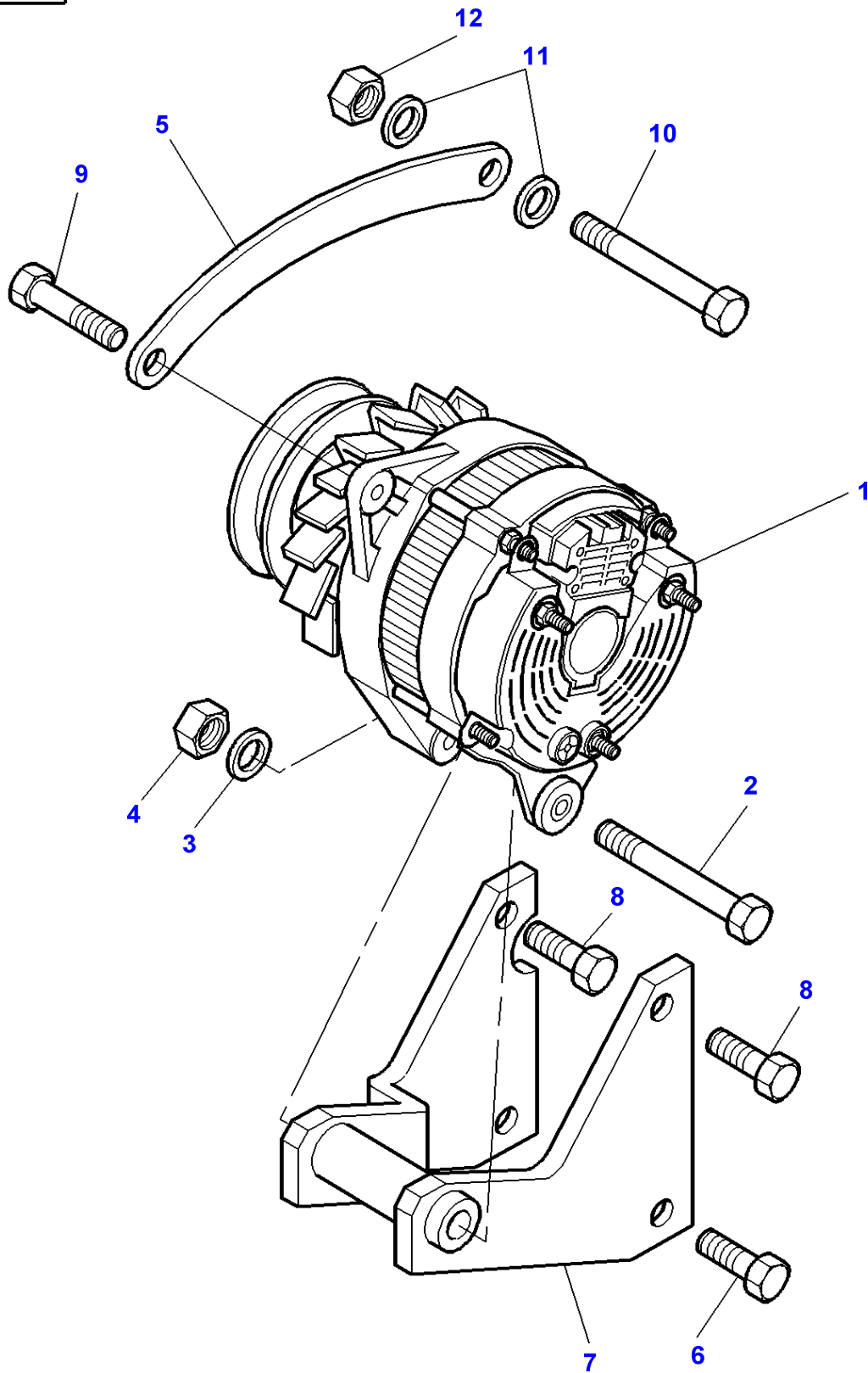


Engine And Equipment

Item	Part Number	Qty	Description	Comments
1	3781684M1	1	Clutch	MF 8270 - 8280
	3786706M1	1	Clutch	MF 8270 XTRA MF 8280 XTRA
2	3781420M1	1	Fan	MF 8270 - 8280
3	390972X1	6	Washer Metric	Diameter 8-17 X 1,7
4	394367X1	6	Locknut	M8
5	V832957959	1	Engine	MF 8270 645 DSBIE Up to Serial or Engine Number J116025
	3784455M91	1	Engine	MF 8270 645 DSBIE From Serial or Engine Number J116026
	V832957960	1	Engine	MF 8280 645 DSBIE Up to Serial or Engine Number J082023
	3784456M91	1	Engine	MF 8280 645 DSBIE From Serial or Engine Number J082024
	V832960345	1	Engine	MF 8270 XTRA 645 DSBAE
	V832960346	1	Engine	MF 8280 XTRA 645 DSBAE
6	390734X1	3	Washer	Diameter 10-21 X 2
7	3780936M1	1	Cover	Up to Serial or Engine Number K071001
8	3777247M1	1	Startermotor	[A] Up to Serial or Engine Number K071001 See Page - Reference Number 010-0030/1
	3784889M2	1	Startermotor	[A] From Serial or Engine Number K071002 See Page - Reference Number 010-0035/1
9	3778469M1	1	Spacer	
10	339402X1	3	Nut	M10
11	3780420M2	1	Cowl	
12	3009492X1	2	Hex. Sock. Screw	M10 X 25
13	3780635M1	1	Alternator	Up to Serial or Engine Number K257027 120 Amp See Page - Reference Number 010-0020/1
	3821978M91	1	Alternator	From Serial or Engine Number K257028 120 Amp See Page - Reference Number 010-0025/1
14	V836864164	1	Belt	
15	3019590X91	1	Union	M18X1,5 - 7/8-14
16	3019397X1	1	O Ring	(15)
17	22833X	1	Cap	
18	391005X1	6	Stud	MF 8270 XTRA MF 8280 XTRA Up to Serial or Engine Number L170033 M10 X 25
	3011339X1	6	Stud	MF 8270 XTRA MF 8280 XTRA From Serial or Engine Number L170034 M10 X 22
19	339376X1	6	Lock Washer	MF 8270 XTRA MF 8280 XTRA Up to Serial or Engine Number L170033
20	1441932X1	6	Nut Metric	MF 8270 XTRA MF 8280 XTRA M10
21	385362X1	6	Washer	MF 8270 XTRA MF 8280 XTRA Up to Serial or Engine Number L170033 Diameter 10-20 X 3
22	390202X1	1	Seal	From Serial or Engine Number L156027
23	3788061M1	1	Fan	MF 8270 XTRA MF 8280 XTRA

FOOTNOTE [A] THE APPROPRIATE SAFETY DECALS MUST BE ORDERED AND FITTED TO THIS PART

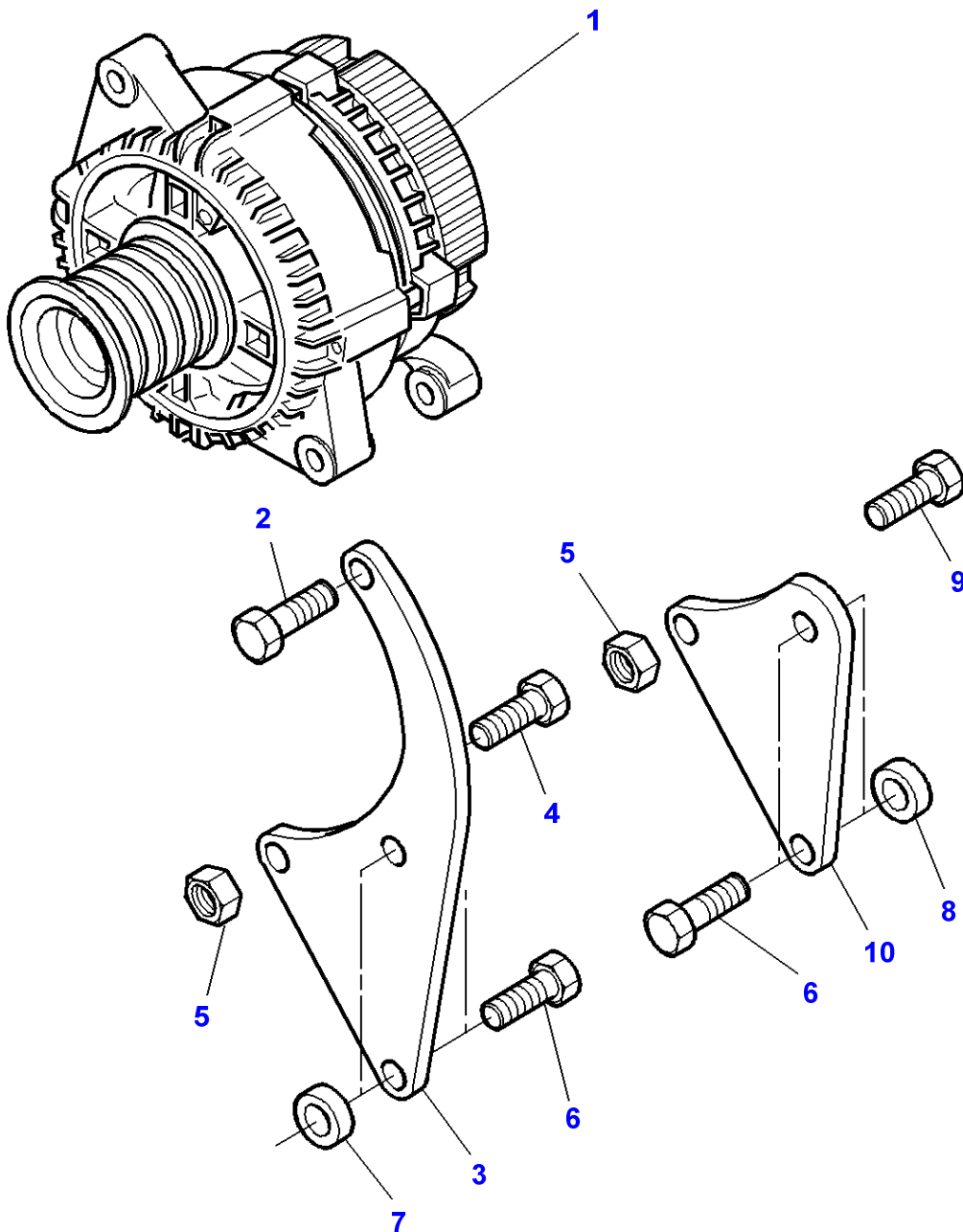
1-ZA10-004-B



Massey Ferguson**MF 8270/8280 TRACTOR - 1637348****1637348****Alternator And Bracket - Up to Serial or Engine Number K257027****Page010-0010**

Item	Part Number	Qty	Description	Comments
1	3780635M1	1	Alternator	120 Amp See Page - Reference Number 010-0020/1
2	1442487X1	1	Bolt Metric	M10 X 130
3	390734X1	1	Washer	Diameter 10-21 X 2
4	339402X1	1	Nut	M10
5	3780649M1	1	Tensioner	
6	339761X1	2	Hex. Sock. Screw	M8 X 25
7	3779499M1	1	Support	
8	339168X1	2	Screw	M8 X 50
9	3009492X1	1	Hex. Sock. Screw	M10 X 25
10	339337X1	1	Hex. Sock. Screw	M8 X 30
11	390972X1	2	Washer Metric	Diameter 8-17 X 1,7
12	339169X1	1	Nut	M8

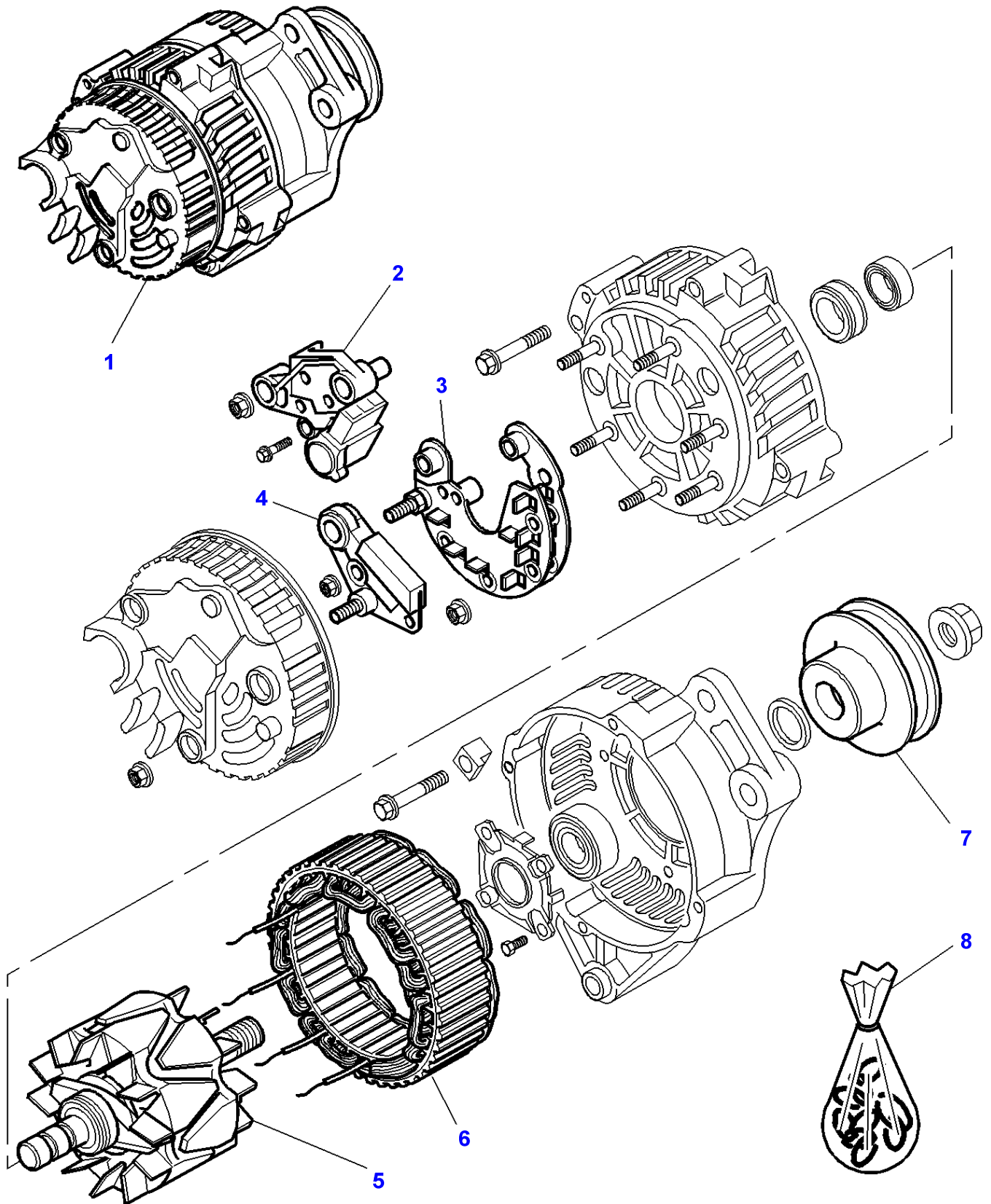
1-ZA10-009-C



Massey Ferguson**MF 8270/8280 TRACTOR - 1637348****1637348****Alternator And Bracket - From Serial or Engine Number K257028****Page010-0015**

Item	Part Number	Qty	Description	Comments
1	3821978M91	1	Alternator	120 Amp See Page - Reference Number 010-0025/1
2	339761X1	1	Hex. Sock. Screw	M8 X 25
3	3788257M2	1	Support	
4	339009X1	1	Hex. Sock. Screw	M8 X 35
5	339169X1	1	Nut	M8
6	339337X1	4	Hex. Sock. Screw	M8 X 30
7	3788261M1	2	Spacer	Diameter 9-16 X 5
8	3788262M1	2	Spacer	Diameter 9-16 X 8
9	339010X1	1	Bolt Metric	M8 X 40
10	3788258M2	1	Support	

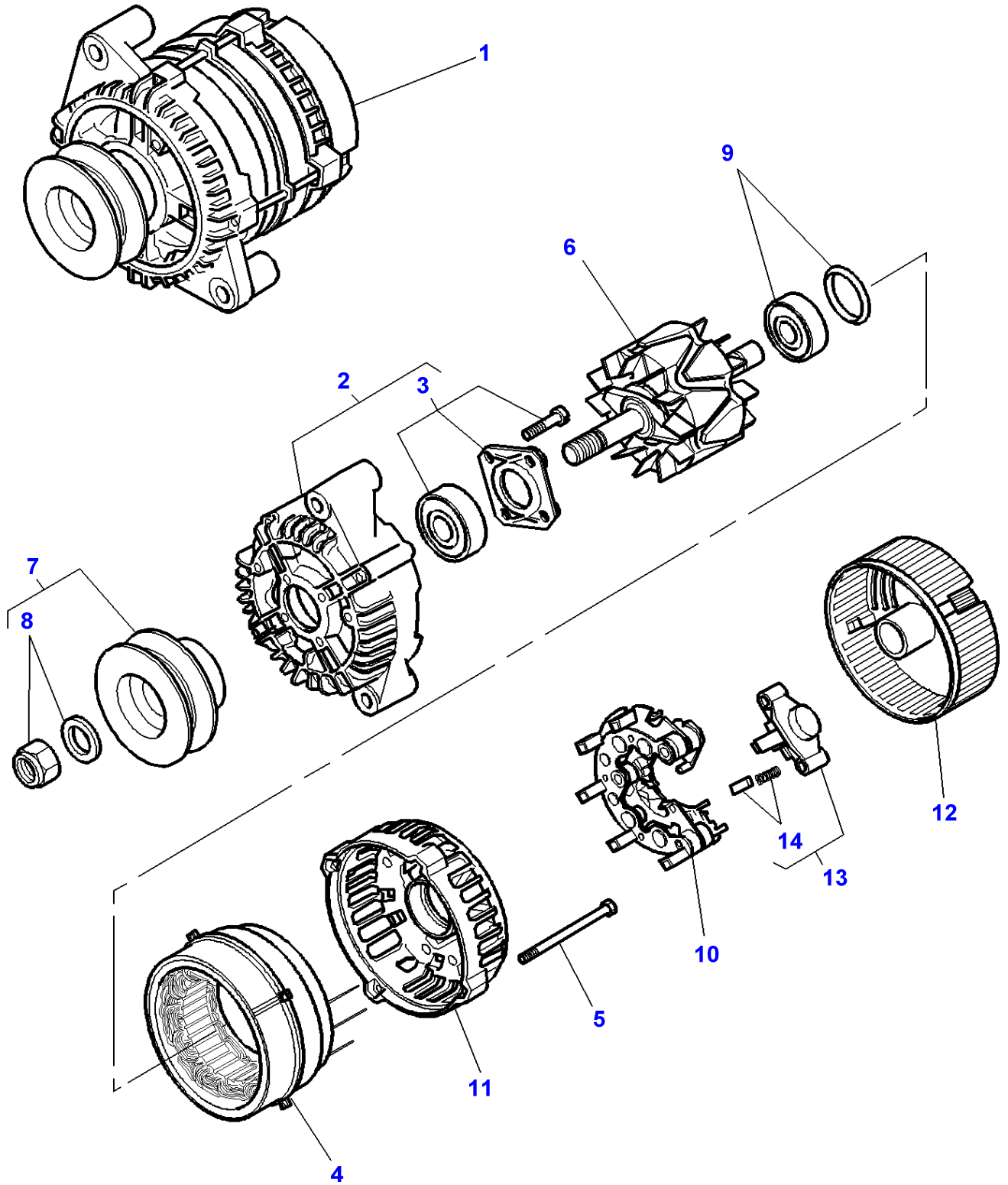
1-ZC34-003-A



Massey Ferguson**MF 8270/8280 TRACTOR - 1637348****1637348****Alternator - Valeo - Up to Serial or Engine Number K257027****Page010-0020**

Item	Part Number	Qty	Description	Comments
1	3780635M1	1	Alternator	120 Amp
2	3903324M91	1	Support	(1)
3	3903321M91	1	Bridge	(1)
4	3903318M91	1	Regulator	(1)
5	3903319M91	1	Rotor	(1)
6	3903320M91	1	Stator	(1)
7	3903429M1	1	Pulley	(1)
8	3903323M91	1	Parts Pack	

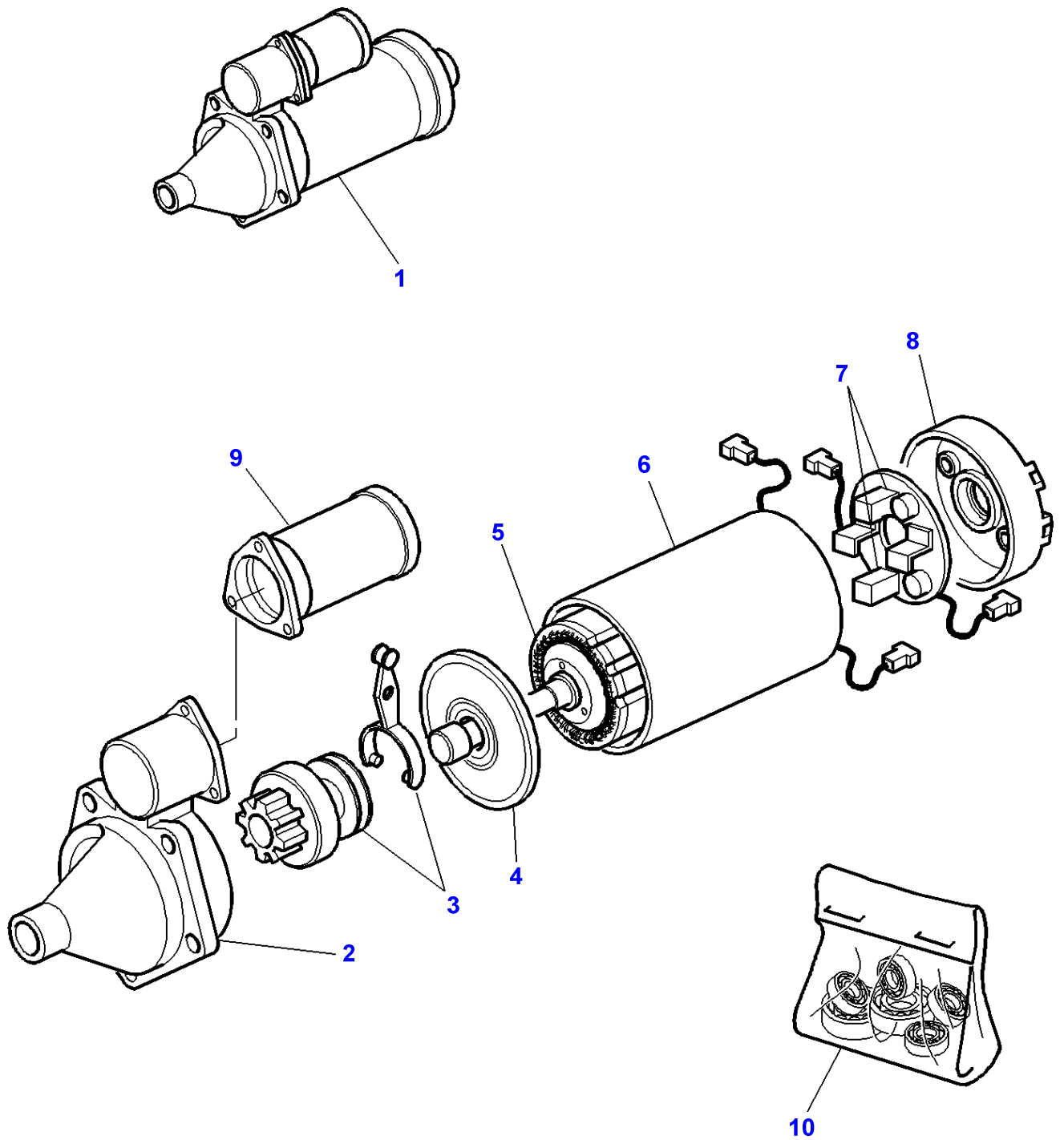
1-ZC35-002-B



Massey Ferguson**MF 8270/8280 TRACTOR - 1637348****1637348****Alternator - ISKRA - From Serial or Engine Number K257028****Page010-0025**

Item	Part Number	Qty	Description	Comments
1	3821978M91	1	Alternator	AAK5195 14V 120A
2		1	Nose	Not serviced,order REF. 1
3	3904379M91	1	Kit, Bearing	
4		1	Stator	Not serviced,order REF. 1
5	3904380M91	1	Kit, Bolt	
6		1	Rotor	Not serviced,order REF. 1
7	3903828M1	1	Pulley	
8		1	Parts Pack	(7) Not serviced,order REF. 7
9	3904382M91	1	Kit, Bearing	
10	3903829M91	1	Rectifier	
11		1	Rear Cover Assy.	Not serviced,order REF. 1
12	3904384M1	1	Cover	
13	3904385M91	1	Regulator	
14		1	Kit, Brush	(13) Not serviced,order REF. 13

1-ZC50-003-A

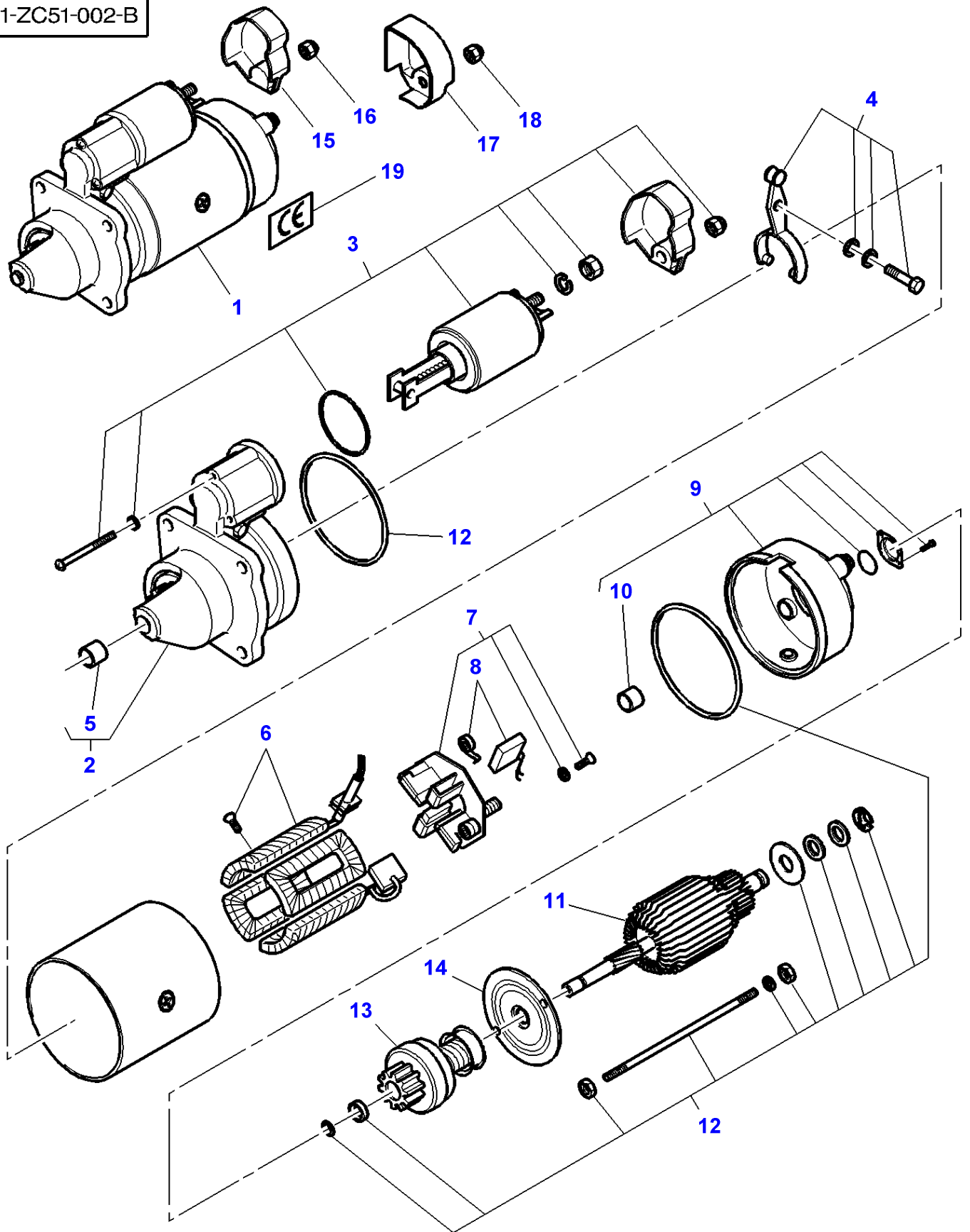


Item	Part Number	Qty	Description	Comments
1	3777247M1	1	Statermotor	[A]
2	3903008M91	1	Bracket	(1)
3	3903012M91	1	Drive	(1)
				Number of teeth/spines 10
4	3903015M1	1	Bearing Plate	(1)
5	3903011M1	1	Armature	(1)
6	3903010M91	1	Coil	(1)
7	3903013M91	1	Kit, Brush	(1)
8	3903009M91	1	Bracket	(1)
9	3902929M1	1	Solenoid	(1)
10	3903014M91	X	Kit, Bush	

FOOTNOTE [A] THE APPROPRIATE SAFETY DECALS MUST BE ORDERED AND FITTED TO THIS PART

MF 8270/8280 TRACTOR - 1637348
1-ZC51-002-B

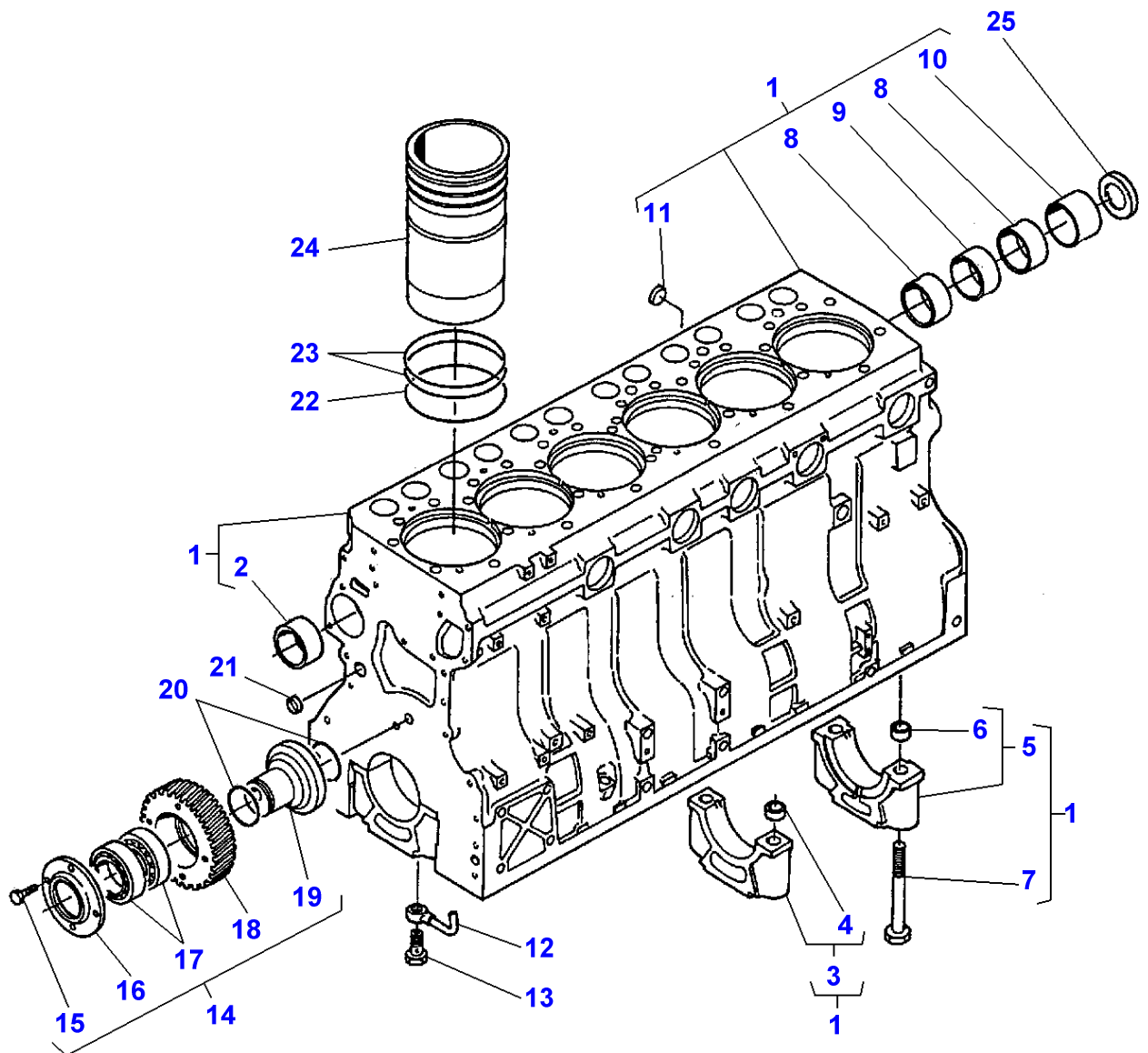
1-ZC51-002-B



Item	Part Number	Qty	Description	Comments
1	3784889M2	1	Startermotor	[A] 3 KW
2	3903758M91	1	Bracket	(1)
3	3903759M92	1	Solenoid	(1)
4	3903760M91	1	Kit, Lever	(1)
5	3903761M1	1	Bearing	(2)
6	3903762M91	1	Coil	(1)
7	3903763M91	1	Kit, Brush Plate	(1)
8	3903764M91	1	Kit, Brush	(7)
9	3903765M91	1	Housing	(1)
10	3903766M1	1	Bearing	(9)
11	3903767M91	1	Armature	(1)
12	3903770M91	1	Impeller Hub	(1)
13	3903768M91	1	Parts Pack	(1)
14	3903769M91	1	Cover	(1)
15	3786090M1	1	Protector	Up to Serial or Engine Number K249035
16	3786089M1	1	Nut	Up to Serial or Engine Number K249035 M8
17	3786093M1	1	Protector	From Serial or Engine Number K249036
18	3786092M1	1	Nut	From Serial or Engine Number K249036 M10
19	3788193M1	1	Label	

FOOTNOTE [A] THE APPROPRIATE SAFETY DECALS MUST BE ORDERED AND FITTED TO THIS PART

1-ZH01-005-A



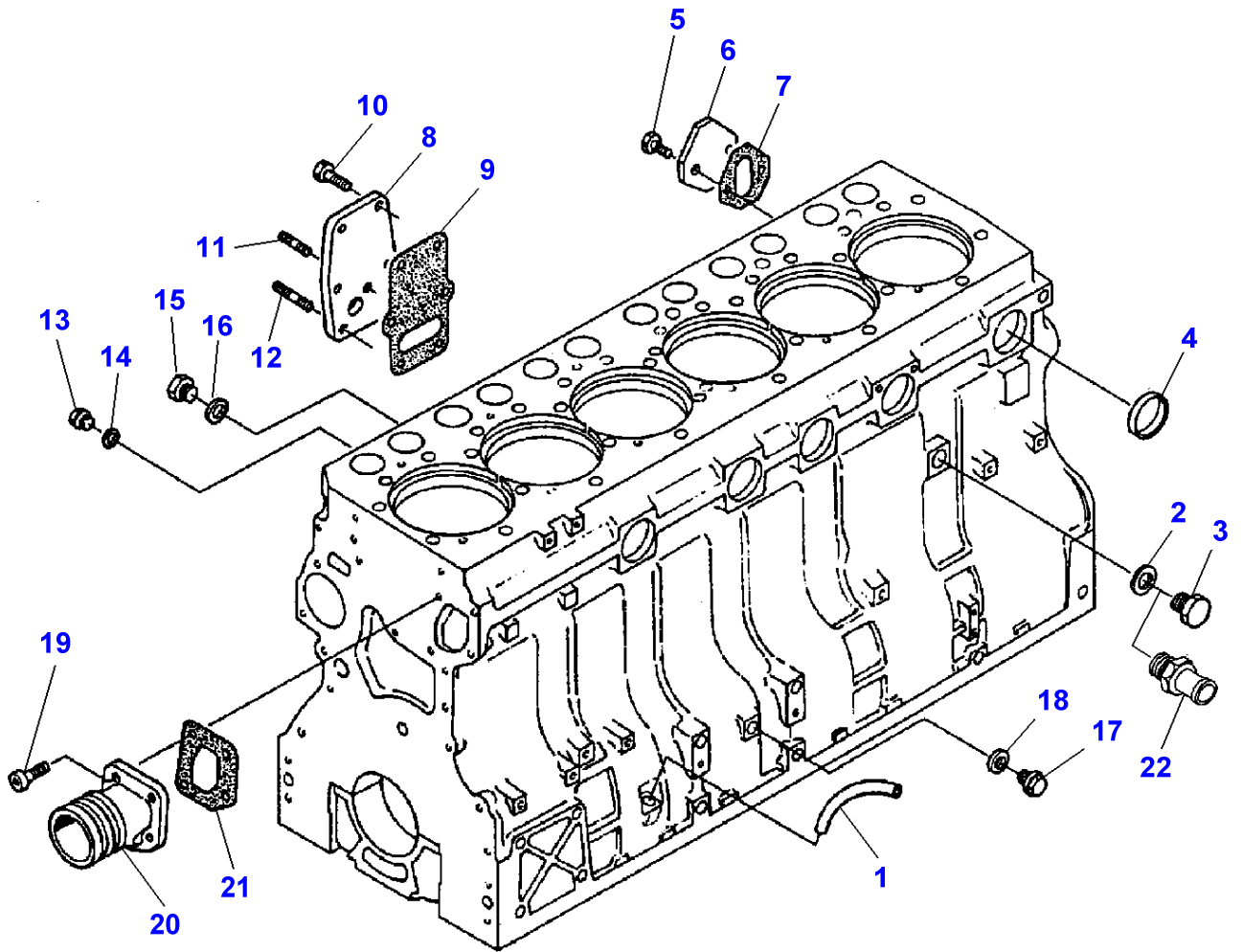
Cylinder Block

Item	Part Number	Qty	Description	Comments
1	V836859155	1	Cylinder Block	MF 8270-8280
	V836866592	1	Cylinder Block	MF 8270 XTRA MF 8280 XTRA
2	V836322610	1	Bush	(1) MF 8270-8280
	V836866069	X	Bush	(1) MF 8270 XTRA MF 8280 XTRA Diameter +0,4 MM
3		6	Bearing Carrier	[A] (1)
4	V836214478	2	Bush	(3)
5		1	Bearing Carrier	[A] (1)
6	V836214478	2	Bush	(5)
7	V529903180	14	Screw	(1)
8	V836852460	2	Bush	(1)
	V836852466	X	Bush	Diameter +0,2 MM
9	V836852459	1	Bush	(1)
10	V836852461	1	Bush	(1)
	V836852467	X	Bush	Diameter +0,2 MM
11	V640016018	1	Plug	(1)
12	V836846231	6	Pipe	
13	V836338601	6	Valve	
14	V836859165	1	Gear	
15	V528801380	4	Screw	(14) M8 X 20
16	V836859164	1	Flange	(14)
17	V610071079	2	Ball Bearing	(14)
18	V836859163	1	Gear	(14)
19	V836859162	1	Shaft	(14)
20	V614603024	2	O Ring	
21	V640016016	4	Plug	
22	V836855447	6	O Ring	
23	V836855446	12	O Ring	
24	V836855445	6	Liner	STD
	V836859581	X	Liner	Thickness 9,08 MM
	V836859582	X	Liner	Thickness 9,13 MM
	V836859583	X	Liner	Thickness 9,23 MM
25	V836852744	4	Plug	

FOOTNOTE [A] NUMBER TO BE ADVISED

MF 8270/8280 TRACTOR - 1637348
1-ZH34-001-B

1-ZH34-001-B



Massey Ferguson**MF 8270/8280 TRACTOR - 1637348**

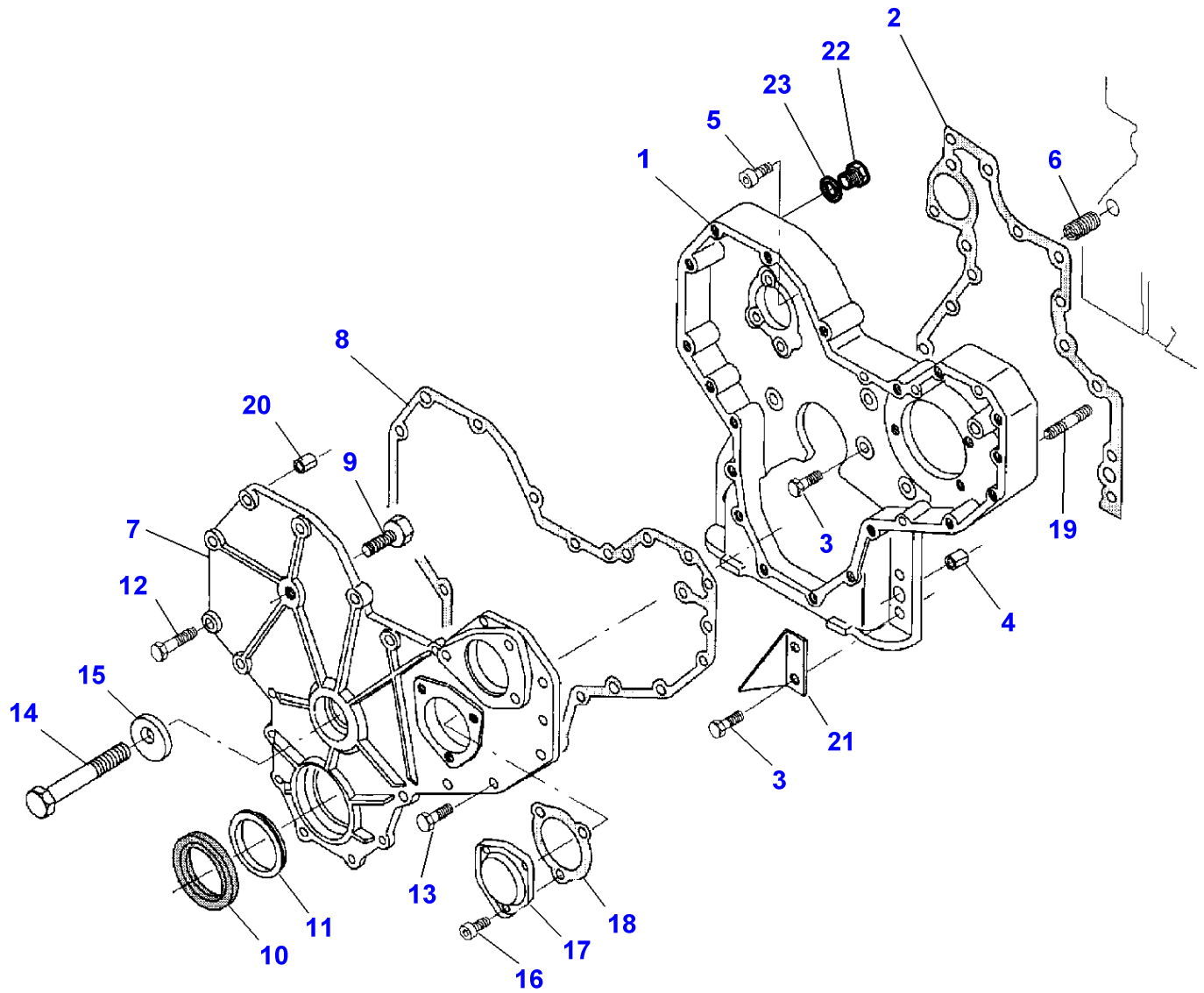
1637348

Cylinder Block Equipment

Page010-0045

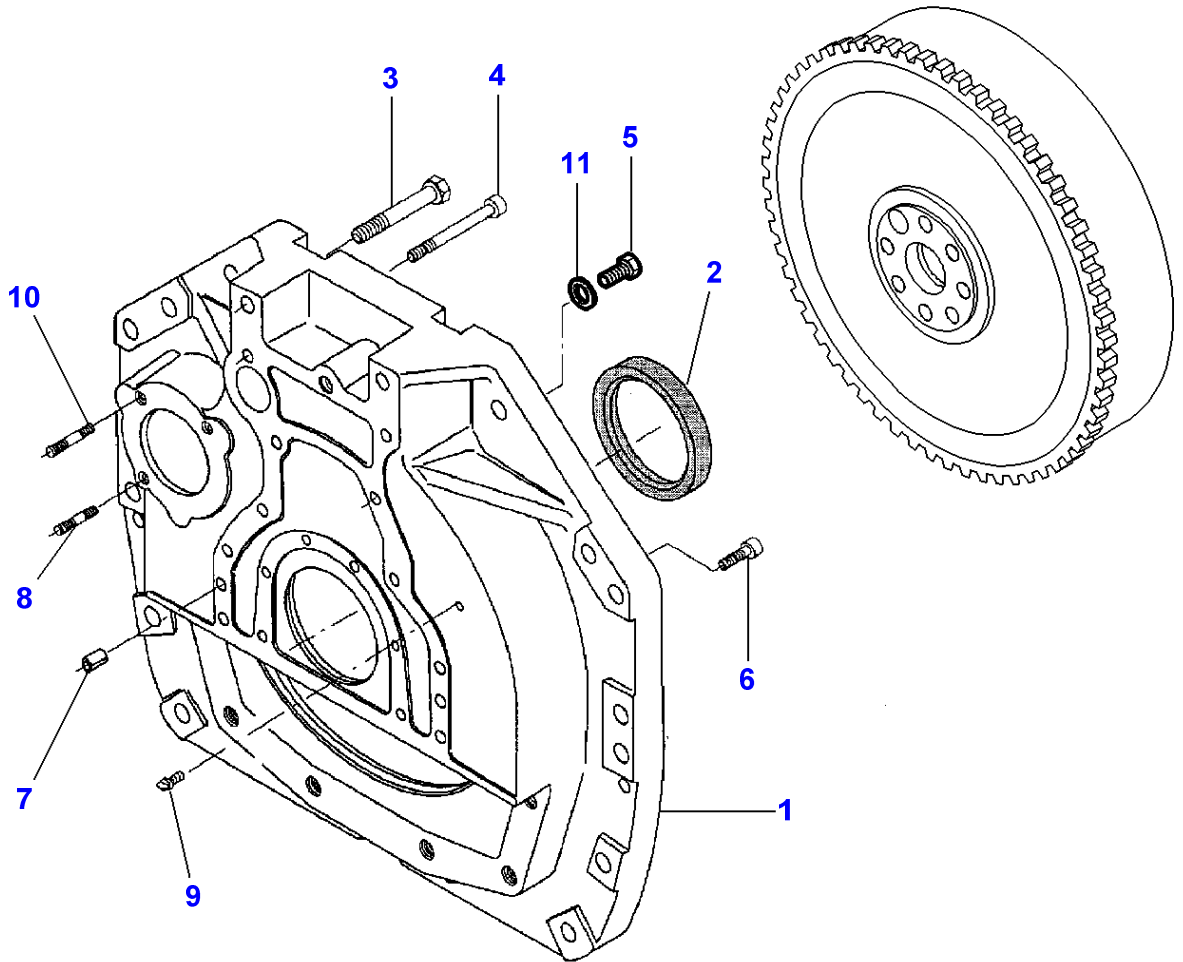
Item	Part Number	Qty	Description	Comments
1	V836855997	1	Pipe	
2	V615881824	1	Seal	
3	V836019756	1	Plug	
4	V640016040	5	Plug	
5	V528801362	2	Screw	M8 X 16
6	V836647400	1	Cover	
7	V836647401	1	Gasket	
8	V836855678	1	Cover	
9	V836322852	1	Gasket	
10	V528801380	5	Screw	M8 X 20
11	V546801360	1	Bolt	M8 X 16
12	V546801400	1	Bolt	M8 X 25
13	V640325110	5	Plug	
14	V615571014	5	Seal	
15	V836119079	1	Plug	
16	V615881620	1	Seal	
17	V640325014	1	Plug	
18	V615881420	1	Gasket	
19	V581804600	4	Screw	M8 X 20
20	V836855629	1	Sleeve	
21	V836855554	1	Gasket	
22	V836664377	1	Cock	MF 8270 XTRA MF 8280 XTRA

1-ZH20-003-A



Timing Gear Housing				
Item	Part Number	Qty	Description	Comments
1	V836859150	1	Housing	
2	V836647419	1	Gasket	
3	V528801400	15	Screw	M8 X 25
4	V598359850	2	Pin	
5	V581804620	1	Screw	M8 X 25
6	V836859153	1	Nipple	
7	V836859151	1	Cover	
8	V836859152	1	Gasket	
9	V836859160	1	Restrictor	
10	V836840883	1	Oil Seal	
11	V836855636	1	Gasket	
12	V529801430	4	Screw	M8 X 40
13	V528801410	13	Adjusting Screw	M8 X 30
14	V529902730	1	Screw	M14 X 90
15	V836859161	1	Bridle	
16	V581804570	3	Screw	M8 X 12
17	V836136717	1	Cover	
18	V836129946	1	Gasket	
19	V546801860	3	Stud	
20	V598359860	2	Pin	
21	V836859588	1	Angle	
22	V640325018	1	Plug	
23	V615881822	1	Seal	

1-ZH21-004-B

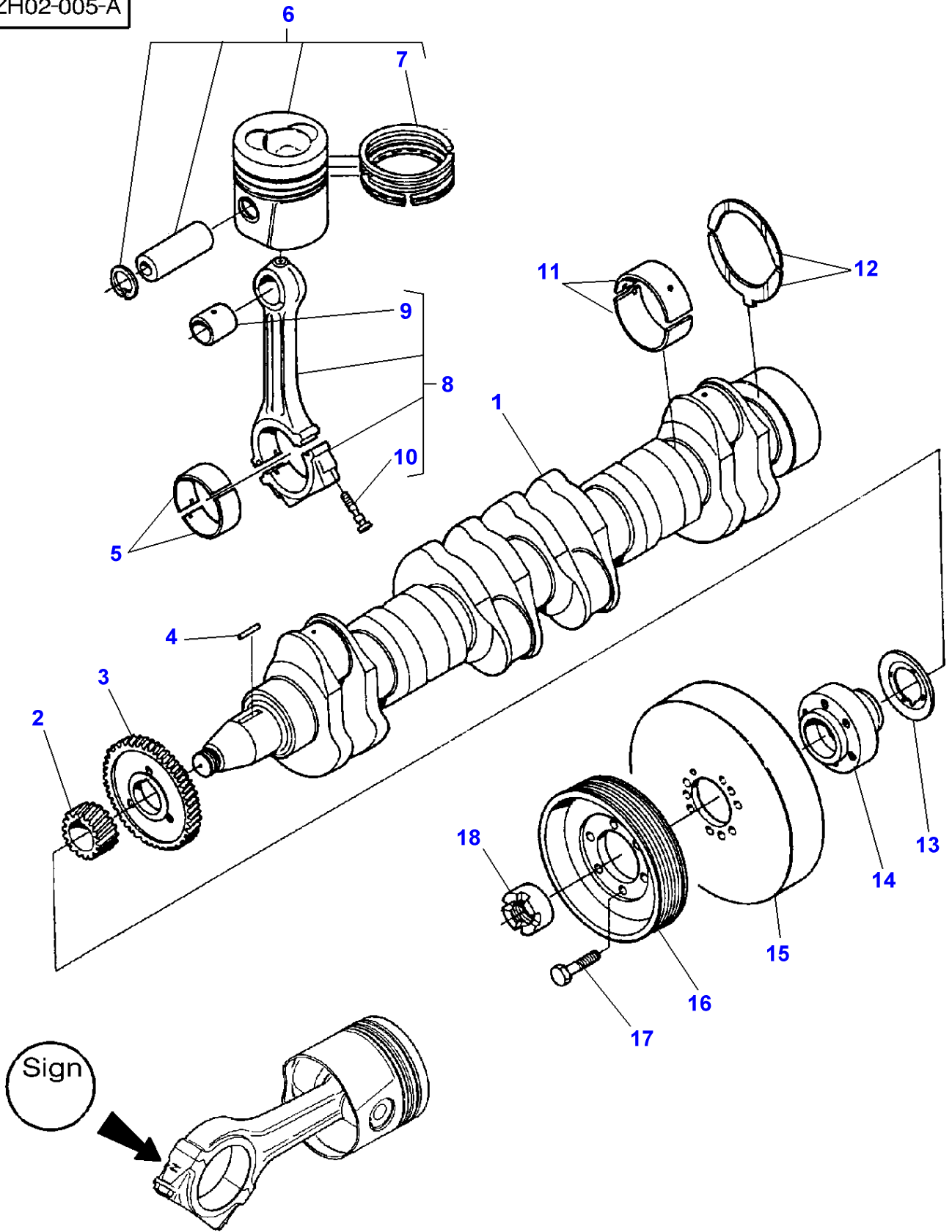


Flywheel Housing

Item	Part Number	Qty	Description	Comments
1	V836855925	1	Cover	
2	V836840884	1	Oil Seal	
	V836020054	X	Spacer	MF 8270 XTRA MF 8280 XTRA Thickness 2 MM
3	V529803160	2	Screw	M16 X 110
4	V581705580	2	Screw	M12 X 110
5	V528902230	8	Screw	M12 X 40
6	V581705030	6	Screw	M10 X 30
7	V598359850	2	Pin	
8	V546801800	2	Bolt	M10 X 25
9	V836859311	1	Plug	
10	V836659869	1	Stud	MF 8270 - 8280
	V546801800	1	Bolt	MF 8270 XTRA MF 8280 XTRA
11	V500951200	8	Washer	MF 8270 XTRA MF 8280 XTRA

MF 8270/8280 TRACTOR - 1637348
1-ZH02-005-A

1-ZH02-005-A



Crankshaft, Pistons And Connecting Rods

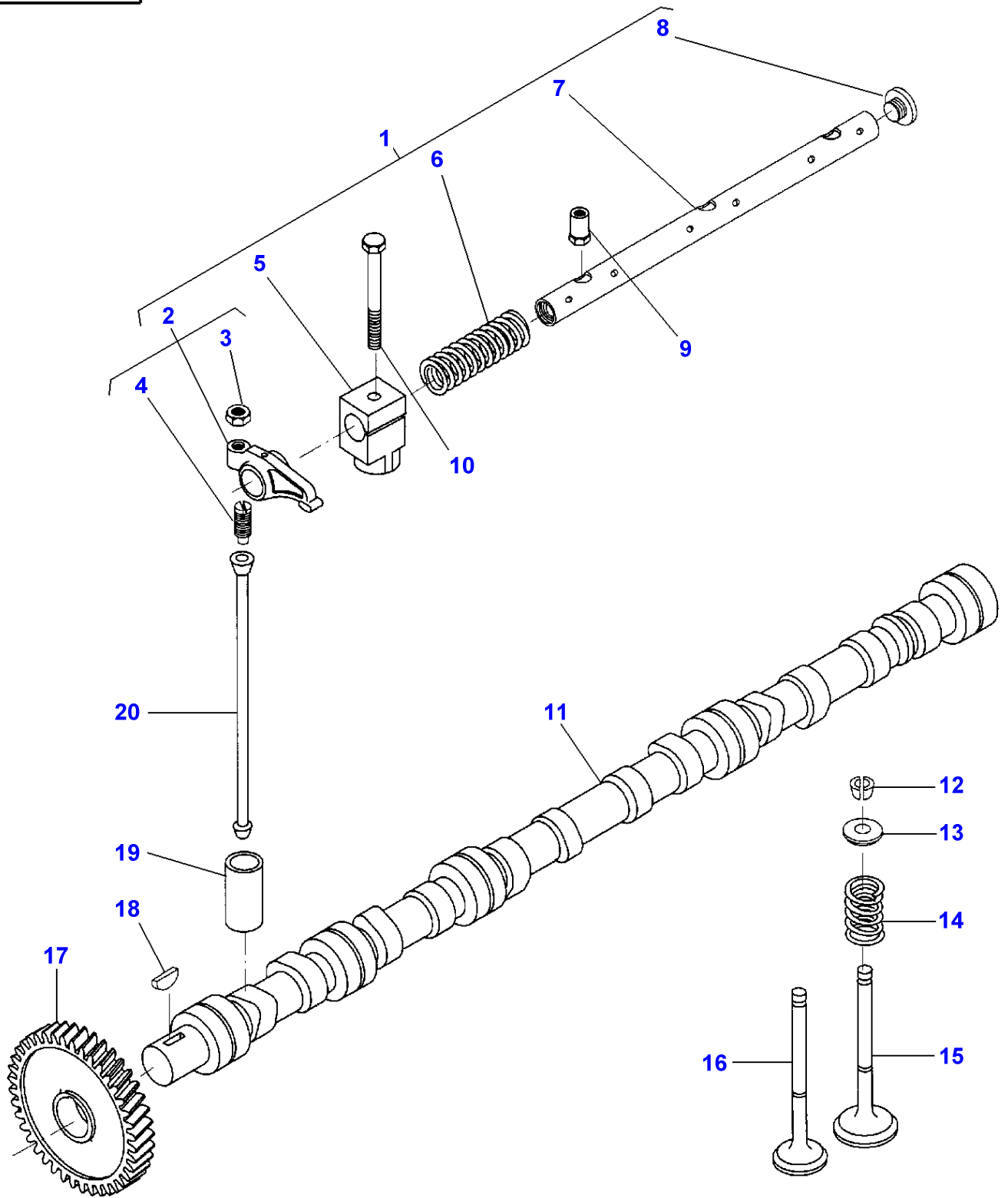
Item	Part Number	Qty	Description	Comments
1	V836855910	1	Crankshaft	
2	V836855559	1	Gear	
3	V836855558	1	Gear	
4	V836855525	1	Key	
5	V836336302	6	Bearing	STANDARD
	V836338650	X	Bearing	Diameter 72,731 MM 72,750 MM
	V836338651	X	Bearing	Diameter 72,481 MM 72,500 MM
	V836338652	X	Bearing	Diameter 71,981 MM 72,000 MM
	V836338653	X	Bearing	Diameter 71,481 MM 71,500 MM
6	V836840886	6	Piston	MF 8270 - 8280
	V836866182	6	Piston	MF 8270 XTRA MF 8280 XTRA
7	V836840887	1	Kit, Piston Ring	(6)
8	V836355175	X	Conrod	Up to Serial or Engine Number L1109 2931-2950g C
	V836355176	X	Conrod	Up to Serial or Engine Number L1109 2951-2970g D
	V836352751	X	Conrod	Up to Serial or Engine Number L1109 2971-2990g E
	V836352752	X	Conrod	Up to Serial or Engine Number L1109 2991-3010g F
	V836352753	X	Conrod	Up to Serial or Engine Number L1109 3011-3030g G
	V836352754	X	Conrod	Up to Serial or Engine Number L1109 3031-3050g H
	V836352755	X	Conrod	Up to Serial or Engine Number L1109 3051-3070g I
	V836352756	X	Conrod	Up to Serial or Engine Number L1109 3071-3090g J
	V836352757	X	Conrod	Up to Serial or Engine Number L1109 3091-3110g K
	V836352758	X	Conrod	Up to Serial or Engine Number L1109 3111-3130g L
	V836352759	X	Conrod	Up to Serial or Engine Number L1109 3131-3150g M
	V836352760	X	Conrod	Up to Serial or Engine Number L1109 3151-3170g N
	V836352761	X	Conrod	Up to Serial or Engine Number L1109 3171-3190g O
	V836352762	X	Conrod	Up to Serial or Engine Number L1109 3191-3210g P
	V836352763	X	Conrod	Up to Serial or Engine Number L1109 3211-3230g R
	V836352764	X	Conrod	Up to Serial or Engine Number L1109 3231-3250g S
	V836352765	X	Conrod	Up to Serial or Engine Number L1109 3251-3270g T
	V836352766	X	Conrod	Up to Serial or Engine Number L1109 3271-3290g U
	V836352767	X	Conrod	Up to Serial or Engine Number L1109 3291-3310g V
	V836352768	X	Conrod	Up to Serial or Engine Number L1109 3311-3330g X
	V836352769	X	Conrod	Up to Serial or Engine Number L1109 3331-3350g Y
	V836352770	X	Conrod	Up to Serial or Engine Number L1109 3351-3370g Z
	V836864101	X	Conrod	From Serial or Engine Number L1110 2230-2249g E
	V836864102	X	Conrod	From Serial or Engine Number L1110 2250-2269g F
	V836864103	X	Conrod	From Serial or Engine Number L1110 2270-2289g G
	V836340948	X	Conrod	From Serial or Engine Number L1110 2290-2309g H

Replace and repair. Old not interchangeable with new V836864104

Crankshaft, Pistons And Connecting Rods

Item	Part Number	Qty	Description	Comments
8	V836864105	X	Conrod	From Serial or Engine Number L1110 2310-2329g I
8	V836864106	X	Conrod	From Serial or Engine Number L1110 2330-2349g J
8	V836864107	X	Conrod	From Serial or Engine Number L1110 2350-2369g K
9	V836336297	1	Bush	(8) Up to Serial or Engine Number L1109
9	V836864288	1	Bush	(8) From Serial or Engine Number L1110
9	V836338606	X	Bush	(8) Diameter +0,5 MM
10	V836336296	2	Screw	(8) Up to Serial or Engine Number L1109
10	V836864141	2	Screw	(8) From Serial or Engine Number L1110
11	V836840944	7	Main Bearing	STANDARD
11	V836840978	X	Main Bearing	Diameter 89,735 MM 89,770 MM
11	V836840979	X	Main Bearing	Diameter 89,485 MM 89,520 MM
11	V836840980	X	Main Bearing	Diameter 88,985 MM 89,020 MM
11	V836840981	X	Main Bearing	Diameter 88,485 MM 88,520 MM
12	V836840945	2	Thrust Washer	STANDARD
12	V836840982	X	Thrust Washer	0,10 MM
12	V836840983	X	Thrust Washer	0,20 MM
13	V836855637	1	Ring	
14	V836855641	1	Hub	
15	V836840882	1	Shock Absorber	
16	V836855690	1	Pulley	
17	V528902230	6	Screw	M12 X 40
18	V836322221	1	Nut	

1-ZH22-001-A



Valve Mechanism And Camshaft

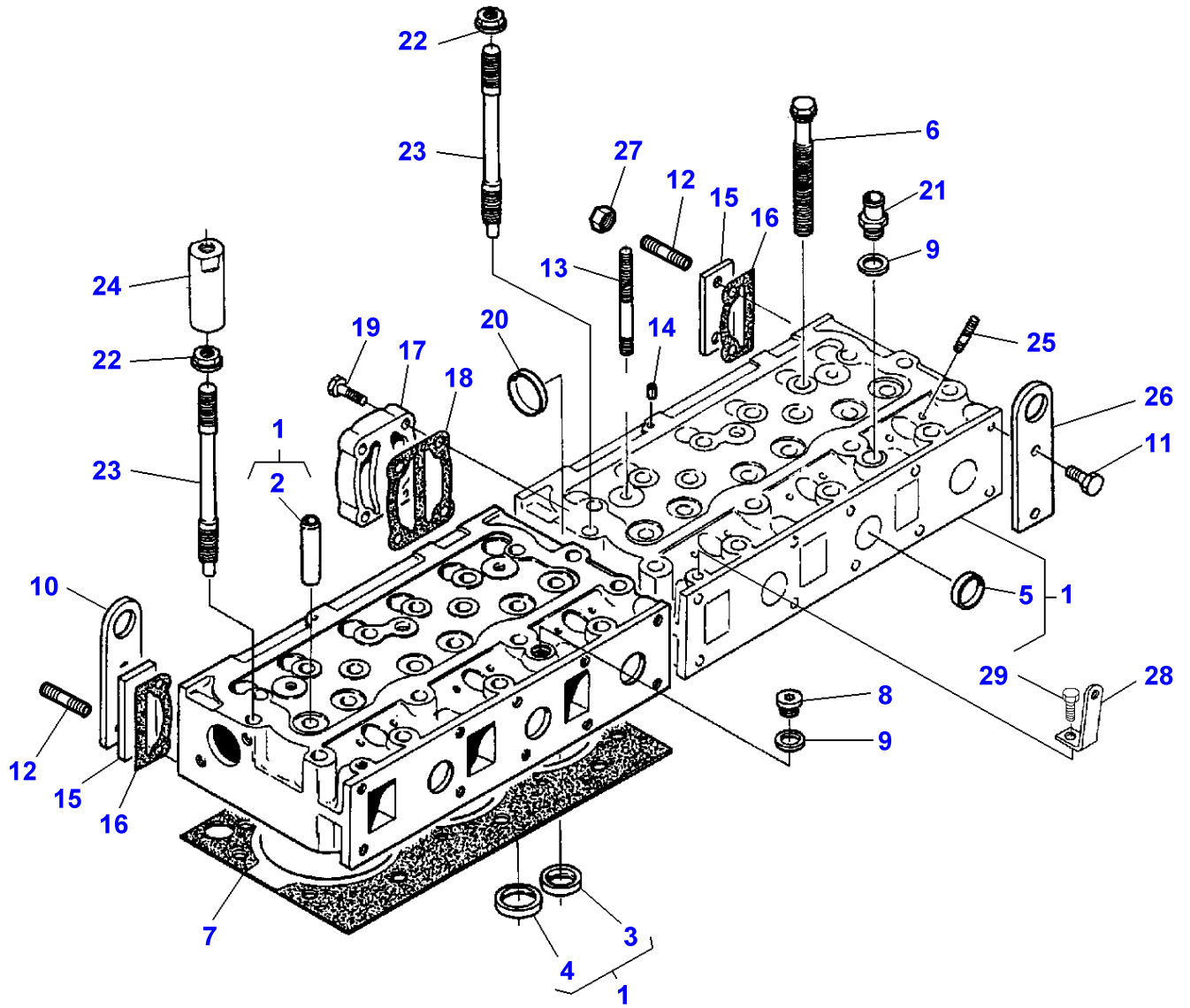
Item	Part Number	Qty	Description	Comments
1	V836666610	2	Rocker Shaft	Replace and repair. Old not interchangeable with new V836655911
2	V836666608	12	Rocker	(1) Replace and repair. Old not interchangeable with new V836655873
3	V512861000	12	Nut	(2)
4	V836655866	12	Adjusting Screw	(2)
5	V836655869	6	Bracket	(1) Up to Serial or Engine Number M 5019
	V836666609	6	Bracket	(1) From Serial or Engine Number M 5020
6	V836655884	4	Spring	(1)
7	V836655870	2	Shaft	(1)
8	V836655899	4	Plug	(1)
9	V836655406	4	Nut	
10	V529801910	2	Screw	M10 X 80
11	V836846376	1	Camshaft	MF 8270 - 8280
	V836862528	1	Camshaft	MF 8270 XTRA MF 8280 XTRA Replace and repair. Old not interchangeable with new V836866054
12	V836646382	24	Cotter	
13	V836646381	12	Cup	
	V836855347	X	Ring	[A] Diameter +0,2 MM
	V836652269	X	Ring	[B] Diameter +0,2 MM
14	V836646380	12	Spring	
15	V836646356	6	Valve Inlet	
16	V836646357	6	Valve Exhaust	
17	V836855568	1	Gear	
18	V603305760	1	Key	
19	V836014264	12	Tappet	
20	V836355872	12	Rod	

FOOTNOTE [A] FOR VALVE INLET

FOOTNOTE [B] FOR VALVE EXHAUST

MF 8270/8280 TRACTOR - 1637348
1-ZH03-005-A

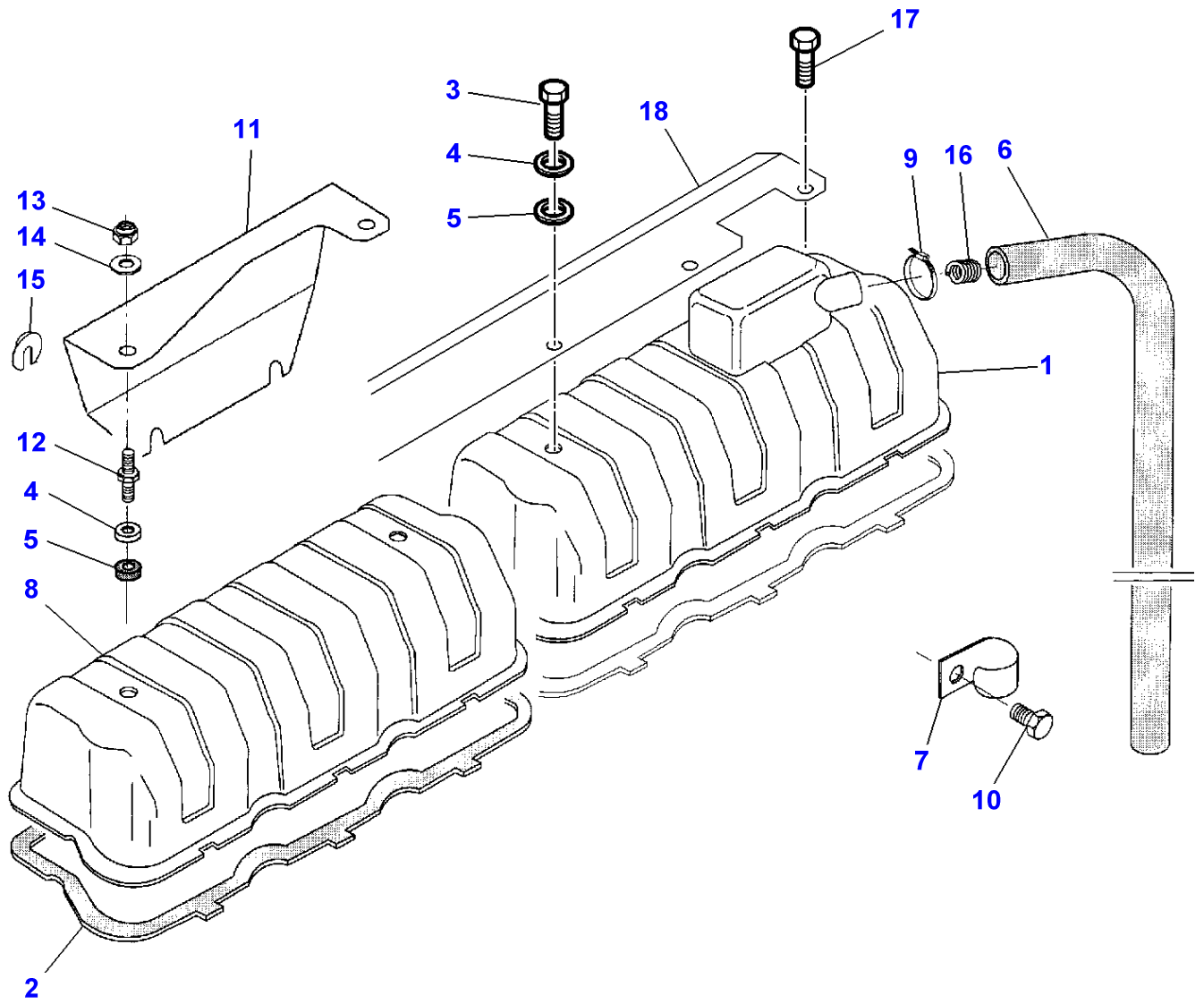
1-ZH03-005-A



Cylinder Head

Item	Part Number	Qty	Description	Comments
1	V836855381	2	Cylinder Head	
2	V836647601	6	Guide	(1)
3	V836647600	3	Pressure Valve	(1)
4	V836647936	3	Valve Seat	(1)
5	V836647942	5	Plug	(1)
6	V836859104	30	Screw	
7	V836655740	2	Head Gasket	MF 8270 - 8280
	V836666302	2	Head Gasket	MF 8270 XTRA MF 8280 XTRA Replace and repair. Old not interchangeable with new V836664155
8	V640325018	1	Plug	
9	V615881822	2	Seal	
10	V836859722	1	Plate	Replace and repair. Old not interchangeable with new V836855349
11	V528801800	2	Screw	M10 X 25
12	V836659785	4	Stud	M10 X 60
13	V546801900	4	Stud	M10 X 75
14	V595953360	2	Pin	MF 8270 - 8280
	V595959140	2	Pin	MF 8270 XTRA MF 8280 XTRA
15	V836855350	2	Plate	
16	V836837391	2	Gasket	Replace and repair. Old not interchangeable with new V836866215
17	V836855348	1	Connector	
18	V836867390	1	Gasket	Replace and repair. Old not interchangeable with new V836866214
19	V528801830	4	Screw	M10 X 40
20	V640016045	1	Plug	
21	V836119837	1	Union	
22	V836859110	4	Nut	
23	V836859109	4	Stud	
24	V836647835	2	Nut Special	
25	V546901435	12	Stud	M8 X 40
26	V836859722	1	Plate	Replace and repair. Old not interchangeable with new V836855349
27	V504801000	4	Nut	
28	V836859726	1	Support	
29	V528801360	1	Screw	M8 X 16

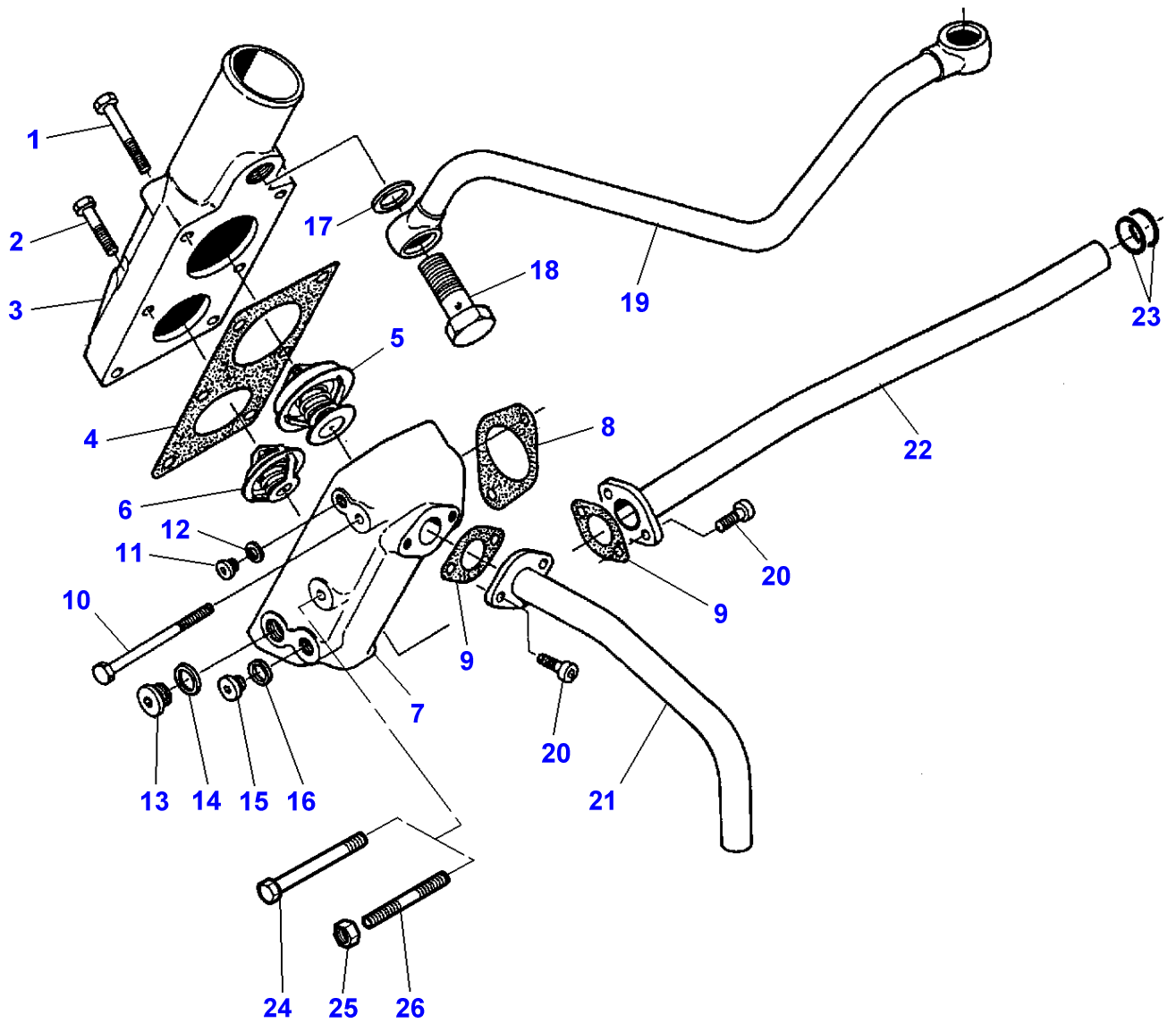
1-ZH23-007-A



Cylinder Head Cover

Item	Part Number	Qty	Description	Comments
1	V836859501	1	Valve Cover	
2	V836646360	2	Gasket	
3	V528801780	2	Screw	M10 X 20
4	V836119855	4	Washer	
5	V836012841	4	Gasket	
6	V836659529	1	Hose Flexible	
7	V836659539	1	Band	
8	V836846448	1	Valve Cover	
9	V651754720	1	Band	
10	V528801740	1	Screw	M10 X 10
11	V836859843	1	Fence	
12	V836659175	2	Bolt	
13	V510601002	2	Nut	
14	V500151050	2	Washer	
15	V836864223	4	Clip	
16	V836859587	1	Spring	
17	V528801780	4	Screw	From Serial or Engine Number M9001 M10 X 20
18	V836866524	1	Shield	From Serial or Engine Number M9001

1-ZH27-002-B



Thermostat

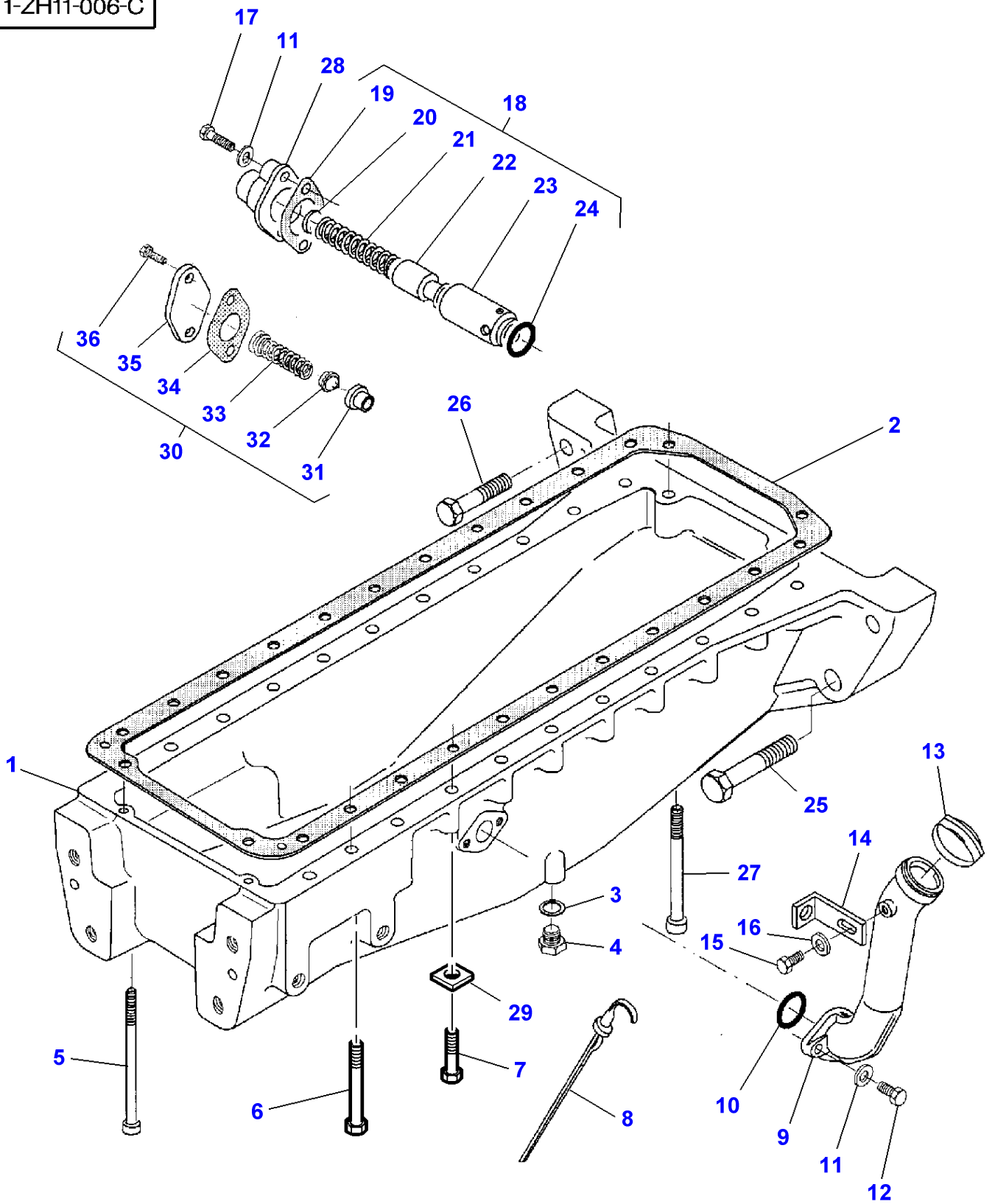
Item	Part Number	Qty	Description	Comments
1	V529801470	2	Screw	M8 X 60
2	V529801430	4	Screw	M8 X 40
3	V836855777	1	Pipe	
4	V836855603	1	Gasket	
5	V836331590	1	Thermostat	[A]
6	V836015156	1	Thermostat	[B]
7	V836855601	1	Housing	
8	V836646393	1	Gasket	
9	V836322190	2	Gasket	
10	V529801550	1	Screw	M8 X 95
11	V640325110	1	Plug	
12	V615571014	1	Seal	
13	V640325018	1	Plug	
14	V615881822	1	Seal	
15	V640325014	1	Plug	
16	V615881418	1	Seal	
17	V615882227	X	Gasket	MF 8270 - 8280
18	V640435018	1	Banjo Fitting	MF 8270 - 8280
19	V836859197	1	Pipe	MF 8270 - 8280
20	V581804600	4	Screw	M8 X 20
21	V836855672	1	Pipe	
22	V836855639	1	Pipe	
23	V614602430	2	O Ring	
24	V529801550	1	Screw	MF 8270 - 8280 M8 X 95
25	V504800800	1	Nut	MF 8270 XTRA MF 8280 XTRA M8
26	V546801580	1	Stud	MF 8270 XTRA MF 8280 XTRA M8 X 130

FOOTNOTE [A] OPENS AT 83 DEGREES

FOOTNOTE [B] OPENS AT 79 DEGREES

MF 8270/8280 TRACTOR - 1637348
1-ZH11-006-C

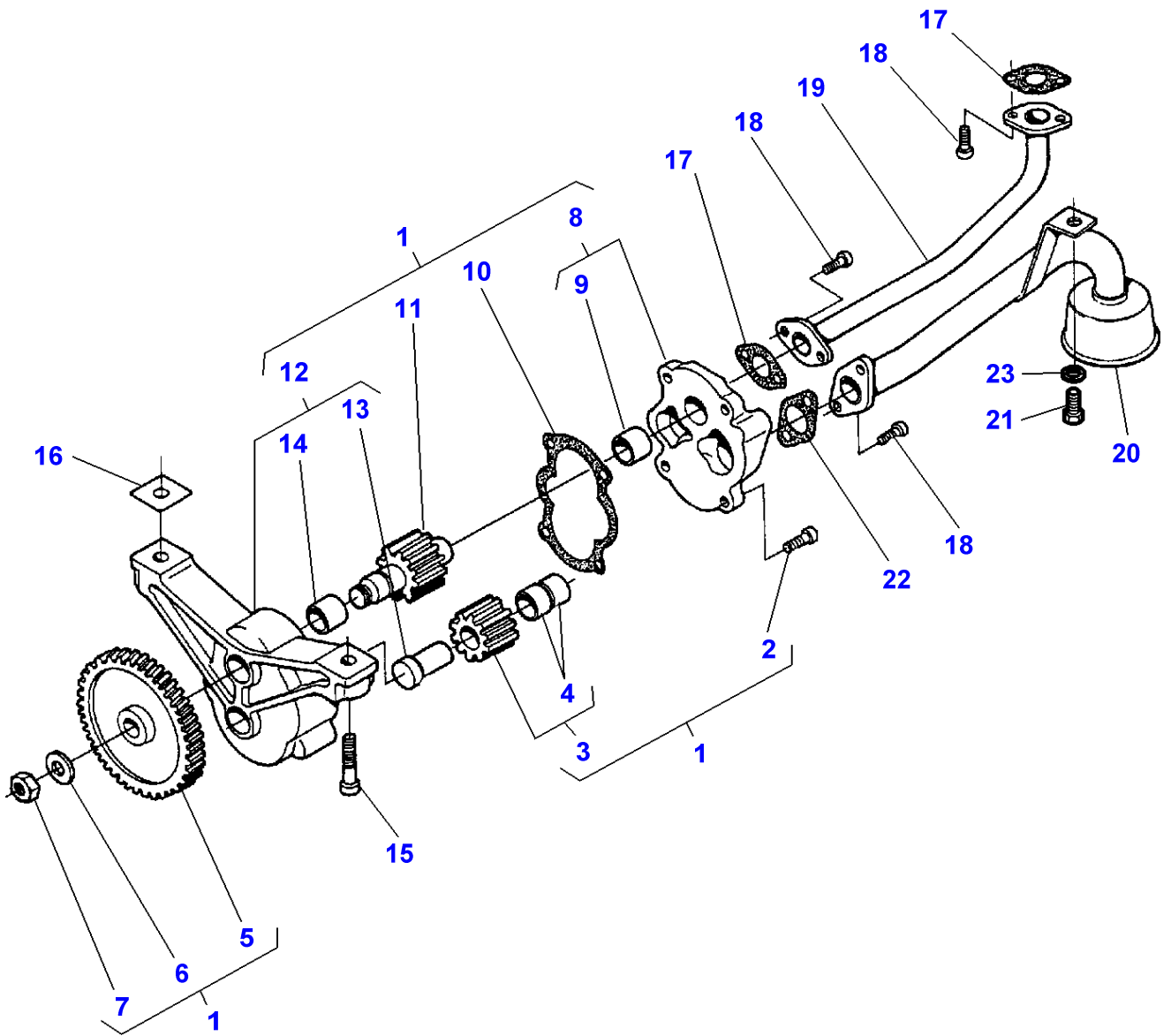
1-ZH11-006-C



Lubricating Oil Sump

Item	Part Number	Qty	Description	Comments
1	V836859112	1	Sump	
2	V836322183	1	Gasket	
3	V615881827	1	Seal	
4	V836655493	1	Plug	
5	V581704840	2	Screw	M8 X 170
6	V529701950	6	Screw	M10 X 100
7	V529701880	16	Screw	M10 X 65
8	V836855747	1	Dipstick	
9	V836855400	1	Breather	
10	V614603230	1	O Ring	
11	V500950800	4	Washer	
12	V528801380	2	Screw	M8 X 20
13	V836659697	1	Cap	
14	V836859004	1	Angle	
15	V528801360	1	Screw	M8 X 16
16	V500150842	1	Washer	
17	V528801420	2	Screw	MF 8270 - 8280 M8 X 35
18	V836840851	1	Control Valve	MF 8270 - 8280
19	V836322190	1	Gasket	(18)
20	V836020290	1	Washer	(18)
21	V836655246	1	Spring	(18)
22	V836338850	1	Piston	(18)
23	V836117834	1	Cylinder	(18)
24	V614601524	1	O Ring	(18)
25	V529804330	4	Screw	M22 X 90
26	V529803090	2	Screw	M16 X 70
27	V581705200	2	Screw	M10 X 130
28	V836129849	1	Cover	MF 8270 - 8280
29	V836859560	20	Washer	MF 8270 - 8280
	V836859561	2	Washer	MF 8270 - 8280
30	V836662130	1	Control Valve	MF 8270 XTRA MF 8280 XTRA
31	V836659521	1	Valve Seat	(30)
32	V836659522	1	Plate	(30)
33	V836864056	1	Spring	(30)
34	V836322190	1	Gasket	(30)
35	V836659524	1	Cover	(30)
36	V528801380	2	Screw	(30)

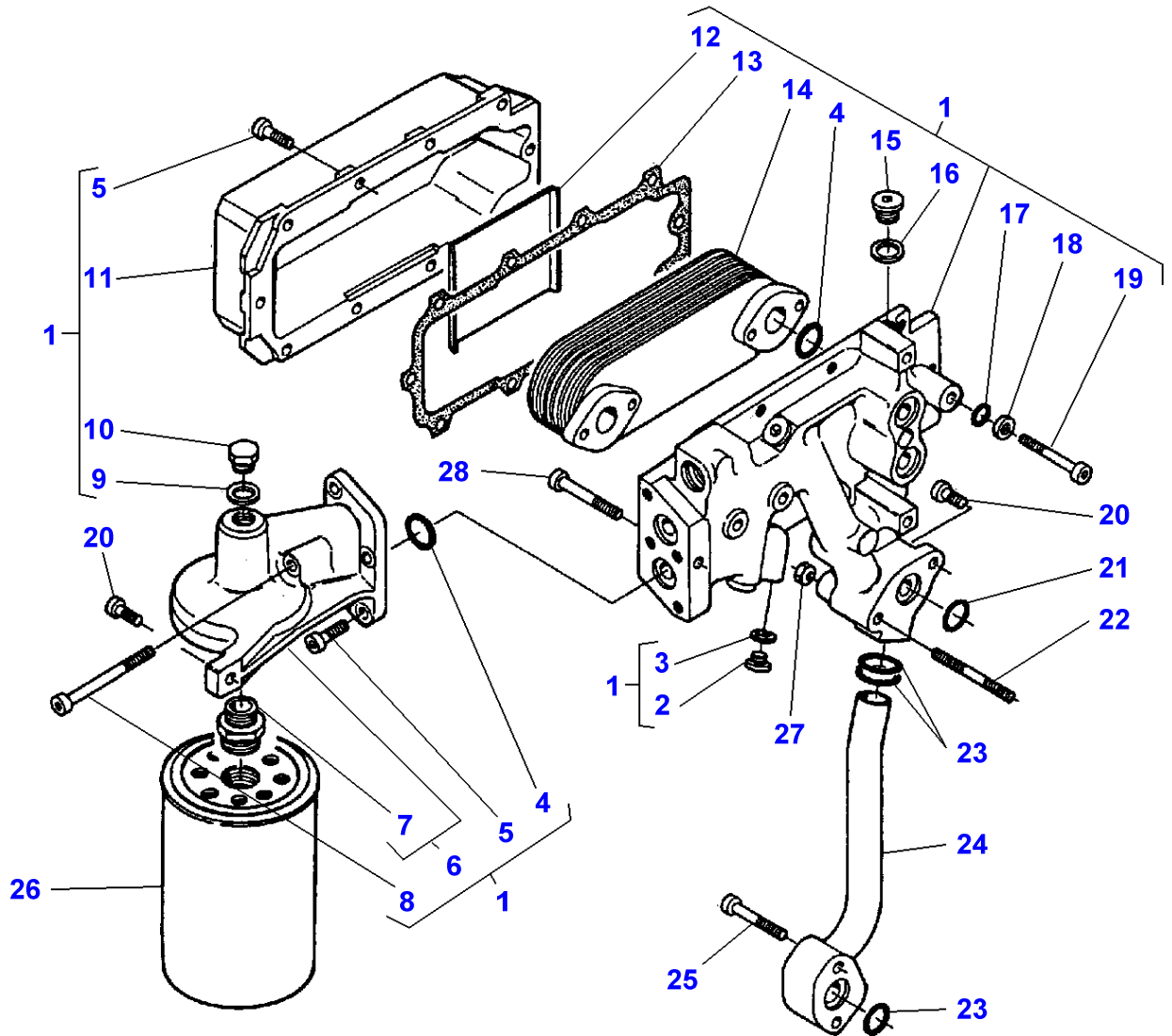
1-ZH25-005-A



Lubricating Oil Pump

Item	Part Number	Qty	Description	Comments
1	V836855300	1	Oil Pump	
2	V528801380	4	Screw	(1) M8 X 20
3	V836338180	1	Gear	(1)
4	V836322909	2	Bush	(3)
5	V836338667	1	Gear	(1)
6	V836122910	1	Washer	(1)
7	V504861000	1	Nut	(1)
8	V836855297	1	Cover	(1)
9	V836322909	1	Bush	(8)
10	V836338188	1	Gasket	(1)
11	V836338182	1	Gear	(1)
12	V836338186	1	Frame	(1)
13	V836322906	1	Shaft	(12)
14	V836322909	1	Bush	(12)
15	V581805050	2	Screw	M10 X 40
16	V836007871	X	Shim	
17	V836008449	2	Gasket	
18	V581804600	6	Screw	M8 X 20
19	V836855673	1	Pipe	
20	V836855674	1	Strainer	
21	V528801360	2	Screw	M8 X 16
22	V836338201	1	Gasket	
23	V500150840	1	Washer	

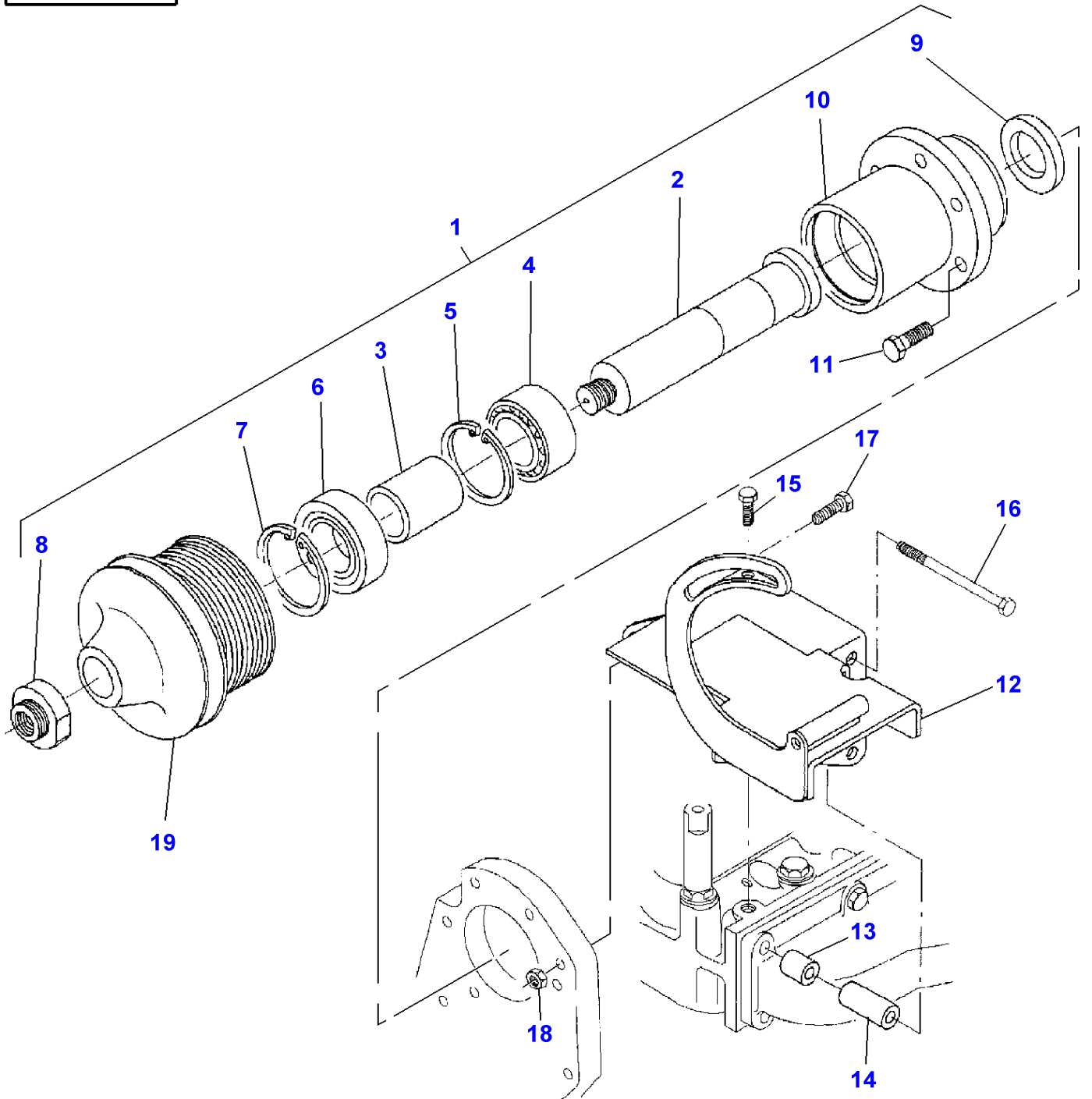
1-ZH26-003-A



Lubricating Oil Cooler And Filter

Item	Part Number	Qty	Description	Comments
1	V836859182	1	Oil Cooler	
2	V640305012	1	Plug	(1)
3	V615881216	1	Gasket	(1)
4	V614602030	4	O Ring	(1)
5	V581804620	13	Screw	(1) M8 X 25
6	V836859187	1	Filter Head	(1)
7	V836859105	1	Nipple	(6)
8	V581804730	1	Screw	(1) M8 X 80
9	V615881620	1	Seal	(1)
10	V836119079	1	Plug	(1)
11	V836855519	1	Housing	(1)
12	V836855521	1	Guide	(1)
13	V836855520	1	Gasket	(1)
14	V836855484	1	Element	(1)
15	V640325018	3	Plug	(1)
16	V615881822	3	Seal	(1)
17	V614600724	4	O Ring	(1)
18	V836855517	4	Washer	(1)
19	V581804690	4	Screw	(1) M8 X 60
20	V581804620	2	Screw	M8 X 25
21	V614602030	3	O Ring	
22	V546801490	2	Bolt	M8 X 70
23	V614602430	3	O Ring	
24	V836859134	1	Pipe	
25	V529801460	2	Screw	M8 X 55
26	V836859108	1	Oil Filter	
27	V504800800	2	Nut	M8
28	V581804690	2	Screw	M8 X 60

1-ZH45-001-A



Massey Ferguson**MF 8270/8280 TRACTOR - 1637348**

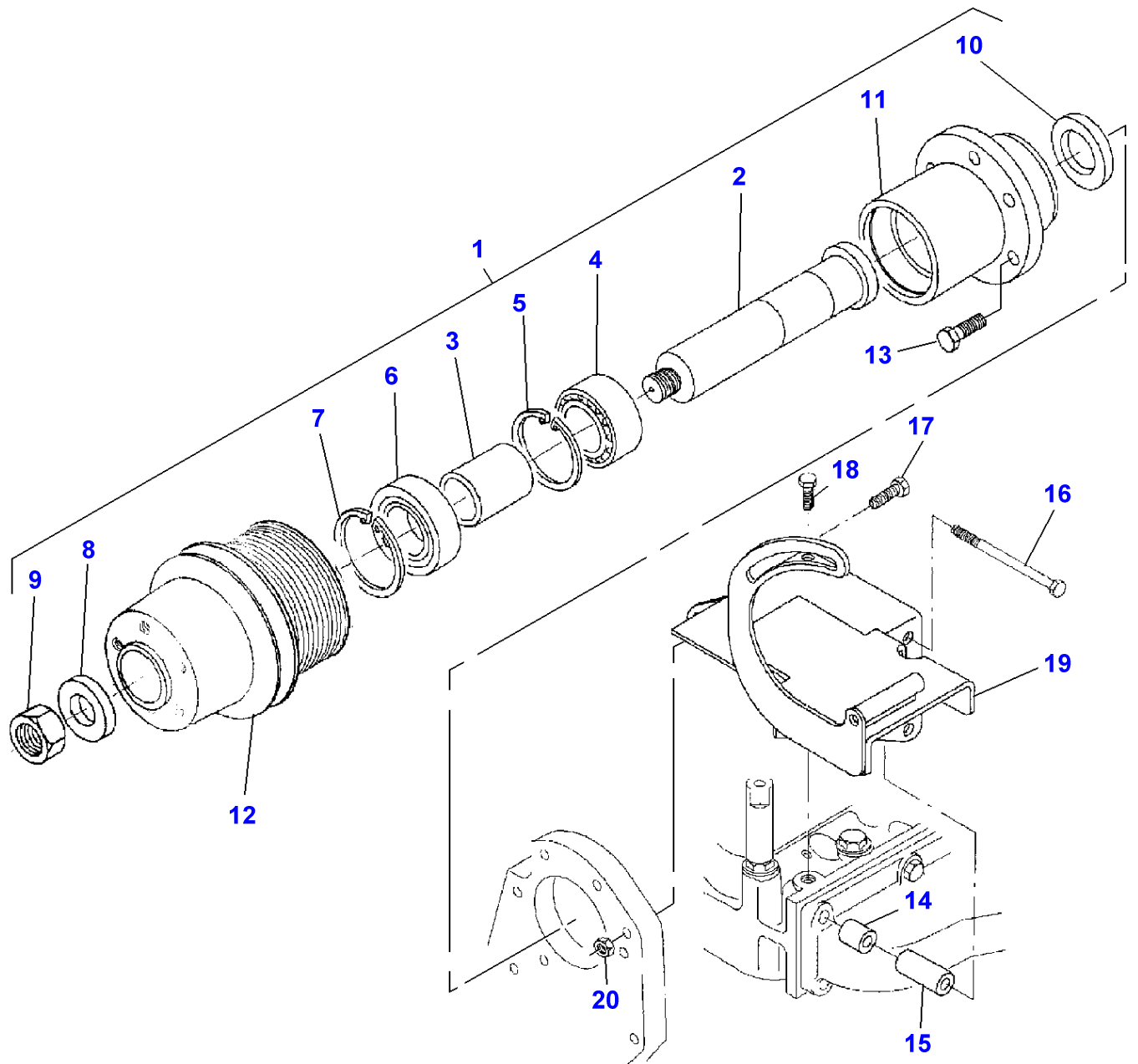
1637348

Drive Shaft - Fan Engine - M.F 8270 - 8280

Page010-0100

Item	Part Number	Qty	Description	Comments
1	V836859986	1	Shaft	
2	V836859987	1	Shaft	(1)
3	V836859122	1	Sleeve	(1)
4	V610032060	1	Bearing Assy	(1)
5	V617350062	1	Circlip	(1)
6	V610063064	1	Bearing Assy	(1)
7	V617330072	1	Circlip	(1)
8	V836864020	1	Nut	(1)
9	V836529872	1	Plug	(1)
10	V836859120	1	Hub	(1)
11	V528801810	6	Screw	M10 X 30
12	V836859516	1	Support	
13	V835338114	2	Distance Piece	
14	V835338121	2	Sleeve	
15	V528801400	1	Screw	M8 X 25
16	V529801550	2	Screw	M8 X 95
17	V528801820	1	Screw	M10 X 35
18	V504801000	1	Nut	M10
19	V836859988	1	Pulley	

1-ZH45-002-A



Massey Ferguson**MF 8270/8280 TRACTOR - 1637348**

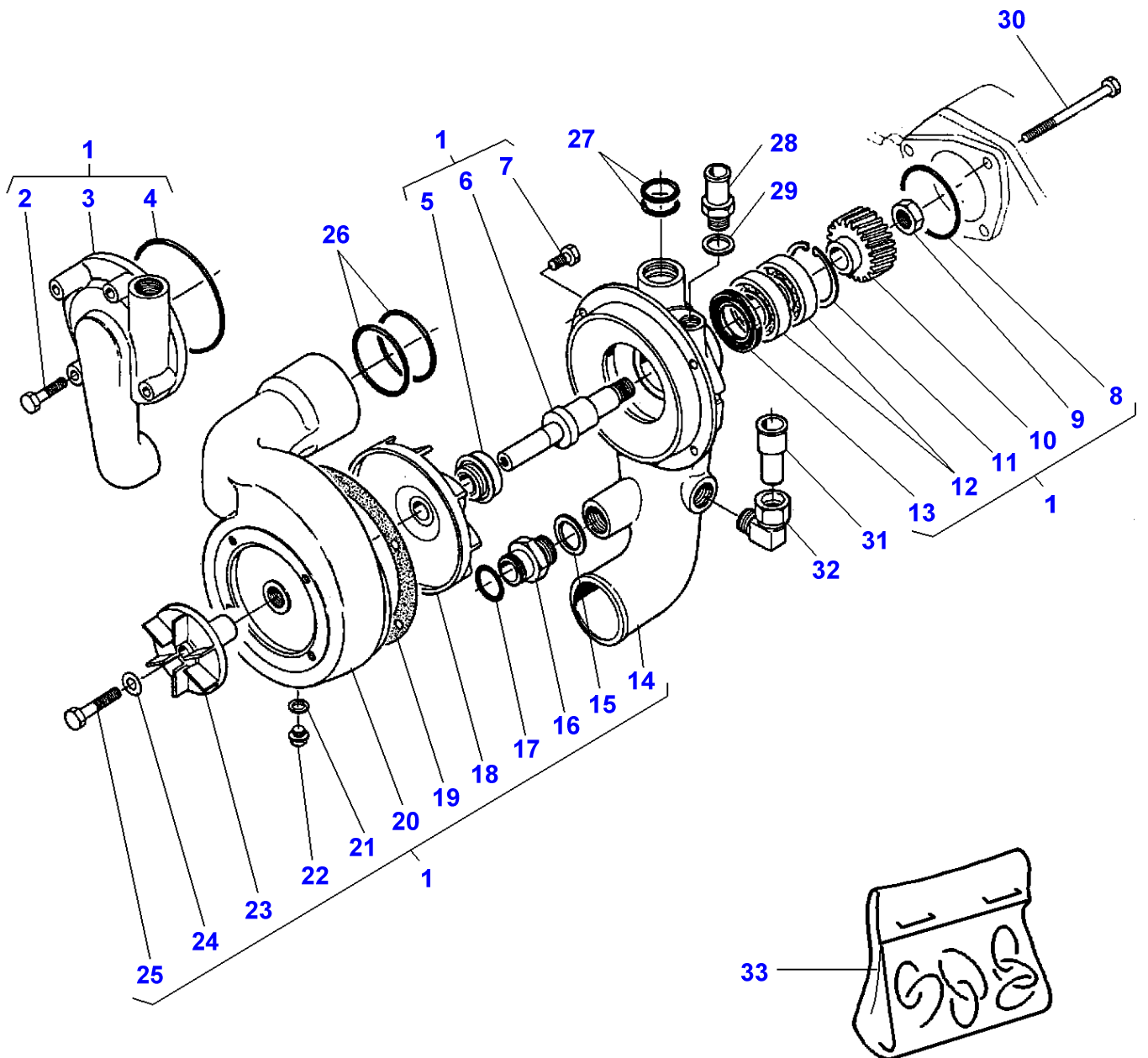
1637348

Drive Shaft - Fan Engine - M.F 8270 XTRA - 8280 XTRA

Page010-0105

Item	Part Number	Qty	Description	Comments
1	V836859119	1	Kit, Shaft	
2	V836859121	1	Shaft	(1)
3	V836859122	1	Sleeve	(1)
4	V610032060	1	Bearing Assy	(1)
5	V617350062	1	Circlip	(1)
6	V610063064	1	Bearing Assy	(1)
7	V617330072	1	Circlip	(1)
8	V836855756	1	Washer	(1)
9	V504602002	1	Nut	(1)
10	V836529872	1	Plug	(1)
11	V836859120	1	Hub	(1)
12	V836859222	1	Pulley	
13	V528801810	6	Screw	M10 X 30
14	V835338114	2	Distance Piece	
15	V835338121	2	Sleeve	
16	V529801550	2	Screw	M8 X 95
17	V528801820	1	Screw	M10 X 35
18	V528801400	1	Screw	M8 X 25
19	V836859516	1	Support	
20	V504601000	1	Nut	M10

1-ZH28-002-A

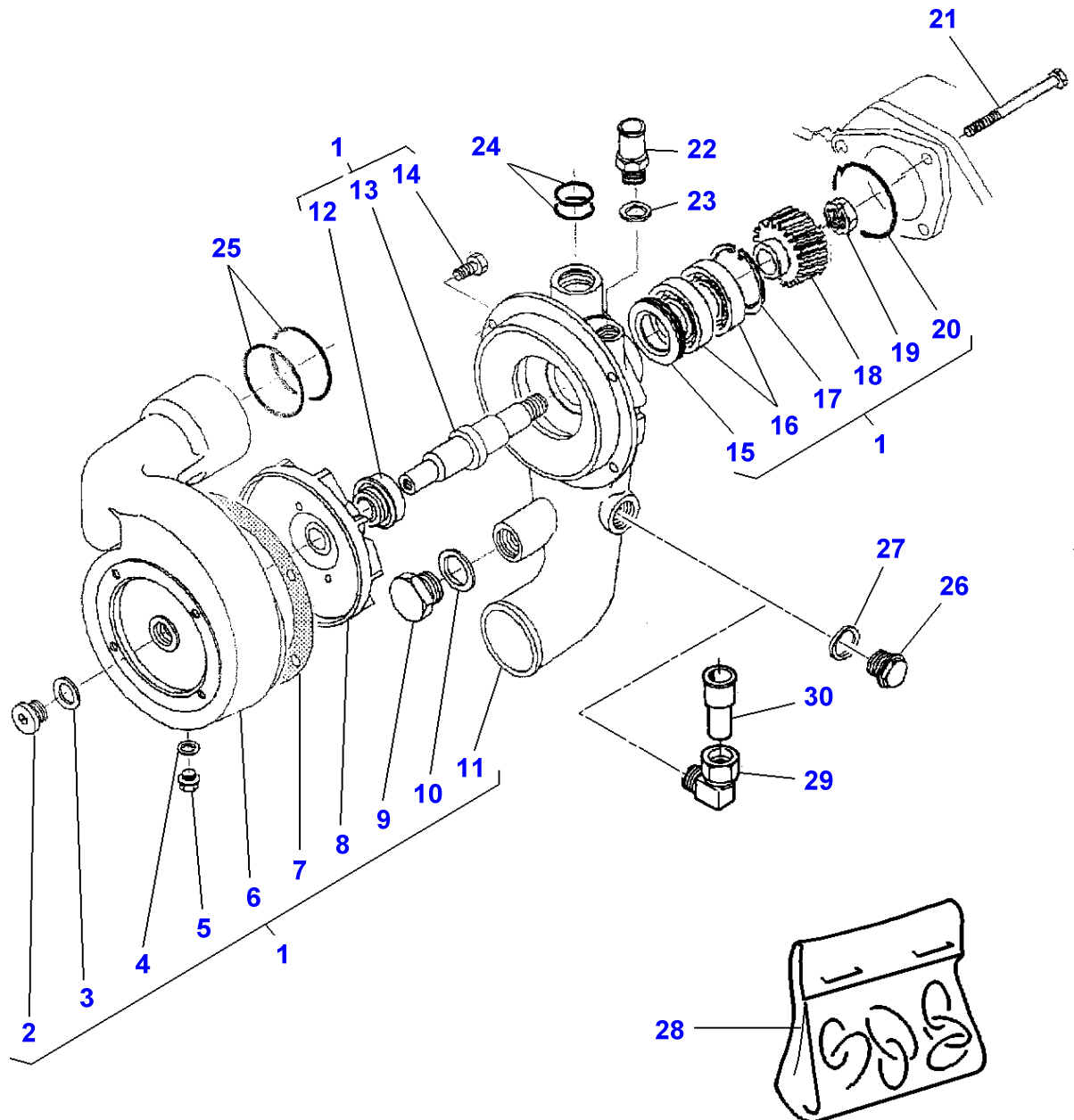


Water Pump - M.F 8270 - 8280

Item	Part Number	Qty	Description	Comments
1	V836859168	1	Water Pump	
2	V528801420	4	Screw	(1) M8 X 35
3	V836859111	1	Housing	(1)
4	V614608930	1	O Ring	(1)
5	V836859452	1	Gasket	(1)
6	V836859456	1	Shaft	(1)
7	V528801362	4	Screw	(1) M8 X 16
8	V614606230	1	O Ring	(1)
9	V504601600	1	Nut	(1)
10	V836855569	1	Gear	(1)
11	V617330052	1	Circlip	(1)
12	V610072050	2	Bearing Assy	(1)
13	V614103247	1	Gasket	(1)
14	V836859458	1	Body	(1)
15	V615892631	1	Seal	(1)
16	V836859118	1	Union	(1)
17	V614602324	1	O Ring	(1)
18	V836855948	1	Impeller	(1)
19	V836855625	1	Gasket	(1)
20	V836859168	1	Water Pump	(1)
21	V615881216	1	Gasket	(1)
22	V640305012	1	Plug	(1)
23	V836859167	1	Turbine	(1)
24	V500050842	1	Washer	(1)
25	V529401440	1	Screw	(1)
26	V614604958	2	O Ring	
27	V614602430	2	O Ring	
28	V836119837	1	Union	
29	V615881822	1	Seal	
30	V529801530	3	Screw	M8 X 90
31	V836859169	1	Tube	
32	V641176018	1	Union	
33	V836840988	1	Kit, Repair	

MF 8270/8280 TRACTOR - 1637348
1-ZH28-004-B

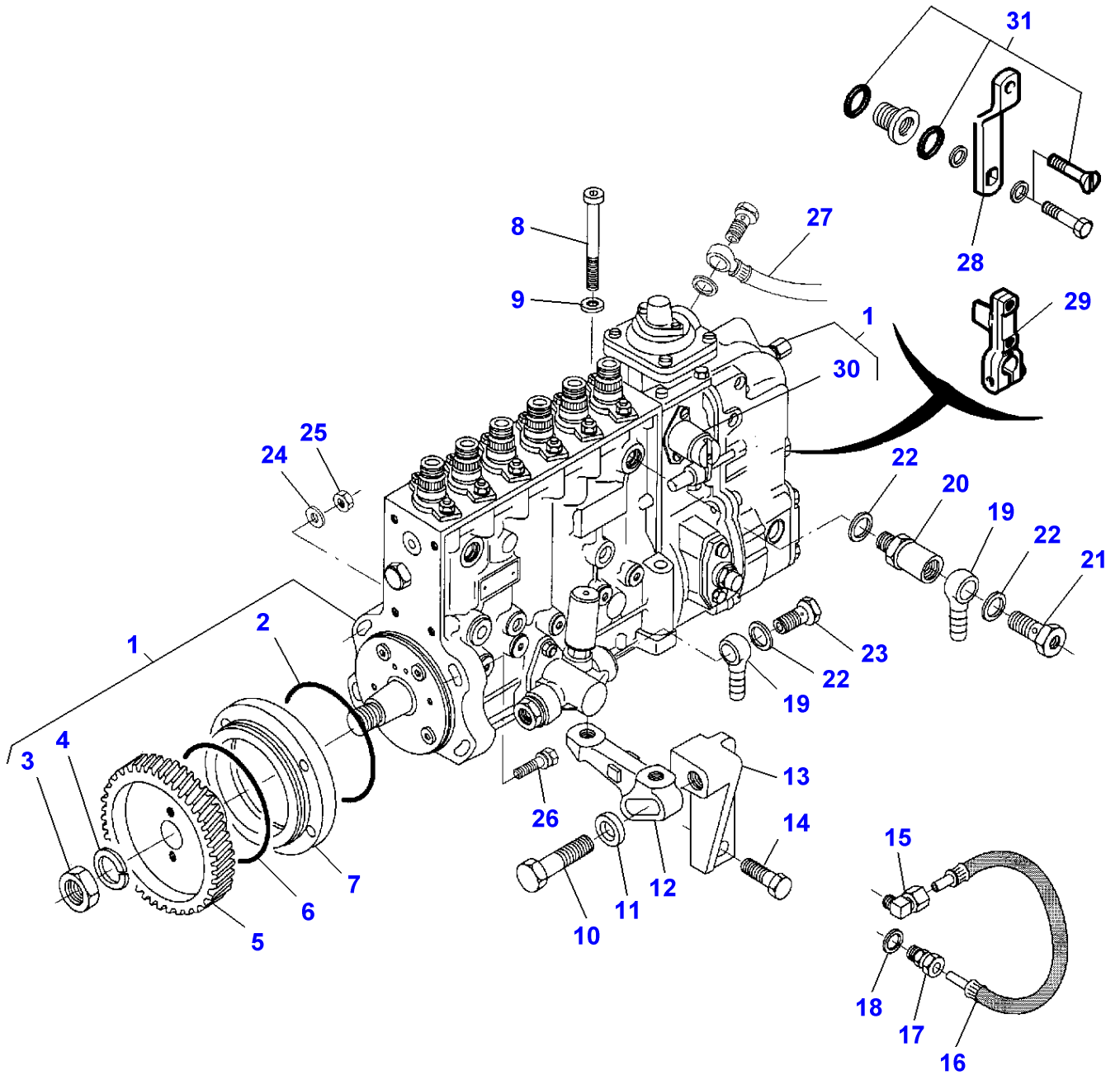
1-ZH28-004-B



Item	Part Number	Qty	Description	Comments
1	V836866229	1	Water Pump	
2	V640325018	1	Plug	(1)
3	V615881822	1	Seal	(1)
4	V615881216	1	Gasket	(1)
5	V640305012	1	Plug	(1)
6	V836859170	1	Housing	(1)
7	V836855625	1	Gasket	(1)
8	V836855948	1	Impeller	(1)
9	V640045126	1	Plug	(1)
10	V615892631	1	Seal	(1)
11	V836859458	1	Body	(1)
12	V836859452	1	Gasket	(1)
13	V836859456	1	Shaft	(1)
14	V528801362	4	Screw	(1) M8 X 16
15	V614703247	1	Oil Seal	(1)
16	V610072050	2	Bearing Assy	(1)
17	V617330052	1	Circlip	(1)
18	V836855569	1	Gear	(1)
19	V504601600	1	Nut	(1)
20	V614606230	1	O Ring	(1)
21	V529801530	3	Screw	M8 X 90
22	V836119837	1	Union	
23	V615881822	1	Seal	
24	V614602430	2	O Ring	
25	V614604958	2	O Ring	
26	V640045022	1	Plug	
27	V615882227	1	Gasket	
28	V836862271	1	Kit, Repair	
29	V641176018	1	Union	
30	V836859169	1	Tube	

MF 8270/8280 TRACTOR - 1637348
1-ZH35-001-C

1-ZH35-001-C



Injection Pump

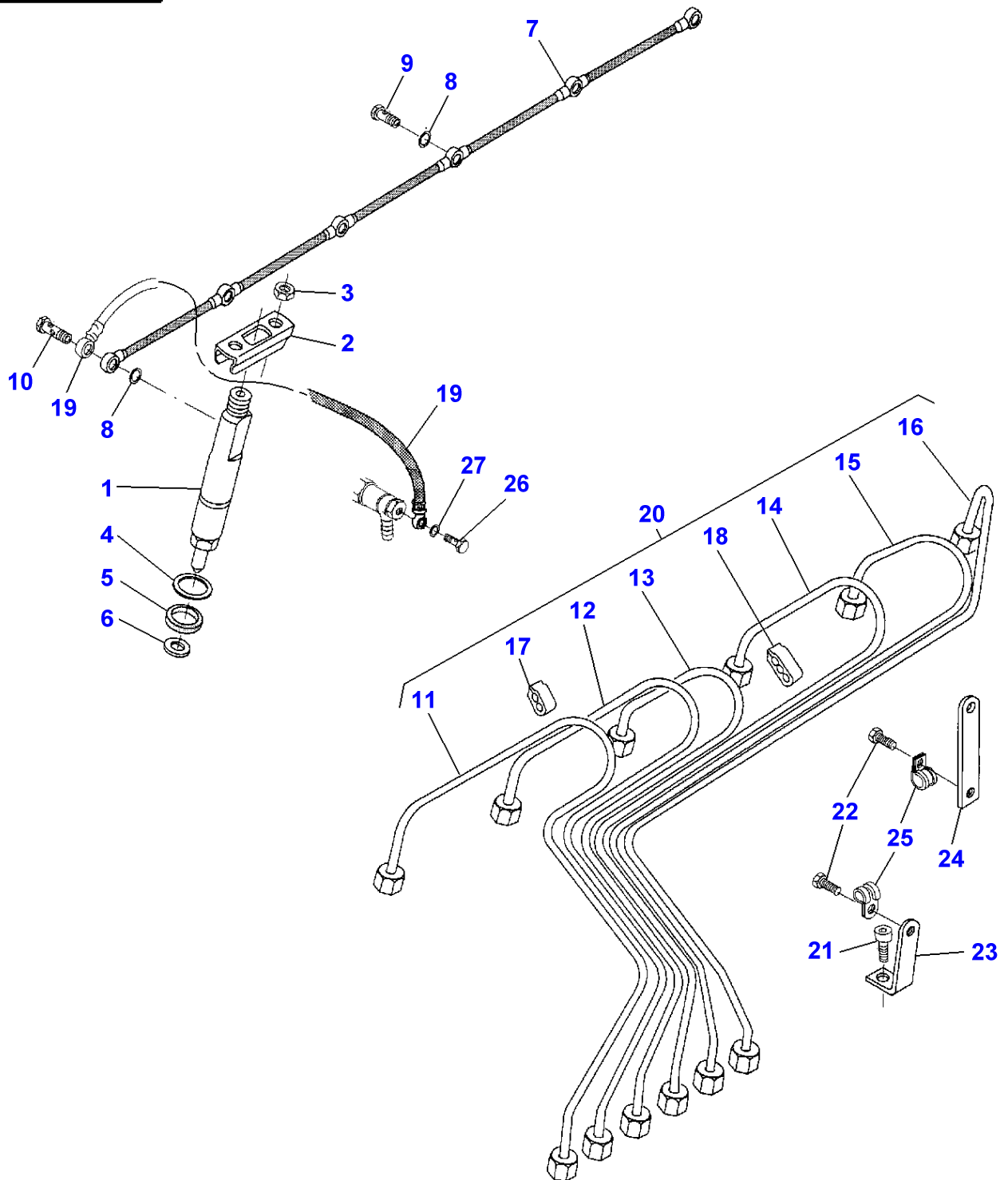
Item	Part Number	Qty	Description	Comments
1	V836354740	1	Injection Pump	[A] MF 8270
	V836354708	1	Injection Pump	[B] MF 8280
	V836854960	1	Injection Pump	MF 8270 XTRA
	V836854959	1	Injection Pump	MF 8280 XTRA
2	V614609930	1	O Ring	(1)
3	V505612000	1	Nut	(1)
4	V500452002	1	Washer	(1)
5	V836855986	1	Gear	
6	V614609930	1	O Ring	
7	V836855996	1	Ring	
8	V581805150	2	Screw	M10 X 90
9	V500151050	2	Washer	
10	V529803072	1	Screw	M16 X 60
11	V836655994	1	Washer	
12	V836855987	1	Support	
13	V836855993	1	Support	
14	V528802640	2	Screw	M14 X 45
15	V641166006	1	Elbow Nipple	
16	V836120491	1	Pipe,Oil	
17	V641086006	1	Connection	
18	V615871014	1	O Ring	
19	V640255210	2	Pipe	
20	V836330959	1	Valve	MF 8270 - 8280
	V836336934	1	Union	MF 8270 XTRA MF 8280 XTRA
21	V836007420	1	Screw	MF 8270 - 8280
	V836652096	1	Screw	MF 8270 XTRA MF 8280 XTRA
22	V615881420	3	Gasket	
23	V640435010	1	Screw	
24	V500051052	4	Washer	
25	V504801000	4	Nut	M10
26	V836659346	1	Screw	
27		1	Exhaust Pipe	See Page - Reference Number 010-0165/17
28	V835331496	1	Lever	MF 8270 Up to Serial or Engine Number K 3650
	V835331496	1	Lever	MF 8280 Up to Serial or Engine Number K 3652
29	V836330164	1	Lever	MF 8270 From Serial or Engine Number K 3651
	V836330164	1	Lever	MF 8280 From Serial or Engine Number K 3653
30	V836139973	1	Solenoid	(1)
31	V836662387	1	Kit, Service	MF 8270 Up to Serial or Engine Number K 3650
	V836662387	1	Kit, Service	MF 8280 Up to Serial or Engine Number K 3652

FOOTNOTE [A] UP TO K3650 ORDER ALSO 3784325M1 + 3784440M1 + 33 9560X1 (QTY2)

FOOTNOTE [B] UP TO K3652 ORDER ALSO 3784325M1 + 3784440M1 + 33 9560X1 (QTY2)

MF 8270/8280 TRACTOR - 1637348
1-ZH09-020-B

1-ZH09-020-B



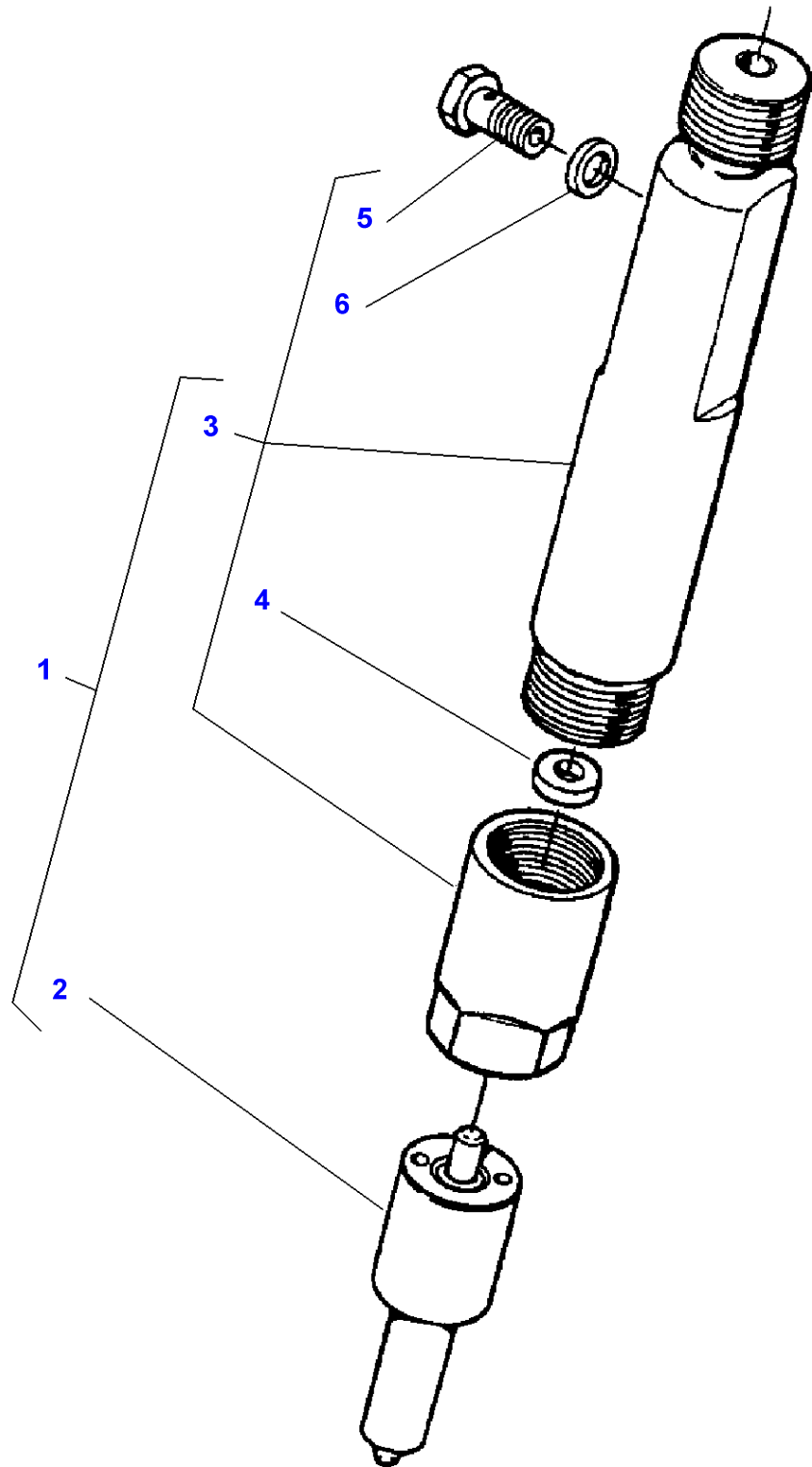
Fuel Injection Equipment (Diesel)

Item	Part Number	Qty	Description	Comments
1	V836354615	6	Atomiser	MF 8270 - 8280
	V836854929	6	Atomiser	MF 8270 XTRA MF 8280 XTRA
2	V835331103	6	Retainer	
3	V504800800	12	Nut	M8
4	V836652170	6	Washer	
5	V835336276	6	Seal	
6	V899901495	6	Washer	
7	V836847522	1	Pipe	
8	V615870710	13	Seal	
9	V835331289	5	Screw	
10	V835336943	1	Screw	
11	V836859401	1	Injection Pipe	(20) MF 8270 - 8280 CYL. 1
		1	Injection Pipe	(20) MF 8270 XTRA MF 8280 XTRA CYL. 1 Not serviced,order REF. 20
12	V836859402	1	Injection Pipe	(20) MF 8270 - 8280 CYL. 2
		1	Injection Pipe	(20) MF 8270 XTRA MF 8280 XTRA CYL. 2 Not serviced,order REF. 20
13	V836859403	1	Injection Pipe	(20) MF 8270 - 8280 CYL. 3
		1	Injection Pipe	(20) MF 8270 XTRA MF 8280 XTRA CYL. 3 Not serviced,order REF. 20
14	V836859404	1	Injection Pipe	(20) MF 8270 - 8280 CYL. 4
		1	Injection Pipe	(20) MF 8270 XTRA MF 8280 XTRA CYL. 4 Not serviced,order REF. 20
15	V836859405	1	Injection Pipe	(20) MF 8270 - 8280 CYL. 5
		1	Injection Pipe	(20) MF 8270 XTRA MF 8280 XTRA CYL. 5 Not serviced,order REF. 20
16	V836859406	1	Injection Pipe	(20) MF 8270 - 8280 CYL. 6
		1	Injection Pipe	(20) MF 8270 XTRA MF 8280 XTRA CYL. 6 Not serviced,order REF. 20
17	V836664517	4	Clamp	(20) Replace and repair. Old not interchangeable with new V836640094
18	V836664518	8	Clamp	(20)
19	V836659057	1	Tube	
20	V836866606	1	Kit, Pipe	MF 8270 - 8280
	V836866670	1	Kit, Pipe	MF 8270 XTRA MF 8280 XTRA
21	V528801360	1	Screw	M8 X 16
22	V528800752	2	Screw	MF 8270 - 8280 M5 X 12

Massey Ferguson**MF 8270/8280 TRACTOR - 1637348****1637348****Fuel Injection Equipment (Diesel)****Page010-0125**

Item	Part Number	Qty	Description	Comments
22	V528801400	1	Screw	MF 8270 XTRA MF 8280 XTRA M8 X 25
23	V836859726	1	Support	MF 8270 - 8280
23	V836124941	1	Support	MF 8270 XTRA MF 8280 XTRA
24	V836859727	1	Support	MF 8270 - 8280
25	V602070605	2	Band	
26	V640435005	1	Screw	
27	V615870812	2	Washer	

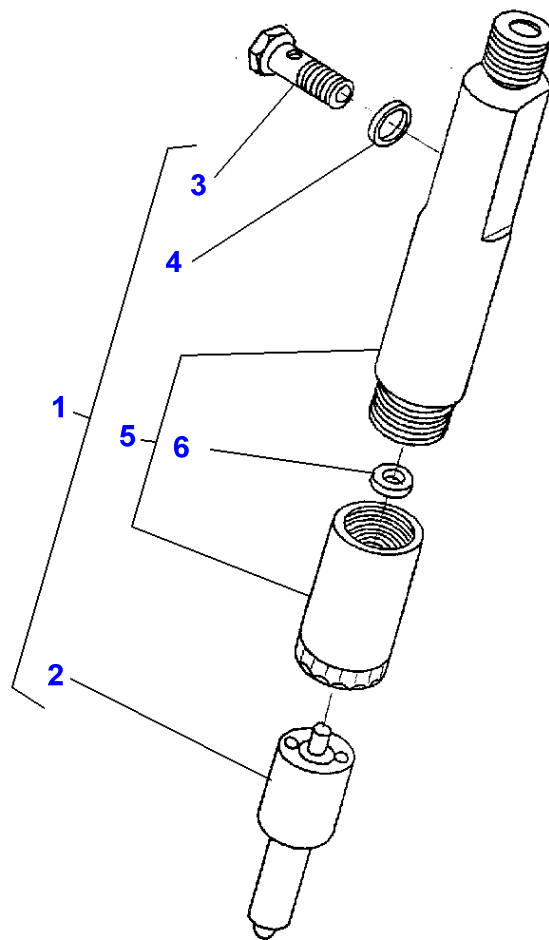
1-ZH37-001-A



Injector - M.F 8270 - 8280

Item	Part Number	Qty	Description	Comments
1	V836354615	1	Atomiser	
2	V836354611	1	Nozzle	(1)
3		1	Atomiser Body	(1) Not serviced,order REF. 1
4	V836340907	X	Chock	(3) Thickness 1,00 MM
	V836340908	X	Chock	(3) Thickness 1,02 MM
	V836340909	X	Chock	(3) Thickness 1,04 MM
	V836340910	X	Chock	(3) Thickness 1,06 MM
	V836340911	X	Chock	(3) Thickness 1,08 MM
	V836340912	X	Chock	(3) Thickness 1,10 MM
	V836340913	X	Chock	(3) Thickness 1,12 MM
	V836340914	X	Chock	(3) Thickness 1,14 MM
	V836340915	X	Chock	(3) Thickness 1,16 MM
	V836340916	X	Chock	(3) Thickness 1,18 MM
	V836340917	X	Chock	(3) Thickness 1,20 MM
	V836340918	X	Chock	(3) Thickness 1,26 MM
	V836340919	X	Chock	(3) Thickness 1,30 MM
	V836340920	X	Chock	(3) Thickness 1,40 MM
	V836340921	X	Chock	(3) Thickness 1,90 MM
	V836340922	X	Chock	(3) Thickness 1,92 MM
	V836340923	X	Chock	(3) Thickness 1,94 MM
	V836340924	X	Chock	(3) Thickness 1,96 MM
	V836340925	X	Chock	(3) Thickness 1,98 MM
5	V615870710	2	Seal	(3)
6	V835331289	1	Screw	(3)

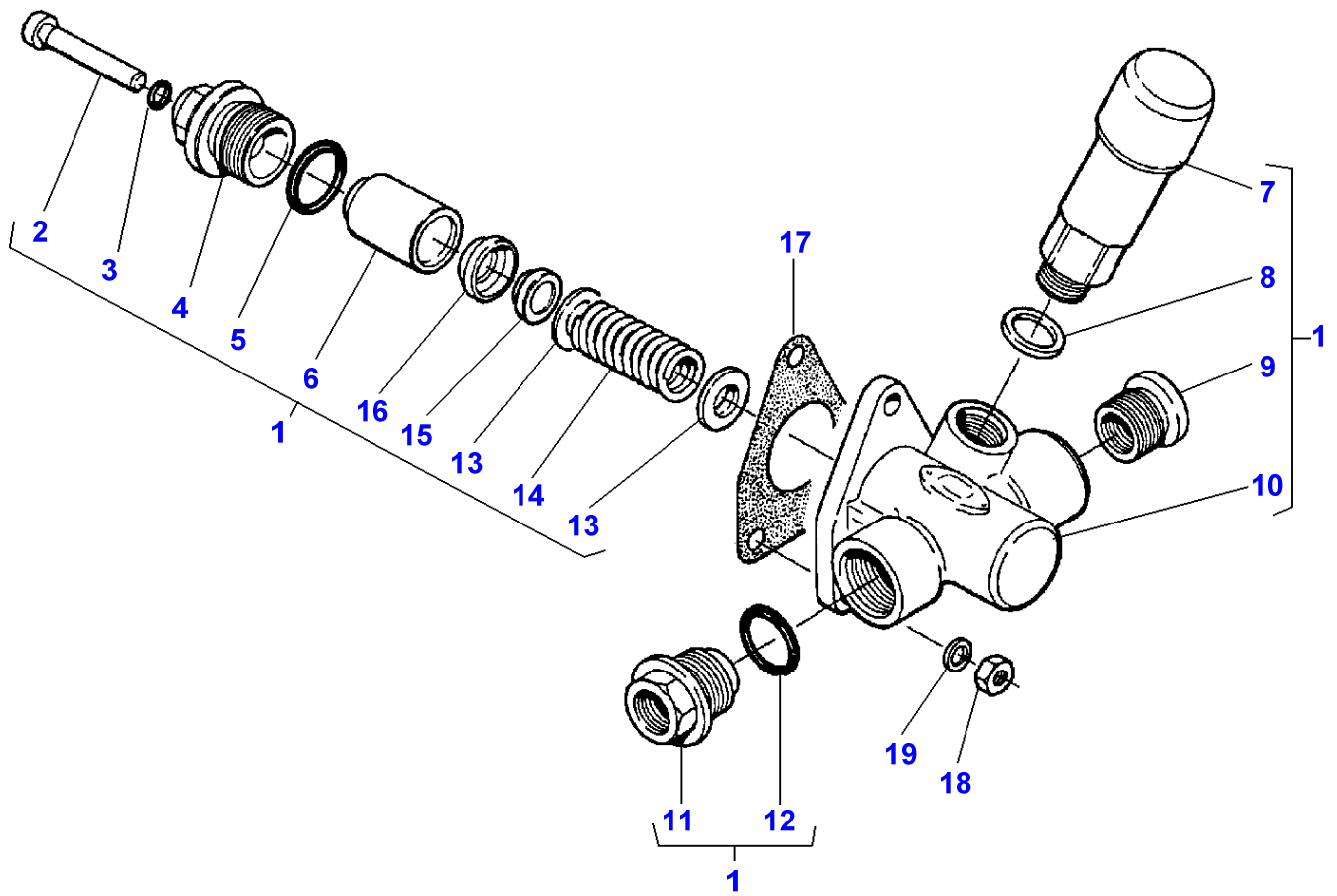
1-ZH37-002-A



Injector - M.F 8270 XTRA - 8280 XTRA

Item	Part Number	Qty	Description	Comments
1	V836854929	1	Atomiser	270 BAR
2	V836854930	1	Nozzle	(1)
3	V835331289	1	Screw	(1)
4	V615870710	2	Seal	(1)
5		1	Body	(1)
6	V836862000	X	Chock	Not serviced,order REF 1 (1) Thickness 1,00 MM
	V836862001	X	Chock	(1) Thickness 1,05 MM
	V836862002	X	Chock	(1) Thickness 1,10 MM
	V836862003	X	Chock	(1) Thickness 1,15 MM
	V836862004	X	Chock	(1) Thickness 1,20 MM
	V836862005	X	Chock	(1) Thickness 1,25 MM
	V836862006	X	Chock	(1) Thickness 1,30 MM
	V836862007	X	Chock	(1) Thickness 1,35 MM
	V836862008	X	Chock	(1) Thickness 1,40 MM
	V836862009	X	Chock	(1) Thickness 1,45 MM
	V836862010	X	Chock	(1) Thickness 1,50 MM
	V836862011	X	Chock	(1) Thickness 1,55 MM
	V836862012	X	Chock	(1) Thickness 1,60 MM
	V836862013	X	Chock	(1) Thickness 1,65 MM
	V836862014	X	Chock	(1) Thickness 1,70 MM
	V836862015	X	Chock	(1) Thickness 1,75 MM
	V836862016	X	Chock	(1) Thickness 1,80 MM
	V836862017	X	Chock	(1) Thickness 1,85 MM
	V836862018	X	Chock	(1) Thickness 1,90 MM
	V836862019	X	Chock	(1) Thickness 1,95 MM
	V836862020	X	Chock	(1) Thickness 2,00 MM

1-ZH31-001-A



Massey Ferguson**MF 8270/8280 TRACTOR - 1637348**

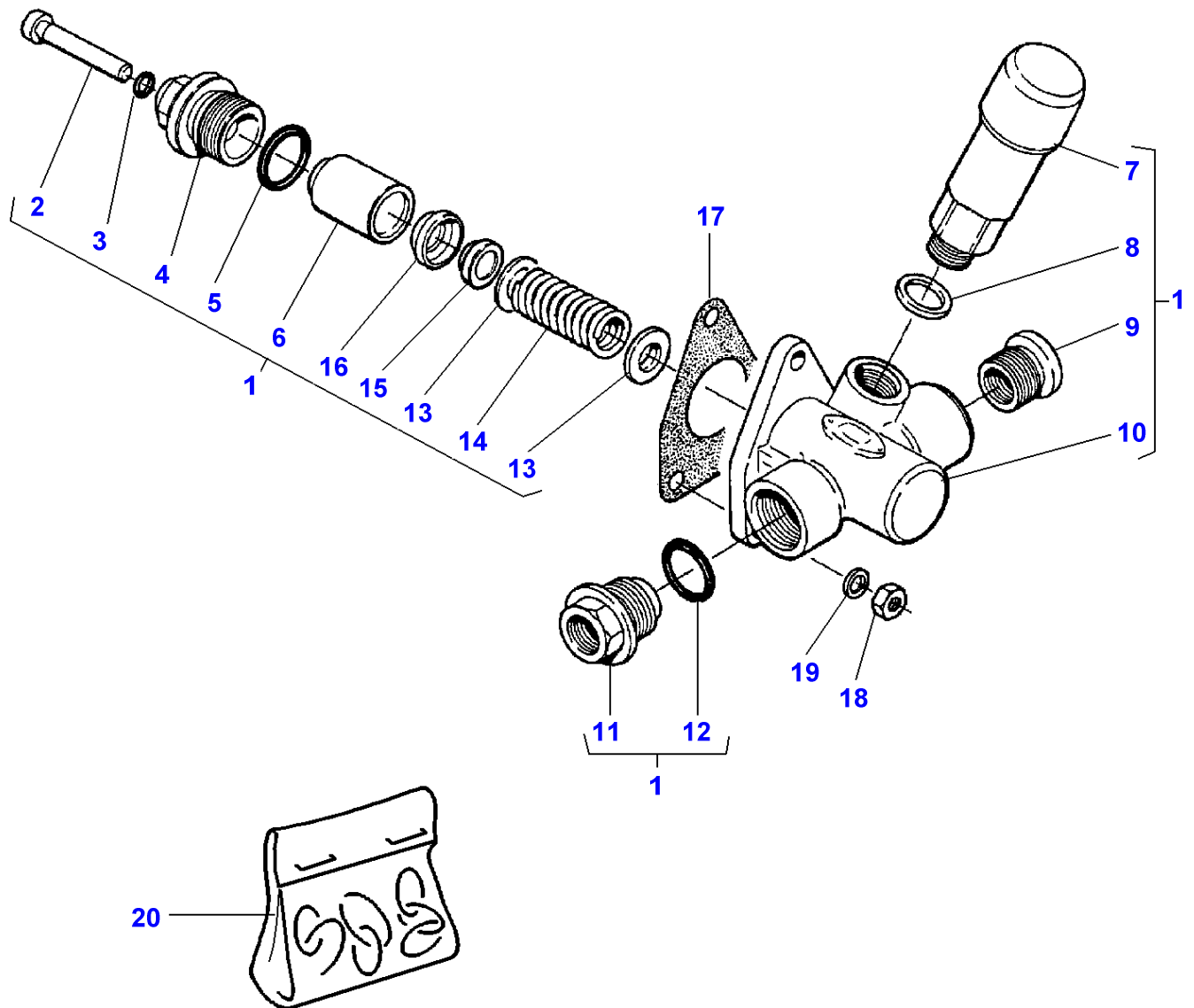
1637348

Feed Pump - M.F 8270 - 8280

Page010-0140

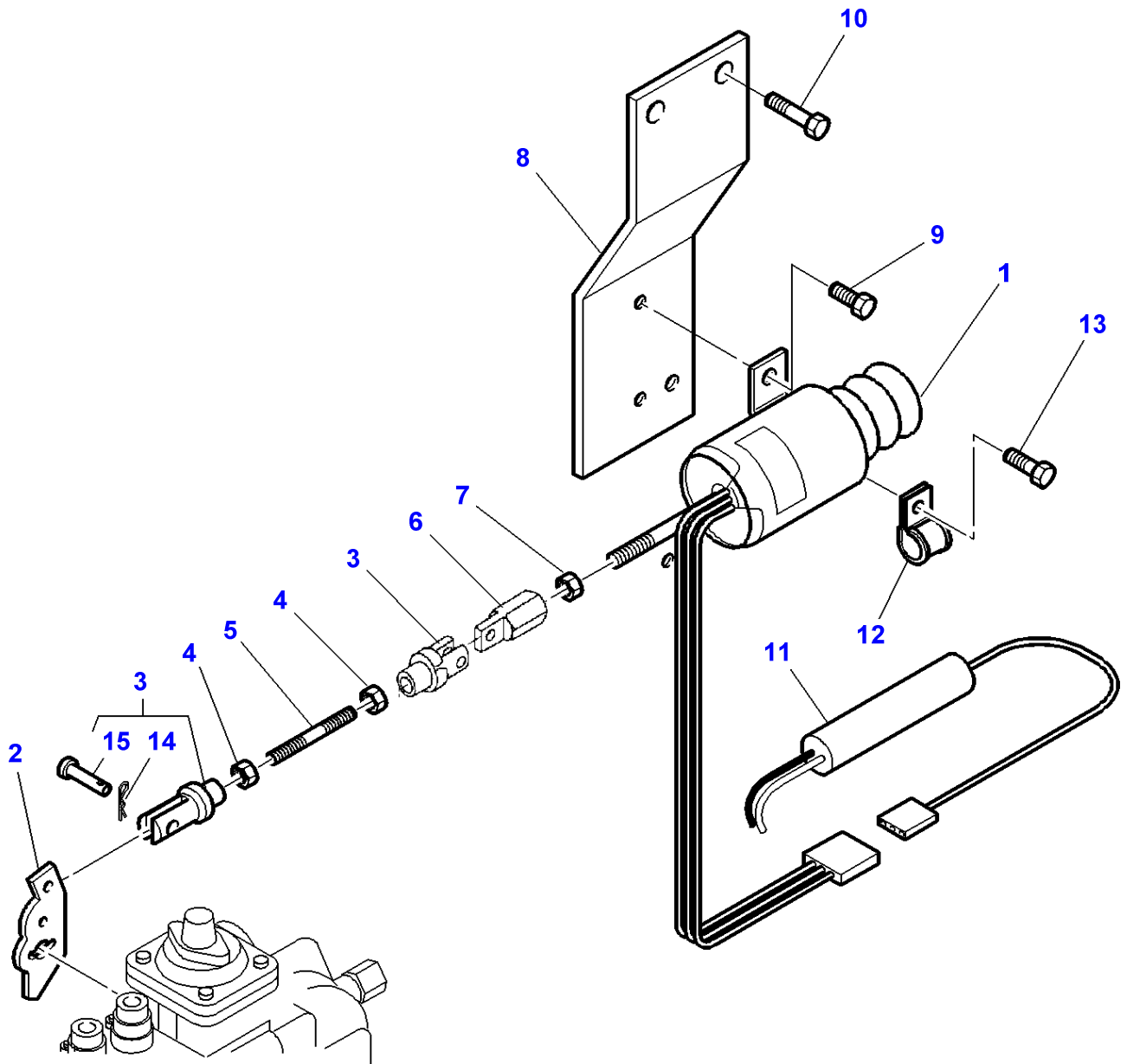
Item	Part Number	Qty	Description	Comments
1	V836340066	1	Pump	
2	V836340068	1	Clevis Pin	(1)
3	V836139015	1	O Ring	(1)
4	V836340069	1	Body	(1)
5	V835339876	1	O Ring	(1)
6	V835339877	1	Plunger	(1)
7	V835339884	1	Pump	(1)
8	V615881620	1	Seal	(1)
9	V836340067	1	Union	(1)
10		1	Housing	(1)
				Not serviced,order REF. 1
11	V835340971	1	Union	(1)
12	V835340972	1	O Ring	(1)
13	V835339879	2	Washer	(1)
14	V835339878	1	Spring	(1)
15	V835339880	1	Pressure Valve	(1)
16	V835339882	1	Gasket	(1)
17	V836329194	1	Gasket	
18	V504600602	3	Nut	
19	V500450602	3	Washer	

1-ZH31-002-B



Item	Part Number	Qty	Description	Comments
1	V836362023	1	Pump	
2	V836362024	1	Lever	(1)
3	V836362025	1	O Ring	(1)
4	V836340069	1	Body	(1)
5	V836362027	1	O Ring	(1)
6	V835339877	1	Plunger	(1)
7	V835339884	1	Pump	(1)
8	V615881620	1	Seal	(1)
9	V836340067	1	Union	(1)
10		1	Housing	(1)
				Not serviced,order REF. 1
11	V835340971	1	Union	(1)
12	V835340972	1	O Ring	(1)
13	V835339879	2	Washer	(1)
14	V836362026	1	Spring	(1)
15	V835339880	1	Pressure Valve	(1)
16	V835339882	1	Gasket	(1)
17	V836329194	1	Gasket	
18	V504600602	3	Nut	
19	V500450602	3	Washer	
20	V836862418	1	Parts Pack	

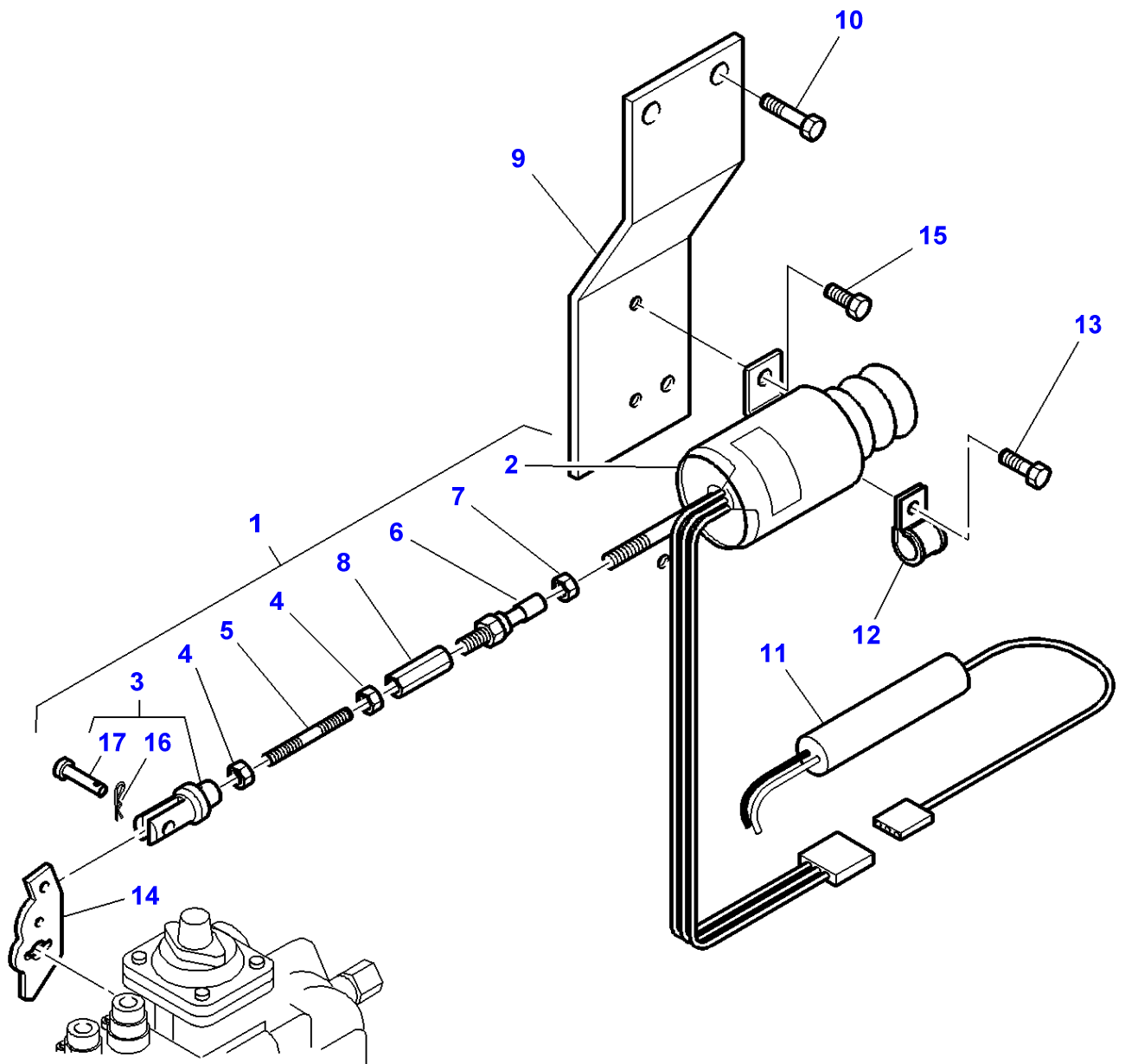
1-ZH32-002-B



Massey Ferguson**MF 8270/8280 TRACTOR - 1637348****1637348****Stop Magnet - Up to Serial or Engine Number K 12633****Page010-0150**

Item	Part Number	Qty	Description	Comments
1	V836862354	1	Kit, Solenoid	Replace and repair. Old not interchangeable with new V836659690
2	V835347344	1	Lever	
3	V835339319	2	Fork	
4	V504600502	2	Nut	M5
5	V836859707	1	Stem	
6	V836346773	1	Clevis	
7	V504600602	1	Nut	M6
8	V836859706	1	Support	
9	V528801062	4	Bolt	M6 X 16
10	V528801782	2	Screw	M10 X 20
11	V836659691	1	Relay	
12	V602074620	1	Clamp	
13	V528801360	1	Screw	M8 X 16
14		1	Pin	(3) Not serviced,order REF. 3
15		1	Clevis Pin	(3) Not serviced,order REF. 3

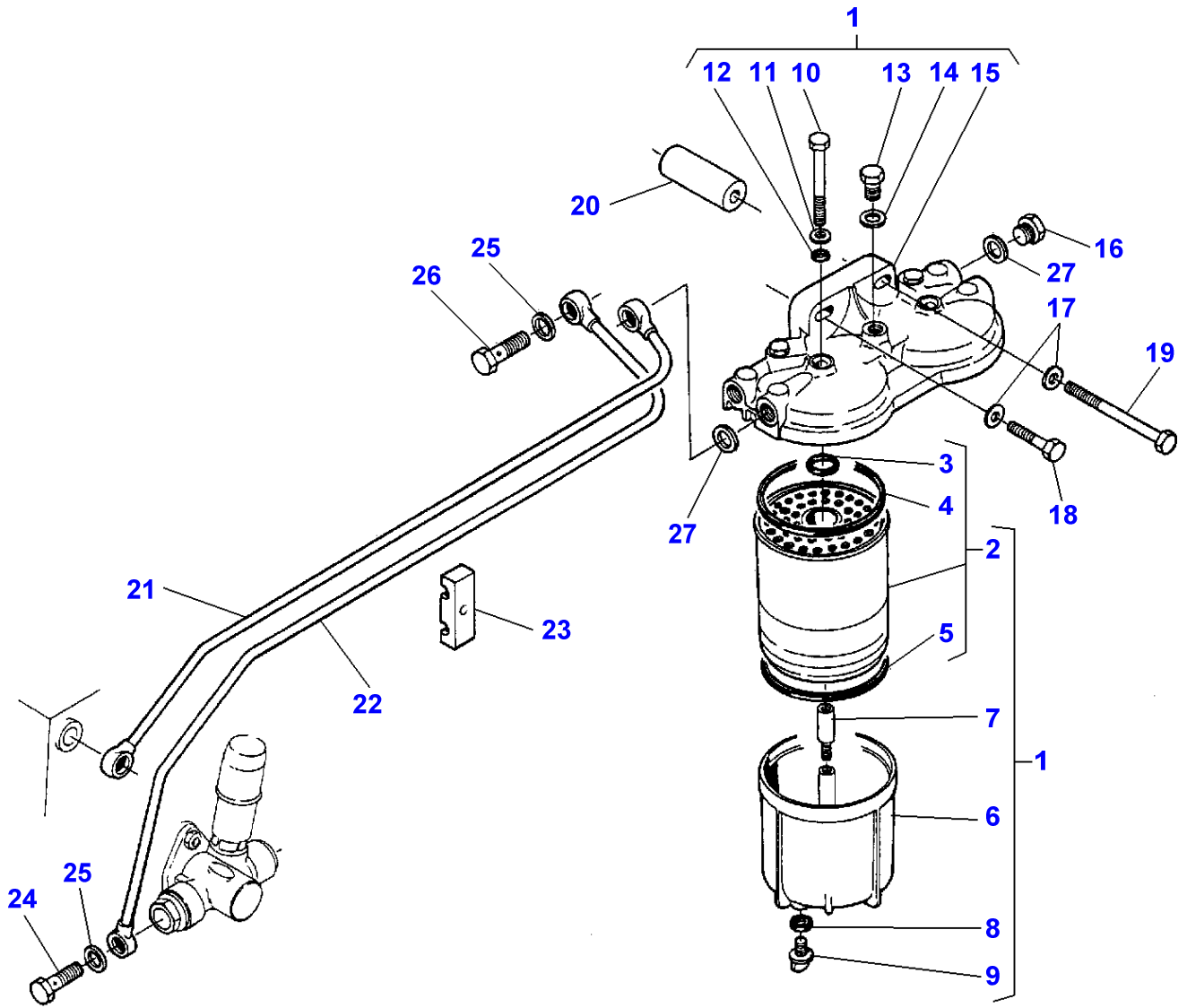
1-ZH32-004-B



Massey Ferguson**MF 8270/8280 TRACTOR - 1637348****1637348****Stop Magnet - From Serial or Engine Number K 12634****Page010-0155**

Item	Part Number	Qty	Description	Comments
1	V836862354	1	Kit, Solenoid	
2	V836664211	1	Stop Solenoid	(1)
3	V835339319	1	Fork	(1)
4	V504600502	2	Nut	(1) M5
5	V836864285	1	Stem	(1) Length 85 MM
6	V836664287	1	Stem	(1)
7	V504600602	1	Nut	(1) M6
8	V836864286	1	Nut	(1)
9	V836859706	1	Support	
10	V528801782	2	Screw	MF 8270 - 8280 M10 X 20
	V528801760	2	Screw	MF 8270 XTRA MF 8280 XTRA M10 X 16
11	V836659691	1	Relay	
12	V602074620	1	Clamp	
13	V528801360	1	Screw	M8 X 16
14	V835347344	1	Lever	MF 8270 - 8280
	V836664210	1	Lever	MF 8270 XTRA MF 8280 XTRA
15	V528801062	4	Bolt	M6 X 16
16		1	Pin	(3) Not serviced,order REF. 3
17		1	Clevis Pin	(3) Not serviced,order REF. 3

1-ZH14-012-A

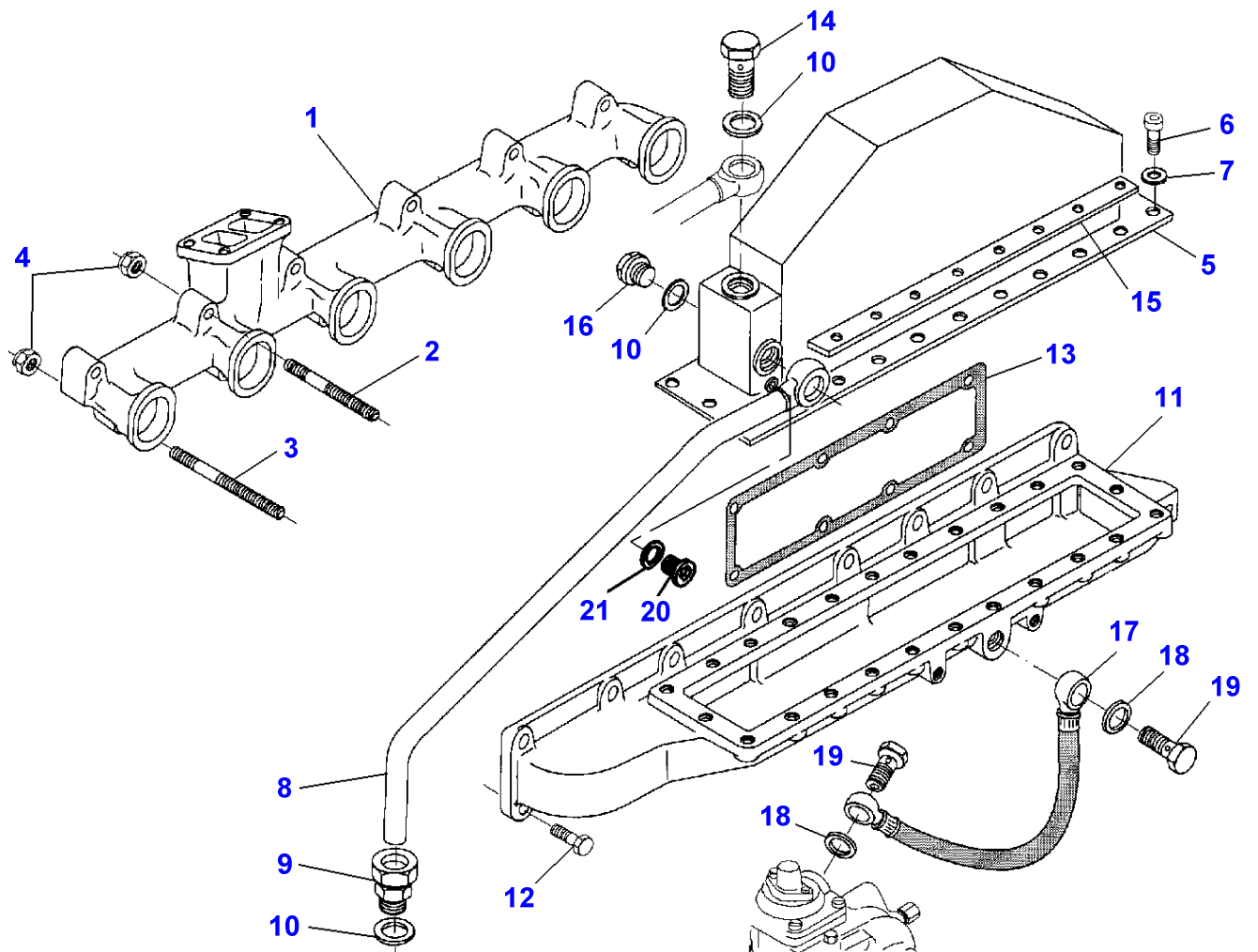


Low Pressure Fuel System

Item	Part Number	Qty	Description	Comments
1	V836339370	1	Fuel Filter	
2	1896287M91	2	Fuel Element	(1) CAV Alternative 3405419M1
	3405419M1	2	Fuel Element	Alternative 1896287M91
3	V836015142	1	O Ring	(2)
4	V835330014	1	Gasket	(2)
5	V835330015	1	Gasket	(2)
6	V836340045	2	Bowl	(1)
7	V836339372	2	Stud	(1)
8	V836015147	2	Gasket	(1)
9	V836015148	2	Plug	(1)
10	V836015149	2	Screw	(1)
11	V836015918	2	Washer	(1)
12	V836015919	2	O Ring	(1)
13	V836015958	1	Plug	(1)
14	V615571014	1	Seal	(1)
15	V836015959	1	Cover	(1)
16	V836117323	2	Plug	
17	V836120989	2	Washer	
18	V528801420	1	Screw	M8 X 35
19	V529801550	1	Screw	M8 X 95
20	V836859009	1	Spacer	MF 8270 - 8280
21	V836855989	1	Exhaust Pipe	
22	V836855988	1	Tube	
23	V836655527	2	Band	
24	V640435010	2	Screw	
25	V615881418	6	Seal	
26	V836429560	2	Screw	
27	V615581317	4	Seal	

MF 8270/8280 TRACTOR - 1637348
1-ZH18-012-A

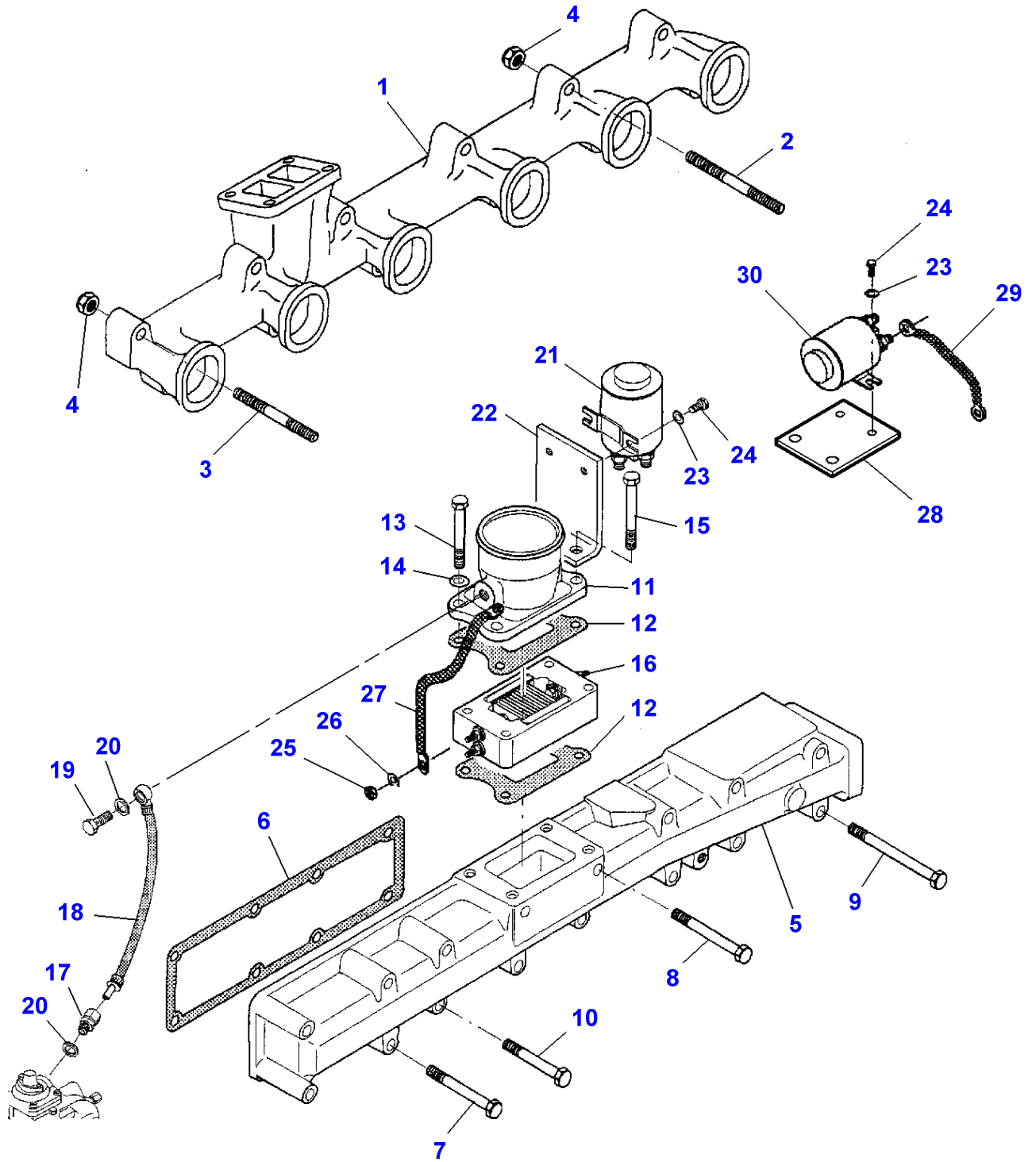
1-ZH18-012-A



Massey Ferguson**MF 8270/8280 TRACTOR - 1637348****1637348****Air Induction And Exhaust System - M.F 8270 - 8280****Page010-0165**

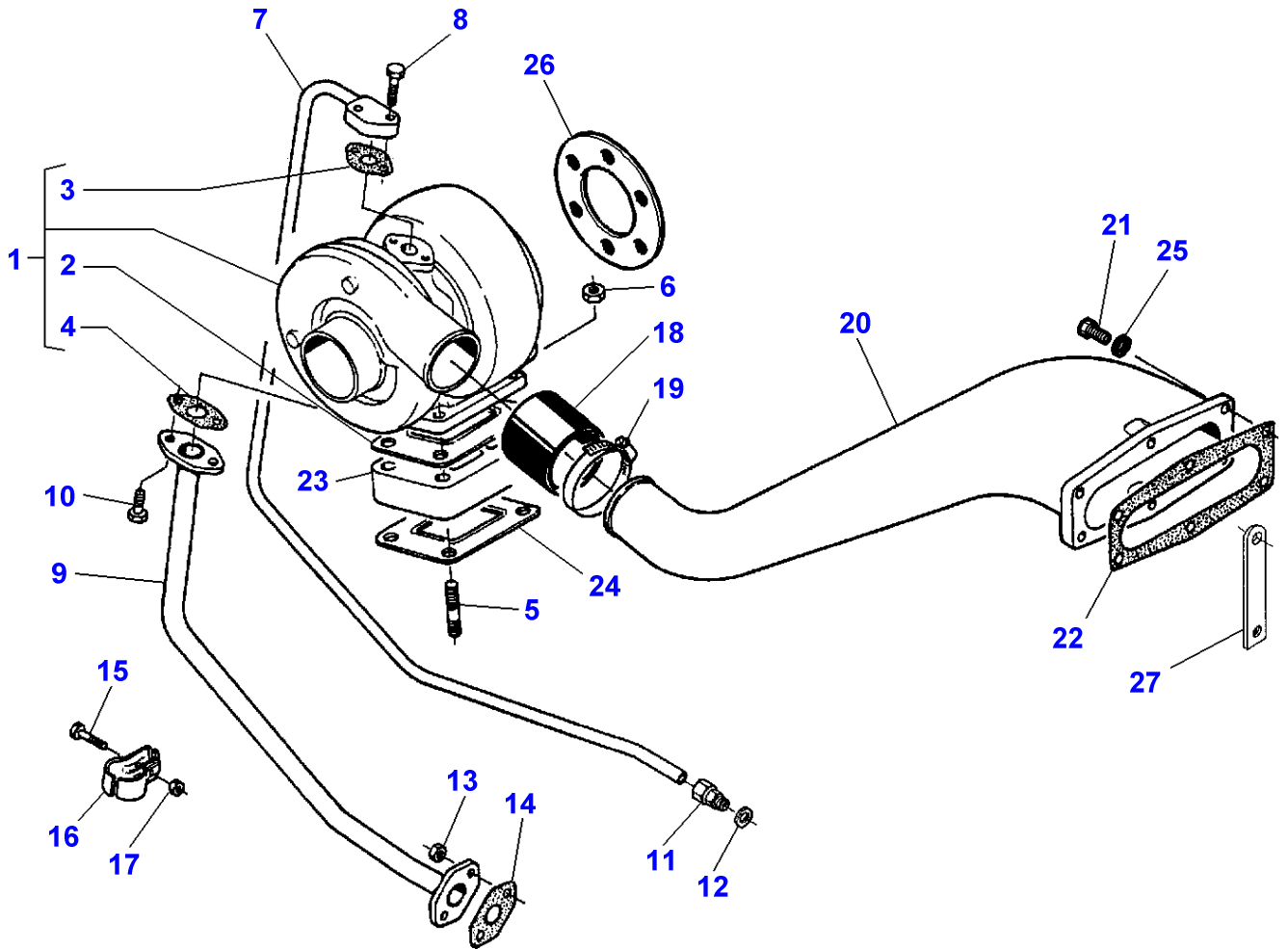
Item	Part Number	Qty	Description	Comments
1	V836859378	1	Exhaust Manifold	
2	V836855995	10	Stud	M10 X 113
3	V836859034	2	Stud	M10 X 130
4	V513601002	12	Nut	M10
5	V836859178	1	Intercooler	
6	V581804580	24	Screw	M8 X 16
7	V500150840	8	Washer	
8	V836859196	1	Tube	
9	V641086018	1	Union	
10	V615882227	X	Gasket	
11	V836855552	1	Ind.Manifold	
12	V528801400	16	Screw	M8 X 25
13	V836847496	2	Gasket	
14	V640435018	2	Banjo Fitting	
15	V836859427	2	Plate	
16	V640045022	1	Plug	
17	V836659056	1	Tube	
18	V615881216	4	Gasket	
19	V640435008	2	Screw	
20	V640325110	1	Plug	
21	V615571014	1	Seal	

1-ZH18-013-B



Item	Part Number	Qty	Description	Comments
1	V836859378	1	Exhaust Manifold	
2	V836855995	10	Stud	M10 X 113
3	V836859034	2	Stud	M10 X 130
4	V513601002	12	Nut	
5	V836847493	1	Ind.Manifold	
6	V836847496	2	Gasket	
7	V529801510	8	Screw	M8 X 80
8	V529801530	3	Screw	M8 X 90
9	V529801562	2	Screw	M8 X 110
10	V529801470	2	Screw	M8 X 60
11	V836866152	1	Pipe	
12	V836847532	2	Gasket	
13	V529801480	2	Screw	M8 X 65
14	V500950800	2	Washer	
15	V529801490	2	Screw	M8 X 70
16	V836864398	1	Heater	
17	V641086008	1	Valve	
18	V836852301	1	Tube	
19	V640435008	2	Screw	
20	V615881216	4	Gasket	
21	V836864497	1	Solenoid	Up to Serial or Engine Number M10897
22	V836866478	1	Support	Up to Serial or Engine Number M10897
23	V500050532	2	Washer	
24	V528800762	2	Screw	
25	V504600602	2	Nut	M6
26	V500050642	2	Washer	
27	V836866714	1	Support	
28	V836866699	1	Bracket	From Serial or Engine Number M10898
29	V836866713	1	Wire	From Serial or Engine Number M10898
30	V836666759	1	Solenoid	From Serial or Engine Number M10898

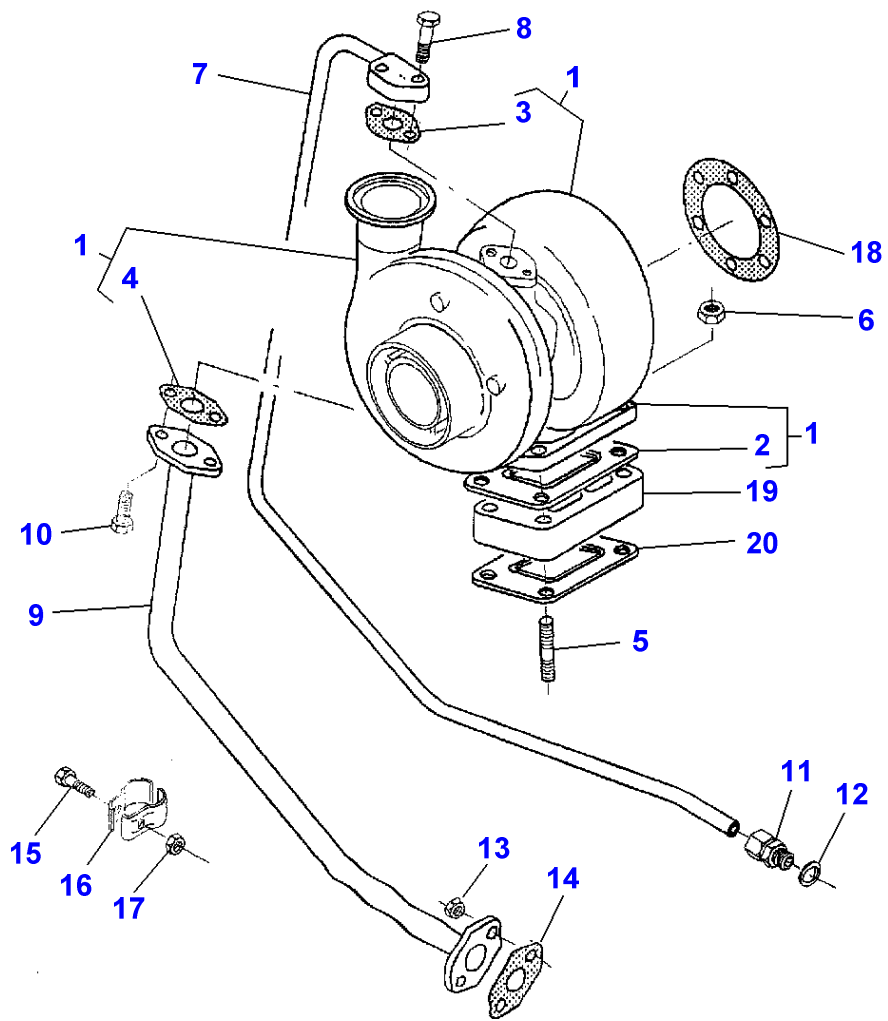
1-ZH24-002-A



Turbocharger - Pipes - M.F 8270 - 8280

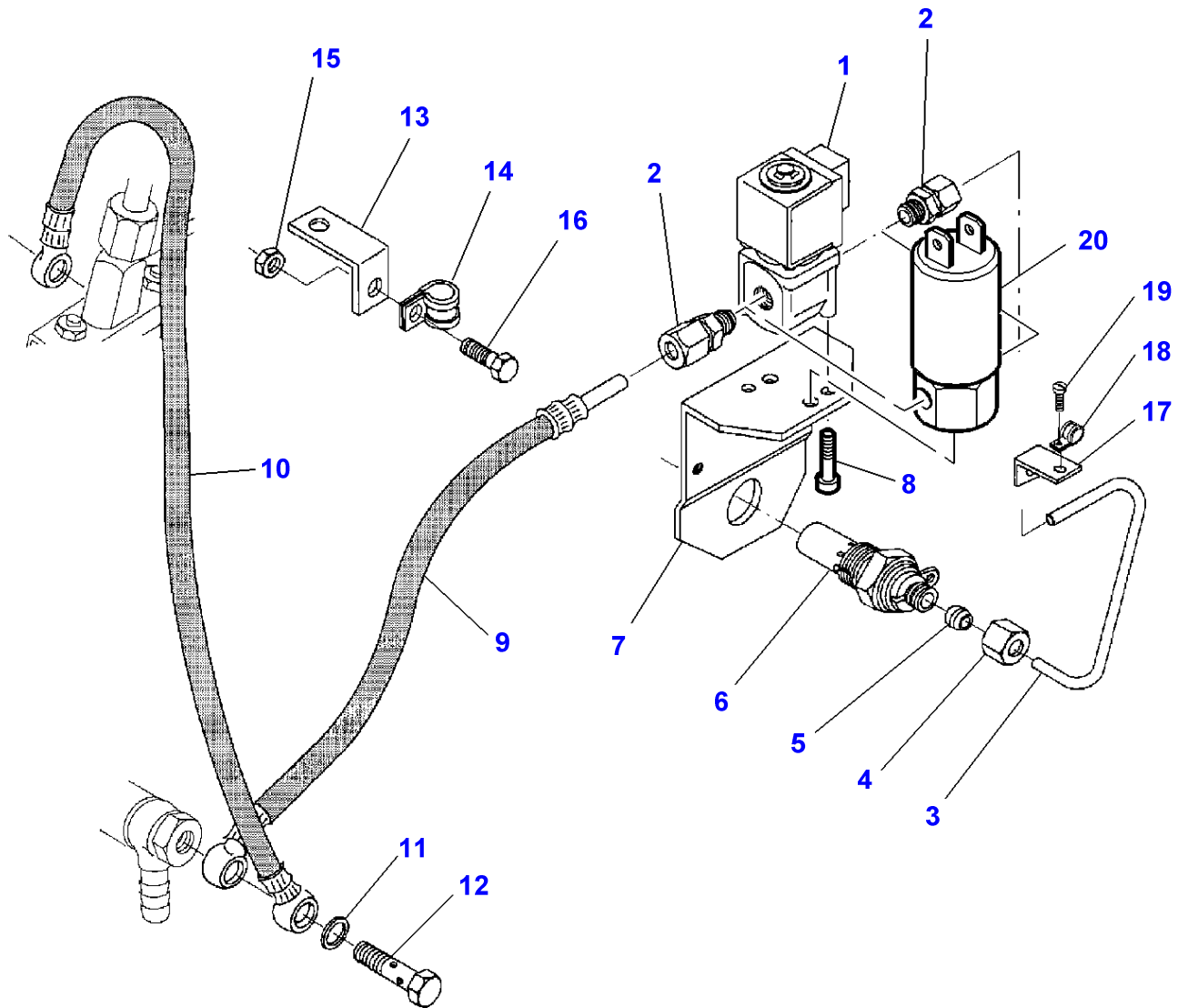
Item	Part Number	Qty	Description	Comments
1	V836340799	1	Turbocharger	
2	V836316726	1	Gasket	(1)
3	V836308344	1	Joint	(1)
4	V836324580	1	Joint	(1)
5	V546801840	4	Bolt	M10 X 45
6	V521601000	4	Nut	M10
7	V836859493	1	Exhaust Pipe	
8	V528801410	2	Adjusting Screw	M8 X 30
9	V836859117	1	Tube	
10	V528801380	2	Screw	M8 X 20
11	V641086012	1	Union	
12	V615881620	1	Seal	
13	V504800800	2	Nut	M8
14	V836324580	1	Joint	
15	V529801112	1	Screw	M6 X 30
16	V835324324	2	Bracket	
17	V504600602	1	Nut	M6
18	V836128181	1	Hose Flexible	
19	V602061670	2	Clamp	
20	V836859195	1	Exhaust Pipe	
21	V581804580	6	Screw	M8 X 16
22	V836855744	1	Gasket	
23	V836855630	1	Bridle	
24	V836316726	1	Gasket	
25	V500950802	6	Washer	
26	V836338985	1	Gasket	
27	V836859727	1	Support	

1-ZH24-004-A



Item	Part Number	Qty	Description	Comments
1	V836866221	1	Turbocharger	MF 8270 XTRA Up to Serial or Engine Number M 7913
	V836866221	1	Turbocharger	MF 8280 XTRA Up to Serial or Engine Number M 8426
	V836340799	1	Turbocharger	MF 8270 XTRA From Serial or Engine Number M 7914
	V836340799	1	Turbocharger	MF 8280 XTRA From Serial or Engine Number M 8427
2	V836316726	1	Gasket	(1)
3	V836308344	1	Joint	(1)
4	V836324580	1	Joint	(1)
5	V546801840	4	Bolt	M10 X 45
6	V521601000	4	Nut	M10
7	V836859493	1	Exhaust Pipe	
8	V528801410	2	Adjusting Screw	M8 X 30
9	V836859117	1	Tube	
10	V528801380	2	Screw	M8 X 20
11	V641086012	1	Union	
12	V615881620	1	Seal	
13	V504800800	2	Nut	M8
14	V836324580	1	Joint	
15	V529801112	1	Screw	M6 X 30
16	V835324324	2	Bracket	
17	V504600602	1	Nut	M6
18	V836338985	1	Gasket	
19	V836855630	1	Bridle	
20	V836316726	1	Gasket	

1-ZH19-004-B

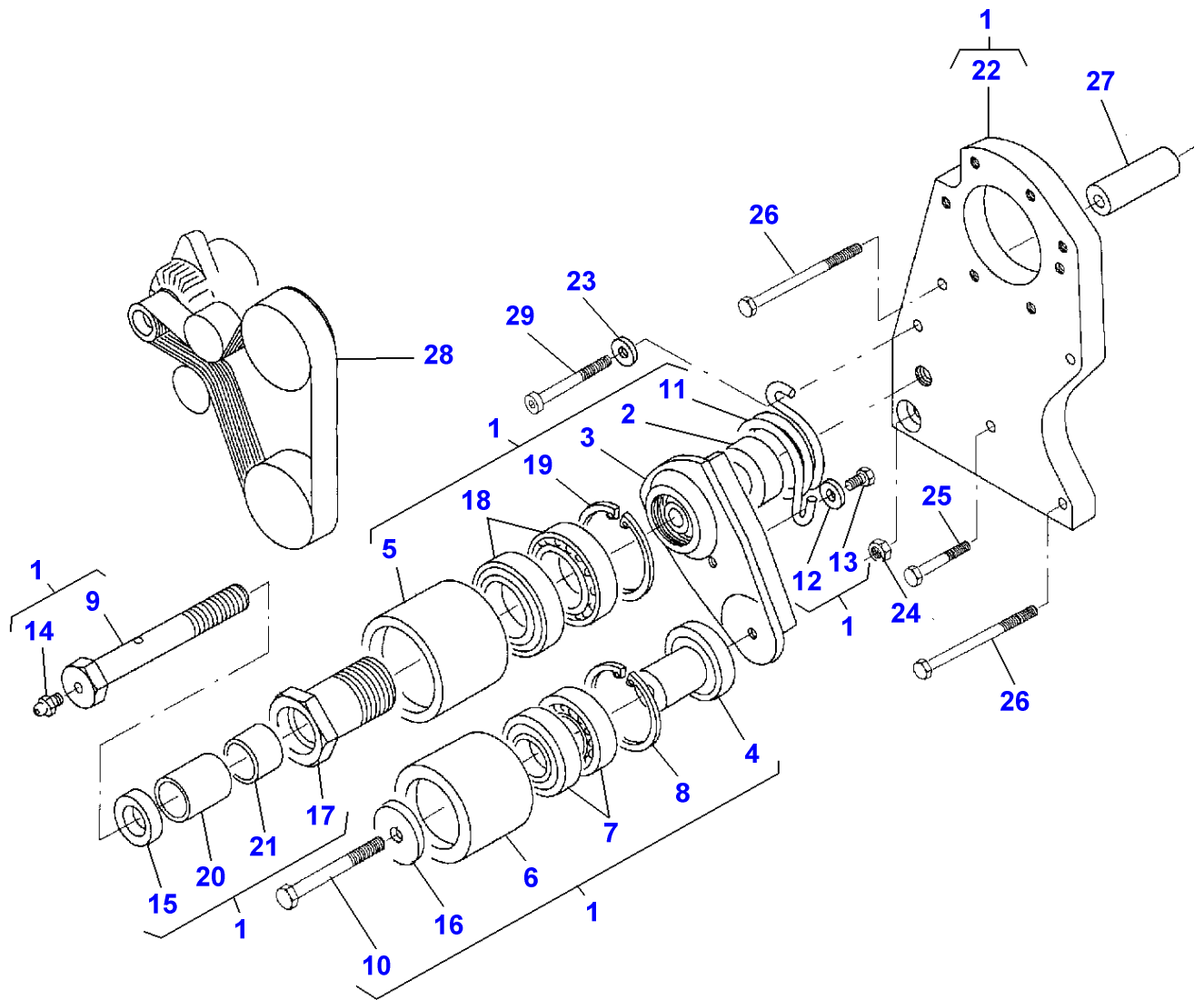


Massey Ferguson**MF 8270/8280 TRACTOR - 1637348****1637348****Cold Starting Device - M.F 8270 - 8280****Page010-0185**

Item	Part Number	Qty	Description	Comments
1	V836659984	1	Electrovalve	Up to Serial or Engine Number M10898
2	V641046005	2	Union	
3	V836659975	1	Pipe	
4	V836659943	1	Nut	
5	V836659944	1	Olive	
6	893501M91	1	Intake Heater	
7	V836752077	1	Bracket	
8	V563501782	2	Screw	Up to Serial or Engine Number M10898 M3 X 16
	V528801052	2	Screw	From Serial or Engine Number M10899 M6 X 12
9	V835346794	1	Tube	
10	V836659057	1	Tube	
11	V615870812	3	Washer	
12	V640435005	1	Screw	
13	V836124941	2	Support	
14	V602060610	2	Band	
15	V504800800	2	Nut	M8
16	V528801400	2	Screw	M8 X 25
17	V836659102	1	Support	
18	V602070605	1	Band	
19	V563502552	2	Screw	
20	V836666815	1	Electrovalve	From Serial or Engine Number M10899

MF 8270/8280 TRACTOR - 1637348
1-ZH29-003-A

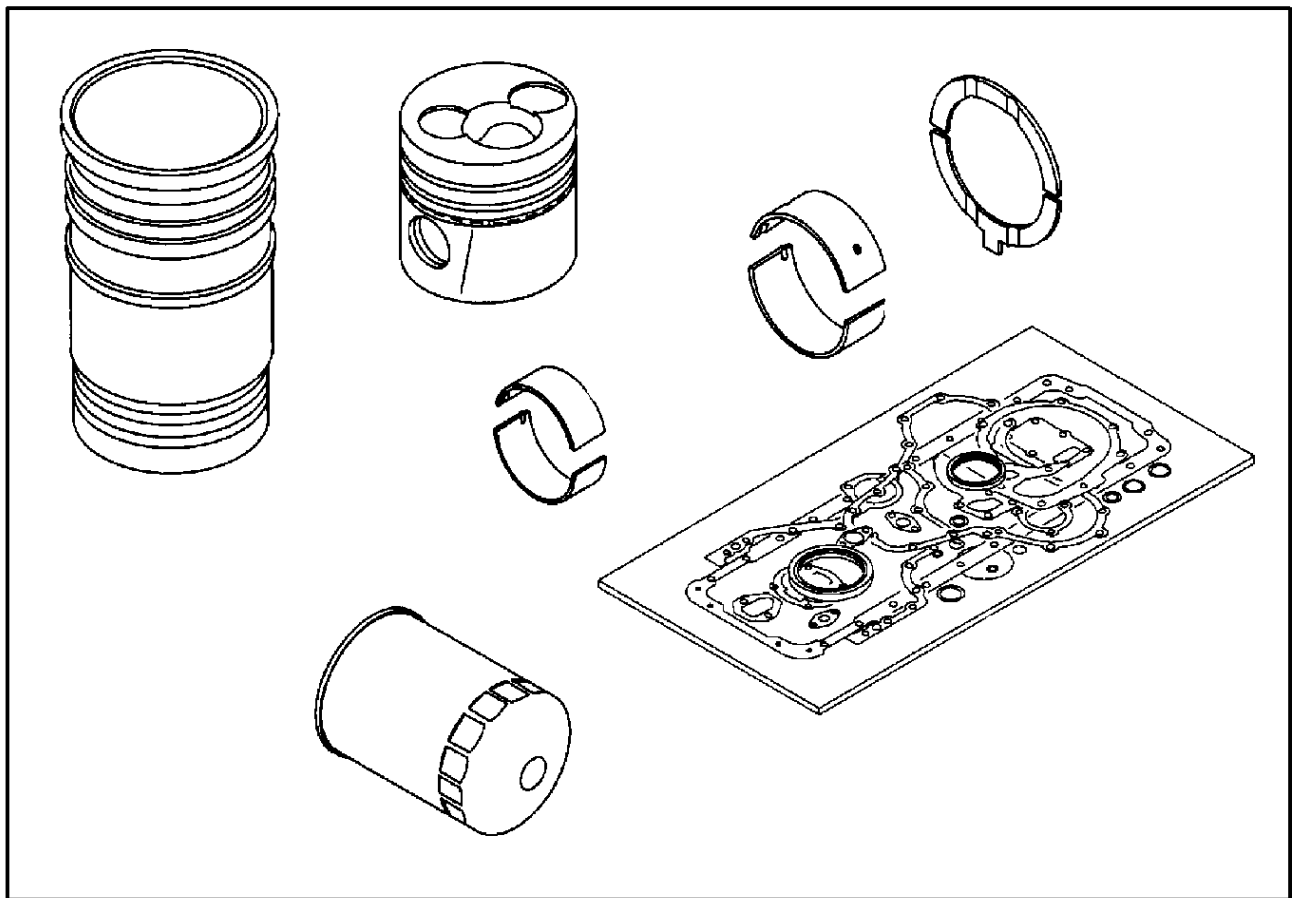
1-ZH29-003-A



Belt Tensioner

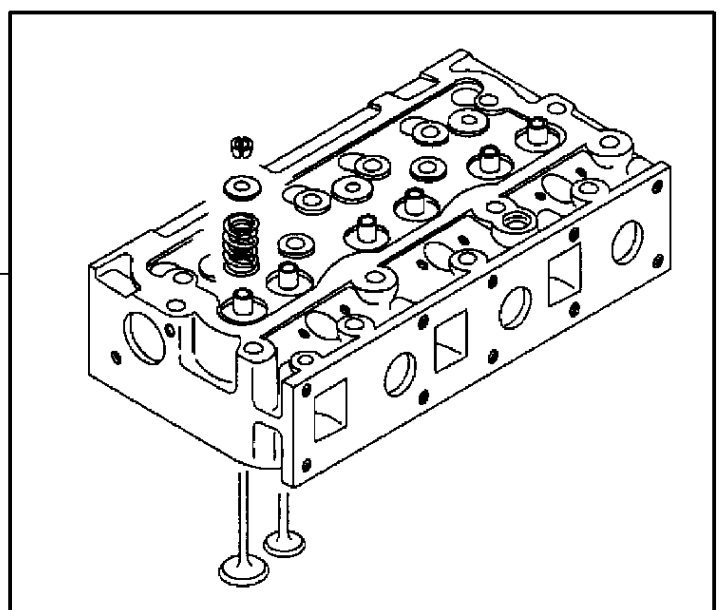
Item	Part Number	Qty	Description	Comments
1	V836859992	1	Tensioner	MF 8270 - 8280 Replace and repair. Old not interchangeable with new V836859989
	V836864296	1	Tensioner	MF 8270 XTRA MF 8280 XTRA
2	V836859348	1	Shaft	(1)
3	V836859347	1	Support	(1)
4	V836855789	1	Shaft	(1)
5	V836859683	1	Roll	(1)
6	V836855666	1	Roll	(1)
7	V610062055	2	Bearing Assy	(1)
8	V617330052	1	Circlip	(1)
9	V836859357	1	Screw	(1)
10	V529701880	1	Screw	(1) M10 X 65
11	V836855689	1	Spring	(1)
12	V836120989	1	Washer	(1)
13	V528801360	1	Screw	(1) M8 X 16
14	V644611006	1	Greaser	(1)
15	V836859356	1	Plate	(1)
16	V836855941	1	Plate	(1)
17	V836859684	1	Shaft	(1)
18	V610060085	2	Bearing Assy	(1)
19	V617330068	1	Circlip	(1)
20	V836859364	1	Bush	(1)
21	V836859363	1	Bush	(1)
22	V836859992	1	Tensioner	(1) MF 8270 - 8280 Replace and repair. Old not interchangeable with new V836859989
	V836859992	1	Tensioner	MF 8270 XTRA MF 8280 XTRA
23	V836120989	1	Washer	
24	V504801000	1	Nut	M10
25	V529801470	1	Screw	M8 X 60
26	V529801562	3	Screw	M8 X 110
27	V836855934	2	Sleeve	
28	V836864164	1	Belt	MF 8270 - 8280
	V836866147	1	Belt	MF 8270 XTRA MF 8280 XTRA
29	V581804710	1	Screw	M8 X 70

1-ZH30-002-A



1

2

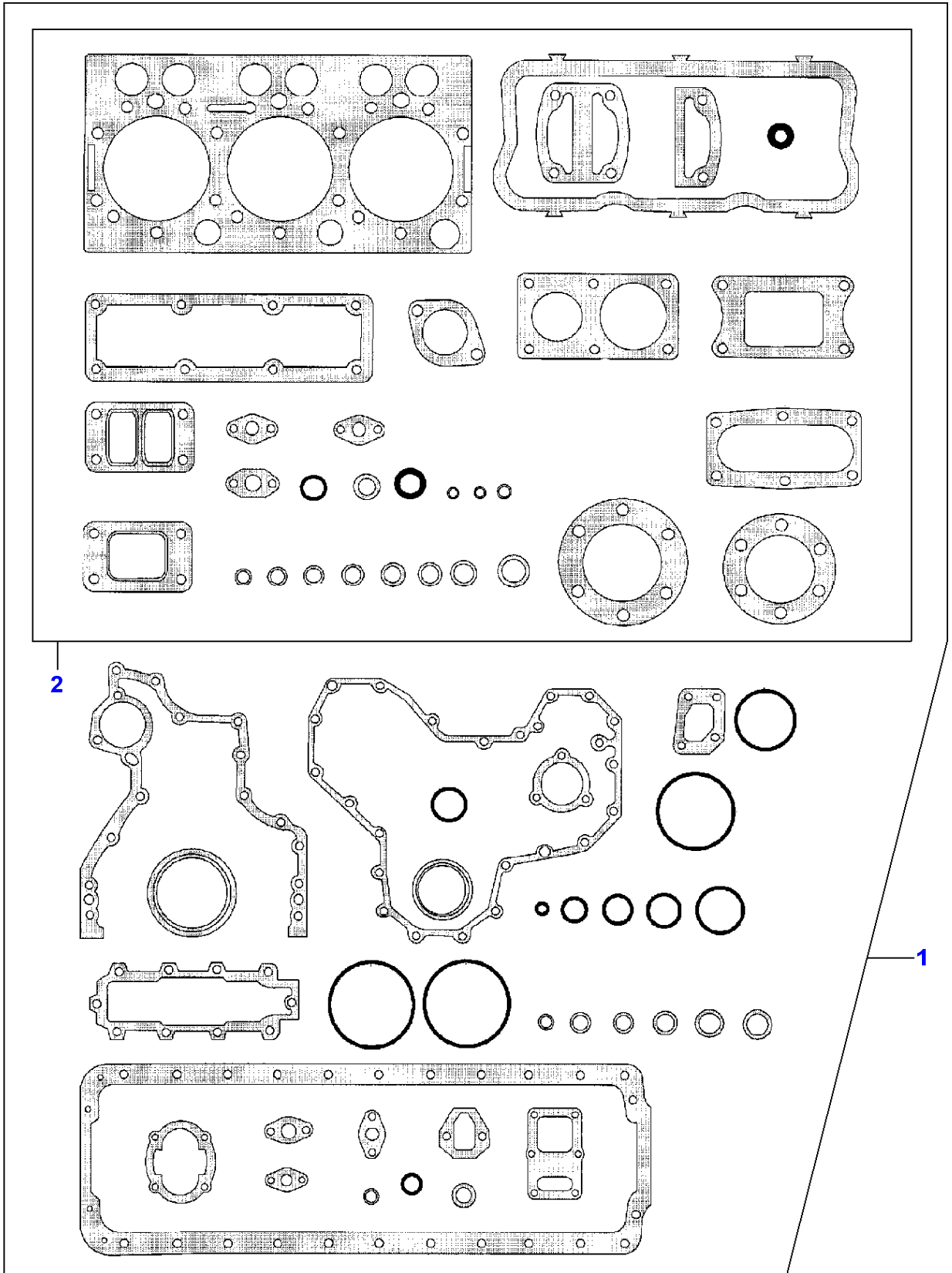


Massey Ferguson**MF 8270/8280 TRACTOR - 1637348****1637348****Engine Repair Kits - Piston- Cylinder Head With Valves****Page010-0195**

Item	Part Number	Qty	Description	Comments
1	V836840986	1	Kit, Repair	MF 8270 - 8280
	V836862440	1	Kit, Repair	MF 8270 XTRA MF 8280 XTRA
2	V836640897	2	Cylinder Head	

MF 8270/8280 TRACTOR - 1637348
1-ZH15-005-A

1-ZH15-005-A



Massey Ferguson

MF 8270/8280 TRACTOR - 1637348

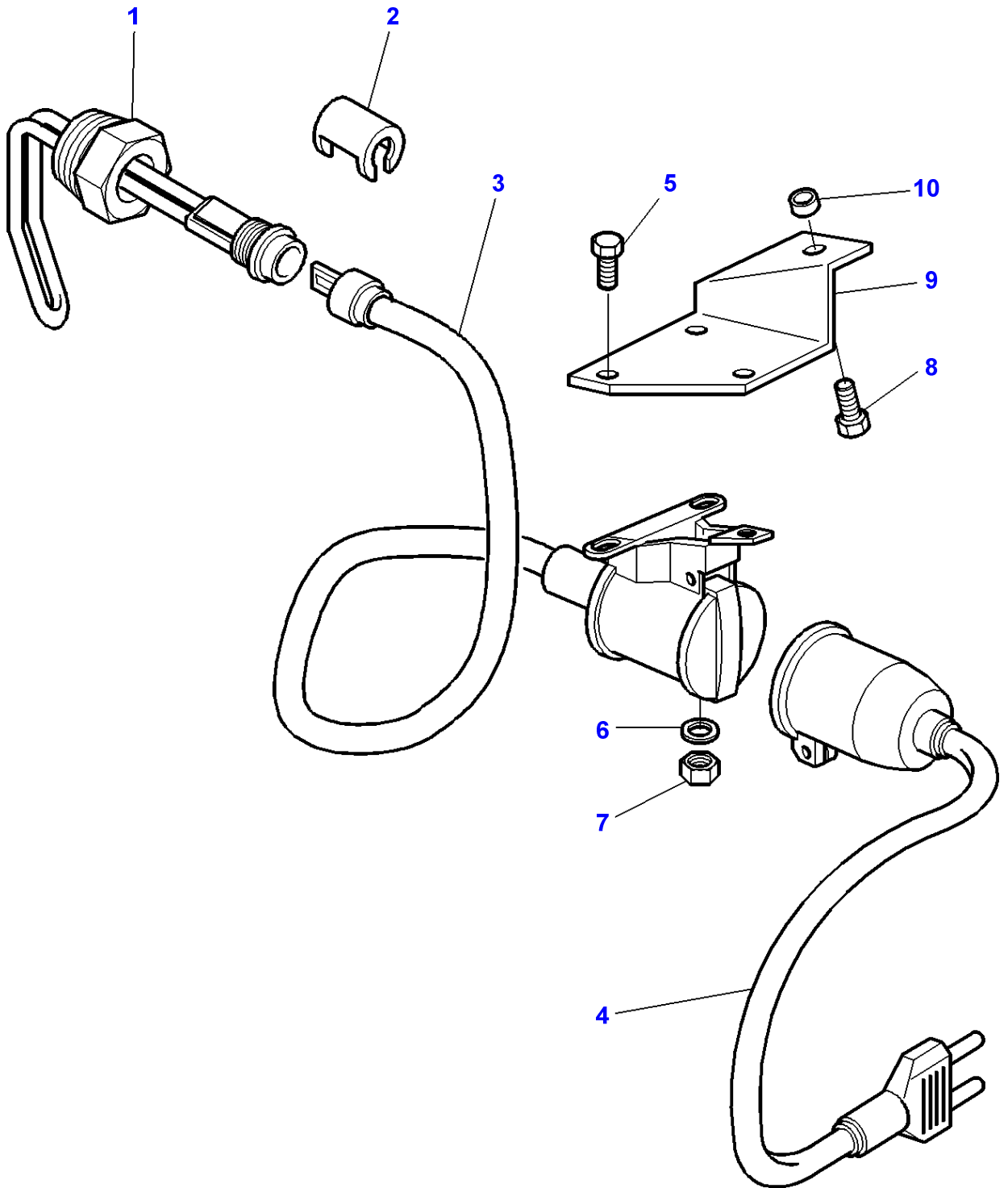
1637348

Engine Gaskets Sets

Page010-0200

Item	Part Number	Qty	Description	Comments
1	V836840985	1	Kit, Joint	
2	V836840993	1	Kit, Joint	(1)

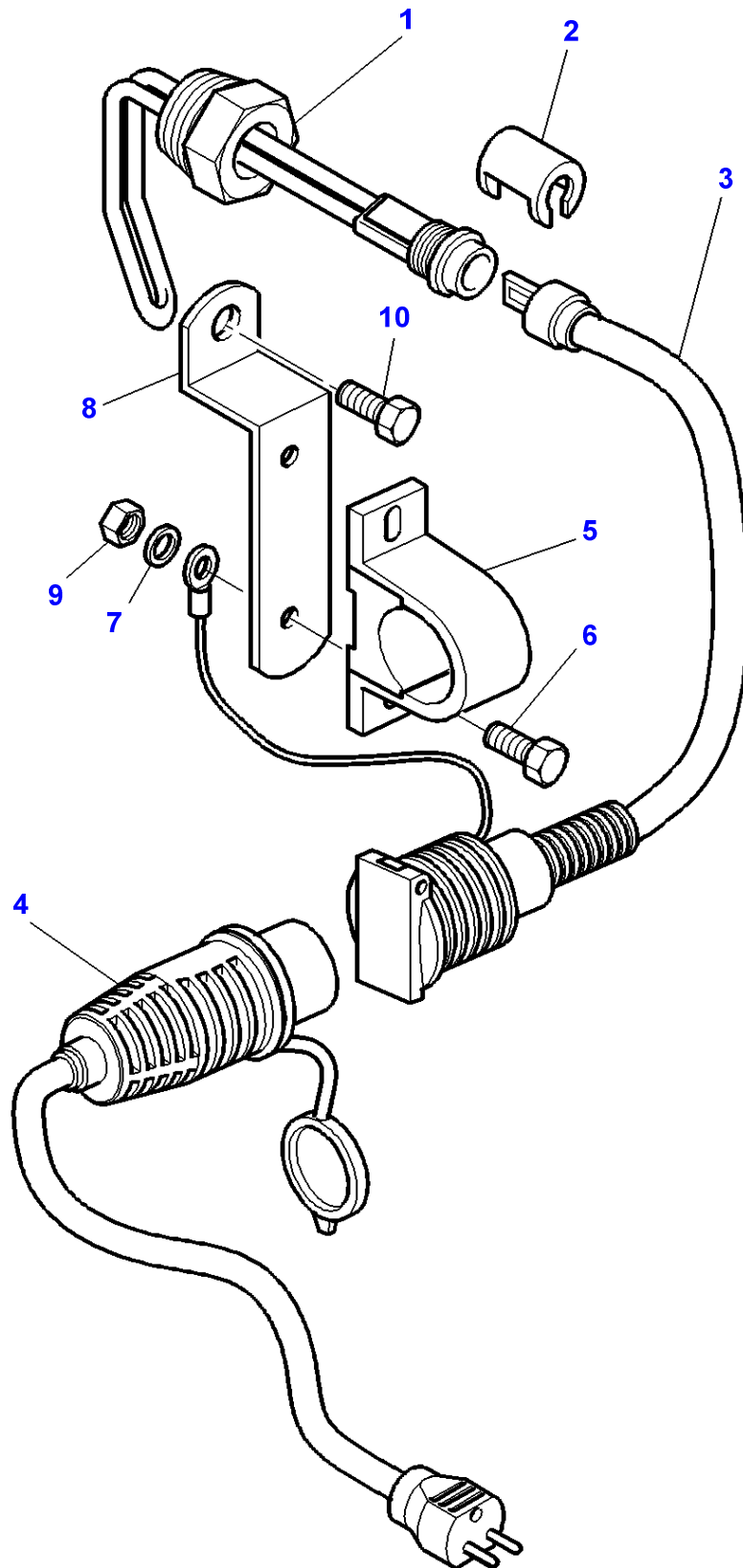
1-ZC38-003-B



Massey Ferguson**MF 8270/8280 TRACTOR - 1637348****1637348****Heater Engine Block - Up to Serial or Engine Number L155012****Page010-0205**

Item	Part Number	Qty	Description	Comments
1	3615752M2	1	Element	
2	3611974M1	1	Clip	
3	3611972M1	1	Lead	Length 560 MM
4	3611973M1	1	Lead	Length 2500 MM
5	3009531X1	3	Screw Metric	M4 X 12
6	3006154X1	3	Washer	
7	1443615X1	3	Nut Metric	M4
8	339123X1	1	Hex. Sock. Screw	M8 X 20
9	3615753M1	1	Support	
10	3778809M1	1	Spacer	Diameter 9-12 X 7 MM

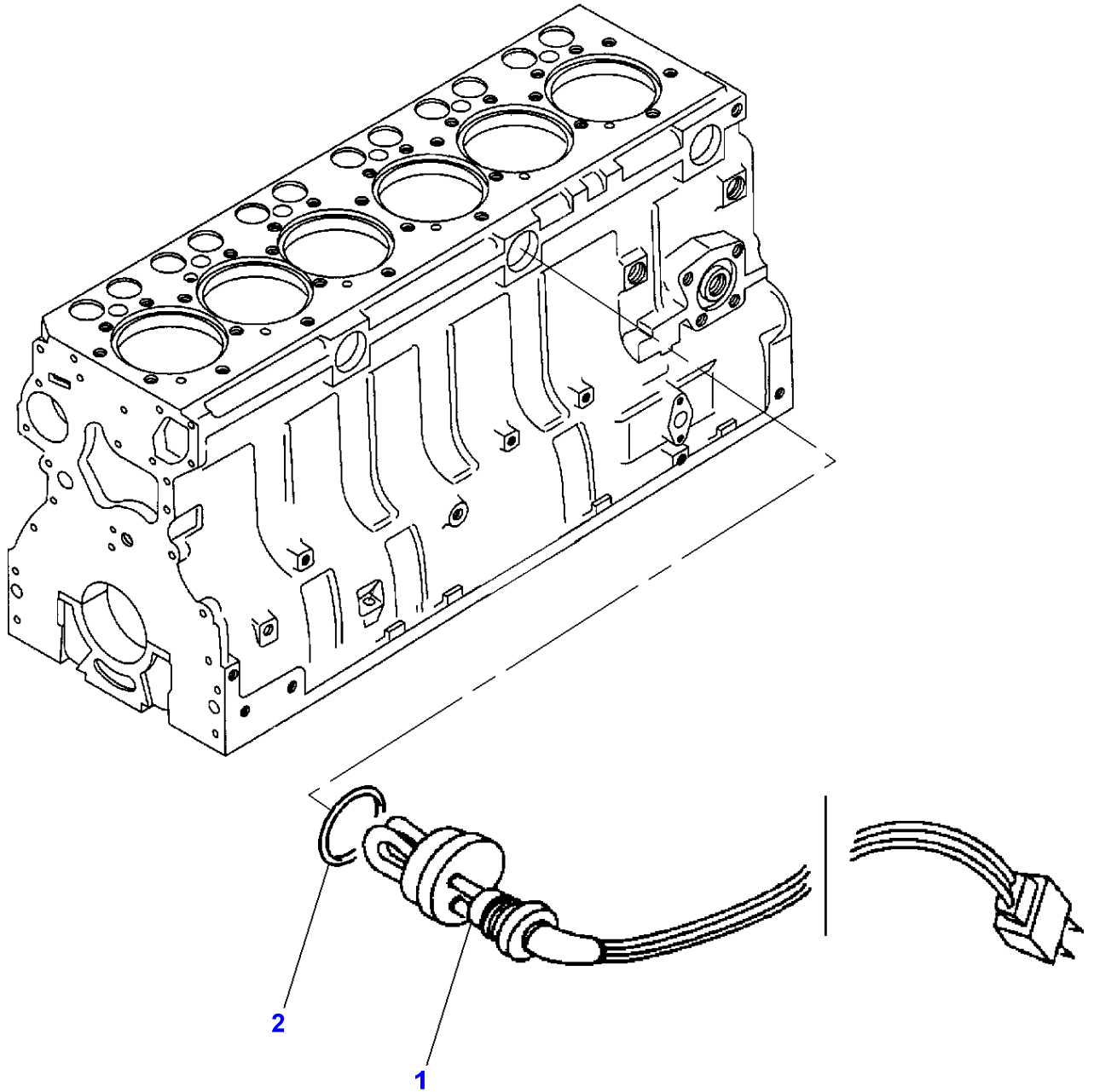
1-ZC38-008-A



Massey Ferguson**MF 8270/8280 TRACTOR - 1637348****1637348****Heater Engine Block - From Serial or Engine Number L155013****Page010-0210**

Item	Part Number	Qty	Description	Comments
1	3615752M2	1	Element	
2	3611974M1	1	Clip	
3	4270169M1	1	Lead	
4	4270172M1	1	Harness	
5	4270098M1	1	Clamp	
6	3010567X1	2	Screw Metric	M5 X 16
7	339381X1	1	Lock Washer	
8	4270462M1	1	Support	
9	3010477X1	2	Nut Metric	M5
10	339123X1	1	Hex. Sock. Screw	M8 X 20

1-ZC38-004-B



Massey Ferguson

MF 8270/8280 TRACTOR - 1637348

1637348

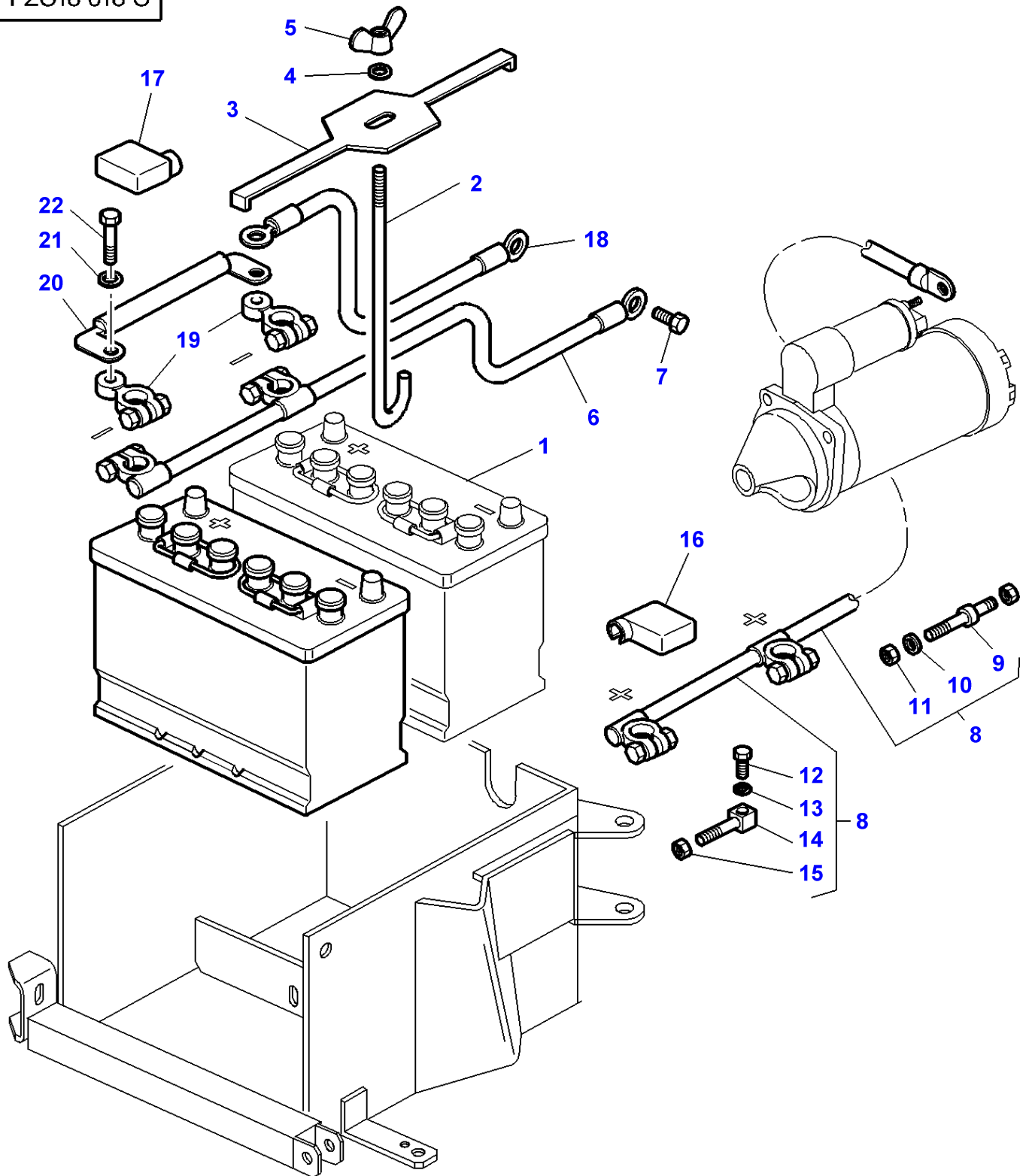
Heater Engine Block

Page010-0215

Item	Part Number	Qty	Description	Comments
1	V836840934	1	Heater	120 V
2	V836840998	1	O Ring	

MF 8270/8280 TRACTOR - 1637348
1-ZC16-016-C

1-ZC16-016-C



Battery & Cables

Item	Part Number	Qty	Description	Comments
1		2	Battery	[A,D] 505 Amp
2	3782448M2	1	Strap	Up to Serial or Engine Number J208015
	3784434M1	1	Draglink	From Serial or Engine Number J208016
3	5015718M2	1	Stirrup	
4	390972X1	2	Washer Metric	Diameter 8-17 X 1,7
5	339106X1	1	Wing Nut	M8
6	5015258M3	1	Cable	Length 1440 MM
				-
7	393764X1	1	Screw	Up to Serial or Engine Number 21-09-2004 M16 X 20
8	3787940M1	1	Cable	Length 2150 MM
				+
9	3781370M1	1	Screw	(8)
10	3010860X1	1	Washer	(8)
11	339169X1	1	Nut	(8)
				M8
12	3010859X1	1	Screw	(8)
				M8 X 12
13	3010860X1	1	Washer	(8)
14	3781143M1	1	Screw	(8)
15	339169X1	1	Nut	(8)
				M8
16	3782138M2	2	Protector	[B]
	3788468M1	2	Protector	[C]
17	3782139M2	2	Protector	[B]
	3788467M1	2	Protector	[C]
18	4277153M1	1	Battery Cable	From Serial or Engine Number 22-09-2004 Length 1250MM
19	4276409M1	2	Connector	From Serial or Engine Number 22-09-2004
20	4274518M1	1	Cable	From Serial or Engine Number 22-09-2004 Length 190MM
21	390972X1	2	Washer Metric	From Serial or Engine Number 22-09-2004
22	339124X1	2	Hex. Sock. Screw	From Serial or Engine Number 22-09-2004 M8 X 16

FOOTNOTE [A] PLEASE REFER TO MARKETING CATALOG

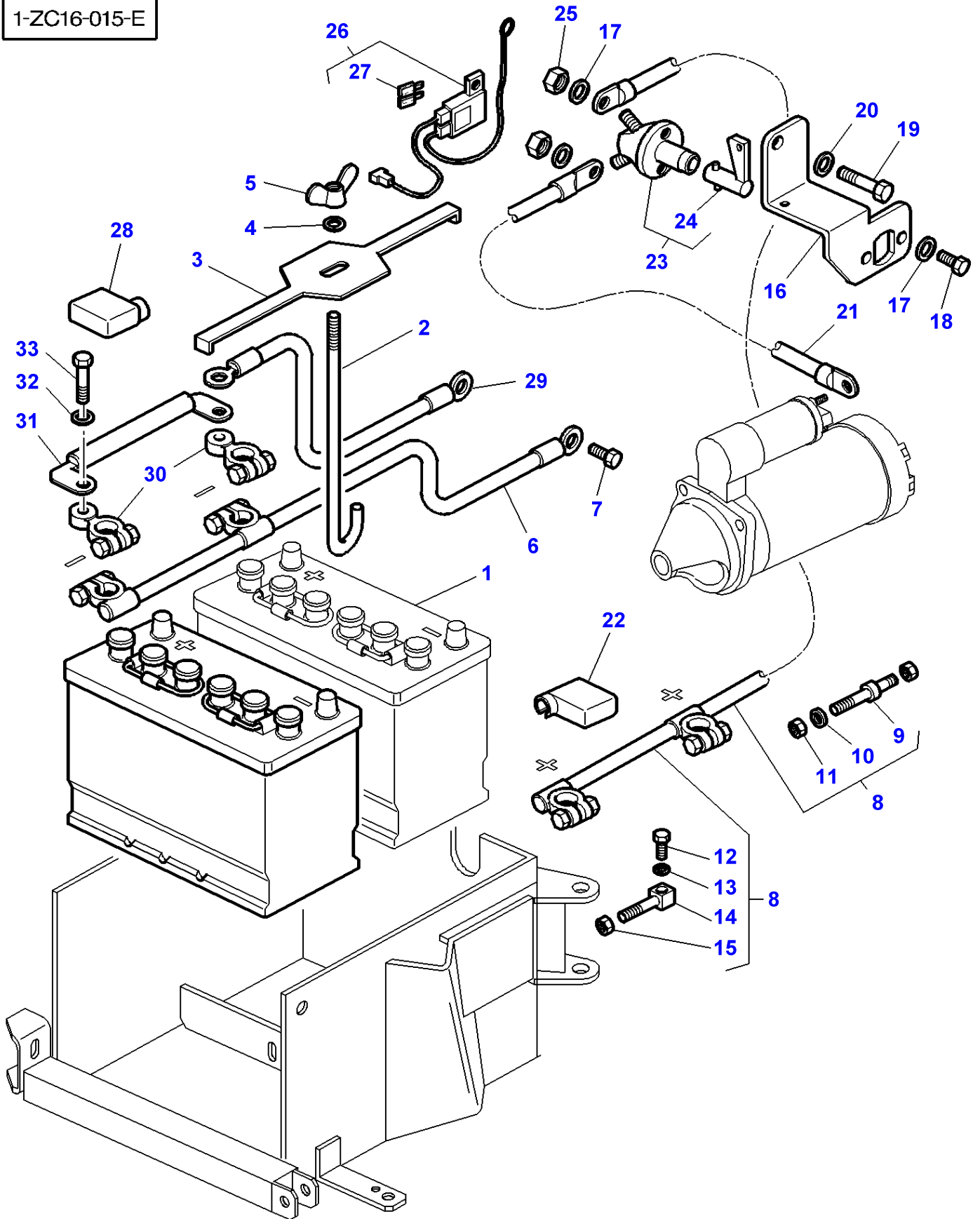
FOOTNOTE [B] RED

FOOTNOTE [C] BLACK

FOOTNOTE [D] THE APPROPRIATE SAFETY DECALS MUST BE ORDERED AND FITTED TO THIS PART

MF 8270/8280 TRACTOR - 1637348
1-ZC16-015-E

1-ZC16-015-E



Battery & Cables - With Battery Cut-Off

Item	Part Number	Qty	Description	Comments
1		2	Battery	[A,D] 505 Amp
2	3782448M2	1	Strap	Up to Serial or Engine Number J208015
	3784434M1	1	Draglink	From Serial or Engine Number J208016
3	5015718M2	1	Stirrup	
4	390972X1	2	Washer Metric	Diameter 8-17 X 1,7
5	339106X1	1	Wing Nut	M8
6	5015258M3	1	Cable	Length 1440 MM
				-
7	393764X1	1	Screw	Up to Serial or Engine Number 21-09-2004 M16 X 20
8	3787940M1	1	Cable	Length 2150 MM
				+
9	3781370M1	1	Screw	(8)
10	3010860X1	1	Washer	(8)
11	339169X1	1	Nut	(8)
				M8
12	3010859X1	1	Screw	(8)
				M8 X 12
13	3010860X1	1	Washer	(8)
14	3781143M1	1	Screw	(8)
15	339169X1	1	Nut	(8)
				M8
16	3781381M1	1	Support	
17	390971X1	4	Washer	Diameter 6-12 X 1,5
18	339666X1	2	Hex. Sock. Screw	M6 X 20
19	391180X1	1	Screw	M14 X 25
20	339380X1	1	Washer	
21	3786272M1	1	Battery Cable	Length 650 MM
22	3782138M2	2	Protector	[B]
	3788468M1	2	Protector	[C]
23	3712201M2	1	Switch	
24	3907322M1	1	Handle	(23)
25	339030X1	2	Nut Metric	M6
26	3783044M91	1	Harness	
27	3387318M1	1	Fuse	(26) 5 Amp
28	3782139M2	2	Protector	[B]
	3788467M1	2	Protector	[C]
29	4277153M1	1	Battery Cable	From Serial or Engine Number 22-09-2004 Length 1250MM
30	4276409M1	2	Connector	From Serial or Engine Number 22-09-2004
31	4274518M1	1	Cable	From Serial or Engine Number 22-09-2004 Length 190MM
32	390972X1	2	Washer Metric	From Serial or Engine Number 22-09-2004
33	339124X1	2	Hex. Sock. Screw	From Serial or Engine Number 22-09-2004 M8 X 16

FOOTNOTE [A] PLEASE REFER TO MARKETING CATALOG

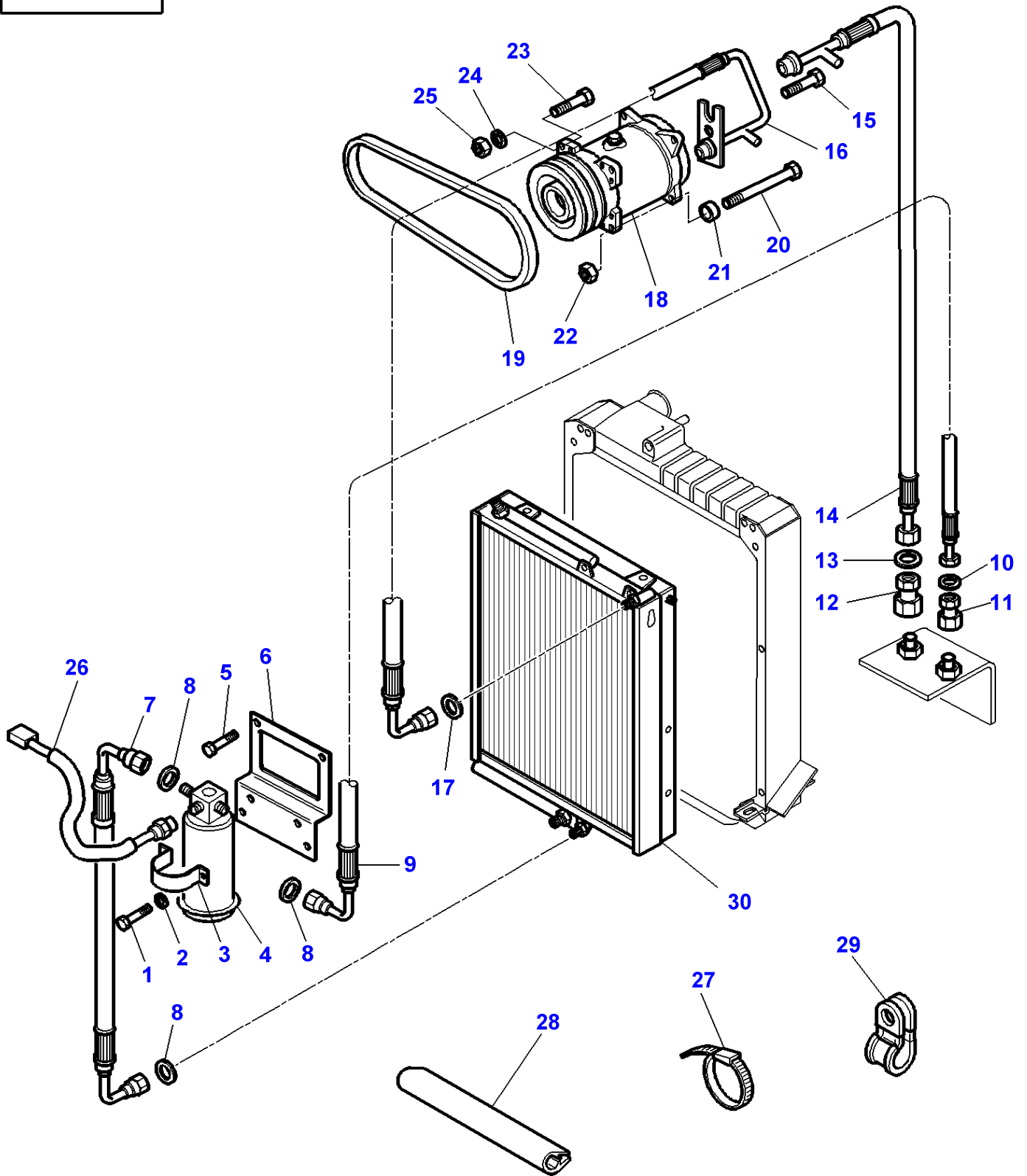
FOOTNOTE [B] RED

FOOTNOTE [C] BLACK

FOOTNOTE [D] THE APPROPRIATE SAFETY DECALS MUST BE ORDERED AND FITTED TO THIS PART

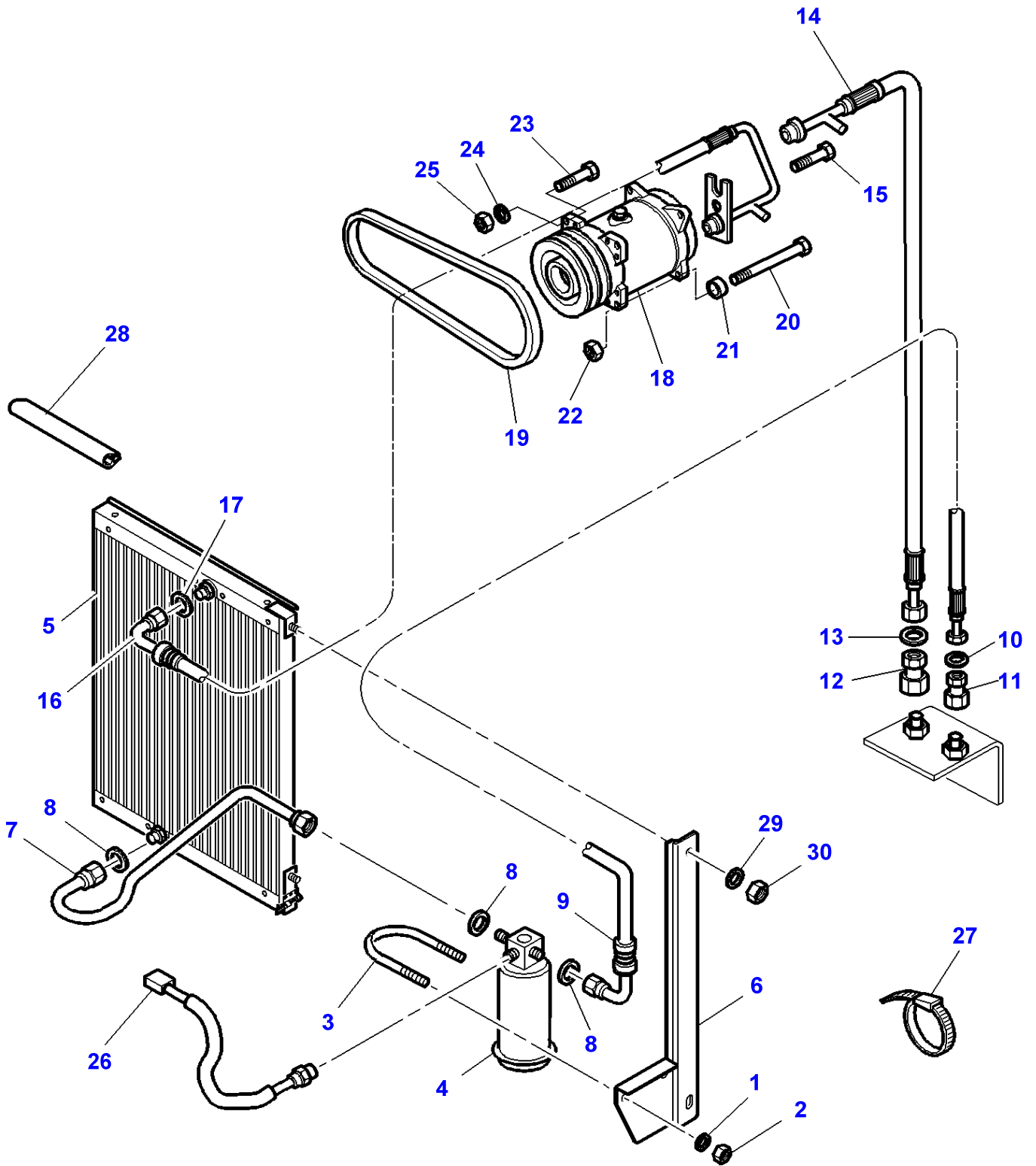
MF 8270/8280 TRACTOR - 1637348
1-ZC08-008-C

1-ZC08-008-C



Item	Part Number	Qty	Description	Comments
1	339337X1	2	Hex. Sock. Screw	M8 X 30
2	3580856M1	2	Spacer	Diameter 11-20 X 6 MM
3	3783673M1	1	Clamp	
4	3712495M1	1	Filter	
5	3009491X1	2	Hex. Sock. Screw	M10 X 20
6	5015646M92	1	Support	
7	5015340M1	1	Hydr Hose	Length 740 MM
8	3010471X1	3	O Ring	
9	5015644M1	1	Hydr Hose	
10	368524X1	1	Union	
11	3010502X1	1	O Ring	
12	368543X1	1	Union	
13	3010474X1	1	O Ring	
14	3782102M1	1	Hydr Hose	Length 1020 MM
15	358139X1	1	Screw	3/8-24 X 25
16	3714484M1	1	Hydr Hose	
17	3010472X1	1	O Ring	
18	3782613M2	1	Compressor	See Page - Reference Number 010-0240/1
19	3386214M1	1	Belt	Length 1150 MM
20	1442487X1	1	Bolt Metric	M10 X 130
21	3580856M1	1	Spacer	Diameter 11-20 X 6 MM
22	339402X1	1	Nut	M10
23	3009494X1	1	Screw Metric	M10 X 35
24	385362X1	1	Washer	Diameter 10-20 X 3 MM
25	339402X1	3	Nut	M10
26	3712526M1	1	Pressure Switch	
27	517587M1	X	Cable Tie	Length 185 MM
28	3783129M1	1	Staple	Length 25 MM
29	3581424M1	2	Clamp	Diameter 25 MM
30	5016133M2	1	Oil Cooler	

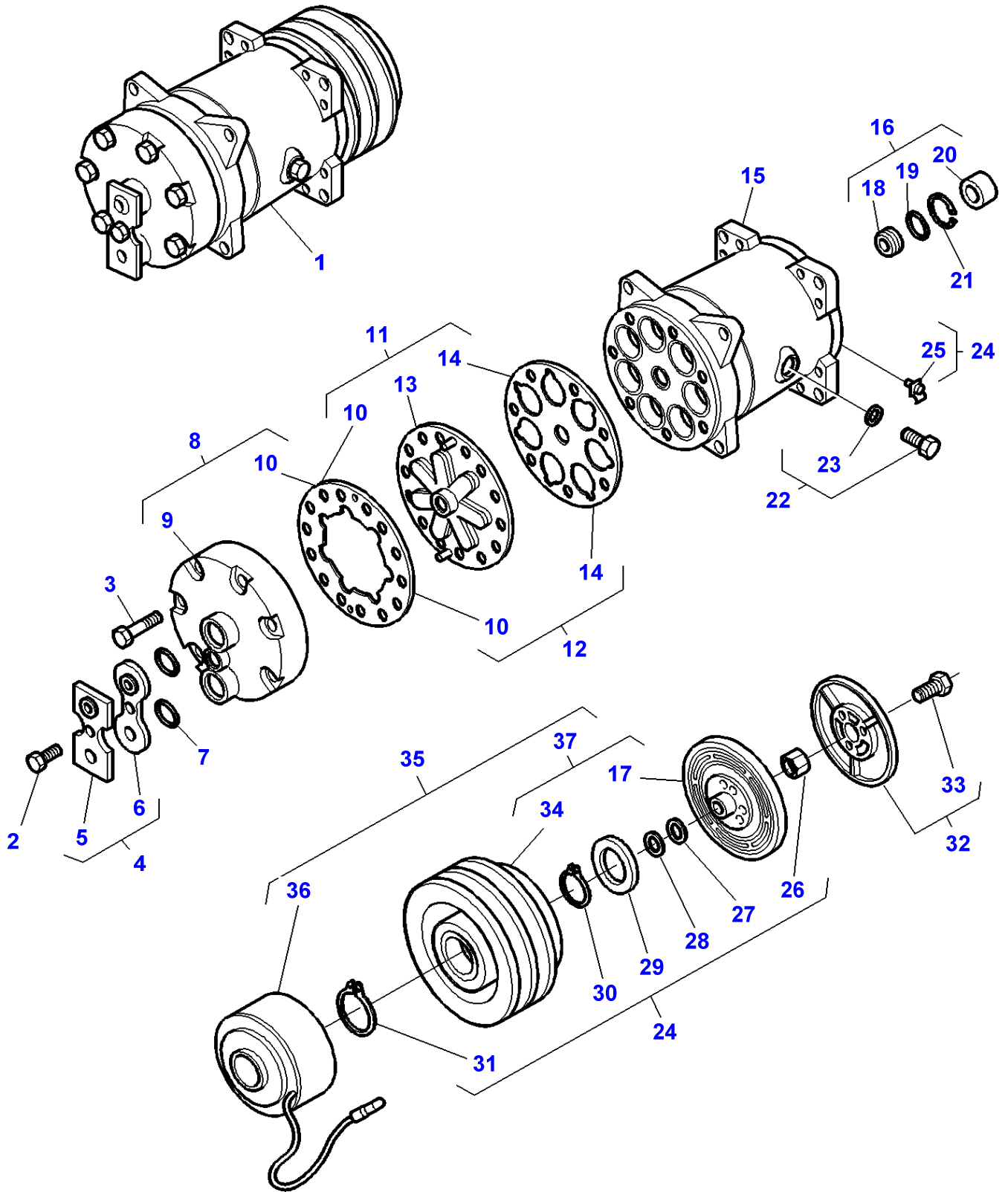
1-ZC08-015-B



Item	Part Number	Qty	Description	Comments
1	390971X1	2	Washer	Diameter 6-12 X 1,5 MM
2	339030X1	2	Nut Metric	M6
3	3383977M1	1	Stirrup	
4	3712495M1	1	Filter	
5	3785702M1	1	Condenser	
6	3785878M3	1	Support	
7	3787886M1	1	Tube	
8	3010471X1	3	O Ring	
9	3785881M1	1	Hydr Hose	
10	368524X1	1	Union	
11	3010502X1	1	O Ring	
12	368543X1	1	Union	
13	3010474X1	1	O Ring	
14	3782102M1	1	Hydr Hose	Length 1020 MM
15	358139X1	1	Screw	3/8-24 X 25
16	3785879M1	1	Hydr Hose	
17	3010472X1	1	O Ring	
18	3782613M2	1	Compressor	See Page - Reference Number 010-0240/1
19	3712531M1	1	Belt	Up to Serial or Engine Number L171036 Length 1025 MM
	3389525M1	1	Belt	From Serial or Engine Number L171037 Length 1085 MM
20	1442487X1	1	Bolt Metric	M10 X 130
21	3580856M1	1	Spacer	Diameter 11-20 X 6 MM
22	339402X1	1	Nut	M10
23	3009494X1	1	Screw Metric	M10 X 35
24	385362X1	1	Washer	
25	339402X1	1	Nut	M10
26	3712526M1	1	Pressure Switch	
27	517587M1	X	Cable Tie	Diameter 185 MM
28	3783129M1	1	Staple	Length 25 MM
29	390972X1	2	Washer Metric	Diameter 8-17 X 1,7 MM
30	339169X1	2	Nut	M8

MF 8270/8280 TRACTOR - 1637348
1-ZC49-001-A

1-ZC49-001-A

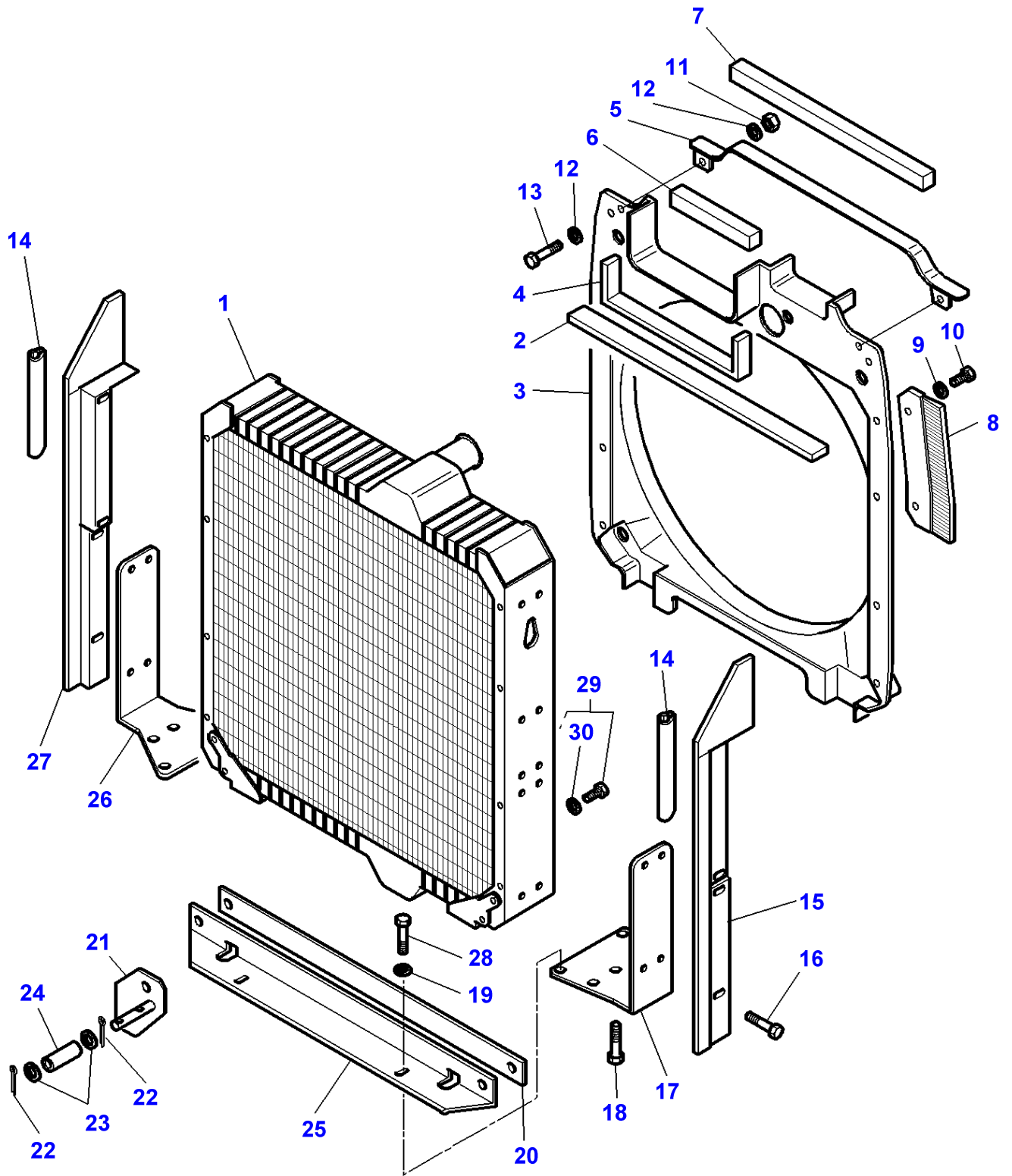


Sanden Compressor

Item	Part Number	Qty	Description	Comments
1	3782613M2	1	Compressor	
2	3901157M1	1	Screw	(1)
3	3901154M1	6	Screw	(1)
4	3903258M91	1	Kit	(1)
5		1	Plate	(4)
				Not serviced,order REF.4
6		1	Cover	(4)
				Not serviced,order REF.4
7	3901155M1	2	O Ring	(1)
8	3901147M91	1	Head	(1)
9		1	Cover	(8)
				Not serviced,order REF.8
10		1	Gasket	(8)
				Not serviced,order REF.8
11	3903255M91	1	Kit	(1)
12	3903256M91	1	Kit, Gasket	(1)
13		1	Plate	(11)
				Not serviced,order REF.11
14		1	Gasket	(11)
				Not serviced,order REF.11
15		1	Body	(1)
				Not serviced,order REF.1
16	3903257M91	1	Kit, Seal	(1)
17		1	Armature	(37)
				Not serviced,order REF.37
18		1	Seal	(16)
				Not serviced,order REF.16
19		1	O Ring	(16)
				Not serviced,order REF.16
20		1	Felt Ring	(16)
				Not serviced,order REF.16
21	3901150M1	1	Circlip	(1)
22	3901152M91	1	Plug	(1)
23	3901153M1	1	O Ring	(22)
24	3903263M91	1	Kit	(1)
25		1	Clip	(24)
				Not serviced,order REF.24
26		1	Nut	(24)
				Not serviced,order REF.24
27		1	Ring	(24)
				Not serviced,order REF.24
28		1	Ring	(24)
				Not serviced,order REF.24
29	3901162M1	1	Cover	(24)
30		1	Clip	(24)
				Not serviced,order REF.24
31		1	Clip	(24)
				Not serviced,order REF.24
32	3903259M91	1	Kit	
33		3	Screw	(32)
				Not serviced,order REF.32
34		1	Pulley	(37)
				Not serviced,order REF.37
35	3903260M92	1	Clutch	(1)
36	3903262M91	1	Coil	(35)
37	3903261M92	1	Rotor	(35)

MF 8270/8280 TRACTOR - 1637348
1-ZC23-010-B

1-ZC23-010-B

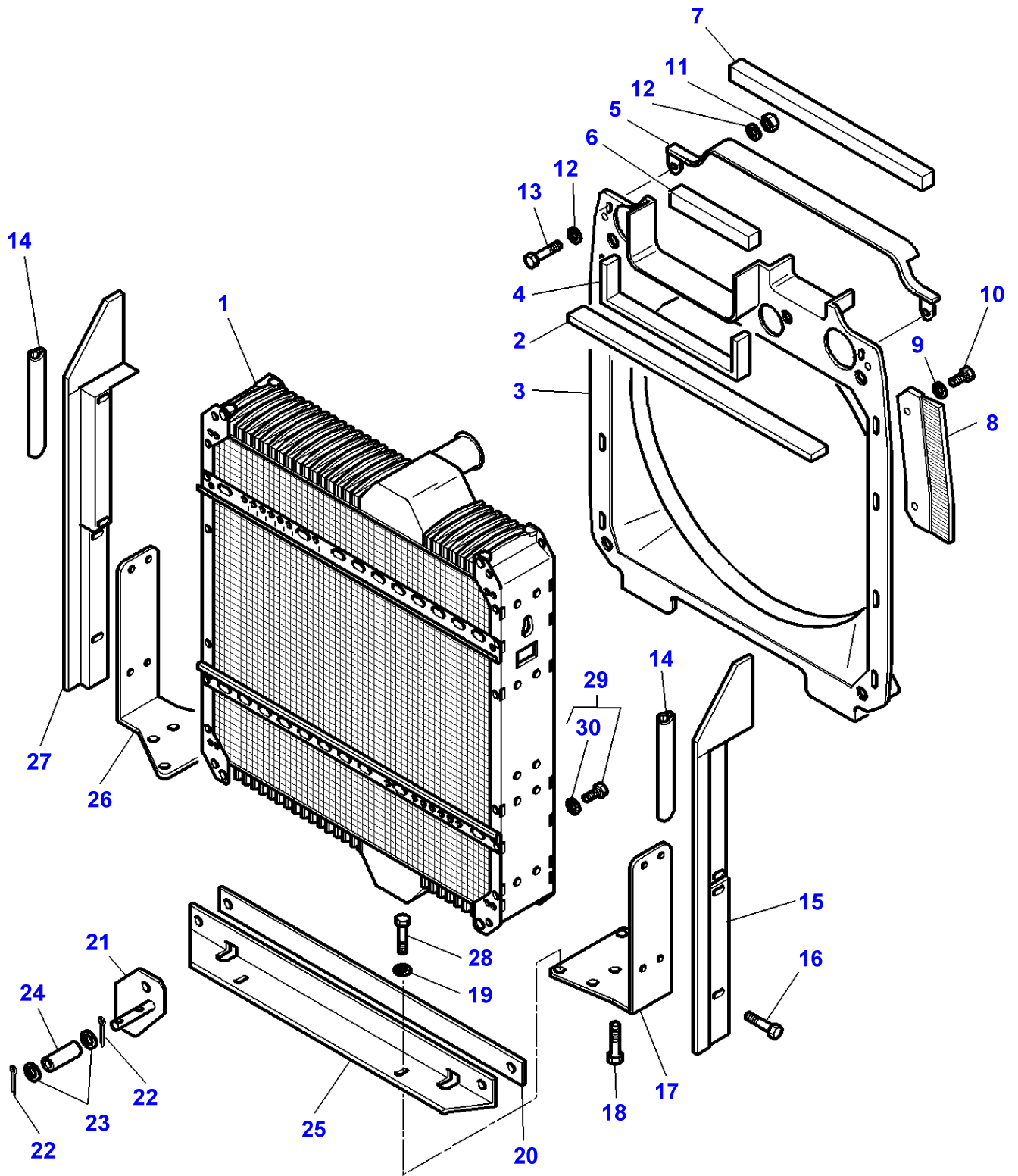


Item	Part Number	Qty	Description	Comments
1	5015105M2	1	Water Cooler	[A]
2	72504363	2	Foam	Length 610 MM
3	3781643M3	1	Shroud	
4	5016145M2	2	Gasket	Length 520 MM
5	3783094M91	1	Support	
6	3779389M1	4	Gasket	Length 30 X 13 X 160
7	3783670M2	2	Gasket	Length 750 MM
8	3783099M4	1	Gasket	Right Hand
	3783100M4	1	Gasket	Left Hand
9	390972X1	10	Washer Metric	Diameter 8-17 X 1,7
10	339124X1	10	Hex. Sock. Screw	M8 X 16
11	339169X1	2	Nut	M8
12	390972X1	4	Washer Metric	Diameter 8-17 X 1,7
13	339123X1	2	Hex. Sock. Screw	M8 X 20
14	3011018X1	2	Seal	Length 700 MM
15	3781629M1	1	Support	Left Hand
16	339123X1	8	Hex. Sock. Screw	M8 X 20
17	3781911M1	1	Support	Left Hand
18	3009492X1	2	Hex. Sock. Screw	M10 X 25
19	390735X1	4	Washer	Diameter 12-24 X 2,5
20	3783101M1	1	Gasket	Length 745 MM
21	3782449M91	1	Support	Left Hand
	3782450M91	1	Support	Right Hand
22	1442967X1	4	Pin	Diameter 2,5 X 20
23	366496X1	4	Washer	
24	3781233M1	2	Roll	
25	3783046M1	1	Support	
26	3781621M1	1	Support	Right Hand
27	3781630M1	1	Support	Right Hand
28	3009506X1	4	Screw Metric	M12 X 30
29	358724X91	1	Plug	
30	831497M1	1	O Ring	(29)

FOOTNOTE [A] THE APPROPRIATE SAFETY DECALS MUST BE ORDERED AND FITTED TO THIS PART

MF 8270/8280 TRACTOR - 1637348
1-ZC23-022-B

1-ZC23-022-B



Cooling System - Engine - M.F 8270 XTRA - 8280 XTRA

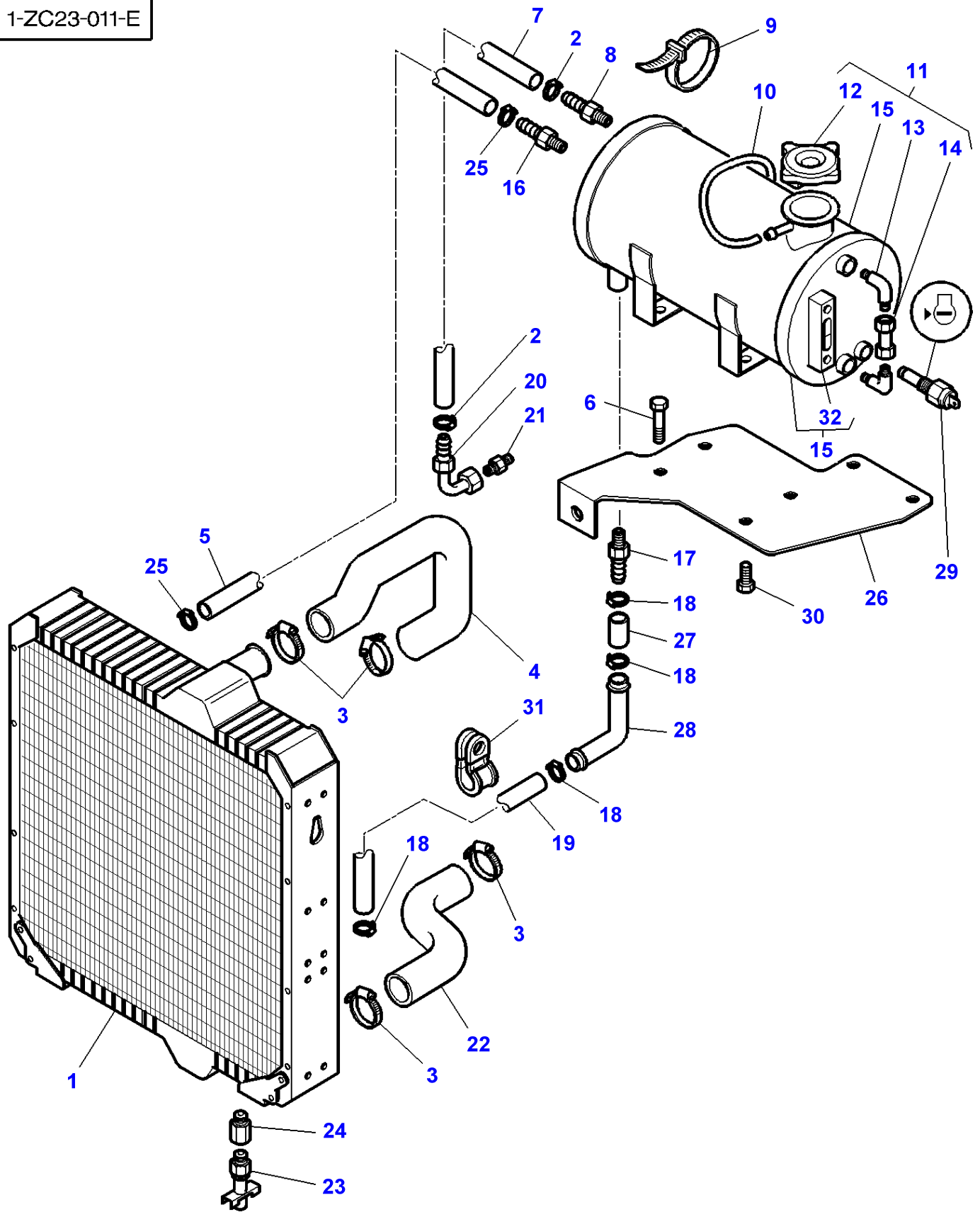
Item	Part Number	Qty	Description	Comments
1	3788381M1	1	Water Cooler	[B]
2	72504363	2	Foam	Length 610 MM
3	3785757M1	1	Shroud	
4	5016145M2	2	Gasket	Length 520 MM
5	3785976M2	1	Support	
6	3779389M1	4	Gasket	Length 30 X 13 X 160
7	3783670M2	2	Gasket	Length 750 MM
8	3783099M4	1	Gasket	Right Hand
	3783100M4	1	Gasket	Left Hand
9	390972X1	10	Washer Metric	Diameter 8-17 X 1,7
10	339124X1	10	Hex. Sock. Screw	M8 X 16
11	339169X1	2	Nut	M8
12	390972X1	4	Washer Metric	Diameter 8-17 X 1,7
13	339123X1	2	Hex. Sock. Screw	M8 X 20
14	3011018X1	2	Seal	Length 700 MM
15	3781629M1	1	Support	Left Hand
16	339123X1	8	Hex. Sock. Screw	M8 X 20
17	3781911M1	1	Support	Left Hand
18	3009492X1	2	Hex. Sock. Screw	M10 X 25
19	390735X1	4	Washer	Diameter 12-24 X 2,5
20	3783101M1	1	Gasket	Length 745 MM
21	3782449M91	1	Support	Left Hand
				Up to Serial or Engine Number L109010
	3782450M91	1	Support	Right Hand
				Up to Serial or Engine Number L109010
22	1442967X1	4	Pin	Diameter 2,5 X 20
23	366496X1	4	Washer	
24	3781233M1	2	Roll	Up to Serial or Engine Number L109010
25	3783046M1	1	Support	
26	3781621M1	1	Support	Right Hand
27	3781630M1	1	Support	Right Hand
28	3009506X1	4	Screw Metric	M12 X 30
29	358724X91	1	Plug	
30	831497M1	1	O Ring	(29)

FOOTNOTE [A] NUMBER TO BE ADVISED

FOOTNOTE [B] THE APPROPRIATE SAFETY DECALS MUST BE ORDERED AND FITTED TO THIS PART

MF 8270/8280 TRACTOR - 1637348
1-ZC23-011-E

1-ZC23-011-E



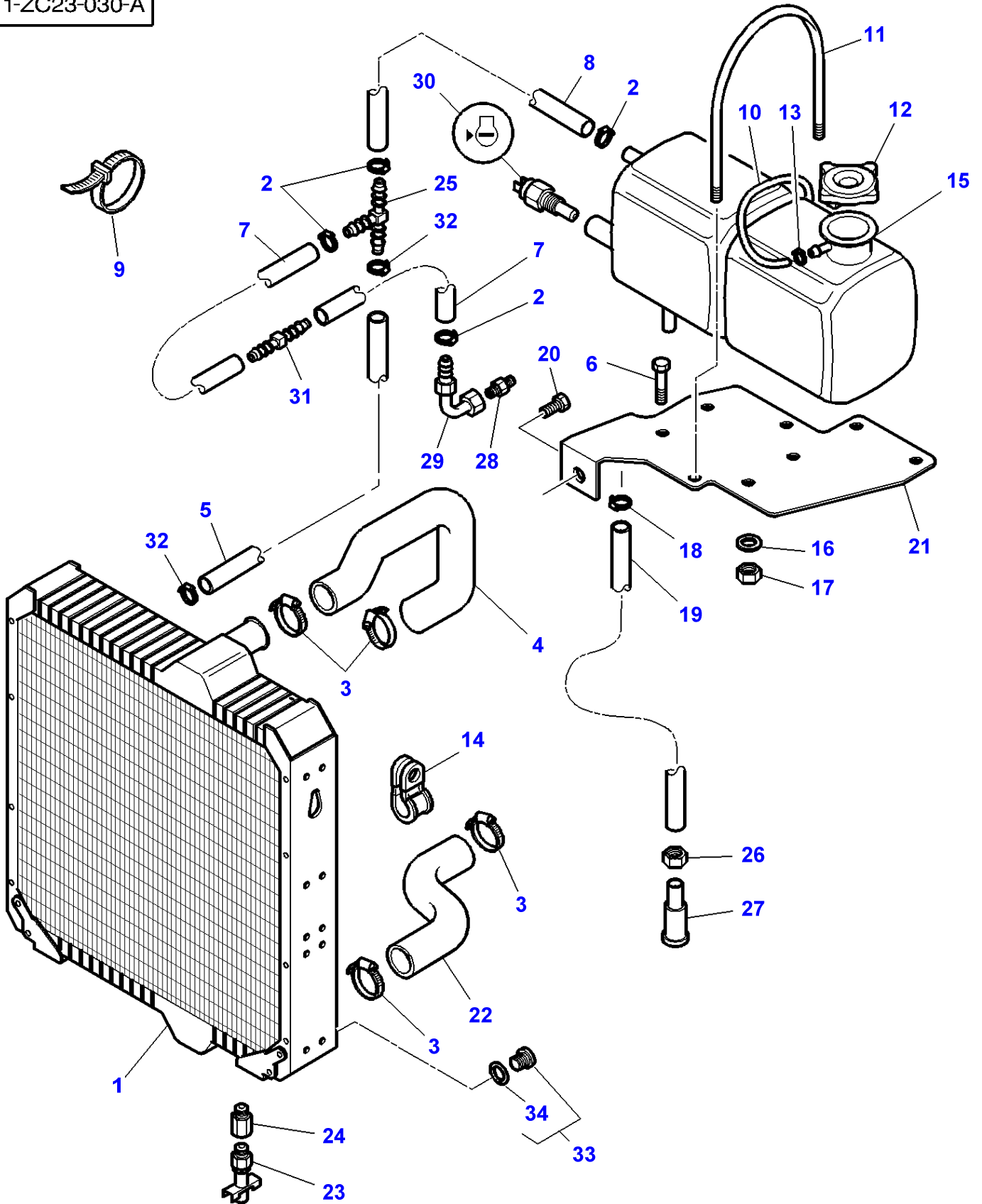
Item	Part Number	Qty	Description	Comments
1	5015105M2	1	Water Cooler	[B]
2	3712464M1	2	Clamp	
3	338618X1	4	Hose Clip	
4	5015118M1	1	Hose	
5	5016649M1	1	Hose	Length 1500 MM
6	3009493X1	2	Hex. Sock. Screw	M10 X 30
7	5016647M2	1	Hose	Length 1300 MM
8	70920801	1	Connectors	
9	3619622M1	4	Cable Tie	
10	3583427M1	1	Tube	
11	3783349M91	1	Tank	Up to Serial or Engine Number L029007
		1	Tank	[A]
				From Serial or Engine Number L029008
12	3783539M1	1	Plug	(11)
13	3783847M1	2	Union	(11)
				Up to Serial or Engine Number L029007
14	3783848M1	1	Tube	(11)
				Up to Serial or Engine Number L029007
15		1	Tank	(11)
				Not serviced,order REF. 11
				Up to Serial or Engine Number L029007
	3783541M2	1	Tank	From Serial or Engine Number L029008
16	5016589M1	1	Connectors	From Serial or Engine Number L029008
17	70925055	1	Connector	
18	373813X1	4	Clamp	
19	3784101M1	1	Exhaust Pipe	Length 1170 MM
20	5017300M1	1	Union	
21	5017417M91	1	Union	
22	5015117M1	1	Hose	
23	70229210	1	Cock	
24	5016190M1	1	Adaptor	
25	3712465M1	2	Clamp	
26	3781709M1	1	Plate	
27	3784100M1	1	Exhaust Pipe	Length 95 MM
28	3784098M1	1	Elbow	
29	3617129M2	1	Sensor	
30	3009491X1	5	Hex. Sock. Screw	M10 X 20
31	3010808X1	1	Strap	Diameter 40
32	3903985M1	1	Dipstick	(15)
				From Serial or Engine Number L029008

FOOTNOTE [A] ORDER DETAIL

FOOTNOTE [B] THE APPROPRIATE SAFETY DECALS MUST BE ORDERED AND FITTED TO THIS PART

MF 8270/8280 TRACTOR - 1637348
1-ZC23-030-A

1-ZC23-030-A

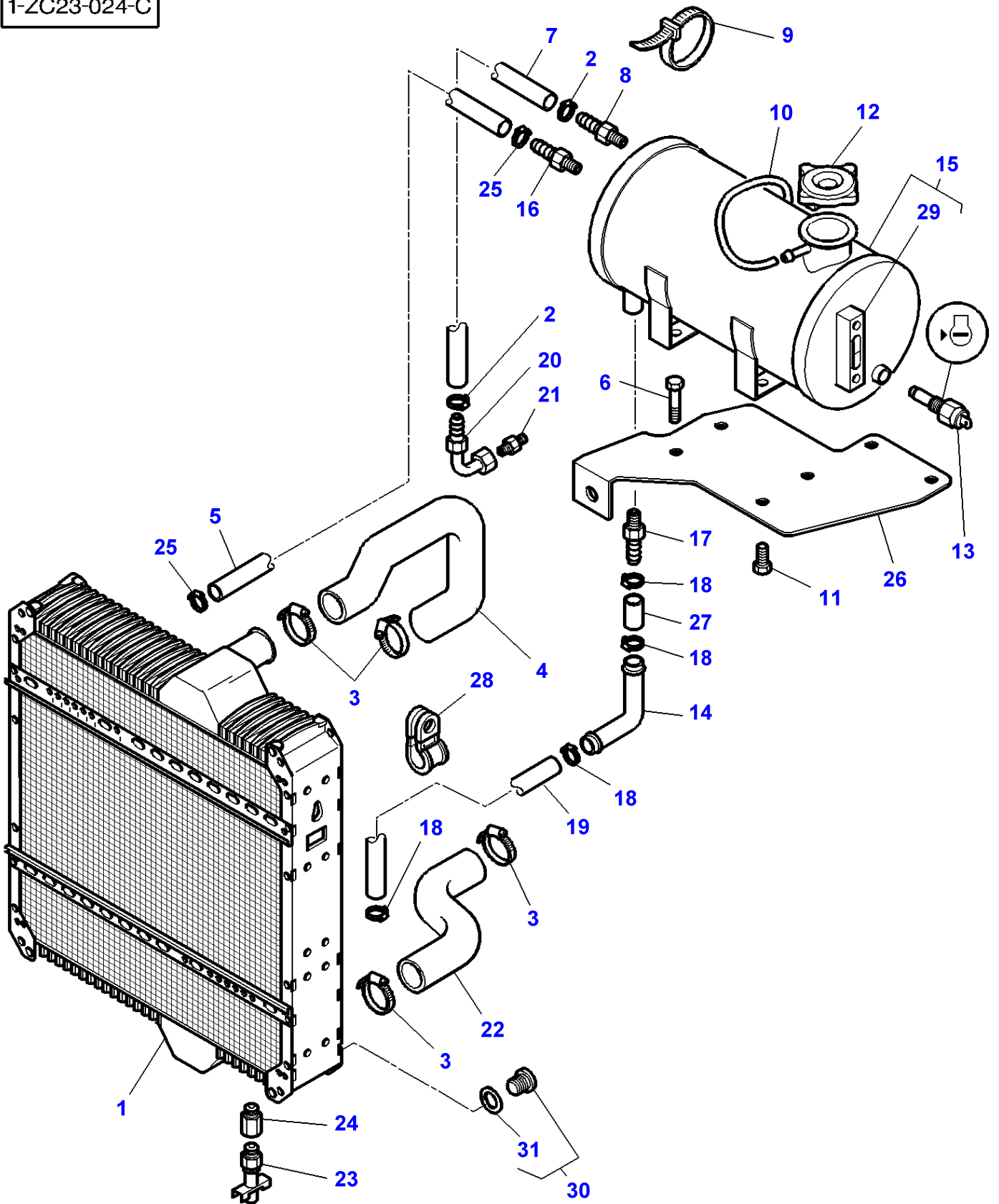


Item	Part Number	Qty	Description	Comments
1	5015105M2	1	Water Cooler	[A]
2	3712464M1	4	Clamp	Diameter 12 MM
3	338618X1	4	Hose Clip	Diameter 50-70
4	5015118M1	1	Hose	
5	3580327M1	1	Tube	Length 550 MM
6	3009493X1	2	Hex. Sock. Screw	M10 X 30
7	3713676M1	1	Hose	Length 400 MM
8	4278566M1	1	Hose	Length 900 MM
9	3619622M1	4	Cable Tie	
10	3583427M1	1	Tube	
11	4275245M1	1	Bridle	M8
12	3787612M1	1	Plug	
13	338612X1	1	Hose Clip	Diameter 10-16
14	3010808X1	3	Strap	Diameter 40MM
15	4275025M2	1	Tank	[A]
16	390972X1	2	Washer Metric	
17	339169X1	2	Nut	M8
18	373813X1	1	Clamp	
19	3786408M1	1	Hose	Length 1700 MM
20	3009491X1	1	Hex. Sock. Screw	M10 X 20
21	3781709M3	1	Plate	
22	5015117M1	1	Hose	
23	70229210	1	Cock	
24	5016190M1	1	Adaptor	
25	3779038M1	1	Union	
26	3011120X1	1	Nut	Diameter 10-6 MM
27	4278259M1	1	Connection	
28	5017417M91	1	Union	
29	5017300M1	1	Union	
30	3617129M2	1	Sensor	
31	3010671X1	1	Union	
32	3712465M1	2	Clamp	Diameter 15 MM
33	358724X91	1	Plug	Diameter 3/4"- 16
34	831497M1	1	O Ring	(33)

FOOTNOTE [A] THE APPROPRIATE SAFETY DECALS MUST BE ORDERED AND FITTED TO THIS PART

MF 8270/8280 TRACTOR - 1637348
1-ZC23-024-C

1-ZC23-024-C

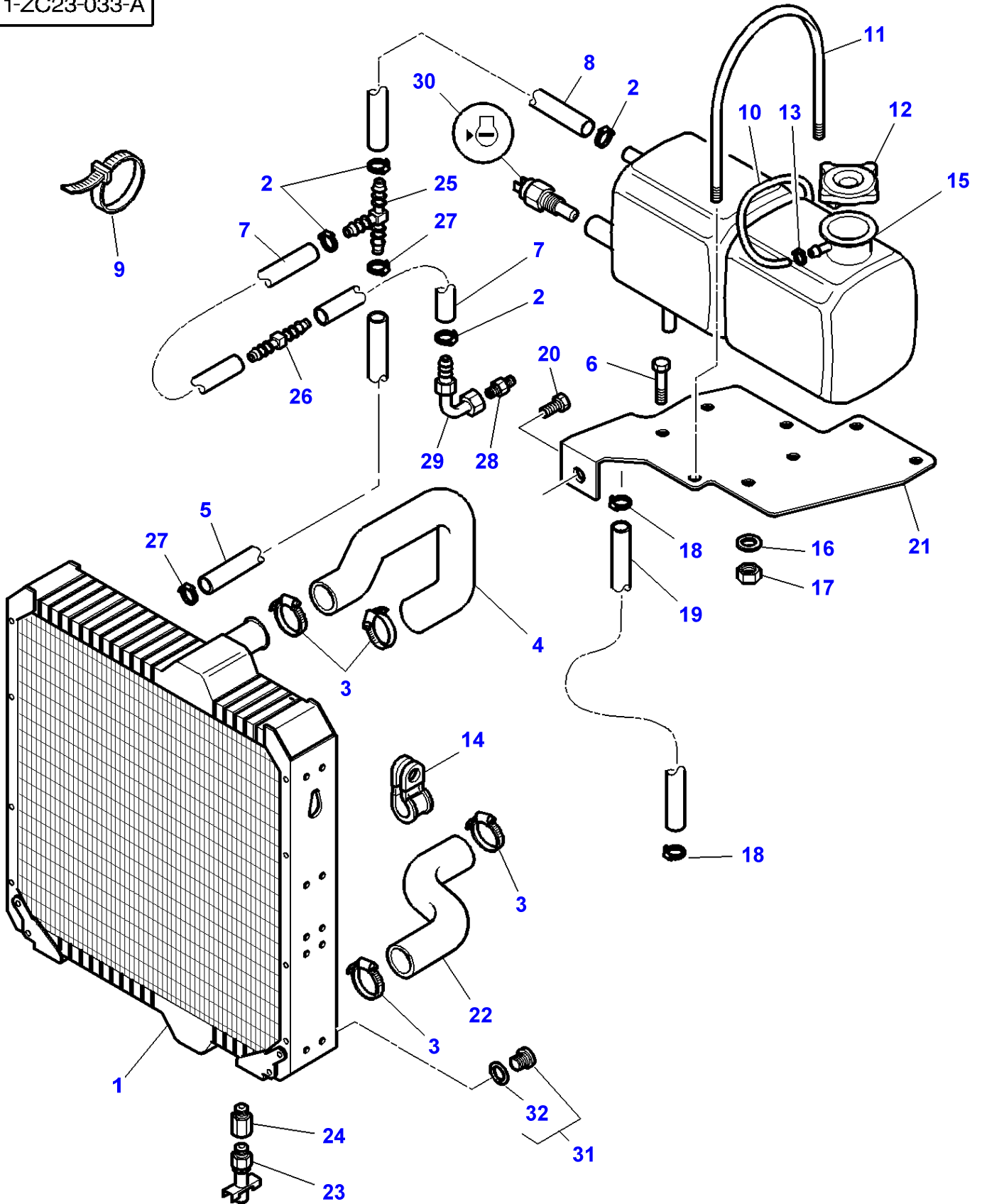


Item	Part Number	Qty	Description	Comments
1	3788381M1	1	Water Cooler	[A]
2	3712464M1	2	Clamp	
3	338618X1	4	Hose Clip	
4	5015118M1	1	Hose	
5	5016649M1	1	Hose	Length 1500 MM
6	3009493X1	2	Hex. Sock. Screw	M10 X 30
7	5016647M2	1	Hose	Length 1300 MM
8	70920801	1	Connectors	
9	3619622M1	4	Cable Tie	
10	3583427M1	1	Tube	
11	3009491X1	5	Hex. Sock. Screw	M10 X 20
12	3783539M1	1	Plug	
13	3617129M2	1	Sensor	
14	3784098M1	1	Elbow	
15	3783541M2	1	Tank	[A]
16	5016589M1	1	Connectors	
17	70925055	1	Connector	
18	373813X1	4	Clamp	
19	3784101M1	1	Exhaust Pipe	Length 1170 MM
20	5017300M1	1	Union	
21	5017417M91	1	Union	
22	5015117M1	1	Hose	
23	70229210	1	Cock	
24	5016190M1	1	Adaptor	
25	3712465M1	2	Clamp	
26	3781709M1	1	Plate	
27	3784100M1	1	Exhaust Pipe	Length 95 MM
28	3010808X1	1	Strap	Diameter 40 MM
29	3903985M1	1	Dipstick	(15)
30	358724X91	1	Plug	Diameter 3/4" - 16
31	831497M1	1	O Ring	(30)

FOOTNOTE [A] THE APPROPRIATE SAFETY DECALS MUST BE ORDERED AND FITTED TO THIS PART

MF 8270/8280 TRACTOR - 1637348
1-ZC23-033-A

1-ZC23-033-A

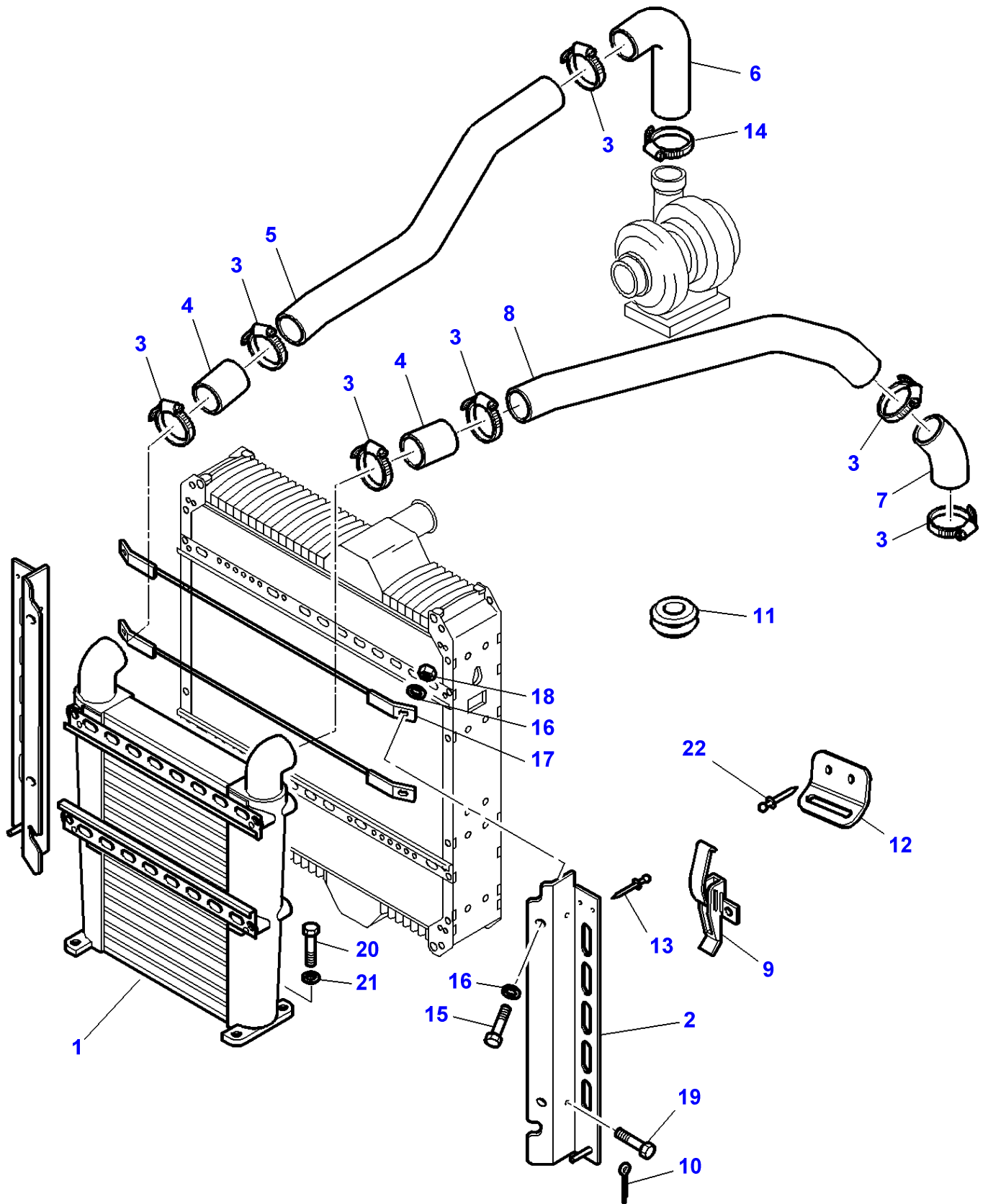


Item	Part Number	Qty	Description	Comments
1	3788381M1	1	Water Cooler	[A]
2	3712464M1	4	Clamp	Diameter 12 MM
3	338618X1	4	Hose Clip	Diameter 50-70
4	5015118M1	1	Hose	
5	3580327M1	1	Tube	Length 550 MM
6	3009493X1	2	Hex. Sock. Screw	M10 X 30
7	3713676M1	1	Hose	Length 400 MM
8	4278566M1	1	Hose	Length 900 MM
9	3619622M1	4	Cable Tie	
10	3583427M1	1	Tube	
11	4275245M1	1	Bridle	M8
12	3787612M1	1	Plug	
13	338612X1	1	Hose Clip	Diameter 10-16
14	3010808X1	3	Strap	Diameter 40MM
15	4275025M2	1	Tank	[A]
16	390972X1	2	Washer Metric	
17	339169X1	2	Nut	M8
18	373813X1	1	Clamp	
19	3786408M1	1	Hose	Length 1700 MM
20	3009491X1	1	Hex. Sock. Screw	M10 X 20
21	3781709M3	1	Plate	
22	5015117M1	1	Hose	
23	70229210	1	Cock	
24	5016190M1	1	Adaptor	
25	3779038M1	1	Union	
26	3010671X1	1	Union	
27	3712465M1	2	Clamp	Diameter 15 MM
28	5017417M91	1	Union	
29	5017300M1	1	Union	
30	3617129M2	1	Sensor	
31	358724X91	1	Plug	Diameter 3/4" - 16
32	831497M1	1	O Ring	(31)

FOOTNOTE [A] THE APPROPRIATE SAFETY DECALS MUST BE ORDERED AND FITTED TO THIS PART

MF 8270/8280 TRACTOR - 1637348
1-ZC23-029-B

1-ZC23-029-B



Massey Ferguson**MF 8270/8280 TRACTOR - 1637348**

1637348

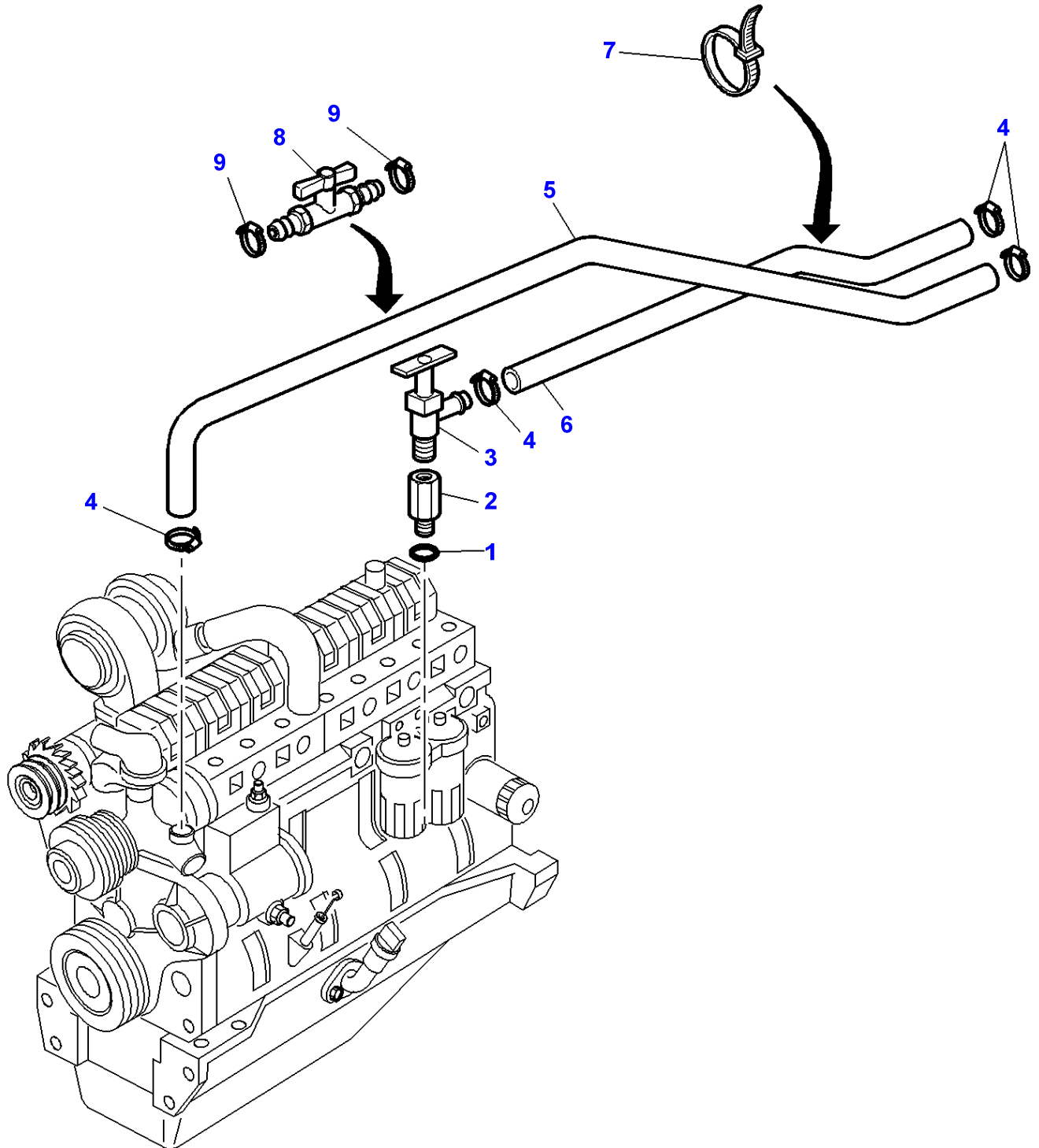
Cooling System - Engine - M.F 8270 XTRA - 8280 XTRA

Page010-0275

Item	Part Number	Qty	Description	Comments
1	3788723M91	1	Cooler	
2	3788074M3	1	Baffle	[A] Left Hand
	3788075M3	1	Baffle	Right Hand
3	3010156X1	7	Clamp	Diameter 70-90
4	3784918M1	2	Hose	Length 100MM
5	3788996M2	1	Hose	
6	3780250M1	1	Hose	
7	3780247M1	1	Hose	
8	3784971M2	1	Hose	
9	3783272M1	2	Latch	
10	1442993X1	2	Pin	Diameter 3,2X20
11	3389410M1	8	Grommet	Diameter 8-11
12	3789249M1	2	Angle	
13	3011268X1	4	Rivet	Diameter 4MM
	3010021X1	4	Rivet	Diameter 4.8MM
14	3010154X1	1	Clamp	Diameter 50-70
15	339124X1	4	Hex. Sock. Screw	M8X16
16	390972X1	4	Washer Metric	
17	4270790M1	2	Guide	
18	339169X1	4	Nut	M8
19	339560X1	4	Hex. Sock. Screw	M6X16
20	339010X1	4	Bolt Metric	M8X40
21	390972X1	4	Washer Metric	
22	3010021X1	4	Rivet	Diameter 4.8x9

FOOTNOTE [A] THE APPROPRIATE SAFETY DECALS MUST BE ORDERED AND FITTED TO THIS PART

1-ZC28-003-C

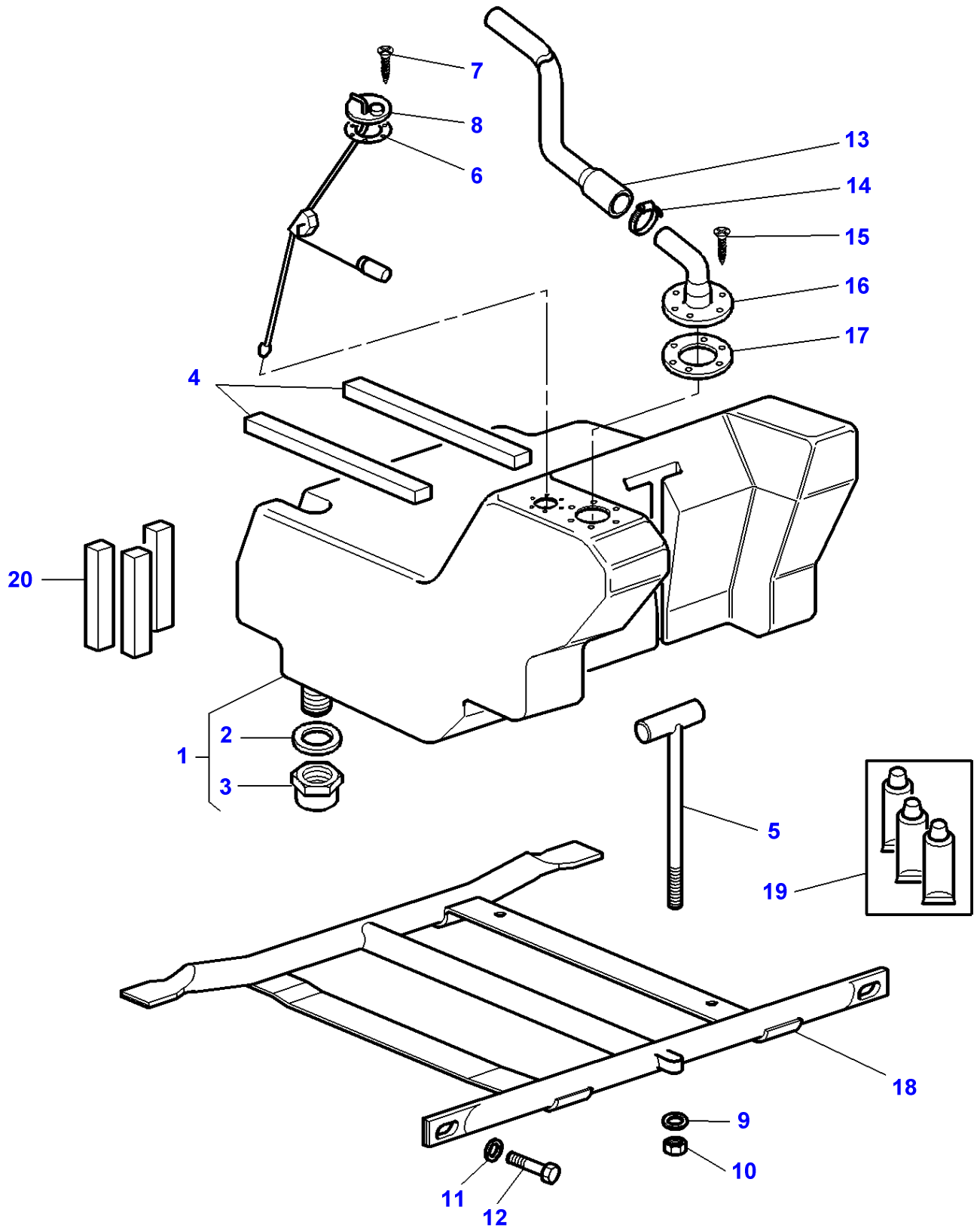


Cab Heating System - Engine Part

Item	Part Number	Qty	Description	Comments
1	339526X1	1	Seal	
2	5015331M1	1	Adaptor	
3	30-3076830	1	Valve	
4	3019564X1	4	Hose Clip	Diameter 16-25
5	3787687M1	1	Hose	Length 2550 MM
6	3580959M3	1	Hose	Length 1150 MM
7	3619622M1	X	Cable Tie	Length 390 MM
8	3784680M1	1	Cock	For United States of America For Australia For South Africa
9	3019564X1	2	Hose Clip	Diameter 16-25 For United States of America For Australia For South Africa

FOOTNOTE [A] WITH FULL POWERSHIFT**FOOTNOTE [B] WITH DYNASHIFT**

1-ZC02-010-C



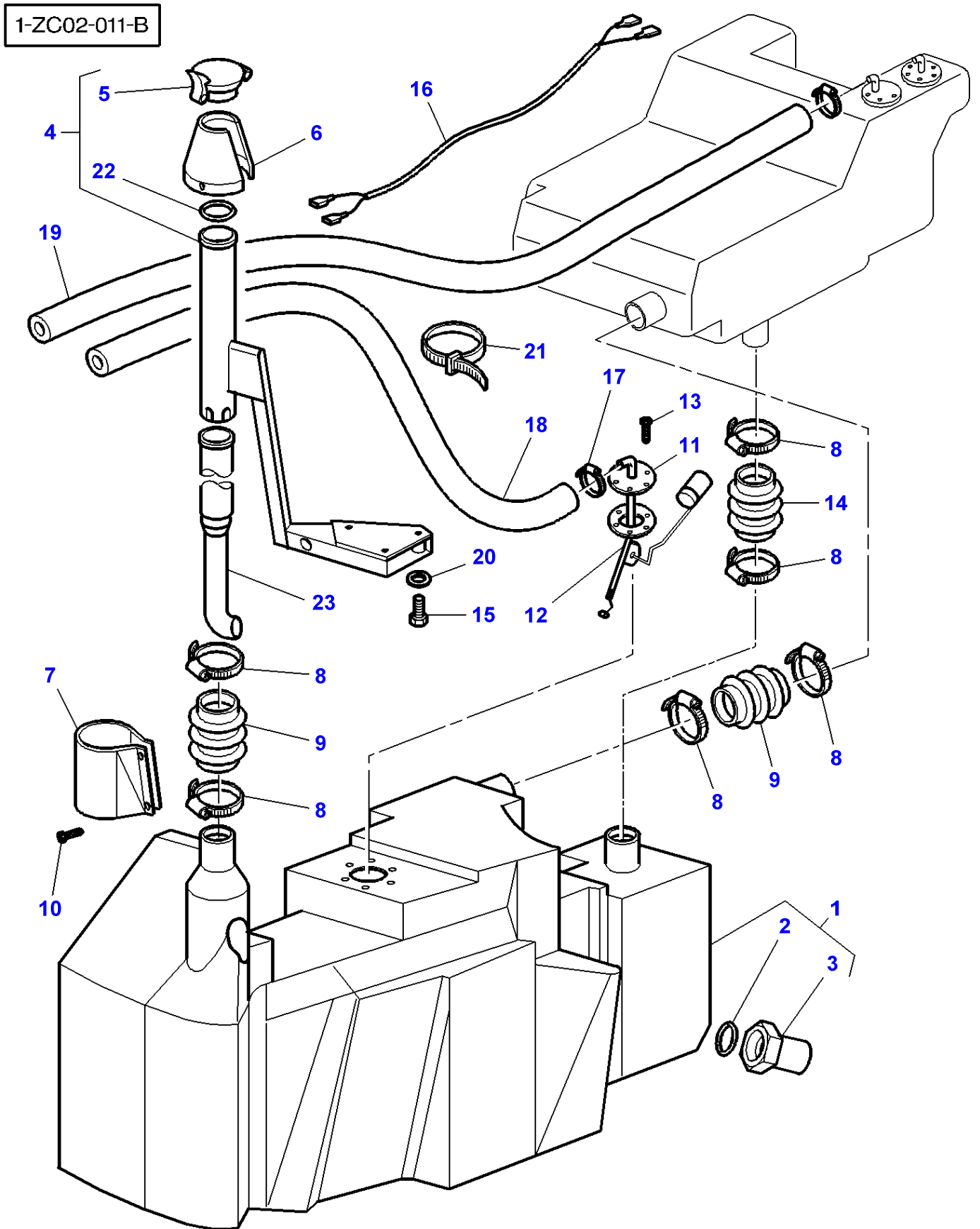
Fuel System - Fuel Tank And Attachments

Item	Part Number	Qty	Description	Comments
1	3777384M94	1	Fuel Tank	[B] 275L Up to Serial or Engine Number J334011
	3784419M92	1	Fuel Tank	[B] 275 L From Serial or Engine Number J334012
2	3616911M1	1	Gasket	(1)
3	3616910M1	1	Adaptor	(1)
4	3618690M1	2	Gasket	30X13X545MM
5	3777391M1	1	Stem	
6	1617869M2	1	Gasket	
7	3005728X1	6	Screw	No 10X16
8	3777389M2	1	Fuel Gauge	
9	390734X1	1	Washer	
10	1440329X1	1	Locknut	
11	385363X1	2	Washer	
12	3009506X1	2	Screw Metric	M12 X 30
13	3778733M2	1	Tube	
14	338614X1	1	Hose Clip	Diameter 20-32
15	3005728X1	6	Screw	No 10X16
16	3782043M1	1	Non Return Valve	
17	1617869M2	1	Gasket	
18	3778874M2	1	Support	
19	3600444M91	1	Kit, Service	
20	3600195M91	1	Parts Pack	

FOOTNOTE [A] THE APPROPRIATE SAFETY DECALS MUST BE ORDERED AND FITTED TO THIS PART

FOOTNOTE [B] FOR UNITED STATES THE APPROPRIATE SAFETY DECALS MUST BE ORDERED AND FITTED TO THIS PART

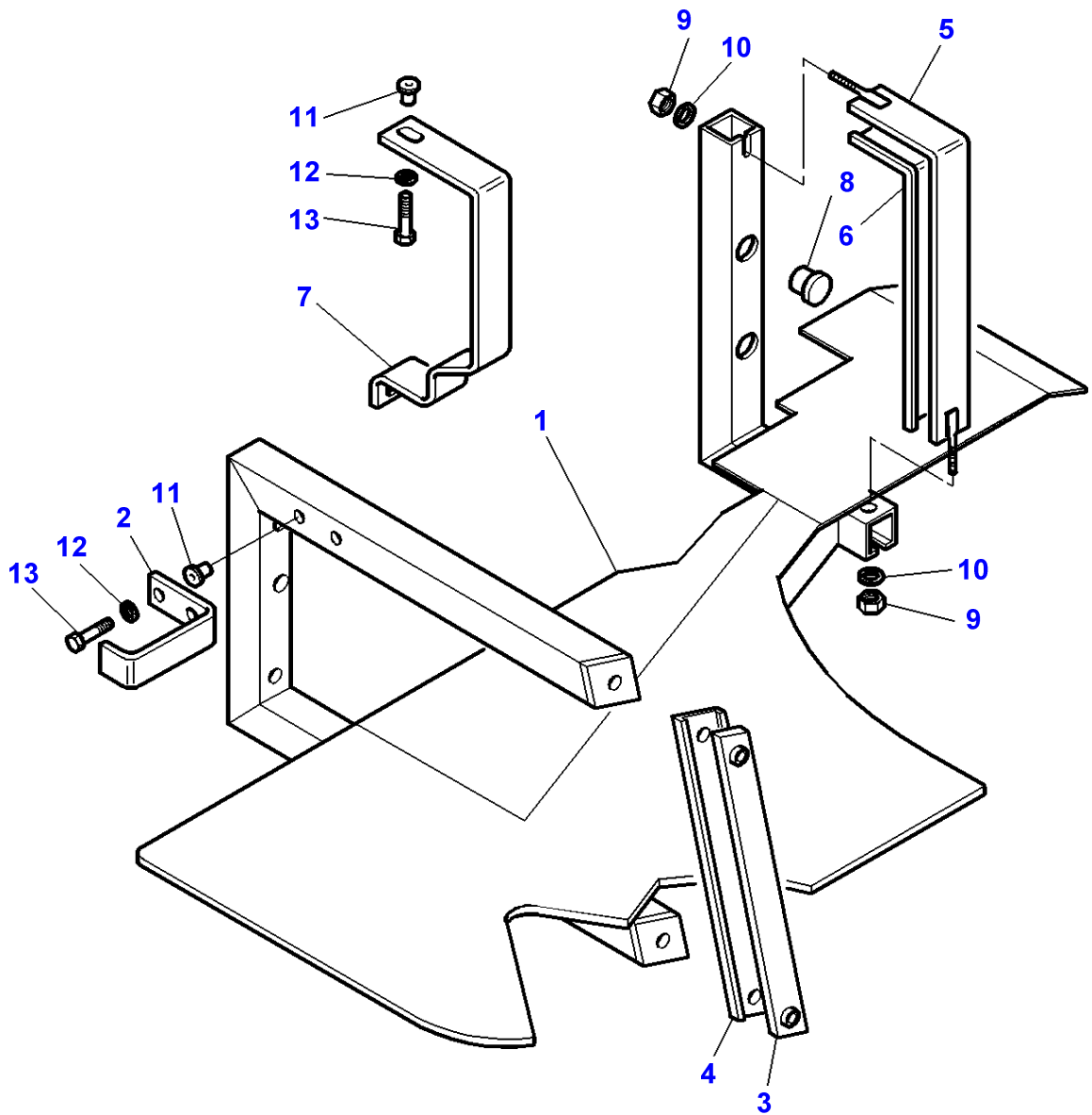
MF 8270/8280 TRACTOR - 1637348
1-ZC02-011-B



Fuel System - Fuel Tank And Attachments

Item	Part Number	Qty	Description	Comments
1	3779581M93	1	Tank	
2	3616911M1	1	Gasket	(1)
3	3616909M1	1	Plug	(1)
4	3778296M96	1	Spout	Up to Serial or Engine Number J055016
	3783921M91	1	Tube	From Serial or Engine Number J055017
5	3778761M1	1	Plug	(4)
6	3778531M1	1	Cowl	
7	3778781M1	1	Cowl	
8	1440860X1	6	Clamp	Diameter 60-80
9	3778297M1	2	Hose	Diameter 68MM
10	3010578X1	4	Screw	M5X10
11	3777392M3	1	Dipstick	
12	1617869M2	1	Gasket	
13	3005728X1	6	Screw	No 10X16
14	3582877M2	1	Hose	Diameter 58MM Up to Serial or Engine Number L072011
15	3009499X1	3	Screw	M10X60
16	3582936M1	1	Harness	
17	3712465M1	X	Clamp	Diameter 15MM
18	3780426M1	1	Hydr Hose	Length 750MM
19	3780476M1	1	Hydr Hose	Length 3500MM
20	390734X1	3	Washer	
21	3619622M1	X	Cable Tie	
22	359187X1	1	O Ring	(4) From Serial or Engine Number J055017
23	3782142M93	1	Tube	From Serial or Engine Number J055017

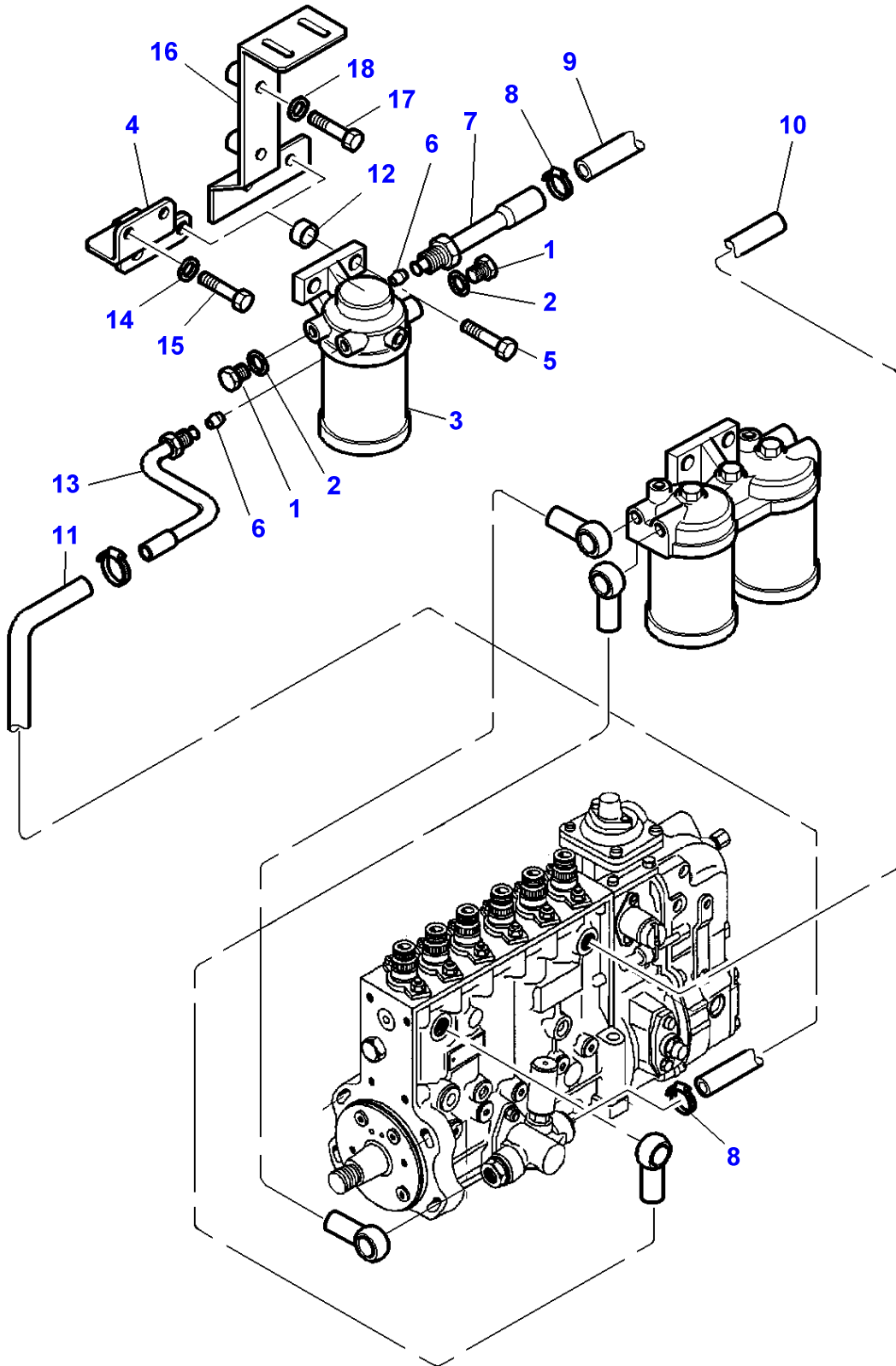
1-ZC02-009-B



Fuel System - Fuel Tank And Attachments

Item	Part Number	Qty	Description	Comments
1	3779679M94	1	Frame	
2	3781254M2	1	Stop	
3	3780189M91	1	Support	
4	3778385M1	1	Protector	
5	3779654M1	1	Support	
6	3582887M1	1	Protector	
7	3779656M1	1	Stop	
8	3580599M1	2	Plug	
9	1441500X1	2	Locknut	M6
10	391038X1	2	Washer	Diameter 6-18 X 1,5
11	3778304M1	4	Nut	M8
12	390972X1	4	Washer Metric	Diameter 8-17 X 1,7
13	339123X1	4	Hex. Sock. Screw	M8 X 20

1-ZC03-033-A

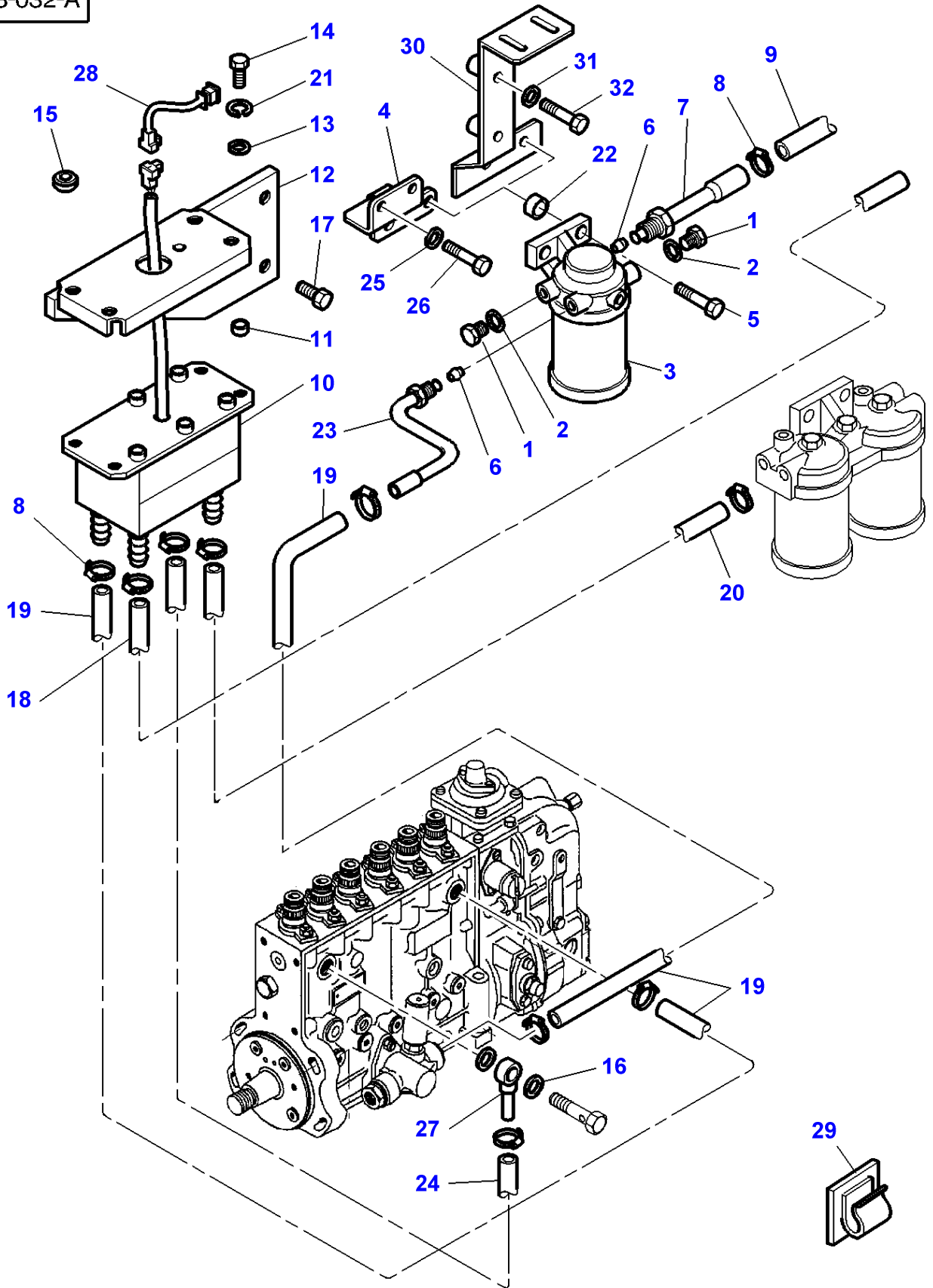


Fuel System - Fuel Filters And Pipes - WITHOUT FUEL FLOWMETER

Item	Part Number	Qty	Description	Comments
1	884748M1	2	Plug	1/2-20
2	880961M1	2	Washer	Diameter 13.5-18.2X1.6
3	3781314M91	1	Sediment Bowl	150 MICRONS See Page - Reference Number 010-0310/1
4	3782822M91	1	Support	MF 8270 - 8280
5	3009496X1	2	Bolt Metric	M10X45
6	376526X1	2	Olive	
7	3615331M1	1	Union	
8	3712465M1	X	Clamp	
9	3780426M1	1	Hydr Hose	Length 750MM
10	3780476M1	1	Hydr Hose	Length 3500MM
11	3780426M1	2	Hydr Hose	Length 750MM
12	3384183M2	2	Bush	
13	3783209M2	1	Tube	
14	390734X1	2	Washer	
15	3009492X1	2	Hex. Sock. Screw	M10X25
16	4270659M93	1	Support	MF 8270 XTRA MF 8280 XTRA
17	391245X1	2	Bolt Metric	Up to Serial or Engine Number L319036 M8 X 130
	390636X1	2	Bolt Metric	From Serial or Engine Number L319037 M8 X 140
18	391039X1	2	Washer Metric	

MF 8270/8280 TRACTOR - 1637348
1-ZC03-032-A

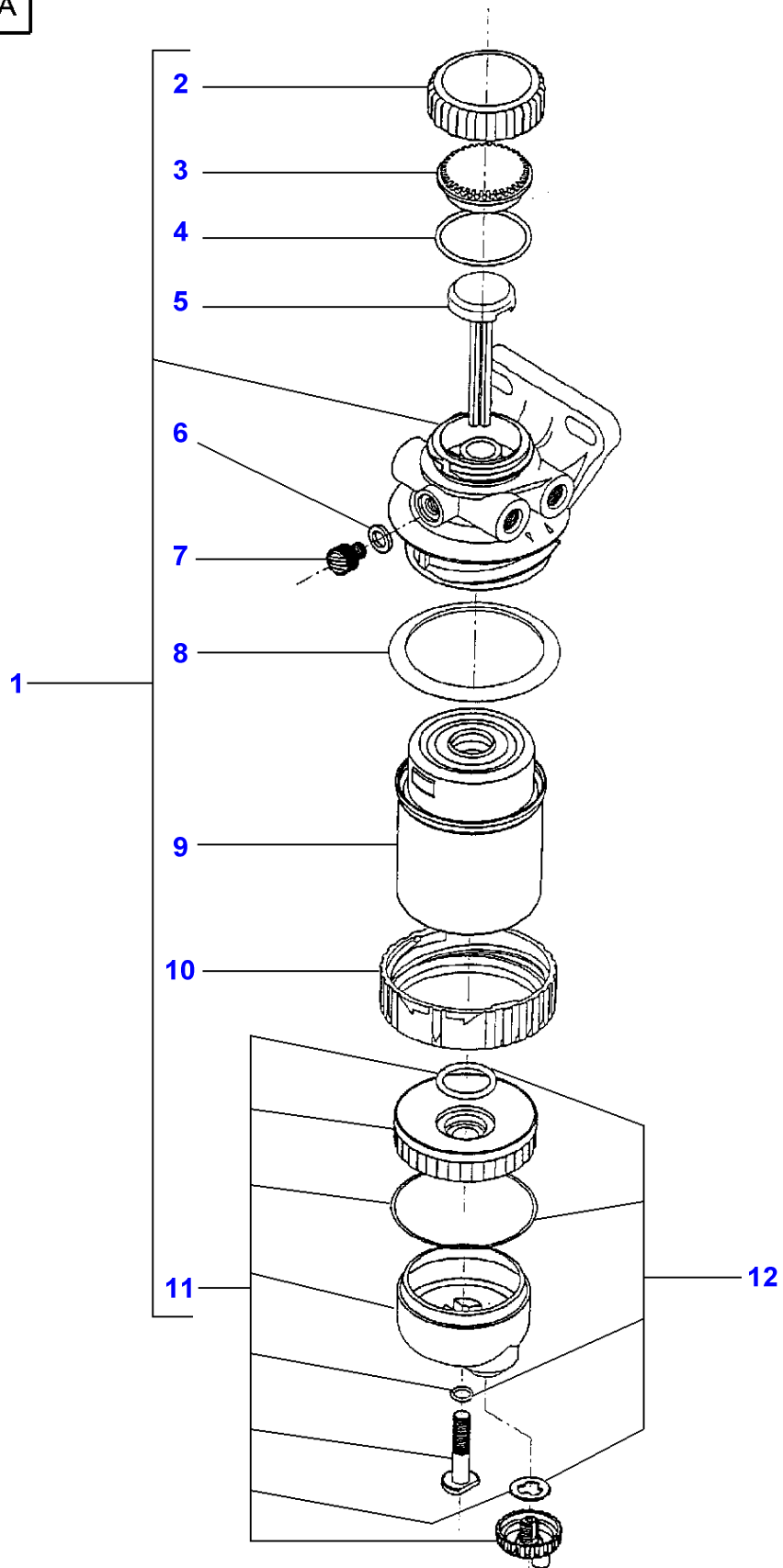
1-ZC03-032-A



Fuel System - Fuel Filters And Pipes - With Flow Fuel

Item	Part Number	Qty	Description	Comments
1	884748M1	2	Plug	1/2-20
2	880961M1	2	Washer	Diameter 13.5-18.2X1.6
3	3781314M91	1	Sediment Bowl	150 MICRONS
4	3782822M91	1	Support	MF 8270 - 8280
5	3009496X1	2	Bolt Metric	M10X45
6	376526X1	2	Olive	
7	3615331M1	1	Union	
8	3712465M1	X	Clamp	
9	3780426M1	1	Hydr Hose	Length 750MM
10	3582830M1	1	Flowmeter	
11	3582832M1	4	Spacer	
12	5016189M91	1	Support	
13	339024X1	4	Washer Metric	
14	339563X1	4	Screw Metric	M5X20
15	3389410M1	4	Grommet	Diameter 8-11
16	1440012X1	2	Gasket	
17	3009492X1	2	Hex. Sock. Screw	M10X25
18	3780476M1	1	Hydr Hose	Length 3500MM
19	3780426M1	2	Hydr Hose	Length 750MM
20	3777898M1	1	Hydr Hose	Length 900MM
21	339381X1	4	Lock Washer	
22	3384183M2	2	Bush	
23	3783209M2	1	Tube	
24	3777898M1	1	Hydr Hose	Length 900MM
25	390734X1	2	Washer	
26	3009492X1	2	Hex. Sock. Screw	M10X25
27	72163068	1	Banjo Fitting	
28	3714288M1	1	Harness	
29	3583514M1	1	Strap	
30	4270659M93	1	Support	MF 8270 XTRA MF 8280 XTRA
31	391039X1	2	Washer Metric	
32	391245X1	2	Bolt Metric	Up to Serial or Engine Number L319036 M8 X 130
	390636X1	2	Bolt Metric	From Serial or Engine Number L319037 M8 X 140

1-ZZ09-001-A



Sedimenter

Item	Part Number	Qty	Description	Comments
1	3781314M91	1	Sediment Bowl	150 MICRONS
	3781977M91	1	Sediment Bowl	[A] 30 MICRONS
2	3903292M1	1	Nut	(1)
3	3903294M1	1	Capsule	(1)
4	3903293M1	1	O Ring	(1)
5	3903295M1	1	Plug	(1)
6	3903296M1	1	Gasket	(1)
7	3903297M1	1	Bleeder	(1)
8	3903298M1	1	Seal	(1)
9	3780299M1	1	Filter Insert	[C] (1) 150 MICRONS
	3780931M1	1	Filter Insert	[B] (1) 30 MICRONS
10	3903299M1	1	Ring	(1)
11	3903300M91	1	Container	(1)
12	3903301M91	1	Kit, Joint	

FOOTNOTE [A] WITH FUEL FLOWMETER

FOOTNOTE [B] USE WITH 3781977M91

FOOTNOTE [C] USE WITH 3781314M91

MF 8270/8280 TRACTOR - 1637348
1-ZC20-010-E

1-ZC20-010-E

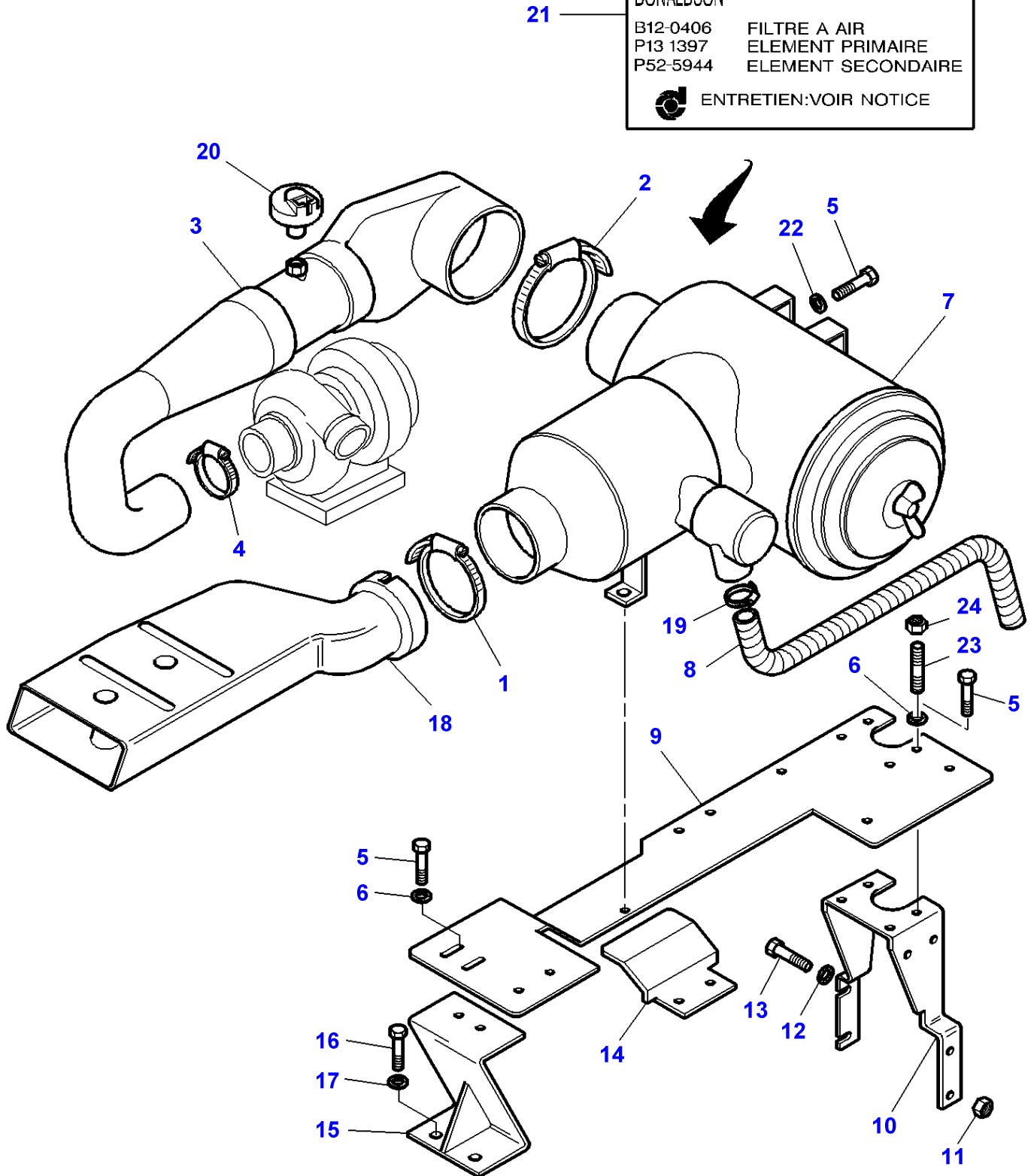
5015584m3 FILTRE A AIR
5016603m1 ELEMENT PRIMAIRE
5016604m1 ELEMENT SECONDAIRE

DONALDSON

B12-0406 FILTRE A AIR
P13 1397 ELEMENT PRIMAIRE
P52-5944 ELEMENT SECONDAIRE



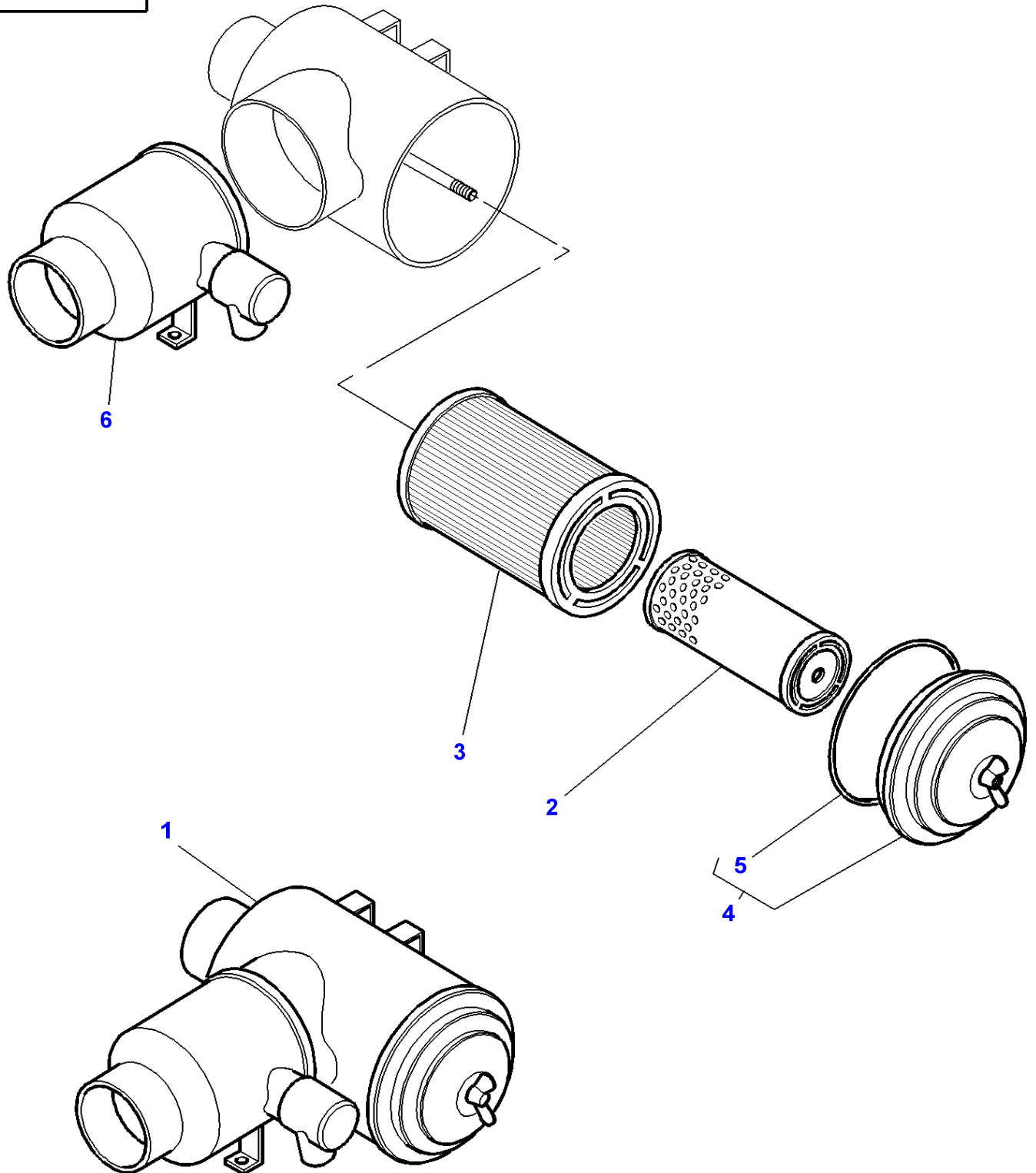
ENTRETIEN:VOIR NOTICE



Item	Part Number	Qty	Description	Comments
1	1613433M1	1	Clamp	
2	70925759	1	Clamp	
3	5016160M1	1	Hose	
4	3010156X1	1	Clamp	Diameter 70-90
5	3009491X1	8	Hex. Sock. Screw	M10 X 20
6	390734X1	12	Washer	Diameter 10-21 X 2 MM
7	5015584M3	1	Air Filter	
8	3782737M1	1	Tube	
9	5015607M92	1	Support	
10	5016166M91	1	Support	
11	339402X1	2	Nut	M10
12	390734X1	4	Washer	Diameter 10-21 X 2 MM
13	3009493X1	2	Hex. Sock. Screw	M10 X 30
14	5015606M91	1	Cowl	
15	5016168M92	1	Support	
16	3009505X1	2	Screw Metric	M12 X 25
17	390735X1	2	Washer	Diameter 12-24 X 2,5 MM
18	3781641M2	1	Shroud	
19	338616X1	2	Hose Clip	Diameter 32-50
20	3782066M1	1	Switch,Indirect	
21	3784017M1	1	Decal	
22	390734X1	4	Washer	Diameter 10-21 X 2 MM
23	391005X1	4	Stud	M10 X 25
				Up to Serial or Engine Number L270030
	3008483X1	4	Stud	M10 X 35
				From Serial or Engine Number L270031
24	339402X1	4	Nut	M10

FOOTNOTE [A] TO BE ADVISED

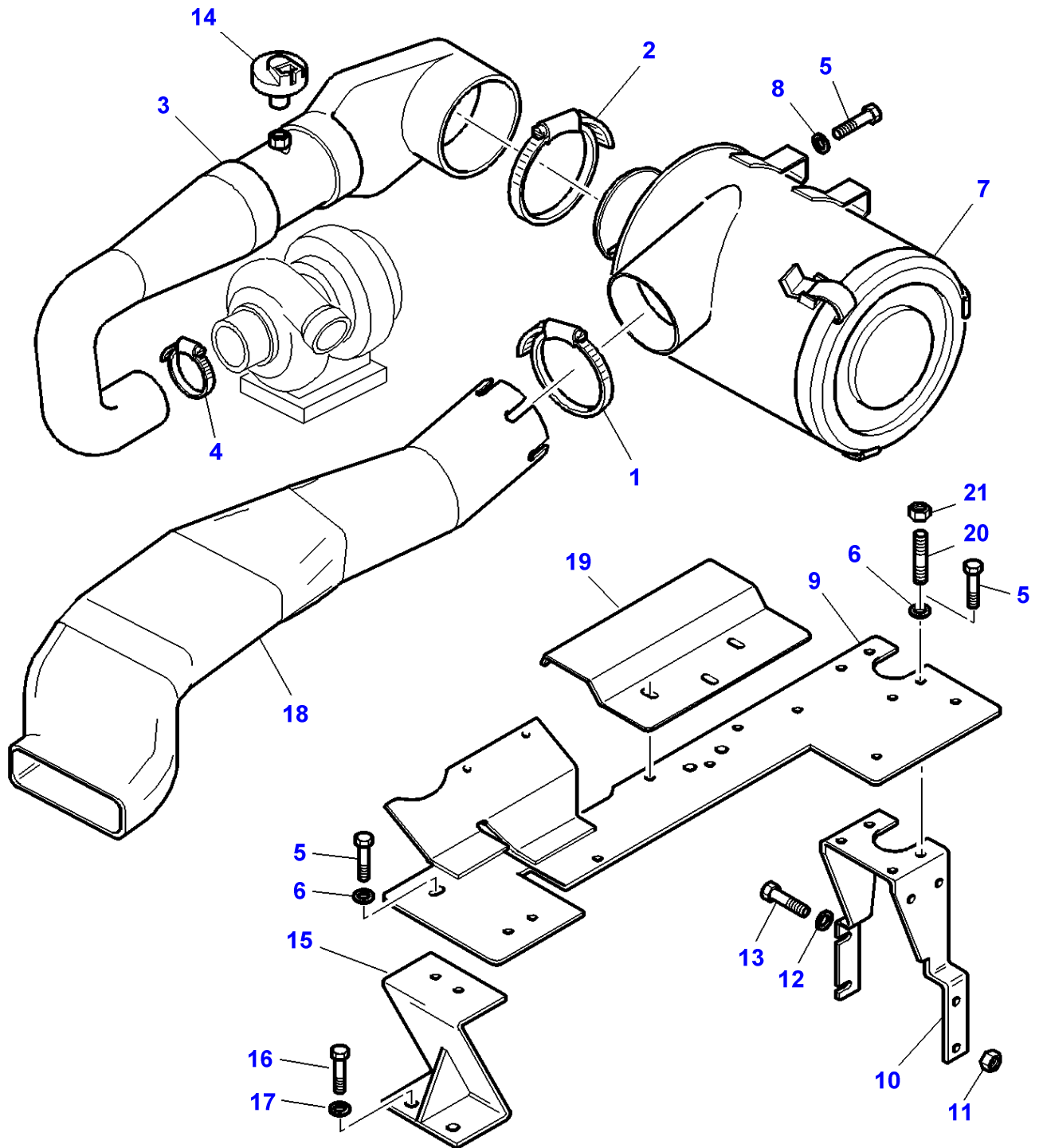
1-ZC20-011-B



Massey Ferguson**MF 8270/8280 TRACTOR - 1637348****1637348****Air Filter - Dry - Dual Element - M.F 8270 - 8280****Page010-0320**

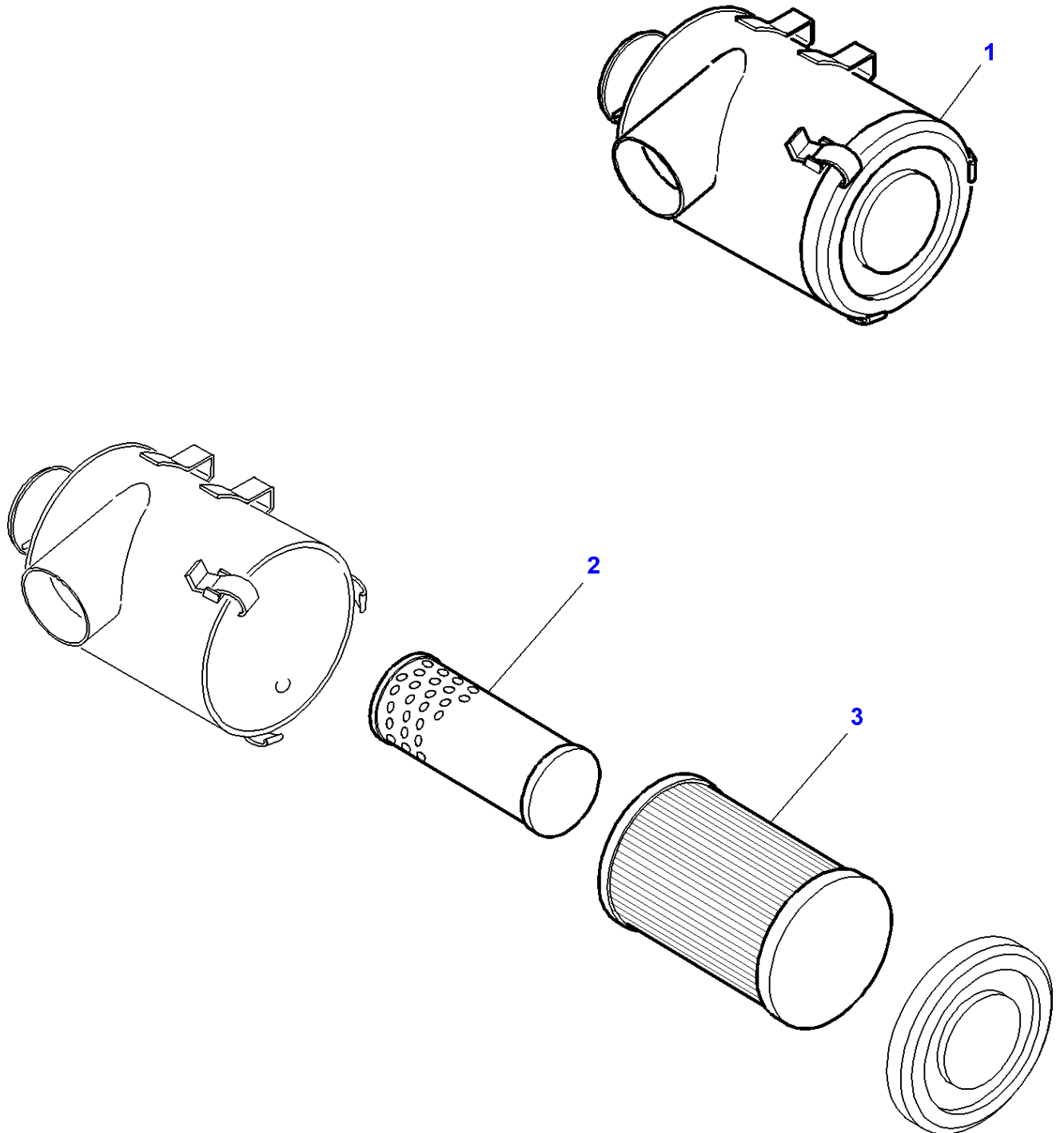
Item	Part Number	Qty	Description	Comments
1	5015584M3	1	Air Filter	
2	5016604M1	1	Element,Air Fitr	(1)
3	5016603M1	1	Element,Air Fitr	(1)
4	5016931M1	1	Cover	(1)
5	3903442M1	1	Gasket	(4)
6	5016934M1	1	Pre Filter	(1)

1-ZC20-022-B



Item	Part Number	Qty	Description	Comments
1	3011489X1	1	Clamp	
2	70925759	1	Clamp	
3	5016160M1	1	Hose	
4	3010156X1	1	Clamp	
5	3009491X1	12	Hex. Sock. Screw	M10 X 20
6	390734X1	12	Washer	Diameter 10-21 X 2
7	3786387M91	1	Air Filter	
8	390734X1	4	Washer	Diameter 10-21 X 2
9	3788322M91	1	Support	
10	5016166M91	1	Support	
11	339402X1	2	Nut	M10
12	390734X1	4	Washer	Diameter 10-21 X 2
13	3009493X1	2	Hex. Sock. Screw	M10 X 30
14	3782066M1	1	Switch,Indirect	
15	5016168M92	1	Support	
16	3009505X1	2	Screw Metric	M12 X 25
17	390735X1	2	Washer	Diameter 12-24 X 2,5
18	3789011M1	1	Hose	
19	3789482M2	1	Cowl	
20	391005X1	4	Stud	Up to Serial or Engine Number L270030 M10 X 25
	3008483X1	4	Stud	From Serial or Engine Number L270031 M10 X 35
21	339402X1	4	Nut	M10

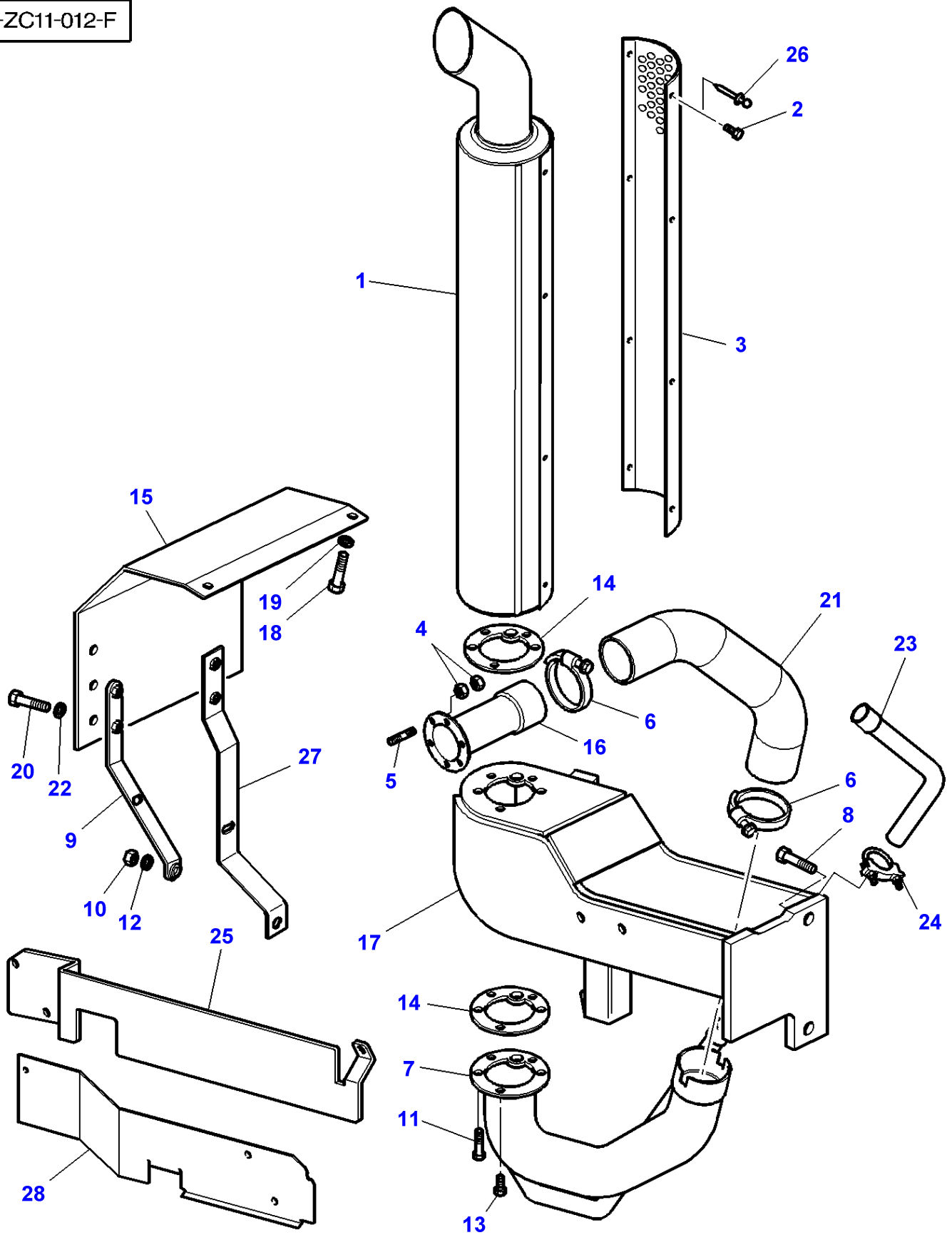
1-ZC20-023-A



Massey Ferguson**MF 8270/8280 TRACTOR - 1637348****1637348****Air Filter - Dry - Dual Element - M.F 8270 XTRA - 8280 XTRA****Page010-0330**

Item	Part Number	Qty	Description	Comments
1	3786387M91	1	Air Filter	
2	4270018M1	1	Air Fitr.Element	(1)
3	4270017M1	1	Element,Air Fitr	(1)

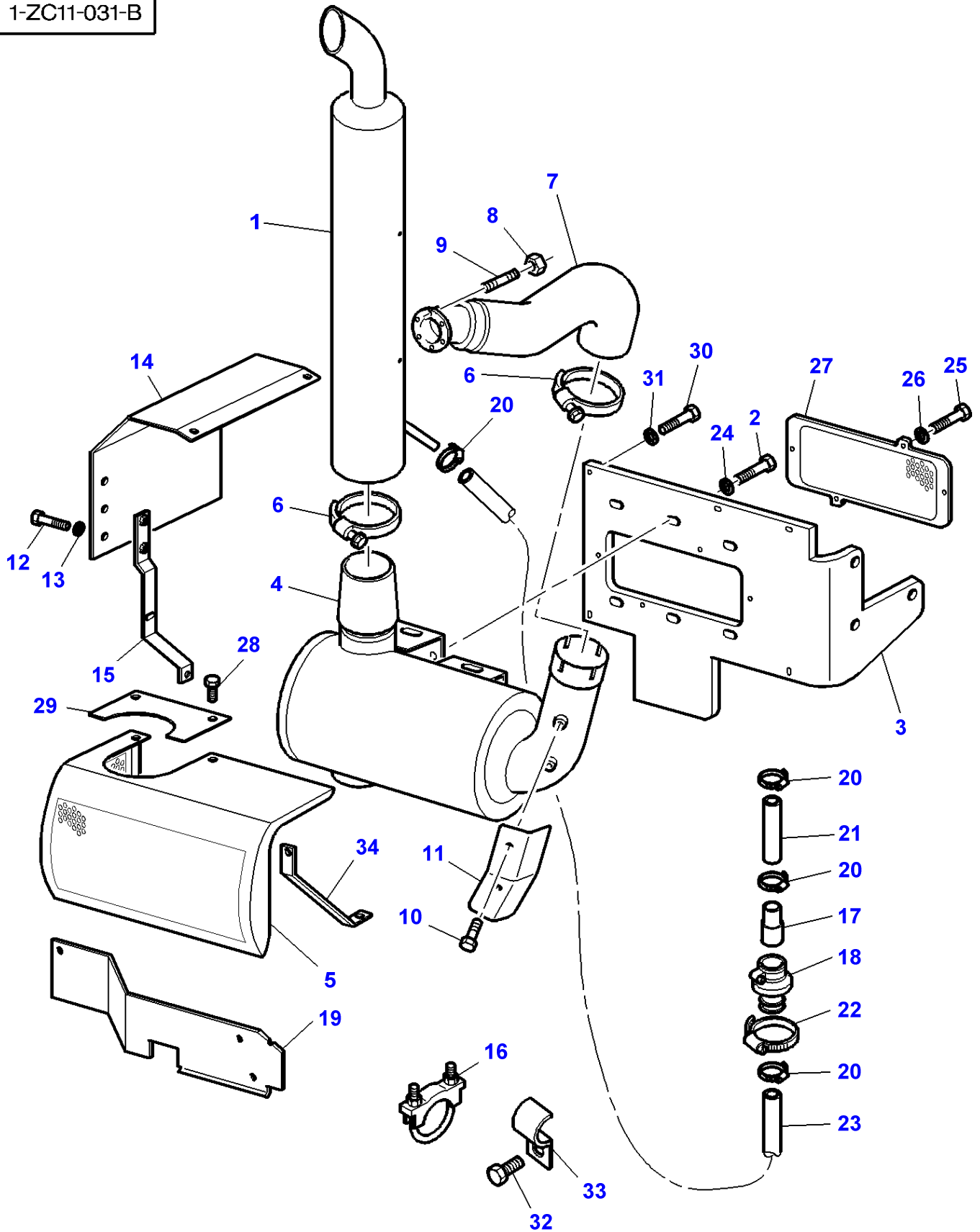
1-ZC11-012-F



Item	Part Number	Qty	Description	Comments
1	3780738M4	1	Tube	AGCO 0028
2	339124X1	7	Hex. Sock. Screw	M8X16 Up to Serial or Engine Number K137024
3	3781121M2	1	Cowl	Up to Serial or Engine Number K137024
	3907007M1	1	Protector	From Serial or Engine Number K137025
4	3010572X1	12	Nut	
5	391001X1	6	Stud	M8X25
6	3782608M1	2	Clamp	
7	5016694M92	1	Elbow	
8	3009254X1	2	Screw	M20X50
9	3781617M92	1	Reinforcement	Up to Serial or Engine Number M071044
10	339402X1	1	Nut	
11	3009510X1	3	Bolt Metric	M12X50
12	390734X1	1	Washer	
	339376X1	1	Lock Washer	
13	3009494X1	2	Screw Metric	M10X35
14	5016239M1	2	Gasket	Up to Serial or Engine Number J194019
15	3781250M91	1	Cowl	
16	5015163M92	1	Adaptor	
17	3779428M93	1	Support	
18	339123X1	2	Hex. Sock. Screw	M8X20
19	390972X1	2	Washer Metric	
20	391074X1	2	Hex. Sock. Screw	M6X12
21	3780757M2	1	Elbow	
22	339375X1	2	Lock Washer	
23	5016731M1	1	Tube	
24	70935040	1	Clamp	
25	3783412M1	1	Cowl	Up to Serial or Engine Number M071044
26	3907008M1	8	Rivet	From Serial or Engine Number K137025
27	4270620M93	1	Reinforcement	From Serial or Engine Number M071045
28	4270257M2	1	Cowl	From Serial or Engine Number M071045

FOOTNOTE [A] DETAILS ORDER

1-ZC11-031-B

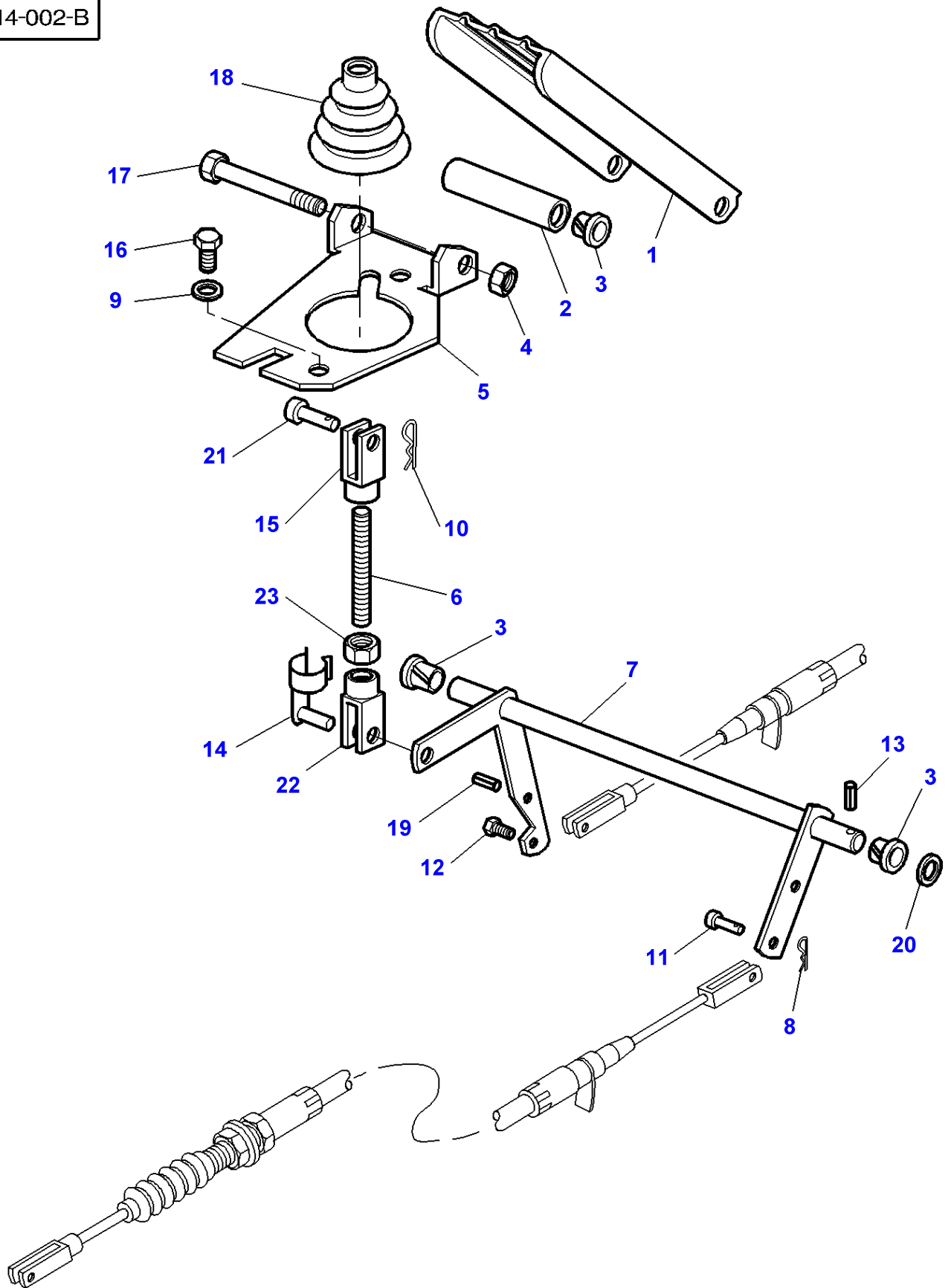


Item	Part Number	Qty	Description	Comments
1	3786841M2	1	Tube	
2	3009510X1	6	Bolt Metric	M12 X 50
3	3786753M93	1	Support	
4	3786842M1	1	Silencer	AGCO 0038
5	3786932M2	1	Cowl	
6	3782608M1	2	Clamp	Diameter 119 MM
7	3786844M1	1	Adaptor	
8	3010572X1	12	Nut	M8
9	391001X1	6	Stud	M8 X 25
10	339124X1	2	Hex. Sock. Screw	M8 X 16
11	3789287M1	1	Cowl	
12	391074X1	2	Hex. Sock. Screw	M6 X 12
13	339375X1	2	Lock Washer	
14	3788174M3	1	Cowl	
15	4270620M93	1	Reinforcement	
16	70935040	1	Clamp	
17	3782356M1	1	Adaptor	
18	3780483M1	1	Non Return Valve	
19	4270257M2	1	Cowl	
20	338615X1	4	Clamp	Diameter 25-40
21	3386626M1	1	Suction Hose	[A] Length 740 MM
22	1440860X1	1	Clamp	Diameter 60-80
23	3038134M1	1	Tube	Length 1270 MM
24	390735X1	6	Washer	Diameter 12-24 X 2,5
25	339124X1	4	Hex. Sock. Screw	M8 X 16
26	390972X1	4	Washer Metric	Diameter 8-17 X 1,7
27	4270717M1	1	Plate	
28	339124X1	2	Hex. Sock. Screw	M8 X 16
29	4270726M1	1	Plate	
30	339010X1	4	Bolt Metric	M8 X 16
31	339024X1	4	Washer Metric	
32	339124X1	1	Hex. Sock. Screw	M8 X 16
33	3713805M1	1	Bridle	
34	4271600M1	1	Reinforcement	

FOOTNOTE [A] CUT TO REQUIRED LENGTH

MF 8270/8280 TRACTOR - 1637348
1-ZC14-002-B

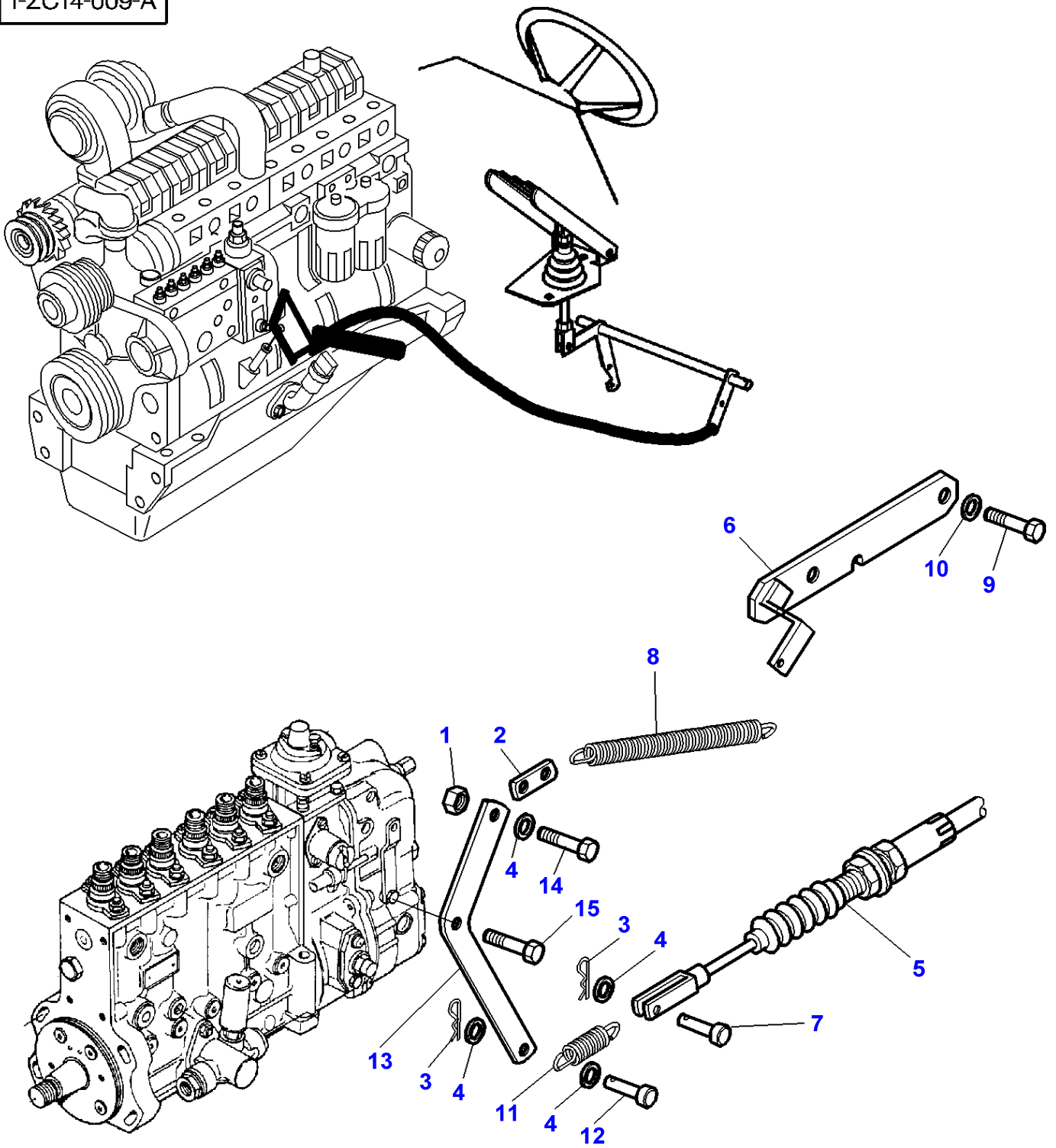
1-ZC14-002-B



Throttle Controls

Item	Part Number	Qty	Description	Comments
1	3712851M91	1	Pedal	
2	3712867M1	1	Spacer	
3	3385913M2	4	Bush	
4	394367X1	1	Locknut	
5	3712852M3	1	Support	
6	3712866M2	1	Stem	
7	3779453M91	1	Rod	Up to Serial or Engine Number J110124
	3784578M91	1	Rod	From Serial or Engine Number J110125
8	357145X1	1	Pin	
9	390972X1	2	Washer Metric	
10	357145X1	1	Pin	
11	3007850X1	1	Clevis Pin	
12	391883X1	1	Screw	M5X25
13	1442967X1	1	Pin	
14	3713042M1	1	Clevis Pin	
15	3009130X1	1	Clevis	Up to Serial or Engine Number J340021 Length 24MM
	392463X1	1	Clevis	From Serial or Engine Number J340022 Length 36MM
16	339124X1	2	Hex. Sock. Screw	M8X16
17	391286X1	1	Bolt Metric	M8X85
18	3712886M1	1	Bellows	
19	339548X1	1	Pin	
20	1444351X1	1	Washer	
21	392235X1	1	Clevis Pin	
22	392463X1	1	Clevis	
23	339030X1	1	Nut Metric	M6

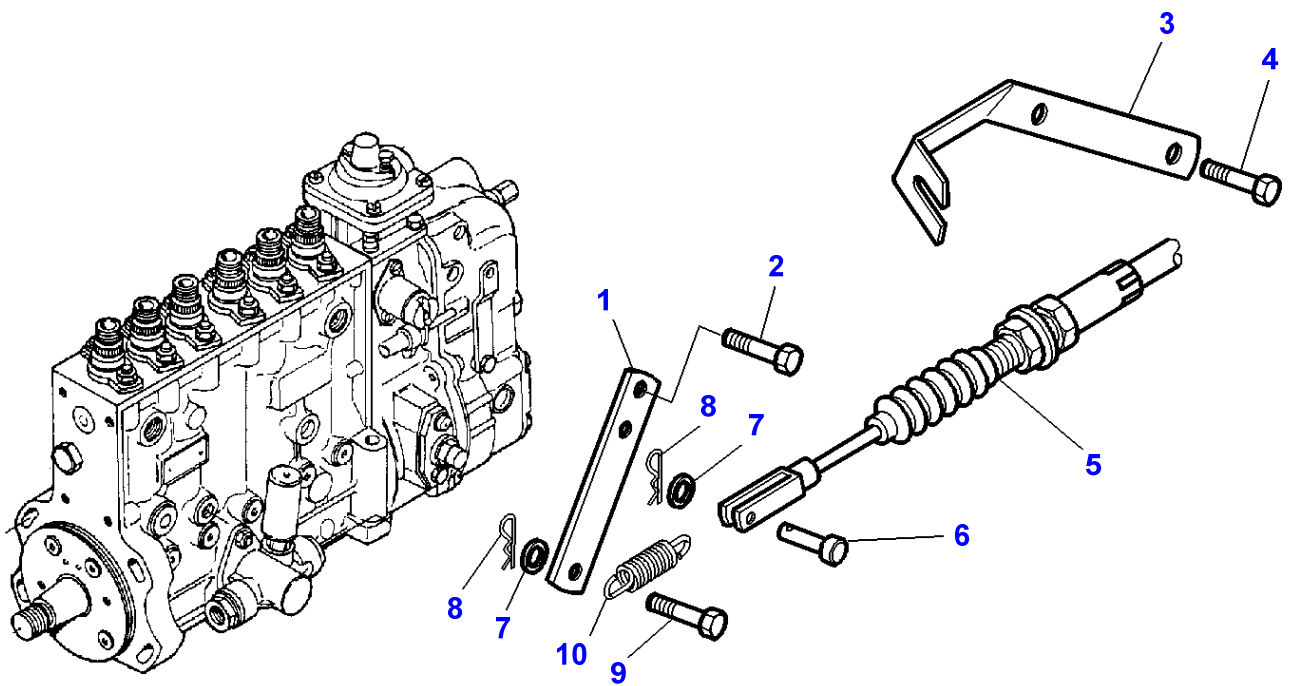
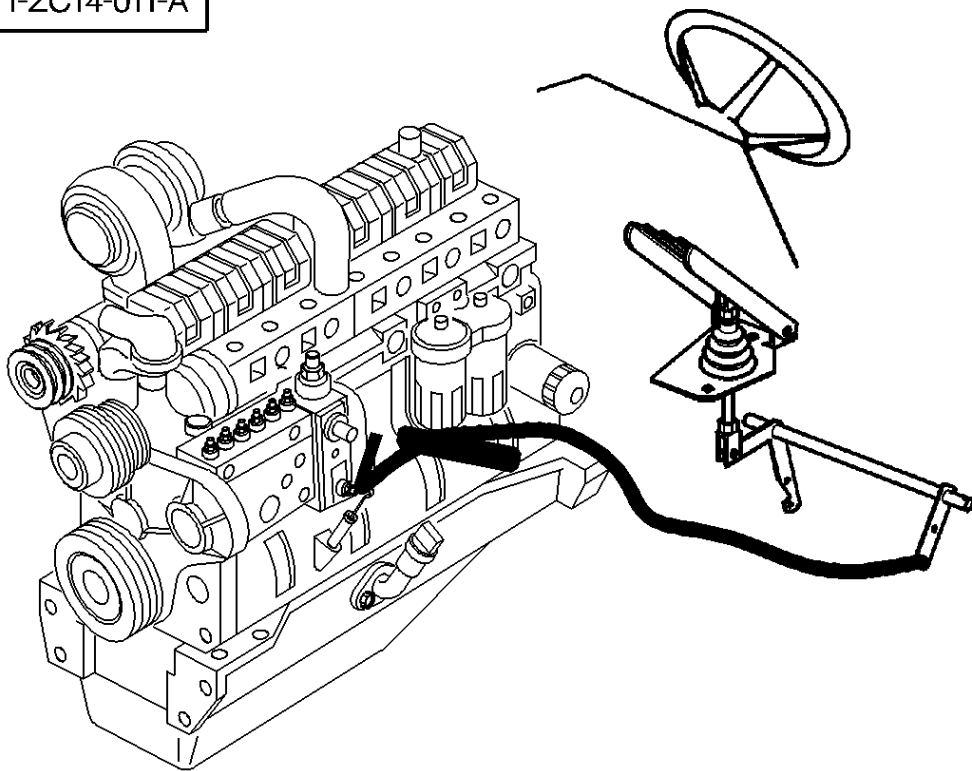
1-ZC14-009-A



Massey Ferguson**MF 8270/8280 TRACTOR - 1637348****1637348****Throttle Controls - Up To J116025 M.F 8270 / J083023 M.F 8280****Page010-0350**

Item	Part Number	Qty	Description	Comments
1	339030X1	1	Nut Metric	
2	1660774M2	1	Lug	
3	357145X1	2	Pin	
4	390971X1	4	Washer	
5	3713025M6	1	Cable	Length 955MM
6	3781439M91	1	Support	
7	3007850X1	1	Clevis Pin	
8	3615253M1	1	Spring	
9	339124X1	2	Hex. Sock. Screw	M8X16
10	390972X1	2	Washer Metric	
11	3387022M2	1	Spring	
12	3007850X1	1	Clevis Pin	
13	3580837M2	1	Lever	
14	339666X1	1	Hex. Sock. Screw	M6X20
15	339262X1	1	Bolt Metric	M6X30

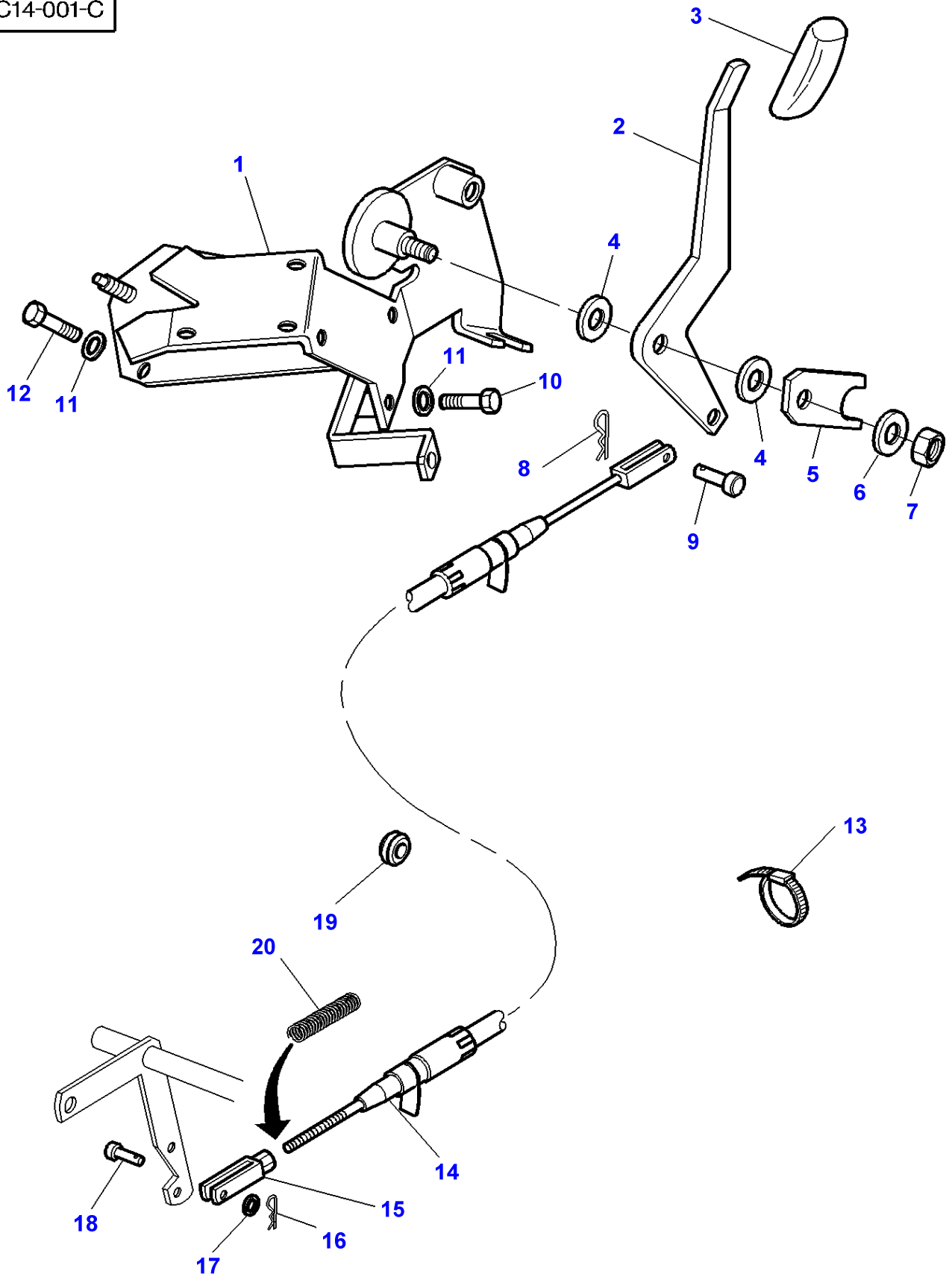
1-ZC14-011-A



Massey Ferguson**MF 8270/8280 TRACTOR - 1637348****1637348****Throttle Controls - From No J116026 M F 8270 / J083024 M F 8280****Page010-0355**

Item	Part Number	Qty	Description	Comments
1	3784325M1	1	Lever	
2	339560X1	2	Hex. Sock. Screw	M6X16
3	3784440M1	1	Thruster	
4	339124X1	2	Hex. Sock. Screw	M8X16
5	3615919M3	1	Cable	Length 1040MM
6	3007850X1	1	Clevis Pin	
7	390971X1	2	Washer	
8	357145X1	2	Pin	
9	832297M1	1	Clevis Pin	
10	3387022M2	1	Spring	

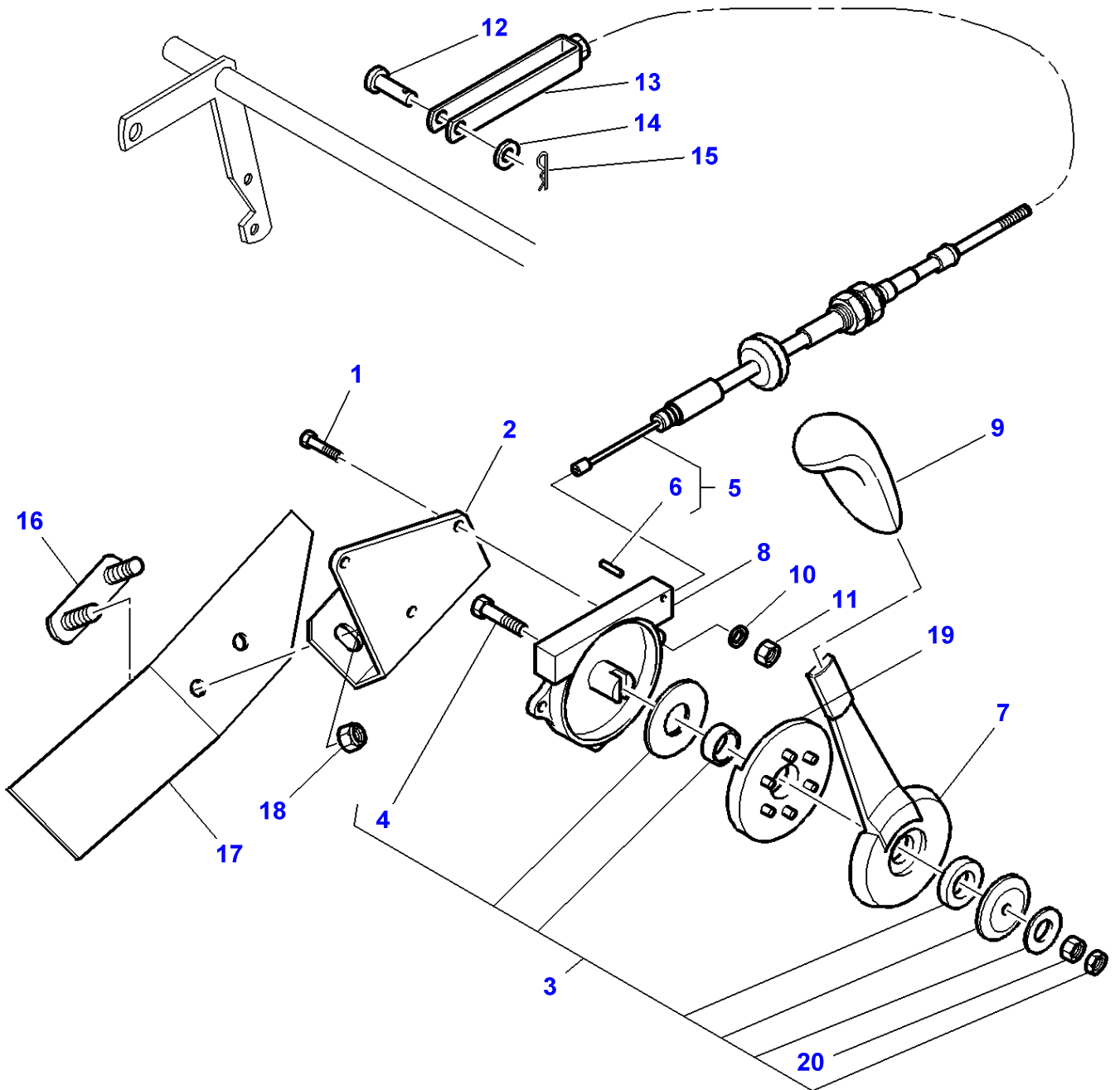
1-ZC14-001-C



Item	Part Number	Qty	Description	Comments
1	3778645M94	1	Support	
2	3778583M2	1	Lever	
3	3777015M1	1	Handle	
4	3042581M2	2	Washer	
5	3712271M1	1	Plate	
6	880712M1	1	Washer	
7	1440330X1	1	Locknut	M12
8	357145X1	1	Pin	
9	3007850X1	1	Clevis Pin	
10	339368X1	1	Bolt Metric	M8X60
11	390972X1	3	Washer Metric	
12	339368X1	1	Bolt Metric	M8X60
13	3619622M1	1	Cable Tie	
14	3778639M1	1	Cable	Length 855MM
15	3616399M1	1	Stirrup	
16	357145X1	1	Pin	
17	390971X1	1	Washer	
18	832297M1	1	Clevis Pin	
19	1699748M1	1	Plug	Diameter 9,5MM
20	3784906M1	1	Spring	From Serial or Engine Number J147003 Length 125MM

FOOTNOTE [B] INDUSTRIAL CAB

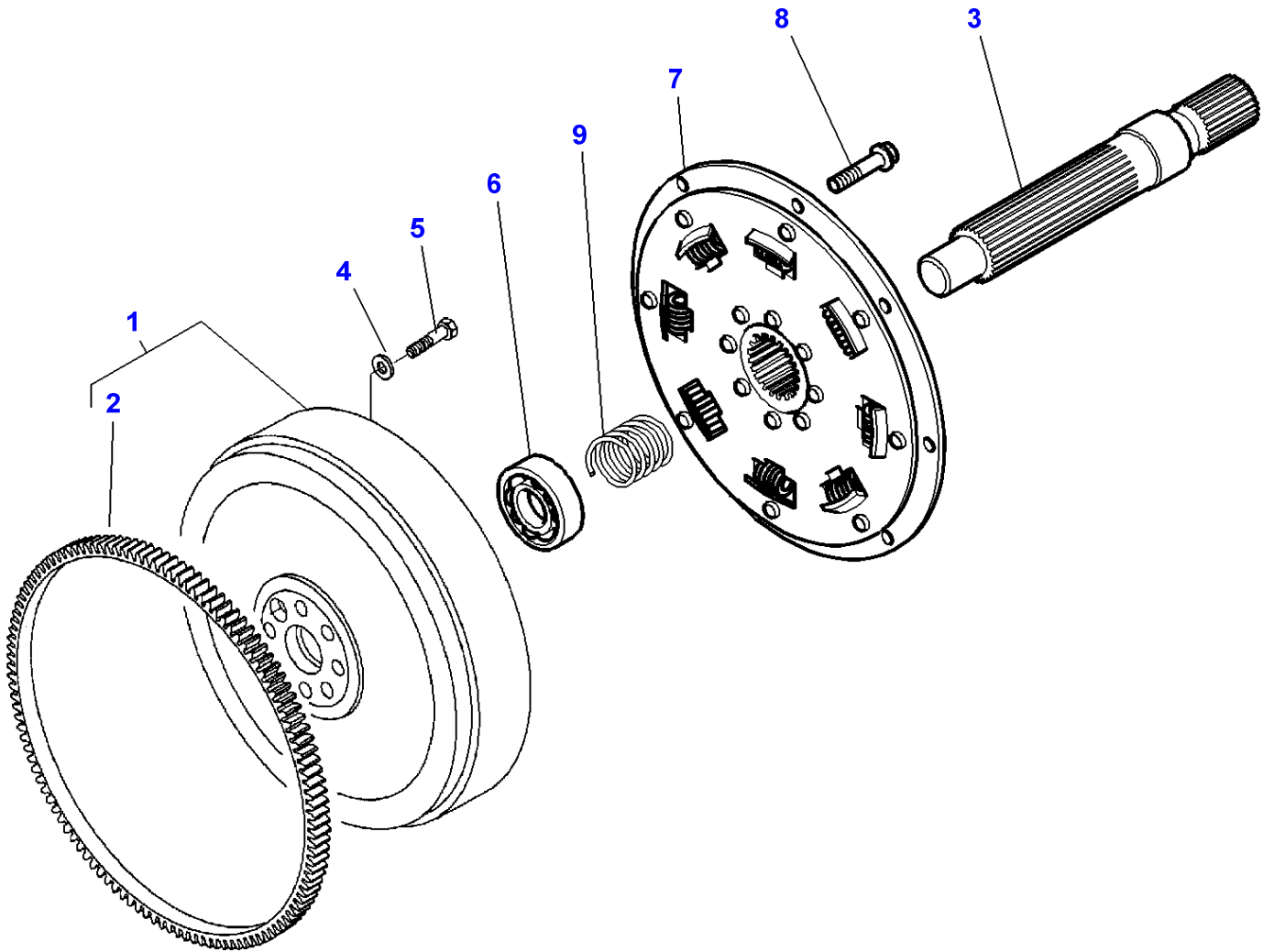
1-ZC14-015-E



Massey Ferguson**MF 8270/8280 TRACTOR - 1637348****1637348****Throttle Controls - From Serial or Engine Number J110125****Page010-0365**

Item	Part Number	Qty	Description	Comments
1	339563X1	3	Screw Metric	M5 X 20
2	3784358M3	1	Support	
3	3785336M3	1	Parts Pack	
4	3011380X1	1	Screw	(3) M6 X 40
5	3785334M1	1	Cable	
6	339303X1	1	Dowel	(5)
7	3785335M3	1	Lever	
8	3786152M2	1	Case Assy	
9	3785000M1	1	Handle	
10	3019560X1	3	Washer	
11	1441494X1	3	Nut Metric	M5
12	832297M1	1	Clevis Pin	
13	3616399M1	1	Stirrup	
14	390971X1	1	Washer	
15	357145X1	1	Pin	
16	3785837M2	1	Staple	
17	3786226M1	1	Plate	Up to Serial or Engine Number 06-NOV-2001
18	394367X1	2	Locknut	
19	3789513M1	1	Flange	
20	3019123X1	1	Nut	(3)

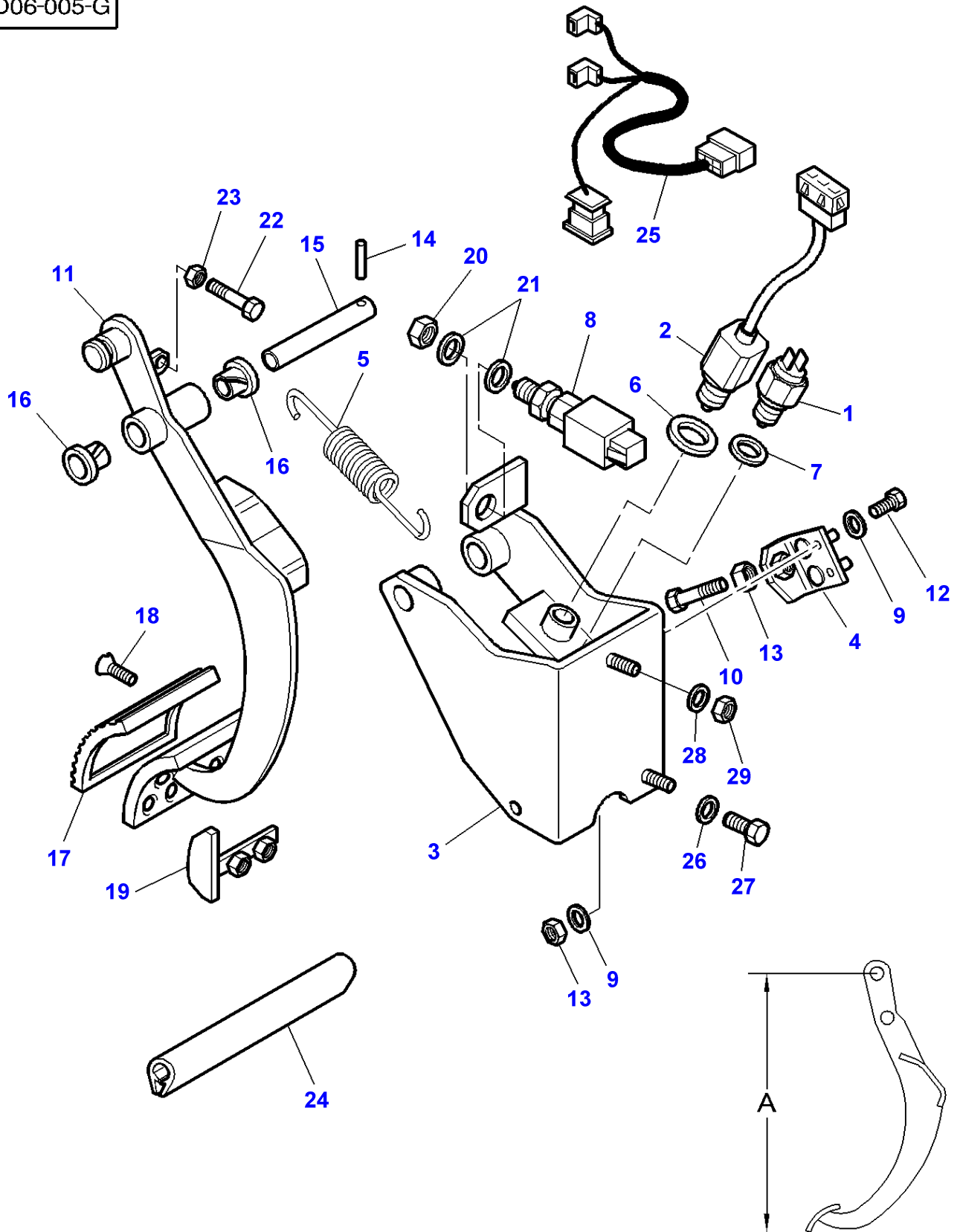
1-ZA07-008-A



Massey Ferguson**MF 8270/8280 TRACTOR - 1637348****1637348****Page020-0005****Flywheel**

Item	Part Number	Qty	Description	Comments
1	V836859884	1	Flywheel	
2	V836659026	1	Annular Gear	(1)
3	3792344M1	1	Shaft	
4	V500951200	8	Washer	MF 8270-8280
	V500951400	8	Washer	MF 8270 XTRA
				MF 8280 XTRA
5	V529702690	8	Screw	MF 8270-8280
	V529702650	8	Screw	MF 8270 XTRA
				MF 8280 XTRA
6	339583X1	1	Bear. 6206 2rs	
7	3792346M1	1	Shock Absorber	
8	3010239X1	8	Screw Metric	M10X45
9	3792345M2	1	Spring	

1-ZD06-005-G



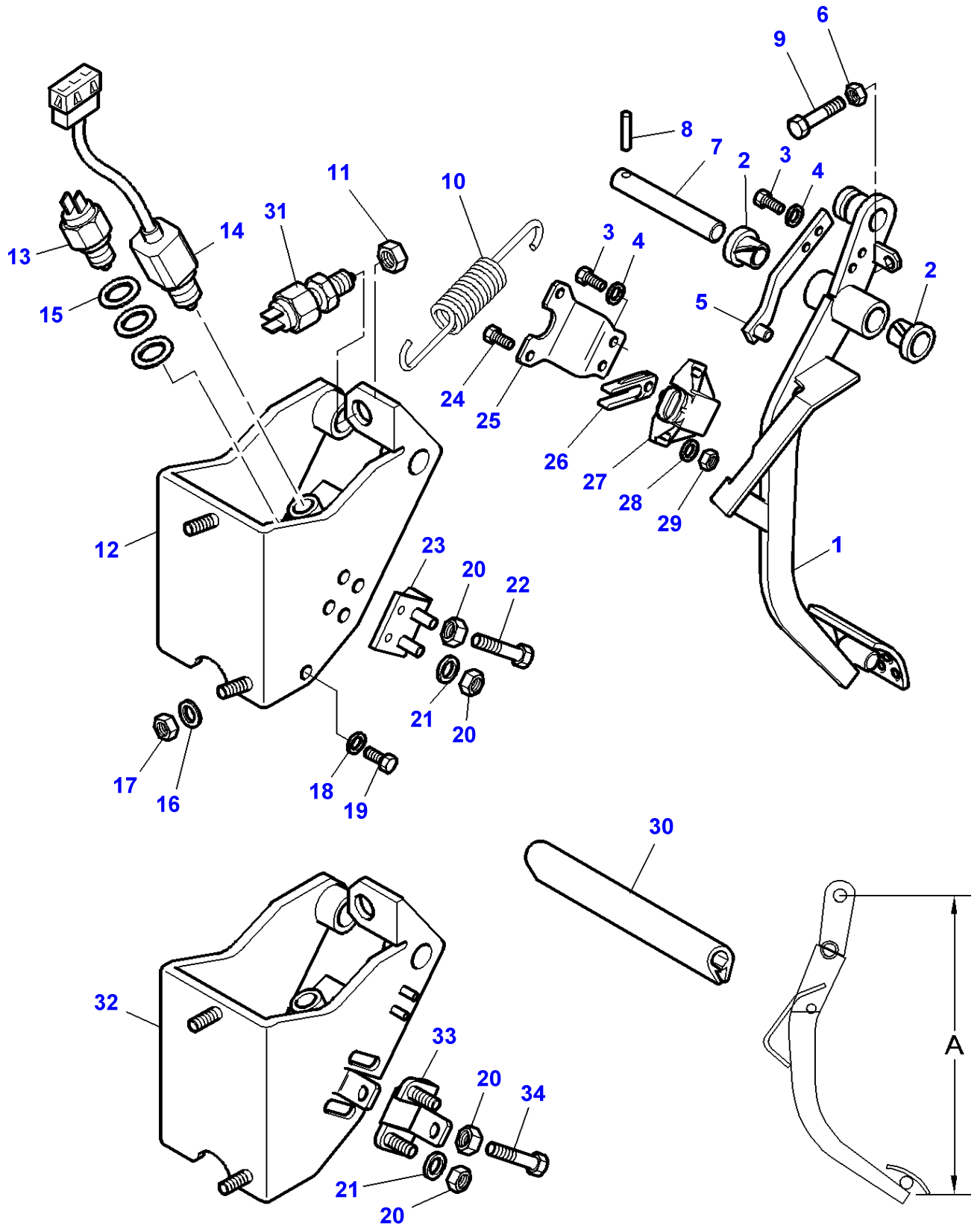
Clutch Pedal And Linkage - Up to Serial or Engine Number L270016

Item	Part Number	Qty	Description	Comments
1	3780580M1	1	Switch,Indirect	
2	3778375M2	1	Switch,Indirect	Up to Serial or Engine Number J032030
	3784055M1	1	Switch,Indirect	[B] Up to Serial or Engine Number J032030 M16x2
	3783832M2	1	Switch,Indirect	From Serial or Engine Number J032031 M16x1
3	3780941M3	1	Support	Up to Serial or Engine Number J032030
	3783836M1	1	Support	From Serial or Engine Number J032031 Up to Serial or Engine Number L037027
	3788048M1	1	Support	From Serial or Engine Number L037028
4	3780942M3	1	Stop	
5	3786148M1	1	Spring	
6	3783413M1	1	Washer	Diameter 16,5X22,5X5 Up to Serial or Engine Number J032030
7	390973X1	1	Washer Metric	Diameter 15-28X2,5
8	3777157M2	1	Transmitter	
9	390972X1	4	Washer Metric	
10	3783659M1	1	Screw Special	M8X35
	4271907M1	1	Screw	M8X25
11	3782120M2	1	Pedal	A = 426,5MM
12	339123X1	2	Hex. Sock. Screw	M8X20
13	339169X1	3	Nut	
14	391290X1	1	Pin	Diameter 5X30
15	3780939M1	1	Clevis Pin	
16	3385604M1	2	Bearing	
17	1626321M2	1	Skate	
18	392404X1	2	Screw	M5X16
19	3714488M3	1	Stop	
20	339070X1	1	Nut	
21	339794X1	2	Washer Metric	Diameter 14,5X27X1,5 Up to Serial or Engine Number J089008
22	3783659M1	1	Screw Special	M8X35 From Serial or Engine Number J089009
23	339169X1	1	Nut	From Serial or Engine Number J089009
24	1684844M1	1	Seal	Length 80MM
25	3783857M1	1	Harness	From Serial or Engine Number 08/01/2001
26	390972X1	3	Washer Metric	Up to Serial or Engine Number L037027
27	339123X1	3	Hex. Sock. Screw	Up to Serial or Engine Number L037027
28	390972X1	2	Washer Metric	From Serial or Engine Number L037028
29	339169X1	2	Nut	From Serial or Engine Number L037028

FOOTNOTE [A] TRACTOR WITH CAB

FOOTNOTE [B] SEE SERVICE BULLETIN TRAC 17/00 SECTION 10 ELECTRIC EQUIPMENT 16

1-ZD06-018-B

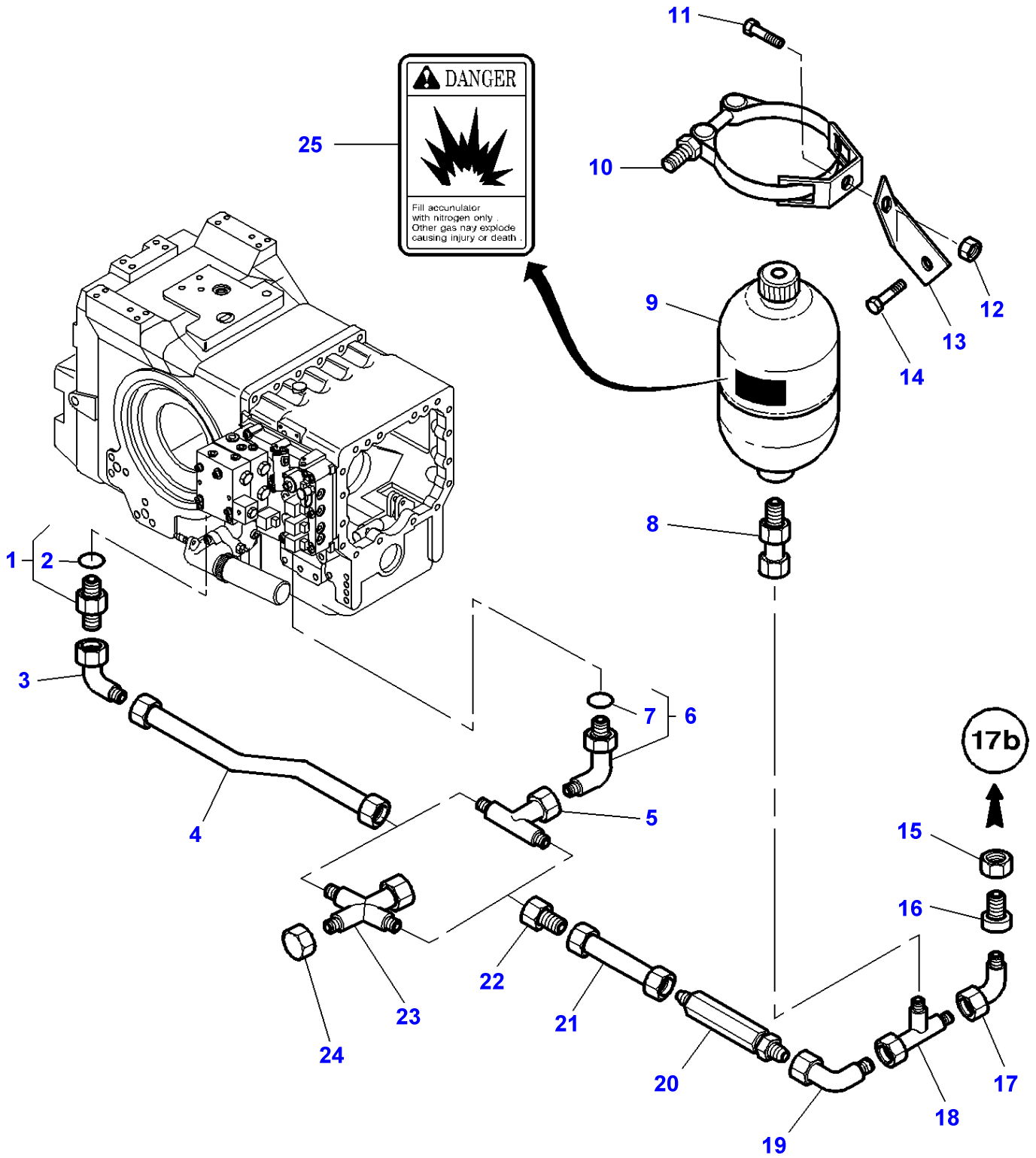


Item	Part Number	Qty	Description	Comments
1	3785645M5	1	Pedal	A=426,4MM
2	3385604M1	2	Bearing	
3	3009281X1	4	Screw	M6X16MM
4	390971X1	4	Washer	
5	4270193M1	1	Strap	
6	339169X1	1	Nut	
7	3780939M1	1	Clevis Pin	
8	391290X1	1	Pin	
9	3783659M1	1	Screw Special	M8X35
	4271907M1	1	Screw	M8X25
10	3786148M1	1	Spring	
11	339070X1	1	Nut	M14
12	3788048M2	1	Support	Up to Serial or Engine Number M083068
13	4271809M1	1	Switch,Indirect	MF 8270/80
	3780580M1	1	Switch,Indirect	Up to Serial or Engine Number M197055
				MF 8270/80 XTRA
	4271809M1	1	Switch,Indirect	From Serial or Engine Number M197056
				MF 8270/80 XTRA
14	3783832M2	1	Switch,Indirect	
15	390973X1	1	Washer Metric	Diameter 15-28X2,5MM
16	390972X1	2	Washer Metric	
17	339169X1	2	Nut	
18	390972X1	1	Washer Metric	
19	339123X1	1	Hex. Sock. Screw	M8X20MM
20	339169X1	3	Nut	
21	390972X1	2	Washer Metric	
22	3783659M1	1	Screw Special	Up to Serial or Engine Number M083068
				M8X35
23	3780942M3	1	Stop	Up to Serial or Engine Number M083068
24	3010818X1	2	Screw Metric	M4X20MM
25	4270192M1	1	Strap	
26	411301050040	1	Fork	
27	3784361M1	1	Transducer	
28	390468X1	4	Washer Metric	
29	3019139X1	2	Nut	
30	1684844M1	1	Seal	Length 80MM
31	4271809M1	1	Switch,Indirect	
32	4271926M1	1	Support	From Serial or Engine Number M083069
33	4271936M1	1	Stop	From Serial or Engine Number M083069
34	391176X1	1	Screw Metric	From Serial or Engine Number M083069
				M8X40

FOOTNOTE [A] WITH DYNASHIFT

FOOTNOTE [B] WITH FULL POWERSHIFT

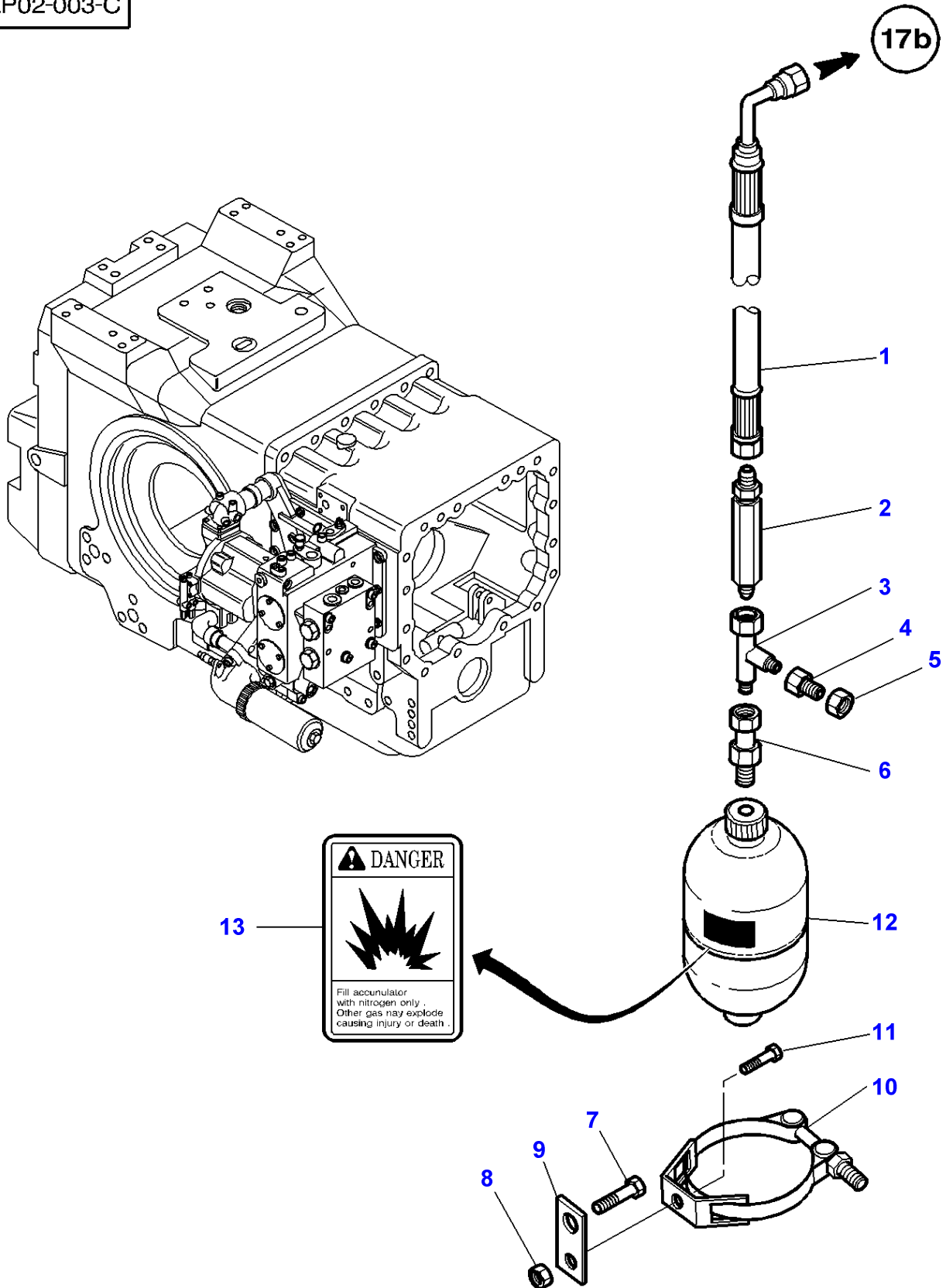
1-ZP02-002-D



Item	Part Number	Qty	Description	Comments
1	3019387X91	1	Union	M22X1,5 - 7/8-14
2	3019398X1	1	O Ring	(1)
3	367386X1	1	Elbow	
4	3716780M92	1	Tube	
5	367261X1	1	Union	Up to Serial or Engine Number H322040
6	3019416X91	1	Elbow	M18X1,5 - 7/8-14
7	3019397X1	1	O Ring	(6)
8	380018X1	1	Connector	M16X20
9	3619551M1	1	Accumulator	[A]
10	3619807M1	1	Bridle	
11	339124X1	1	Hex. Sock. Screw	M8X16
12	339169X1	1	Nut	
13	3793064M1	1	Bracket	
14	393764X1	1	Screw	M16X20
15	195960M1	1	Nut	
16	356627X1	1	Adaptor	
17	365233X1	1	Elbow	
18	364735X1	1	Union	
19	365233X1	1	Elbow	
20	3794676M1	1	Non Return Valve	Replace and repair. Old interchangeable with new 3790409M1
21	3386900M92	1	Tube	
22	377651X1	1	Reducer	
23	380059X1	1	Union	From Serial or Engine Number H322041
24	22833X	1	Cap	From Serial or Engine Number H322041
25	3777021M3	1	Decal	

FOOTNOTE [A] THE APPROPRIATE SAFETY DECALS MUST BE ORDERED AND FITTED TO THIS PART

1-ZP02-003-C

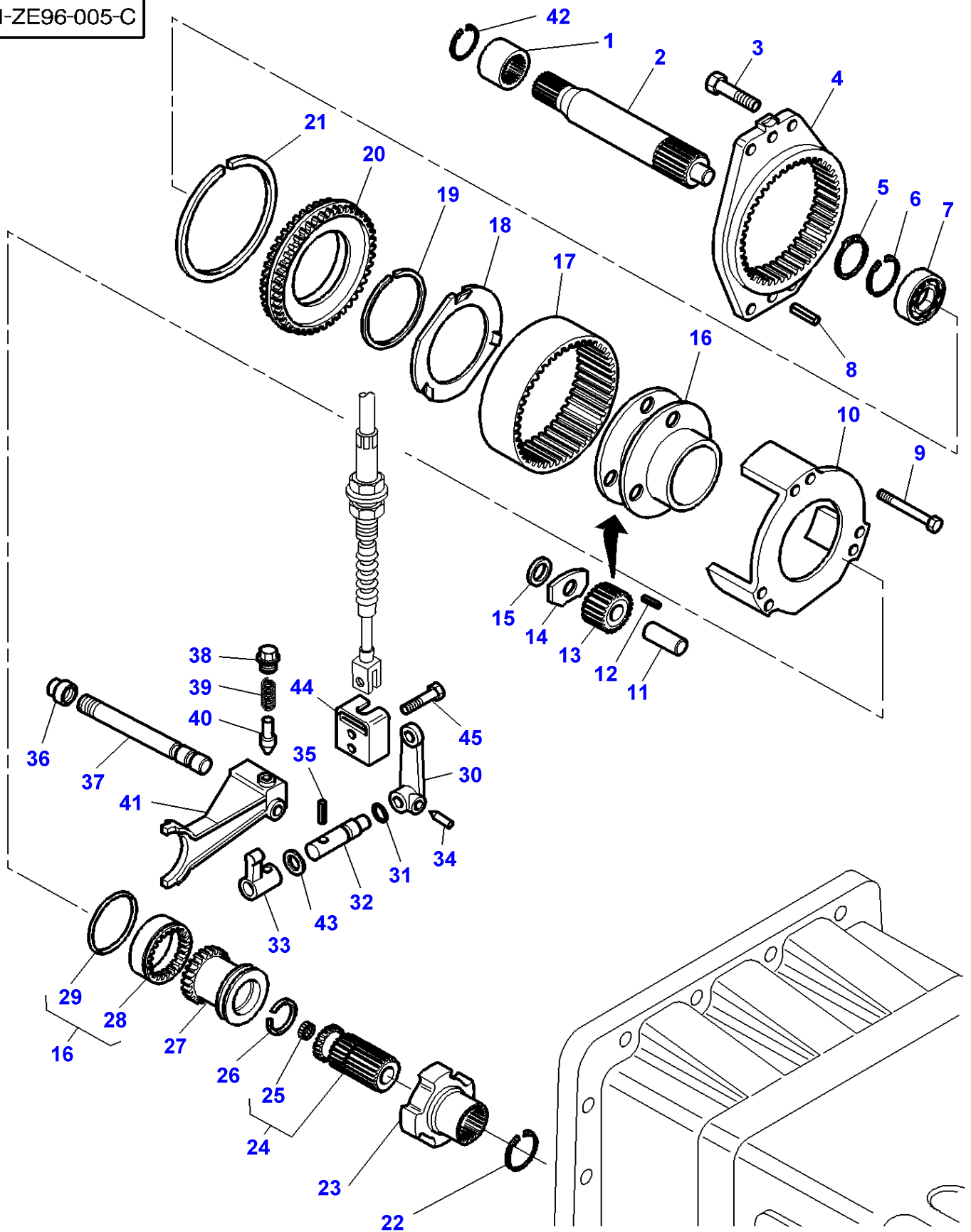


Item	Part Number	Qty	Description	Comments
1	3793406M1	1	Hydr Hose	
2	3794676M1	1	Non Return Valve	Replace and repair. Old interchangeable with new 3790409M1
3	364735X1	1	Union	
4	356627X1	1	Adaptor	
5	195960M1	1	Nut	
6	380018X1	1	Connector	
7	393764X1	1	Screw	M16X20
8	339169X1	1	Nut	
9	3793408M1	1	Support	
10	3619807M1	1	Bridle	
11	339124X1	1	Hex. Sock. Screw	M8X16
12	3619551M1	1	Accumulator	[A]
13	3777021M3	1	Decal	

FOOTNOTE [A] THE APPROPRIATE SAFETY DECALS MUST BE ORDERED AND FITTED TO THIS PART

MF 8270/8280 TRACTOR - 1637348
1-ZE96-005-C

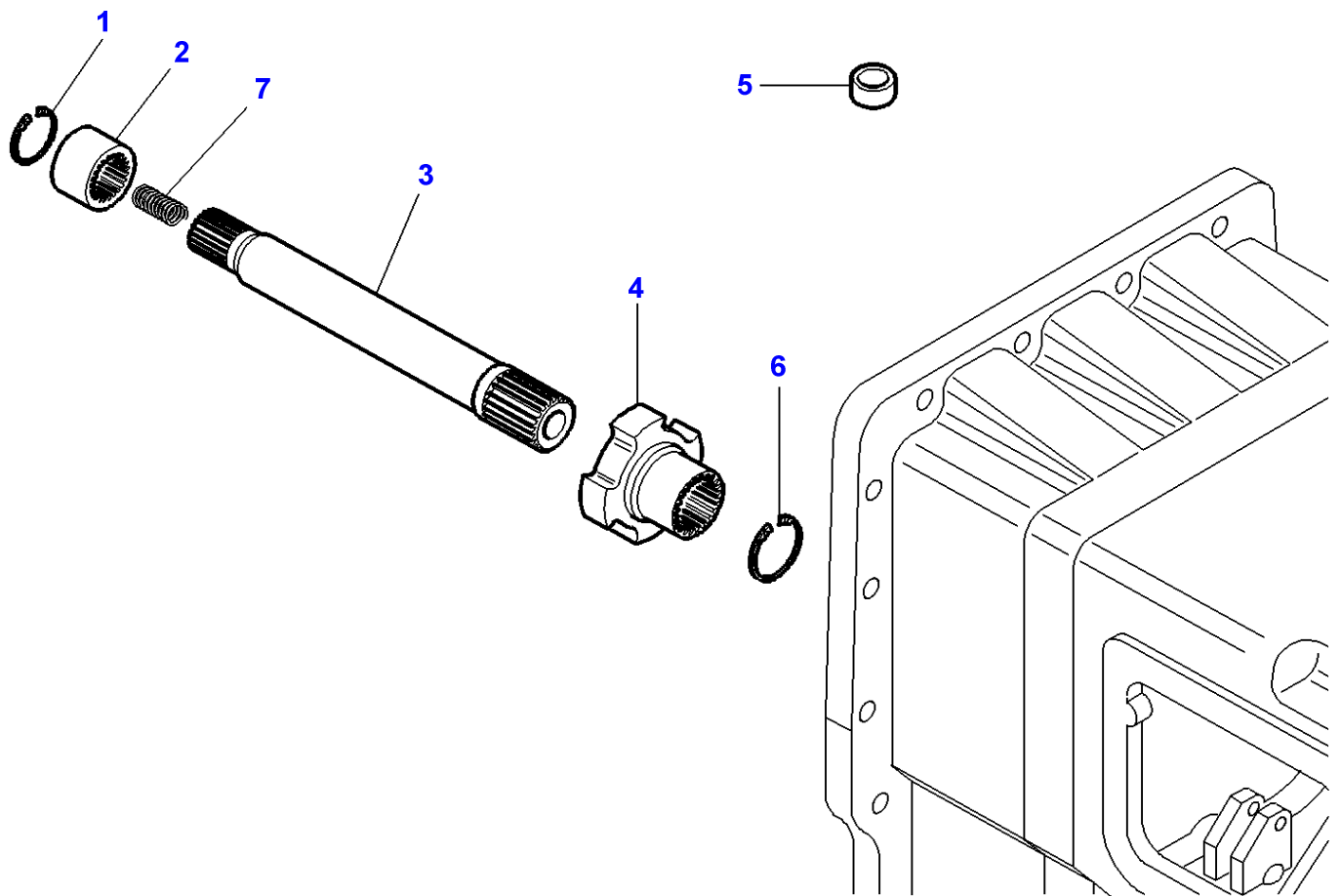
1-ZE96-005-C



Item	Part Number	Qty	Description	Comments
1	3716442M1	1	Sleeve	
2	3716838M2	1	Shaft	
3	3009507X1	4	Hex. Sock. Screw	M12 X 35
4	3716843M1	1	Support	
5	339605X1	1	Circlip	
6	339606X1	1	Circlip	
7	3010128X1	1	Bearing Assy	
8	3385839M2	2	Pin	
9	3015134X1	6	Screw	M6 X 65
10	3716862M4	1	Plate	
11	1866538M2	3	Shaft	
12	1866553M2	96	Roller	
13	1866552M1	3	Pinion	
14	1866543M1	3	Washer	
15	1866542M1	6	Thrust Washer	
16	1866558M93	1	Carrier	
17	3716821M2	1	Annular Gear	
18	1866545M2	2	Disc	
19	377424X1	1	Ring	
20	3716837M1	1	Pinion	
21	3010750X1	1	Segment	Diameter 180 MM
22	1441247X1	1	Ring	
23	3791821M1	1	Sleeve	[A]
24	3716840M11	1	Shaft	
25	3010741X1	1	Insert	(24)
26	3010640X1	1	Ring	
27	3716845M3	1	Coupling	
28	1866544M2	1	Spacer	(16)
29	1866539M1	1	Ring	(16)
30	3386195M2	1	Rod Link	
31	851258M1	1	O Ring	
32	3716448M1	1	Clevis Pin	
33	3716449M1	1	Selector	
34	3382979M1	1	Screw Special	
35	3001293X1	1	Pin	
36	3716447M2	1	Nut	
37	3716847M1	1	Stem	
38	3382343M2	1	Plug	
39	3794220M1	1	Spring	
40	180418M2	1	Plunger	Up to Serial or Engine Number M248041
	3797573M1	1	Plunger	From Serial or Engine Number M248042
41	3716846M3	1	Fork	
42	392376X1	1	Circlip	
43	3792320M1	X	Chock	Thickness 0,50 MM
	3792321M1	X	Chock	Thickness 1,00 MM
	3792322M1	X	Chock	Thickness 3,00 MM
	3792361M1	X	Chock	Thickness 5,00 MM
44	3791565M2	1	Thruster	
45	1444232X1	2	Screw	M8 X 16

FOOTNOTE [A] WITH PARKING BRAKE

1-ZE99-004-A

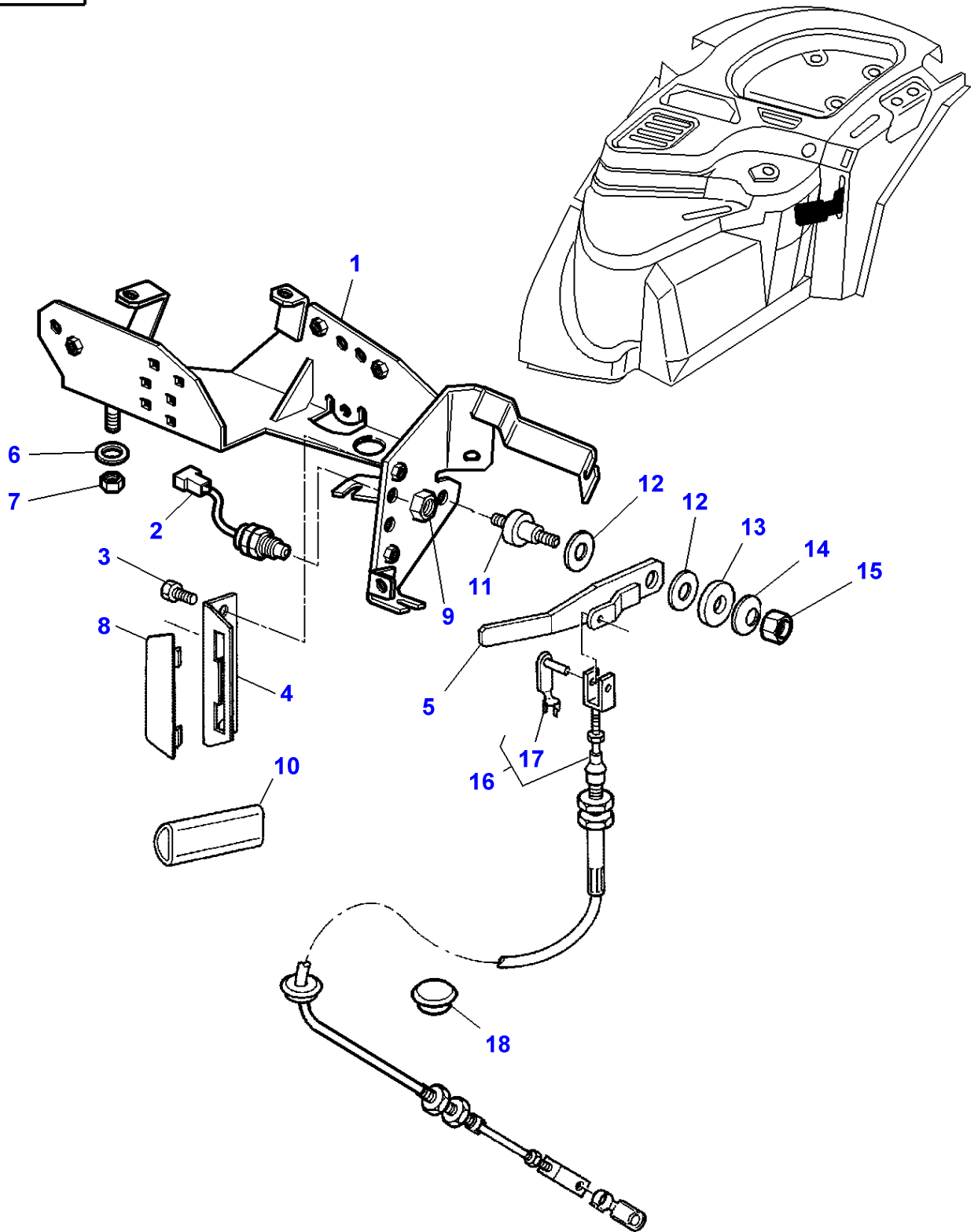


Massey Ferguson**MF 8270/8280 TRACTOR - 1637348****1637348****Transmission - Output Shaft - With Full Powershift - Without Creeper Gear****Page025-0010**

Item	Part Number	Qty	Description	Comments
1	392376X1	1	Circlip	
2	3716442M1	1	Sleeve	
3	3716459M3	1	Shaft	
4	3791821M1	1	Sleeve	[A]
5	3006020X1	1	Plug	Diameter 20MM
6	1441247X1	1	Ring	
7	3715534M1	1	Spring	

FOOTNOTE [A] WITH PARKING BRAKE

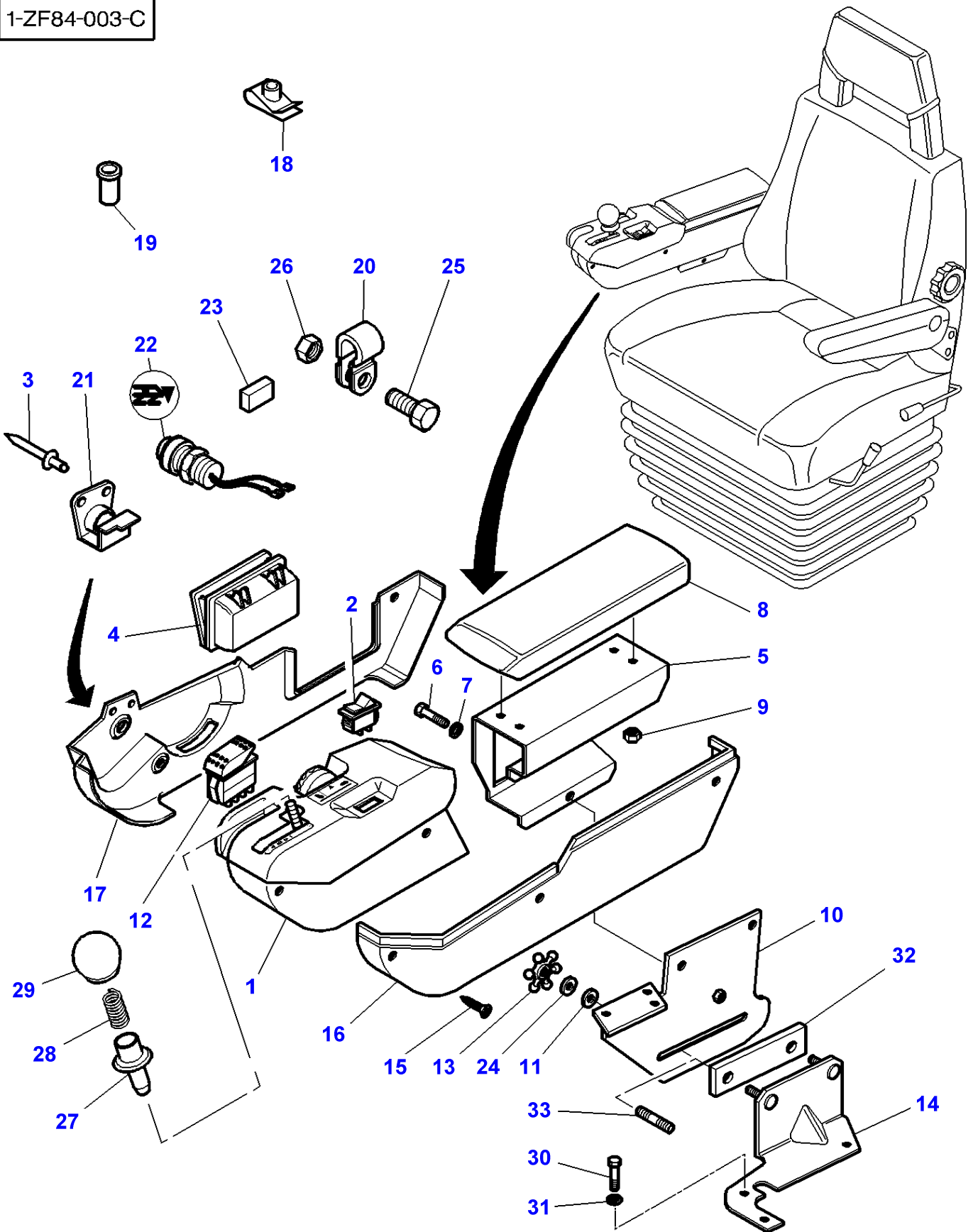
1-ZF10-004-A



Creeper Gearbox Control

Item	Part Number	Qty	Description	Comments
1	3778480M93	1	Support	
2	3780581M2	1	Switch,Indirect	
3	339228X1	2	Screw Metric	M8X12
4	3712275M1	1	Grille	
5	3712281M3	1	Lever	
6	385361X1	4	Washer	
7	394367X1	4	Locknut	
8	3712984M1	X	Plate	
9	339070X1	1	Nut	
10	3712976M2	1	Handle	
11	3712277M1	1	Clevis Pin	
12	3386166M1	2	Washer	
13	1442174X1	1	Washer	
14	3386192M1	1	Washer	
15	394367X1	1	Locknut	
16	3712989M2	1	Cable	
17	3600190M1	1	Clevis Pin	(16) Length 28MM
	3600191M1	1	Clevis Pin	(16) Length 40MM
18	3713587M1	1	Plug	Diameter 22MM

1-ZF84-003-C



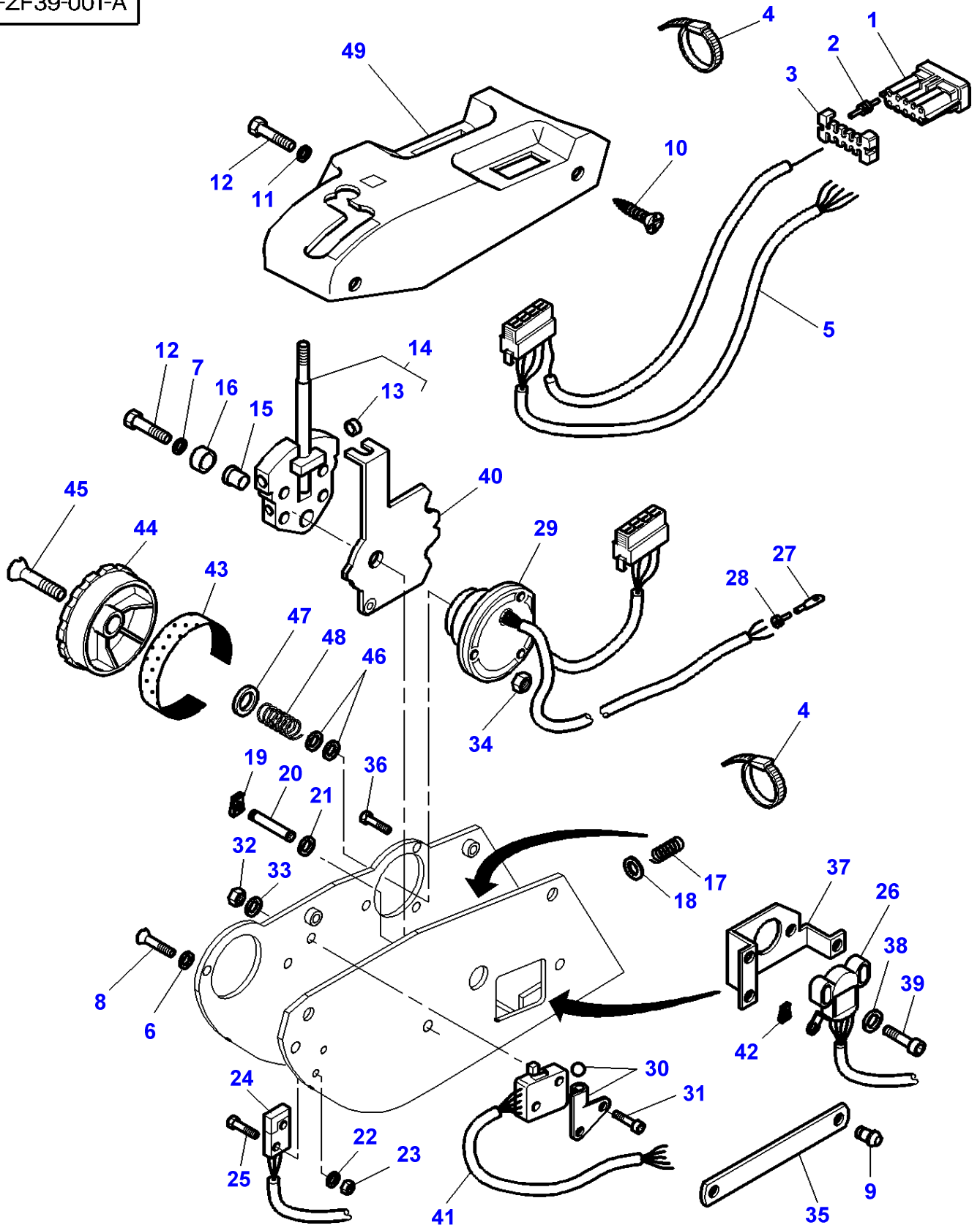
Item	Part Number	Qty	Description	Comments
1	3782014M93	1	Plate Control	See Page - Reference Number 025-0025
2	3785202M1	1	Switch, Indirect	
3	3011214X1	2	Rivet	Diameter 3,2 X 7,5MM Up to Serial or Engine Number J102023
4	3712912M1	1	Ashtray	
5	3778674M2	1	Support	
6	391074X1	3	Hex. Sock. Screw	M6x12
7	390971X1	3	Washer	
8	3778521M1	1	Armrest	
9	1441500X1	4	Locknut	Diameter M6
10	3778518M2	1	Plate	Up to Serial or Engine Number J025011
	3783660M3	1	Plate	From Serial or Engine Number J025012
11	3778519M1	2	Washer	
12	3782020M2	1	Switch, Indirect	
13	3778520M1	2	Button	Up to Serial or Engine Number
	3784102M1	2	Button	From Serial or Engine Number
				Up to Serial or Engine Number J291016
				M10X30
	3778520M1	2	Button	From Serial or Engine Number J291017
				M10
14	3778517M1	1	Angle	Up to Serial or Engine Number
15	3010578X1	7	Screw	
16	3778528M2	1	Flange	Left Hand
17	3782019M2	1	Flange	Right Hand
				Up to Serial or Engine Number J102023
	3784095M1	1	Flange	Right Hand
				From Serial or Engine Number J102024
18	3715142M1	2	Nut	Diameter M5
19	3778672M1	3	Nut	Diameter M5
20	3779547M1	1	Clamp	Diameter 10-12 MM
21	3782022M3	1	Support	Up to Serial or Engine Number J102023
22	3783772M1	1	Switch, Indirect	From Serial or Engine Number J102024
23	3782023M1	1	Chock	Up to Serial or Engine Number J102023
24	3619096M1	2	Washer	
25	3009494X1	1	Screw Metric	M10X35
26	339402X1	1	Nut	M10
27	3782951M3	1	Latch	
28	3783315M1	1	Spring	
29	3782952M2	1	Knob	[A]
30	339228X1	3	Screw Metric	M8X12
31	390972X1	3	Washer Metric	
32	3784970M1	1	Plate	From Serial or Engine Number J245008
33		2	Stud	[B]
				M10X35
				From Serial or Engine Number

FOOTNOTE [A] ORANGE

FOOTNOTE [B] TO BE ADVISED

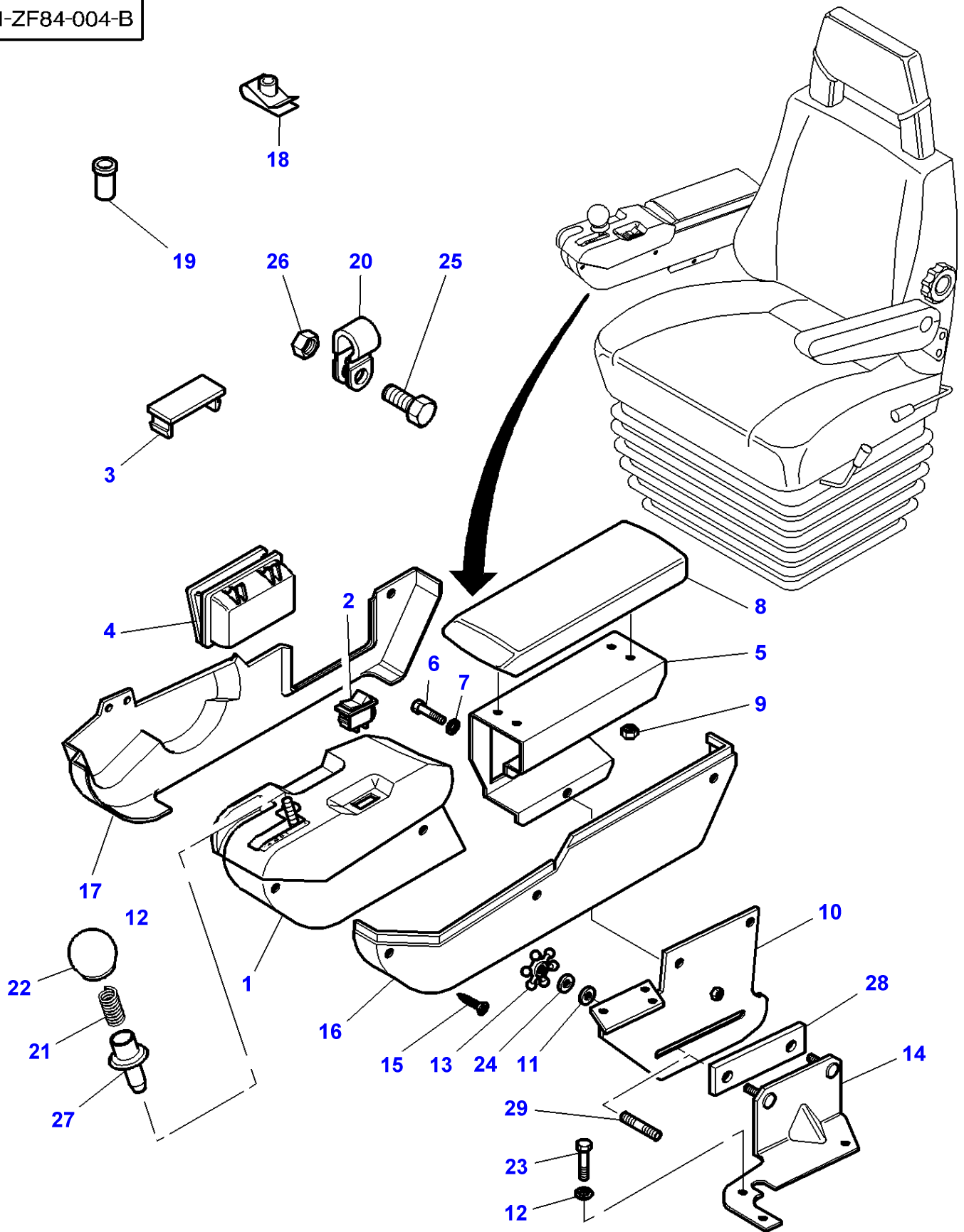
MF 8270/8280 TRACTOR - 1637348
1-ZF39-001-A

1-ZF39-001-A



Item	Part Number	Qty	Description	Comments
1	3902942M1	1	Connectors	GREY
	3902943M1	1	Connectors	BLACK
2	3902940M1	2	Plastic Plug	
3	3902941M1	2	Connectors	
4	3902829M1	X	Tie	
5	3903445M91	1	Cable	
6	339102X1	2	Washer	
7	1441206X1	1	Lock Washer	
8	3008179X1	2	Screw Metric	M4X10
9	3903447M1	1	Clevis Pin	
10	3004566X1	2	Screw	M6x16
11	3902863M1	2	Washer	M6
12	339560X1	3	Hex. Sock. Screw	M6x16
13	3902863M1	1	Washer	(14)
14	3903449M91	1	Lever	
15	3902838M1	1	Bearing	
16	3902850M1	1	Spacer	
17	3902859M1	1	Spring	
18	3902863M1	1	Washer	
19	3902944M1	2	Clip	Diameter 6 MM
20	3902945M2	1	Pin	
21	3902947M1	1	Roller	
22	3902866M1	2	Washer	M3
23	3010599X1	2	Nut Metric	M3
24	3902860M1	1	Switch,Indirect	
25	1442829X1	2	Screw	M3x16
26	3902946M91	1	Potentiometer	
27	3902843M1	4	Connectors	
28	3902842M1	4	Grommet	RED
29	3903312M91	1	Potentiometer	
30	3902862M1	1	Plate	
31	3903270M1	2	Screw	M3x16
32	3010599X1	2	Nut Metric	M3
33	3902866M1	2	Washer	M3
34	3019139X1	3	Nut	M4
35	3903448M1	1	Cam	
36	3009531X1	3	Screw Metric	M4x12
37	3903446M91	1	Support	
38	3903451M1	2	Washer	
39	3009534X1	2	Screw Metric	M4X25
40	3903450M91	1	Lever	
41	3903199M91	1	Harness	
42	3902955M1	2	Clip	Diameter 5 MM
43	3902826M1	1	Decal	
44	3902836M1	1	Button	
45	3009674X1	1	Screw	M6x35
46	3902833M1	1	Seal	
47	3902830M1	1	Washer	
48	3902832M1	1	Spring	
49	3903476M1	1	Cover	

1-ZF84-004-B

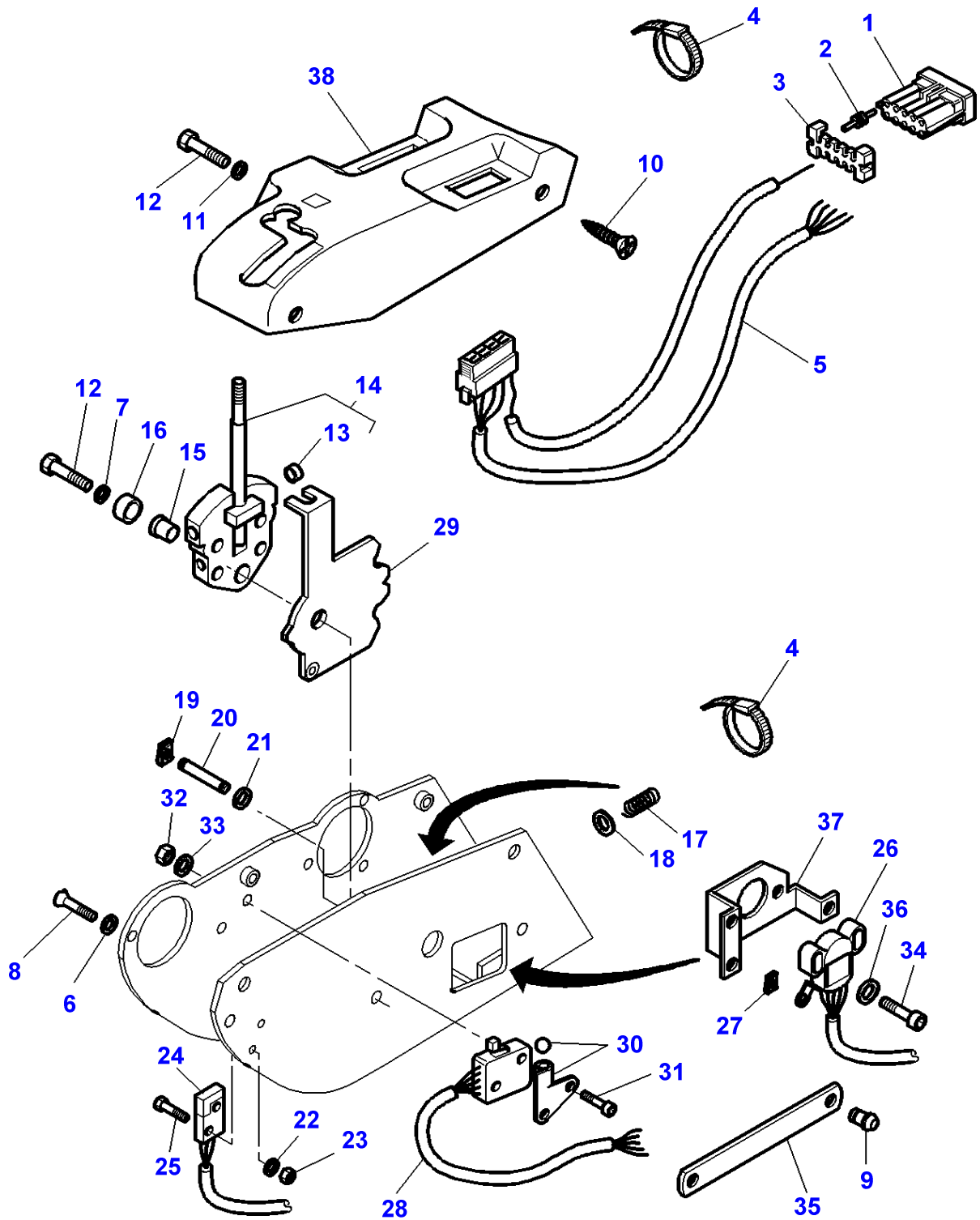


Item	Part Number	Qty	Description	Comments
1	3782018M92	1	Plate Control	See Page - Reference Number 025-0035
2	3785202M1	1	Switch, Indirect	
3	3713151M1	2	Tap	
4	3712912M1	1	Ashtray	
5	3778674M2	1	Support	
6	391074X1	3	Hex. Sock. Screw	M6x12
7	390971X1	3	Washer	
8	3778521M1	1	Armrest	
9	1441500X1	4	Locknut	M6
10	3778518M2	1	Plate	Up to Serial or Engine Number J025011
	3783660M3	1	Plate	From Serial or Engine Number J025012
11	3778519M1	2	Washer	
12	390972X1	3	Washer Metric	
13	3778520M1	2	Button	
14	3778517M1	1	Angle	Up to Serial or Engine Number
15	3010578X1	7	Screw	
16	3778528M2	1	Flange	Left Hand
17	3783015M1	1	Flange	Right Hand
18	3715142M1	2	Nut	M5
19	3778672M1	3	Nut	M5
20	3779547M1	1	Clamp	Diameter 10-12 MM
21	3783315M1	1	Spring	
22	3782952M2	1	Knob	[A]
23	339228X1	3	Screw Metric	M8X12
24	3619096M1	2	Washer	
25	3009494X1	1	Screw Metric	M10X35
26	339402X1	1	Nut	M10
27	3782951M3	1	Latch	
28	3784970M1	1	Plate	From Serial or Engine Number J245008
29	391006X1	2	Stud	From Serial or Engine Number M10X30

FOOTNOTE [A] ORANGE

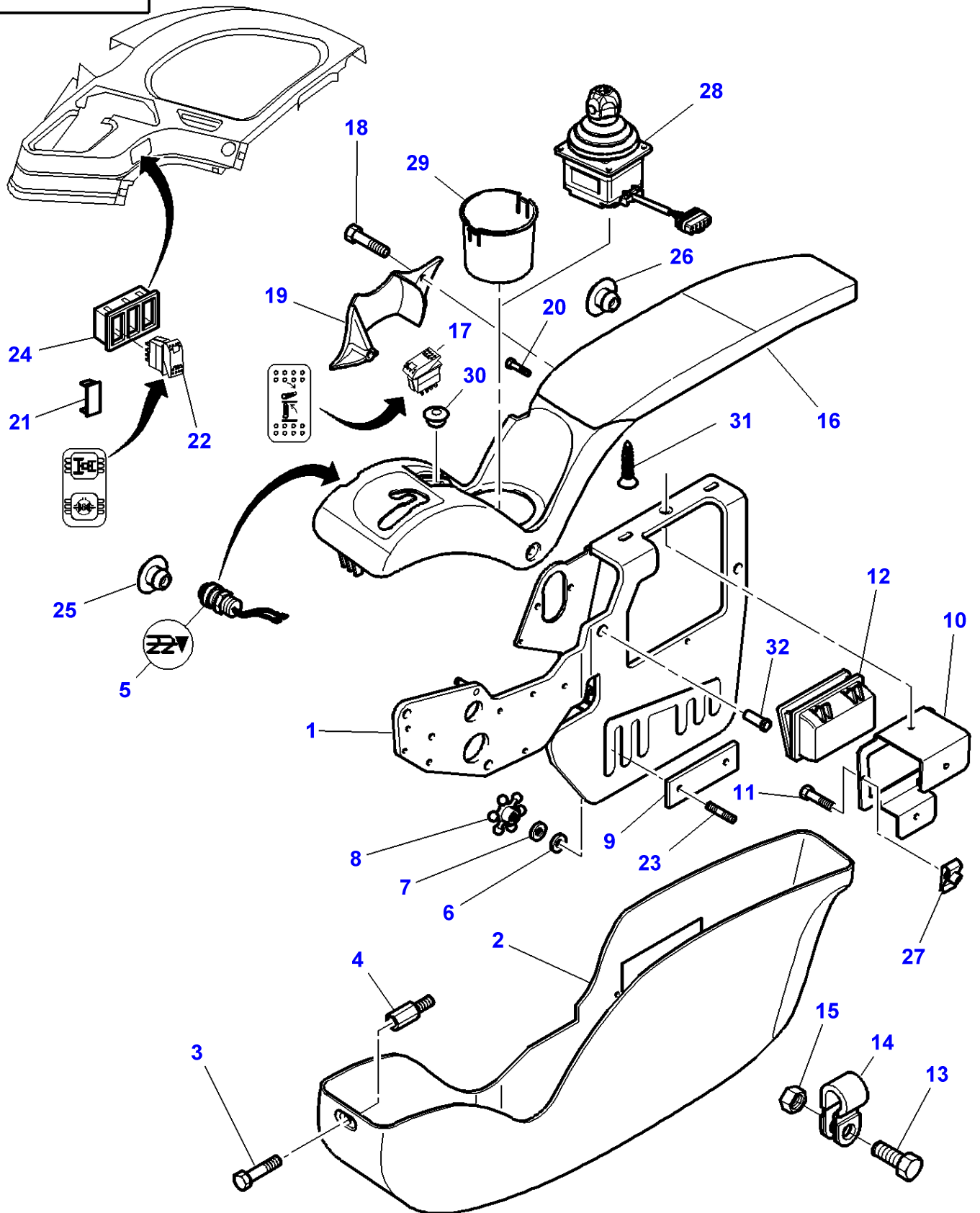
FOOTNOTE [B] TO BE ADVISED

1-ZF39-002-A



Item	Part Number	Qty	Description	Comments
1	3902942M1	1	Connectors	GREY
	3902943M1	1	Connectors	BLACK
2	3902940M1	X	Plastic Plug	
3	3902941M1	2	Connectors	
4	3902829M1	X	Tie	
5	3903445M91	1	Cable	
6	339102X1	2	Washer	
7	1441206X1	1	Lock Washer	
8	3008179X1	2	Screw Metric	M4X10
9	3903447M1	1	Clevis Pin	
10	3004566X1	2	Screw	M6x16
11	3902863M1	2	Washer	M6
12	339560X1	3	Hex. Sock. Screw	M6x16
13	3902863M1	1	Washer	(14)
14	3903449M91	1	Lever	
15	3902838M1	1	Bearing	
16	3902850M1	1	Spacer	
17	3902859M1	1	Spring	
18	3902863M1	1	Washer	
19	3902944M1	2	Clip	Diameter 6 MM
20	3902945M2	1	Pin	
21	3902947M1	1	Roller	
22	3902866M1	2	Washer	M3
23	3010599X1	2	Nut Metric	M3
24	3902860M1	1	Switch,Indirect	
25	1442829X1	2	Screw	M3x16
26	3902946M91	1	Potentiometer	
27	3902955M1	2	Clip	Diameter 5 MM
28	3903199M91	1	Harness	
29	3903450M91	1	Lever	
30	3902862M1	1	Plate	
31	3903270M1	2	Screw	M3x16
32	3010599X1	2	Nut Metric	M3
33	3902866M1	2	Washer	M3
34	3009534X1	2	Screw Metric	M4X25
35	3903448M1	1	Cam	
36	3903451M1	2	Washer	
37	3903446M91	1	Support	
38	3903475M1	1	Cover	

1-ZF84-012-A



Item	Part Number	Qty	Description	Comments
1	3783778M3	1	Support	
2	3783777M3	1	Envelope	
3	3011175X1	1	Screw	M5X8
4	3786164M1	1	Spacer	
5	3783772M1	1	Switch,Indirect	
6	3619096M1	2	Washer	Diameter 10,5-32X5
7	3778519M1	2	Washer	Diameter 10-27X1,8
8	3784102M1	2	Button	Up to Serial or Engine Number
	3786216M1	2	Button	From Serial or Engine Number
9	3784970M1	1	Plate	
10	3785295M2	1	Reinforcement	Up to Serial or Engine Number K309014
11	3010506X1	1	Screw	M5X16
12	3781512M1	1	Ashtray	
13	3779547M1	1	Clamp	
14	3009494X1	1	Screw Metric	M10X35
15	339402X1	1	Nut	M10
16	3785280M2	1	Envelope	
17	3782020M2	1	Switch,Indirect	Up to Serial or Engine Number L347041
	4270970M2	1	Switch,Indirect	From Serial or Engine Number L347042
18	3010818X1	2	Screw Metric	M4X20
19	3784381M1	1	Muff	
20	3010578X1	2	Screw	M5X10
21	3713151M1	X	Tap	
22	3785202M1	1	Switch,Indirect	[B] Four Wheel Drive
23	3008483X1	2	Stud	From Serial or Engine Number M10X35
24	3809798M1	1	Housing	
25	3784237M1	1	Plug	[A] Diameter 13MM
26	3785802M1	1	Plug	[A]
27	3715143M1	1	Nut	Up to Serial or Engine Number M5
28	3785028M93	1	Joystick	See Page - Reference Number 025-0050/1
29	3784376M1	1	Support	[C]
30	3784237M1	4	Plug	[C,D]
31	4270255M1	1	Screw	N 5X22
32	3580776M1	1	Nut	From Serial or Engine Number M5

FOOTNOTE [A] WITHOUT HYDRAULIC LIFT

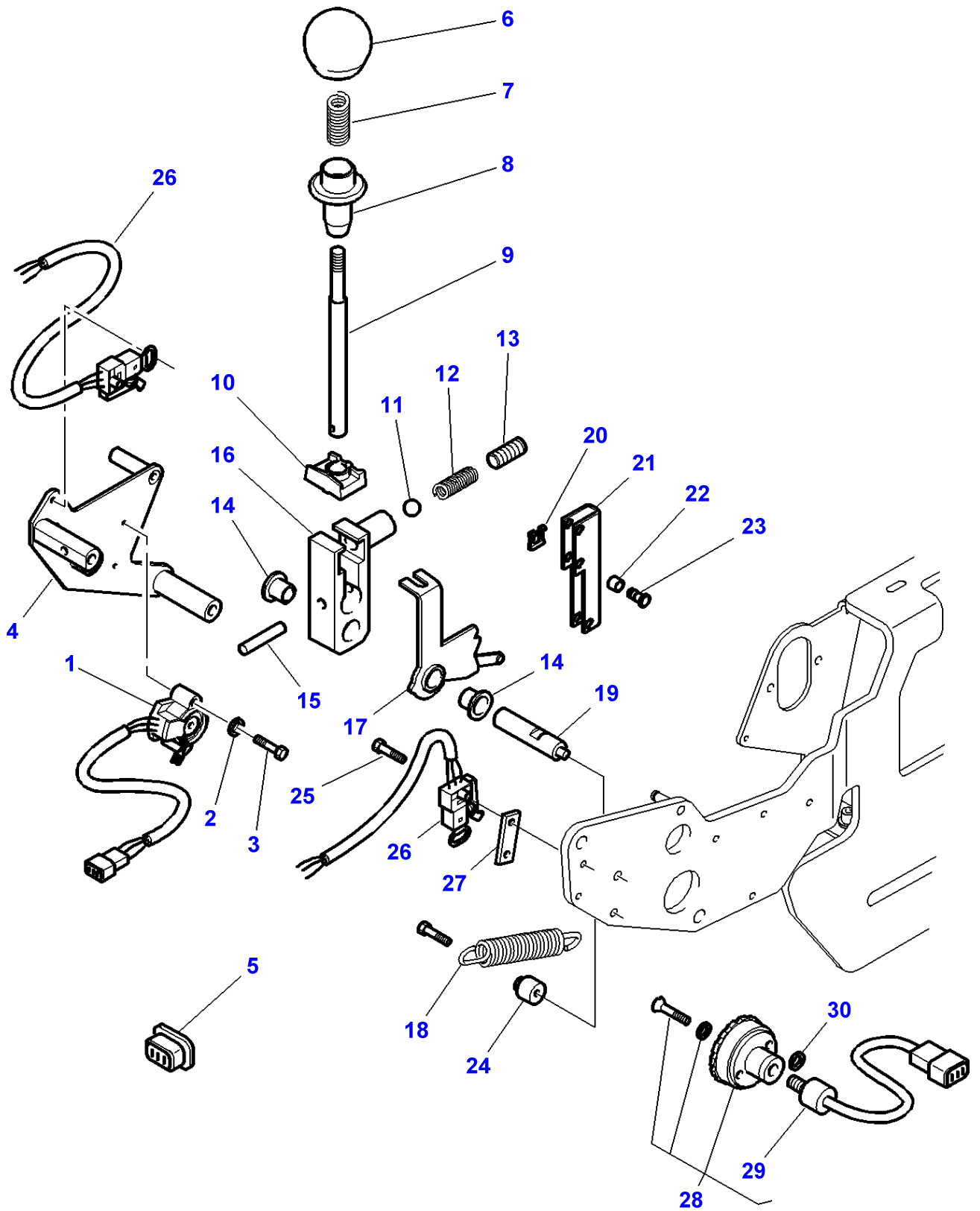
FOOTNOTE [B] DIFFERENTIAL LOCK

FOOTNOTE [C] WITHOUT JOYSTICK

FOOTNOTE [D] BLACK

MF 8270/8280 TRACTOR - 1637348
1-ZF39-003-B

1-ZF39-003-B



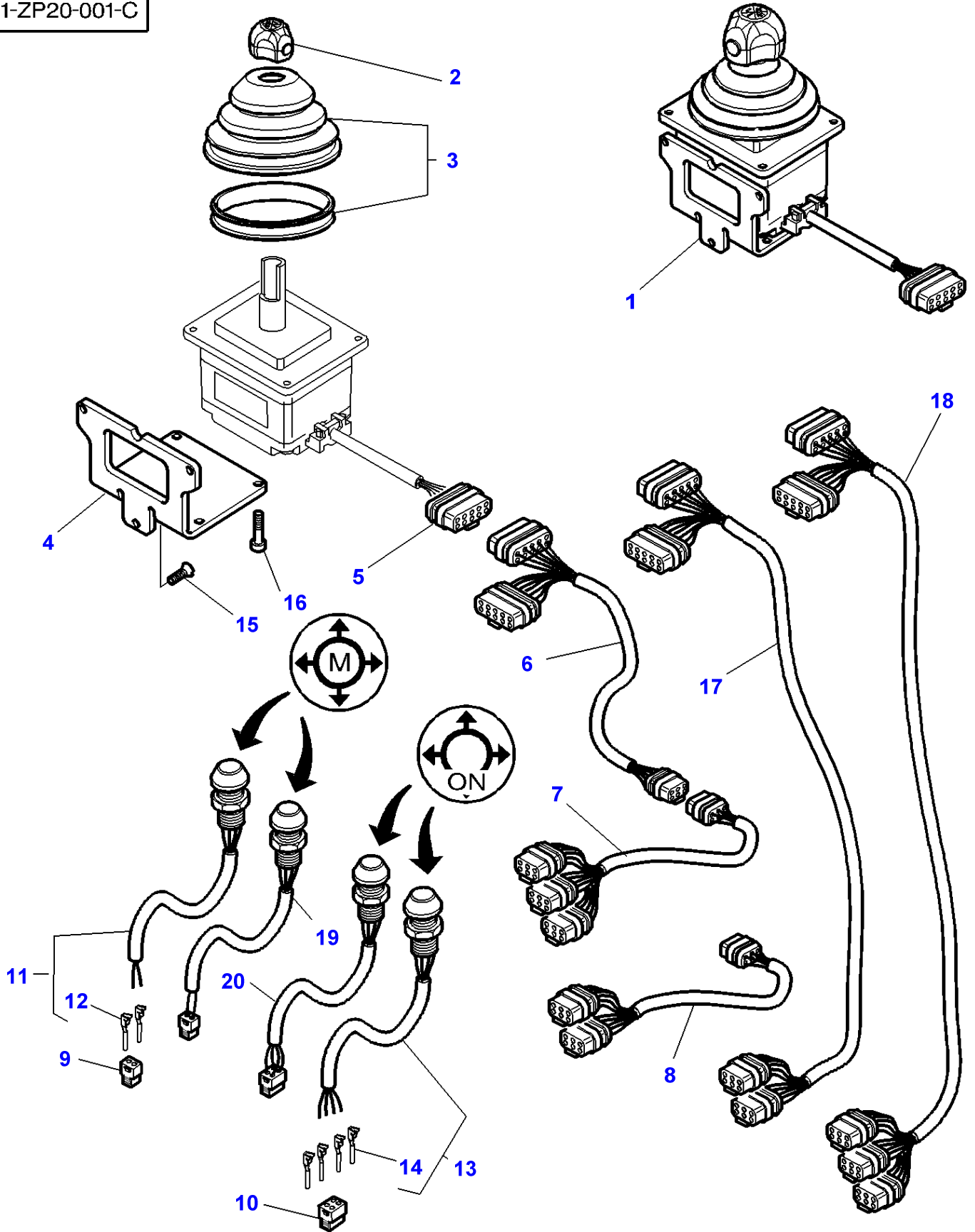
Item	Part Number	Qty	Description	Comments
1	3784099M1	1	Transducer	
2	339102X1	2	Washer	
3	3010354X1	2	Screw	M4X25
4	3784445M2	1	Plate	
5	3784687M1	1	Connectors	[A]
	3784686M1	1	Connectors	[B]
6	3782952M2	1	Knob	
7	3783315M1	1	Spring	
8	3782951M3	1	Latch	
9	3784121M1	1	Lever	
10	3784606M1	1	Selector	
11	3784122M1	1	Ball	
12	3784123M1	1	Spring	
13	3015185X1	1	Setscrew	M12
14	3784124M1	2	Bearing Carrier	
15	391290X1	1	Pin	Diameter 5X28
16	3784120M1	1	Support	
17	3784126M4	1	Cam	
18	3784187M3	1	Tension Spring	
19	3784446M1	1	Clevis Pin	
20	3784191M1	3	Thruster	
21	3784171M1	1	Support	
22	3784184M1	1	Roller	
23	3784185M1	2	Clevis Pin	
24	3784188M1	1	Spacer	
25	3010351X1	2	Screw	M4X12
26	3784192M1	2	Switch	
27	3784228M1	1	Chock	
28	3784868M3	1	Potentiometer	
29	3580997M1	1	Potentiometer	(28)
30	3001856X1	2	Washer Metric	

FOOTNOTE [A] BLACK

FOOTNOTE [B] BROWN

MF 8270/8280 TRACTOR - 1637348
1-ZP20-001-C

1-ZP20-001-C



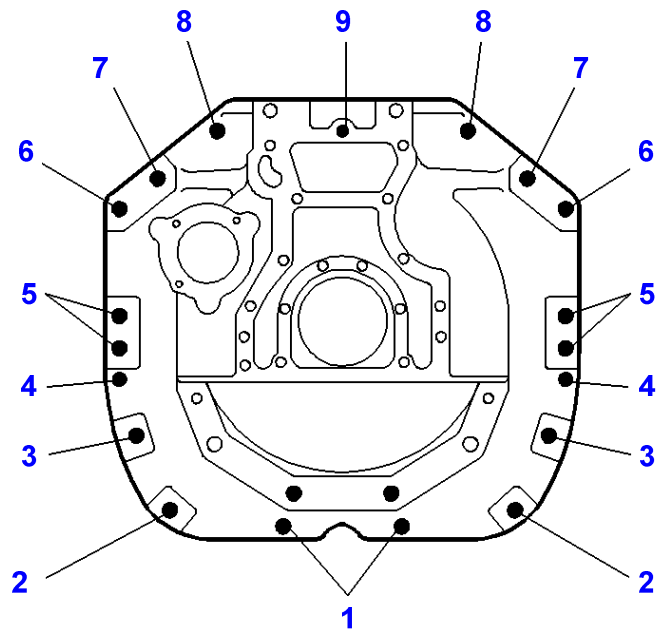
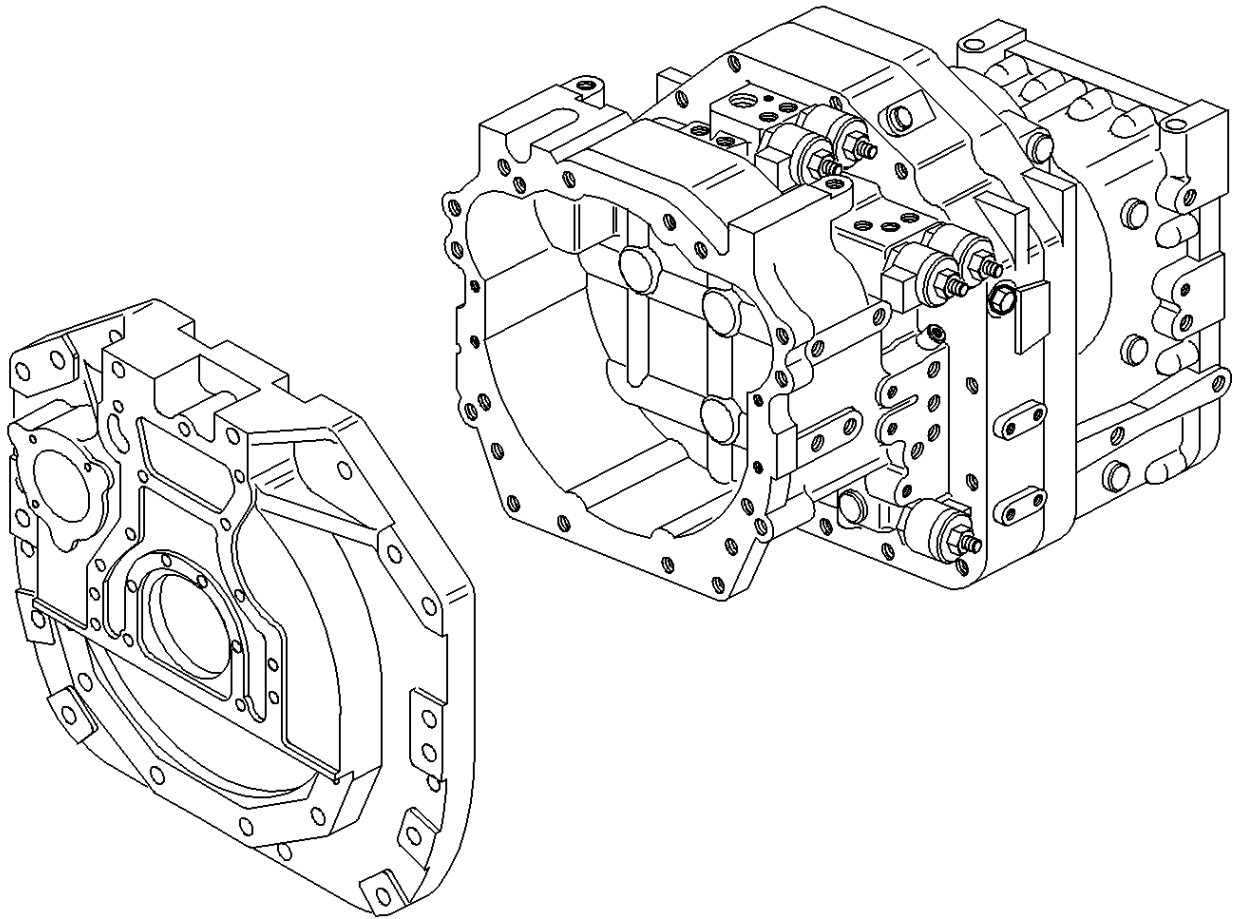
Joystick For Distributor With electrodynamique Control

Item	Part Number	Qty	Description	Comments
1	3785028M93	1	Joystick	
2	3903673M91	1	Shell	(1)
3	3903672M91	1	Bellows	(1)
4	3784658M1	1	Support	(1)
5	3902473M1	1	Connectors	(1)
6	3785970M1	1	Harness	Up to Serial or Engine Number K190010
7	3785973M1	1	Harness	[B] Up to Serial or Engine Number K190010
8	3785972M1	1	Harness	[A] Up to Serial or Engine Number K190010
9	3784375M1	1	Connectors	Up to Serial or Engine Number L347041
10	3784374M1	1	Connectors	Up to Serial or Engine Number L347041
11	3783782M1	1	Switch	Up to Serial or Engine Number L347041
12	3903650M1	2	Connectors	(11)
13	3783834M1	1	Switch	Up to Serial or Engine Number L347041
14	3903650M1	4	Connectors	(13)
15	3011000X1	3	Screw	M5X12
16	3010354X1	4	Screw	M4X25
17	3784340M1	1	Harness	[A] From Serial or Engine Number K190011
18	3787783M1	1	Harness	[B] From Serial or Engine Number K190011
19	4271759M1	1	Switch,Indirect	From Serial or Engine Number L347042
20	4271760M1	1	Switch,Indirect	From Serial or Engine Number L347042

FOOTNOTE [A] 2 DISTRIBUTORS WITH ELECTRIC CONTROL

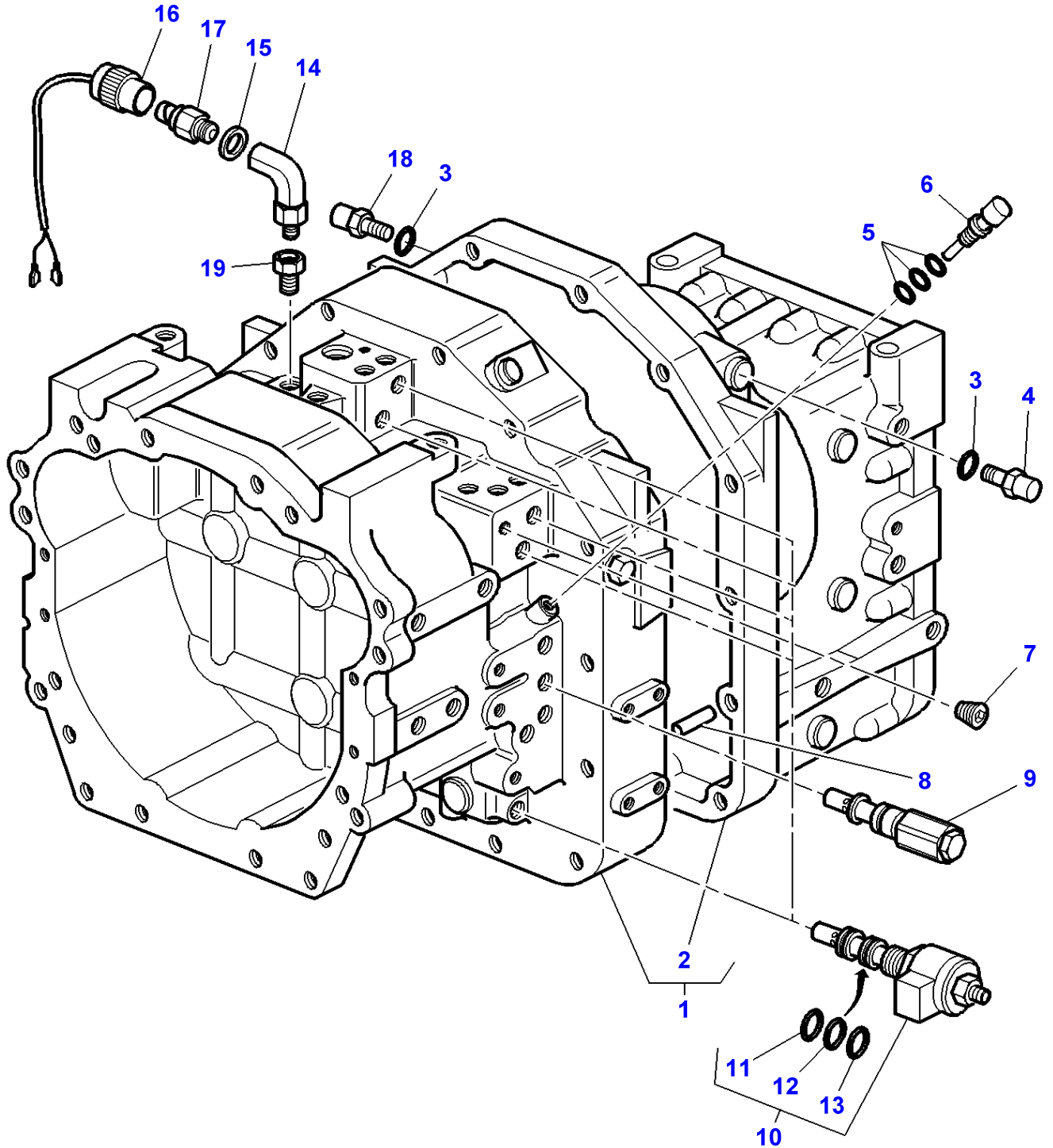
FOOTNOTE [B] 3 DISTRIBUTORS WITH ELECTRIC CONTROL

1-ZD12-004-A



Engine-Transmission		Assembling		
Item	Part Number	Qty	Description	Comments
1	3010756X1	2	Screw	M20X140
	385365X1	2	Washer	Diameter 20-37X5
	3009746X1	2	Nut	M20
2	3010557X1	2	Screw Metric	M20X100
	385365X1	2	Washer	Diameter 20-37X5
	3009746X1	2	Nut	M20
3	3010574X1	2	Screw	M20X110
	385365X1	2	Washer	Diameter 20-37X5
	3009746X1	2	Nut	M20
4	3583428M1	2	Centraliser	
5	3010850X1	4	Screw	M20X170
	385365X1	4	Washer	Diameter 20-37X5
	3009746X1	4	Nut	M20
6	3010563X1	2	Screw	M20X90
	385365X1	2	Washer	Diameter 20-37X5
	3009746X1	2	Nut	M20
7	3010556X1	2	Screw Metric	M20X70
8	3010563X1	2	Screw	M20X90
	385365X1	2	Washer	Diameter 20-37X5
	3009746X1	2	Nut	M20
9	3010563X1	1	Screw	M20X90

1-ZF60-004-C



Gear Box Full Power Shift

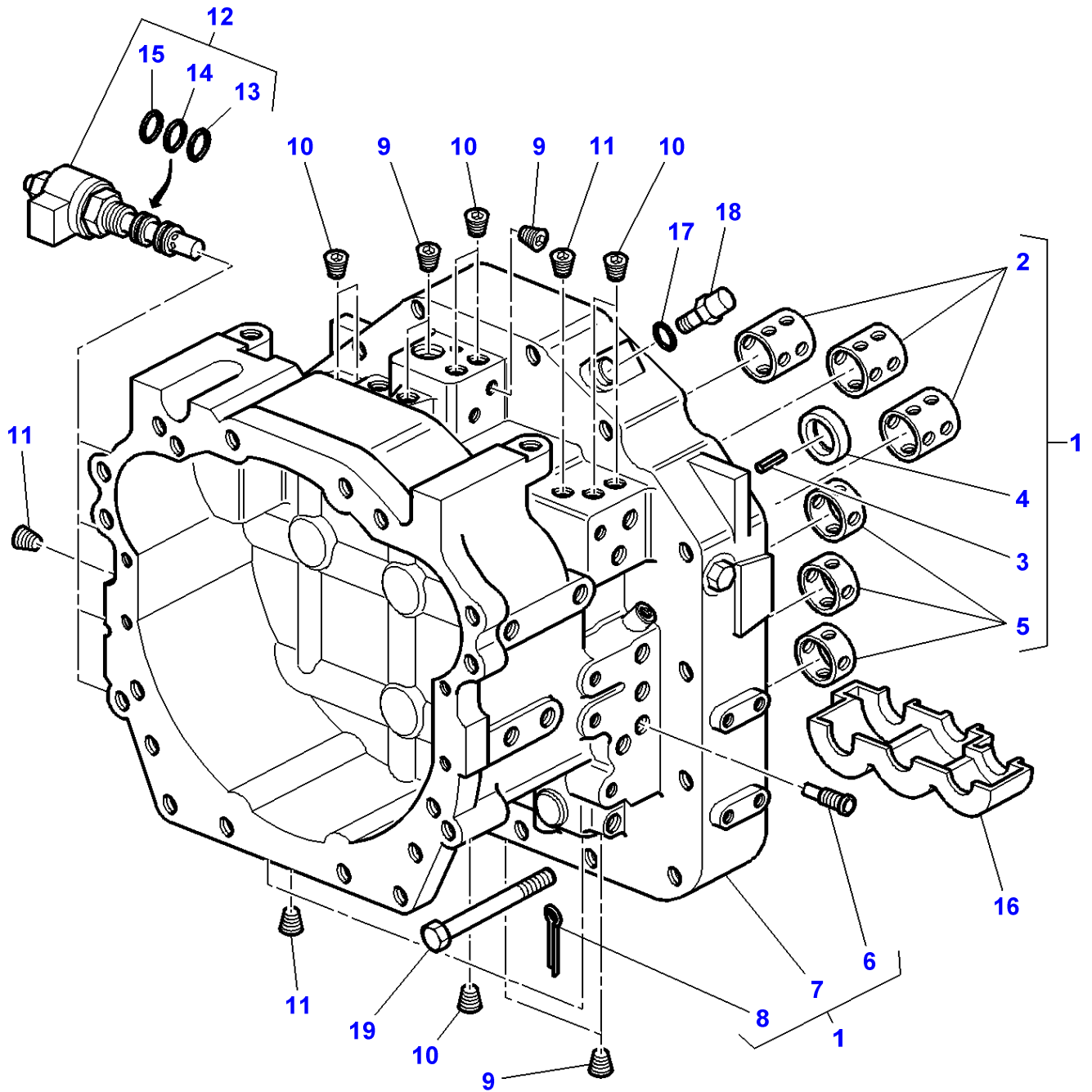
Item	Part Number	Qty	Description	Comments
1	4300243M91	1	Gearbox	
2	3779362M1	1	Housing	(1)
3	3779222M1	2	O Ring	
4	3779280M2	1	Eng.Speed Sensor	[B]
5	3779235M1	1	Kit, O Rings	
6	3779237M1	1	Transmitter	[A]
7	3779234M1	1	Plug	Diameter 9/16"
8	72503986	2	Pin	Replace and repair. Old interchangeable with new 3779225M1
9	3903986M91	1	Relief Valve	260 PSI Replace and repair. Old not interchangeable with new 3779244M91
10	3779284M92	5	Solenoid	
11	3907410M1	1	O Ring	(10)
12	3907409M1	1	O Ring	(10)
13	3779307M1	1	O Ring	(10)
14	3795742M1	1	Elbow Nipple	
15	1440012X1	1	Gasket	
16	3795285M1	1	Harness	Up to Serial or Engine Number
17	3795284M1	1	Low Pr.Oil Trmtr	Repairs and replaces 3381387M5
18	3779280M2	1	Eng.Speed Sensor	[C]
19	3795276M1	1	Adaptor	

FOOTNOTE [A] HEAT

FOOTNOTE [B] MOTOR SPEED

FOOTNOTE [C] TRAVELLING SPEED

1-ZF60-002-B

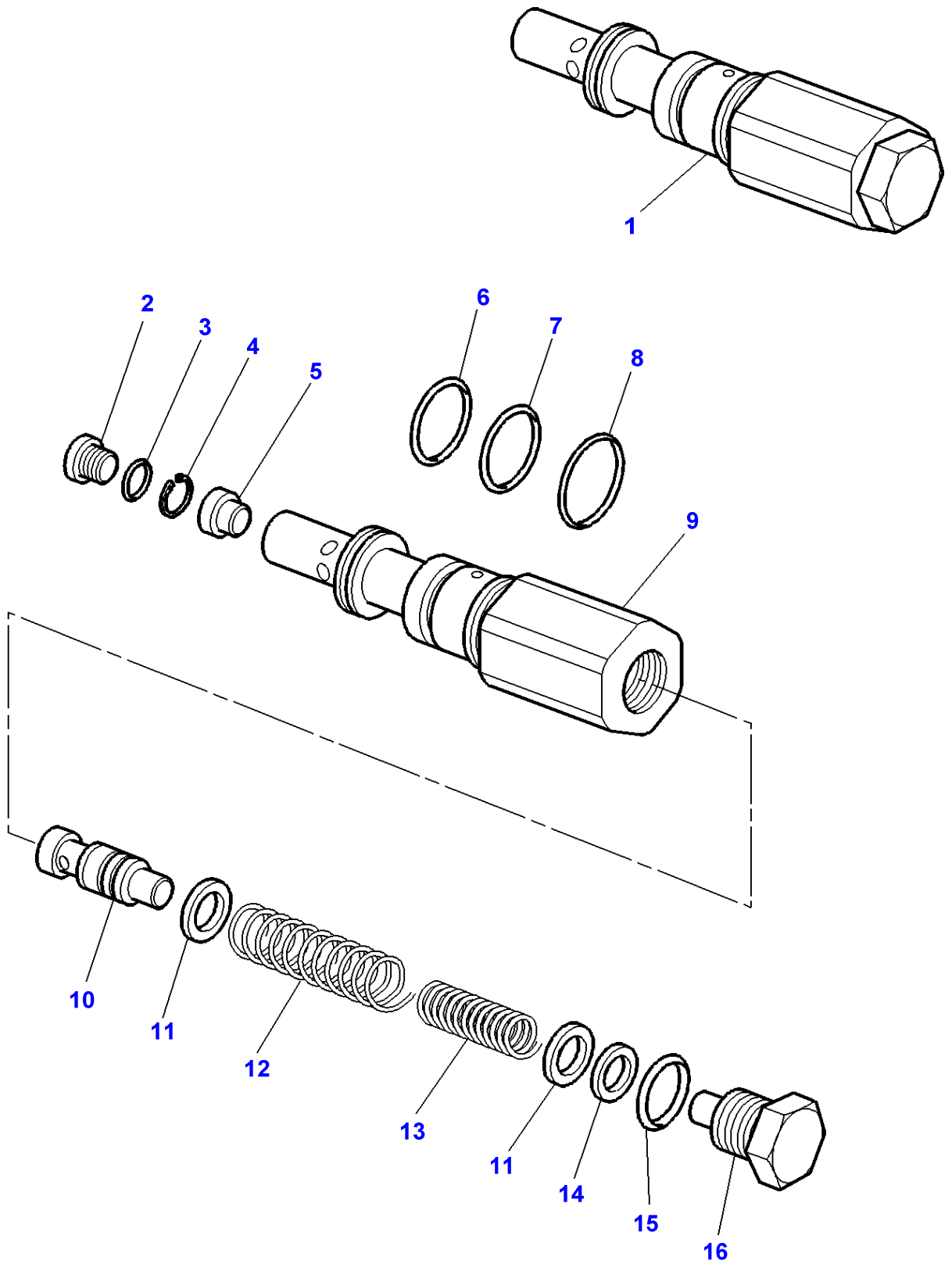


Gear Box Full Power Shift

Item	Part Number	Qty	Description	Comments
1	3779367M91	1	Housing	
2	3779206M1	3	Bush	(1)
3	3779215M1	1	Plug	(1)
4	3779208M1	1	Gasket	(1)
5	3779207M1	3	Bush	(1)
6	3903979M1	1	Pressure Valve	(1)
7		1	Housing	Replace and repair. Old not interchangeable with new 3779283M91 (1) Not serviced,order REF . 1
8	72503936	1	Pin	(1) Replace and repair. Old interchangeable with new 3779224M1
9	3779308M1	5	Plug	
10	3779242M1	11	Plug	Diameter 7/16"
11	3779234M1	6	Plug	Diameter 9/16"
12	3779284M92	4	Solenoid	
13	3907410M1	1	O Ring	(12)
14	3907409M1	1	O Ring	(12)
15	3779307M1	1	O Ring	(12)
16	3779359M1	1	Deflector	
17	3779222M1	1	O Ring	Up to Serial or Engine Number 10-04-2001
	4300207M1	1	O Ring	From Serial or Engine Number 11-04-2001
18	3779280M2	1	Eng.Speed Sensor	[A]
19	3779318M1	18	Screw	M16x200

FOOTNOTE [A] INTERMEDIARY SPEED

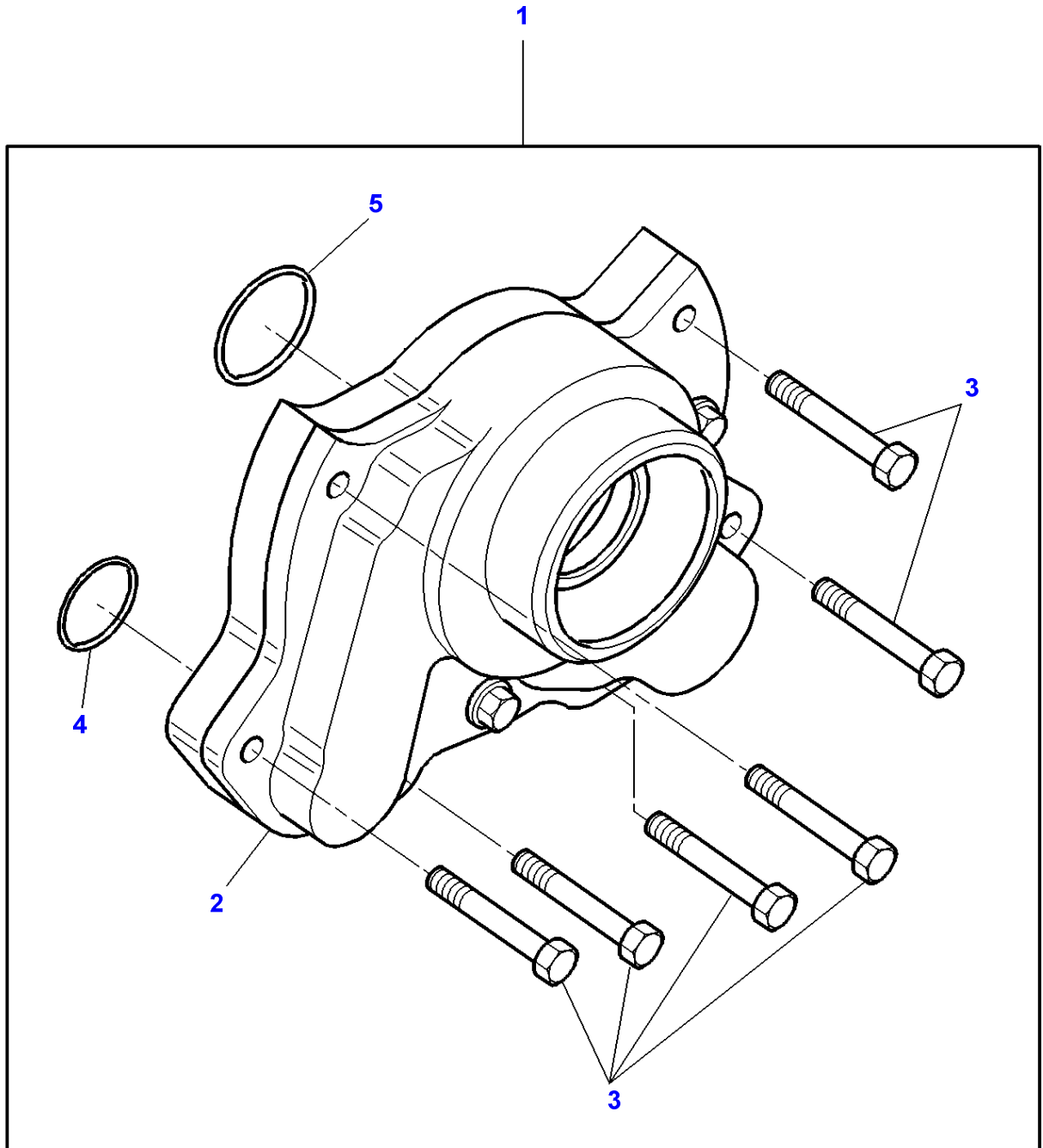
1-ZF60-005-A



Gear Box Full Power Shift

Item	Part Number	Qty	Description	Comments
1	4300219M91	1	Relief Valve	260 PSI Replace and repair. Old not interchangeable with new 3779244M91
2	3779308M1	1	Plug	(1)
3	72503971	1	O Ring	(1) Replace and repair. Old interchangeable with new 3779307M1
4	72503970	1	Snapping	(1) Replace and repair. Old interchangeable with new 3779306M1
5	3779305M1	1	Cover	(1)
6	3779315M1	1	O Ring	(1)
7	3779316M1	1	O Ring	(1)
8	3779317M1	1	O Ring	(1) Up to Serial or Engine Number 10-04-2001
	4300366M1	1	O Ring	(1) From Serial or Engine Number 11-04-2001
9		1	Cartridge	(1) Not serviced,order REF . 1
10		1	Distributor	(1) Not serviced,order REF . 1
11	72503968	2	Washer	(1) Replace and repair. Old interchangeable with new 3779309M1
12		1	Spring	(1) Not serviced,order REF . 1
13		1	Spring	(1) Not serviced,order REF . 1
14	3779312M1	3	Chock	(1)
15	72503969	1	O Ring	(1) Replace and repair. Old interchangeable with new 3779313M1
16	3779314M1	1	Plug	(1)

1-ZF68-001-A

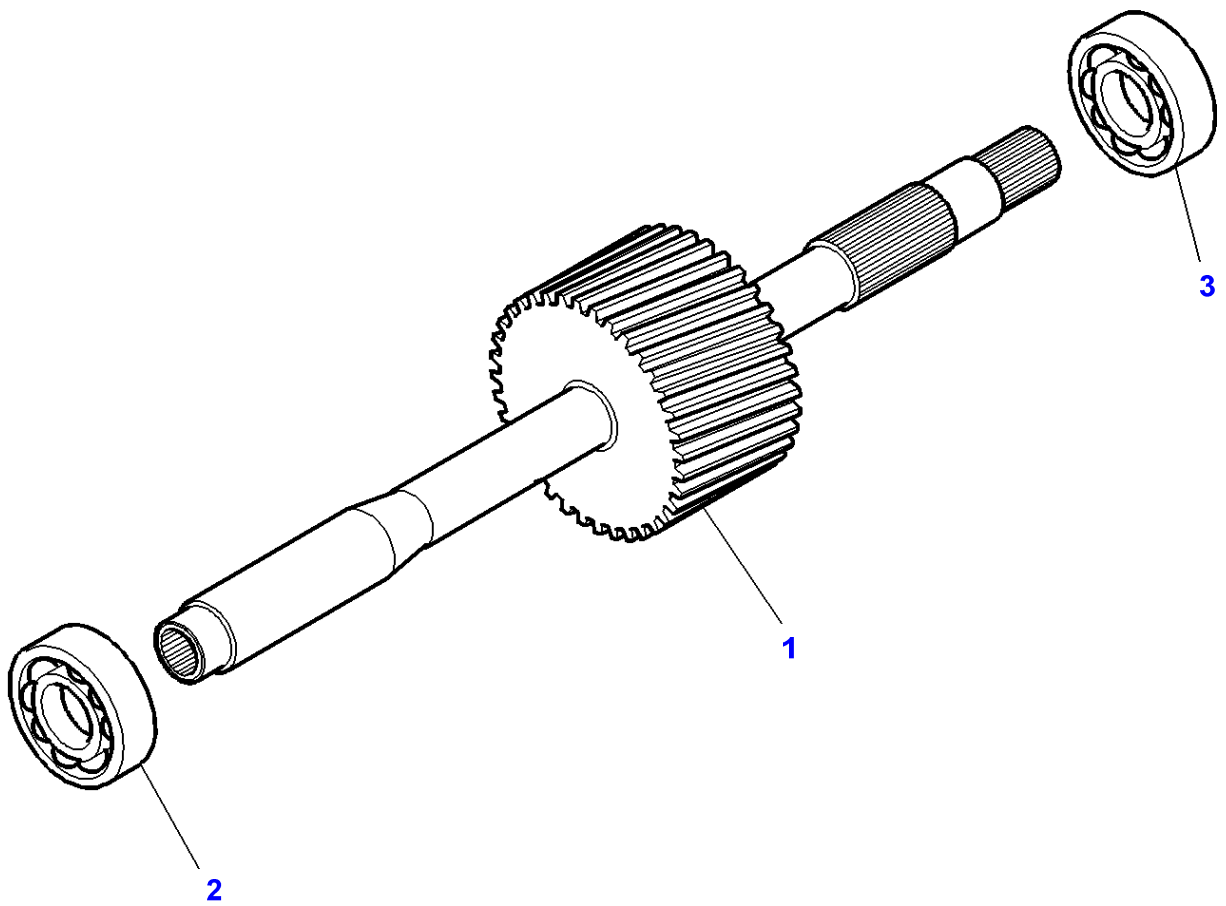


Massey Ferguson**MF 8270/8280 TRACTOR - 1637348****1637348****Gear Box Full Power Shift - Pump****Page025-0075**

Item	Part Number	Qty	Description	Comments
1		1	Pump	[A]
2	3903654M3	1	Pump	(1)
3	3779217M1	6	Screw	(1)
4	70933095	1	O Ring	(1)
5	70935478	1	O Ring	(1)

FOOTNOTE [A] DETAILS ORDER

1-ZF61-002-A

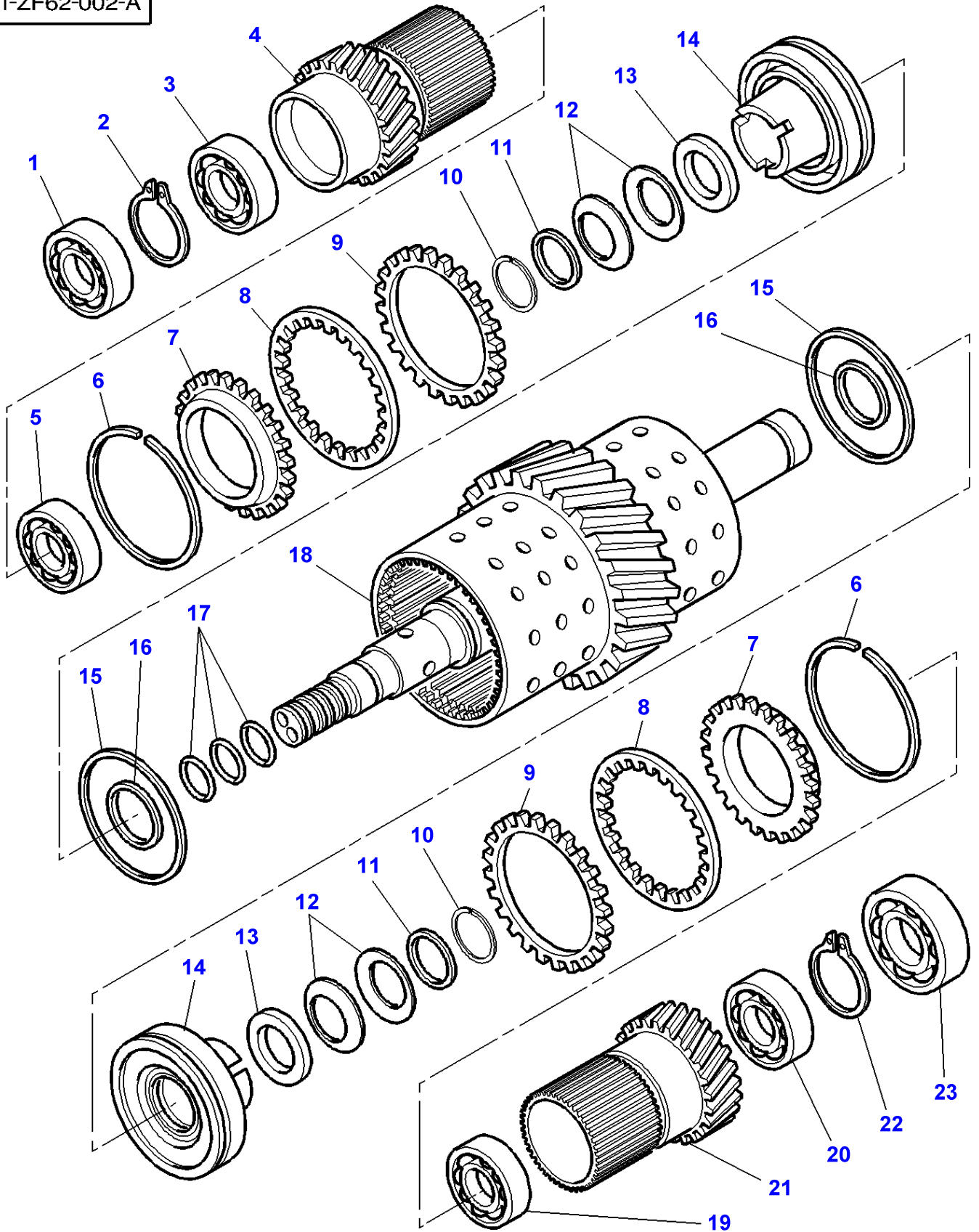


Massey Ferguson**MF 8270/8280 TRACTOR - 1637348****1637348****Gear Box Full Power Shift - Input Shaft****Page025-0080**

Item	Part Number	Qty	Description	Comments
1	4300367M1	1	Shaft	
2	3779259M1	1	Bearing Assy	Up to Serial or Engine Number 10-04-2001
	4300216M1	1	Bearing	From Serial or Engine Number 11-04-2001
3	3779336M2	1	Bearing Assy	

MF 8270/8280 TRACTOR - 1637348
1-ZF62-002-A

1-ZF62-002-A

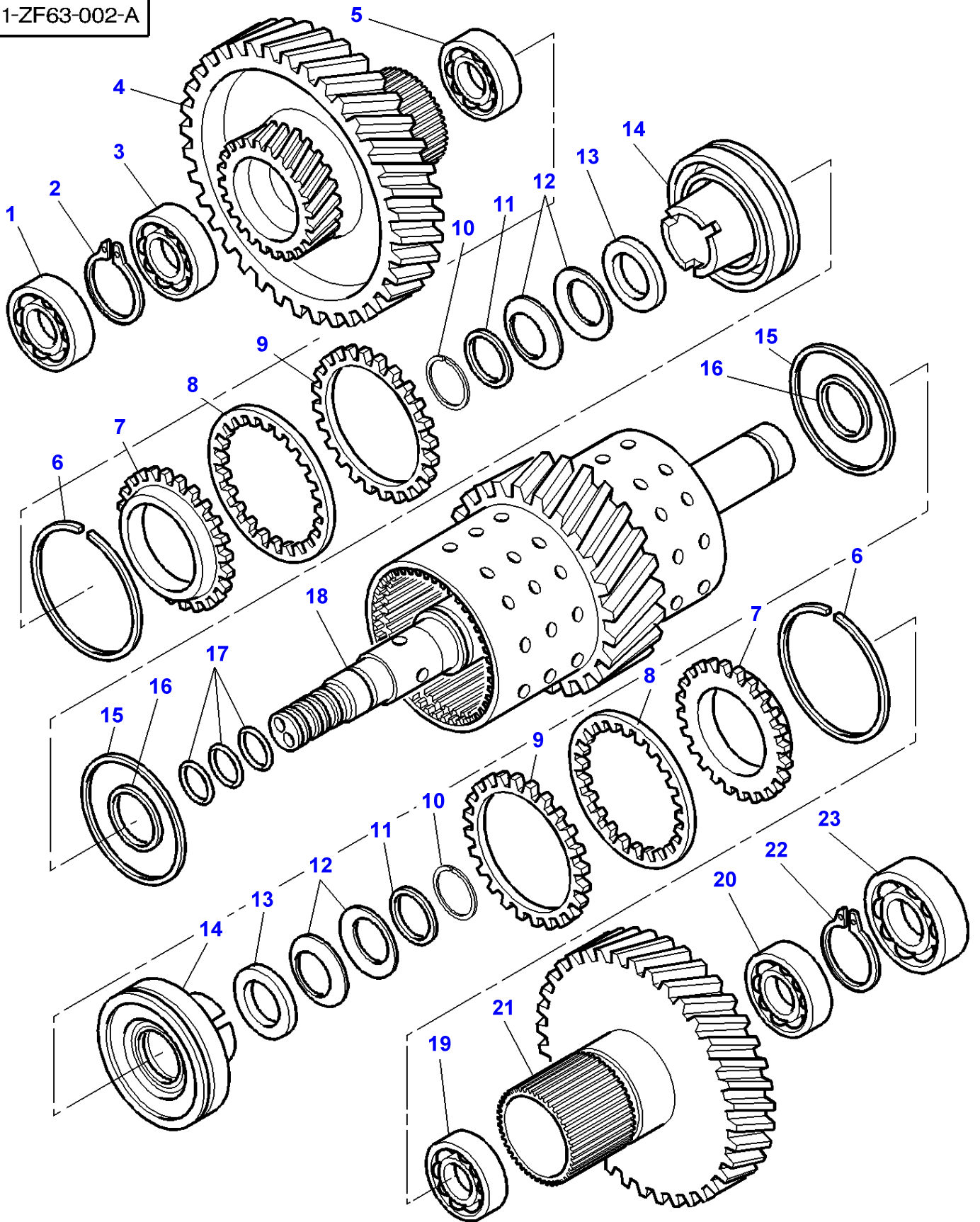


Gear Box Full Power Shift - 2 nd Gears

Item	Part Number	Qty	Description	Comments
	3779338M92	1	Kit, Pinion	Up to Serial or Engine Number N078001
	4300226M91	1	Kit, Sprocket	From Serial or Engine Number N078002
1	3779336M2	1	Bearing Assy	
2	3779231M1	1	Circlip	
3	3779259M1	1	Bearing Assy	
4	3779335M1	1	Pinion	Number of teeth/spines 48
5	3779334M3	1	Bearing Assy	
6	3779326M2	2	Circlip	
7	3903980M2	2	Crownwheel	Replace and repair. Old not interchangeable with new 3779330M1
8	3779324M2	20	Disc	
9	3779323M2	20	Disc	
10	3779322M1	2	Circlip	
11	3779360M1	2	Circlip	
12	3779328M2	12	Washer	
13	3779327M1	2	Washer	
14	3779329M2	2	Piston	Up to Serial or Engine Number N078001
	4300220M1	2	Piston	From Serial or Engine Number N078002
15	3779325M2	2	Gasket	
16	3779319M1	2	O Ring	Up to Serial or Engine Number N078001
	4300210M1	2	O Ring	From Serial or Engine Number N078002
17	3779220M2	3	Oil Seal	
18	3907014M2	1	Shaft	Up to Serial or Engine Number N078001
	4300225M1	1	Shaft	From Serial or Engine Number N078002
19	3779337M1	1	Bearing Assy	
20	1692601M1	1	Ball Bearing	Replace and repair. Old not interchangeable with new 3779212M1
21	3779333M1	1	Pinion	Number of teeth/spines 59
22	3779321M1	1	Circlip	
23	3779331M1	1	Bearing Assy	

MF 8270/8280 TRACTOR - 1637348
1-ZF63-002-A

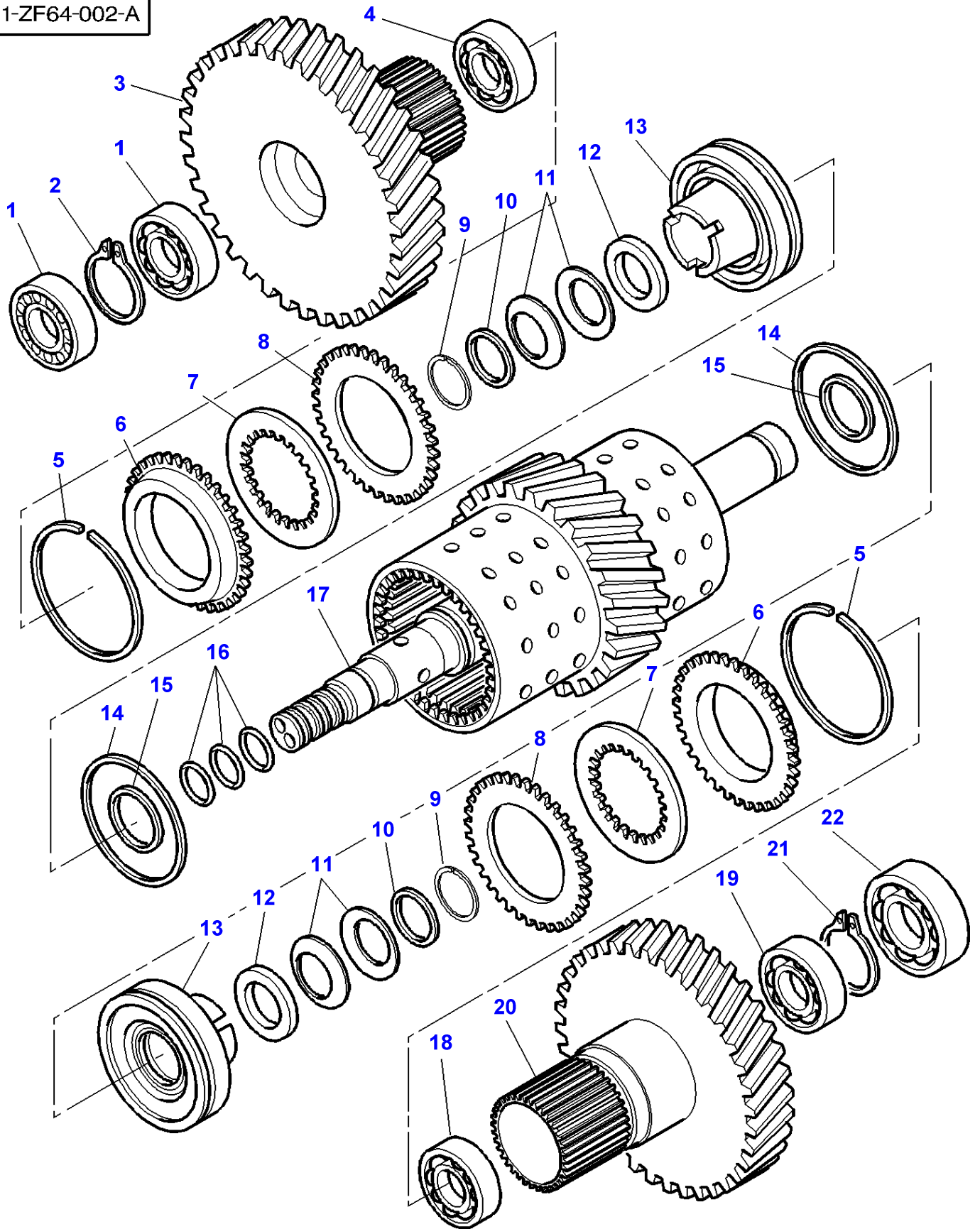
1-ZF63-002-A



Gear Box Full Power Shift - 3 rd Gears

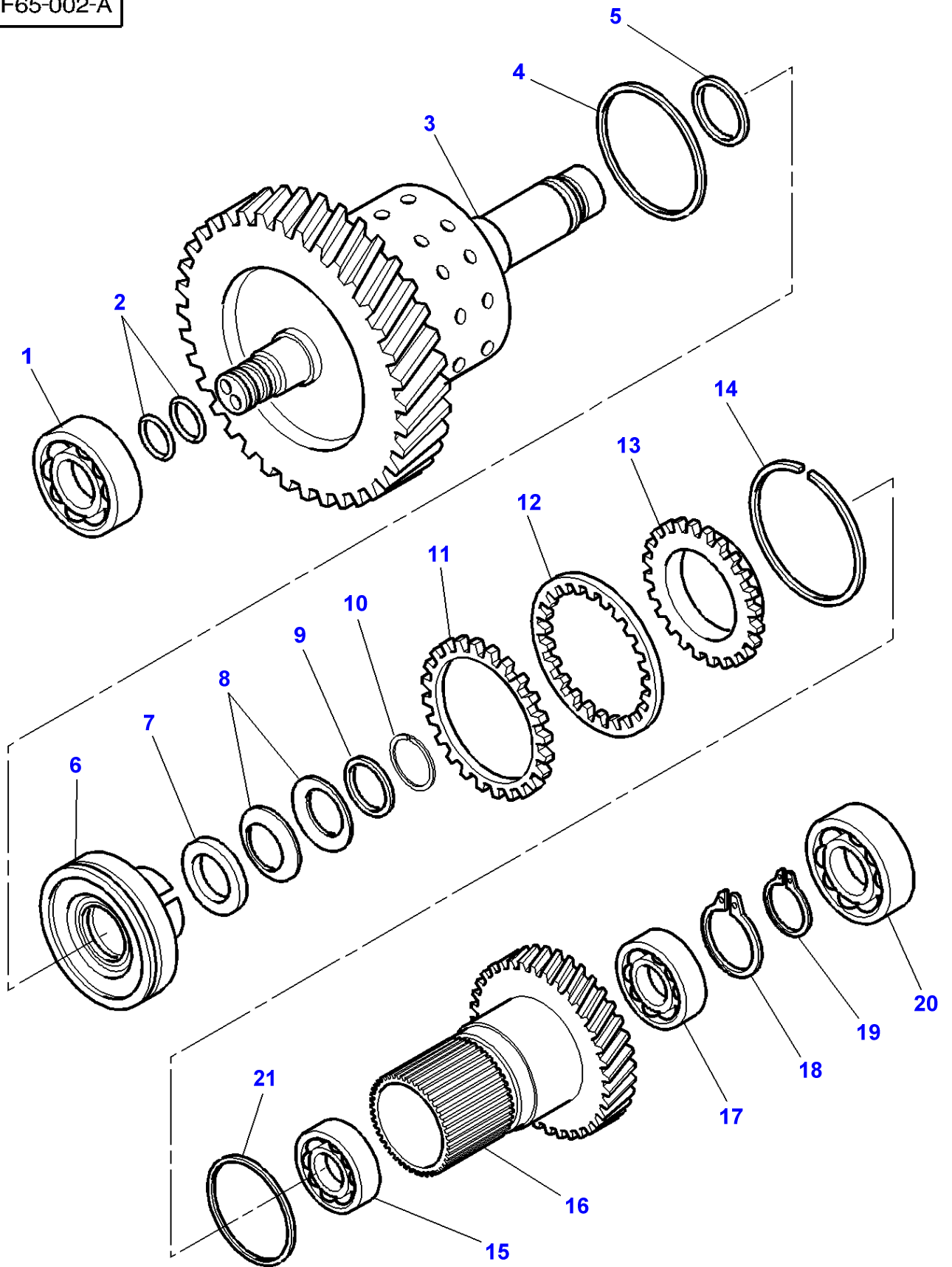
Item	Part Number	Qty	Description	Comments
	3779339M91	1	Kit, Sprocket	Up to Serial or Engine Number N078001
	4300213M91	1	Kit, Sprocket	From Serial or Engine Number N078002
1	3779336M2	1	Bearing Assy	
2	3779231M1	1	Circlip	
3	3779260M1	1	Bearing Assy	
4	3779343M1	1	Pinion	Number of teeth/spines 48 / 80
5	3779342M1	1	Bearing Assy	
6	3779326M2	2	Circlip	
7	3903980M2	2	Crownwheel	Replace and repair. Old not interchangeable with new 3779330M1
8	3779324M2	20	Disc	
9	3779323M2	20	Disc	
10	3779322M1	2	Circlip	
11	3779360M1	2	Circlip	
12	3779328M2	12	Washer	
13	3779327M1	2	Washer	
14	3779329M2	2	Piston	Up to Serial or Engine Number N078001
	4300220M1	2	Piston	From Serial or Engine Number N078002
15	3779325M2	2	Gasket	
16	3779319M1	2	O Ring	Up to Serial or Engine Number N078001
	4300210M1	2	O Ring	From Serial or Engine Number N078002
17	3779220M2	3	Oil Seal	
18	3779340M3	1	Shaft	Up to Serial or Engine Number N078001
	4300221M1	1	Shaft	From Serial or Engine Number N078002
19	3779337M1	1	Bearing Assy	
20	1692601M1	1	Ball Bearing	Replace and repair. Old not interchangeable with new 3779212M1
21	3779341M1	1	Pinion	Number of teeth/spines 76
22	3779321M1	1	Circlip	
23	72507595	1	Bearing	Replace and repair. Old interchangeable with new 3779213M1

1-ZF64-002-A



Item	Part Number	Qty	Description	Comments
	3779344M92	1	Kit, Sprocket	Up to Serial or Engine Number N078001
	4300214M91	1	Kit, Sprocket	From Serial or Engine Number N078002
1	3779336M2	2	Bearing Assy	
2	3779231M1	1	Circlip	
3	3779347M1	1	Pinion	Number of teeth/spines 80
4	3779346M1	1	Bearing Assy	
5	3779326M2	2	Circlip	
6	3903980M2	2	Crownwheel	Replace and repair. Old not interchangeable with new 3779330M1
7	3779324M2	20	Disc	
8	3779323M2	20	Disc	
9	3779322M1	2	Circlip	
10	3779360M1	2	Circlip	
11	3779328M2	12	Washer	
12	3779327M1	2	Washer	
13	3779329M2	2	Piston	Up to Serial or Engine Number N078001
	4300220M1	2	Piston	From Serial or Engine Number N078002
14	3779325M2	2	Gasket	
15	3779319M1	2	O Ring	Up to Serial or Engine Number N078001
	4300210M1	2	O Ring	From Serial or Engine Number N078002
16	3779220M2	3	Oil Seal	
17	3907014M2	1	Shaft	Up to Serial or Engine Number N078001
	4300225M1	1	Shaft	From Serial or Engine Number N078002
18	3779337M1	1	Bearing Assy	
19	1692601M1	1	Ball Bearing	Replace and repair. Old not interchangeable with new 3779212M1
20	3779345M1	1	Pinion	Number of teeth/spines 76
21	3779321M1	1	Circlip	
22	3779331M1	1	Bearing Assy	

1-ZF65-002-A

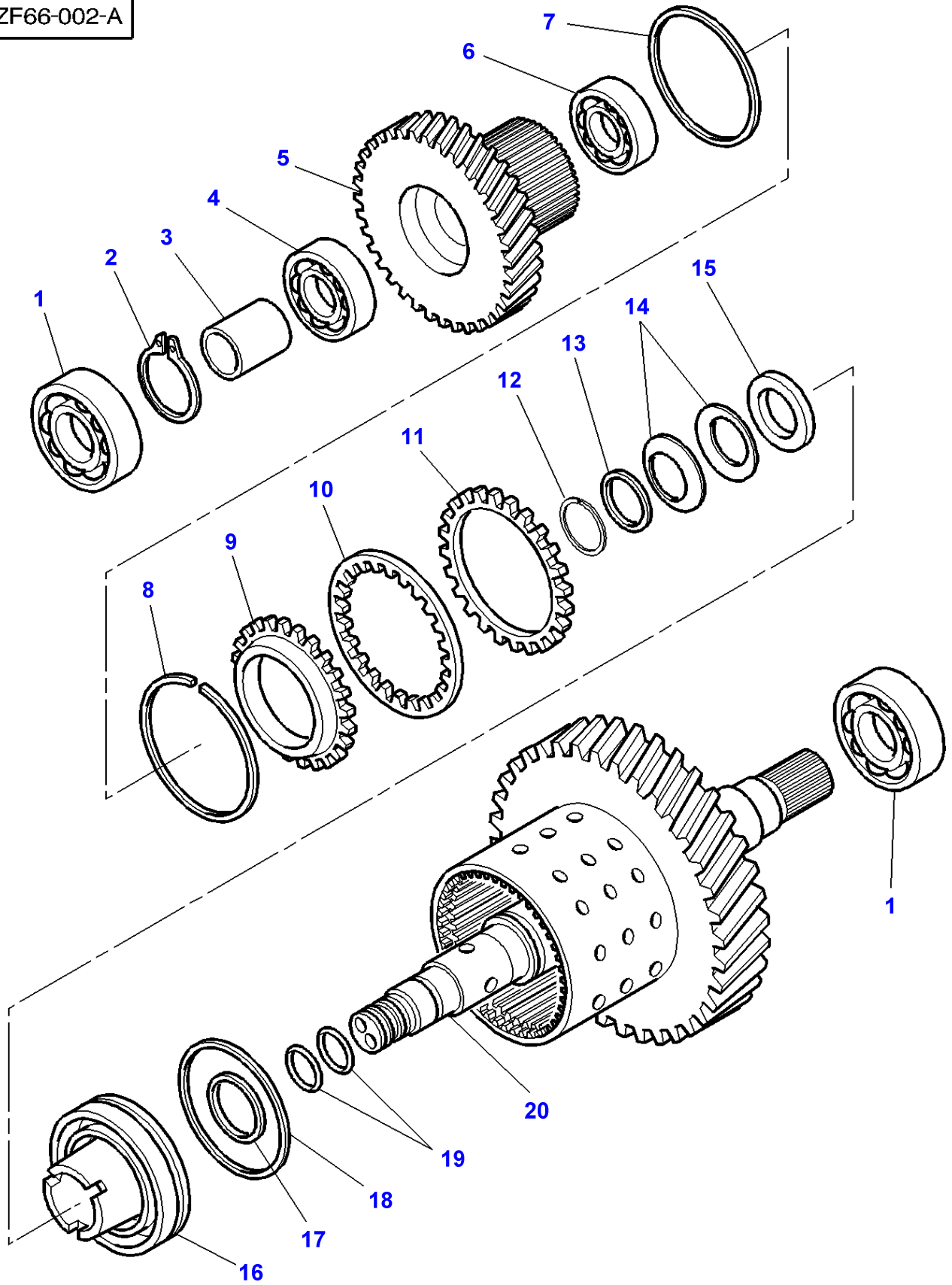


Gear Box Full Power Shift - 5 th Gears

Item	Part Number	Qty	Description	Comments
	3779348M92	1	Kit, Sprocket	Up to Serial or Engine Number N078001
	4300217M91	1	Kit, Sprocket	From Serial or Engine Number N078002
1	3779331M1	1	Bearing Assy	
2	3779220M2	2	Oil Seal	
3	3907016M3	1	Shaft	Up to Serial or Engine Number N078001
	4300222M1	1	Shaft	From Serial or Engine Number N078002
4	3779325M2	1	Gasket	
5	3779319M1	1	O Ring	Up to Serial or Engine Number N078001
	4300210M1	1	O Ring	From Serial or Engine Number N078002
6	3779329M2	1	Piston	Up to Serial or Engine Number N078001
	4300220M1	1	Piston	From Serial or Engine Number N078002
7	3779327M1	1	Washer	
8	3779328M2	6	Washer	
9	3779360M1	1	Circlip	
10	3779322M1	1	Circlip	
11	3779323M2	10	Disc	
12	3779324M2	10	Disc	
13	3903980M2	1	Crownwheel	Replace and repair. Old not interchangeable with new 3779330M1
14	3779326M2	1	Circlip	
15	3779350M1	1	Bearing Assy	
16	3779351M1	1	Pinion	Number of teeth/spines 44
17	3779352M3	1	Bearing Assy	
18	3779321M1	1	Circlip	
19	3779231M1	1	Circlip	
20	3779336M2	1	Bearing Assy	
21	3779320M2	1	O Ring	

MF 8270/8280 TRACTOR - 1637348
1-ZF66-002-A

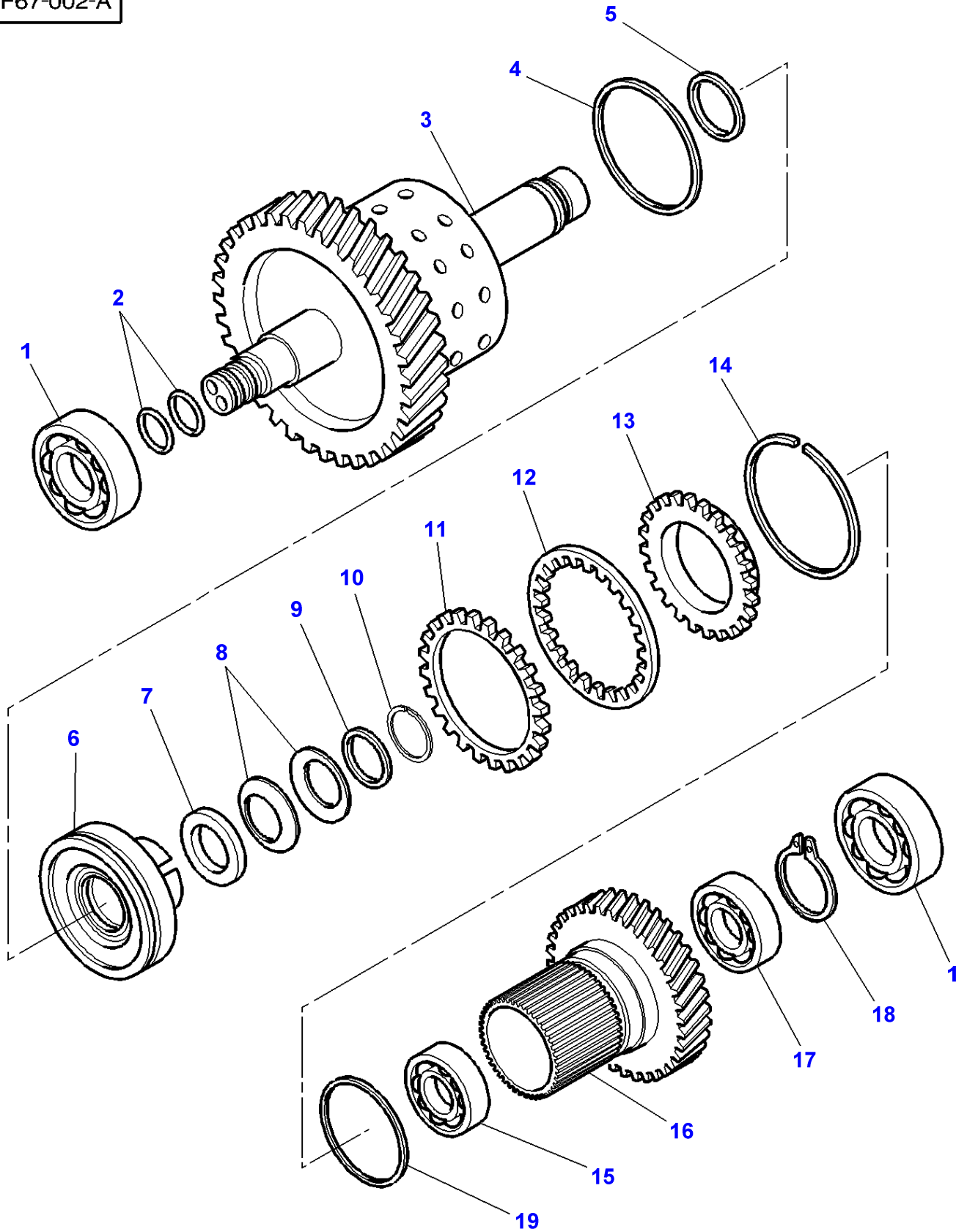
1-ZF66-002-A



Gear Box Full Power Shift - 6 th Gears

Item	Part Number	Qty	Description	Comments
	3779353M92	1	Kit, Sprocket	Up to Serial or Engine Number N078001
	4300215M91	1	Kit, Sprocket	From Serial or Engine Number N078002
1	3779331M1	2	Bearing Assy	
2	3779321M1	1	Circlip	Up to Serial or Engine Number 10-04-2001
	3779321M1	2	Circlip	From Serial or Engine Number 11-04-2001
3	3779361M1	1	Spacer	Up to Serial or Engine Number 10-04-2001
4	1692601M1	1	Ball Bearing	Replace and repair. Old not interchangeable with new 3779212M1
5	3779355M1	1	Pinion	Number of teeth/spines 53
6	3779350M1	1	Bearing Assy	
7	3779320M2	1	O Ring	
8	3779326M2	1	Circlip	
9	3903980M2	1	Crownwheel	Replace and repair. Old not interchangeable with new 3779330M1
10	3779324M2	10	Disc	
11	3779323M2	10	Disc	
12	3779322M1	1	Circlip	
13	3779360M1	1	Circlip	
14	3779328M2	6	Washer	
15	3779327M1	1	Washer	
16	3779329M2	1	Piston	Up to Serial or Engine Number N078001
	4300220M1	1	Piston	From Serial or Engine Number N078002
17	3779319M1	1	O Ring	Up to Serial or Engine Number N078001
	4300210M1	1	O Ring	From Serial or Engine Number N078002
18	3779325M2	1	Gasket	
19	3779220M2	2	Oil Seal	
20	3779354M4	1	Shaft	Up to Serial or Engine Number N078001
	4300223M1	1	Shaft	From Serial or Engine Number N078002

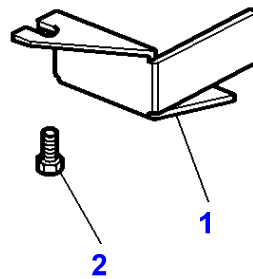
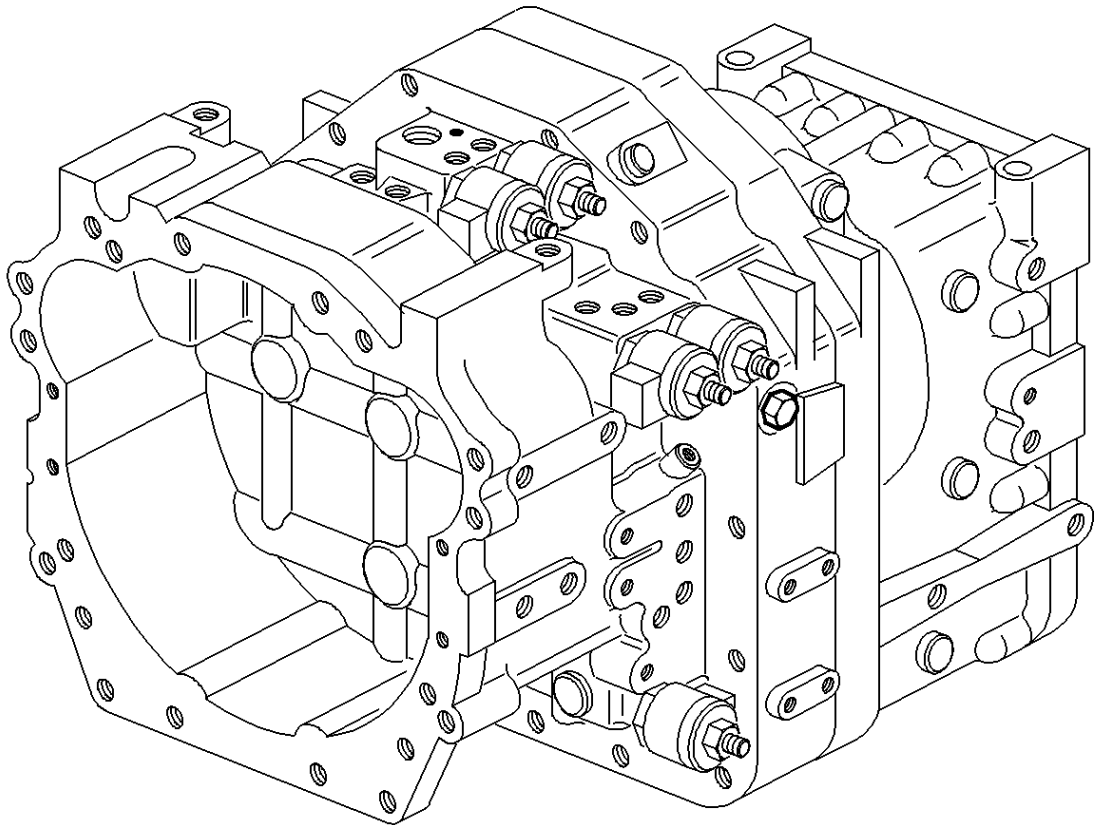
1-ZF67-002-A



Gear Box Full Power Shift - 7 th Gears

Item	Part Number	Qty	Description	Comments
	3779356M92	1	Kit, Sprocket	Up to Serial or Engine Number N078001
	4300218M91	1	Kit, Sprocket	From Serial or Engine Number N078002
1	3779331M1	2	Bearing Assy	
2	3779220M2	2	Oil Seal	
3	3907015M3	1	Shaft	Up to Serial or Engine Number N078001
	4300224M1	1	Shaft	From Serial or Engine Number N087002
4	3779325M2	1	Gasket	
5	3779319M1	1	O Ring	Up to Serial or Engine Number N078001
	4300210M1	1	O Ring	From Serial or Engine Number N078002
6	3779329M2	1	Piston	Up to Serial or Engine Number N078001
	4300220M1	1	Piston	From Serial or Engine Number N078002
7	3779327M1	1	Washer	
8	3779328M2	6	Washer	
9	3779360M1	1	Circlip	
10	3779322M1	1	Circlip	
11	3779323M2	10	Disc	
12	3779324M2	10	Disc	
13	3903980M2	1	Crownwheel	Replace and repair. Old not interchangeable with new 3779330M1
14	3779326M2	1	Circlip	
15	3779350M1	1	Bearing Assy	
16	3779358M1	1	Pinion	Number of teeth/spines 53
17	3779352M3	1	Bearing Assy	
18	3779321M1	1	Circlip	
19	3779320M2	1	O Ring	

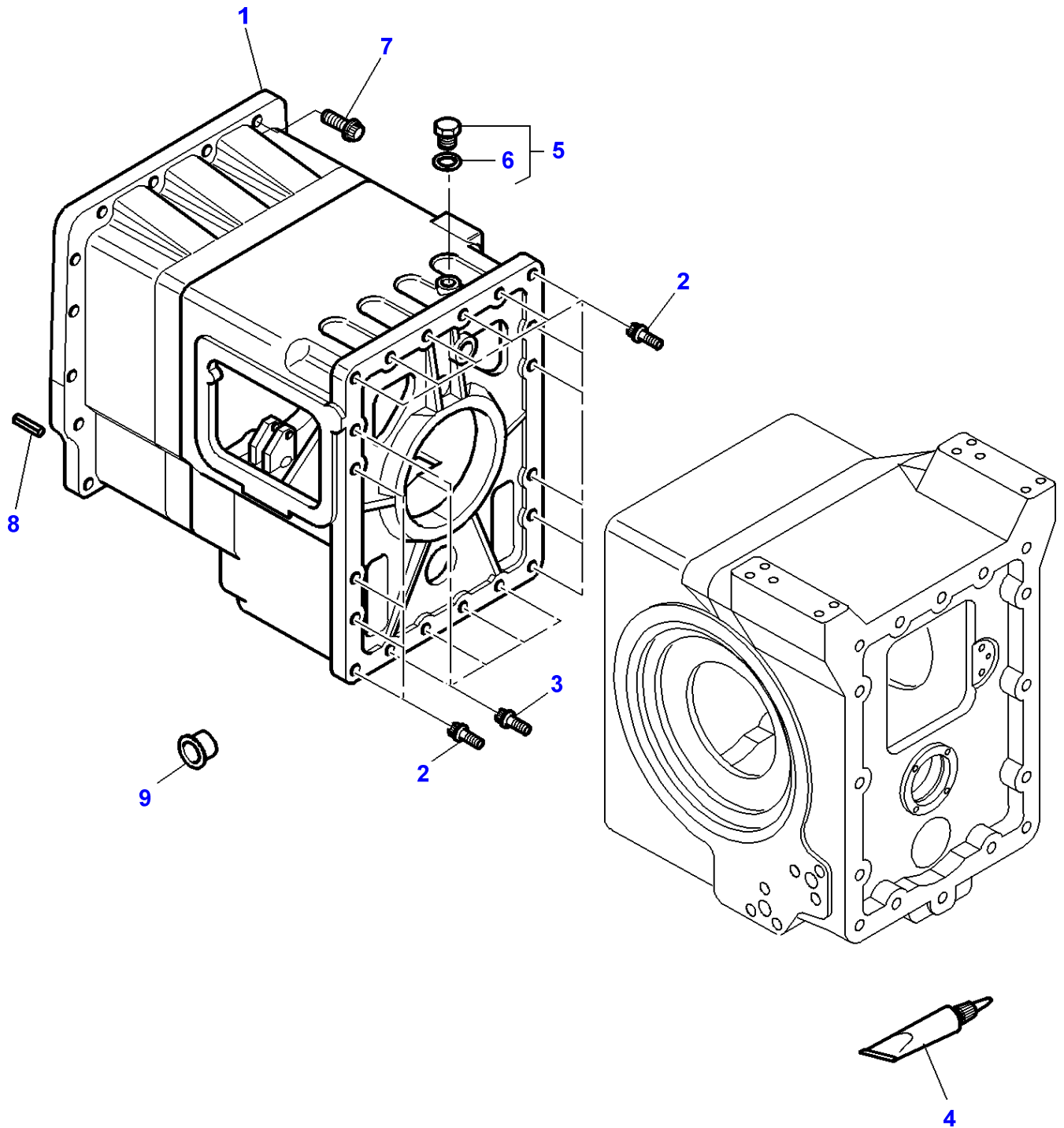
1-ZW26-002-B



Massey Ferguson**MF 8270/8280 TRACTOR - 1637348****1637348****Full Powershift - Electrovalves - Cowl****Page025-0115**

Item	Part Number	Qty	Description	Comments
1	3791246M4	1	Cowl	Right Hand
	3791247M4	1	Cowl	Left Hand
2	339228X1	2	Screw Metric	M8X12

1-ZG63-002-B

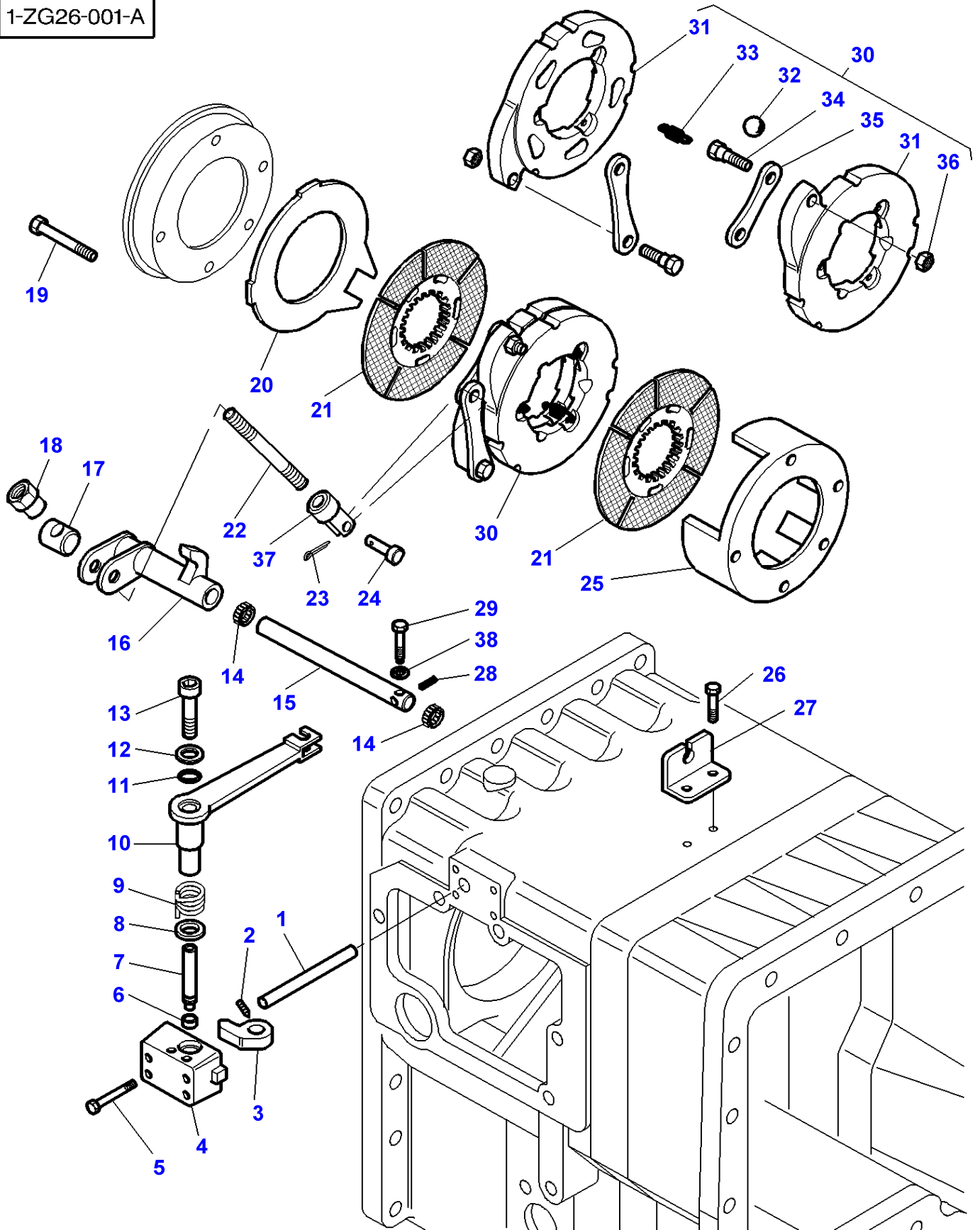


Item	Part Number	Qty	Description	Comments
1	3716412M5	1	Housing	
2	3009805X1	15	Screw Metric	M16X60
3	3009806X1	5	Plough Bolt	M16X70
4	3900613M2	X	Loctite	
5	3019649X91	1	Plug	M33
6	3019399X1	1	O Ring	(5)
7	3010007X1	18	Screw Metric	M16X60
8	3385839M2	2	Pin	
9	831564M1	2	Plug	[A] Diameter 20,9MM
				Replace and repair. Old interchangeable with new 3792315M1
	3792314M1	8	Plug	[A] Diameter 15MM
	3583240M1	2	Plug	[A] Diameter 6MM

FOOTNOTE [A] PLASTICS

MF 8270/8280 TRACTOR - 1637348
1-ZG26-001-A

1-ZG26-001-A



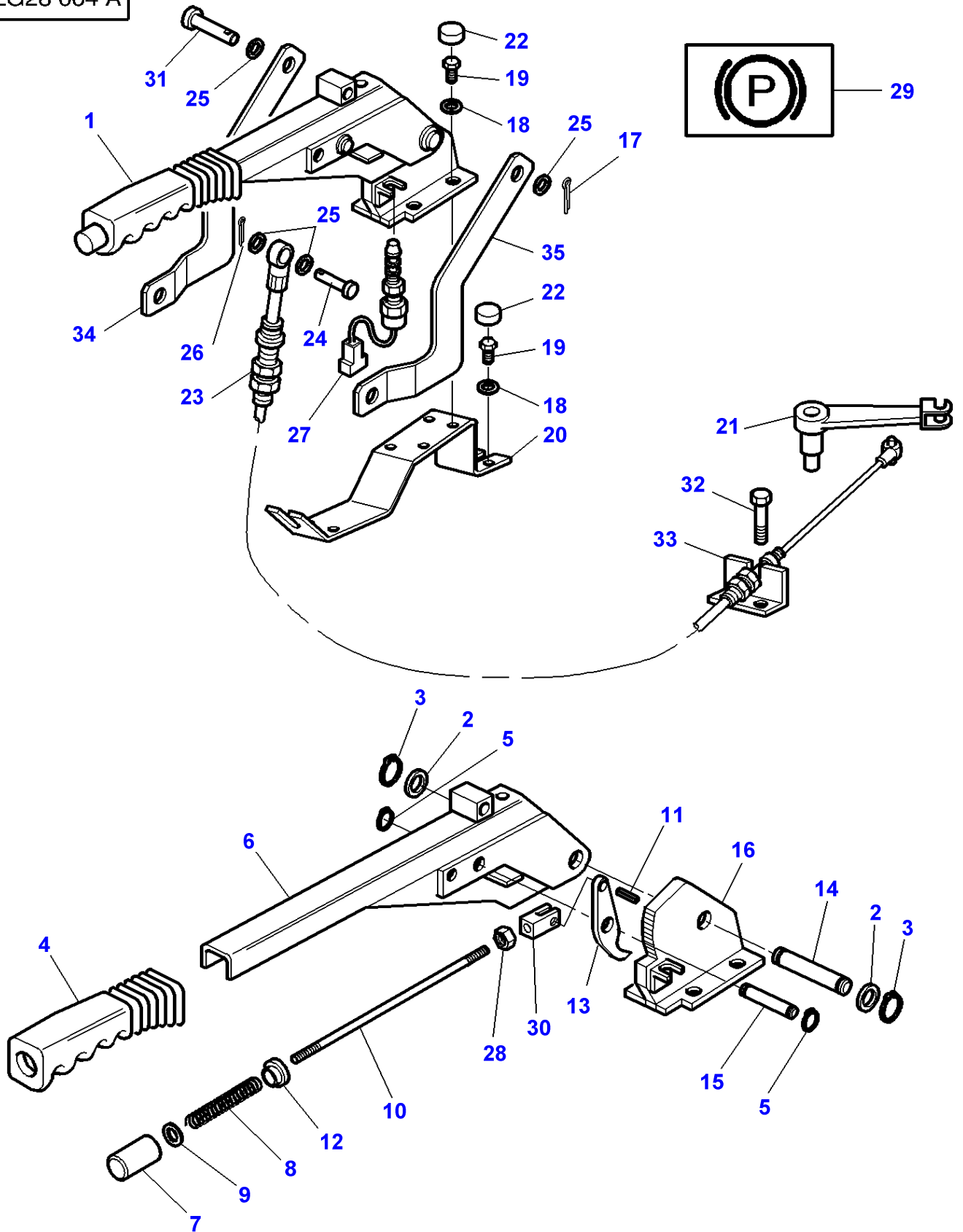
Handbrake - Lower Control

Item	Part Number	Qty	Description	Comments
1	3716540M1	1	Tappet Rod	
2	3009429X1	1	Screw	M6x10
3	3716544M1	1	Poppet	
4	3716501M1	1	Case Assy	
5	390246X1	4	Bolt	M8X70
6	3716560M1	1	Bush	
7	3716503M2	1	Clevis Pin	
8	3716310M1	1	Oil Seal	
9	3716554M3	1	Spring	
10	3716502M2	1	Shifter	
11	3010740X1	1	O Ring	
12	3716539M1	1	Washer	
13	1440350X1	1	Screw Metric	M6X20
14	3716561M1	2	Bush	Diameter 20 MM
15	3716542M1	1	Clevis Pin	
16	3716477M2	1	Angle Trans.	
17	3581305M1	1	Trunnion	
18	3791431M1	1	Nut Special	
19	3009301X1	5	Screw Metric	M12x80
20	3716932M1	4	Counterplate	Up to Serial or Engine Number K304025 Thickness 6MM
	3795094M1	4	Counterplate	From Serial or Engine Number K304026 Thickness 5MM
21	3716933M1	6	Disc	Up to Serial or Engine Number K304025 Thickness 3,6 MM
	3795093M1	6	Brake Disc	From Serial or Engine Number K304026 Thickness 4,3MM
22	3791669M1	1	Stud	M10X110
23	354048X1	1	Pin	Diameter 2,4 MM Length 19 MM
24	354190X1	1	Clevis Pin	Diameter 7/16"
25	3716411M2	1	Case Assy	[A]
26	339228X1	2	Screw Metric	M8x12
27	3716543M1	1	Support	From Serial or Engine Number H344001
28	1440394X1	1	Pin	Diameter 4 MM Length 30 MM
29	3791488M2	1	Screw Special	
30	3716920M91	1	Brake	
31		2	Disc	(30) Not serviced,order REF No30
32	3310764M1	5	Ball	(30)
33	3310765M1	3	Spring	(30)
34	3902669M1	2	Screw	(30)
35	3902668M1	2	Draglink	(30)
36	3902667M1	2	Nut	(30)
37	3790494M1	1	Draglink	
38	195561M1	1	O Ring	

FOOTNOTE [A] 6 PLATE WET BRAKES

MF 8270/8280 TRACTOR - 1637348
1-ZG28-004-A

1-ZG28-004-A

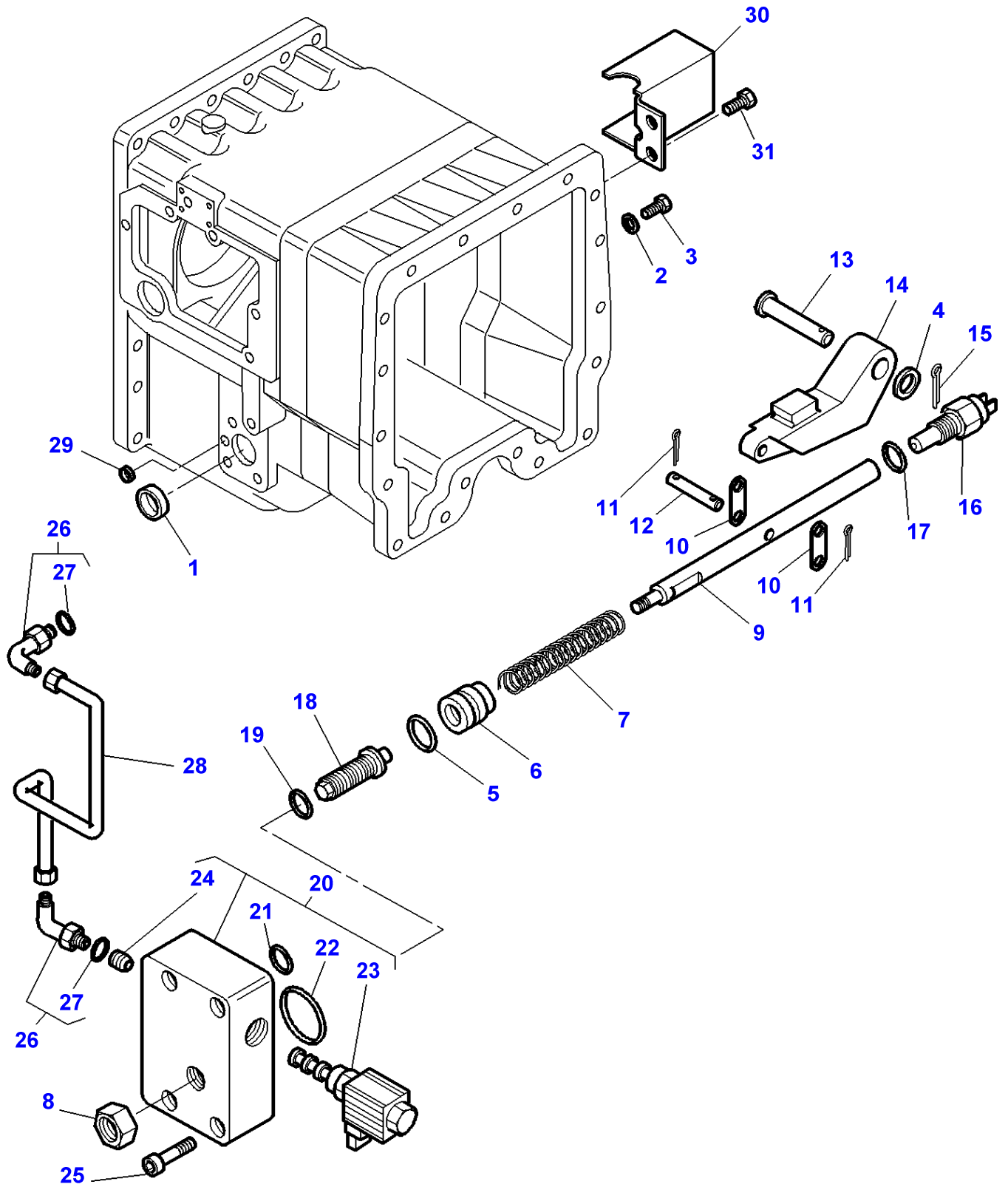


Brakes - Handbrake

Item	Part Number	Qty	Description	Comments
1	3782572M91	1	Handbrake Assy	
2	1693980M1	2	Washer	(1)
3	339356X1	2	Circlip	(1)
4	1693965M1	1	Handle	(1)
5	1440988X1	2	Circlip	(1)
6		1	Hand Brake Lever	(1) Not serviced, order REF. No 1
7	3616904M1	1	Button	(1)
8	1693970M1	1	Spring	(1)
9	353754X1	1	Washer	(1)
10	3782646M1	1	Rod	(1)
11	3782649M1	1	Pin	(1)
12	3616905M1	1	Washer	(1)
13	3782645M1	1	Hasp	(1)
14	1693976M1	1	Clevis Pin	(1)
15	1693974M1	1	Clevis Pin	(1)
16	3779133M92	1	Sector	(1)
17	354057X1	1	Pin	
18	390972X1	8	Washer Metric	
19	339123X1	8	Hex. Sock. Screw	M8X20
20	3782571M2	1	Support	
21	3716502M2	1	Shifter	
22	3616277M1	8	Helmet	
23	3782575M3	1	Cable	Length 1510MM
24	195235M1	1	Clevis Pin	Up to Serial or Engine Number L008018 Length 25,4MM
	195234M1	1	Clevis Pin	From Serial or Engine Number L008019 Length 22,2MM
25	390972X1	2	Washer Metric	Up to Serial or Engine Number L008018
	390972X1	1	Washer Metric	From Serial or Engine Number L008019
26	354057X1	1	Pin	
27	3780395M2	1	Switch, Indirect	
28	3782647M1	1	Nut	(1)
29	3580502M1	1	Decal	
30	3782648M1	1	Clevis	(1)
31	195237M1	1	Clevis Pin	
32	339228X1	2	Screw Metric	M8X12
33	3716543M1	1	Support	
34	3782574M1	1	Rod Link	Right Hand
35	3782573M1	1	Rod Link	Left Hand

MF 8270/8280 TRACTOR - 1637348
1-ZG64-001-B

1-ZG64-001-B

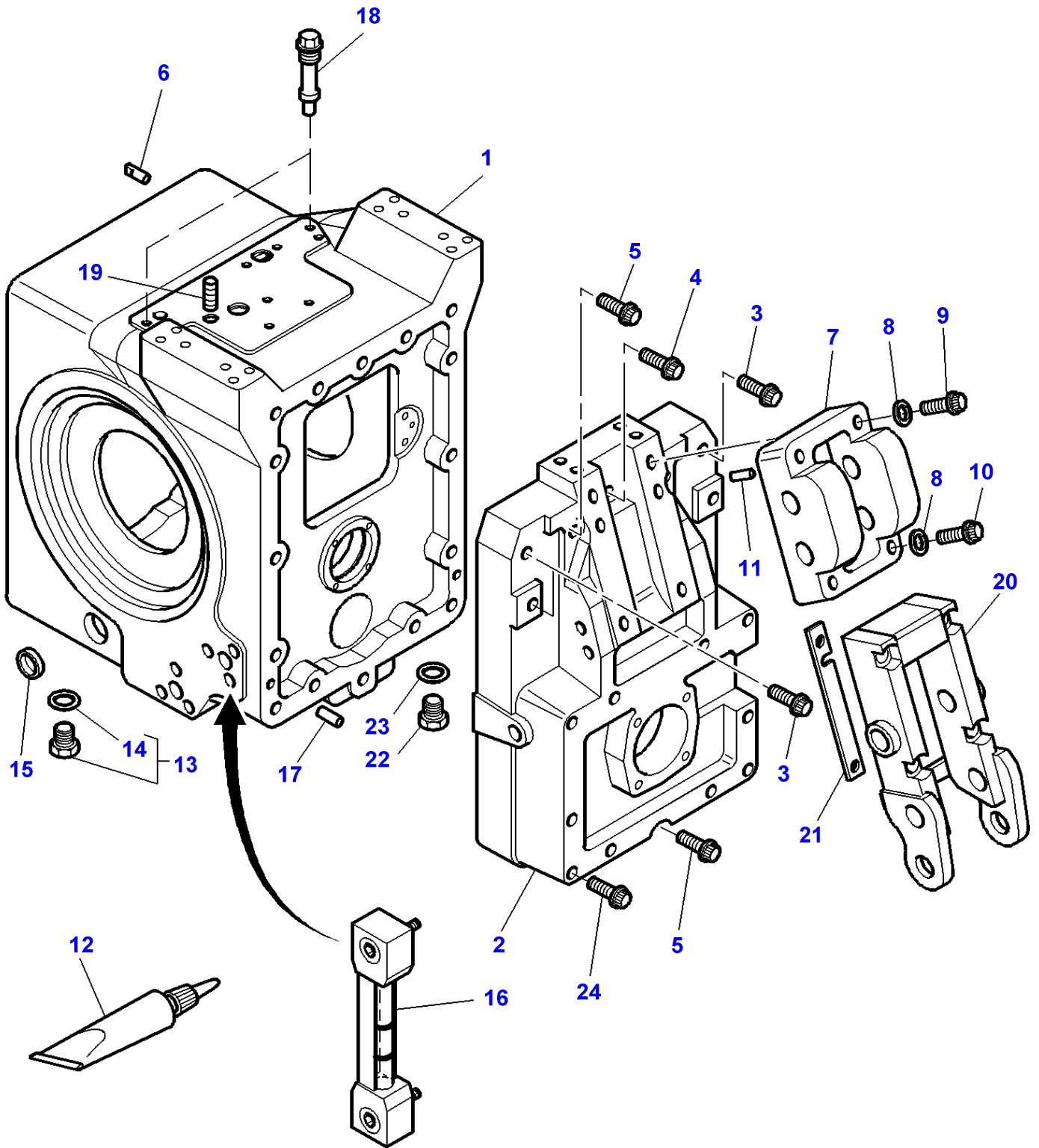


Parking Brake - With Powershift

Item	Part Number	Qty	Description	Comments
1	3011306X1	1	Plug	[A] Diameter 40 MM
2	3010890X1	1	Bush	[A]
3	3019424X1	1	Plug	[A] M14
4	3791380M1	1	Washer	Diameter 19 MM
5	366434X1	1	O Ring	Diameter 2,62 X 34,59 MM
6	3791570M1	1	Piston	
7	3716228M1	1	Spring	
8	3384600M2	1	Nut Special	Up to Serial or Engine Number J249006 M18 X 1,5
	390336X1	1	Nut Metric	From Serial or Engine Number J249007 M18 X 2,5
9	3791571M2	1	Stem	
10	3716548M1	2	Rod Link	
11	1442993X1	2	Pin	Diameter 3,2 MM
12	3791124M2	2	Clevis Pin	
13	3791125M4	1	Clevis Pin	
14	3716551M4	1	Ratchet	
15	339531X1	1	Pin	Diameter 4 MM
16	3792196M1	1	Switch, Indirect	
17	3010890X1	1	Bush	
18	3790951M1	1	Screw	Up to Serial or Engine Number J249006 M18 X 1,5
	3793504M1	1	Setscrew	From Serial or Engine Number J249007 M18 X 2,5
19	3007118X1	1	O Ring	Up to Serial or Engine Number J249006
	3010946X1	1	O Ring	From Serial or Engine Number J249007
20	3791141M91	1	Block	Up to Serial or Engine Number J249006
	3793505M91	1	Spacer	From Serial or Engine Number J249007
21	3019467X1	1	O Ring	(20) Diameter 10,1 X 1,6 MM
22	364281X1	1	O Ring	(20) Diameter 47,35 X 1,78 MM
23	3791106M1	1	Electrovalve	(20)
24	3791107M1	1	Non Return Valve	(20)
25	3001758X1	4	Screw Metric	M6 X 50
26	3019412X91	2	Elbow	
27	3019395X1	1	O Ring	(26)
28	3791287M1	1	Tube	
29	3010761X1	1	Plug	Diameter 8 MM
30	3795099M2	1	Cowl	
31	391074X1	2	Hex. Sock. Screw	M6 X 12

FOOTNOTE [A] WITHOUT PARKING BRAKE

1-ZG02-002-E



Rear Axle - Centre Housing

Item	Part Number	Qty	Description	Comments
1	3792105M5	1	Housing	
2	3716000M5	1	Housing	
3	3010556X1	4	Screw Metric	M20X70
4	3010557X1	1	Screw Metric	M20X100
5	3010558X1	3	Screw Metric	M20X120
6	3716496M2	1	Centraliser	
7	3716917M3	1	Lug	
	3716917M3	1	Lug	Up to Serial or Engine Number K184022 For United States of America
8	385365X1	4	Washer	Diameter 20 MM Diameter 37 MM Thickness 5 MM
9	3010575X1	2	Screw	M20X130
10	3010563X1	2	Screw	M20X90
11	3716918M2	2	Centraliser	
12	3900613M2	X	Loctite	
13	3583994M91	1	Plug	M18
14	3019397X1	1	O Ring	(13)
15	3010760X1	2	Plug	Up to Serial or Engine Number Diameter 46 MM
16	3790930M1	1	Oil Dipstick	
17	3385839M2	2	Pin	Length 22,2 MM
18	3791706M1	2	Plug	
19	3010990X1	1	Screw	M12X12
20	3795831M91	1	Support	From Serial or Engine Number K184023 For United States of America
21	3795839M1	X	Chock	From Serial or Engine Number K184023 For United States of America Thickness 0,2MM
	3795838M1	X	Chock	From Serial or Engine Number K184023 For United States of America Thickness 0,7MM
22	3019638X1	2	Plug	[C] From Serial or Engine Number K337036 M12
23	3019394X1	2	O Ring	From Serial or Engine Number K337036
24	3010777X1	8	Screw Metric	M20X210
	3010556X1	2	Screw Metric	M20X70

FOOTNOTE [A] WITH DYNASHIFT

FOOTNOTE [B] WITH FULL POWERSHIFT

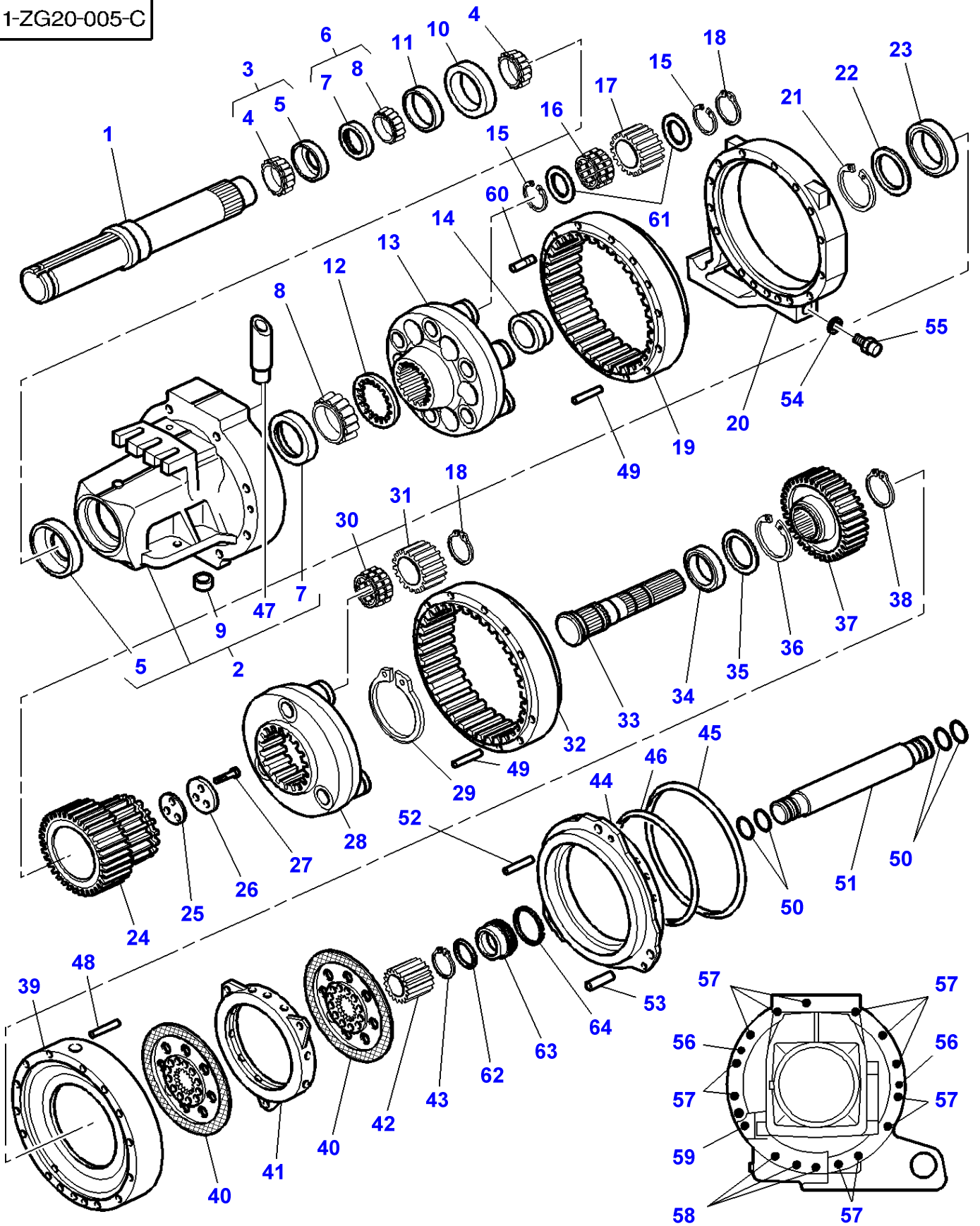
FOOTNOTE [C] DRAIN PLUG FOR MAIN BRAKES HYDR.CIRCUIT

FOOTNOTE [D] PTO SHAFT THROTTLE CONTROL RIGHT SIDE

FOOTNOTE [E] PTO SHAFT THROTTLE CONTROL LEFT SIDE

MF 8270/8280 TRACTOR - 1637348
1-ZG20-005-C

1-ZG20-005-C



Short Rear Axle Housings - Outer Final Drive Gear - With Dual Reducer

Item	Part Number	Qty	Description	Comments
1	3716265M3	2	Shaft	Diameter 110 MM Length 1105 MM
	3716264M3	2	Shaft	Diameter 110 MM Length 855 MM
2	3791238M16	1	Axle Housing	Right Hand
	3791237M16	1	Axle Housing	Left Hand
3	3010685X91	2	Bearing Assy	
4		1	Bearing	(3)
			Cone	Not serviced,order REF. 3
5		1	Cone Cup	(3) Not serviced,order REF. 3
6	3010672X91	2	Bearing Assy	
7		1	Cone Cup	(6) Not serviced,order REF. 6
8		1	Bearing	(6)
			Cone	Not serviced,order REF. 6
9	391560X1	1	Plug	(2) Diameter 30 MM
10	3716210M1	2	Gasket	Diameter 190 MM Diameter 165 MM
11	3716344M2	2	Bush	Diameter 165 MM Diameter 120 MM
12	3716094M1	2	Washer	
13	3716483M2	2	Carrier	
14	3716093M1	2	Washer	
15	3716329M1	24	Segment	Up to Serial or Engine Number K037030
		24	Segment	From Serial or Engine Number K037031
				Up to Serial or Engine Number M255029
				Not serviced,order 3794429M1
	3799717M2	24	Segment	From Serial or Engine Number M255030
16	3010734X1	12	Bearing Assy	Up to Serial or Engine Number K037030
	3794429M1	12	Bearing Assy	From Serial or Engine Number K037031
				Up to Serial or Engine Number M255029
	3794429M2	12	Bearing Assy	From Serial or Engine Number M255030
17	3792442M1	12	Diff Pinion	Number of teeth/spines 20
				Up to Serial or Engine Number H286022
	3793778M1	12	Diff Pinion	Number of teeth/spines 20
				From Serial or Engine Number H286023
				Up to Serial or Engine Number K037030
				From Serial or Engine Number K037031
				Up to Serial or Engine Number M255029
	3799687M1	12	Diff Pinion	From Serial or Engine Number M255030
18	1440478X1	18	Circlip	
19	3792702M2	2	Annular Gear	Number of teeth/spines 81
20	3716207M2	2	Spacer	
21	1441458X1	2	Ring	
22	3716498M1	2	Washer	
23	1442672X1	2	Bear. 6016	
24	3792441M1	2	Planet	Number of teeth/spines 39
25	3716271M1	X	Chock	Thickness 0,05 MM
	3716272M1	X	Chock	Thickness 0,10 MM
	3716273M1	X	Chock	Thickness 0,25 MM
	3716274M1	X	Chock	Thickness 0,50 MM
	3716776M1	X	Chock	Thickness 1 MM
	3716777M1	X	Chock	Thickness 2 MM
26	3716267M1	2	Washer	Thickness 10 MM
27	3019853X1	6	Bolt Metric	M12 X 60
28	3716484M2	2	Carrier	
29	392782X1	2	Clip	
30	3010525X1	6	Bearing Assy	
31	3716485M2	6	Diff Pinion	Number of teeth/spines 20
32	3716482M5	2	Crownwheel	Number of teeth/spines 81
33	3716508M6	1	Planet	Left Hand Length 362 MM Up to Serial or Engine Number N090002
	3799770M2	1	Shaft	[B] Left Hand Length 362MM From Serial or Engine Number N090003
	3716471M8	1	Shaft	Right Hand Length 292 MM

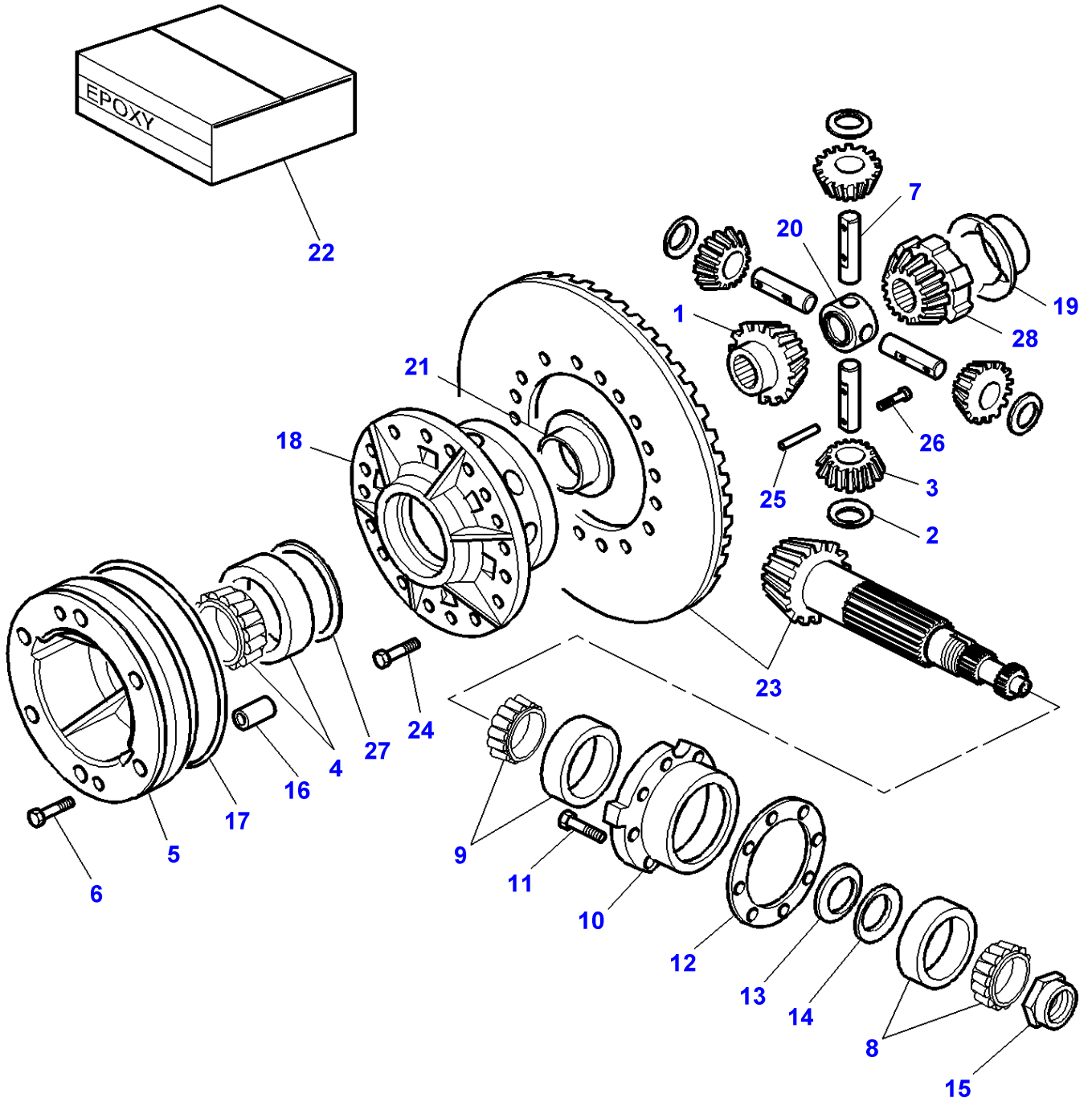
Item	Part Number	Qty	Description	Comments
34	339673X1	2	Bear. 6013	
35	3716416M1	2	Washer	
36	390613X1	2	Clip	
37	3716487M4	2	Planet	Number of teeth/spines 39
38	1440532X1	2	Circlip	
39	3792134M1	1	Spacer	Left Hand
39	3792135M1	1	Spacer	Right Hand
40	3716223M1	4	Disc	
41	3716249M3	2	Plate	
42	3582194M1	2	Hub	
43	380005X1	2	Clip	
44	3716752M4	2	Piston	Right Hand
45	3716252M1	2	O Ring	
46	3716253M1	2	O Ring	
47	3791239M2	1	Tube	(2)
48	1612150M1	2	Clevis Pin	Diameter 12,7 MM Length 29 MM
49	3615934M1	4	Clevis Pin	Diameter 12,7 MM Length 82 MM
50	70923650	8	O Ring	
51	3791260M2	1	Tube	
52	3716768M1	4	Clevis Pin	Diameter 16 MM Length 98 MM
53	3791640M1	2	Clevis Pin	[A] Diameter 16 MM Length 98 MM
54	3019397X1	2	O Ring	
55	3583993M1	2	Plug	
56	3010564X1	4	Screw	M12 X 265
57	3716517M1	24	Stud	M16 X 363
57	3010875X1	24	Washer	M16
57	3019871X1	24	Nut Metric	M16
58	3791824M1	6	Stud	M16 X 388
58	3010875X1	6	Washer	M16
58	3019871X1	6	Nut Metric	M16
59	3791261M1	2	Stud	M16 X 378
59	3010875X1	2	Washer	M16
59	3019871X1	2	Nut Metric	M16
60	3385839M2	2	Pin	Diameter 12,6 X 22,2
61	3793783M1	24	Washer	From Serial or Engine Number H286023 Up to Serial or Engine Number K037030
61		24	Washer	From Serial or Engine Number K037031 Up to Serial or Engine Number M225029 Not serviced,order 3794429M1
61		24	Washer	From Serial or Engine Number M255030 Not serviced,order 3794429M2
62	3019943X1	1	O Ring	[B] From Serial or Engine Number N090003
63	3799822M2	1	Oil Seal	[B] From Serial or Engine Number N090003
64	3796350M1	1	Segment	[B] From Serial or Engine Number N090003

FOOTNOTE [A] WITH 1 HOLE

FOOTNOTE [B] INCLUDED TRACTOR NO N085050

MF 8270/8280 TRACTOR - 1637348
1-ZG09-002-A

1-ZG09-002-A



Item	Part Number	Qty	Description	Comments
1	3716473M6	1	Pinion	
2	3791227M2	4	Washer	
3	3716463M1	4	Diff Pinion	
4	3010538X91	1	Bearing Taper	
5	3716246M3	1	Support	Up to Serial or Engine Number J346006
	3716246M4	1	Support	From Serial or Engine Number J346007
6	3019899X1	6	Bolt Metric	M12 X 50
7	3716470M4	4	Clevis Pin	
8	3010720X91	1	Bearing Assy	
9	3010735X91	1	Bearing Assy	
10	3716430M2	1	Case Assy	
11	3010010X1	4	Screw	M12 X 40
	3010770X1	4	Screw Metric	M12 X 35
12	3716566M1	X	Shim	Thickness 0,05 MM
	3716567M1	X	Shim	Thickness 0,10 MM
	3716568M1	X	Shim	Thickness 0,20 MM
	3716569M1	X	Shim	Thickness 0,30 MM
13	3716422M1	1	Washer	
14	3792328M2	X	Chock	Thickness 0,65 MM
	3716431M2	X	Chock	Thickness 0,70 MM
	3792329M2	X	Chock	Thickness 0,75 MM
	3716432M2	X	Chock	Thickness 0,80 MM
	3792330M2	X	Chock	Thickness 0,85 MM
	3716433M2	X	Chock	Thickness 0,90 MM
	3792331M2	X	Chock	Thickness 0,95 MM
	3716434M2	X	Chock	Thickness 1,00 MM
15	3716450M1	1	Nut Special	M60
16	1611277M1	1	Pin	Diameter 16 X 20
17	3716335M1	1	O Ring	
18	3716464M4	1	Case Assy	
19	3716472M3	1	Washer	
20	3716059M7	1	Crosspiece	
21	3716327M3	1	Bush	
22	3930274M91	3	Loctite	3 ML
23	3716813M93	1	Kit, Bevel Gear	11 X 38
24	3010783X1	18	Screw Metric	M16 X 40
25	3384279M1	4	Needle	
26	3009285X1	4	Screw	M8 X 16
27	3791616M1	X	Chock	Replace and repair. Old not interchangeable with new 1441000X1 Up to Serial or Engine Number J346006 Thickness 0,05 MM
	3791617M1	X	Chock	Up to Serial or Engine Number J346006 Thickness 0,10 MM
	3791618M1	X	Chock	Up to Serial or Engine Number J346006 Thickness 0,30 MM
	3795187M1	X	Shim	From Serial or Engine Number J346007 Thickness 0,30 MM
	3795188M1	X	Shim	From Serial or Engine Number J346007 Thickness 0,35 MM
	3795189M1	X	Shim	From Serial or Engine Number J346007 Thickness 0,40 MM
	3795190M1	X	Shim	From Serial or Engine Number J346007 Thickness 0,45 MM
	3795191M1	X	Shim	From Serial or Engine Number J346007 Thickness 0,50 MM
	3795192M1	X	Shim	From Serial or Engine Number J346007 Thickness 0,55 MM
28	3716474M7	1	Planet	

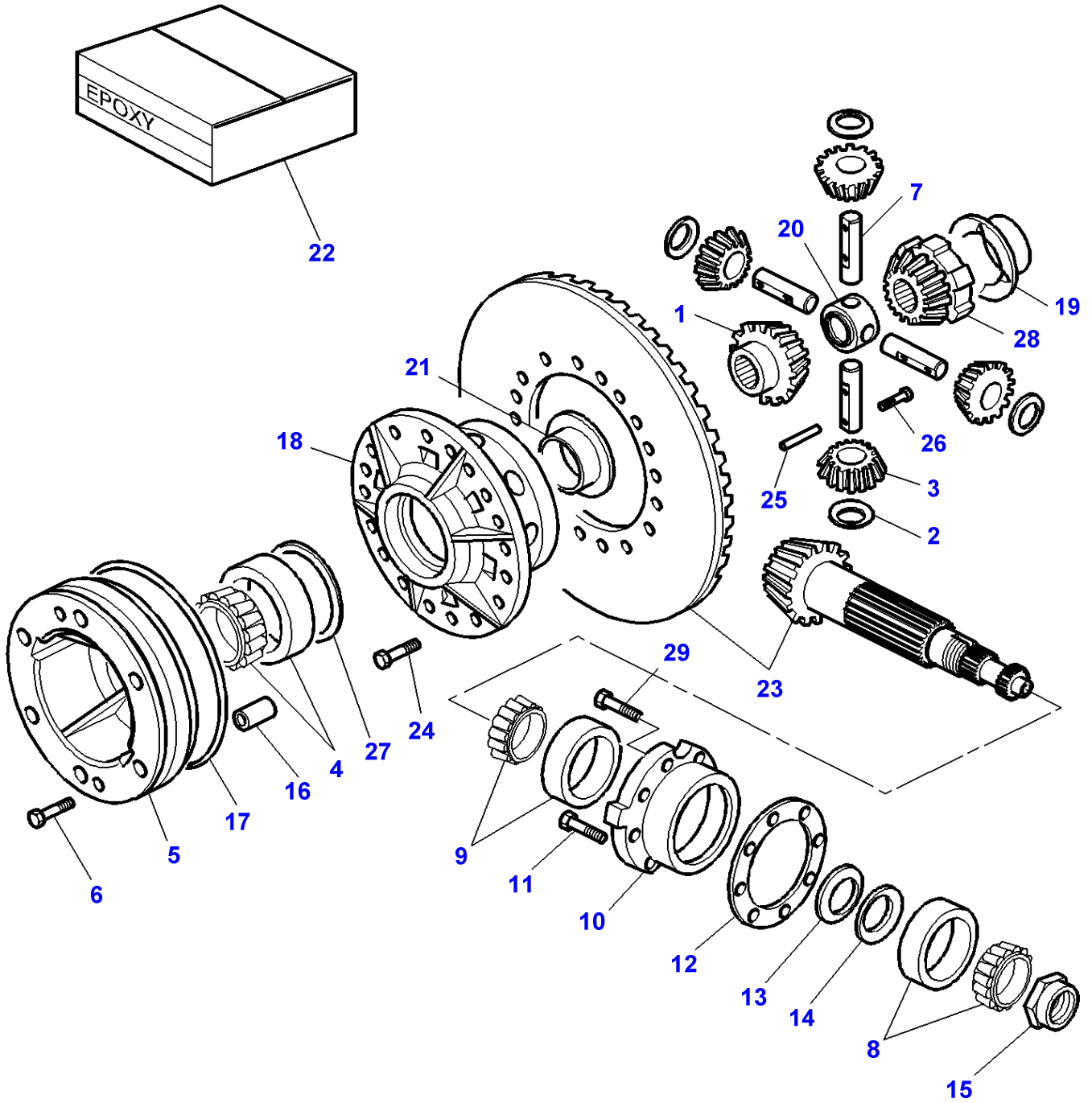
FOOTNOTE [A] WITH FULL POWERSHIFT

FOOTNOTE [B] WITH DYNASHIFT

FOOTNOTE [C] OUTER FINAL DRIVE GEAR WITH COMPOSITE REDUCER

FOOTNOTE [D] WITH REAR AXLE HOUSINGS OUTER GEAR WITH SEALED HOUSING

1-ZG09-004-B



Item	Part Number	Qty	Description	Comments
1	3716473M6	1	Pinion	
2	3791227M2	4	Washer	
3	3716463M1	4	Diff Pinion	Up to Serial or Engine Number N278077
	3799975M1	4	Diff Pinion	From Serial or Engine Number N278078
4	3010538X91	1	Bearing Taper	
5	3716246M4	1	Support	
6	3019899X1	6	Bolt Metric	M12 X 50
7	3716470M4	4	Clevis Pin	Up to Serial or Engine Number N278077
	3799985M1	4	Clevis Pin	From Serial or Engine Number N278078
8	3010720X91	1	Bearing Assy	
9	3010735X91	1	Bearing Assy	
10	3716430M2	1	Case Assy	
11	3010770X1	4	Screw Metric	Up to Serial or Engine Number L156019 M12 X 35
	3010492X1	4	Screw	From Serial or Engine Number L156020 M12 X 30
12	3716566M1	X	Shim	Thickness 0,05 MM
	3716567M1	X	Shim	Thickness 0,10 MM
	3716568M1	X	Shim	Thickness 0,20 MM
	3716569M1	X	Shim	Thickness 0,30 MM
13	3716422M1	1	Washer	
14	3792328M2	X	Chock	Thickness 0,65 MM
	3716431M2	X	Chock	Thickness 0,70 MM
	3792329M2	X	Chock	Thickness 0,75 MM
	3716432M2	X	Chock	Thickness 0,80 MM
	3792330M2	X	Chock	Thickness 0,85 MM
	3716433M2	X	Chock	Thickness 0,90 MM
	3792331M2	X	Chock	Thickness 0,95 MM
	3716434M2	X	Chock	Thickness 1,00 MM
15	3716450M1	1	Nut Special	M60
16	1611277M1	1	Pin	Diameter 16 X 20
17	3716335M1	1	O Ring	
18	3716464M4	1	Case Assy	
19	3716472M3	1	Washer	
20	3716059M7	1	Crosspiece	
21	3716327M3	1	Bush	
22	3930274M91	3	Loctite	3 ML
23	3716813M93	1	Kit, Bevel Gear	11 X 38
24	3010783X1	18	Screw Metric	M16 X 40
25	3384279M1	4	Needle	
26	3009285X1	4	Screw	M8 X 16 Replace and repair. Old not interchangeable with new 1441000X1
27	3796205M1	X	Chock	Thickness 0,30 MM
	3796206M1	X	Chock	Thickness 0,35 MM
	3796207M1	X	Chock	Thickness 0,40 MM
	3796208M1	X	Chock	Thickness 0,45 MM
	3796209M1	X	Chock	Thickness 0,50 MM
	3796210M1	X	Chock	Thickness 0,55 MM
28	3716474M7	1	Planet	
29	3010010X1	4	Screw	Up to Serial or Engine Number L156019 M12 X 40
	3010770X1	4	Screw Metric	From Serial or Engine Number L156020 M12 X 35

FOOTNOTE [A] WITH FULL POWERSHIFT

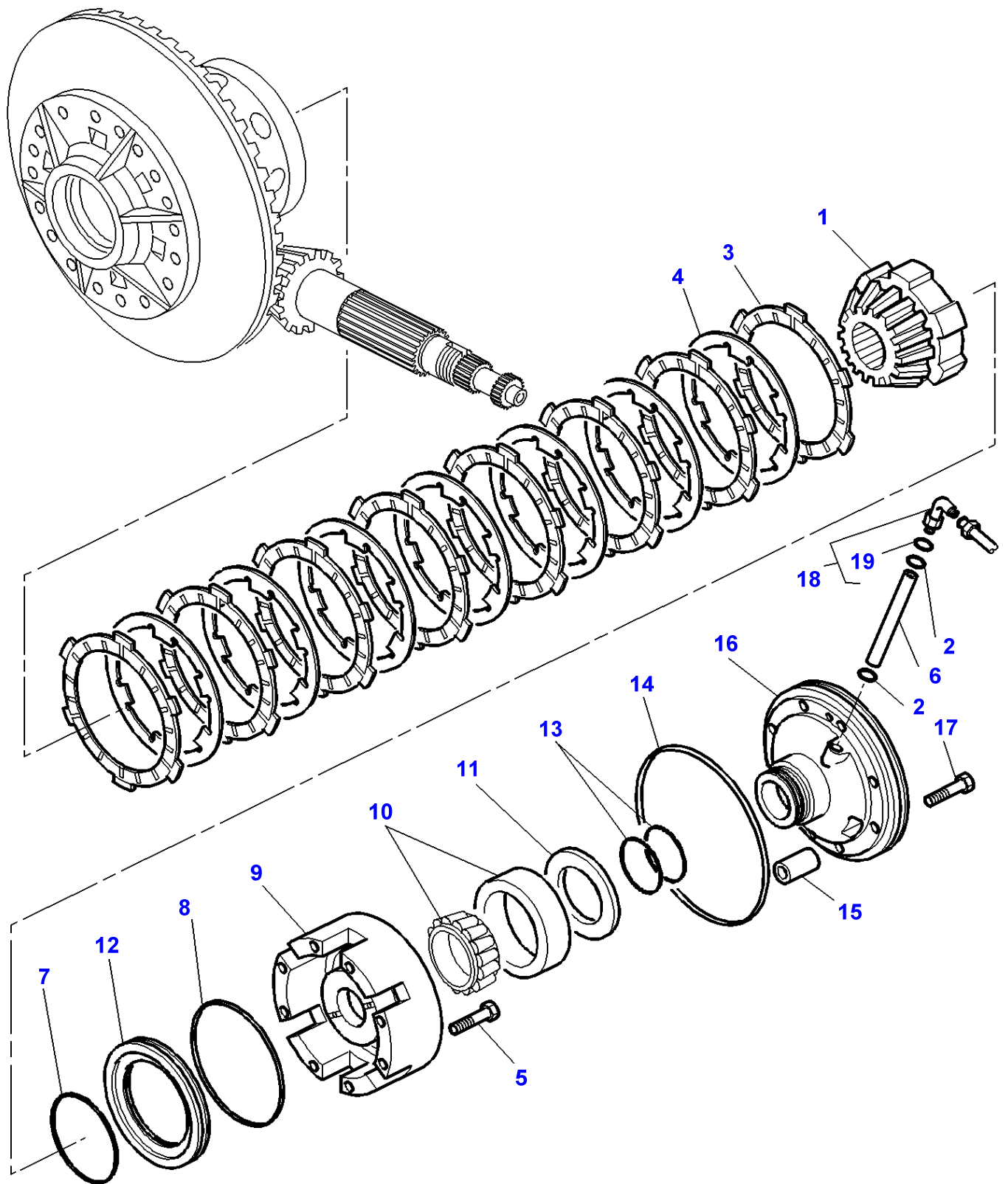
FOOTNOTE [B] WITH DYNASHIFT

FOOTNOTE [C] OUTER FINAL DRIVE GEAR WITH COMPOSITE REDUCER

FOOTNOTE [D] WITH REAR AXLE HOUSINGS OUTER GEAR WITH SEALED HOUSING

MF 8270/8280 TRACTOR - 1637348
1-ZG62-002-A

1-ZG62-002-A



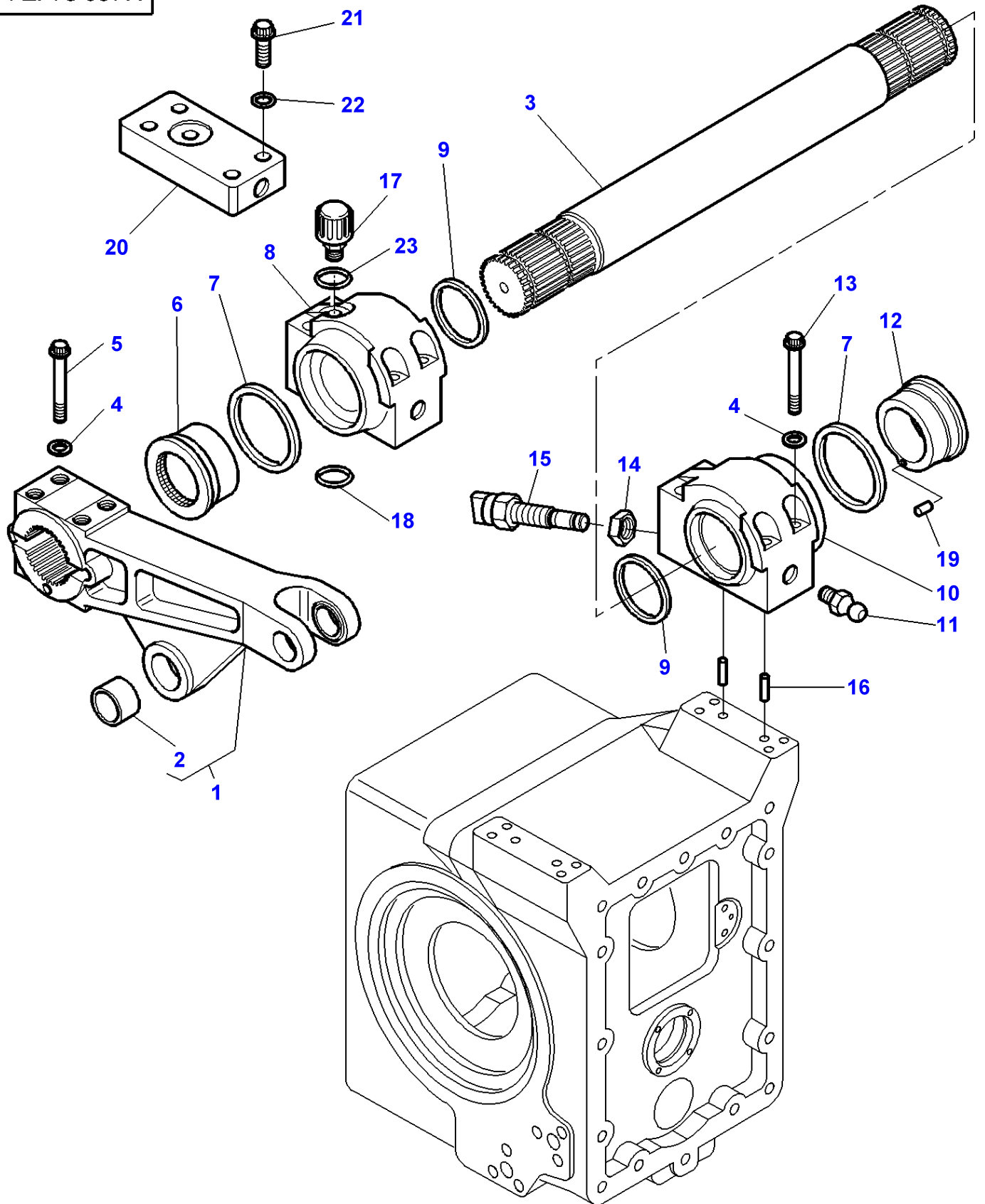
Rear Axle Differential		Lock Mecchanism - Multidiscs		
Item	Part Number	Qty	Description	Comments
1	3716474M7	1	Planet	
2	377494X1	2	O Ring	
3	3616741M1	8	Disc	
4	3616742M1	7	Counterplate	
5	3010784X1	8	Screw Metric	M12 X 110
6	3716571M2	1	Tube	
7	70923591	1	O Ring	
8	359008X1	1	O Ring	
9	3716562M12	1	Case Assy	
	3716562M12	1	Case Assy	[B] Up to Serial or Engine Number N090002
	4300056M11	1	Case Assy	[A,B] From Serial or Engine Number N090003
10	1850909M91	1	Bearing Assy	
11	3716479M2	X	Chock	Thickness 0,5 MM
	3716480M2	X	Chock	Thickness 0,6 MM
	3791782M2	X	Chock	Thickness 0,7 MM
	3716486M2	X	Chock	Thickness 0,8 MM
	3791783M2	X	Chock	Thickness 0,9 MM
12	3716467M1	1	Piston	
13	3716580M3	2	Segment	
14	3716335M1	1	O Ring	
15	1611277M1	1	Pin	Diameter 16 X 20
16	3716247M15	1	Support	Up to Serial or Engine Number N090002
	3799760M13	1	Support	[A] From Serial or Engine Number N090003
17	3019899X1	6	Bolt Metric	Up to Serial or Engine Number N090002 M12 X 50
	3019855X1	6	Bolt Metric	[A] From Serial or Engine Number N090003 M12 X 70
18	3385713M91	1	Union	
19	831497M1	1	O Ring	(18)

FOOTNOTE [A] INCLUDED TRACTOR NO N085050

FOOTNOTE [B] WITH DUAL REDUCER

MF 8270/8280 TRACTOR - 1637348
1-ZP73-001-A

1-ZP73-001-A

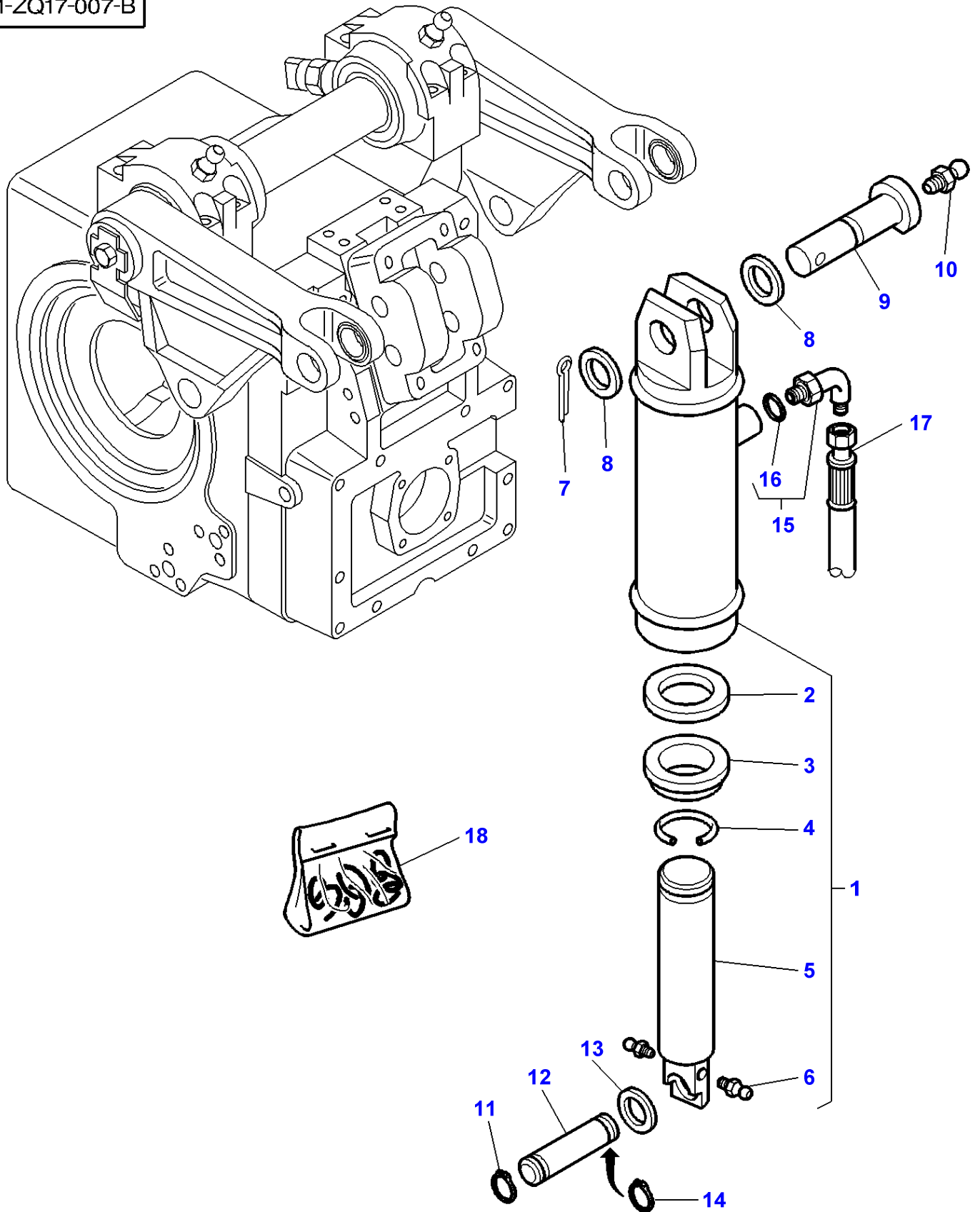


Electronic Lift - Lift Arms

Item	Part Number	Qty	Description	Comments
1	3716511M13	1	Arm	Left Hand
	3716527M13	1	Arm	Right Hand
2	3716510M2	1	Bush	(1)
3	3716538M2	1	Shaft	
4	3010875X1	16	Washer	Diameter 16 MM
5	3019874X1	8	Screw Metric	M16 X 115
6	3716522M2	1	Cam	Left Hand
7	3716689M1	2	Gasket	Diameter 120 MM
8	3716506M14	1	Bearing Carrier	Left Hand
9	3716616M1	2	Gasket	Diameter 85 MM
10	3716521M15	1	Bearing Carrier	Right Hand
11	1441858X1	2	Grease Nipple	
12	3716513M4	1	Cam	Right Hand
13	3010566X1	8	Screw Metric	M16 X 130
14	3385674M1	1	Nut	M24
15	3712728M3	1	Inductive Taker	
16	3385839M2	4	Pin	
17	3716934M1	1	Breather	
18	364105X1	1	O Ring	
19	3019304X1	1	Spirol Pin	
20	3791696M1	1	Bearing Carrier	[A]
21	3009806X1	4	Plough Bolt	[A] M16 X 70
22	3010875X1	4	Washer	[A]
23	3019396X1	1	O Ring	

FOOTNOTE [A] WITHOUT HYDRAULIC LIFT

1-ZQ17-007-B



Linkage - Lift Cylinders

Item	Part Number	Qty	Description	Comments
1	3716602M94	2	Lift Cylinder	[D] Up to Serial or Engine Number K130031 Diameter 105MM HYDROPRO
	3795033M1	2	Lift Cylinder	[D] From Serial or Engine Number K130032 Diameter 105MM SERTA
2	3902884M1	1	Gasket	(1) HYDROPRO
		1	Gasket	(1) SERTA Not serviced,order REF. 18
3	3902883M1	1	Wiper	(1) HYDROPRO
		1	Wiper	(1) SERTA Not serviced,order REF. 18
4	3902886M1	1	Ring	(1) HYDROPRO
	3903669M1	1	Ring	(1) SERTA
5	3902885M1	1	Cylinder Rod	(1) HYDROPRO
	3903670M1	1	Cylinder Rod	(1) SERTA
6	1441858X1	2	Grease Nipple	(1) HYDRPRO
	3903664M1	2	Greaser	(1) SERTA
7	1442981X1	2	Pin	
8	3716678M2	4	Washer	Diameter 41MM Diameter 60MM Thickness 5,5MM
9	3716609M1	2	Clevis Pin	
10	1441858X1	2	Grease Nipple	
11	339605X1	2	Circlip	
12	3716600M2	2	Clevis Pin	
13	3716679M2	2	Washer	Diameter 61MM Diameter 70MM Thickness 4MM
14	339605X1	2	Circlip	
15	3019420X91	2	Union	M22X1,5 1.1/16-12
16	3019398X1	1	O Ring	(15)
17	3716386M1	1	Tube	[C] Left Hand
	3716384M1	1	Tube	[C] Right Hand
	3793453M1	1	Tube	[B] Left Hand
	3793454M1	1	Tube	[B] Right Hand
18	3903668M91	1	Kit, Joint	SERTA

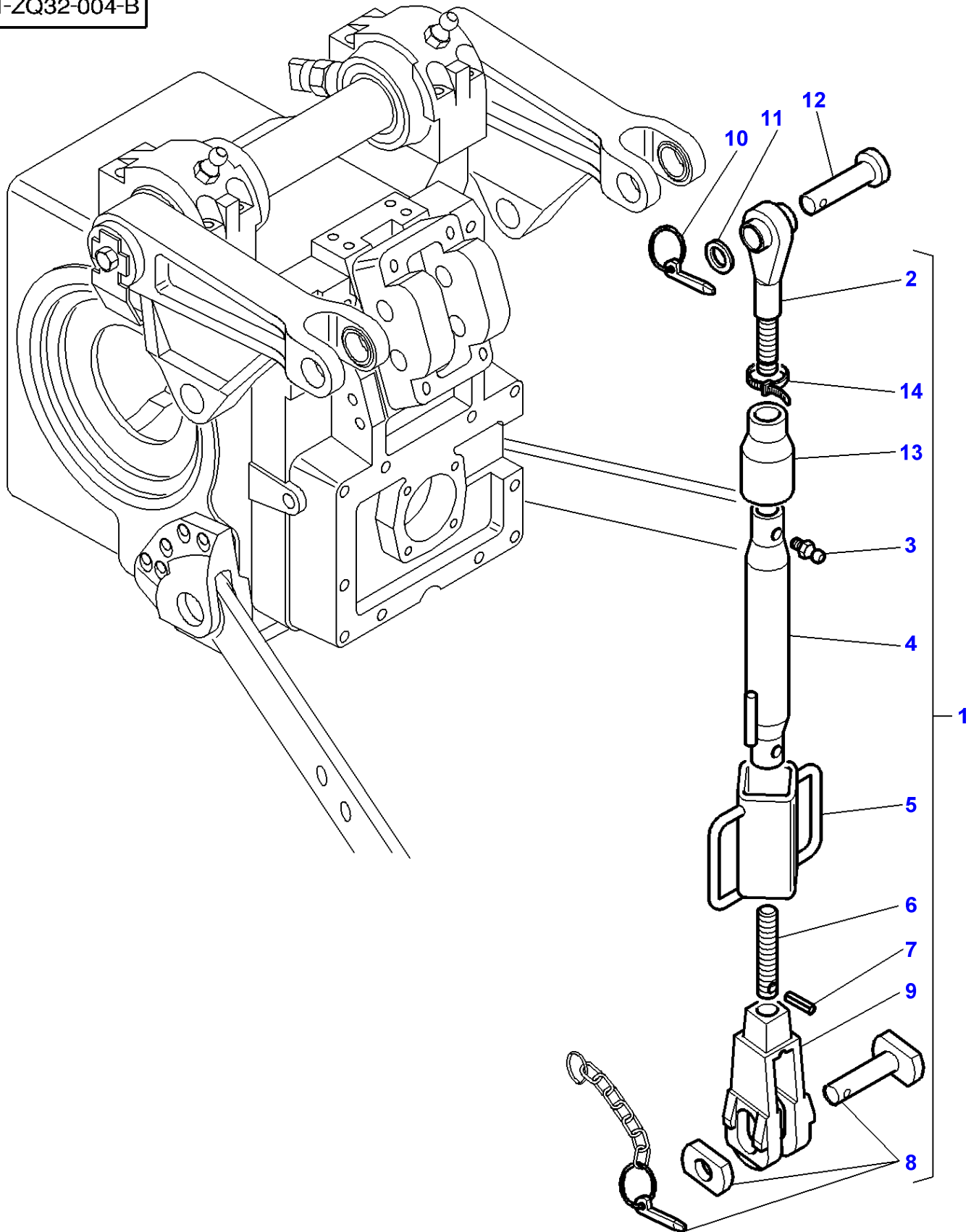
FOOTNOTE [A] NOT USED

FOOTNOTE [B] WITH VERTICAL POSITION DISTRIBUTOR

FOOTNOTE [C] WITH HORIZONTAL POSITION DISTRIBUTOR

FOOTNOTE [D] IDENTIFICATION ON CYLINDER CASING

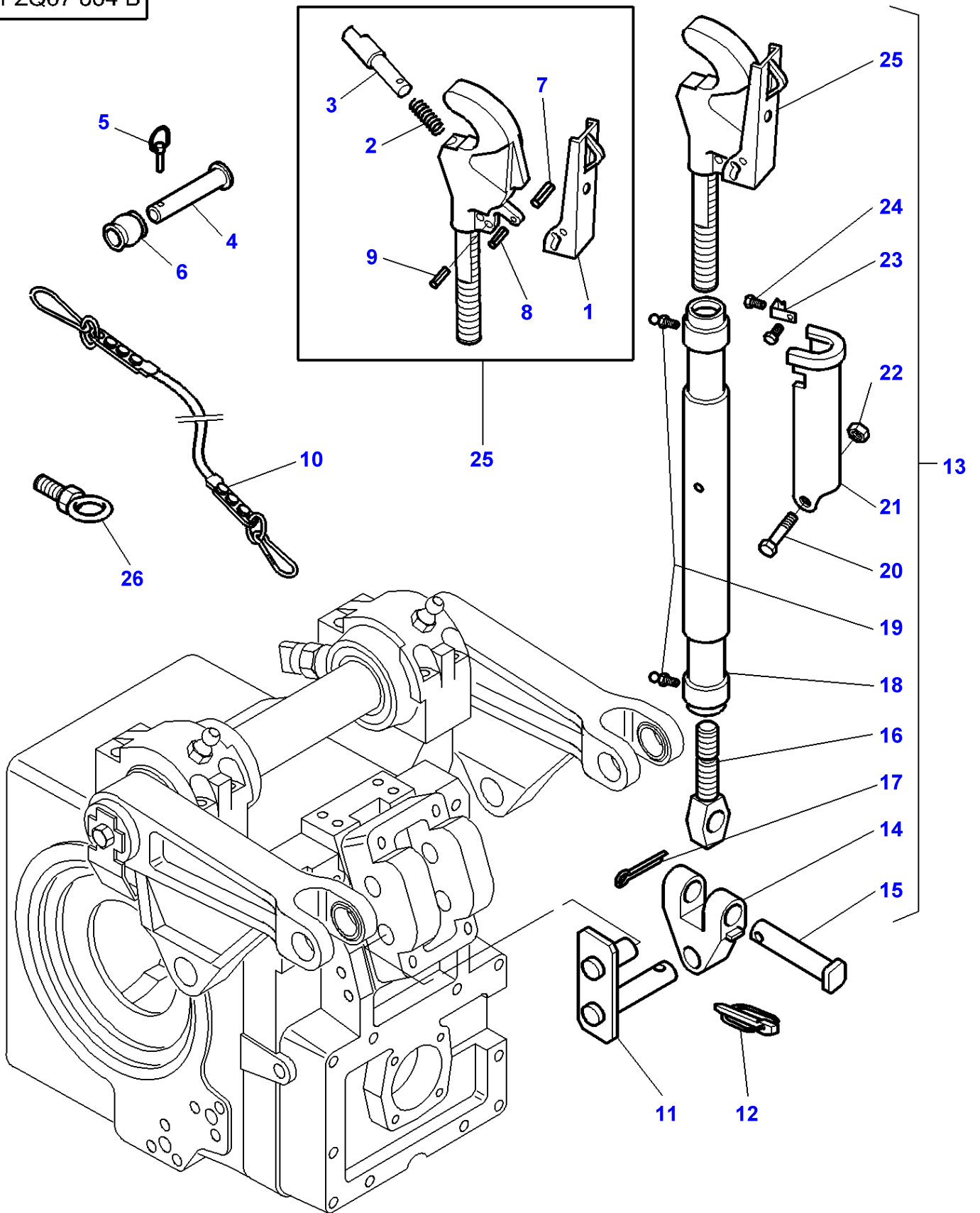
1-ZQ32-004-B



Levelling box

Item	Part Number	Qty	Description	Comments
1	3792920M1	2	Draglink	Replace and repair. Old not interchangeable with new 3716615M2
2	3902790M1	1	Toggle	(1)
3		2	Greaser	(1) Not serviced,order REF. 4
4	3902788M1	1	Tube	(1)
5	3902787M2	1	Handle	(1)
6	3902785M1	1	Clevis Pin	(1)
7	3902786M1	1	Pin	(1)
8	3902789M91	1	Parts Pack	(1)
9	3902784M1	1	Clevis	(1)
10	3387161M2	2	Pin	
11	3716148M1	2	Washer	Diameter 29 MM
12	3716661M2	2	Clevis Pin	
13	3903576M1	1	Protector	(1) From Serial or Engine Number J168027
14	3903577M1	1	Clamp	(1) From Serial or Engine Number J168027

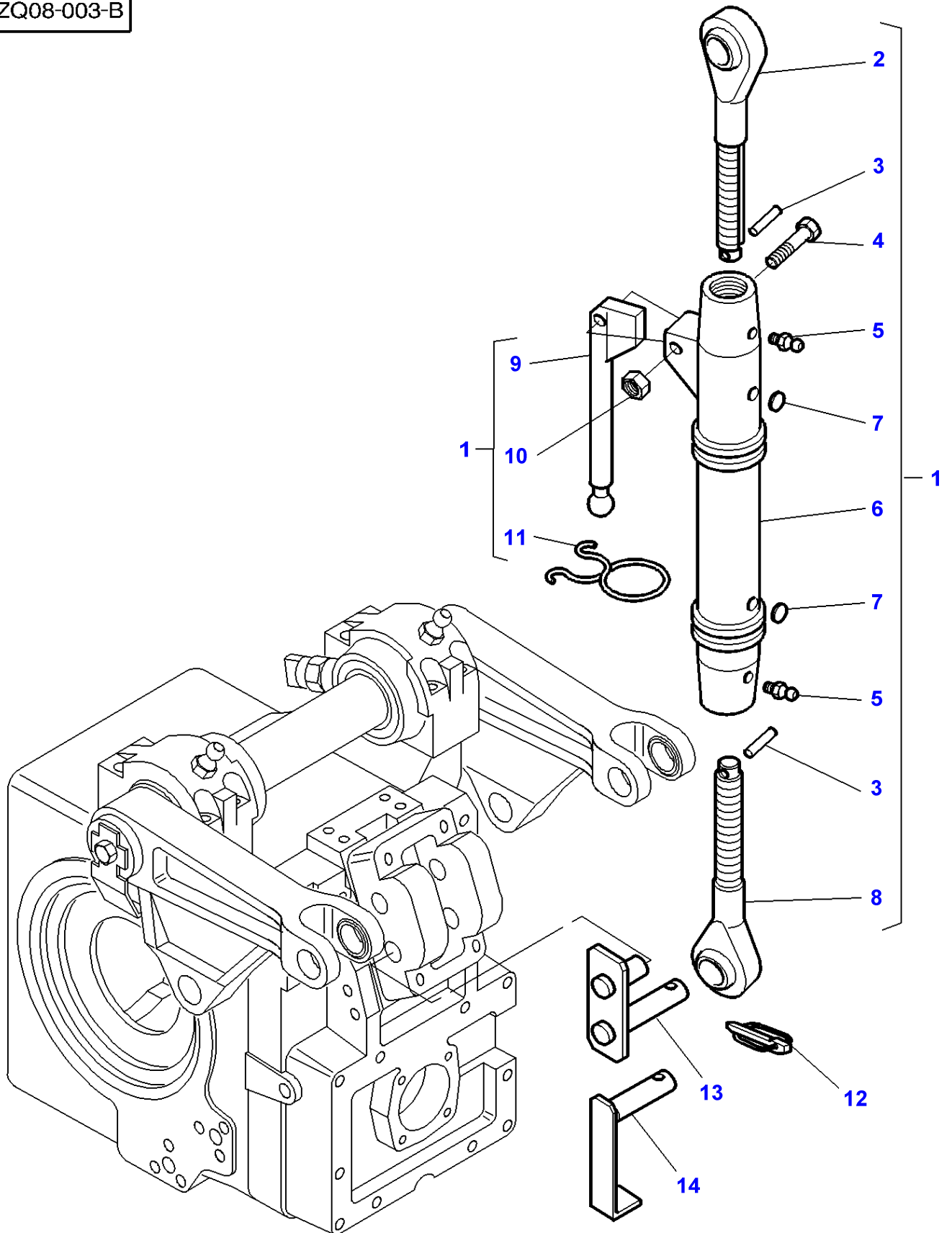
1-ZQ07-004-B



Linkage - Top Link With Hook End

Item	Part Number	Qty	Description	Comments
1	3796211M91	1	Lever	(25) Replace and repair. Old interchangeable with new 3900589M91
2	3788537M1	1	Spring	(25) Replace and repair. Old interchangeable with new 3788536M1
3	3715849M2	1	Clevis Pin	(25) Replace and repair. Old interchangeable with new 3900577M1
4	3582043M2	1	Clevis Pin	Diameter 25,40MM Length 124MM
	367073X1	1	Clevis Pin	Diameter 31,75MM Length 130,2MM
5	3387161M2	1	Pin	
6	3042433M1	1	Toggle	CAT 2/3
	3042434M1	1	Toggle	CAT 3
7	339806X1	1	Pin	(25) 6X20MM Replace and repair. Old interchangeable with new 3900578M1
8	390538X1	1	Roll Pin	(25) 5X24MM
9	339080X1	1	Roll Pin	(25) 6X24MM
10	3903995M1	1	Chain	Replace and repair. Old interchangeable with new 3619220M1
11	3716129M4	1	Clevis Pin	
12	3387161M2	1	Pin	
13	3791535M93	1	Bar	Length 605/850MM
14	3791541M1	1	Clevis	(13)
15	3715690M1	1	Clevis Pin	(13)
16	3791540M1	1	Draglink	(13)
17	354092X1	1	Pin	(13)
18	3791538M1	1	Tube	(13) Length 370MM
19	3715689M1	2	Greaser	(13)
20	390246X1	1	Bolt	(13)
21	3715685M91	1	Lever	(13)
22	394367X1	1	Locknut	(13)
23	3715691M1	1	Spring	(13)
24	3008179X1	2	Screw	(13)
			Metric	
25	3799939M91	1	Hook	(13) CAT 3 Replace and repair. Old interchangeable with new 3715681M3
26	3580524M91	1	Ring	Up to Serial or Engine Number K101014

1-ZQ08-003-B

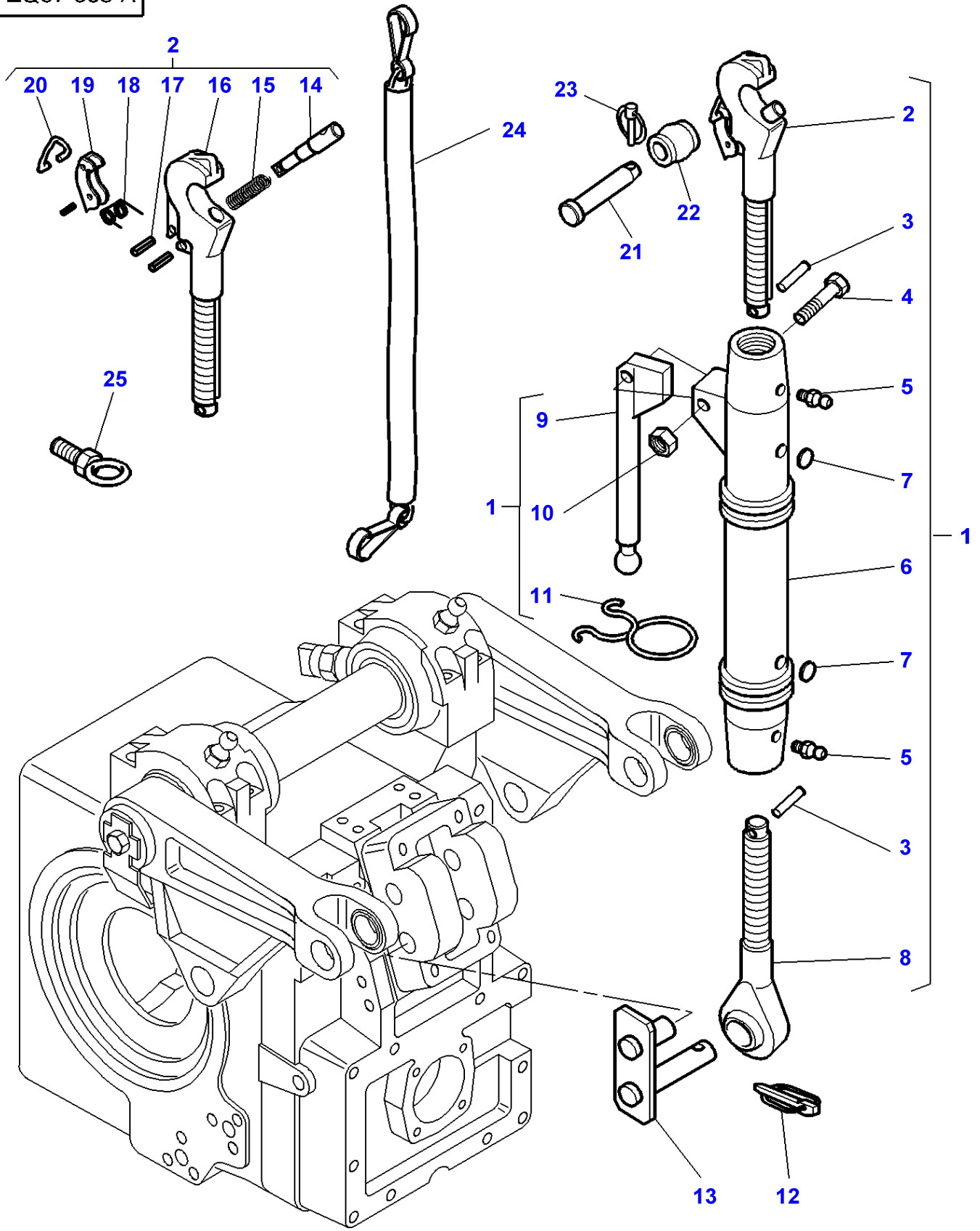


Linkage - Top Link With Ball End

Item	Part Number	Qty	Description	Comments
1	3716663M2	1	Top Link	
2	3902856M1	1	Toggle	(1)
3	3902853M1	2	Clevis Pin	(1)
4	339679X1	1	Bolt Metric	(1)
5	3902857M1	2	Greaser	(1)
6	3902852M1	1	Tube	(1)
7	3902858M1	2	Plug	(1)
8	3902851M1	1	Toggle	(1)
9	3902855M1	1	Lever	(1)
10	1440329X1	1	Locknut	(1)
11	3902854M1	1	Retainer	(1)
12	3387161M2	1	Pin	
13	3716129M4	1	Clevis Pin	Up to Serial or Engine Number K184022 For United States of America
14	3795817M91	1	Clevis Pin	From Serial or Engine Number K184023 For United States of America

MF 8270/8280 TRACTOR - 1637348
1-ZQ07-003-A

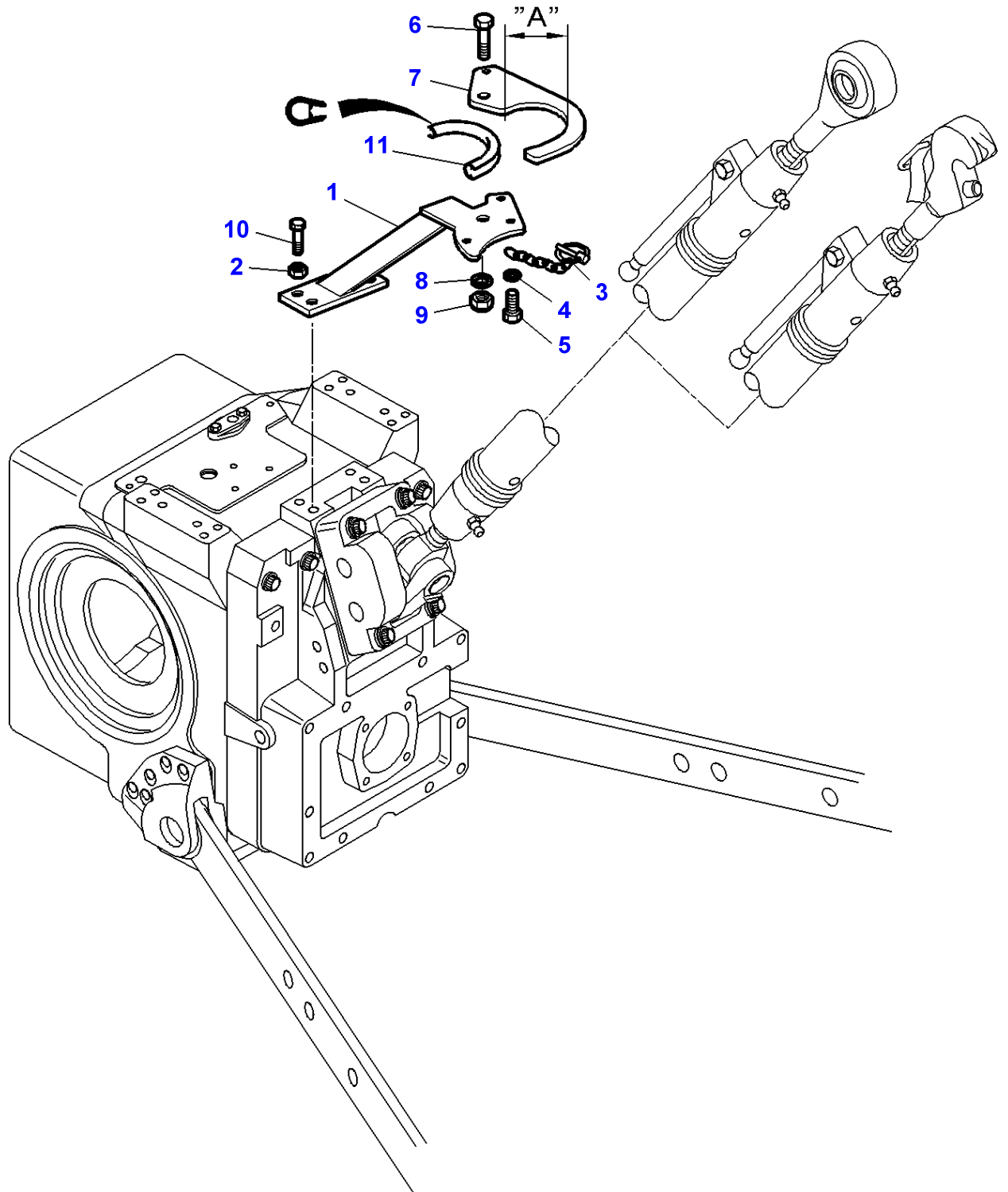
1-ZQ07-003-A



Linkage - Top Link With Hook End

Item	Part Number	Qty	Description	Comments
1	3716607M2	1	Top Link	
2	3902908M91	1	Hook	(1)
3	3902853M1	2	Clevis Pin	(1)
4	339679X1	1	Bolt Metric	(1)
5	3902857M1	2	Greaser	(1)
6	3902852M1	1	Tube	(1)
7	3902858M1	2	Plug	(1)
8	3902851M1	1	Toggle	(1)
9	3902855M1	1	Lever	(1)
10	1440329X1	1	Locknut	(1)
11	3902854M1	1	Retainer	(1)
12	3387161M2	1	Pin	
13	3716129M4	1	Clevis Pin	
14	3101927M1	1	Clevis Pin	(2)
15	3101929M1	1	Spring	(2)
16		1	Hook	(2)
				Not serviced,order REF.2
17	339662X1	3	Pin	(2)
18	3101930M1	1	Spring	(2)
19	3902909M1	1	Lever	(2)
20	3101935M1	1	Tie	(2)
21	367073X1	1	Clevis Pin	Diameter 31,75 X 130,2MM
	3582043M2	1	Clevis Pin	Diameter 25,4 X 124MM
22	3042434M1	1	Toggle	CAT.3
	3042433M1	1	Toggle	CAT.2/3
23	3387161M2	1	Pin	
24	3903995M1	1	Chain	Length 1500MM
				Replace and repair. Old interchangeable with new 3619220M1
25	3580524M91	1	Ring	Up to Serial or Engine Number K101014

1-ZQ35-002-D

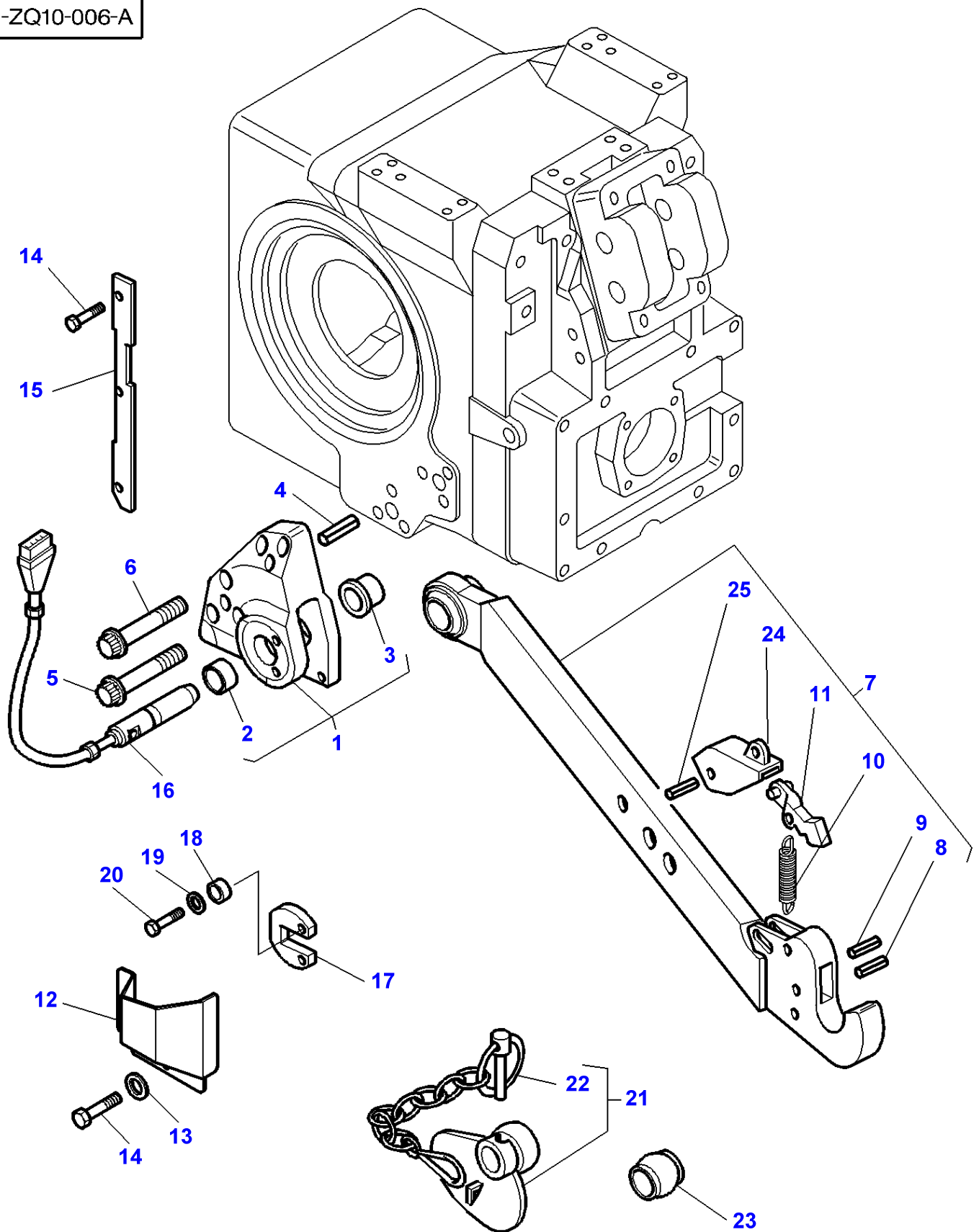


Top Link Lock

Item	Part Number	Qty	Description	Comments
1	3792183M1	1	Support	Up to Serial or Engine Number J028002
	3793433M1	1	Support	From Serial or Engine Number J028003
2	1440330X1	3	Locknut	Up to Serial or Engine Number J028002
3	3712199M91	1	Chain	
4	390971X1	1	Washer	
5	339560X1	1	Hex. Sock. Screw	M6X16MM
6	339009X1	1	Hex. Sock. Screw	M8X35MM
7	3793434M1	1	Latch	"A"= 76MM
	3793951M1	1	Latch	"A"= 66MM
8	390972X1	1	Washer Metric	
9	394367X1	1	Locknut	
10	3009495X1	2	Bolt Metric	From Serial or Engine Number J028003 M10X40
	3009493X1	2	Hex. Sock. Screw	From Serial or Engine Number J028003 M10X30
11	3615637M1	1	Gasket	Length 200MM
	4272660M1	1	Gasket	Length 105MM

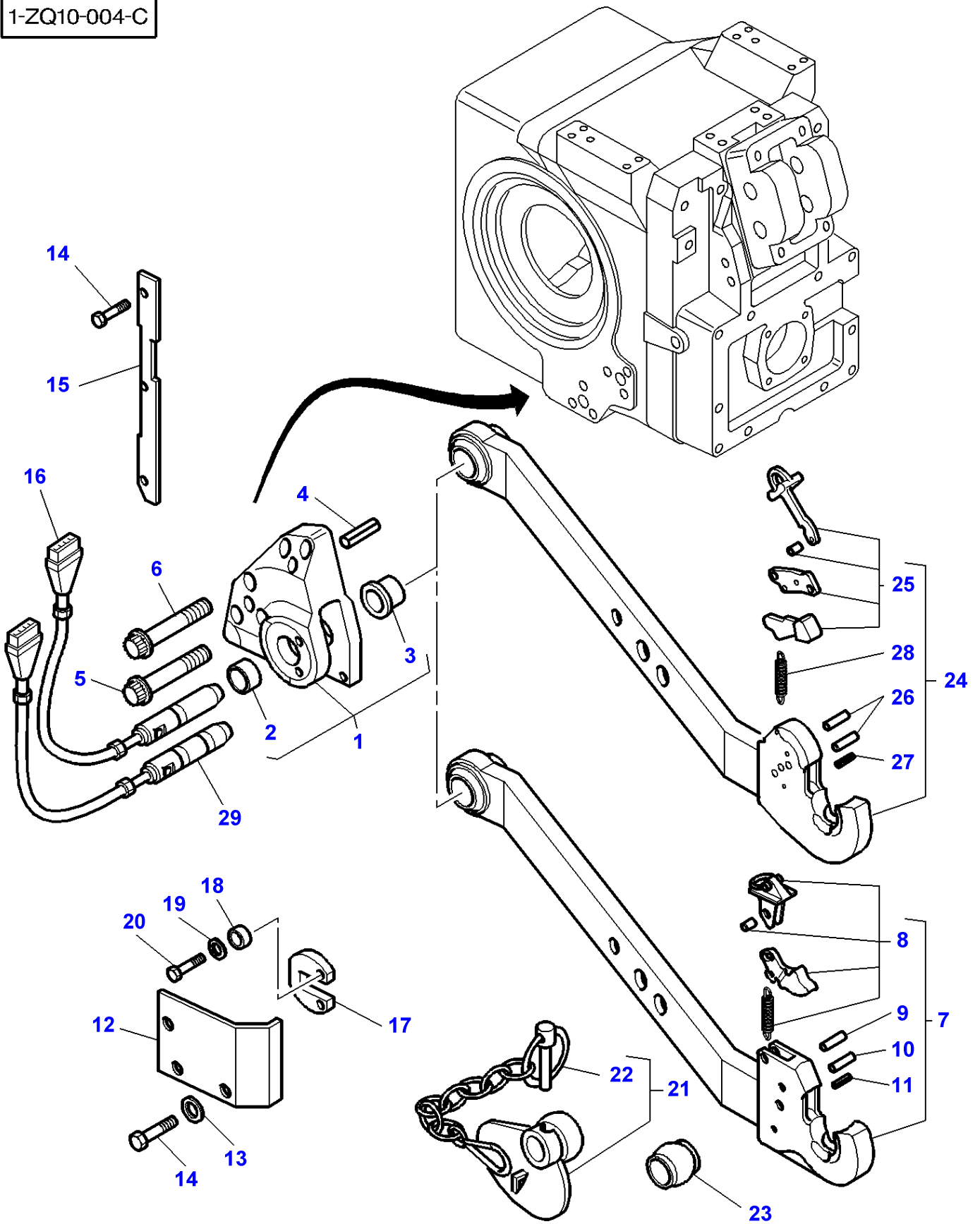
MF 8270/8280 TRACTOR - 1637348
1-ZQ10-006-A

1-ZQ10-006-A



Item	Part Number	Qty	Description	Comments
1	3791868M11	1	Clevis	Right Hand
	3791867M11	1	Clevis	Left Hand
2	3716994M2	1	Bush	(1)
3	3716995M2	1	Bush	(1)
4	3716624M1	4	Centraliser	
5	3010434X1	10	Screw Metric	M20x80
6	3010558X1	2	Screw Metric	M20x120
7	3716604M1	1	Bar	Left Hand CAT . 3
	3716605M1	1	Bar	Right Hand CAT . 3
8	339783X1	1	Pin	(7) Diameter 6X32MM
9	3008317X1	1	Pin	(7)
10	3101934M1	1	Spring	(7)
11	3101932M1	1	Ratchet	(7) Replace and repair. Old interchangeable with new 3106461M1
12	3791630M1	1	Protector	Left Hand
	3791631M1	1	Protector	Right Hand
13	390972X1	6	Washer Metric	
14	339124X1	12	Hex. Sock. Screw	M8X16
15	3791193M1	2	Cowl	
16	3713764M1	2	Sensing Pin	6T
	3716981M1	2	Inductive Taker	9T
17	3716499M1	2	Plate	
18	3384183M2	4	Bush	
19	385362X1	4	Washer	
20	3001429X1	4	Screw	M10X35
21	3042427M1	2	Toggle	CAT 2/3
	3042428M1	2	Toggle	CAT 3
22	3102086M91	1	Linch Pin	(21)
23	3042430M1	2	Toggle	CAT 2/3
	3042431M1	2	Toggle	CAT 3
24	3103830M1	1	Lever	(7)
25	339290X1	1	Pin	(7)

1-ZQ10-004-C



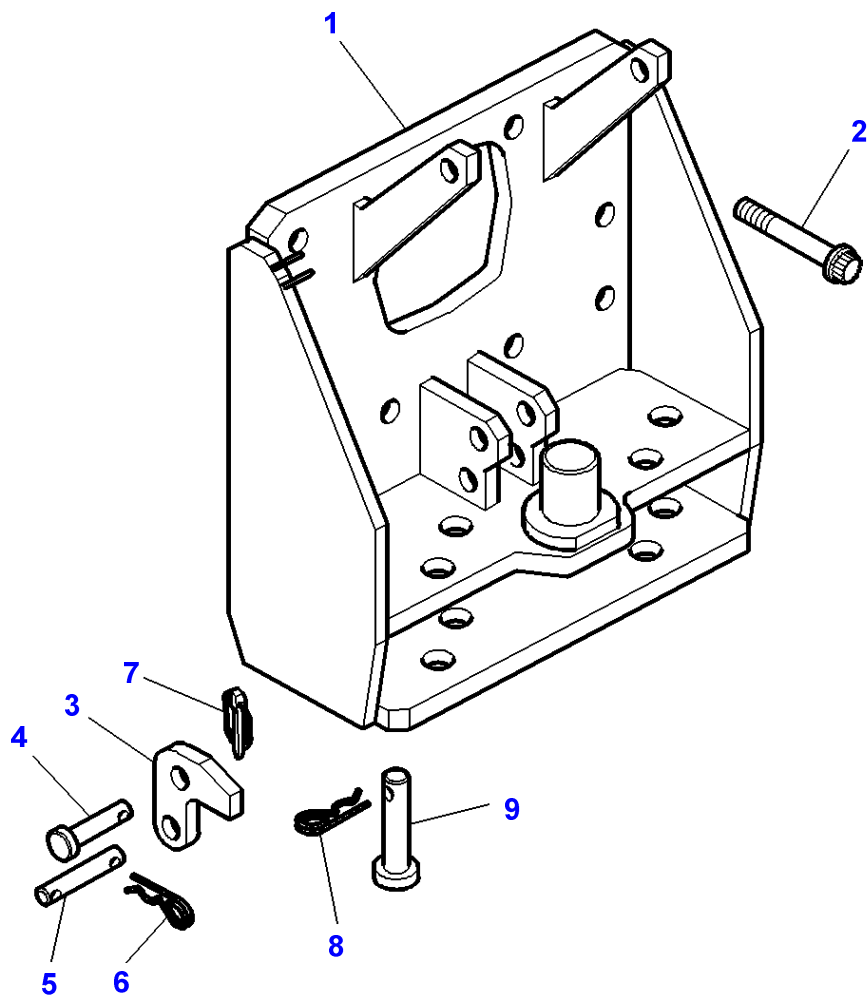
Item	Part Number	Qty	Description	Comments
1	3791868M11	1	Clevis	Right Hand
	3791867M11	1	Clevis	Left Hand
2	3716994M2	1	Bush	(1)
3	3716995M2	1	Bush	(1)
4	3716624M1	4	Centraliser	
5	3010434X1	10	Screw Metric	M20x80
6	3010558X1	2	Screw Metric	M20x120
7	3792536M1	1	Bar	[A] Left Hand CAT . 3
	3792535M1	1	Bar	[A] Right Hand CAT . 3
8	3903314M91	1	Kit, Repair	(7)
9	3006429X1	1	Pin	(7)
10	3008317X1	1	Pin	(7)
11	339783X1	1	Pin	(7)
12	3791630M1	1	Protector	Left Hand
	3791631M1	1	Protector	Right Hand
13	390972X1	6	Washer Metric	
14	339124X1	12	Hex. Sock. Screw	M8X16
15	3791193M1	2	Cowl	
16	3713764M1	2	Sensing Pin	BOSCH 60KN
	3716981M1	2	Inductive Taker	BOSCH 90KN
17	3716499M1	2	Plate	
18	3384183M2	4	Bush	
19	385362X1	4	Washer	
20	3001429X1	4	Screw	M10X35
21	3042427M1	2	Toggle	CAT 2/3
	3042428M1	2	Toggle	CAT 3
22	3102086M91	1	Linch Pin	(21)
23	3042430M1	2	Toggle	CAT 2/3
	3042431M1	2	Toggle	CAT 3
24	3796870M1	1	Bar	[B] Left Hand CAT . 3
	3796869M1	1	Bar	[B] Right Hand CAT . 3
25	3903954M91	1	Kit, Lever	(24)
26	3903948M91	1	Kit, Roll Pins	(24)
27	3903955M91	1	Kit, Roll Pins	(24)
28	3903949M1	1	Spring	(24)
29	3796399M2	2	Sensing Pin	[C] TEDEA 60KN
	3796400M2	2	Sensing Pin	[C] TEDEA 90KN

FOOTNOTE [A] WALTERSCHEID

FOOTNOTE [B] CBM

FOOTNOTE [C] 2 GROOVE

1-ZQ36-008-A

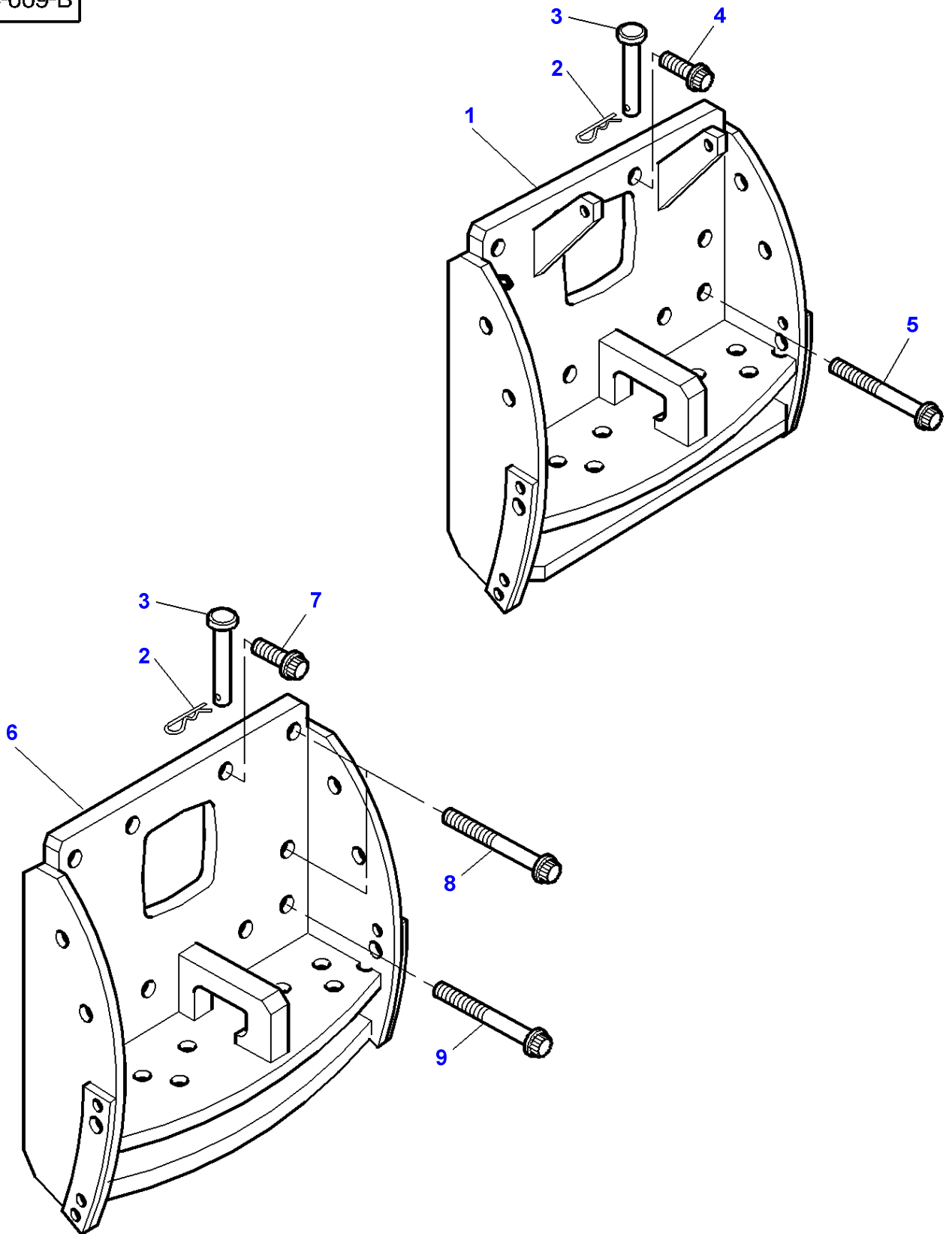


Linkage - Swinging Drawbar Support

Item	Part Number	Qty	Description	Comments
1	3716628M92	1	Support	
	3792414M91	1	Support	[A]
2	3010561X1	2	Screw	M20 X 50
	3010562X1	8	Screw	M20 X 230
3	3716639M1	1	Hook	
4	3582216M1	1	Clevis Pin	
5	3582197M1	1	Clevis Pin	
6	391403X1	1	Split Pin	
7	3382824M1	1	Pin	
8	3010932X1	2	Pin	
9	3010631X1	2	Clevis Pin	

FOOTNOTE [A] WITH TRAILED IMPELEMENT CONTROL

1-ZQ36-009-B

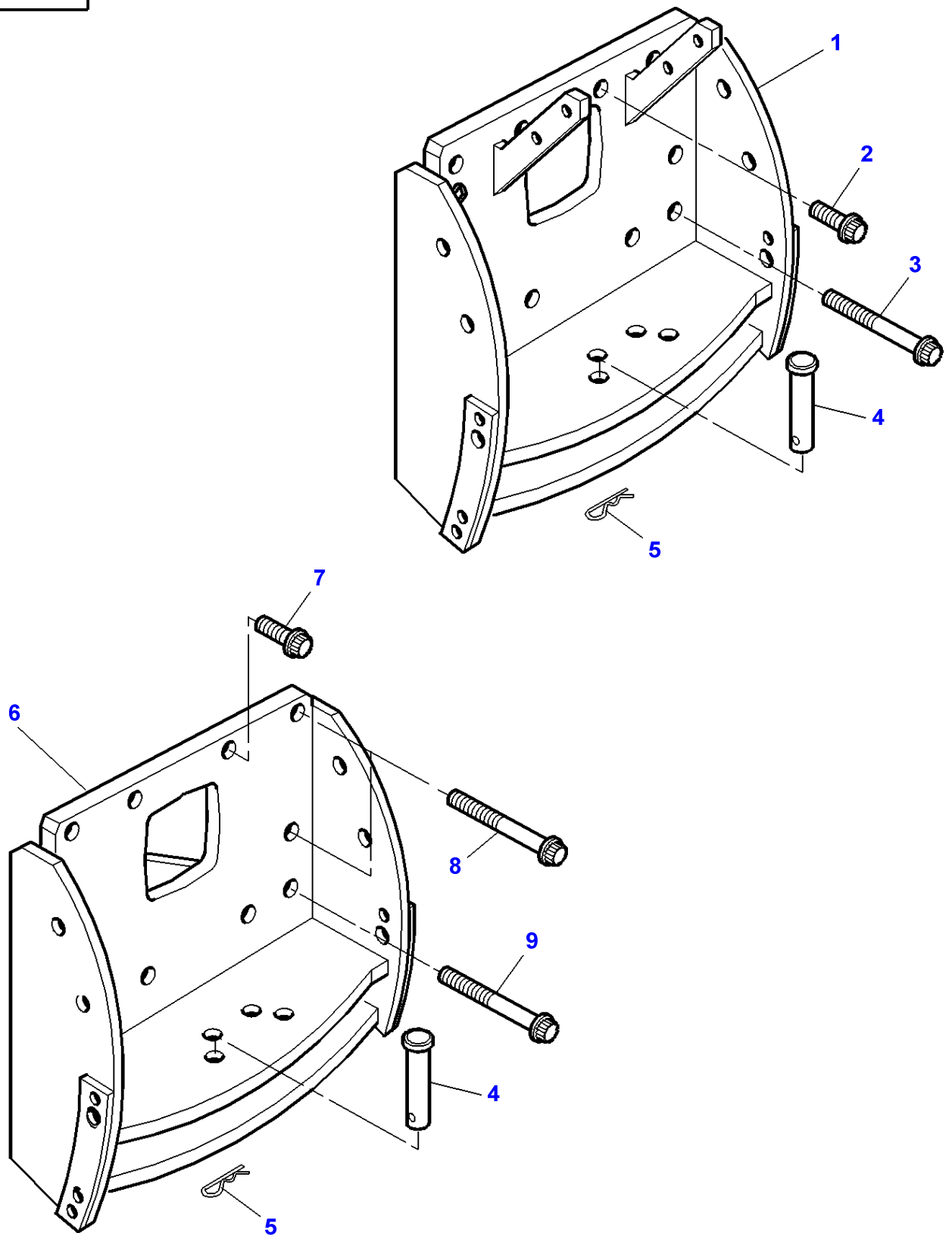


Linkage - Swinging Drawbar Support

Item	Part Number	Qty	Description	Comments
1	3716130M92	1	Support	ISO
	3716130M92	1	Support	Up to Serial or Engine Number K184022 For United States of America
	3792425M91	1	Support	[A] Up to Serial or Engine Number K184022 For United States of America
	3792425M91	1	Support	[A] Up to Serial or Engine Number K184022 For United States of America
2	3010932X1	2	Pin	Replace and repair. Old interchangeable with new 3010632X1
3	3010631X1	2	Clevis Pin	
4	3010561X1	2	Screw	M20 X 50
	3010561X1	2	Screw	Up to Serial or Engine Number K184022 For United States of America
				M20 X 50
5	3010562X1	8	Screw	M20 X 230
	3010562X1	8	Screw	Up to Serial or Engine Number K184022 For United States of America
				M20 X 230
6	3795963M91	1	Support	From Serial or Engine Number K184023 For United States of America
	3795814M91	1	Support	[A] From Serial or Engine Number K184023 For United States of America
7	3010556X1	2	Screw Metric	From Serial or Engine Number K184023 For United States of America
				M20 X 70
8	3010941X1	4	Screw Metric	From Serial or Engine Number K184023 For United States of America
				M20 X 250
9	3010562X1	4	Screw	From Serial or Engine Number K184023 For United States of America
				M20 X 230

FOOTNOTE [A] WITH TRAILED IMPELEMENT CONTROL

1-ZQ36-010-B

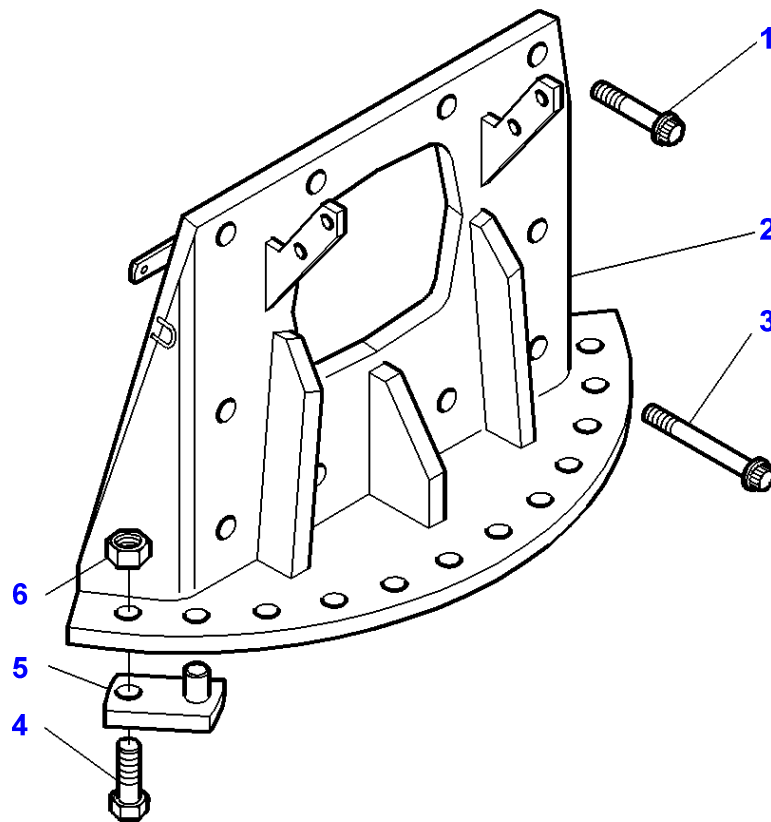


Linkage - Swinging Drawbar Support

Item	Part Number	Qty	Description	Comments
1	3791444M91	1	Support	
	3791444M91	1	Support	Up to Serial or Engine Number K184022 For United States of America
2	3010561X1	2	Screw	M20 X 50
	3010561X1	2	Screw	Up to Serial or Engine Number K184022 For United States of America M20 X 50
3	3010562X1	8	Screw	M20 X 230
	3010562X1	8	Screw	Up to Serial or Engine Number K184022 For United States of America M20 X 230
4	3010560X1	2	Clevis Pin	
5	365139X1	2	Hair Pin	
6	3795962M91	1	Support	From Serial or Engine Number K184023 For United States of America
7	3010556X1	2	Screw Metric	From Serial or Engine Number K184023 For United States of America M20 X 70
8	3010941X1	4	Screw Metric	From Serial or Engine Number K184023 For United States of America M20 X 250
9	3010562X1	4	Screw	From Serial or Engine Number K184023 For United States of America M20 X 230

FOOTNOTE [A] WITH TRAILED IMPEMMENT CONTROL

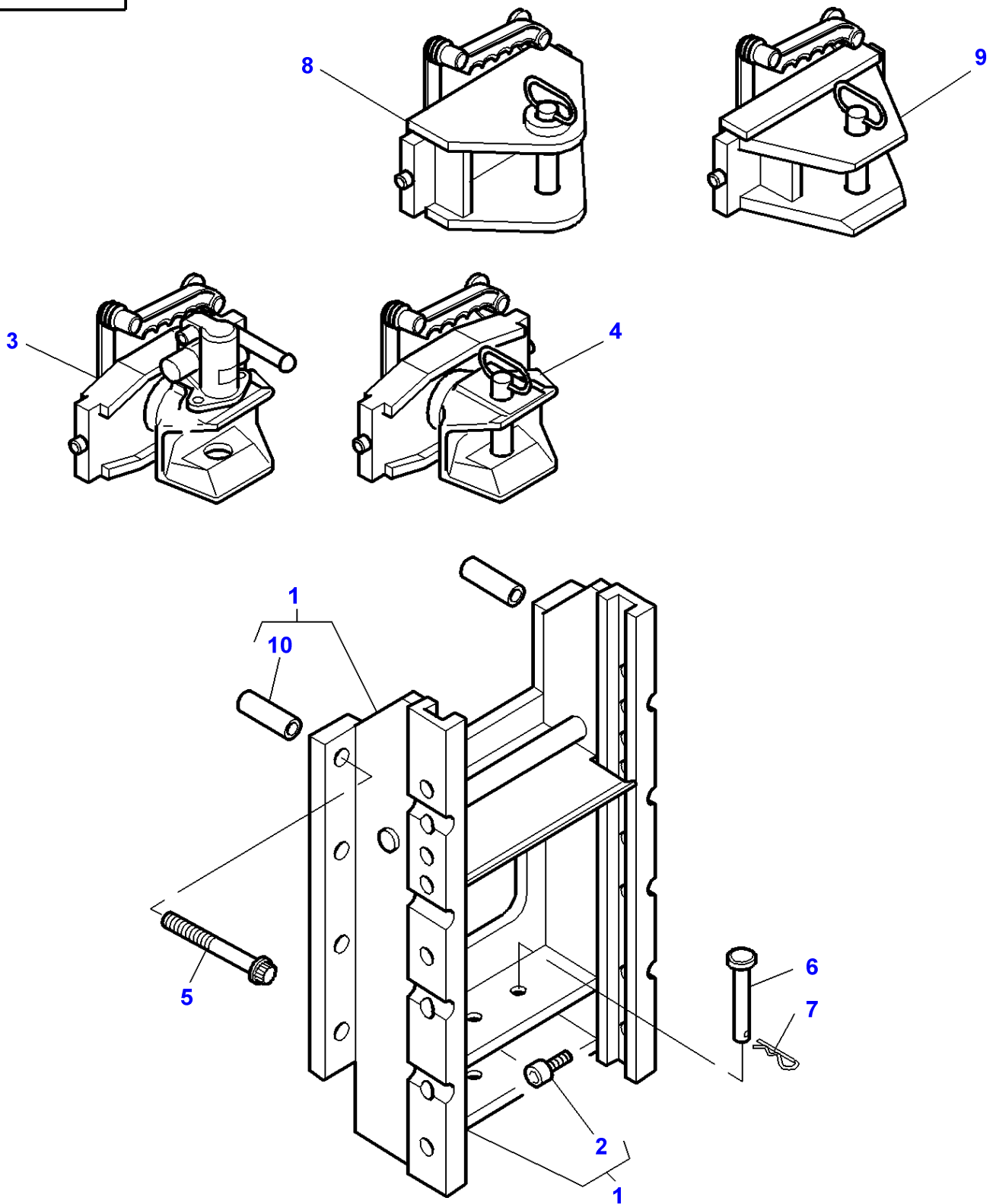
1-ZQ36-007-C



Linkage - Swinging Drawbar Support

Item	Part Number	Qty	Description	Comments
1	3010561X1	2	Screw	M20 X 50
2	3791514M93	1	Support	
3	3010562X1	8	Screw	M20 X 230
4	1442668X1	2	Screw	M20 X 80
5	3791677M92	2	Plate	
6	3009747X1	2	Nut	M20

1-ZQ18-005-C

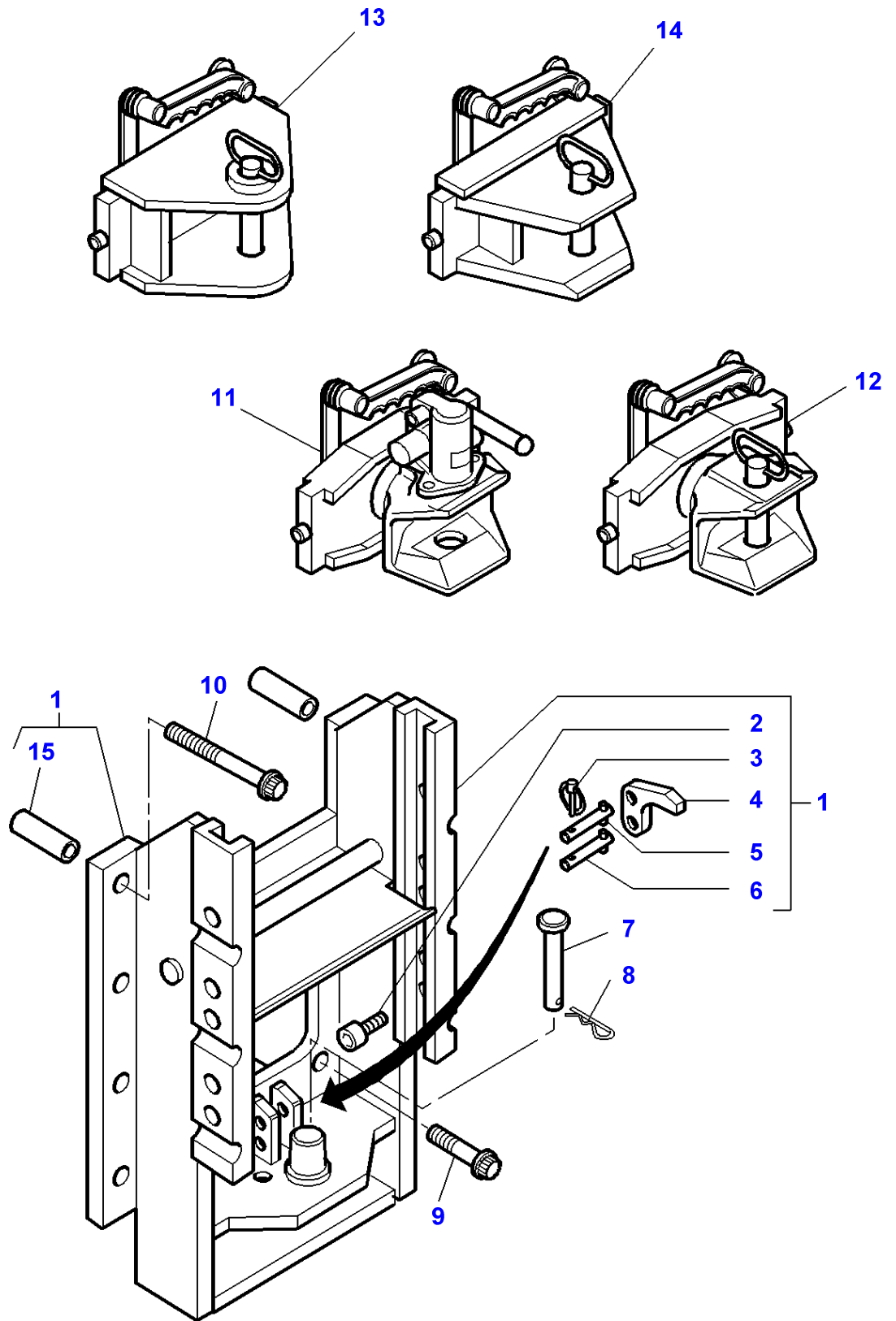


Hitch

Item	Part Number	Qty	Description	Comments
1	3791483M2	1	Support	
	3792574M2	1	Support	[A]
2	339114X1	1	Screw Metric	(1) M12X25
3	3791484M1	1	Clevis	For Germany only or any text in German only See Page - Reference Number 040-0090
	3792433M1	1	Clevis	For UK only or any text in English only See Page - Reference Number 040-0090
4	3791502M1	1	Clevis	
5	3010562X1	8	Screw	M20X230
	3010777X1	2	Screw Metric	M20X210
6	3010560X1	2	Clevis Pin	
7	3010932X1	2	Pin	Replace and repair. Old interchangeable with new 3010632X1
8	3792934M91	1	Clevis	For Italy only or any text in Italian only 20 T See Page - Reference Number 040-0085/5
9	3792932M91	1	Clevis	For Italy only or any text in Italian only 6 T See Page - Reference Number 040-0085/1
10	3902987M1	2	Spacer	(1) Diameter 44,5X140

FOOTNOTE [A] WITH TRAILED IMPELEMENT CONTROL

1-ZQ18-008-B

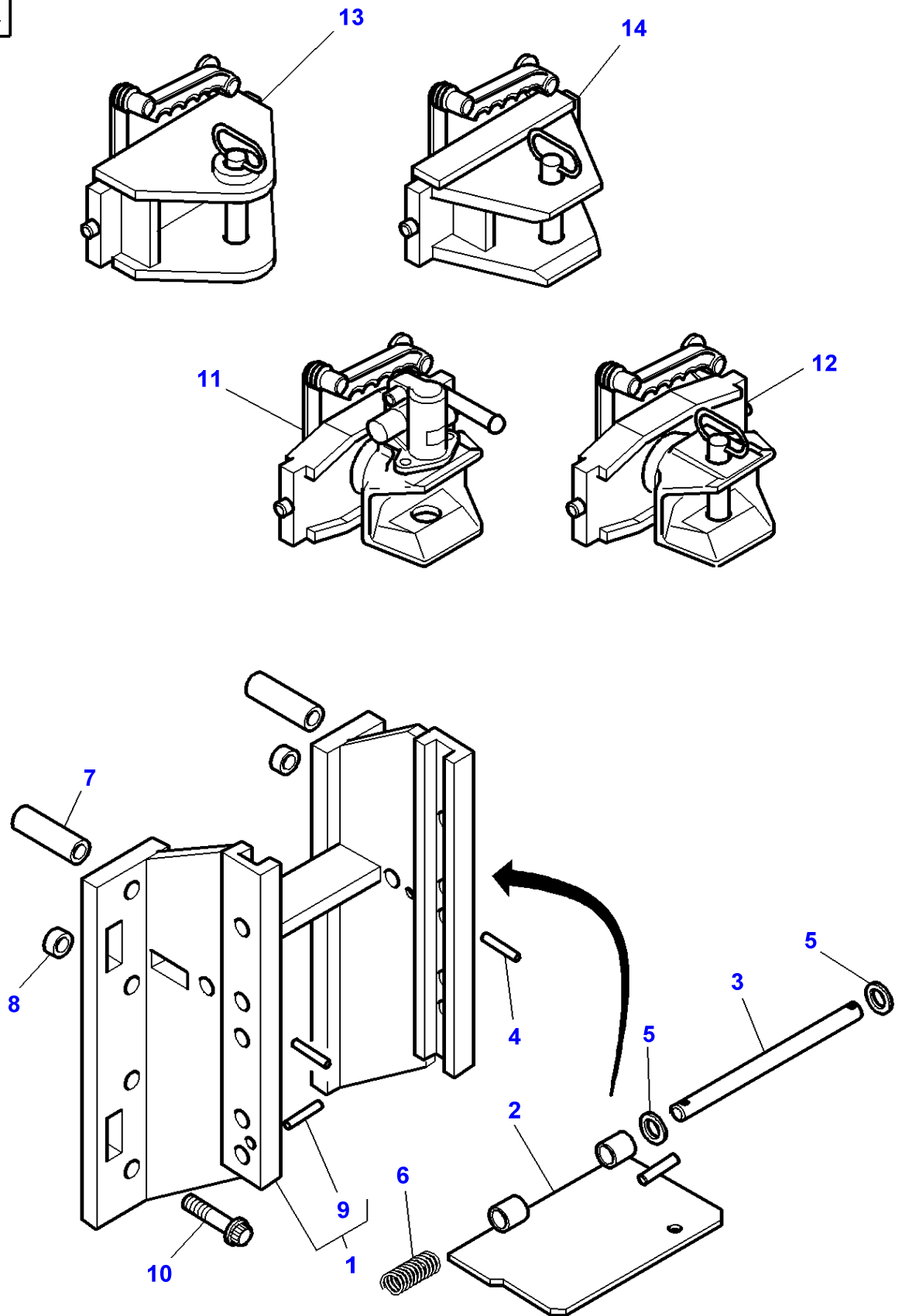


Hitch

Item	Part Number	Qty	Description	Comments
1	3791493M1	1	Support	
	3792575M2	1	Support	[A]
2	339114X1	1	Screw Metric	(1) M12X25
3	3382825M1	1	Pin	(1)
4	3714803M1	1	Hook	(1)
5	3714805M1	1	Clevis Pin	(1)
6	3714804M1	1	Clevis Pin	(1)
7	3010560X1	2	Clevis Pin	
8	3010932X1	2	Pin	Replace and repair. Old interchangeable with new 3010632X1
9	3010777X1	2	Screw Metric	M20X210
10	3010562X1	8	Screw	M20X230
11	3791484M1	1	Clevis	For Germany only or any text in German only See Page - Reference Number 040-0090/1
	3792433M1	1	Clevis	See Page - Reference Number 040-0090/1
12	3791502M1	1	Clevis	See Page - Reference Number 040-0095/1
13	3792934M91	1	Clevis	For Italy only or any text in Italian only 20 T See Page - Reference Number 040-0085/5
14	3792932M91	1	Clevis	For Italy only or any text in Italian only 6 T See Page - Reference Number 040-0085/1
15	3902987M1	2	Spacer	(1) Diameter 44,5X140

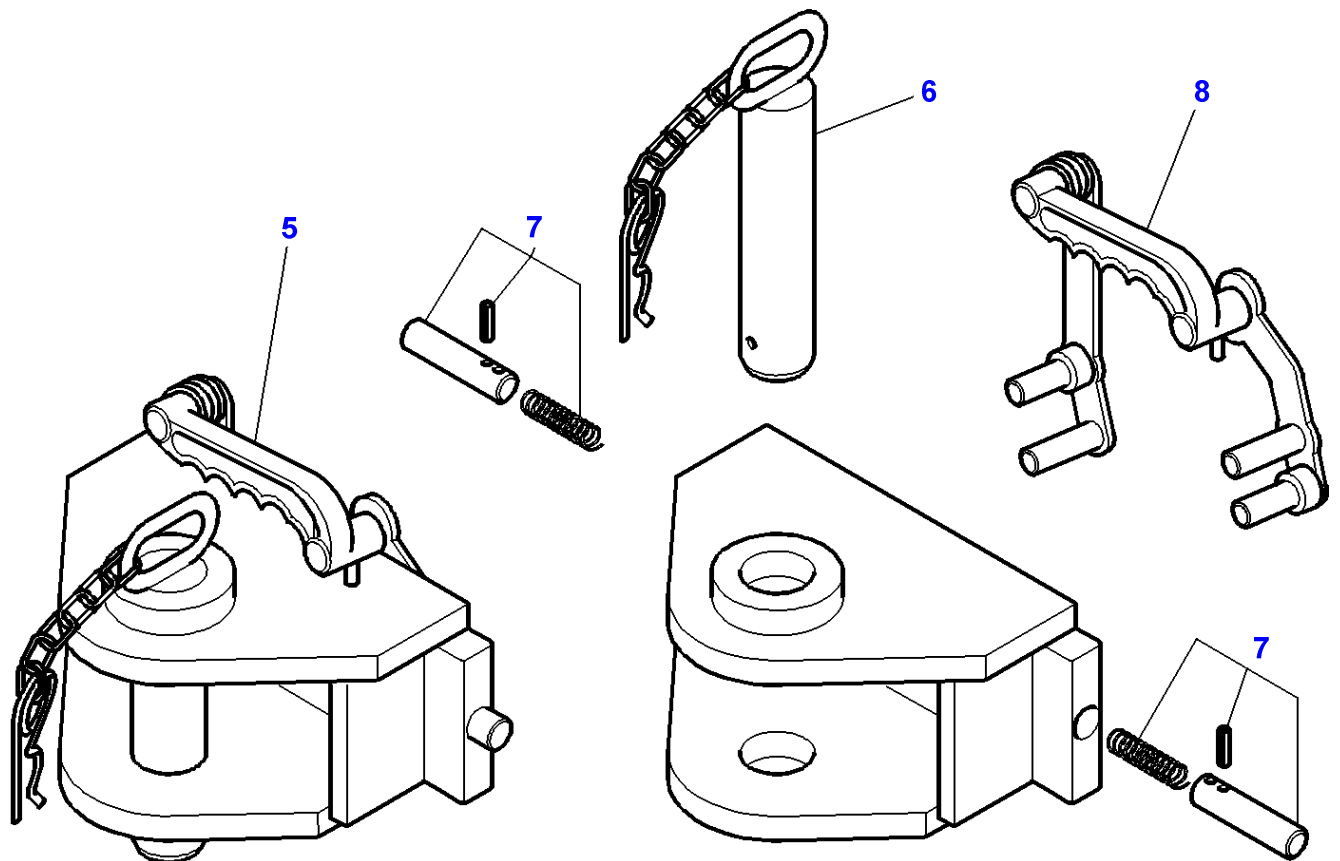
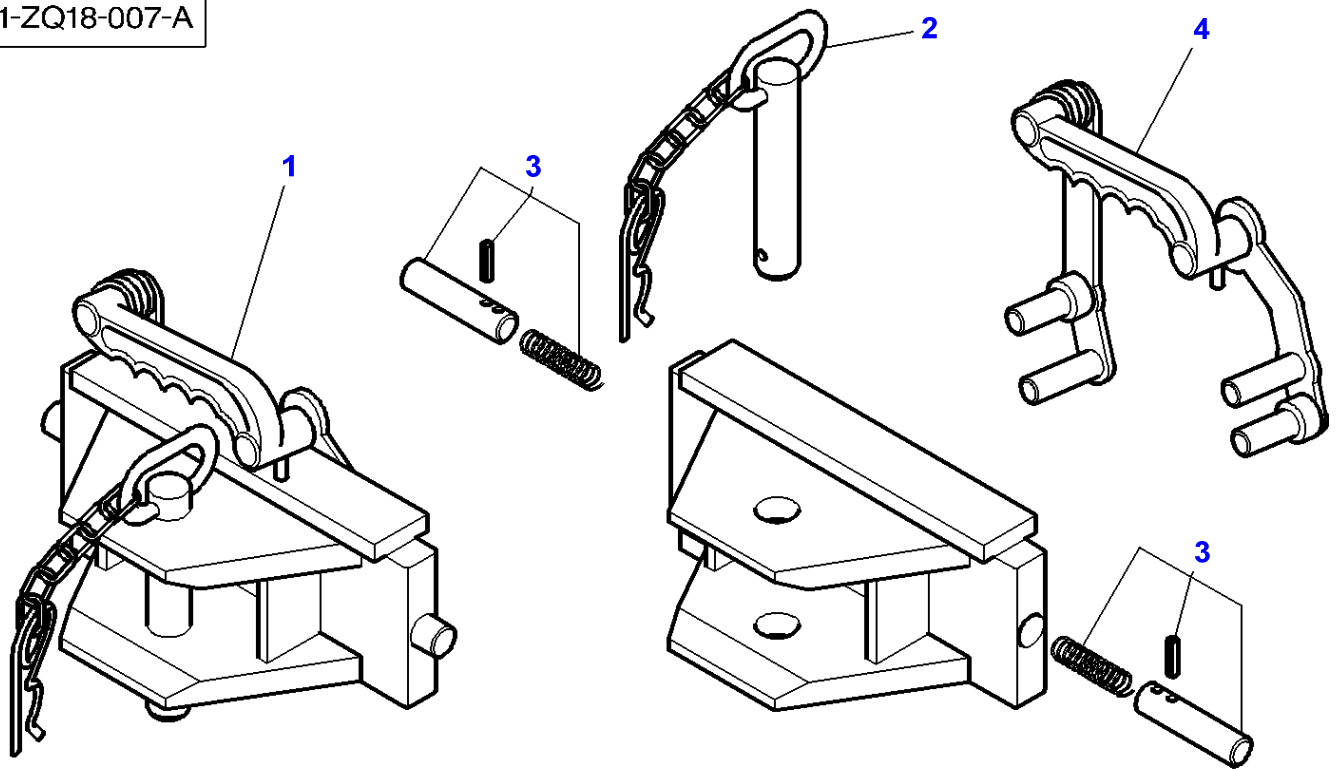
FOOTNOTE [A] WITH TRAILED IMPEMMENT CONTROL

1-ZQ18-009-A



Item	Part Number	Qty	Description	Comments
1	3794221M91	1	Support	
2	3794230M91	1	Cowl	
3	3794227M1	1	Clevis Pin	
4	391018X1	2	Pin	Diameter 5X35
5	390975X1	2	Washer Metric	
6	3794614M1	1	Spring	
7	3794663M1	2	Spacer	
8	3794662M1	2	Bush	
9	3794232M1	1	Thruster	(1)
10	3010997X1	8	Screw	M20X240
11	3791484M1	1	Clevis	For Germany only or any text in German only See Page - Reference Number 040-0090
	3792433M1	1	Clevis	See Page - Reference Number 040-0090
12	3791502M1	1	Clevis	See Page - Reference Number 040-0095
13	3792934M91	1	Clevis	For Italy only or any text in Italian only 20 T See Page - Reference Number 040-0085/5
14	3792932M91	1	Clevis	For Italy only or any text in Italian only 6 T See Page - Reference Number 040-0085/1

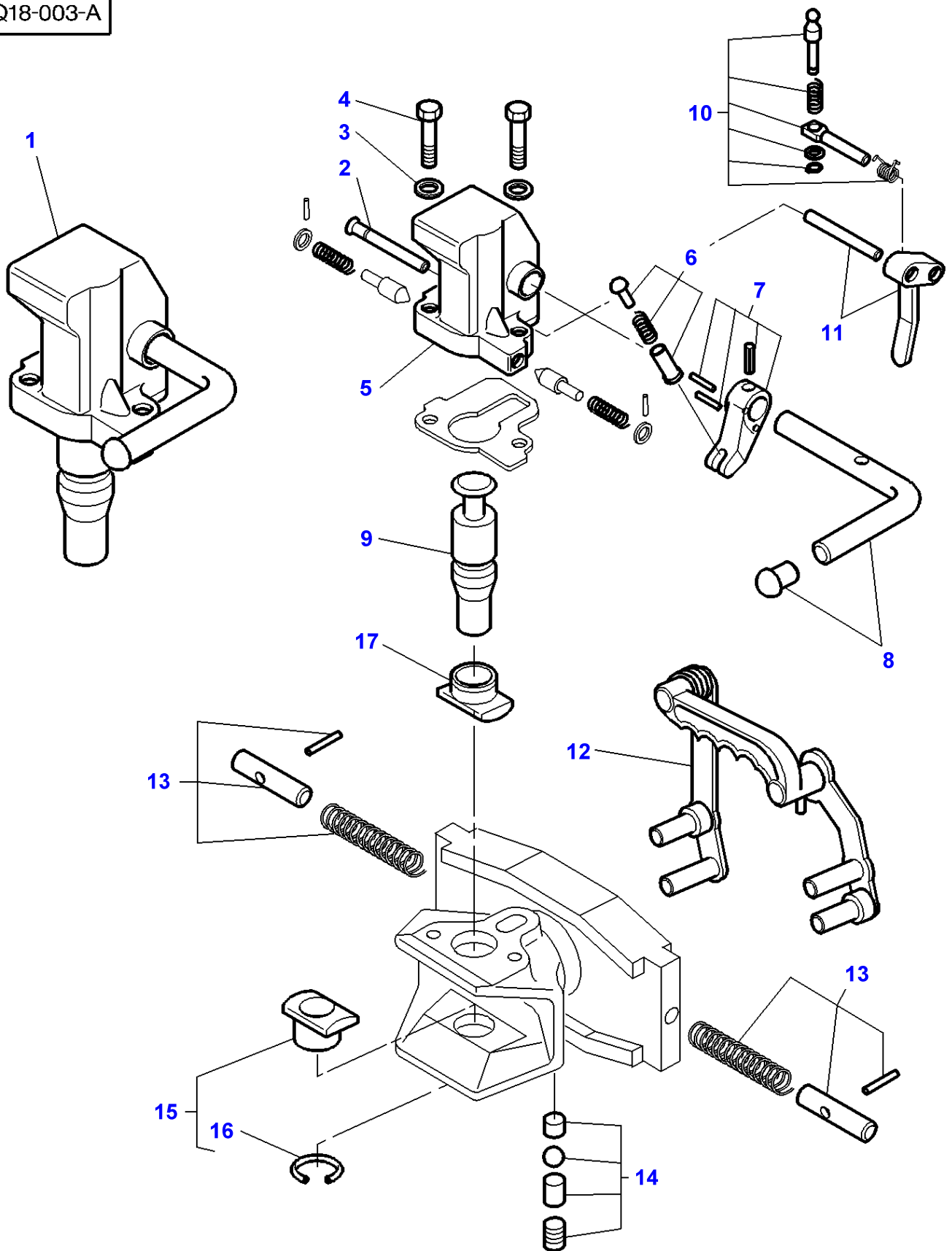
1-ZQ18-007-A



Hitch - Cramer

Item	Part Number	Qty	Description	Comments
1	3792932M91	1	Clevis	For Italy only or any text in Italian only 6 T
2	3903398M91	1	Pin	(1) Diameter 28MM
3	3903394M91	1	Kit, Rod	(1)
4	3903431M91	1	Linkage	(1)
5	3792934M91	1	Clevis	For Italy only or any text in Italian only 20 T
6	3903397M91	1	Pin	(5) Diameter 50MM
7	3903394M91	1	Kit, Rod	(5)
8	3107940M92	1	Linkage	(5)

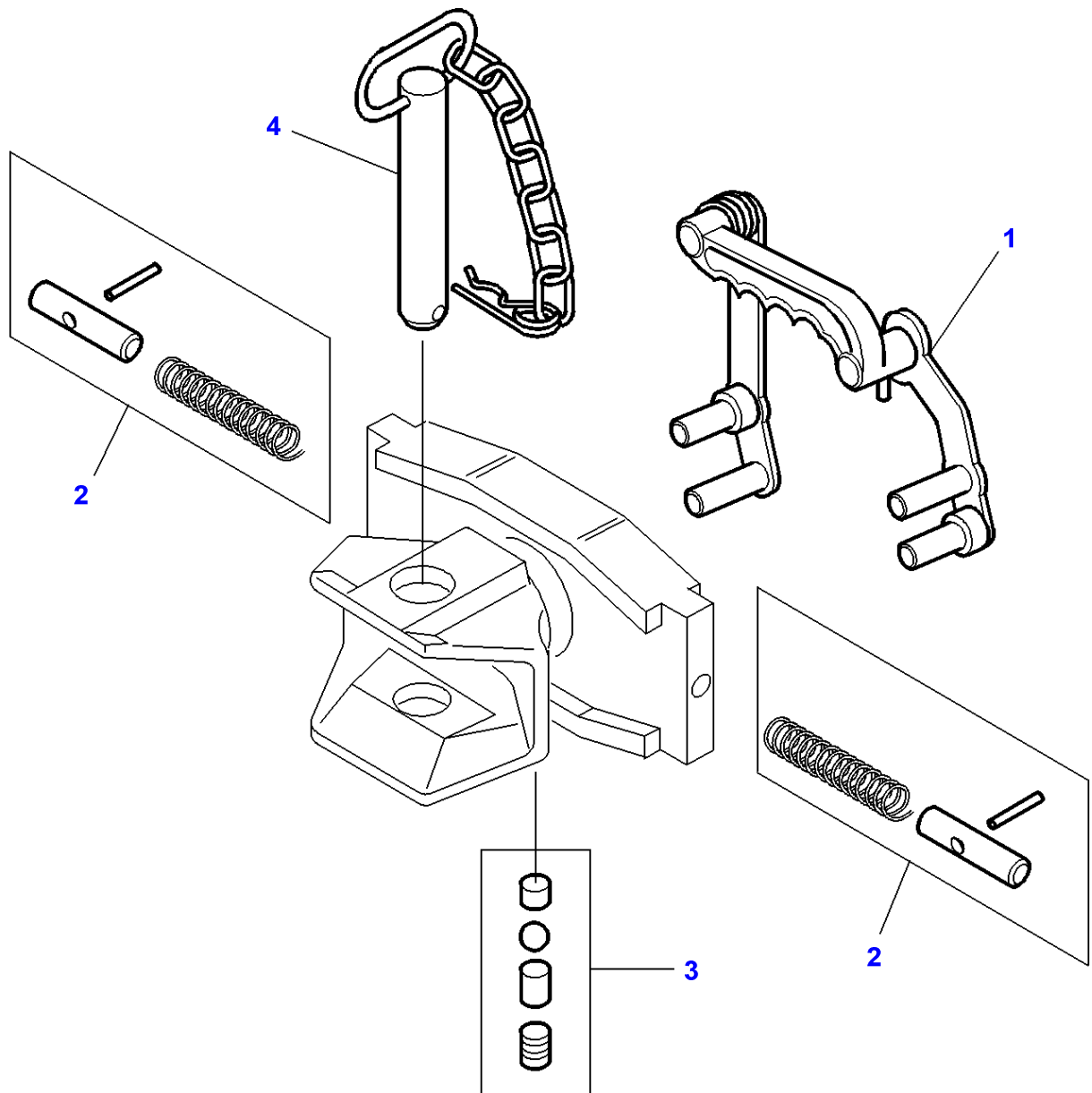
1-ZQ18-003-A



Hitch

Item	Part Number	Qty	Description	Comments
1	3902974M91	1	Head	For Germany only or any text in German only Diameter 37MM
	3903268M91	1	Head	Diameter 32MM
2	3902982M1	1	Clevis Pin	(1) For Germany only or any text in German only
	3903269M1	1	Clevis Pin	(1)
3	390734X1	2	Washer	(1)
4	339246X1	2	Bolt Metric	(1)
5		1	Head	(1) Not serviced,order REF. NO 1
6	3902979M91	1	Clevis Pin	(1)
7	3902978M91	1	Cam	(1)
8	3902977M91	1	Lever	(1)
9	3902981M91	1	Clevis Pin	(1) For Germany only or any text in German only Diameter 37MM
	3903267M91	1	Clevis Pin	(1) Diameter 32MM
10	3902976M91	1	Clevis Pin	(1)
11	3902975M91	1	Lever	(1)
12	3107940M92	1	Linkage	
13	3107941M91	2	Kit, Rod	For Germany only or any text in German only
	3903394M91	2	Kit, Rod	
14	3105953M91	1	Kit, Brake	
15	3902983M91	1	Sleeve	For Germany only or any text in German only
	3903264M91	1	Sleeve	
16	395520X1	1	Circlip	(15)
17	3902980M91	1	Sleeve	For Germany only or any text in German only
	3903266M91	1	Sleeve	

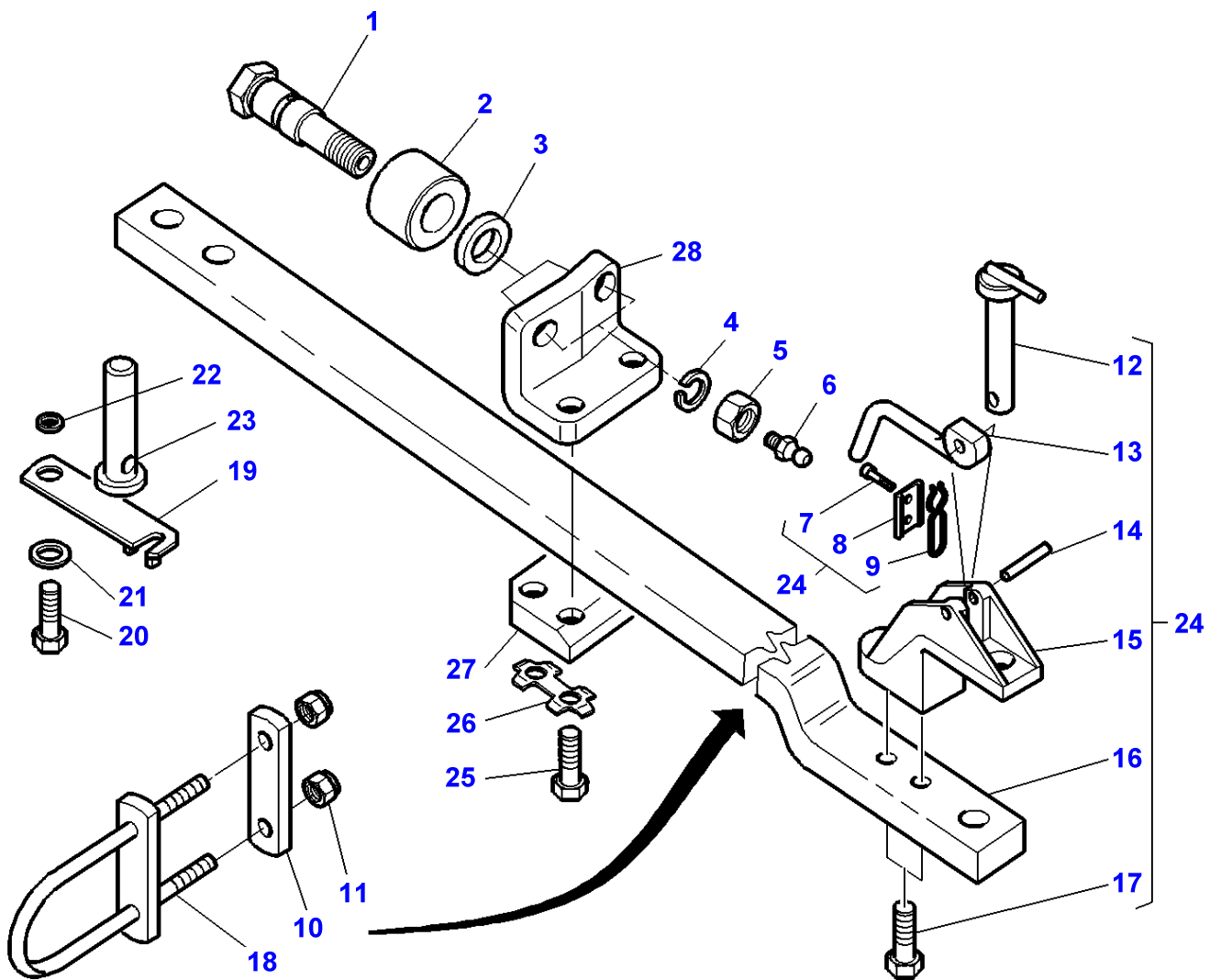
1-ZQ18-004-A



Massey Ferguson**MF 8270/8280 TRACTOR - 1637348****1637348****Hitch****Page040-0095**

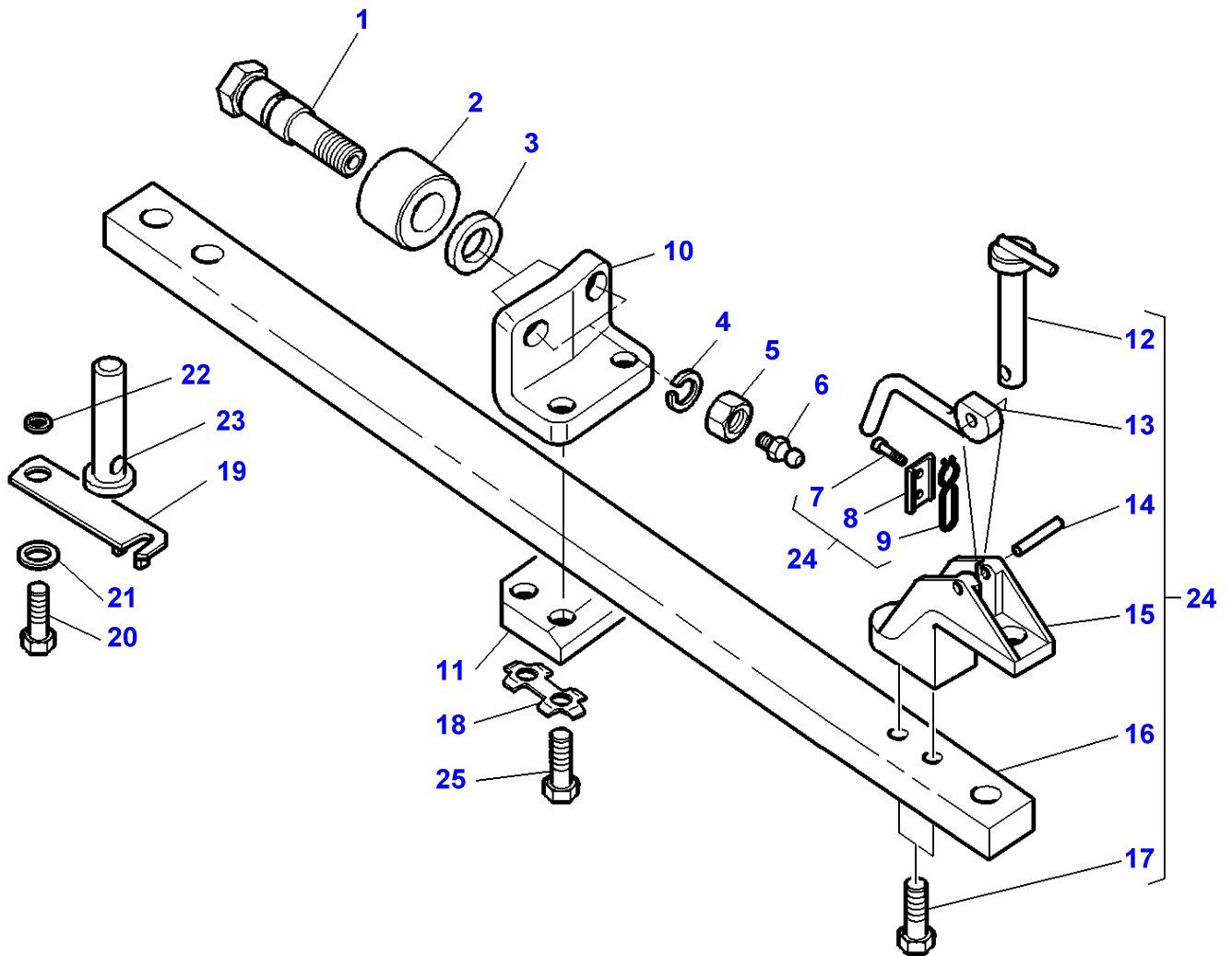
Item	Part Number	Qty	Description
1	3107940M92	1	Linkage
2	3107941M91	2	Kit, Rod
3	3105953M91	1	Kit, Brake
4	3902984M91	1	Pin Hitch

1-ZQ12-008-B



Item	Part Number	Qty	Description	Comments
1	3791469M1	2	Clevis Pin	
2	3581980M1	2	Roll	
3	3791823M1	2	Washer	
4	353443X1	2	Lock Washer	
5	375102X1	2	Nut Unc	
6	364461X1	2	Grease Nipple	
7	339560X1	2	Hex. Sock. Screw	(24)
8	3716621M2	1	Plate	(24)
9	3716622M1	1	Thruster	(24)
10	3716147M1	1	Counterplate	
11	1442739X1	2	Locknut	
12	3716103M2	1	Pin Hitch	(24)
13	3791643M1	1	Lever	(24)
14	3010553X1	1	Pin	(24)
15	3716619M3	1	Clevis	(24)
16		1	Bar	(24)
				Not serviced,order REF. NO 24
17	1442668X1	2	Screw	(24) M20X80
18	3716146M1	1	Shackle	
19	3716306M91	1	Plate	
20	3009492X1	2	Hex. Sock. Screw	M10X25
21	385362X1	2	Washer	
22	3790749M1	1	Bush	
23	3716121M3	1	Clevis Pin	
24	3716631M95	1	Bar	
25	391332X1	4	Screw	M20X100
26	3790457M1	2	Tongue	
27	3791470M1	1	Counterplate	
28	3791467M2	1	Angle	

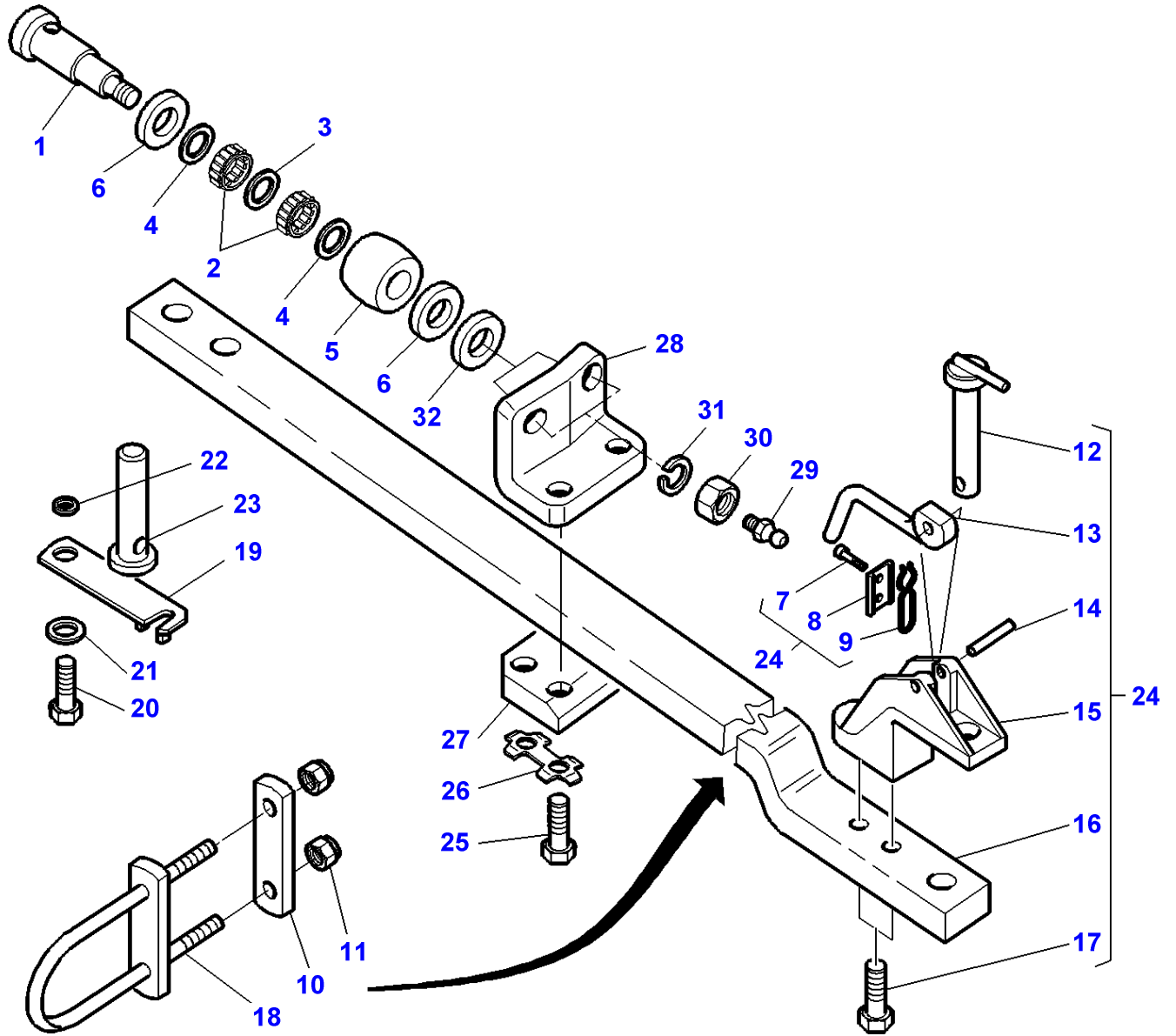
1-ZQ12-013-A



Item	Part Number	Qty	Description	Comments
1	3791469M1	2	Clevis Pin	
2	3581980M1	2	Roll	
3	3791823M1	2	Washer	
4	353443X1	2	Lock Washer	
5	375102X1	2	Nut Unc	
6	364461X1	2	Grease Nipple	
7	339560X1	2	Hex. Sock. Screw	(24)
8	3716621M2	1	Plate	(24)
9	3716622M1	1	Thruster	(24)
10	3791467M2	1	Angle	
11	3791470M1	1	Counterplate	
12	3716103M2	1	Pin Hitch	(24)
13	3791643M1	1	Lever	(24)
14	3010553X1	1	Pin	(24)
15	3716619M3	1	Clevis	(24)
16		1	Bar	(24)
17	1442668X1	2	Screw	Not serviced,order REF. NO 24 (24) M20X80
18	3790457M1	2	Tongue	
19	3716306M91	1	Plate	
20	3009492X1	2	Hex. Sock. Screw	M10X25
21	385362X1	2	Washer	
22	3790749M1	1	Bush	
23	3716121M3	1	Clevis Pin	
24	3716631M95	1	Bar	
25	391332X1	4	Screw	M20X100

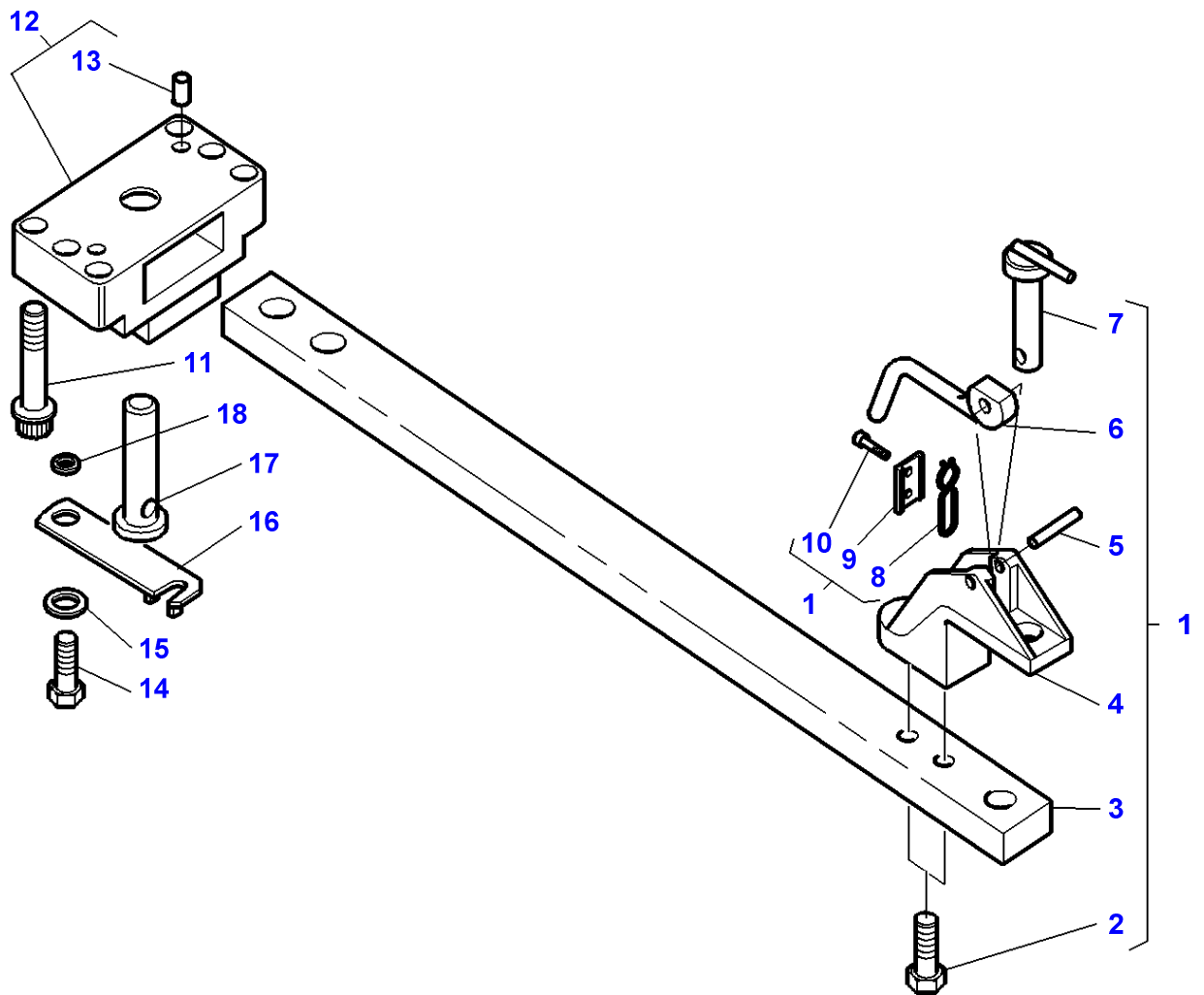
MF 8270/8280 TRACTOR - 1637348
1-ZQ12-006-B

1-ZQ12-006-B



Item	Part Number	Qty	Description	Comments
1	3791858M1	2	Roll Axle	
2	833083M1	4	Bearing Needle	
3	1618225M1	2	Spacer	
4	831225M1	4	Seal	
5	1618190M1	2	Roller	
6	1618290M1	4	Washer	
7	339560X1	2	Hex. Sock. Screw	(24)
8	3716621M2	1	Plate	(24)
9	3716622M1	1	Thruster	(24)
10	3716147M1	1	Counterplate	
11	1442739X1	2	Locknut	
12	3716103M2	1	Pin Hitch	(24)
13	3791643M1	1	Lever	(24)
14	3010553X1	1	Pin	(24)
15	3716619M3	1	Clevis	(24)
16		1	Bar	(24)
				Not serviced,order REF. NO 24
17	1442668X1	2	Screw	(24) M20X80
18	3716146M1	1	Shackle	
19	3716306M91	1	Plate	
20	3009492X1	2	Hex. Sock. Screw	M10X25
21	385362X1	2	Washer	
22	3790749M1	1	Bush	
23	3716121M3	1	Clevis Pin	
24	3716101M92	6	Bar	
25	391914X1	4	Bolt	M20X110
26	3790457M1	2	Tongue	
27	3791470M1	1	Counterplate	
28	3791528M1	1	Angle	
29	364461X1	2	Grease Nipple	
30	375102X1	2	Nut Unc	
31	353443X1	2	Lock Washer	
32	3791823M1	2	Washer	

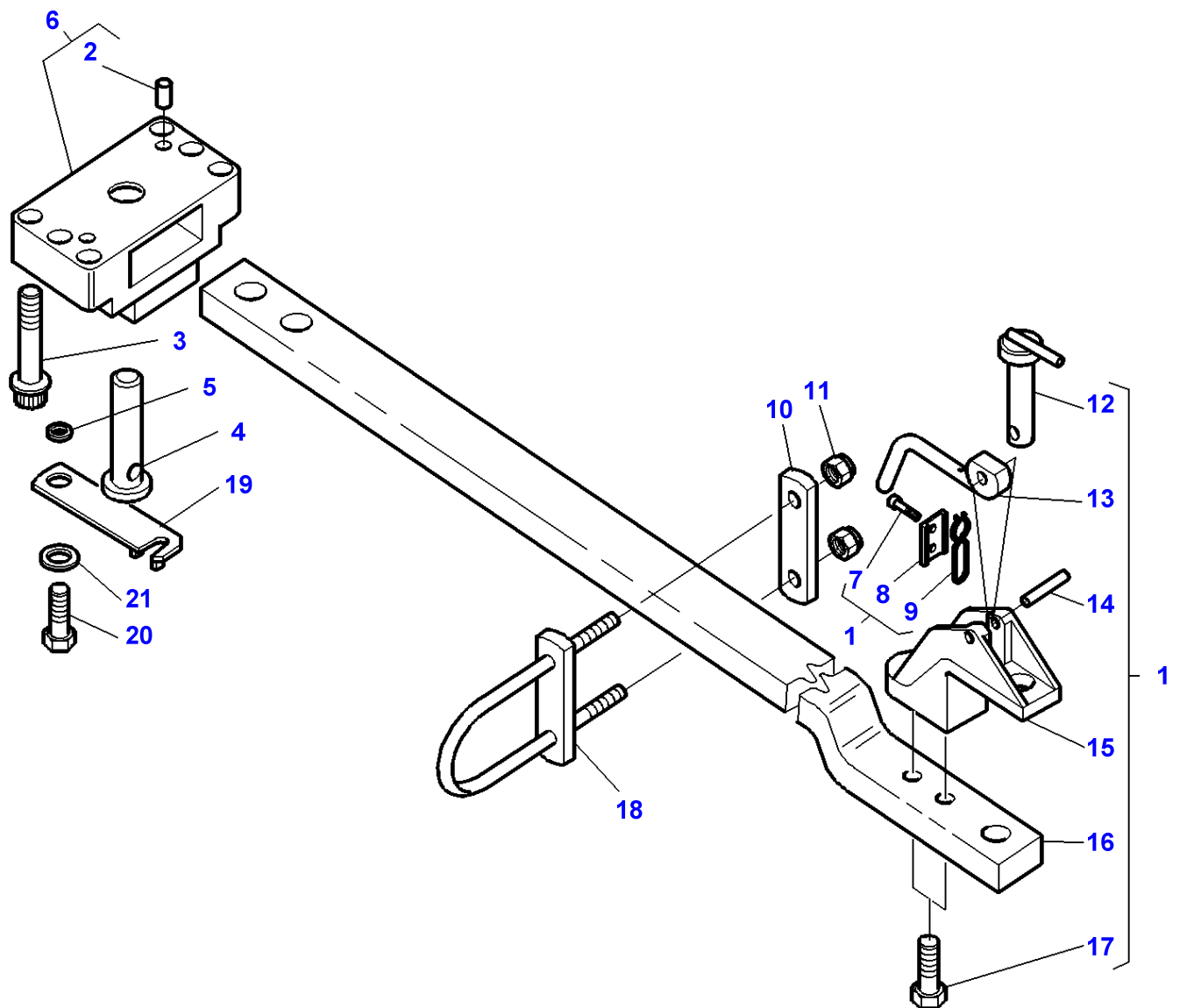
1-ZQ12-002-B



Massey Ferguson**MF 8270/8280 TRACTOR - 1637348****1637348****Linkage - Swinging Drawbar - ISO STANDARD****Page040-0115**

Item	Part Number	Qty	Description	Comments
1	3716631M95	1	Bar	
2	1442668X1	2	Screw	(1) M20X80
3		1	Bar	(1) Not serviced,order REF.1
4	3716619M3	1	Clevis	(1)
5	3010553X1	1	Pin	(1)
6	3791643M1	1	Lever	(1)
7	3716103M2	1	Pin Hitch	(1)
8	3716622M1	1	Thruster	(1)
9	3716621M2	1	Plate	(1)
10	339560X1	2	Hex. Sock. Screw	(1)
11	3010557X1	6	Screw Metric	M20X100
12	3793161M11	1	Bearing Carrier	
13	3716624M1	2	Centraliser	(12) Replace and repair. Old not interchangeable with new 3716623M3
14	3009492X1	2	Hex. Sock. Screw	M10X25
15	385362X1	2	Washer	
16	3716306M91	1	Plate	
17	3716121M3	1	Clevis Pin	
18	3790749M1	1	Bush	

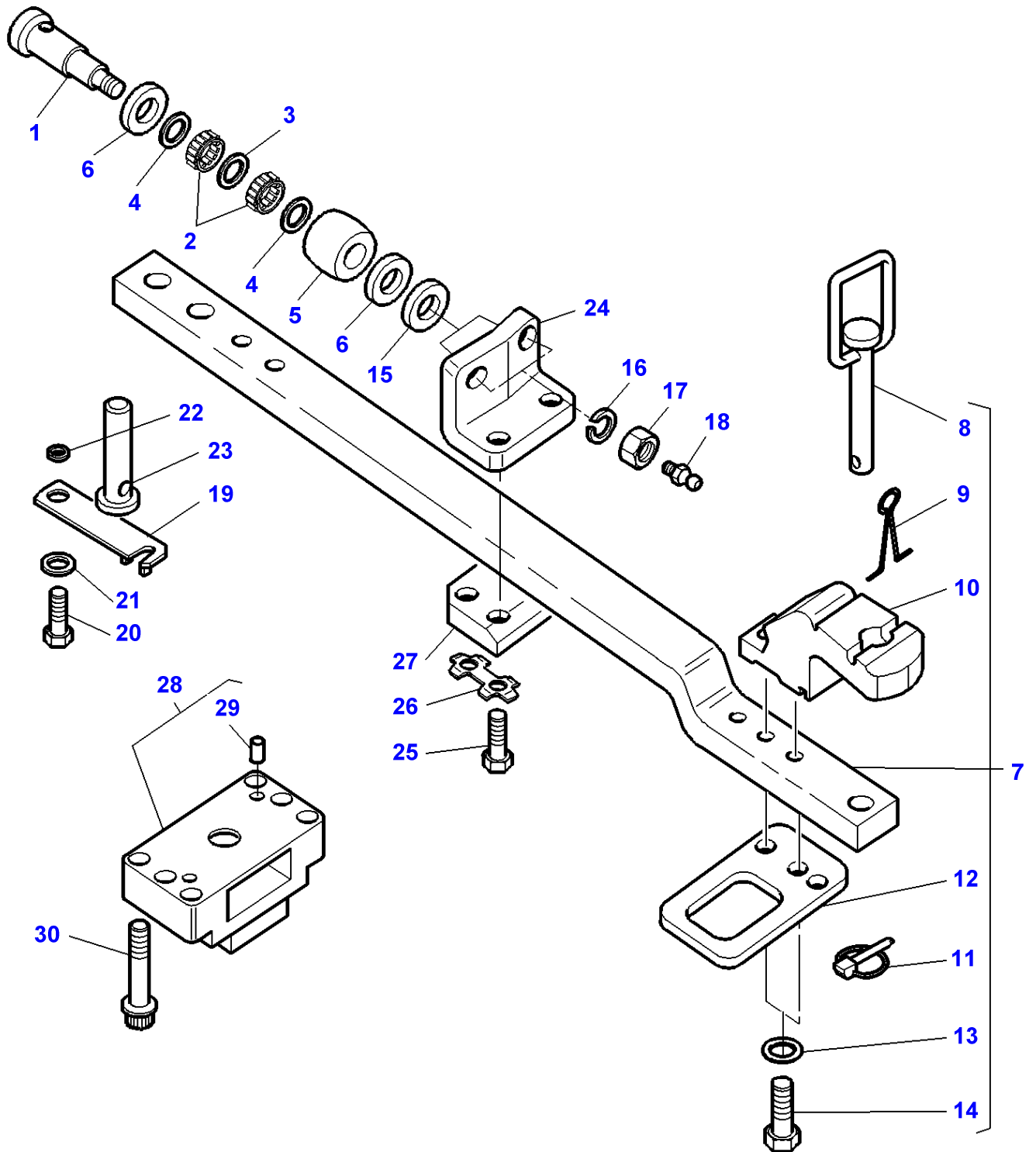
1-ZQ12-007-C



Item	Part Number	Qty	Description	Comments
1	3716101M92	1	Bar	
2	3716624M1	2	Centraliser	(6)
3	3010557X1	6	Screw Metric	M20X100
4	3716121M3	1	Clevis Pin	
5	3790749M1	1	Bush	
6	3793161M11	1	Bearing Carrier	Replace and repair. Old not interchangeable with new 3716623M3
7	339560X1	2	Hex. Sock. Screw	(1)
8	3716621M2	1	Plate	(1)
9	3716622M1	1	Thruster	(1)
10	3716147M1	1	Counterplate	
11	1442739X1	2	Locknut	
12	3716103M2	1	Pin Hitch	(1)
13	3791643M1	1	Lever	(1)
14	3010553X1	1	Pin	(1)
15	3716619M3	1	Clevis	(1)
16		1	Bar	(1)
				Not serviced,order REF. NO 1
17	1442668X1	2	Screw	(1) M20X80
18	3716146M1	1	Shackle	
19	3716306M91	1	Plate	
20	3009492X1	2	Hex. Sock. Screw	M10X25
21	385362X1	2	Washer	

MF 8270/8280 TRACTOR - 1637348
1-ZQ12-017-A

1-ZQ12-017-A

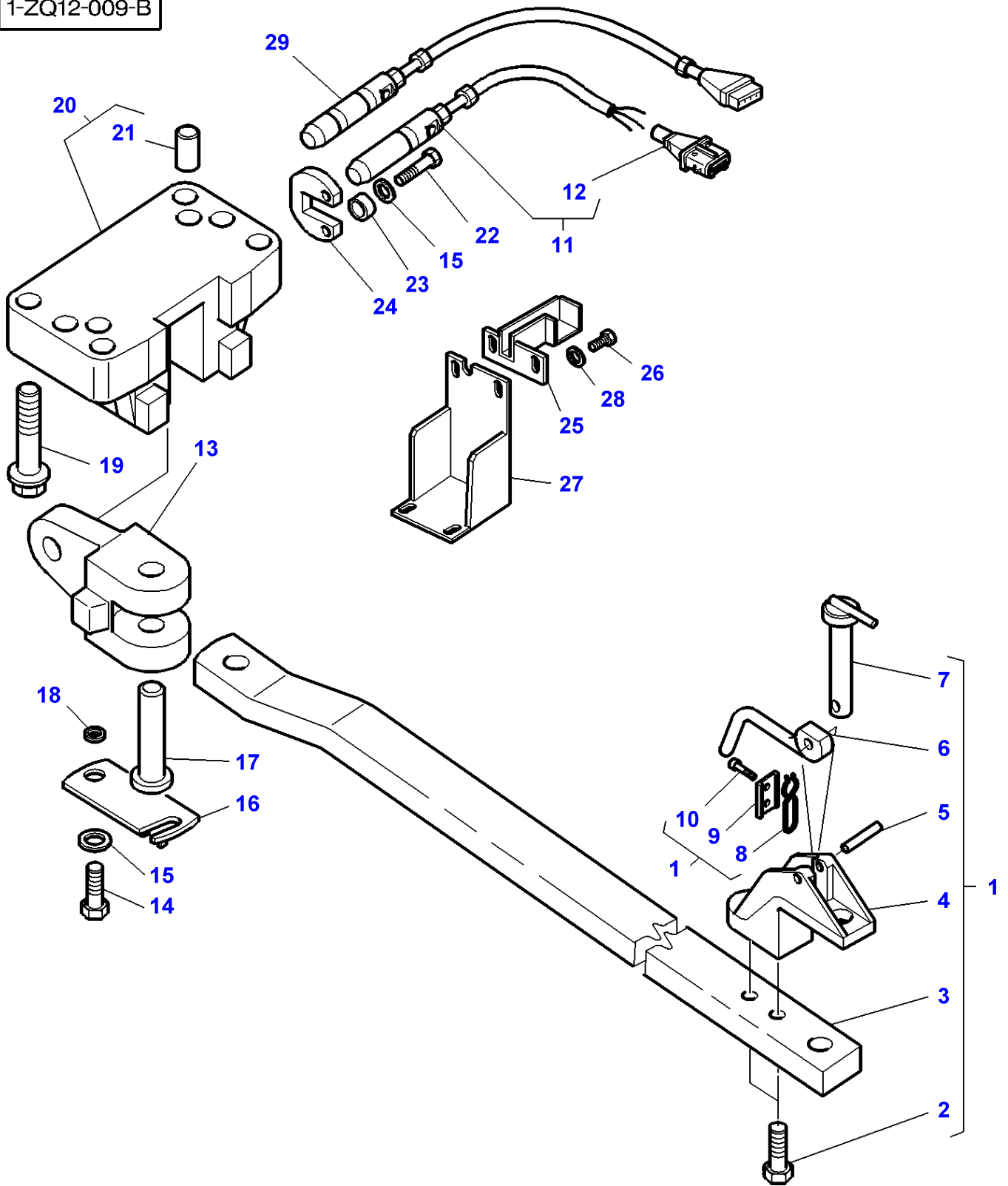


Linkage - Swinging Drawbar

Item	Part Number	Qty	Description	Comments
1	3791858M1	2	Roll Axle	
2	833083M1	4	Bearing Needle	
3	1618225M1	2	Spacer	
4	831225M1	4	Seal	
5	1618190M1	2	Roller	
6	1618290M1	4	Washer	
7	3795140M92	1	Bar	
8	3795142M1	1	Pin Hitch	(7)
9	3795143M1	1	Spring	(7)
10	3795141M1	1	Clevis	(7)
11	3581687M1	1	Pin	(7)
12	3795530M1	1	Shackle	(7)
13	385365X1	2	Washer	(7)
14	3010945X1	2	Screw	(7) M20X105
15	3791823M1	2	Washer	
16	353443X1	2	Lock Washer	
17	375102X1	2	Nut Unc	
18	364461X1	2	Grease Nipple	
19	3716306M91	1	Plate	
20	3009492X1	2	Hex. Sock. Screw	M10X25
21	385362X1	2	Washer	
22	3790749M1	1	Bush	
23	3716121M3	1	Clevis Pin	
24	3791528M1	1	Angle	
25	391914X1	4	Bolt	M20X110
26	3790457M1	2	Tongue	
27	3791470M1	1	Counterplate	
28	3793161M11	1	Bearing Carrier	
29	3716624M1	2	Centraliser	(28)
30	3010557X1	6	Screw Metric	M20X100

MF 8270/8280 TRACTOR - 1637348
1-ZQ12-009-B

1-ZQ12-009-B

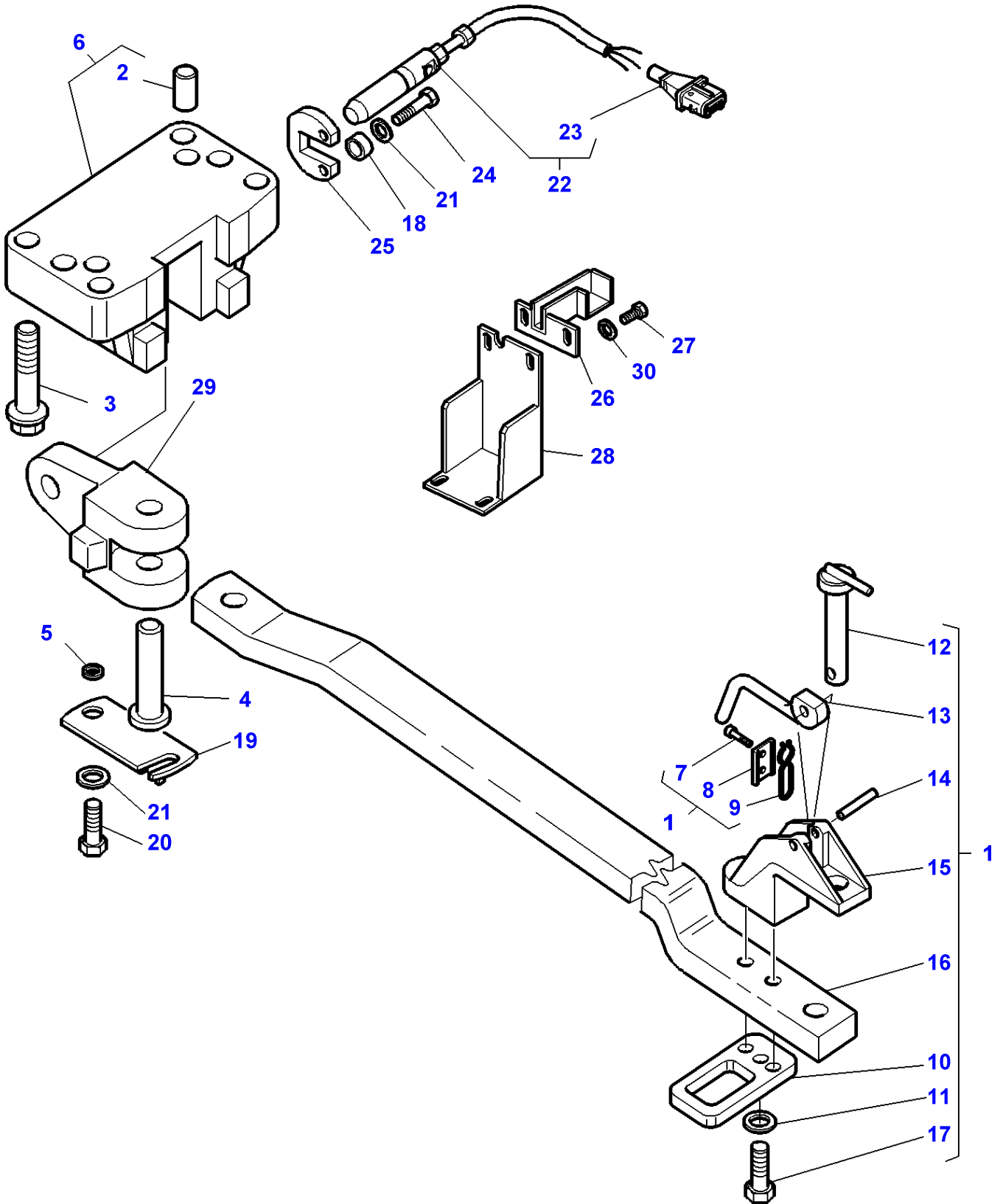


Item	Part Number	Qty	Description	Comments
1	3792397M93	1	Bar	
2	1442668X1	2	Screw	(1) M20X80
3		1	Bar	(1) Not serviced,order REF.1
4	3716619M3	1	Clevis	(1)
5	3010553X1	1	Pin	(1)
6	3791643M1	1	Lever	(1)
7	3716103M2	1	Pin Hitch	(1)
8	3716622M1	1	Thruster	(1)
9	3716621M2	1	Plate	(1)
10	339560X1	2	Hex. Sock. Screw	(1)
11	3792432M1	1	Switch,Indirect	BOSCH 150KN
12	3385534M1	1	Connectors	(11)
13	3790933M1	1	Clevis	
14	3009492X1	2	Hex. Sock. Screw	M10X25
15	385362X1	4	Washer	
16	3790936M91	1	Locking Plate	
17	3790937M2	1	Clevis Pin	
18	3790749M1	1	Bush	
19	3010557X1	5	Screw Metric	M20X100
	3010561X1	1	Screw	M20X50
20	3793160M11	1	Bearing Carrier	Replace and repair. Old not interchangeable with new 3790932M1
21	3716624M1	2	Centraliser	(20)
22	3001429X1	2	Screw	M10X35
23	3384183M1	2	Bush	
24	3716499M1	1	Plate	
25	3792577M2	1	Cowl	
26	339560X1	4	Hex. Sock. Screw	M6X16
27	3790940M2	1	Cowl	
28	390971X1	4	Washer	
29	3797803M1	1	Sensing Pin	[A] TEDEA 150KN

FOOTNOTE [A] 2 GROOVE

MF 8270/8280 TRACTOR - 1637348
1-ZQ12-010-A

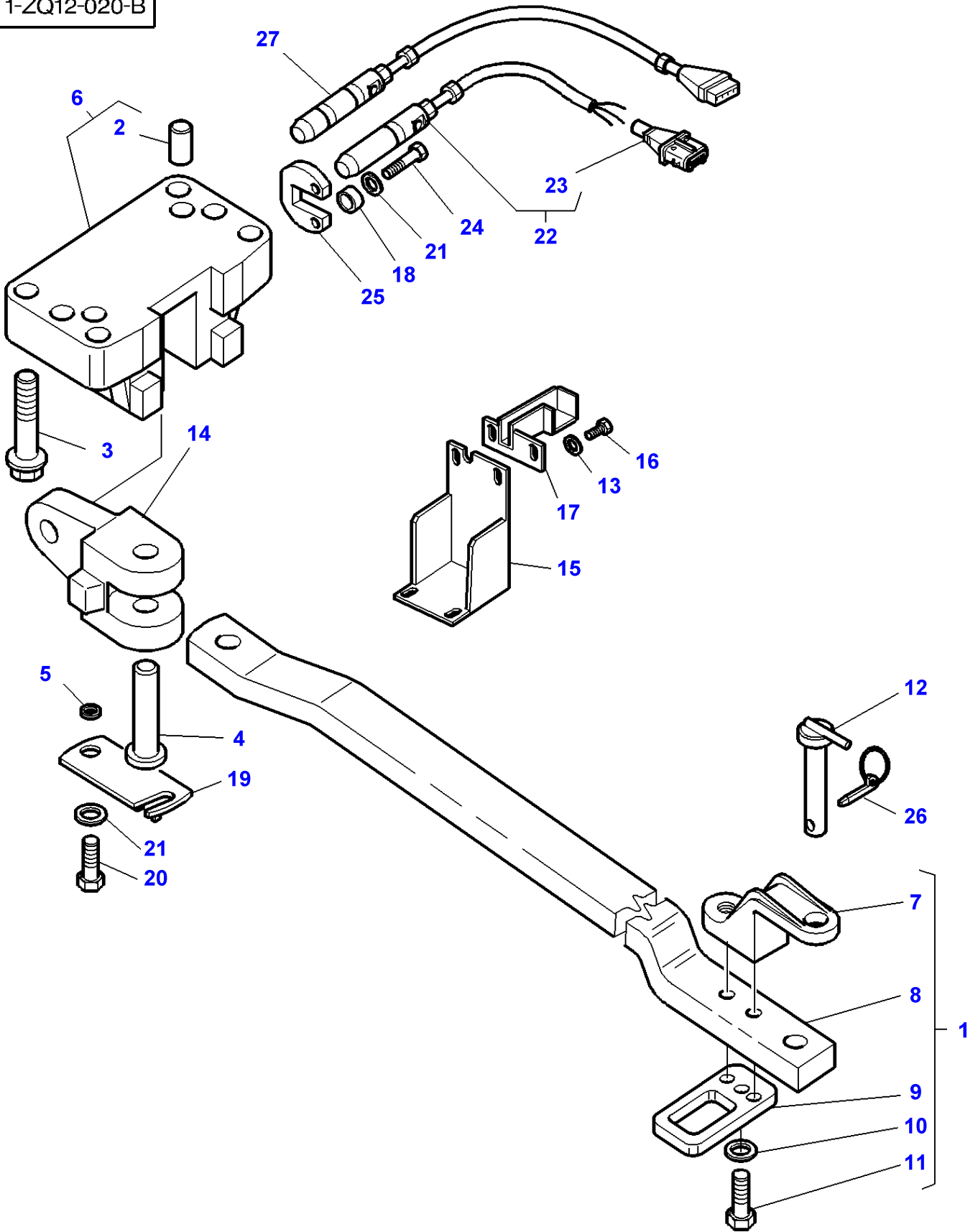
1-ZQ12-010-A



Item	Part Number	Qty	Description	Comments
1	3792398M92	1	Bar	For United States of America
2	3716624M1	2	Centraliser	(6)
3	3010557X1	5	Screw Metric	M20X100
	3010561X1	1	Screw	M20X50
4	3790937M2	1	Clevis Pin	
5	3790749M1	1	Bush	
6	3793160M11	1	Bearing Carrier	Replace and repair. Old not interchangeable with new 3790932M1
7	339560X1	2	Hex. Sock. Screw	(1)
8	3716621M2	1	Plate	(1)
9	3716622M1	1	Thruster	(1)
10	3793421M1	1	Shackle	(1)
11	385365X1	2	Washer	(1)
12	3716103M2	1	Pin Hitch	(1)
13	3791643M1	1	Lever	(1)
14	3010553X1	1	Pin	(1)
15	3716619M3	1	Clevis	(1)
16		1	Bar	(1)
				Not serviced,order REF. NO 1
17	3010945X1	2	Screw	(1) M20X105
18	3384183M1	2	Bush	
19	3790936M91	1	Locking Plate	
20	3009492X1	2	Hex. Sock. Screw	M10X25
21	385362X1	2	Washer	
22	3792432M1	1	Switch,Indirect	
23	3385534M1	1	Connectors	(22)
24	3001429X1	2	Screw	M10X35
25	3716499M1	1	Plate	
26	3792577M2	1	Cowl	
27	339560X1	4	Hex. Sock. Screw	M6X16
28	3790940M2	1	Cowl	
29	3790933M1	1	Clevis	
30	390971X1	4	Washer	

MF 8270/8280 TRACTOR - 1637348
1-ZQ12-020-B

1-ZQ12-020-B

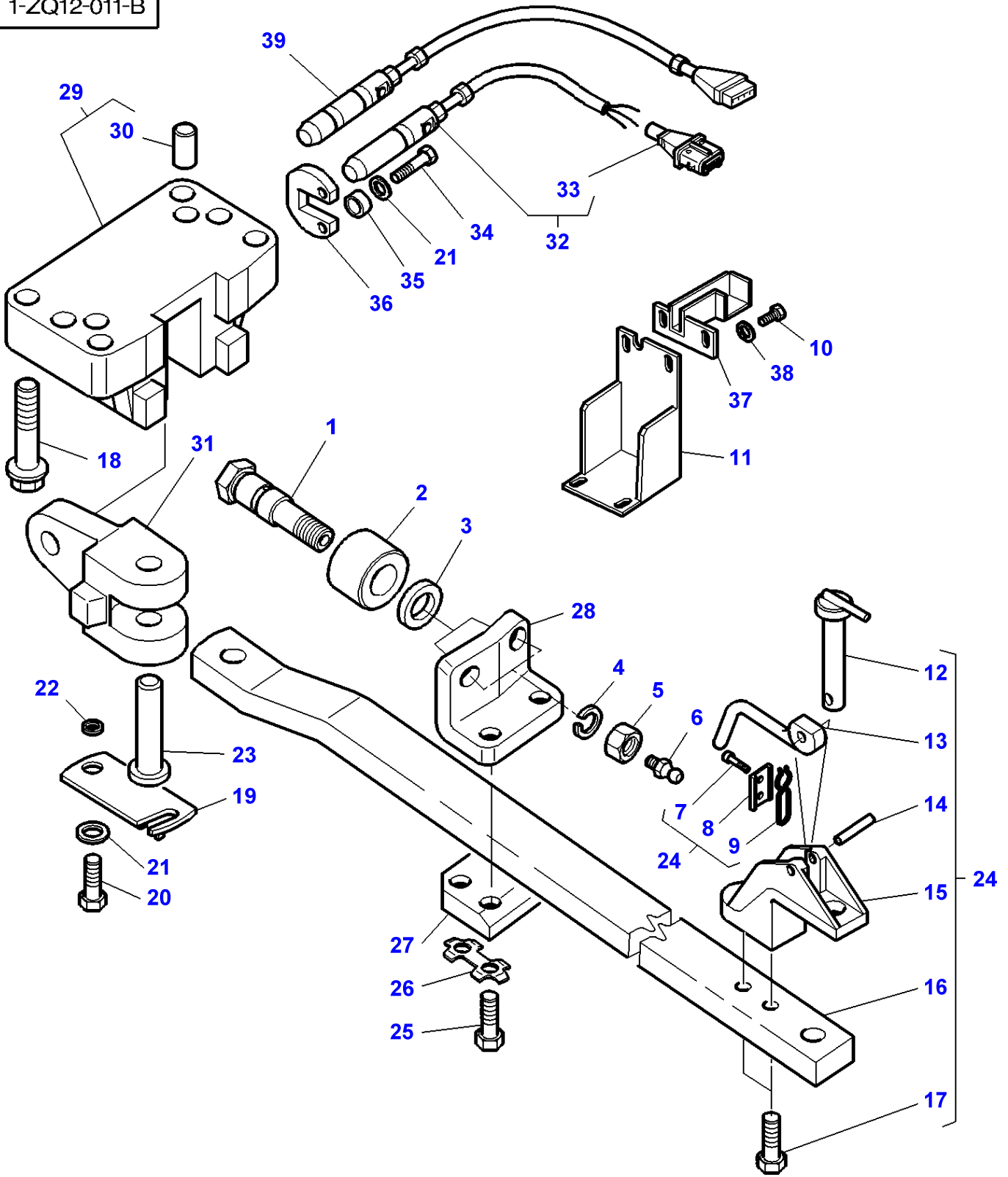


Item	Part Number	Qty	Description	Comments
1	3793668M91	1	Bar	
2	3716624M1	2	Centraliser	(6)
3	3010557X1	5	Screw Metric	M20X100
	3010561X1	1	Screw	M20X50
4	3790937M2	1	Clevis Pin	
5	3790749M1	1	Bush	
6	3793160M11	1	Bearing Carrier	Replace and repair. Old not interchangeable with new 3790932M1
7	3793664M1	1	Clevis	(1)
8		1	Bar	(1) Not serviced,order REF. NO1
9	3793421M1	1	Shackle	(1)
10	385365X1	2	Washer	(1)
11	3010945X1	2	Screw	(1) M20X105
12	3793419M3	1	Pin Hitch	
13	390971X1	4	Washer	
14	3790933M1	1	Clevis	
15	3790940M2	1	Cowl	
16	339560X1	4	Hex. Sock. Screw	M6X16
17	3792577M2	1	Cowl	
18	3384183M1	2	Bush	
19	3790936M91	1	Locking Plate	
20	3009492X1	2	Hex. Sock. Screw	M10X25
21	385362X1	4	Washer	
22	3792432M1	1	Switch,Indirect	BOSCH 150KN
23	3385534M1	1	Connectors	(22)
24	3001429X1	2	Screw	M10X35
25	3716499M1	1	Plate	
26	3382826M1	1	Pin	
27	3797803M1	1	Sensing Pin	[A] TEDEA 150KN

FOOTNOTE [A] 2 GROOVE

MF 8270/8280 TRACTOR - 1637348
1-ZQ12-011-B

1-ZQ12-011-B

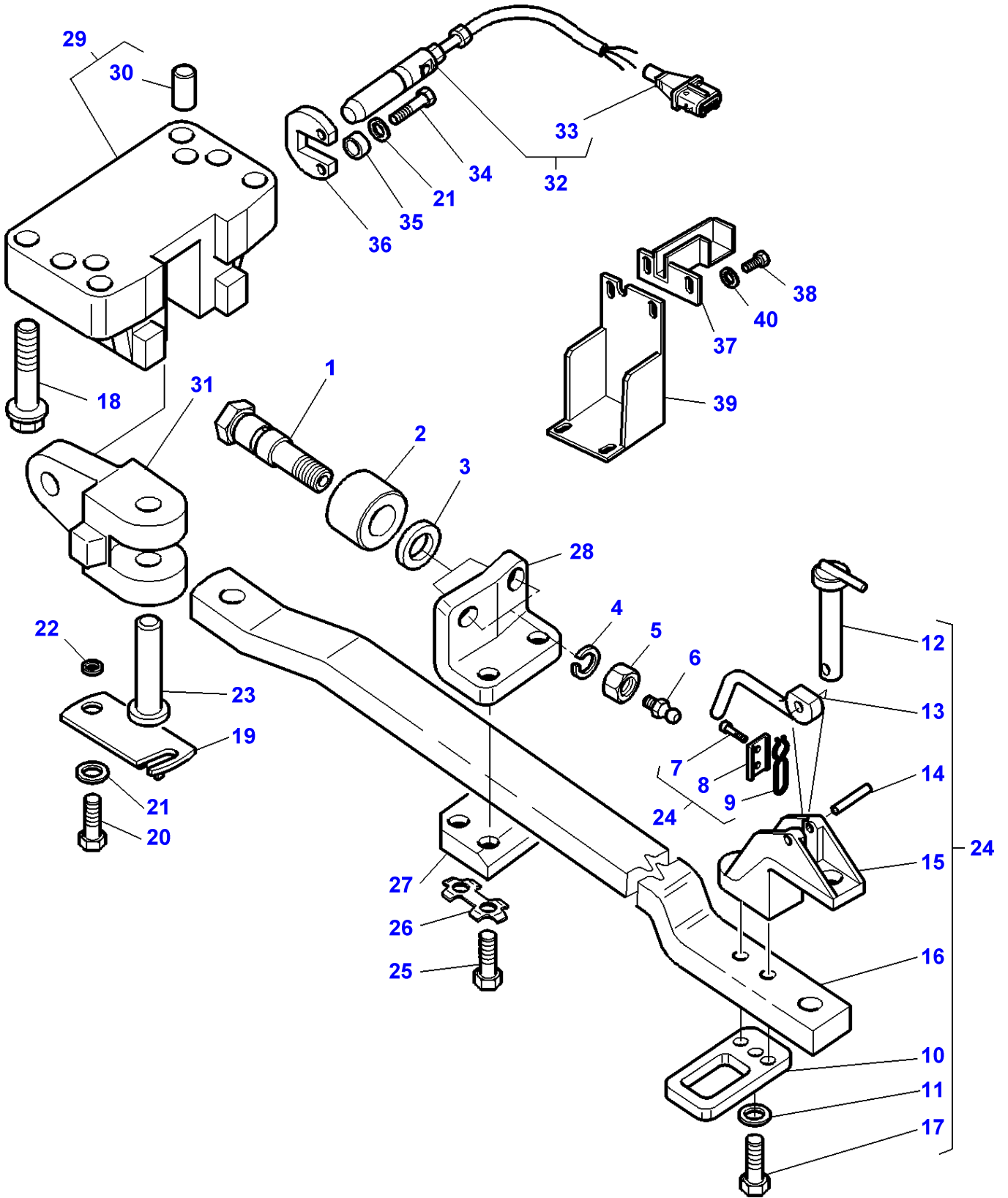


Item	Part Number	Qty	Description	Comments
1	3791469M1	2	Clevis Pin	
2	3581980M1	2	Roll	
3	3791823M1	2	Washer	
4	353443X1	2	Lock Washer	
5	375102X1	2	Nut Unc	
6	364461X1	2	Grease Nipple	
7	339560X1	2	Hex. Sock. Screw	(24)
8	3716621M2	1	Plate	(24)
9	3716622M1	1	Thruster	(24)
10	339560X1	4	Hex. Sock. Screw	M6X16
11	3790940M2	1	Cowl	
12	3716103M2	1	Pin Hitch	(24)
13	3791643M1	1	Lever	(24)
14	3010553X1	1	Pin	(24)
15	3716619M3	1	Clevis	(24)
16		1	Bar	(24)
				Not serviced,order REF. NO 24
17	1442668X1	2	Screw	(24) M20X80
18	3010557X1	5	Screw Metric	M20X100
	3010561X1	1	Screw	M20X50
19	3790936M91	1	Locking Plate	
20	3009492X1	2	Hex. Sock. Screw	M10X25
21	385362X1	4	Washer	
22	3790749M1	1	Bush	
23	3790937M2	1	Clevis Pin	
24	3792397M93	1	Bar	
25	391332X1	4	Screw	M20X100
26	3790457M1	2	Tongue	
27	3791470M1	1	Counterplate	
28	3791467M2	1	Angle	
29	3793160M11	1	Bearing Carrier	Replace and repair. Old not interchangeable with new 3790932M1
30	3716624M1	2	Centraliser	(29)
31	3790933M1	1	Clevis	
32	3792432M1	1	Switch,Indirect	BOSCH 150KN
33	3385534M1	1	Connectors	(32)
34	3001429X1	2	Screw	M10X35
35	3384183M1	2	Bush	
36	3716499M1	1	Plate	
37	3792577M2	1	Cowl	
38	390971X1	4	Washer	
39	3797803M1	1	Sensing Pin	[A] TEDEA 150KN

FOOTNOTE [A] 2 GROOVE

MF 8270/8280 TRACTOR - 1637348
1-ZQ12-012-A

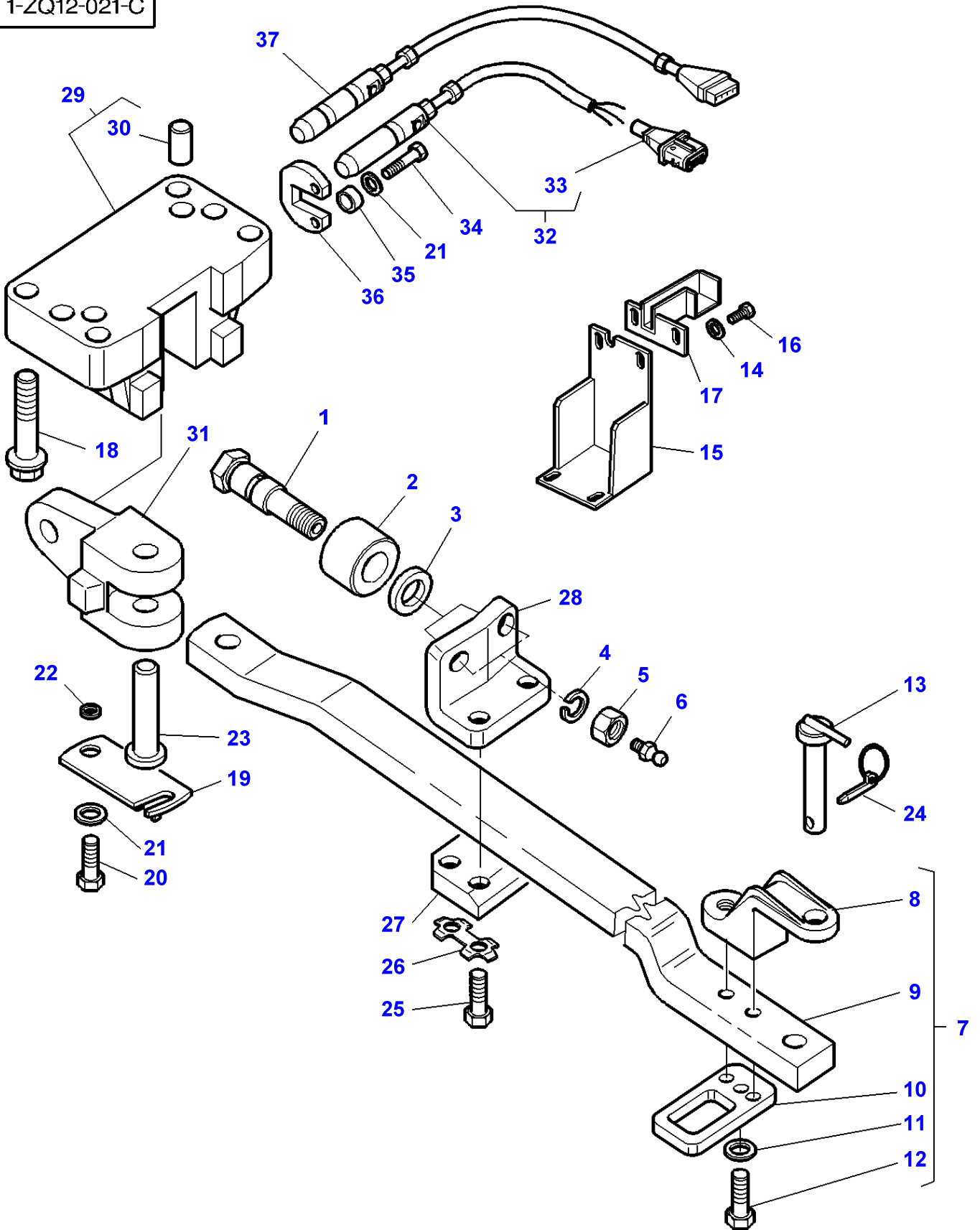
1-ZQ12-012-A



Item	Part Number	Qty	Description	Comments
1	3791469M1	2	Clevis Pin	
2	3581980M1	2	Roll	
3	3791823M1	2	Washer	
4	353443X1	2	Lock Washer	
5	375102X1	2	Nut Unc	
6	364461X1	2	Grease Nipple	
7	339560X1	2	Hex. Sock. Screw	(24)
8	3716621M2	1	Plate	(24)
9	3716622M1	1	Thruster	(24)
10	3793421M1	4	Shackle	(24)
				M6X16
11	385365X1	2	Washer	(24)
12	3716103M2	1	Pin Hitch	(24)
13	3791643M1	1	Lever	(24)
14	3010553X1	1	Pin	(24)
15	3716619M3	1	Clevis	(24)
16		1	Bar	(24)
				Not serviced,order REF. NO 24
17	3010945X1	2	Screw	(24)
				M20X105
18	3010557X1	5	Screw Metric	M20X100
	3010561X1	1	Screw	M20X50
19	3790936M91	1	Locking Plate	
20	3009492X1	2	Hex. Sock. Screw	M10X25
21	385362X1	4	Washer	
22	3790749M1	1	Bush	
23	3790937M2	1	Clevis Pin	
24	3792398M92	1	Bar	For United States of America
25	391332X1	4	Screw	M20X100
26	3790457M1	2	Tongue	
27	3791470M1	1	Counterplate	
28	3791467M2	1	Angle	
29	3793160M11	1	Bearing Carrier	Replace and repair. Old not interchangeable with new 3790932M1
30	3716624M1	2	Centraliser	(29)
31	3790933M1	1	Clevis	
32	3792432M1	1	Switch,Indirect	
33	3385534M1	1	Connectors	(32)
34	3001429X1	2	Screw	M10X35
35	3384183M1	2	Bush	
36	3716499M1	1	Plate	
37	3792577M2	1	Cowl	
38	339560X1	4	Hex. Sock. Screw	M6X16
39	3790940M2	1	Cowl	
40	390971X1	4	Washer	

MF 8270/8280 TRACTOR - 1637348
1-ZQ12-021-C

1-ZQ12-021-C

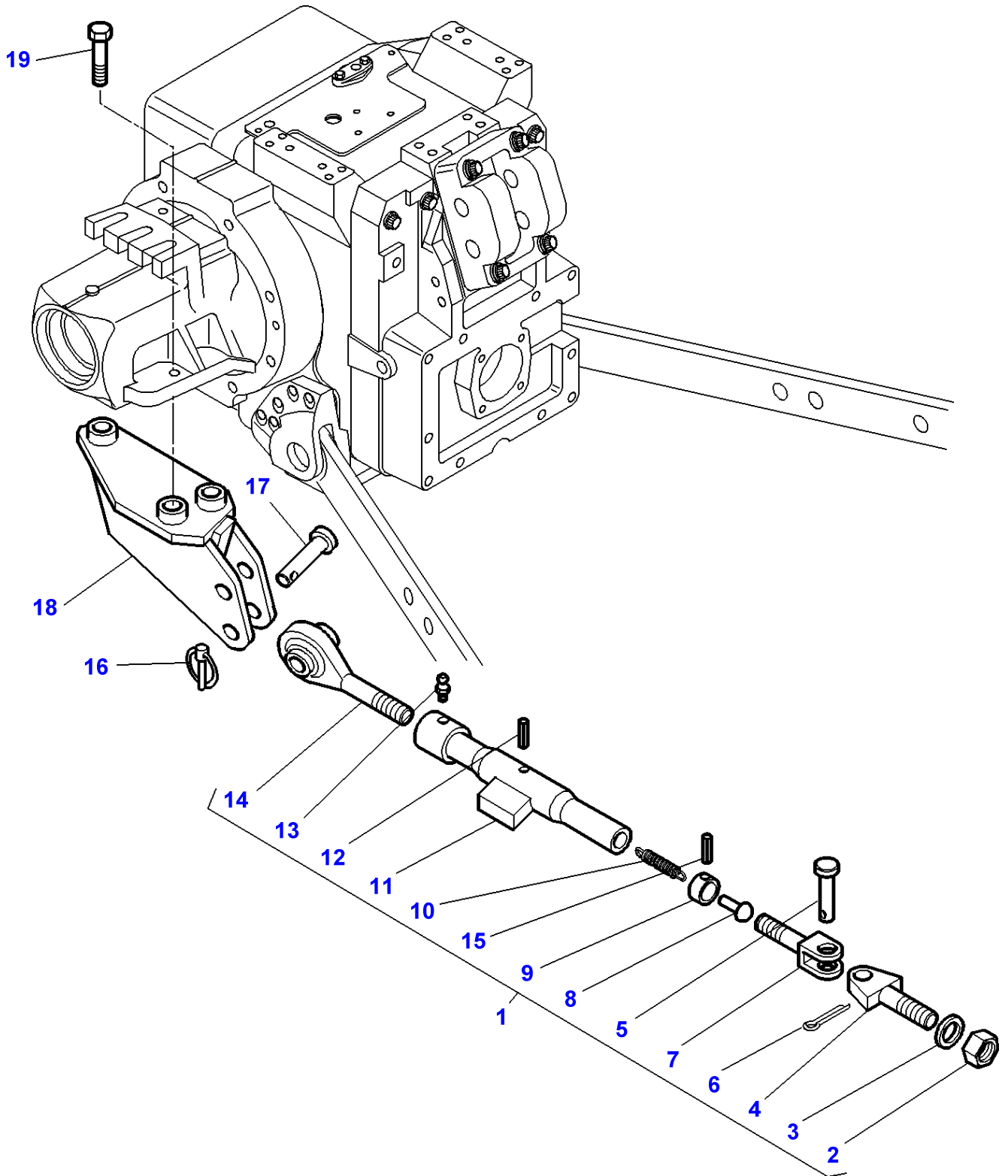


Item	Part Number	Qty	Description	Comments
1	3791469M1	2	Clevis Pin	
2	3581980M1	2	Roll	
3	3791823M1	2	Washer	
4	353443X1	2	Lock Washer	
5	375102X1	2	Nut Unc	
6	364461X1	2	Grease Nipple	
7	3793668M91	1	Bar	For United States of America
8	3793664M1	1	Clevis	(7)
9		1	Bar	(7) Not serviced,order REF. NO7
10	3793421M1	1	Shackle	(7)
11	385365X1	2	Washer	(7)
12	3010945X1	2	Screw	(7) M20X105
13	3793419M3	1	Pin Hitch	
14	390971X1	4	Washer	
15	3790940M2	1	Cowl	
16	339560X1	4	Hex. Sock. Screw	M6X16
17	3792577M2	1	Cowl	
18	3010557X1	5	Screw Metric	M20X100
	3010561X1	1	Screw	M20X50
19	3790936M91	1	Locking Plate	
20	3009492X1	2	Hex. Sock. Screw	M10X25
21	385362X1	4	Washer	
22	3790749M1	1	Bush	
23	3790937M2	1	Clevis Pin	
24	3382826M1	1	Pin	
25	391332X1	4	Screw	M20X100
26	3790457M1	2	Tongue	
27	3791470M1	1	Counterplate	
28	3791467M2	1	Angle	
29	3793160M11	1	Bearing Carrier	Replace and repair. Old not interchangeable with new 3790932M1
30	3716624M1	2	Centraliser	(29)
31	3790933M1	1	Clevis	
32	3792432M1	1	Switch,Indirect	BOSCH 150KN
33	3385534M1	1	Connectors	(32)
34	3001429X1	2	Screw	M10X35
35	3384183M1	2	Bush	
36	3716499M1	1	Plate	
37	3797803M1	1	Sensing Pin	[A] TEDEA 150KN

FOOTNOTE [A] 2 GROOVE

MF 8270/8280 TRACTOR - 1637348
1-ZQ16-008-A

1-ZQ16-008-A



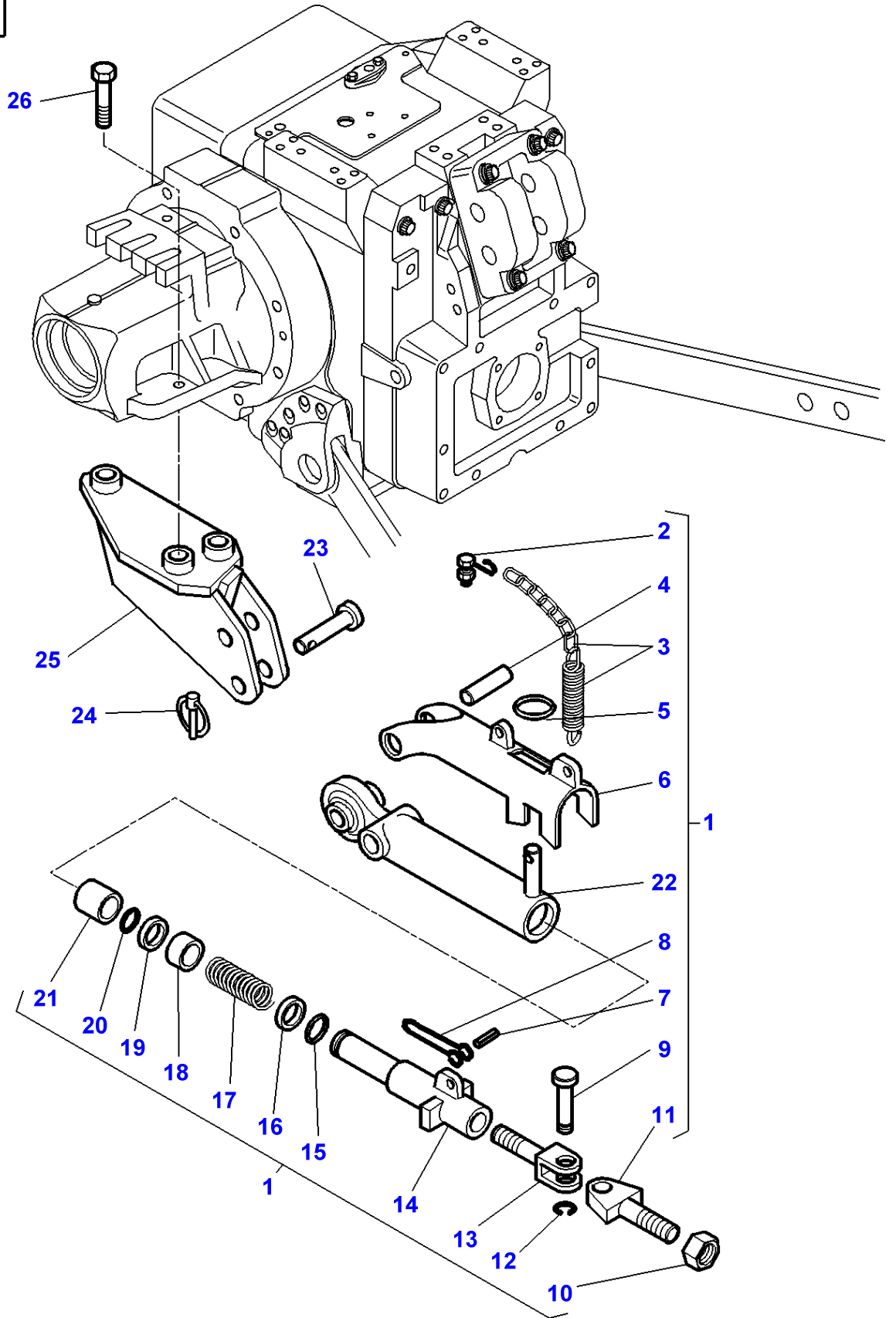
Tube Stabilizers

Item	Part Number	Qty	Description	Comments
1	3716775M1	2	Stabiliser	[A] M27
2	3902877M1	1	Nut	(1)
3	3902879M1	1	Washer	(1)
4	3902875M1	1	Journal	(1) M27
5	3902876M1	1	Clevis Pin	(1)
6	354068X1	1	Pin	(1)
7	3902872M1	1	Clevis	(1)
8	3902873M1	1	Clevis Pin	(1)
9	3902874M1	1	Bush	(1)
10	3902871M1	1	Spring	(1)
11	3902870M1	1	Tube	(1)
12	390383X1	1	Pin	(1)
13	3900862M1	1	Greaser	(1)
14	3902878M1	1	Toggle	(1)
15	339304X1	1	Pin	(1)
16	3792034M1	2	Pin	
17	3582043M2	2	Clevis Pin	
18	3716126M1	1	Support	Left Hand
	3716127M1	1	Support	Right Hand
19	3010556X1	2	Screw Metric	M20X70
	3010562X1	4	Screw	M20X230

FOOTNOTE [A] HEAVY DUTY LINKS

MF 8270/8280 TRACTOR - 1637348
1-ZQ16-009-A

1-ZQ16-009-A

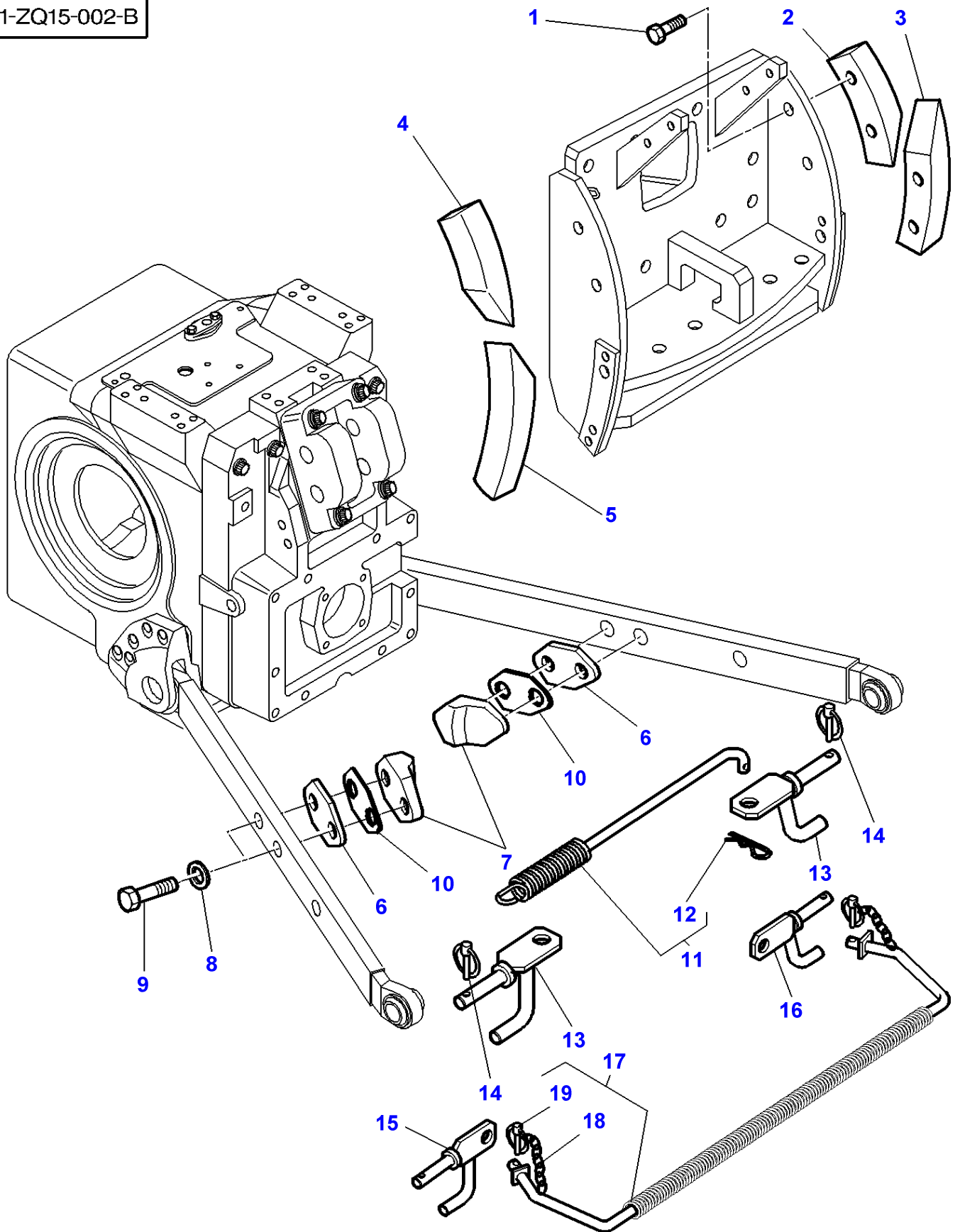


Item	Part Number	Qty	Description	Comments
1	3716608M1	2	Stabiliser	[A] M27
2	3902906M1	1	Retainer	(1)
3	3902905M91	1	Parts Pack	(1)
4	3902891M1	1	Pin	(1)
5	3902890M1	1	Ring	(1)
6	3902889M1	1	Latch	(1)
7	3000046X1	1	Pin	(1)
8	3902899M1	1	Handle	(1)
9	3902901M1	1	Screw	(1)
10	3902904M1	1	Nut	(1)
11	3902903M1	1	Journal	(1) M27
12	3902902M1	1	Clip	(1)
13	3902900M1	1	Clevis	(1)
14	3902898M1	1	Tube	(1)
15	3902897M1	1	Clip	(1)
16	3902894M1	1	Bush	(1)
17	3902896M1	1	Spring	(1)
18	3902895M1	1	Bush	(1)
19	3902894M1	1	Bush	(1)
20	3902893M1	1	Clip	(1)
21	3902892M1	1	Bush	(1)
22	3902888M1	1	Toggle	(1)
23	3582043M2	2	Clevis Pin	
24	3792034M1	2	Pin	
25	3716126M1	1	Support	Left Hand
	3716127M1	1	Support	Right Hand
26	3010556X1	2	Screw Metric	M20X70
	3010562X1	4	Screw	M20X230

FOOTNOTE [A] HEAVY DUTY LINKS

MF 8270/8280 TRACTOR - 1637348
1-ZQ15-002-B

1-ZQ15-002-B

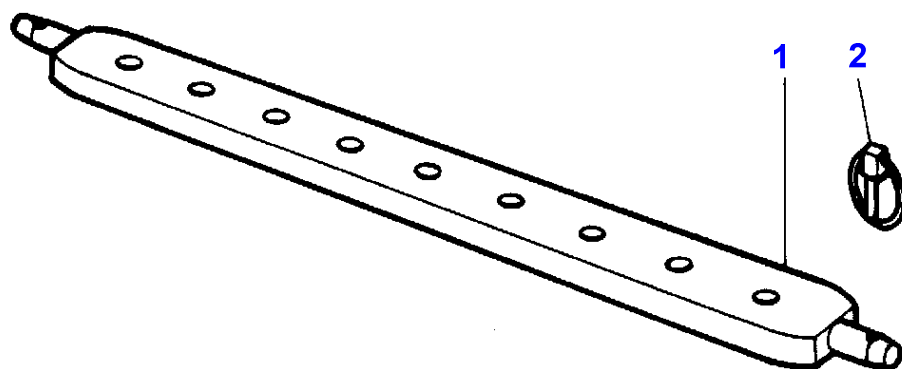
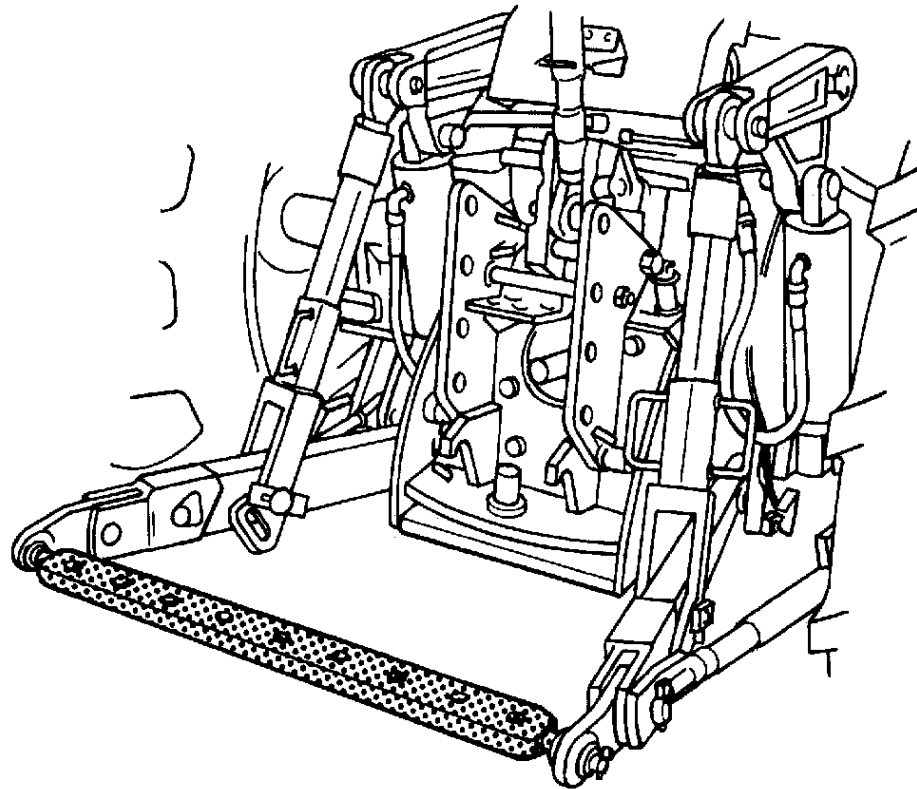


Linkage - Shoe Stabilizers

Item	Part Number	Qty	Description	Comments
1	391120X1	8	Hex. Sock. Screw	M16X45MM
2	3716138M1	1	Shoe	
3	3716141M1	1	Shoe	
4	3716137M1	1	Shoe	
5	3716140M1	1	Shoe	
6	3716144M1	2	Chock	Thickness 4MM
7	3716143M1	2	Stop	
8	3019575X1	4	Washer Metric	
9	339881X1	4	Hex. Sock. Screw	M16X60MM
10	3386369M1	2	Chock	Thickness 1,2MM
11	3617118M1	1	Spring	
12	1633899M1	1	Pin	(11)
13	3791602M1	2	Spring Carrier	
14	3382824M1	2	Pin	
15	3797646M1	1	Support	[A] Left Hand
16	3797673M1	1	Support	[A] Right Hand
17	3792237M1	1	Spring	[A]
18	3105772M1	2	Ring	(17)
19	3105774M1	2	Pin	(17)

FOOTNOTE [A] WITH TRAILED IMPEMMENT CONTROL

1-ZQ14-001-A



Massey Ferguson

MF 8270/8280 TRACTOR - 1637348

1637348

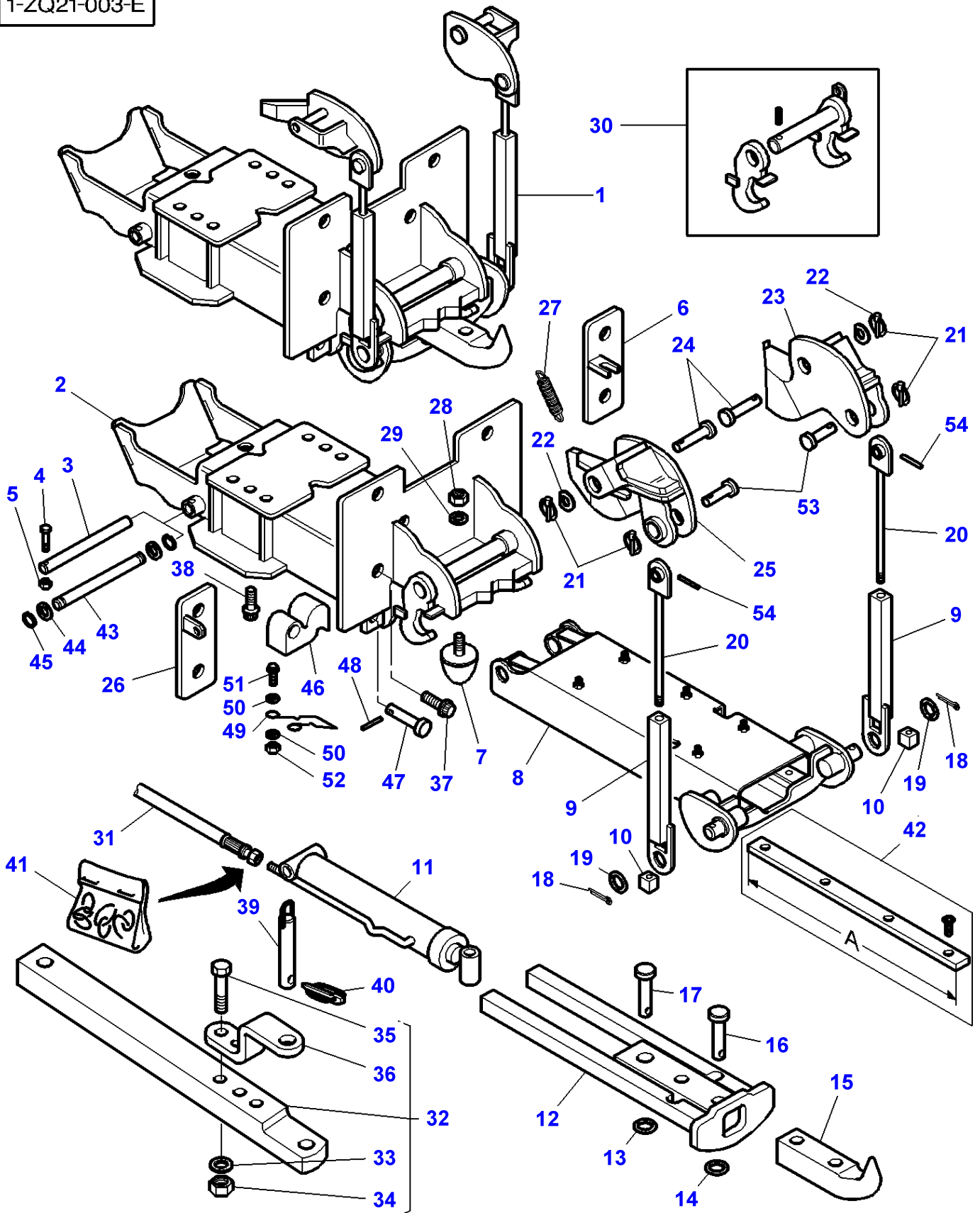
Drawbar

Page040-0175

Item	Part Number	Qty	Description	Comments
1	3387153M1	1	Bar	CAT 2
2	3581687M1	2	Pin	

MF 8270/8280 TRACTOR - 1637348
1-ZQ21-003-E

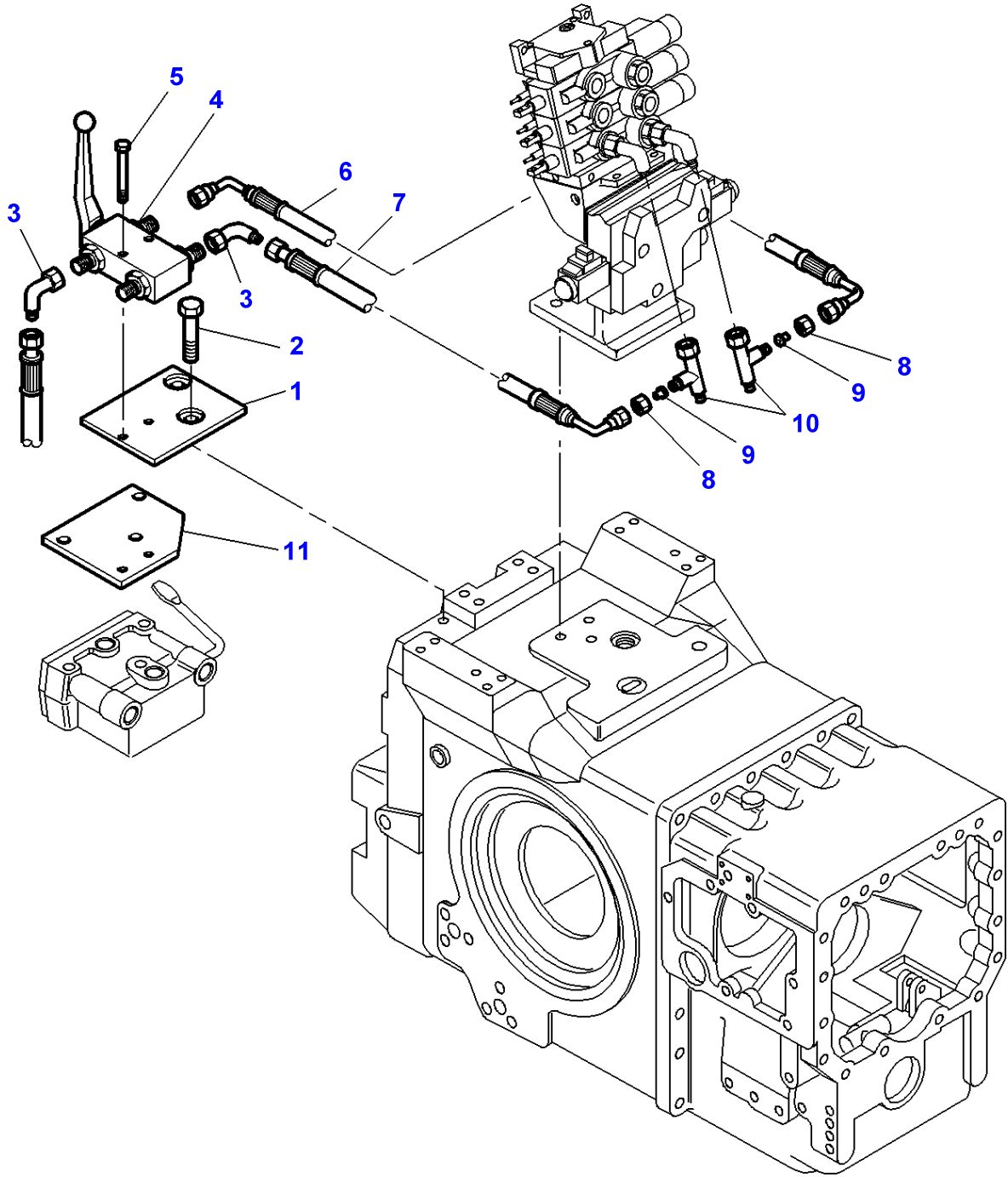
1-ZQ21-003-E



Item	Part Number	Qty	Description	Comments
1	3792667M95	1	Hook	
2		1	Frame	(1) Not serviced, order REF N0 1
3	3010904X1	1	Bolt	(1) Up to Serial or Engine Number K260013
4	3792645M1	1	Clevis Pin	(1) Up to Serial or Engine Number K260013
5	394367X1	1	Locknut	(1) Up to Serial or Engine Number K260013
6	3792663M91	1	Support	(1)
7	3907051M91	1	Buffer	(1)
8	3792646M91	1	Housing	(1) Replace and repair. Old interchangeable with new 3792083M1
	3907081M91	1	Housing	(1) Up to Serial or Engine Number K260013
				(1) From Serial or Engine Number K260014
				(1) Replace and repair. Old interchangeable with new 3794178M91
9	3792658M92	2	Slider Bearing	(1)
10	3792081M1	2	Nut	(1)
11	3907046M91	1	Ram	(1)
				(1) Replace and repair. Old interchangeable with new 3792647M1
12	3907080M1	1	Pedestal	(1) Replace and repair. Old interchangeable with new 3792648M91
13	352438X1	1	Circlip	(1)
14	392758X1	1	Ring	(1)
15	3907048M91	1	Hook	(1)
				(1) Replace and repair. Old interchangeable with new 3792649M1
16	3907049M91	1	Clevis Pin	(1) Replace and repair. Old interchangeable with new 3792650M1
17	3907047M91	1	Clevis Pin	(1) Replace and repair. Old interchangeable with new 3792660M1
18	390721X1	2	Pin	(1)
19	3019558X1	2	Washer	(1)
20	3792654M91	2	Stem	(1)
21	3792091M1	4	Pin	(1) Up to Serial or Engine Number K260013
	3792091M1	2	Pin	(1) From Serial or Engine Number K260014
22	3792664M1	2	Washer	(1)
23	3792653M91	1	Extension	(1) Up to Serial or Engine Number K260013
				(1) Right Hand
	3795786M91	1	Extension	(1) From Serial or Engine Number K260014
				(1) Right Hand
24	3792651M1	2	Clevis Pin	(1)
25	3792652M91	1	Extension	(1) Up to Serial or Engine Number K260013
				(1) Left Hand
	3795780M91	1	Extension	(1) From Serial or Engine Number K260014
				(1) Left Hand
26	3792665M91	1	Support	(1) Up to Serial or Engine Number K260013
	3795847M91	1	Support	(1) From Serial or Engine Number K260014
27	3792666M1	1	Spring	(1) Up to Serial or Engine Number K260013
				(1) Diameter 25MM
	3795807M1	1	Spring	(1) From Serial or Engine Number K260014
				(1) Diameter 23,6MM
28	1440329X1	1	Locknut	(1)
29	390734X1	1	Washer	(1)
30	3792834M91	1	Latch	(1) Up to Serial or Engine Number M272052
	3798335M91	1	Latch	(1) From Serial or Engine Number M272053
31	3792727M1	2	Hydr Hose	
32	3792662M91	1	Bar	
33	1441664X1	2	Washer Metric	(32)
34	339034X1	2	Nut	(32)

Item	Part Number	Qty	Description	Comments
35	339616X1	2	Bolt Metric	(32) M16X120
36	3907058M91	1	Clevis	(32) Replace and repair. Old interchangeable with new 3792786M1
37	3010562X1	6	Screw	M20X230
37	3010777X1	2	Screw Metric	M20X210
38	3010561X1	6	Screw	M20X50
39	3790349M92	1	Pin Hitch	
40	3382826M1	1	Pin	
41	3903497M91	1	Kit, Joint	
42	3903572M91	2	Parts Pack	(8) Length A=600MM
42	3903573M91	2	Parts Pack	(8) Length A=250MM
42	3903571M91	2	Parts Pack	(8) Length A=148MM
43	3907093M91	1	Clevis Pin	(1) From Serial or Engine Number K260014 Replace and repair. Old interchangeable with new 3793999M1
44	3794000M1	2	Thrust Washer	(1) From Serial or Engine Number K260014
45	3795752M1	2	Ring	(1)
46	3907044M91	2	Latch	(1) Replace and repair. Old interchangeable with new 3795809M1
47	3794020M1	2	Clevis Pin	(1)
48	391018X1	2	Pin	(1) Diameter 5X36MM
49	3793389M1	2	Spring	(1)
50	390972X1	8	Washer Metric	(1)
51	339009X1	4	Hex. Sock. Screw	(1) M8X35
52	394367X1	4	Locknut	(1)
53	3795808M1	2	Clevis Pin	(1) From Serial or Engine Number K260014
54	339414X1	2	Pin	(1) From Serial or Engine Number K260014 Diameter 6X60MM

1-ZQ22-001-A

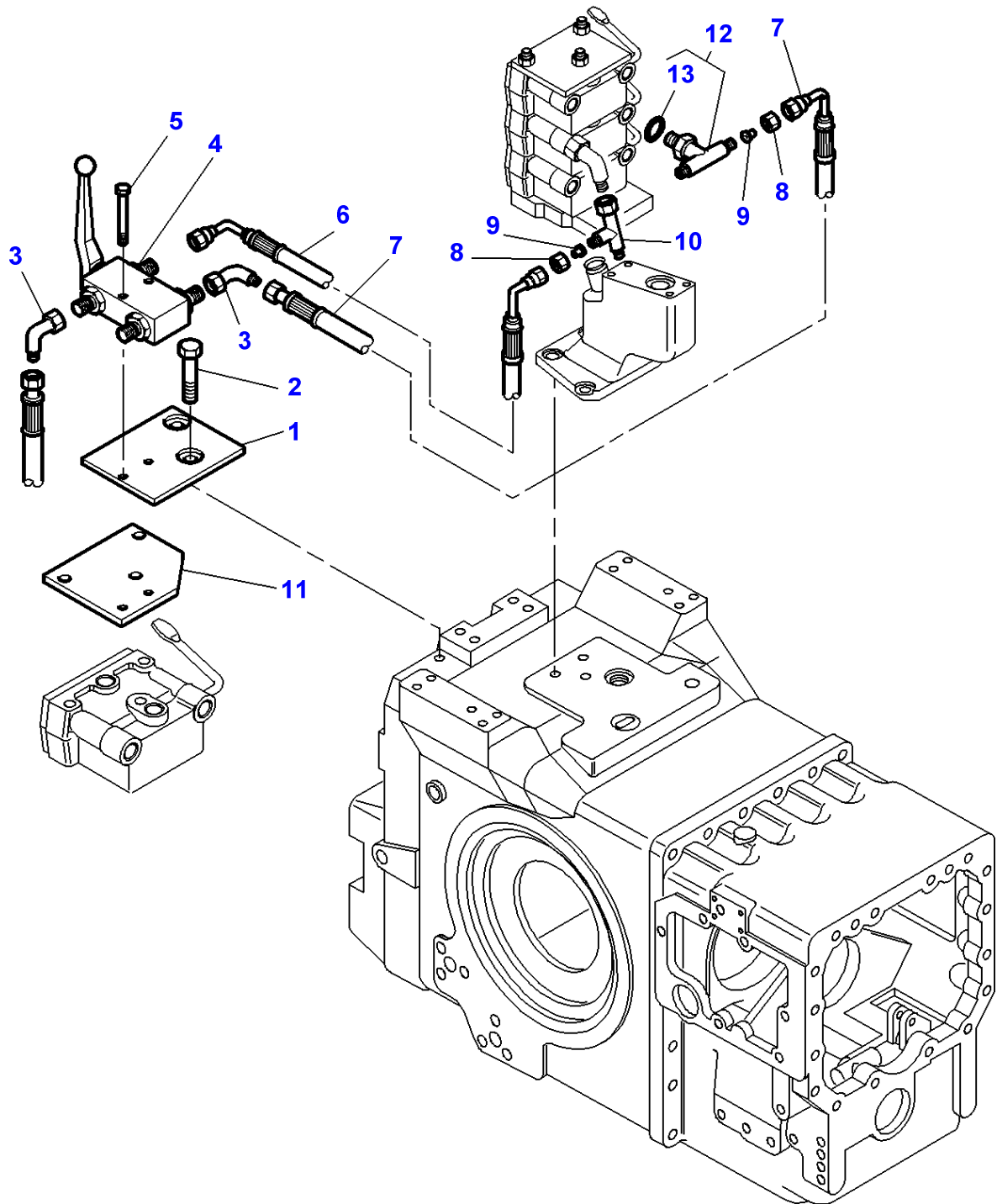


Massey Ferguson**MF 8270/8280 TRACTOR - 1637348****1637348****Autohitch - Dromone - Hydraulic Control - Up To No J293009****Page040-0185**

Item	Part Number	Qty	Description	Comments
1	3792872M1	1	Plate	[B]
2	339123X1	2	Hex. Sock. Screw	[B] M8X20
3	1442508X91	3	Union	
4	3792875M92	1	Vane	
5	339229X1	2	Hex. Sock. Screw	M6X40
6	3792777M2	1	Hydr Hose	Length 760MM
7	3792776M1	1	Hydr Hose	Length 570MM
8	22576X	2	Union Nut	
9	356629X1	2	Reducer	
10	364704X1	2	Teepiece	
11	3792787M1	1	Plate	[A]

FOOTNOTE [A] WITH 4 DISTRIBUTORS**FOOTNOTE [B] WITH 3 DISTRIBUTORS**

1-ZQ22-002-A



Massey Ferguson**MF 8270/8280 TRACTOR - 1637348**

1637348

Autohitch - Dromone - Hydraulic Control - From J293010

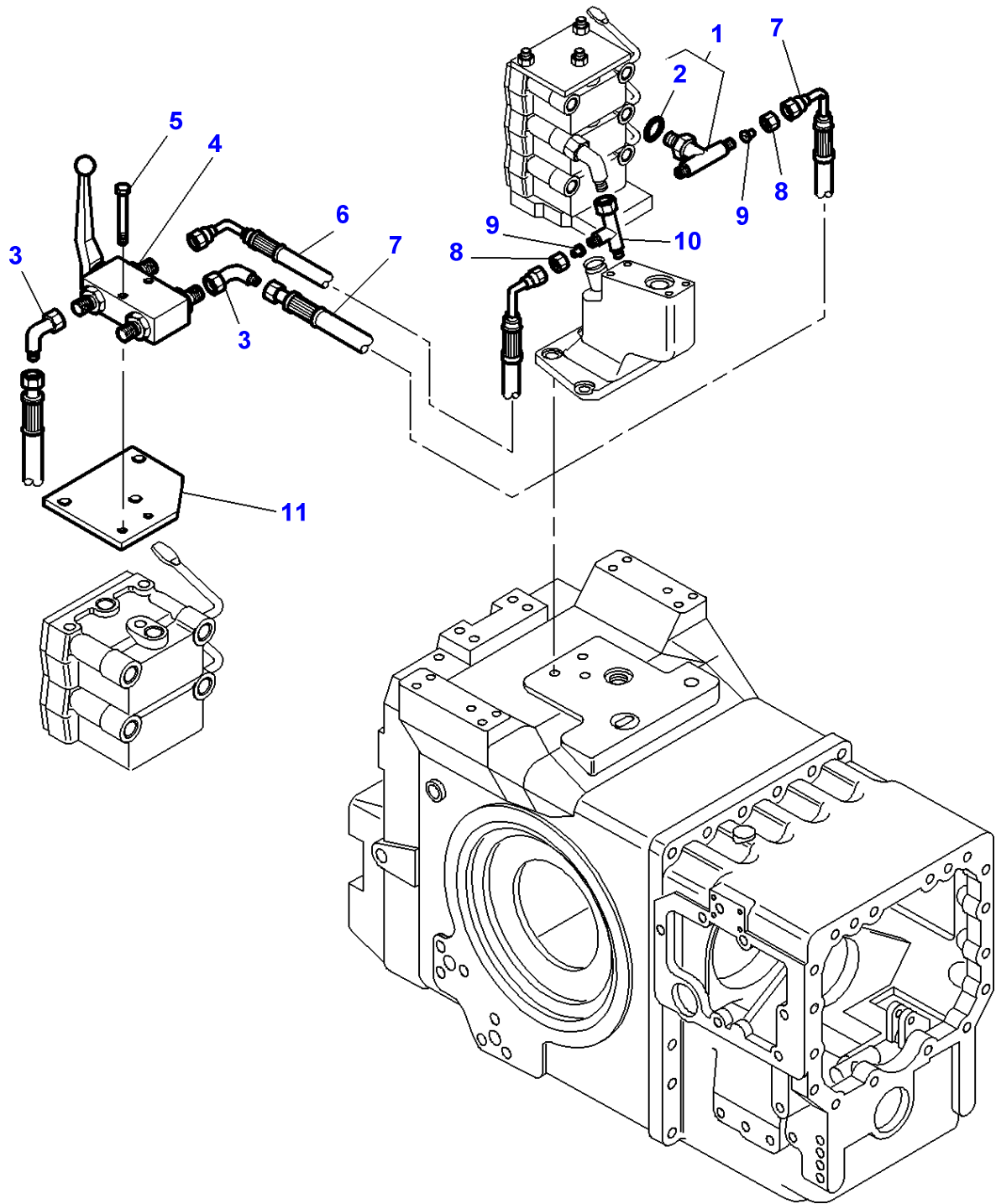
Page040-0190

Item	Part Number	Qty	Description	Comments
1	3792872M1	1	Plate	[B]
2	339123X1	2	Hex. Sock. Screw	[B] M8X20
3	1442508X91	3	Union	
4	3792875M92	1	Vane	
5	339229X1	2	Hex. Sock. Screw	M6X40
6	3793949M1	1	Hydr Hose	Length 550MM
7	3793948M1	1	Hydr Hose	Length 1175MM
8	22576X	2	Union Nut	
9	356629X1	2	Reducer	
10	364704X1	1	Teepiece	
11	3792787M1	1	Plate	[A]
12	3019613X91	1	Union	
13	3019398X1	1	O Ring	(12)

FOOTNOTE [A] WITH 4 DISTRIBUTORS

FOOTNOTE [B] WITH 2/3 DISTRIBUTORS

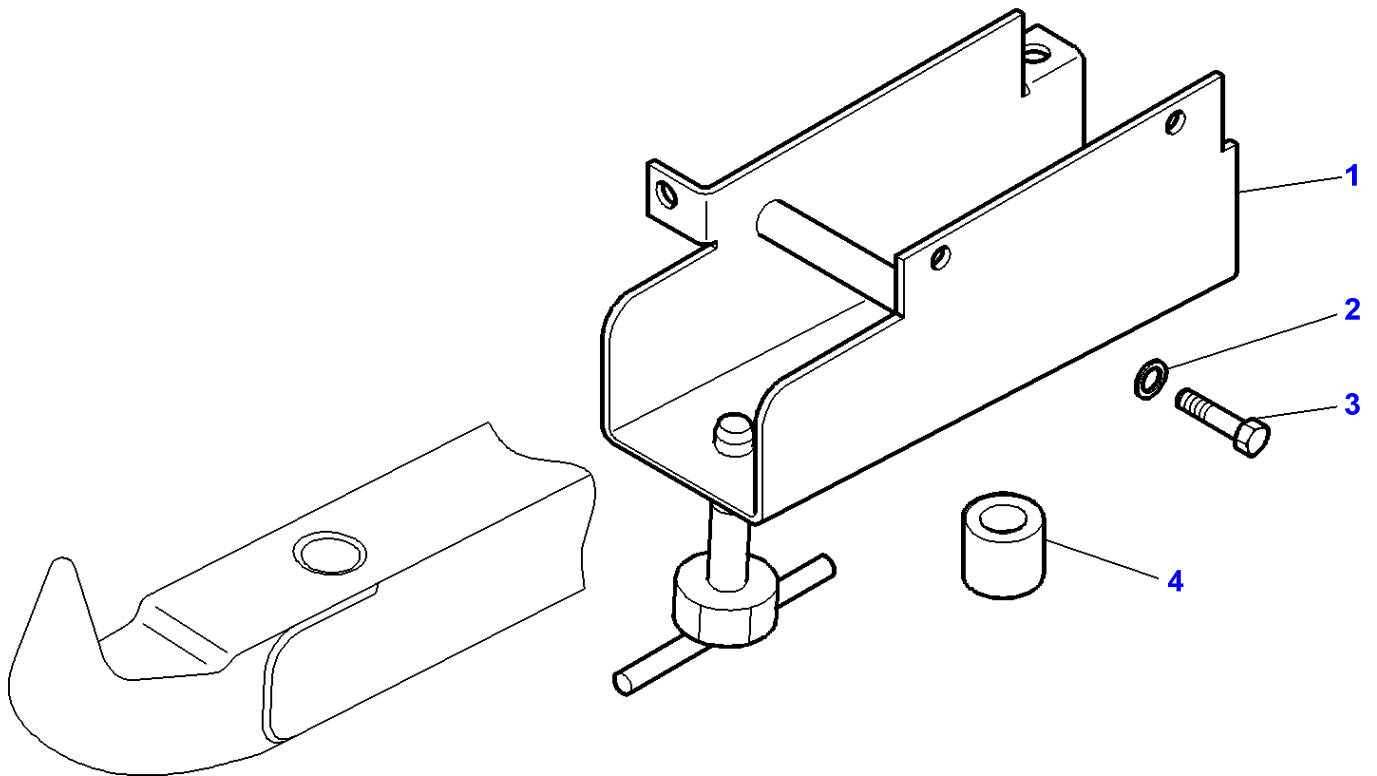
1-ZQ22-003-A



Massey Ferguson**MF 8270/8280 TRACTOR - 1637348****1637348****Autohitch - Dromone - 5 Distributors - Load Sensing****Page040-0195**

Item	Part Number	Qty	Description	Comments
1	3019613X91	1	Union	
2	3019398X1	1	O Ring	(1)
3	1442508X91	3	Union	
4	3792875M92	1	Vane	
5	339229X1	2	Hex. Sock. Screw	M6X40
6	3792777M2	1	Hydr Hose	Length 760MM
7	3792776M1	1	Hydr Hose	Length 570MM
8	22576X	2	Union Nut	
9	356629X1	2	Reducer	
10	373796X1	1	Teepiece	
11	3792787M1	1	Plate	

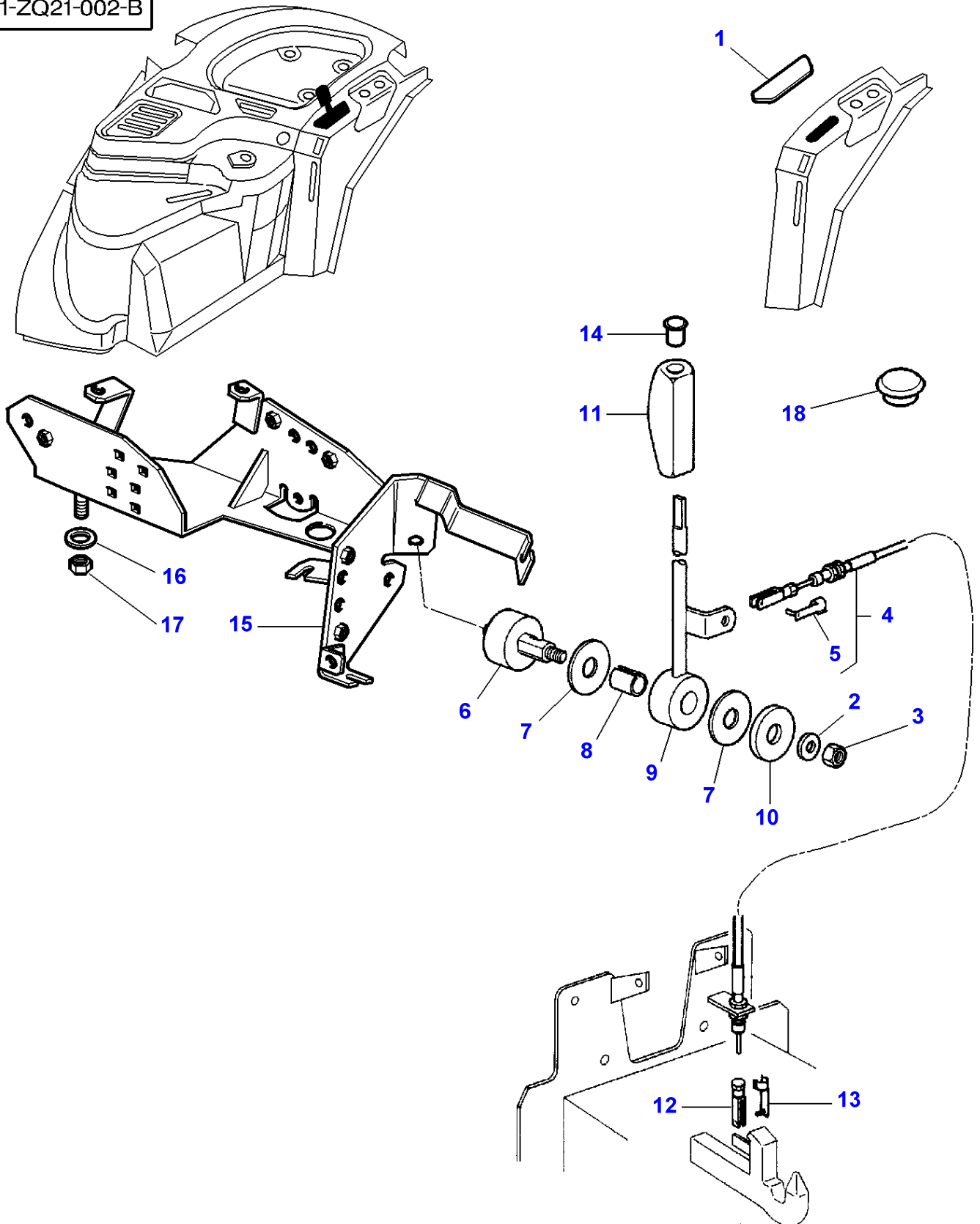
1-ZQ21-004-C



Massey Ferguson**MF 8270/8280 TRACTOR - 1637348****1637348****Automatic Hitch - With Remote Control - Hitch Support - "DROMONE"****Page040-0200**

Item	Part Number	Qty	Description	Comments
1	3783267M93	1	Support	
2	390972X1	4	Washer Metric	
3	339123X1	4	Hex. Sock. Screw	M8X20
4	3714943M1	1	Spacer	9-20 X 28

1-ZQ21-002-B



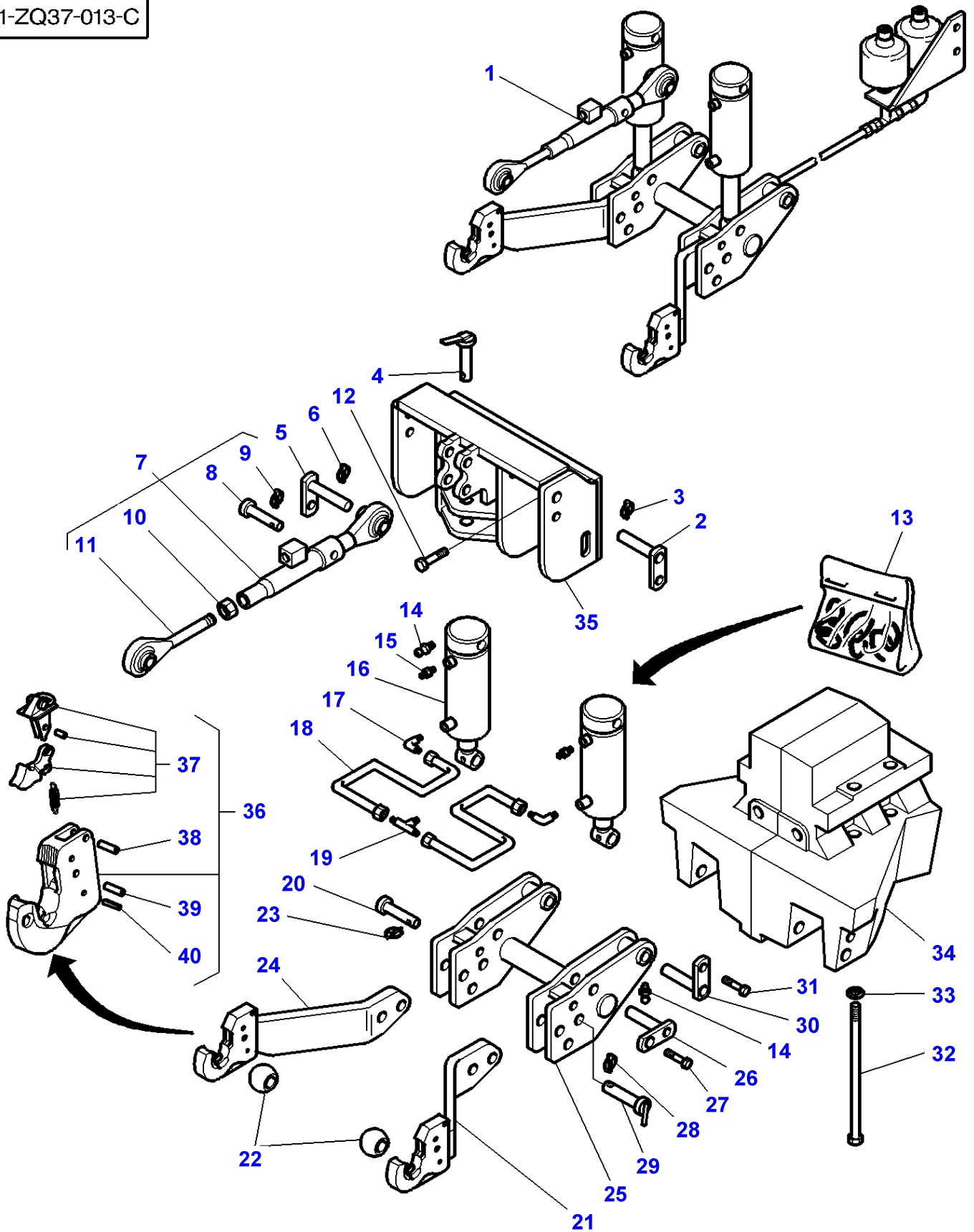
Automatic Hitch - With Remote Control

Item	Part Number	Qty	Description	Comments
1	3712984M1	1	Plate	[A]
2	390972X1	1	Washer Metric	
3	394367X1	1	Locknut	
4	3715975M3	1	Hook Cable	
5	3600190M1	1	Clevis Pin	(4) Length 28MM
	3600191M1	1	Clevis Pin	(4) Length 40MM
6	3712276M1	1	Clevis Pin	
7	3386514M1	2	Friction Disc	
8	3386515M1	1	Bearing	
9	3712280M1	1	Lever	
10	3387447M1	1	Washer	
11	3715495M1	1	Handle	
12	392463X1	1	Clevis	
13	3713042M1	1	Clevis Pin	
14	3715496M1	1	Muff	
15	3778480M93	1	Support	
16	385361X1	4	Washer	
17	394367X1	4	Locknut	
18	3713587M1	1	Plug	[A] Diameter 22MM

FOOTNOTE [A] WITHOUT AUTOMATIC HITCH

MF 8270/8280 TRACTOR - 1637348
1-ZQ37-013-C

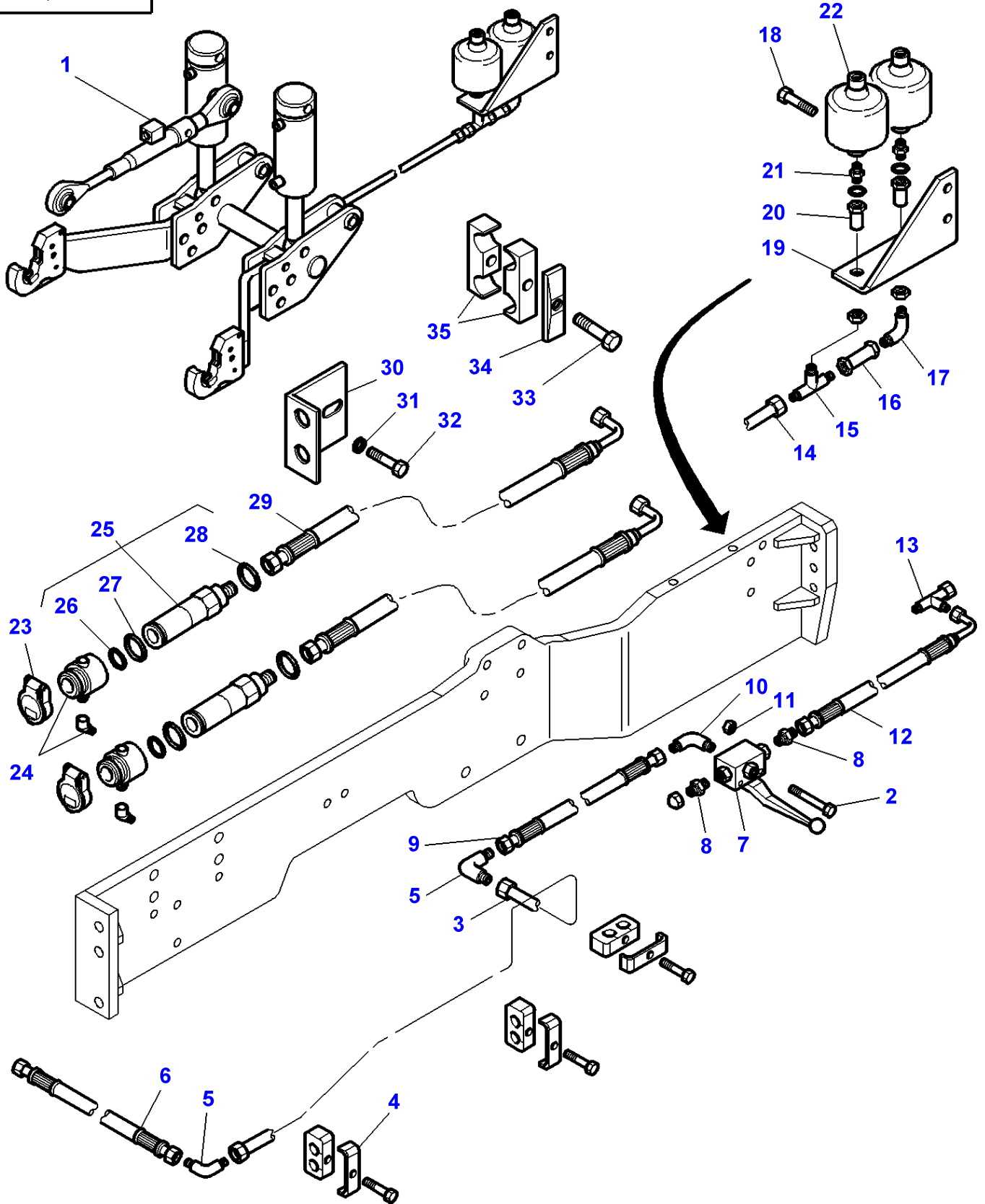
1-ZQ37-013-C



Item	Part Number	Qty	Description	Comments
1	3783378M95	1	Hitch	
2	3783158M1	2	Clevis Pin	(1)
3	3782684M1	2	Clip	(1)
4	3712122M1	1	Clevis Pin	(1)
5	3782680M1	1	Clevis Pin	(1)
6	3782684M1	1	Clip	(1)
7	3782689M1	1	Bar	(1)
8	3782690M1	1	Clevis Pin	(7)
9	3782691M1	1	Clip	(7)
10	3900887M1	1	Nut	(7)
11	3900885M1	1	Toggle	(7)
12	3010563X1	8	Screw	M20X90
13	3903317M91	1	Kit, Joint	
14	3900862M1	6	Greaser	(1)
15	3784859M1	2	Breather	(1)
16	3782688M1	2	Ram	(1)
17	3900868M1	2	Elbow	(1)
18	3783011M1	2	Tube	(1)
19	3902227M1	1	Teepiece	(1)
20	3782678M1	2	Clevis Pin	(1)
21	3782677M2	1	Arm	(1) Left Hand
22	3782685M1	2	Toggle	(1) CAT. 3
	3782686M1	2	Toggle	(1) CAT. 3/2
23	3010460X1	2	Pin	(1)
24	3782676M2	1	Arm	(1) Right Hand
25	3782675M2	1	Support	(1)
26	3782679M1	2	Clevis Pin	(1)
27	3009505X1	2	Screw Metric	(1) M12X25
28	3782684M1	2	Clip	(1)
29	3782682M1	2	Clevis Pin	(1)
30	3783365M1	2	Clevis Pin	(1)
31	3010008X1	2	Screw	(1) M16X50
32	3010965X1	4	Screw	M20X420
33	385365X1	4	Washer	
34	3780938M2	1	Weight	600 KG
35	3783157M4	1	Support	
36		1	Hook	CAT 3/2 Not serviced,order REF NO 21/24
37	3903314M91	1	Kit, Repair	(36)
38	3006429X1	1	Pin	(36) Diameter 10X36MM
39	3008317X1	1	Pin	(36) Diameter 13X36MM
40	339783X1	1	Pin	(36) Diameter 6X32MM

MF 8270/8280 TRACTOR - 1637348
1-ZQ37-014-C

1-ZQ37-014-C

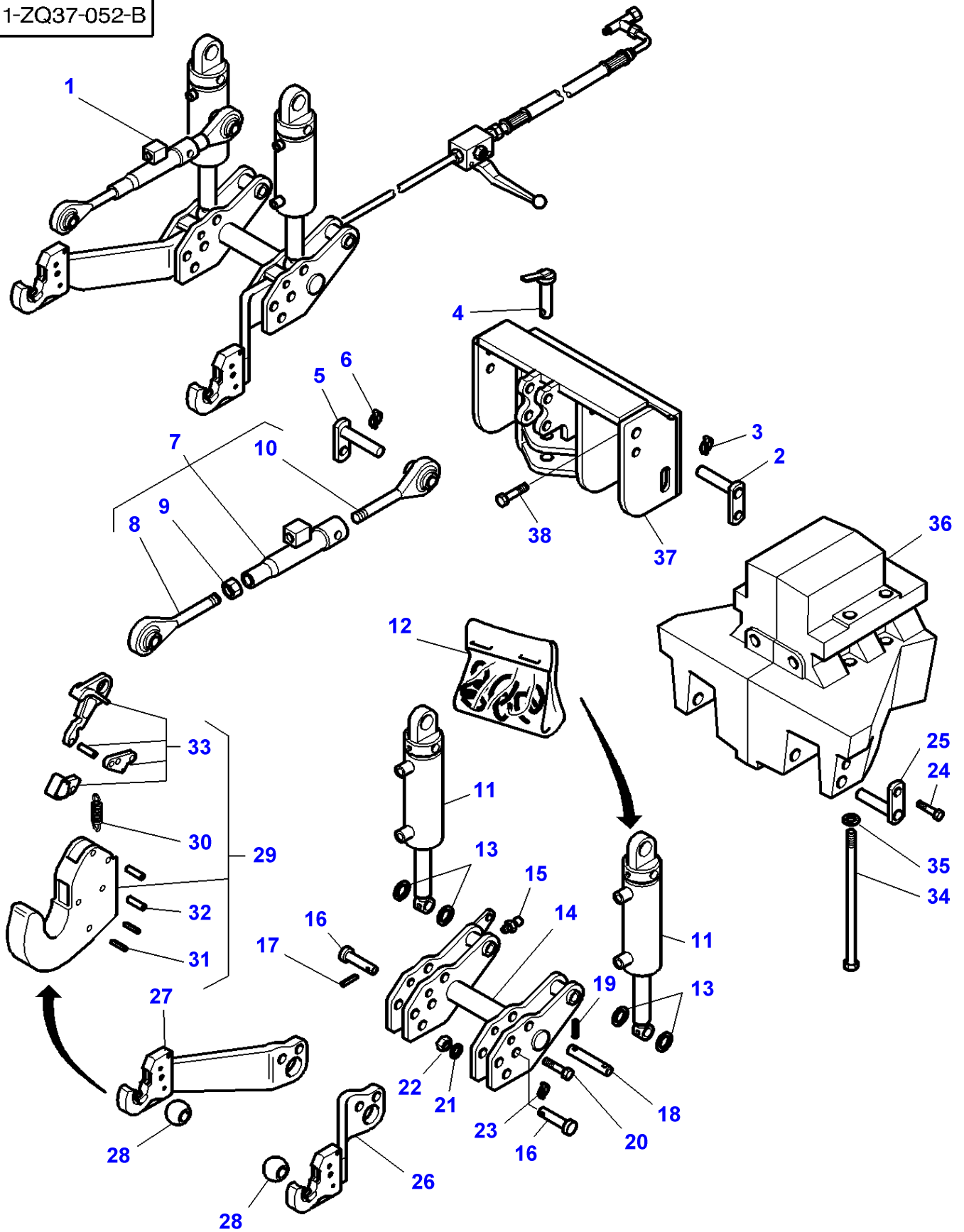


Item	Part Number	Qty	Description	Comments
1	3783378M95	1	Hitch	
2	3010920X1	2	Screw	(1) M5X70
3	3783161M1	1	Tube	(1)
4	3783375M1	3	Bridle	(1)
5	3783164M1	2	Elbow	(1)
6	3783160M1	1	Hydr Hose	(1) Length 500MM
7	3900873M1	1	Vane	(1)
8	3900869M1	2	Union	(1)
9	3783162M1	1	Tube	(1)
10	3900868M1	1	Elbow	(1)
11	3005823X1	2	Nut	(1)
12	3783163M1	1	Hydr Hose	(1) Length 3600MM
13	3782998M1	1	Teepiece	(1)
14	3783177M1	1	Tube	(1)
15	3900914M1	1	Teepiece	(1)
16	3900882M1	1	Tube	(1)
17	3900883M1	1	Elbow	(1)
18	1441704X1	2	Screw Metric	(1) M20X40
19	3783176M1	1	Support	(1)
20	3900880M1	2	Union	(1)
21	3900878M1	2	Union	(1)
22	3900877M1	2	Accumulator	(1) 50 Bars Up to Serial or Engine Number J047014
	3784036M1	1	Accumulator	(1) 26 Bars From Serial or Engine Number J047015
23	3784927M1	2	Helmet	[A]
24	3785253M91	2	Breather	
25	3794608M2	2	Female Coupler	
26	3903512M2	1	Snapping	(25) Replace and repair. Old interchangeable with new 3903512M1
27	368374X1	1	O Ring	(25)
28	3903520M1	1	Gasket	(25)
29	3787710M1	2	Hydr Hose	Length 5500MM
30	3787707M3	1	Support	
31	390972X1	2	Washer Metric	
32	339123X1	2	Hex. Sock. Screw	M8X20
33	339011X1	X	Bolt Metric	M8X45
34	3780683M1	X	Plate	
35	3780682M1	X	Bridle	

FOOTNOTE [A] RED

MF 8270/8280 TRACTOR - 1637348
1-ZQ37-052-B

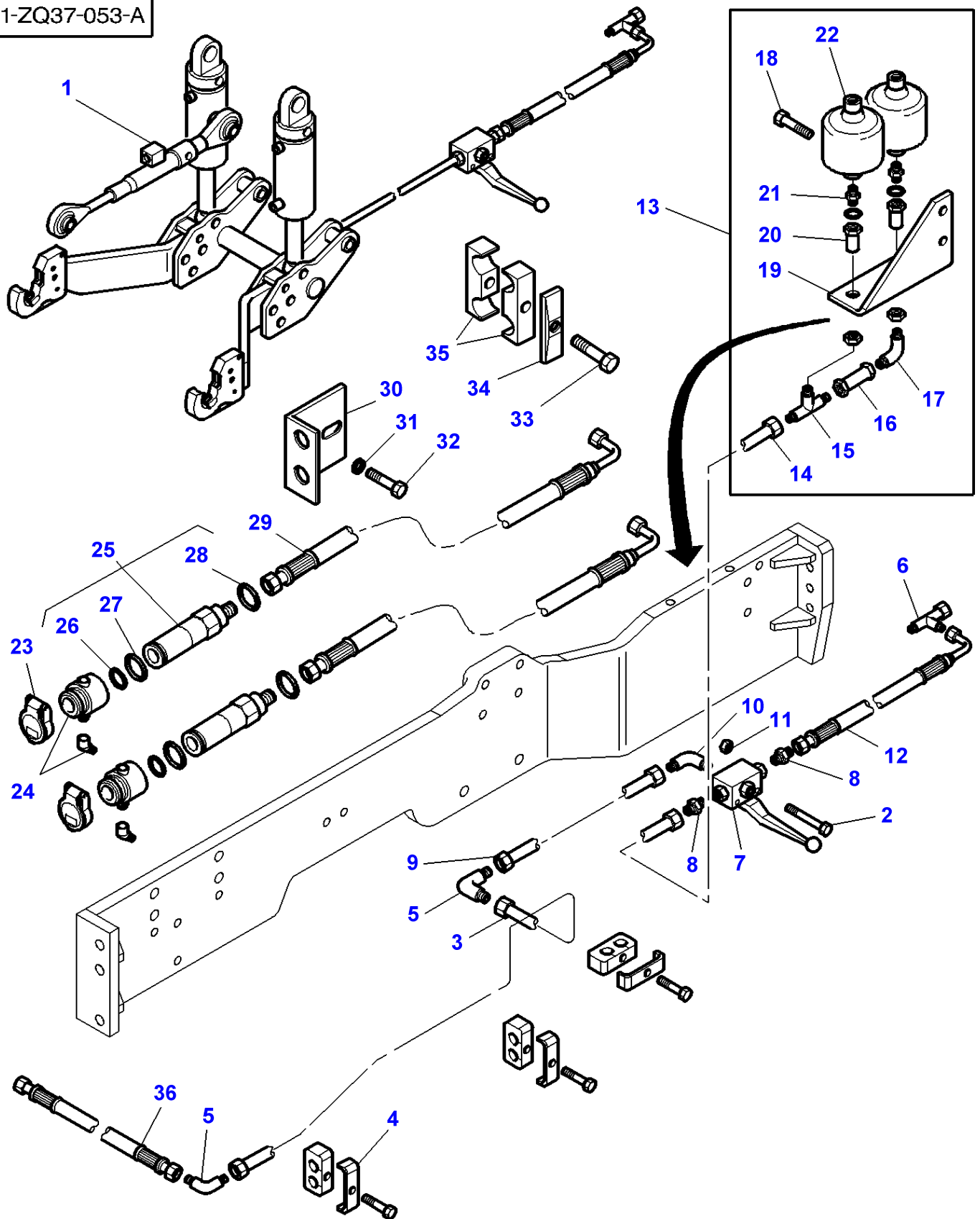
1-ZQ37-052-B



Item	Part Number	Qty	Description	Comments
1	4271667M93	1	Hitch	Up to Serial or Engine Number N273049
	4276569M91	1	Hitch	From Serial or Engine Number N273050
2	4271646M1	2	Clevis Pin	(1)
3	3782684M1	2	Clip	(1)
4	3712122M1	1	Clevis Pin	(1)
5	3782680M1	1	Clevis Pin	(1)
6	3782684M1	1	Clip	(1)
7	3788609M1	1	Bar	(1)
8	3900885M1	1	Toggle	(7)
9	3900887M1	1	Nut	(7)
10	3903895M1	1	Toggle	(7)
11	3788610M1	2	Ram	(1) Up to Serial or Engine Number 18-MAI-2003
	4270295M1	2	Ram	[A] (1) From Serial or Engine Number 19-MAI-2003
				Up to Serial or Engine Number N273049
	4276570M1	1	Ram	(1) From Serial or Engine Number N273050 3504846069RO
	4278050M1	1	Ram	(1) From Serial or Engine Number N273050 3504846068RO
12	3903317M91	1	Kit, Joint	
13	3788604M1	4	Washer	(1) Diameter 50-36 X 4
14	4271644M1	1	Support	(1) Up to Serial or Engine Number N273049
	4276572M1	1	Support	(1) From Serial or Engine Number N273050
15	3900862M1	2	Greaser	(1)
16	3788596M1	4	Clevis Pin	(1)
17	3788608M1	2	Pin	(1)
18	3788597M1	2	Clevis Pin	(1)
19	3788607M1	2	Pin	(1) Diameter 8MM
20	3788599M1	2	Clevis Pin	(1)
21	1443512X1	2	Washer	(1) Diameter 24MM
22	3788603M1	2	Locknut	(1) M24 X 2
23	3788605M1	2	Clip	(1)
24	3010008X1	2	Screw	(1) Up to Serial or Engine Number N273049 M16 X 50
	3382952M1	2	Screw	(1) From Serial or Engine Number N273050 M16 X 50
25	4271645M1	2	Clevis Pin	(1)
26	3788601M1	1	Arm	(1) Left Hand
27	3788600M1	1	Arm	(1) Right Hand
28	3782685M1	2	Toggle	(1) CAT. 3
	3782686M1	2	Toggle	(1) CAT. 3/2
29		1	Hook	CAT 3/2 Not serviced,order REF. 26/27
30	3903949M1	1	Spring	(29)
31	3903947M91	1	Kit, Roll Pins	(29)
32	3903948M91	1	Kit, Roll Pins	(29)
33	3903946M91	1	Kit, Lever	(29)
34	3010965X1	4	Screw	M20X420
35	390975X1	4	Washer Metric	
36	4271642M2	1	Weight	637 KG
37	4271643M1	1	Support	Up to Serial or Engine Number N273049
	4276571M1	1	Support	From Serial or Engine Number N273050
38	3010563X1	8	Screw	M20X90

MF 8270/8280 TRACTOR - 1637348
1-ZQ37-053-A

1-ZQ37-053-A

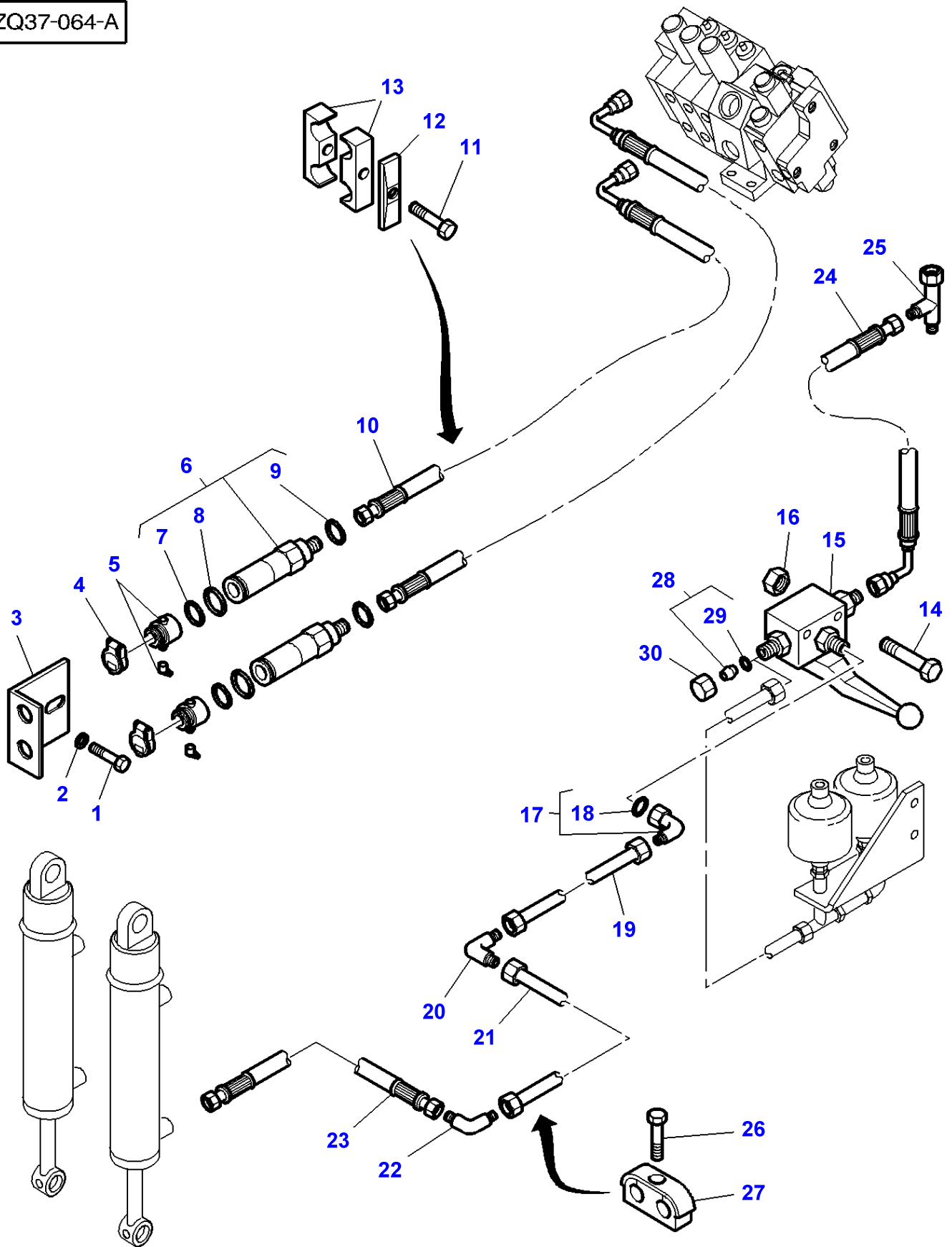


Item	Part Number	Qty	Description	Comments
1	4271667M91	1	Hitch	
2	3010920X1	2	Screw	(1) M5X70
3	3783161M1	1	Tube	(1)
4	3783375M1	3	Bridle	(1)
5	3783164M1	2	Elbow	(1)
6	3782998M1	1	Teepiece	(1)
7	3900873M1	1	Vane	(1)
8	3900869M1	2	Union	(1)
9	3783162M1	1	Tube	(1)
10	3900868M1	1	Elbow	(1)
11	3005823X1	2	Nut	(1)
12	3783163M1	1	Hydr Hose	(1) Length 3600MM
13	4271668M91	1	Kit, Accumulator	
14	3783177M1	1	Tube	(13)
15	3900914M1	1	Teepiece	(13)
16	3900882M1	1	Tube	(13)
17	3900883M1	1	Elbow	(13)
18	1441704X1	2	Screw Metric	(13) M20X40
19	3783176M1	1	Support	(13)
20	3900880M1	2	Union	(13)
21	3900878M1	2	Union	(13)
22	3900877M1	2	Accumulator	(13) Up to Serial or Engine Number 50 Bars
	3900877M1	1	Accumulator	(13) From Serial or Engine Number 50 Bars
	3784036M1	1	Accumulator	(13) From Serial or Engine Number 26 Bars
23	3784927M1	2	Helmet	[A]
24	3785253M91	2	Breather	
25	3794608M2	2	Female Coupler	
26	3903512M2	1	Snapping	(25) Replace and repair. Old interchangeable with new 3903512M1
27	368374X1	1	O Ring	(25)
28	3903520M1	1	Gasket	(25)
29	3787710M1	2	Hydr Hose	Length 5500MM
30	3787707M3	1	Support	
31	390972X1	2	Washer Metric	
32	339123X1	2	Hex. Sock. Screw	M8X20
33	339011X1	X	Bolt Metric	M8X45
34	3780683M1	X	Plate	
35	3780682M1	X	Bridle	
36	3783160M1	1	Hydr Hose	Length 500MM

FOOTNOTE [A] RED

MF 8270/8280 TRACTOR - 1637348
1-ZQ37-064-A

1-ZQ37-064-A

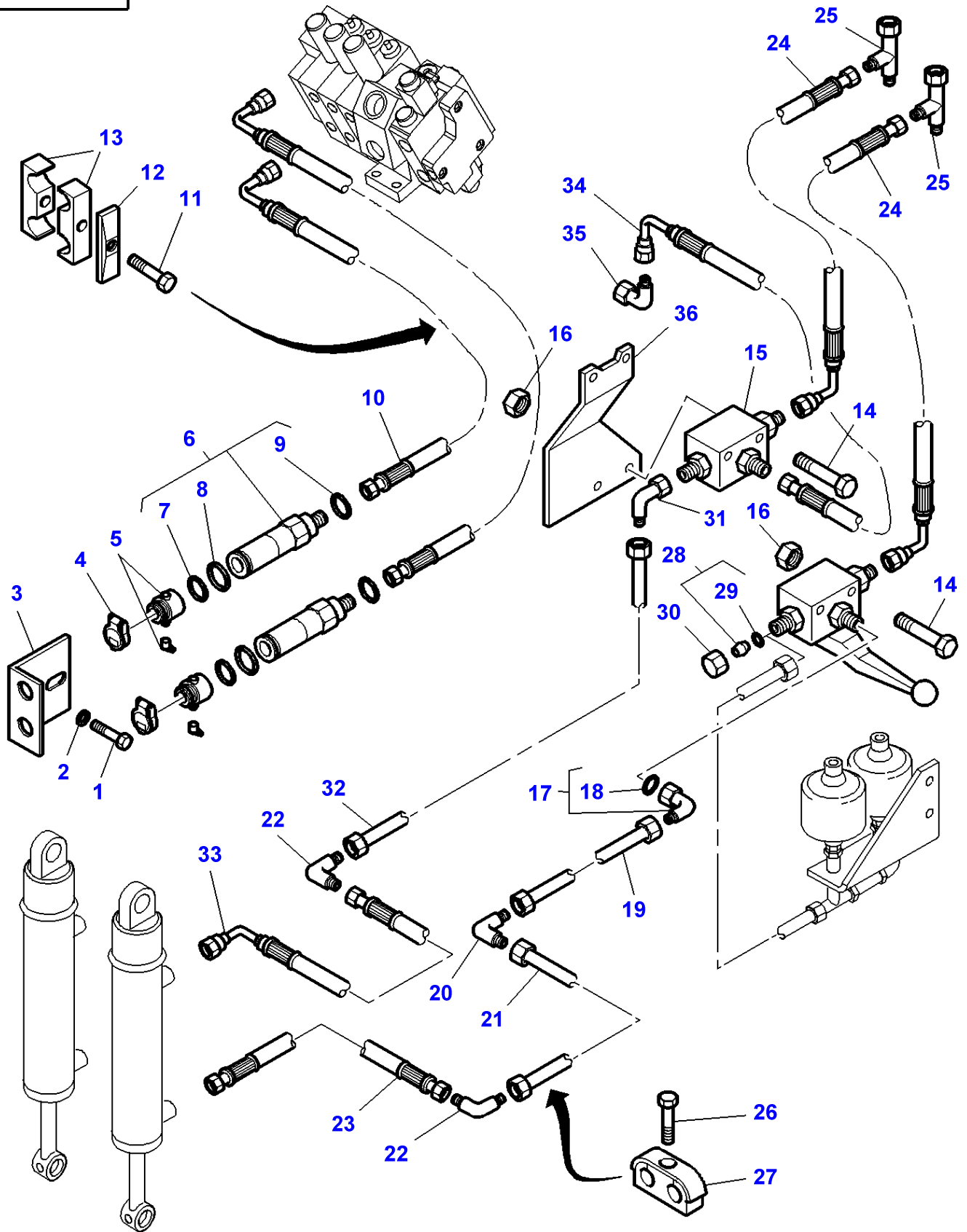


Item	Part Number	Qty	Description	Comments
1	339123X1	2	Hex. Sock. Screw	M8X20
2	390972X1	2	Washer Metric	
3	3787707M3	1	Support	
4	3784927M1	2	Helmet	
5	3785253M91	2	Breather	
6	3794608M2	2	Female Coupler	
7	3903512M2	1	Snapping	(6)
8	368374X1	1	O Ring	(6)
9	3903520M1	1	Gasket	(6)
10	3787710M1	2	Hydr Hose	Length 5500MM
11	339011X1	X	Bolt Metric	M8X45
12	3780683M1	X	Plate	
13	3780682M1	X	Bridle	
14	3010920X1	2	Screw	M5X70
15	3784417M2	1	Vane	
16	1441494X1	2	Nut Metric	M5
17	3011084X91	1	Union	
18	3011146X1	1	O Ring	(17)
19	4274267M1	1	Tube	
20	338710X1	1	Elbow	
21	4273758M1	1	Tube	
22		1	Union	
23	3783160M1	1	Hydr Hose	Length 500MM
24	4274268M2	1	Hydr Hose	Length 3600MM
25	364704X1	1	Teepiece	
26	390246X1	3	Bolt	M8X70
27	3783121M1	3	Bridle	
28	3011134X91	1	Tap	[A]
29	3011146X1	1	O Ring	(28)
30	3011118X1	1	Nut	[A]

FOOTNOTE [A] WITHOUT ACCUMULATOR

MF 8270/8280 TRACTOR - 1637348
1-ZQ37-066-A

1-ZQ37-066-A

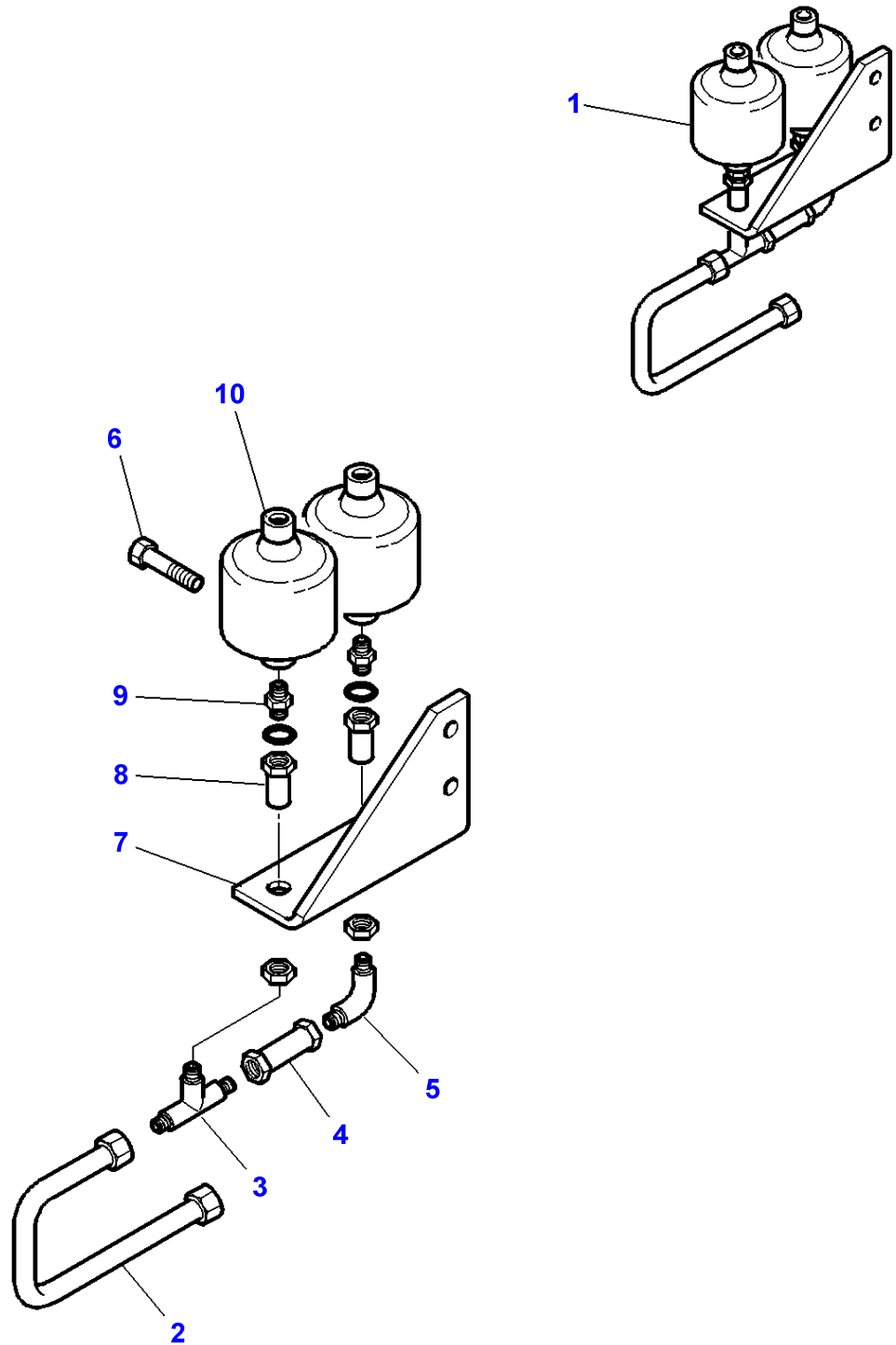


Front Linkage 3500N - Two Way

Item	Part Number	Qty	Description	Comments
1	339123X1	2	Hex. Sock. Screw	M8X20
2	390972X1	2	Washer Metric	
3	3787707M3	1	Support	
4	3784927M1	2	Helmet	
5	3785253M91	2	Breather	
6	3794608M2	2	Female Coupler	
7	3903512M2	1	Snapring	(6)
8	368374X1	1	O Ring	(6)
9	3903520M1	1	Gasket	(6)
10	3787710M1	2	Hydr Hose	Length 5500MM
11	339011X1	X	Bolt Metric	M8X45
12	3780683M1	X	Plate	
13	3780682M1	X	Bridle	
14	3010920X1	2	Screw	M5X70
	3010924X1	2	Screw	M5X50
15	3784417M2	2	Vane	
16	1441494X1	4	Nut Metric	M5
17	3011084X91	1	Union	
18	3011146X1	1	O Ring	(17)
19	4274267M1	1	Tube	
20	338710X1	1	Elbow	
21	4273758M1	1	Tube	
22		1	Union	
23	3783160M1	1	Hydr Hose	Length 500MM
24	4274268M2	2	Hydr Hose	Length 3600MM
25	364704X1	2	Teepiece	
26	390246X1	3	Bolt	M8X70
27	3783121M1	3	Bridle	
28	3011134X91	1	Tap	[A]
29	3011146X1	1	O Ring	(28)
30	3011118X1	1	Nut	[A]
31	3787918M1	1	Union	
32	4273714M1	1	Tube	
33	4273712M1	1	Hydr Hose	Length 750MM
34	3784298M1	1	Hydr Hose	Length 2500MM
35	365233X1	1	Elbow	
36	4273710M1	1	Support	

FOOTNOTE [A] WITHOUT ACCUMULATOR

1-ZQ37-065-A

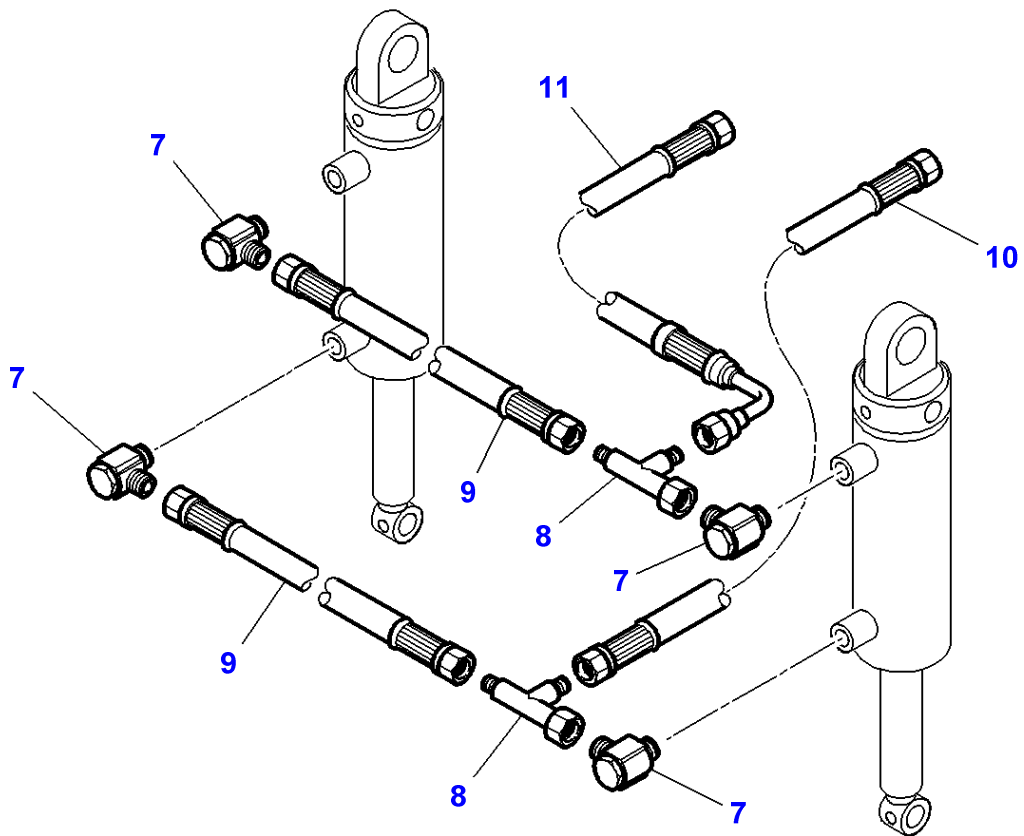
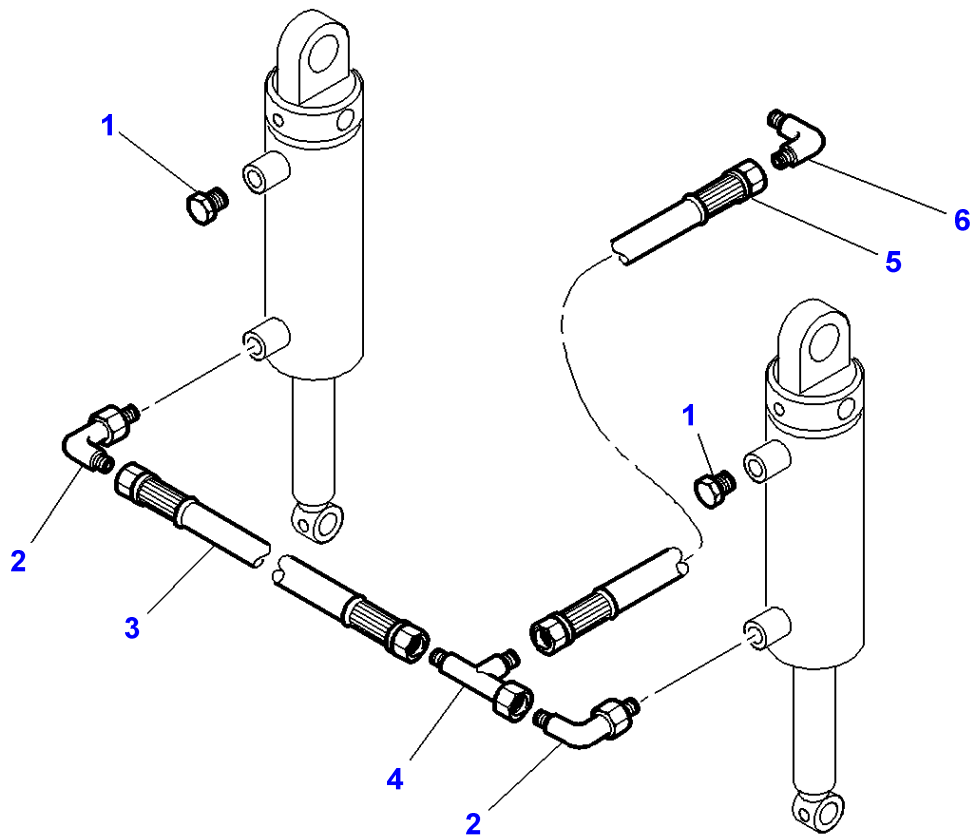


Front Linkage 35000N

Item	Part Number	Qty	Description	Comments
1	4271668M91	1	Kit, Accumulator	
2	3783177M1	1	Tube	(1)
3	3900914M1	1	Teepiece	(1)
4	3900882M1	1	Tube	(1)
5	3900883M1	1	Elbow	(1)
6	1441704X1	2	Screw Metric	(1) M20X40
7	3783176M1	1	Support	(1)
8	3900880M1	2	Union	(1)
9	3900878M1	2	Union	(1)
10	3900877M1	2	Accumulator	(1) Up to Serial or Engine Number 50 Bars
	3900877M1	1	Accumulator	(1) From Serial or Engine Number 50 Bars
	3784036M1	1	Accumulator	(1) From Serial or Engine Number 26 Bars

FOOTNOTE [A] RED

1-ZQ37-054-B

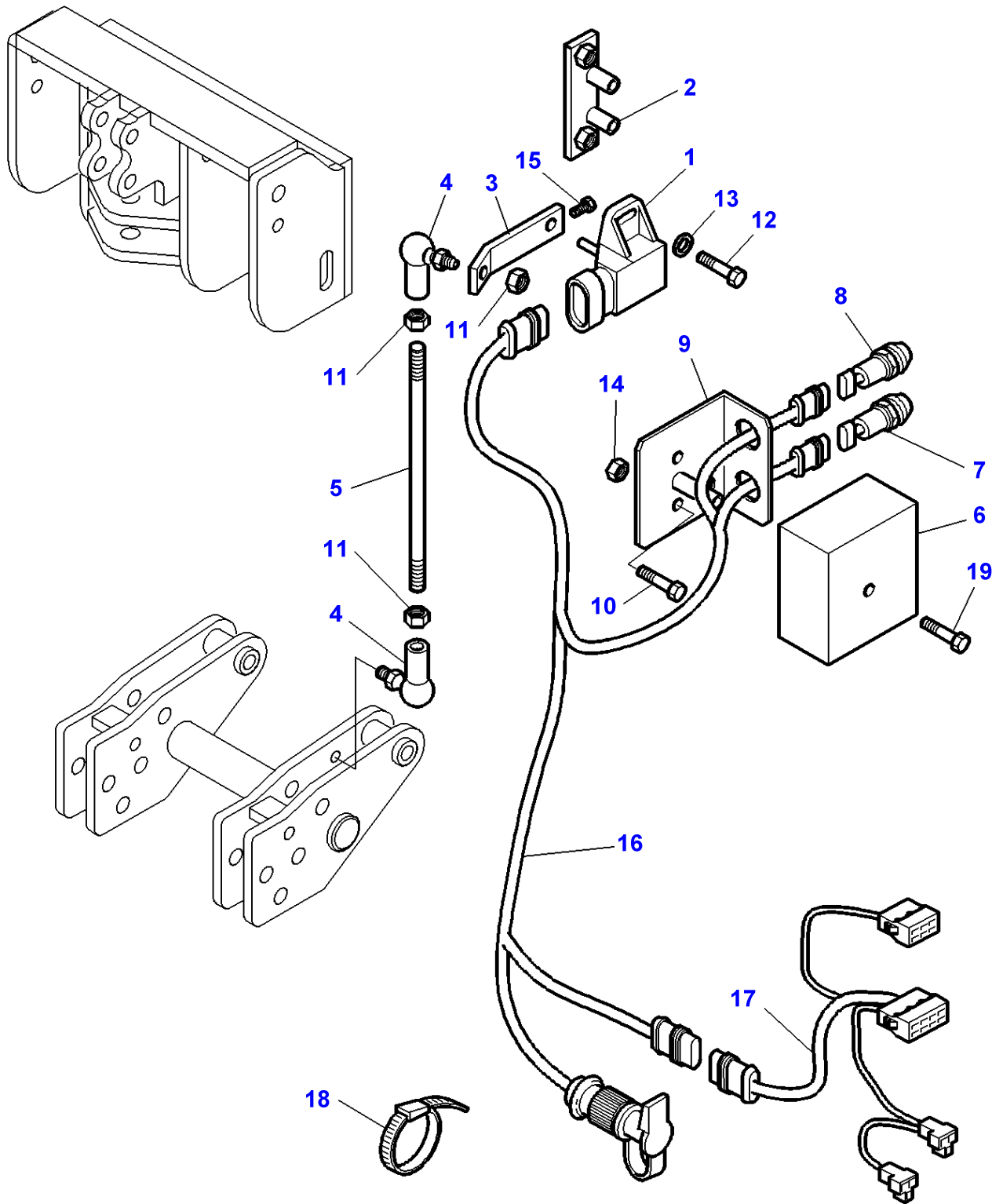


Massey Ferguson**MF 8270/8280 TRACTOR - 1637348****1637348****Front Linkage 3500N - From Serial or Engine Number L239022****Page040-0245**

Item	Part Number	Qty	Description	Comments
1	3784859M1	2	Breather	
2	4271876M1	2	Union	Up to Serial or Engine Number 18-MAI-2003
	4271463M1	2	Union	From Serial or Engine Number 19-MAI-2003
3	3785151M1	1	Hydr Hose	Up to Serial or Engine Number 18-MAI-2003 Length 310MM
	4271470M1	1	Hydr Hose	From Serial or Engine Number 19-MAI-2003 Length 430MM
4	3011289X91	1	Teepiece	
5	3783160M1	1	Hydr Hose	Length 500MM
6	338710X1	1	Elbow	
7	4271463M1	4	Union	
8	3011289X91	2	Teepiece	
9	4271470M1	2	Hydr Hose	Length 430MM
10	3783160M1	1	Hydr Hose	Length 500MM
11	4273712M1	1	Hydr Hose	Length 750MM

MF 8270/8280 TRACTOR - 1637348
1-ZQ37-033-B

1-ZQ37-033-B

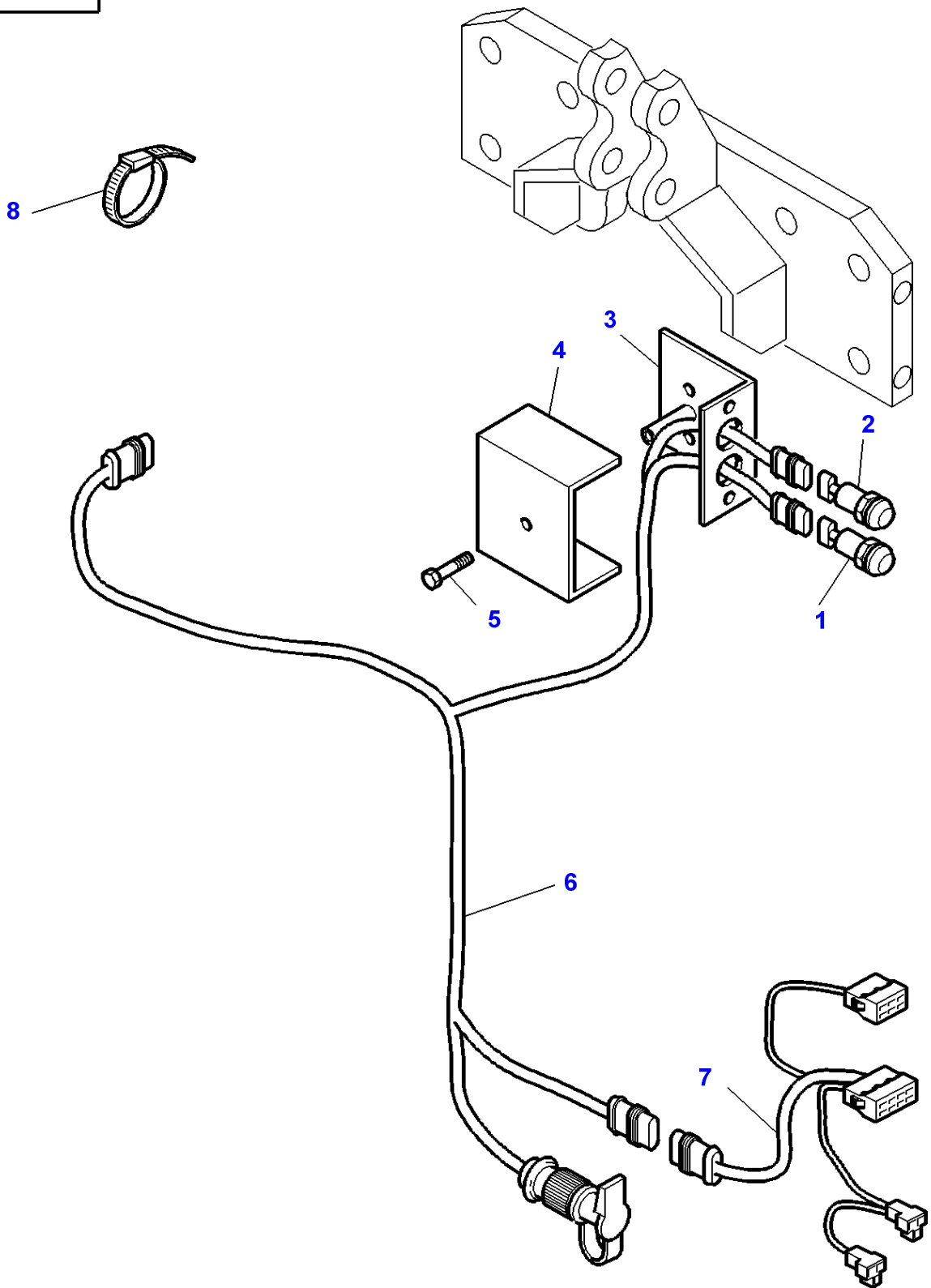


Item	Part Number	Qty	Description	Comments
1	3784361M1	1	Transducer	
2	3786146M2	1	Support	
3	3786147M2	1	Rod Link	Length 100MM
4	3778648M1	2	Stub	M8
5	3786158M2	1	Stem	M8
6	3786187M1	1	Cover	
7	3714137M1	1	Switch,Indirect	[A]
8	3714138M1	1	Switch,Indirect	[B]
9	3786188M1	1	Support	
10	339009X1	2	Hex. Sock. Screw	M8X35
11	3011202X1	3	Nut	
12	1442171X1	2	Screw	M4X10
13	339102X1	2	Washer	
14	339169X1	2	Nut	
15	3011203X1	1	Screw	M4X10
16	3786263M1	1	Harness	
17	3786264M2	1	Harness	Length 2150MM
18	3619622M1	1	Cable Tie	
19	391074X1	1	Hex. Sock. Screw	M6X12

FOOTNOTE [A] UP

FOOTNOTE [B] DOWN

1-ZQ37-049-A



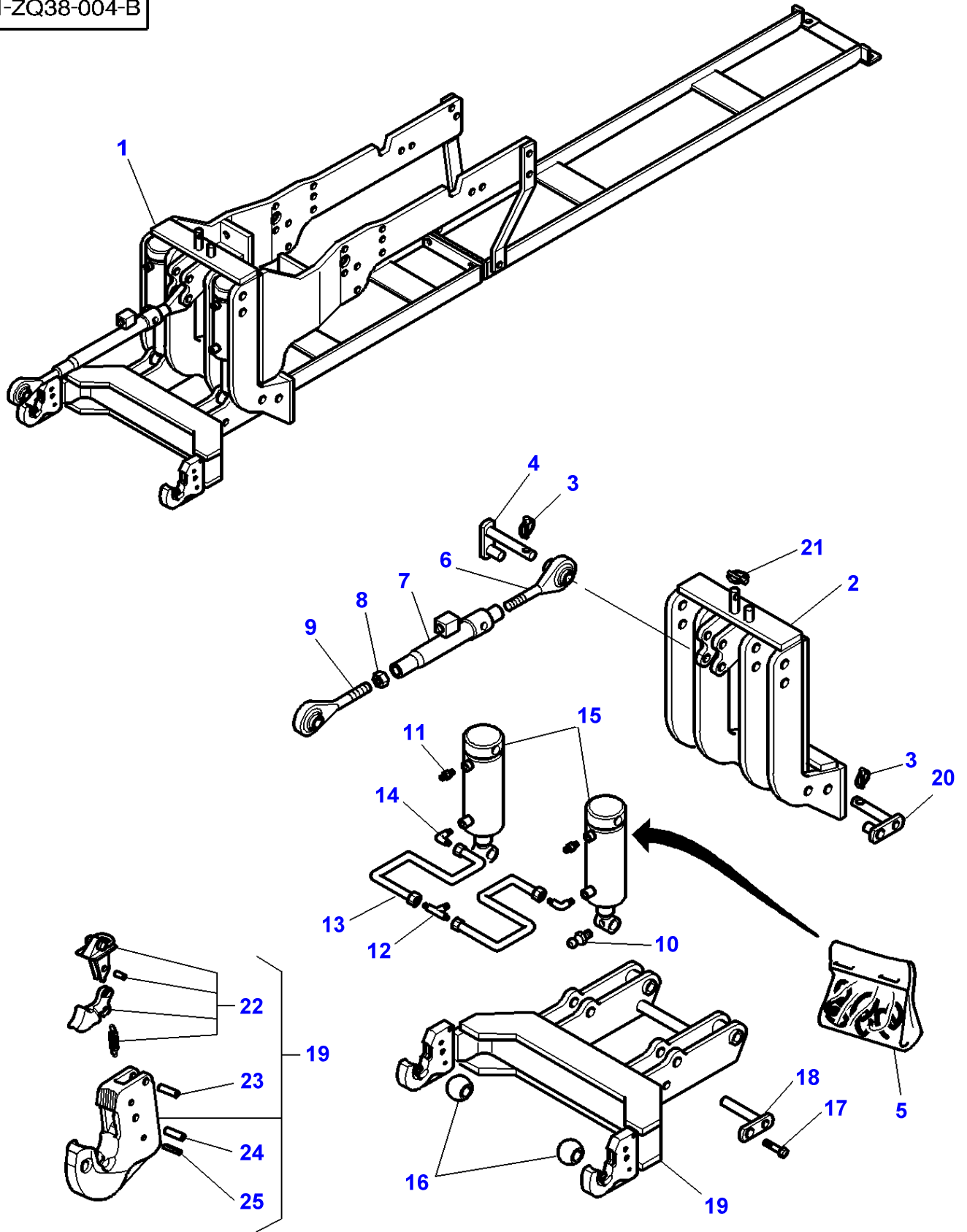
Massey Ferguson**MF 8270/8280 TRACTOR - 1637348****1637348****Front Linkage 35000N - Without Front Dual Control - Lift External Control****Page040-0255**

Item	Part Number	Qty	Description	Comments
1	3714137M1	1	Switch,Indirect	[A]
2	3714138M1	1	Switch,Indirect	[B]
3	3786188M1	1	Support	
4	3786187M1	1	Cover	
5	391074X1	1	Hex. Sock. Screw	M6X12
6	3786263M1	1	Harness	
7	3786264M2	1	Harness	
8	3619622M1	X	Cable Tie	

FOOTNOTE [A] UP

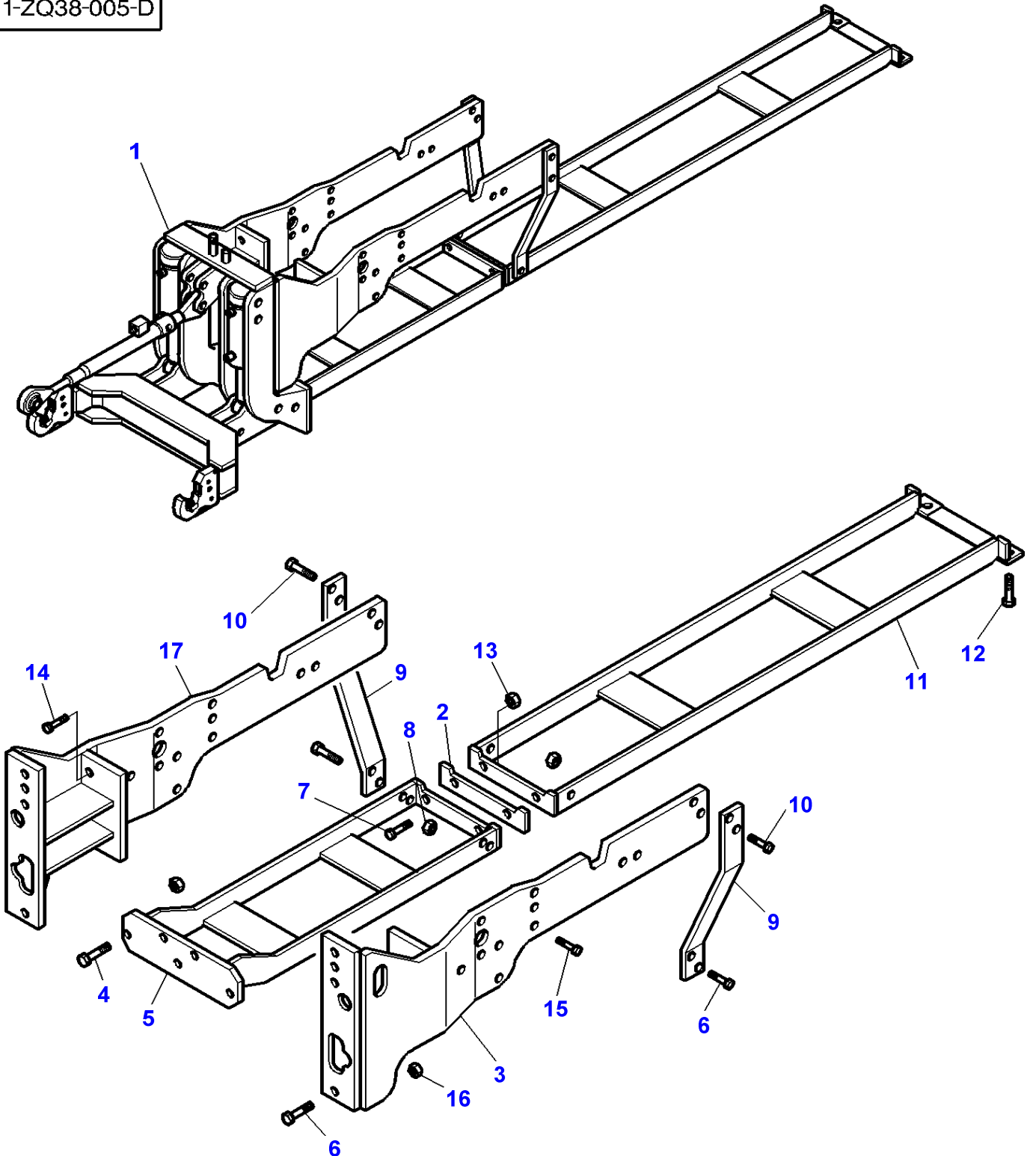
FOOTNOTE [B] DOWN

1-ZQ38-004-B



Item	Part Number	Qty	Description	Comments
1	3783379M96	1	Hitch	
2	3783420M2	1	Frame	
3	3782684M1	5	Clip	(1)
4	3783024M1	1	Support	(1)
5	3903317M91	1	Kit, Joint	
6	3783030M1	1	Toggle	(1)
7	3783027M1	1	Body	(1)
8	3010927X1	1	Nut	(1)
9	3783029M1	1	Toggle	(1)
10	3900862M1	6	Greaser	(1)
11	3784859M1	2	Breather	(1)
12	3902227M1	1	Teepiece	(1)
13	3783025M1	2	Tube	(1)
14	3900868M1	2	Elbow	(1)
15	3783421M1	2	Ram	(1)
16	3782685M1	2	Toggle	(1)
				CAT 3
	3782686M1	2	Toggle	(1)
				CAT 3/2
17	339020X1	2	Bolt Metric	(1)
				M12X20
18	3783023M1	2	Clevis Pin	(1)
19	3783021M2	1	Arm	(1)
20	3783022M1	4	Clevis Pin	(1)
21	3782691M1	1	Clip	(1)
22	3903314M91	1	Kit, Repair	(19)
				CAT 3/2
23	3006429X1	1	Pin	(19)
				Diameter 10X36MM
24	3008317X1	1	Pin	(19)
				Diameter 13X36MM
25	339783X1	1	Pin	(19)
				Diameter 6X32MM

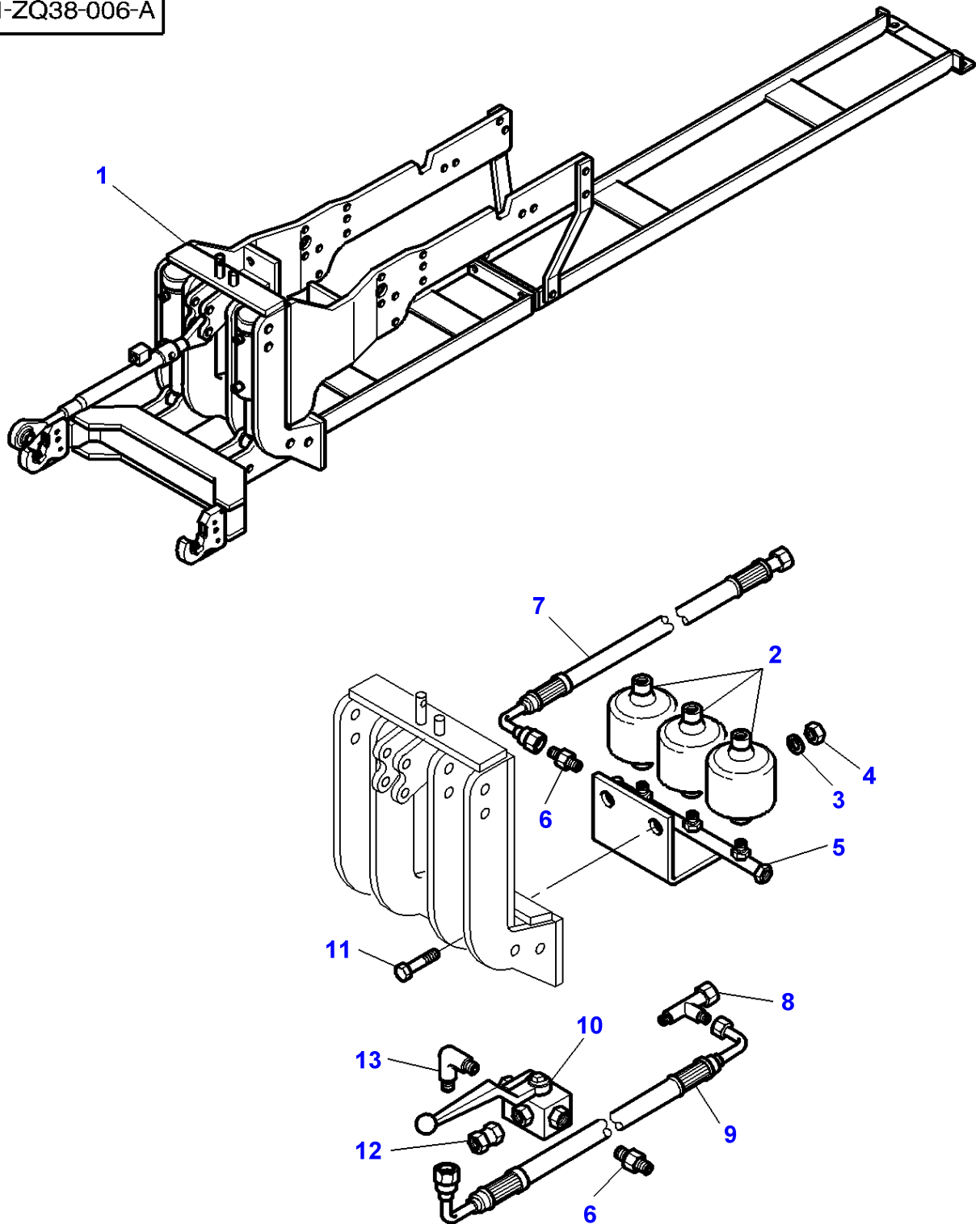
1-ZQ38-005-D



Front Linkage 50000N

Item	Part Number	Qty	Description	Comments
1	3783379M96	1	Hitch	
2	3783170M1	1	Chock	(1) Thickness 1MM
	3783171M1	1	Chock	(1) Thickness 2MM
	3783172M1	1	Chock	(1) Thickness 3MM
3	3783632M5	1	Runner	Left Hand
4	3001968X1	5	Screw	(1) M20X60
5	3783166M2	1	Transverse	(1)
6	391329X1	12	Screw	(1) M20X70
7	3010937X1	2	Screw	(1) M18X90
8	3009747X1	9	Nut	(1) M20
9	3783168M1	1	Stirrup	(1) Right Hand
	3783169M1	1	Stirrup	(1) Left Hand
10	391914X1	4	Bolt	M20X110
11	3783167M1	1	Reinforcement	(1)
12	3010008X1	4	Screw	(1) M16X50
13	392335X1	2	Nut	(1) M18
14	3384129M1	4	Screw	M20X55
15	390740X1	4	Bolt Metric	M20X55
	391891X1	6	Bolt Metric	M20X90
16	3009747X1	8	Nut	M20
17	3783633M6	1	Runner	Right Hand

1-ZQ38-006-A

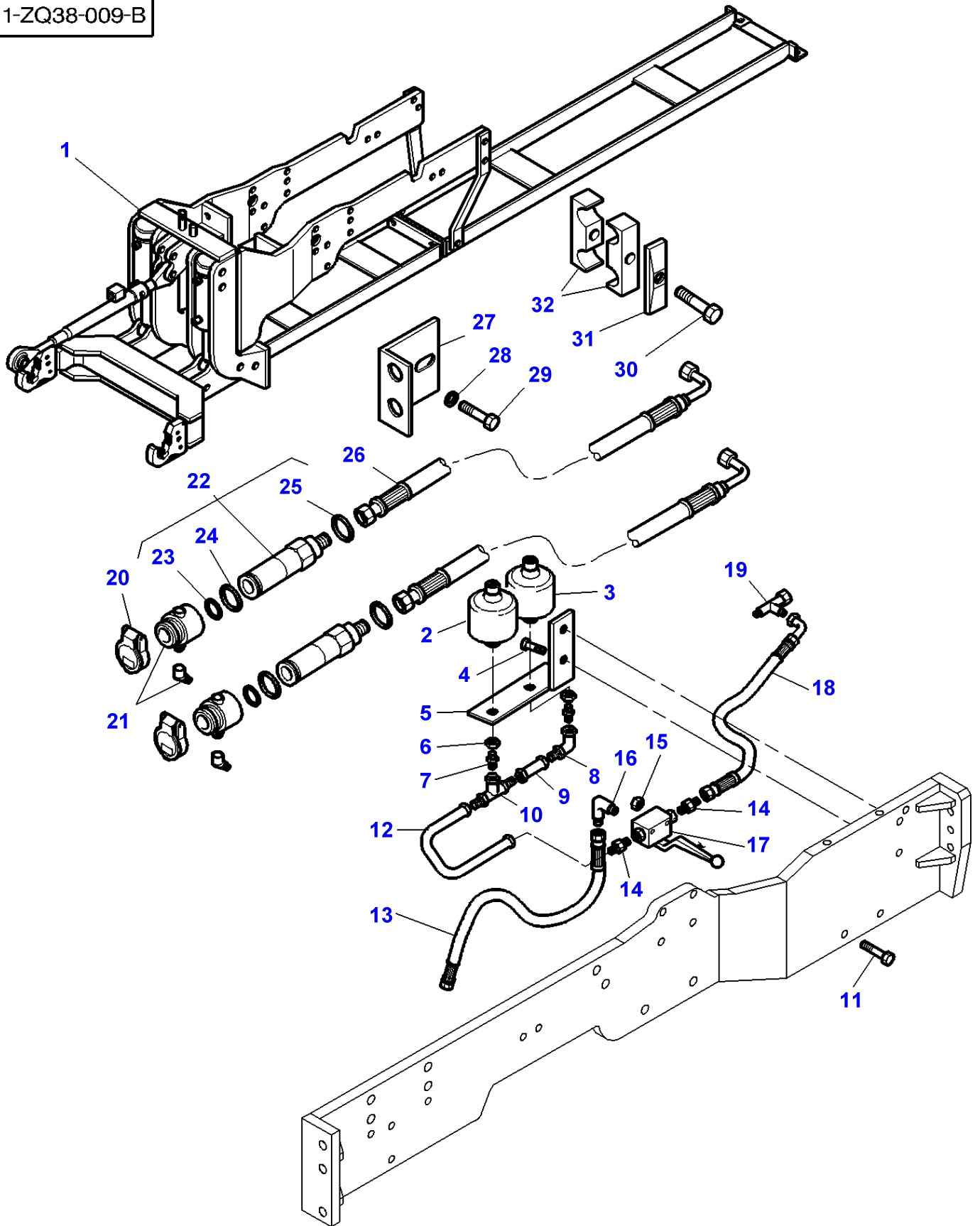


Massey Ferguson**MF 8270/8280 TRACTOR - 1637348****1637348****Front Linkage 50000N - Up to Serial or Engine Number J032018****Page040-0270**

Item	Part Number	Qty	Description	Comments
1	3783379M91	1	Hitch	
2	3900877M1	3	Accumulator	(1) 50 Bars
3	339378X1	2	Lock Washer	(1)
4	3009747X1	2	Nut	(1) M20
5	3783174M1	1	Support	(1)
6	3900869M1	3	Union	(1)
7	3783175M1	1	Hydr Hose	(1) Length 320MM
8	3782998M1	1	Teepiece	(1)
9	3783173M1	1	Hydr Hose	(1) Length 5500MM
10	3900873M1	1	Vane	(1)
11	390740X1	2	Bolt Metric	(1) M20X55
12	3783178M1	1	Union	(1)
13	3900868M1	1	Elbow	(1)

MF 8270/8280 TRACTOR - 1637348
1-ZQ38-009-B

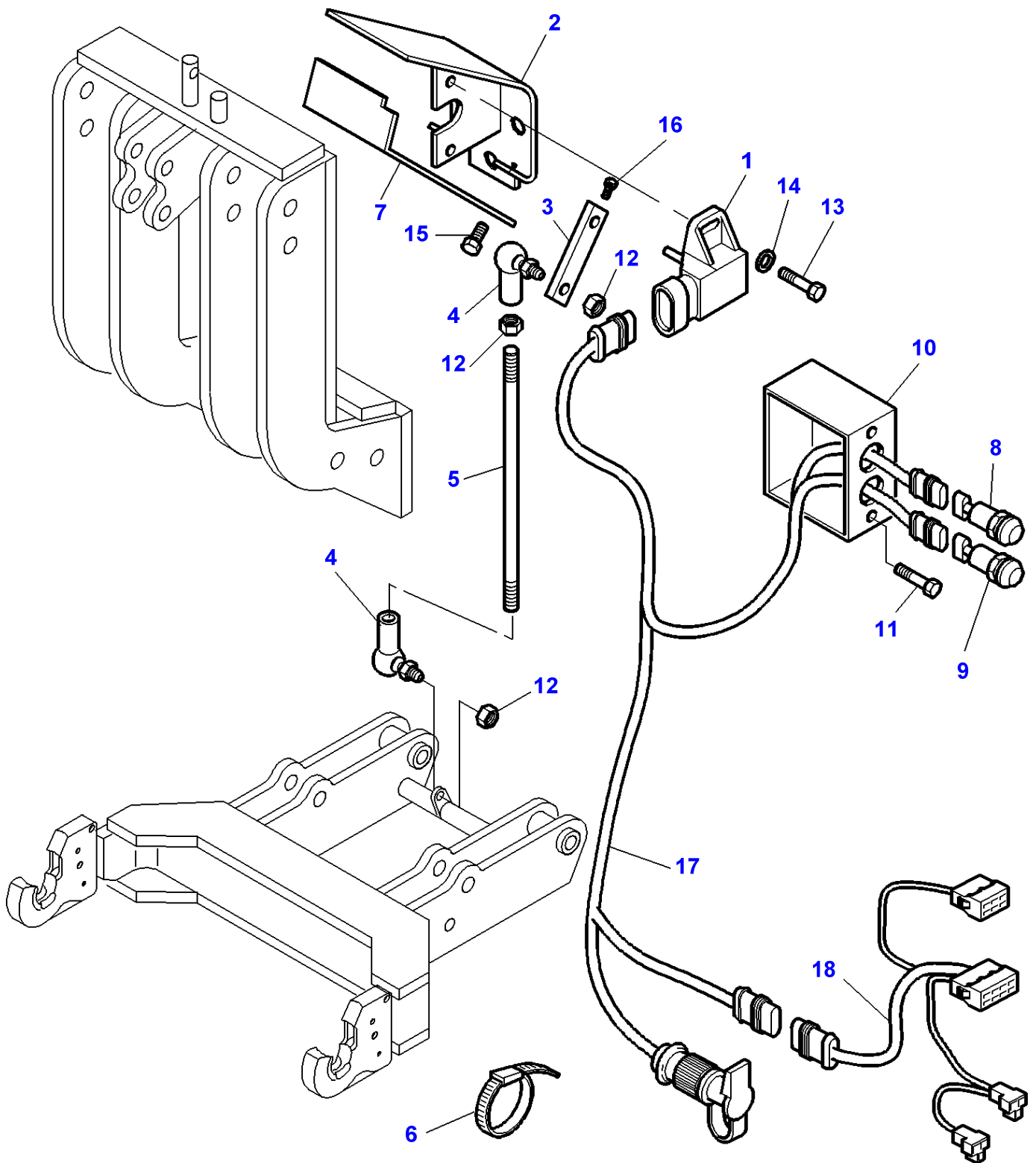
1-ZQ38-009-B



Item	Part Number	Qty	Description	Comments
1	3783379M96	1	Hitch	
2	3783641M2	1	Accumulator	(1) 35 Bars
3	3783640M1	1	Accumulator	(1) 80 Bars
4	1441704X1	2	Screw Metric	(2) M20X40
5	3783639M2	1	Support	(1)
6	3010967X1	2	Nut	(1) M33
7	3783642M1	2	Union	(1)
8	3900883M1	1	Elbow	(1)
9	3783643M1	1	Tube	(1)
10	3900914M1	1	Teepiece	(1)
11	3010920X1	2	Screw	(1) M5X70
12	3783884M1	1	Tube	(1)
13	3783644M1	1	Hydr Hose	(1) Length 2800MM
14	3900869M1	2	Union	(1)
15	3005823X1	2	Nut	(1) M5
16	3900868M1	1	Elbow	(1)
17	3900873M1	1	Vane	(1)
18	3783163M1	1	Hydr Hose	(1) Length 3600MM
19	3782998M1	1	Teepiece	(1)
20	3784927M1	2	Helmet	[A]
21	3785253M91	2	Breather	
22	3794608M2	2	Female Coupler	
23	3903512M2	1	Snapping	(22) Replace and repair. Old interchangeable with new 3903512M1
24	368374X1	1	O Ring	(22)
25	3903520M1	1	Gasket	(22)
26	3787710M1	2	Hydr Hose	Length 5500MM
27	3787707M3	2	Support	
28	390972X1	2	Washer Metric	
29	339123X1	2	Hex. Sock. Screw	M8X20
30	339011X1	X	Bolt Metric	M8X45
31	3780683M1	X	Plate	
32	3780682M1	X	Bridle	

FOOTNOTE [A] RED

1-ZQ38-017-B

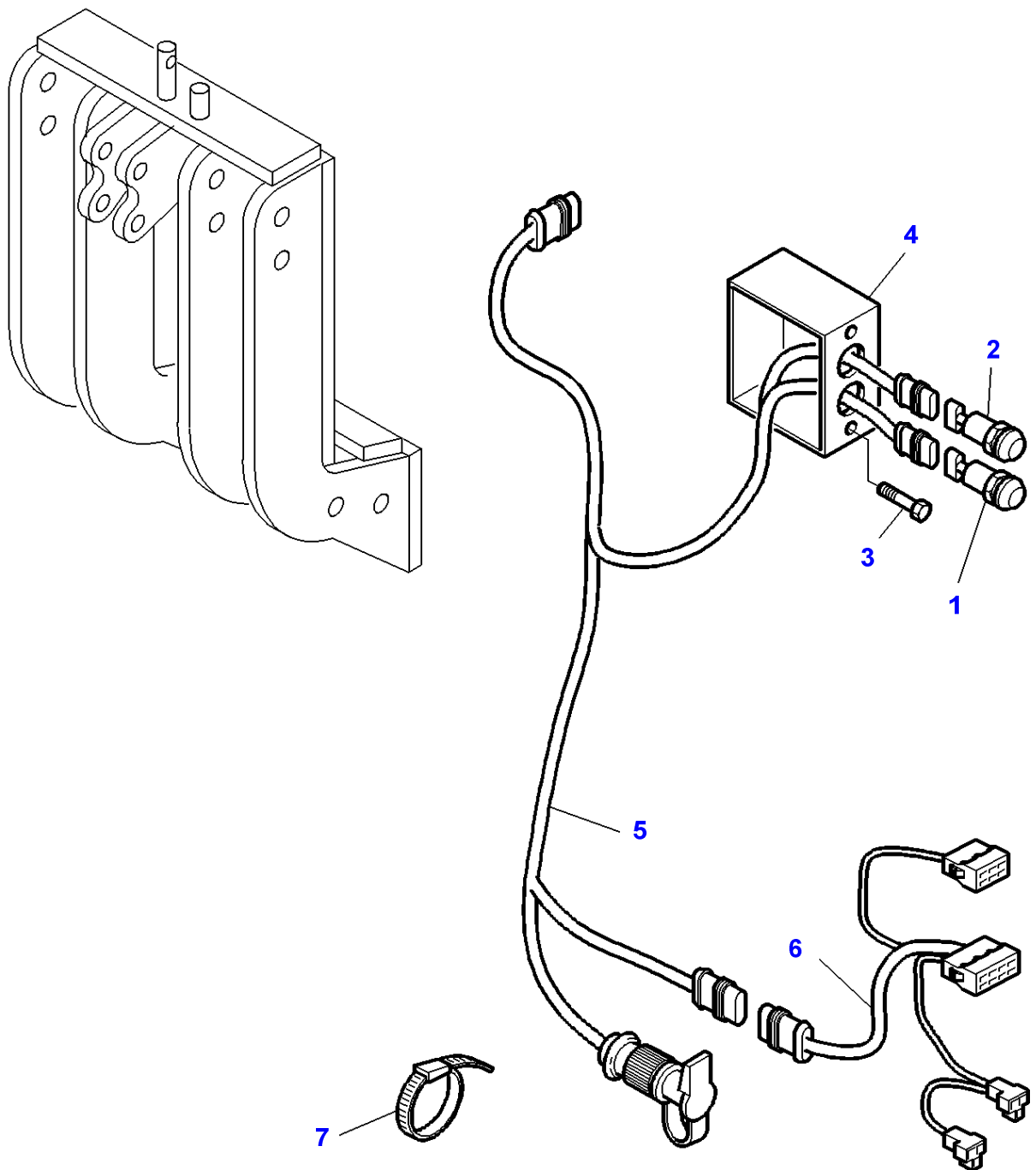


Item	Part Number	Qty	Description	Comments
1	3784361M1	1	Transducer	
2	3786259M1	1	Support	
3	3786098M2	1	Rod Link	Length 56MM
4	3782780M1	2	Stub	M6
5	3786131M1	1	Stem	Length 38MM
6	3619622M1	10	Cable Tie	
7	3786133M2	1	Cowl	
8	3714137M1	1	Switch,Indirect	[A]
9	3714138M1	1	Switch,Indirect	[B]
10	3786186M2	1	Support	
11	339009X1	2	Hex. Sock. Screw	M8X35
12	3011202X1	3	Nut	
13	1442171X1	2	Screw	M4X10
14	339102X1	2	Washer	
15	3009491X1	2	Hex. Sock. Screw	M10X20
16	3011203X1	1	Screw	M4X10
17	3786263M1	1	Harness	
18	3786264M2	1	Harness	Length 2150MM

FOOTNOTE [A] UP

FOOTNOTE [B] DOWN

1-ZQ38-023-A



Massey Ferguson**MF 8270/8280 TRACTOR - 1637348****1637348****Front Linkage 50000N - Without Front Dual Control - Lift External Control****Page040-0285**

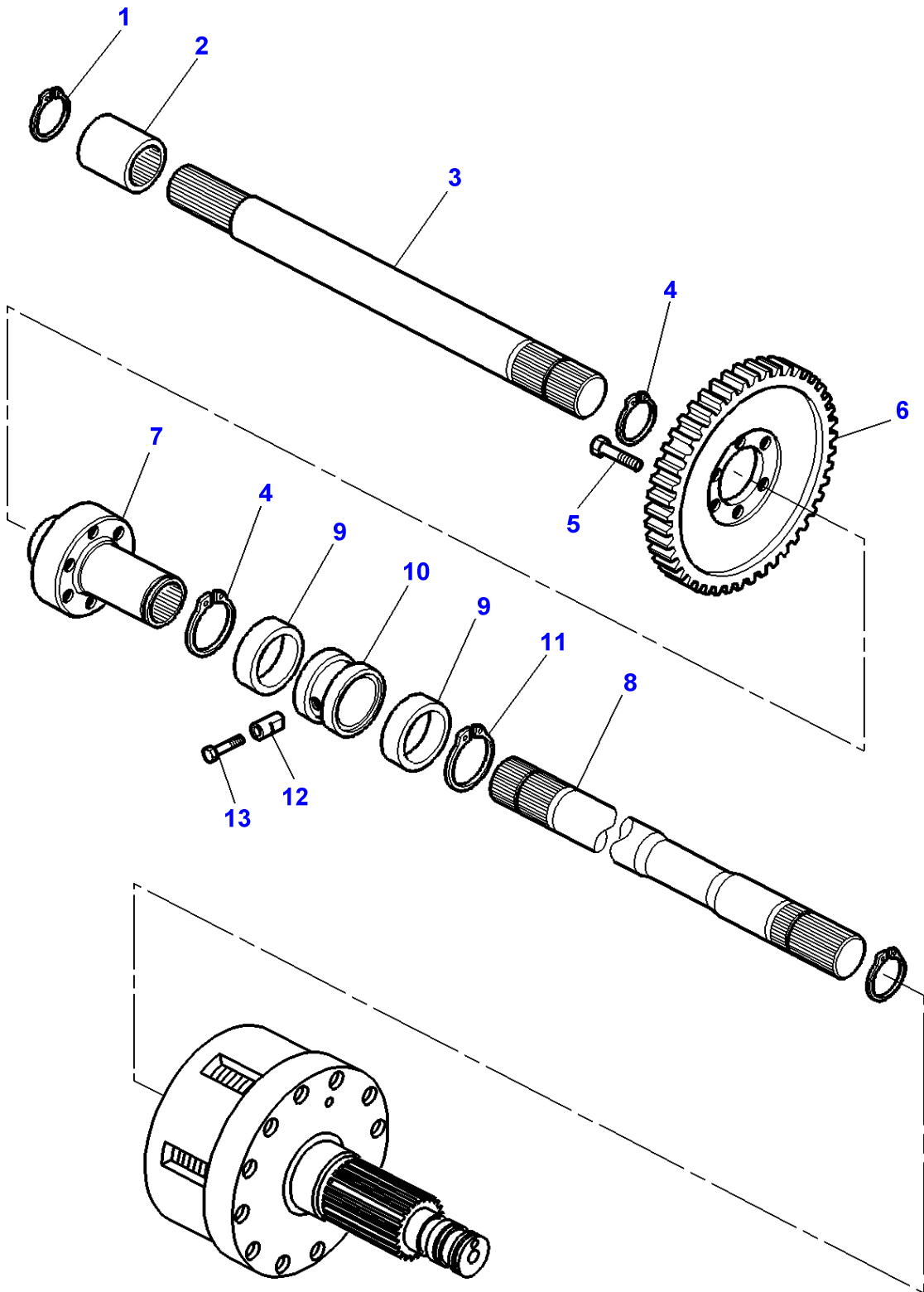
Item	Part Number	Qty	Description	Comments
1	3714137M1	1	Switch,Indirect	[A]
2	3714138M1	1	Switch,Indirect	[B]
3	339009X1	1	Hex. Sock. Screw	M8X35
4	3786186M2	1	Support	
5	3786263M1	1	Harness	
6	3786264M2	1	Harness	
7	3619622M1	X	Cable Tie	

FOOTNOTE [A] UP

FOOTNOTE [B] DOWN

MF 8270/8280 TRACTOR - 1637348
1-ZX18-003-A

1-ZX18-003-A

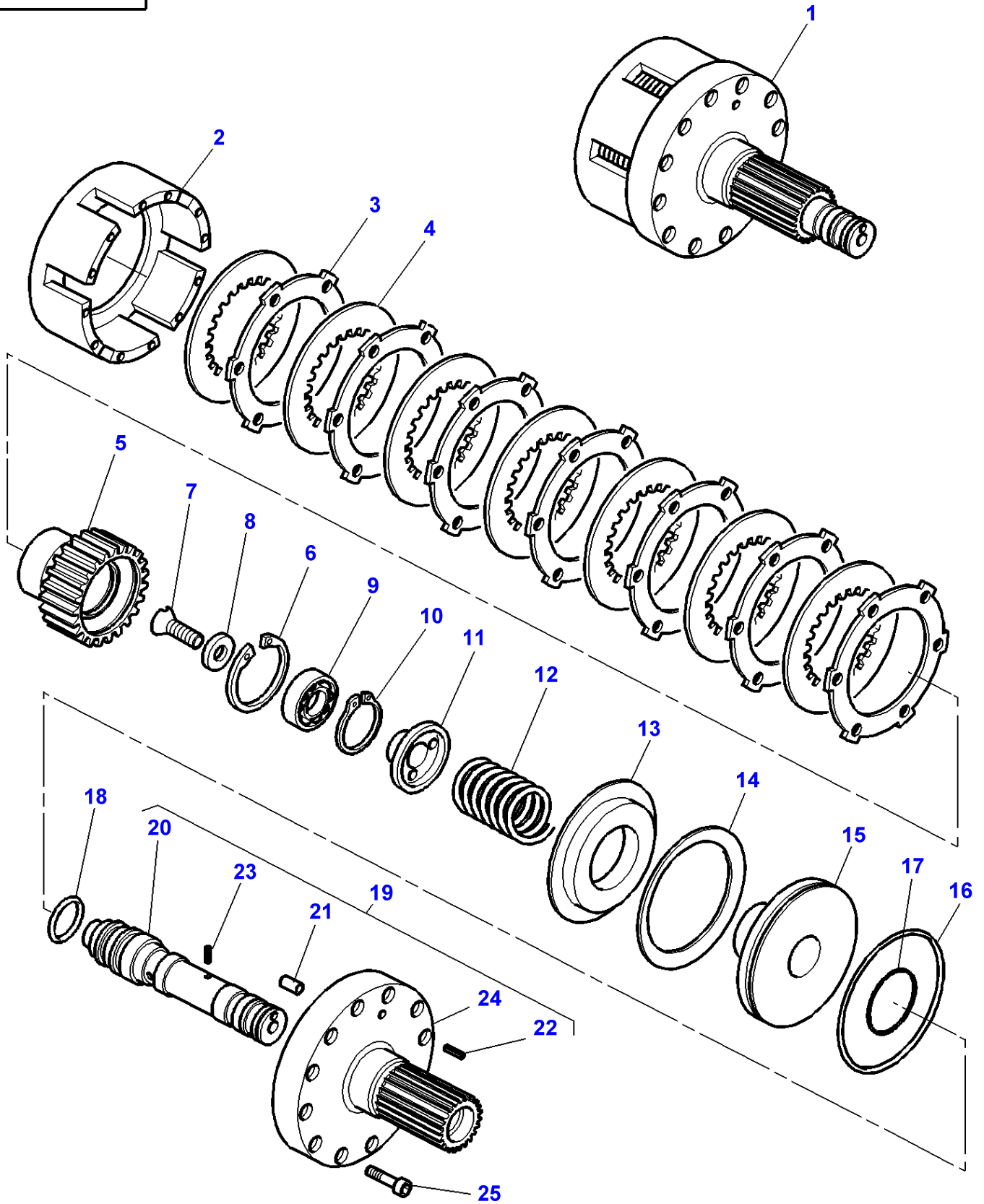


Pto Shaft

Item	Part Number	Qty	Description	Comments
1	3019268X1	1	Circlip	
2	3716460M1	1	Sleeve	
3	3716417M2	1	Shaft	Length 370MM
4	339469X1	2	Circlip	
5	3010969X1	6	Screw Metric	M10X20
6	3716420M1	1	Pinion	Number of teeth/spines 87
7	3716489M1	1	Hub	
8	3716421M2	1	Shaft	
9	3003277X1	2	Bear. 6010	
10	3716564M2	1	Bush	
11	391129X1	1	Circlip	
12	3716807M1	1	Pin	
13	3019642X1	1	Plug	M16

MF 8270/8280 TRACTOR - 1637348
1-ZG23-006-A

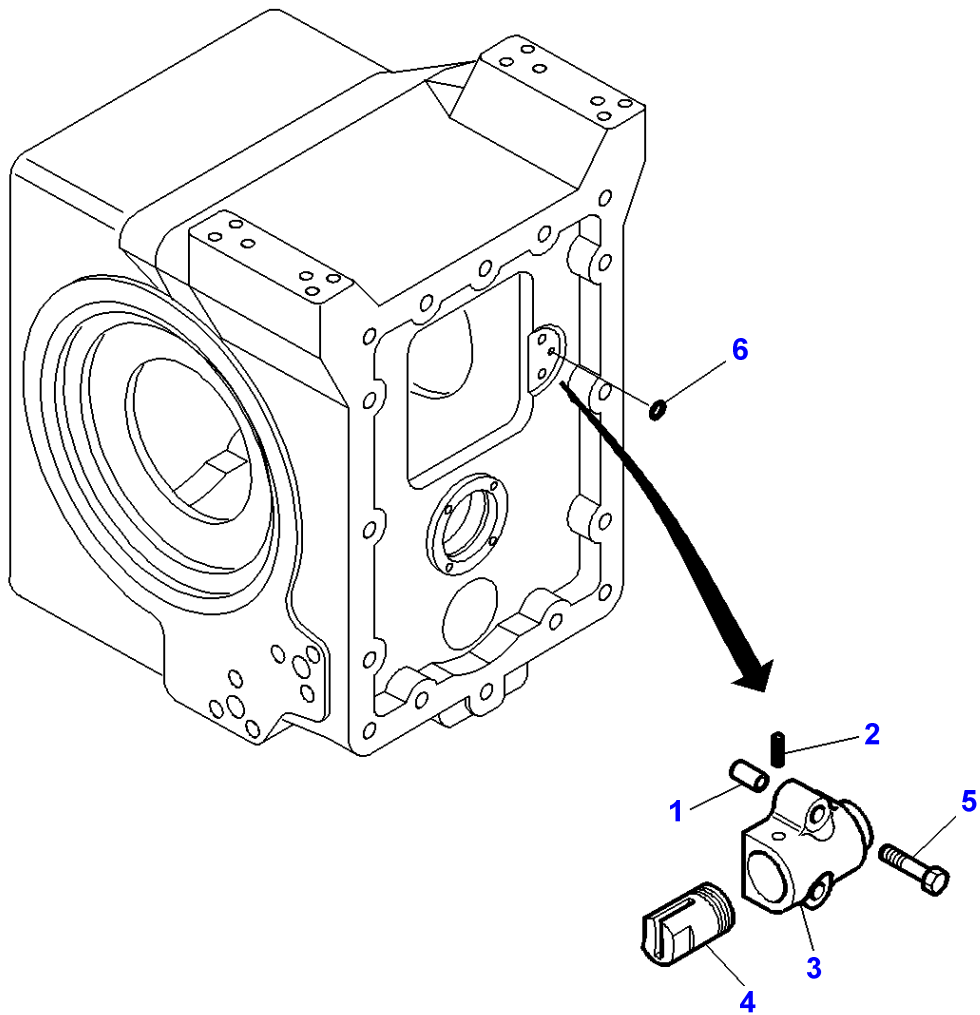
1-ZG23-006-A



Independent Power Take Off Clutch - 7 Disc

Item	Part Number	Qty	Description	Comments
1	3716008M15	1	Kit, Clutch	
2	3716032M1	1	Cover	(1)
3	3387347M1	7	Disc	(1)
4	3387346M1	7	Counterplate	(1)
5	3716033M1	1	Hub	(1)
6	3716080M1	1	Ring	(1)
7	3009450X1	1	Screw	(1) M10X20
8	3389211M1	1	Washer	(1)
9	3010767X1	1	Bear. 6004	(1)
10	391061X1	1	Circlip	(1)
11	3716034M1	1	Stop	(1)
12	3582893M2	1	Spring	(1)
13	3387198M1	1	Support	(1)
14	3619148M1	1	Cup Spring	(1)
15	3387193M1	1	Piston	(1)
16	3582933M1	1	O Ring	(1)
17	3582934M1	1	Gasket	(1)
18	367156X1	1	O Ring	(1) Diameter 29,74X3,53MM Diameter 26,64X2,62MM
19	3716061M12	1	Support	(1)
20	3716030M1	1	Clevis Pin	(19)
21	3009351X1	1	Screw	(19) M6x8
22	1872134M92	1	Valve Check	(19)
23	3006442X1	1	Pin	(19) Diameter 2 MM Length 12 MM
24		1	Hub Carrier	(19) Not serviced,order REF 19
25	3011311X1	12	Screw	(1) M8X50

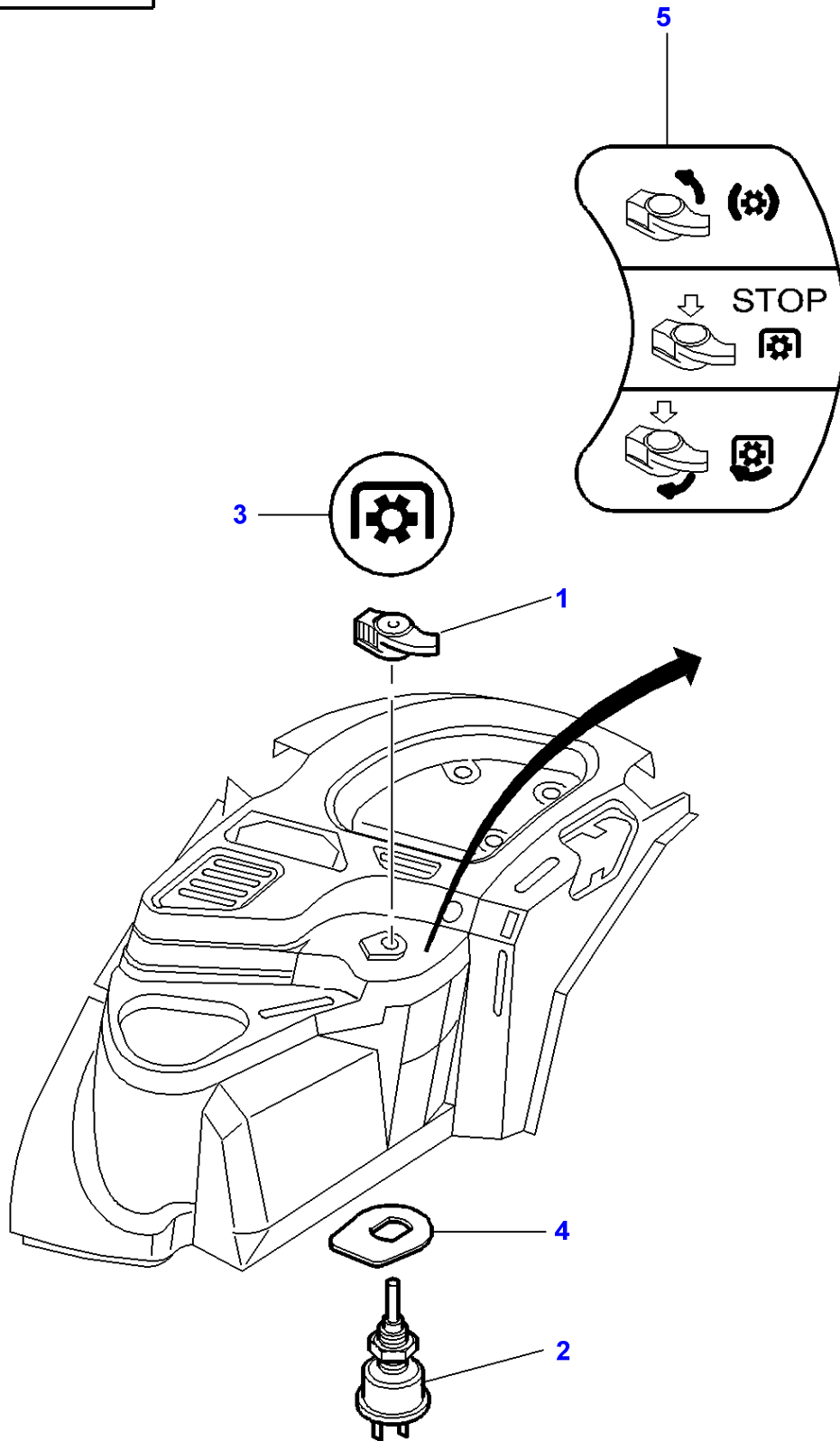
1-ZG24-001-A



Massey Ferguson**MF 8270/8280 TRACTOR - 1637348****1637348****Independent Power Take Off Drive Mechanism - Two Speed - Brakes****Page050-0015**

Item	Part Number	Qty	Description	Comments
1	3000052X1	2	Sleeve	
2	1440961X1	1	Pin	Diameter 4 MM Length 10 MM
3	3716181M1	1	Case Assy	Up to Serial or Engine Number J062012
	3793768M1	1	Case Assy	From Serial or Engine Number J062013
4	3716180M2	1	Piston	
5	3004715X1	2	Screw	M8X60
6	1440011X1	1	O Ring	

1-ZG23-007-A



Massey Ferguson

MF 8270/8280 TRACTOR - 1637348

1637348

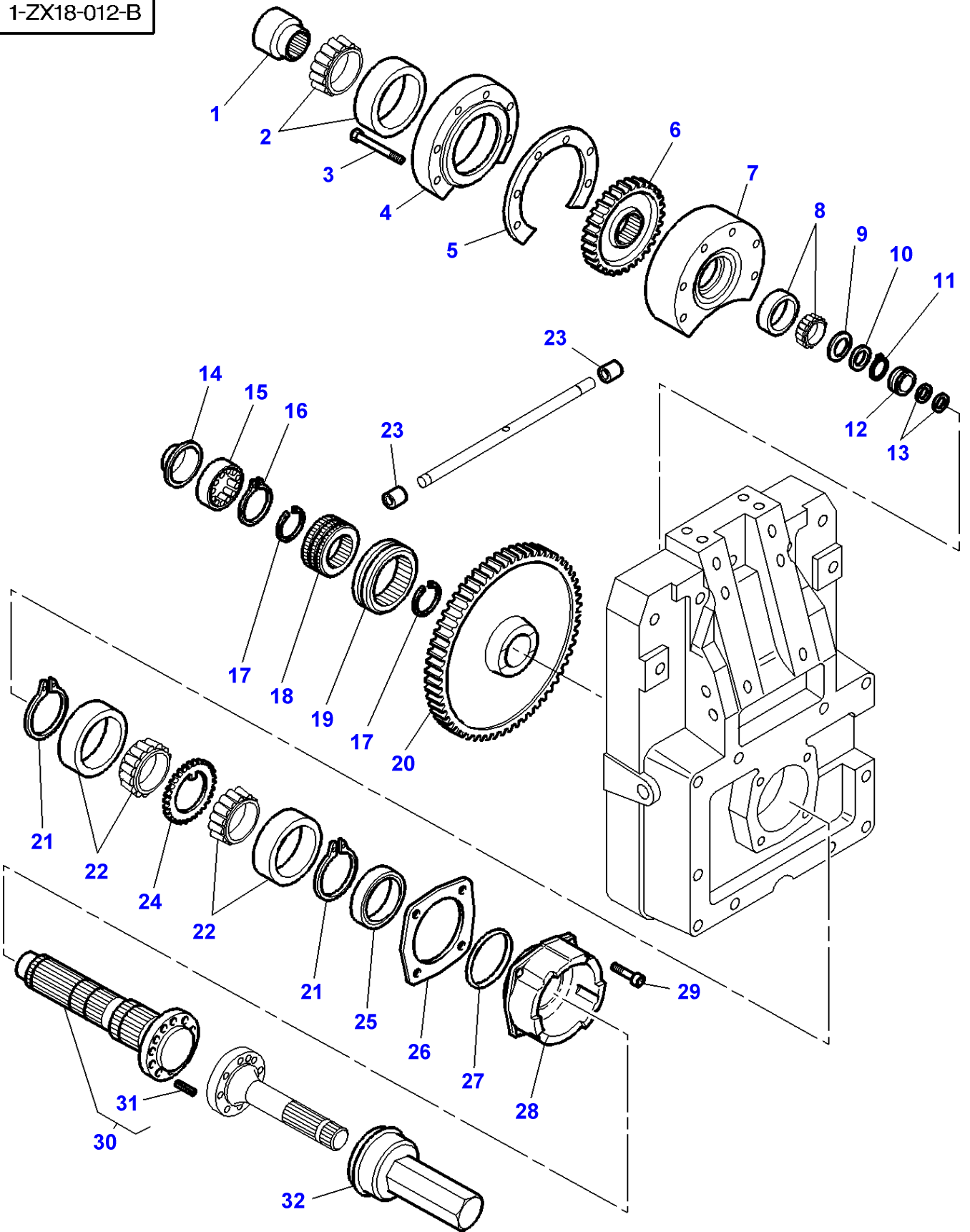
Independent Power Take Off Clutch

Page050-0020

Item	Part Number	Qty	Description
1	3778562M2	1	Button
2	3619445M2	1	Switch,Indirect
3	3781792M1	1	Decal
4	3781924M1	1	Plate
5	3782569M1	1	Decal

MF 8270/8280 TRACTOR - 1637348
1-ZX18-012-B

1-ZX18-012-B

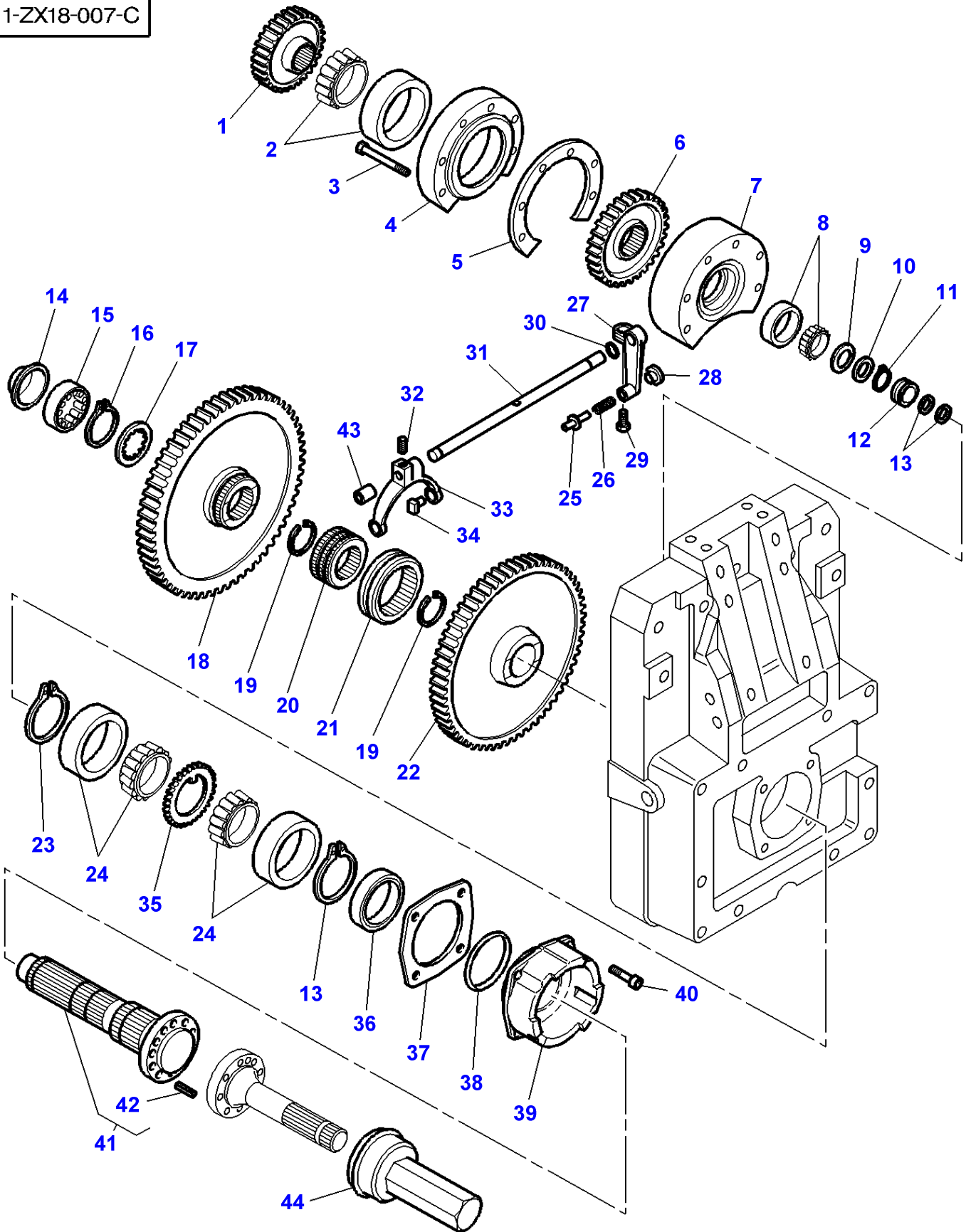


Pto Shaft

Item	Part Number	Qty	Description	Comments
1	3716338M1	1	Bush	
2	3010192X91	1	Bearing Taper	
3	339488X1	6	Bolt Metric	M10x85
4	3716002M2	1	Bearing Carrier	
5	3716037M1	X	Chock	Thickness 0,1 MM
	3795175M1	X	Shim	Thickness 0,15MM
	3716038M1	X	Chock	Thickness 0,4 MM
6	3716006M1	1	Pinion	Number of teeth/spines 44 1000 RPM
7	3716003M2	1	Case Assy	
8	3009853X1	1	Bearing Taper	
9	3716007M1	1	Washer	
10	3716028M1	1	Washer	
11	3010624X1	1	Ring	
12	3382868M1	1	Bush	
13	3382874M1	2	Segment	
14	3716024M1	1	Deflector	
15	1612707M1	1	Bearing Assy	
16	3015238X1	1	Ring	
17	3010555X1	2	Ring	
18	3716025M2	1	Hub	
19	3382069M3	1	Slider Bearing	
20	3716012M12	1	Pinion	Number of teeth/spines 92 1000 RPM
21	3010554X1	2	Circlip	
22	3010192X91	2	Bearing Taper	
23	390979X1	2	Plug	Diameter 20MM
24	3716014M2	1	Spacer	
25	3716017M1	1	Gasket	
26	3716053M1	X	Chock	Thickness 0,1 MM
	3716054M1	X	Chock	Thickness 0,4 MM
27	152623M1	1	O Ring	
28	3716022M2	1	Hub	Up to Serial or Engine Number N159027
	3796242M2	1	Hub	From Serial or Engine Number N159028 Not serviced,order REF. 32
29	3009292X1	4	Screw	M10x25
30	3716057M13	1	Shaft	
31	3006290X1	1	Centraliser	(30) Diameter 10 MM Length 30 MM
32	3795979M1	1	Pto Guard	From Serial or Engine Number N159028 ISO
	3796165M1	1	Pto Guard	From Serial or Engine Number N159028 SAE

MF 8270/8280 TRACTOR - 1637348
1-ZX18-007-C

1-ZX18-007-C

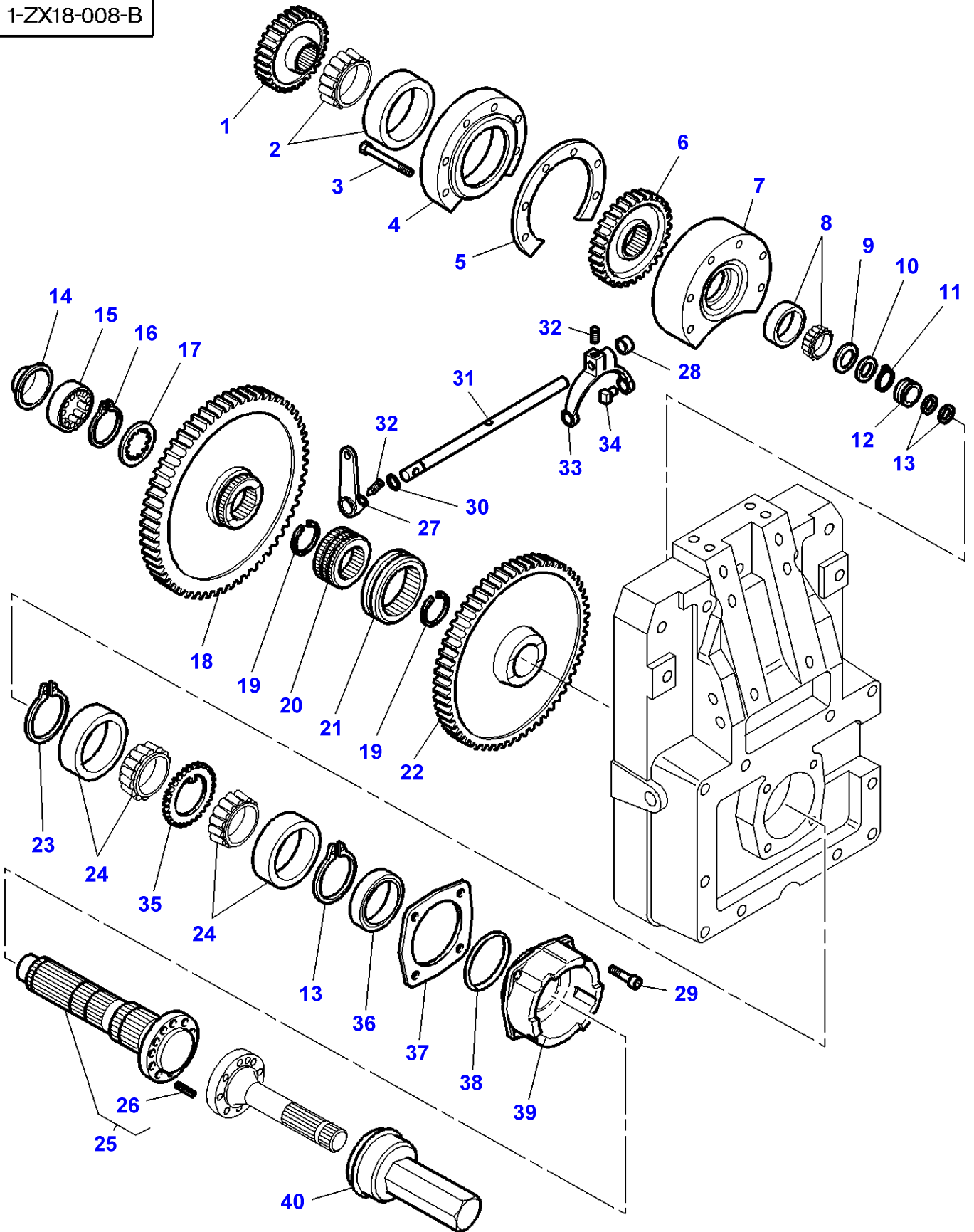


Pto Shaft - Throttle Control

Item	Part Number	Qty	Description	Comments
1	3716288M1	1	Pinion	Number of teeth/spines 29 540 RPM
	3716005M1	1	Pinion	Number of teeth/spines 37 750 RPM
2	3010192X91	1	Bearing Taper	
3	339488X1	6	Bolt Metric	M10x85
4	3716002M2	1	Bearing Carrier	
5	3716037M1	X	Chock	Thickness 0,1 MM
	3795175M1	X	Shim	Thickness 0,15MM
	3716038M1	X	Chock	Thickness 0,4 MM
6	3716006M1	1	Pinion	Number of teeth/spines 44 1000 RPM
7	3716003M2	1	Case Assy	
8	3009853X1	1	Bearing Taper	
9	3716007M1	1	Washer	
10	3716028M1	1	Washer	
11	3010624X1	1	Ring	
12	3382868M1	1	Bush	
13	3382874M1	2	Segment	
14	3716024M1	1	Deflector	
15	1612707M1	1	Bearing Assy	
16	391129X1	1	Circlip	
17	3716027M2	1	Washer	
18	3716290M12	1	Pinion	Number of teeth/spines 107 540 RPM
	3716009M13	1	Pinion	Number of teeth/spines 99 750 RPM
19	3010555X1	2	Ring	
20	3716025M2	1	Hub	
21	3382069M3	1	Slider Bearing	
22	3716012M12	1	Pinion	Number of teeth/spines 92 1000 RPM
23	3010554X1	2	Circlip	
24	3010192X91	2	Bearing Taper	
25	3383009M1	1	Clevis Pin	
26	1426515M1	1	Spring	
27	3581440M1	1	Lever	
28	973052M1	1	Knob	
29	1440350X1	1	Screw Metric	M6
30	195868M1	1	O Ring	
31	3792291M1	1	Stem	
32	3382979M1	1	Screw Special	M8x20
33	3382971M1	1	Fork	
34	3382972M2	2	Skate	
35	3716014M2	1	Spacer	
36	3716017M1	1	Gasket	
37	3716053M1	X	Chock	Thickness 0,1 MM
	3716054M1	X	Chock	Thickness 0,4 MM
38	152623M1	1	O Ring	
39	3716022M2	1	Hub	Up to Serial or Engine Number N159027
	3796242M2	1	Hub	From Serial or Engine Number N159028 Not serviced,order REF. 44
40	3009292X1	4	Screw	M10x25
41	3716057M13	1	Shaft	
42	3006290X1	1	Centraliser	(41) Diameter 10 MM Length 30 MM
43	390979X1	1	Plug	Diameter 20MM
44	3795979M1	1	Pto Guard	From Serial or Engine Number N159028 ISO
	3796165M1	1	Pto Guard	From Serial or Engine Number N159028 SAE

MF 8270/8280 TRACTOR - 1637348
1-ZX18-008-B

1-ZX18-008-B

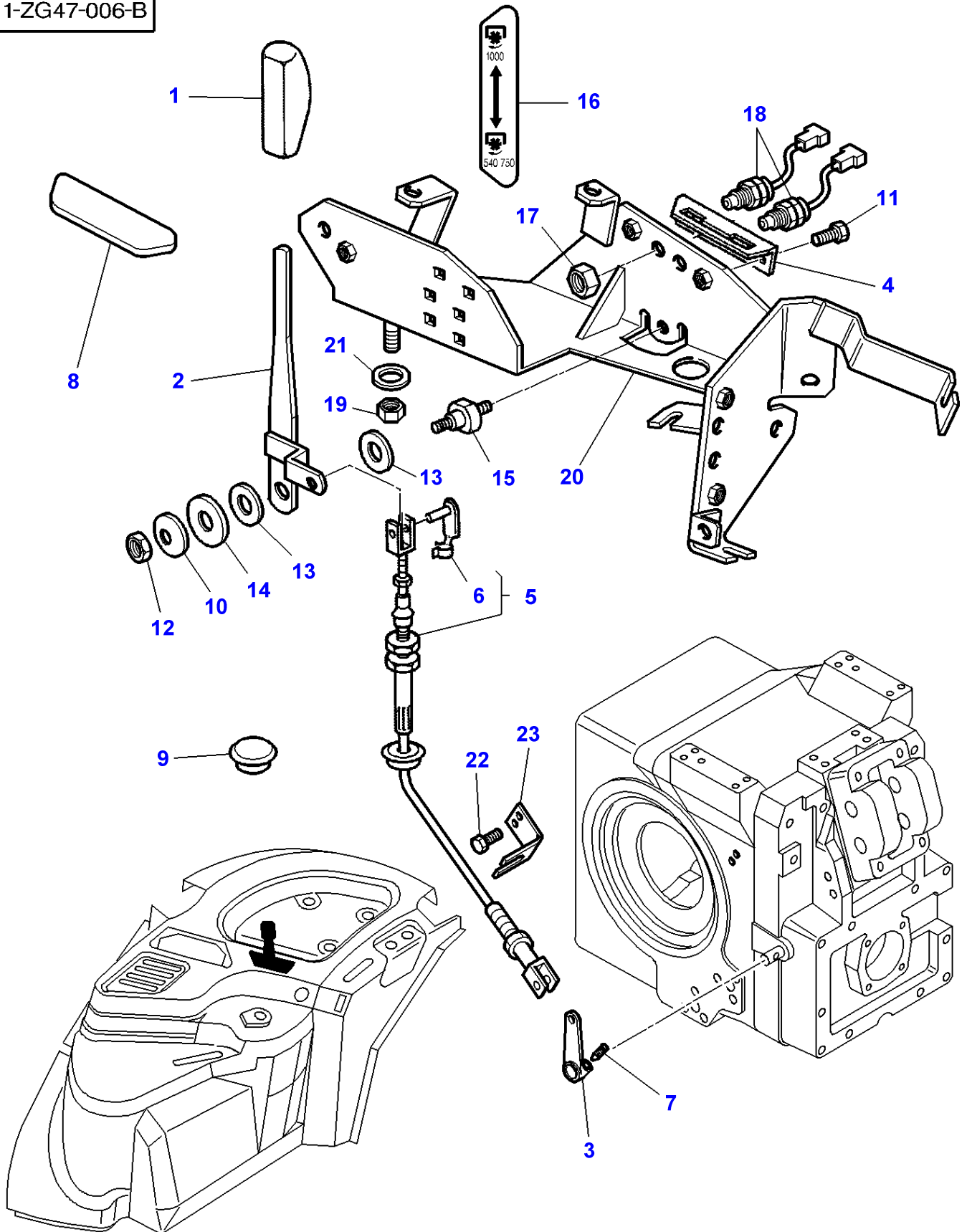


Pto Shaft - Cable Control

Item	Part Number	Qty	Description	Comments
1	3716288M1	1	Pinion	Number of teeth/spines 29 540 RPM
	3716005M1	1	Pinion	Number of teeth/spines 37 750 RPM
2	3010192X91	1	Bearing Taper	
3	339488X1	6	Bolt Metric	M10x85
4	3716002M2	1	Bearing Carrier	
5	3716037M1	X	Chock	Thickness 0,1 MM
	3795175M1	X	Shim	Thickness 0,15MM
	3716038M1	X	Chock	Thickness 0,4 MM
6	3716006M1	1	Pinion	Number of teeth/spines 44 1000 RPM
7	3716003M2	1	Case Assy	
8	3009853X1	1	Bearing Taper	
9	3716007M1	1	Washer	
10	3716028M1	1	Washer	
11	3010624X1	1	Ring	
12	3382868M1	1	Bush	
13	3382874M1	2	Segment	
14	3716024M1	1	Deflector	
15	1612707M1	1	Bearing Assy	
16	391129X1	1	Circlip	
17	3716027M2	1	Washer	
18	3716290M12	1	Pinion	Number of teeth/spines 107 540 RPM
	3716009M13	1	Pinion	Number of teeth/spines 99 750 RPM
19	3010555X1	2	Ring	
20	3716025M2	1	Hub	
21	3382069M3	1	Slider Bearing	
22	3716012M12	1	Pinion	Number of teeth/spines 92 1000 RPM
23	3010554X1	2	Circlip	
24	3010192X91	2	Bearing Taper	
25	3716057M13	1	Shaft	
26	3006290X1	1	Centraliser	(25) Diameter 10 MM Length 30 MM
27	3389580M2	1	Lever	
28	390979X1	1	Plug	Diameter 20MM
29	3009292X1	4	Screw	M10x25
30	195868M1	1	O Ring	
31	3791859M1	1	Stem	
32	3382979M1	2	Screw Special	M8x20
33	3382971M1	1	Fork	
34	3382972M2	2	Skate	
35	3716014M2	1	Spacer	
36	3716017M1	1	Gasket	
37	3716053M1	X	Chock	Thickness 0,1 MM
	3716054M1	X	Chock	Thickness 0,4 MM
38	152623M1	1	O Ring	
39	3716022M2	1	Hub	Up to Serial or Engine Number N159027
	3796242M2	1	Hub	From Serial or Engine Number N159028 Not serviced,order REF. 40
40	3795979M1	1	Pto Guard	From Serial or Engine Number N159028 ISO
	3796165M1	1	Pto Guard	From Serial or Engine Number N159028 SAE

MF 8270/8280 TRACTOR - 1637348
1-ZG47-006-B

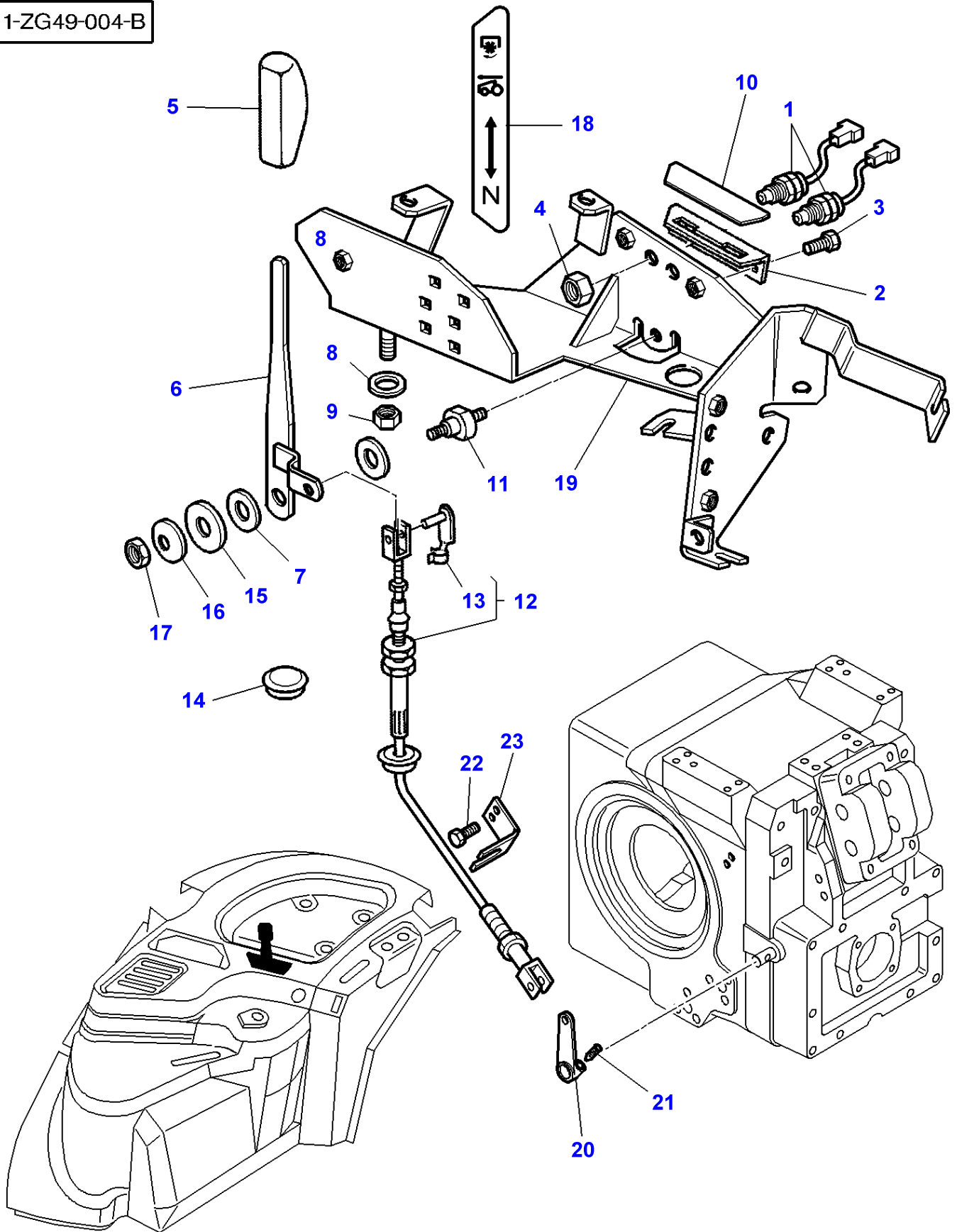
1-ZG47-006-B



Pto-Coupling Drive Mechanism

Item	Part Number	Qty	Description	Comments
1	3712976M2	1	Handle	
2	3712282M3	1	Lever	
3	3389580M2	1	Lever	M16X50
4	3715489M3	1	Grille	
5	3715483M1	1	Cable	
6	3600190M1	1	Clevis Pin	(5) Length 28MM
	3600191M1	1	Clevis Pin	(5) Length 40MM
7	3382979M1	1	Screw Special	
8	3712984M1	X	Plate	
9	3715587M1	1	Decal	Diameter 22MM
10	3386192M1	1	Washer	
11	339228X1	2	Screw Metric	M8X12
12	394367X1	2	Locknut	
13	3386166M1	2	Washer	
14	1442174X1	1	Washer	
15	3712277M1	1	Clevis Pin	
16	3715185M2	1	Decal	
17	339070X1	2	Nut	
18	3780581M2	2	Switch,Indirect	
19	394367X1	4	Locknut	
20	3778480M93	1	Support	
21	385361X1	4	Washer	
22	391989X1	2	Screw Metric	M8X20
23	3791860M1	1	Thruster	

1-ZG49-004-B

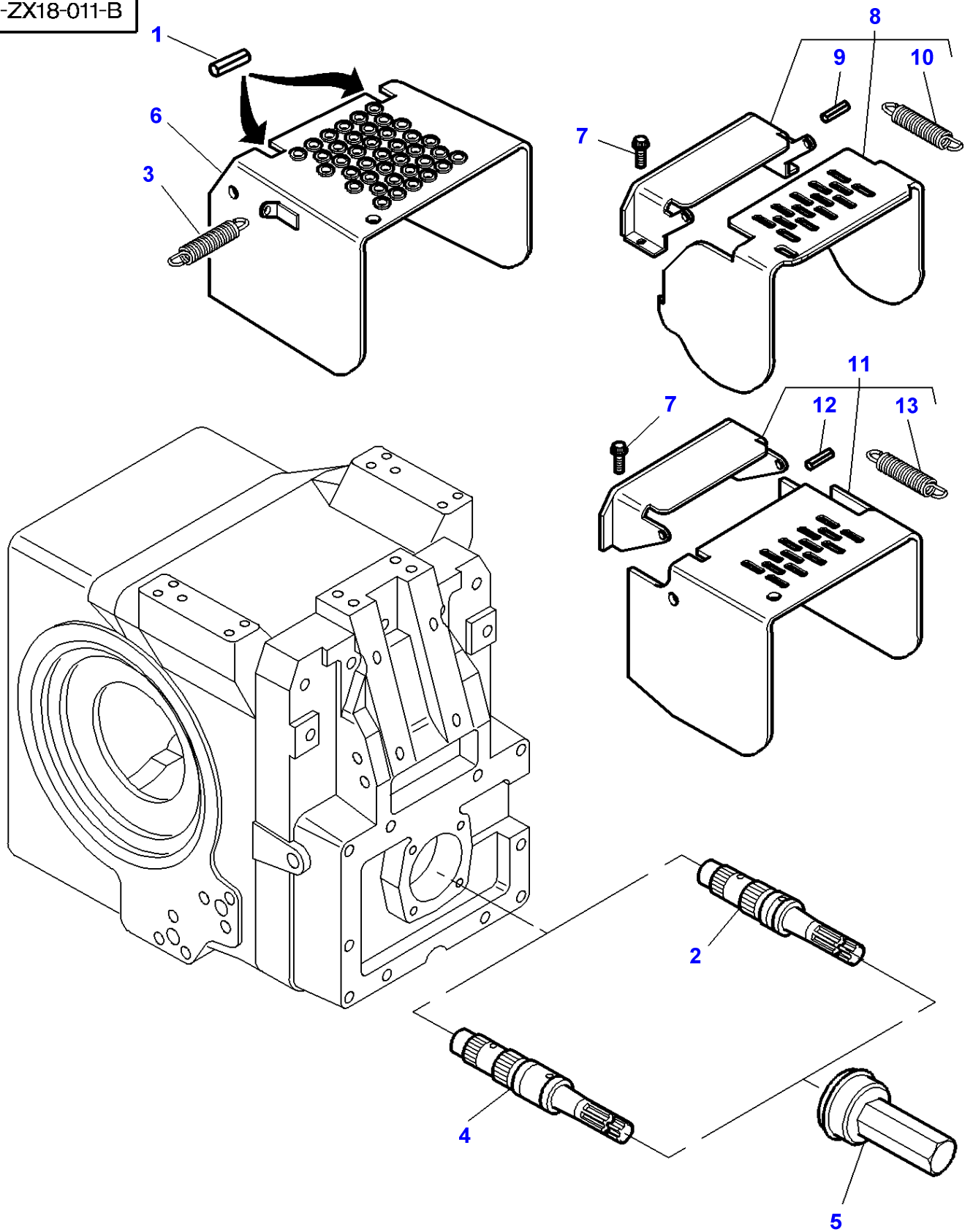


Pto-Proportional Drive Mechanism

Item	Part Number	Qty	Description	Comments
1	3780581M2	2	Switch,Indirect	
2	3712275M1	1	Grille	
3	339228X1	2	Screw Metric	M8X12
4	339070X1	2	Nut	
5	3712976M2	1	Handle	
6	3712282M3	1	Lever	
7	3386166M1	2	Washer	
8	385361X1	4	Washer	
9	394367X1	4	Locknut	
10	3712984M1	1	Plate	
11	3712277M1	1	Clevis Pin	
12	3715483M1	1	Cable	
13	3600190M1	1	Clevis Pin	(12) Length 28MM
	3600191M1	1	Clevis Pin	(12) Length 40MM
14	3713587M1	1	Plug	
15	1442174X1	1	Washer	
16	3386192M1	1	Washer	
17	394367X1	1	Locknut	
18	3780175M1	1	Decal	
19	3778480M93	1	Support	
20	3389580M2	1	Lever	
21	3382979M1	1	Screw Special	
22	391989X1	2	Screw Metric	M8X20
23	3791860M1	1	Thruster	

MF 8270/8280 TRACTOR - 1637348
1-ZX18-011-B

1-ZX18-011-B



Pto Shaft

Item	Part Number	Qty	Description	Comments
1	3019541X1	2	Roll Pin	Diameter 8 X 22
	3019541X1	2	Roll Pin	Up to Serial or Engine Number K184022 For United States of America Diameter 8 X 22
2	3716045M4	1	Shaft	Number of teeth/spines 6 / ISO Diameter 1"3/8-34,9 MM Length 368,8 MM 540 RPM
3	3716643M1	1	Spring	Up to Serial or Engine Number K184022 For United States of America Length 85 MM
	3618683M1	1	Spring	[C] Length 118 MM
4	3716068M4	1	Shaft	[B] Number of teeth/spines 6 / SAE Diameter 1"3/8-34,9 MM Length 408,8 MM 540 RPM
5	3716071M1	1	Protector	Up to Serial or Engine Number N159027 SAE Length 206 MM
	3796165M1	1	Pto Guard	From Serial or Engine Number N159028 SAE Length 162 MM Not serviced,order REF. 14
	3716021M1	1	Protector	Up to Serial or Engine Number N159027 ISO Length 166 MM
	3795979M1	1	Pto Guard	From Serial or Engine Number N159028 ISO Length 122 MM Not serviced,order REF. 14
6	3716693M92	1	Protector	[B,E] CAT. 3
	3716693M92	1	Protector	[B,E] Up to Serial or Engine Number K184022 For United States of America CAT. 3
	3716696M91	1	Protector	[D,B,E]
	3716640M91	1	Protector	[A,E]
7	3010917X1	2	Screw Metric	M20 X 30
8	3792679M91	1	Protector	[A,E] Up to Serial or Engine Number H151014 CAT. 2/3
9	3792837M1	2	Pin	(8)
10	3792838M1	1	Spring	(8)
11	3793135M91	1	Protector	[A,E] From Serial or Engine Number H151015 CAT. 2/3
12	3002169X1	2	Pin	(11)
13	3793246M1	1	Spring	(11)

FOOTNOTE [A] ISO STANDARD

FOOTNOTE [B] SAE STANDARD

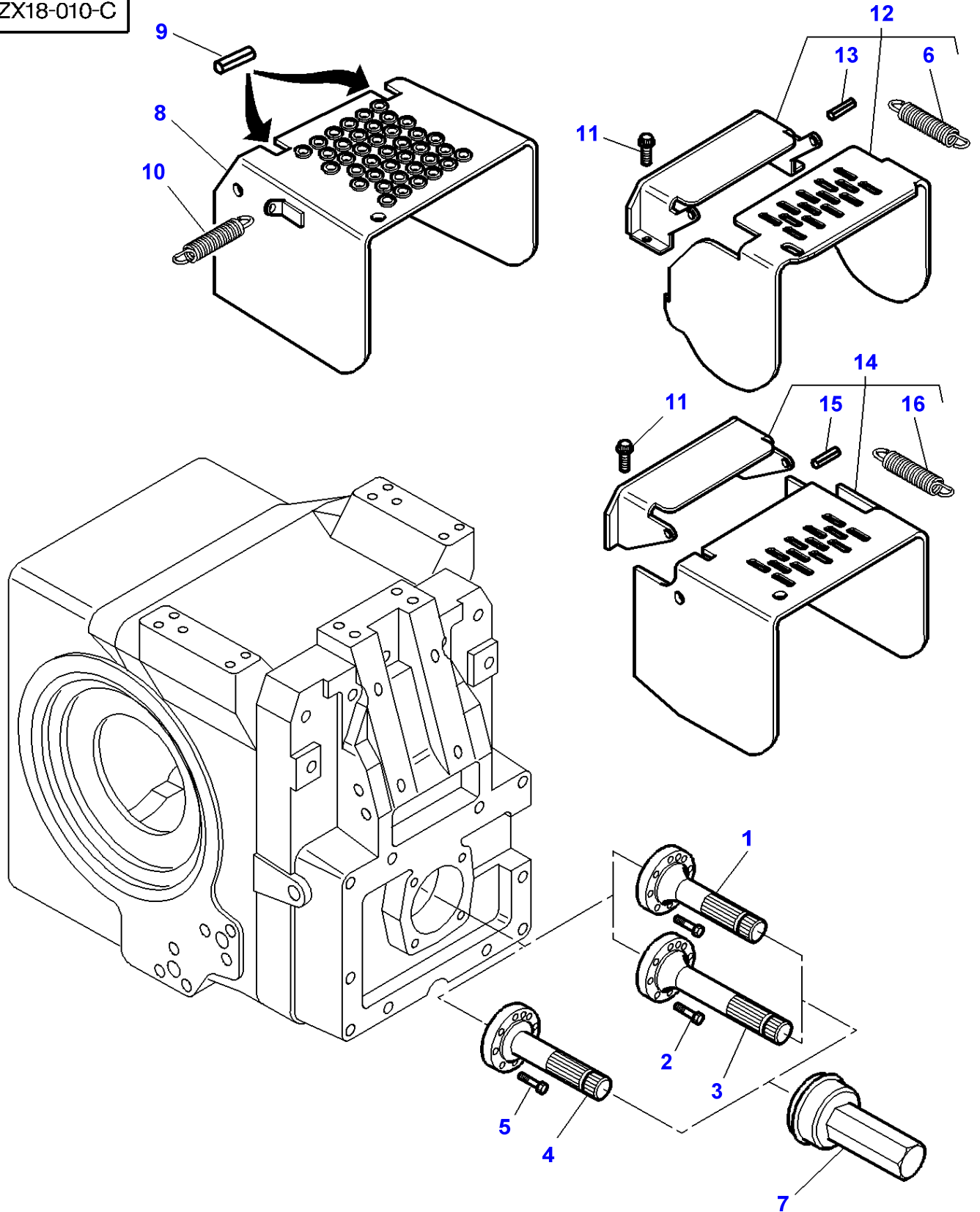
FOOTNOTE [C] LESS STABILISERS

FOOTNOTE [D] WITH SHOE STABILIZERS

FOOTNOTE [E] THE APPROPRIATE SAFETY DECALS MUST BE ORDERED AND FITTED TO THIS PART

MF 8270/8280 TRACTOR - 1637348
1-ZX18-010-C

1-ZX18-010-C



Pto Shaft

Item	Part Number	Qty	Description	Comments
1	3716016M2	1	Shaft	Number of teeth/spines 21 / ISO Diameter 1"3/8-34,9 MM Length 137,45 MM 1000 RPM
	3716018M2	1	Shaft	Number of teeth/spines 6 / ISO Diameter 1"3/8-34,9 MM Length 137,45 MM 540 RPM
2	3010800X1	8	Screw	M12 X 35
3	3716074M2	1	Shaft	Number of teeth/spines 21 / SAE Diameter 1"3/8-34,9 MM Length 177,45 MM 1000 RPM
	3716072M2	1	Shaft	Number of teeth/spines 6 / SAE Diameter 1"3/8-34,9 MM Length 177,45 MM 540 RPM
4	3716019M2	1	Shaft	Replace and repair. Old interchangeable with new 3716072M1 Number of teeth/spines 20 / ISO Diameter 1"3/4-44,2 MM Length 137,45 MM 1000 RPM
5	3010800X1	8	Screw	M12 X 35
6	3792838M1	1	Spring	(12)
7	3716071M1	1	Protector	Up to Serial or Engine Number N159027 SAE Length 206 MM
	3796165M1	1	Pto Guard	From Serial or Engine Number N159028 SAE Length 162 MM Not serviced,order REF. 17
	3716021M1	1	Protector	Up to Serial or Engine Number N159027 ISO Length 166 MM
	3795979M1	1	Pto Guard	From Serial or Engine Number N159028 ISO Length 122 MM Not serviced,order REF. 17
8	3716693M92	1	Protector	[C,E] CAT. 3
	3716693M92	1	Protector	[C,E] Up to Serial or Engine Number K184022 For United States of America CAT. 3
	3716696M91	1	Protector	[B,C,E] CAT. 2
	3716640M91	1	Protector	[D,E]
9	3019541X1	2	Roll Pin	Diameter 8 X 22
	3019541X1	2	Roll Pin	Up to Serial or Engine Number K184022 For United States of America Diameter 8 X 22
10	3716643M1	1	Spring	Up to Serial or Engine Number K184022 For United States of America Length 85 MM
	3618683M1	1	Spring	[A] Length 118 MM
11	3010917X1	2	Screw Metric	M20 X 30
12	3792679M91	1	Protector	[D,E] Up to Serial or Engine Number H151014 CAT. 2/3
13	3792837M1	2	Pin	(12)
14	3793135M91	1	Protector	[D,E] From Serial or Engine Number H151015 CAT. 2/3
15	3002169X1	2	Pin	(14)
16	3793246M1	1	Spring	(14)

FOOTNOTE [A] LESS STABILISERS

FOOTNOTE [B] WITH SHOE STABILIZERS

FOOTNOTE [C] SAE STANDARD

FOOTNOTE [D] ISO STANDARD

Massey Ferguson

MF 8270/8280 TRACTOR - 1637348

1637348

Pto Shaft

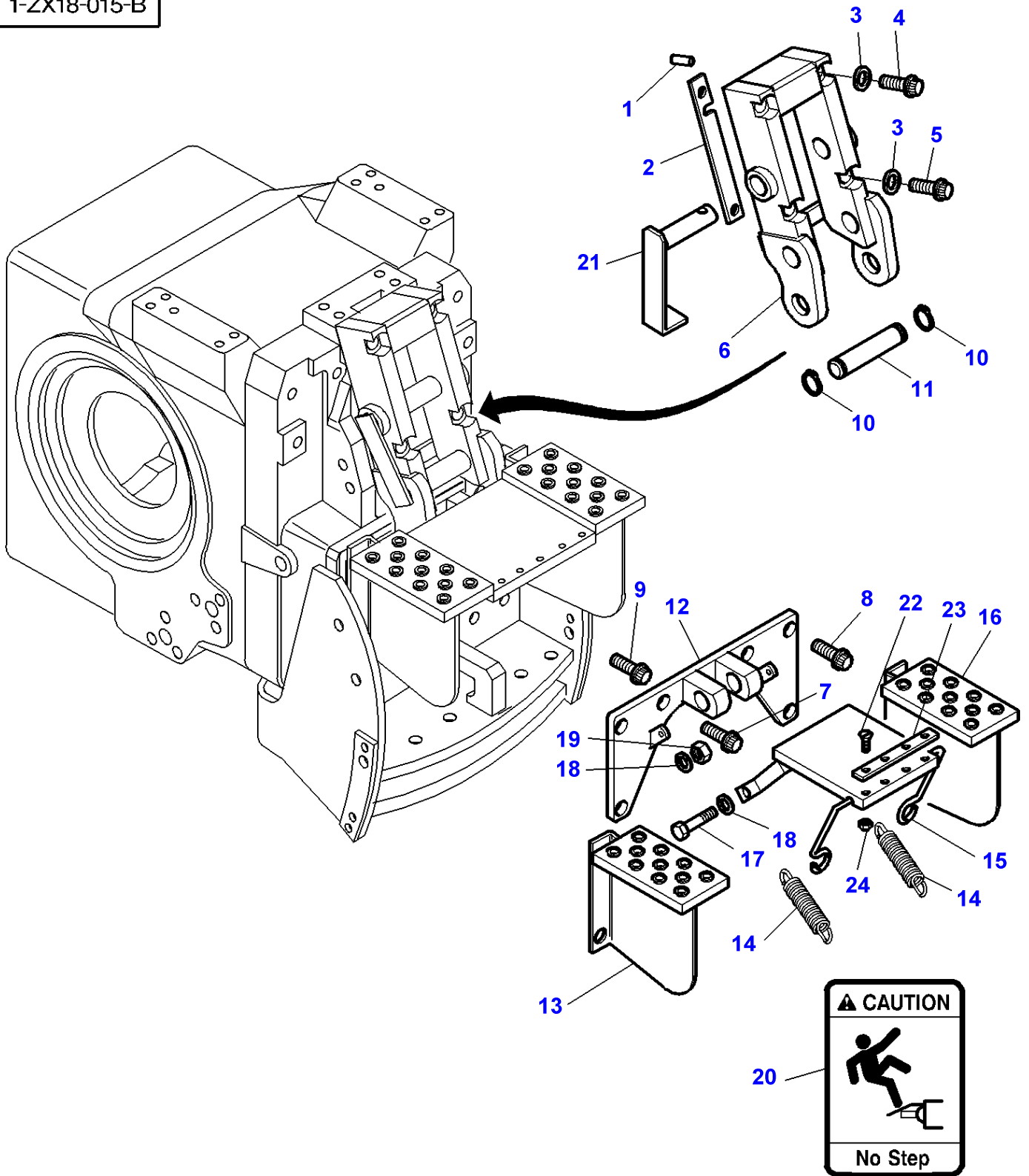
Page050-0055

Item Part Number Qty Description Comments

FOOTNOTE [E] THE APPROPRIATE SAFETY DECALS MUST BE ORDERED AND FITTED TO THIS PART

MF 8270/8280 TRACTOR - 1637348
1-ZX18-015-B

1-ZX18-015-B

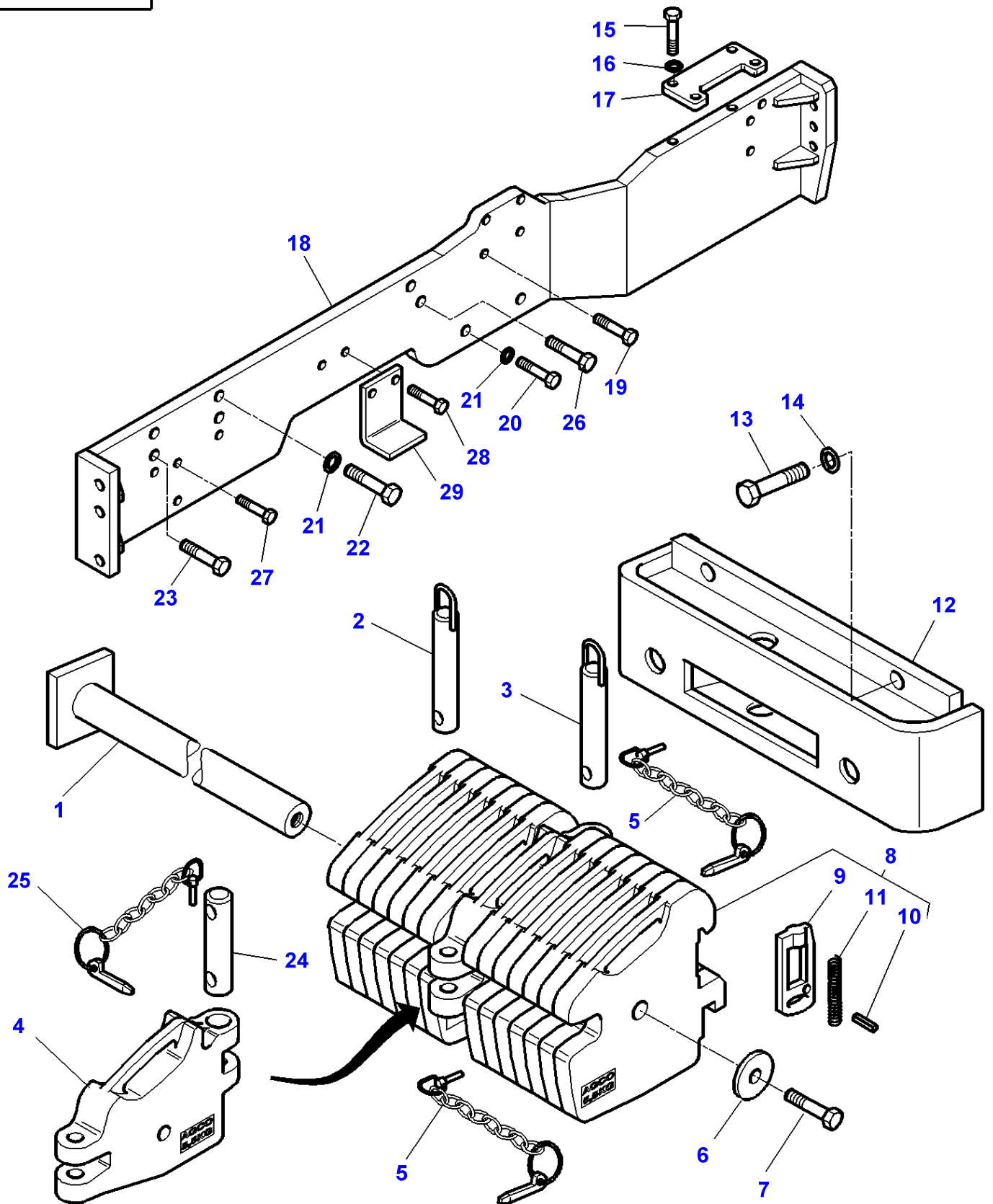


Item	Part Number	Qty	Description	Comments
1	3716918M2	2	Centraliser	
2	3795839M1	X	Chock	Thickness 0,20 MM
	3795838M1	X	Chock	Thickness 0,70 MM
3	385365X1	4	Washer	Diameter 20-37 X 5
4	3010575X1	2	Screw	M20 X 130
5	3010563X1	2	Screw	M20 X 90
6	3795831M91	1	Support	
7	3010556X1	2	Screw Metric	M20 X 70
8	3010941X1	4	Screw Metric	M20 X 250
9	3010562X1	4	Screw	M20 X 230
10	339322X1	2	Segment	
11	3795830M1	1	Clevis Pin	
12	3795820M91	1	Plate	
13	3795933M91	1	Step	Left Hand
14	3798926M1	2	Spring	
15	3795930M91	1	Cowl	[A]
16	3795932M91	1	Cowl	Right Hand
17	339337X1	2	Hex. Sock. Screw	M8 X 30
18	385361X1	4	Washer	Diameter 9-17 X 3,2
19	394367X1	2	Locknut	M8
20	3795840M1	1	Decal	
21	3795817M91	1	Clevis Pin	
22	392404X1	4	Screw	M5 X 12
23	3796476M1	1	Band	
24	1441494X1	4	Nut Metric	M5

FOOTNOTE [A] THE APPROPRIATE SAFETY DECALS MUST BE ORDERED AND FITTED TO THIS PART

MF 8270/8280 TRACTOR - 1637348
1-ZX15-007-D

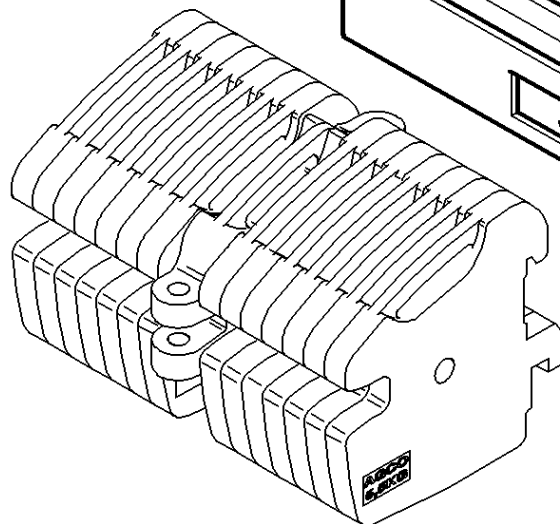
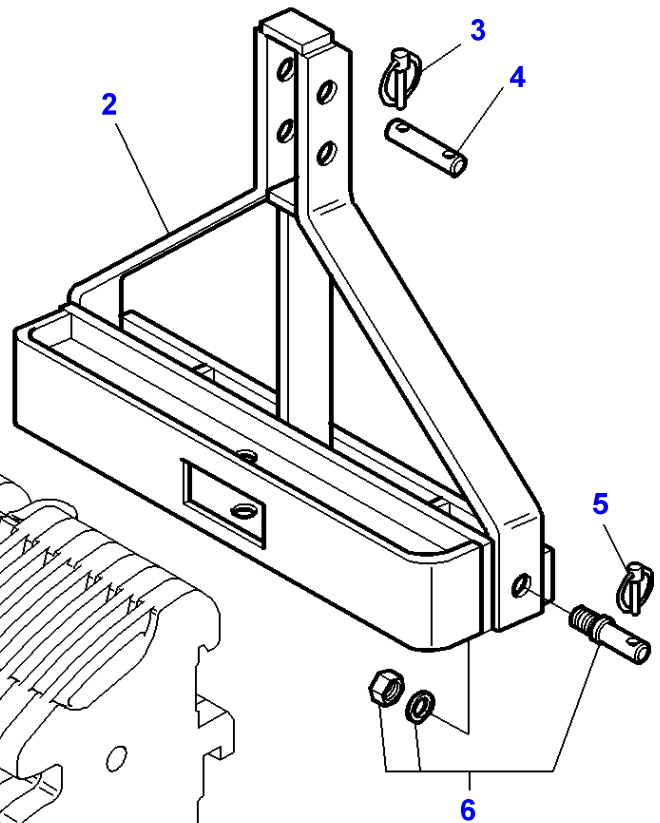
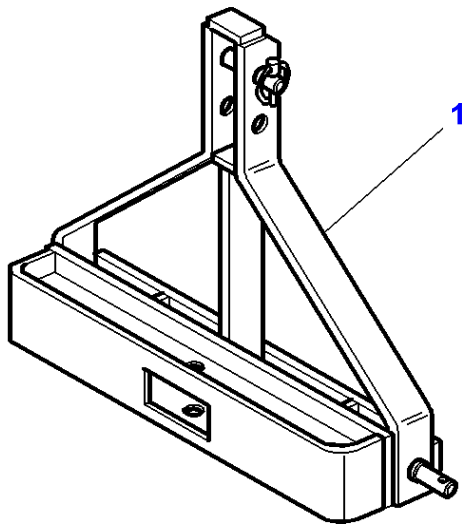
1-ZX15-007-D



Weight Frame And Tow Pin

Item	Part Number	Qty	Description	Comments
1	3619728M1	1	Bridle	Length 335 MM
	3618713M1	1	Bridle	Up to Serial or Engine Number L192005 Length 470 MM
	3788795M1	1	Bridle	Length 510 MM
	3618712M1	1	Bridle	Up to Serial or Engine Number L340020 Length 550 MM
2	3387270M92	1	Pin Hitch	Up to Serial or Engine Number L144006 Diameter 30 X 171,5
	3790349M92	1	Pin Hitch	From Serial or Engine Number L144007 Diameter 30 X 191
3	3382813M91	1	Pin Hitch	Diameter 30 X 215
4	3382789M4	1	Weight	Up to Serial or Engine Number J332005 51KG
	3784591M2	1	Weight	From Serial or Engine Number J332006 60KG
5	3382812M91	1	Pin	Diameter 1/4 X 32
6	3385963M1	1	Washer	
7	1441685X1	1	Screw Metric	Up to Serial or Engine Number J332005 M16 X 60
	3008823X1	1	Screw Metric	Up to Serial or Engine Number L192005 M16 X 80
	3000171X1	1	Screw Metric	Up to Serial or Engine Number L340020 M16 X 90
	391334X1	1	Screw	From Serial or Engine Number L192006 Length M16 X 50
	339498X1	1	Screw	From Serial or Engine Number J332006 M16 X 110
	390190X1	1	Screw	From Serial or Engine Number J332006 M16 X 140
	391413X1	1	Bolt Metric	From Serial or Engine Number J332006 M16 X 160
	339805X1	1	Bolt Metric	M16 X 100
8	3582867M92	X	Weight	Up to Serial or Engine Number J332005 Thickness 35 MM 45KG
	3784628M12	X	Weight	From Serial or Engine Number J332006 Thickness 45 MM 55KG
9	3581636M1	1	Hasp	(8)
10	339080X1	1	Roll Pin	(8) 6 X 24
11	1680172M1	1	Spring	(8)
12	3781211M93	1	Support	
13	3384129M1	4	Screw	M20 X 55
14	385365X1	4	Washer	Diameter 20-37 X 5
15	3009491X1	2	Hex. Sock. Screw	M10 X 20
16	390735X1	2	Washer	Diameter 12-24 X 2,5
17	3781933M2	1	Plate	
18	3783359M99	1	Runner	Right Hand
	3783360M98	1	Runner	Left Hand
19	3019852X1	8	Bolt Metric	M12 X 55
20	3010915X1	4	Screw Metric	M20 X 70
21	385365X1	6	Washer	Diameter 20-37 X 5
22	3581527M1	12	Screw	M20 X 75
23	3010976X1	2	Screw	M20 X 75
24	3782456M1	1	Pin Hitch	
25	3782461M92	1	Pin	Diameter 6,3 X 63
26	391914X1	4	Bolt	M20 X 110
27	3384129M1	6	Screw	M20 X 55
28	3010894X1	4	Screw	MF 8270 XTRA MF 8280 XTRA M20 X 50
29	5015565M1	2	Plate	MF 8270 XTRA MF 8280 XTRA

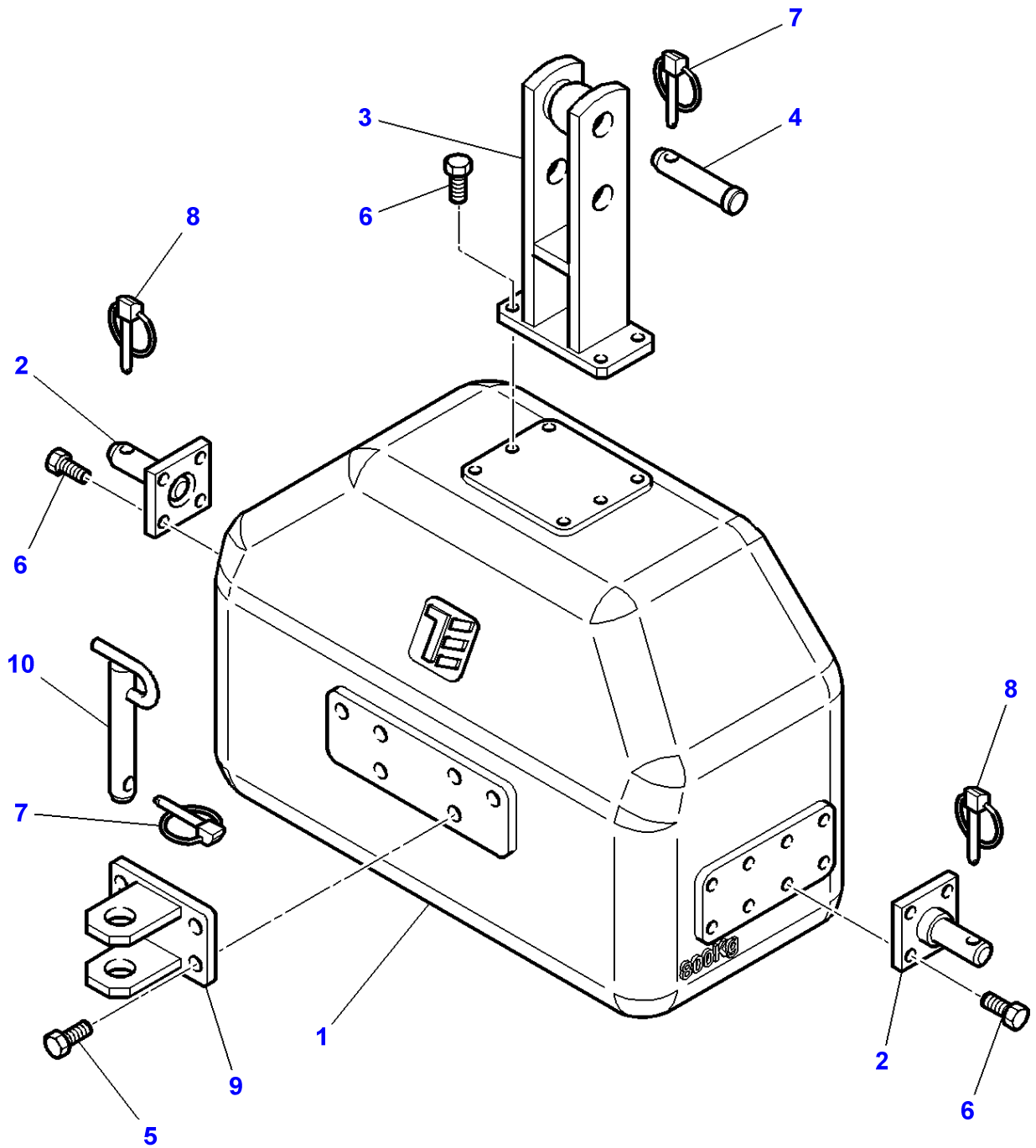
1-ZX15-014-A



Massey Ferguson**MF 8270/8280 TRACTOR - 1637348****1637348****Weight Frame And Tow Pin - With Front Lift****Page060-0010**

Item	Part Number	Qty	Description	Comments
1	3786462M91	1	Support	
2		1	Support	(1) Not serviced,order REF. 1
3	3782684M1	1	Clip	(1)
4	3903839M1	1	Clevis Pin	(1)
5	3903841M1	1	Clip	(1)
6	3903840M1	1	Piton	(1)

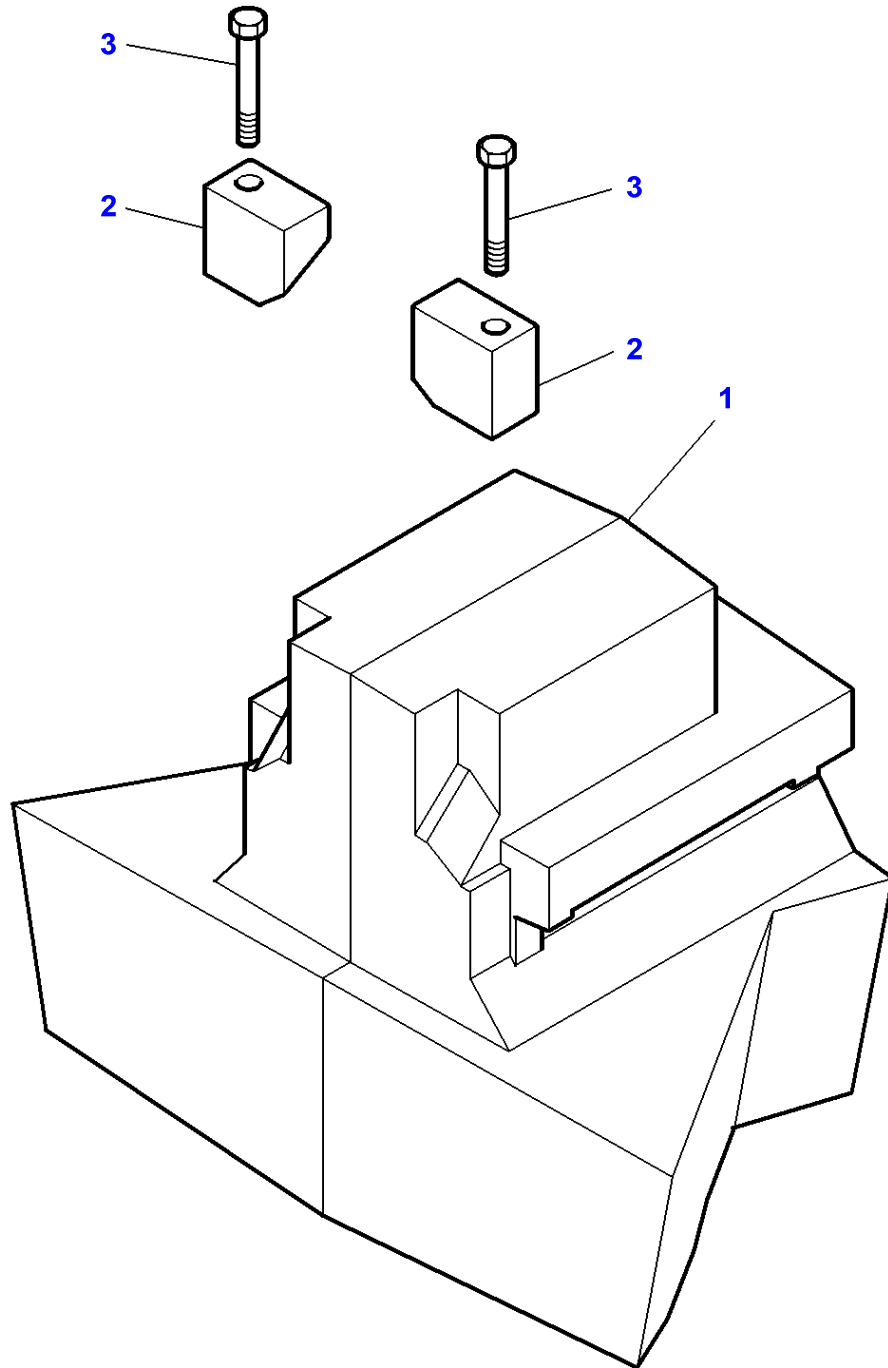
1-ZX15-020-A



Massey Ferguson**MF 8270/8280 TRACTOR - 1637348****1637348****Page060-0015****Weight Frame And Tow Pin**

Item	Part Number	Qty	Description	Comments
1	4271480M91	1	Weight	800KG
2	3907225M1	2	Piton	
3	3907226M1	1	Support	
4	3903839M1	1	Clevis Pin	
5	391269X1	4	Screw Metric	M16 X 30
6	3011611X1	12	Screw	M16 X 45
7	3782684M1	2	Clip	Diameter 8
8	3903841M1	2	Clip	Diameter 11
9	3907227M1	1	Clevis	
10	3900263M91	1	Pin	

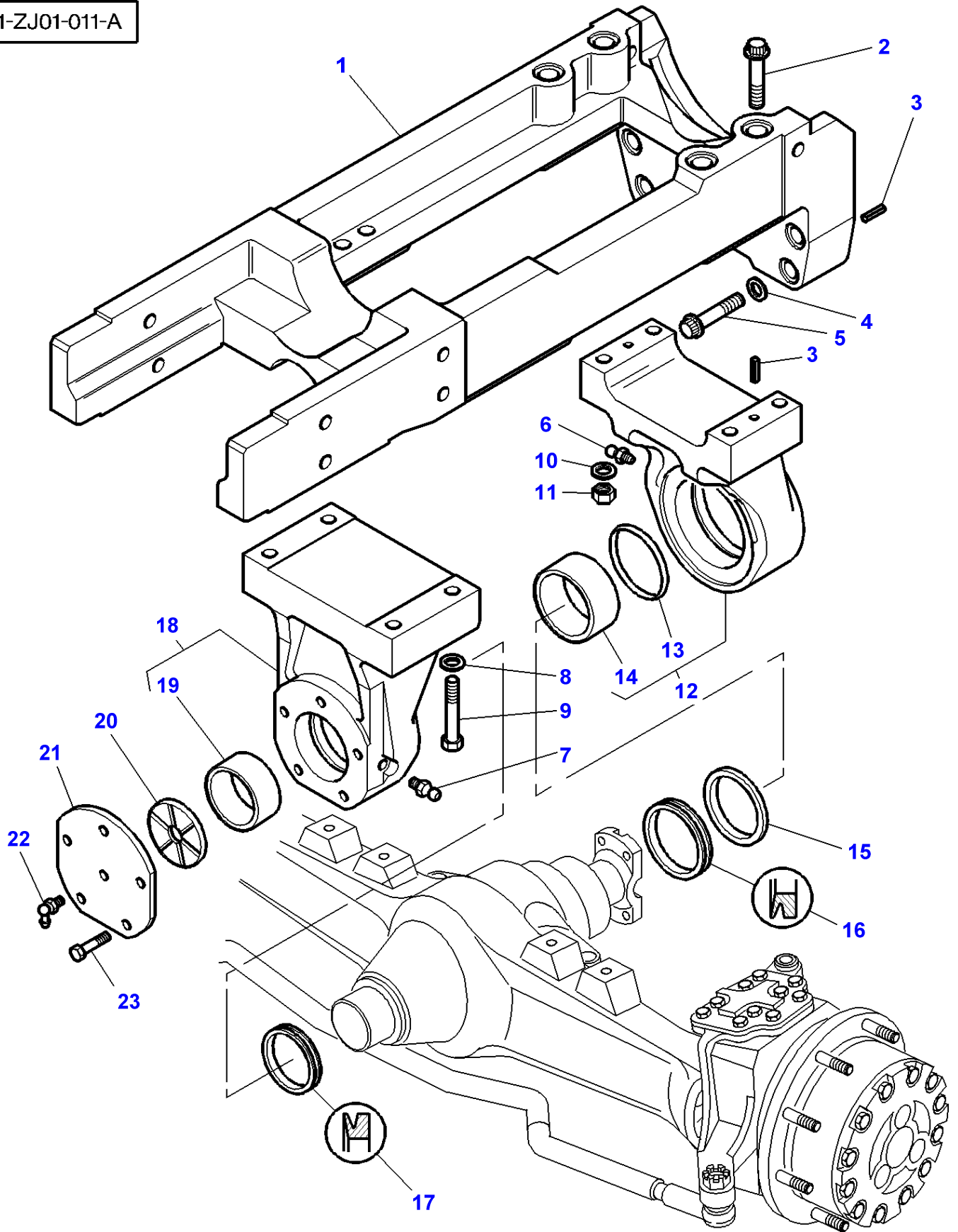
1-ZJ07-004-A



Massey Ferguson**MF 8270/8280 TRACTOR - 1637348****1637348****Belly Weight****Page060-0020**

Item	Part Number	Qty	Description	Comments
1	3779507M6	1	Weight	500 KG
2	3779514M2	1	Bridle	Right Hand
	3779515M2	1	Bridle	Left Hand
3	3010565X1	2	Screw Metric	M16 X 165
	3011422X1	2	Screw	M16 X 175

1-ZJ01-011-A

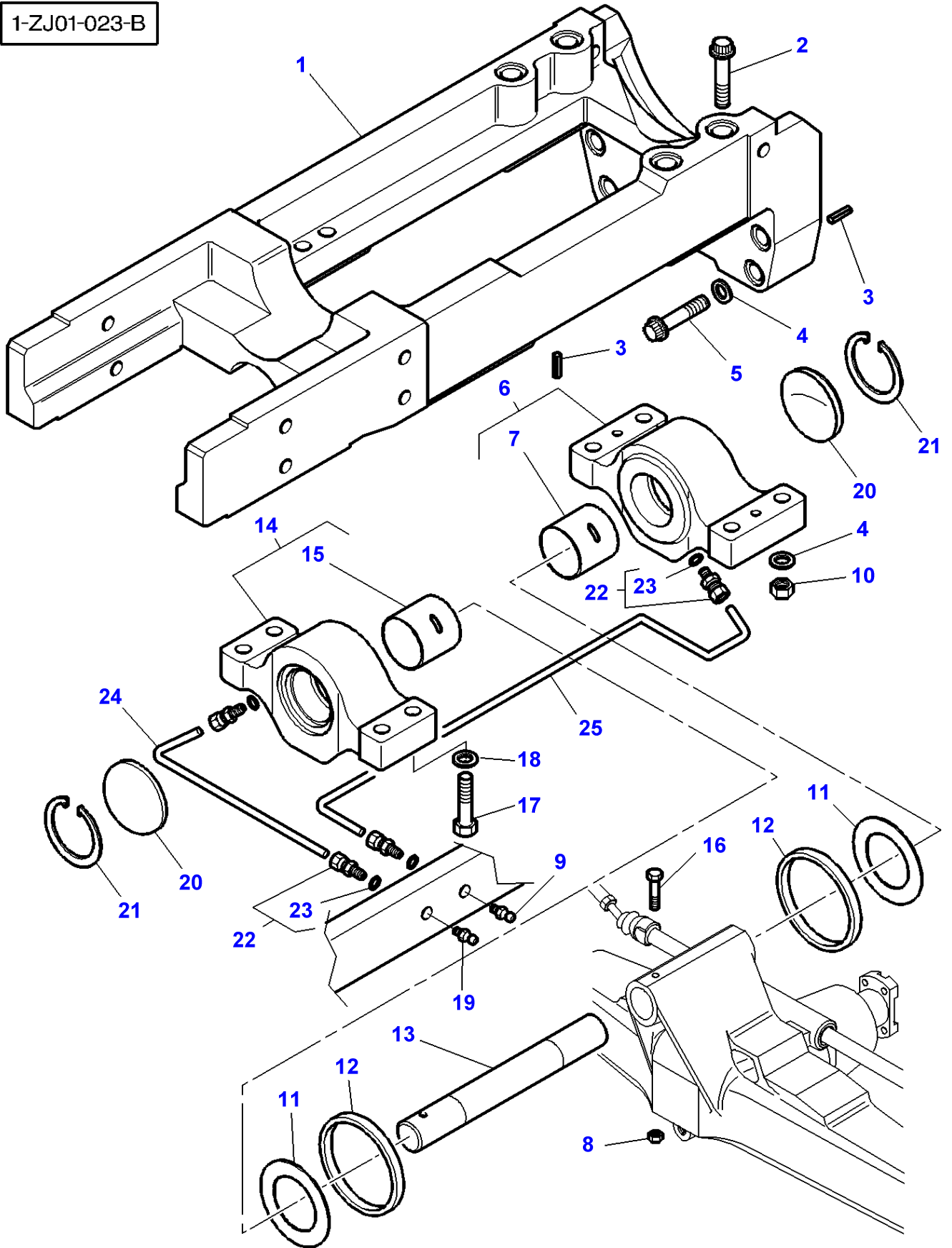


Massey Ferguson**MF 8270/8280 TRACTOR - 1637348****1637348****Front Axle - Up To L074008 - Except Tractor L078018****Page060-0025**

Item	Part Number	Qty	Description	Comments
1	3780872M3	1	Axle Holder	
2	3010777X1	3	Screw Metric	M20 X 210
	3010852X1	1	Screw Metric	M20 X 200
3	372081X1	4	Locator	
4	385365X1	4	Washer	Diameter 20-37 X 5
5	3010557X1	4	Screw Metric	M20 X 100
6	391335X1	1	Grease Nipple	Up to Serial or Engine Number H246010
	339608X1	1	Grease Nipple	From Serial or Engine Number H246011
7	339608X1	1	Grease Nipple	
8	385365X1	4	Washer	Diameter 20-37 X 5
9	3010574X1	4	Screw	M20 X 110
10	385365X1	4	Washer	Diameter 20-37 X 5
11	3009746X1	4	Nut	M20
12	5016301M12	1	Bearing Carrier	
13	3010608X1	1	Gasket	(12)
14	72500766	1	Bush	(12)
15	3715944M1	1	Washer	
16	72500709	1	Seal	
17	72500775	1	Seal	
18	5016300M12	1	Bearing Carrier	
19	72500767	1	Bush	(18)
20	72500771	1	Washer	
21	5016144M1	1	Plate	
22	1441983X1	1	Nipple	
23	3009507X1	5	Hex. Sock. Screw	M12 X 35

MF 8270/8280 TRACTOR - 1637348
1-ZJ01-023-B

1-ZJ01-023-B

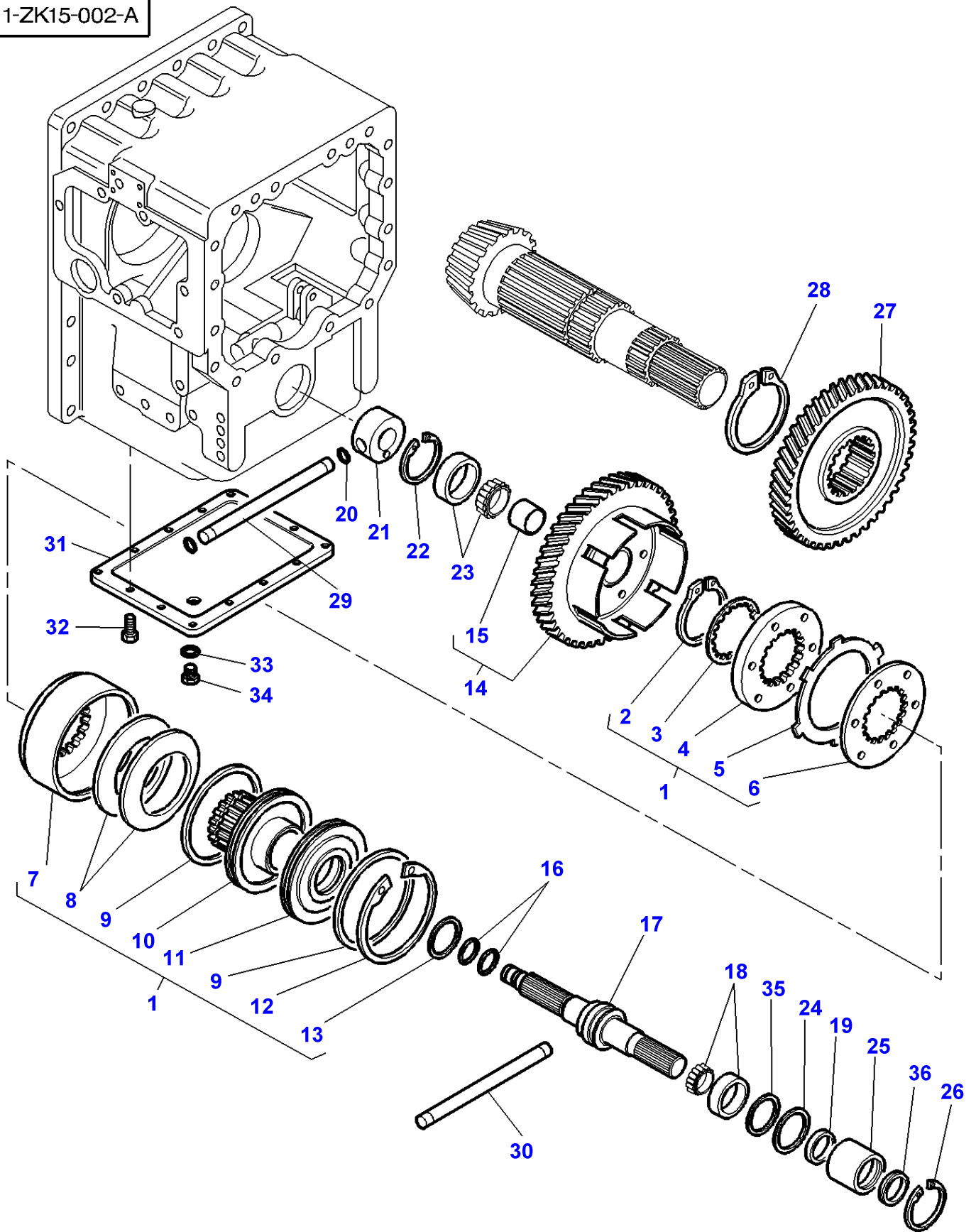


Massey Ferguson**MF 8270/8280 TRACTOR - 1637348****1637348****Front Axle - FROM L074009 EXCEPT TRACTOR L078018****Page060-0030**

Item	Part Number	Qty	Description	Comments
1	3780872M3	1	Axle Holder	
2	3010850X1	1	Screw	M20 X 170
	3010852X1	3	Screw Metric	M20 X 200
3	372081X1	4	Locator	
4	385365X1	X	Washer	
5	3010557X1	4	Screw Metric	M20 X 100
6	3787719M11	1	Bearing Carrier	
7	3787722M2	1	Bush	(6) Diameter 70 MM
8	339034X1	1	Nut	M16
9	339608X1	1	Grease Nipple	M10
10	3009746X1	4	Nut	M20
11	3785075M1	2	Thrust Washer	
12	3788079M1	2	Gasket	
13	3787723M1	1	Clevis Pin	
14	3787717M11	1	Bearing Carrier	
15	3787722M2	1	Bush	(14)
16	3384132M1	1	Screw	M16 X 150
17	3010563X1	4	Screw	M20 X 90
18	385365X1	4	Washer	
19	339608X1	1	Grease Nipple	M10
20	391549X1	2	Plug	
21	339437X1	2	Circlip	Diameter 80MM
22	3002070X91	4	Connector	From Serial or Engine Number N078066
23	338760X1	1	O Ring	(22)
24	3788783M1	1	Tube	From Serial or Engine Number N078066
25	3788784M1	1	Tube	From Serial or Engine Number N078066

MF 8270/8280 TRACTOR - 1637348
1-ZK15-002-A

1-ZK15-002-A



Front Axle 4 Wheel Drive - Clutch

Item	Part Number	Qty	Description	Comments
1	3716078M14	1	Clutch	[C]
	3716076M14	1	Clutch	[A]
2	1440533X1	1	Circlip	(1)
3	3387182M1	X	Shim	(1)
	3033343M1	X	Shim	Thickness 0,60 MM (1)
	3713553M1	X	Shim	Thickness 0,80 MM (1)
	3713554M1	X	Shim	Thickness 1,40 MM (1)
	3617232M1	1	Tray	Thickness 1,70 MM [C] (1)
	3583586M2	1	Tray	[A] (1)
5	3616400M2	7	Disc	[C] (1)
	3616400M2	8	Disc	[A] (1)
6	3384488M1	6	Tray	[C] (1)
	3384488M1	7	Tray	[A] (1)
7	3384414M3	1	Housing	(1)
8	3619473M1	2	Cup Spring	(1)
	3384524M1	2	O Ring	Thickness 3.05/3.15 MM (1)
10	3716509M3	1	Hub	(1)
11	3384427M1	1	Cover	(1)
12	1441403X1	1	Circlip	(1)
13	3384523M1	1	O Ring	(1)
14	3716293M16	1	Pinion	[A] Number of teeth/spines 48
	3716530M15	1	Pinion	[A,C] Number of teeth/spines 47 (14)
15	3387727M1	1	Bush	(1)
16	3382874M1	2	Segment	(1)
17	3716518M13	1	Shaft	(1)
18	3010697X91	1	Bearing Assy	(1)
19	3716067M2	1	Oil Seal	(1)
20	377494X1	2	O Ring	(1)
21	3716441M2	1	Bush	(1)
22	1440480X1	1	Circlip	(1)
23	339481X1	1	Bearing Taper	(1)
24	1441885X1	1	O Ring	(1)
25	3716815M3	1	Sealing Holder	(1)
26	1440819X1	1	Circlip	(1)
27	3716177M5	1	Pinion	[A] Number of teeth/spines 40
	3716531M4	1	Pinion	[A,C] Number of teeth/spines 41
28	1440533X1	1	Circlip	(1)
29	3716573M1	1	Tube	Length 160 MM
30	3716572M1	1	Tube	Length 95MM
31	3716553M2	1	Cover	(1)
32	3009493X1	13	Hex. Sock. Screw	M10 X 30
33	831497M1	1	O Ring	(1)
34	3716563M2	1	Plug	(1)
35	3716801M1	X	Chock	Thickness 0,10 MM
	3716802M1	X	Chock	Thickness 0,20 MM
	3716803M1	X	Chock	Thickness 0,50 MM
	3716804M1	X	Chock	Thickness 0,80 MM
36	3791400M1	1	Gasket	(1)

FOOTNOTE [A] CLUTCH 8 DISCS

FOOTNOTE [B] CLUTCH 6 DISCS

FOOTNOTE [C] CLUTCH 7 DISCS

FOOTNOTE [D] WITH FULL POWERSHIFT

FOOTNOTE [E] WITH DYNASHIFT

FOOTNOTE [F] WITH DANA FRONT AXLE

FOOTNOTE [G] FOR HIGH-CLEARANCE TRACTOR

Massey Ferguson

MF 8270/8280 TRACTOR - 1637348

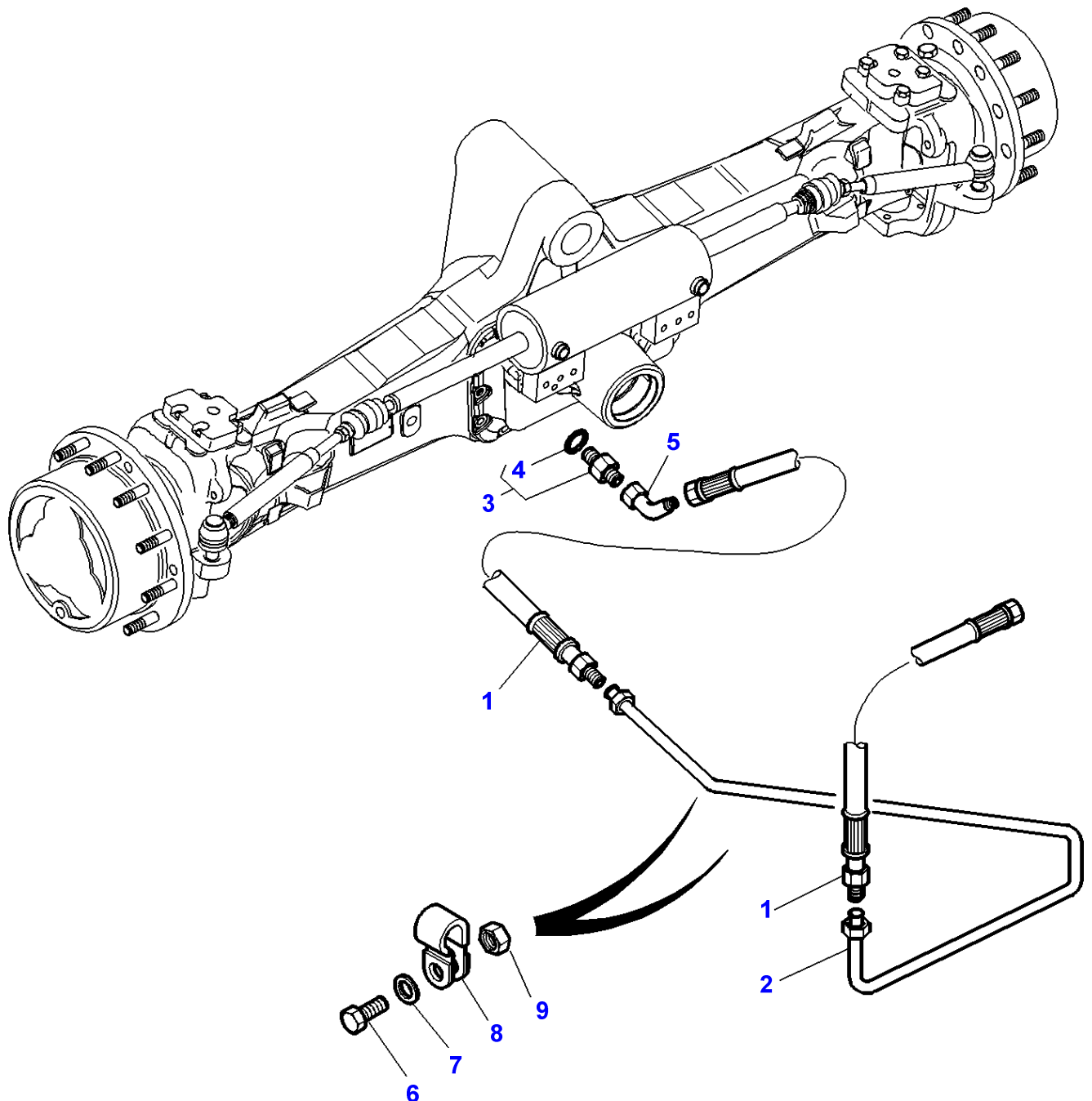
1637348

Front Axle 4 Wheel Drive - Clutch

Page060-0035

Item	Part Number	Qty	Description	Comments
			FOOTNOTE [H] WITH CARRARO FRONT AXLE	

1-ZK12-007-B

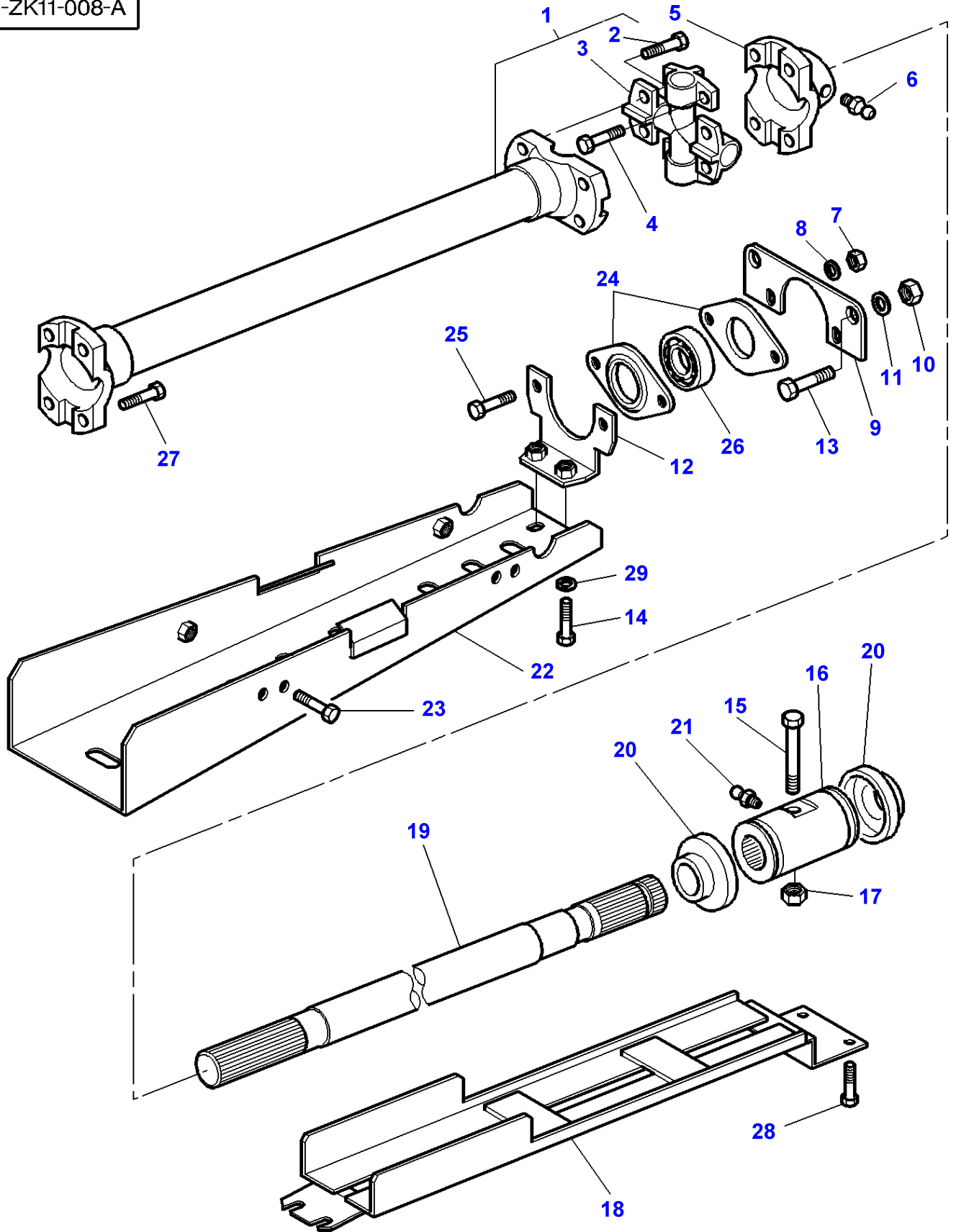


Massey Ferguson**MF 8270/8280 TRACTOR - 1637348****1637348****Front Axle 4 Wheel Drive - Differential Lock Mechanism - FROM L074009 EXCEPT TRACTOR L078018****Page060-0040**

Item	Part Number	Qty	Description	Comments
1	3389702M1	2	Hydr Hose	Length 350 MM
2	3787877M1	1	Tube	
3	3019700X91	1	Union	
4	3019394X1	1	O Ring	(3)
5	366665X1	1	Elbow	Up to Serial or Engine Number
6	339560X1	2	Hex. Sock. Screw	M6 X 16
7	391038X1	2	Washer	Diameter 6-18 X 1,5
8	3389841M1	2	Clamp	
9	339030X1	2	Nut Metric	M6

MF 8270/8280 TRACTOR - 1637348
1-ZK11-008-A

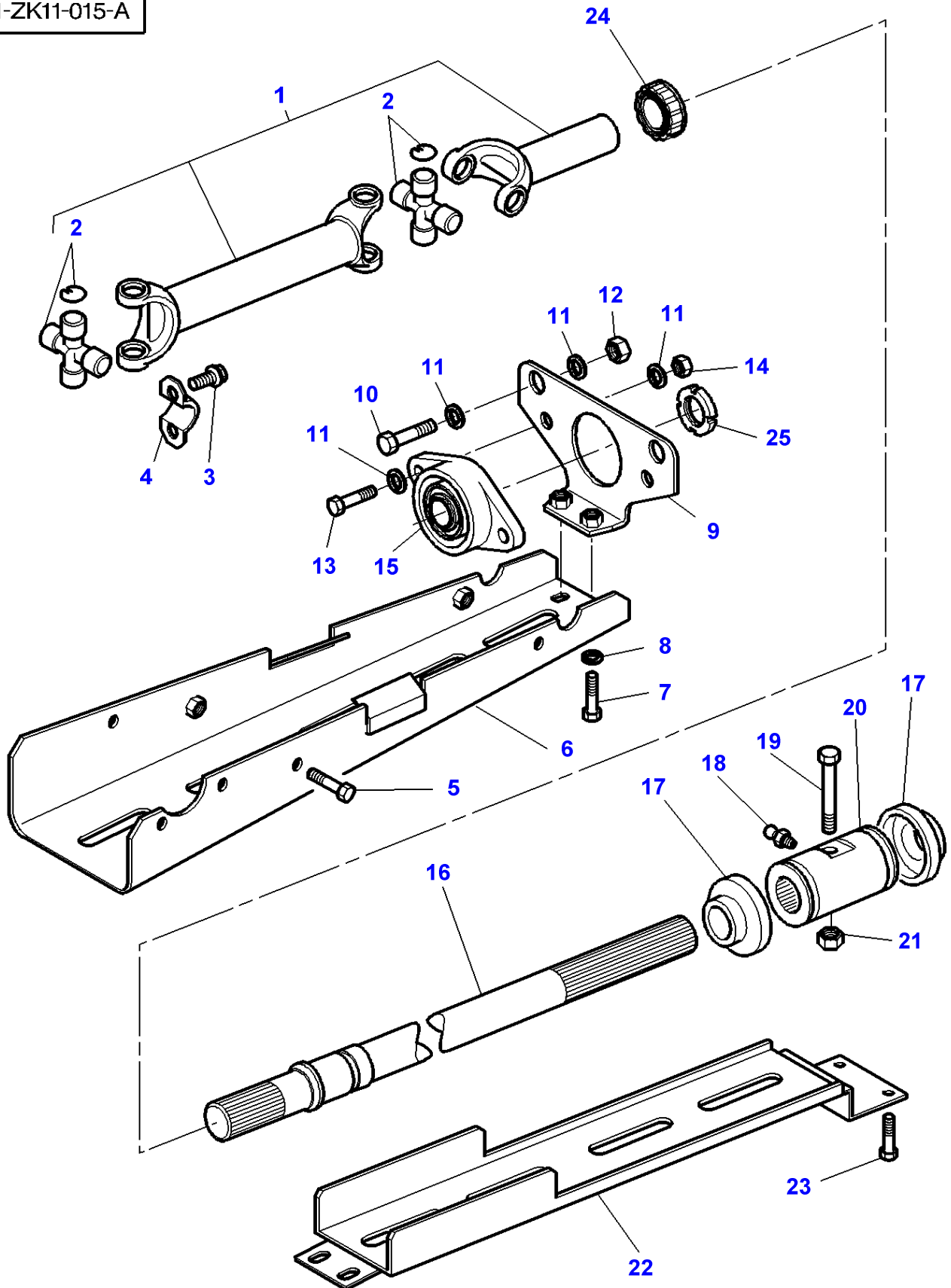
1-ZK11-008-A



Item	Part Number	Qty	Description	Comments
1	5015170M1	1	Universal Joint	
2	353544X1	4	Bolt Unf	(1) 3/8-24 X 44,5 MM
3	72509772	2	Crosspiece	(1)
4	368506X1	4	Bolt Unf	3/8-24
5	72501141	1	Yoke	
6	13811X	1	Grease Nipple	
7	3009695X1	2	Nut	M12
8	390735X1	4	Washer	Diameter 12-24 X 2,5
9	5015171M1	1	Support	
10	3009746X1	2	Nut	M20
11	385365X1	2	Washer	Diameter 20-37 X 5
12	5015405M91	1	Support	
13	3010574X1	2	Screw	M20 X 110
14	3009506X1	2	Screw Metric	M12 X 30
15	1440922X1	1	Bolt	M6 X 60
16	3714416M2	1	Sleeve	
17	1441500X1	1	Locknut	M6
18	3779998M91	1	Cowl	
19	5015169M1	1	Shaft	
20	3714575M1	2	Bellows	
21	1441858X1	1	Grease Nipple	
22	5016636M93	1	Cowl	
23	3009505X1	2	Screw Metric	M12 X 25
24	3712872M1	2	Bearing Carrier	
25	390912X1	2	Hex. Sock. Screw	M12 X 40
26	3712873M1	1	Bearing Assy	
27	368506X1	4	Bolt Unf	3/8-24
28	392054X1	2	Screw	M10 X 22
29	390735X1	2	Washer	Diameter 12-24 X 2,5

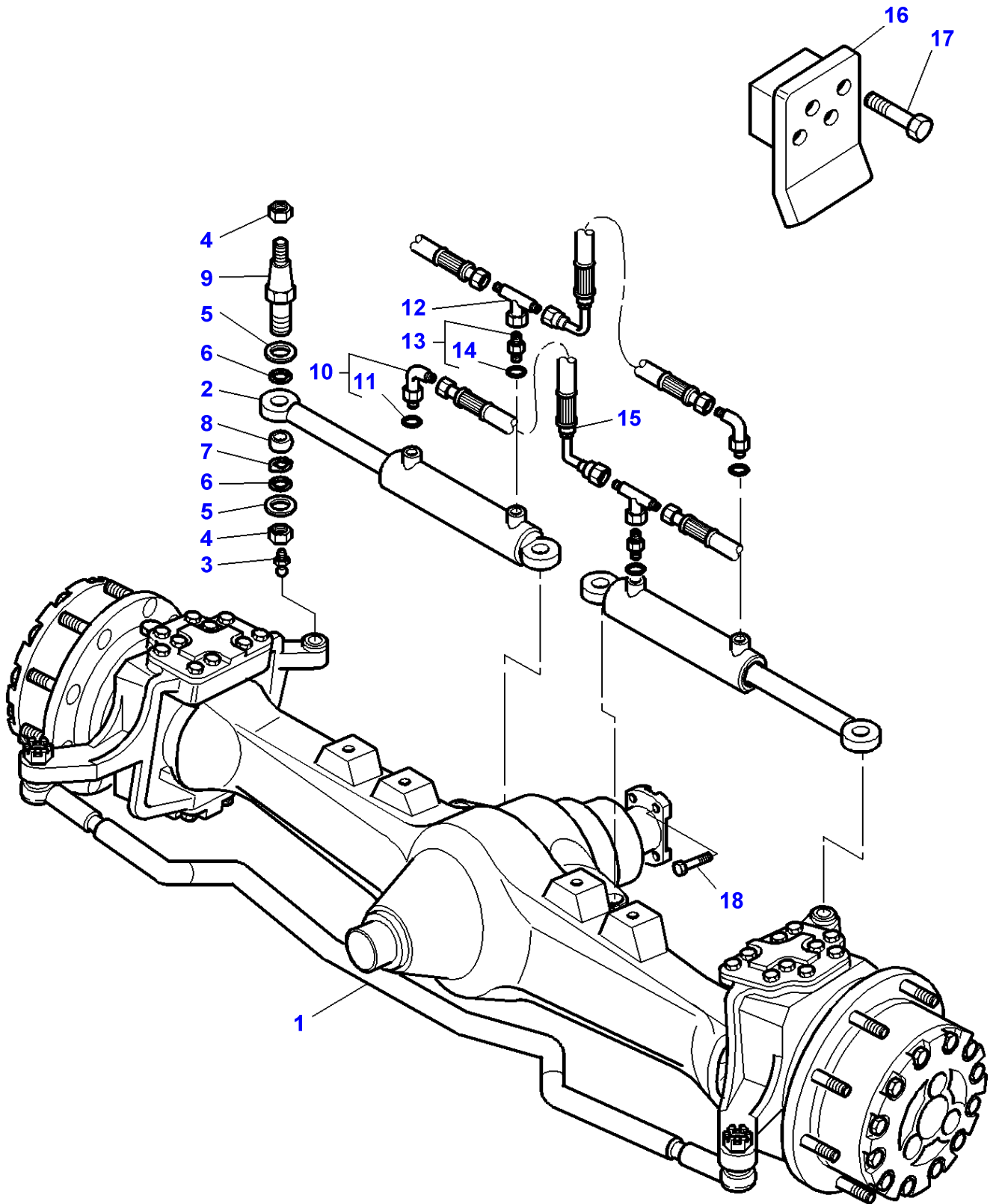
MF 8270/8280 TRACTOR - 1637348
1-ZK11-015-A

1-ZK11-015-A



Item	Part Number	Qty	Description	Comments
1	3787796M3	1	Universal Joint	
2	3903646M1	2	Crosspiece	(1)
3	3783587M1	4	Plough Bolt	5/16 X 27
4	3783586M1	2	Bridle	
5	3009505X1	2	Screw Metric	M12 X 25
6	3787658M1	1	Cowl	
7	3009506X1	2	Screw Metric	M12 X 30
8	385363X1	2	Washer	Diameter 12-24 X 4
9	3787657M1	1	Support	
10	3010574X1	2	Screw	M20 X 110
11	385365X1	X	Washer	Diameter 20-37 X 5
12	3009746X1	2	Nut	M20
13	3019851X1	2	Bolt Metric	M12 X 45
14	3019862X1	2	Nut Metric	M12
15	3787856M1	1	Bearing Carrier	
16	3787803M2	1	Shaft	Length 1212MM
17	3714575M1	2	Bellows	
18	1441858X1	1	Grease Nipple	
19	3009499X1	1	Screw	M10 X 60
20	3787798M1	1	Sleeve	
21	1440329X1	1	Locknut	M10
22	3787656M1	1	Cowl	
23	392054X1	2	Screw	M10 X 22
24	3788066M1	1	Dust Shield	
25	3015396X1	1	Top Locknut	M40

1-ZK01-004-B



Massey Ferguson**MF 8270/8280 TRACTOR - 1637348**

1637348

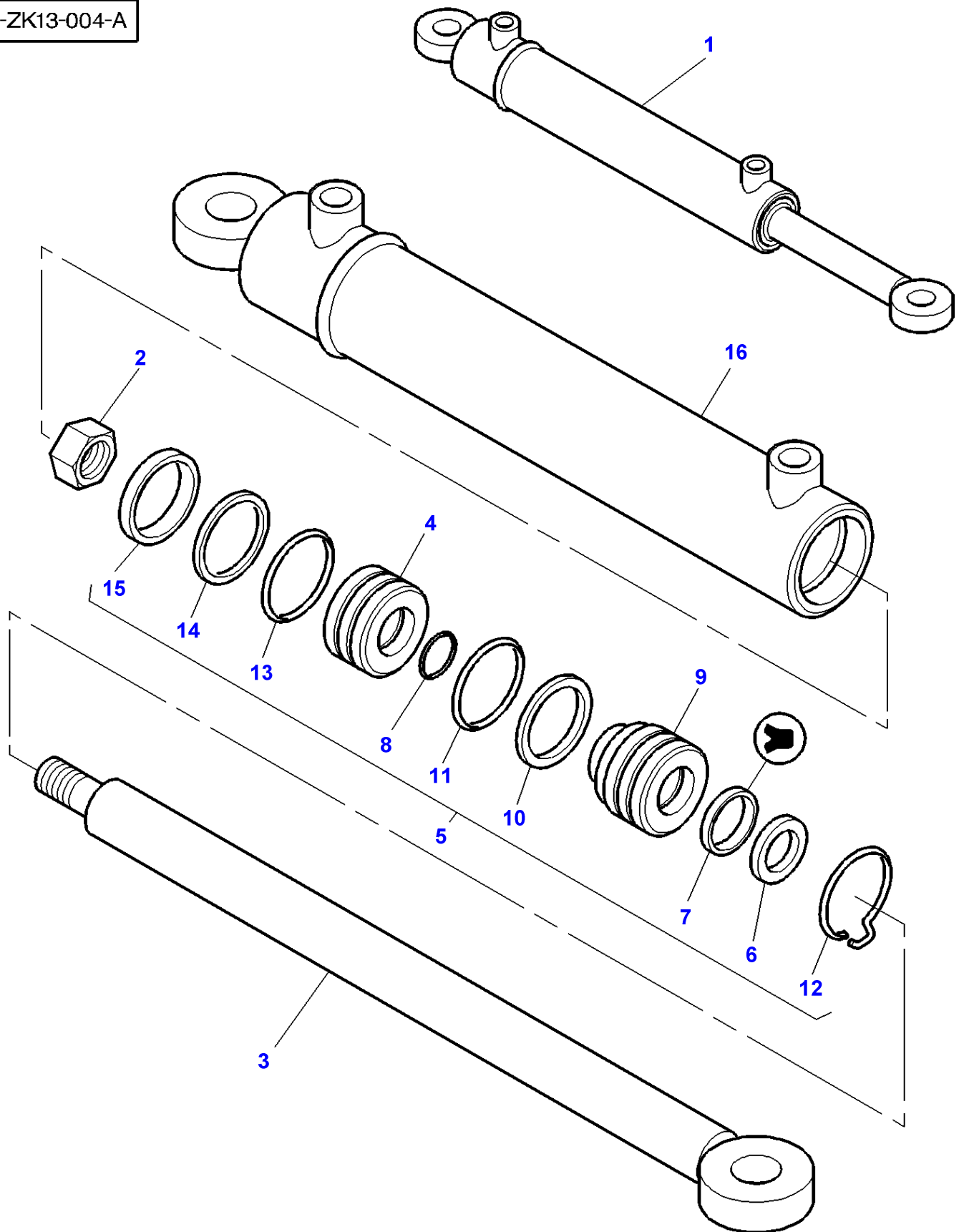
Front Axle 4 Wheel Drive - Up To L074008 - Except Tractor L078018

Page060-0055

Item	Part Number	Qty	Description	Comments
1	5016062M91	1	Front Live Axle	
2	72163177	2	Cylinder	
3	364461X1	4	Grease Nipple	
4	353457X1	8	Nut Fns	
5	353764X1	8	Washer	
6	72161188	8	Spacer	
7	22475X	4	Ring	
8	72161185	4	Bearing	
9	72161186	4	Stud	
10	186127M91	2	Elbow	
11	831452M1	1	O Ring	(10)
12	372543X1	2	Union	
13	380035X91	2	Reducer	
14	831452M1	1	O Ring	(13)
15	3780997M1	2	Hydr Hose	
16	5016027M91	2	Stop	
17	3010966X1	4	Screw	M20 X 100
	3015215X1	4	Screw	[A]
				M20 X 125
18	354264X1	3	Bolt Unc	3/8 X 1-3/4

FOOTNOTE [A] WITH FRONT LINKAGE

1-ZK13-004-A



Massey Ferguson**MF 8270/8280 TRACTOR - 1637348**

1637348

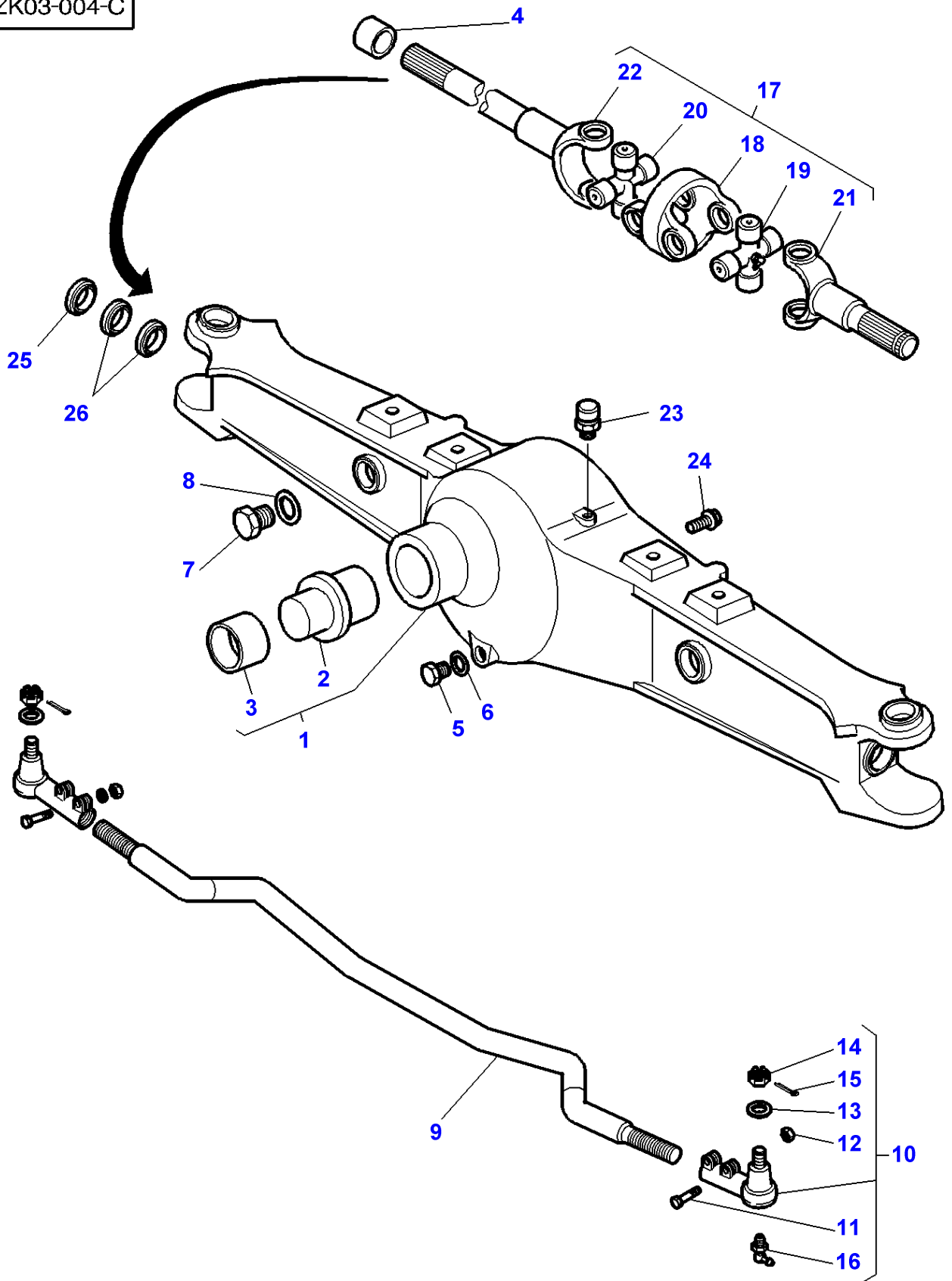
Front Axle 4 Wheel Drive - Steering Cylinders - Up To L074008 - Except Tractor L078018

Page060-0060

Item	Part Number	Qty	Description	Comments
1	72163177	1	Cylinder	
2	72162714	1	Nut	(1) 3/4"-16 UTC
3	72162716	1	Rod	(1)
4	72162715	1	Piston	(1)
5	72162718	1	Kit, Seal	(1)
6	72162723	1	Wiper	(5)
7	72162722	1	Seal	(5)
8	70923945	1	O Ring	(5) 1/16"X3/4"ID
9	72162717	1	Gland	(1)
10	72162721	1	Washer	(5)
11	70923826	1	O Ring	(5) 3/16"X1-5/8"ID
12	72162724	1	Wire	(5)
13	72162719	1	O Ring	(5)
14	72162720	1	Ring	(5)
15	72162725	1	Oil Seal	(5)
16	72162713	1	Tube	(1)

MF 8270/8280 TRACTOR - 1637348
1-ZK03-004-C

1-ZK03-004-C



Massey Ferguson**MF 8270/8280 TRACTOR - 1637348**

1637348

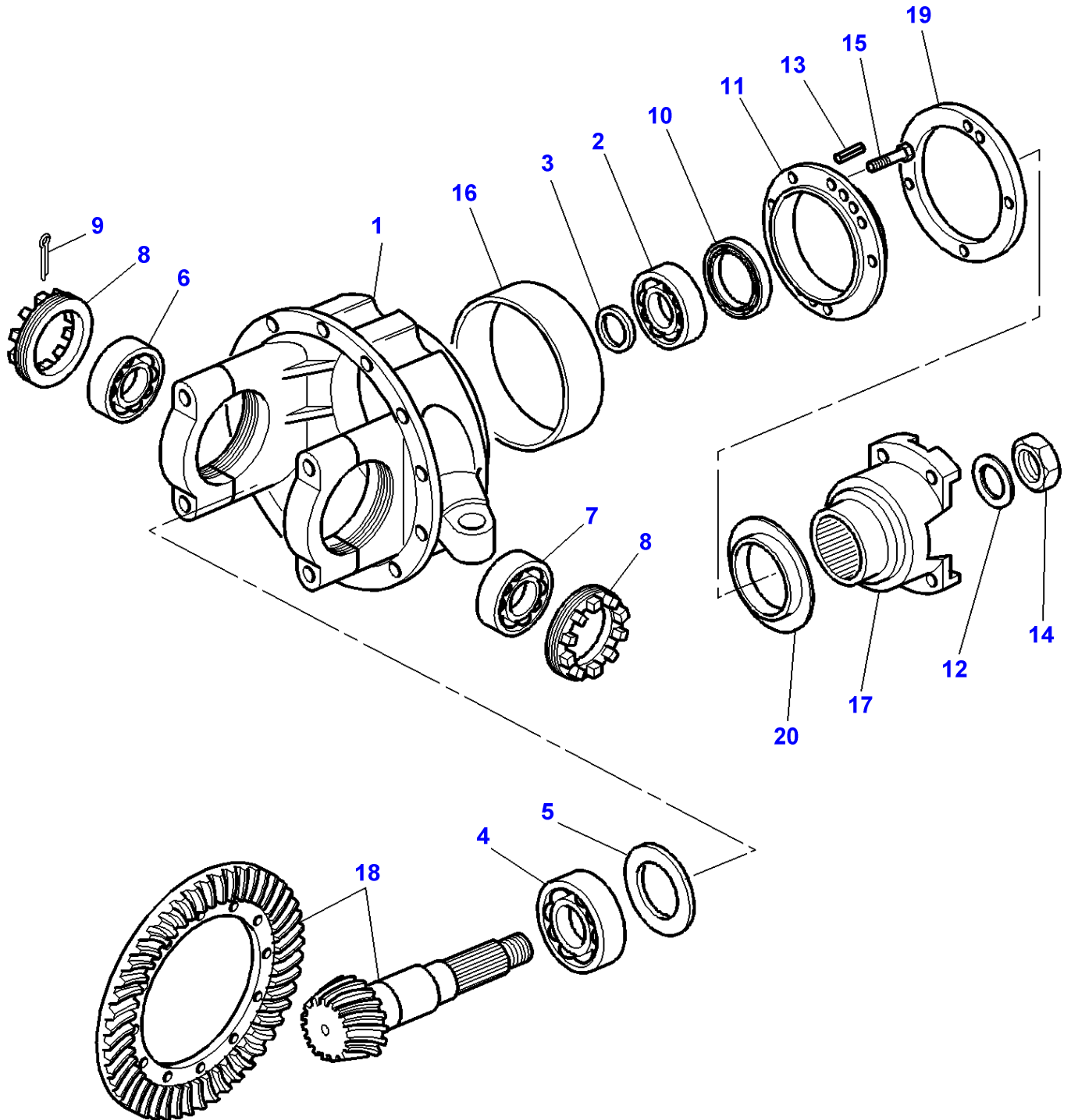
Front Axle 4 Wheel Drive - Housing - Up To L074008 - Except Tractor L078018

Page060-0065

Item	Part Number	Qty	Description	Comments
1	72162751	1	Housing	
2	72506030	1	Clevis Pin	(1)
3	72506031	1	Bush	(1)
4	3903489M1	2	Insert	
5	72506039	1	Plug	
6	72162292	1	Ring	
7	72162293	1	Plug	M42
8	72162294	1	Ring	
9	72162756	1	Rod	
10	72162306	1	Toggle	Right Hand
	72162307	1	Toggle	Left Hand
11	72162732	4	Capscrew	(10) M10 X 40
12	72162309	4	Nut	(10) M10
13	72162310	2	Seal	(10)
14	72162311	2	Nut	(10) M24
15	PZND4021V	2	Pin	(10)
16	1120697	2	Greaser	(10)
17	4347032	2	Shaft	
18	72162300	1	Knuckle	(17)
19	72162302	1	Crosspiece	(17) INNER
20	72162301	1	Crosspiece	(17) OUTER
21	72162303	1	Shaft	(17) SHORT
22	72162304	1	Shaft	(17) LONG
23	72162295	1	Breather	
24	4347037	4	Capscrew	M14 X 50
	1162825	8	Capscrew	M14 X 40
25	3903583M1	2	Seal	46 X 65 X 21
26	3084927M1	4	Seal	40 X 60 X 11

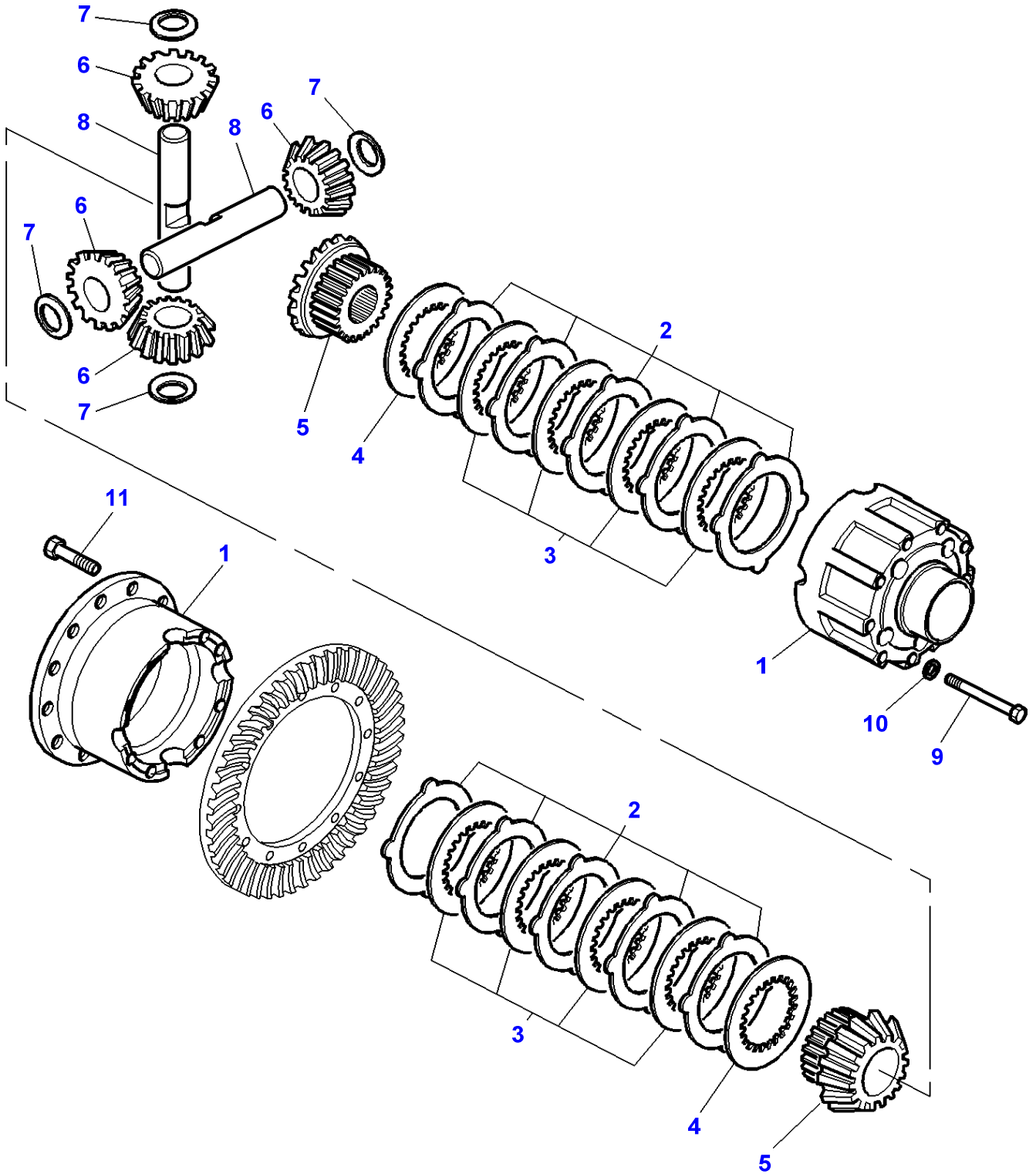
MF 8270/8280 TRACTOR - 1637348
1-ZK04-009-A

1-ZK04-009-A



Item	Part Number	Qty	Description	Comments
1	72506017	1	Housing	
2	72506018	1	Bearing	
3	72162237	X	Shim	Thickness 6,60 MM
	72162238	X	Shim	Thickness 6,40 MM
	72162239	X	Shim	Thickness 6,20 MM
	72162240	X	Shim	Thickness 6,00 MM
	72162241	X	Shim	Thickness 5,80 MM
	72162242	X	Shim	Thickness 5,60 MM
	72162243	X	Shim	Thickness 5,40 MM
4	72506019	1	Bearing	
5	72162246	X	Shim	Thickness 3,00 MM
	72162247	X	Shim	Thickness 2,90 MM
	72162248	X	Shim	Thickness 2,80 MM
	72162249	X	Shim	Thickness 2,70 MM
	72162250	X	Shim	Thickness 2,00 MM
	72162251	X	Shim	Thickness 1,90 MM
	72162252	X	Shim	Thickness 1,80 MM
	72162253	X	Shim	Thickness 1,70 MM
	72162254	X	Shim	Thickness 1,60 MM
	72162255	X	Shim	Thickness 1,50 MM
	72162256	X	Shim	Thickness 1,40 MM
	72162257	X	Shim	Thickness 1,30 MM
	72162258	X	Shim	Thickness 1,20 MM
	72162259	X	Shim	Thickness 1,10 MM
6	72506020	1	Bearing	Right Hand
7	72506021	1	Bearing	Left Hand
8	72162264	2	Nut	
9	3903486M1	2	Pin	
10	72514095	1	Oil Seal	
11	72506023	1	Flange	
12	72514096	1	Washer	
13	72162922	1	Pin	
14	4324788	1	Nut	M30
15	1440350X1	3	Screw Metric	M6 X 20
16	72506025	1	Bush	
17	3903487M1	1	Bridle	
18	72514094	1	Kit, Bevel Gear	
19	72515314	1	Seal	
20	3903488M1	1	Bush	

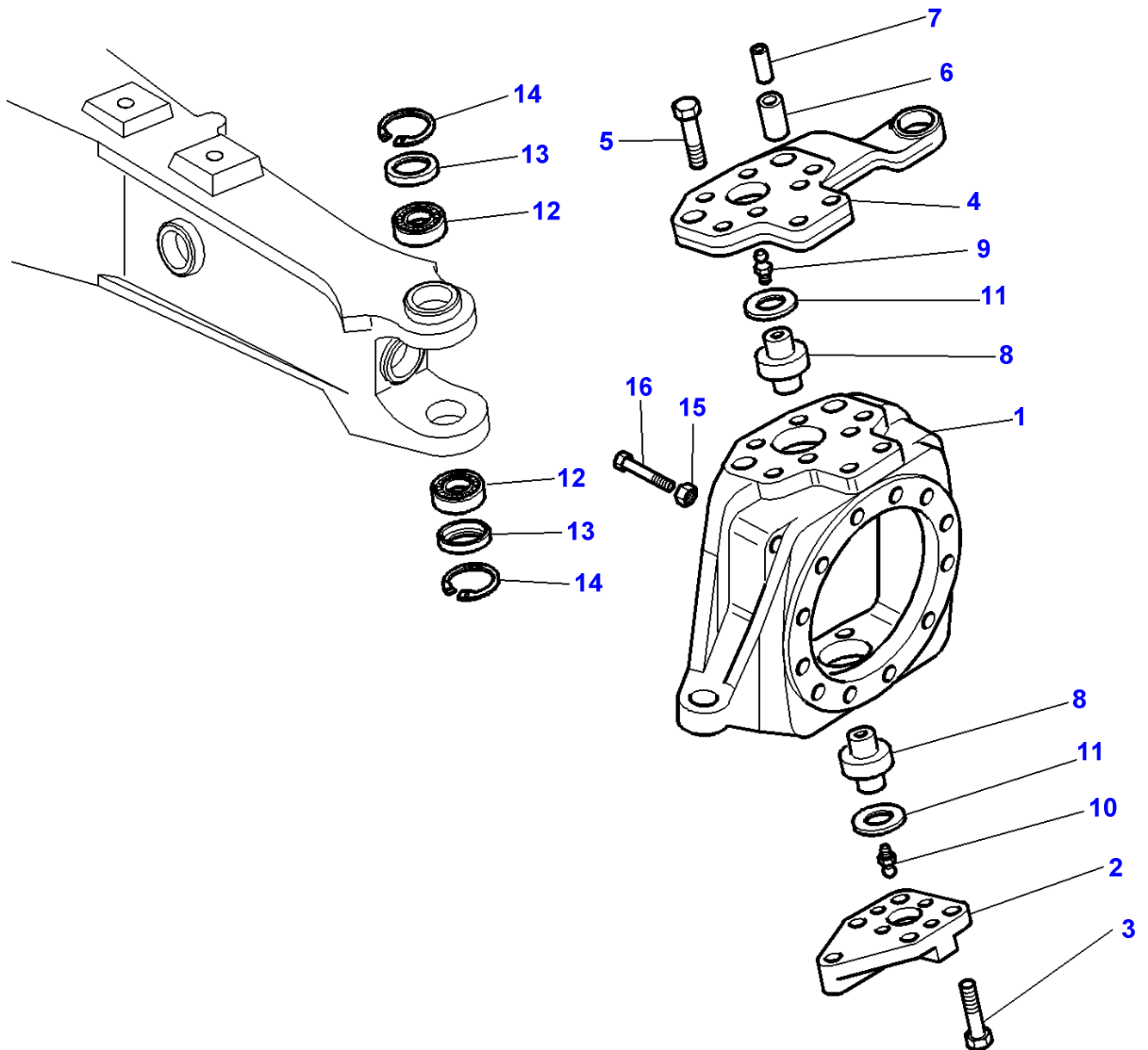
1-ZK12-003-A



Massey Ferguson**MF 8270/8280 TRACTOR - 1637348****1637348****Front Axle 4 Wheel Drive - Differential Lock Mechanism - Up To L074008 - Except Tractor L078018****Page060-0075**

Item	Part Number	Qty	Description	Comments
	4325142	1	Differential	
1	72162727	1	Case	
2	72506027	10	Plate	Thickness 1,80 MM
	72162272	10	Plate	Thickness 1,90 MM
	72162273	10	Plate	Thickness 2,00 MM
3	72162274	8	Disc	
4	72162275	2	Plate	Thickness 3,10 MM
5	72162280	2	Gear	Number of teeth/spines 29
6	72162281	4	Pinion	
7	72162282	4	Washer	
8	72162283	2	Shaft	
9	72162728	8	Capscrew	M12X95
10	72162455	8	Washer	
11	72162729	12	Capscrew	M14 X 25

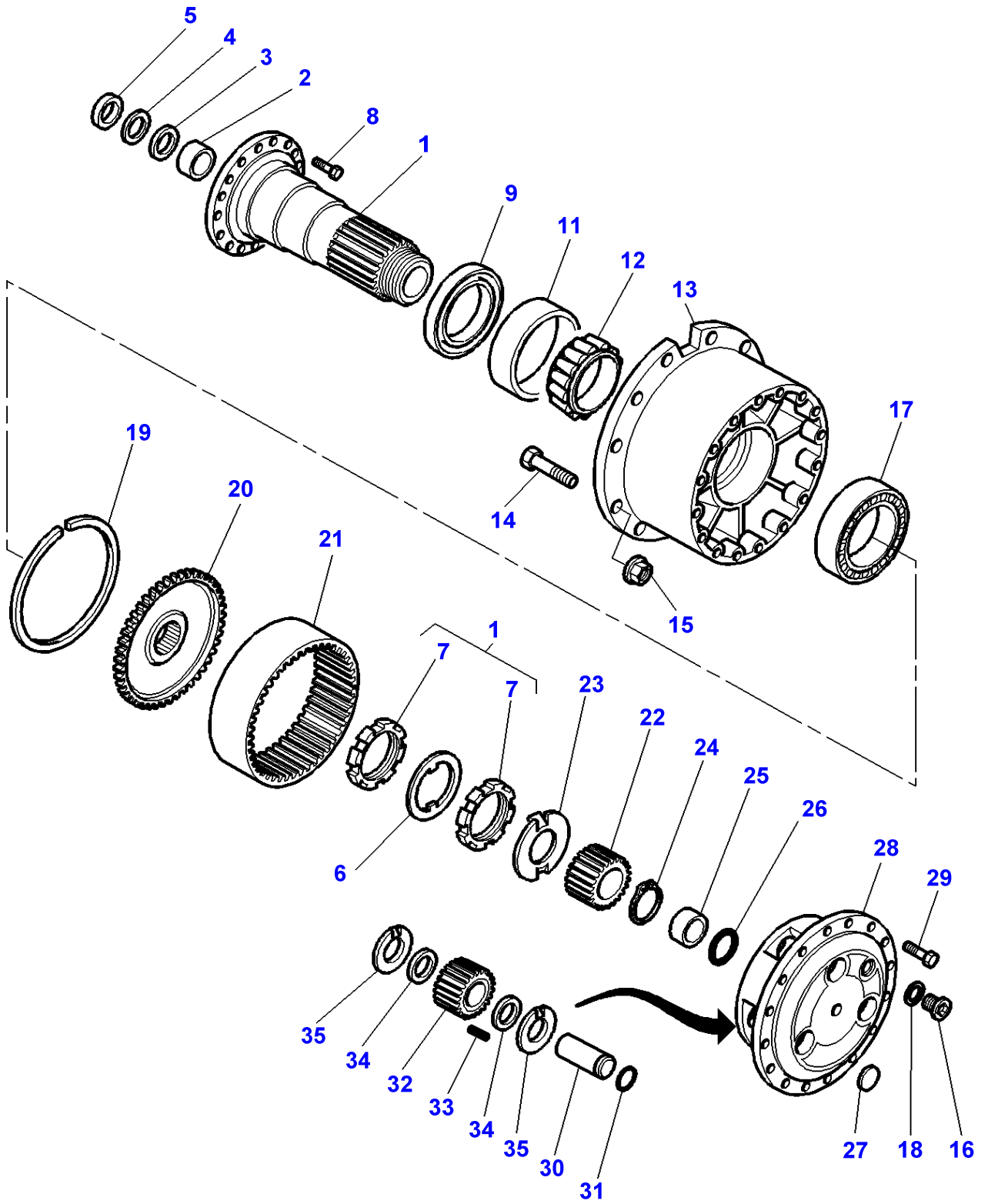
1-ZK05-009-A



Item	Part Number	Qty	Description	Comments
1	4350433	1	Housing	Left Hand
	72162753	1	Housing	Right Hand
2	4347637	2	Cover	Replace and repair. Old not interchangeable with new 72162315
3	1112619	8	Capscrew	M14 X 40
4	4325207	1	Arm	Left Hand
	72162316	1	Arm	Right Hand
5	1111677	12	Capscrew	M14 X 55
6	1115520	4	Pin	Diameter 20 X 50
7	1137371	4	Pin	Diameter 12 X 50
8	4325209	4	Pivot	
9	PZND9670V	2	Greaser	M10
10	1120698	2	Greaser	
11	72162322	X	Shim	Thickness 2,80 MM
	72162323	X	Shim	Thickness 2,90 MM
	72162324	X	Shim	Thickness 3,00 MM
	72162325	X	Shim	Thickness 3,10 MM
	72162326	X	Shim	Thickness 3,20 MM
	72162327	X	Shim	Thickness 3,30 MM
	72162328	X	Shim	Thickness 3,40 MM
	72162329	X	Shim	Thickness 3,50 MM
	72162330	X	Shim	Thickness 3,60 MM
12	72162331	4	Bearing	
13	4324772	4	Cap	
14	4324773	4	O Ring	
15	72162884	4	Nut	M18
16	72162752	4	Stop	

MF 8270/8280 TRACTOR - 1637348
1-ZK05-010-A

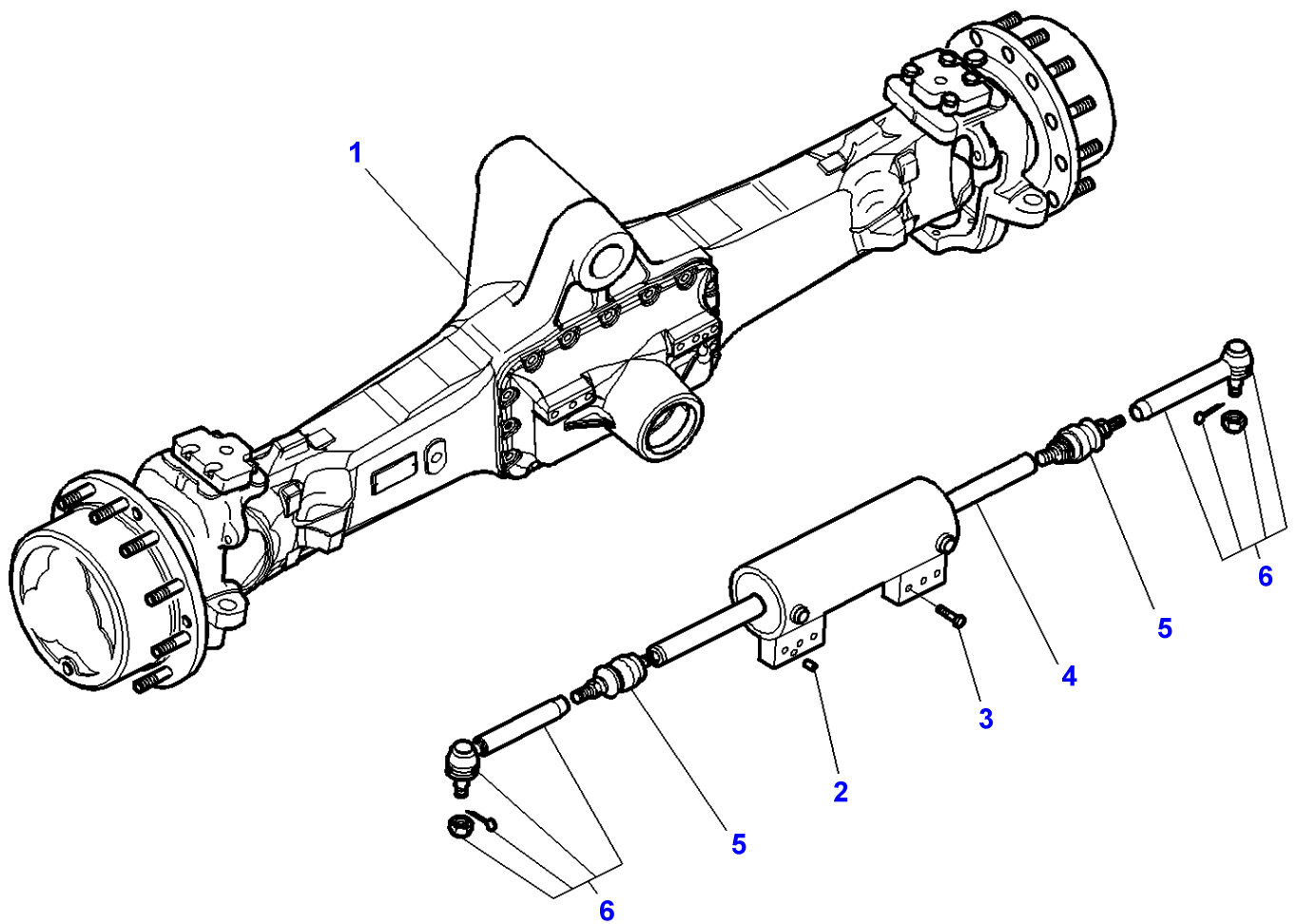
1-ZK05-010-A



Item	Part Number	Qty	Description	Comments
1	72162335	2	Spindle	
2	3903489M1	2	Insert	
3	4341193	2	Seal	
4	4342918	2	Ring	
5	4416111	2	Plate	Replace and repair. Old not interchangeable with new 4341194
6	72162336	2	Washer	
7	72162337	4	Nut	(1) M70
8	72506034	24	Capscrew	M16 X 35
9	72506036	2	Seal	
10	72162339	2	Washer	[A]
11	834951M1	2	Cone Cup	
12	4336119	2	Bearing Cone	
13	72162342	2	Hub	
14	72162343	24	Bolt	M22
15	72162344	24	Nut	M22
16	72506038	4	Plug	M24
17	72506035	2	Bearing	
18	72162292	4	Ring	
19	72162347	2	Ring	
20	72162734	2	Carrier	
21	72162349	2	Gear	Number of teeth/spines 63
22	72162350	2	Gear	Number of teeth/spines 15
23	72162351	2	Washer	
24	72162352	2	Ring	
25	72162353	2	Plug	
26	72162354	X	Shim	Thickness 0,30 MM
	72162355	X	Shim	Thickness 0,50 MM
	72162356	X	Shim	Thickness 1,00 MM
	72162357	X	Shim	Thickness 3,00 MM
27	72162358	2	Cap	
28	72162735	2	Carrier	
29	1112619	32	Capscrew	M14 X 40
30	72162360	6	Pin	
31	72162361	6	Ring	
32	4346050	6	Gear	
33	3903678M1	138	Needle	Replace and repair. Old not interchangeable with new 3903677M1
34	72506037	12	Washer	
35	72162365	12	Washer	

FOOTNOTE [A] NOT ILLUSTRATED

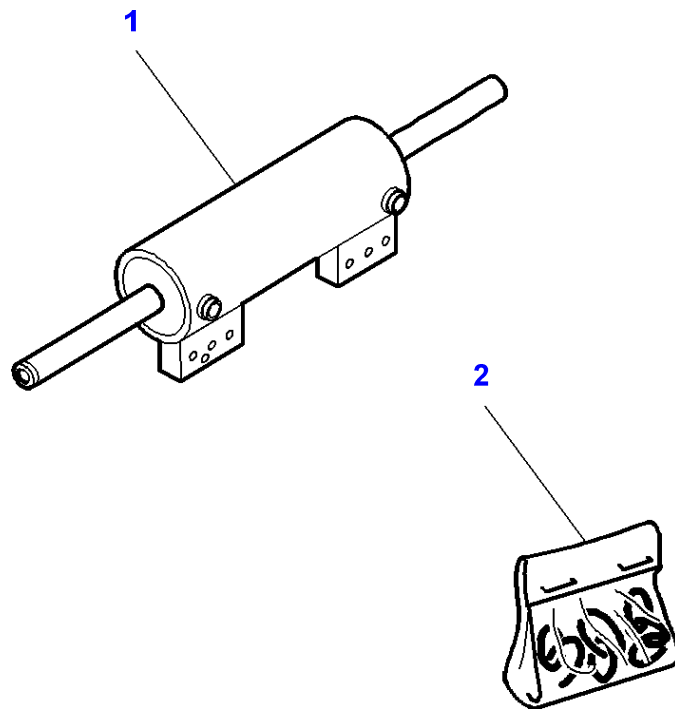
1-ZK01-007-B



Massey Ferguson**MF 8270/8280 TRACTOR - 1637348****1637348****Front Axle 4 Wheel Drive - FROM L074009 EXCEPT TRACTOR L078018****Page060-0090**

Item	Part Number	Qty	Description	Comments
1	3765823M93	1	Front Live Axle	AG 280
2	3764700M1	1	Dowel	
3	3765902M1	6	Screw	M16 X 65
4	3765844M91	1	Steering Cyl	
5	3765843M91	2	Ball Joint	
6	3765842M91	2	Toggle	

1-ZK13-007-A



Massey Ferguson

MF 8270/8280 TRACTOR - 1637348

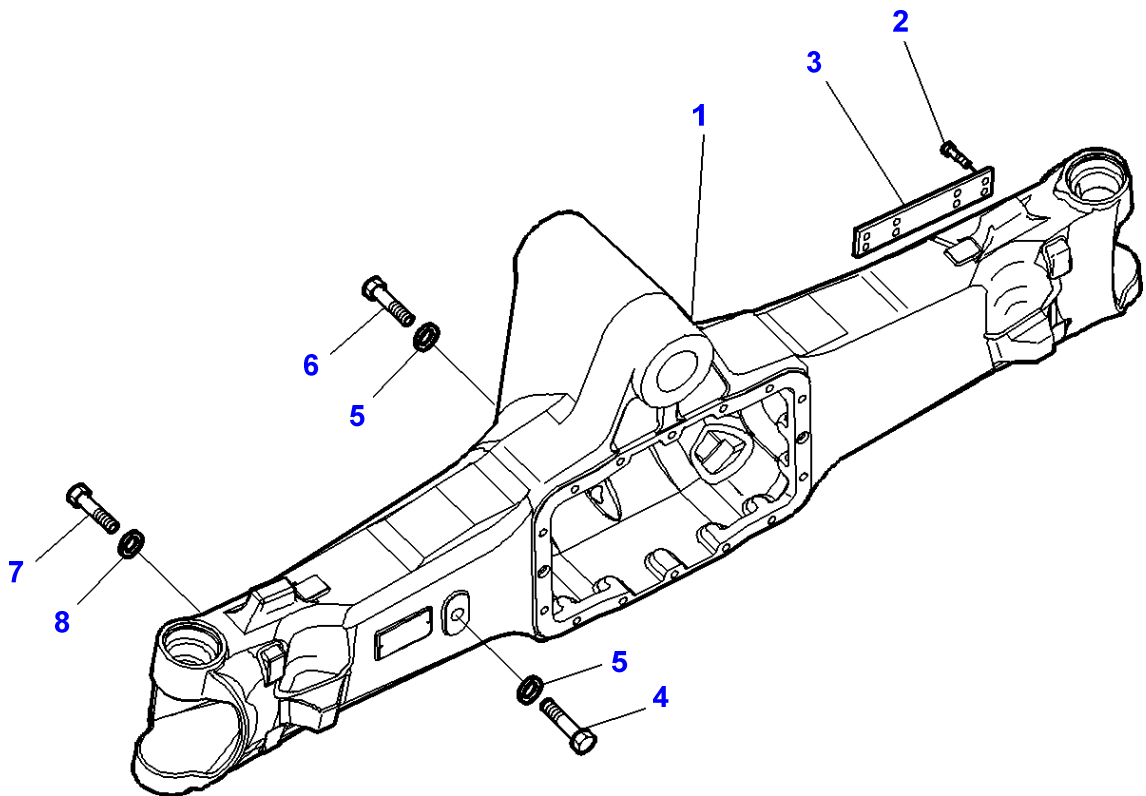
1637348

Front Axle 4 Wheel Drive - Steering Cylinders - FROM L074009 EXCEPT TRACTOR L078018

Page060-0095

Item	Part Number	Qty	Description
1	3765844M91	1	Steering Cyl
2	3765904M91	1	Kit, Seal

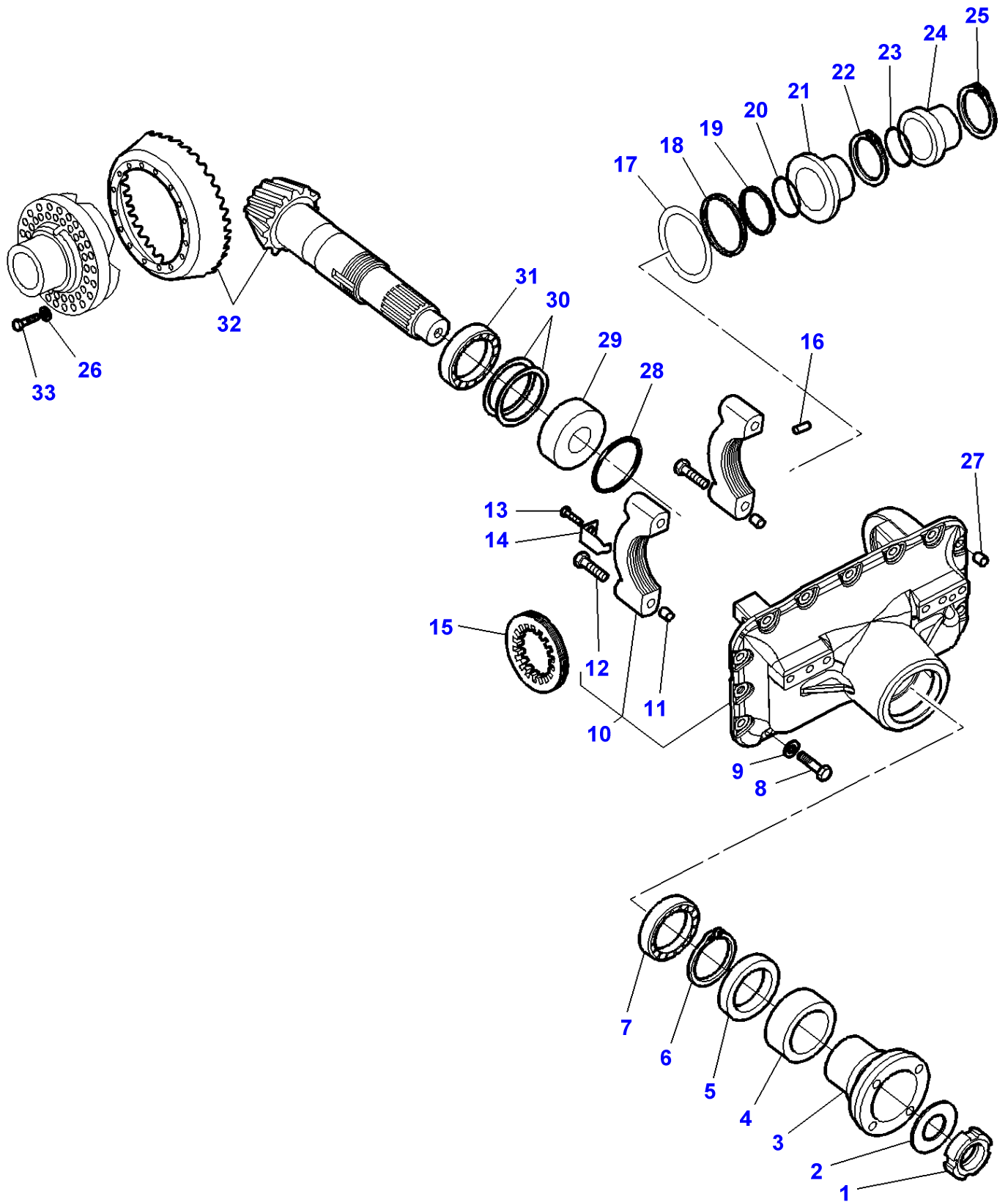
1-ZK03-006-B



Massey Ferguson**MF 8270/8280 TRACTOR - 1637348****1637348****Front Axle 4 Wheel Drive - Housing - FROM L074009 EXCEPT TRACTOR L078018****Page060-0100**

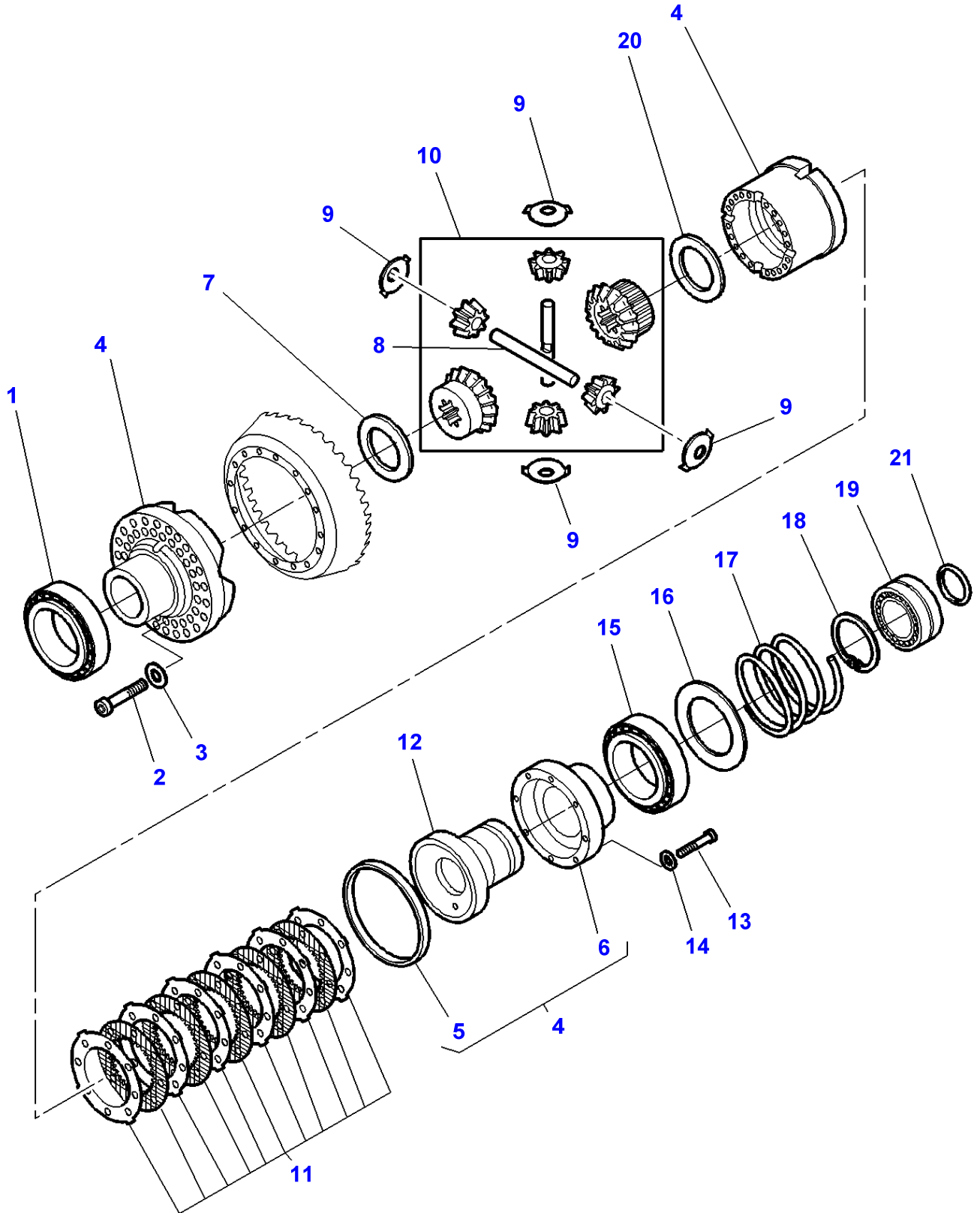
Item	Part Number	Qty	Description	Comments
1	3765828M92	1	Housing	
2	3903907M1	6	Bolt	M6 X 12
3	3765870M1	1	Protector	
4	72314807	1	Plug	
5	3903908M1	2	Gasket	
6	72314806	1	Plug	
7	3428230M1	1	Plug	
8	3427185M1	1	Washer	

1-ZK04-013-A



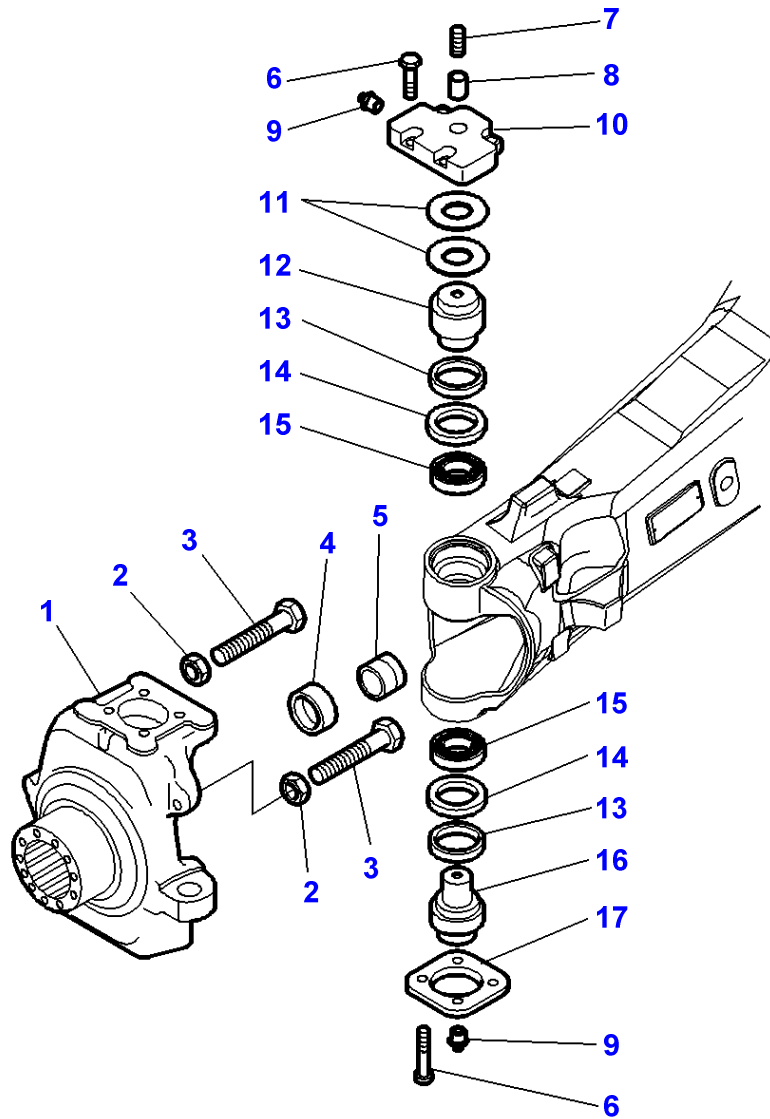
Item	Part Number	Qty	Description	Comments
1	3765039M1	1	Nut	
2	72311913	1	Washer	
3	3765869M91	1	Flange	
4	3765845M1	1	Spacer	
5	72317985	1	Oil Seal	
6	72311114	1	Snpring	
7	3903915M1	1	Bearing Assy	
8	3764102M1	16	Screw	M14 X 45
9	3907321M1	16	Washer	
10	3765830M91	1	Support	
11	3428426M1	4	Centraliser	(10)
12	3765903M1	4	Screw	(10) M14 X 110
13	1444071X1	1	Screw	M8 X 8
14	3765786M1	1	Locking Plate	
15	3765787M1	1	Nut	
16	72313860	1	Pin	
17	3903937M1	1	O Ring	
18	3903938M1	1	Oil Seal	
19	3903940M1	1	Oil Seal	
20	3766055M1	1	O Ring	
21	3766054M1	1	Bush	
22	3766056M1	1	Circlip	
23	3903939M1	1	O Ring	
24	3765836M1	1	Piston	
25	3765837M1	1	Ring	
26	3903952M1	18	Washer	
27	3428426M1	2	Centraliser	
28	3765901M1	1	O Ring	
29	3765873M1	X	Spacer	Thickness 5,80 MM
	3765874M1	X	Spacer	Thickness 5,83 MM
	3765875M1	X	Spacer	Thickness 5,86 MM
	3765876M1	X	Spacer	Thickness 5,89 MM
	3765877M1	X	Spacer	Thickness 5,92 MM
	3765878M1	X	Spacer	Thickness 5,95 MM
	3765879M1	X	Spacer	Thickness 5,98 MM
	3765880M1	X	Spacer	Thickness 6,01 MM
	3765881M1	X	Spacer	Thickness 6,04 MM
	3765882M1	X	Spacer	Thickness 6,07 MM
	3765883M1	X	Spacer	Thickness 6,10 MM
	3765884M1	X	Spacer	Thickness 6,13 MM
	3765885M1	X	Spacer	Thickness 6,16 MM
	3765886M1	X	Spacer	Thickness 6,19 MM
	3765887M1	X	Spacer	Thickness 6,22 MM
	3765888M1	X	Spacer	Thickness 6,25 MM
	3765889M1	X	Spacer	Thickness 6,28 MM
	3765890M1	X	Spacer	Thickness 6,31 MM
	3765891M1	X	Spacer	Thickness 6,34 MM
	3765892M1	X	Spacer	Thickness 6,37 MM
	3765893M1	X	Spacer	Thickness 6,40 MM
	3765894M1	X	Spacer	Thickness 6,43 MM
	3765895M1	X	Spacer	Thickness 6,46 MM
	3765896M1	X	Spacer	Thickness 6,49 MM
	3765897M1	X	Spacer	Thickness 6,52 MM
	3765898M1	X	Spacer	Thickness 6,55 MM
	3765899M1	X	Spacer	Thickness 6,58 MM
	3765900M1	X	Spacer	Thickness 7,00 MM
30	72422145	4	Shim	Thickness 0,10 MM
	72422146	4	Shim	Thickness 0,30 MM
	72422147	2	Shim	Thickness 0,50 MM
31	3903914M1	1	Bearing Assy	
32	3765833M91	1	Kit, Bevel Gear	
33	3429917M1	18	Screw	M14 X 40

1-ZK12-008-B



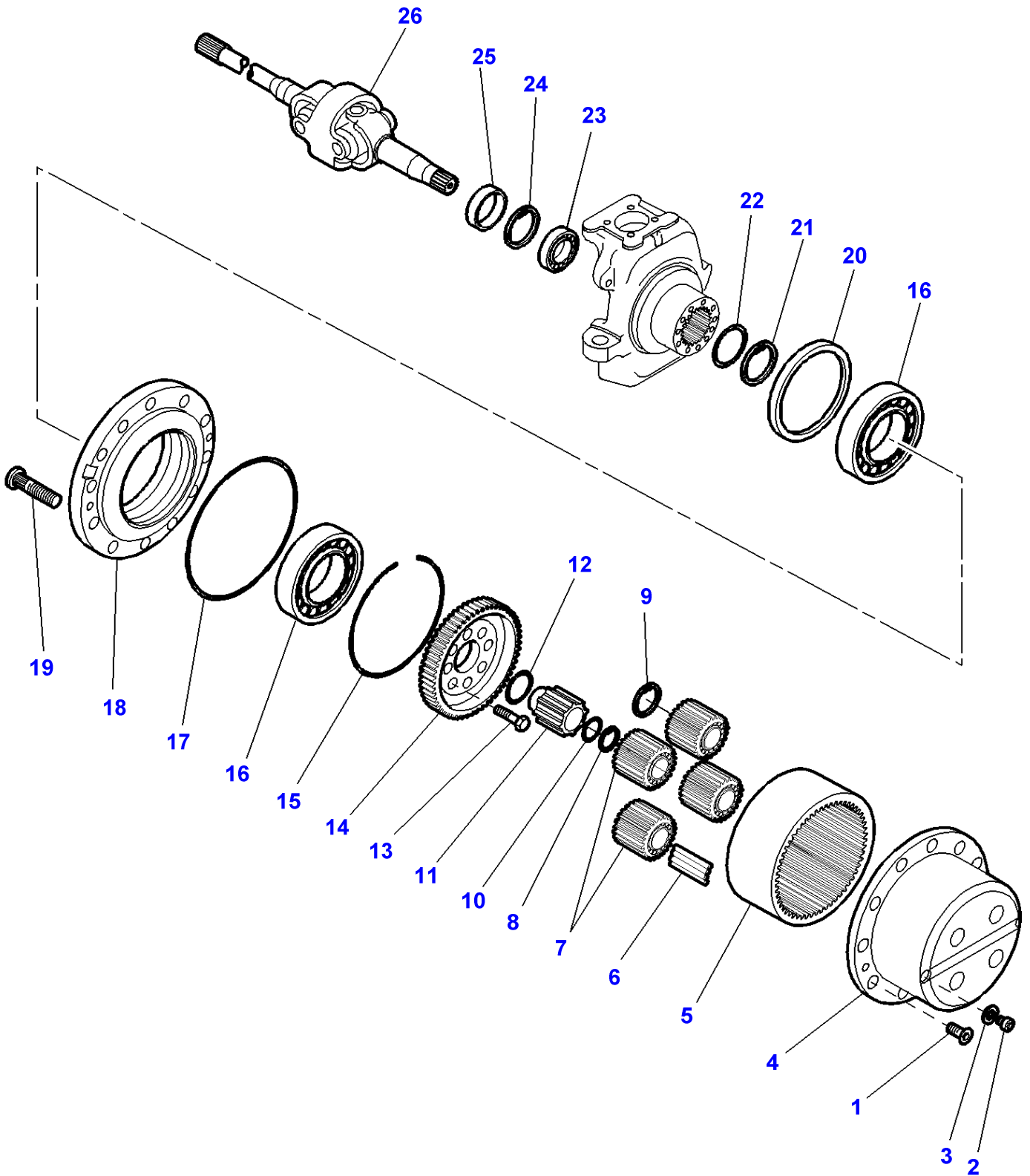
Item	Part Number	Qty	Description	Comments
1	72420213	1	Bearing Assy	
2	3903927M1	12	Screw	M10 X 85
3	3903958M1	12	Washer	
4	3766061M91	1	Housing	
5	3903929M1	1	Ring	(4)
6	3766063M1	1	Cover	(4)
7	3903930M1	1	Washer	
8	3903932M1	2	Pin	
9	3903951M1	4	Washer	
10	72422086	1	Diff Pinion	
11	72312864	1	Disc	
12	72422151	1	Flange	
13	3766065M1	18	Screw	M8 X 45
14	3903928M1	18	Washer	
15	72310250	1	Bearing Assy	
16	72311964	X	Shim	Thickness 0,50 MM
	72311965	X	Shim	Thickness 0,30 MM
	3903913M1	X	Shim	Thickness 0,10 MM
17	72422153	1	Spring	
18	72415152	1	Snpring	
19	3903936M1	1	Bearing Assy	
20	72311914	1	Washer	
21	3907229M1	1	Gasket	

1-ZK05-017-A



Item	Part Number	Qty	Description	Comments
1	3765840M1	1	Housing	Left Hand
	3765839M1	1	Housing	Right Hand
2	3903941M1	4	Nut	M18
3	72422148	4	Screw	
4	3765756M1	2	Oil Seal	
5	3903906M1	2	Bush	
6	3429917M1	16	Screw	M14 X 40
7	3903912M1	2	Dowel	M12 X 2
8	3903909M1	1	Pin	
9	339003X1	4	Greaser	
10	3765841M1	1	Cover	Left Hand
	3765931M1	1	Cover	Right Hand
11	72311955	X	Shim	Thickness 0,50 MM
	72311954	X	Shim	Thickness 0,20 MM
12	3765905M1	1	Clevis Pin	Left Hand
	3903910M1	1	Clevis Pin	Right Hand
13	3766057M2	4	Seal	
14	72422149	4	Spacer	
15	3766050M1	4	Bearing Assy	
16	3766058M1	2	Pin	
17	72311954	2	Shim	

1-ZK05-016-A

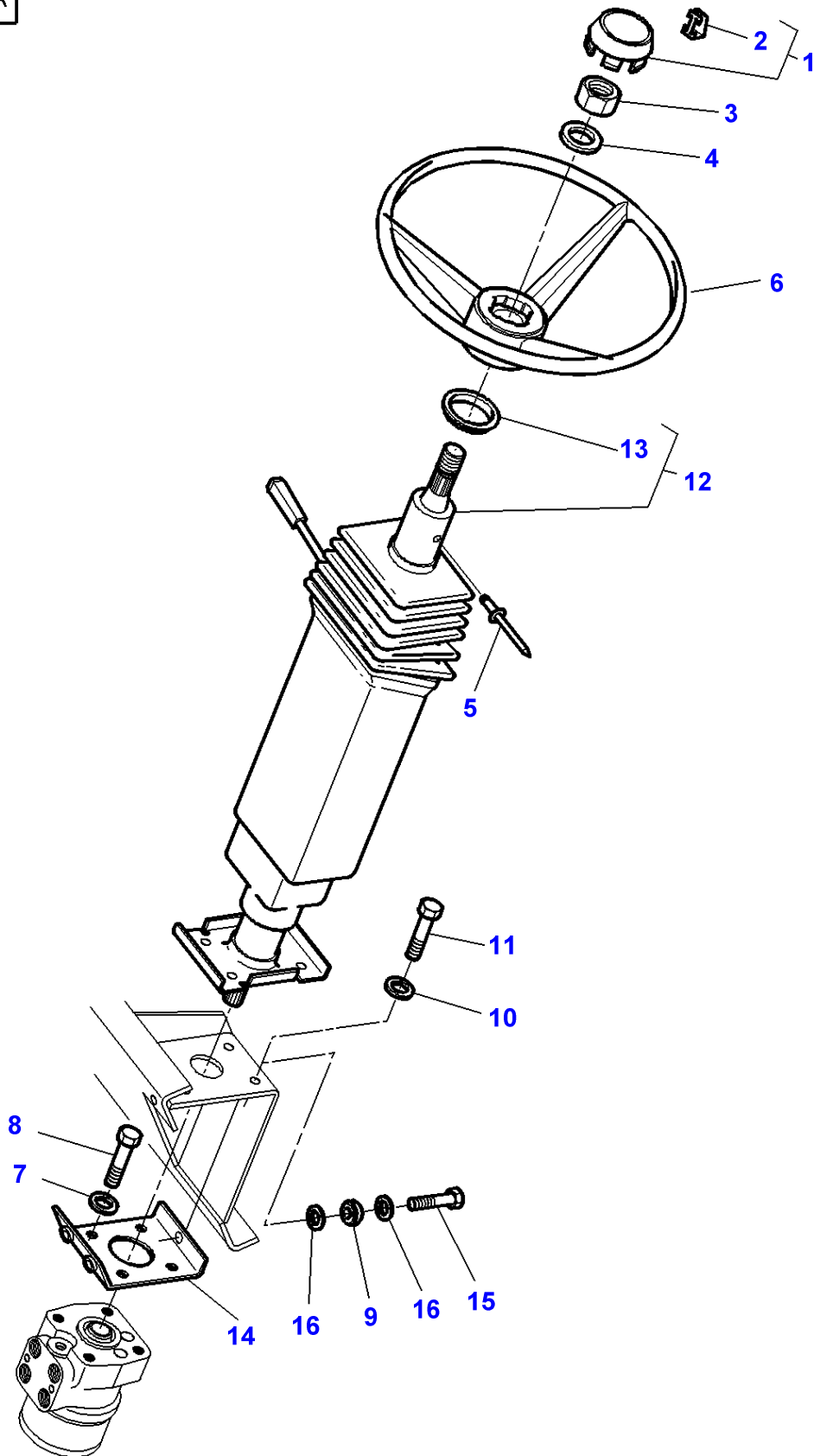


Massey Ferguson**MF 8270/8280 TRACTOR - 1637348****1637348****Front Axle 4 Wheel Drive - Final Drive - FROM L074009 EXCEPT TRACTOR L078018****Page060-0120**

Item	Part Number	Qty	Description	Comments
1	3903925M1	4	Screw	M10 X 20
2	72314806	2	Plug	
3	3903908M1	2	Gasket	
4	72422141	2	Carrier	
5	72422142	2	Annular Gear	
6	72422087	8	Kit, Roller	
7	3903923M91	2	Kit, Gear	
8	3903922M1	2	Snapping	
9	3903924M1	8	Circlip	
10	72422140	2	Ring	
11	72422139	2	Pinion	
12	72315077	2	Snapping	
13	3764103M1	24	Screw	M12 X 45
14	72422143	2	Carrier	
15	3903921M1	2	Ring	
16	3907228M1	4	Bearing Taper	Replace and repair. Old interchangeable with new 3428478M1
17	72420257	2	O Ring	
18	72422083	2	Hub	
19	72412609	24	Stud	
20	72317984	2	Oil Seal	
21	3903919M1	2	Snapping	
22	3903918M1	2	Washer	
23	3903917M1	2	Bearing Assy	
24	3903916M1	2	Snapping	
25	3764633M1	2	Seal	
26	3766059M91	1	Universal Joint	Left Hand
	3766060M91	1	Universal Joint	Right Hand

MF 8270/8280 TRACTOR - 1637348
1-ZN04-003-A

1-ZN04-003-A

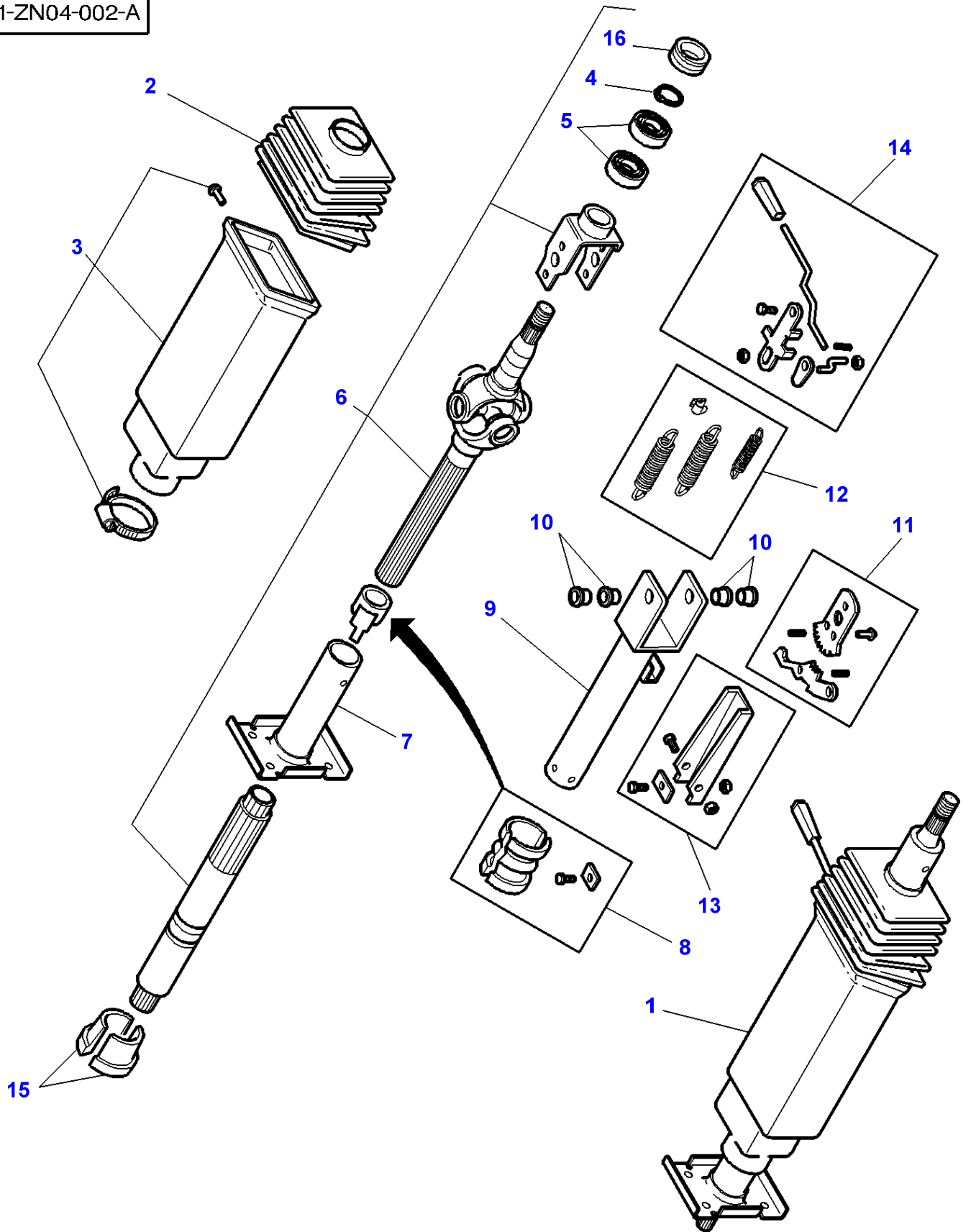


Steering Wheel And Telescopic Column

Item	Part Number	Qty	Description	Comments
1	3759758M92	1	Cap	
2	3817055M1	2	Clip	(1)
3	339070X1	1	Nut	M14
4	390973X1	1	Washer Metric	Diameter 15-28 X 2,5
5	3011268X1	1	Rivet	Diameter 4 X 7,5 Replace and repair. Old interchangeable with new 338941X1
6	3809661M1	1	Steering Wheel	
7	390734X1	4	Washer	Diameter 10-21 X 2
8	339282X1	4	Screw Metric	M10 X 16
9	1619912M1	3	Vibration Mount	
10	1440921X1	4	Washer Metric	Diameter 8-22 X 2
11	339124X1	4	Hex. Sock. Screw	M8 X 16
12	3713868M2	1	Column	Up to Serial or Engine Number N002057 See Page - Reference Number 070-0010/1
	4273495M92	1	Steering Column	From Serial or Engine Number N002058 Up to Serial or Engine Number N012065 See Page - Reference Number 070-0015/1
	3713868M2	1	Column	From Serial or Engine Number N012066 Up to Serial or Engine Number N015032 See Page - Reference Number 070-0010/1
	4273495M92	1	Steering Column	From Serial or Engine Number N015033 See Page - Reference Number 070-0015/1
13	3902578M1	1	Gasket	(12)
14	3388920M94	1	Support	
15	3009494X1	3	Screw Metric	M10 X 35
16	3389958M1	3	Washer	

MF 8270/8280 TRACTOR - 1637348
1-ZN04-002-A

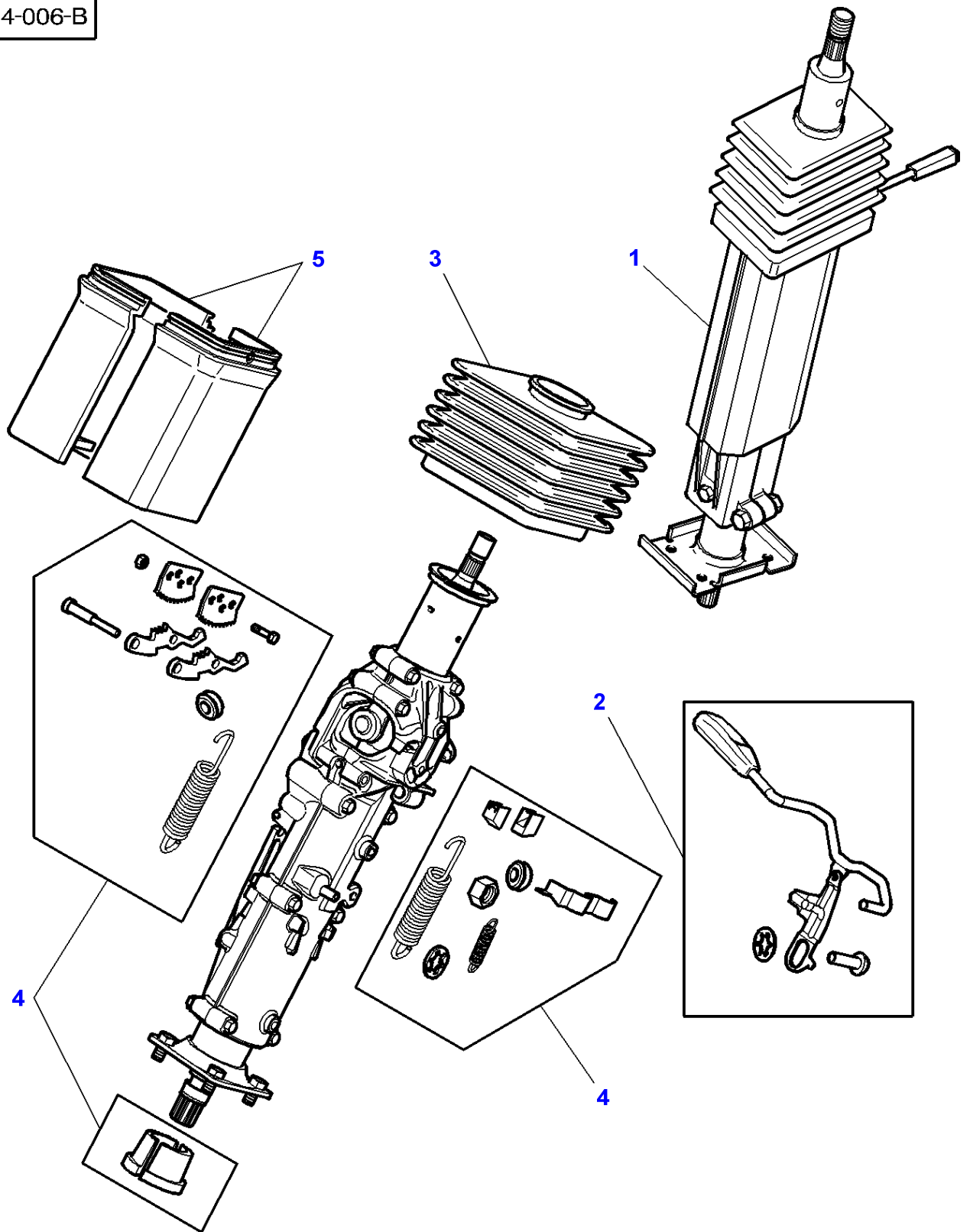
1-ZN04-002-A



Steering Wheel And Telescopic Column

Item	Part Number	Qty	Description	Comments
1	3713868M2	1	Column	
2	3902566M91	1	Bellows	(1)
3	3902568M91	1	Case Assy	(1)
4	1440475X1	1	Circlip	(6)
5	1440872X1	2	Bear. 6004 Rs	(6)
6	3902564M1	1	Shaft	(1)
7	3902565M1	1	Column	(1)
8	3900242M91	1	Parts Pack	(1)
9	3900241M91	1	Column	(1)
10	3900164M91	1	Clevis Pin	(1)
11	3900146M91	1	Kit, Lever	(1)
12	3900167M91	1	Kit, Spring	(1)
13	3900166M91	1	Kit, Brake	(1)
14	3902567M91	1	Kit, Lever	(1)
15	3900145M1	1	Bearing	(1)
16	3902578M1	1	Gasket	(6)

1-ZN04-006-B

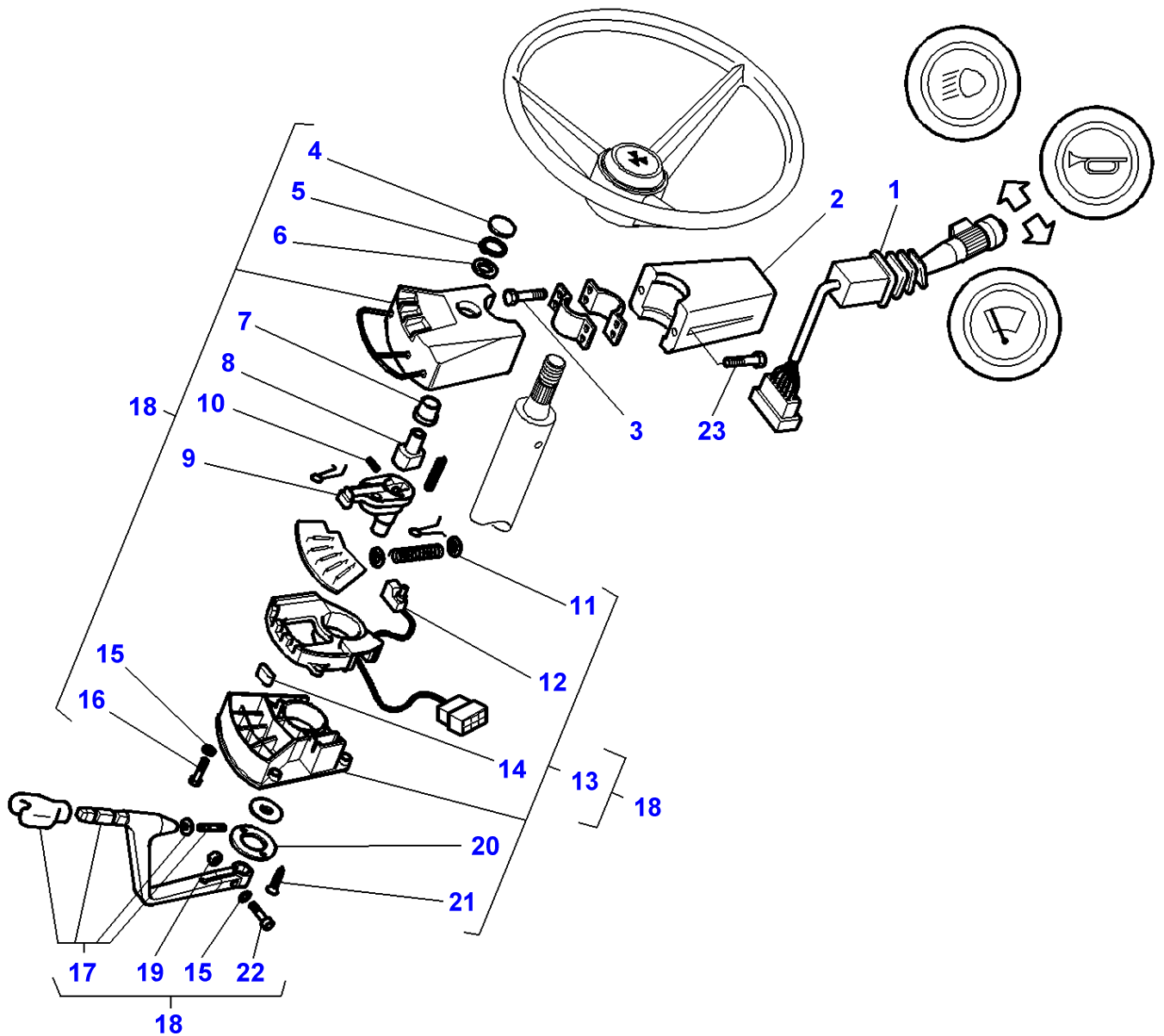


Massey Ferguson**MF 8270/8280 TRACTOR - 1637348****1637348****Steering Wheel And Telescopic Column****Page070-0015**

Item	Part Number	Qty	Description	Comments
1	4273495M92	1	Steering Column	
2	3907403M91	1	Kit, Lever	[A] (1)
3	3907405M91	1	Bellows	(1)
4	3907402M91	1	Kit, Repair	[A] (1)
5	3907404M91	1	Case Assy	[A] (1)

FOOTNOTE [A] NOT DETAILED

1-ZN15-001-C

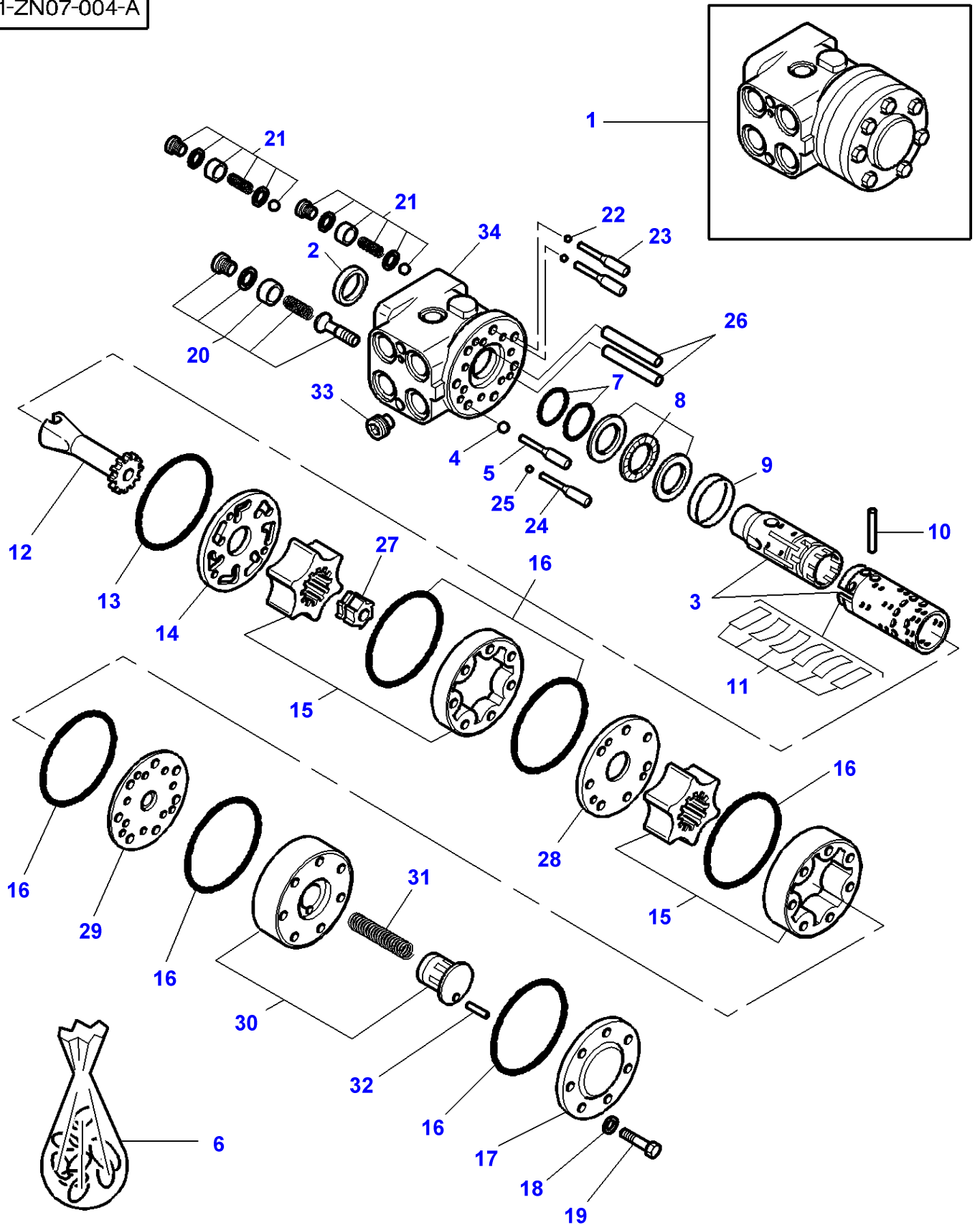


Lighting Power Shuttle

Item	Part Number	Qty	Description	Comments
1	3713669M3	1	Switch,Indirect	
2	3779042M1	1	Case Assy	
3	3713785M1	4	Screw	M4 X 16
4	3903223M1	1	Helmet	(18)
5	3903224M1	1	Circlip	(18)
6	3903225M1	1	Washer	(18)
7	3903226M1	1	Guide Bush	(18)
8	3903227M1	1	Flanged Pin	(18)
9	3903507M1	1	Shifter	(18)
10	3903228M1	1	Roll Pin	(18) Diameter 4 X 28
11	3903243M1	2	Plug	(13)
12	3903230M1	1	Micro Switch	(13)
13	3903302M91	1	Module	(18)
14	3903232M1	1	Rubber	(13)
15	3903234M1	5	Tab Washer	(18)
16	3903233M1	4	Screw	(18) M4 X 14
17	3903303M91	1	Lever	(18)
18	3780596M94	1	Combi Switch	Not for USA
	3789736M91	1	Combi Switch	For United States of America
19	3903238M1	1	Nut	(18) M4
20	3903235M1	1	Pivot Plate	(13)
21	3903236M1	2	Screw	(13)
22	3903239M1	1	Screw	(18) M4 X 18
23	3010818X1	1	Screw Metric	M4 X 20
	3010895X1	1	Screw Metric	M4 X 35

FOOTNOTE [A] NOT ILLUSTRATED

1-ZN07-004-A



Steering Pump

Item	Part Number	Qty	Description	Comments
1	3716328M2	1	Distributor	OSPD 100/260 LS Up to Serial or Engine Number L323041
	4271592M1	1	Distributor	[A] From Serial or Engine Number L323042 OSPD 100/260 LS
2	1887719M1	1	Seal	[B] (6)
3		1	Pump	[B] (1) Not serviced,order REF 1
4	1806311M1	1	Ball	[B] (1)
5	3902962M91	1	Roll Pin	[B] (1)
6	3903005M91	1	Parts Pack	
7		1	O Ring	[B] (6) Not serviced,order REF 6
8	1894414M91	1	Bearing Assy	[B] (1)
9	1806303M1	1	Bush	[B] (1)
10	1806310M1	1	Pin	[B] (1)
11	1894415M1	1	Kit, Spring	[B] (1)
12	3902963M1	1	Shaft	[B] (1)
13	1806314M1	1	Seal	[B] (6)
14	3902966M91	1	Plate	[B] (1)
15	3902964M91	1	Kit, Gear	[B] (1) 100CC
	3902965M91	1	Kit, Gear	[B] (1) 260CC
16	3902967M1	6	O Ring	[B] (6)
17	1806316M1	1	Cap	[B] (1)
18	1806317M1	7	Washer	[B] (6)
19	3902968M1	7	Screw	[B] (1)
20	3902076M91	1	Pressure Valve	[B] (1)
21	1897432M91	2	Parts Pack	[B] (1)
22	1897434M1	2	Ball	[B] (1)
23	3903002M91	2	Roll Pin	[B] (1)
24	3902969M91	1	Pressure Valve	[B] (1)
25	3902970M1	1	Ball	[B] (1)
26	3902971M1	2	Pin	[B] (1)
27	3902972M1	1	Shaft	[B] (1)
28	3902973M1	1	Plate	[B] (1)
29	3903001M1	1	Plate	[B] (1)
30		1	Body Pump	[B] (1) Not serviced,order REF 1
31	3792595M1	1	Ring	[B] (1)

Massey Ferguson**MF 8270/8280 TRACTOR - 1637348****1637348****Steering Pump****Page070-0025**

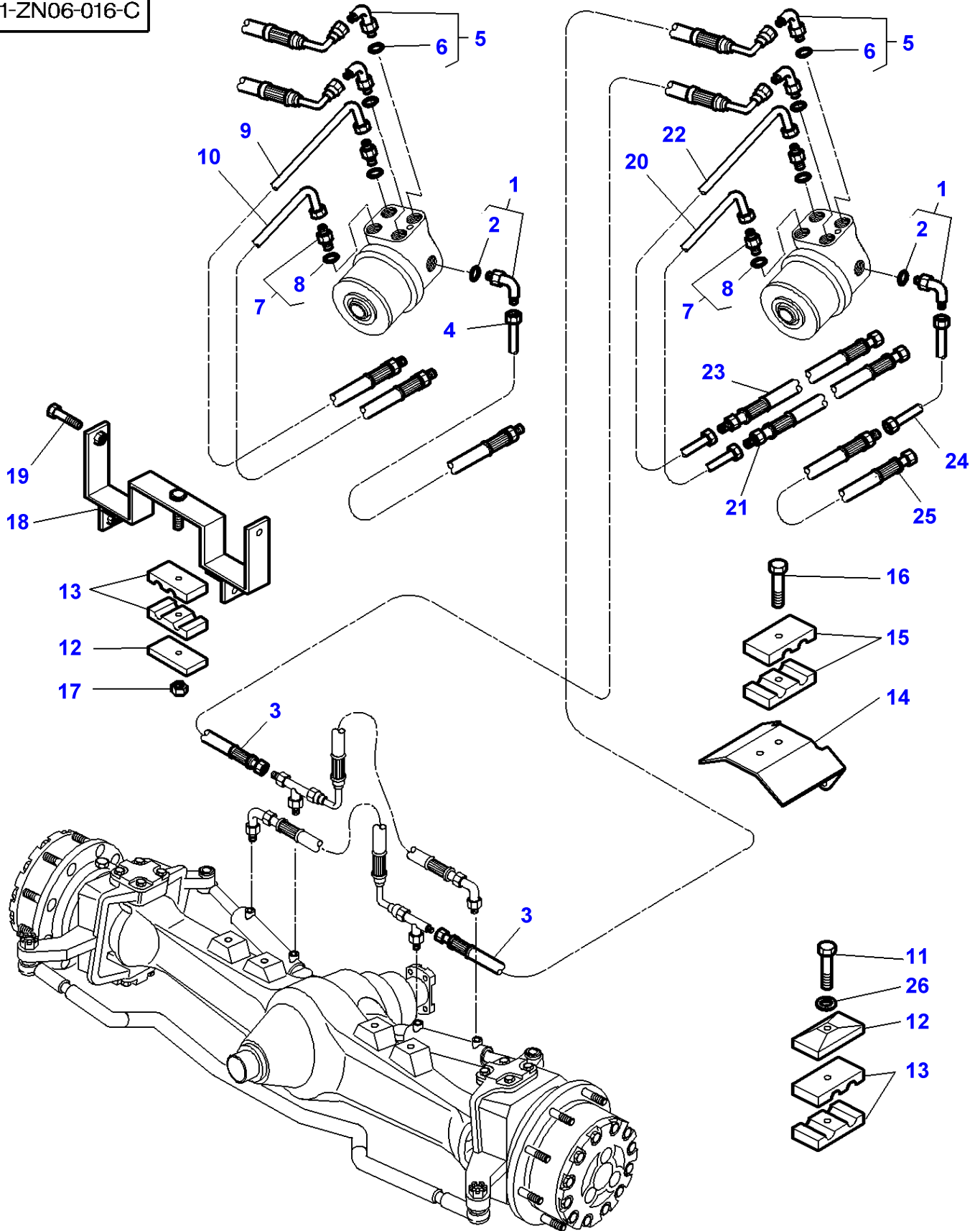
Item	Part Number	Qty	Description	Comments
32	3903004M1	1	Pin	[B] (1)
33	3903006M91	1	Pressure Valve	[B] (1)
34			Body Pump	[B] (1) Not serviced,order REF 1

FOOTNOTE [A] NOT DETAILED

FOOTNOTE [B] ONLY FOR 3716328M2

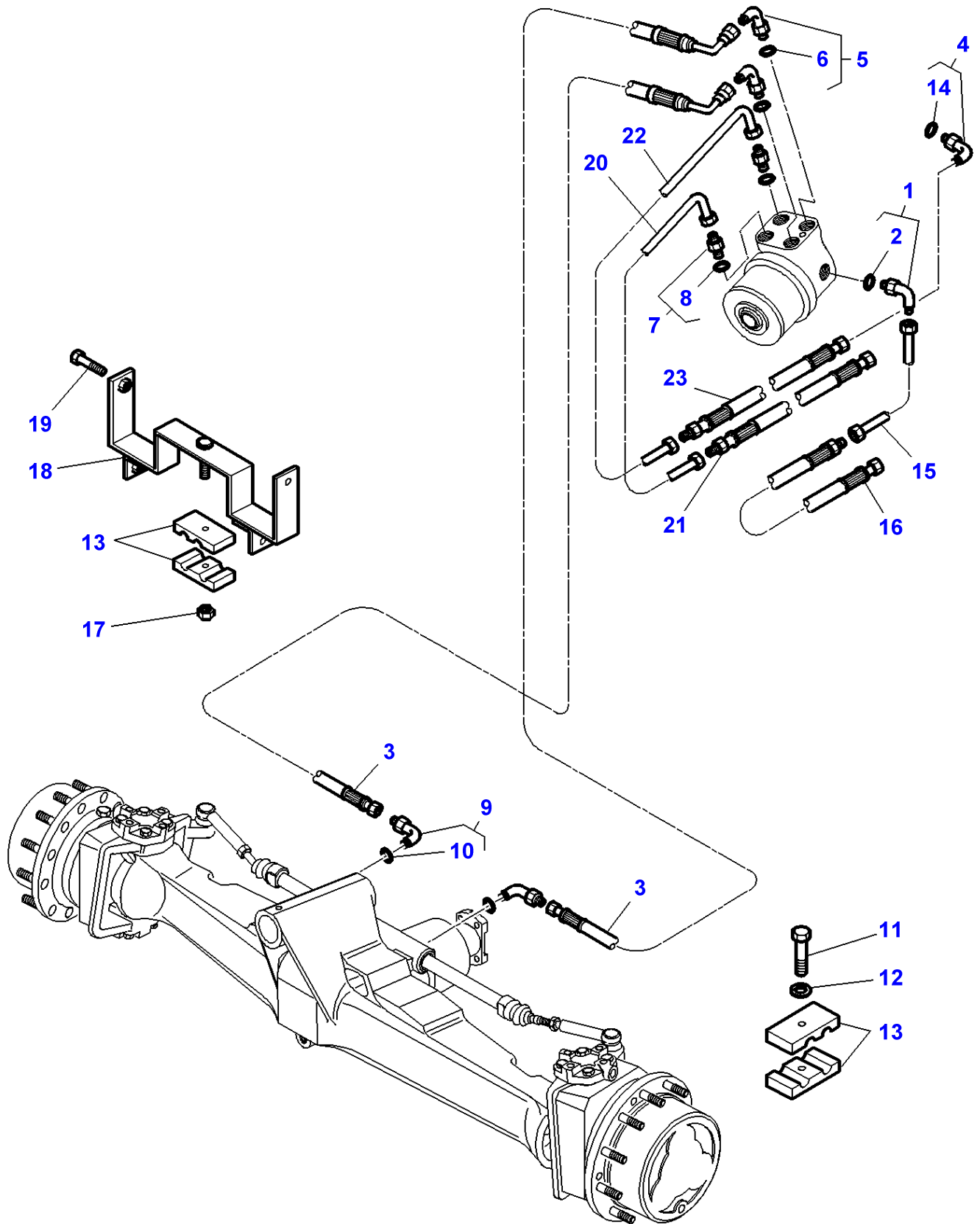
MF 8270/8280 TRACTOR - 1637348
1-ZN06-016-C

1-ZN06-016-C



Item	Part Number	Qty	Description	Comments
1	3019410X91	1	Elbow Nipple	M12
2	3019394X1	1	O Ring	(1)
3	3780073M2	2	Hydr Hose	Length 2320 MM
4	3778589M1	1	Tube	Up to Serial or Engine Number J150027
5	3019588X91	2	Union	M18
6	3019394X1	1	O Ring	(5)
7	3019383X91	2	Adaptor	M18
8	3019397X1	1	O Ring	(7)
9	3779448M2	1	Tube	Up to Serial or Engine Number J185016
10	3778590M2	1	Tube	Up to Serial or Engine Number J070009
11	339368X1	1	Bolt Metric	M8 X 60
12	3780342M1	2	Fence	Up to Serial or Engine Number
13	3780587M1	2	Bridle	
14	5016418M92	1	Support	
15	3780587M1	1	Bridle	
16	391981X1	1	Screw Metric	M8 X 35
17	394367X1	1	Locknut	M8
18	3781145M93	1	Support	
19	3009511X1	2	Bolt Metric	M12 X 55
	390912X1	2	Hex. Sock. Screw	M12 X 40
20	3783523M3	1	Tube	From Serial or Engine Number J070010
21	3783514M1	1	Hydr Hose	From Serial or Engine Number J070010 Length 1350 MM
22	3783528M1	1	Tube	From Serial or Engine Number J185017
23	3783518M1	1	Hydr Hose	From Serial or Engine Number J185017 Length 1100 MM
24	3783525M2	1	Tube	From Serial or Engine Number J150028
25	3783512M1	1	Hydr Hose	From Serial or Engine Number J150028 Length 1250 MM
26	390972X1	1	Washer Metric	Diameter 8-17 X 1,7

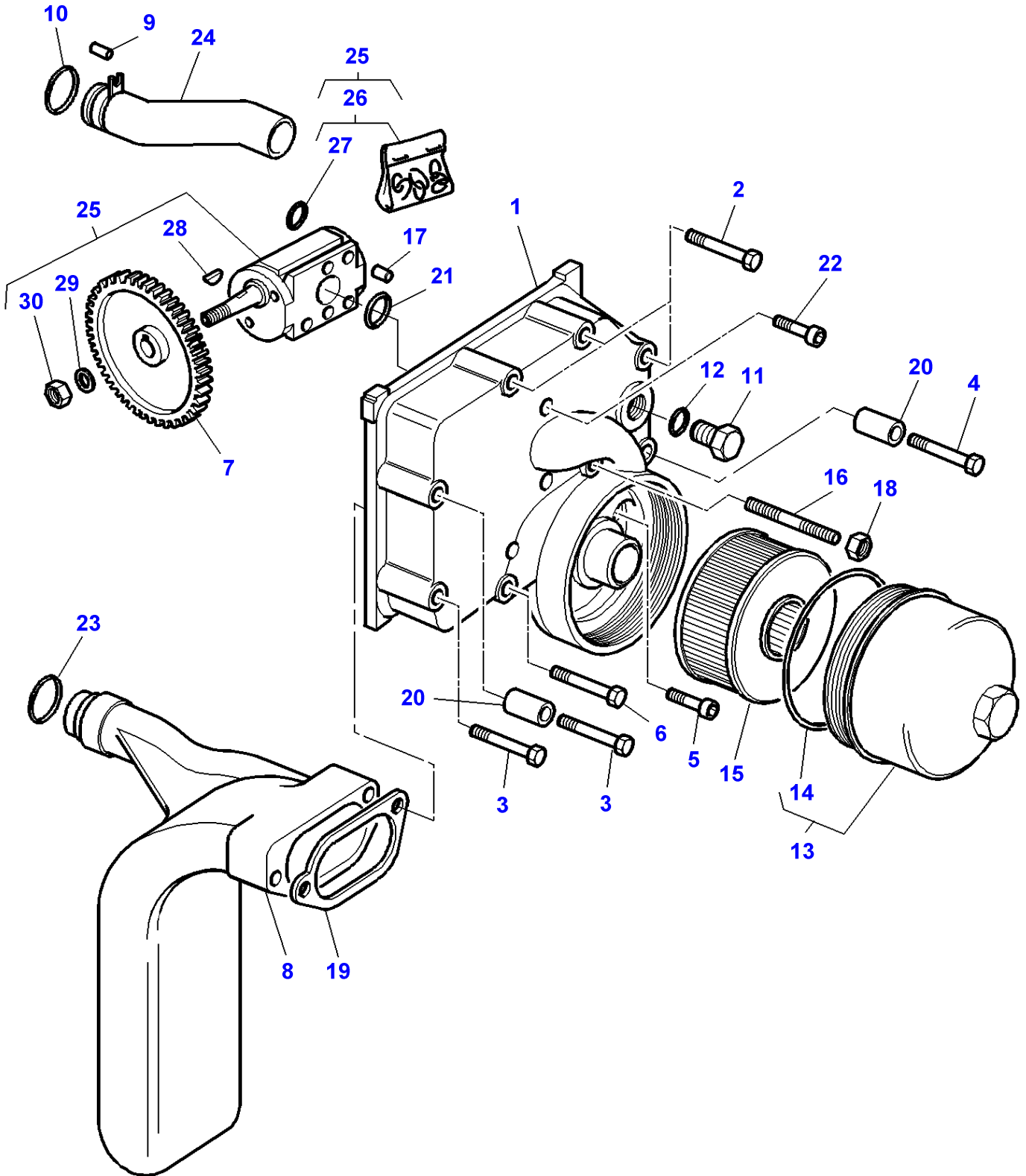
1-ZN06-044-A



Item	Part Number	Qty	Description	Comments
1	3019410X91	1	Elbow Nipple	M12
2	3019394X1	1	O Ring	(1)
3	3780072M2	2	Hydr Hose	Length 2380 MM
4	3019418X91	1	Elbow Nipple	
5	3019588X91	2	Union	M18
6	3019394X1	1	O Ring	(5)
7	3019383X91	2	Adaptor	M18
8	3019397X1	1	O Ring	(7)
9	3019690X91	2	Elbow	M18
10	3019394X1	1	O Ring	(9)
11	339168X1	1	Screw	M8 X 50
	3009286X1	1	Screw	M8 X 35
12	391039X1	1	Washer Metric	Diameter 8-24 X 2
13	3780587M1	2	Bridle	
14	3019398X1	1	O Ring	(4)
15	3783525M2	1	Tube	
16	3783512M1	1	Hydr Hose	Length 1250 MM
17	394367X1	1	Locknut	M8
18	3781145M93	1	Support	
19	3009511X1	2	Bolt Metric	M12 X 55
	390912X1	2	Hex. Sock. Screw	M12 X 40
20	3783523M3	1	Tube	
21	3783514M1	1	Hydr Hose	Length 1350 MM
22	3783528M1	1	Tube	
23	3783518M1	1	Hydr Hose	Length 1100 MM

MF 8270/8280 TRACTOR - 1637348
1-ZP60-002-D

1-ZP60-002-D



Load Sensing - Cover Lh-Pump / Filter

Item	Part Number	Qty	Description	Comments
1	3791328M4	1	Cover	
2	3009518X1	3	Screw	M12 X 110
3	3009517X1	2	Bolt Metric	M12 X 100
4	1444034X1	1	Screw	M12 X 125
5	3009300X1	1	Screw	M12 X 70
6	3009518X1	1	Screw	M12 X 110
7	3716351M1	1	Pinion	Number of teeth/spines 70
8	3793088M1	1	Manifold	
9	1441722X1	1	Pin	Diameter 3 X 16
10	364777X1	1	O Ring	
11	3019438X1	1	Plug	M30
12	391265X1	1	Gasket	
13	3715772M91	1	Cover	
	3790001M91	1	Cover	[A]
14	3715773M1	1	O Ring	(13)
15	3714453M1	1	Strainer	Length 98 MM
	3790002M1	1	Strainer	Length 139 MM
16	392531X1	2	Stud	M8 X 105
17	1442522X1	2	Dowel	Diameter 6 X 12
18	339169X1	2	Nut	M8
19	3791530M1	1	Gasket	
20	3000705X1	2	Pin	Diameter 16 X 18
21	851150M1	1	Ring	
22	3009297X1	2	Screw Metric	M10 X 90
23	1001489M1	1	O Ring	
24	3716375M91	1	Tube	[A] Up to Serial or Engine Number M253009
	3799422M91	1	Tube	[A] From Serial or Engine Number M253010
	3716375M91	1	Tube	[B] Up to Serial or Engine Number N247054
	3799422M91	1	Tube	[B] From Serial or Engine Number N247055
25	3618001M3	1	Pump	[A] Up to Serial or Engine Number M253009
	3799411M2	1	Pump	[A] From Serial or Engine Number M253010
	3791900M1	1	Pump	[B] Up to Serial or Engine Number N247054
	3799528M1	1	Pump	[B] From Serial or Engine Number N247055
26	3903020M91	1	Kit, Joint	(25)
27	1441708X1	1	O Ring	(26)
28	1440360X1	1	Key	(25)
29	1440316X1	1	Washer	(25)
30	339070X1	1	Nut	(25) M14

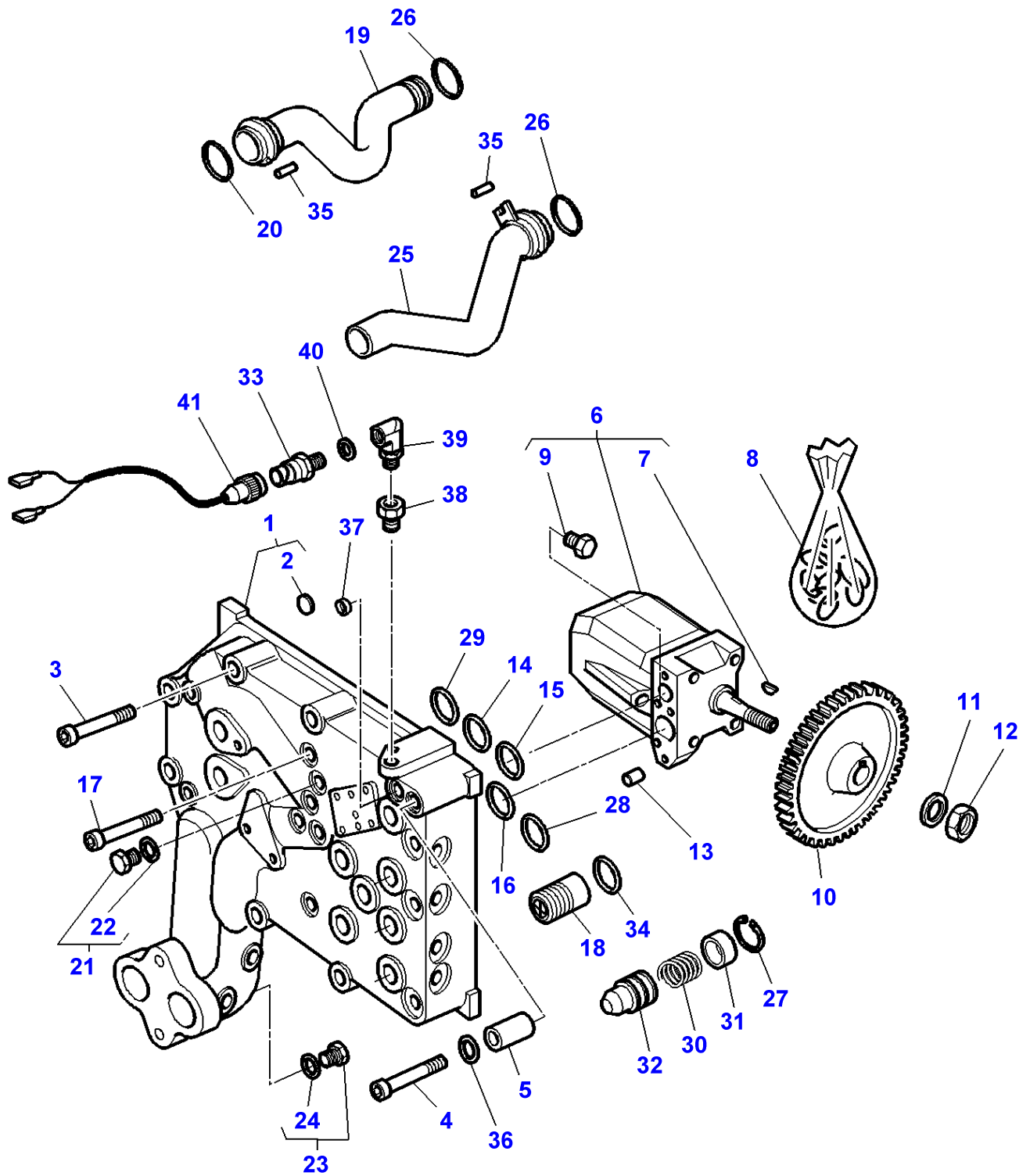
FOOTNOTE [A] WITH HYDRAULIC PUMP 110 L/MN

FOOTNOTE [B] WITH HYDRAULIC PUMP 150 L/MN

FOOTNOTE [C] WITH DYNASHIFT

FOOTNOTE [D] WITH FULL POWERSHIFT

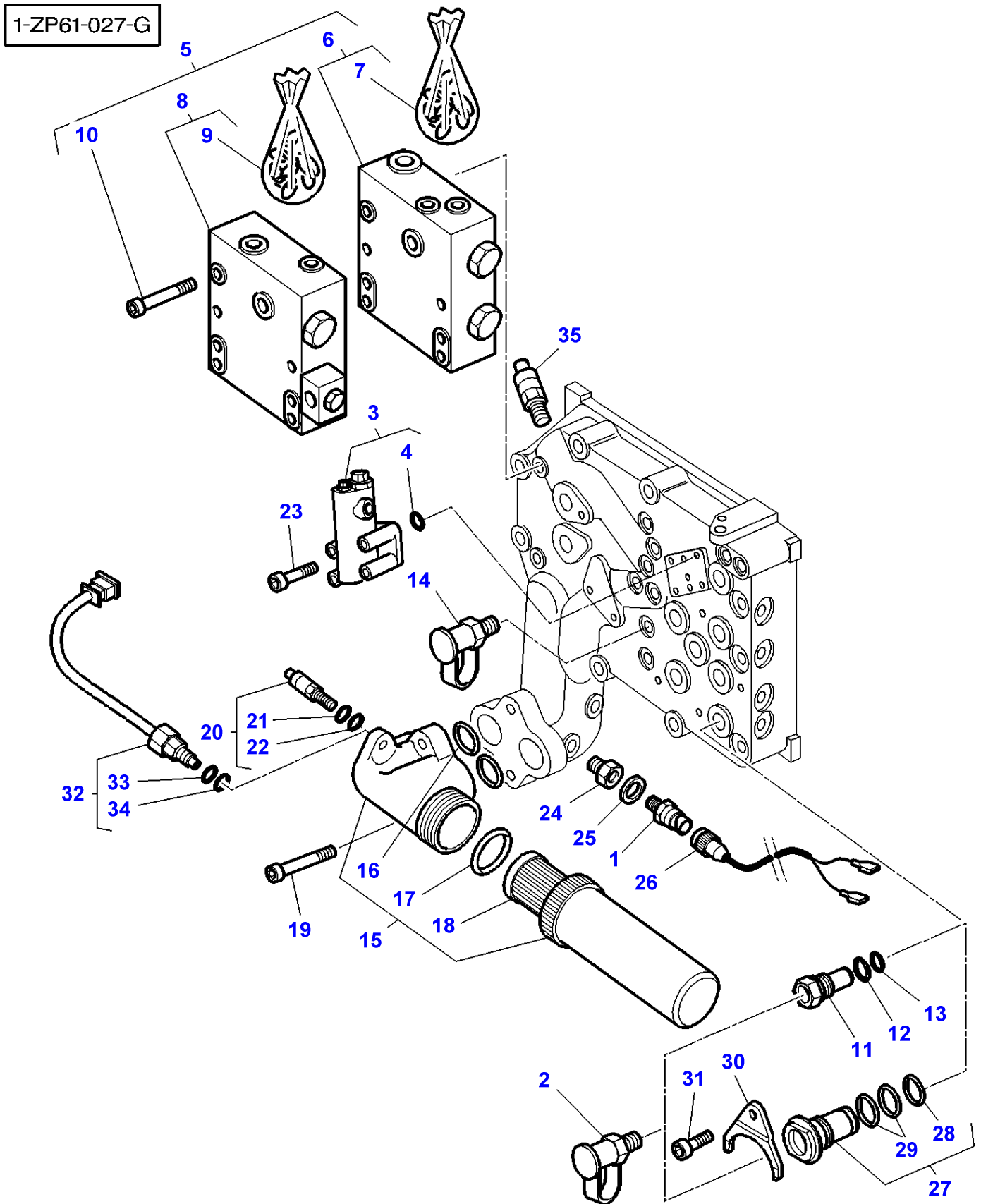
1-ZP61-023-D



Load Sensing - Cover Rh - With Hydraulic Pump 110 L/mn

Item	Part Number	Qty	Description	Comments
1	3716703M15	1	Cover	Up to Serial or Engine Number L207014
	3795398M13	1	Cover	From Serial or Engine Number L207015
	3798628M11	1	Cover	Up to Serial or Engine Number N135071
2	3712249M1	1	Plug	From Serial or Engine Number N135072 (1) Diameter 10MM
3	3009302X1	6	Screw Metric	M12 X 90
4	3009303X1	2	Screw	M12 X 100
5	3000705X1	2	Pin	Diameter 16 X 18
6	3716370M4	1	Pump	45CM3/RPM
7	22277X	1	Key	(6)
8	3902614M91	1	Kit,Joint/Gasket	
9	3902662M1	1	Plug	(6)
10	3716365M1	1	Pinion	Number of teeth/spines 73
11	353775X1	1	Washer	Diameter 19-38 X 5,5
12	353436X1	1	Nut Unf	3/4-16
13	1442522X1	2	Dowel	Diameter 6 X 12
14	1001833M1	1	O Ring	Diameter 6,07 X 1,78
15	359299X1	1	O Ring	Diameter 23,4 X 3,53
16	378251X1	1	O Ring	Diameter 36,17 X 2,62
17	1440354X1	4	Screw Metric	M12 X 50
18	3792040M91	1	Non Return Valve	5 Bars Replace and repair. Old not interchangeable with new 3715621M92
19	3716376M93	1	Tube	
20	3793346M1	1	Seal	
21	3019639X91	1	Plug	M14
22	3019395X1	1	O Ring	(21)
23	3019645X91	1	Plug	M22
24	3019398X1	2	O Ring	(23)
25	3716377M91	1	Tube	
26	364777X1	2	O Ring	
27	1441785X1	1	Clip	
28	1007240M1	2	O Ring	Diameter 9,2 X 2,62 Up to Serial or Engine Number H277003
29	195562M1	1	O Ring	Diameter 10,77 X 2,62 Up to Serial or Engine Number H277003
30	3715619M2	1	Spring	
31	3715618M1	1	Cup	
32	3715616M1	1	Non Return Valve	22 Bars
33	3795284M1	1	Low Pr.Oil Trmtr	8 Bars
34	359300X1	1	O Ring	
35	1441722X1	2	Pin	Diameter 3 X 16
36	3792365M1	1	Washer	Up to Serial or Engine Number H277003
37	3006020X1	1	Plug	Diameter 20
38	3795276M1	1	Adaptor	Up to Serial or Engine Number L207014
39	3795742M1	1	Elbow Nipple	Up to Serial or Engine Number L164019
40	1440012X1	1	Gasket	
41	3795285M1	1	Harness	Up to Serial or Engine Number

MF 8270/8280 TRACTOR - 1637348
1-ZP61-027-G



Item	Part Number	Qty	Description	Comments
1	3795283M1	1	Low Pr.Oil Trmtr	[C] 1,3 Bars
2	3384387M1	1	Pressure Intake	
3	3716371M1	1	Adjuster	
4	359291X1	3	O Ring	(3)
5	3795694M91	1	Valve Block	
6	3790025M1	1	Safety Valve	[A] (5)
7	3790027M11	1	Kit, Joint	(6)
8	3790036M2	1	Safety Valve	[B] Up to Serial or Engine Number L191015
	3797004M1	1	Safety Valve	[B] (5) From Serial or Engine Number L191016
9	3902094M91	1	Kit, Joint	(8)
10	3015017X1	4	Screw	(5) M8 X 135
11	3716195M1	1	Plug	Up to Serial or Engine Number L207014
12	831497M1	1	O Ring	Diameter 16,36 X 2,21 Up to Serial or Engine Number L207014
13	70923841	1	O Ring	Diameter 12,42 X 1,78 Up to Serial or Engine Number L207014
14	3384387M1	2	Pressure Intake	
15	3791109M2	1	Filter	
16	831196M1	2	O Ring	(15)
17	842332M1	1	Gasket	(15)
18	3618662M1	1	Filter Insert	(15)
19	3000258X1	2	Screw Metric	M10 X 40 Up to Serial or Engine Number L042026
	1440351X1	2	Screw Metric	M10 X 35 From Serial or Engine Number L042027
20	3618663M4	1	Indicator	Up to Serial or Engine Number N119059
21	831497M1	1	O Ring	(20) Diameter 16,4 X 2,2 MM
22	70923841	1	O Ring	(20) Diameter 12,4 X 1,8 MM
23	3009283X1	4	Screw	M6 X 30
24	3795276M1	1	Adaptor	Up to Serial or Engine Number L207014
25	3010890X1	1	Bush	
26	3795285M1	1	Harness	Up to Serial or Engine Number
27	3795432M92	1	Plug	From Serial or Engine Number L207015
28	394923X1	1	O Ring	(27) Diameter 12,42 X 1,78 From Serial or Engine Number L207015
29	3015311X1	2	O Ring	(27) Diameter 18,77 X 1,78 From Serial or Engine Number L207015
30	3795003M2	1	Bridle	From Serial or Engine Number L207015
31	3009281X1	1	Screw	M6 X 16 From Serial or Engine Number L207015
32	3798634M1	1	Indicator	From Serial or Engine Number N119060
33	831497M1	1	O Ring	(32) Diameter 16,4 X 2,2 MM
34	70923841	1	O Ring	(32) Diameter 12,4 X 1,8MM
35	3716357M1	1	Restrictor	

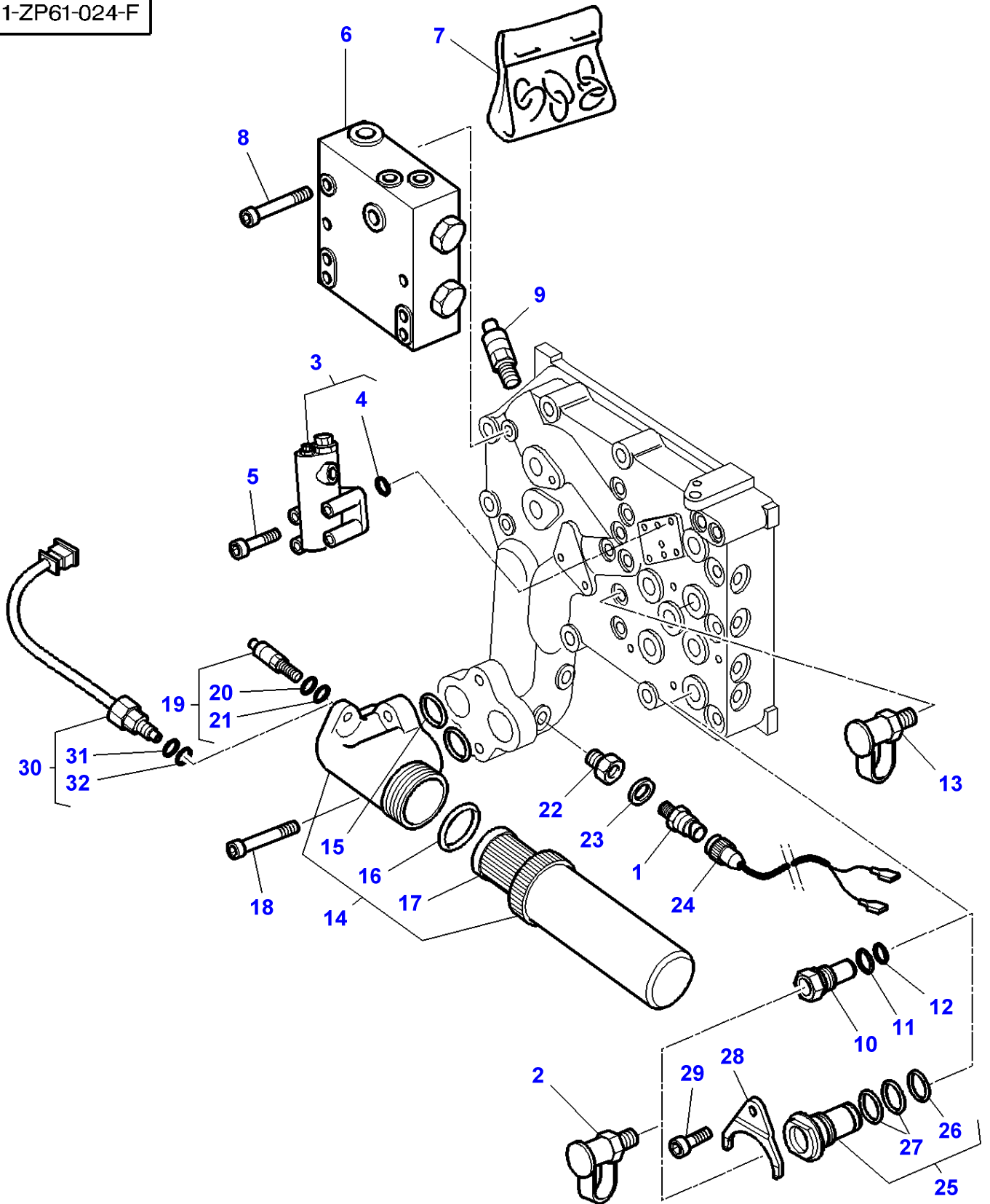
FOOTNOTE [A] STEERING

FOOTNOTE [B] BRAKING

FOOTNOTE [C] GREEN

MF 8270/8280 TRACTOR - 1637348
1-ZP61-024-F

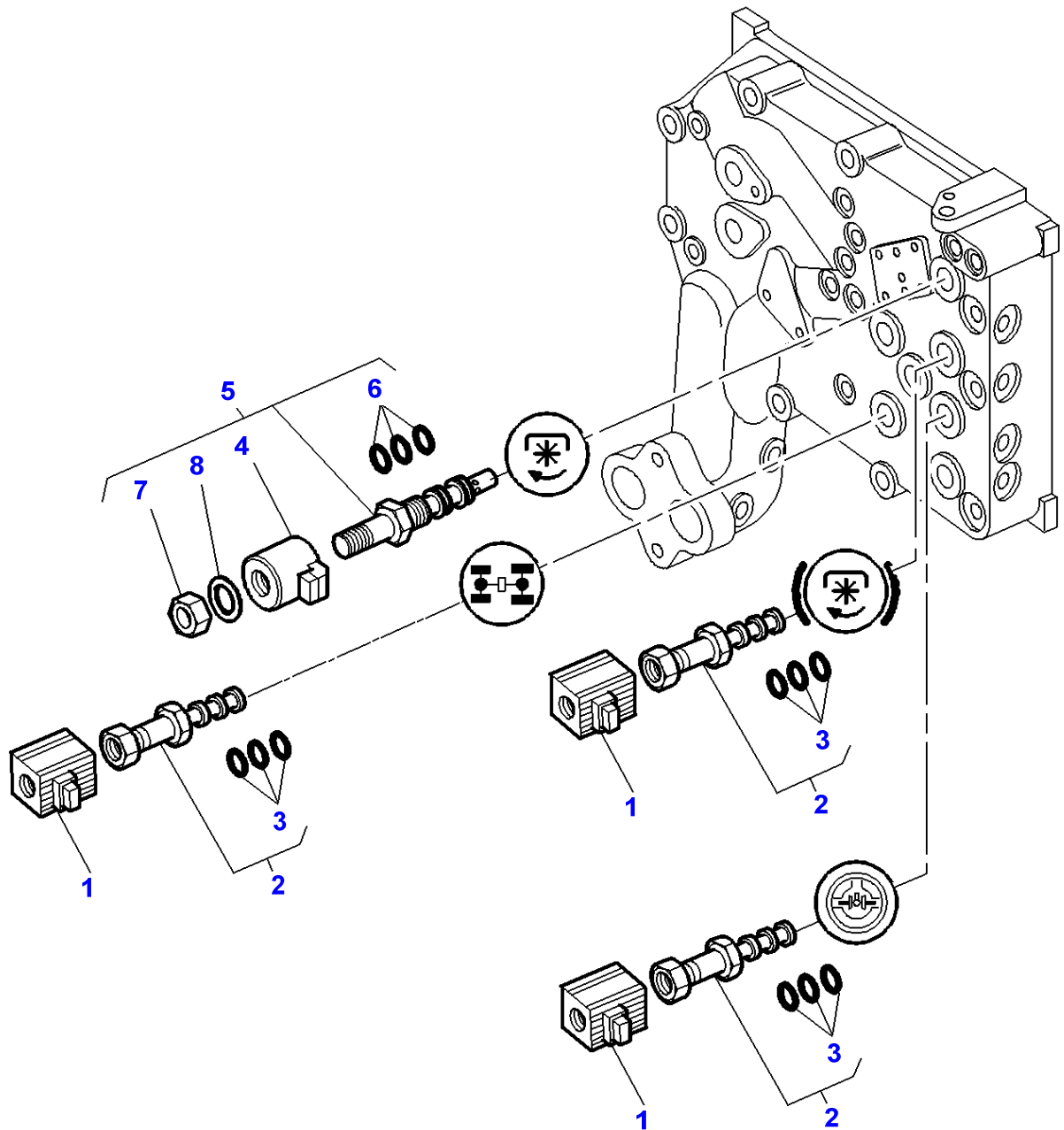
1-ZP61-024-F



Item	Part Number	Qty	Description	Comments
1	3795283M1	1	Low Pr.Oil Trmtr	[A] 1,3 Bars
2	3384387M1	1	Pressure Intake	
3	3716371M1	1	Adjuster	
4	359291X1	3	O Ring	(3)
5	3009283X1	4	Screw	M6 X 30
6	3716355M1	1	Safety Valve	
7	3790027M1	1	Kit, Joint	
8	1441946X1	4	Screw	M8 X 75
9	3716357M1	1	Restrictor	17 Bars
10	3716195M1	1	Plug	Up to Serial or Engine Number L207014
11	831497M1	1	O Ring	Diameter 16,36 X 2,21 Up to Serial or Engine Number L207014
12	70923841	1	O Ring	Diameter 12,42 X 1,78 Up to Serial or Engine Number L207014
13	3384387M1	2	Pressure Intake	
14	3791109M2	1	Filter	
15	831196M1	2	O Ring	(14)
16	842332M1	1	Gasket	(14)
17	3618662M1	1	Filter Insert	(14)
18	3000258X1	2	Screw Metric	M10 X 40 Up to Serial or Engine Number L042026
	1440351X1	2	Screw Metric	M10 X 35 From Serial or Engine Number L042027
19	3618663M4	1	Indicator	Up to Serial or Engine Number N119059
20	831497M1	1	O Ring	(19) Diameter 16,4 X 2,2 MM
21	70923841	1	O Ring	(19) Diameter 12,4 X 1,8 MM
22	3795276M1	1	Adaptor	Up to Serial or Engine Number L207014
23	3010890X1	1	Bush	
24	3795285M1	1	Harness	Up to Serial or Engine Number
25	3795432M92	1	Plug	From Serial or Engine Number L207015
26	394923X1	1	O Ring	(25) Diameter 12,42 X 1,78 From Serial or Engine Number L207015
27	3015311X1	2	O Ring	(25) Diameter 18,77 X 1,78 From Serial or Engine Number L207015
28	3795003M2	1	Bridle	From Serial or Engine Number L207015
29	3009281X1	1	Screw	M6 X 16 From Serial or Engine Number L207015
30	3798634M1	1	Indicator	From Serial or Engine Number N119060
31	831497M1	1	O Ring	(30) Diameter 16,4 X 2,2 MM
32	70923841	1	O Ring	(30) Diameter 12,4 X 1,8 MM

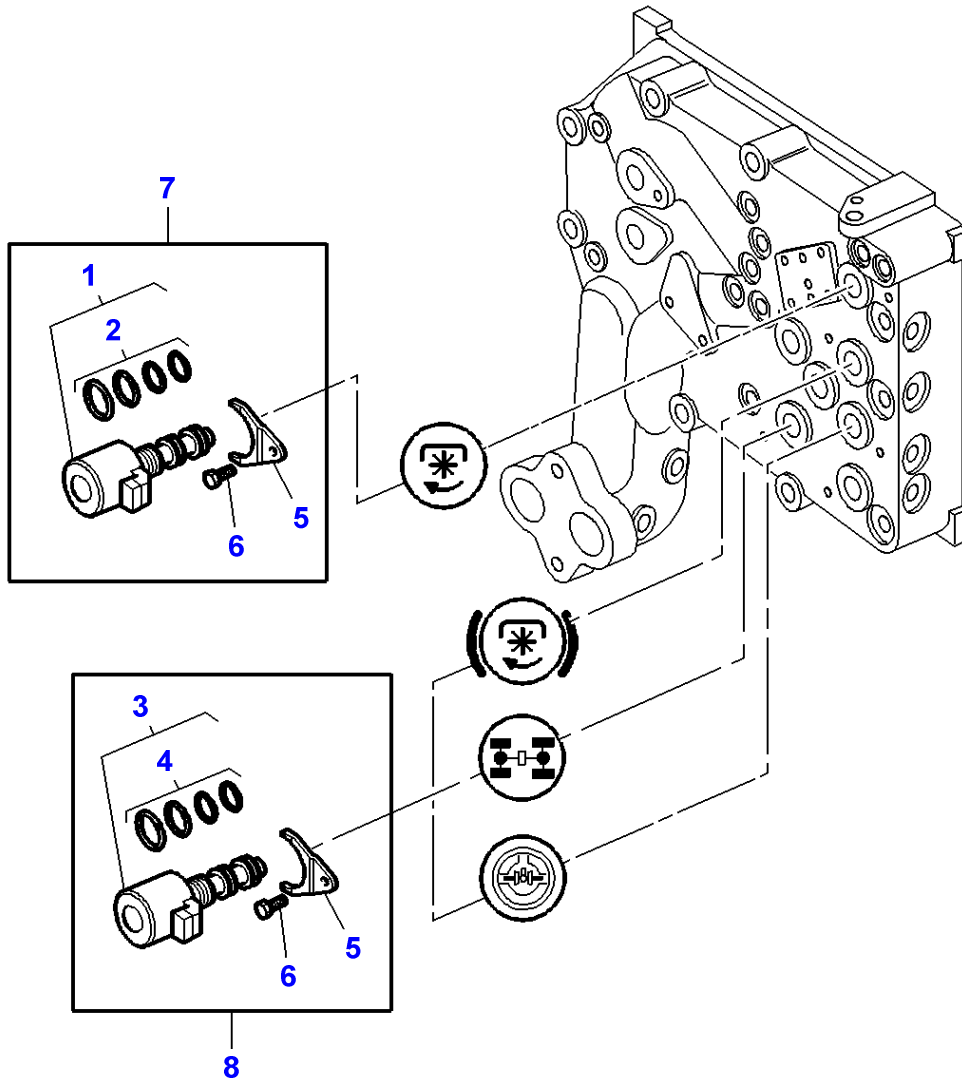
FOOTNOTE [A] GREEN

1-ZP31-005-C



Item	Part Number	Qty	Description	Comments
1	3619763M1	3	Solenoid	
2	3619762M1	3	Spool	
3	3900994M91	X	Kit, Joint	(2)
4	3791412M1	1	Solenoid	(5)
5	3793575M1	1	Electrovalve	
6	3902774M92	1	Kit, Joint	(5)
7	3903671M1	1	Nut	(5)
8	3903988M1	1	Washer	(5)

1-ZP31-009-B

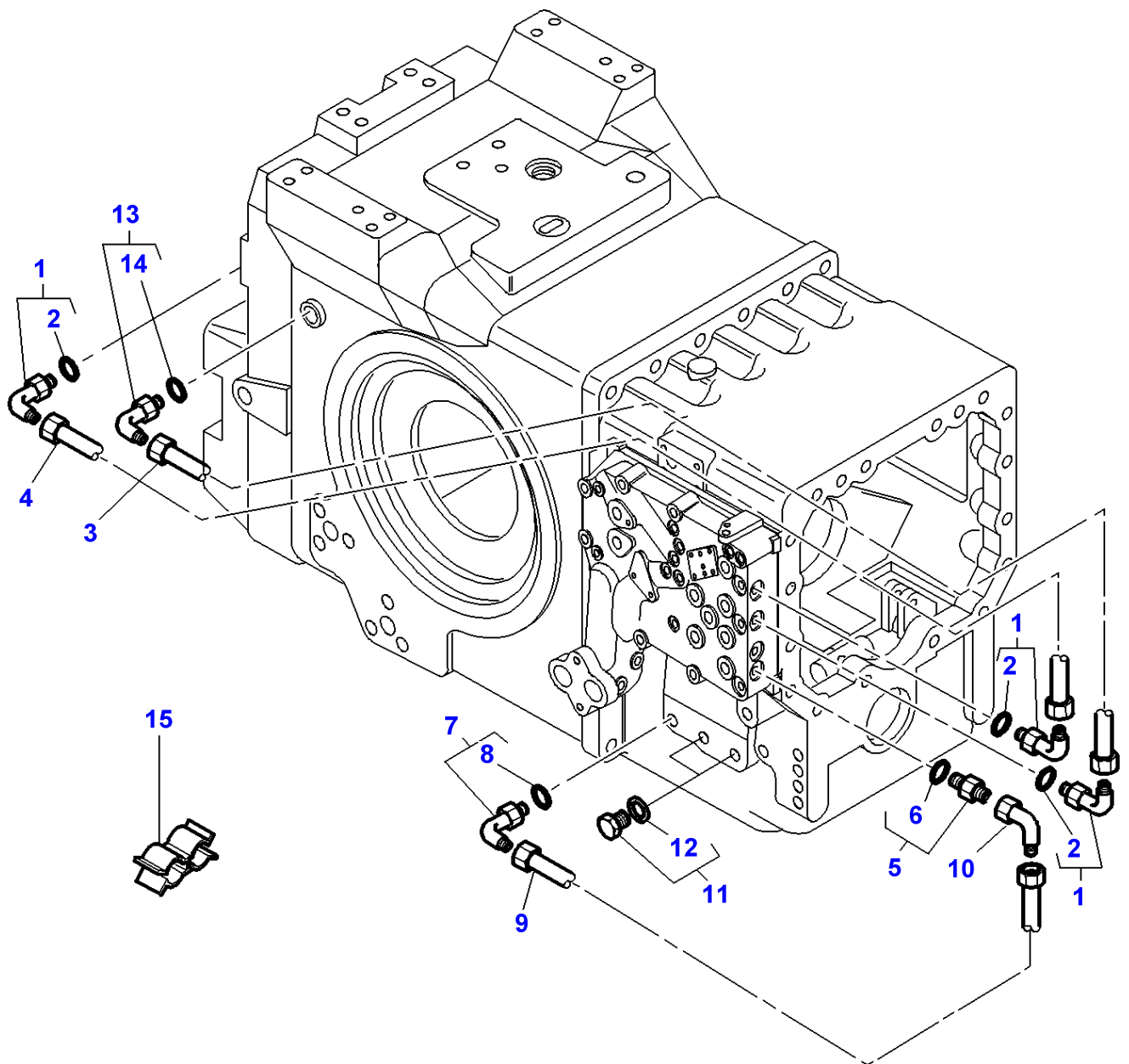


Item	Part Number	Qty	Description	Comments
1		1	Electrovalve	[A] (7) Not serviced,order REF. 7
2	3903733M91	1	Kit,Joint/Gasket	(2)
3		3	Electrovalve	(8) Not serviced,order REF. 8
4	3903732M91	1	Kit,Joint/Gasket	(3)
5	3795003M2	4	Bridle	
6	3009281X1	4	Screw	M6 X 16
7	3907183M92	1	Parts Pack	
8	3907182M91	3	Parts Pack	

FOOTNOTE [A] PROPORTIONAL ELECTROVALVE

MF 8270/8280 TRACTOR - 1637348
1-ZP31-008-C

1-ZP31-008-C

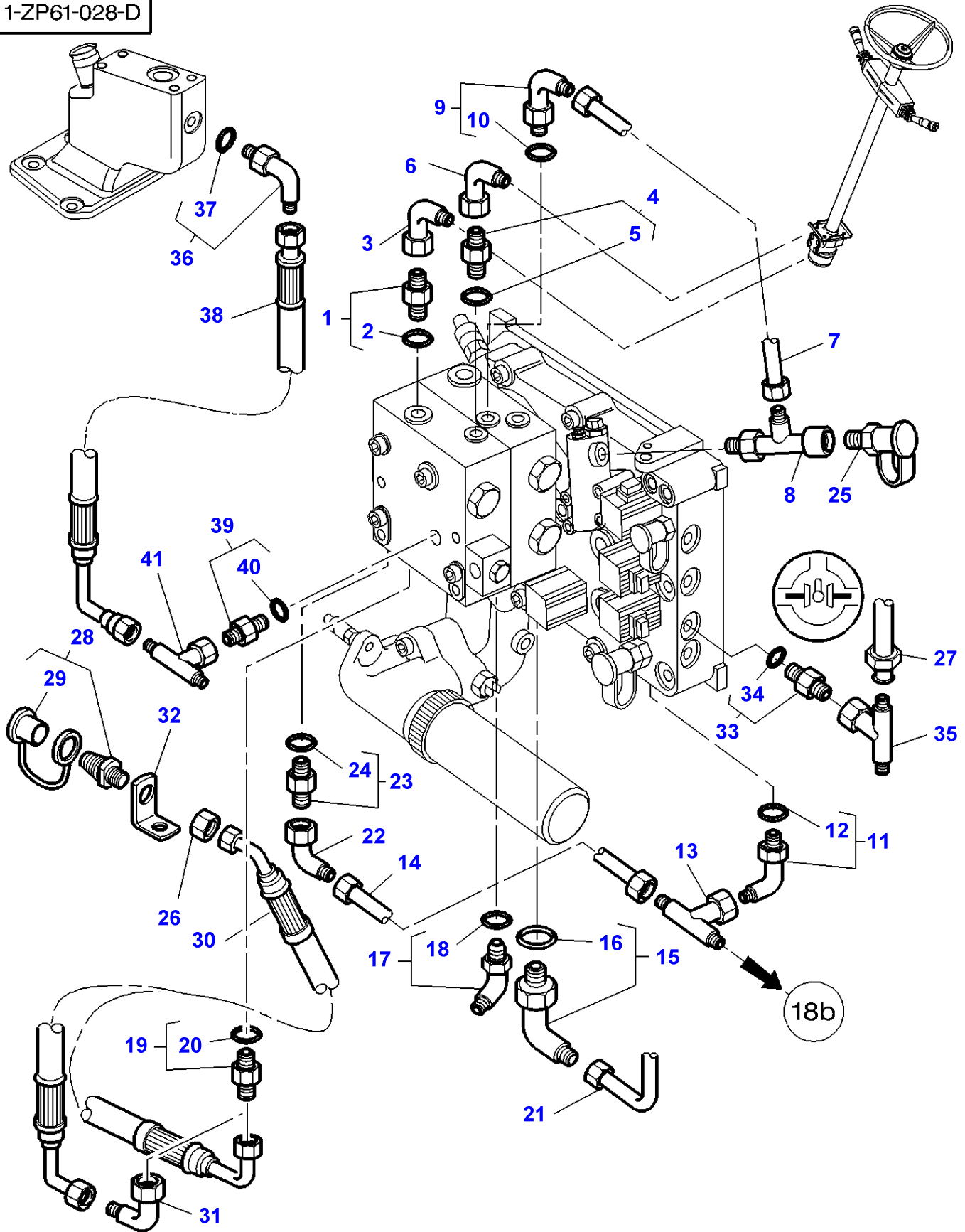


Massey Ferguson**MF 8270/8280 TRACTOR - 1637348****1637348****Hydraulics - Hydraulic Cover Rh - With Pump 110 L/mm - Hydr. Lines****Page070-0070**

Item	Part Number	Qty	Description	Comments
1	3019412X91	3	Elbow	M14X1,5 -9/16-18
2	3019395X1	1	O Ring	(1)
3	3791375M91	1	Tube	
4	3791376M91	1	Tube	
5	3019700X91	1	Union	
6	3019394X1	1	O Ring	(11)
7	3385713M91	1	Union	
8	3019395X1	1	O Ring	(7)
9	3798787M1	1	Tube	
10	365233X1	1	Elbow	
11	3019645X91	2	Plug	M22X1,5
12	3019398X1	1	O Ring	(11)
13	3019412X91	1	Elbow	Up to Serial or Engine Number J062012 M14X1,5 -9/16-18
	3793772M91	1	Jet	From Serial or Engine Number J062013 Up to Serial or Engine Number L085033
	3796324M91	1	Jet	From Serial or Engine Number L085034
14	3019395X1	1	O Ring	(13)
15	3581696M1	2	Clamp	

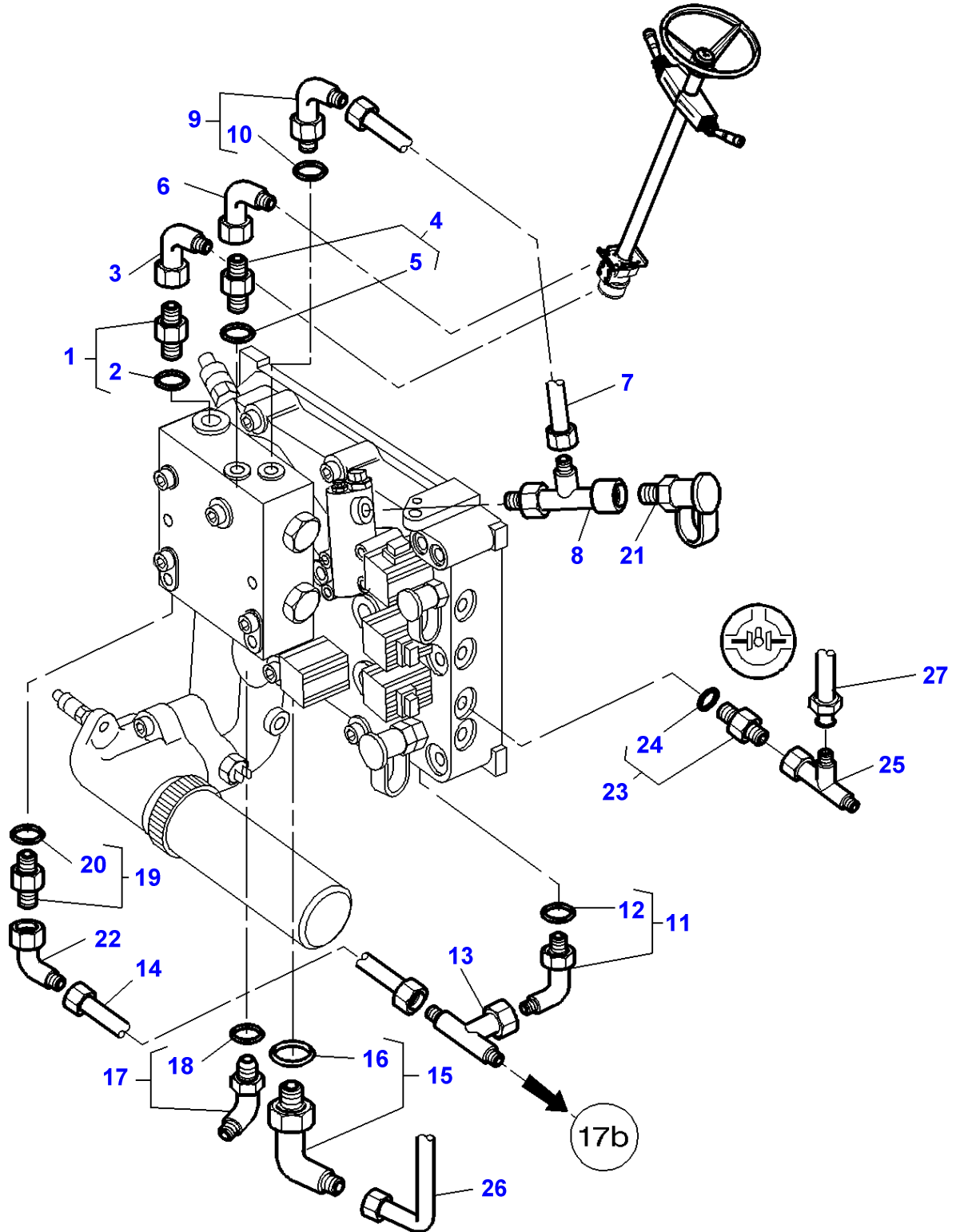
MF 8270/8280 TRACTOR - 1637348
1-ZP61-028-D

1-ZP61-028-D



Item	Part Number	Qty	Description	Comments
1	3019658X91	1	Union	M22
2	3019398X1	1	O Ring	(1)
3	365233X1	1	Elbow	
4	3019379X91	1	Union	M14
5	3019395X1	1	O Ring	(4)
6	364603X1	1	Elbow	9/16"
7	3790074M92	1	Tube	
8	3712689M1	1	Union	
9	3019694X91	1	Union	M14
10	3019395X1	1	O Ring	(9)
11	3019416X91	1	Elbow	M18
12	3019397X1	1	O Ring	(11)
13	367261X1	1	Union	7/8"
14	3716780M92	1	Tube	
15	3019422X91	1	Union	
16	3019399X1	1	O Ring	(15) M33
17	3019584X91	1	Union	M14
18	3019395X1	1	O Ring	(17)
19	3019658X91	1	Union	M22
20	3019398X1	1	O Ring	(19)
21	3793424M1	1	Tube	
22	70921325	1	Elbow Nipple	7/8"
23	3019387X91	1	Union	M22
24	3019398X1	1	O Ring	(23)
25	3712707M1	1	Intake	
26	1442336X1	1	Nut	
27	3791202M91	1	Tube	
28	3581307M3	1	Pressure Valve	
29	3616259M1	1	Plug	(28)
30	3791611M1	1	Hydr Hose	Length 1480MM
31	365233X1	1	Elbow	Up to Serial or Engine Number 26/08/1999
32	3792736M1	1	Support	
33	3019700X91	1	Union	3/4"-M14
34	3019394X1	1	O Ring	(33)
35	364735X1	1	Union	3/4"
36	3019418X91	1	Elbow Nipple	From Serial or Engine Number L191016
37	3019398X1	1	O Ring	(36)
38	3792164M1	1	Hydr Hose	From Serial or Engine Number L191016 Length 900MM
39	3019696X91	1	Union	From Serial or Engine Number L191016
40	3019395X1	1	O Ring	(39)
41	3780180M1	1	Teepiece	From Serial or Engine Number L191016 Up to Serial or Engine Number M188052
	367261X1	1	Union	From Serial or Engine Number M188053

1-ZP61-025-A



Massey Ferguson**MF 8270/8280 TRACTOR - 1637348**

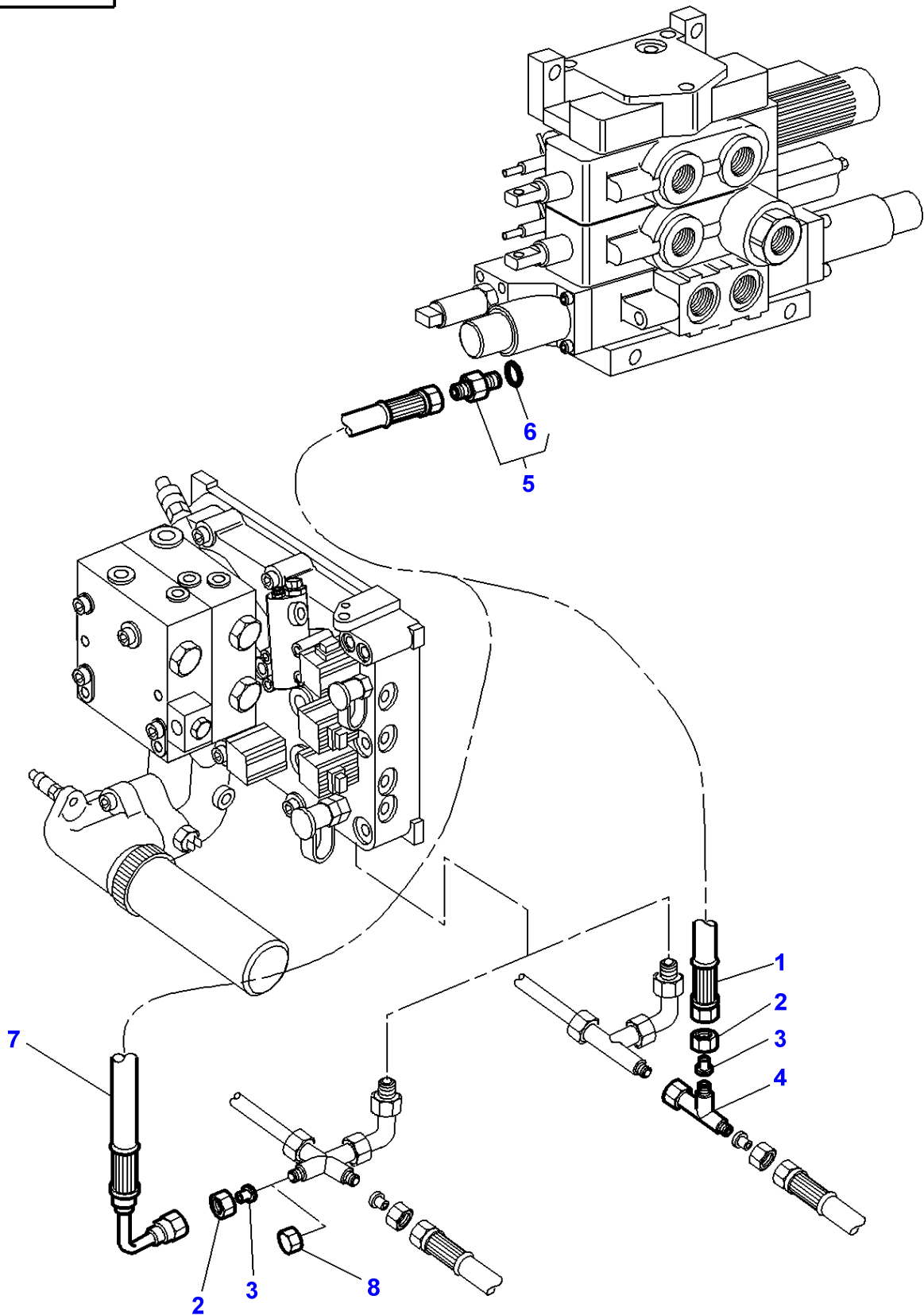
1637348

Load Sensing - Cover Rh - With Pump 110 L/mm - Hydr. Lines - Without Tractor Braking

Page070-0080

Item	Part Number	Qty	Description	Comments
1	3019658X91	1	Union	M22
2	3019398X1	1	O Ring	(1)
3	365233X1	1	Elbow	
4	3019379X91	1	Union	M14
5	3019395X1	1	O Ring	(4)
6	364603X1	1	Elbow	9/16"
7	3790074M92	1	Tube	
8	3712689M1	1	Union	
9	3019694X91	1	Union	M14
10	3019395X1	1	O Ring	(9)
11	3019416X91	1	Elbow	M18
12	3019397X1	1	O Ring	(11)
13	367261X1	1	Union	7/8"
14	3716780M92	1	Tube	
15	3019422X91	1	Union	M33
16	3019399X1	1	O Ring	(15)
17	3019584X91	1	Union	M14
18	3019395X1	1	O Ring	(17)
19	3019387X91	1	Union	M22
20	3019398X1	1	O Ring	(19)
21	3712707M1	1	Intake	
22	70921325	1	Elbow Nipple	7/8"
23	3019700X91	1	Union	3/4"/M14
24	3019394X1	1	O Ring	(23)
25	364735X1	1	Union	3/4"
26	3793424M1	1	Tube	
27	3791202M91	1	Tube	

1-ZP61-021-B



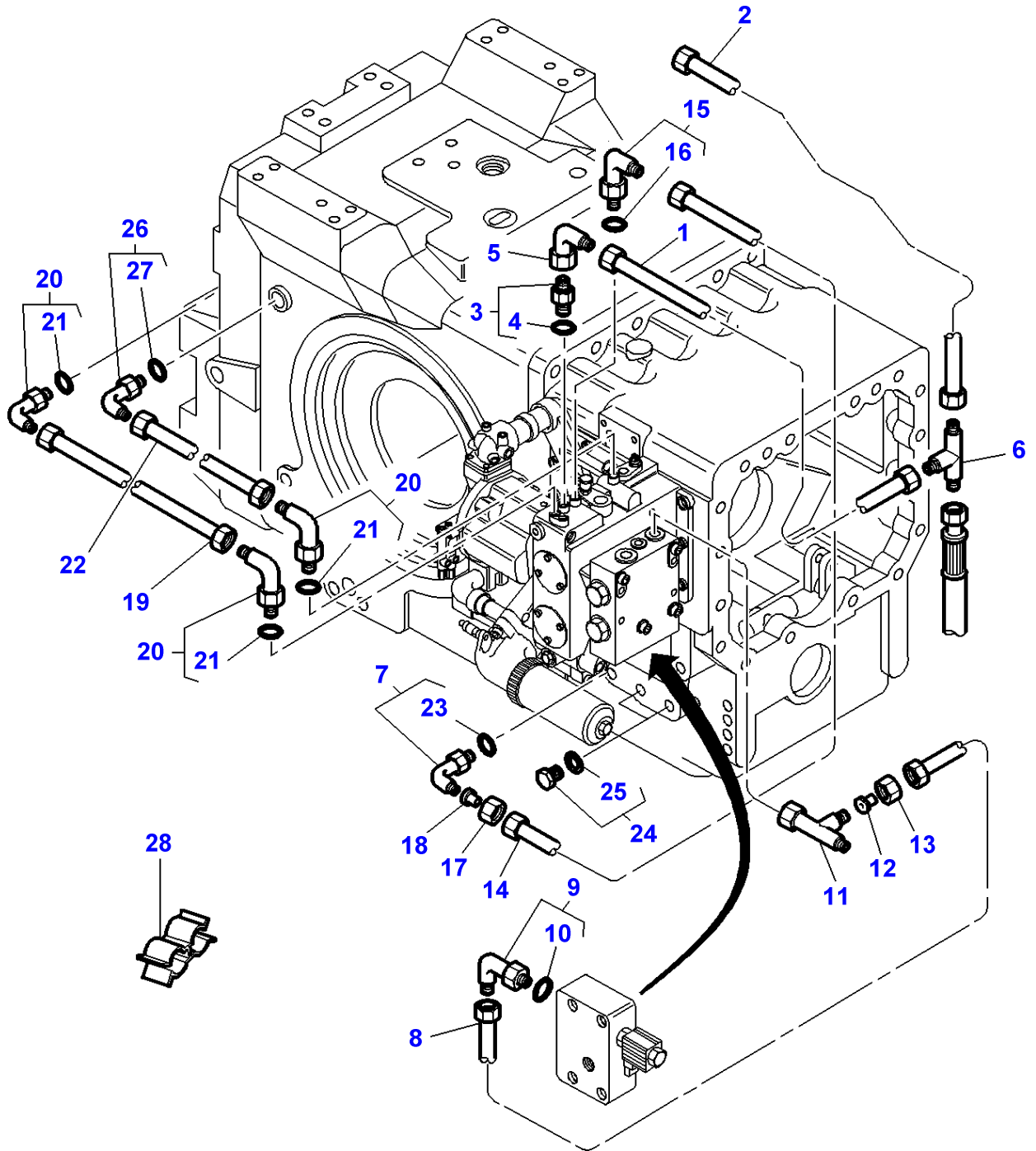
Massey Ferguson**MF 8270/8280 TRACTOR - 1637348****1637348****Load Sensing - Cover Rh - With Hydraulic Pump 110 L/mn / DUAL CONTROL DISTRIBUTOR FEEDING****Page070-0085**

Item	Part Number	Qty	Description	Comments
1	3716399M1	1	Hydr Hose	Up to Serial or Engine Number H309009
2	22576X	1	Union Nut	
3	356629X1	1	Reducer	
4	377218X1	1	Teepiece	Up to Serial or Engine Number H309009
5	3019660X91	1	Union	
6	3019393X1	1	O Ring	(5)
7	3793445M1	1	Hydr Hose	From Serial or Engine Number H309010
8	22833X	1	Cap	[A]

FOOTNOTE [A] WITHOUT DUAL CONTROL

MF 8270/8280 TRACTOR - 1637348
1-ZP31-007-D

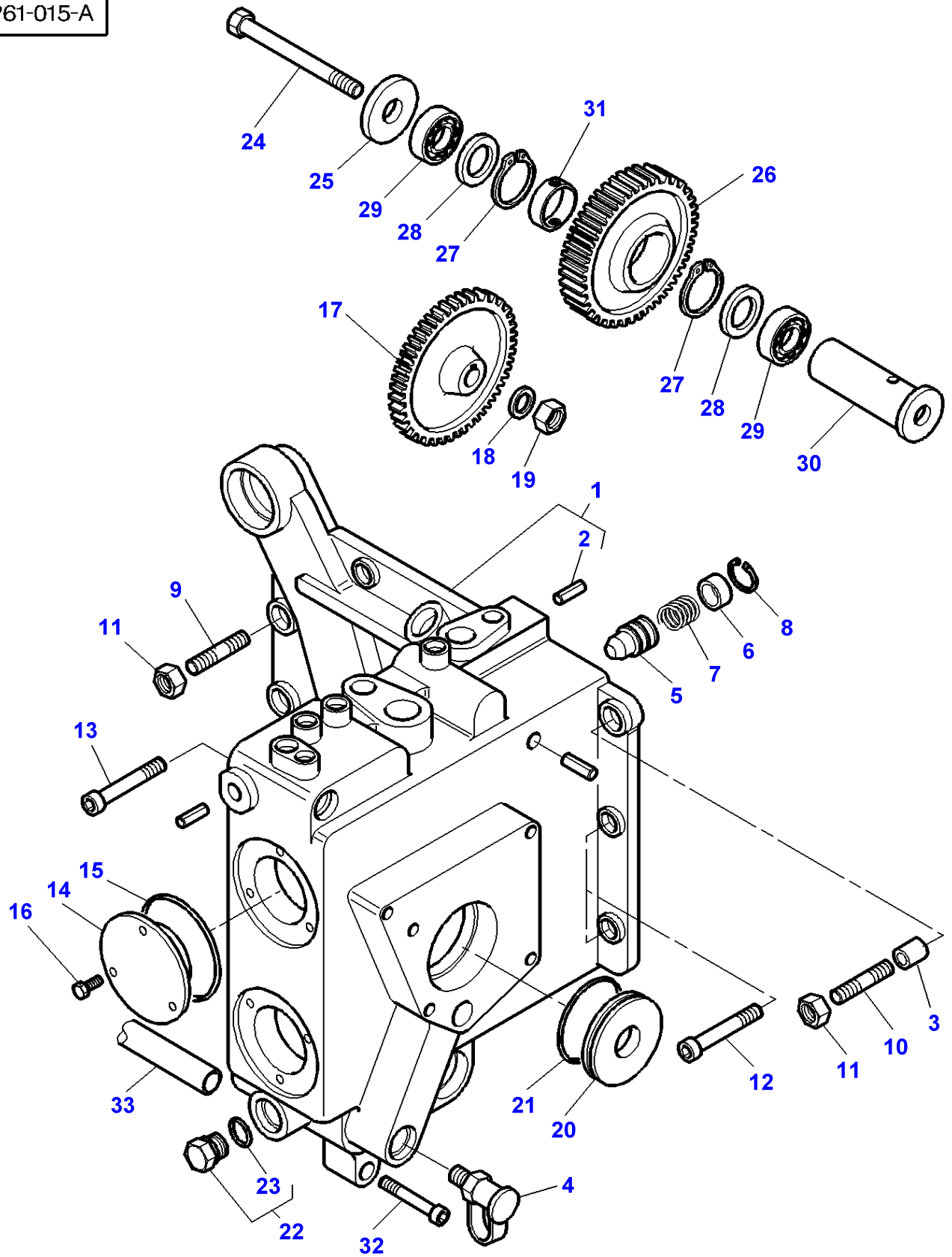
1-ZP31-007-D



Item	Part Number	Qty	Description	Comments
1	3791713M1	1	Tube	
2	3791714M1	1	Tube	
3	3019381X91	1	Union	M16X1,5 - 3/4-16
4	3019396X1	1	O Ring	(3)
5	365233X1	1	Elbow	Diameter 3/4-16
6	356560X1	1	Teepiece	Four Wheel Drive Diameter 3/4-16
7	3385713M91	1	Union	
8	3791718M2	1	Tube	Up to Serial or Engine Number N079034
	3799201M1	1	Tube	From Serial or Engine Number N079035
9	3019412X91	1	Elbow	M14X1,5 -9/16-18
10	3019395X1	1	O Ring	(9)
11	364735X1	1	Union	Diameter 3/4-16
12	380003X1	1	Union	Diameter 1/2-20 /12X8
13	338773X1	1	Olive	
14	3791717M1	1	Tube	
15	3019412X91	1	Elbow	M14X1,5 -9/16-18
16	3019395X1	1	O Ring	(15)
17	195960M1	1	Nut	Diameter 3/4
18	356627X1	1	Adaptor	Diameter 9/16-18 /12X10
19	3791715M1	1	Tube	
20	3019412X91	3	Elbow	M14X1,5 -9/16-18
21	3019395X1	1	O Ring	(20)
22	3791712M1	1	Tube	
23	831497M1	1	O Ring	(7)
24	3019645X91	2	Plug	M22X1,5
25	3019398X1	1	O Ring	(24)
26	3019412X91	1	Elbow	Up to Serial or Engine Number J062012 M14X1,5 -9/16-18
	3793772M91	1	Jet	From Serial or Engine Number J062013 Up to Serial or Engine Number L085033
	3796324M91	1	Jet	From Serial or Engine Number L085034
27	3019395X1	1	O Ring	(26)
28	3581696M1	2	Clamp	

MF 8270/8280 TRACTOR - 1637348
1-ZP61-015-A

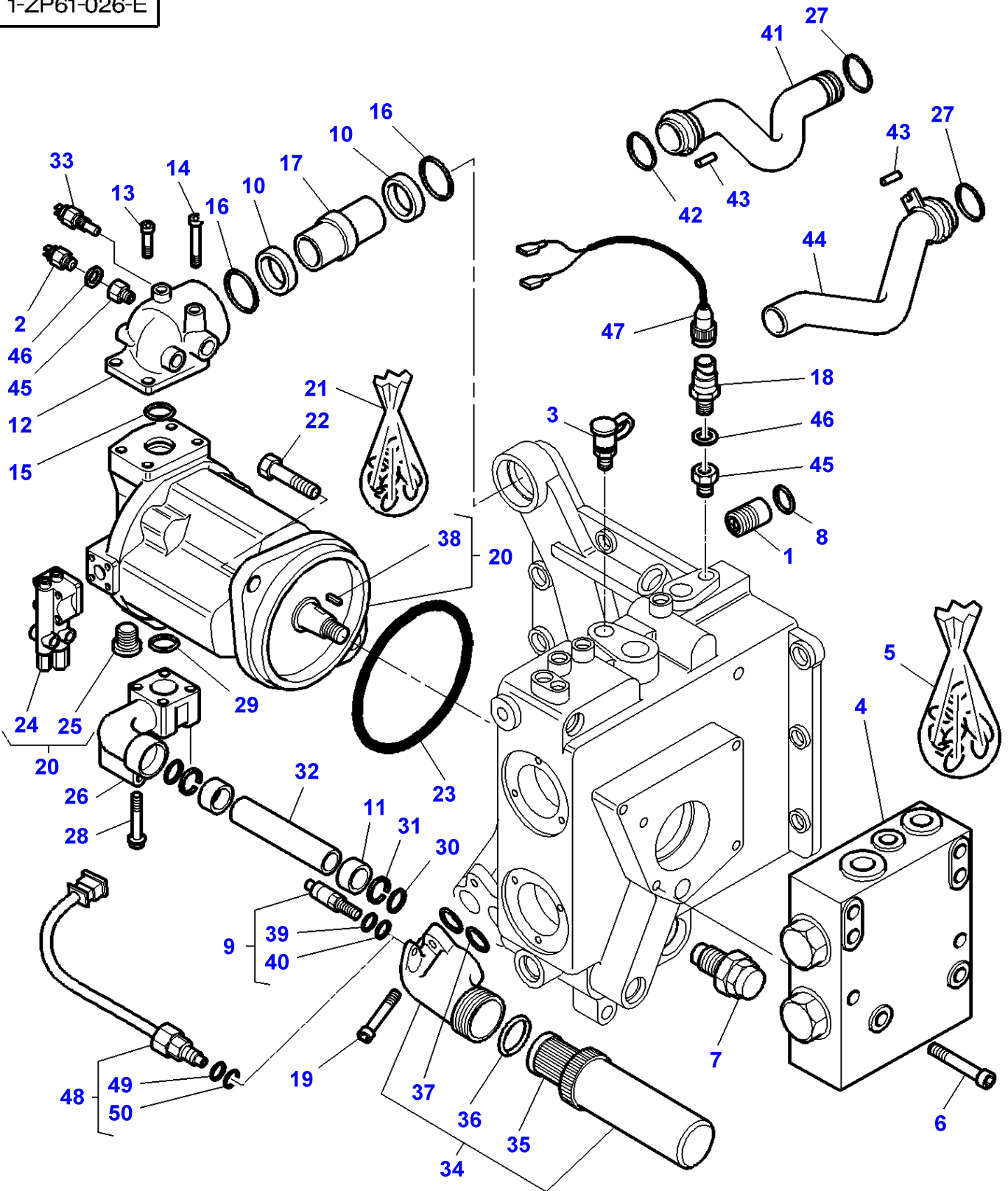
1-ZP61-015-A



Item	Part Number	Qty	Description	Comments
1	3716732M11	1	Cover	
2	3712249M1	3	Plug	(1)
3	3000705X1	2	Pin	Diameter 16 X 18
4	3384387M1	1	Pressure Intake	
5	3715616M1	1	Non Return Valve	22 Bars
6	3715618M1	1	Cup	
7	3715619M2	1	Spring	
8	1441785X1	1	Clip	
9	3019897X1	2	Stud	M12 X 32
10	1440029X1	2	Stud	M12 X 38
11	3009695X1	4	Nut	M12
12	1440356X1	3	Screw Metric	M12 X 30
13	3009301X1	1	Screw Metric	M12 X 80
14	3716746M1	2	Cover	
15	3019920X1	2	O Ring	
16	339560X1	6	Hex. Sock. Screw	M6 X 16
17	3791889M1	1	Pinion	Number of teeth/spines 77
18	353764X1	1	Washer	
19	355647X1	1	Nut Unf	M12
20	3716747M1	1	Cover	
21	3580247M1	1	O Ring	
22	3019645X91	1	Plug	M22
23	3019398X1	1	O Ring	(22)
24	3010448X1	1	Screw	M12 X 140
25	3618971M2	1	Washer	
26	3716735M1	1	Pinion	Number of teeth/spines 80
27	1440480X1	2	Circlip	
28	3716741M1	X	Chock	Thickness 0,10 MM
	3716742M1	X	Chock	Thickness 0,20 MM
	3716743M1	X	Chock	Thickness 0,50 MM
29	339481X1	2	Bearing Taper	
30	3716738M1	1	Clevis Pin	
31	3716739M1	1	Spacer	
32	1440352X1	2	Bolt	M10 X 60
33	3791844M1	1	Draglink	

MF 8270/8280 TRACTOR - 1637348
1-ZP61-026-E

1-ZP61-026-E

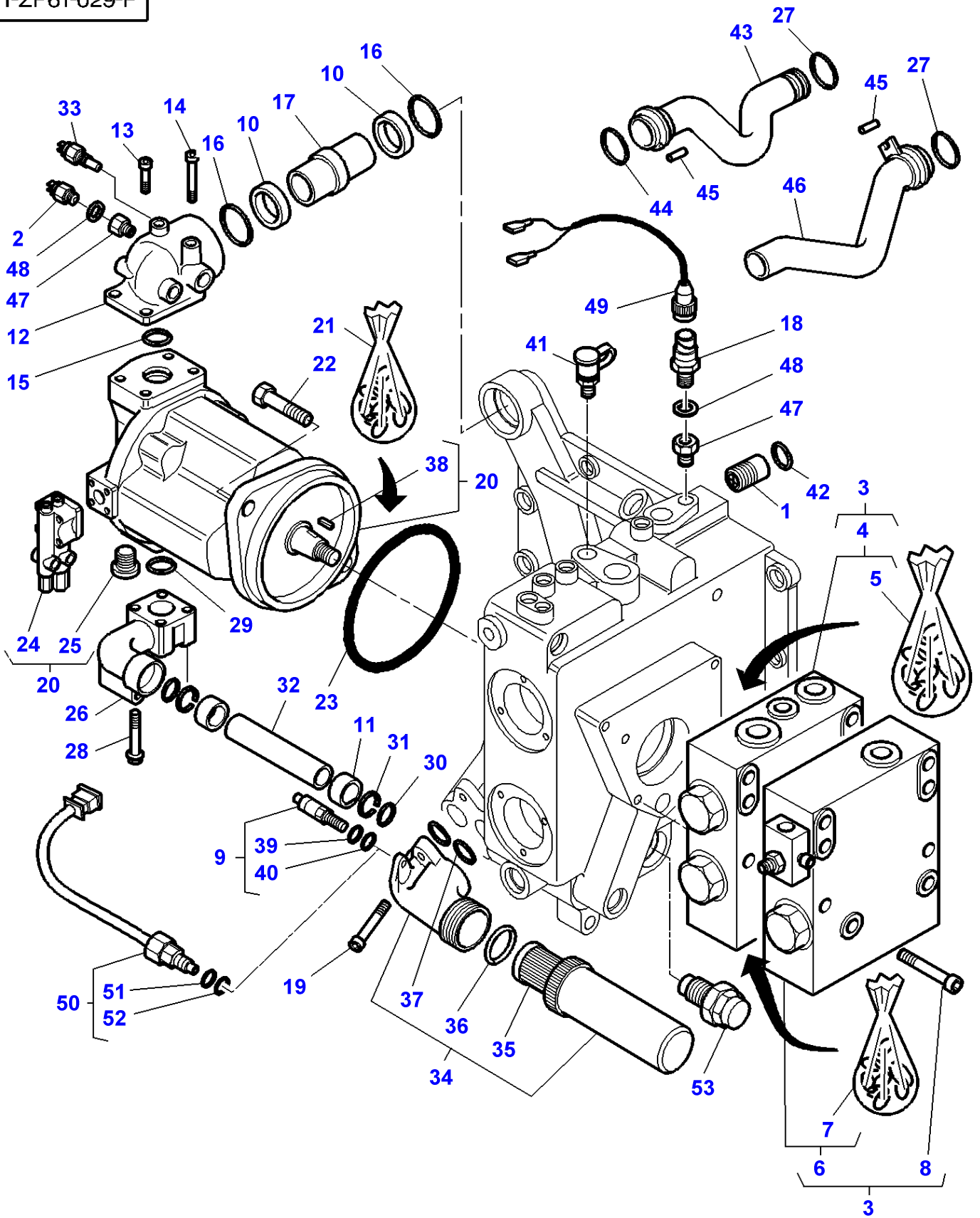


Item	Part Number	Qty	Description	Comments
1	3792040M91	1	Non Return Valve	5 BARS
2	3795283M1	1	Low Pr.Oil Trmtr	[A] 1,3 BAR
3	3384387M1	1	Pressure Intake	
4	3716355M1	1	Safety Valve	
5	3790027M11	1	Kit, Joint	
6	1441946X1	4	Screw	M8X75
7	3716357M1	1	Restrictor	
8	359300X1	1	O Ring	
9	3618663M4	1	Indicator	Up to Serial or Engine Number N119059
10	3716748M1	2	Gasket	
11	3790863M1	2	Gasket	
12	3716737M2	1	Manifold	
13	3009299X1	2	Screw Metric	M12X25
14	3009300X1	2	Screw	M12X70
15	835130M1	1	O Ring	
16	370087X1	2	O Ring	
17	3716744M1	1	Tube	
18	3795284M1	1	Low Pr.Oil Trmtr	8 BAR
19	3000258X1	2	Screw Metric	M10X40 Up to Serial or Engine Number L042026
	1440351X1	2	Screw Metric	M10X35 From Serial or Engine Number L042027
20	3790900M1	1	Pump	60CM3/RPM
21	3903018M91	1	Kit, Joint	
22	390419X1	2	Hex. Sock. Screw	M16X40
23	70923591	1	O Ring	
24	3903022M1	1	Adjuster	(20)
25	3903019M1	1	Plug	(20)
26	3791912M1	1	Manifold	
27	364777X1	2	O Ring	
28	3811722M1	4	Bolt	M10X70
29	359306X1	1	O Ring	
30	3010827X1	2	O Ring	
31	3010709X1	2	Bush	
32	3716745M1	1	Tube	
33	3790121M1	1	Thermocontact	Up to Serial or Engine Number J102006
34	3791109M2	1	Filter	
35	3618662M1	1	Filter Insert	(34)
36	842332M1	1	Gasket	(34)
37	831196M1	2	O Ring	(34)
38	3903021M1	1	Key	(20)
39	831497M1	1	O Ring	(9) Diameter 16,4 X2,2 MM
40	70923841	1	O Ring	(9) Diameter 12,4 X 1,8 MM
41	3716376M93	1	Tube	
42	3793346M1	1	Seal	
43	1441722X1	2	Pin	Diameter 3X16MM
44	3716377M91	1	Tube	
45	3795276M1	2	Adaptor	
46	3010890X1	2	Bush	
47	3795285M1	1	Harness	Up to Serial or Engine Number
48	3798634M1	1	Indicator	From Serial or Engine Number N119060
49	831497M1	1	O Ring	(48) Diameter 16,4 X 2,2 MM
50	70923841	1	O Ring	(48) Diameter 12,4 X 1,8 MM

FOOTNOTE [A] GREEN

MF 8270/8280 TRACTOR - 1637348
1-ZP61-029-F

1-ZP61-029-F



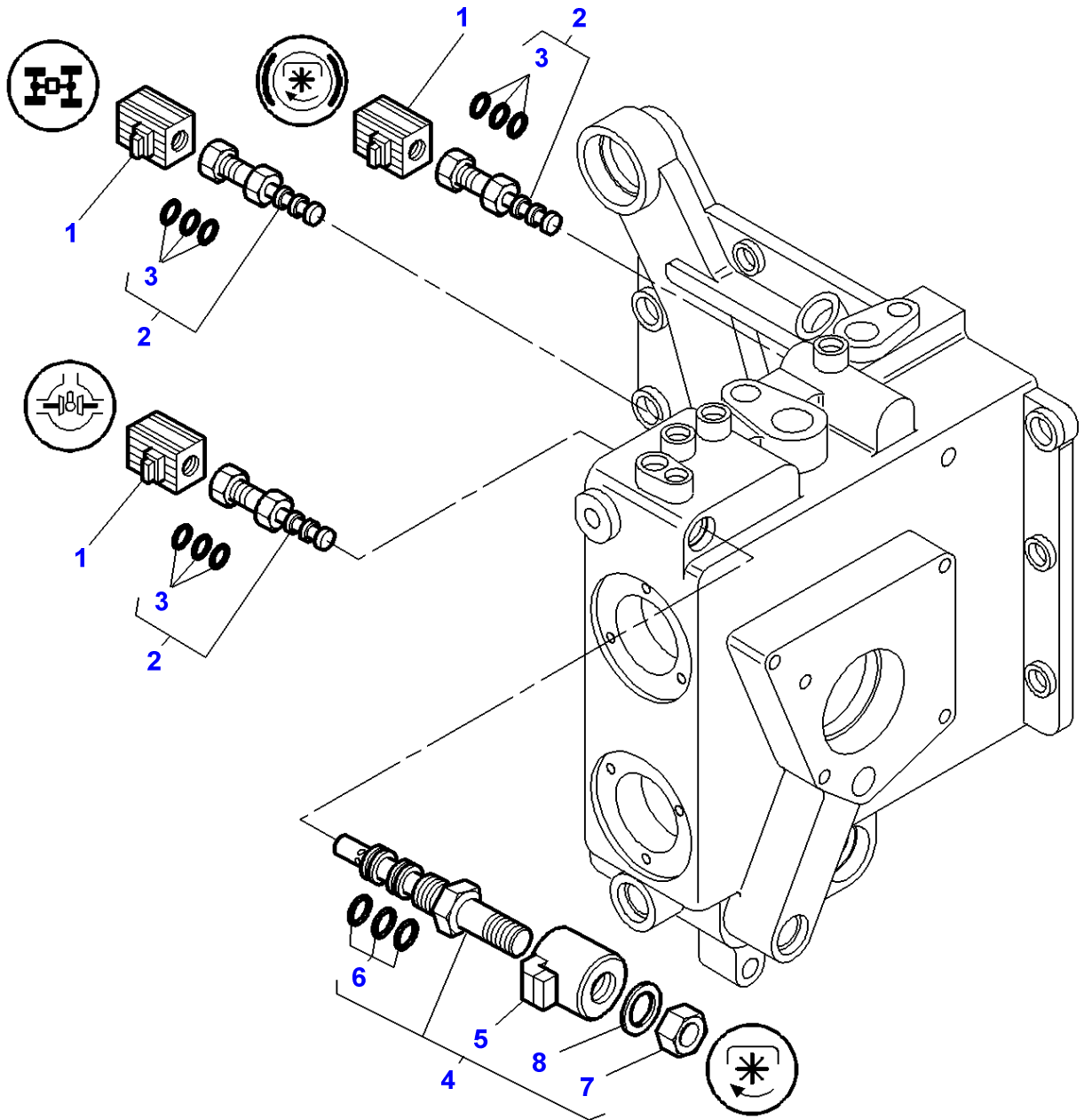
Item	Part Number	Qty	Description	Comments
1	3792040M91	1	Non Return Valve	5 BARS
2	3795283M1	1	Low Pr.Oil Trmtr	[A] 1,3 BAR
3	3795694M91	1	Valve Block	
4	3790025M1	1	Safety Valve	[B] (3)
5	3790027M11	1	Kit, Joint	(4)
6	3790036M2	1	Safety Valve	[C] Up to Serial or Engine Number L191015
	3797004M1	1	Safety Valve	[C] (3) From Serial or Engine Number L191016
7	3902094M91	1	Kit, Joint	(6)
8	3015017X1	4	Screw	(3) M8X135
9	3618663M4	1	Indicator	Up to Serial or Engine Number N119059
10	3716748M1	2	Gasket	
11	3790863M1	2	Gasket	
12	3716737M2	1	Manifold	
13	3009299X1	2	Screw Metric	M12X25
14	3009300X1	2	Screw	M12X70
15	835130M1	1	O Ring	
16	370087X1	2	O Ring	
17	3716744M1	1	Tube	
18	3795284M1	1	Low Pr.Oil Trmtr	8 BAR
19	3000258X1	2	Screw Metric	M10X40 Up to Serial or Engine Number L042026
	1440351X1	2	Screw Metric	M10X35 From Serial or Engine Number L042027
20	3790900M1	1	Pump	60CM3/RPM
21	3903018M91	1	Kit, Joint	
22	390419X1	2	Hex. Sock. Screw	M16X40
23	70923591	1	O Ring	
24	3903022M1	1	Adjuster	(20)
25	3903019M1	1	Plug	(20)
26	3791912M1	1	Manifold	
27	364777X1	2	O Ring	
28	3811722M1	4	Bolt	M10X70
29	359306X1	1	O Ring	
30	3010827X1	2	O Ring	
31	3010709X1	2	Bush	
32	3716745M1	1	Tube	
33	3790121M1	1	Thermocontact	Up to Serial or Engine Number J102006
34	3791109M2	1	Filter	
35	3618662M1	1	Filter Insert	(34)
36	842332M1	1	Gasket	(34)
37	831196M1	2	O Ring	(34)
38	3903021M1	1	Key	(20)
39	831497M1	1	O Ring	(9) Diameter 16,4 X 2,2 MM
40	70923841	1	O Ring	(9) Diameter 12,4 X 1,8 MM
41	3384387M1	1	Pressure Intake	
42	359300X1	1	O Ring	
43	3716376M93	1	Tube	
44	3793346M1	1	Seal	
45	1441722X1	2	Pin	Diameter 3X16MM
46	3716377M91	1	Tube	
47	3795276M1	2	Adaptor	
48	3010890X1	2	Bush	
49	3795285M1	1	Harness	Up to Serial or Engine Number
50	3798634M1	1	Indicator	From Serial or Engine Number N119060
51	831497M1	1	O Ring	(50) Diameter 16,4 X 2,2 MM
52	70923841	1	O Ring	(50) Diameter 12,4 X 1,8 MM
53	3716357M1	1	Restrictor	

FOOTNOTE [A] GREEN

FOOTNOTE [B] STEERING

FOOTNOTE [C] BRAKING

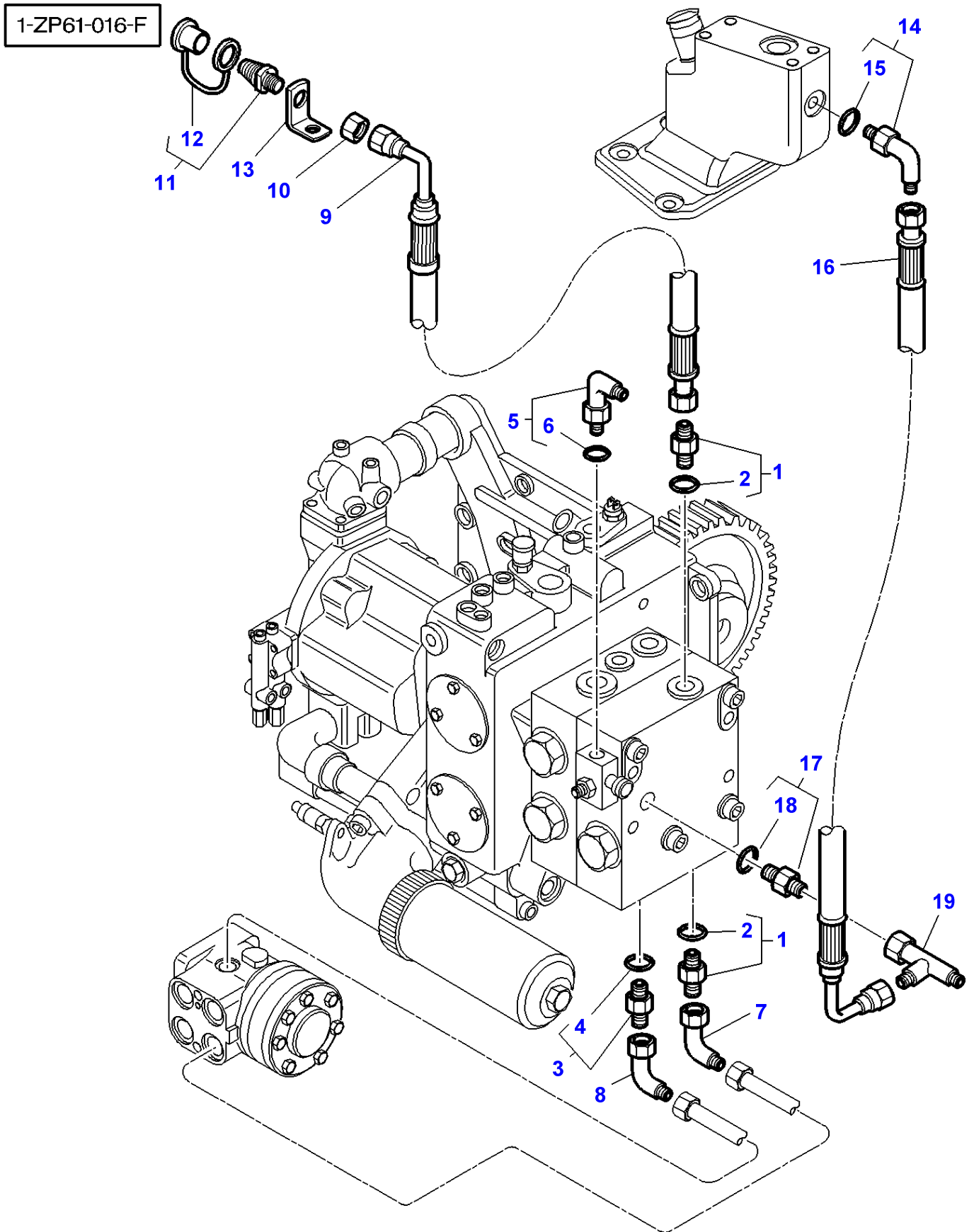
1-ZP31-006-D



Massey Ferguson**MF 8270/8280 TRACTOR - 1637348****1637348****Hydraulics - Hydraulic Cover Rh - ELECTROVALVES - Hydraulic Pump 150 L/mn****Page070-0110**

Item	Part Number	Qty	Description	Comments
1	3619763M1	3	Solenoid	
2	3619762M1	3	Spool	
3	3900994M91	X	Kit, Joint	(2)
4	3793575M1	1	Electrovalve	
5	3791412M1	1	Solenoid	(5)
6	3902774M92	1	Kit, Joint	(5)
7	3903671M1	1	Nut	(5)
8	3903988M1	1	Washer	(5)

MF 8270/8280 TRACTOR - 1637348
1-ZP61-016-F

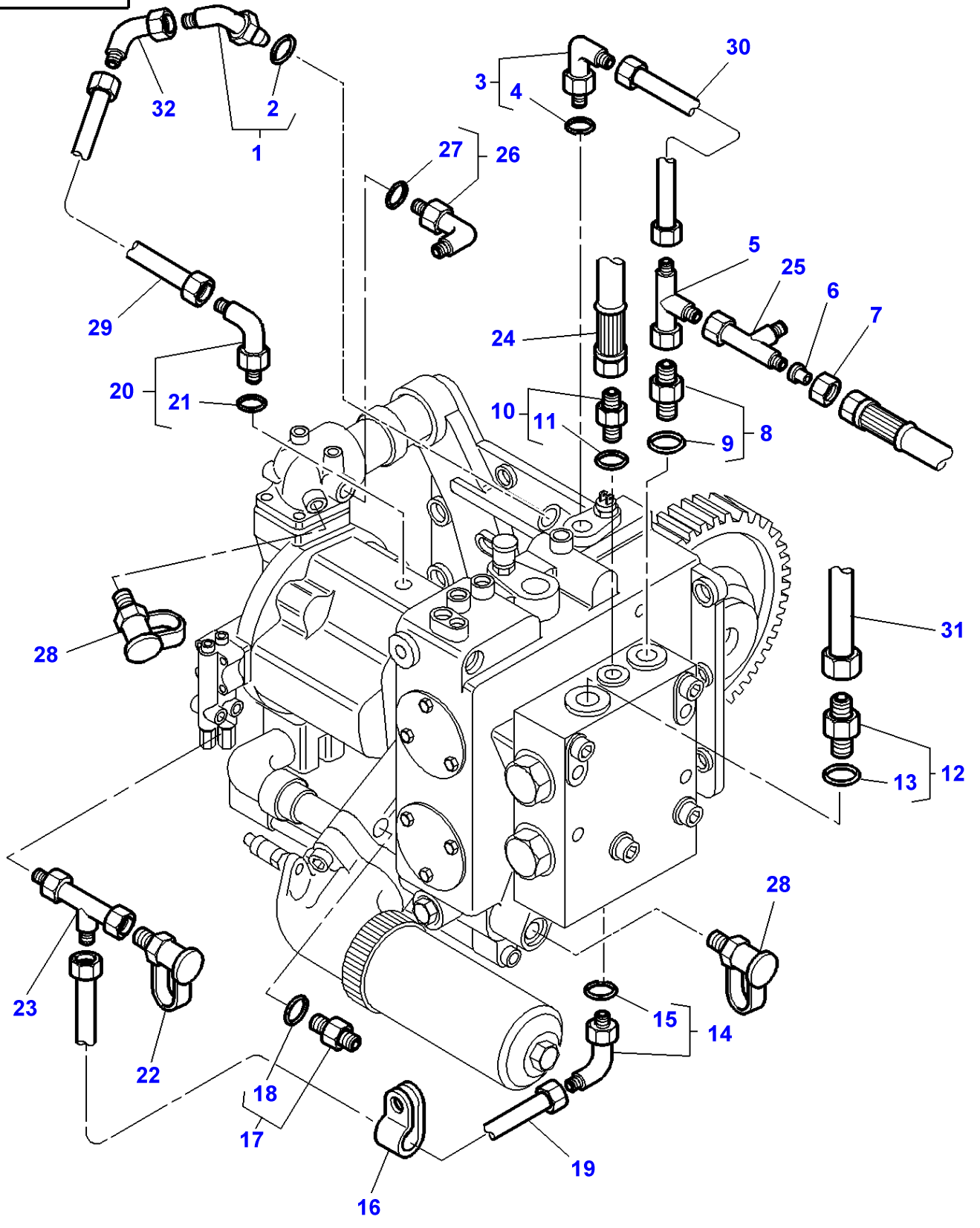


Massey Ferguson**MF 8270/8280 TRACTOR - 1637348****1637348****Load Sensing - Cover Rh - With Pump 150 L/mm - Hydr. Lines - With Tractor Braking****Page070-0115**

Item	Part Number	Qty	Description	Comments
1	3019658X91	2	Union	Diameter M22-3/4
2	3019398X1	1	O Ring	(1)
3	3019379X91	1	Union	Diameter M14 X 9/16
4	3019395X1	1	O Ring	(3)
5	3019694X91	1	Union	Diameter M14 X 1/2
6	3019395X1	1	O Ring	(5)
7	365233X1	1	Elbow	
8	364603X1	1	Elbow	
9	3792041M1	1	Hydr Hose	
10	1442336X1	1	Nut	
11	3581307M3	1	Pressure Valve	
12	3616259M1	1	Plug	(11)
13	3792736M1	1	Support	
14	3019418X91	1	Elbow Nipple	From Serial or Engine Number L191016
15	3019398X1	1	O Ring	(14)
16	3798503M1	1	Hydr Hose	Length 1200 MM
17	3019696X91	1	Union	From Serial or Engine Number L191016
18	3019395X1	1	O Ring	(17)
19	3780180M1	1	Teepiece	From Serial or Engine Number L191016 Up to Serial or Engine Number M188052
	364704X1	1	Teepiece	From Serial or Engine Number M188053

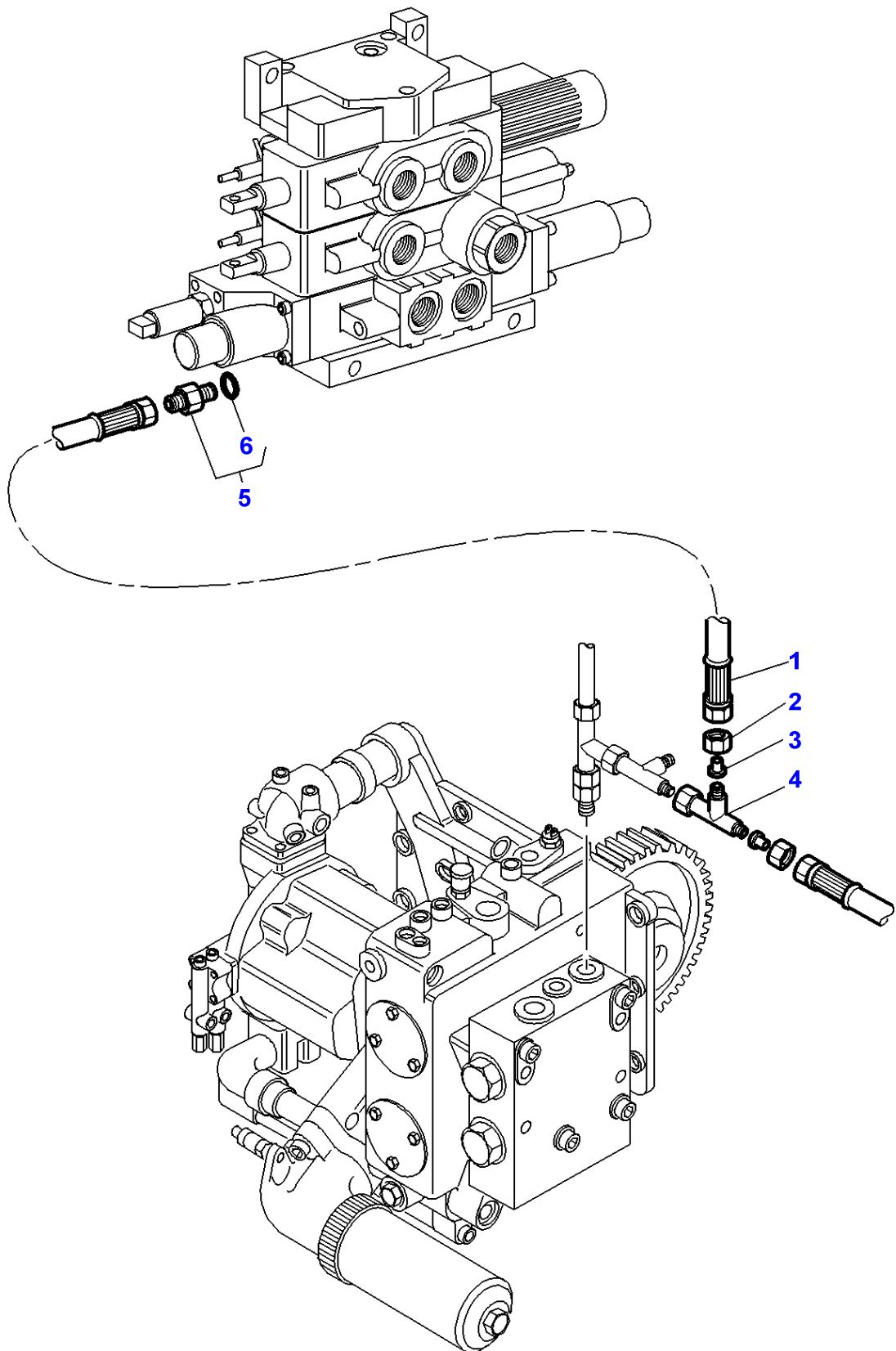
MF 8270/8280 TRACTOR - 1637348
1-ZP61-020-B

1-ZP61-020-B



Item	Part Number	Qty	Description	Comments
1	3019418X91	1	Elbow Nipple	M22X1,5 - 7/8-14
2	3019398X1	1	O Ring	(1)
3	3019414X91	1	Union	M16X1,5 - 3/4-16
4	3019396X1	1	O Ring	(3)
5	364735X1	1	Union	
6	356627X1	1	Adaptor	Diameter 3/4X9/16
7	195960M1	1	Nut	Diameter 3/4
8	3019658X91	1	Union	M22X1,5 - 3/4-16
9	3019398X1	1	O Ring	(8)
10	3019379X91	1	Union	M14X1,5-9/16-18
11	3019395X1	1	O Ring	(10)
12	3019391X91	1	Union	Diameter M33X1"5/16
13	3019399X1	1	O Ring	(12)
14	3019694X91	1	Union	M14X1,5 - 1/2-20
15	3019395X1	1	O Ring	(14)
16	3581132M1	1	Clamp	
17	3019381X91	1	Union	M16X1,5 - 3/4-16
18	3019399X1	1	O Ring	(17)
19	3791710M2	1	Tube	
20	835007M91	1	Elbow	Diameter 7/8X7/8
21	1882958M1	1	O Ring	(20)
22	3712707M1	1	Intake	
23	3712689M1	1	Union	
24	3716398M1	1	Hydr Hose	
25	364735X1	1	Union	Diameter 3/4-16
26	3019416X91	1	Elbow	M18X1,5 - 7/8-14
27	3019397X1	1	O Ring	(26)
28	3384387M1	2	Pressure Intake	
29	3792313M2	1	Tube	
30	3791711M2	1	Tube	
31	3797956M91	1	Tube	
32	367386X1	1	Elbow	

1-ZP61-022-A

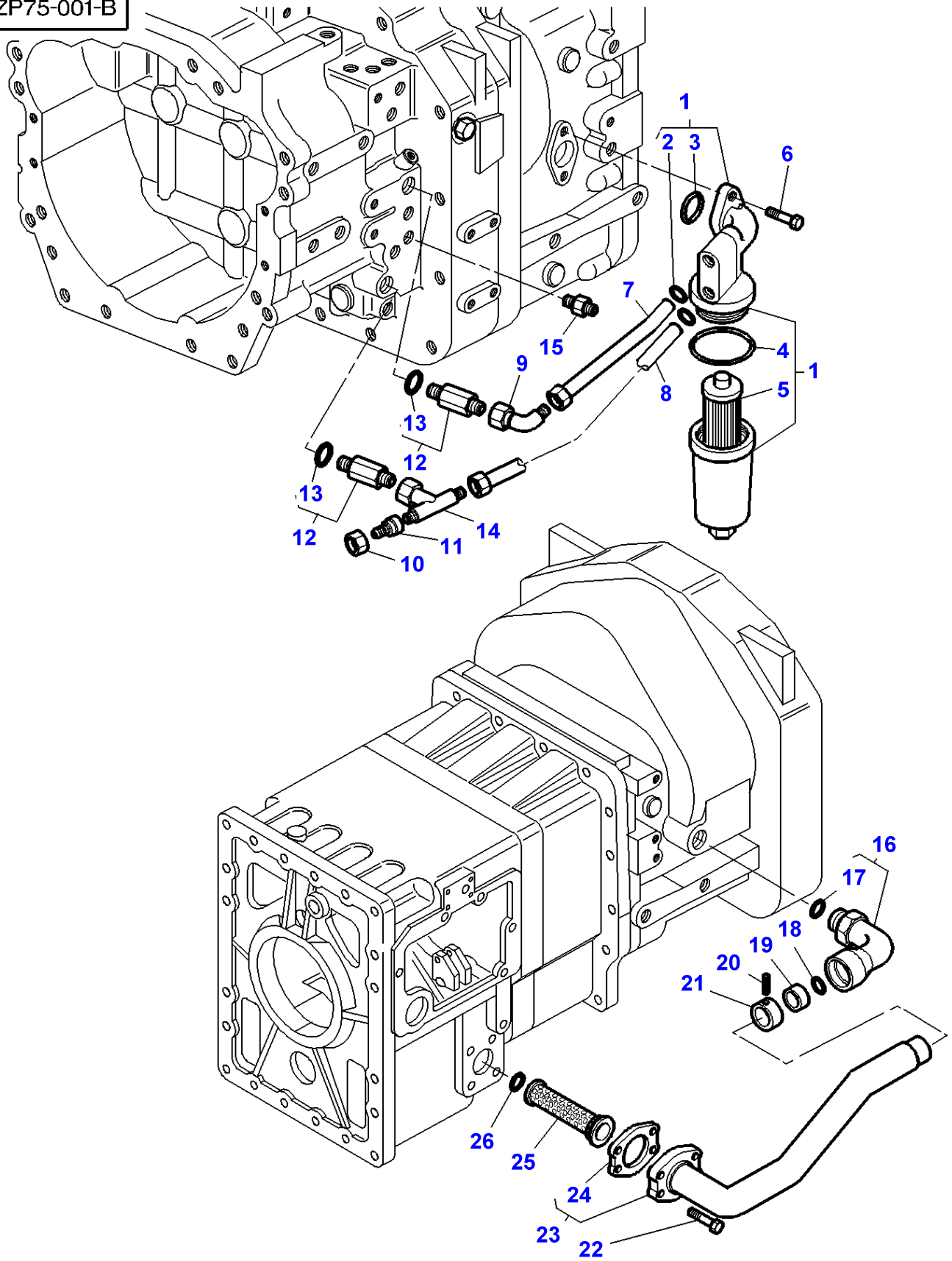


Massey Ferguson**MF 8270/8280 TRACTOR - 1637348****1637348****Load Sensing - Cover Rh - With Hydraulic Pump 150 L/mn / DUAL CONTROL DISTRIBUTOR FEEDING****Page070-0125**

Item	Part Number	Qty	Description	Comments
1	3716399M1	1	Hydr Hose	Length 1360MM
2	338773X1	1	Olive	
3	356627X1	1	Adaptor	
4	364735X1	1	Union	
5	3019660X91	1	Union	
6	3019393X1	1	O Ring	(5)

MF 8270/8280 TRACTOR - 1637348
1-ZP75-001-B

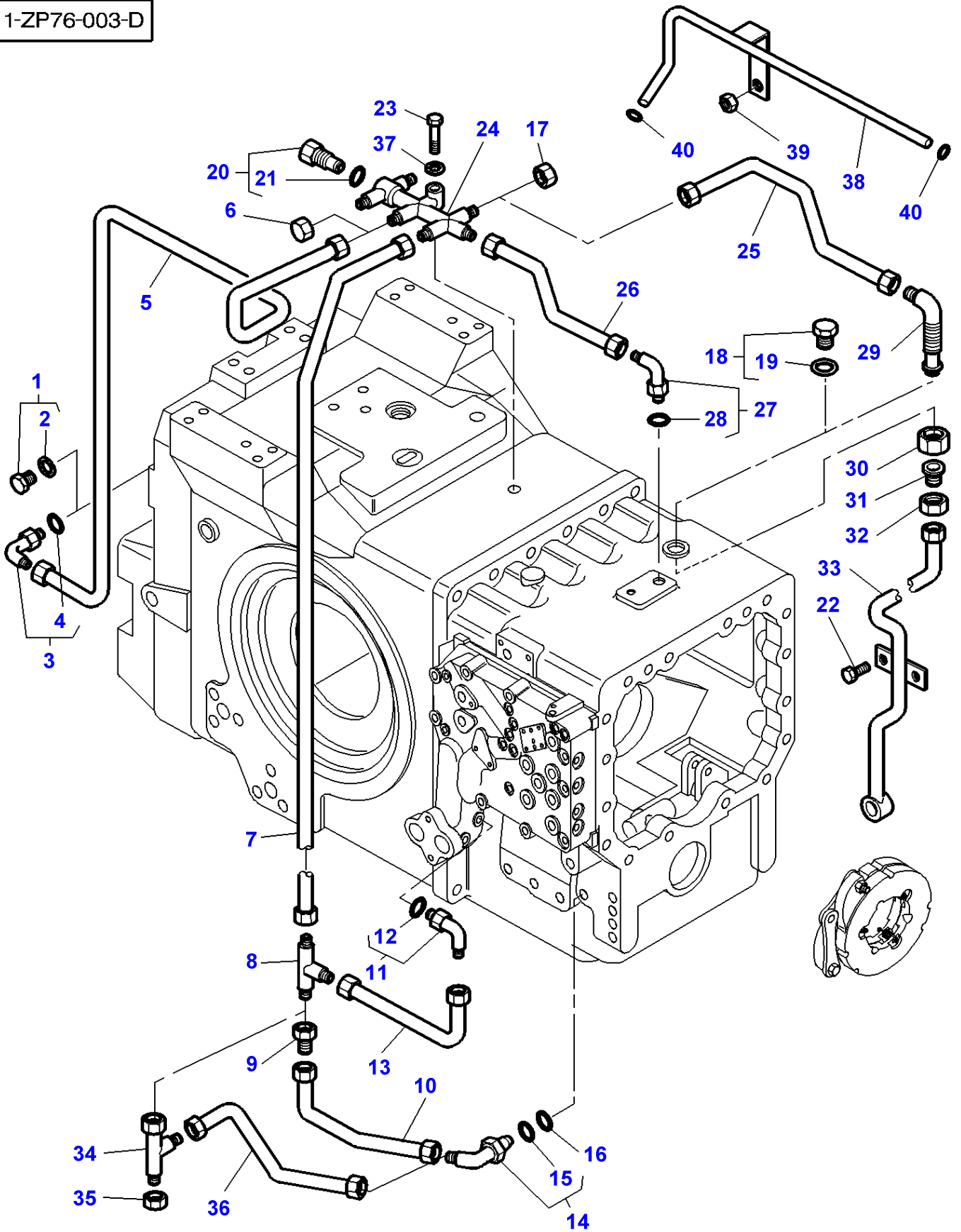
1-ZP75-001-B



Item	Part Number	Qty	Description	Comments
1	3791110M2	1	Filter	
2	70924776	2	O Ring	(1)
3	377353X1	1	O Ring	(1)
4	842332M1	1	Gasket	(1)
5	3618662M1	1	Filter Insert	(1)
6	1440356X1	2	Screw Metric	M12x30
7	3791875M2	1	Tube	
8	3791876M2	1	Tube	
9	367277X1	1	Elbow	Diameter 1"5/16-12
10	375048X1	1	Nut	
11	356633X1	1	Adaptor	
12	3791393M91	2	Union	Diameter 1"5/16-12
13	835026M1	1	O Ring	(12)
14	373793X1	1	Teepiece	Diameter 1"5/16-12
15	3790887M1	1	Union	Diameter 1"5/16 Diameter 1"1/16-18
16	3716901M1	1	Bridle	
17	70921887	1	O Ring	(16) Replace and repair. Old interchangeable with new 831504M1
18	852140M1	1	O Ring	
19	3716902M1	1	Gasket	
20	3009351X1	1	Screw	M6X8
21	3716903M1	1	Bush	
22	1440356X1	4	Screw Metric	M12X30
23	3716908M93	1	Tube	
24	3716358M1	1	Seal	(23)
25	3716334M1	1	Strainer	
26	1006234M1	1	O Ring	

MF 8270/8280 TRACTOR - 1637348
1-ZP76-003-D

1-ZP76-003-D



Item	Part Number	Qty	Description	Comments
1	3019639X91	1	Plug	[C]
2	3019395X1	1	O Ring	[C] (1)
3	3716879M91	1	Union	
4	3019395X1	1	O Ring	(3)
5	3790898M91	1	Tube	
6	356578X1	1	Plug	[C]
7	3790896M91	1	Tube	
8	356561X1	1	Union	
9	377651X1	1	Reducer	Up to Serial or Engine Number J049024
10	3790894M91	1	Tube	Up to Serial or Engine Number J049024
11	3019416X91	1	Elbow	
12	3019397X1	1	O Ring	(11)
13	3790892M91	1	Tube	
14	3716884M91	1	Union	Up to Serial or Engine Number J049024
	3385713M91	1	Union	From Serial or Engine Number J049025
15	3019395X1	1	O Ring	(14)
16	3019395X1	1	O Ring	
17	70923737	1	Plug	[E]
18	358724X91	1	Plug	[E]
19	831497M1	1	O Ring	(18)
20	358724X91	1	Plug	
21	831497M1	1	O Ring	(20)
22	391989X1	2	Screw Metric	M8x20
23	339010X1	1	Bolt Metric	M8x40
24	3790871M3	1	Bar	
25	3790924M91	1	Tube	
26	3796898M1	1	Tube	
27	3716772M91	1	Union	
28	831497M1	1	O Ring	(27)
29	3791258M91	1	Union	
	3799821M91	1	Union	[A] From Serial or Engine Number N090003
30	353436X1	1	Nut Unf	Diameter 3/4"-16
31	380003X1	1	Union	
32	195960M1	1	Nut	Diameter 3/4"
33	3790926M93	1	Tube	
	3799778M92	1	Tube	[A] From Serial or Engine Number N090003
34	3793518M91	1	Union	From Serial or Engine Number J049025
35	70923737	1	Plug	From Serial or Engine Number J049025
36	3793517M1	1	Tube	From Serial or Engine Number J049025
37	390972X1	1	Washer Metric	
38	3799780M93	1	Tube	[A,B] From Serial or Engine Number N090003
39	3019862X1	1	Nut Metric	[A] From Serial or Engine Number N090003
40	762191M1	2	Gasket	M12 [A] From Serial or Engine Number N090003

FOOTNOTE [A] WITH DUAL REDUCER

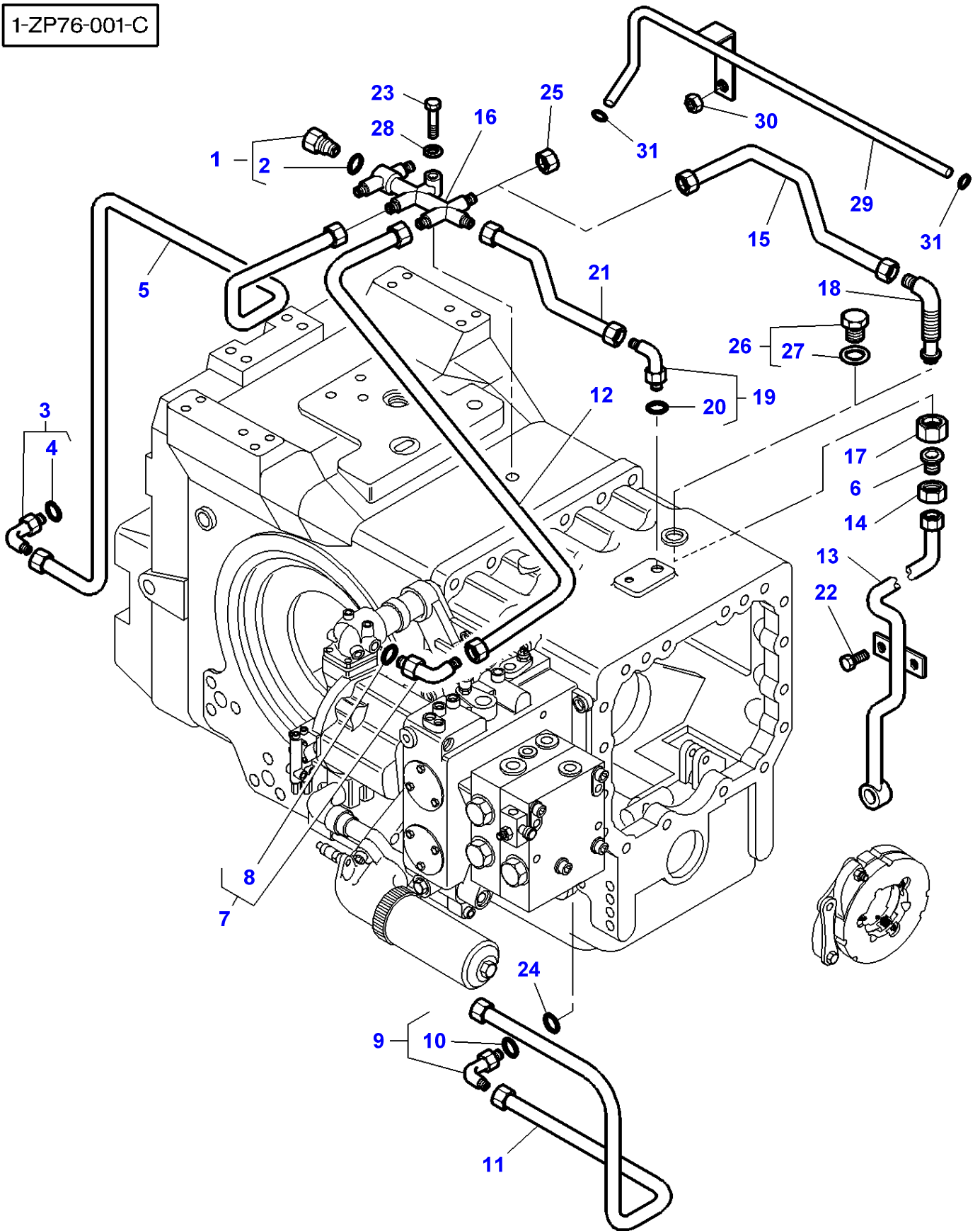
FOOTNOTE [B] DIFFERENTIAL LUBRICATION

FOOTNOTE [C] WITHOUT INDEPENDANT P.T.O.

FOOTNOTE [E] WITHOUT CREEPER GEAR

MF 8270/8280 TRACTOR - 1637348
1-ZP76-001-C

1-ZP76-001-C



Item	Part Number	Qty	Description	Comments
1	358724X91	1	Plug	
2	831497M1	1	O Ring	(1)
3	3716879M91	1	Union	
4	3019395X1	1	O Ring	(3)
5	3790898M91	1	Tube	
6	380003X1	1	Union	[B]
7	3019416X91	1	Elbow	Diameter M18
8	3019397X1	1	O Ring	(7)
9	3716884M91	1	Union	
10	831497M1	1	O Ring	(9)
11	3792019M1	1	Tube	
12	3791716M1	1	Tube	
13	3790926M93	1	Tube	
	3799778M92	1	Tube	[A] From Serial or Engine Number N090003
14	195960M1	1	Nut	[B]
15	3790924M91	1	Tube	[B]
16	3790871M3	1	Bar	
17	353436X1	1	Nut Unf	[B]
18	3791258M91	1	Union	
	3799821M91	1	Union	[A] From Serial or Engine Number N090003
19	3791953M91	1	Union	Up to Serial or Engine Number H174011
	3716772M91	1	Union	From Serial or Engine Number H174012
20	831497M1	1	O Ring	(19)
21	3796898M1	1	Tube	
22	391989X1	2	Screw Metric	[B] M8X20
23	339010X1	1	Bolt Metric	M8X40
24	3019395X1	1	O Ring	
25	70923737	1	Plug	[C]
26	358724X91	1	Plug	[C]
27	831497M1	1	O Ring	[C] (26)
28	390972X1	1	Washer Metric	
29	3799780M93	1	Tube	[A,D] From Serial or Engine Number N090003
30	3019862X1	1	Nut Metric	[A] From Serial or Engine Number N090003 M12
31	762191M1	2	Gasket	[A] From Serial or Engine Number N090003

FOOTNOTE [A] WITH DUAL REDUCER

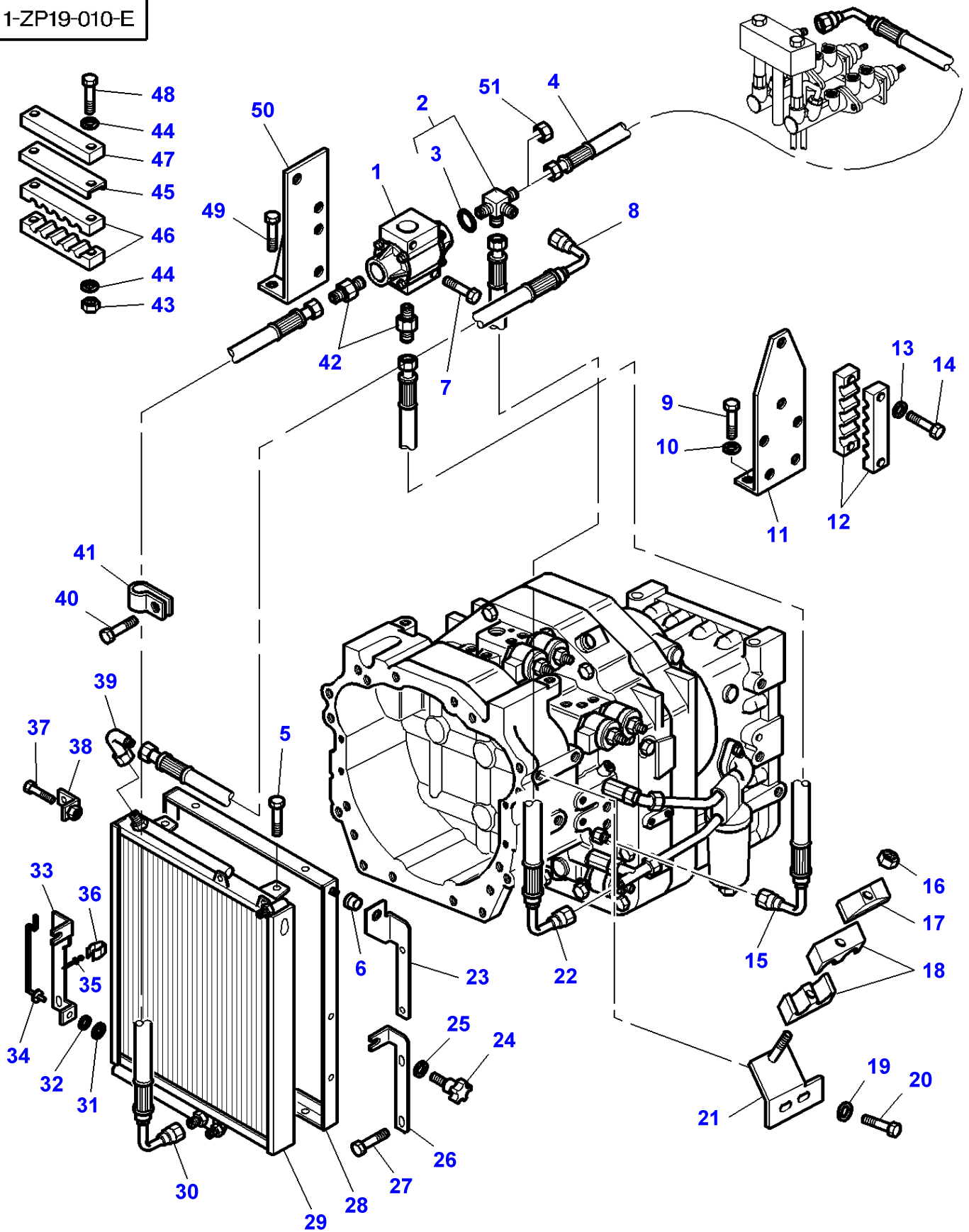
FOOTNOTE [B] WITH CREEPER GEAR

FOOTNOTE [C] WITHOUT CREEPER GEAR

FOOTNOTE [D] DIFFERENTIAL LUBRICATION

MF 8270/8280 TRACTOR - 1637348
1-ZP19-010-E

1-ZP19-010-E



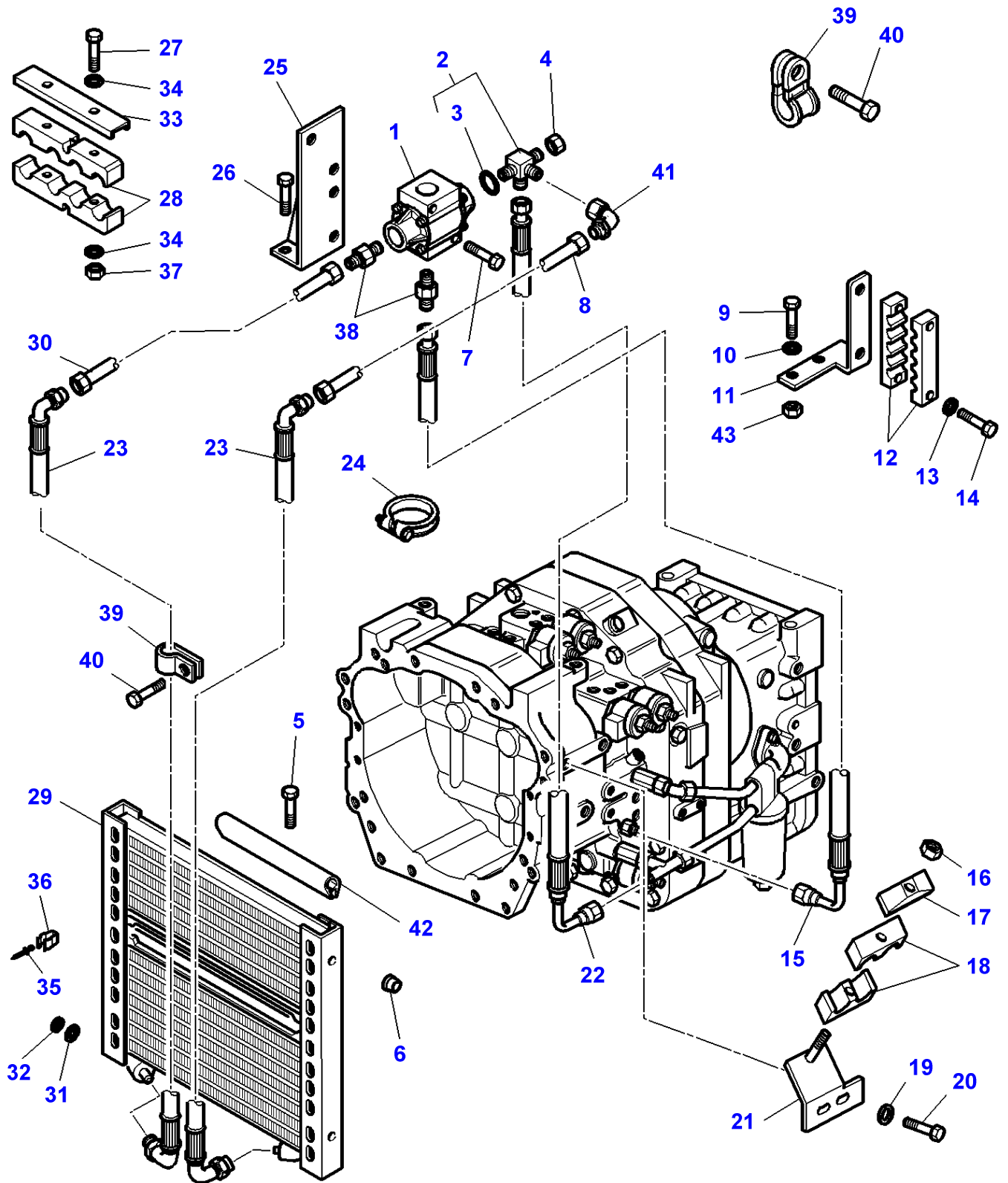
Oil Cooler - M.F 8270 - 8280

Item	Part Number	Qty	Description	Comments
1	3790883M1	1	Pressure Valve	See Page - Reference Number 070-0155/1
2	5016401M91	1	Pressure Valve	
3	835026M1	1	O Ring	(2)
4	5016415M1	1	Hydr Hose	Length 1220 MM Up to Serial or Engine Number L038021
5	3009491X1	4	Hex. Sock. Screw	M10 X 20
6	71361783	2	Bush	
7	3009502X1	2	Bolt Metric	M10 X 80
8	5016414M1	1	Hydr Hose	Length 1200 MM
9	391990X1	4	Screw	M8 X 25
10	339817X1	4	Washer Metric	
11	5016188M91	2	Support	
12	3780518M1	4	Bridle	
13	390971X1	4	Washer	Diameter 6-12 X 1,5
14	391884X1	4	Bolt Metric	M6 X 50
15	3783223M1	1	Hydr Hose	Length 1815 MM
16	339169X1	1	Nut	M8
17	3780683M1	1	Plate	
18	3780682M1	2	Bridle	
19	390972X1	1	Washer Metric	Diameter 8-17 X 1,7
20	339761X1	1	Hex. Sock. Screw	M8 X 25
21	3782861M93	1	Support	
22	3783222M1	1	Hydr Hose	Length 1715 MM
23	3781638M2	1	Support	Right Hand
	3781664M1	1	Support	Left Hand
24	3783221M1	2	Button	
25	390597X1	2	Washer Metric	Diameter 10-30 X 2,5
26	3782954M1	1	Support	Left Hand
27	339124X1	8	Hex. Sock. Screw	M8 X 16
28	3781639M92	1	Chassis	
29	5016133M2	1	Oil Cooler	[A]
30	5016198M1	1	Hydr Hose	Length 1640 MM
31	3010846X1	1	Clip	
32	390971X1	1	Washer	Diameter 6-12 X 1,5
33	3782953M1	1	Support	Right Hand
34	3782957M91	1	Rod	
35	391354X1	1	Rivet	
36	3010847X1	1	Clip	
37	339124X1	1	Hex. Sock. Screw	M8 X 16
38	3782955M91	1	Thruster	
39	366462X1	1	Elbow	
40	339761X1	1	Hex. Sock. Screw	M8 X 25
41	3581424M1	1	Clamp	
42	70922997	2	Connector	
43	394367X1	2	Locknut	M8
44	390972X1	4	Washer Metric	Diameter 8-17 X 1,7
45	5015336M1	1	Plate	
46	5015337M2	2	Bridle	
47	5016719M1	1	Gasket	Up to Serial or Engine Number J208016
48	339368X1	2	Bolt Metric	M8 X 60
49	3009492X1	2	Hex. Sock. Screw	M10 X 25
50	5016186M91	1	Support	
51	356579X1	1	Cap	From Serial or Engine Number L038022

FOOTNOTE [A] THE APPROPRIATE SAFETY DECALS MUST BE ORDERED AND FITTED TO THIS PART

MF 8270/8280 TRACTOR - 1637348
1-ZP19-019-C

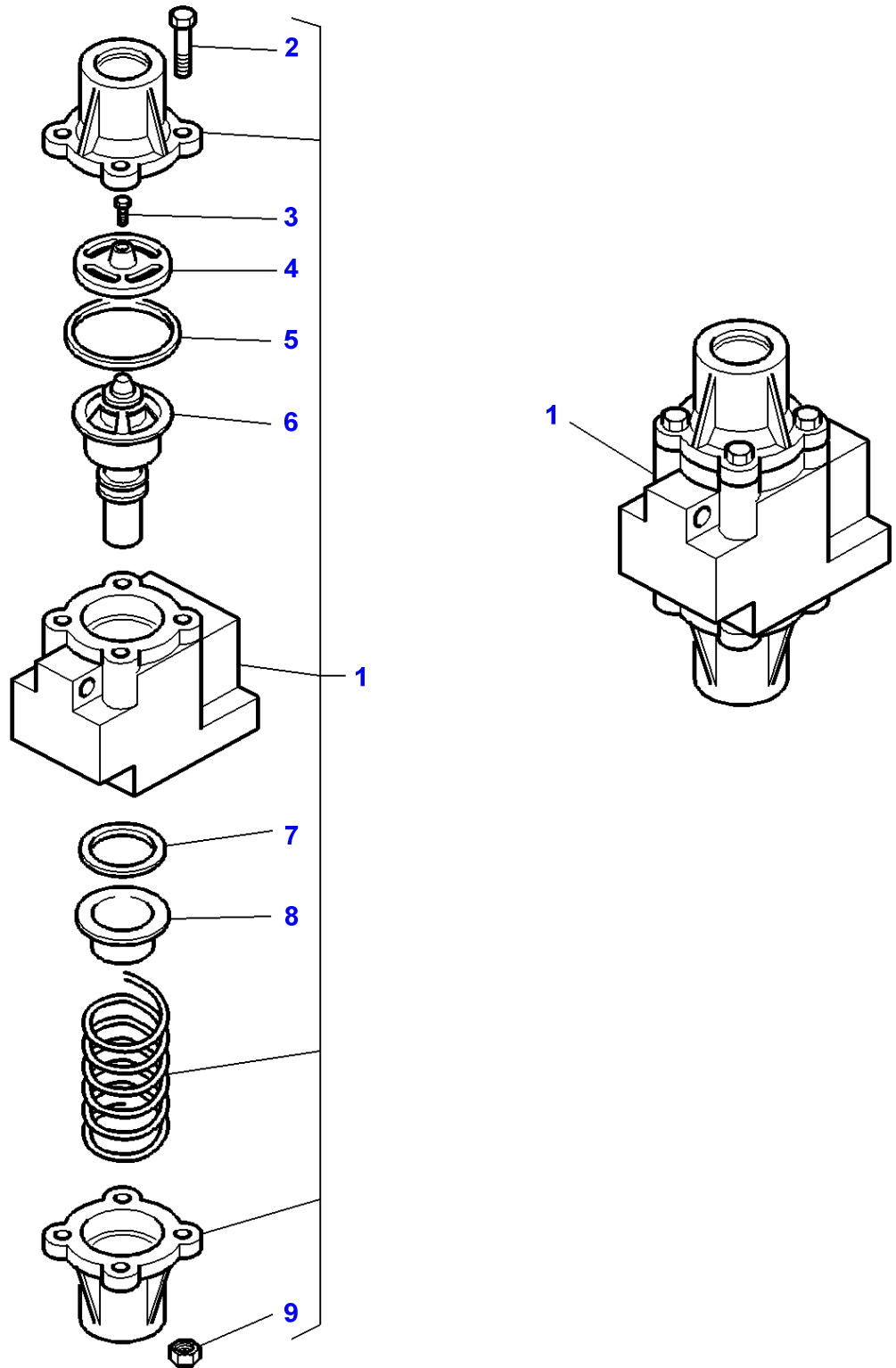
1-ZP19-019-C



Item	Part Number	Qty	Description	Comments
1	3790883M1	1	Pressure Valve	See Page - Reference Number 070-0155/1
2	5016401M91	1	Pressure Valve	
3	835026M1	1	O Ring	(2)
4	356579X1	1	Cap	
5	3009491X1	4	Hex. Sock. Screw	M10 X 20
6	71361783	2	Bush	
7	3009502X1	2	Bolt Metric	M10 X 80
8	3788792M1	1	Tubing	
9	339666X1	2	Hex. Sock. Screw	M6 X 20
10	390971X1	2	Washer	Diameter 6-12 X 1,5
11	4271181M2	1	Support	
12	3780518M1	2	Bridle	
13	390971X1	2	Washer	Diameter 6-12 X 1,5
14	3009282X1	2	Screw	M6 X 25
15	3783223M1	1	Hydr Hose	Length 1815 MM
16	339169X1	1	Nut	M8
17	3780683M1	1	Plate	
18	3780682M1	2	Bridle	
19	390972X1	1	Washer Metric	Diameter 8-17 X 1,7
20	339761X1	1	Hex. Sock. Screw	M8 X 25
21	3782861M93	1	Support	
22	3783222M1	1	Hydr Hose	Length 1715 MM
23	4270730M1	2	Hydr Hose	Length 1060 MM Replace and repair. Old not interchangeable with new 3786085M2
24	3787802M1	2	Clamp	
25	5016186M91	1	Support	
26	3009492X1	2	Hex. Sock. Screw	M10 X 25
27	339368X1	2	Bolt Metric	M8 X 60
28	3789043M1	2	Bridle	
29	3787643M1	1	Oil Cooler	[B]
30	3788791M1	1	Tubing	Length 640 MM
31	3010846X1	1	Clip	
32	390971X1	1	Washer	Diameter 6-12 X 1,5
33	5015336M1	1	Plate	
34	390972X1	4	Washer Metric	Diameter 8-17 X 1,7
35	391354X1	1	Rivet	
36	3010847X1	1	Clip	
37	394367X1	2	Locknut	M8
38	70922997	2	Connector	
39	3581424M1	1	Clamp	
40	1440349X1	1	Screw Metric	M8 X 30
41	366462X1	1	Elbow	
42	3782344M1	2	Gasket	Length 345 MM
43	1441500X1	2	Locknut	M6

FOOTNOTE [B] THE APPROPRIATE SAFETY DECALS MUST BE ORDERED AND FITTED TO THIS PART

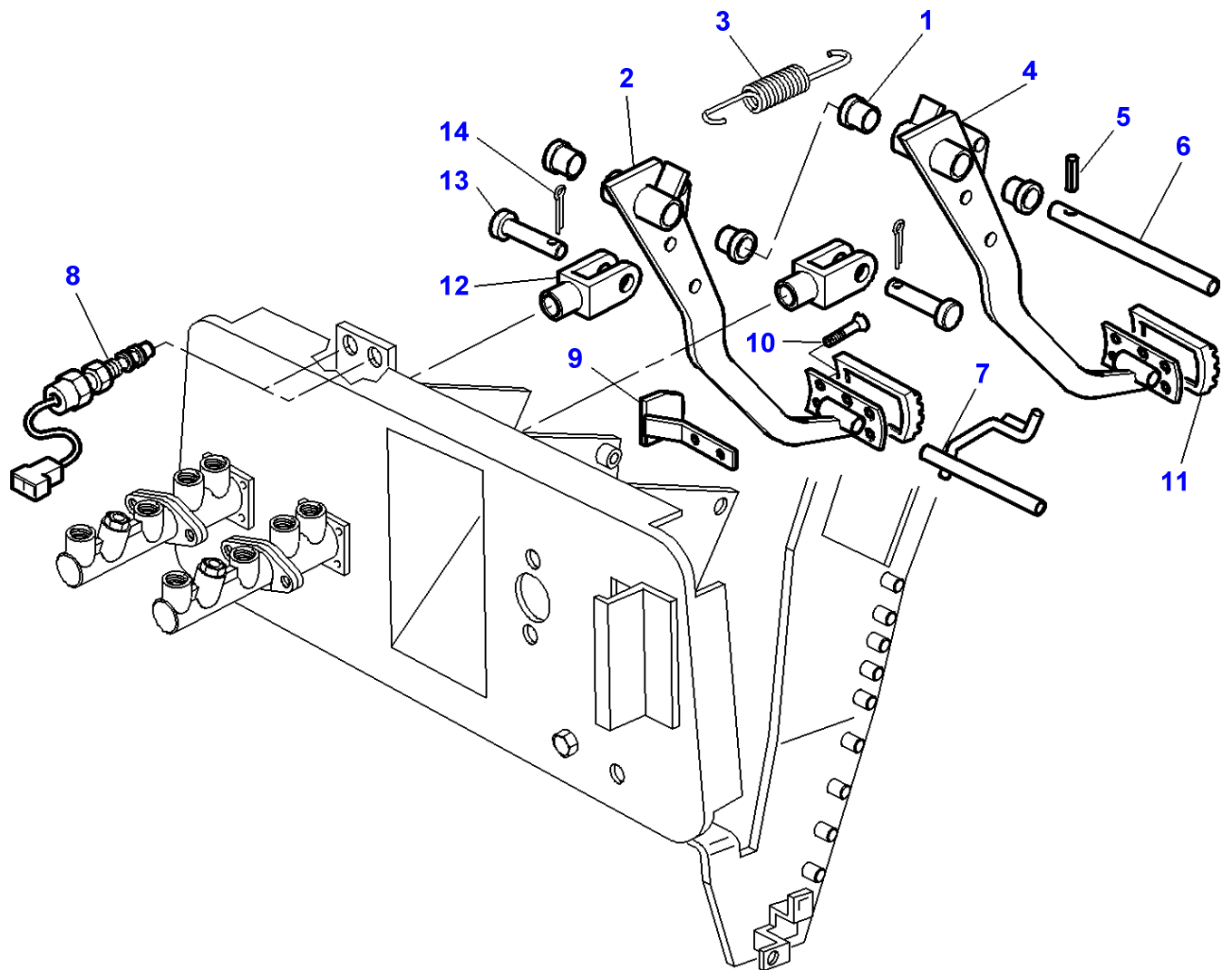
1-ZP01-001-A



Hydraulic Valve

Item	Part Number	Qty	Description	Comments
1	3790883M1	1	Pressure Valve	
2	70934293	4	Bolt	(1)
3	72514302	1	Screw	(1)
4	72514301	1	Washer	(1)
5	72511856	1	Seal	(1)
6	72514303	1	Pressure Valve	(1)
7	72511856	1	Seal	(1)
8	72511858	1	Seal	(1)
9	70923358	4	Nut	(1)

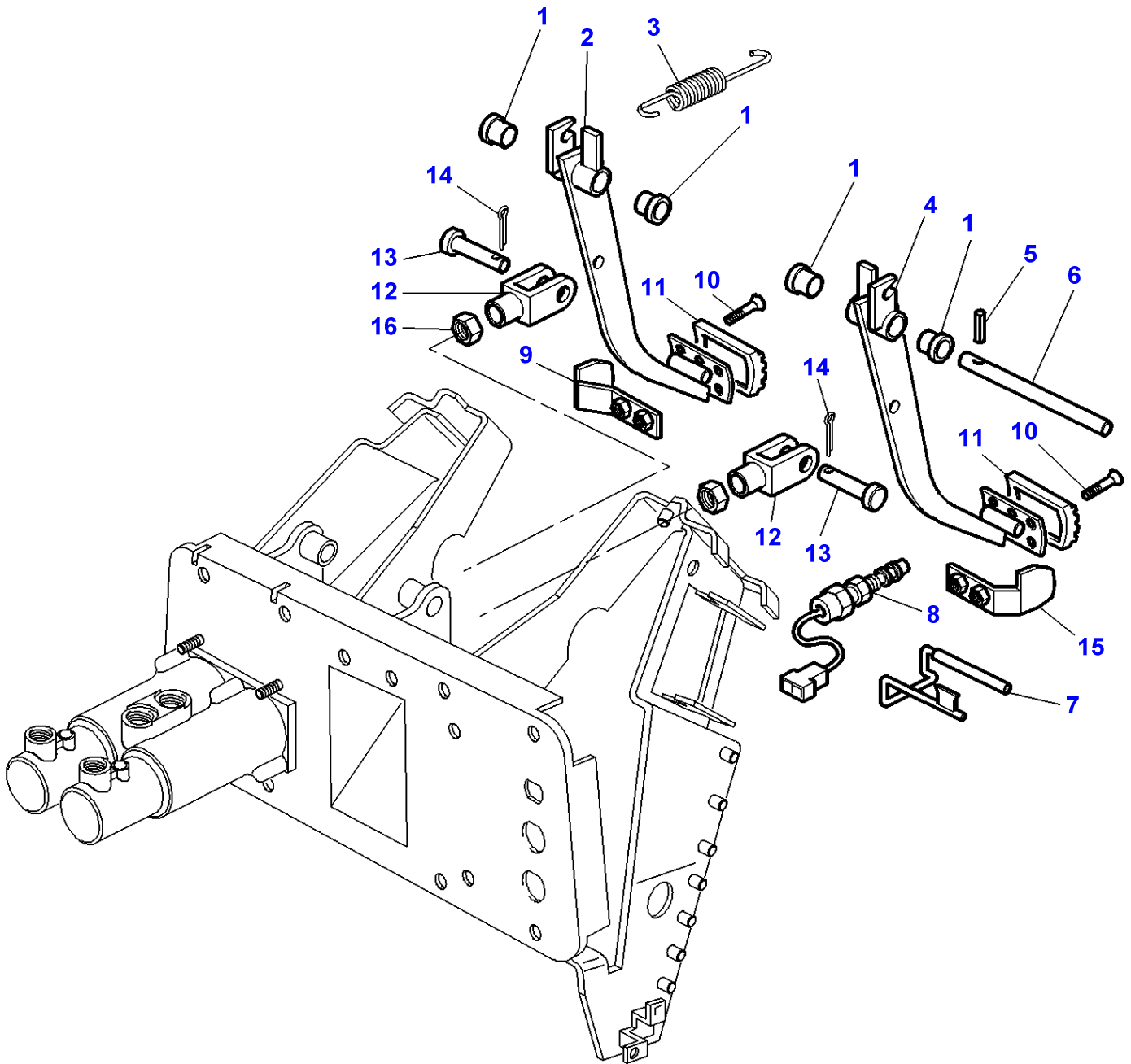
1-ZG16-003-C



Item	Part Number	Qty	Description	Comments
1	3385604M1	4	Bearing	
2	3782118M1	1	Brake Pad	Right Hand
3	3781689M1	2	Spring	
4	3782117M1	1	Brake Pad	Left Hand
5	391290X1	1	Pin	Diameter 5 X 30
6	3713576M1	1	Clevis Pin	
7	3583930M3	1	Latch	
8	3780395M2	2	Switch,Indirect	
9	3714488M3	1	Stop	
10	392404X1	2	Screw	M5 X 12
11	1626321M2	2	Skate	
12	3385612M3	2	Clevis	[A] Length 51 MM
13	3019213X1	2	Clevis Pin	
14	357146X1	2	Pin	Diameter 2,8 X 25

FOOTNOTE [A] WITH ASSISTED BRAKE

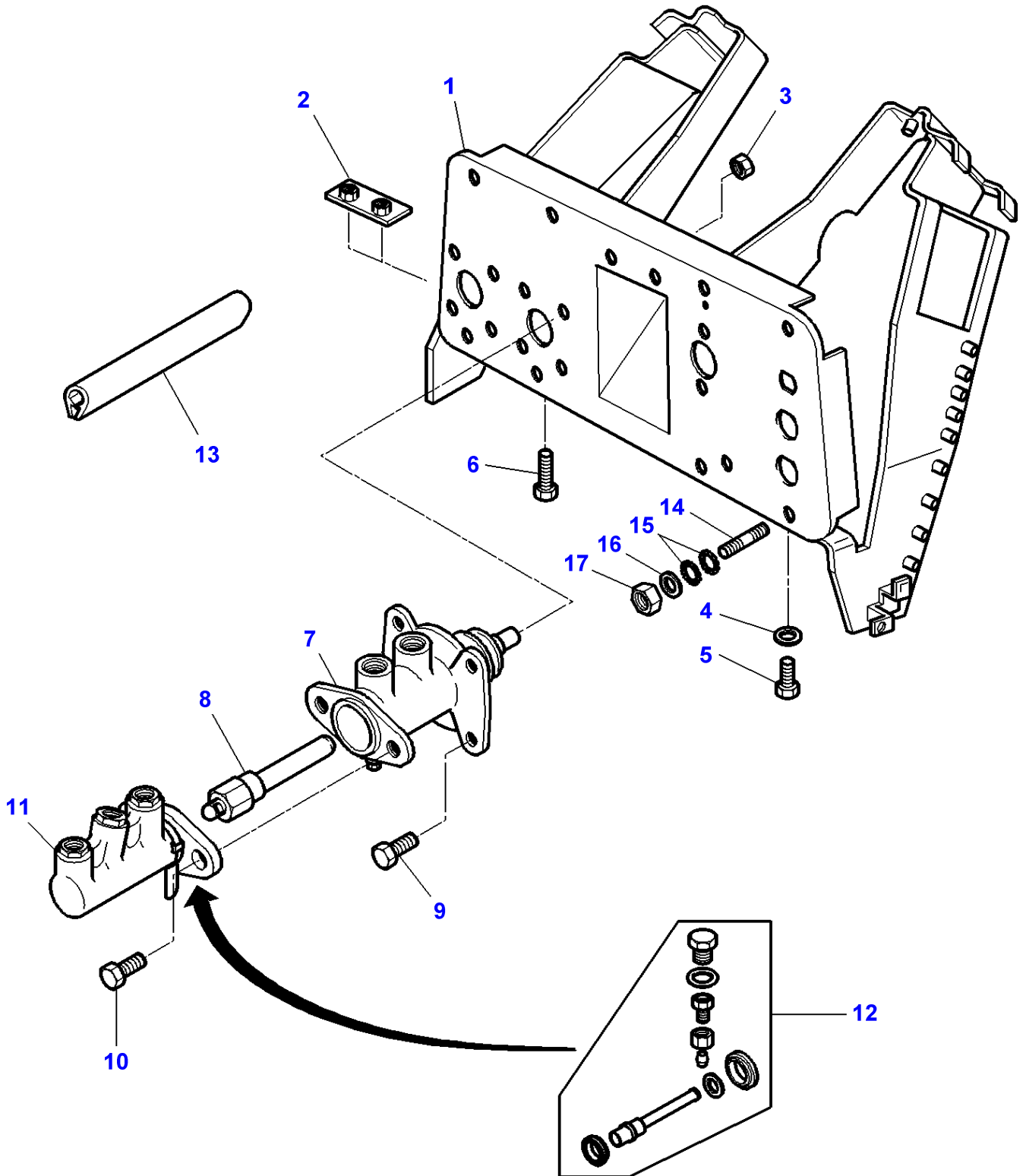
1-ZG16-006-B



Massey Ferguson**MF 8270/8280 TRACTOR - 1637348****1637348****Brakes - Pedals - With Cab And Power Brakes - From L038022****Page070-0165**

Item	Part Number	Qty	Description	Comments
1	3385604M1	4	Bearing	
2	3785647M1	1	Brake Pad	Right Hand
3	3785651M1	2	Spring	
4	3785646M1	1	Brake Pad	Left Hand
5	391290X1	1	Pin	5X30
6	3785652M2	1	Clevis Pin	
7	3785648M1	1	Latch	
8	3780395M2	2	Switch,Indirect	
9	3714488M3	1	Stop	
10	392404X1	4	Screw	
11	1626321M2	2	Skate	
12	3384656M1	2	Clevis	Length 61MM
13	3019213X1	2	Clevis Pin	
14	357146X1	2	Pin	2,8X25MM
15	3785649M1	1	Stop	
16	392310X1	2	Nut Metric	M10

1-ZG18-008-C



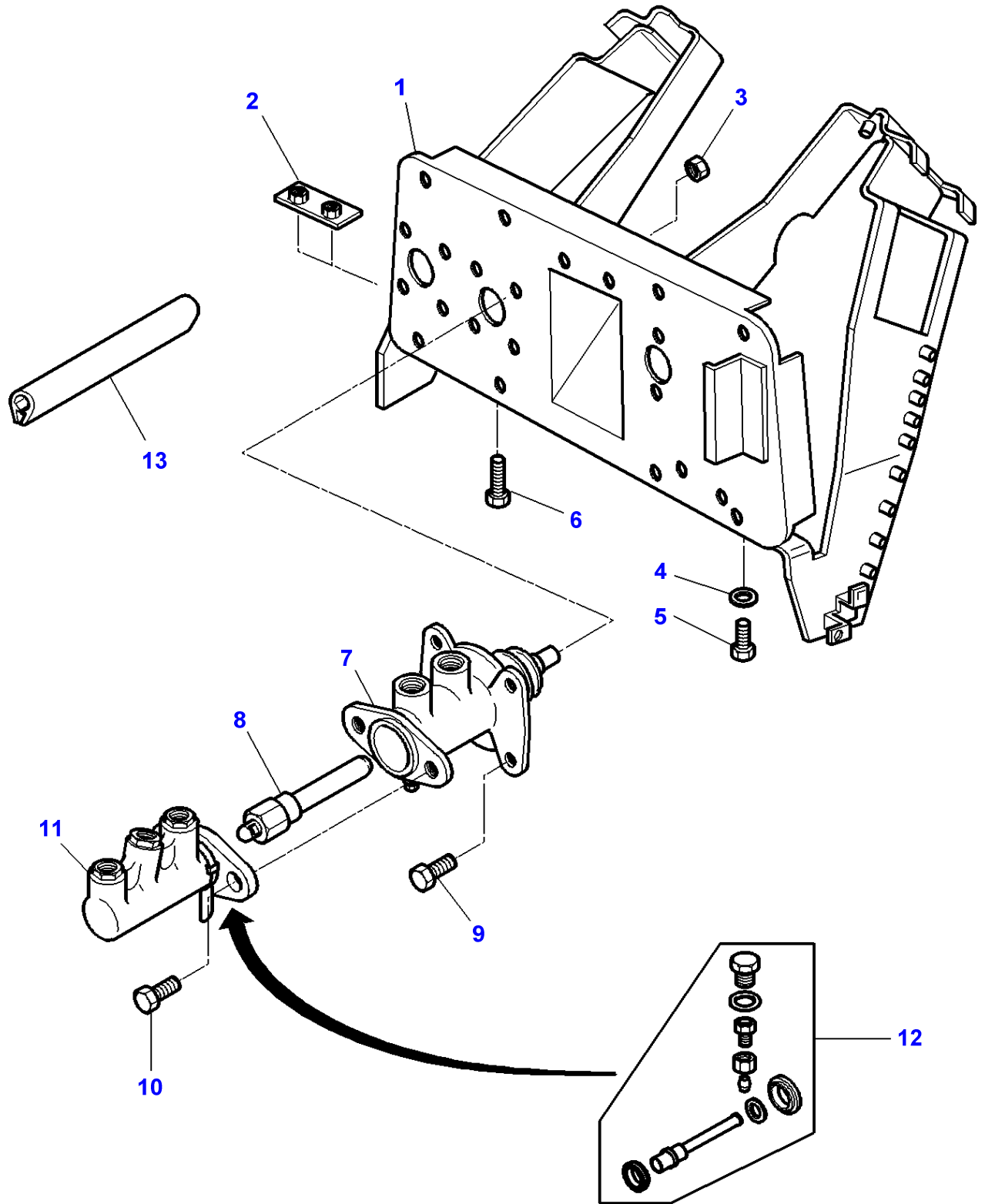
Massey Ferguson**MF 8270/8280 TRACTOR - 1637348**

1637348

Brakes - Master Cylinder - Assisted - Without Trailer Braking - From 08-01-2001 Up To L038021**Page070-0170**

Item	Part Number	Qty	Description	Comments
1	3784217M91	1	Support	
2	3714445M1	1	Stop	
3	339169X1	4	Nut	M8
4	390972X1	8	Washer Metric	Diameter 8-17 X 1,7
5	339123X1	8	Hex. Sock. Screw	M8 X 20
	339761X1	1	Hex. Sock. Screw	M8 X 25
6	339666X1	2	Hex. Sock. Screw	M6 X 20
7	3617596M1	2	Brake Cylinder	
8	3617594M93	2	Stem	
9	339761X1	8	Hex. Sock. Screw	M8 X 25
10	339761X1	4	Hex. Sock. Screw	M8 X 25
11	3384685M3	2	Main Cylinder	
12	1810832M91	1	Kit, Repair	(11)
13	3580695M1	1	Gasket	Length 1600 MM
14	3011204X1	1	Stud	M8 X 40
15	22428X	2	Lock Washer	
16	390972X1	1	Washer Metric	Diameter 8-17 X 1,7
17	339169X1	1	Nut	M8

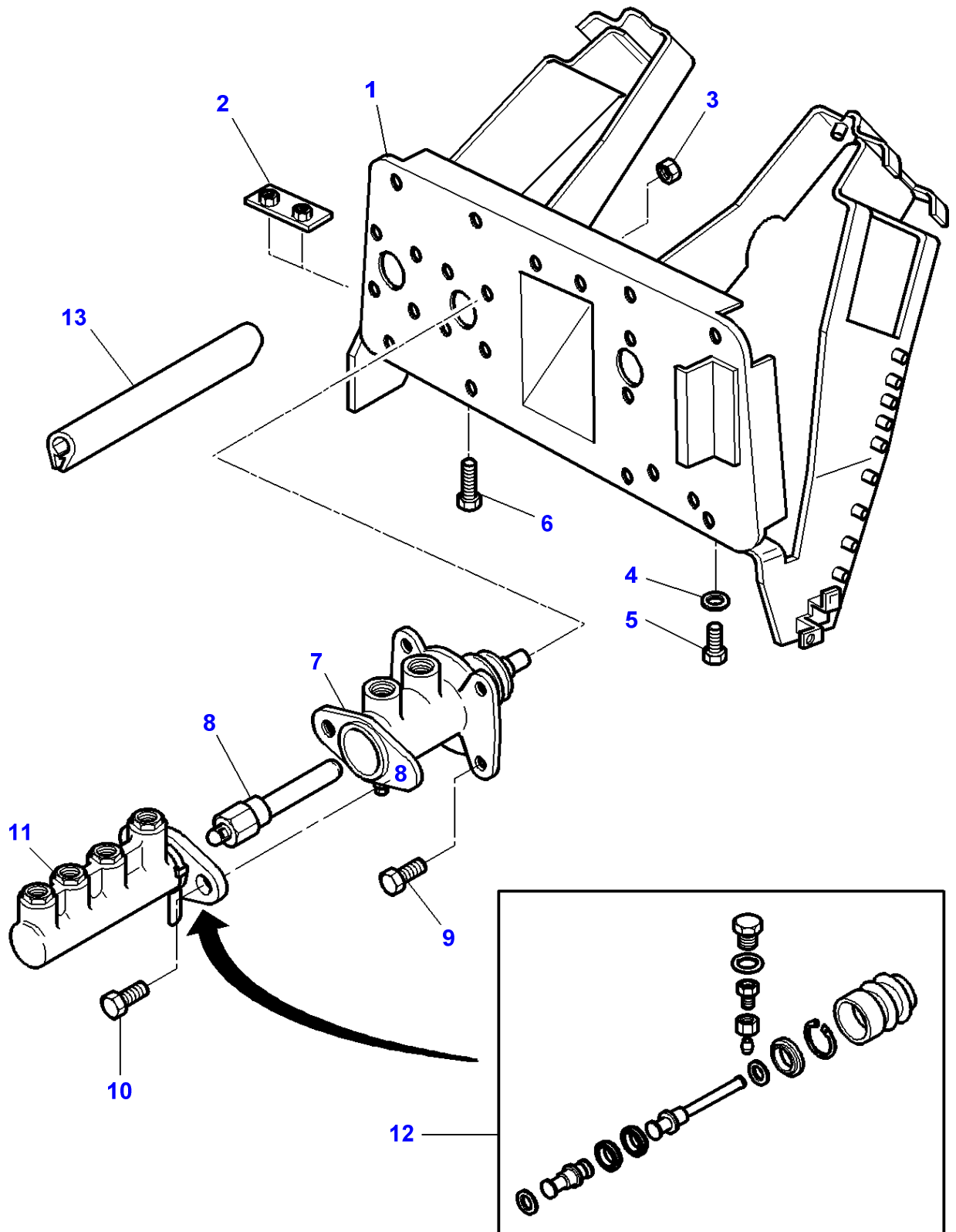
1-ZG18-001-B



Massey Ferguson**MF 8270/8280 TRACTOR - 1637348****1637348****Brakes - Master Cylinder - Assisted - Without Trailer Braking - Up To 07-01-2001****Page070-0175**

Item	Part Number	Qty	Description	Comments
1	3713562M96	1	Support	
2	3714445M1	1	Stop	
3	339169X1	4	Nut	M8
4	390972X1	8	Washer Metric	Diameter 8-17 X 1,7
5	339123X1	8	Hex. Sock. Screw	M8 X 20
	339761X1	1	Hex. Sock. Screw	M8 X 25
6	339666X1	2	Hex. Sock. Screw	M6 X 20
7	3617596M1	2	Brake Cylinder	
8	3617594M93	2	Stem	
9	339761X1	8	Hex. Sock. Screw	M8 X 25
10	339761X1	4	Hex. Sock. Screw	M8 X 25
11	3384685M3	2	Main Cylinder	
12	1810832M91	1	Kit, Repair	(11)
13	3580695M1	1	Gasket	Length 1600 MM

1-ZG18-004-A



Massey Ferguson**MF 8270/8280 TRACTOR - 1637348**

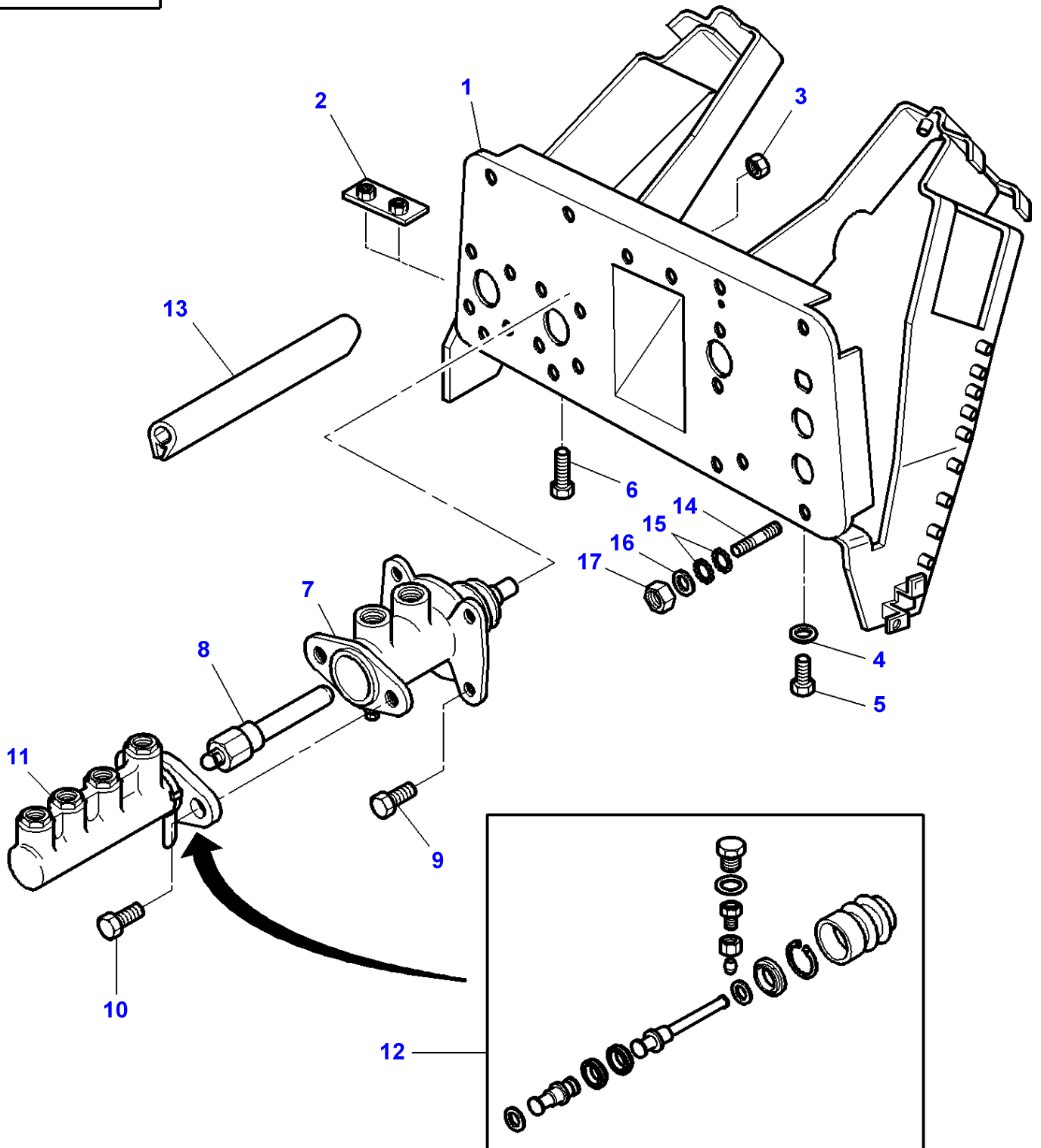
1637348

Brakes - Master Cylinder - Assisted - With Tractor Brakes - Up To 07-01-2001

Page070-0180

Item	Part Number	Qty	Description	Comments
1	3713562M96	1	Support	
2	3714445M1	1	Stop	
3	339169X1	4	Nut	M8
4	390972X1	8	Washer Metric	Diameter 8-17 X 1,7
5	339123X1	8	Hex. Sock. Screw	M8 X 20
6	339666X1	2	Hex. Sock. Screw	M6 X 20
7	3617596M1	2	Brake Cylinder	
8	3617594M93	2	Stem	
9	339761X1	8	Hex. Sock. Screw	M8 X 25
10	339761X1	4	Hex. Sock. Screw	M8 X 25
11	3383079M5	2	Main Cylinder	
12	1810833M91	1	Kit, Repair	
13	3580695M1	1	Gasket	Length 1600 MM

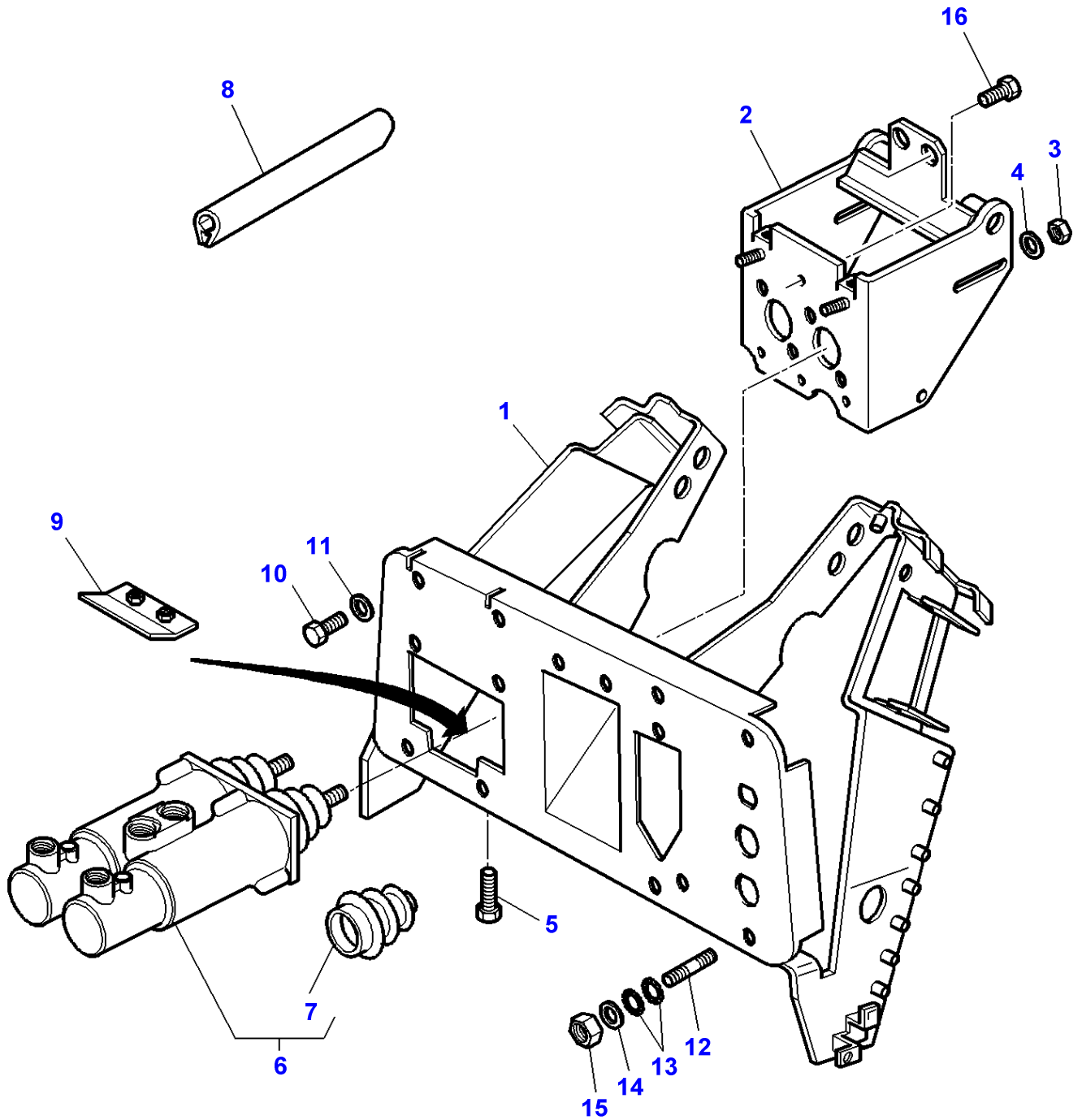
1-ZG18-010-C



Massey Ferguson**MF 8270/8280 TRACTOR - 1637348****1637348****Brakes - Master Cylinder - Assisted - With Tractor Brakes - From 08-01-2001 & Up To L038021****Page070-0185**

Item	Part Number	Qty	Description	Comments
1	3784217M91	1	Support	
2	3714445M1	1	Stop	
3	339169X1	4	Nut	M8
4	390972X1	8	Washer Metric	Diameter 8-17 X 1,7
5	339123X1	8	Hex. Sock. Screw	M8 X 20
	339761X1	1	Hex. Sock. Screw	M8 X 25
6	339666X1	2	Hex. Sock. Screw	M6 X 20
7	3617596M1	2	Brake Cylinder	
8	3617594M93	2	Stem	
9	339761X1	8	Hex. Sock. Screw	M8 X 25
10	339761X1	4	Hex. Sock. Screw	M8 X 25
11	3383079M5	2	Main Cylinder	
12	1810833M91	1	Kit, Repair	
13	3580695M1	1	Gasket	Length 1600 MM
14	3011204X1	1	Stud	M8 X 40
15	22428X	2	Lock Washer	
16	390972X1	1	Washer Metric	Diameter 8-17 X 1,7
17	339169X1	1	Nut	M8

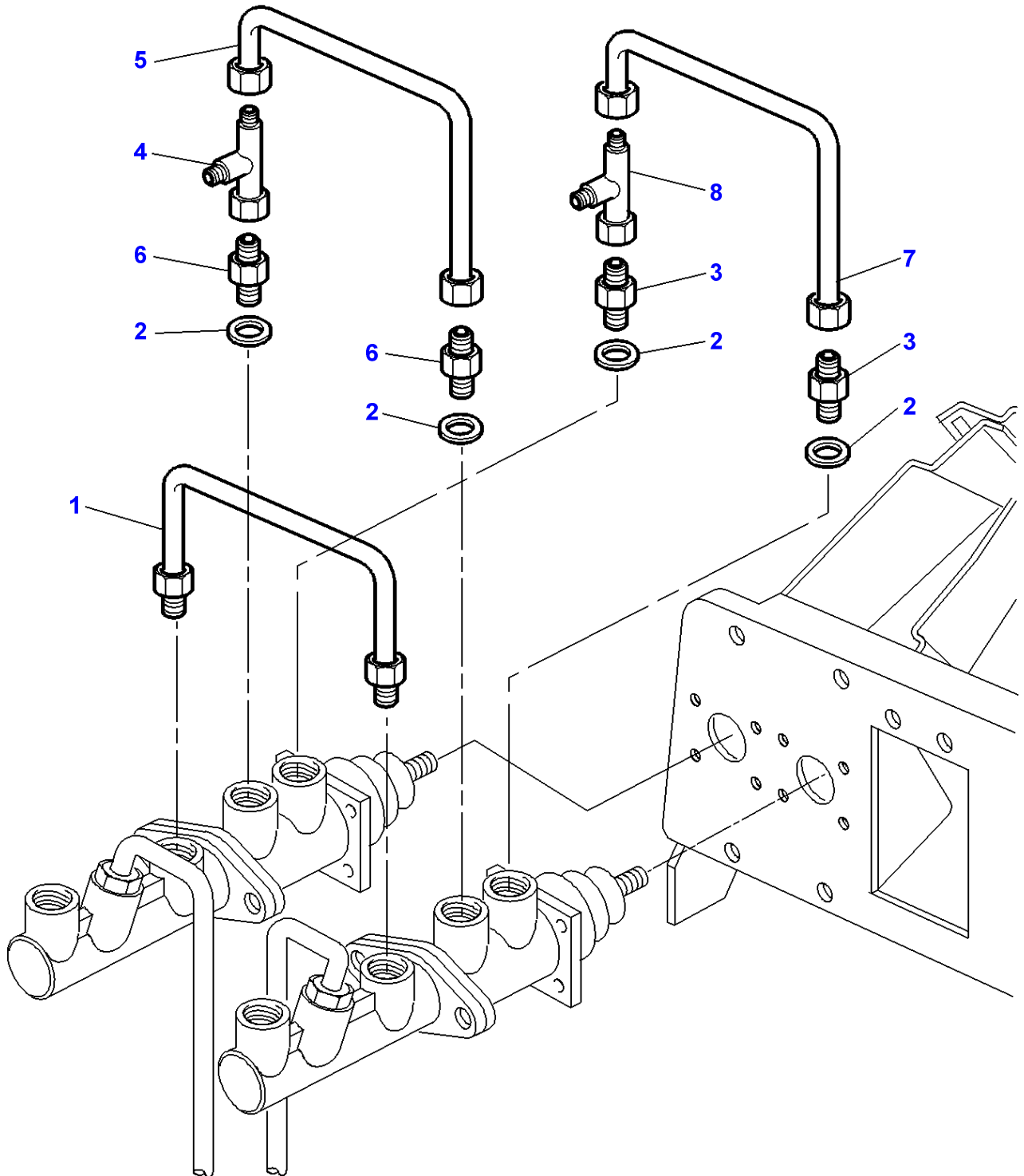
1-ZG18-018-D



Massey Ferguson**MF 8270/8280 TRACTOR - 1637348****1637348****Brakes - Master Cylinder - With Power Brakes - From L038022****Page070-0190**

Item	Part Number	Qty	Description	Comments
1	3787864M95	1	Support	
2	3785637M5	1	Support	
3	339169X1	4	Nut	Up to Serial or Engine Number M183044 M8
4	390972X1	4	Washer Metric	Up to Serial or Engine Number M183044 Diameter 8-17 X 1,7
5	339666X1	2	Hex. Sock. Screw	M6 X 20
6	3786100M2	1	Brake Cylinder	
7	3903845M1	1	Bellows	(6)
8	3580695M1	1	Gasket	
9	3785650M1	1	Stop	
10	339123X1	8	Hex. Sock. Screw	M8 X 20
11	390972X1	8	Washer Metric	Diameter 8-17 X 1,7
12	3011204X1	1	Stud	M8 X 40
13	22428X	2	Lock Washer	
14	390972X1	1	Washer Metric	Diameter 8-17 X 1,7
15	339169X1	1	Nut	M8
16	339230X1	2	Hex. Sock. Screw	From Serial or Engine Number M183045 M6 X 10

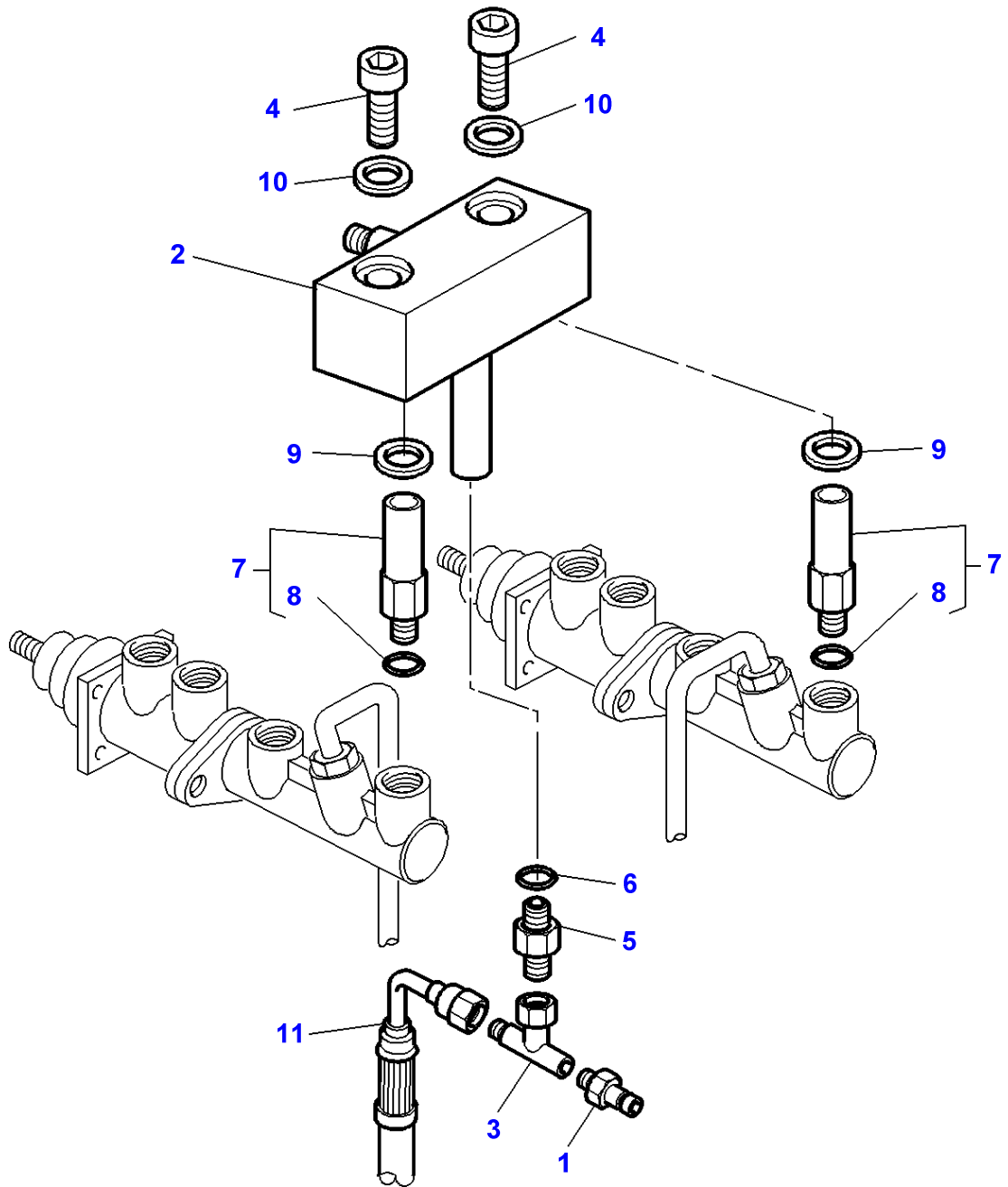
1-ZG32-001-A



Massey Ferguson**MF 8270/8280 TRACTOR - 1637348****1637348****Brakes - Brake Pipes And Master Cylinder - ASSISTED-WITHOUT TRAILER BRAKING UP TO L038021****Page070-0195**

Item	Part Number	Qty	Description	Comments
1	3386681M92	1	Tube	
2	3004861X1	4	Washer	
3	3019574X1	2	Union	
4	364735X1	1	Union	3/4"-16
5	3387574M91	1	Tube	
6	3019382X1	2	Union	
7	3386678M91	1	Tube	
8	377218X1	1	Teepiece	9/16"-18

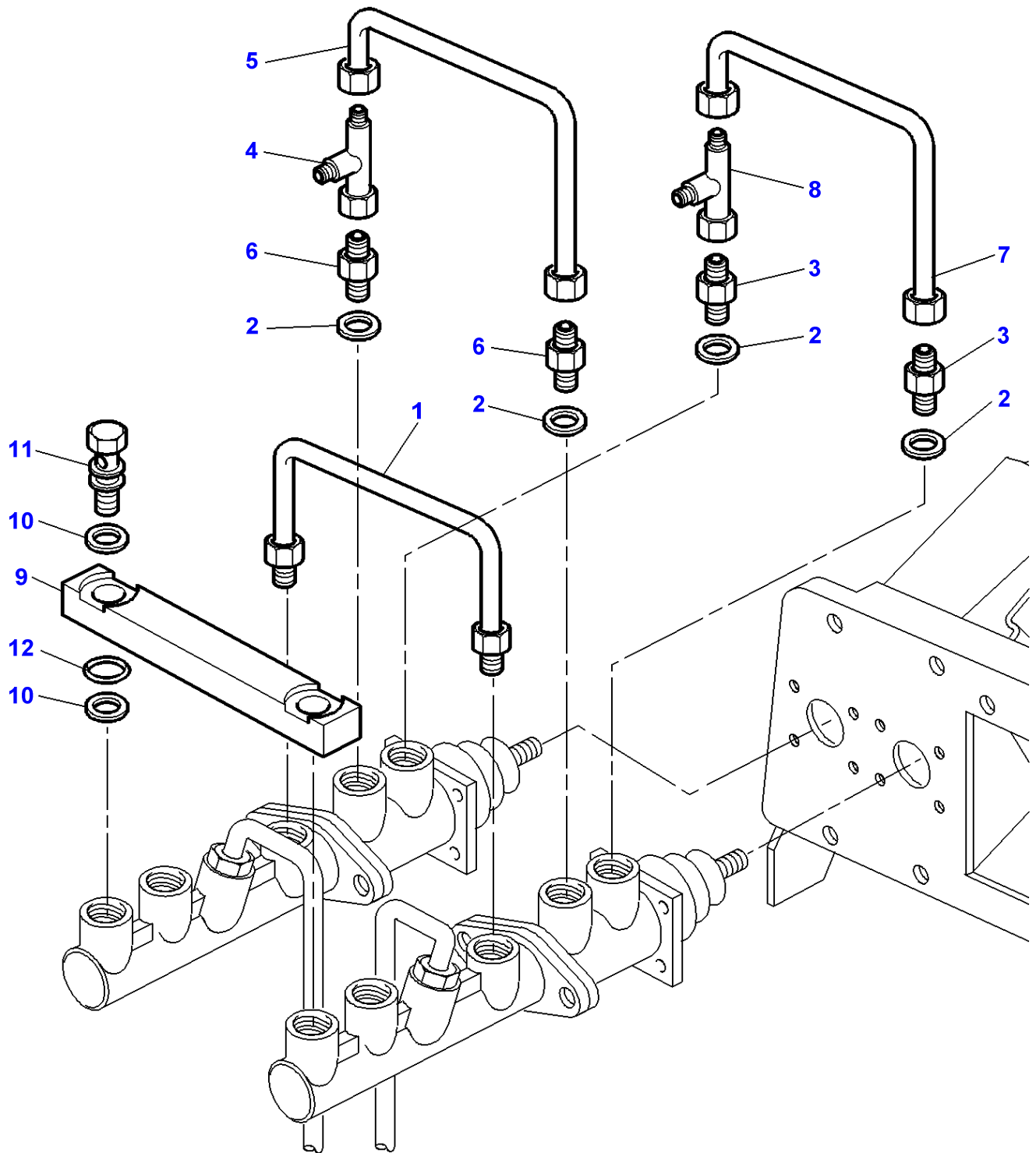
1-ZP78-010-B



Massey Ferguson**MF 8270/8280 TRACTOR - 1637348****1637348****Brakes - Assisted- Pipes And Fitting - ASSISTED-WITHOUT TRAILER BRAKING UP TO L038021****Page070-0200**

Item	Part Number	Qty	Description	Comments
1	3384387M1	1	Pressure Intake	
2	3780431M93	1	Tank	
3	3780180M1	1	Teepiece	
4	3009285X1	2	Screw	M8 X 16 Replace and repair. Old not interchangeable with new 1441000X1
5	3617226M1	1	Jet	
6	3019395X1	1	O Ring	
7	3778718M92	2	Union	
8	3019395X1	1	O Ring	(7)
9	3778767M1	2	Bush	Diameter 14 MM
10	3778766M1	2	Bush	Diameter 8 MM
11	3778665M1	1	Hydr Hose	Length 1650 MM

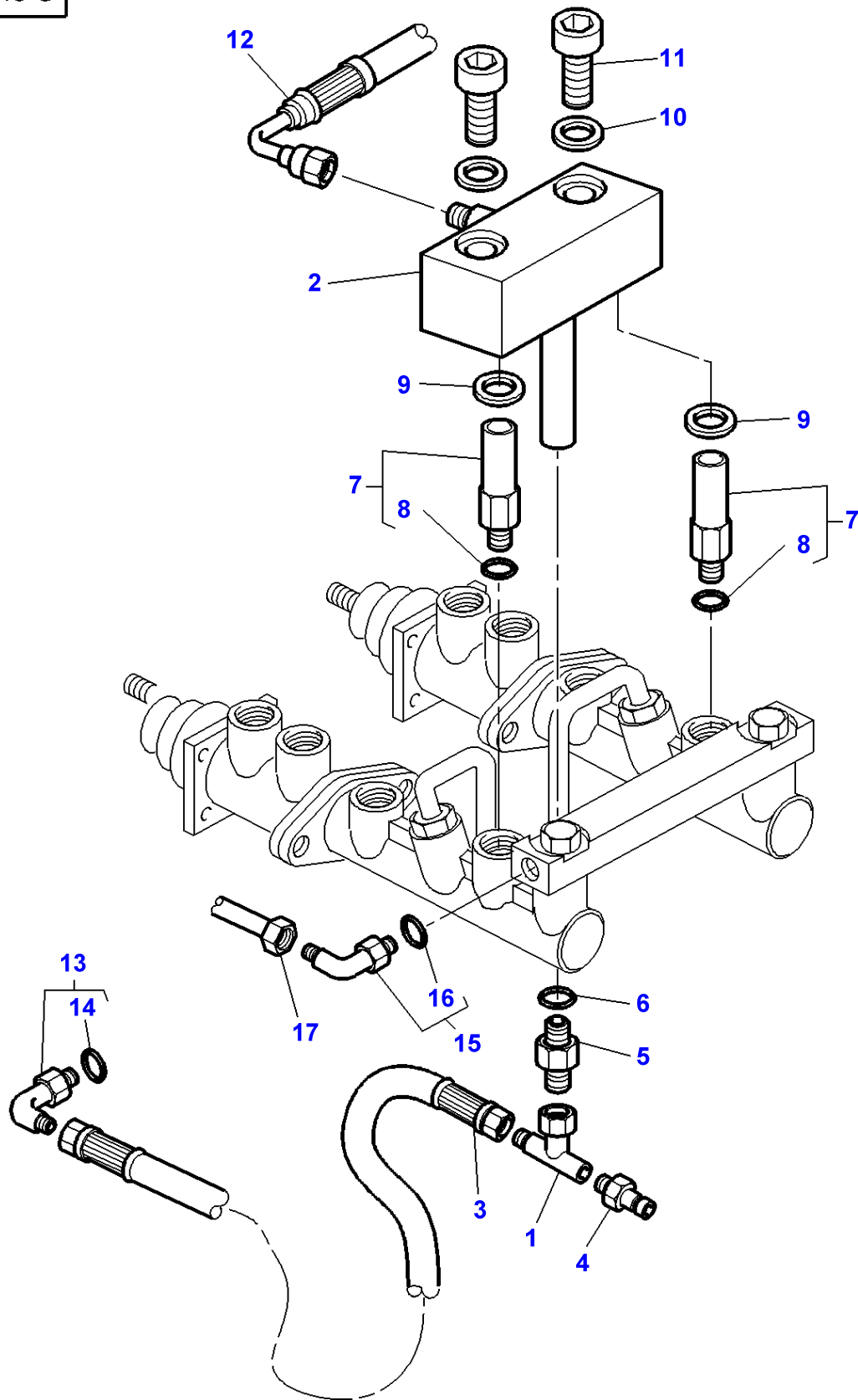
1-ZG32-006-A



Massey Ferguson**MF 8270/8280 TRACTOR - 1637348****1637348****Brakes - Brake Pipes And Master Cylinder - Assisted - With Trailor Brakes - Up To L038021****Page070-0205**

Item	Part Number	Qty	Description
1	3386681M92	1	Tube
2	3004861X1	4	Washer
3	3019574X1	2	Union
4	364735X1	1	Union
5	3387574M91	1	Tube
6	3019382X1	2	Union
7	3386678M91	1	Tube
8	377218X1	1	Teepiece
9	3581463M2	1	Bar
10	3581464M1	4	Bush
11	3581491M1	2	Banjo Bolt
12	3019395X1	2	O Ring

1-ZP78-015-C



Massey Ferguson**MF 8270/8280 TRACTOR - 1637348**

1637348

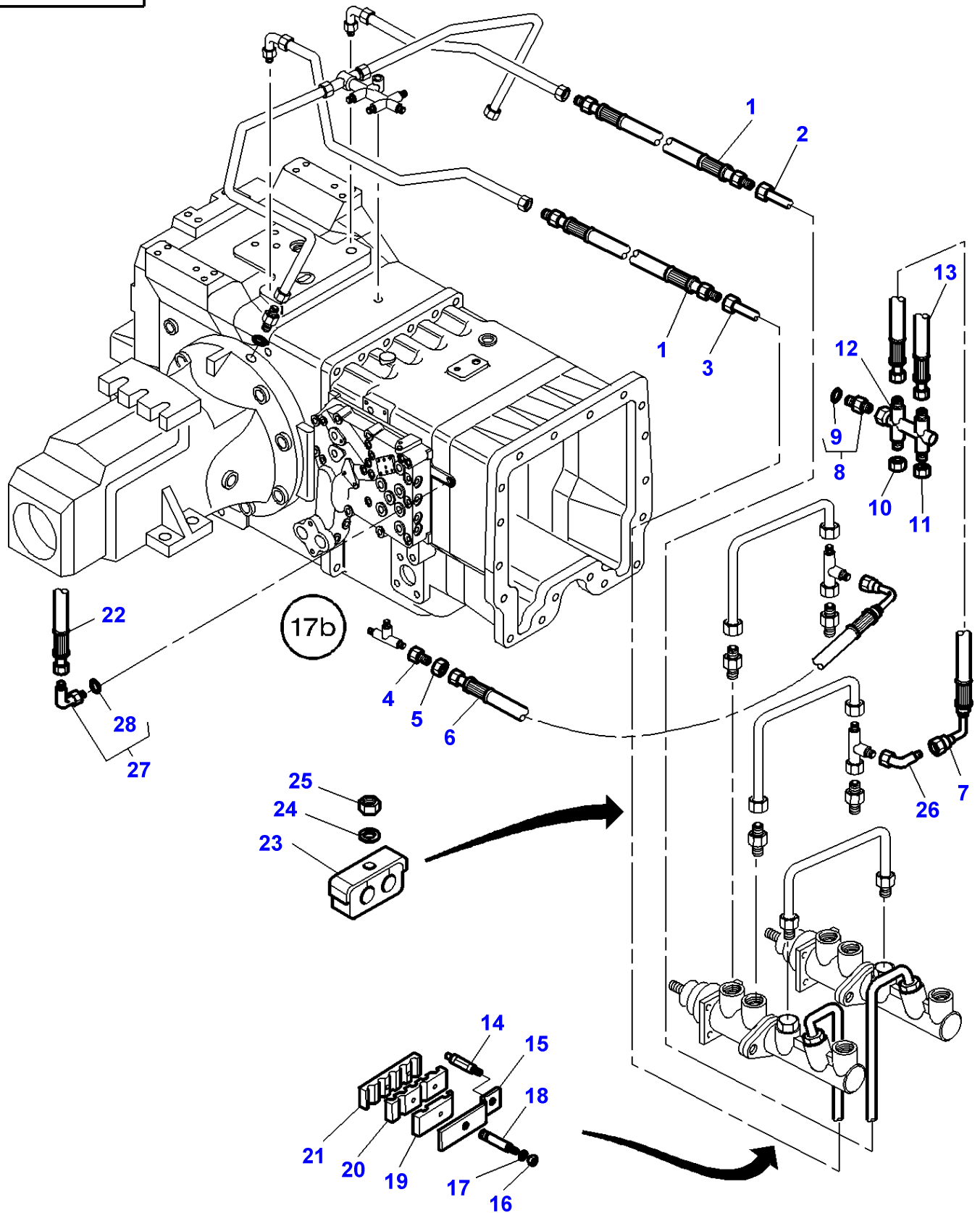
Brakes - Assisted- Pipes And Fitting - Assisted - With Tractor Brakes - Up To L038021

Page070-0210

Item	Part Number	Qty	Description	Comments
1	3780180M1	1	Teepiece	
2	3780431M93	1	Tank	
3	3782337M2	1	Hydr Hose	Length 1650MM
4	3384387M1	1	Pressure Intake	
5	3617226M1	1	Jet	
6	3019395X1	1	O Ring	
7	3778718M92	2	Union	
8	3019395X1	1	O Ring	(7)
9	3778767M1	2	Bush	Diameter 14MM
10	3778766M1	2	Bush	Diameter 8MM
11	3009285X1	2	Screw	M8X16 Replace and repair. Old not interchangeable with new 1441000X1
12	3783222M1	1	Hydr Hose	
13	3019416X91	1	Elbow	M18
14	3019397X1	1	O Ring	(13)
15	3019694X91	1	Union	
16	3019395X1	1	O Ring	(15)
17	3778045M2	1	Tubing	

MF 8270/8280 TRACTOR - 1637348
1-ZP78-013-B

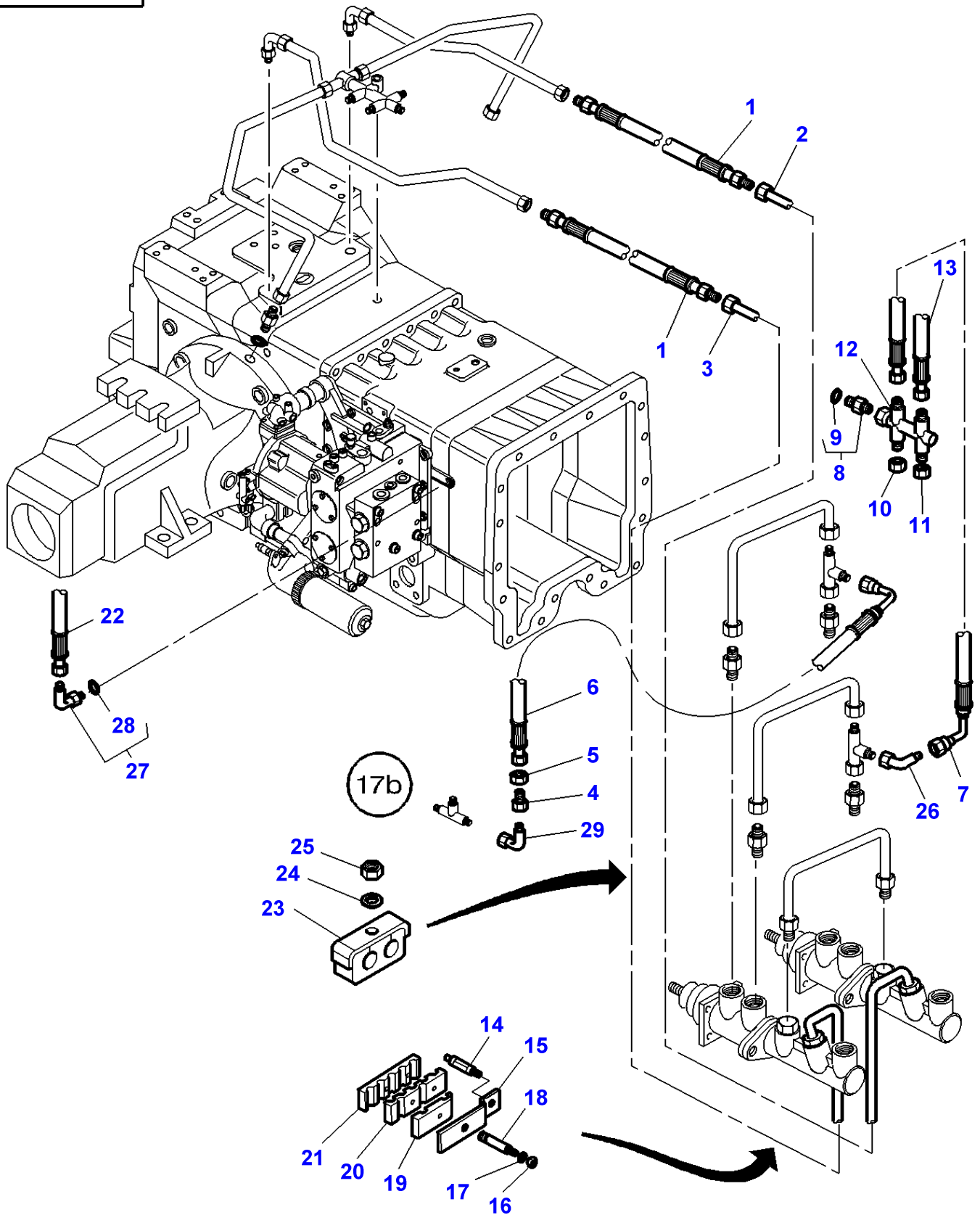
1-ZP78-013-B



Item	Part Number	Qty	Description	Comments
1	3778585M1	2	Hydr Hose	
2	3778041M3	1	Tube	Left Hand
3	3778040M2	1	Tube	Right Hand
4	22576X	1	Union Nut	
5	356629X1	1	Reducer	
6	3778664M2	1	Hydr Hose	Length 1800MM
7	3778663M1	1	Hydr Hose	Length 1600MM
8	3019387X91	1	Union	
9	3019398X1	1	O Ring	(8)
10	356580X1	1	Plug	
11	356579X1	1	Cap	
12	3777412M1	1	Union	
13	3783517M1	1	Hydr Hose	
14	3778279M1	1	Stud	
15	3778280M1	1	Plate	
16	1441500X1	1	Locknut	M6
17	391038X1	3	Washer	
18	3715878M3	1	Stud	Diameter M8/M6
19	3715882M1	1	Bridle	
20	3715881M1	1	Bridle	
21	3715880M1	1	Bridle	
22	3778665M1	1	Hydr Hose	Length 1650MM
23	3780550M1	2	Bridle	
24	391038X1	2	Washer	
25	339030X1	2	Nut Metric	
26	365233X1	1	Elbow	
27	3019416X91	1	Elbow	M18
28	3019397X1	1	O Ring	(27)

MF 8270/8280 TRACTOR - 1637348
1-ZP78-016-B

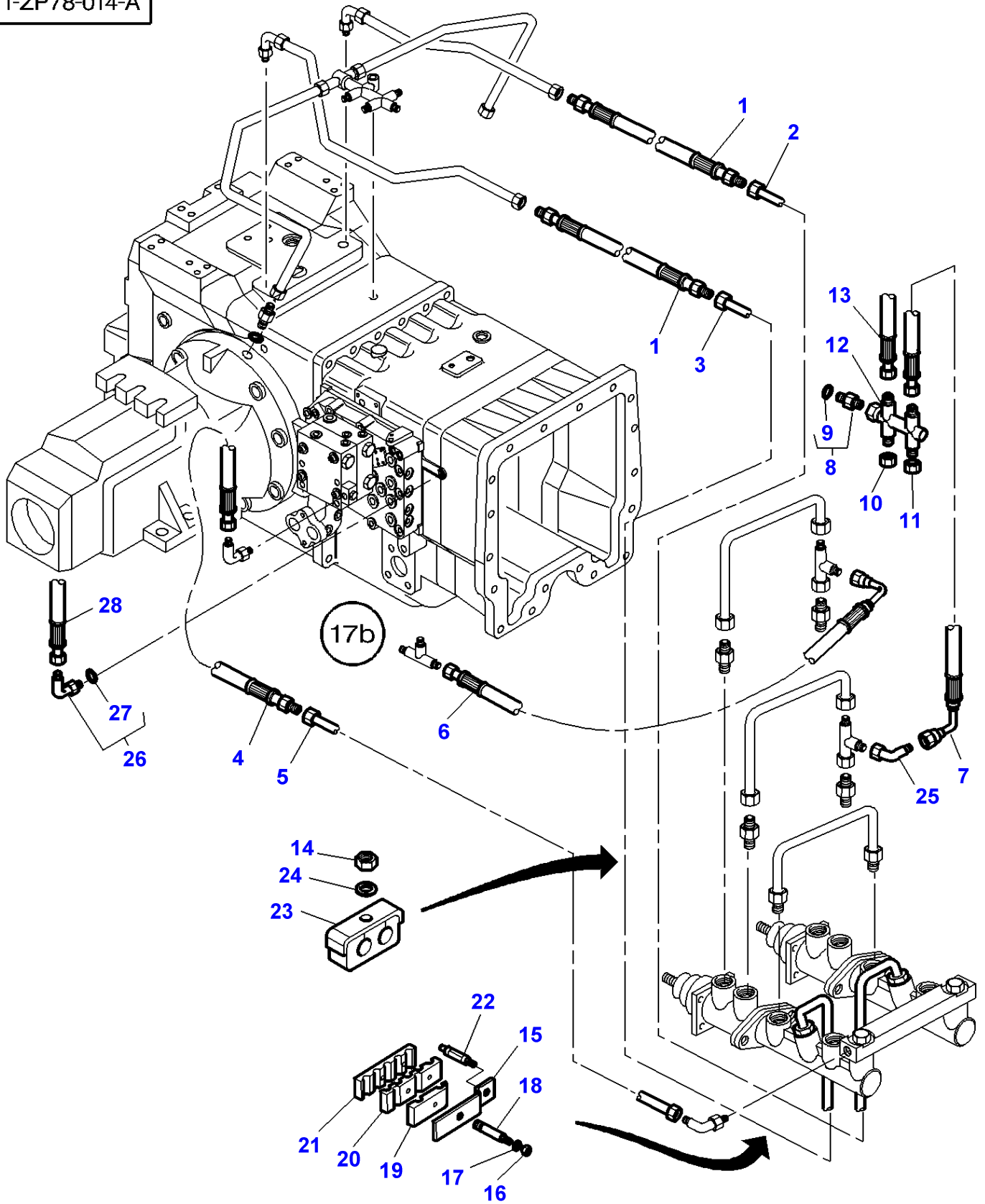
1-ZP78-016-B



Item	Part Number	Qty	Description	Comments
1	3778585M1	2	Hydr Hose	
2	3778041M3	1	Tube	Left Hand
3	3778040M2	1	Tube	Right Hand
4	356629X1	1	Reducer	
5	22576X	1	Union Nut	
6	3782787M1	1	Hydr Hose	Length 1400MM
7	3778663M1	1	Hydr Hose	
8	3019387X91	1	Union	
9	3019398X1	1	O Ring	(8)
10	356580X1	1	Plug	
11	356579X1	1	Cap	
12	3777412M1	1	Union	
13	3779448M2	1	Tube	
14	3778279M1	1	Stud	
15	3778280M1	1	Plate	
16	1441500X1	1	Locknut	M6
17	391038X1	3	Washer	
18	3715878M3	1	Stud	Diameter M8/M6
19	3715882M1	1	Bridle	
20	3715881M1	1	Bridle	
21	3715880M1	1	Bridle	
22	3778665M1	1	Hydr Hose	Length 1650MM
23	3780550M1	2	Bridle	
24	391038X1	2	Washer	
25	339030X1	2	Nut Metric	
26	365233X1	1	Elbow	
27	3019416X91	1	Elbow	M22
28	3019397X1	1	O Ring	(27)
29	364603X1	1	Elbow	9/16

MF 8270/8280 TRACTOR - 1637348
1-ZP78-014-A

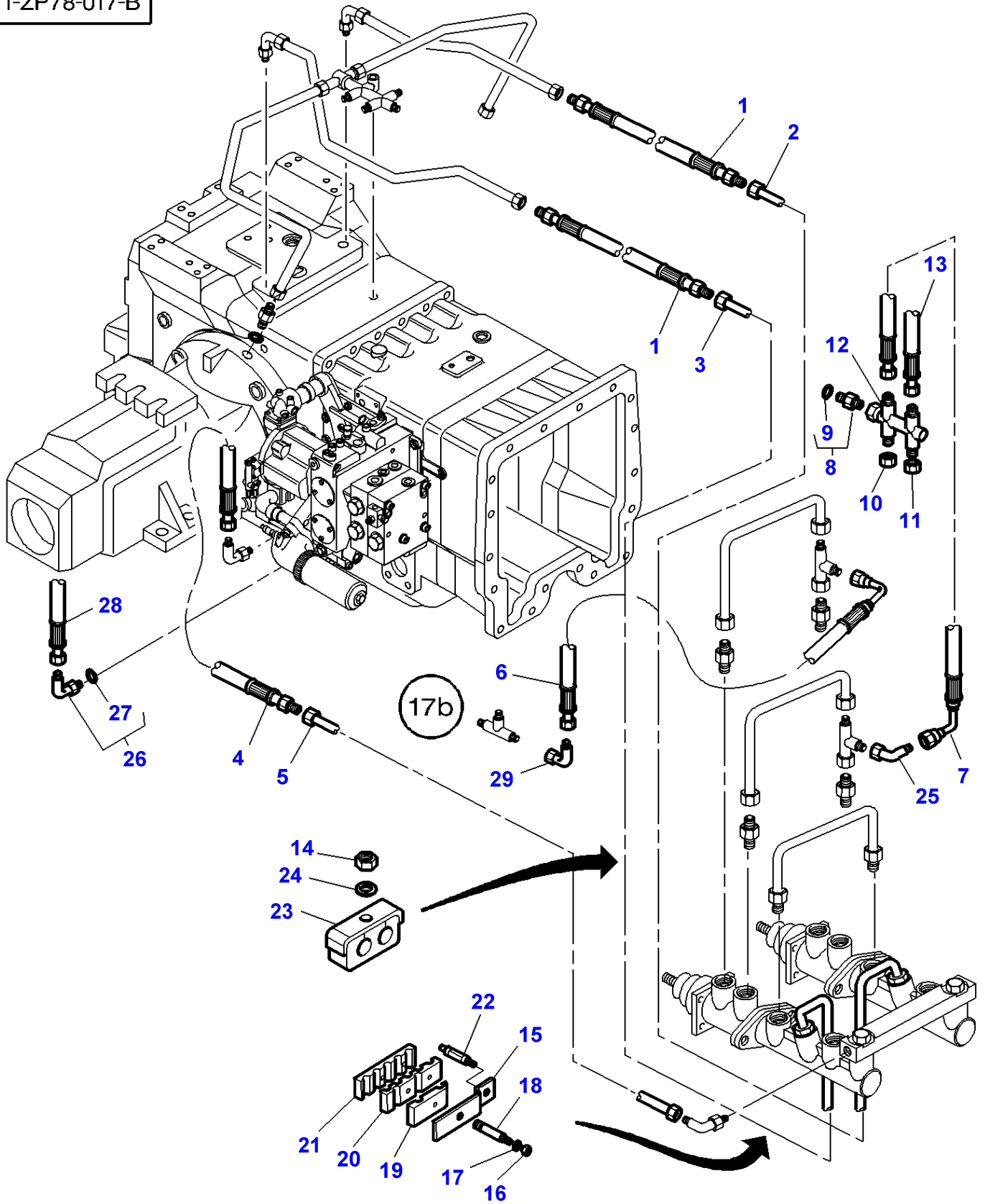
1-ZP78-014-A



Item	Part Number	Qty	Description	Comments
1	3778585M1	2	Hydr Hose	
2	3778043M3	1	Tube	Left Hand
3	3778042M2	1	Tube	Right Hand
4	3778586M2	1	Hydr Hose	Length 950MM
5	3778045M2	1	Tubing	
6	3778664M2	1	Hydr Hose	Length 1800MM
7	3778663M1	1	Hydr Hose	Length 1600MM
8	3019387X91	1	Union	
9	3019398X1	1	O Ring	(8)
10	356580X1	1	Plug	
11	356579X1	1	Cap	
12	3777412M1	1	Union	
13	3779448M2	1	Tube	
14	339030X1	2	Nut Metric	
15	3778280M1	1	Plate	
16	1441500X1	1	Locknut	M6
17	391038X1	3	Washer	
18	3715878M3	1	Stud	Diameter M8/M6
19	3715882M1	1	Bridle	
20	3715881M1	1	Bridle	
21	3715880M1	1	Bridle	
22	3778279M1	1	Stud	
23	3780550M1	2	Bridle	
24	391038X1	2	Washer	
25	365233X1	1	Elbow	
26	3019416X91	1	Elbow	
27	3019397X1	1	O Ring	(26)
28	3778665M1	1	Hydr Hose	Length 1650MM

MF 8270/8280 TRACTOR - 1637348
1-ZP78-017-B

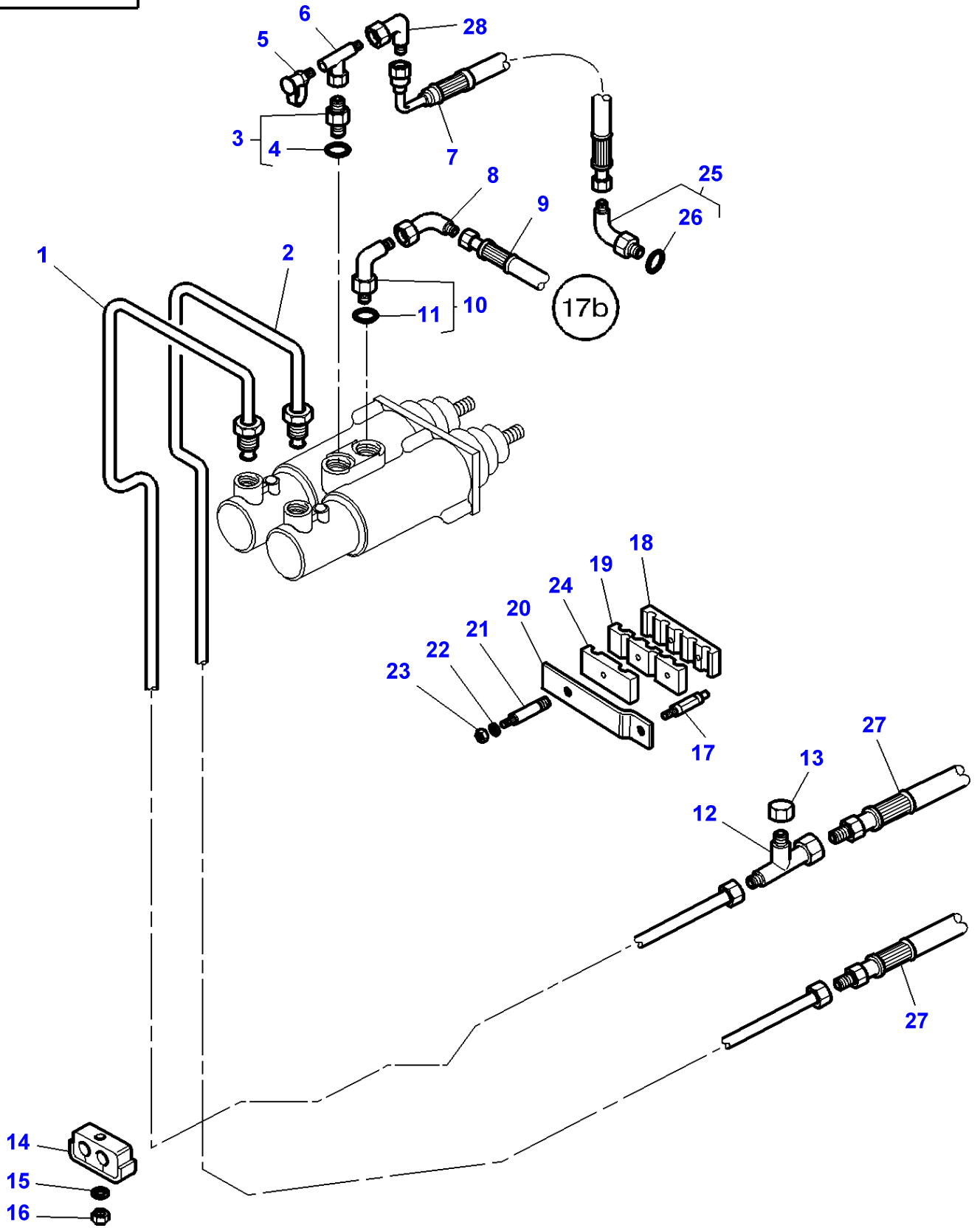
1-ZP78-017-B



Item	Part Number	Qty	Description	Comments
1	3778585M1	2	Hydr Hose	
2	3778043M3	1	Tube	Left Hand
3	3778042M2	1	Tube	Right Hand
4	3778586M2	1	Hydr Hose	Length 950MM
5	3778045M2	1	Tubing	
6	3782787M1	1	Hydr Hose	Length 1400MM
7	3778663M1	1	Hydr Hose	
8	3019387X91	1	Union	
9	3019398X1	1	O Ring	(8)
10	356580X1	1	Plug	
11	356579X1	1	Cap	
12	3777412M1	1	Union	
13	5016820M1	1	Hydr Hose	
14	339030X1	2	Nut Metric	
15	3778280M1	1	Plate	
16	1441500X1	1	Locknut	M6
17	391038X1	3	Washer	
18	3715878M3	1	Stud	Diameter M8/M6
19	3715882M1	1	Bridle	
20	3715881M1	1	Bridle	
21	3715880M1	1	Bridle	
22	3778279M1	1	Stud	
23	3780550M1	2	Bridle	
24	391038X1	2	Washer	
25	365233X1	1	Elbow	
26	3019416X91	1	Elbow	
27	3019397X1	1	O Ring	(26)
28	3778665M1	1	Hydr Hose	Length 1650MM
29	364603X1	1	Elbow	9/16

MF 8270/8280 TRACTOR - 1637348
1-ZP78-022-B

1-ZP78-022-B



Item	Part Number	Qty	Description	Comments
1	3786343M1	1	Tube	
2	3786342M1	1	Tube	
3	3019385X91	1	Union	Up to Serial or Engine Number L067030
	3789776M2	1	Union	From Serial or Engine Number L067031
4	3019397X1	1	O Ring	(3)
5	3384387M1	1	Pressure Intake	
6	3780180M1	1	Teepiece	
7	3780832M5	1	Hydr Hose	Length 800MM
8	364603X1	1	Elbow	
9	3782787M1	1	Hydr Hose	Length 1400MM
10	3019412X91	1	Elbow	
11	3019395X1	1	O Ring	(10)
12	373796X1	1	Teepiece	
13	356578X1	1	Plug	
14	3780550M1	2	Bridle	
15	391038X1	2	Washer	
16	339030X1	2	Nut Metric	
17	3778279M1	1	Stud	
18	3715880M1	1	Bridle	
19	3715881M1	1	Bridle	
20	3778280M1	1	Plate	
21	3715878M3	1	Stud	
22	391038X1	1	Washer	
23	1441500X1	1	Locknut	
24	3715882M1	1	Bridle	
25	3019416X91	1	Elbow	
26	3019397X1	1	O Ring	(25)
27	3778585M1	2	Hydr Hose	Length 500MM
28	367386X1	1	Elbow	From Serial or Engine Number L042005

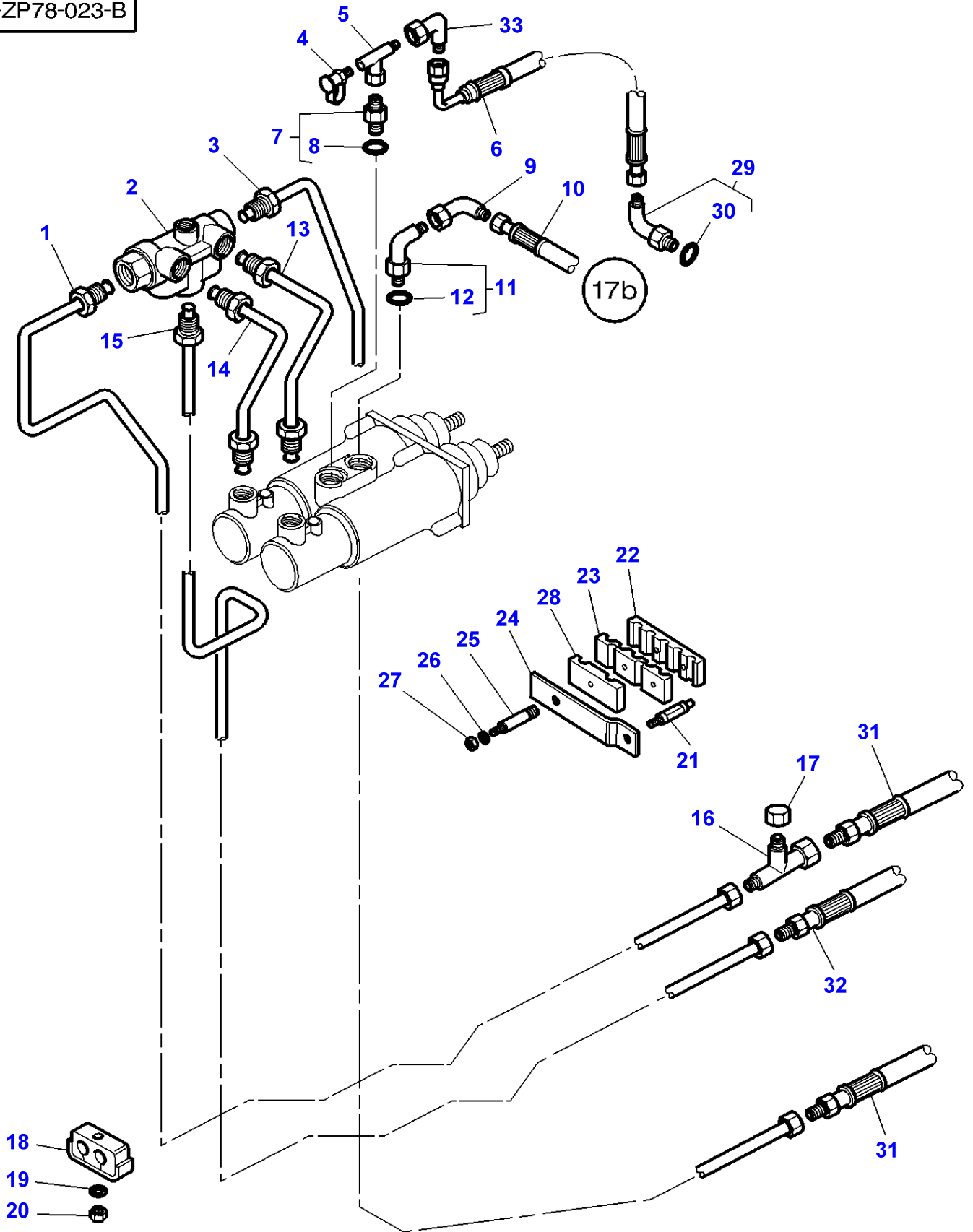
FOOTNOTE [A] TRACTOR WITH PLATFORM

FOOTNOTE [B] WITH DYNASHIFT

FOOTNOTE [C] WITH FULL POWERSHIFT

MF 8270/8280 TRACTOR - 1637348
1-ZP78-023-B

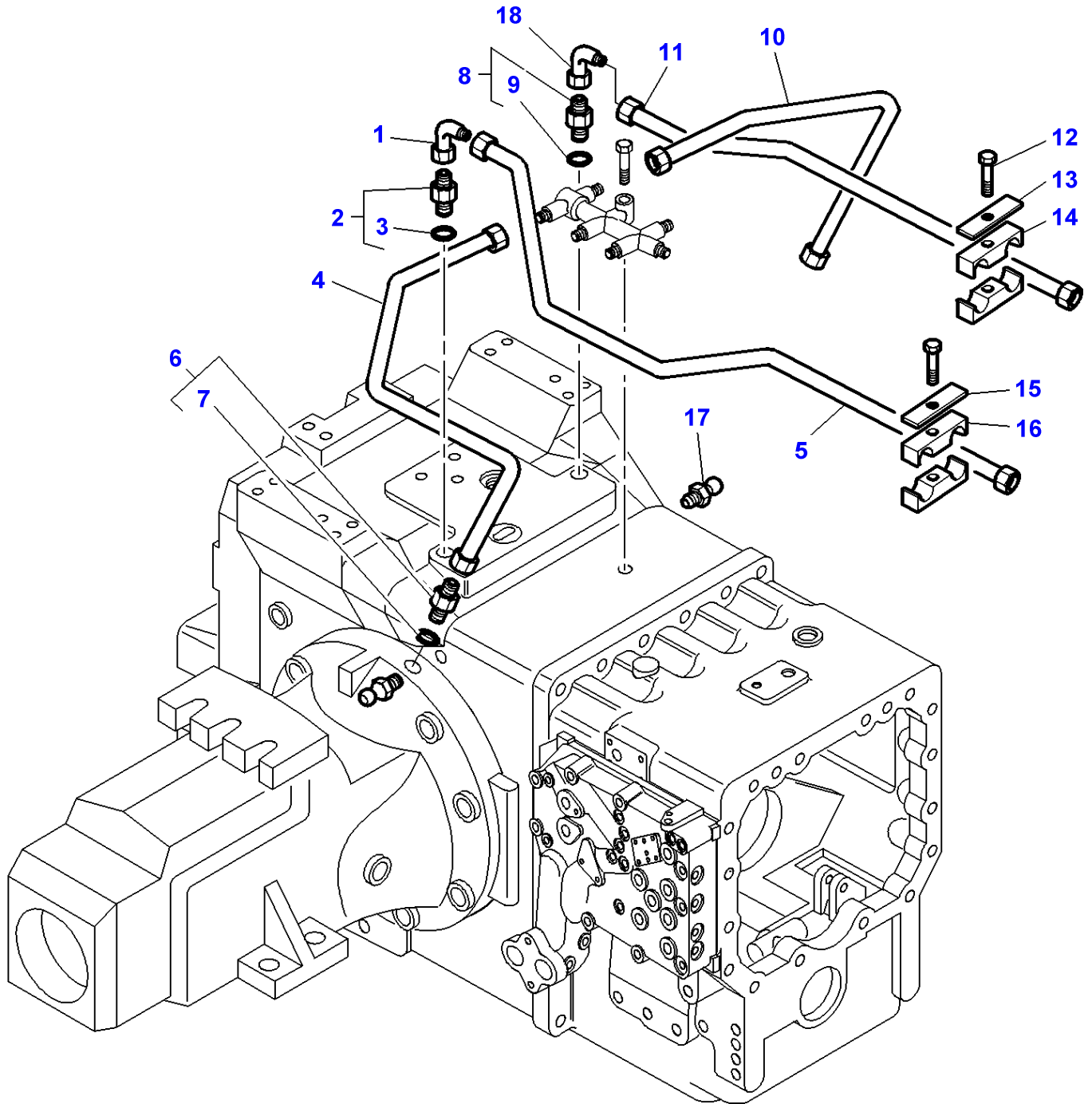
1-ZP78-023-B



Item	Part Number	Qty	Description	Comments
1	3788083M1	1	Tube	
2	3788151M1	1	Pressure Valve	
3	3788082M1	1	Tube	
4	3384387M1	1	Pressure Intake	
5	3780180M1	1	Teepiece	
6	3780832M5	1	Hydr Hose	Length 800MM
7	3019385X91	1	Union	Up to Serial or Engine Number L067030
	3789776M2	1	Union	From Serial or Engine Number L067031
8	3019397X1	1	O Ring	(7)
9	364603X1	1	Elbow	
10	3782787M1	1	Hydr Hose	Length 1400MM
11	3019412X91	1	Elbow	
12	3019395X1	1	O Ring	(11)
13	3788080M1	1	Tube	
14	3788081M1	1	Tube	
15	3788084M1	1	Tube	
16	373796X1	1	Teepiece	
17	356578X1	1	Plug	
18	3780550M1	2	Bridle	
19	391038X1	2	Washer	
20	339030X1	2	Nut Metric	
21	3778279M1	1	Stud	
22	3715880M1	1	Bridle	
23	3715881M1	1	Bridle	
24	3778280M1	1	Plate	
25	3715878M3	1	Stud	
26	391038X1	1	Washer	
27	1441500X1	1	Locknut	
28	3715882M1	1	Bridle	
29	3019416X91	1	Elbow	
30	3019397X1	1	O Ring	(29)
31	3778585M1	2	Hydr Hose	Length 500MM
32	3778586M2	1	Hydr Hose	Length 950MM
33	367386X1	1	Elbow	From Serial or Engine Number L042005

MF 8270/8280 TRACTOR - 1637348
1-ZG17-007-A

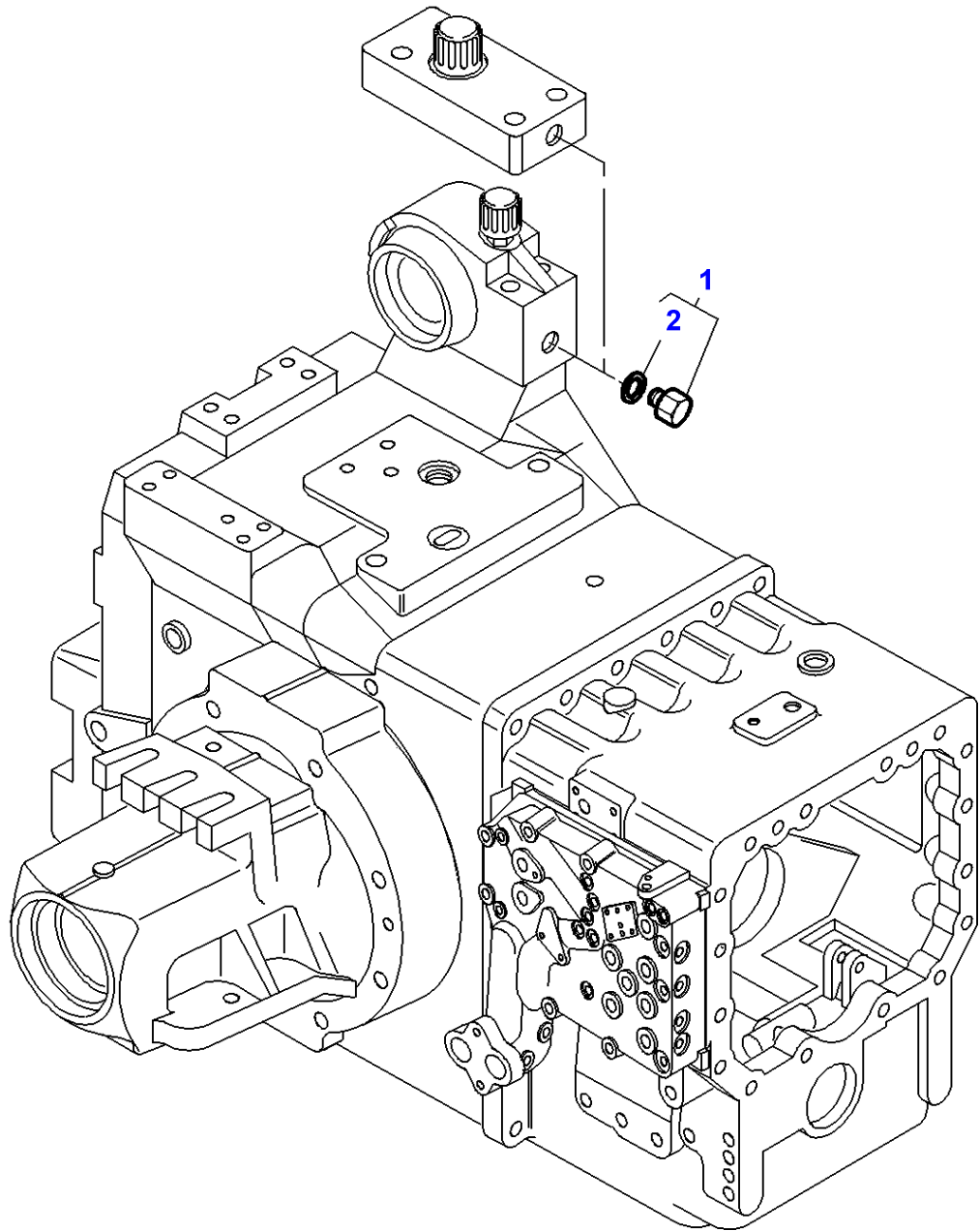
1-ZG17-007-A



Brakes - Hydraulic Pipes

Item	Part Number	Qty	Description	Comments
1	373778X1	1	Union	
2	3019377X91	1	Union	
3	3019394X1	1	O Ring	(2)
4	3791200M91	1	Tube	Right Hand
5	3791194M91	1	Tube	Right Hand
6	3791486M91	2	Union	
7	3019394X1	1	O Ring	(6)
8	3019377X91	1	Union	
9	3019394X1	1	O Ring	(8)
10	3791198M91	1	Tube	Left Hand
11	3791196M91	1	Tube	Left Hand
12	339337X1	2	Hex. Sock. Screw	M8x30
13	3716911M1	1	Plate	
14	3716910M1	2	Bridle	
15	3716913M1	1	Plate	
16	3716912M1	2	Bridle	
17	3052960M1	2	Banjo Bolt	
18	373778X1	1	Union	

1-ZG17-008-A



Massey Ferguson

MF 8270/8280 TRACTOR - 1637348

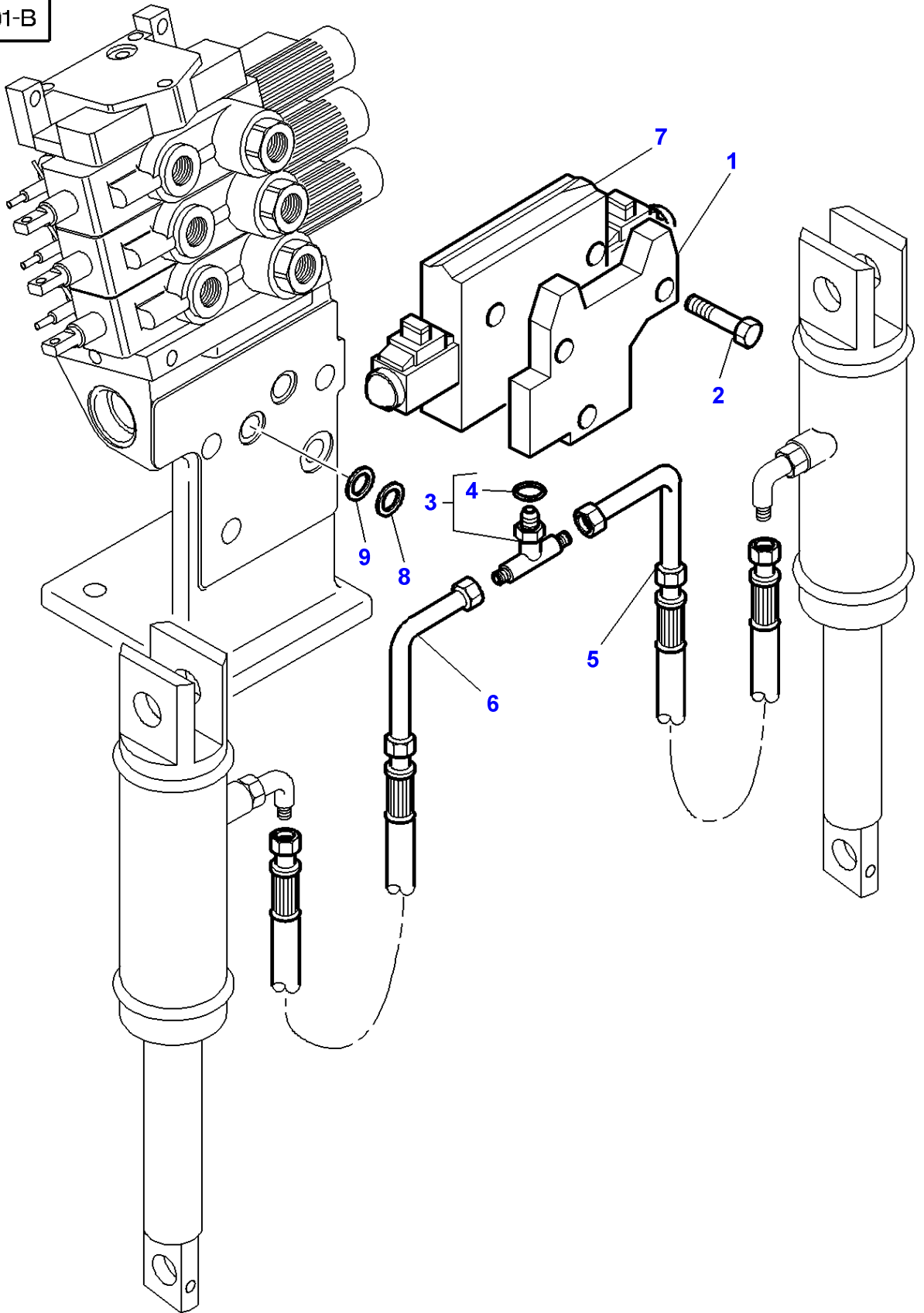
1637348

Brakes - Hydraulic Pipes

Page070-0250

Item	Part Number	Qty	Description	Comments
1	3019639X91	1	Plug	
2	3019395X1	1	O Ring	(1)

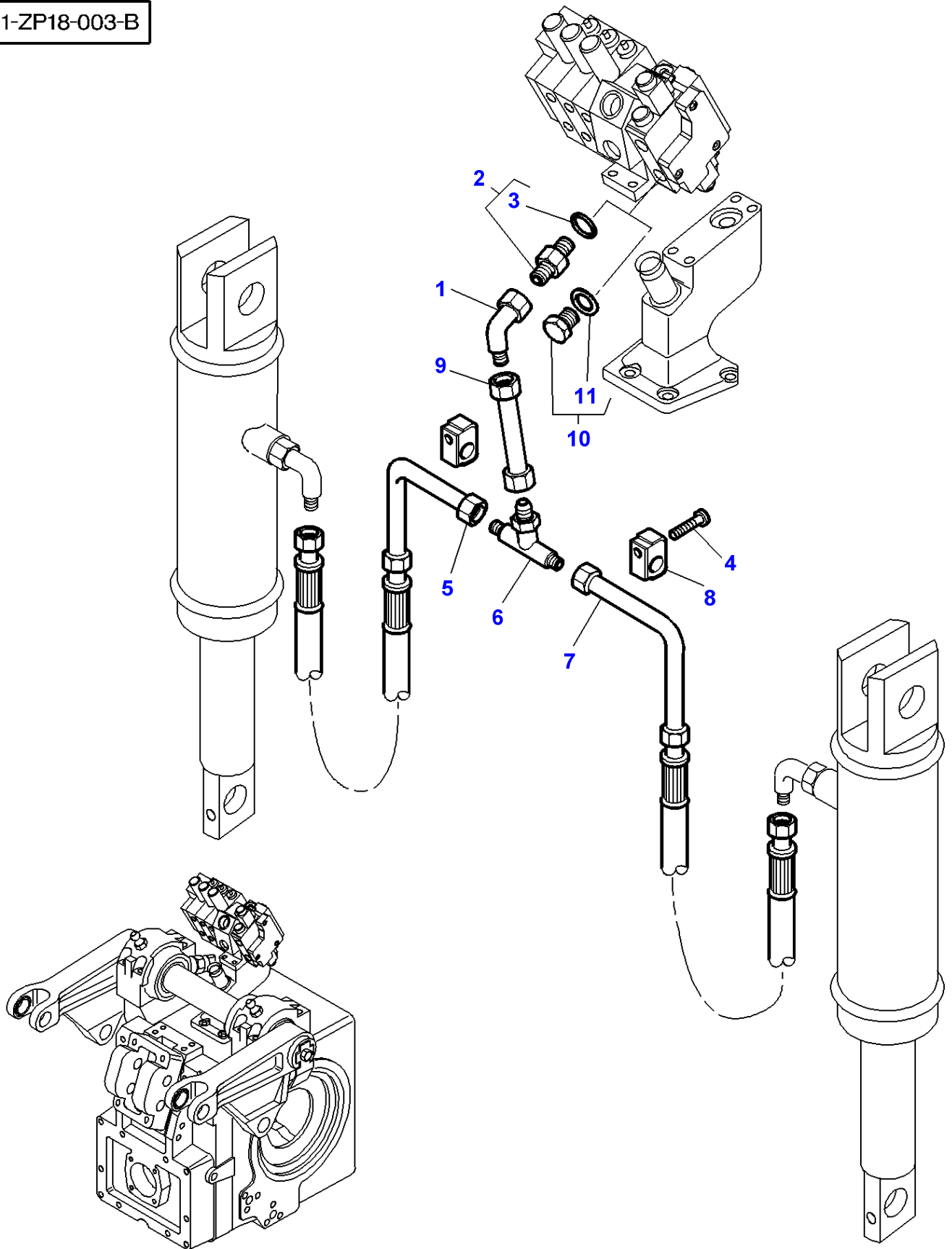
1-ZP18-001-B



Massey Ferguson**MF 8270/8280 TRACTOR - 1637348****1637348****Hydraulic Lift Distributor - Up To No J293009****Page070-0255**

Item	Part Number	Qty	Description	Comments
1	3716382M1	1	Plate	
2	390246X1	3	Bolt	M8X70
3	3019615X91	1	Union	M22X1,5 1.1/16-12
4	3019398X1	1	O Ring	(3)
5	3716384M1	1	Tube	Right Hand
6	3716386M1	1	Tube	Left Hand
7	3716381M1	1	Pressure Valve	110L/MN See Page - Reference Number 070-0265/1
8	1442477X1	1	Gasket	
9	3791884M2	1	Bush	

1-ZP18-003-B



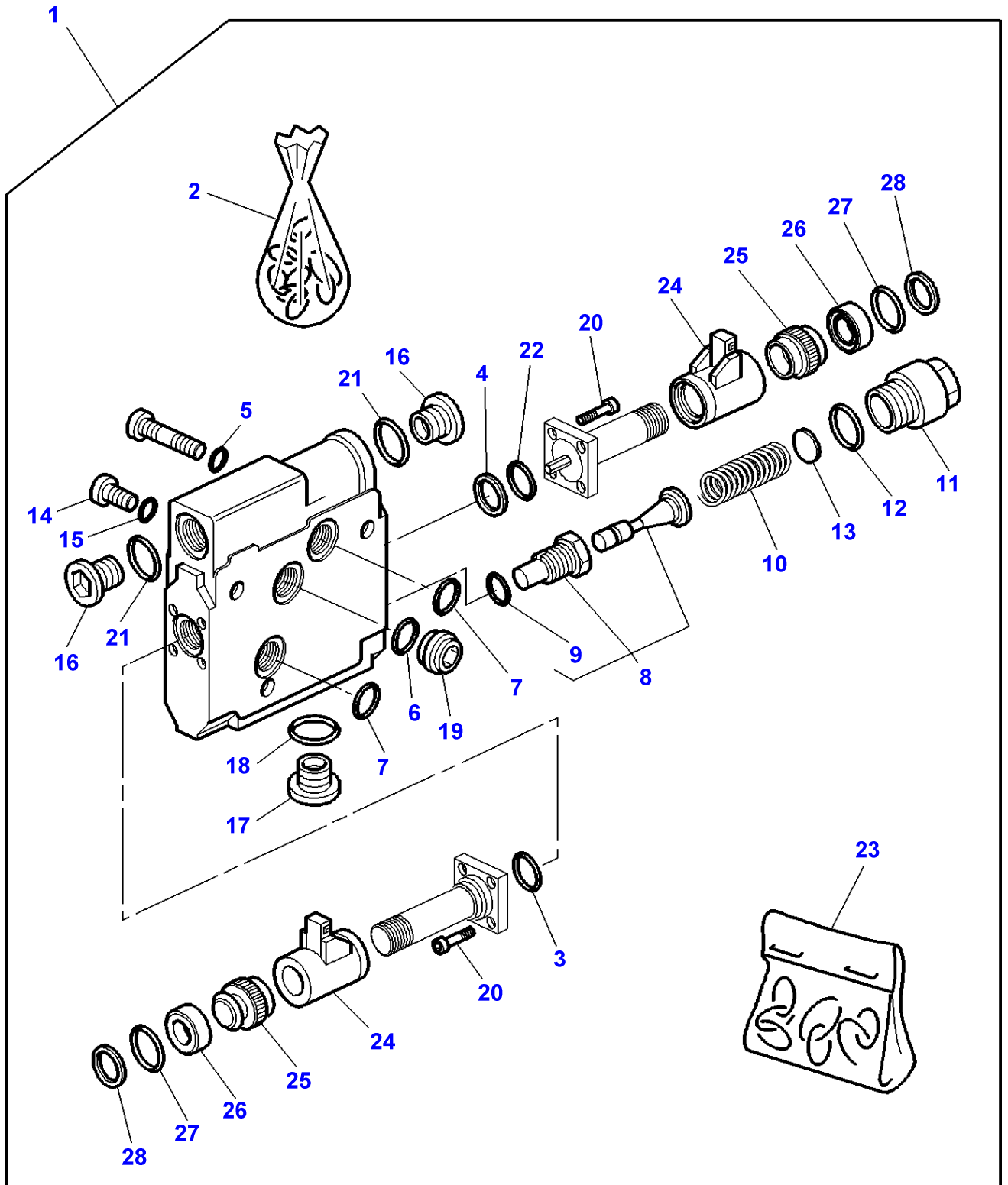
Massey Ferguson**MF 8270/8280 TRACTOR - 1637348****1637348****Hydraulic Lift Distributor - From No J293010****Page070-0260**

Item	Part Number	Qty	Description	Comments
1	366462X1	1	Elbow	
2	3019389X91	1	Union	
3	3019398X1	1	O Ring	(2)
4	339229X1	2	Hex. Sock. Screw	M6X40
5	3793453M1	1	Tube	Left Hand
6	356562X1	1	Union	
7	3793454M1	1	Tube	Right Hand
8	3793672M1	2	Bridle	
9	3793455M1	1	Tube	
10	3019645X91	1	Plug	[A]
11	3019398X1	1	O Ring	(10)

FOOTNOTE [A] WITHOUT HYDRAULIC LIFT

MF 8270/8280 TRACTOR - 1637348
1-ZP18-002-A

1-ZP18-002-A

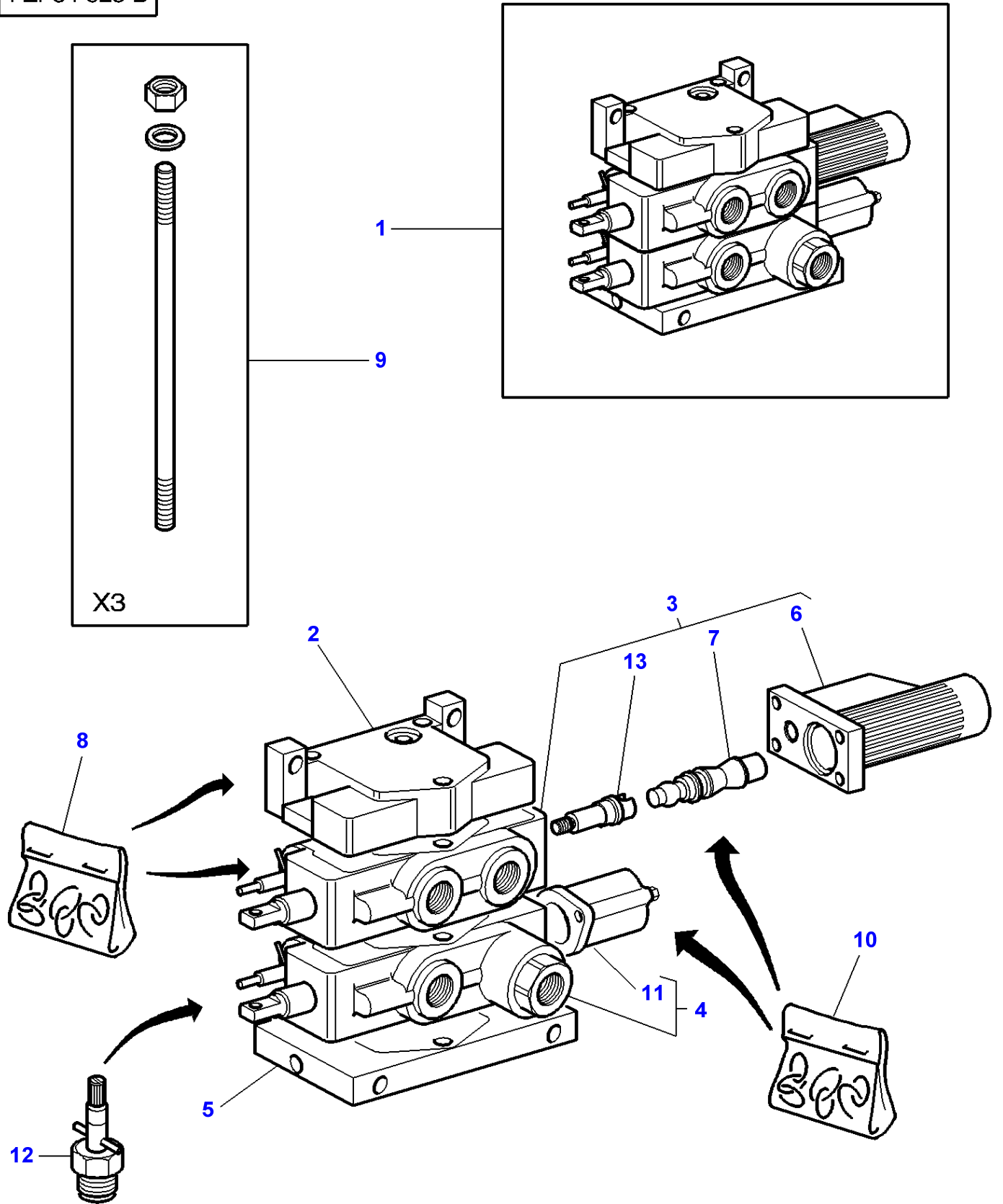


Hydraulic Lift Distributor

Item	Part Number	Qty	Description	Comments
1	3716381M1	1	Pressure Valve	[A] BOSCH 110L/MN
2	3902938M91	1	Kit, Joint	(1)
3	3902933M1	1	O Ring	(2) Diameter 19X1,5MM
4	3902934M1	1	Gasket	(2)
5	3108257M1	2	O Ring	(2) Diameter 5X1,5MM
6	3796223M1	1	O Ring	(2) Diameter 18X2,5MM
7	3796222M1	2	O Ring	Replace and repair. Old interchangeable with new 3108233M1 (2) Diameter 20X2,5MM Replace and repair. Old interchangeable with new 3108232M1
8	3108258M1	1	Valve	(1)
9	3902935M1	1	O Ring	(2) Diameter 10,82X1,78MM
10	3104936M1	1	Comp.Spring	(1)
11	3902936M1	1	Plug	(1)
12		1	O Ring	(2) Not serviced,order REF 2 Diameter 22X2,5MM
13	3104724M1	X	Shim	(1) Thickness 0,8MM
	1806184M1	X	Shim	(1) Thickness 0,5MM
	3102069M1	X	Shim	(1) Thickness 0,4MM
	3102068M1	X	Shim	(1) Thickness 0,3MM
14	3102240M1	1	Plug	(1)
15	3108259M1	1	O Ring	(2) Diameter 8X2MM
16	3902932M1	2	Plug	(1)
17	3108244M1	1	Plug	(1)
18	3108238M1	1	O Ring	(1)
19	3797262M1	1	Non Return Valve	(1) Replace and repair. Old not interchangeable with new 3108248M1
20	3902937M1	8	Screw	(1) M4X8
21		2	O Ring	(2) Not serviced,order REF 2 Diameter 17X2,5MM
22		1	O Ring	(2) Not serviced,order REF 2 Diameter 28X2MM
23	3902961M91	2	Parts Pack	Replace and repair. Old interchangeable with new 3901801M91
24		1	Solenoid	(23) Not serviced,order REF 23
25		1	Union Nut	(23) Not serviced,order REF 23
26		1	Helmet	(23) Not serviced,order REF 23
27		1	O Ring	(23) Not serviced,order REF 23 Diameter 21X1,5MM
28		1	O Ring	(23) Not serviced,order REF 23 Diameter 20X2,5MM

FOOTNOTE [A] ONLY P/NS WITH ITEMS ARE SUPPLIED IN SPARE PARTS

1-ZP34-025-B



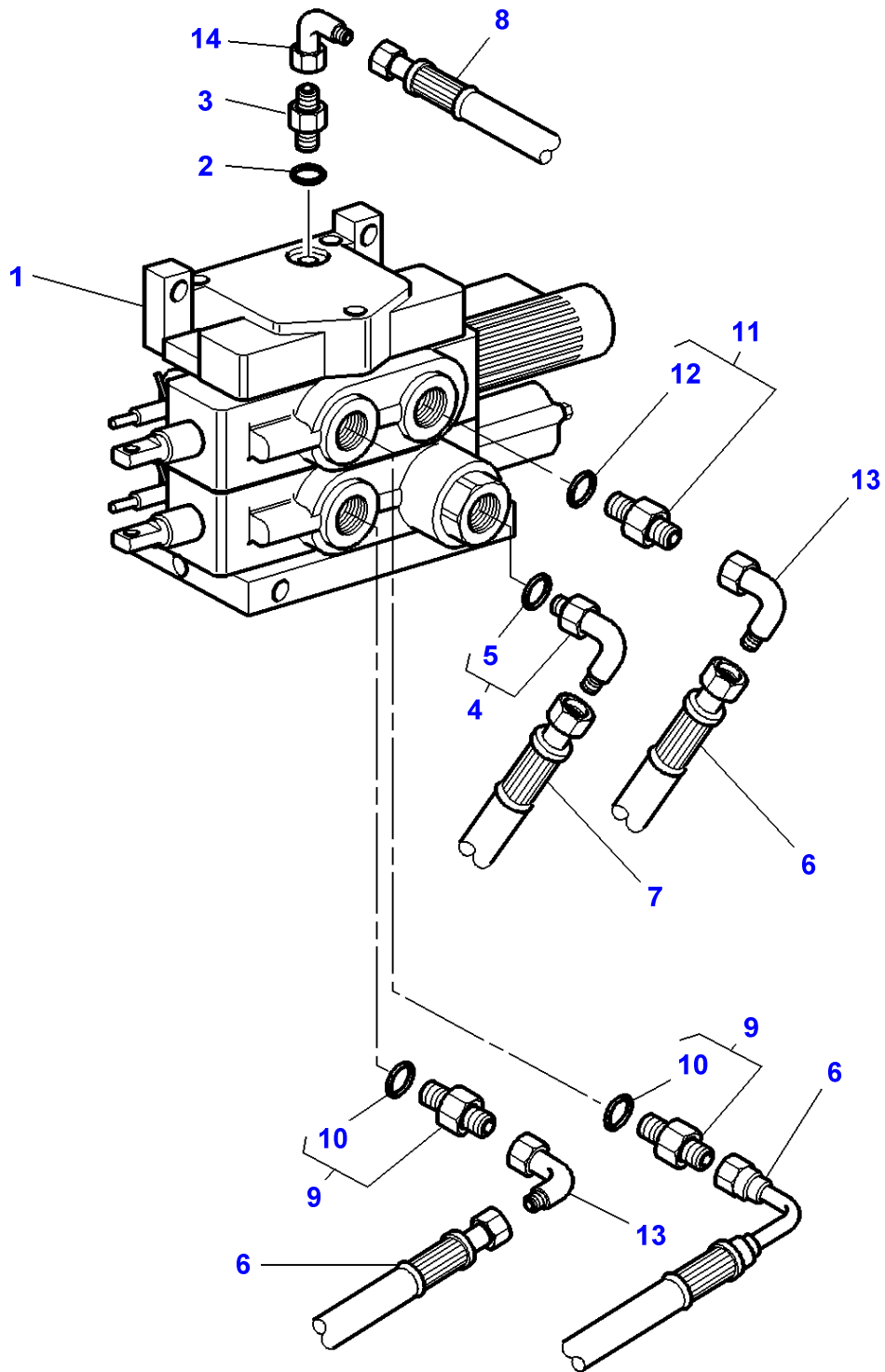
Item	Part Number	Qty	Description	Comments
1	3716317M93	1	Distributor	
2	3716316M1	1	Element	(1)
3	3792803M3	1	Distributor	[A] (1) Replace and repair. Old interchangeable with new 3902062M92
4	3792802M1	1	Distributor	[B] (1) Replace and repair. Old interchangeable with new 3902063M91
5	3716314M1	1	Element	(1)
6	3902797M91	1	Protector	(3)
7	3790773M11	1	Kit, Service	(3)
8	3792640M1	1	Kit, Joint	(1) Replace and repair. Old interchangeable with new 3902067M91
9	3902732M91	1	Parts Pack	(1)
10	3902066M91	1	Kit, Joint	(1)
11	3902813M91	1	Protector	(4)
12	3790797M11	1	Kit, Service	(1)
13	3903893M1	1	Pivot	(3)

FOOTNOTE [A] DIST 4 FLOATING POSITIONS ,FLOW ADJUST,KICK-OUT,W/ O, ZERO LEAK

FOOTNOTE [B] DIST 3 FLOATING POSITIONS,RETURN BY SPRING,FLOW AD JUST,ZERO LEAK

MF 8270/8280 TRACTOR - 1637348
1-ZP36-028-A

1-ZP36-028-A

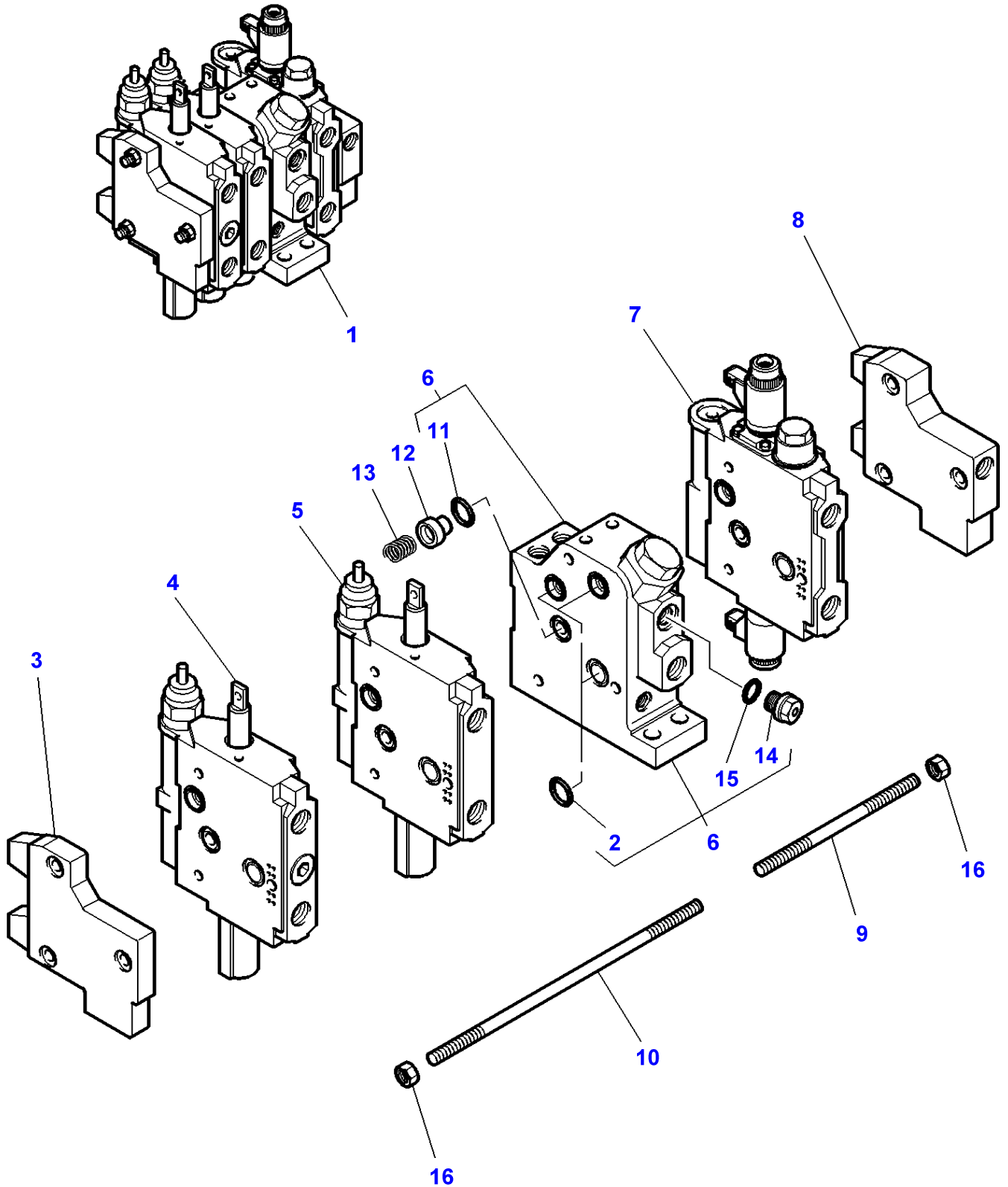


Item	Part Number	Qty	Description	Comments
1	3716317M93	1	Distributor	
2	831452M1	1	O Ring	
3	358733X1	1	Union	
4	380031X91	1	Union	
5	1882958M1	1	O Ring	(4)
6	3712540M1	3	Hydr Hose	Length 650MM
7	3714956M1	1	Hydr Hose	Length 600MM
8	3716398M1	1	Hydr Hose	[A]
	3792042M1	1	Hydr Hose	[B]
				Length 1400MM
9	835013M91	2	Union	
10	1882958M1	1	O Ring	(9)
11	380055X91	1	Union	
12	835024M1	1	O Ring	(11)
13	367386X1	2	Elbow	
14	364603X1	1	Elbow	

FOOTNOTE [A] WITH HYDRAULIC PUMP 110 L/MN

FOOTNOTE [B] WITH HYDRAULIC PUMP 150 L/MN

1-ZP34-034-F



Item	Part Number	Qty	Description	Comments
1		1	Distributor	[D]
2	3796222M1	3	O Ring	(6) 20 X 1,5
3	3796108M1	1	Element	(1)
4	3796090M3	1	Distributor	[B] (1) See Page - Reference Number 070-0465/1
5	3796091M3	1	Distributor	[A] (1) See Page - Reference Number 070-0460/1
6	3796109M2	1	Element	(1)
7	3796103M2	1	Pressure Valve	[C] (1) See Page - Reference Number 070-0450/1
8	3796107M1	1	Element	(1)
9	3796231M1	3	Stud	(1) M8 X 91
10	3796232M1	3	Stud	(1) M8 X 131
11	3796223M1	1	O Ring	(6) 18 X 1,5
12	3796224M1	1	Non Return Valve	(1)
13	3796225M1	1	Spring	(1)
14	3108244M1	1	Plug	(6)
15	3108238M1	1	O Ring	(6)
16	339169X1	6	Nut	(1) M8

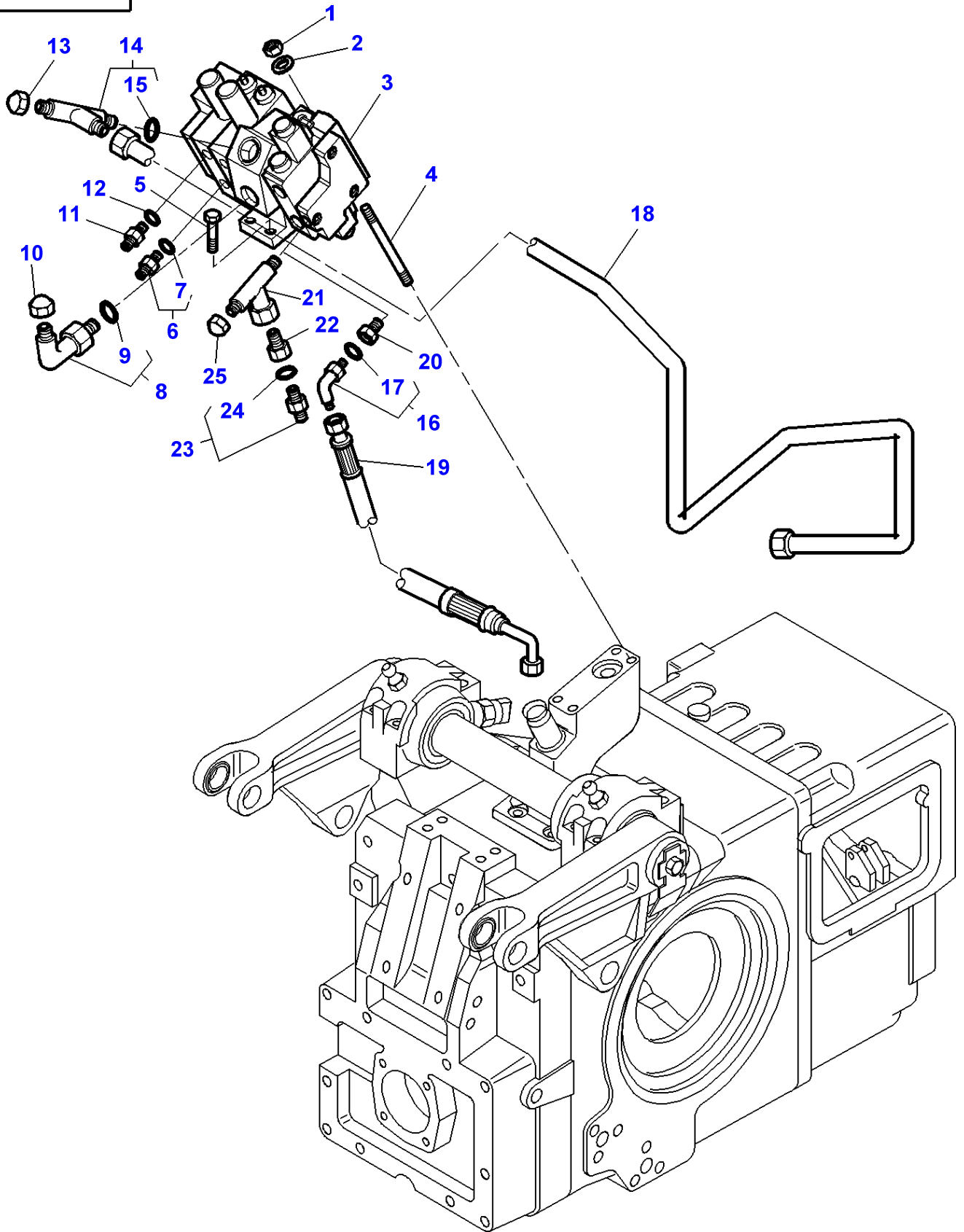
FOOTNOTE [A] DIST 4 FLOATING POSITIONS, FLOW ADJUST, DOUBLE ACTION, KICK OUT

FOOTNOTE [B] DIST 3 POSITIONS, FLOW ADJUST, DOUBLE ACTION, ZERO LEAK

FOOTNOTE [C] HYDRAULIC LIFT VALVE

FOOTNOTE [D] ORDER DETAIL

1-ZP36-029-B



Item	Part Number	Qty	Description	Comments
1	3009695X1	2	Nut	
2	390735X1	2	Washer	
3		1	Distributor	[A,B,E] See Page - Reference Number 070-0280/1
4	3010449X1	2	Stud	Up to Serial or Engine Number 15-02-2004 M12 X 145
	3011597X1	2	Stud	From Serial or Engine Number 16-02-2004 M12 X 170
5	3009494X1	2	Screw Metric	M10 X 35
6	3019387X91	2	Union	
7	3019398X1	1	O Ring	(6)
8	3019596X91	1	Union	
9	3019455X1	1	O Ring	(8)
10	70921244	1	Cap	Replace and repair. Old not interchangeable with new 355782X1
11	3793544M1	2	Union	
12	3019398X1	2	O Ring	
13	356582X1	1	Cap	
14	3019633X91	1	Union	
15	3019399X1	1	O Ring	(14)
16	3010642X91	1	Union	[D] Up to Serial or Engine Number K197000
	3010667X91	1	Union	[C] Up to Serial or Engine Number K197000
17	3019394X1	1	O Ring	(16)
18	3793424M1	1	Tube	[C]
	3797956M91	1	Tube	[D]
19	3790086M1	1	Hydr Hose	[C] Length 930 MM
	3792042M2	1	Hydr Hose	[D] Length 1100 MM
20	3793729M1	1	Reducer	Up to Serial or Engine Number K197000
21	3794885M3	1	Selector	From Serial or Engine Number K197001
22	3793729M1	1	Reducer	From Serial or Engine Number K197001
23	3010626X91	1	Union	From Serial or Engine Number K197001
24	3019394X1	1	O Ring	(23) From Serial or Engine Number K197001
25	356579X1	1	Cap	From Serial or Engine Number K197001

FOOTNOTE [A] DIST 3 POSITIONS, FLOW ADJUST, DOUBLE ACTION, ZERO LEAK

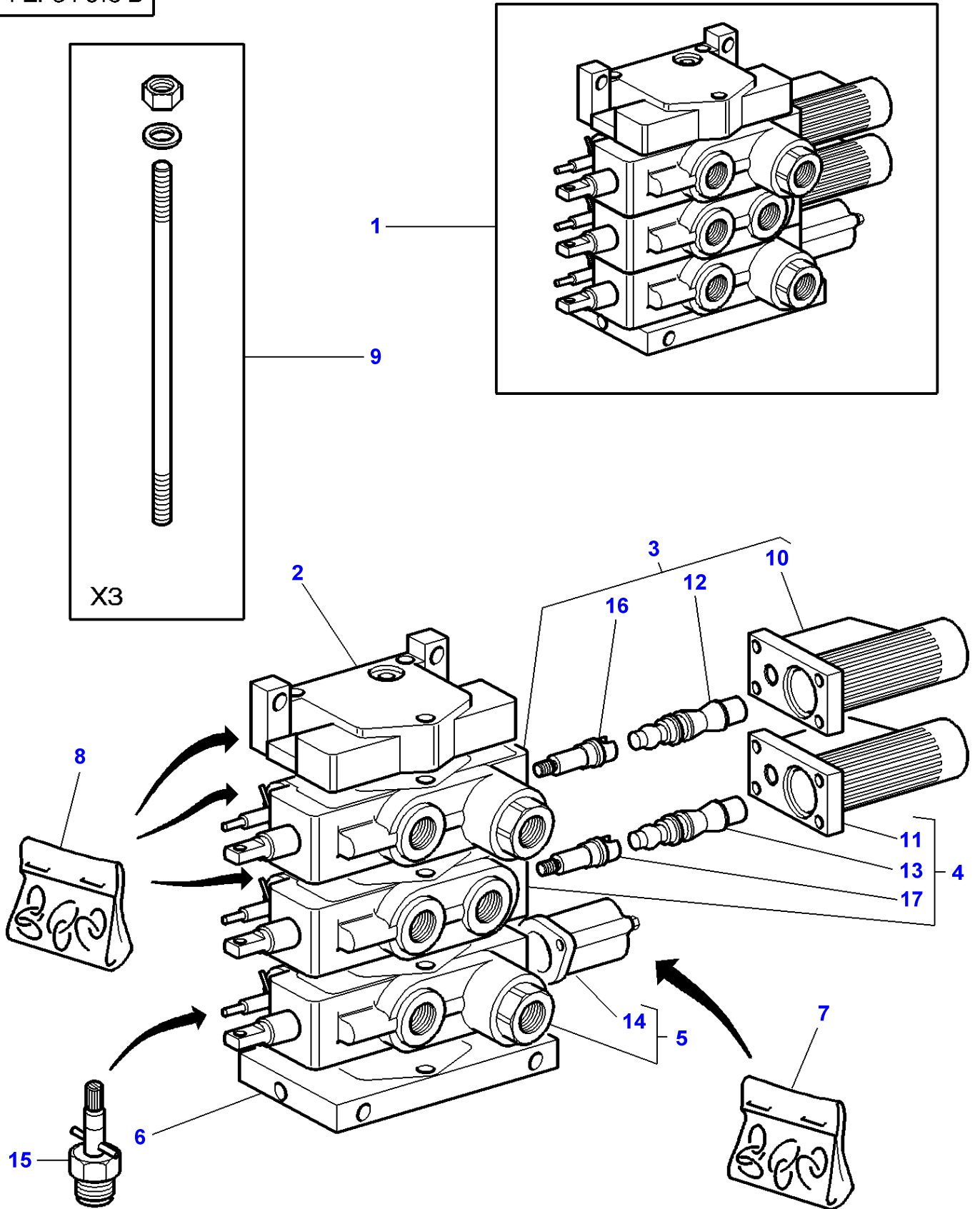
FOOTNOTE [B] DIST 4 FLOATING POSITIONS, FLOW ADJUST, DOUBLE ACTION, KICK OUT

FOOTNOTE [C] WITH HYDRAULIC PUMP 110 L/MN

FOOTNOTE [D] WITH HYDRAULIC PUMP 150 L/MN

FOOTNOTE [E] ORDER DETAIL

1-ZP34-016-B



Item	Part Number	Qty	Description	Comments
1	3716318M93	1	Distributor	
2	3716316M1	1	Element	(1)
3	3713928M5	1	Distributor	[C] (1)
4	3792803M3	1	Distributor	[A] (1) Replace and repair. Old interchangeable with new 3902062M9
5	3792802M1	1	Distributor	[B] (1) Replace and repair. Old interchangeable with new 3902063M91
6	3716314M1	1	Element	(1)
7	3902066M91	1	Kit, Joint	(1)
8	3792640M1	1	Kit, Joint	(1) Replace and repair. Old interchangeable with new 3902067M91
9	3716366M1	1	Parts Pack	(1)
10	3902797M91	1	Protector	(3)
11	3902797M91	1	Protector	(4)
12	3790773M11	1	Kit, Service	(3)
13	3790773M11	1	Kit, Service	(4)
14	3902813M91	1	Protector	(5)
15	3790797M11	1	Kit, Service	(1)
16	3903893M1	1	Pivot	(3)
17	3903893M1	1	Pivot	(4)

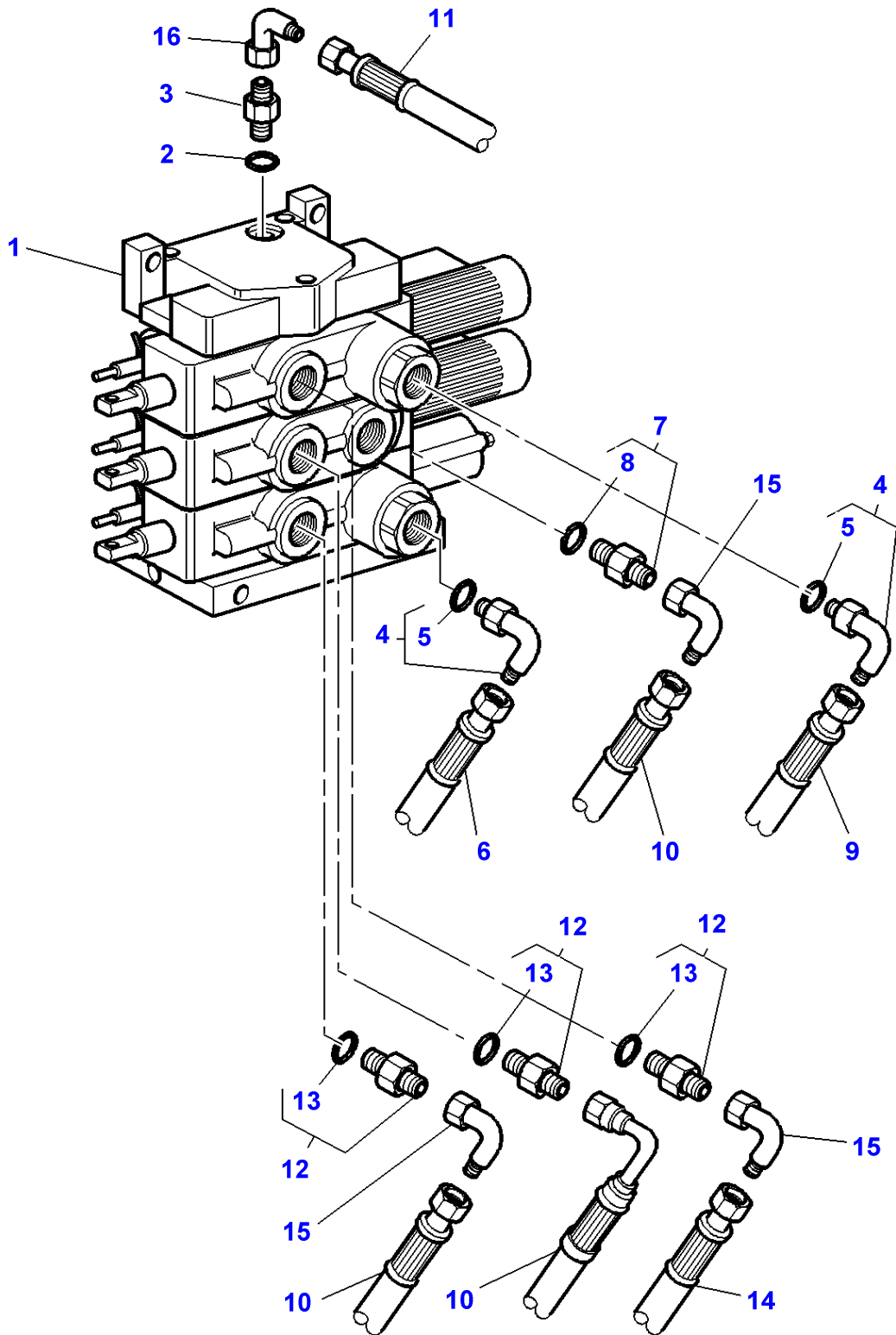
FOOTNOTE [A] DIST 4 FLOATING POSITIONS ,FLOW ADJUST,KICK-OUT,W/ O, ZERO LEAK

FOOTNOTE [B] DIST 3 FLOATING POSITIONS,RETURN BY SPRING,FLOW AD JUST,ZERO LEAK

FOOTNOTE [C] 4 FLOATING POSITIONS DIST,FLOW ADJUST,KICK-OUT,ZER O LEAK

MF 8270/8280 TRACTOR - 1637348
1-ZP36-030-A

1-ZP36-030-A

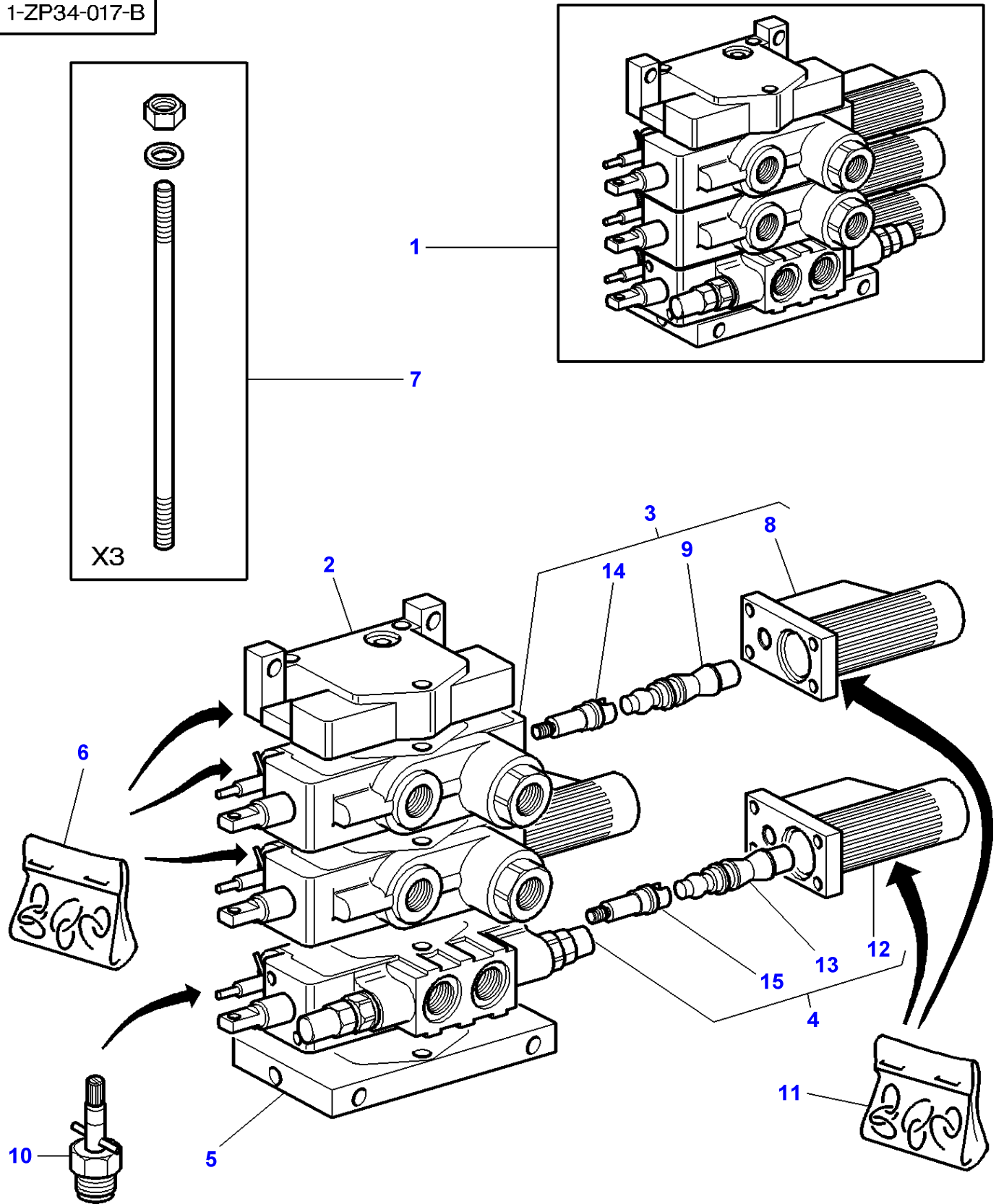


Item	Part Number	Qty	Description	Comments
1	3716318M93	1	Distributor	
2	831452M1	1	O Ring	
3	358733X1	1	Union	From Serial or Engine Number H321002
4	380031X91	2	Union	
5	1882958M1	1	O Ring	(4)
6	3714956M1	1	Hydr Hose	Length 600MM
7	380055X91	1	Union	
8	835024M1	1	O Ring	(7)
9	3583591M1	1	Hydr Hose	Length 690MM
10	3712540M1	3	Hydr Hose	Length 650MM
11	3716398M1	1	Hydr Hose	[A]
	3792042M1	1	Hydr Hose	[B] Length 1400MM
12	835013M91	3	Union	
13	1882958M1	1	O Ring	(12)
14	3792164M1	1	Hydr Hose	Length 900MM
15	367386X1	3	Elbow	
16	364603X1	1	Elbow	From Serial or Engine Number H321002

FOOTNOTE [A] WITH HYDRAULIC PUMP 110 L/MN

FOOTNOTE [B] WITH HYDRAULIC PUMP 150 L/MN

1-ZP34-017-B



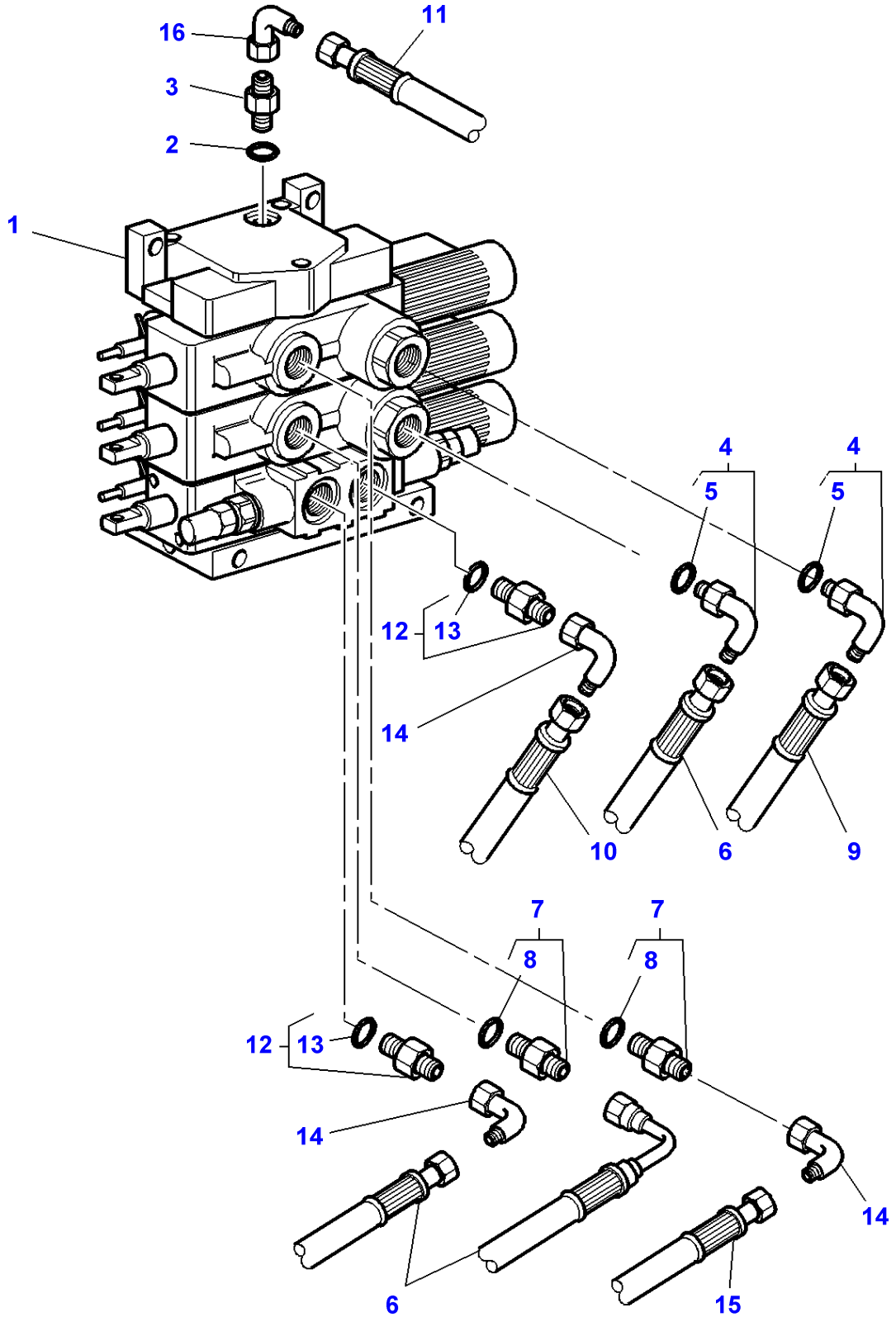
Item	Part Number	Qty	Description	Comments
1	3716319M93	1	Distributor	
2	3716316M1	1	Element	(1)
3	3713928M5	2	Distributor	[A] (1)
4	3713927M3	1	Distributor	[B] (1)
5	3716314M1	1	Element	(1)
6	3792640M1	1	Kit, Joint	(1) Replace and repair. Old interchangeable with new 3902067M91
7	3716366M1	1	Parts Pack	(1)
8	3902797M91	1	Protector	(3)
9	3790773M11	1	Kit, Service	(3)
10	3790797M11	1	Kit, Service	(1)
11	3902066M91	1	Kit, Joint	(1)
12	3902797M91	1	Protector	(4)
13	3790773M11	1	Kit, Service	(4)
14	3903893M1	1	Pivot	(3)
15	3903893M1	1	Pivot	(4)

FOOTNOTE [A] 4 FLOATING POSITIONS DIST,FLOW ADJUST,KICK-OUT,ZER O LEAK

FOOTNOTE [B] 4 FLOAT POSIT DIST,FLOW ADJUST,KICK-OUT W 2 OVERP RES.VALVE AND RESUPPLYING FOR HYDRAULIC MOTOR

MF 8270/8280 TRACTOR - 1637348
1-ZP36-031-A

1-ZP36-031-A

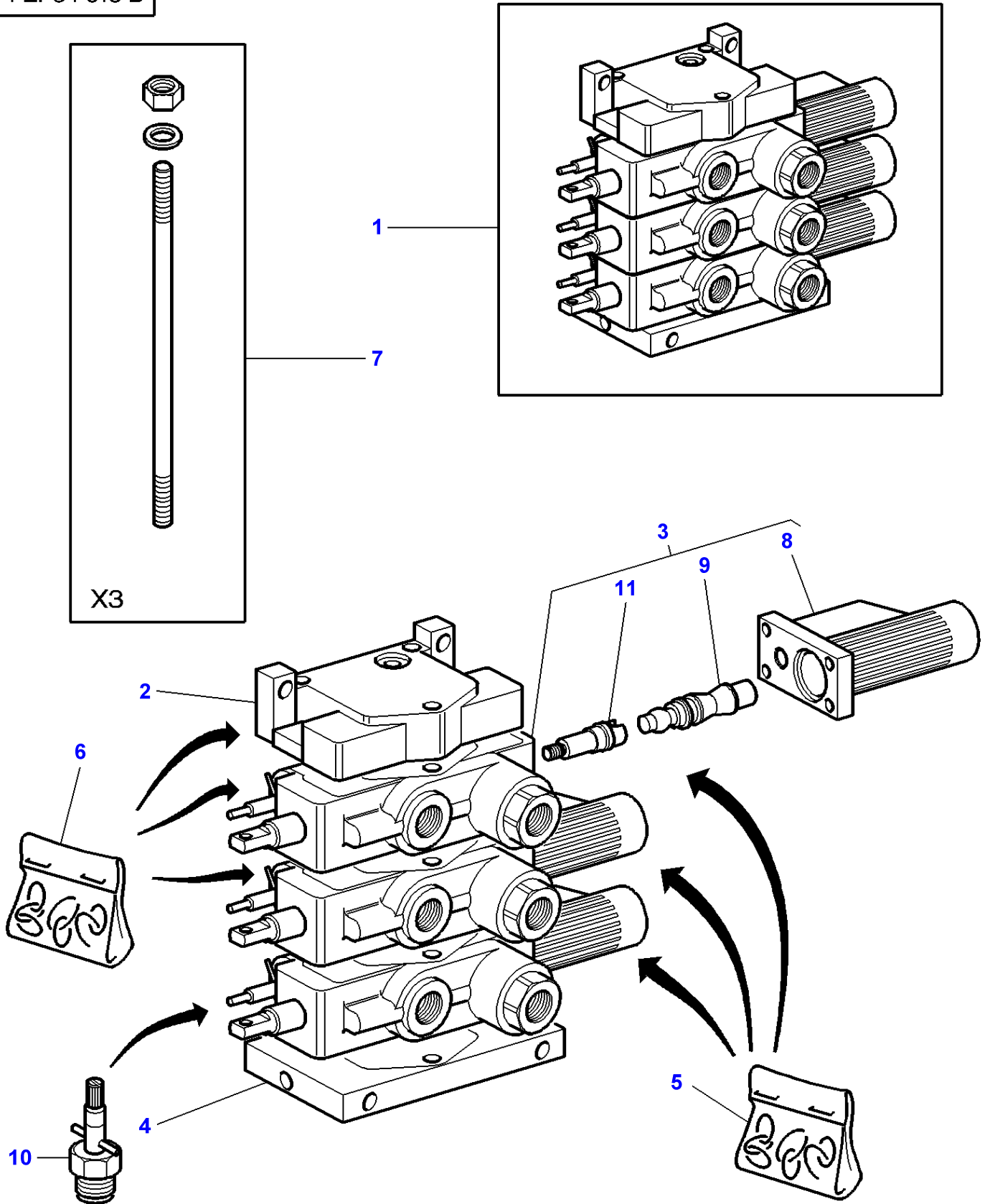


Item	Part Number	Qty	Description	Comments
1	3716319M93	1	Distributor	
2	831452M1	1	O Ring	
3	358733X1	1	Union	From Serial or Engine Number H321002
4	380031X91	2	Union	
5	1882958M1	1	O Ring	(4)
6	3712540M1	3	Hydr Hose	Length 650MM
7	380055X91	1	Union	
8	835024M1	1	O Ring	(7)
9	3583591M1	1	Hydr Hose	Length 690MM
10	3714956M1	1	Hydr Hose	Length 600MM
11	3716398M1	1	Hydr Hose	[A]
	3792042M1	1	Hydr Hose	[B] Length 1400MM
12	835013M91	2	Union	
13	1882958M1	1	O Ring	(12)
14	367386X1	3	Elbow	
15	3792164M1	1	Hydr Hose	Length 900MM
16	364603X1	1	Elbow	From Serial or Engine Number H321002

FOOTNOTE [A] WITH HYDRAULIC PUMP 110 L/MN

FOOTNOTE [B] WITH HYDRAULIC PUMP 150 L/MN

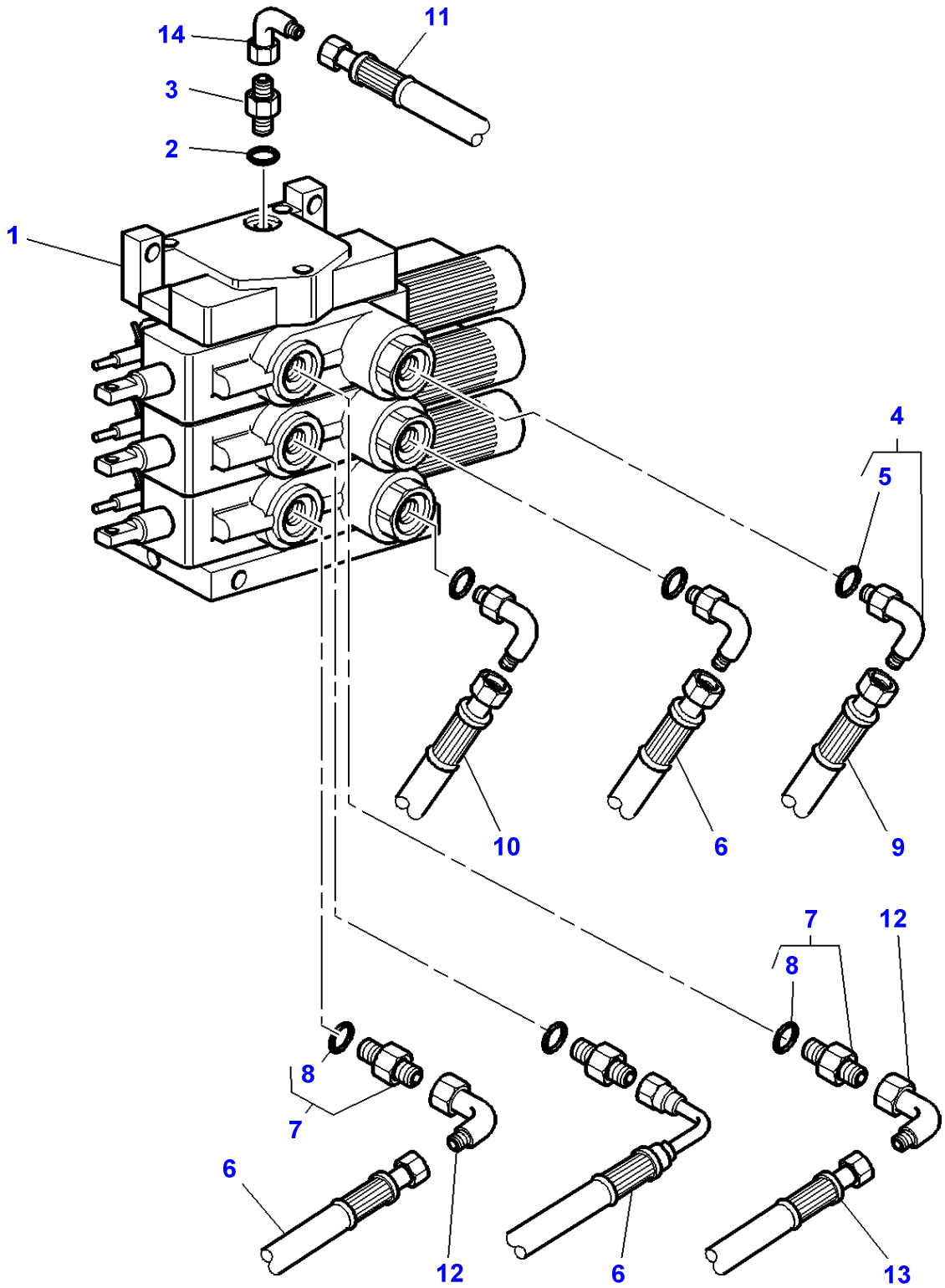
1-ZP34-018-B



Item	Part Number	Qty	Description	Comments
1	3716320M93	1	Distributor	
2	3716316M1	1	Element	(1)
3	3713928M5	3	Distributor	[A] (1)
4	3716314M1	1	Element	(1)
5	3902066M91	1	Kit, Joint	(1)
6	3792640M1	1	Kit, Joint	(1) Replace and repair. Old interchangeable with new 3902067M91
7	3716366M1	1	Parts Pack	(1)
8	3902797M91	1	Protector	(3)
9	3790773M11	1	Kit, Service	(3)
10	3790797M11	1	Kit, Service	(3)
11	3903893M1	1	Pivot	(3)

FOOTNOTE [A] 4 FLOATING POSITIONS DIST,FLOW ADJUST,KICK-OUT,ZER O LEAK

1-ZP36-032-A



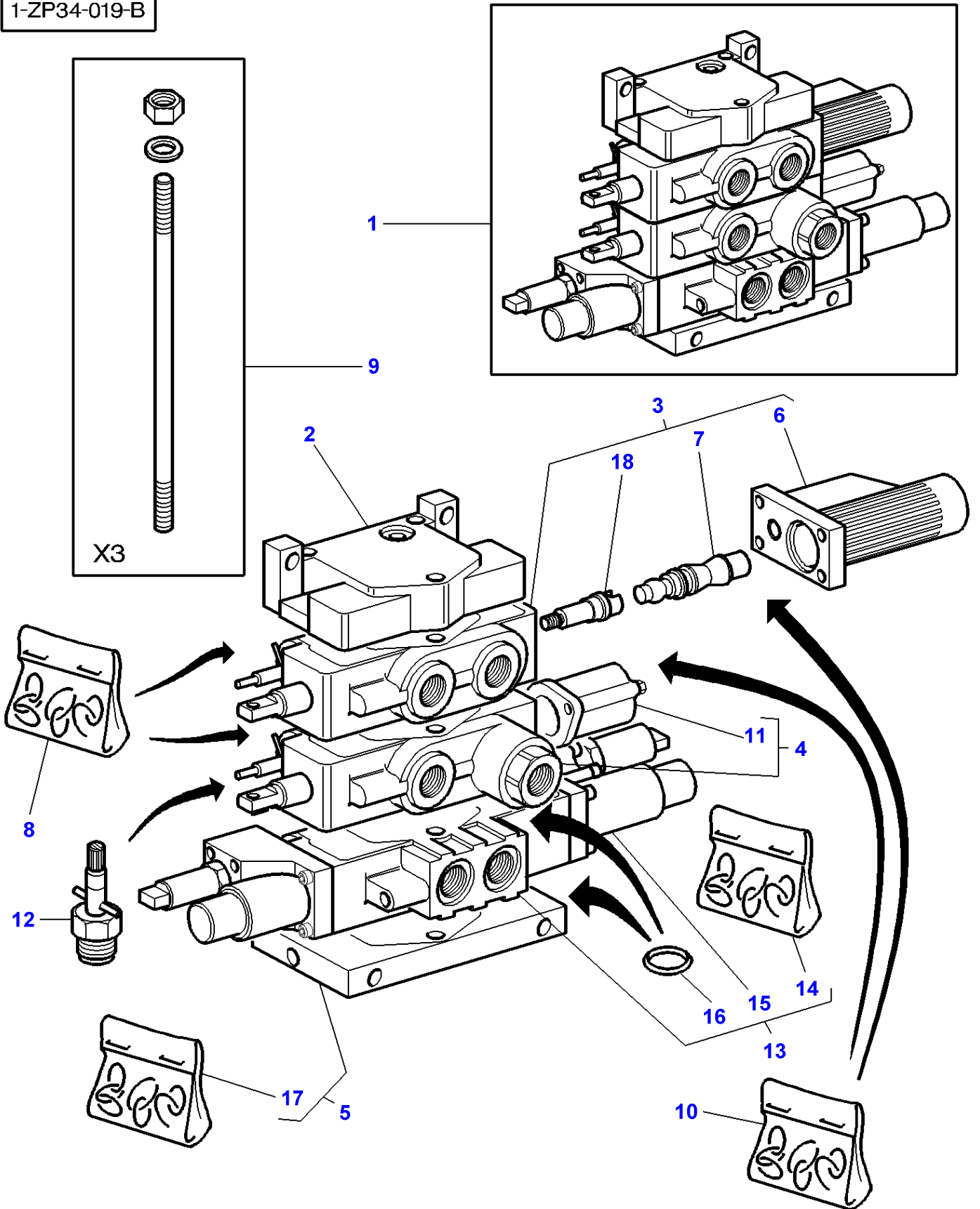
Item	Part Number	Qty	Description	Comments
1	3716320M93	1	Distributor	
2	831452M1	1	O Ring	
3	358733X1	1	Union	From Serial or Engine Number H321002
4	380031X91	3	Union	7/88-14
5	1882958M1	1	O Ring	(4)
6	3712540M1	3	Hydr Hose	Length 650MM
7	835013M91	3	Union	
8	1882958M1	1	O Ring	(7)
9	3583591M1	1	Hydr Hose	Length 690MM
10	3714956M1	1	Hydr Hose	Length 600MM
11	3716398M1	1	Hydr Hose	[A]
	3792042M1	1	Hydr Hose	[B] Length 1400MM
12	367386X1	2	Elbow	
13	3792164M1	1	Hydr Hose	Length 900MM
14	364603X1	1	Elbow	From Serial or Engine Number H321002

FOOTNOTE [A] WITH HYDRAULIC PUMP 110 L/MN

FOOTNOTE [B] WITH HYDRAULIC PUMP 150 L/MN

MF 8270/8280 TRACTOR - 1637348
1-ZP34-019-B

1-ZP34-019-B



Item	Part Number	Qty	Description	Comments
1	3716321M93	1	Distributor	
2	3716316M1	1	Element	(1)
3	3792803M3	1	Distributor	[A] (1)
4	3792802M1	1	Distributor	Replace and repair. Old interchangeable with new 3902062M92 [B] (1)
5	3716315M1	1	Element	(1)
6	3902797M91	1	Protector	(3)
7	3790773M11	1	Kit, Service	(3)
8	3792640M1	1	Kit, Joint	(1)
9	3716366M1	1	Parts Pack	Replace and repair. Old interchangeable with new 3902067M91 (1)
10	3902066M91	1	Kit, Joint	(1)
11	3902813M91	1	Protector	(4)
12	3790797M11	2	Kit, Service	(1)
13	3715122M2	1	Pressure Valve	[C] (1)
14	3902734M91	1	Kit, Joint	(13)
15	3900512M92	2	Pressure Valve	(13)
16	359288X1	4	Seal	(13)
17	3792639M1	1	Kit, Joint	(5)
18	3903893M1	1	Pivot	Replace and repair. Old interchangeable with new 3902733M91 (3)

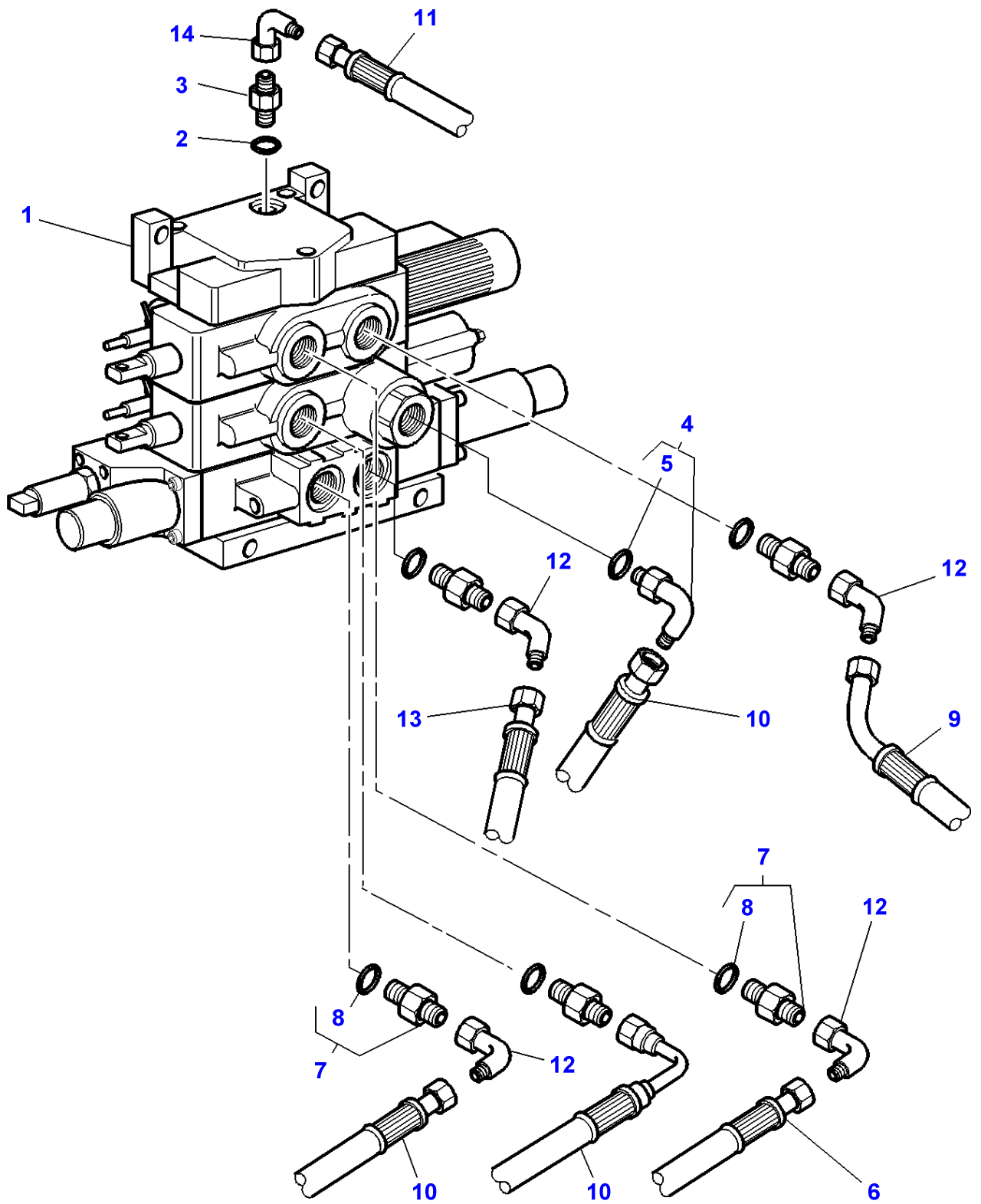
FOOTNOTE [A] DIST 4 FLOATING POSITIONS ,FLOW ADJUST,KICK-OUT,W/ O, ZERO LEAK

FOOTNOTE [B] DIST 3 FLOATING POSITIONS,RETURN BY SPRING,FLOW AD JUST,ZERO LEAK

FOOTNOTE [C] DIST 3 FLOATING POSITIONS,AUTOMATIC KICK-OUT(BY SP RING),FLOW ADJUST,ELECTRIC CONTROL

MF 8270/8280 TRACTOR - 1637348
1-ZP36-033-A

1-ZP36-033-A

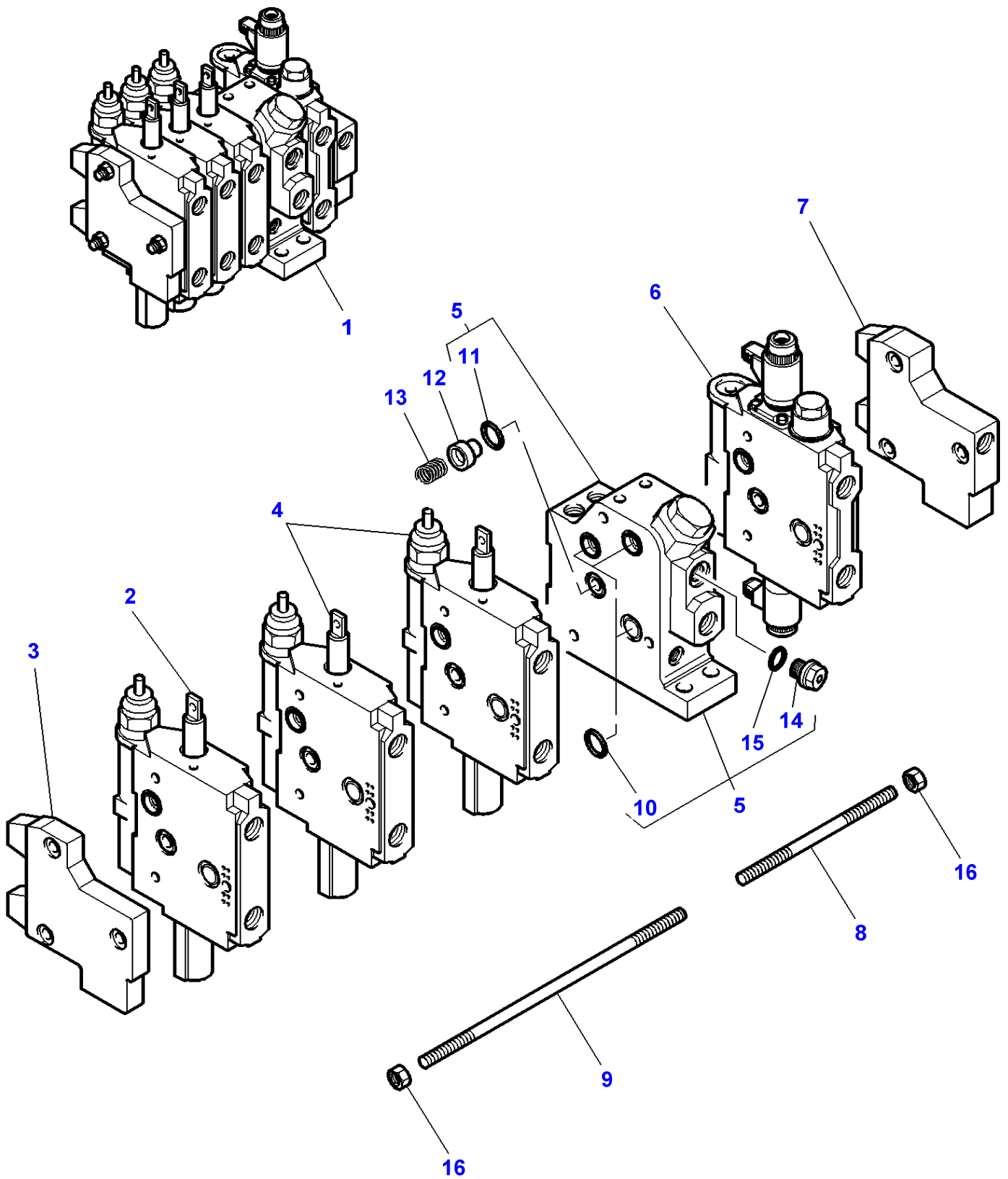


Item	Part Number	Qty	Description	Comments
1	3716321M93	1	Distributor	
2	831452M1	1	O Ring	
3	358733X1	1	Union	From Serial or Engine Number H321002
4	380031X91	1	Union	
5	1882958M1	1	O Ring	(4)
6	3792164M1	1	Hydr Hose	Length 900MM
7	835013M91	5	Union	
8	1882958M1	1	O Ring	(7)
9	3792167M1	1	Hydr Hose	Length 780MM
10	3712540M1	3	Hydr Hose	Length 650MM
11	3716398M1	1	Hydr Hose	[A]
	3792042M1	1	Hydr Hose	[B] Length 1400MM
12	367386X1	4	Elbow	
13	3714956M1	1	Hydr Hose	Length 600MM
14	364603X1	1	Elbow	From Serial or Engine Number H321002

FOOTNOTE [A] WITH HYDRAULIC PUMP 110 L/MN

FOOTNOTE [B] WITH HYDRAULIC PUMP 150 L/MN

1-ZP34-043-F



Item	Part Number	Qty	Description	Comments
1		1	Distributor	[D]
2	3796128M3	1	Distributor	[C] (1) See Page - Reference Number 070-0455/1
3	3796108M1	1	Element	(1)
4	3795751M3	2	Distributor	[B] (1) See Page - Reference Number 070-0445/1
5	3796109M2	1	Element	(1)
6	3796103M2	1	Pressure Valve	[A] (1) See Page - Reference Number 070-0450/1
7	3796107M1	1	Element	(1)
8	3796231M1	3	Stud	(1) M8 X 91
9	3796233M1	3	Stud	(1) M8 X 171
10	3796222M1	3	O Ring	(5) Diameter 20 X 1,5
11	3796223M1	1	O Ring	(5) Diameter 18 X 1,5
12	3796224M1	1	Non Return Valve	(1)
13	3796225M1	1	Spring	(1)
14	3108244M1	1	Plug	(5)
15	3108238M1	1	O Ring	(5)
16	339169X1	6	Nut	(1) M8

FOOTNOTE [A] HYDRAULIC LIFT VALVE

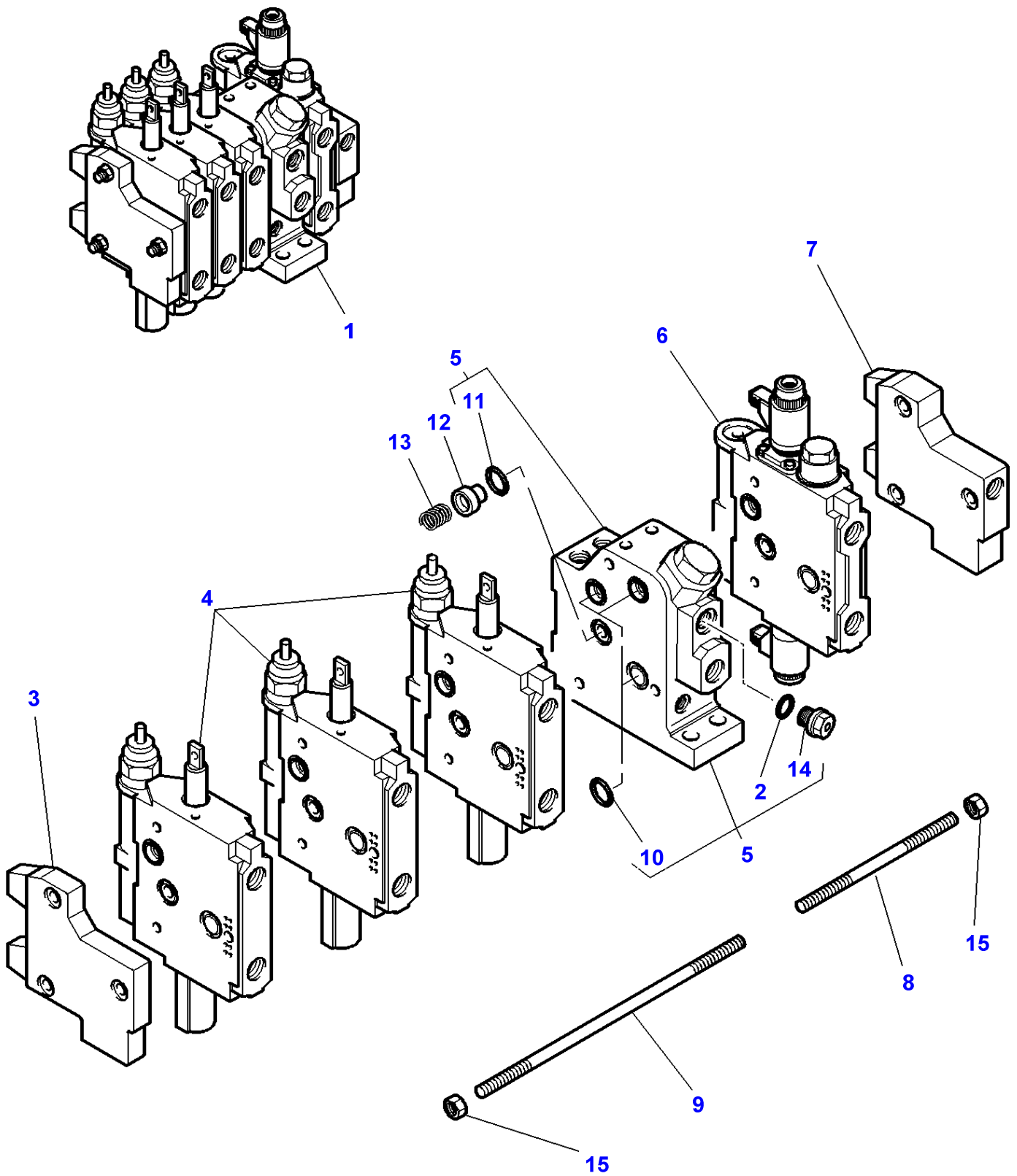
FOOTNOTE [B] DIST 4 FLOATING POSITIONS ,FLOW ADJUST,DOUBLE ACTI ON,KICK OUT,ZERO LEAK

FOOTNOTE [C] DIST 3 POSITIONS,FLOW ADJUST,DOUBLE ACTION,KICK OU T, FOR HYDRAULIC MOTOR

FOOTNOTE [D] ORDER DETAIL

MF 8270/8280 TRACTOR - 1637348
1-ZP34-063-C

1-ZP34-063-C



Item	Part Number	Qty	Description	Comments
1		1	Distributor	[C]
2	3108238M1	1	O Ring	(5)
3	3796108M1	1	Element	(1)
4	3795751M3	3	Distributor	[B] (1) See Page - Reference Number 070-0445/1
5	3796109M2	1	Element	(1)
6	3796103M2	1	Pressure Valve	[A] (1) See Page - Reference Number 070-0450/1
7	3796107M1	1	Element	(1)
8	3796231M1	3	Stud	(1) M8 X 91
9	3796233M1	3	Stud	(1) M8 X 171
10	3796222M1	3	O Ring	(5) Diameter 20 X 1,5
11	3796223M1	1	O Ring	(5) Diameter 18 X 1,5
12	3796224M1	1	Non Return Valve	(1)
13	3796225M1	1	Spring	(1)
14	3108244M1	1	Plug	(5)
15	339169X1	6	Nut	(1) M8

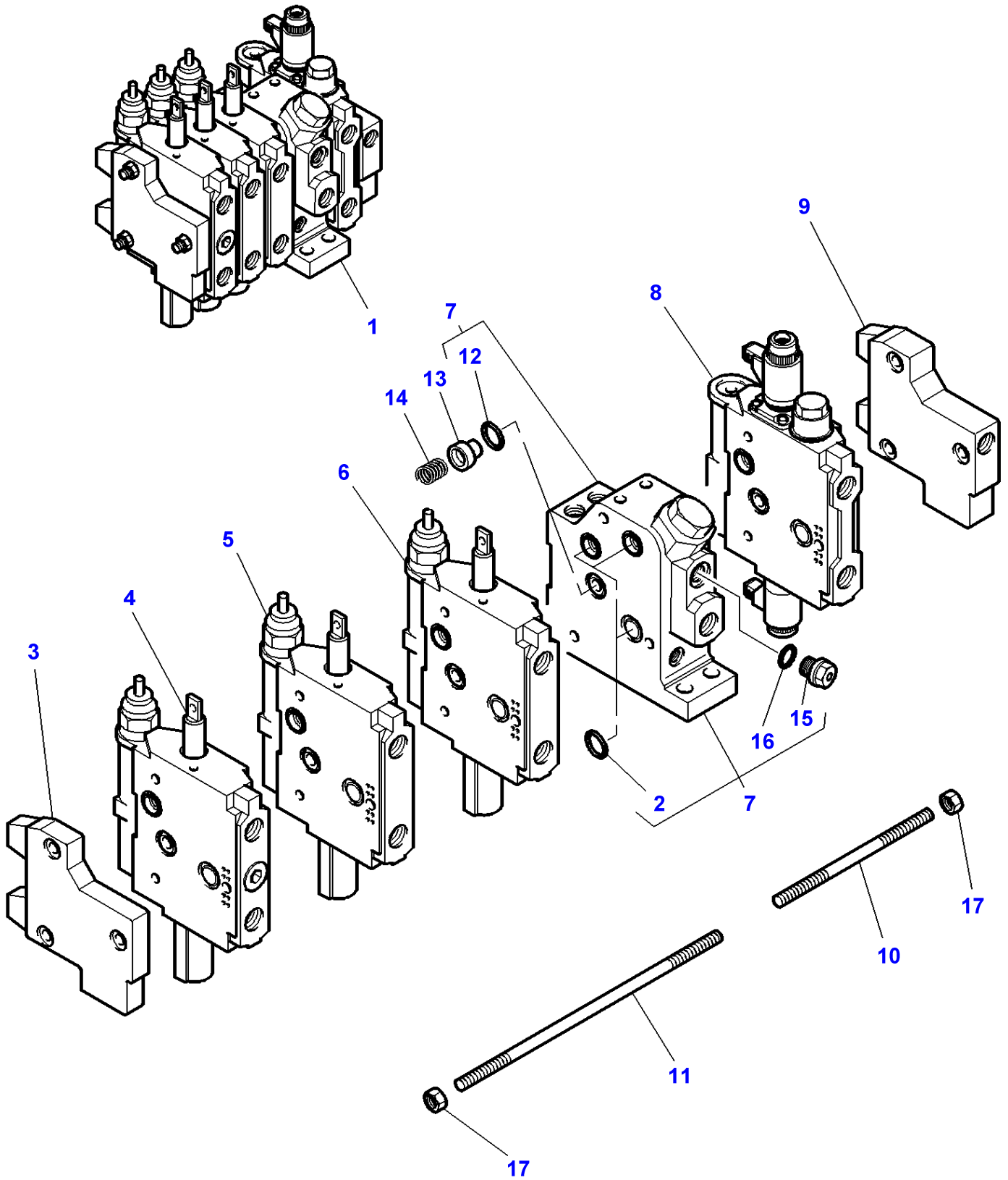
FOOTNOTE [A] HYDRAULIC LIFT VALVE

FOOTNOTE [B] DIST 4 FLOATING POSITIONS ,FLOW ADJUST,DOUBLE ACTI ON,KICK OUT,ZERO LEAK

FOOTNOTE [C] ORDER DETAIL

MF 8270/8280 TRACTOR - 1637348
1-ZP34-044-F

1-ZP34-044-F



Item	Part Number	Qty	Description	Comments
1		1	Distributor	[E]
2	3796222M1	3	O Ring	(7) Diameter 20 X 1,5
3	3796108M1	1	Element	(1)
4	3796090M3	1	Distributor	[A] (1) See Page - Reference Number 070-0465/1
5	3796091M3	1	Distributor	[B] (1) See Page - Reference Number 070-0460/1
6	3795751M3	1	Distributor	[C] (1) See Page - Reference Number 070-0445/1
7	3796109M2	1	Element	(1)
8	3796103M2	1	Pressure Valve	[D] (1) See Page - Reference Number 070-0450/1
9	3796107M1	1	Element	(1)
10	3796231M1	3	Stud	(1) M8 X 91
11	3796233M1	3	Stud	(1) M8 X 171
12	3796223M1	1	O Ring	(7) Diameter 18 X 1,5
13	3796224M1	1	Non Return Valve	(1)
14	3796225M1	1	Spring	(1)
15	3108244M1	1	Plug	(7)
16	3108238M1	1	O Ring	(7)
17	339169X1	6	Nut	(1) M8

FOOTNOTE [A] DIST 3 POSITIONS, FLOW ADJUST, DOUBLE ACTION, ZERO LEAK

FOOTNOTE [B] DIST 4 FLOATING POSITIONS, FLOW ADJUST, DOUBLE ACTION, KICK OUT

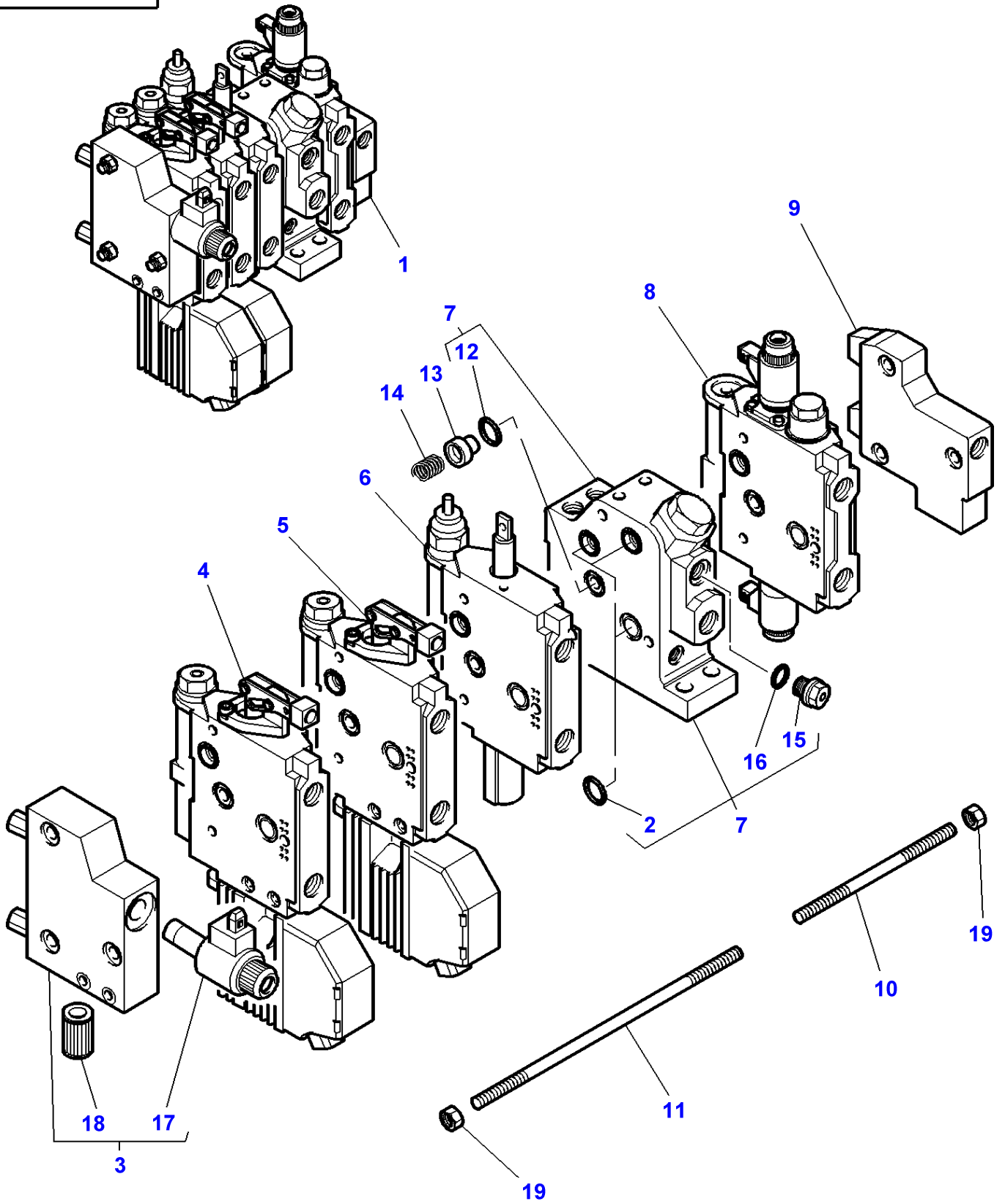
FOOTNOTE [C] DIST 4 FLOATING POSITIONS, FLOW ADJUST, DOUBLE ACTION, KICK OUT, ZERO LEAK

FOOTNOTE [D] HYDRAULIC LIFT VALVE

FOOTNOTE [E] ORDER DETAIL

MF 8270/8280 TRACTOR - 1637348
1-ZP34-045-G

1-ZP34-045-G



Item	Part Number	Qty	Description	Comments
1	3794728M15	1	Distributor	[C]
2	3796222M1	3	O Ring	(7) Diameter 20X1,5
3	3796111M2	1	Element	(1)
4	3796027M7	1	Distributor	[B] (1) See Page - Reference Number 070-0430/1
5	3796026M7	1	Distributor	[B,E] (1) See Page - Reference Number 070-0430/1
6	3795751M3	1	Distributor	[A] (1) See Page - Reference Number 070-0445/1
7	3796109M2	1	Element	(1)
8	3796103M2	1	Pressure Valve	[D] (1) See Page - Reference Number 070-0450/1
9	3796107M1	1	Element	(1)
10	3796231M1	3	Stud	(1) M8 X 91
11	3796389M1	3	Stud	(1) M8 X 184
12	3796223M1	1	O Ring	(7) Diameter 18 X 1,5
13	3796224M1	1	Non Return Valve	(1)
14	3796225M1	1	Spring	(1)
15	3108244M1	1	Plug	(7)
16	3108238M1	1	O Ring	(7)
17	3903997M1	1	Electrovalve	(3)
18	G001.990.100.010	1	Kit, Filter	(3) 25 MICRONS
19	339169X1	6	Nut	(1) M8

FOOTNOTE [A] DIST 4 FLOATING POSITIONS ,FLOW ADJUST,DOUBLE ACTI ON,KICK OUT,ZERO LEAK

FOOTNOTE [B] DIST 4 POSITIONS,FLOW ADJUST,DOUBLE ACTION,ZERO LEAK

FOOTNOTE [C] 2 DISTRIBUTORS WITH ELECTRIC CONTROL-1 DISTRIBUTOR WITH MECHANICAL CONTROL

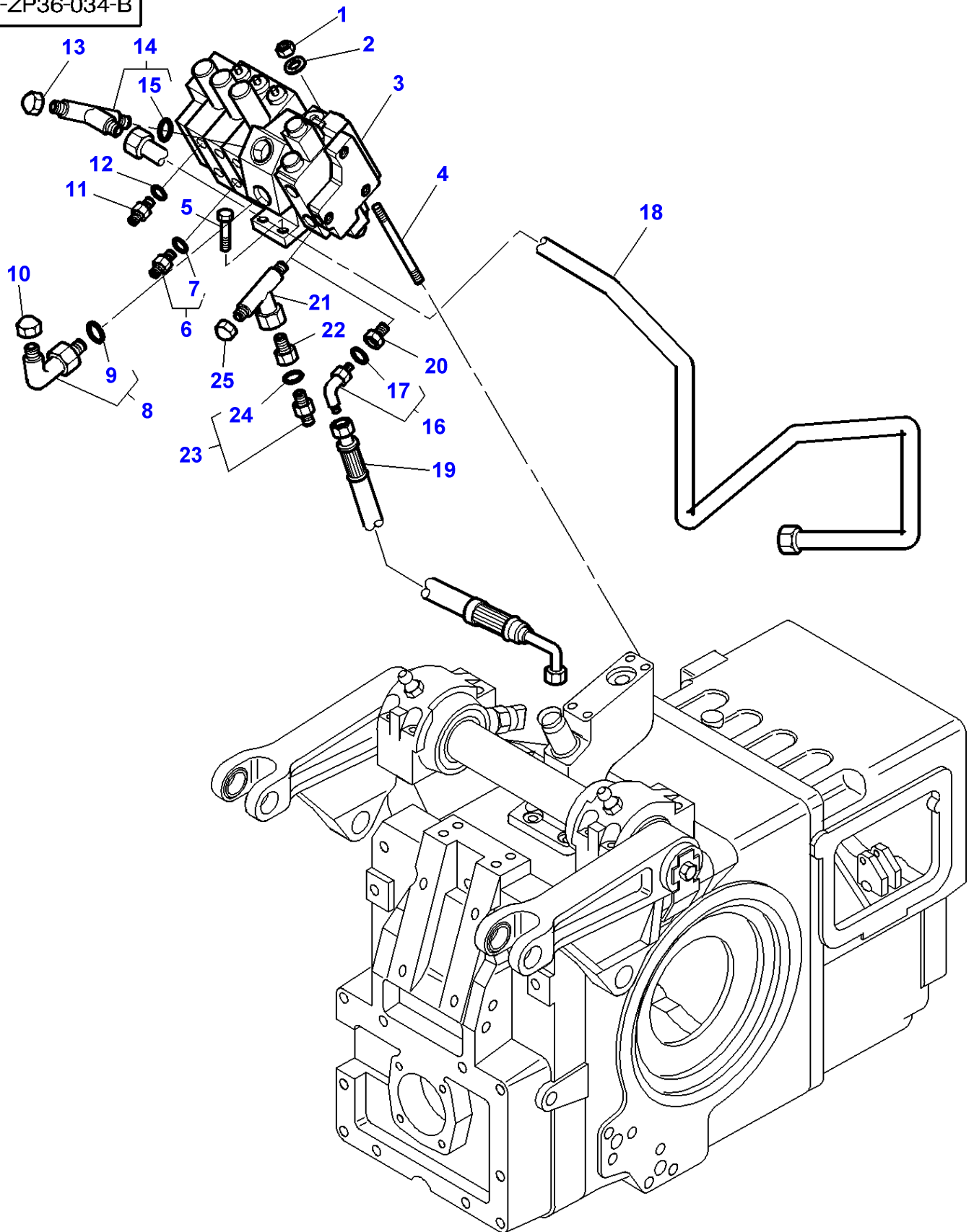
FOOTNOTE [D] HYDRAULIC LIFT VALVE

FOOTNOTE [E] WITH TIGHTENESS BALLS

FOOTNOTE [F] ORDER DETAIL

MF 8270/8280 TRACTOR - 1637348
1-ZP36-034-B

1-ZP36-034-B



Item	Part Number	Qty	Description	Comments
1	3009695X1	2	Nut	
2	390735X1	2	Washer	
3		1	Distributor	[A,B,C,I] See Page - Reference Number 070-0340/1
		1	Distributor	[B,C,D,I] See Page - Reference Number 070-0330/1
		1	Distributor	[C,I] For United States of America See Page - Reference Number 070-0335/1
		1	Distributor	[C,E,F,I] See Page - Reference Number 070-0345/1
4	3010449X1	2	Stud	Up to Serial or Engine Number 15-02-2004 M12 X 145
	3011597X1	2	Stud	From Serial or Engine Number 16-02-2004 M12 X 170
5	3009494X1	2	Screw Metric	M10 X 35
6	3019387X91	3	Union	
7	3019398X1	1	O Ring	(6)
8	3019596X91	1	Union	
9	3019455X1	1	O Ring	(8)
10	70921244	1	Cap	Replace and repair. Old not interchangeable with new 355782X1
11	3793544M1	3	Union	
12	3019398X1	3	O Ring	
13	356582X1	1	Cap	
14	3019633X91	1	Union	
15	3019399X1	1	O Ring	(14)
16	3010642X91	1	Union	[H] Up to Serial or Engine Number K197000
	3010667X91	1	Union	[G] Up to Serial or Engine Number K197000
17	3019394X1	1	O Ring	(16)
18	3793424M1	1	Tube	[G]
	3797956M91	1	Tube	[H]
19	3790086M1	1	Hydr Hose	[G] Length 930 MM
	3792042M2	1	Hydr Hose	[H] Length 1100 MM
20	3793729M1	1	Reducer	Up to Serial or Engine Number K197000
21	3794885M3	1	Selector	From Serial or Engine Number K197001
22	3793729M1	1	Reducer	From Serial or Engine Number K197001
23	3010626X91	1	Union	From Serial or Engine Number K197001
24	3019394X1	1	O Ring	(23) From Serial or Engine Number K197001
25	356579X1	1	Cap	From Serial or Engine Number K197001

FOOTNOTE [A] DIST 3 POSITIONS, FLOW ADJUST, DOUBLE ACTION, ZERO LEAK

FOOTNOTE [B] DIST 4 FLOATING POSITIONS, FLOW ADJUST, DOUBLE ACTION, KICK OUT

FOOTNOTE [C] DIST 4 FLOATING POSITIONS, FLOW ADJUST, DOUBLE ACTION, KICK OUT, ZERO LEAK

FOOTNOTE [D] 3 DISTRIBUTORS - FOR HYDRAULIC MOTOR

FOOTNOTE [E] DIST 4 POSITIONS, FLOW ADJUST, DOUBLE ACTION, ZERO LEAK

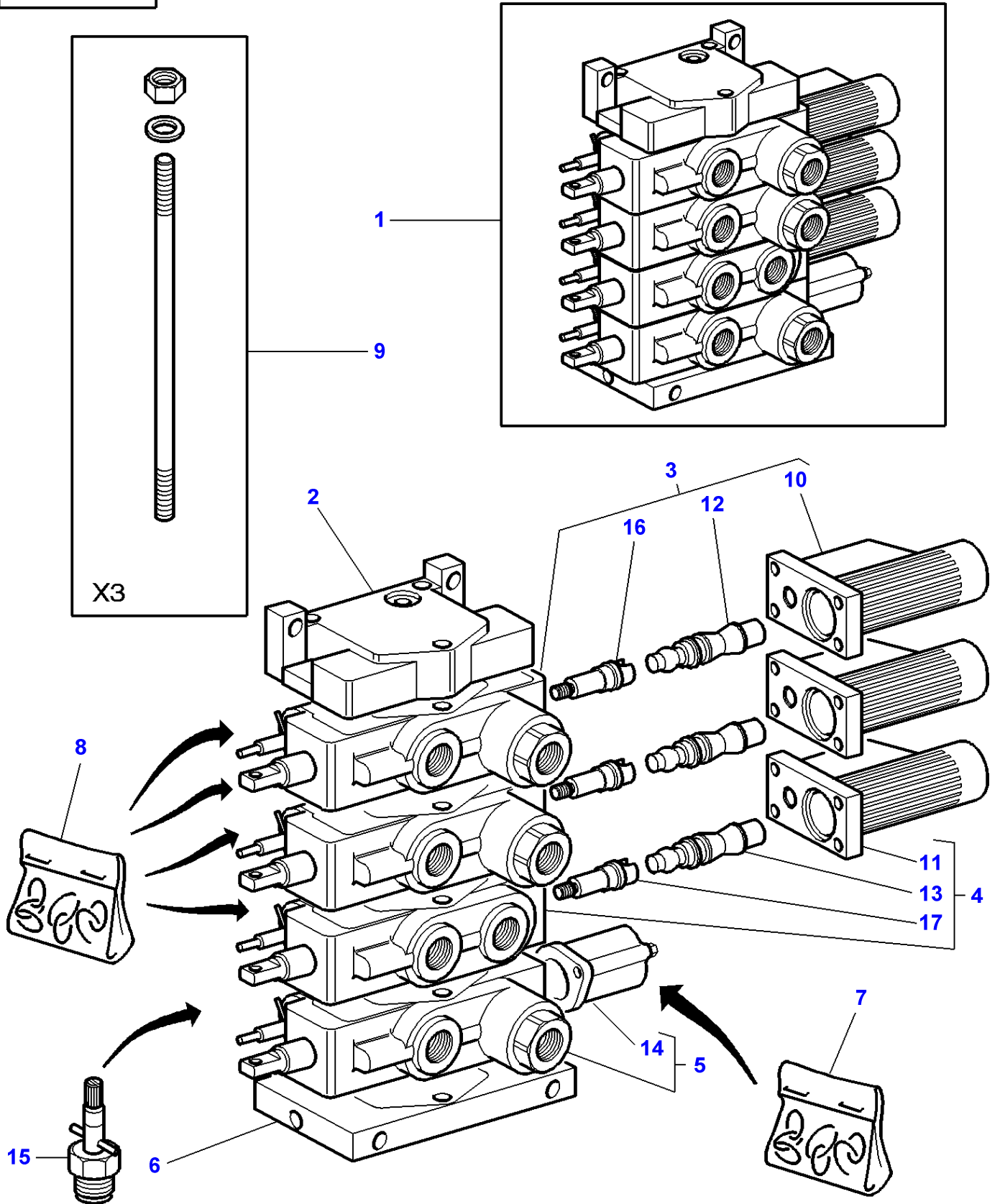
FOOTNOTE [F] 2 DISTRIBUTORS WITH ELECTRIC CONTROL-1 DISTRIBUTOR WITH MECHANICAL CONTROL

FOOTNOTE [G] WITH HYDRAULIC PUMP 110 L/MN

FOOTNOTE [H] WITH HYDRAULIC PUMP 150 L/MN

FOOTNOTE [I] ORDER DETAIL

1-ZP34-020-B



Item	Part Number	Qty	Description	Comments
1	3716322M93	1	Distributor	
2	3716316M1	1	Element	(1)
3	3713928M5	2	Distributor	[C] (1)
4	3792803M3	1	Distributor	[A] (1) Replace and repair. Old interchangeable with new 3902062M92
5	3792802M1	1	Distributor	[B] (1) Replace and repair. Old interchangeable with new 3902063M91
6	3716314M1	1	Element	(1)
7	3902066M91	1	Kit, Joint	(1)
8	3792640M1	1	Kit, Joint	(1) Replace and repair. Old interchangeable with new 3902067M91
9	3716367M1	1	Parts Pack	(1)
10	3902797M91	1	Protector	(3)
11	3902797M91	1	Protector	(4)
12	3790773M11	1	Kit, Service	(3)
13	3790773M11	1	Kit, Service	(4)
14	3902813M91	1	Protector	(5)
15	3790797M11	4	Kit, Service	(1)
16	3903893M1	2	Pivot	(3)
17	3903893M1	1	Pivot	(4)

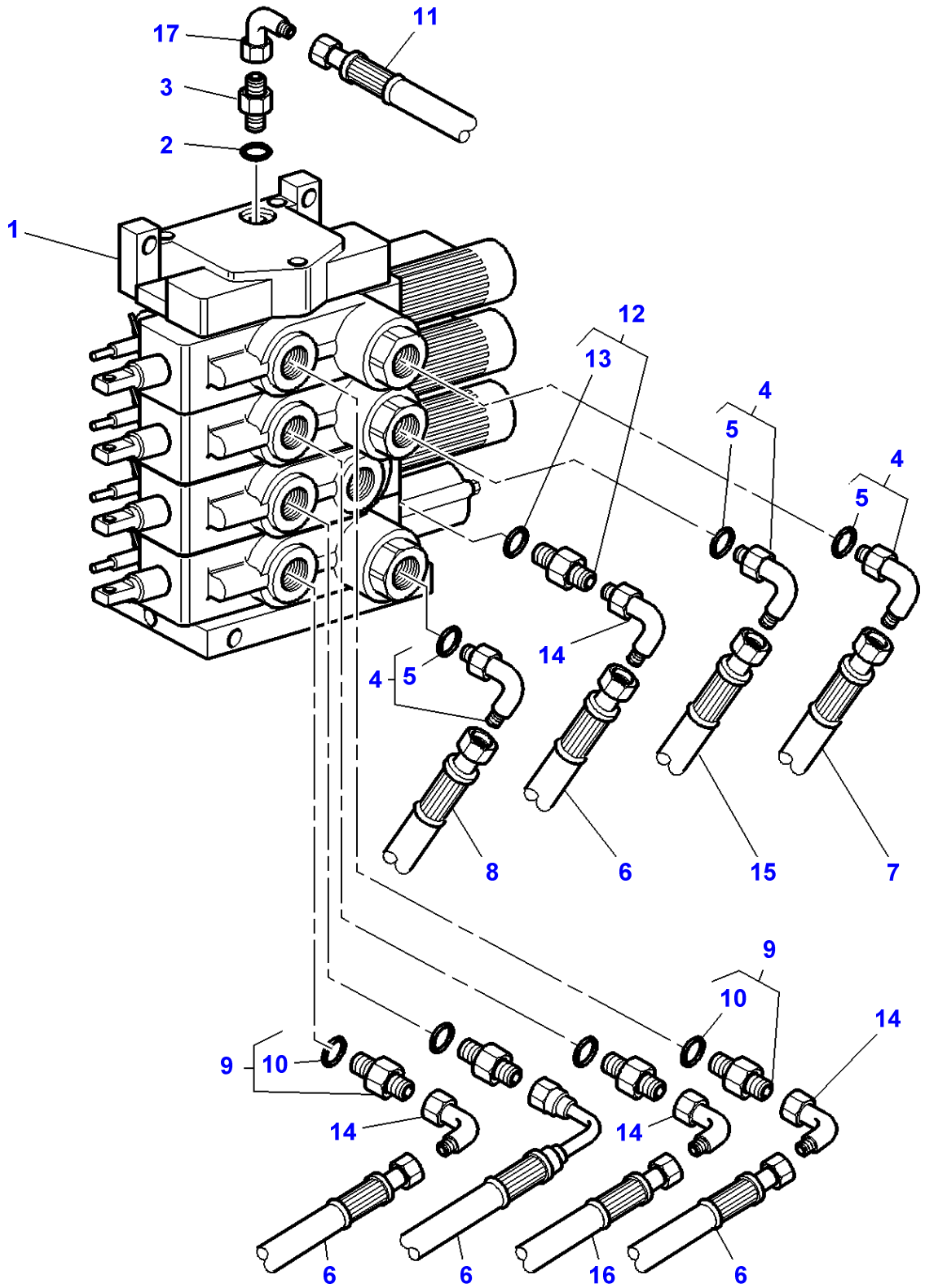
FOOTNOTE [A] DIST 4 FLOATING POSITIONS ,FLOW ADJUST,KICK-OUT,W/ O, ZERO LEAK

FOOTNOTE [B] DIST 3 FLOATING POSITIONS,RETURN BY SPRING,FLOW AD JUST,ZERO LEAK

FOOTNOTE [C] 4 FLOATING POSITIONS DIST,FLOW ADJUST,KICK-OUT,ZER O LEAK

MF 8270/8280 TRACTOR - 1637348
1-ZP36-035-A

1-ZP36-035-A

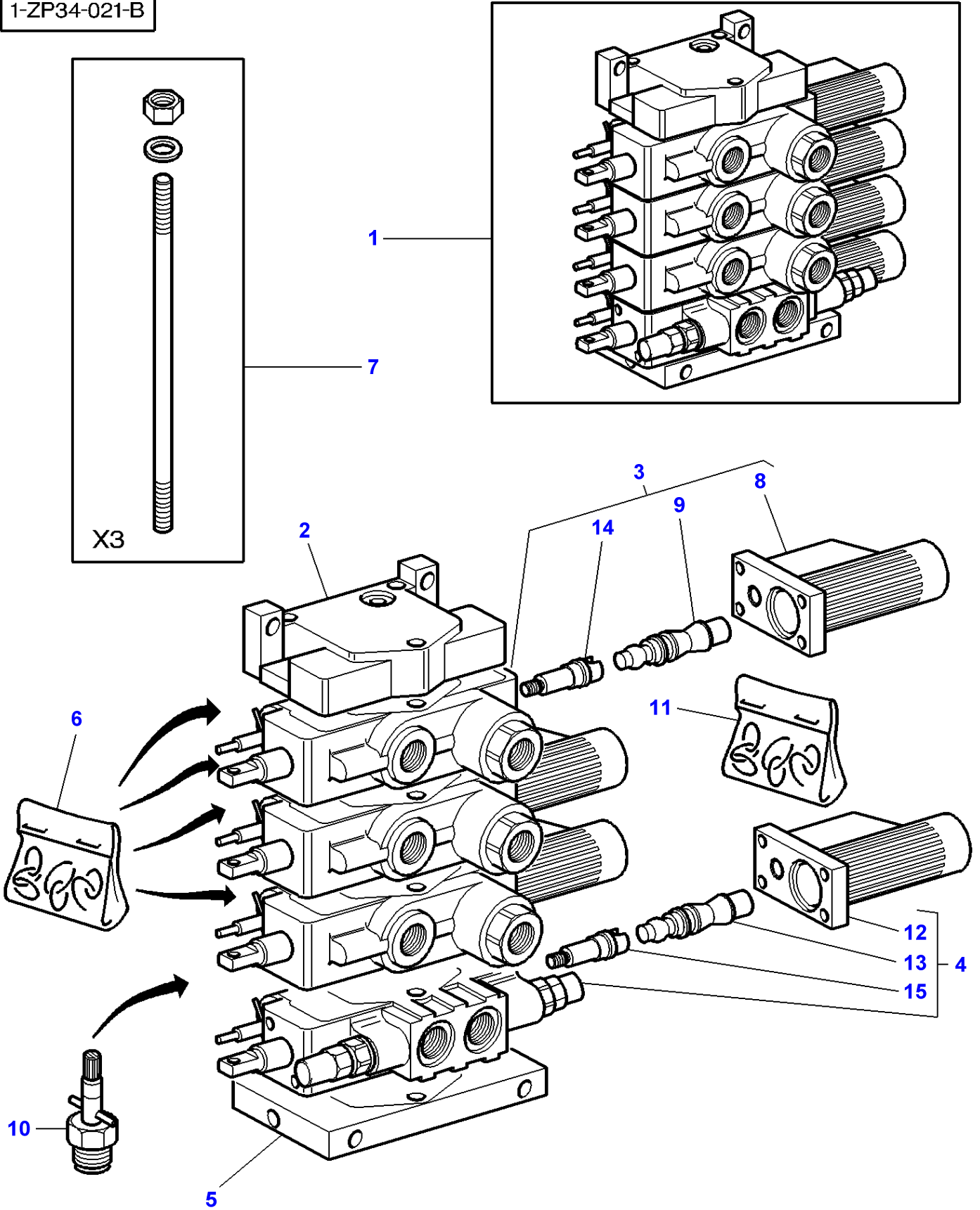


Item	Part Number	Qty	Description	Comments
1	3716322M93	1	Distributor	
2	831452M1	1	O Ring	
3	358733X1	1	Union	From Serial or Engine Number H321002
4	380031X91	3	Union	7/88-14
5	1882958M1	1	O Ring	(4)
6	3712540M1	4	Hydr Hose	Length 650MM
7	3714953M1	1	Hydr Hose	Length 600MM
8	3714956M1	1	Hydr Hose	Length 600MM
9	835013M91	4	Union	
10	1882958M1	1	O Ring	(9)
11	3716398M1	1	Hydr Hose	[A]
	3792042M1	1	Hydr Hose	[B]
				Length 1400MM
12	380055X91	1	Union	
13	835024M1	1	O Ring	(12)
14	367386X1	4	Elbow	
15	3583591M1	1	Hydr Hose	Length 690MM
16	3792164M1	1	Hydr Hose	Length 900MM
17	364603X1	1	Elbow	From Serial or Engine Number H321002

FOOTNOTE [A] WITH HYDRAULIC PUMP 110 L/MN

FOOTNOTE [B] WITH HYDRAULIC PUMP 150 L/MN

1-ZP34-021-B



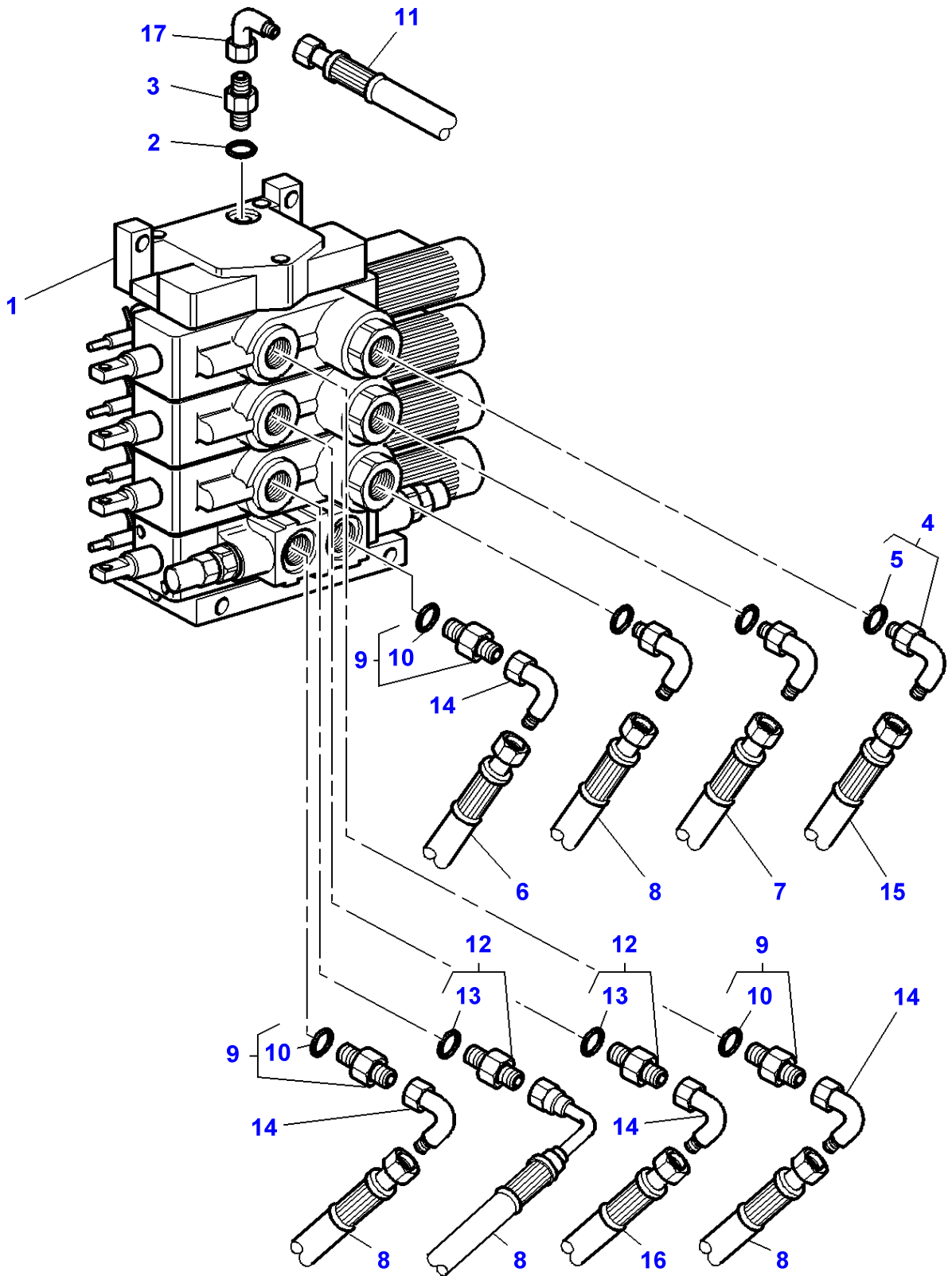
Item	Part Number	Qty	Description	Comments
1	3716323M93	1	Distributor	
2	3716316M1	1	Element	(1)
3	3713928M5	3	Distributor	[A] (1)
4	3713927M3	1	Distributor	[B] (1)
5	3716314M1	1	Element	(1)
6	3792640M1	1	Kit, Joint	(1) Replace and repair. Old interchangeable with new 3902067M91
7	3716367M1	1	Parts Pack	(1)
8	3902797M91	1	Protector	(3)
9	3790773M11	1	Kit, Service	(3)
10	3790797M11	1	Kit, Service	(1)
11	3902066M91	1	Kit, Joint	(1)
12	3902797M91	1	Protector	(4)
13	3790773M11	1	Kit, Service	(4)
14	3903893M1	1	Pivot	(3)
15	3903893M1	1	Pivot	(4)

FOOTNOTE [A] 4 FLOATING POSITIONS DIST,FLOW ADJUST,KICK-OUT,ZER O LEAK

FOOTNOTE [B] 4 FLOAT POSIT DIST,FLOW ADJUST,KICK-OUT W 2 OVERP RES.VALVE AND RESUPPLYING FOR HYDRAULIC MOTOR

MF 8270/8280 TRACTOR - 1637348
1-ZP36-036-A

1-ZP36-036-A

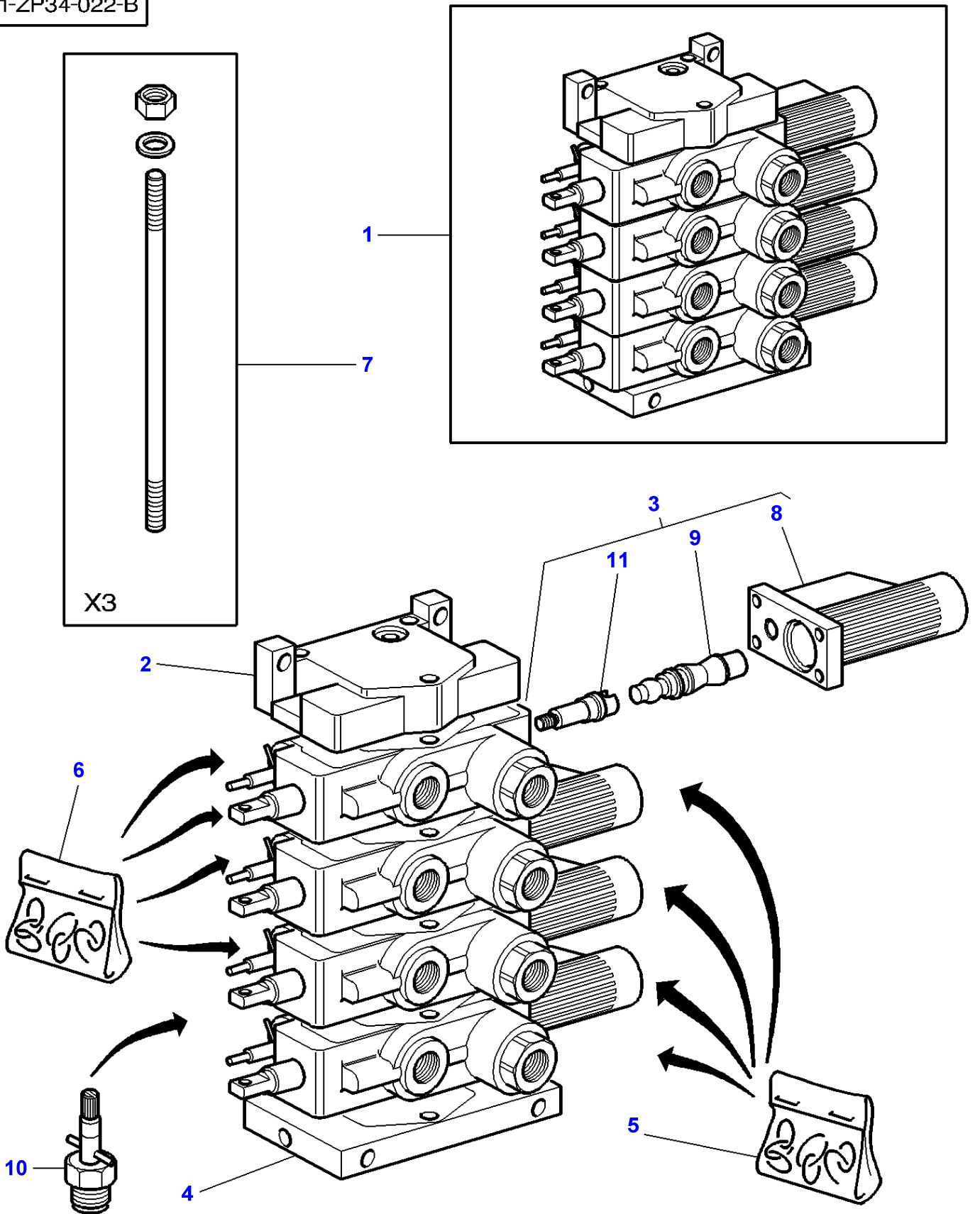


Item	Part Number	Qty	Description	Comments
1	3716323M93	1	Distributor	
2	831452M1	1	O Ring	
3	358733X1	1	Union	From Serial or Engine Number H321002
4	380031X91	3	Union	7/88-14
5	1882958M1	1	O Ring	(4)
6	3714956M1	1	Hydr Hose	Length 600MM
7	3583591M1	1	Hydr Hose	Length 690MM
8	3712540M1	4	Hydr Hose	Length 650MM
9	835013M91	3	Union	
10	1882958M1	1	O Ring	(9)
11	3716398M1	1	Hydr Hose	[A]
	3792042M1	1	Hydr Hose	[B] Length 1400MM
12	380055X91	2	Union	
13	835024M1	1	O Ring	(12)
14	367386X1	4	Elbow	
15	3714953M1	1	Hydr Hose	Length 600MM
16	3792164M1	1	Hydr Hose	Length 900MM
17	364603X1	1	Elbow	From Serial or Engine Number H321002

FOOTNOTE [A] WITH HYDRAULIC PUMP 110 L/MN

FOOTNOTE [B] WITH HYDRAULIC PUMP 150 L/MN

1-ZP34-022-B

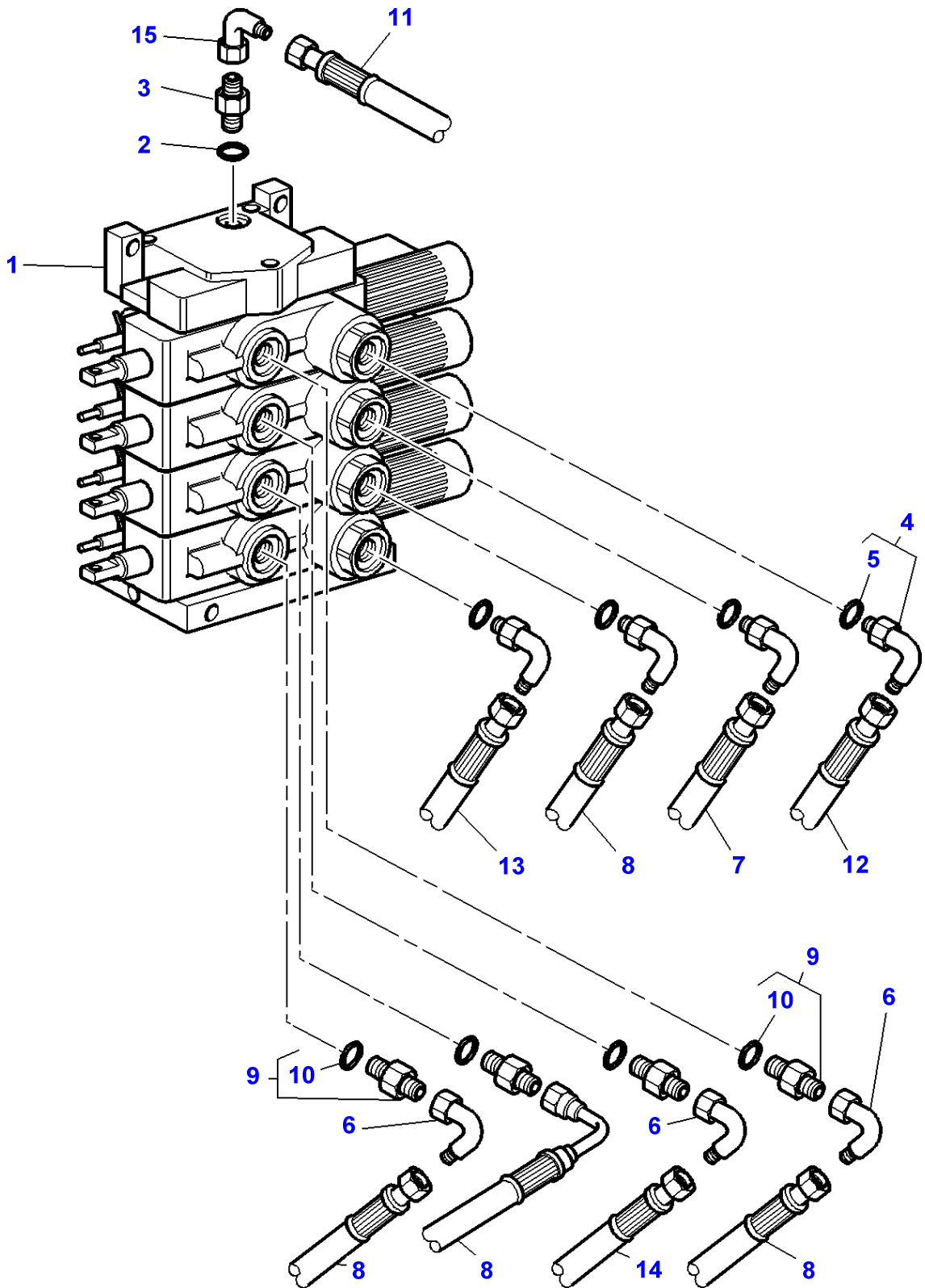


Item	Part Number	Qty	Description	Comments
1	3716324M93	1	Distributor	
2	3716316M1	1	Element	(1)
3	3713928M5	4	Distributor	[A] (1)
4	3716314M1	1	Element	(1)
5	3902066M91	1	Kit, Joint	(1)
6	3792640M1	1	Kit, Joint	(1) Replace and repair. Old interchangeable with new 3902067M91
7	3716367M1	1	Parts Pack	(1)
8	3902797M91	1	Protector	(3)
9	3790773M11	1	Kit, Service	(3)
10	3790797M11	1	Kit, Service	(3)
11	3903893M1	1	Pivot	(3)

FOOTNOTE [A] 4 FLOATING POSITIONS DIST,FLOW ADJUST,KICK-OUT,ZER O LEAK

MF 8270/8280 TRACTOR - 1637348
1-ZP36-037-A

1-ZP36-037-A

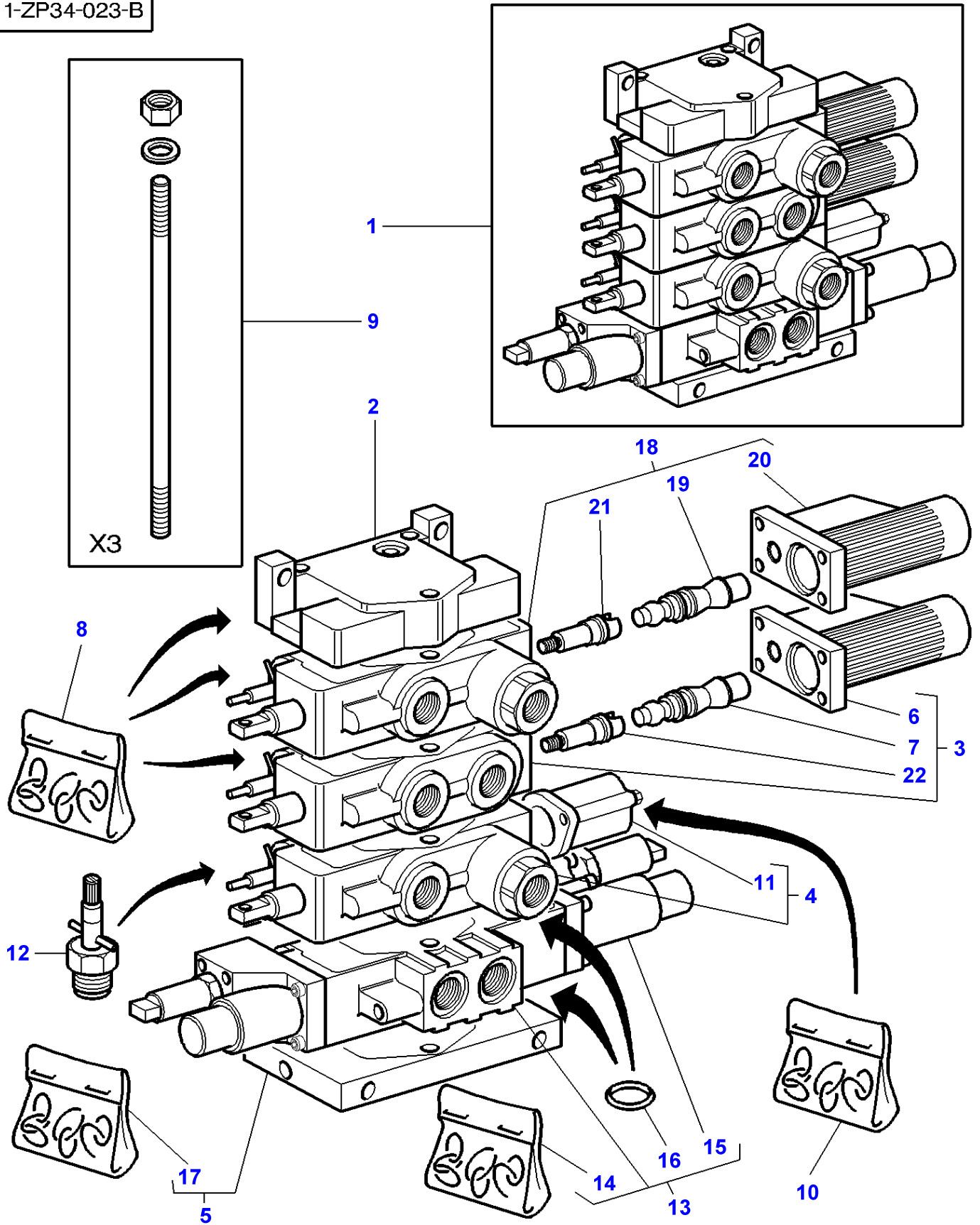


Item	Part Number	Qty	Description	Comments
1	3716324M93	1	Distributor	
2	831452M1	1	O Ring	
3	358733X1	1	Union	From Serial or Engine Number H321002
4	380031X91	4	Union	7/88-14
5	1882958M1	1	O Ring	(4)
6	367386X1	3	Elbow	
7	3583591M1	1	Hydr Hose	Length 690 MM
8	3712540M1	4	Hydr Hose	Length 650 MM
9	835013M91	4	Union	
10	1882958M1	1	O Ring	(9)
11	3716398M1	1	Hydr Hose	[A]
	3792042M1	1	Hydr Hose	[B]
				Length 1400 MM
12	3714953M1	1	Hydr Hose	Length 600 MM
13	3714956M1	1	Hydr Hose	Length 600 MM
14	3792164M1	1	Hydr Hose	Length 900 MM
15	364603X1	1	Elbow	From Serial or Engine Number H321002

FOOTNOTE [A] WITH HYDRAULIC PUMP 110 L/MN

FOOTNOTE [B] WITH HYDRAULIC PUMP 150 L/MN

1-ZP34-023-B



Item	Part Number	Qty	Description	Comments
1	3716393M93	1	Distributor	
2	3716316M1	1	Element	(1)
3	3792803M3	1	Distributor	[A] (1) Replace and repair. Old interchangeable with new 3902062M92
4	3792802M1	1	Distributor	[B] (1) Replace and repair. Old interchangeable with new 3902063M91
5	3716315M1	1	Element	(1)
6	3902797M91	1	Protector	(3)
7	3790773M11	1	Kit, Service	(3)
8	3792640M1	1	Kit, Joint	(1) Replace and repair. Old interchangeable with new 3902067M91
9	3716367M1	1	Parts Pack	(1)
10	3902066M91	1	Kit, Joint	(1)
11	3902813M91	1	Protector	(4)
12	3790797M11	3	Kit, Service	(1)
13	3715122M2	1	Pressure Valve	[C] (1)
14	3902734M91	1	Kit, Joint	(13)
15	3900512M92	2	Pressure Valve	(13)
16	359288X1	4	Seal	(13)
17	3792639M1	1	Kit, Joint	(5) Replace and repair. Old interchangeable with new 3902733M91
18	3713928M5	1	Distributor	[D] (1)
19	3790773M11	1	Kit, Service	(18)
20	3902797M91	1	Protector	(18)
21	3903893M1	1	Pivot	(18)
22	3903893M1	1	Pivot	(3)

FOOTNOTE [A] DIST 4 FLOATING POSITIONS ,FLOW ADJUST,KICK-OUT,W/ O, ZERO LEAK

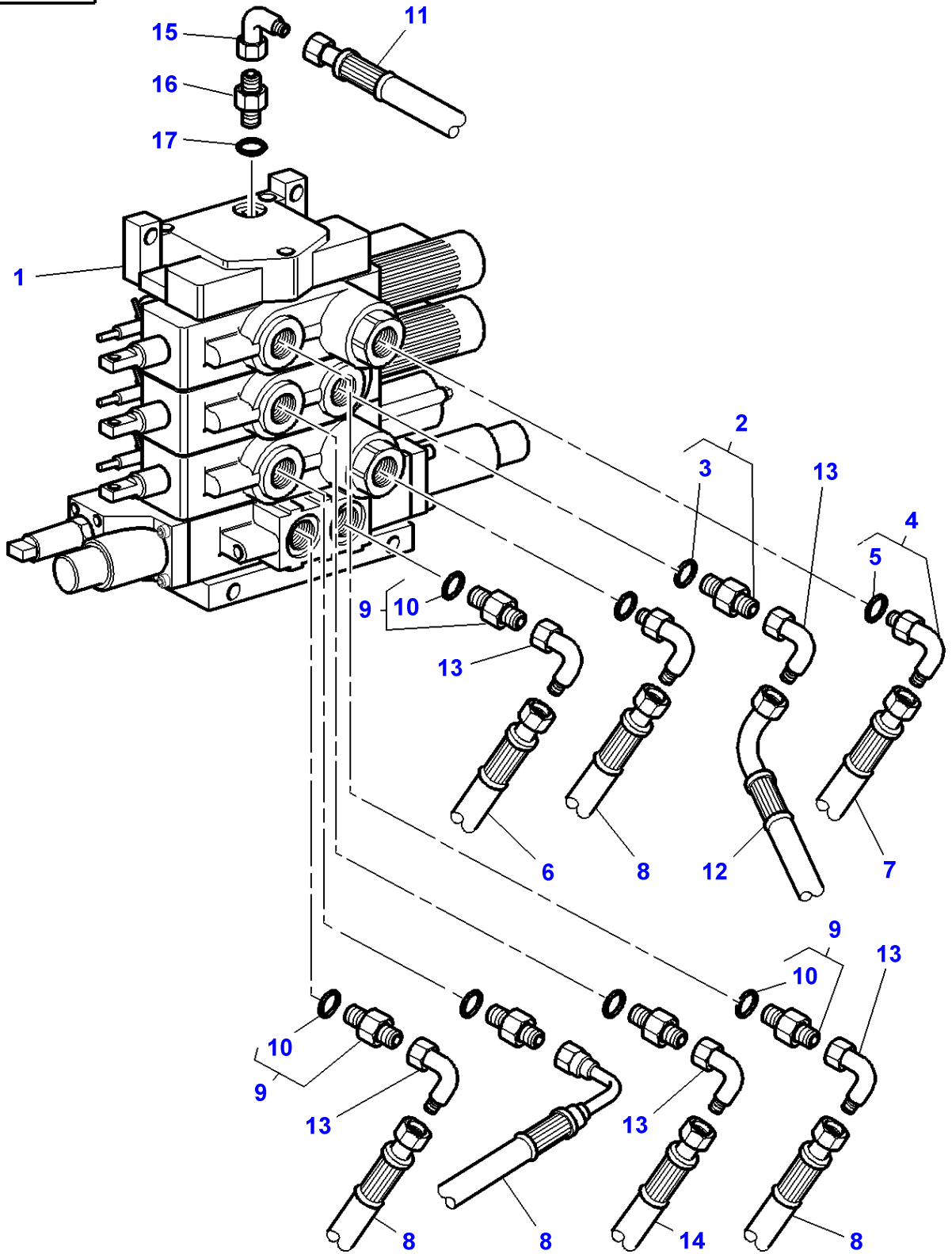
FOOTNOTE [B] DIST 3 FLOATING POSITIONS,RETURN BY SPRING,FLOW AD JUST,ZERO LEAK

FOOTNOTE [C] DIST 3 FLOATING POSITIONS,AUTOMATIC KICK-OUT(BY SP RING),FLOW ADJUST,ELECTRIC CONTROL

FOOTNOTE [D] 4 FLOATING POSITIONS DIST,FLOW ADJUST,KICK-OUT,ZER O LEAK

MF 8270/8280 TRACTOR - 1637348
1-ZP36-038-A

1-ZP36-038-A



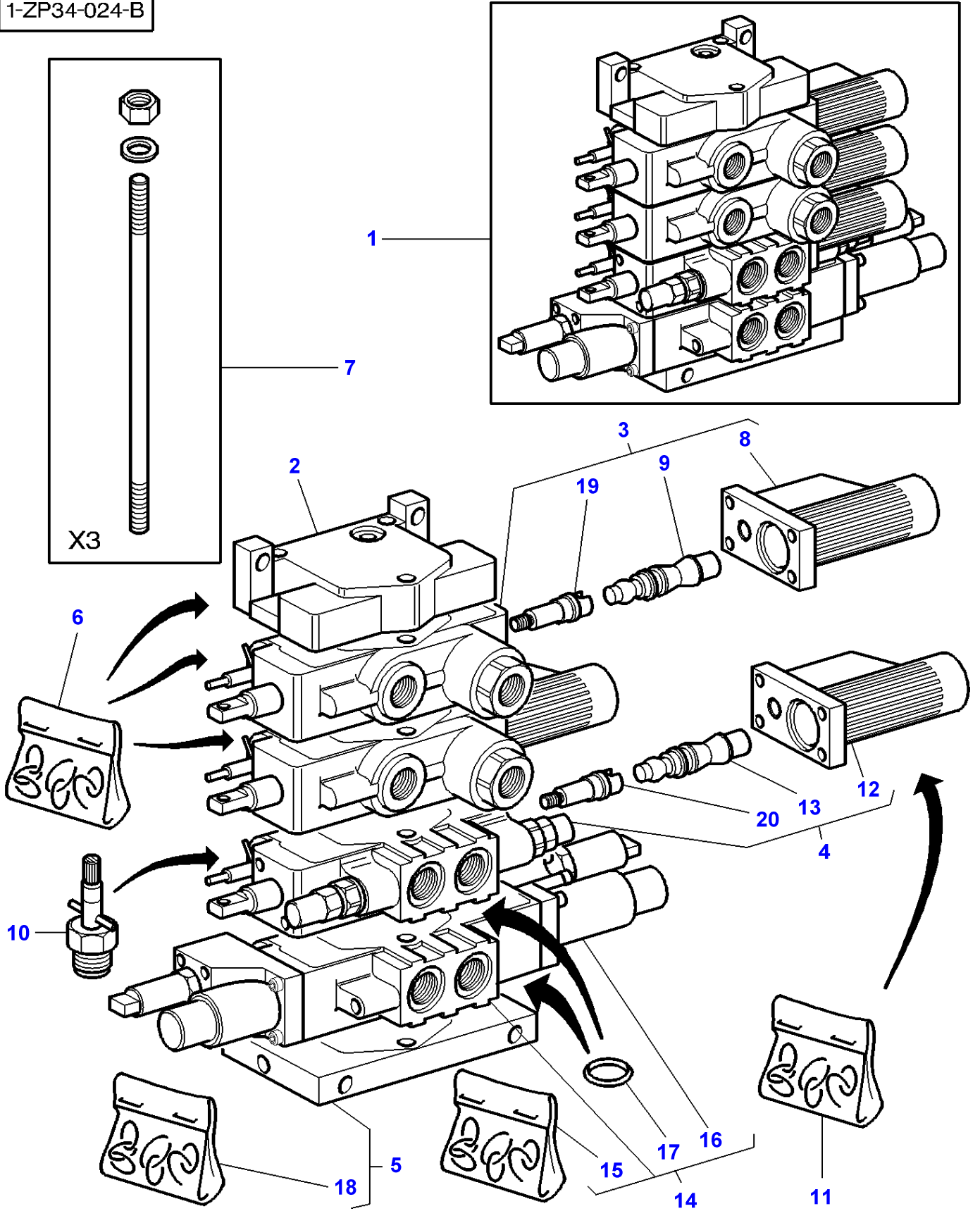
Item	Part Number	Qty	Description	Comments
1	3716393M93	1	Distributor	
2	835024M1	1	O Ring	
3	380055X91	1	Union	(2)
4	380031X91	2	Union	7/88-14
5	1882958M1	1	O Ring	(4)
6	3714956M1	1	Hydr Hose	Length 600MM
7	3714953M1	1	Hydr Hose	Length 600MM
8	3712540M1	4	Hydr Hose	Length 650MM
9	835013M91	5	Union	
10	1882958M1	1	O Ring	(9)
11	3716398M1	1	Hydr Hose	[A]
	3792042M1	1	Hydr Hose	[B] Length 1400MM
12	3792167M1	1	Hydr Hose	Length 780MM
13	367386X1	5	Elbow	
14	3792164M1	1	Hydr Hose	Length 900MM
15	364603X1	1	Elbow	From Serial or Engine Number H321002
16	358733X1	1	Union	From Serial or Engine Number H321002
17	831452M1	1	O Ring	

FOOTNOTE [A] WITH HYDRAULIC PUMP 110 L/MN

FOOTNOTE [B] WITH HYDRAULIC PUMP 150 L/MN

MF 8270/8280 TRACTOR - 1637348
1-ZP34-024-B

1-ZP34-024-B



Item	Part Number	Qty	Description	Comments
1	3716394M93	1	Distributor	
2	3716316M1	1	Element	(1)
3	3713928M5	2	Distributor	[A] (1)
4	3713927M3	1	Distributor	[B] (1)
5	3716315M1	1	Element	(1)
6	3792640M1	1	Kit, Joint	(1) Replace and repair. Old interchangeable with new 3902067M91
7	3716367M1	1	Parts Pack	(1)
8	3902797M91	1	Protector	(3)
9	3790773M11	1	Kit, Service	(3)
10	3790797M11	2	Kit, Service	(1)
11	3902066M91	1	Kit, Joint	(1)
12	3902797M91	1	Protector	(4)
13	3790773M11	1	Kit, Service	(4)
14	3715122M2	1	Pressure Valve	[C] (1)
15	3902734M91	1	Kit, Joint	(14)
16	3900512M92	2	Pressure Valve	(14)
17	359288X1	4	Seal	(14)
18	3792639M1	1	Kit, Joint	(5) Replace and repair. Old interchangeable with new 3902733M91
19	3903893M1	1	Pivot	(3)
20	3903893M1	1	Pivot	(4)

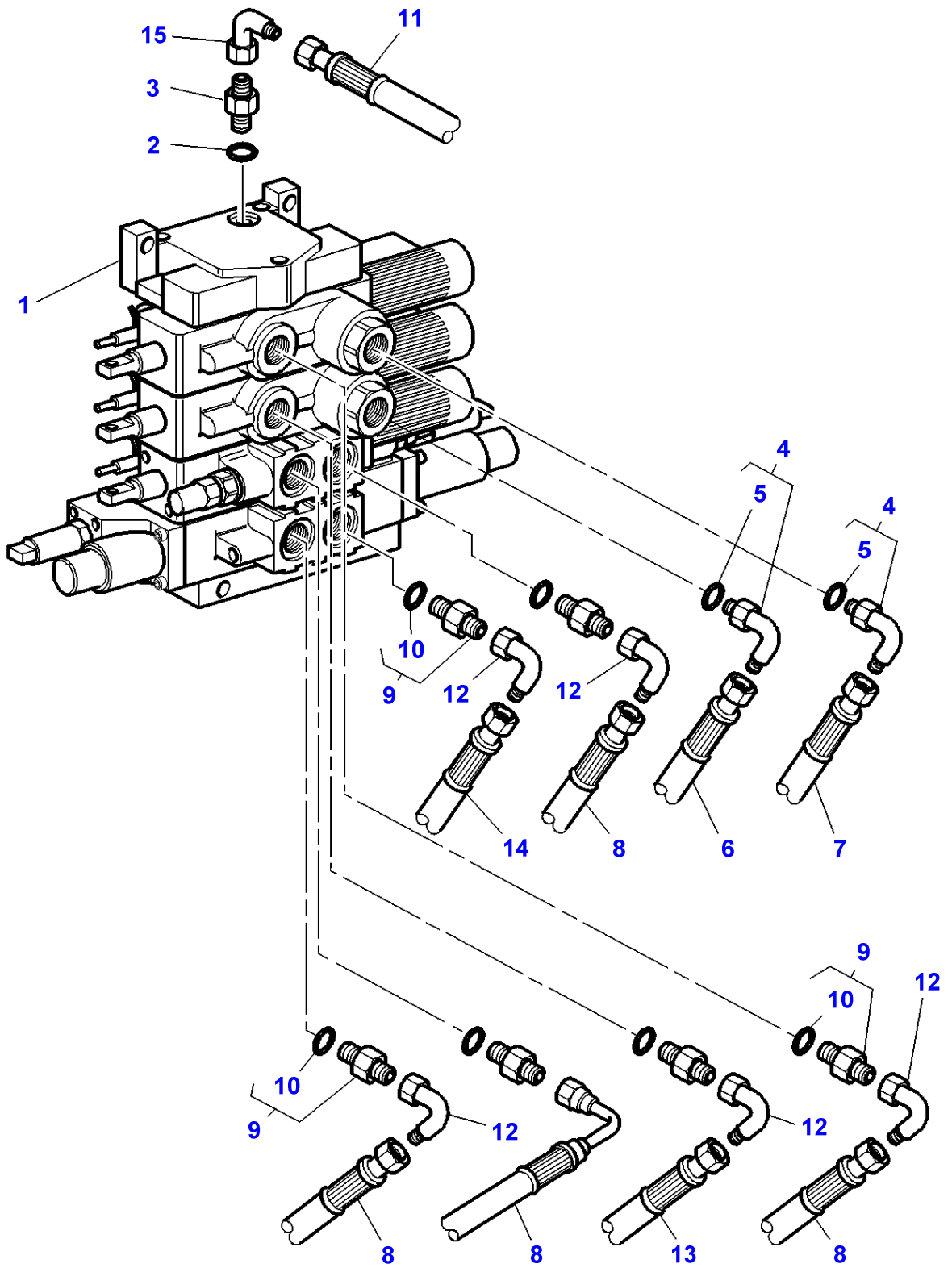
FOOTNOTE [A] 4 FLOATING POSITIONS DIST,FLOW ADJUST,KICK-OUT,ZER O LEAK

FOOTNOTE [B] 4 FLOAT POSIT DIST,FLOW ADJUST,KICK-OUT W 2 OVERP RES.VALVE AND RESUPPLYING FOR HYDRAULIC MOTOR

FOOTNOTE [C] DIST 3 FLOATING POSITIONS,AUTOMATIC KICK-OUT(BY SP RING),FLOW ADJUST,ELECTRIC CONTROL

MF 8270/8280 TRACTOR - 1637348
1-ZP36-039-A

1-ZP36-039-A

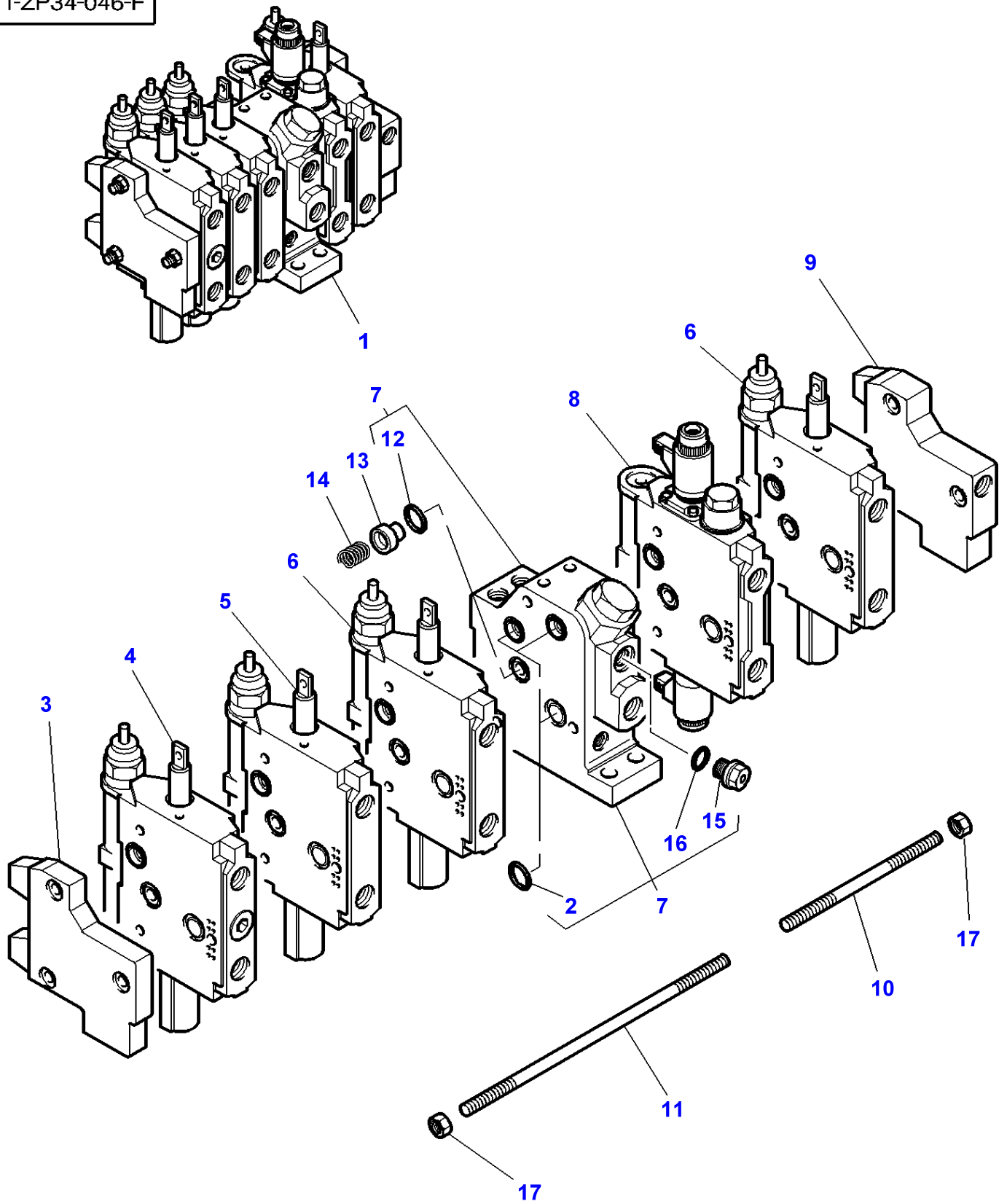


Item	Part Number	Qty	Description	Comments
1	3716394M93	1	Distributor	
2	831452M1	1	O Ring	
3	358733X1	1	Union	From Serial or Engine Number H321002
4	380031X91	2	Union	7/88-14
5	1882958M1	1	O Ring	(4)
6	3583591M1	1	Hydr Hose	Length 690MM
7	3714953M1	1	Hydr Hose	Length 600MM
8	3712540M1	4	Hydr Hose	Length 650MM
9	835013M91	6	Union	
10	1882958M1	1	O Ring	(9)
11	3716398M1	1	Hydr Hose	[A]
	3792042M1	1	Hydr Hose	[B] Length 1400MM
12	367386X1	5	Elbow	
13	3792164M1	1	Hydr Hose	Length 900MM
14	3714956M1	1	Hydr Hose	Length 600MM
15	364603X1	1	Elbow	From Serial or Engine Number H321002

FOOTNOTE [A] WITH HYDRAULIC PUMP 110 L/MN

FOOTNOTE [B] WITH HYDRAULIC PUMP 150 L/MN

1-ZP34-046-F



Item	Part Number	Qty	Description	Comments
1		1	Distributor	[E]
2	3796222M1	3	O Ring	(7) Diameter 20X1,5
3	3796108M1	1	Element	(1)
4	3796090M3	1	Distributor	[A] (1) See Page - Reference Number 070-0465/1
5	3796091M3	1	Distributor	[B] (1) See Page - Reference Number 070-0460/1
6	3795751M3	2	Distributor	[C] (1) See Page - Reference Number 070-0445/1
7	3796109M2	1	Element	(1)
8	3796103M2	1	Pressure Valve	[D] (1) See Page - Reference Number 070-0450/1
9	3796107M1	1	Element	(1)
10	3796232M1	3	Stud	(1) M8 X 131
11	3796233M1	3	Stud	(1) M8 X 171
12	3796223M1	1	O Ring	(7) Diameter 18 X 1,5
13	3796224M1	1	Non Return Valve	(1)
14	3796225M1	1	Spring	(1)
15	3108244M1	1	Plug	(7)
16	3108238M1	1	O Ring	(7)
17	339169X1	6	Nut	(1) M8

FOOTNOTE [A] DIST 3 POSITIONS, FLOW ADJUST, DOUBLE ACTION, ZERO LEAK

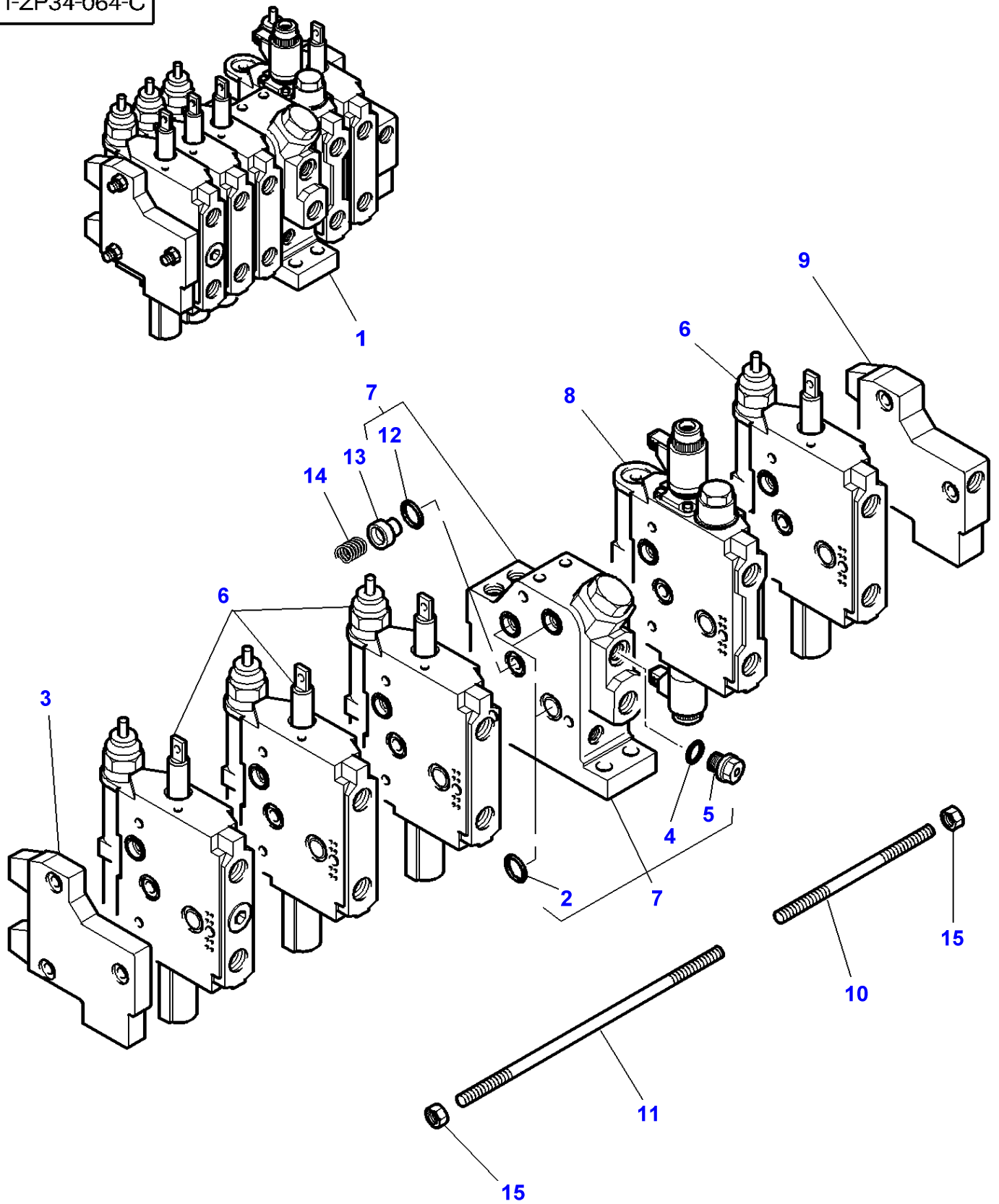
FOOTNOTE [B] DIST 4 FLOATING POSITIONS, FLOW ADJUST, DOUBLE ACTION, KICK OUT

FOOTNOTE [C] DIST 4 FLOATING POSITIONS, FLOW ADJUST, DOUBLE ACTION, KICK OUT, ZERO LEAK

FOOTNOTE [D] HYDRAULIC LIFT VALVE

FOOTNOTE [E] ORDER DETAIL

1-ZP34-064-C



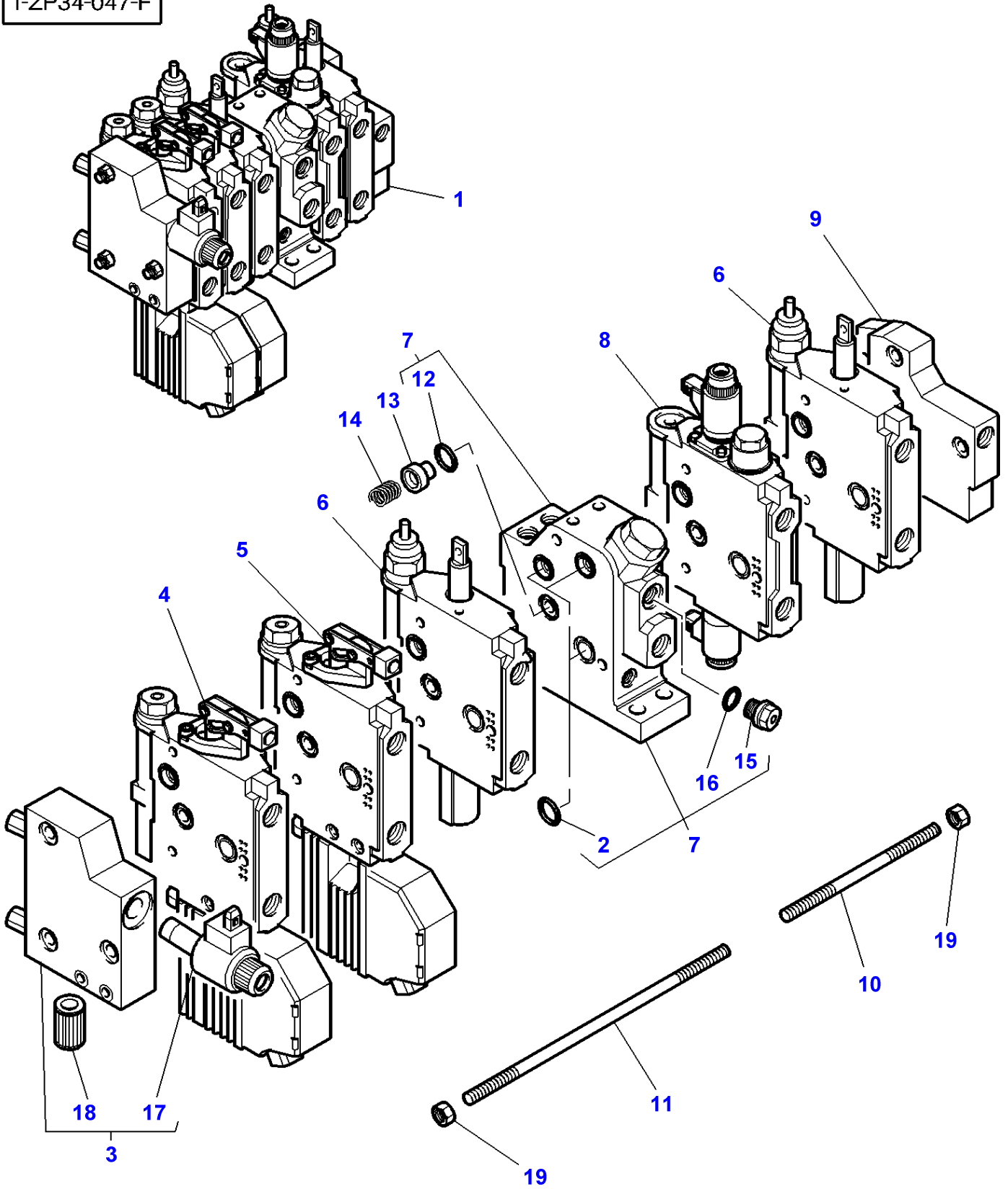
Item	Part Number	Qty	Description	Comments
1		1	Distributor	[A]
2	3796222M1	3	O Ring	(7) Diameter 20 X 1,5
3	3796108M1	1	Element	(1)
4	3108238M1	1	O Ring	(7)
5	3108244M1	1	Plug	(7)
6	3795751M3	4	Distributor	[C] (1) See Page - Reference Number 070-0445/1
7	3796109M2	1	Element	(1)
8	3796103M2	1	Pressure Valve	[D] (1) See Page - Reference Number 070-0450/1
9	3796107M1	1	Element	(1)
10	3796232M1	3	Stud	(1) M8 X 131
11	3796233M1	3	Stud	(1) M8 X 171
12	3796223M1	1	O Ring	(7) Diameter 18 X 1,5
13	3796224M1	1	Non Return Valve	(1)
14	3796225M1	1	Spring	(1)
15	339169X1	6	Nut	(1) M8

FOOTNOTE [A] ORDER DETAIL

FOOTNOTE [C] DIST 4 FLOATING POSITIONS ,FLOW ADJUST,DOUBLE ACTI ON,KICK OUT,ZERO LEAK

FOOTNOTE [D] HYDRAULIC LIFT VALVE

1-ZP34-047-F



Item	Part Number	Qty	Description	Comments
1		1	Distributor	[F]
2	3796222M1	3	O Ring	(7) Diameter 20X1,5
3	3796111M2	1	Element	(1)
4	3796027M7	1	Distributor	[A,B] (1) See Page - Reference Number 070-0430/1
5	3796026M7	1	Distributor	[A,B,C] (1) See Page - Reference Number 070-0430/1
6	3795751M3	2	Distributor	[E] (1) See Page - Reference Number 070-0445/1
7	3796109M2	1	Element	(1)
8	3796103M2	1	Pressure Valve	[D] (1) See Page - Reference Number 070-0450/1
9	3796107M1	1	Element	(1)
10	3796232M1	3	Stud	(1) M8 X 131
11	3796389M1	3	Stud	(1) M8 X 184
12	3796223M1	1	O Ring	(7) Diameter 18 X 1,5
13	3796224M1	1	Non Return Valve	(1)
14	3796225M1	1	Spring	(1)
15	3108244M1	1	Plug	(7)
16	3108238M1	1	O Ring	(7)
17	3903997M1	1	Electrovalve	(3)
18	G001.990.100.010	1	Kit, Filter	(3) 25 MICRONS
19	339169X1	6	Nut	(1) M8

FOOTNOTE [A] DISTRIBUTOR WITH ELECTRIC CONTROL

FOOTNOTE [B] DIST 4 POSITIONS, FLOW ADJUST, DOUBLE ACTION, ZERO LEAK

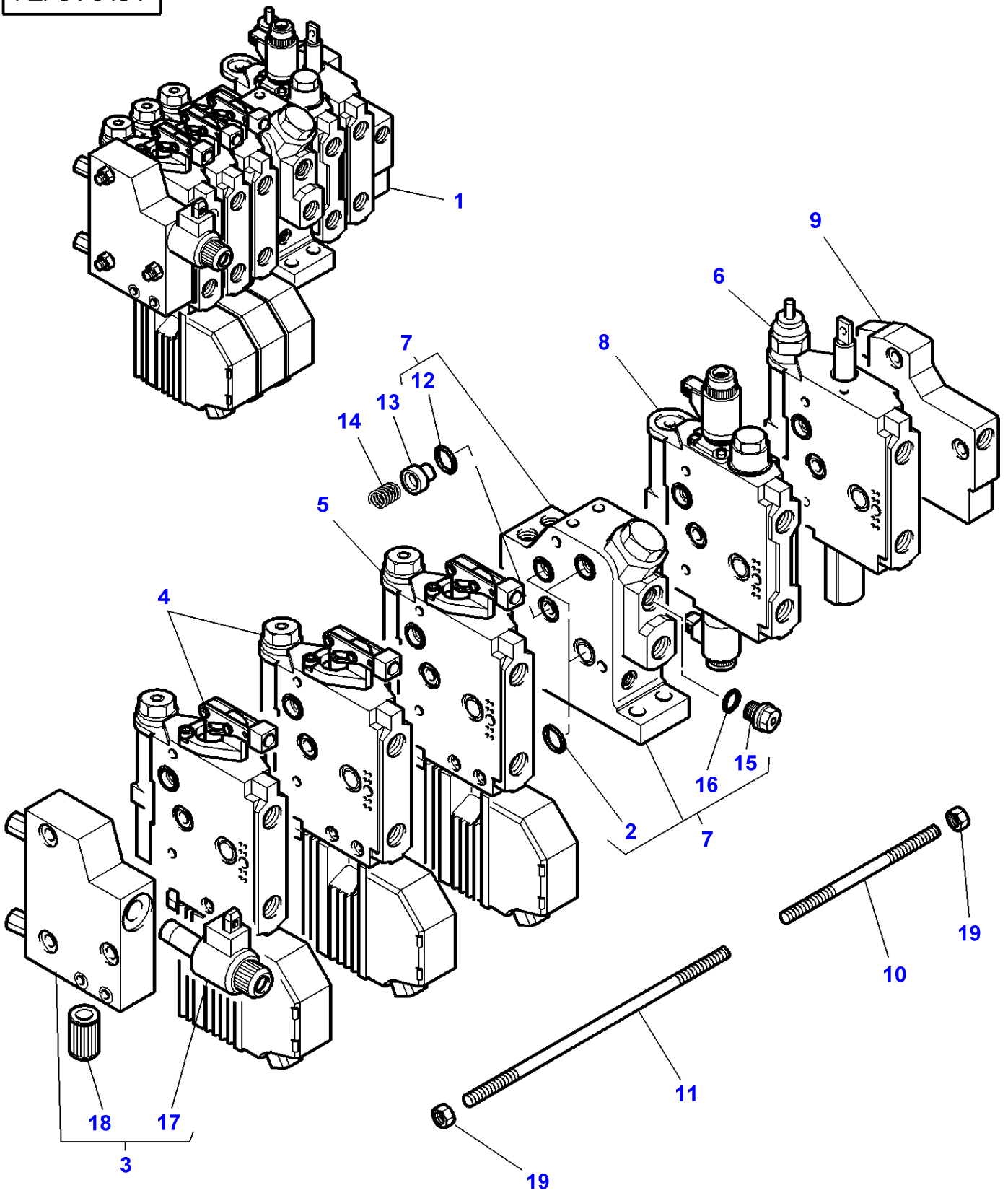
FOOTNOTE [C] WITH TIGHTNESS BALLS

FOOTNOTE [D] HYDRAULIC LIFT VALVE

FOOTNOTE [E] DIST 4 FLOATING POSITIONS, FLOW ADJUST, DOUBLE ACTION, KICK OUT, ZERO LEAK

FOOTNOTE [F] ORDER DETAIL

1-ZP34-048-F



Item	Part Number	Qty	Description	Comments
1		1	Distributor	[G]
2	3796222M1	3	O Ring	(7) Diameter 20X1,5
3	3796111M2	1	Element	(1)
4	3796027M7	2	Distributor	[A,B,C] (1) See Page - Reference Number 070-0430/1
5	3796026M7	1	Distributor	[B,C,E] (1) See Page - Reference Number 070-0430/1
6	3795751M3	1	Distributor	[F] (1) See Page - Reference Number 070-0445/1
7	3796109M2	1	Element	(1)
8	3796103M2	1	Pressure Valve	[D] (1) See Page - Reference Number 070-0450/1
9	3796107M1	1	Element	(1)
10	3796232M1	3	Stud	(1) M8 X 131
11	3796389M1	3	Stud	(1) M8 X 184
12	3796223M1	1	O Ring	(7) Diameter 18 X 1,5
13	3796224M1	1	Non Return Valve	(1)
14	3796225M1	1	Spring	(1)
15	3108244M1	1	Plug	(7)
16	3108238M1	1	O Ring	(7)
17	3903997M1	1	Electrovalve	(3)
18	G001.990.100.010	1	Kit, Filter	(3) 25 MICRONS
19	339169X1	6	Nut	(1) M8

FOOTNOTE [A] WITH DUAL CONTROL

FOOTNOTE [B] DIST 4 POSITIONS, FLOW ADJUST, DOUBLE ACTION, ZERO LEAK

FOOTNOTE [C] DISTRIBUTOR WITH ELECTRIC CONTROL

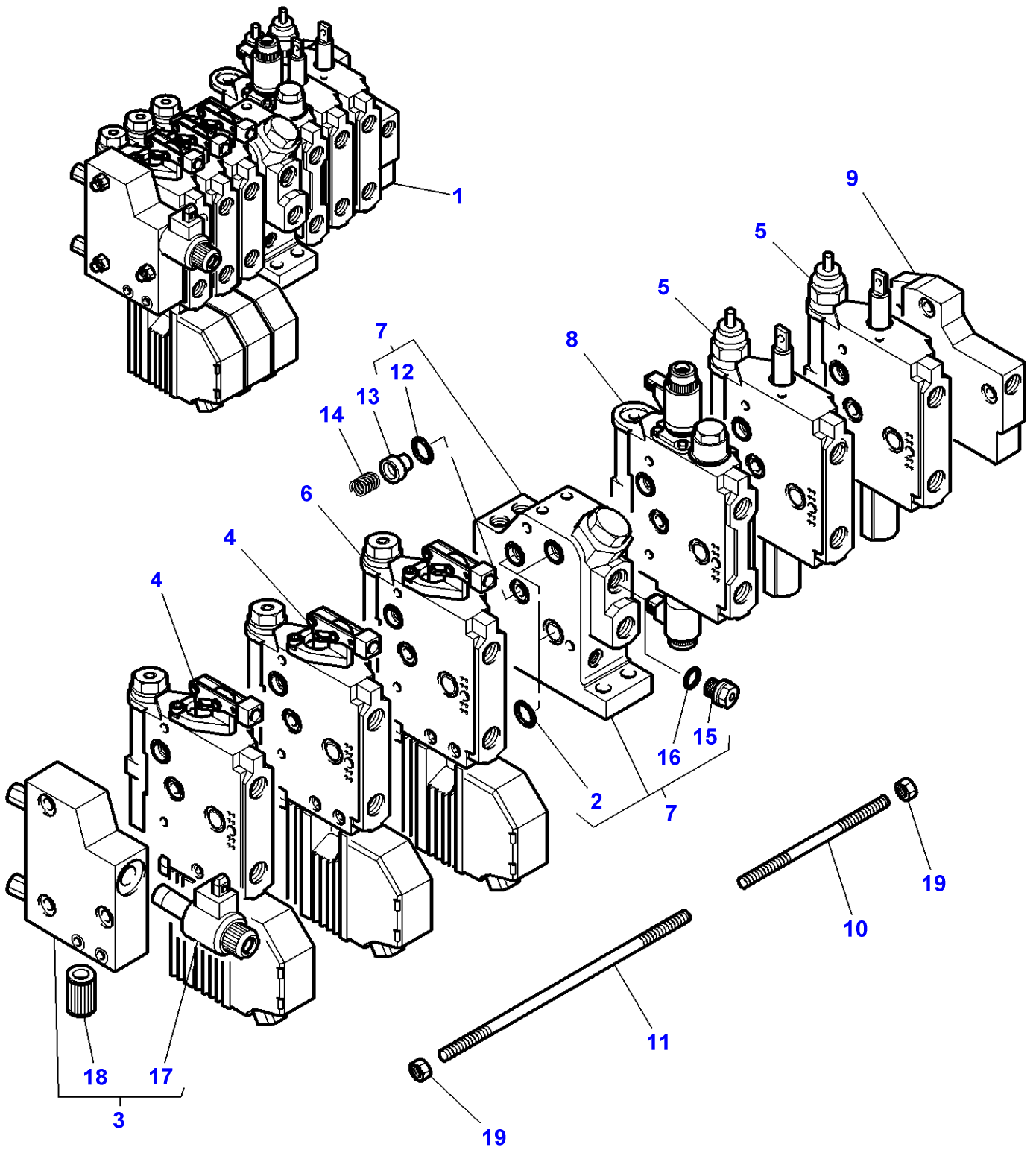
FOOTNOTE [D] HYDRAULIC LIFT VALVE

FOOTNOTE [E] WITH TIGHTNESS BALLS

FOOTNOTE [F] DIST 4 FLOATING POSITIONS, FLOW ADJUST, DOUBLE ACTION, KICK OUT, ZERO LEAK

FOOTNOTE [G] ORDER DETAIL

1-ZP34-066-C



Item	Part Number	Qty	Description	Comments
1		1	Distributor	[F]
2	3796222M1	3	O Ring	(7) Diameter 20X1,5
3	3796111M2	1	Element	(1)
4	3796027M7	2	Distributor	[A,B] (1) See Page - Reference Number 070-0430/1
5	3796086M3	2	Distributor	[E] (1) See Page - Reference Number 070-0470/1
6	3796026M7	1	Distributor	[A,B,C] (1) See Page - Reference Number 070-0430/1
7	3796109M2	1	Element	(1)
8	3796103M2	1	Pressure Valve	[D] (1) See Page - Reference Number 070-0450/1
9	3796107M1	1	Element	(1)
10	3796233M1	3	Stud	(1) M8 X 171
11	3796389M1	3	Stud	(1) M8 X 184
12	3796223M1	1	O Ring	(7) Diameter 18 X 1,5
13	3796224M1	1	Non Return Valve	(1)
14	3796225M1	1	Spring	(1)
15	3108244M1	1	Plug	(7)
16	3108238M1	1	O Ring	(7)
17	3903997M1	1	Electrovalve	(3)
18	G001.990.100.010	1	Kit, Filter	(3) 25 MICRONS
19	339169X1	6	Nut	(1) M8

FOOTNOTE [A] DISTRIBUTOR WITH ELECTRIC CONTROL

FOOTNOTE [B] DIST 4 POSITIONS, FLOW ADJUST, DOUBLE ACTION, ZERO LEAK

FOOTNOTE [C] WITH TIGHTNESS BALLS

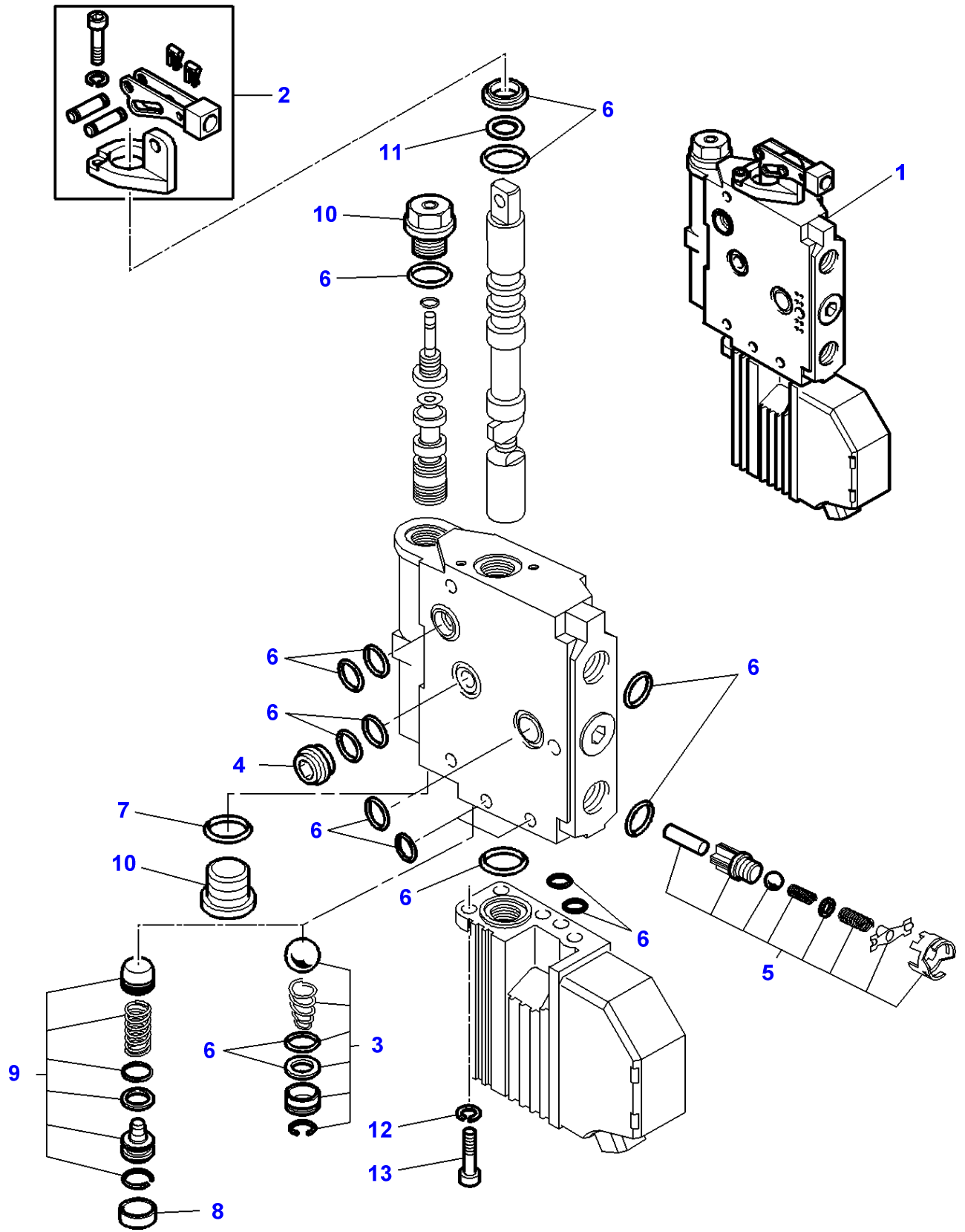
FOOTNOTE [D] HYDRAULIC LIFT VALVE

FOOTNOTE [E] DIST 4 FLOATING POSITIONS, FLOW ADJUST, DOUBLE ACTION, KICK OUT, ZERO LEAK

FOOTNOTE [F] ORDER DETAIL

MF 8270/8280 TRACTOR - 1637348
1-ZP34-057-C

1-ZP34-057-C



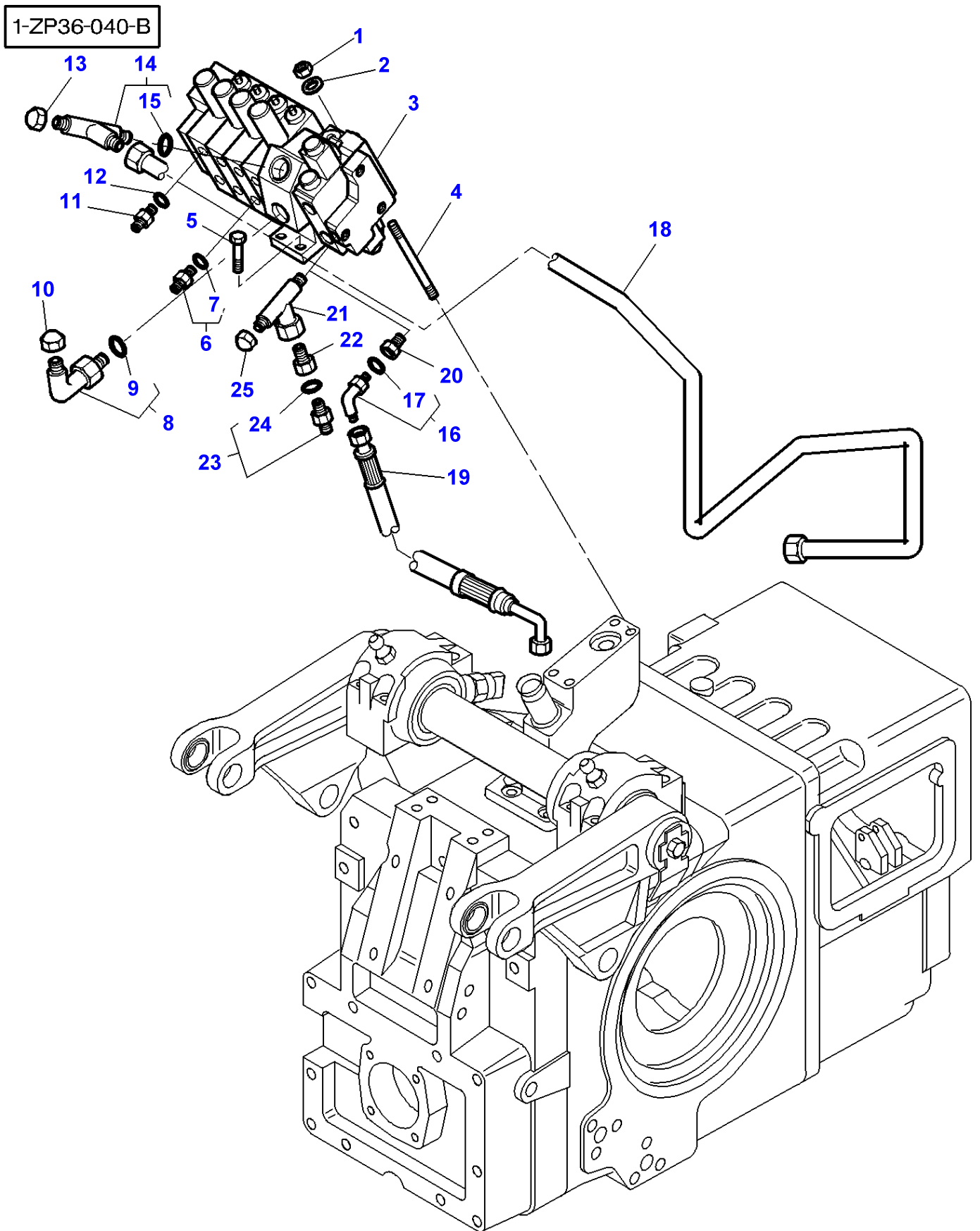
Auxiliary Distributor

Item	Part Number	Qty	Description	Comments
1	3796026M7	1	Distributor	[A,B]
	3796027M7	1	Distributor	[A]
2	3797284M1	1	Drive	(1)
3	3904676M91	1	Parts Pack	(1) Up to Serial or Engine Number M022034
4	3108248M1	1	Bypass	(1)
5	3903864M91	1	Parts Pack	(1)
6	3903869M92	1	Kit,Joint/Gasket	(1)
7	3108243M1	1	Washer	(1)
8	3903856M1	1	Plug	(1)
9	3904676M91	1	Parts Pack	(1) From Serial or Engine Number M022035
10	3108244M1	2	Plug	(1)
11	3904668M1	1	Washer	(1)
12	391130X1	3	Lock Washer	(1)
13	3009281X1	3	Screw	(1) M6 X 16

FOOTNOTE [A] DIST 4 POSITIONS, FLOW ADJUST, DOUBLE ACTION, ZERO LEAK

FOOTNOTE [B] WITH TIGHTNESS BALLS

MF 8270/8280 TRACTOR - 1637348
1-ZP36-040-B



Item	Part Number	Qty	Description	Comments
1	3009695X1	2	Nut	M12
2	390735X1	2	Washer	Diameter 12-24 X 2,5
3		1	Distributor	[A,B,C,J] See Page - Reference Number 070-0405/1
		1	Distributor	[C,J] For United States of America See Page - Reference Number 070-0410/1
		1	Distributor	[C,D,E,J] See Page - Reference Number 070-0415/1
		1	Distributor	[C,D,F,G,J] See Page - Reference Number 070-0420/1
4	3010449X1	2	Stud	Up to Serial or Engine Number 15-02-2004 M12 X 145
	3011597X1	2	Stud	From Serial or Engine Number 16-02-2004 M12 X 170
5	3009494X1	2	Screw Metric	M10 X 35
6	3019387X91	4	Union	
7	3019398X1	1	O Ring	(6)
8	3019596X91	1	Union	
9	3019455X1	1	O Ring	(8)
10	70921244	1	Cap	Replace and repair. Old not interchangeable with new 355782X1
11	3793544M1	4	Union	
12	3019398X1	4	O Ring	
13	356582X1	1	Cap	
14	3019633X91	1	Union	
15	3019399X1	1	O Ring	(14)
16	3010642X91	1	Union	[I] Up to Serial or Engine Number K197000
	3010667X91	1	Union	[H] Up to Serial or Engine Number K197000
17	3019394X1	1	O Ring	(16)
18	3793424M1	1	Tube	[H]
	3797956M91	1	Tube	[I]
19	3790086M1	1	Hydr Hose	[H] Length 930 MM
	3792042M2	1	Hydr Hose	[I] Length 1100 MM
20	3793729M1	1	Reducer	Up to Serial or Engine Number K197000
21	3794885M3	1	Selector	From Serial or Engine Number K197001
22	3793729M1	1	Reducer	From Serial or Engine Number K197001
23	3010626X91	1	Union	From Serial or Engine Number K197001
24	3019394X1	1	O Ring	(23) From Serial or Engine Number K197001
25	356579X1	1	Cap	From Serial or Engine Number K197001

FOOTNOTE [A] DIST 3 POSITIONS, FLOW ADJUST, DOUBLE ACTION, ZERO LEAK

FOOTNOTE [B] DIST 4 FLOATING POSITIONS, FLOW ADJUST, DOUBLE ACTION, KICK OUT

FOOTNOTE [C] DIST 4 FLOATING POSITIONS, FLOW ADJUST, DOUBLE ACTION, KICK OUT, ZERO LEAK

FOOTNOTE [D] DIST 4 POSITIONS, FLOW ADJUST, DOUBLE ACTION, ZERO LEAK

FOOTNOTE [E] 2 DISTRIBUTORS WITH ELECTRIC CONTROL-2 DISTRIBUTOR WITH MECHANICAL CONTROL

FOOTNOTE [F] 3 DISTRIBUTORS WITH ELECTRIC CONTROL-1 DISTRIBUTOR WITH MECHANICAL CONTROL

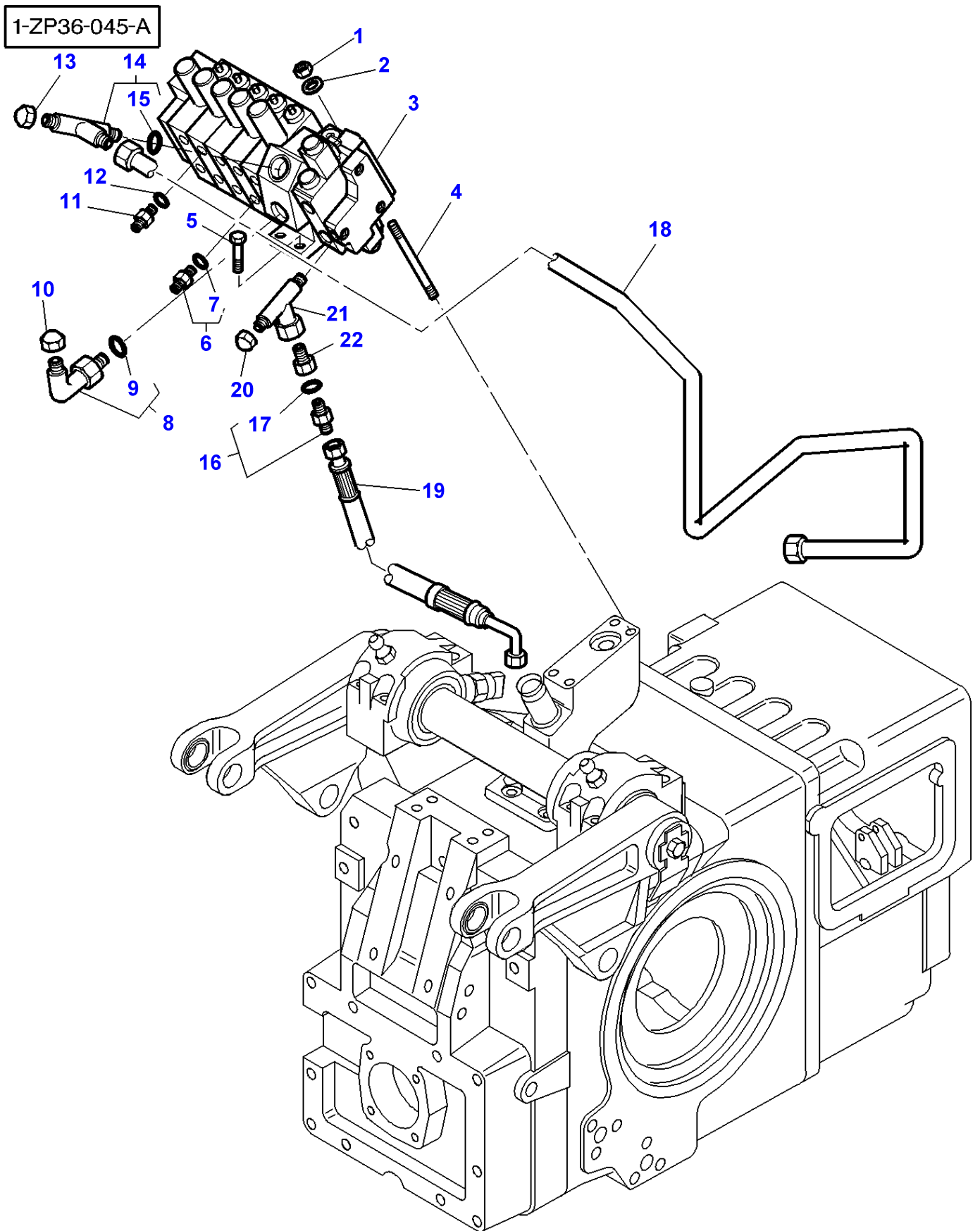
FOOTNOTE [G] WITH DUAL CONTROL

FOOTNOTE [H] WITH HYDRAULIC PUMP 110 L/MN

FOOTNOTE [I] WITH HYDRAULIC PUMP 150 L/MN

FOOTNOTE [J] ORDER DETAIL

MF 8270/8280 TRACTOR - 1637348
1-ZP36-045-A



Load Sensing - Auxiliary Distributors Installati - 3 DISTRIBUTORS ELECTRODYNAMIQUE AND 2 MECHANICAL CONTROL

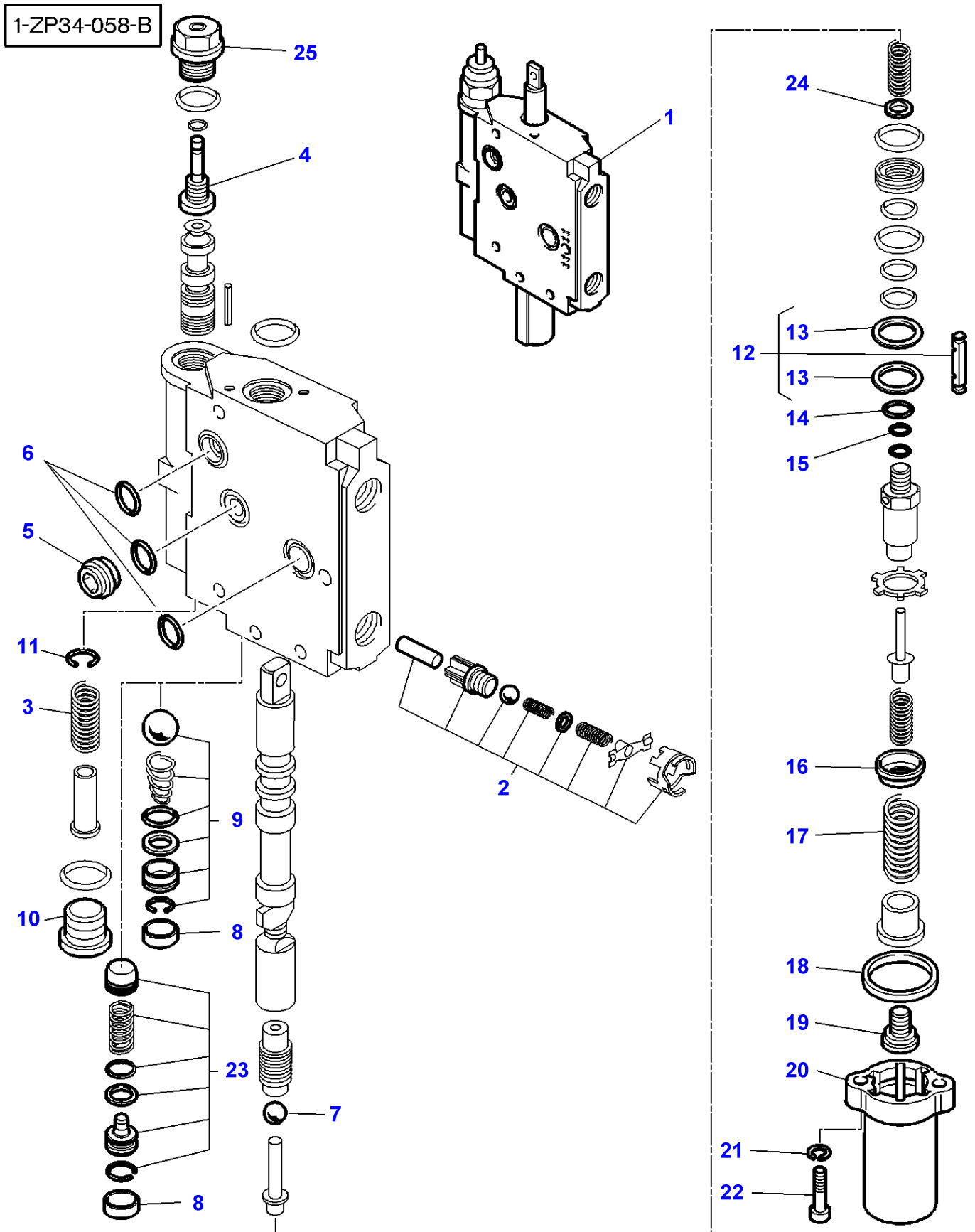
Item	Part Number	Qty	Description	Comments
1	3009695X1	2	Nut	M12
2	390735X1	2	Washer	Diameter 12-24 X 2,5
3		1	Distributor	[C] See Page - Reference Number 070-0425/1
4	3010449X1	2	Stud	Up to Serial or Engine Number 15-02-2004 M12 X 145
	3011597X1	2	Stud	From Serial or Engine Number 16-02-2004 M12 X 170
5	3009494X1	2	Screw Metric	M10 X 35
6	3019387X91	4	Union	
7	3019398X1	1	O Ring	(6)
8	3019596X91	1	Union	
9	3019455X1	1	O Ring	(8)
10	70921244	1	Cap	Replace and repair. Old not interchangeable with new 355782X1
11	3793544M1	4	Union	
12	3019398X1	4	O Ring	
13	356582X1	1	Cap	
14	3019633X91	1	Union	
15	3019399X1	1	O Ring	(14)
16	3010626X91	1	Union	
17	3019394X1	1	O Ring	(16)
18	3793424M1	1	Tube	[A]
	3797956M91	1	Tube	[B]
19	3790086M1	1	Hydr Hose	[A] Length 930 MM
	3792042M2	1	Hydr Hose	[B] Length 1100 MM
20	356579X1	1	Cap	
21	3794885M3	1	Selector	
22	3793729M1	1	Reducer	

FOOTNOTE [A] WITH HYDRAULIC PUMP 110 L/MN

FOOTNOTE [B] WITH HYDRAULIC PUMP 150 L/MN

FOOTNOTE [C] ORDER DETAIL

MF 8270/8280 TRACTOR - 1637348
1-ZP34-058-B



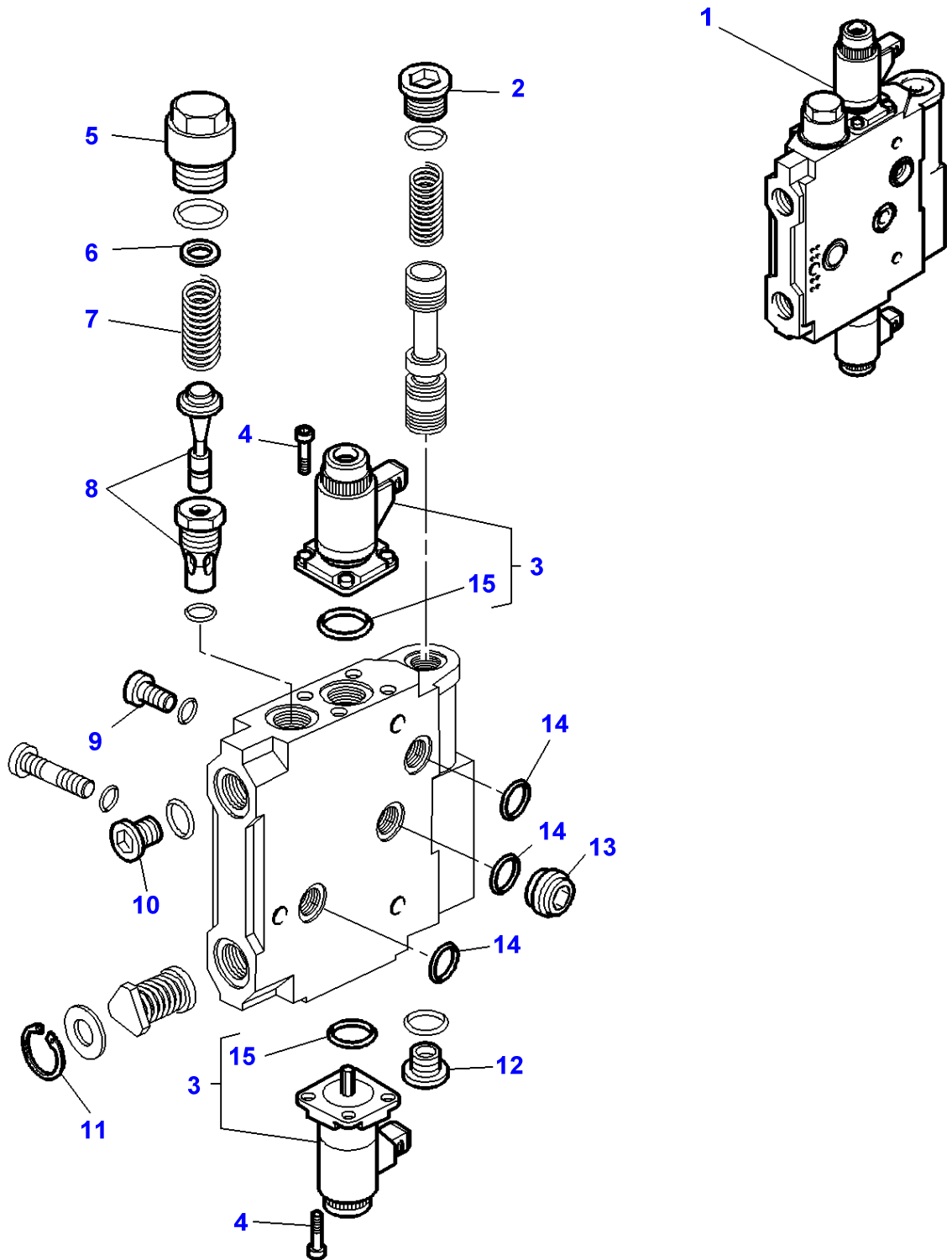
Auxiliary Distributor

Item	Part Number	Qty	Description	Comments
1	3795751M3	1	Distributor	[A]
2	3903864M91	1	Parts Pack	(1)
3	3903862M1	1	Comp.Spring	(1)
4	3903863M1	1	Screw	(1)
5	3797262M1	1	Non Return Valve	(1)
6	3104876M91	1	Kit, Seal	(1)
7	1442737X1	1	Ball	(1)
				Replace and repair. Old not interchangeable with new 3903855M1
8	3903856M1	1	Plug	(1)
9	3904676M91	1	Parts Pack	(1)
				Up to Serial or Engine Number M022034
10	3108244M1	1	Plug	(1)
11	1807113M1	1	Ring	(1)
12	3903984M91	1	Latch	(1)
13	3903865M1	2	Ring	(12)
14	3903853M1	1	O Ring	(1)
15	3902822M1	1	O Ring	(1)
16	3902820M1	1	Cup	(1)
17	3903852M1	1	Comp.Spring	(1)
18	1717452M1	X	Shim	(1)
				Thickness 0,20MM
19	3903851M1	1	Plug	(1)
20	3108251M1	1	Muff	(1)
21	3903850M1	2	Washer	(1)
22	391980X1	2	Screw Metric	(1)
				M6 X 28
23	3904676M91	1	Parts Pack	(1)
				From Serial or Engine Number M022035
24	3904670M1	X	Washer	(1)
				Thickness 0,30MM
	3904671M1	X	Washer	(1)
				Thickness 0,40MM
	3904672M1	X	Washer	(1)
				Thickness 0,50MM
	3904673M1	X	Washer	(1)
				Thickness 1MM
25	3108246M1	1	Plug	(1)

FOOTNOTE [A] DIST 4 FLOATING POSITIONS ,FLOW ADJUST,DOUBLE ACTI ON,KICK OUT,ZERO LEAK

MF 8270/8280 TRACTOR - 1637348
1-ZP18-006-B

1-ZP18-006-B

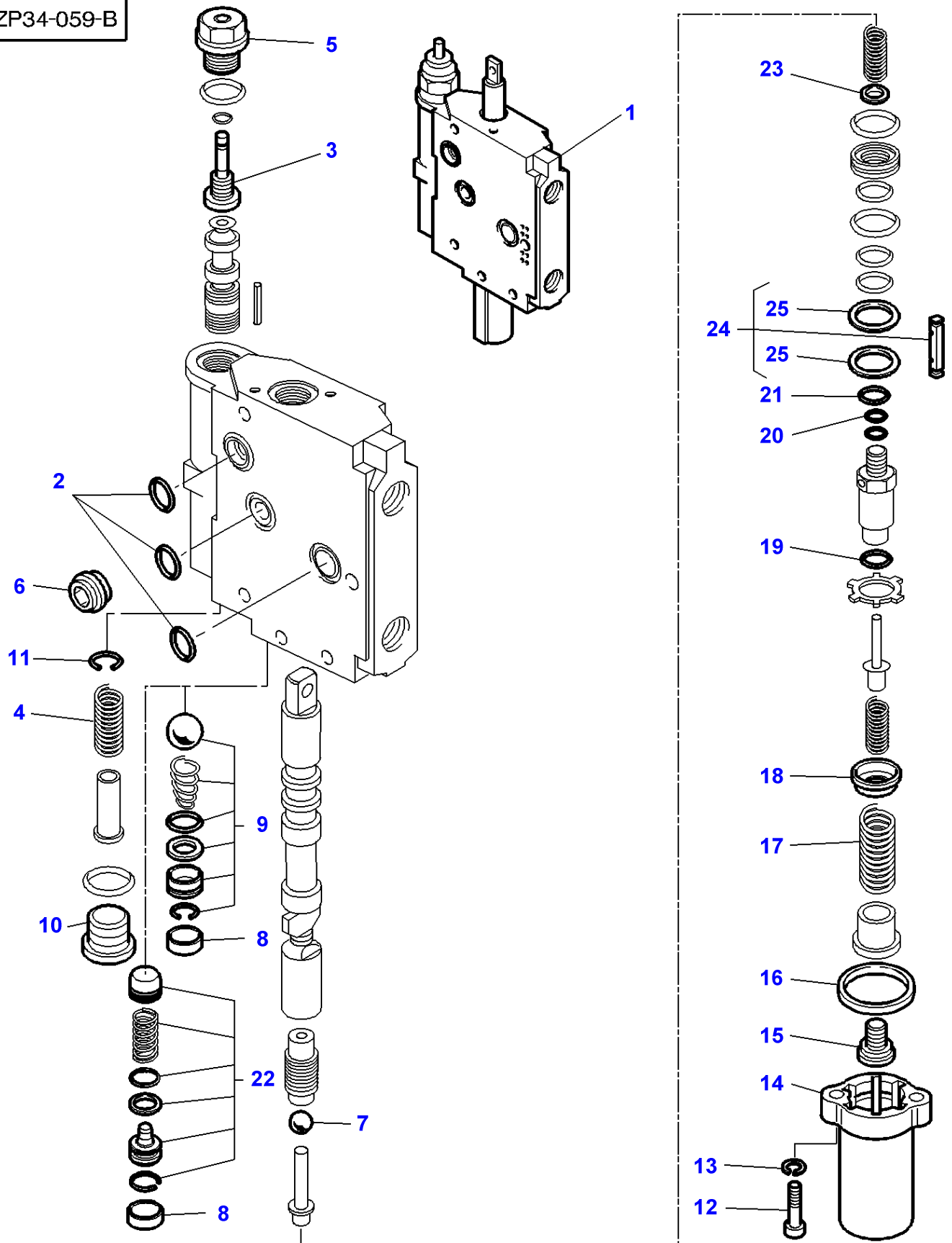


Hydraulic Lift Distributor

Item	Part Number	Qty	Description	Comments
1	3796103M2	1	Pressure Valve	
2	3902932M1	1	Plug	(1)
3	3903198M91	2	Parts Pack	(1)
4	3902937M1	8	Screw	(1) M4 X 8
5	3902936M1	1	Plug	(1)
6	3102068M1	X	Shim	(1) Thickness 0,30 MM
	3102069M1	X	Shim	(1) Thickness 0,40 MM
	1806184M1	X	Shim	(1) Thickness 0,50 MM
	3104724M1	X	Shim	(1) Thickness 0,80 MM
7	3104936M1	1	Comp.Spring	(1)
8	3108258M1	1	Valve	(1)
9	3102240M1	1	Plug	(1)
10	3108244M1	1	Plug	(1)
11	3902959M1	1	Ring	(1)
12	3902932M1	1	Plug	(1)
13	3797262M1	1	Non Return Valve	(1) Replace and repair. Old not interchangeable with new 3108248M1
14	3903848M91	1	Kit, Joint	(1)
15	3901768M1	1	O Ring	(3) Diameter 21 X 1,5
	3796222M1	1	O Ring	(3)

MF 8270/8280 TRACTOR - 1637348
1-ZP34-059-B

1-ZP34-059-B

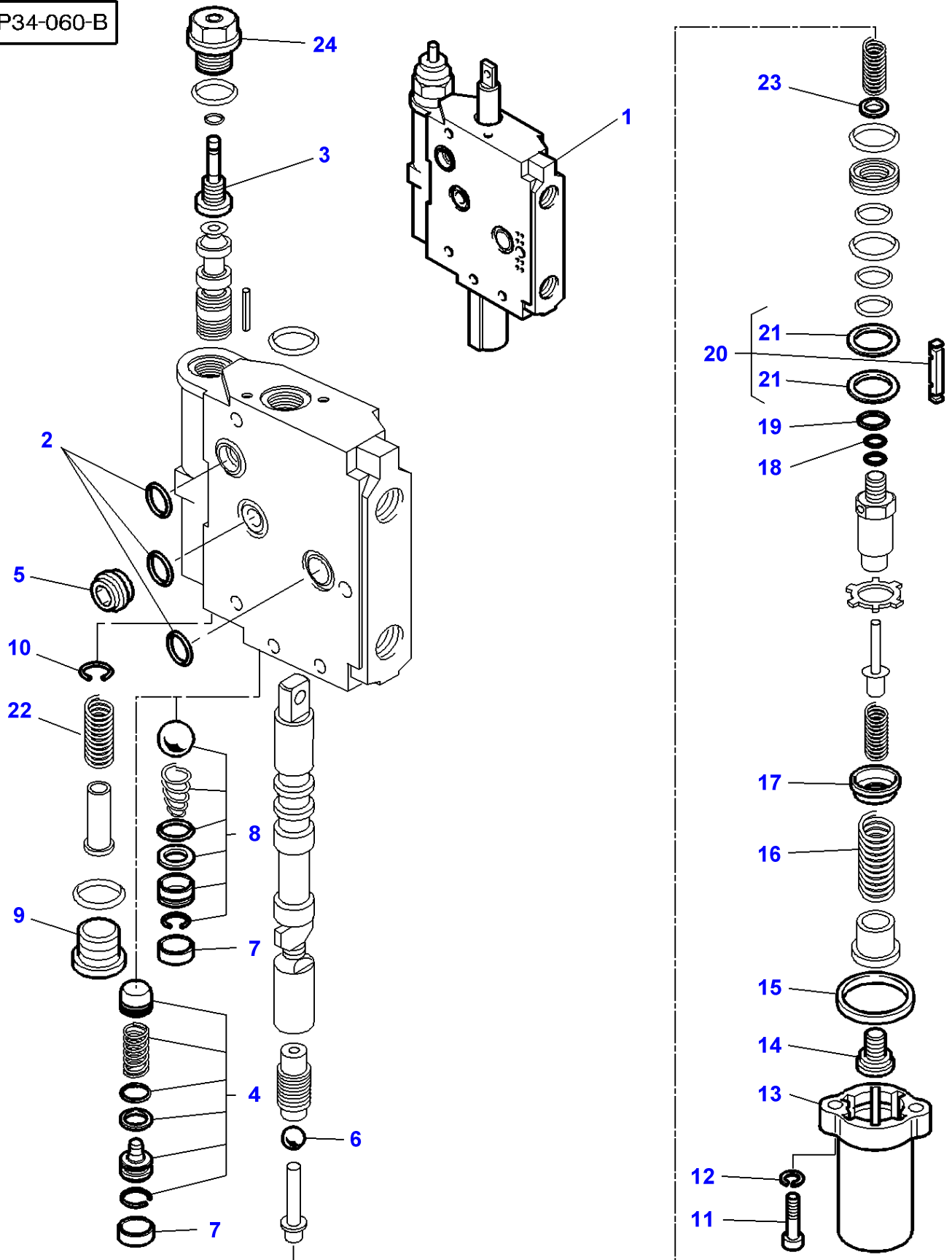


Auxiliary Distributor

Item	Part Number	Qty	Description	Comments
1	3796128M3	1	Distributor	
2	3104876M91	1	Kit, Seal	(1)
3	3903863M1	1	Screw	(1)
4	3903862M1	1	Comp.Spring	(1)
5	3108246M1	1	Plug	(1)
6	3797262M1	1	Non Return Valve	(1)
7	1442737X1	1	Ball	(1)
				Replace and repair. Old not interchangeable with new 3903855M1
8	3903856M1	1	Plug	(1)
9	3904676M91	1	Parts Pack	(1)
				Up to Serial or Engine Number M022034
10	3108244M1	1	Plug	(1)
11	1807113M1	1	Ring	(1)
12	391980X1	2	Screw Metric	(1)
				M6 X 28
13	3903850M1	2	Washer	(1)
14	3108251M1	1	Muff	(1)
15	3903851M1	1	Plug	(1)
16	1717452M1	X	Shim	(1)
				Thickness 0,20 MM
17	3903852M1	1	Comp.Spring	(1)
18	3902820M1	1	Cup	(1)
19	3903880M1	1	Washer	(1)
20	3902822M1	1	O Ring	(1)
				Diameter 2,5 X 1,5
21	3903853M1	1	O Ring	(1)
				Diameter 10 X 2
22	3904676M91	1	Parts Pack	(1)
				From Serial or Engine Number M022035
23	3904670M1	X	Washer	(1)
				Thickness 0,30MM
	3904671M1	X	Washer	(1)
				Thickness 0,40MM
	3904672M1	X	Washer	(1)
				Thickness 0,50MM
	3904673M1	X	Washer	(1)
				Thickness 1MM
24	3903984M91	1	Latch	(1)
25	3903865M1	2	Ring	(24)

MF 8270/8280 TRACTOR - 1637348
1-ZP34-060-B

1-ZP34-060-B

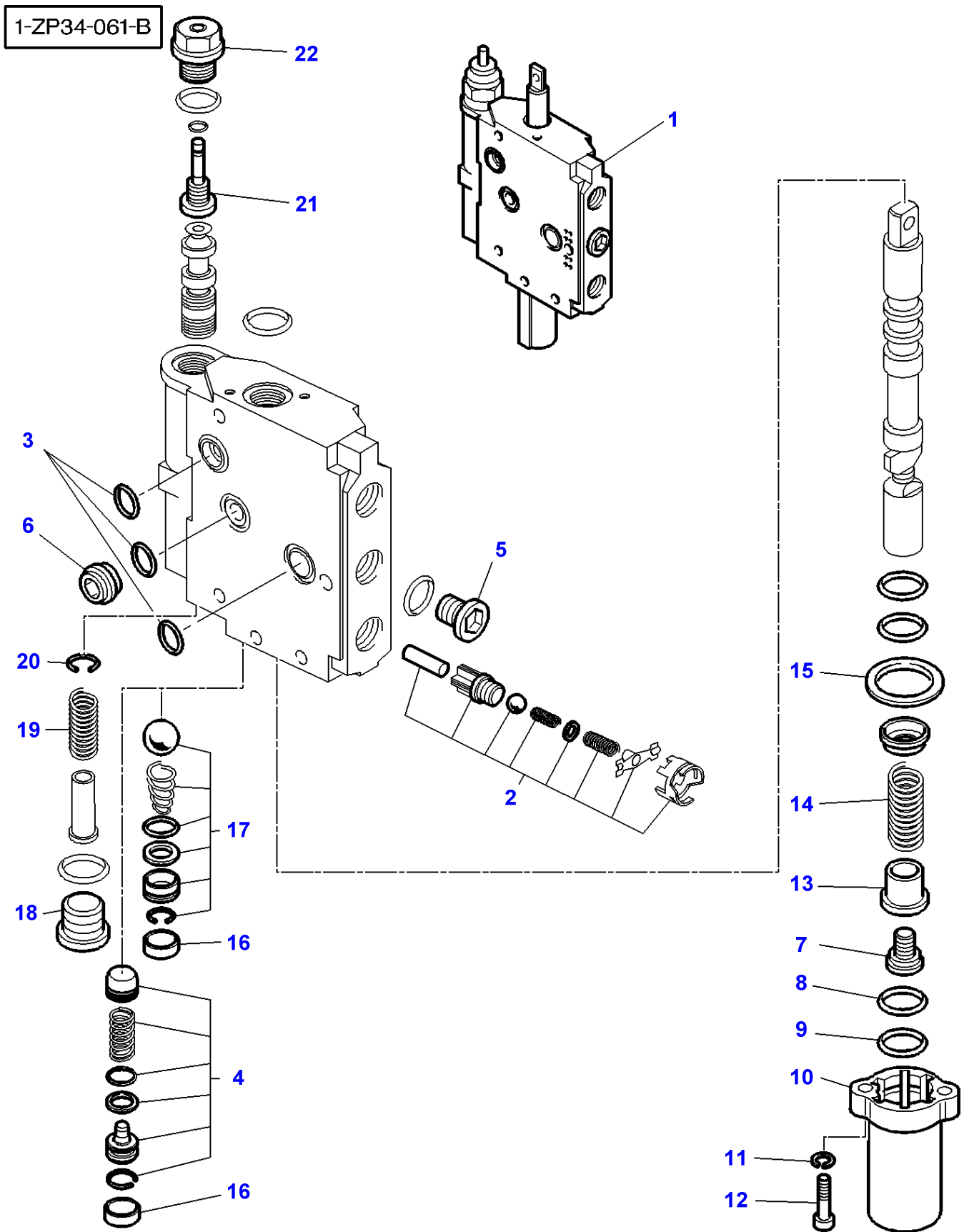


Auxiliary Distributor

Item	Part Number	Qty	Description	Comments
1	3796091M3	1	Distributor	[A]
2	3104876M91	1	Kit, Seal	(1)
3	3903863M1	1	Screw	(1)
4	3904676M91	1	Parts Pack	(1) From Serial or Engine Number M022035
5	3797262M1	1	Non Return Valve	(1)
6	1442737X1	1	Ball	(1) Replace and repair. Old not interchangeable with new 3903855M1
7	3903856M1	1	Plug	(1)
8	3904676M91	1	Parts Pack	(1) Up to Serial or Engine Number M022034
9	3108244M1	1	Plug	(1)
10	1807113M1	1	Ring	(1)
11	391980X1	2	Screw Metric	(1) M6 X 28
12	3903850M1	2	Washer	(1)
13	3108251M1	1	Muff	(1)
14	3903851M1	1	Plug	(1)
15	1717452M1	X	Shim	(1) Thickness 0,20 MM
16	3903852M1	1	Comp.Spring	(1)
17	3902820M1	1	Cup	(1)
18	3902822M1	1	O Ring	(1) Diameter 2,5 X 1,5
19	3903853M1	1	O Ring	(1) Diameter 10 X 2
20	3903984M91	1	Latch	(1)
21	3903865M1	2	Ring	(20)
22	3903862M1	1	Comp.Spring	(1)
23	3904670M1	X	Washer	(1) Thickness 0,30MM
	3904671M1	X	Washer	(1) Thickness 0,40MM
	3904672M1	X	Washer	(1) Thickness 0,50MM
	3904673M1	X	Washer	(1) Thickness 1MM
24	3108246M1	1	Plug	(1)

FOOTNOTE [A] DIST 4 FLOATING POSITIONS, FLOW ADJUST, DOUBLE ACTION, KICK OUT

MF 8270/8280 TRACTOR - 1637348
1-ZP34-061-B

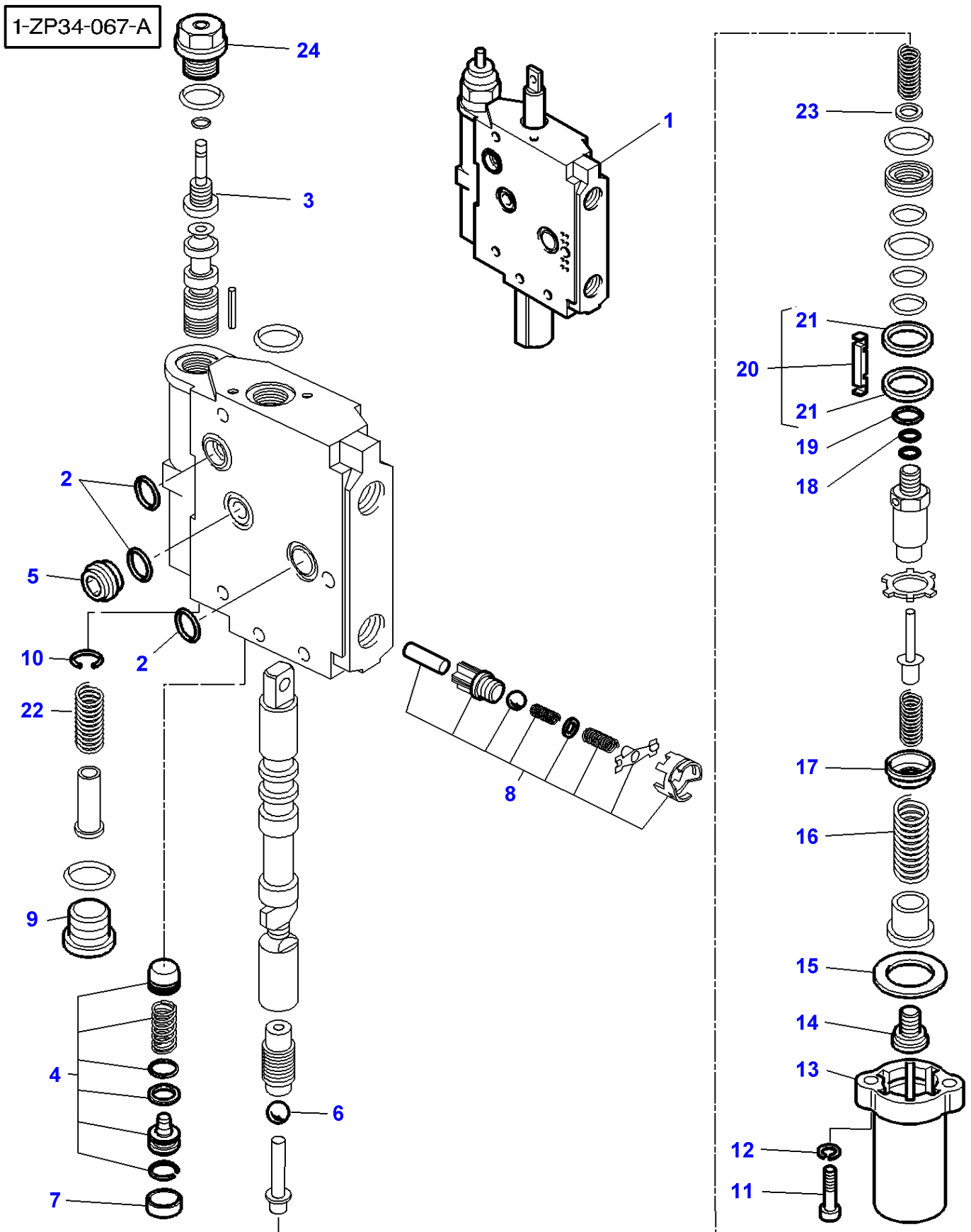


Auxiliary Distributor

Item	Part Number	Qty	Description	Comments
1	3796090M3	1	Distributor	[A]
2	3903864M91	1	Parts Pack	(1)
3	3104876M91	1	Kit, Seal	(1)
4	3904676M91	1	Parts Pack	(1)
				From Serial or Engine Number M022035
5	3108241M1	1	Plug	(1)
6	3797262M1	1	Non Return Valve	(1)
7	3903860M1	1	Screw	(1)
8	1717452M1	X	Shim	(1)
9	3108237M1	1	Shim	(1)
10	3108236M1	1	Muff	(1)
11	391130X1	2	Lock Washer	(1)
12	3009281X1	2	Screw	(1)
				M6 X 16
13	3903859M1	2	Cup	(1)
14	3903861M1	1	Comp.Spring	(1)
15	3903858M1	1	Washer	(1)
16	3903856M1	1	Plug	(1)
17	3904676M91	1	Parts Pack	(1)
				Up to Serial or Engine Number M022034
18	3108244M1	1	Plug	(1)
19	3903862M1	1	Comp.Spring	(1)
20	1807113M1	1	Ring	(1)
21	3903863M1	1	Screw	(1)
22	3108246M1	1	Plug	(1)

FOOTNOTE [A] DIST 3 POSITIONS, FLOW ADJUST, DOUBLE ACTION, ZERO LE AK

MF 8270/8280 TRACTOR - 1637348
1-ZP34-067-A



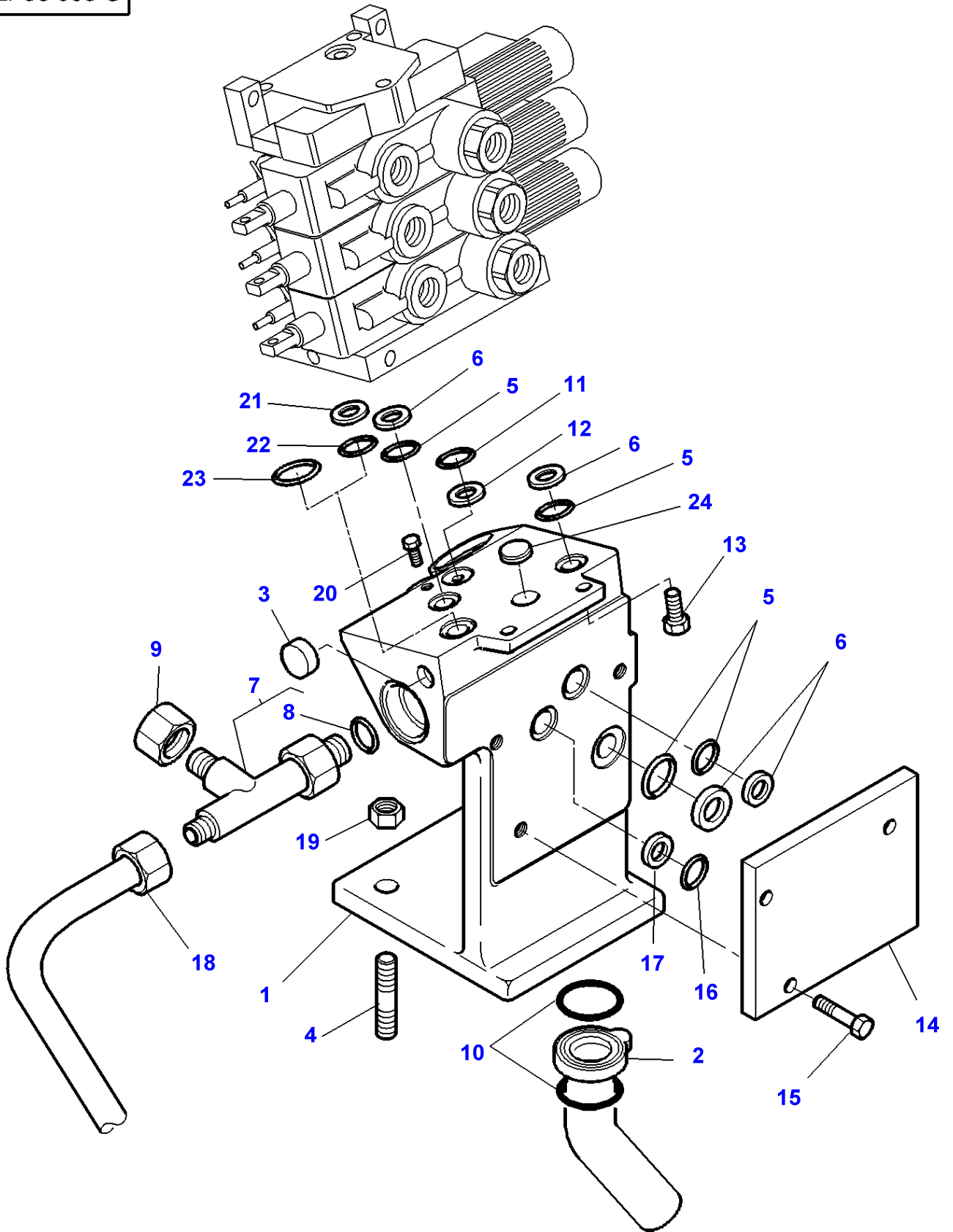
Auxiliary Distributor

Item	Part Number	Qty	Description	Comments
1	3796086M3	1	Distributor	[A]
2	3104876M91	1	Kit, Seal	(1)
3	3903863M1	1	Screw	(1)
4	3904676M91	1	Parts Pack	(1)
5	3797262M1	1	Non Return Valve	(1)
6	1442737X1	1	Ball	(1)
				Replace and repair. Old not interchangeable with new 3903855M1
7	3903856M1	1	Plug	(1)
8	3903864M91	1	Parts Pack	(1)
9	3108244M1	1	Plug	(1)
10	1807113M1	1	Ring	(1)
11	391980X1	2	Screw Metric	(1)
				M6 X 28
12	391130X1	2	Lock Washer	(1)
13	3108251M1	1	Muff	(1)
14	3904698M1	1	Plug	(1)
15	1717452M1	X	Shim	(1)
				Thickness 0,20 MM
16	3903852M1	1	Comp.Spring	(1)
17	3907017M1	1	Spring Seat	(1)
18	3902822M1	1	O Ring	(1)
				Diameter 2,5 X 1,5
19	3903853M1	1	O Ring	(1)
				Diameter 10 X 2
20	3903984M91	1	Latch	(1)
21	3903865M1	2	Ring	(20)
22	3903862M1	1	Comp.Spring	(1)
23	3904670M1	X	Washer	(1)
				Thickness 0,30MM
	3904671M1	X	Washer	(1)
				Thickness 0,40MM
	3904672M1	X	Washer	(1)
				Thickness 0,50MM
	3904673M1	X	Washer	(1)
				Thickness 1MM
24	3108246M1	1	Plug	(1)

FOOTNOTE [A] DIST 4 FLOATING POSITIONS ,FLOW ADJUST,DOUBLE ACTI ON,KICK OUT,ZERO LEAK

MF 8270/8280 TRACTOR - 1637348
1-ZP36-003-C

1-ZP36-003-C



Item	Part Number	Qty	Description	Comments
1	3716900M5	1	Angle	
2	3716914M92	1	Tube	
3	3015150X1	2	Plug	Diameter 24MM
4	3791655M1	3	Stud	
5	392224X1	4	O Ring	
6	3791880M1	4	Bush	Diameter 22,3 MM
7	3019633X91	1	Union	
8	3019399X1	1	O Ring	(7)
9	70923002	1	Cap	
10	366617X1	2	O Ring	Diameter 47MM
11	3791879M1	1	Bush	
12	1441133X1	1	Gasket	
13	3009292X1	2	Screw	M10X25
14	3716325M1	1	Plate	[B]
15	339123X1	3	Hex. Sock. Screw	M8X20
16	1442477X1	1	Gasket	
17	3791884M2	1	Bush	
18	3716397M1	1	Tube	[A]
	3791709M1	1	Tube	[C]
19	3019862X1	3	Nut Metric	M12
20	3010812X1	1	Screw	M8X30
21	3791880M1	1	Bush	Up to Serial or Engine Number H328037
22	392224X1	1	O Ring	Up to Serial or Engine Number H328037
23	3010980X1	1	O Ring	From Serial or Engine Number H328038 Diameter 25,07MM
24	391563X1	1	Plug	Diameter 16MM

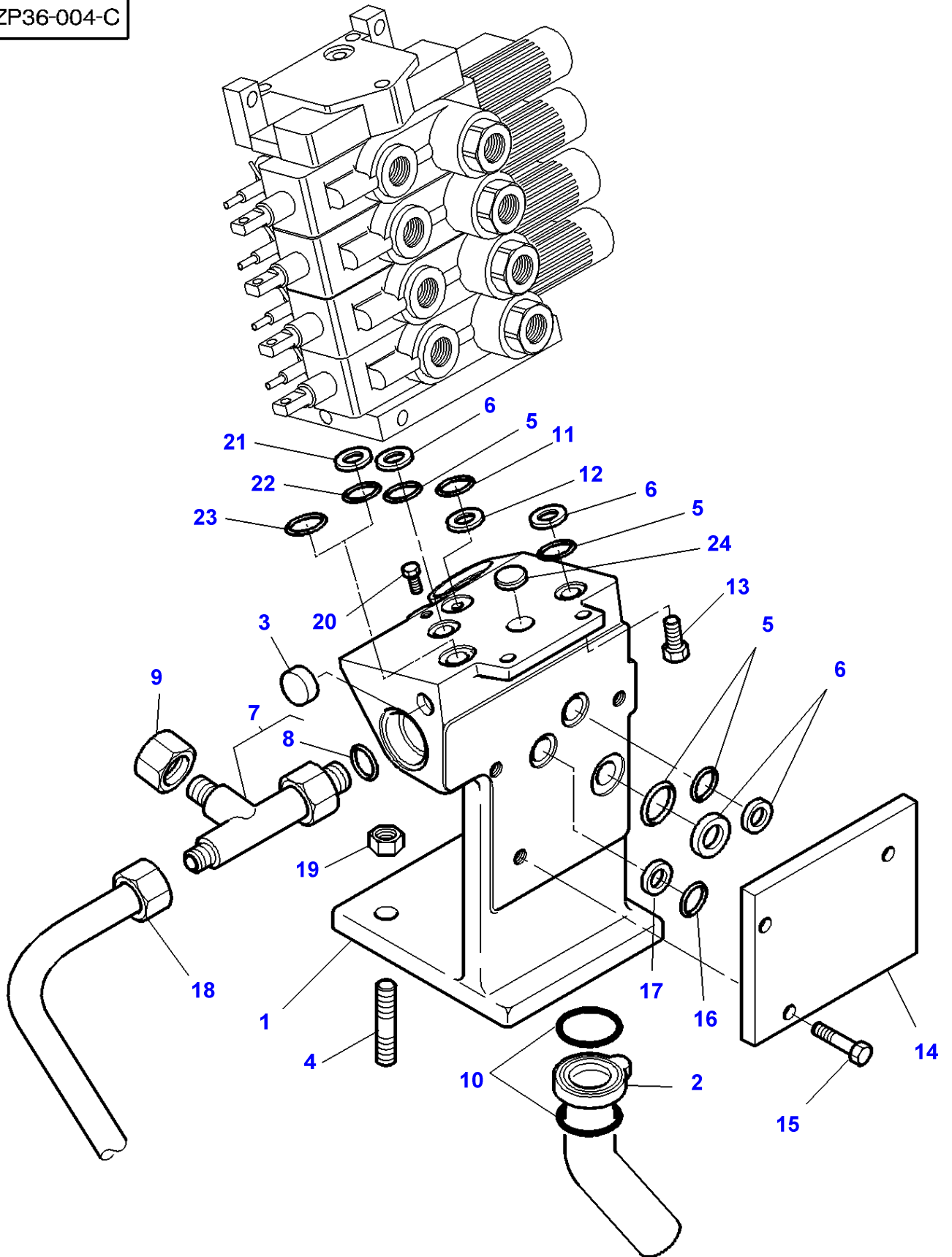
FOOTNOTE [A] WITH HYDRAULIC PUMP 110 L/MN

FOOTNOTE [B] WITHOUT HYDRAULIC LIFT

FOOTNOTE [C] WITH HYDRAULIC PUMP 150 L/MN

MF 8270/8280 TRACTOR - 1637348
1-ZP36-004-C

1-ZP36-004-C



Item	Part Number	Qty	Description	Comments
1	3716900M5	1	Angle	
2	3716914M92	1	Tube	
3	3015150X1	2	Plug	Diameter 24MM
4	3791655M1	3	Stud	
5	392224X1	4	O Ring	
6	3791880M1	4	Bush	Diameter 22,3 MM
7	3019633X91	1	Union	
8	3019399X1	1	O Ring	(7)
9	70922195	1	Cap	
10	366617X1	2	O Ring	Diameter 47MM
11	3791879M1	1	Bush	
12	1441133X1	1	Gasket	
13	3009292X1	2	Screw	M10X25
14	3716325M1	1	Plate	[B]
15	339123X1	3	Hex. Sock. Screw	M8X20
16	1442477X1	1	Gasket	
17	3791884M2	1	Bush	
18	3716397M1	1	Tube	[A]
	3791709M1	1	Tube	[C]
19	3019862X1	3	Nut Metric	M12
20	3010812X1	1	Screw	M8X30
21	3791880M1	1	Bush	Up to Serial or Engine Number H328037
22	392224X1	1	O Ring	Up to Serial or Engine Number H328037
23	3010980X1	1	O Ring	From Serial or Engine Number H328038 Diameter 25,07MM
24	391563X1	1	Plug	Diameter 16MM

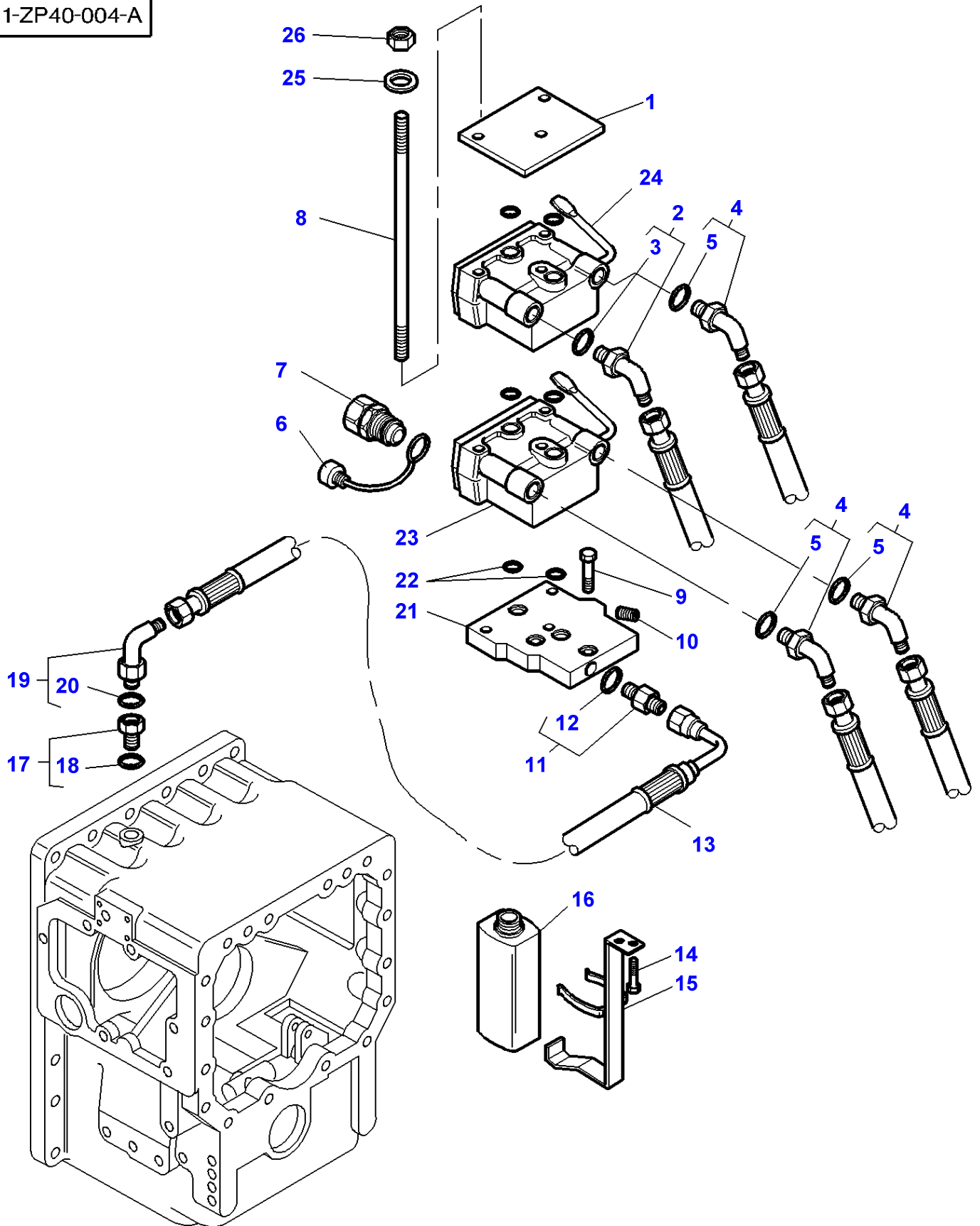
FOOTNOTE [A] WITH HYDRAULIC PUMP 110 L/MN

FOOTNOTE [B] WITHOUT HYDRAULIC LIFT

FOOTNOTE [C] WITH HYDRAULIC PUMP 150 L/MN

MF 8270/8280 TRACTOR - 1637348
1-ZP40-004-A

1-ZP40-004-A



Massey Ferguson**MF 8270/8280 TRACTOR - 1637348**

1637348

Hydraulic Coupling - 2 Distributors With Load Sensing -Up To No J293009

Page070-0485

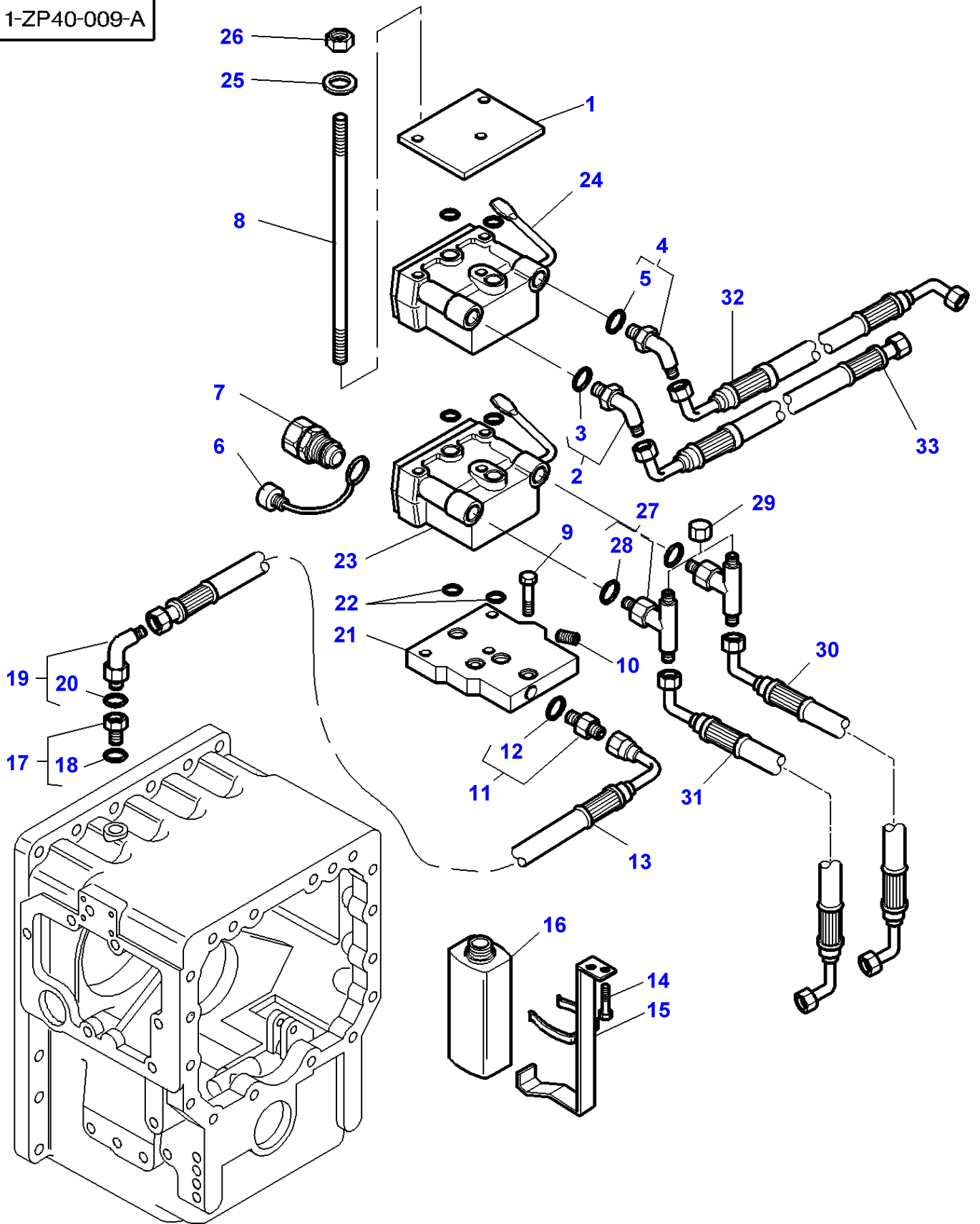
Item	Part Number	Qty	Description	Comments
1	3792734M1	1	Plate	
2	3019592X91	1	Union	
3	3019396X1	1	O Ring	(2)
4	3019418X91	3	Elbow Nipple	
5	3019398X1	1	O Ring	(4)
6	3615822M1	4	Cap	
7	1026700M91	4	Male Coupler	3/4-16
	3583932M1	4	Male Coupler	M18
8	3793410M3	3	Stud	M8 X 173
9	339123X1	2	Hex. Sock. Screw	M8 X 20
10	3791352M1	1	Plug	
11	3019660X91	1	Union	
12	3019393X1	1	O Ring	(11)
13	3792750M1	1	Hydr Hose	
14	3009270X1	2	Screw Metric	M5 X 10
15	3792769M91	1	Support	
16	3792741M1	1	Can	
17	3792739M1	1	Plug	
18	3019399X1	1	O Ring	(17)
19	3019302X91	1	Union	
20	3019393X1	1	O Ring	(19)
21	3792745M1	1	Support	
22	3007432X1	6	O Ring	
23	3792559M1	1	Female Coupler	[A] See Page - Reference Number 070-0515/1
24	3792561M1	1	Female Coupler	[B] See Page - Reference Number 070-0515/1
25	390972X1	3	Washer Metric	
26	339169X1	3	Nut	

FOOTNOTE [A] BLACK

FOOTNOTE [B] RED

MF 8270/8280 TRACTOR - 1637348
1-ZP40-009-A

1-ZP40-009-A



Item	Part Number	Qty	Description	Comments
1	3792734M1	1	Plate	
2	3019592X91	1	Union	
3	3019396X1	1	O Ring	(2)
4	3019418X91	1	Elbow Nipple	
5	3019398X1	1	O Ring	(4)
6	3615822M1	4	Cap	
7	1026700M91	4	Male Coupler	3/4-16
	3583932M1	4	Male Coupler	M18
8	3793410M3	3	Stud	M8X173
9	339123X1	2	Hex. Sock. Screw	M8X20
10	3791352M1	1	Plug	
11	3019660X91	1	Union	
12	3019393X1	1	O Ring	(11)
13	3792750M1	1	Hydr Hose	
14	3009270X1	2	Screw Metric	M5X10
15	3792769M91	1	Support	
16	3792741M1	1	Can	
17	3792739M1	1	Plug	
18	3019399X1	1	O Ring	(17)
19	3019302X91	1	Union	
20	3019393X1	1	O Ring	(19)
21	3792745M1	1	Support	
22	3007432X1	6	O Ring	
23	3792559M1	1	Female Coupler	[A] See Page - Reference Number 070-0515/1
24	3792561M1	1	Female Coupler	[B] See Page - Reference Number 070-0515/1
25	390972X1	3	Washer Metric	
26	339169X1	3	Nut	
27	3019613X91	2	Union	
28	3019398X1	1	O Ring	(27)
29	22833X	2	Cap	
30	3793524M1	1	Hydr Hose	Length 400MM
31	3793523M1	1	Hydr Hose	Length 410MM
32	3793522M1	1	Hydr Hose	Length 435MM
33	3793521M1	1	Hydr Hose	Length 475MM
	3794428M1	1	Hydr Hose	[C] Length 350MM

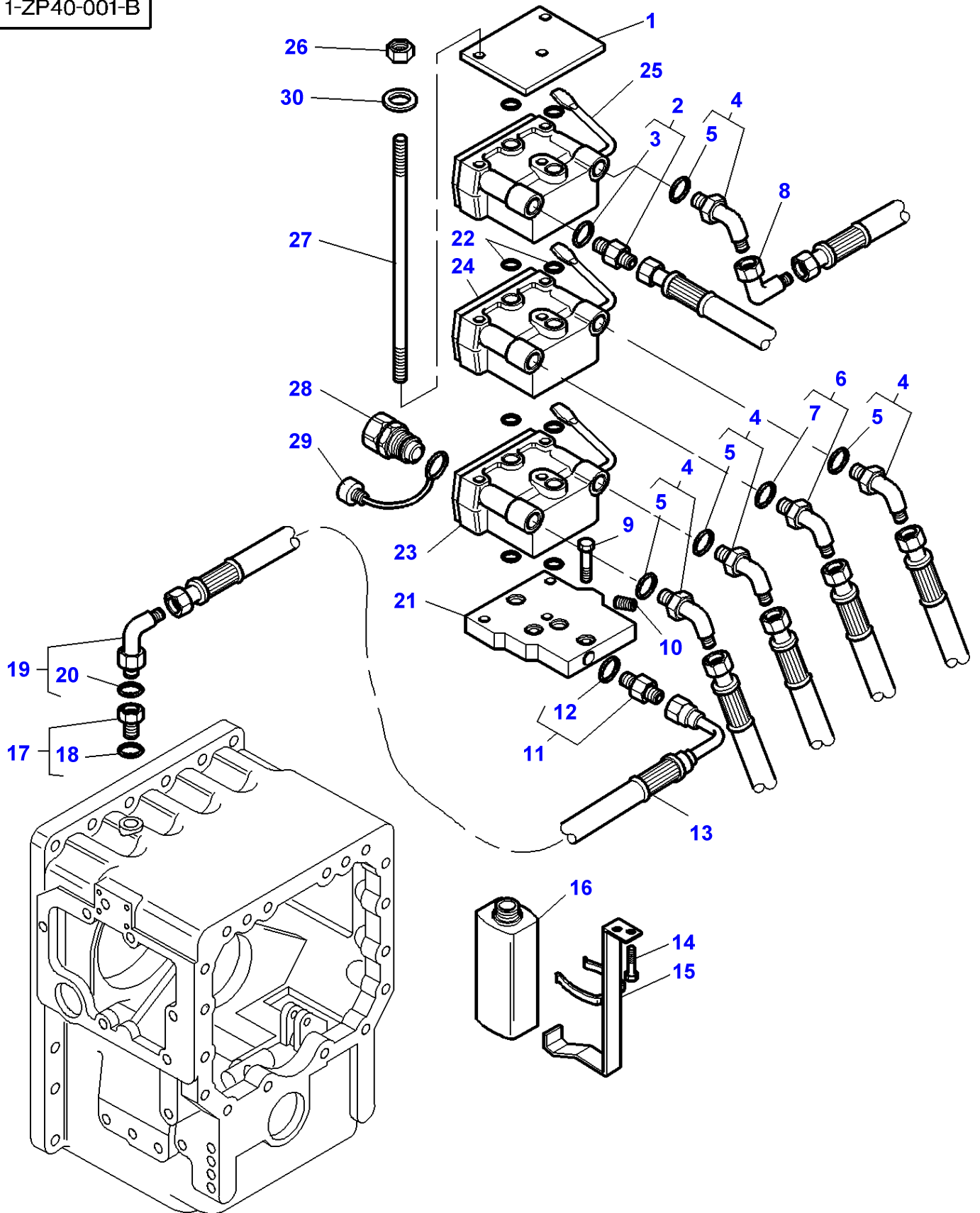
FOOTNOTE [A] BLACK

FOOTNOTE [B] RED

FOOTNOTE [C] WITH AUTOMATIC HITCH "DROMONE"

MF 8270/8280 TRACTOR - 1637348
1-ZP40-001-B

1-ZP40-001-B



Item	Part Number	Qty	Description	Comments
1	3792734M1	1	Plate	
2	3019387X91	1	Union	
3	3019398X1	1	O Ring	(2)
4	3019418X91	4	Elbow Nipple	
5	3019398X1	1	O Ring	(4)
6	3019592X91	1	Union	
7	3019396X1	1	O Ring	(6)
8	367386X1	1	Elbow	
9	339123X1	2	Hex. Sock. Screw	M8X20
10	3791352M1	1	Plug	
11	3019660X91	1	Union	
12	3019393X1	1	O Ring	(11)
13	3792750M1	1	Hydr Hose	
14	3009270X1	2	Screw Metric	M5X10
15	3792769M91	1	Support	
16	3792741M1	1	Can	
17	3792739M1	1	Plug	
18	3019399X1	1	O Ring	(17)
19	3019302X91	1	Union	
20	3019393X1	1	O Ring	(19)
21	3792745M1	1	Support	
22	3007432X1	8	O Ring	
23	3792559M1	1	Female Coupler	[A] See Page - Reference Number 070-0515/1
24	3792561M1	1	Female Coupler	[B] See Page - Reference Number 070-0515/1
25	3792562M1	1	Female Coupler	[C] See Page - Reference Number 070-0515/1
26	339169X1	3	Nut	
27	3792751M3	3	Stud	M8X243
28	1026700M91	6	Male Coupler	3/4-16
	3583932M1	6	Male Coupler	M18
29	3615822M1	6	Cap	
30	390972X1	3	Washer Metric	

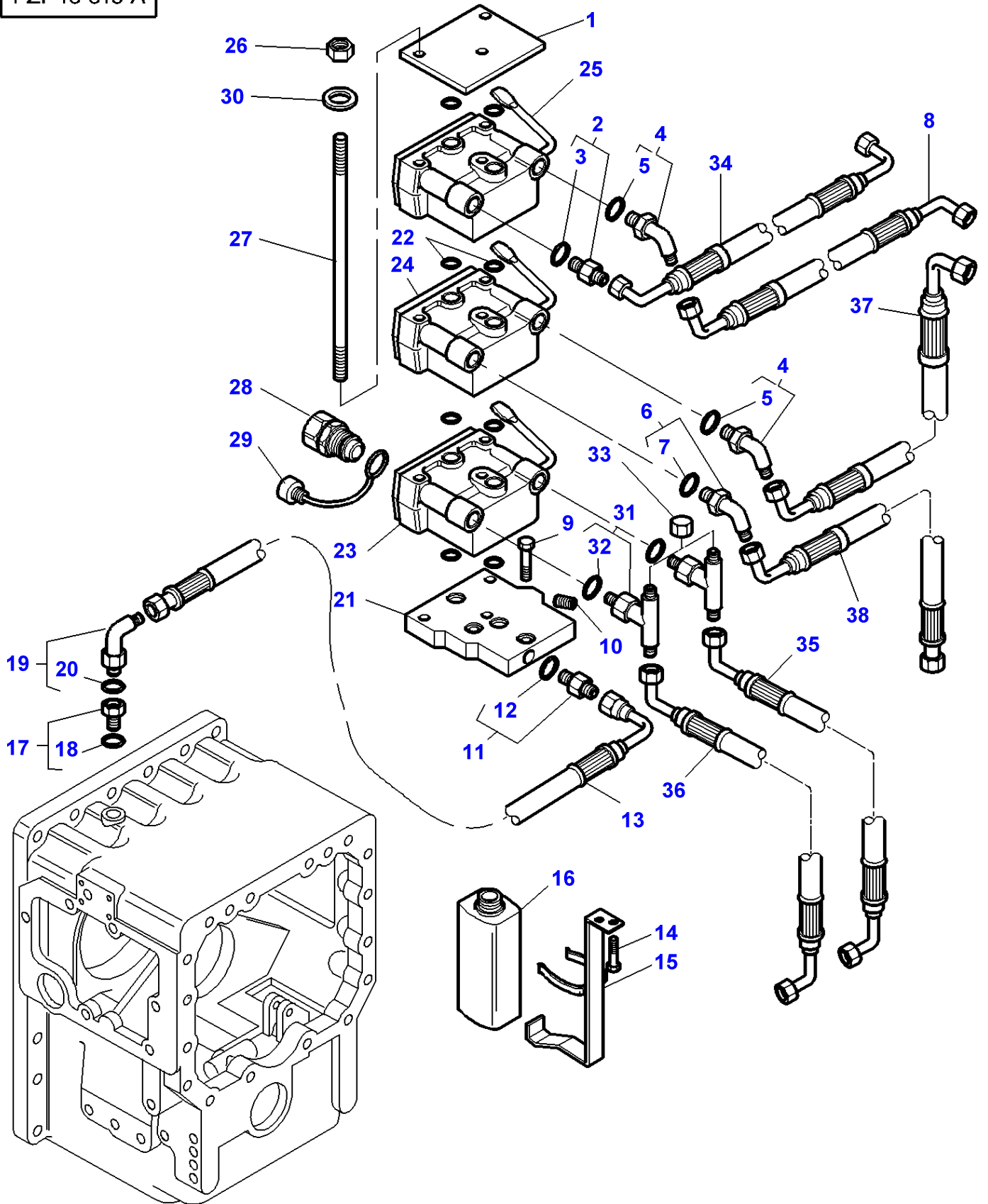
FOOTNOTE [A] BLACK

FOOTNOTE [B] RED

FOOTNOTE [C] GREEN

MF 8270/8280 TRACTOR - 1637348
1-ZP40-010-A

1-ZP40-010-A



Item	Part Number	Qty	Description	Comments
1	3792734M1	1	Plate	
2	3019387X91	1	Union	
3	3019398X1	1	O Ring	(2)
4	3019418X91	2	Elbow Nipple	
5	3019398X1	1	O Ring	(4)
6	3019592X91	1	Union	
7	3019396X1	1	O Ring	(6)
8	3793520M1	1	Hydr Hose	Length 475MM
9	339123X1	2	Hex. Sock. Screw	M8X20
10	3791352M1	1	Plug	
11	3019660X91	1	Union	
12	3019393X1	1	O Ring	(11)
13	3792750M1	1	Hydr Hose	
14	3009270X1	2	Screw Metric	M5X10
15	3792769M91	1	Support	
16	3792741M1	1	Can	
17	3792739M1	1	Plug	
18	3019399X1	1	O Ring	(17)
19	3019302X91	1	Union	
20	3019393X1	1	O Ring	(19)
21	3792745M1	1	Support	
22	3007432X1	8	O Ring	
23	3792559M1	1	Female Coupler	[A] See Page - Reference Number 070-0515/1
24	3792561M1	1	Female Coupler	[B] See Page - Reference Number 070-0515/1
25	3792562M1	1	Female Coupler	[C] See Page - Reference Number 070-0515/1
26	339169X1	3	Nut	
27	3792751M3	3	Stud	M8X243
28	1026700M91	6	Male Coupler	3/4-16
	3583932M1	6	Male Coupler	M18
29	3615822M1	6	Cap	
30	390972X1	3	Washer Metric	
31	3019613X91	2	Union	
32	3019398X1	1	O Ring	(31)
33	22833X	2	Cap	
34	3793521M1	1	Hydr Hose	Length 475MM
35	3793524M1	1	Hydr Hose	Length 400MM
36	3793523M1	1	Hydr Hose	Length 410MM
37	3793522M1	1	Hydr Hose	Length 435MM
38	3793521M1	1	Hydr Hose	Length 475MM
	3794428M1	1	Hydr Hose	[D] Length 350MM

FOOTNOTE [A] BLACK

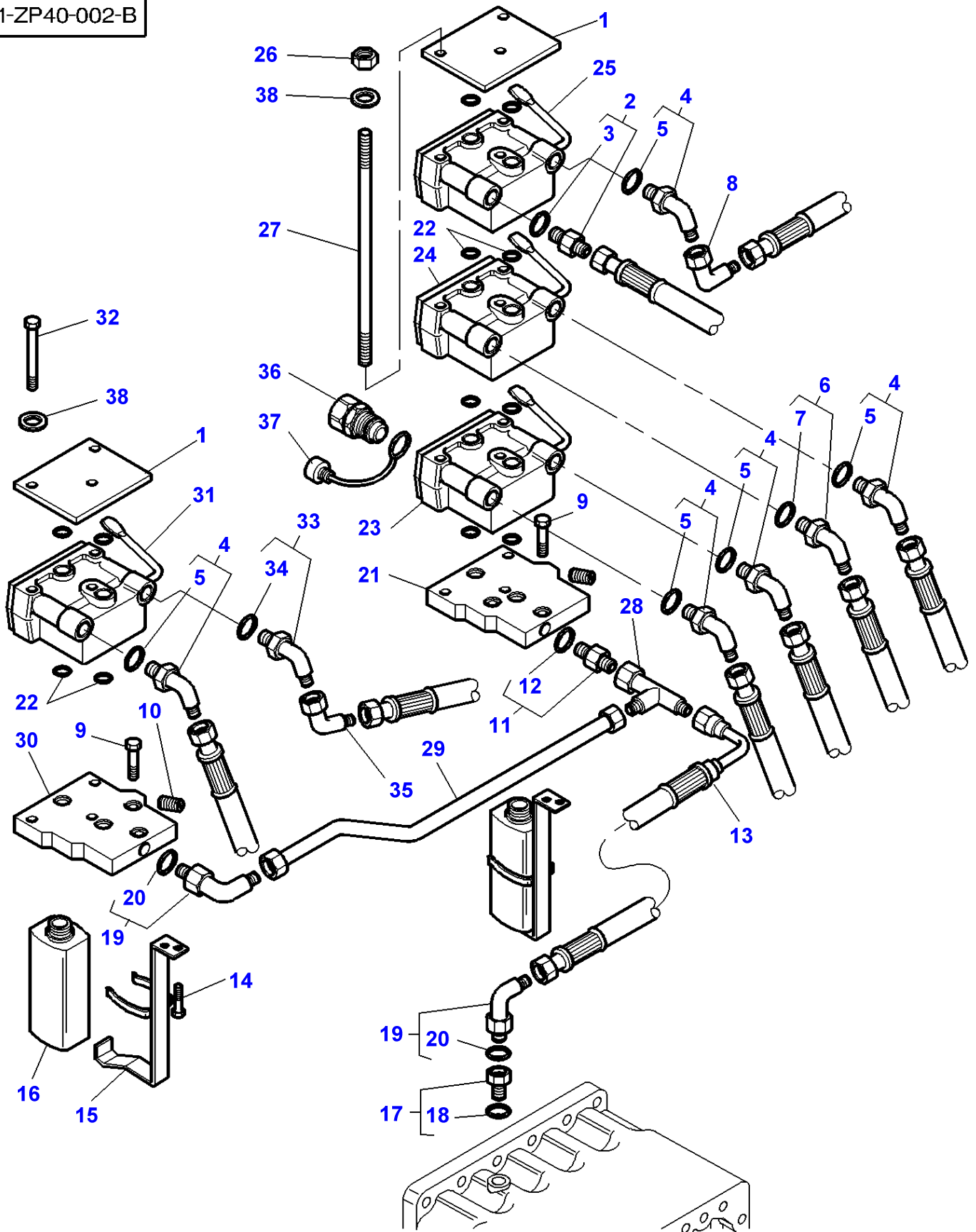
FOOTNOTE [B] RED

FOOTNOTE [C] GREEN

FOOTNOTE [D] WITH AUTOMATIC HITCH "DROMONE"

MF 8270/8280 TRACTOR - 1637348
1-ZP40-002-B

1-ZP40-002-B



Item	Part Number	Qty	Description	Comments
1	3792734M1	2	Plate	
2	3019387X91	1	Union	
3	3019398X1	1	O Ring	(2)
4	3019418X91	5	Elbow Nipple	
5	3019398X1	1	O Ring	(4)
6	3019592X91	1	Union	
7	3019396X1	1	O Ring	(6)
8	367386X1	1	Elbow	
9	339123X1	4	Hex. Sock. Screw	M8X20
10	3791352M1	2	Plug	
11	3019660X91	1	Union	
12	3019393X1	1	O Ring	(11)
13	3792750M1	1	Hydr Hose	
14	3009270X1	4	Screw Metric	M5X10
15	3792769M91	2	Support	
16	3792741M1	2	Can	
17	3792739M1	1	Plug	
18	3019399X1	1	O Ring	(17)
19	3019302X91	2	Union	
20	3019393X1	1	O Ring	(19)
21	3792745M1	1	Support	
22	3007432X1	12	O Ring	
23	3792559M1	1	Female Coupler	[A] See Page - Reference Number 070-0515/1
24	3792561M1	1	Female Coupler	[B] See Page - Reference Number 070-0515/1
25	3792562M1	1	Female Coupler	[C] See Page - Reference Number 070-0515/1
26	339169X1	3	Nut	
27	3792751M3	3	Stud	M8X243
28	373796X1	1	Teepiece	
29	3792720M92	1	Tube	
30	3792747M1	1	Support	
31	3792563M1	1	Female Coupler	[D] See Page - Reference Number 070-0515/1
32	339136X1	3	Hex. Sock. Screw	M8X90
33	3019592X91	1	Union	
34	3019396X1	1	O Ring	(33)
35	373784X1	1	Elbow	
36	1026700M91	8	Male Coupler	3/4-16
	3583932M1	8	Male Coupler	M18
37	3615822M1	8	Cap	
38	390972X1	6	Washer Metric	

FOOTNOTE [A] BLACK

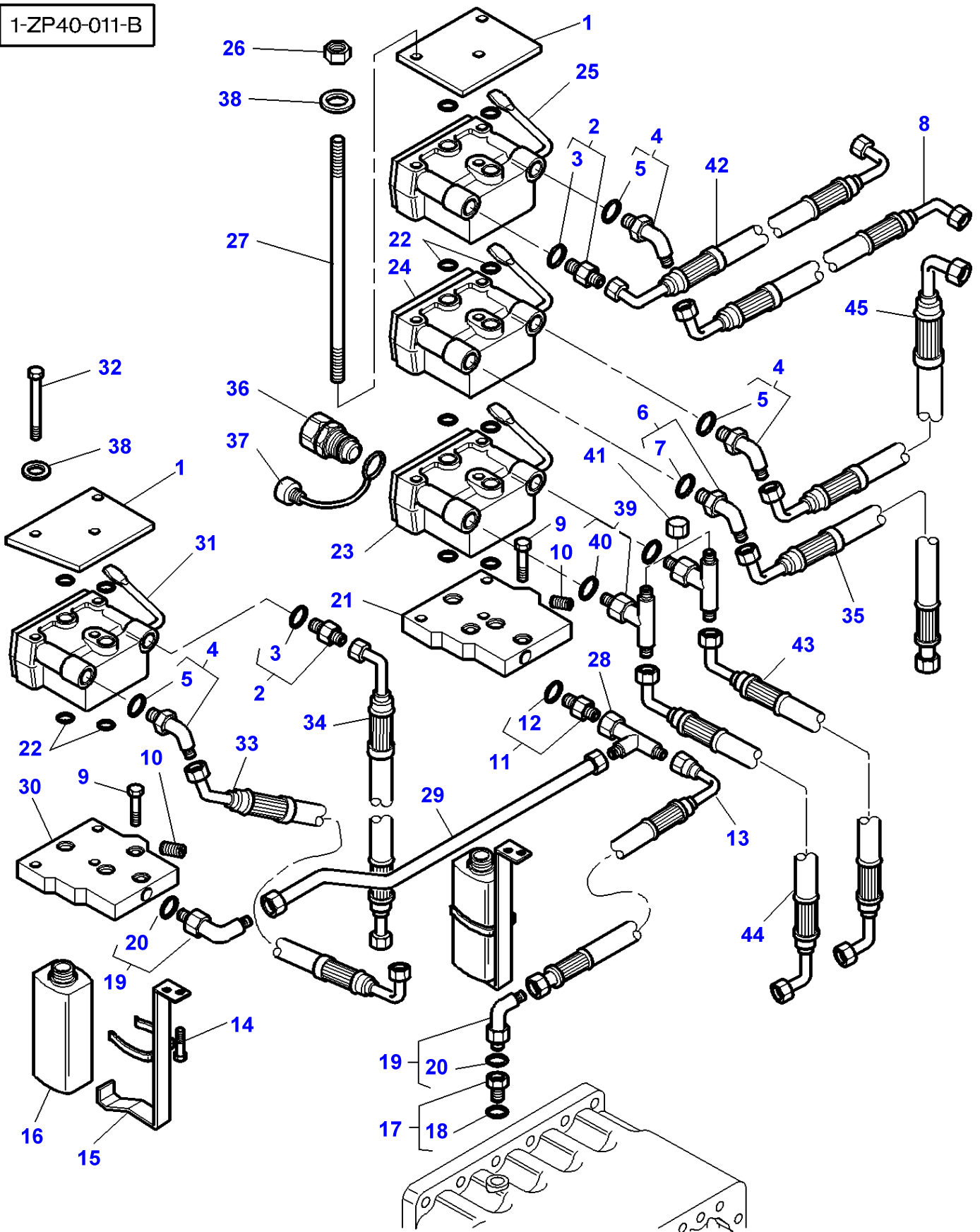
FOOTNOTE [B] RED

FOOTNOTE [C] GREEN

FOOTNOTE [D] YELLOW

MF 8270/8280 TRACTOR - 1637348
1-ZP40-011-B

1-ZP40-011-B



Item	Part Number	Qty	Description	Comments
1	3792734M1	2	Plate	
2	3019387X91	2	Union	
3	3019398X1	1	O Ring	(2)
4	3019418X91	3	Elbow Nipple	
5	3019398X1	1	O Ring	(4)
6	3019592X91	1	Union	
7	3019398X1	1	O Ring	(6)
8	3793520M1	1	Hydr Hose	Length 475MM
9	339123X1	4	Hex. Sock. Screw	M8X20
10	3791352M1	2	Plug	
11	3019660X91	1	Union	
12	3019393X1	1	O Ring	(11)
13	3792750M1	1	Hydr Hose	
14	3009270X1	4	Screw Metric	M5X10
15	3792769M91	2	Support	
16	3792741M1	2	Can	
17	3792739M1	1	Plug	
18	3019399X1	1	O Ring	(17)
19	3019302X91	2	Union	
20	3019393X1	1	O Ring	(19)
21	3792745M1	1	Support	
22	3007432X1	12	O Ring	
23	3792559M1	1	Female Coupler	[A] See Page - Reference Number 070-0515/1
24	3792561M1	1	Female Coupler	[B] See Page - Reference Number 070-0515/1
25	3792562M1	1	Female Coupler	[C] See Page - Reference Number 070-0515/1
26	339169X1	3	Nut	
27	3792751M3	3	Stud	M8X243
28	373796X1	1	Teepiece	
29	3792720M92	1	Tube	
30	3792747M1	1	Support	
31	3792563M1	1	Female Coupler	[D] See Page - Reference Number 070-0515/1
32	339136X1	3	Hex. Sock. Screw	M8X90
33	3793523M1	1	Hydr Hose	Length 410MM
34	3793521M1	1	Hydr Hose	Length 475MM
35	3794428M1	1	Hydr Hose	Length 350MM
36	1026700M91	8	Male Coupler	3/4-16
	3583932M1	8	Male Coupler	M18
37	3615822M1	8	Cap	
38	390972X1	6	Washer Metric	
39	3019613X91	2	Union	
40	3019398X1	1	O Ring	(31)
41	22833X	2	Cap	
42	3793521M1	1	Hydr Hose	Length 475MM
43	3793524M1	1	Hydr Hose	Length 400MM
44	3793523M1	1	Hydr Hose	Length 410MM
45	3793522M1	1	Hydr Hose	Length 435MM

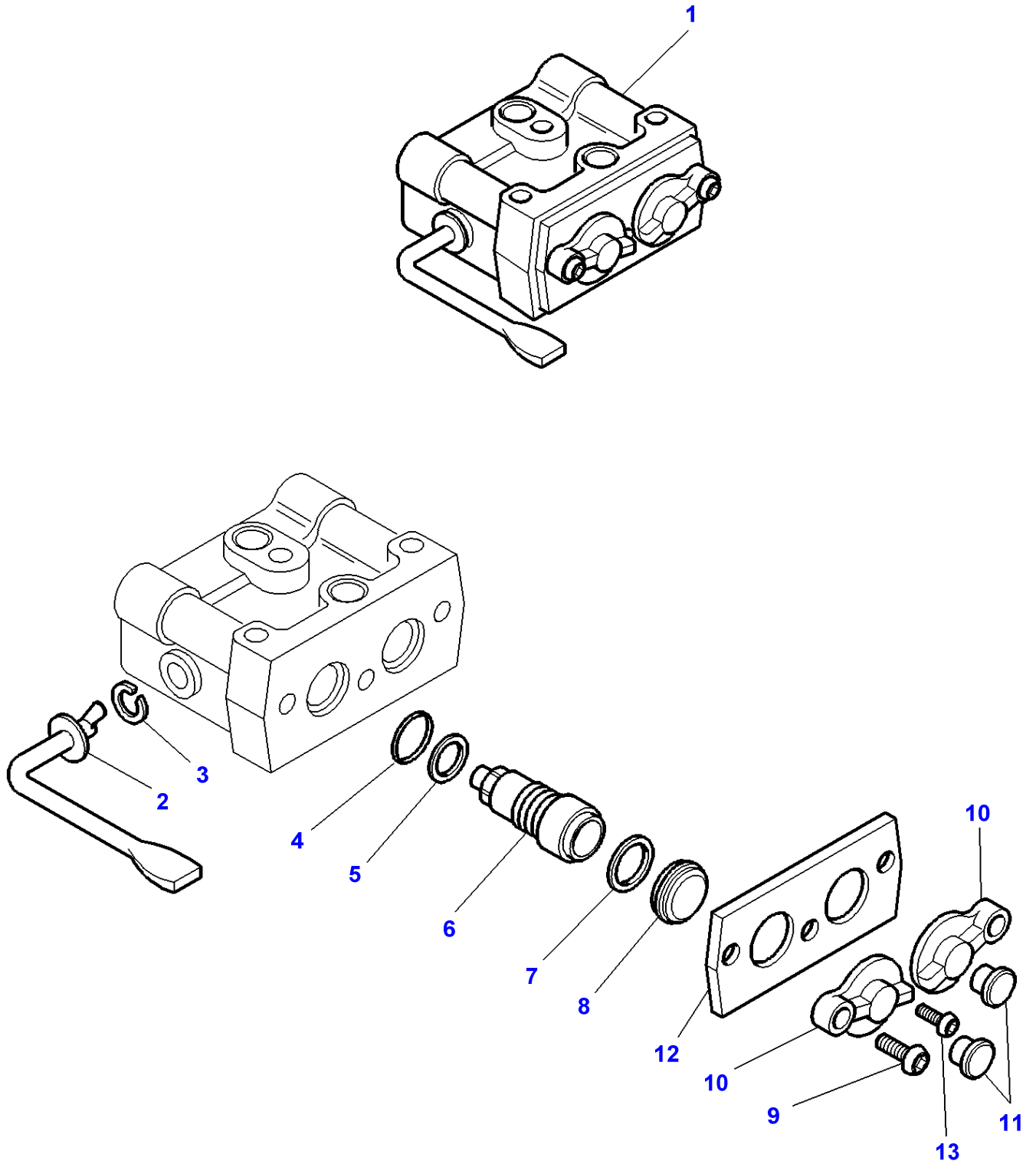
FOOTNOTE [A] BLACK

FOOTNOTE [B] RED

FOOTNOTE [C] GREEN

FOOTNOTE [D] YELLOW

1-ZP40-003-A



Hydraulic Coupling

Item	Part Number	Qty	Description	Comments
1	3796260M1	1	Female Coupler	
2	3903463M91	1	Lever	(1)
3	3903462M1	1	Circlip	(1)
4	3903465M1	2	Gasket	(1)
5	3903464M1	2	Gasket	(1)
6	3903972M91	2	Kit, Cartridge	(1) Replace and repair. Old not interchangeable with new 3903461M91
7	3903460M1	2	Clip	(1)
8	3903459M1	2	Seal	(1)
9	3903455M1	2	Screw	(1)
10	3903456M1	2	Tap	(1)
11	3796263M1	2	Plug	[A]
	3796264M1	2	Plug	[B]
	3796262M1	2	Plug	[C]
	3796261M1	2	Plug	[D]
12	3903458M1	1	Plate	(1)
13	3903457M1	1	Screw	(1)

FOOTNOTE [A] BLACK

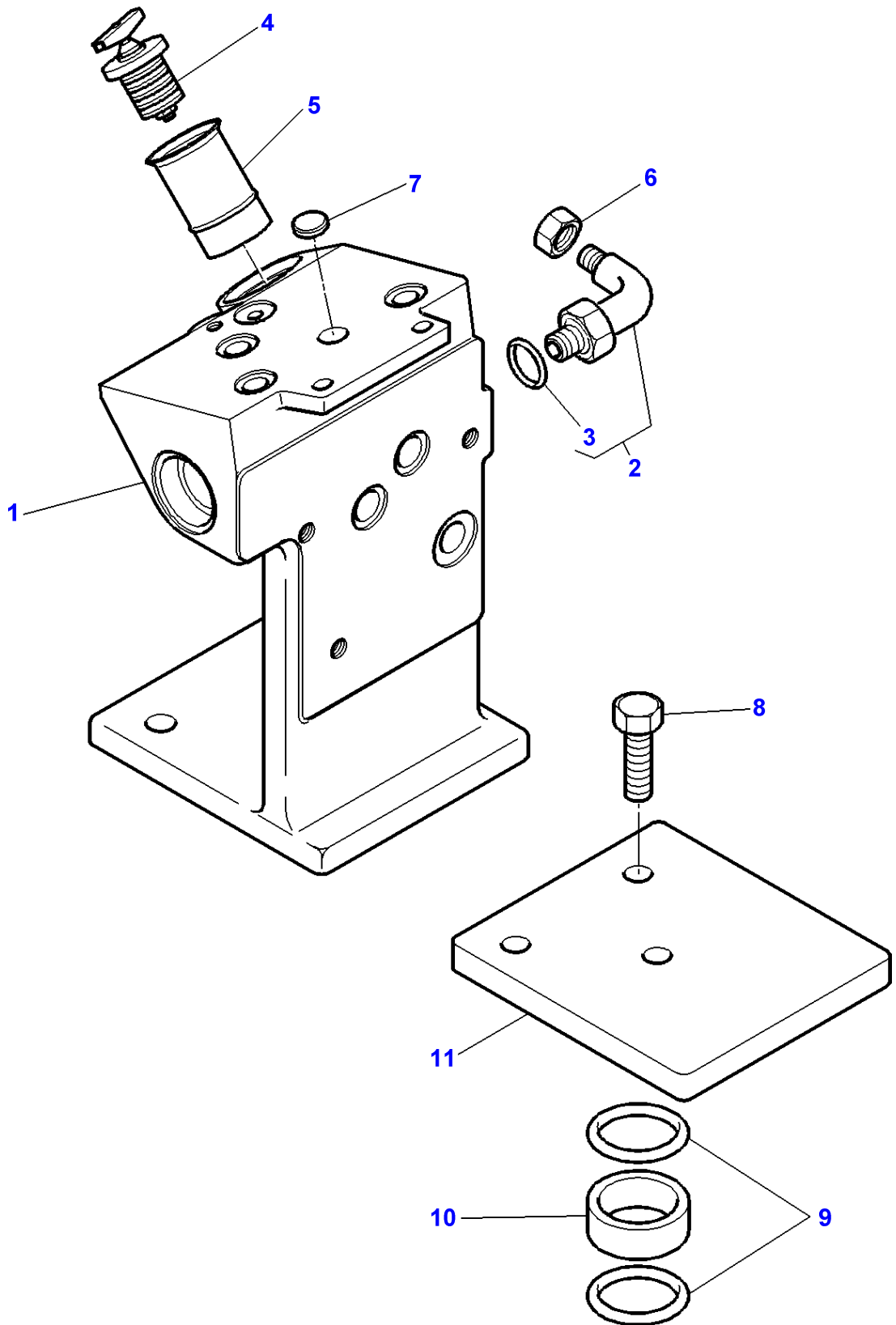
FOOTNOTE [B] RED

FOOTNOTE [C] GREEN

FOOTNOTE [D] YELLOW

FOOTNOTE [E] BLUE

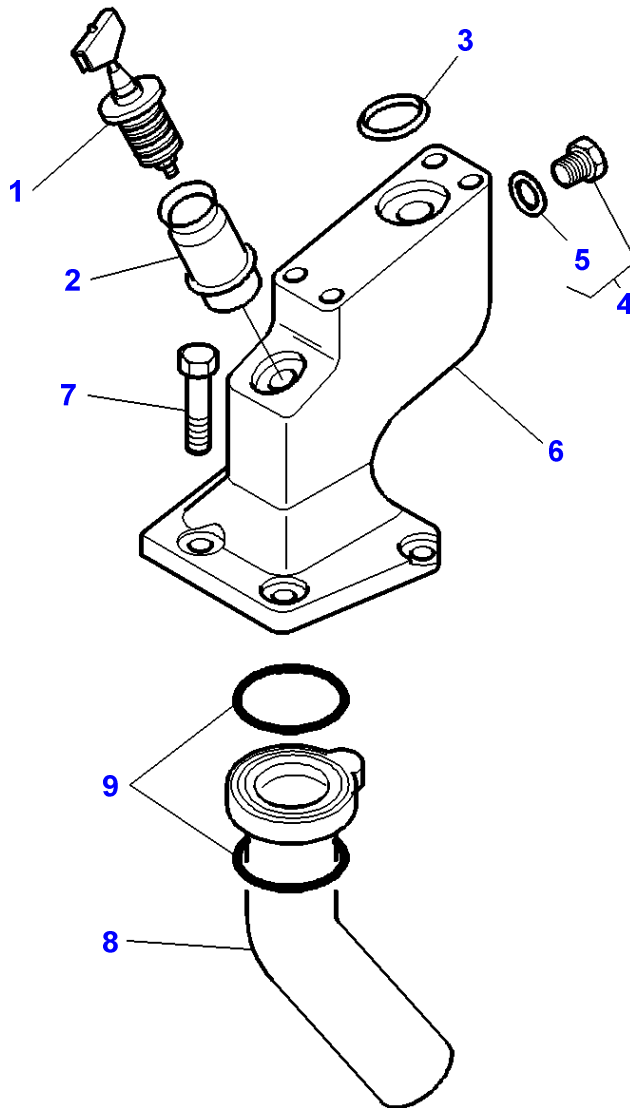
1-ZP77-001-C



Item	Part Number	Qty	Description	Comments
1	3716900M5	1	Angle	
2	3019420X91	1	Union	
3	3019398X1	1	O Ring	(2)
4	3791288M1	1	Plug	
5	3791466M2	1	Tube	
6	70921244	1	Cap	Replace and repair. Old not interchangeable with new 355782X1
7	391563X1	1	Plug	Diameter 16MM
8	3009507X1	3	Hex. Sock. Screw	[A] M12X35
9	366617X1	2	O Ring	[A] Diameter 47MM
10	3792280M1	1	Collar	[A]
11	3716396M1	1	Plate	[A]

FOOTNOTE [A] WITHOUT DISTRIBUTOR

1-ZP77-003-A

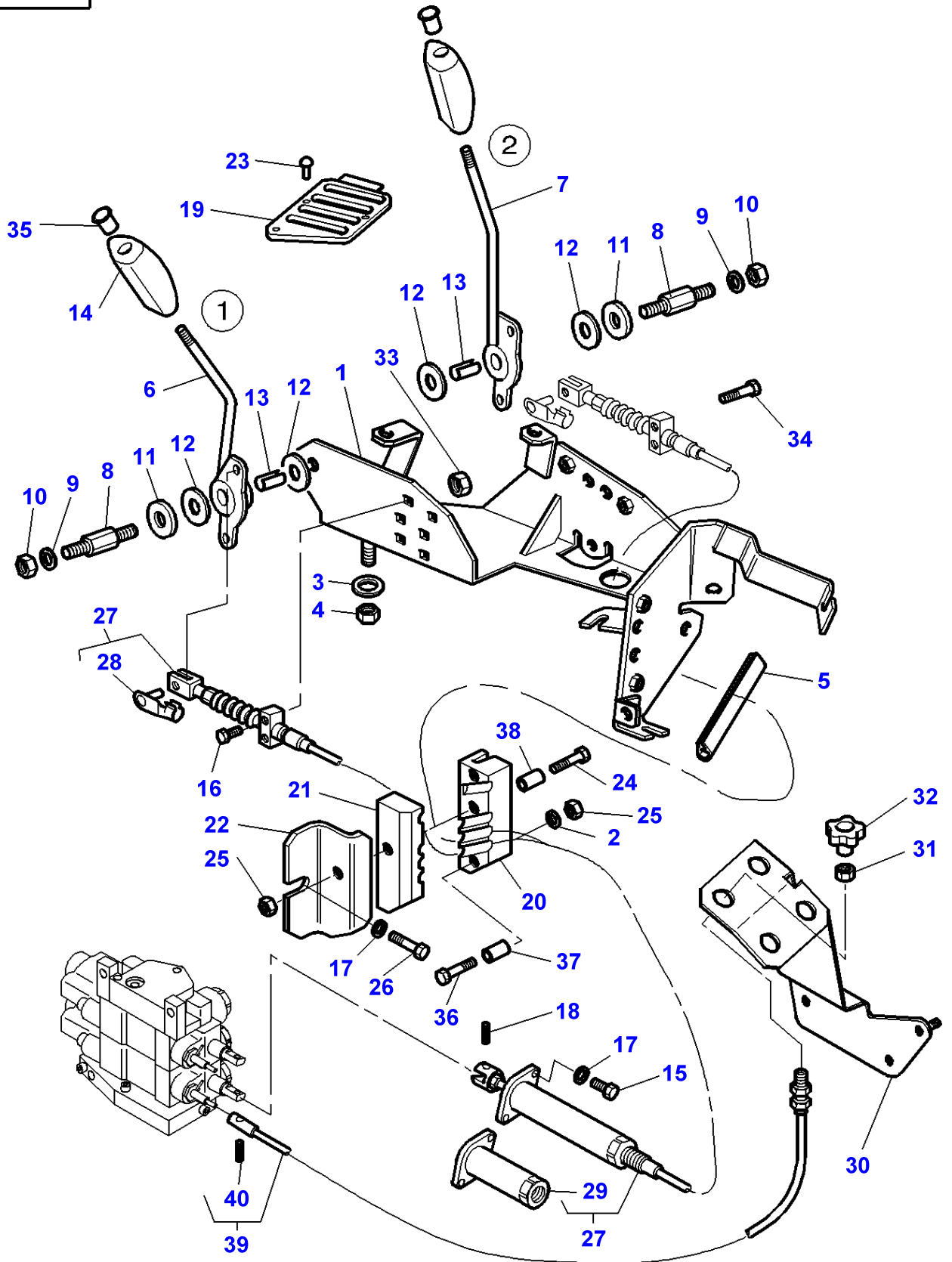


Massey Ferguson**MF 8270/8280 TRACTOR - 1637348****1637348****DIPSTICK / CENTRE HOUSING - From No J293010****Page070-0525**

Item	Part Number	Qty	Description	Comments
1	3791288M1	1	Plug	
2	3791466M2	1	Tube	
3	3015077X1	1	O Ring	
4	3019645X91	1	Plug	
5	3019398X1	1	O Ring	(4)
6	3793411M3	1	Angle	
7	3009507X1	4	Hex. Sock. Screw	M12X35
8	3716914M92	1	Tube	
9	366617X1	2	O Ring	

MF 8270/8280 TRACTOR - 1637348
1-ZP39-003-A

1-ZP39-003-A

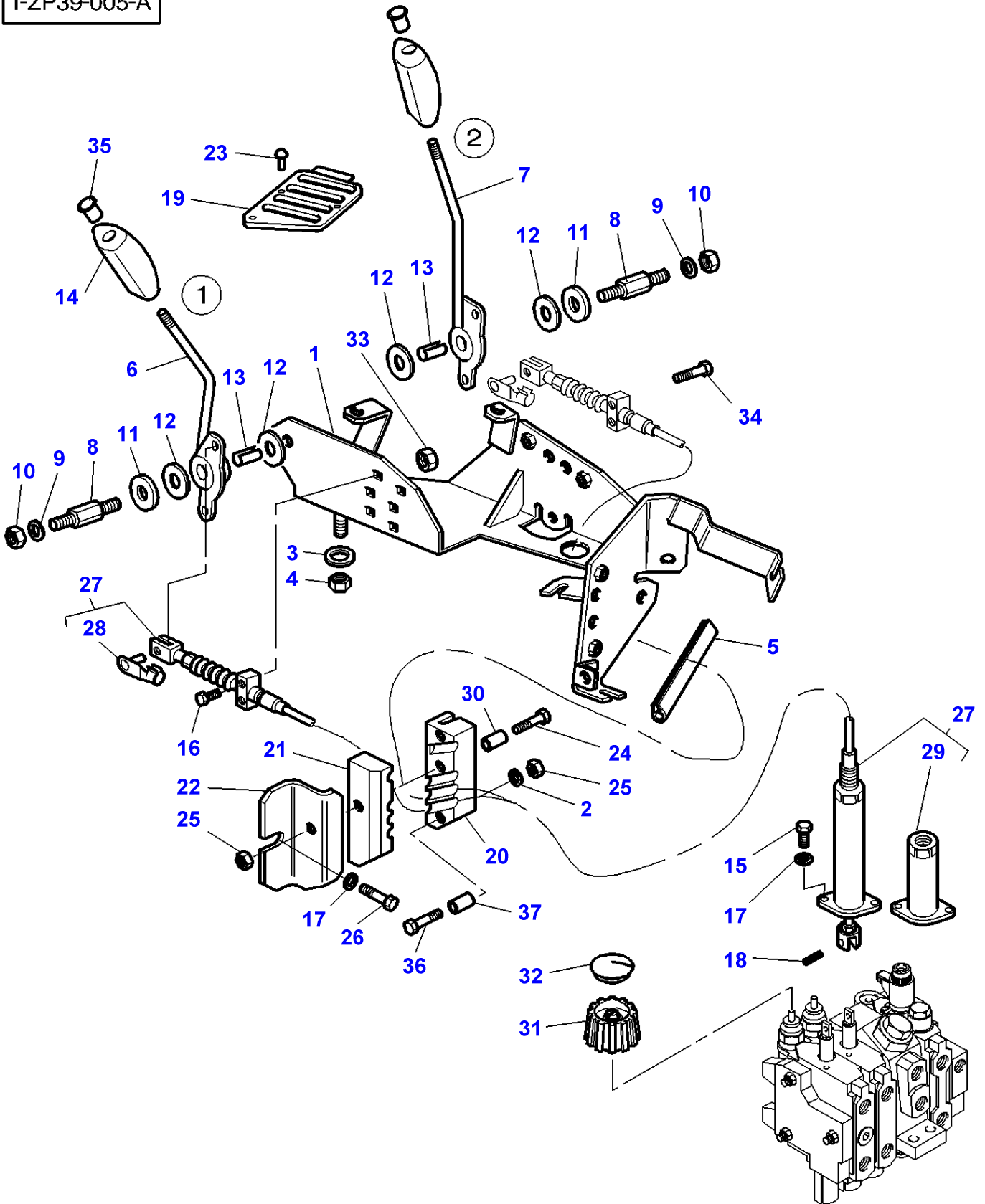


Item	Part Number	Qty	Description	Comments
1	3778480M93	1	Support	
2	390971X1	2	Washer	
3	385361X1	4	Washer	
4	394367X1	4	Locknut	M8
5	1684844M1	1	Seal	Length 80MM
6	3778481M2	1	Lever	
7	3778482M2	1	Lever	
8	3712956M3	2	Clevis Pin	
9	390972X1	2	Washer Metric	
10	394367X1	2	Locknut	M8
11	3387447M1	2	Washer	
12	3386514M1	4	Friction Disc	
13	3713905M1	2	Bearing	
14	3715495M1	2	Handle	
15	357831X1	4	Screw	1/4"-20X16
16	3009332X1	2	Screw	M6X30
17	390971X1	7	Washer	
18	3714223M1	2	Clevis Pin	
19	3778486M1	1	Grille	
20	3712979M2	1	Bridle	
21	3712980M2	1	Bridle	
22	3712981M2	1	Angle	
23	3010506X1	7	Screw	M5X16
24	339096X1	2	Bolt Metric	M6X35
25	339030X1	3	Nut Metric	
26	339560X1	1	Hex. Sock. Screw	M6X16
27	3778566M2	2	Hydraulic Cable	Length 1310MM
28	3600190M1	1	Clevis Pin	(27) Length 28MM
29	3902200M91	1	Parts Pack	(27)
30	3783151M1	1	Plate	
31	339402X1	2	Nut	M10
32	3783400M1	1	Button	[B]
	3783401M1	1	Button	[C]
33	1441500X1	4	Locknut	M6
34	3009332X1	2	Screw	M6X30
35	3715496M1	1	Muff	[B]
	3715497M1	1	Muff	[C]
36	1440922X1	1	Bolt	M6X60
37	3714645M1	2	Spacer	Diameter 8X26,5
38	3714646M1	1	Spacer	Diameter 8X50
39	3779469M1	2	Cable	Length 593MM
40	3010003X1	1	Screw	(39)

FOOTNOTE [B] BLACK

FOOTNOTE [C] RED

1-ZP39-005-A



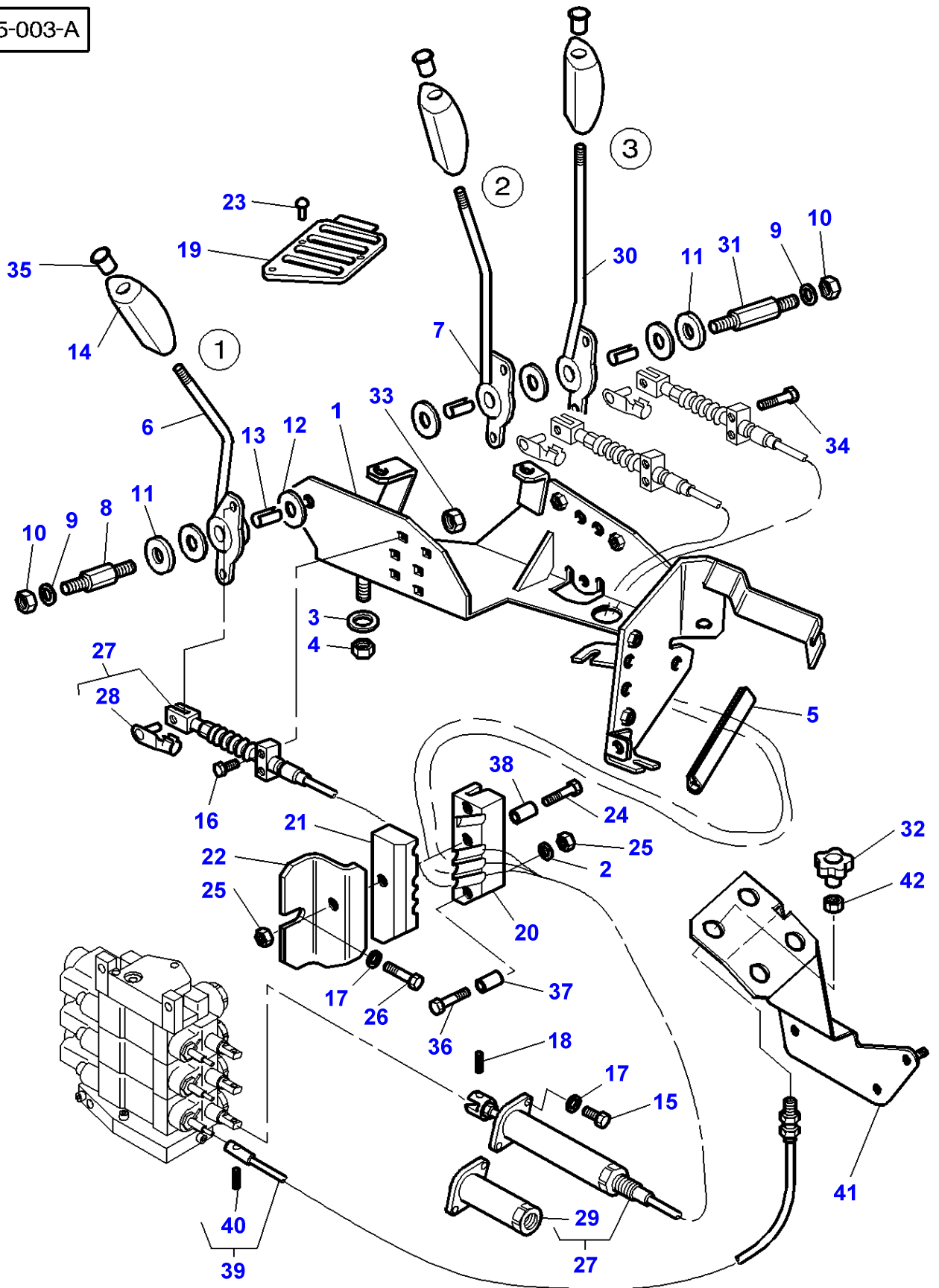
Item	Part Number	Qty	Description	Comments
1	3778480M93	1	Support	
2	390971X1	2	Washer	
3	385361X1	4	Washer	
4	394367X1	4	Locknut	M8
5	1684844M1	2	Seal	Length 80MM
6	3778481M2	1	Lever	
7	3778482M2	1	Lever	
8	3712956M3	2	Clevis Pin	
9	390972X1	2	Washer Metric	
10	394367X1	2	Locknut	M8
11	3387447M1	2	Washer	
12	3386514M1	4	Friction Disc	
13	3713905M1	2	Bearing	
14	3715495M1	2	Handle	
15	339560X1	4	Hex. Sock. Screw	M6X16
16	3009332X1	2	Screw	M6X30
17	390971X1	7	Washer	
18	3387566M2	2	Clevis Pin	
19	3778486M1	1	Grille	
20	3712979M2	1	Bridle	
21	3712980M2	1	Bridle	
22	3712981M2	1	Angle	
23	3010506X1	3	Screw	M5X16
24	339096X1	2	Bolt Metric	M6X35
25	339030X1	3	Nut Metric	
26	339560X1	1	Hex. Sock. Screw	M6X16
27	3715989M1	2	Hydraulic Cable	Length 1600MM
28	3600190M1	1	Clevis Pin	(27) Length 28MM
29	3902200M91	1	Parts Pack	(27)
30	3714646M1	1	Spacer	Diameter 8X50
31	3784369M1	2	Button	
32	3784402M1	1	Muff	[B]
	3784403M1	1	Muff	[C]
33	1441462X1	4	Locknut	M6
34	3009332X1	2	Screw	M6X30
35	3715496M1	1	Muff	[B]
	3715497M1	1	Muff	[C]
36	1440922X1	1	Bolt	M6X60
37	3714645M1	2	Spacer	Diameter 8X26,5

FOOTNOTE [B] BLACK

FOOTNOTE [C] RED

MF 8270/8280 TRACTOR - 1637348
1-ZP35-003-A

1-ZP35-003-A



Item	Part Number	Qty	Description	Comments
1	3778480M93	1	Support	
2	390971X1	2	Washer	
3	385361X1	4	Washer	
4	394367X1	4	Locknut	M8
5	1684844M1	1	Seal	Length 80MM
6	3778481M2	1	Lever	
7	3778482M2	1	Lever	
8	3712956M3	1	Clevis Pin	
9	390972X1	2	Washer Metric	
10	394367X1	2	Locknut	M8
11	3387447M1	2	Washer	
12	3386514M1	5	Friction Disc	
13	3713905M1	3	Bearing	
14	3715495M1	3	Handle	
15	357831X1	6	Screw	1/4"-20X16
16	3009332X1	2	Screw	M6X30
17	390971X1	7	Washer	
18	3714223M1	3	Clevis Pin	
19	3778487M1	1	Grille	
20	3712979M2	1	Bridle	
21	3712980M2	1	Bridle	
22	3712981M2	1	Angle	
23	3010506X1	7	Screw	M5X16
24	339096X1	2	Bolt Metric	M6X35
25	339030X1	3	Nut Metric	
26	339560X1	1	Hex. Sock. Screw	M6X16
27	3778566M2	3	Hydraulic Cable	Length 1310MM
28	3600190M1	1	Clevis Pin	(27) Length 28MM
29	3902200M91	1	Parts Pack	(27)
30	3778483M2	1	Lever	
31	3712279M3	1	Clevis Pin	Length 78MM
32	3783400M1	1	Button	[B]
	3783401M1	1	Button	[C]
	3783402M1	1	Button	[D]
33	1441500X1	4	Locknut	M6
34	3009336X1	2	Screw	M6X55
35	3715496M1	1	Muff	[B]
	3715497M1	1	Muff	[C]
	3715498M1	1	Muff	[D]
36	1440922X1	1	Bolt	M6X60
37	3714645M1	2	Spacer	Diameter 8X26,5
38	3714646M1	1	Spacer	Diameter 8X50
39	3783391M1	1	Cable	Length 515MM
	3783392M1	2	Cable	Length 615MM
40	3010003X1	1	Screw	(39)
41	3783151M1	1	Plate	
42	339402X1	3	Nut	M10

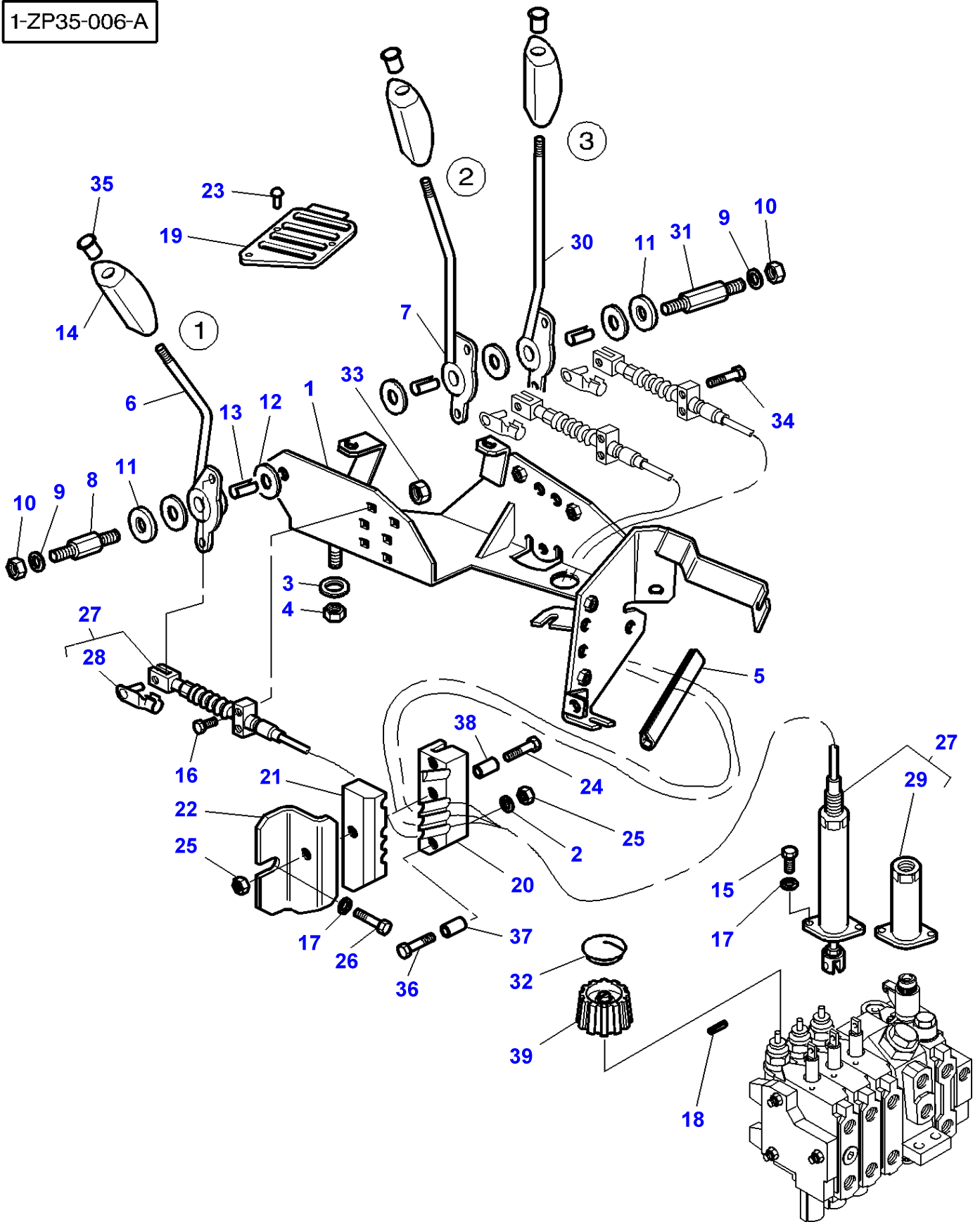
FOOTNOTE [B] BLACK

FOOTNOTE [C] RED

FOOTNOTE [D] GREEN

MF 8270/8280 TRACTOR - 1637348
1-ZP35-006-A

1-ZP35-006-A



Item	Part Number	Qty	Description	Comments
1	3778480M93	1	Support	
2	390971X1	2	Washer	
3	385361X1	4	Washer	
4	394367X1	4	Locknut	M8
5	1684844M1	2	Seal	Length 80MM
6	3778481M2	1	Lever	
7	3778482M2	1	Lever	
8	3712956M3	1	Clevis Pin	
9	390972X1	2	Washer Metric	
10	394367X1	2	Locknut	M8
11	3387447M1	2	Washer	
12	3386514M1	5	Friction Disc	
13	3713905M1	3	Bearing	
14	3715495M1	3	Handle	
15	339560X1	6	Hex. Sock. Screw	M6X16
16	3009332X1	2	Screw	M6X30
17	390971X1	9	Washer	
18	3387566M2	3	Clevis Pin	
19	3778487M1	1	Grille	
20	3712979M2	1	Bridle	
21	3712980M2	1	Bridle	
22	3712981M2	1	Angle	
23	3010506X1	7	Screw	M5X16
24	339096X1	2	Bolt Metric	M6X35
25	339030X1	3	Nut Metric	
26	339560X1	1	Hex. Sock. Screw	M6X16
27	3715989M1	2	Hydraulic Cable	Length 1600MM
	3784368M1	1	Hydraulic Cable	Length 1700MM
28	3600190M1	1	Clevis Pin	(27) Length 28MM
29	3902200M91	1	Parts Pack	(27)
30	3778483M2	1	Lever	
31	3712279M3	1	Clevis Pin	Length 78MM
32	3784402M1	1	Muff	[B]
	3784403M1	1	Muff	[C]
	3784404M1	1	Muff	[D]
33	1441462X1	4	Locknut	M6
34	3009336X1	2	Screw	M6X55
35	3715496M1	1	Muff	[B]
	3715497M1	1	Muff	[C]
	3715498M1	1	Muff	[D]
36	1440922X1	1	Bolt	M6X60
37	3714645M1	2	Spacer	Diameter 8X26,5
38	3714646M1	1	Spacer	Diameter 8X50
39	3784369M1	3	Button	

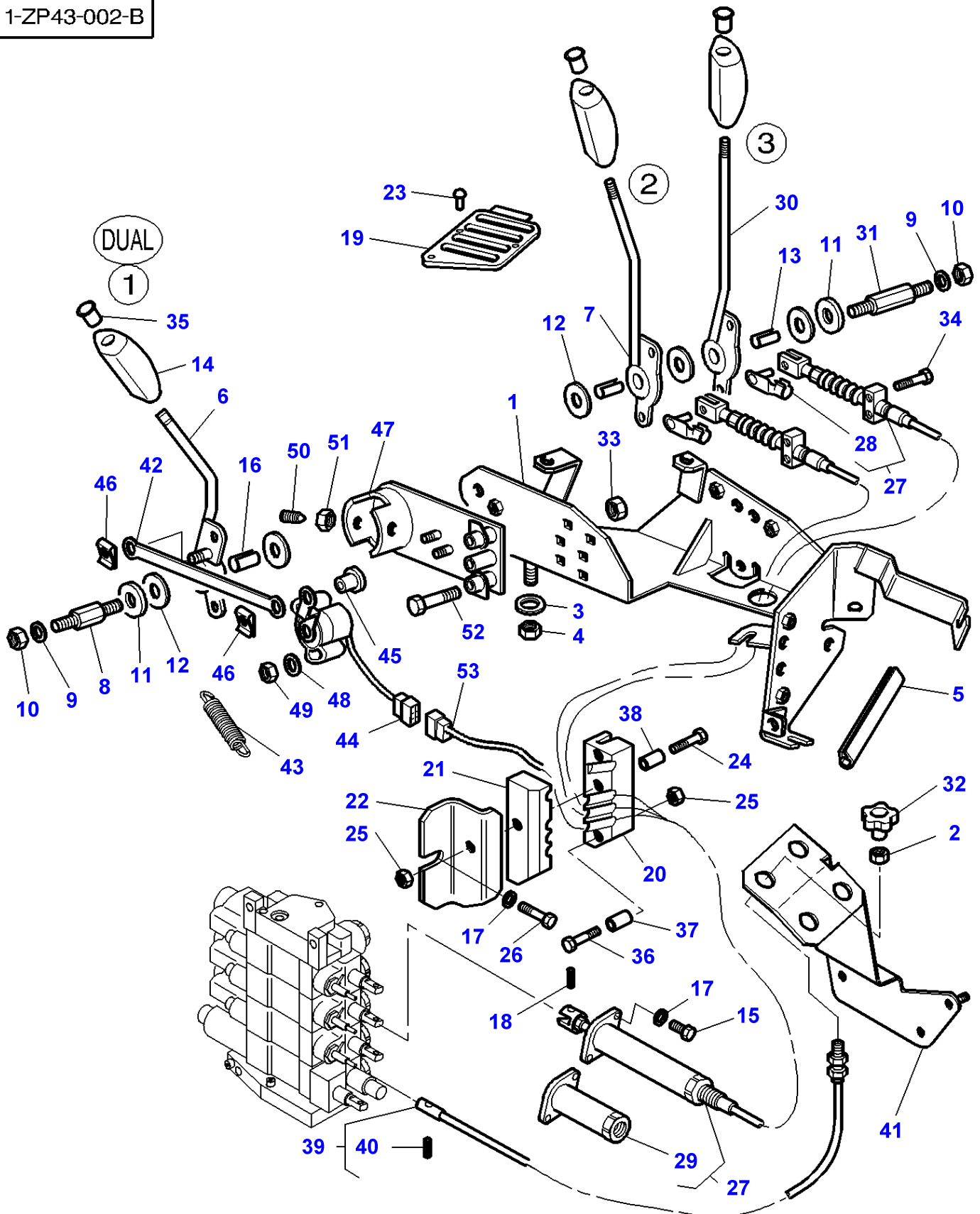
FOOTNOTE [B] BLACK

FOOTNOTE [C] RED

FOOTNOTE [D] GREEN

MF 8270/8280 TRACTOR - 1637348
1-ZP43-002-B

1-ZP43-002-B



Item	Part Number	Qty	Description	Comments
1	3778480M93	1	Support	
2	339402X1	3	Nut	M10
3	385361X1	4	Washer	
4	394367X1	4	Locknut	M8
5	1684844M1	1	Seal	Length 80MM
6	3783143M1	1	Lever	
7	3778482M2	1	Lever	
8	3712956M3	1	Clevis Pin	
9	390972X1	2	Washer Metric	
10	394367X1	2	Locknut	M8
11	3387447M1	2	Washer	
12	3386514M1	5	Friction Disc	
13	3713905M1	2	Bearing	
14	3715495M1	3	Handle	
15	357831X1	6	Screw	1/4"-20X16
16	3386515M1	1	Bearing	
17	390971X1	7	Washer	
18	3714223M1	2	Clevis Pin	
19	3778487M1	1	Grille	
20	3712979M2	1	Bridle	
21	3712980M2	1	Bridle	
22	3712981M2	1	Angle	
23	3010506X1	7	Screw	M5X16
24	339096X1	2	Bolt Metric	M6X35
25	1441500X1	3	Locknut	
26	339560X1	1	Hex. Sock. Screw	M6X16
27	3778566M2	2	Hydraulic Cable	Length 1310MM
28	3600190M1	1	Clevis Pin	(27) Length 28MM
29	3902200M91	1	Parts Pack	(27)
30	3778483M2	1	Lever	
31	3712279M3	1	Clevis Pin	Length 78MM
32	3783400M1	1	Button	[B]
	3783401M1	1	Button	[C]
	3783402M1	1	Button	[D]
33	1441500X1	4	Locknut	M6
34	3009336X1	2	Screw	M6X55
35	3715496M1	1	Muff	[B]
	3715497M1	1	Muff	[C]
	3715498M1	1	Muff	[D]
36	1440922X1	1	Bolt	M6X60
37	3714645M1	2	Spacer	Diameter 8X26,5
38	3714646M1	1	Spacer	Diameter 8X50
39	3783391M1	1	Cable	Length 515MM
	3783392M1	2	Cable	Length 615MM
40	3010003X1	1	Screw	(39)
41	3783151M1	1	Plate	
42	3715466M1	1	Rod Link	
43	3616740M2	2	Spring	
44	3715459M1	1	Inductive Taker	
45	3783144M1	1	Clevis Pin	
46	3783145M1	2	Thruster	
47	3783142M1	1	Support	
48	390469X1	2	Washer Metric	
49	3010477X1	2	Nut Metric	
50	3618127M2	2	Poppet	
51	3009696X1	2	Nut	
52	3010974X1	2	Screw	M6X40
53		1	Harness	See Page - Reference Number 090-0020/2

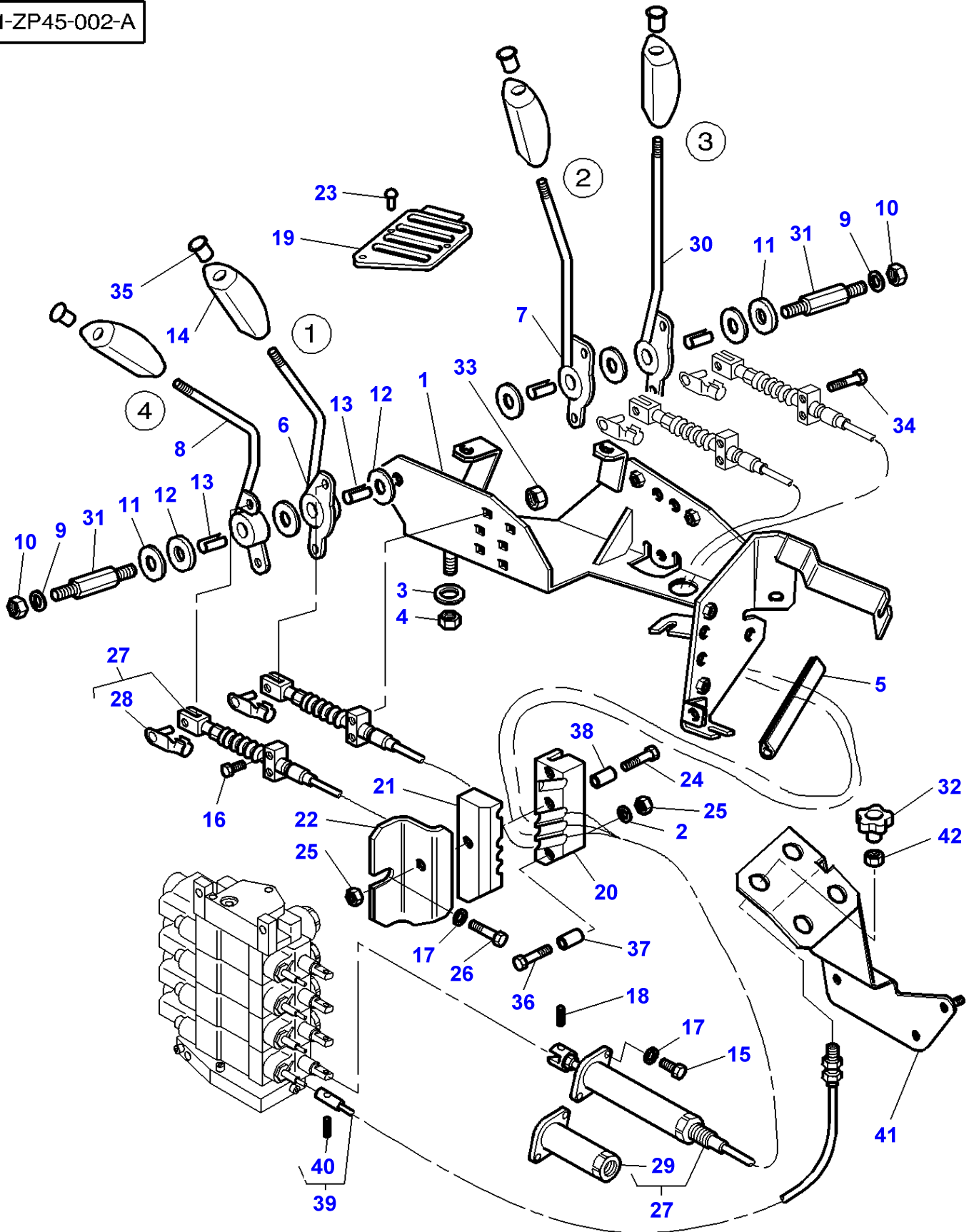
FOOTNOTE [B] BLACK

FOOTNOTE [C] RED

FOOTNOTE [D] GREEN

MF 8270/8280 TRACTOR - 1637348
1-ZP45-002-A

1-ZP45-002-A



Item	Part Number	Qty	Description	Comments
1	3778480M93	1	Support	
2	390971X1	2	Washer	
3	385361X1	4	Washer	
4	394367X1	4	Locknut	M8
5	1684844M1	1	Seal	Length 80MM
6	3778481M2	1	Lever	
7	3778482M2	1	Lever	
8	3778484M3	1	Lever	
9	390972X1	2	Washer Metric	
10	394367X1	2	Locknut	M8
11	3387447M1	2	Washer	
12	3386514M1	6	Friction Disc	
13	3713905M1	4	Bearing	
14	3715495M1	4	Handle	
15	357831X1	8	Screw	1/4"-20X16
16	3009336X1	2	Screw	M6X55
17	390971X1	9	Washer	
18	3714223M1	4	Clevis Pin	
19	3778488M1	1	Grille	
20	3712979M2	1	Bridle	
21	3712980M2	1	Bridle	
22	3712981M2	1	Angle	
23	3010506X1	7	Screw	M5X16
24	339096X1	2	Bolt Metric	M6X35
25	339030X1	3	Nut Metric	
26	339560X1	1	Hex. Sock. Screw	M6X16
27	3778566M2	4	Hydraulic Cable	Length 1310MM
28	3600190M1	1	Clevis Pin	(27) Length 28MM
29	3902200M91	1	Parts Pack	(27)
30	3778483M2	1	Lever	
31	3712279M3	2	Clevis Pin	Length 78MM
32	3783403M1	1	Button	[A]
	3783400M1	1	Button	[B]
	3783401M1	1	Button	[C]
	3783402M1	1	Button	[D]
33	1441500X1	4	Locknut	M6
34	3009336X1	2	Screw	M6X55
35	3715496M1	1	Muff	[B]
	3715497M1	1	Muff	[C]
	3715498M1	1	Muff	[D]
	3715499M1	1	Muff	[A]
36	1440922X1	1	Bolt	M6X60
37	3714645M1	2	Spacer	Diameter 8X26,5
38	3714646M1	1	Spacer	Diameter 8X50
39	3783391M1	2	Cable	Length 515MM
	3783392M1	2	Cable	Length 615MM
40	3010003X1	1	Screw	(39)
41	3783151M1	1	Plate	
42	339402X1	4	Nut	M10

FOOTNOTE [A] YELLOW

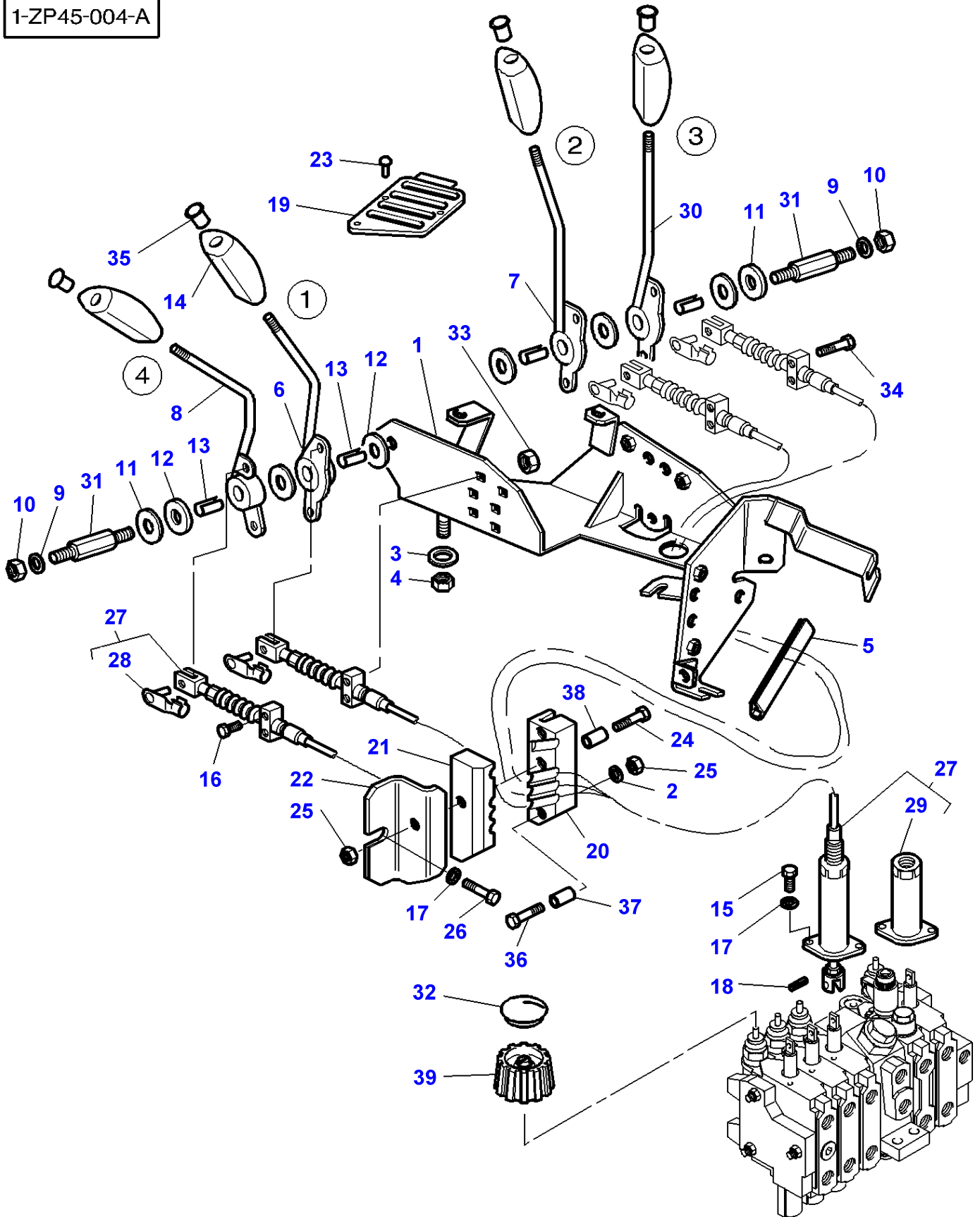
FOOTNOTE [B] BLACK

FOOTNOTE [C] RED

FOOTNOTE [D] GREEN

MF 8270/8280 TRACTOR - 1637348
1-ZP45-004-A

1-ZP45-004-A



Item	Part Number	Qty	Description	Comments
1	3778480M93	1	Support	
2	390971X1	2	Washer	
3	385361X1	4	Washer	
4	394367X1	4	Locknut	M8
5	1684844M1	2	Seal	Length 80MM
6	3778481M2	1	Lever	
7	3778482M2	1	Lever	
8	3778484M3	1	Lever	
9	390972X1	2	Washer Metric	
10	394367X1	2	Locknut	M8
11	3387447M1	2	Washer	
12	3386514M1	6	Friction Disc	
13	3713905M1	4	Bearing	
14	3715495M1	4	Handle	
15	339560X1	8	Hex. Sock. Screw	M6X16
16	3009336X1	2	Screw	M6X55
17	390971X1	8	Washer	
18	3387566M2	4	Clevis Pin	
19	3778488M1	1	Grille	
20	3712979M2	1	Bridle	
21	3712980M2	1	Bridle	
22	3712981M2	1	Angle	
23	3010506X1	3	Screw	M5X16
24	339096X1	2	Bolt Metric	M6X35
25	339030X1	3	Nut Metric	
26	339560X1	1	Hex. Sock. Screw	M6X16
27	3715989M1	2	Hydraulic Cable	Length 1600MM
	3784368M1	1	Hydraulic Cable	Length 1700MM
	3715988M1	1	Hydraulic Cable	Length 1480MM
28	3600190M1	1	Clevis Pin	(27) Length 28MM
29	3902200M91	1	Parts Pack	(27)
30	3778483M2	1	Lever	
31	3712279M3	2	Clevis Pin	Length 78MM
32	3784405M1	1	Muff	[A]
	3784402M1	1	Muff	[B]
	3784403M1	1	Muff	[C]
	3784404M1	1	Muff	[D]
33	1441462X1	4	Locknut	M6
34	3009336X1	2	Screw	M6X55
35	3715496M1	1	Muff	[B]
	3715497M1	1	Muff	[C]
	3715498M1	1	Muff	[D]
	3715499M1	1	Muff	[A]
36	1440922X1	1	Bolt	M6X60
37	3714645M1	2	Spacer	Diameter 8X26,5
38	3714646M1	1	Spacer	Diameter 8X50
39	3784369M1	4	Button	

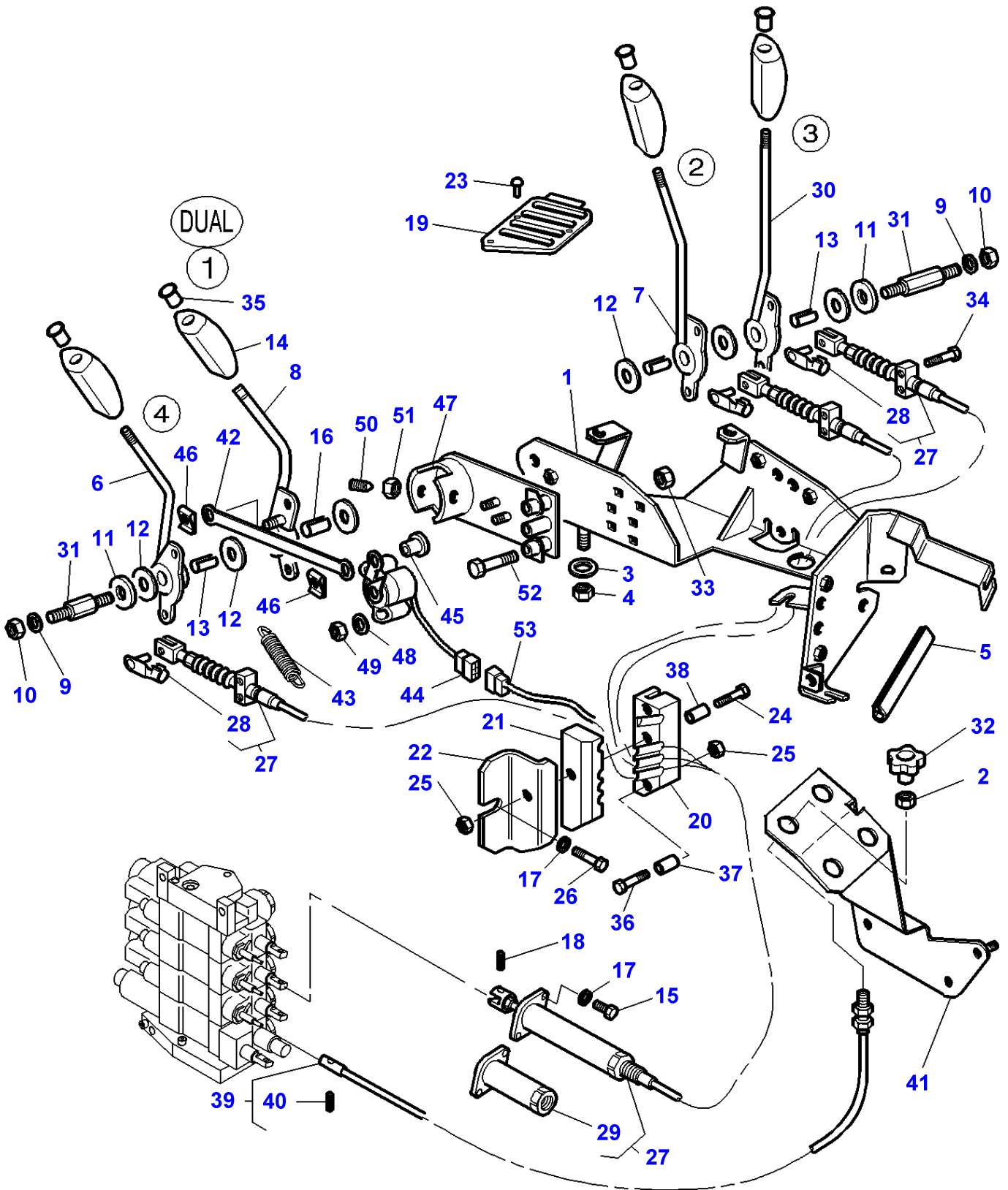
FOOTNOTE [A] YELLOW

FOOTNOTE [B] BLACK

FOOTNOTE [C] RED

FOOTNOTE [D] GREEN

1-ZP44-002-B



4 DISTRIBUTORS CONTROL - With Dual Control

Item	Part Number	Qty	Description	Comments
1	3778480M93	1	Support	
2	339402X1	4	Nut	M10
3	385361X1	4	Washer	
4	394367X1	4	Locknut	M8
5	1684844M1	1	Seal	Length 80MM
6	3783146M1	1	Lever	
7	3778482M2	1	Lever	
8	3783143M1	1	Lever	
9	390972X1	2	Washer Metric	
10	394367X1	2	Locknut	M8
11	3387447M1	2	Washer	
12	3386514M1	6	Friction Disc	
13	3713905M1	3	Bearing	
14	3715495M1	4	Handle	
15	357831X1	8	Screw	1/4"-20X16
16	3386515M1	1	Bearing	M6X55
17	390971X1	9	Washer	
18	3714223M1	3	Clevis Pin	
19	3778488M1	1	Grille	
20	3712979M2	1	Bridle	
21	3712980M2	1	Bridle	
22	3712981M2	1	Angle	
23	3010506X1	7	Screw	M5X16
24	339096X1	2	Bolt Metric	M6X35
25	1441500X1	3	Locknut	
26	339560X1	1	Hex. Sock. Screw	M6X16
27	3778566M2	3	Hydraulic Cable	Length 1310MM
28	3600190M1	1	Clevis Pin	(27) Length 28MM
29	3902200M91	1	Parts Pack	(27)
30	3778483M2	1	Lever	
31	3712279M3	2	Clevis Pin	Length 78MM
32	3783403M1	1	Button	[A]
	3783400M1	1	Button	[B]
	3783401M1	1	Button	[C]
	3783402M1	1	Button	[D]
33	1441500X1	4	Locknut	M6
34	3009336X1	2	Screw	M6X55
35	3715496M1	1	Muff	[B]
	3715497M1	1	Muff	[C]
	3715498M1	1	Muff	[D]
	3715499M1	1	Muff	[A]
36	1440922X1	1	Bolt	M6X60
37	3714645M1	2	Spacer	Diameter 8X26,5
38	3714646M1	1	Spacer	Diameter 8X50
39	3783391M1	2	Cable	Length 515MM
	3783392M1	2	Cable	Length 615MM
40	3010003X1	1	Screw	(39)
41	3783151M1	1	Plate	
42	3715466M1	1	Rod Link	
43	3616740M2	2	Spring	
44	3715459M1	1	Inductive Taker	
45	3783144M1	1	Clevis Pin	
46	3783145M1	2	Thruster	
47	3783142M1	1	Support	
48	390469X1	2	Washer Metric	
49	3010477X1	2	Nut Metric	
50	3618127M2	2	Poppet	
51	3009696X1	2	Nut	
52	3010975X1	2	Screw	M6X60
53		1	Harness	See Page - Reference Number 090-0020/2

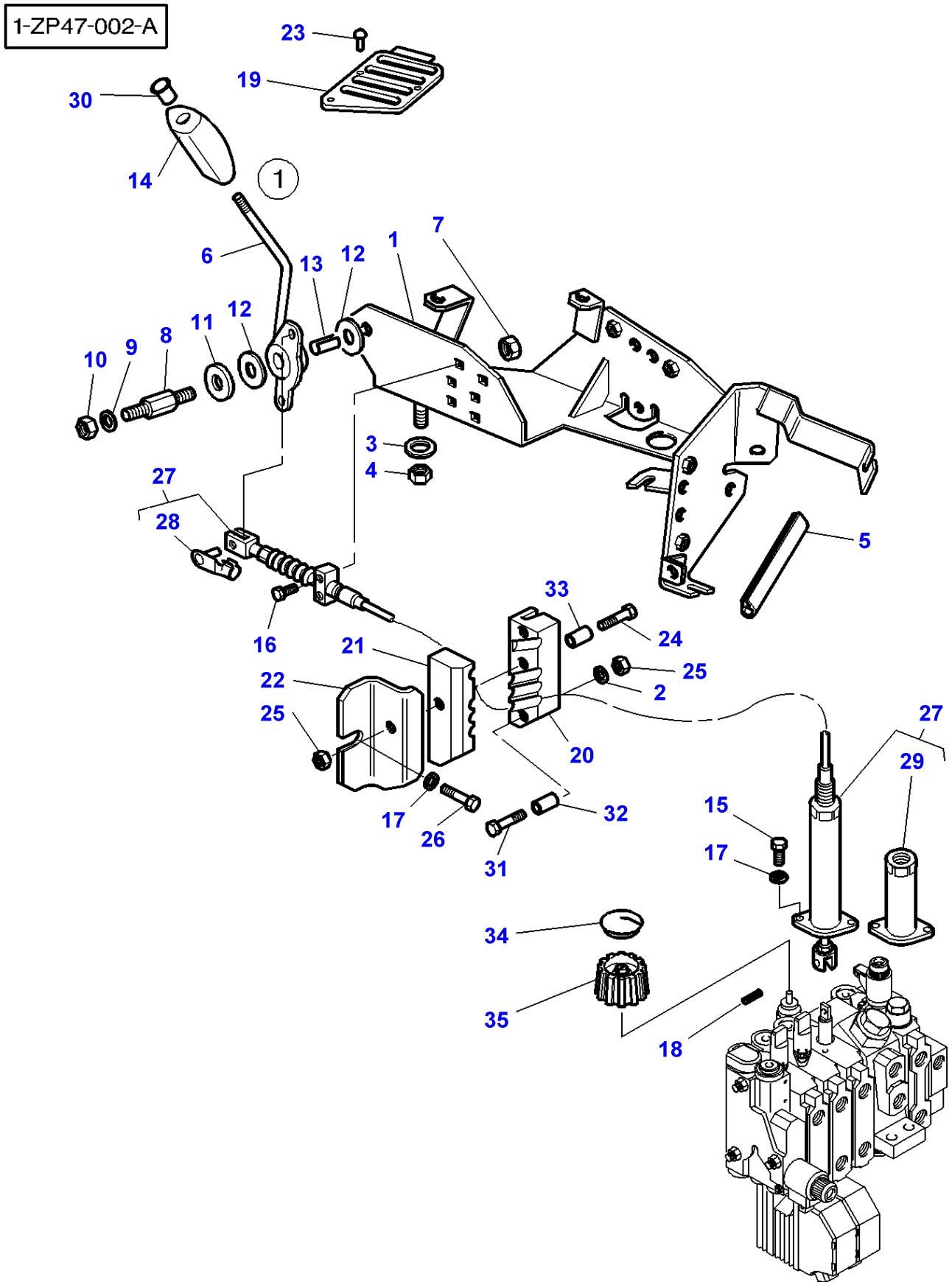
FOOTNOTE [A] YELLOW

FOOTNOTE [B] BLACK

FOOTNOTE [C] RED

FOOTNOTE [D] GREEN

MF 8270/8280 TRACTOR - 1637348
1-ZP47-002-A

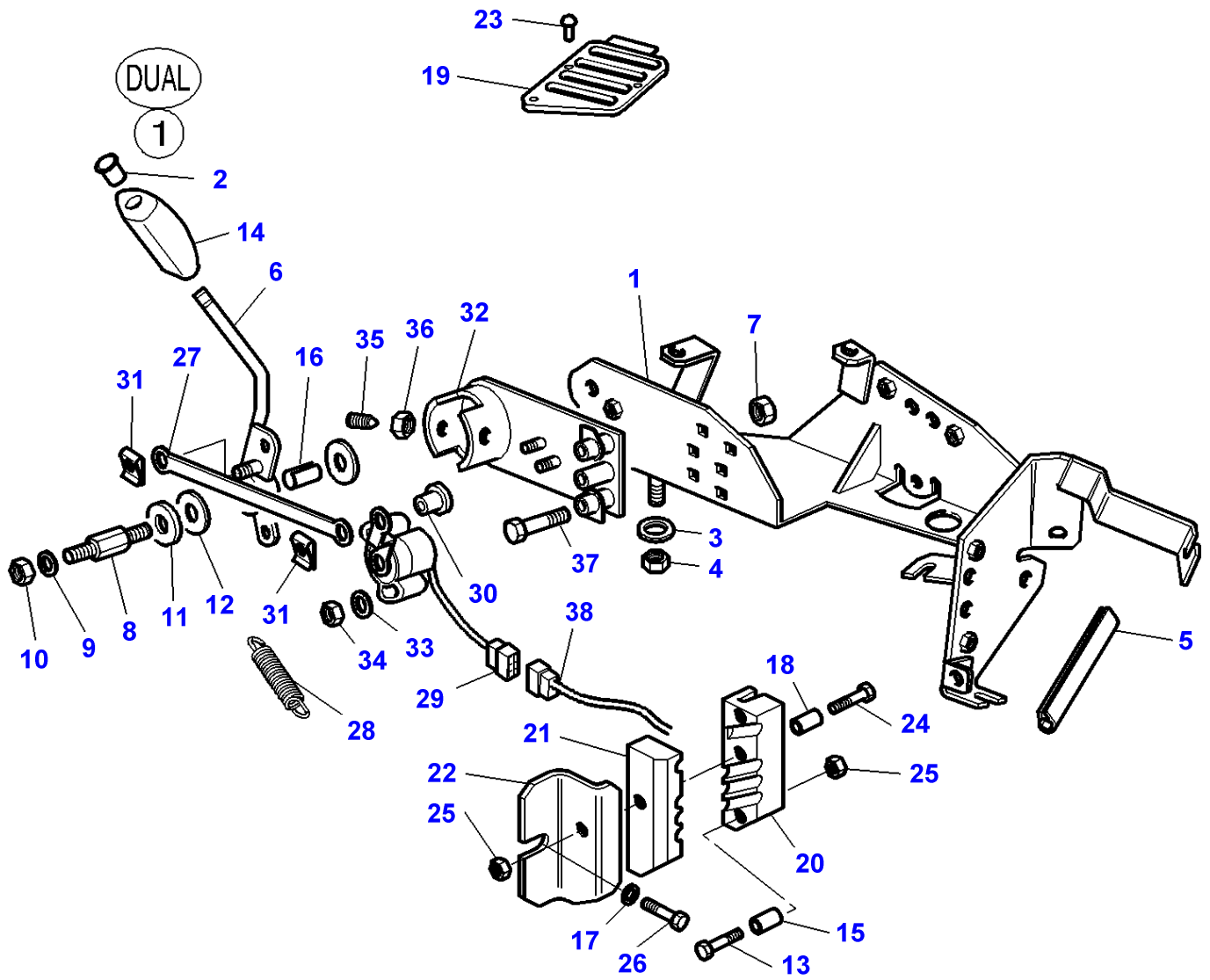


Item	Part Number	Qty	Description	Comments
1	3778480M93	1	Support	
2	390971X1	2	Washer	
3	385361X1	4	Washer	
4	394367X1	4	Locknut	M8
5	1684844M1	2	Seal	Length 80MM
6	3778481M2	1	Lever	
7	1441462X1	2	Locknut	M6
8	3712956M3	1	Clevis Pin	
9	390972X1	1	Washer Metric	
10	394367X1	1	Locknut	M8
11	3387447M1	1	Washer	
12	3386514M1	2	Friction Disc	
13	3713905M1	1	Bearing	
14	3715495M1	1	Handle	
15	339560X1	2	Hex. Sock. Screw	
16	3009332X1	2	Screw	M6X30
17	390971X1	3	Washer	
18	3387566M2	1	Clevis Pin	
19	3784401M1	1	Grille	
20	3712979M2	1	Bridle	
21	3712980M2	1	Bridle	
22	3712981M2	1	Angle	
23	3010506X1	3	Screw	M5X16
24	339096X1	2	Bolt Metric	M6X35
25	339030X1	3	Nut Metric	
26	339560X1	1	Hex. Sock. Screw	M6X16
27	3715989M1	2	Hydraulic Cable	Length 1600MM
28	3600190M1	1	Clevis Pin	(27) Length 28MM
29	3902200M91	1	Parts Pack	(27)
30	3715496M1	1	Muff	[B]
31	1440922X1	1	Bolt	M6X60
32	3714645M1	2	Spacer	Diameter 8X26,5
33	3714646M1	1	Spacer	Diameter 8X50
34	3784402M1	1	Muff	[B]
35	3784369M1	1	Button	

FOOTNOTE [B] BLACK

MF 8270/8280 TRACTOR - 1637348
1-ZP46-002-A

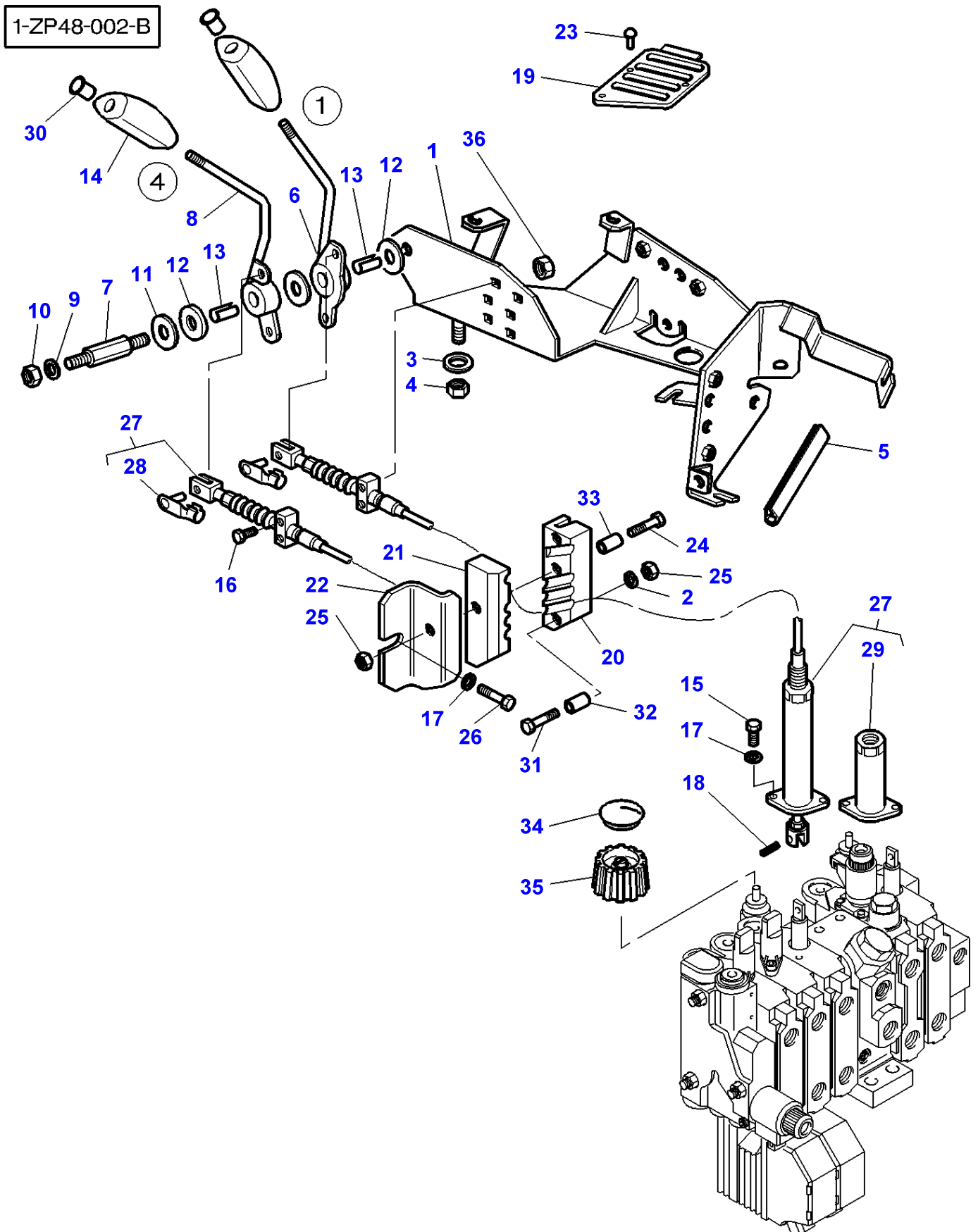
1-ZP46-002-A



Item	Part Number	Qty	Description	Comments
1	3778480M93	1	Support	
2	3715496M1	1	Muff	[A]
3	385361X1	4	Washer	
4	394367X1	4	Locknut	M8
5	1684844M1	2	Seal	Length 80MM
6	3783143M1	1	Lever	
7	1441462X1	4	Locknut	M6
8	3712956M3	1	Clevis Pin	
9	390972X1	1	Washer Metric	
10	394367X1	1	Locknut	M8
11	3387447M1	1	Washer	
12	3386514M1	2	Friction Disc	
13	1440922X1	1	Bolt	M6X60
14	3715495M1	1	Handle	
15	3714645M1	2	Spacer	Diameter 8X26,5
16	3386515M1	1	Bearing	
17	390971X1	2	Washer	
18	3714646M1	1	Spacer	Diameter 8X50
19	3784401M1	1	Grille	
20	3712979M2	1	Bridle	
21	3712980M2	1	Bridle	
22	3712981M2	1	Angle	
23	3010506X1	3	Screw	M5X16
24	339096X1	2	Bolt Metric	M6X35
25	1441500X1	2	Locknut	
26	339560X1	1	Hex. Sock. Screw	M6X16
27	3715466M1	1	Rod Link	
28	3616740M2	2	Spring	
29	3715459M1	1	Inductive Taker	
30	3783144M1	1	Clevis Pin	
31	3783145M1	2	Thrustor	
32	3783142M1	1	Support	
33	390469X1	2	Washer Metric	
34	3010477X1	2	Nut Metric	
35	3618127M2	2	Poppet	
36	3009696X1	2	Nut	
37	3010974X1	2	Screw	M6X40
38		1	Harness	See Page - Reference Number 090-0030/2

FOOTNOTE [A] BLACK

MF 8270/8280 TRACTOR - 1637348
1-ZP48-002-B



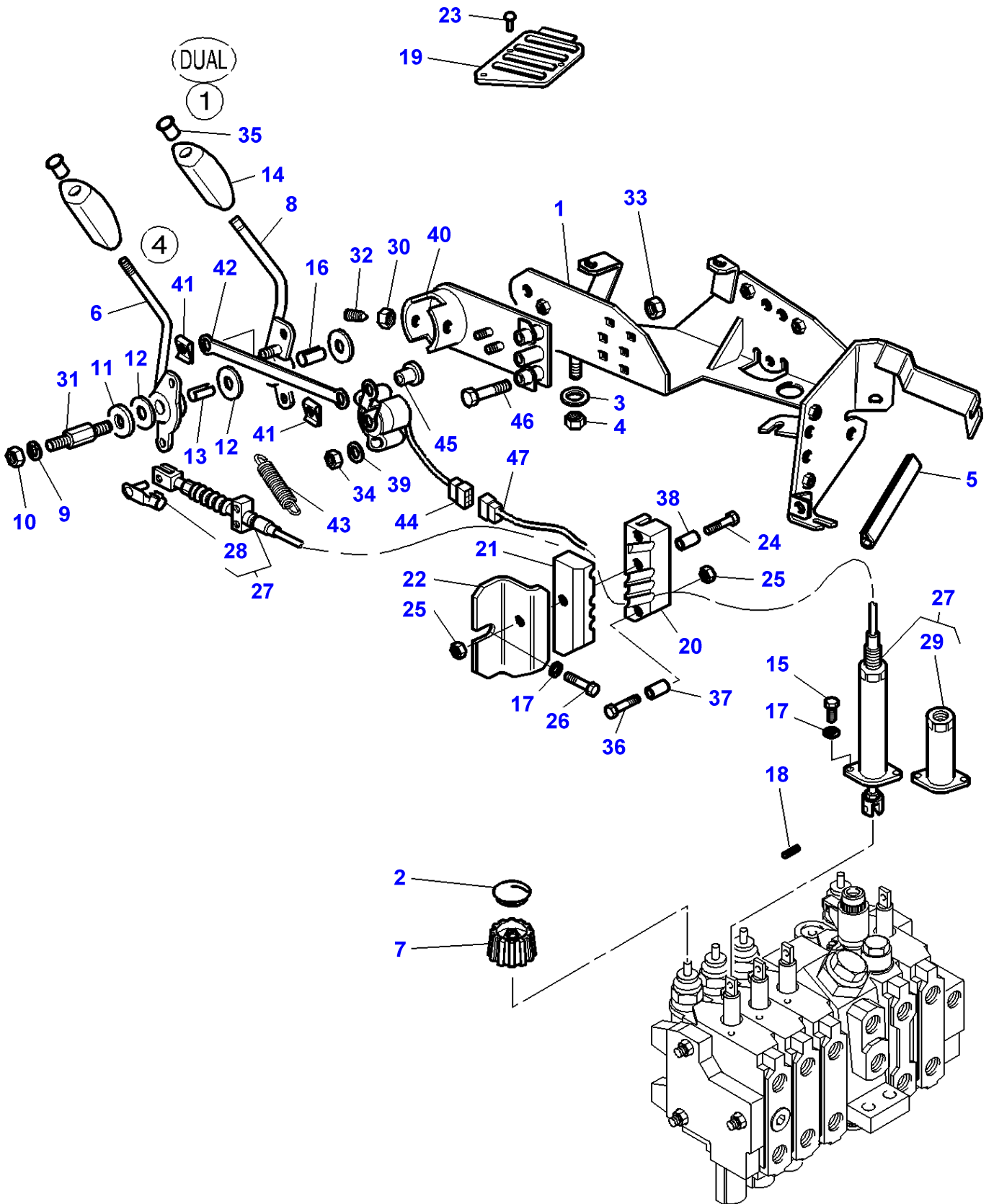
Item	Part Number	Qty	Description	Comments
1	3778480M93	1	Support	
2	390971X1	2	Washer	
3	385361X1	4	Washer	
4	394367X1	4	Locknut	M8
5	1684844M1	2	Seal	Length 80MM
6	3778481M2	1	Lever	
7	3712279M3	1	Clevis Pin	Length 78MM
8	3778484M3	1	Lever	
9	390972X1	1	Washer Metric	
10	394367X1	1	Locknut	M8
11	3387447M1	1	Washer	
12	3386514M1	3	Friction Disc	
13	3713905M1	2	Bearing	
14	3715495M1	2	Handle	
15	339560X1	4	Hex. Sock. Screw	
16	3009336X1	2	Screw	M6X55
17	390971X1	5	Washer	
18	3387566M2	2	Clevis Pin	
19	3784411M1	1	Grille	
20	3712979M2	1	Bridle	
21	3712980M2	1	Bridle	
22	3712981M2	1	Angle	
23	3010506X1	3	Screw	M5X16
24	339096X1	2	Bolt Metric	M6X35
25	339030X1	3	Nut Metric	
26	339560X1	1	Hex. Sock. Screw	M6X16
27	3715989M1	1	Hydraulic Cable	Length 1600MM
	3715988M1	1	Hydraulic Cable	Length 1480MM
28	3600190M1	1	Clevis Pin	(27) Length 28MM
29	3902200M91	1	Parts Pack	(27)
30	3715496M1	1	Muff	[B]
	3715499M1	1	Muff	[A]
31	1440922X1	1	Bolt	M6X60
32	3714645M1	2	Spacer	Diameter 8X26,5
33	3714646M1	1	Spacer	Diameter 8X50
34	3784402M1	1	Muff	[B]
	3784405M1	1	Muff	[A]
35	3784369M1	2	Button	
36	1441462X1	2	Locknut	M6

FOOTNOTE [A] YELLOW

FOOTNOTE [B] BLACK

MF 8270/8280 TRACTOR - 1637348
1-ZP42-002-A

1-ZP42-002-A

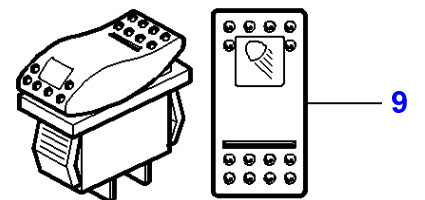
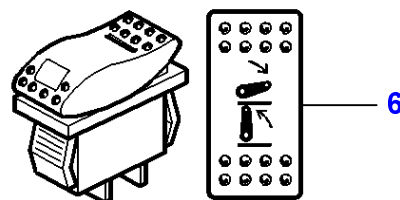
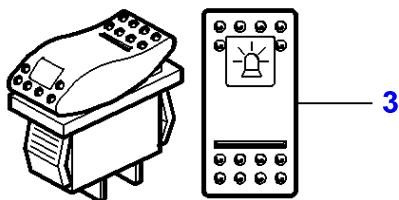
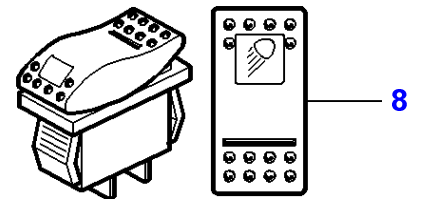
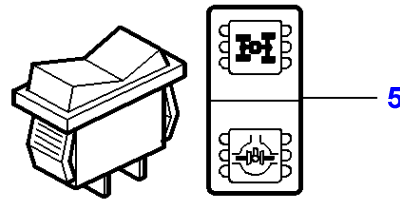
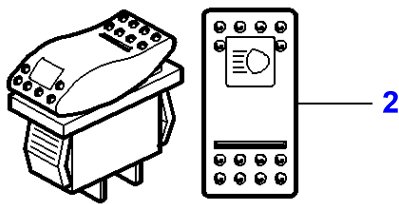
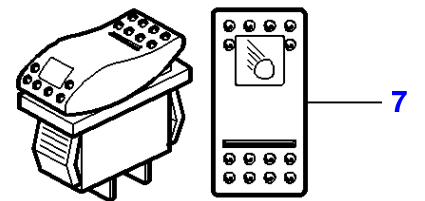
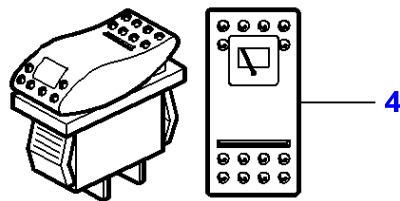
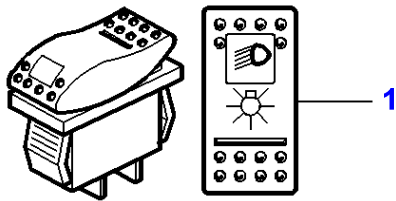


Item	Part Number	Qty	Description	Comments
1	3778480M93	1	Support	
2	3784405M1	1	Muff	[A]
3	385361X1	4	Washer	
4	394367X1	4	Locknut	M8
5	1684844M1	2	Seal	Length 80MM
6	3783146M1	1	Lever	
7	3784369M1	1	Button	
8	3783143M1	1	Lever	
9	390972X1	1	Washer Metric	
10	394367X1	1	Locknut	M8
11	3387447M1	1	Washer	
12	3386514M1	3	Friction Disc	
13	3713905M1	1	Bearing	
14	3715495M1	2	Handle	
15	339560X1	2	Hex. Sock. Screw	
16	3386515M1	1	Bearing	
17	390971X1	5	Washer	
18	3387566M2	1	Clevis Pin	
19	3784411M1	1	Grille	
20	3712979M2	1	Bridle	
21	3712980M2	1	Bridle	
22	3712981M2	1	Angle	
23	3010506X1	3	Screw	M5X16
24	339096X1	2	Bolt Metric	M6X35
25	1441500X1	2	Locknut	
26	339560X1	1	Hex. Sock. Screw	M6X16
27	3715988M1	1	Hydraulic Cable	Length 1480MM
28	3600190M1	1	Clevis Pin	(27) Length 28MM
29	3902200M91	1	Parts Pack	(27)
30	3009696X1	2	Nut	
31	3712279M3	1	Clevis Pin	Length 78MM
32	3618127M2	2	Poppet	
33	1441462X1	2	Locknut	M6
34	3010477X1	2	Nut Metric	
35	3715496M1	1	Muff	[B]
	3715499M1	1	Muff	[A]
36	1440922X1	1	Bolt	M6X60
37	3714645M1	2	Spacer	Diameter 8X26,5
38	3714646M1	1	Spacer	Diameter 8X50
39	390469X1	2	Washer Metric	
40	3783142M1	1	Support	
41	3783145M1	2	Thruster	
42	3715466M1	1	Rod Link	
43	3616740M2	2	Spring	
44	3715459M1	1	Inductive Taker	
45	3783144M1	1	Clevis Pin	
46	3010975X1	2	Screw	M6X60
47		1	Harness	See Page - Reference Number 090-0030/2

FOOTNOTE [A] YELLOW

FOOTNOTE [B] BLACK

1-ZC90-012-A



Switches

Item	Part Number	Qty	Description	Comments
1	4271342M1	1	Switch,Indirect	
2	3713145M1	1	Switch,Indirect	
3	3713146M1	1	Switch,Indirect	
4	3713147M1	1	Switch,Indirect	
5	3785202M1	1	Switch,Indirect	
6	3782020M2	1	Switch,Indirect	Up to Serial or Engine Number L347041
	4270970M2	1	Switch,Indirect	From Serial or Engine Number L347042
7	3778391M1	1	Switch,Indirect	
8	3780552M1	1	Switch,Indirect	[A]
9	3780553M1	1	Switch,Indirect	

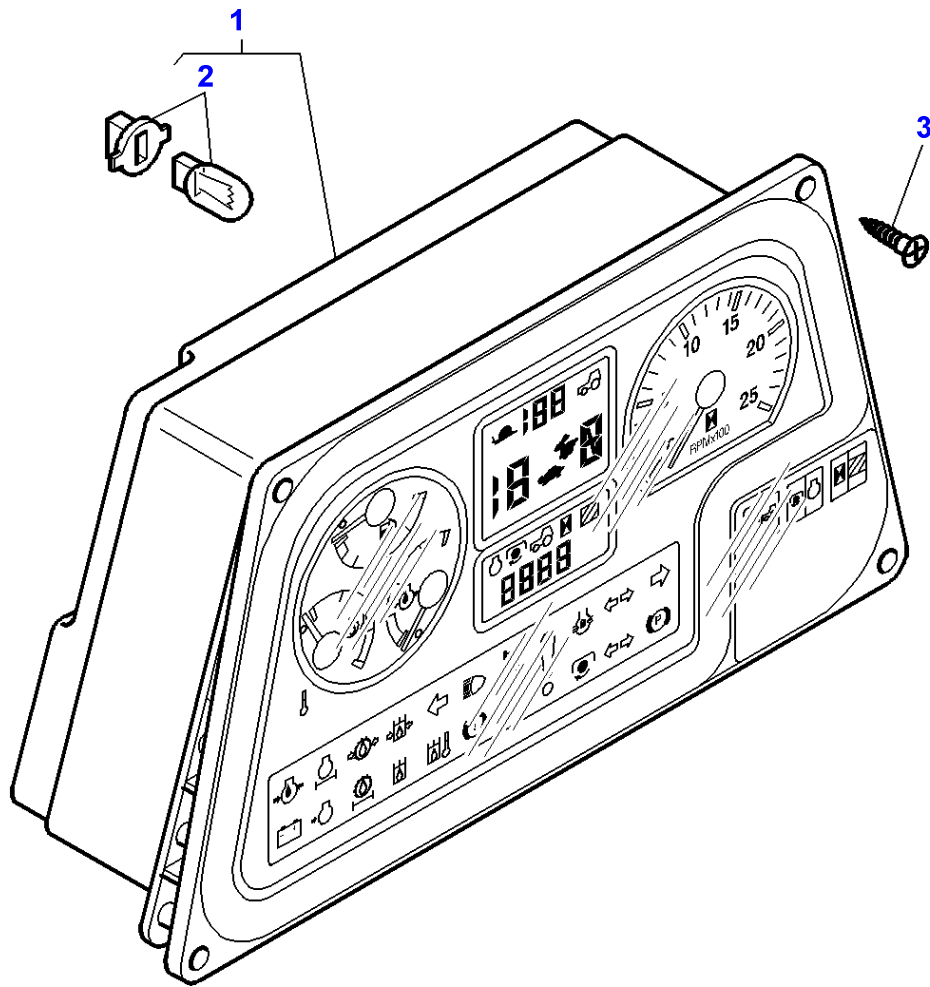
FOOTNOTE [A] REAR WORKING LIGHT

FOOTNOTE [B] WITH SPEED MATCHING

FOOTNOTE [C] WITH AUTODRIVE

MF 8270/8280 TRACTOR - 1637348
1-ZC60-001-A

1-ZC60-001-A

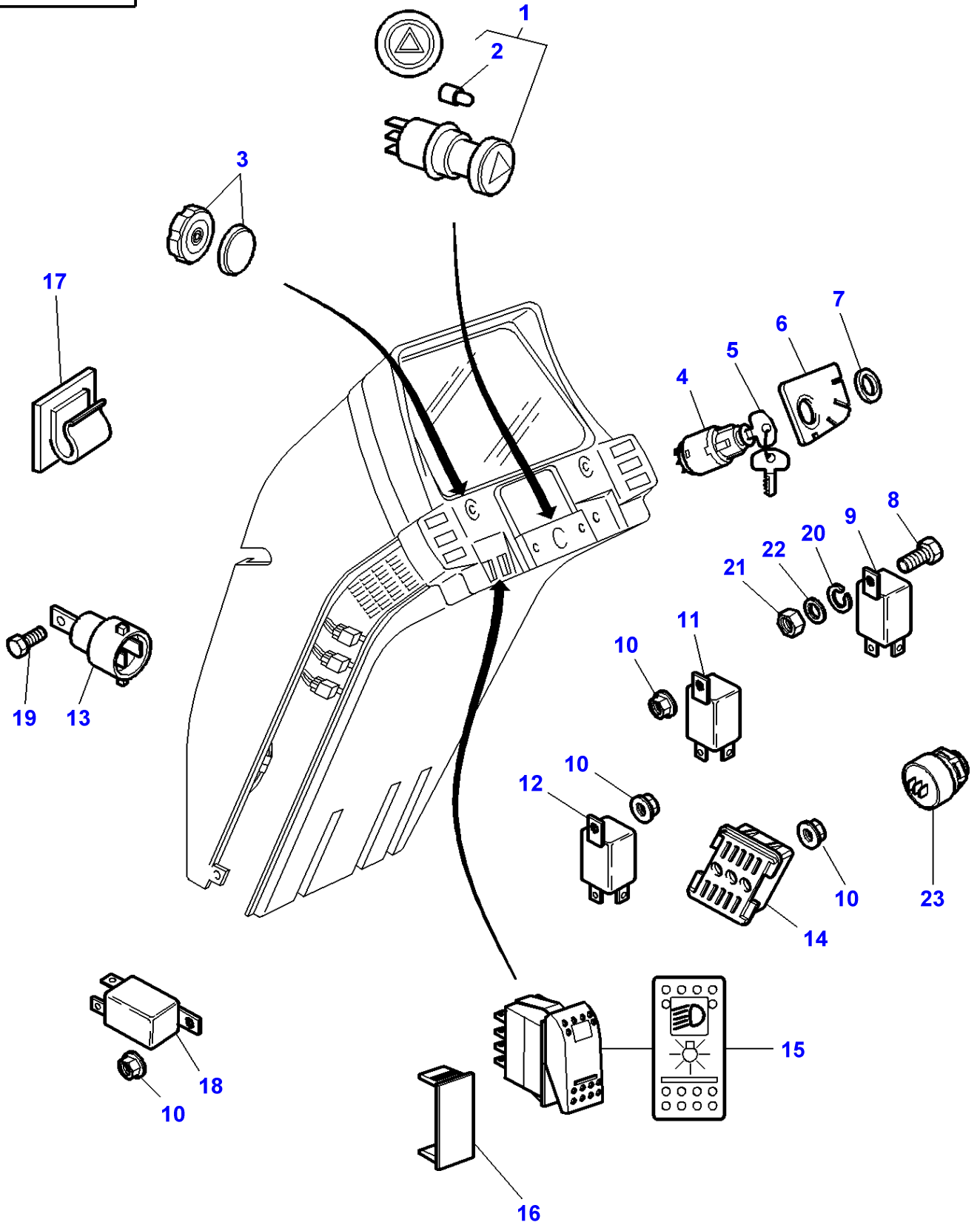


Massey Ferguson**MF 8270/8280 TRACTOR - 1637348****1637348****Instrument Panel And Instruments - With Full Powershift****Page080-0010**

Item	Part Number	Qty	Description	Comments
1	3783591M2	1	Instrument Panel	
2	72505208	26	Bulb	(1)
3	3010791X1	4	Screw	M4 X 20

MF 8270/8280 TRACTOR - 1637348
1-ZU21-004-B

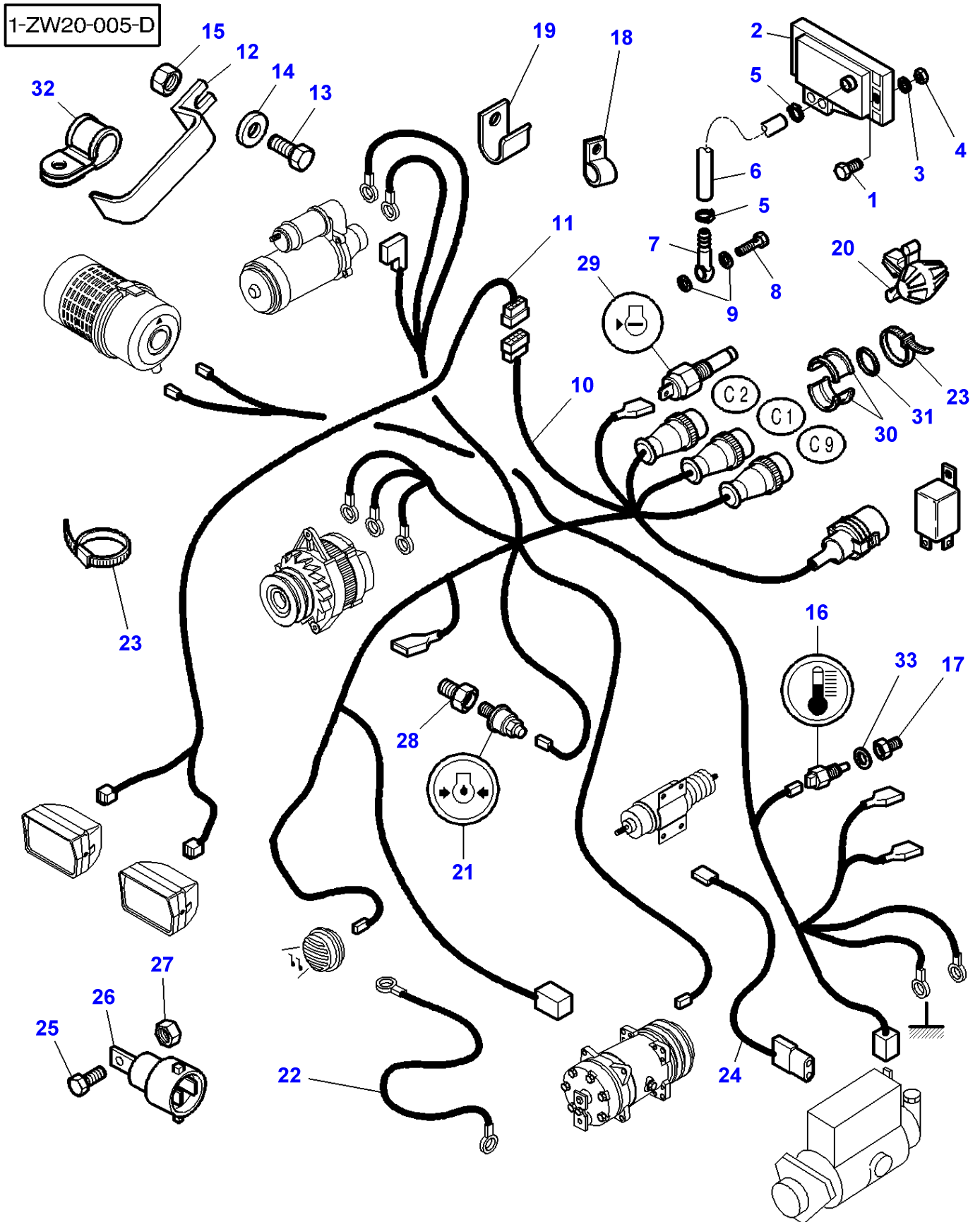
1-ZU21-004-B



Massey Ferguson**MF 8270/8280 TRACTOR - 1637348****1637348****Electric Equipment & Instrument Panel****Page080-0015**

Item	Part Number	Qty	Description	Comments
1	3370427M91	1	Switch	
2	3405185M1	1	Bulb 12v 1.2w	(1)
3	2191950K92	1	Button	
4	3779699M1	1	Switch,Indirect	
5	3813361M1	1	Ignition Key	
6	3780466M1	1	Plate	
7	1694534M1	1	Nut	
8	339560X1	1	Hex. Sock. Screw	M6X16
9	3617865M1	1	Blinker Unit	
10	3010477X1	X	Nut Metric	
11	3387326M2	1	Relay	12V-50A
12	3615652M1	1	Relay	4RD 003 520-31 4RD 007 794-03
13	3779879M1	1	Relay	12V-50A
14	3713103M1	1	Connector	Up to Serial or Engine Number
15	4271342M1	1	Switch,Indirect	
16	3713151M1	X	Tap	
17	3582094M1	2	Tie	
18	3713403M3	1	Relay	
19	339560X1	1	Hex. Sock. Screw	M5X16
20	1441206X1	1	Lock Washer	
21	339030X1	1	Nut Metric	
22	339375X1	1	Lock Washer	
23	3713367M1	1	Horn	Replace and repair. Old not interchangeable with new 3777567M1

MF 8270/8280 TRACTOR - 1637348
1-ZW20-005-D

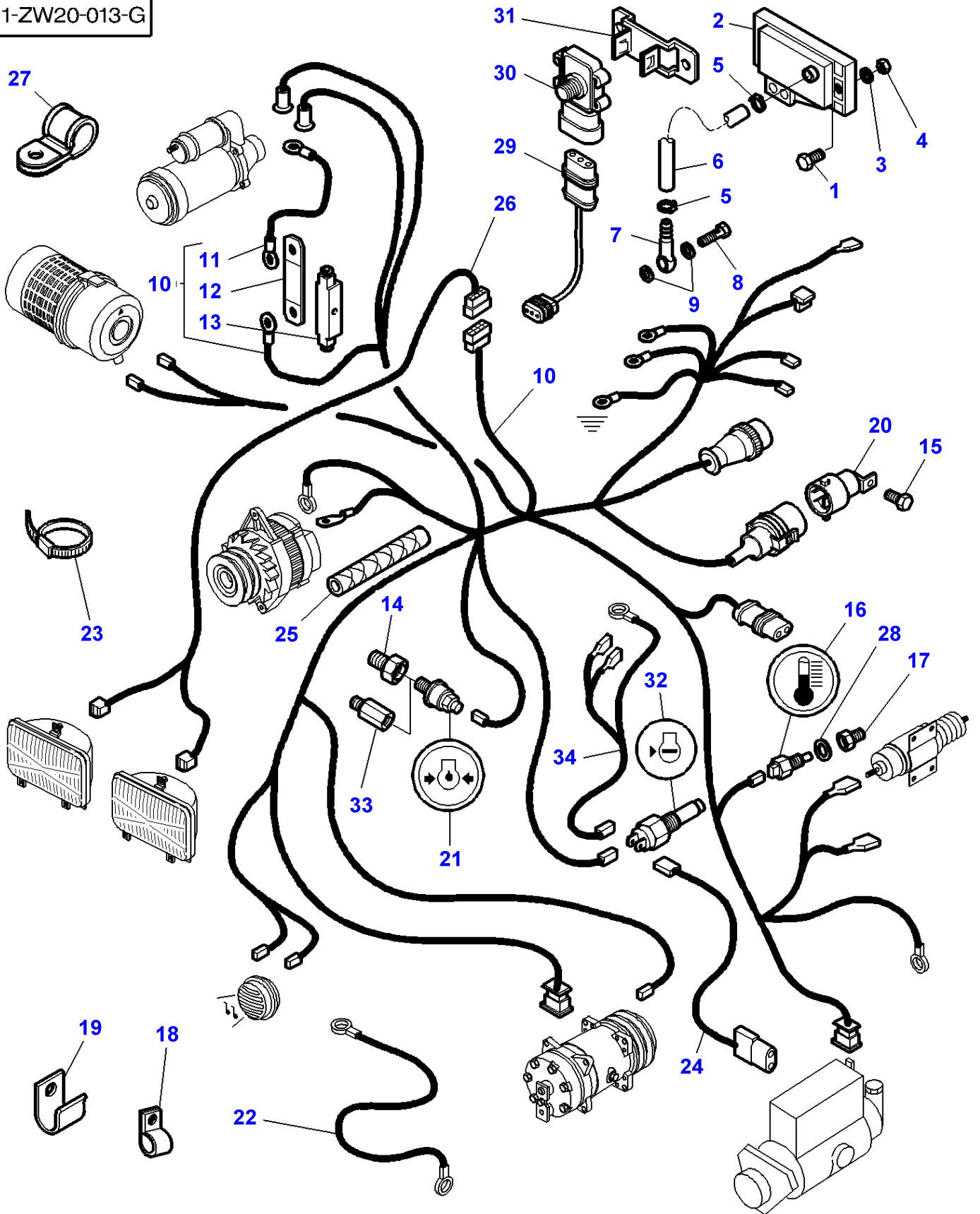


Item	Part Number	Qty	Description	Comments
1	391883X1	2	Screw	M5X25
2	72502305	1	Transmitter	[A]
3	390469X1	2	Washer Metric	
4	1441494X1	2	Nut Metric	M5
5	338612X1	2	Hose Clip	Diameter 10-16
6	3780133M2	1	Tube	Length 600MM
7	3777546M1	1	Union	
8	3777549M1	1	Screw	
9	3007188X1	2	Gasket	
10	3779549M5	1	Harness	
	3779550M3	1	Harness	For Sweden
	3785302M91	1	Harness	For United States of America
				Up to Serial or Engine Number 08-JAN-2001
11	5015264M2	1	Harness	
12	3715996M1	1	Bridle	Up to Serial or Engine Number 10-09-2000
13	339123X1	1	Hex. Sock. Screw	M8X20
14	385361X1	1	Washer	
15	339169X1	1	Nut	M8
16	5015257M1	1	Sender	
17	3778202M1	1	Union	
18	3387756M1	X	Strap	
19	3583344M1	2	Strap	
20	3615984M1	1	Fastener	Up to Serial or Engine Number 04-JAN-2000
21	72512518	1	Sender	
22	3712175M2	1	Wire	
23	3619622M1	X	Cable Tie	
24	3781072M1	1	Connection	
25	390990X1	1	Screw Metric	M5X12
26	3779879M1	1	Relay	12V-50A
27	3010477X1	1	Nut Metric	M5
28	70917032	1	Union	
29	3617129M2	1	Sensor	
30	3785087M1	6	Bridle	
31	3785088M1	3	O Ring	Diameter 22,5X2
32	3581424M1	1	Clamp	From Serial or Engine Number 11-09-2000
33	195561M1	1	O Ring	

FOOTNOTE [A] TURBO PRESSURE TRANSDUCER

MF 8270/8280 TRACTOR - 1637348
1-ZW20-013-G

1-ZW20-013-G

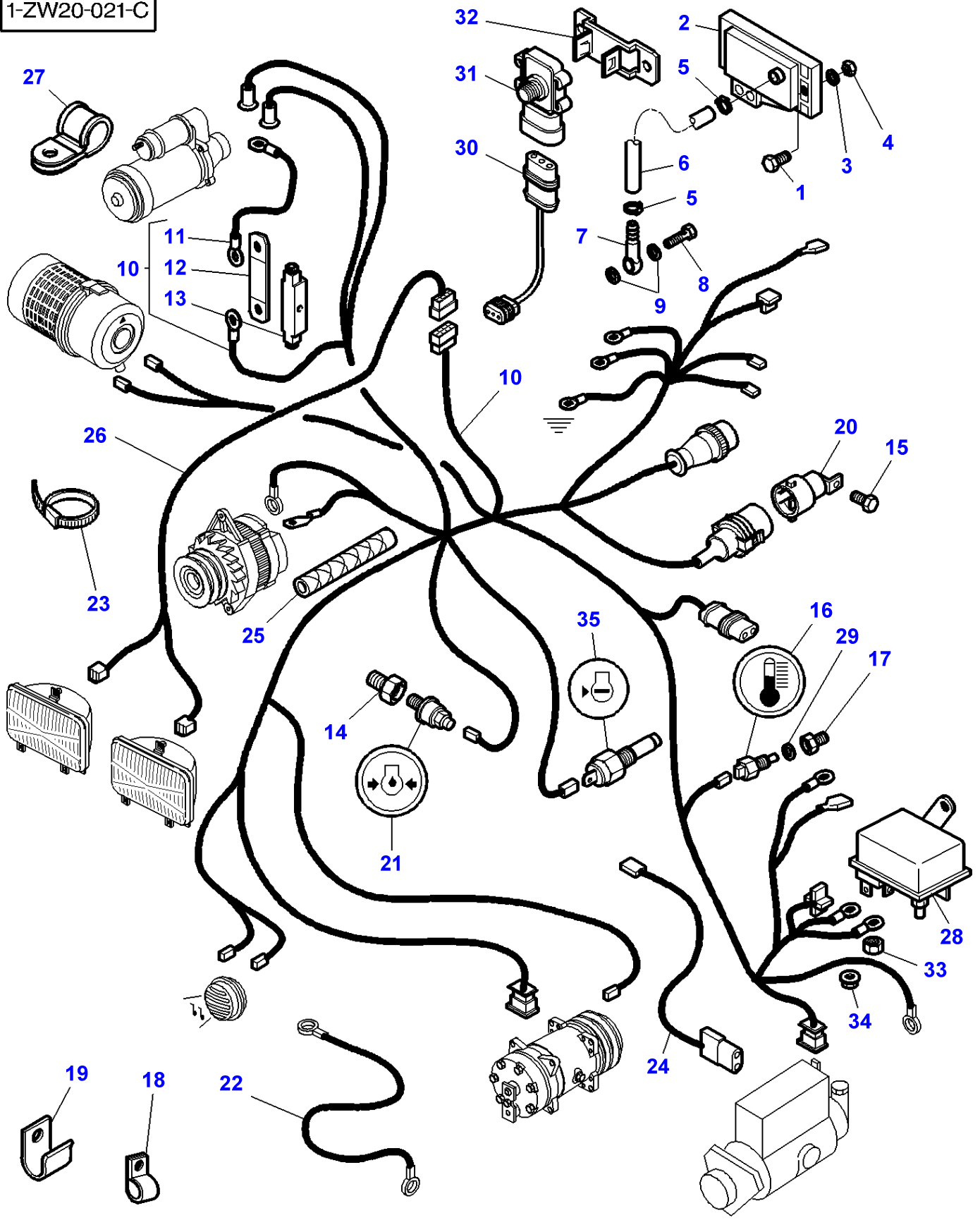


Item	Part Number	Qty	Description	Comments
1	391883X1	2	Screw	M5X25
2	72502305	1	Transmitter	[A] Up to Serial or Engine Number JUIL-2002
3	390469X1	2	Washer Metric	
4	1441494X1	2	Nut Metric	M5
5	338612X1	2	Hose Clip	Diameter 10-16
6	3780133M2	1	Tube	Length 600MM
7	3777546M1	1	Union	
8	3777549M1	1	Screw	
9	3007188X1	2	Gasket	
10	3784651M3	1	Harness	Up to Serial or Engine Number L282010
	4270823M2	1	Harness	From Serial or Engine Number L282011
11	3789734M1	1	Wire	(10) Length 300MM
12	3789731M1	1	Fuse	(10) 175 AMP
13	3789733M1	1	Case Assy	(10)
14	70917032	1	Union	Up to Serial or Engine Number
15	339560X1	1	Hex. Sock. Screw	M6X16
16	5015257M1	1	Sender	
17	3778202M1	1	Union	
18	3387756M1	X	Strap	Diameter 16MM
19	3583344M1	2	Strap	
20	3779879M1	1	Relay	12V-50A
21	72512518	1	Sender	
22	3712175M2	1	Wire	
23	3619622M1	X	Cable Tie	
24	3781072M1	1	Connection	
25	3784039M1	1	Protective Strip	Length 240MM
26	5015264M2	1	Harness	
27	3581424M1	1	Clamp	Diameter 30MM
	3582094M1	1	Tie	Diameter
28	195561M1	1	O Ring	
29	4270802M1	1	Harness	From Serial or Engine Number JUIL-2002 Up to Serial or Engine Number L282010
30	4270729M1	1	Transmitter	From Serial or Engine Number JUIL-2002
31	4270740M1	1	Support	From Serial or Engine Number JUIL-2002
32	3617129M2	1	Sensor	
33	3780418M2	1	Adaptor	From Serial or Engine Number M349060
34	3618017M1	1	Harness	From Serial or Engine Number N190018

FOOTNOTE [A] TURBO PRESSURE TRANSDUCER

MF 8270/8280 TRACTOR - 1637348
1-ZW20-021-C

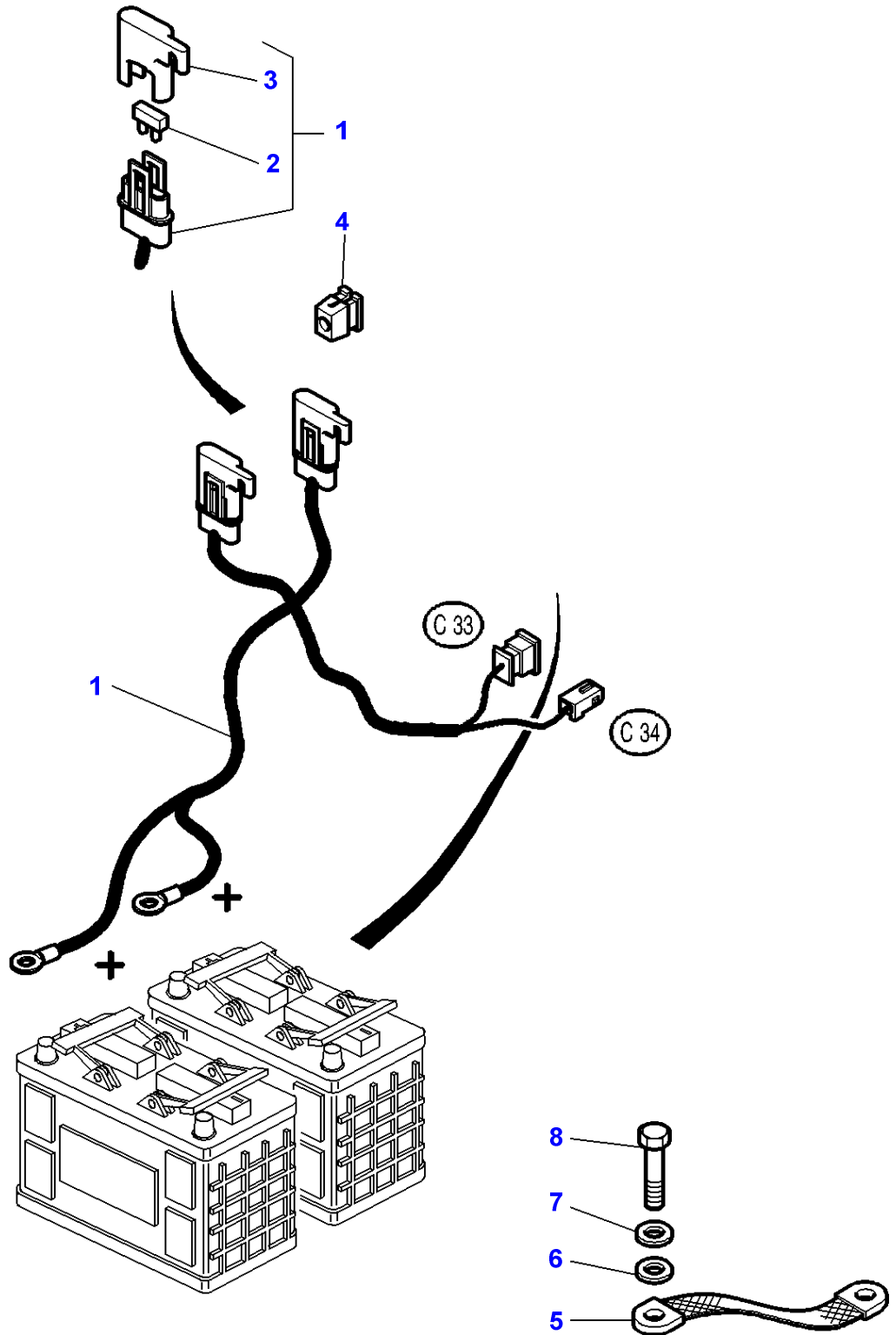
1-ZW20-021-C



Item	Part Number	Qty	Description	Comments
1	391883X1	2	Screw	M5X25
2	72502305	1	Transmitter	[A] Up to Serial or Engine Number JUIL-2002
3	390469X1	2	Washer Metric	
4	1441494X1	2	Nut Metric	M5
5	338612X1	2	Hose Clip	Diameter 10-16
6	3780133M2	1	Tube	Length 600MM
7	3777546M1	1	Union	
8	3777549M1	1	Screw	
9	3007188X1	2	Gasket	
10	3788013M4	1	Harness	Up to Serial or Engine Number L303014
	4270827M2	1	Harness	From Serial or Engine Number L303015
				Up to Serial or Engine Number M198025
	4270827M3	1	Harness	From Serial or Engine Number M198026
11	3789734M1	1	Wire	(10) Length 300MM
12	3789732M1	1	Fuse	(10) 225 AMP
13	3789733M1	1	Case Assy	(10)
14	70917032	1	Union	
15	339560X1	1	Hex. Sock. Screw	M6X16
16	5015257M1	1	Sender	
17	3778202M1	1	Union	
18	3387756M1	X	Strap	Diameter 16MM
19	3583344M1	2	Strap	
20	3779879M1	1	Relay	12V-50A
21	72512518	1	Sender	
22	3712175M2	1	Wire	
23	3619622M1	X	Cable Tie	
24	3781072M1	1	Connection	
25	3784039M1	1	Protective Strip	Length 240MM
26	5015264M2	1	Harness	
27	3581424M1	1	Clamp	Diameter 30MM
	3582094M1	1	Tie	Diameter
28	3788015M2	1	Case Assy	
29	195561M1	1	O Ring	
30	4270802M1	1	Harness	From Serial or Engine Number JUIL-2002
				Up to Serial or Engine Number L303014
31	4270729M1	1	Transmitter	From Serial or Engine Number JUIL-2002
32	4270740M1	1	Support	From Serial or Engine Number JUIL-2002
33	339169X1	1	Nut	M6
34	3010477X1	1	Nut Metric	M5
35	3617129M2	1	Sensor	

FOOTNOTE [A] TURBO PRESSURE TRANSDUCER

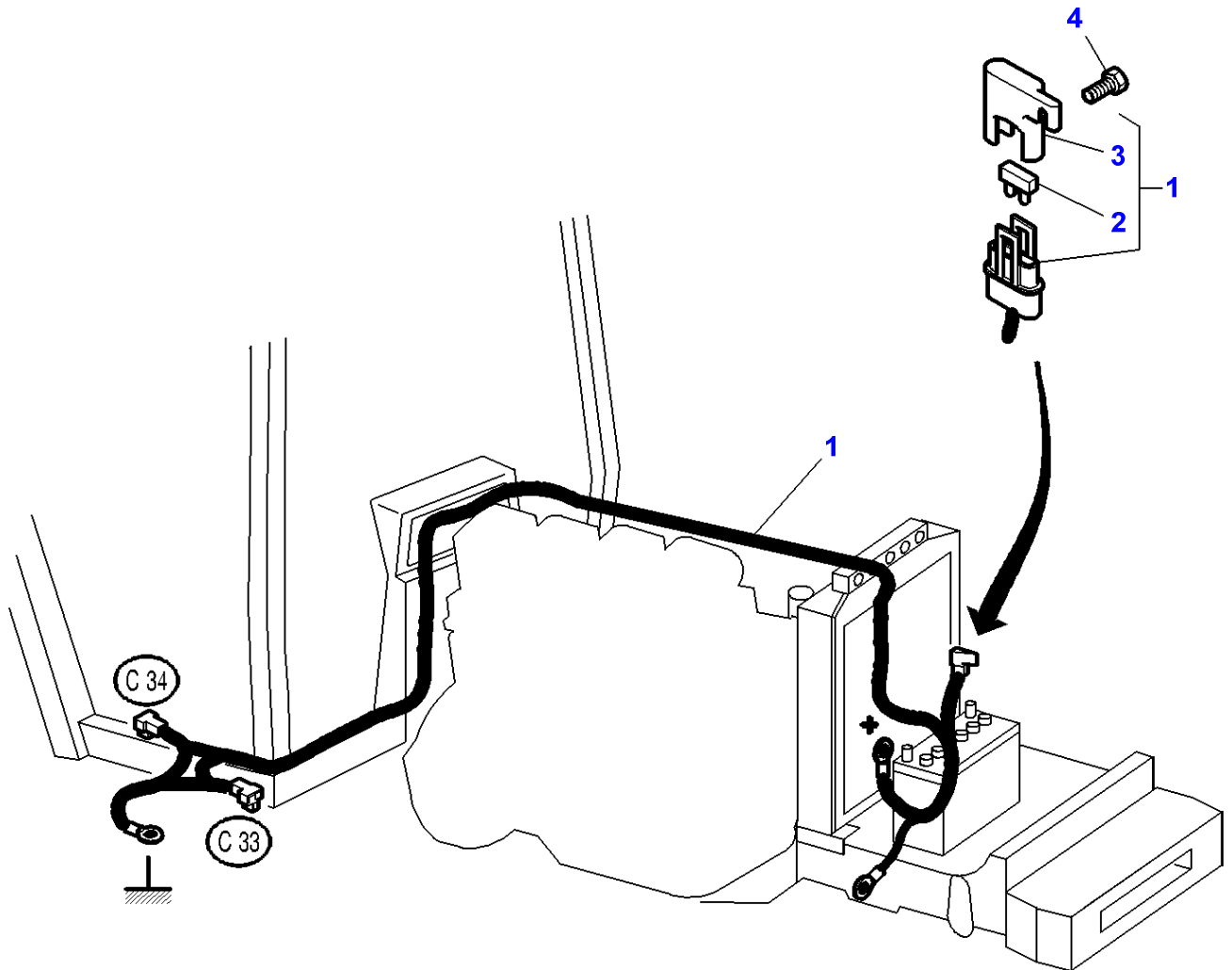
1-ZW04-002-A



Massey Ferguson**MF 8270/8280 TRACTOR - 1637348****1637348****Electrical Wiring - With Electronic Lift****Page080-0035**

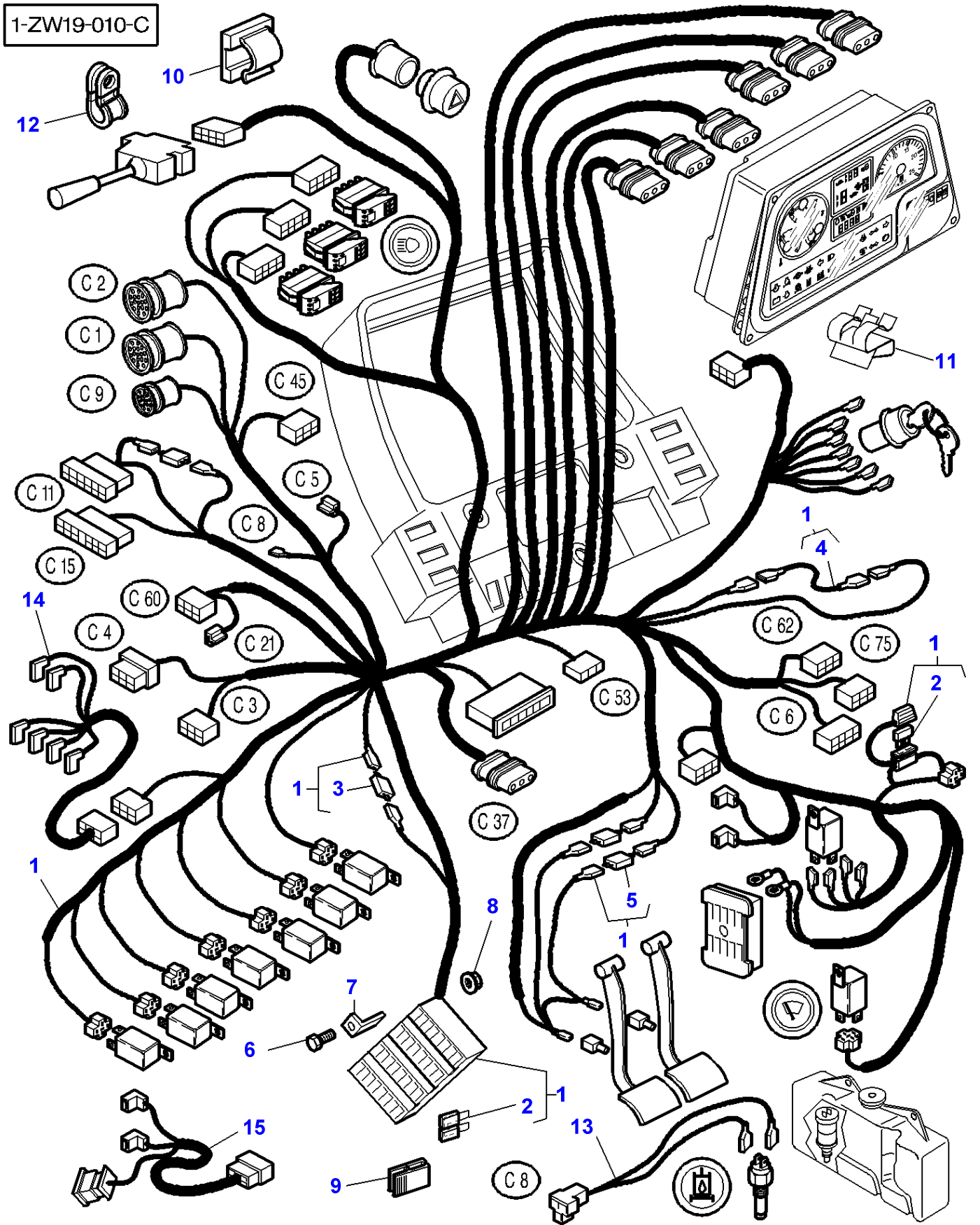
Item	Part Number	Qty	Description	Comments
1	3779043M91	1	Harness	Up to Serial or Engine Number 08-JAN-2001
2	3620026M1	1	Fuse	(1) 15 AMP
	3387319M1	1	Fuse	(1) 7,5 AMP
3	3600224M1	2	Cover	(1)
4	3809347M1	2	Nut	Up to Serial or Engine Number 04-JAN-2000
5	1625401M2	1	Cable	
6	385362X1	1	Washer	
7	339374X1	1	Lock Washer	
8	339761X1	1	Hex. Sock. Screw	M8X25

1-ZU16-003-B



Massey Ferguson**MF 8270/8280 TRACTOR - 1637348****1637348****Tractor Cab - Electrical Wiring - Without Electronic Lift - Up To 07-01-2001****Page080-0040**

Item	Part Number	Qty	Description	Comments
1	3779048M91	1	Harness	
2	3620026M1	1	Fuse	(1) 15 AMP
3	3600224M1	1	Cover	(1)
4	3010506X1	1	Screw	M5X16

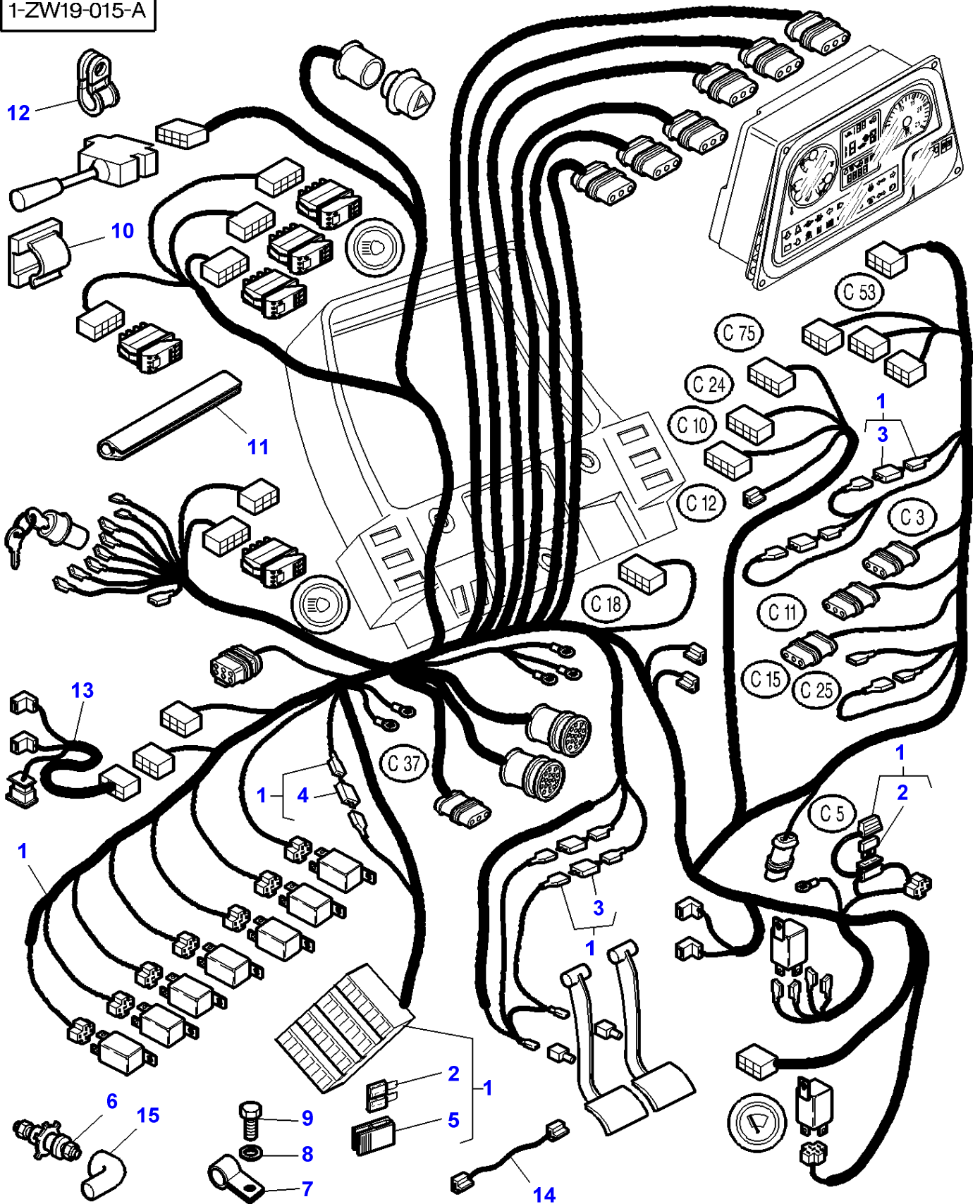


Item	Part Number	Qty	Description	Comments
1	3780154M96	1	Harness	Not for Sweden
	3780156M96	1	Harness	For Sweden
	3780154M96	1	Harness	Up to Serial or Engine Number 25-09-2000 For Sweden
	3780159M96	1	Harness	From Serial or Engine Number 26-09-2000 [A] Not for Sweden
	3780154M96	1	Harness	Up to Serial or Engine Number J207017 [A] Not for Sweden
				From Serial or Engine Number J207018
2	3580868M1	2	Fuse	(1) 3 AMP.
	3387319M1	3	Fuse	(1) 7.5 AMP.
	1695939M1	3	Fuse	(1) 10 AMP.
	1695966M1	6	Fuse	(1) 15 AMP.
	3387322M1	3	Fuse	(1) 25 AMP.
	3712661M1	6	Fuse	(1) 30 AMP.
3	3783014M1	1	Diode	(1)
4	3781003M1	1	Wire	[B] (1)
5	3777531M1	2	Diode	(1)
6	339160X1	4	Screw	M5X10
7	3387325M1	4	Support	
8	3010477X1	4	Nut Metric	M5
9	3389401M1	1	Fastener	
10	3760697M1	X	Tie	
11	3618680M1	1	Fastener	
12	3581424M1	2	Clamp	
13	3713812M1	1	Harness	
14	3780415M1	1	Harness	Up to Serial or Engine Number J032030
15	3783857M1	1	Harness	From Serial or Engine Number J032031

FOOTNOTE [A] WITH WAY LIGHTS FITTED ON THE CAB ROOF

FOOTNOTE [B] EXCEPT WAY LIGHTS FITTED ON THE CAB ROOF

1-ZW19-015-A

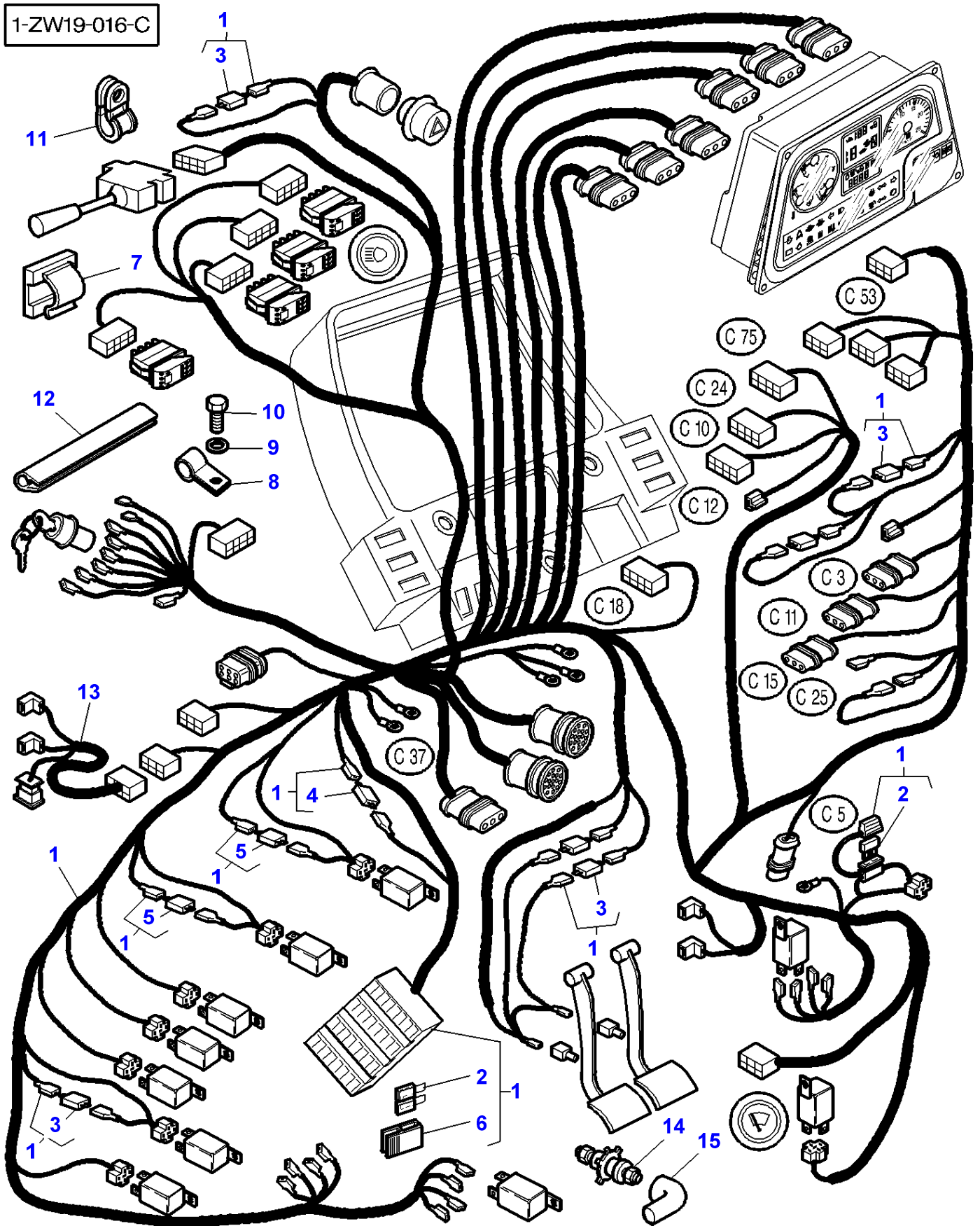


Item	Part Number	Qty	Description	Comments
1	3784579M93	1	Harness	Up to Serial or Engine Number L270016
	4270793M92	1	Harness	From Serial or Engine Number L270017
2	3580868M1	1	Fuse	(1) 3 AMP
	3387318M1	1	Fuse	(1) 5 AMP
	3387319M1	5	Fuse	(1) 7,5 AMP
	1695939M1	7	Fuse	(1) 10 AMP
	1695966M1	7	Fuse	(1) 15 AMP
	3780003M1	1	Fuse	(1) 20 AMP
	3387322M1	5	Fuse	(1) 25 AMP
	3712661M1	4	Fuse	(1) 30 AMP
3	3777531M1	4	Diode	(1) 2X6 AMP
4	3783014M1	1	Diode	(1)
5	3389401M1	1	Fastener	(1)
6	72500822	1	Terminal	
7	3581507M1	1	Clamp	Diameter 18MM
8	390972X1	1	Washer Metric	
9	339123X1	1	Hex. Sock. Screw	M8X20
10	3760697M1	1	Tie	
11	3580695M1	1	Gasket	Length 140MM
12	3581424M1	2	Clamp	Diameter 30MM
13	3783857M1	1	Harness	
14	3781003M1	1	Wire	[A] Not for USA
15	3784666M1	1	Helmet	[B]

FOOTNOTE [A] WITH WAY LIGHTS FITTED ON THE CAB ROOF

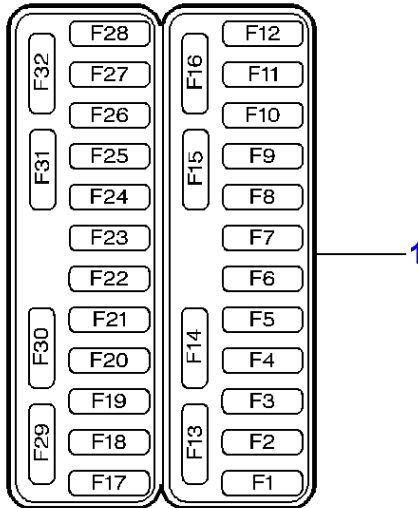
FOOTNOTE [B] RED

MF 8270/8280 TRACTOR - 1637348
1-ZW19-016-C



Item	Part Number	Qty	Description	Comments
1	3784709M94	1	Harness	Up to Serial or Engine Number L270016
	4271171M92	1	Harness	From Serial or Engine Number L270017
2	3580868M1	1	Fuse	(1) 3 AMP
	3387318M1	1	Fuse	(1) 5 AMP
	3387319M1	5	Fuse	(1) 7,5 AMP
	1695939M1	7	Fuse	(1) 10 AMP
	1695966M1	8	Fuse	(1) 15 AMP
	3780003M1	1	Fuse	(1) 20 AMP
	3387322M1	2	Fuse	(1) 25 AMP
	3712661M1	6	Fuse	(1) 30 AMP
3	3777531M1	4	Diode	(1) 2X6 AMP
4	3783014M1	1	Diode	(1)
5	3779377M1	2	Diode	(1) 6 AMP
6	3389401M1	1	Fastener	(1)
7	3760697M1	1	Tie	
8	3581507M1	1	Clamp	Diameter 18MM
9	390972X1	1	Washer Metric	
10	339123X1	1	Hex. Sock. Screw	M8X20
11	3581424M1	2	Clamp	Diameter 30MM
12	3580695M1	1	Gasket	Length 140MM
13	3783857M1	1	Harness	
14	72500822	1	Terminal	
15	3784666M1	1	Helmet	

1-ZW41-003-B



2

F1-30A	F2-7,5A	F3-10A	F4-15A	F5-30A
F6-10A	F7-5A	F8-7,5A	F9-10A	F10-25A
F11-15A	F12-30A	F13-25A	F14-15A	F15
F16 25A	F17 30A	F18 7,5A	F19 7,5A	F20 10A
F21 10A	F22 20A	F23 7,5A	F24 15A	F25 10A
F26-7,5A	F27-15A	F28-25A	F29-25A	F30-15A
F31-15A	F32-10A			

3

F1-30A	F2-7,5A	F3-10A	F4-15A	F5-30A
F6-10A	F7-5A	F8-7,5A	F9-10A	F10-25A
F11-15A	F12-30A	F13-15A	F14-15A	F15
F16 30A	F17 30A	F18 7,5A	F19 7,5A	F20 10A
F21 10A	F22 20A	F23 7,5A	F24 15A	F25 10A
F26-7,5A	F27-15A	F28-25A	F29-30A	F30-15A
F31-15A	F32-10A			

Massey Ferguson

MF 8270/8280 TRACTOR - 1637348

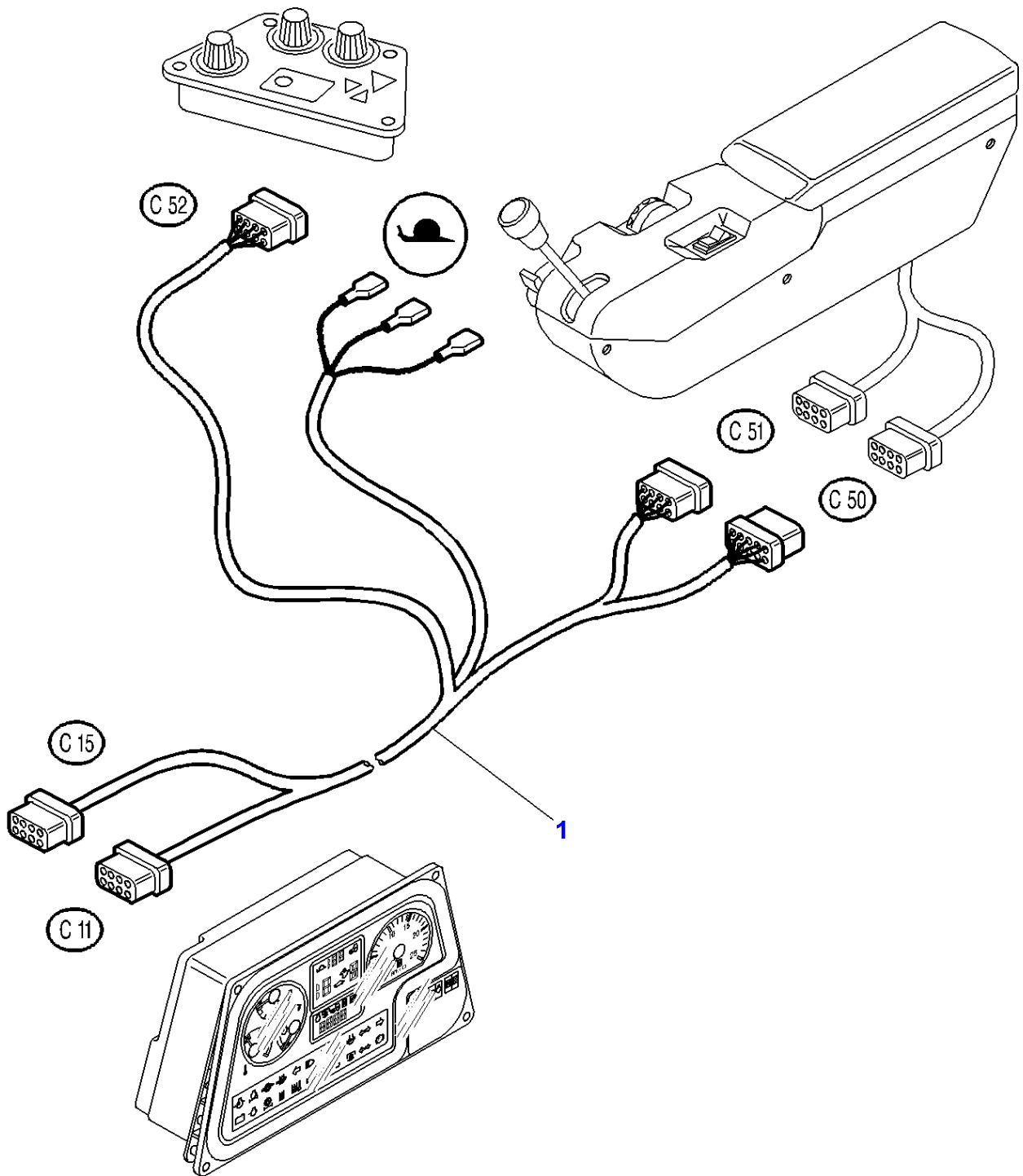
1637348

INSTRUMENT PANEL HARNESS - DECALS - From Serial or Engine Number 08-01-2001

Page080-0060

Item	Part Number	Qty	Description	Comments
1	3785764M1	1	Decal	
2	3785918M2	1	Decal	Not for USA
3	3785919M2	1	Decal	For United States of America

1-ZW24-001-A



Massey Ferguson

MF 8270/8280 TRACTOR - 1637348

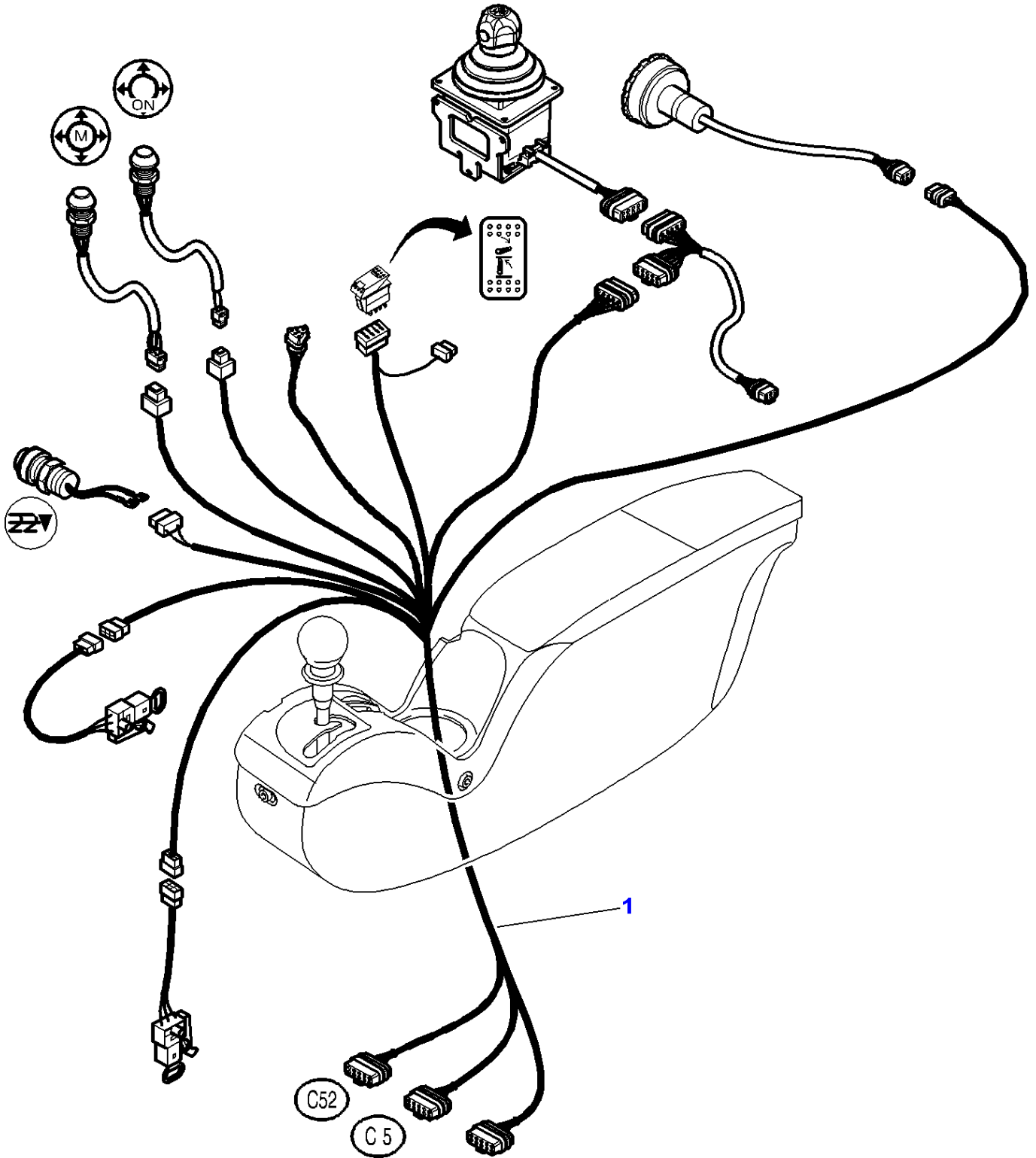
1637348

FULL POWERSHIFT CONTROL HARNESS - ARMREST - Up to Serial or Engine Number 07-01-2001

Page080-0065

Item	Part Number	Description
1	3777521M1	Harness

1-ZW24-002-B



Massey Ferguson

MF 8270/8280 TRACTOR - 1637348

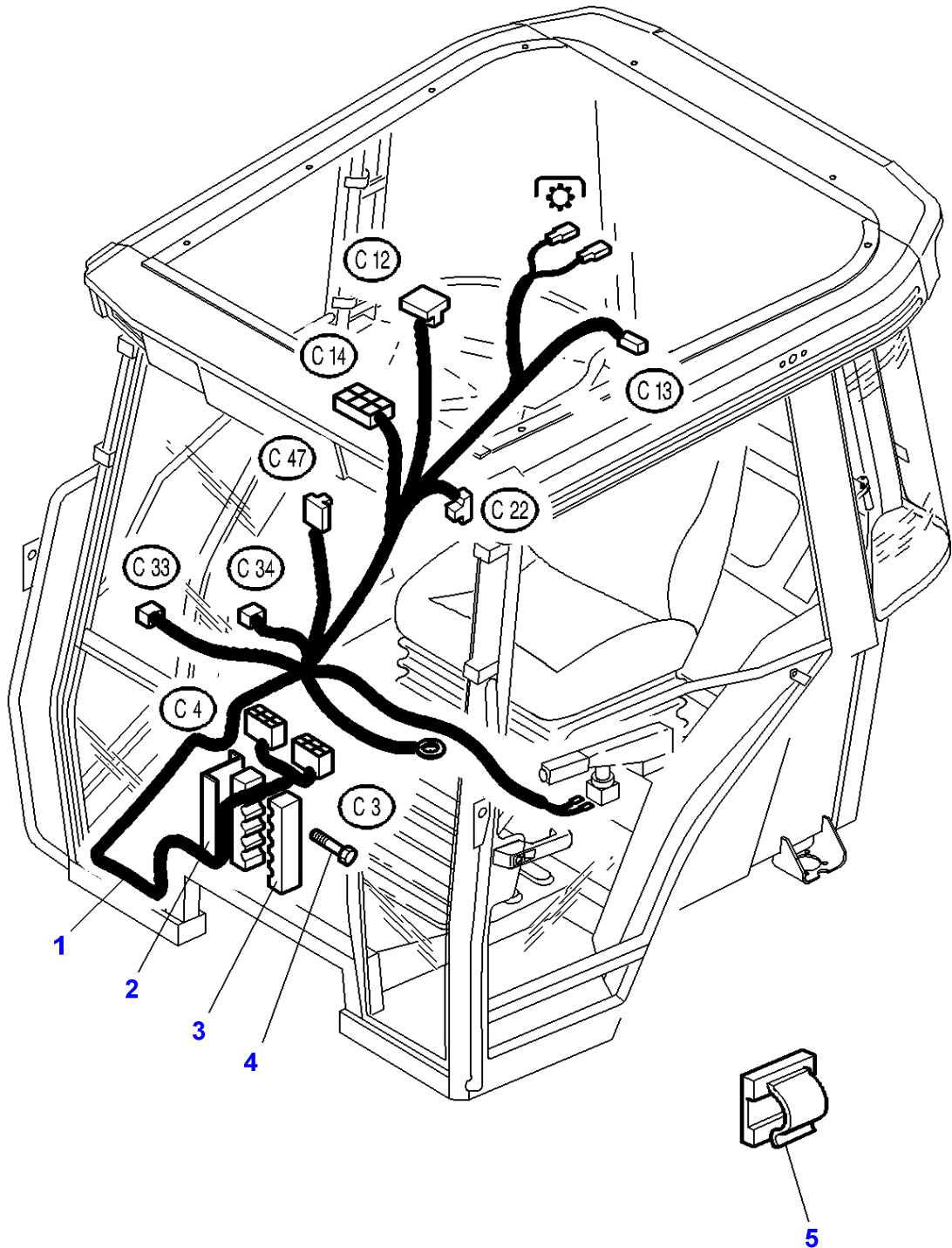
1637348

FULL POWERSHIFT CONTROL HARNESS - ARMREST - From Serial or Engine Number 08-01-2001

Page080-0070

Item	Part Number	Qty	Description	Comments
1	3784426M1	1	Harness	Up to Serial or Engine Number L347041
	4271665M1	1	Harness	From Serial or Engine Number L347042

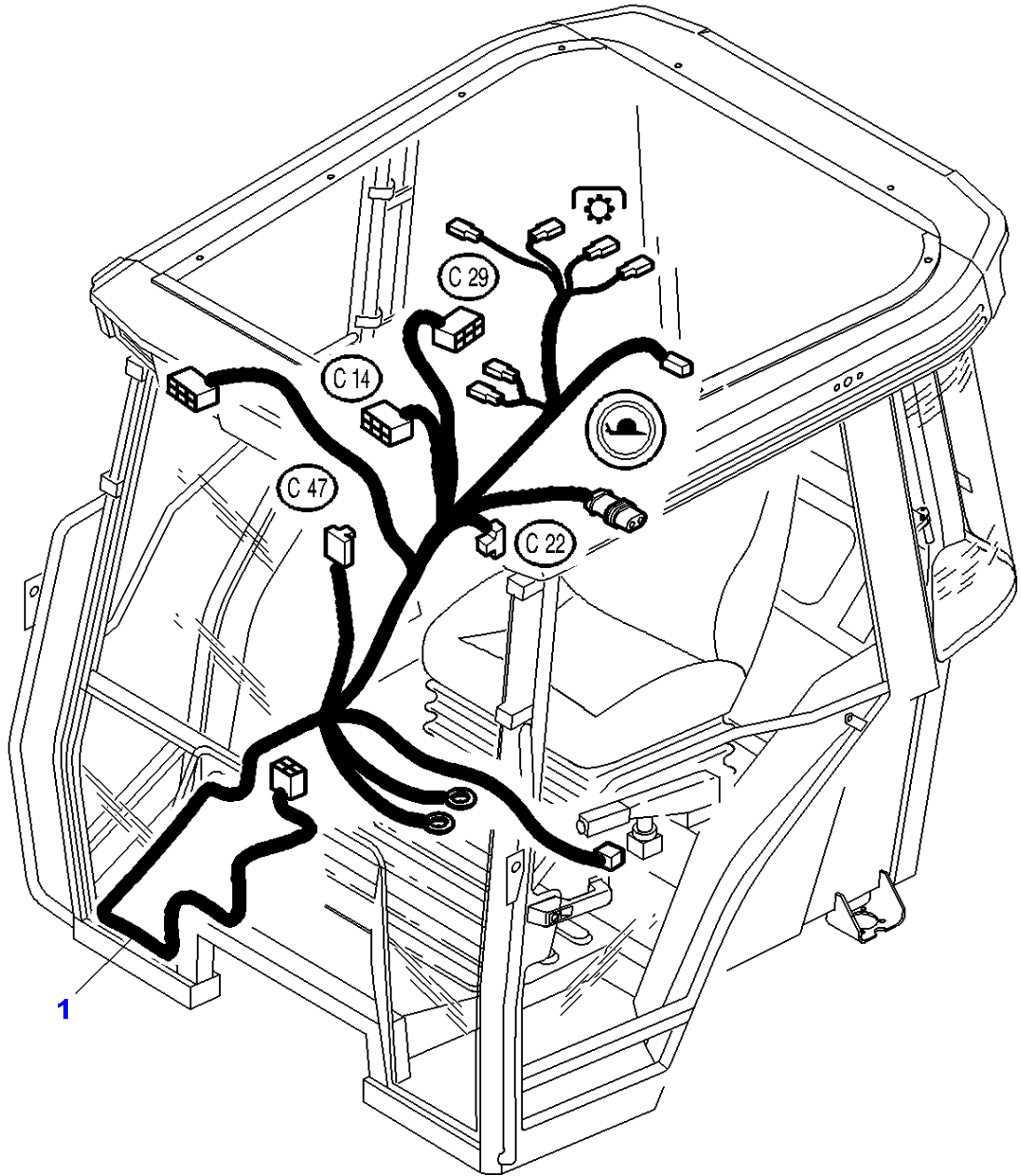
1-ZW23-004-A



Massey Ferguson**MF 8270/8280 TRACTOR - 1637348****1637348****Harness Console - Up to Serial or Engine Number 07-01-2001****Page080-0075**

Item	Part Number	Qty	Description	Comments
1	3777520M1	1	Harness	
2	3583308M92	1	Bridle	
3	3713556M3	2	Bridle	
4	391074X1	1	Hex. Sock. Screw	M6 X 12
	391884X1	1	Bolt Metric	M6 X 50
5	3760697M1	X	Tie	

1-ZW23-006-A



Massey Ferguson

MF 8270/8280 TRACTOR - 1637348

1637348

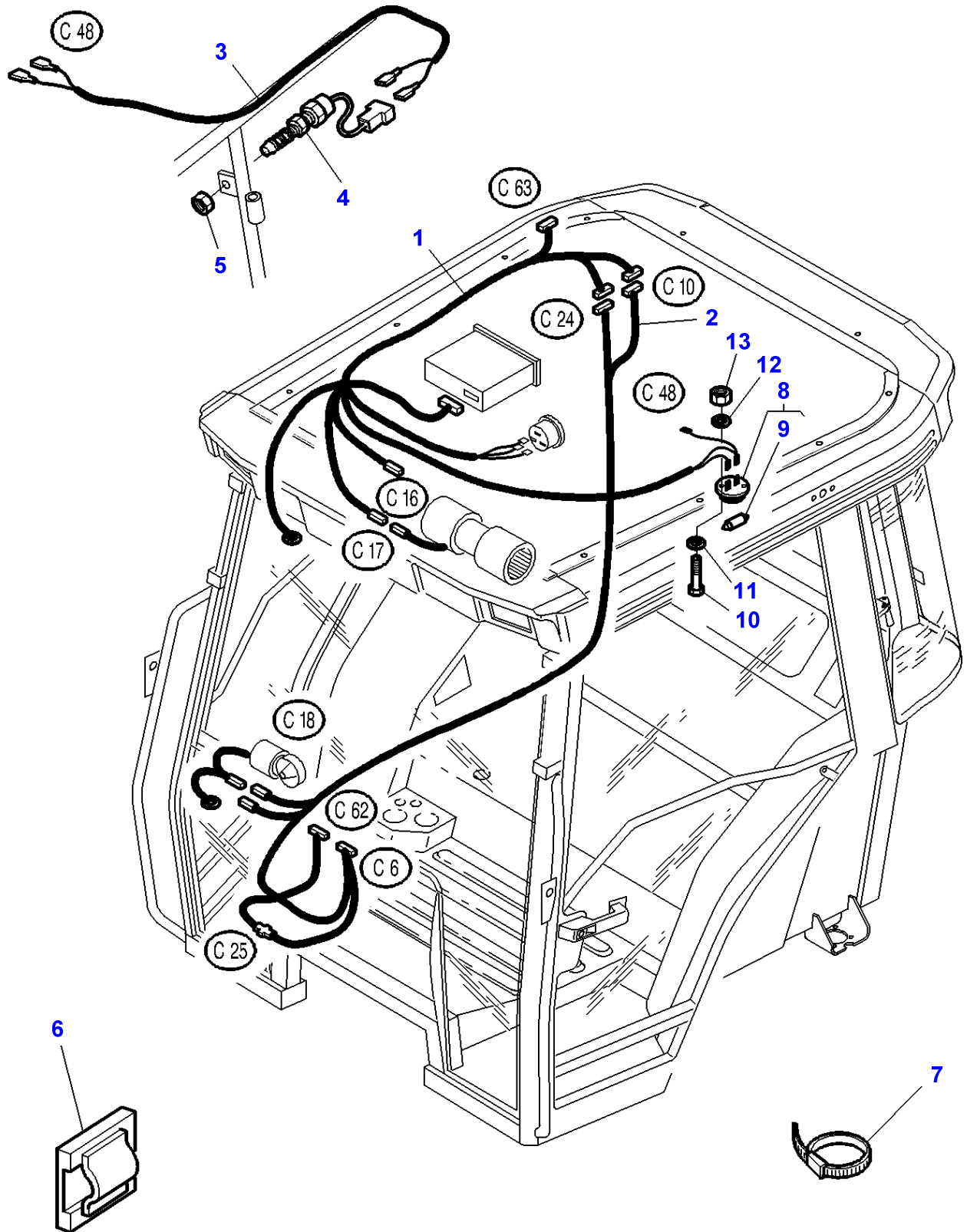
Harness Console - From Serial or Engine Number 08-01-2001

Page080-0080

Item	Part Number	Qty	Description
1	3784581M1	1	Harness

MF 8270/8280 TRACTOR - 1637348
1-ZW22-002-B

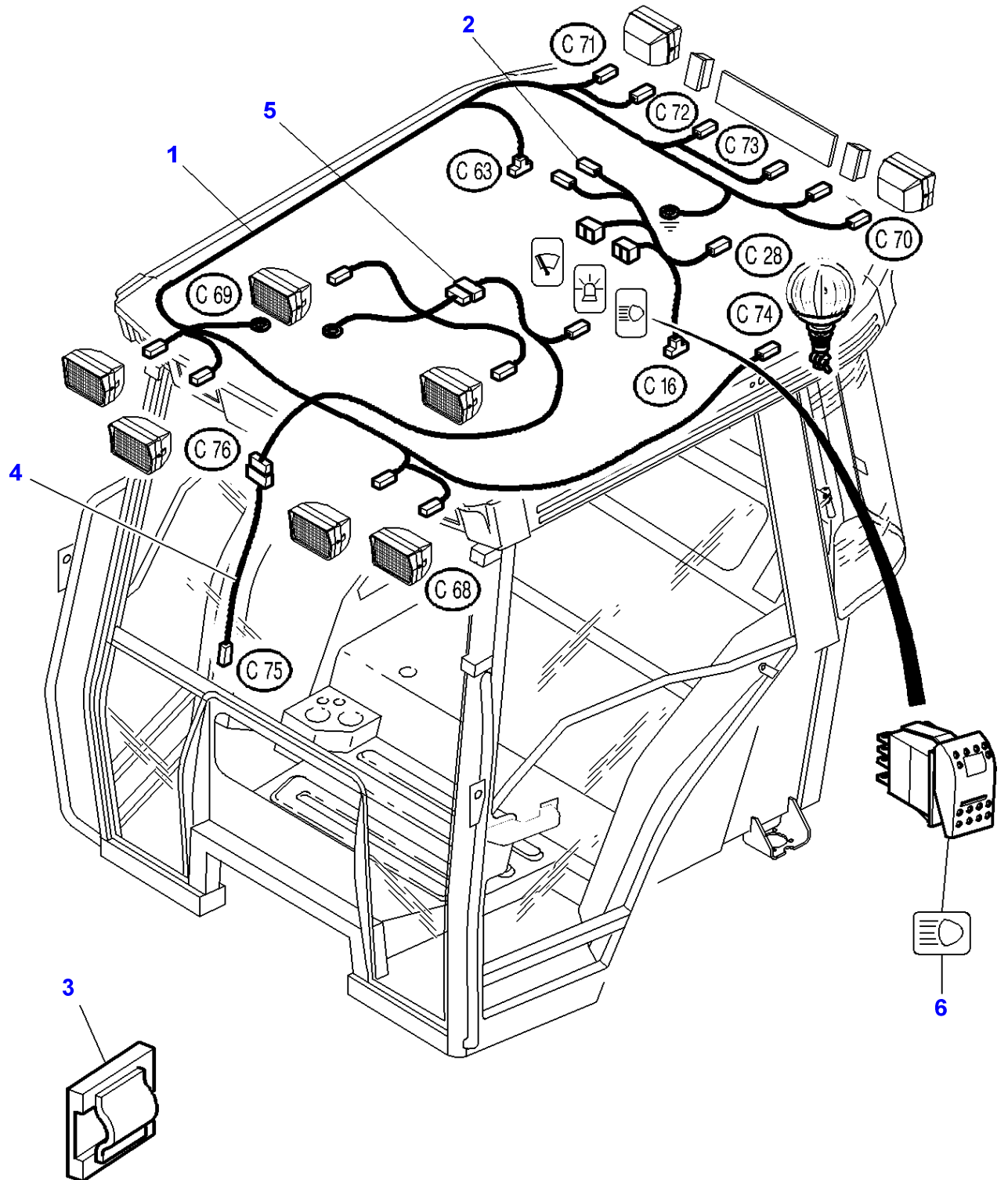
1-ZW22-002-B



ROOF HARNESS

Item	Part Number	Qty	Description	Comments
1	3780373M1	1	Harness	
2	3780372M2	1	Harness	Up to Serial or Engine Number 07-JAN-2001
3	3714845M1	1	Harness	
4	3780395M2	1	Switch,Indirect	
5	390333X1	1	Nut Metric	M10
6	3760697M1	X	Tie	
7	3619622M1	X	Cable Tie	
8	3713129M1	1	Roof Light	
9	3385821M1	2	Bulb 12v 10w	(8)
10	3001162X1	2	Screw	M4X16
11	339102X1	2	Washer	Diameter 9MM
12	3001856X1	2	Washer Metric	Diameter 4-12MM
13	3019139X1	2	Nut	M4

1-ZW21-003-A

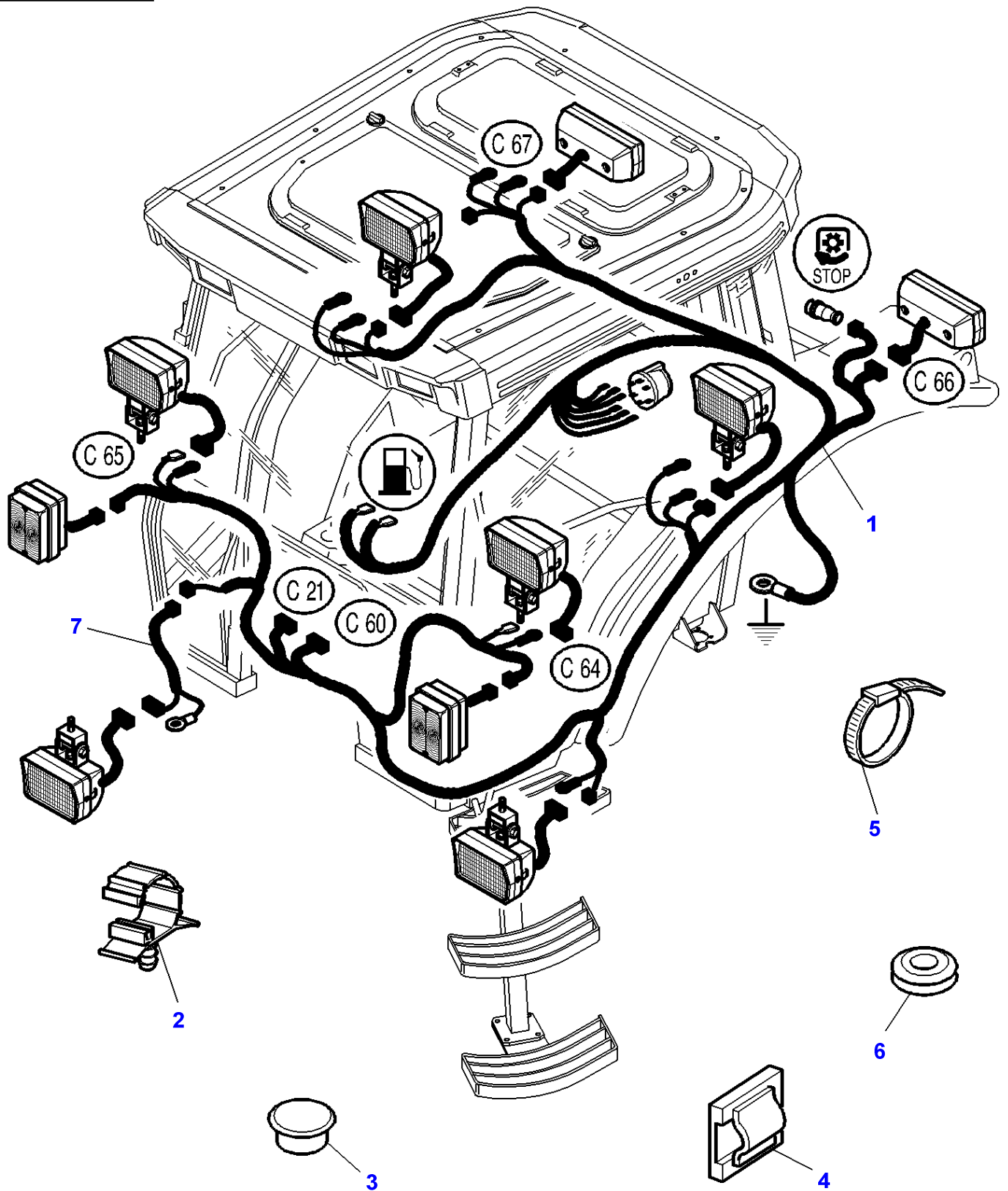


LIGHTING HARNESS - ROOF

Item	Part Number	Qty	Description	Comments
1	3778212M1	1	Harness	
2	3780127M1	1	Harness	
3	3760697M1	X	Tie	Diameter 8MM
4	3713331M1	1	Harness	[A] Not for USA
5	3714887M92	1	Harness	[A]
6	3713145M1	1	Switch,Indirect	[A]

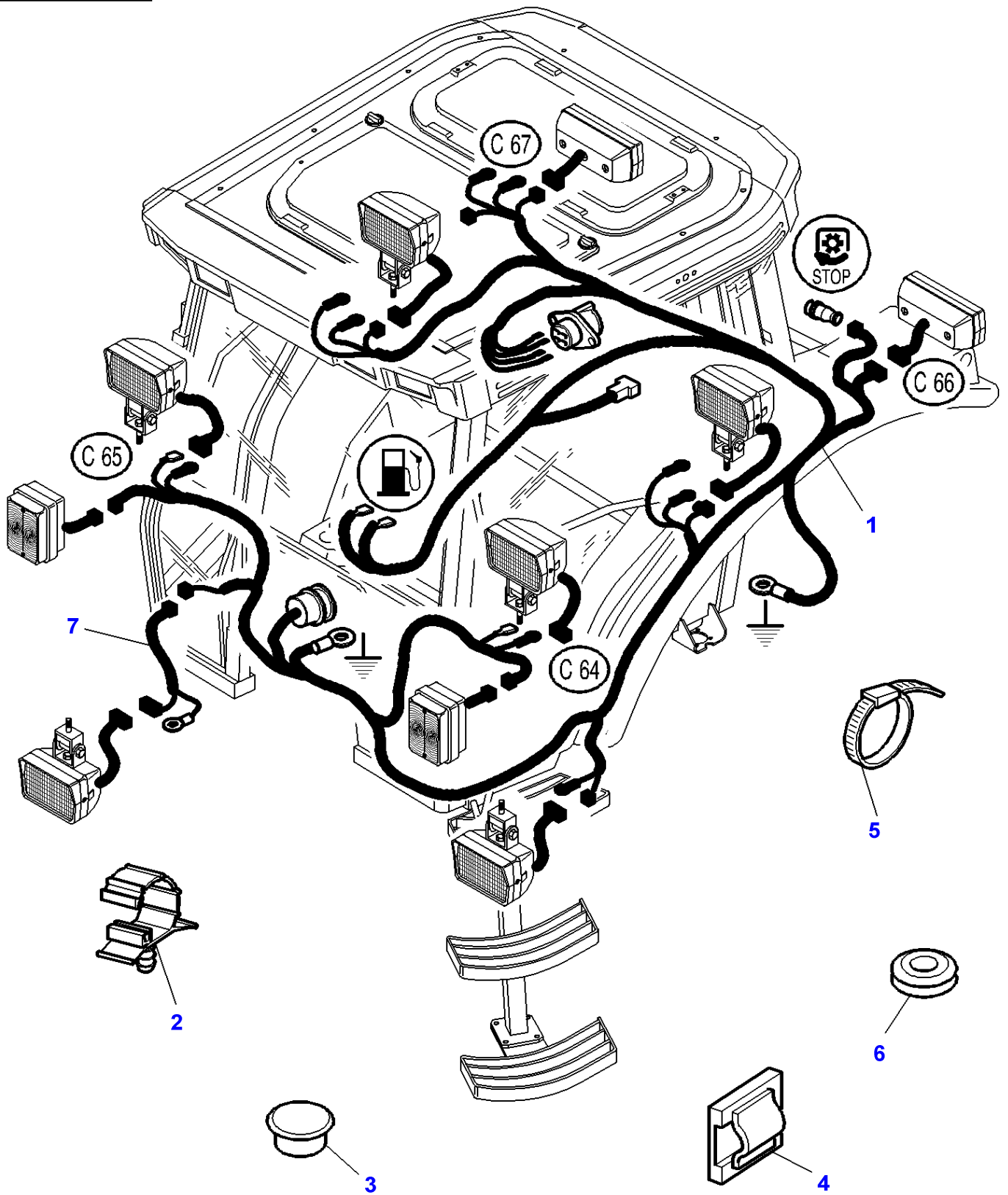
FOOTNOTE [A] WITH WAY LIGHTS FITTED ON THE CAB ROOF

1-ZW28-002-B



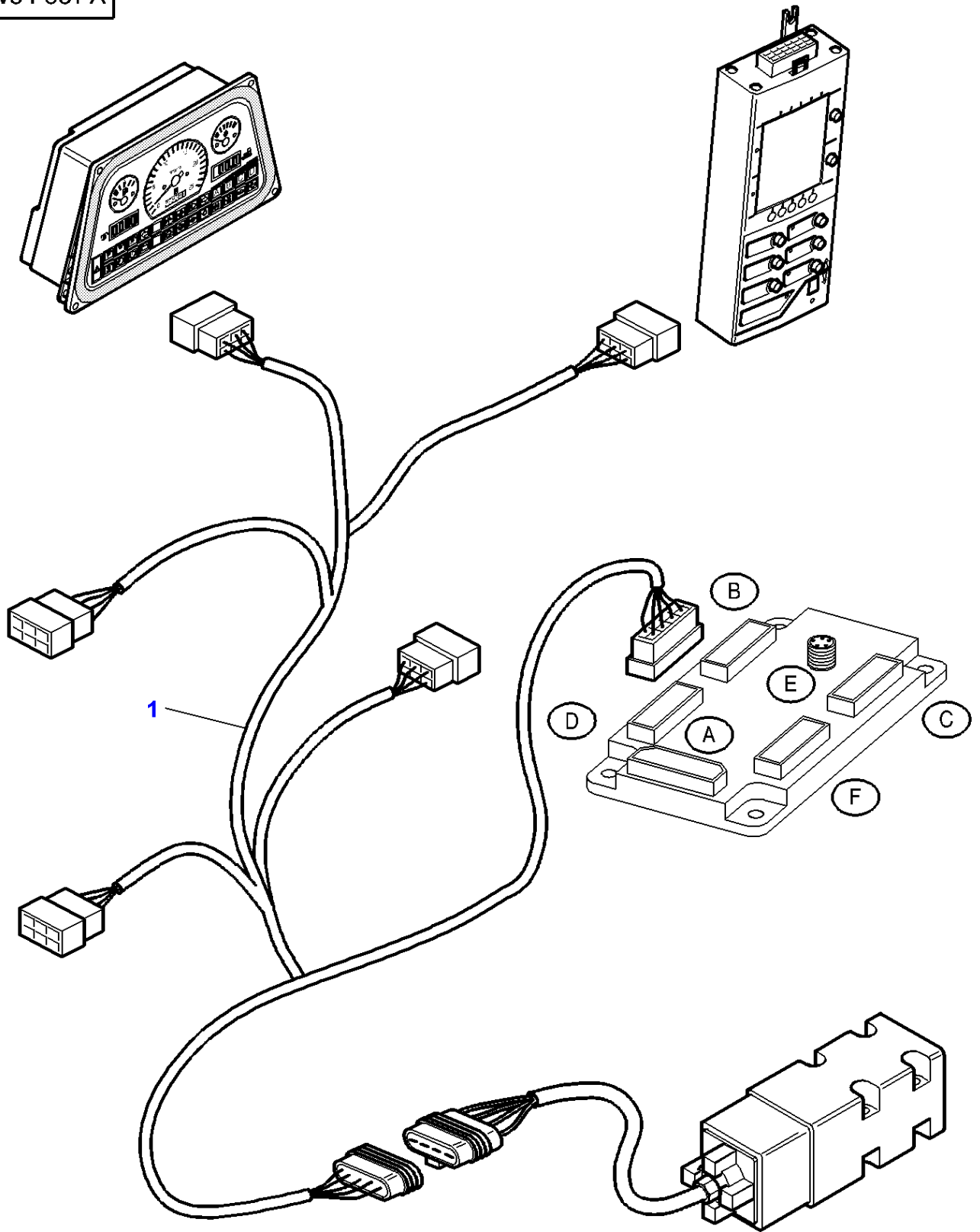
Item	Part Number	Qty	Description	Comments
1	3779683M4	1	Harness	Not for USA
2	3715130M1	4	Clamp	Diameter 10 MM
	3715129M1	5	Clamp	Diameter 20MM
3	3580599M1	1	Plug	Diameter 22X3
4	3760697M1	2	Tie	
5	3619622M1	X	Cable Tie	
6	3010670X1	1	Grommet	
7	3783465M3	1	Harness	From Serial or Engine Number H250034 Length 1550MM

1-ZW28-005-B



Item	Part Number	Qty	Description	Comments
1	3783768M1	1	Harness	Not for USA
2	3715130M1	4	Clamp	Diameter 10 MM
	3715129M1	5	Clamp	Diameter 20MM
3	3580599M1	1	Plug	Diameter 22X3
4	3760697M1	2	Tie	
5	3619622M1	X	Cable Tie	
6	3010670X1	1	Grommet	
7	3783465M3	1	Harness	Length 1550MM

1-ZW04-001-A



Massey Ferguson

MF 8270/8280 TRACTOR - 1637348

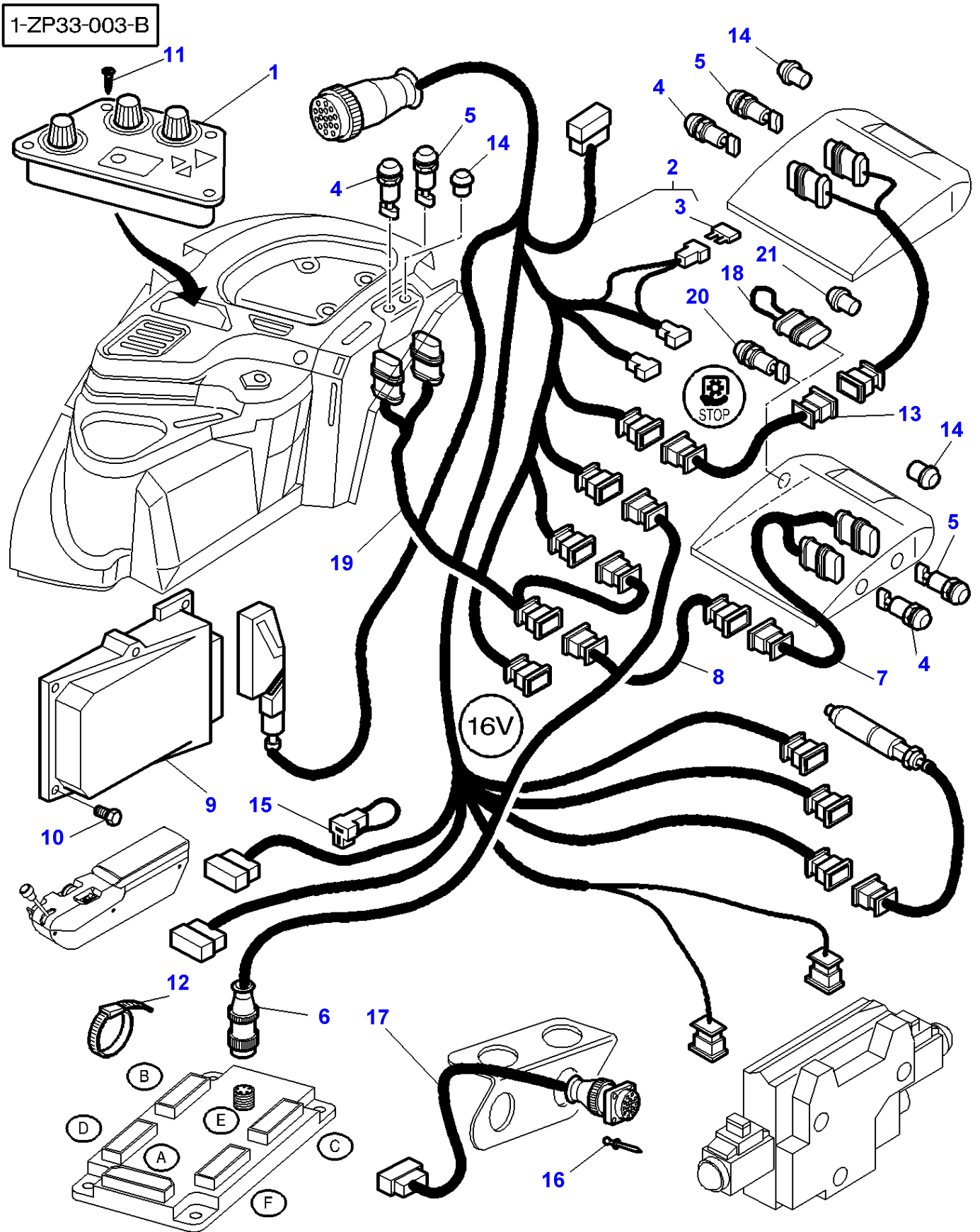
1637348

Electrical Wiring - Without Electronic Lift

Page090-0005

Item	Part Number	Qty	Description
1	3780090M3	1	Harness

MF 8270/8280 TRACTOR - 1637348
1-ZP33-003-B



Item	Part Number	Qty	Description	Comments
1	3778510M94	1	Electron Console	
2	3778505M92	1	Elect.Lift Cable	
3	3580868M1	1	Fuse	(2) 3 Amp
4	3714137M1	3	Switch,Indirect	[A]
5	3714138M1	3	Switch,Indirect	[B]
6	3778707M1	1	Harness	
7	3714135M1	2	Harness	
8	3712725M1	1	Harness	Left Hand Length 3500 MM
9	3779194M94	1	Calculator	
10	3010506X1	2	Screw	M5 X 16
11	3010559X1	4	Screw	M4 X 12
12	3619622M1	20	Cable Tie	
13	3712726M1	1	Harness	Right Hand
14	3380422M1	X	Plug	
15	3715934M1	1	Harness	[C]
16	3011214X1	4	Rivet	
17	3778708M1	1	Harness	
18	3782172M1	1	Wire	
19	3712724M1	1	Harness	
20	3777568M2	1	Switch,Indirect	
21	3778808M1	1	Plug	

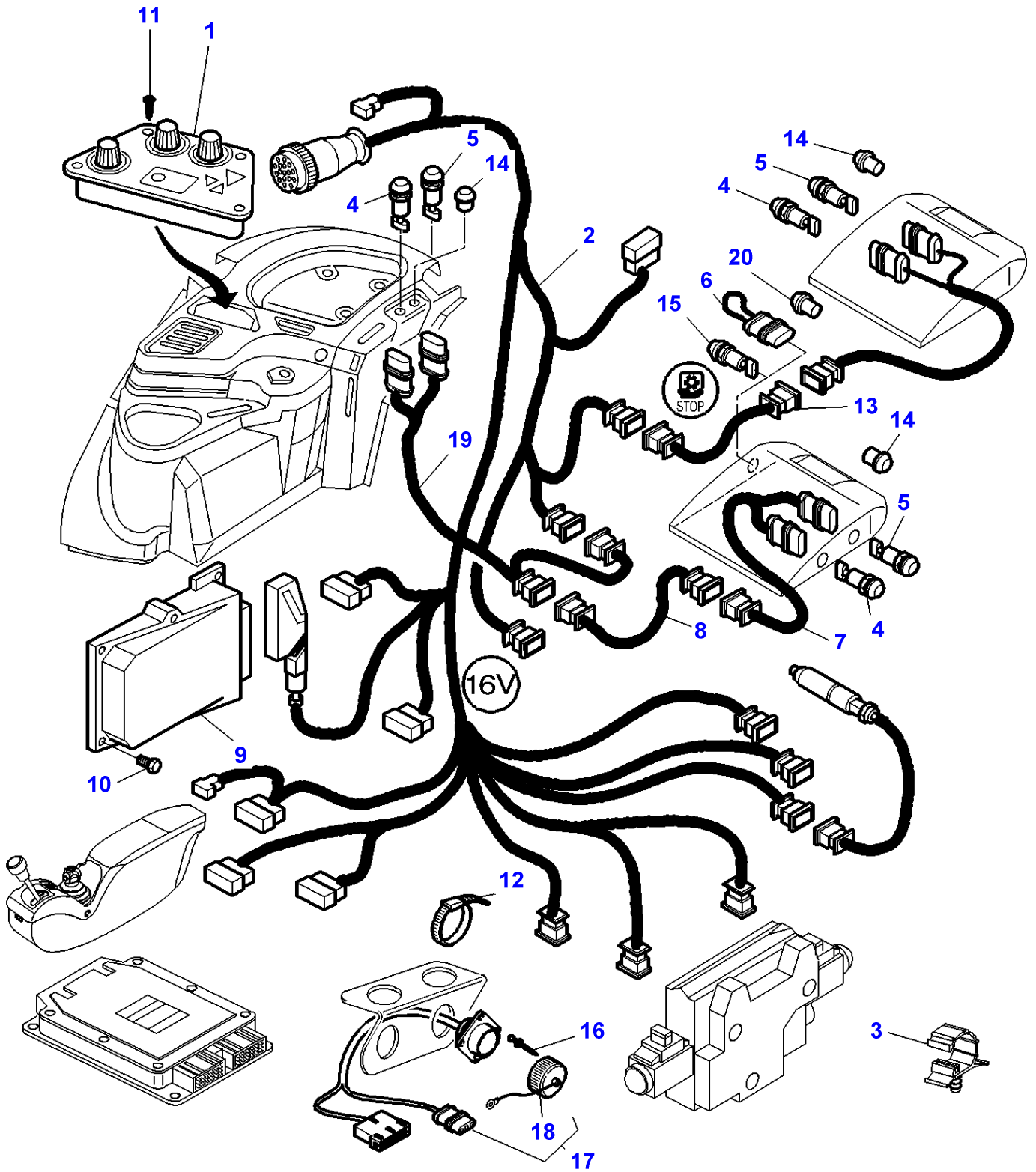
FOOTNOTE [A] UP

FOOTNOTE [B] DOWN

FOOTNOTE [C] WITH DYNASHIFT

FOOTNOTE [D] WITH FULL POWERSHIFT

1-ZP33-008-D

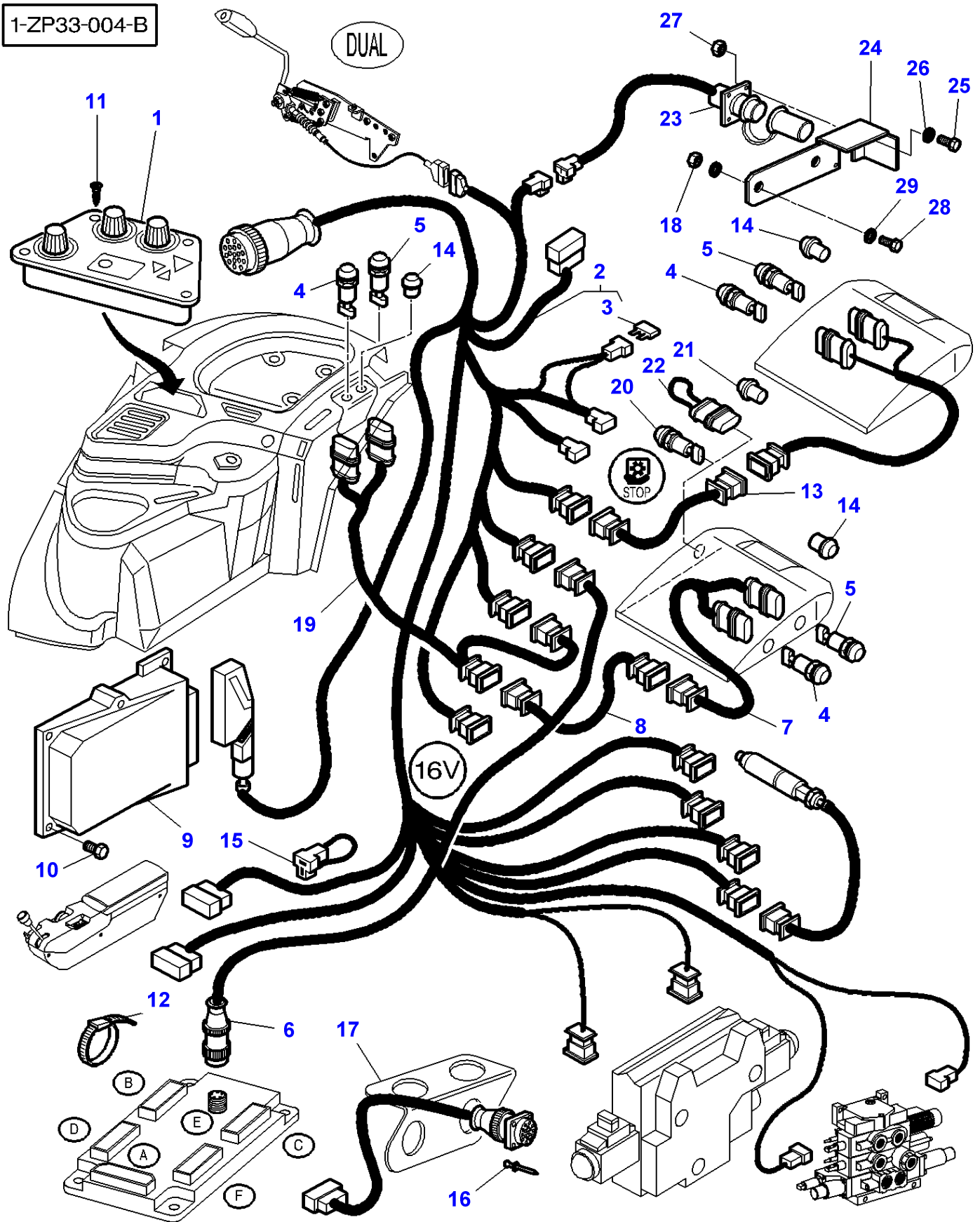


Item	Part Number	Qty	Description	Comments
1	3784084M91	1	Electron Console	
2	3783833M3	1	Elect.Lift Cable	
3	3715130M1	X	Clamp	Diameter 10 MM
	3715129M1	X	Clamp	Diameter 30 MM
4	3714137M1	X	Switch,Indirect	[A]
5	3714138M1	X	Switch,Indirect	[B]
6	3782172M1	1	Wire	
7	3714135M1	X	Harness	
8	3712725M1	X	Harness	Left Hand Length 3500 MM
9	3784319M99	1	Calculator	
10	3010506X1	2	Screw	M5 X 16
11	3010804X1	4	Screw	M4 X 16
12	3619622M1	X	Cable Tie	
13	3712726M1	X	Harness	Right Hand
14	3380422M1	X	Plug	Diameter 30 MM
15	3777568M2	1	Switch,Indirect	
16	3011214X1	4	Rivet	
17	3778708M2	1	Harness	
18	3900383M1	1	Plug	(17)
19	3712724M1	X	Harness	
20	3778808M1	X	Plug	Diameter 33,5 MM

FOOTNOTE [A] UP

FOOTNOTE [B] DOWN

MF 8270/8280 TRACTOR - 1637348
1-ZP33-004-B



Item	Part Number	Qty	Description	Comments
1	3778510M94	1	Electron Console	
2	3783148M92	1	Harness	
3	3580868M1	1	Fuse	(2) 3 AMP
4	3714137M1	3	Switch,Indirect	[A]
5	3714138M1	3	Switch,Indirect	[B]
6	3778707M1	1	Harness	
7	3714135M1	2	Harness	
8	3712725M1	1	Harness	Left Hand Length 3500 MM
9	3783218M91	1	Calculator	250KB
10	3010506X1	2	Screw	M5X16
11	3010559X1	4	Screw	M4X12
12	3619622M1	20	Cable Tie	
13	3712726M1	1	Harness	Right Hand
14	3380422M1	X	Plug	
15	3715934M1	1	Harness	
16	3011214X1	4	Rivet	
17	3778708M1	1	Harness	
18	339402X1	2	Nut	M10
19	3712724M1	1	Harness	
20	3777568M2	1	Switch,Indirect	
21	3778808M1	1	Plug	
22	3782172M1	1	Wire	
23	3617813M1	1	Harness	
24	3783205M1	1	Support	
25	3001162X1	4	Screw	
26	339102X1	4	Washer	
27	1443615X1	4	Nut Metric	
28	3009494X1	2	Screw Metric	M10X35
29	390734X1	4	Washer	

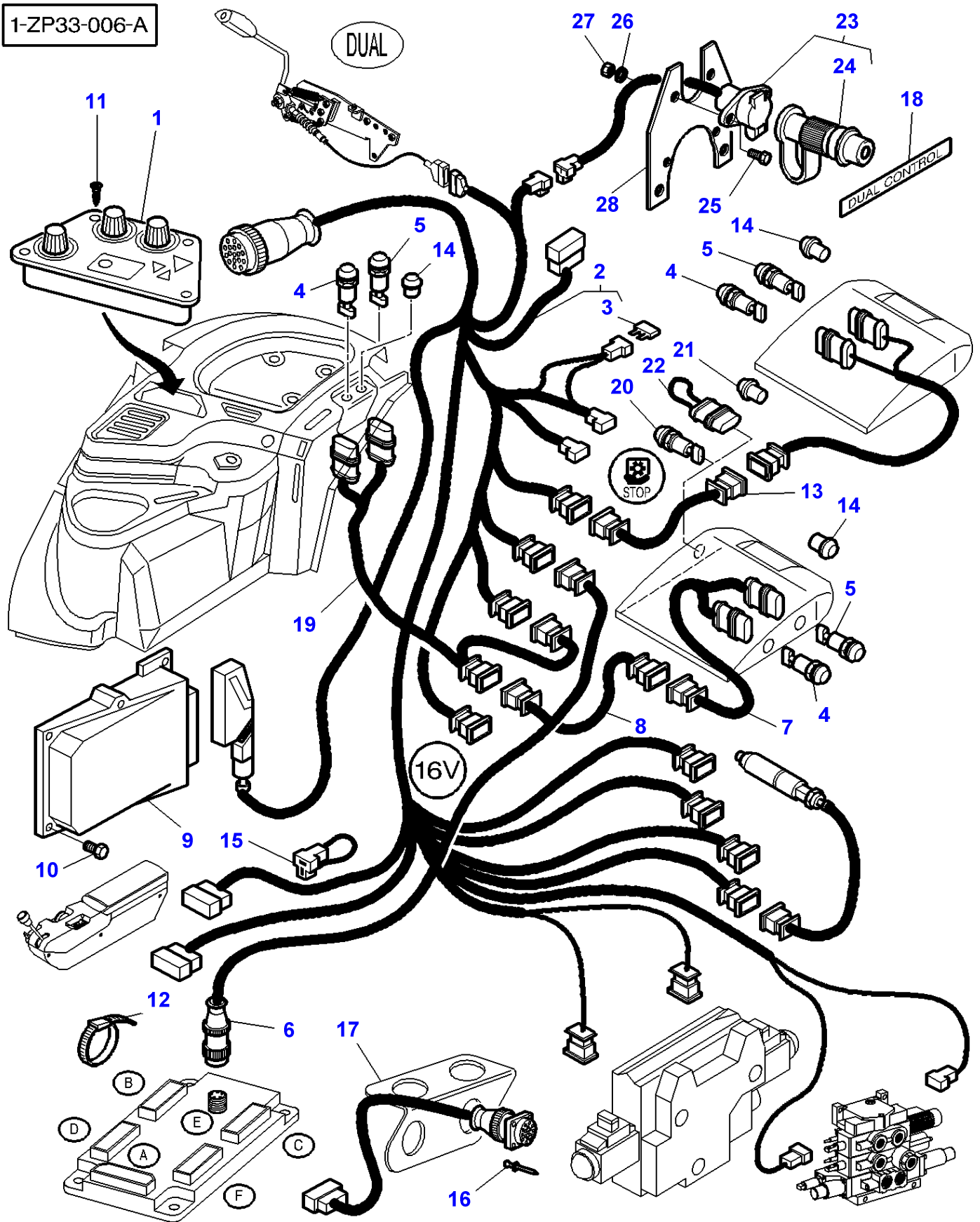
FOOTNOTE [A] UP

FOOTNOTE [B] DOWN

FOOTNOTE [C] WITH DYNASHIFT

FOOTNOTE [D] WITH FULL POWERSHIFT

MF 8270/8280 TRACTOR - 1637348
1-ZP33-006-A



Item	Part Number	Qty	Description	Comments
1	3778510M94	1	Electron Console	
2	3783148M92	1	Harness	
3	3580868M1	1	Fuse	(2) 3 AMP
4	3714137M1	3	Switch,Indirect	[A]
5	3714138M1	3	Switch,Indirect	[B]
6	3778707M1	1	Harness	
7	3714135M1	2	Harness	
8	3712725M1	1	Harness	Left Hand Length 3500 MM
9	3783218M91	1	Calculator	250KB
10	3010506X1	2	Screw	M5X16
11	3010559X1	4	Screw	M4X12
12	3619622M1	20	Cable Tie	
13	3712726M1	1	Harness	Right Hand
14	3380422M1	X	Plug	
15	3715934M1	1	Harness	
16	3011214X1	4	Rivet	
17	3778708M1	1	Harness	
18	3783975M1	1	Decal	
19	3712724M1	1	Harness	
20	3777568M2	1	Switch,Indirect	
21	3778808M1	1	Plug	
22	3782172M1	1	Wire	
23	3783970M91	1	Harness	
24		1	Plug 7 Pin Male	(23) Not serviced,order REF NO 23
25	390990X1	2	Screw Metric	M5X12
26	390469X1	2	Washer Metric	
27	3010477X1	2	Nut Metric	
28	3783962M2	1	Support	

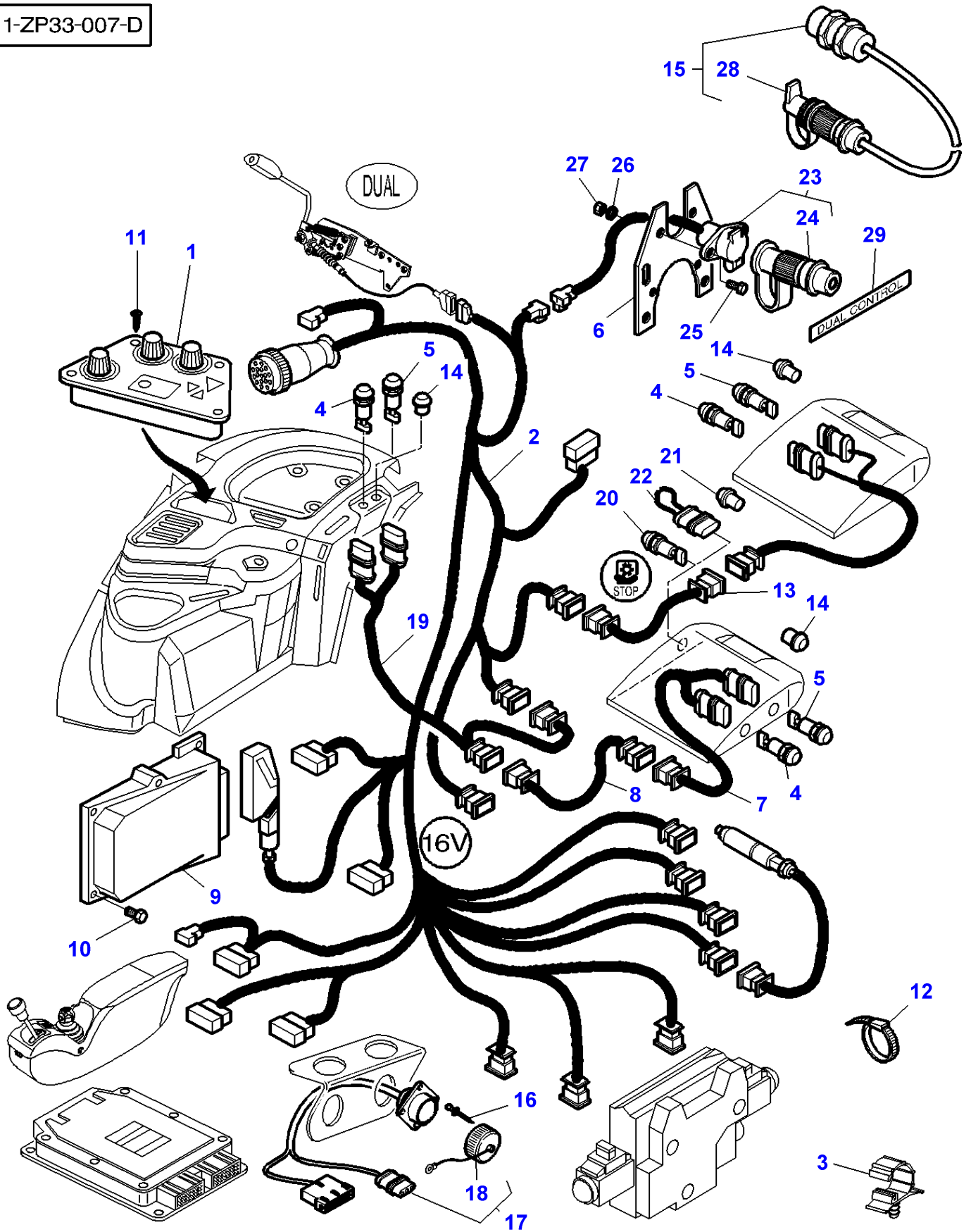
FOOTNOTE [A] UP

FOOTNOTE [B] DOWN

FOOTNOTE [C] WITH DYNASHIFT

FOOTNOTE [D] WITH FULL POWERSHIFT

1-ZP33-007-D



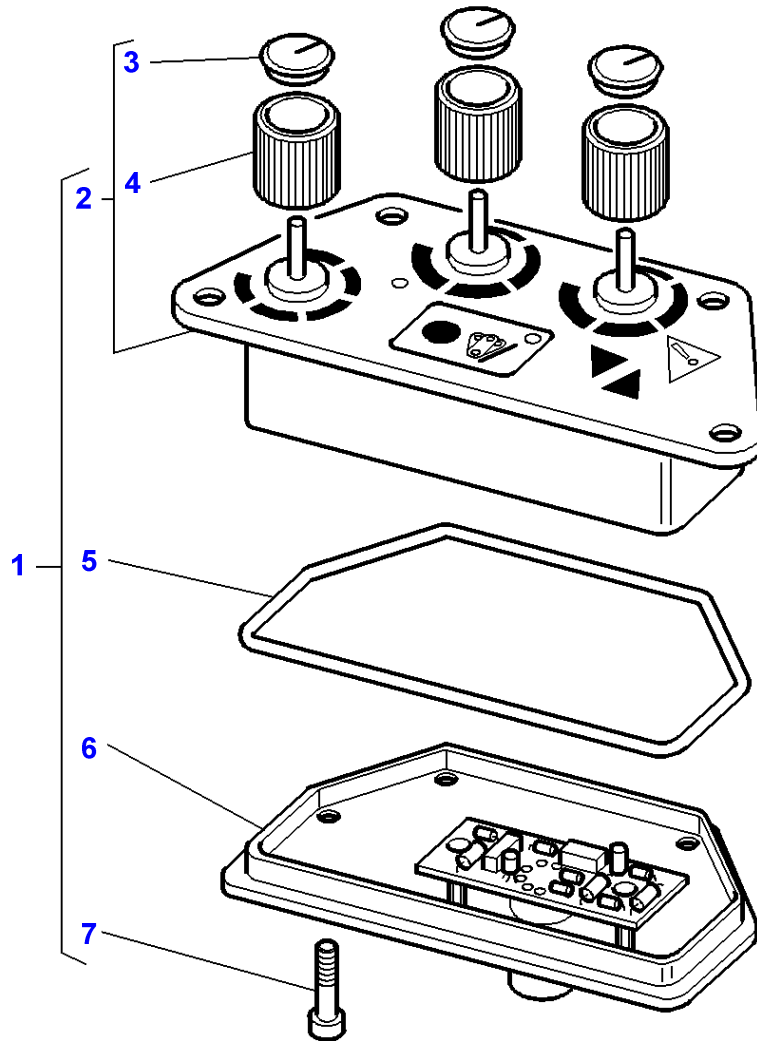
Item	Part Number	Qty	Description	Comments
1	3784084M91	1	Electron Console	
2	3784313M3	1	Elect.Lift Cable	
3	3715130M1	X	Clamp	Diameter 10MM
	3715129M1	X	Clamp	Diameter 30MM
4	3714137M1	X	Switch,Indirect	[A]
5	3714138M1	X	Switch,Indirect	[B]
6	3783962M2	1	Support	
7	3714135M1	X	Harness	
8	3712725M1	X	Harness	Left Hand Length 3500 MM
9	3784319M99	1	Calculator	
10	3010506X1	2	Screw	M5X16
11	3010804X1	4	Screw	M4X16
12	3619622M1	X	Cable Tie	
13	3712726M1	X	Harness	Right Hand
14	3380422M1	X	Plug	Diameter 30MM
15	3784995M91	1	Harness	[C]
16	3011214X1	4	Rivet	
17	3778708M2	1	Harness	
18	3900383M1	1	Plug	(17)
19	3712724M1	X	Harness	
20	3777568M2	1	Switch,Indirect	
21	3778808M1	X	Plug	Diameter 33,5MM
22	3782172M1	1	Wire	
23	3783970M91	1	Harness	
24		1	Plug 7 Pin Male	(23) Not serviced,order REF NO 23
25	390990X1	2	Screw Metric	M5X12
26	390469X1	2	Washer Metric	
27	3010477X1	2	Nut Metric	
28		1	Plug 7 Pin Male	(15) Not serviced,order REF NO 15
29	3783975M1	1	Decal	

FOOTNOTE [A] UP

FOOTNOTE [B] DOWN

FOOTNOTE [C] PLOUGH HARNESS

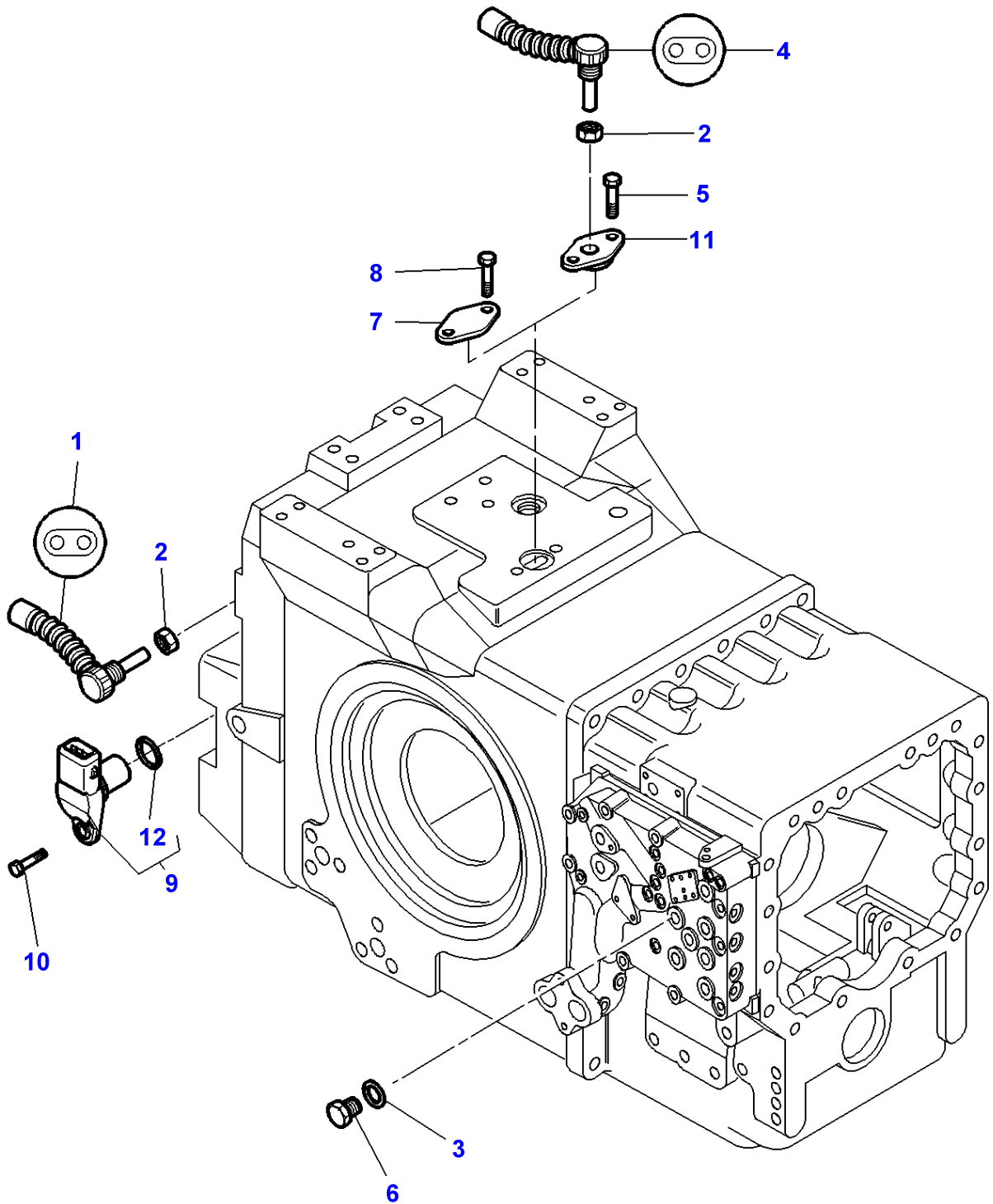
1-ZP37-001-B



Electronic Lift - Console

Item	Part Number	Qty	Description	Comments
1	3778510M94	1	Electron Console	Up to Serial or Engine Number 07-JAN-2001
	3784084M91	1	Electron Console	From Serial or Engine Number 08-JAN-2001
2	3902809M94	1	Cover	(1) Up to Serial or Engine Number 07-JAN-2001
	3903652M91	1	Cover	(1) From Serial or Engine Number 08-JAN-2001
3	3902440M1	3	Helmet	(2)
4	3903452M1	3	Button	(2)
5	3902452M1	1	O Ring	(1)
6	3902810M91	1	Printed Circuit	(1) Up to Serial or Engine Number 07-JAN-2001
	3903651M91	1	Printed Circuit	(1) From Serial or Engine Number 08-JAN-2001
7	3902811M1	4	Screw	(1)

1-ZU37-002-B



Massey Ferguson**MF 8270/8280 TRACTOR - 1637348**

1637348

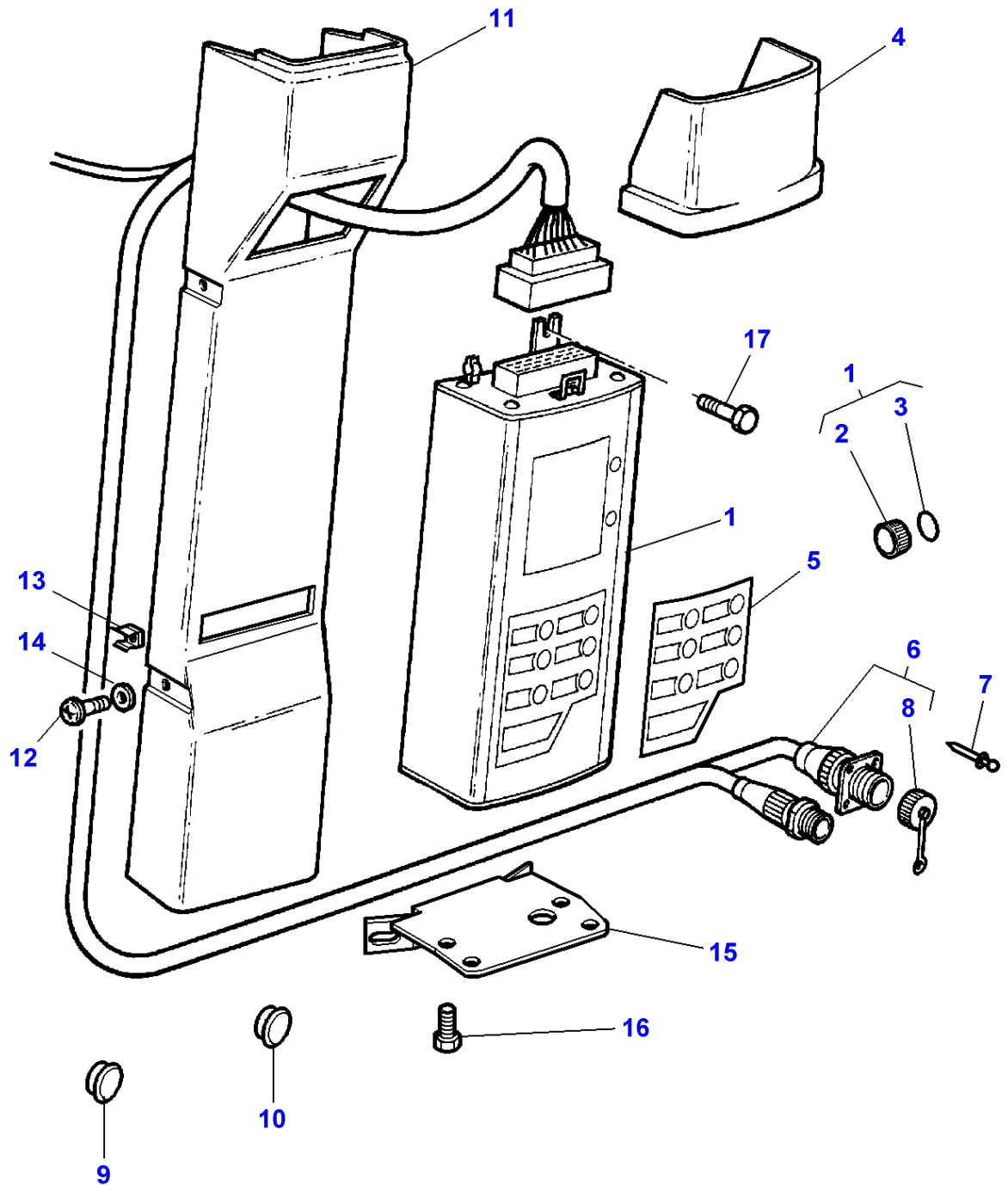
Page090-0040

Electronic Equipment - Sensors

Item	Part Number	Qty	Description	Comments
1	3790881M1	1	Inductive Taker	[F] Length 75 MM
2	339592X1	2	Nut Metric	M20
3	390202X1	1	Seal	
4	3583287M2	1	Inductive Taker	[E] Length 150 MM
5	339761X1	2	Hex. Sock. Screw	M8 X 25
6	339494X1	1	Plug	M20
7	3792054M1	1	Plate	[C]
8	339761X1	2	Hex. Sock. Screw	M8 X 25
9	3716042M1	1	Pto Speed Sensor	
10	3009280X1	1	Screw	M6 X 12
11	3716581M3	1	Support	
12	3009597X1	1	O Ring	(9)

FOOTNOTE [C] WITHOUT DATATRONIC**FOOTNOTE [E]** TRAVELLING SPEED**FOOTNOTE [F]** PTO SPEED

1-ZU31-001-B



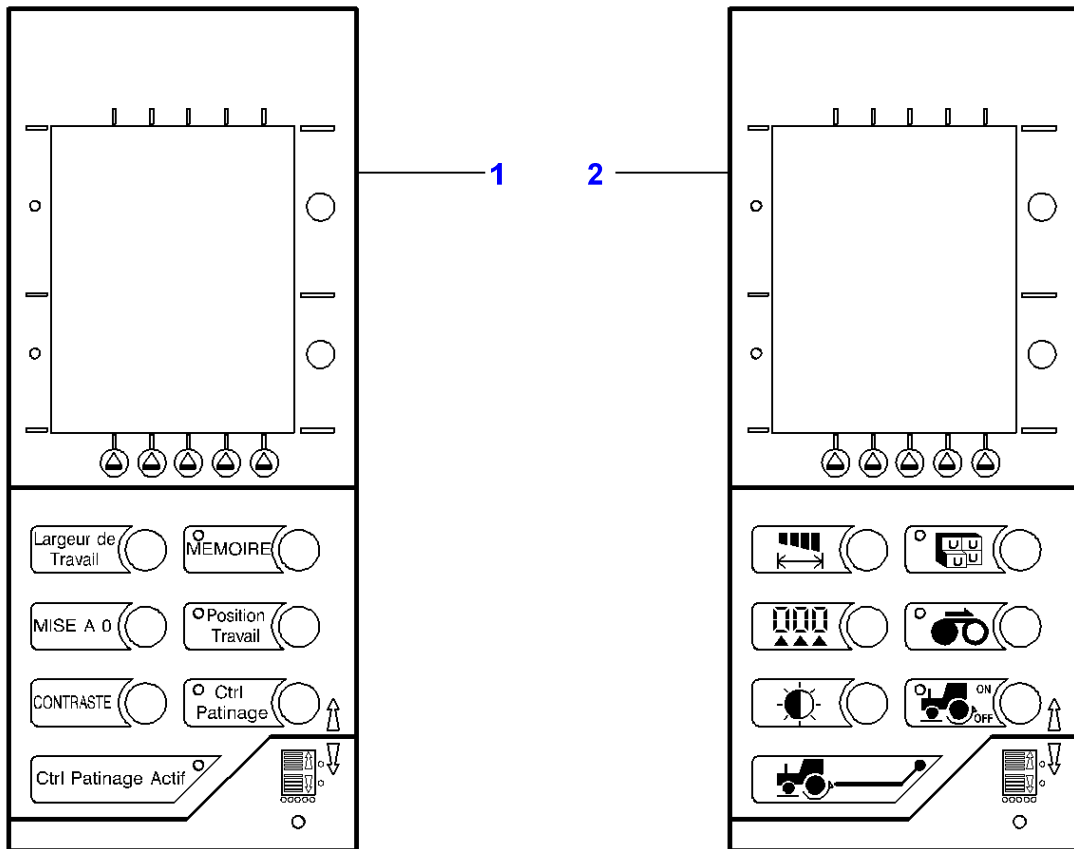
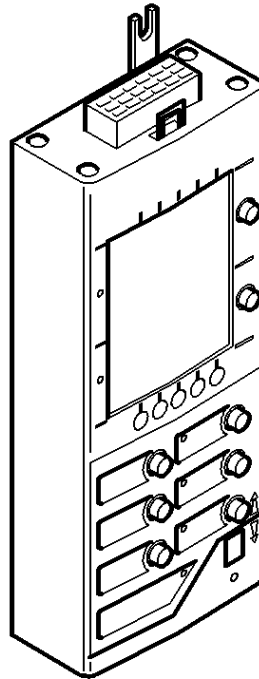
Aboard Computer

Item	Part Number	Qty	Description	Comments
1	3792434M1	1	Onboard Computer	
2	3907170M1	1	Button	[B] (1)
3	3907171M1	1	Helmet	[B] (1)
4	3714916M1	1	Moulding	
5		1	Decal	See Page - Reference Number 090-0050/1
6	3778701M3	1	Harness	
7	3011214X1	4	Rivet	
8	3900383M1	1	Plug	(6) [A]
9	3380422M1	1	Plug	[A]
10	3042671M1	1	Plug	[A] Diameter 12,7MM Up to Serial or Engine Number H043028
	3042523M1	1	Plug	[A] Diameter 10MM From Serial or Engine Number H043029
11	3714919M1	1	Mounting	
	3713072M4	1	Mounting	[A]
12	3010506X1	4	Screw	M5X16
13	3615557M1	7	Boxnut	
14	1427000M1	4	Washer	
15	3714918M2	1	Support	
16	3010578X1	2	Screw	M5X10
17	3010506X1	5	Screw	M5X16

FOOTNOTE [A] WITHOUT DATATRONIC

FOOTNOTE [B] GREY

1-ZU32-001-A

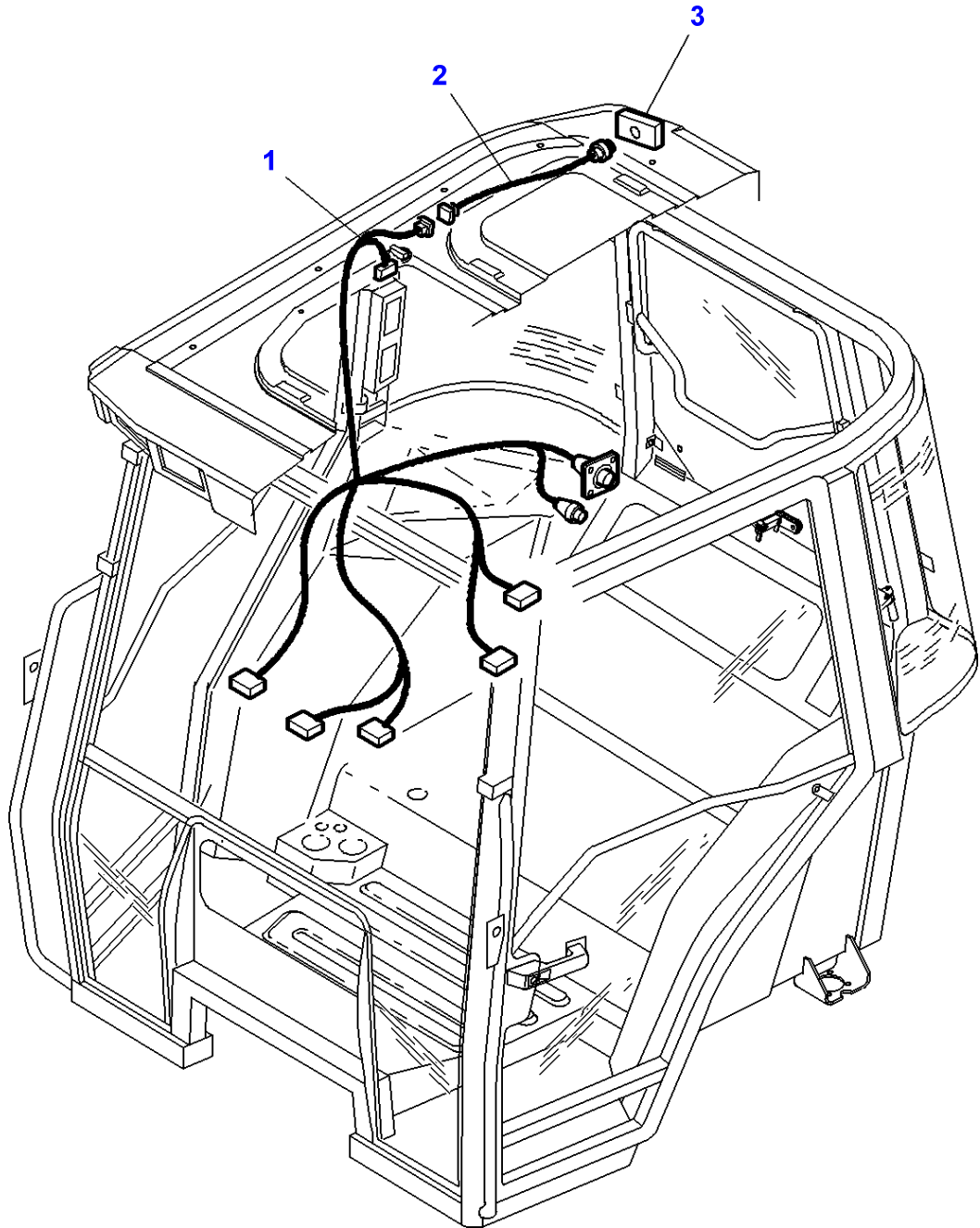


Aboard Computer - Transfers

Item	Part Number	Qty	Description	Comments
1	3714660M1	1	Decal	For France only or any text in French only
	3714661M1	1	Decal	For UK only or any text in English only
	3714662M1	1	Decal	For Germany only or any text in German only
	3714663M1	1	Decal	For Italy only or any text in Italian only
	3714664M1	1	Decal	[A]
2	3714665M1	1	Decal	

FOOTNOTE [A] SPAIN

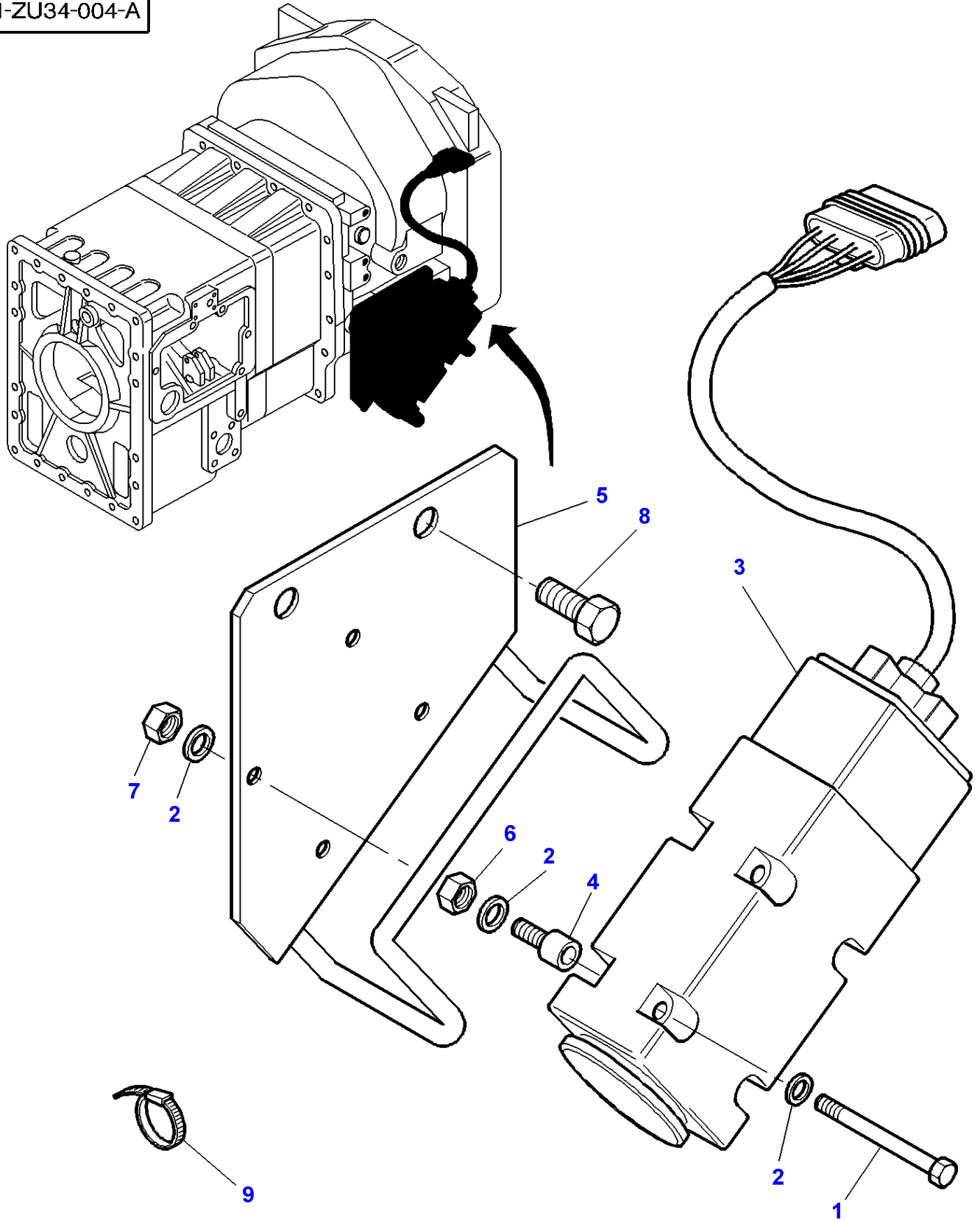
1-ZU35-001-A



Aboard Computer - Wiring

Item	Part Number	Qty	Description
1	3778701M3	1	Harness
2	3714262M1	1	Harness
3	3714264M1	1	Transmitter

1-ZU34-004-A



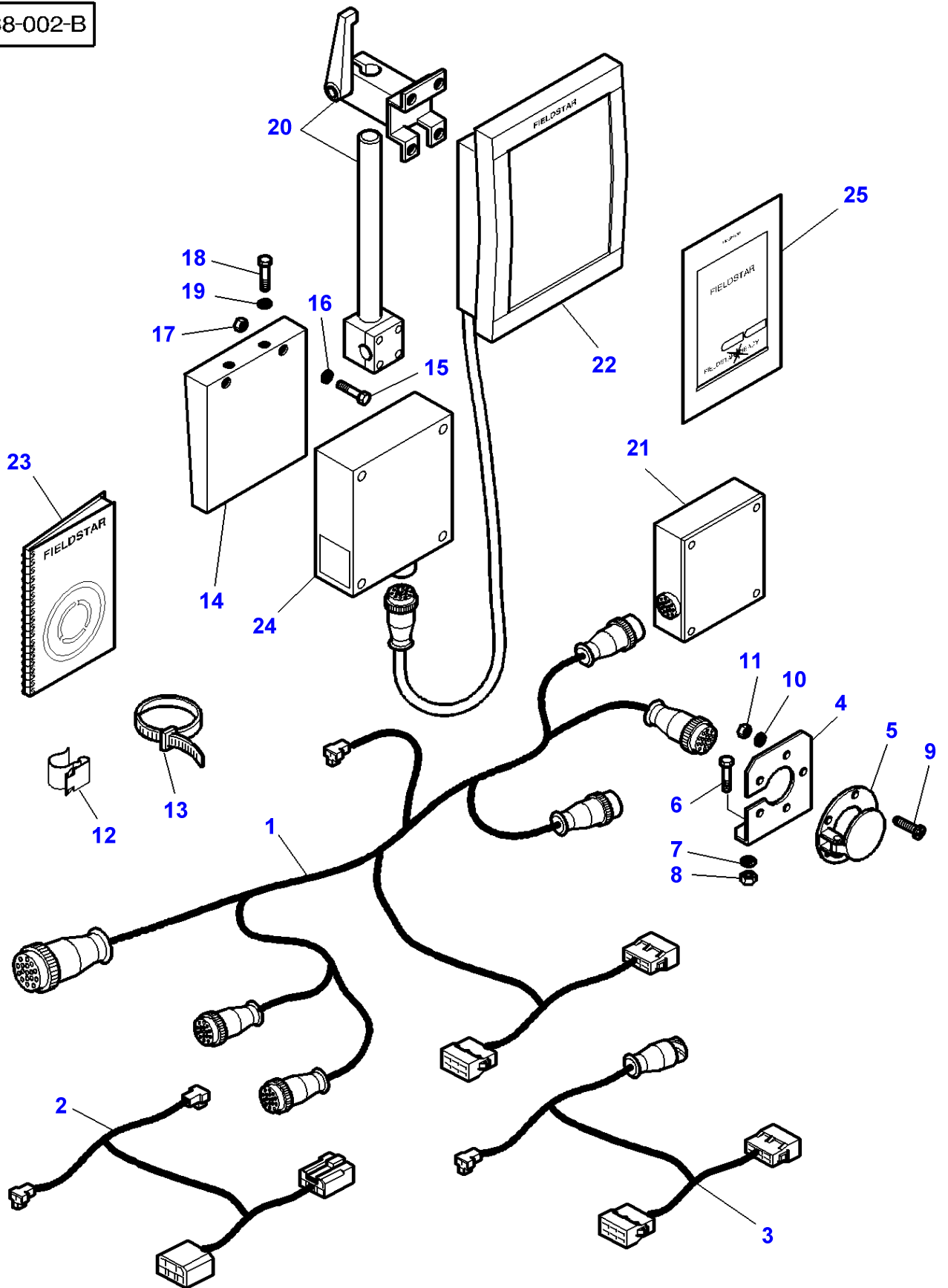
Radar

Item	Part Number	Qty	Description	Comments
1	3019894X1	4	Screw	M6 X 100
2	390971X1	X	Washer	Diameter 6-12 X 1,5
3	3714290M2	1	Speed Detector	For UK only or any text in English only GHZ 24.300
	3714291M2	1	Speed Detector	GHZ 24.125
	4270037M1	1	Speed Detector	[A] GHZ 24.200
4	3582802M1	4	Spacer	
5	3779850M1	1	Support	
6	1440207X1	4	Nut Metric	M6
7	339030X1	4	Nut Metric	M6
8	339613X1	2	Screw	M16 X 35
9	3619622M1	X	Cable Tie	

FOOTNOTE [A] JAPAN ONLY

MF 8270/8280 TRACTOR - 1637348
1-ZU38-002-B

1-ZU38-002-B



Item	Part Number	Qty	Description	Comments
1	3788428M91	1	Harness	
2	3788429M91	1	Harness	[A]
3	3788430M92	1	Harness	[B]
4	3820452M1	1	Bracket	
5	3822490M1	1	Cap	
6	391074X1	2	Hex. Sock. Screw	M6 X 12
7	390971X1	2	Washer	Diameter 6-12 X 1,5
8	339030X1	2	Nut Metric	M6
9	390958X1	5	Screw	M5 X 16
10	390469X1	5	Washer Metric	Diameter 5-10 X 1,5
11	1441917X1	5	Locknut	
12	3598904M1	2	Clip	
13	3619622M1	5	Cable Tie	
14	3820451M1	1	Bracket	
15	3010818X1	4	Screw Metric	M4 X 20
16	339102X1	4	Washer	Diameter 4-9 X 1
17	3019139X1	4	Nut	M4
18	391883X1	4	Screw	M5 X 25
19	390469X1	4	Washer Metric	Diameter 5-10 X 1,5
20	D28789001	1	Bracket	
21	G716.972.170.010	1	Electronic Box	
22	D28989054	1	Monitor	
23	D63001805	1	O.I.B.	[C]
	D63001806	1	O.I.B.	For UK only or any text in English only
	D63001807	1	O.I.B.	For Germany only or any text in German only
	D63001808	1	O.I.B.	For France only or any text in French only
	D63001809	1	O.I.B.	For Sweden
24	D28789378	1	Intake	
25	4271993M1	1	Decal	

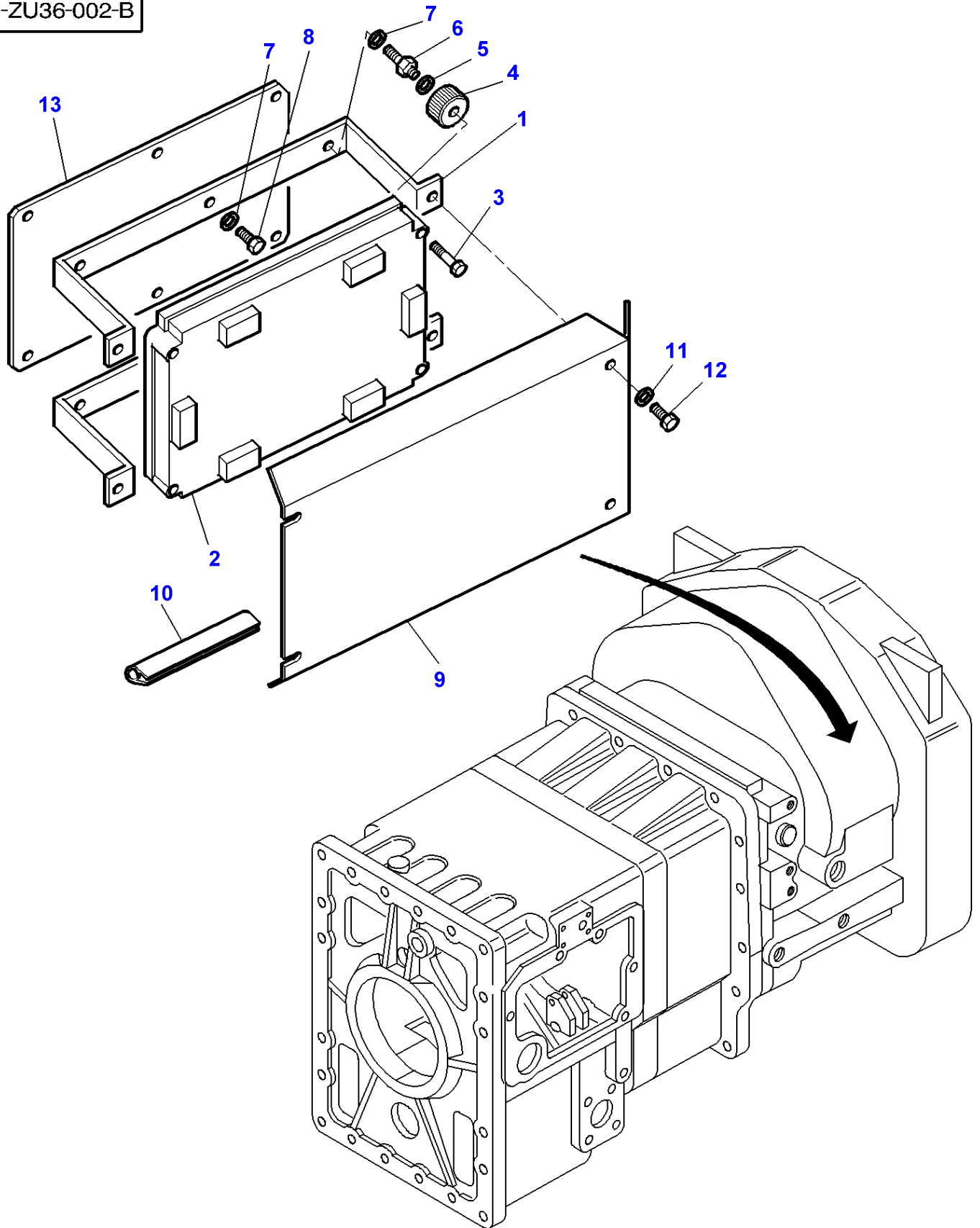
FOOTNOTE [A] FEEDER HARNESS

FOOTNOTE [B] DATATRONIC SIGNAL HARNESS

FOOTNOTE [C] DENMARK

MF 8270/8280 TRACTOR - 1637348
1-ZU36-002-B

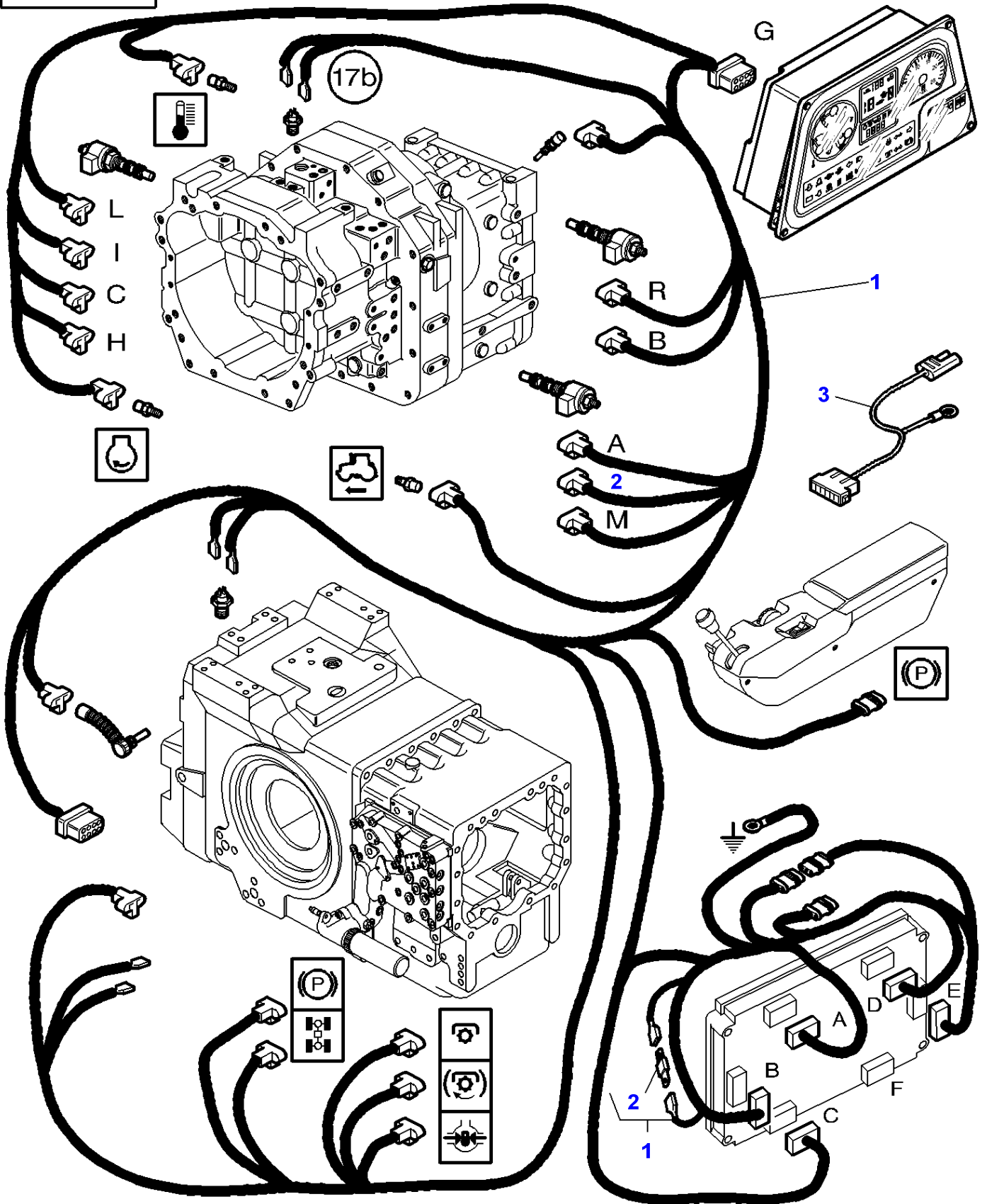
1-ZU36-002-B



Control Box - Cab

Item	Part Number	Qty	Description	Comments
1	3790912M1	2	Support	
2	3790842M1	1	Switch Box	
3	339096X1	4	Bolt Metric	M6 X 35
4	3790853M1	4	Support	
5	391289X1	4	Lock Washer	
6	3791098M1	4	Screw	M6/M8
7	22428X	5	Lock Washer	
8	339228X1	1	Screw Metric	M8 X 12
9	3790911M3	1	Cowl	
10	3791213M1	2	Gasket	Length 35MM
	1684844M1	1	Seal	Length 80MM
11	390972X1	2	Washer Metric	Diameter 8-17 X 1,7
12	339228X1	4	Screw Metric	M8 X 12
13	3783453M1	1	Cowl	

1-ZW25-001-C



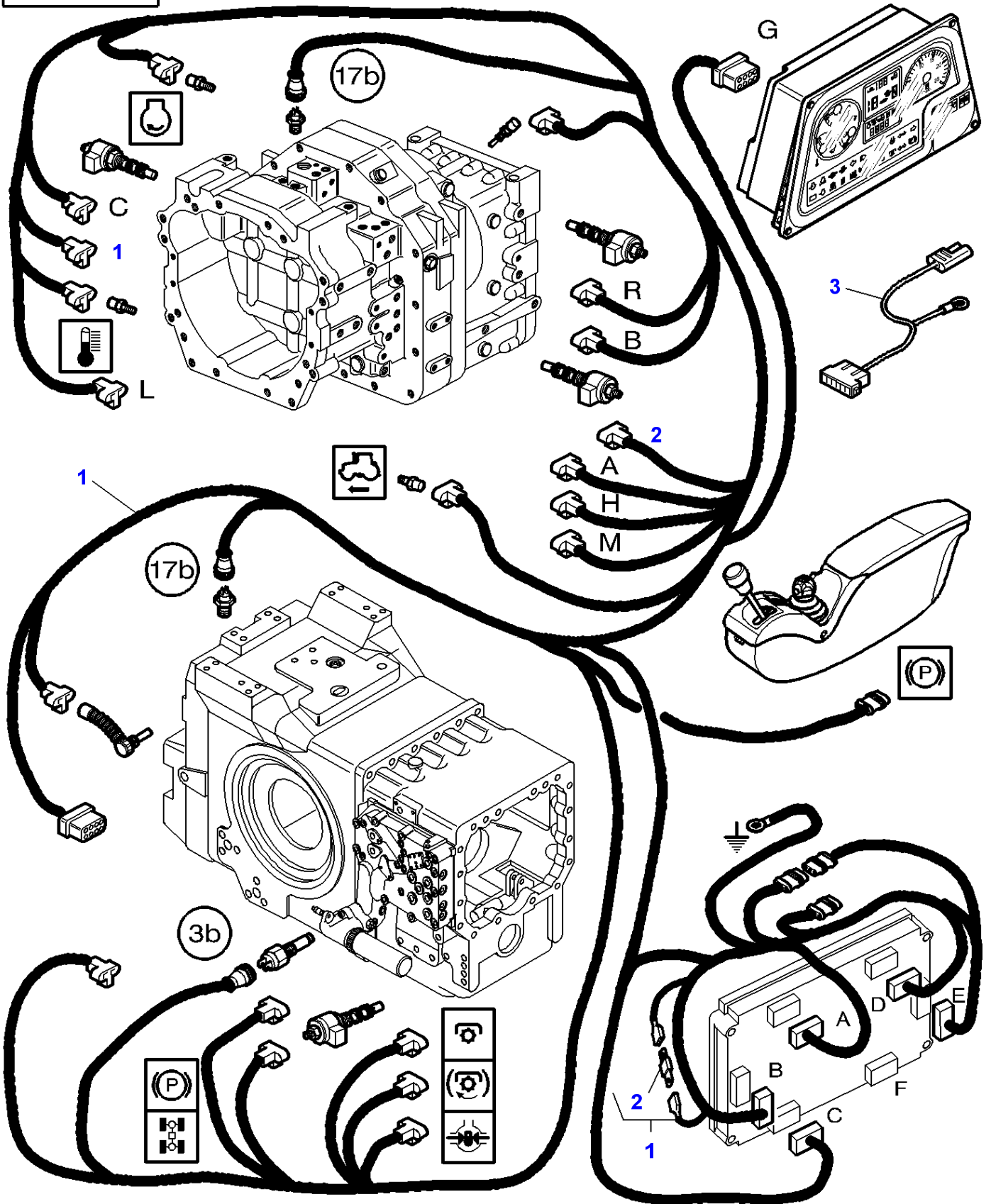
Item	Part Number	Qty	Description	Comments
1	3790909M5	1	Harness	[A]
	3792505M2	1	Harness	[B]
2	3779377M1	1	Diode	[A]
				(1)
3	3779558M2	1	Harness	[C]

FOOTNOTE [A] WITH HYDRAULIC PUMP 110 L/MN

FOOTNOTE [B] WITH HYDRAULIC PUMP 150 L/MN

FOOTNOTE [C] DATATRONIC HARNESS : THEORETICAL SPEED

1-ZW25-003-C



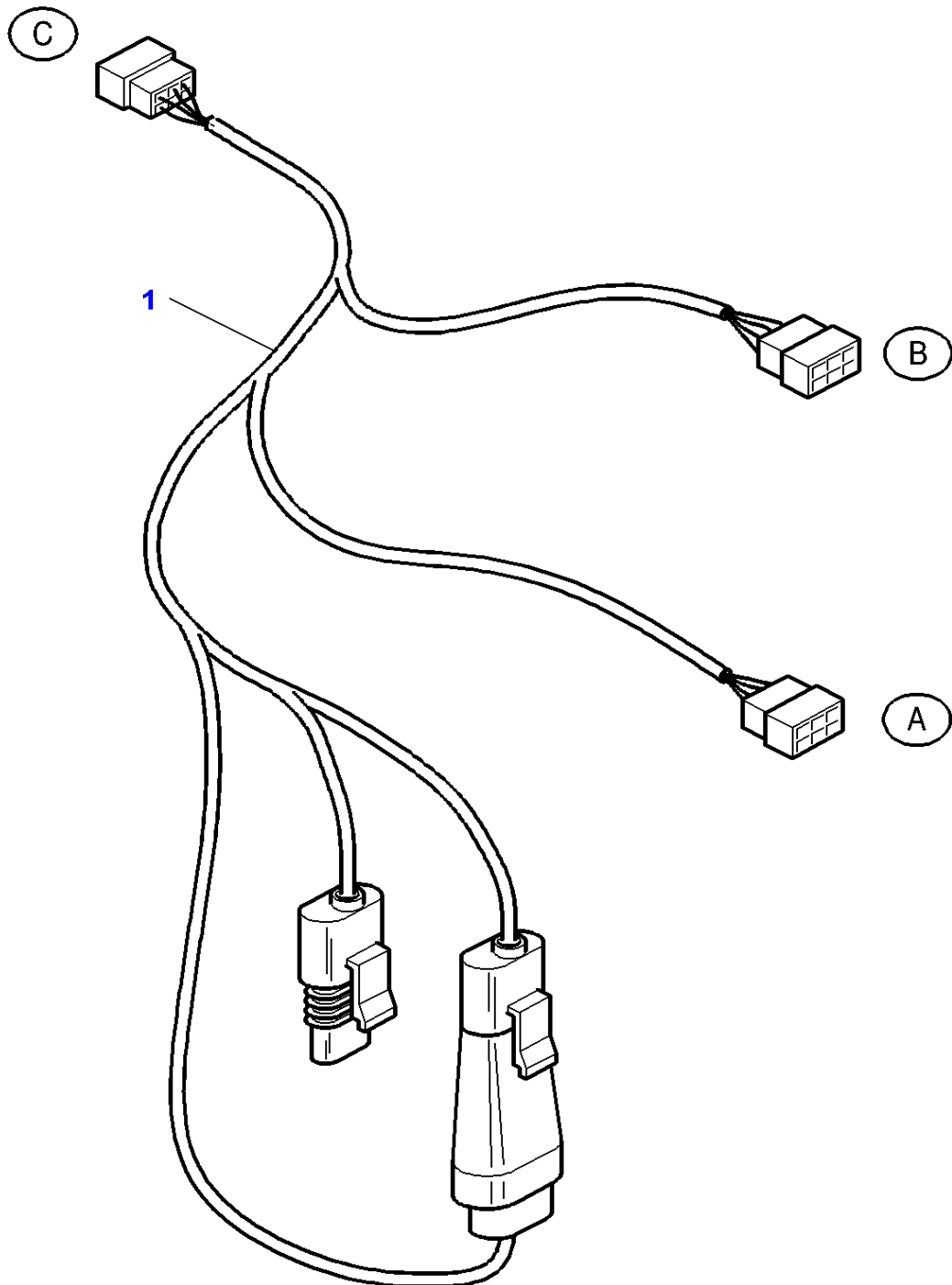
Item	Part Number	Qty	Description	Comments
1	3792699M1	1	Harness	[A] Up to Serial or Engine Number K290004
	3795568M1	1	Harness	[A] From Serial or Engine Number K290005
	3794757M1	1	Harness	[B] Up to Serial or Engine Number K198026
	3795570M1	1	Harness	[B] From Serial or Engine Number K198027
2	3779377M1	1	Diode	(1)
3	3779558M2	1	Harness	[C]

FOOTNOTE [A] WITH HYDRAULIC PUMP 110 L/MN

FOOTNOTE [B] WITH HYDRAULIC PUMP 150 L/MN

FOOTNOTE [C] DATATRONIC HARNESS : THEORETICAL SPEED

1-ZW37-001-A



Massey Ferguson

MF 8270/8280 TRACTOR - 1637348

1637348

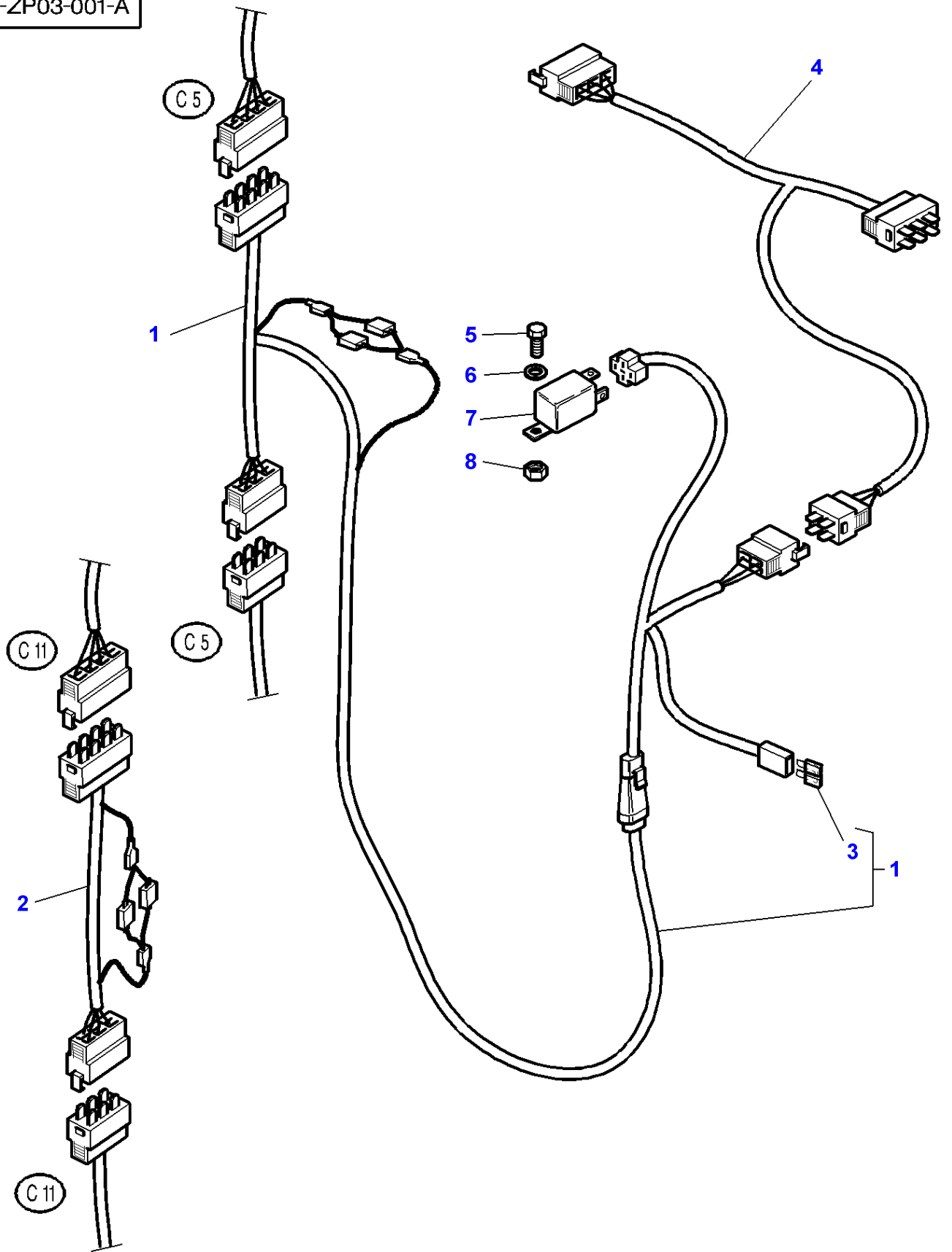
Full Powershift - EMERGENCY HARNESS

Page090-0085

Item	Part Number	Qty	Description
1	3791105M2	1	Harness

MF 8270/8280 TRACTOR - 1637348
1-ZP03-001-A

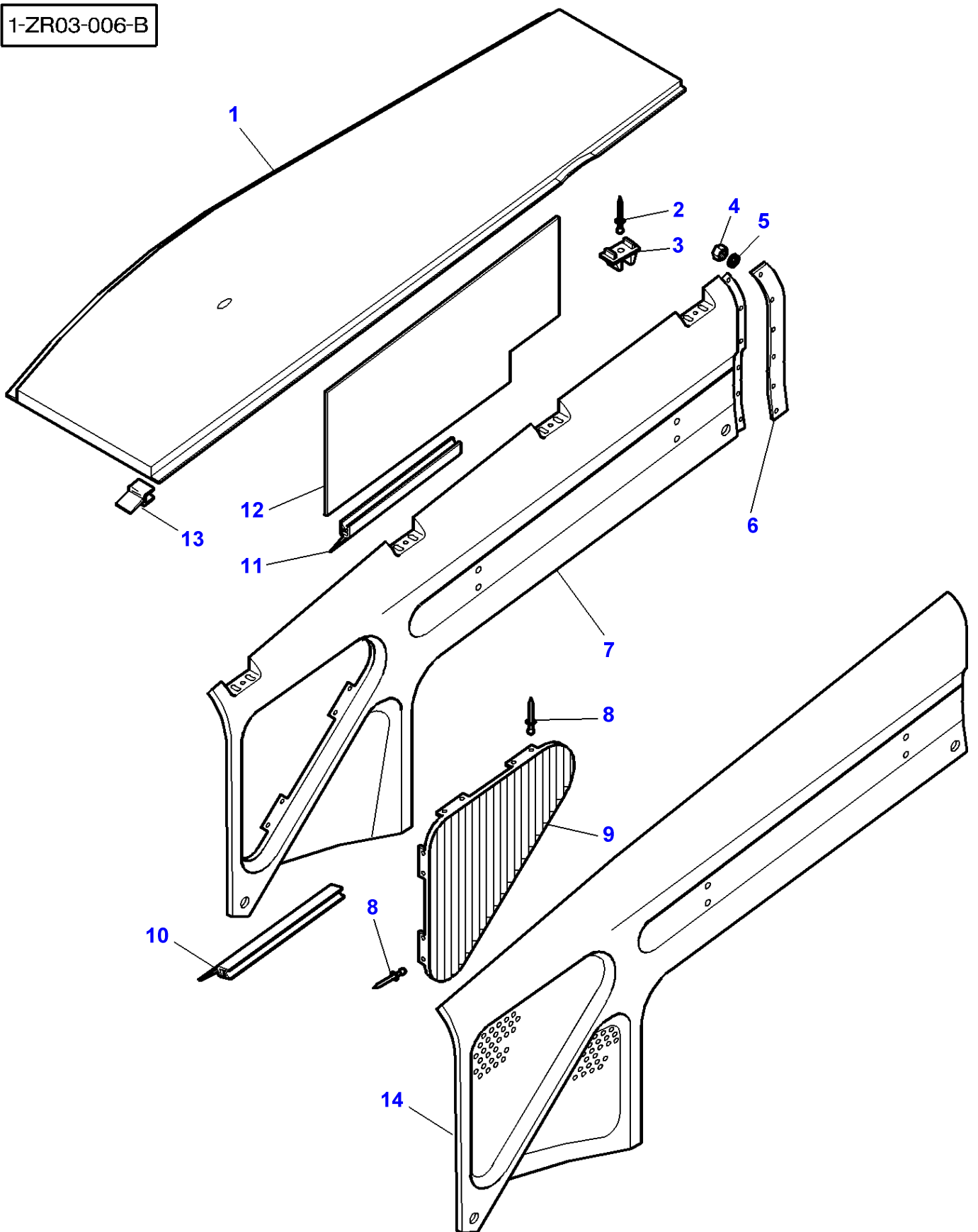
1-ZP03-001-A



Massey Ferguson**MF 8270/8280 TRACTOR - 1637348****1637348****Temporised relay park-lock - Full Powershift - From Serial or Engine Number H343026****Page090-0090**

Item	Part Number	Qty	Description	Comments
1	3783154M2	1	Harness	
2	3783662M1	1	Harness	
3	1695966M1	1	Fuse	(1) 15 Amp
4	3783153M1	1	Harness	
5	339666X1	1	Hex. Sock. Screw	M6 X 20
6	391038X1	2	Washer	Diameter 6-18 X 1,5
7	3783425M2	1	Relay	AST TIMER 48.04.06
8	1441500X1	1	Locknut	M6

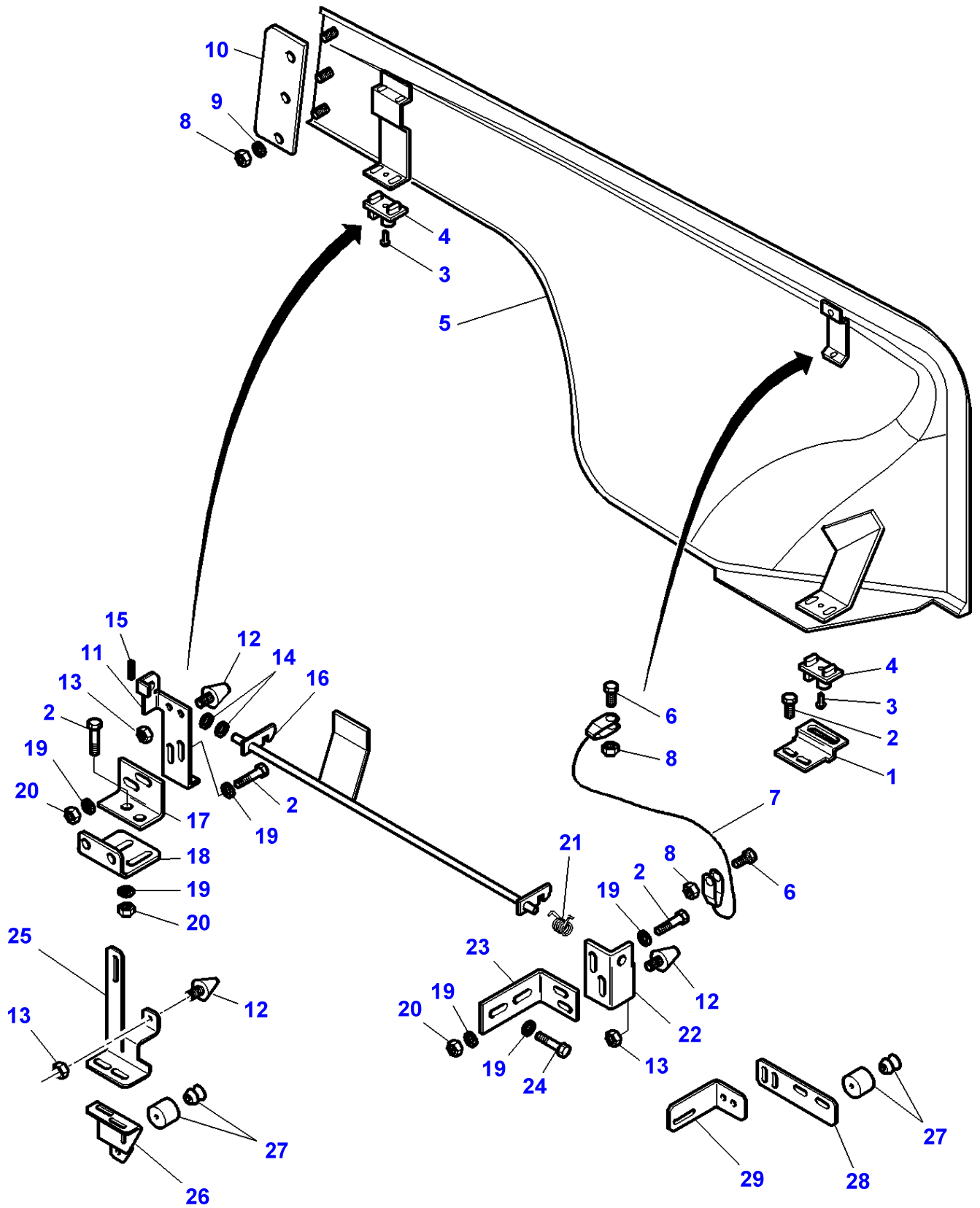
1-ZR03-006-B



Sheet Metal - Hood

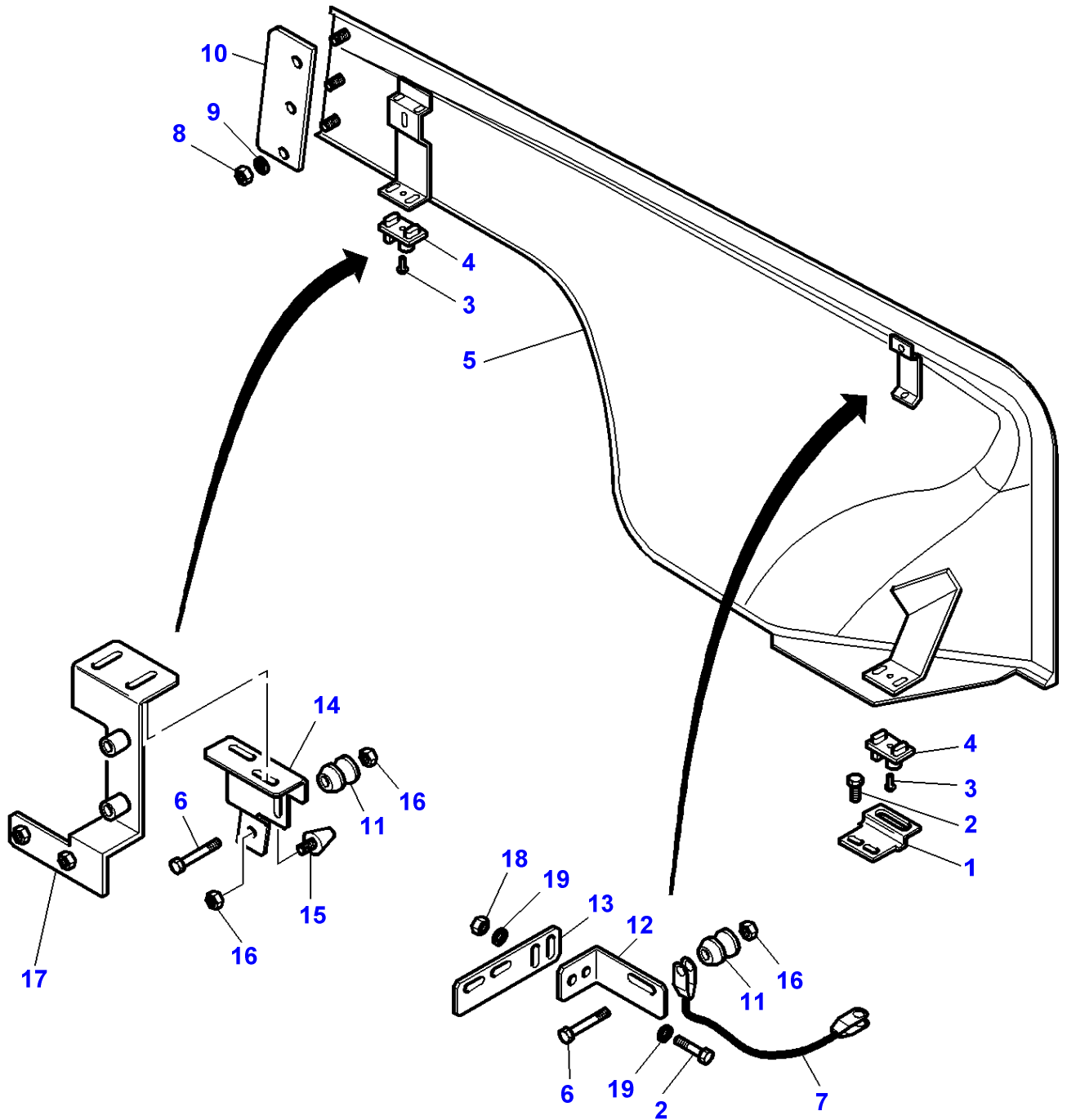
Item	Part Number	Qty	Description	Comments
1	3781322P3	1	Bonnet	
2	3010934X1	8	Rivet	
3	3800376M1	8	Buffer	
4	1441500X1	12	Locknut	
5	391038X1	12	Washer	
6	3783329M2	2	Gasket	
7	3781486P95	1	Panel	Left Hand Up to Serial or Engine Number N064048
	3781485P95	1	Panel	Right Hand Up to Serial or Engine Number N064048
8	3010934X1	24	Rivet	
	3010021X1	16	Rivet	Diameter 4.8 X 9
9	3781853P91	1	Grille	Left Hand Up to Serial or Engine Number N064048
	3781625P91	1	Grille	Right Hand Up to Serial or Engine Number N064048
10	4270704M1	1	Gasket	Length 730MM
11	3784954M1	1	Seal	Length 540MM
12	3783113M1	1	Protector	
13	3783543M1	2	Gasket	Length 50MM
14	4271411P92	1	Panel	Left Hand From Serial or Engine Number N064049
	4271412P92	1	Panel	Right Hand From Serial or Engine Number N064049

1-ZR01-009-B



Item	Part Number	Qty	Description	Comments
1	3783047M5	1	Support	
2	339123X1	X	Hex. Sock. Screw	M8X20
3	3010934X1	2	Rivet	
4	3800376M1	2	Buffer	
5	3781774M95	1	Panel	Up to Serial or Engine Number N064048
	4276112M91	1	Panel	From Serial or Engine Number N064049
6	339560X1	2	Hex. Sock. Screw	M6X16
7	3783347M2	1	Cable	
8	1441500X1	X	Locknut	M6
9	391038X1	3	Washer	
10	3783330M1	1	Gasket	
11	3781712M2	1	Support	Up to Serial or Engine Number M071044
12	3780947M1	2	Stop	
13	339030X1	2	Nut Metric	M6
14	390735X1	2	Washer	
15	354080X1	1	Split Pin	
16	3781715M92	1	Latch	Up to Serial or Engine Number M071044
17	3781713M1	1	Angle	Up to Serial or Engine Number M071044
18	3782821M2	1	Support	
19	390972X1	X	Washer Metric	
20	339169X1	X	Nut	M8
21	3782212M1	1	Spring	Up to Serial or Engine Number M071044
22	3781711M2	1	Support	Up to Serial or Engine Number M071044
23	3781790M2	1	Support	Up to Serial or Engine Number M071044
24	339337X1	2	Hex. Sock. Screw	M8X30
25	4270266M1	1	Angle	From Serial or Engine Number M071045
26	4270660M3	1	Support	From Serial or Engine Number M071045
27	72502409	2	Rubber	From Serial or Engine Number M071045
28	4270672M1	1	Support	From Serial or Engine Number M071045
29	4270673M2	1	Support	From Serial or Engine Number M071045

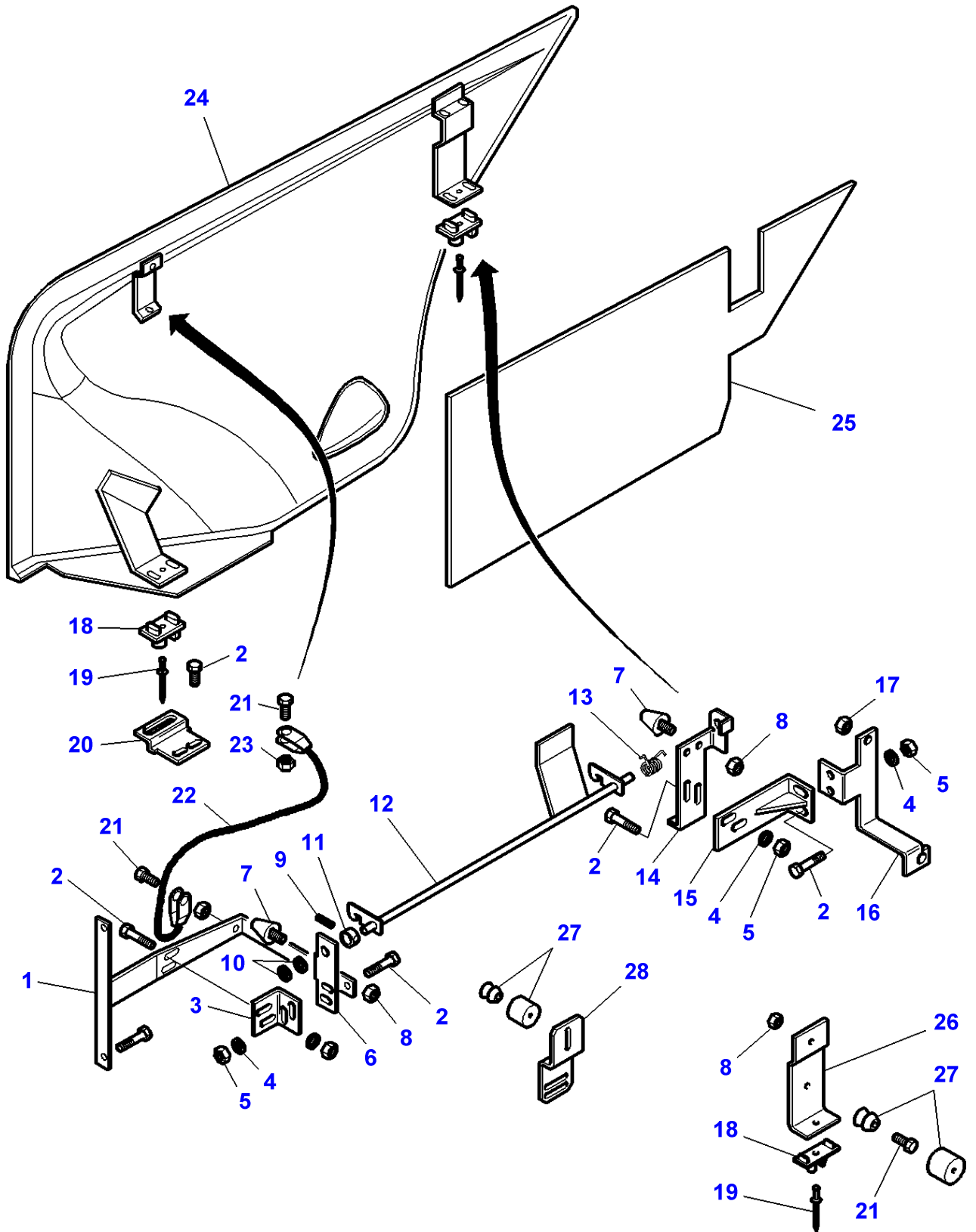
1-ZR01-023-A



Massey Ferguson**MF 8270/8280 TRACTOR - 1637348****1637348****Sheet Metal - Brackets And Assembling Parts - M.F 8270 XTRA - 8280 XTRA - Left Side****Page 100-0015**

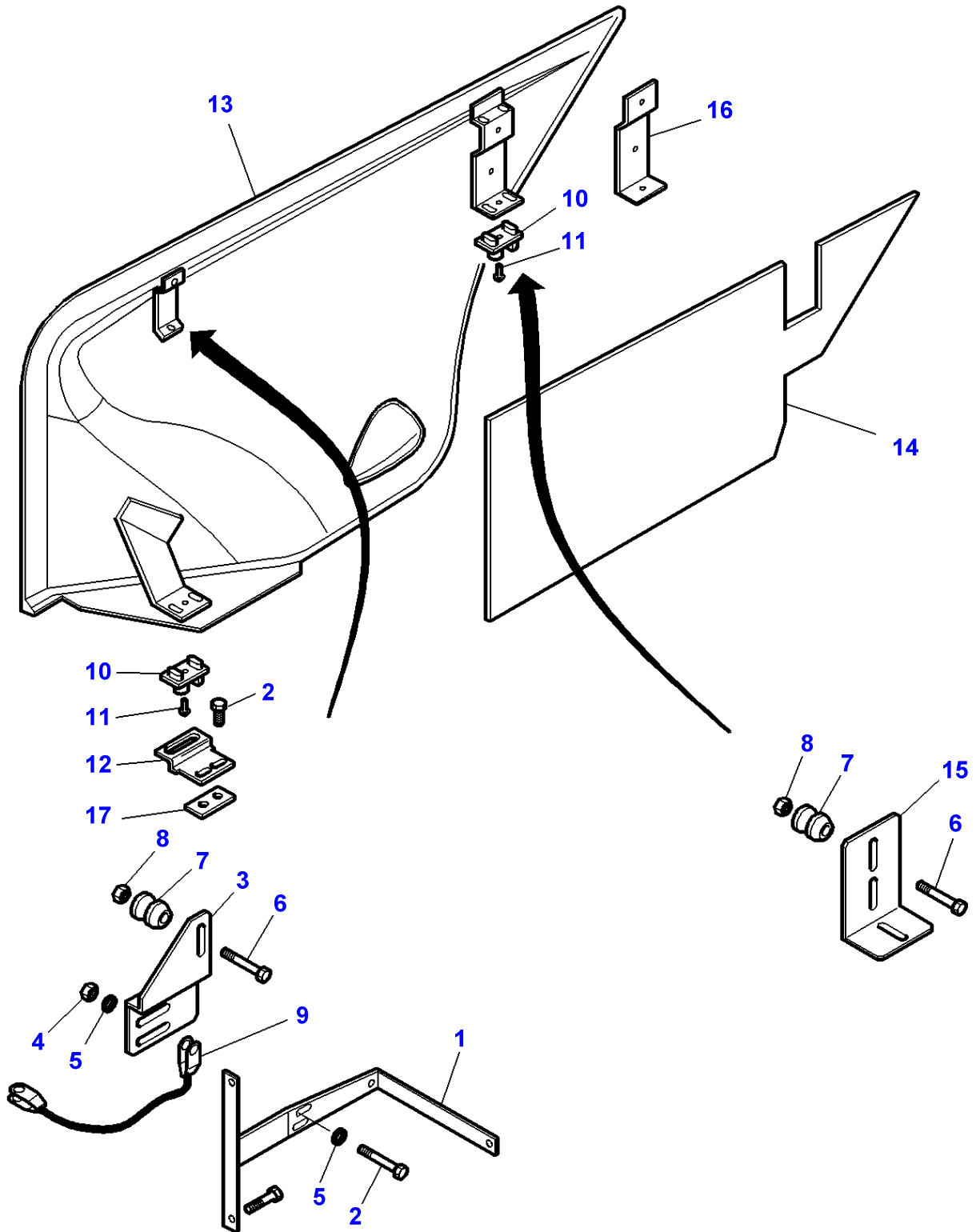
Item	Part Number	Qty	Description	Comments
1	3783047M5	1	Support	
2	339123X1	X	Hex. Sock. Screw	M8 X 20
3	3010934X1	2	Rivet	
4	3800376M1	2	Buffer	
5	3781774M95	1	Panel	Up to Serial or Engine Number N064048
	4276112M91	1	Panel	From Serial or Engine Number N064049
6	339560X1	2	Hex. Sock. Screw	M6 X 16
7	3783347M2	1	Cable	
8	1441500X1	X	Locknut	M6
9	391038X1	3	Washer	
10	3783330M1	1	Gasket	
11	72502409	2	Rubber	
12	4270673M2	1	Support	
13	4270672M1	1	Support	
14	4270660M3	1	Support	
15	3780947M1	1	Stop	
16	339030X1	X	Nut Metric	M6
17	4270659M93	1	Support	
18	339169X1	X	Nut	M8
19	390972X1	X	Washer Metric	

1-ZR01-008-C



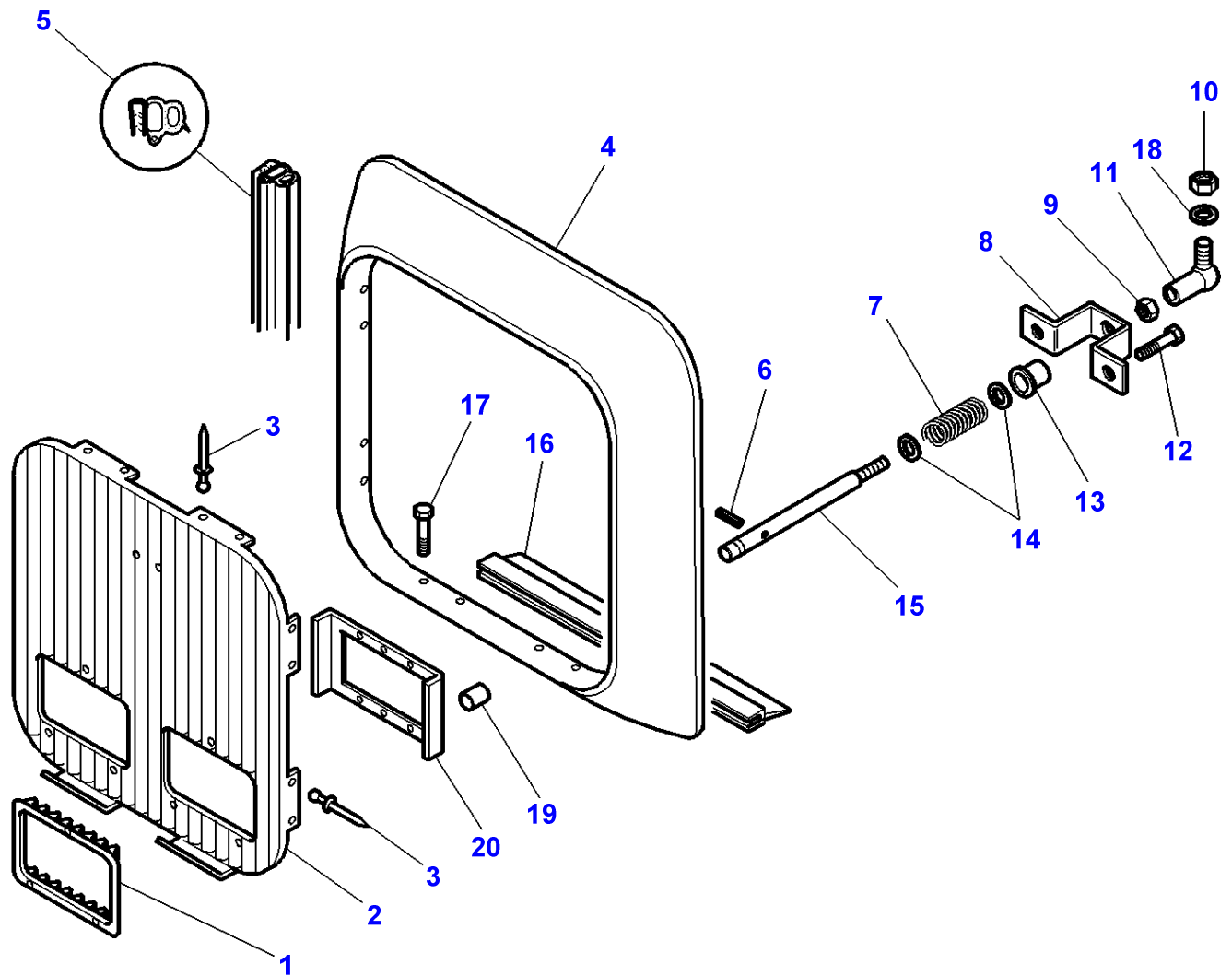
Item	Part Number	Qty	Description	Comments
1	3782348M94	1	Bracket	
2	339123X1	X	Hex. Sock. Screw	M8X20
3	3782200M1	1	Angle	Up to Serial or Engine Number M071044
4	390972X1	X	Washer Metric	
5	339169X1	X	Nut	M8
6	3782201M1	1	Support	Up to Serial or Engine Number M071044
7	3780947M1	2	Stop	Up to Serial or Engine Number M071044
8	339030X1	2	Nut Metric	
9	390494X1	1	Pin	
10	390735X1	3	Washer	
11	3782338M1	1	Spacer	Up to Serial or Engine Number M071044
12	3782187M92	1	Latch	Up to Serial or Engine Number M071044
13	3782212M1	1	Spring	Up to Serial or Engine Number M071044
14	3782195M3	1	Support	Up to Serial or Engine Number M071044
15	3782189M91	1	Angle	Up to Serial or Engine Number M071044
16	3782346M91	1	Support	Up to Serial or Engine Number M071044
17	1441932X1	1	Nut Metric	M10
18	3800376M1	2	Buffer	
19	3010934X1	2	Rivet	
20	3783047M5	1	Support	
21	339560X1	2	Hex. Sock. Screw	M6X16
22	3783347M2	1	Cable	
23	1441500X1	2	Locknut	M6
24	3781773M94	1	Panel	Up to Serial or Engine Number N064048
	4276108P91	1	Panel	From Serial or Engine Number N064049
25	3783112M2	1	Protector	Up to Serial or Engine Number N064048
	4275845M1	1	Protector	From Serial or Engine Number N064049
26	4270619M1	1	Support	From Serial or Engine Number M071045
				Up to Serial or Engine Number N064048
27	72502409	2	Rubber	From Serial or Engine Number M071045
28	4270244M4	1	Support	From Serial or Engine Number M071045

1-ZR01-024-A



Item	Part Number	Qty	Description	Comments
1	3782348M94	1	Bracket	
2	339123X1	X	Hex. Sock. Screw	M8 X 20
3	4270244M4	1	Support	
4	339169X1	X	Nut	M8
5	390972X1	X	Washer Metric	
6	339560X1	2	Hex. Sock. Screw	M6 X 16
7	72502409	2	Rubber	
8	339030X1	2	Nut Metric	M6
9	3783347M2	1	Cable	
10	3800376M1	2	Buffer	
11	3010934X1	2	Rivet	
12	3783047M5	1	Support	
13	3781773M94	1	Panel	Up to Serial or Engine Number N064048
	4276108P91	1	Panel	From Serial or Engine Number N064049
14	3783112M2	1	Protector	Up to Serial or Engine Number N064048
	4275845M1	1	Protector	From Serial or Engine Number N064049
15	4270260M1	1	Support	Up to Serial or Engine Number N064048
16	4270619M1	1	Support	Up to Serial or Engine Number N064048
17	4270723M1	1	Chock	

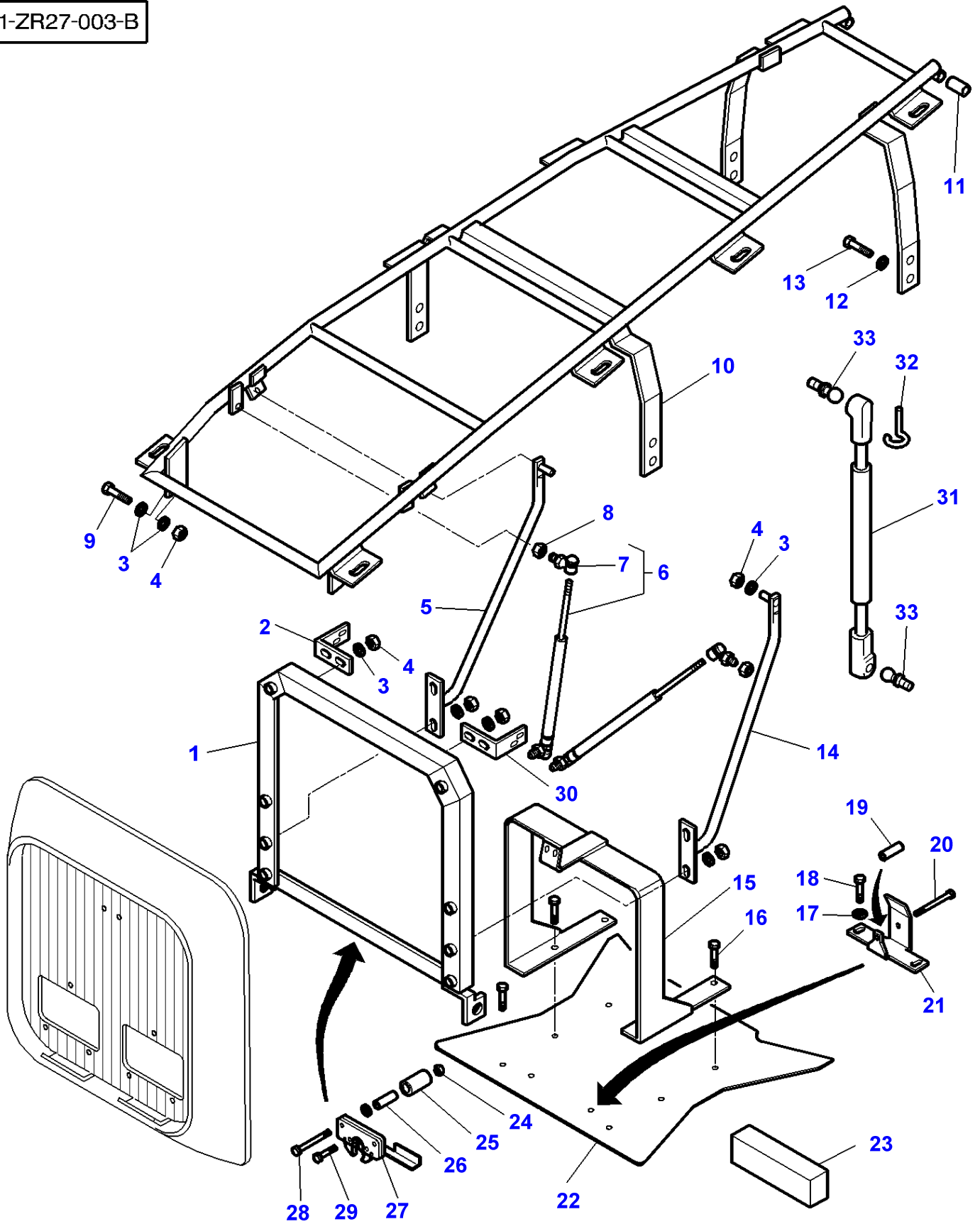
1-ZR02-003-B



Sheet Metal - Grille

Item	Part Number	Qty	Description	Comments
1	3781398M1	1	Trim	Left Hand
	3781397M1	1	Trim	Right Hand
2	3781941M91	1	Grille	
3	3010934X1	10	Rivet	
4	3781325P93	1	Screen	
5	3783309M2	1	Gasket	Length 2130MM
6	1442967X1	1	Pin	
7	5017249M1	1	Spring	
8	3782808M1	1	Strap	
9	339030X1	1	Nut Metric	
10	1441500X1	1	Locknut	
11	3782780M1	1	Stub	
12	339124X1	2	Hex. Sock. Screw	M8X16
13	72160887	1	Bush	
14	390734X1	2	Washer	
15	3782809M3	1	Stem	
16	4270704M1	1	Gasket	Length 730MM
17	339560X1	4	Hex. Sock. Screw	M6X16
18	390971X1	3	Washer	
19	5016517M1	1	Button	
20	3783273M1	2	Plate	

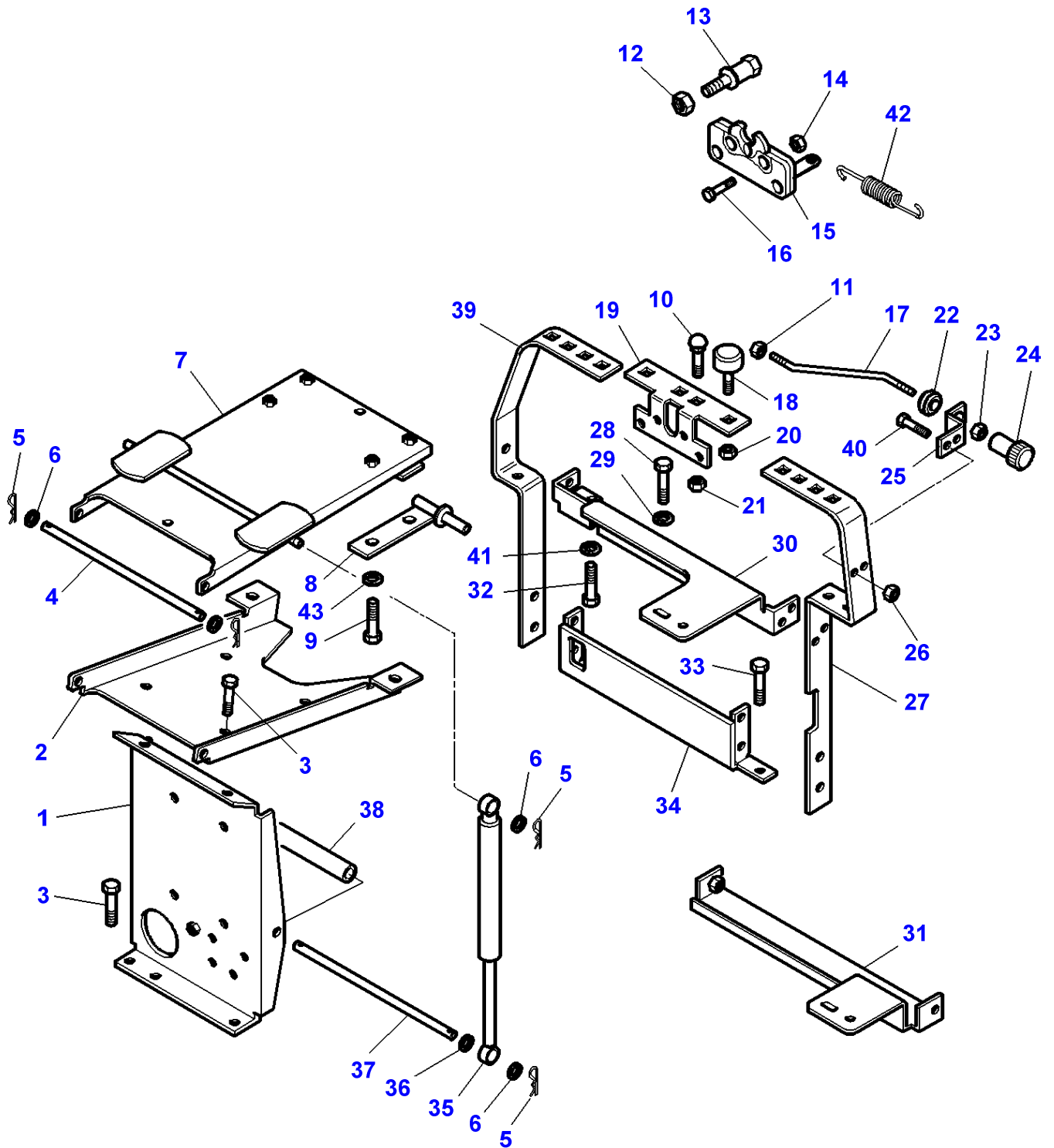
1-ZR27-003-B



Sheet Metal - Screen Frame

Item	Part Number	Qty	Description	Comments
1	3782797M93	1	Chassis	
2	3782794M1	1	Angle	Right Hand
3	390734X1	22	Washer	
4	339402X1	18	Nut	
5	3782788M91	1	Tube	Right Hand
6		2	Ram	Up to Serial or Engine Number K149021 Not serviced,order REF. 31
7	3903200M1	2	Toggle	(6) Up to Serial or Engine Number K149021
8	339169X1	4	Nut	M8
9	3009492X1	4	Hex. Sock. Screw	M10X25
10	3781453M95	1	Chassis	
11	71340350	2	Bush	Up to Serial or Engine Number M071044
12	390597X1	10	Washer Metric	
13	3009492X1	10	Hex. Sock. Screw	M10X25
14	3782789M91	1	Tube	Left Hand
15	3781644M91	1	Support	
16	3009493X1	6	Hex. Sock. Screw	M10X30
17	390734X1	2	Washer	
18	3009492X1	2	Hex. Sock. Screw	M10X25
19	3782811M2	1	Spacer	
20	390246X1	1	Bolt	M8X70
21	3782810M2	1	Support	
22	3785898M1	1	Plate	
23	5017409M1	1	Gasket	260X50X76,2MM
24	1441500X1	4	Locknut	
25	3781233M1	2	Roll	
26	3781976M1	2	Spacer	
27	5016791M1	1	Latch	
28	1441714X1	2	Screw	M6X70
29	339096X1	2	Bolt Metric	M6X35
30	3782795M1	1	Angle	Left Hand
31	3788102M1	2	Ram	From Serial or Engine Number K149022
32	71307132	4	Clip	From Serial or Engine Number K149022
33	3778880M1	4	Toggle	From Serial or Engine Number K149022

1-ZR25-005-D

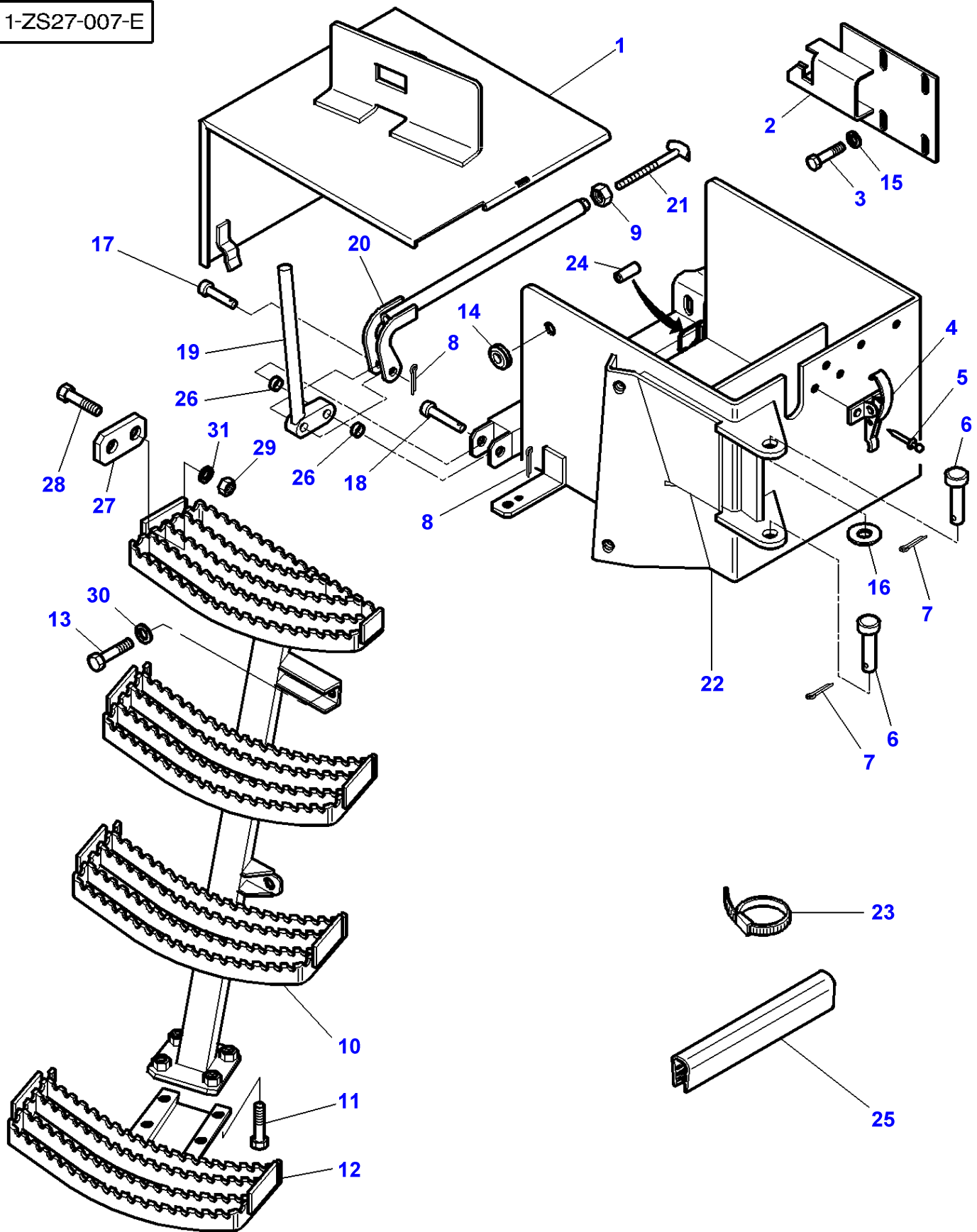


Sheet Metal - Hood Frame

Item	Part Number	Qty	Description	Comments
1	5016807M93	1	Support	MF8270/8280
	3789313M1	1	Support	MF8270/8280 XTRA
2	5015582M2	1	Plate	
3	3009492X1	4	Hex. Sock. Screw	M10 X 25
4	5016813M1	1	Clevis Pin	Length 279,4 MM
5	1442967X1	6	Pin	Diameter 2,5 X 20
6	390734X1	6	Washer	Diameter 10-21 X 2
7	5015587M93	1	Support	
8	3782699M92	1	Pivot	Right Hand
	3782702M92	1	Pivot	Left Hand
9	3009219X1	4	Screw Metric	Up to Serial or Engine Number 26-MAI-2002 M12 X 25
	3010923X1	4	Screw	From Serial or Engine Number 27-MAI-2002 M12 X 20
10	390809X1	6	Bolt Metric	M10 X 25 Replace and repair. Old interchangeable with new 385373X1
11	339030X1	1	Nut Metric	M6
12	70935041	1	Nut	
13	71362459	1	Bolt	
14	339030X1	4	Nut Metric	M6
15	72161441	1	Latch	
16	339262X1	4	Bolt Metric	M6 X 30
17	5016151M1	1	Stem	
18	3783534M1	2	Stop	
19	5016227M1	1	Support	
20	339169X1	2	Nut	M8
21	392310X1	6	Nut Metric	
22	3387555M1	1	Grommet	
23	339030X1	1	Nut Metric	M6
24	3783419M1	1	Button	
25	3783542M1	1	Support	
26	339169X1	2	Nut	M8
27	5016547M1	1	Support	Left Hand
28	3009493X1	6	Hex. Sock. Screw	M10 X 30
29	390734X1	6	Washer	Diameter 10-21 X 2
30	5016070M91	1	Draglink	Up to Serial or Engine Number K320028
31	3786260M2	1	Support	From Serial or Engine Number K320029
32	3009493X1	4	Hex. Sock. Screw	M10 X 30
33	391269X1	2	Screw Metric	M16 X 30
34	5016548M91	1	Support	
35	3783428M2	2	Ram	
36	5016817M1	2	Spacer	
37	5016451M1	1	Bracket	Length 321,8 MM
38	3784016M1	1	Spacer	
39	5016311M1	1	Support	Right Hand
40	339123X1	2	Hex. Sock. Screw	M8 X 20
41	390734X1	4	Washer	Diameter 10-21 X 2
42	3580581M1	1	Spring	Length 128 MM
43	390735X1	4	Washer	From Serial or Engine Number 27-MAI-2002 Diameter 12-24 X 2,5

MF 8270/8280 TRACTOR - 1637348
1-ZS27-007-E

1-ZS27-007-E



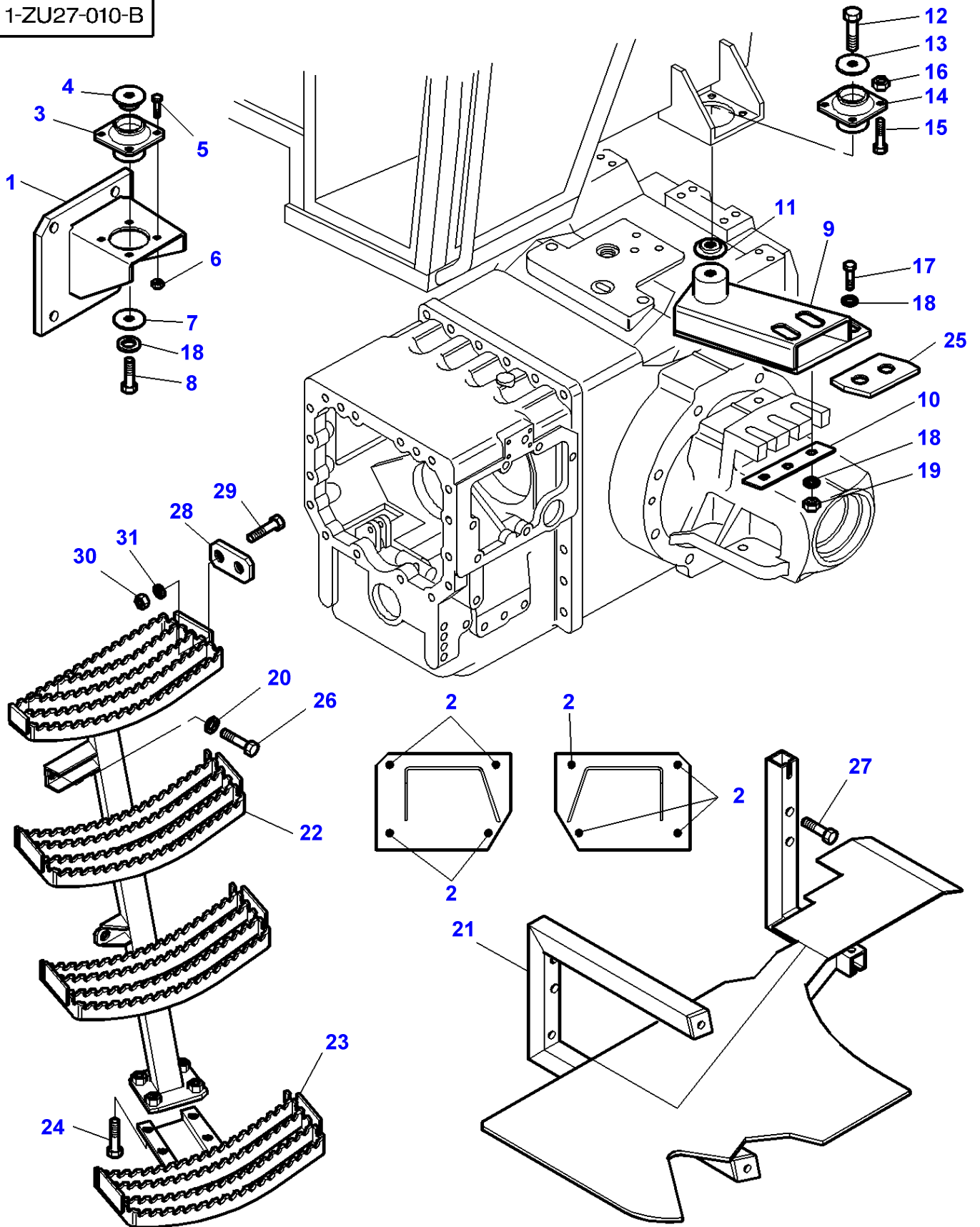
Footstep And Battery Box

Item	Part Number	Qty	Description	Comments
1	3779908M93	1	Cover	[A]
2	3779983M91	1	Anglepiece	
3	339123X1	4	Hex. Sock. Screw	M8 X 20
4	3781710M1	1	Bridle	
5	3010021X1	2	Rivet	
6	3019227X1	2	Clevis Pin	Diameter 20 X 50
7	195415M1	2	Hair Pin	
8	354066X1	2	Pin	5/32 X 1
9	339402X1	1	Nut	M10
10	3779415M93	1	Step	Right Hand
11	3009491X1	4	Hex. Sock. Screw	M10 X 20
12	3779418M91	1	Stair	Right Hand
13	3009514X1	2	Screw	M12 X 70
14	3580599M1	1	Plug	
15	391039X1	4	Washer Metric	Diameter 8-24 X 2
16	385365X1	1	Washer	Diameter 20-37 X 5
17	3019214X1	1	Clevis Pin	Diameter 12 X 40
18	3019216X1	1	Clevis Pin	Diameter 12 X 60
19	3779978M91	1	Lever	
20	3779927M92	1	Stem	
21	3779968M91	1	Stem	
22	3782776M93	1	Battery Box	Up to Serial or Engine Number J208015
	3783851M92	1	Battery Box	From Serial or Engine Number J208016
23	3619622M1	X	Cable Tie	
24	3581340M1	2	Shock Absorber	
25	1684844M1	X	Seal	Length 80 MM
	3714837M1	X	Gasket	Length 50 MM
26	3779066M1	2	Spacer	
27	3781189M1	1	Stop	Up to Serial or Engine Number H249032
28	339123X1	2	Hex. Sock. Screw	M8 X 20
				Up to Serial or Engine Number H249032
29	339169X1	2	Nut	Up to Serial or Engine Number H249032 M8
30	391212X1	2	Washer	Up to Serial or Engine Number H249032 Diameter 13-37 X 3
31	390972X1	2	Washer Metric	Up to Serial or Engine Number H249032 Diameter 8-17 X 1,7

FOOTNOTE [A] THE APPROPRIATE SAFETY DECALS MUST BE ORDERED AND FITTED TO THIS PART

MF 8270/8280 TRACTOR - 1637348
1-ZU27-010-B

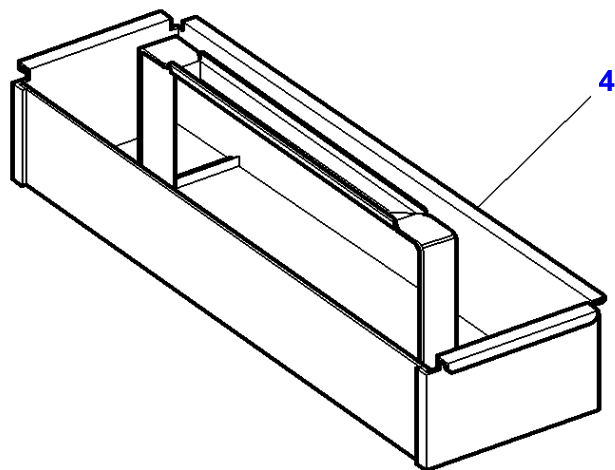
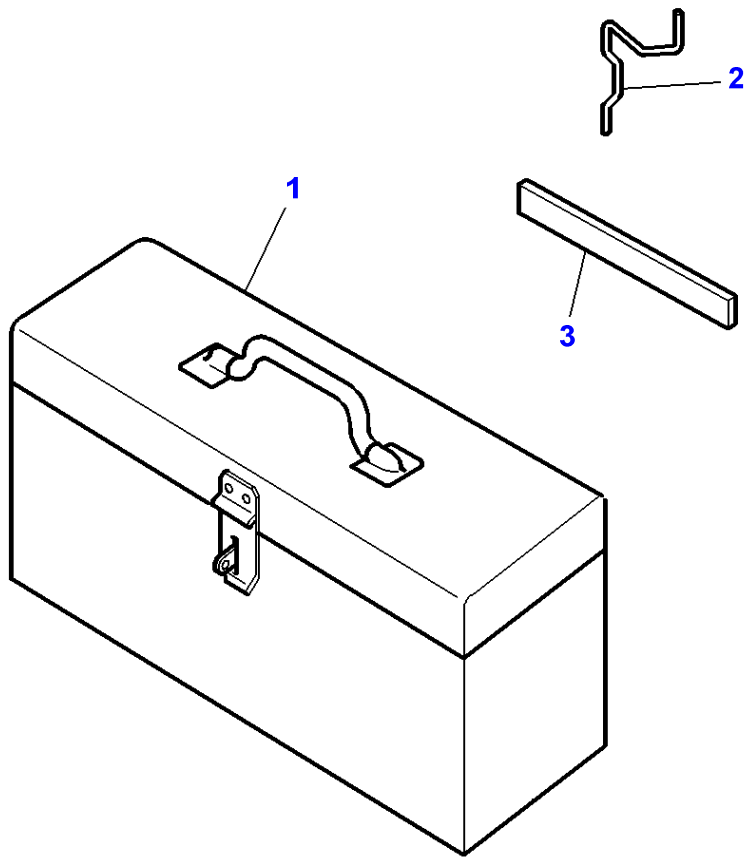
1-ZU27-010-B



Cab Mountings And Step / Stairs

Item	Part Number	Qty	Description	Comments
1	3777537M2	1	Support	Left Hand
	3777538M2	1	Support	Right Hand
2	339275X1	8	Hex. Sock. Screw	M16 X 35
3	3712693M1	2	Vibration Mount	
4	3388272M1	2	Washer	
5	3009492X1	7	Hex. Sock. Screw	M10 X 25
	3009493X1	1	Hex. Sock. Screw	M10 X 30
6	339402X1	8	Nut	M10
7	3712809M2	2	Spacer	
8	339805X1	2	Bolt Metric	M16 X 100
9	3783422M1	1	Support	Left Hand
	3783423M1	1	Support	Right Hand
10	3777417M1	2	Plate	
11	3388272M1	2	Washer	
12	339805X1	2	Bolt Metric	M16 X 100
13	3712809M2	2	Spacer	
14	3715926M1	2	Buffer	
15	3009493X1	8	Hex. Sock. Screw	M10 X 30
16	339402X1	8	Nut	M10
17	339805X1	2	Bolt Metric	M16 X 100
	339498X1	4	Screw	M16 X 110
18	3019575X1	14	Washer Metric	Diameter 17-44 X 3 MM
19	339034X1	6	Nut	M16
20	3019575X1	2	Washer Metric	Diameter 17-44 X 3 MM
21	3779679M94	1	Frame	
22	3779592M92	1	Step	
23	3779591M91	1	Stair	
24	3009492X1	4	Hex. Sock. Screw	M10 X 25
25	3783424M1	2	Plate	
26	339275X1	2	Hex. Sock. Screw	M16 X 35
27	3019865X1	4	Bolt Metric	M16 X 75
28	3781189M1	1	Stop	Left Hand
29	339123X1	2	Hex. Sock. Screw	Up to Serial or Engine Number H249032 M8 X 20
30	339169X1	2	Nut	Up to Serial or Engine Number H249032 M8
31	390972X1	2	Washer Metric	Up to Serial or Engine Number H249032

1-ZR08-004-A

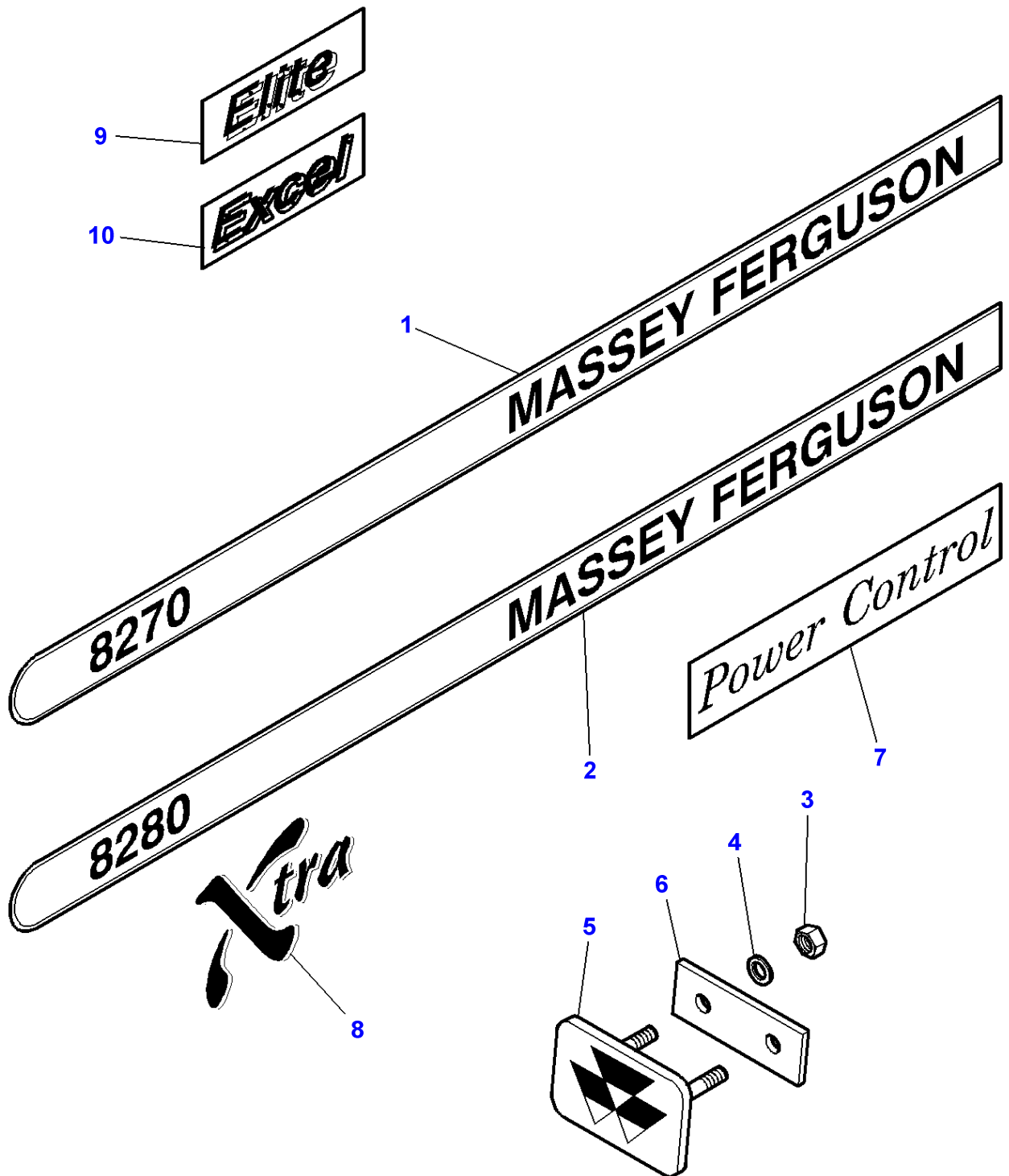


Tool Box

Item	Part Number	Qty	Description	Comments
1	3616340M1	1	Tool Box	[A]
2	3580564M1	1	Eccentric	
3	3580639M1	1	Gasket	
4	3778994M1	1	Boot	

FOOTNOTE [A] METAL

1-ZR05-008-D

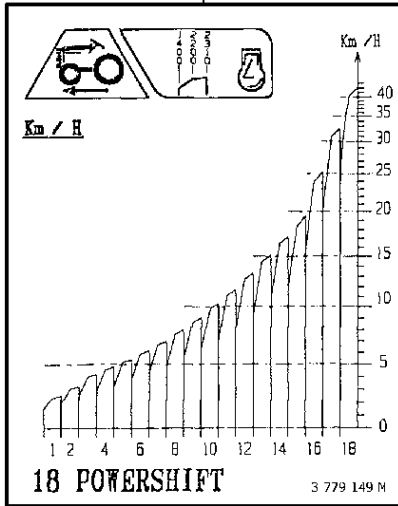


Massey Ferguson**MF 8270/8280 TRACTOR - 1637348****1637348****Page 100-0060****Emblems**

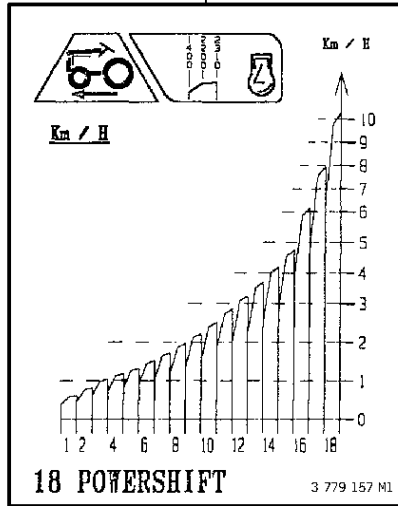
Item	Part Number	Qty	Description	Comments
1	3782083M1	1	Decal	Right Hand MF 8270
	3782084M1	1	Decal	Left Hand MF 8270
2	3782081M1	1	Decal	Right Hand MF 8280
	3782082M1	1	Decal	Left Hand MF 8280
3	1441500X1	2	Locknut	
4	390971X1	2	Washer	
5	3808163M91	1	Badge	
6	3781910M2	1	Plate	
7	3783415M1	2	Decal	Not for USA
8	3789532M1	2	Decal	
9	3789729M1	1	Decal	
10	3789728M1	1	Decal	

1-ZR12-004-A

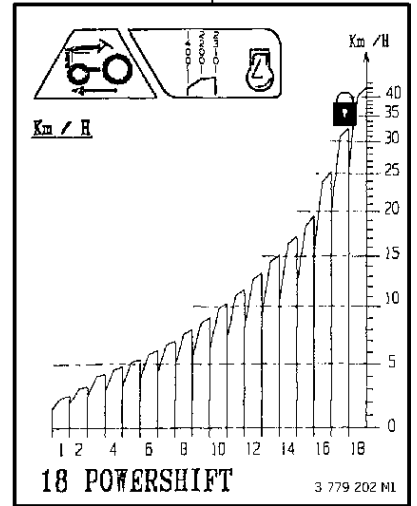
1



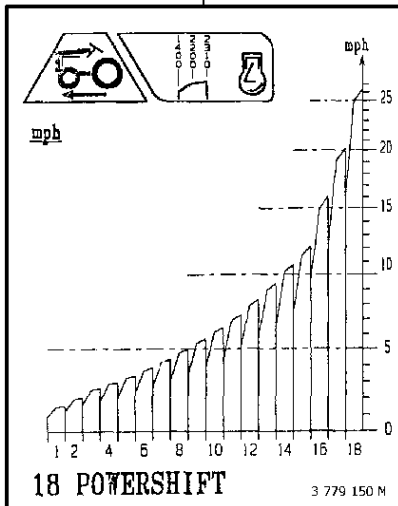
2



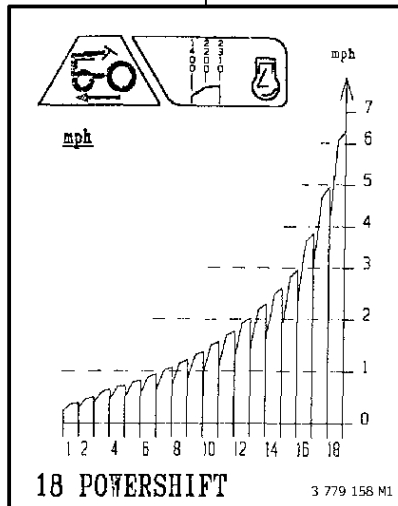
6



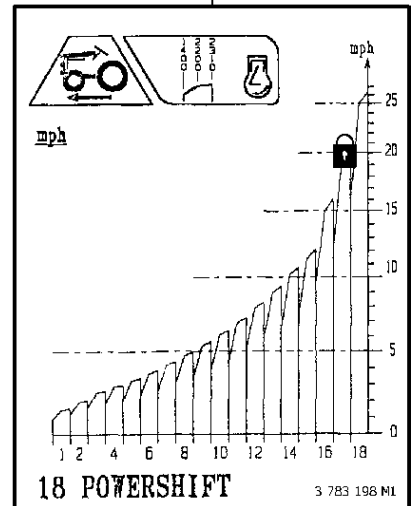
4



3



5



Speed Charts

Item	Part Number	Qty	Description	Comments
1	3779149M1	1	Decal	Km/H
2	3779157M1	1	Decal	Km/H
3	3779158M1	1	Decal	mp/h
4	3779150M1	1	Decal	mp/h
5	3783198M1	1	Decal	mp/h
6	3779202M1	1	Decal	Km/H

1-ZR13-015-B

1

CAUTION

Thoroughly read operator's instruction book before operating the tractor.

Make sure everyone is clear of equipment before starting the engine.

Keep all shields, covers and guards in place while engine is running.

Keep hands, feet and clothing away from power driven or moving parts.

Always drive with due care and attention.

If differential lock does not disengage automatically, depress clutch pedal. Brake pedals must always be coupled together when independent brakes are not being used.

Engage "park lock", apply parking brake, lower equipment, stop engine and remove key before leaving the tractor unattended.

When attaching equipment check operator's instruction book for front and rear axle load limits.

Place transmission shift lever in neutral, engage "park lock", apply parking brake before using external lift controls.

Ensure that all wheel and nut nuts are tightened as specified in operator's instruction book.

On public roads, use SMV emblem and flashing warning lights where required by law.

DO NOT REMOVE OR OBSCURE DECAL 3790 718 M1

3

Do not stop the engine before the vehicle has completely stopped.

3783396 M1

2

WARNING

Engage the parking brake to prevent tractor movement with the engine off.

Clutch **WILL NOT** hold tractor in place, even though transmission is in gear.

Unexpected tractor movement may cause serious injury.

4

WARNING

Gears lever (1,2,3,4), and the reverse/forward level must be in his neutral position.

- in order to use the external lift controls.
- When the driver is not in his seat.

WARNING

When the tractor is stationary, it is imperative to fully apply the handbrake because leaving the tractor in gear will not prevent movement.

When attempting to start the engine using a slave battery, ensure that the gear lever (1, 2,3,4) is in neutral.

Never connect a slave battery directly to the starter motor.

DO NOT REMOVE OR OBSCURE DECAL 3713 708 M3

5

DO NOT REMOVE OR OBSCURE DECAL 3594680 M1

7

15

WARNING

PLEASE ENSURE PICKUP HITCH IS LATCHED AND FULLY RETRACTED BEFORE TRANSPORT

6

WARNING

High pressure steam and hot water. Remove filler cap with extreme care.

DO NOT REMOVE OR OBSCURE DECAL 3595685 M1

8

CAUTION

TO AVOID POSSIBLE TRACTOR OVERTURN, PULL ONLY FROM DRAWBAR OR LOWER LINKS OF THREE POINT HITCH

2752579 M1

9

WARNING

IT IS IMPERATIVE TO USE THE TRANSMISSION OIL RECOMMENDED IN THE OPERATING MANUAL

3713699 M1

14

WARNING

Before working on the tractor or removing this cover, disconnect negative leads to all Battery

CAUTION

Do not short across starter terminals to start engine. Never start engine while standing on the ground. Start engine only with start key from operator's seat, ensuring that gearbox and PTO are in neutral with parking brake applied.

DO NOT REMOVE OR OBSCURE DECAL 3598432 M1

10

WARNING

Before working on the tractor, disconnect negative leads to all batteries.

WARNING

Before removing any battery, disconnect all negative leads before positive leads.

DO NOT REMOVE OR OBSCURE DECAL 3595679 M1

11

CAUTION

Keep all shields, covers and guards fastened in place while engine is running.

WARNING

Beware hot parts

DO NOT REMOVE OR OBSCURE DECAL 3595678 M1

13

CAUTION

If tractor is overturning, hold onto steering wheel. Do not leave seat.

3582315 M1

12

WARNING

Always disengage PTO and stop engine before attaching or detaching PTO shafts or working on PTO driven equipment.

Always fit PTO cover when PTO is not in use.

CAUTION

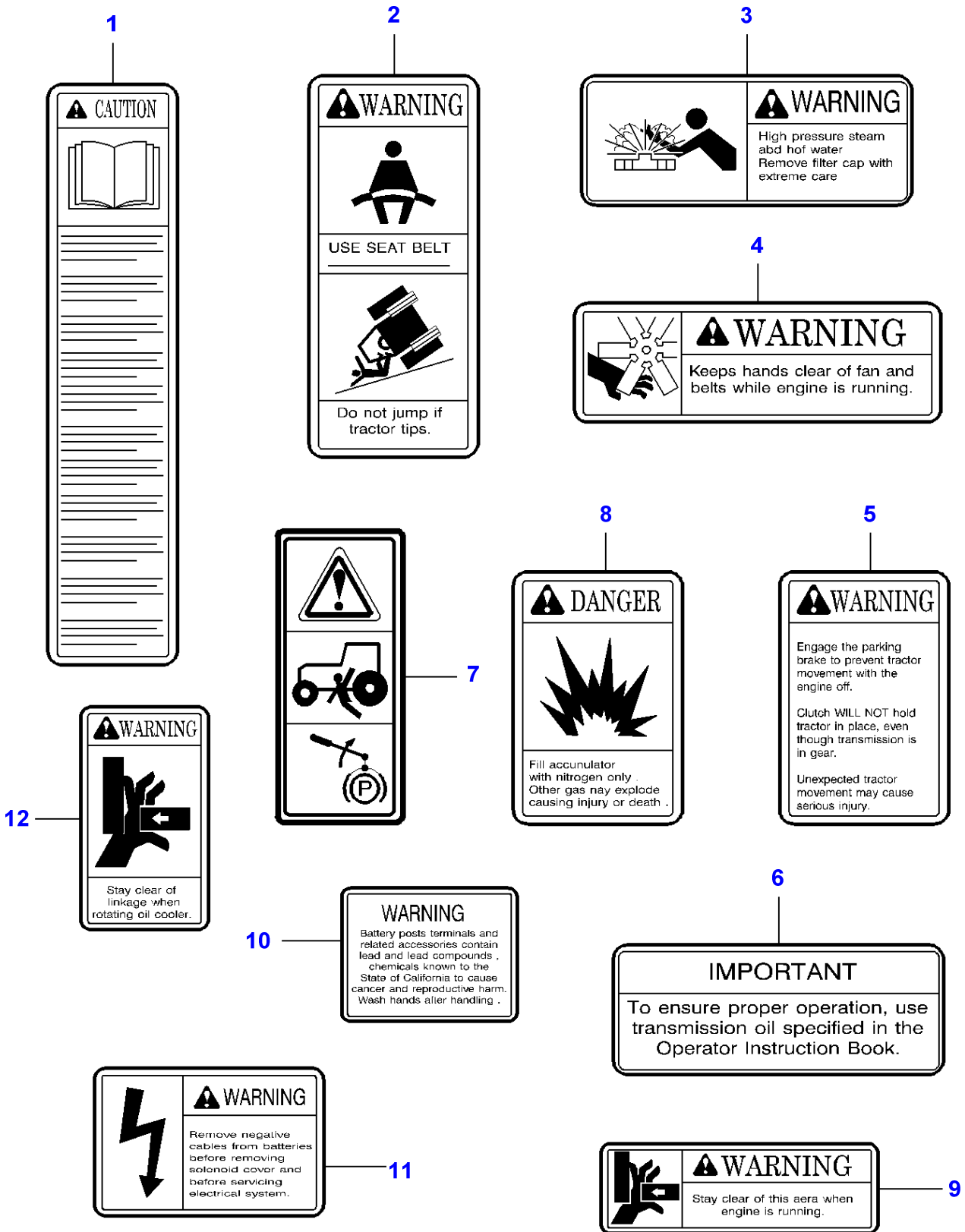
Do not stand between tractor and equipment when operating controls.

Tow only with MF approved tractor drawbar or hitch

DO NOT REMOVE OR OBSCURE DECAL 3581563 M1

Item	Part Number	Qty	Description
1	3780718M1	1	Decal
2	3777017M2	1	Decal
3	3783396M2	1	Decal
4	3713705M3	1	Decal
5	3595680M1	1	Decal
6	3595685M1	1	Decal
7	3782489M1	1	Decal
8	2752579M1	1	Decal
9	3713699M1	1	Decal
10	3595679M1	1	Decal
11	3595678M1	1	Decal
12	3581563M1	1	Decal
13	3580315M1	1	Decal
14	3596432M1	1	Decal
15	3781401M1	1	Decal

1-ZR13-005-C



Item	Part Number	Qty	Description	Comments
1	3808550M3	1	Decal	
2	3808567M2	1	Decal	
3	3808561M3	1	Decal	
4	3777018M1	2	Decal	
5	3777017M2	1	Decal	
6	3777020M1	2	Decal	
7	3782489M1	1	Decal	
8	3777021M3	1	Decal	
9	3786314M1	1	Decal	[A]
10	3786812M1	1	Decal	
11	5016204M1	1	Decal	
12	5016744M1	1	Decal	

FOOTNOTE [A] WITH FRONT AXLE SUSPENDED CARRARO

1-ZR13-006-B

DANGER

Shield eyes Explosive gas Avoid sparks and flame Sulphuric acid

EXPLOSIVE GASES

Always shield eyes and face from battery. Cigarettes, flames or sparks could cause battery to explode. Do not charge or use booster cables or adjust post connections without proper instruction or training.

POISON causes severe burns

Contains sulphuric acid. Avoid contact with skin, eyes or clothing. In event of accident flush with water and call a physician immediately.

Keep out of reach of children

3810054 M1

1

WARNING

Personal injury could result from PTO driveline separation

1. Drawbar supplied provides standard distance "A". Do not change.

PTO RPM	SHAFT SIZE	DISTANCE "A"
540	35 mm (1.38 in)	355
mm (14.0 in)	1000	35
mm (4.72 in)	105	116.0

2. Three-point link distance "C" and mounted implement distance "D" may not be standard.

Measure distance "B" over complete lift range for tractor and implement combination. Select driveline length to ensure that driveline will not bottom out at minimum distance "B" and will have sufficient overlap at maximum distance

3808479 M1

5

DANGER

Start only from seat with transmission and PTO in neutral. Starting in gear kills.

WARNING

Remove negative cables from batteries before removing solenoid cover and before servicing the electrical system.

3808564 M1

2

DANGER **DANGER** **WARNING**

Pull only from approved drawbar or lower links of 3 points linkage at horizontal position or below.

Rotating driveline contact may cause serious injury or death. Keep all driveline, tractor and equipment shields in place during operation.

Stand clear when using controls to move 3 points hitch.

3

6

DANGER

Start only from seat with transmission and PTO in neutral. Starting in gear kills.

WARNING

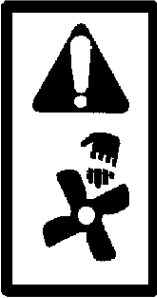


To avoid personal injury, keep all shields, covers and guards in place while engine is running. Beware of hot parts.

4

Massey Ferguson**MF 8270/8280 TRACTOR - 1637348****1637348****Decals - Safety - For United States of America****Page 100-0080**

Item	Part Number	Qty	Description	Comments
1	3810054M1	2	Decal	
2	3808564M4	1	Decal	Up to Serial or Engine Number L017002
3	3808558M3	1	Decal	
4	3777019M1	2	Decal	
5	3808479M1	2	Decal	
6	5016264M1	1	Decal	From Serial or Engine Number L017003

1-ZR13-003-C



1	<p>ATTENTION Vapeur sous haute pression et eau chaude. Retirez le bouchon avec précaution. NE PAS ENLEVER OU COUVRIR CETTE DÉCAL 3596029 M1</p>	11		9		<p>AVERTISSEMENT</p>  <p>Avant d'utiliser, lire attentivement le livret d'utilisation.</p> <p>Avant de mettre le moteur en marche, s'assurer qu'il n'y ait personne à proximité de l'appareil.</p> <p>Toujours maintenir les garants et protecteurs en place pendant que le moteur tourne.</p> <p>Eloigner les mains, les pieds et les vêtements de toutes pièces entraînées ou en mouvement.</p> <p>Toujours conduire avec attention.</p> <p>Si le blocage de différentiel ne se désengage pas automatiquement enfoncer la pédale d'embrayage.</p> <p>Les pédales de frein doivent toujours être jumelées lorsque les freins indépendants ne sont pas utilisés.</p> <p>Avant de quitter le tracteur, serrer le frein à main, abaisser l'instrument, arrêter le moteur et retirer la clé.</p> <p>Avant d'atteler un instrument voir le livret d'utilisation pour vérifier les charges maximales d'essieux avant et arrière.</p> <p>Mettre le levier de vitesses (1,2,3,4), et le levier d'inverseur au neutre pour pouvoir utiliser les commandes extérieures de relevage.</p> <p>Vérifier que tous les écrous de roue et de jante sont serrés au couple indiqué dans le livret.</p> <p>Sur voie publique, utiliser l'emblème véhicule lent et les feux de warning lorsque la loi l'exige.</p> <p>NE PAS ENLEVER OU COUVRIR CETTE DÉCALCOMANIE 3 580 320 M5</p>
10	<p>ATTENTION POUR ÉVITER LE CAPOTAGE DU TRACTEUR, NE REMORQUER QU'AVEC LA BARRE DE TIRAGE OU AVEC LES BRAS INFÉRIEURS DE L'ATTELAGE EN TROIS POINTS. 539013 M1</p>	14	<p>Toujours débrayer lors du changement de gamme. 3783393M1</p>	3		
5	<p>AVERTISSEMENT Si le tracteur se renverse, tenir le volant. Ne pas quitter le siège. NE PAS ENLEVER OU COUVRIR CETTE DÉCAL 3580313 M1</p>	2	<p>Ne pas stopper le moteur véhicule roulant. 3780396M1</p>	7		
6	<p>ATTENTION Débrancher les câbles négatifs des batteries avant de retirer ce couvercle ou d'intervenir sur le tracteur</p> <p>AVERTISSEMENT Ne pas mettre les bornes en court-circuit pour faire démarrer le moteur. Ne pas faire démarrer le moteur sans être assis sur le siège. Ne faire démarrer le moteur qu'avec la clé, la transmission et la PTO étant en point mort, et le frein à main serré. NE PAS ENLEVER OU COUVRIR CETTE DÉCAL 3596467 M1</p>	7	<p>UTILISER IMPÉRATIVEMENT L'HUILE DE TRANSMISSION PRÉCONISÉE PAR LE LIVRET D'UTILISATION. 3713698M1</p>	4		
13	<p>ATTENTION Débrancher les câbles négatifs de toutes les batteries avant d'intervenir sur le tracteur.</p>	4	<p>ATTENTION Avant de déposer une batterie, débrancher les câbles négatifs avant les câbles positifs. NE PAS ENLEVER OU COUVRIR CETTE DÉCAL 3596045M1</p>	4		
12	<p>AVERTISSEMENT Toujours maintenir les garants et protecteurs en place pendant que le moteur tourne</p>	4	<p>ATTENTION Pièces chaudes NE PAS ENLEVER OU COUVRIR CETTE DÉCAL 3596037 M1</p>	4		
8	<p>ATTENTION Toujours désenclencher la PTO et arrêter le moteur avant d'accoupler ou de désaccoupler un arbre de PTO ou avant d'intervenir sur un instrument entraîné par PTO. Toujours monter le garant de PTO lorsque la PTO n'est pas utilisée.</p>	4	<p>AVERTISSEMENT Ne jamais se tenir entre le tracteur et l'instrument lorsqu'on actionne les commandes. N'utiliser qu'une barre de traction ou un attelage agréés par MF. NE PAS ENLEVER OU COUVRIR CETTE DÉCAL 3581564 M1</p>	4		
				<p>ATTENTION Le levier de vitesses (1,2,3,4), et le levier d'inverseur doivent être mis au neutre.</p> <ul style="list-style-type: none"> - Pour utiliser les commandes extérieures de relevage. - Lorsque le chauffeur quitte son siège. <p>ATTENTION Pour immobiliser le tracteur, serrer impérativement le frein à main. Une vitesse engagée ne permet pas de maintenir le tracteur à l'arrêt. S'assurer que le levier de vitesse est au point mort avant tout démarrage du moteur avec une batterie extérieure. Ne jamais connecter une batterie extérieure au démarreur. NE PAS ENLEVER OU COUVRIR CETTE DÉCALCOMANIE 3 713 764 M3</p>		

Item	Part Number	Qty	Description
1	3596029M1	1	Decal
2	3783395M1	1	Decal
3	3580320M5	1	Decal
4	3713704M3	1	Decal
5	3580313M1	1	Decal
6	3596467M2	1	Decal
7	3713698M1	1	Decal
8	3581564M1	1	Decal
9	3782489M1	1	Decal
10	539613M1	1	Decal
11	4271915M1	1	Decal
12	3596037M1	1	Decal
13	3596045M1	1	Decal
14		X	Not Used

FOOTNOTE [A] WITH POWER SHUTTLE

1-ZR13-010-C

ACHTUNG!

Vor der Inbetriebnahme bitte die Bedienungsanleitung genauidurchlesen.

Vergewissern Sie sich, bevor sie den Motor in Gang setzen, ob sich niemand in nächster Nähe des Gerätes aufhält.

Schutzbleche und Sicherheitsvorrichtungen bei laufendem Motor nicht abnehmen.

Hände, Füße und Kleidungsstücke von allen angetriebenen und bewegten Teilen fernhalten.

Fahren Sie stets vorsichtig.

Wenn sich die Ausgleichsperre nicht automatisch löst, Kupplungspedale treten. Die Bremspedale müssen stets gekoppelt sein, wenn die voneinander unabhängigen Bremsen nicht verwendet werden.

Vor dem Absteigen vom Traktor Handbremse anziehen, Vorrichtung herunterlassen, Motor abstellen und Schlüssel abziehen.

Bevor Sie ein Gerät anhängen, prüfen Sie in der Bedienungsanleitung die höchstzulässige Belastung für Vorder- oder Hinterrachse.


Zur Bedienung der aussenliegenden Hubvorrichtungen Ganghebel (1, 2, 3, 4) auf Leerlauf und Kippschalter auf Vor- oder Rückwärtsgang stellen.

Prüfen Sie, ob alle Rad- und Felgenmutter so angezogen sind, dass sie dem in der Bedienungsanleitung angegebenen Kraftpaar entsprechen.

Auf öffentlichen Wegen ist das Zeichen "langsameres Fahrzeug" anzubringen und, soweit gesetzlich vorgeschrieben, die Warnblinkanlage einzuschalten.


ABZIEHBILD NICHT ENTFERNEN ORDER VERDECKEN 3581524 M4

ACHTUNG!



Bei bestehendem Schlepper mit laufendem Motor: -Gangschalthebel (1, 2, 3, 4) in Neutralstellung stellen und den Reversierhebel in Vorwärts- oder Rückwärtsposition bringen. Feststellbremse anziehen.


ACHTUNG!



Bei Abstellen und vor verlassen des Schleppers, muß unbedingt die Feststellbremse angezogen werden. Ein eingeleiteter Fahrgetrieb begang verhindert nicht das Wegrollen des Schleppers. Beim Starten des Motors mit einer Starthilfebatterie, sicherstellen, daß der Getriebebegangschalthebel (1, 2, 3, 4) in Neutralstellung steht. Niemals eine Starthilfebatterie direkt an die Anschlußklemmen des Anlassers anschließen.

AUFKLEBER NICHT ENTFERNEN ODER ÜBERKLEBEN 3713700M2

ACHTUNG!



Vor jedem Eingriff in Schlepper stets Minuspol-Leiter von Batterien losklemmen.


ACHTUNG!



Vor dem Batterieausbaus stets Minusleiter vor den Pluspolleitern losklemmen.

KLEBESCHILD NICHT ABNEHMEN NOCH ÜBERKLEBEN 3507463M1

WARNUNG!



Sicherungshauben und Schutzvorrichtungen bei laufendem Motor aufgesetzt lassen.


ACHTUNG!



Heisstellen!

KLEBESCHILD NICHT ABNEHMEN NOCH ÜBERKLEBEN 3587428M1

UNBEDINGT DAS IN DER BETRIEBSANLEITUNG EMPFOHLENE ÖL VERWENDEN



3713700M1

Always declutch to change gear range.

3713700M1

Beim Bereichswechsel immer auskuppeln.

3713700M1



Do not stop the engine before the vehicle has completely stopped.

3783399M1

Den Motor nicht stoppen während das Fahrzeug fährt.

4274426M1

ACHTUNG!

Vor dem Öffnen des Motorschalters unbedingt kurz vor dem Anlassen des Motors sicherstellen, daß sich keine Person in der Nähe der Maschine befindet.

Die Schutzvorrichtungen und Sicherheitsvorrichtungen bei laufendem Motor zu entfernen ist verboten. Hände, Füße und Kleidungsstücke von allen angetriebenen und bewegten Teilen fernhalten.

Beim Bereichswechsel immer auskuppeln.

Sticht die Differenzialgelenke nicht aneinander an, das Kupplungspedal anheben.

Wirden die Differenzialgelenke nicht benutzt, müssen die Bremspedale eingekuppelt werden.

Vor dem Verlassen des Schleppers den Handbremsen anziehen, die Handbremse lösen, die Handbremse anziehen, die Handbremse lösen, die Handbremse anziehen, die Handbremse lösen.


Vor dem Einsteigen in der Betriebsanleitung die Anweisungen über die Arbeitssicherheit zu lesen und zu befolgen.

Die ersten Fahrbewegungen des Schleppers sind nur mit dem Motor in der Neutralstellung zu machen. Die Handbremse anziehen, die Handbremse lösen, die Handbremse anziehen, die Handbremse lösen.

Somit gesetzlich vorgeschrieben, auf öffentlichen Verkehrsflächen die Schilder "Langsameres Fahrzeug" verwenden.

AUFKLEBER NICHT ENTFERNEN ODER ÜBERKLEBEN 3713700M1


VORSICHT!



Bei Zugarbeiten nur die dafür vorgesehenen Vorrichtungen verwenden (Zugmaul, Zugpendel 3-Pkt. - Gerstange/Ackerschleife), damit sich der Schlepper nicht überschlägt.


Haftschild nicht abnehmen oder überkleben bei Unleserlichkeit Haftschild erneuern! 3581570 M2

ACHTUNG!



Bevor dieser Deckel abgenommen oder im Schlepper Eingriffe vorgenommen werden sind Minuspol-Leiter von den Batterien loszuklemmen.

WARNUNG!



Klemmen zum Anlassen des Motors nie kurzschließen. Motor nie anlassen, ohne schon auf dem Fahrersitz zu sitzen. Motor nur mit zugehörigem Kontaktschlüssel bei neutralgeschalteten Getriebe und PTO-Zapfwelle und bei abgezogener Handbremse anlassen.


KLEBESCHILD NICHT ABNEHMEN NOCH ÜBERKLEBEN 3597449 M1

10





ACHTUNG!



Die Stabi.-Straben der Unterenker schleppersseitig in der oberen Bohrung befestigen für im Boden arbeitende Anbaugeräte, die während der Arbeit seitliche Beweglichkeit erfordern. Bei diesen Geräten die beiden Stabi.-Straben im ausgehobenen Zustand einstellen damit das Gerät starrgestellt ist. Die Stabi.-Straben schleppersseitig der unteren Bohrung befestigen für Anbaugeräte, die während der Arbeit starr geführt werden müssen (z.B. Schieuderdüngestreuer). Siehe auch Betriebsanleitung.



3583497 M1

Item	Part Number	Qty	Description	Comments
1	3581524M5	1	Decal	
2	3597446M1	1	Decal	
3	3597428M1	1	Decal	
4	3713706M3	1	Decal	
5	3780746M1	1	Decal	
6	3713700M1	1	Decal	
7	3581570M2	1	Decal	
8	3783396M2	1	Decal	Up to Serial or Engine Number
9	3583497M1	1	Decal	
10	3782489M1	1	Decal	
11	3597449M2	1	Decal	
12		X	Not Used	
13	4274426M1	1	Decal	From Serial or Engine Number
14		X	Not Used	

1-ZR13-016-C

2

AVVERTENZA

Prima dell'uso, leggere attentamente il relativo manuale

Prima di avviare il motore, verificare che nessuno si trovi in prossimità dell'apparecchio

Mentre il motore gira, mantenere sempre in posizione i tiranti e gli elementi di protezione

Tenere lontani mani, piedi e abiti da tutti i pezzi trainati o in movimento. Guidare sempre con attenzione

Se il bloccaggio del differenziale non si riattiva automaticamente, premere la frizione

I pedali del freno vanno sempre accoppiati quando i freni indipendenti non vengono utilizzati

Prima di lasciare il trattore, innestare il "park lock", tirare il freno a mano, abbassare l'attrezzo, spegnere il motore e togliere la chiavetta

Prima di agganciare un attrezzo, leggere il manuale per l'uso per verificare i carichi massimi degli assi anteriori e posteriori

Per poter utilizzare i comandi esterni di sollevamento, mettere la leva del cambio in folle, innestare il "park lock" e tirare il freno a mano

Verificare che tutti i dadi delle ruote e dei carichi siano stretti come indicato nel manuale

Sulla via pubblica, ove prescritto dalla legge, utilizzare l'ambliema veicolo lento e le luci di soccorso

NON STACCARE O NASCONDERE LA DECALCOMANIA 3 780 747M1

3

AVVERTENZA





Se il trattore si rovescia tenere il volante.
Non abbandonare il sedile.




NON STACCARE O NASCONDERE LA DECALCOMANIA 3981 633 M1

5

ATTENZIONE

La leva cambio (1, 2, 3, 4) deve essere in posizione di folle & la leva inversore in posizione marcia avanti o retromarcia:

- Per usare i comandi esterni del sollevatore.
- Quando il conducente lascia il sedile.

ATTENZIONE

Per immobilizzare la trazione è imperativo inserire a fondo il freno a mano.

Una marcia inserita non assicura di mantenere bloccata la trazione.

Assicurarsi che la leva innesta marcia sia in folle prima di avviare il motore con una batteria esterna.

Non collegare mai una batteria esterna al motorino di avviamento.

NON STACCARE O NASCONDERE LA DECALCOMANIA 3713721 M2

6

Do not stop the engine before the vehicle has completely stopped.

3793396A1

7

Spegnere il motor solo a veicolo fermo.

4273428P1

7

ATTENZIONE

PER EVITARE IL RIBALTAMENTO DEL TRATTORE, TRAINATE SOLO CON LA BARRA DI TRAINO O CON LE ESTREMITÀ INFERIORI DELL'ATTACCO A 3 PUNTI

NON STACCARE O NASCONDERE LA DECALCOMANIA 351871 M2

4





8




PER LA TRASMISSIONE UTILIZZARE OBBLIGATORIAMENTE L'OLIO RACCOMANDATO NEL LIBRETTO D'USO.

3713701 M1

9


AVVERTENZA



Staccare i cavi negativi di tutte le batterie prima d'intervenire sul trattore.

10

ATTENZIONE



Prima di rimuovere una batteria, staccare i cavi negativi prima dei cavi positivi.

NON STACCARE O NASCONDERE LA DECALCOMANIA 3537447 M1

11

ATTENZIONE



L'impianto contiene liquido pressurizzato e caldo.
Togliere il tappo lentamente

NON STACCARE O NASCONDERE LA DECALCOMANIA 3597432M1

13

ATTENZIONE



Staccare i cavi negativi delle batterie prima di tagliare questo coperchio o d'intervenire sul trattore.

AVVERTENZA



Non mettere i morsetti in corto circuito per avviare il motore.
Non avviare il motore senza essere seduti sul sedile.
Avviare il motore solo con la chiave con la trasmissione o la PDP (presa di potenza) in folle ed il freno a mano inserito.

NON STACCARE O NASCONDERE LA DECALCOMANIA 3597450 M1

12

AVVERTENZA



Mantenere sempre le sicurezze ed i protettori ai loro posti quando il motore gira.

12

ATTENZIONE




Pezzi caldi

NON STACCARE O NASCONDERE LA DECALCOMANIA 3597449

1


ATTENZIONE



Disinnestare sempre la PTO e spegnere il motore prima di accoppiare o disaccoppiare un albero di PTO a prima d'intervenire su uno strumento azionato da PTO. Montare sempre la sicurezza di PTO quando quest'ultima non viene utilizzata.

1

AVVERTENZA

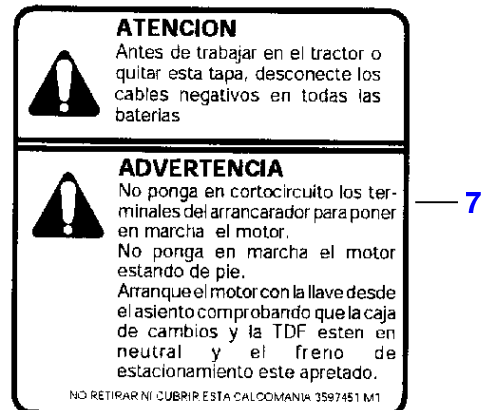
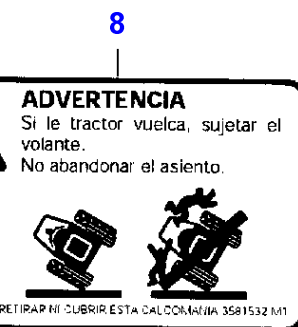
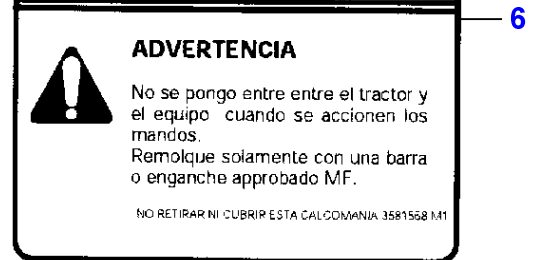
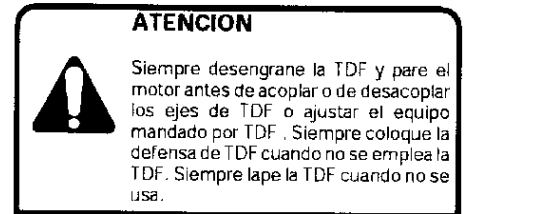
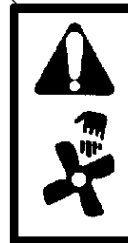
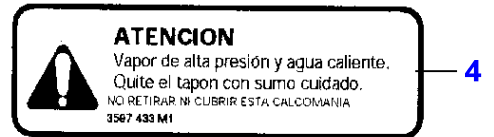
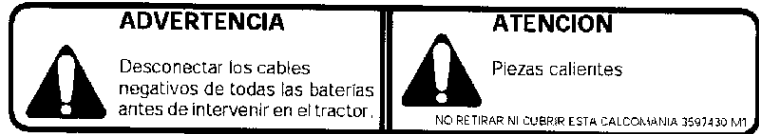
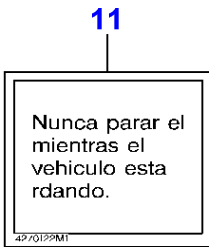
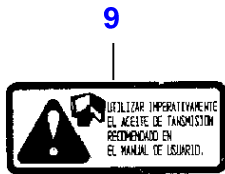


Non sostare mai fra lo strumento ed il trattore quando si azionano i comandi.
Utilizzare unicamente una barra di trazione od un attacco autorizzato da MF.

NON STACCARE O NASCONDERE LA DECALCOMANIA 3581568 M1

Item	Part Number	Qty	Description	Comments
1	3581566M1	1	Decal	
2	3780747M1	1	Decal	
3	3581533M2	1	Decal	
4	3782489M1	1	Decal	
5	4271915M1	1	Decal	
6	3783396M2	1	Decal	Up to Serial or Engine Number
7	3581571M2	1	Decal	
8	3713701M1	1	Decal	
9	3597447M1	1	Decal	
10	3713721M3	1	Decal	
11	3597432M1	1	Decal	
12	3597429M1	1	Decal	
13	3597450M2	1	Decal	
14	4274428M1	1	Decal	From Serial or Engine Number

1-ZR13-017-C




Massey Ferguson**MF 8270/8280 TRACTOR - 1637348****1637348****Decals - Safety - For Spanish****Page 100-0100**

Item	Part Number	Qty	Description
1	3780742M1	1	Decal
2	3597430M1	1	Decal
3	3597448M1	1	Decal
4	3597433M1	1	Decal
5	3581573M2	1	Decal
6	3581568M1	1	Decal
7	3597451M2	1	Decal
8	3581532M1	1	Decal
9	3713702M1	1	Decal
10	3713722M3	1	Decal
11	4270122M1	1	Decal
12	4271915M1	1	Decal
13	3782489M1	1	Decal

1-ZR13-018-C

2

ADVARSEL




Før du bruker traktoren bør du lese instruksjonsboken grundig.

Før du starter motoren må du kontrollere at det ikke står noen i nærheten av apparatet. Merker og beskyttelsesdeksler må alltid være på mens motoren går.

Hold hender, føtter og klær unna alle deler som trekker med eller er i bevegelse. Kjør alltid forsiktig.

Dersom differensialsperrin ikke kobler seg automatisk ut, trykker du inn kløtspedalen.

Bremsepedalene må alltid være sammenkoplede når de motoruavhengige bremsene ikke brukes.

Før du går av traktoren må du kople inn parkeringsbremsen ("park lock"), trekke til håndbremsen, senke redskapet, stanse motoren og trekke ut nøkkelen.

Før du kople til et redskap, bør du slå opp i instruksjonsboken og sjekke maksimal belastning på for og bakaksel.

For å bruke de eksterne bryterne for trepunktkoplingen må du sette gearspaken i f.ri. kople inn parkeringsbremsen ("park lock") og trekke til håndbremsen.

Kontroller at alle hjul- og felgbolter er trukket til med tilrekningsmomentet som er angitt i instruksjonsboken. Ved kjøring på offentlig vei må du bruke skiltet for langsomme kjøretøy og nødis dersom noe av dette er lovbestemt.

IKKE FJERN ELLER DEKK DETTE KLEBEMERKET.
3 780 744 M1

4

FORSIKTIG



Varmt vann og damp under trykk. Påfyllingslokket må fjernes med den aller største forsiktighet. IKKE FJERN ELLER TILDEKK DETTE MERKET 3715 583 M1

5

FORSIKTIG



TREKK BARE FRA TREKKBOM ELLER TREKSTENGER SLIK AT TRAKTOREN IKKE KAN TIPPE RUNDT. IKKE FJERN ELLER TILDEKK DETTE MERKET 3715588M1

6




14

Ikke stopp motoren når kjøretøyet kjører.

4274420M1

7

ADVARSEL



Hvis traktoren velter, hold fast i rattet og forsøk ikke å hoppe av.



IKKE FJERN ELLER TILDEKK DETTE MERKET 3715589 M1

9






DET ER HELT NØDVENDIG Å BRUKE DEN TRANSMISJONSOLJEN SOM ER BESKREVET I INSTRUKSJONSBOKEN. 3715591 M1

3

Do not stop the engine before the vehicle has completely stopped.

3783309M1

8

10

ADVARSEL



Fjern minusledningene til alle batteriene før dette dekslet fjernes, eller arbeid igangsettes på traktoren.

FORSIKTIG




Start aldri motoren ved å kortslutte starteren. Start aldri motoren fra utsiden av førerhuset. Sitt alltid i setet, bruk startnøkkelen, sørg for at gir og kraftuttak er i nøytral og parkeringsbremsen tiltrukket når traktoren startes.

IKKE FJERN ELLER TILDEKK DETTE MERKET 3715 590M1

12


FORSIKTIG



Sett girspaken (1-2-3-4) i nøytral og vend girspaken i stillingen forover eller bakover når:

- du vil bruke utvendige brytere for hydraulikken.
- føreren ikke er i setet.

FORSIKTIG




Når traktoren står stille, er det alltid påkrevet å trekke til håndbrekket, fordi det ikke vil hindre traktoren å komme i bevegelse selv om den er igår.

Når du forsøker å starte motoren med et slavebatteri, må du passe på at girspaken (1, 2, 3, 4) er i fristilling. Du må aldri kople et slavebatteri direkte til startmotoren.


IKKE FJERN ELLER TILDEKK DETTE MERKET 3715582M2

FORSIKTIG



Ta av den negative ledningen på alle batteriene, før du utfører arbeide på traktoren.


FORSIKTIG



Når du skal ta av et batteri, ta først av alle negative ledningene før de positive.

IKKE FJERN ELLER TILDEKK DETTE MERKET 3715584 M1

FORSIKTIG



Ha alle verne deksler i orden og på plass når motoren er igang.

13


ADVARSEL



Varmt!

IKKE FJERN ELLER TILDEKK DETTE MERKET 3715585 M1

ADVARSEL



Kople alltid fra kraftuttaket og stopp motoren ved til- eller frakopling av kraftoverføringsaksel, eller ved arbeid på kraftutaksdrøvet redskap. Sørg for at kraftoverføringsakselen er skikkelig tilkoplede og har tilstrekkelig overlappning. Skru på beskyttelsesheksen når kraftuttak ikke er i bruk.

1

FORSIKTIG



Stå ikke mellom traktor og redskap når hydraulikken betjenes. Tauing/sleping må kun gjøres i trekkraken.

IKKE FJERN ELLER TILDEKK DETTE MERKET 3715587 M1

Decals - Safety - For Norway

Item	Part Number	Qty	Description	Comments
1	3715587M1	1	Decal	
2	3780744M1	1	Decal	
3	3783396M2	1	Decal	Up to Serial or Engine Number
4	3715583M1	1	Decal	
5	3715588M1	1	Decal	
6	4271915M1	1	Decal	Replace and repair. Old not interchangeable with new 3715986M1
7	3715589M1	1	Decal	
8	3782489M1	1	Decal	
9	3715591M1	1	Decal	
10	3715590M1	1	Decal	
11	3715584M1	1	Decal	
12	3715582M3	1	Decal	
13	3715585M1	1	Decal	
14	4274429M1	1	Decal	From Serial or Engine Number

1-ZR13-007-D

HITCH

1

VARNING

Urkoppla alltid kraftuttaget och stanna motorn före till- och frånkoppling av kraftöverföringsaxlar eller vid arbete på kraftuttagsdriven maskin.

Montera alltid skyddskåpan över kraftuttagets axeltapp, så kraftuttaget inte används.

VARNING

Stå aldrig mellan traktor och utrustning vid manövrering av manöverorganen.

Använd endast av M.F. godkänd dragstång eller lyftdragkrok vid bogsering.

17

18

WARNING

←

PLEASE ENSURE PICKUP HITCH IS LATCHED AND FULLY RETRACTED BEFORE TRANSPORT

Always declutch to change gear range.

16

VARNING

Koppla loss batteriernas jordkablar (-) innan något arbete påbörjas på traktorn eller detta skydd las bort.

16

VARNING

Starta aldrig motorn genom att kortsluta startmotorns poler.

Stå inte vid sidan av traktorn och starta motorn.

Sitt alltid på sätet vid start av motorn och använd startnyckeln. Se till att parkeringsbrömsan är dragen och att växellådan och kraftuttaget är i neutralläge.

Do not stop the engine before the vehicle has completely stopped.

5

4

6

WARNING

Gears lever (1, 2, 3, 4), and the reverse/forward lever must be in his neutral position.

- In order to use the external lift controls.
- When the driver is not in his seat.

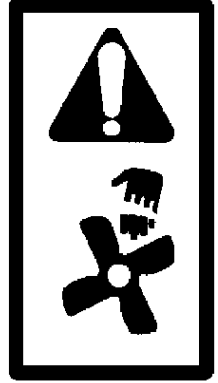
WARNING

When the tractor is stationary, it is imperative to fully apply the handbrake because leaving the tractor in gear will not prevent movement.

When attempting to start the engine using a slave battery, ensure that the gear lever (1, 2, 3, 4) is in neutral.

Never connect a slave battery directly to the starter motor.

DO NOT REMOVE OR OBSCURE DECAL 3 713 705 M3



14

IT IS IMPERATIVE TO USE THE TRANSMISSION OIL RECOMMENDED IN THE OPERATING MANUAL

15

WARNING

Engage the parking brake to prevent tractor movement with the engine off.

Clutch WILL NOT hold tractor in place, even though transmission is in gear.

Unexpected tractor movement may cause serious injury.

WARNING

High pressure steam and hot water. Remove filler cap with extreme care.

DO NOT REMOVE OR OBSCURE DECAL 3595685 M1

13

VARNING

Läs noggrann medföljande bruksanvisning före användning av ett nytt tillbehör, komponent eller tillbehör som inte är rekommenderat av tillverkaren.

Alla arbetsinstruktioner och säkerhetsråd skall vara på plats vid maskinens användning.

Håll händerna, fötterna och kläderna borta från alla rörliga delar.

Vid alltid uppmärksamhet när du kör.

Om ett tillbehör inte är rekommenderat av tillverkaren, ska det inte användas. Använd endast tillbehör som är godkända av tillverkaren.

Om du arbetar med maskinen, ska säkerhetsinstruktionerna på traktorn och tillbehören i handboken läsas.

Om du arbetar med maskinen i enlighet med bruksanvisningen ska du alltid använda säkerhetsutrustningen som är monterad på traktorn och tillbehören.

Vid körning på allmän trafik, använd alltid den tillåtna hastigheten och varna andra trafikanter.

ORIGINA DECAL, FÄR INTE TAS BORT ELLER ÖVERTACKAS

12

11

STARTINSTRUKTION

Skjut in sloppreglaget. Ge full gas vid alla starter. Stopp gasreglaget efter start.

Varmt väder eller varm motor

Vrid till läge S.

Kallt väder eller kall motor

Vrid till läge H. Håll kvar i 15-20 sek. vrid sedan till läge H+S. Om motorn inte startar inom 15 sek. vrid tillbaka till läge H. Håll kvar i 10 sek. vrid sedan till läge H+S. När motorn startat, vrid tillbaka till läge H. Håll kvar i max 15 sek. tills motorn går jämnt.

VIKTIGT

Om motorn inte startar, vänta tills startmotorn stannat före nästa startförsök.

11

VARNING

Håll fast i ratten (handtaget) om traktorn stjälpes

HOPPA EJ!

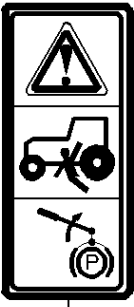
TA INTE BORT ELLER FÖRSTÖR DEKALEN

7

CAUTION

TO AVOID POSSIBLE TRACTOR OVERTURN, PULL ONLY FROM DRAWBAR OR LOWER LINKS OF THREE POINT HITCH

3752579 M1



8

WARNING

Before working on the tractor, disconnect negative leads to all batteries.

WARNING

Before removing any battery, disconnect all negative leads before positive leads.

DO NOT REMOVE OR OBSCURE DECAL 3595679 M1

9

CAUTION

Keep all shields, covers and guards fastened in place while engine is running.

WARNING

Beware hot parts

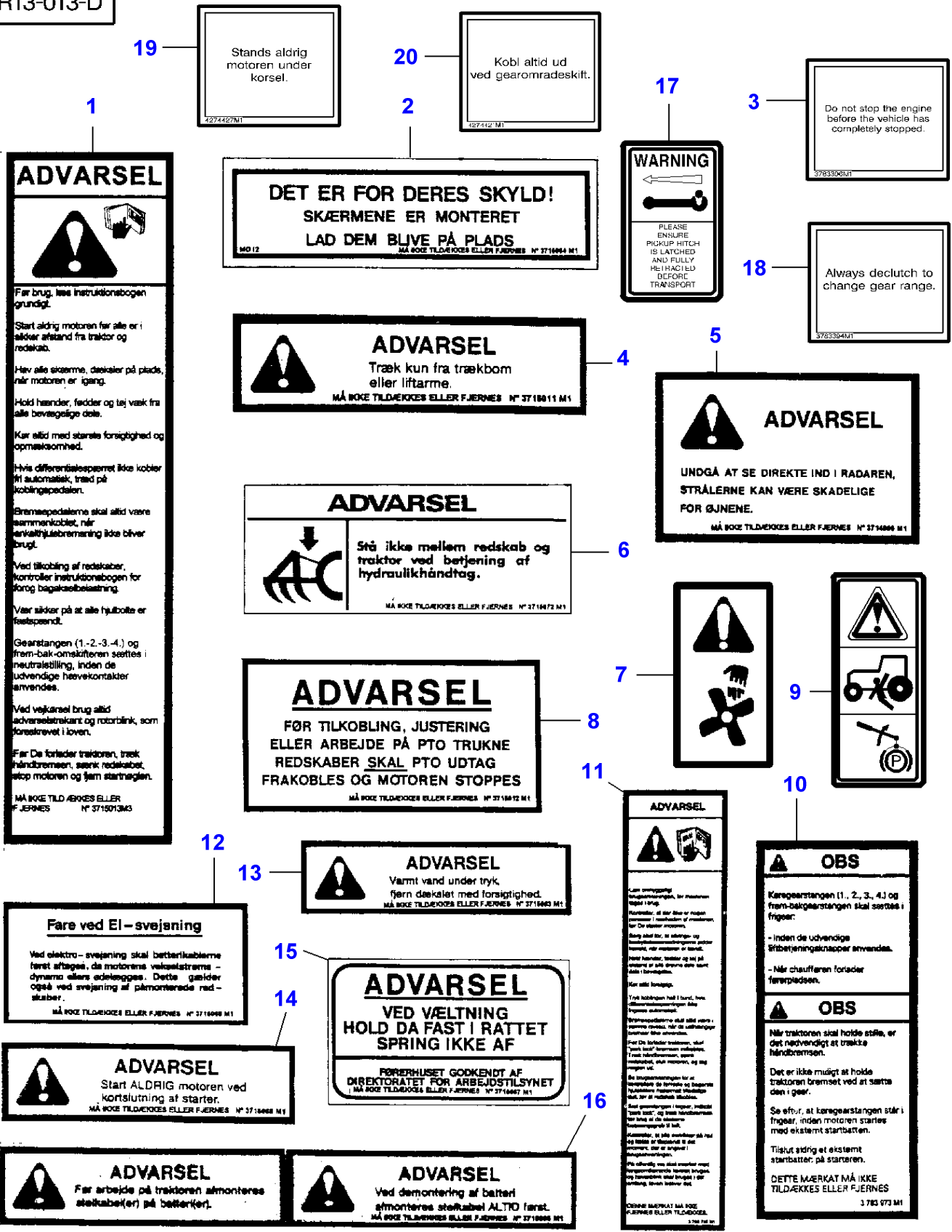
DO NOT REMOVE OR OBSCURE DECAL 3595678 M1

Massey Ferguson**MF 8270/8280 TRACTOR - 1637348****1637348****Decals - Safety - For Sweden****Page 100-0110**

Item	Part Number	Qty	Description	Comments
1	3618264M1	1	Decal	
2	3783396M2	1	Decal	
3	3618263M1	1	Decal	Up to Serial or Engine Number M322055
4	4271915M1	1	Decal	
5	3713705M3	1	Decal	
6	3595685M1	1	Decal	
7	2752579M1	1	Decal	
8	3595679M1	1	Decal	
9	3595678M1	1	Decal	
10	3782489M1	1	Decal	
11	3618260M1	1	Decal	
12	3618261M1	1	Decal	
13	3780743M1	1	Decal	
14	3713699M1	1	Decal	
15	3777017M2	1	Decal	
16	3618262M1	1	Decal	
17		X	Not Used	
18	3781401M1	1	Decal	From Serial or Engine Number M322056

FOOTNOTE [A] WITH POWER SHUTTLE

1-ZR13-013-D



Decals - Safety - Denmark

Item	Part Number	Qty	Description	Comments
1	3715013M3	1	Decal	
2	3715064M1	1	Decal	
3	3783396M2	1	Decal	Up to Serial or Engine Number
4	3715011M1	1	Decal	
5	3714996M1	1	Decal	
6	3715072M1	1	Decal	
7	4271915M1	1	Decal	Replace and repair. Old interchangeable with new 3697199M1
8	3715012M1	1	Decal	
9	3782489M1	1	Decal	
10	3783973M1	1	Decal	
11	3780745M1	1	Decal	
12	3715068M1	1	Decal	
13	3715063M1	1	Decal	
14	3715069M1	1	Decal	
15	3715067M1	1	Decal	
16	3715065M1	1	Decal	
17	3781401M1	1	Decal	
18		X	Not Used	
19	4274427M1	1	Decal	From Serial or Engine Number
20		X	Not Used	

FOOTNOTE [A] WITH POWER SHUTTLE

1-ZR13-004-A

ВНИМАНИЕ
Перед работой убедитесь, что пар под высоким давлением и горячая вода.
Открывать пробку с осторожностью.
Не следует снимать или закрывать предупредительную наклейку. 1779 60 M1

ВНИМАНИЕ
Перед началом работы убедитесь, что все органы управления исправны.

ВНИМАНИЕ
Перед работой убедитесь, что все органы управления исправны.
Не следует снимать или закрывать предупредительную наклейку. 1779 60 M1

ПРЕДУПРЕЖДЕНИЕ!
Не снимать каблук и защитные приспособления при работе двигателя.

ВНИМАНИЕ
Горячие детали!
Не следует снимать или закрывать предупредительную наклейку. 1779 60 M1

ВНИМАНИЕ
НЕ СНИМАТЬ И НЕ ЗАКРЫВАТЬ ЭТО УКАЗАНИЕ

ВНИМАНИЕ
ВО ИЗБЕЖАНИЕ ОПОКИДЫВАНИЯ ТРАКТОРА БУКСИРОВАТЬ ТОЛЬКО ЗА БУКСИРНОЕ ДЫШЛО ИЛИ ЗАНИЖЕННЫЕ РЫЧАГИ ТРЕХТОЧЕЧНОЙ СВЯЗКИ
3779672 M1

ВНИМАНИЕ
ПРЕДУПРЕЖДЕНИЕ

ВНИМАНИЕ
Всегда отключать PTO и отключать двигатель прежде чем присоединять или отсоединять механизм PTO, или прежде чем производить какие-либо действия с устройством, присоединенным к движению с помощью PTO.
Всегда устанавливать предохранитель на PTO, когда PTO не используется.

ПРЕДУПРЕЖДЕНИЕ
Никогда не находиться между трактором и устройством во время выключения коммолки. Никогда не снимать или присоединять механизм или присоединенные МР.
Не следует снимать или закрывать предупредительную наклейку. 1779 67 M1

ВНИМАНИЕ
Перед началом обслуживания трактора или перед снятием данной крышки снять отрядительные провода всех батарей.

ВНИМАНИЕ
В ОБЯЗАТЕЛЬНОМ ПОРЯДКЕ ИСПОЛЬЗОВАТЬ СМАЗОЧНОЕ МАСЛО ДЛЯ СИСТЕМЫ ПЕРЕДАЧ, РЕГУЛИРОВАНИЕ ИЛИ ИНСТРУКЦИИ ПОЛЬЗОВАНИЯ.
1779 67 M1

ПРЕДУПРЕЖДЕНИЕ!
Никогда не заводить трактор назад или вперед для запуска двигателя.
Перед запуском двигателя занять место водителя.
Производить запуск двигателя только соответствующим ключом при включенной нейтральной передаче и ДОМ и при снятом ручном тормозе.
Не следует снимать или закрывать предупредительную наклейку. 1779 67 M1

ПРЕДУПРЕЖДЕНИЕ
При опорожнении трактора держаться за руль. Не покидать своего сиденья.
Не следует снимать или закрывать предупредительную наклейку. 1779 62 M1

ВНИМАНИЕ!

Перед применением внимательно ознакомиться с руководством по эксплуатации.

Прежде чем запустить двигатель, убедитесь в том, что рядом с машиной никого нет.

Во время работы двигателя все предохранительные устройства и защитные кожухи всегда должны быть установлены на предназначенные для них места.

Следите за тем, чтобы Ваши руки, ноги и одежда находились на безопасном расстоянии от рабочих зон всех деталей привода и частей машины, находящихся в движении.

Будьте всегда предельно внимательны при управлении машиной.

Если блокировка дифференциала не снимается автоматически, нажмите на педаль сцепления.

Педаль тормоза должна быть всегда свободна, если не используются автоматические тормоза.

Прежде чем покинуть машину, выключите блокировку «Стоянка» и затворите ручной тормоз, отпустите рабочий орган машины, выключите двигатель и выйдите ключ из замка зажигания.

Перед установкой навесного рабочего органа ознакомьтесь с руководством по эксплуатации, чтобы проверить максимальную допустимую нагрузку и переднюю и заднюю ось машины.

Поставьте рычаг переключения скорости в нейтральное положение, выключите блокировку «Стоянка» и затворите ручной тормоз, чтобы предотвратить ненужные органы управления для полнотранспортных операций.

Проверьте, все ли гайки колеса и обода затянуты с моментом затяжки, указанным в руководстве по эксплуатации машины.

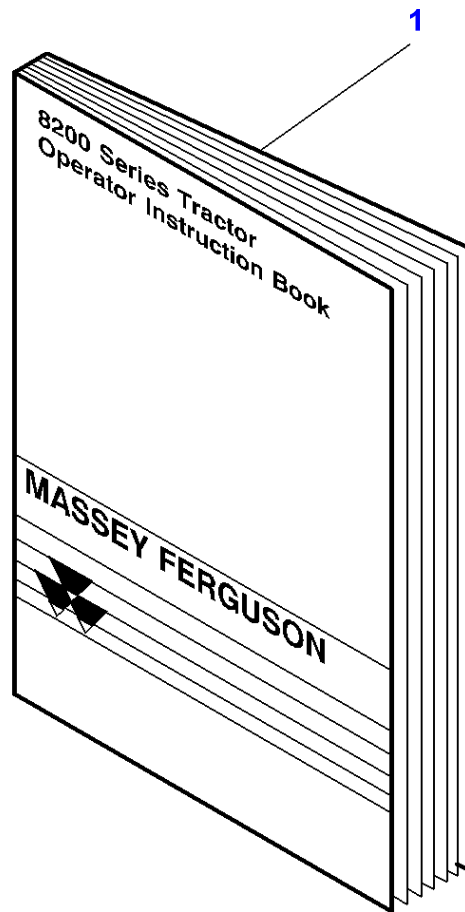
Находясь на дорогах общего пользования, следует размещать на машине эмблему транспортного средства, а также использовать световую сигнализацию, предписанную дорожным законодательством.

НЕ СНИМАТЬ И НИЧЕМ НЕ ЗАКРЫВАТЬ ДАННЫЕ СРЕДСТВА СИГНАЛИЗАЦИИ!
1781 730 M1

Massey Ferguson**MF 8270/8280 TRACTOR - 1637348****1637348****Decals - Safety - FOR RUSSIAN MARKET ONLY****Page 100-0120**

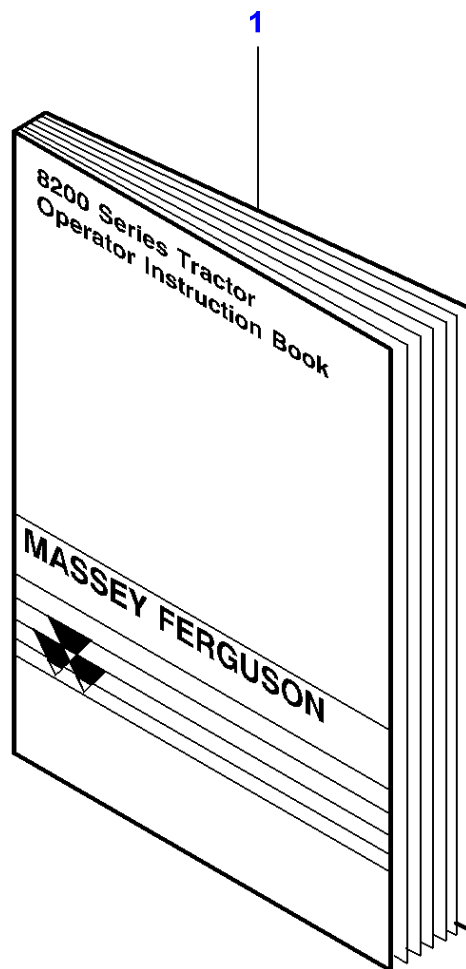
Item	Part Number	Qty	Description
1	3779667M1	1	Decal
2	3779668M1	1	Decal
3	3779669M1	1	Decal
4	3781230M1	1	Decal
5	3779670M1	1	Decal
6	3779672M1	1	Decal
7	3782489M1	1	Decal
8	3779671M1	1	Decal
9	3779678M1	1	Decal
10	3779675M1	1	Decal
11	3779676M1	1	Decal

1-ZR06-002-C



Item	Part Number	Qty	Description	Comments
1	3378248M1	1	Instruction Book	FRENCH
	3378249M1	1	Instruction Book	ENGLISH
	3378321M1	1	Instruction Book	For United States of America ENGLISH
	3378250M1	1	Instruction Book	GERMAN
	3378252M1	1	Instruction Book	ITALIAN
	3378251M1	1	Instruction Book	SPANISH
	3378253M1	1	Instruction Book	DANISH
	3378254M1	1	Instruction Book	NORWEGIAN
	3378255M1	1	Instruction Book	SWEDISH
	3378256M1	1	Instruction Book	RUSSIAN

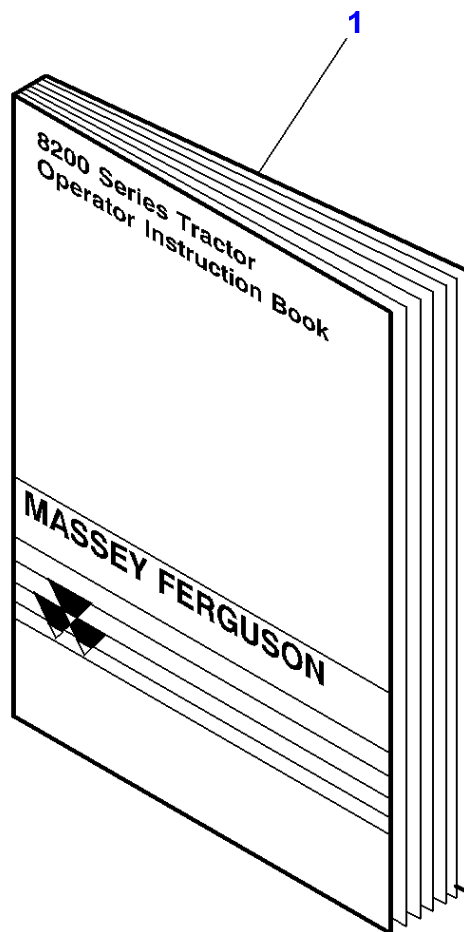
1-ZR06-014-B



Massey Ferguson**MF 8270/8280 TRACTOR - 1637348****1637348****Literature - M.F 8270-8280 - From 08-01-2001****Page 100-0130**

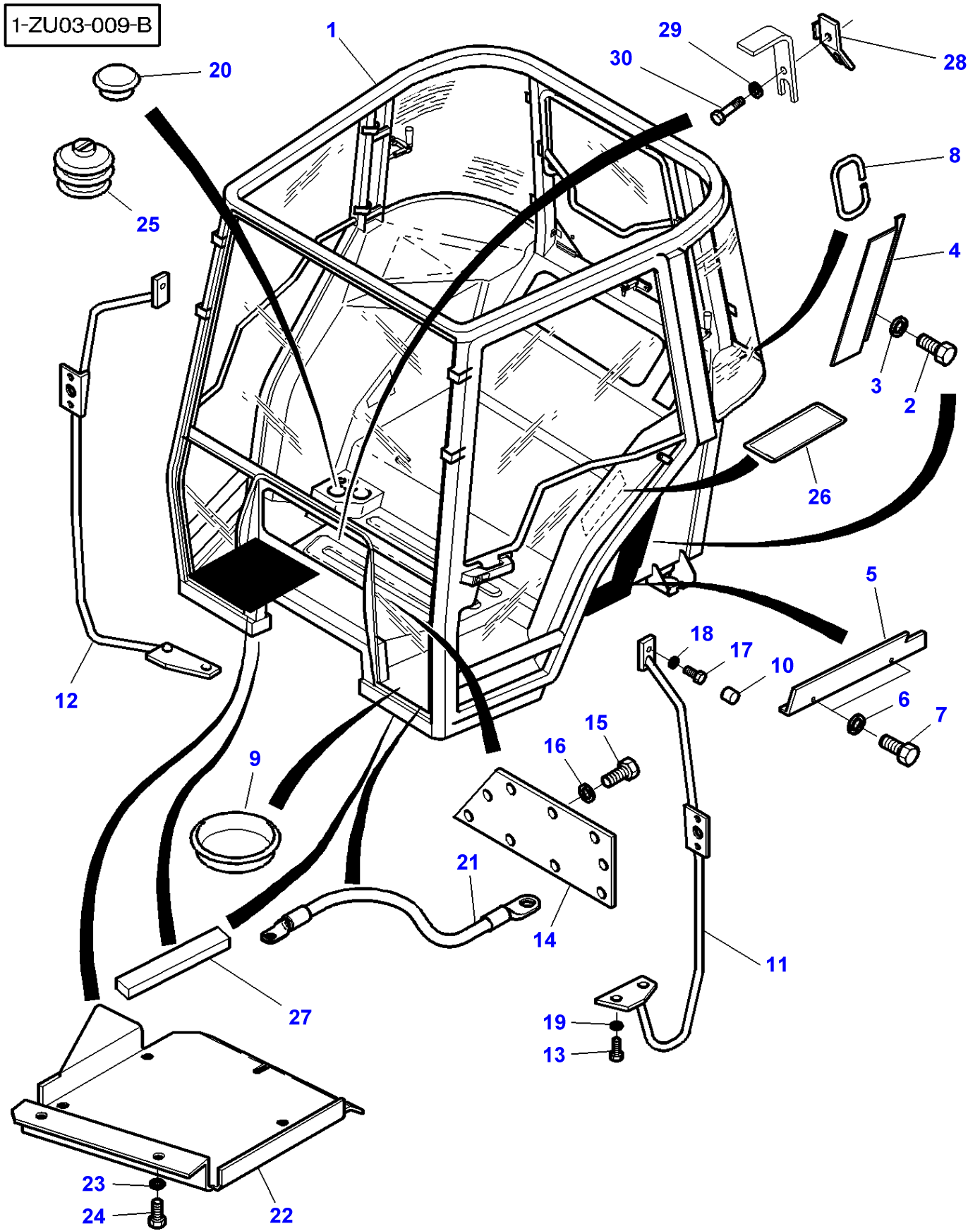
Item	Part Number	Qty	Description	Comments
1	3378313M4	1	Instruction Book	FRENCH
	3378314M4	1	Instruction Book	ENGLISH
	3378321M1	1	Instruction Book	For United States of America ENGLISH
	3378315M4	1	Instruction Book	GERMAN
	3378317M4	1	Instruction Book	ITALIAN
	3378316M4	1	Instruction Book	SPANISH
	3378318M4	1	Instruction Book	DANISH
	3378256M1	1	Instruction Book	RUSSIAN

1-ZR06-011-B



Item	Part Number	Qty	Description	Comments
1	3378343M1	1	Instruction Book	FRENCH
	3378344M1	1	Instruction Book	For United States of America ENGLISH
	3378345M1	1	Instruction Book	GERMAN
	3378346M1	1	Instruction Book	SPANISH
	3378347M1	1	Instruction Book	ITALIAN
	3378348M1	1	Instruction Book	DANISH
	3378349M1	1	Instruction Book	NORWEGIAN
	3378350M1	1	Instruction Book	SWEDISH

MF 8270/8280 TRACTOR - 1637348
1-ZU03-009-B



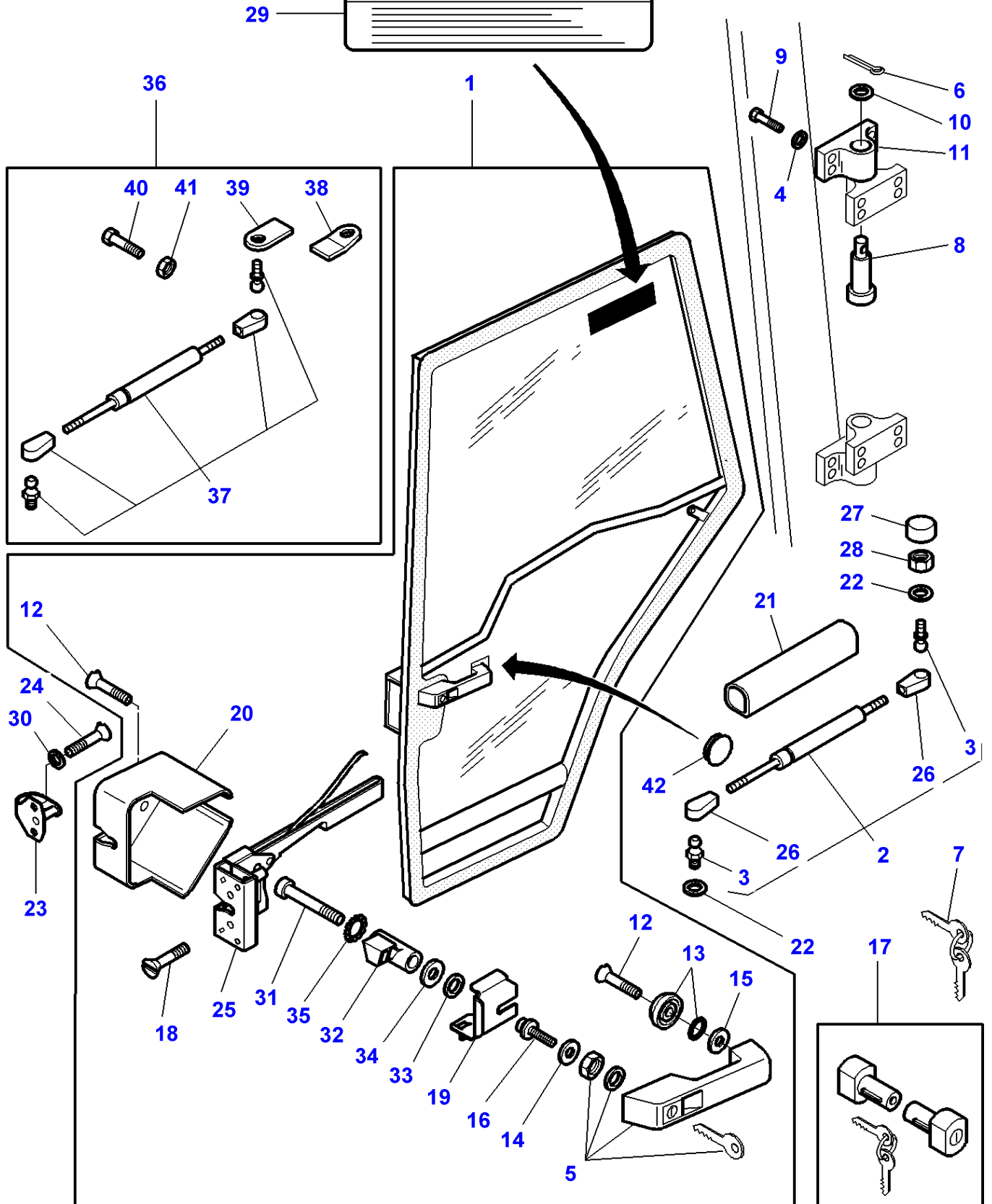
Tractor Cab

Item	Part Number	Qty	Description	Comments
1	3779192M93	1	Cab	Up to Serial or Engine Number J326005
	3784333M92	1	Cab	From Serial or Engine Number J326006
2	339123X1	4	Hex. Sock. Screw	M8X20
3	390972X1	4	Washer Metric	Diameter 9MM
4	3713290M1	1	Cowl	Right Hand Top
	3713289M1	1	Cowl	Left Hand Top
5	3713292M1	1	Cowl	Right Hand Bottom
	3713291M1	1	Cowl	Left Hand Bottom
6	390971X1	4	Washer	M6
7	391074X1	4	Hex. Sock. Screw	M6X12
8	3714681M1	1	Profile	Length 150MM
9	3902363M1	1	Plug	Diameter 20MM
10	3616277M1	2	Helmet	
11	3780049M91	1	Guideway	Left Hand
12	3783409M92	1	Guideway	Right Hand
13	3009495X1	2	Bolt Metric	M10X40
14	3778052M1	1	Inspection Cover	(1)
15	3010775X1	9	Screw	(1) CBLX M6X25 Replace and repair. Old interchangeable with new 3903188M1
16	390971X1	9	Washer	(1)
17	339228X1	2	Screw Metric	M8X12
18	22428X	2	Lock Washer	
19	385362X1	2	Washer	
20	3782487M1	1	Plug	Diameter 29MM
	3782486M1	1	Plug	Up to Serial or Engine Number H140028 Diameter 50MM
21	3779046M2	1	Wire	Length 550MM
22	3782614M3	1	Cover	
23	391038X1	3	Washer	
24	339560X1	3	Hex. Sock. Screw	M6X16
25	3783232M1	1	Plug	From Serial or Engine Number H140029 50X55MM
26	3785180M1	1	Plate	206X97
27	3785101M1	2	Foam	Up to Serial or Engine Number 10-DEC-2001 15x13x450
28	3785310M1	1	Strap	From Serial or Engine Number J326006 Up to Serial or Engine Number
29	390971X1	1	Washer	
30	339666X1	1	Hex. Sock. Screw	M6X20

MF 8270/8280 TRACTOR - 1637348
1-ZU05-001-E

1-ZU05-001-E

CABINE CLIMATISEE - AIR CONDITIONED CAB - KLIMATISIERIE PABINE
CABINA CLIMATIZZATA - CABINA CLIMATIZADA



Doors

Item	Part Number	Qty	Description	Comments
1	3902120M91	1	Gate	[C] Right Hand Up to Serial or Engine Number L192045
	3902120M92	1	Gate	[D] Right Hand From Serial or Engine Number L192046
	3902119M91	1	Gate	[C] Left Hand Up to Serial or Engine Number L192045
	3902119M92	1	Gate	[D] Left Hand From Serial or Engine Number L192046
2	3902121M4	2	Ram	
3	3902773M1	2	Toggle	(2)
4	385361X1	16	Washer	
5	3902356M91	2	Handle	[A] (1) No610 Diameter 2,5X32
6	1442963X1	4	Split Pin	
7	3902584M91	1	Kit, Spanner	
8	3903186M1	4	Clevis Pin	
9	3902414M1	16	Screw	M8X20
10	3903187M1	4	Washer	Diameter 22X12X1,2
11	3902116M1	4	Hinge	
12	3902411M1	4	Screw	(1) M6X16
13	3902145M1	2	Skate	(1)
14	3902366M1	2	Washer	(1) 28X42X2
15	3902367M1	2	Washer	(1) 5X18X1
16	3902368M1	2	Screw Special	(1) Up to Serial or Engine Number
17	3902370M91	1	Parts Pack	No 610
18	3902412M1	4	Screw	(1) M6X25
19	3902369M1	1	Rod Link	(1) Left Hand Up to Serial or Engine Number
	3902371M1	1	Rod Link	(1) Right Hand Up to Serial or Engine Number
20	3804660M1	1	Cover	(1) Right Hand
	3804661M1	1	Cover	(1) Left Hand
21	3902415M1	2	Protector	
22	391025X1	4	Lock Washer	
23	3902372M1	2	Latch	
24	3010775X1	4	Screw	CBLX M6X25 Replace and repair. Old interchangeable with new 3903188M1
25	3804663M1	1	Latch	(1) Left Hand
	3804662M1	1	Latch	(1) Right Hand
26		2	Toggle	(2) Not serviced,order REFNo2
27	3616277M1	2	Helmet	
28	339169X1	2	Nut	
29	3619471M1	1	Decal	
30	391038X1	4	Washer	
31	3001757X1	2	Bolt	(1) M6X40
32	3903504M1	2	Latch	(1) From Serial or Engine Number
33	3011035X1	2	Washer	(1) M6
34	391038X1	2	Washer	(1) M6LL
35	391289X1	2	Lock Washer	
36	3789764M11	1	Kit, Repair	[B]
37	3902121M4	1	Ram	(36)

Doors

Item	Part Number	Qty	Description	Comments
38	4270074M1	1	Reinforcement	(36)
39	3789763M1	1	Support	(36)
40	339291X1	1	Hex. Sock. Screw	(36) M8X55
41	339169X1	1	Nut	(36)
42	3821964M1	1	Plug	Diameter 12 MM

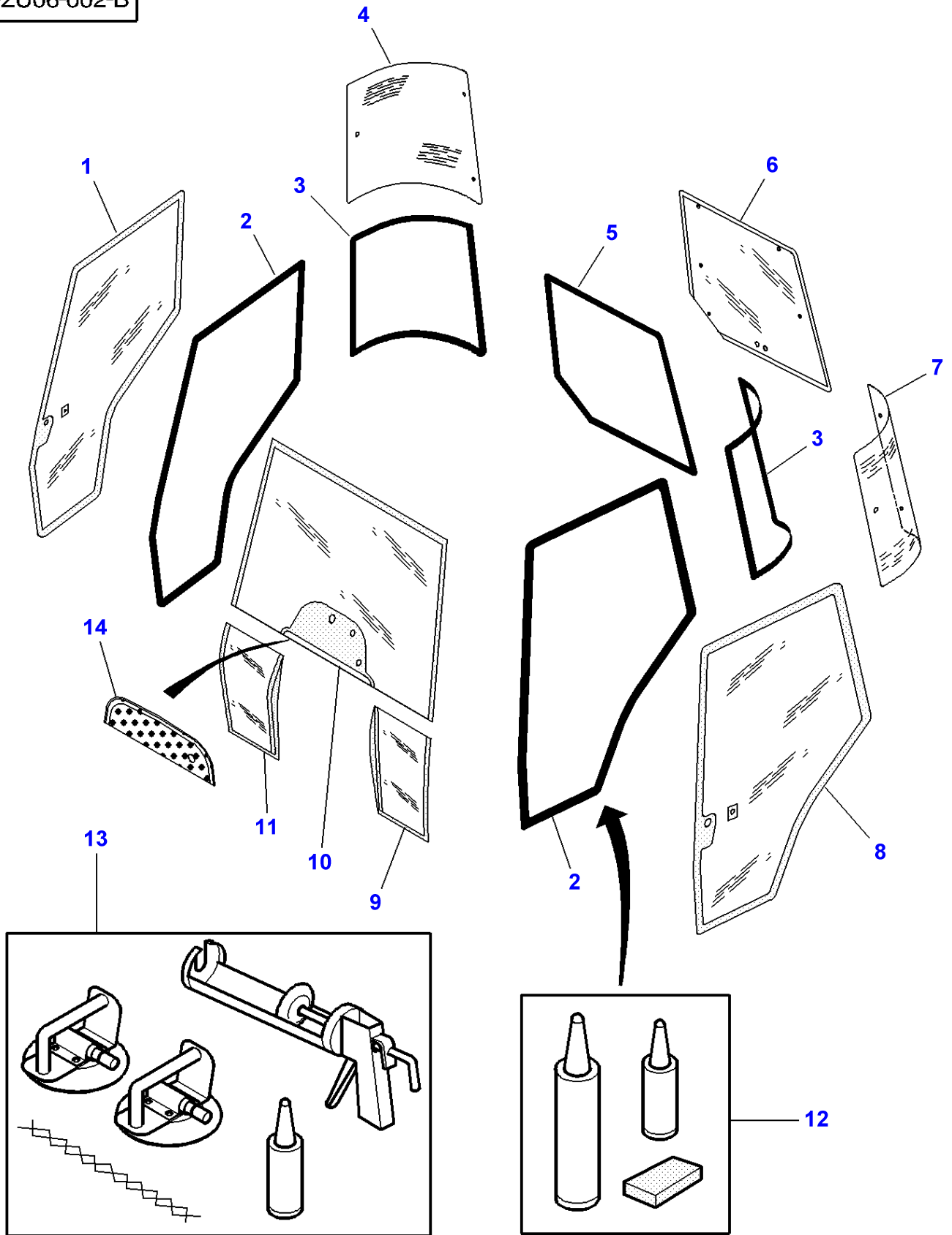
FOOTNOTE [A] NUMBER STAMPED ON THE LOCK

FOOTNOTE [B] TRUSSING KIT OF DOOR RAM

FOOTNOTE [C] HORIZONTAL HANDLE

FOOTNOTE [D] VERTICAL HANDLE

1-ZU06-002-B



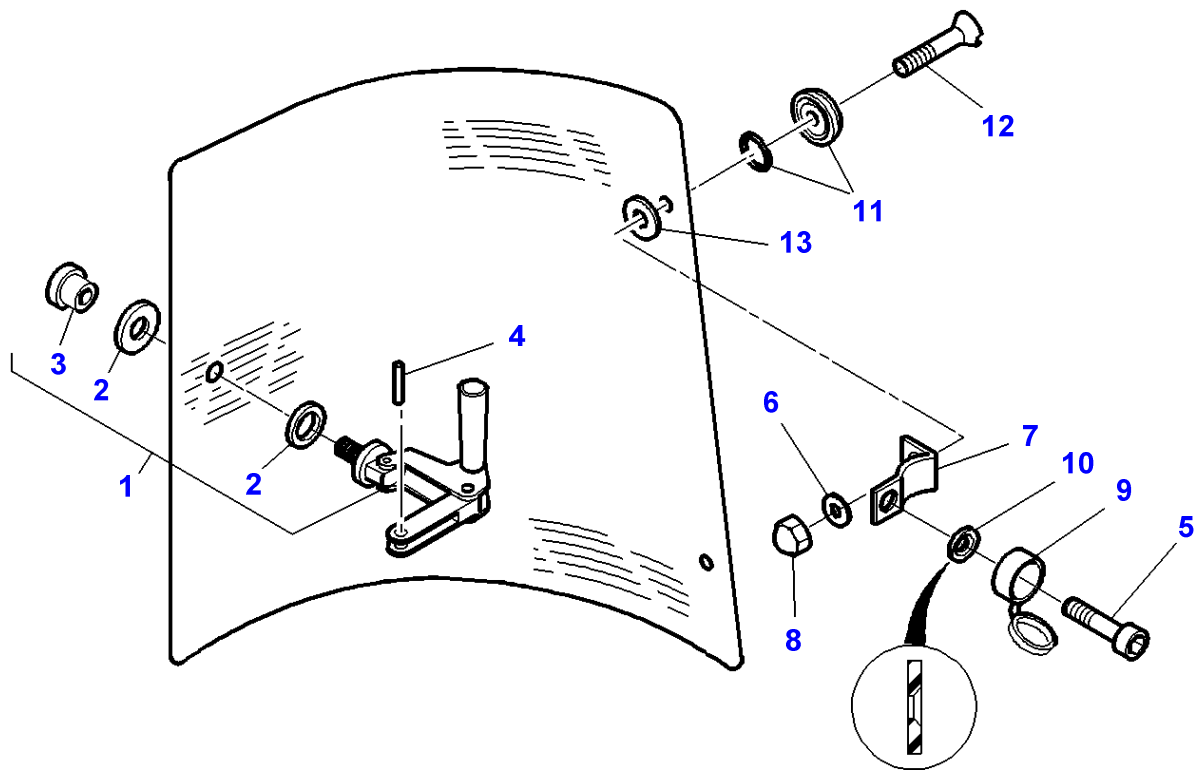
Glass

Item	Part Number	Qty	Description	Comments
1	3902124M1	1	Window	[A] Right Hand Up to Serial or Engine Number L192045
	3902124M2	1	Window	[B] Right Hand From Serial or Engine Number L192046
2	3902122M1	2	Seal	
3	3902133M1	2	Seal	
4	3902131M1	1	Window	Right Hand
5	3902144M1	1	Seal	
6	3715438M1	1	Window	
7	3902130M1	1	Window	Left Hand
8	3902123M1	1	Window	[A] Left Hand Up to Serial or Engine Number L192045
	3902123M2	1	Window	[B] Left Hand From Serial or Engine Number L192046
9	3902149M1	1	Window	Left Hand
10	3777602M2	1	Windscreen	
11	3902150M1	1	Window	Right Hand
12	3902373M93	1	Glazing Kit	
13	3902503M91	1	Parts Pack	
14	3782752M2	1	Decal	

FOOTNOTE [A] HORIZONTAL HANDLE

FOOTNOTE [B] VERTICAL HANDLE

1-ZU85-002-A

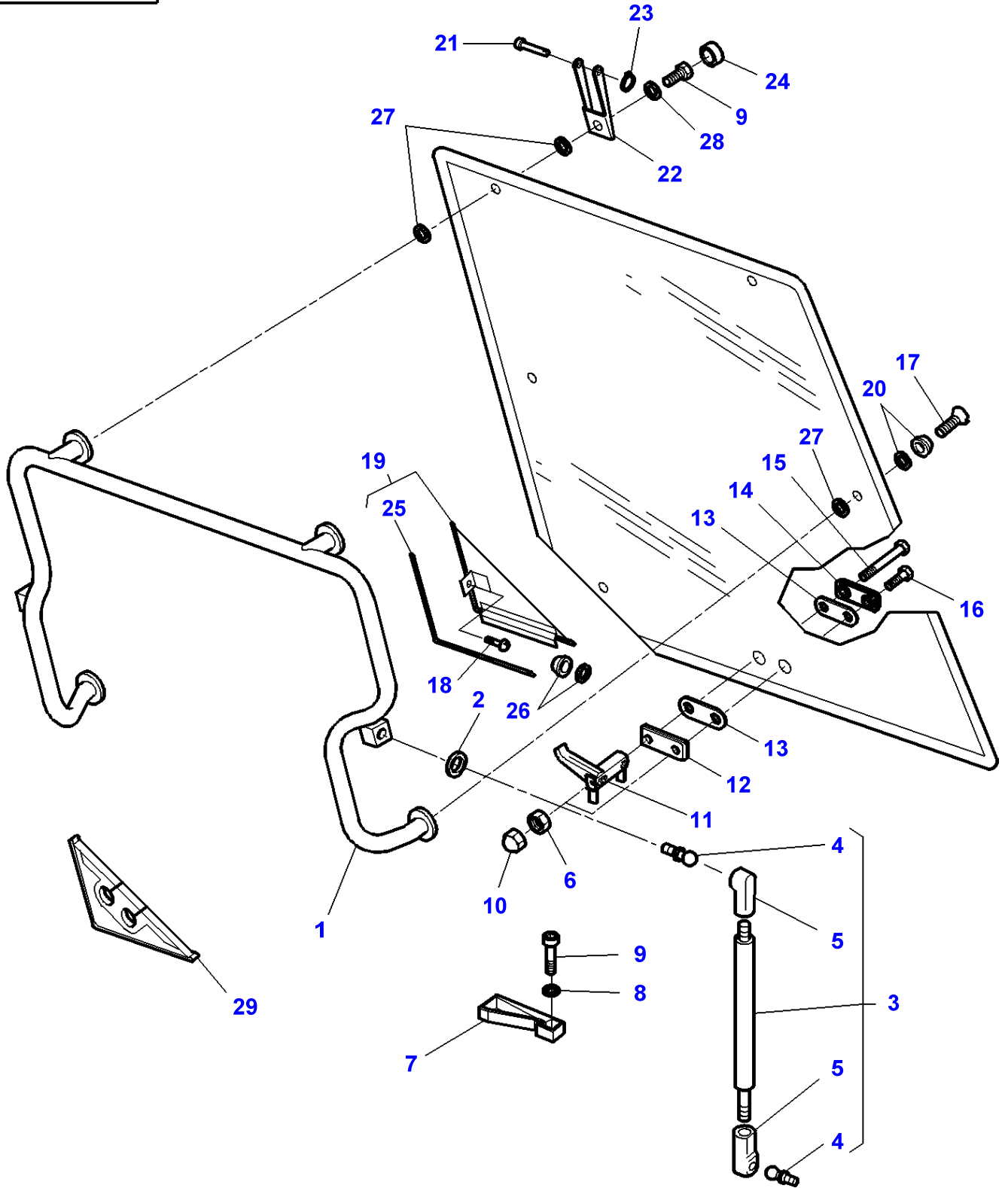


Side Window Mechanism

Item	Part Number	Qty	Description	Comments
1	3476132M91	1	Stay	Right Hand
	3476133M91	1	Stay	Left Hand
2	3478052M1	2	Washer	(1)
3	3478051M1	1	Nut	(1)
4	1440396X1	2	Dowel	Diameter 5 X 12
5	3010775X1	4	Screw	M6 X 25
6	390971X1	4	Washer	Diameter 6-12 X 1,5
7	3902128M1	4	Hinge	
8	3902455M1	4	Nut	M6
9	3902129M1	4	Muff	
10		4	Muff	Not serviced,order REF 5+9
11	3902145M1	4	Skate	
12	3010775X1	4	Screw	M6 X 25
13	3902365M1	4	Washer	Diameter 8-30 X 3

MF 8270/8280 TRACTOR - 1637348
1-ZU84-001-B

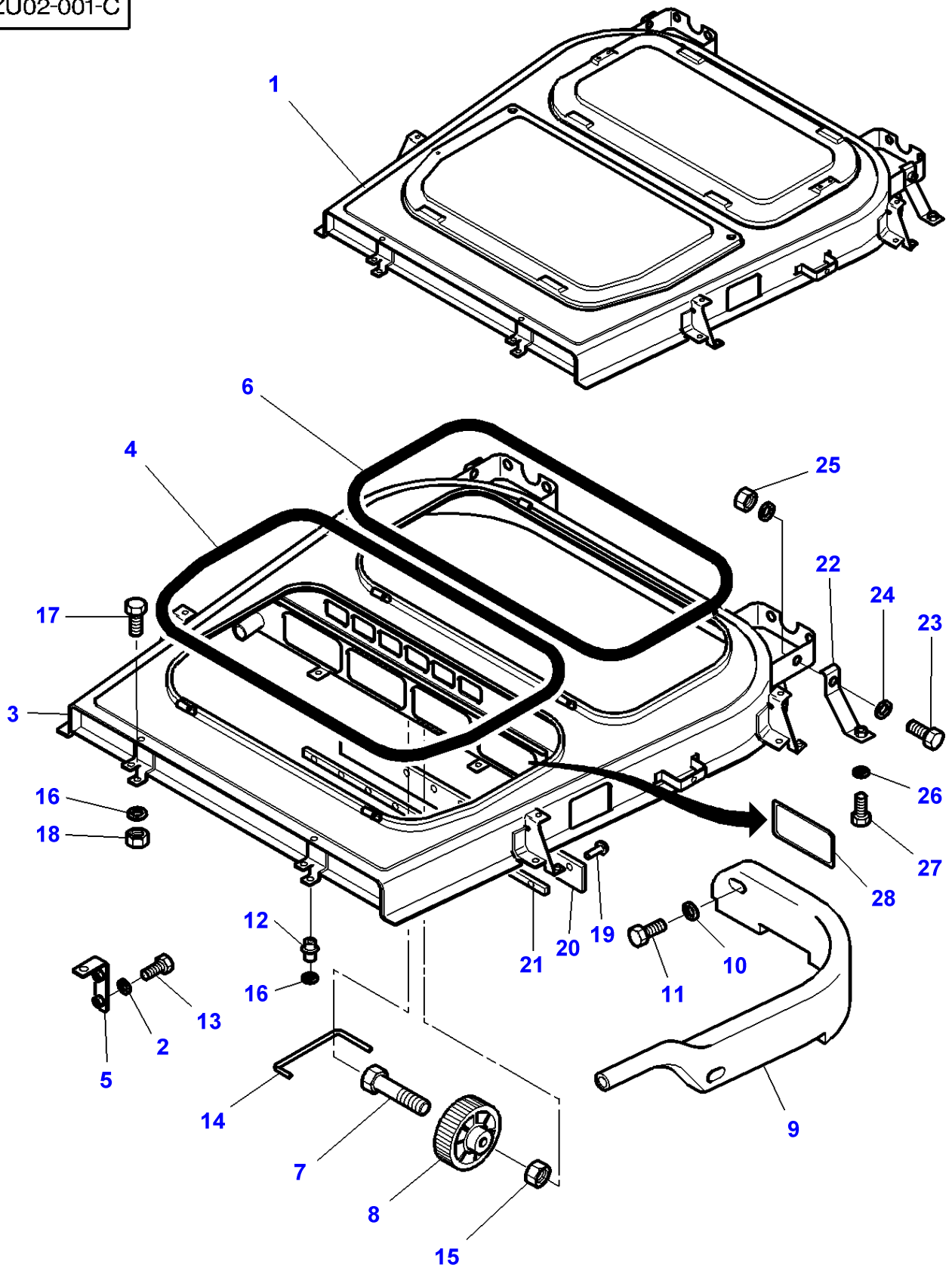
1-ZU84-001-B



Rear Window Mechanism

Item	Part Number	Qty	Description	Comments
1	3902135M92	1	Support	
2	391025X1	4	Lock Washer	
3	3902140M1	2	Ram	
4		2	Toggle	(3) Not serviced,order REFNo3
5		2	Toggle	(3) Not serviced,order REFNo3
6	1440329X1	2	Locknut	M10
7	3619610M1	1	Thruster	
8	391289X1	2	Lock Washer	
9	3010775X1	4	Screw	CBLX M6X25 Replace and repair. Old interchangeable with new 3903188M1
10	3619609M1	2	Helmet	M10
11	3619605M1	1	Handle	
12	3619604M1	1	Plate	
13	3619906M1	2	Gasket	
14	3619603M1	1	Plate	
15	3619907M1	1	Screw	M10X130
16	3619908M1	1	Screw	M10X35
17	3010775X1	2	Screw	M6X25 Replace and repair. Old interchangeable with new 3903188M1
18	339228X1	1	Screw Metric	Up to Serial or Engine Number 12/09/99 M8X12
19	3902386M91	1	Plate	Up to Serial or Engine Number 12/09/99
20	3902145M1	2	Skate	
21	3902137M1	2	Clevis Pin	
22	3902136M2	2	Clevis	
23	1440988X1	2	Circlip	
24	3902129M1	2	Muff	
25	3902417M1	1	Gasket	(19) Up to Serial or Engine Number 12/09/99
26	3619241M1	1	Button	Up to Serial or Engine Number 12/09/99
27	3902365M1	6	Washer	Diameter 8X30X3
28	385361X1	2	Washer	
29	3806376M1	1	Seal	From Serial or Engine Number 13/09/99

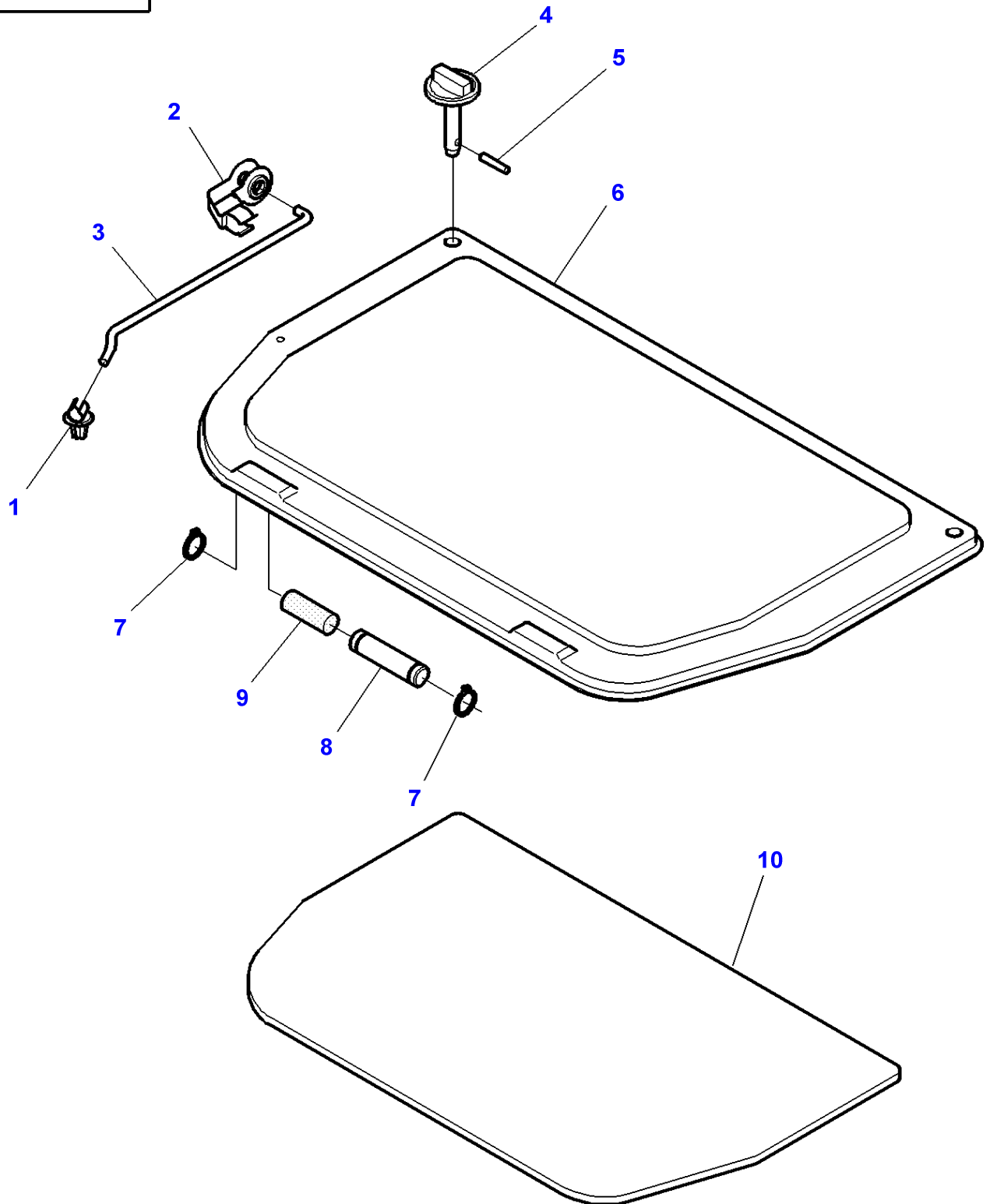
1-ZU02-001-C



Roof

Item	Part Number	Qty	Description	Comments
1	3714088M94	1	Roof	
2	339102X1	2	Washer	(1) M5
3		1	Roof	(1) Not serviced,order REF NO 1
4	3713158M1	1	Gasket	(1) Length 2858MM
5	3713802M1	1	Strap	(1)
6	3713159M1	1	Gasket	Length 2740MM
7	339229X1	1	Hex. Sock. Screw	(1) M6
8	3713167M1	1	Button	(1)
9	3713163M1	1	Manifold	(1) Right Hand
	3713164M1	1	Manifold	(1) Left Hand
10	390971X1	4	Washer	(1) M6
11	3008342X1	4	Screw Metric	(1) M6X25
12	3901206M1	8	Nut	(1) M6
	3778304M1	8	Nut	(1) M8
13	390990X1	2	Screw Metric	(1) M5X12
14	3714090M1	1	Draglink	(1)
15	1441500X1	1	Locknut	(1) M6
16	3010597X1	16	Tab Washer	Diameter 8-22MM
17	339123X1	8	Hex. Sock. Screw	M8X20MM
18	339169X1	8	Nut	M8
19	338980X1	9	Rivet	(1)
20	3713165M1	1	Band	(1)
21	3713166M2	1	Plate	(1)
22	3782969M1	2	Bracket	
23	339123X1	2	Hex. Sock. Screw	
24	390972X1	4	Washer Metric	
25	394367X1	2	Locknut	
26	391038X1	2	Washer	
27	339560X1	2	Hex. Sock. Screw	
28	3784593M1	1	Plate	130X216X0,8 Up to Serial or Engine Number 14-04-2001

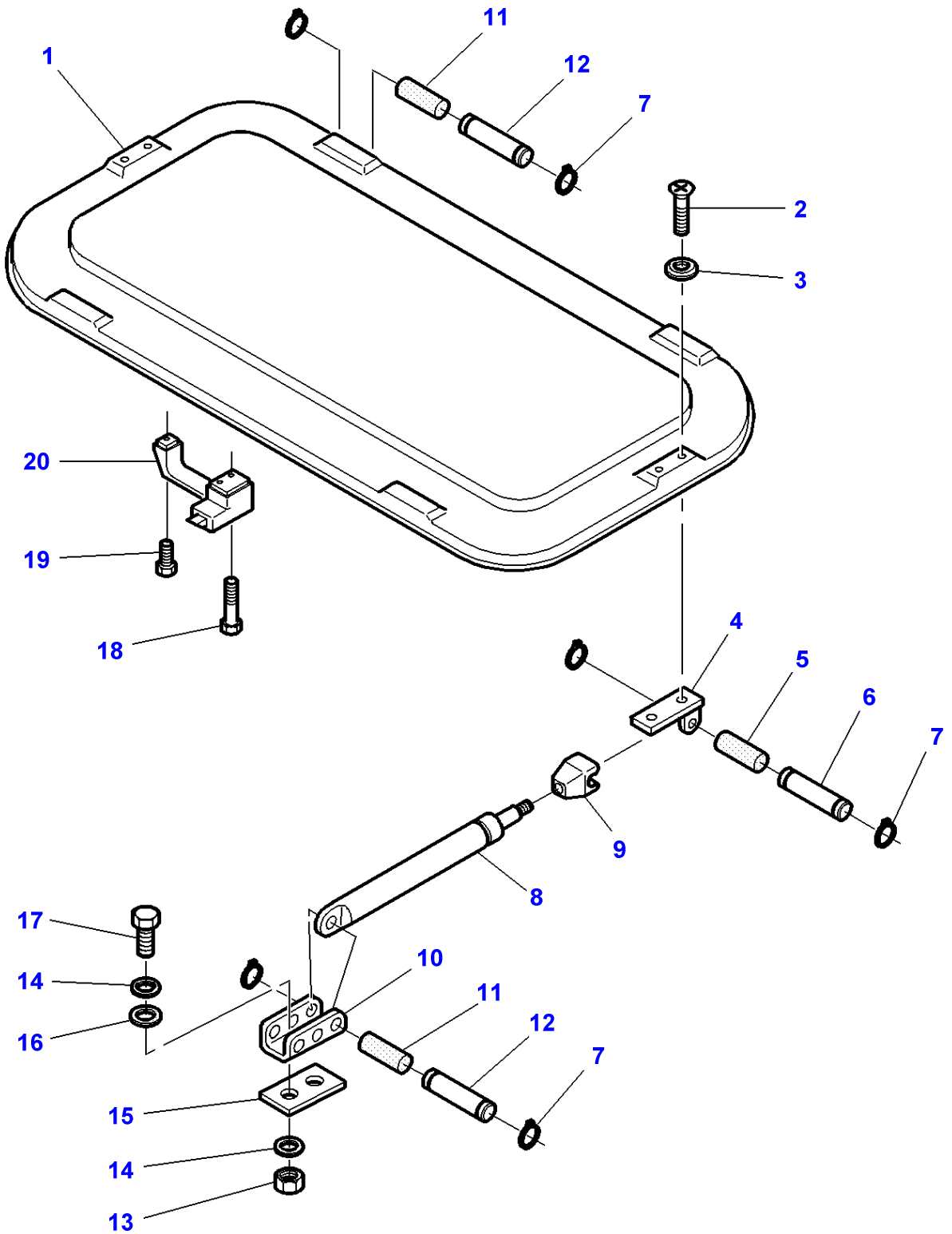
1-ZU42-001-B



Heating Hatchway

Item	Part Number	Qty	Description	Comments
1	3385465M1	1	Pliers	
2	894225M1	1	Clip	
3	3713161M1	1	Stem	
4	3713160M91	2	Stem	
5	3006465X1	2	Roll Pin	
6	3712959M1	1	Trap	
7	3000261X1	4	Clip	
8	3303074M1	2	Clevis Pin	
9	3303077M1	2	Bush	
10	3784700M1	1	Foam	Thickness 5MM

1-ZU43-001-A

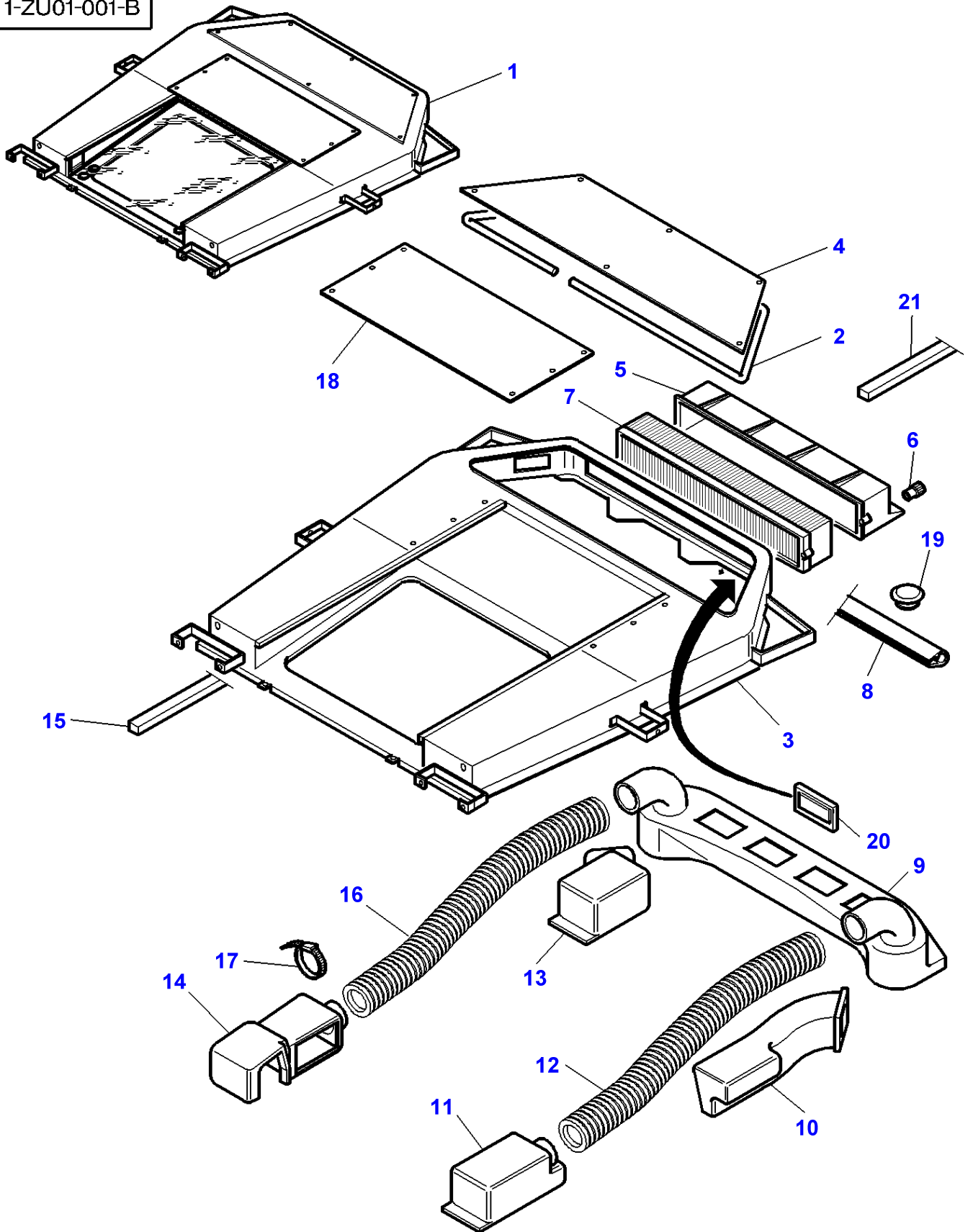


Air Hatchway

Item	Part Number	Qty	Description	Comments
1	3712960M1	1	Trap	
2	3009439X1	4	Screw	M8 X 16
3	3530168M1	4	Washer	
4	3580934M91	1	Support	Right Hand
	3580933M91	1	Support	Left Hand
5	3303076M1	2	Bush	
6	3303075M1	2	Clevis Pin	Diameter 6 X 33
7	3000261X1	8	Clip	
8	3303021M91	2	Gas Strut	
9	3303019M3	1	Head	
10	3301743M1	2	Lock	
11	3303077M1	4	Bush	
12	3303074M1	4	Clevis Pin	6X38
13	339169X1	4	Nut	M8
14	390972X1	8	Washer Metric	Diameter 8-17 X 1,7
15	3385446M1	2	Gasket	
16	3301742M1	4	Washer	
17	339123X1	4	Hex. Sock. Screw	M8 X 20
18	1441967X1	2	Screw Metric	M6 X 45
19	395579X1	1	Screw Metric	M6 X 16
20	3388511M91	1	Handle	

MF 8270/8280 TRACTOR - 1637348
1-ZU01-001-B

1-ZU01-001-B

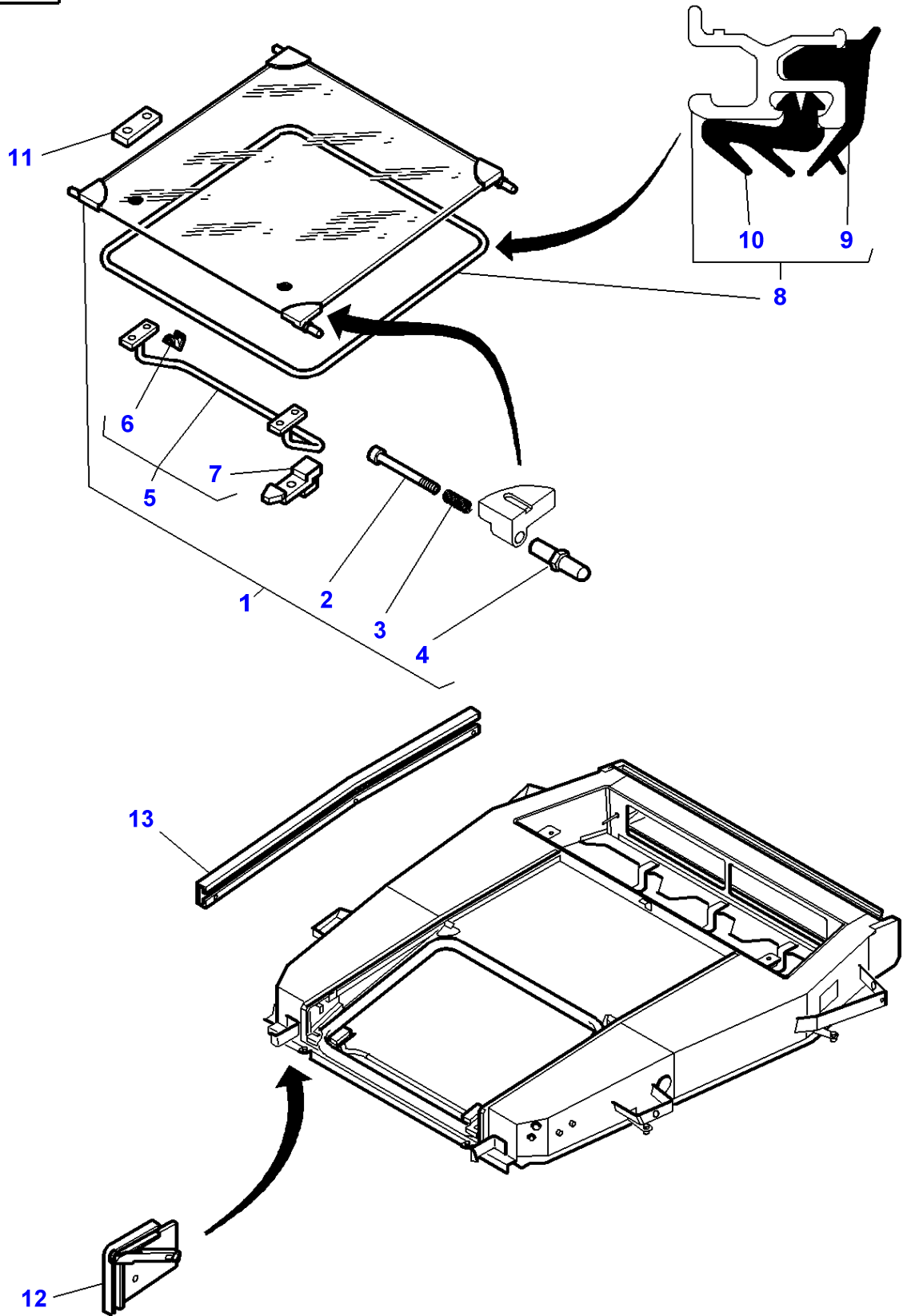


High Visibility Roof

Item	Part Number	Qty	Description	Comments
1	3780714M91	1	Roof	
2	3778710M1	1	Gasket	(1)
3		1	Roof	(1) Not serviced,order REF NO 1
4	3777396M1	1	Trap	(1)
5	3388743M1	1	Frame Assy	
6	3778322M1	2	Button	(1)
7	3388840M2	1	Cab Filter	
	3389746M1	1	Cab Filter	[A]
8	3778711M1	2	Gasket	
	3783129M1	1	Staple	Length 25
	3580695M1	1	Gasket	
9	3778070M1	1	Locker	(1)
10	3778072M2	1	Locker	(1) Left Hand
11	3778069M1	1	Locker	(1) Left Hand
12	3777709M1	1	Warm Air Ducting	(1) Length 780MM
13	3778071M1	1	Locker	(1) Right Hand
14	3778068M1	1	Locker	(1) Right Hand
15	3778289M1	4	Gasket	10X15X580MM
16	3777710M1	1	Warm Air Ducting	(1) Length 670MM
17	3619622M1	4	Cable Tie	(1)
18	3778704M1	1	Cover	(1)
19	3713587M1	4	Plug	Diameter 22
20	3784593M1	1	Plate	130X216MM
				Up to Serial or Engine Number 14-04-2001
21	3713635M1	1	Gasket	25X10X200

FOOTNOTE [A] CARBON FILTER

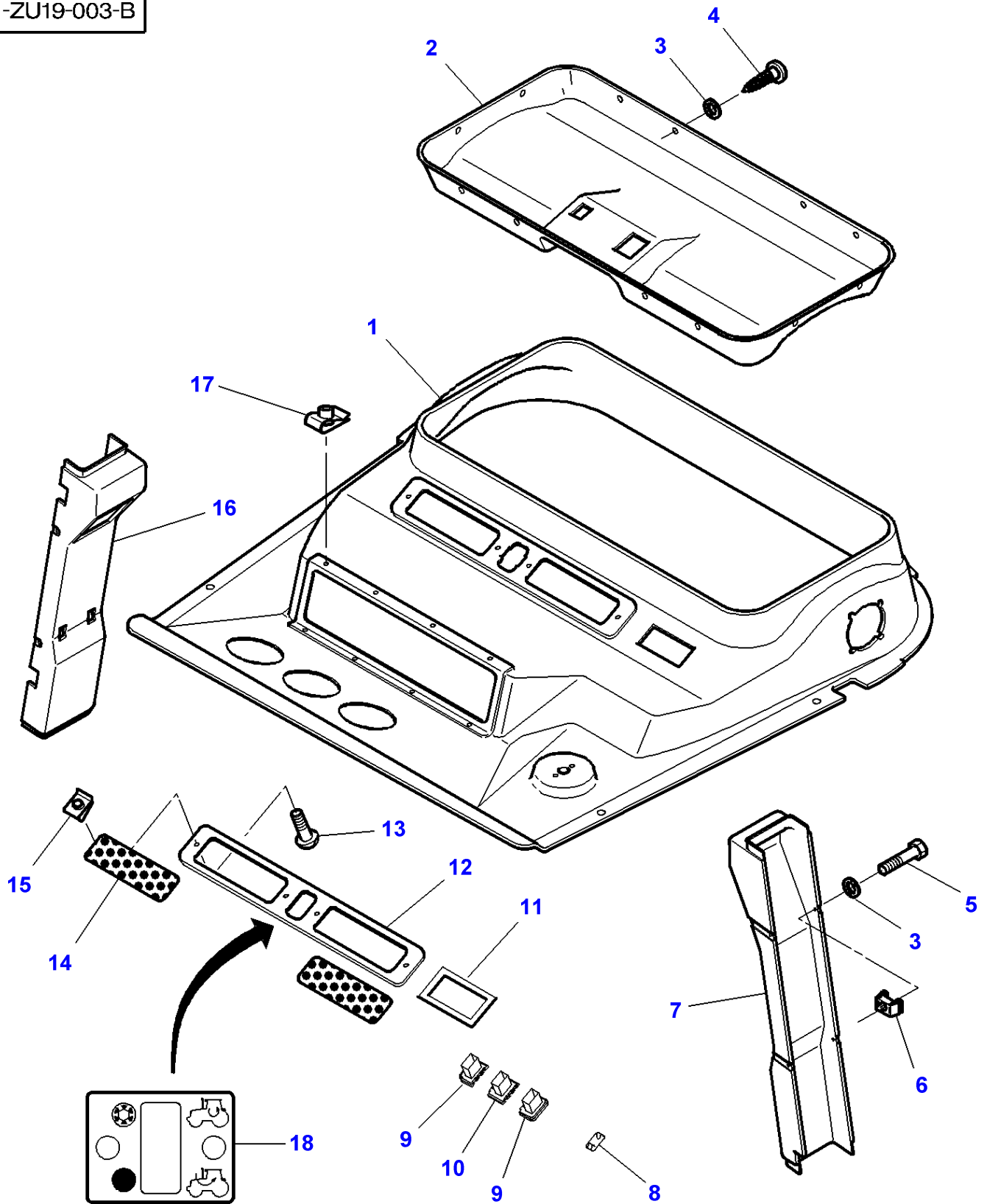
1-ZU14-001-B



High Visibility Roof - Window

Item	Part Number	Qty	Description	Comments
1	3780538M91	1	Window	
2	3780474M1	4	Screw	(1)
3	3780473M1	4	Spring	(1)
4	3780472M1	4	Roller	(1)
5	3780540M91	1	Handle	(1)
6	3780544M1	2	Strap	(5)
7	3904104M1	2	Lever	(5)
8	3902869M91	1	Frame Assy	
9	3780549M1	1	Gasket	(8)
				Replace and repair. Old interchangeable with new 3907286M1
10	3780548M1	1	Gasket	(8)
				Replace and repair. Old interchangeable with new 3907287M1
11	3904103M1	2	Plate	
12	3780529M91	1	Thruster	Left Hand
	3780523M91	1	Thruster	Right Hand
13	3904102M91	1	Guide	Left Hand
	3780532M91	1	Guide	Right Hand

1-ZU19-003-B

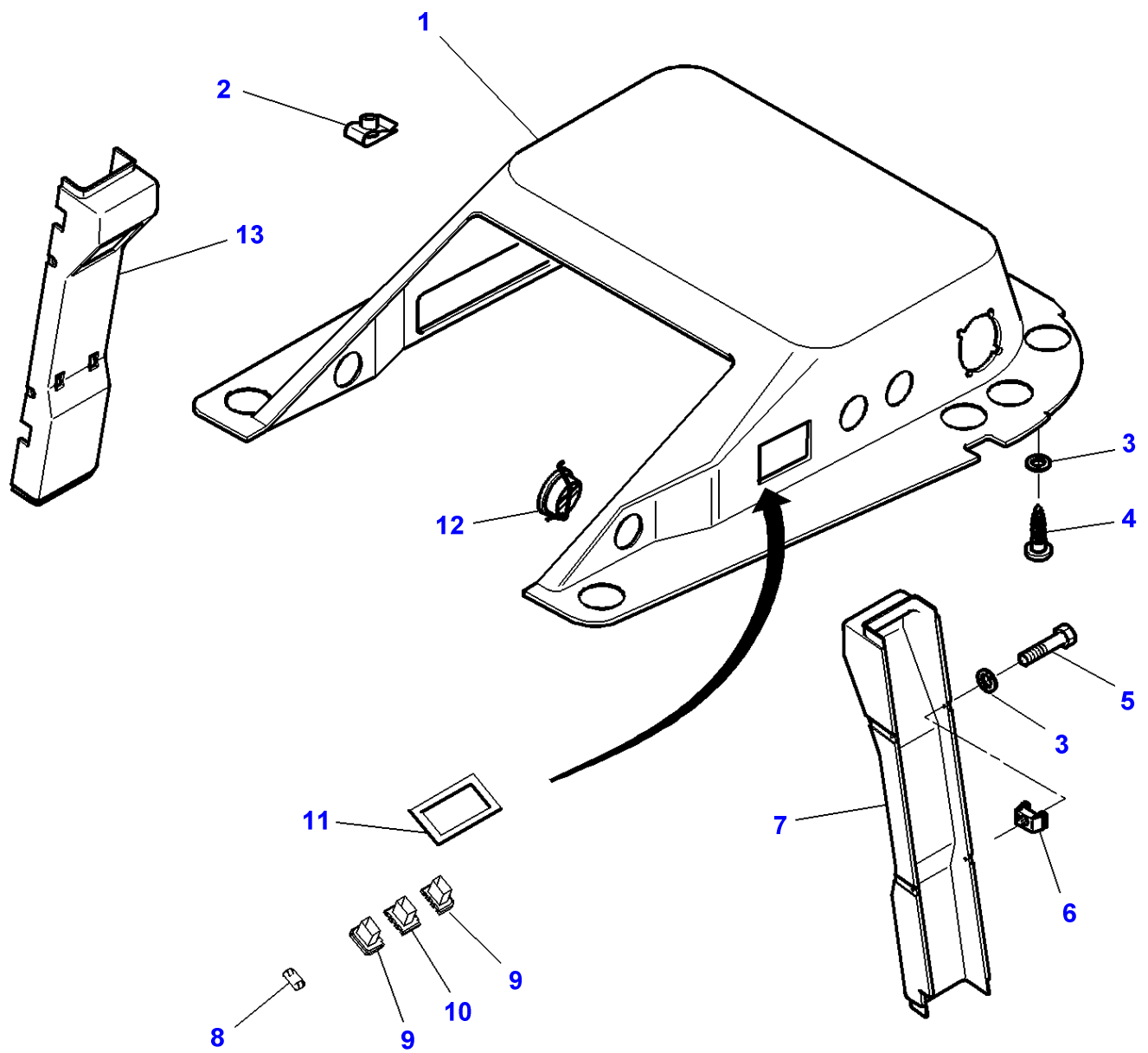


Tractor Cab - Cladding

Item	Part Number	Qty	Description	Comments
1	3780279M2	1	Facing	
2	3712606M1	1	Facing	
3	1427000M1	23	Washer	
4	3389854M1	X	Self Tap Screws	CBZ NO10X19
	3010506X1	X	Screw	M5X16
5	3580257M1	8	Screw	M5 X 20
6	3615557M1	8	Boxnut	M5
7	3712752M5	1	Mounting	Left Hand
8	3713151M1	1	Tap	
9	3713153M1	2	Support	
10	3713152M1	1	Support	
11	3713621M1	1	Plate	
12	3712608M1	1	Cover	
13	3010506X1	4	Screw	
14	3712607M2	2	Grille	
15	3715142M1	4	Nut	Thickness 3/5MM
16	3713072M4	1	Mounting	[A] Right Hand
	3714919M1	1	Mounting	Right Hand
17	3715142M1	8	Nut	Thickness 3/5MM
18	3784594M1	1	Decal	

FOOTNOTE [A] WITHOUT DATATRONIC

1-ZU54-002-A

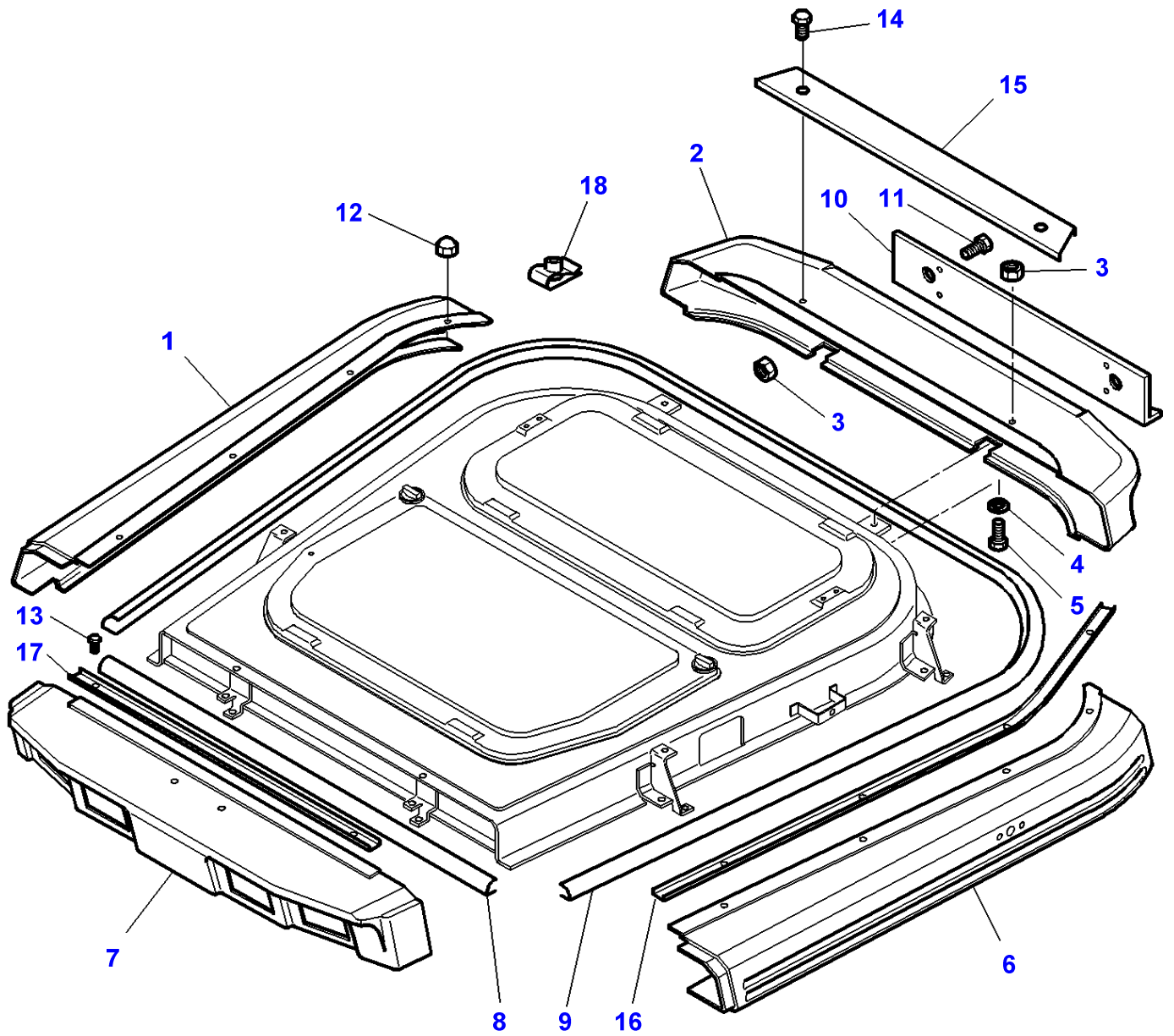


High Visibility Roof - Cladding

Item	Part Number	Qty	Description	Comments
1	3777402M2	1	Facing	
2	3715142M1	8	Nut	Thickness 3/5MM
3	1427000M1	X	Washer	
4	365924X1	X	Screw	CBZ NO10X16
	3010506X1	X	Screw	M5X16
5	3010506X1	4	Screw	M5X16
6	3615557M1	4	Boxnut	M5
7	3712752M5	1	Mounting	Left Hand
8	3713151M1	1	Tap	
9	3713153M1	2	Support	
10	3713152M1	1	Support	
11	3778011M1	1	Support	
12	3807934M1	12	Vent	Up to Serial or Engine Number M295061 Diameter 102MM
	3786678M1	12	Vent	From Serial or Engine Number M295062 Diameter 98MM
13	3713072M4	1	Mounting	[A] Right Hand
	3714919M1	1	Mounting	Right Hand

FOOTNOTE [A] WITHOUT DATATRONIC

1-ZU19-001-B



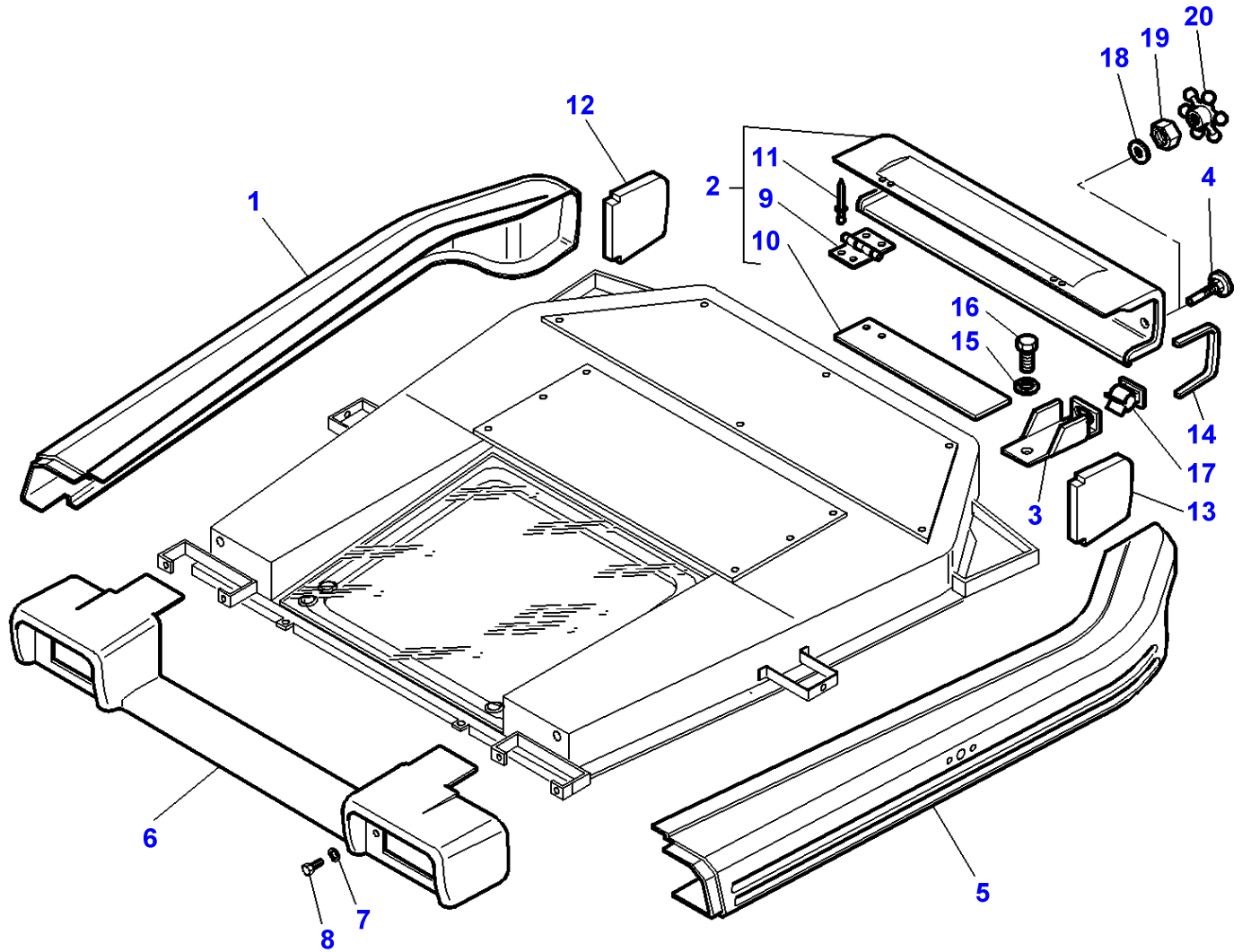
Tractor Cab - Cladding

Item	Part Number	Qty	Description	Comments
1	3712833P2	1	Trim	Right Hand
2	3712831P2	1	Visor	
3	339030X1	12	Nut Metric	M6
4	391038X1	14	Washer	Diameter 6-18 X 1,5
5	339666X1	2	Hex. Sock. Screw	M6 X 20
6	3712832P1	1	Trim	Left Hand
7	3780676P1	1	Visor	[A]
	3780675P1	1	Visor	[B]
8	3714885M1	1	Gasket	Length 1050 MM
9	3714884M1	1	Gasket	Length 3700 MM
10	3715422M1	1	Deflector	
11	391074X1	4	Hex. Sock. Screw	M6 X 12
12	3010594X1	8	Nut Metric	M6
13	339804X1	2	Hex. Sock. Screw	M6 X 25
14	339262X1	2	Bolt Metric	M6 X 30
15	3715679M1	1	Profile	
16	3715676M1	1	Profile	Right Hand
	3715677M1	1	Profile	Left Hand
17	3715678M1	1	Profile	
18	3010070X1	X	Nut	M6

FOOTNOTE [A] WITH 2 HEADLAMPS

FOOTNOTE [B] WITH 4 HEADLAMPS

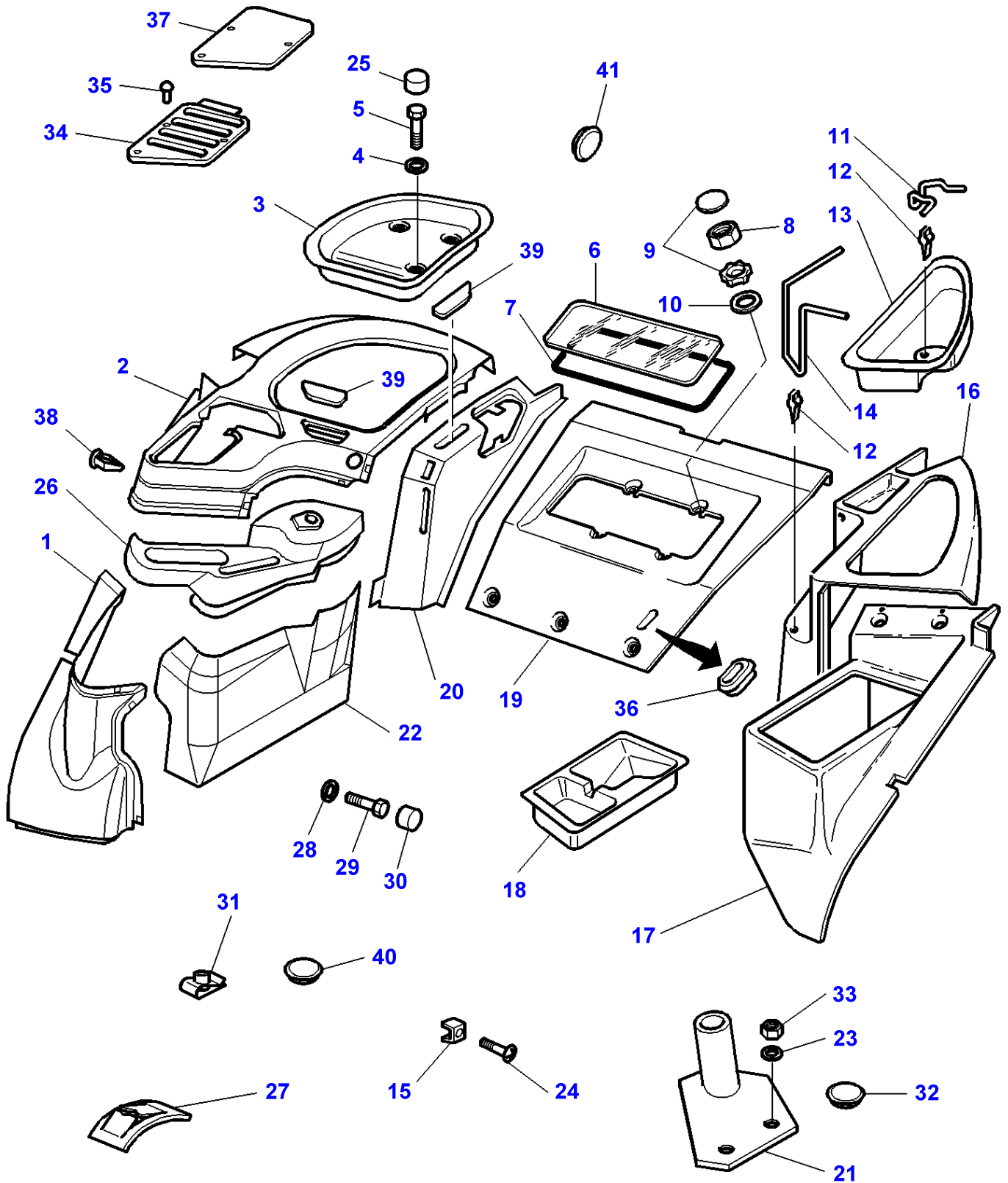
1-ZU54-001-C



High Visibility Roof - Cladding

Item	Part Number	Qty	Description	Comments
1	3777399P1	1	Visor	Right Hand
2	3778744P91	1	Visor	
3	3778313M1	1	Support	Left Hand
	3778314M1	1	Support	Right Hand
4	3778784M1	2	Latch	Up to Serial or Engine Number K323028
	3778784M1	2	Latch	From Serial or Engine Number K351002
5	3777398P1	1	Visor	Left Hand
6	3777397P1	1	Visor	
7	391038X1	4	Washer	Diameter 6-18 X 1,5
8	339666X1	4	Hex. Sock. Screw	M6 X 20
9	3778703M1	2	Hinge	(2)
10	3778745M1	1	Reinforcement	(2)
11	3778746M1	4	Rivet	(2)
12	3778705M1	1	Pad	Right Hand
13	3778706M1	1	Pad	Left Hand
14	3778785M1	2	Gasket	25 X 20 X 230
15	339123X1	2	Hex. Sock. Screw	M8 X 20
16	3010597X1	2	Tab Washer	
17	3713226M1	2	Bridle	
18	390597X1	2	Washer Metric	From Serial or Engine Number K323029 Up to Serial or Engine Number K351001 Diameter 10-30 X 2,5
19	339402X1	2	Nut	From Serial or Engine Number K323029 Up to Serial or Engine Number K351001 M10
20	3784102M1	2	Button	From Serial or Engine Number K323029 Up to Serial or Engine Number K351001 M10 X 40

1-ZU19-008-B



Item	Part Number	Qty	Description	Comments
1	3778252M2	1	Plate Clamping	Right Hand
2	3778055M1	1	Plate Clamping	
3	3712410M1	1	Pocket	Right Hand
4	390597X1	4	Washer Metric	Diameter 10MM
5	339282X1	4	Screw Metric	M10 X 16
6	3714482M1	1	Window	
7	3714481M1	1	Gasket	Length 1438MM
8	339169X1	4	Nut	
9	3619241M1	4	Button	
10	390972X1	4	Washer Metric	
11	3713500M2	1	Stem	
12	3713616M1	2	Clip	
13	3712414M1	1	Pocket	Left Hand
14	3713501M1	1	Stem	
15	3714235M1	8	Nut	M5
16	3712412M1	1	Panel	
17	3712413M2	1	Panel	[K]
	3715179M2	1	Panel	[E]
18	3712925M1	1	Pocket	
19	3712421M2	1	Breech Plate	
20	3712408M1	1	Panel	
21	3714666M1	1	Support	
22	3778253M2	1	Panel	
23	339024X1	2	Washer Metric	
24	3010506X1	21	Screw	M5X16
	3010578X1	2	Screw	M5X10
25	3619609M1	4	Helmet	
26	3778426M1	1	Plate Clamping	[D]
27	3714529M1	4	Nut Special	
28	3715991M1	1	Spacer	
29	339123X1	1	Hex. Sock. Screw	
30	3616277M1	1	Helmet	
31	3715142M1	11	Nut	Thickness 3/5MM
	3715143M1	3	Nut	Thickness 0,5/4MM
32	3580982M1	1	Plug	[A]
33	339169X1	2	Nut	M8
34	3778488M1	1	Grille	[J]
	3778487M1	1	Grille	[I]
35	3010506X1	7	Screw	
36	3715170M1	1	Tap	Replace and repair. Old not interchangeable with new 3715169M1
37	3778506M1	1	Plate	[H]
38	3780626M1	4	Tie	
39	3712984M1	X	Plate	[F,G]
40	3713587M1	X	Plug	[F,G] Diameter 22MM
41	3041932M1	1	Plug	Diameter 13/19MM

FOOTNOTE [A] WITHOUT ROTATING LIGHT

FOOTNOTE [B] WITHOUT DISTRIBUTOR

FOOTNOTE [C] WITH REVERSING GEAR MANUAL

FOOTNOTE [D] WITHOUT REVERSING GEAR MANUAL

FOOTNOTE [E] WITHOUT SECONDARY SEAT

FOOTNOTE [F] WITHOUT AUTOMATIC HITCH

FOOTNOTE [G] LESS PTO

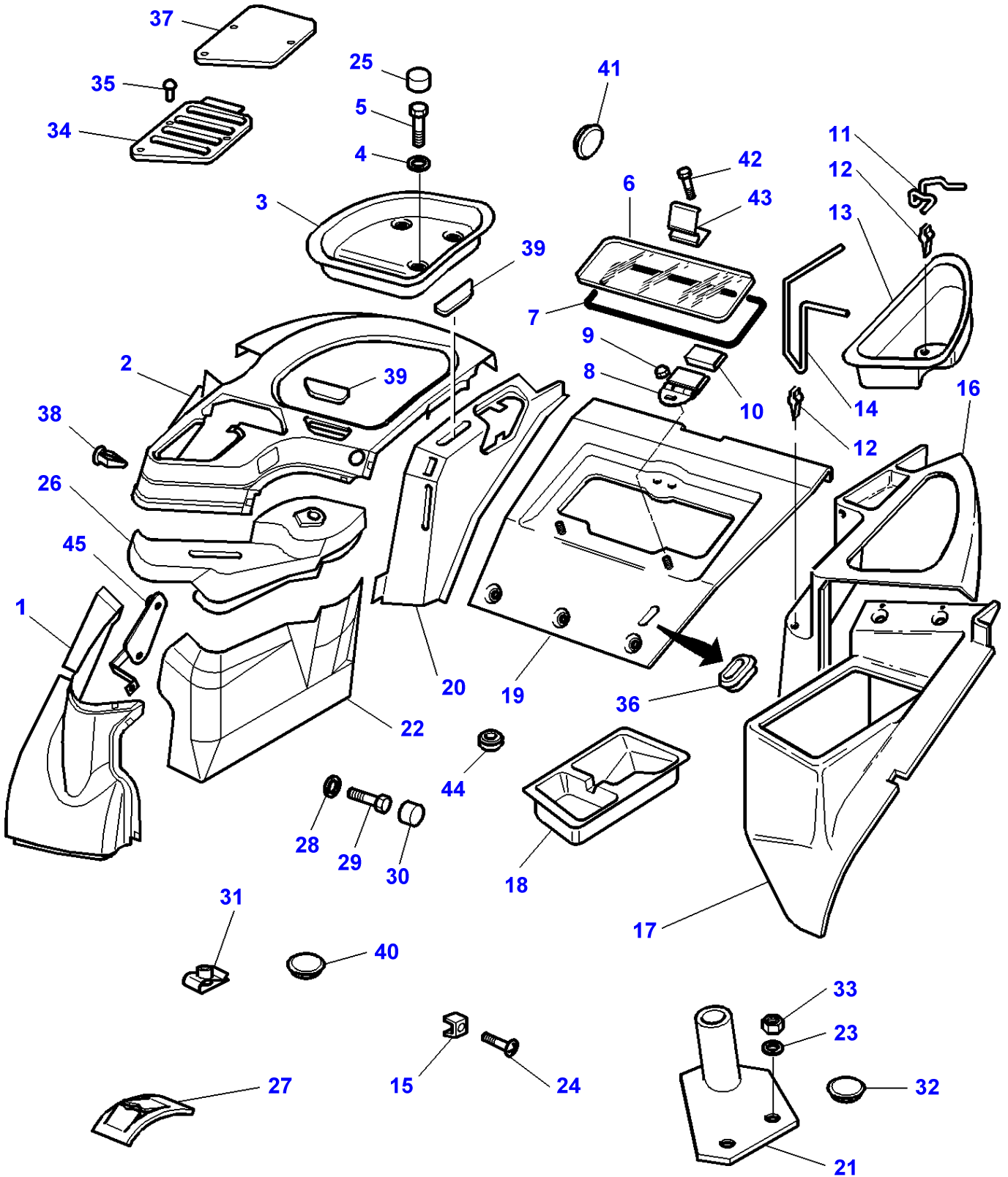
FOOTNOTE [H] WITHOUT HYDRAULIC LIFT

FOOTNOTE [I] WITH 3 DISTRIBUTORS

FOOTNOTE [J] WITH 4 DISTRIBUTORS

FOOTNOTE [K] THE APPROPRIATE SAFETY DECALS MUST BE ORDERED AND FITTED TO THIS PART

1-ZU19-014-A



Item	Part Number	Qty	Description	Comments
1	3778252M2	1	Plate Clamping	Right Hand
2	3778055M1	1	Plate Clamping	Up to Serial or Engine Number 07-JAN-2001
	3784344M1	1	Plate Clamping	From Serial or Engine Number 08-JAN-2001
3	3712410M1	1	Pocket	Right Hand
4	390597X1	4	Washer Metric	Diameter 10MM
5	339282X1	4	Screw Metric	M10 X 16
6	3714482M1	1	Window	
7	3786411M1	1	Gasket	
8	3784336M1	2	Hinge	
9	3902455M1	2	Nut	M6
10	3784894M1	2	Gasket	
11	3713500M2	1	Stem	
12	3713616M1	2	Clip	
13	3712414M1	1	Pocket	Left Hand
14	3713501M1	1	Stem	
15	3714235M1	8	Nut	M5
16	3712412M1	1	Panel	
17	3712413M2	1	Panel	[K]
	3715179M2	1	Panel	[E]
18	3712925M1	1	Pocket	
19	3784347M1	1	Rear Window	
20	3712408M1	1	Panel	
21	3714666M1	1	Support	
22	3778253M2	1	Panel	
23	339024X1	2	Washer Metric	
24	3010506X1	21	Screw	M5X16
	3010578X1	2	Screw	M5X10
25	3619609M1	4	Helmet	
26	3778426M1	1	Plate Clamping	[D]
				Up to Serial or Engine Number 07-JAZN-2001
	3784346M1	1	Plate Clamping	[D]
				From Serial or Engine Number 08-JAN-2001
27	3714529M1	4	Nut Special	
28	3715991M1	1	Spacer	
29	339123X1	1	Hex. Sock. Screw	
30	3616277M1	1	Helmet	
31	3715142M1	11	Nut	Thickness 3/5MM
	3715143M1	3	Nut	Thickness 0,5/4MM
32	3580982M1	1	Plug	[A]
33	339169X1	2	Nut	M8
34	3778488M1	1	Grille	[J]
	3778487M1	1	Grille	[I]
35	3010506X1	7	Screw	
36	3715170M1	1	Tap	Replace and repair. Old not interchangeable with new 3715169M1
37	3778506M1	1	Plate	[H]
38	3780626M1	4	Tie	
39	3712984M1	X	Plate	[F,G]
40	3713587M1	X	Plug	[F,G] Diameter 22MM
41	3041932M1	1	Plug	Diameter 13/19MM
42	3010506X1	2	Screw	M5X16
43	3784337M1	1	Latch	
44	3786228M1	2	Grommet	Diameter 25MM
45	3784364M91	1	Bracket	

FOOTNOTE [A] WITHOUT ROTATING LIGHT

FOOTNOTE [B] WITHOUT DISTRIBUTOR

FOOTNOTE [D] WITHOUT REVERSING GEAR MANUAL

FOOTNOTE [E] WITHOUT SECONDARY SEAT

FOOTNOTE [F] WITHOUT AUTOMATIC HITCH

FOOTNOTE [G] LESS PTO

FOOTNOTE [H] WITHOUT HYDRAULIC LIFT

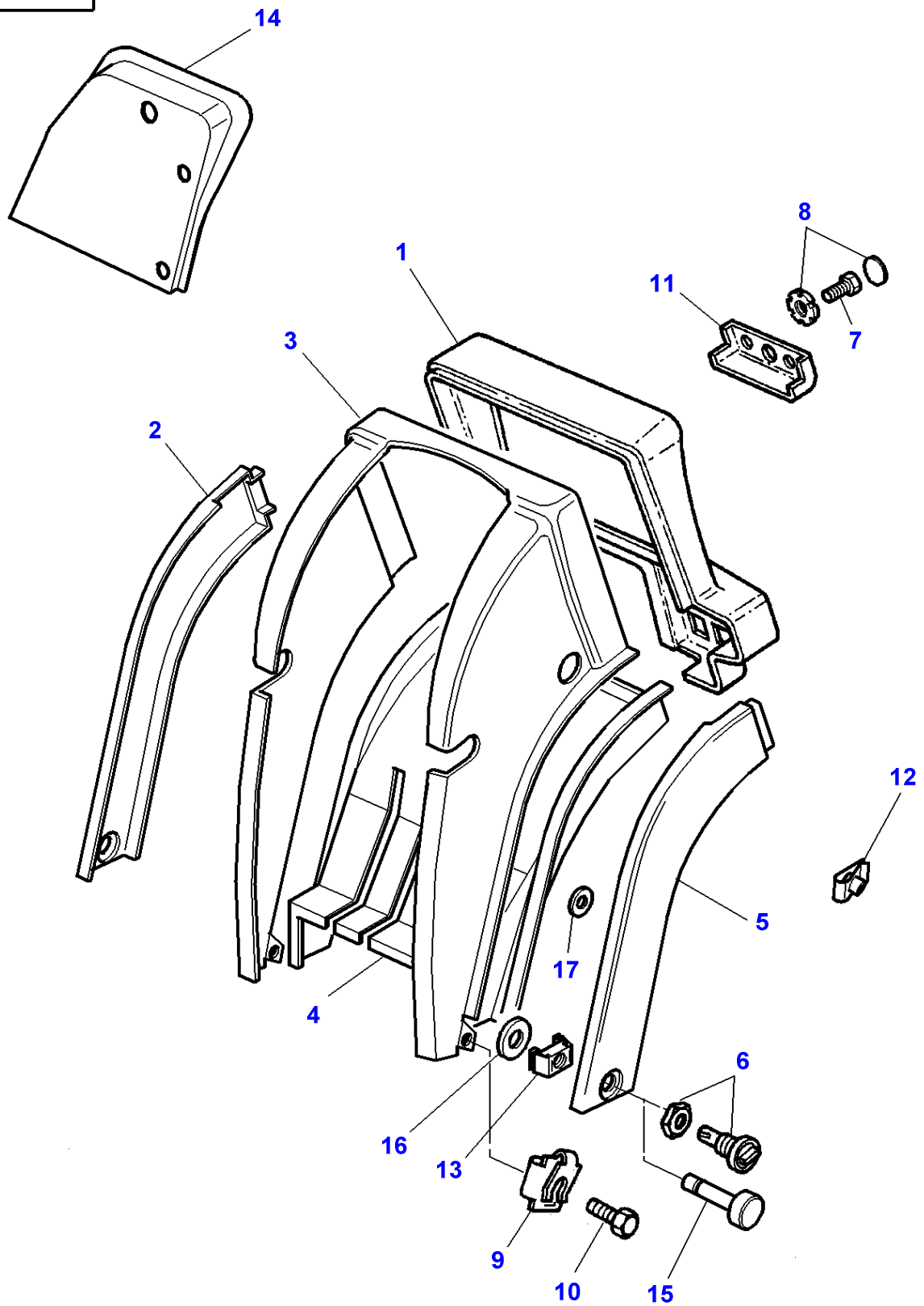
FOOTNOTE [I] WITH 3 DISTRIBUTORS

FOOTNOTE [J] WITH 4 DISTRIBUTORS

FOOTNOTE [K] THE APPROPRIATE SAFETY DECALS MUST BE ORDERED AND FITTED TO THIS PART

MF 8270/8280 TRACTOR - 1637348
1-ZU20-001-C

1-ZU20-001-C



Instrument Panel Cladding

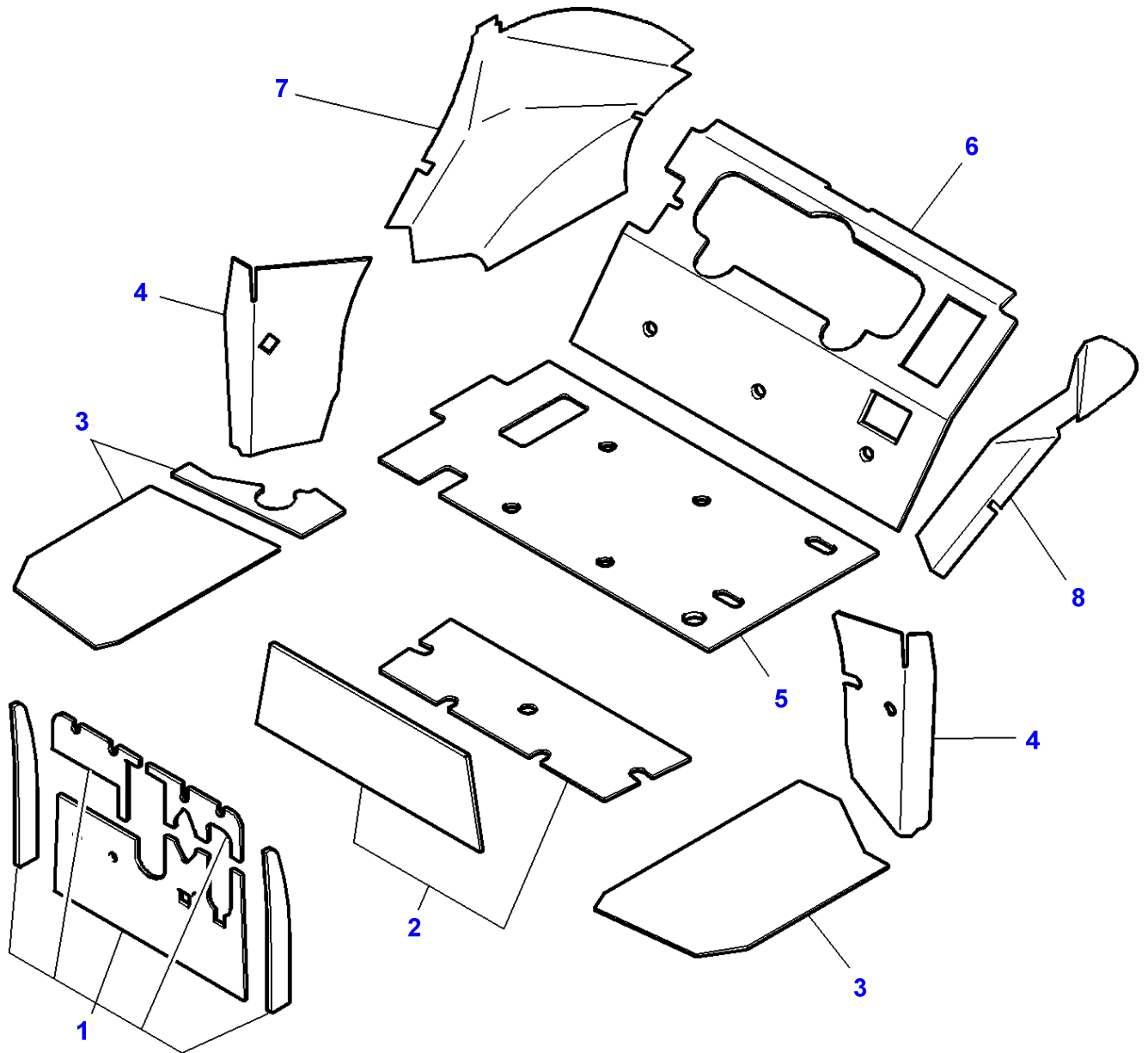
Item	Part Number	Qty	Description	Comments
1	3777603M1	1	Plate Clamping	
2	3712420M1	1	Facing	Up to Serial or Engine Number H259015 Right Hand
	4272597M92	1	Envelope	From Serial or Engine Number H259016 Right Hand
3	4272586M92	1	Envelope	
	4272582M92	1	Envelope	[A]
4	3712417M1	1	Envelope	[B]
	4274762M92	1	Envelope	Up to Serial or Engine Number L038021 [B]
				From Serial or Engine Number L038022
5	3712419M1	1	Facing	Up to Serial or Engine Number H259015 Left Hand
	4272595M92	1	Envelope	From Serial or Engine Number H259016 Left Hand
6	3618739M1	2	Button	Up to Serial or Engine Number H259015
7	339560X1	2	Hex. Sock. Screw	M6 X 16
8	3713550M1	2	Latch	
9	3388231M1	1	Nut	M5
10	3010506X1	7	Screw	M5 X 16
	3010578X1	2	Screw	M5 X 10
11	3714209M1	1	Plate	
12	3715142M1	2	Nut	Thickness 3/5 MM
	3715143M1	1	Nut	Thickness 0,5/4MM
13	3618738M1	2	Clip	Up to Serial or Engine Number H259015
	3782697M1	2	Clamp	From Serial or Engine Number H259016
14	4272590M92	1	Envelope	
15	3782696M1	2	Button	From Serial or Engine Number H259016
16	3782892M1	2	Washer	From Serial or Engine Number H259016
17	1427000M1	2	Washer	

FOOTNOTE [A] WITH MANUAL SHUTTLE SHIFT LEVERS LEFT HAND CONTROLS

FOOTNOTE [B] WITH POWER BRAKES

FOOTNOTE [C] WITHOUT POWER BRAKES

1-ZU11-002-C

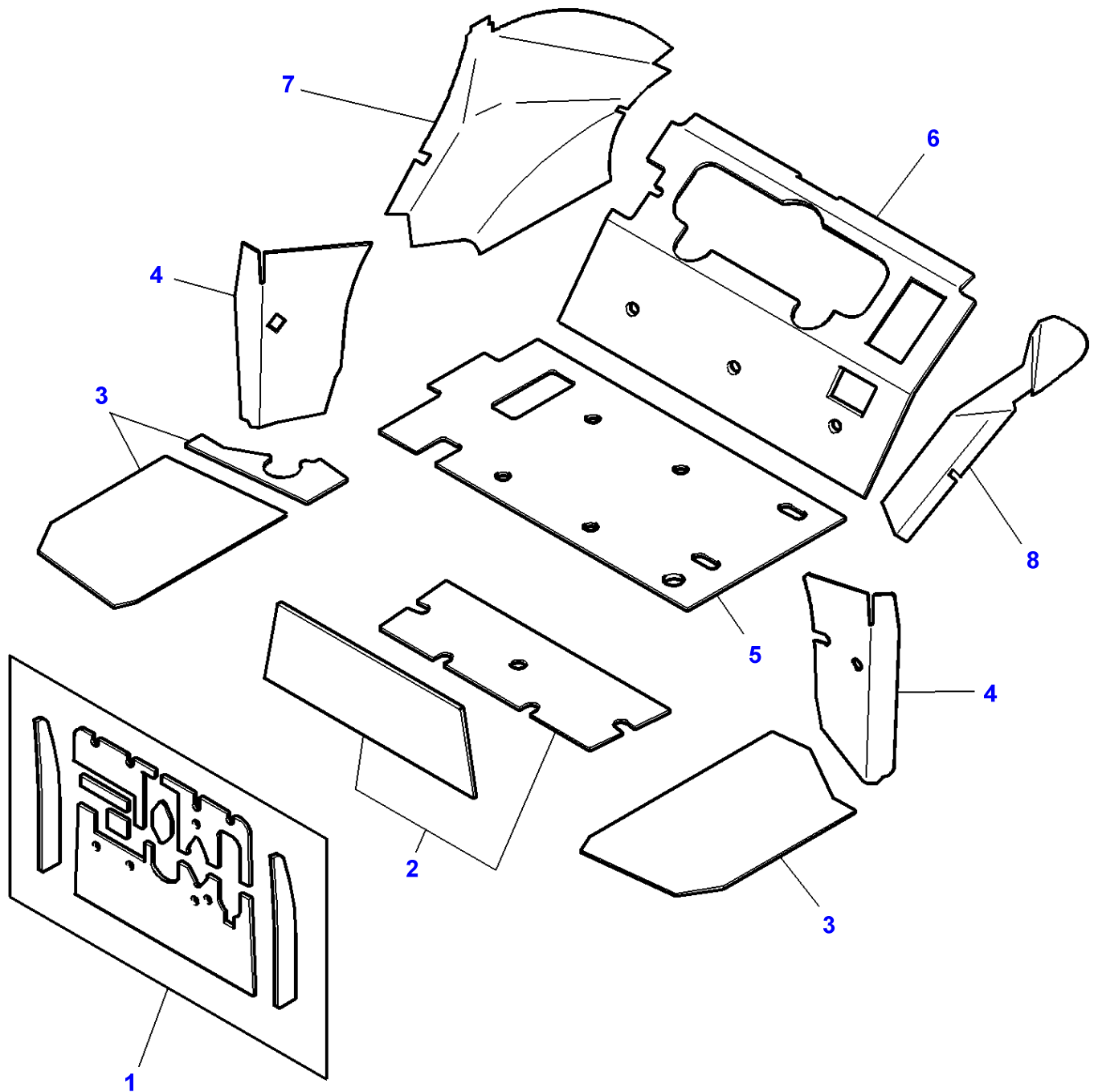


Item	Part Number	Qty	Description	Comments
1	3714448M94	1	Sound Reduction	[B] Up to Serial or Engine Number J312014
	3784349M91	1	Sound Reduction	[B] From Serial or Engine Number J312015
	3713870M93	1	Sound Reduction	[A] Up to Serial or Engine Number J334014
	3784387M91	1	Sound Reduction	[A] From Serial or Engine Number J334015
2	3778445M91	1	Sound Reduction	
3	3713881M93	1	Sound Reduction	
4	3713884M93	1	Sound Reduction	
5	3713899M3	1	Sound Reduction	
6	3713898M5	1	Sound Reduction	Up to Serial or Engine Number J334014
	3784348M1	1	Sound Reduction	From Serial or Engine Number J334015
7	3713897M6	1	Sound Reduction	Right Hand
8	3713896M5	1	Sound Reduction	Left Hand

FOOTNOTE [A] WITH ASSISTED BRAKE

FOOTNOTE [B] WITH MECHANICAL BRAKES

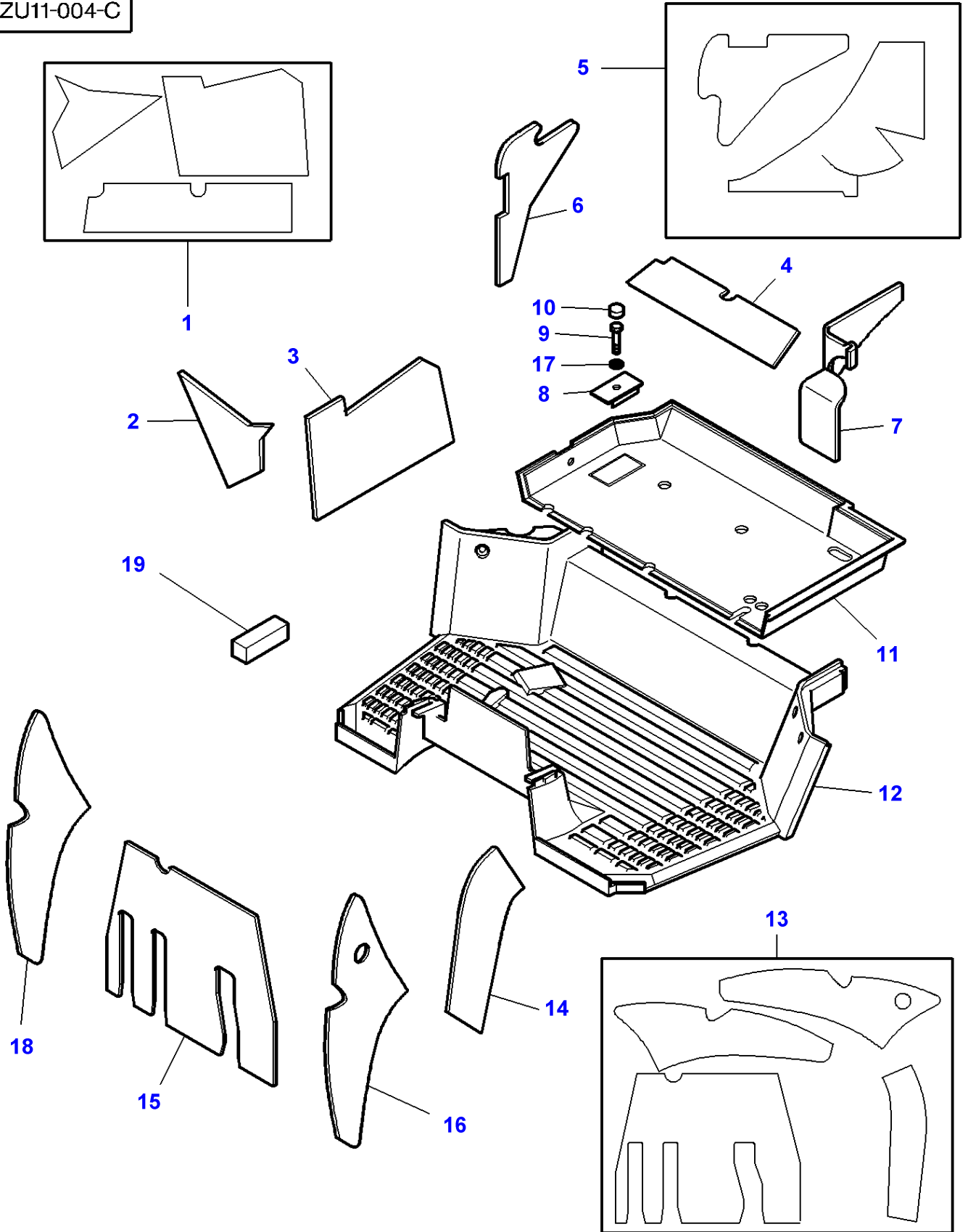
1-ZU11-009-A



Massey Ferguson**MF 8270/8280 TRACTOR - 1637348****1637348****Tractor Cab - Cab Insulation - From Serial or Engine Number L037029****Page 110-0095**

Item	Part Number	Qty	Description	Comments
1	3786453M91	1	Sound Reduction	
2	3778445M91	1	Sound Reduction	
3	3713881M93	1	Sound Reduction	
4	3713884M93	1	Sound Reduction	
5	3713899M3	1	Sound Reduction	
6	3784348M1	1	Sound Reduction	
7	3713897M6	1	Sound Reduction	Right Hand
8	3713896M5	1	Sound Reduction	Left Hand

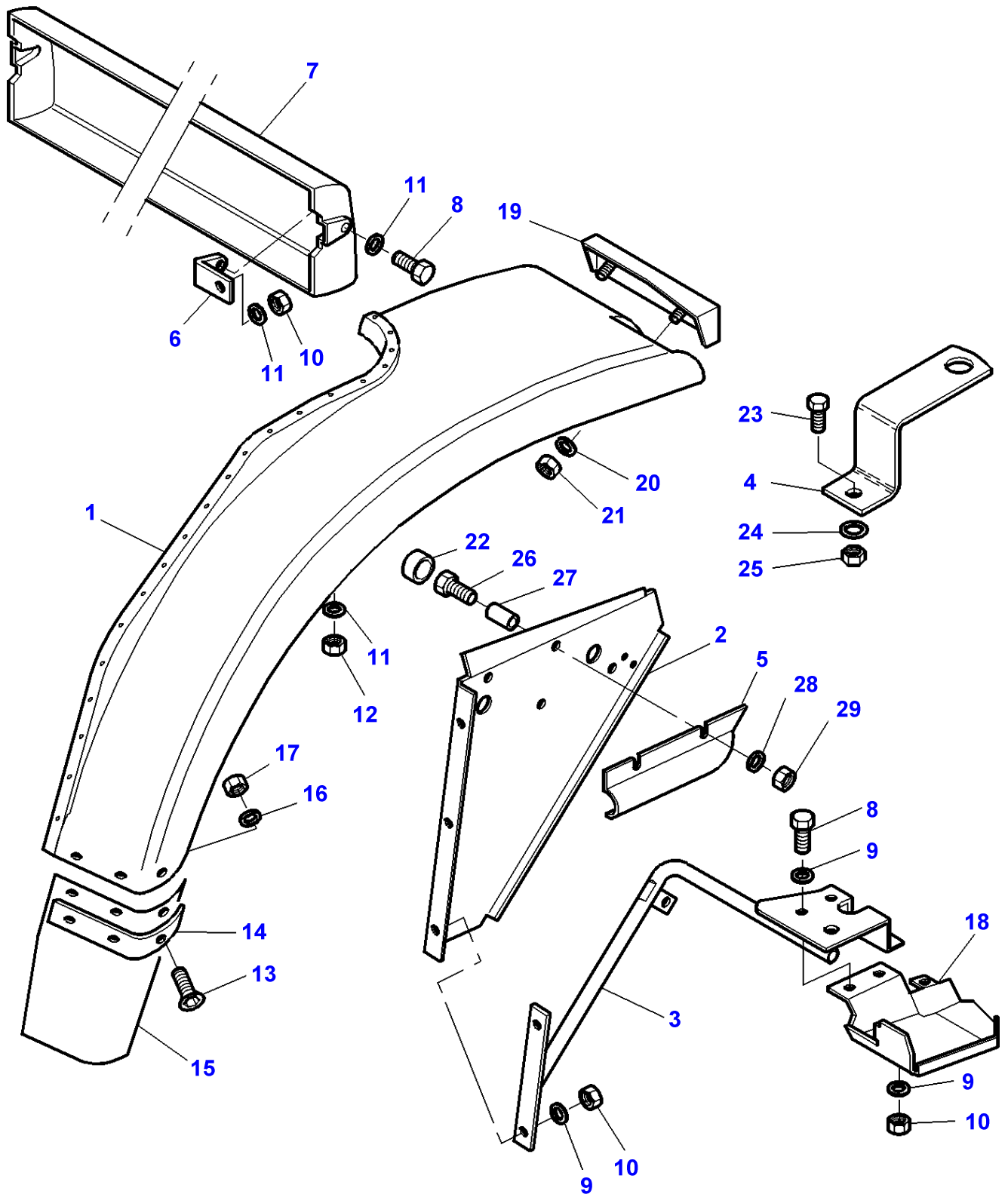
1-ZU11-004-C



Tractor Cab - Cab Insulation

Item	Part Number	Qty	Description	Comments
1	3778448M93	1	Sound Reduction	
2		1	Sound Reduction	(1) Not serviced,order REF.1
3		1	Sound Reduction	(1) Not serviced,order REF.1
4		1	Sound Reduction	(1) Not serviced,order REF.1
5	3778447M91	1	Sound Reduction	
6		1	Sound Reduction	(5) Not serviced,order REF.5
7		1	Sound Reduction	(5) Not serviced,order REF.5
8	3778789M1	1	Helmet	Up to Serial or Engine Number J271000
9	339124X1	1	Hex. Sock. Screw	M8X16 Up to Serial or Engine Number J271000
10	3616277M1	1	Helmet	Up to Serial or Engine Number J271000
11	3777378M4	1	Mat	
12	3777377M2	1	Mat	
13	3778449M93	1	Sound Reduction	
14		1	Sound Reduction	(13) Not serviced,order REF.13
15		1	Sound Reduction	(13) Not serviced,order REF.13
16		1	Sound Reduction	(13) Not serviced,order REF.13
17	390972X1	1	Washer Metric	Up to Serial or Engine Number J271000
18		1	Sound Reduction	(13) Not serviced,order REF.13
19	3779389M1	1	Gasket	30X16X160MM

1-ZU07-003-F

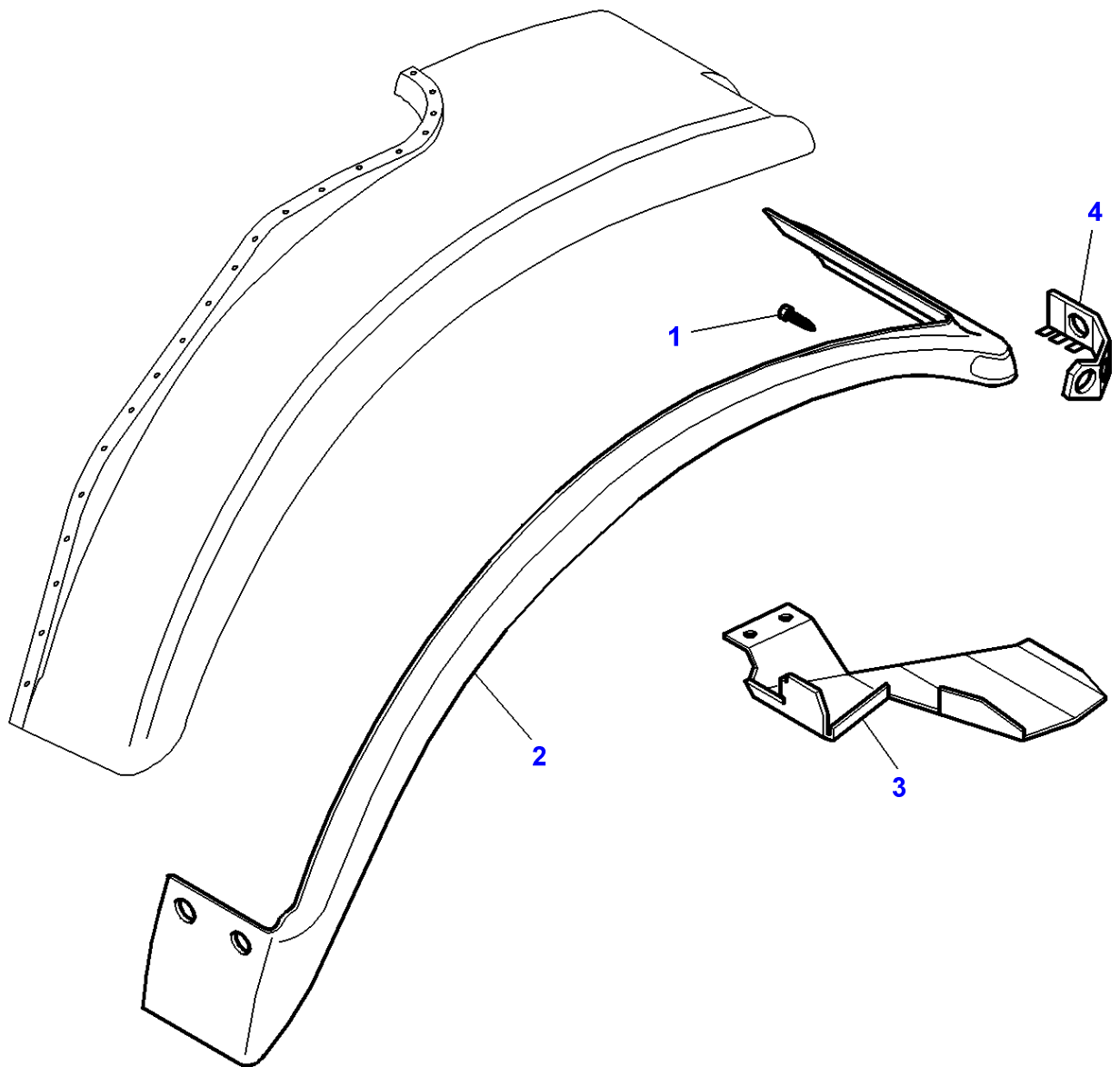


Tractor Cab - Fenders

Item	Part Number	Qty	Description	Comments
1	5015465P2	1	Fender	[A] Left Hand
	5015466P2	1	Fender	[A] Right Hand
2	5015292M6	1	Skirt	Left Hand
	5015293M5	1	Skirt	Right Hand
3	5015287M94	1	Support	Left Hand
	5015288M94	1	Support	Right Hand
4	3783012M2	1	Support	
5	3778897M1	1	Protector	Left Hand
	3778898M1	1	Protector	Right Hand
6	5015298M93	2	Strap	
7	5015296P2	1	Panel	[A]
8	339123X1	14	Hex. Sock. Screw	M8x20
9	385361X1	22	Washer	Diameter 9 MM Diameter 17 MM Thickness 3,2 MM
10	339169X1	26	Nut	M8
11	3010467X1	18	Washer	
12	394367X1	20	Locknut	M8
13	3010909X1	6	Screw	M8X20
14	3782599M2	2	Plate	
15	3781117M2	1	Extension	Left Hand
	3781118M2	1	Extension	Right Hand
16	390972X1	6	Washer Metric	
17	394367X1	6	Locknut	M8
18	3781881M2	1	Cowl	Left Hand
	3781882M2	1	Cowl	Right Hand
19	3781889M1	1	Support	Left Hand
	3781890M1	1	Support	Right Hand
20	390469X1	4	Washer Metric	
21	1441494X1	4	Nut Metric	
22	3616277M1	2	Helmet	
23	339123X1	1	Hex. Sock. Screw	M8x20
24	390972X1	1	Washer Metric	Diameter 8-17X1,7
25	339169X1	1	Nut	M8
26	339291X1	2	Hex. Sock. Screw	M8X55
27	3781233M1	1	Roll	
28	390972X1	2	Washer Metric	
29	394367X1	2	Locknut	M8

FOOTNOTE [A] THE APPROPRIATE SAFETY DECALS MUST BE ORDERED AND FITTED TO THIS PART

1-ZU07-004-B



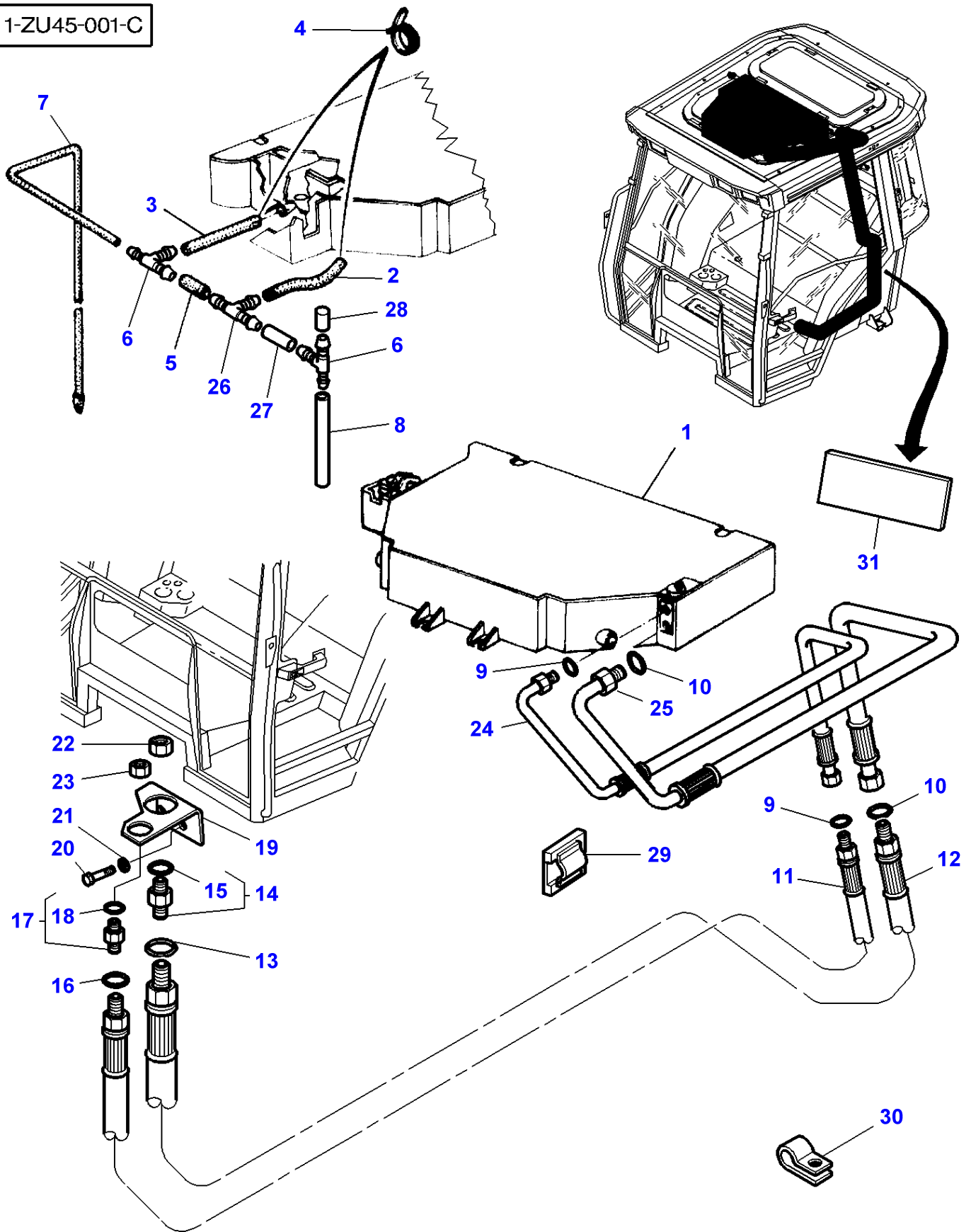
Tractor Cab - Fenders - FENDERS EXTENSION

Item	Part Number	Qty	Description	Comments
1	3782092M1	X	Screw	
2	3781447M2	1	Extension	Left Hand Width 115MM
	3781446M2	1	Extension	Right Hand Width 115MM
	3781449M2	1	Extension	Left Hand Width 205MM
	3781448M2	1	Extension	Right Hand Width 205MM
3	3781883M4	1	Cowl	[A] Left Hand
	3781884M4	1	Cowl	[A] Right Hand
	3781885M4	1	Cowl	[B] Left Hand
	3781886M4	1	Cowl	[B] Right Hand
4	3781891M2	1	Support	Left Hand
	3781892M2	1	Support	Right Hand

FOOTNOTE [A] USED WITH 115MM EXTENSION FENDERS

FOOTNOTE [B] USED WITH 205MM EXTENSION FENDERS

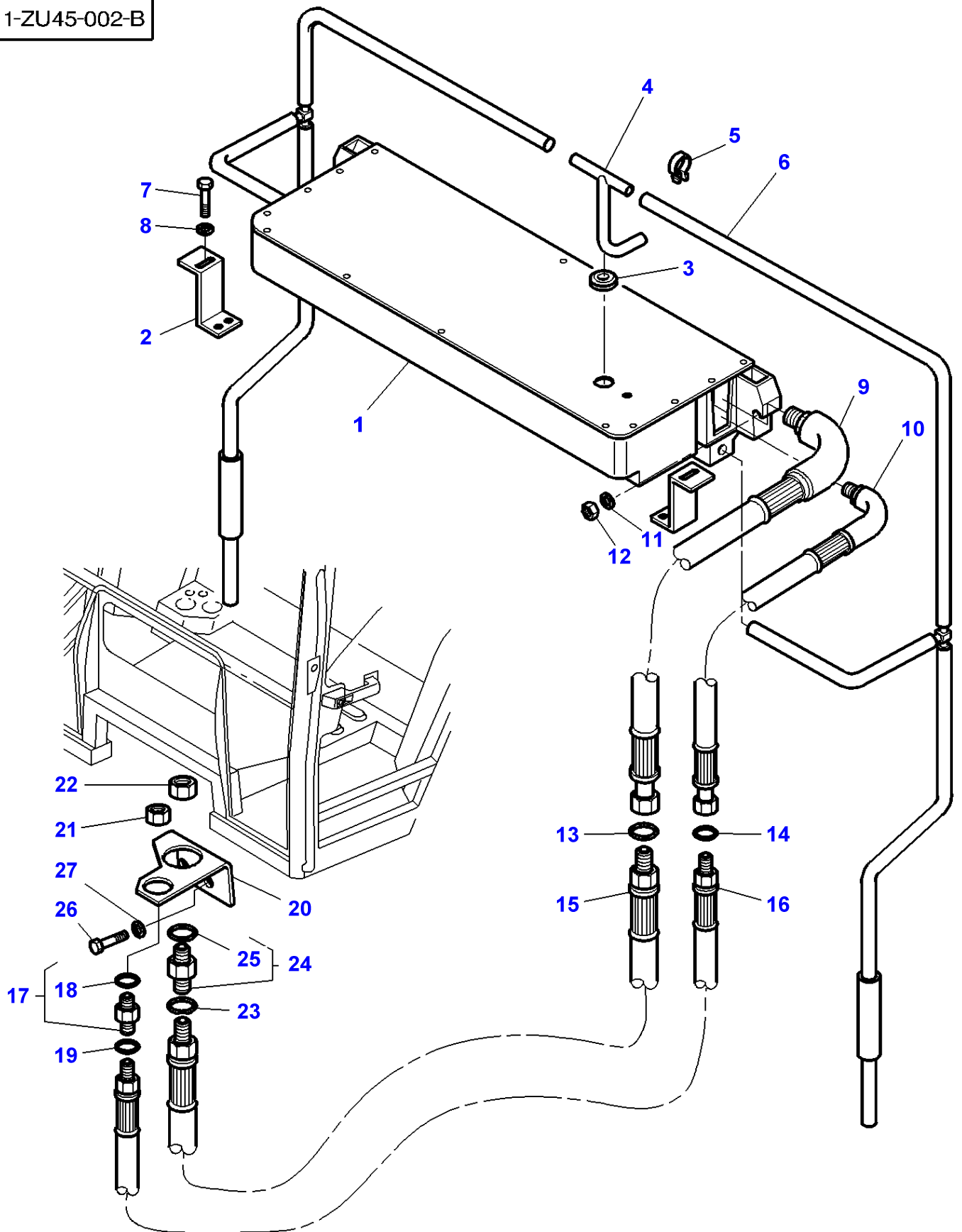
1-ZU45-001-C



Air Conditioner - Hose

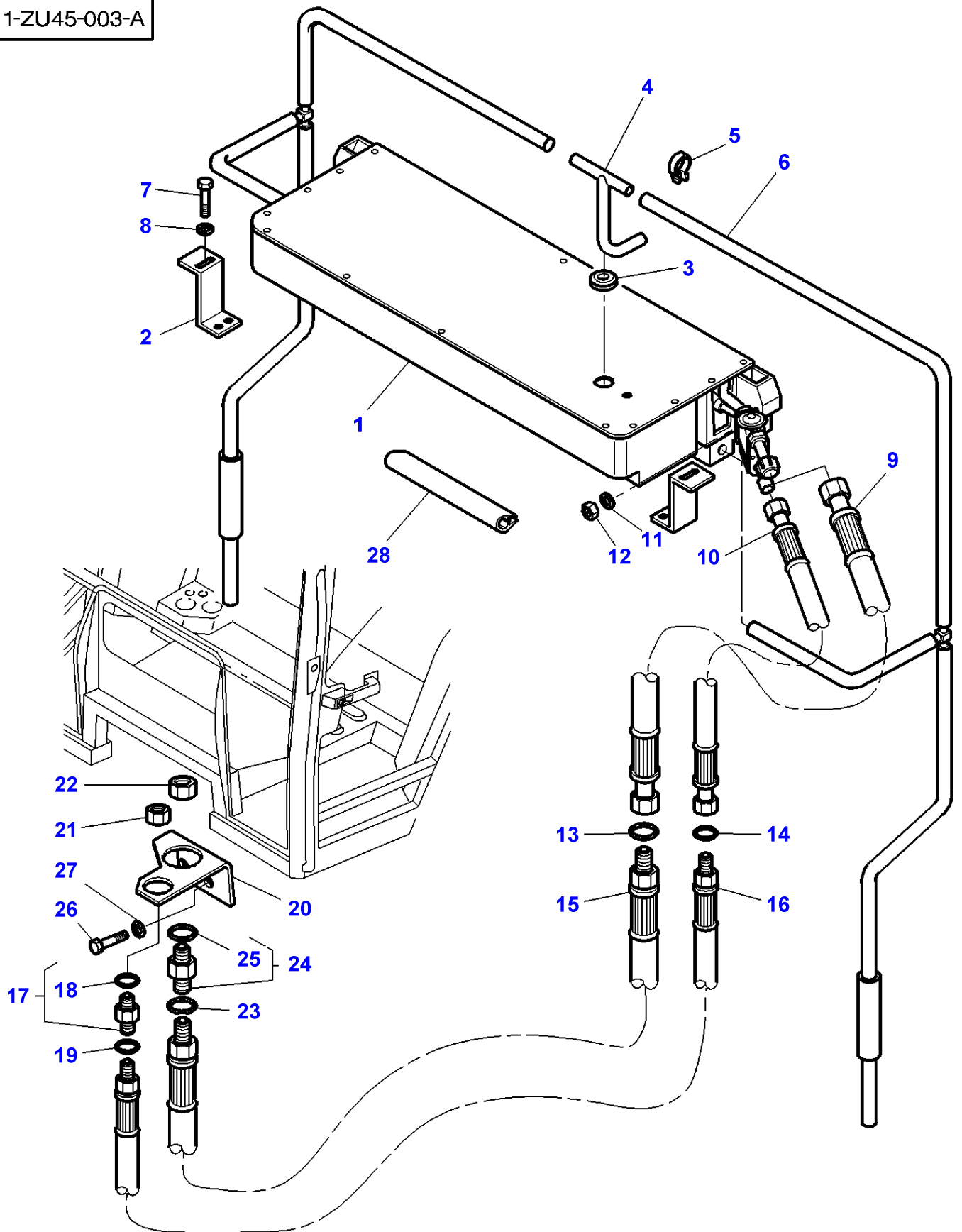
Item	Part Number	Qty	Description	Comments
1	3713375M2	1	Air Conditioner	
2	3777614M1	2	Tube	Diameter 15,9-23MM Length 150MM
3	3777616M1	2	Hose	Diameter 15,9-23MM Length 195MM
4	3000483X1	4	Clamp	Diameter 12-22MM
5	3777613M1	2	Hose	Diameter 15,9-23MM Length 60MM
6	3388779M1	2	Union	Diameter 16-16-08MM
7	3713470M1	2	Hose	Diameter 08-12 Length 165MM
8	3777744M1	2	Tube	Diameter 8MM Length 1500MM
9	3010473X1	2	O Ring	
10	3010471X1	2	O Ring	
11	3714143M1	1	Hydr Hose	
12	3714246M1	1	Hydr Hose	
13	3010502X1	1	O Ring	
14	368544X1	1	Union	
15	3600218M1	1	Joint	(14)
16	3010474X1	1	O Ring	
17	368523X1	1	Union	
18	3600219M1	1	Joint	(17)
19	3713615M1	1	Support	
20	339124X1	2	Hex. Sock. Screw	M8X16
21	390972X1	2	Washer Metric	
22	1691973M1	1	Nut	
23	1691972M1	1	Nut	
24	3713462M1	1	Hydr Hose	
25	3714144M1	1	Hydr Hose	
26	3010683X1	2	Teepiece	Diameter 16-16-16MM
27	3777741M1	2	Hose	Diameter 16MM Length 490MM
28	3777737M1	2	Plug	
29	3582094M1	1	Tie	
30	3581507M1	1	Clamp	
31	3784596M1	1	Gasket	55x165x19

1-ZU45-002-B



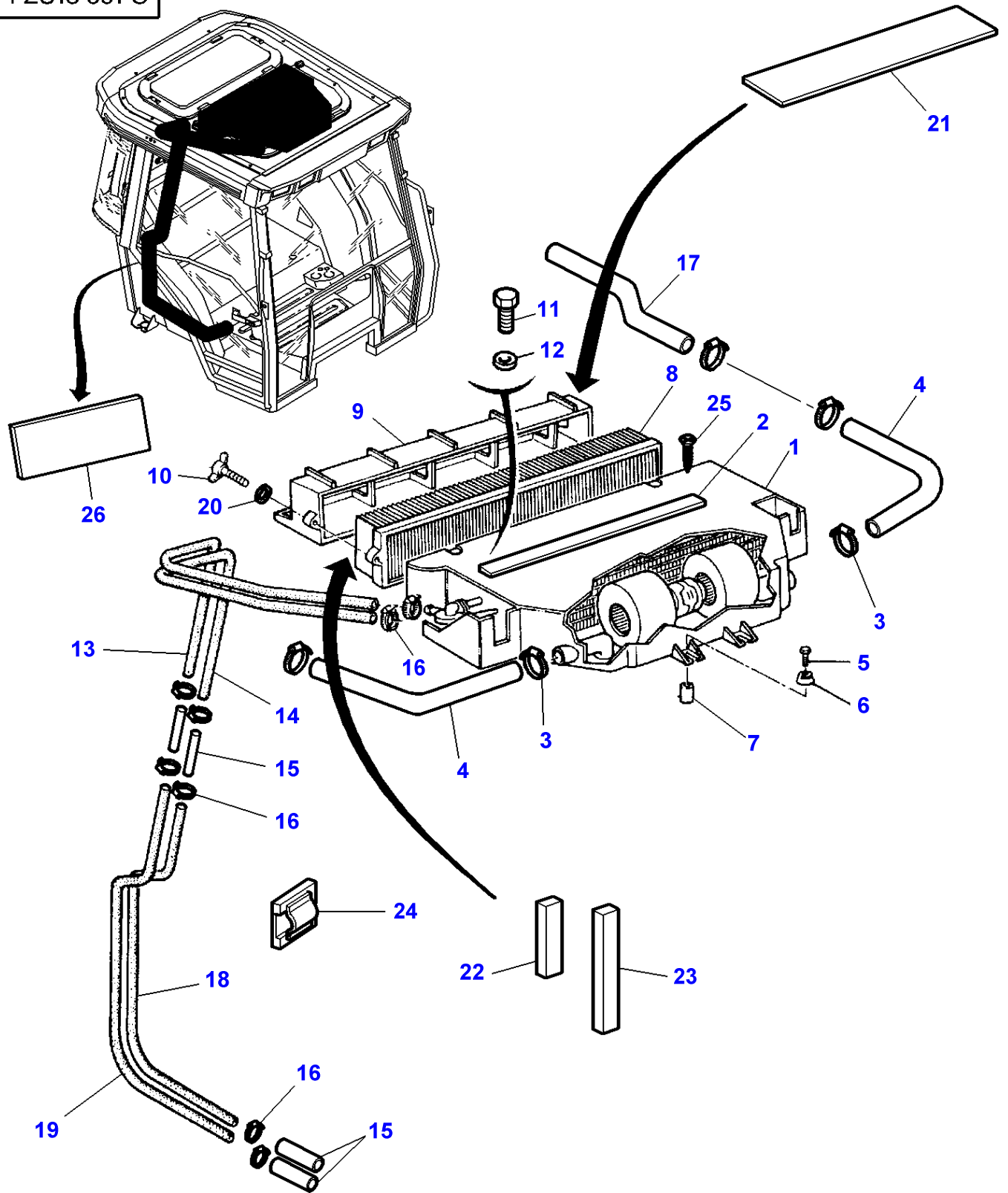
Item	Part Number	Qty	Description	Comments
1	3778116M4	1	Air Conditioner	See Page - Reference Number 110-0170/1
2	3778321M1	2	Strap	
3	3714694M1	1	Grommet	
4	3779905M2	1	Teepiece	
5	3779906M1	1	Clamp	
6	3779892M91	1	Tube	Left Hand
	3779893M91	1	Tube	Right Hand
7	339124X1	2	Hex. Sock. Screw	
8	391039X1	2	Washer Metric	
9	3777707M1	1	Hydr Hose	
10	3777708M1	1	Hydr Hose	
11	391039X1	2	Washer Metric	
12	390345X1	2	Nut Metric	
13	3010471X1	1	O Ring	
14	3010473X1	1	O Ring	
15	3714246M1	1	Hydr Hose	
16	3714143M1	1	Hydr Hose	
17	368523X1	1	Union	
18	3600219M1	1	Joint	(17)
19	3010474X1	1	O Ring	
20	3713373M4	1	Support	
21	1691972M1	1	Nut	
22	1691973M1	1	Nut	
23	3010502X1	1	O Ring	
24	368544X1	1	Union	
25	3600218M1	1	Joint	(24)
26	339124X1	2	Hex. Sock. Screw	M8X16
27	339374X1	2	Lock Washer	

1-ZU45-003-A



Item	Part Number	Qty	Description	Comments
1	3784656M1	1	Air Conditioner	See Page - Reference Number 110-0175/1 MAGNETI MARELLI
2	3778321M1	2	Strap	
3	3714694M1	1	Grommet	
4	3779905M2	1	Teepiece	
5	3779906M1	1	Clamp	
6	3785719M91	1	Tube	Left Hand
	3785720M91	1	Tube	Right Hand
7	339124X1	2	Hex. Sock. Screw	
8	391039X1	2	Washer Metric	
9	3784604M3	1	Hydr Hose	
10	3784605M1	1	Hydr Hose	
11	391039X1	2	Washer Metric	
12	390345X1	2	Nut Metric	
13	3010471X1	1	O Ring	
14	3010473X1	1	O Ring	
15	3714246M1	1	Hydr Hose	
16	3714143M1	1	Hydr Hose	
17	368523X1	1	Union	
18	3600219M1	1	Joint	(17)
19	3010474X1	1	O Ring	
20	3713373M4	1	Support	
21	1691972M1	1	Nut	
22	1691973M1	1	Nut	
23	3010502X1	1	O Ring	
24	368544X1	1	Union	
25	3600218M1	1	Joint	(24)
26	339124X1	2	Hex. Sock. Screw	M8X16
27	339374X1	2	Lock Washer	
28	3580695M1	1	Gasket	Length 1600MM

1-ZU13-001-C



Tractor Cab - Heater Hoses

Item	Part Number	Qty	Description	Comments
1	3713375M2	1	Air Conditioner	[A]
	3713374M1	1	Boot	[B]
2	3713745M1	1	Gasket	15X05X1950
3	338616X1	8	Hose Clip	Diameter 32X50
4	3387515M1	2	Hose	
5	339009X1	4	Hex. Sock. Screw	M8X35
6	3387512M1	8	Buffer	
7	3387513M1	4	Spacer	
8	3388840M2	1	Cab Filter	
	3389746M1	1	Cab Filter	[C]
9	3388743M1	1	Frame Assy	
10	3388758M2	2	Wingbolt	M6X60
				Up to Serial or Engine Number J265017
	3783455M1	2	Screw	M6X60
				From Serial or Engine Number J265018
11	339160X1	1	Screw	M5X10
12	390469X1	1	Washer Metric	
13	3714872M1	1	Hose	Length 1000MM
14	3714871M1	1	Hose	Length 900MM
15	3713469M1	4	Tube	
16	3019564X1	8	Hose Clip	Diameter 16-27
17	3713461M1	2	Hose	
18	3779739M1	1	Hose	Length 1670MM
19	3787686M1	1	Hose	Length 2450MM
20	391038X1	2	Washer	Up to Serial or Engine Number J265017
21	3778497M2	1	Foam	915X150X12MM
22	3778658M1	1	Gasket	38X13X60MM
23	3778659M1	1	Gasket	38X13X80MM
24	3582094M1	1	Tie	
25	380026X1	9	Screw	16X3,5
26	3784596M1	4	Gasket	165X55X19MM

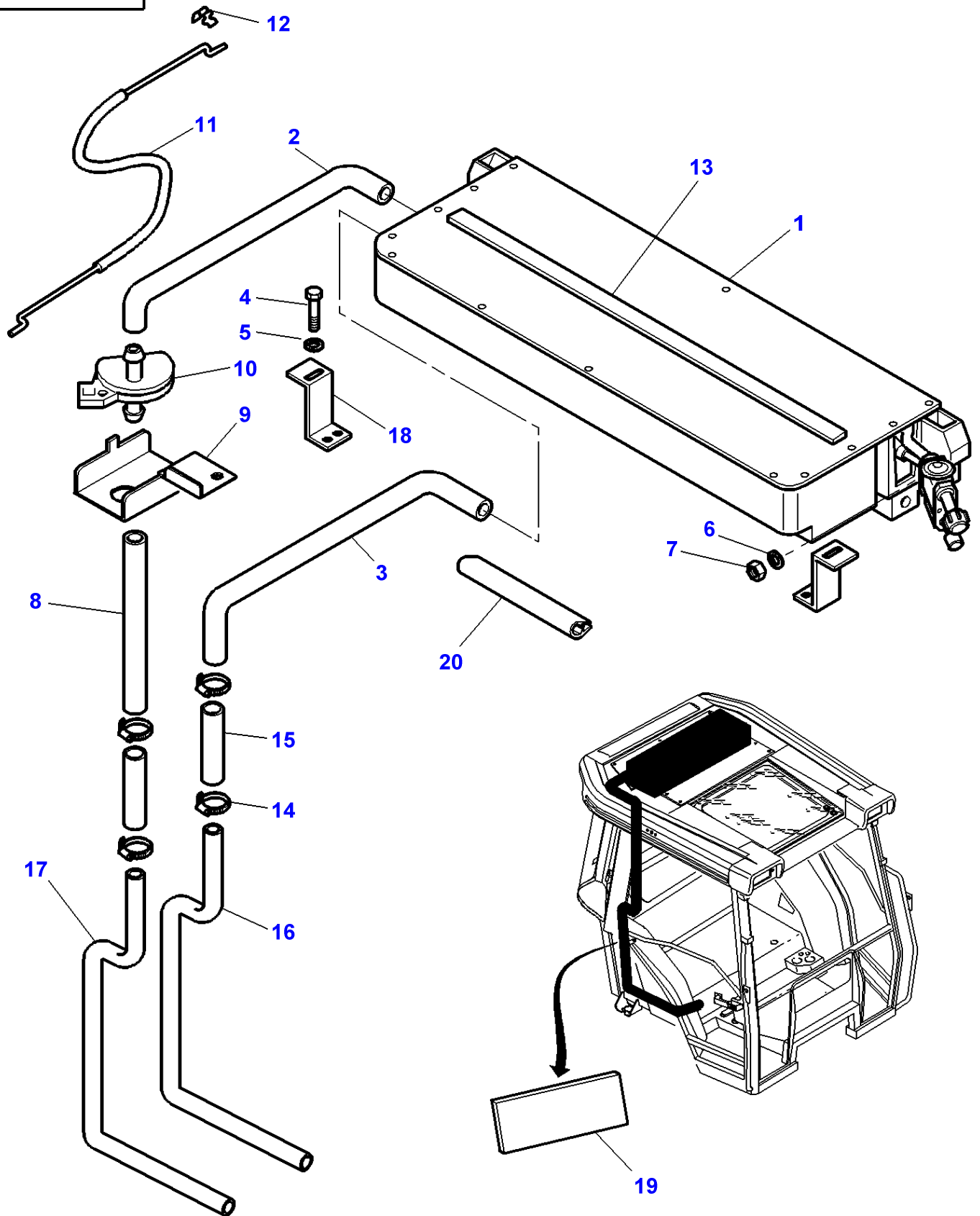
FOOTNOTE [A] WITH CONDITIONED AIR

FOOTNOTE [B] WITHOUT CONDITIONED AIR

FOOTNOTE [C] CARBON FILTER

MF 8270/8280 TRACTOR - 1637348
1-ZU13-002-C

1-ZU13-002-C



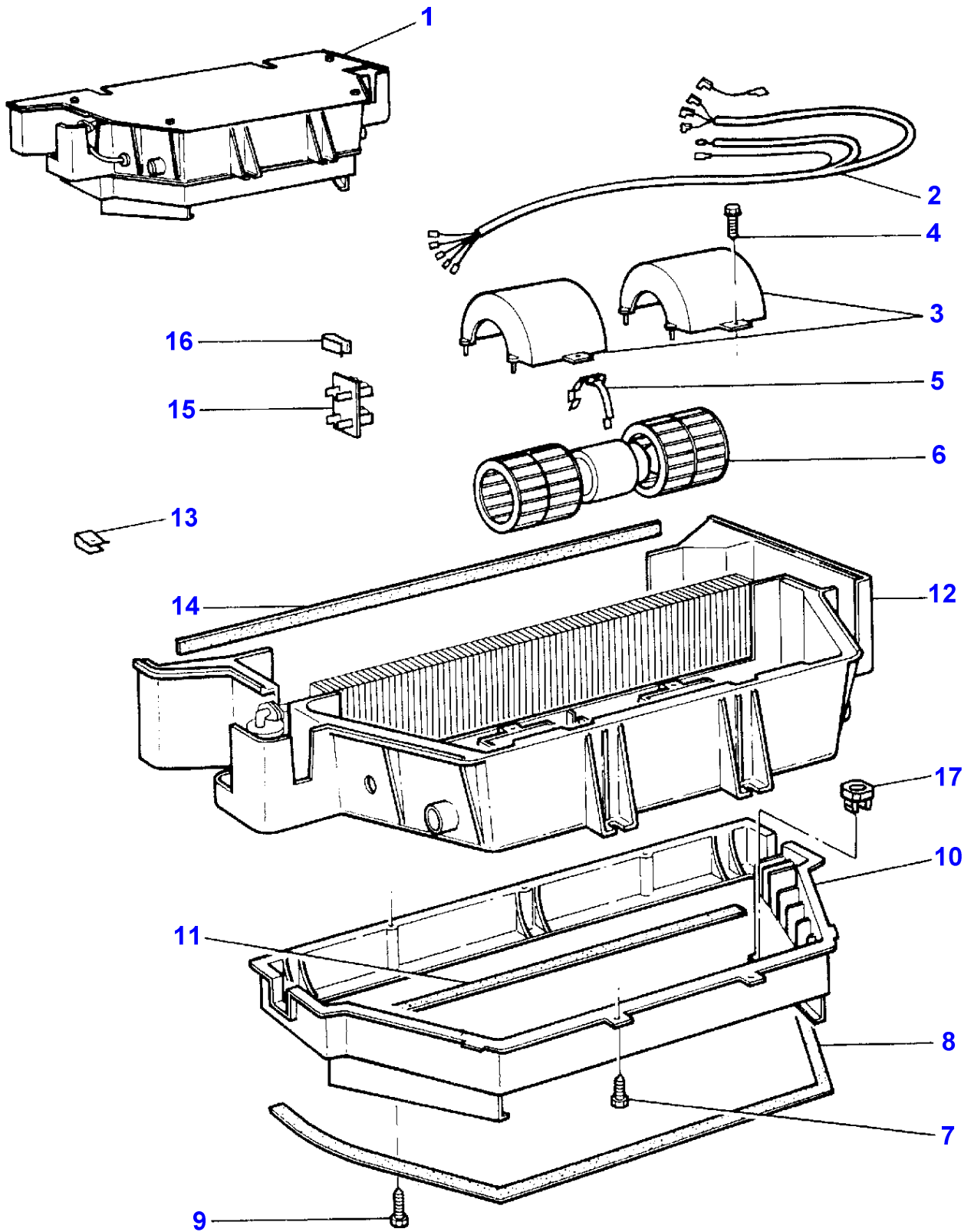
Tractor Cab - Heater Hoses - With High Visibility Roof

Item	Part Number	Qty	Description	Comments
1	3778116M4	1	Air Conditioner	[A] See Page - Reference Number 110-0170/1 Up to Serial or Engine Number J348039
	3784656M1	1	Air Conditioner	[A] See Page - Reference Number 110-0175/1 From Serial or Engine Number J348040
	3778115M2	1	Heater	[B] See Page - Reference Number 110-0150/1 Up to Serial or Engine Number K015006
	3784655M1	1	Heater	[B] See Page - Reference Number 110-0155/1 From Serial or Engine Number K015007
2	3777712M1	1	Hose	[A] Up to Serial or Engine Number J348039
	3777712M1	1	Hose	[B] Up to Serial or Engine Number K015006
	3784602M1	1	Hose	[A] From Serial or Engine Number J348040
	3784602M1	1	Hose	[B] From Serial or Engine Number K015007
3	3777711M1	1	Hose	[A] Up to Serial or Engine Number J348039
	3777711M1	1	Hose	[B] Up to Serial or Engine Number K015006
	3784603M1	1	Hose	[A] From Serial or Engine Number J348040
	3784603M1	1	Hose	[B] From Serial or Engine Number K015007
4	339124X1	2	Hex. Sock. Screw	M8X16
5	391039X1	2	Washer Metric	
6	391039X1	2	Washer Metric	
7	390345X1	2	Nut Metric	
8	3778361M1	1	Water Hose	Length 500MM
9	3778366M2	1	Support	
10	1694047M1	1	Cock	
11	3902700M2	1	Cable	
12	1696477M1	1	Clip	
13	3713745M1	1	Gasket	15X05X1950
14	3000483X1	4	Clamp	
15	3713469M1	2	Tube	
16	3779739M1	1	Hose	Length 1670MM
17	3714873M1	1	Hose	Length 2350MM
18	3778321M1	2	Strap	
19	3784596M1	4	Gasket	165X55X19MM
20	3580695M1	1	Gasket	Length 1600MM

FOOTNOTE [A] WITH CONDITIONED AIR

FOOTNOTE [B] WITHOUT CONDITIONED AIR

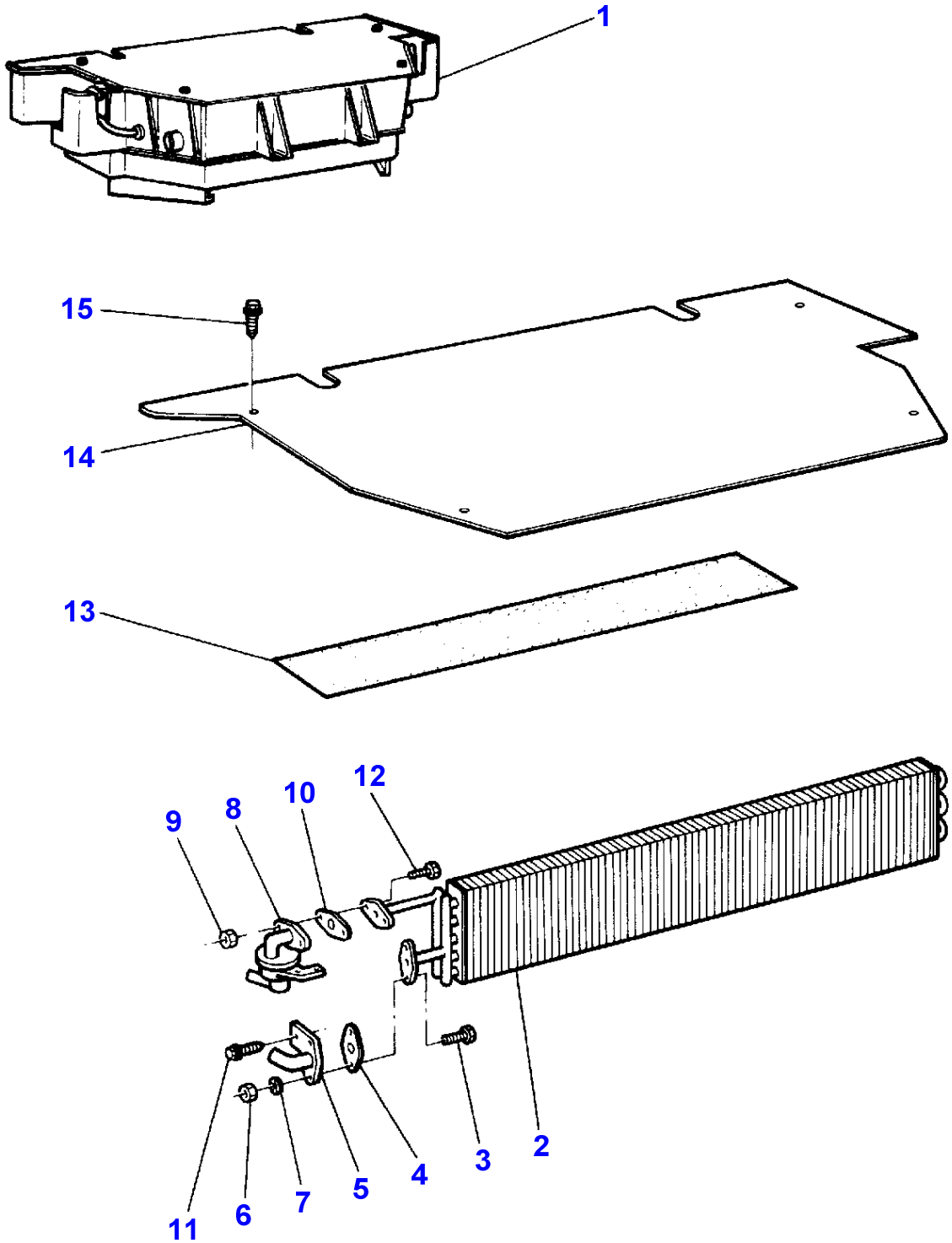
1-ZU12-002-A



Tractor Cab - Heater

Item	Part Number	Qty	Description	Comments
1	3713374M1	1	Boot	
2	3310850M1	1	Harness	(1)
3	3310833M1	2	Cover	(1)
4	3310837M1	4	Screw	(1)
5	3902320M1	1	Strap	(1)
6	3310831M91	1	Motor	(1)
7	3310837M1	6	Screw	(1)
8	3902322M1	1	Foam	(1)
9	3310841M1	3	Screw	(1)
10	3310840M1	1	Housing	(1)
11	3310843M1	1	Foam	(1)
12	3310848M1	1	Housing	(1)
13	3310842M1	9	Strap	(1)
14	3310849M1	1	Foam	(1)
15	3304510M92	1	Resistor	(1)
16	3310834M1	1	Strap	(1)
17	3583649M1	1	Nut Special	

1-ZU12-003-A

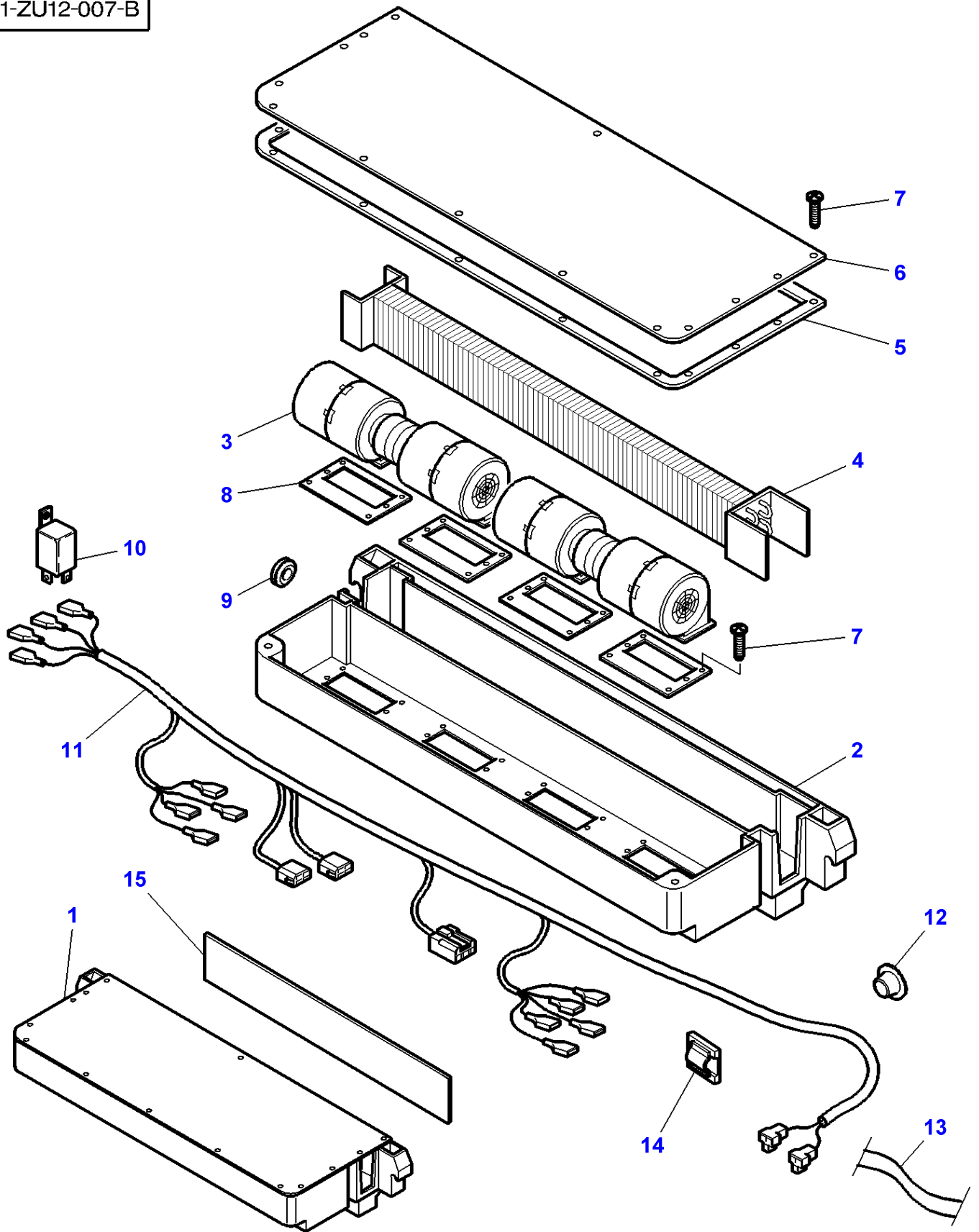


Tractor Cab - Heater

Item	Part Number	Qty	Description	Comments
1	3713374M1	1	Boot	
2	3310827M92	1	Radiator	(1)
3	3902089M1	2	Screw	(1)
4	3902327M1	1	Gasket	(1)
5	3310946M1	1	Elbow	(1)
6	3902090M1	2	Nut	(1)
7	3902090M1	2	Nut	(1)
8	3310945M1	1	Cock	(1)
9	3902090M1	2	Nut	(1)
10	3902327M1	1	Gasket	(1)
11	3902089M1	1	Screw	(1)
12	3902089M1	2	Screw	(1)
13	3902332M1	1	Foam	(1)
14	3310839M1	1	Plate	(1)
15	3310837M1	5	Screw	(1)

MF 8270/8280 TRACTOR - 1637348
1-ZU12-007-B

1-ZU12-007-B

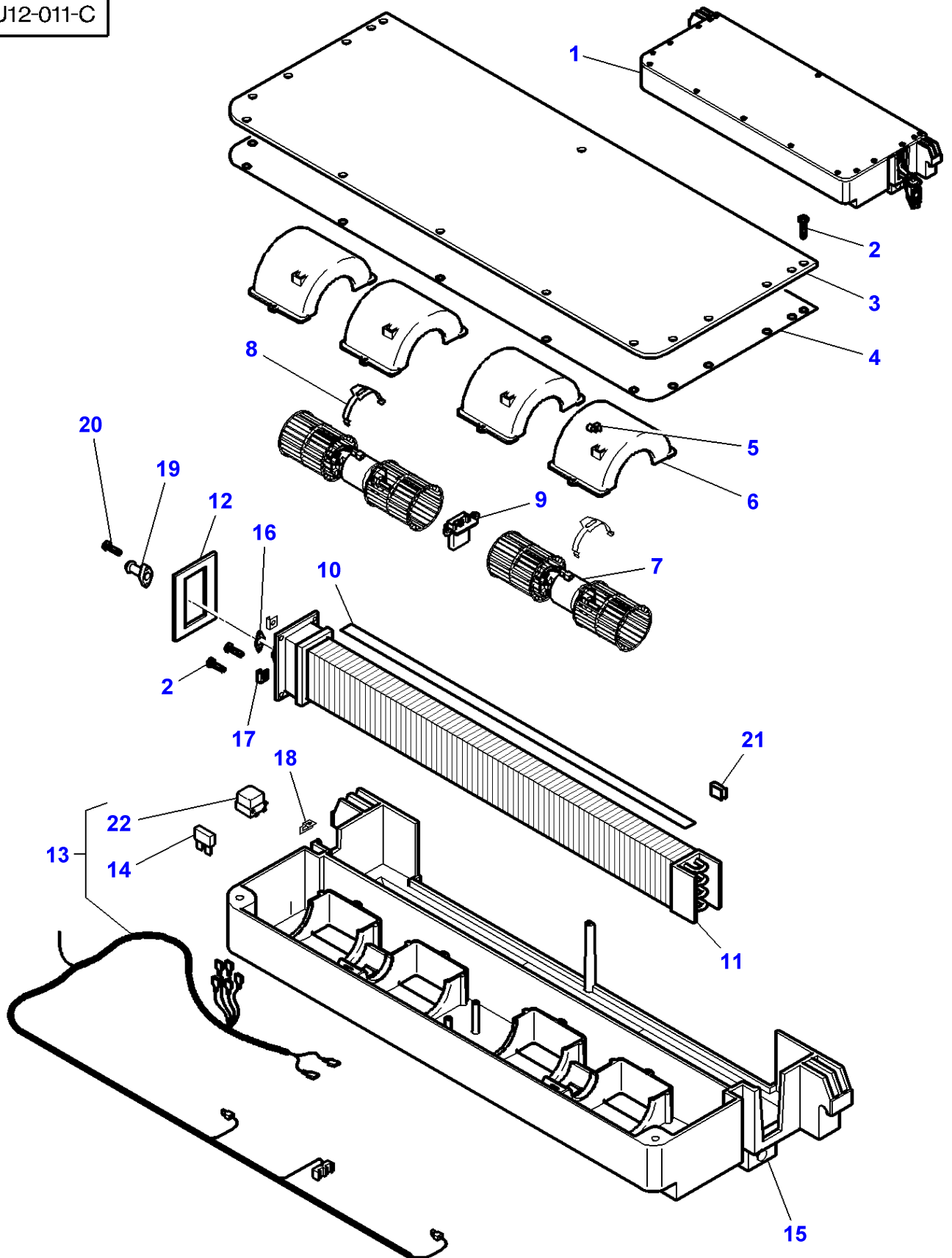


Item	Part Number	Qty	Description	Comments
1	3778115M2	1	Heater	
2	3901499M1	1	Housing	(1)
3	3901501M91	2	Blower	(1) Up to Serial or Engine Number J207026
	3904158M91	2	Blower	[A] (1) From Serial or Engine Number J207027
4	3901502M1	1	Radiator	(1)
5	3901506M1	1	Seal	(1)
6	3901500M1	1	Plate	(1)
7	3902719M1	26	Screw	(1)
8	3901505M1	4	Seal	(1) Up to Serial or Engine Number J207026
	3901980M1	4	Gasket	(1) From Serial or Engine Number J207027
9	3901503M1	1	Grommet	(1)
10	3611893M1	1	Relay	(1)
11	3902720M91	1	Harness	(1) Up to Serial or Engine Number J207026
	3904163M91	1	Harness	(1) From Serial or Engine Number J207027
12	3901512M1	2	Cap	(1)
13	3901504M1	1	Tape	(1) Length 0.10M
14	3582094M1	4	Tie	
15	3901983M1	1	Seal	(1) From Serial or Engine Number J207027 670 X 50 X 3MM

FOOTNOTE [A] WITH RESISTOR

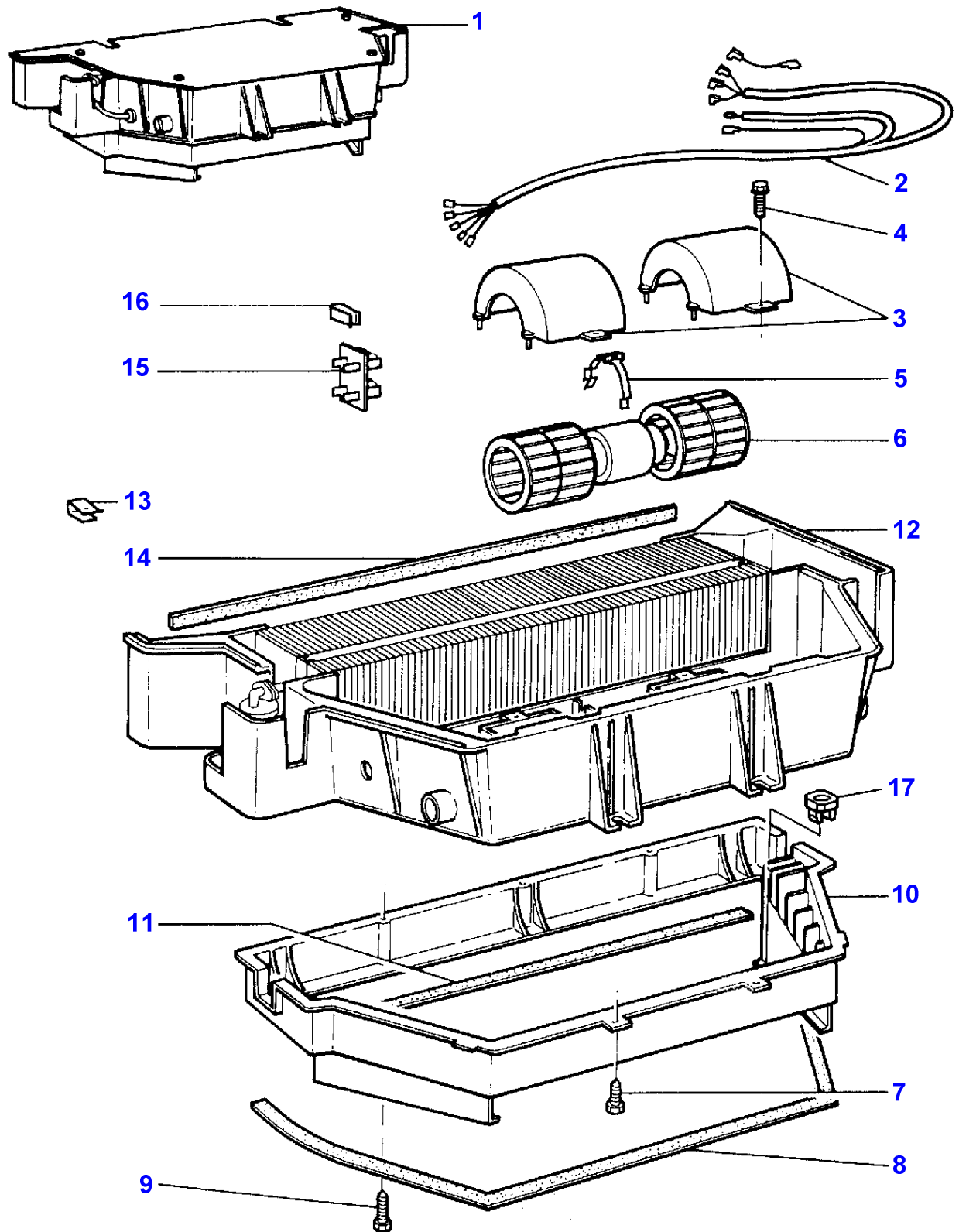
MF 8270/8280 TRACTOR - 1637348
1-ZU12-011-C

1-ZU12-011-C



Item	Part Number	Qty	Description	Comments
1	3784655M1	1	Heater	MAGNETI MARELLI
2	3810819M1	29	Screw	(1) 3.5 X 16
3	3904291M1	1	Cover	(1)
4	3904293M1	1	Seal	(1)
5	3904307M1	2	Clip	(1)
6	3904294M1	4	Cover	(1)
7	3904296M1	2	Blower	(1)
8	3904297M1	2	Spring Clip	(1)
9	3904295M1	1	Resistor	(1)
10	3904318M1	1	Gasket	(1)
11	3904324M1	1	Radiator	(1)
12	3904317M1	1	Gasket	(1)
13	3904312M1	1	Harness	(1)
14	4271803M1	1	Fuse	(13) 50A
15	3904290M1	1	Housing	(1)
16	3902327M1	1	Gasket	(1)
17	3902090M1	2	Nut	(1)
18	3904304M1	1	Bracket	(1)
19	3904314M1	1	Union	(1)
20	3904319M1	2	Screw	(1)
21	3310834M1	1	Strap	(1)
22	3611893M1	1	Relay	(13) 12v - 40Amp Replace and repair. Old not interchangeable with new 3904552M1

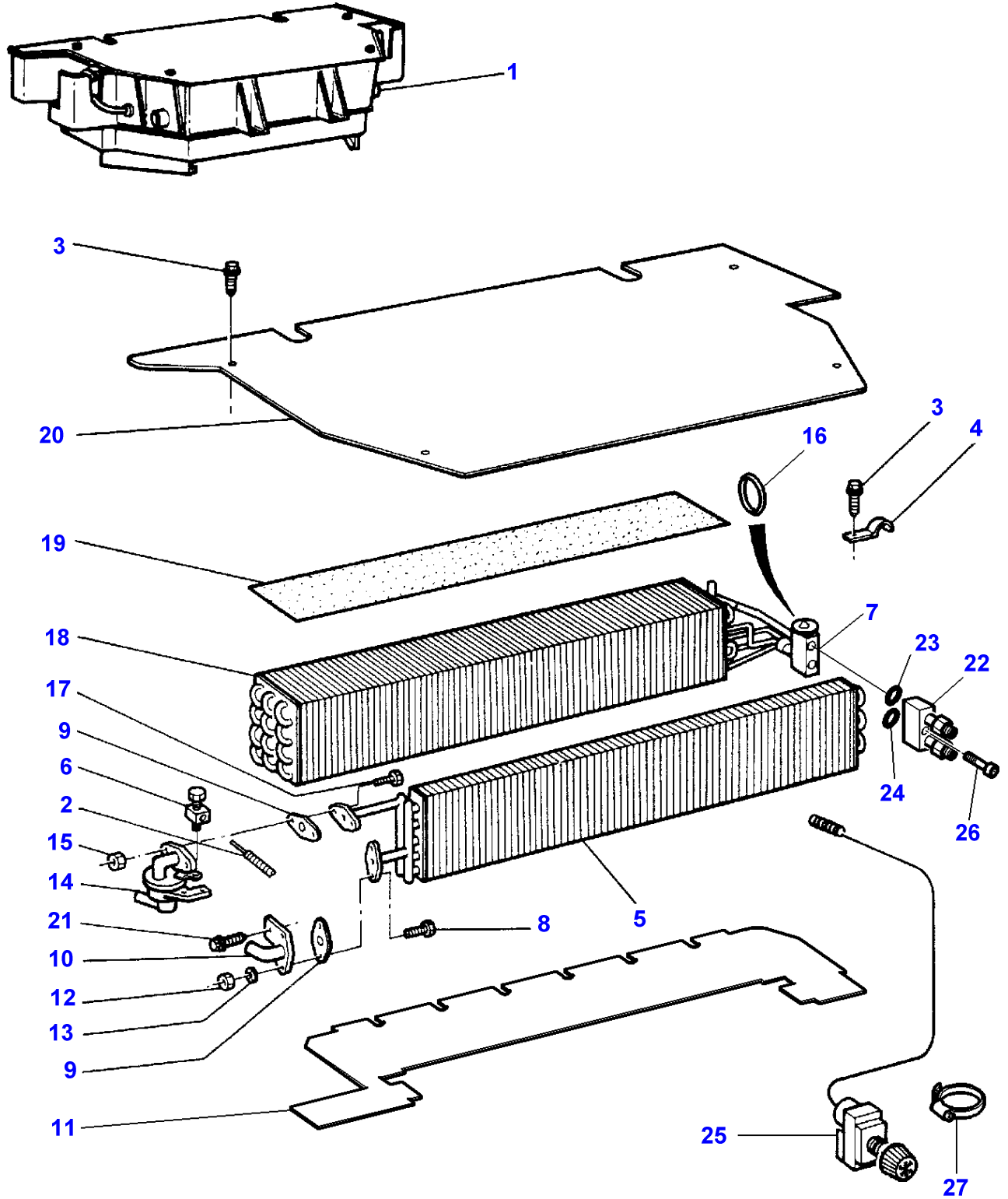
1-ZU44-001-A



Air Conditioner

Item	Part Number	Qty	Description	Comments
1	3713375M2	1	Air Conditioner	
2	3902318M91	1	Harness	(1)
3	3310833M1	2	Cover	(1)
4	3310837M1	4	Screw	(1)
5	3902320M1	1	Strap	(1)
6	3310831M91	1	Motor	(1)
7	3310837M1	6	Screw	(1)
8	3902322M1	1	Foam	(1)
9	3310841M1	3	Screw	(1)
10	3310840M1	1	Housing	(1)
11	3310843M1	1	Foam	(1)
12	3310825M1	1	Housing	(1)
13	3310842M1	9	Strap	(1)
14	3310849M1	1	Foam	(1)
15	3304510M92	1	Resistor	(1)
16	3310834M1	1	Strap	(1)
17	3583649M1	1	Nut Special	(1)

1-ZU44-002-A

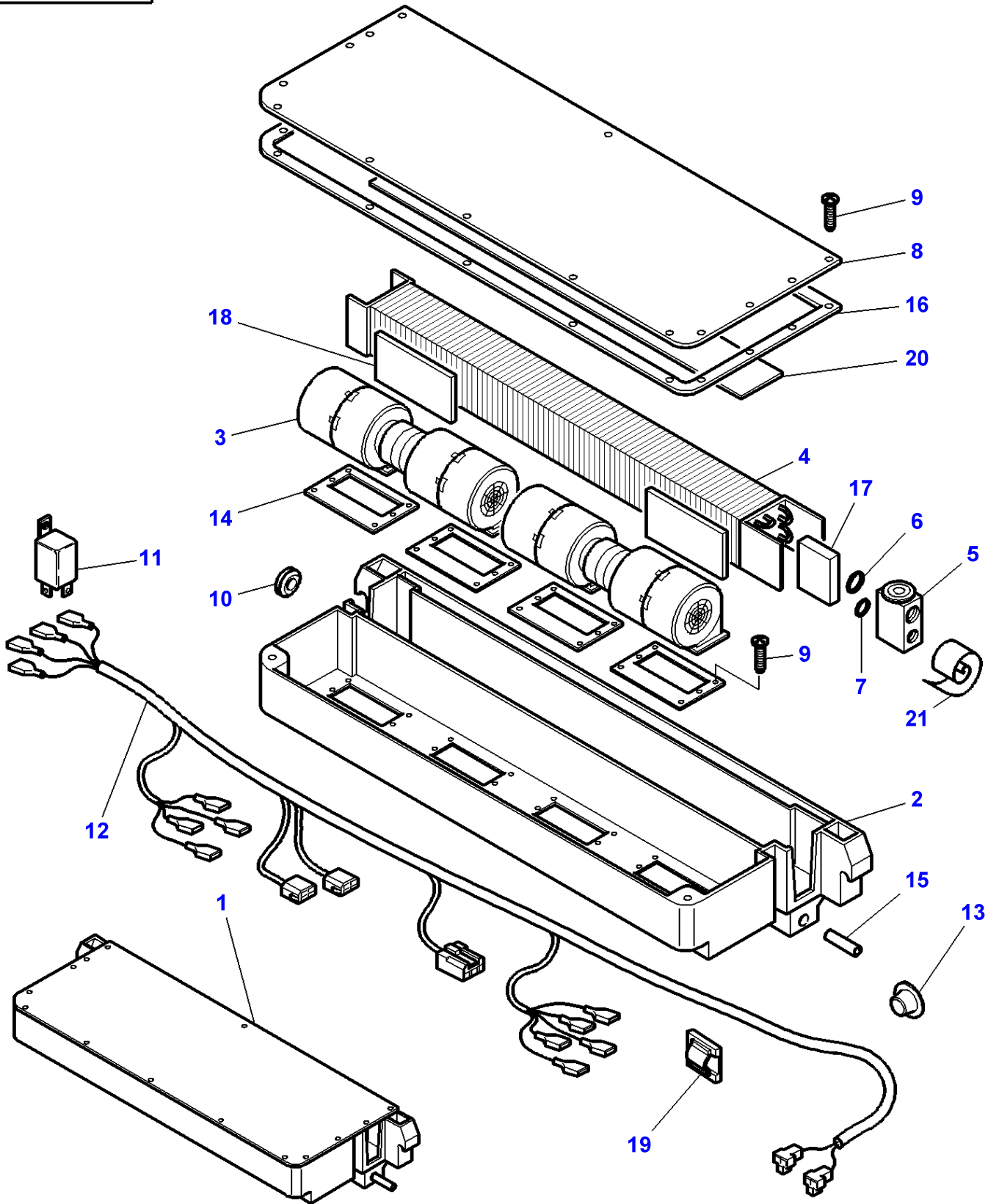


Air Conditioner

Item	Part Number	Qty	Description	Comments
1	3713375M2	1	Air Conditioner	
2	3902212M2	1	Cable	
3	3310837M1	6	Screw	(1)
4	3310836M1	1	Strap	(1)
5	3310827M92	1	Radiator	(1)
6	3311579M91	1	Union	(1)
7	3902334M91	1	Regulator	(1)
8	3902089M1	2	Screw	(1)
9	3902327M1	2	Gasket	(1)
10	3310946M1	1	Elbow	(1)
11	3902329M2	1	Plate	(1)
12	3902090M1	2	Nut	(1)
13	3902090M1	2	Nut	(1)
14	3310945M1	1	Cock	(1)
15	3902090M1	2	Nut	(1)
16	3902499M1	1	Gasket	(1)
				Diameter 6,7MM
	3902500M1	3	Gasket	(1)
				Diameter 13,4MM
17	3902089M1	2	Screw	(1)
18	3902331M92	1	Evaporator	(1)
19	3902332M1	1	Foam	(1)
20	3310839M1	1	Plate	(1)
21	3902089M1	2	Screw	(1)
22	3902549M91	1	Connection	(1)
23	3902550M1	1	O Ring	(1)
				Diameter 6,7X1,8MM
24	3902551M1	1	O Ring	(1)
				Diameter 13,4X2,4MM
25	3310669M92	1	Thermostat	(1)
26	3015257X1	2	Screw Metric	(1)
				M6X55
27	3000483X1	2	Clamp	

MF 8270/8280 TRACTOR - 1637348
1-ZU44-003-B

1-ZU44-003-B

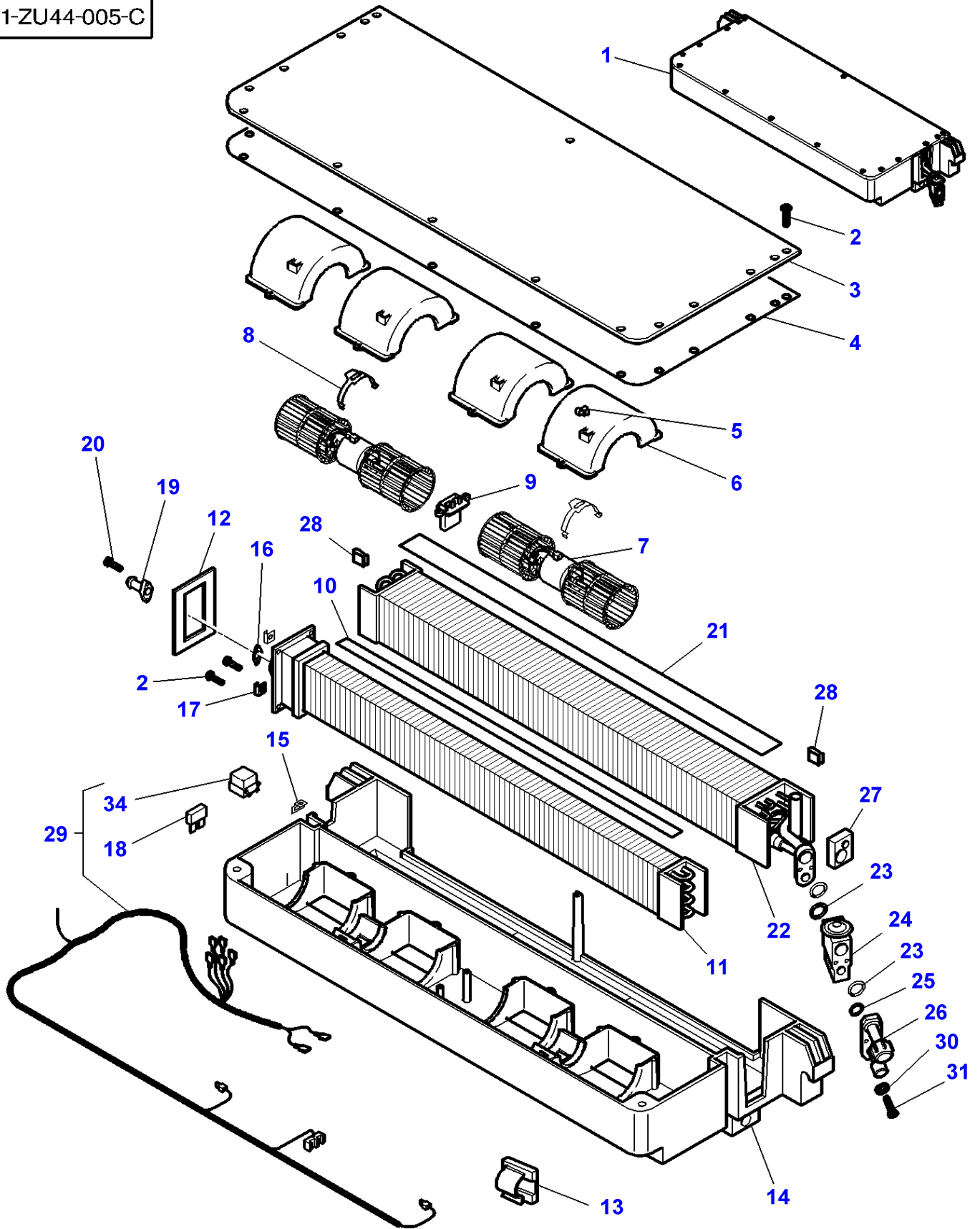


Item	Part Number	Qty	Description	Comments
1	3778116M4	1	Air Conditioner	
2	3901499M1	1	Housing	(1)
3	3901501M91	2	Blower	(1) Up to Serial or Engine Number J150022
	3904158M91	2	Blower	[A] (1) From Serial or Engine Number J150023
4	3901516M1	1	Evaporator	(1) Up to Serial or Engine Number J150022
	3904159M1	1	Evaporator	(1) From Serial or Engine Number J150023
5	3901517M1	1	Pressure Valve	(1)
6	3901518M1	1	O Ring	(1)
7	3901519M1	1	O Ring	(1)
8	3901500M1	1	Plate	(1) Up to Serial or Engine Number G135016
	3903196M1	1	Plate	(1) From Serial or Engine Number G135017
9	3902719M1	26	Screw	(1)
10	3901503M1	1	Grommet	(1)
11	3611893M1	1	Relay	(1)
12	3902720M91	1	Harness	(1) Up to Serial or Engine Number J150022
	3904163M91	1	Harness	(1) From Serial or Engine Number J150023
13	3901512M1	2	Cap	(1)
14	3901505M1	4	Seal	(1) Up to Serial or Engine Number J150022
	3901980M1	4	Gasket	(1) From Serial or Engine Number J150023
15	3901515M2	2	Tube	(1)
16	3901513M1	1	Seal	(1)
17	3901822M1	1	Seal	(1)
18	3901823M1	2	Pad	(1) Up to Serial or Engine Number J150022
	3904161M1	2	Pad	(1) From Serial or Engine Number J150023
19	3582094M1	4	Tie	(1)
20	3904164M1	1	Insulation	(1) Length 1M
21	3904160M1	1	Seal	(1)

FOOTNOTE [A] WITH RESISTOR

MF 8270/8280 TRACTOR - 1637348
1-ZU44-005-C

1-ZU44-005-C



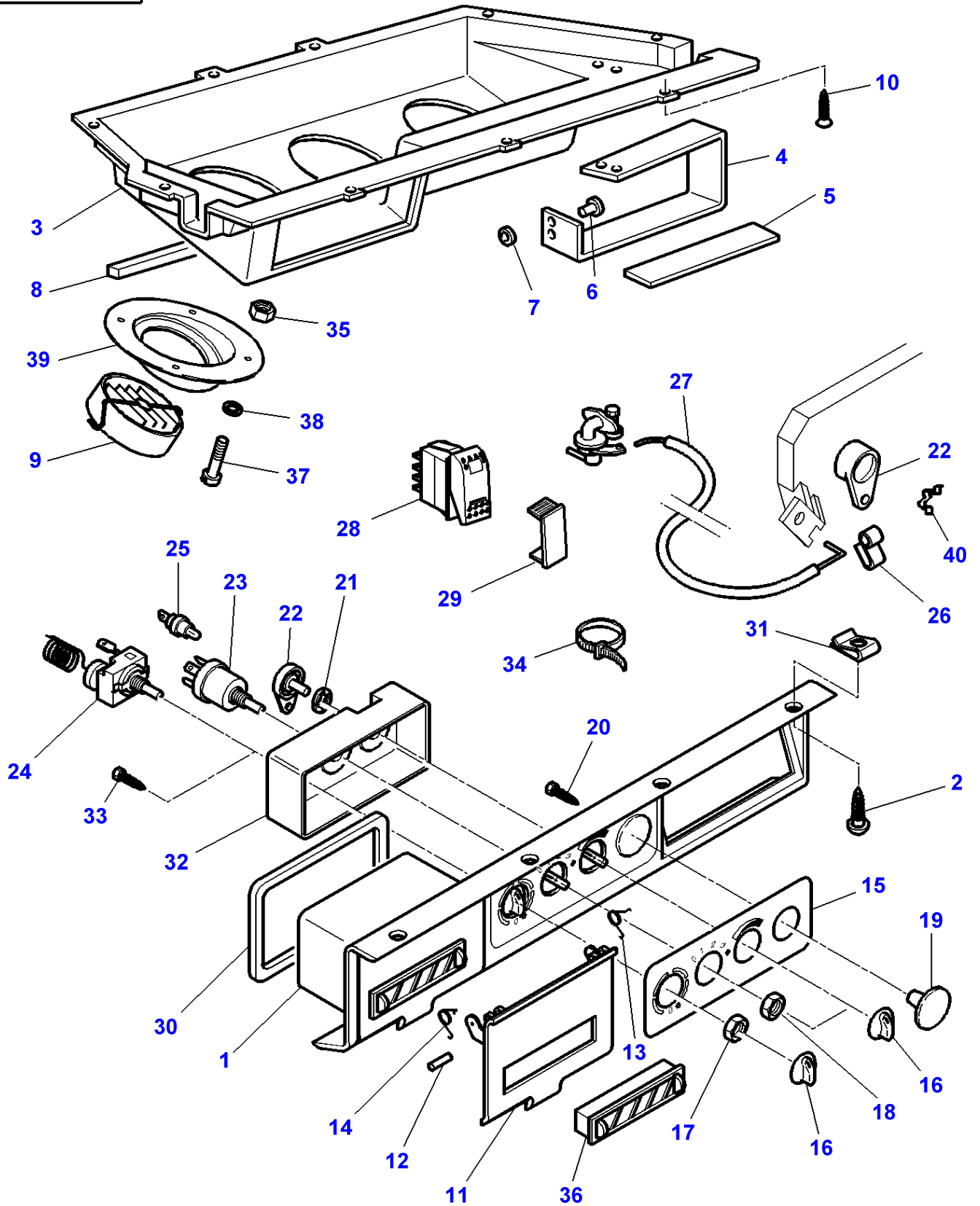
Air Conditioner - With High Visibility Roof - From J348040

Item	Part Number	Qty	Description	Comments
1	3784656M1	1	Air Conditioner	MAGNETI MARELLI
2	3810819M1	29	Screw	(1) 3.5 X 16
3	3904292M1	1	Cover	(1)
4	3904293M1	1	Seal	(1)
5	3904307M1	2	Clip	(1)
6	3904294M1	4	Cover	(1)
7	3904296M1	2	Blower	(1)
8	3904297M1	2	Spring Clip	(1)
9	3904295M1	1	Resistor	(1)
10	3904318M1	1	Gasket	(1)
11	3904324M1	1	Radiator	(1)
12	3904317M1	1	Gasket	(1)
13	3582094M1	4	Tie	
14	3904289M1	1	Housing	(1)
15	3904304M1	1	Bracket	(1)
16	3902327M1	1	Gasket	(1)
17	3902090M1	2	Nut	(1)
18	4271803M1	1	Fuse	(29) 50A
19	3904314M1	1	Union	(1)
20	3904319M1	2	Screw	(1)
21	3904321M1	1	Gasket	(1)
22	3904325M1	1	Evaporator	(1)
23	3902551M1	3	O Ring	(1) Diameter 13.4MM
24	3902334M91	1	Regulator	(1) 2 TONS
25	3902550M1	1	O Ring	(1) Diameter 6,7MM
26	3902549M91	1	Connection	(1)
27	3904303M1	1	Seal	(1) 12v - 40Amp
28	3310834M1	2	Strap	(1)
29	3904306M1	1	Harness	(1)
30	390971X1	2	Washer	(1) M6
31	3904328M1	2	Screw	(1) M6X50
32	3904326M1	1	Screw	[A] (1)
33	3904327M1	1	Nut	[A] (1)
34	3611893M1	1	Relay	(29) Replace and repair. Old not interchangeable with new 3904552M1

FOOTNOTE [A] NOT ILLUSTRATED

MF 8270/8280 TRACTOR - 1637348
1-ZU12-008-D

1-ZU12-008-D



Tractor Cab - Heater

Item	Part Number	Qty	Description	Comments
1	3712609M3	1	Control Panel	[A] Up to Serial or Engine Number M192016
	3712609M5	1	Control Panel	[A] From Serial or Engine Number M192017
	3713532M3	1	Control Panel	[B] Up to Serial or Engine Number M239010
	3713532M5	1	Control Panel	[B] From Serial or Engine Number M239011
2	3389854M1	6	Self Tap Screws	N 10X19
	3010506X1	8	Screw	M5X16
3	3714076M2	1	Boot	
4	3714077M1	1	Support	
5	3713635M1	1	Gasket	
6	3714846M1	4	Rivet	
7	339102X1	4	Washer	
8	3713744M1	1	Gasket	10X15X1080MM
9	3388030M1	3	Louvre	
10	380026X1	9	Screw	Diameter 3.5X16
11	3902214M1	1	Gate	[A] (1) Up to Serial or Engine Number J032033
	3902214M1	1	Gate	[B] (1) Up to Serial or Engine Number J040028
	3902214M2	1	Gate	[A] (1) From Serial or Engine Number J032034
	3902214M2	1	Gate	[B] (1) From Serial or Engine Number J040029
12	3902204M1	2	Clevis Pin	(1)
13	3902203M1	1	Spring	(1)
14	3902202M1	1	Spring	(1)
15	3902215M1	1	Diffusing Lens	[B] (1)
	3902299M1	1	Diffusing Lens	[A] (1)
16	3902213M2	3	Knob	(1)
17	3902217M1	1	Nut	[A] (1) Up to Serial or Engine Number M192016
	3904310M1	1	Nut	[A] (1) From Serial or Engine Number M192017
18	3902208M1	1	Nut	[A] (1) Up to Serial or Engine Number M192016
	3904309M1	1	Nut	[A] (1) From Serial or Engine Number M192017
	3902208M1	1	Nut	[B] (1) Up to Serial or Engine Number M239010
	3904309M1	1	Nut	[B] (1) From Serial or Engine Number M239011
19	3902205M1	1	Plug	[A] (1)
	3902205M1	2	Plug	[B] (1)
20	3902218M1	1	Screw	[A] (1) M5X14
	3902218M1	2	Screw	[B] (1) M5X14
21	3902210M1	1	Washer	(1)
22	3902211M1	1	Lever	(1)
23	3310871M1	1	Commutator	(1)
24	3310669M92	1	Thermostat	[A] (1)
25	1427873M1	1	Bulb	(1)

Tractor Cab - Heater

Item	Part Number	Qty	Description	Comments
26	3902206M1	1	Spring	[A] (1) Up to Serial or Engine Number M192016
26	3902206M1	1	Spring	[B] (1) Up to Serial or Engine Number M239010
27	3902212M2	1	Cable	[A,C] (1)
27	3902212M2	1	Cable	[B,D] (1)
28	3713146M1	1	Switch,Indirect	
29	3713151M1	1	Tap	
30	3713746M1	1	Gasket	15X10X480MM
31	3389351M1	6	Nut	No 10
31	3389250M1	3	Nut	M5
32	3902591M3	1	Cover	(1)
33	365916X1	4	Self Tap Screws	(1)
34	3000483X1	2	Clamp	
35	3010477X1	8	Nut Metric	Up to Serial or Engine Number J349023
36	3783537M1	1	Diffuser	[A] (1) From Serial or Engine Number J032034
36	3783537M1	1	Diffuser	[B] (1) From Serial or Engine Number J040029
37	3010506X1	8	Screw	Up to Serial or Engine Number J349023 M5X16
38	3019560X1	8	Washer	Up to Serial or Engine Number J349023
39	3784566M1	2	Support	Up to Serial or Engine Number J349023
40	1696477M1	1	Clip	[A] From Serial or Engine Number M192017
40	1696477M1	1	Clip	[B] From Serial or Engine Number M239011

FOOTNOTE [A] WITH CONDITIONED AIR

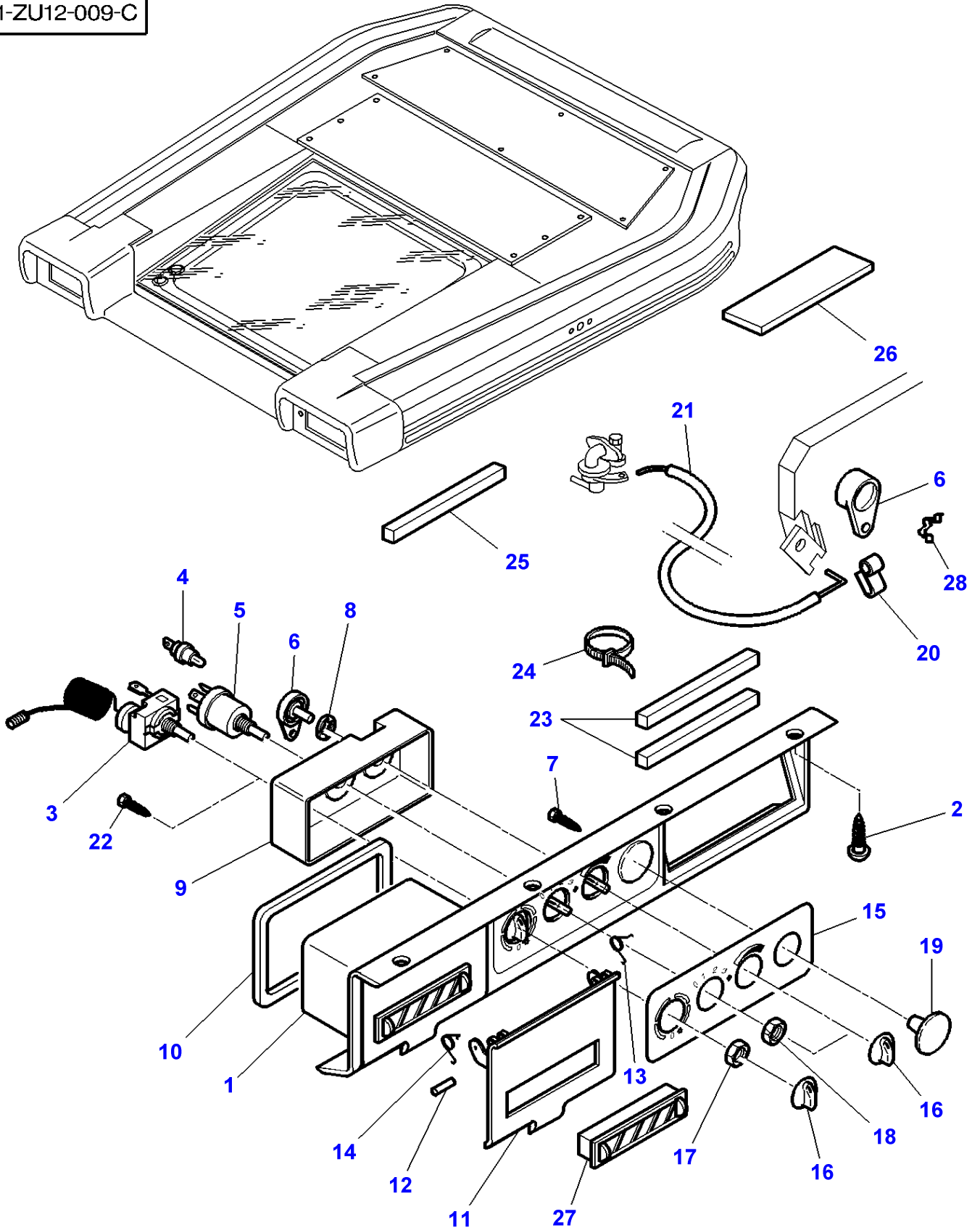
FOOTNOTE [B] WITHOUT CONDITIONED AIR

FOOTNOTE [C] FROM M192017 PART NOT INCLUDED IN ASSEMBLY

FOOTNOTE [D] FROM M239011 PART NOT INCLUDED IN ASSEMBLY

MF 8270/8280 TRACTOR - 1637348
1-ZU12-009-C

1-ZU12-009-C



Tractor Cab - Heater - With High Visibility Roof

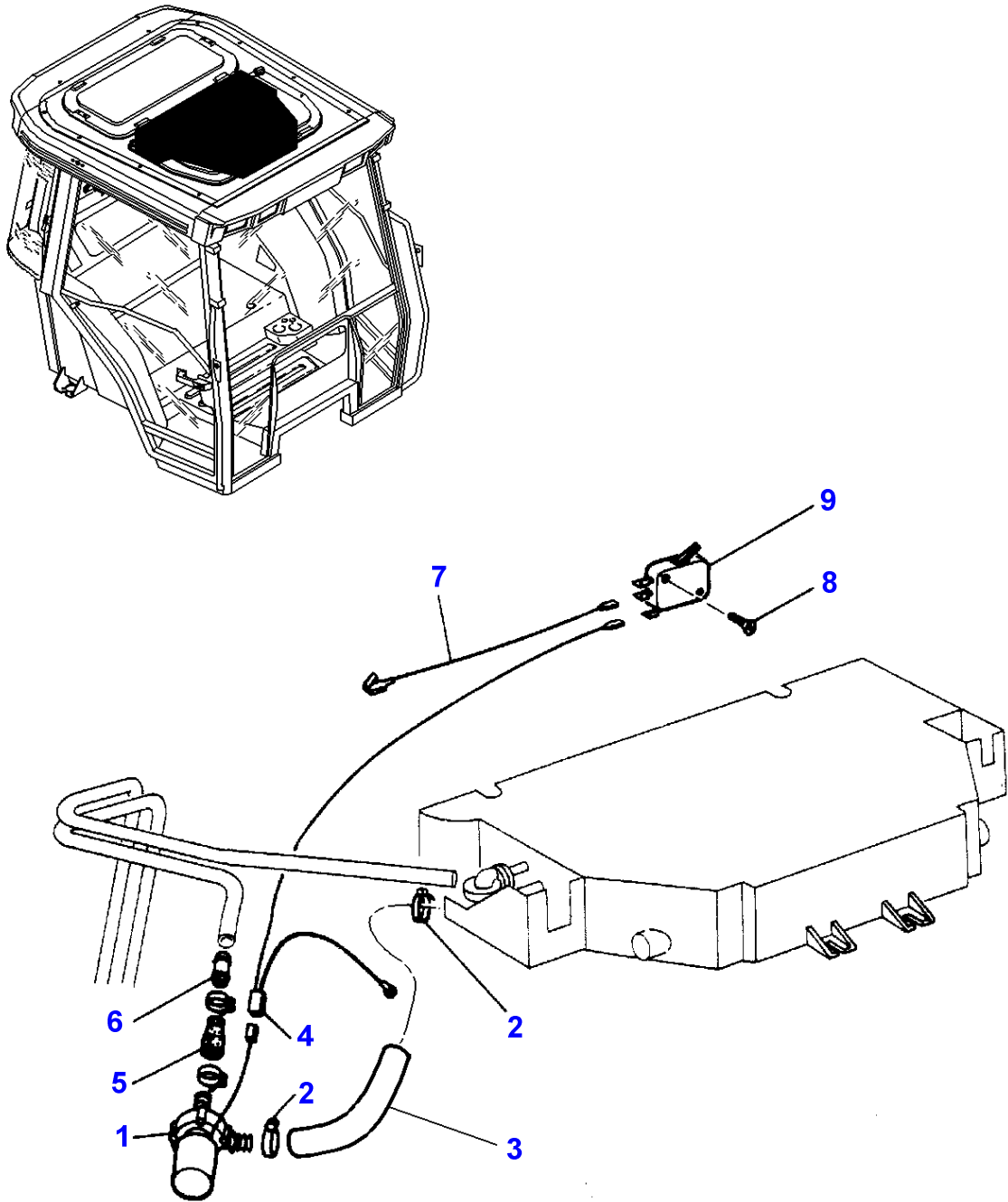
Item	Part Number	Qty	Description	Comments
1	3778013M3	1	Control Panel	[A] Up to Serial or Engine Number M101028
	3778013M5	1	Control Panel	[A] From Serial or Engine Number M101029
	3778073M3	1	Control Panel	[B] Up to Serial or Engine Number M134054
	3778073M5	1	Control Panel	[B] From Serial or Engine Number M134055
2	3010506X1	8	Screw	M5X16
	365925X1	4	Self Tap Screws	(1) No 10X13
3	3902701M92	1	Thermostat	[A] (1)
4	1427873M1	2	Bulb	(1)
5	3310871M1	1	Commutator	(1)
6	3902211M1	1	Lever	(1)
7	3902218M1	1	Screw	[A] (1) M5X14
	3902218M1	2	Screw	[B] (1) M5X14
8	3902210M1	1	Washer	(1)
9	3902591M3	1	Cover	(1)
10	3713746M1	1	Gasket	15X10X480MM
11	3902214M1	1	Gate	[A] (1) Up to Serial or Engine Number J041011
	3902214M1	1	Gate	[B] (1) Up to Serial or Engine Number J081004
	3902214M2	1	Gate	[A] (1) From Serial or Engine Number J041012
	3902214M2	1	Gate	[B] (1) From Serial or Engine Number J081005
12	3902204M1	2	Clevis Pin	(1)
13	3902203M1	1	Spring	(1)
14	3902202M1	1	Spring	(1)
15	3902299M1	1	Diffusing Lens	[A] (1)
	3902215M1	1	Diffusing Lens	[B] (1)
16	3902213M2	3	Knob	[A] (1)
	3902213M2	2	Knob	[B] (1)
17	3902217M1	1	Nut	[A] (1) Up to Serial or Engine Number M101028
	3904310M1	1	Nut	[A] (1) From Serial or Engine Number M101029
18	3902208M1	1	Nut	[A] (1) Up to Serial or Engine Number M101028
	3904309M1	1	Nut	[A] (1) From Serial or Engine Number M101029
	3902208M1	1	Nut	[B] (1) Up to Serial or Engine Number M134054
	3904309M1	1	Nut	[B] (1) From Serial or Engine Number M134055
19	3902205M1	1	Plug	[A] (1)
	3902205M1	2	Plug	[B] (1)

Massey Ferguson**MF 8270/8280 TRACTOR - 1637348****1637348****Tractor Cab - Heater - With High Visibility Roof****Page 110-0185**

Item	Part Number	Qty	Description	Comments
20	3902206M1	1	Spring	[A] (1) Up to Serial or Engine Number M101028
20	3902206M1	1	Spring	[B] (1) Up to Serial or Engine Number M134054
21	3902700M2	1	Cable	
22	365916X1	4	Self Tap Screws	(1)
23	3778749M1	1	Foam	25X15X80MM
24	3000483X1	2	Clamp	
25	3713635M1	1	Gasket	25X10X200
26	3713744M1	1	Gasket	10X15X1080
27	3783537M1	1	Diffuser	[A] (1) From Serial or Engine Number J041012
27	3783537M1	1	Diffuser	[B] (1) From Serial or Engine Number J081005
28	1696477M1	1	Clip	[A] From Serial or Engine Number M101029
28	1696477M1	1	Clip	[B] From Serial or Engine Number M134055

FOOTNOTE [A] WITH CONDITIONED AIR**FOOTNOTE [B]** WITHOUT CONDITIONED AIR

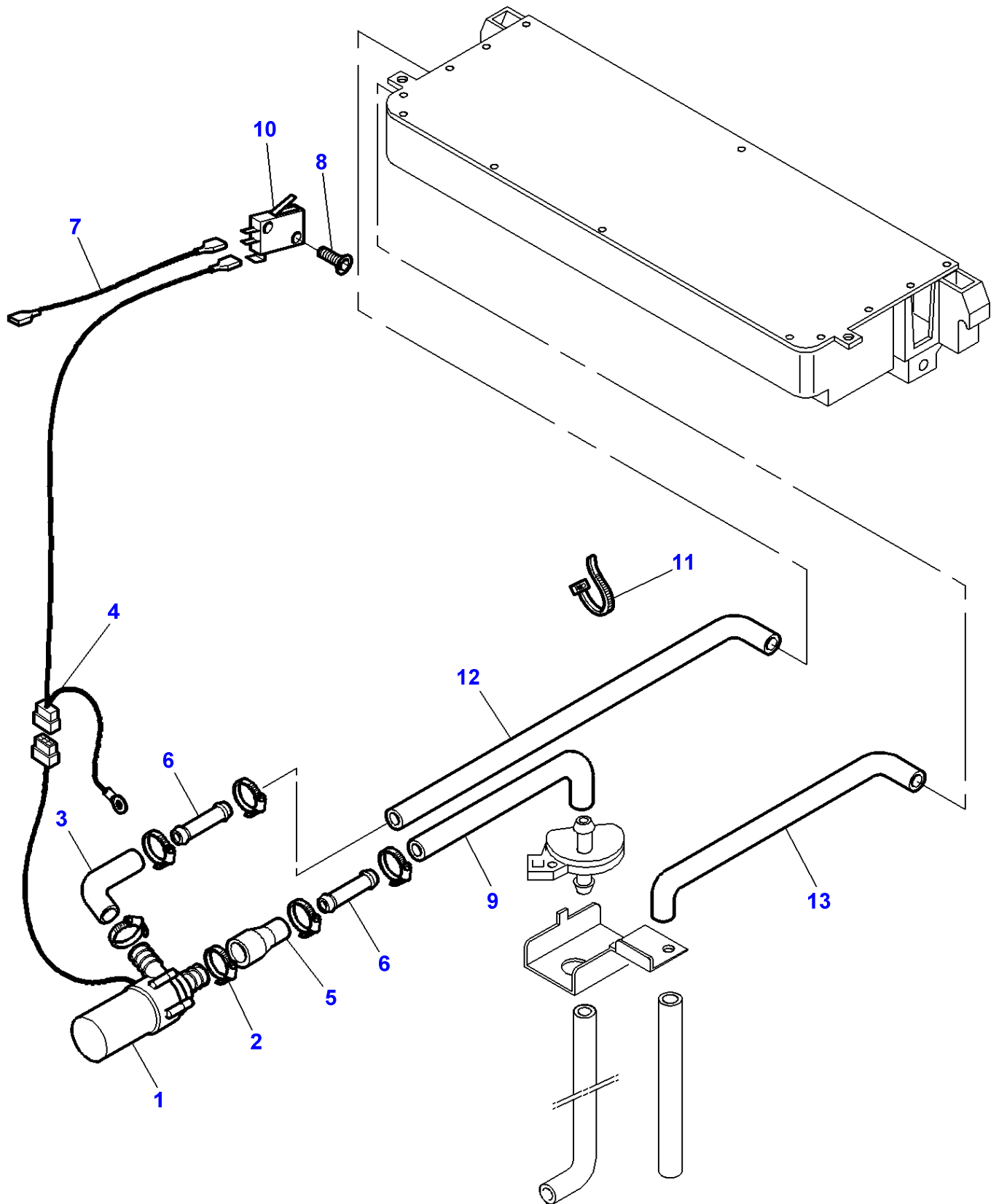
1-ZU12-004-A



Massey Ferguson**MF 8270/8280 TRACTOR - 1637348****1637348****Tractor Cab - Heater - HIGH COLD****Page 110-0190**

Item	Part Number	Qty	Description	Comments
1	3712744M1	1	Water Pump	
2	3019564X1	4	Hose Clip	
3	3714538M1	1	Hose	
4	3778017M1	1	Harness	Replace and repair. Old not interchangeable with new 3712734M1
5	3616062M1	1	Hose	
6	3616064M1	1	Tube	
7	3583973M2	1	Wire	
8	3010065X1	2	Self Tap Screws	
9	3616429M1	1	Switch,Indirect	

1-ZU12-005-A

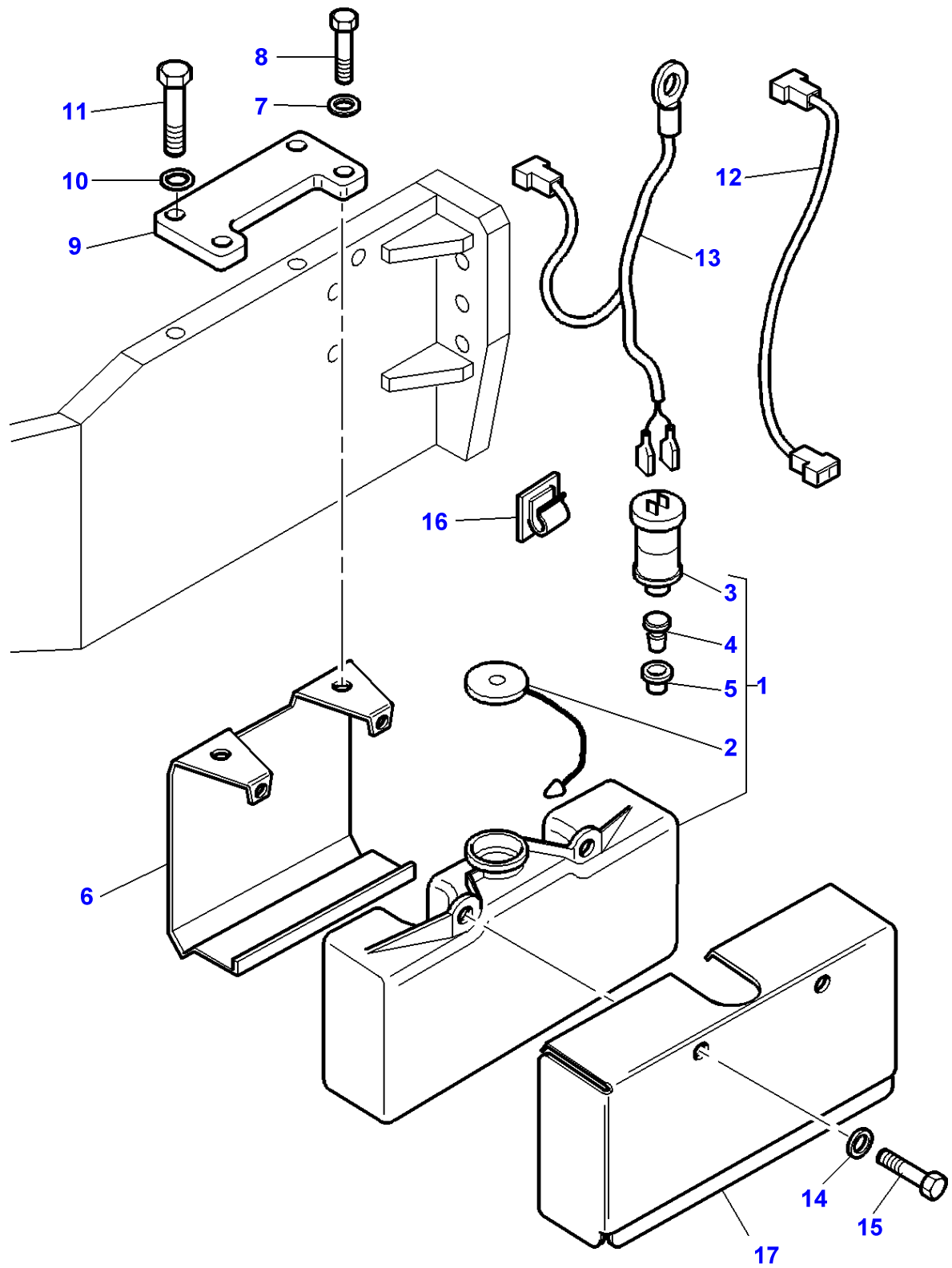


Item	Part Number	Qty	Description	Comments
1	3712744M1	1	Water Pump	
2	3019564X1	4	Hose Clip	
3	3714538M1	1	Hose	
4	3778017M1	1	Harness	
5	3616062M1	1	Hose	
6	3616064M1	2	Tube	
7	3583973M2	1	Wire	
8	3010065X1	2	Self Tap Screws	
9	3778359M1	1	Water Hose	Length 520MM
10	3616429M1	1	Switch,Indirect	
11	3619622M1	2	Cable Tie	
12	3778335M1	1	Water Hose	[B] Up to Serial or Engine Number K015006
	3778335M1	1	Water Hose	[A] Up to Serial or Engine Number J348039
	3785723M1	1	Hose	[B] From Serial or Engine Number K015007
	3785723M1	1	Hose	[A] From Serial or Engine Number J348040
13	3777711M1	1	Hose	[A] Up to Serial or Engine Number J348039
	3777711M1	1	Hose	[B] Up to Serial or Engine Number K015006
	3784602M1	1	Hose	[A] From Serial or Engine Number J348040
	3784602M1	1	Hose	[B] From Serial or Engine Number K015007

FOOTNOTE [A] WITH CONDITIONED AIR

FOOTNOTE [B] WITHOUT CONDITIONED AIR

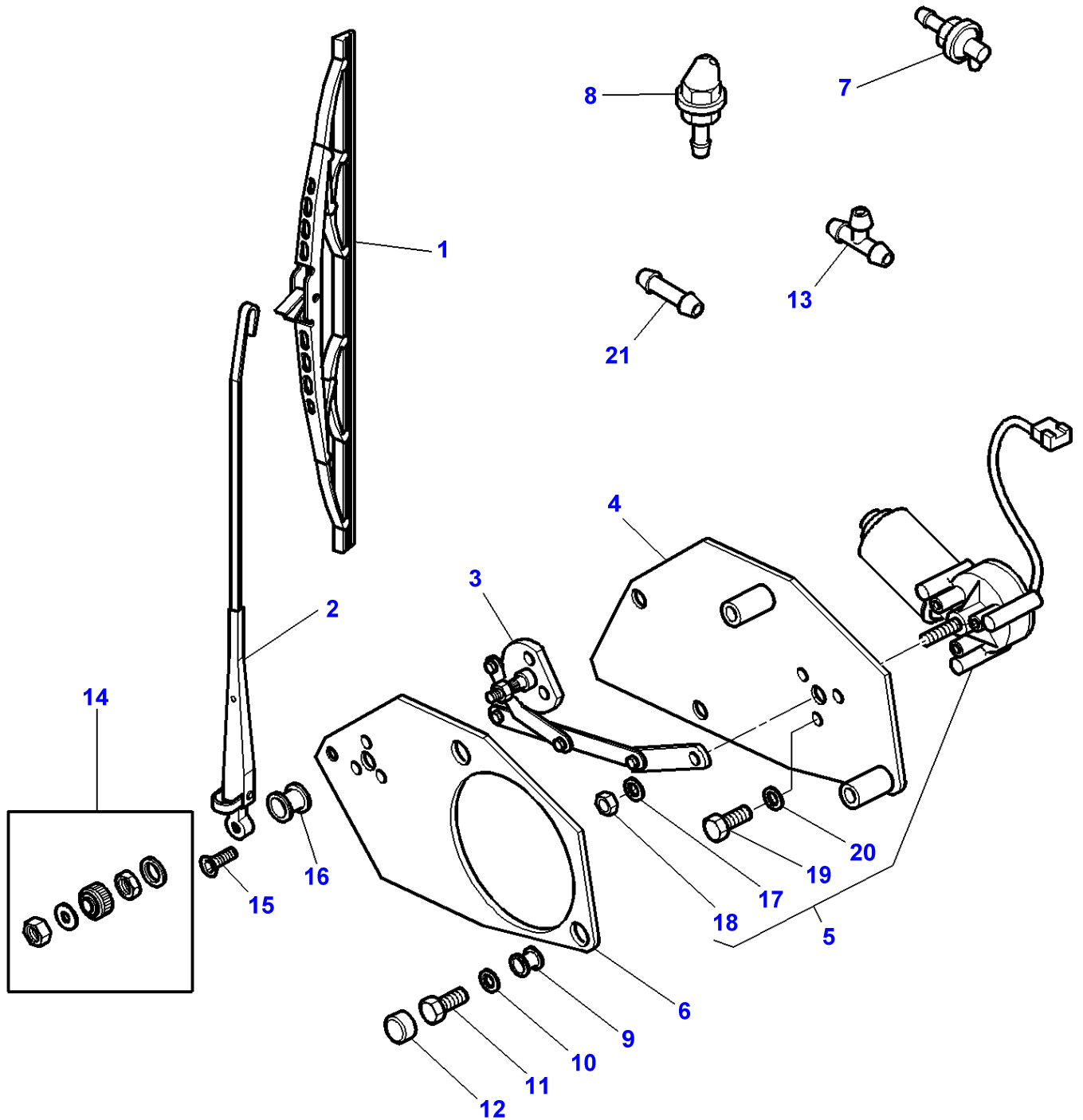
1-ZU24-004-B



Windscreen Washer

Item	Part Number	Qty	Description	Comments
1	3582444M91	1	Tank	
2	3106496M1	1	Plug	(1)
3	3582441M1	1	Water Pump	(1)
4	3582442M1	1	Plug	(1)
5	3582443M1	1	Gasket	(1)
6	3778973M3	1	Support	Replace and repair. Old not interchangeable with new 3781934M91
7	391039X1	2	Washer Metric	
8	339123X1	2	Hex. Sock. Screw	M8X20
9	3781933M2	1	Plate	
10	390735X1	2	Washer	
11	3009491X1	2	Hex. Sock. Screw	M10X20
12	3777527M1	1	Wire	
13	3618017M1	1	Harness	
14	391039X1	2	Washer Metric	
15	339761X1	2	Hex. Sock. Screw	M8X25
16	3760697M1	2	Tie	
17	3780314M91	1	Cowl	From Serial or Engine Number L084026

1-ZU23-001-B

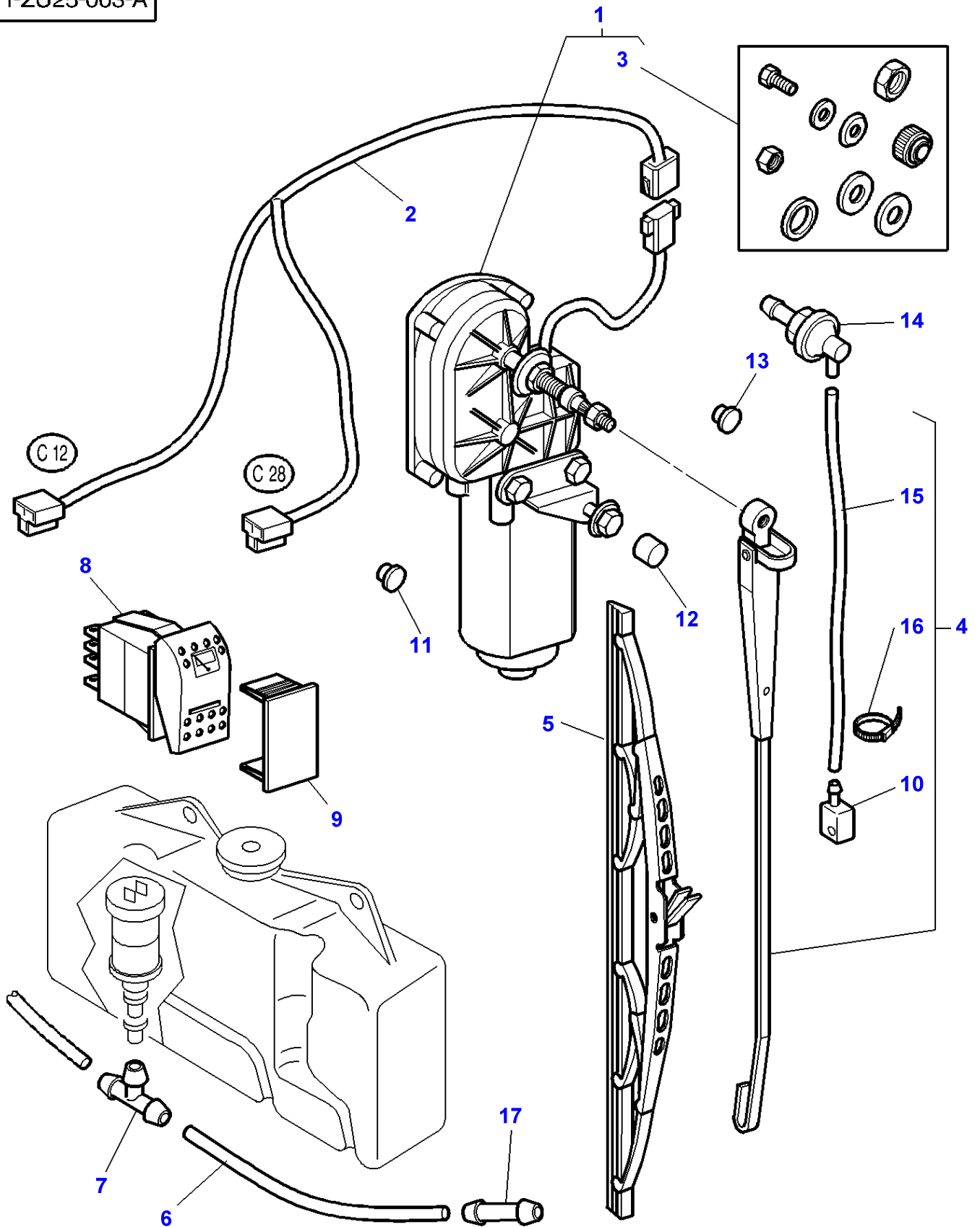


Front Windscreen Wiper

Item	Part Number	Qty	Description	Comments
1	3777648M1	1	Wiper Blade	
2	3777649M1	1	Wiper Arm	
3	3778259M1	1	Tie Rod	
4	3777699M2	1	Support	
5	3777698M92	1	Wiper Motor	
6	3777700M2	1	Support	
7	3902342M1	1	Union	
8	3389664M1	2	Jet	
9	3777608M1	2	Grommet	
10	391039X1	2	Washer Metric	
11	339123X1	2	Hex. Sock. Screw	M8X20MM
12	3616277M1	2	Helmet	
13	3583069M1	2	Teepiece	
14	3778258M1	1	Parts Pack	
15	3010762X1	3	Screw	
16	3777607M1	1	Grommet	
17	3008914X1	1	Tab Washer	(5)
18	339169X1	1	Nut	(5)
19	339560X1	3	Hex. Sock. Screw	(5) M8 M6
20	391289X1	3	Lock Washer	(5)
21	3715074M1	1	Union	Up to Serial or Engine Number M078006

FOOTNOTE [A] INDUSTRIAL CAB

1-ZU25-003-A

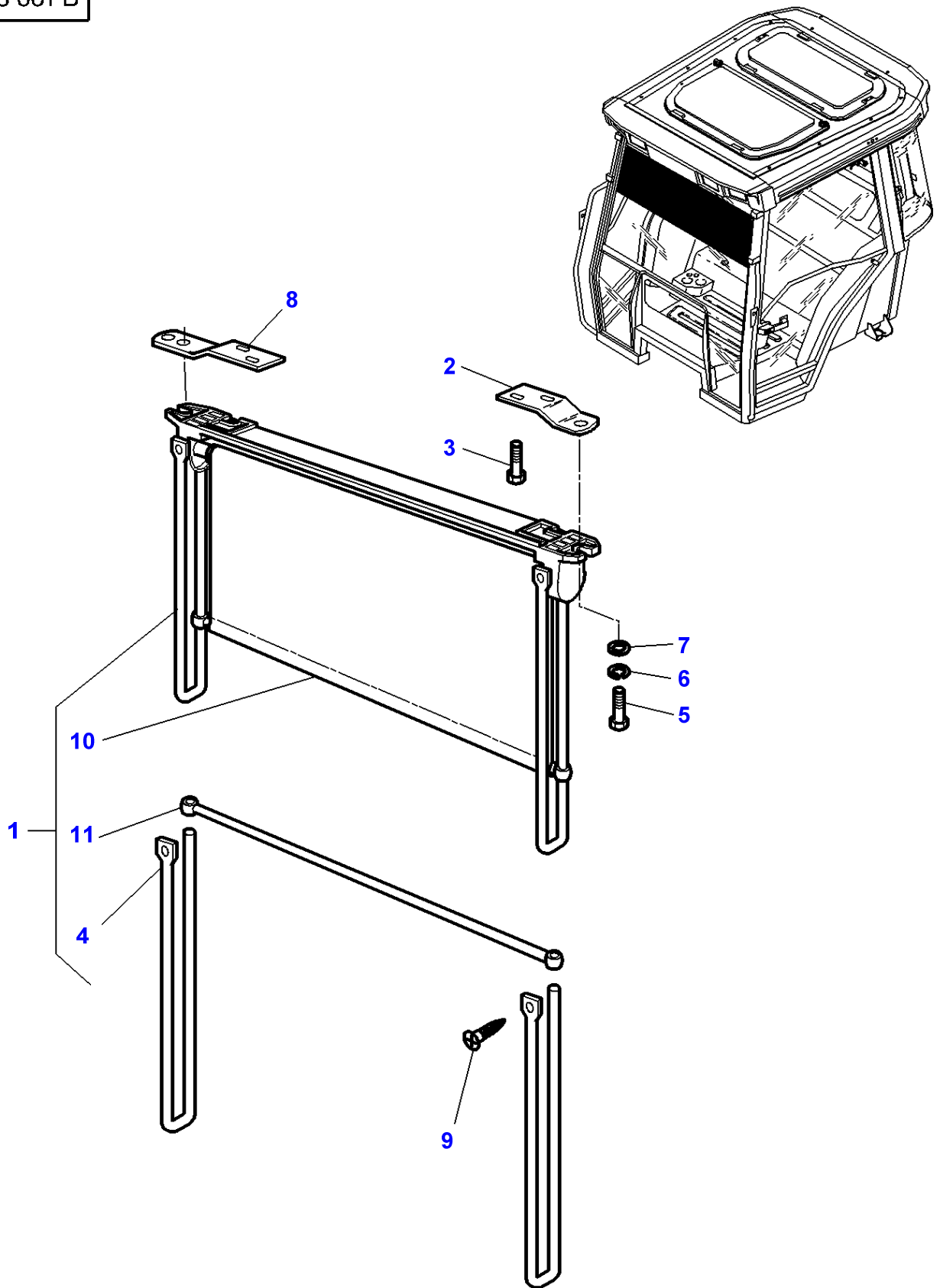


Rear Window Wiper

Item	Part Number	Qty	Description	Comments
1	3715610M2	1	Wiper Motor	
2	3713738M2	1	Harness	
3	3902580M91	1	Parts Pack	(1)
4	3713196M2	1	Wiper Arm	
5	3713195M1	1	Wiper Blade	
6	3781312M1	1	Hydr Hose	Length 250MM
	3714118M1	1	Tube	Length 200MM
	3783745M1	1	Tube	Length 700MM
				From Serial or Engine Number J005035
	3714119M1	1	Tube	Length 1300MM
	3780322M1	2	Hose	Up to Serial or Engine Number M078006
				Length 3200MM
	4272784M1	1	Tube	From Serial or Engine Number M078007
				Length 6400MM
	3778372M1	1	Tube	Length 370MM
7	3583069M1	1	Teepiece	
8	3713147M1	1	Switch,Indirect	
9	3713151M1	1	Tap	[A]
10	3902461M1	1	Jet	(4)
11	3713742M1	1	Plug	[A]
				Diameter 9,5MM
12	3616277M1	X	Helmet	
13	3713741M1	1	Plug	[A]
				Diameter 17,5MM
14	3902342M1	1	Union	
15	3902462M1	1	Tube	(4)
16	3902463M1	1	Clamp	(4)
17	3715074M1	1	Union	From Serial or Engine Number J005035
				Up to Serial or Engine Number M078006

FOOTNOTE [A] WITHOUT REAR WIPER AND WASHER WINDSCREEN

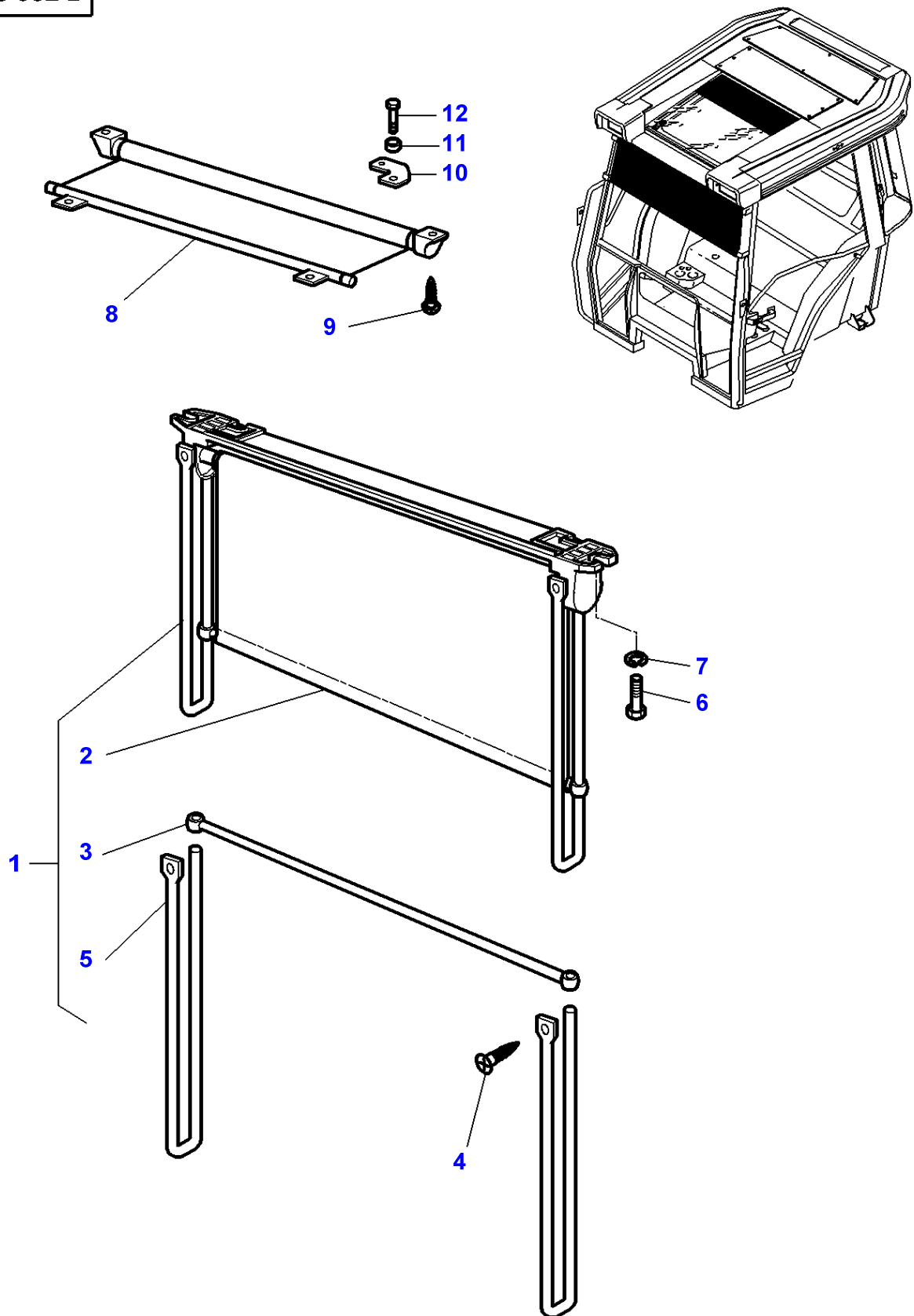
1-ZU28-001-B



Massey Ferguson**MF 8270/8280 TRACTOR - 1637348****1637348****Page 110-0215****Tractor Cab - Canopy**

Item	Part Number	Qty	Description	Comments
1	3714072M91	1	Canopy	
2	3389750M1	1	Support	Left Hand
3	339666X1	4	Hex. Sock. Screw	M6X20
4	3902174M91	2	Rod	(1)
5	339560X1	2	Hex. Sock. Screw	M16X16
6	339375X1	2	Lock Washer	
7	390971X1	2	Washer	
8	3389749M1	1	Support	Right Hand
9	365924X1	2	Screw	CBZ N10X16
10	3902176M91	1	Panel	(1)
11	3902175M91	1	Bar	(1)

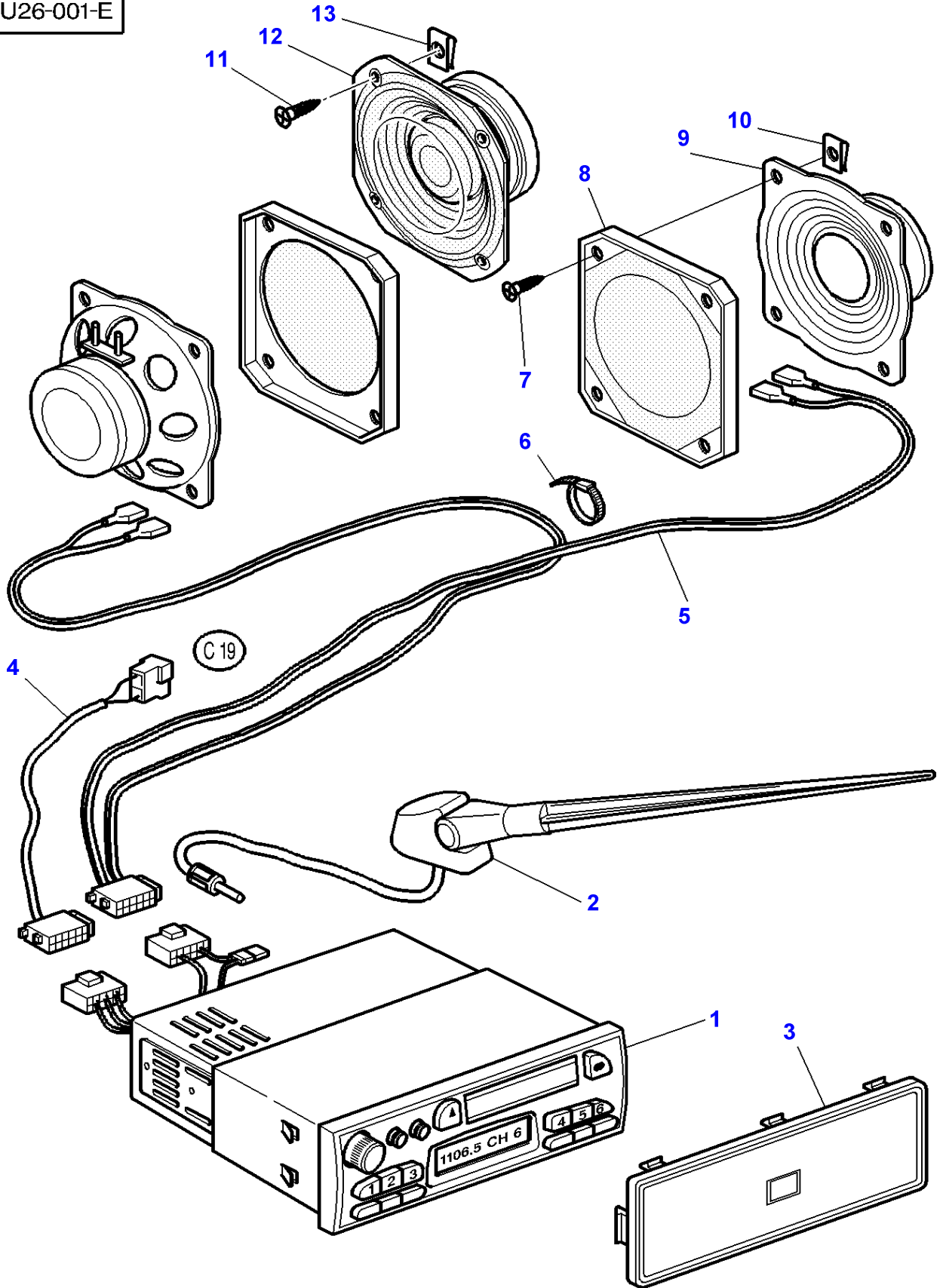
1-ZU28-002-B



Massey Ferguson**MF 8270/8280 TRACTOR - 1637348****1637348****Tractor Cab - Canopy - With High Visibility Roof****Page 110-0220**

Item	Part Number	Qty	Description	Comments
1	3714072M91	1	Canopy	
2	3902176M91	1	Panel	(1)
3	3902175M91	1	Bar	(1)
4	3005728X1	2	Screw	CBZ N10X16
5	3902174M91	2	Rod	(1)
6	339666X1	2	Hex. Sock. Screw	M6X20
7	339375X1	2	Lock Washer	
8	3777706M1	1	Canopy	
9	365918X1	2	Screw	
10	3778315M1	1	Support	
11	3045014M2	2	Spacer	
12	391244X1	2	Bolt Metric	M6X45

1-ZU26-001-E



Radio Installation

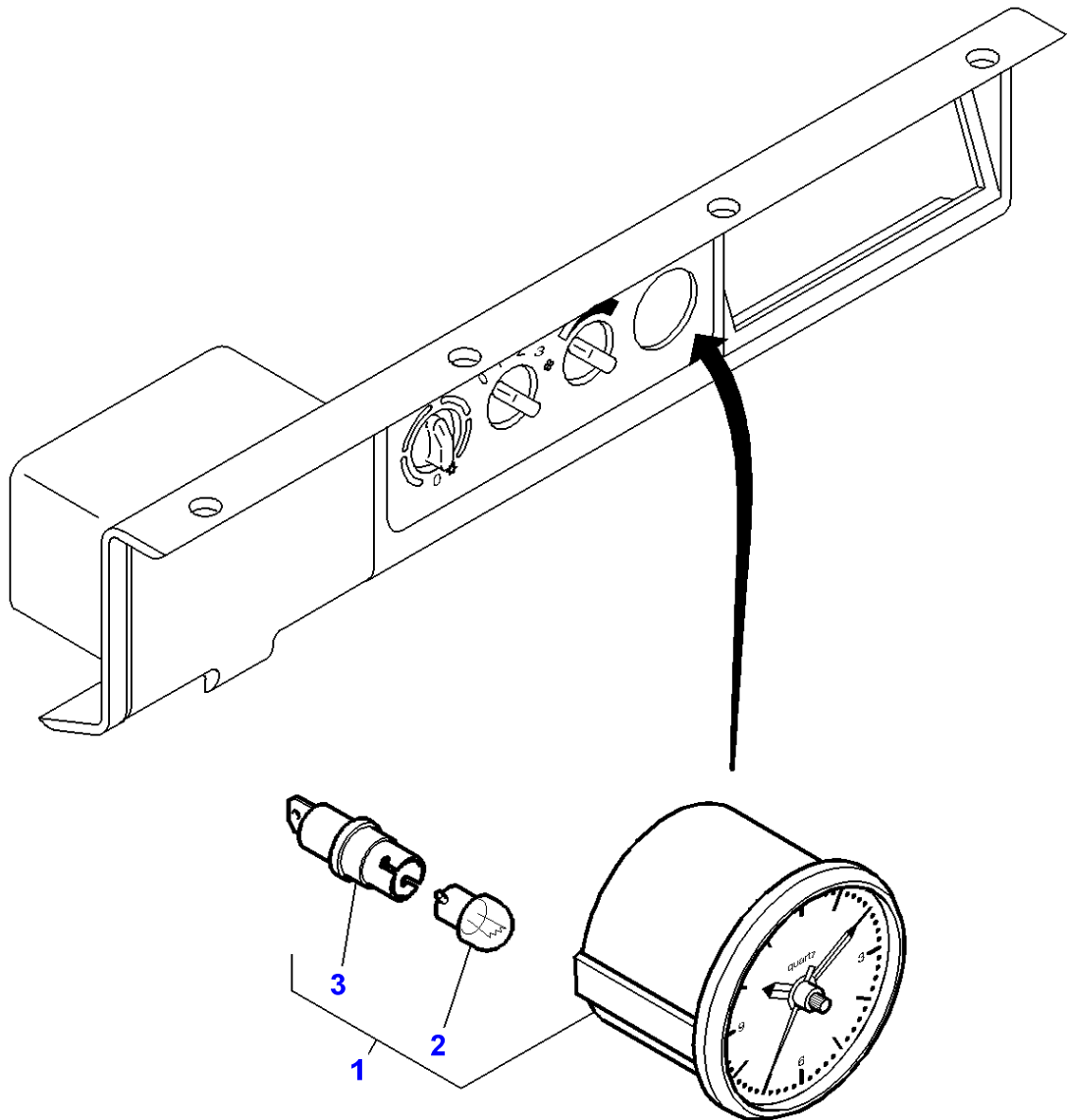
Item	Part Number	Qty	Description	Comments
1	3816384M91	1	Radio Push Butt.	
2	4277283M92	1	Top Aerial	Replace and repair. Old not interchangeable with new 3617629M92
3	3580173M1	1	Plate	[A]
4	3715099M1	1	Harness	Up to Serial or Engine Number J105016
	3715099M1	1	Harness	[B] Up to Serial or Engine Number J252017
5	3715100M1	1	Harness	
	3778108M1	1	Harness	[B]
6	3619622M1	1	Cable Tie	
7	3580257M1	8	Screw	Up to Serial or Engine Number N063006
8	3617395M1	2	Grille	Up to Serial or Engine Number N063006
9	3617394M1	2	Speaker	Up to Serial or Engine Number N063006
10	3715142M1	8	Nut	Up to Serial or Engine Number N063006
11	3817216M1	8	Screw	From Serial or Engine Number N063007 CBZNo 8x19
12	4274735M1	2	Speaker	From Serial or Engine Number N063007
13	3817218M1	8	Spring Nut	From Serial or Engine Number N063007

FOOTNOTE [A] WITHOUT RADIO

FOOTNOTE [B] WITH HIGH VISIBILITY ROOF

FOOTNOTE [C] INDUSTRIAL CAB

1-ZU18-001-B

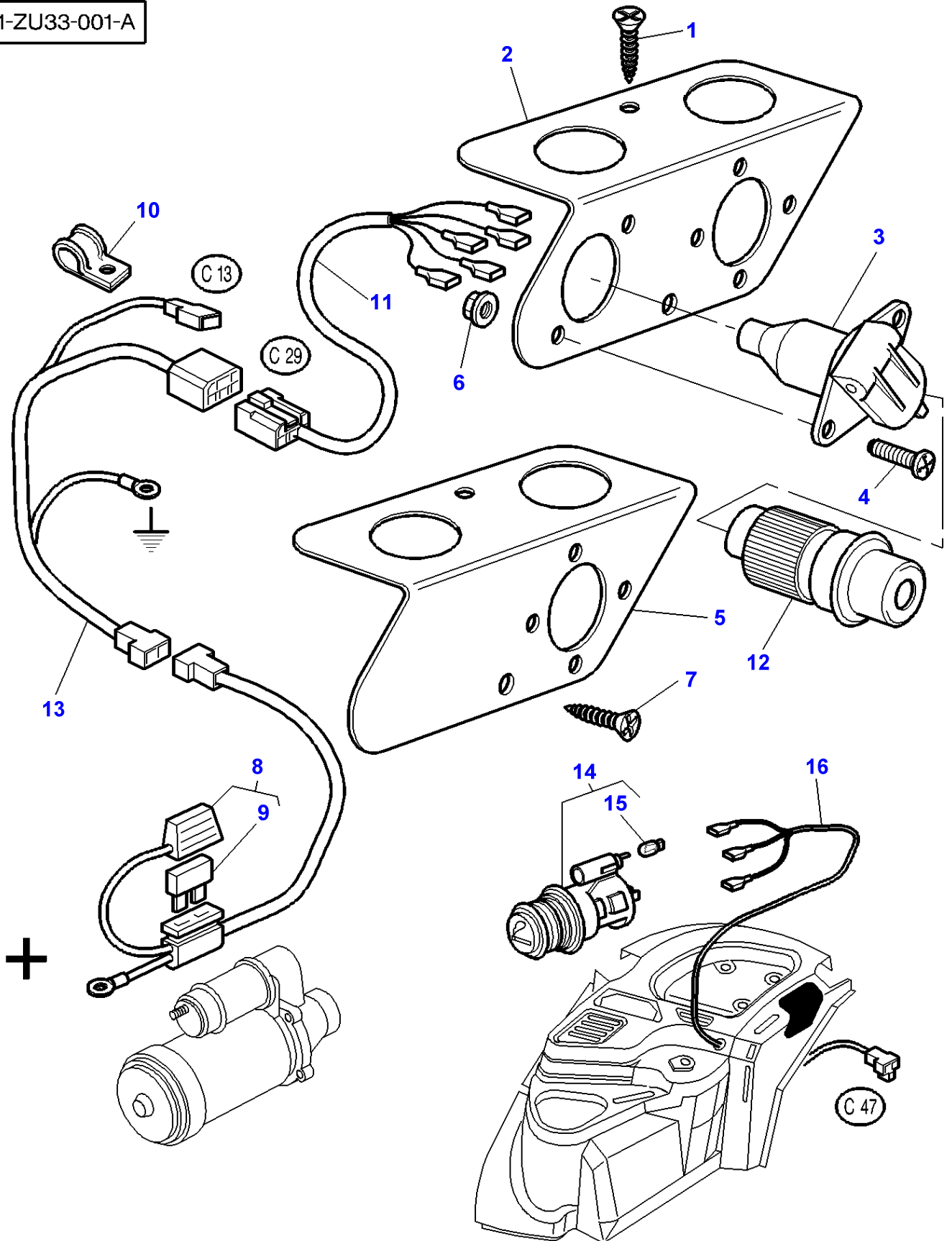


Watch

Item	Part Number	Qty	Description	Comments
1	3713364M1	1	Watch	
2	963333M1	1	Bulb 12v 5w	(1) VEGLIA
		1	Bulb	[A] (1) IPCO
3	3902191M1	1	Lamp Socket	(1) VEGLIA
		1	Lamp Socket	[A] (1) IPCO

FOOTNOTE [A] NOT DETAILED

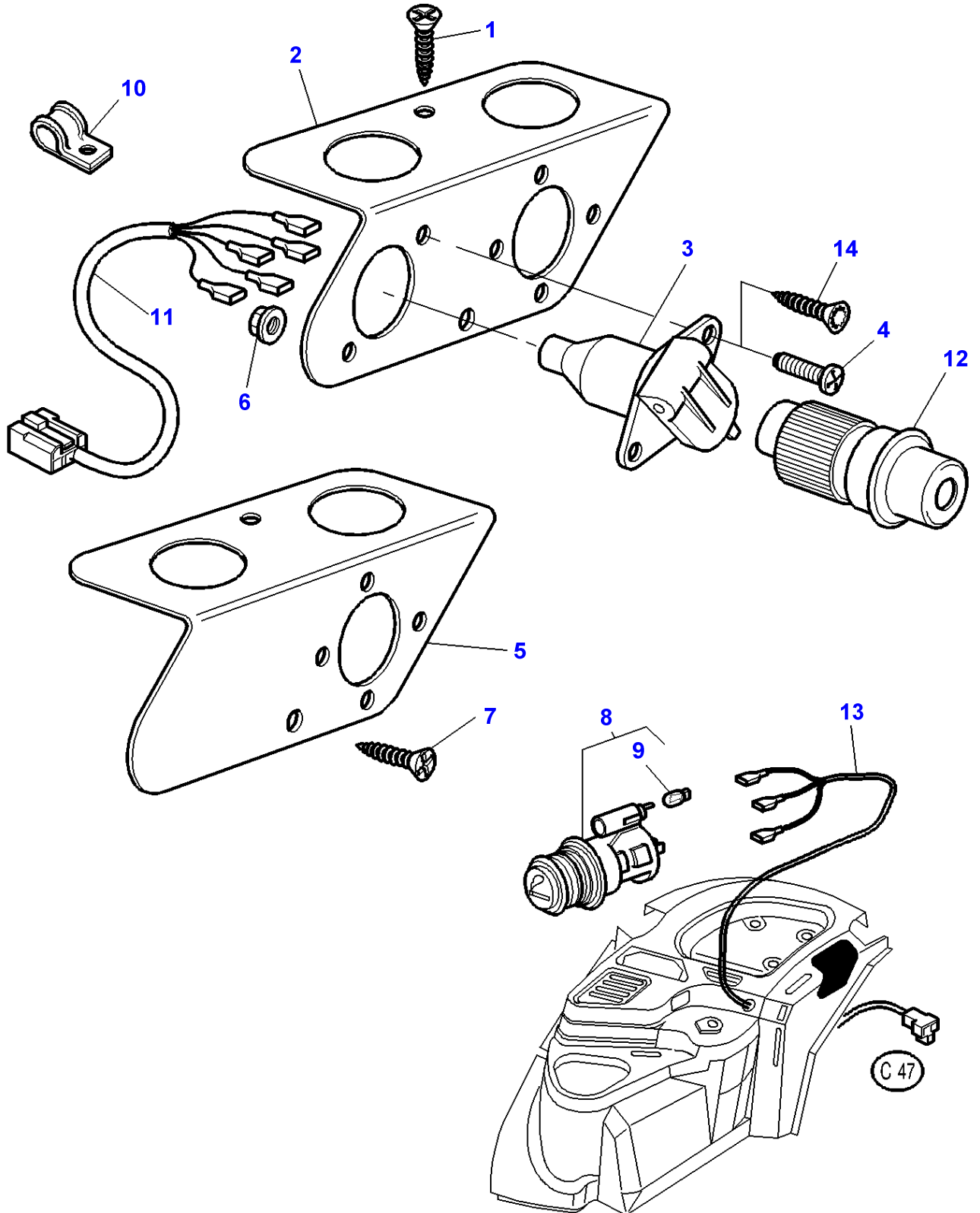
1-ZU33-001-A



Item	Part Number	Qty	Description	Comments
1	3010506X1	1	Screw	M5X16
	3010578X1	1	Screw	M5X10
2	3713356M1	1	Support	
3	3713127M1	1	Electric Socket	Replace and repair. Old not interchangeable with new 3760033M1
4	3000926X1	2	Screw	
5	3713357M1	1	Support	[A]
6	3010477X1	2	Nut Metric	
7	3010506X1	2	Screw	
8	3715073M91	1	Harness	
9	3712661M1	1	Fuse	(8) 30 AMP
10	3387578M1	1	Clamp	
11	3714516M2	1	Harness	
12	3760032M1	1	Electrical Plug	
13	3714515M1	1	Harness	
14	3617848M91	1	Lighter	
15	3302213M1	1	Bulb 12v 1.2w	(14)
16	3714566M1	1	Harness	

FOOTNOTE [A] WITHOUT ELECTRICAL PLUG

1-ZU33-004-B

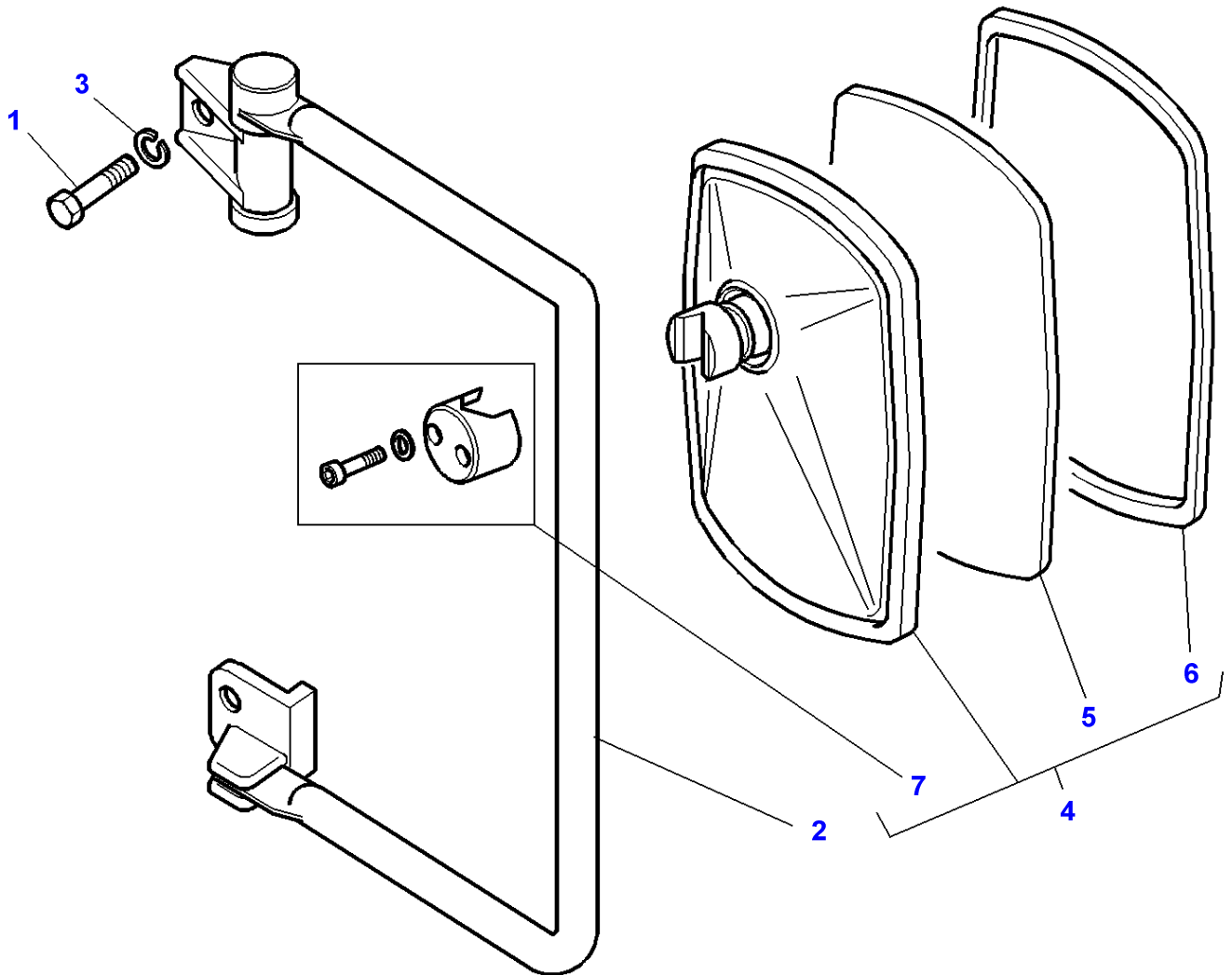
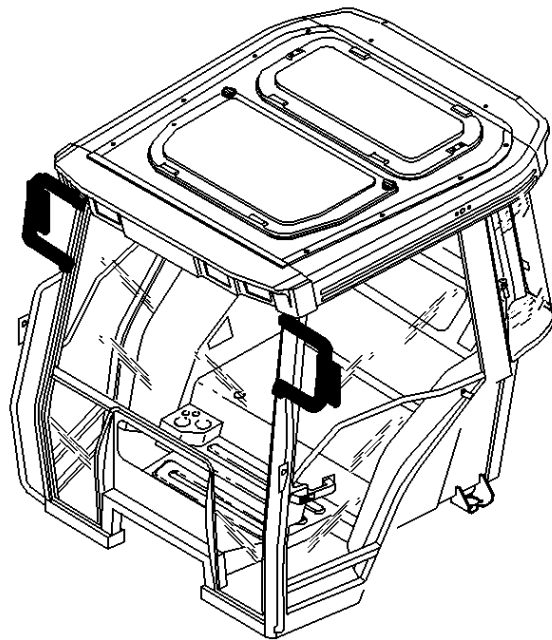


Massey Ferguson**MF 8270/8280 TRACTOR - 1637348****1637348****Electrical Plug And Cigar Lighter - From ...****Page 110-0240**

Item	Part Number	Qty	Description	Comments
1	3010506X1	1	Screw	M5X16
	3010578X1	1	Screw	M5X10
2	3713356M1	1	Support	
3	3713127M1	1	Electric Socket	Replace and repair. Old not interchangeable with new 3760033M1
4	3000926X1	2	Screw	Up to Serial or Engine Number L031000
5	3713357M1	1	Support	[A]
6	3010477X1	2	Nut Metric	
7	3010506X1	2	Screw	
8	3617848M91	1	Lighter	
9	3302213M1	1	Bulb 12v 1.2w	(8)
10	3387578M1	1	Clamp	
11	3714516M2	1	Harness	
12	3760032M1	1	Electrical Plug	
13	3714566M1	1	Harness	
14	3010578X1	2	Screw	From Serial or Engine Number L031001

FOOTNOTE [A] WITHOUT ELECTRICAL PLUG

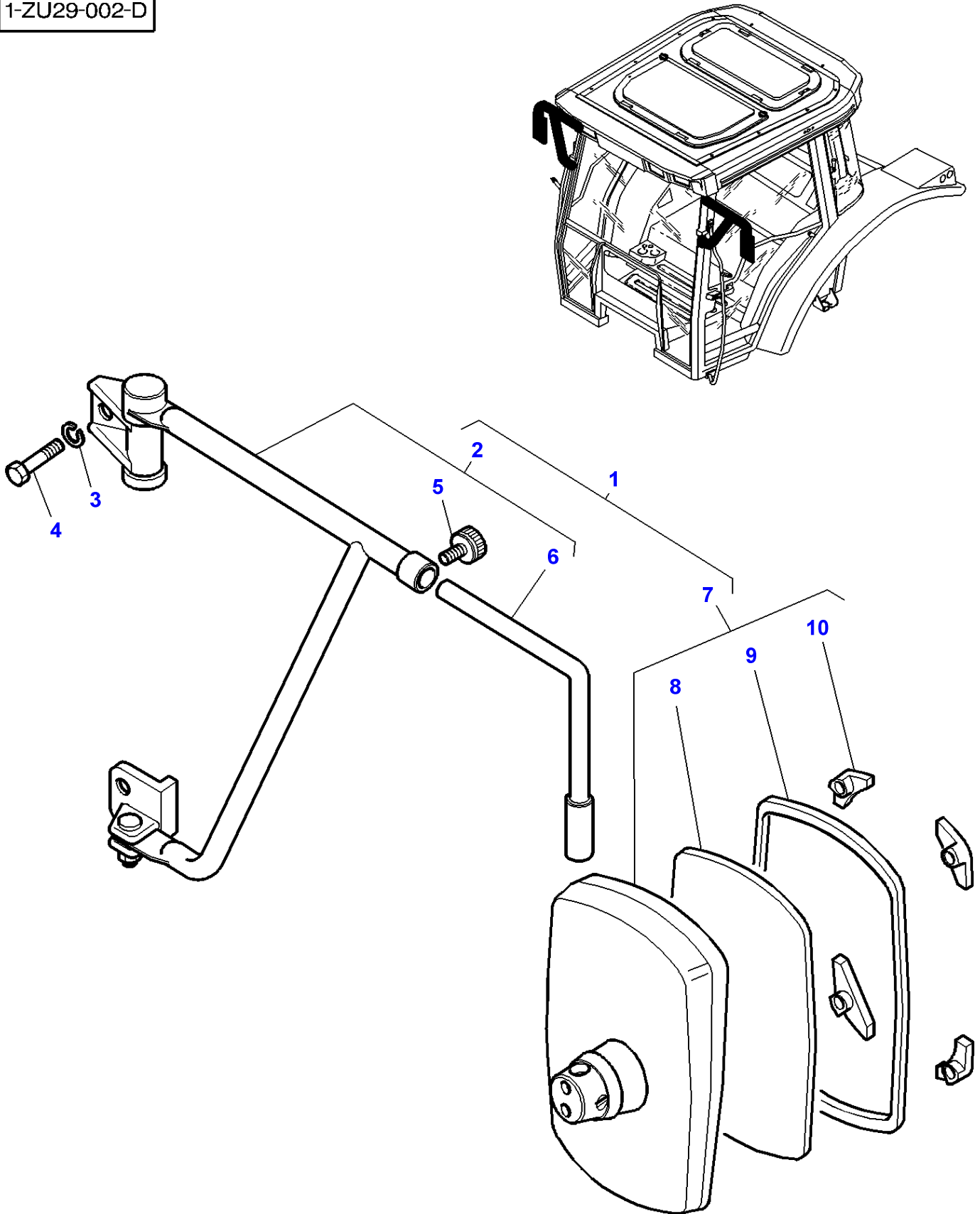
1-ZU29-001-C



Massey Ferguson**MF 8270/8280 TRACTOR - 1637348****1637348****Tractor Cab - External Mirrors****Page 110-0245**

Item	Part Number	Qty	Description	Comments
1	339123X1	4	Hex. Sock. Screw	M8X20
2	3806610M92	1	Arm	Left Hand
	3806611M92	1	Arm	Right Hand
3	385361X1	4	Washer	
4	3806614M91	2	Mirror	
5	1894397M1	1	Mirror Glass	(4)
6	3904489M1	1	Gasket	(4)
7	3907105M91	1	Parts Pack	(4)

1-ZU29-002-D

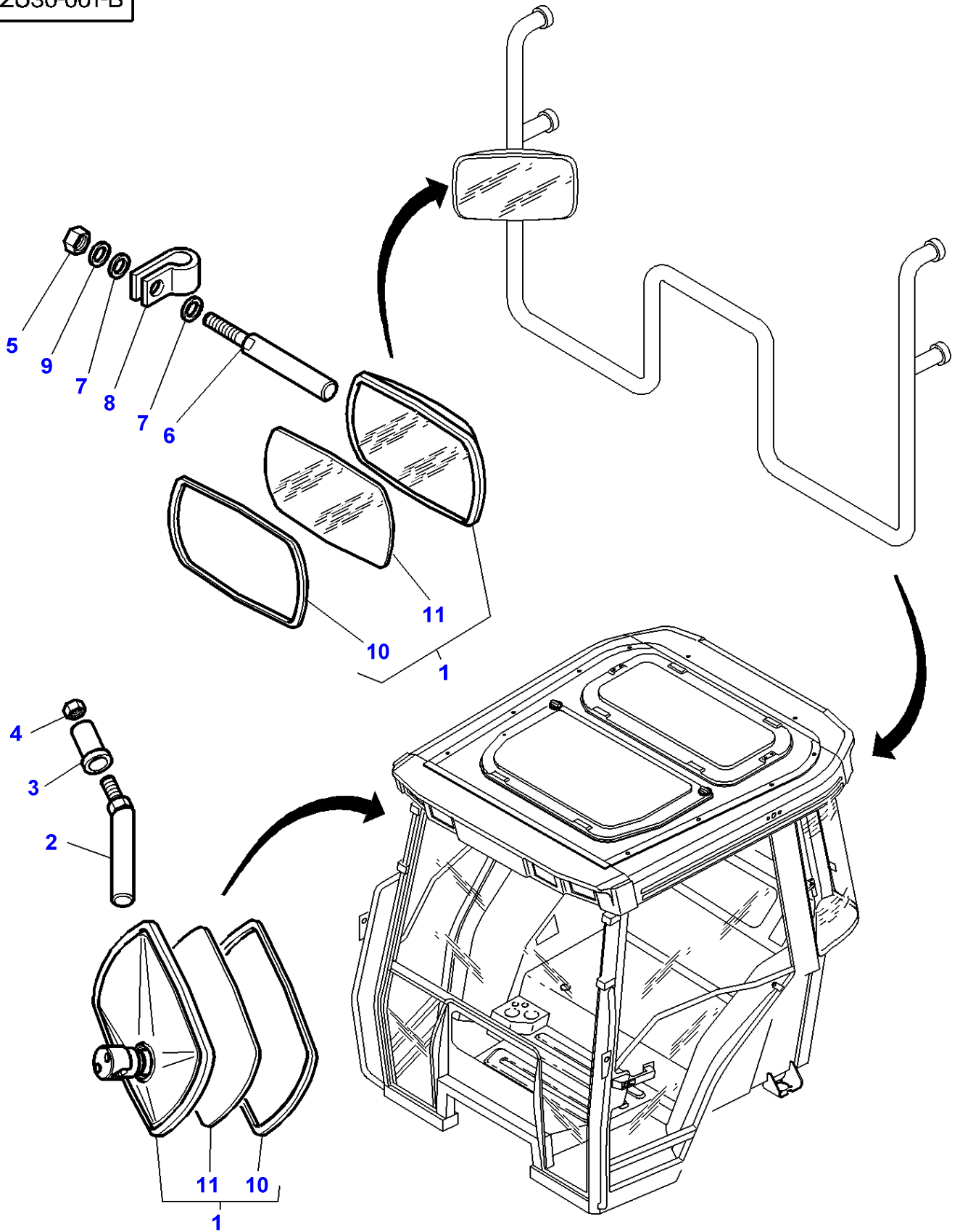


Tractor Cab - External Mirrors

Item	Part Number	Qty	Description	Comments
1	3777056M92	1	Mirror	Left Hand
	3777057M92	1	Mirror	Right Hand
2	3818647M92	1	Arm	(1) Left Hand
	3818648M92	1	Arm	(1) Right Hand
3	385361X1	4	Washer	
4	339123X1	4	Hex. Sock. Screw	
5	3903400M91	1	Setscrew	(2)
6	3903399M91	1	Stem	(2)
7	3787152M1	1	Mirror	(1)
	3806617M91	1	Mirror	[A]
8	3904488M1	1	Mirror Glass	(7) 224X304MM
	3904486M1	1	Mirror Glass	[A] (7) 172X280MM
9	3907107M1	1	Gasket	(7)
10	3904493M1	4	Gusset	(7)

FOOTNOTE [A] FOR JAPANESE MARKET ONLY

1-ZU30-001-B

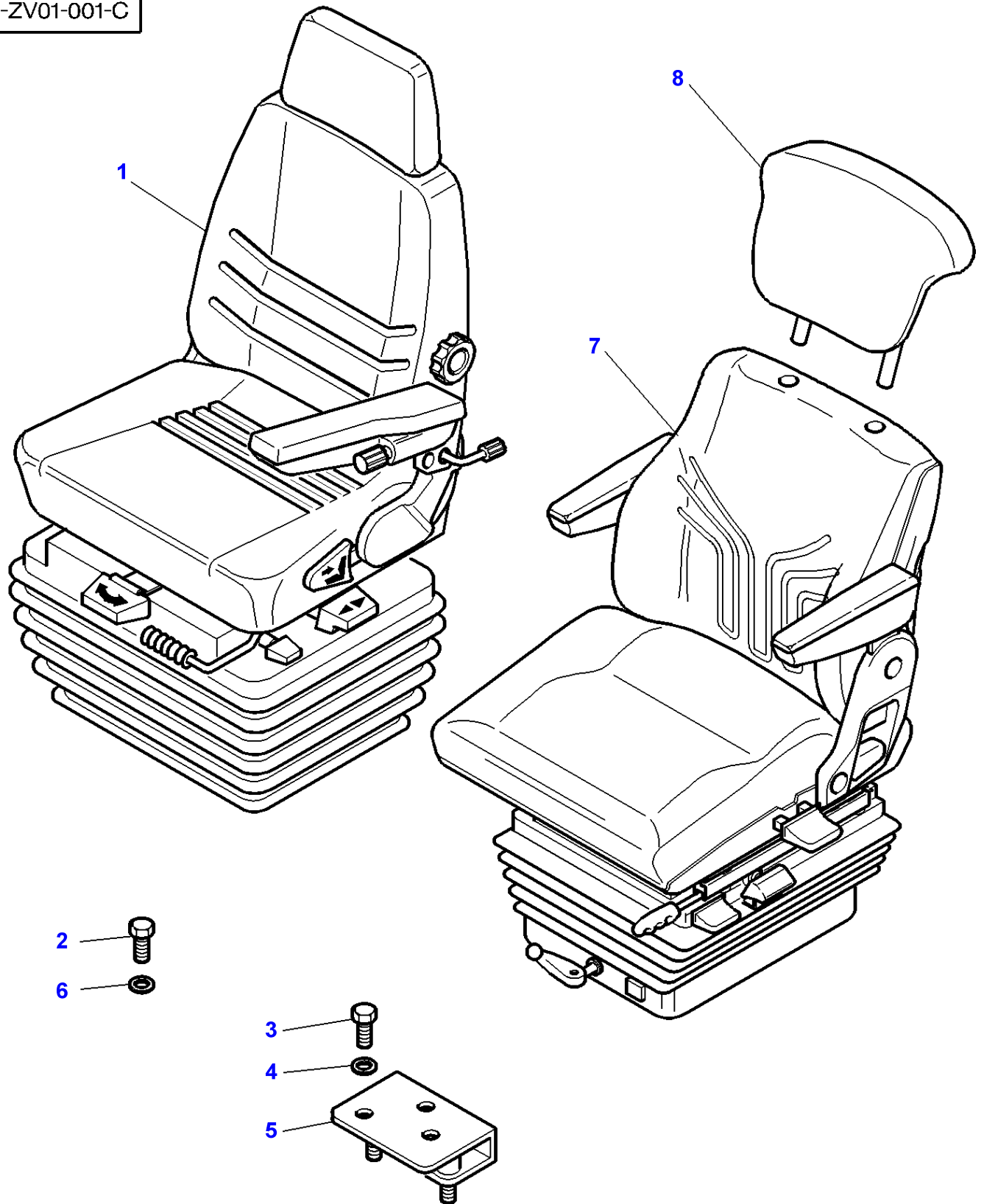


Tractor Cab - Internal Mirrors

Item	Part Number	Qty	Description	Comments
1	3806618M91	2	Mirror	
2	3778091M1	1	Clevis Pin	
3	3778092M1	1	Spacer	[A]
4	339402X1	1	Nut	M10
5	339402X1	1	Nut	M10
6	3581239M1	1	Clevis Pin	
7	385362X1	2	Washer	
8	3581507M1	1	Clamp	
9	391026X1	1	Lock Washer	
10	3904487M1	1	Mirror Glass	(1)
11	3904491M1	1	Gasket	(1)

FOOTNOTE [A] WITH HIGH VISIBILITY ROOF

1-ZV01-001-C



Seat - Grammer

Item	Part Number	Qty	Description	Comments
1	3780646M91	1	Seat	[A] Up to Serial or Engine Number J245007 See Page - Reference Number 110-0270/1 See Page - Reference Number 110-0275/1
	3779611M91	1	Seat	[B] Up to Serial or Engine Number J248028 See Page - Reference Number 110-0280 See Page - Reference Number 110-0300
	3780629M91	1	Seat	[C] Up to Serial or Engine Number 04-09-2000 See Page - Reference Number 110-0280 See Page - Reference Number 110-0305
2	391989X1	4	Screw Metric	M8x20
	3009285X1	4	Screw	M8x16 Replace and repair. Old not interchangeable with new 1441000X1
3	339124X1	3	Hex. Sock. Screw	M8x16 Up to Serial or Engine Number
4	390972X1	4	Washer Metric	M8 Up to Serial or Engine Number
5	3780410M1	1	Plate	Up to Serial or Engine Number
6	390972X1	4	Washer Metric	M8
7	3784092M92	1	Seat	[A] From Serial or Engine Number J245008 See Page - Reference Number 110-0285 See Page - Reference Number 110-0275 See Page - Reference Number 110-0290
	3784088M92	1	Seat	[B] From Serial or Engine Number J248029 See Page - Reference Number 110-0285 See Page - Reference Number 110-0300 See Page - Reference Number 110-0290
	3784089M92	1	Seat	[C] From Serial or Engine Number 05-09-2000 See Page - Reference Number 110-0285 See Page - Reference Number 110-0305 See Page - Reference Number 110-0290
8	3784097M1	1	Back Rest	From Serial or Engine Number

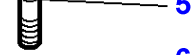
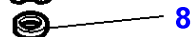
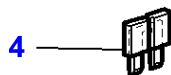
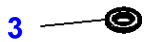
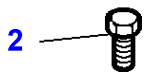
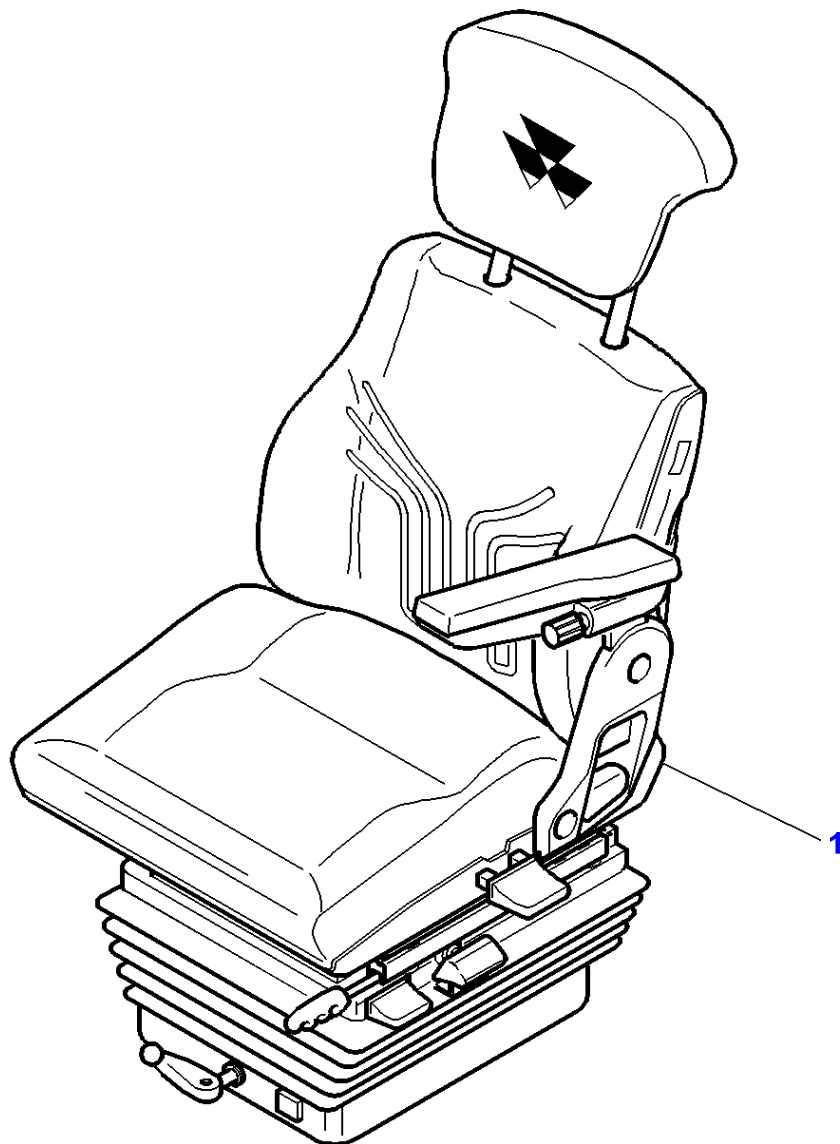
FOOTNOTE [A] MECHANICAL SEAT

FOOTNOTE [B] AIR PRESSURE SEAT WITH AUTOMATIC ADJUSTMENT

FOOTNOTE [C] AIR PRESSURE SEAT WITH MANUAL ADJUSTMENT

FOOTNOTE [D] WITHOUT HYDRAULIC LIFT

1-ZV01-014-A

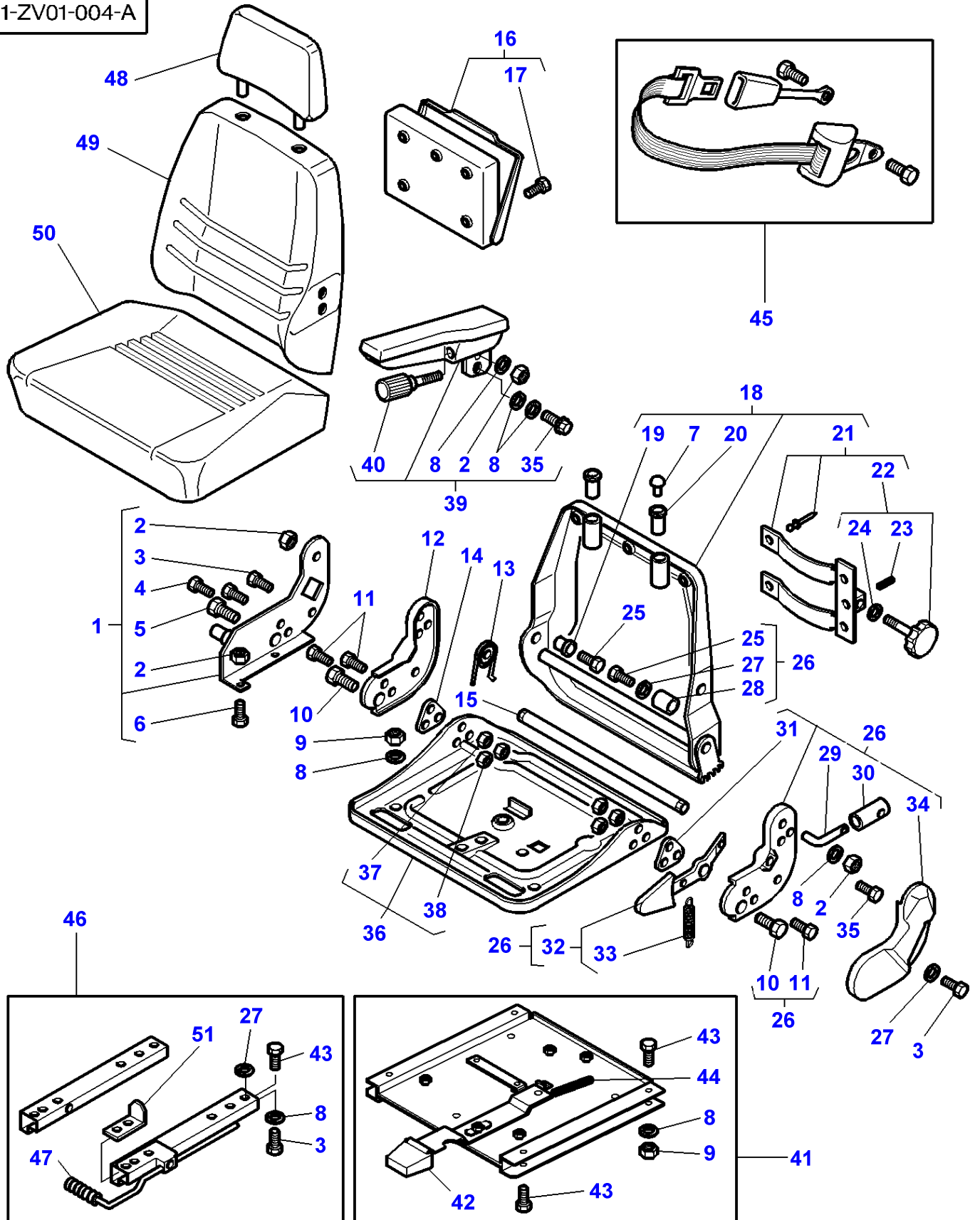


Massey Ferguson**MF 8270/8280 TRACTOR - 1637348****1637348****Seat - Grammer - AIR PRESSURE SEAT WITH AUTOMATIC ADJUSTMENT - LUXUY****Page 110-0265**

Item	Part Number	Qty	Description	Comments
1	3786166M92	1	Seat	See Page - Reference Number 110-0310/1 See Page - Reference Number 110-0295/1
2	3009285X1	4	Screw	M8X16 Replace and repair. Old not interchangeable with new 1441000X1
3	390972X1	4	Washer Metric	
4	3387322M1	1	Fuse	25 AMP.
5	391005X1	2	Stud	M10X25
	3008483X1	2	Stud	M10X35
6	3778519M1	2	Washer	Diameter 10-27x1.8
7	3786216M1	2	Button	M10
8	3619096M1	2	Washer	Diameter 10.5-32x5

MF 8270/8280 TRACTOR - 1637348
1-ZV01-004-A

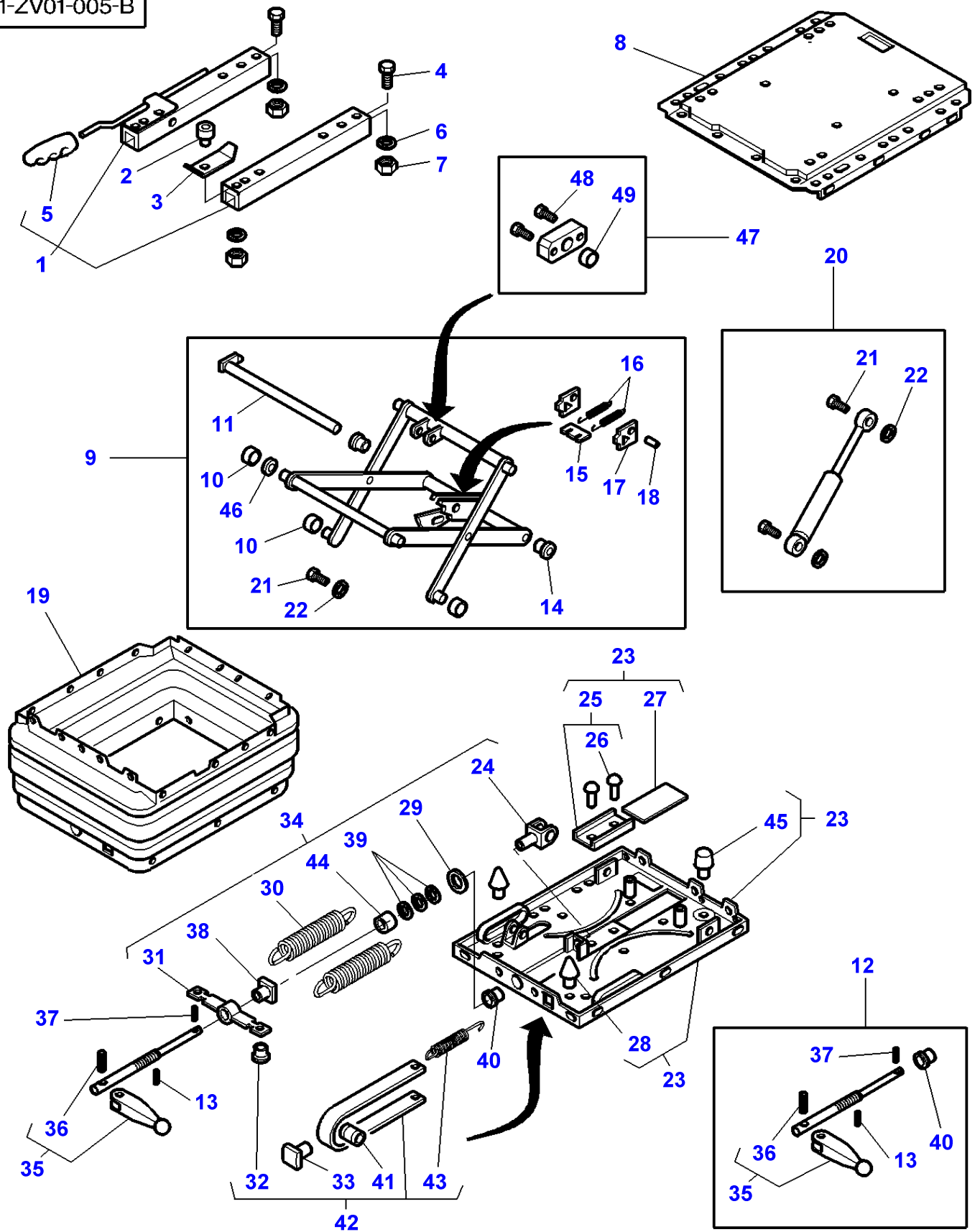
1-ZV01-004-A



Item	Part Number	Qty	Description	Comments
	3780646M91	1	Seat	
1	3903086M91	1	Support	
2	394367X1	3	Locknut	M8
3	391148X1	3	Screw	M8x20
4	1440349X1	2	Screw Metric	M8x30
5	353562X1	1	Bolt Unf	Diameter 7/16"-20 Length 35 MM
6	3009439X1	1	Screw	M8x16
7	3101653M1	2	Cap	
8	391565X1	11	Washer Metric	Diameter 8 MM
9	339169X1	8	Nut	Diameter M8
10	353561X1	2	Bolt Unf	Diameter 7/16"-20 Length 30 MM
11	391990X1	4	Screw	M8x25
12	3105795M1	1	Support	
13	3105793M1	1	Spring	
14	3903073M1	1	Plate	
15	3903074M1	1	Tube	
16	3903085M91	1	Pocket	
17	3903093M1	4	Screw	Diameter 4 MM
18	3903070M91	1	Frame	
19	3903075M1	1	Insert	
20	3101494M1	2	Bush	
21	3903071M91	1	Support	
22	3903072M91	1	Stem	
23	3009322X1	1	Spirol Pin	Diameter 3 MM Length 18 MM
24	1444351X1	1	Washer	Diameter 13 MM
25	339287X1	2	Screw Metric	M8x35
26	3903079M91	1	Driven Plate	
27	391039X1	5	Washer Metric	Diameter 8 MM
28	3903076M1	1	Tube	
29	3903080M1	1	Lever	
30	3903081M1	1	Handle	
31	3903077M1	1	Plate	
32	3903078M91	1	Lever	
33	3105797M1	1	Spring	
34	3903082M1	1	Housing	
35	3101996M1	1	Screw Special	M8x16
36	3903083M91	1	Frame	
37	339169X1	4	Nut	Diameter M8
38	353428X1	2	Nut Unf	Diameter 7/16"-20
39	3903099M91	1	Armrest	
40	3903098M1	1	Stem	
41	3903100M91	1	Plate	
42	3903102M1	1	Handle	
43	3009285X1	12	Screw	M8x16 Replace and repair. Old not interchangeable with new 1441000X1
44	3903101M1	1	Spring	
45	3903092M1	1	Safety Belt	
46	3903088M91	1	Kit, Guide	
47	3903087M1	1	Handle	
48	3779612M1	1	Head Rest	
49	3903118M1	1	Cushion	
50	3903117M1	1	Cushion	
51	3903142M1	1	Strap	

MF 8270/8280 TRACTOR - 1637348
1-ZV01-005-B

1-ZV01-005-B



Item	Part Number	Qty	Description	Comments
	3780646M91	1	Seat	
	3784092M92	1	Seat	
1	3903286M91	1	Kit, Guide	
	3903286M91	1	Kit, Guide	[B] Up to Serial or Engine Number L197035
	3903621M91	1	Kit, Slider	[B] From Serial or Engine Number L197036
2	3903291M1	1	Roller	
3	3903142M1	1	Strap	
	3903636M1	1	Stop	[B]
4	3009285X1	3	Screw	M8x16 Replace and repair. Old not interchangeable with new 1441000X1
5	3903087M1	1	Handle	
6	391039X1	4	Washer Metric	Diameter 8,4 MM
7	339169X1	4	Nut	Diameter M8
8	3903274M91	1	Fit Plate Seat	
9	3903290M91	1	Suspension	
10	1719914M1	4	Roller	
11	3103597M1	1	Stem	
12	3903287M91	1	Stem	
	3903287M91	1	Stem	[B] Up to Serial or Engine Number L197035
	3904440M91	1	Kit, Rod	[B] From Serial or Engine Number L197036
13	3903277M1	1	Pin	Diameter 3 MM Length 18 MM
14	3103596M1	2	Bush	
15	1719910M1	1	Plate	
16	3903148M1	2	Spring	
17	3903275M1	2	Shield	
18	1719923M1	1	Pin	
19	3903145M1	1	Bellows	
20	3903276M91	1	Shock Absorber	
21	1719935M1	2	Pin	
22	1442783X1	2	Circlip	
23	3903281M91	1	Fit Plate Seat	
24	3103605M1	1	Fork	
25	3103612M91	1	Plate	
26	338627X1	2	Rivet	Diameter 4 MM Length 10 MM
27	1719917M1	1	Plate	
28	3903282M1	2	Buffer	
29	1719902M1	1	Washer	
30	3903278M1	2	Tension Spring	
31	1719900M1	1	Support	
32	1719918M1	1	Plug	
33	1719891M1	1	Guide	
34	3903280M91	1	Parts Pack	
35	3903133M91	1	Toggle	
36	3903153M1	1	Pin	Diameter 4 MM Length 28 MM
37	3903152M1	1	Pin	Diameter 3 MM Length 16 MM Diameter M12
38	1719920M1	1	Nut Special	
39	1719921M1	1	Bearing	
40	3103608M1	1	Bush	
41	1719903M1	1	Roller	
42	3903285M91	1	Parts Pack	
	3903285M91	1	Parts Pack	[B] Up to Serial or Engine Number L197035
	3904439M91	1	Kit, Repair	[B] From Serial or Engine Number L197036
43	1719932M1	1	Spring	
44	3903279M1	1	Tube	
45	3903283M1	1	Buffer	
46	3903284M1	2	Insert	
47	3903288M91	1	Bearing Carrier	
48	339560X1	4	Hex. Sock. Screw	(47) M6x16
49	3903289M1	2	Insert	(47)

Massey Ferguson

MF 8270/8280 TRACTOR - 1637348

1637348

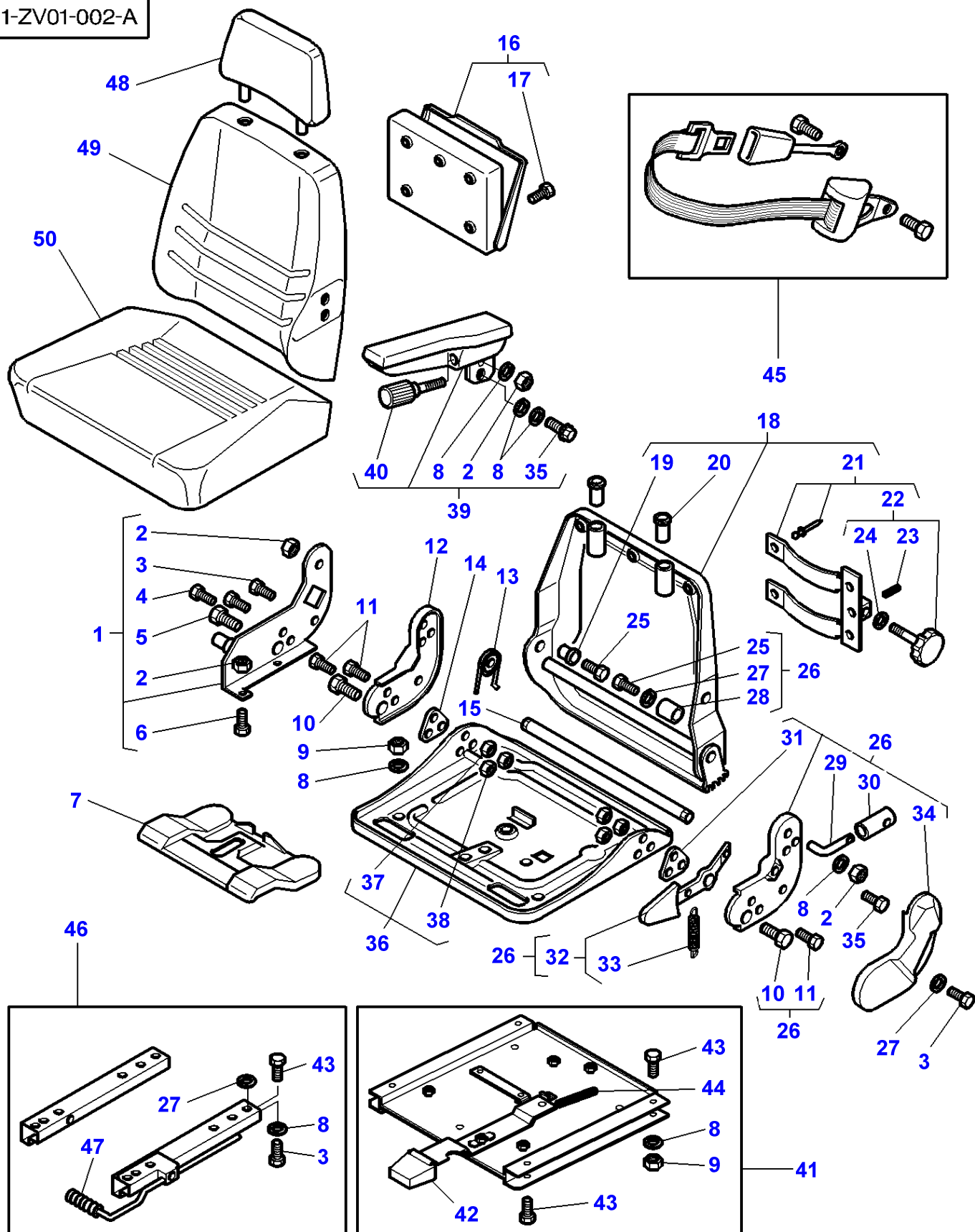
Seat - Grammer - MECHANICAL SEAT

Page 110-0275

Item	Part Number	Qty	Description	Comments
FOOTNOTE	[A]		INDUSTRIAL CAB	
FOOTNOTE	[B]		USED WITH SEAT 3784092M92	

MF 8270/8280 TRACTOR - 1637348
1-ZV01-002-A

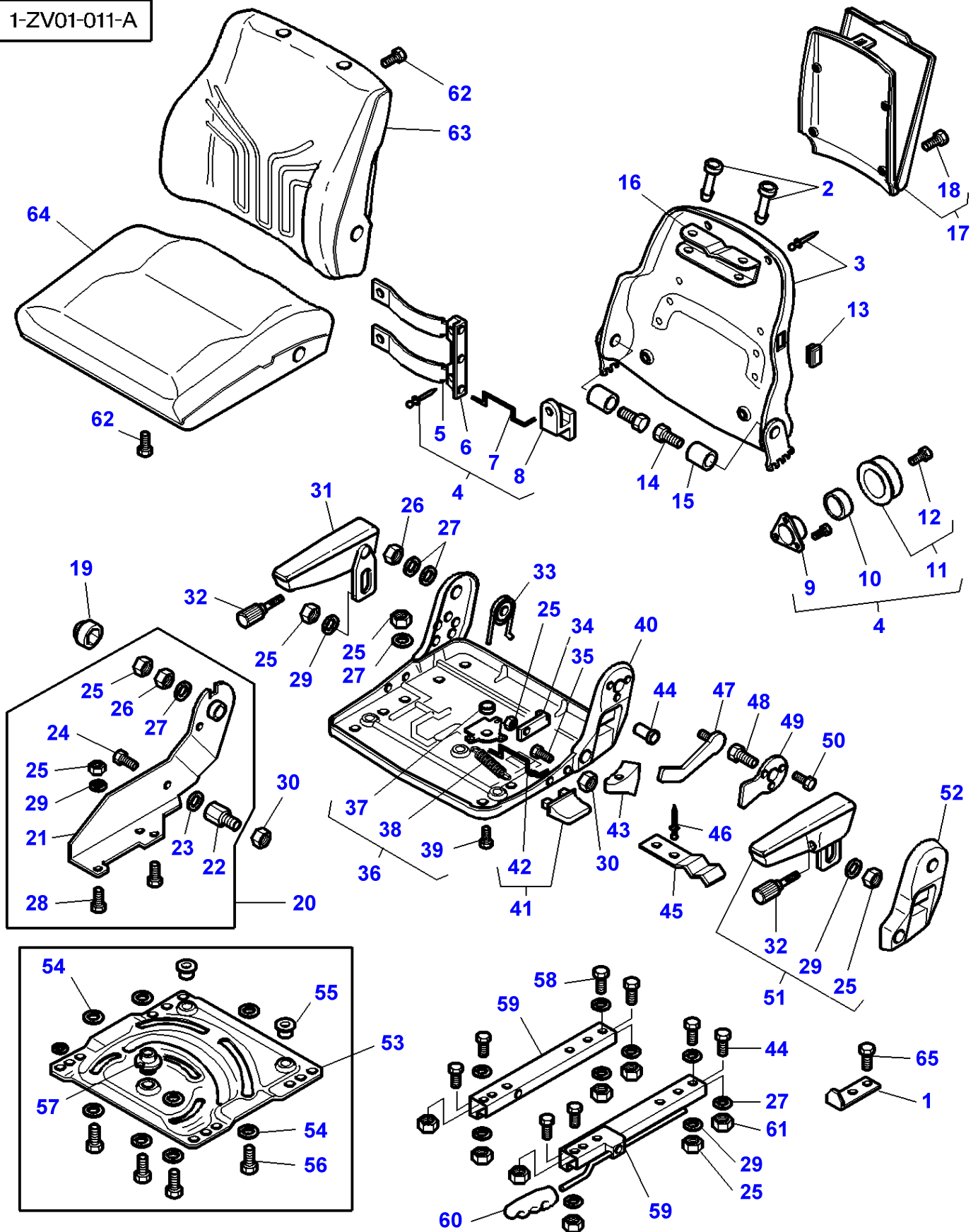
1-ZV01-002-A



Item	Part Number	Qty	Description	Comments
	3779611M91	1	Seat	
	3780629M91	1	Seat	
1	3903086M91	1	Support	
2	394367X1	3	Locknut	M8
3	391148X1	3	Screw	M8x20
4	1440349X1	2	Screw Metric	M8x30
5	353562X1	1	Bolt Unf	Diameter 7/16"-20 Length 35 MM
6	3009439X1	1	Screw	M8x16
7	3903084M91	1	Driven Plate	
8	390972X1	11	Washer Metric	Diameter 8 MM
9	339169X1	4	Nut	M8
10	353561X1	2	Bolt Unf	Diameter 7/16"-20 Length 30 MM
11	391990X1	4	Screw	M8x25
12	3105795M1	1	Support	
13	3105793M1	1	Spring	
14	3903073M1	1	Plate	
15	3903074M1	1	Tube	
16	3903085M91	1	Pocket	
17	3903093M1	4	Screw	Diameter 4 MM
18	3903070M91	1	Frame	
19	3903075M1	1	Insert	
20	3101494M1	2	Bush	
21	3903071M91	1	Support	
22	3903072M91	1	Stem	
23	3009322X1	1	Spirol Pin	Diameter 3 MM Length 18 MM
24	1444351X1	1	Washer	Diameter 13 MM
25	339287X1	2	Screw Metric	M8x35
26	3903079M91	1	Driven Plate	
27	391039X1	5	Washer Metric	Diameter 8 MM
28	3903076M1	1	Tube	
29	3903080M1	1	Lever	
30	3903081M1	1	Handle	
31	3903077M1	1	Plate	
32	3903078M91	1	Lever	
33	3105797M1	1	Spring	
34	3903082M1	1	Housing	
35	3101996M1	1	Screw Special	M8x16
36	3903083M91	1	Frame	
37	339169X1	4	Nut	M8
38	353428X1	2	Nut Unf	Diameter 7/16"-20
39	3903099M91	1	Armrest	
40	3903098M1	1	Stem	
41	3903100M91	1	Plate	
42	3903102M1	1	Handle	
43	3009285X1	12	Screw	M8x16 Replace and repair. Old not interchangeable with new 1441000X1
44	3903101M1	1	Spring	
45	3903092M1	1	Safety Belt	
46	3903088M91	1	Kit, Guide	
47	3903087M1	1	Handle	
48	3779612M1	1	Head Rest	
49	3903118M1	1	Cushion	
50	3903117M1	1	Cushion	

MF 8270/8280 TRACTOR - 1637348
1-ZV01-011-A

1-ZV01-011-A



Seat - Grammer - Air Ride Seat & Suspension - From ...

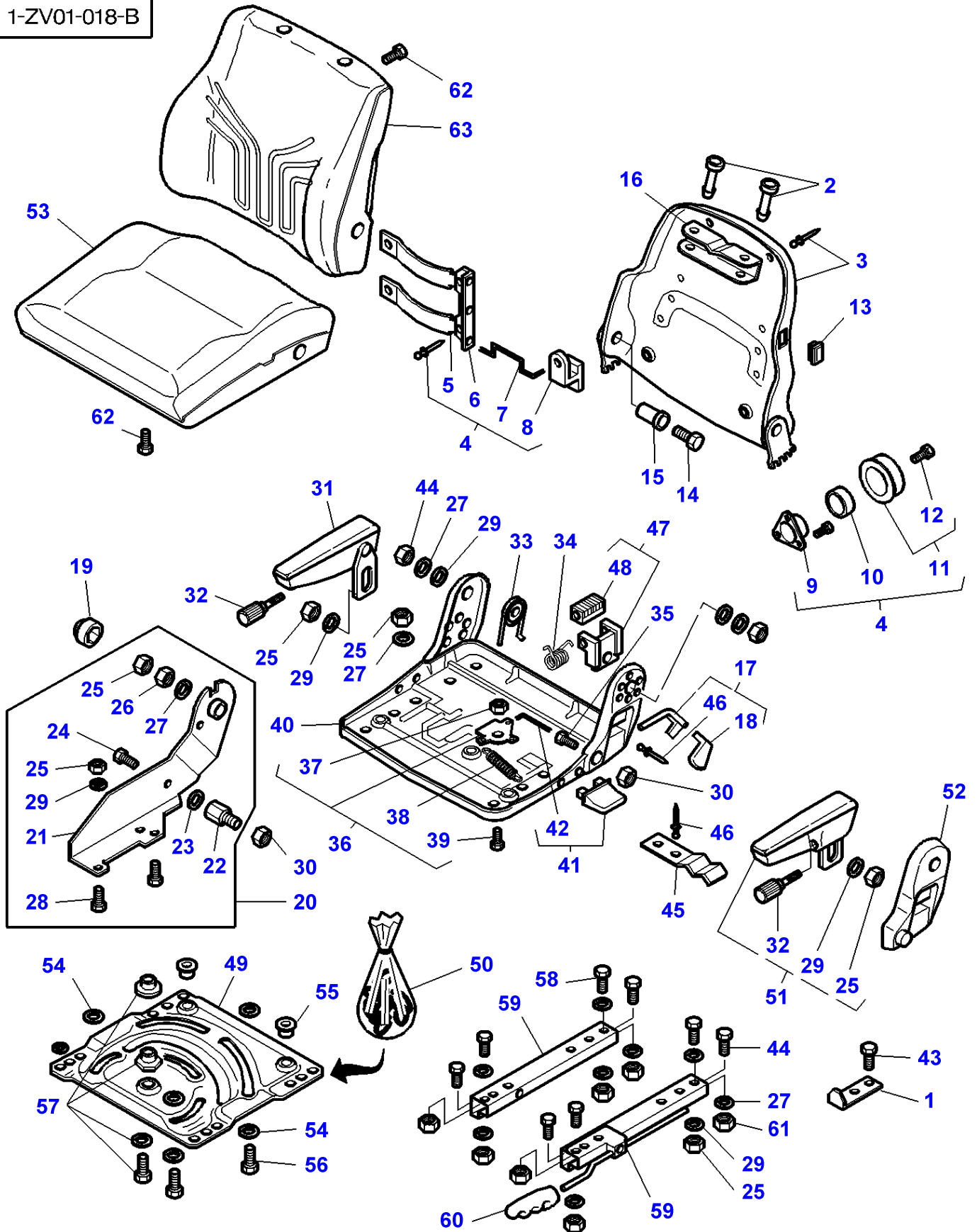
Item	Part Number	Qty	Description	Comments
	3784088M92	1	Seat	Up to Serial or Engine Number L191010
	3784089M92	1	Seat	Up to Serial or Engine Number L189012
	3784092M92	1	Seat	Up to Serial or Engine Number L197035
1	3903636M1	1	Stop	[F]
2	3903626M1	2	Insert	
3	3903625M91	1	Back Rest	
4	3903628M91	1	Support	
5	3903601M1	2	Plate	
6	3903602M1	1	Plate	
7	3903600M1	1	Rod	
8	3903633M1	1	Driving	
9	3903632M1	1	Holder	
10	3903631M1	1	Cam	
11	3903630M91	1	Handle	
12	392831X1	1	Screw	M6 X 10
13	3903598M1	1	Tap	
14	339168X1	1	Screw	M8 X 50
15	3903634M1	1	Tube	
16	3903627M1	1	Support	
17	3903603M1	1	Pocket	[D,E]
18	3903599M1	3	Screw	[D,E] M4 X 8
19	3903607M1	1	Clevis	
20	3903609M1	1	Support	
21		1	Support	Not serviced,order REF. 20
22	3903606M1	1	Bolt	
23	3903605M1	1	Insert	
24	353557X1	1	Bolt Unf	7/16-20 X 20
25	339169X1	X	Nut	M8
26	394367X1	1	Locknut	M8
27	391565X1	X	Washer Metric	M8
28	3009439X1	2	Screw	M8 X 16
29	391039X1	X	Washer Metric	M8
30	353428X1	2	Nut Unf	7/16-20
31			Not Used	
32	3903098M1	2	Stem	
33	3903615M1	1	Spring	
34	3903608M1	1	Shank	
35	353562X1	1	Bolt Unf	7/16-20 X 35
36	3903635M91	1	Lever	
37	3903623M1	1	Insert	
38	3104902M1	1	Spring	
39	339228X1	1	Screw Metric	M8 X 12
40	3903617M1	1	Frame	
41	3903611M91	1	Handle	
42	3903612M1	1	Rod	
43	3903619M1	1	Handle	
44	3009285X1	5	Screw	M8 X 16 Replace and repair. Old not interchangeable with new 1441000X1
45	3903604M1	1	Shield	
46		X	Rivet	[A]
47	3903618M1	1	Lever	
48	3903629M1	1	Screw	M8 X 18
49	3903620M1	1	Plate	
50	1440947X1	3	Screw	M6 X 10
51	3903597M91	1	Armrest	Left Hand
52	3903614M1	1	Housing	
53	3903622M91	1	Plate	
54	390735X1	8	Washer	Diameter 13 X 2.5-0.12
55	3903616M1	2	Bearing	
56	3903610M1	4	Bolt	
57	3903613M1	1	Insert	
58	339124X1	4	Hex. Sock. Screw	M8 X 16
59	3903621M91	1	Kit, Slider	
60	3903595M1	1	Handle	
61	3904089M1	4	Nut	M8
62	3904087M1	7	Bolt	M5 X 16
63	3903593M1	1	Cushion	
64	3903594M1	1	Cushion	
65	391148X1	1	Screw	[F] M8X20

Item	Part Number	Qty	Description	Comments
------	-------------	-----	-------------	----------

- FOOTNOTE [A] NOT SERVICED
- FOOTNOTE [B] NOT SERVICED WITH THE SEAT
- FOOTNOTE [C] WITHOUT HYDRAULIC LIFT
- FOOTNOTE [D] USED WITH SEAT 3784088M91
- FOOTNOTE [E] USED WITH SEAT 3784089M92
- FOOTNOTE [F] USED WITH SEAT 3784092M92

MF 8270/8280 TRACTOR - 1637348
1-ZV01-018-B

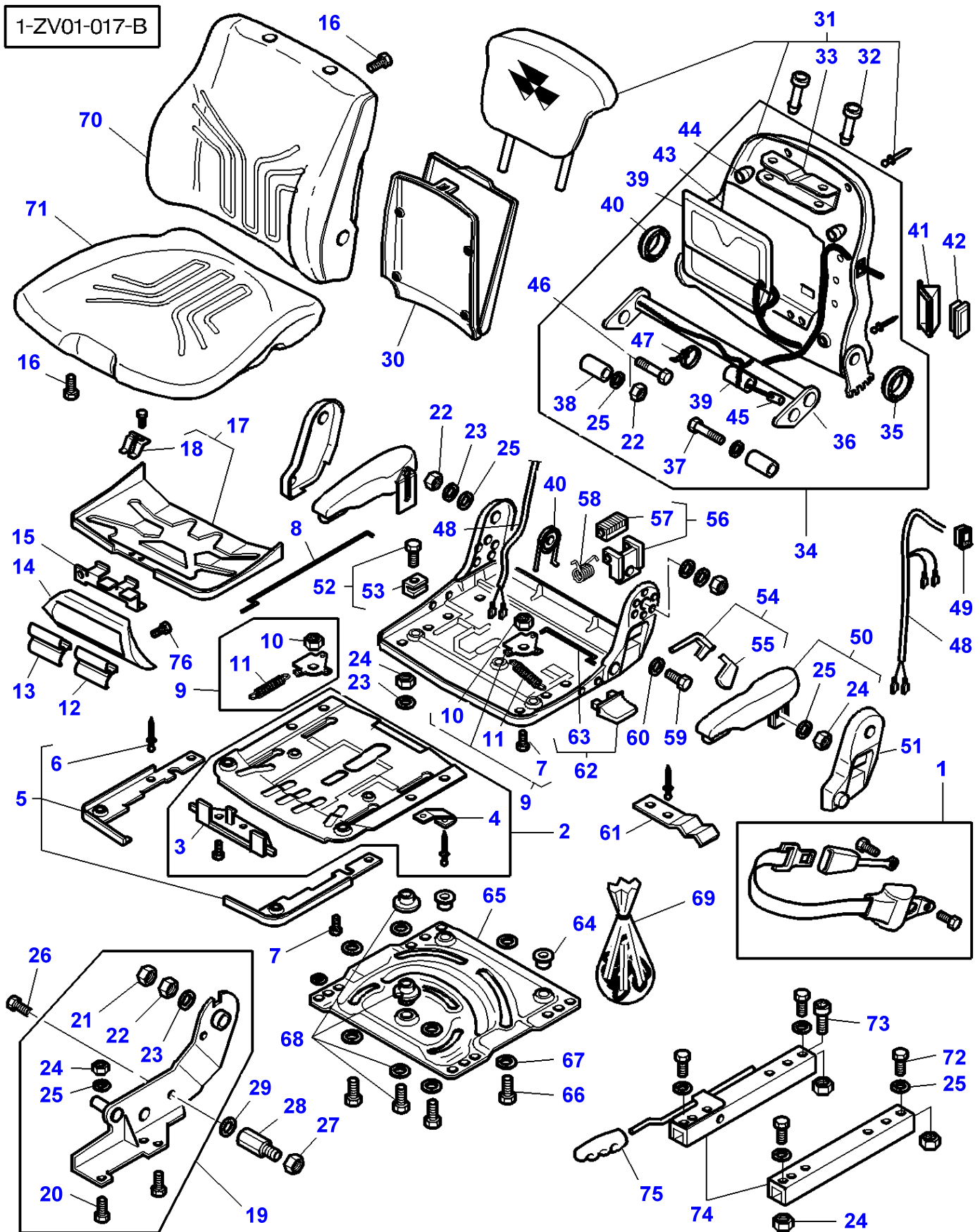
1-ZV01-018-B



Item	Part Number	Qty	Description	Comments
	3784088M92	1	Seat	From Serial or Engine Number L191011
	3784089M92	1	Seat	From Serial or Engine Number L189013
	3784092M92	1	Seat	From Serial or Engine Number L197036
1	3903636M1	1	Stop	[E,F]
2	3903626M1	2	Insert	
3	3903625M91	1	Back Rest	
4	3903628M91	1	Support	
5	3903601M1	2	Plate	
6	3903602M1	1	Plate	
7	3903600M1	1	Rod	
8	3903633M1	1	Driving	
9	3903632M1	1	Holder	
10	3903631M1	1	Cam	
11	3903630M91	1	Handle	
12	392831X1	1	Screw	M6 X 10
13	3903598M1	1	Tap	
14	339168X1	1	Screw	M8 X 50
15	3903634M1	1	Tube	
16	3903627M1	1	Support	
17	3904264M1	1	Lever	
18	3904265M1	1	Handle	
19	3903607M1	1	Clevis	
20	3903609M1	1	Support	
21		1	Support	Not serviced,order REF. 20
22	3903606M1	1	Bolt	
23	3903605M1	1	Insert	
24	353557X1	1	Bolt Unf	7/16-20 X 20
25	339169X1	X	Nut	M8
26	394367X1	1	Locknut	M8
27	391565X1	X	Washer Metric	M8
28	3009439X1	2	Screw	M8 X 16
29	391039X1	X	Washer Metric	M8
30	353428X1	2	Nut Unf	7/16-20
31	3784393M1	1	Armrest	[B,C] Right Hand
32	3903098M1	2	Stem	
33	3903615M1	1	Spring	
34	3903788M1	1	Spring	
35	353562X1	1	Bolt Unf	7/16-20 X 35
36	3903635M91	1	Lever	
37	3903623M1	1	Insert	
38	3104902M1	1	Spring	
39	339228X1	1	Screw Metric	M8 X 12
40	3903969M1	1	Frame	
41	3903611M91	1	Handle	
42	3903612M1	1	Rod	
43	391148X1	1	Screw	[E,F] M8X20
44	3009285X1	5	Screw	M8 X 16 Replace and repair. Old not interchangeable with new 1441000X1
45	3903604M1	1	Shield	
46		X	Rivet	[A]
47	3904270M1	1	Support	
48	3904269M1	1	Stop	
49	3903622M91	1	Plate	
50	3904275M1	1	Parts Pack	
51	3903597M91	1	Armrest	Left Hand
52	3903971M1	1	Frame	
53	3903594M1	1	Cushion	
54	390735X1	8	Washer	Diameter 13 X 2.5-0.12
55	3903616M1	2	Bearing	
56	3903610M1	4	Bolt	
57	3903967M91	1	Parts Pack	
58	339124X1	4	Hex. Sock. Screw	M8 X 16
59	3903621M91	1	Kit, Slider	
60	3903595M1	1	Handle	
61	3904089M1	4	Nut	M8
62	3903965M1	7	Screw	M5 X 25
63	3903593M1	1	Cushion	

Item	Part Number	Qty	Description	Comments
FOOTNOTE	[B]		NOT SERVICED WITH THE SEAT	
FOOTNOTE	[C]		WITHOUT HYDRAULIC LIFT	
FOOTNOTE	[E]		USED WITH SEAT 3784089M92	
FOOTNOTE	[F]		USED WITH SEAT 3784092M92	

MF 8270/8280 TRACTOR - 1637348
1-ZV01-017-B



Item	Part Number	Qty	Description	Comments
	3786166M92	1	Seat	
1	3903805M1	1	Safety Belt	
2	3903780M91	1	Frame	
3	3903785M91	1	Adjuster	
4	3903781M1	2	Shield	
5	3903784M91	1	Housing	
6	339362X1	2	Washer	
7	339228X1	2	Screw Metric	M8x12
8	3903783M1	1	Rod	
9	3903635M91	2	Lever	
10	3903623M1	2	Insert	
11	3104902M1	2	Spring	
12	3903794M1	1	Muff	
13	3903793M91	1	Handle	
14	3903792M91	1	Housing	
15	3903791M1	1	Lever	
16	3904087M1	10	Bolt	M5x16
				Up to Serial or Engine Number M002057
	3903965M1	10	Screw	From Serial or Engine Number M002058
				M5x16
17	3903789M91	1	Positioner	
18	3903790M91	1	Shield	
19	3903808M91	1	Support	
20	3009439X1	2	Screw	M8x16
21	3903607M1	1	Clevis	
22	394367X1	1	Locknut	M8
23	391565X1	9	Washer Metric	
24	339169X1	7	Nut	M8
25	391039X1	9	Washer Metric	
26	353557X1	1	Bolt Unf	7/16-20x20
27	353428X1	1	Nut Unf	7/16-20
28	3903807M1	1	Bolt	
29	3903605M1	1	Insert	
30	3903603M1	1	Pocket	
31	3903782M91	1	Head Rest	
32	3903626M1	2	Insert	
33	3903627M1	1	Support	Up to Serial or Engine Number M002057
34	3903795M91	1	Back Rest	
35	3903802M1	1	Washer	Up to Serial or Engine Number M002057
	3907136M1	1	Washer	From Serial or Engine Number M002058
36	3903803M1	1	Tube	
37	339168X1	2	Screw	M8x50
38	3903796M1	2	Tube	
39	3903800M1	1	Support	
40	3903779M1	1	Spring	
41	3903798M1	1	Cover	
42	3903843M1	1	Switch	
43	3903799M91	1	Plate	
44	1719867M1	2	Protector	
45	3903797M1	3	Spring	Up to Serial or Engine Number M002057
	3903970M1	3	Spring	From Serial or Engine Number M002058
46	3903806M1	1	Screw	M8x60
47	3903106M1	8	Tie	
48	3903801M1	1	Harness	
49	3903804M1	1	Switch	[A]
50	3903597M91	1	Armrest	Left Hand
	3784393M1	1	Armrest	Right Hand
51	3904266M1	1	Protector	
52	3903787M91	1	Frame	
53	3903786M1	1	Skate	
54	3904264M1	1	Lever	
55	3904265M1	1	Handle	
56	3904270M1	1	Support	
57	3904269M1	1	Stop	
58	3903788M1	1	Spring	
59	353562X1	1	Bolt Unf	7/16-20X35
60	353428X1	1	Nut Unf	7/16-20
61	3903604M1	1	Shield	
62	3903611M91	1	Handle	
63	3903612M1	1	Rod	(62)
64	3903616M1	2	Bearing	

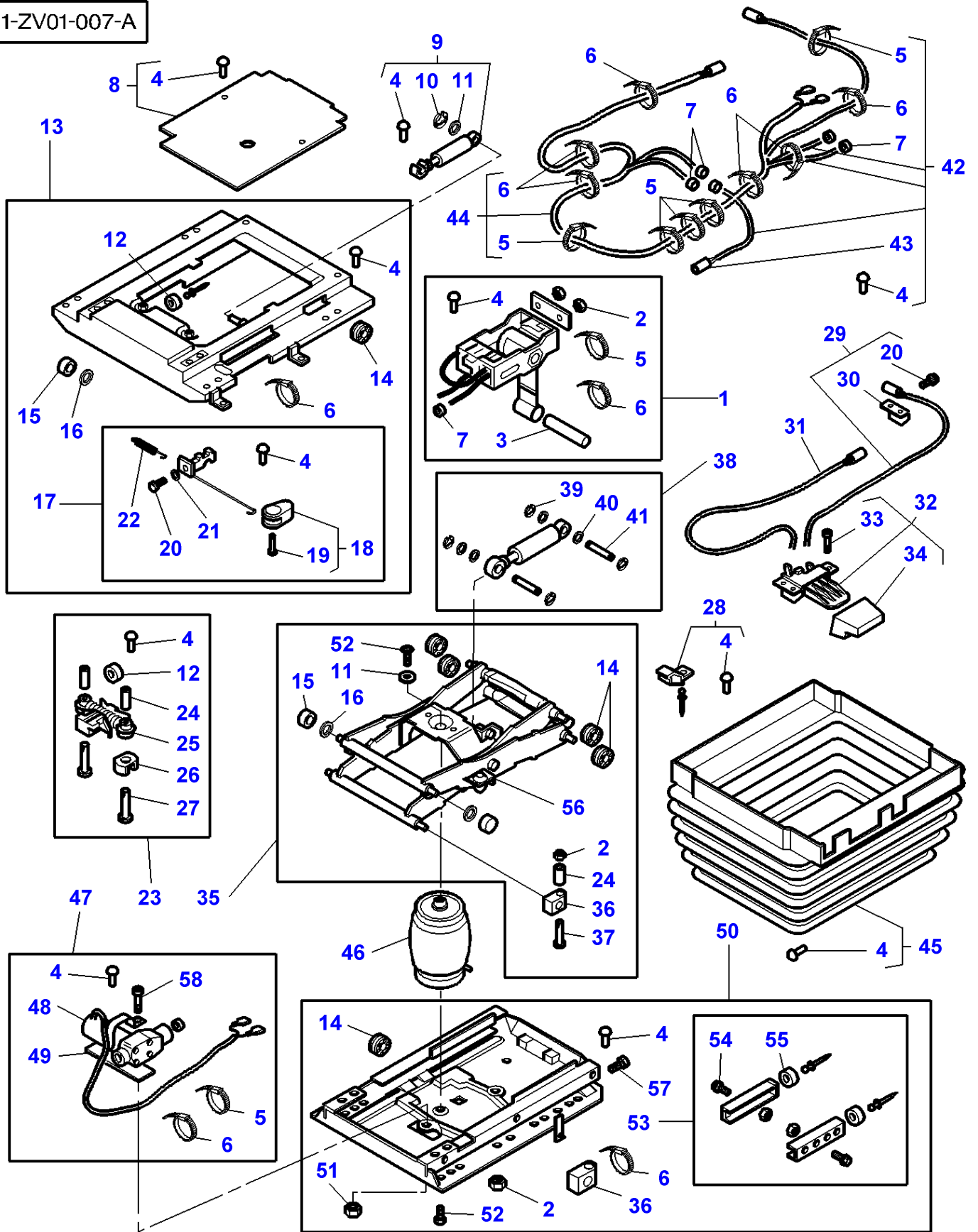
Massey Ferguson**MF 8270/8280 TRACTOR - 1637348****1637348****Seat - Grammer - AIR PRESSURE SEAT WITH AUTOMATIC ADJUSTMENT - LUXUY****Page 110-0295**

Item	Part Number	Qty	Description	Comments
65	3903622M91	1	Plate	
66	3903610M1	4	Bolt	
67	390735X1	8	Washer	
68	3903613M1	1	Insert	Up to Serial or Engine Number M002057
68	3903967M91	1	Parts Pack	From Serial or Engine Number M002058
69	3904275M1	1	Parts Pack	
70	3903777M1	1	Cushion	
71	3903778M1	1	Cushion	
72	339124X1	4	Hex. Sock. Screw	M8x16
73	3009285X1	4	Screw	M8x16
				Replace and repair. Old not interchangeable with new 1441000X1
74	3903621M91	1	Kit, Slider	
75	3903595M1	1	Handle	
76	3904087M1	2	Bolt	M5x16

FOOTNOTE [A] HEATER

MF 8270/8280 TRACTOR - 1637348
1-ZV01-007-A

1-ZV01-007-A



Item	Part Number	Qty	Description	Comments
	3779611M91	1	Seat	
	3784088M92	1	Seat	
1	3903129M91	1	Lever	
2	394367X1	4	Locknut	M8
3	3903130M1	1	Clevis Pin	
4	1719896M1	24	Plug	
5	3903068M1	4	Tie	4,7x204 MM
6	3903106M1	5	Tie	2,5x102 MM
7	3903052M1	4	Olive	
8	3903037M91	1	Housing	
9	3903039M91	1	Shock Absorber	
10	1441206X1	1	Lock Washer	Diameter 6 MM
11	390972X1	2	Washer Metric	[C] Diameter 8,4 MM
	391565X1	2	Washer Metric	Diameter 8.4 MM
12	3903040M1	1	Buffer	
13	3903132M91	1	Suspension	
14	3903050M1	4	Roller	
15	3105382M1	2	Bearing Needle	[C]
	3105382M1	2	Bearing Needle	[D]
	3903815M1	2	Pulley	Up to Serial or Engine Number L191010 [D] From Serial or Engine Number L191011
16	3903048M1	2	Ring	[C]
	3903048M1	2	Ring	[D] Up to Serial or Engine Number L191010
17	3903045M91	1	Rod Link	
18	3903180M91	1	Handle	
19	3903065M1	1	Screw	4x14
20	3903064M1	2	Screw	3,5x12 MM
21	339362X1	1	Washer	Diameter 4,3 MM
22	3903044M1	2	Spring	
23	3903032M91	1	Shock Absorber	(1)
24	3105404M1	4	Tube	(1)
25	3903033M1	2	Insert	
26	3903034M1	2	Buffer	
27	339287X1	2	Screw Metric	M8x35
28	3903036M1	2	Stop	
29	3903138M91	1	Cable	
30	3903136M1	1	Support	
31	3903137M91	1	Cable	
32	3903164M91	1	Selector	Replace and repair. Old interchangeable with new 3903043M91
33	3903063M1	3	Screw	M5x16
	3904087M1	3	Bolt	[D] M5X16
34	3903042M1	1	Handle	
35	3903047M91	1	Suspension	
36	3903049M1	2	Bearing Carrier	
37	3903066M1	2	Screw	
38	3903058M91	1	Shock Absorber	
39	390287X1	4	Lock Washer	
40	3101663M1	4	Washer	
41	3903035M1	2	Clevis Pin	
42	3903141M91	1	Hydr Hose	
43	3105395M1	2	Hose Clip	
44	3904448M1	1	Harness	
45	3903139M91	1	Bellows	
46	3903051M91	1	Accumulator	
47	3903057M91	1	Compressor	
48	3903053M1	1	Clamp	
49	3903054M1	1	Plate	
50	3903059M91	1	Fit Plate Seat	
51	339169X1	1	Nut	[C] M8
	394367X1	1	Locknut	M8
52	3903067M1	2	Screw	M8x20
53	3903062M1	1	Stop	
54	3101996M1	2	Screw Special	M8x16
55	3102401M1	2	Buffer	
56	1719867M1	2	Protector	
57	3000926X1	1	Screw	M5x10

Item	Part Number	Qty	Description	Comments
58	3001414X1	1	Screw Metric	M8x12
59	3903135M91	1	Kit, Repair	[A,B]

FOOTNOTE [A] INCLUDE ITEM 2/4/5/6/11/12/14/15/16/24/25/ 26/36/51/52/53/56/58

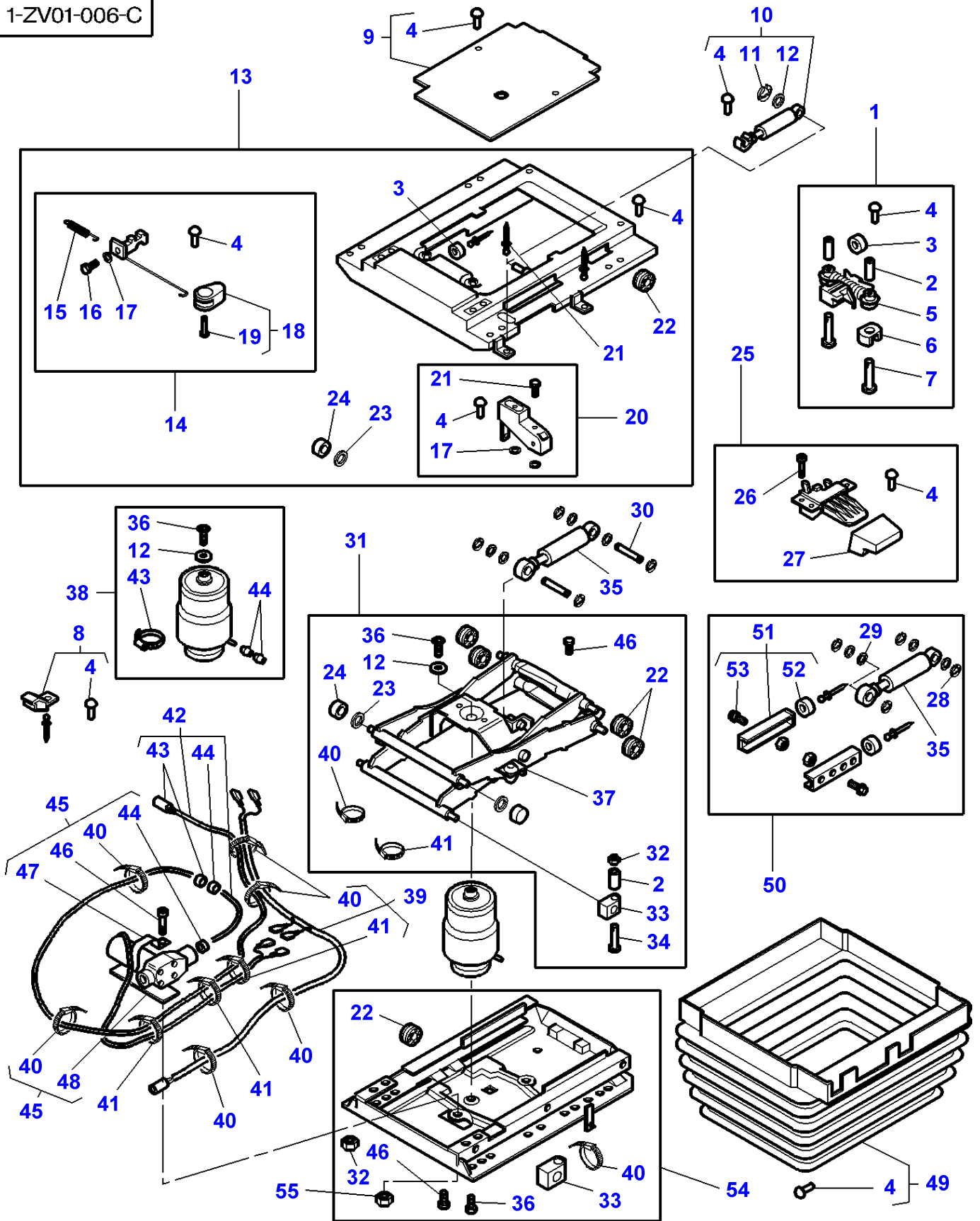
FOOTNOTE [B] NOT ILLUSTRATED

FOOTNOTE [C] USED WITH SEAT 3779611M91

FOOTNOTE [D] USED WITH SEAT 3784088M91

MF 8270/8280 TRACTOR - 1637348
1-ZV01-006-C

1-ZV01-006-C



Item	Part Number	Qty	Description	Comments
	3780629M91		Seat	
	3784089M92		Seat	
1	3903032M91	1	Shock Absorber	
2	3105404M1	4	Tube	
3	3903040M1	1	Buffer	
4	1719896M1	24	Plug	
5	3903033M1	2	Insert	
6	3903034M1	1	Buffer	
7	339287X1	2	Screw Metric	M8x35
8	3903036M1	2	Stop	
9	3903037M91	1	Housing	
10	3903039M91	1	Shock Absorber	M8
11	1441206X1	1	Lock Washer	Diameter 6 MM
12	391565X1	2	Washer Metric	Diameter 8,4 MM
13	3903038M91	1	Fit Plate Seat	
14	3903045M91	1	Rod Link	
15	3903044M1	2	Spring	
16	3903064M1	1	Screw	Diameter 3,5 X 12
	3903064M1	1	Screw	[C] Up to Serial or Engine Number L189012
	3904444M1	1	Screw	[C] From Serial or Engine Number L189013
17	339362X1	3	Washer	Diameter 4 MM
18	3903046M91	1	Handle	
	3903046M91	1	Handle	[C] Up to Serial or Engine Number L189012
	3903180M91	1	Handle	[C] From Serial or Engine Number L189013
19	3903065M1	1	Screw	4x14
20	3903041M91	1	Parts Pack	
21	3103289M1	2	Rivet	4x12
22	3903050M1	4	Roller	
23	3903048M1	2	Ring	
	3903048M1	2	Ring	[C] Up to Serial or Engine Number L189012
24	3105382M1	2	Bearing Needle	
	3105382M1	2	Bearing Needle	[C] Up to Serial or Engine Number L189012
	3903815M1	2	Pulley	[C] From Serial or Engine Number L189013
25	3903313M91	1	Drive	
26	3903063M1	3	Screw	5x16
	3904087M1	3	Bolt	[C] M5X16
27	3903042M1	1	Handle	
28	390287X1	4	Lock Washer	Diameter 10 MM
29	3101663M1	4	Washer	Diameter 13 MM
30	3903035M1	2	Clevis Pin	
31	3903047M91	1	Suspension	
32	394367X1	2	Locknut	M8
33	3903049M1	2	Bearing Carrier	
34	3903066M1	2	Screw	
35		1	Ram	Not serviced,order REF 50
36	3903067M1	2	Screw	8x20
37	1719867M1	2	Protector	
38	3903051M91	1	Accumulator	
39	3903056M91	1	Cable	
40	3903106M1	7	Tie	
41	3903068M1	4	Tie	
42	3904445M91	1	Kit, Repair	
43	3903052M1	2	Olive	
44	3105395M1	2	Hose Clip	
45	3903057M91	1	Compressor	
46	3001414X1	1	Screw Metric	M8x12
47	3903053M1	1	Clamp	
48	3903054M1	1	Plate	
49	3903060M91	1	Bellows	
50	3903058M91	1	Shock Absorber	
51	3903062M1	1	Stop	
52	3102401M1	2	Buffer	
53	3101996M1	2	Screw Special	M8x16

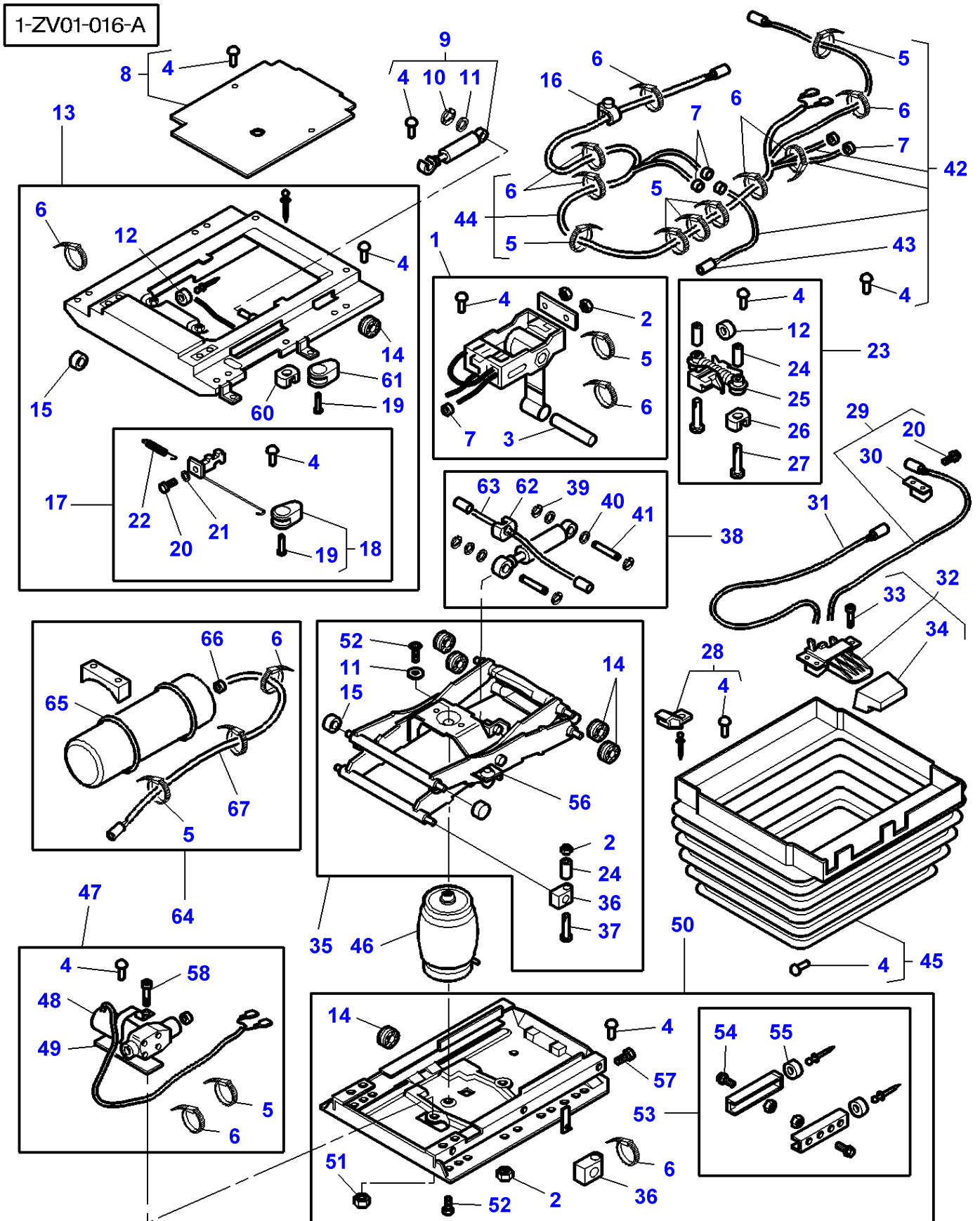
Item	Part Number	Qty	Description	Comments
54	3903059M91	1	Fit Plate Seat	
55	339169X1	2	Nut	M8
56	3903061M91	1	Kit, Repair	[A,B]
56	3903061M91	1	Kit, Repair	[A,B,C] Up to Serial or Engine Number L189012
56	3903135M91	1	Kit, Repair	[A,B,C] From Serial or Engine Number L189013

FOOTNOTE [A] INCLUDE ITEM 2/3/4/6/22/23/24/33/35/36/37/ 40/41/44/46/51

FOOTNOTE [B] NOT ILLUSTRATED

FOOTNOTE [C] USED WITH SEAT 3784089M92

MF 8270/8280 TRACTOR - 1637348
1-ZV01-016-A



Item	Part Number	Qty	Description	Comments
	3786166M92	1	Seat	
1	3903129M91	1	Lever	
2	394367X1	4	Locknut	M8
3	3903130M1	1	Clevis Pin	
4	1719896M1	24	Plug	
5	3903068M1	4	Tie	4,7x204 MM
6	3903106M1	5	Tie	2,5x102 MM
7	3903052M1	4	Olive	
8	3903037M91	1	Housing	
9	3903039M91	1	Shock Absorber	
10	1441206X1	1	Lock Washer	Diameter 6 MM
11	391565X1	2	Washer Metric	Diameter 8.4 MM
12	3903040M1	1	Buffer	
13	3903814M91	1	Fit Plate Seat	
14	3903816M1	4	Roller	
15	3903815M1	2	Pulley	
16	3903823M1	1	Cable Clamp	
17	3903045M91	1	Rod Link	
18	3903180M91	1	Handle	
19	3903065M1	1	Screw	4x14
20	3904444M1	2	Screw	3.5x12MM
21	339362X1	1	Washer	Diameter 4,3 MM
22	3903044M1	2	Spring	
23	3903032M91	1	Shock Absorber	(1)
24	3105404M1	4	Tube	(1)
25	3903033M1	2	Insert	
26	3903034M1	2	Buffer	
27	339287X1	2	Screw Metric	M8x35
28	3903036M1	2	Stop	
29	3903138M91	1	Cable	
30	3903136M1	1	Support	
31	3903137M91	1	Cable	
32	3903164M91	1	Selector	Replace and repair. Old interchangeable with new 3903043M91
33	3904087M1	3	Bolt	M5X16
34	3903042M1	1	Handle	
35	3903047M91	1	Suspension	
36	3903049M1	2	Bearing Carrier	
37	3903066M1	2	Screw	
38	3903822M91	1	Shock Absorber	
39	390287X1	4	Lock Washer	
40	3101663M1	4	Washer	
41	3903035M1	2	Clevis Pin	
42	3903141M91	1	Hydr Hose	
43	3105395M1	2	Hose Clip	
44	3903817M91	1	Cable	
45	3903172M91	1	Bellows	Up to Serial or Engine Number M002057
	3903139M91	1	Bellows	From Serial or Engine Number M002058
46	3903051M91	1	Accumulator	
47	3903057M91	1	Compressor	
48	3903053M1	1	Clamp	
49	3903054M1	1	Plate	
50	3903059M91	1	Fit Plate Seat	
51	394367X1	1	Locknut	M8
52	3903067M1	2	Screw	M8x20
53	3903062M1	1	Stop	
54	3101996M1	2	Screw Special	M8x16
55	3102401M1	2	Buffer	
56	1719867M1	2	Protector	
57	3000926X1	1	Screw	M5x10
58	3001414X1	1	Screw Metric	M8x12
59	3903135M91	1	Kit, Repair	[A,B]
60	3903819M91	1	Guide	
61	3903818M91	1	Handle	
62	3903820M91	1	Bearing Carrier	
63	3903821M91	1	Cable	
64	3903827M91	1	Accumulator	
65	3903961M1	2	Cable Clamp	7.6x387
66	3903824M1	2	Clamp	
67	3903825M1	1	Facing	

Massey Ferguson

MF 8270/8280 TRACTOR - 1637348

1637348

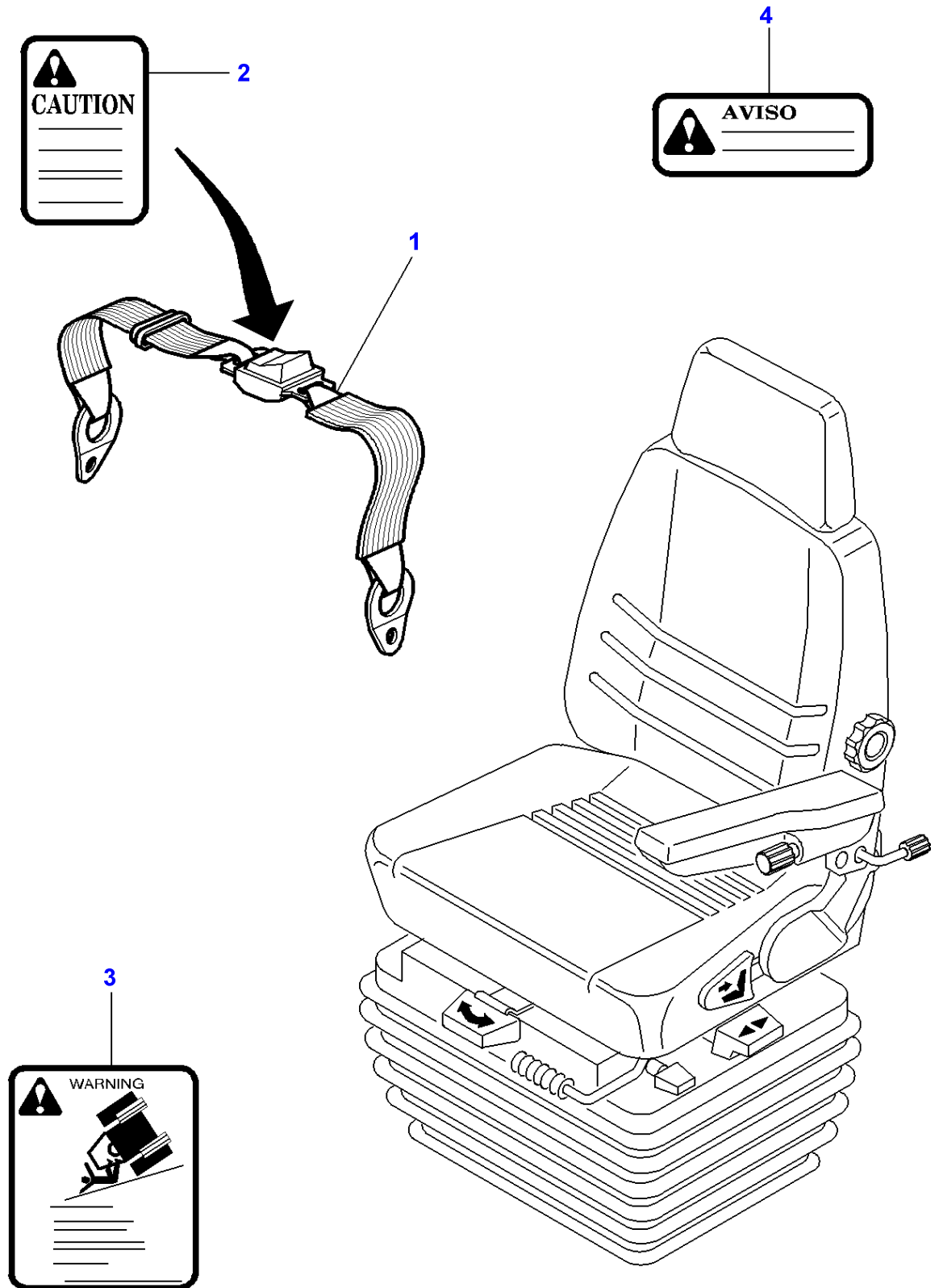
Seat - Grammer - AIR PRESSURE SEAT WITH AUTOMATIC ADJUSTMENT - LUXUY

Page 110-0310

Item	Part Number	Qty	Description	Comments
------	-------------	-----	-------------	----------

FOOTNOTE [B] NOT ILLUSTRATED

1-ZZ02-001-B



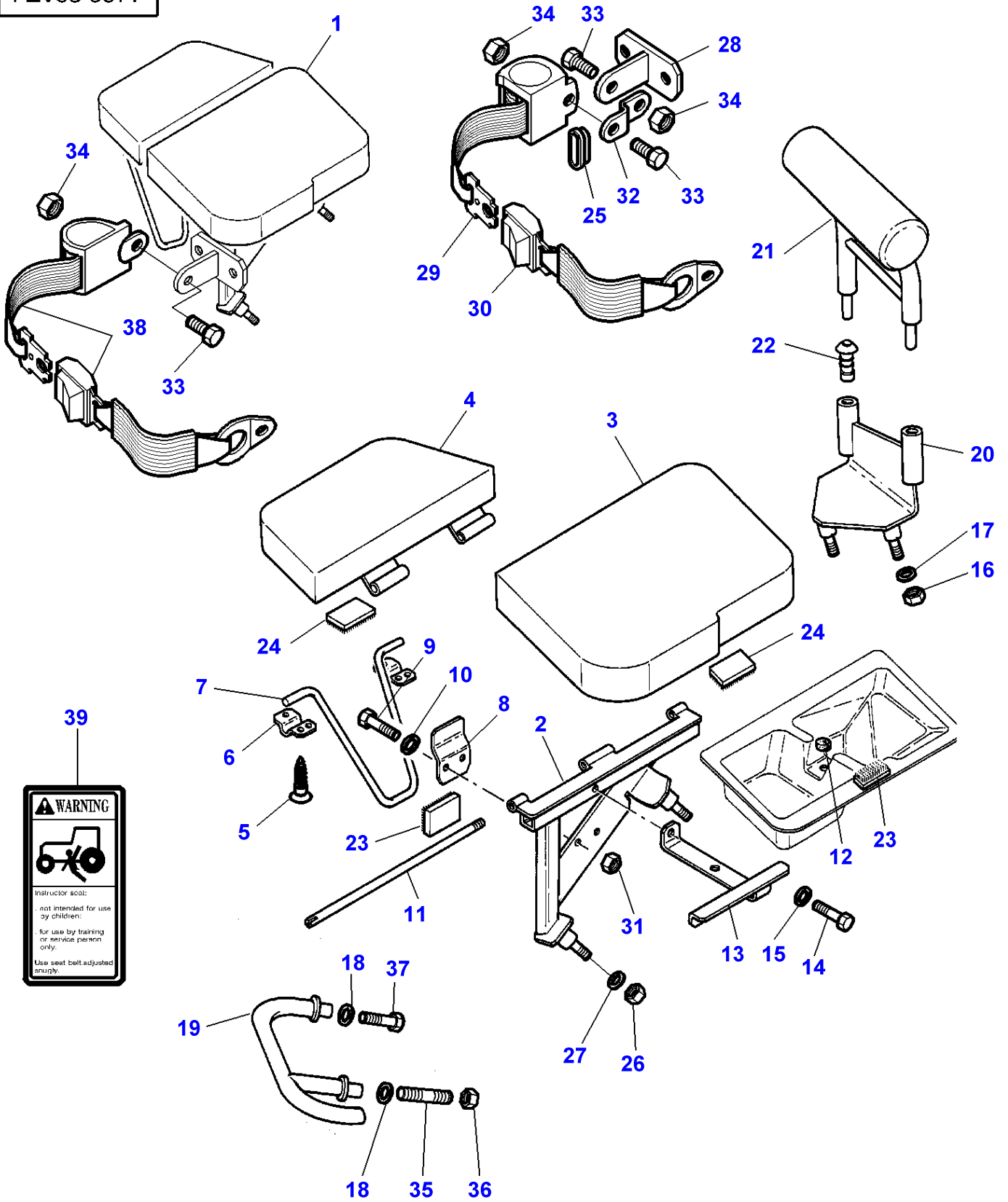
Seat Belt

Item	Part Number	Qty	Description	Comments
1	3772121M91	1	Safety Belt	Up to Serial or Engine Number K009007
	3785693M91	1	Safety Belt	From Serial or Engine Number K009008
2	523784M3	1	Decal	For UK only or any text in English only
	3597443M1	1	Decal	For Germany only or any text in German only
	3597445M1	1	Decal	[A]
3	3760678M1	1	Decal	For UK only or any text in English only
4	3597454M1	1	Decal	[A]

FOOTNOTE [A] SPANISH

MF 8270/8280 TRACTOR - 1637348
1-ZV03-001-F

1-ZV03-001-F



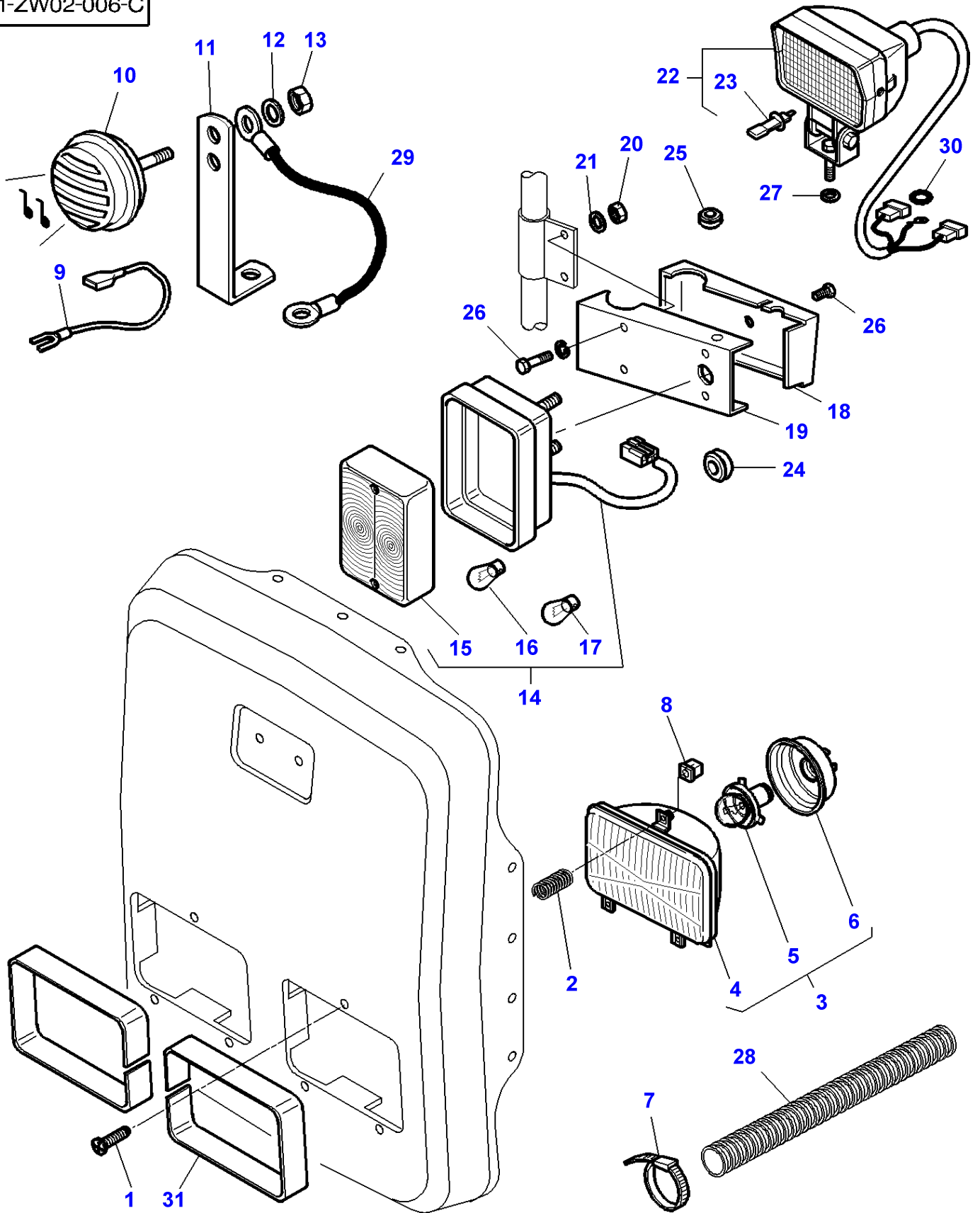
SECONDARY SEAT

Item	Part Number	Qty	Description	Comments
1	3779641M93	1	Seat	GREY
2	3712855M4	1	Support	(1)
3	3779636M1	1	Cushion	(1) GREY
4	3779634M1	1	Cushion	(1) GREY
5	3713140M1	6	Screw	(1)
6	3712859M1	2	Bridle	(1)
7	3712861M1	1	Stand	(1)
8	3712856M1	1	Hook	
9	339666X1	2	Hex. Sock. Screw	M6X20
10	390971X1	2	Washer	
11	3712899M1	1	Stem	(1)
12	3616277M1	1	Helmet	
13	3712860M1	1	Angle	(1)
14	339124X1	2	Hex. Sock. Screw	M8X16
15	390972X1	1	Washer Metric	
16	394367X1	3	Locknut	M8X35
17	390972X1	3	Washer Metric	Diameter 8MM
18	3010467X1	2	Washer	
19	3713139M1	1	Foot Rest	
20	3712857M2	1	Support	
21	3779638M1	1	Back Rest	GREY
22	3713138M1	2	Guide Bush	
23	3714101M1	2	Band	
24	3714102M1	2	Band	
25	3715170M1	1	Tap	Up to Serial or Engine Number L036007
26	394367X1	2	Locknut	
27	390972X1	2	Washer Metric	
28	3715118M1	1	Support	
29	3715151M2	1	Safety Belt	Up to Serial or Engine Number L036007
30	3715149M2	1	Safety Belt	Up to Serial or Engine Number L036007
31	1441500X1	2	Locknut	[A] M6
	339030X1	2	Nut Metric	
32	3781090M1	1	Plate	Up to Serial or Engine Number L036007
33	353558X1	2	Bolt Unf	7/16x16 Up to Serial or Engine Number L036007
	353558X1	1	Bolt Unf	From Serial or Engine Number L036008 Length 7/16X16
34	338600X1	2	Nut Unf	Up to Serial or Engine Number L036007
	338600X1	1	Nut Unf	From Serial or Engine Number L036008
35	1440022X1	2	Stud	From Serial or Engine Number H308002 M8X20
36	339169X1	2	Nut	From Serial or Engine Number H308002
37	339124X1	2	Hex. Sock. Screw	Up to Serial or Engine Number H308001 M8 X 16
38	3789236M1	1	Safety Belt	From Serial or Engine Number L036008
39	3787683M1	1	Decal	For United States of America

FOOTNOTE [A] CHECK NUT

MF 8270/8280 TRACTOR - 1637348
1-ZW02-006-C

1-ZW02-006-C



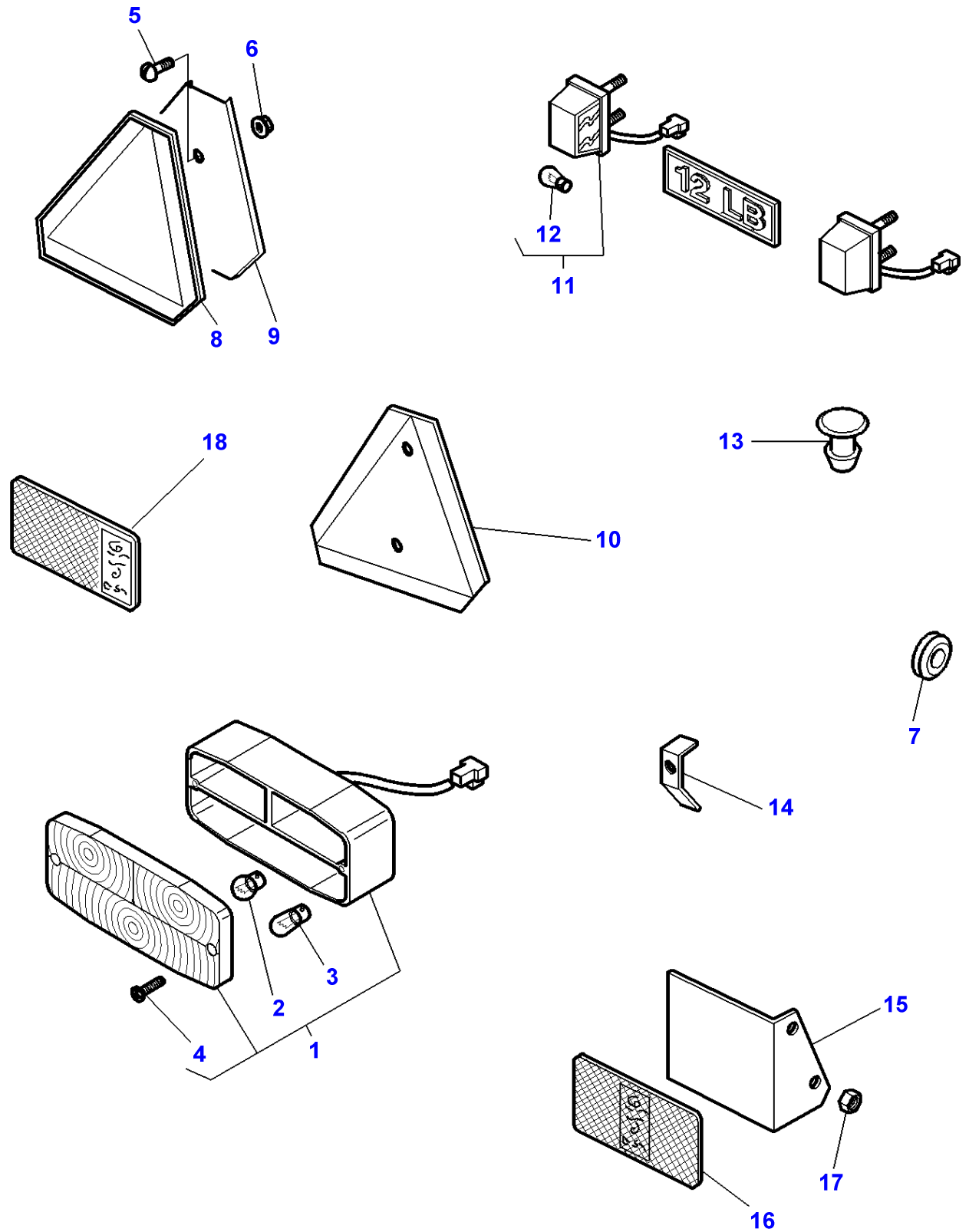
Lighting Equipment - Front

Item	Part Number	Qty	Description	Comments
1	3388265M2	6	Screw Special	M5X45
2	3771550M1	6	Spring	
3	3713798M91	2	Headlamp	[A]
	3713799M91	2	Headlamp	[B]
4		1	Housing	(3) Not serviced,order REP. NO 4
5	961866M1	1	Bulb H/L 45/40w	(3)
6	3388264M1	1	Cap	(3)
7	3619622M1	X	Cable Tie	
8	3809347M1	6	Nut	
9	3042257M1	1	Earth Strap	
10	1678404M1	1	Horn	
11	656632M4	1	Bracket	
12	339374X1	1	Lock Washer	
13	339169X1	1	Nut	M8
14	3714184M92	2	Light	
15	3105505M1	1	Lens	(14)
16	1420037M1	1	Bulb 12v 5w	(14)
17	621235M1	1	Bulb 12v 21w Sbc	(14)
18	3714858M1	1	Case Assy	Left Hand
	3714857M1	1	Case Assy	Right Hand
19	3714316M2	1	Extension	Left Hand
	3714317M2	1	Extension	Right Hand
20	3010477X1	4	Nut Metric	
21	1441100X1	4	Washer	
	390469X1	4	Washer Metric	
22	3714399M93	2	Lamp	
23	1628494M1	1	Bulb H3	(22)
24	3042523M1	2	Plug	Diameter 10-15
25	338977X1	2	Grommet	Diameter 8-16
26	3010578X1	6	Screw	M5X10
27	385362X1	2	Washer	
28	5016845M1	1	Sheath	Up to Serial or Engine Number 06-JAN-2002
29	3782897M1	1	Earth Strap	
30	22428X	2	Lock Washer	
31	4271866M1	2	Gasket	20X3X1030MM

FOOTNOTE [A] WHITE BULB.FOR LH DRIVING

FOOTNOTE [B] WHITE BULB.FOR RH DRIVING

1-ZW03-006-C



Lighting Equipment - Rear

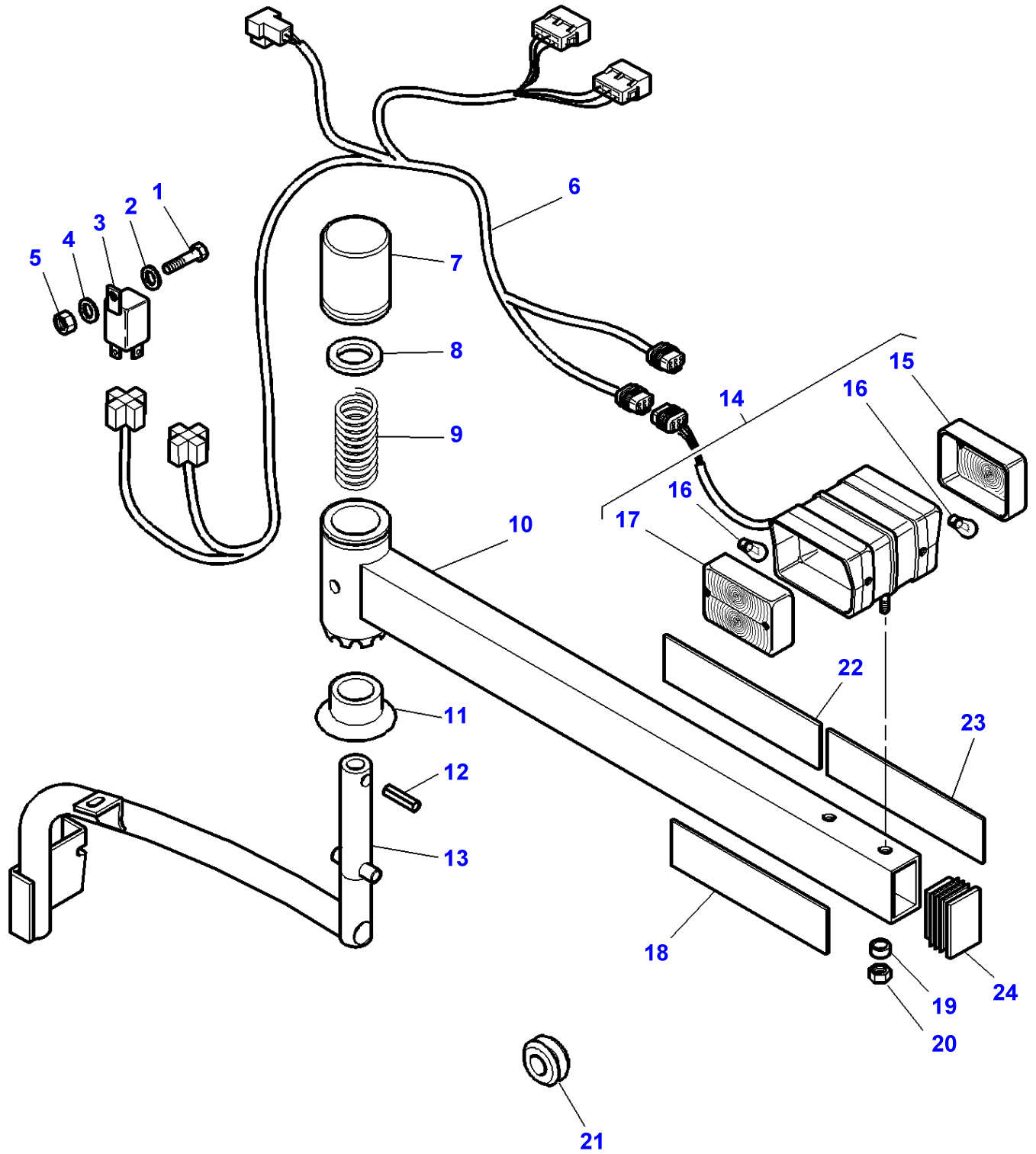
Item	Part Number	Qty	Description	Comments
1	3781445M92	1	Rear Light	Left Hand
	3781444M92	1	Rear Light	Right Hand
2	621235M1	2	Bulb 12v 21w Sbc	(1)
3	3002706X1	1	Bulb 12v 10w	(1)
4	1440827X1	2	Screw	(1) M5X30 M5X20
5	3580257M1	2	Screw	M5X20
6	3010477X1	2	Nut Metric	
7	3580984M1	2	Grommet	Diameter 21/10-28
	3777000M1	2	Grommet	Diameter 21-25MM
8	3712185M1	1	Triangle	[B]
9	3389910M92	1	Plate	Up to Serial or Engine Number
10	3789701M1	1	Triangle	[C]
11	3619018M91	2	N/Plate Lamp	
12	3042087M1	1	Bulb 12v 10w	(11)
13	3713404M1	1	Plug	Diameter 15MM
14	3713696M2	4	Bridle	
15	3778910M2	1	Support	Left Hand
	3778911M2	1	Support	Right Hand
16	3618951M1	2	Reflector	105X55
17	3764827M1	4	Nut	M16
18	3389596M1	4	Reflector	[A] 31,5X70

FOOTNOTE [A] ADHESIVE

FOOTNOTE [B] REFLECTOR

FOOTNOTE [C] RETROREFLECTIVE

1-ZW03-013-C

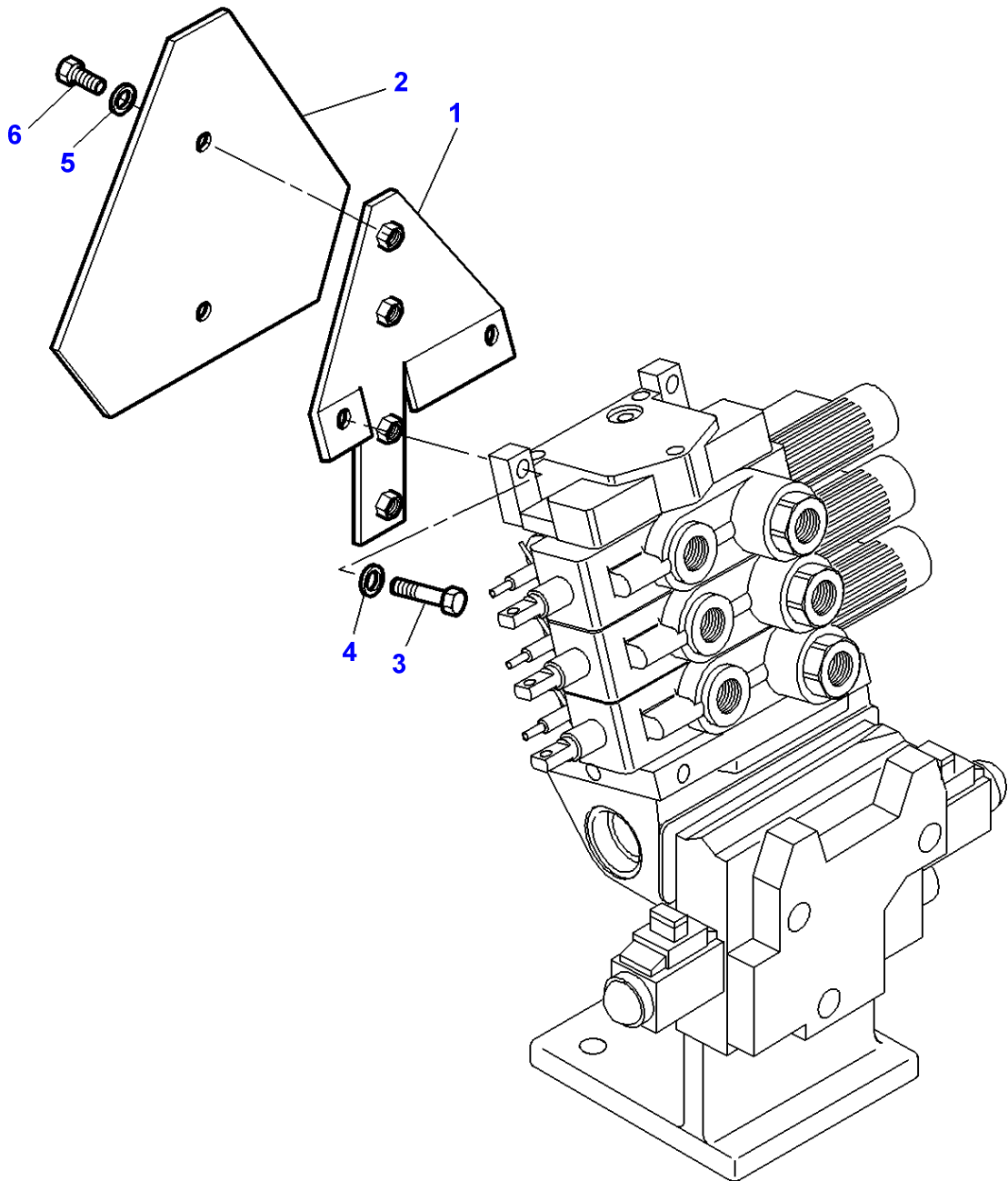


Massey Ferguson**MF 8270/8280 TRACTOR - 1637348****1637348****Lighting Equipment - Rear - For United States of America****Page 120-0015**

Item	Part Number	Qty	Description	Comments
1	339560X1	1	Hex. Sock. Screw	M6 X 16
2	339375X1	1	Lock Washer	
3	3615652M1	2	Relay	4RD 003 520-31 4RD 007 794-03
4	390971X1	1	Washer	
5	339030X1	1	Nut Metric	M6
6	3788523M2	1	Harness	
7	3788369M1	1	Plug	
8	3788365M2	1	Washer	
9	3788364M2	1	Spring	
10	3788385M93	1	Support	Left Hand
	3788386M93	1	Support	Right Hand
11	3788367M2	2	Gasket	
12	3019546X1	2	Pin	
13	3788375M95	1	Extension	Left Hand
	3788376M95	1	Extension	Right Hand
14	3788465M2	2	Light	
15	3907168M91	1	Lens	(14)
16	621235M1	2	Bulb 12v 21w Sbc	(14)
17	3310902M91		Lens	(14)
18	3788462M1	2	Reflectingmirror	[C]
19	3580848M1	4	Spacer	Diameter 11-20 X 14.5
20	339169X1	4	Nut	M8
21	3714694M1	2	Grommet	Diameter 7-21
22	3788460M1	2	Reflectingmirror	[B]
23	3788461M1	2	Reflectingmirror	[A]
24	3788368M1	2	Tap	

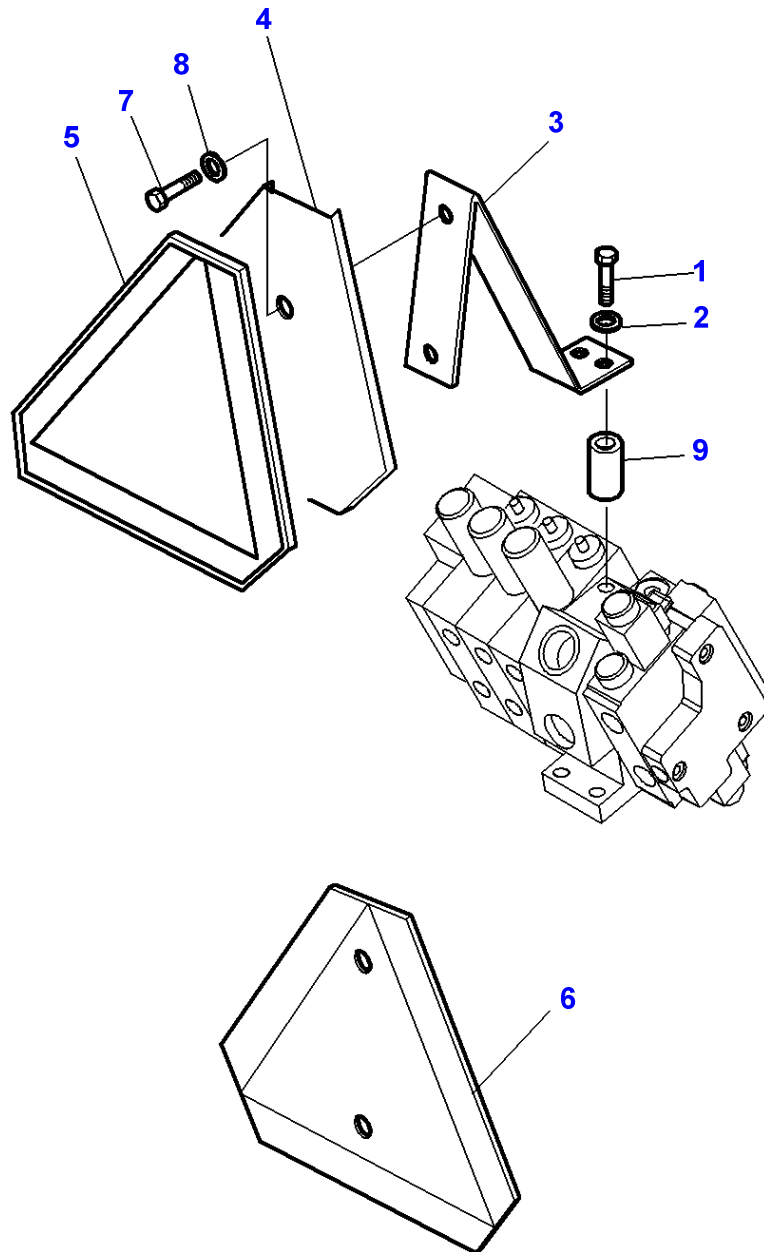
FOOTNOTE [A] ORANGE**FOOTNOTE [B]** RED**FOOTNOTE [C]** YELLOW

1-ZW27-002-B



Item	Part Number	Qty	Description	Comments
1	3783356M91	1	Support	Repairs and replaces 3779136m92
2	3789701M1	1	Triangle	
3	3009494X1	2	Screw Metric	M10 X 35
4	390734X1	2	Washer	Diameter 10-21 X 2
5	390971X1	2	Washer	Diameter 6-12 X 1,5
6	339560X1	2	Hex. Sock. Screw	M6 X 16

1-ZW27-006-B



TRAFFIC WARNING - Distributors With Vertical Position

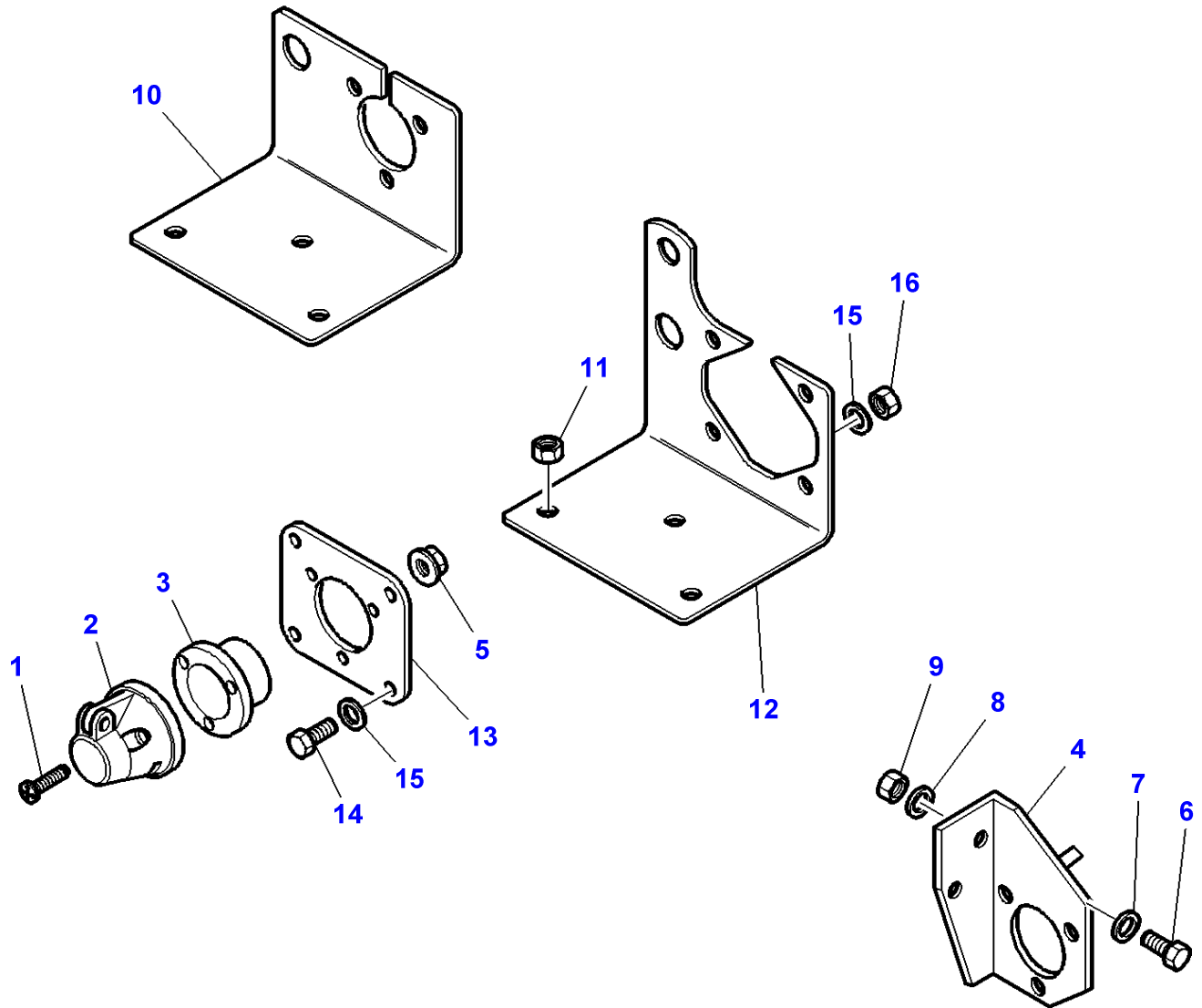
Item	Part Number	Qty	Description	Comments
1	3009491X1	2	Hex. Sock. Screw	M10 X 20
2	390734X1	2	Washer	Diameter 10-21 X 2
3	3785113M1	1	Support	
4	3389910M92	1	Plate	Up to Serial or Engine Number
5	3712185M1	1	Triangle	[A,C]
6	3789701M1	1	Triangle	[B]
7	339560X1	2	Hex. Sock. Screw	M6 X 16
8	390971X1	2	Washer	Diameter 6-12 X 1,5
9	3582076M1	2	Spacer	Diameter 10-20 X 6

FOOTNOTE [A] NORM C.E.E

FOOTNOTE [B] SAE STANDARD

FOOTNOTE [C] REFLECTOR

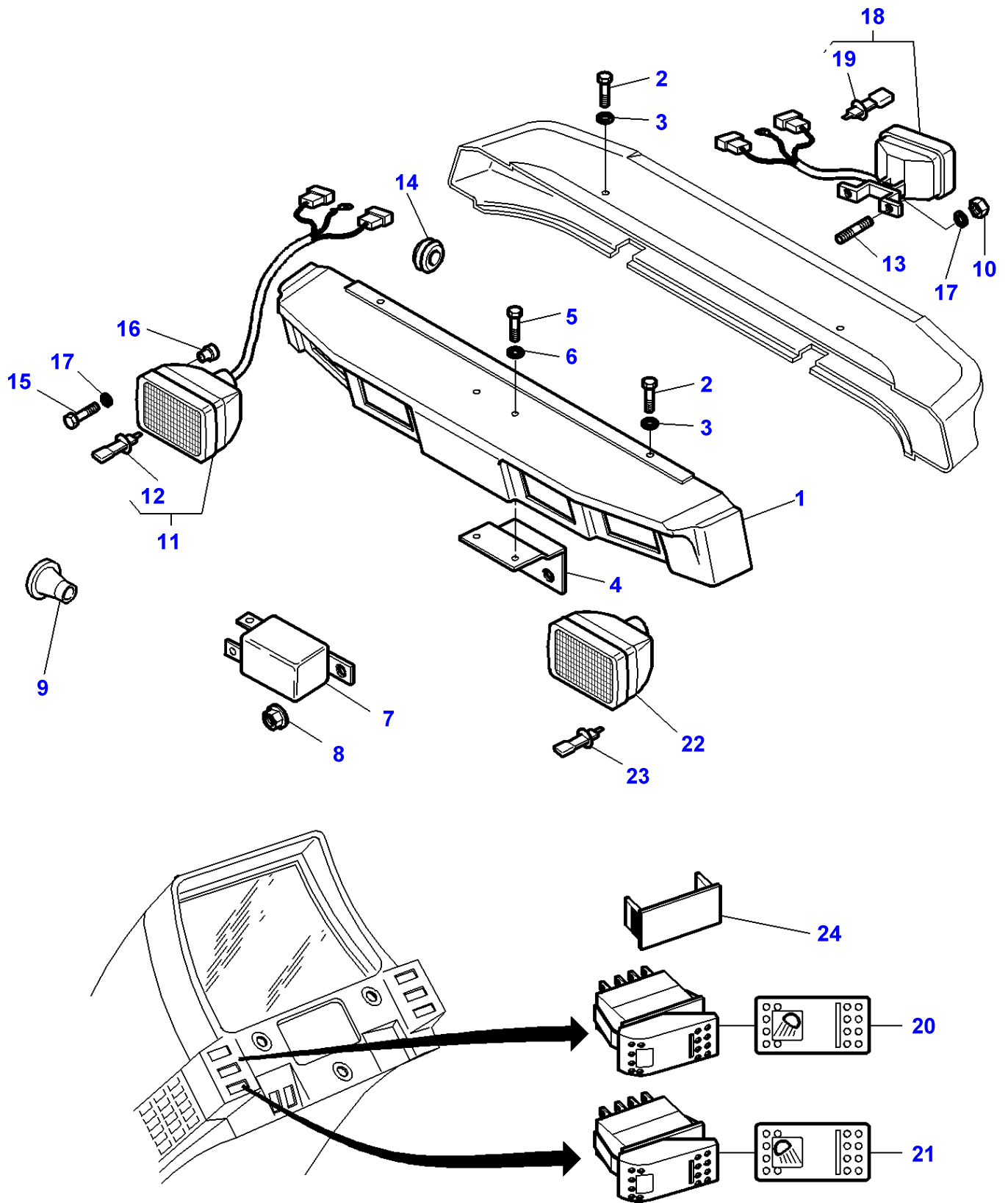
1-ZW39-003-F



TRAILOR ELECTRIC SOCKET

Item	Part Number	Qty	Description	Comments
1	3009538X1	3	Screw	M5 X 35
2	409965M1	1	Socket 7 Pin Sup	
3	3041656M2	1	Plate	
4	3779126M2	1	Support	Up to Serial or Engine Number 30-JUN-2000
5	3010477X1	3	Nut Metric	M5
6	339123X1	2	Hex. Sock. Screw	Up to Serial or Engine Number 30-JUN-2000 M8 X 20
7	22428X	2	Lock Washer	Up to Serial or Engine Number 30-JUN-2000
8	390972X1	X	Washer Metric	Up to Serial or Engine Number 30-JUN-2000 Diameter 8-17 X 1,7
9	339169X1	X	Nut	Up to Serial or Engine Number 30-JUN-2000 M8
10	3783417M1	1	Support	From Serial or Engine Number 01-JUL-2000 Up to Serial or Engine Number L298002
11	339169X1	3	Nut	M8
12	3796665M1	1	Support	From Serial or Engine Number L298003
13	3785913M1	1	Support	From Serial or Engine Number L298003
14	339560X1	4	Hex. Sock. Screw	M6X16
15	390971X1	8	Washer	
16	339030X1	4	Nut Metric	

1-ZW05-005-A



Field Lights

Item	Part Number	Qty	Description	Comments
1	3780675P1	1	Visor	[A]
	3780676P1	1	Visor	[B]
2	339666X1	4	Hex. Sock. Screw	M6 X 20
3	391038X1	4	Washer	Diameter 6-18 X 1,5
4	3714426M1	1	Support	
5	339666X1	2	Hex. Sock. Screw	M6 X 20
6	391038X1	2	Washer	Diameter 6-18 X 1,5
7	3615652M1	X	Relay	12V-25AMP 4RD 003 520-31 4RD 007 794-03
8	3010477X1	X	Nut Metric	M5
9	833062M1	2	Grommet	
10	339169X1	4	Nut	M8
11	3713132M91	2	Headlamp	[C] Up to Serial or Engine Number M016023
	4271030M91	2	Headlamp	[C] From Serial or Engine Number M016024
12	1628494M1	2	Bulb H3	(11)
13	1440022X1	4	Stud	M8 X 20
14	3714694M1	X	Grommet	Diameter 7-21
15	3009535X1	8	Screw	M4 X 30
16	3713803M1	8	Nut	M4
17	390972X1	4	Washer Metric	Diameter 8-17 X 1,7
18	3713130M91	2	Lamp	[C]
19	1628494M1	2	Bulb H3	(18)
20	3778391M1	1	Switch, Indirect	
21	3780552M1	1	Switch, Indirect	
22	3713134M91	4	Headlamp	[E,F] Up to Serial or Engine Number M126039
	4271029M91	4	Headlamp	[E,F] From Serial or Engine Number M126040
	3713137M1	2	Lamp	[G]
23	1628494M1	1	Bulb H3	[I] (22)
	3713341M1	2	Bulb 12v 60/55w	[H] (22) H4
24	3713151M1	X	Tap	

FOOTNOTE [A] WITH 4 HEADLAMPS

FOOTNOTE [B] WITH 2 HEADLAMPS

FOOTNOTE [C] WITH 2 BULB WORKLIGHT

FOOTNOTE [E] WITH 1 BULB WORKLIGHT

FOOTNOTE [F] INCLUDE ITEM 13

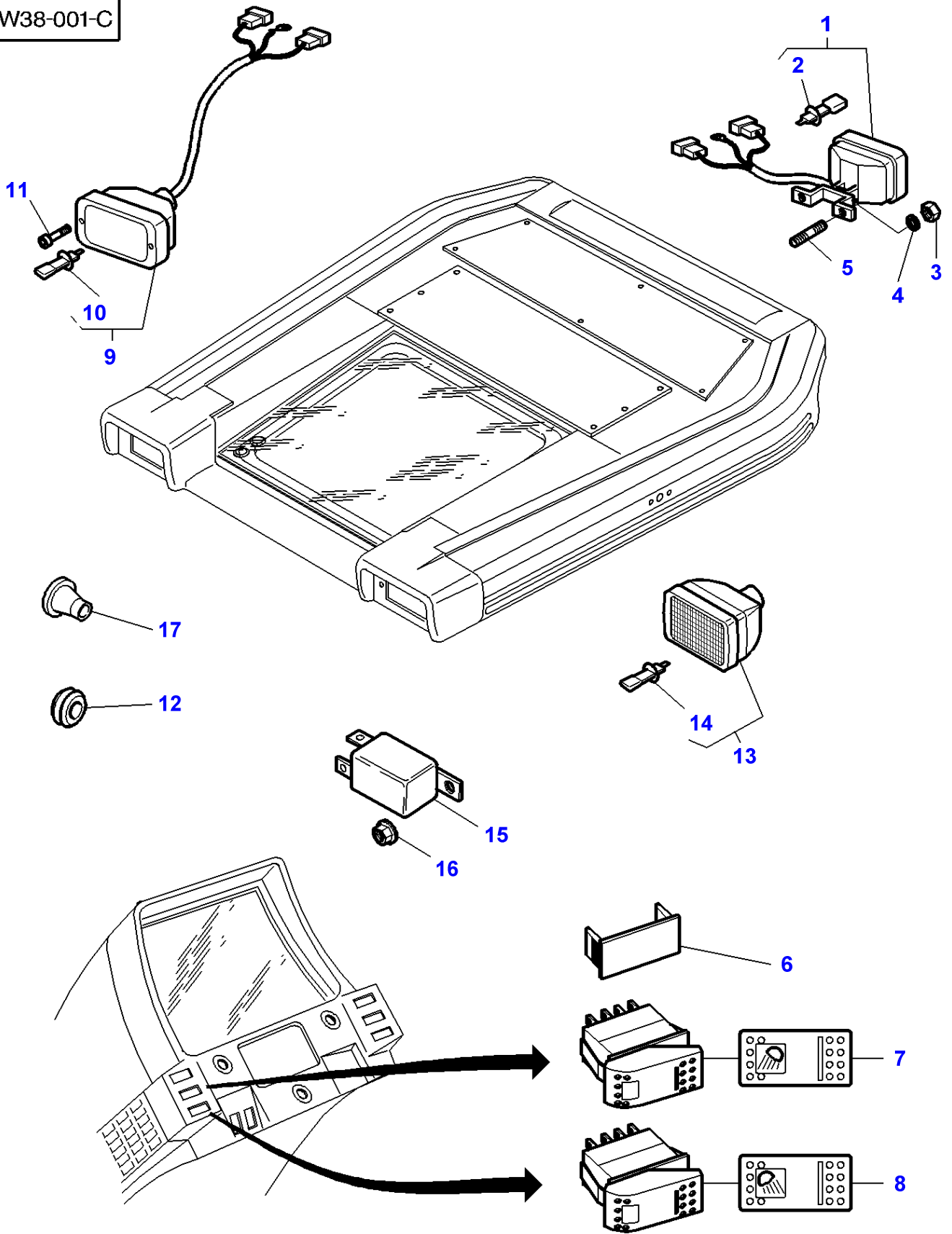
FOOTNOTE [G] WITH WAY LIGHTS FITTED ON THE CAB ROOF

FOOTNOTE [H] USE WITH 3713137M1

FOOTNOTE [I] USE WITH 3713134M91

MF 8270/8280 TRACTOR - 1637348
1-ZW38-001-C

1-ZW38-001-C



Field Lights - With High Visibility Roof

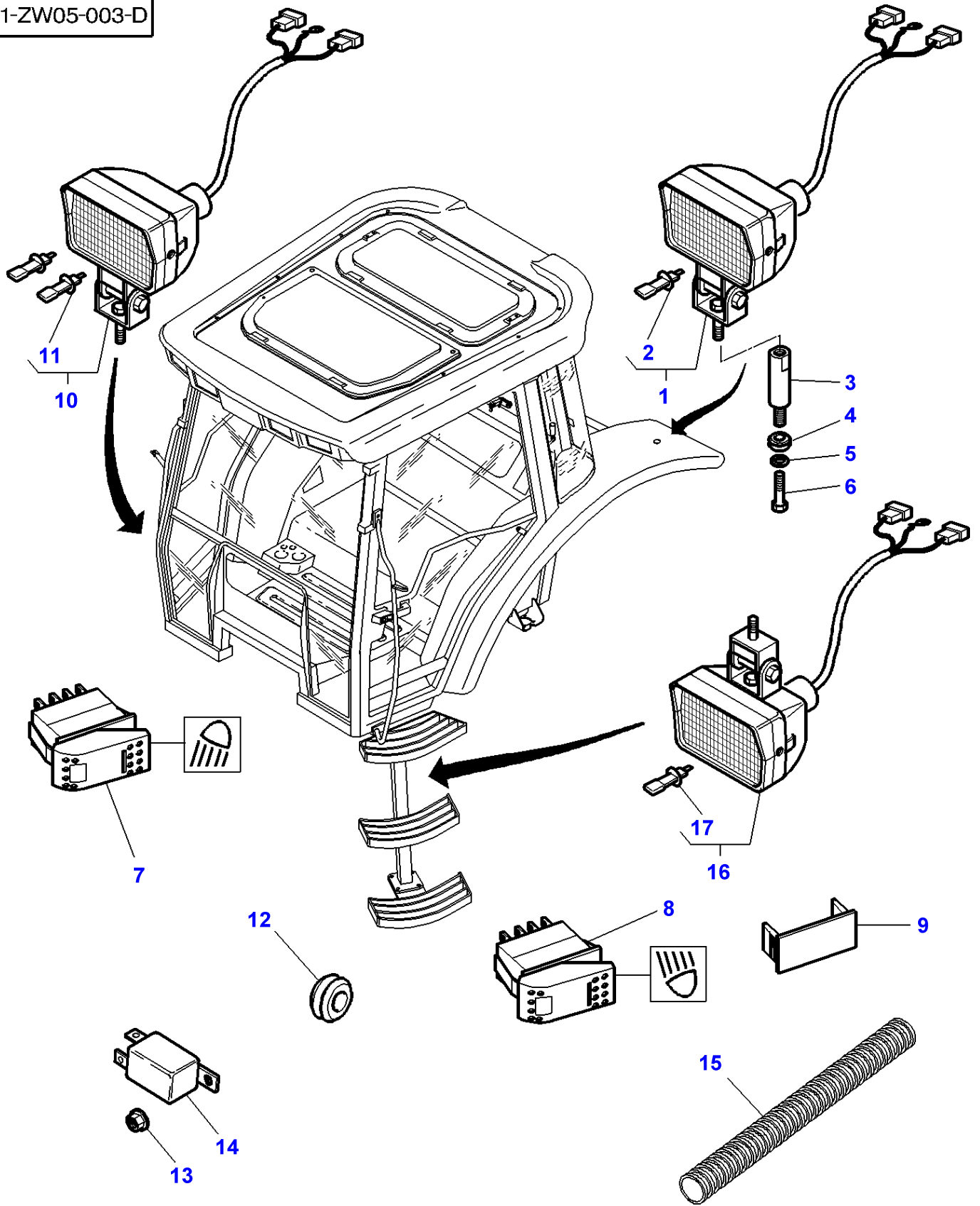
Item	Part Number	Qty	Description	Comments
1	3713130M91	2	Lamp	[A]
2	1628494M1	2	Bulb H3	(1) 12V. 55W.
3	339169X1	4	Nut	
4	390972X1	4	Washer Metric	
5	1440022X1	4	Stud	
6	3713151M1	1	Tap	
7	3778391M1	1	Switch,Indirect	
8	3780552M1	1	Switch,Indirect	
9	3713132M91	2	Headlamp	[A] Up to Serial or Engine Number M016023
	4271030M91	2	Headlamp	[A] From Serial or Engine Number M016024
10	1628494M1	2	Bulb H3	(9) 12V. 55W.
11	3010742X1	4	Screw Metric	M4X40
12	3714694M1	X	Grommet	
13	3713137M1	2	Lamp	[B]
14	3713341M1	2	Bulb 12v 60/55w	(13) H4-12V. 55W.
15	3615652M1	X	Relay	12V-25Amp. 4RD 003 520-31 4RD 007 794-03
16	3010477X1	X	Nut Metric	M5
17	833062M1	2	Grommet	

FOOTNOTE [A] WITH 2 BULB WORKLIGHT

FOOTNOTE [B] WITH WAY LIGHTS FITTED ON THE CAB ROOF

FOOTNOTE [C] WITH 1 BULB WORKLIGHT

1-ZW05-003-D



Field Lights

Item	Part Number	Qty	Description	Comments
1	3714399M93	2	Lamp	[C]
2	1628494M1	1	Bulb H3	(1) 12V - 55W
3	5016887M2	2	Spacer	From Serial or Engine Number H279035
4	70921230	2	Grommet	Diameter 25-35
5	390734X1	2	Washer	Up to Serial or Engine Number H279034
6	3009491X1	2	Hex. Sock. Screw	Up to Serial or Engine Number H279034 M10X20
7	3778391M1	1	Switch,Indirect	
8	3780553M1	1	Switch,Indirect	
9	3713151M1	X	Tap	
10	3778456M92	2	Light	[A]
11	1628494M1	2	Bulb H3	(10) 12V - 55W
12	367439X1	2	Grommet	Diameter 15-25
13	339030X1	2	Nut Metric	M6
14	3615652M1	1	Relay	12V - 25AMP 4RD 003 520-31 4RD 007 794-03
15	5016845M1	1	Sheath	From Serial or Engine Number J168024
16	3788157M92	4	Work Light	[C]
17	1628494M1	1	Bulb H3	(16)

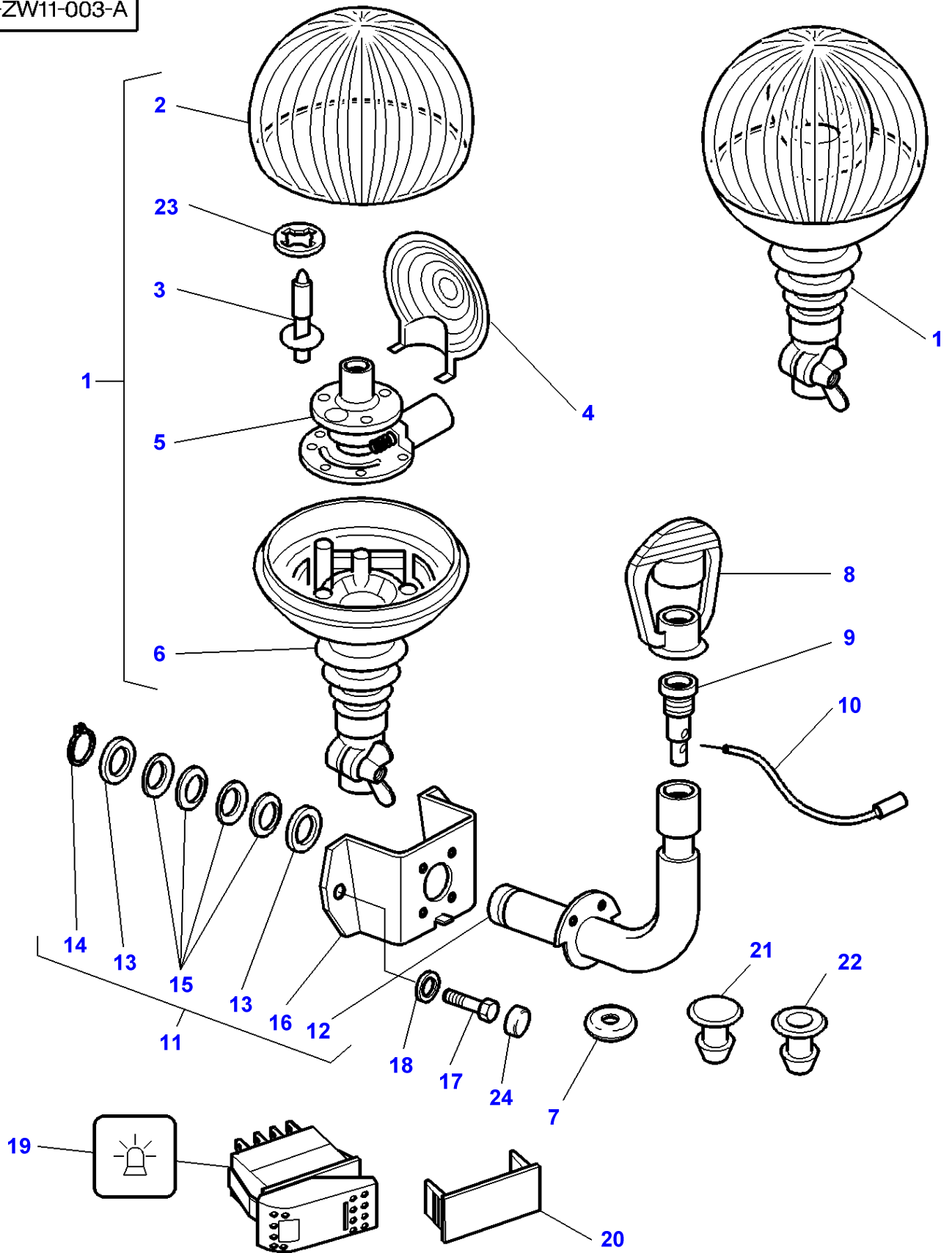
FOOTNOTE [A] WITH 2 BULB WORKLIGHT

FOOTNOTE [B] WITH FIELD LIGHTS ON THE FENDERS

FOOTNOTE [C] WITH 1 BULB WORKLIGHT

MF 8270/8280 TRACTOR - 1637348
1-ZW11-003-A

1-ZW11-003-A



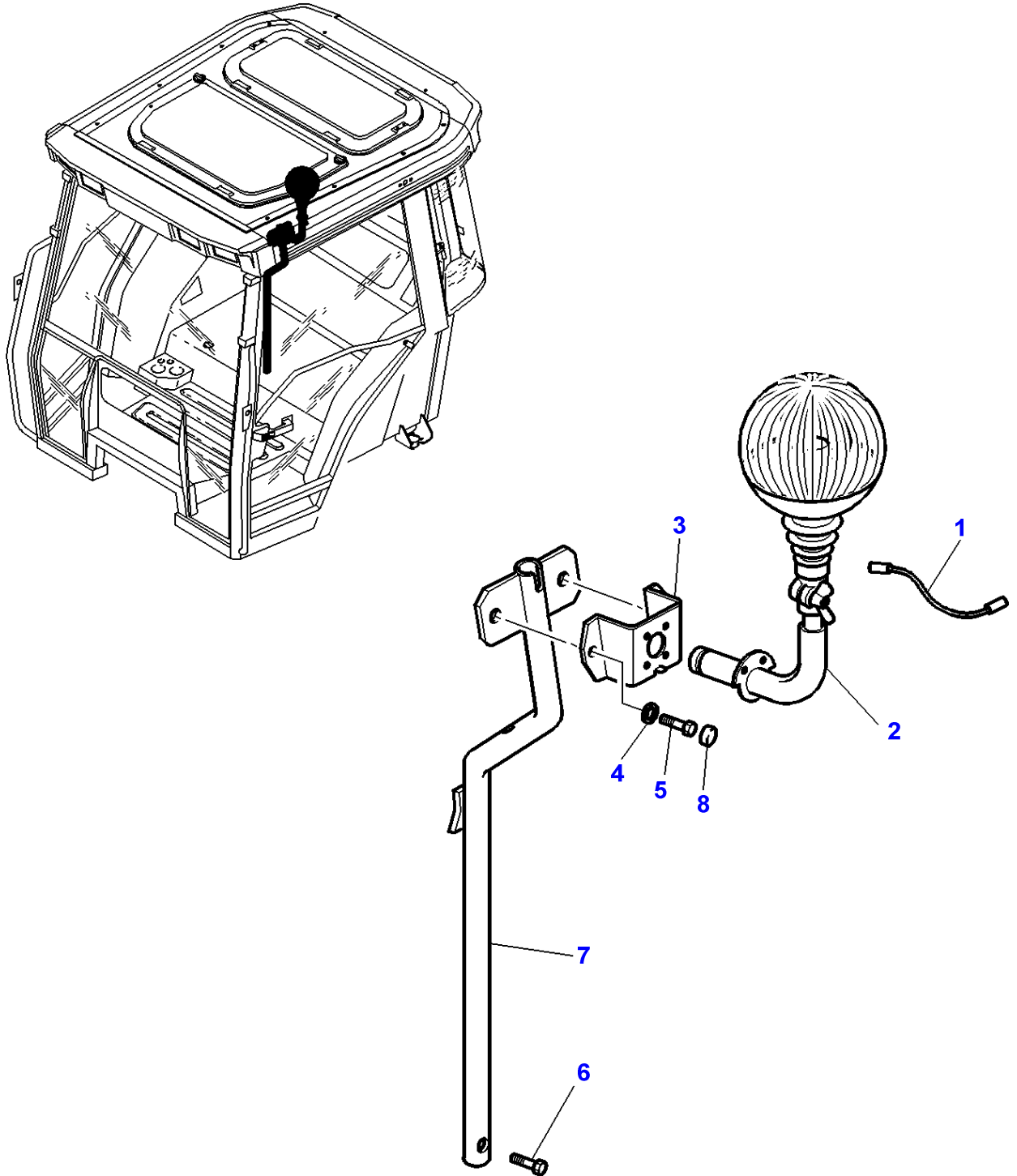
ROTATING LIGHT

Item	Part Number	Qty	Description	Comments
1	3715144M92	1	Turning Light	
2	3902469M1	1	Lens	(1)
3	3405180M1	1	Bulb 12v	(1)
4	3900282M1	1	Reflectingmirror	(1)
5	3900285M1	1	Engine	(1)
6		1	Support	(1)
				Not serviced,order REF. NO1
7	3714694M1	2	Grommet	
8	3617859M1	1	Helmet	
9	3617860M1	1	Intake	
10	3713260M1	1	Wire	
11	3778093M91	1	Support	
12	3778023M1	1	Tube	(11)
13	3778025M1	2	Washer	(11)
				Diameter 45MM
14	3006699X1	1	Clip	(11)
15	3778094M1	4	Washer	(11)
16	3778024M1	2	Support	(11)
17	339123X1	4	Hex. Sock. Screw	M8X20
18	390972X1	4	Washer Metric	
19	3713146M1	1	Switch,Indirect	
20	3713151M1	1	Tap	[A]
21	3713404M1	1	Plug	
22	3713405M2	1	Grommet	
23	3900281M1	1	Bush	(1)
24	3616277M1	4	Helmet	

FOOTNOTE [A] WITHOUT ROTATING LIGHT

FOOTNOTE [B] INDUSTRIAL CAB

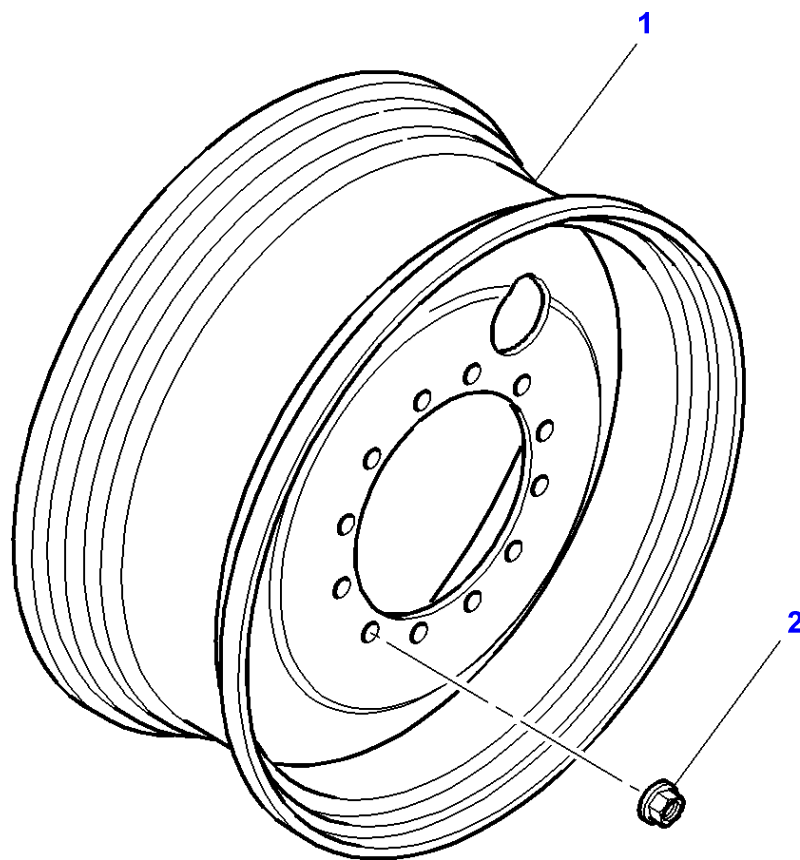
1-ZW11-004-A



Massey Ferguson**MF 8270/8280 TRACTOR - 1637348****1637348****ROTATING LIGHT - For United States of America****Page 120-0055**

Item	Part Number	Qty	Description	Comments
1	3788078M1	1	Harness	Length 1480 MM
2		1	Rotating Light	See Page - Reference Number 120-0050/1
3	3778093M91	1	Support	
4	390972X1	2	Washer Metric	Diameter 8-17 X 1,7
5	339123X1	2	Hex. Sock. Screw	M8 X 20
6	339010X1	1	Bolt Metric	M8 X 40
7	3788069M1	1	Support	
8	3616277M1	2	Helmet	

1-ZL03-016-A



Massey Ferguson

MF 8270/8280 TRACTOR - 1637348

1637348

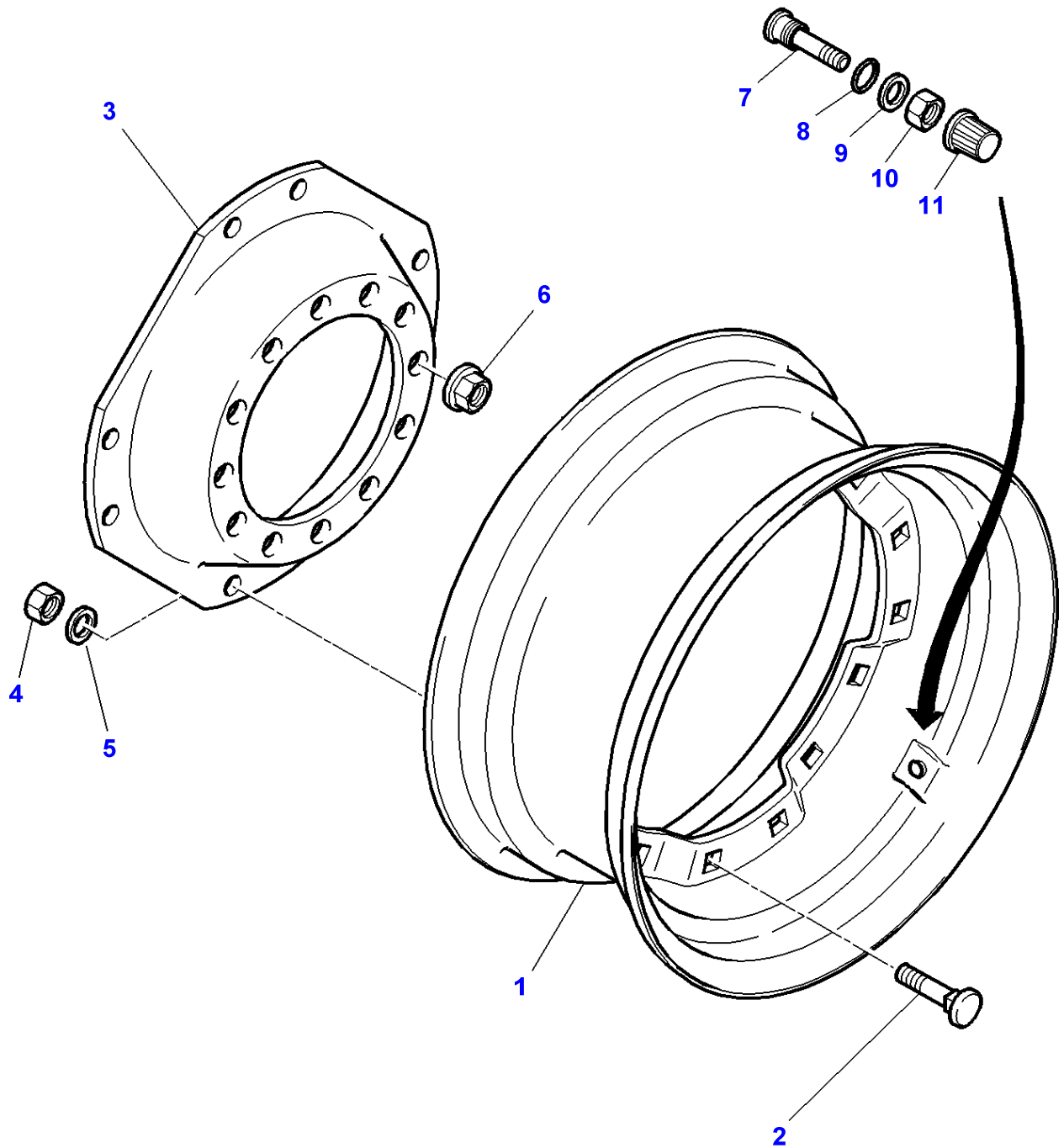
Front Wheels - 4 Wheel Drive - WHEEL HUB 12 HOLES ASSEMBLING

Page 130-0005

Item	Part Number	Qty	Description	Comments
1	3788573M1	2	Rim	[A] DW23AX30"
2	3712611M2	24	Nut Special	M22 X 1,5

FOOTNOTE [A] USED WITH 600/65-600/70 R28 TL-710/55-420/90 R30 T L TYRES

1-ZL03-008-A



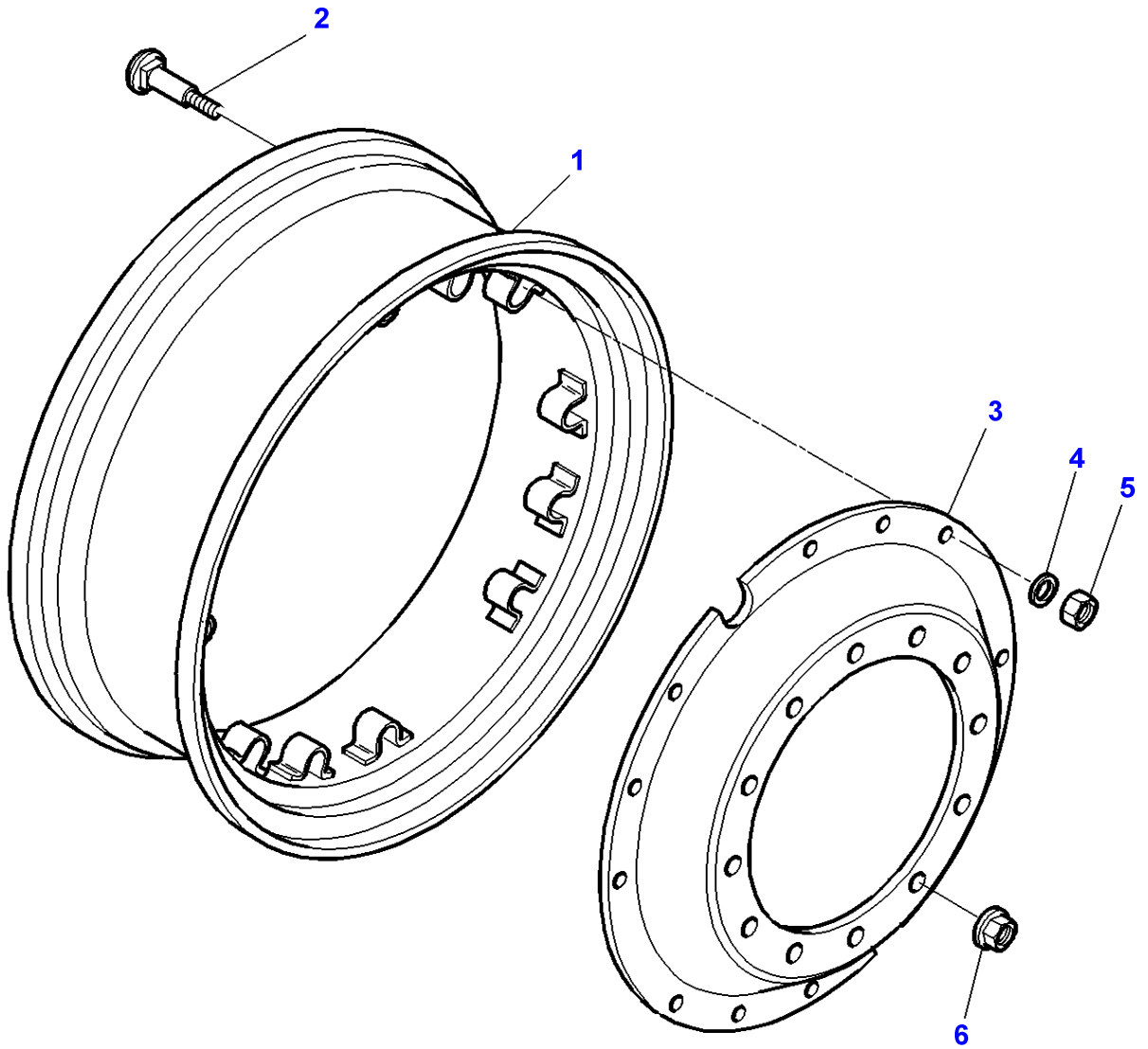
Item	Part Number	Qty	Description	Comments
1	3785828M1	2	Rim	[A] DW18L X 28 Replace and repair. Old not interchangeable with new 3903222m1
	3785786M1	2	Rim	W13 X 34
	3785240M1	2	Rim	DWW15L X 30
2	72506938	8	Bolt	M16 X 2 X 50
	3785847M1	8	Screw	M16 X 1,5 X 40
3	3785095M1	2	Disc	Replace and repair. Old interchangeable with new 72512677 Up to Serial or Engine Number 02-NOV-2003 28'X18'-30'X13' 30'X15'
	4270526M1	2	Disc	From Serial or Engine Number 03-NOV-2003 13"X30"-15"X30" 18"X28"
	3785098M1	2	Disc	34'X13'
4	70950947	8	Nut	M16 X 2
	3785846M1	8	Nut	M16 X 1,5
5	338577X1	8	Washer	Diameter 16,6/17,1X34X4
	3785848M1	8	Washer	Diameter 16,3X31,5
6	3712611M2	24	Nut Special	M22 X 1,5
7	72514013	1	Adaptor	
8	71170390	1	Grommet	
9	71175919	1	Washer	
10	71175918	1	Nut	
11	71169204	1	Plug	

FOOTNOTE [A] USE WITH TYRES 600/70R28

FOOTNOTE [B] USED WITH 16.90" X 30" TYRES

FOOTNOTE [C] USED WITH 480/70R34 TYRES

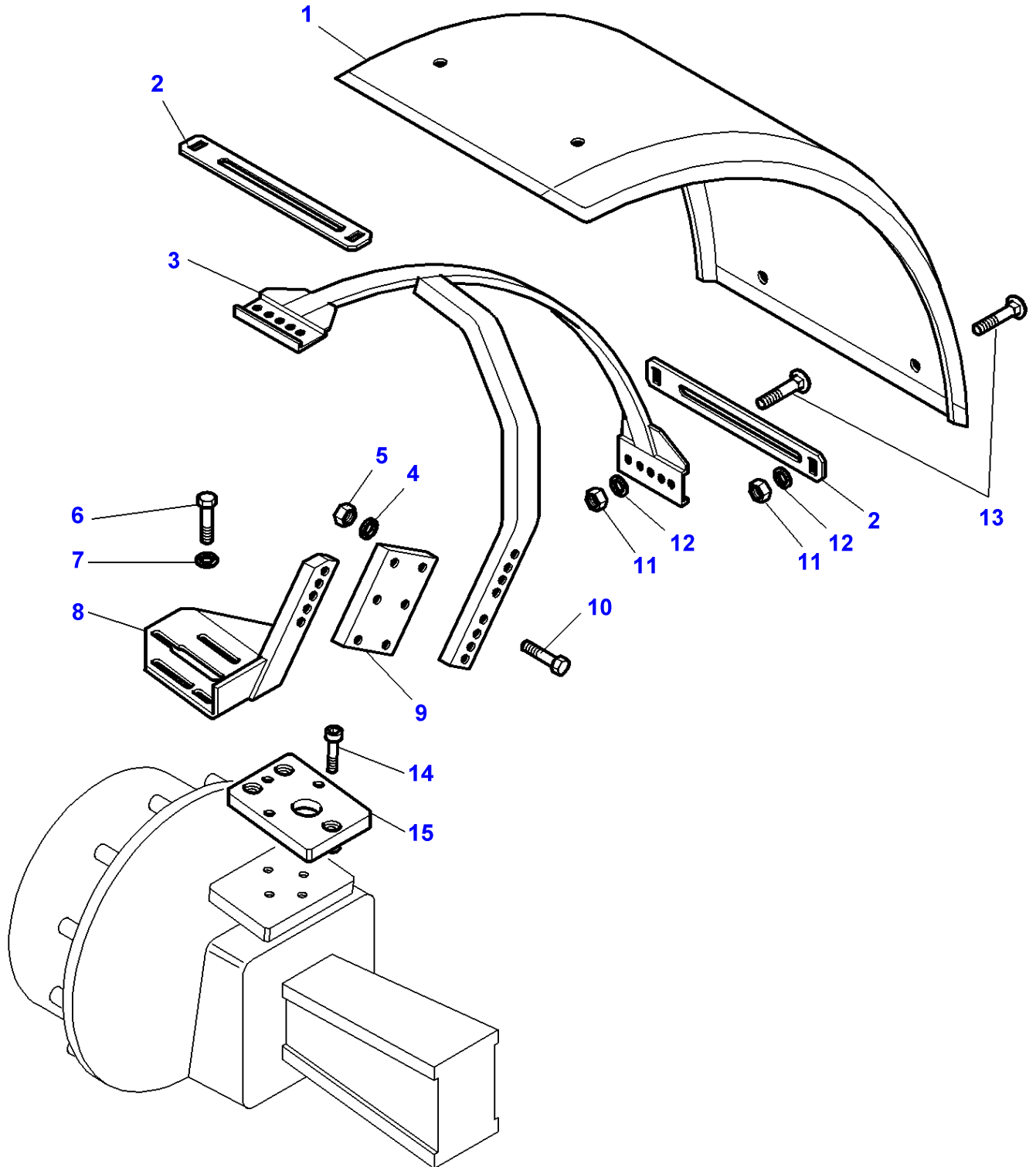
1-ZL03-013-A



Massey Ferguson**MF 8270/8280 TRACTOR - 1637348****1637348****Front Wheels - 4 Wheel Drive****Page 130-0015**

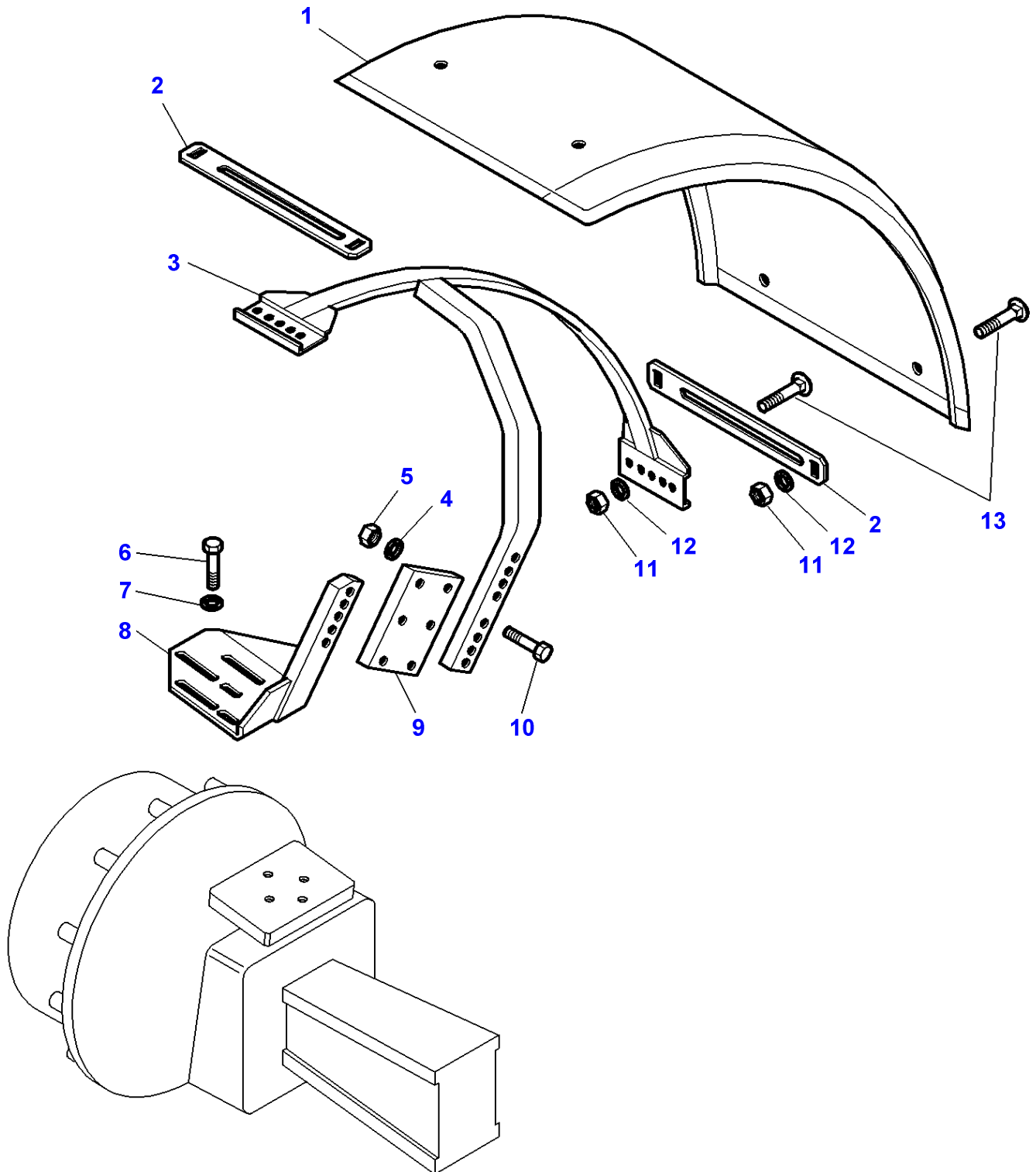
Item	Part Number	Qty	Description	Comments
1	72515982	2	Rim	13"X30"
	72517197	2	Rim	15"X30"
2	364988X1	12	Bolt Unc	5/8-11X3.50"
3	72515996	2	Disc	30"
4	353433X1	12	Lock Washer	
5	375099X1	12	Nut Unc	
6	3712611M2	24	Nut Special	

1-ZK14-005-C



Item	Part Number	Qty	Description	Comments
1	3619229M2	2	Fender	Width 470 MM
	3779567M1	2	Fender	Width 520 MM
	3780467M1	2	Fender	Width 620 MM
2	3777586M2	4	Plate	Length 340 MM
	3777587M2	4	Plate	Length 400 MM
	3780468M2	4	Plate	Length 448 MM
3	3777588M1	1	Support	Left Hand
	3777590M1	1	Support	Right Hand
4	390735X1	8	Washer	Diameter 12-24 X 2,5 MM
5	3009695X1	8	Nut	M12
6	3009493X1	6	Hex. Sock. Screw	M10 X 30
7	3619096M1	6	Washer	Diameter 10,5-32 X 5 MM
8	3780493M1	1	Support	Left Hand
	3780494M1	1	Support	Right Hand
9	3779565M2	2	Spacer	
10	3009513X1	8	Bolt Metric	M12 X 65
11	339402X1	12	Nut	M10
12	390734X1	12	Washer	Diameter 10-21 X 2 MM
13	390809X1	12	Bolt Metric	M10 X 25
14	3009300X1	4	Screw	Up to Serial or Engine Number H158003 M12 X 70
	3010873X1	4	Screw	From Serial or Engine Number H158004 M12 X 60
	1441366X1	2	Bolt Metric	M12 X 40
15	3777193M2	2	Plate	

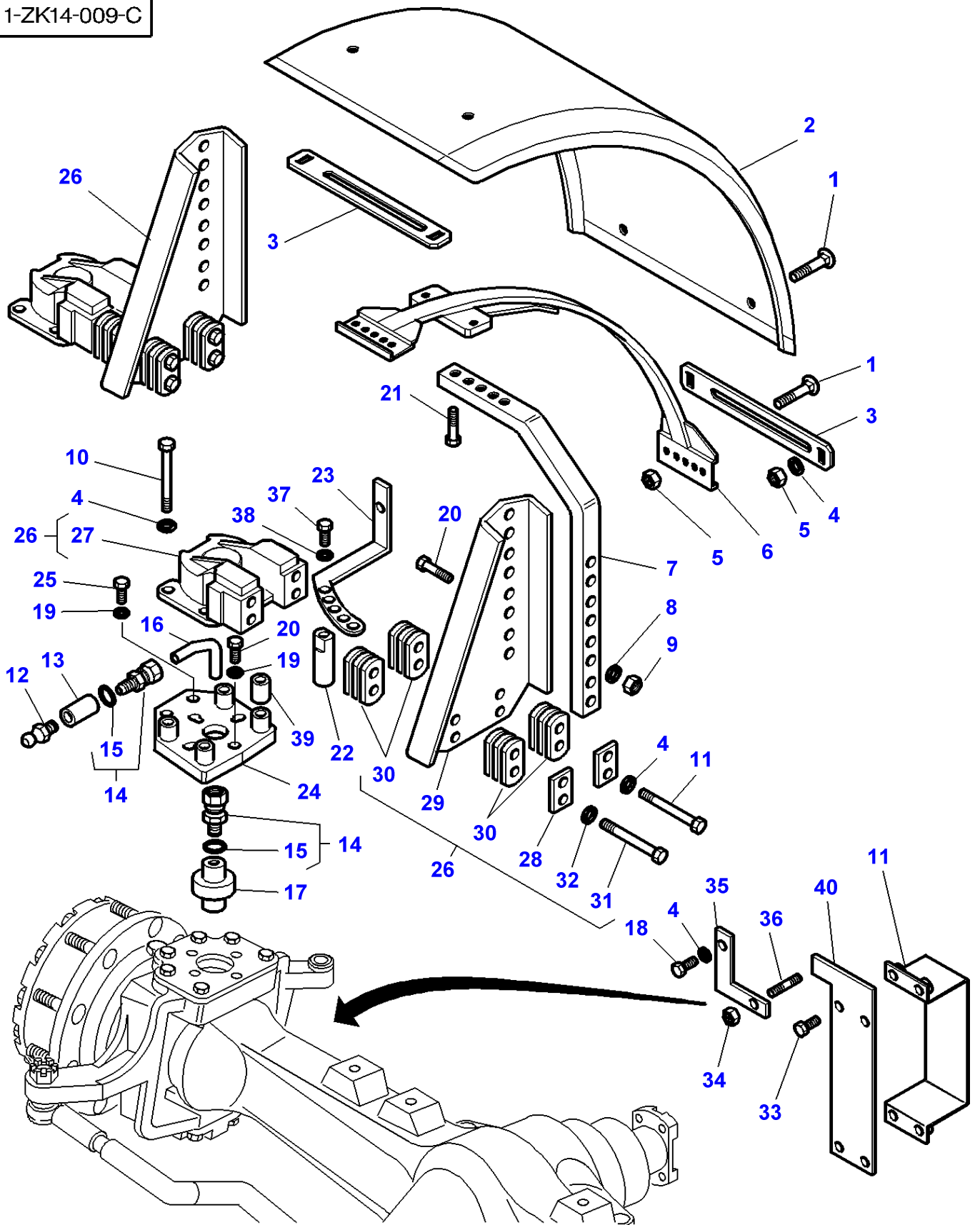
1-ZK14-020-A



Massey Ferguson**MF 8270/8280 TRACTOR - 1637348****1637348****Front Axle 4 Wheel Drive - Mudguards And Supports - FROM L074009 EXCEPT TRACTOR L078018****Page 130-0025**

Item	Part Number	Qty	Description	Comments
1	3619229M2	2	Fender	Width 470 MM
	3779567M1	2	Fender	Width 520 MM
	3780467M1	2	Fender	Width 620 MM
2	3777586M2	4	Plate	Length 340 MM
	3777587M2	4	Plate	Length 400 MM
	3780468M2	4	Plate	Length 448 MM
3	3777588M1	1	Support	Left Hand
	3777590M1	1	Support	Right Hand
4	390735X1	8	Washer	Diameter 12-24 X 2,5 MM
5	3009695X1	8	Nut	M12
6	1440716X1	6	Hex. Sock. Screw	M12 X 30
7	390735X1	6	Washer	Diameter 12-24 X 2,5 MM
8	3781337M1	1	Support	Right Hand
	3781336M1	1	Support	Left Hand
9	3779565M2	2	Spacer	
10	3009513X1	8	Bolt Metric	M12 X 65
11	339402X1	12	Nut	M10
12	390734X1	12	Washer	Diameter 10-21 X 2 MM
13	390809X1	12	Bolt Metric	M10 X 25

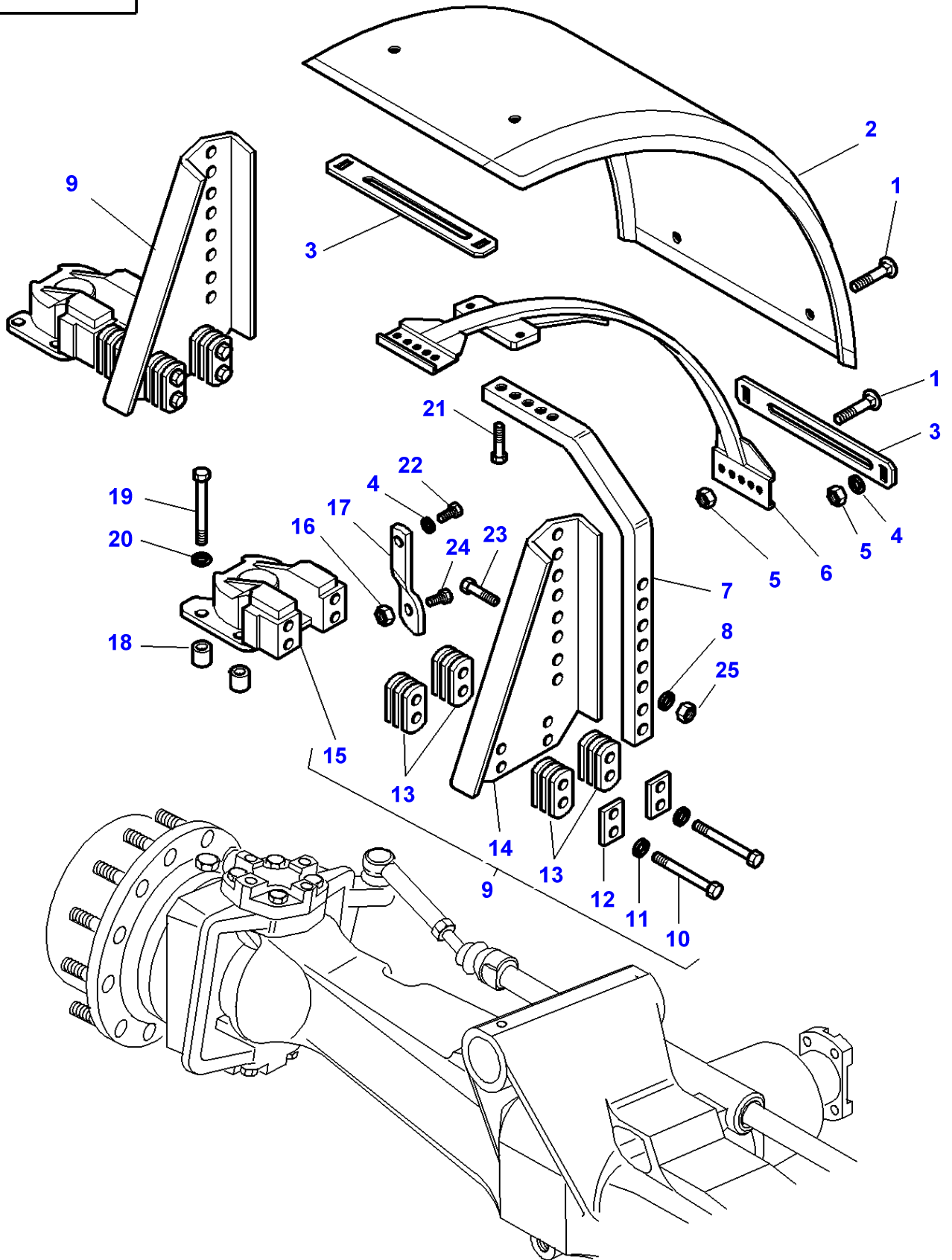
1-ZK14-009-C



Item	Part Number	Qty	Description	Comments
1	390809X1	12	Bolt Metric	M10 X 25
2	3619229M2	2	Fender	Width 470 MM
	3779567M1	2	Fender	Width 520 MM
	3780467M1	2	Fender	Width 620 MM
3	3777586M2	4	Plate	Length 340 MM
	3777587M2	4	Plate	Length 400 MM
	3780468M2	4	Plate	Length 448 MM
4	390734X1	18	Washer	Diameter 10-21 X 2 MM
5	339402X1	8	Nut	M10
6	3784948M1	2	Safety Frame	
7	3784947M2	2	Arm	
8	390735X1	10	Washer	Diameter 12-24 X 2,5 MM
9	1442190X1	4	Locknut	M12
10	3009496X1	8	Bolt Metric	M10 X 45
11	3783692M91	2	Retaining Plate	From Serial or Engine Number J264003
12	PZND9670V	2	Greaser	M10
13	3784977M1	2	Union	
14	3002070X91	2	Connector	
15	338760X1	1	O Ring	(14)
16	3785262M2	2	Tubing	Diameter 6 MM
17	4325209	2	Pivot	
18	3011002X1	2	Screw	M10 X 35
19	390735X1	6	Washer	Diameter 12-24 X 2,5 MM
20	3009510X1	4	Bolt Metric	M12 X 50
21	1441226X1	4	Screw	M12 X 40
22	3784976M2	2	Clevis Pin	Up to Serial or Engine Number J264002
23	3785266M2	1	Strap	Left Hand
				Up to Serial or Engine Number J264002
	3785267M2	1	Strap	Right Hand
				Up to Serial or Engine Number J264002
24	3785027M1	2	Plate	
25	3009515X1	4	Bolt Metric	M12 X 80
26	3784943M92	1	Pivot	Right Hand
	3784944M92	1	Pivot	Left Hand
27	3785053M2	1	Pivot	(26)
				Right Hand
				See Page - Reference Number 130-0040/1
	3785271M2	1	Pivot	(26)
				Left Hand
				See Page - Reference Number 130-0040/1
28	3785052M1	2	Bridle	(26)
29	3785050M1	1	Plate	(26)
				Left Hand
	3785049M1	1	Plate	(26)
				Right Hand
30	3785051M1	26	Spacer	(26)
31	1442602X1	4	Screw Metric	(26)
				M10 X 100
32	390734X1	4	Washer	(26)
				Diameter 10-21 X 2 MM
33	3000258X1	8	Screw Metric	M10 X 40
				From Serial or Engine Number J264003
34	3009695X1	2	Nut	From Serial or Engine Number J264003
				M12
35	3785692M1	2	Strap	From Serial or Engine Number J264003
36	390535X1	2	Grub Screw	M12 X 80
				From Serial or Engine Number J264003
37	3009509X1	2	Bolt Metric	M12 X 45
38	390735X1	2	Washer	Diameter 12-24 X 2,5 MM
39	3580856M1	8	Spacer	Up to Serial or Engine Number K122027
40	3785691M1	2	Retaining Plate	From Serial or Engine Number J264003

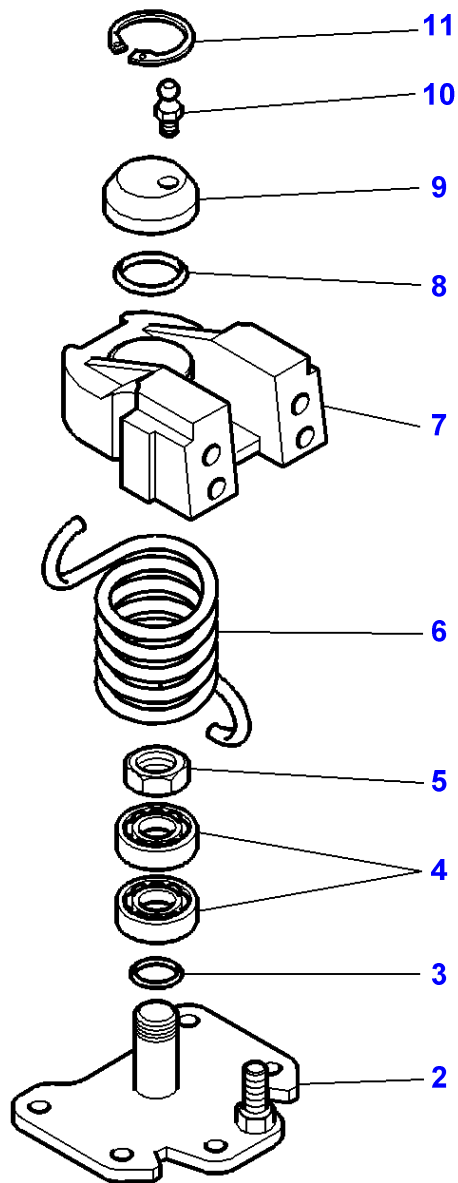
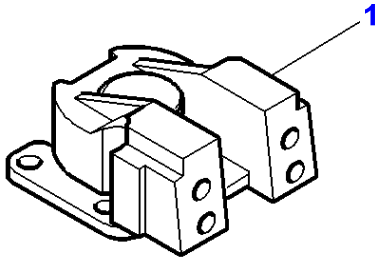
MF 8270/8280 TRACTOR - 1637348
1-ZK14-025-A

1-ZK14-025-A



Item	Part Number	Qty	Description	Comments
1	390809X1	12	Bolt Metric	M10 X 25
2	3619229M2	2	Fender	Width 470 MM
	3779567M1	2	Fender	Width 520 MM
	3780467M1	2	Fender	Width 620 MM
3	3777586M2	4	Plate	Length 340 MM
	3777587M2	4	Plate	Length 400 MM
	3780468M2	4	Plate	Length 448 MM
4	390734X1	14	Washer	Diameter 10-21 X 2 MM
5	339402X1	12	Nut	M10
6	3784948M1	2	Safety Frame	
7	3784947M2	2	Arm	
8	390735X1	4	Washer	Diameter 12-24 X 2,5 MM
9	3784945M92	1	Pivot	Right Hand
	3784946M92	1	Pivot	Left Hand
10	1442602X1	4	Screw Metric	(9) M10 X 100
11	390734X1	4	Washer	(9) Diameter 10-21 X 2 MM
12	3785052M1	2	Bridle	(9)
13	3785051M1	26	Spacer	(9)
14	3785050M1	1	Plate	(9) Left Hand
	3785049M1	1	Plate	(9) Right Hand
15	3785109M2	1	Pivot	(9) Right Hand See Page - Reference Number 130-0040/1
	3785306M2	1	Pivot	(9) Left Hand See Page - Reference Number 130-0040/1
16	3009695X1	2	Nut	M12
17	3788128M1	1	Strap	Left Hand
	3788127M1	1	Strap	Right Hand
18	3010942X1	8	Spacer	Up to Serial or Engine Number L198014 Length 25 MM
	3011172X1	8	Spacer	From Serial or Engine Number L198015 Diameter 17-32 X 30 MM
19	339881X1	8	Hex. Sock. Screw	Up to Serial or Engine Number L198014 M16 X 60
	391889X1	8	Screw	From Serial or Engine Number L198015 M16 X 70
20	1441664X1	8	Washer Metric	Up to Serial or Engine Number L198014
21	1441226X1	4	Screw	M12 X 40
22	1441302X1	2	Bolt Metric	M10 X 30
23	3009510X1	4	Bolt Metric	M12 X 50
24	1440716X1	2	Hex. Sock. Screw	M12 X 30
25	1442190X1	4	Locknut	M12

1-ZK14-024-A



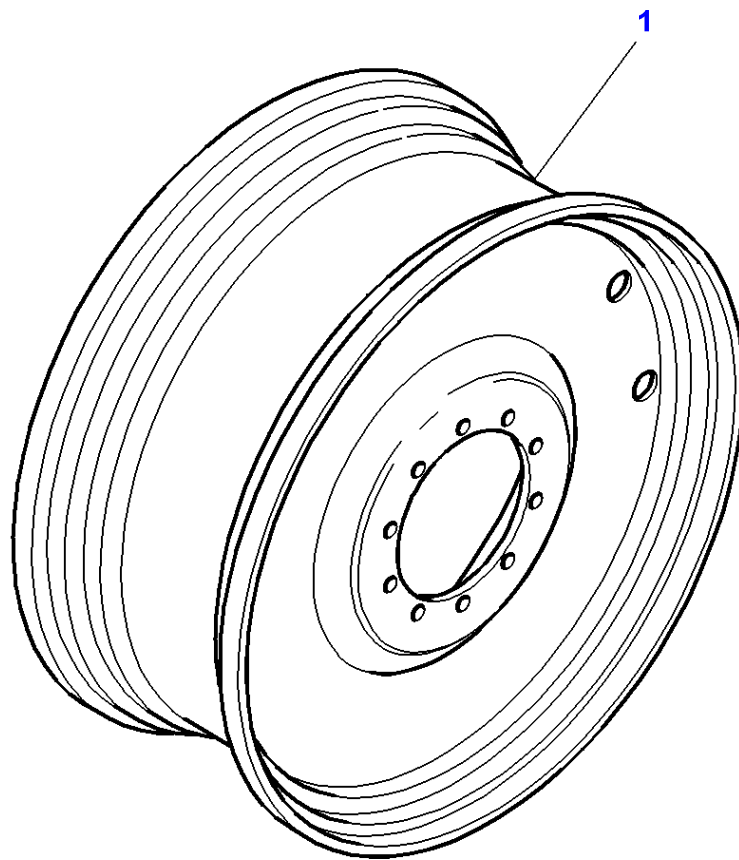
Front Axle 4 Wheel Drive - Mudguards And Supports - Pivoting

Item	Part Number	Qty	Description	Comments
1	3785271M2	1	Pivot	Up to Serial or Engine Number L074008 Left Hand
	3785053M2	1	Pivot	Up to Serial or Engine Number L074008 Right Hand
	3785306M2	1	Pivot	From Serial or Engine Number L074009 Left Hand
	3785109M2	1	Pivot	From Serial or Engine Number L074009 Right Hand
2		1	Pedestal	(1) Not serviced,order REF. 1
3	3903902M1	1	Gasket	(1)
4	3903897M1	2	Bearing Assy	(1)
5	3000845X1	1	Top Locknut	(1)
6	3903899M1	1	Spring	(1) M25 Left Hand
	3903898M1	1	Spring	(1) Right Hand
7		1	Cover	(1) Not serviced,order REF. 1
8	3903903M1	1	Gasket	(1)
9	3903896M1	1	Cover	(1)
10	3903900M1	1	Greaser	(1)
11	3903901M1	1	Segment	(1)

FOOTNOTE [A] WITH CARRARO FRONT AXLE

FOOTNOTE [B] WITH DANA FRONT AXLE

1-ZM01-004-A



Rear Wheels

Item	Part Number	Qty	Description	Comments
1	3781970M2	2	Rim	[A] DWW 16 X 38" (Single Wheels)
	3781971M2	2	Rim	[B] DWW 18 X 38" (Single Wheels)
	3781972M2	2	Rim	[C] DWW 23 X 38" (Single Wheels)
	3781968M2	2	Rim	[D] DWW 16 X 42" (Single Wheels)
	3781969M2	2	Rim	[E] DWW 18 X 42" (Single Wheels)
	3781969M2	2	Rim	[E] DWW 18 X 42" (Dual Wheels)
	3787712M1	2	Rim	[K] W 13 X 46" Replace and repair. Old not interchangeable with new 3781981M1 (Single Wheels)
	3787712M1	2	Rim	[K] W 13 X 46" Replace and repair. Old not interchangeable with new 3781981M1 (Dual Wheels)
	3781982M2	2	Rim	[F] W 16 X 46" (Single Wheels)
	3781982M2	2	Rim	[F] W 16 X 46" (Dual Wheels)

FOOTNOTE [A] USED WITH 16.9-18.4-20.8-420/85-460/85-480/70 -520/70-540/65 X 38" TYRES

FOOTNOTE [B] USED WITH 20.8-520/70-520/85-580/70-600/65 -650/65 X 38" TYRES

FOOTNOTE [C] USED WITH 650/85-710/70 X 38" TYRES

FOOTNOTE [D] USED WITH 18.4 X 42" TYRES

FOOTNOTE [E] USED WITH 20.8-620/70-350/65-520/85 X 42" TYRES

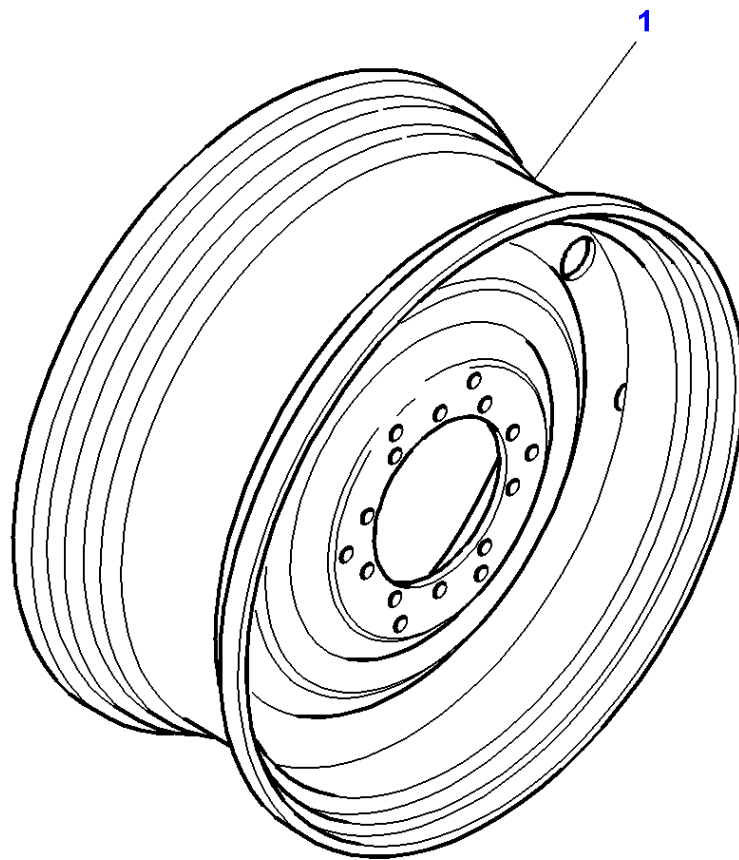
FOOTNOTE [F] USED WITH 18.4 - 520/85 X 46" TYRES

FOOTNOTE [H] USED WITH 16,9 - 420/85 X 38" TYRES

FOOTNOTE [J] WITH SHAFT DIAMETER 82 MM

FOOTNOTE [K] USED WITH 19.90" X 46" TYRES

1-ZM01-021-A



Massey Ferguson

MF 8270/8280 TRACTOR - 1637348

1637348

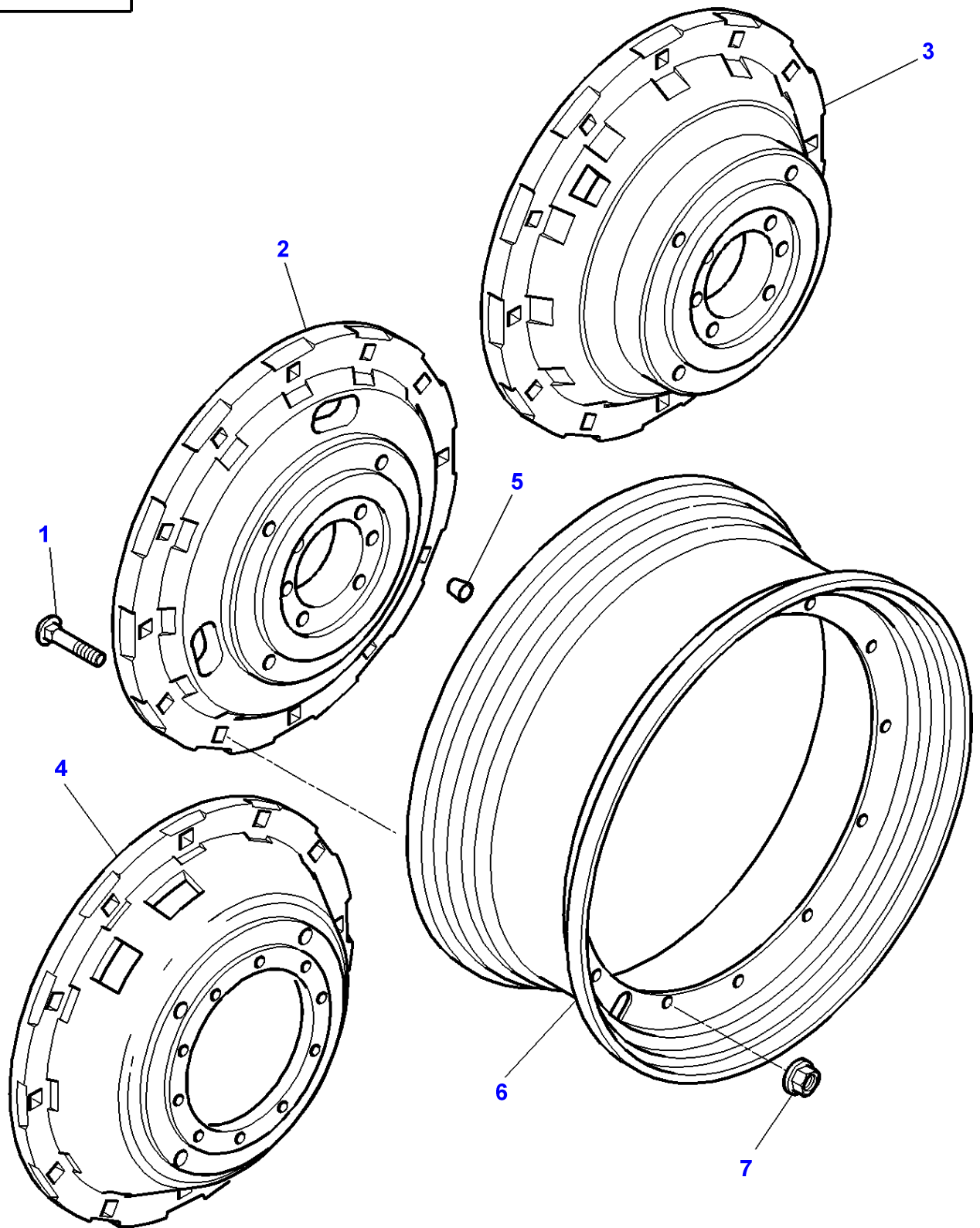
Rear Wheels

Page 130-0050

Item	Part Number	Qty	Description	Comments
1	3788574M1	2	Rim	[A] DW27X42"

FOOTNOTE [A] USED WITH 650/75-650/85 R 38 TL-900/50 R42 TL TYRE S

1-ZM01-005-B



Rear Wheels

Item	Part Number	Qty	Description	Comments
1	3384603M1	24	Screw	M18X95 (Single Wheels)
	3384603M1	24	Screw	M18X95 (Dual Wheels)
2	3582139M4	2	Flange	38" 195 KG (Single Wheels)
3	3615370M3	2	Flange	38" 260 KG (Single Wheels)
4	3716108M3	2	Weight	38" 209KG (Single Wheels)
	3716108M3	2	Weight	38" 209KG (Dual Wheels)
5	3780302M1	8	Dowel	(Single Wheels)
	3780302M1	8	Dowel	(Dual Wheels)
6	3781929M1	2	Rim	[A,D,E] DWW 16 X 38" (Single Wheels)
	3781929M1	2	Rim	[A,D,E] DWW 16 X 38" (Dual Wheels)
	3781930M1	2	Rim	[B,E,F] DWW 18 X 38" (Single Wheels)
	3781930M1	2	Rim	[B,E,F] DWW 18 X 38" (Dual Wheels)
	3782154M1	2	Rim	[C] DWW 23 X 38" (Single Wheels)
	3782154M1	2	Rim	[C] DWW 23 X 38" (Dual Wheels)
7	3384600M2	24	Nut Special	M18 (Single Wheels)
	3384600M2	24	Nut Special	M18 (Dual Wheels)

FOOTNOTE [A] USED WITH 16.9-18.4-20.8-420/85-460/85-480/70 -520/70-540/65 X 38" TYRES

FOOTNOTE [B] USED WITH 20.8-520/70-520/85-580/70-600/65 -650/65 X 38" TYRES

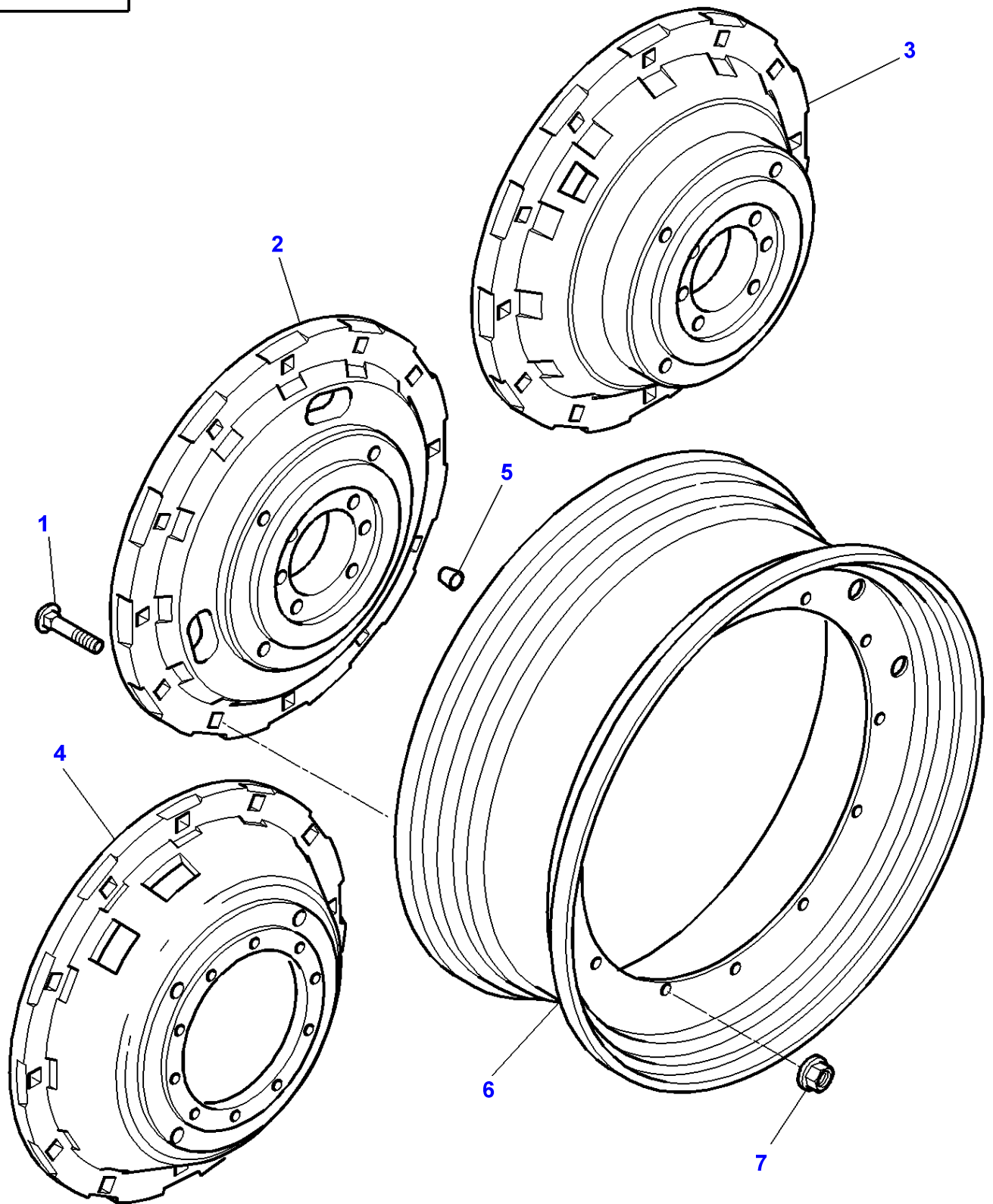
FOOTNOTE [C] USED WITH 650/85-710/70 X 38" TYRES

FOOTNOTE [D] WITH RIM 3615370M3 CAN BE TWINED FITTED WITH WHEEL 3781970M2

FOOTNOTE [E] WITH RIM 3716108M3 CAN BE TWINED FITTED WITH WHEEL 3781971M1

FOOTNOTE [F] WITH RIM 3615370M3 CAN BE TWINED FITTED WITH WHEEL 3781971M1

1-ZM01-007-B



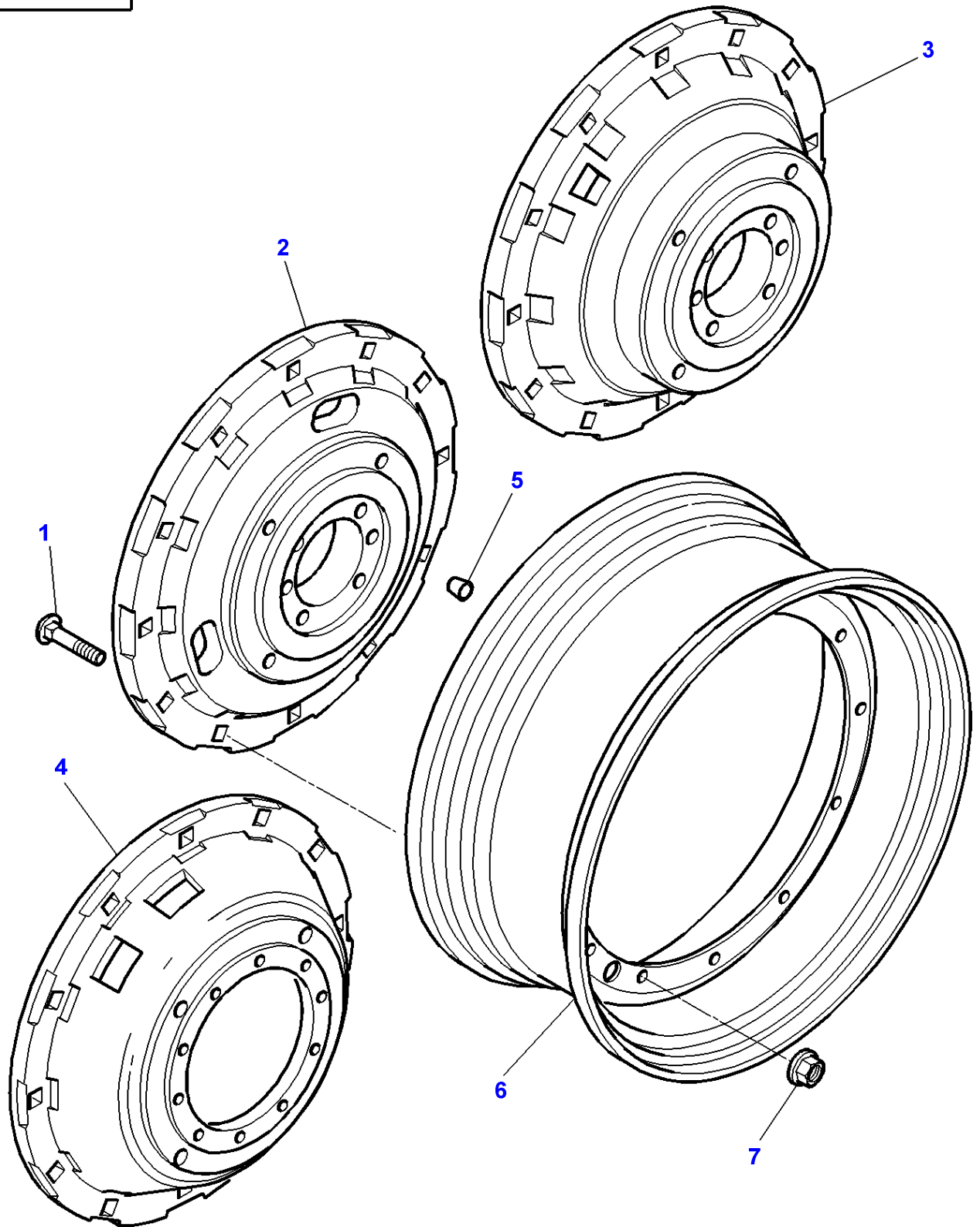
Rear Wheels

Item	Part Number	Qty	Description	Comments
1	3384603M1	24	Screw	M18X95 (Single Wheels)
	3384603M1	24	Screw	M18X95 (Dual Wheels)
2	3582139M4	2	Flange	38" 195 KG (Single Wheels)
3	3615370M3	2	Flange	38" 260 KG (Single Wheels)
4	3716108M3	2	Weight	38" 209KG (Single Wheels)
	3716108M3	2	Weight	38" 209KG (Dual Wheels)
5	3780302M1	8	Dowel	(Single Wheels)
	3780302M1	8	Dowel	(Dual Wheels)
6	3787713M1	2	Rim	[B] W 13 X 46" Replace and repair. Old not interchangeable with new 3782156M1 (Single Wheels)
	3787713M1	2	Rim	[B] W 13 X 46" Replace and repair. Old not interchangeable with new 3782156M1 (Dual Wheels)
	3782157M2	2	Rim	[A] W 16 X 46" (Single Wheels)
	3782157M2	2	Rim	[A] W 16 X 46" (Dual Wheels)
7	3384600M2	24	Nut Special	M18 (Single Wheels)
	3384600M2	24	Nut Special	M18 (Dual Wheels)

FOOTNOTE [A] USED WITH 18.4 - 520/85 X 46" TYRES

FOOTNOTE [B] USED WITH 19.90" X 46" TYRES

1-ZM01-009-B



Rear Wheels

Item	Part Number	Qty	Description	Comments
1	3384603M1	24	Screw	M18X95 (Single Wheels)
	3384603M1	24	Screw	M18X95 (Dual Wheels)
2	3582139M4	2	Flange	38" 195 KG (Single Wheels)
3	3615370M3	2	Flange	38" 260 KG (Single Wheels)
4	3716108M3	2	Weight	38" 209KG (Single Wheels)
	3716108M3	2	Weight	38" 209KG (Dual Wheels)
5	3780302M1	8	Dowel	(Single Wheels)
	3780302M1	8	Dowel	(Dual Wheels)
6	3781926M1	2	Rim	[A,C,D] DWW 16 X 42" (Single Wheels)
	3781926M1	2	Rim	[A,C,D] DWW 16 X 42" (Dual Wheels)
	3782155M1	2	Rim	[B,E,F] DWW 18 X 42" (Single Wheels)
	3782155M1	2	Rim	[B,E,F] DWW 18 X 42" (Dual Wheels)
7	3384600M2	24	Nut Special	M18 (Single Wheels)
	3384600M2	24	Nut Special	M18 (Dual Wheels)

FOOTNOTE [A] USED WITH 18.4 X 42" TYRES

FOOTNOTE [B] USED WITH 20.8-620/70-350/65-520/85 X 42" TYRES

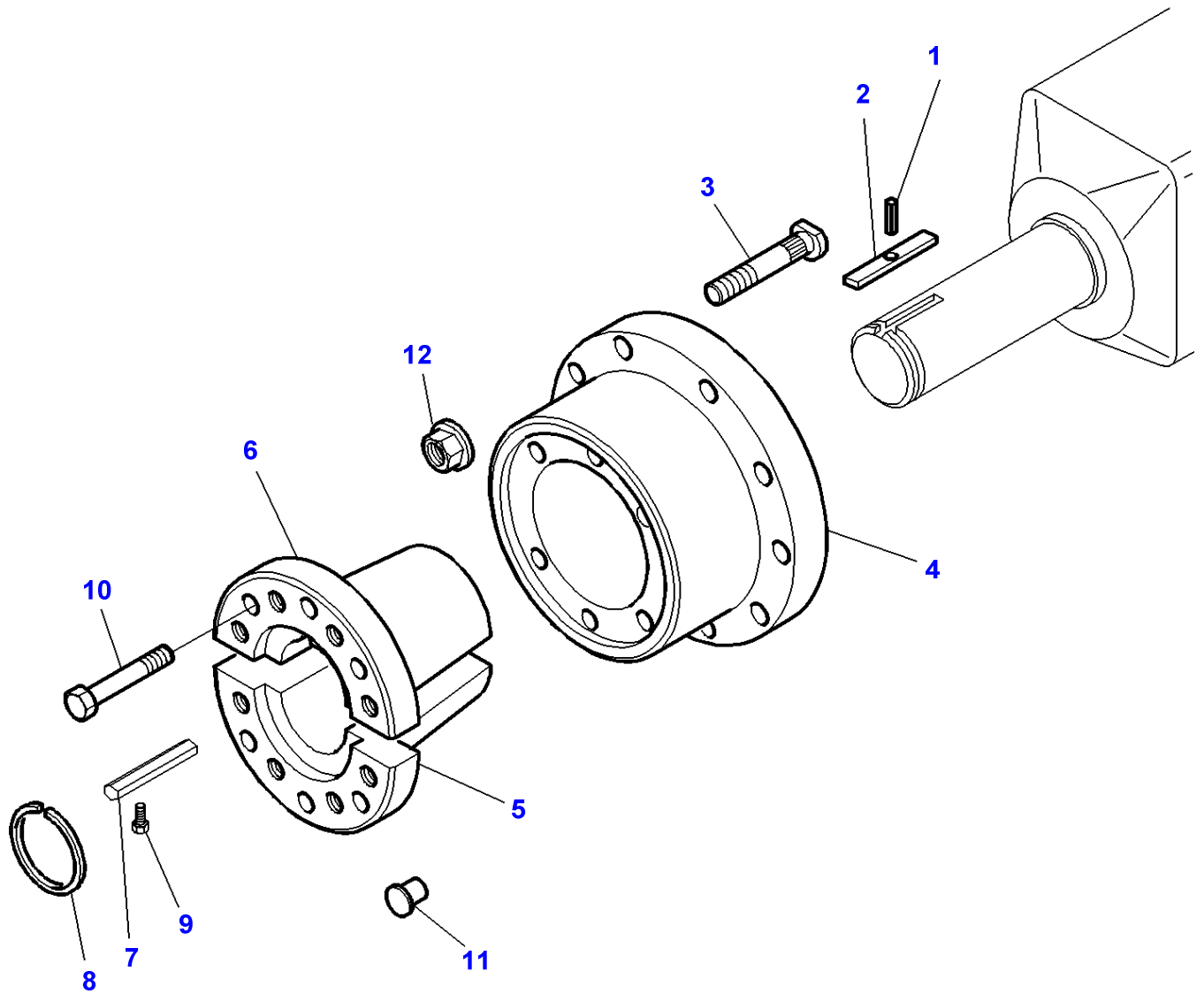
FOOTNOTE [C] WITH RIM 3615370M3 CAN BE TWINED FITTED WITH WHEEL 3781968M2

FOOTNOTE [D] WITH RIM 3716108M3 CAN BE TWINED FITTED WITH WHEEL 3781968M2

FOOTNOTE [E] WITH RIM 3615370M3 CAN BE TWINED FITTED WITH WHEEL 3781969M2

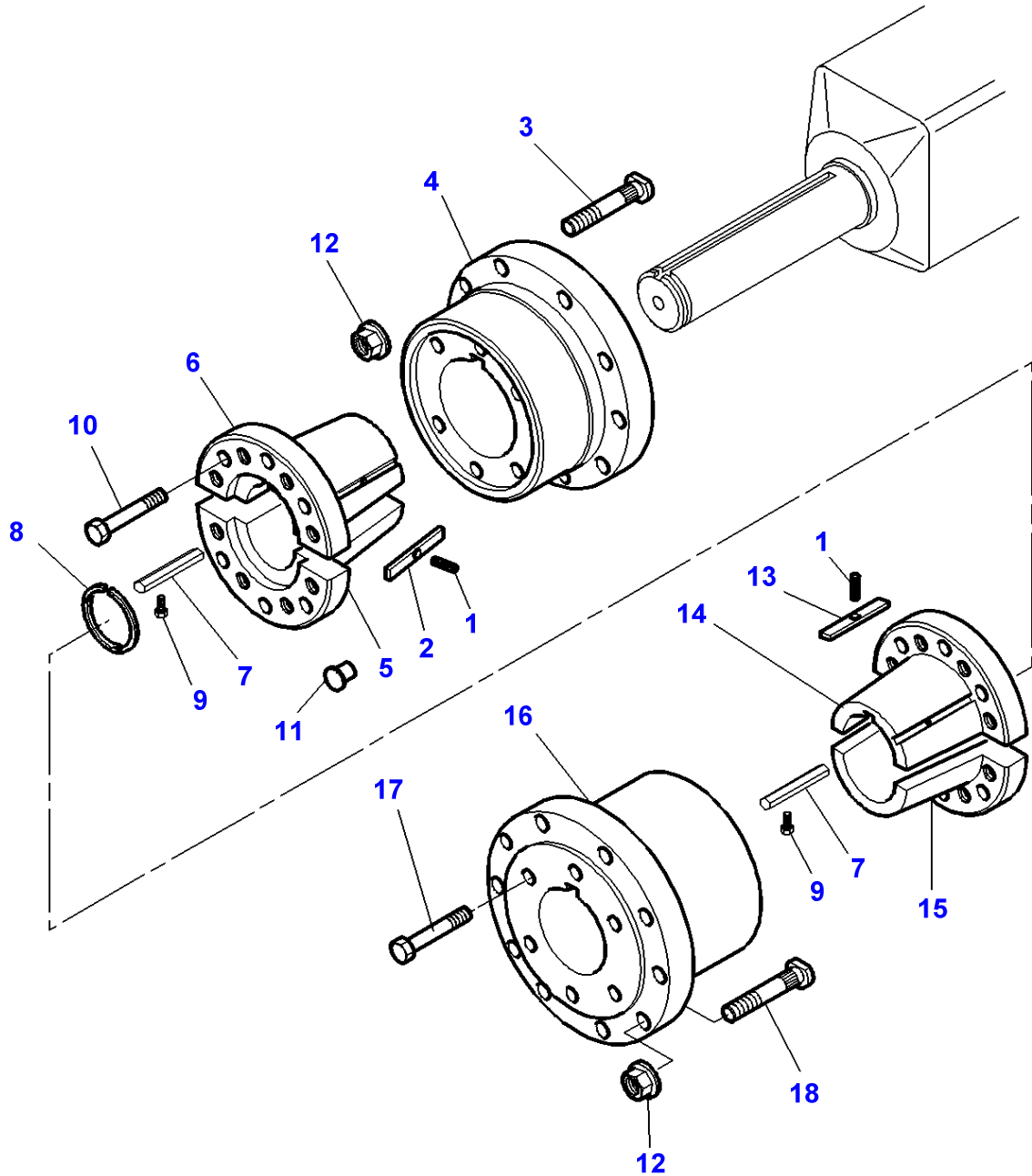
FOOTNOTE [F] WITH RIM 3716108M3 CAN BE TWINED FITTED WITH WHEEL 3781969M2

1-ZM05-003-C



Item	Part Number	Qty	Description	Comments
1	763786M1	2	Pin	(Single Wheels)
	763786M1	2	Pin	(Dual Wheels)
2	509816M3	2	Key	(Single Wheels)
	509816M3	2	Key	(Dual Wheels)
3	3792488M2	20	Stud	M22 X 64
				(Single Wheels)
	3792488M2	20	Stud	M22 X 64
				(Dual Wheels)
	3716105M2	20	Stud	M22 X 100
				(Single Wheels)
	3716105M2	20	Stud	M22 X 100
				(Dual Wheels)
4	3716107M2	2	Hub	(Single Wheels)
	3716107M2	2	Hub	(Dual Wheels)
5	3716269M1	2	Cone	Length 198 MM
				(Single Wheels)
	3716269M1	2	Cone	Length 198 MM
				(Dual Wheels)
6	3716268M1	2	Cone	Length 198 MM
				(Single Wheels)
	3716268M1	2	Cone	Length 198 MM
				(Dual Wheels)
7	3716106M4	2	Key	(Single Wheels)
	3716106M4	2	Key	(Dual Wheels)
8	3010765X1	2	Ring	(Single Wheels)
	3010765X1	2	Ring	(Dual Wheels)
9	1440350X1	2	Screw Metric	M6 X 20
				(Single Wheels)
	1440350X1	2	Screw Metric	M6 X 20
				(Dual Wheels)
10	3010569X1	12	Screw	M20 X 80
				(Single Wheels)
	3010569X1	12	Screw	M20 X 80
				(Dual Wheels)
11	3791968M1	16	Plug	(Single Wheels)
	3791968M1	16	Plug	(Dual Wheels)
12	3712611M2	20	Nut Special	M22
				(Single Wheels)
	3712611M2	20	Nut Special	M22
				(Dual Wheels)

1-ZM05-012-A

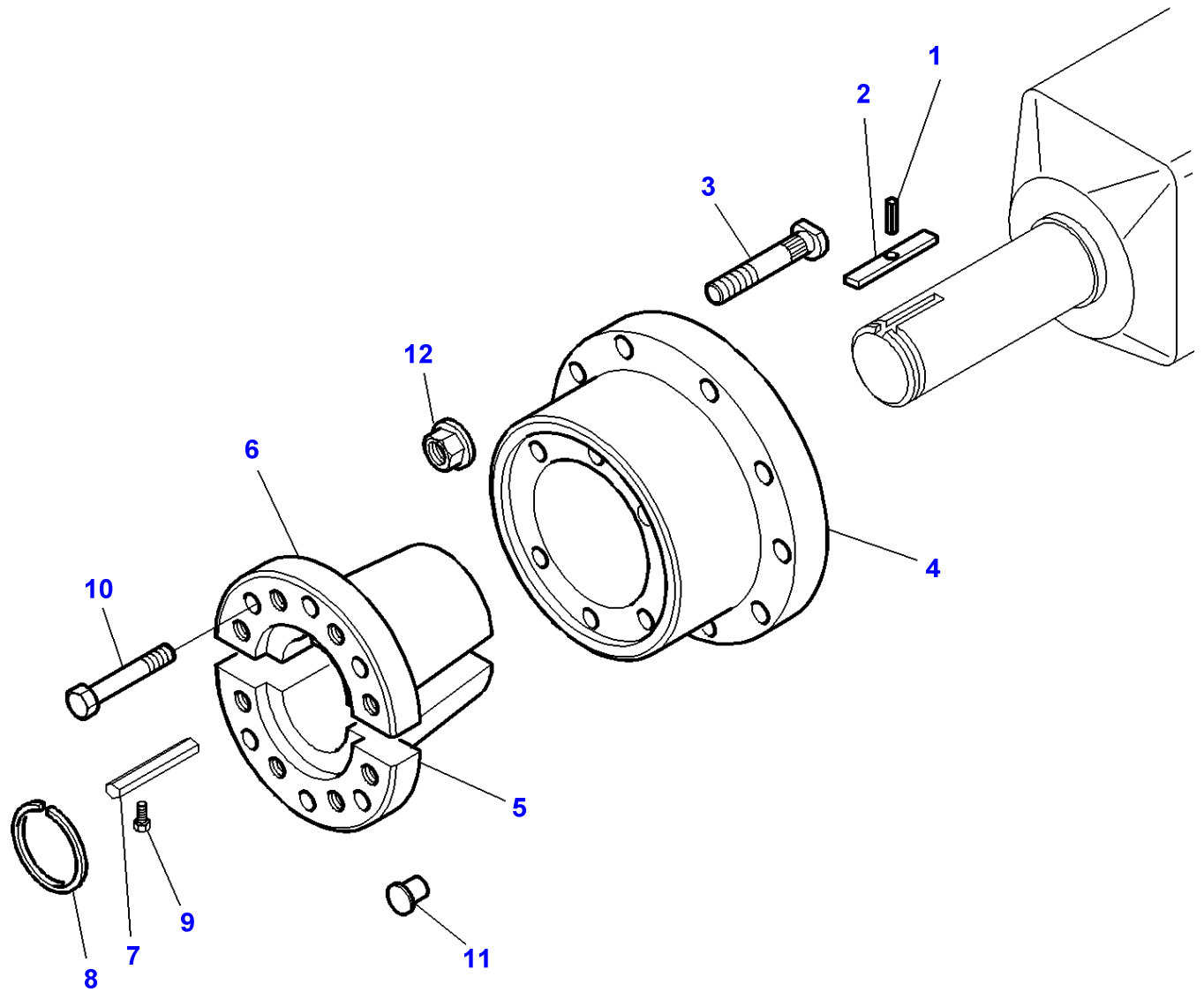


Item	Part Number	Qty	Description	Comments
1	763786M1	2	Pin	(Single Wheels)
	763786M1	2	Pin	(Dual Wheels)
2	509816M3	2	Key	(Single Wheels)
	509816M3	2	Key	(Dual Wheels)
3	3792488M2	20	Stud	[A] M22 X 64 (Single Wheels)
	3792488M2	20	Stud	[A] M22 X 64 (Dual Wheels)
	3716105M2	20	Stud	[B] M22 X 100 (Single Wheels)
	3716105M2	20	Stud	[B] M22 X 100 (Dual Wheels)
4	3716107M2	2	Hub	(Single Wheels)
	3716107M2	2	Hub	(Dual Wheels)
5	3716269M1	2	Cone	Length 198 MM (Single Wheels)
	3716269M1	2	Cone	Length 198 MM (Dual Wheels)
6	3716268M1	2	Cone	Length 198 MM (Single Wheels)
	3716268M1	2	Cone	Length 198 MM (Dual Wheels)
7	3716106M4	2	Key	(Single Wheels)
	3716106M4	2	Key	(Dual Wheels)
8	3010765X1	2	Ring	(Single Wheels)
	3010765X1	2	Ring	(Dual Wheels)
9	1440350X1	2	Screw Metric	M6 X 20 (Single Wheels)
	1440350X1	2	Screw Metric	M6 X 20 (Dual Wheels)
10	3010569X1	12	Screw	M20 X 80 (Single Wheels)
	3010569X1	12	Screw	M20 X 80 (Dual Wheels)
11	3791968M1	16	Plug	(Single Wheels)
	3791968M1	16	Plug	(Dual Wheels)
12	3712611M2	20	Nut Special	M22 (Single Wheels)
	3712611M2	20	Nut Special	M22 (Dual Wheels)
13	3787102M1		Key	(Dual Wheels)
14	3786847M1		Cone	(Dual Wheels)
15	3786848M1		Cone	(Dual Wheels)
16	3786490M1		Hub	(Dual Wheels)
17	3580230M1		Screw	M20 X 190 (Dual Wheels)
18	3792488M2		Stud	[A] M22 X 64 (Dual Wheels)

FOOTNOTE [A] WITH RIM STEEL

FOOTNOTE [B] WITH CAST WHEELS

1-ZM05-013-A



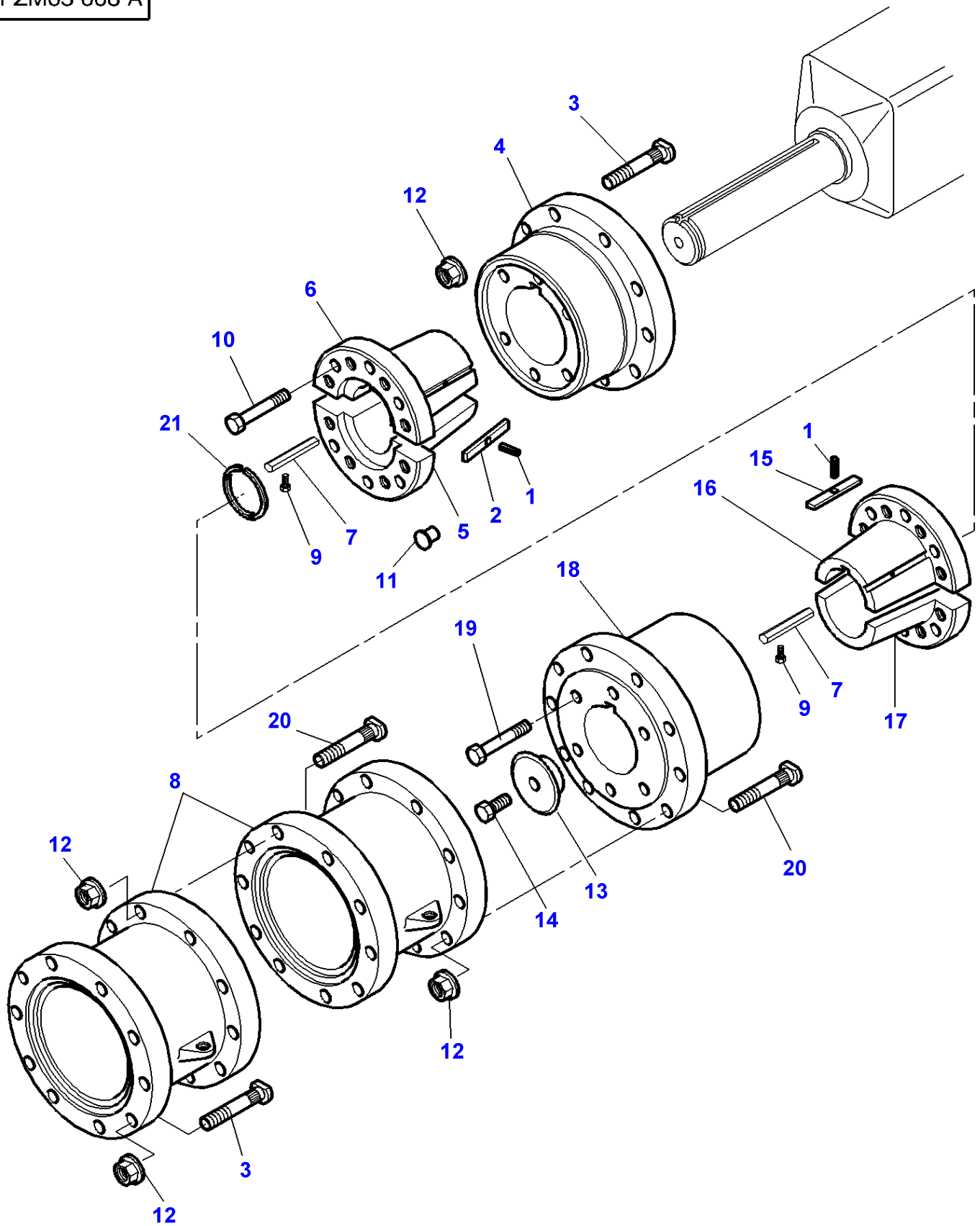
Rear Wheels - Fixing By Cone - Shaft Diameter 110MM / Cone/Wheel Hub Standart For Dual Wheels Cast Iron/Cast Iron

Page 130-0080

Item	Part Number	Qty	Description	Comments
1	763786M1	4	Pin	
2	509816M3	4	Key	
3	3716105M2	40	Stud	M22 X 100
4	3716107M2	4	Hub	
5	3716269M1	4	Cone	Length 198 MM
6	3716268M1	4	Cone	Length 198 MM
7	3716106M4	4	Key	
8	3010765X1	2	Ring	
9	1440350X1	4	Screw Metric	M6 X 20
10	3010569X1	24	Screw	M20 X 80
11	3791968M1	32	Plug	
12	3712611M2	40	Nut Special	M22

MF 8270/8280 TRACTOR - 1637348
1-ZM05-008-A

1-ZM05-008-A



Item	Part Number	Qty	Description	Comments
1	763786M1	4	Pin	
2	509816M3	2	Key	
3	3792488M2	40	Stud	M22 X 64
	3792488M2	20	Stud	[D,E] M22 X 64
4	3716107M2	2	Hub	[A]
5	3716269M1	2	Cone	Length 198 MM
6	3716268M1	2	Cone	Length 198 MM
7	3716106M4	4	Key	
8	3786577M2	4	Spacer	
9	1440350X1	4	Screw Metric	M6 X 20
10	3010569X1	12	Screw	M20 X 80
11	3791968M1	16	Plug	
12	3712611M2	80	Nut Special	M22 X 1,5
13	3787332M1	2	Thrust Washer	[C]
14	3001462X1	2	Screw Metric	[C] M24 X 60
15	3787102M1	2	Key	
16	3786847M1	2	Cone	Length 174 MM
17	3786848M1	2	Cone	Length 174 MM
18	3786490M1	2	Hub	[B]
19	3580230M1	16	Screw	M20 X 190
20	3716105M2	40	Stud	M22 X 100
	3716105M2	60	Stud	[D,E] M22 X 100
21	3010765X1	2	Ring	[F]

FOOTNOTE [A] 6 HOLES FIXING

FOOTNOTE [B] 8 HOLES FIXING

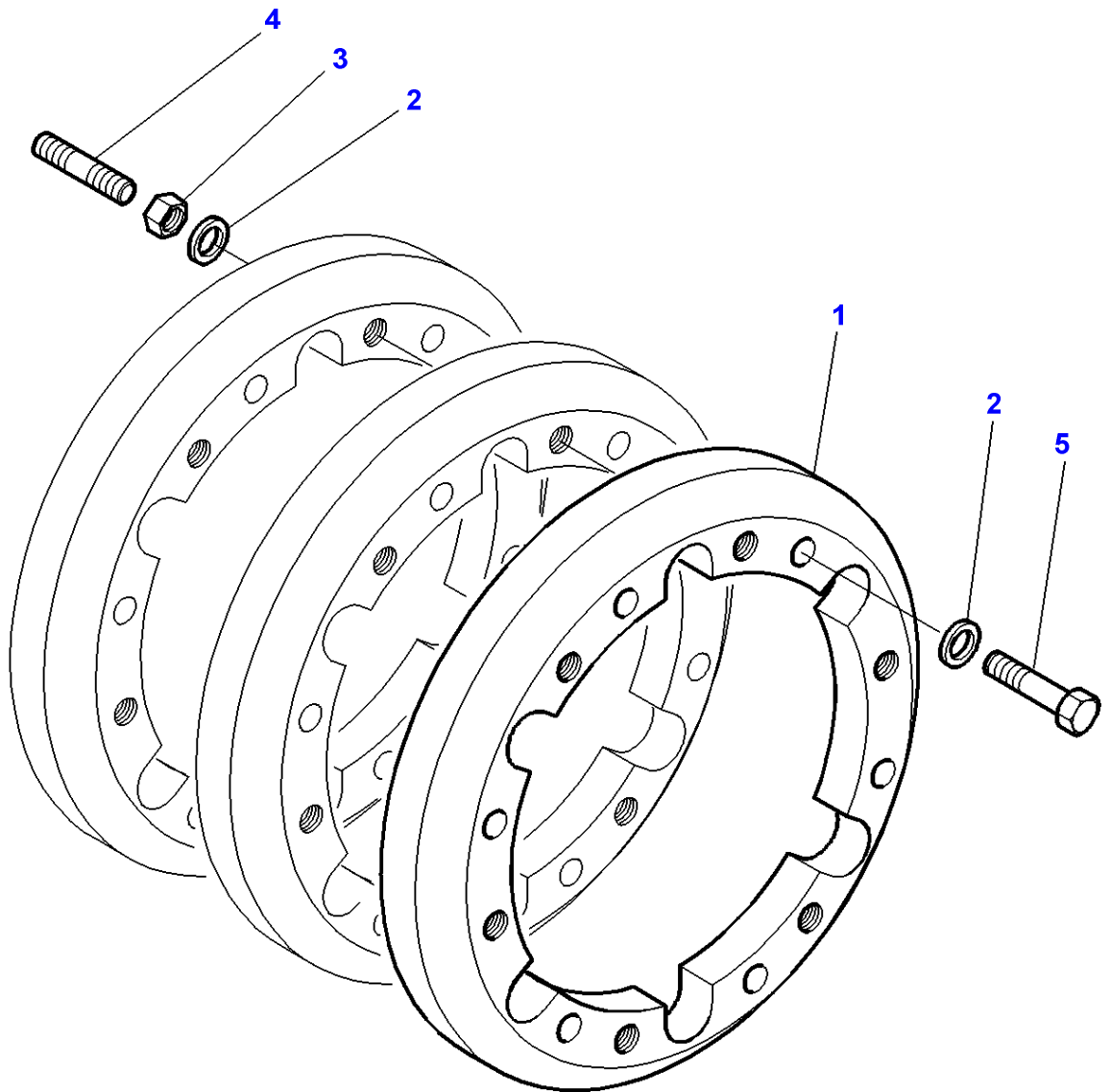
FOOTNOTE [C] WITH SHORT SHAFT

FOOTNOTE [D] WITH CAST WHEELS

FOOTNOTE [E] WITH RIM STEEL

FOOTNOTE [F] WITH LONG SHAFT

1-ZX17-001-B

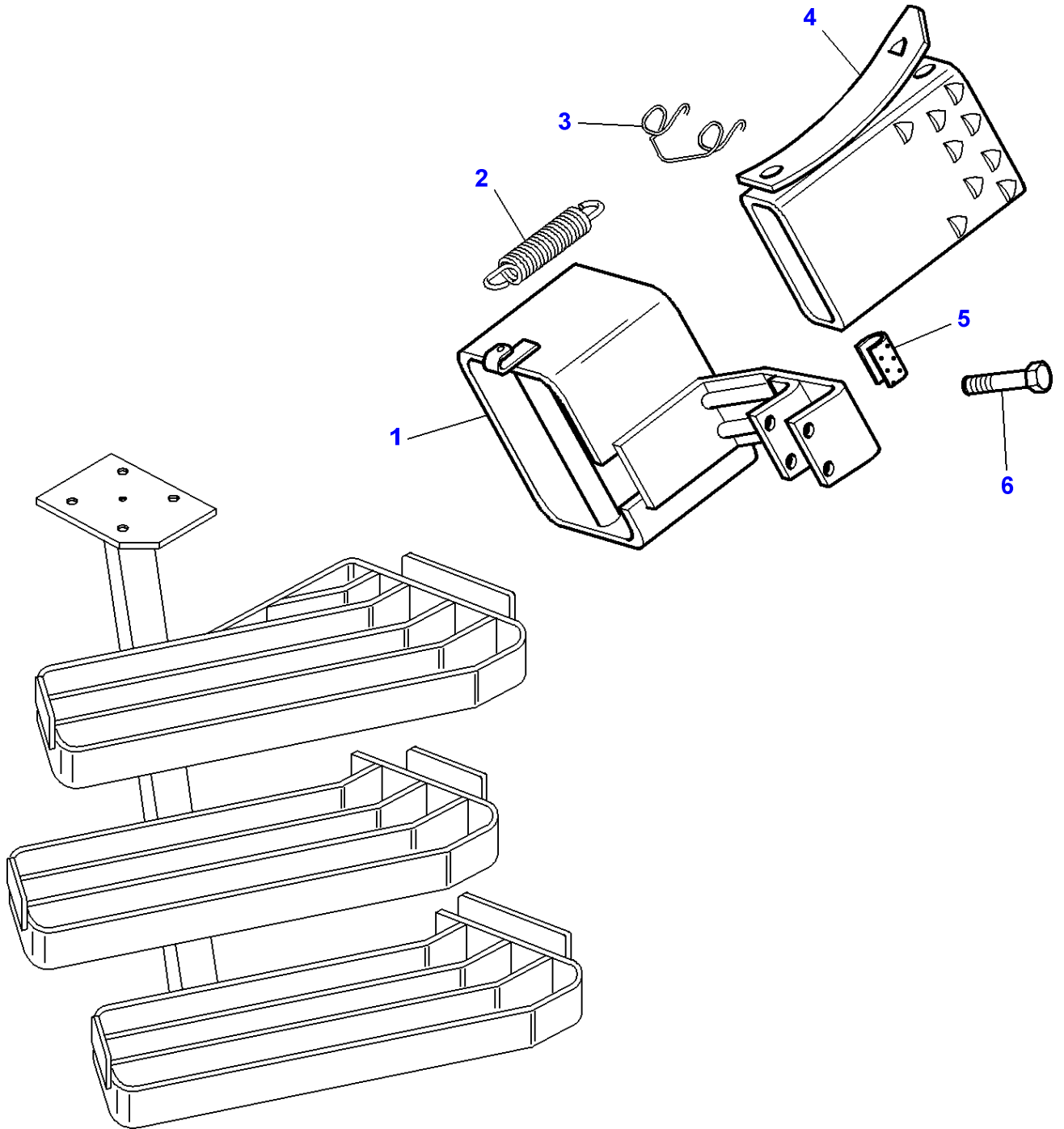


Wheel Weights

Item	Part Number	Qty	Description	Comments
1	3712626M1	X	Weight	53KG
2	3019575X1	X	Washer Metric	Diameter 17-44 X 3
3	339034X1	12	Nut	M16
4	3386466M1	12	Stud	M16 X 65
5	339805X1	X	Bolt Metric	M16 X 100

FOOTNOTE [A] INDUSTRIAL CAB**FOOTNOTE [B]** LEFT, REAR

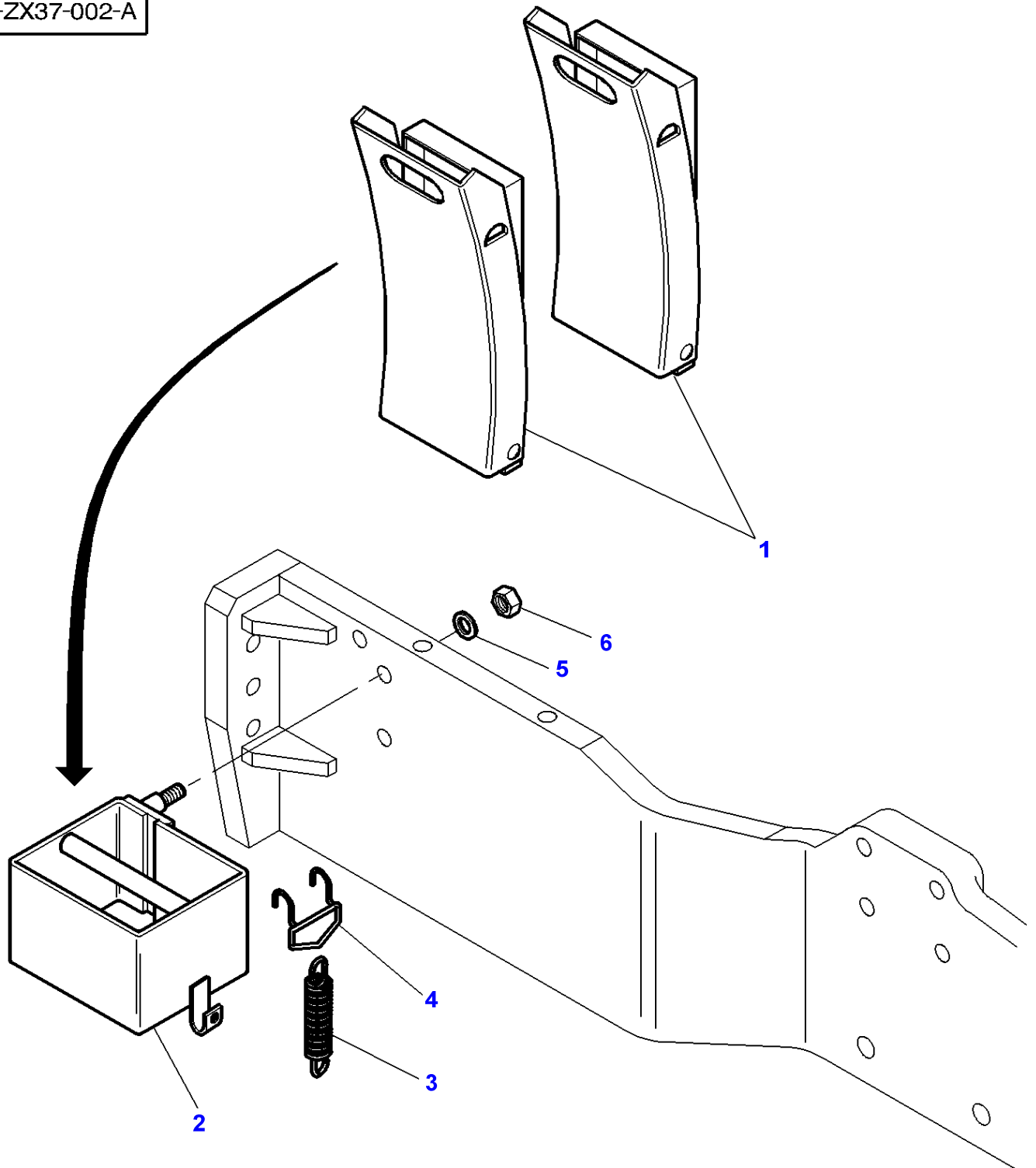
1-ZX37-001-A



Wheel Wedges

Item	Part Number	Qty	Description	Comments
1	3715111M91	1	Support	
2	3616740M2	1	Spring	
3	3715112M1	1	Stem	
4	3042422M1	2	Chock	
5	3619191M1	2	Gasket	Length 42 MM
6	3015134X1	2	Screw	M6 X 65

1-ZX37-002-A

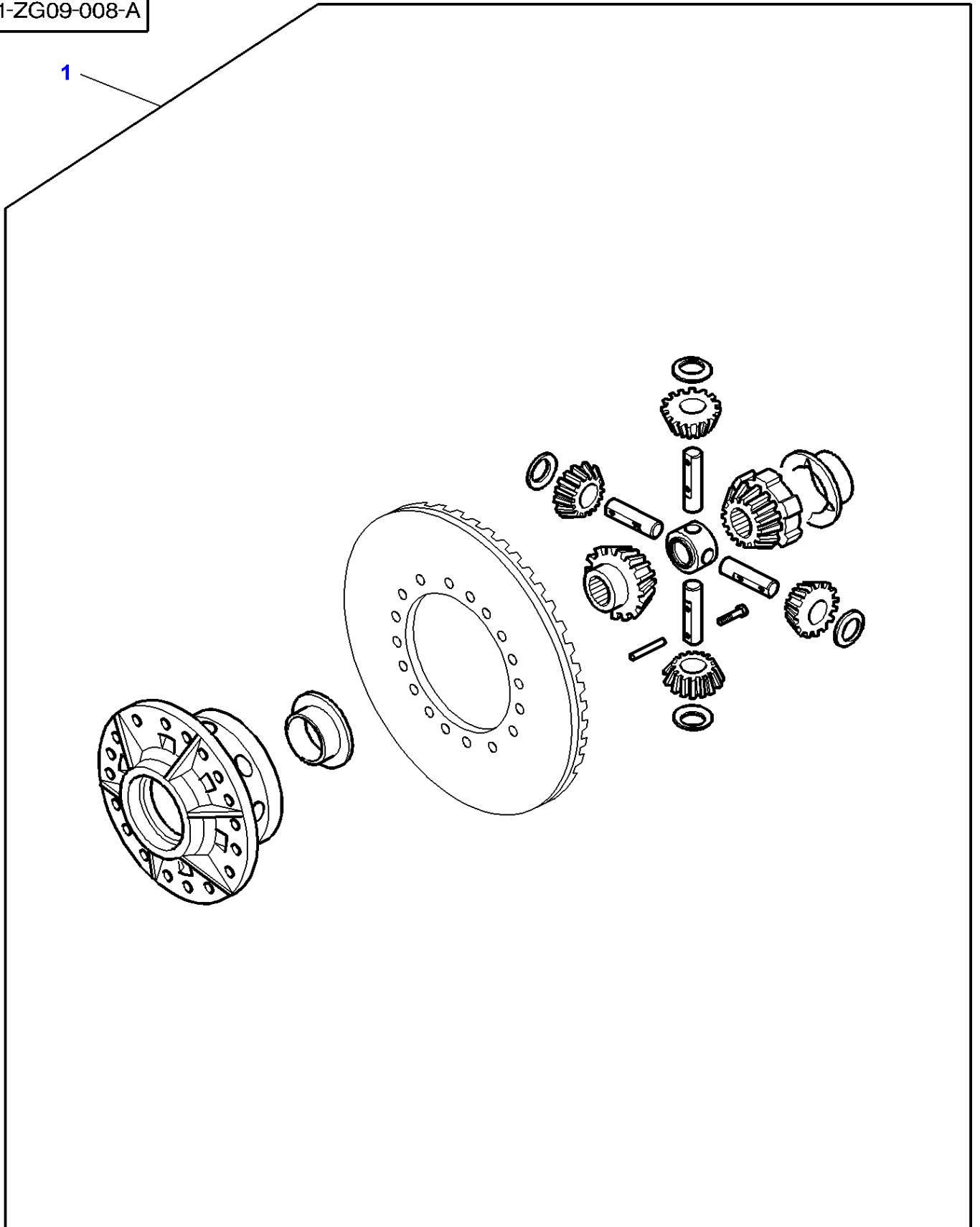


Wheel Wedges

Item	Part Number	Qty	Description	Comments
1	3042422M1	2	Chock	
2	3781138M1	1	Support	
3	3616740M2	1	Spring	
4	3715112M1	1	Stem	
5	385363X1	2	Washer	Diameter 12-24 X 4
6	3009695X1	2	Nut	M12

1-ZG09-008-A

1



Massey Ferguson

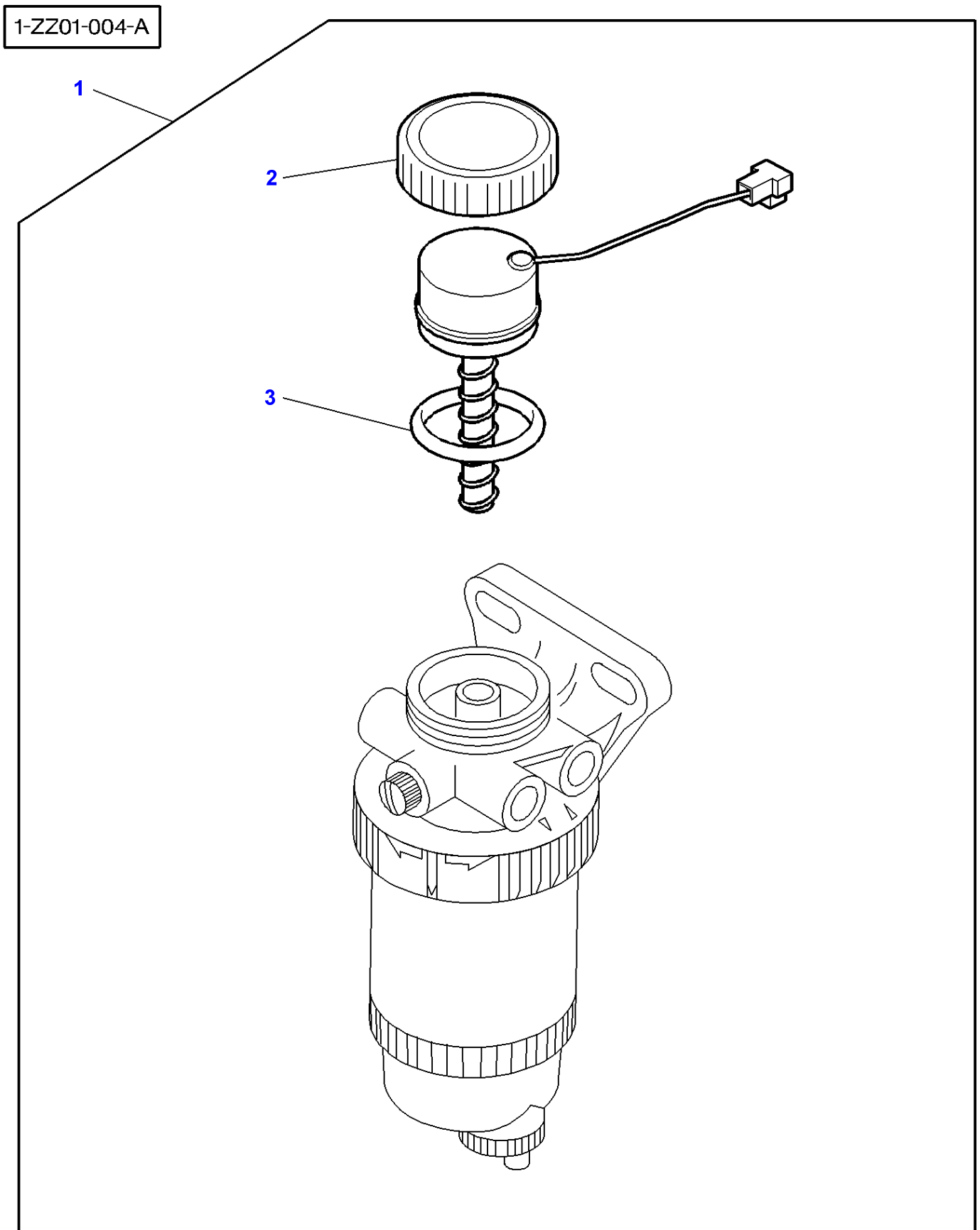
MF 8270/8280 TRACTOR - 1637348

1637348

Rear Axle - Differential - 7" DIFFERENTIAL - REPAIR KIT

Page 145-0005

Item	Part Number	Qty	Description
1	3797452M13	1	Kit,Differential

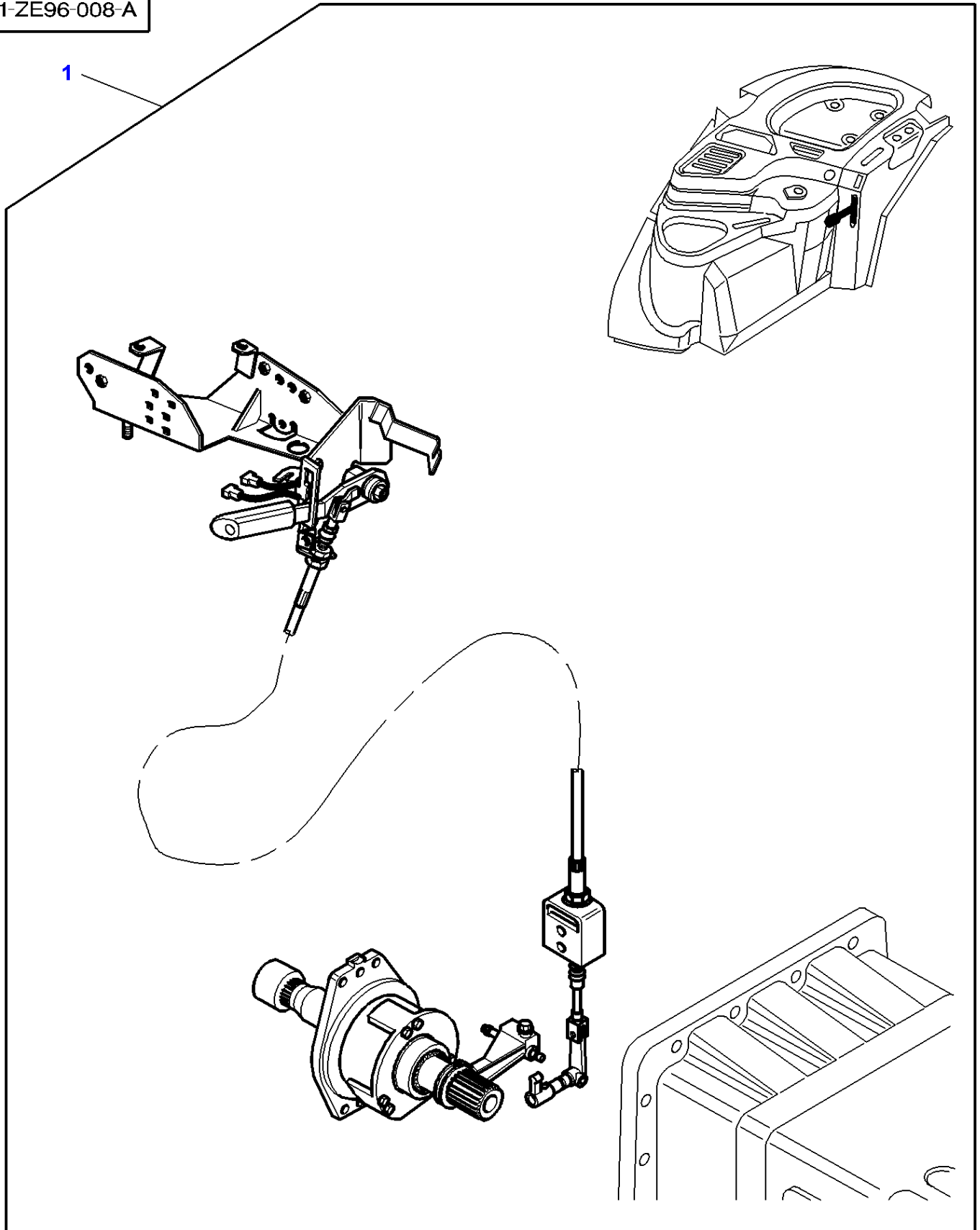


FUEL HEATER

Item	Part Number	Qty	Description	Comments
1	3781978M11	1	Parts Pack	12V - 100W
2	3903292M1	1	Nut	(1)
3	3903293M1	1	O Ring	(1)

1-ZE96-008-A

1



Massey Ferguson

MF 8270/8280 TRACTOR - 1637348

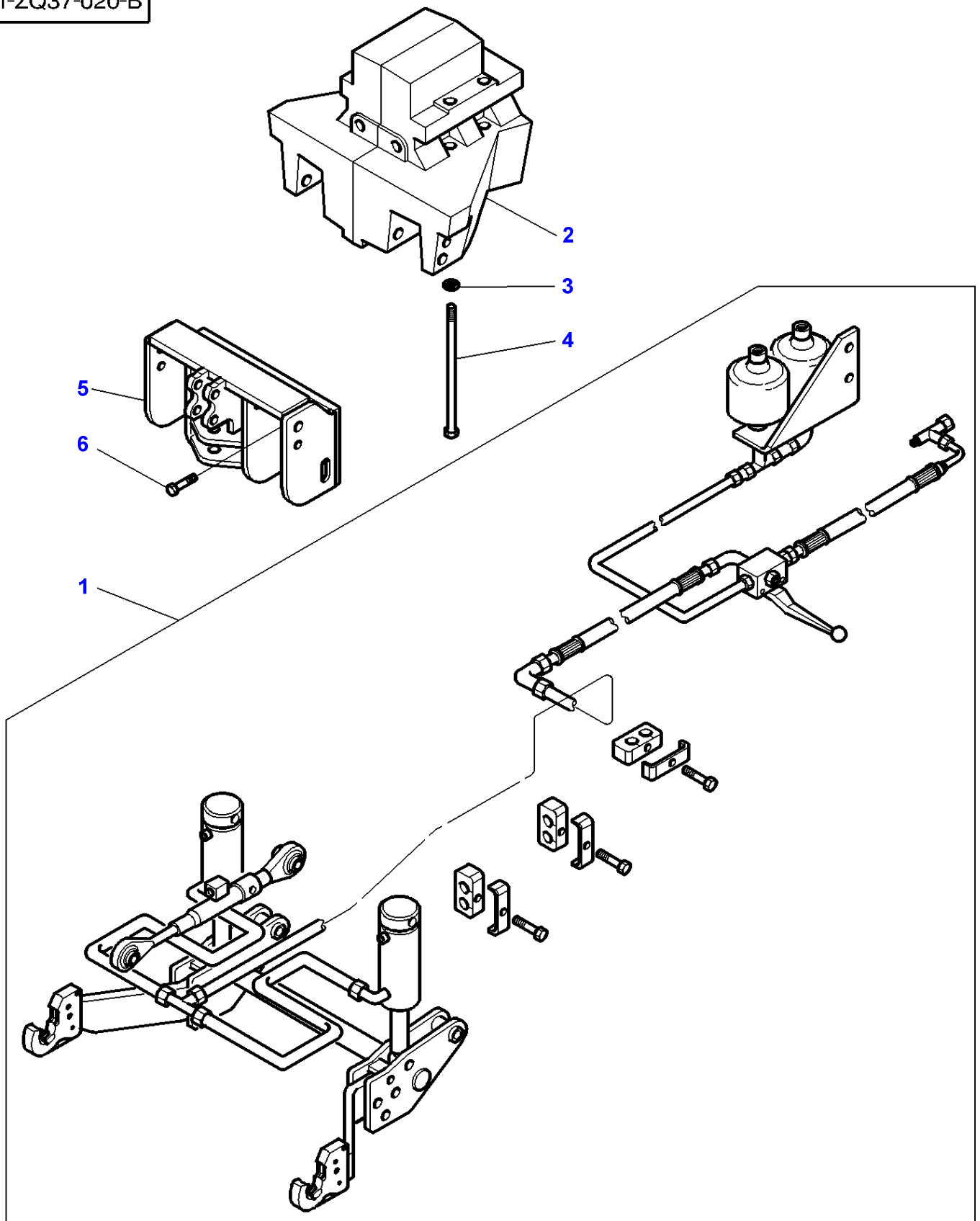
1637348

Epicyclic Unit - Creeper Gear Full Powershift Transmission

Page 150-0010

Item	Part Number	Qty	Description
1	3783826M12	1	Reducer

1-ZQ37-020-B



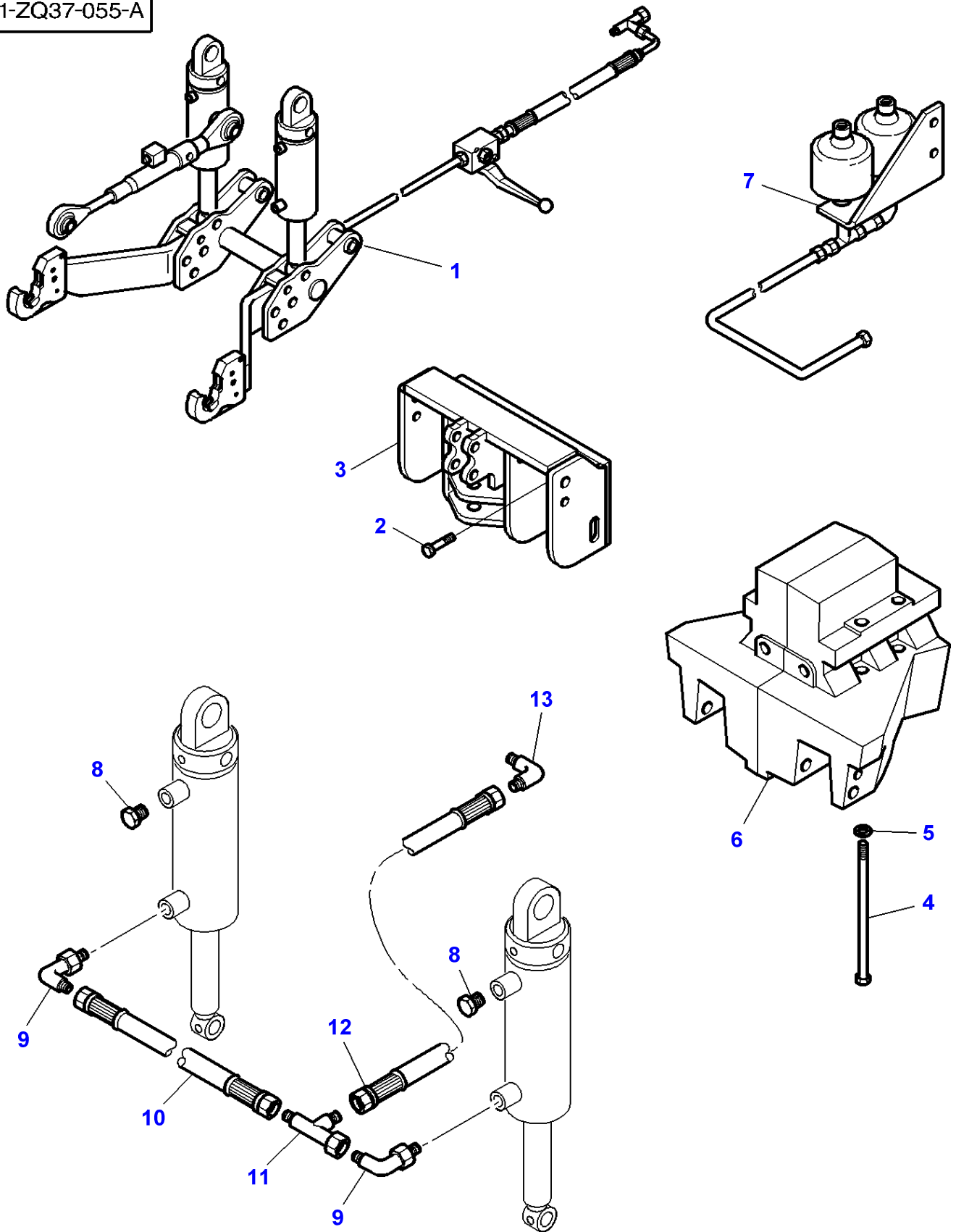
Massey Ferguson**MF 8270/8280 TRACTOR - 1637348****1637348****Front Linkage 35000N - Up to Serial or Engine Number L239021****Page 150-0015**

Item	Part Number	Qty	Description	Comments
1	3783378M95	1	Hitch	
2	3780938M3	1	Weight	[A]
3	385365X1	4	Washer	[A] Diameter 20-37 X 5
4	3010965X1	4	Screw	[A] M20 X 420
5	3783157M4	1	Support	[A]
6	3010563X1	8	Screw	[A] M20 X 90

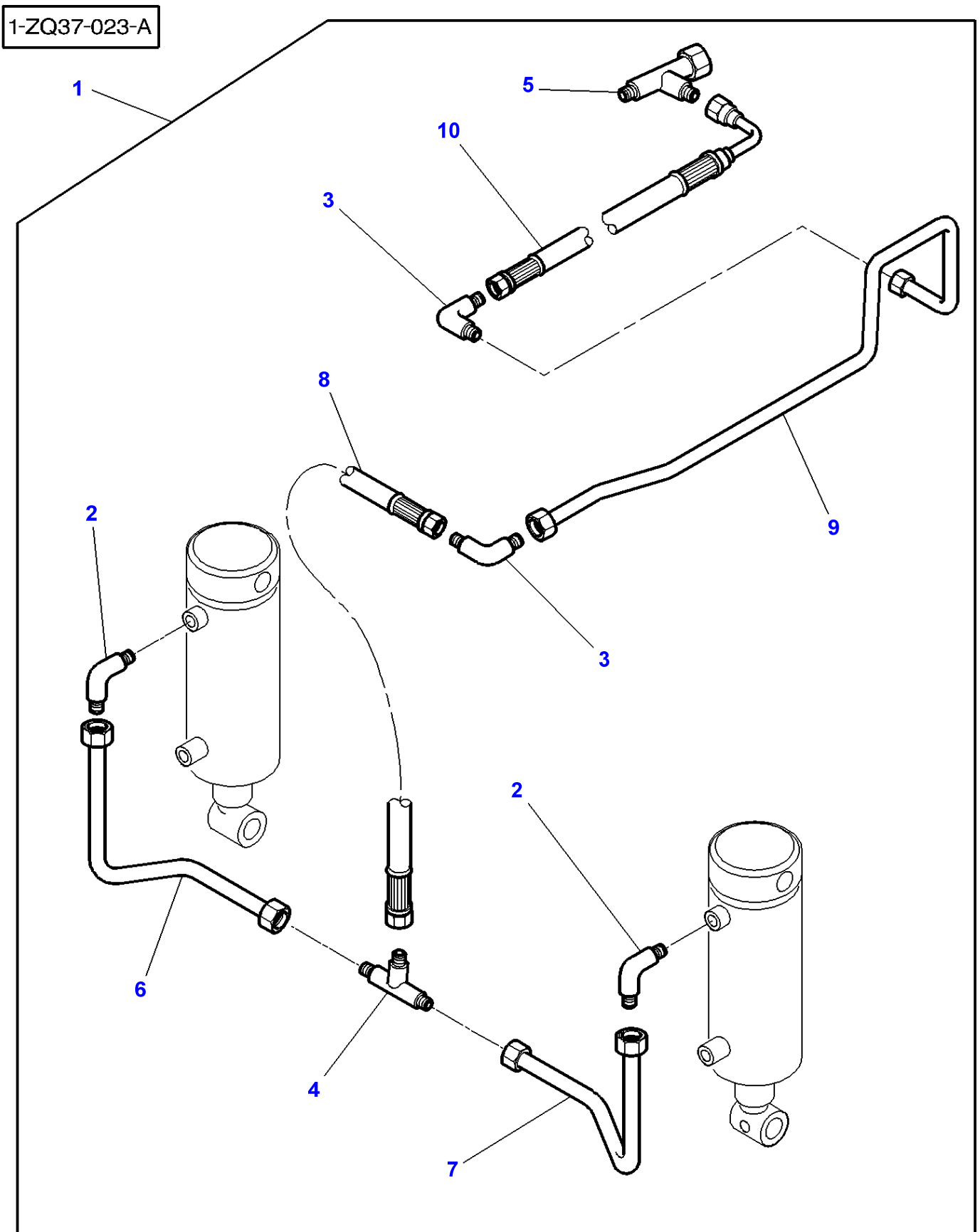
FOOTNOTE [A] NO INCLUDED IN REPAIR KIT ACCESSORY,ORDER SEPARATELY

MF 8270/8280 TRACTOR - 1637348
1-ZQ37-055-A

1-ZQ37-055-A

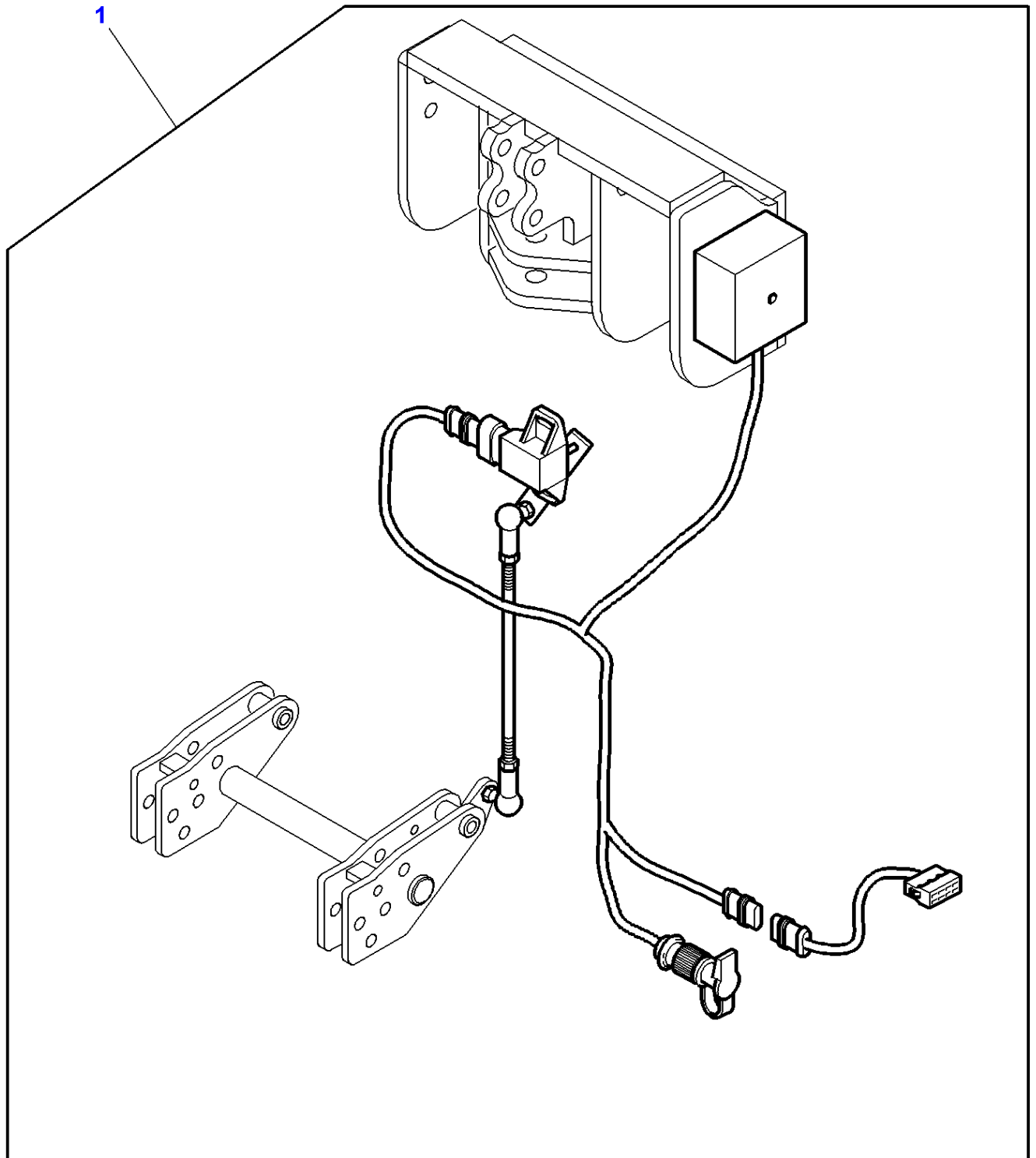


Item	Part Number	Qty	Description	Comments
1	4271667M93	1	Hitch	Up to Serial or Engine Number N273049
	4276569M91	1	Hitch	From Serial or Engine Number N273050
2	3010563X1	8	Screw	M20 X 90
3	4271643M1	1	Support	Up to Serial or Engine Number N273049
	4276571M1	1	Support	From Serial or Engine Number N273050
4	3010965X1	1	Screw	M20 X 420
5	390975X1	1	Washer Metric	
6	4271642M2	1	Weight	
7	4271668M91	1	Kit, Accumulator	
8	3784859M1	2	Breather	
9	4271876M1	2	Union	
10	3785151M1	1	Hydr Hose	Length 360 MM
11	3011289X91	1	Teepiece	
12	3783160M1	1	Hydr Hose	Length 500 MM
13	338710X1	1	Elbow	



Item	Part Number	Qty	Description	Comments
1	3903537M91	1	Kit,Hose Fitting	
2	3900868M1	2	Elbow	(1)
3	3783164M1	2	Elbow	(1)
4	3902227M1	1	Teepiece	(1)
5	3782998M1	1	Teepiece	(1)
6	3903528M1	1	Tube	(1)
7	3903529M1	1	Tube	(1)
8	3783160M1	1	Hydr Hose	(1) Length 500 MM
9	3903530M1	1	Tube	(1)
10	3903531M1	1	Hydr Hose	(1) Length 4000 MM

1-ZQ37-040-A



Massey Ferguson

MF 8270/8280 TRACTOR - 1637348

1637348

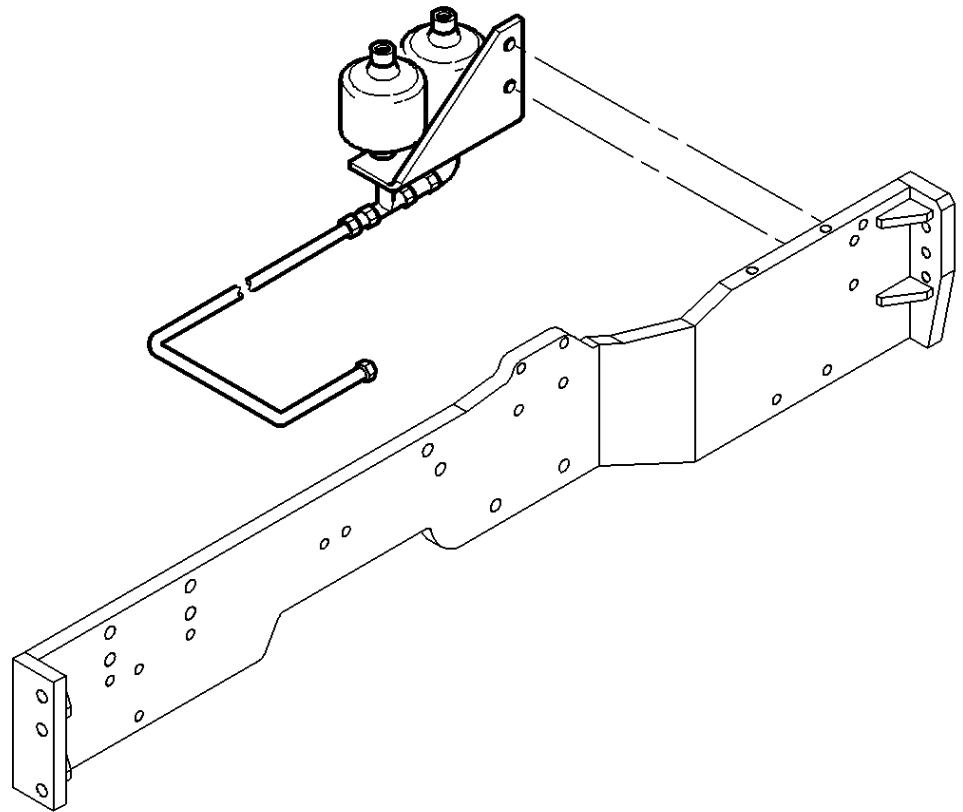
Front Linkage 35000N - WITH FRONT DUAL CONTROL

Page 150-0030

Item	Part Number	Qty	Description
1	3786306M12	1	Accessory Code

1-ZQ37-042-A

1



Massey Ferguson

MF 8270/8280 TRACTOR - 1637348

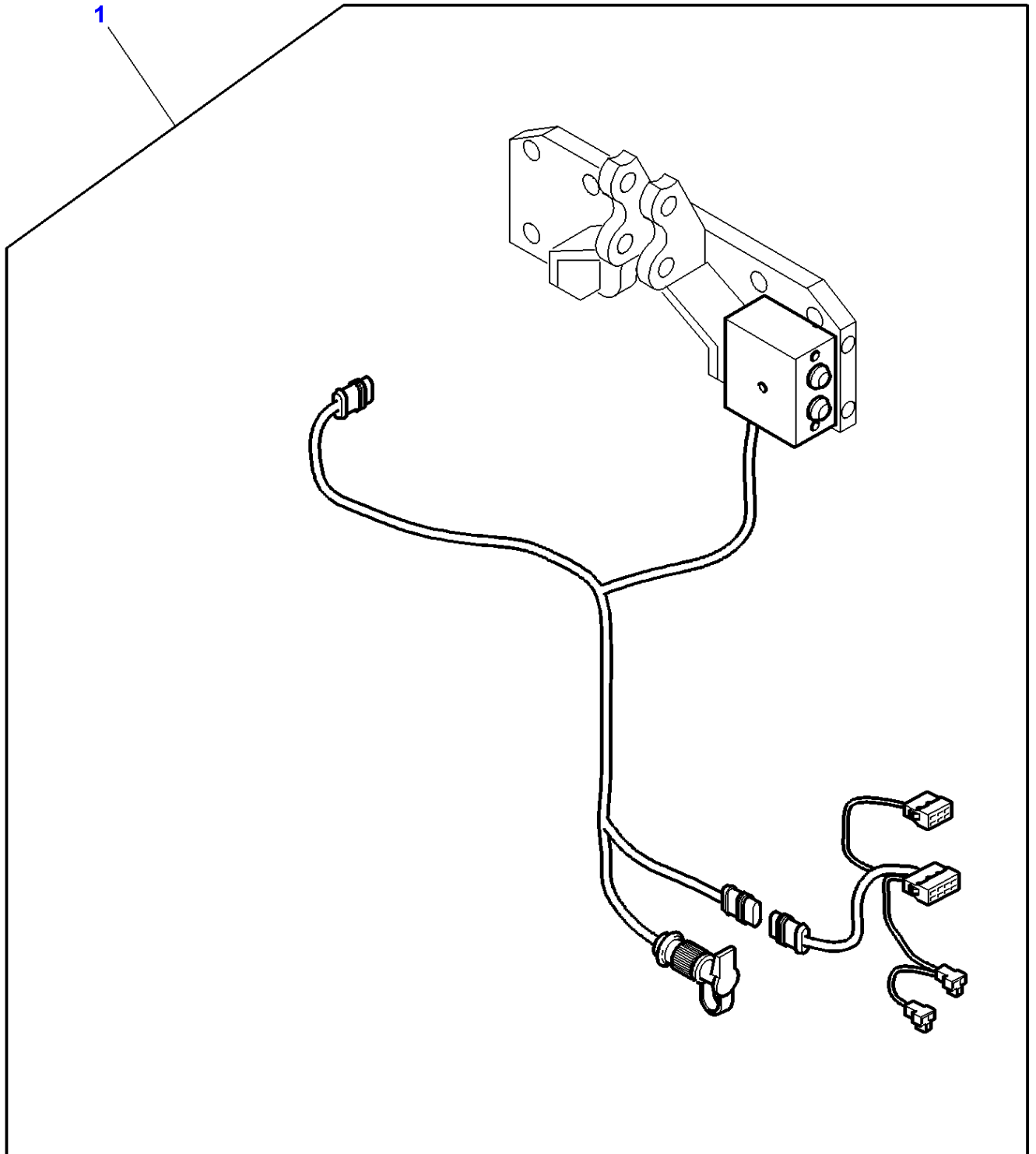
1637348

Front Linkage 35000N - Accumulator Kit

Page 150-0035

Item	Part Number	Qty	Description	Comments
1	3783648M12	1	Kit, Accumulator	Up to Serial or Engine Number L239021
	4271668M91	1	Kit, Accumulator	From Serial or Engine Number L239022

1-ZQ37-051-A



Massey Ferguson

MF 8270/8280 TRACTOR - 1637348

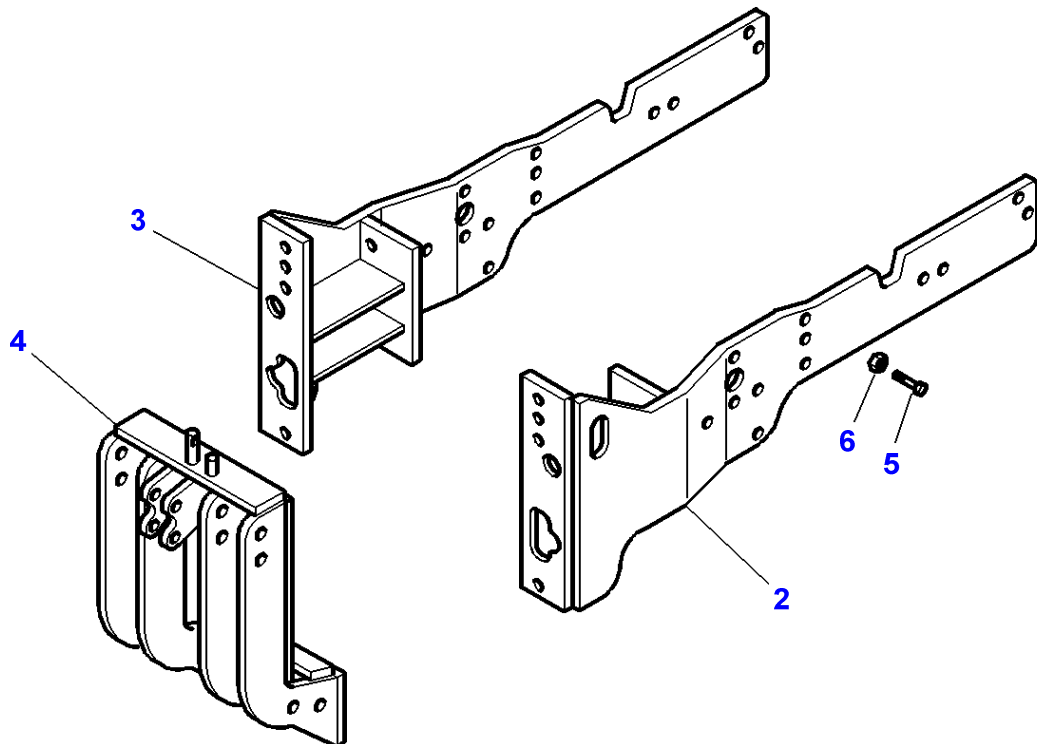
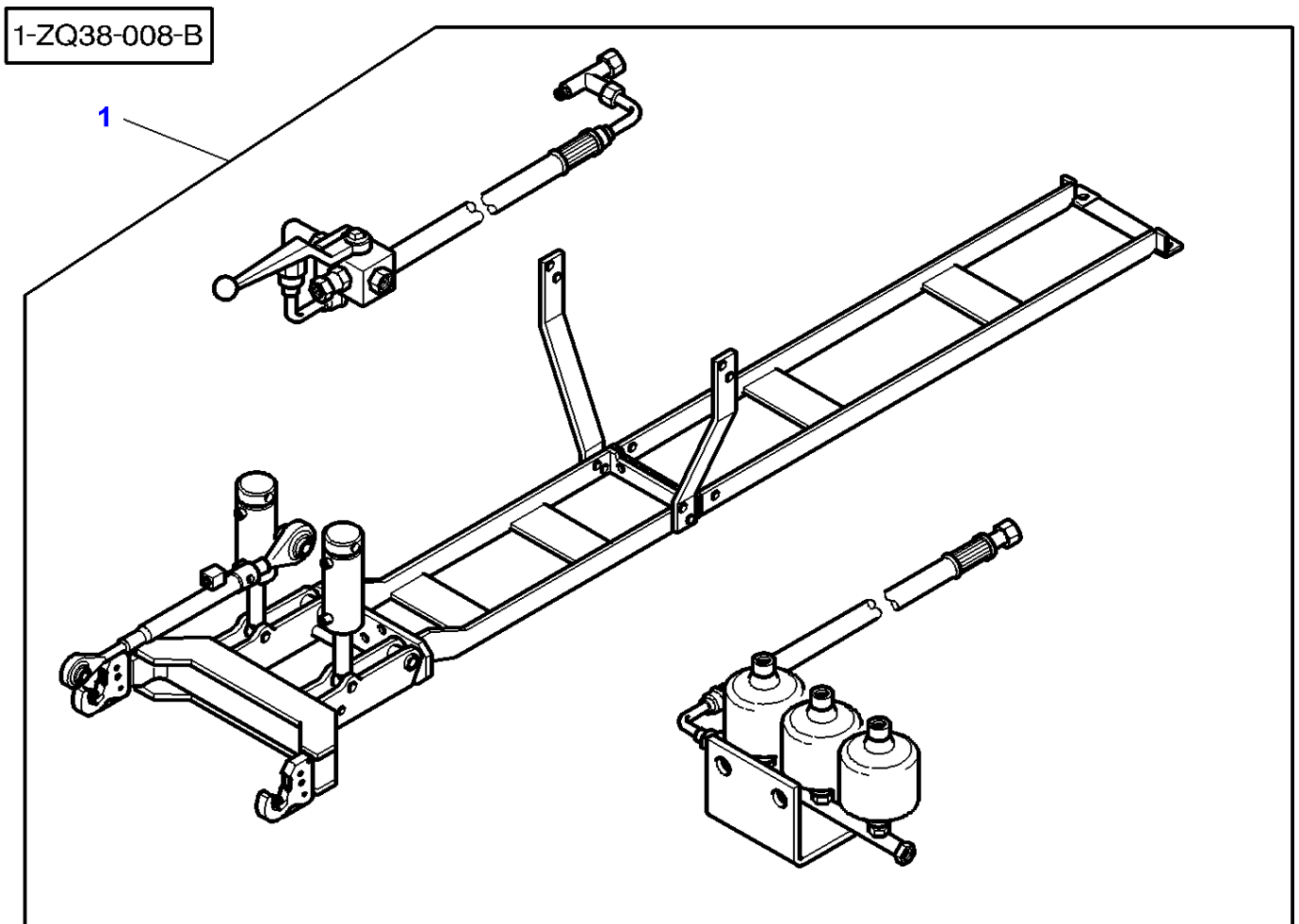
1637348

Front Linkage 35000N - Without Front Dual Control - Lift External Control

Page 150-0040

Item	Part Number	Qty	Description	Comments
1	3788765M11	1	Kit, Drive	[A]

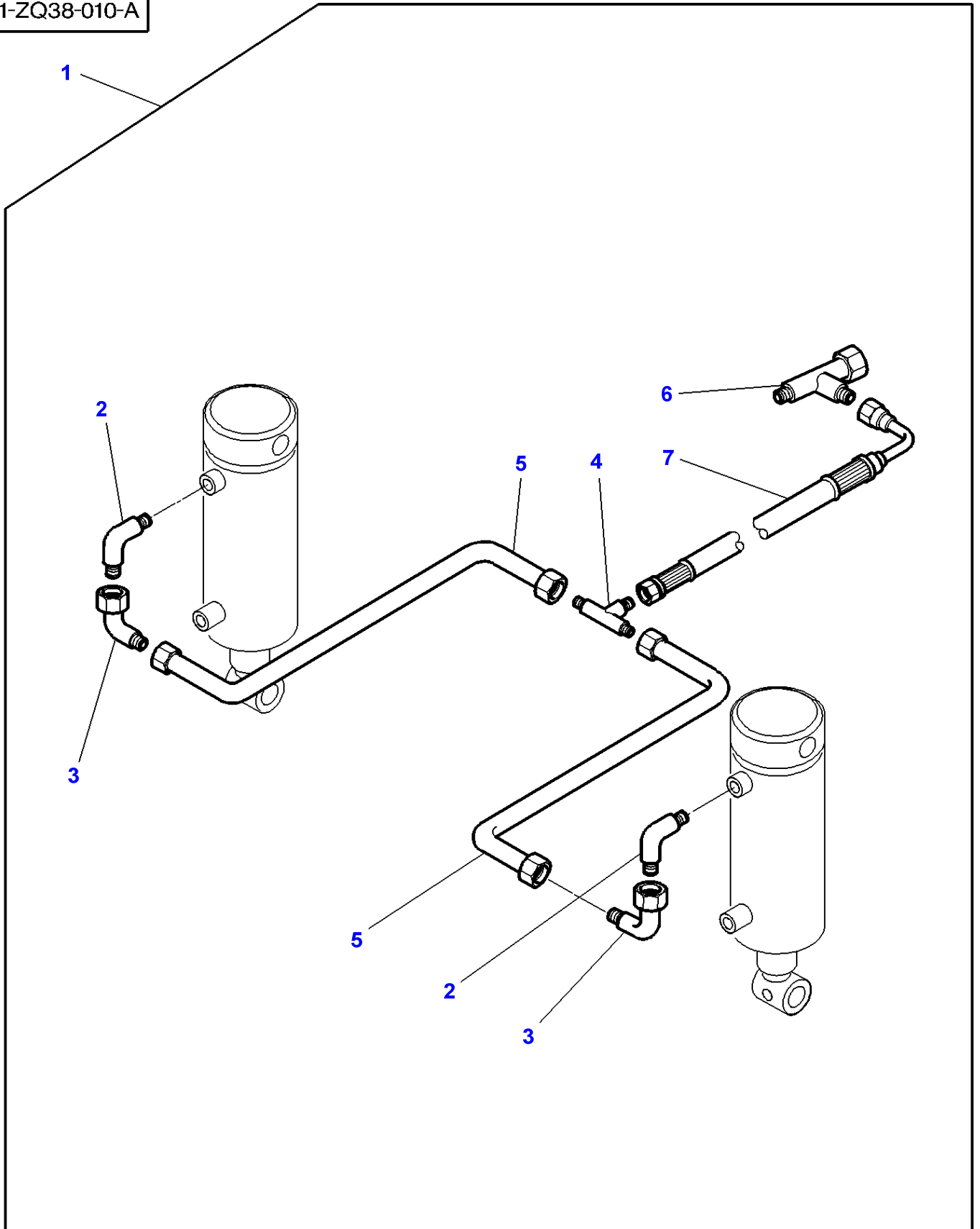
FOOTNOTE [A] USE WITH DISTRIBUTORS ELECTRODYNAMIQUE ONLY AND JO YSTICK



Item	Part Number	Qty	Description	Comments
1	3783379M96	1	Hitch	
2	3783632M5	1	Runner	[A] Left Hand
3	3783633M6	1	Runner	[A] Right Hand
4	3783420M2	1	Frame	[A]
5	390740X1	10	Bolt Metric	[A] M20 X 55
	1442668X1	12	Screw	[A] M20 X 80
	3010976X1	2	Screw	[A] M20 X 75
	3010966X1	6	Screw	[A] M20 X 100
	391332X1	4	Screw	[A] M20 X 100
	3015215X1	4	Screw	[A] M20 X 125
6	3009747X1	17	Nut	[A] M20

FOOTNOTE [A] NO INCLUDED IN REPAIR KIT ACCESSORY,ORDER SEPARATELY

1-ZQ38-010-A



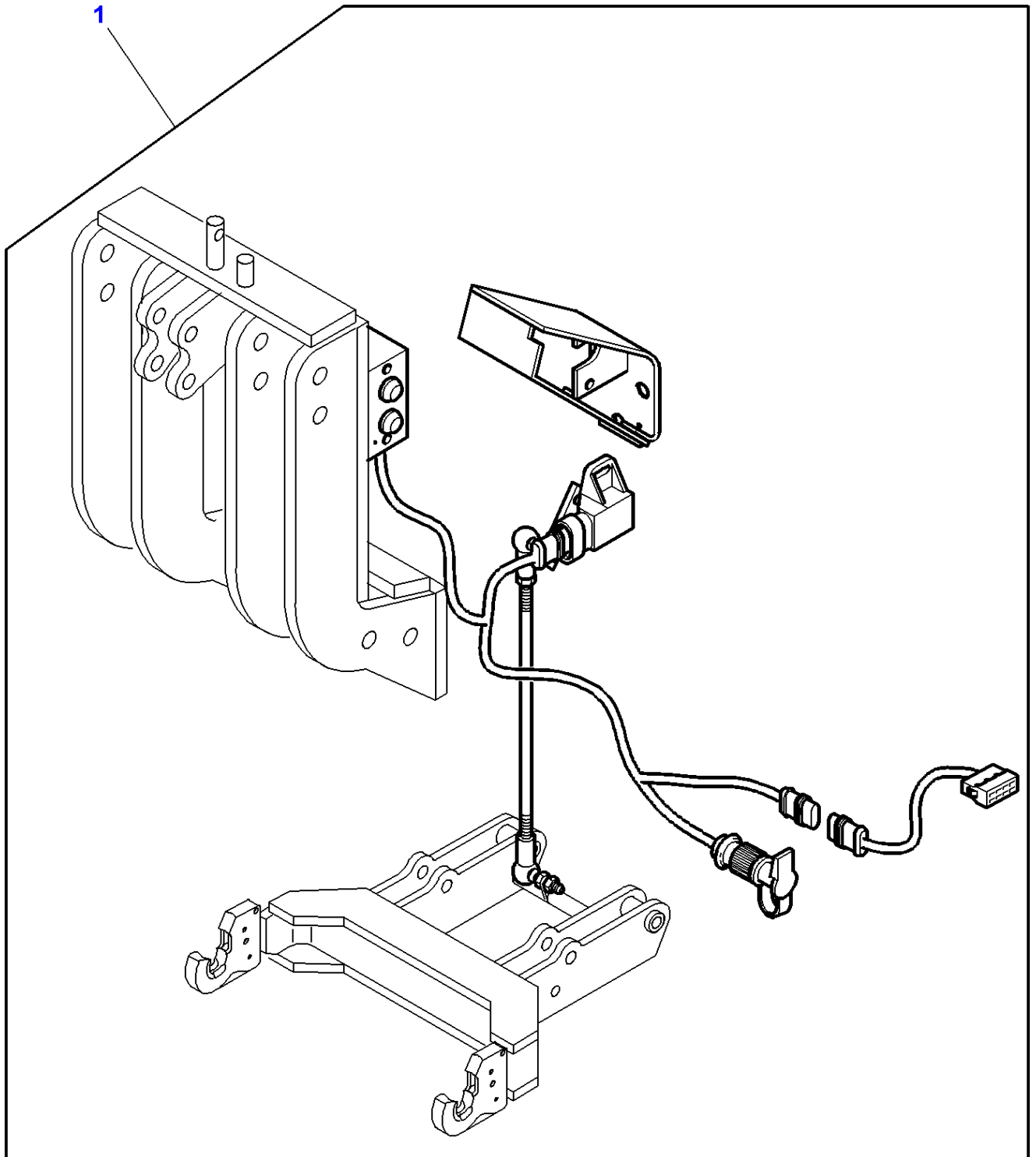
Item	Part Number	Qty	Description	Comments
1	3903542M91	1	Kit,Fuel Fitting	
2	3900868M1	2	Elbow	(1)
3	3900883M1	2	Elbow	(1)
4	3902227M1	1	Teepiece	(1)
5	3783025M1	2	Tube	(1)
6	3782998M1	1	Teepiece	(1)
7	3903543M1	1	Hydr Hose	(1)

Length 6200 MM

FOOTNOTE [A] WITH DANA FRONT AXLE

FOOTNOTE [B] WITH CARRARO FRONT AXLE

1-ZQ38-019-A



Massey Ferguson

MF 8270/8280 TRACTOR - 1637348

1637348

Front Linkage 50000N - WITH FRONT DUAL CONTROL

Page 150-0055

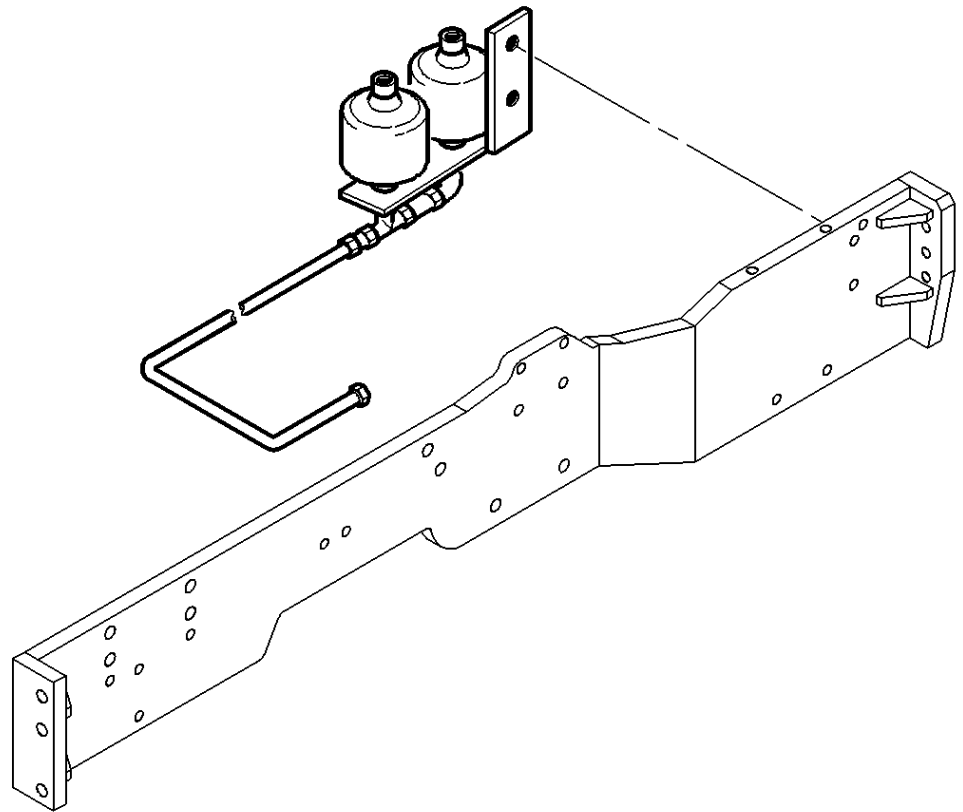
Item	Part Number	Qty	Description
1	3786307M12	1	Accessory Code

FOOTNOTE [A] UP

FOOTNOTE [B] DOWN

1-ZQ38-021-A

1



Massey Ferguson

MF 8270/8280 TRACTOR - 1637348

1637348

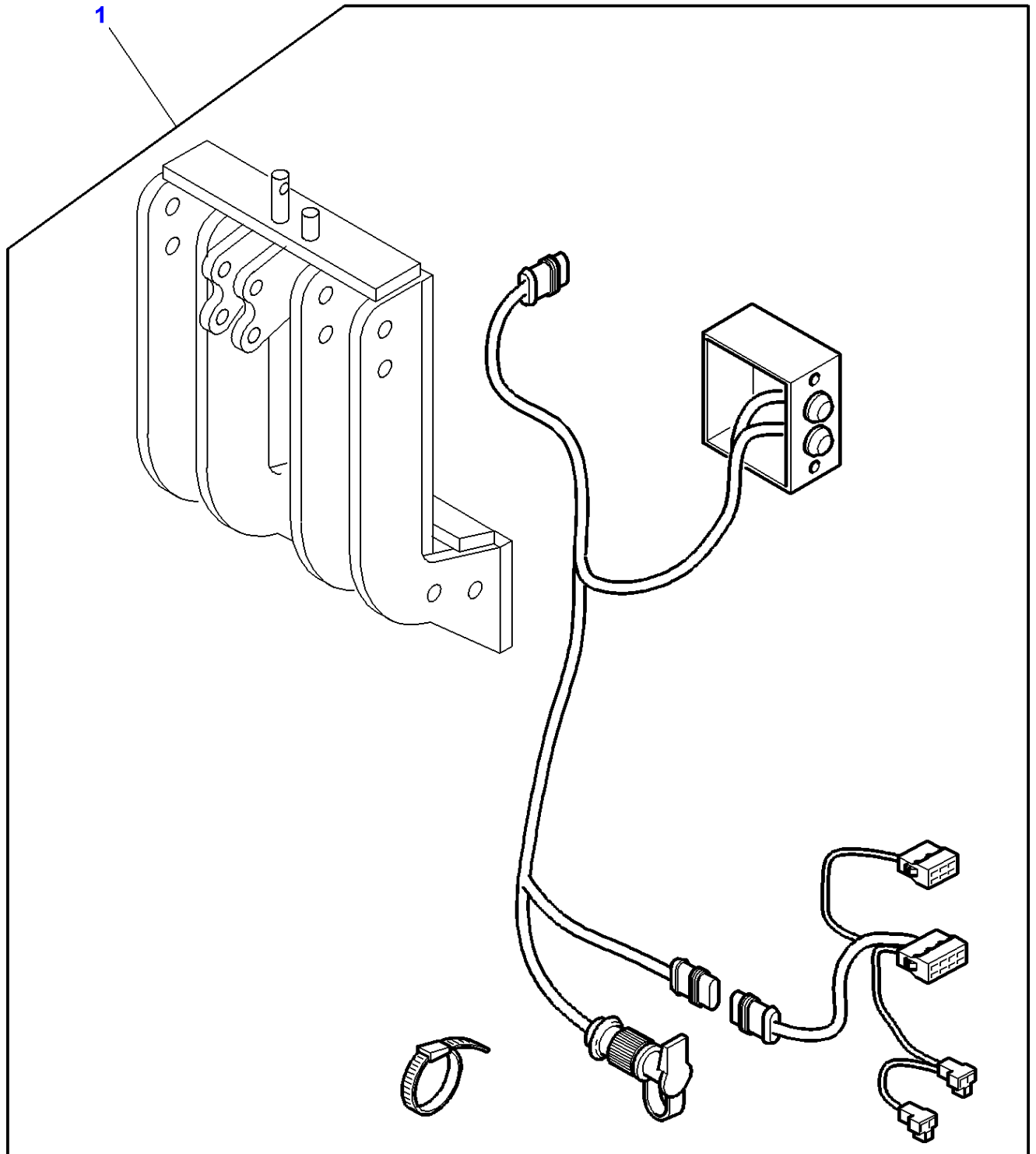
Front Linkage 5000N - Accumulator Kit

Page 150-0060

Item	Part Number	Qty	Description	Comments
1	3783649M12	1	Kit, Accumulator	[A]

FOOTNOTE [A] FOR SERVICE BREAKDOWN REFER TO TRACTOR BOOK

1-ZQ38-024-A



Massey Ferguson

MF 8270/8280 TRACTOR - 1637348

1637348

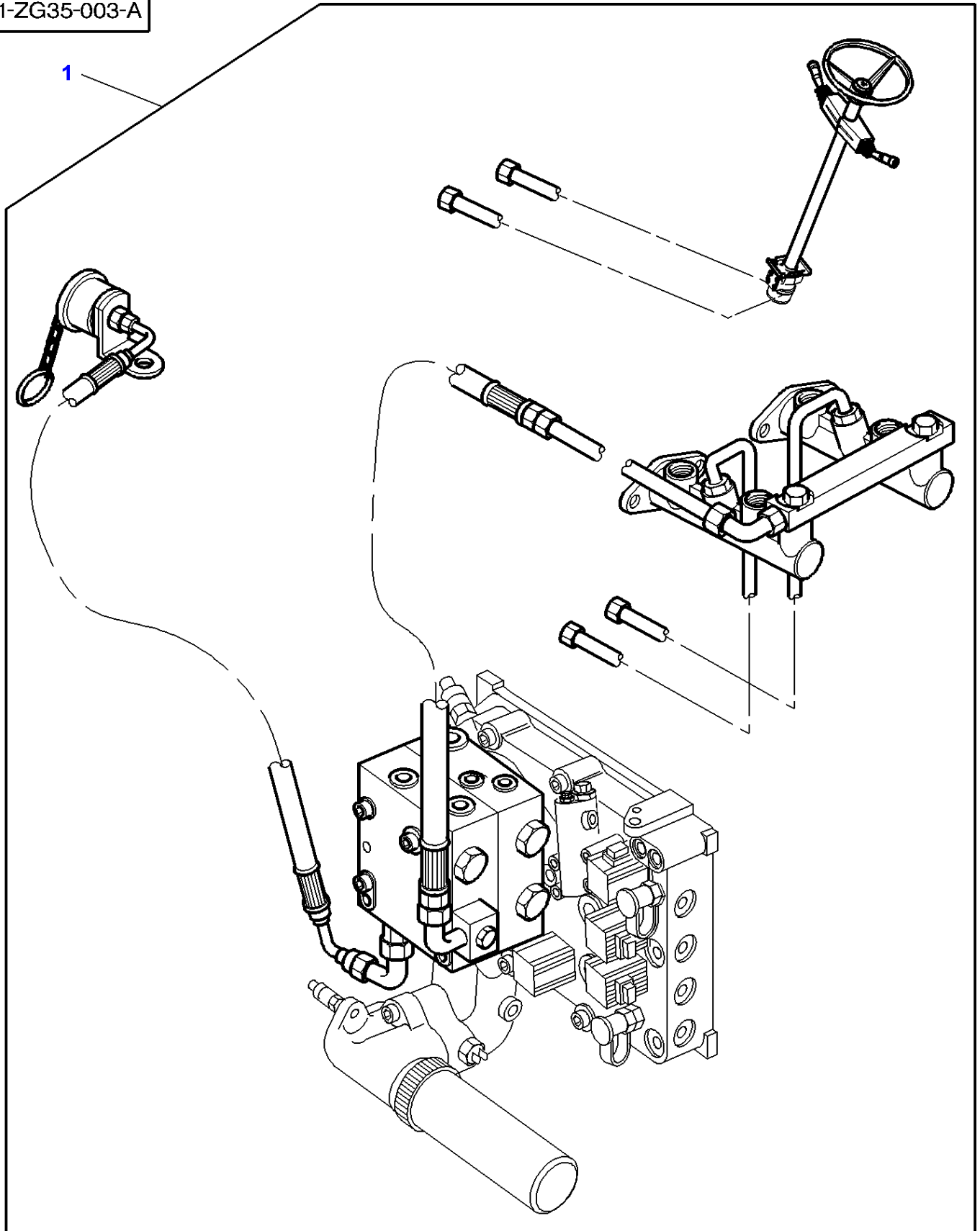
Front Linkage 50000N - Without Front Dual Control - Lift External Control

Page 150-0065

Item	Part Number	Qty	Description	Comments
1	3788766M11	1	Kit, Drive	[A]

FOOTNOTE [A] USE WITH DISTRIBUTORS ELECTRODYNAMIQUE ONLY AND JO YSTICK

1-ZG35-003-A

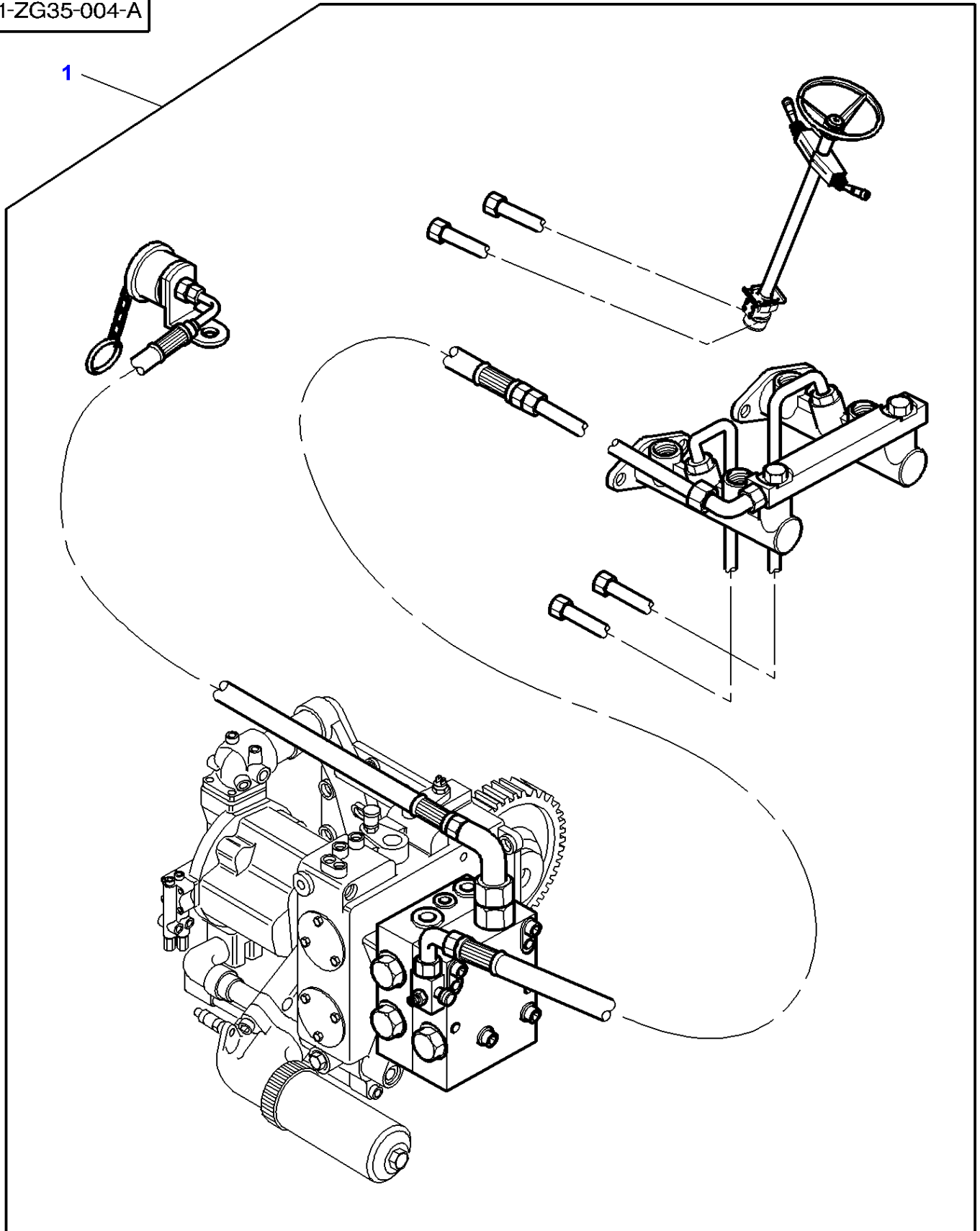


Item	Part Number	Qty	Description	Comments
1	3781031M11	1	Kit, Trailr Brake	[C]
	3781036M11	1	Kit, Trailr Brake	[D]

Up to Serial or Engine Number 31-JAN-2002

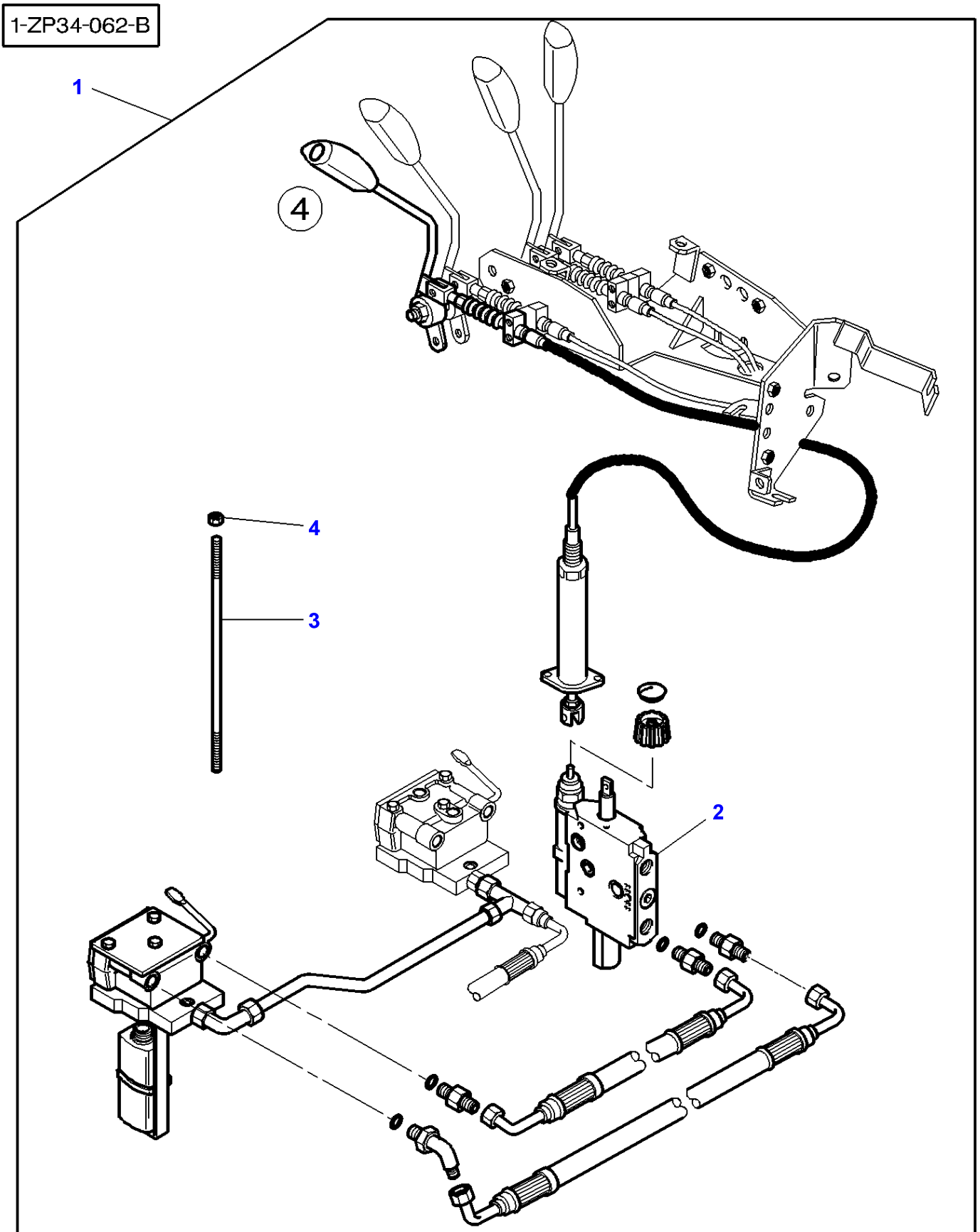
- FOOTNOTE [A] TRACTOR WITH CAB
- FOOTNOTE [B] TRACTOR WITH PLATFORM
- FOOTNOTE [C] WITH MECHANICAL BRAKES
- FOOTNOTE [D] WITH ASSISTED BRAKE

1-ZG35-004-A



Item	Part Number	Qty	Description	Comments
1	3781674M11	1	Kit, Trailr Brake	[A,C] Up to Serial or Engine Number 31-JAN-2002

- FOOTNOTE [A] WITH FULL POWERSHIFT
- FOOTNOTE [B] TRACTOR WITH PLATFORM
- FOOTNOTE [C] WITH MECHANICAL BRAKES
- FOOTNOTE [D] WITH ASSISTED BRAKE
- FOOTNOTE [E] TRACTOR WITH CAB



Item	Part Number	Qty	Description	Comments
1	3903883M12	1	Kit, Contrl Vlve	[A]
	3903884M12	1	Kit, Contrl Vlve	[D]
2	3795751M3	1	Distributor	[B,C] (1)
3	3796232M1	3	Stud	(1) M8 X 131
4	339169X1	3	Nut	(1) M8

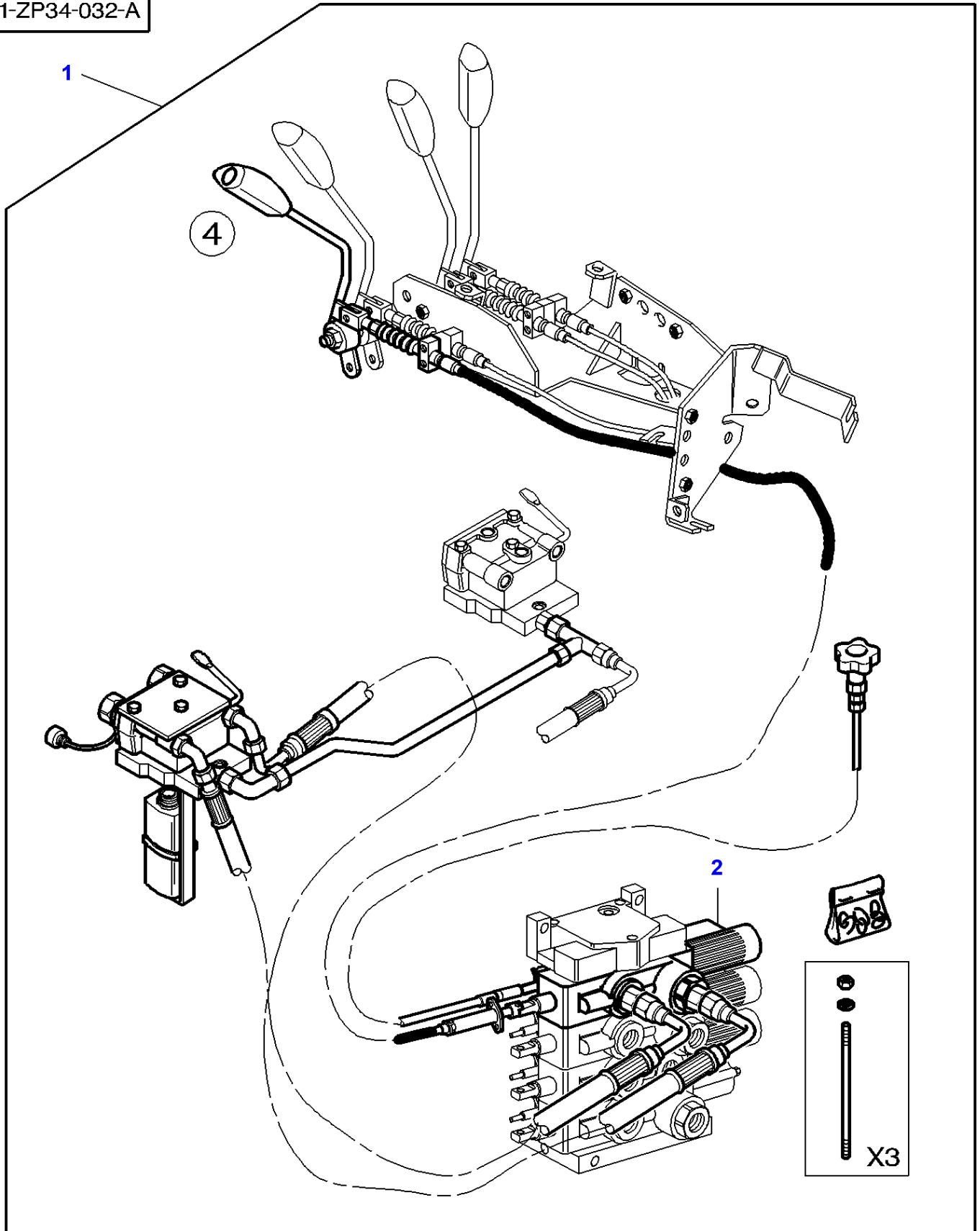
FOOTNOTE [A] USE WITH 2 DISTRIBUTORS ELECTRODYNAMIQUE AND 1 DISTRIBUTOR MECHANICAL CONTROL

FOOTNOTE [B] DIST 4 FLOATING POSITIONS ,FLOW ADJUST,DOUBLE ACTION,KICK OUT,ZERO LEAK

FOOTNOTE [C] DISTRIBUTOR WITH MECHANICAL CONTROL

FOOTNOTE [D] USE WITH 3 DISTRIBUTORS MECHANICAL CONTROL

1-ZP34-032-A

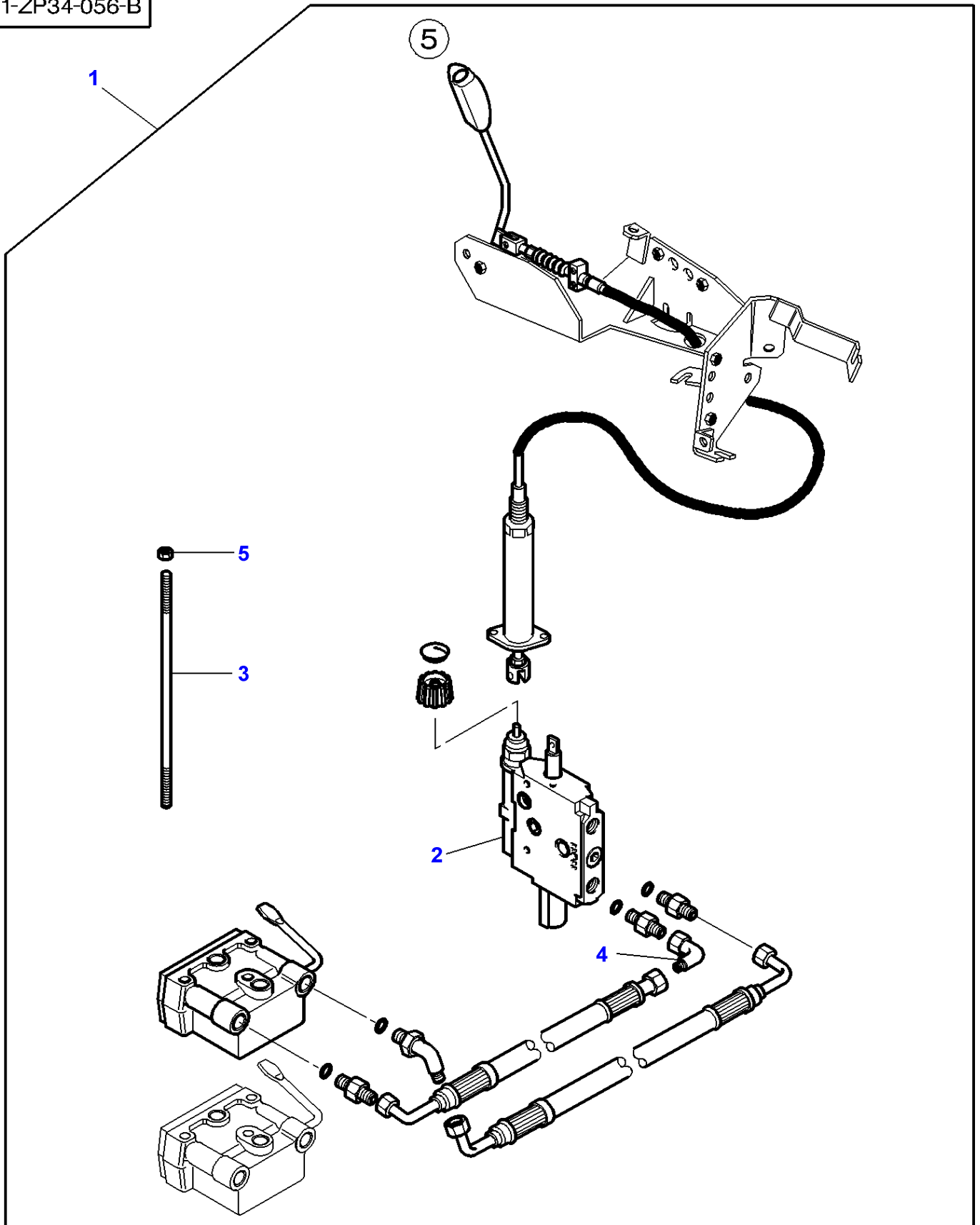


Massey Ferguson**MF 8270/8280 TRACTOR - 1637348****1637348****Auxiliary Distributor - 4 Th Horizontal Spool Valve Kit For Cab****Page 150-0085**

Item	Part Number	Qty	Description	Comments
1	3783498M11	1	Kit, Contrl Vlve	[B,A]
	3783499M11	1	Kit, Contrl Vlve	[B,C]
2	3713927M3	1	Distributor	[C] (1)

FOOTNOTE [A] 4 FLOATING POSITIONS DIST,FLOW ADJUST,KICK-OUT,ZER O LEAK**FOOTNOTE [B]** FOR SERVICE BREAKDOWN REFER TO TRACTOR BOOK**FOOTNOTE [C]** 4 FLOAT POSIT DIST,FLOW ADJUST,KICK-OUT W 2 OVERP RES.VALVE AND RESUPPLYING FOR HYDRAULIC MOTOR

1-ZP34-056-B



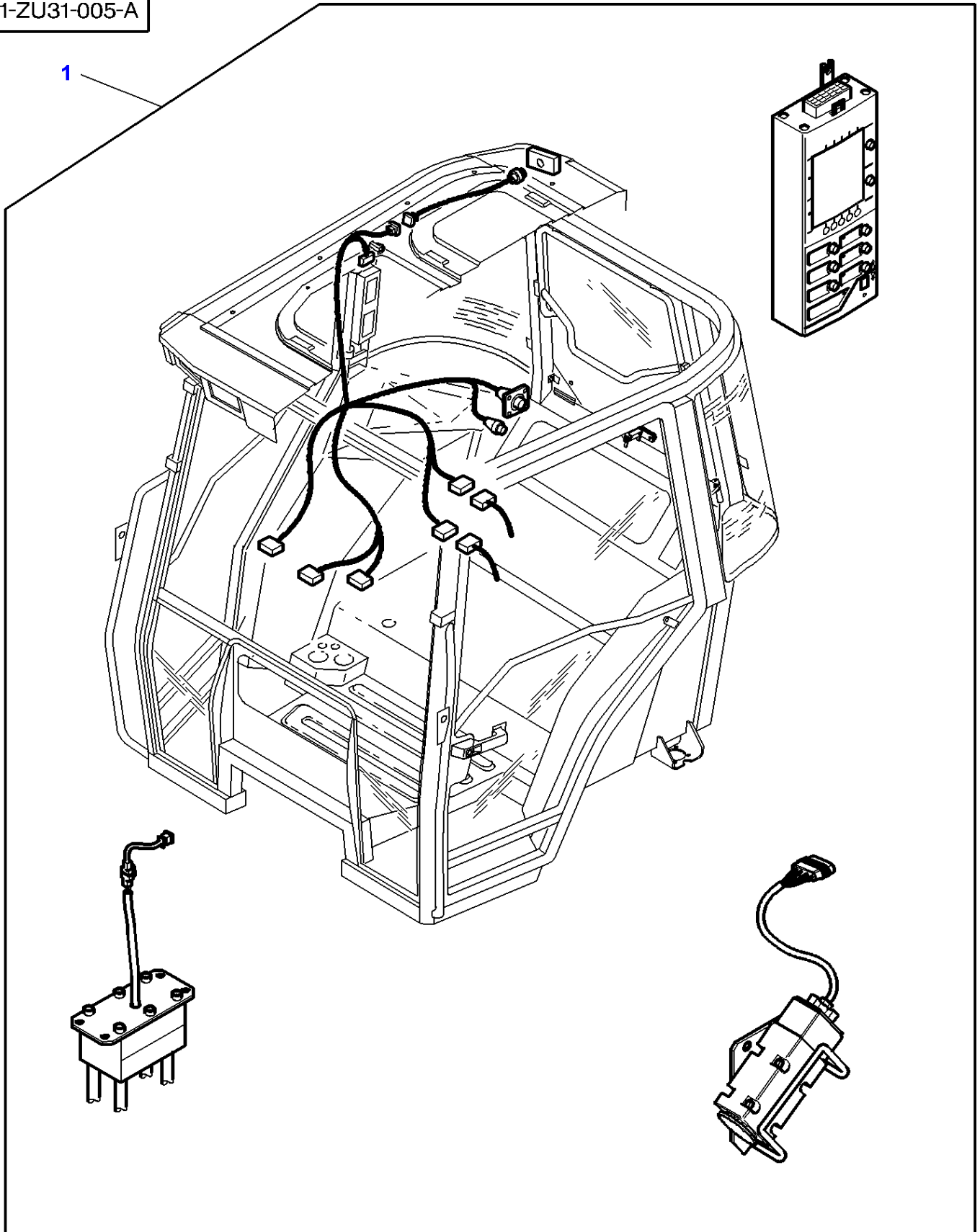
Massey Ferguson**MF 8270/8280 TRACTOR - 1637348****1637348****Auxiliary Distributor - 5 Th Load Sensing Vertical Spool Valve Kit With Mechanical control For Cab****Page 150-0090**

Item	Part Number	Qty	Description	Comments
1	3788100M12	1	Kit, Spool Valve	
2	3795751M3	1	Distributor	[A,B] (1)
3	3796125M1	3	Stud	(1) M8 X 195
4	70921325	1	Elbow Nipple	(1)
5	339169X1	3	Nut	(1) M8

FOOTNOTE [A] DIST 4 FLOATING POSITIONS ,FLOW ADJUST,DOUBLE ACTION,KICK OUT,ZERO LEAK**FOOTNOTE [B]** DISTRIBUTOR WITH MECHANICAL CONTROL

1-ZU31-005-A

1



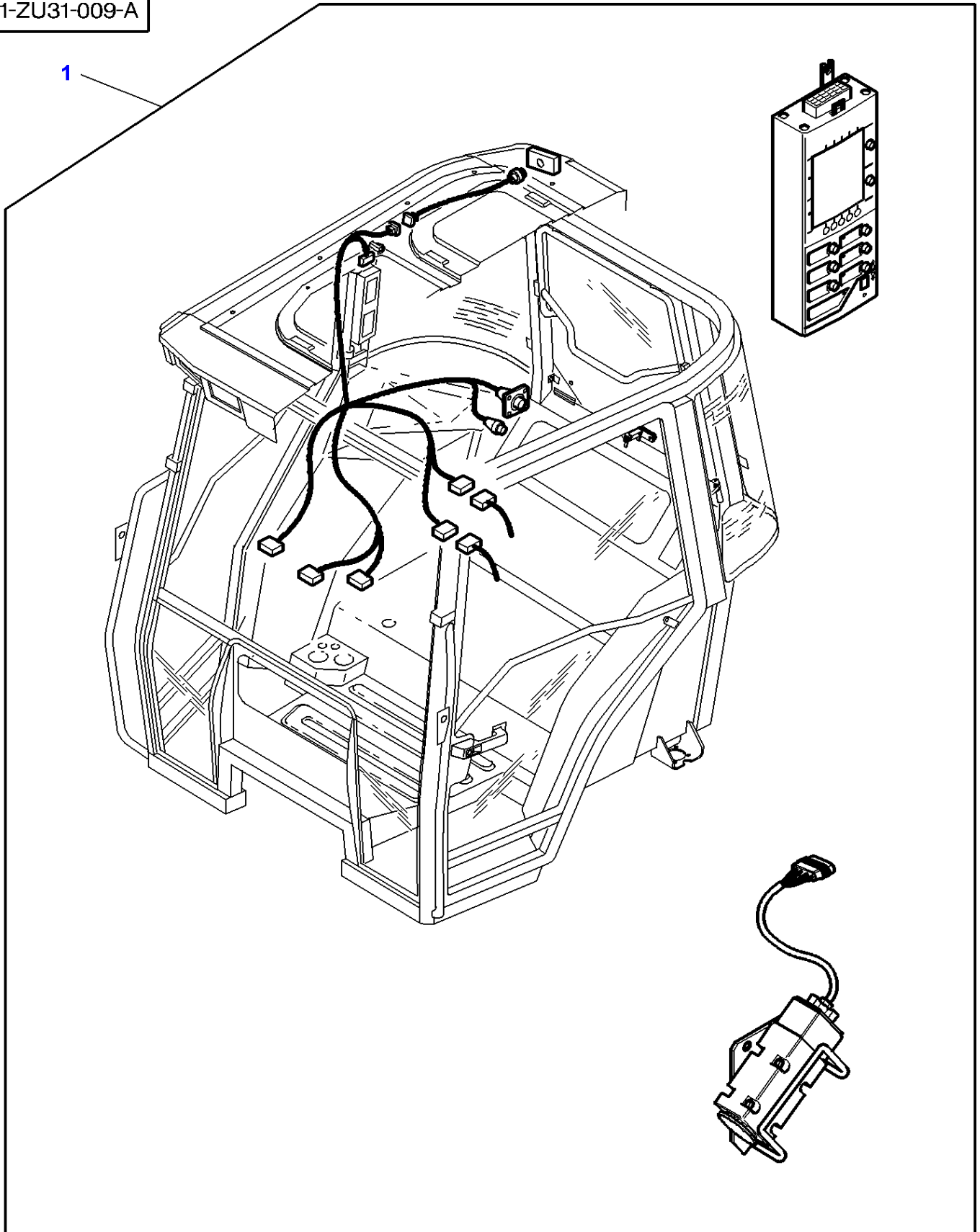
Item	Part Number	Qty	Description	Comments
1	3903545M12	1	Accessory Code	[B] For UK only or any text in English only GHZ 24.300
	3903544M12	1	Accessory Code	[A] Without or not for example : not United Kingdom GHZ 24.125

FOOTNOTE [A] ORDER SEPARATELY ABOARD COMPUTER DECALS

FOOTNOTE [B] ABOARD COMPUTER DECALS INCLUDED IN KIT

1-ZU31-009-A

1



Massey Ferguson

MF 8270/8280 TRACTOR - 1637348

1637348

Aboard Computer - WITHOUT FUEL FLOWMETER

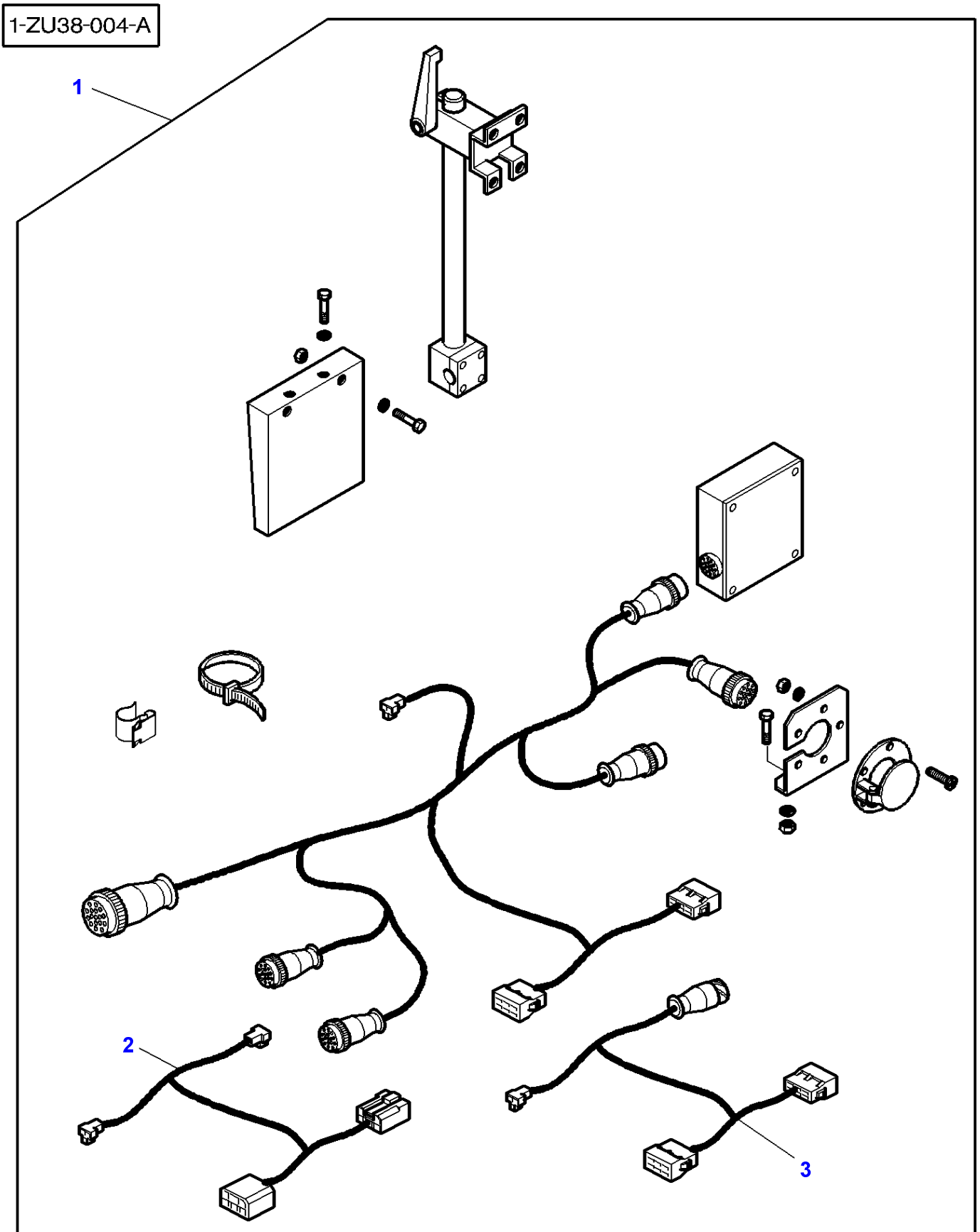
Page 150-0100

Item	Part Number	Qty	Description	Comments
1	3903890M11	1	Accessory Code	[B] For UK only or any text in English only GHZ 24.300
	5017631M12	1	Accessory Code	[A] Without or not for example : not United Kingdom GHZ 24.125

FOOTNOTE [A] ORDER SEPARATELY ABOARD COMPUTER DECALS

FOOTNOTE [B] ABOARD COMPUTER DECALS INCLUDED IN KIT

MF 8270/8280 TRACTOR - 1637348
1-ZU38-004-A

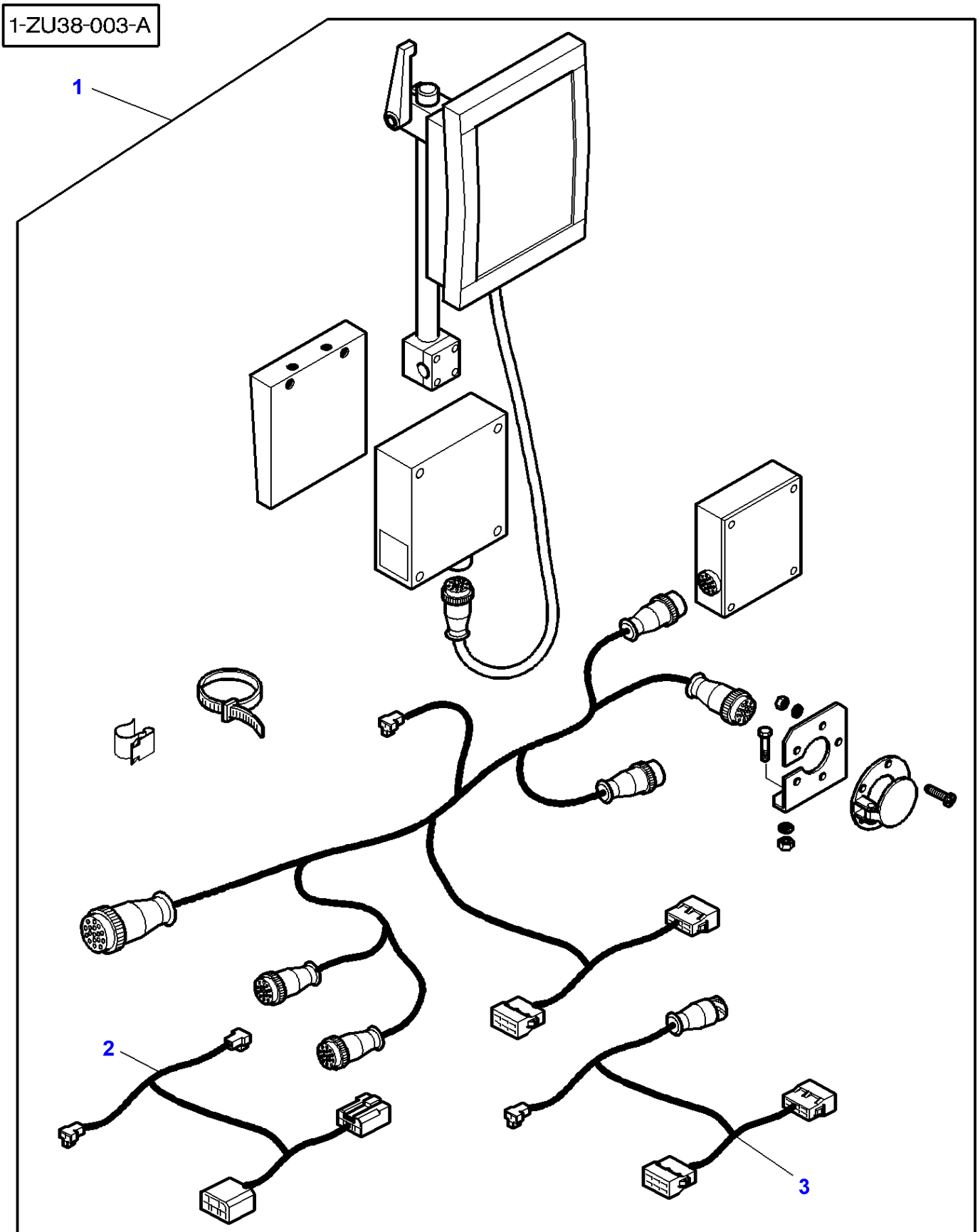


Item	Part Number	Qty	Description	Comments
1	3788790M13	1	Parts Pack	
2	3788714M91	1	Harness	[A] (1) For United States of America Up to Serial or Engine Number 07-JAN-2001
	3788429M91	1	Harness	[A] (1) For United States of America From Serial or Engine Number 08-JAN-2001
3	3788430M92	1	Harness	[B] (1)

FOOTNOTE [A] FEEDER HARNESS

FOOTNOTE [B] DATATRONIC SIGNAL HARNESS

MF 8270/8280 TRACTOR - 1637348
1-ZU38-003-A

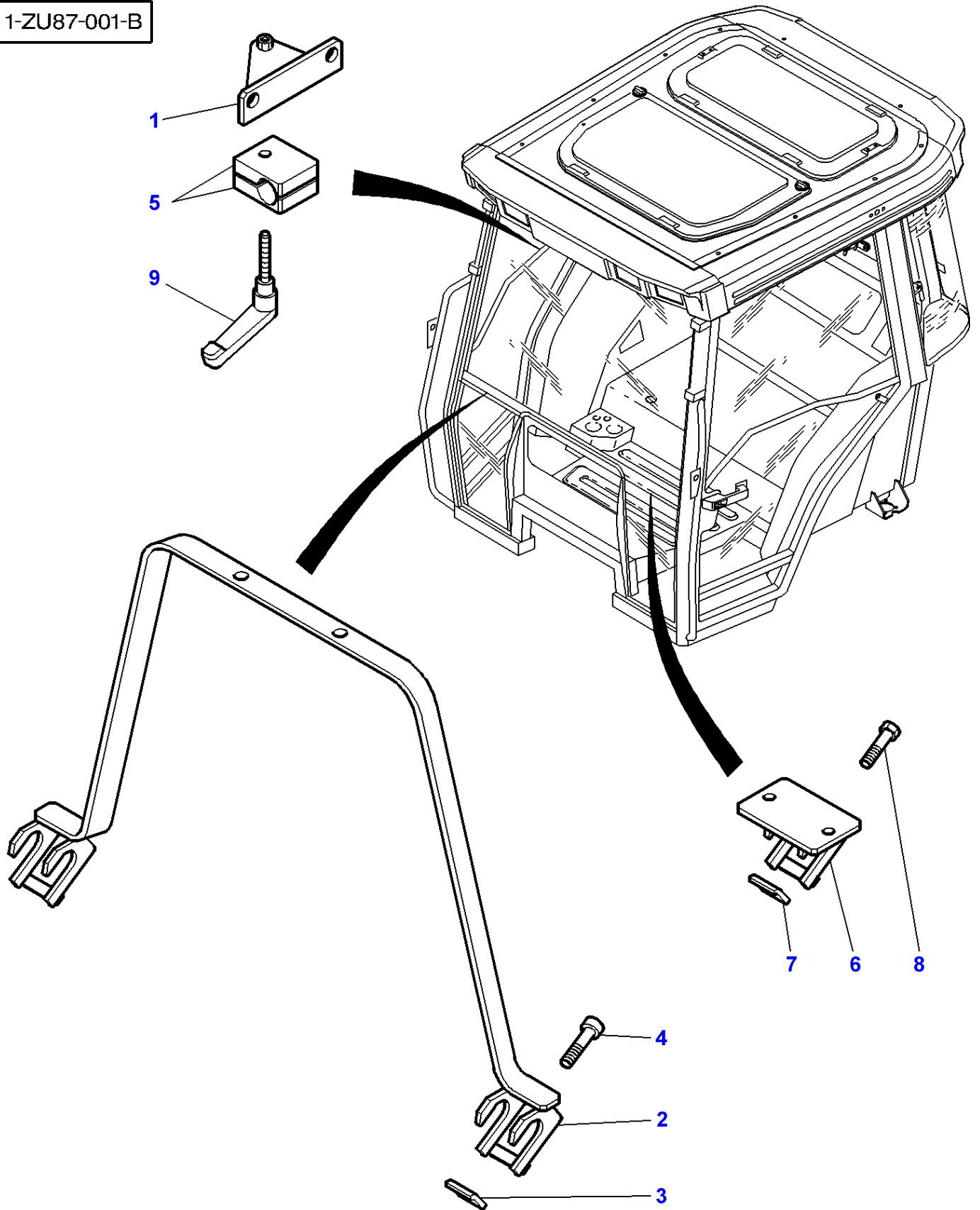


Item	Part Number	Qty	Description	Comments
1	3788789M12	1	Parts Pack	
2	3788714M91	1	Harness	[A] (1) For United States of America Up to Serial or Engine Number 07-JAN-2001
	3788429M91	1	Harness	[A] (1) For United States of America From Serial or Engine Number 08-JAN-2001
3	3788430M92	1	Harness	[B] (1)

FOOTNOTE [A] FEEDER HARNESS

FOOTNOTE [B] DATATRONIC SIGNAL HARNESS

1-ZU87-001-B



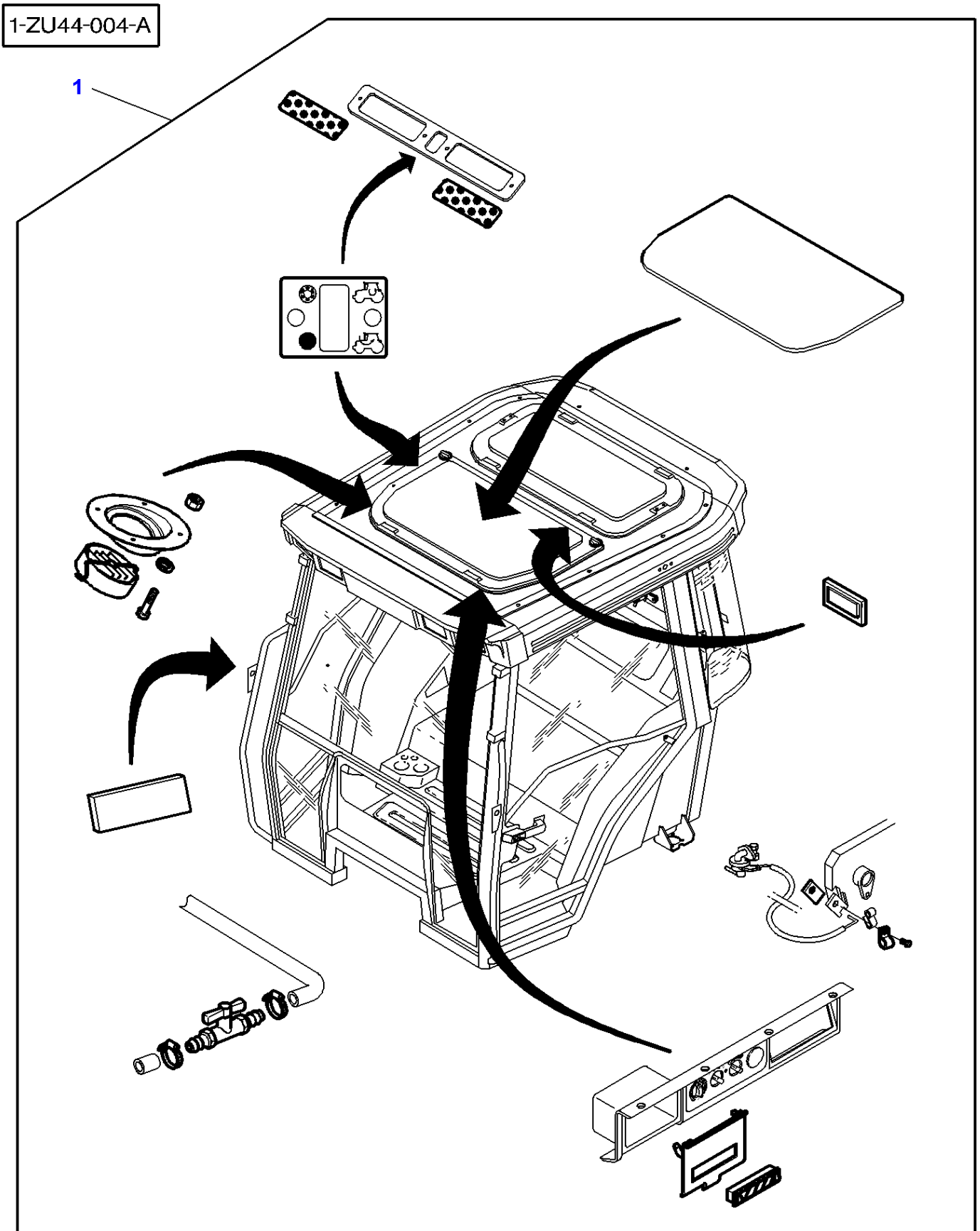
APPLIANCE BRACKET BOARDED FOR CAB

Item	Part Number	Qty	Description	Comments
1	3782484M1	1	Handle	[C]
2	3782478M91	1	Safety Frame	[A]
3	3782479M1	2	Counterplate	
4	3010177X1	2	Screw	M8 X 90
5	3782482M1	2	Support	[C]
6	3782480M91	1	Support	[B]
7	3782479M1	1	Counterplate	
8	3010177X1	1	Screw	M8 X 90
9	3782481M1	1	Angle	[C]

FOOTNOTE [A] ON INSTRUMENT PANEL

FOOTNOTE [B] ON TRANSVERSE CABINE

FOOTNOTE [C] ON CAB DOOR



Massey Ferguson

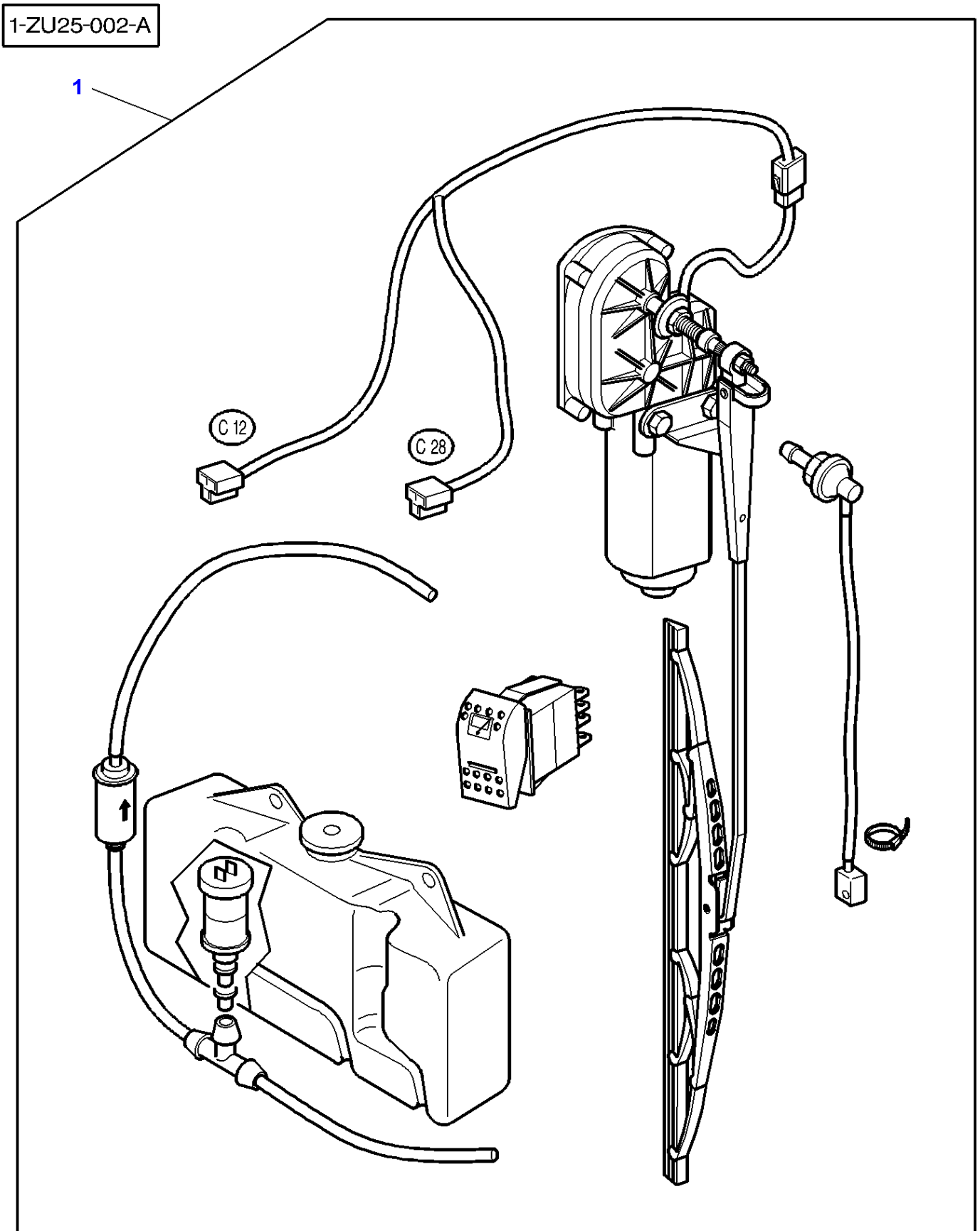
MF 8270/8280 TRACTOR - 1637348

1637348

Air Conditioner

Page 150-0120

Item	Part Number	Qty	Description	Comments
1	3784595M12	1	Kit Air Condi	For United States of America For Australia For South Africa



Rear Window Wiper

Item	Part Number	Qty	Description	Comments
1	3777332M11	1	Accessory Code	
	3778374M11	1	Kit, Wiper	[A]

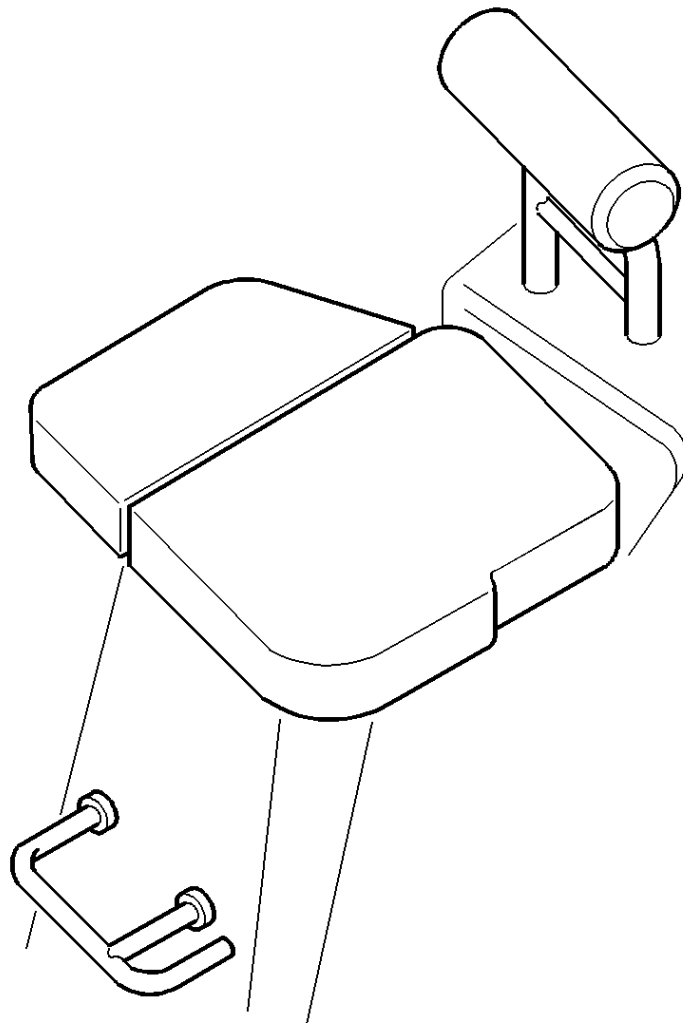
FOOTNOTE [A] WITH HIGH VISIBILITY ROOF

FOOTNOTE [B] STANDARD CAB

FOOTNOTE [C] INDUSTRIAL CAB

1-ZV03-002-A

1



Massey Ferguson

MF 8270/8280 TRACTOR - 1637348

1637348

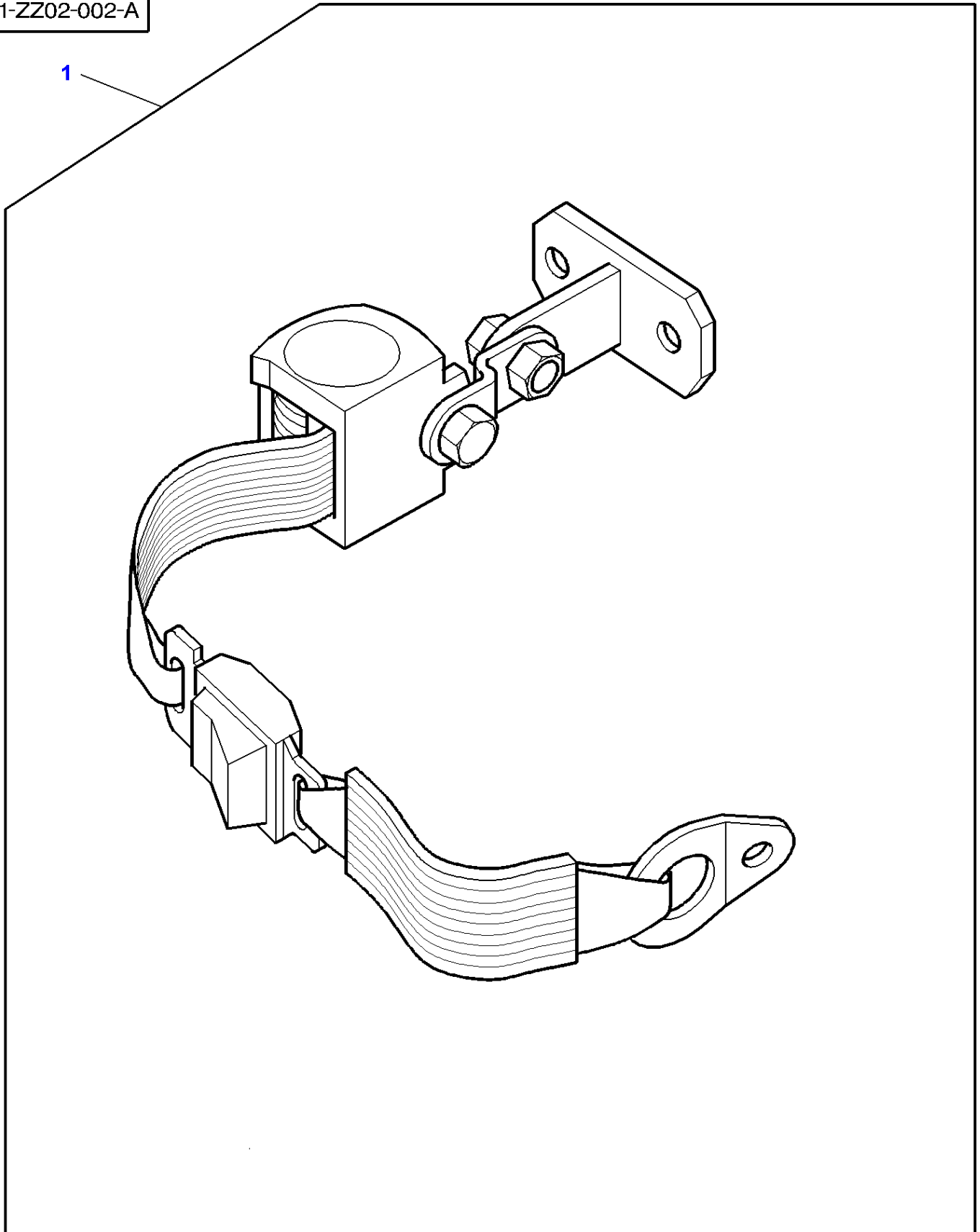
SECONDARY SEAT

Page 150-0130

Item	Part Number	Qty	Description
1	3781247M11	1	Accessory Code

1-ZZ02-002-A

1



Massey Ferguson

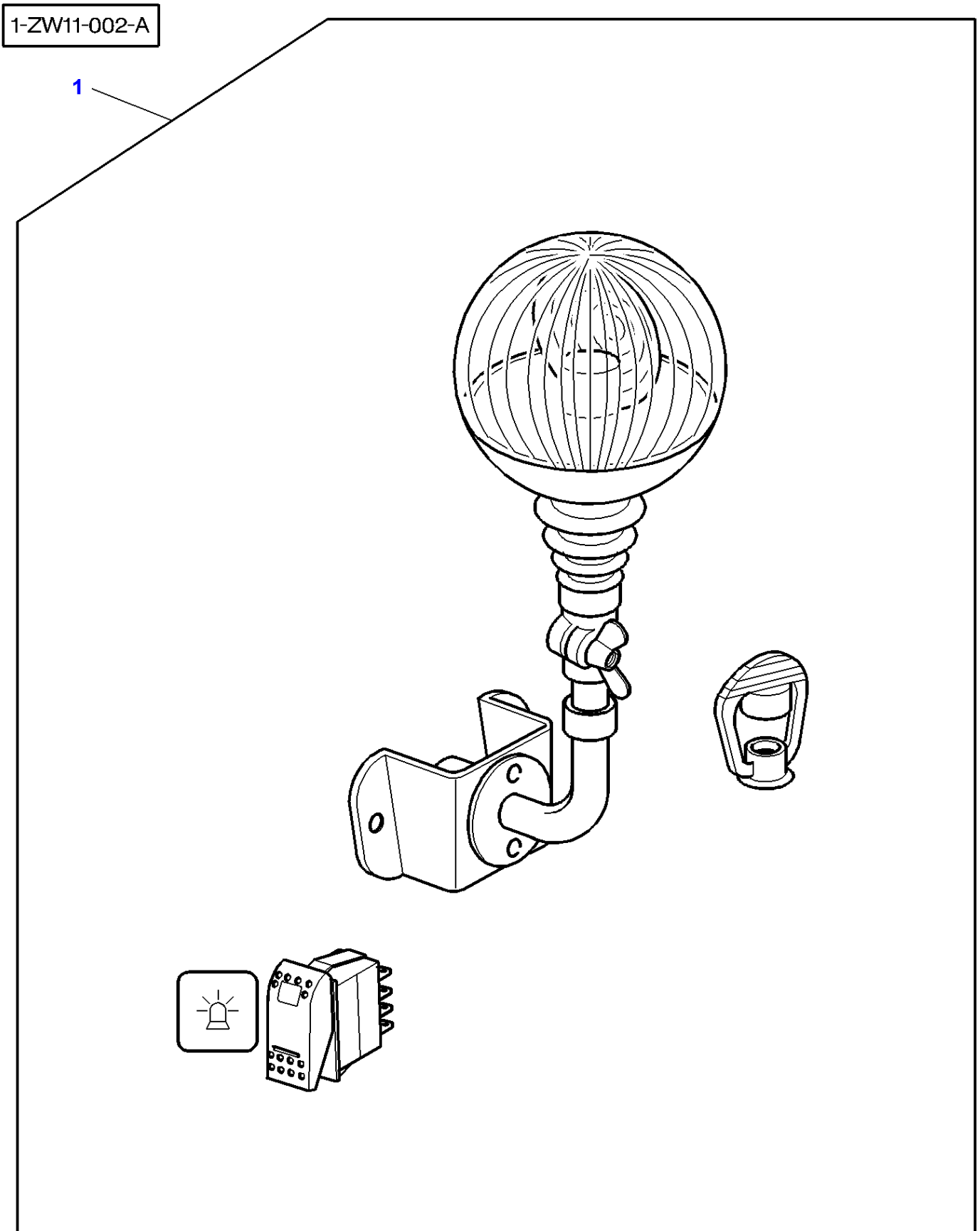
MF 8270/8280 TRACTOR - 1637348

1637348

Seat Belt

Page 150-0135

Item	Part Number	Qty	Description
1	3781249M11	1	Accessory Code



Massey Ferguson

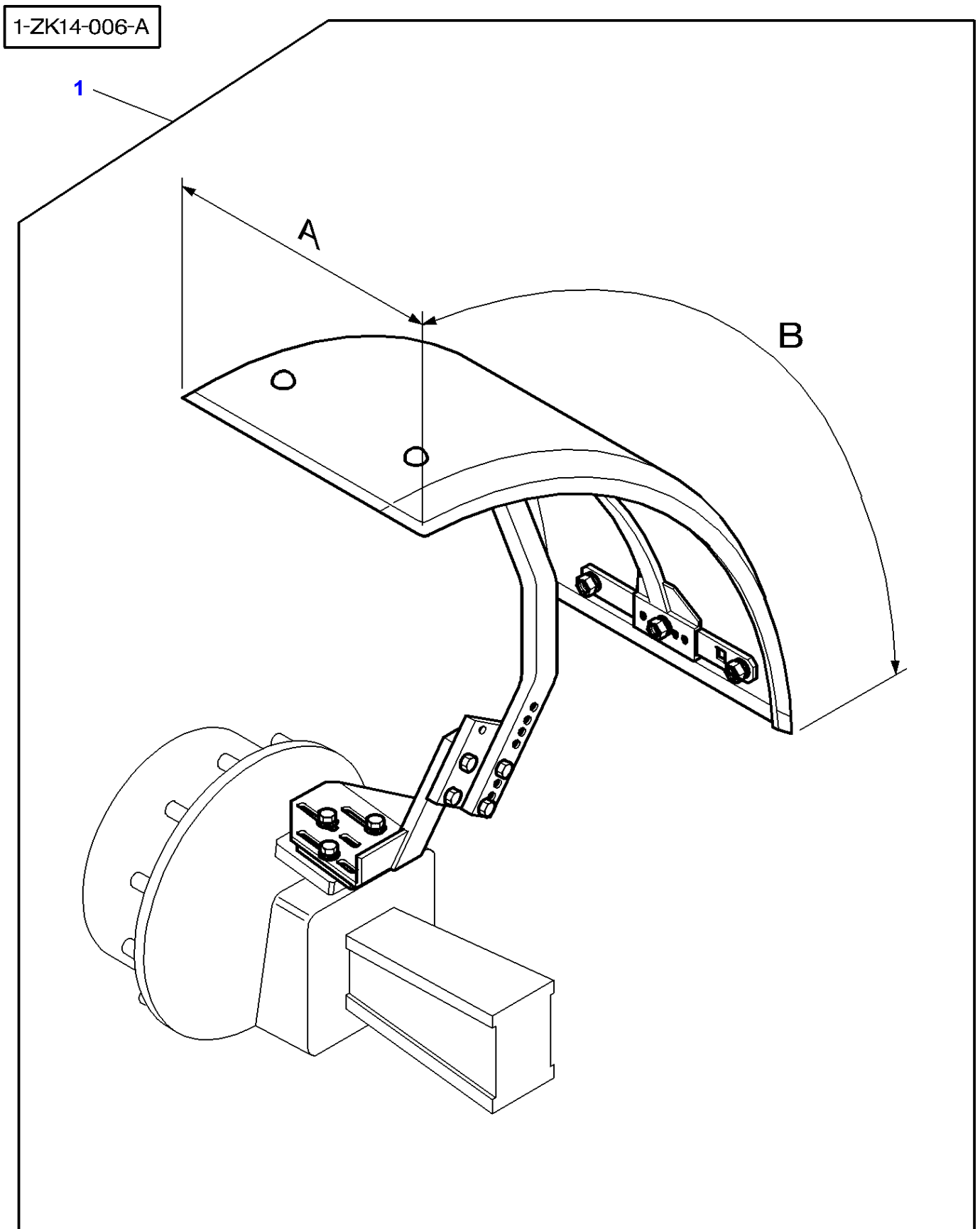
MF 8270/8280 TRACTOR - 1637348

1637348

ROTATING LIGHT

Page 150-0140

Item	Part Number	Qty	Description
1	3777324M11	1	Accessory Code



Massey Ferguson

MF 8270/8280 TRACTOR - 1637348

1637348

Front Axle 4 Wheel Drive - Mudguards And Supports - Rigid - With Z F Front Axle

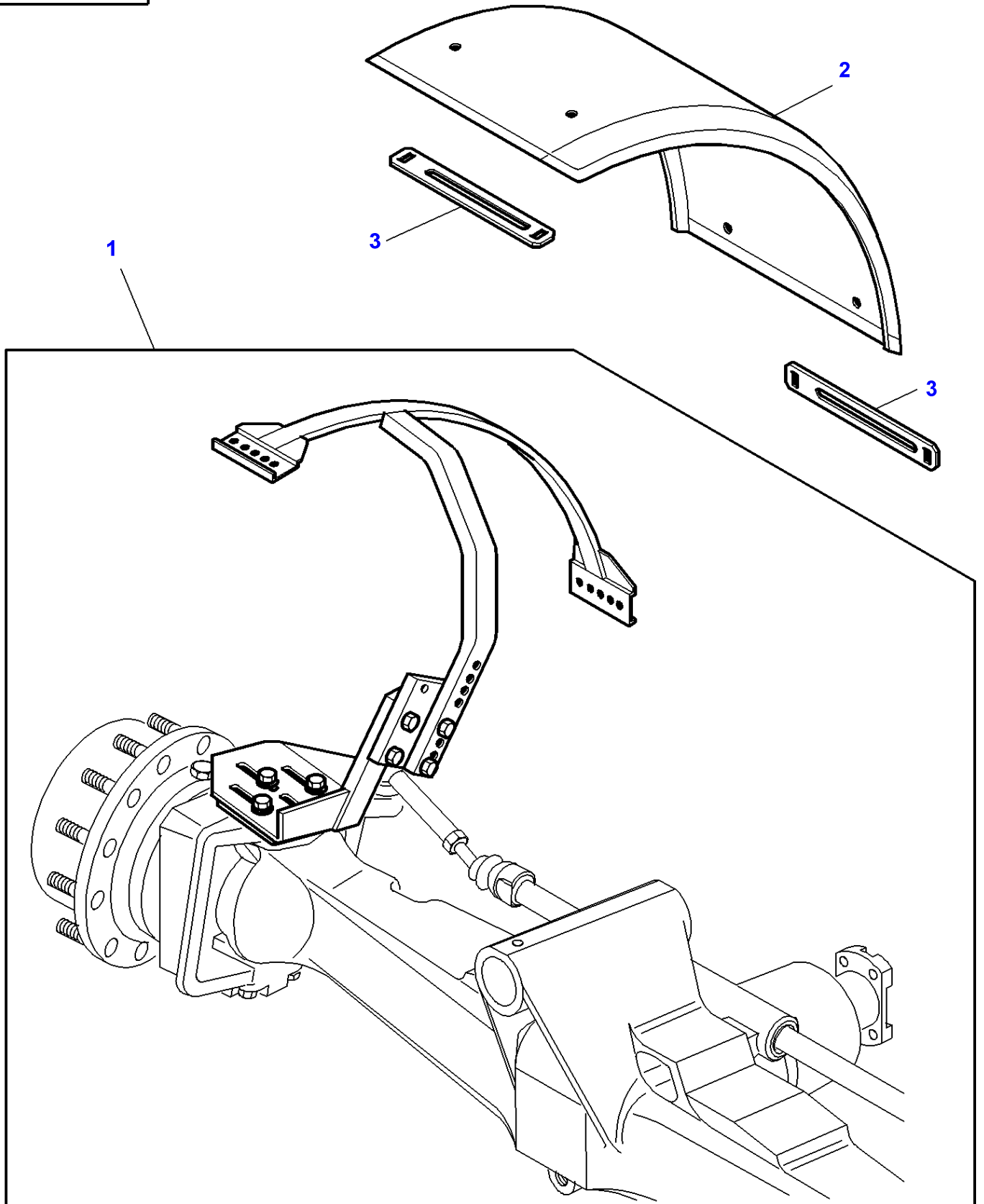
Page 150-0145

Item	Part Number	Qty	Description	Comments
1	3783933M11	1	Mudguard	A = 470 MM B = 1300 MM
	3783934M11	1	Mudguard	A = 520 MM B = 1550 MM
	3783935M11	1	Mudguard	A = 620 MM B = 1560 MM

FOOTNOTE [A] WITH DANA FRONT AXLE AG155

FOOTNOTE [B] WITH DANA FRONT AXLE AG200

1-ZK14-026-A

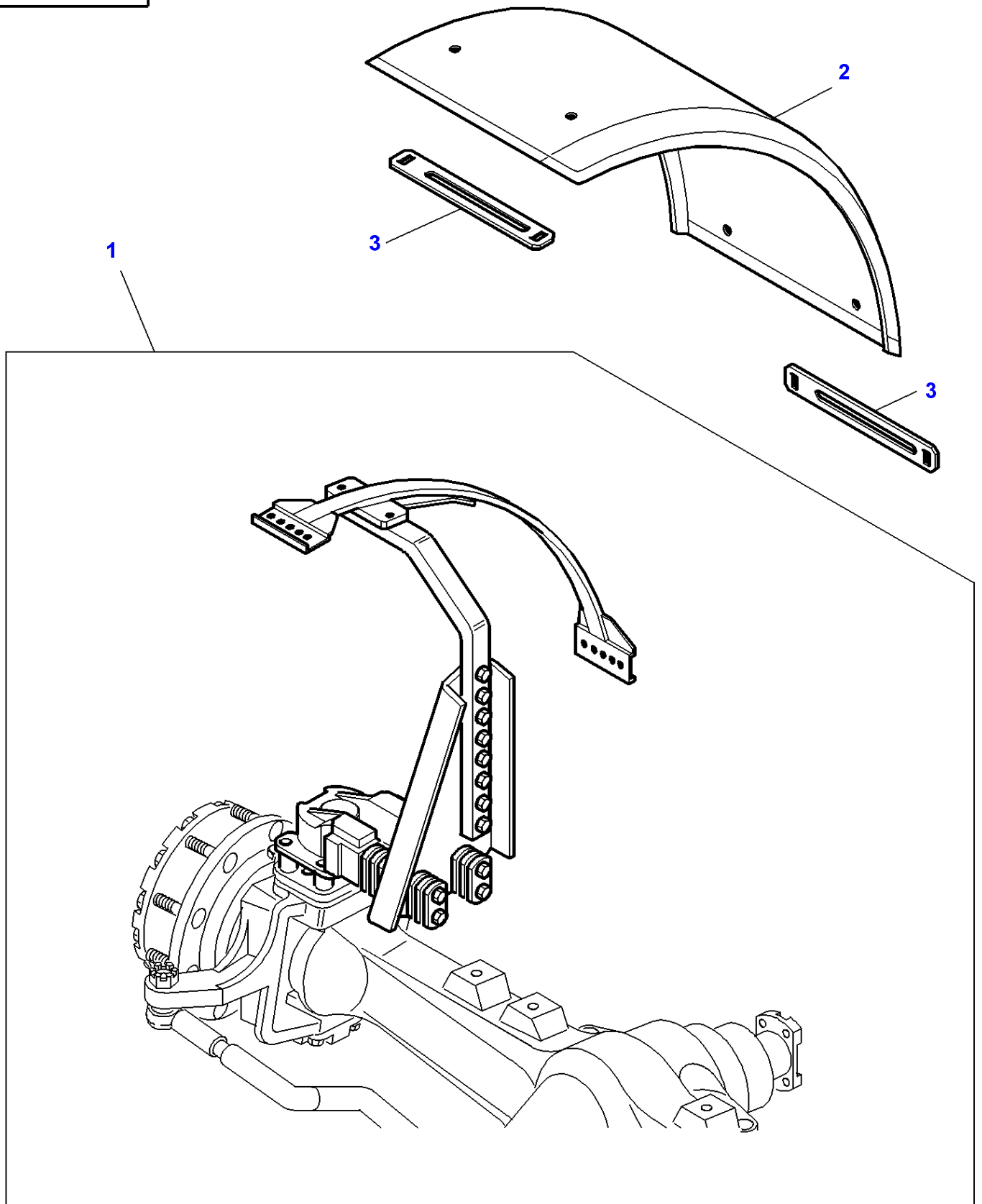


Massey Ferguson**MF 8270/8280 TRACTOR - 1637348****1637348****Front Axle 4 Wheel Drive - Mudguards And Supports - Rigid - With DANA Front Axle****Page 150-0150**

Item	Part Number	Qty	Description	Comments
1	4270662M11	1	Accessory Code	
2	3619229M2	1	Fender	[A] Width 470 MM
	3779567M1	1	Fender	[A] Width 520 MM
	3780467M1	1	Fender	[A] Width 620 MM
3	3777586M2	2	Plate	[A] Length 340 MM
	3777587M2	2	Plate	[A] Length 400 MM
	3780468M2	2	Plate	[A] Length 448 MM

FOOTNOTE [A] NOT INCLUDED IN KIT

1-ZK14-017-A

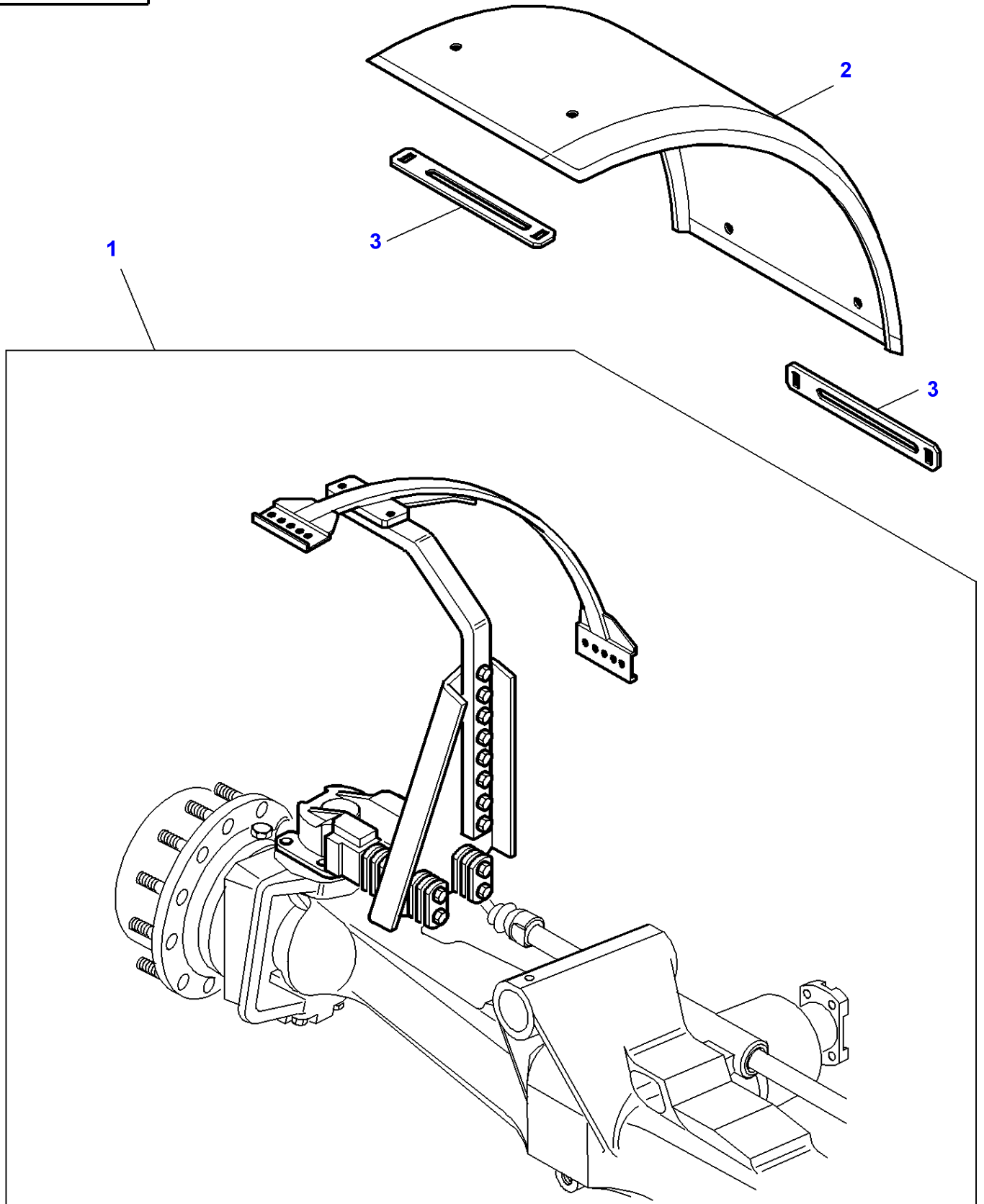


Massey Ferguson**MF 8270/8280 TRACTOR - 1637348****1637348****Front Axle 4 Wheel Drive - Mudguards And Supports - Pivoting - With Z F Front Axle****Page 150-0155**

Item	Part Number	Qty	Description	Comments
1	3785085M13	1	Accessory Code	
2	3619229M2	1	Fender	[A] Width 470 MM
	3779567M1	1	Fender	[A] Width 520 MM
	3780467M1	1	Fender	[A] Width 620 MM
3	3777586M2	2	Plate	[A] Length 340 MM
	3777587M2	2	Plate	[A] Length 400 MM
	3780468M2	2	Plate	[A] Length 448 MM

FOOTNOTE [A] NOT INCLUDED IN KIT

1-ZK14-022-A

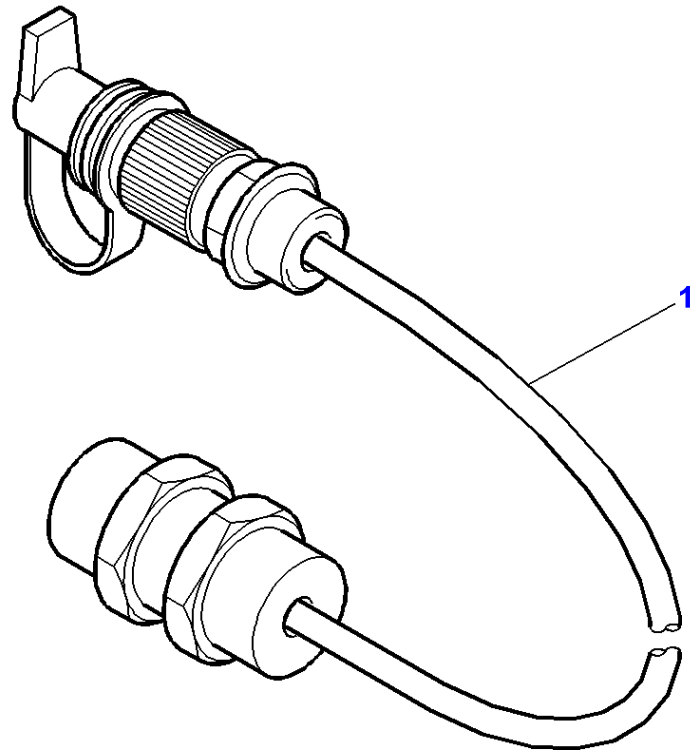


Massey Ferguson**MF 8270/8280 TRACTOR - 1637348****1637348****Front Axle 4 Wheel Drive - Mudguards And Supports - Pivoting - With DANA Front Axle****Page 150-0160**

Item	Part Number	Qty	Description	Comments
1	4270661M11	1	Accessory Code	
2	3619229M2	1	Fender	[A] Width 470 MM
	3779567M1	1	Fender	[A] Width 520 MM
	3780467M1	1	Fender	[A] Width 620 MM
3	3777586M2	2	Plate	[A] Length 340 MM
	3777587M2	2	Plate	[A] Length 400 MM
	3780468M2	2	Plate	[A] Length 448 MM

FOOTNOTE [A] NOT INCLUDED IN KIT

1-ZF85-001-A



Massey Ferguson

MF 8270/8280 TRACTOR - 1637348

1637348

SENSOR HARNESS-REAR DUAL CONTROL - From Serial or Engine Number 08-01-2001

Page 150-0165

Item	Part Number	Qty	Description
1	3784995M91	1	Harness