

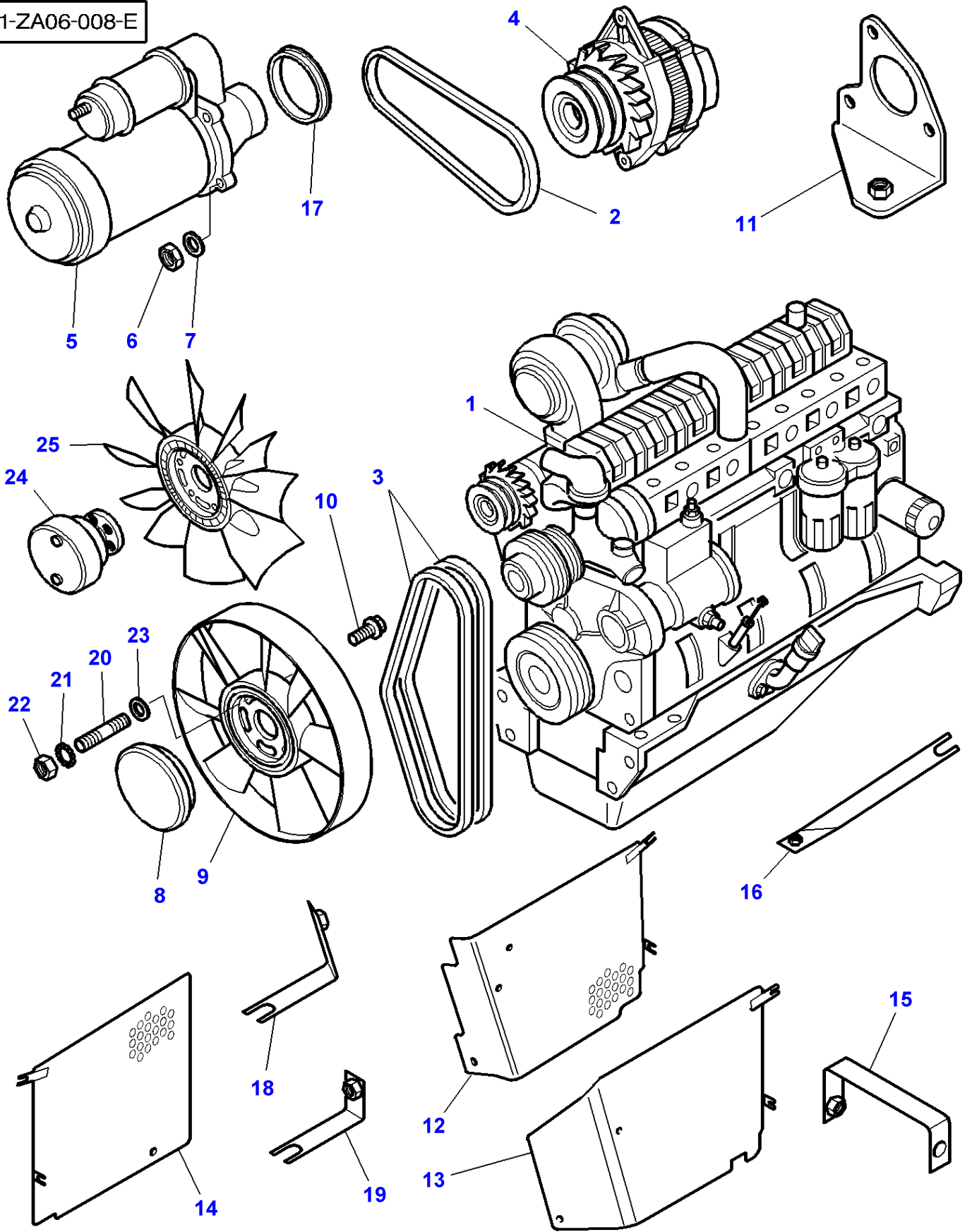
Page Title	Page Number
Engine And Equipment	010-0005
Alternator And Bracket - Up to Serial or Engine Number - K110016	010-0010
Alternator And Bracket - From Serial or Engine Number - K110017	010-0015
Alternator - Valeo - Up to Serial or Engine Number - K110016	010-0020
Alternator - ISKRA - From Serial or Engine Number - K110017	010-0025
Starter - Magneti Marelli - Up to Serial or Engine Number - K073010	010-0030
Starter - ISKRA - From Serial or Engine Number - K073011	010-0035
Cylinder Block	010-0040
Timing Gear Housing	010-0045
Flywheel Housing - Dynashift	010-0050
Flywheel Housing - With Full Powershift	010-0055
Crankshaft, Pistons And Connecting Rods	010-0060
Valve Mechanism And Camshaft	010-0065
Cylinder Head	010-0070
Cylinder Head Cover	010-0075
Thermostat	010-0080
Lubricating Oil Sump - Up to Serial or Engine Number - J14443	010-0085
Lubricating Oil Sump - From Serial or Engine Number - J14444	010-0090
Lubricating Oil Pump - Up to Serial or Engine Number - J7890	010-0095
Lubricating Oil Pump - From Serial or Engine Number - J7891	010-0100
Lubricating Oil Cooler And Filter	010-0105
Water Pump - M.F 8250	010-0110
Water Pump - M.F 8250 XTRA	010-0115
Fuel Injection Equipment (Diesel) - M.F 8250	010-0120
Fuel Injection Equipment (Diesel) - M.F 8250 XTRA	010-0125
Fuel Injection Equipment (Diesel)	010-0130
Feed Pump - M.F 8250	010-0135
Feed Pump - M.F 8250 XTRA	010-0140
Stop Magnet - Up to Serial or Engine Number - K 12633	010-0145
Stop Magnet - From Serial or Engine Number - K 12634	010-0150
Low Pressure Fuel System	010-0155
Air Induction And Exhaust System - M.F 8250	010-0160
Air Induction And Exhaust System - M.F 8250 XTRA	010-0165
Turbocharger - Pipes - M.F 8250	010-0170
Turbocharger - Pipes - M.F 8250 XTRA	010-0175
Cold Starting Device - M.F 8250	010-0180
Belt Tensioner - Up to Serial or Engine Number - K 18108	010-0185
Belt Tensioner - From Serial or Engine Number - K 18109	010-0190
Engine Repair Kits - Piston- Cylinder Head With Valves	010-0195
Engine Gaskets Sets	010-0200
Heater Engine Block - Up to Serial or Engine Number - L155012	010-0205
Heater Engine Block - From Serial or Engine Number - L155013	010-0210
Heater Engine Block	010-0215
Battery & Cables - Without Battery Cut-Off W/O Positive Connection	010-0220
Battery & Cables - With Battery Cut-Off	010-0225
Battery & Cables - Without Battery Cut-Off With Positive Connection	010-0230
Cooling System - Air Conditioned Installation - M.F 8250 - Up To 07-09-2000	010-0235
Cooling System - Air Conditioned Installation - M.F 8250 - From 08-09-2000	010-0240
Cooling System - Air Conditioned Installation - M.F 8250 XTRA	010-0245
Sanden Compressor	010-0250
Cooling System - Engine	010-0255
Cab Heating System - Engine Part	010-0260
Fuel System - Fuel Tank And Attachments - Without Additional Tank	010-0265
Fuel System - Fuel Tank And Attachments - With Additional Tank	010-0270

Engine And Equipment

Fuel System - Fuel Tank And Attachments - With Additional Tank	010-0275
Fuel System - Fuel Filters And Pipes - M.F 8250 - WITHOUT FUEL FLOWMETER	010-0280
Fuel System - Fuel Filters And Pipes - M.F 8250 XTRA - WITHOUT FUEL FLOWMETER	010-0285
Fuel System - Fuel Filters And Pipes - M.F 8250 - With Flow Fuel	010-0290
Fuel System - Fuel Filters And Pipes - M.F 8250 XTRA - With Flow Fuel	010-0295
Fuel System - Fuel Filters And Pipes - M.F 8250 - WITH FUEL COOLER	010-0300
Fuel System - Fuel Filters And Pipes - M.F 8250 XTRA - WITH FUEL COOLER	010-0305
Fuel System - Fuel Filters And Pipes - M.F 8250 - WITH FLOW METER AND FUEL COOLER	010-0310
Fuel System - Fuel Filters And Pipes - M.F 8250 XTRA - WITH FLOW METER AND FUEL COOLER	010-0315
Sedimenter	010-0320
Fuel System - Fuel Tank And Attachments	010-0325
Fuel System - Fuel Tank And Attachments - With Full Powershift	010-0330
Air Filter - Dry - Dual Element - M.F 8250 - Up To ...	010-0335
Air Filter - Dry - Dual Element - M.F 8250 - From ...	010-0340
Air Filter - Dry - Dual Element - M.F 8250 XTRA	010-0345
Air Filter - Dry - Dual Element - M.F 8250	010-0350
Air Filter - Dry - Dual Element - M.F 8250 XTRA	010-0355
Air Cooler - M.F 8250	010-0360
Air Cooler - M.F 8250 XTRA	010-0365
Vertical Exhaust On The Side - Up to Serial or Engine Number - ...	010-0370
Vertical Exhaust On The Side - From Serial or Engine Number - ...	010-0375
Throttle Controls	010-0380
Throttle Controls - With AUTODRIVE	010-0385
Throttle Controls - Up To No J075003 FULL POWERSHIFT / J084021 DYNAS HIFT	010-0390
Throttle Controls - From No J075004 FULL POWERSHIFT / J084022 DYNASH IFT	010-0395
Throttle Controls - Up To 07-01-2001	010-0400
Throttle Controls - From 08-01-2001	010-0405

MF 8250 TRACTOR - 1637366
1-ZA06-008-E

1-ZA06-008-E



Engine And Equipment

Item	Part Number	Qty	Description	Comments
1	3782110M91	1	Engine	[A] MF 8250 634 DSBAE Up to Serial or Engine Number J075003
	V832857957	1	Engine	[A] MF 8250 634 DSBAE From Serial or Engine Number J075004 Up to Serial or Engine Number 07-SEP-2000 Replace and repair. Old not interchangeable with new 3784452M91
	V832860333	1	Engine	[A] MF 8250 634 DSBAE From Serial or Engine Number 08-SEP-2000 Replace and repair. Old not interchangeable with new 3784435M91
	3779436M91	1	Engine	[B] MF 8250 634 DSBAE Up to Serial or Engine Number J084021
	V832857744	1	Engine	[B] MF 8250 634 DSBAE From Serial or Engine Number J084022 Up to Serial or Engine Number 07-SEP-2000 Replace and repair. Old not interchangeable with new 3784454M91
	V832860332	1	Engine	[B] MF 8250 634 DSBAE From Serial or Engine Number 08-SEP-2000 Replace and repair. Old not interchangeable with new 3784439M91
	V832860343	1	Engine	[A] MF 8250 XTRA 634 DWBAE
	V832860342	1	Engine	[B] MF 8250 XTRA 634 DWBAE
2	5016260M1	1	Belt	
3	3617180M91	1	Kit, Belt	MF 8250 Length 1470 MM
	3381364M91	1	Kit, Belt	MF 8250 XTRA Up to Serial or Engine Number 31-JUL-2002 Length 1500 MM
	3786922M91	1	Belt,Fan	MF 8250 XTRA From Serial or Engine Number 01-AUG-2002 Length 1510 MM
4	3780634M1	1	Alternator	Up to Serial or Engine Number K110016 120 AMP. See Page - Reference Number 010-0020/1
	3821976M92	1	Alternator	From Serial or Engine Number K110017 120 AMP. See Page - Reference Number 010-0025/1
5	3581576M3	1	Startermotor	[C] Up to Serial or Engine Number K073010 See Page - Reference Number 010-0030/1
	3784889M2	1	Startermotor	[C] From Serial or Engine Number K073011 See Page - Reference Number 010-0035/1
6	339402X1	3	Nut	M10
7	339369X1	3	Lock Washer	
8	3783352M1	1	Clutch	MF 8250
9	3780204M1	1	Fan	MF 8250
10	3009920X1	6	Plough Bolt	M8 X 16
11	3781103M1	1	Support	Up to Serial or Engine Number K110016
	3785725M1	1	Support	From Serial or Engine Number K110017
12	3782011M3	1	Cowl	Right Hand Up to Serial or Engine Number 26-07-1999
	3783248M4	1	Cowl	Right Hand From Serial or Engine Number 27-07-1999 Up to Serial or Engine Number 27-08-2000
13	3785239M1	1	Cowl	From Serial or Engine Number 28-08-2000 Right Hand

Massey Ferguson
MF 8250 TRACTOR - 1637366

1637366

Page010-0005

Engine And Equipment

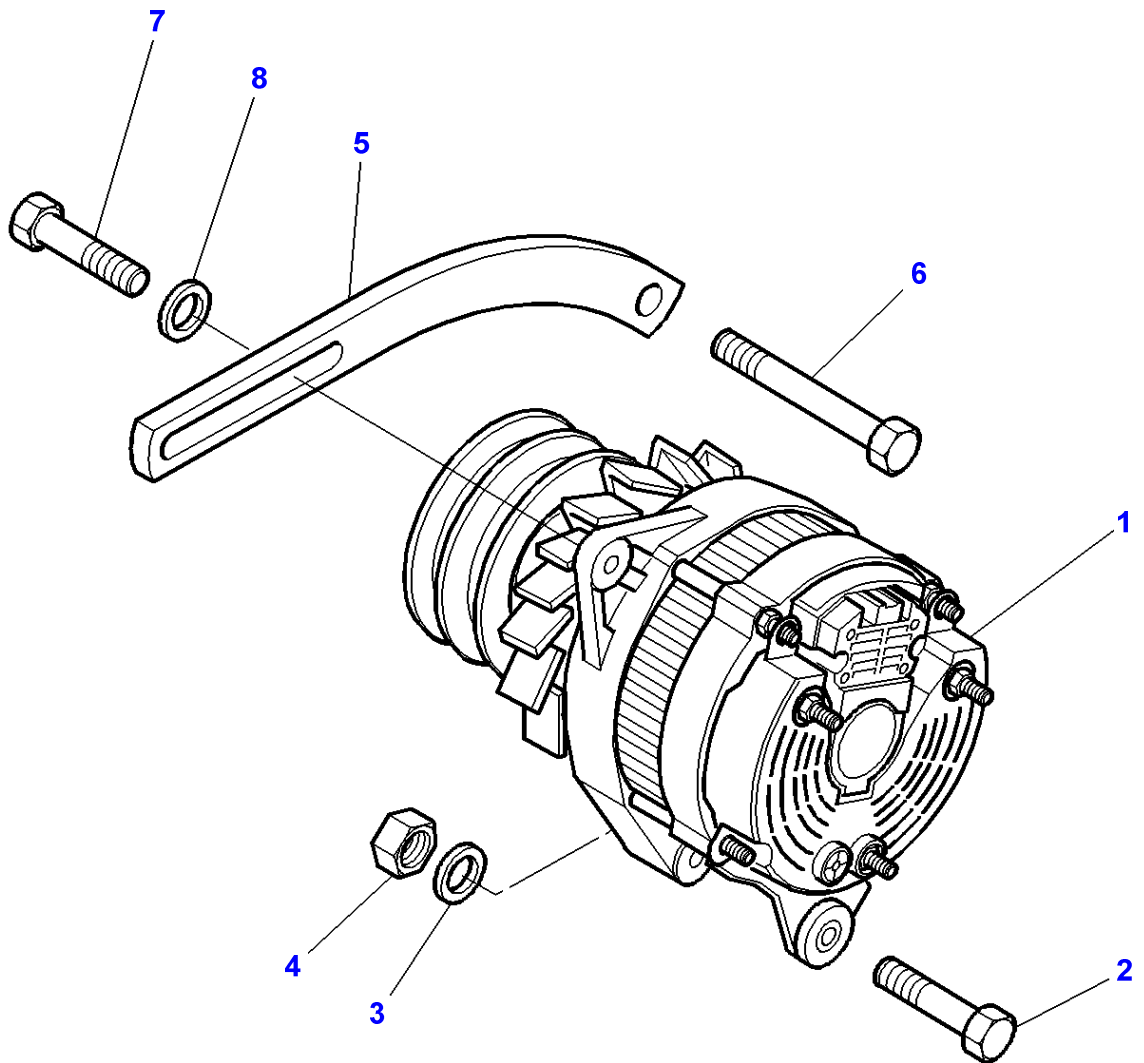
Item	Part Number	Qty	Description	Comments
14	3782010M3	1	Cowl	Left Hand Up to Serial or Engine Number 27-08-2000
14	3785264M1	1	Cowl	From Serial or Engine Number 28-08-2000 Left Hand
15	3782045M1	1	Strap	
16	3783247M1	1	Strap	
17	3778469M1	1	Spacer	[A] From Serial or Engine Number H116020
18	3783245M1	2	Support	Up to Serial or Engine Number K099027
19	3783246M1	1	Strap	From Serial or Engine Number H200022
20	391005X1	6	Stud	MF 8250 XTRA Up to Serial or Engine Number L170033 M10 X 25
20	3011339X1	6	Stud	MF 8250 XTRA From Serial or Engine Number L170034 M10 X 22
21	339376X1	6	Lock Washer	MF 8250 XTRA Up to Serial or Engine Number L170033
22	1441932X1	6	Nut Metric	MF 8250 XTRA M10
23	385362X1	6	Washer	MF 8250 XTRA Up to Serial or Engine Number L170034
24	3788062M1	1	Clutch	MF 8250 XTRA
25	3788063M1	1	Fan	MF 8250 XTRA

FOOTNOTE [A] WITH FULL POWERSHIFT

FOOTNOTE [B] WITH DYNASHIFT

FOOTNOTE [C] THE APPROPRIATE SAFETY DECALS MUST BE ORDERED AND FITTED TO THIS PART

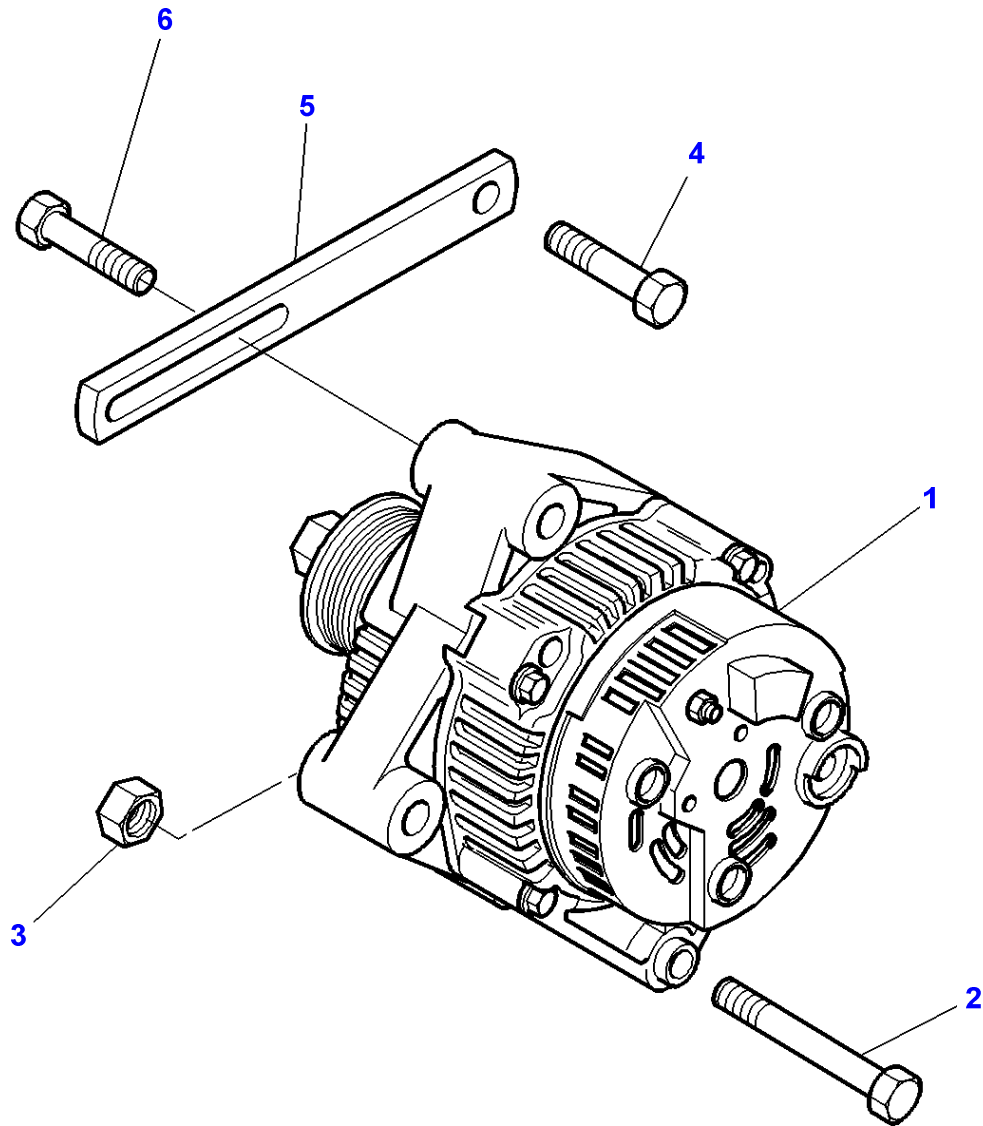
1-ZA10-003-A



Massey Ferguson**MF 8250 TRACTOR - 1637366****1637366****Alternator And Bracket - Up to Serial or Engine Number K110016****Page010-0010**

Item	Part Number	Qty	Description	Comments
1	3780634M1	1	Alternator	120 AMP. See Page - Reference Number 010-0020/1
2	1442487X1	1	Bolt Metric	M10 X 130
3	390734X1	1	Washer	Diameter 10-21 X 2 MM
4	339402X1	1	Nut	M10
5	3780945M1	1	Tensioner	
6	3009491X1	1	Hex. Sock. Screw	M10 X 20
7	339168X1	1	Screw	M8 X 50
8	390972X1	1	Washer Metric	Diameter 8-17 X 1,7 MM

1-ZA10-008-A

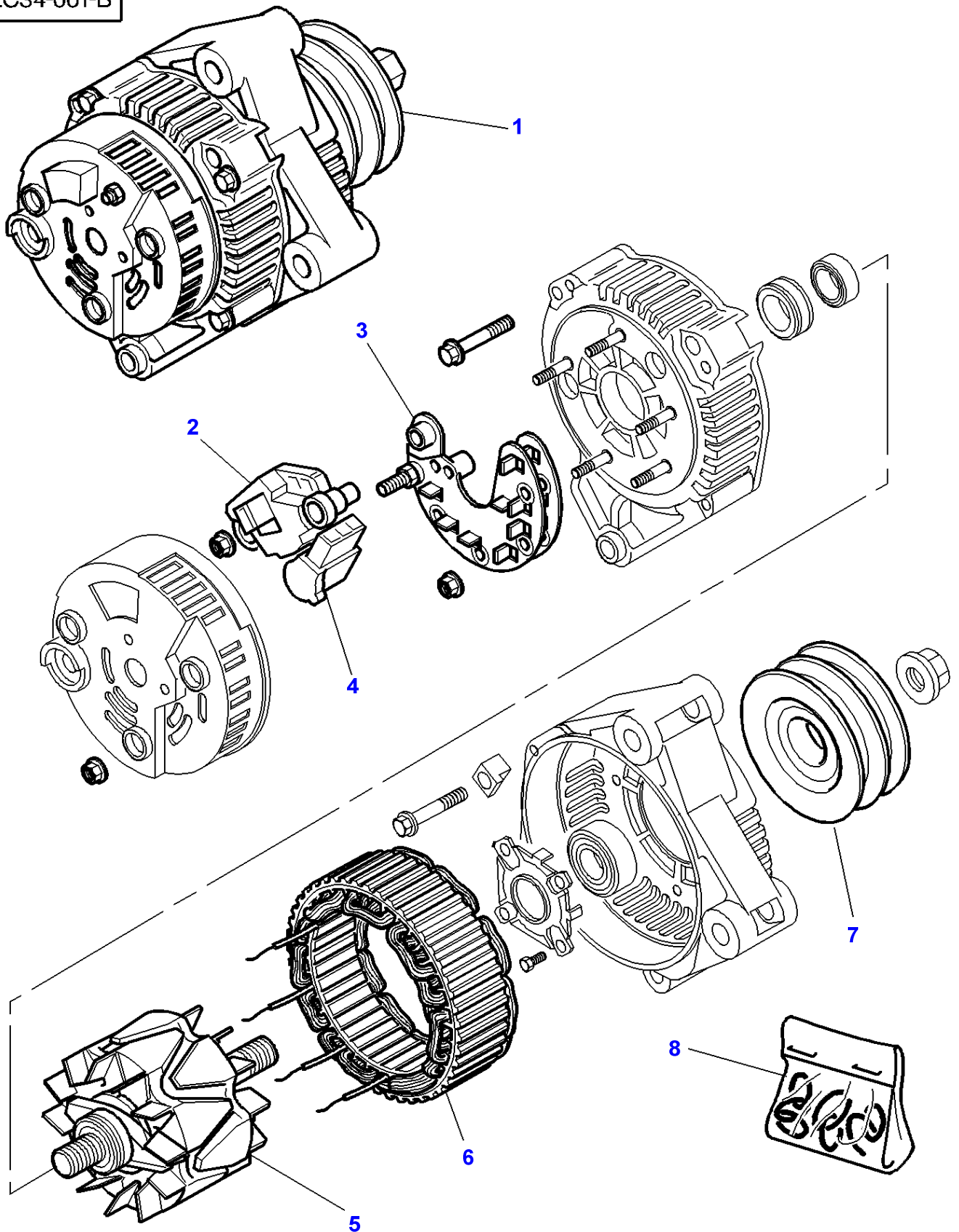


Massey Ferguson**MF 8250 TRACTOR - 1637366****1637366****Alternator And Bracket - From Serial or Engine Number K110017****Page010-0015**

Item	Part Number	Qty	Description	Comments
1	3821976M92	1	Alternator	120 AMP. See Page - Reference Number 010-0025/1
2	391245X1	1	Bolt Metric	M8 X 130
3	390345X1	1	Nut Metric	M8
4	339010X1	1	Bolt Metric	M8 X 40
5	3785834M2	1	Tensioner	
6	339761X1	1	Hex. Sock. Screw	M8 X 25

FOOTNOTE [A] NOT USED

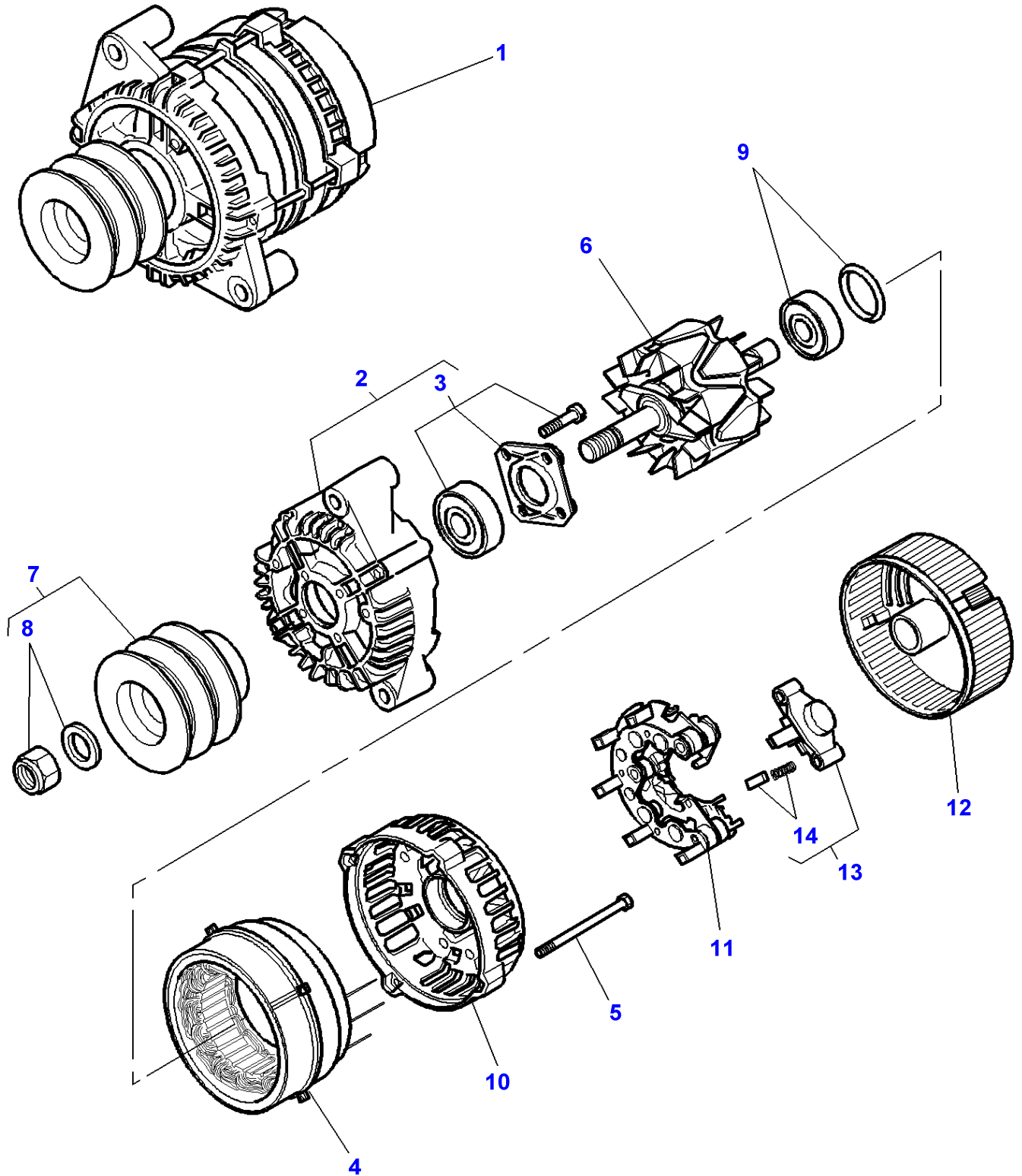
1-ZC34-001-B



Massey Ferguson**MF 8250 TRACTOR - 1637366****1637366****Alternator - Valeo - Up to Serial or Engine Number K110016****Page010-0020**

Item	Part Number	Qty	Description	Comments
1	3780634M1	1	Alternator	120 AMP
2	3903324M91	1	Support	(1)
3	3903321M91	1	Bridge	(1)
4	3903318M91	1	Regulator	(1)
5	3903319M91	1	Rotor	(1)
6	3903320M91	1	Stator	(1)
7	3903322M1	1	Pulley	(1)
8	3903323M91	1	Parts Pack	

1-ZC35-001-B

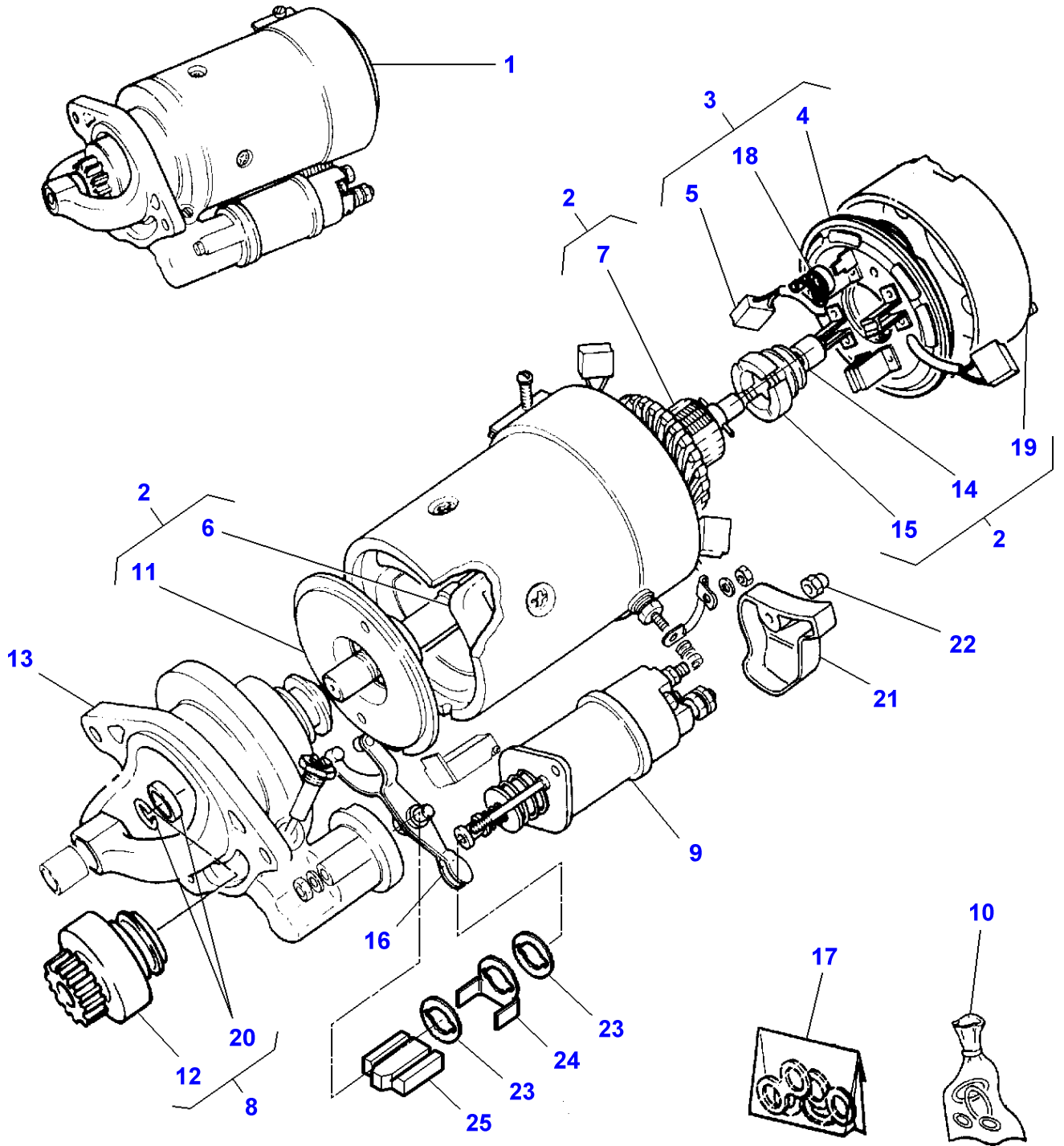


Massey Ferguson**MF 8250 TRACTOR - 1637366****1637366****Alternator - ISKRA - From Serial or Engine Number K110017****Page010-0025**

Item	Part Number	Qty	Description	Comments
1	3821976M92	1	Alternator	AAK-IV 120 AMP
2		1	Nose	(1) Not serviced,order REF. 1
3	3904379M91	1	Kit, Bearing	(1)
4		1	Stator	(1) Not serviced,order REF. 1
5	3904380M91	1	Kit, Bolt	(1)
6		1	Rotor	(1) Not serviced,order REF. 1
7	3823684M1	1	Pulley	(1)
8	3904381M91	1	Kit, Nut	(1)
9	3904382M91	1	Kit, Bearing	(1)
10		1	Rear Cover Assy.	(1) Not serviced,order REF. 1
11	3904383M91	1	Rectifier	(1)
12	3904384M1	1	Cover	(1)
13	3904385M91	1	Regulator	(1)
14		1	Kit, Brush	(13) Not serviced,order REF. 13

MF 8250 TRACTOR - 1637366
1-ZC50-002-B

1-ZC50-002-B

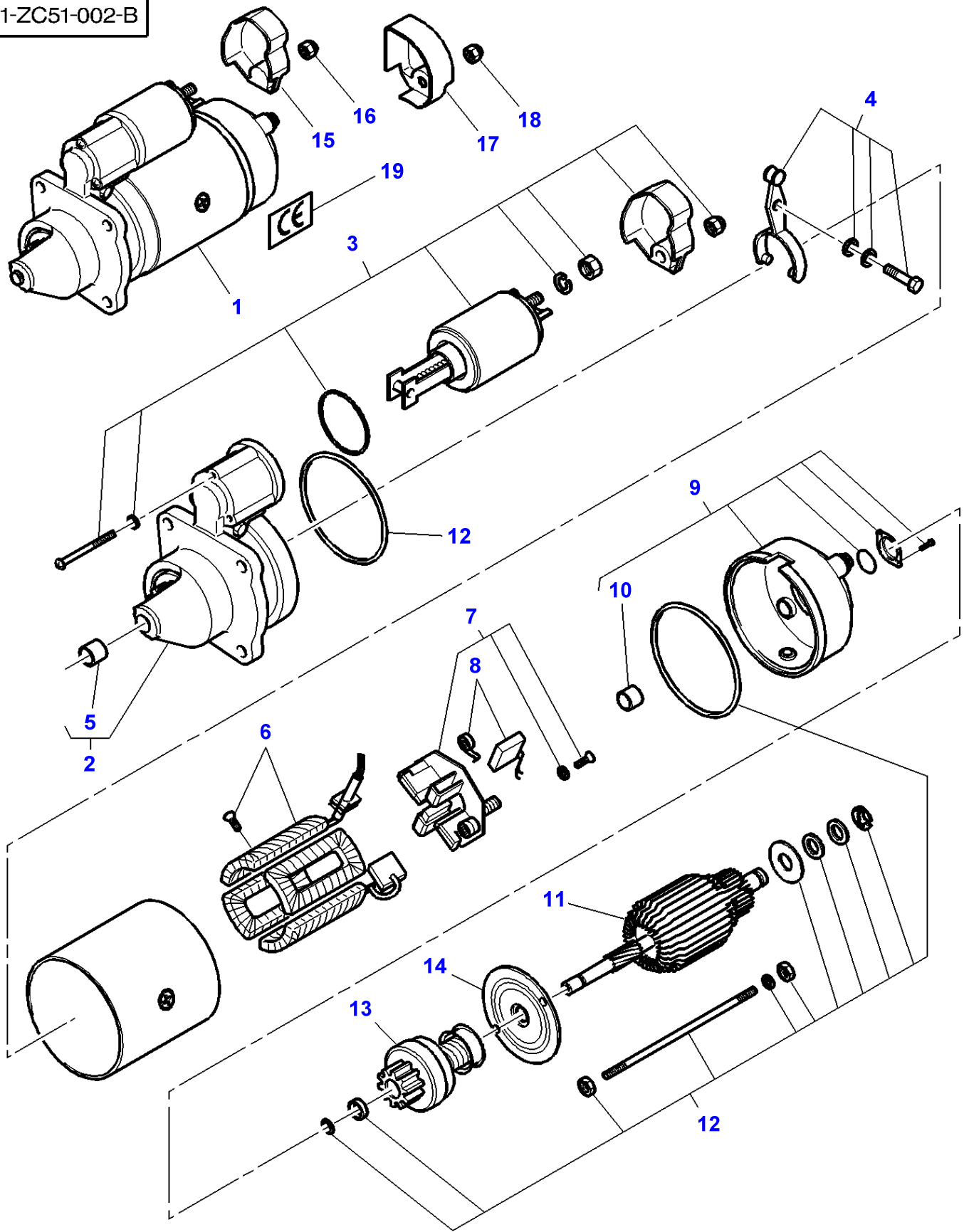


Item	Part Number	Qty	Description	Comments
1	3581576M3	1	Startermotor	[A] M127/2.8
2	3902392M91	1	Parts Pack	(1)
3	3902391M91	1	Parts Pack	(1)
4		1	Kit, Spring	(3) Not serviced,order REF NO 3
5		1	Kit, Brush	(3) Not serviced,order REF NO 3
6		1	Coil	(2) Not serviced,order REF NO 2
7		1	Armature	(2) Not serviced,order REF NO 2
8	3902390M91	1	Parts Pack	(1)
9	3904281M2	1	Solenoid	(1) Replace and repair. Old not interchangeable with new 3901191M1
10	1887967M91	1	Kit	(1)
11		1	Bearing Plate	(2) Not serviced,order REF NO 2
12		1	Drive	(8) Not serviced,order REF NO 8
13	3901195M91	1	Bracket	(1) Up to Serial or Engine Number H174010
	3904181M91	1	Bracket	(1) From Serial or Engine Number H174011
14		1	Bush	(2) Not serviced,order REF NO 2
15		1	Kit, Brake	(2) Not serviced,order REF NO 2
16	1897317M92	1	Kit, Lever	(1)
17	1806002M1	1	Kit, Seal	(1)
18		1	Kit, Brush Plate	(3) Not serviced,order REF NO 3
19		1	Housing	(2) Not serviced,order REF NO 2
20		1	Kit, Retainer	(8) Not serviced,order REF NO 8
21	3611662M1	1	Cover	
22	3611638M1	1	Nut	
23	3904186M1	2	Gasket	(1) From Serial or Engine Number H174011
24	3904185M1	1	Carrier	(1) From Serial or Engine Number H174011
25	3904184M1	1	Grommet	(1) From Serial or Engine Number H174011

FOOTNOTE [A] THE APPROPRIATE SAFETY DECALS MUST BE ORDERED AND FITTED TO THIS PART

MF 8250 TRACTOR - 1637366
1-ZC51-002-B

1-ZC51-002-B

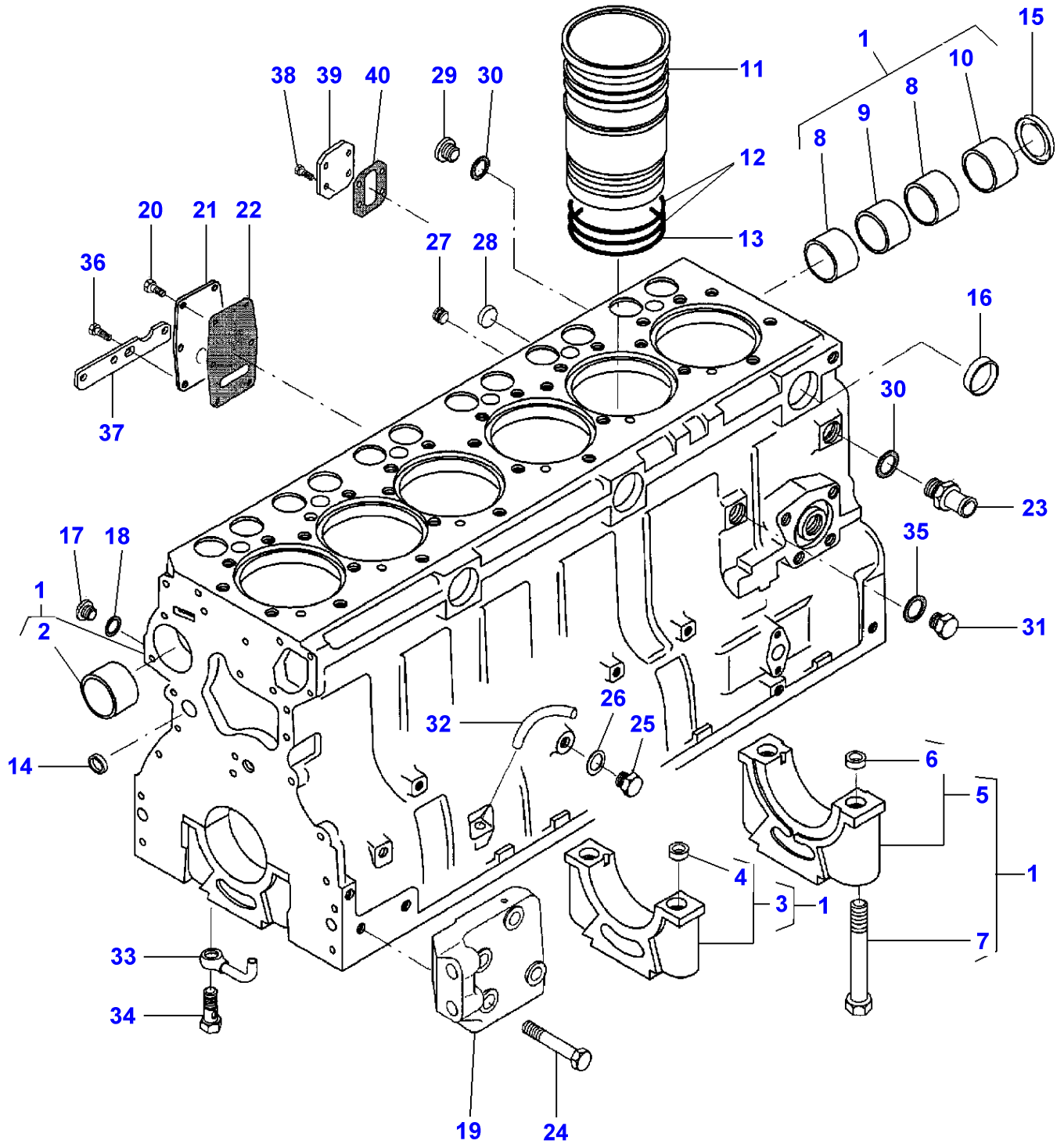


Item	Part Number	Qty	Description	Comments
1	3784889M2	1	Startermotor	[A] 3 KW
2	3903758M91	1	Bracket	(1)
3	3903759M92	1	Solenoid	(1)
4	3903760M91	1	Kit, Lever	(1)
5	3903761M1	1	Bearing	(2)
6	3903762M91	1	Coil	(1)
7	3903763M91	1	Kit, Brush Plate	(1)
8	3903764M91	1	Kit, Brush	(7)
9	3903765M91	1	Housing	(1)
10	3903766M1	1	Bearing	(9)
11	3903767M91	1	Armature	(1)
12	3903770M91	1	Impeller Hub	(1)
13	3903768M91	1	Parts Pack	(1)
14	3903769M91	1	Cover	(1)
15	3786090M1	1	Protector	Up to Serial or Engine Number K249035
16	3786089M1	1	Nut	Up to Serial or Engine Number K249035 M8
17	3786093M1	1	Protector	From Serial or Engine Number K249036
18	3786092M1	1	Nut	From Serial or Engine Number K249036 M10
19	3788193M1	1	Label	

FOOTNOTE [A] THE APPROPRIATE SAFETY DECALS MUST BE ORDERED AND FITTED TO THIS PART

MF 8250 TRACTOR - 1637366
1-ZH01-004-B

1-ZH01-004-B

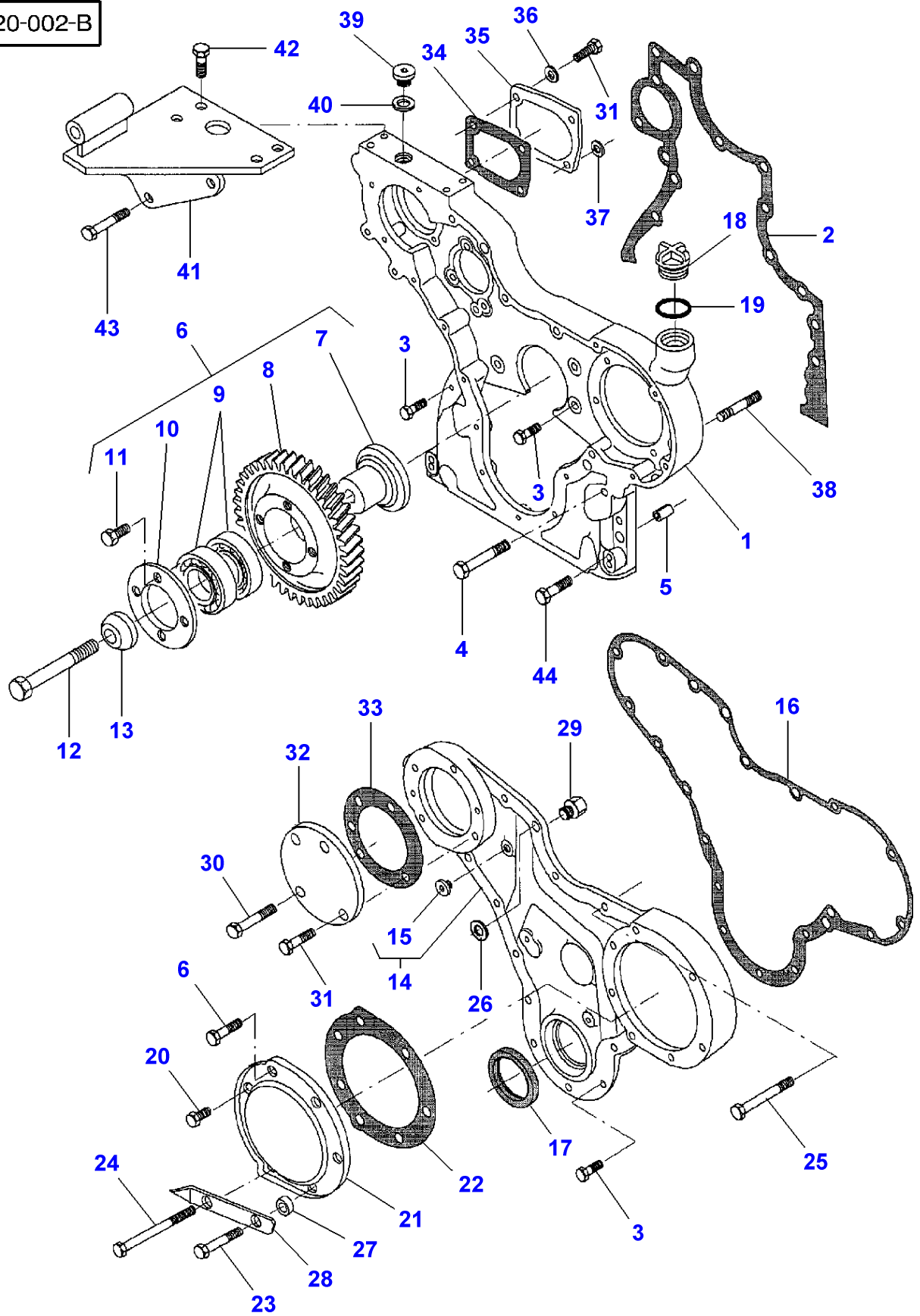


Cylinder Block

Item	Part Number	Qty	Description	Comments
1	V836847275	1	Cylinder Block	MF 8250
	V836866110	1	Cylinder Block	MF 8250 XTRA
2	V836322610	1	Bush	(1) MF 8250
	V836866069	1	Bush	(1) MF 8250 XTRA
	V836866036	X	Bush	MF 8250 XTRA Diameter +0.4MM
3		6	Bearing Carrier	(1)
4	V836214478	2	Bush	(3)
5		1	Bearing Carrier	(1)
6	V836214478	2	Bush	(5)
7	V529903180	14	Screw	(1)
8	V836852460	2	Bush	(1)
9	V836852459	1	Bush	(1)
10	V836852461	1	Bush	(1)
11	V836647420	6	Liner	
	V836647933	X	Liner	Thickness 9,08MM
	V836647934	X	Liner	Thickness 9,13MM
	V836647935	X	Liner	Thickness 9,23MM
12	V836647502	12	O Ring	
13	V836647503	6	O Ring	
14	V640016016	4	Plug	
15	V836852744	1	Plug	
16	V640016040	3	Plug	
17	V640325110	3	Plug	
18	V615571014	4	Seal	
19	V836852656	1	Support	Up to Serial or Engine Number K xxxx Left Hand
	V836864529	1	Support	From Serial or Engine Number K xxxx Left Hand
	V836852657	1	Support	Up to Serial or Engine Number K xxxx Right Hand
	V836864530	1	Support	From Serial or Engine Number K xxxx Right Hand
20	V528801380	4	Screw	M8X20
21	V836847994	1	Cover	
22	V836322852	1	Gasket	
23	V836119837	1	Union	
24	V529802682	8	Screw	MF 8250 M14 X 65
	V529902680	8	Screw	MF 8250 XTRA M14 X 65
25	V640305012	1	Plug	
26	V615881216	1	Gasket	
27	V640025010	1	Plug	
28	V640016018	3	Plug	
29	V640325018	1	Plug	
30	V615881822	2	Seal	
31	V836019756	1	Plug	
32	V836855997	1	Pipe	
33	V836855093	6	Pipe	
34	V836338601	6	Valve	
35	V615881824	1	Seal	
36	V528801400	2	Screw	M8X25
37	V836859571	1	Support	
38	V528801362	4	Screw	M8X16
39	V836659543	1	Cover	
40	V836659544	1	Gasket	

MF 8250 TRACTOR - 1637366
1-ZH20-002-B

1-ZH20-002-B



Massey Ferguson
MF 8250 TRACTOR - 1637366

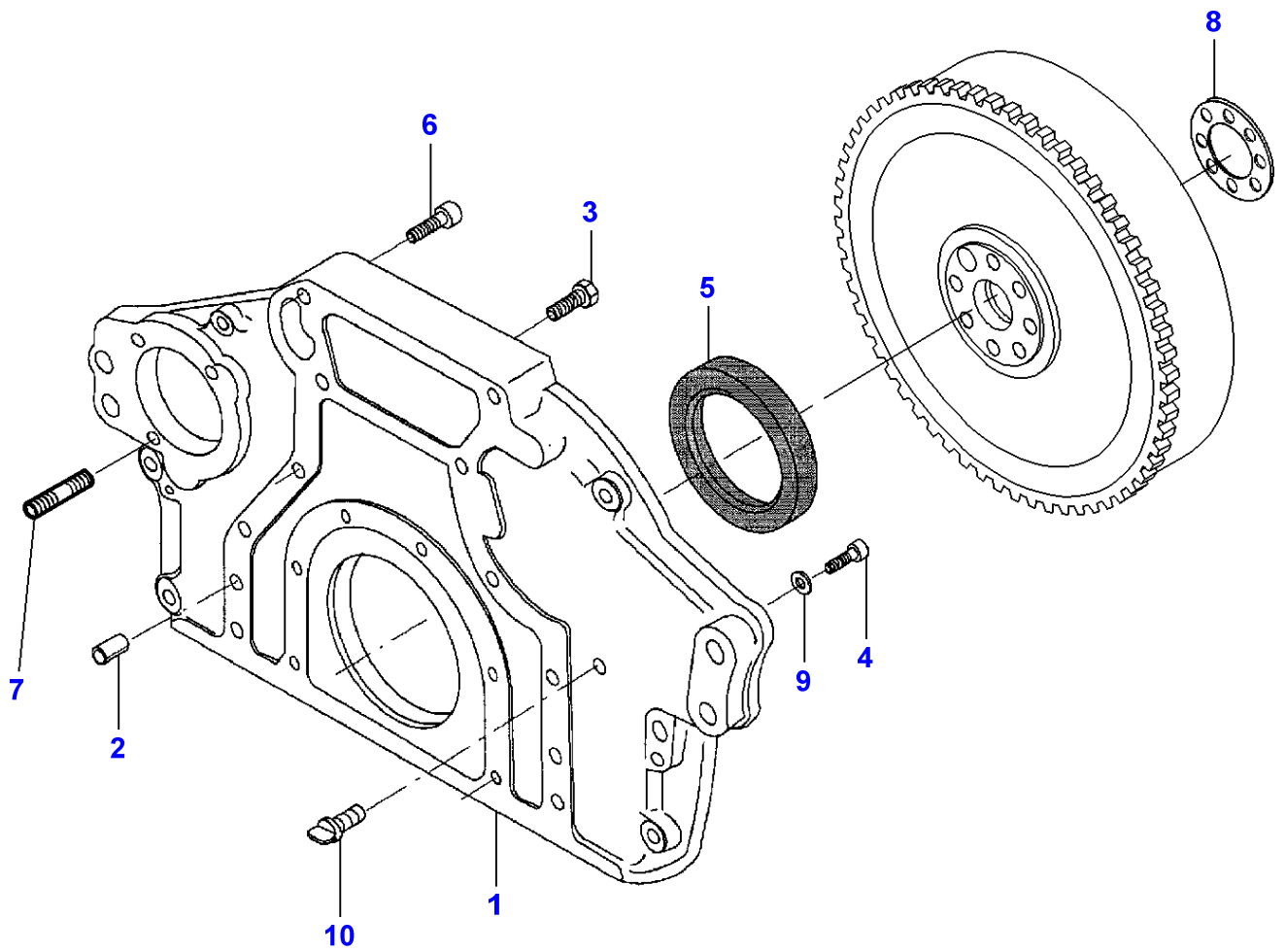
1637366

Page010-0045

Timing Gear Housing

Item	Part Number	Qty	Description	Comments
1	V836859491	1	Timing Gear Case	
2	V836647419	1	Gasket	
3	V528801400	17	Screw	M8X25
4	V529801470	1	Screw	M8X60
5	V598359850	4	Pin	
6	V836647946	1	Gear	
7	V836647937	1	Shaft	(6)
8	V836122756	1	Gear	(6)
9	V610071079	2	Ball Bearing	(6)
10	V836122759	1	Flange	(6)
11	V528801360	4	Screw	(6) M8X16
12	V529902720	1	Screw	M14X85
13	V836122758	1	Flange	
14	V836117328	1	Cover	
15	V588204963	1	Plug	
16	V836117329	1	Gasket	
17	V614105880	1	Seal	
	V835328899	X	Chock	Thickness 3MM
18	V836017927	1	Plug	
19	V614603540	1	O Ring	
20	V528801360	2	Screw	M8X16
21	V836120144	1	Cover	
22	V836112272	1	Gasket	
23	V529801460	1	Screw	M8X55
24	V529801560	1	Screw	M8X105
25	V529801500	4	Screw	M8X75
26	V836120989	1	Washer	
27	V836019695	2	Sleeve	
28	V836352823	1	Plate	
29	V836647774	1	Screw	
30	V529801440	1	Screw	M8X45
31	V528801380	5	Screw	M8X20
32	V836117337	1	Cover	
33	V836117338	1	Gasket	
34	V836022077	1	Gasket	
35	V836122076	1	Cover	
36	V500950800	3	Washer	
37	V836015967	1	Washer	
38	V546801860	3	Stud	M10X55
39	V640325018	1	Plug	
40	V615881822	1	Seal	
41	V836859319	1	Support	MF 8250 Up to Serial or Engine Number K xxxx
	V836866087	1	Support	MF 8250 From Serial or Engine Number K xxxx
	V836866493	1	Support	MF 8250 XTRA
42	V528801780	4	Screw	M10X20
43	V529801450	2	Screw	M8X50
44	V529801440	4	Screw	M8X45

1-ZH21-002-C



Massey Ferguson**MF 8250 TRACTOR - 1637366**

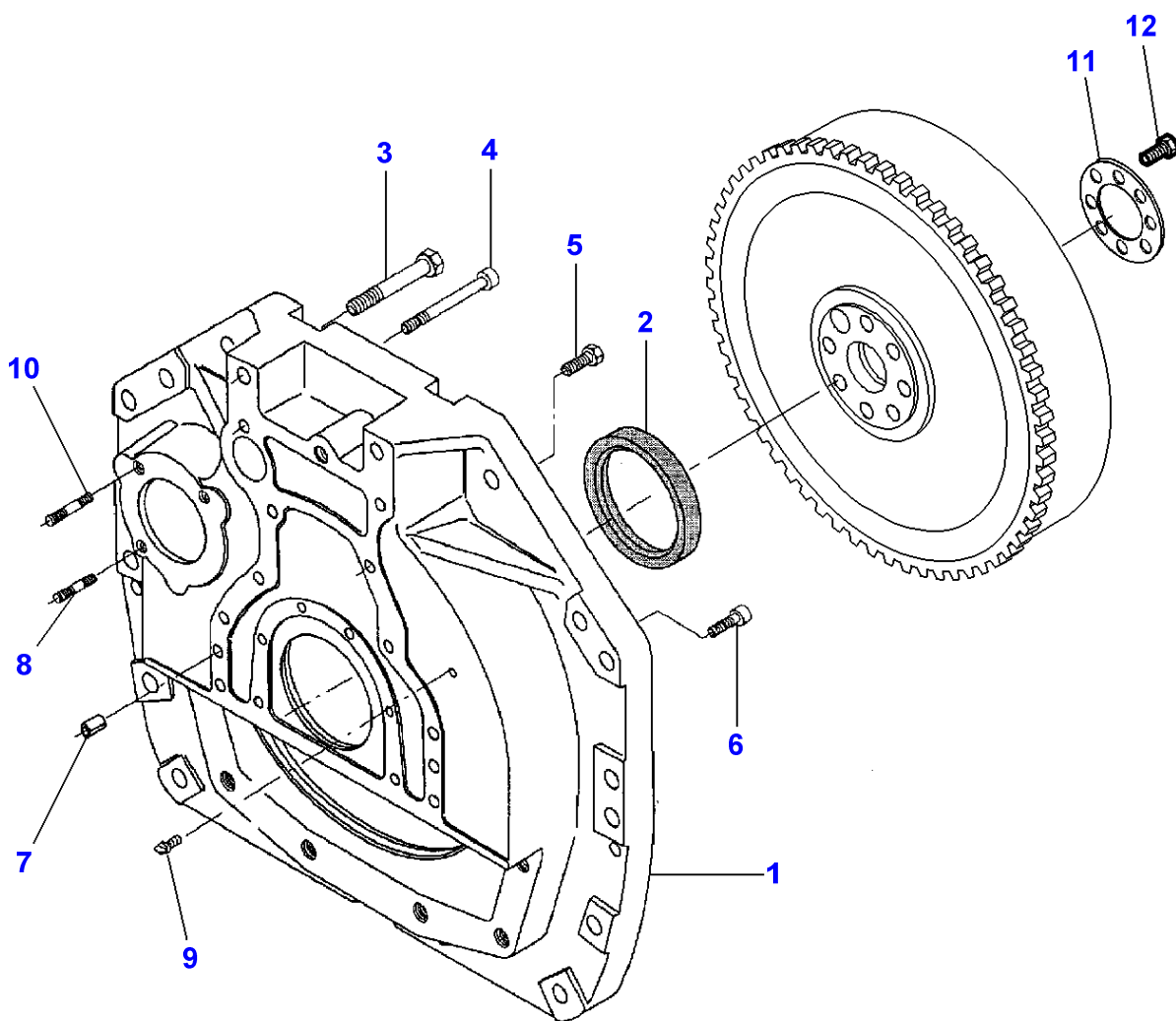
1637366

Flywheel Housing - Dynashift

Page010-0050

Item	Part Number	Qty	Description	Comments
1	V836859247	1	Housing	
2	V598359850	2	Pin	
3	V528902230	8	Screw	M12X40
4	V581705030	6	Screw	M10X30
5	V614500002	1	Seal	
	V836020054	X	Spacer	Thickness 2MM
6	V581905470	2	Screw	M12X50
7	V546801840	3	Bolt	M10X45
8	V836355864	1	Ring	
9	V500951000	3	Washer	
10	V836859311	1	Plug	

1-ZH21-005-B

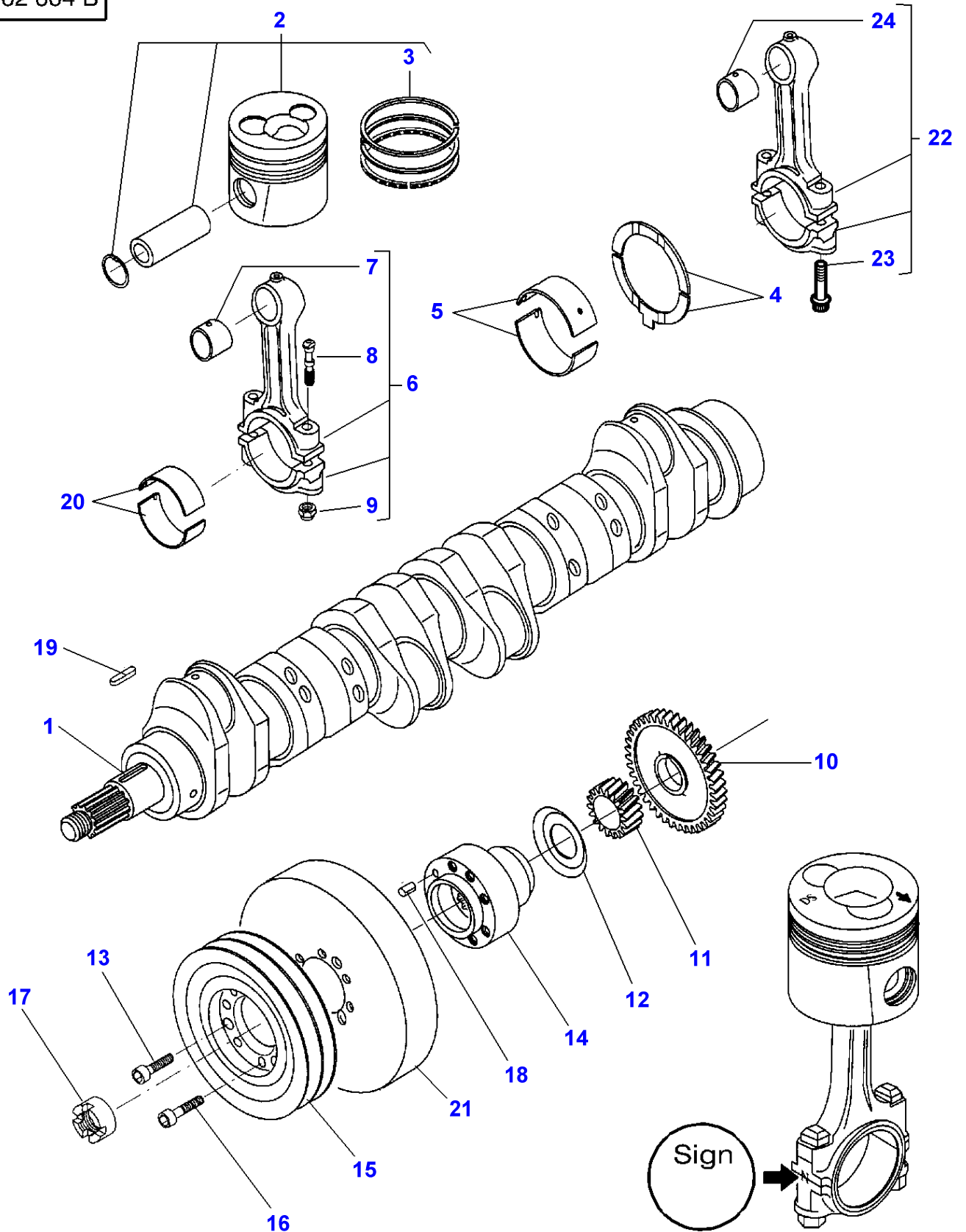


Massey Ferguson**MF 8250 TRACTOR - 1637366****1637366****Flywheel Housing - With Full Powershift****Page010-0055**

Item	Part Number	Qty	Description	Comments
1	V836855925	1	Cover	
2	V614500002	1	Seal	
	V836020054	X	Spacer	Thickness 2MM
3	V529803160	2	Screw	MF 8250
				M16 X 110
	V529903160	2	Screw	MF 8250 XTRA
				M16 X 110
4	V581705580	2	Screw	M12X110
5	V528902230	8	Screw	M12X40
6	V581705030	6	Screw	M10X30
7	V598359850	2	Pin	
8	V546801800	2	Bolt	M10X25
9	V836859311	1	Plug	
10	V836659869	1	Stud	MF 8250
	V546801800	1	Bolt	MF 8250 XTRA
11	V836355864	1	Ring	
12	V529702290	8	Screw	

MF 8250 TRACTOR - 1637366
1-ZH02-004-B

1-ZH02-004-B



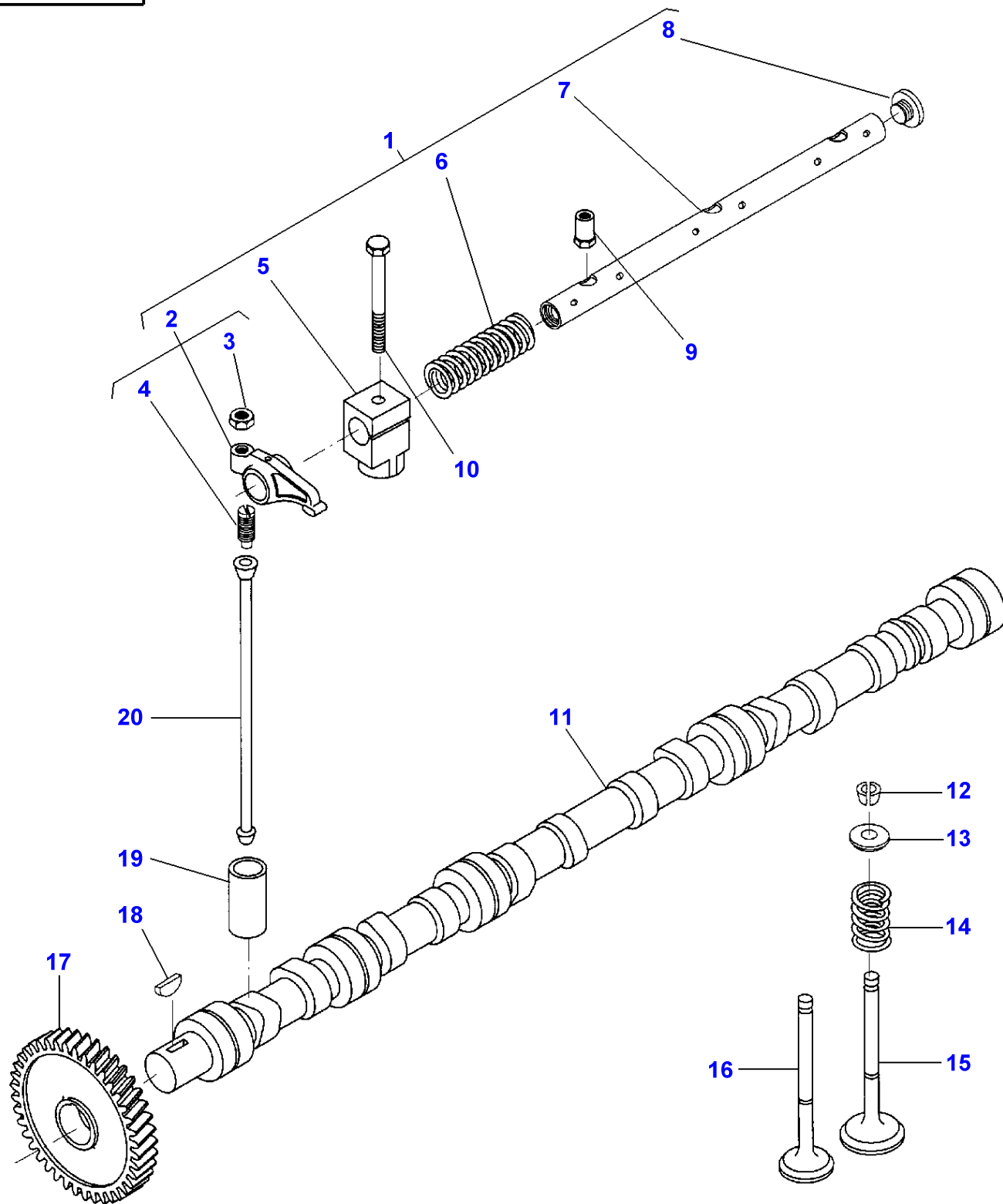
Crankshaft, Pistons And Connecting Rods

Item	Part Number	Qty	Description	Comments
1	V836852281	1	Crankshaft	
2	V836840596	6	Piston	MF 8250
	V836866181	6	Piston	MF 8250 XTRA
3	V836640078	1	Kit, Piston Ring	(2)
4	V836119459	2	Chock	STANDARD
	V836120332	X	Thrust Washer	(-) 0,1MM
	V836120333	X	Thrust Washer	(-) 0,2MM
5	V836655514	7	Main Bearing	STANDARD Diameter 84,985MM 85,020MM
	V836655536	X	Main Bearing	Diameter 84,735MM 84,770MM
	V836655537	X	Main Bearing	Diameter 84,485MM 84,520MM
	V836655538	X	Main Bearing	Diameter 83,985MM 84,020MM
	V836655539	X	Main Bearing	Diameter 83,485MM 83,520MM
6	3638612M1	6	Conrod	Up to Serial or Engine Number L11211 2150-2169g X
	V836652104	X	Conrod	Up to Serial or Engine Number L11211 2170-2189g A
	V836652105	X	Conrod	Up to Serial or Engine Number L11211 2190-2209g B
	V836652106	X	Conrod	Up to Serial or Engine Number L11211 2210-2229g C
	V836652107	X	Conrod	Up to Serial or Engine Number L11211 2230-2249g D
	V836652108	X	Conrod	Up to Serial or Engine Number L11211 2250-2269g E
	V836652109	X	Conrod	Up to Serial or Engine Number L11211 2270-2289g H
	V836652110	X	Conrod	Up to Serial or Engine Number L11211 2290-2309g I
	V836652111	X	Conrod	Up to Serial or Engine Number L11211 2310-2329g J
	V836652112	X	Conrod	Up to Serial or Engine Number L11211 2330-2349g K
	V836840928	X	Kit, Conrod	Up to Serial or Engine Number L11211 2350-2369g L Replace and repair. Old not interchangeable with new V836652113
	V836652114	X	Conrod	Up to Serial or Engine Number L11211 2370-2389g M
	V836652115	X	Conrod	Up to Serial or Engine Number L11211 2390-2409g N
	V836652116	X	Conrod	Up to Serial or Engine Number L11211 2410-2429g O
	V836652117	X	Conrod	Up to Serial or Engine Number L11211 2430-2449g P
	V836652118	X	Conrod	Up to Serial or Engine Number L11211 2450-2469g R
	V836652119	X	Conrod	Up to Serial or Engine Number L11211 2470-2489g S
	V836652120	X	Conrod	Up to Serial or Engine Number L11211 2490-2509g T
	V836652121	X	Conrod	Up to Serial or Engine Number L11211 2510-2529g U
7	V836646271	1	Bush	(6) Up to Serial or Engine Number L11211
8	V836646204	2	Screw	(6) Up to Serial or Engine Number L11211
9	V836646205	2	Nut	(6) Up to Serial or Engine Number L11211
10	V836119550	1	Pinion	
11	V836122840	1	Pinion	
12	V836122732	1	Ring	
13	V581804620	3	Screw	M8X25
14	V836322586	1	Hub	
15	V836355026	1	Pulley	

Crankshaft, Pistons And Connecting Rods

Item	Part Number	Qty	Description	Comments
16	V581804640	6	Screw	M8X35
17	V836847641	1	Nut	
18	V595954600	1	Pin	
19	V603345110	1	Key	
20	V836110552	6	Bearing	STANDARD Diameter 67,981MM 68,000MM
20	V836112762	X	Bearing	Diameter 67,731MM 67,750MM
20	V836112763	X	Bearing	Diameter 67,481MM 67,500MM
20	V836112765	X	Bearing	Diameter 66,981MM 67,000MM
20	V836112767	X	Bearing	Diameter 66,481MM 66,500MM
21	V836340689	1	Damper	
22	V836666430	X	Conrod	From Serial or Engine Number L11212 1935-1954g F
22	V836666431	X	Conrod	From Serial or Engine Number L11212 1955-1974g V
22	V836666432	X	Conrod	From Serial or Engine Number L11212 1975-1994g X
22	V836666433	X	Conrod	From Serial or Engine Number L11212 1995-2014g Y
22	V836666434	X	Conrod	From Serial or Engine Number L11212 2015-2034g W
22	V836666435	X	Conrod	From Serial or Engine Number L11212 3035-2054g Z
22	V836666436	X	Conrod	From Serial or Engine Number L11212 2055-2074g G
23	V836864141	2	Screw	(22) From Serial or Engine Number L11212
24	V836110646	1	Bush	(22) From Serial or Engine Number L11212

1-ZH22-001-A



Valve Mechanism And Camshaft

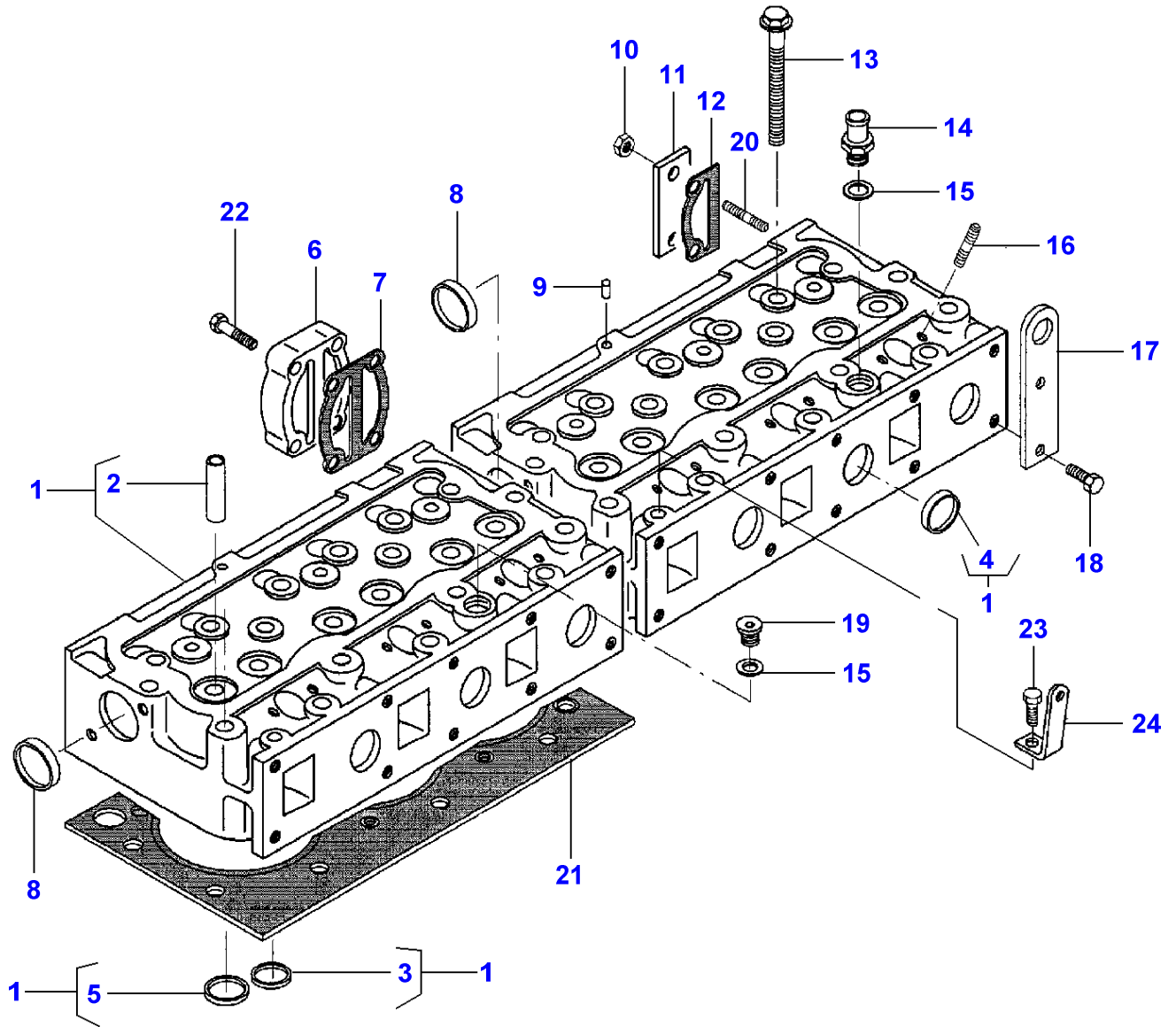
Item	Part Number	Qty	Description	Comments
1	V836666610	2	Rocker Shaft	Replace and repair. Old not interchangeable with new V836655911
2	V836666608	12	Rocker	(1) Replace and repair. Old not interchangeable with new V836655873
3	V512861000	12	Nut	(2)
4	V836655866	12	Adjusting Screw	(2)
5	V836655869	6	Bracket	(1) Up to Serial or Engine Number M 5019
	V836666609	6	Bracket	(1) From Serial or Engine Number M 5020
6	V836655884	4	Spring	(1)
7	V836655870	2	Shaft	(1)
8	V836655899	4	Plug	(1)
9	V836655406	4	Nut	
10	V529801910	2	Screw	M10 X 80
11	V836846376	1	Camshaft	MF 8250
	V836866054	1	Camshaft	MF 8250 XTRA
12	V836646382	24	Cotter	
13	V836646381	12	Cup	
14	V836646380	12	Spring	
15	V836646356	6	Valve Inlet	
16	V836646357	6	Valve Exhaust	
17	V836647920	1	Gear	
18	V603305760	1	Key	
19	V836014264	12	Tappet	
20	V836655867	12	Rod	

FOOTNOTE [A] FOR VALVE INLET

FOOTNOTE [B] FOR VALVE EXHAUST

MF 8250 TRACTOR - 1637366
1-ZH03-004-A

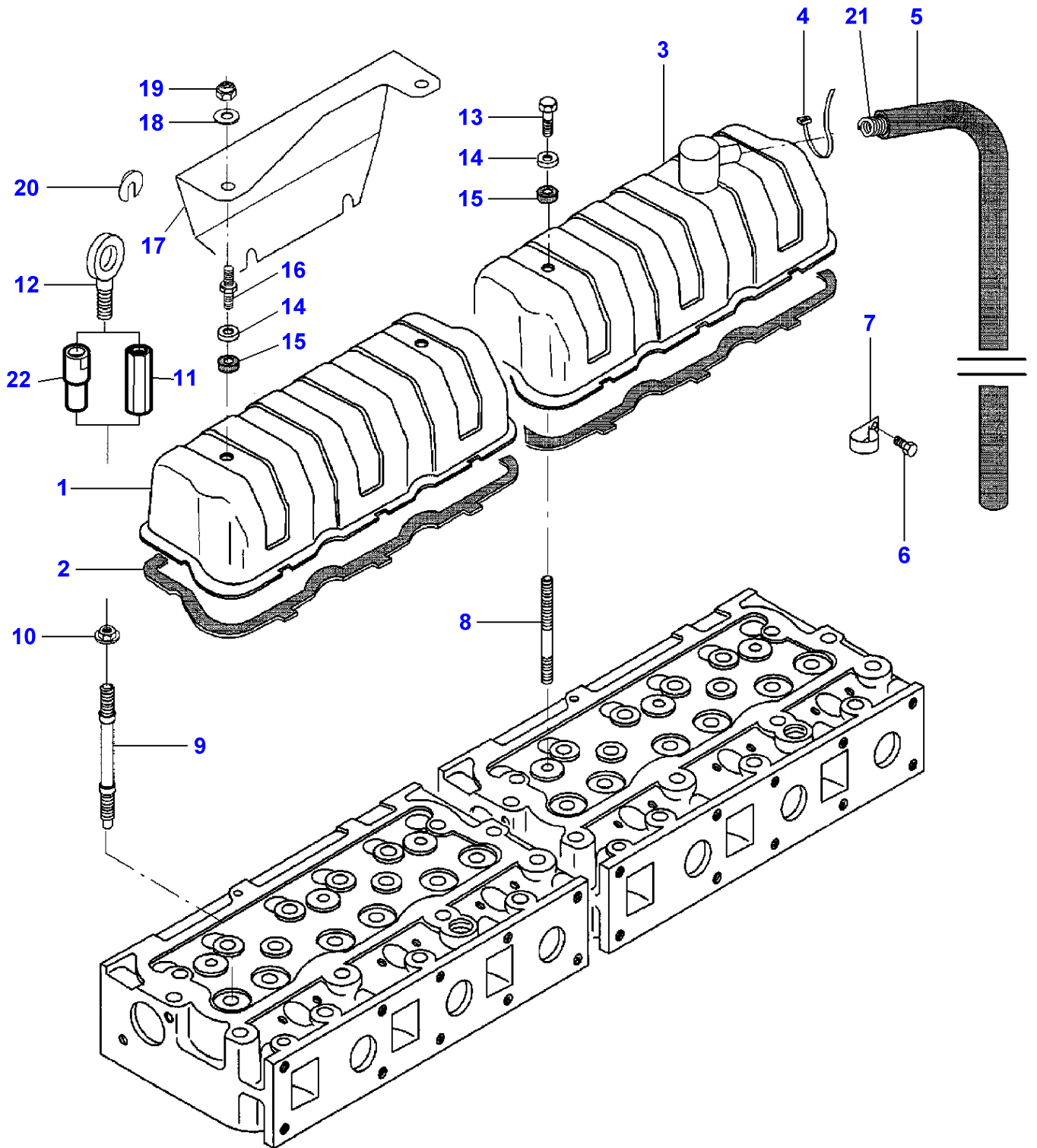
1-ZH03-004-A



Cylinder Head

Item	Part Number	Qty	Description	Comments
1	V836855381	2	Cylinder Head	
2	V836647601	12	Guide	(1)
3	V836647600	6	Pressure Valve	(1)
4	V836647942	10	Plug	(1)
5	V836647936	6	Valve Seat	(1)
6	V836855348	1	Connector	
7	V836866214	1	Gasket	
8	V640016045	2	Plug	
9	V595959140	2	Pin	M10
10	V504801000	2	Nut	M10
11	V836855350	1	Plate	
12	V836866215	1	Gasket	
13	V836859104	32	Screw	
14	V836119837	1	Union	
15	V615881822	2	Seal	
16	V546901435	12	Stud	M8X40
17	V836859722	1	Plate	
18	V528801800	2	Screw	M10X25
19	V640325018	1	Plug	
20	V836659785	2	Stud	
21	V836666302	2	Head Gasket	Replace and repair. Old not interchangeable with new V836664155
22	V528801830	4	Screw	M10X40
23	V528801362	1	Screw	Up to Serial or Engine Number K xxxx M8X16
24	V836859726	1	Support	Up to Serial or Engine Number K xxxx

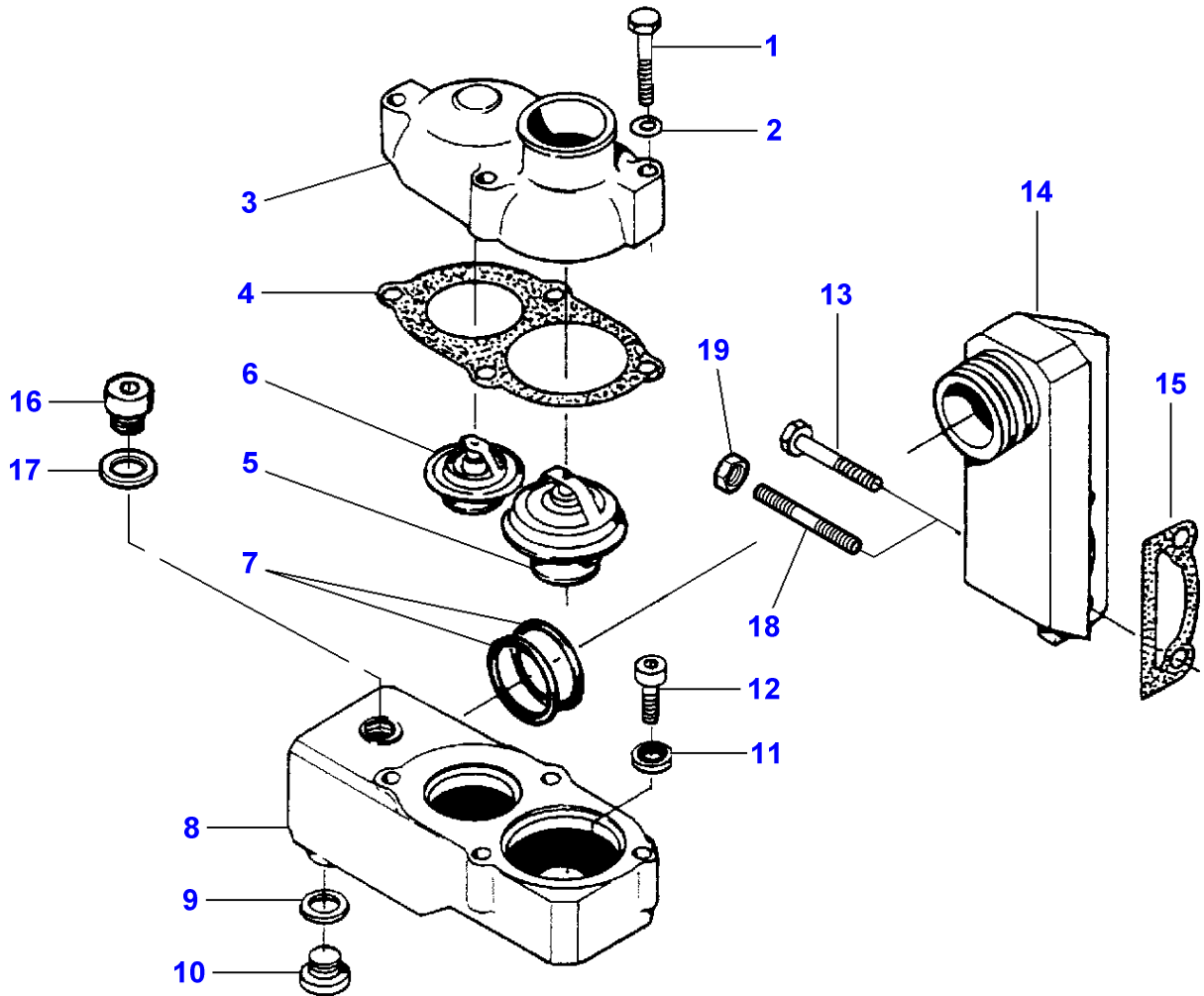
1-ZH23-002-D



Cylinder Head Cover

Item	Part Number	Qty	Description	Comments
1	V836846448	1	Valve Cover	
2	V836646360	2	Gasket	
3	V836859501	1	Valve Cover	
4	V651754720	1	Band	
5	V836659529	1	Hose Flexible	
6	V528801760	1	Screw	M10X16
7	V836659539	1	Band	
8	V546801900	4	Stud	M10X75
9	V836859109	2	Stud	
10	V836859110	2	Nut	
11	V836647835	3	Nut Special	
12	V836640252	1	Shackle	MF 8250
	V836640752	1	Shackle	MF 8250 XTRA
13	V528801780	2	Screw	Up to Serial or Engine Number M10X20
14	V836119855	4	Washer	
15	V836012841	4	Gasket	
16	V836659175	4	Bolt	
17	V836859843	2	Fence	
18	V500151050	4	Washer	
19	V510601002	4	Nut	
20	V836859587	1	Spring	
21	V836864223	4	Clip	From Serial or Engine Number K xxxx
22	V836666340	2	Nut Special	MF 8250 XTRA

1-ZH27-001-B



Thermostat

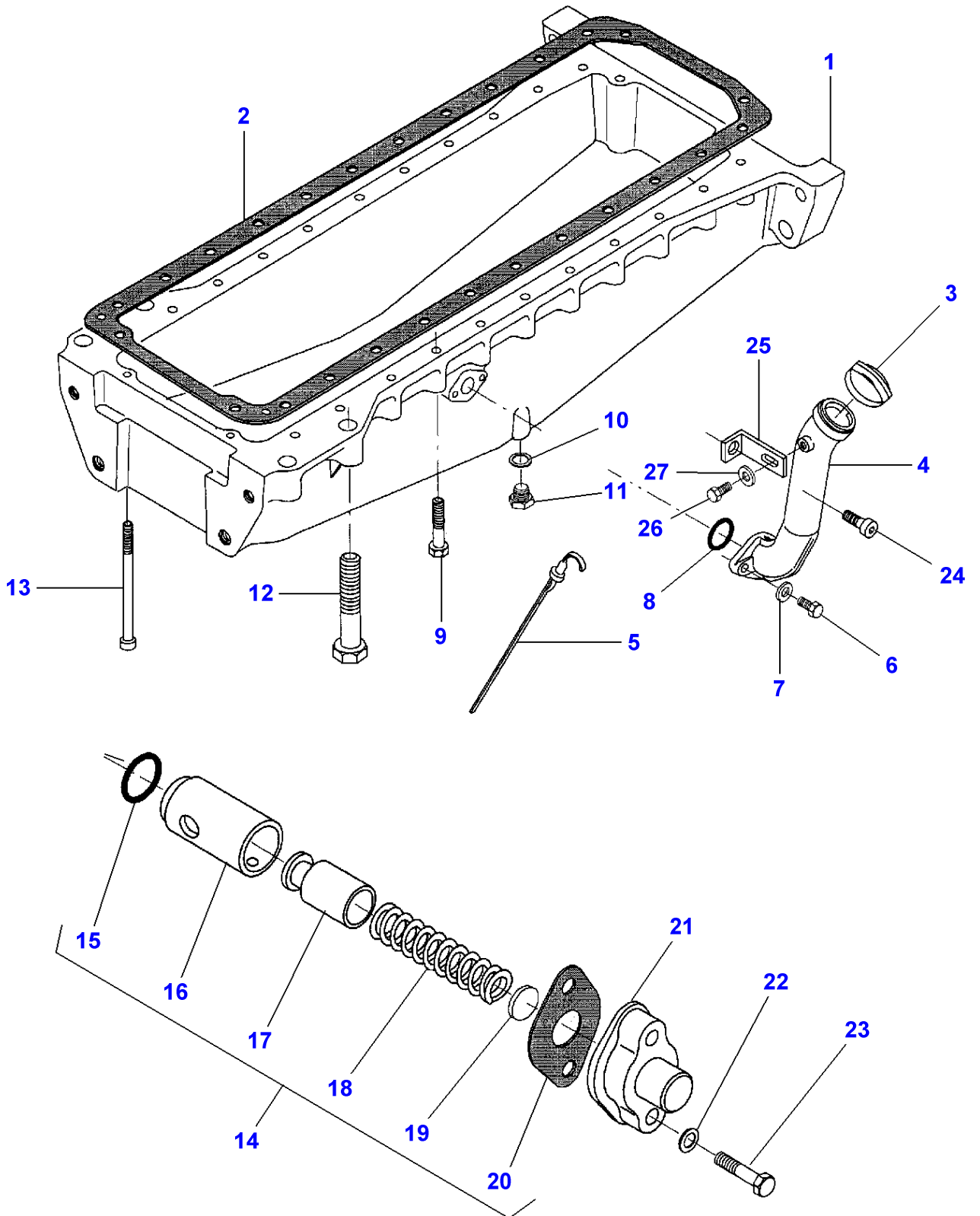
Item	Part Number	Qty	Description	Comments
1	V529801450	4	Screw	M8X50
2	V500950800	4	Washer	
3	V836329631	1	Cover	
4	V836329632	1	Gasket	
5	V836331590	1	Thermostat	[A]
6	V836015156	1	Thermostat	[B]
7	V614604958	2	O Ring	
8	V836847880	1	Housing	
9	V615881822	1	Seal	
10	V640325018	1	Plug	
11	V836015967	2	Washer	
12	V581804620	2	Screw	M8X25
13	V529801850	2	Screw	Up to Serial or Engine Number K xxxx M10X50
14	V836855368	1	Pipe	
15	V836866215	1	Gasket	
16	V640325014	1	Plug	
17	V615881418	1	Seal	
18	V836664225	2	Stud	From Serial or Engine Number K xxxx M10X80
19	V504801000	2	Nut	From Serial or Engine Number K xxxx

FOOTNOTE [A] OPENS AT 83 DEGREES

FOOTNOTE [B] OPENS AT 79 DEGREES

MF 8250 TRACTOR - 1637366
1-ZH11-004-A

1-ZH11-004-A



Massey Ferguson**MF 8250 TRACTOR - 1637366**

1637366

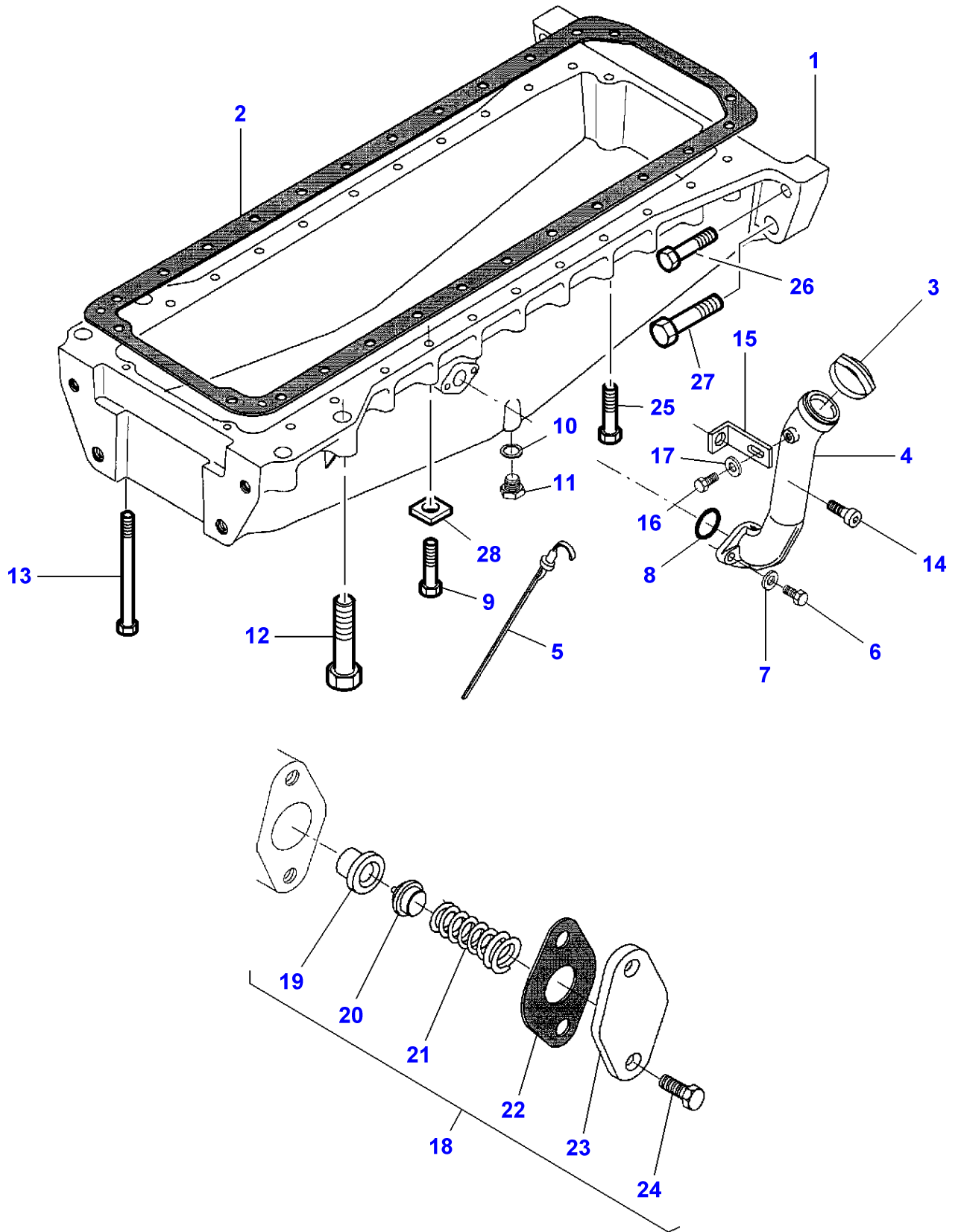
Lubricating Oil Sump - Up to Serial or Engine Number J14443

Page010-0085

Item	Part Number	Qty	Description	Comments
1	V836852518	1	Housing	
2	V836322183	1	Gasket	
3	V836659697	1	Cap	
4	V836855400	1	Breather	
5	V836855747	1	Dipstick	
6	V528801380	2	Screw	M8X20
7	V500950800	2	Washer	
8	V614603230	1	O Ring	
9	V529701880	22	Screw	M10X65
10	V615881827	1	Seal	
11	V836655493	1	Plug	
12	V529903990	4	Screw	M20X140
13	V581704830	2	Screw	M8X160
14	V836840851	1	Control Valve	
15	V614601524	1	O Ring	(14)
16	V836117834	1	Cylinder	(14)
17	V836338850	1	Piston	(14)
18	V836655246	1	Spring	(14)
19	V836020290	1	Washer	(14)
20	V836322190	1	Gasket	(14)
21	V836129849	1	Cover	
22	V500950800	2	Washer	
23	V528801420	2	Screw	M8X35
24	V581805800	1	Screw	M14X20
25	V836859004	1	Angle	
26	V528801362	1	Screw	M8X16
27	V500150842	1	Washer	

MF 8250 TRACTOR - 1637366
1-ZH11-007-B

1-ZH11-007-B



Massey Ferguson**MF 8250 TRACTOR - 1637366**

1637366

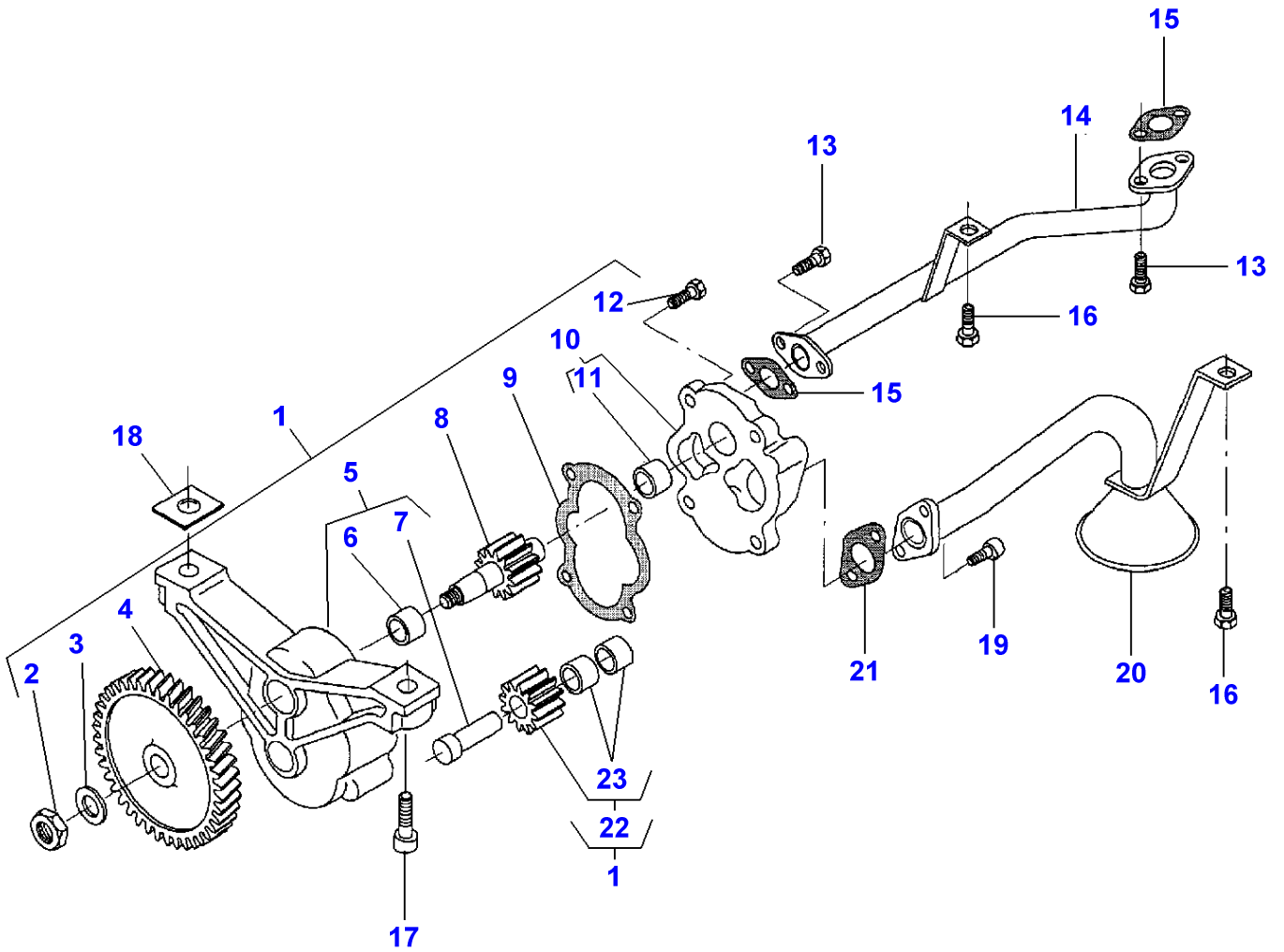
Lubricating Oil Sump - From Serial or Engine Number J14444

Page010-0090

Item	Part Number	Qty	Description	Comments
1	V836852518	1	Housing	Up to Serial or Engine Number K xxxx
	V836864200	1	Housing	From Serial or Engine Number K xxxx
2	V836322183	1	Gasket	
3	V836659697	1	Cap	
4	V836855400	1	Breather	
5	V836855747	1	Dipstick	
6	V528801380	2	Screw	M8X20
7	V500950800	2	Washer	
8	V614603230	1	O Ring	
9	V529701880	22	Screw	M10X65
10	V614603230	1	O Ring	MF 8250
	V615881827	1	Seal	MF 8250 XTRA
11	V836655493	1	Plug	
12	V529903990	4	Screw	M20X140
13	V581704830	2	Screw	M8X160
14	V581805800	1	Screw	M14X20
15	V836859004	1	Angle	
16	V528801362	1	Screw	M8X16
17	V500150840	1	Washer	
18	V836662130	1	Control Valve	
19	V836659521	1	Valve Seat	(18)
20	V836659522	1	Plate	(18)
21	V836864056	1	Spring	(18)
22	V836322190	1	Gasket	(18)
23	V836659524	1	Cover	(18)
24	V528801380	2	Screw	(18) M8X20
25	V581705210	2	Screw	From Serial or Engine Number K xxxx M10X140
26	V529803090	2	Screw	
27	V529804330	4	Screw	
28	V836859560	20	Washer	
	V836859561	2	Washer	

FOOTNOTE [A] WITH FULL POWERSHIFT

1-ZH25-002-A



Massey Ferguson**MF 8250 TRACTOR - 1637366**

1637366

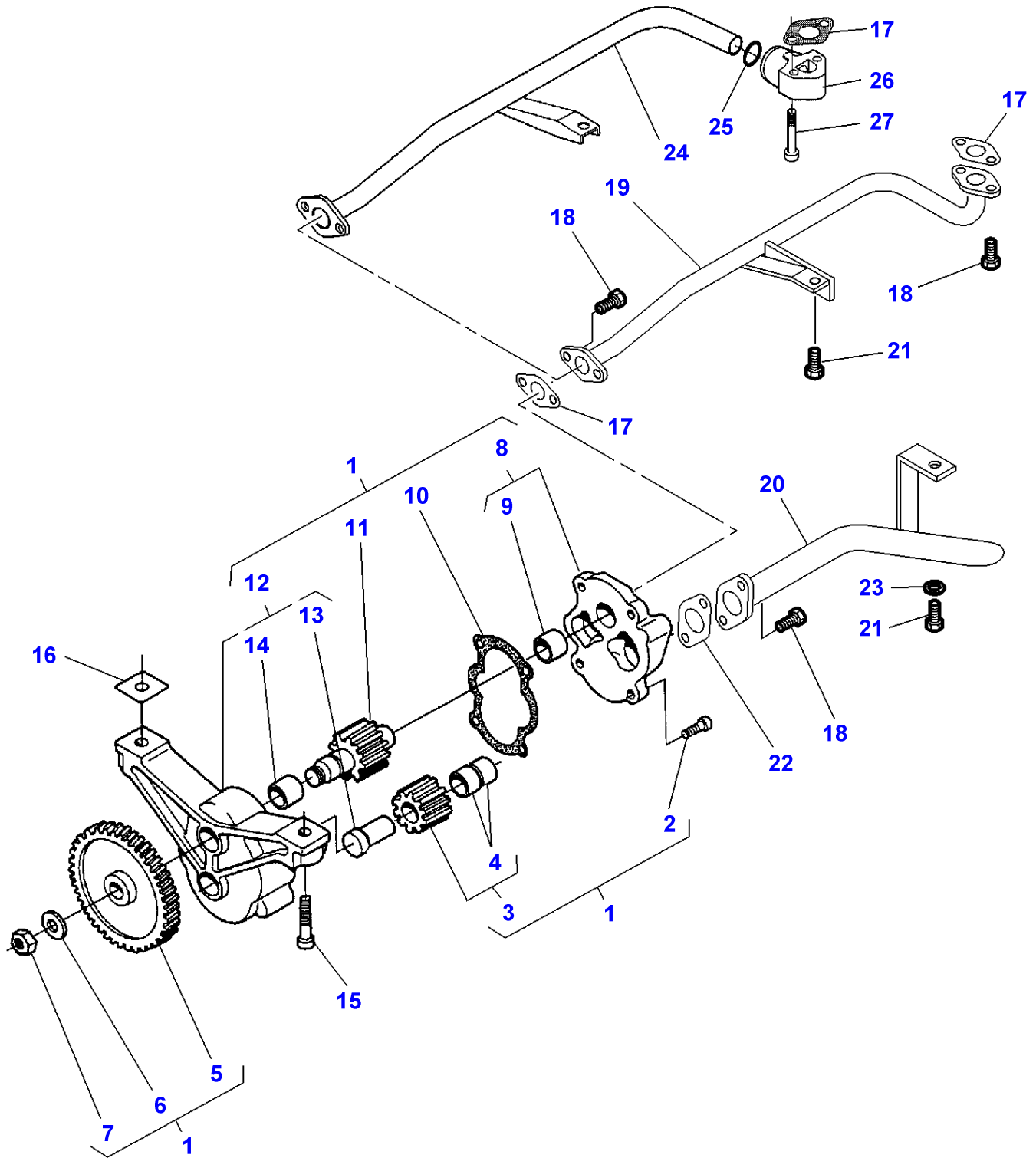
Lubricating Oil Pump - Up to Serial or Engine Number J7890

Page010-0095

Item	Part Number	Qty	Description	Comments
1	V836338187	1	Oil Pump	
2	V504861000	1	Nut	(1)
3	V836122910	1	Washer	(1)
4	V836338667	1	Gear	(1)
5	V836338186	1	Frame	(1)
6	V836322909	1	Bush	(5)
7	V836322906	1	Shaft	(5)
8	V836338182	1	Gear	(1)
9	V836338188	1	Gasket	(1)
10	V836338184	1	Cover	(1)
11	V836322909	1	Bush	(10)
12	V528801380	4	Screw	(1) M8X20
13	V528801380	4	Screw	M8X20
14	V836852299	1	Pipe	
15	V836008449	2	Gasket	
16	V528801362	2	Screw	M8X16
17	V581805050	2	Screw	M10X40
18	V836007871	X	Shim	
19	V581804620	2	Screw	M8X25
20	V836338613	1	Strainer	
21	V836338201	1	Gasket	
22	V836338180	1	Gear	(1)
23	V836322909	2	Bush	(22)

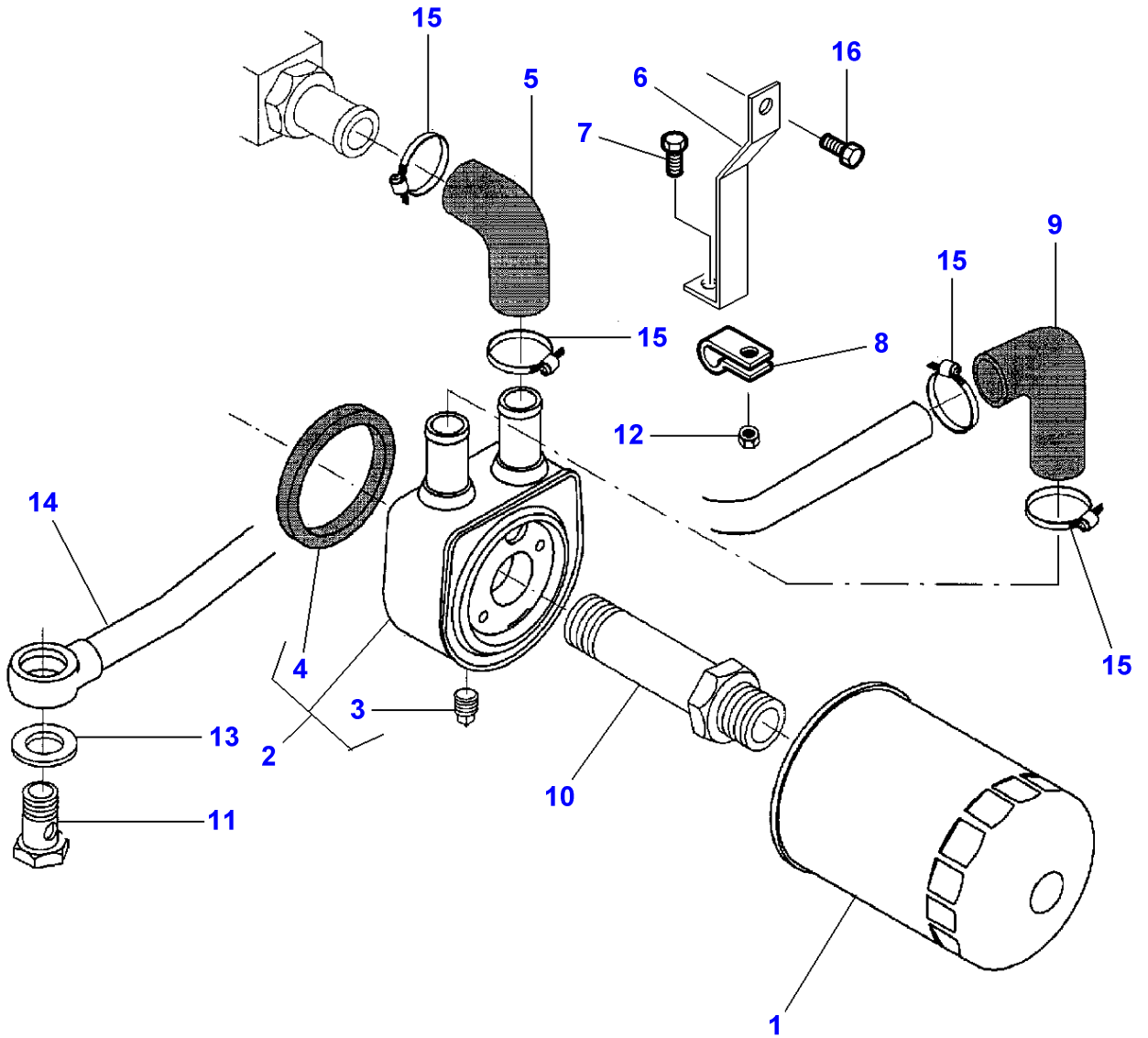
MF 8250 TRACTOR - 1637366
1-ZH25-006-A

1-ZH25-006-A



Item	Part Number	Qty	Description	Comments
1	V836855300	1	Oil Pump	
2	V528801380	4	Screw	(1) M8X20
3	V836338180	1	Gear	(1)
4	V836322909	2	Bush	(3)
5	V836338667	1	Gear	(1)
6	V836122910	1	Washer	(1)
7	V504861000	1	Nut	(1)
8	V836855297	1	Cover	(1)
9	V836322909	1	Bush	(8)
10	V836338188	1	Gasket	(1)
11	V836338182	1	Gear	(1)
12	V836338186	1	Frame	(1)
13	V836322906	1	Shaft	(12)
14	V836322909	1	Bush	(12)
15	V581805050	2	Screw	M10X40
16	V836007871	X	Shim	
17	V836008449	2	Gasket	
18	V581804600	6	Screw	Up to Serial or Engine Number M 9330 M8X20
19	V836859666	1	Pipe,Oil	Up to Serial or Engine Number M 9330
20	V836855674	1	Strainer	Up to Serial or Engine Number K xxxx
	V836864316	1	Pipe	From Serial or Engine Number K xxxx
21	V528801362	2	Screw	M8X16
22	V836338201	1	Gasket	
23	V500150840	1	Washer	
24	V836866569	1	Pipe,Oil	From Serial or Engine Number M 9331
25	V614702230	1	O Ring	From Serial or Engine Number M 9331
26	V836866563	1	Connector	From Serial or Engine Number M 9331
27	V581804680	2	Screw	From Serial or Engine Number M 9331 M8 X 55

1-ZH26-002-B

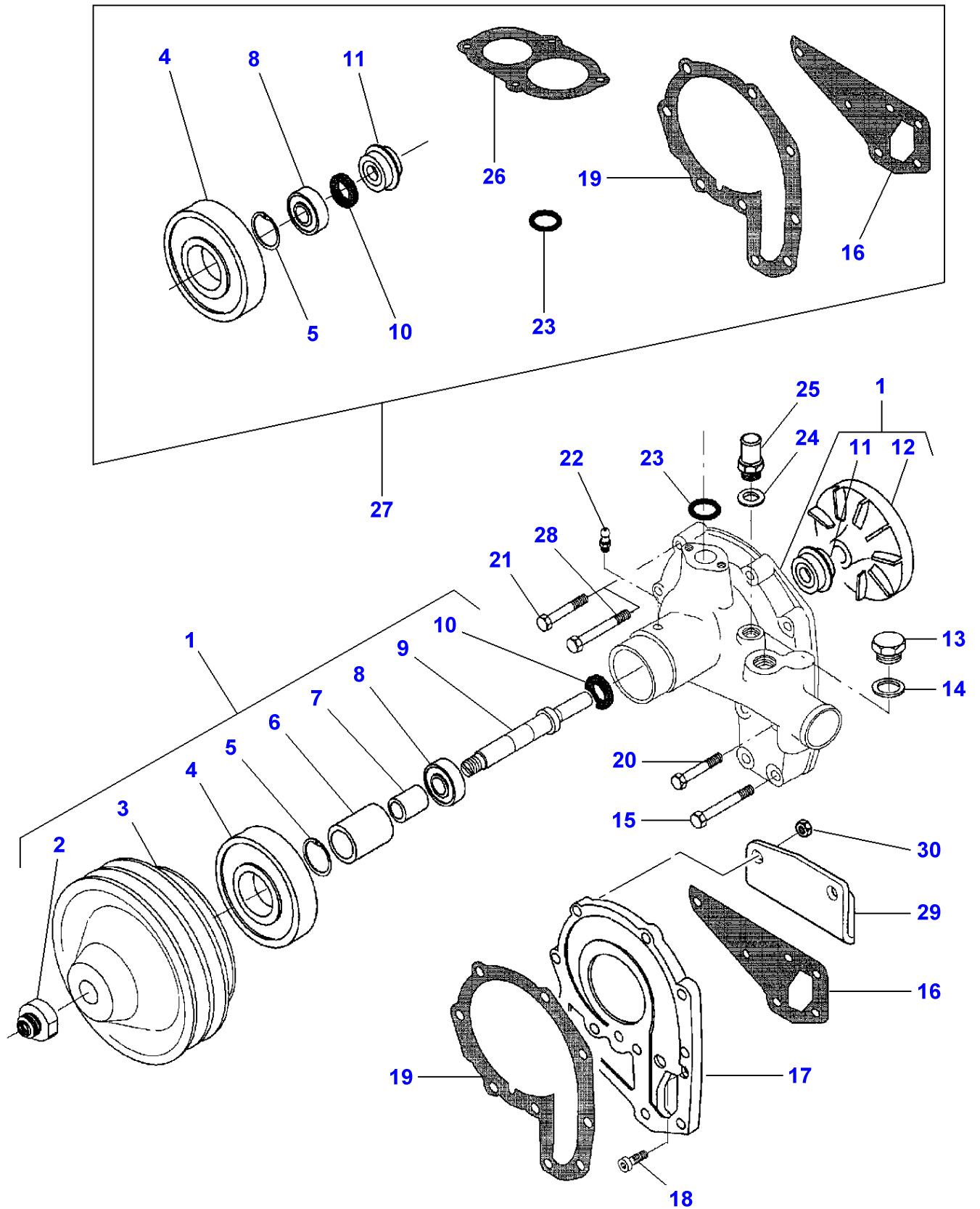


Massey Ferguson**MF 8250 TRACTOR - 1637366****1637366****Lubricating Oil Cooler And Filter****Page010-0105**

Item	Part Number	Qty	Description	Comments
1	V836662111	1	Filter	
2	V836859699	1	Oil Cooler	
3	V640025006	1	Plug	(2)
4	V835331586	1	Ring	(2)
	V836862235	1	Ring	Up to Serial or Engine Number K xxxx (2) From Serial or Engine Number K xxxx
5	V836859899	1	Hose	
6	V836847986	1	Support	
7	V528801362	1	Screw	M8X16
8	V602074615	1	Clamp	
9	V836129329	1	Hose	
10	V836859700	1	Nipple	
11	V640435015	1	Screw	
12	V504800800	1	Nut	
13	V615881822	2	Seal	
14	V836852437	1	Pipe	
15	V602079516	4	Clamp	
16	V528801750	1	Screw	M10X12

MF 8250 TRACTOR - 1637366
1-ZH28-001-B

1-ZH28-001-B

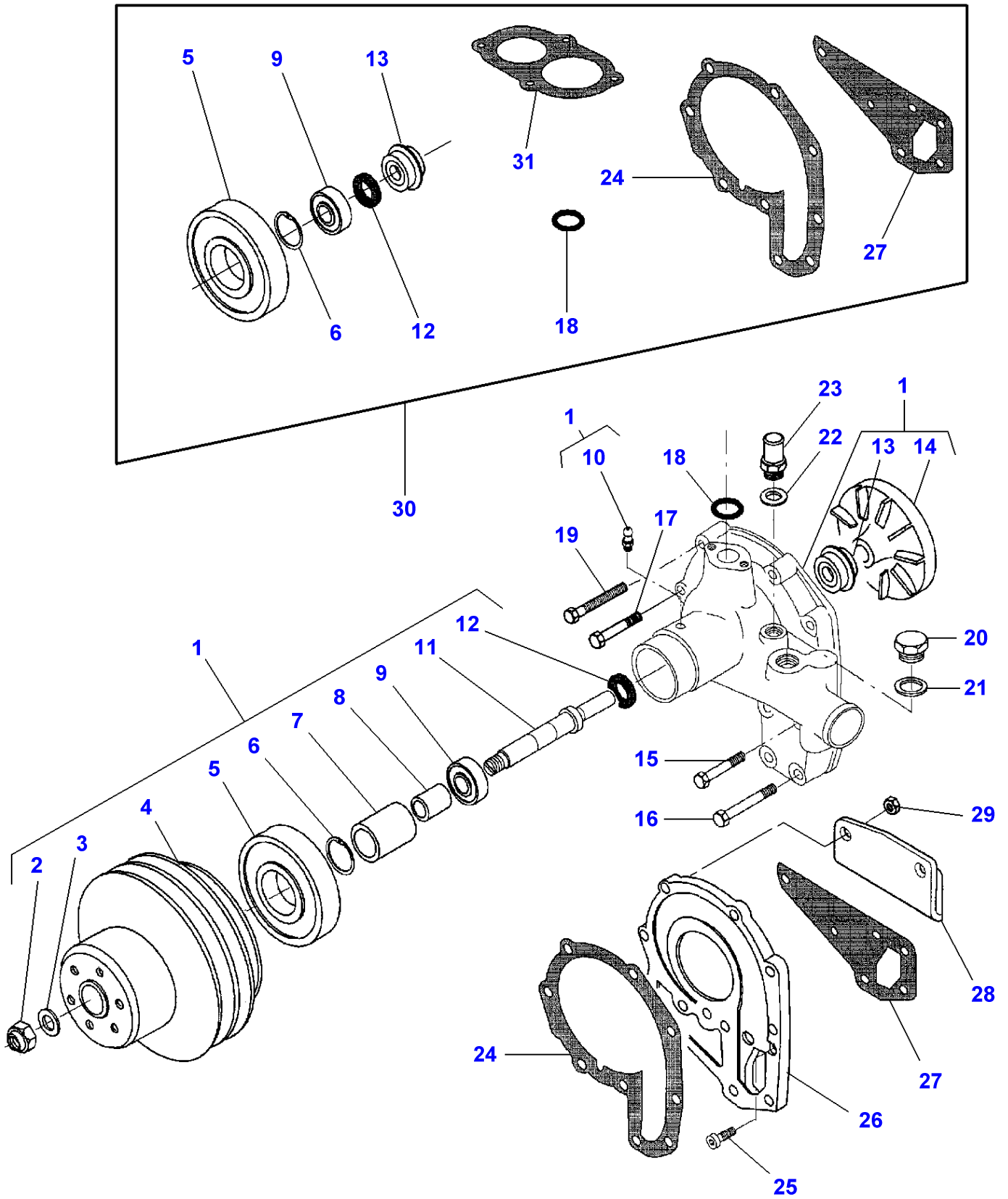


Water Pump - M.F 8250

Item	Part Number	Qty	Description	Comments
1	V836859590	1	Water Pump	
2	V836755687	1	Nut	(1)
3	V836859589	1	Pulley,Waterpump	(1)
4	V610062134	1	Bearing Assy	(1)
5	V617330052	1	Circlip	(1)
6	V836336318	1	Sleeve	(1)
7	V836336317	1	Spacer	(1)
8	GT1159	1	Bear. 6304 Z	(1)
9	V836859593	1	Shaft	(1)
10	V614102636	1	Oil Seal	(1)
11	V835339425	1	Gasket	(1)
12	V836336047	1	Impeller	(1)
13	V640305027	1	Plug	
14	V615892732	1	O Ring	
15	V529801460	2	Screw	M8X55
16	V836846305	1	Gasket	
17	V836847909	1	Housing	
18	V581804620	3	Screw	M8X25
	V577904620	3	Screw	Up to Serial or Engine Number K 16052
	V836338525	1	Gasket	From Serial or Engine Number K 16053
19	V836338525	1	Gasket	
20	V529801450	1	Screw	M8X50
21	V529801430	6	Screw	M8X40
22	V644441006	1	Greaser	(1)
23	V614602930	1	O Ring	
24	V615881822	1	Seal	
25	V836119837	1	Union	
26	V836329632	1	Gasket	See Page - Reference Number 010-0080/4
27	V836340257	1	Kit, Repair	
28	V529801470	2	Screw	From Serial or Engine Number M 1001
				M8 X 60
29	V836866495	1	Support	From Serial or Engine Number M 1001
30	V504800800	2	Nut	From Serial or Engine Number M 1001
				M8

MF 8250 TRACTOR - 1637366
1-ZH28-005-A

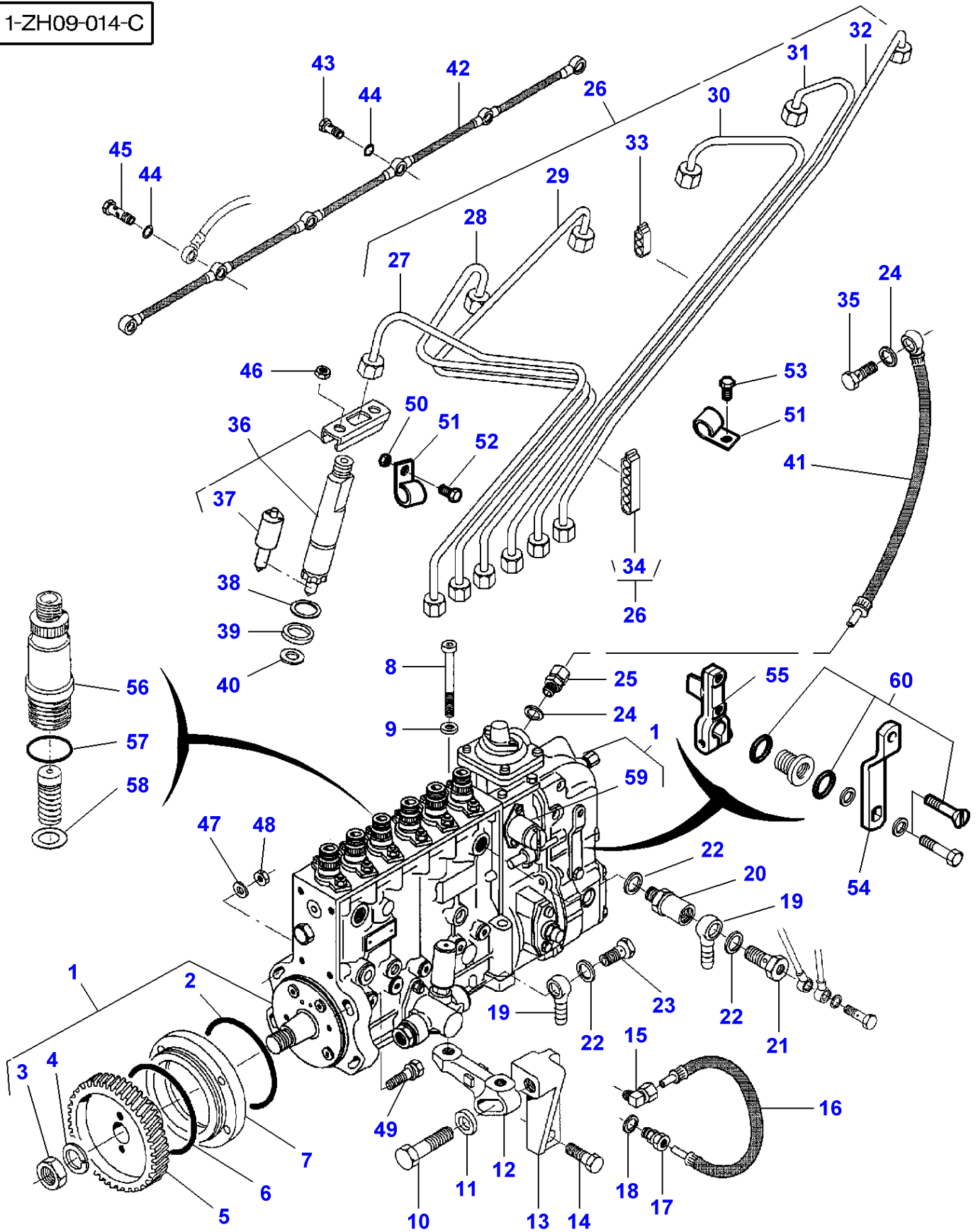
1-ZH28-005-A



Item	Part Number	Qty	Description	Comments
1	V836866572	1	Water Pump	
2	V510611402	1	Nut	(1)
3	V836652343	1	Washer	(1)
4	V836866571	1	Pulley,Waterpump	(1)
5	V610062134	1	Bearing Assy	(1)
6	V617330052	1	Circlip	(1)
7	V836336318	1	Sleeve	(1)
8	V836336317	1	Spacer	(1)
9	V610063044	1	Bearing Assy	(1)
10	V644441006	1	Greaser	(1)
11	V836119259	1	Shaft	(1)
12	V614102636	1	Oil Seal	(1)
13	V835339425	1	Gasket	(1)
14	V836336047	1	Impeller	(1)
15	V529801450	2	Screw	M8X50
16	V529801460	2	Screw	M8 X 55
17	V529801430	4	Screw	M8 X 40
18	V614602930	1	O Ring	
19	V529801470	2	Screw	M8 X 60
20	V640305027	1	Plug	
21	V615892732	1	O Ring	
22	V615881822	1	Seal	
23	V836119837	1	Union	
24	V836338525	1	Gasket	
25	V577904620	3	Screw	M8 X 25
26	V836847909	1	Housing	
27	V836846305	1	Gasket	
28	V836866495	1	Support	
29	V504800800	2	Nut	M8
30	V836340257	1	Kit, Repair	
31	V836329632	1	Gasket	

MF 8250 TRACTOR - 1637366
1-ZH09-014-C

1-ZH09-014-C



Fuel Injection Equipment (Diesel) - M.F 8250

Item	Part Number	Qty	Description	Comments
1	V836854807	1	Injection Pump	[A,D]
	V836854807	1	Injection Pump	[B,E]
2	V614609930	1	O Ring	(1)
3	V505612000	1	Nut	(1)
4	V500452002	1	Washer	(1)
5	V836859251	1	Gear	
6	V614609930	1	O Ring	
7	V836855996	1	Ring	
8	V581805150	2	Screw	M10X90
9	V500151050	2	Washer	
10	V529803072	1	Screw	M16X60
11	V836655994	1	Washer	
12	V836859252	1	Support	
13	V836855993	1	Support	
14	V528802640	2	Screw	M14X45
15	V641166006	1	Elbow Nipple	
16	V836120491	1	Pipe,Oil	
17	V641086006	1	Connection	
18	V615871014	1	O Ring	
19	V640255210	2	Pipe	
20	V836330959	1	Valve	[A] Up to Serial or Engine Number J15690
	V836336934	1	Union	[A] From Serial or Engine Number J15691
	V836330959	1	Valve	[B] Up to Serial or Engine Number J14443
	V836336934	1	Union	[B] From Serial or Engine Number J14444
21	V836007420	1	Screw	[A] Up to Serial or Engine Number J15690
	V836652096	1	Screw	[A] From Serial or Engine Number J15691
	V836007420	1	Screw	[B] Up to Serial or Engine Number J14443
	V836652096	1	Screw	[B] From Serial or Engine Number J14444
22	V615881420	5	Gasket	
23	V640435010	1	Screw	
24	V615881216	3	Gasket	
25	V641086012	1	Union	
26	V836866603	1	Kit, Pipe	Replace and repair. Old not interchangeable with new V836859447
27	V836859441	1	Injection Pipe	(26) CYL. NO 1
28	V836859442	1	Injection Pipe	(26) CYL. NO 2
29	V836859443	1	Injection Pipe	(26) CYL. NO 3
30	V836859444	1	Injection Pipe	(26) CYL. NO 4
31	V836859445	1	Injection Pipe	(26) CYL. NO 5
32	V836859446	1	Injection Pipe	(26) CYL. NO 6
33	V836664518	2	Clamp	(26)
34	V836664521	1	Clamp	(26)
35	V640435008	1	Screw	
36	V836854791	6	Atomiser	
37	V836854792	1	Nozzle	(36)
38	V836652170	6	Washer	
39	V835336276	6	Seal	
40	V899901495	6	Washer	
41	V836852301	1	Tube	
42	V836847522	1	Pipe	
43	V835331289	5	Screw	
44	V615870610	13	Seal	
45	V835336943	1	Screw	
46	V504800800	12	Nut	
47	V500051052	4	Washer	
48	V504801000	3	Nut	
49	V836659346	1	Screw	

Item	Part Number	Qty	Description	Comments
50	V504600502	1	Nut	From Serial or Engine Number K xxxx M5
51	V602070605	2	Band	From Serial or Engine Number K xxxx
52	V563503402	1	Screw	From Serial or Engine Number K xxxx M5X20
53	V563503372	1	Screw	From Serial or Engine Number K xxxx M5X12
54	V835331496	1	Lever	[A] Up to Serial or Engine Number K 4201
54	V835331496	1	Lever	[B] Up to Serial or Engine Number K 4071
55	V836330164	1	Lever	[A] From Serial or Engine Number K 4202
55	V836330164	1	Lever	[B] From Serial or Engine Number K 4072
56	V836864624	1	Pressure Valve	[F]
57	V836864625	1	O Ring	[F]
58	V836864626	1	Washer	[F]
59	V836139973	1	Solenoid	(1)
60	V836662387	1	Kit, Service	[A] Up to Serial or Engine Number K 4201
60	V836662387	1	Kit, Service	[B] Up to Serial or Engine Number K 4071

FOOTNOTE [A] WITH DYNASHIFT

FOOTNOTE [B] WITH FULL POWERSHIFT

FOOTNOTE [C] UP TO K3648 ORDER ALSO 3784325M1 + 3784326M1 + 33 9560X1 (QTY2)

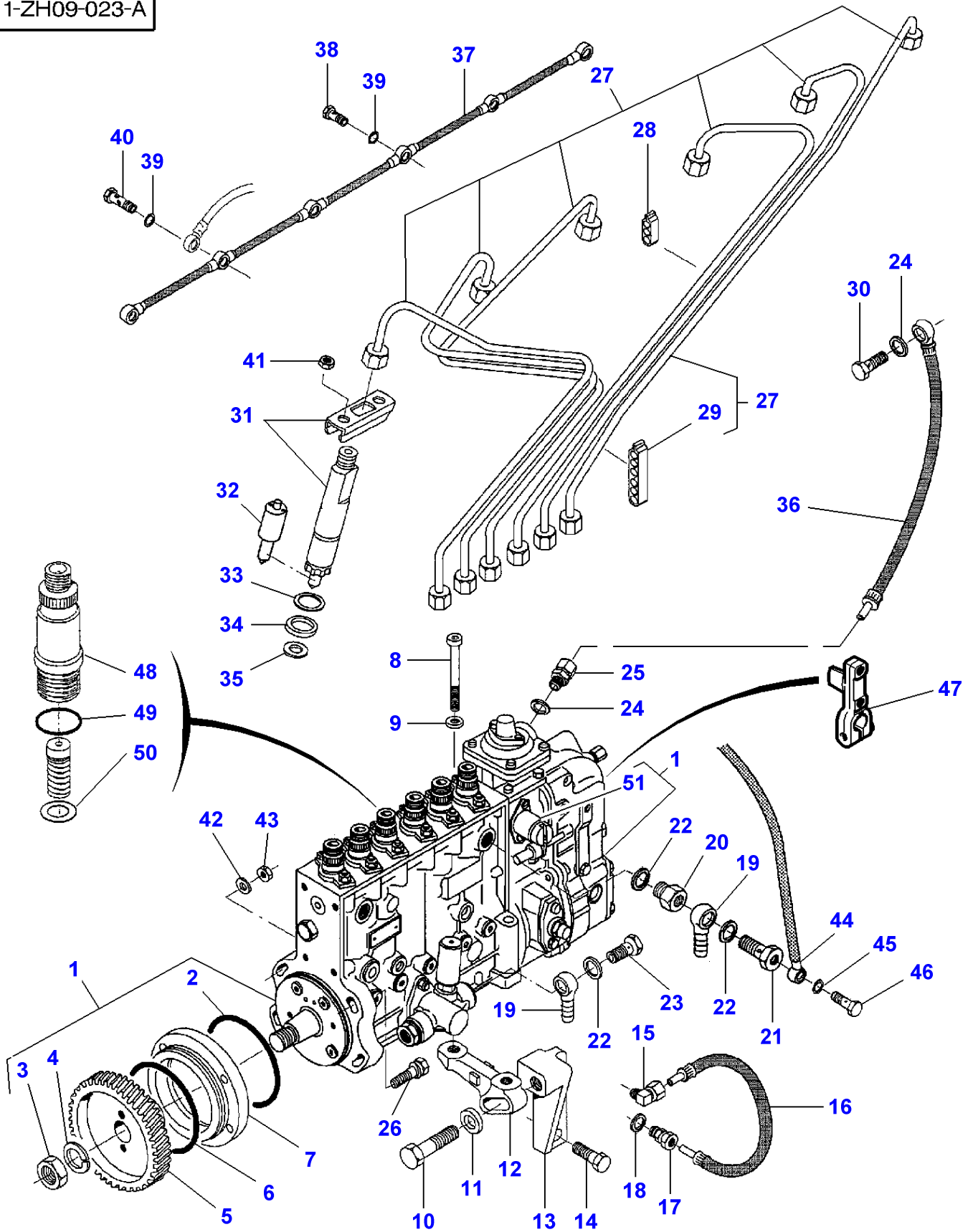
FOOTNOTE [D] UP TO K4201 ORDER ALSO 3784325M1 + 3784326M1 + 33 9560X1 (QTY2)

FOOTNOTE [E] UP TO K4071 ORDER ALSO 3784325M1 + 3784326M1 + 33 9560X1 (QTY2)

FOOTNOTE [F] USED BOSCH P3000 SERIES INJECTION PUMP

MF 8250 TRACTOR - 1637366
1-ZH09-023-A

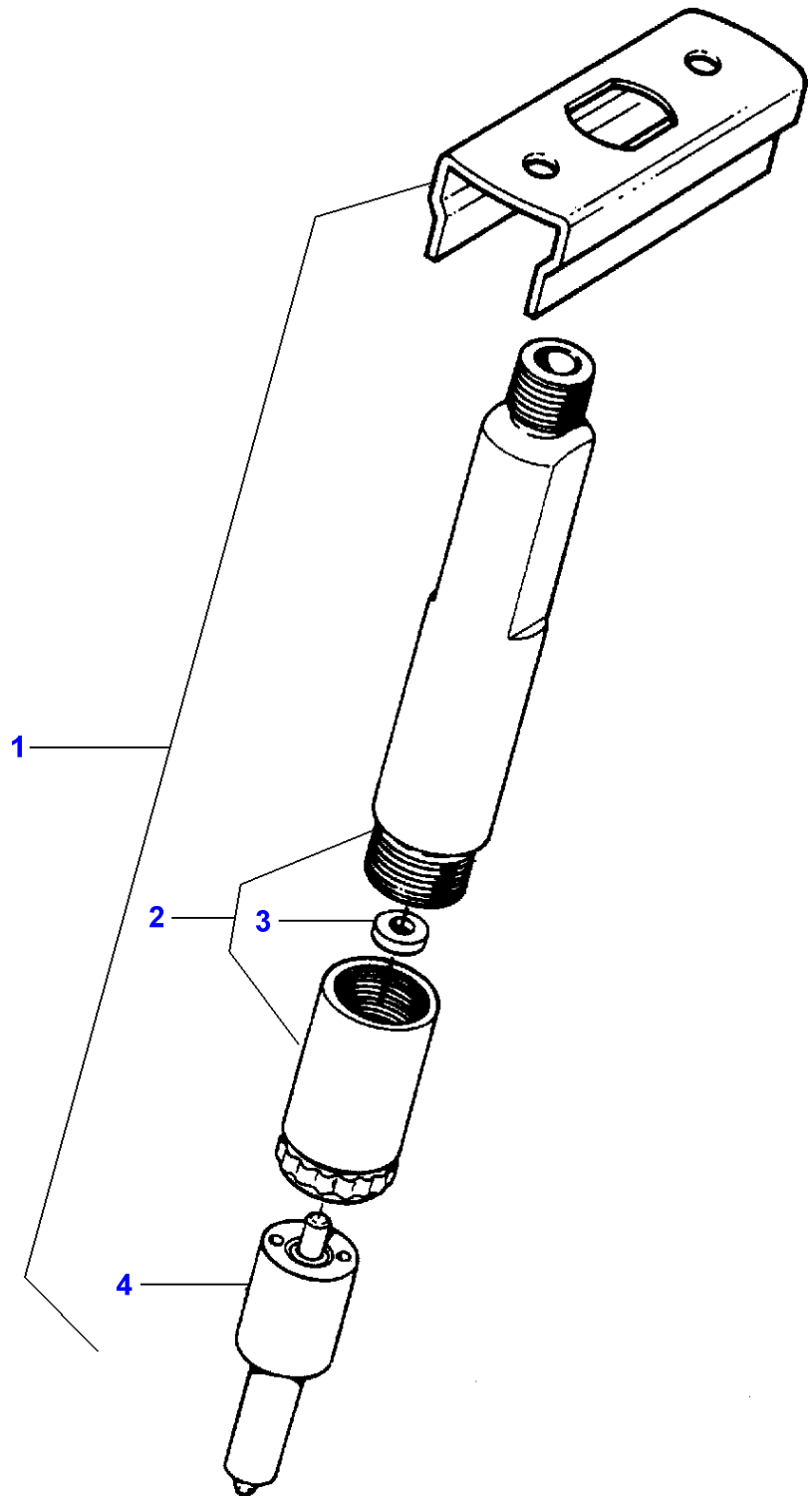
1-ZH09-023-A



Item	Part Number	Qty	Description	Comments
1	V836854958	1	Injection Pump	
2	V614609930	1	O Ring	(1)
3	V505612000	1	Nut	(1)
4	V500452002	1	Washer	(1)
5	V836859251	1	Gear	
6	V614609930	1	O Ring	
7	V836855996	1	Ring	
8	V581805150	2	Screw	M10 X 90
9	V500151050	2	Washer	
10	V529803072	1	Screw	M16 X 60
11	V836655994	1	Washer	
12	V836859252	1	Support	
13	V836855993	1	Support	
14	V528802632	2	Screw	M14 X 40
15	V641166006	1	Elbow Nipple	
16	V836120491	1	Pipe,Oil	
17	V641086006	1	Connection	
18	V615871014	1	O Ring	
19	V640255210	2	Pipe	
20	V836336934	1	Union	
21	V836652096	1	Screw	
22	V615881420	5	Gasket	
23	V640435010	1	Screw	
24	V615881216	3	Gasket	
25	V641086012	1	Union	
26	V836659346	1	Screw	
27	V836866603	1	Kit, Pipe	
28	V836664518	2	Clamp	(27)
29	V836664521	1	Clamp	(27)
30	V640435008	1	Screw	
31	V836854936	6	Atomiser	
32	V836854937	6	Nozzle	(31)
33	V836652170	6	Washer	
34	V835336276	6	Seal	
35	V899901495	6	Washer	
36	V836852301	1	Tube	
37	V836847522	1	Pipe	
38	V835331289	5	Screw	
39	V615870610	13	Seal	
40	V835336943	1	Screw	
41	V504800800	12	Nut	M8
42	V500051052	4	Washer	
43	V504801000	3	Nut	M10
44	V836855837	1	Hydr Hose	
45	V615870812	2	Washer	Replace and repair. Old not interchangeable with new V615570812
46	V640435005	1	Screw	
47	V836330164	1	Lever	
48	V836864624	1	Pressure Valve	[A]
49	V836864625	1	O Ring	[A]
50	V836864626	1	Washer	[A]
51	V836139973	1	Solenoid	(1)

FOOTNOTE [A] USED BOSCH P3000 SERIES INJECTION PUMP

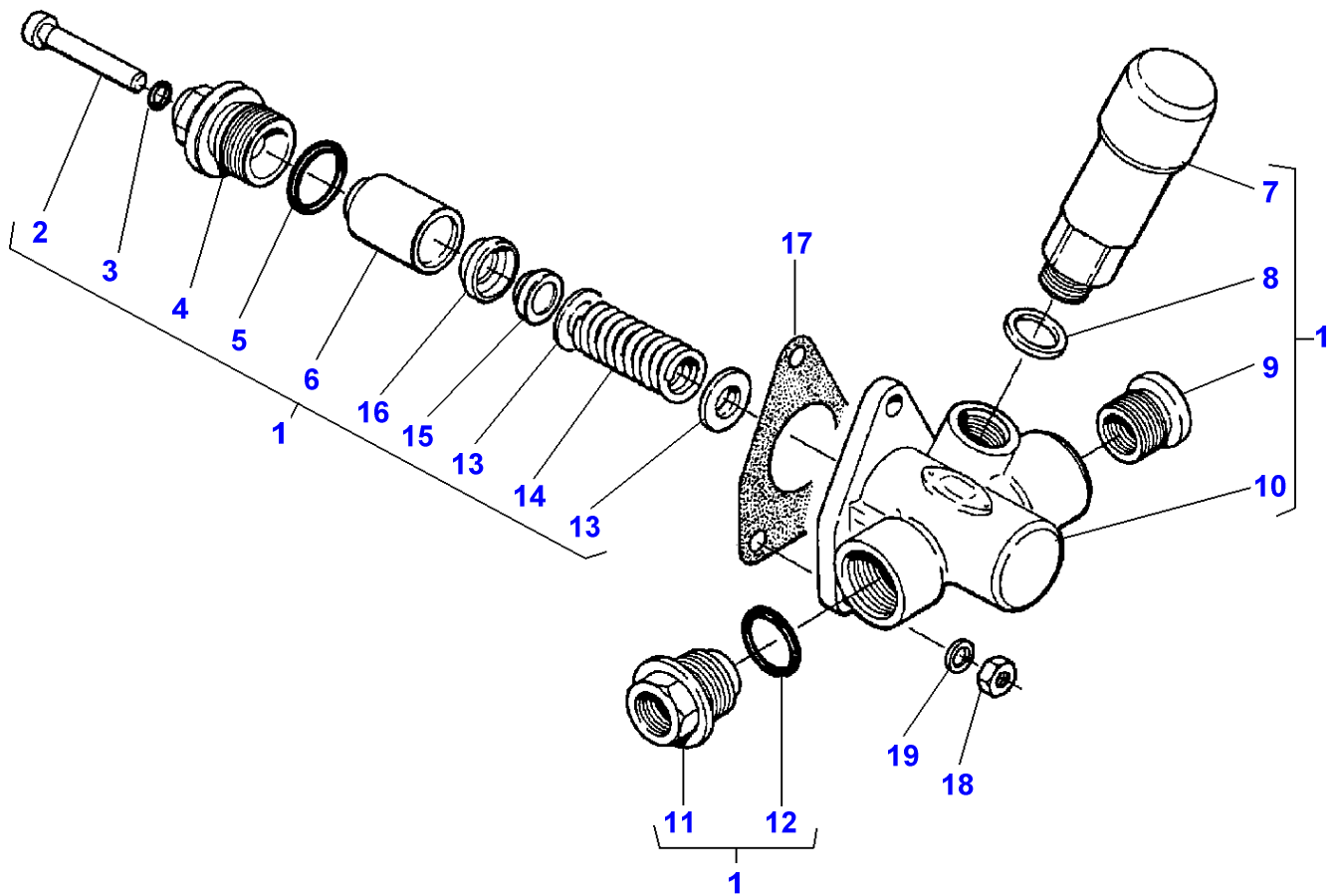
1-ZH09-015-A



Fuel Injection Equipment (Diesel)

Item	Part Number	Qty	Description	Comments
1	V836854791	1	Atomiser	MF8250
	V836854936	1	Atomiser	MF 8250 XTRA
2		1	Body	(1) Not serviced,order REF 1
3	V836862000	X	Chock	(1) Thickness 1,00 MM Replace and repair. Old not interchangeable with new V836862020
	V836862001	X	Chock	(1) Thickness 1,05 MM
	V836862002	X	Chock	(1) Thickness 1,10 MM
	V836862003	X	Chock	(1) Thickness 1,15 MM
	V836862004	X	Chock	(1) Thickness 1,20 MM
	V836862005	X	Chock	(1) Thickness 1,25 MM
	V836862006	X	Chock	(1) Thickness 1,30 MM
	V836862007	X	Chock	(1) Thickness 1,35 MM
	V836862008	X	Chock	(1) Thickness 1,40 MM
	V836862009	X	Chock	(1) Thickness 1,45 MM
	V836862010	X	Chock	(1) Thickness 1,50 MM
	V836862011	X	Chock	(1) Thickness 1,55 MM
	V836862012	X	Chock	(1) Thickness 1,60 MM
	V836862013	X	Chock	(1) Thickness 1,65 MM
	V836862014	X	Chock	(1) Thickness 1,70 MM
	V836862015	X	Chock	(1) Thickness 1,75 MM
	V836862016	X	Chock	(1) Thickness 1,80 MM
	V836862017	X	Chock	(1) Thickness 1,85 MM
	V836862018	X	Chock	(1) Thickness 1,90 MM
	V836862019	X	Chock	(1) Thickness 1,95MM
	V836862000	X	Chock	(1) Thickness 2MM Replace and repair. Old not interchangeable with new V836862020
4	V836854792	1	Nozzle	(1) MF 8250
	V836854937	1	Nozzle	(1) MF 8250 XTRA

1-ZH31-001-A



Massey Ferguson**MF 8250 TRACTOR - 1637366**

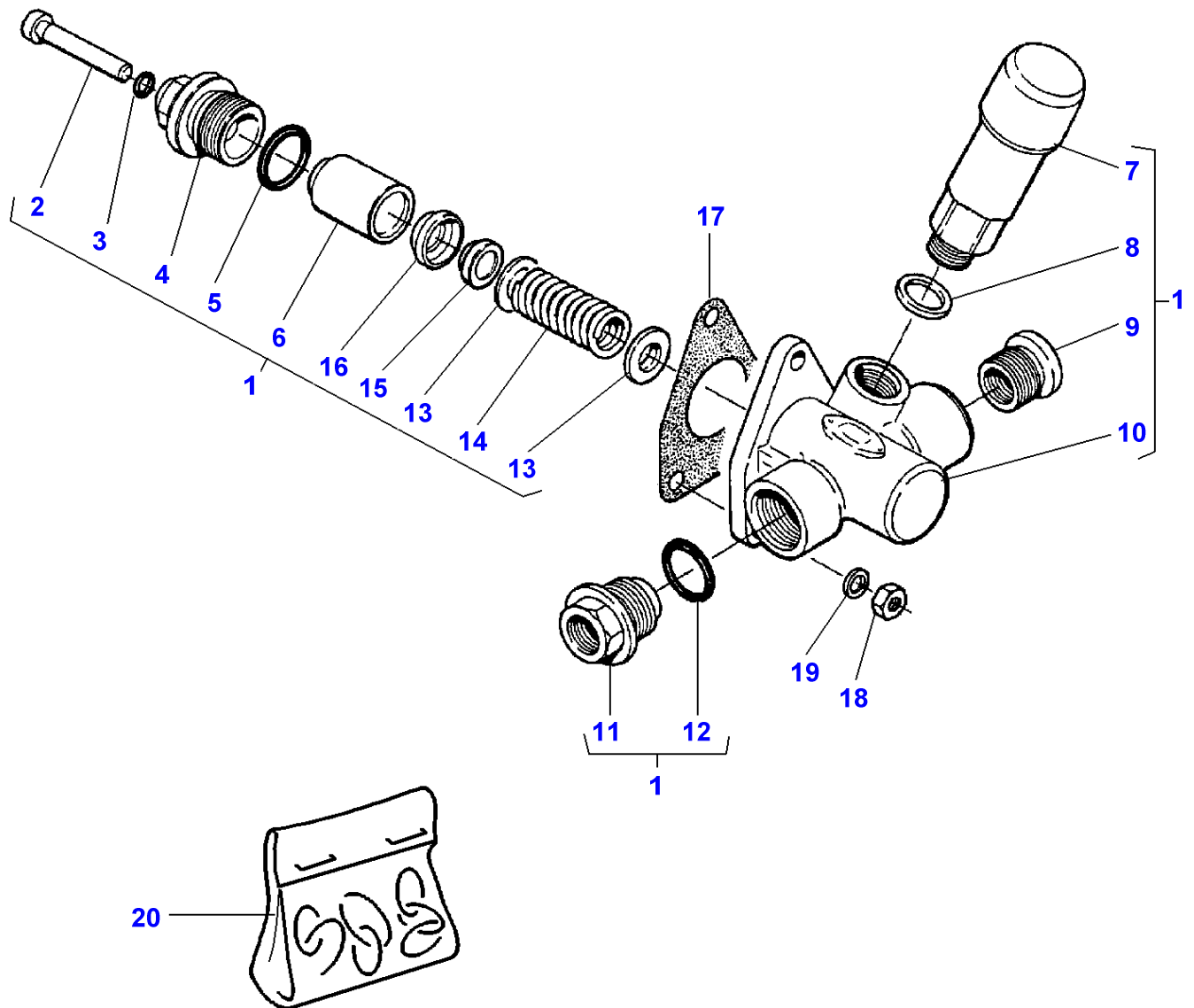
1637366

Feed Pump - M.F 8250

Page010-0135

Item	Part Number	Qty	Description	Comments
1	V836340066	1	Pump	
2	V836340068	1	Clevis Pin	(1)
3	V836139015	1	O Ring	(1)
4	V836340069	1	Body	(1)
5	V835339876	1	O Ring	(1)
6	V835339877	1	Plunger	(1)
7	V835339884	1	Pump	(1)
8	V615881620	1	Seal	(1)
9	V836340067	1	Union	(1)
10		1	Housing	(1)
				Not serviced,order REF. 1
11	V835340971	1	Union	(1)
12	V835340972	1	O Ring	(1)
13	V835339879	2	Washer	(1)
14	V835339878	1	Spring	(1)
15	V835339880	1	Pressure Valve	(1)
16	V835339882	1	Gasket	(1)
17	V836329194	1	Gasket	
18	V504600602	3	Nut	
19	V500450602	3	Washer	

1-ZH31-002-B



Massey Ferguson**MF 8250 TRACTOR - 1637366**

1637366

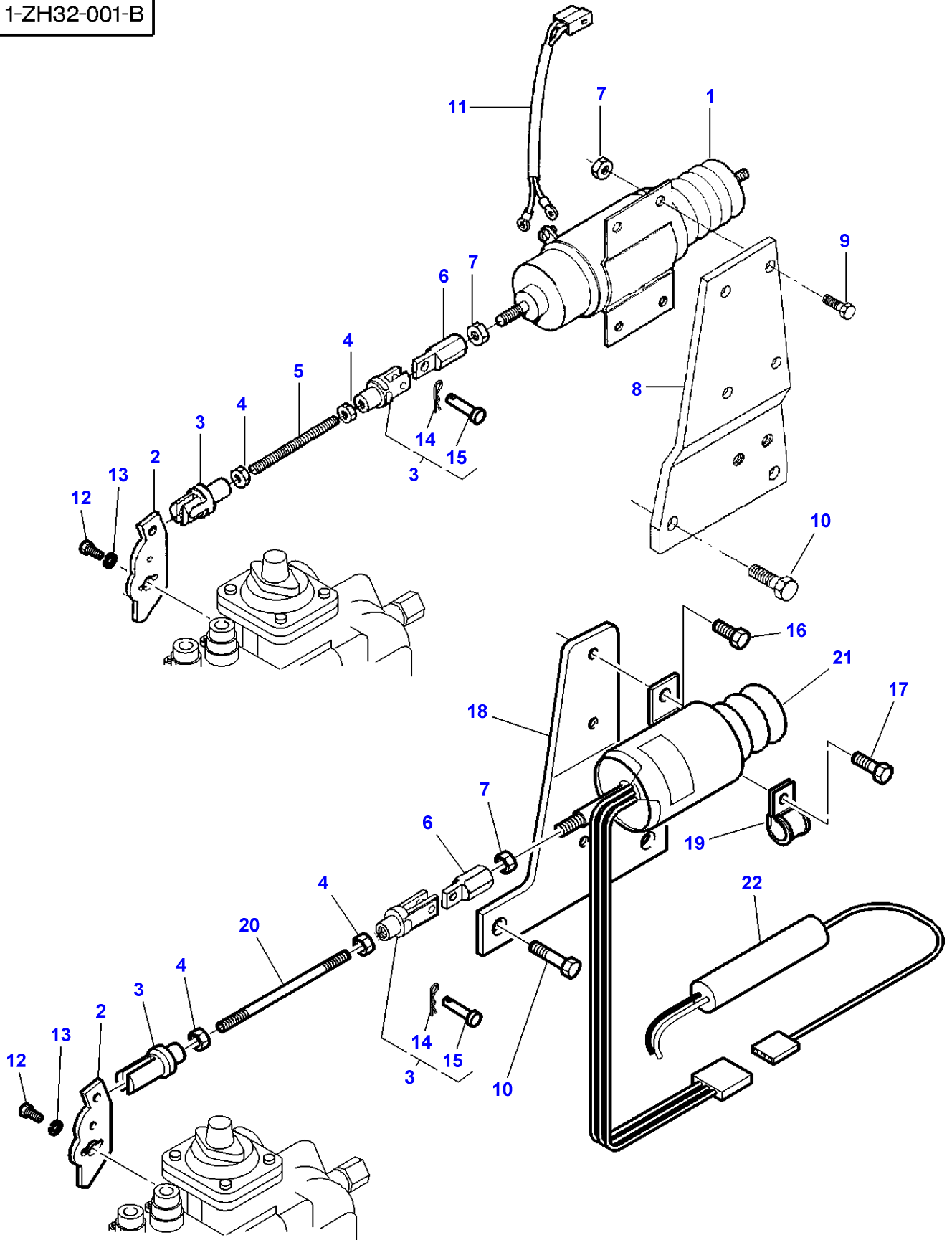
Feed Pump - M.F 8250 XTRA

Page010-0140

Item	Part Number	Qty	Description	Comments
1	V836362023	1	Pump	
2	V836362024	1	Lever	(1)
3	V836362025	1	O Ring	(1)
4	V836340069	1	Body	(1)
5	V836362027	1	O Ring	(1)
6	V835339877	1	Plunger	(1)
7	V835339884	1	Pump	(1)
8	V615881620	1	Seal	(1)
9	V836340067	1	Union	(1)
10		1	Housing	(1)
				Not serviced,order REF. 1
11	V835340971	1	Union	(1)
12	V835340972	1	O Ring	(1)
13	V835339879	2	Washer	(1)
14	V836362026	1	Spring	(1)
15	V835339880	1	Pressure Valve	(1)
16	V835339882	1	Gasket	(1)
17	V836329194	1	Gasket	
18	V504600602	3	Nut	
19	V500450602	3	Washer	
20	V836862418	1	Parts Pack	

MF 8250 TRACTOR - 1637366
1-ZH32-001-B

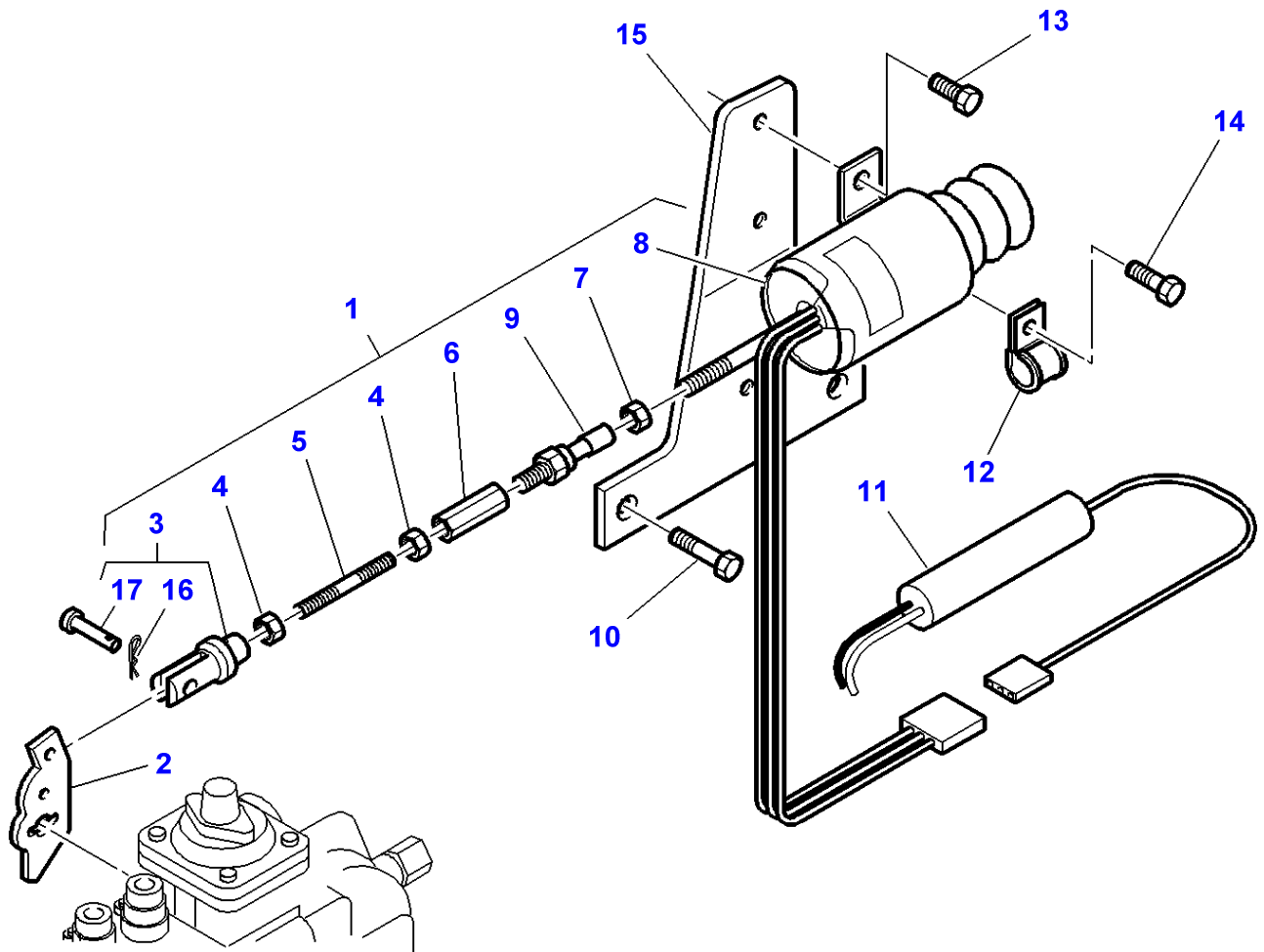
1-ZH32-001-B



Massey Ferguson**MF 8250 TRACTOR - 1637366****1637366****Stop Magnet - Up to Serial or Engine Number K 12633****Page010-0145**

Item	Part Number	Qty	Description	Comments
1	V836640941	1	Solenoid	Up to Serial or Engine Number J9354
2	V835347344	1	Lever	
3	V835339319	2	Fork	
4	V504600502	2	Nut	
5	V836859495	1	Stem	
6	V836346773	1	Clevis	
7	V504600602	5	Nut	
8	V836859494	1	Bracket	Up to Serial or Engine Number J9354
9	V528801062	4	Bolt	
10	V528801380	2	Screw	M8X20
11	V836659064	1	Harness	Up to Serial or Engine Number J9354
12	V528801062	1	Bolt	
13	V500450602	1	Washer	
14		1	Pin	(3) Not serviced,order REF 3
15		1	Clevis Pin	(3) Not serviced,order REF 3
16	V528801062	2	Bolt	M6X16
17	V528801360	1	Screw	M8X16
18	V836866773	1	Bracket	From Serial or Engine Number J9355 Replace and repair. Old not interchangeable with new V836864198
19	V602074620	1	Clamp	
20	V836859707	1	Stem	Length 140MM Up to Serial or Engine Number J13140
	V836864199	1	Stem	Length 110MM From Serial or Engine Number J13141
21	V836862354	1	Kit, Solenoid	From Serial or Engine Number J9355 Replace and repair. Old not interchangeable with new V836659690
22	V836659691	1	Relay	From Serial or Engine Number J9355

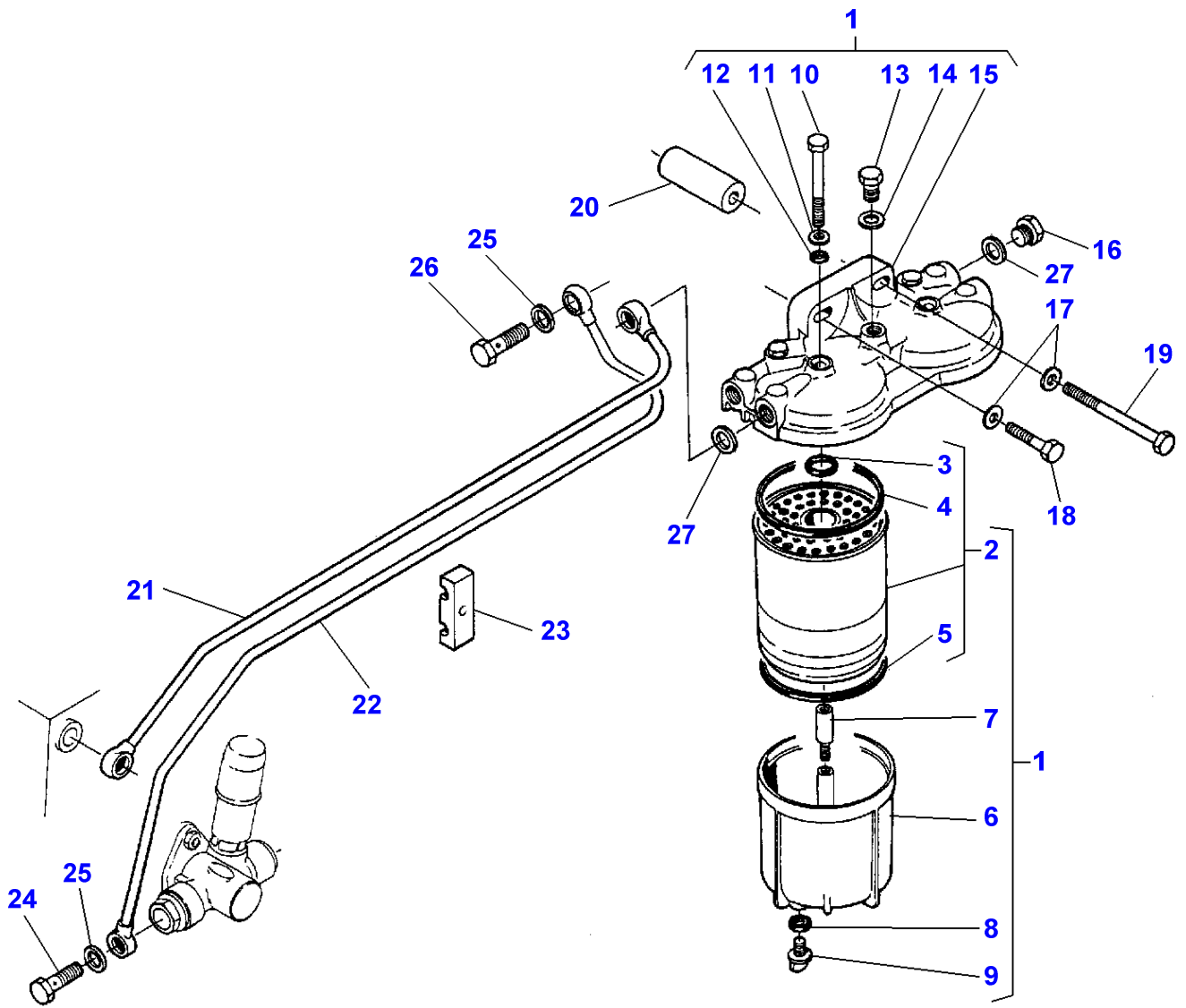
1-ZH32-003-B



Massey Ferguson**MF 8250 TRACTOR - 1637366****1637366****Stop Magnet - From Serial or Engine Number K 12634****Page010-0150**

Item	Part Number	Qty	Description	Comments
1	V836862354	1	Kit, Solenoid	
2	V836664210	1	Lever	(1)
3	V835339319	1	Fork	(1)
4	V504600502	2	Nut	(1)
5	V836864297	1	Stem	(1)
6	V836864286	1	Nut	(1)
7	V504600602	1	Nut	(1)
8	V836664211	1	Stop Solenoid	(1)
9	V836664287	1	Stem	(1)
10	V528801380	2	Screw	M8X20
11	V836659691	1	Relay	
12	V602074620	1	Clamp	
13	V528801062	2	Bolt	M6X16
14	V528801360	1	Screw	M8X16
15	V836866773	1	Bracket	Replace and repair. Old not interchangeable with new V836864198
16		1	Pin	(3) Not serviced,order REF 3
17		1	Clevis Pin	(3) Not serviced,order REF 3

1-ZH14-010-A

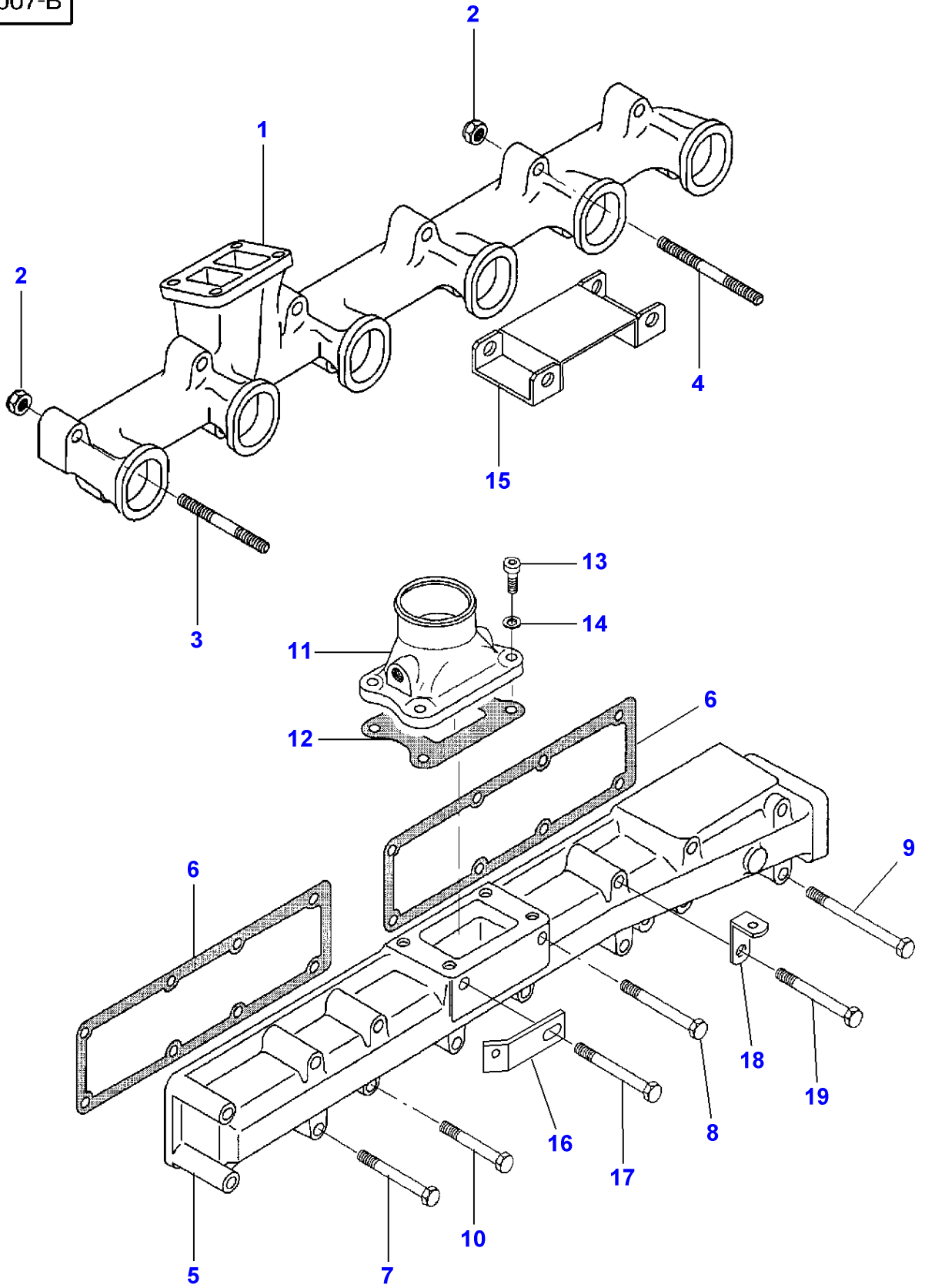


Low Pressure Fuel System

Item	Part Number	Qty	Description	Comments
1	V836339370	1	Fuel Filter	
2	1896287M91	2	Fuel Element	(1) CAV Alternative 3405419M1
	3405419M1	2	Fuel Element	Alternative 1896287M91
3	V836015142	1	O Ring	(2)
4	V835330014	1	Gasket	(2)
5	V835330015	1	Gasket	(2)
6	V836340045	2	Bowl	(1)
7	V836339372	2	Stud	(1)
8	V836015147	2	Gasket	(1)
9	V836015148	2	Plug	(1)
10	V836015149	2	Screw	(1)
11	V836015918	2	Washer	(1)
12	V836015919	2	O Ring	(1)
13	V836015958	1	Plug	(1)
14	V615571014	1	Seal	(1)
15	V836015959	1	Cover	(1)
16	V836117323	2	Plug	
17	V500150842	2	Washer	
18	V528801420	1	Screw	M8X35
19	V529801550	1	Screw	M8 X 100
20	V836859009	1	Spacer	MF 8250
21	V836859244	1	Pipe	
22	V836859243	1	Pipe	
23	V836655527	2	Band	
24	V640435010	2	Screw	
25	V615881418	6	Seal	
26	V836429560	2	Screw	
27	V615581317	4	Seal	

MF 8250 TRACTOR - 1637366
1-ZH18-007-B

1-ZH18-007-B



Massey Ferguson**MF 8250 TRACTOR - 1637366**

1637366

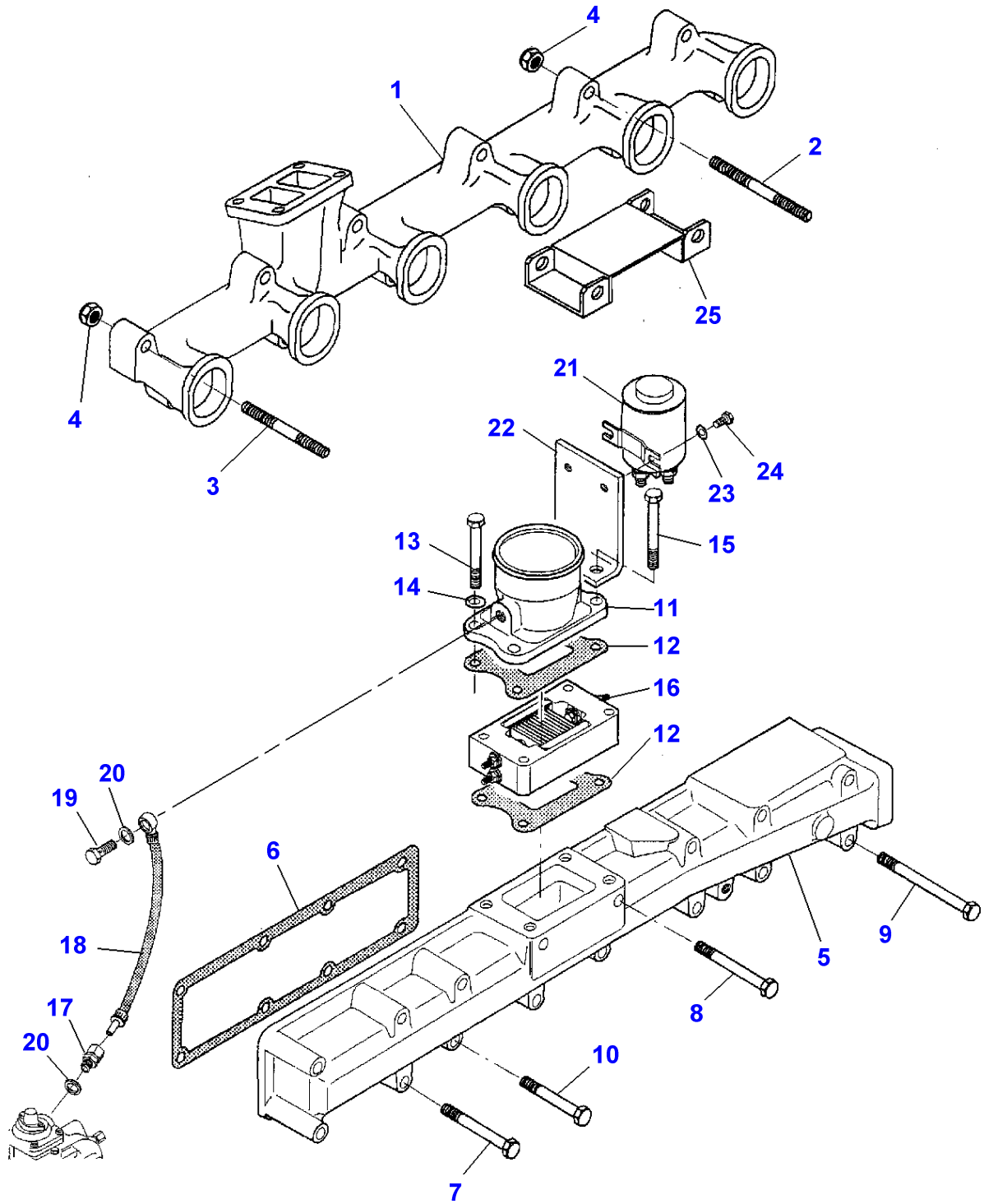
Air Induction And Exhaust System - M.F 8250

Page010-0160

Item	Part Number	Qty	Description	Comments
1	V836859378	1	Exhaust Manifold	
2	V513601002	12	Nut	
3	V836855995	10	Stud	M10X113
4	V836859034	2	Stud	M10X130
5	V836847493	1	Ind.Manifold	
6	V836847496	2	Gasket	
7	V529801510	8	Screw	M8X80
8	V529801530	3	Screw	M8X90
9	V529801562	2	Screw	M8X110
10	V529801470	2	Screw	M8X60
11	V836847531	1	Pipe	
12	V836847532	1	Gasket	
13	V581804600	4	Screw	M8X20
14	V500950800	4	Washer	
15	V836655735	1	Support	
16	V836864379	1	Support	
17	V529801540	1	Screw	M8X95
18	V836864378	1	Support	
19	V529801520	1	Screw	M8X85

MF 8250 TRACTOR - 1637366
1-ZH18-014-A

1-ZH18-014-A

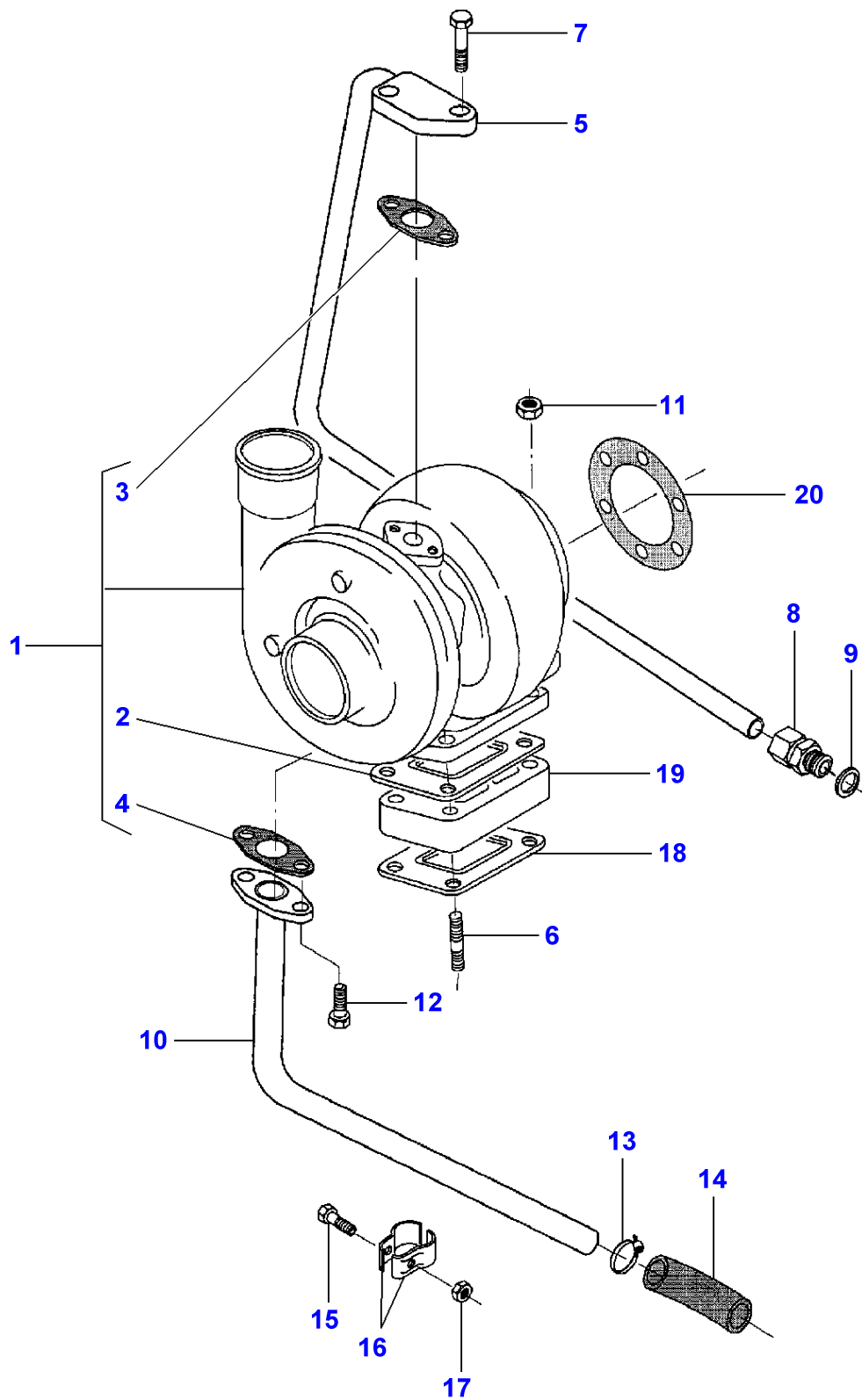


Massey Ferguson**MF 8250 TRACTOR - 1637366****1637366****Air Induction And Exhaust System - M.F 8250 XTRA****Page010-0165**

Item	Part Number	Qty	Description	Comments
1	V836859378	1	Exhaust Manifold	
2	V836855995	10	Stud	M10 X 113
3	V836859034	2	Stud	M10 X 130
4	V513601002	12	Nut	
5	V836847493	1	Ind.Manifold	
6	V836847496	2	Gasket	
7	V529801510	8	Screw	M8 X 80
8	V529801530	3	Screw	M8 X 90
9	V529801562	2	Screw	M8 X 110
10	V529801470	2	Screw	M8 X 60
11	V836866152	1	Pipe	
12	V836847532	2	Gasket	
13	V529801480	2	Screw	M8 X 65
14	V500950800	2	Washer	
15	V529801490	2	Screw	M8 X 70
16	V836864398	1	Heater	
17	V641086012	1	Union	
18	V836852301	1	Tube	
19	V640435008	2	Screw	
20	V615881216	3	Gasket	
21	V836864497	1	Solenoid	
22	V836866478	1	Support	
23	V500050532	2	Washer	
24	V528800760	2	Screw	
25	V836655735	1	Support	

MF 8250 TRACTOR - 1637366
1-ZH24-001-A

1-ZH24-001-A



Massey Ferguson**MF 8250 TRACTOR - 1637366**

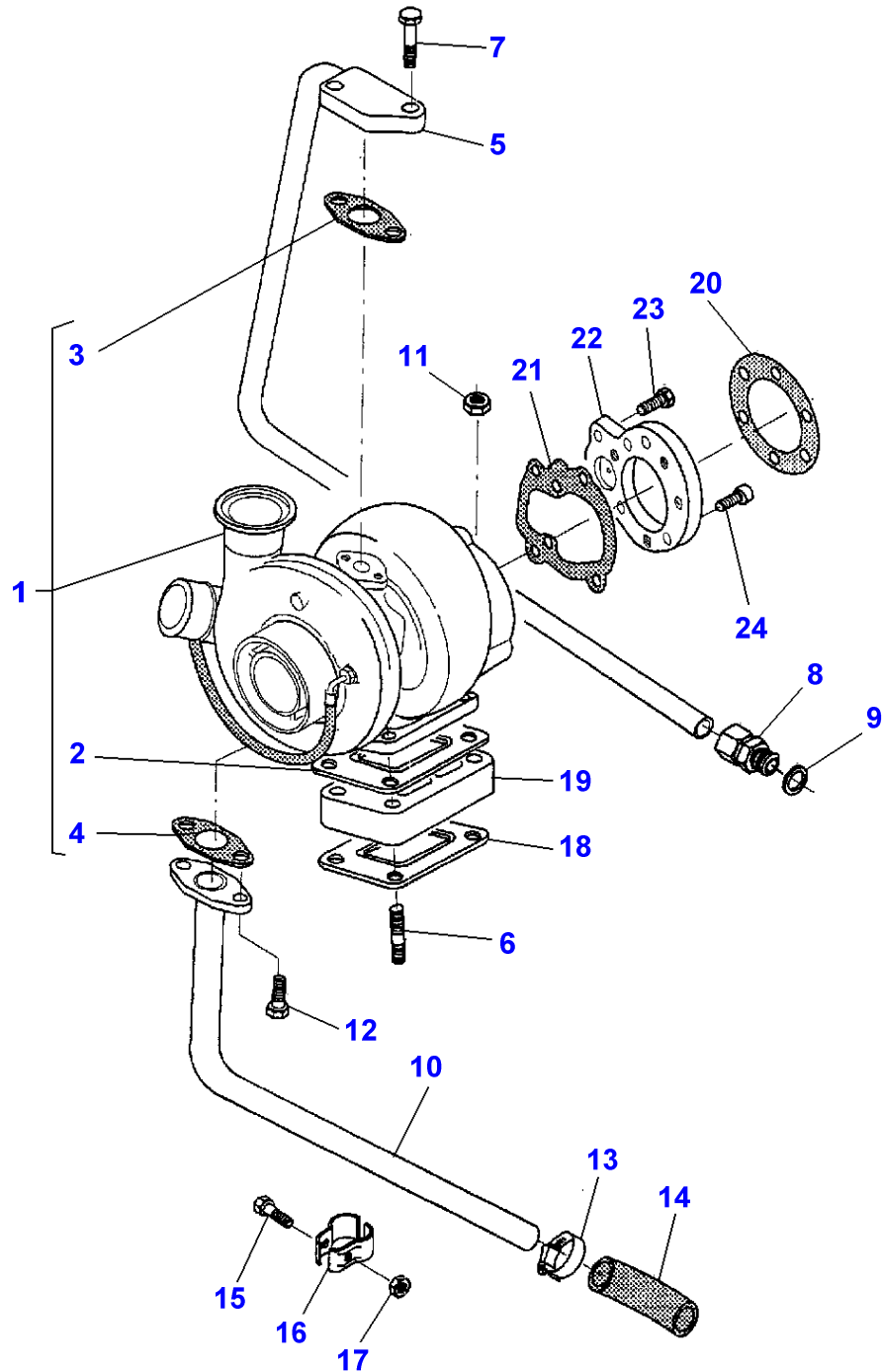
1637366

Turbocharger - Pipes - M.F 8250

Page010-0170

Item	Part Number	Qty	Description	Comments
1	V836859788	1	Turbocharger	
2	V836316726	1	Gasket	(1)
3	V836308344	1	Joint	(1)
4	V836324580	1	Joint	(1)
5	V836859328	1	Pipe	
6	V546801840	4	Bolt	M10X45
7	V528801410	2	Adjusting Screw	M8X30
8	V641086012	1	Union	
9	V615881620	1	Seal	
10	V836859327	1	Pipe	
11	V521601000	4	Nut	
12	V528801380	2	Screw	M8X20
13	V602087528	2	Clamp	
14	V836647576	1	Hose Flexible	
15	V529801112	1	Screw	M6X30
16	V835324324	2	Bracket	
17	V504600602	1	Nut	
18	V836316726	1	Gasket	
19	V836855630	1	Bridle	
20	V836338985	1	Gasket	

1-ZH24-005-A



Massey Ferguson**MF 8250 TRACTOR - 1637366**

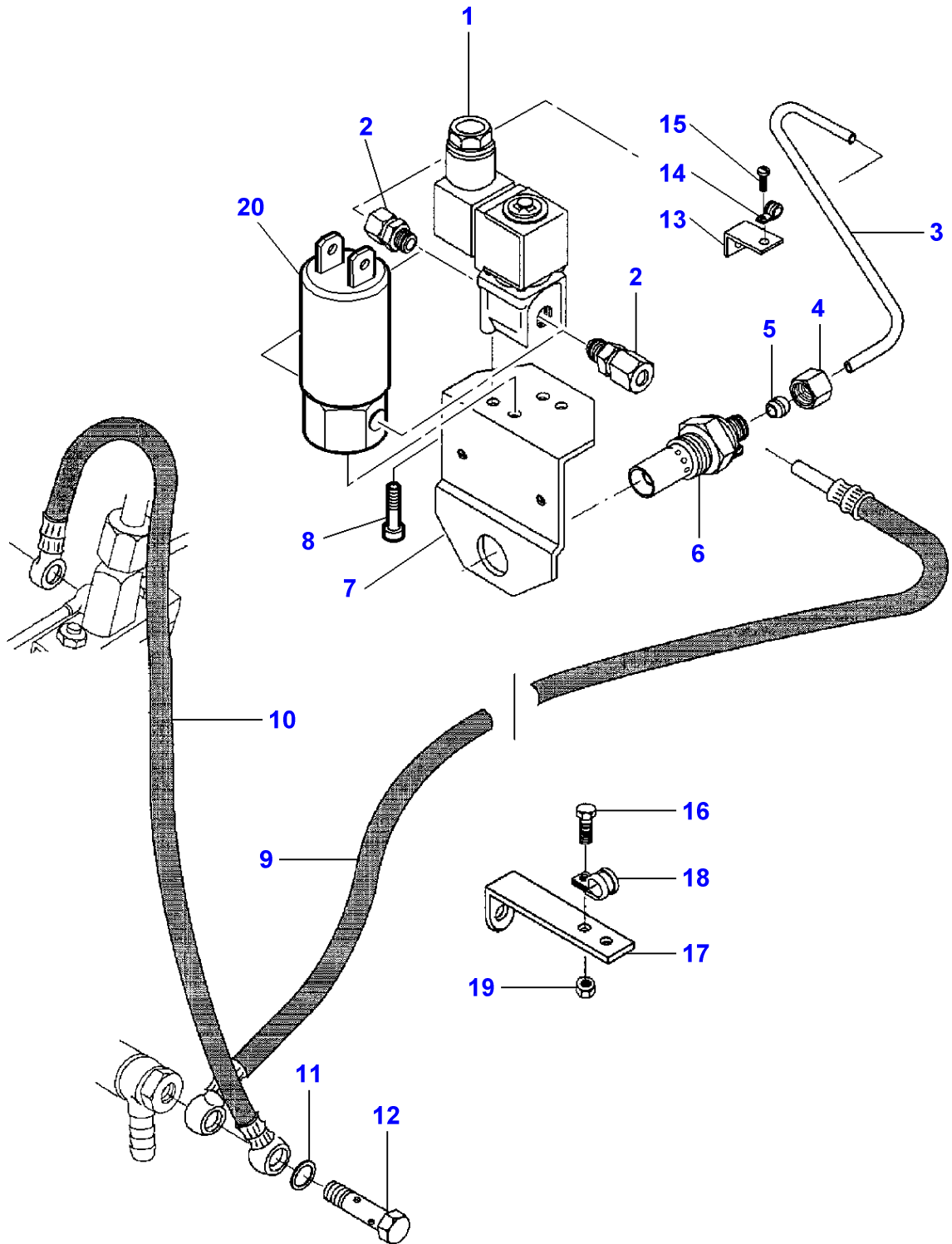
1637366

Turbocharger - Pipes - M.F 8250 XTRA

Page010-0175

Item	Part Number	Qty	Description	Comments
1	V836866220	1	Turbocharger	
2	V836316726	1	Gasket	(1)
3	V836308344	1	Joint	(1)
4	V836324580	1	Joint	(1)
5	V836859328	1	Pipe	
6	V546801840	4	Bolt	M10 X 45
7	V528801410	2	Adjusting Screw	M8 X 30
8	V641086012	1	Union	
9	V615881620	1	Seal	
10	V836859327	1	Pipe	
11	V521601000	4	Nut	
12	V528801380	2	Screw	M8 X 80
13	V602087528	2	Clamp	
14	V836647576	1	Hose Flexible	
15	V529801112	1	Screw	M6 X 30
16	V835324324	2	Bracket	
17	V504600602	1	Nut	
18	V836316726	1	Gasket	
19	V836855630	1	Bridle	
20	V836338985	1	Gasket	
21	V836355017	1	Gasket	
22	V836355012	1	Cover	
23	V528801400	2	Screw	M8 X 25
24	V581804600	4	Screw	

1-ZH19-003-B



Massey Ferguson**MF 8250 TRACTOR - 1637366**

1637366

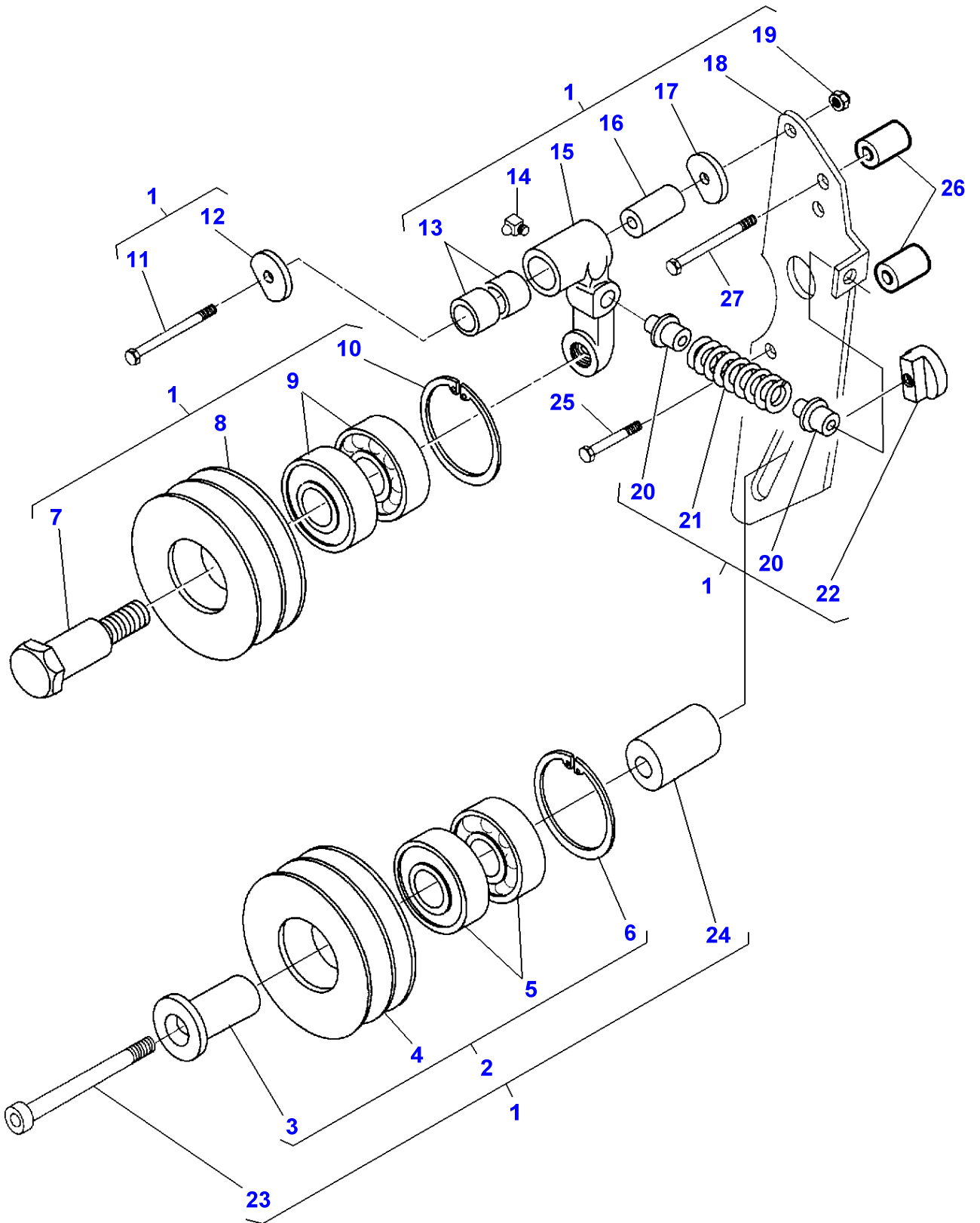
Cold Starting Device - M.F 8250

Page010-0180

Item	Part Number	Qty	Description	Comments
1	V836659984	1	Electrovalve	Up to Serial or Engine Number M10898
2	V641046005	2	Union	
3	V836659975	1	Pipe	Diameter 5MM
4	V836659943	1	Nut	
5	V836659944	1	Olive	
6	893501M91	1	Intake Heater	
7	V836752077	1	Bracket	
8	V563501782	2	Screw	M3X16 Up to Serial or Engine Number M10898
	V528801052	2	Screw	From Serial or Engine Number M10899 M6x12
9	V836659668	1	Tube	
10	V836855837	2	Hydr Hose	
11	V615870812	3	Washer	Replace and repair. Old not interchangeable with new V615570812
12	V640425005	1	Screw	
13	V836659102	1	Support	
14	V602070605	1	Band	
15	V563502552	2	Screw	M4X8
16	V528800762	1	Screw	M5X16
17	V836852284	1	Support	
18	V602069813	1	Clamp	
19	V504600502	1	Nut	M5
20	V836666815	1	Electrovalve	From Serial or Engine Number M10899

MF 8250 TRACTOR - 1637366
1-ZH29-002-A

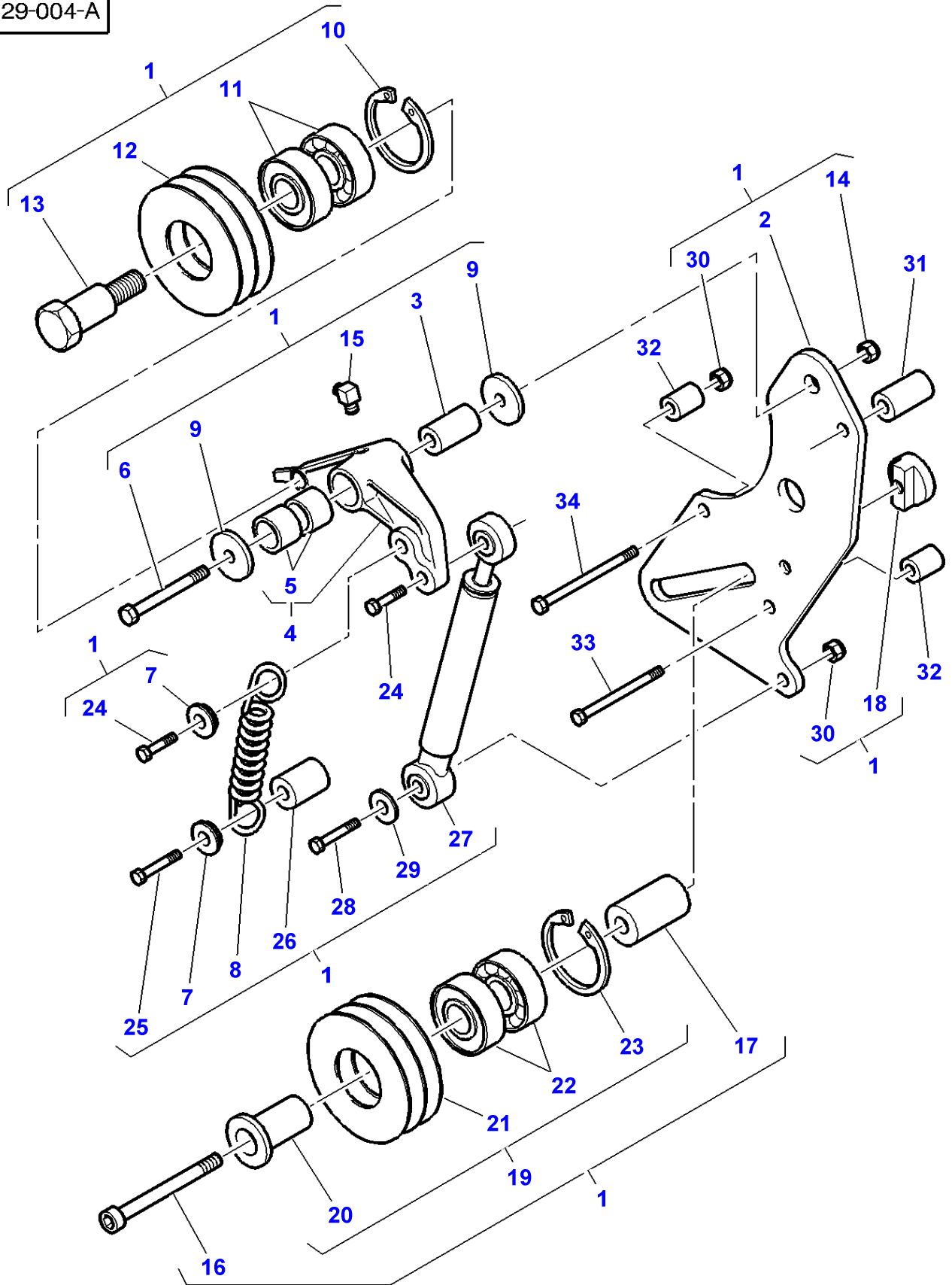
1-ZH29-002-A



Item	Part Number	Qty	Description	Comments
1	V836859085	1	Tightener	
2	V836855219	1	Pulley	(1)
3	V836655148	1	Shaft	(2)
4	V835328919	1	Pulley	(2)
5	V610062055	2	Bearing Assy	(2)
6	V617330052	1	Circlip	(2)
7	V835328920	1	Shaft	(1)
8	V835328919	1	Pulley	(1)
9	V610063044	2	Bearing Assy	(1)
10	V617330052	1	Circlip	(1)
11	V529801480	1	Screw	(1) M8X65
12	V836655972	1	Washer	(1)
13	V836655981	2	Bush	(1)
14	V644481006	1	Nipple	(1)
15	V836655796	1	Housing	(1)
16	V836655971	1	Sleeve	(1)
17	V836655972	1	Washer	(1)
18	V836859086	1	Bracket	(1)
19	V510600802	1	Nut	(1)
20	V836352611	2	Counterplate	(1)
21	V836664123	1	Spring	(1) Replace and repair. Old not interchangeable with new V836352610
22	V836655151	1	Nut	(1)
23	V581705130	1	Screw	(1) M10X80
24	V836859089	1	Sleeve	(1)
25	V529801450	2	Screw	M8X50
26	V836119296	3	Sleeve	
27	V529801550	1	Screw	M8X100

MF 8250 TRACTOR - 1637366
1-ZH29-004-A

1-ZH29-004-A



Massey Ferguson**MF 8250 TRACTOR - 1637366**

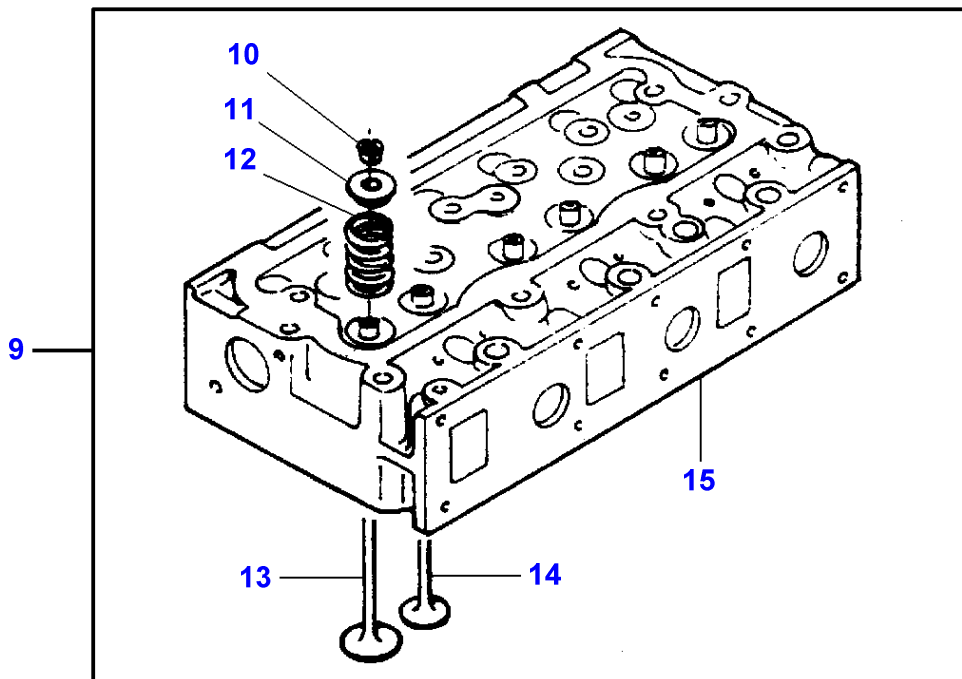
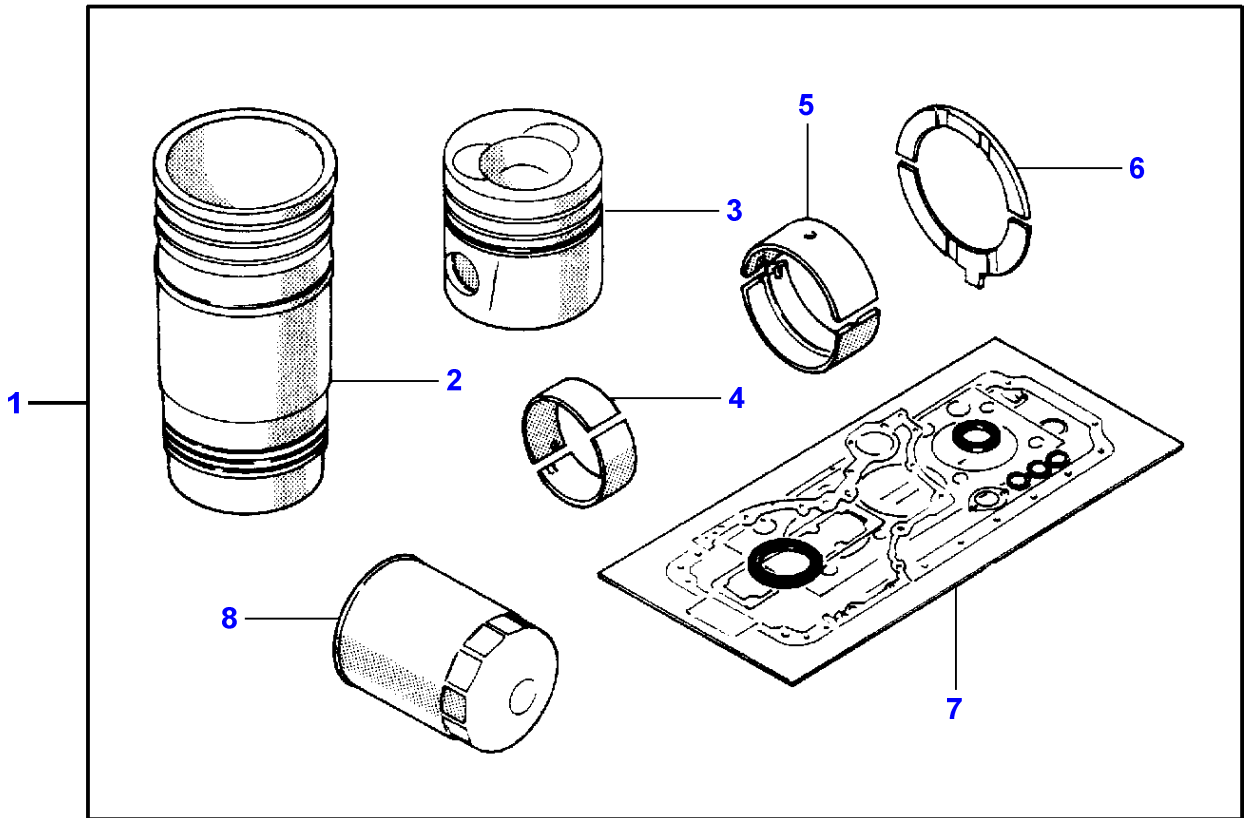
1637366

Belt Tensioner - From Serial or Engine Number K 18109

Page010-0190

Item	Part Number	Qty	Description	Comments
1	V836864531	1	Tightener	
2	V836864535	1	Bracket	(1)
3	V836866019	1	Sleeve	(1)
4	V836864533	1	Linkage	(1)
5	V836866000	2	Bush	(4)
6	V529801892	1	Screw	(1) M10X70
7	V836864537	2	Washer	(1)
8	V836864534	1	Spring	(1)
9	V836866020	2	Bush	(1)
10	V617330052	1	Circlip	(1)
11	V610063044	2	Bearing Assy	(1)
12	V835328919	1	Pulley	(1)
13	V835328920	1	Shaft	(1)
14	V510601002	1	Nut	(1) M10
15	V644481006	1	Nipple	(1)
16	V581705130	1	Screw	(1) M10X80
17	V836859089	1	Sleeve	(1)
18	V836655151	1	Nut	(1)
19	V836855219	1	Pulley	(1)
20	V836655148	1	Shaft	(19)
21	V835328919	1	Pulley	(19)
22	V610062055	2	Bearing Assy	(19)
23	V617330052	1	Circlip	(19)
24	V528801402	2	Screw	(1) M8X25
25	V529801442	1	Screw	(1) M8 X 45
	V529801432	1	Screw	(1) M8 X 40
26	V836864536	1	Spacer	(1)
27	V836864532	1	Ram	(1)
28	V528801412	1	Screw	(1) M8X30
29	V836866021	1	Washer	(1)
30	V510600802	2	Nut	(1) M8
31	V836119296	1	Sleeve	
32	V836119296	2	Sleeve	
33	V529801450	2	Screw	M8X50
34	V529801550	1	Screw	M8X100

1-ZH30-001-A



Massey Ferguson**MF 8250 TRACTOR - 1637366**

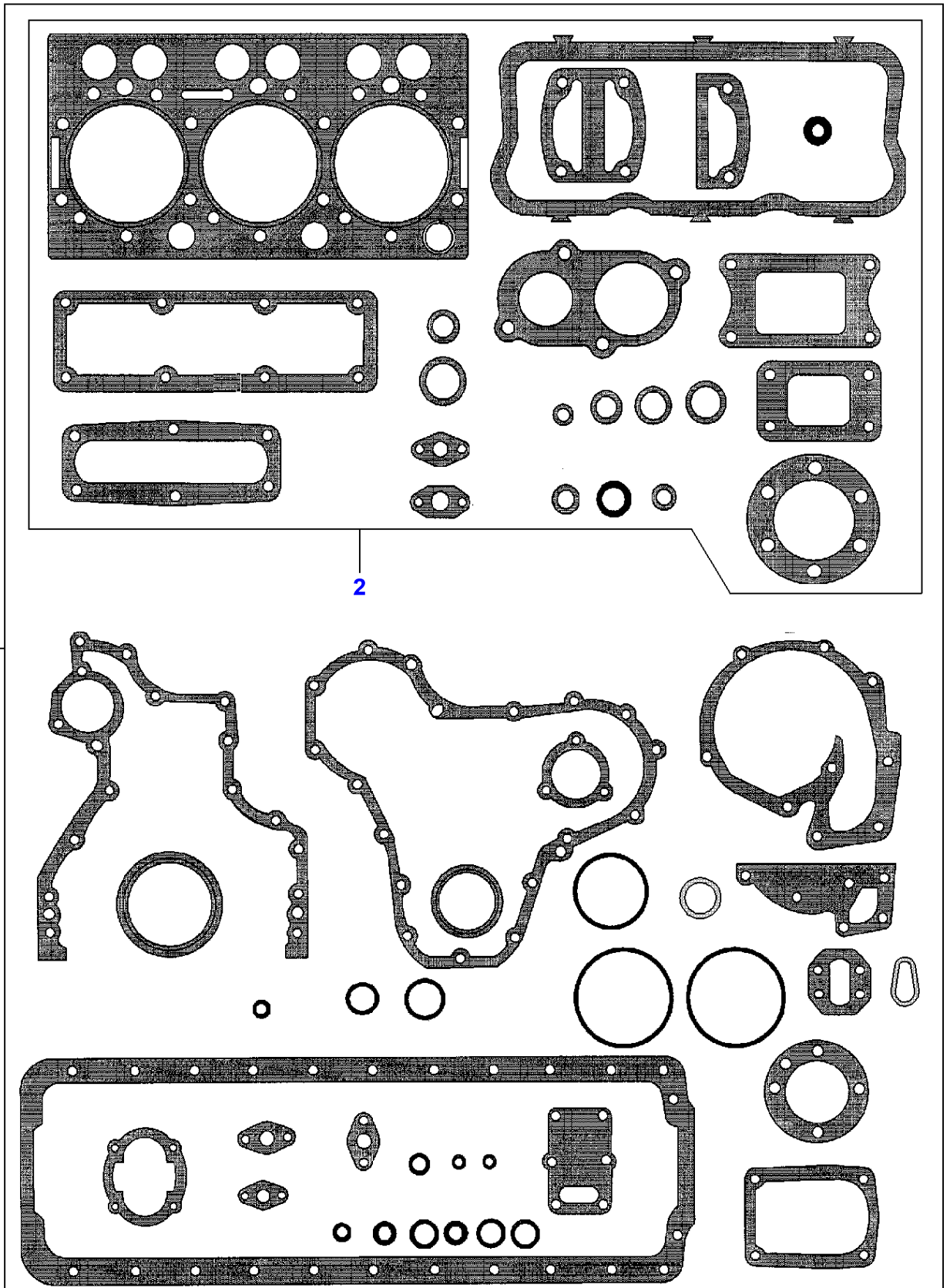
1637366

Engine Repair Kits - Piston- Cylinder Head With Valves

Page010-0195

Item	Part Number	Qty	Description	Comments
1	V836840801	1	Kit, Repair	MF 8250
	V836862436	1	Kit, Repair	MF 8250 XTRA
2	V836647420	6	Liner	(1)
3	V836840596	6	Piston	(1)
				MF 8250
	V836866181	6	Piston	(1)
				MF 8250 XTRA
4	V836110552	6	Bearing	(1)
5	V836655514	7	Main Bearing	(1)
6	V836119459	2	Chock	(1)
7	V836840271	1	Kit,Joint/Gasket	(1)
8	V836662111	1	Filter	(1)
9	V836640897	2	Cylinder Head	
10	V836646382	12	Cotter	(9)
11	V836646381	6	Cup	(9)
12	V836646380	6	Spring	(9)
13	V836646357	3	Valve Exhaust	(9)
14	V836646356	3	Valve Inlet	(9)
15	V836855381	1	Cylinder Head	(9)

1-ZH15-003-B



Massey Ferguson

MF 8250 TRACTOR - 1637366

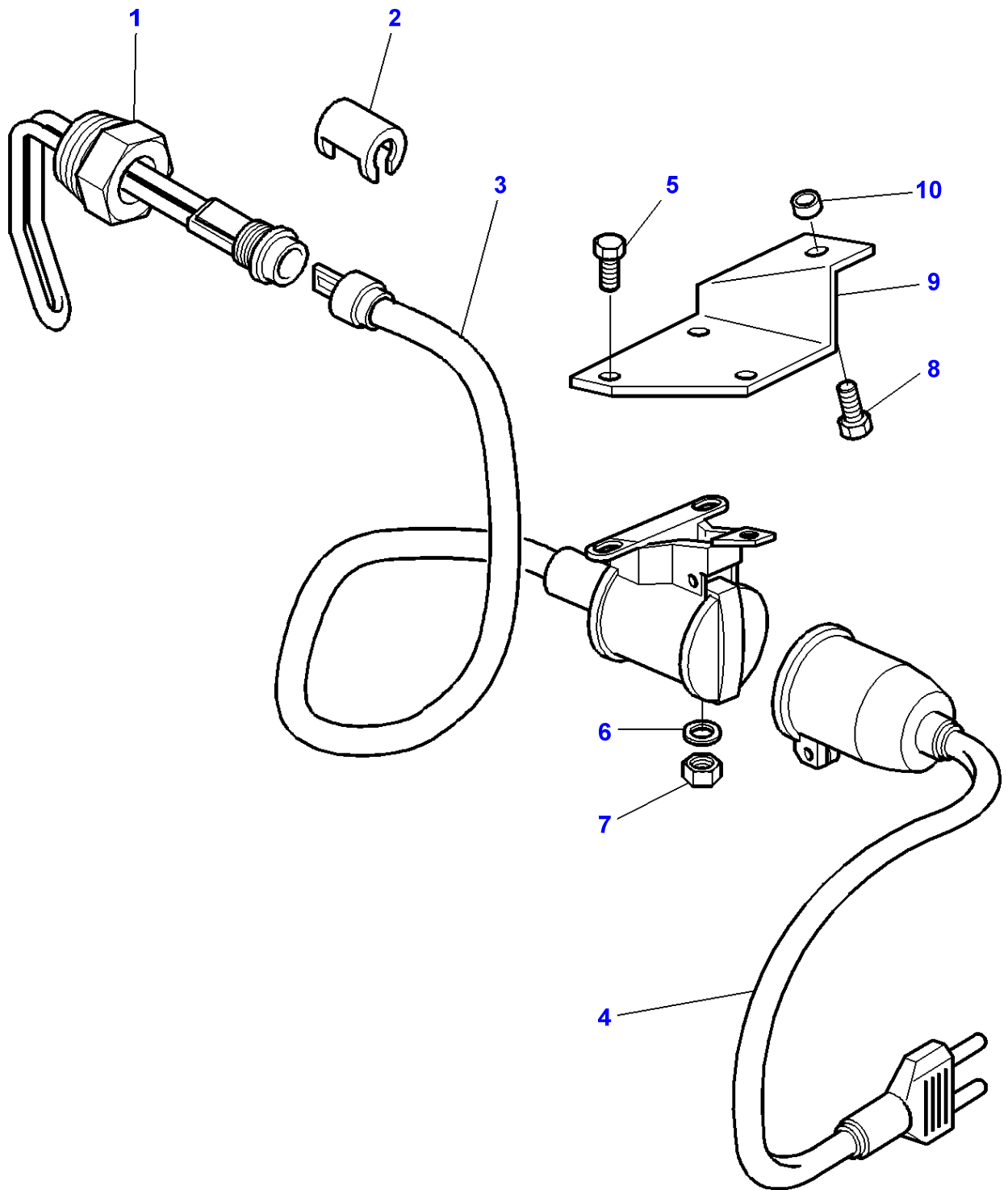
1637366

Engine Gaskets Sets

Page010-0200

Item	Part Number	Qty	Description	Comments
1	V836840271	1	Kit,Joint/Gasket	
2	V836840270	1	Kit,Joint/Gasket	(1)

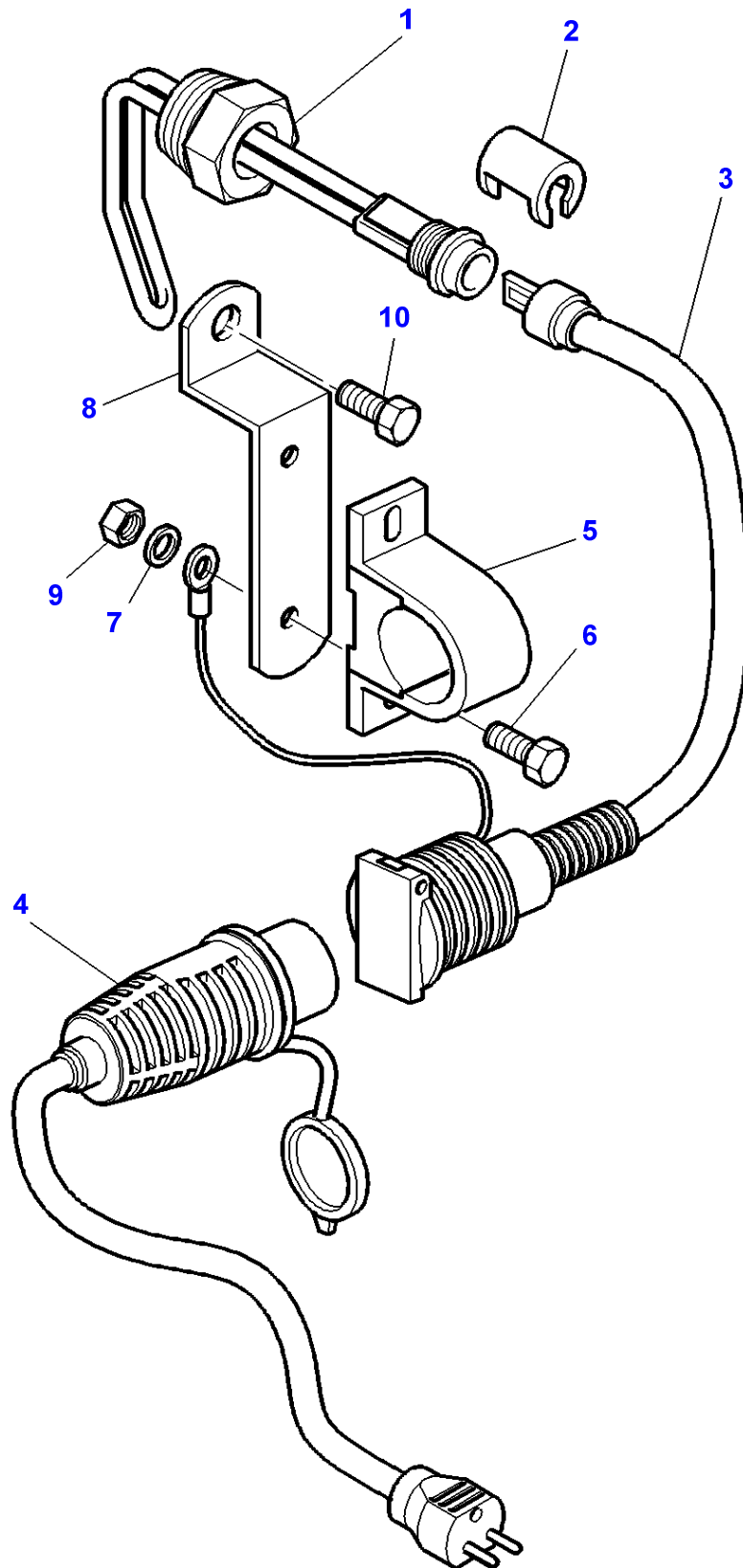
1-ZC38-003-B



Massey Ferguson**MF 8250 TRACTOR - 1637366****1637366****Heater Engine Block - Up to Serial or Engine Number L155012****Page010-0205**

Item	Part Number	Qty	Description	Comments
1	3615752M2	1	Element	
2	3611974M1	1	Clip	
3	3611972M1	1	Lead	Length 560 MM
4	3611973M1	1	Lead	Length 2500 MM
5	3009531X1	3	Screw Metric	M4 X 12
6	3006154X1	3	Washer	
7	1443615X1	3	Nut Metric	M4
8	339123X1	1	Hex. Sock. Screw	M8 X 20
9	3615753M1	1	Support	
10	3778809M1	1	Spacer	Diameter 9-12 X 7 MM

1-ZC38-008-A



Massey Ferguson**MF 8250 TRACTOR - 1637366**

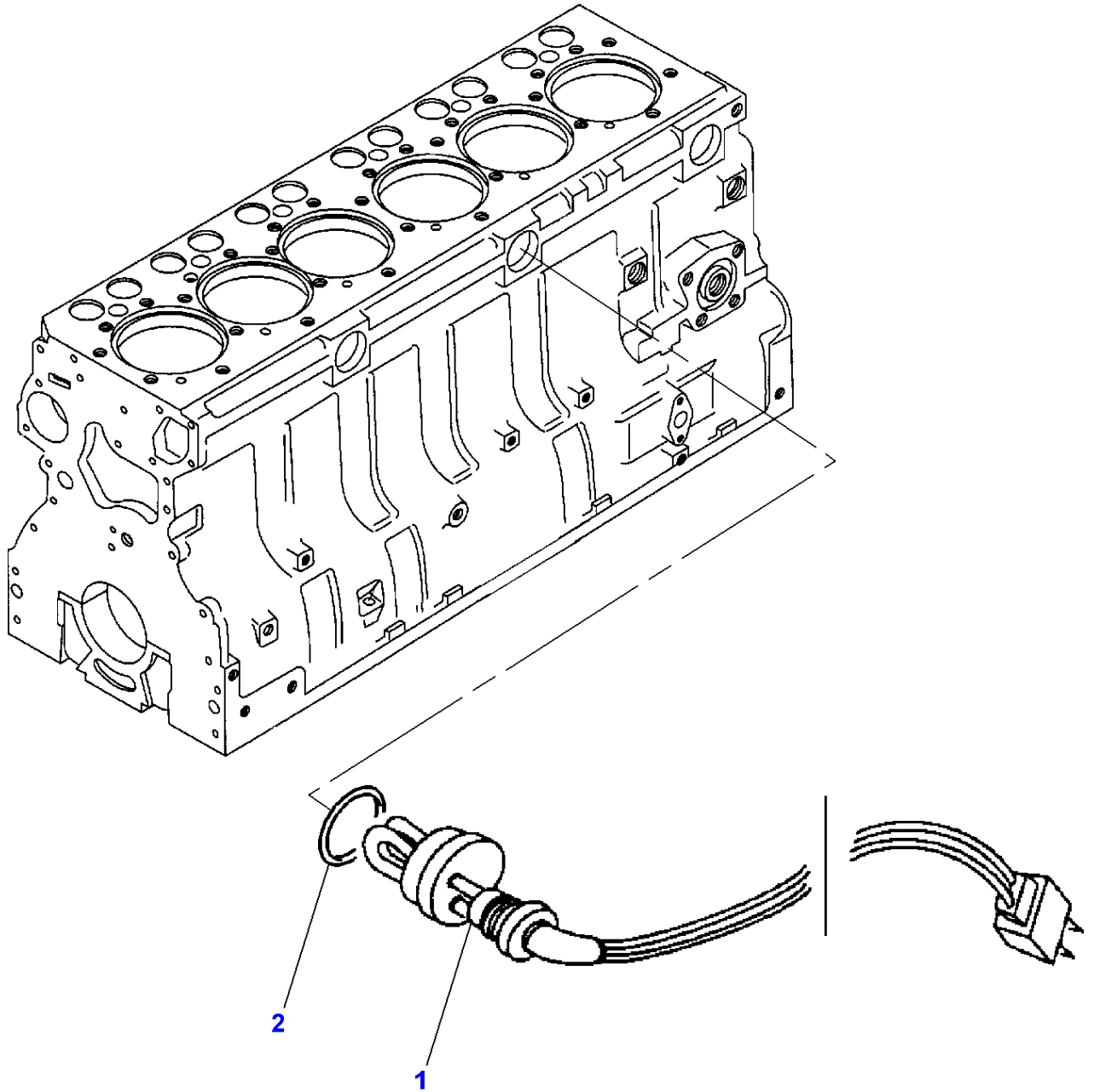
1637366

Heater Engine Block - From Serial or Engine Number L155013

Page010-0210

Item	Part Number	Qty	Description	Comments
1	3615752M2	1	Element	
2	3611974M1	1	Clip	
3	4270169M1	1	Lead	
4	4270172M1	1	Harness	
5	4270098M1	1	Clamp	
6	3010567X1	2	Screw Metric	M5 X 16
7	339381X1	1	Lock Washer	
8	4270462M1	1	Support	
9	3010477X1	2	Nut Metric	M5
10	339123X1	1	Hex. Sock. Screw	M8 X 20

1-ZC38-004-B



Massey Ferguson

MF 8250 TRACTOR - 1637366

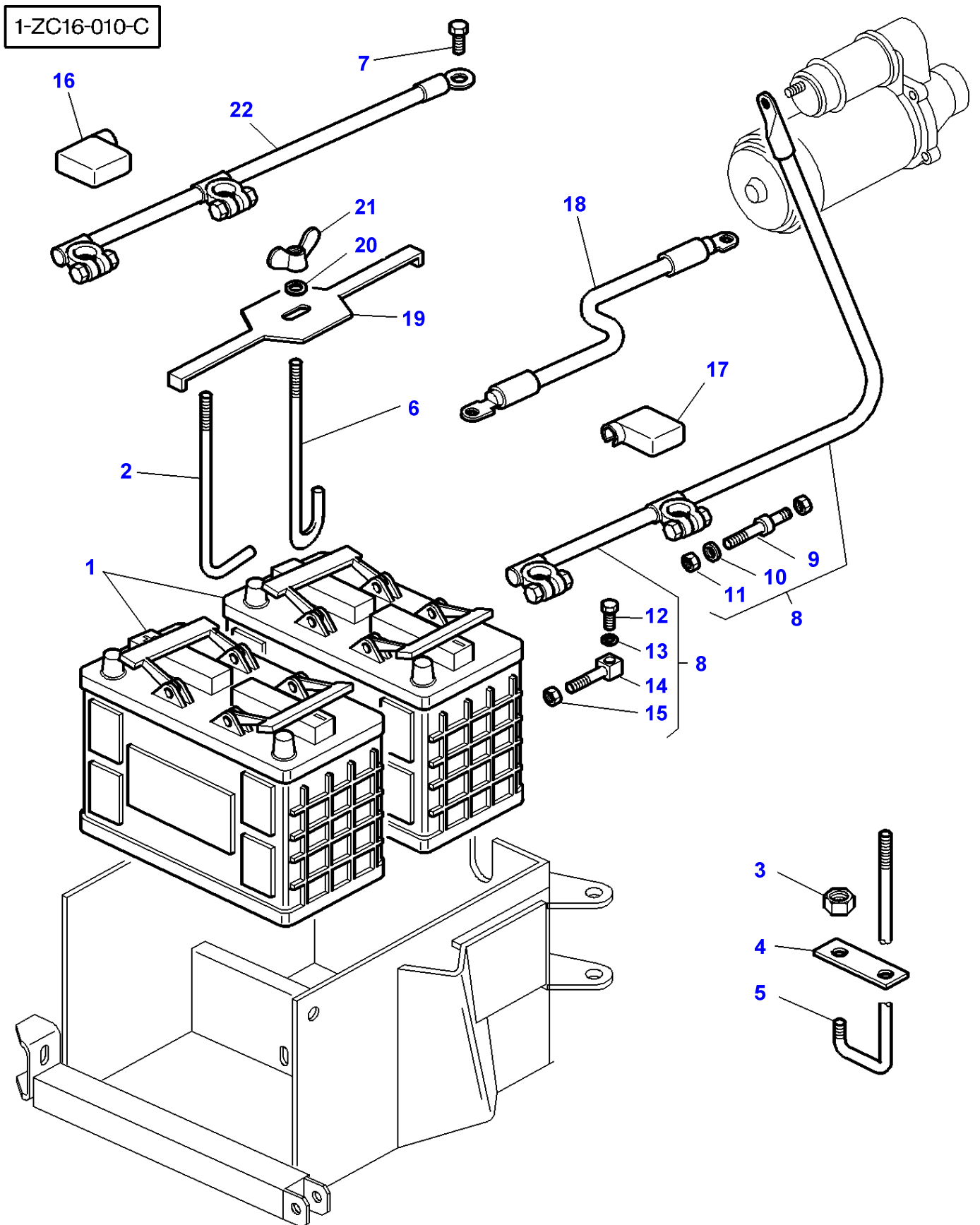
1637366

Heater Engine Block

Page010-0215

Item	Part Number	Qty	Description	Comments
1	V836840934	1	Heater	120 V
2	V836840998	1	O Ring	

MF 8250 TRACTOR - 1637366
1-ZC16-010-C



Item	Part Number	Qty	Description	Comments
1		2	Battery	[A,D] 505 AMP.
2	3782448M1	1	Strap	Up to Serial or Engine Number 16-06-1999
3	339169X1	1	Nut	From Serial or Engine Number 17-06-1999 Up to Serial or Engine Number J189015
4	3780198M1	1	Plate	From Serial or Engine Number 17-06-1999 Up to Serial or Engine Number J189015
5	3780197M1	1	Strap	From Serial or Engine Number 17-06-1999 Up to Serial or Engine Number J189015
6	3784434M1	1	Draglink	From Serial or Engine Number J189016
7	393764X1	1	Screw	M16X20 Up to Serial or Engine Number H286013
	391180X1	1	Screw	M14X20 From Serial or Engine Number H286014
8	3787940M1	1	Cable	Length 2150MM + Replace and repair. Old not interchangeable with new 3782162M1
9	3781370M1	1	Screw	(8)
10	3010860X1	1	Washer	(8)
11	339169X1	1	Nut	(8)
12	3010859X1	1	Screw	(8)
13	3010860X1	1	Washer	(8)
14	3781143M1	1	Screw	(8)
15	339169X1	1	Nut	(8)
16	3782138M2	1	Protector	[B]
	3788468M1	1	Protector	[C]
17	3782139M2	1	Protector	[B]
	3788467M1	1	Protector	[C]
18	3783766M1	1	Cable	Length 930MM From Serial or Engine Number H286014
19	5015718M2	1	Stirrup	
20	390972X1	2	Washer Metric	
21	339106X1	1	Wing Nut	
22	5015258M3	1	Cable	Length 1440MM - Up to Serial or Engine Number H286013
	3782436M2	1	Battery Cable	Length 1650MM - From Serial or Engine Number H286014

FOOTNOTE [A] PLEASE REFER TO MARKETING CATALOG

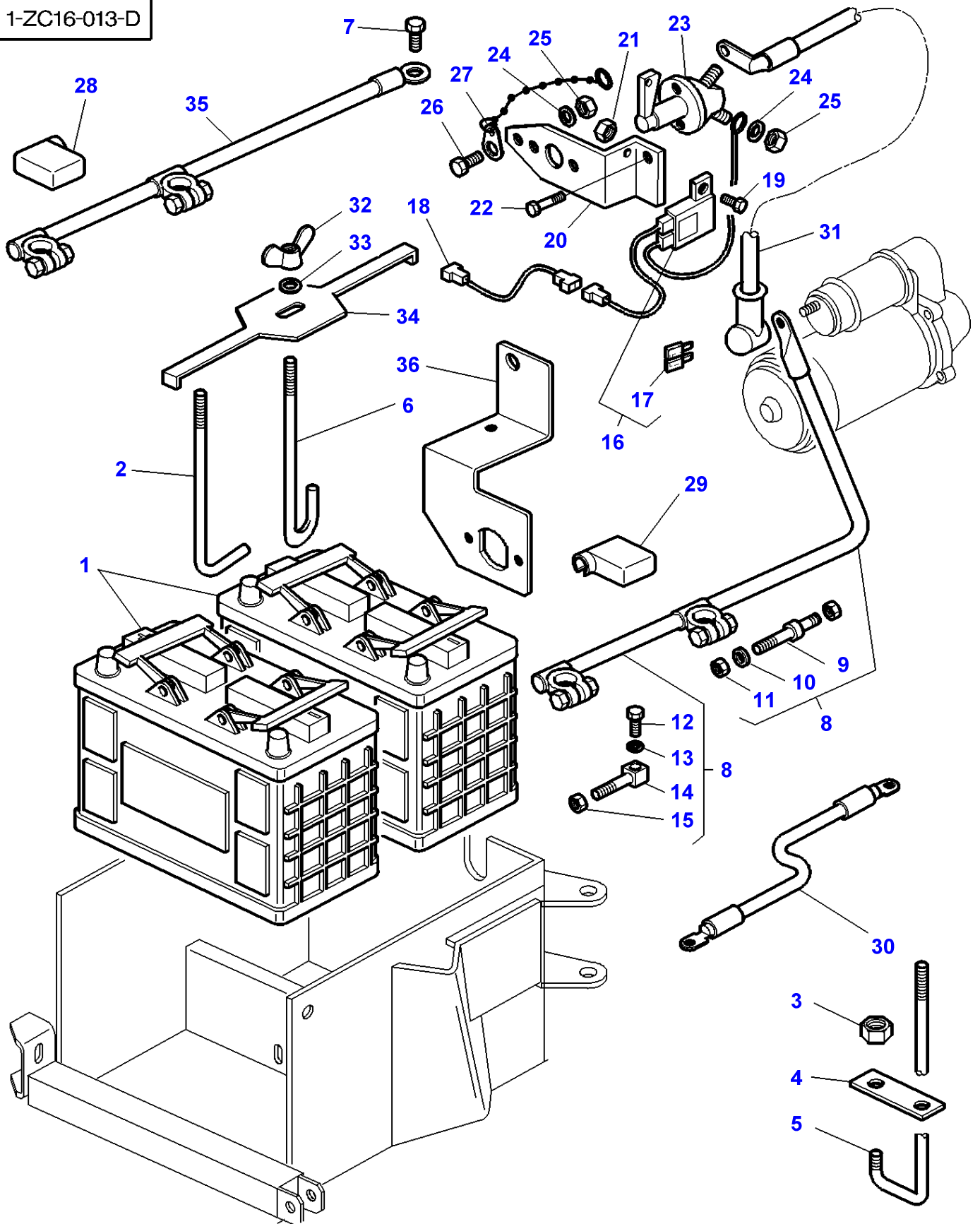
FOOTNOTE [B] RED

FOOTNOTE [C] BLACK

FOOTNOTE [D] THE APPROPRIATE SAFETY DECALS MUST BE ORDERED AND FITTED TO THIS PART

MF 8250 TRACTOR - 1637366
1-ZC16-013-D

1-ZC16-013-D



Item	Part Number	Qty	Description	Comments
1		2	Battery	[A,D] 505 AMP.
2	3782448M1	1	Strap	Up to Serial or Engine Number 16-06-1999
3	339169X1	1	Nut	From Serial or Engine Number 17-06-1999 Up to Serial or Engine Number J189015
4	3780198M1	1	Plate	From Serial or Engine Number 17-06-1999 Up to Serial or Engine Number J189015
5	3780197M1	1	Strap	From Serial or Engine Number 17-06-1999 Up to Serial or Engine Number J189015
6	3784434M1	1	Draglink	From Serial or Engine Number J189016
7	393764X1	1	Screw	M16X20 Up to Serial or Engine Number H286013
	391180X1	1	Screw	M14X20 From Serial or Engine Number H286014
8	3787940M1	1	Cable	Length 2150MM + Replace and repair. Old not interchangeable with new 3782162M1
9	3781370M1	1	Screw	(8)
10	3010860X1	1	Washer	(8)
11	339169X1	1	Nut	(8)
12	3010859X1	1	Screw	(8)
13	3010860X1	1	Washer	(8)
14	3781143M1	1	Screw	(8)
15	339169X1	1	Nut	(8)
16	3783044M91	1	Harness	
17	3387318M1	1	Fuse	(16)
18	3616193M2	1	Wire	Up to Serial or Engine Number
19	390990X1	1	Screw Metric	M5X12
20	3712202M1	1	Support	Up to Serial or Engine Number L109010
21	3010477X1	1	Nut Metric	
22	339666X1	2	Hex. Sock. Screw	M6X20
23	3712201M2	1	Switch	
24	391038X1	2	Washer	
25	339030X1	2	Nut Metric	M6
26	339560X1	1	Hex. Sock. Screw	M6X16
27	3613599M91	1	Chain	
28	3782138M2	1	Protector	[B]
	3788468M1	1	Protector	[C]
29	3782139M2	1	Protector	[B]
	3788467M1	1	Protector	[C]
30	3783766M1	1	Cable	Length 930MM From Serial or Engine Number H286014
31	3786272M1	1	Battery Cable	Length 650MM
32	339106X1	1	Wing Nut	
33	390972X1	2	Washer Metric	
34	5015718M2	1	Stirrup	
35	5015258M3	1	Cable	Length 1440MM - Up to Serial or Engine Number H286013 Length 1650MM - From Serial or Engine Number H286014
	3782436M2	1	Battery Cable	From Serial or Engine Number L109011
36	3781381M1	1	Support	From Serial or Engine Number L109011

FOOTNOTE [A] PLEASE REFER TO MARKETING CATALOG

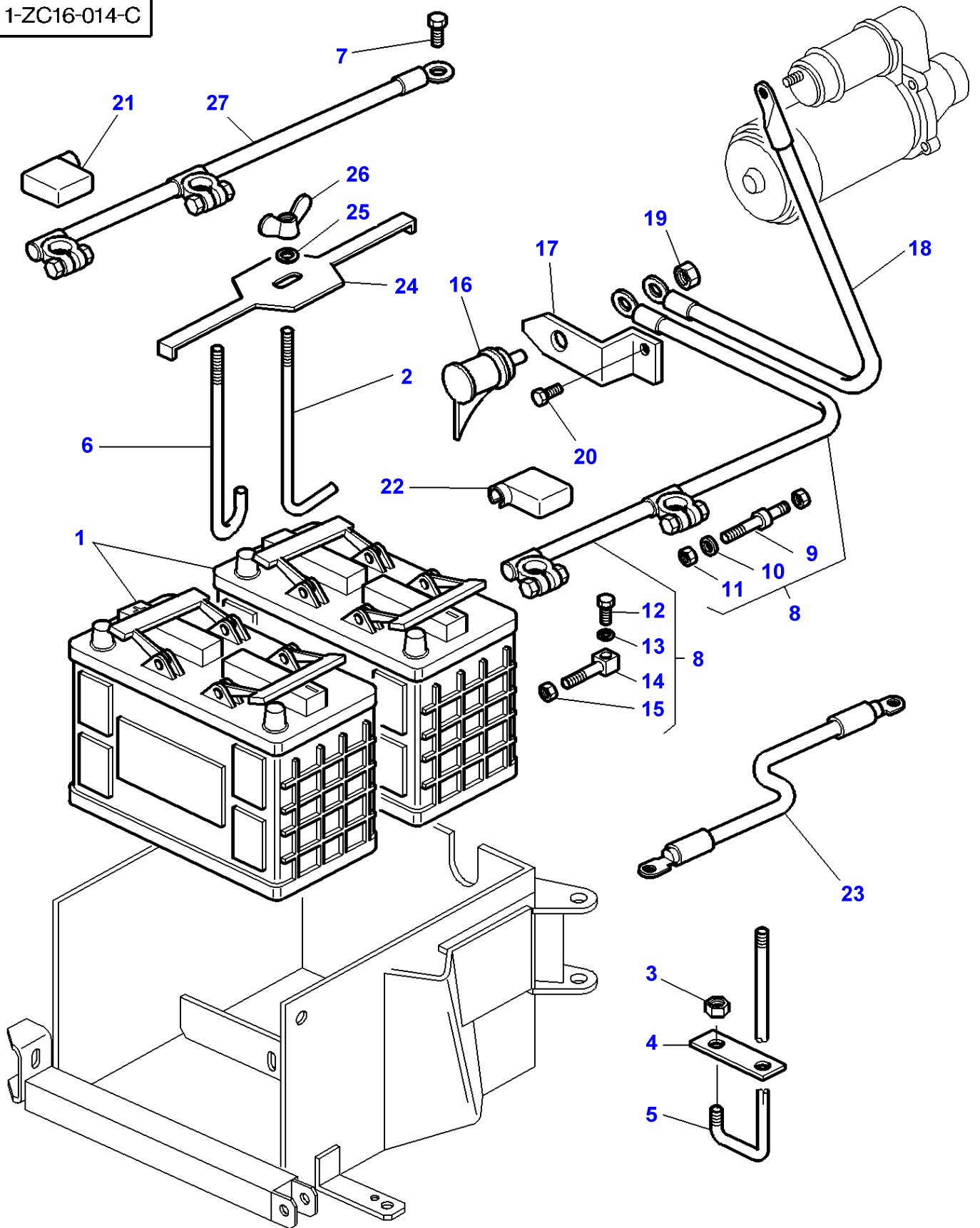
FOOTNOTE [B] RED

FOOTNOTE [C] BLACK

FOOTNOTE [D] THE APPROPRIATE SAFETY DECALS MUST BE ORDERED AND FITTED TO THIS PART

MF 8250 TRACTOR - 1637366
1-ZC16-014-C

1-ZC16-014-C



Item	Part Number	Qty	Description	Comments
1		2	Battery	[A,D] 505 AMP.
2	3782448M1	1	Strap	Up to Serial or Engine Number 16-06-1999
3	339169X1	1	Nut	From Serial or Engine Number 17-06-1999
4	3780198M1	1	Plate	Up to Serial or Engine Number J189015
5	3780197M1	1	Strap	From Serial or Engine Number 17-06-1999
6	3784434M1	1	Draglink	Up to Serial or Engine Number J189015
7	393764X1	1	Screw	From Serial or Engine Number J189016
				M16X20
				Up to Serial or Engine Number H286013
	391180X1	1	Screw	M14X20
				From Serial or Engine Number H286014
8	3787940M1	1	Cable	Length 2150MM
				+
				Replace and repair. Old not interchangeable with new 3782162M1
9	3781370M1	1	Screw	(8)
10	3010860X1	1	Washer	(8)
11	339169X1	1	Nut	(8)
12	3010859X1	1	Screw	(8)
13	3010860X1	1	Washer	(8)
14	3781143M1	1	Screw	(8)
15	339169X1	1	Nut	(8)
16	3714454M1	1	Connector	
17	3714294M2	2	Support	
18	3786275M1	1	Battery Cable	Length 450MM
				+
19	355566X1	1	Nut Unc	(16)
20	391180X1	1	Screw	M14X25
21	3782138M2	1	Protector	[B]
	3788468M1	1	Protector	[C]
22	3782139M2	1	Protector	[B]
	3788467M1	1	Protector	[C]
23	3783766M1	1	Cable	Length 930MM
				From Serial or Engine Number H286014
24	5015718M2	1	Stirrup	
25	390972X1	2	Washer Metric	
26	339106X1	1	Wing Nut	
27	5015258M3	1	Cable	Length 1440MM
				-
				Up to Serial or Engine Number H286013
	3782436M2	1	Battery Cable	Length 1650MM
				-
				From Serial or Engine Number H286014

FOOTNOTE [A] PLEASE REFER TO MARKETING CATALOG

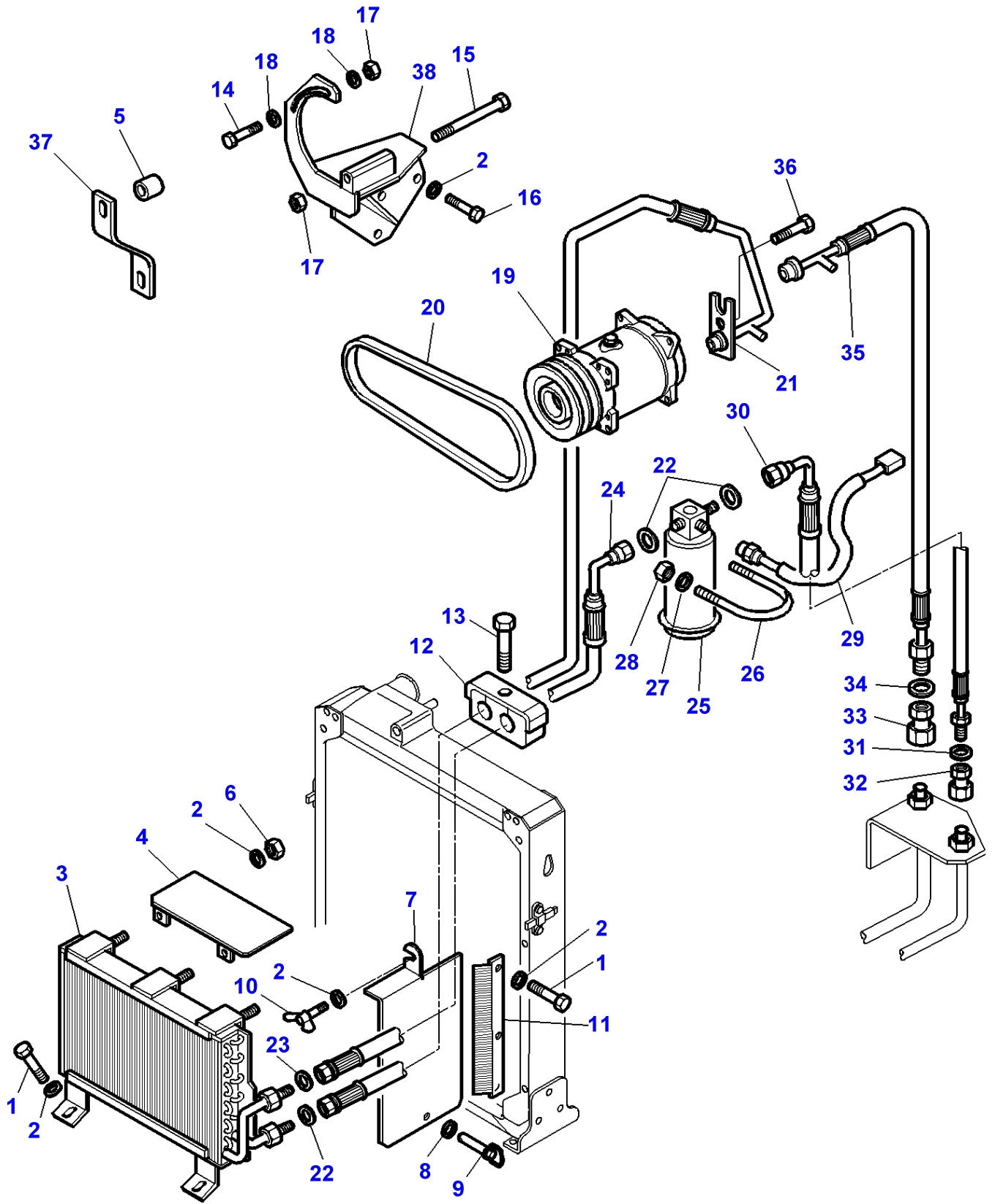
FOOTNOTE [B] RED

FOOTNOTE [C] BLACK

FOOTNOTE [D] THE APPROPRIATE SAFETY DECALS MUST BE ORDERED AND FITTED TO THIS PART

MF 8250 TRACTOR - 1637366
1-ZC08-006-C

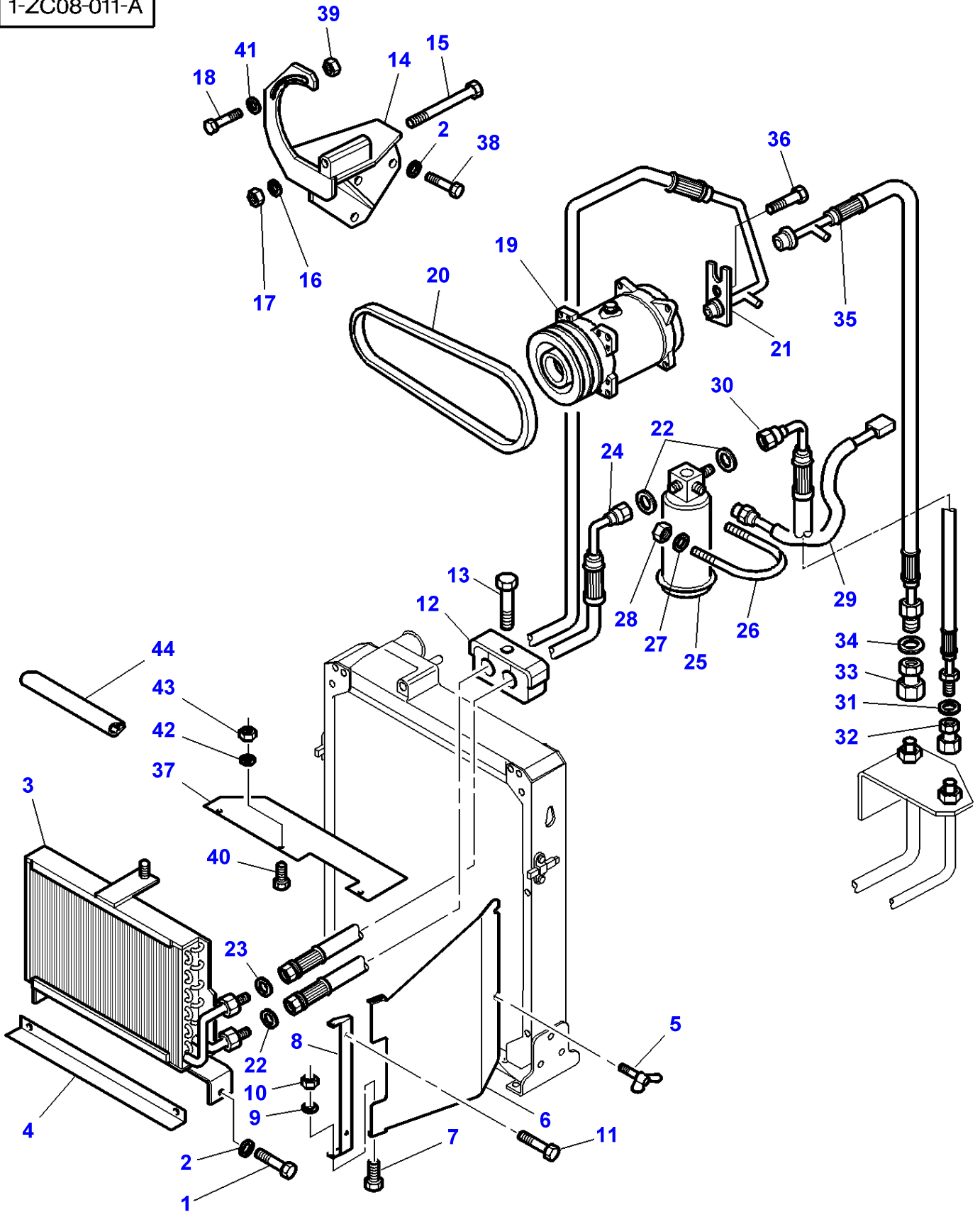
1-ZC08-006-C



Item	Part Number	Qty	Description	Comments
1	339124X1	X	Hex. Sock. Screw	M8 X 16
2	390972X1	X	Washer Metric	Diameter 8-17 X 1,7 MM
3	3782611M1	1	Condenser	
4	3782713M1	1	Plate	
5	3782135M1	2	Spacer	
6	339169X1	2	Nut	M8
7	3782712M2	1	Panel	Left Hand
	3782711M2	1	Panel	Right Hand
8	3782892M1	2	Washer	
9	3782893M2	2	Latch	
10	339107X1	2	Wingbolt	M8 X 16
11	3782716M1	1	Dust Shield	Left Hand
	3782715M1	1	Dust Shield	Right Hand
12	3781937M1	1	Bridle	
13	339009X1	1	Hex. Sock. Screw	M8 X 35
14	3009493X1	3	Hex. Sock. Screw	M10 X 30
15	1442487X1	1	Bolt Metric	M10 X 130
16	339013X1	1	Bolt Metric	M8 X 110
	339557X1	2	Screw	M8 X 120
17	339402X1	2	Nut	M10
18	339376X1	X	Lock Washer	
19	3782613M2	1	Compressor	
20	3389525M1	1	Belt	Length 1085 MM
21	3782106M3	1	Hydr Hose	
22	3010471X1	3	O Ring	
23	3010472X1	1	O Ring	
24	3782103M3	1	Hydr Hose	Length 2550 MM
25	3712495M1	1	Filter	
26	3383977M1	1	Stirrup	
27	390971X1	2	Washer	Diameter 6-12 X 1,5 MM
28	339030X1	2	Nut Metric	M6
29	3712526M1	1	Pressure Switch	
30	3782125M1	1	Hydr Hose	Length 381 MM
31	3010502X1	1	O Ring	
32	368524X1	1	Union	
33	368543X1	1	Union	
34	3010474X1	1	O Ring	
35	3782102M1	1	Hydr Hose	Length 1020 MM
36	358139X1	1	Screw	3/8-24 X 25
37	3781063M1	1	Strap	
38	5015431M94	1	Support	

MF 8250 TRACTOR - 1637366
1-ZC08-011-A

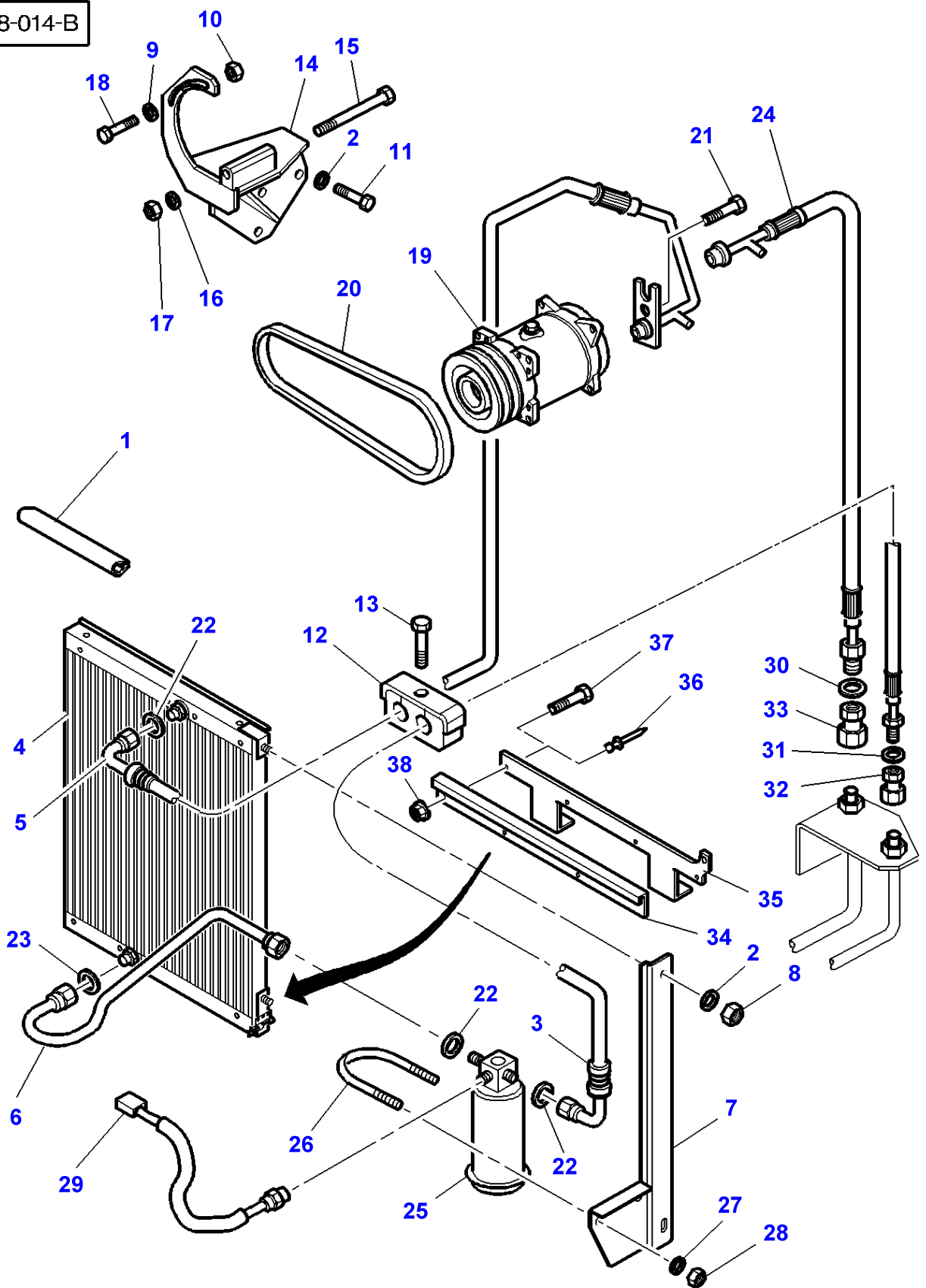
1-ZC08-011-A



Item	Part Number	Qty	Description	Comments
1	339124X1	X	Hex. Sock. Screw	M8 X 16
2	390972X1	X	Washer Metric	Diameter 8-17 X 1,7 MM
3	3784061M1	1	Condenser	
4	3785717M1	1	Shield	
5	390265X1	4	Wingbolt	M6 X 10
6	3784065M1	1	Panel	Left Hand
	3784064M1	1	Panel	Right Hand
7	339160X1	4	Screw	M5 X 10
8	3784431M1	2	Hinge	
9	390469X1	4	Washer Metric	
10	1441494X1	4	Nut Metric	M5
11	3000926X1	4	Screw	M5 X 10
12	3781937M1	1	Bridle	
13	339009X1	1	Hex. Sock. Screw	M8 X 35
14	5015431M94	1	Support	
15	1442487X1	1	Bolt Metric	M10 X 130
16	3580856M1	1	Spacer	Diameter 11-20 X 6 MM
17	1440329X1	1	Locknut	M10
18	3009494X1	1	Screw Metric	M10 X 35
19	3782613M2	1	Compressor	
20	3389525M1	1	Belt	Length 1085 MM
21	3782106M3	1	Hydr Hose	
22	3010471X1	3	O Ring	
23	3010472X1	1	O Ring	
24	3782103M3	1	Hydr Hose	Length 2550 MM
25	3712495M1	1	Filter	
26	3383977M1	1	Stirrup	
27	390971X1	2	Washer	Diameter 6-12 X 1,5 MM
28	339030X1	2	Nut Metric	M6
29	3712526M1	1	Pressure Switch	
30	3782125M1	1	Hydr Hose	Length 381 MM
31	3010502X1	1	O Ring	
32	368524X1	1	Union	
33	368543X1	1	Union	
34	3010474X1	1	O Ring	
35	3782102M1	1	Hydr Hose	Length 1020 MM
36	358139X1	1	Screw	3/8-24 X 25
37	3784069M1	1	Plate	
38	339013X1	1	Bolt Metric	M8 X 110
	339557X1	2	Screw	M8 X 120
39	339402X1	1	Nut	M10
40	339560X1	3	Hex. Sock. Screw	M6 X 16
41	390734X1	2	Washer	Diameter 10-21 X 2 MM
42	390971X1	3	Washer	Diameter 6-12 X 1,5 MM
43	339030X1	3	Nut Metric	M6
44	3783129M1	1	Staple	Length 25 MM
	3783744M1	1	Gasket	Length 50 MM
	3778991M1	1	Gasket	Length 285 MM

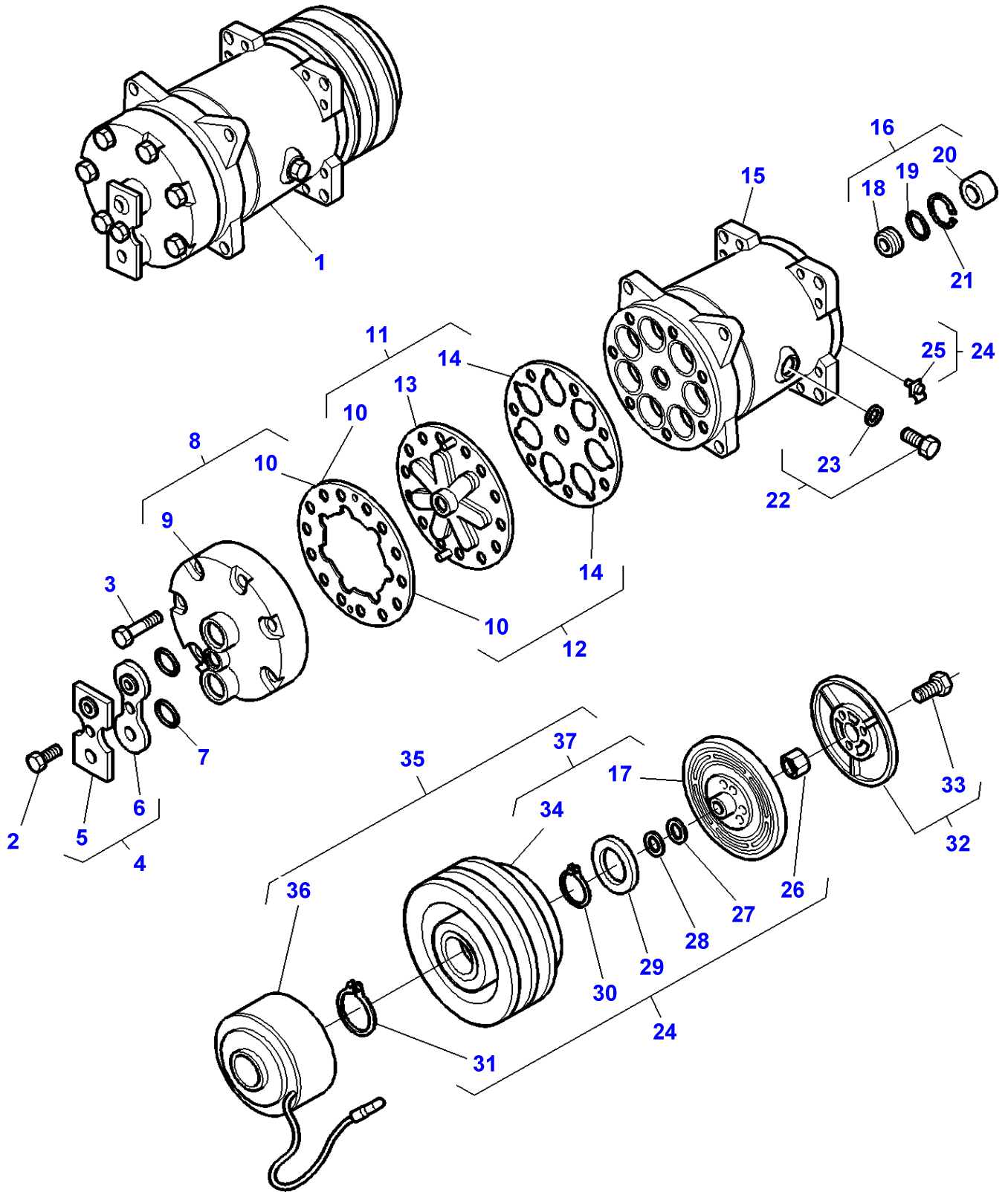
MF 8250 TRACTOR - 1637366
1-ZC08-014-B

1-ZC08-014-B



Item	Part Number	Qty	Description	Comments
1	3783129M1	1	Staple	Length 25 MM
	3783744M1	1	Gasket	Length 50 MM
2	390972X1	X	Washer Metric	Diameter 8-17 X 1,7 MM
3	3787885M1	1	Hydr Hose	
4	3785702M1	1	Condenser	
5	3787887M1	1	Hydr Hose	
6	3787886M1	1	Tube	
7	3785878M3	1	Support	
8	339169X1	2	Nut	M8
9	390734X1	2	Washer	Diameter 10-21 X 2 MM
10	339402X1	1	Nut	M10
11	339013X1	1	Bolt Metric	M8 X 110
	339557X1	2	Screw	M8 X 120
12	3781937M1	1	Bridle	
13	339009X1	1	Hex. Sock. Screw	M8 X 35
14	5015431M94	1	Support	
15	1442487X1	1	Bolt Metric	M10 X 130
16	3580856M1	1	Spacer	Diameter 11-20 X 6 MM
17	1440329X1	1	Locknut	M10
18	3009494X1	1	Screw Metric	M10 X 35
19	3782613M2	1	Compressor	
20	3389525M1	1	Belt	Length 1085 MM
21	358139X1	1	Screw	3/8-24 X 25
22	3010471X1	3	O Ring	
23	3010472X1	1	O Ring	
24	3782102M1	1	Hydr Hose	Length 1020 MM
25	3712495M1	1	Filter	
26	3383977M1	1	Stirrup	
27	390971X1	2	Washer	Diameter 6-12 X 1,5 MM
28	339030X1	2	Nut Metric	M6
29	3712526M1	1	Pressure Switch	
30	3010474X1	1	O Ring	
31	3010502X1	1	O Ring	
32	368524X1	1	Union	
33	368543X1	1	Union	
34	3787634M1	1	Support	
35	4270027M2	1	Plate	
36	3010021X1	4	Rivet	From Serial or Engine Number L263021
37	390990X1	4	Screw Metric	M5 X 12 Up to Serial or Engine Number L263020
38	3010477X1	4	Nut Metric	M5 Up to Serial or Engine Number L263020

1-ZC49-001-A



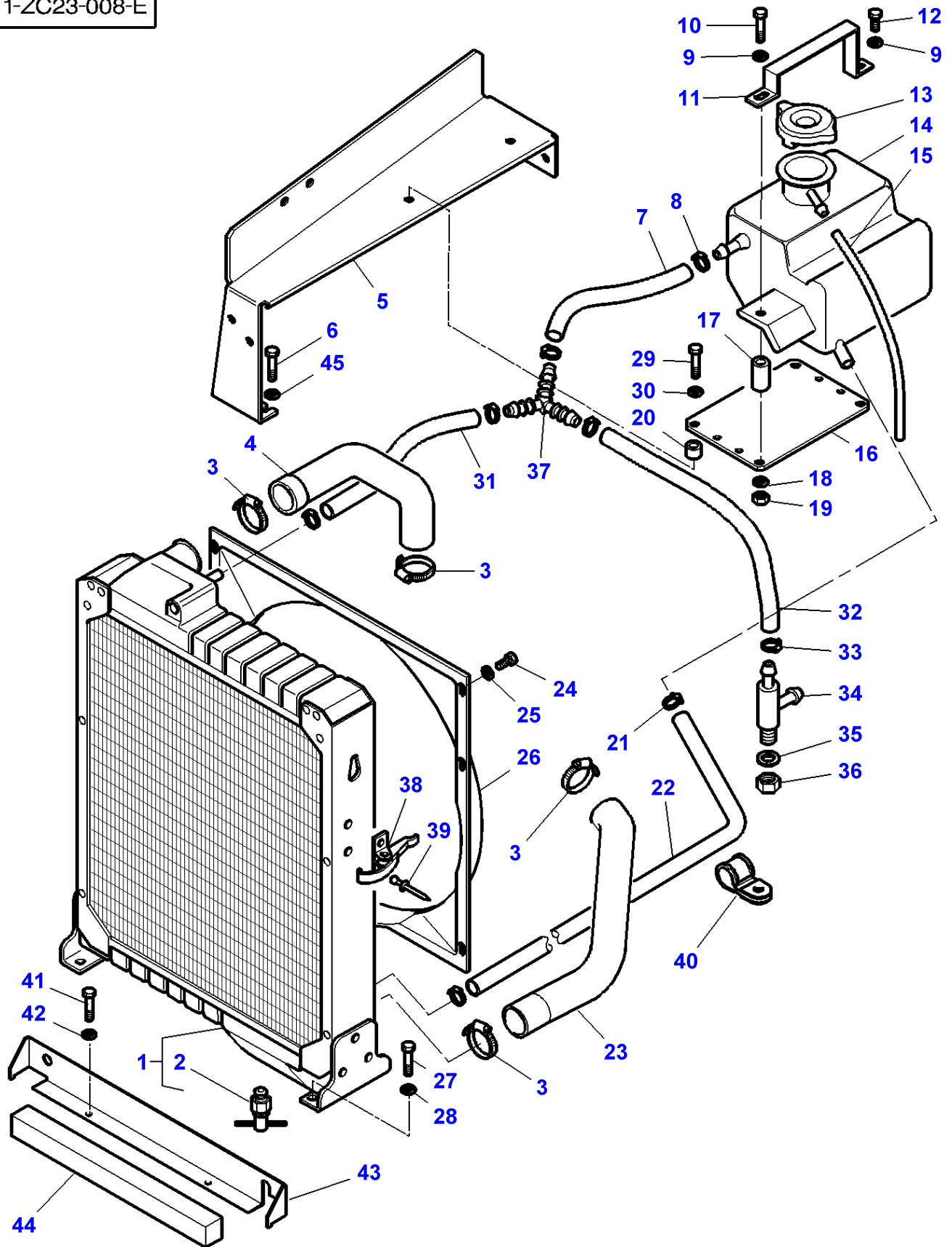
Massey Ferguson
MF 8250 TRACTOR - 1637366

Sanden Compressor

Item	Part Number	Qty	Description	Comments
1	3782613M2	1	Compressor	SD7H15QC8088
2	3901157M1	1	Screw	(1)
3	3901154M1	6	Screw	(1)
4	3903258M91	1	Kit	(1)
5		1	Plate	(4)
				Not serviced,order REF.4
6		1	Cover	(4)
				Not serviced,order REF.4
7	3901155M1	2	O Ring	(1)
8	3901147M91	1	Head	(1)
9		1	Cover	(8)
				Not serviced,order REF.8
10		1	Gasket	(8)
				Not serviced,order REF.8
11	3903255M91	1	Kit	(1)
12	3903256M91	1	Kit, Gasket	(1)
13		1	Plate	(11)
				Not serviced,order REF.11
14		1	Gasket	(11)
				Not serviced,order REF.11
15		1	Body	(1)
				Not serviced,order REF.1
16	3903257M91	1	Kit, Seal	(1)
17		1	Armature	(37)
				Not serviced,order REF.37
18		1	Seal	(16)
				Not serviced,order REF.16
19		1	O Ring	(16)
				Not serviced,order REF.16
20		1	Felt Ring	(16)
				Not serviced,order REF.16
21	3901150M1	1	Circlip	(1)
22	3901152M91	1	Plug	(1)
23	3901153M1	1	O Ring	(22)
24	3903263M91	1	Kit	(1)
25		1	Clip	(24)
				Not serviced,order REF.24
26		1	Nut	(24)
				Not serviced,order REF.24
27		1	Ring	(24)
				Not serviced,order REF.24
28		1	Ring	(24)
				Not serviced,order REF.24
29	3901162M1	1	Cover	(24)
30		1	Clip	(24)
				Not serviced,order REF.24
31		1	Clip	(24)
				Not serviced,order REF.24
32	3903259M91	1	Kit	
33		3	Screw	(32)
				Not serviced,order REF.32
34		1	Pulley	(37)
				Not serviced,order REF.37
35	3903260M92	1	Clutch	(1)
36	3903262M91	1	Coil	(35)
37	3903261M92	1	Rotor	(35)

MF 8250 TRACTOR - 1637366
1-ZC23-008-E

1-ZC23-008-E

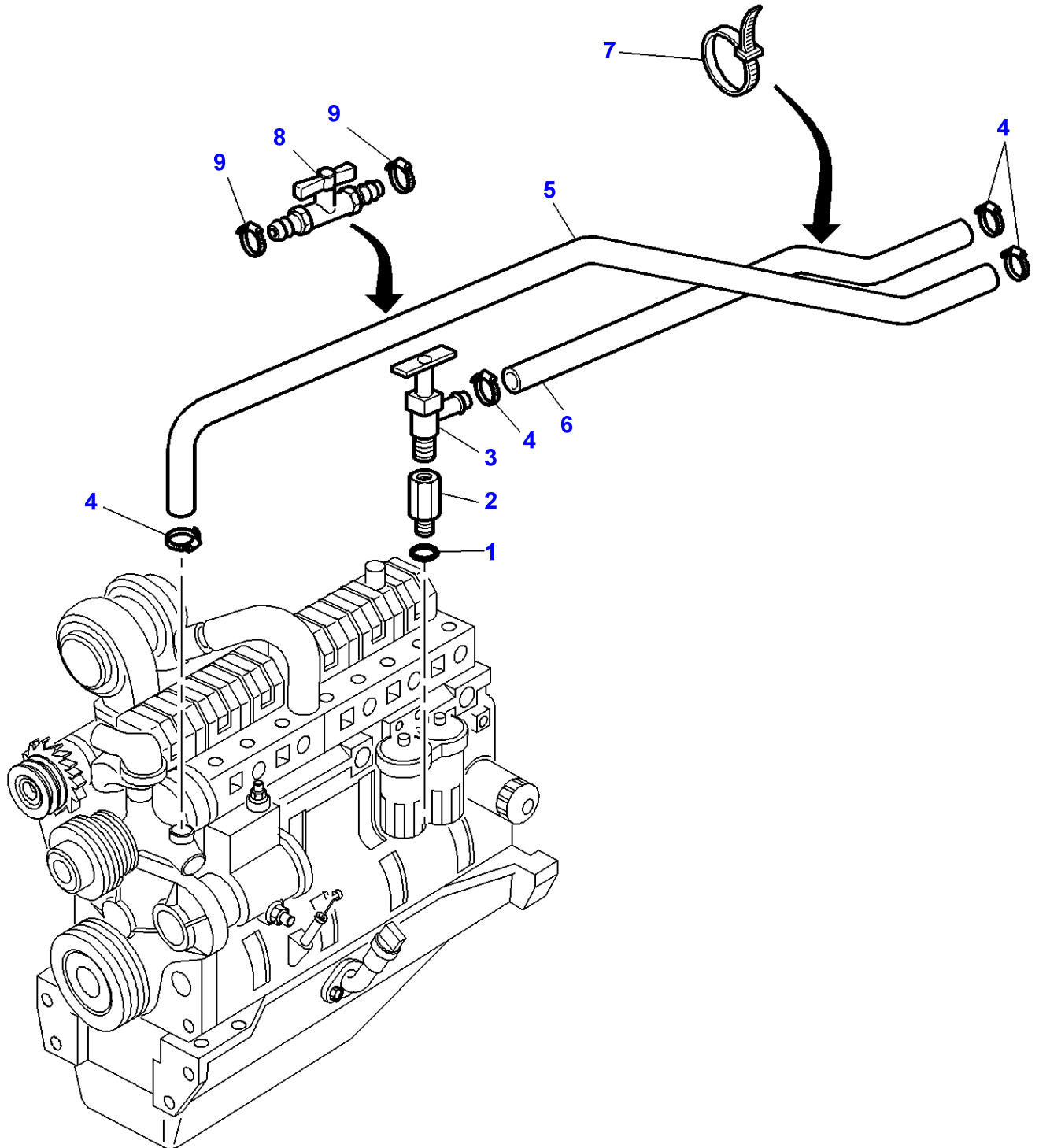


Cooling System - Engine

Item	Part Number	Qty	Description	Comments
1	3780221M4	1	Water Cooler	[A]
2	3902881M1	1	Plug	(1)
3	338618X1	4	Hose Clip	
4	3780226M2	1	Hose	MF 8250
	3788628M2	1	Hose	MF 8250 XTRA
5	3780300M6	1	Support	
6	339299X1	2	Screw Metric	M12 X 30
	339269X1	2	Hex. Sock. Screw	M16 X 30
7	3783631M1	1	Hose	Length 90MM
8	3712465M1	2	Clamp	
9	390972X1	2	Washer Metric	
10	339891X1	1	Screw	M8X80
11	3779400M2	1	Bridle	
12	339337X1	1	Hex. Sock. Screw	M8X30
13	180224M92	1	Radiator Cap	
14	3810567M3	1	Water Tank	
15	3808186M1	1	Hose	
16	3780561M1	1	Support	
17	3810570M1	1	Spacer	
18	390972X1	2	Washer Metric	
19	339169X1	2	Nut	
20	3712546M1	2	Spacer	
21	338614X1	2	Hose Clip	
22	3778872M1	1	Hose	Up to Serial or Engine Number L134035 Length 1200MM
	4270767M1	1	Hose	From Serial or Engine Number L134036 Length 1300MM
23	3580014M1	1	Water Hose	Up to Serial or Engine Number H190029
	3782762M2	1	Hose	From Serial or Engine Number H190030
24	339228X1	6	Screw Metric	M8X12
25	390972X1	6	Washer Metric	
26	3780222M2	1	Shroud	
27	3009492X1	4	Hex. Sock. Screw	M10X25
28	390734X1	4	Washer	
29	339337X1	4	Hex. Sock. Screw	M8X30
30	391039X1	4	Washer Metric	
31	3780557M1	1	Hose	Length 810MM
32	3783573M1	1	Hydr Hose	Length 650MM
33	3712465M1	4	Clamp	
34	3782829M2	1	Union	
35	339526X1	1	Seal	
36	339617X1	1	Nut	M18X1,5
37	3779038M1	1	Union	
38	3783272M1	2	Latch	
39	3010021X1	4	Rivet	
40	3581424M1	1	Clamp	
41	339124X1	2	Hex. Sock. Screw	M8 X 16
42	390972X1	2	Washer Metric	
43	3784357M2	1	Shield	
44	3785210M1	1	Gasket	Length 515MM
45	390735X1	2	Washer	M12
	1441664X1	2	Washer Metric	M16

FOOTNOTE [A] THE APPROPRIATE SAFETY DECALS MUST BE ORDERED AND FITTED TO THIS PART

1-ZC28-003-C



Massey Ferguson**MF 8250 TRACTOR - 1637366**

1637366

Cab Heating System - Engine Part

Page010-0260

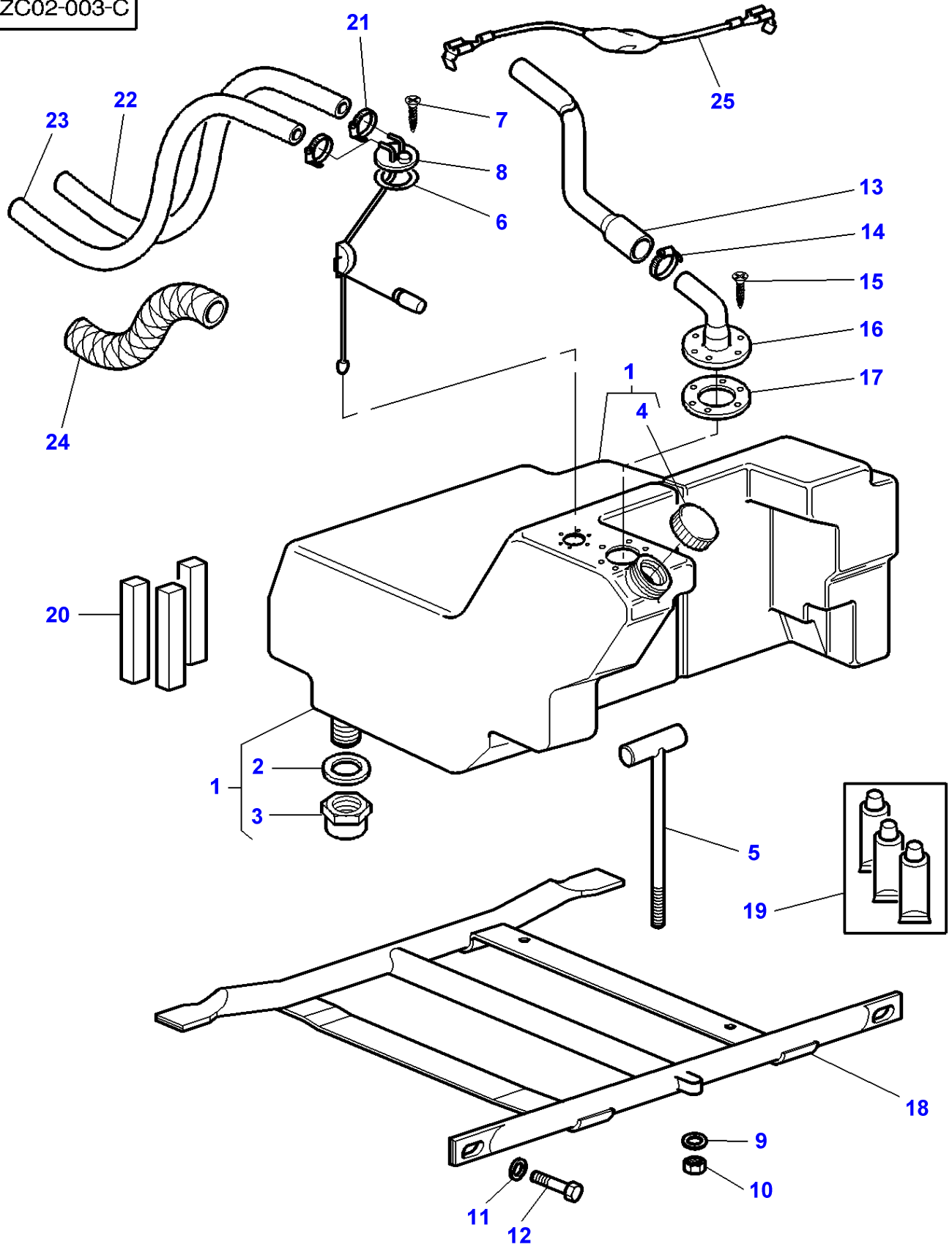
Item	Part Number	Qty	Description	Comments
1	339526X1	1	Seal	[A]
2	5015331M1	1	Adaptor	[A]
3	30-3076830	1	Valve	[A]
4	3019564X1	4	Hose Clip	Diameter 16-25
5	3385681M2	1	Hose	Length 2300 MM
6	3714872M1	1	Hose	[A] Length 1000 MM
	3580959M3	1	Hose	[B] Length 1150 MM
7	3619622M1	X	Cable Tie	Length 390 MM
8	3784680M1	1	Cock	For United States of America For Australia For South Africa
9	3019564X1	2	Hose Clip	Diameter 16-25 For United States of America For Australia For South Africa

FOOTNOTE [A] WITH FULL POWERSHIFT

FOOTNOTE [B] WITH DYNASHIFT

MF 8250 TRACTOR - 1637366
1-ZC02-003-C

1-ZC02-003-C



Massey Ferguson**MF 8250 TRACTOR - 1637366**

1637366

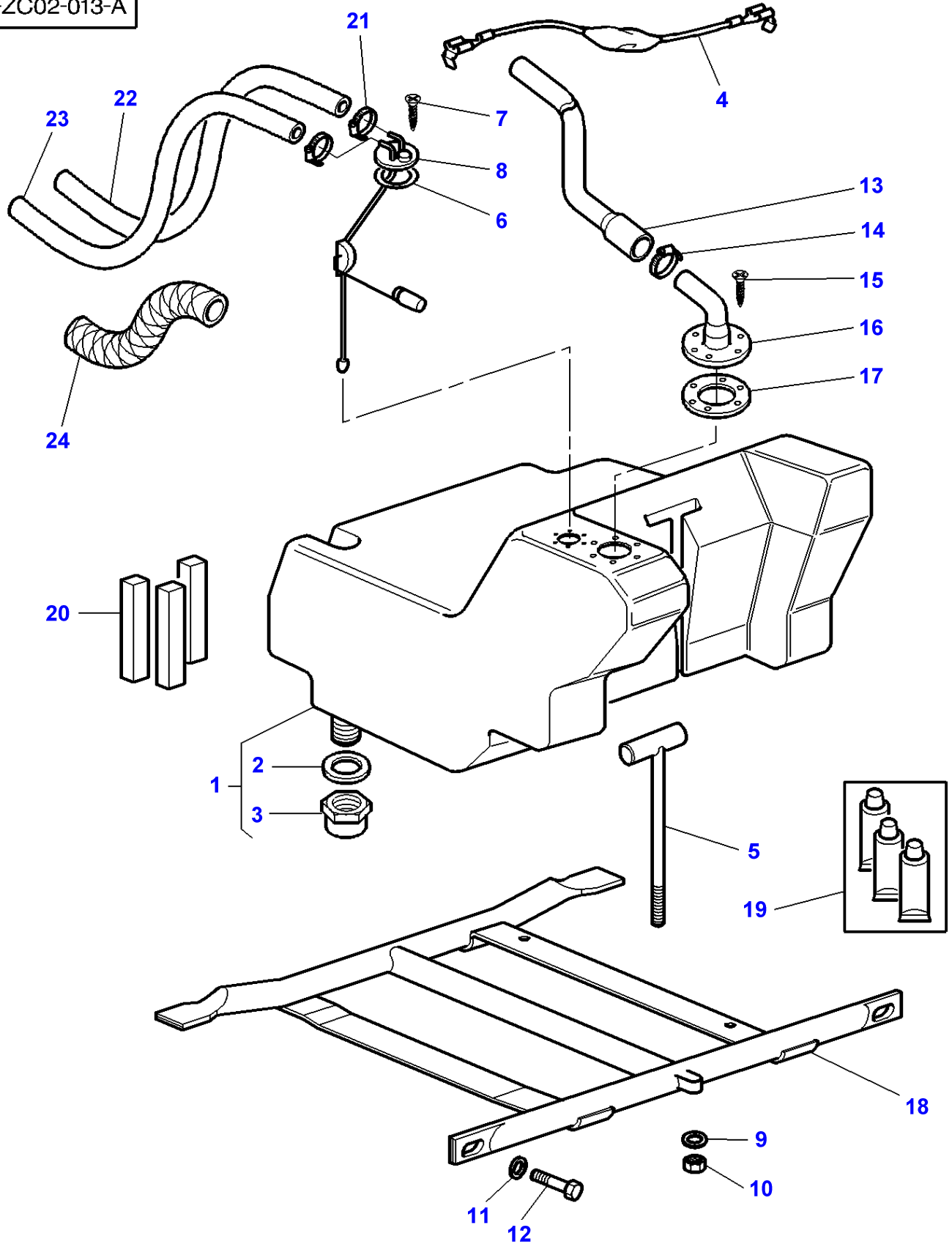
Fuel System - Fuel Tank And Attachments - Without Additional Tank

Page010-0265

Item	Part Number	Qty	Description	Comments
1	3782335M91	1	Fuel Tank	275L
2	3616911M1	1	Gasket	(1)
3	3616909M1	1	Plug	(1)
4	3782340M1	1	Tank Cap	(1)
5	3777391M1	1	Stem	
6	1617869M2	1	Gasket	
7	3005728X1	6	Screw	No 10X16
8	3777389M2	1	Fuel Gauge	
9	390734X1	1	Washer	
10	1440329X1	1	Locknut	
11	385363X1	2	Washer	
12	3009506X1	2	Screw Metric	M12 X 30
13	3778733M2	1	Tube	
14	338614X1	1	Hose Clip	Diameter 20-32
15	3005728X1	6	Screw	No 10X16
16	3782043M1	1	Non Return Valve	
17	1617869M2	1	Gasket	
18	3778874M2	1	Support	
19	3600444M91	1	Kit, Service	
20	3600195M91	1	Parts Pack	
21	3712464M1	4	Clamp	
22	3780476M1	1	Hydr Hose	Length 3500MM
23	3780476M1	1	Hydr Hose	Length 3500MM
24	3580974M2	2	Protective Strip	Length 380MM
				Up to Serial or Engine Number H169012
	3782421M1	7	Protective Strip	Length 500MM
				From Serial or Engine Number H169013
25	3783665M1	1	Harness	

MF 8250 TRACTOR - 1637366
1-ZC02-013-A

1-ZC02-013-A

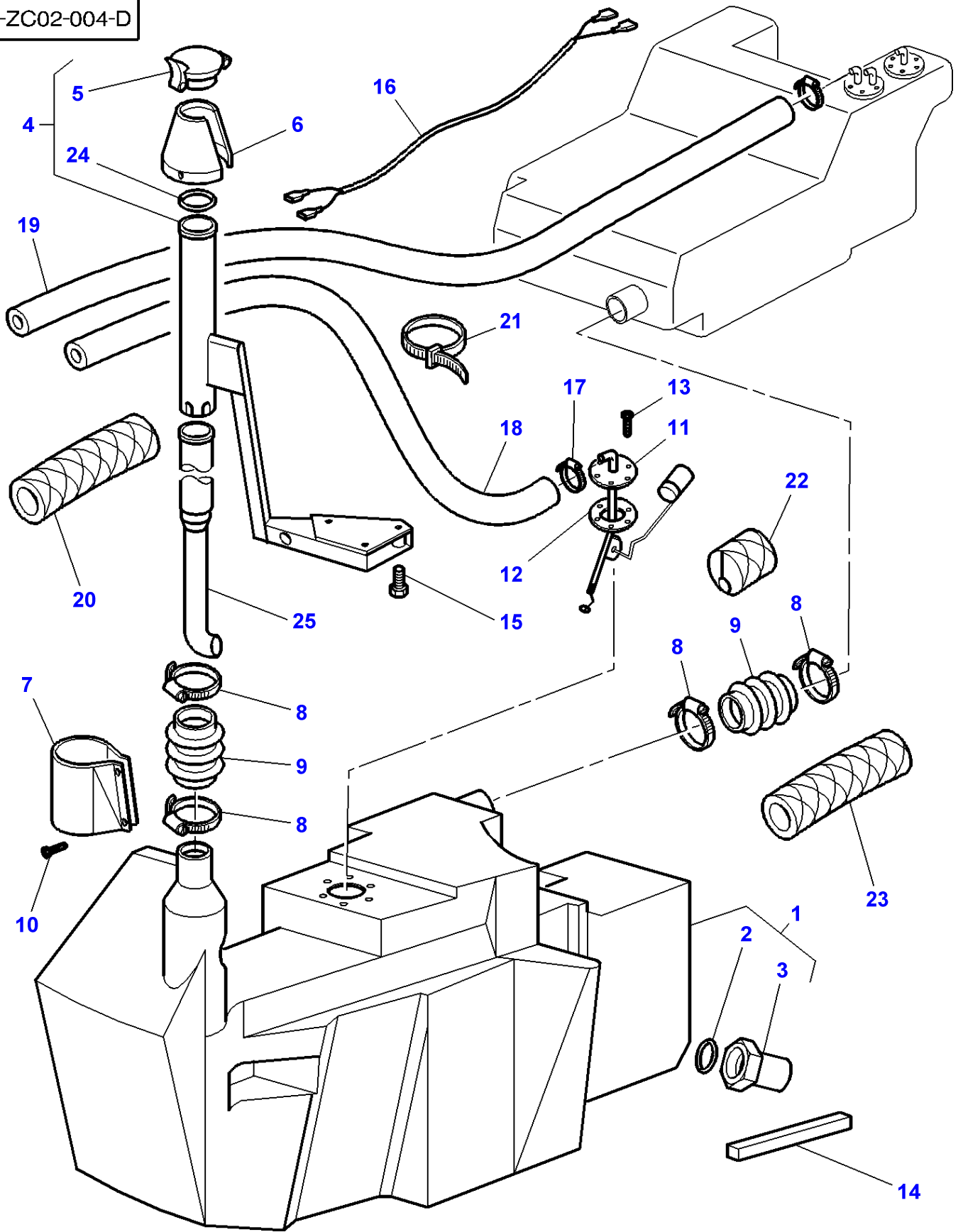


Item	Part Number	Qty	Description	Comments
1	3777384M94	1	Fuel Tank	[A] 275 L Up to Serial or Engine Number J334011
	3784419M92	1	Fuel Tank	[A] 275 L From Serial or Engine Number J334012
2	3616911M1	1	Gasket	(1)
3	3616910M1	1	Adaptor	(1)
4	3783665M1	1	Harness	
5	3777391M1	1	Stem	
6	1617869M2	1	Gasket	
7	3005728X1	6	Screw	No 10X16
8	3777389M2	1	Fuel Gauge	
9	390734X1	1	Washer	
10	1440329X1	1	Locknut	
11	385363X1	2	Washer	
12	3009506X1	2	Screw Metric	M12 X 30
13	3778733M2	1	Tube	
14	338614X1	1	Hose Clip	Diameter 20-32
15	3005728X1	6	Screw	No 10X16
16	3782043M1	1	Non Return Valve	
17	1617869M2	1	Gasket	
18	3778874M2	1	Support	
19	3600444M91	1	Kit, Service	
20	3600195M91	1	Parts Pack	
21	3712464M1	4	Clamp	
22	3780476M1	1	Hydr Hose	Length 3500MM
23	3780476M1	1	Hydr Hose	Length 3500MM
24	3580974M2	2	Protective Strip	Length 380MM Up to Serial or Engine Number H169012
	3782421M1	7	Protective Strip	Length 500MM From Serial or Engine Number H169013

FOOTNOTE [A] FOR UNITED STATES THE APPROPRIATE SAFETY DECALS MU ST BE ORDERED AND FITTED TO THIS PART

MF 8250 TRACTOR - 1637366
1-ZC02-004-D

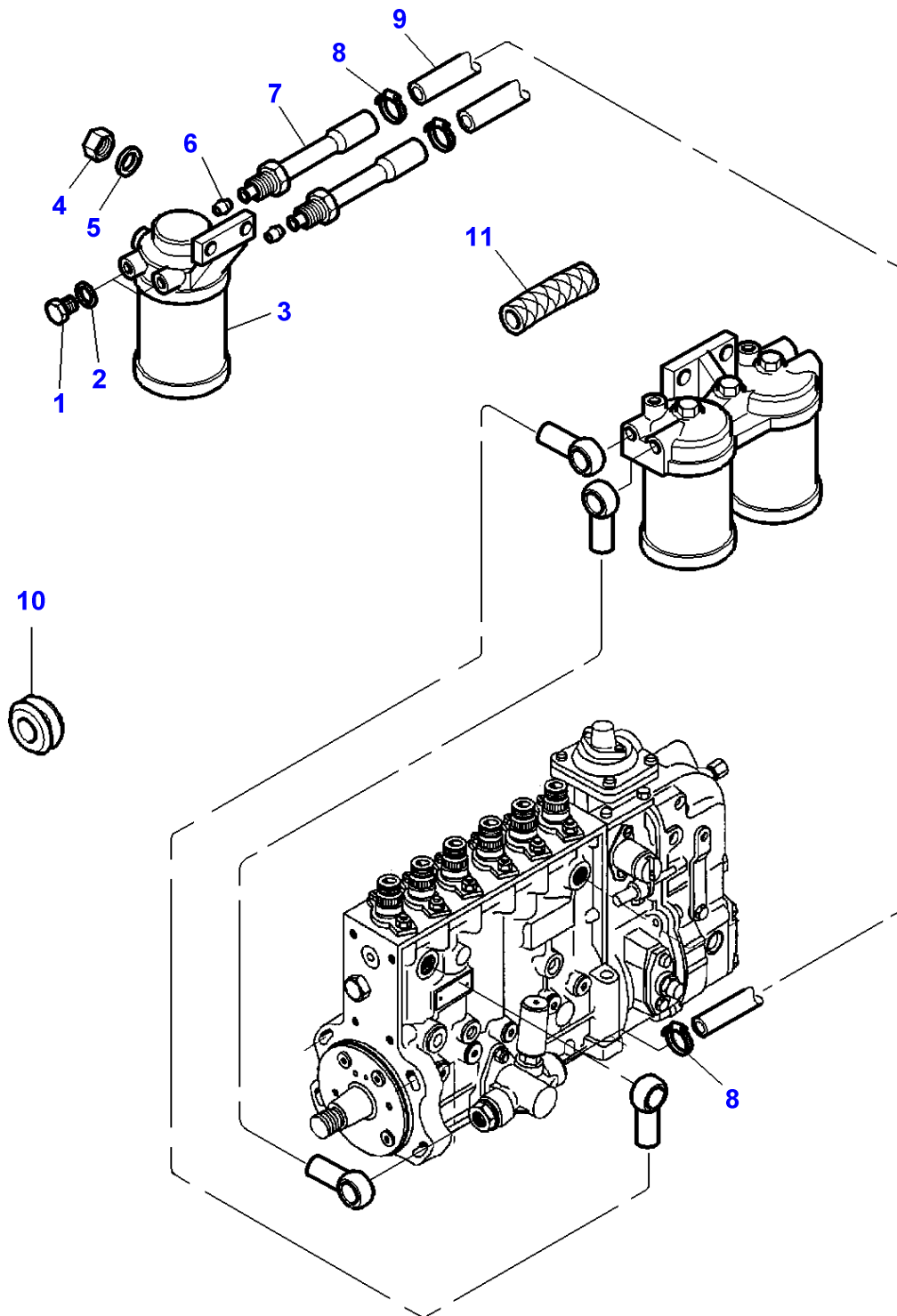
1-ZC02-004-D



Item	Part Number	Qty	Description	Comments
1	3777386M93	1	Tank	
2	3616911M1	1	Gasket	(1)
3	3616909M1	1	Plug	(1)
4	3778296M96	1	Spout	Up to Serial or Engine Number J055016
	3783921M91	1	Tube	From Serial or Engine Number J055017
5	3778761M1	1	Plug	(4)
6	3778531M1	1	Cowl	
7	3778781M1	1	Cowl	
8	1440860X1	2	Clamp	Diameter 60-80
9	3778297M1	2	Hose	Diameter 68MM
	3582877M2	1	Hose	Diameter 58MM
10	3005728X1	2	Screw	No 10X16
11	3777392M3	1	Dipstick	
12	1617869M2	1	Gasket	
13	3005728X1	6	Screw	No 10X16
14	3618690M1	2	Gasket	Length 30 X 13 X 545MM
15	339204X1	3	Screw	M10X65
	3009498X1	2	Bolt Metric	M10X55
16	3582936M1	1	Harness	
17	3712464M1	4	Clamp	Diameter 12MM
	3712465M1	4	Clamp	Diameter 15MM
18	3777664M1	1	Hydr Hose	Length 1700MM
19	3780476M1	1	Hydr Hose	Length 3500MM
20	3580974M2	X	Protective Strip	Length 380MM
				Up to Serial or Engine Number H169012
	3782421M1	X	Protective Strip	Length 500MM
				From Serial or Engine Number H169013
21	3619622M1	X	Cable Tie	
22	3783599M1	1	Protective Strip	[A]
23	3777884M1	2	Protective Strip	[A]
				Length 220MM
24	359187X1	1	O Ring	(4)
				From Serial or Engine Number J055017
25	3782142M93	1	Tube	From Serial or Engine Number J055017

FOOTNOTE [A] FOR JAPANESE MARKET ONLY

1-ZC03-009-B

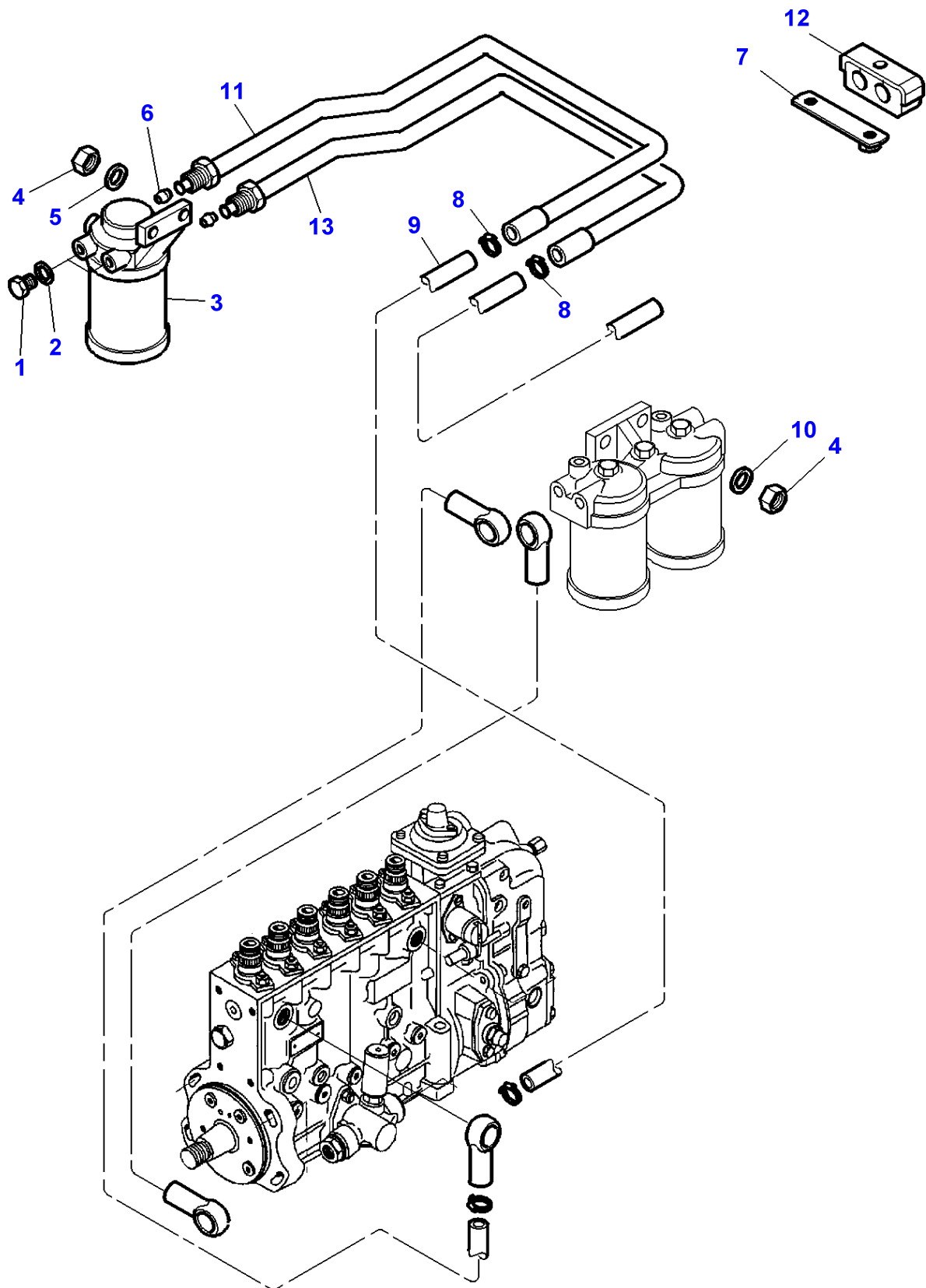


Massey Ferguson**MF 8250 TRACTOR - 1637366****1637366****Fuel System - Fuel Filters And Pipes - M.F 8250 - WITHOUT FUEL FLOWMETER****Page010-0280**

Item	Part Number	Qty	Description	Comments
1	884748M1	2	Plug	1/2-20
2	880961M1	2	Washer	Diameter 13.5-18X1.6
3	3781314M91	1	Sediment Bowl	
4	339169X1	2	Nut	M8
5	391039X1	2	Washer Metric	
6	376526X1	2	Olive	
7	3615331M1	2	Union	
8	3712464M1	3	Clamp	
9	3785624M1	1	Hydr Hose	Length 1850MM
10	3617983M1	2	Plug	
11	3782421M1	4	Protective Strip	

MF 8250 TRACTOR - 1637366
1-ZC03-028-B

1-ZC03-028-B



Massey Ferguson**MF 8250 TRACTOR - 1637366**

1637366

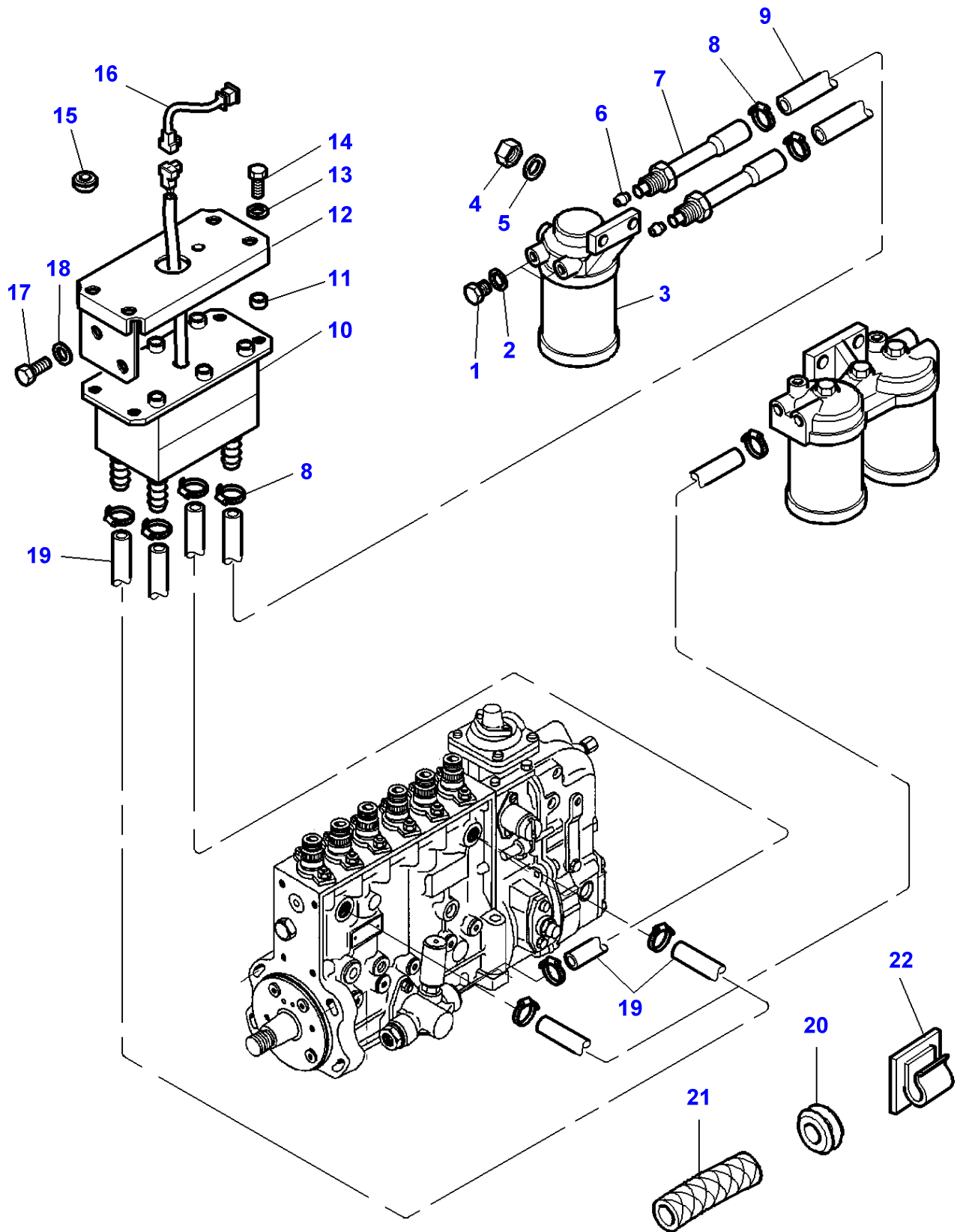
Fuel System - Fuel Filters And Pipes - M.F 8250 XTRA - WITHOUT FUEL FLOWMETER

Page010-0285

Item	Part Number	Qty	Description	Comments
1	884748M1	2	Plug	1/2-20
2	880961M1	2	Washer	Diameter 13.5-18X1.6
3	3781314M91	1	Sediment Bowl	150 MICRONS
4	339169X1	4	Nut	M8
5	391039X1	2	Washer Metric	Diameter 8-24X2
6	376526X1	4	Olive	
7	3785864M1	1	Support	
8	3712464M1	X	Clamp	
9	3777665M1	1	Hydr Hose	Length 1015MM
10	339024X1	2	Washer Metric	Diameter 8-17X2
11	3784921M1	1	Tube	
12	3780550M1	1	Bridle	Diameter 2 X 8
13	3784922M1	1	Tube	

MF 8250 TRACTOR - 1637366
1-ZC03-014-C

1-ZC03-014-C



Massey Ferguson**MF 8250 TRACTOR - 1637366**

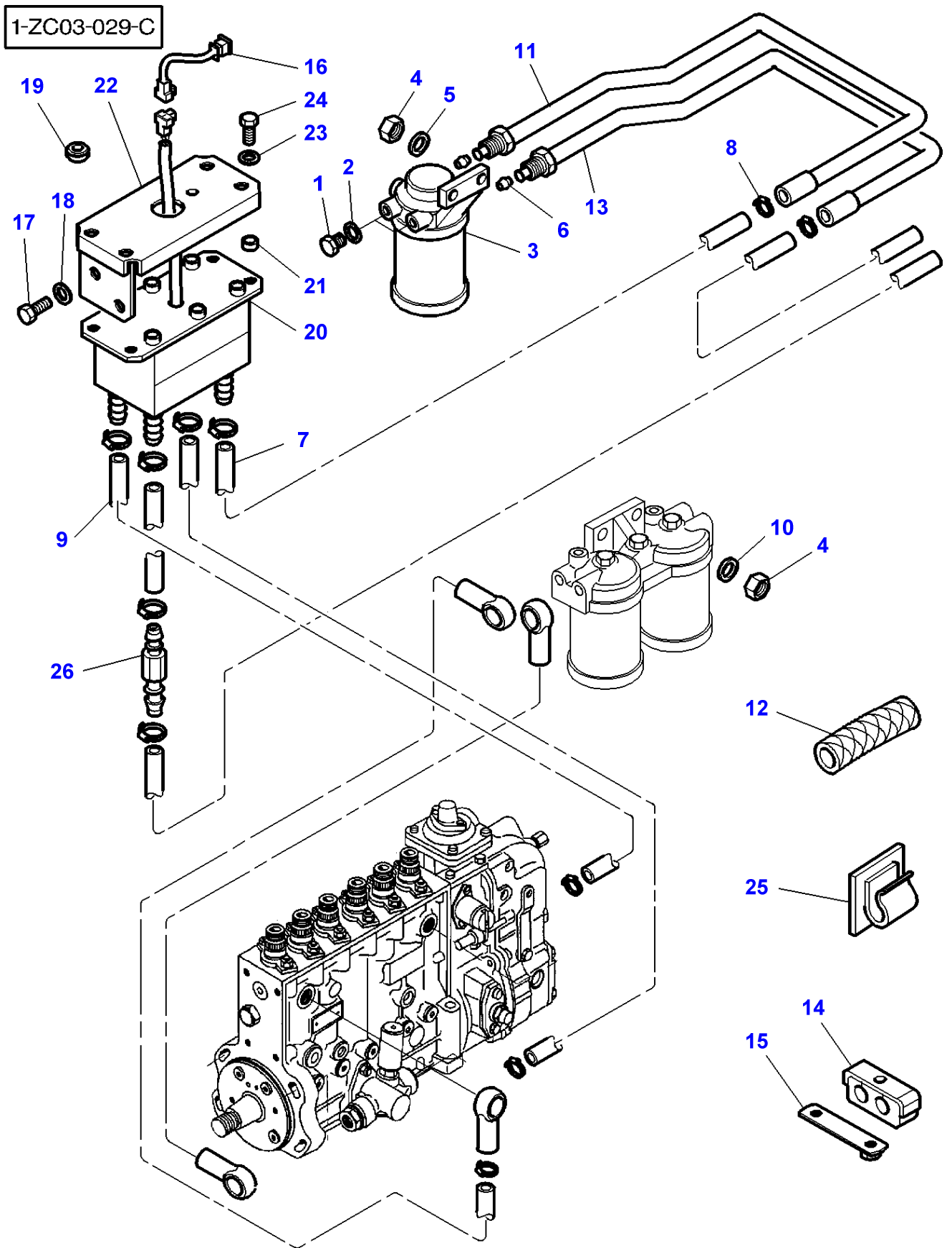
1637366

Fuel System - Fuel Filters And Pipes - M.F 8250 - With Flow Fuel

Page010-0290

Item	Part Number	Qty	Description	Comments
1	884748M1	2	Plug	1/2-20
2	880961M1	2	Washer	Diameter 13.5-18.2X1.6
3	3781977M91	1	Sediment Bowl	Up to Serial or Engine Number J249019 30 MICRONS
	3781314M91	1	Sediment Bowl	From Serial or Engine Number J249020 150 MICRONS
4	339169X1	2	Nut	M8
5	391039X1	2	Washer Metric	
6	376526X1	2	Olive	
7	3615331M1	2	Union	
8	3712464M1	6	Clamp	
9	3580971M1	1	Hydr Hose	Length 2100MM
10	3582830M1	1	Flowmeter	
11	3582832M1	4	Spacer	
12	3777280M1	1	Support	
13	3019560X1	4	Washer	
14	339563X1	4	Screw Metric	M5X20
15	3389410M1	4	Grommet	Diameter 8-11
16	3714288M1	1	Harness	
17	339123X1	2	Hex. Sock. Screw	M8X20
18	339024X1	2	Washer Metric	
19	3615358M1	2	Hydr Hose	Length 1250MM
20	3617983M1	2	Plug	
21	3782421M1	4	Protective Strip	
22	3583514M1	1	Strap	

MF 8250 TRACTOR - 1637366
1-ZC03-029-C



Massey Ferguson**MF 8250 TRACTOR - 1637366**

1637366

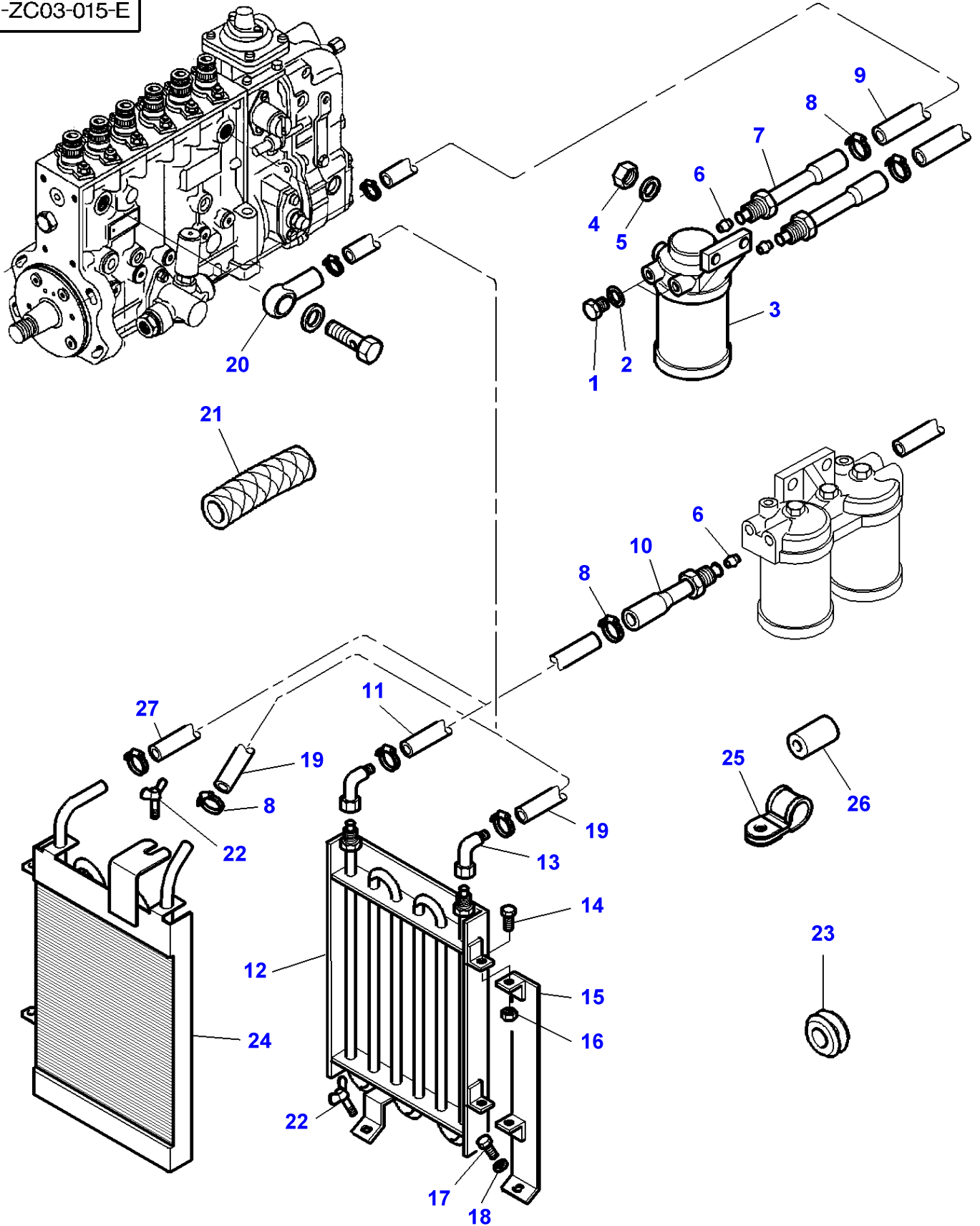
Fuel System - Fuel Filters And Pipes - M.F 8250 XTRA - With Flow Fuel

Page010-0295

Item	Part Number	Qty	Description	Comments
1	884748M1	2	Plug	1/2-20
2	880961M1	2	Washer	Diameter 13.5-18X1.6
3	3781314M91	1	Sediment Bowl	150 MICRONS
4	339169X1	4	Nut	M8
5	391039X1	2	Washer Metric	Diameter 8-24X2
6	376526X1	4	Olive	
7	3615358M1	1	Hydr Hose	Length 1250MM
8	3712464M1	X	Clamp	
9	3777898M1	2	Hydr Hose	Length 900MM
10	339024X1	2	Washer Metric	Diameter 8-17X2
11	3784921M1	1	Tube	
12	3782421M1	2	Protective Strip	Length 500MM
13	3784922M1	1	Tube	
14	3780550M1	1	Bridle	
15	3785864M1	1	Support	
16	3714288M1	1	Harness	
17	339123X1	2	Hex. Sock. Screw	M8X20
18	339024X1	2	Washer Metric	
19	3389410M1	4	Grommet	
20	3582830M1	1	Flowmeter	
21	3582832M1	4	Spacer	
22	3777280M1	1	Support	
23	3019560X1	4	Washer	
24	339563X1	4	Screw Metric	M5X20
25	3583514M1	1	Strap	
26	3781262M1	1	Junction	

MF 8250 TRACTOR - 1637366
1-ZC03-015-E

1-ZC03-015-E



Massey Ferguson**MF 8250 TRACTOR - 1637366**

1637366

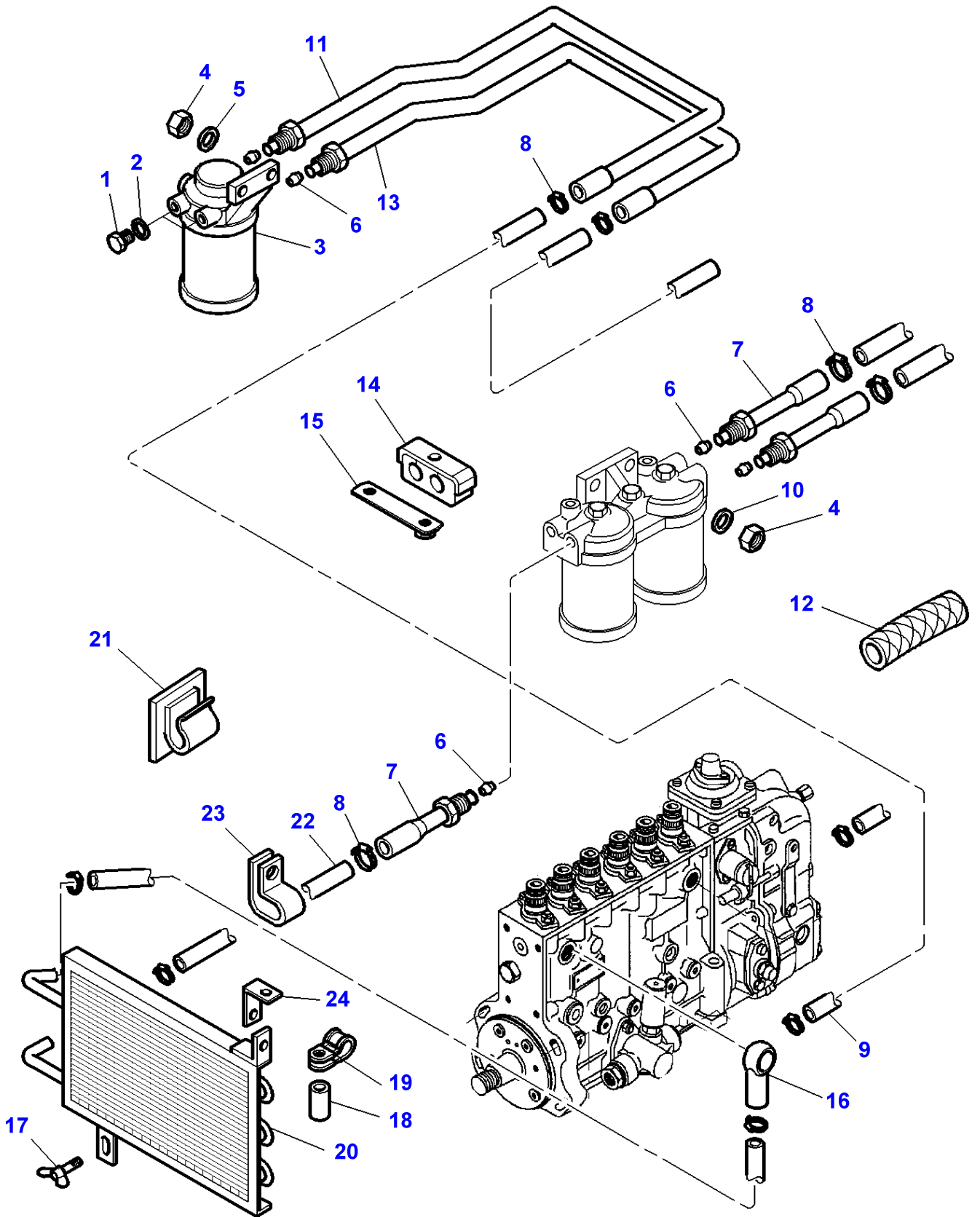
Fuel System - Fuel Filters And Pipes - M.F 8250 - WITH FUEL COOLER

Page010-0300

Item	Part Number	Qty	Description	Comments
1	884748M1	2	Plug	1/2-20
2	880961M1	2	Washer	13.5-18X1.6
3	3781314M91	1	Sediment Bowl	150 MICRONS
4	339169X1	2	Nut	M8
5	391039X1	2	Washer Metric	
6	376526X1	3	Olive	
7	3615331M1	2	Union	
8	3712464M1	6	Clamp	
9	3615358M1	1	Hydr Hose	Length 1250MM
10	3615331M1	1	Union	
11	3615358M1	1	Hydr Hose	Length 1250MM
12	3781199M2	1	Cooler	Up to Serial or Engine Number 07-01-2001
13	380048X1	2	Union	Up to Serial or Engine Number 07-01-2001
14	390990X1	2	Screw Metric	M5X12
15	3781332M1	1	Support	Up to Serial or Engine Number 07-01-2001
16	1441494X1	2	Nut Metric	M5
17	339123X1	1	Hex. Sock. Screw	M8X20
18	339024X1	1	Washer Metric	
19	3777664M1	1	Hydr Hose	Length 1700MM
20	72163068	1	Banjo Fitting	Diameter 12MM
21	3782421M1	4	Protective Strip	
22	339107X1	1	Wingbolt	M8X16
	390265X1	1	Wingbolt	M6X10
23	367439X1	2	Grommet	Diameter 15-25
				Up to Serial or Engine Number 07-01-2001
24	3784060M1	1	Cooler	From Serial or Engine Number 08-01-2001
25	3783956M1	2	Strap	
26	3618656M1	1	Spacer	Diameter 20-25 X 48
27	3580971M1	1	Hydr Hose	Length 2100MM

MF 8250 TRACTOR - 1637366
1-ZC03-030-B

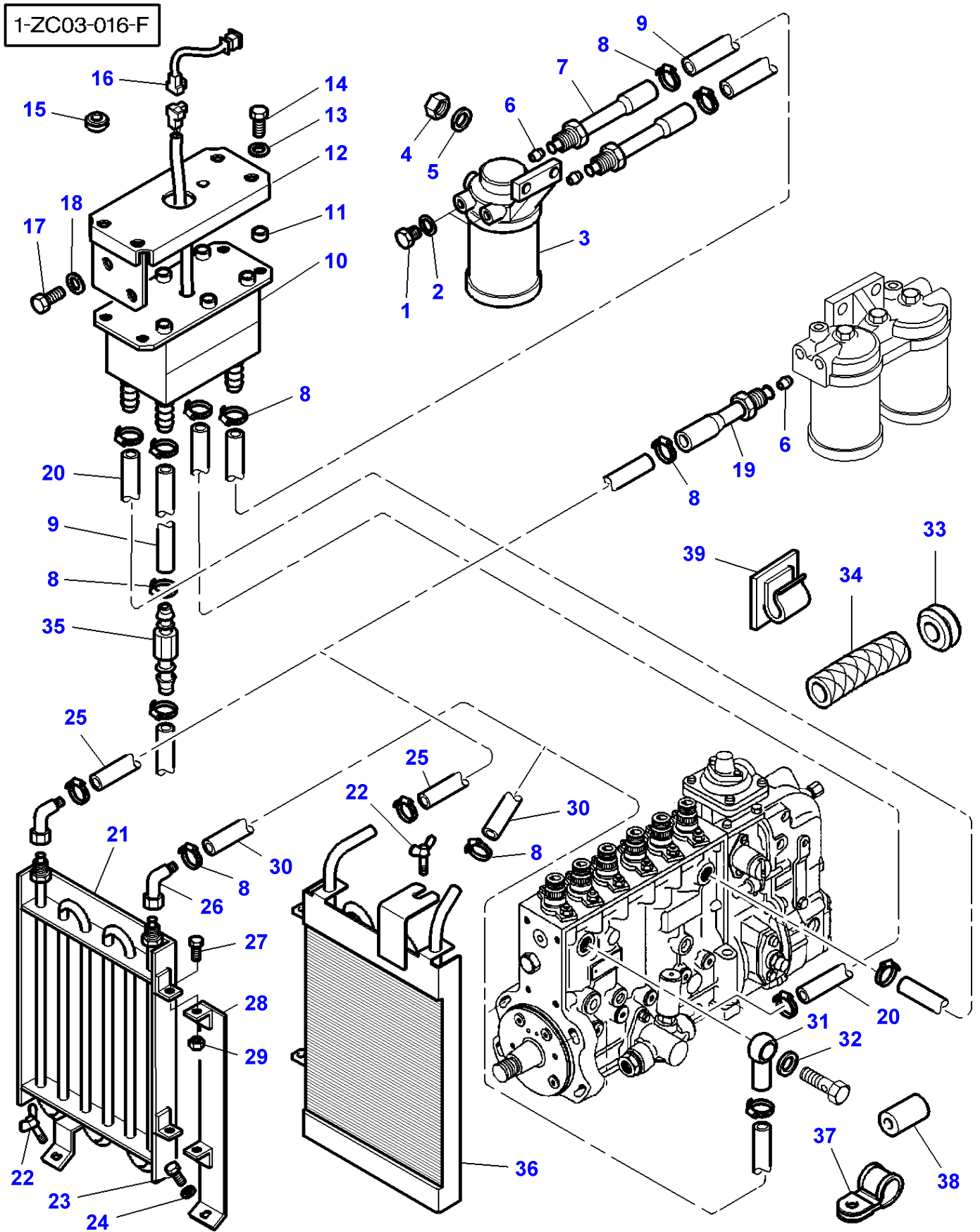
1-ZC03-030-B



Item	Part Number	Qty	Description	Comments
1	884748M1	2	Plug	1/2-20
2	880961M1	2	Washer	13.5-18.2X1.6
3	3781314M91	1	Sediment Bowl	150 MICRONS
4	339169X1	4	Nut	M8
5	391039X1	2	Washer Metric	Diameter 8-24X2
6	376526X1	5	Olive	
7	3615331M1	3	Union	
8	3712464M1	X	Clamp	
9	3580971M1	1	Hydr Hose	Length 2100MM
10	339024X1	2	Washer Metric	Diameter 8-17X2
11	3784921M1	1	Tube	
12	3782421M1	2	Protective Strip	Length 500MM
13	3784922M1	1	Tube	
14	3780550M1	1	Bridle	
15	3785864M1	1	Support	
16	72163068	1	Banjo Fitting	
17	339107X1	1	Wingbolt	
18	3618656M1	1	Spacer	Diameter 10-25X48
19	3783956M1	2	Strap	Diameter 35MM
20	3787888M1	1	Cooler	
21	3583514M1	1	Strap	
22		2	Hydr Hose	[A]
23	3386294M1	1	Strap	
24	3788359M1	1	Angle	

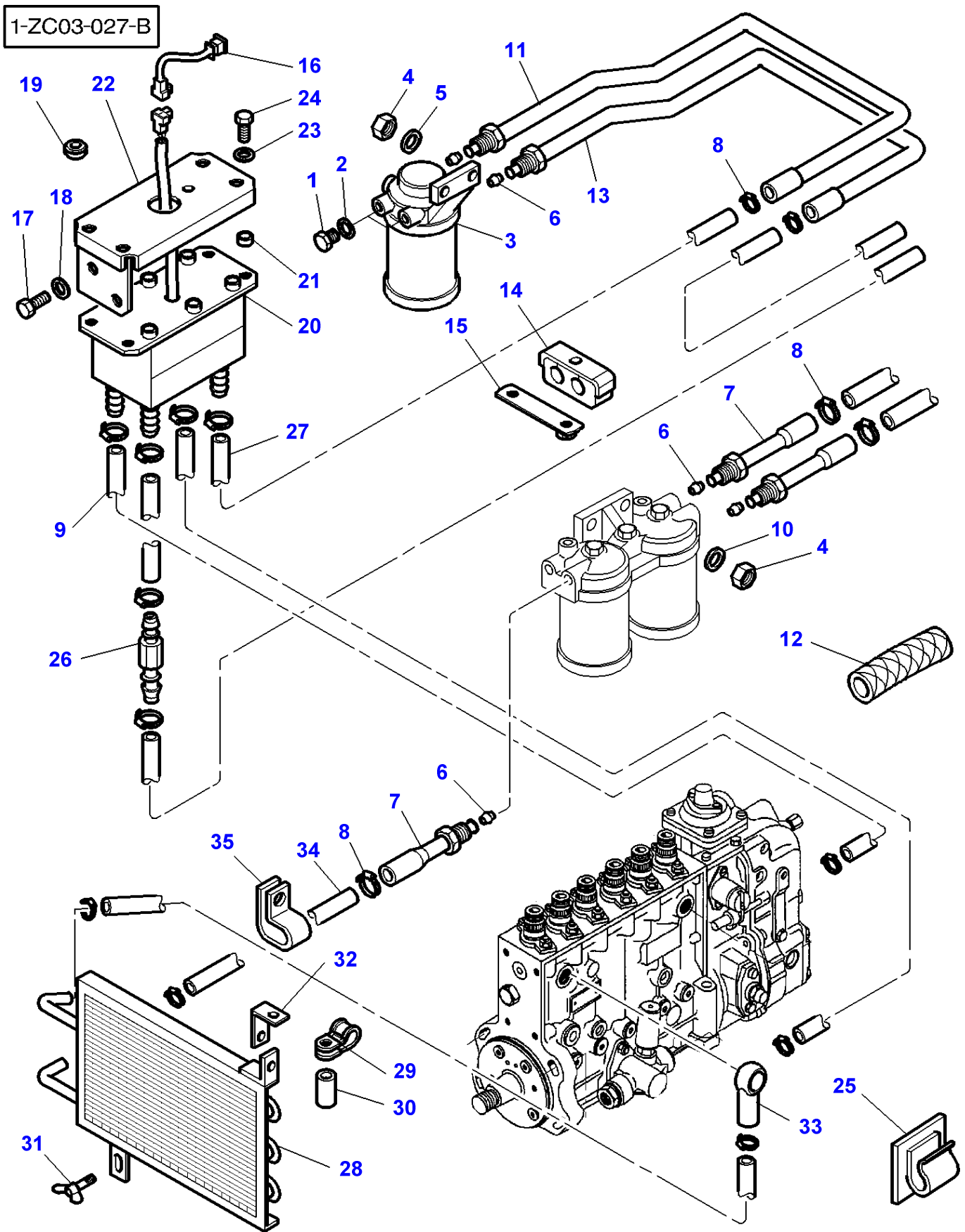
FOOTNOTE [A] NUMBER TO BE ADVISED

MF 8250 TRACTOR - 1637366
1-ZC03-016-F



Item	Part Number	Qty	Description	Comments
1	884748M1	2	Plug	1/2-20
2	880961M1	2	Washer	13.5-18.2X1.6
3	3781977M91	1	Sediment Bowl	Up to Serial or Engine Number J249019 30 MICRONS
	3781314M91	1	Sediment Bowl	From Serial or Engine Number J249020 150 MICRONS
4	339169X1	2	Nut	M8
5	391039X1	2	Washer Metric	
6	376526X1	3	Olive	
7	3615331M1	2	Union	
8	3712464M1	8	Clamp	Diameter 12MM
	3715229M1	2	Clamp	Diameter 10MM
9	3777800M1	1	Hydr Hose	Length 1550MM
10	3582830M1	1	Flowmeter	
11	3582832M1	4	Spacer	
12	3777280M1	1	Support	
13	3019560X1	4	Washer	
14	339563X1	4	Screw Metric	M5X20
15	3389410M1	4	Grommet	Diameter 8-11
16	3714288M1	1	Harness	
17	339123X1	2	Hex. Sock. Screw	M8X20
18	339024X1	2	Washer Metric	
19	3615331M1	1	Union	
20	3777665M1	2	Hydr Hose	Length 1015MM
21	3781199M2	1	Cooler	Up to Serial or Engine Number 07-01-2001
22	339107X1	1	Wingbolt	M8X16
	390265X1	1	Wingbolt	M6X10
23	339123X1	1	Hex. Sock. Screw	M8X20
24	339024X1	1	Washer Metric	
25	3580971M1	1	Hydr Hose	Length 2100MM
26	380048X1	2	Union	Up to Serial or Engine Number 07-01-2001
27	390990X1	2	Screw Metric	M5X12
28	3781332M1	1	Support	Up to Serial or Engine Number 07-01-2001
29	1441494X1	2	Nut Metric	M5
30	3777664M1	1	Hydr Hose	Length 1700MM
31	72163068	1	Banjo Fitting	
32	3007188X1	1	Gasket	
33	367439X1	2	Grommet	Diameter 15-25 Up to Serial or Engine Number 07-01-2001
34	3782421M1	4	Protective Strip	
35	3781262M1	1	Junction	
36	3784060M1	1	Cooler	From Serial or Engine Number 08-01-2001
37	3783956M1	2	Strap	
38	3618656M1	1	Spacer	Diameter 10-25 X 48
39	3583514M1	1	Strap	

MF 8250 TRACTOR - 1637366
1-ZC03-027-B



Massey Ferguson**MF 8250 TRACTOR - 1637366**

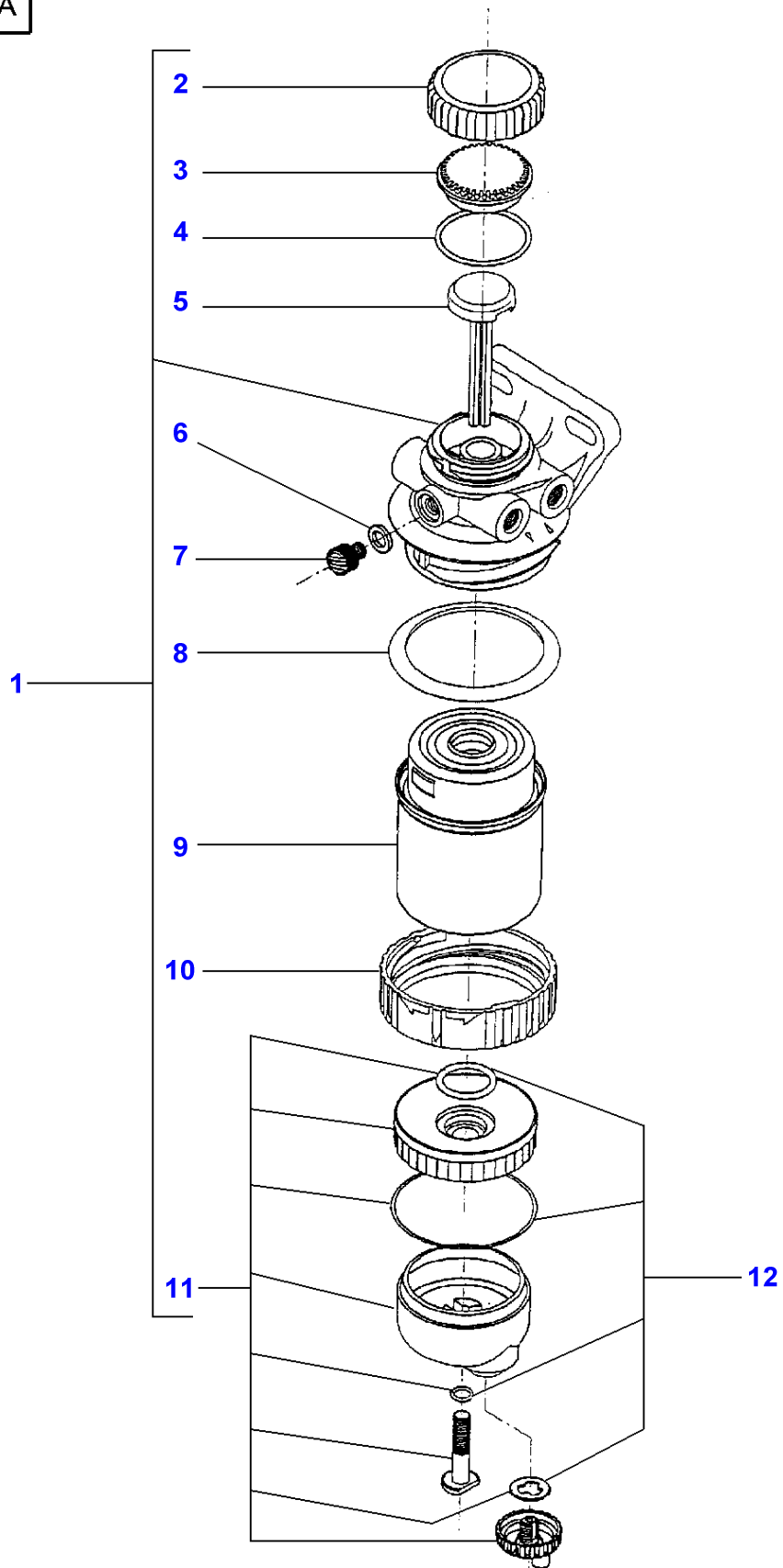
1637366

Fuel System - Fuel Filters And Pipes - M.F 8250 XTRA - WITH FLOW METER AND FUEL COOLER

Page010-0315

Item	Part Number	Qty	Description	Comments
1	884748M1	2	Plug	1/2-20
2	880961M1	2	Washer	13.5-18.2X1.6
3	3781314M91	1	Sediment Bowl	150 MICRONS
4	339169X1	4	Nut	M8
5	391039X1	2	Washer Metric	Diameter 8-24X2
6	376526X1	5	Olive	
7	3615331M1	3	Union	
8	3712464M1	X	Clamp	
9	3777665M1	2	Hydr Hose	Length 1015MM
10	339024X1	2	Washer Metric	Diameter 8-17X2
11	3784921M1	1	Tube	
12	3782421M1	2	Protective Strip	Length 500MM
13	3784922M1	1	Tube	
14	3780550M1	1	Bridle	
15	3785864M1	1	Support	
16	3714288M1	1	Harness	
17	339123X1	2	Hex. Sock. Screw	M8X20
18	339024X1	2	Washer Metric	
19	3389410M1	4	Grommet	
20	3582830M1	1	Flowmeter	
21	3582832M1	4	Spacer	
22	3777280M1	1	Support	
23	3019560X1	4	Washer	
24	339563X1	4	Screw Metric	M5X20
25	3583514M1	1	Strap	
26	3781262M1	1	Junction	
27	3777664M1	1	Hydr Hose	Length 1700MM
28	3787888M1	1	Cooler	
29	3783956M1	2	Strap	Diameter 35MM
30	3618656M1	1	Spacer	Diameter 10-25X48
31	339107X1	1	Wingbolt	
32	3788359M1	1	Angle	
33	72163068	1	Banjo Fitting	
34	3580971M1	2	Hydr Hose	Length 2100MM
35	3386294M1	1	Strap	

1-ZZ09-001-A



Sedimenter

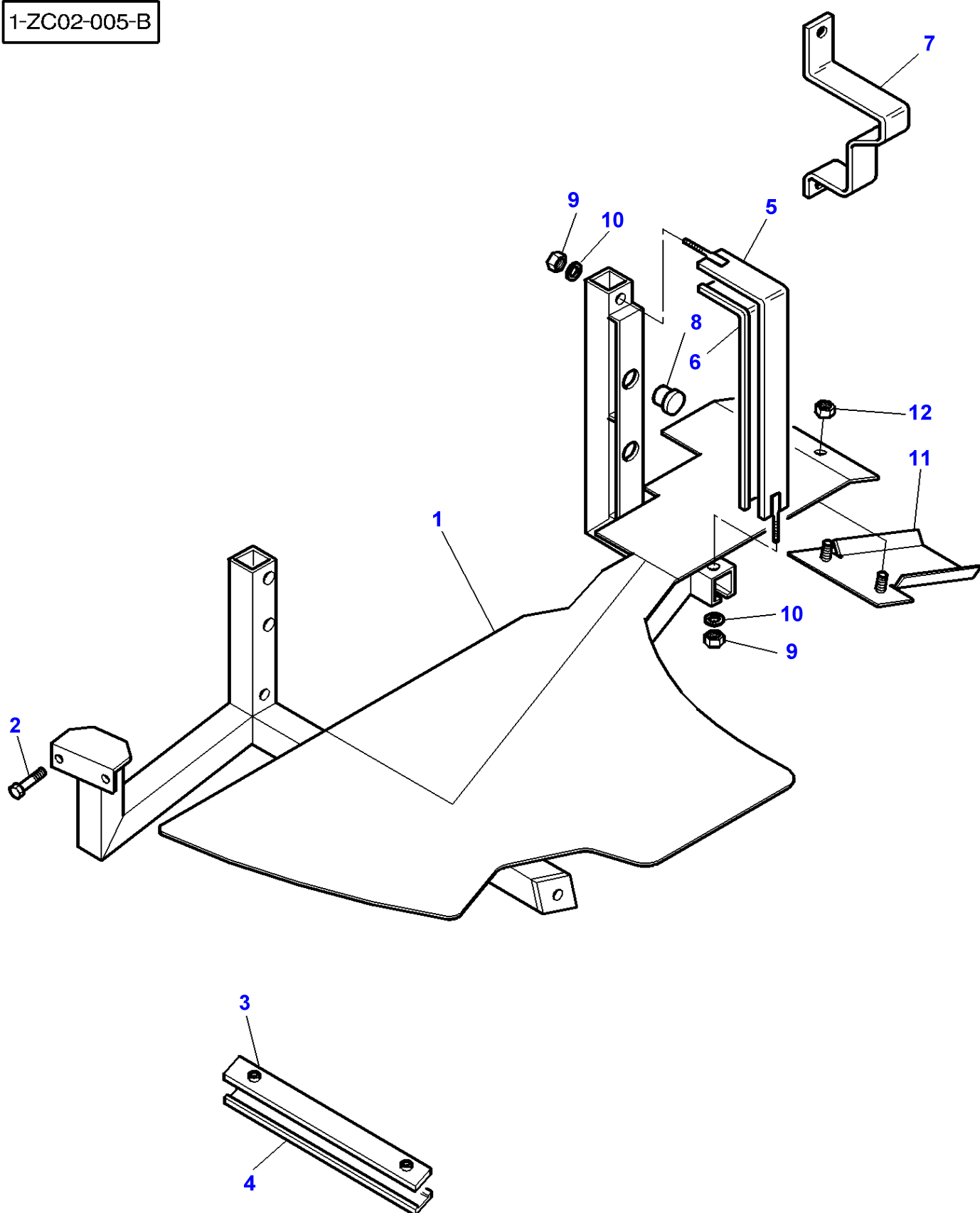
Item	Part Number	Qty	Description	Comments
1	3781314M91	1	Sediment Bowl	150 MICRONS
	3781977M91	1	Sediment Bowl	[A] 30 MICRONS
2	3903292M1	1	Nut	(1)
3	3903294M1	1	Capsule	(1)
4	3903293M1	1	O Ring	(1)
5	3903295M1	1	Plug	(1)
6	3903296M1	1	Gasket	(1)
7	3903297M1	1	Bleeder	(1)
8	3903298M1	1	Seal	(1)
9	3780299M1	1	Filter Insert	[C] (1) 150 MICRONS
	3780931M1	1	Filter Insert	[B] (1) 30 MICRONS
10	3903299M1	1	Ring	(1)
11	3903300M91	1	Container	(1)
12	3903301M91	1	Kit, Joint	

FOOTNOTE [A] WITH FUEL FLOWMETER

FOOTNOTE [B] USE WITH 3781977M91

FOOTNOTE [C] USE WITH 3781314M91

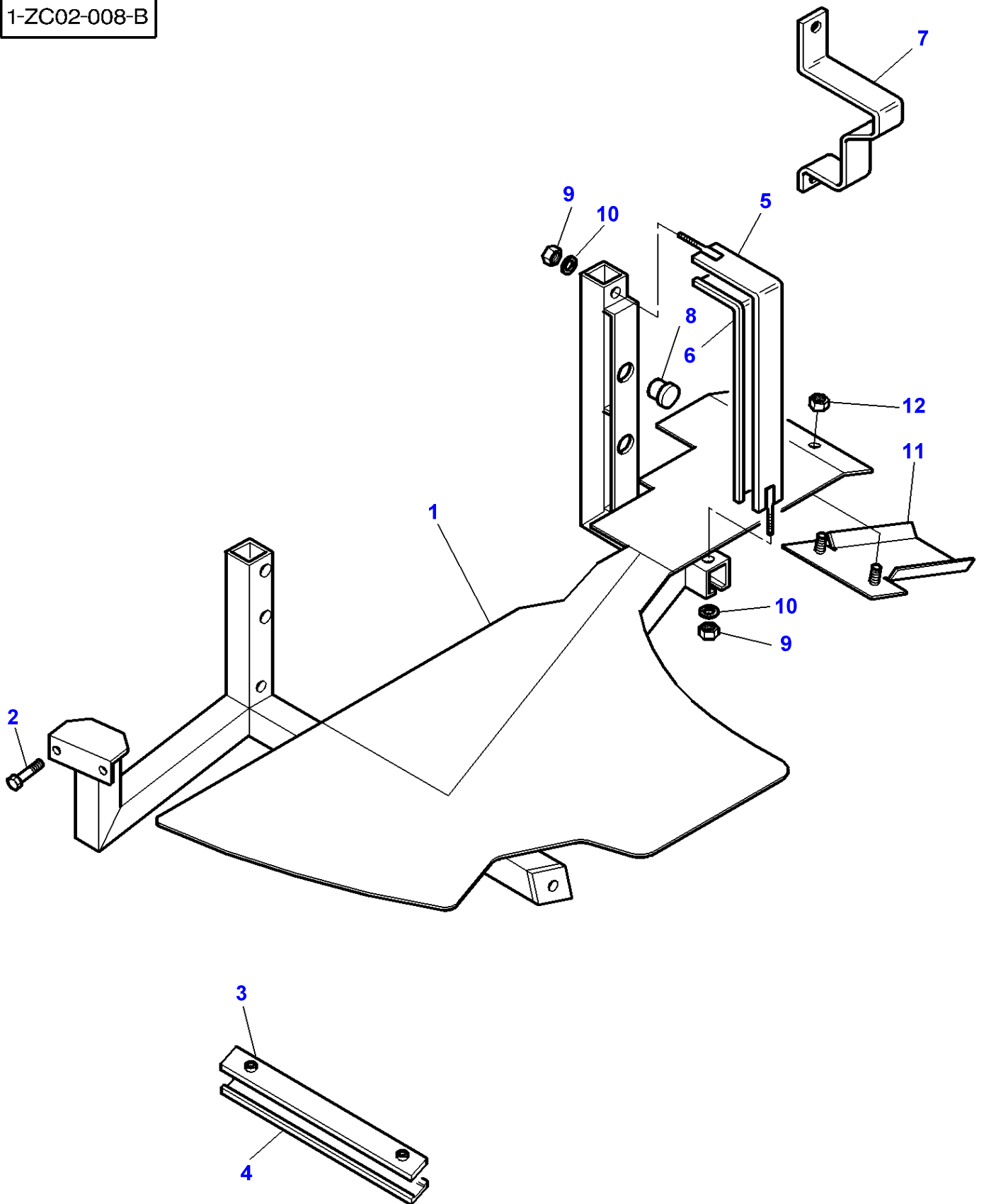
1-ZC02-005-B



Item	Part Number	Qty	Description	Comments
1	3781375M94	1	Support	
2	390830X1	2	Screw	M8X70
3	3780189M91	1	Support	Replace and repair. Old not interchangeable with new 3778300M2
4	3778385M1	1	Protector	
5	3778298M1	1	Bridle	
6	3778317M1	1	Protector	
7	3781377M2	1	Stop	
8	3580599M1	2	Plug	
9	1441500X1	2	Locknut	M6
10	391038X1	2	Washer	
11	3784015M1	1	Cowl	[A]
12	1441462X1	2	Locknut	

FOOTNOTE [A] FOR JAPANESE MARKET ONLY

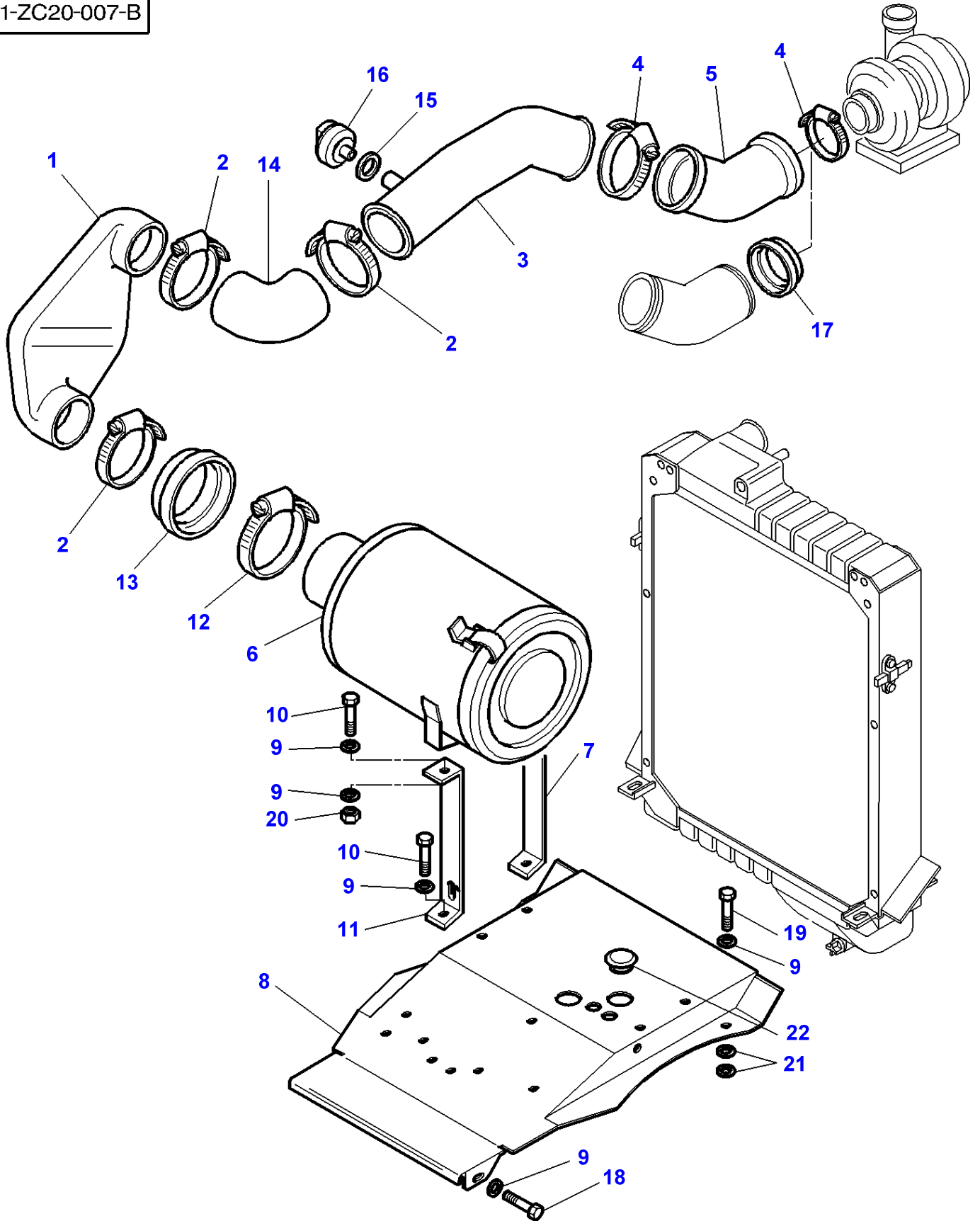
1-ZC02-008-B



Item	Part Number	Qty	Description	Comments
1	3782401M94	1	Frame	
2	390830X1	2	Screw	M8X70
3	3780189M91	1	Support	
4	3778385M1	1	Protector	
5	3778298M1	1	Bridle	
6	3778317M1	1	Protector	
7	3779656M1	1	Stop	
8	3580599M1	2	Plug	
9	1441500X1	2	Locknut	M6
10	391038X1	2	Washer	
11	3784015M1	1	Cowl	[A]
12	1441462X1	2	Locknut	

FOOTNOTE [A] FOR JAPANESE MARKET ONLY

1-ZC20-007-B



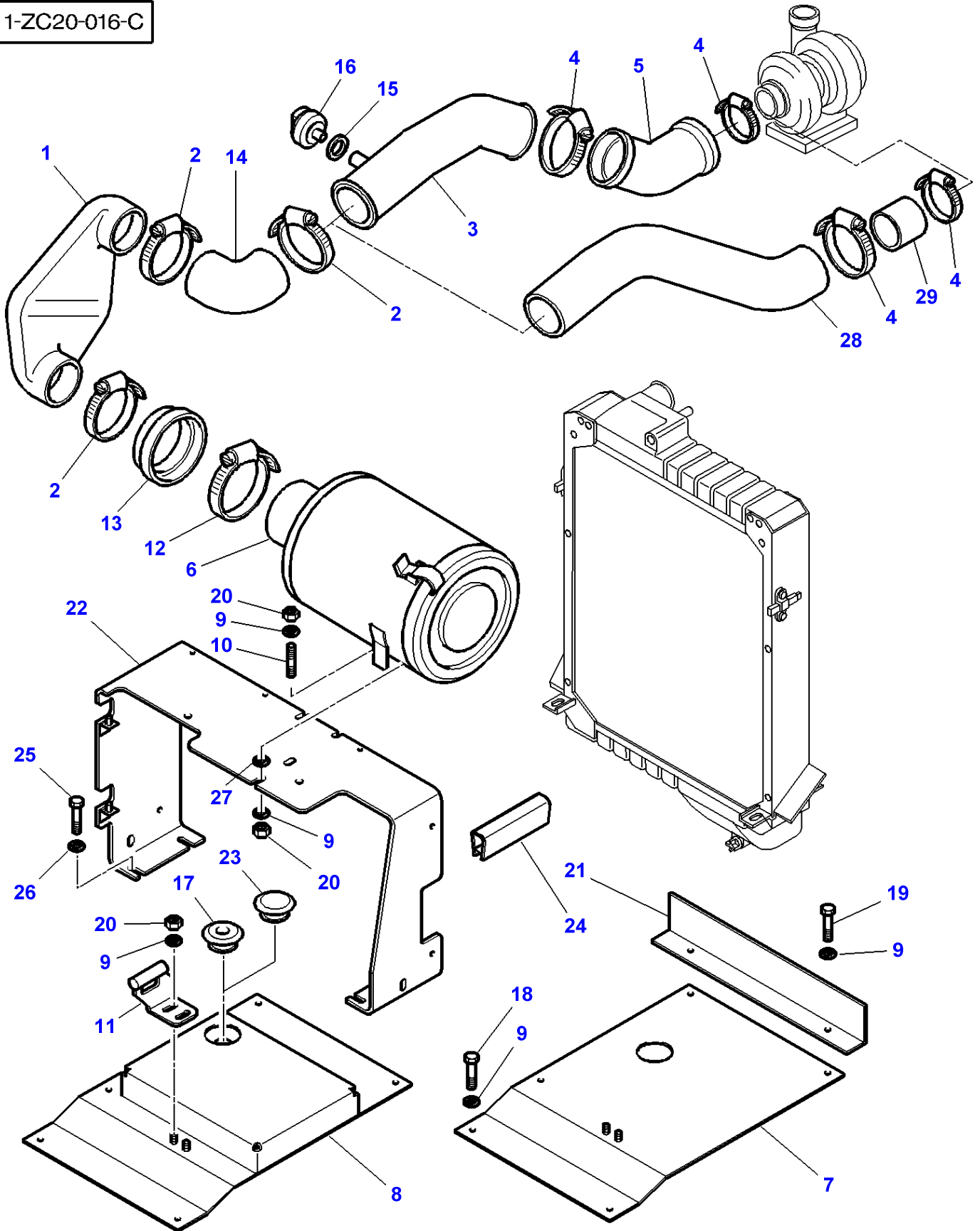
Item	Part Number	Qty	Description	Comments
1	3780243M2	1	Hose	
2	3780574M1	3	Clamp	
3	3780244M2	1	Tube	
4	338622X1	2	Clamp	Diameter 100-125
5	3780245M2	1	Hose	
6	3782339M91	1	Air Filter	See Page - Reference Number 010-0350/1
7	3783210M1	1	Support	
8	3782181M6	1	Shield	
9	391039X1	18	Washer Metric	Diameter 8-24 X 2 MM
10	339123X1	4	Hex. Sock. Screw	M8 X 20
11	3783211M1	1	Support	
12	3010161X1	1	Clamp	Diameter 120-145
13	3782169M1	1	Hose	
14	3780727M2	1	Hose	
15	3808455M1	1	Washer	[A]
16	3808462M1	1	Pressure Switch	[A]
	3781297M1	1	Valvometer	[B]
17	3782169M1	1	Hose	From Serial or Engine Number H172007 Up to Serial or Engine Number H312020
18	339337X1	2	Hex. Sock. Screw	M8 X 30
19	339010X1	2	Bolt Metric	M8 X 40
20	339169X1	2	Nut	M8
21	1440264X1	4	Washer Metric	Up to Serial or Engine Number 23-01-2000
22	3778376M2	1	Tap	

FOOTNOTE [A] WITH DYNASHIFT

FOOTNOTE [B] WITH FULL POWERSHIFT

MF 8250 TRACTOR - 1637366
1-ZC20-016-C

1-ZC20-016-C



Item	Part Number	Qty	Description	Comments
1	3780243M2	1	Hose	
2	3780574M1	3	Clamp	
3	3780244M2	1	Tube	Up to Serial or Engine Number K275014
4	338622X1	2	Clamp	
5	3780245M2	1	Hose	Up to Serial or Engine Number K275014
6	3782339M91	1	Air Filter	See Page - Reference Number 010-0350/1
7	3784059M2	1	Support	[D]
8	3784170M2	1	Support	[C]
9	391039X1	X	Washer Metric	
10	3019063X1	2	Stud	M8X30
11	3785229M1	1	Bracket	
12	3010161X1	1	Clamp	
13	3782169M1	1	Hose	
14	3780727M2	1	Hose	
15	3808455M1	1	Washer	[A]
16	3808462M1	1	Pressure Switch	[A]
	3781297M1	1	Valvometer	[B]
17	3784457M1	1	Grommet	Diameter 54-11
18	339337X1	2	Hex. Sock. Screw	M8X30
19	339010X1	X	Bolt Metric	M8X40
20	339169X1	X	Nut	M8
21	3784380M1	1	Angle	
22	3784062M3	1	Support	
23	3778376M2	1	Tap	Diameter 54MM
24	3814904M1	1	Protector	Length 110MM
	3778990M1	1	Gasket	Length 165MM
25	339337X1	4	Hex. Sock. Screw	M8 X 30
26	391039X1	4	Washer Metric	
27	3619096M1	2	Washer	Thickness 5MM
28	3785291M1	1	Tube	From Serial or Engine Number K275015
29	3786225M1	1	Hose	From Serial or Engine Number K275015

FOOTNOTE [A] WITH DYNASHIFT

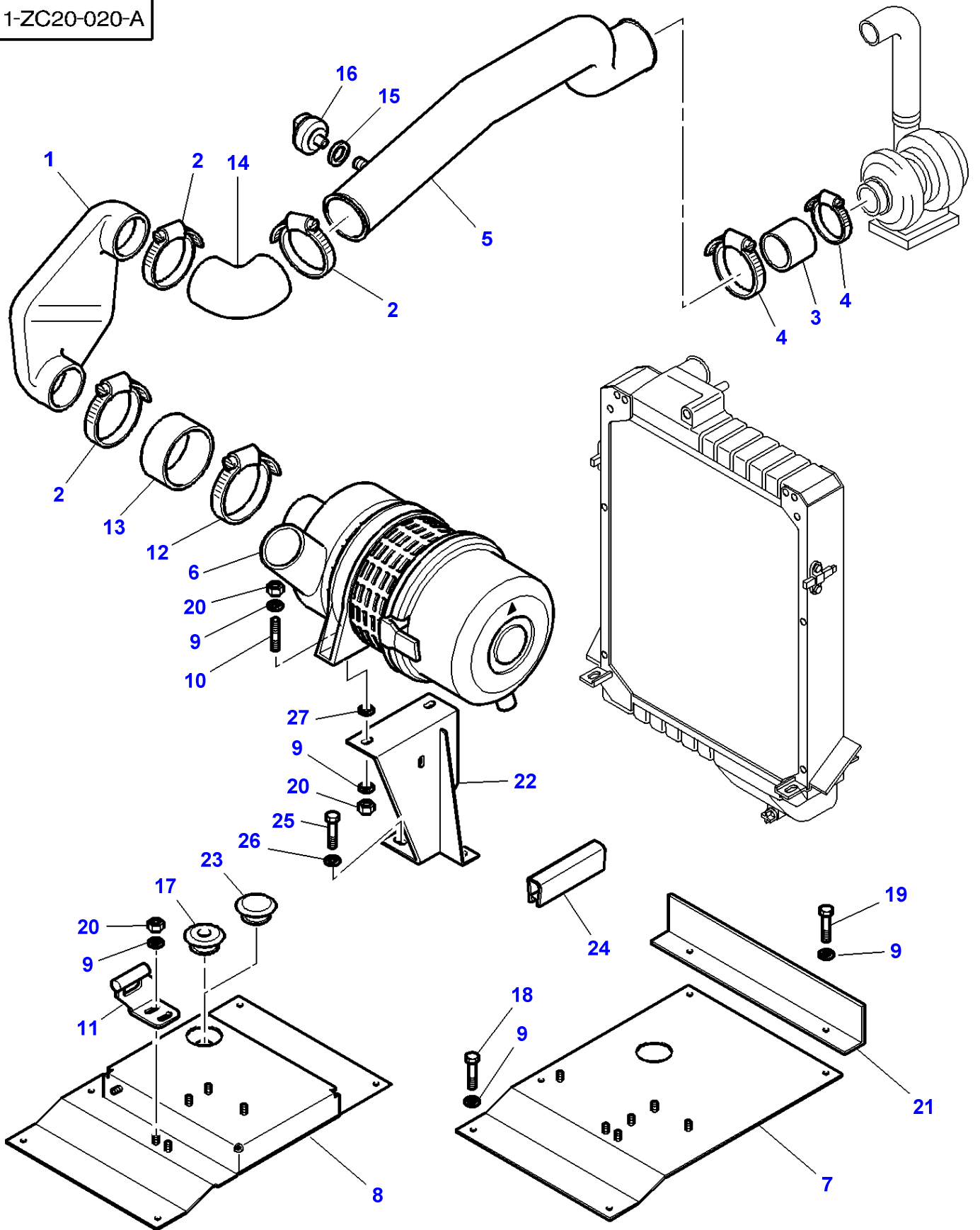
FOOTNOTE [B] WITH FULL POWERSHIFT

FOOTNOTE [C] WITH FRONT P.T.O.

FOOTNOTE [D] WITHOUT FRONT P.T.O.

MF 8250 TRACTOR - 1637366
1-ZC20-020-A

1-ZC20-020-A



Item	Part Number	Qty	Description	Comments
1	3780243M2	1	Hose	
2	3780574M1	3	Clamp	
3	3786225M1	1	Hose	
4	338622X1	2	Clamp	
5	3789659M1	1	Tube	
6	3788256M1	1	Air Filter	See Page - Reference Number 010-0355/1
7	3787609M3	1	Support	[D]
8	3786957M3	1	Support	[C]
9	391039X1	X	Washer Metric	
10	3019063X1	2	Stud	M8X30
11	3785229M1	1	Bracket	
12	3010161X1	1	Clamp	
13	3787892M2	1	Hose	Length 50MM
14	3780727M2	1	Hose	
15	3808455M1	1	Washer	[A]
16	3808462M1	1	Pressure Switch	[A]
	3781297M1	1	Valvometer	[B]
17	3784457M1	1	Grommet	Diameter 54-11
18	339337X1	2	Hex. Sock. Screw	M8X30
19	339010X1	X	Bolt Metric	M8X40
20	339169X1	X	Nut	M8
21	3784380M1	1	Angle	
22	3786955M2	1	Support	[C]
	3787392M2	1	Support	[D]
23	3778376M2	1	Tap	Diameter 54MM
24	3814904M1	1	Protector	Length 110MM
	3778990M1	1	Gasket	Length 165MM
25	339337X1	3	Hex. Sock. Screw	M8 X 30
26	391039X1	3	Washer Metric	
27	3619096M1	2	Washer	Thickness 5MM

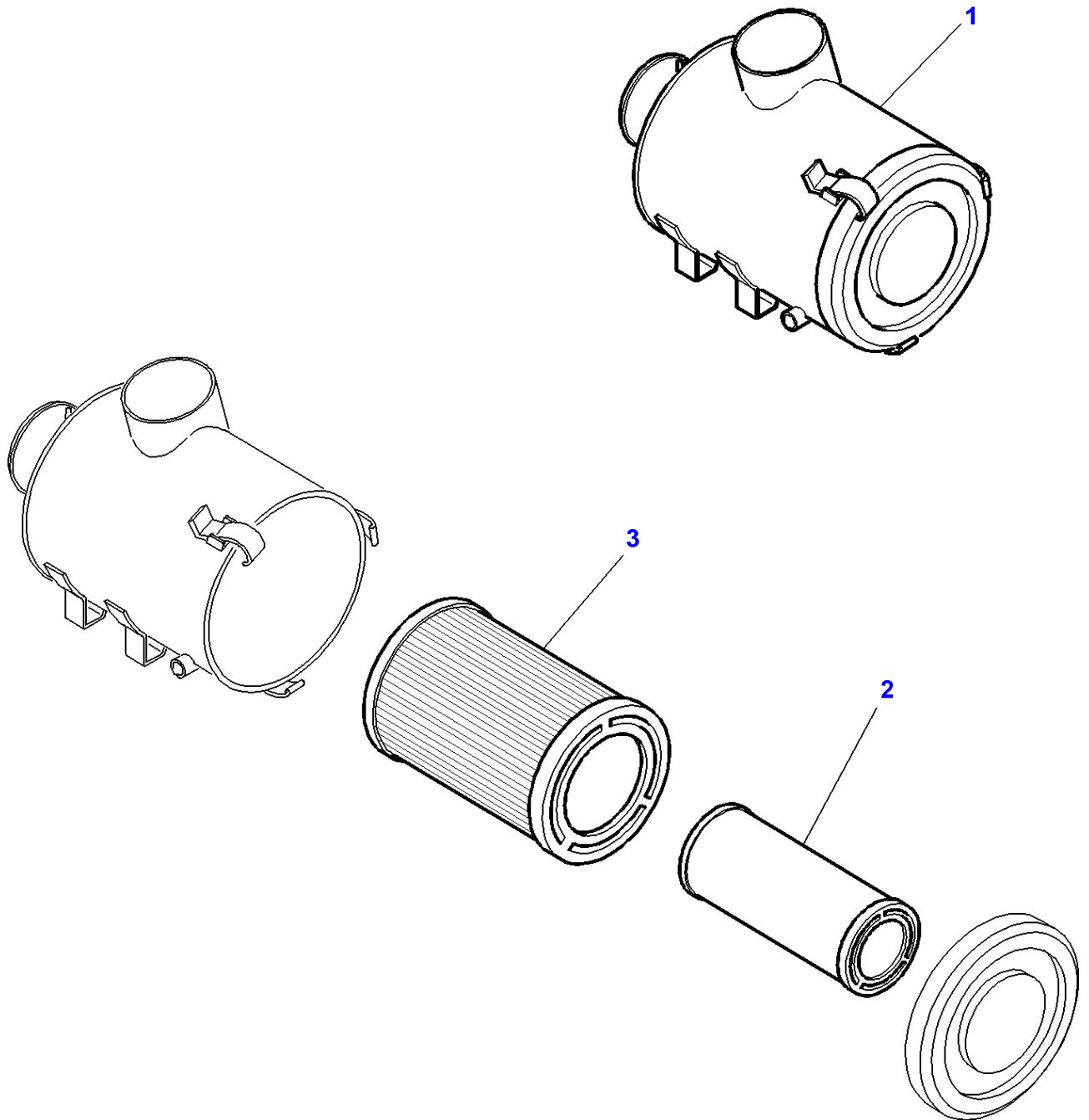
FOOTNOTE [A] WITH DYNASHIFT

FOOTNOTE [B] WITH FULL POWERSHIFT

FOOTNOTE [C] WITH FRONT P.T.O.

FOOTNOTE [D] WITHOUT FRONT P.T.O.

1-ZC20-006-B



Massey Ferguson

MF 8250 TRACTOR - 1637366

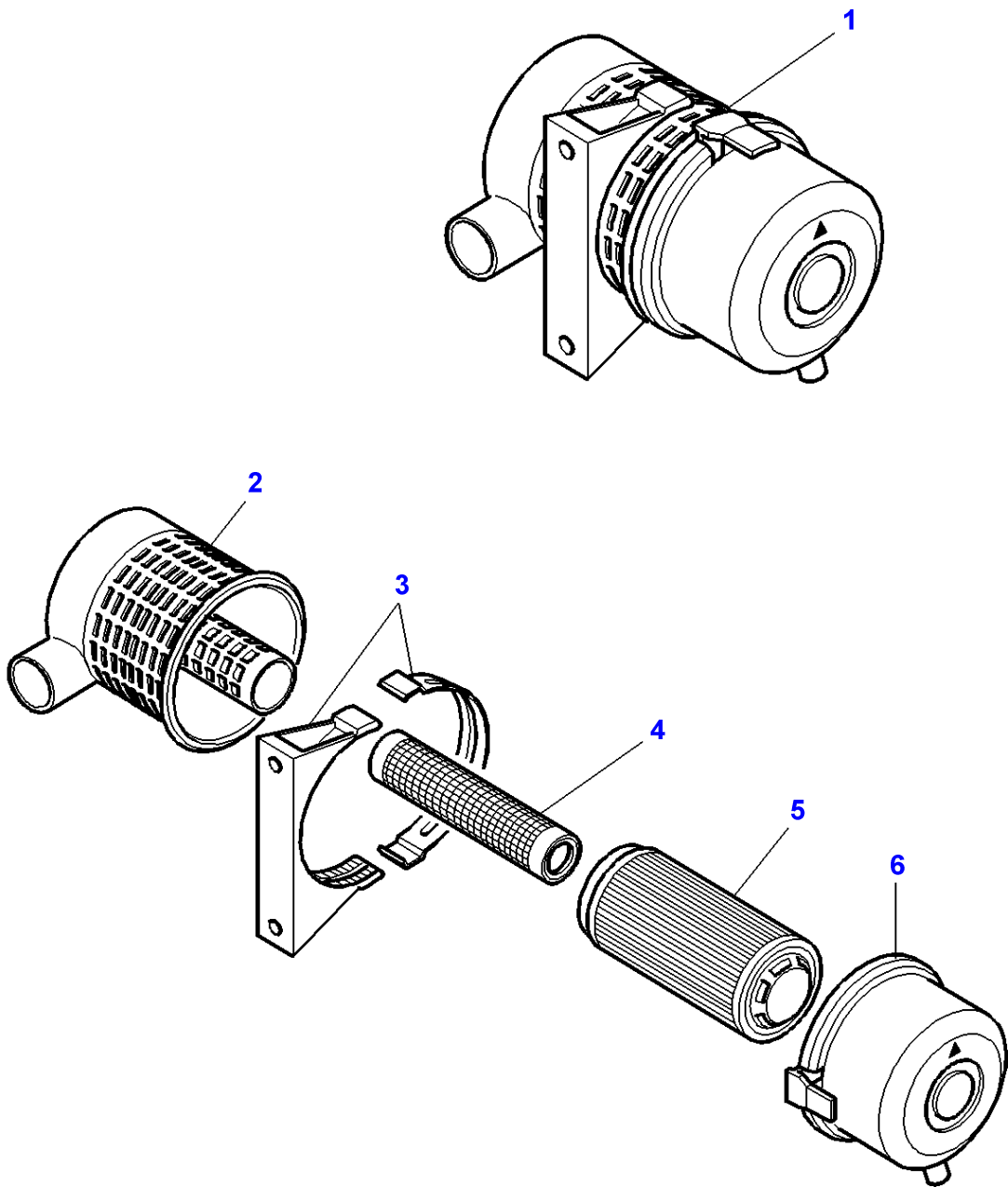
1637366

Air Filter - Dry - Dual Element - M.F 8250

Page010-0350

Item	Part Number	Qty	Description	Comments
1	3782339M91	1	Air Filter	
2	3782387M1	1	Element,Air Fitr	(1)
3	3782386M1	1	Element,Air Fitr	(1)

1-ZC20-019-A

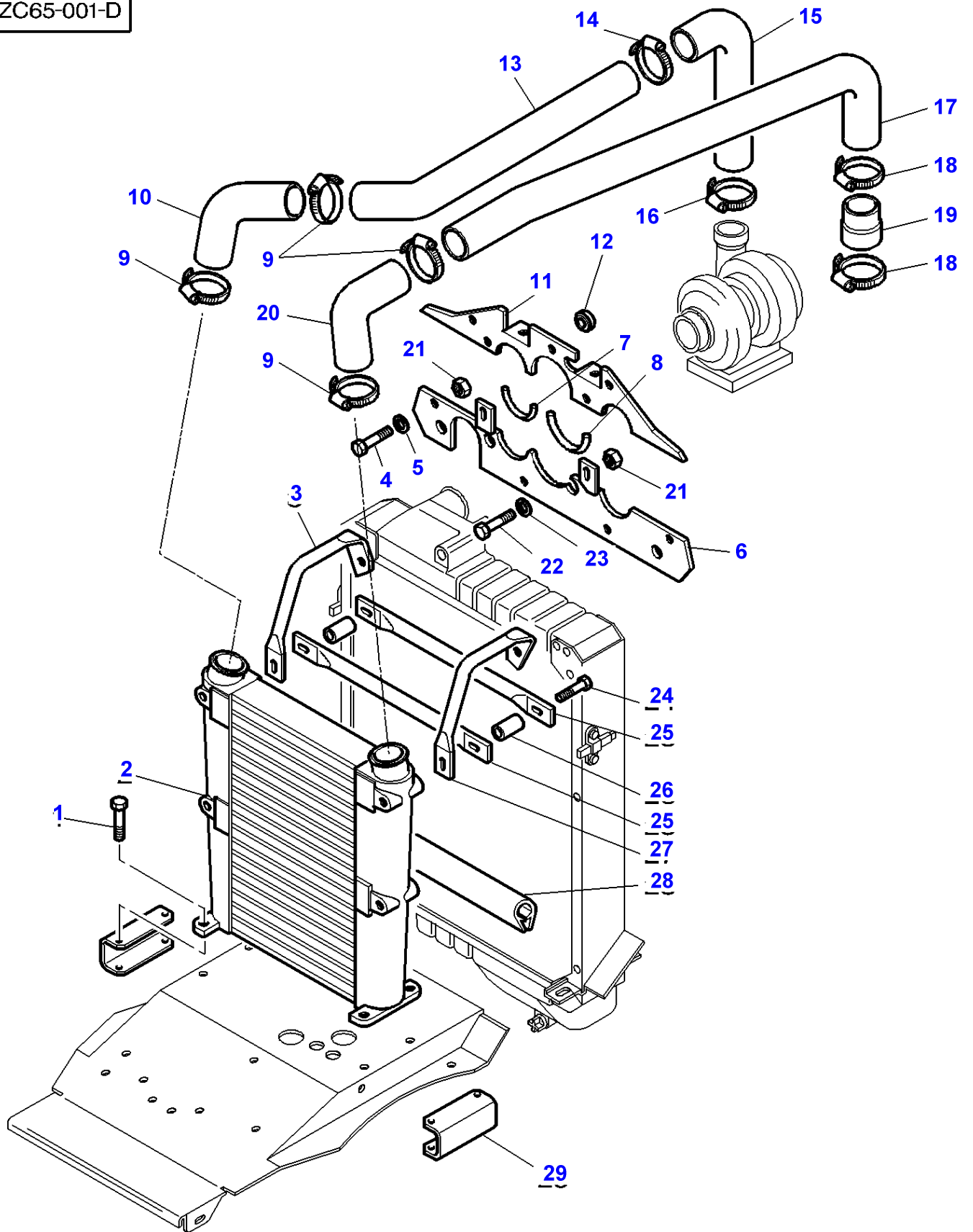


Massey Ferguson**MF 8250 TRACTOR - 1637366****1637366****Air Filter - Dry - Dual Element - M.F 8250 XTRA****Page010-0355**

Item	Part Number	Qty	Description	Comments
1	3788256M1	1	Air Filter	
2		1	Filter Body	(1) Not serviced,order REF. 1
3	3903894M1	1	Clamp	(1)
4	3902782M1	1	Air Fitr.Element	(1)
5	3902783M1	1	Air Fitr.Element	(1)
6	3902956M1	1	Cover	(1)

MF 8250 TRACTOR - 1637366
1-ZC65-001-D

1-ZC65-001-D



Massey Ferguson**MF 8250 TRACTOR - 1637366**

1637366

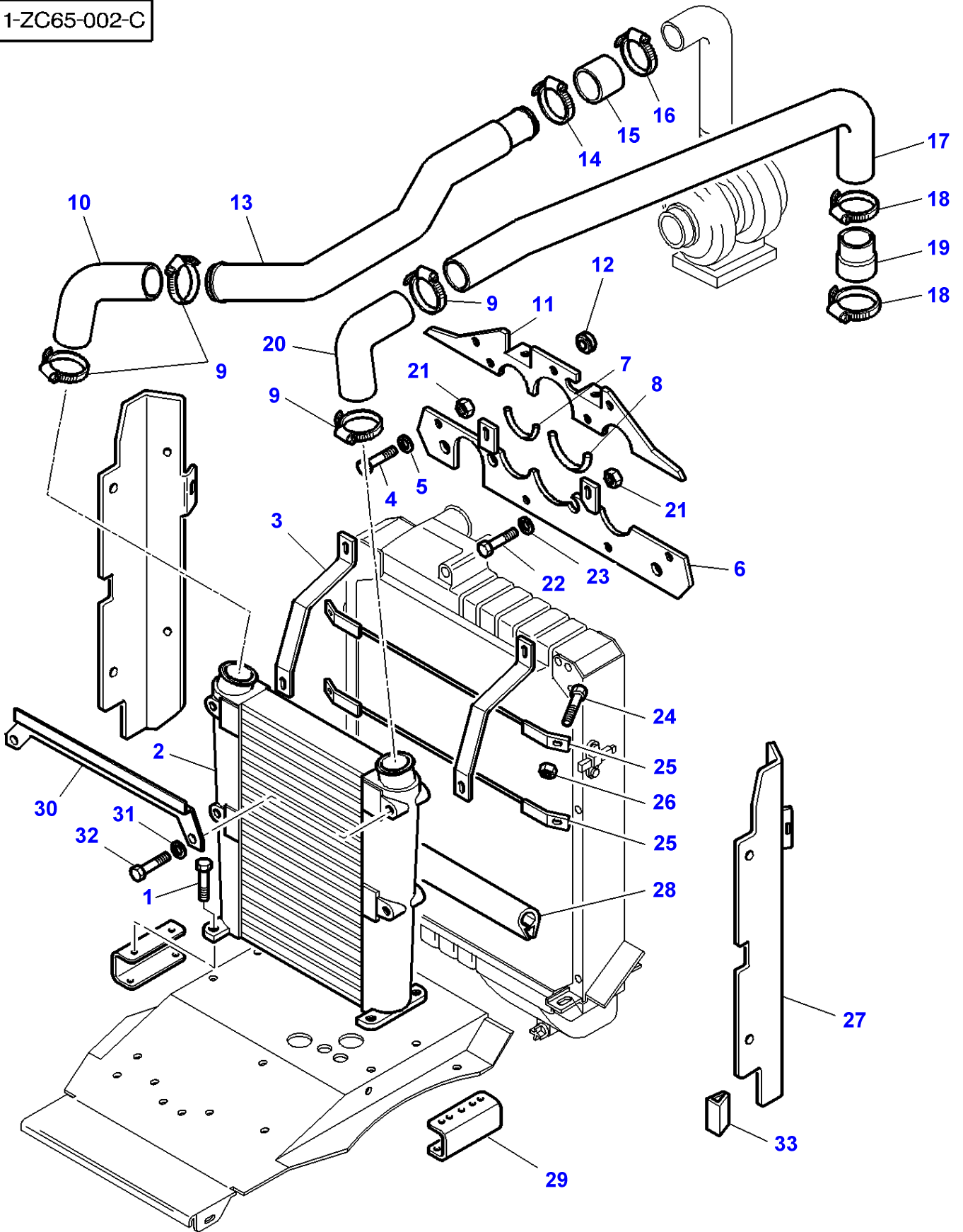
Air Cooler - M.F 8250

Page010-0360

Item	Part Number	Qty	Description	Comments
1	339010X1	4	Bolt Metric	M8X40
2	3780241M1	1	Cooler	
3	3783261M1	1	Reinforcement	Right Hand
4	339124X1	6	Hex. Sock. Screw	M8X16
5	391039X1	6	Washer Metric	
6	3783714M1	1	Baffle	Bottom Replace and repair. Old not interchangeable with new 3782159M1
7	3814904M1	4	Protector	Length 110MM
8	3814904M1	2	Protector	Length 110MM
9	3010156X1	4	Clamp	Diameter 70-90
10	3780247M1	1	Hose	
11	3782158M3	1	Baffle	Top
12	3388889M1	1	Grommet	
13	3780246M3	1	Tube	
14	338620X1	1	Clamp	
15	3780250M1	1	Hose	
16	3010154X1	1	Clamp	Diameter 50-70
17	3780248M2	1	Tube	
18	338622X1	2	Clamp	
19	3780249M1	1	Hose	
20	3780577M1	1	Hose	
21	339169X1	4	Nut	
22	339560X1	2	Hex. Sock. Screw	M6X16
23	391038X1	2	Washer	
24	339368X1	2	Bolt Metric	M8X60
25	3781665M1	2	Guide	
26	3582393M1	2	Spacer	
27	3783260M1	1	Reinforcement	Left Hand
28	3782344M1	1	Gasket	
29	3784355M1	2	Support	From Serial or Engine Number 08-01-2001

MF 8250 TRACTOR - 1637366
1-ZC65-002-C

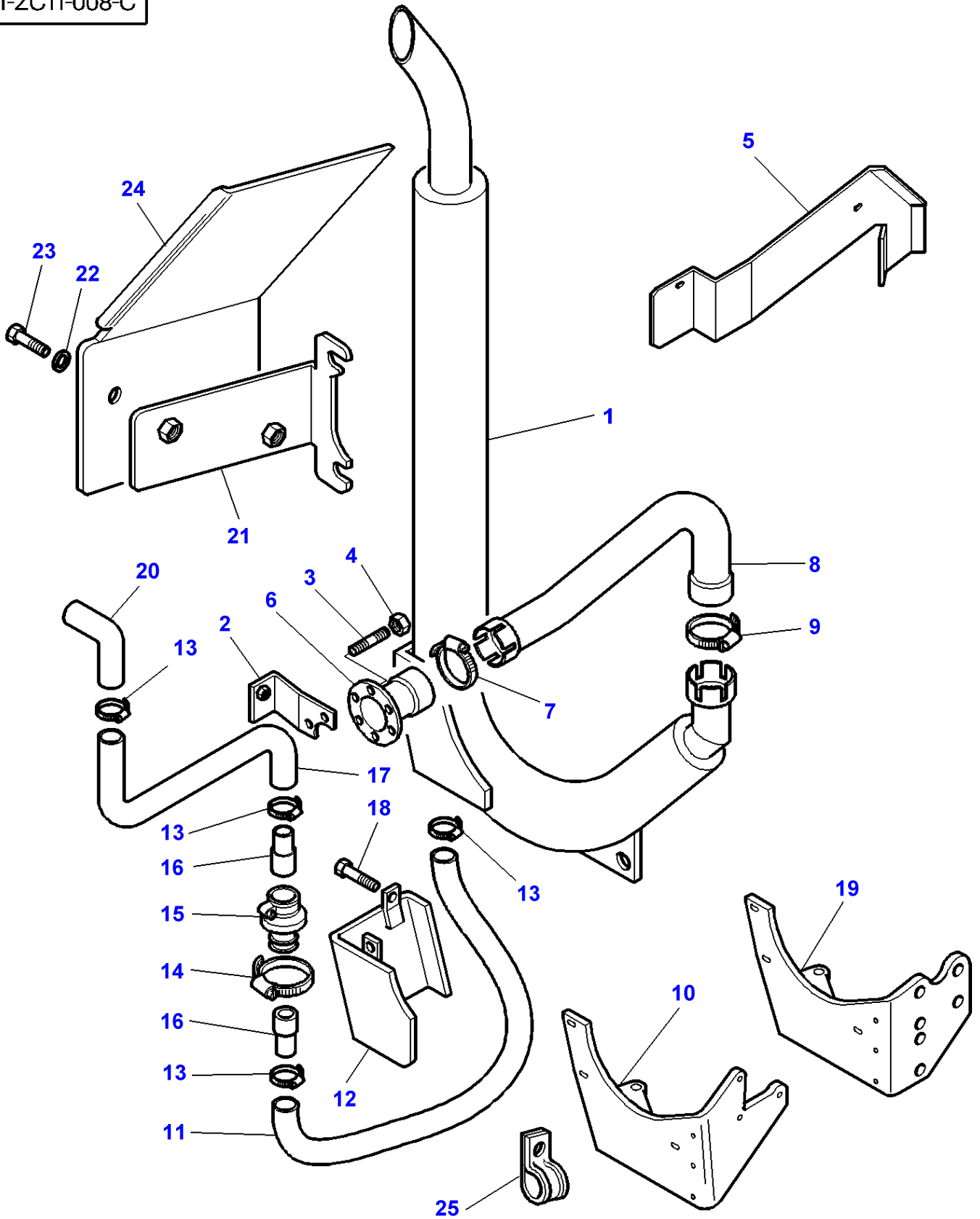
1-ZC65-002-C



Item	Part Number	Qty	Description	Comments
1	339010X1	4	Bolt Metric	M8X40
2	3780241M1	1	Cooler	
3	3789503M2	2	Reinforcement	Right Hand
4	339124X1	6	Hex. Sock. Screw	M8X16
5	391039X1	6	Washer Metric	
6	3783714M1	1	Baffle	Bottom Replace and repair. Old not interchangeable with new 3782159M1
7	3814904M1	4	Protector	Length 110MM
8	3814904M1	2	Protector	Length 110MM
9	3010156X1	4	Clamp	Diameter 70-90
10	3780247M1	1	Hose	
11	3782158M3	1	Baffle	Top
12	3388889M1	1	Grommet	
13	3788834M2	1	Tube	
14	338620X1	1	Clamp	
15	3788617M1	1	Hose	
16	3010156X1	1	Clamp	Diameter 70-90
17	3780248M2	1	Tube	
18	338622X1	2	Clamp	
19	3780249M1	1	Hose	
20	3780577M1	1	Hose	
21	339169X1	4	Nut	
22	339560X1	2	Hex. Sock. Screw	M6X16
23	391038X1	2	Washer	
24	339124X1	4	Hex. Sock. Screw	M8X16
25	3789742M2	2	Guide	
26	339169X1	4	Nut	
27	3789466M4	1	Baffle	Left Hand
	3789465M4	1	Baffle	Right Hand
28	3782344M1	1	Gasket	
29	3789461M3	1	Support	Left Hand
	3789462M2	1	Support	Up to Serial or Engine Number L331028 Right Hand
	3789461M3	1	Support	From Serial or Engine Number L331029 Right Hand
30	4270026M1	1	Guide	
31	390972X1	2	Washer Metric	
32	339124X1	2	Hex. Sock. Screw	M8X16
33	3619191M1	1	Gasket	Length 42MM

MF 8250 TRACTOR - 1637366
1-ZC11-008-C

1-ZC11-008-C



Vertical Exhaust On The Side - Up to Serial or Engine Number ...

Item	Part Number	Qty	Description	Comments
1	3782179M5	1	Tube	AGCO 0023
2	3782357M3	1	Strap	
3	1440022X1	6	Stud	M8X20
4	3010572X1	6	Nut	
5	3783254M1	1	Cowl	
6	3783255M1	1	Tube	
7	3780862M1	1	Clamp	
8	3783256M1	1	Tube	
9	3780863M1	1	Clamp	
10	3782206M3	1	Support	[B]
11	3040888M1	1	Tube	Up to Serial or Engine Number J046020 Length 1524MM
	3038134M1	1	Tube	From Serial or Engine Number J046021 Length 1270MM
12	3782180M3	1	Cowl	
13	338615X1	X	Clamp	Diameter 25-40
	338616X1	X	Hose Clip	Diameter 32-50
14	1440860X1	1	Clamp	
15	3780483M1	1	Non Return Valve	
16	3782356M1	2	Adaptor	
17	3777809M1	1	Tube	Length 3350MM
18	391074X1	2	Hex. Sock. Screw	M6X12
19	3782205M1	1	Support	[A]
20	3777308M1	1	Hose	
21	3781101M2	1	Support	
22	390972X1	2	Washer Metric	
23	339228X1	2	Screw Metric	M8X12
24	3781102M4	1	Cowl	
25	3010808X1	1	Strap	

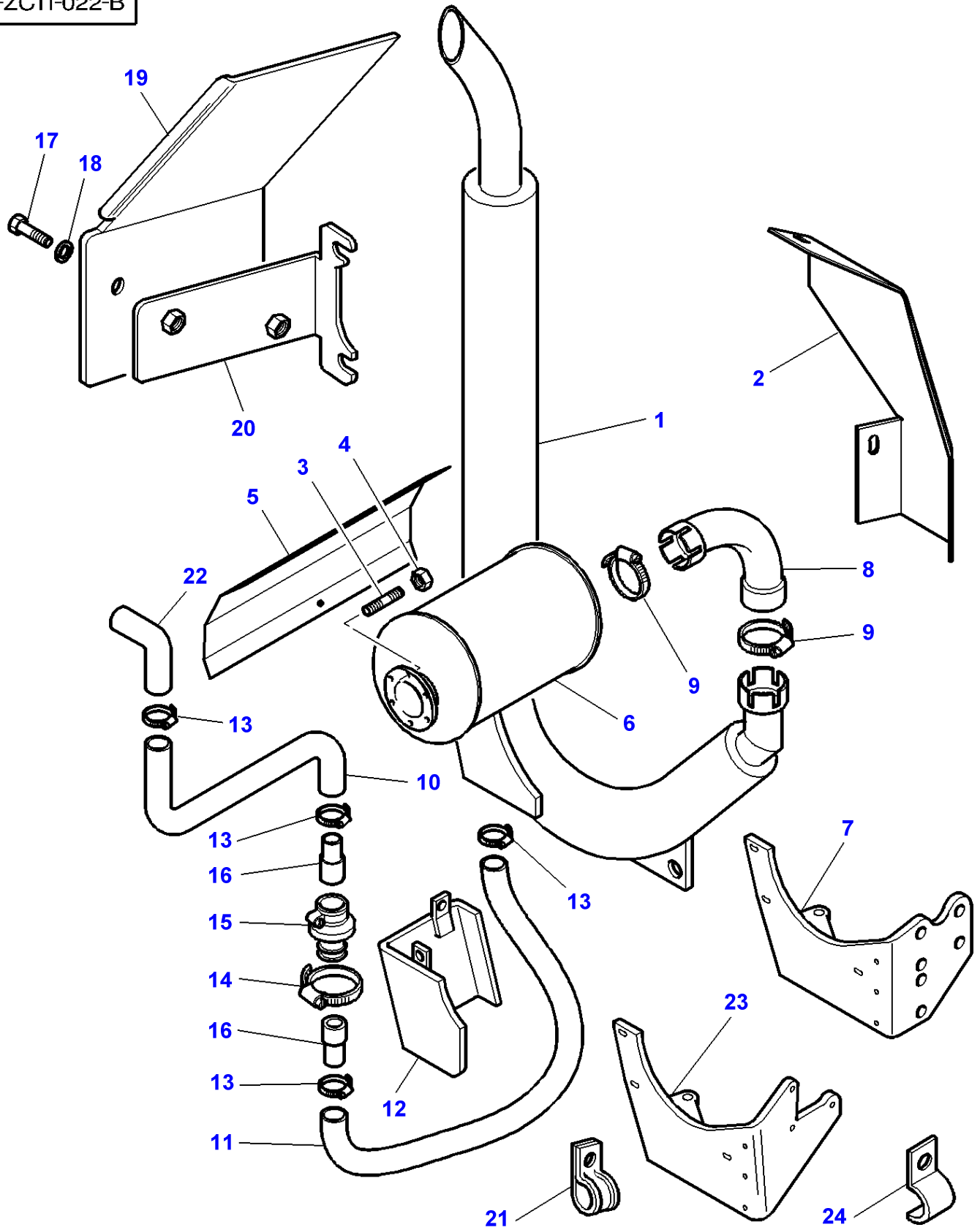
FOOTNOTE [A] WITH DYNASHIFT

FOOTNOTE [B] WITH FULL POWERSHIFT

FOOTNOTE [C] DRIVE FRONT PTO

MF 8250 TRACTOR - 1637366
1-ZC11-022-B

1-ZC11-022-B



Massey Ferguson**MF 8250 TRACTOR - 1637366**

1637366

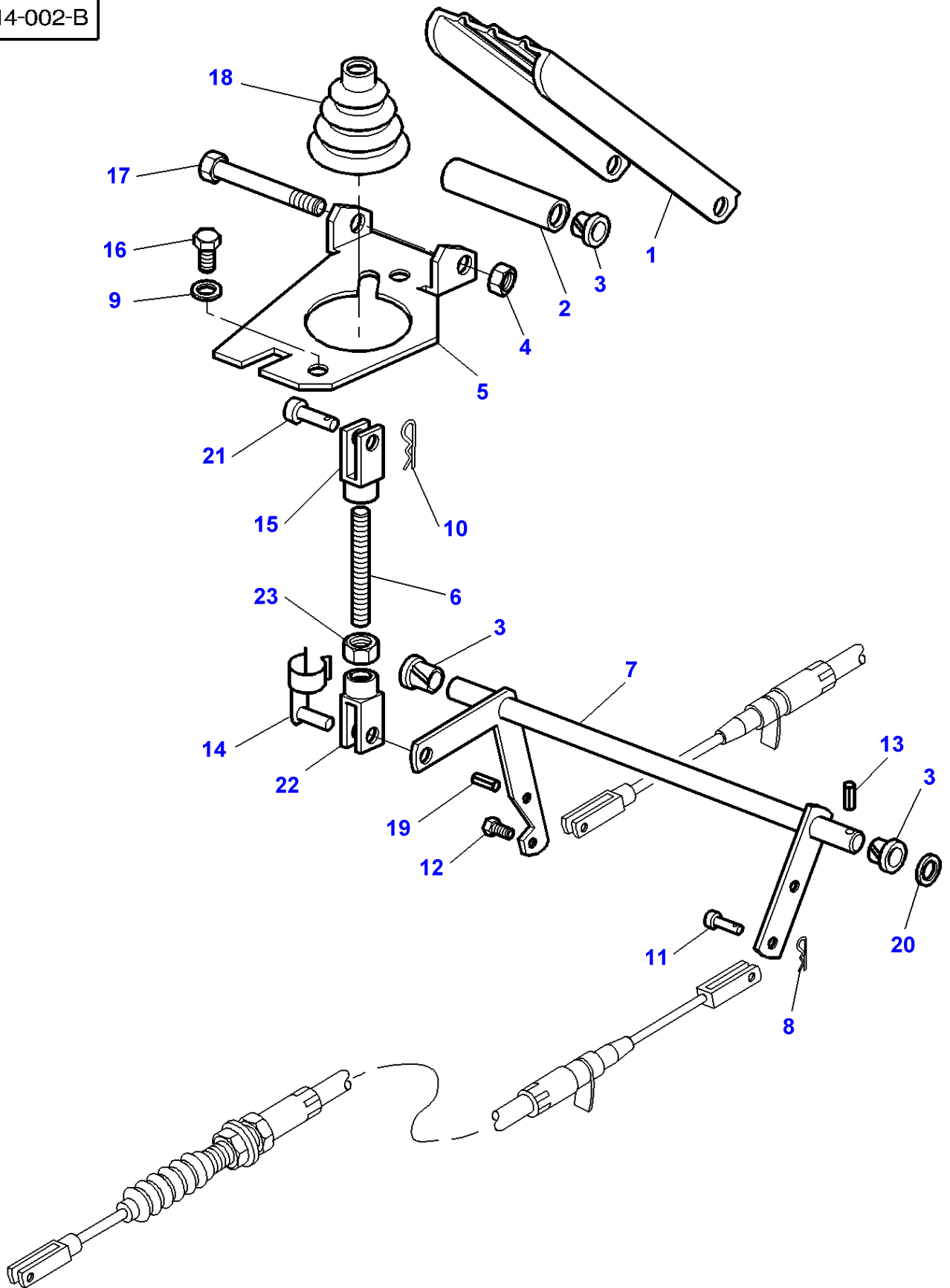
Vertical Exhaust On The Side - From Serial or Engine Number ...

Page010-0375

Item	Part Number	Qty	Description	Comments
1	3782179M5	1	Tube	AGCO 0023
2	3784600M1	1	Cowl	
3	1440022X1	6	Stud	M8X20
4	3010572X1	6	Nut	
5	3784598M2	1	Cowl	MF 8250
	3785854M1	1	Cowl	MF 8250 XTRA
6	3784597M1	1	Silencer	MF 8250
				AGCO 0029
	3785853M1	1	Silencer	MF 8250 XTRA
				AGCO 0030
7	3782205M1	1	Support	
8	3784599M1	1	Tube	
9	3780863M1	2	Clamp	
10	3777809M1	1	Tube	Length 3350MM
11	3038134M1	1	Tube	Length 1270MM
12	3782180M3	1	Cowl	
13	338615X1	X	Clamp	Diameter 25-40
	338616X1	X	Hose Clip	Diameter 32-50
14	1440860X1	1	Clamp	
15	3780483M1	1	Non Return Valve	
16	3782356M1	2	Adaptor	
17	339228X1	2	Screw Metric	M8X12
18	390972X1	2	Washer Metric	
19	3781102M4	1	Cowl	
20	3781101M2	1	Support	
21	3010808X1	1	Strap	Diameter 32-40
22	3777308M1	1	Hose	
23	3782206M3	1	Support	
24	3713805M1	1	Bridle	

MF 8250 TRACTOR - 1637366
1-ZC14-002-B

1-ZC14-002-B

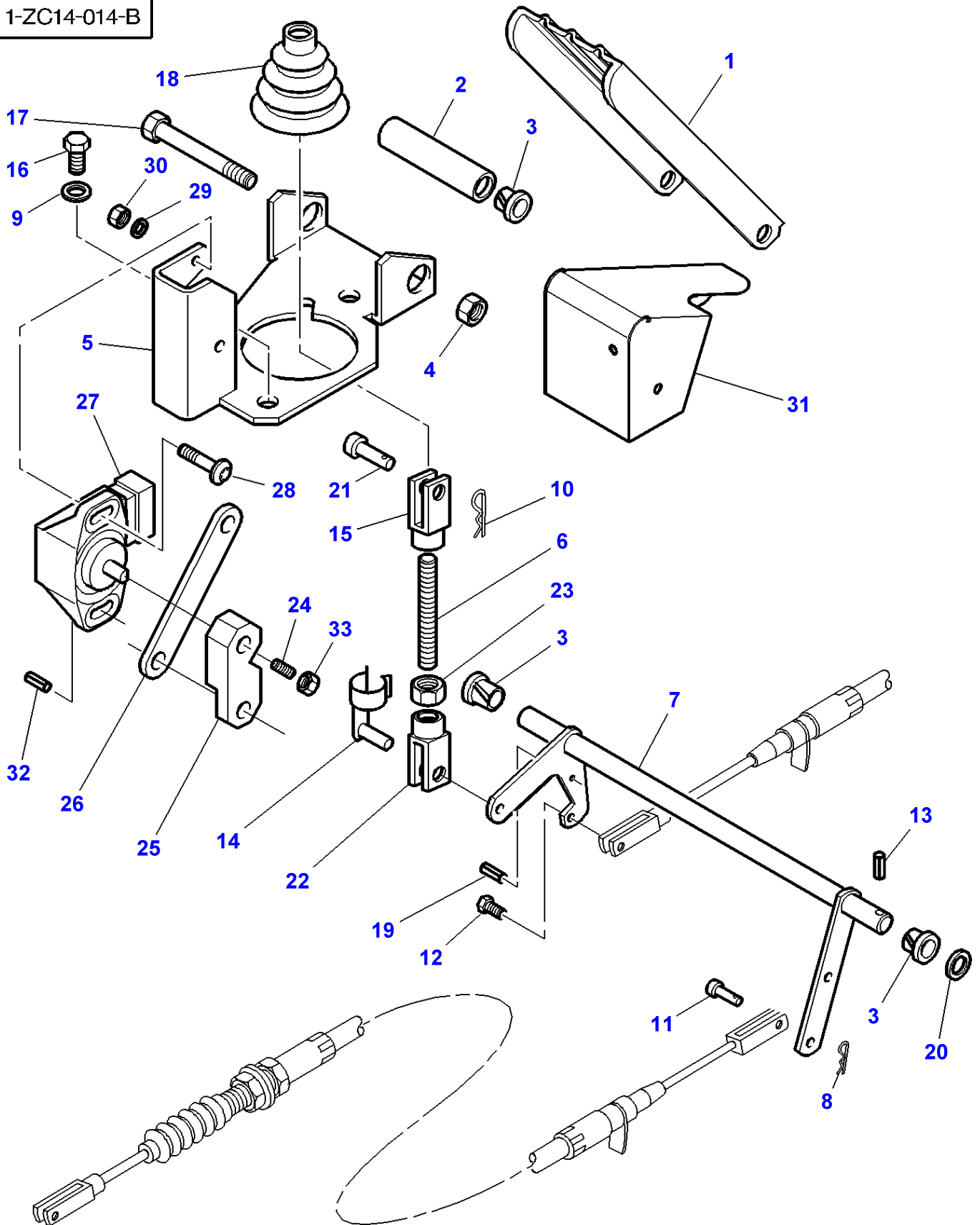


Throttle Controls

Item	Part Number	Qty	Description	Comments
1	3712851M91	1	Pedal	
2	3712867M1	1	Spacer	
3	3385913M2	4	Bush	
4	1441461X1	1	Locknut	
5	3712852M3	1	Support	
6	3712866M2	1	Stem	
7	3712895M91	1	Rod	Up to Serial or Engine Number 07-01-2001
	3784578M91	1	Rod	From Serial or Engine Number 08-01-2001
8	357145X1	1	Pin	
9	390972X1	2	Washer Metric	
10	357145X1	1	Pin	
11	3007850X1	1	Clevis Pin	
12	391883X1	1	Screw	M5X25
13	1442967X1	1	Pin	
14	3713042M1	1	Clevis Pin	
15	3009130X1	1	Clevis	Up to Serial or Engine Number 07-01-2001 Length 24MM
	392463X1	1	Clevis	From Serial or Engine Number 08-01-2001 Length 36MM
16	339124X1	2	Hex. Sock. Screw	M8X16
17	391286X1	1	Bolt Metric	M8X85
18	3712886M1	1	Bellows	
19	339548X1	1	Pin	
20	1444351X1	1	Washer	
21	392235X1	1	Clevis Pin	
22	392463X1	1	Clevis	
23	339030X1	1	Nut Metric	M6

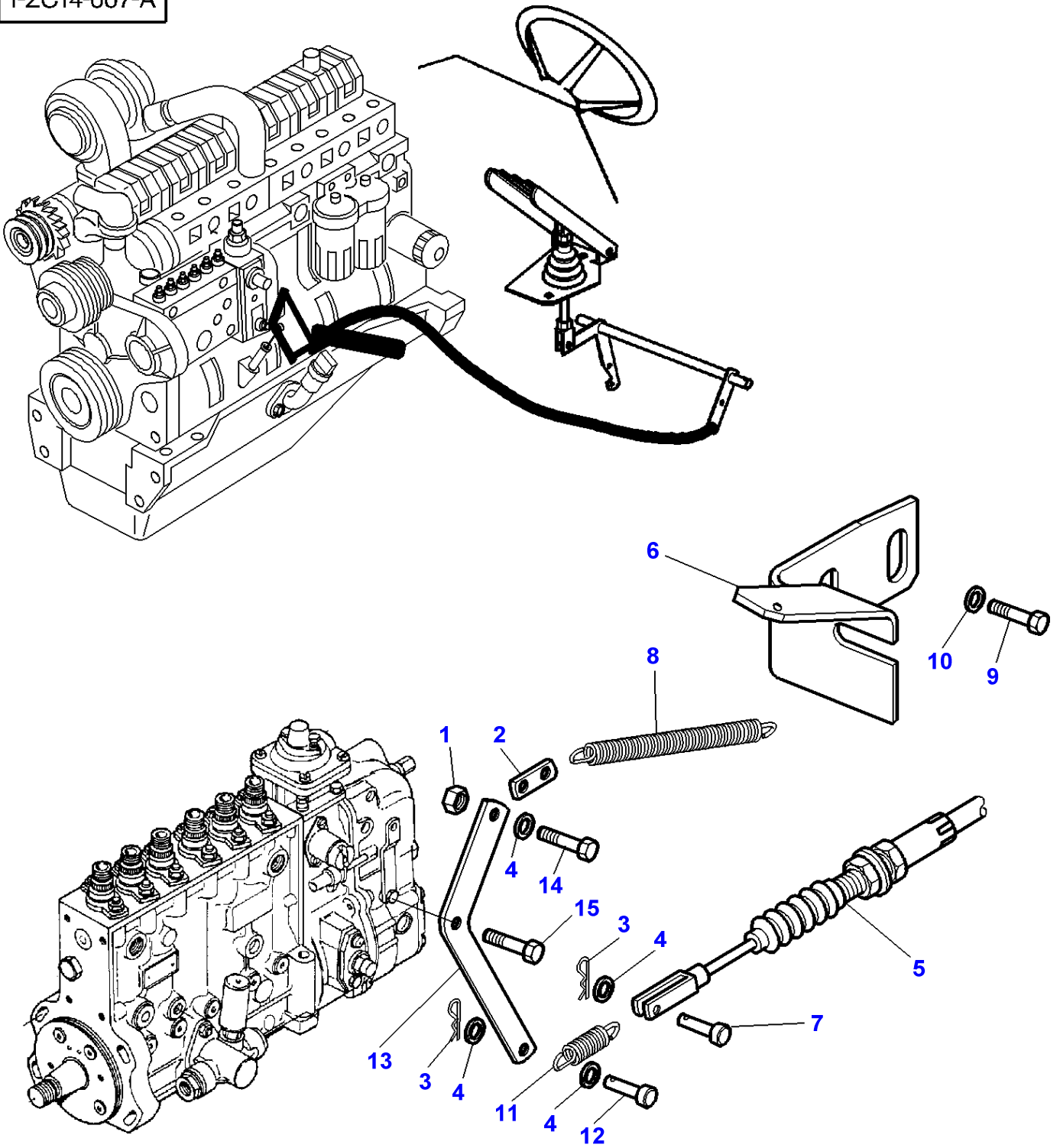
MF 8250 TRACTOR - 1637366
1-ZC14-014-B

1-ZC14-014-B



Item	Part Number	Qty	Description	Comments
1	3712851M91	1	Pedal	
2	3712867M1	1	Spacer	
3	3385913M2	4	Bush	
4	1441461X1	1	Locknut	
5	3784360M2	1	Support	
6	3712866M2	1	Stem	
7	3784578M91	1	Rod	
8	357145X1	1	Pin	
9	390972X1	2	Washer Metric	
10	357145X1	1	Pin	
11	3007850X1	1	Clevis Pin	
12	391883X1	1	Screw	M5X25
13	1442967X1	1	Pin	
14	3713042M1	1	Clevis Pin	
15	392463X1	1	Clevis	
16	339368X1	2	Bolt Metric	M8 X 60
17	391286X1	1	Bolt Metric	M8X85
18	3712886M1	1	Bellows	
19	339548X1	1	Pin	
20	1444351X1	1	Washer	
21	392235X1	1	Clevis Pin	
22	392463X1	1	Clevis	
23	339030X1	1	Nut Metric	M6
24	3010804X1	1	Screw	M4 X 16
25	3784342M1	1	Rod Link	
26	3784341M1	1	Rod	
27	3784361M1	1	Transducer	
28	3011003X1	2	Screw	M4 X 12
29	3001856X1	2	Washer Metric	
30	3019139X1	2	Nut	M4
31	3784343M2	1	Cowl	
32	1441728X1	1	Pin	Diameter 4 X 16
33	3019139X1	1	Nut	

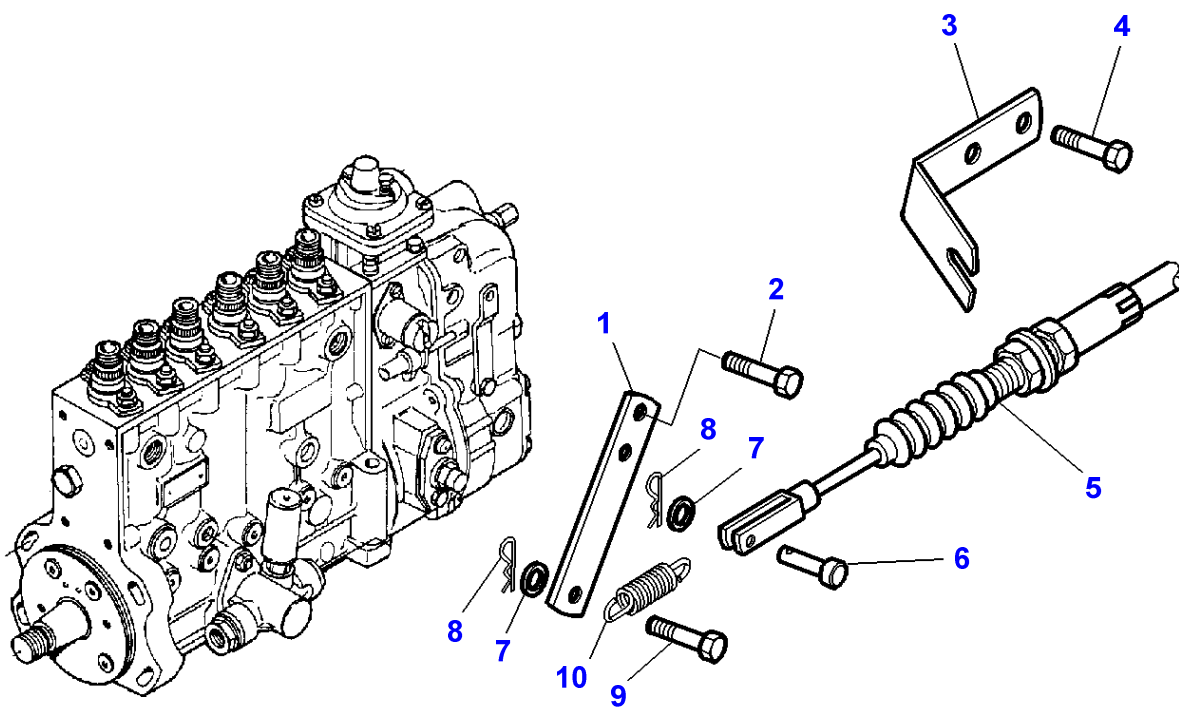
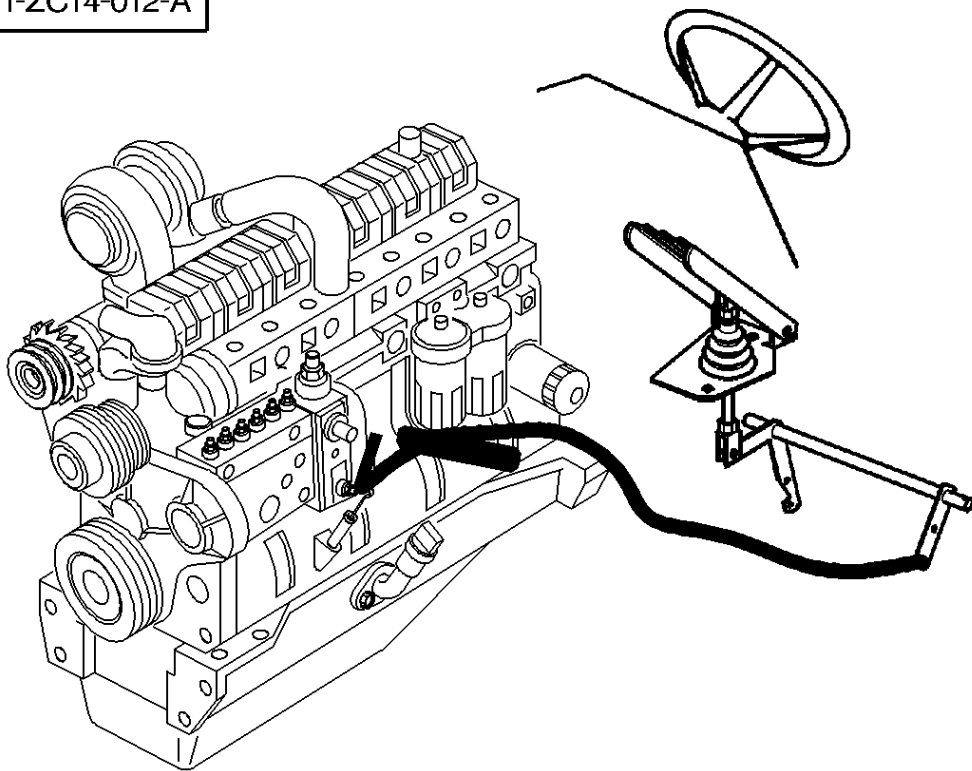
1-ZC14-007-A



Massey Ferguson**MF 8250 TRACTOR - 1637366****1637366****Throttle Controls - Up To No J075003 FULL POWERSHIFT / J084021 DYNAS HIFT****Page010-0390**

Item	Part Number	Qty	Description	Comments
1	339030X1	1	Nut Metric	
2	1660774M2	1	Lug	
3	357145X1	2	Pin	
4	390971X1	4	Washer	
5	3615919M3	1	Cable	Length 1040MM
6	3779764M2	1	Thruster	
7	832297M1	1	Clevis Pin	
8	3615253M1	1	Spring	
9	339124X1	2	Hex. Sock. Screw	M8X16
10	390972X1	2	Washer Metric	
11	3387022M2	1	Spring	
12	3007850X1	1	Clevis Pin	
13	3580837M2	1	Lever	
14	339666X1	1	Hex. Sock. Screw	M6X20
15	339262X1	1	Bolt Metric	M6X30

1-ZC14-012-A

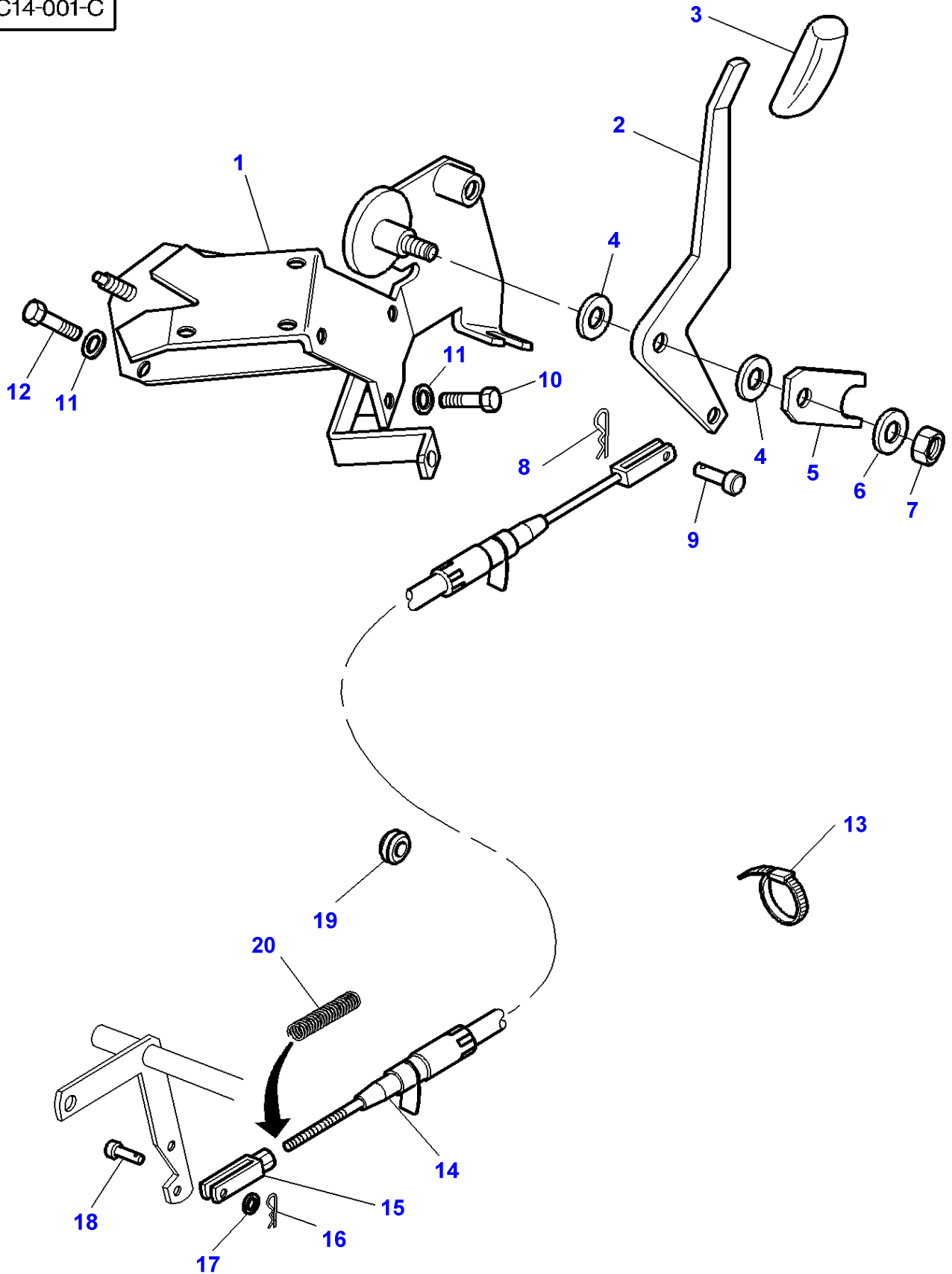


Massey Ferguson**MF 8250 TRACTOR - 1637366****1637366****Throttle Controls - From No J075004 FULL POWERSHIFT / J084022 DYNASH IFT****Page010-0395**

Item	Part Number	Qty	Description	Comments
1	3784325M1	1	Lever	
2	339560X1	2	Hex. Sock. Screw	M6X16
3	3784326M1	1	Thruster	
4	339124X1	2	Hex. Sock. Screw	M8X16
5	3615919M3	1	Cable	Length 1040MM
6	3007850X1	1	Clevis Pin	
7	390971X1	2	Washer	
8	357145X1	2	Pin	
9	832297M1	1	Clevis Pin	
10	3387022M2	1	Spring	

MF 8250 TRACTOR - 1637366
1-ZC14-001-C

1-ZC14-001-C



Massey Ferguson**MF 8250 TRACTOR - 1637366**

1637366

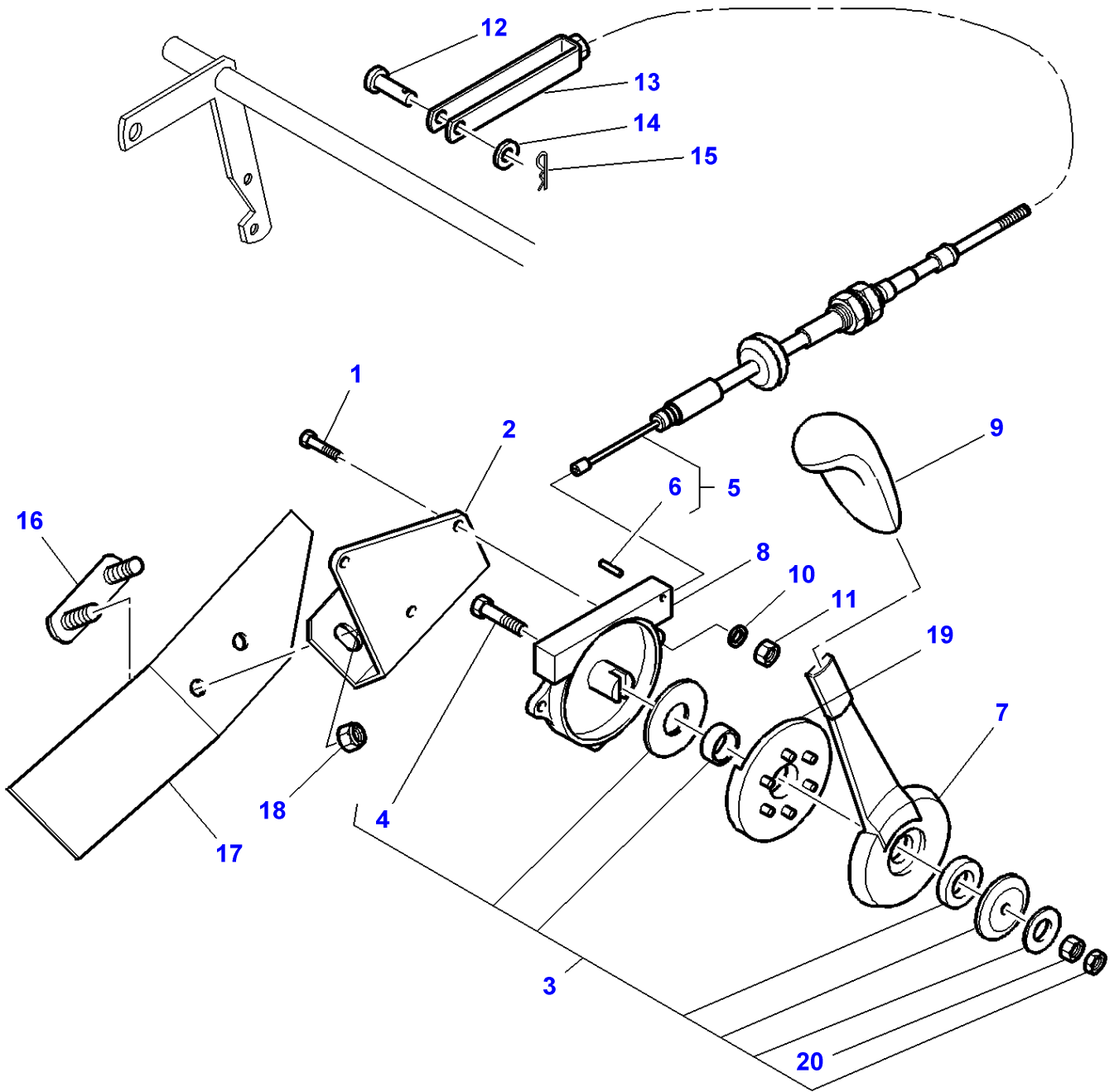
Throttle Controls - Up To 07-01-2001

Page010-0400

Item	Part Number	Qty	Description	Comments
1	3778645M94	1	Support	
2	3778583M2	1	Lever	
3	3777015M1	1	Handle	
4	3042581M2	2	Washer	
5	3712271M1	1	Plate	
6	880712M1	1	Washer	
7	1440330X1	1	Locknut	M12
8	357145X1	1	Pin	
9	3007850X1	1	Clevis Pin	
10	339368X1	1	Bolt Metric	M8X60
11	390972X1	3	Washer Metric	
12	339368X1	1	Bolt Metric	M8X60
13	3619622M1	1	Cable Tie	
14	3778639M1	1	Cable	Length 855MM
15	3616399M1	1	Stirrup	
16	357145X1	1	Pin	
17	390971X1	1	Washer	
18	832297M1	1	Clevis Pin	
19	1699748M1	1	Plug	Diameter 9,5MM
20	3784906M1	1	Spring	From Serial or Engine Number J147003 Length 125MM

FOOTNOTE [B] INDUSTRIAL CAB

1-ZC14-015-E



Massey Ferguson**MF 8250 TRACTOR - 1637366**

1637366

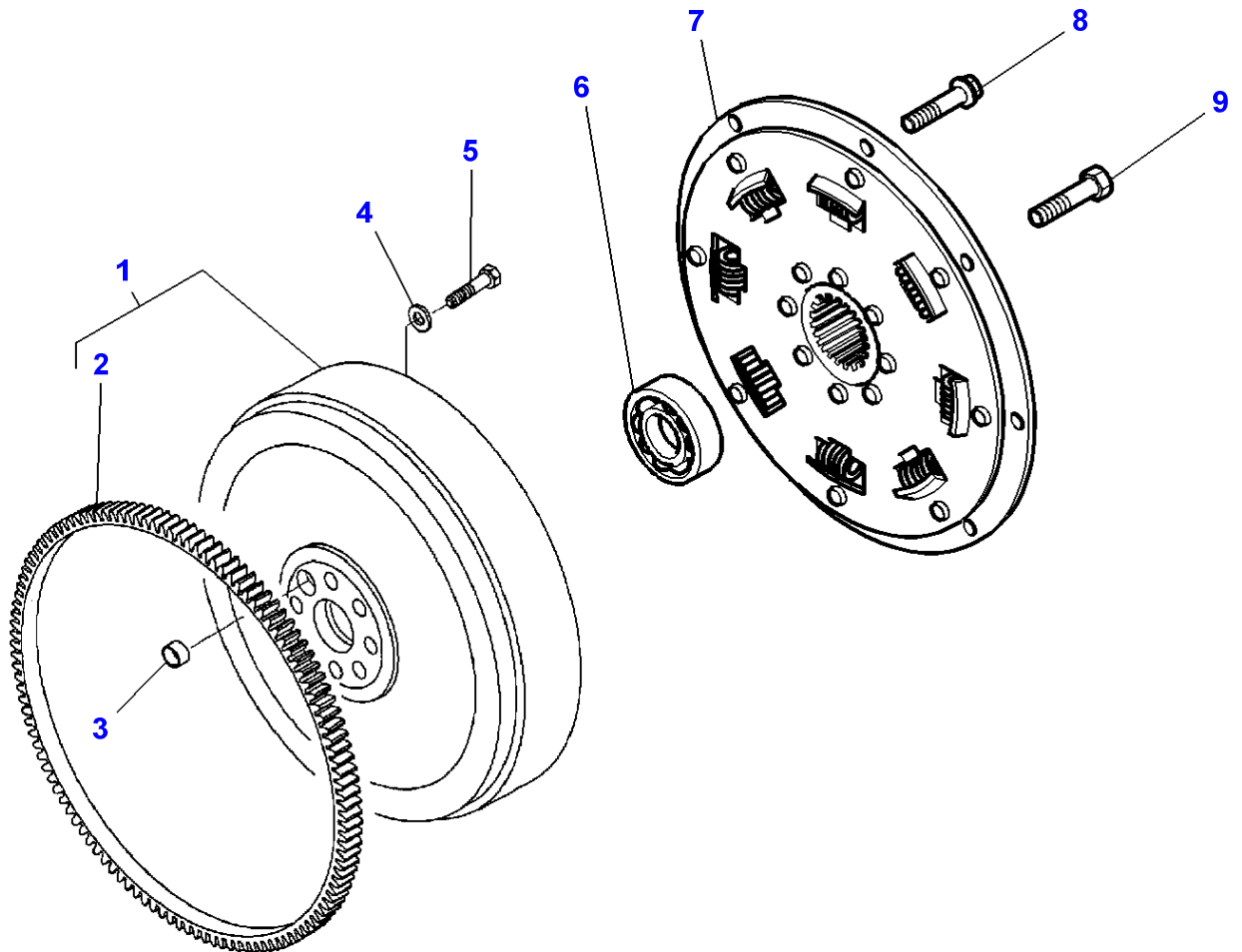
Throttle Controls - From 08-01-2001

Page010-0405

Item	Part Number	Qty	Description	Comments
1	339563X1	3	Screw Metric	M5 X 20
2	3784358M3	1	Support	
3	3785336M3	1	Parts Pack	
4	3011380X1	1	Screw	(3) M6 X 40
5	3785334M1	1	Cable	
6	339303X1	1	Dowel	(5)
7	3785335M3	1	Lever	
8	3786152M2	1	Case Assy	
9	3785000M1	1	Handle	
10	3019560X1	3	Washer	
11	1441494X1	3	Nut Metric	M5
12	832297M1	1	Clevis Pin	
13	3616399M1	1	Stirrup	
14	390971X1	1	Washer	
15	357145X1	1	Pin	
16	3785837M2	1	Staple	
17	3786226M1	1	Plate	Up to Serial or Engine Number 06-NOV-2001
18	1441461X1	2	Locknut	
19	3789513M1	1	Flange	
20	3019123X1	1	Nut	(3)

Page Title	Page Number
Flywheel - Dynashift	020-0005
Flywheel - With Full Powershift	020-0010
Wet Clutch	020-0015
Wet Clutch With Power Shuttle	020-0020
Power Shuttle	020-0025
Wet Clutch	020-0030
Front Spacer With Power Shuttle	020-0035
Wet Clutch With Power Shuttle	020-0040
Engine-Transmission Assembling	020-0045
Wet Clutch - Dynashift	020-0050
Wet Clutch - Without Dual Control	020-0055
Wet Clutch - With Dual Control	020-0060
Wet Clutch With Power Shuttle - Without Dual Control	020-0065
Wet Clutch With Power Shuttle - Up To M238025	020-0070
Wet Clutch With Power Shuttle - From M238026	020-0075
Wet Clutch - Valve	020-0080
Wet Clutch With Power Shuttle - Valve With Dynashift - Up To L289038	020-0085
Wet Clutch With Power Shuttle - Valve With Dynashift - From L289039	020-0090
Clutch Pedal And Linkage - With Dynashift - Up To 31-01-2002	020-0095
Clutch Pedal And Linkage - With Power Shuttle - Up To L270016	020-0100
Clutch Pedal And Linkage - With Full Powershift - Up To L270016	020-0105
Clutch Pedal And Linkage - From Serial or Engine Number - L270017	020-0110
Clutch Control - Master Cylinder	020-0115
Braking Assistance Accumulator - With Hydraulic Pump 110 L/mn - Full Powershift	020-0120
Braking Assistance Accumulator - With Pump 60cc - Full Powershift	020-0125

1-ZA07-004-A

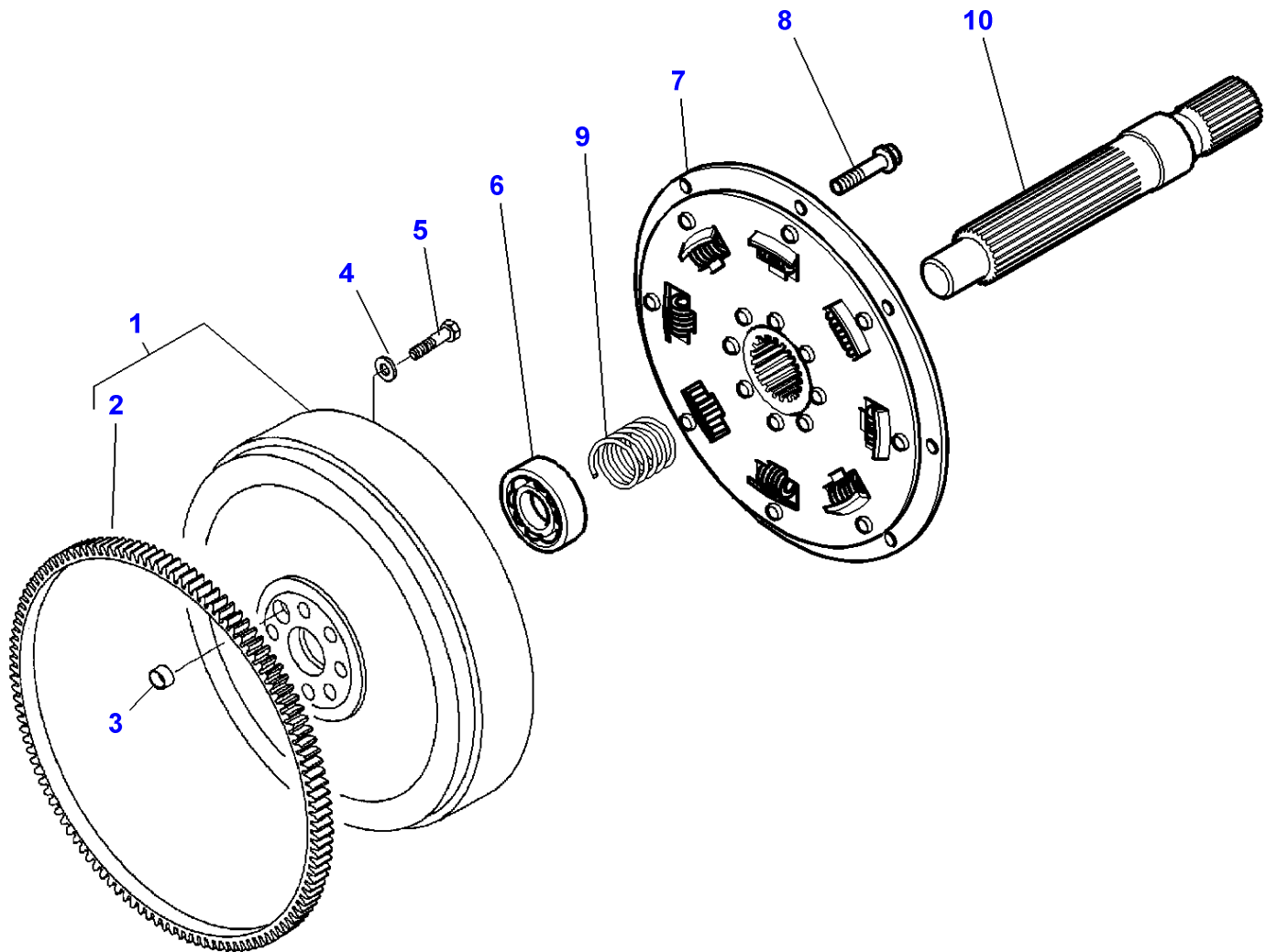


Massey Ferguson**MF 8250 TRACTOR - 1637366****1637366****Page020-0005****Flywheel - Dynashift**

Item	Part Number	Qty	Description	Comments
1	V836859409	1	Flywheel	
2	V836659026	1	Annular Gear	(1)
3	V836659527	1	Sleeve	
4	V500951200	8	Washer	
5	V529702250	8	Screw	
6	339583X1	1	Bear. 6206 2rs	
7	3790735M2	1	Shock Absorber	
	3793648M1	1	Shock Absorber	[A]
8	3792268M1	8	Screw Metric	M12X45
9	3713983M1	6	Screw	1/2-20 X 40

FOOTNOTE [A] WITH POWER SHUTTLE

1-ZA07-005-A

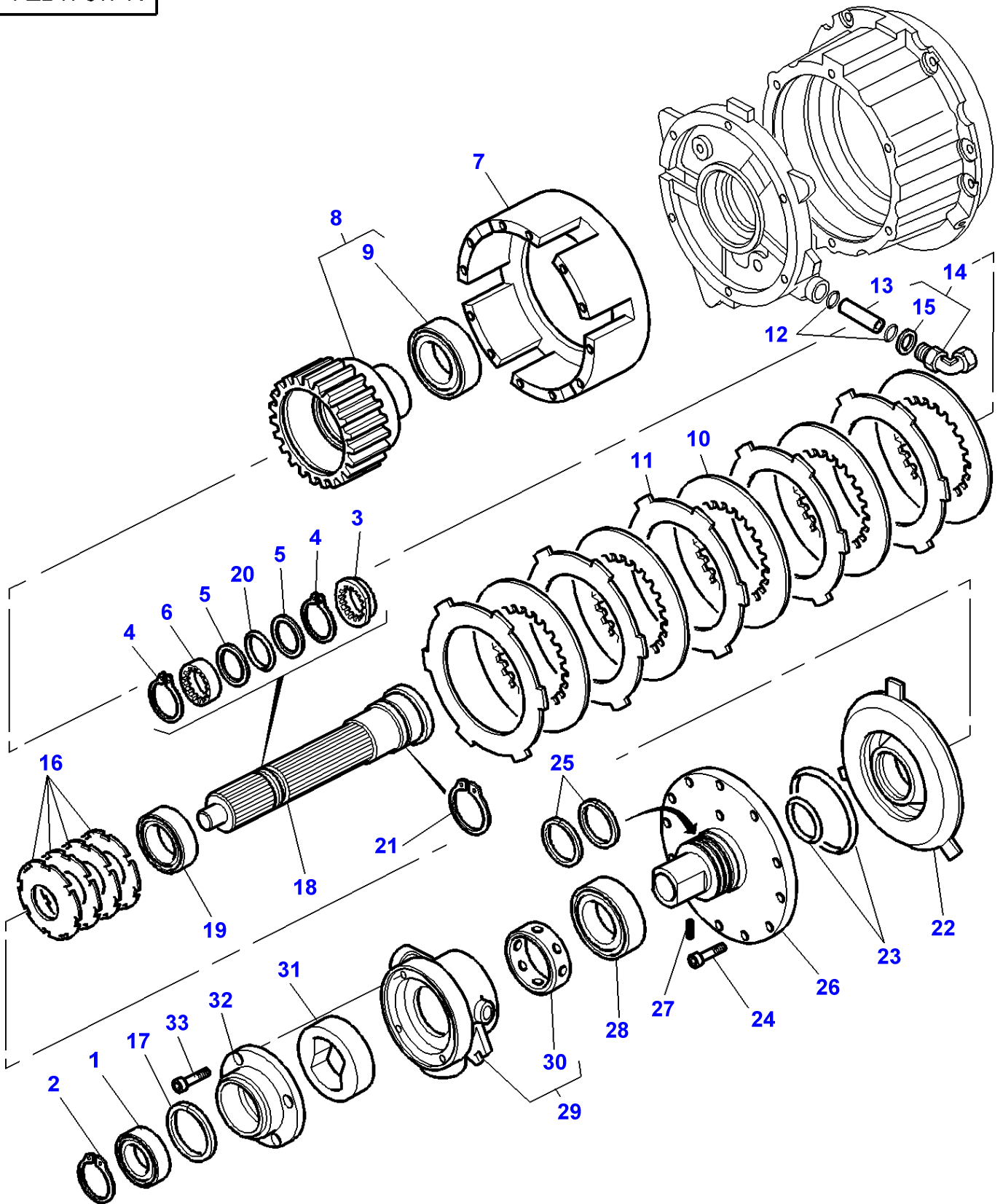


Massey Ferguson**MF 8250 TRACTOR - 1637366****1637366****Flywheel - With Full Powershift****Page020-0010**

Item	Part Number	Qty	Description	Comments
1	V836859744	1	Flywheel	
2	V836659026	1	Annular Gear	(1)
3	V836659527	1	Sleeve	
4	V500951200	8	Washer	
5	V529702290	8	Screw	
6	339583X1	1	Bear. 6206 2rs	
7	3792346M1	1	Shock Absorber	
8	3010239X1	8	Screw Metric	M10X45
9	3792345M2	1	Spring	
10	3792344M1	1	Shaft	

MF 8250 TRACTOR - 1637366
1-ZD11-017-A

1-ZD11-017-A



Wet Clutch

Item	Part Number	Qty	Description	Comments
1	3010463X1	1	Bearing Assy	
2	339470X1	1	Circlip	
3	3712719M1	1	Tray	
4	3010464X1	2	Clip	
5	3793128M1	2	Bush	
6	3712720M2	1	Sleeve	
7	3791561M1	1	Cover	[C]
8	3791173M11	1	Hub	[C]
9	3712297M1	1	Bearing Assy	(8)
10	3619155M1	8	Disc	[C]
11	3619156M1	8	Tray	[C]
12	377494X1	2	O Ring	
13	3619629M1	1	Tube	
14	3793447M91	1	Union	
15	1882958M1	1	O Ring	(14)
16	3791398M91	1	Kit, Washer	
17	3900913M91	1	Kit, Shims	Thickness 0,05MM Thickness 2MM
18	3791409M5	1	Shaft	
19	3712300M1	1	Bearing Assy	
20	3010501X1	1	Gasket	
21	391129X1	1	Circlip	
22	3791559M1	1	Piston	
23	3712819M11	1	Kit, Joint	
24	3010493X1	12	Screw	M8X55
25	3792463M1	2	Circlip	
26	3791558M1	1	Shaft	
27	3019274X1	1	Pin	
28	3010462X1	1	Bearing Assy	
29	3712820M12	1	Body Pump	
30	3619253M2	1	Bush	(29)
31	3619236M1	1	Pump	
32	3619666M1	1	Cover	
33	391989X1	4	Screw Metric	M8X20

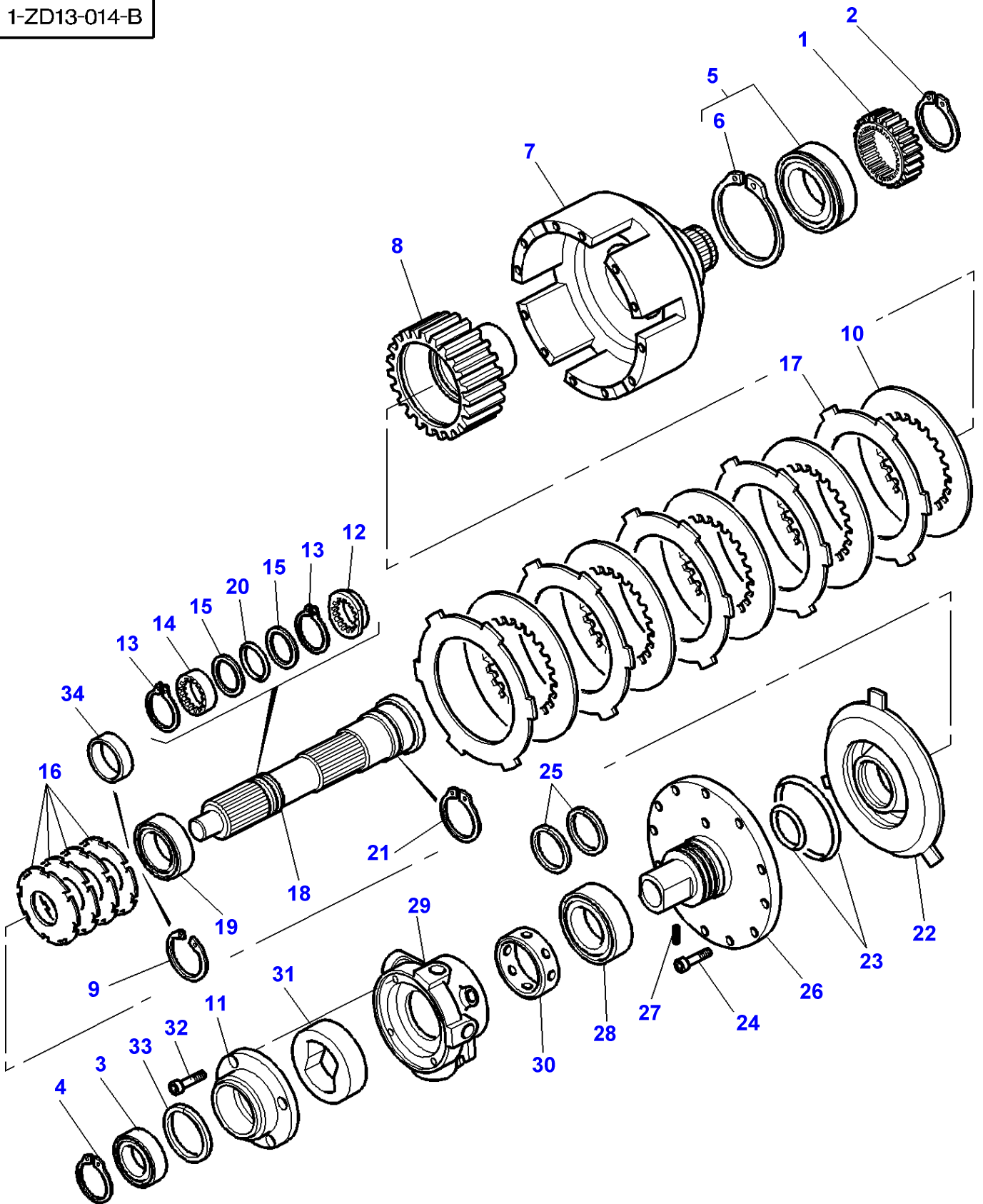
FOOTNOTE [A] CLUTCH 6 DISCS

FOOTNOTE [B] CLUTCH 7 DISCS

FOOTNOTE [C] CLUTCH 8 DISCS

MF 8250 TRACTOR - 1637366
1-ZD13-014-B

1-ZD13-014-B



Massey Ferguson**MF 8250 TRACTOR - 1637366**

1637366

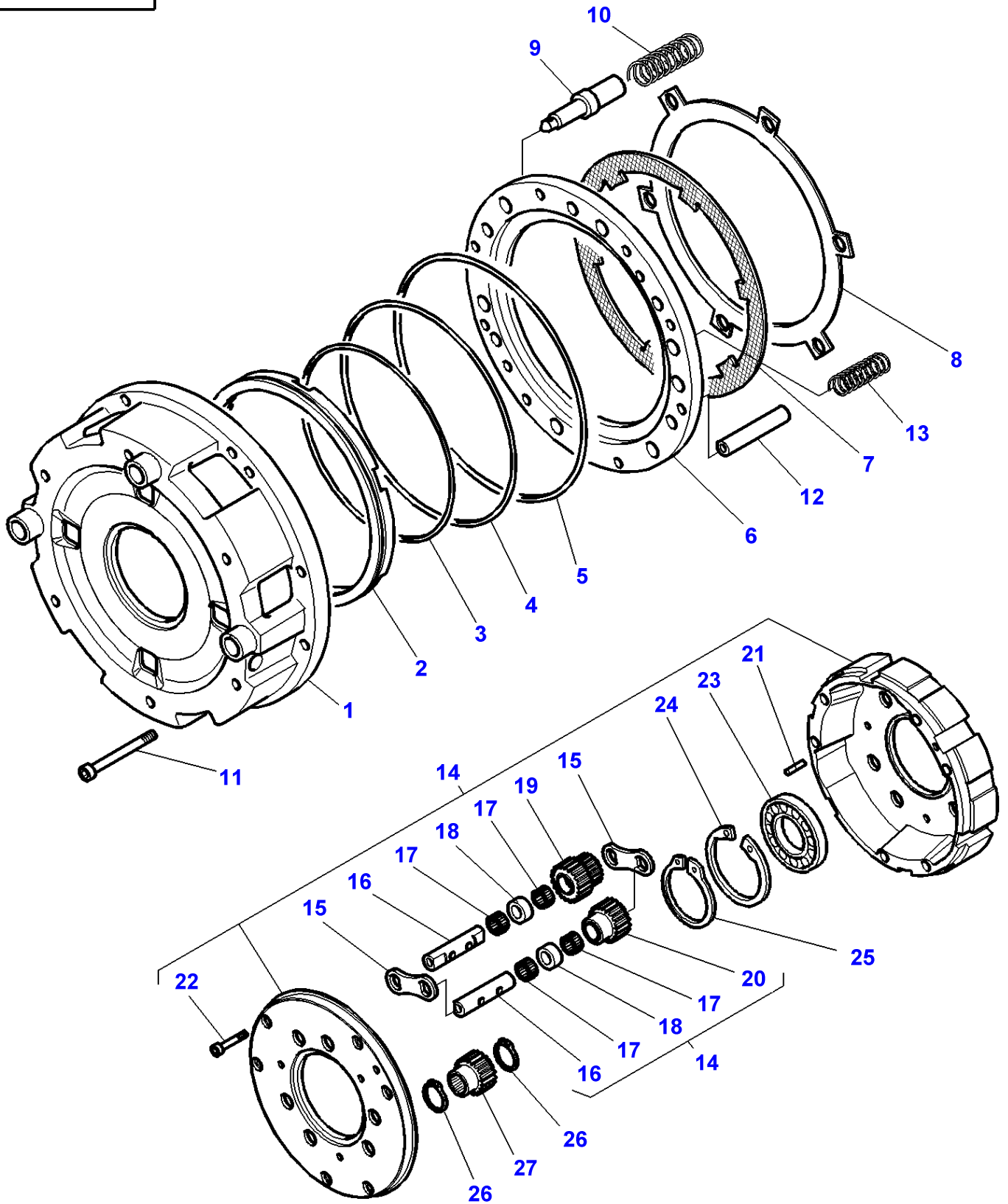
Wet Clutch With Power Shuttle

Page020-0020

Item	Part Number	Qty	Description	Comments
1	3793613M1	1	Planet	Number of teeth/spines 48
2	1444488X1	1	Ring	
3	3010463X1	1	Bearing Assy	6911
4	339470X1	1	Circlip	
5	3010839X91	1	Ball Bearing	
6		1	Circlip	(5) Not serviced,order REF 5
7	3793621M1	1	Cover	
8	3793617M1	1	Hub	
9	1441163X1	1	Circlip	
10	3619155M1	8	Disc	
11	3619666M1	1	Cover	
12	3712719M1	1	Tray	
13	3010464X1	2	Clip	
14	3712720M2	1	Sleeve	
15	3793128M1	2	Bush	
16	3791398M91	1	Kit, Washer	
17	3619156M1	8	Tray	
18	3793629M2	1	Input Shaft	
19	3712300M1	1	Bearing Assy	
20	3010501X1	1	Gasket	
21	391129X1	1	Circlip	
22	3791559M1	1	Piston	
23	3712819M11	1	Kit, Joint	
24	3010493X1	12	Screw	M8X55
25	3792463M1	2	Circlip	
26	3791558M1	1	Shaft	
27	3019274X1	1	Pin	
28	3010462X1	1	Bearing Assy	6817
29	3793631M1	1	Body Pump	
30	3619253M2	1	Bush	
31	3619236M1	1	Pump	
32	391989X1	4	Screw Metric	M8X20
33	3900913M91	1	Kit, Shims	Thickness 0,05 MM Thickness 2 MM
34	3797051M1	1	Bush	From Serial or Engine Number L287029

MF 8250 TRACTOR - 1637366
1-ZF79-002-A

1-ZF79-002-A



Massey Ferguson
MF 8250 TRACTOR - 1637366

1637366

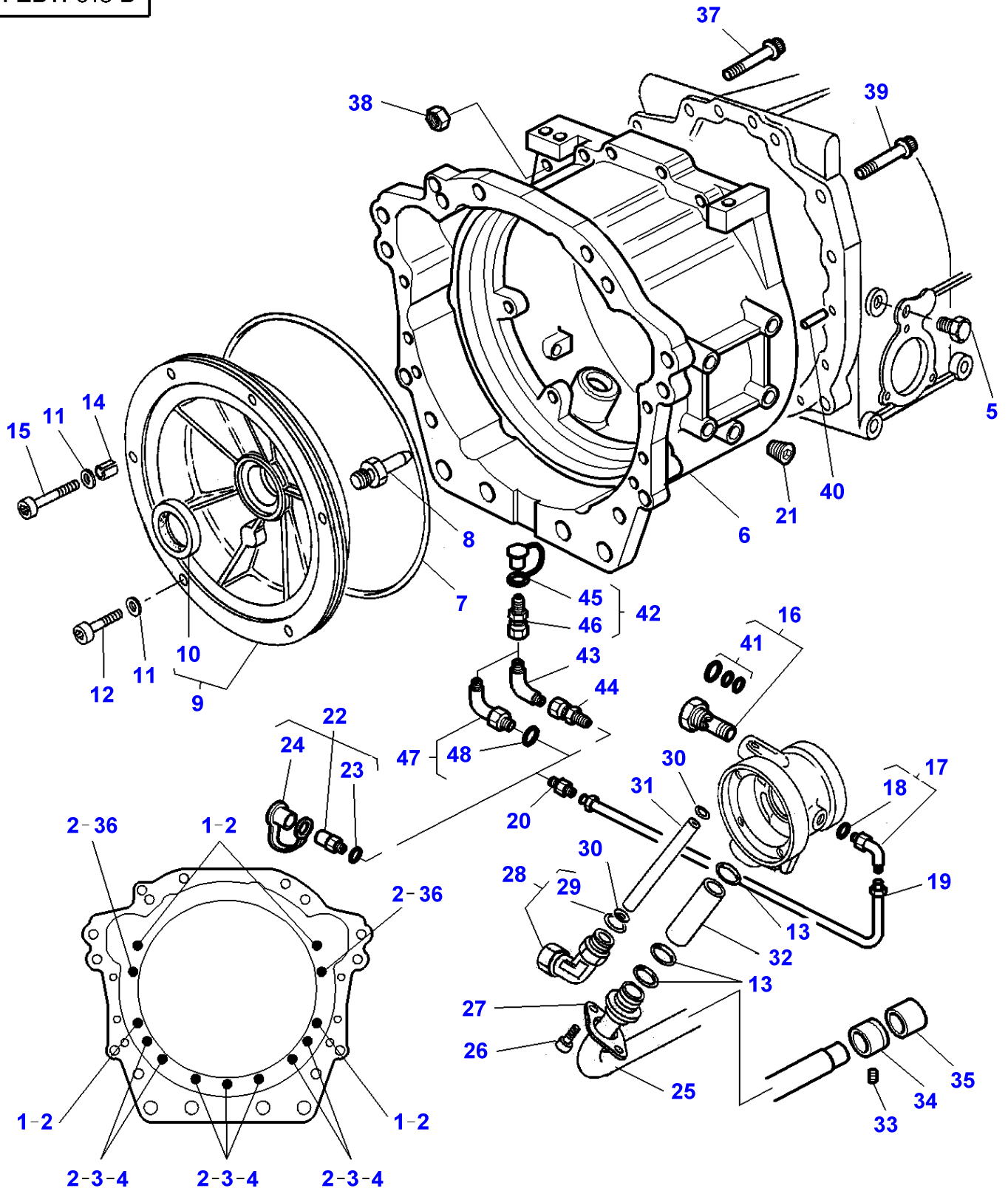
Page020-0025

Power Shuttle

Item	Part Number	Qty	Description	Comments
1	3793627M11	1	Case Assy	
2	3793622M1	1	Piston	
3	3790324M1	1	Gasket	
4	3790323M1	1	Gasket	
5	3790325M1	1	O Ring	
6	3793625M1	1	Piston	
7	3790270M1	6	Disc	
8	3790271M1	5	Tray	
9	3793630M1	2	Poppet	
10	3790266M3	2	Spring	
11	3010989X1	2	Screw	M8X35
12	3793636M1	6	Clevis Pin	
13	3793632M1	6	Spring	
14	3793611M12	1	Carrier	
15	3790241M3	6	Wearplate	(14)
16	3793608M11	6	Clevis Pin	(14)
17	3010127X1	300	Needle	(14)
18	3793606M1	6	Spacer	(14)
19	3793610M1	3	Diff Pinion	(14)
20	3793609M1	3	Pinion	Number of teeth/spines 24/21 (14)
21	3010981X1	1	Pin	Number of teeth/spines 24 (14)
22	3010989X1	6	Screw	(14)
23	3010836X1	1	Bearing Assy	M8X35 (14) 55X72X9
24	1441163X1	1	Circlip	(14)
25	3010640X1	1	Ring	
26	3010138X1	2	Segment	
27	3793612M1	1	Planet	Number of teeth/spines 42

MF 8250 TRACTOR - 1637366
1-ZD11-018-D

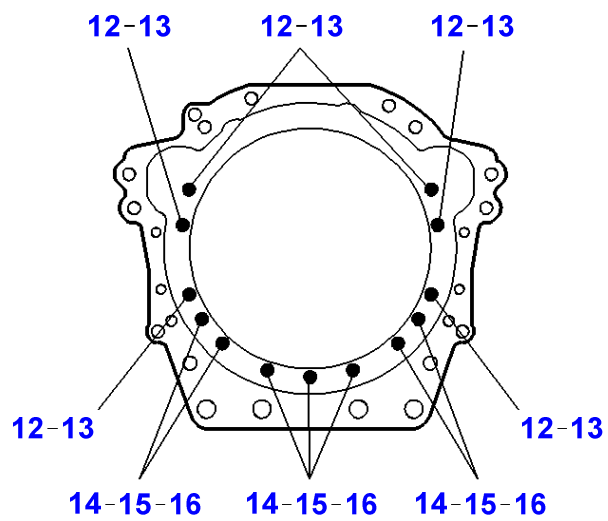
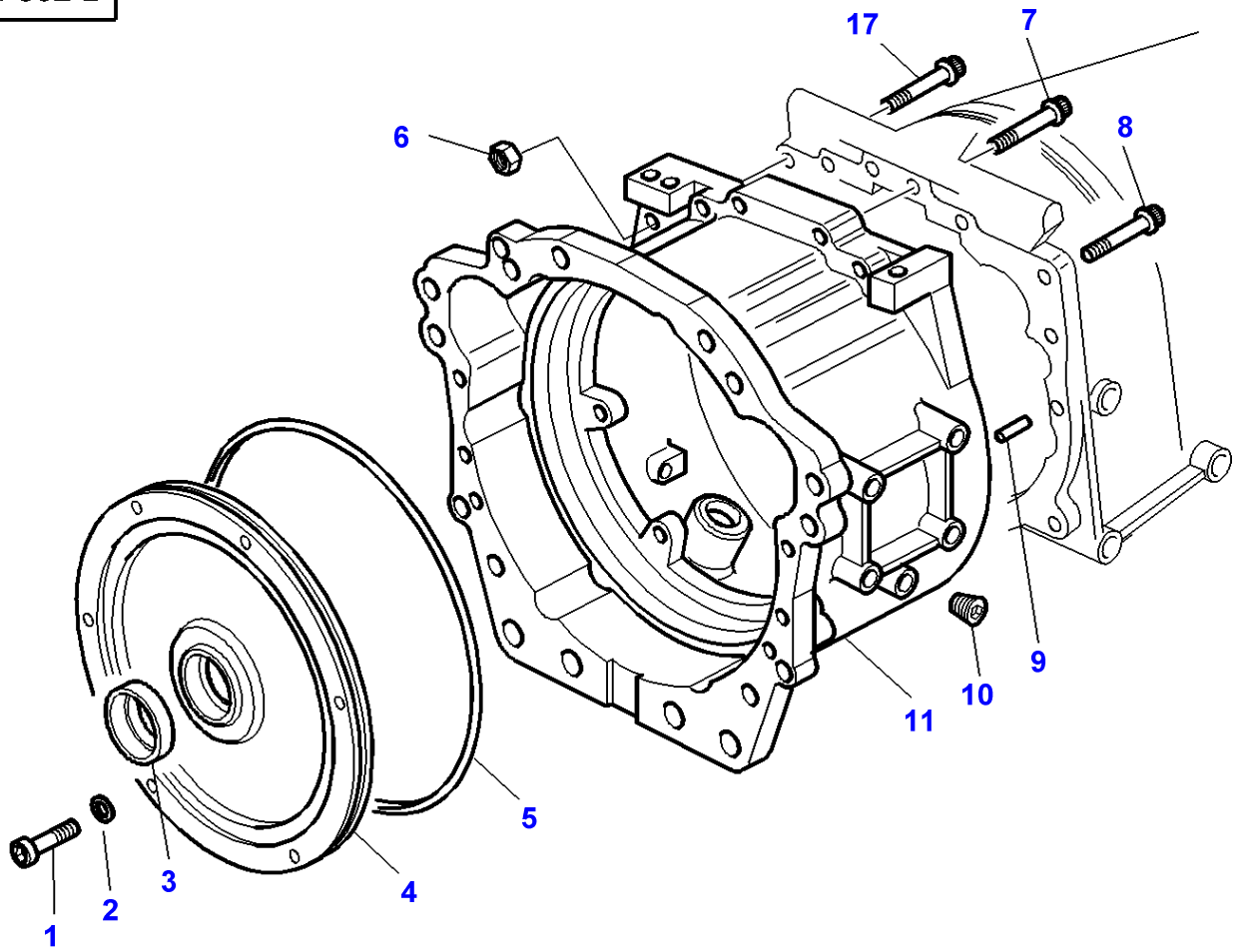
1-ZD11-018-D



Wet Clutch

Item	Part Number	Qty	Description	Comments
1	3010144X1	4	Screw	M12X45
2	3385525M2	13	Washer	
3	3019861X1	7	Stud	
4	3019862X1	7	Nut Metric	M12
5	354700X1	1	Bolt Unc	Diameter 3/4"-10 Length 19 MM
6	3716151M2	1	Spacer	
7	3010465X1	1	Gasket	
8	3619673M1	1	Clevis Pin	
9	3712813M11	1	Cover	
10	3712304M1	1	Seal	(9)
11	385361X1	6	Washer	Diameter 8MM
12	1440349X1	4	Screw Metric	M8X30
13	3010466X1	3	Gasket	
14	3008025X1	2	Pin	Diameter 10MM Length 18MM
15	3009287X1	2	Screw Metric	M8X40
16	3619243M2	1	Non Return Valve	1,5 BAR
17	3019408X91	1	Elbow	
18	3019393X1	1	O Ring	(17)
19	3790533M1	1	Tube	
20	3384958M2	1	Union	Up to Serial or Engine Number
	355654X1	1	Connector	From Serial or Engine Number
21	356040X1	1	Plug	Diameter 1/4"-18 Up to Serial or Engine Number
22	3384950M1	1	Pressure Intake	Up to Serial or Engine Number H342036
23	831452M1	1	O Ring	(22)
24	3467187M1	1	Cap	(22)
25	3716727M92	1	Tube	
26	391989X1	2	Screw Metric	M8X20
27	3619657M1	1	Bridle	
28	3385713M91	1	Union	
29	1852568M1	1	O Ring	(28)
30	377494X1	2	O Ring	
31	3712204M1	1	Tube	
32	3619630M1	1	Tube	
33	3009351X1	1	Screw	M6x8
34	3712665M1	1	Bush	
35	3712664M1	1	Bush	
36	3019851X1	2	Bolt Metric	M12x45
37	3010426X1	5	Screw	M14x55
38	3010349X1	1	Nut	M14
39	3010425X1	1	Screw	M14x45
40	191314M1	2	Centraliser	
41	3900995M91	1	Kit, Joint	(16)
42	3793689M2	1	Pressure Intake	From Serial or Engine Number H342037
43	356375X1	1	Elbow	From Serial or Engine Number H342037 Up to Serial or Engine Number
44	380006X1	1	Union	From Serial or Engine Number H342037 Up to Serial or Engine Number
45	3467187M1	1	Cap	(42)
46	3903585M1	1	Non Return Valve	(42)
47	3019412X91	1	Elbow	M14X1,5 -9/16-18 From Serial or Engine Number
48	3019395X1	1	O Ring	(47)

1-ZD14-002-B



Massey Ferguson**MF 8250 TRACTOR - 1637366**

1637366

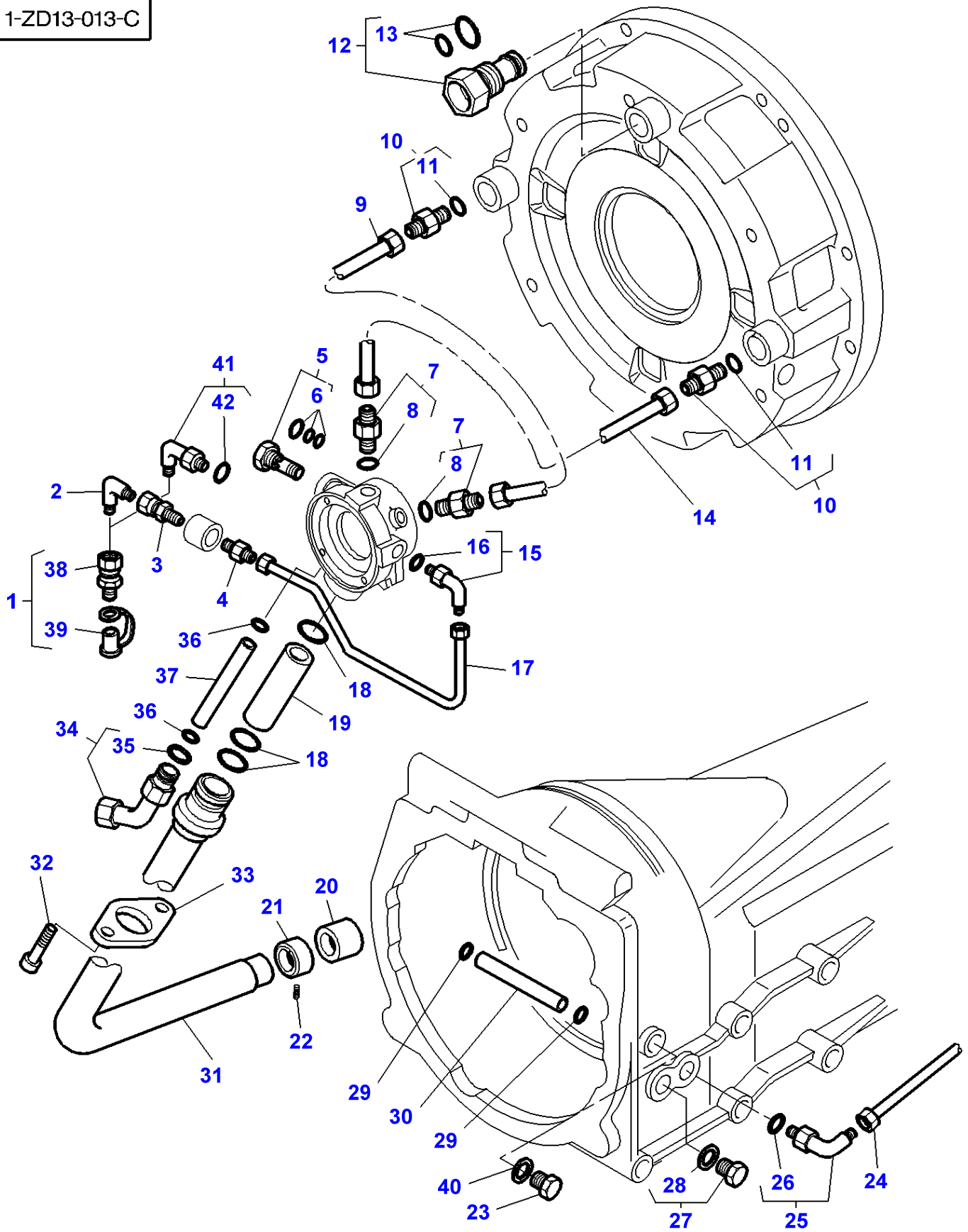
Page020-0035

Front Spacer With Power Shuttle

Item	Part Number	Qty	Description	Comments
1	3009287X1	2	Screw Metric	M8 X 40
	1440349X1	4	Screw Metric	M8 X 30
2	385361X1	6	Washer	
3	3712304M1	1	Seal	
4	3793633M1	1	Cover	
5	3010465X1	1	Gasket	
6	3010349X1	1	Nut	Up to Serial or Engine Number M013002
7	3010426X1	4	Screw	M14 X 55
8	3010425X1	1	Screw	M14 X 45
9	191314M1	2	Centraliser	
10	356040X1	1	Plug	
11	3793628M2	1	Spacer	
12	3010144X1	6	Screw	M12 X 45
13	3385525M2	6	Washer	
14	3019861X1	7	Stud	M12 X 35
15	3385525M2	7	Washer	
16	3019862X1	7	Nut Metric	
17	3010426X1	1	Screw	M14 X 55
				Up to Serial or Engine Number M013002
	3010821X1	1	Screw	M14 X 40
				From Serial or Engine Number M013003

MF 8250 TRACTOR - 1637366
1-ZD13-013-C

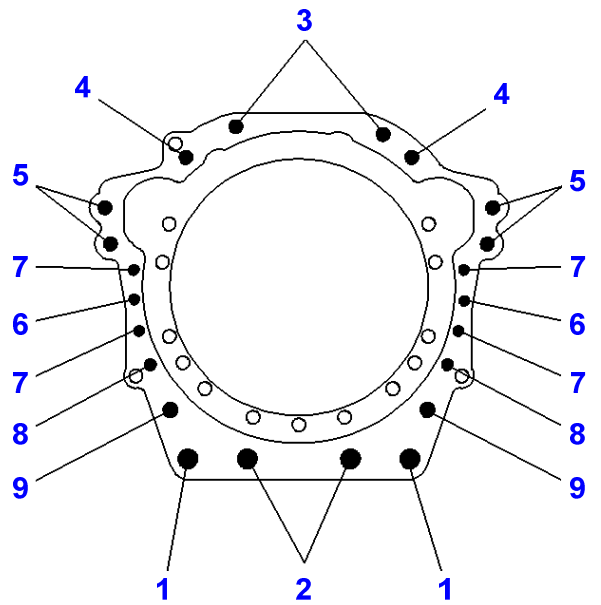
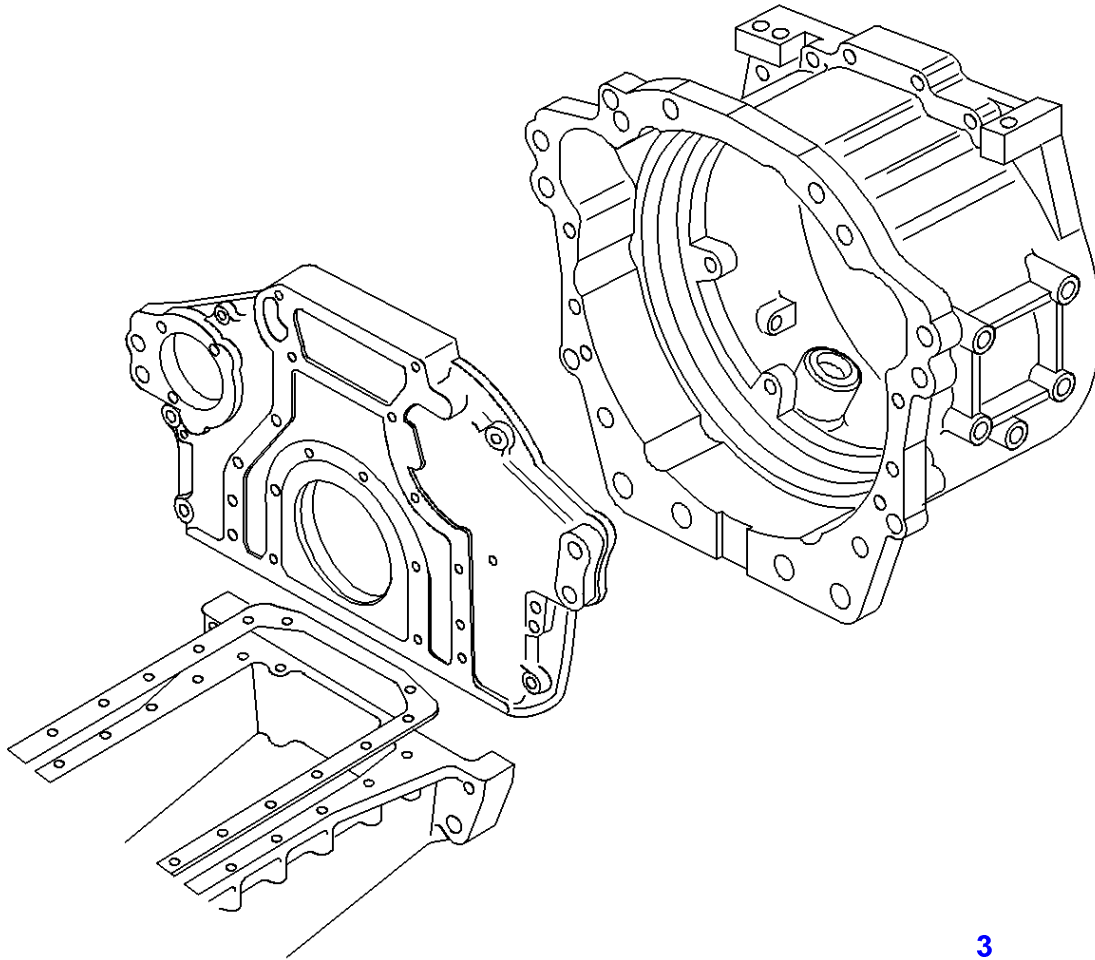
1-ZD13-013-C



Wet Clutch With Power Shuttle

Item	Part Number	Qty	Description	Comments
1	3793689M2	1	Pressure Intake	
2	356375X1	1	Elbow	Up to Serial or Engine Number
3	380006X1	1	Union	Up to Serial or Engine Number
4	3384958M2	1	Union	Up to Serial or Engine Number
	355654X1	1	Connector	From Serial or Engine Number
5	3619243M2	1	Non Return Valve	
6	3900995M91	1	Kit, Joint	(5)
7	3019381X91	2	Union	
8	3019396X1	1	O Ring	(7)
9	3793739M1	1	Tube	
10	3019700X91	2	Union	
11	3019394X1	1	O Ring	(10)
12	3793264M1	1	Non Return Valve	
13	3903453M91	1	Kit, Joint	(12)
14	3793740M1	1	Tube	
15	3019408X91	1	Elbow	
16	3019393X1	1	O Ring	(15)
17	3793734M2	1	Tube	
18	3010466X1	3	Gasket	
19	3619630M1	1	Tube	
20	3712664M1	1	Bush	
21	3712665M1	1	Bush	
22	3009351X1	1	Screw	M6 X 8
23	354700X1	1	Bolt Unc	3/4"-10 X 19
24	3793738M1	1	Tube	
25	3793687M92	1	Elbow Nipple	
26	835024M1	1	O Ring	(25)
27	358724X91	1	Plug	
28	831497M1	1	O Ring	(27)
29	377494X1	2	O Ring	
30	3793644M1	1	Tube	Length 71 MM
31	3793635M92	1	Tube	
32	391989X1	2	Screw Metric	M8 X 20
33	3619657M1	1	Bridle	
34	3793686M91	1	Union	M22X1,5 - 7/8-14 Up to Serial or Engine Number
	3798307M91	1	Union	M22X1,5 - 7/8-14 From Serial or Engine Number
35	3019398X1	1	O Ring	(34) Up to Serial or Engine Number
	3011414X1	1	O Ring	(34) From Serial or Engine Number
36	70923561	2	O Ring	Up to Serial or Engine Number
37	3793646M1	1	Tube	Length 196,5 MM
38	3467187M1	1	Cap	(1)
39	3903585M1	1	Non Return Valve	(1)
40	353775X1	1	Washer	
41	3019412X91	1	Elbow	M14X1,5 -9/16-18 From Serial or Engine Number
42	3019395X1	1	O Ring	(41)

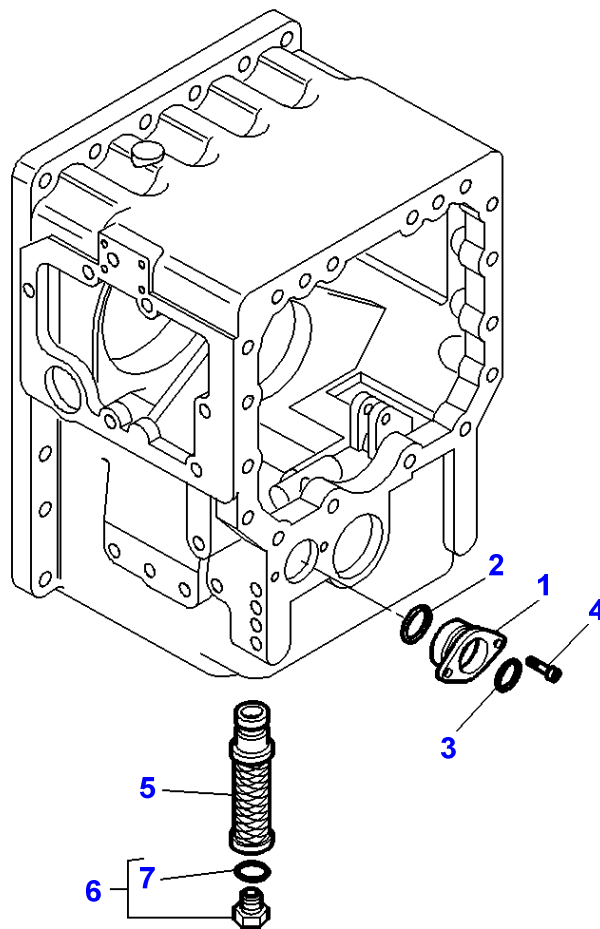
1-ZD12-003-A



Item	Part Number	Qty	Description	Comments
1	3010962X1	2	Screw	M22X80
	3712927M1	2	Washer	Diameter 24X38X10
2	3010453X1	2	Screw	M22X140
	3010505X1	2	Washer	
	3712927M1	2	Washer	Diameter 24X38X10
3	3010008X1	2	Screw	M16X50
4	3010008X1	2	Screw	M16X50
5	3010164X1	4	Screw Metric	M18X80
6	3583428M1	2	Centraliser	
7	3019899X1	4	Bolt Metric	M12X50
8	3580795M1	2	Screw	M16X80
9	3010453X1	2	Screw	M22X140
	3010505X1	2	Washer	
	3581642M1	2	Nut	
	3712927M1	2	Washer	Diameter 24X38X10

FOOTNOTE [A] WITH DYNASHIFT

1-ZD11-013-A

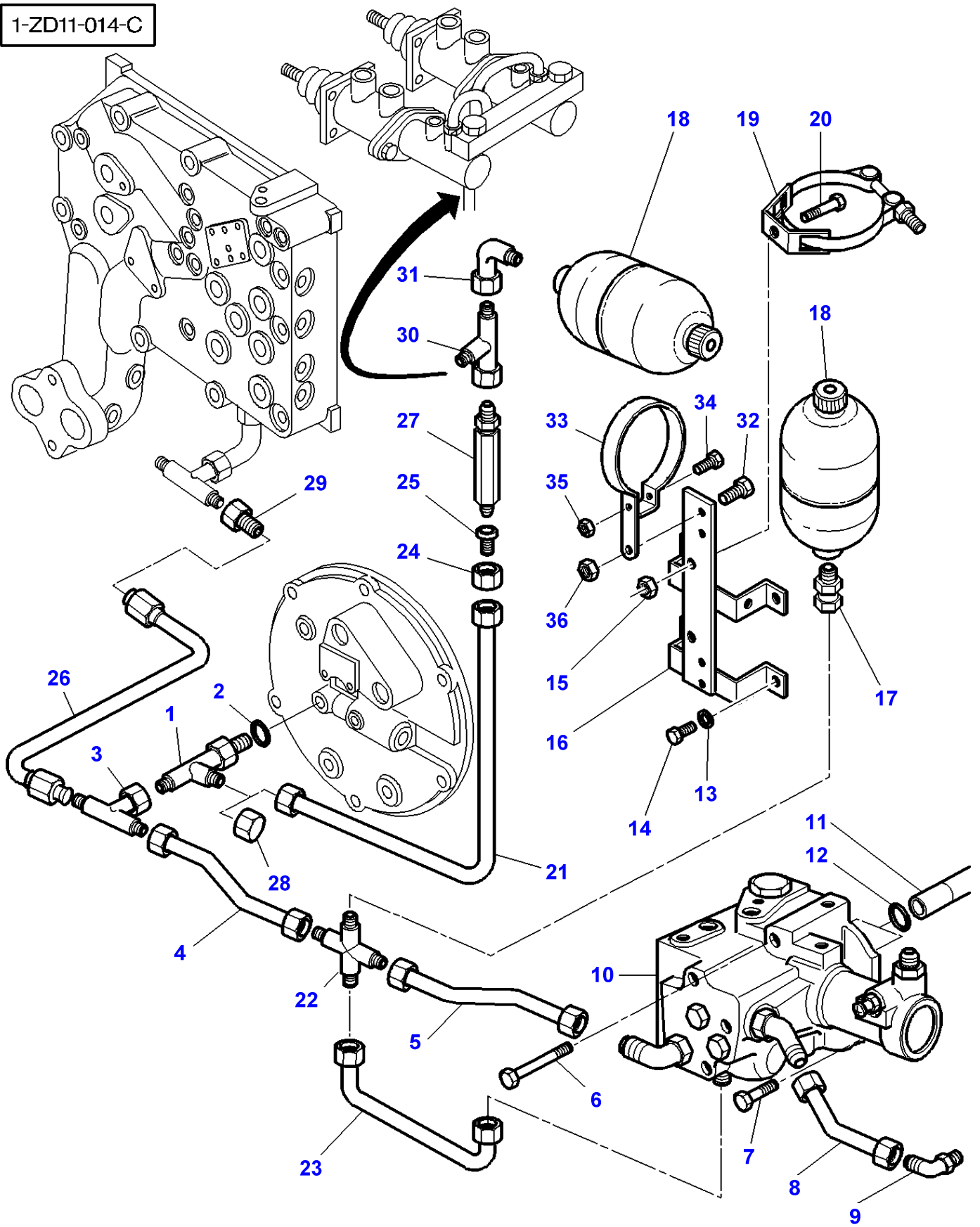


Massey Ferguson**MF 8250 TRACTOR - 1637366****1637366****Wet Clutch - Dynashift****Page020-0050**

Item	Part Number	Qty	Description	Comments
1	3716728M2	1	Block	
2	195654M1	1	O Ring	
3	3010466X1	1	Gasket	
4	1440350X1	2	Screw Metric	M6X20
5	3712404M1	1	Strainer	
6	380023X91	1	Plug	M42
7	380021X1	1	Gasket	(6)

MF 8250 TRACTOR - 1637366
1-ZD11-014-C

1-ZD11-014-C



Wet Clutch - Without Dual Control

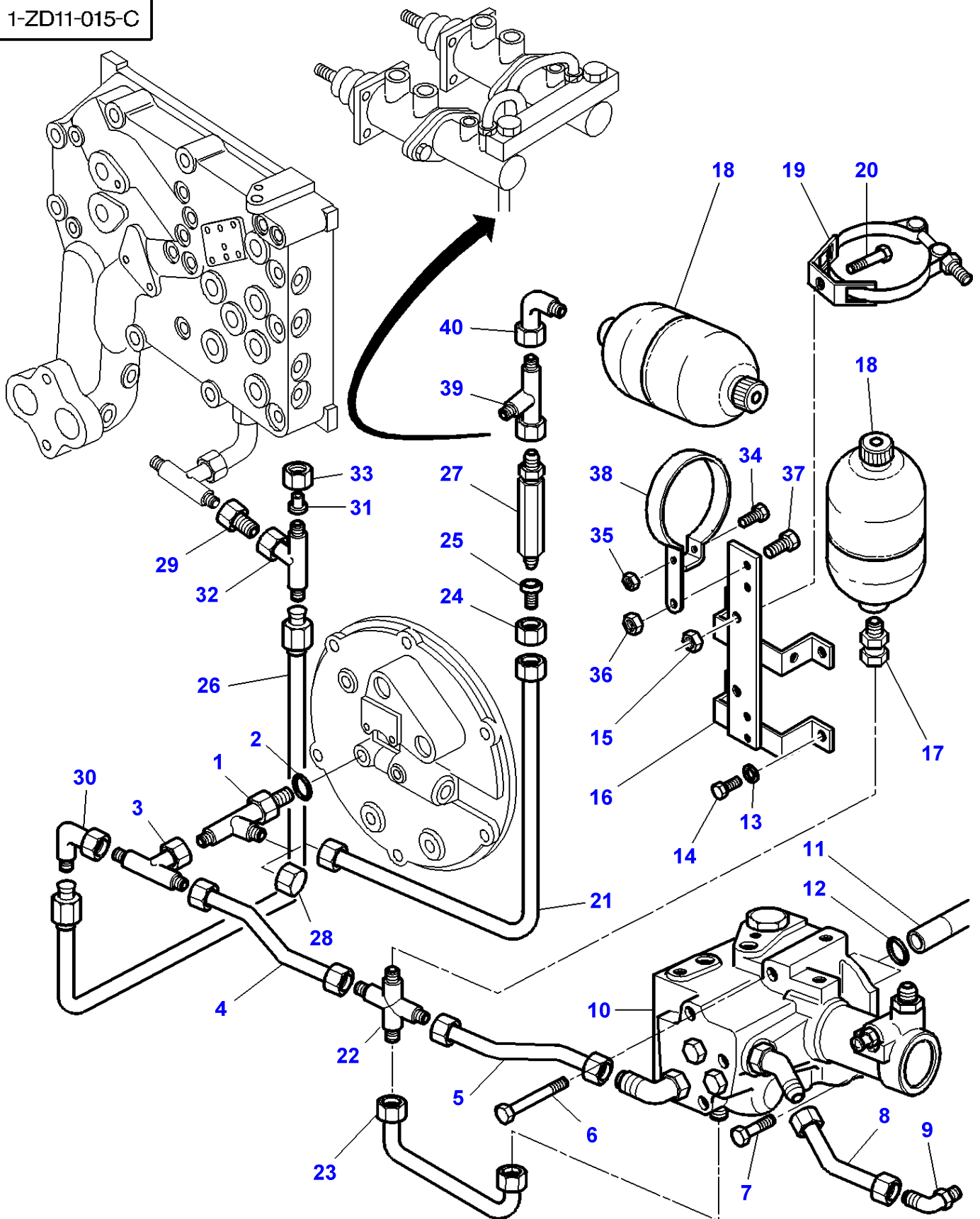
Item	Part Number	Qty	Description	Comments
1	3010498X1	1	Teepiece	
2	3019395X1	1	O Ring	
3	372543X1	1	Union	
4	3712911M91	1	Tube	
5	3712909M91	1	Tube	
6	339159X1	1	Bolt Metric	M8X65
7	339123X1	2	Hex. Sock. Screw	M8X20
8	3712906M91	1	Tube	
9	3385713M91	1	Union	
10	3712685M18	1	Pressure Valve	Up to Serial or Engine Number H350012 See Page - Reference Number 020-0080/1
	3793690M11	1	Pressure Valve	From Serial or Engine Number H350013 See Page - Reference Number 020-0080/1
11	3712358M1	2	Tube	
12	377494X1	4	O Ring	
13	339328X1	4	Washer	Diameter 12MM
14	354702X1	4	Bolt Unc	Diameter 3/4"-10 Length 25 MM
15	339169X1	1	Nut	M8
16	3617708M7	1	Support	
17	380018X1	1	Connector	
18	3619551M1	2	Accumulator	[B]
19	3619807M1	1	Bridle	
20	339124X1	1	Hex. Sock. Screw	M8X16
21	3792926M1	1	Tube	[A]
22	3791468M91	1	Union	
23	3713633M1	1	Tube	
24	195960M1	1	Nut	
25	356627X1	1	Adaptor	
26	3716171M92	1	Tube	
27	3794676M1	1	Non Return Valve	Replace and repair. Old interchangeable with new 3790409M1
28	356579X1	1	Cap	
29	377651X1	1	Reducer	
30	364735X1	1	Union	
31	380009X1	1	Union	
32	339123X1	1	Hex. Sock. Screw	M8X20
33	3790442M1	1	Collar	
34	339262X1	1	Bolt Metric	M6X30
35	1441462X1	1	Locknut	
36	1441461X1	1	Locknut	

FOOTNOTE [A] WITH ASSISTED BRAKE

FOOTNOTE [B] THE APPROPRIATE SAFETY DECALS MUST BE ORDERED AND FITTED TO THIS PART

MF 8250 TRACTOR - 1637366
1-ZD11-015-C

1-ZD11-015-C

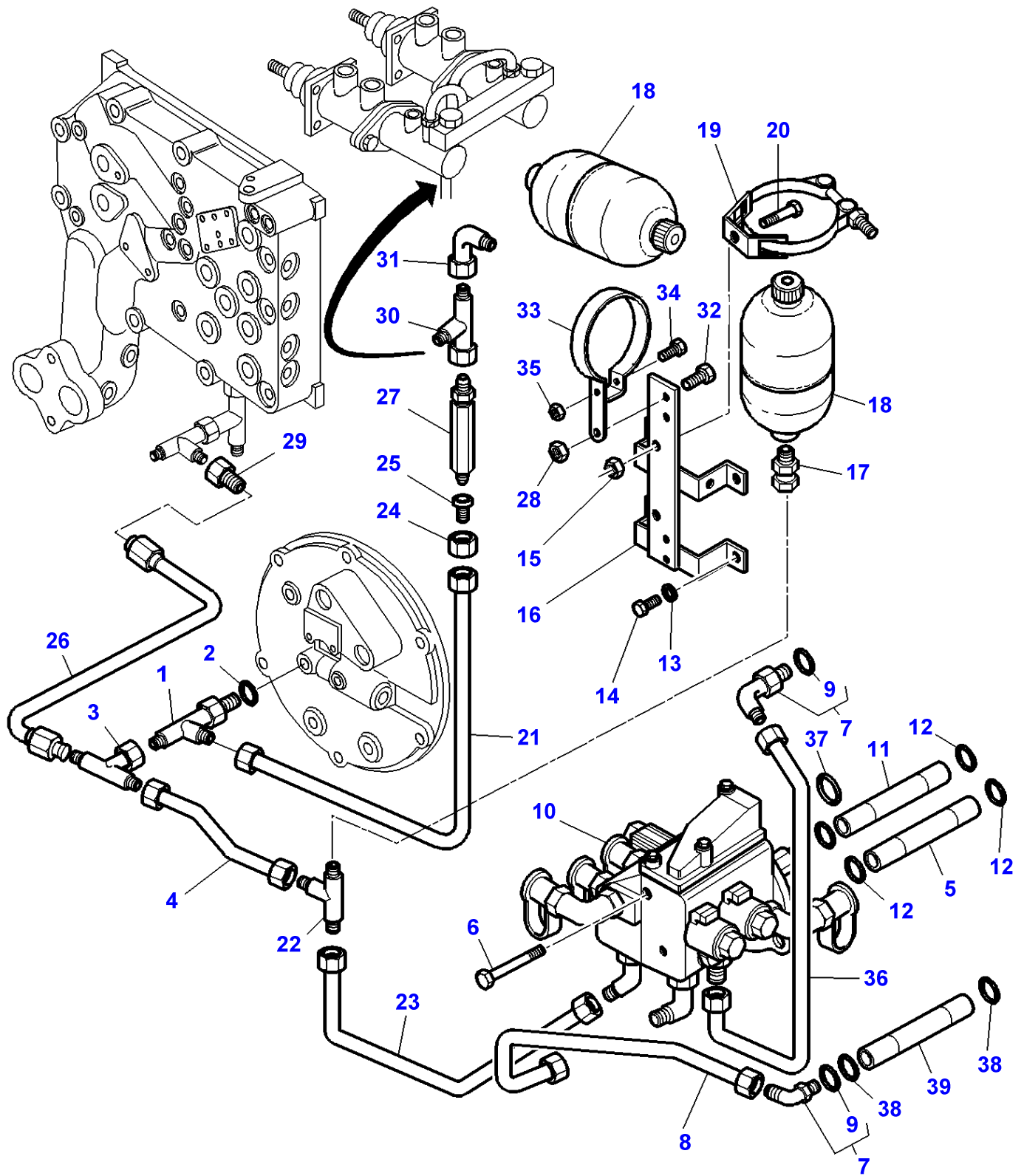


Item	Part Number	Qty	Description	Comments
1	3010498X1	1	Teepiece	
2	3019395X1	1	O Ring	
3	372543X1	1	Union	
4	3712911M91	1	Tube	
5	3712909M91	1	Tube	
6	339159X1	1	Bolt Metric	M8X65
7	339123X1	2	Hex. Sock. Screw	M8X20
8	3712906M91	1	Tube	
9	3385713M91	1	Union	
10	3712685M18	1	Pressure Valve	Up to Serial or Engine Number H350012 See Page - Reference Number 020-0080/1
	3793690M11	1	Pressure Valve	From Serial or Engine Number H350013 See Page - Reference Number 020-0080/1
11	3712358M1	2	Tube	
12	377494X1	4	O Ring	
13	339328X1	4	Washer	Diameter 12MM
14	354702X1	4	Bolt Unc	Diameter 3/4"-10 Length 25 MM
15	339169X1	1	Nut	M8
16	3617708M7	1	Support	
17	380018X1	1	Connector	
18	3619551M1	2	Accumulator	[B]
19	3619807M1	1	Bridle	
20	339124X1	1	Hex. Sock. Screw	M8X16
21	3792926M1	1	Tube	[A]
22	3791468M91	1	Union	
23	3713633M1	1	Tube	
24	195960M1	1	Nut	
25	356627X1	1	Adaptor	
26	3792364M1	1	Tube	
27	3794676M1	1	Non Return Valve	Replace and repair. Old interchangeable with new 3790409M1
28	356579X1	1	Cap	
29	377651X1	1	Reducer	
30	365233X1	1	Elbow	
31	356627X1	1	Adaptor	
32	372543X1	1	Union	
33	195960M1	1	Nut	
34	339262X1	1	Bolt Metric	M6X30
35	1441462X1	1	Locknut	
36	1441461X1	1	Locknut	
37	339123X1	1	Hex. Sock. Screw	M8X20
38	3790442M1	1	Collar	
39	364735X1	1	Union	
40	380009X1	1	Union	

FOOTNOTE [A] WITH ASSISTED BRAKE

FOOTNOTE [B] THE APPROPRIATE SAFETY DECALS MUST BE ORDERED AND FITTED TO THIS PART

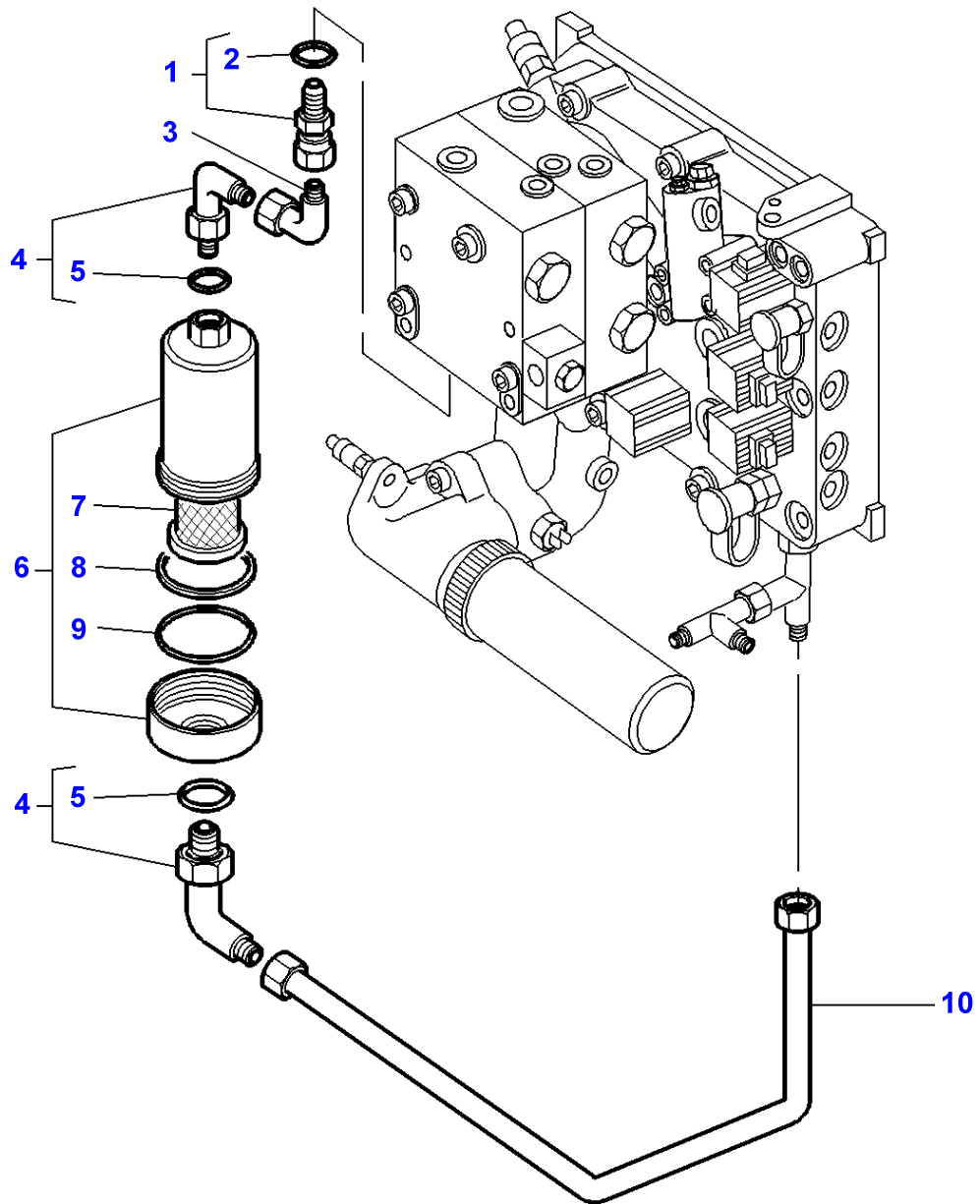
1-ZD13-011-B



Item	Part Number	Qty	Description	Comments
1	3010498X1	1	Teepiece	
2	3019395X1	1	O Ring	
3	372543X1	1	Union	
4	3712911M91	1	Tube	
5	3793641M1	1	Tube	Length 211MM
6	391989X1	1	Screw Metric	M8X20
	3009289X1	1	Screw Metric	M8X70
	394842X1	1	Screw Metric	M8X130
7	3793686M91	2	Union	M22X1,5 - 7/8-14 Up to Serial or Engine Number
	3798307M91	2	Union	M22X1,5 - 7/8-14 From Serial or Engine Number
8	3793736M1	1	Tube	
9	3019398X1	1	O Ring	(7) Up to Serial or Engine Number
	3011414X1	1	O Ring	(7) From Serial or Engine Number
10	3793647M12	1	Pressure Valve	See Page - Reference Number 020-0085/1
11	3793643M1	1	Tube	Length 120MM
12	377494X1	4	O Ring	
13	339328X1	4	Washer	Diameter 12MM
14	354702X1	4	Bolt Unc	Diameter 3/4"-10 Length 25 MM
15	339169X1	1	Nut	M8
16	3617708M7	1	Support	
17	380018X1	1	Connector	
18	3619551M1	2	Accumulator	[A]
19	3619807M1	1	Bridle	
20	339124X1	1	Hex. Sock. Screw	M8X16
21	3792926M1	1	Tube	
22	356560X1	1	Teepiece	
23	3793735M2	1	Tube	
24	195960M1	1	Nut	
25	356627X1	1	Adaptor	
26	3716171M92	1	Tube	
27	3794676M1	1	Non Return Valve	Replace and repair. Old interchangeable with new 3790409M1
28	1441461X1	1	Locknut	
29	377651X1	1	Reducer	
30	364735X1	1	Union	
31	380009X1	1	Union	
32	339123X1	1	Hex. Sock. Screw	M8X20
33	3790442M1	1	Collar	
34	339262X1	1	Bolt Metric	M6X30
35	1441462X1	1	Locknut	
36	3793737M2	1	Tube	
37	1001489M1	1	O Ring	
38	70923561	2	O Ring	Up to Serial or Engine Number
39	3793645M1	1	Tube	Length 77,50MM

FOOTNOTE [A] THE APPROPRIATE SAFETY DECALS MUST BE ORDERED AND FITTED TO THIS PART

1-ZD13-012-A



Massey Ferguson**MF 8250 TRACTOR - 1637366**

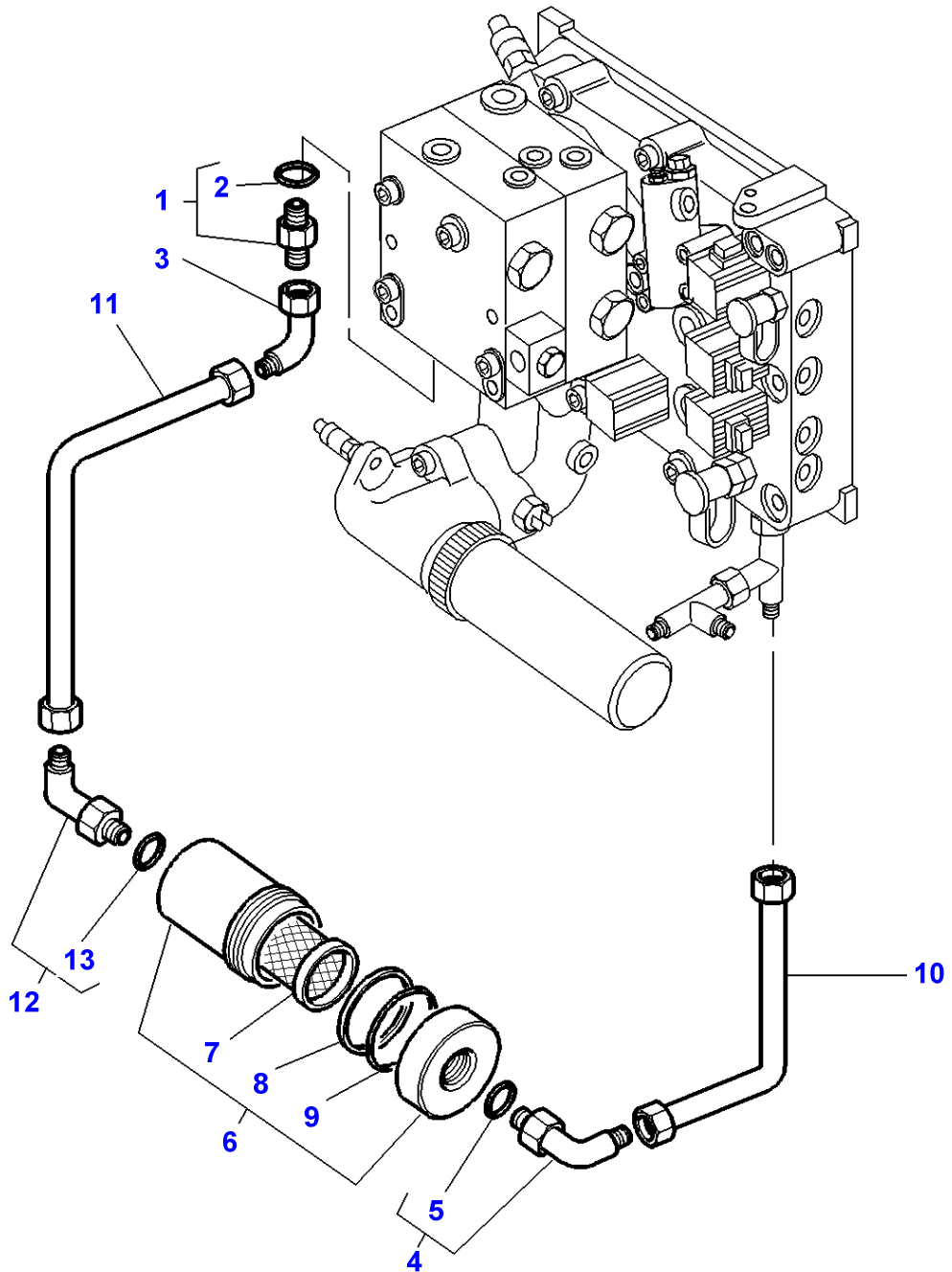
1637366

Wet Clutch With Power Shuttle - Up To M238025

Page020-0070

Item	Part Number	Qty	Description	Comments
1	3010948X91	1	Adaptor	
2	3019398X1	1	O Ring	(1)
3	367386X1	1	Elbow	
4	3019418X91	2	Elbow Nipple	
5	3019398X1	1	O Ring	(4)
6	3792285M92	1	Filter	
7	3792287M1	1	Filter Insert	(6)
8	3903195M1	1	Gasket	(6)
9	3903194M1	1	O Ring	(6)
10	3793732M1	1	Tube	

1-ZD13-020-A



Massey Ferguson**MF 8250 TRACTOR - 1637366**

1637366

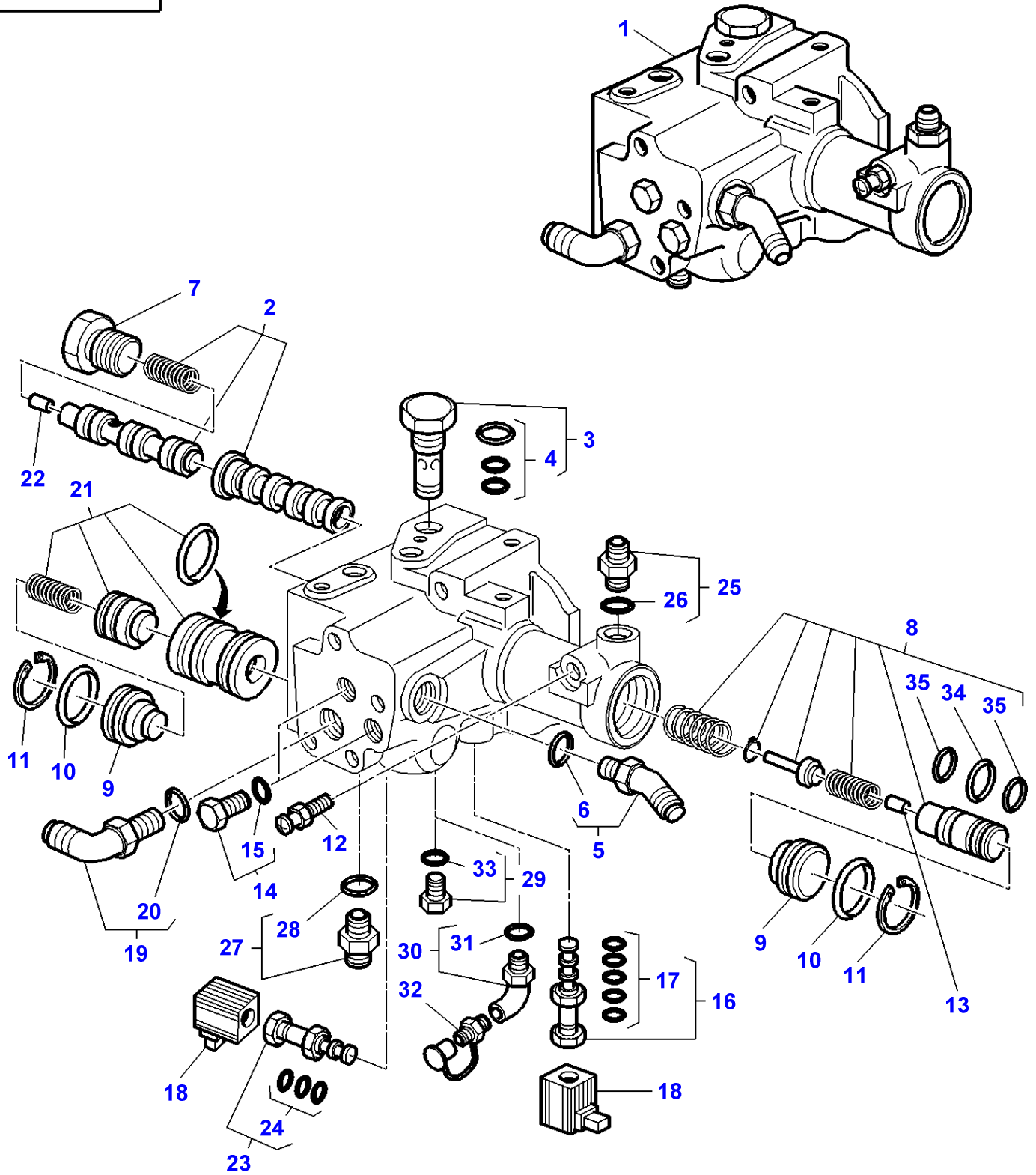
Wet Clutch With Power Shuttle - From M238026

Page020-0075

Item	Part Number	Qty	Description	Comments
1	3019387X91	1	Union	M22
2	3019398X1	1	O Ring	(1)
3	373784X1	1	Elbow	
4	3019418X91	1	Elbow Nipple	
5	3019398X1	1	O Ring	(4)
6	3792285M92	1	Filter	
7	3792287M1	1	Filter Insert	(6)
8	3903195M1	1	Gasket	(6)
9	3903194M1	1	O Ring	(6)
10	3798574M1	1	Tube	
11	3798575M1	1	Tube	
12	3019592X91	1	Union	M22
13	3019396X1	1	O Ring	(12)

MF 8250 TRACTOR - 1637366
1-ZD11-016-D

1-ZD11-016-D

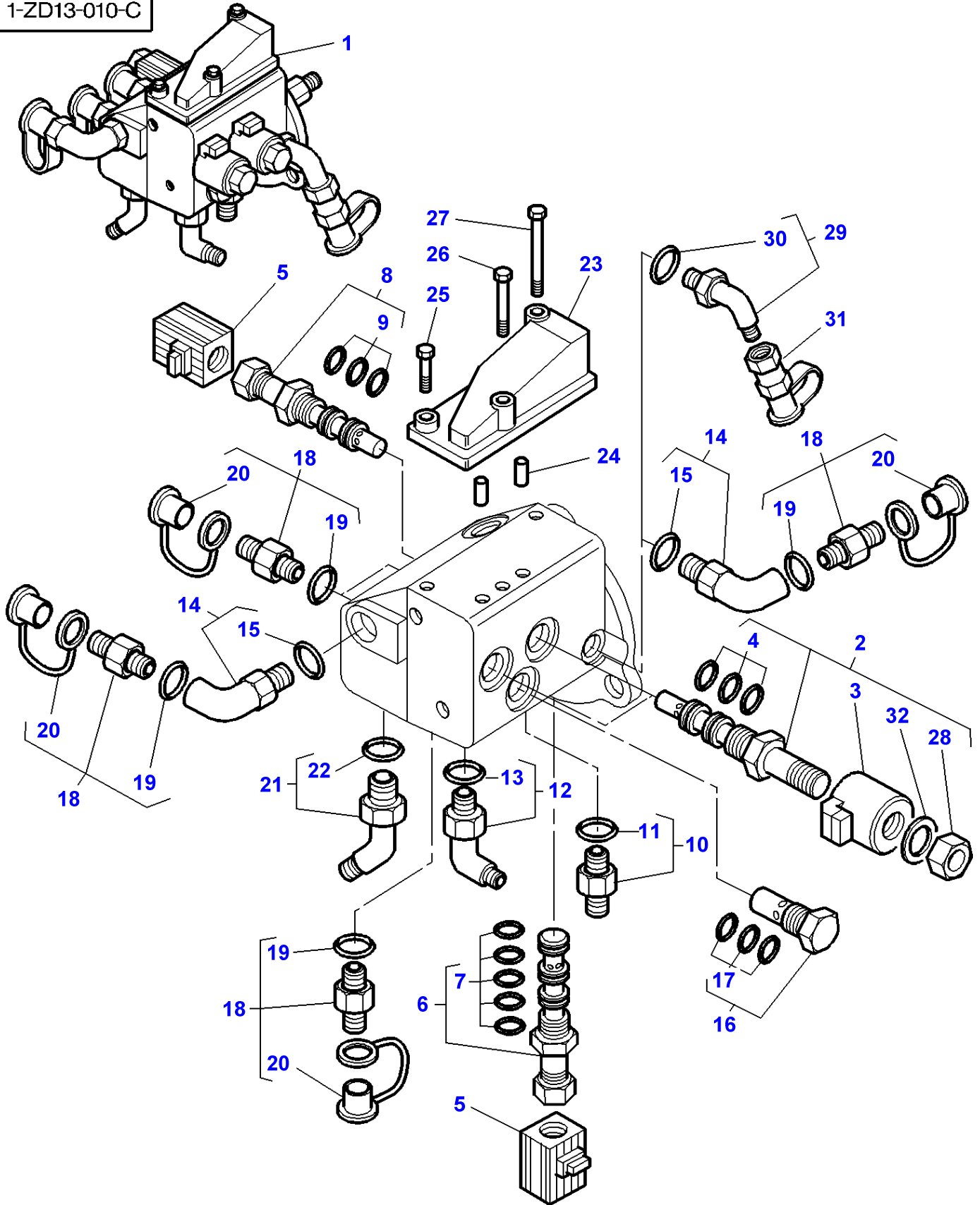


Wet Clutch - Valve

Item	Part Number	Qty	Description	Comments
1	3712685M18	1	Pressure Valve	Up to Serial or Engine Number H350012
	3793690M11	1	Pressure Valve	From Serial or Engine Number H350013
2	3713395M11	1	Parts Pack	(1)
3	3619243M2	1	Non Return Valve	(1)
4	3900995M91	1	Kit, Joint	(3)
5	3019586X91	1	Union	(1)
6	3019396X1	1	O Ring	(5)
7	3712307M1	1	Plug	(1)
8	3713396M12	1	Parts Pack	(1)
9	3712323M2	2	Plug	(1)
10	373215X1	2	Gasket	(1)
11	3010481X1	2	Clip	(1)
12	3052960M1	1	Banjo Bolt	(1)
13	3713473M1	1	Stop	(1)
14	3019639X91	2	Plug	(1)
15	3019395X1	1	O Ring	(14)
16	3619824M1	1	Spool	(1)
17	3900993M91	1	Kit, Joint	(16)
18	3619763M1	2	Solenoid	(1)
19	3019414X91	1	Union	(1)
20	3019396X1	1	O Ring	(19)
21	3713394M11	1	Parts Pack	(1)
22	3713557M1	1	Stop	(1)
23	3619762M1	1	Spool	(1)
24	3900994M91	1	Kit, Joint	(23)
25	3713388M91	1	Union	(1)
26	3019396X1	1	O Ring	(25)
27	3019700X91	1	Union	(1)
28	3019394X1	1	O Ring	(27)
29	3019639X91	1	Plug	(1)
				Up to Serial or Engine Number H350012
30	3793673M91	1	Elbow	(1)
				From Serial or Engine Number H350013
31	3019395X1	1	O Ring	(30)
32	3384387M1	1	Pressure Intake	(1)
				From Serial or Engine Number H350013
33	3019395X1	1	O Ring	(29)
34	3713177M1	1	Gasket	(8)
35	3712679M1	2	Segment	(8)

MF 8250 TRACTOR - 1637366
1-ZD13-010-C

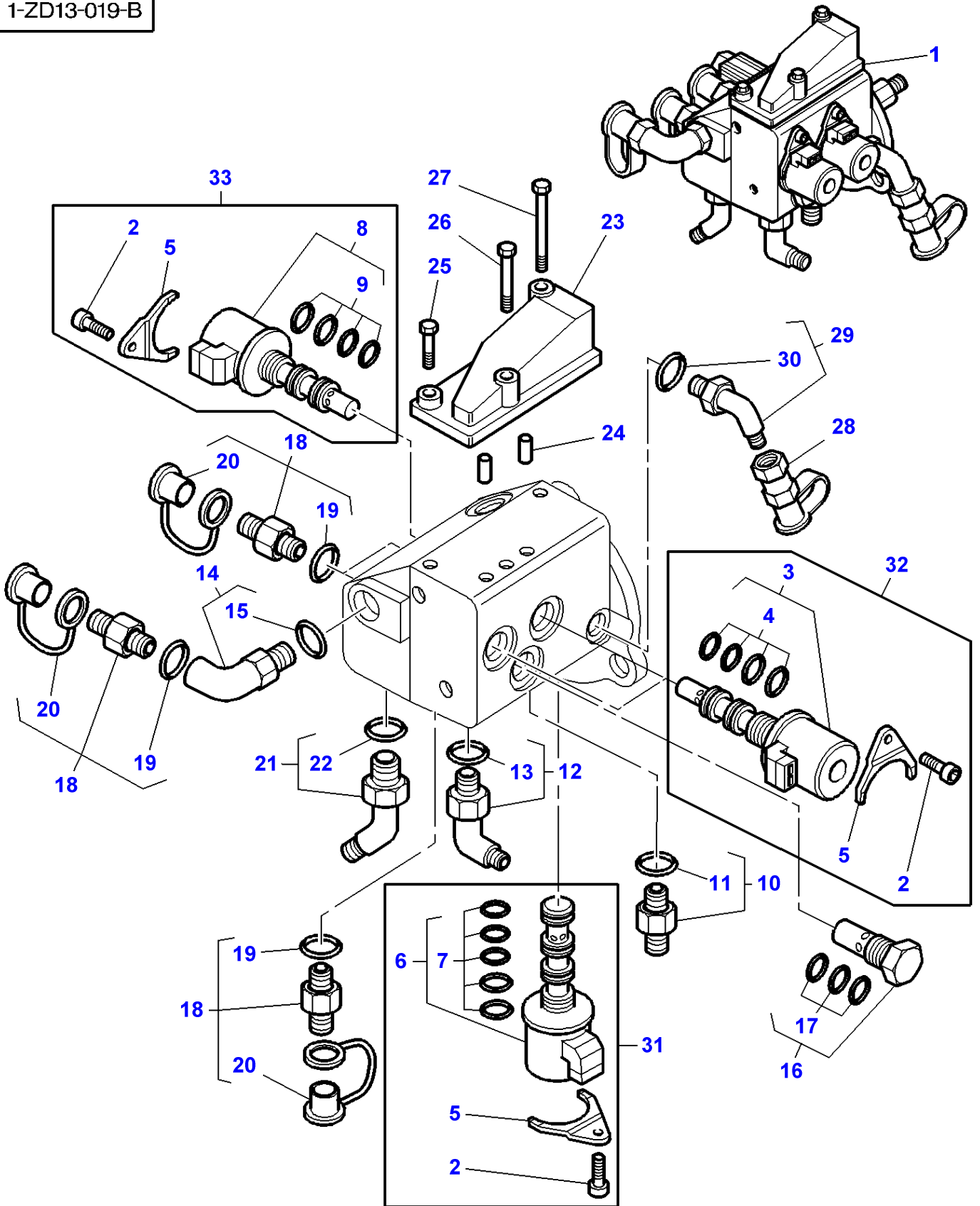
1-ZD13-010-C



Item	Part Number	Qty	Description	Comments
1	3793647M12	1	Pressure Valve	
2	3792468M2	2	Electrovalve	(1)
3	3791412M1	1	Solenoid	(2)
4	3902774M92	1	Kit, Joint	(2)
5	3619763M1	2	Solenoid	(1)
6	3619824M1	1	Spool	(1)
7	3900993M91	1	Kit, Joint	(6)
8	3619762M1	1	Spool	(1)
9	3900994M91	1	Kit, Joint	(8)
10	3019385X91	1	Union	(1)
11	3019397X1	1	O Ring	(10)
12	3019416X91	1	Elbow	(1)
13	3019397X1	1	O Ring	(12)
14	3793673M91	2	Elbow	(1)
15	3019395X1	1	O Ring	(14)
16	3619243M2	1	Non Return Valve	(1) 1,5 BAR Diameter 7/8"-14
17	3900995M91	1	Kit, Joint	(16)
18	3384387M1	5	Pressure Intake	(1) Diameter M14
19	831452M1	1	O Ring	(18)
20	3467187M1	1	Cap	(18)
21	3019586X91	1	Union	(1) Diameter 3/4"-16 / M16
22	3019396X1	1	O Ring	(21)
23	3793639M1	1	Cover	(1)
24	3716287M2	2	Pin	(1)
25	339262X1	1	Bolt Metric	(1) M6X30
26	391244X1	1	Bolt Metric	(1) M6X45
27	339244X1	1	Bolt Metric	(1) M6X55
28	3903671M1	1	Nut	(2)
29	3019584X91	1	Union	(1) From Serial or Engine Number 05-06-2002
30	3019395X1	1	O Ring	(29)
31	3793689M2	1	Pressure Intake	(1) From Serial or Engine Number 05-06-2002
32	3903988M1	1	Washer	(2)

MF 8250 TRACTOR - 1637366
1-ZD13-019-B

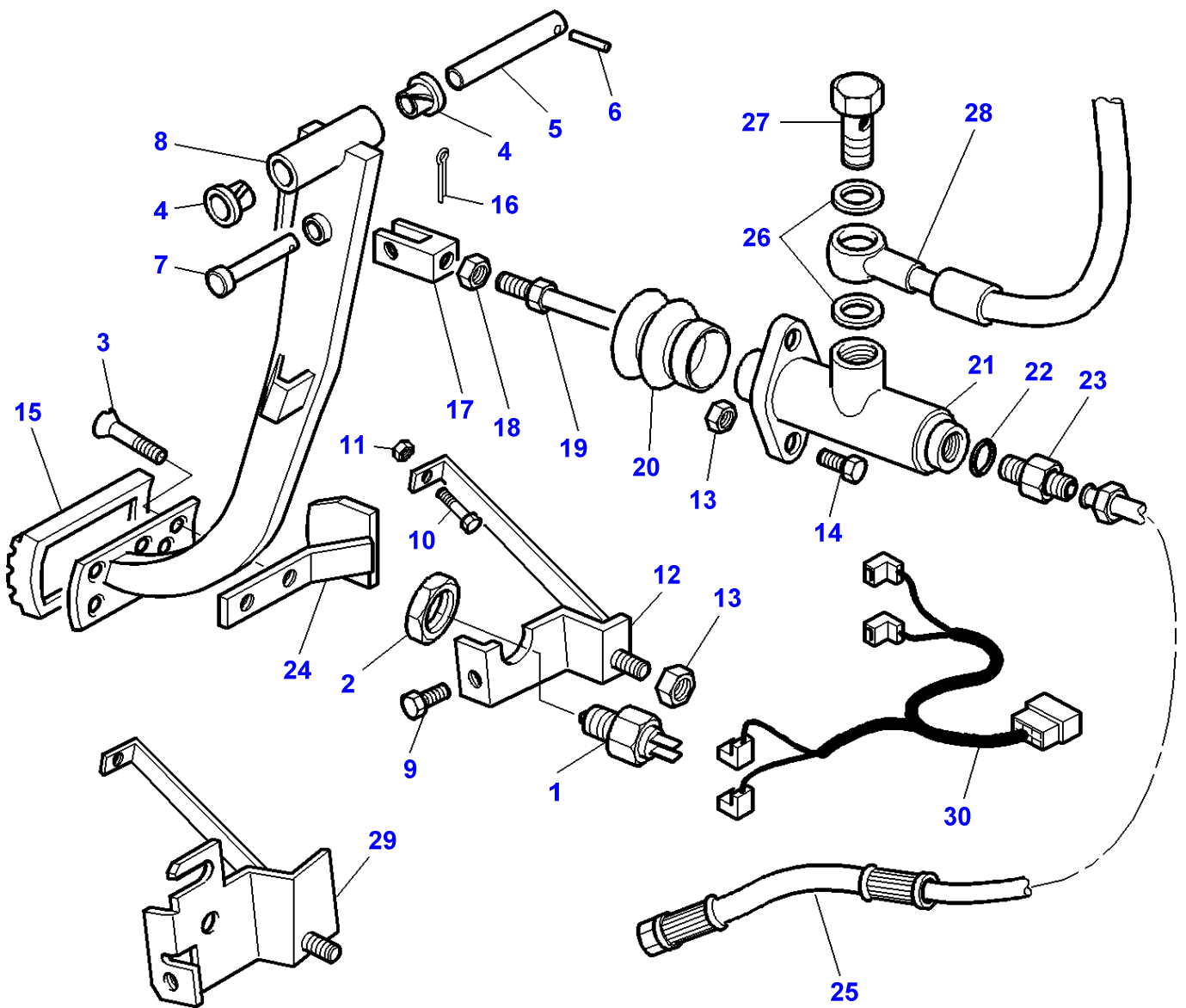
1-ZD13-019-B



Item	Part Number	Qty	Description	Comments
1	3795857M12	1	Pressure Valve	
2	3009281X1	4	Screw	(1) M6X16
3		2	Electrovalve	(32) Not serviced,order REF. 32
4	3903733M91	1	Kit,Joint/Gasket	(3)
5	3795003M2	4	Bridle	(1)
6		1	Electrovalve	(31) Not serviced,order REF. 31
7	3903775M91	1	Kit, Joint	(6)
8		1	Electrovalve	(33) Not serviced,order REF. 33
9	3903732M91	1	Kit,Joint/Gasket	(8)
10	3019385X91	1	Union	(1)
11	3019397X1	1	O Ring	(10)
12	3019416X91	1	Elbow	(1)
13	3019397X1	1	O Ring	(12)
14	3793673M91	1	Elbow	(1)
15	3019395X1	1	O Ring	(14)
16	3619243M2	1	Non Return Valve	(1) 1,5 BAR Diameter 7/8"-14
17	3900995M91	1	Kit, Joint	(16)
18	3384387M1	4	Pressure Intake	(1) Diameter M14
19	831452M1	1	O Ring	(18)
20	3467187M1	1	Cap	(18)
21	3019586X91	1	Union	(1) Diameter 3/4"-16 / M16
22	3019396X1	1	O Ring	(21)
23	3795706M1	1	Cover	(1)
24	3716287M2	2	Pin	(1)
25	339262X1	1	Bolt Metric	(1) M6X30
26	391884X1	1	Bolt Metric	(1) M6X50
27	339244X1	1	Bolt Metric	(1) M6X55
28	3793689M2	1	Pressure Intake	(1)
29	3019584X91	1	Union	(1) From Serial or Engine Number 05-06-2002
30	3019395X1	1	O Ring	(29)
31	3907184M91	1	Parts Pack	(1)
32	3907183M91	2	Parts Pack	(1)
33	3907182M91	1	Parts Pack	(1)

MF 8250 TRACTOR - 1637366
1-ZD06-010-B

1-ZD06-010-B



Massey Ferguson**MF 8250 TRACTOR - 1637366**

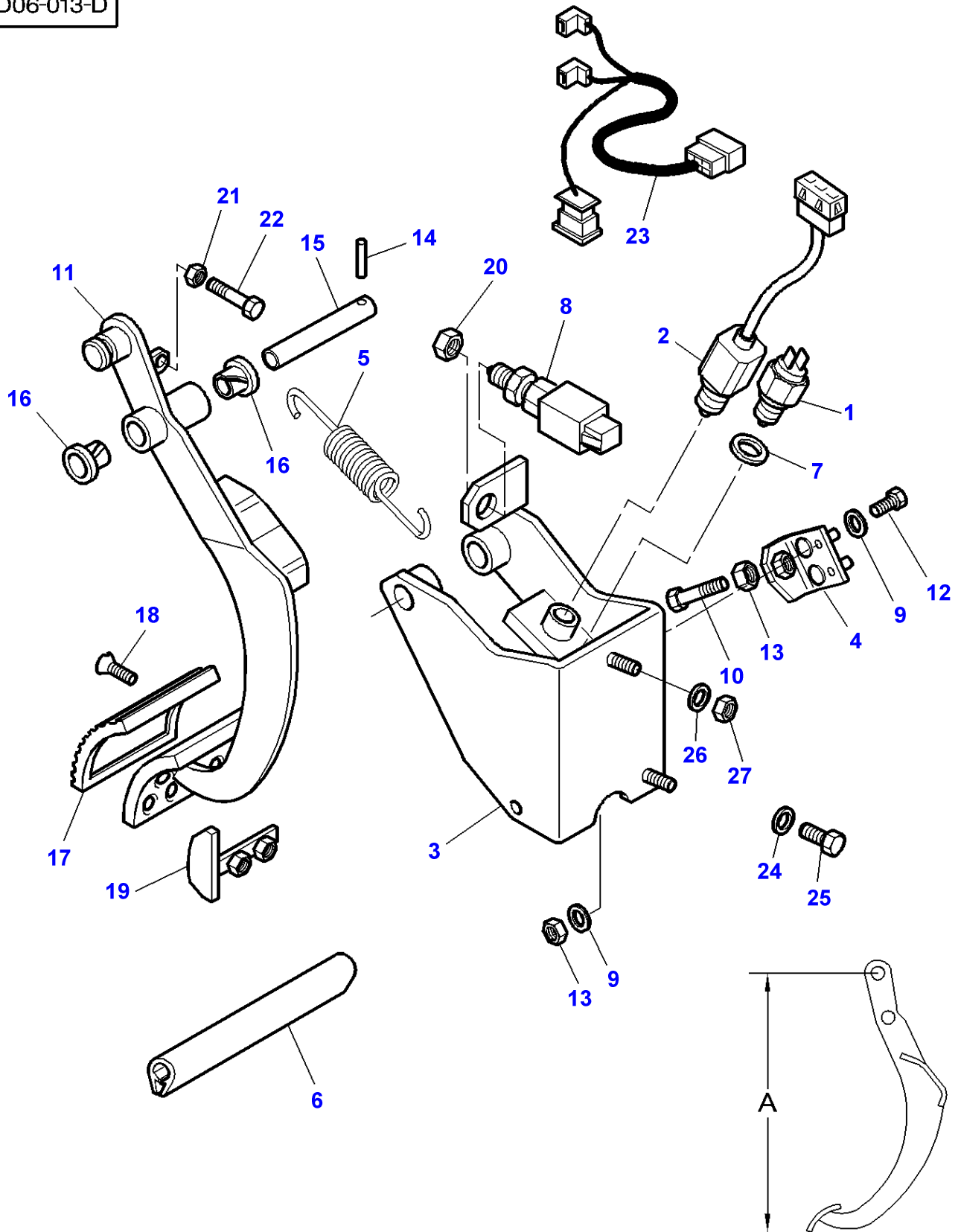
1637366

Clutch Pedal And Linkage - With Dynashift - Up To 31-01-2002

Page020-0095

Item	Part Number	Qty	Description	Comments
1	3780580M1	1	Switch,Indirect	
2	339070X1	1	Nut	M14
3	392404X1	2	Screw	
4	3385604M1	2	Bearing	
5	3384658M1	1	Clevis Pin	Diameter 15 MM
6	391290X1	1	Pin	Diameter 5X30
7	3019213X1	1	Clevis Pin	
8	3781384M1	1	Pedal	
9	339228X1	1	Screw Metric	M8X12
10	339009X1	1	Hex. Sock. Screw	M8X35
11	339169X1	1	Nut	M8
12	3777739M91	1	Stop	Up to Serial or Engine Number 07/01/2001
13	394367X1	1	Locknut	M8
14	339123X1	2	Hex. Sock. Screw	M8X20
15	1626321M2	1	Skate	
16	1442994X1	1	Pin	Diameter 3X25
17	3385612M3	1	Clevis	
18	392310X1	1	Nut Metric	M10
19	3713409M1	1	Poppet	
20	1627465M1	1	Helmet	
21	1613986M4	1	Main Cylinder	See Page - Reference Number 020-0115/1
22	831496M1	1	O Ring	
23	330924X1	1	Union	
24	3714488M3	1	Stop	
25	3779435M1	1	Tube	
26	377378X1	2	Washer	
27	3581690M1	1	Banjo Bolt	
28	3781657M1	1	Hydr Hose	Up to Serial or Engine Number H321042 Length 380MM
	3783467M1	1	Hydr Hose	From Serial or Engine Number H321043 Length 305MM
29	3785309M93	1	Stop	From Serial or Engine Number 08/01/2001
30	3784238M1	1	Harness	From Serial or Engine Number 08/01/2001

1-ZD06-013-D



Massey Ferguson**MF 8250 TRACTOR - 1637366**

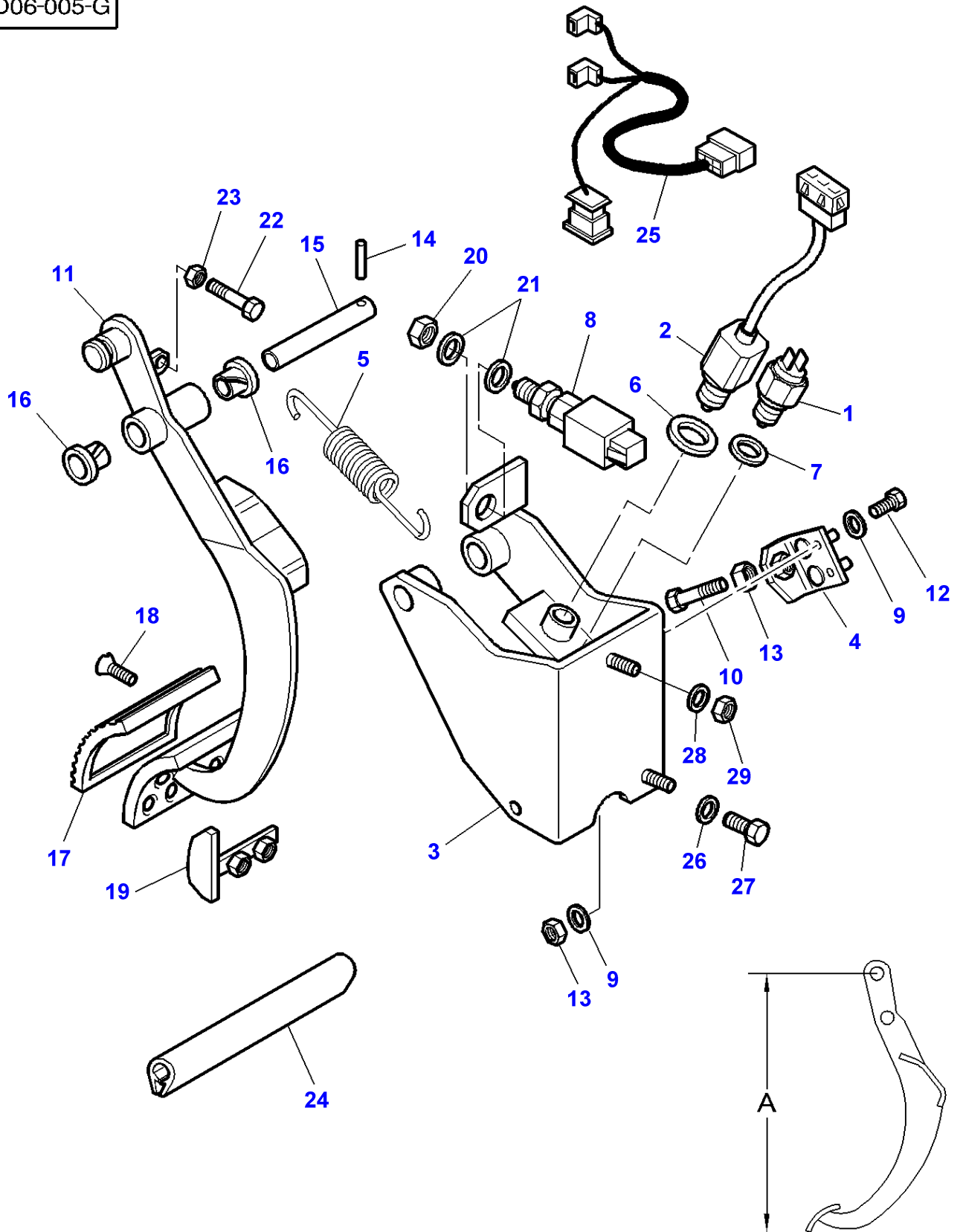
1637366

Clutch Pedal And Linkage - With Power Shuttle - Up To L270016

Page020-0100

Item	Part Number	Qty	Description	Comments
1	3780580M1	1	Switch,Indirect	
2	3783832M2	1	Switch,Indirect	
3	3783836M1	1	Support	Up to Serial or Engine Number L037027
	3788048M1	1	Support	From Serial or Engine Number L037028
4	3780942M3	1	Stop	
5	3786148M1	1	Spring	
6	1684844M1	1	Seal	Length 80MM
7	390973X1	1	Washer Metric	Diameter 15-28X2,5
8	3777157M2	1	Transmitter	
9	390972X1	4	Washer Metric	
10	3783659M1	1	Screw Special	M8X35
	4271907M1	1	Screw	M8X25
11	3782120M2	1	Pedal	A = 426,5MM
12	339123X1	2	Hex. Sock. Screw	M8X20
13	339169X1	3	Nut	
14	391290X1	1	Pin	Diameter 5X30
15	3780939M1	1	Clevis Pin	
16	3385604M1	2	Bearing	
17	1626321M2	1	Skate	
18	392404X1	2	Screw	M5X16
19	3714488M3	1	Stop	
20	339070X1	1	Nut	
21	339169X1	1	Nut	
22	3783659M1	1	Screw Special	M8X35
23	3783857M1	1	Harness	From Serial or Engine Number 03-04-2000
24	390972X1	3	Washer Metric	Up to Serial or Engine Number 31-01-2002
25	339123X1	3	Hex. Sock. Screw	Up to Serial or Engine Number 31-01-2002
26	390972X1	2	Washer Metric	From Serial or Engine Number 01-02-2002
27	339169X1	2	Nut	From Serial or Engine Number 01-02-2002

1-ZD06-005-G

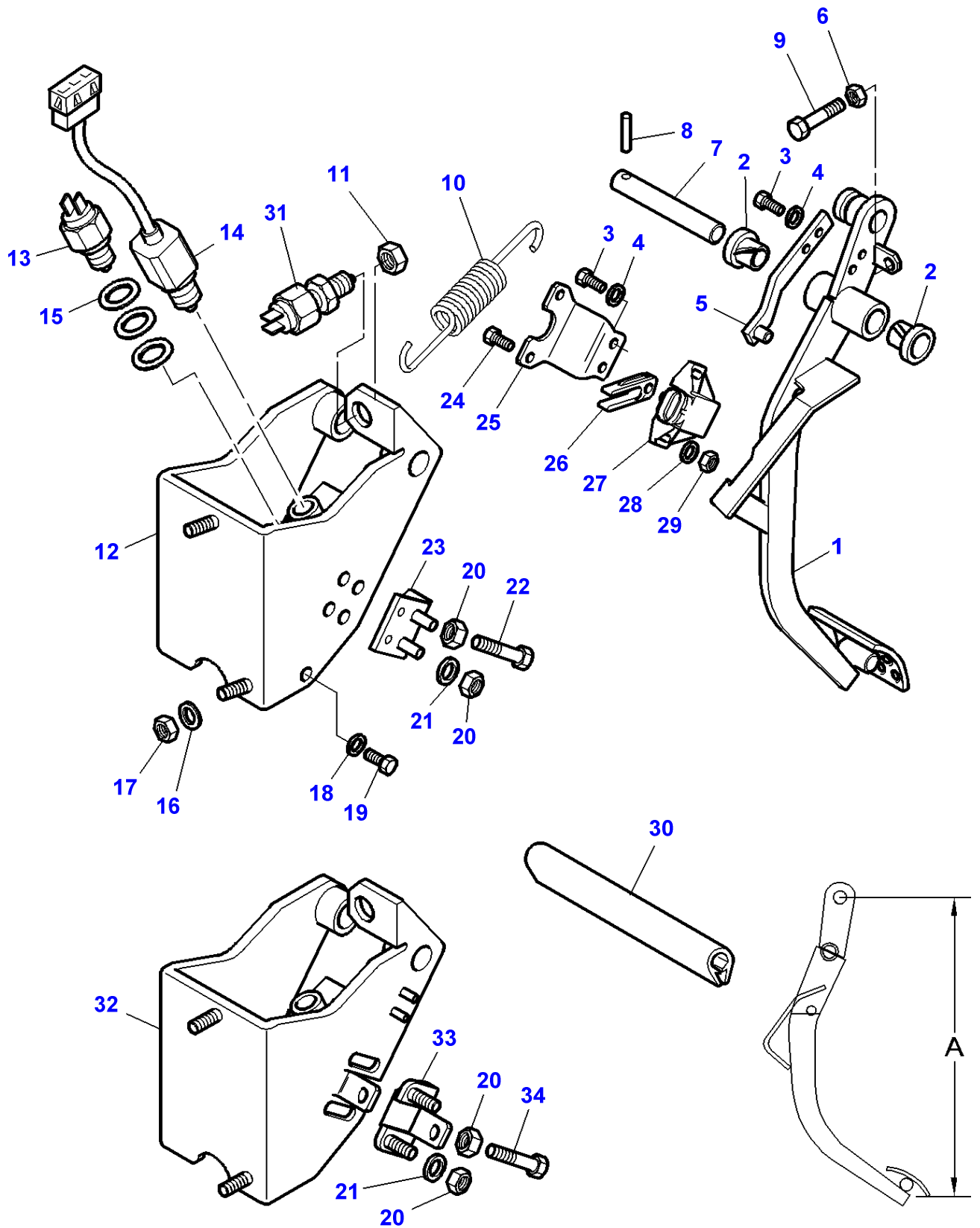


Item	Part Number	Qty	Description	Comments
1	3780580M1	1	Switch,Indirect	
2	3778375M2	1	Switch,Indirect	Up to Serial or Engine Number J032030
	3784055M1	1	Switch,Indirect	[B] Up to Serial or Engine Number J032030
	3783832M2	1	Switch,Indirect	M16x2 From Serial or Engine Number J032031
3	3780941M3	1	Support	M16x1 Up to Serial or Engine Number J032030
	3783836M1	1	Support	From Serial or Engine Number J032031
	3788048M1	1	Support	Up to Serial or Engine Number L037027
4	3780942M3	1	Stop	From Serial or Engine Number L037028
5	3786148M1	1	Spring	
6	3783413M1	1	Washer	Diameter 16,5X22,5X5 Up to Serial or Engine Number J032030
7	390973X1	1	Washer Metric	Diameter 15-28X2,5
8	3777157M2	1	Transmitter	
9	390972X1	4	Washer Metric	
10	3783659M1	1	Screw Special	M8X35
	4271907M1	1	Screw	M8X25
11	3782120M2	1	Pedal	[A] A = 426,5MM
12	339123X1	2	Hex. Sock. Screw	M8X20
13	339169X1	3	Nut	
14	391290X1	1	Pin	Diameter 5X30
15	3780939M1	1	Clevis Pin	
16	3385604M1	2	Bearing	
17	1626321M2	1	Skate	
18	392404X1	2	Screw	M5X16
19	3714488M3	1	Stop	
20	339070X1	1	Nut	
21	339794X1	2	Washer Metric	Diameter 14,5X27X1,5 Up to Serial or Engine Number J089008
22	3783659M1	1	Screw Special	M8X35 From Serial or Engine Number J089009
23	339169X1	1	Nut	From Serial or Engine Number J089009
24	1684844M1	1	Seal	Length 80MM
25	3783857M1	1	Harness	From Serial or Engine Number 08/01/2001
26	390972X1	3	Washer Metric	Up to Serial or Engine Number L037027
27	339123X1	3	Hex. Sock. Screw	Up to Serial or Engine Number L037027
28	390972X1	2	Washer Metric	From Serial or Engine Number L037028
29	339169X1	2	Nut	From Serial or Engine Number L037028

FOOTNOTE [A] TRACTOR WITH CAB

FOOTNOTE [B] SEE SERVICE BULLETIN TRAC 17/00 SECTION 10 ELECTRIC EQUIPMENT 16

1-ZD06-018-B

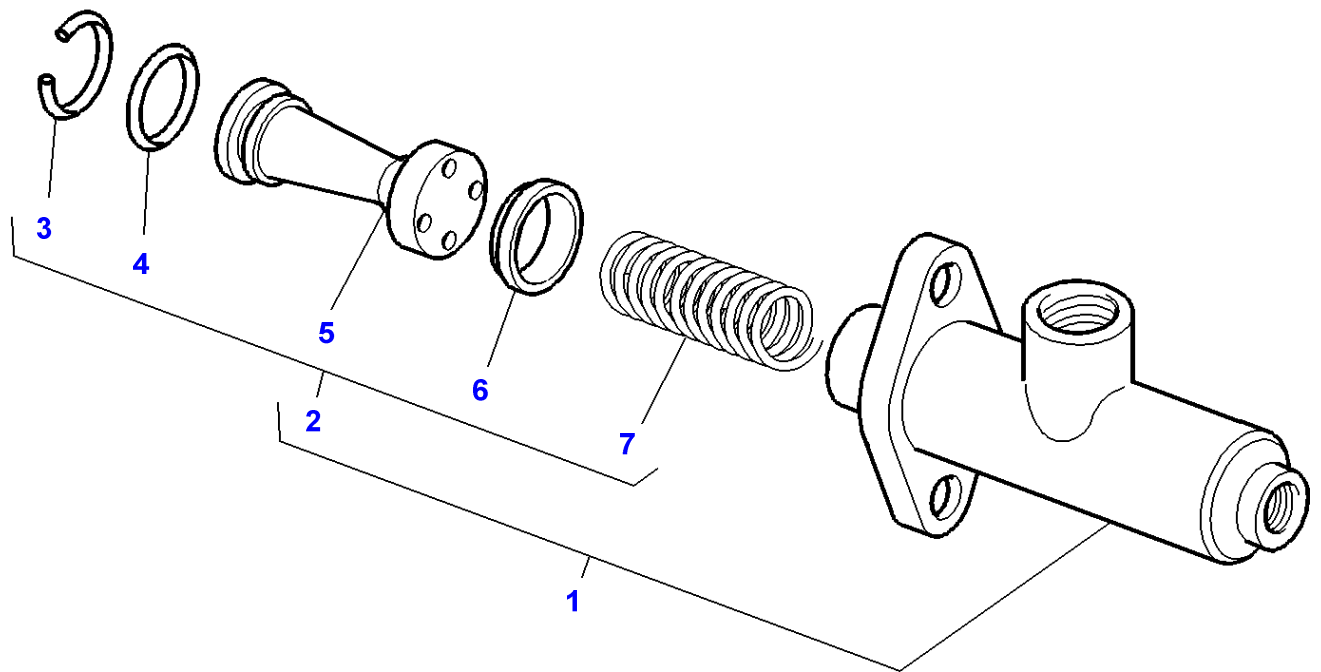


Item	Part Number	Qty	Description	Comments
1	3785645M4	1	Pedal	A=426,4MM
2	3385604M1	2	Bearing	
3	3009281X1	4	Screw	M6X16MM
4	390971X1	4	Washer	
5	4270193M1	1	Strap	
6	339169X1	1	Nut	
7	3780939M1	1	Clevis Pin	
8	391290X1	1	Pin	
9	3783659M1	1	Screw Special	M8X35
	4271907M1	1	Screw	M8X25
10	3786148M1	1	Spring	
11	339070X1	1	Nut	M14
12	3788048M2	1	Support	Up to Serial or Engine Number M083068
13	4271809M1	1	Switch,Indirect	[A] MF 8250
	3780580M1	1	Switch,Indirect	[A] MF 8250 XTRA Up to Serial or Engine Number M174019
	4271809M1	1	Switch,Indirect	[A] MF 8250 XTRA From Serial or Engine Number M174020
	3780580M1	1	Switch,Indirect	[B] MF 8250
	3780580M1	1	Switch,Indirect	[B] MF 8250 XTRA
14	3783832M2	1	Switch,Indirect	
15	390973X1	1	Washer Metric	Diameter 15-28X2,5MM
16	390972X1	2	Washer Metric	
17	339169X1	2	Nut	
18	390972X1	1	Washer Metric	
19	339123X1	1	Hex. Sock. Screw	M8X20MM
20	339169X1	3	Nut	
21	390972X1	2	Washer Metric	
22	3783659M1	1	Screw Special	Up to Serial or Engine Number M083068 M8X35
23	3780942M3	1	Stop	Up to Serial or Engine Number M083068
24	3010818X1	2	Screw Metric	M4X20MM
25	4270192M1	1	Strap	
26	411301050040	1	Fork	
27	3784361M1	1	Transducer	
28	390468X1	4	Washer Metric	
29	3019139X1	2	Nut	
30	1684844M1	1	Seal	Length 80MM
31	4271809M1	1	Switch,Indirect	
32	4271926M1	1	Support	From Serial or Engine Number M083069
33	4271936M1	1	Stop	From Serial or Engine Number M083069
34	391176X1	1	Screw Metric	From Serial or Engine Number M083069 M8X40

FOOTNOTE [A] WITH DYNASHIFT

FOOTNOTE [B] WITH FULL POWERSHIFT

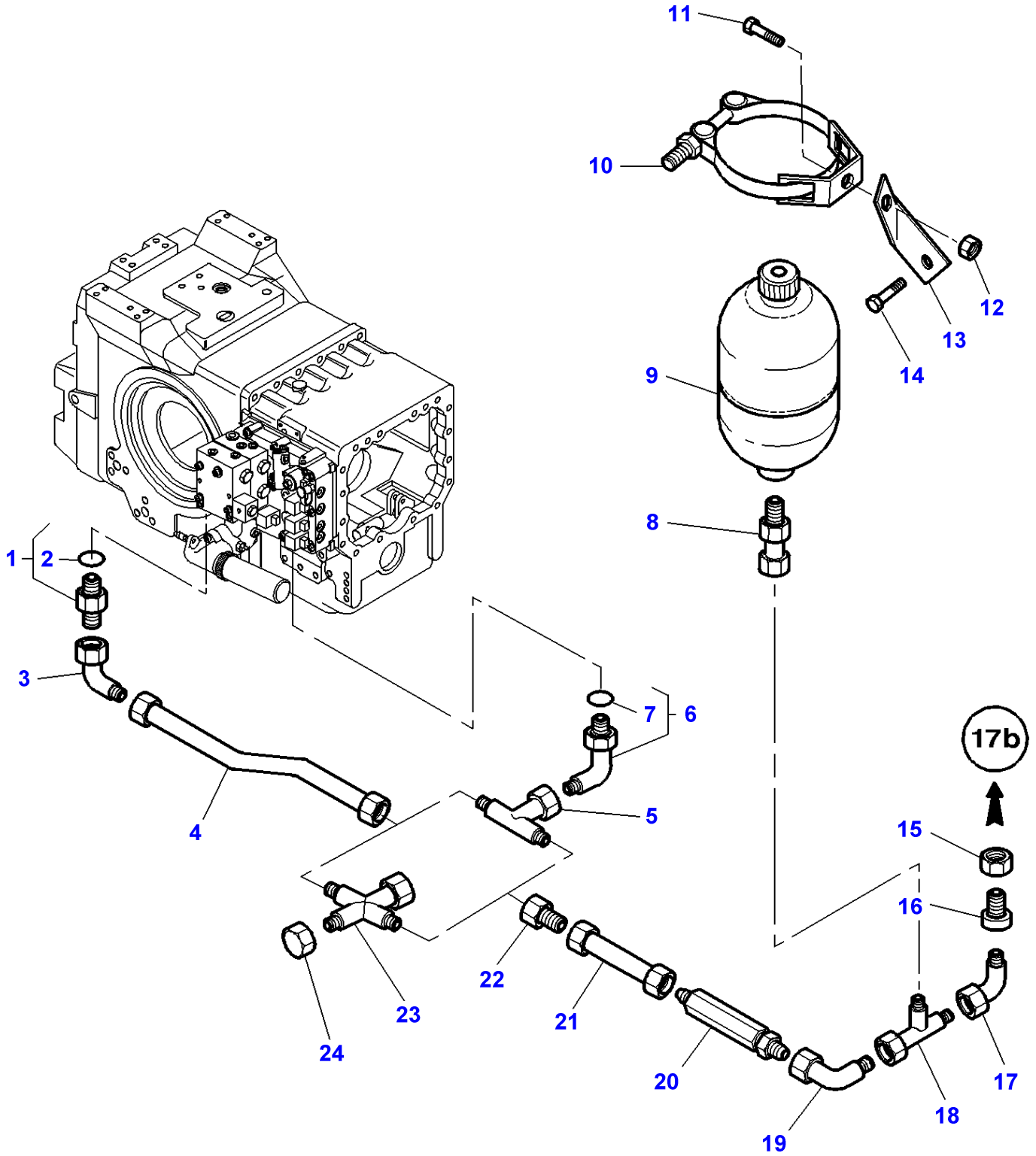
1-ZD07-001-A



Massey Ferguson**MF 8250 TRACTOR - 1637366****1637366****Clutch Control - Master Cylinder****Page020-0115**

Item	Part Number	Qty	Description	Comments
1	1613986M4	1	Main Cylinder	BENDIX
2	1642034M91	1	Parts Pack	(1)
3		1	Ring	(2) Not serviced,order REF NO 2
4		1	O Ring	(2) Not serviced,order REF NO 2
5		1	Piston	(2) Not serviced,order REF NO 2
6		1	Cup	(2) Not serviced,order REF NO 2
7		1	Spring	(2) Not serviced,order REF NO 2

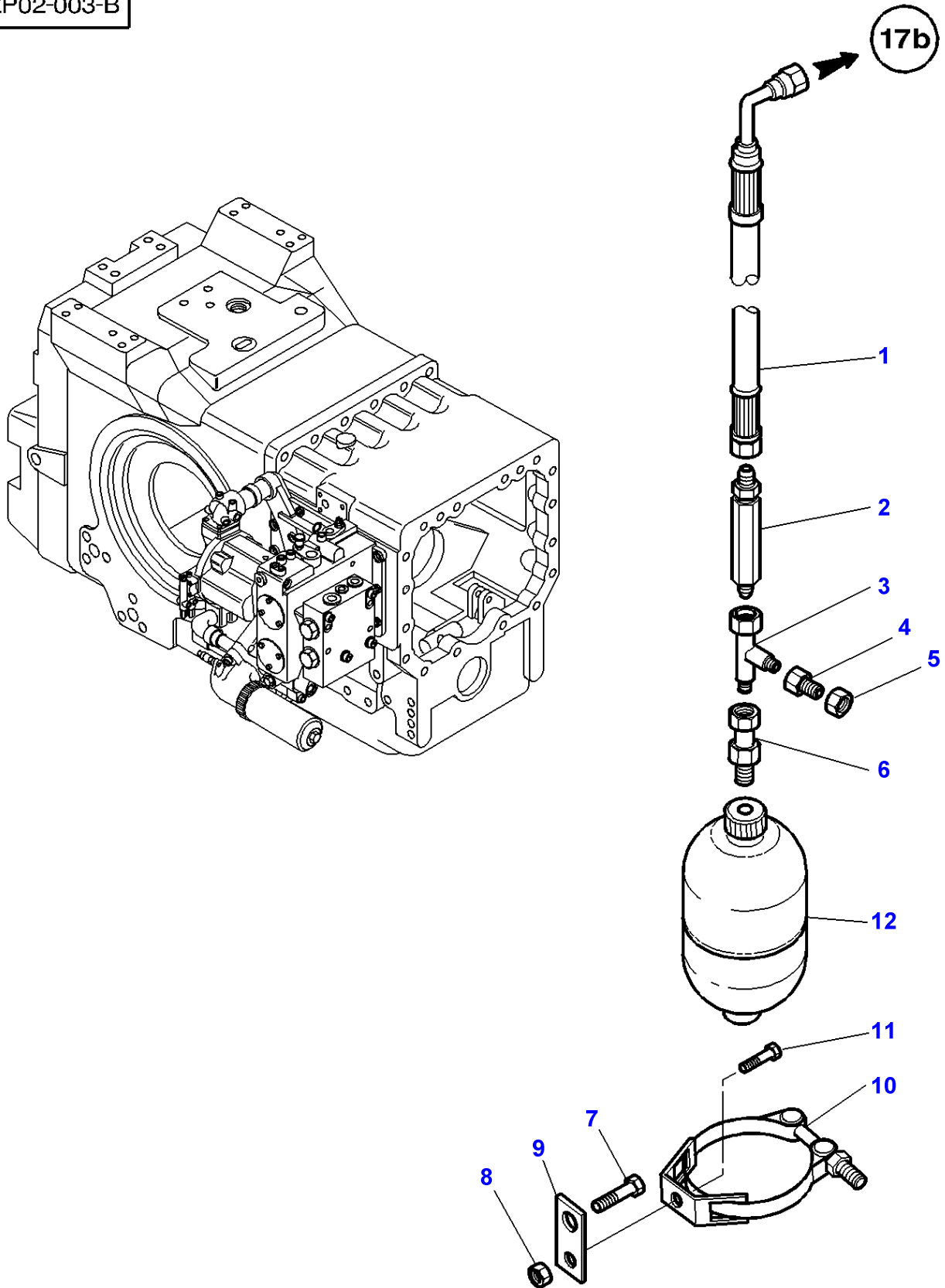
1-ZP02-002-C



Item	Part Number	Qty	Description	Comments
1	3019387X91	1	Union	
2	3019398X1	1	O Ring	(1)
3	367386X1	1	Elbow	
4	3716780M92	1	Tube	
5	367261X1	1	Union	Up to Serial or Engine Number H322040
6	3019416X91	1	Elbow	
7	3019397X1	1	O Ring	(6)
8	380018X1	1	Connector	M16X20
9	3619551M1	1	Accumulator	[A]
10	3619807M1	1	Bridle	
11	339124X1	1	Hex. Sock. Screw	M8X16
12	339169X1	1	Nut	
13	3793064M1	1	Bracket	
14	393764X1	1	Screw	M16X20
15	195960M1	1	Nut	
16	356627X1	1	Adaptor	
17	365233X1	1	Elbow	
18	364735X1	1	Union	
19	365233X1	1	Elbow	
20	3794676M1	1	Non Return Valve	Replace and repair. Old interchangeable with new 3790409M1
21	3386900M92	1	Tube	
22	377651X1	1	Reducer	
23	380059X1	1	Union	From Serial or Engine Number H322041
24	22833X	1	Cap	From Serial or Engine Number H322041

FOOTNOTE [A] THE APPROPRIATE SAFETY DECALS MUST BE ORDERED AND FITTED TO THIS PART

1-ZP02-003-B

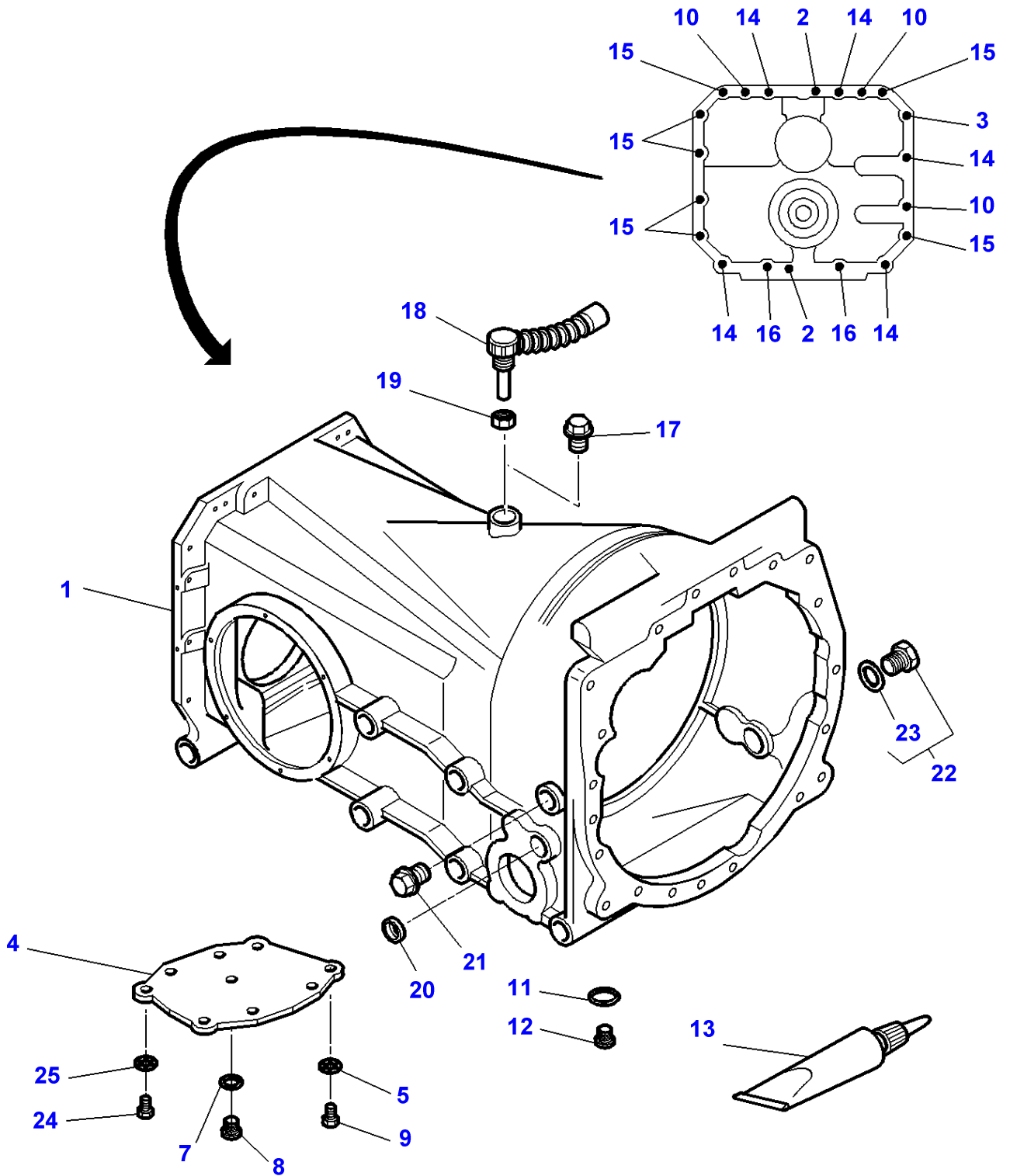


Item	Part Number	Qty	Description	Comments
1	3793406M1	1	Hydr Hose	
2	3794676M1	1	Non Return Valve	Replace and repair. Old interchangeable with new 3790409M1
3	364735X1	1	Union	
4	356627X1	1	Adaptor	
5	195960M1	1	Nut	
6	380018X1	1	Connector	
7	393764X1	1	Screw	M16X20
8	339169X1	1	Nut	
9	3793408M1	1	Support	
10	3619807M1	1	Bridle	
11	339124X1	1	Hex. Sock. Screw	M8X16
12	3619551M1	1	Accumulator	[A]

FOOTNOTE [A] THE APPROPRIATE SAFETY DECALS MUST BE ORDERED AND FITTED TO THIS PART

Page Title	Page Number
Dynashift Transmission - Housing	025-0005
Dynashift	025-0010
Dynashift	025-0015
Dynashift With Power Shuttle	025-0020
Dynashift With Power Shuttle	025-0025
Dynashift Transmission - Input Gears	025-0030
Dynashift Transmission - Input Shaft With Synchromesh - With Double Cone	025-0035
Dynashift Transmission - Layshaft	025-0040
Dynashift Transmission - Mainshaft	025-0045
Heavy Duty Transmission Power Shuttle - Mainshaft	025-0050
Synchro Heavy Duty Transmission - With Power Shuttle	025-0055
Dynashift Transmission - Output Shaft	025-0060
Dynashift Transmission - Up to Serial or Engine Number - K309031	025-0065
Dynashift Transmission - With Power Shuttle From No K309032	025-0070
Dynashift Transmission - Up To K309031 For Power Shuttle Only	025-0075
Dynashift Transmission - From K309032 For Power Shuttle Only	025-0080
Epicyclic Unit - Creeper Gear Full Powershift Transmission	025-0085
Epicyclic Unit - Creeper Gear Dynashift Transmission	025-0090
Transmission - Output Shaft - With Full Powershift - Without Creeper Gear	025-0095
Transmission - Output Shaft - Dynashift - Without Creeper Gear	025-0100
Creeper Gearbox Control	025-0105
Creeper Gearbox Control - Dynashift	025-0110
Manual Shuttle Shift Levers - Left Hand Controls - Dynashift	025-0115
Shift Lever - WITH DYNASHIFT UP TO K309018	025-0120
Shift Lever - WITH DYNASHIFT FROM K309019	025-0125
Control Armrest - With Dynashift - Up To 07-01-2001	025-0130
Control Armrest - Up to Serial or Engine Number - 07-01-2001	025-0135
Control Armrest - With Dynashift - From 08-01-2001	025-0140
Control Armrest - With Full Powershift - Up To 07-01-2001	025-0145
Controle Full Powershift - Up to Serial or Engine Number - 07-01-2001	025-0150
Control Armrest - Without Electronic Lift - Full Powershift - Up To 07-JAN-2001	025-0155
Controle Full Powershift - Without Electronic Lift - Up To 07-01-2001	025-0160
Control Armrest - With Full Powershift - From 08-01-2001	025-0165
Controle Full Powershift - From Serial or Engine Number - 08-01-2001	025-0170
Joystick For Distributor With electrodynamique Control	025-0175
Engine-Transmission Assembling - With Full Powershift	025-0180
Gear Box Full Power Shift	025-0185
Gear Box Full Power Shift	025-0190
Gear Box Full Power Shift	025-0195
Gear Box Full Power Shift - Pump	025-0200
Gear Box Full Power Shift - Input Shaft	025-0205
Gear Box Full Power Shift - 2 nd Gears	025-0210
Gear Box Full Power Shift - 3 rd Gears	025-0215
Gear Box Full Power Shift - 4 th Gears	025-0220
Gear Box Full Power Shift - 5 th Gears	025-0225
Gear Box Full Power Shift - 6 th Gears	025-0230
Gear Box Full Power Shift - 7 th Gears	025-0235
Full Powershift - Electrovalves - Cowl	025-0240

1-ZF29-001-E



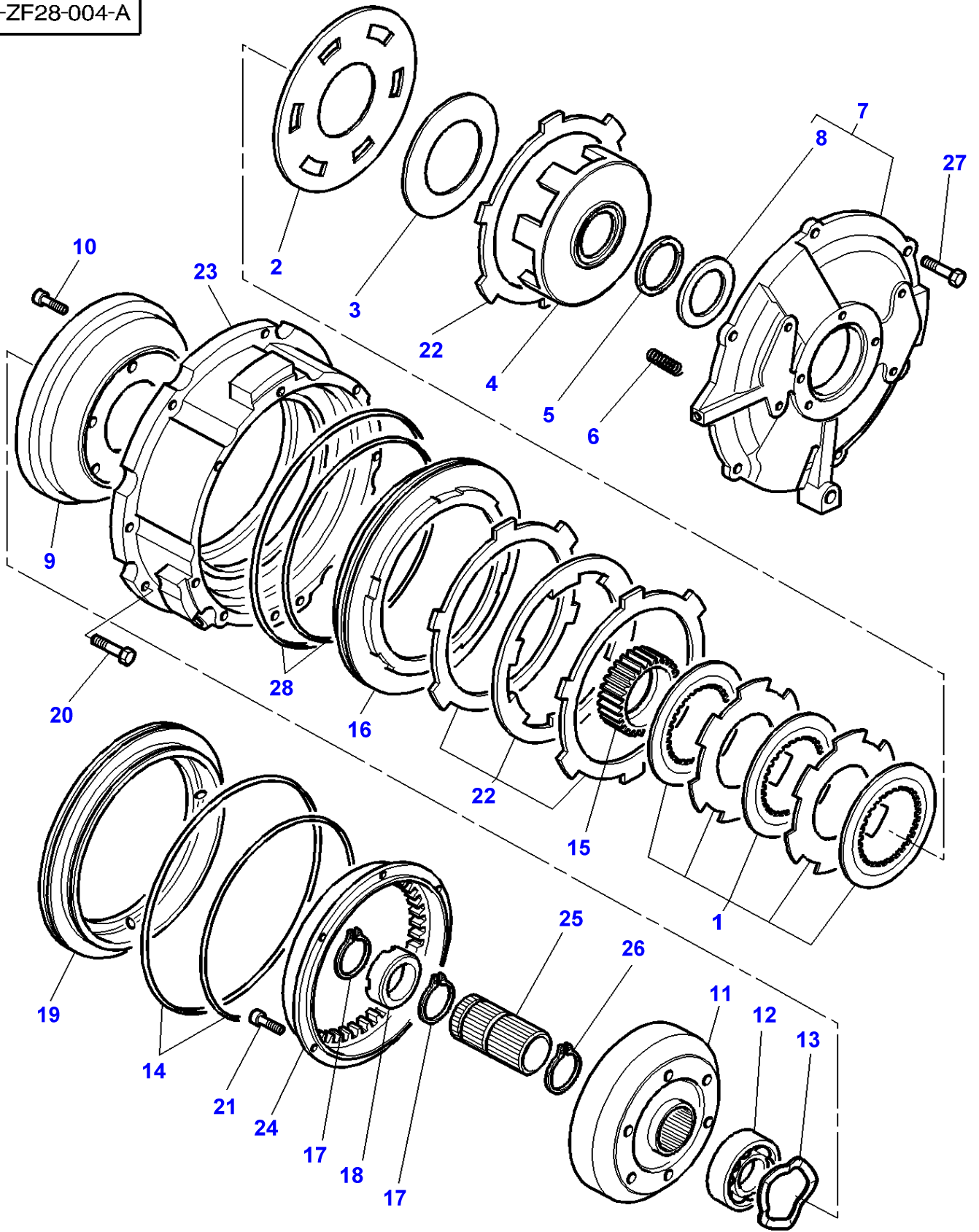
Dynashift Transmission - Housing

Item	Part Number	Qty	Description	Comments
1	3716182M5	1	Transm.Housing	
2	3716360M1	2	Locator	
3	3010630X1	1	Screw Metric	M16 X 35
4	1610870M4	1	Cover	
5	353439X1	7	Lock Washer	
6	354649X1	1	Bolt Unc	Diameter 1/2"-13 Length 57 MM
7	851258M1	1	O Ring	
8	884691M1	1	Plug	
9	354276X1	4	Bolt Unc	H 1/2"-13 Length 32 MM
	353724X1	1	Bolt Unc	H 1/2"-13 Length 38 MM
10	3009748X1	3	Nut	M16
	3716945M1	3	Stud	M16
11	851258M1	1	O Ring	
12	884691M1	1	Plug	
13	3900613M2	X	Loctite	
14	3010007X1	5	Screw Metric	M16 X 60
15	3010008X1	7	Screw	M16 X 50
16	3009311X1	2	Screw Metric	M16 X 70
17	339494X1	1	Plug	
18	3583287M2	1	Inductive Taker	[A]
19	339592X1	1	Nut Metric	[A] M20
20	3015390X1	1	Plug	Diameter 28 MM
21	1440007X1	1	Plug	M22
22	358724X91	1	Plug	3/4-16
23	831497M1	1	O Ring	(22)
24	357910X1	2	Screw Unc	CHC 1/2-13 Length 32 MM
25	390735X1	2	Washer	Diameter 12-24 X 2,5

FOOTNOTE [A] WITH POWER SHUTTLE

MF 8250 TRACTOR - 1637366
1-ZF28-004-A

1-ZF28-004-A

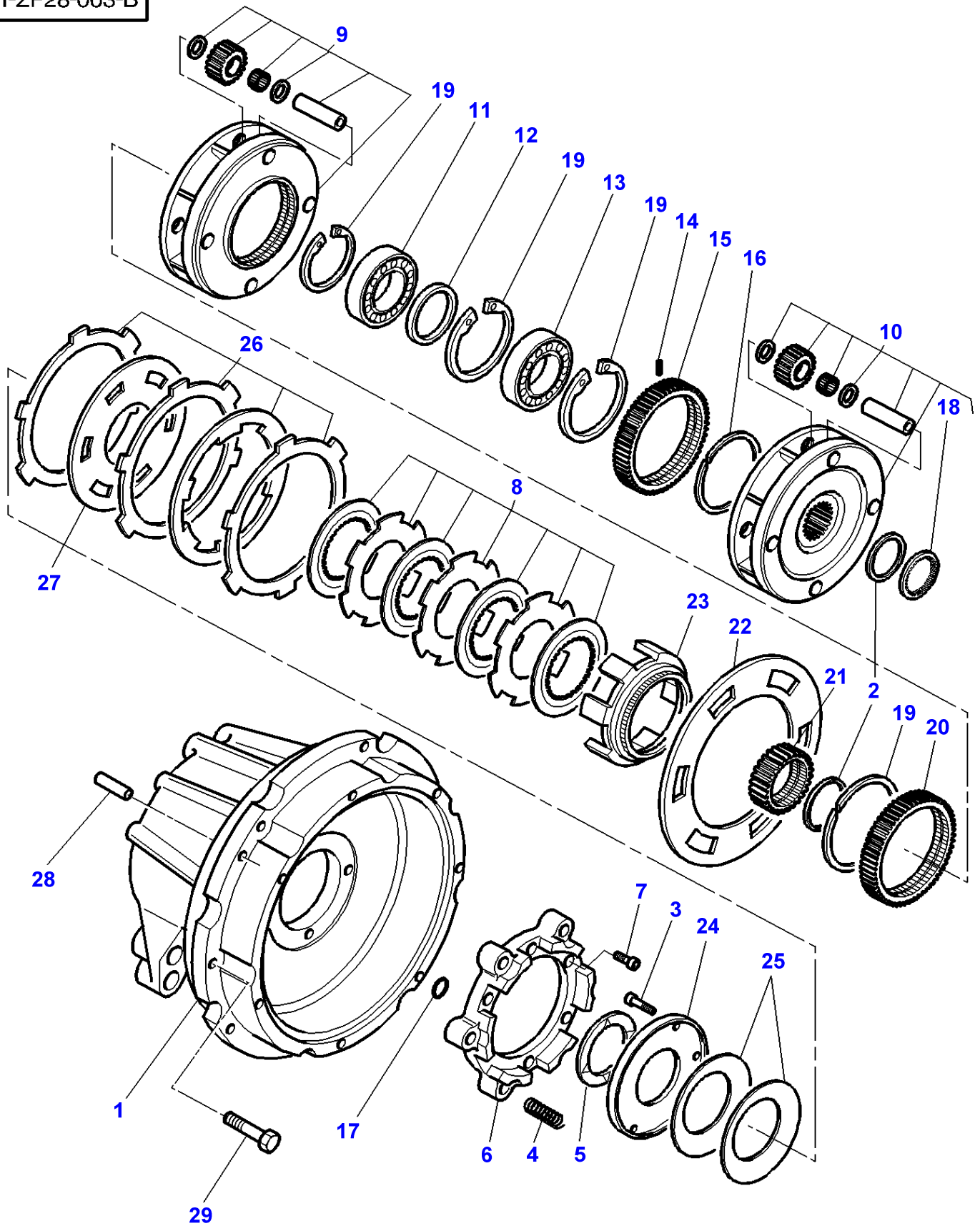


Dynashift

Item	Part Number	Qty	Description	Comments
1	3900259M91	1	Parts Pack	
2	3616749M1	1	Plate	
3	3619014M1	1	Cup Spring	
4	3617401M5	1	Housing	
5	3617352M3	1	Washer	
6	3615346M1	12	Spring	
7	3797847M11	1	Cover	Repairs and replaces 3713686M11
8	3619257M1	1	Washer	(7)
9	3712347M2	1	Housing	
10	3712479M1	6	Screw	M8X30
11	3615226M2	1	Annular Gear	
12	3010128X1	1	Bearing Assy	
13	3712430M1	1	Washer	
14	3900246M91	1	Kit, Joint	
15	3712431M1	1	Hub	
16	3615246M2	1	Piston	
17	3900255M91	1	Kit, Ring	
18	3616503M2	1	Stop	
19	3615247M1	1	Piston	
20	3010347X1	8	Screw	M10x30
21	3010479X1	6	Screw	M6X20
22	3900258M91	1	Parts Pack	
23	3619589M12	1	Spacer	
24	3615225M2	1	Annular Gear	
25	3619240M1	1	Sleeve	
26	1440528X1	1	Circlip	
27	3010482X1	6	Screw Metric	M8x55
28	3900245M91	1	Kit, Joint	

MF 8250 TRACTOR - 1637366
1-ZF28-003-B

1-ZF28-003-B

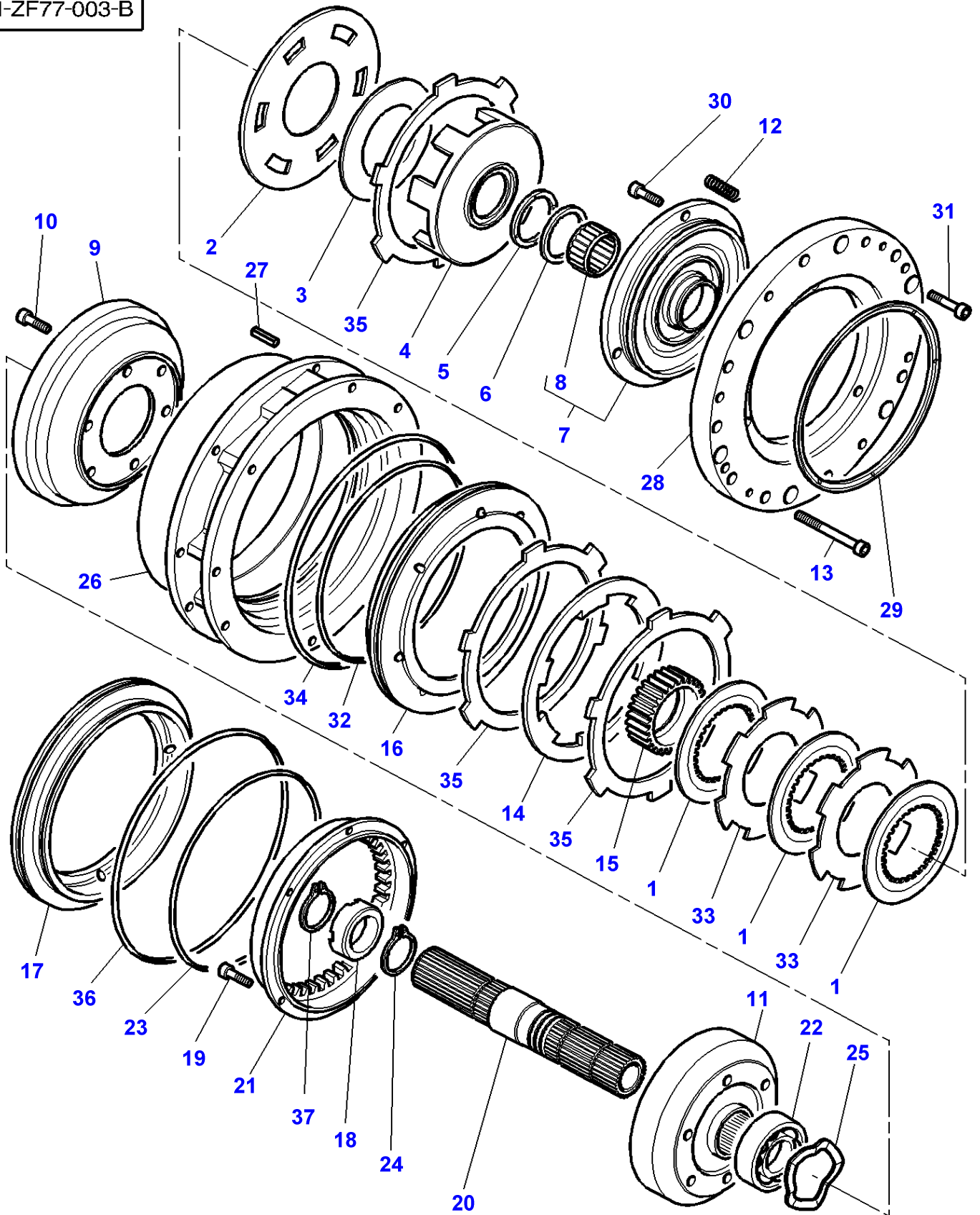


Dynashift

Item	Part Number	Qty	Description	Comments
1	3617677M12	1	Case Assy	
2	3615467M1	X	Chock	Thickness 1,2MM
	3615468M1	X	Chock	Thickness 0,4MM
	3619144M1	X	Chock	Thickness 0,2MM
	3712691M1	X	Chock	Thickness 0,3MM
3	3010479X1	6	Screw	M6X20
4	3616783M1	6	Spring	
5	3617352M3	1	Washer	
6	3617349M2	1	Housing	
7	3010346X1	6	Screw	M8X20
8	3900248M91	1	Kit, Clutch	
9	3618723M10	1	Carrier	
10	3618722M12	1	Carrier	
11	3010128X1	1	Bearing Assy	
12	3615444M1	1	Spacer	
13	3010128X1	1	Bearing Assy	
14	3010153X1	3	Pin	
15	3615232M3	1	Planet	
16	3617193M1	1	Ring	
17	1440011X1	2	O Ring	
18	3619913M1	1	Washer	(10)
19	3900256M91	1	Kit, Ring	
20	3615236M2	1	Planet	
21	3712354M1	1	Hub	
22	3617343M1	1	Plate	
23	3618911M2	1	Case Assy	
24	3791165M1	1	Cover	
25	3619015M1	2	Cup Spring	
26	3900247M91	1	Kit, Clutch	
27	3617345M1	1	Plate	
28	1611168M4	1	Centraliser	
29	353691X1	8	Bolt Unc	3/8X25

MF 8250 TRACTOR - 1637366
1-ZF77-003-B

1-ZF77-003-B

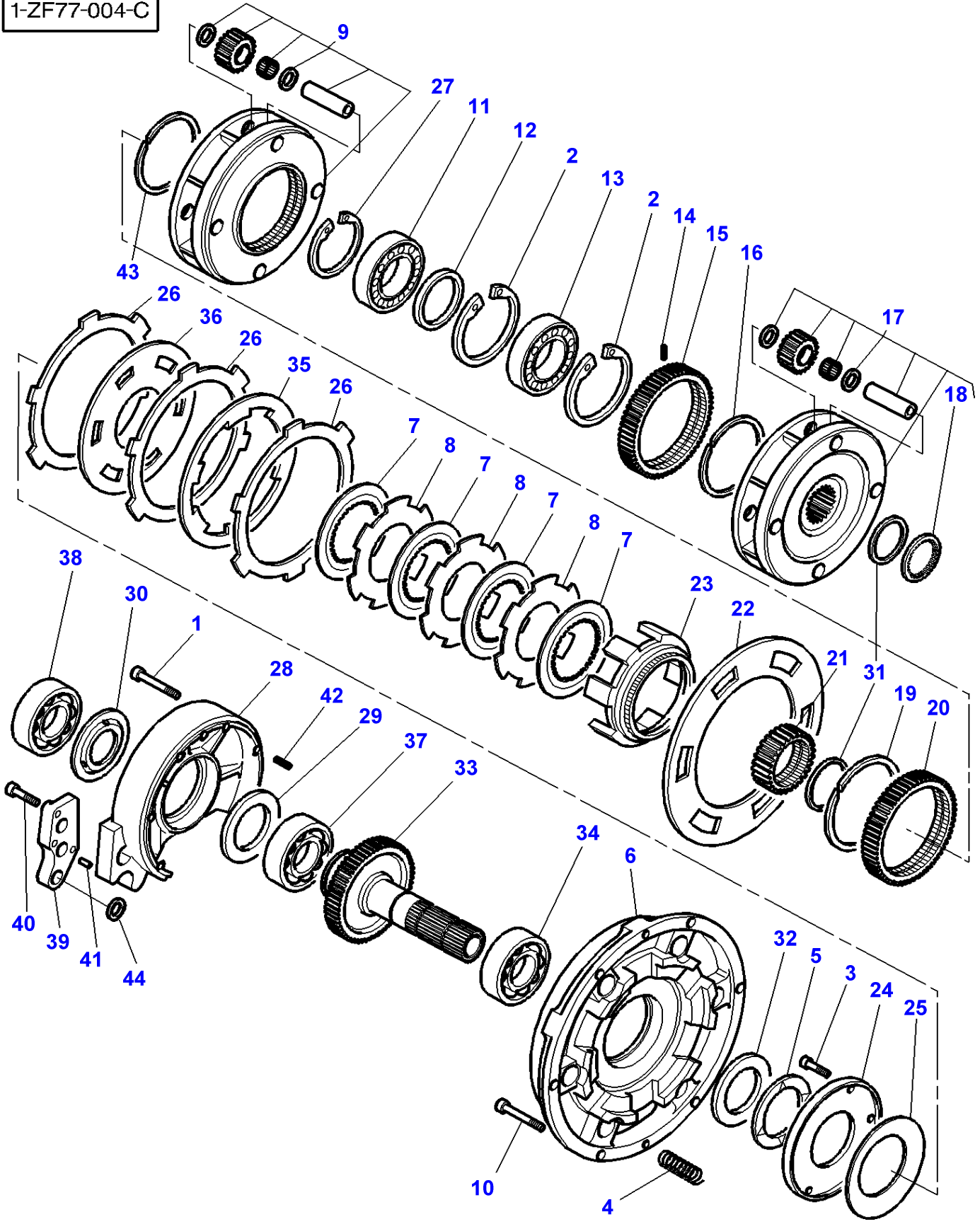


Dynashift With Power Shuttle

Item	Part Number	Qty	Description	Comments
1	3616745M1	3	Disc	
2	3616749M1	1	Plate	
3	3797507M1	1	Cup Spring	
4	3617401M5	1	Housing	
5	3617352M3	1	Washer	
6	3790353M1	1	Washer	
7	3797845M11	1	Bearing Carrier	Repairs and replaces 3793599M11
8	3382235M1	1	Needle Cage	(7)
9	3712347M2	1	Housing	
10	3712479M1	6	Screw	M8 X 30
11	3615226M2	1	Annular Gear	
12	3615346M1	12	Spring	
13	3794522M1	8	Screw	3/8" X 146
14	3616742M1	1	Counterplate	
15	3712431M1	1	Hub	
16	3615246M2	1	Piston	
17	3615247M1	1	Piston	
18	3616503M2	1	Stop	
19	3010479X1	6	Screw	M6 X 20
20	3793593M1	1	Input Shaft	
21	3615225M2	1	Annular Gear	
22	3010128X1	1	Bearing Assy	
23	359130X1	1	O Ring	Diameter 221,84 X 3,53 MM
24	1440528X1	1	Circlip	
25	3712430M1	1	Washer	
26	3793586M11	1	Case Assy	
27	1611168M4	1	Centraliser	
28	3793592M11	1	Cover	
29	3790354M1	1	Ring	
30	1444232X1	2	Screw	M8 X 16
	3010345X1	1	Screw	M6 X 16
31	3010509X1	3	Screw	M8 X 20
32	378287X1	1	O Ring	Diameter 234,54 X 3,53 MM
33	3616746M1	2	Plate	
34	378290X1	1	O Ring	Diameter 253,59 X 3,53 MM
35	3616741M1	3	Disc	
36	378289X1	1	O Ring	Diameter 247,24 X 3,53 MM
37	3010138X1	1	Segment	

MF 8250 TRACTOR - 1637366
1-ZF77-004-C

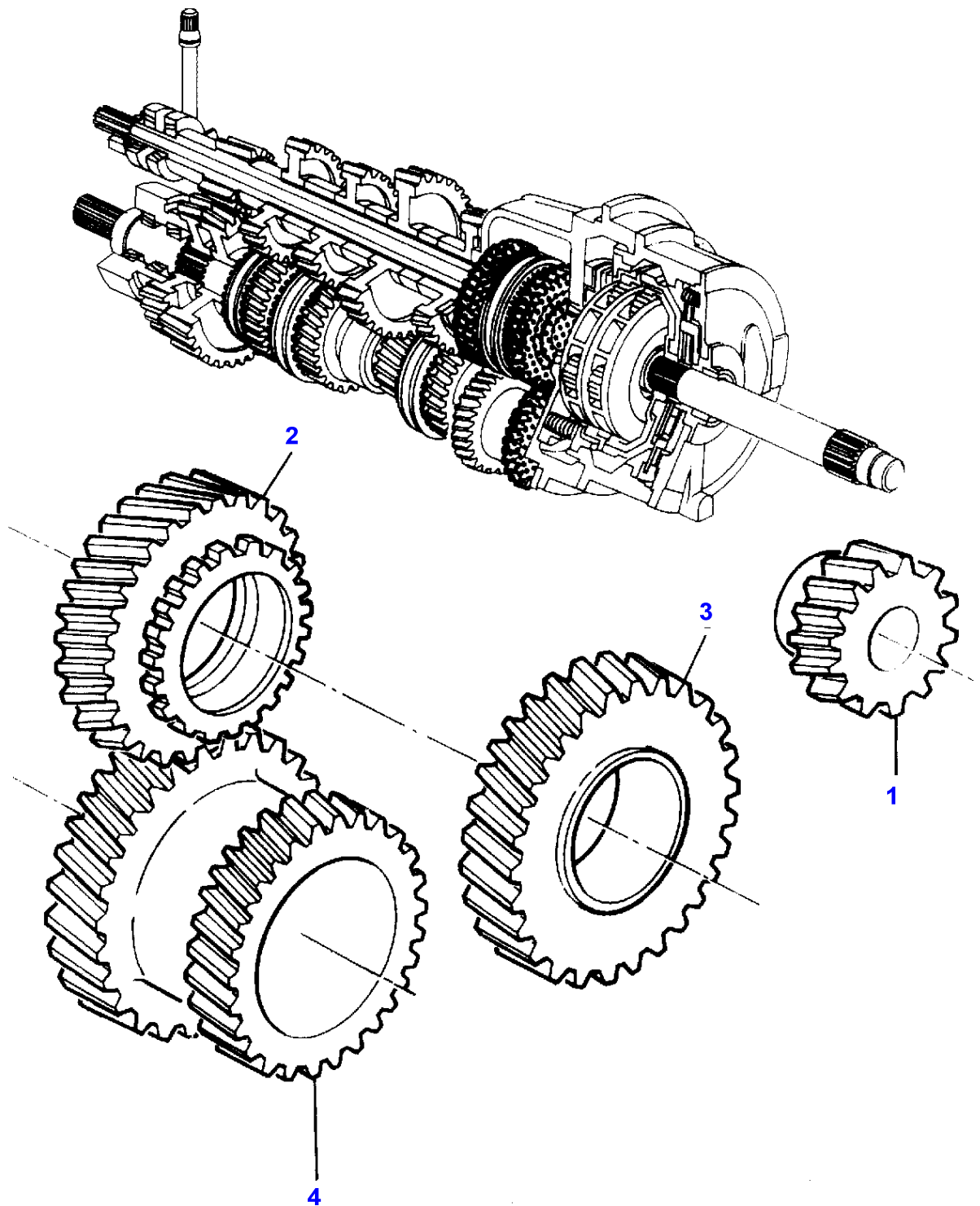
1-ZF77-004-C



Dynashift With Power Shuttle

Item	Part Number	Qty	Description	Comments
1	3010183X1	6	Screw	M8x70
2	3006587X1	2	Clip	
3	3010479X1	6	Screw	M6X20
4	3616783M1	6	Spring	
5	3617352M3	1	Washer	
6	3793588M12	1	Case Assy	
7	3617347M1	4	Disc	
8	3617348M1	3	Counterplate	
9	3618723M10	1	Carrier	
10	3010989X1	6	Screw	M8X35
11	3010128X1	1	Bearing Assy	
12	3615444M1	1	Spacer	
13	3010128X1	1	Bearing Assy	
14	3010153X1	3	Pin	
15	3615232M3	1	Planet	
16	3617193M1	1	Ring	
17	3618722M12	1	Carrier	
18	3619913M1	1	Washer	(17)
19	339605X1	1	Circlip	
20	3615236M2	1	Planet	
21	3712354M1	1	Hub	
22	3617343M1	1	Plate	
23	3618911M2	1	Case Assy	
24	3791165M1	1	Cover	
25	3619015M1	2	Cup Spring	
26	3617346M1	3	Disc	
27	3617345M1	1	Plate	
28	3793589M1	1	Case Assy	
29	3793601M1	X	Chock	Thickness 0,30 MM
	3793602M1	X	Chock	Thickness 0,40 MM
	3793603M1	X	Chock	Thickness 0,50 MM
30	3793604M1	1	Deflector	
31	3615467M1	X	Chock	Thickness 1,2MM
	3615468M1	X	Chock	Thickness 0,4MM
	3619144M1	X	Chock	Thickness 0,2MM
	3712691M1	X	Chock	Thickness 0,3MM
32	3790353M1	1	Washer	
33	3793595M2	1	Pinion	Number of teeth/spines 36
34	3010956X91	1	Bearing Assy	
35	3617344M1	1	Counterplate	
36	3617345M1	1	Plate	
37	3010950X91	1	Bearing Assy	
38	3712170M1	1	Bearing Assy	
39	3793590M2	1	Support	
40	1440349X1	1	Screw Metric	M8X30
41	3716287M2	2	Pin	
42	1611168M4	1	Centraliser	
43	3617195M1	1	Ring	
44	359298X1	1	Gasket	From Serial or Engine Number L015015

1-ZF30-001-A



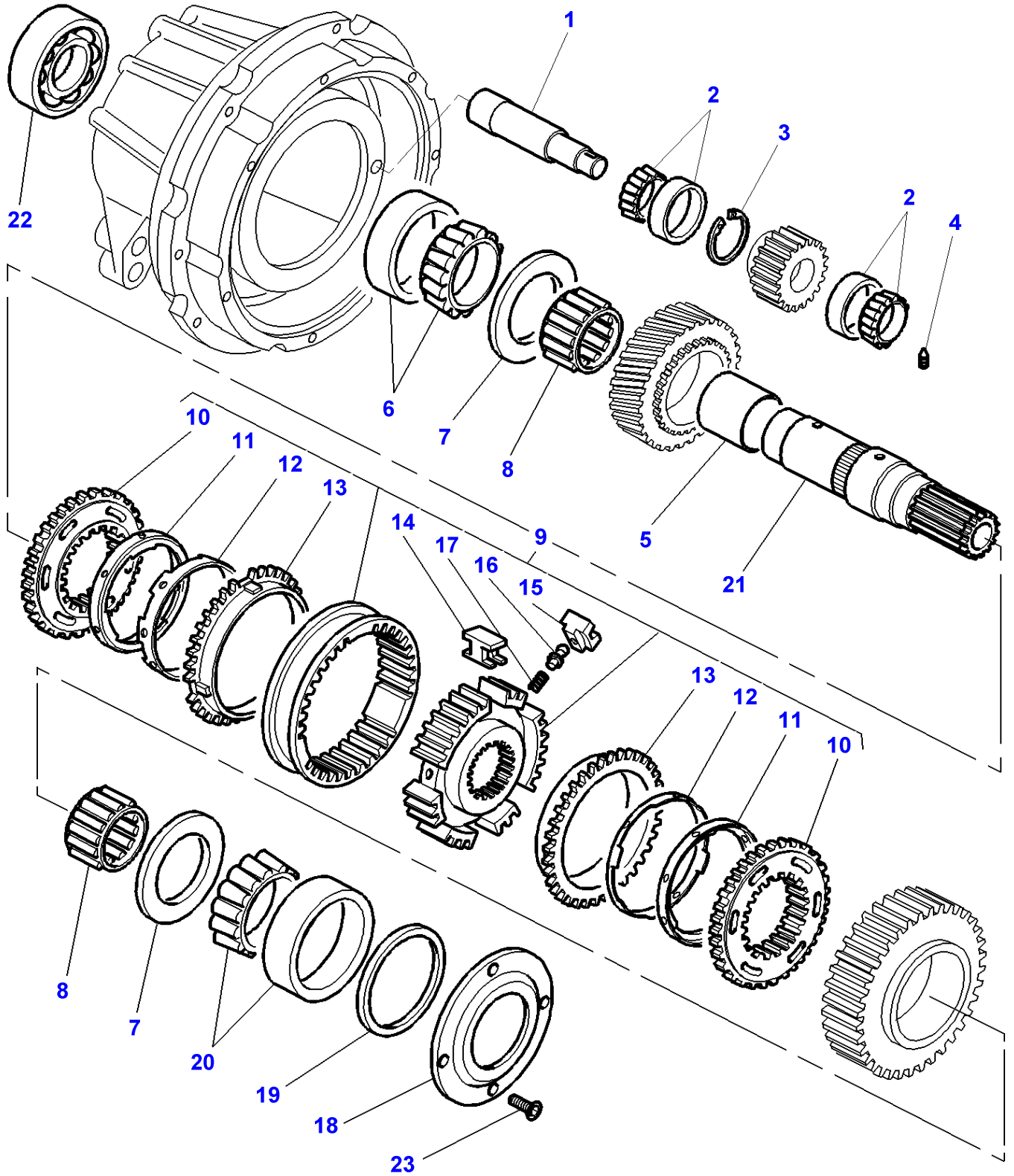
Massey Ferguson**MF 8250 TRACTOR - 1637366****1637366****Dynashift Transmission - Input Gears****Page025-0030**

Item	Part Number	Qty	Description	Comments
1	3617737M5	1	Pinion	Number of teeth/spines 21 Replace and repair. Old interchangeable with new 3617737M4
2	3792426M1	1	Pinion	Number of teeth/spines 36
3	3616020M2	1	Pinion	Number of teeth/spines 32
4	3618976M5	1	Pinion	Number of teeth/spines 28/30 Up to Serial or Engine Number H118011
	3792428M1	1	Pinion	Number of teeth/spines 28/29 From Serial or Engine Number H118012

FOOTNOTE [A] OUTER FINAL DRIVE GEAR WITH COMPOSITE REDUCER

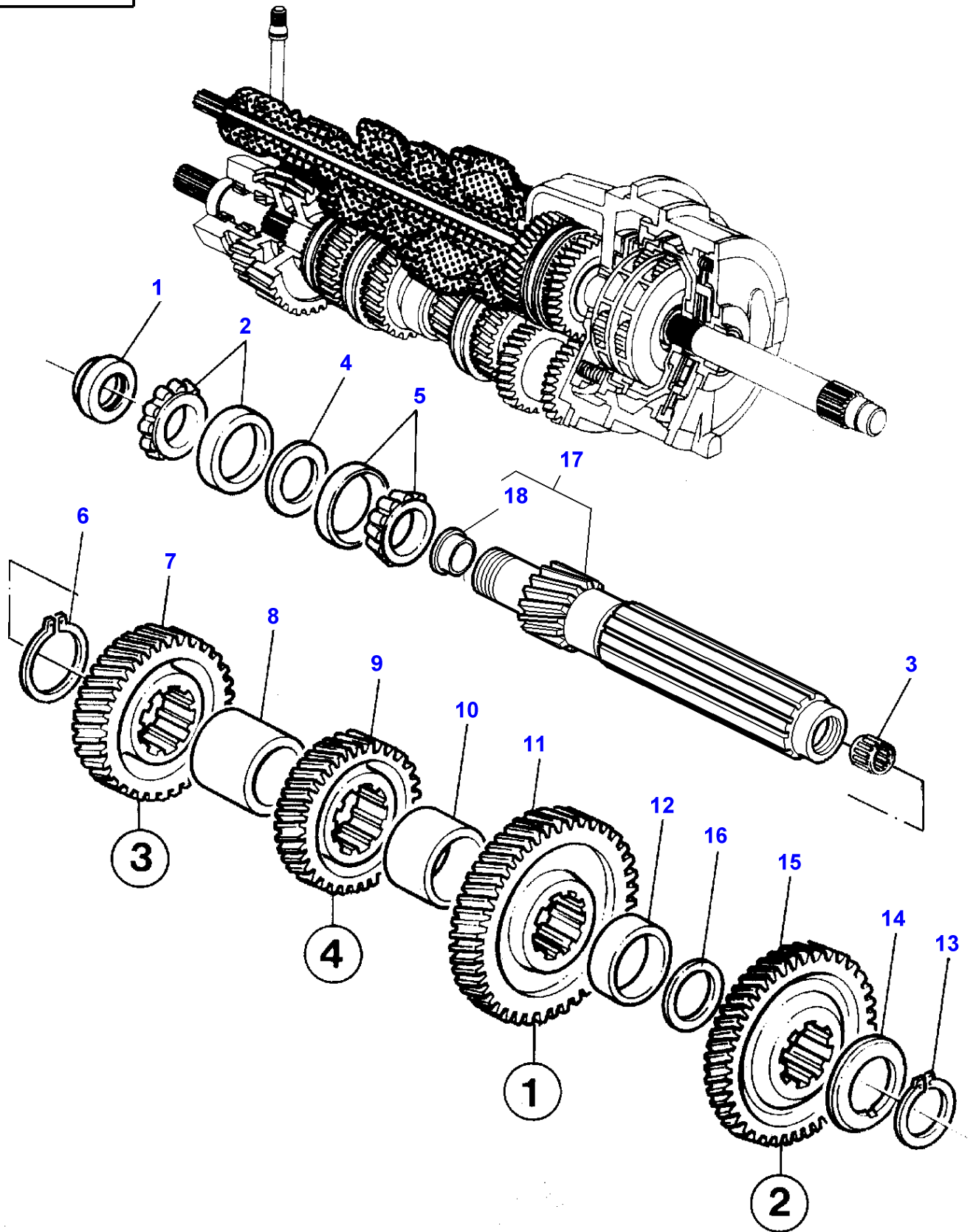
MF 8250 TRACTOR - 1637366
1-ZF31-003-A

1-ZF31-003-A



Item	Part Number	Qty	Description	Comments
1	3618103M2	1	Clevis Pin	
2	3010151X91	2	Bearing Taper	
3	3792376M1	1	Segment	Thickness 2,22-2,27MM
	3618104M1	1	Segment	Thickness 2,28-2,33MM
	3618880M1	X	Segment	Thickness 2,36-2,41MM
	3617744M1	X	Segment	Thickness 2,50MM
4	3386683M1	1	Screw Special	
5	3617308M3	1	Bush	
6	3010115X91	1	Bearing Taper	
7	3616860M1	2	Washer	
8	3619780M1	2	Needle Cage	
9	3714238M95	1	Synchro Ring	
10	3902257M2	2	Annular Gear	(9)
11	3902633M1	2	Bush	(9)
				Up to Serial or Engine Number K190011
	3903558M1	2	Bush	(9)
				From Serial or Engine Number K190012
12	3902682M1	2	Cone	(9)
13	3900986M1	2	Ring	(9)
14	3900979M1	3	Skate	(9)
15	3771355M1	3	Poppet	(9)
16	3771353M1	3	Pin	(9)
17	3771354M1	3	Spring	(9)
18	3618912M2	1	Washer	
19	3383476M1	X	Shim	Thickness 0,5MM
	3383477M1	X	Shim	Thickness 0,6MM
	3383516M1	X	Shim	Thickness 0,7MM
	3383517M1	X	Shim	Thickness 0,8MM
	3617236M1	X	Shim	Thickness 0,1MM
	3617237M1	X	Shim	Thickness 0,2MM
	3617238M1	X	Shim	Thickness 0,4MM
	3617243M1	X	Shim	Thickness 0,05MM
20	3010115X91	1	Bearing Taper	
21	3619042M3	1	Shaft	
22	3712170M1	1	Bearing Assy	
23	3010348X1	4	Screw	M8x20

1-ZF32-001-B



Dynashift Transmission - Layshaft

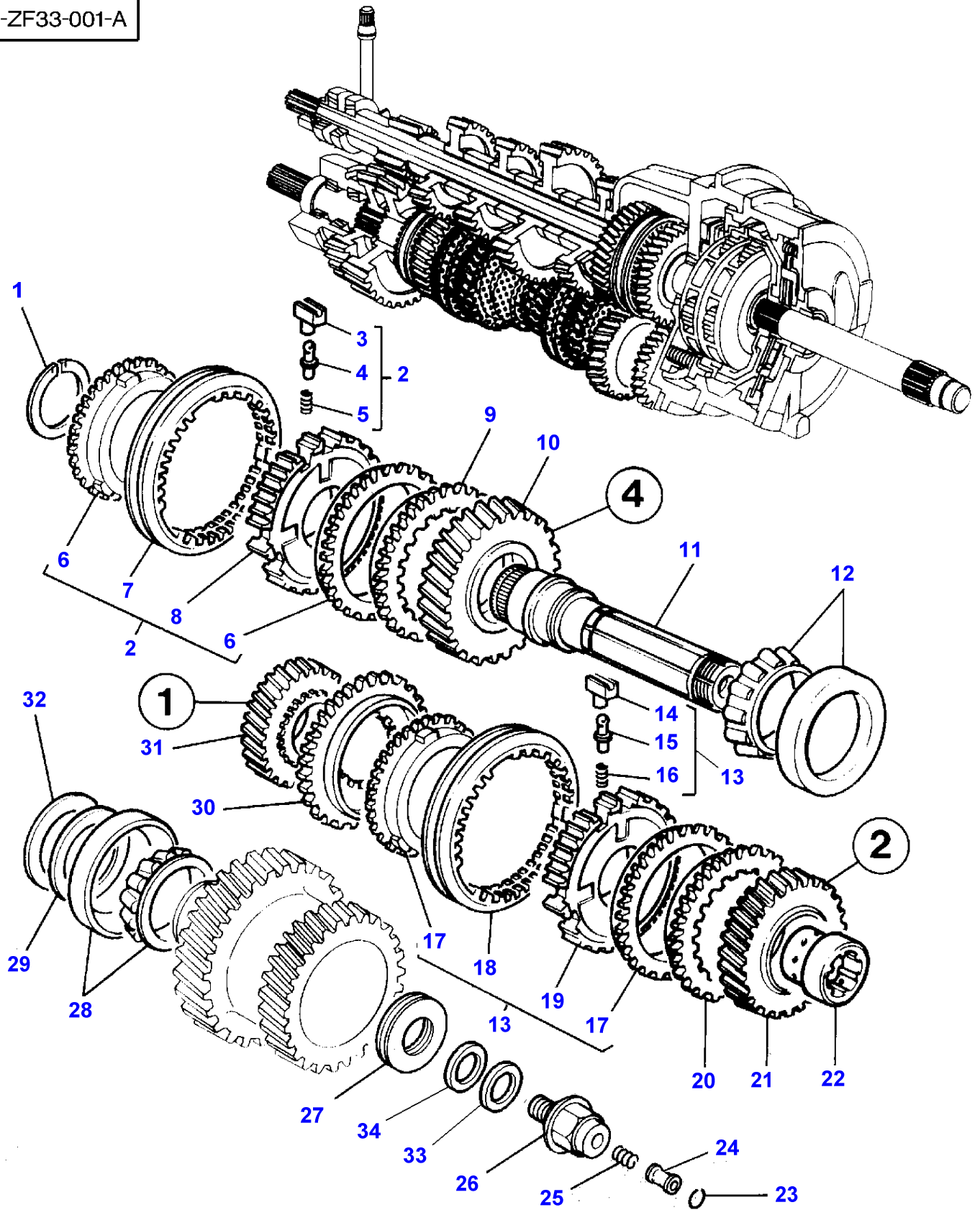
Item	Part Number	Qty	Description	Comments
1	1614882M3	1	Nut	Up to Serial or Engine Number
	3798284M1	1	Nut	From Serial or Engine Number
2	3010034X91	1	Bearing Assy	Replace and repair. Old interchangeable with new 3010040x91
3	1441835X1	1	Bearing Assy	
4	3791942M1		Chock	Thickness 4,22 MM
	3791941M1		Chock	Thickness 4,28 MM
	3791940M1		Chock	Thickness 4,34 MM
	3791939M1		Chock	Thickness 4,40 MM
	3791927M1		Chock	Thickness 4,46 MM
5	3010034X91	1	Bearing Assy	
6	355921X1	1	Ring	Up to Serial or Engine Number H244026 Thickness 3,2MM
	3010925X1	1	Snapping	From Serial or Engine Number H244027 Thickness 4MM
7	3618934M6	1	Pinion	Number of teeth/spines 35 Replace and repair. Old interchangeable with new 3618934M5
8	3380192M2	1	Spacer	
9	3617272M4	1	Pinion	Number of teeth/spines 35 Up to Serial or Engine Number H118011
	3792685M2	1	Pinion	Number of teeth/spines 30 From Serial or Engine Number H118012 Replace and repair. Old interchangeable with new 3792685M1
10	3583478M1	1	Spacer	
11	3618968M2	1	Pinion	Number of teeth/spines 43 Up to Serial or Engine Number H118011
	3792384M2	1	Pinion	Number of teeth/spines 43 From Serial or Engine Number H118012 Up to Serial or Engine Number L059021 Replace and repair. Old interchangeable with new 3792384M1
	3796007M1	1	Pinion	[A,B] Number of teeth/spines 63 From Serial or Engine Number L059022
12	3042898M2	1	Spacer	
13	831180M1	1	Ring	
14	3042866M1	1	Washer	
15	3618998M4	1	Pinion	Number of teeth/spines 40 Replace and repair. Old interchangeable with new 3618998M3
16	3042847M1	X	Shim	Thickness 0,40 MM
	3792470M1	X	Chock	Thickness 0,6MM
	3042848M2	X	Shim	Thickness 1MM
17	3791966M91	1	Shaft	Number of teeth/spines 17 Up to Serial or Engine Number H118011
	3792394M92	1	Shaft	Number of teeth/spines 17 From Serial or Engine Number H118012
	3793583M91	1	Shaft	[B] Number of teeth/spines 17
18	3791932M1	1	Spacer	(17)

FOOTNOTE [A] OUTER FINAL DRIVE GEAR WITH COMPOSITE REDUCER

FOOTNOTE [B] WITH POWER SHUTTLE

MF 8250 TRACTOR - 1637366
1-ZF33-001-A

1-ZF33-001-A

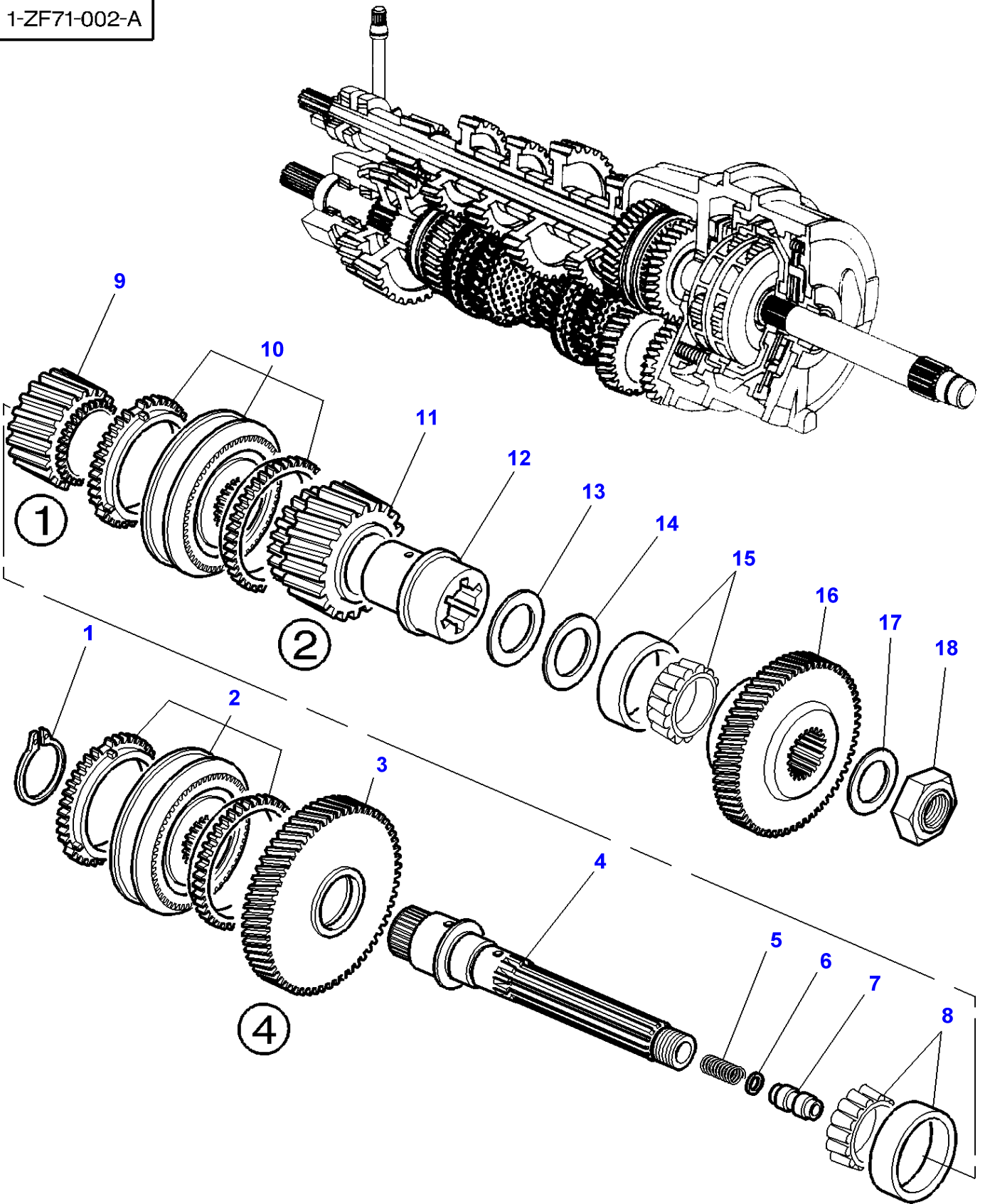


Dynashift Transmission - Mainshaft

Item	Part Number	Qty	Description	Comments
1	1444488X1	1	Ring	
2	3616410M91	1	Synchro Ring	
3	3618170M1	3	Poppet	(2)
4	3386520M1	3	Ball	(2)
5	3386519M1	3	Spring	(2)
6	3618168M1	2	Ring	(2)
7	3618169M1	1	Slider Bearing	(2)
8	3616324M1	1	Hub	(2)
9	3617219M1	1	Ring	
10	3617281M95	1	Pinion	Number of teeth/spines 35 Up to Serial or Engine Number H118011
	3792684M93	1	Pinion	Number of teeth/spines 35 From Serial or Engine Number H118012 Replace and repair. Old interchangeable with new 3792684M91
11	3713477M4	1	Shaft	
12	968634M91	1	Bearing Assy	
13	3616592M91	1	Synchro Ring	
14	3618170M1	3	Poppet	(13)
15	3386520M1	3	Ball	(13)
16	3386519M1	3	Spring	(13)
17	3618168M1	2	Ring	(13)
18	3618169M1	1	Slider Bearing	(13)
19	3616516M1	1	Hub	(13)
20	3617219M1	1	Ring	
21	3619034M94	1	Pinion	Number of teeth/spines 24 Replace and repair. Old interchangeable with new 3619034M93
22	3619366M5	1	Bush	
23	3382831M1	1	Segment	
24	3385884M2	1	Tube	
25	3382828M1	1	Spring	
26	3713479M3	1	Screw	M20
27	3713478M1	3	Washer	
28	3010876X91	1	Bearing Assy	
29	3383171M1	X	Shim	Thickness 0,05MM
	3380040M1	X	Shim	Thickness 0,10MM
	3380041M1	X	Shim	Thickness 0,30MM
	3380042M1	X	Shim	Thickness 0,50MM
30	3616827M2	1	Ring	
31	3714109M1	1	Pinion	Number of teeth/spines 17 Up to Serial or Engine Number H118011
	3792383M2	1	Pinion	Number of teeth/spines 17 From Serial or Engine Number H118012 Up to Serial or Engine Number L059021 Replace and repair. Old interchangeable with new 3792383M1
32	3383164M2	1	Washer	
33	3713480M1	X	Chock	Thickness 0,25MM
	3713481M1	X	Chock	Thickness 0,5MM
34	3713483M1	1	Washer	

FOOTNOTE [A] OUTER FINAL DRIVE GEAR WITH COMPOSITE REDUCER

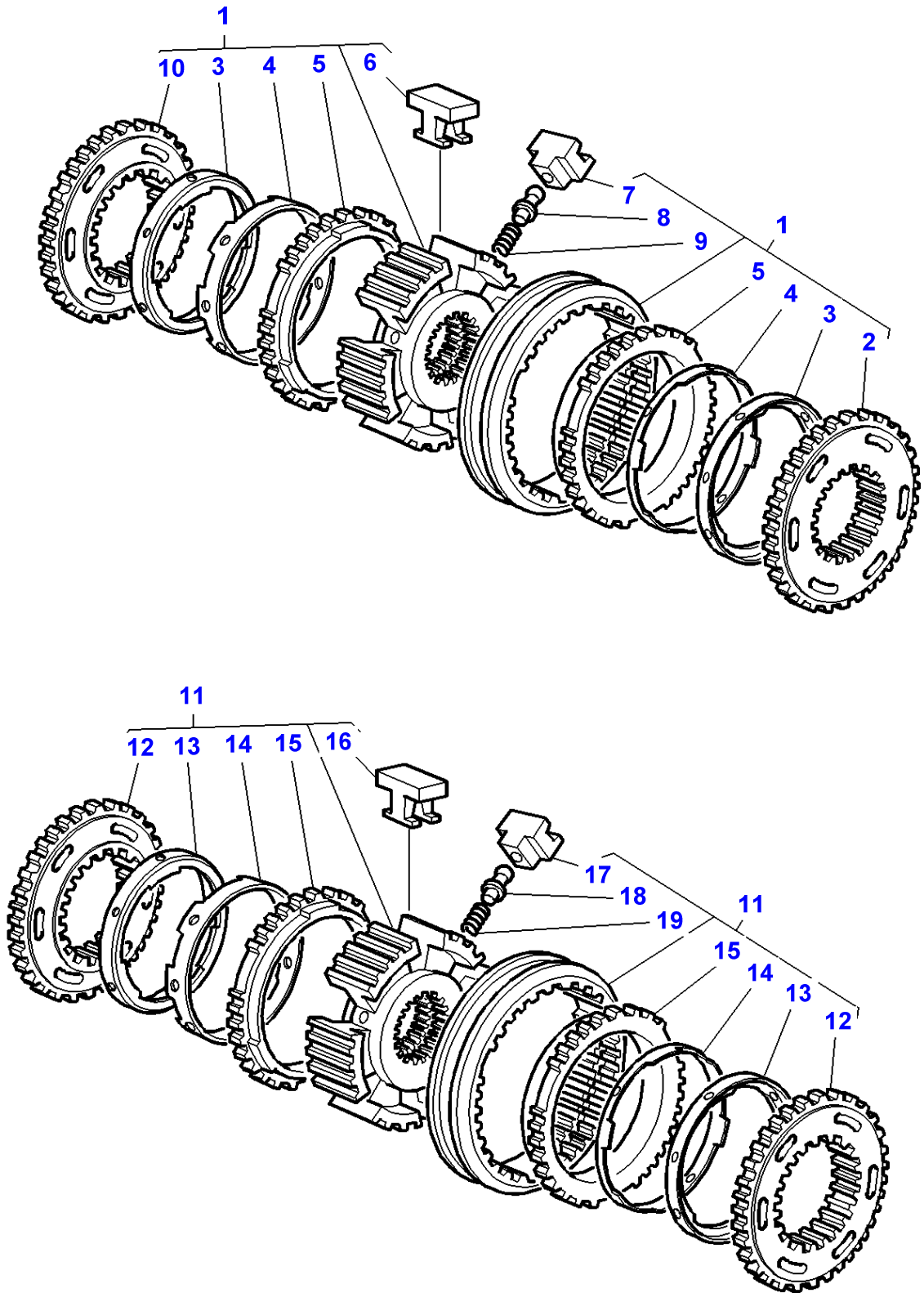
1-ZF71-002-A



Massey Ferguson**MF 8250 TRACTOR - 1637366****1637366****Heavy Duty Transmission Power Shuttle - Mainshaft****Page 025-0050**

Item	Part Number	Qty	Description	Comments
1	1444488X1	1	Ring	Up to Serial or Engine Number L136009
	3010554X1	1	Circlip	From Serial or Engine Number L136010
2	3793700M91	1	Synchro Ring	See Page - Reference Number 025-0055/11
3	3792684M93	1	Pinion	Number of teeth/spines 35 Replace and repair. Old interchangeable with new 3792684M91
4	3793500M2	1	Shaft	Up to Serial or Engine Number L136009
	3797003M2	1	Countershaft	From Serial or Engine Number L136010
5	3382828M1	1	Spring	
6	3382831M1	1	Segment	
7	3790546M1	1	Tube	
8	968634M91	1	Bearing Assy	
9	3792383M2	1	Pinion	Number of teeth/spines 17 Replace and repair. Old interchangeable with new 3792383M1 Up to Serial or Engine Number L059021
	3796006M1	1	Pinion	Number of teeth/spines 25 From Serial or Engine Number L059022
10	3793699M91	1	Synchro Ring	See Page - Reference Number 025-0055/1
11	3619034M94	1	Pinion	Number of teeth/spines 24 Replace and repair. Old interchangeable with new 3619034M93
12	3619366M5	1	Bush	
13	3383164M2	1	Washer	
14	3383171M1	X	Shim	Thickness 0,05MM
	3380040M1	X	Shim	Thickness 0,10MM
	3380041M1	X	Shim	Thickness 0,30MM
	3380042M1	X	Shim	Thickness 0,50MM
15	3010876X91	1	Bearing Assy	
16	3793578M2	1	Pinion	Number of teeth/spines 29 Replace and repair. Old not interchangeable with new 3793579M1
17	3792379M1	1	Washer	
18	3791650M1	1	Nut	

1-ZF57-002-A

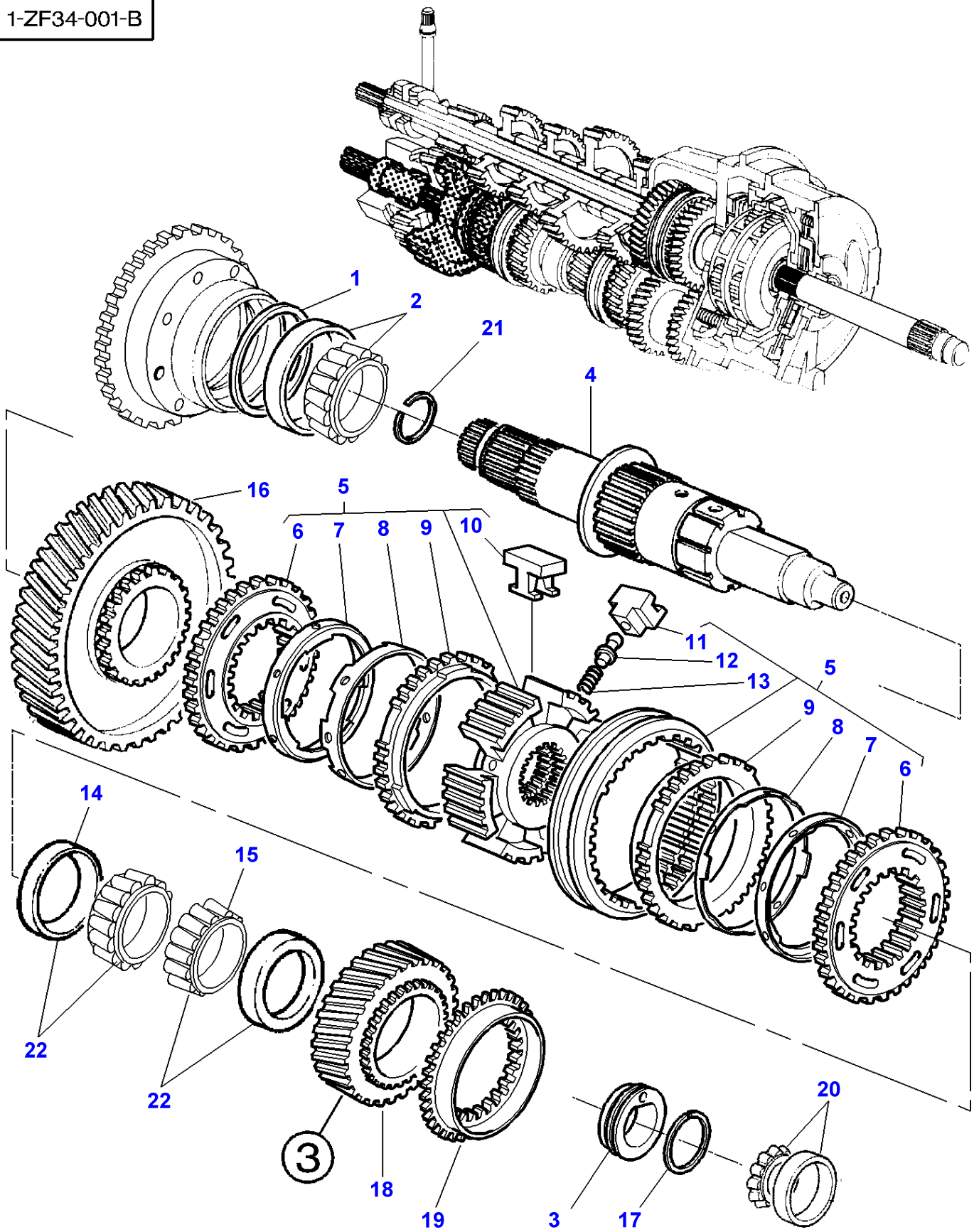


Massey Ferguson**MF 8250 TRACTOR - 1637366****1637366****Synchro Heavy Duty Transmission - With Power Shuttle****Page025-0055**

Item	Part Number	Qty	Description	Comments
1	3793699M91	1	Synchro Ring	
2	3903559M1	1	Cone	(1)
3	3902682M1	2	Cone	(1)
4	3903558M1	2	Bush	(1)
5	3900986M1	2	Ring	(1)
6	3900979M1	3	Skate	(1)
7	3771355M1	3	Poppet	(1)
8	3771353M1	3	Pin	(1)
9	3771354M1	3	Spring	(1)
10	3900982M2	1	Cone	(1)
11	3793700M91	1	Synchro Ring	
12	3900982M2	2	Cone	(11)
13	3902682M1	2	Cone	(11)
14	3903558M1	2	Bush	(11)
15	3900986M1	2	Ring	(11)
16	3900979M1	3	Skate	(11)
17	3771355M1	3	Poppet	(11)
18	3771353M1	3	Pin	(11)
19	3771354M1	3	Spring	(11)

MF 8250 TRACTOR - 1637366
1-ZF34-001-B

1-ZF34-001-B



Dynashift Transmission - Output Shaft

Item	Part Number	Qty	Description	Comments
1	3716281M1	X	Shim	Thickness 0,05 MM
	3716282M1	X	Shim	Thickness 0,1 MM
	3716283M1	X	Shim	Thickness 0,3 MM
	3716284M1	X	Shim	Thickness 0,4 MM
	3716285M1	X	Shim	Thickness 0,5 MM
	3716286M1	X	Shim	Thickness 1 MM
	3790885M1	X	Shim	Thickness 1,5 MM
2	3010691X91	1	Bearing Assy	
3	3790808M3	1	Washer	
4	3716237M4	1	Shaft	Replace and repair. Old interchangeable with new 3716237M3
5	3712847M95	1	Synchro Ring	
6	3900982M2	2	Cone	(5)
7	3902682M1	2	Cone	(5) Up to Serial or Engine Number K156029
	3900980M1	2	Cone	(5) From Serial or Engine Number K156030
8	3902633M1	2	Bush	(5) Up to Serial or Engine Number K156029
	3903558M1	2	Bush	(5) From Serial or Engine Number K156030
9	3900986M1	2	Ring	(5)
10	3900979M1	3	Skate	(5)
11	3771355M1	3	Poppet	(5)
12	3771353M1	3	Pin	(5)
13	3771354M1	3	Spring	(5)
14	3010059X1	1	Race	Up to Serial or Engine Number H173026
15	3010060X1	1	Cone	Up to Serial or Engine Number H173026
16	3619347M92	1	Pinion	Number of teeth/spines 48 Up to Serial or Engine Number H118011
	3792387M92	1	Pinion	Number of teeth/spines 48 From Serial or Engine Number H118012 Replace and repair. Old interchangeable with new 3792387M91
17	3617884M1	1	Segment	
18	3618933M7	1	Pinion	Number of teeth/spines 30 Replace and repair. Old interchangeable with new 3618933M5
19	3617219M1	1	Ring	
20	3010118X91	1	Bearing Taper	Alternative 3011215X91
	3011215X91	1	Bearing Taper	Alternative 3010118X91
21	3010640X1	1	Ring	[A]
22	3010901X91	2	Bearing Assy	From Serial or Engine Number H173027

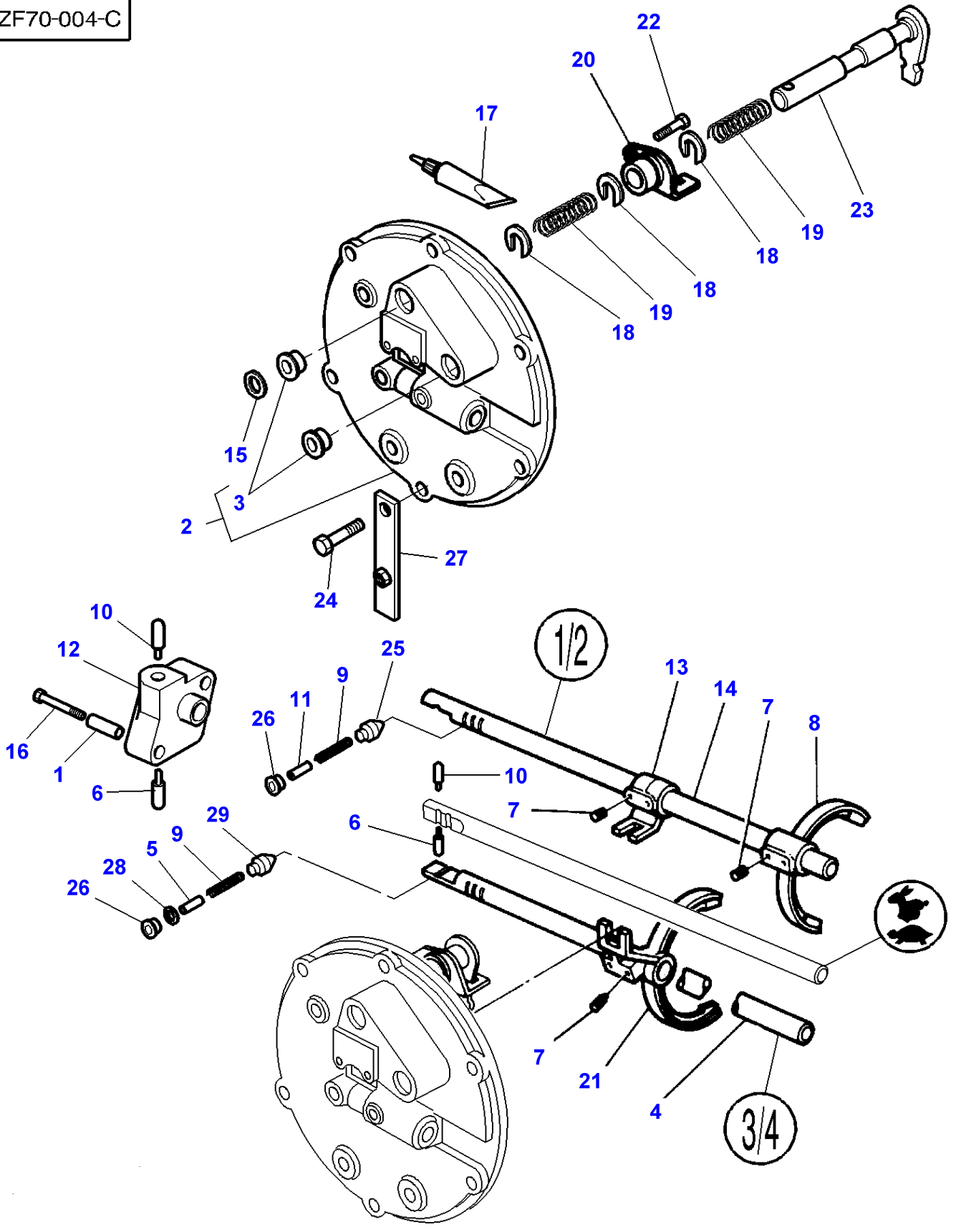
FOOTNOTE [A] WITH CREEPER GEAR

FOOTNOTE [B] OUTER FINAL DRIVE GEAR WITH COMPOSITE REDUCER

FOOTNOTE [C] WITH POWER SHUTTLE

MF 8250 TRACTOR - 1637366
1-ZF70-004-C

1-ZF70-004-C



Item	Part Number	Qty	Description	Comments
1	3716287M2	2	Pin	
2	3715771M14	1	Cover	
	3793708M91	1	Cover	[C] Up to Serial or Engine Number K303031
3	3715785M2	2	Bush	(2)
	3715785M2	1	Bush	[C] (2)
	3007458X1	1	Plug	[C] (2)
4	3385621M2	1	Stem	
5	1611669M1	1	Spacer	
6	1610891M1	1	Latch	
7	3386683M1	6	Screw Special	
8	3045560M3	1	Fork	
9	191221M1	2	Spring	
10	1610890M1	1	Latch	
11	1611670M1	1	Spacer	
12	3716239M2	1	Support	[A]
13	3385643M2	1	Selector	
14	3385644M1	1	Stem	
15	3790170M1	1	Seal	
16	3008596X1	2	Bolt	[A] M6x60
17	1633270M3	1	Loctite	
18	3386414M1	3	Spring Pot	
19	3386416M1	2	Spring	
20	3386412M2	1	Fork	
21	3385620M4	1	Fork	
22	339337X1	1	Hex. Sock. Screw	M8X30
23	3386413M1	1	Stem	Up to Serial or Engine Number J021015
	3793559M1	1	Selector	From Serial or Engine Number J021016
24	354262X1	5	Bolt Unc	Diameter 3/8"UNC Length 38 MM
	354264X1	1	Bolt Unc	Diameter 3/8"UNC Length 44MM
25	3322463M2	1	Journal	
26	1441772X1	2	Plug	
27	3793694M1	1	Strap	From Serial or Engine Number 10/99
28	3001856X1	1	Washer Metric	Up to Serial or Engine Number K337013
29	3322463M2	1	Journal	Up to Serial or Engine Number K337013
	3796884M1	1	Plunger	From Serial or Engine Number K337014

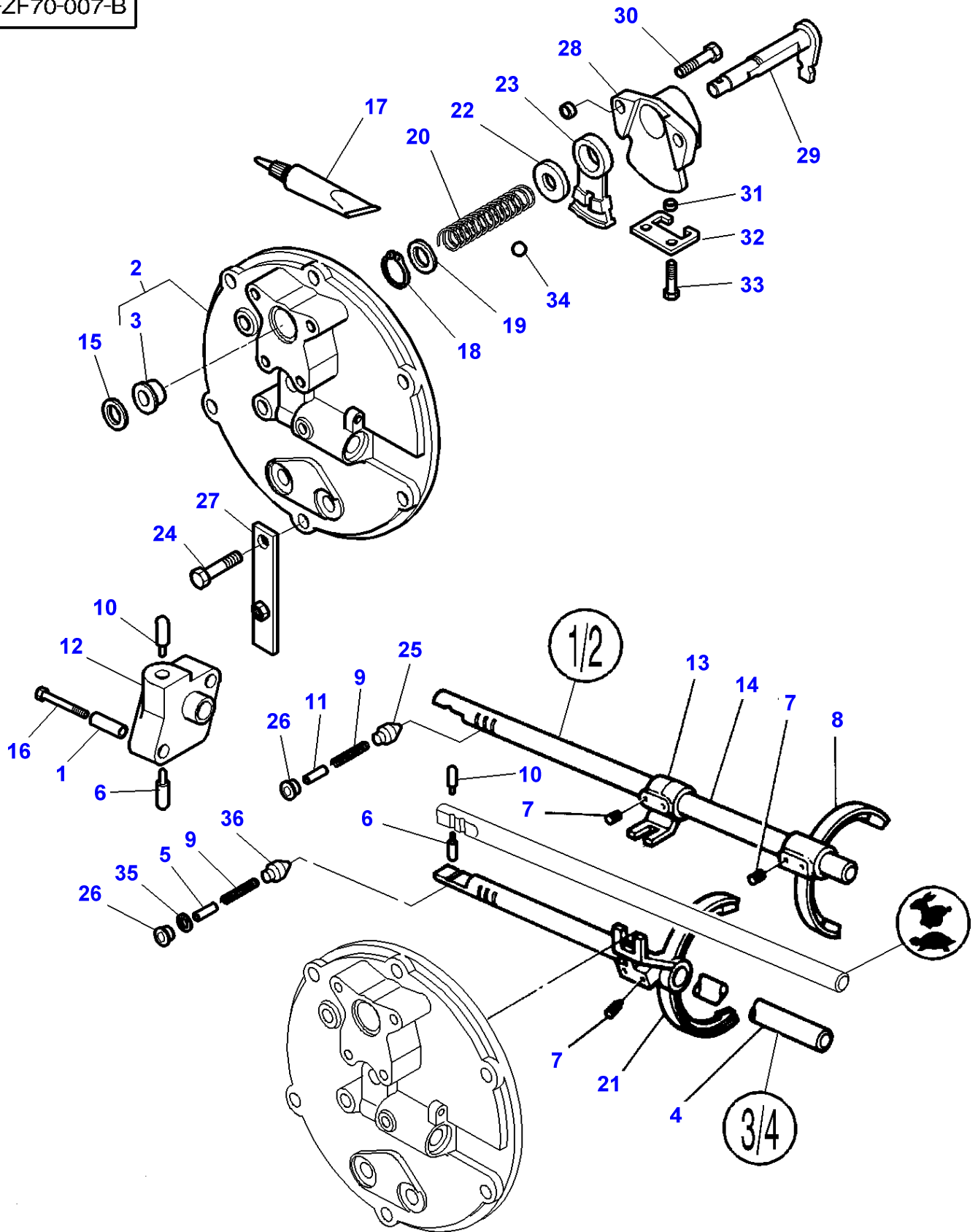
FOOTNOTE [A] WITH CREEPER GEAR

FOOTNOTE [B] WITHOUT CREEPER GEAR

FOOTNOTE [C] WITH POWER SHUTTLE

MF 8250 TRACTOR - 1637366
1-ZF70-007-B

1-ZF70-007-B



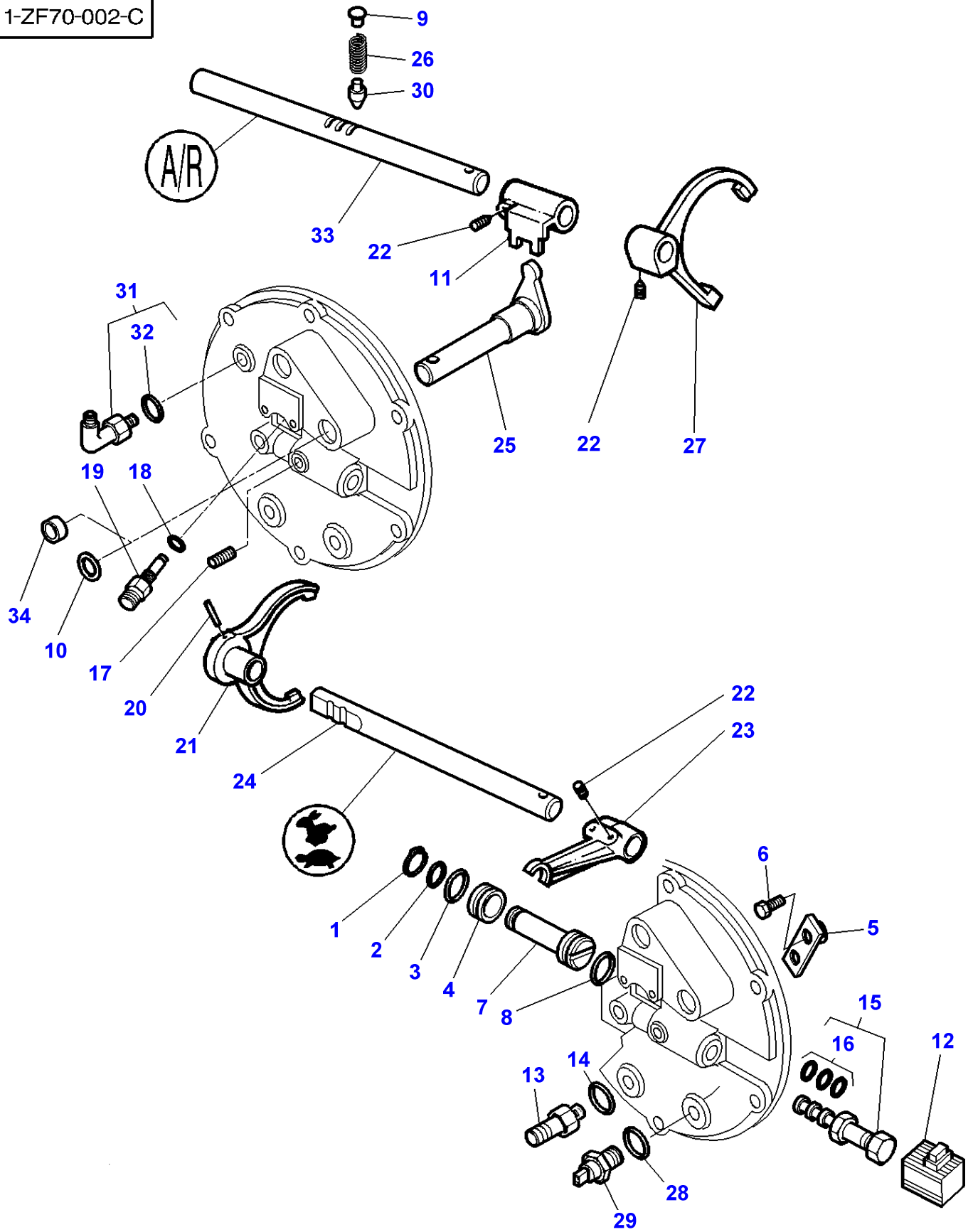
Item	Part Number	Qty	Description	Comments
1	3716287M2	2	Pin	
2	3796385M11	1	Cover	Up to Serial or Engine Number L207012
	3795207M12	1	Cover	From Serial or Engine Number L207013
3	3715785M2	1	Bush	(2)
4	3385621M2	1	Stem	
5	1611669M1	1	Spacer	
6	1610891M1	1	Latch	
7	3386683M1	6	Screw Special	
8	3045560M3	1	Fork	
9	191221M1	2	Spring	
10	1610890M1	1	Latch	
11	1611670M1	1	Spacer	
12	3716239M2	1	Support	[A]
13	3385643M2	1	Selector	
14	3385644M1	1	Stem	
15	3790170M1	1	Seal	
16	3008596X1	2	Bolt	[A] M6 X 60
17	1633270M3	1	Loctite	
18	1440476X1	1	Circlip	
19	3795275M1	1	Washer	
20	3795157M1	1	Spring	Up to Serial or Engine Number M051044
	3798114M1	1	Spring	From Serial or Engine Number M051045
21	3385620M4	1	Fork	
22	3795107M1	1	Stop	M8 X 30
23	3795097M1	1	Selector	
24	362443X1	4	Bolt Unc	[B] Diameter 3/8"UNC Length 38 MM
	354264X1	2	Bolt Unc	[A] Diameter 3/8"UNC Length 44 MM
	362443X1	2	Bolt Unc	Diameter 3/8"UNC Length 38 MM
25	3322463M2	1	Journal	
26	1441772X1	2	Plug	
27	3793694M1	1	Strap	
28	3795159M1	1	Support	
29	3795160M3	1	Stem	
30	3010576X1	2	Screw Metric	M8 X 40
31	3000052X1	4	Sleeve	
32	3795007M2	1	Grille	
33	339761X1	2	Hex. Sock. Screw	M8 X 25
34	1442085X1	1	Ball	
35	3001856X1	1	Washer Metric	Up to Serial or Engine Number K337013
36	3322463M2	1	Journal	Up to Serial or Engine Number K337013
	3796884M1	1	Plunger	From Serial or Engine Number K337014

FOOTNOTE [A] WITH CREEPER GEAR

FOOTNOTE [B] WITHOUT CREEPER GEAR

MF 8250 TRACTOR - 1637366
1-ZF70-002-C

1-ZF70-002-C

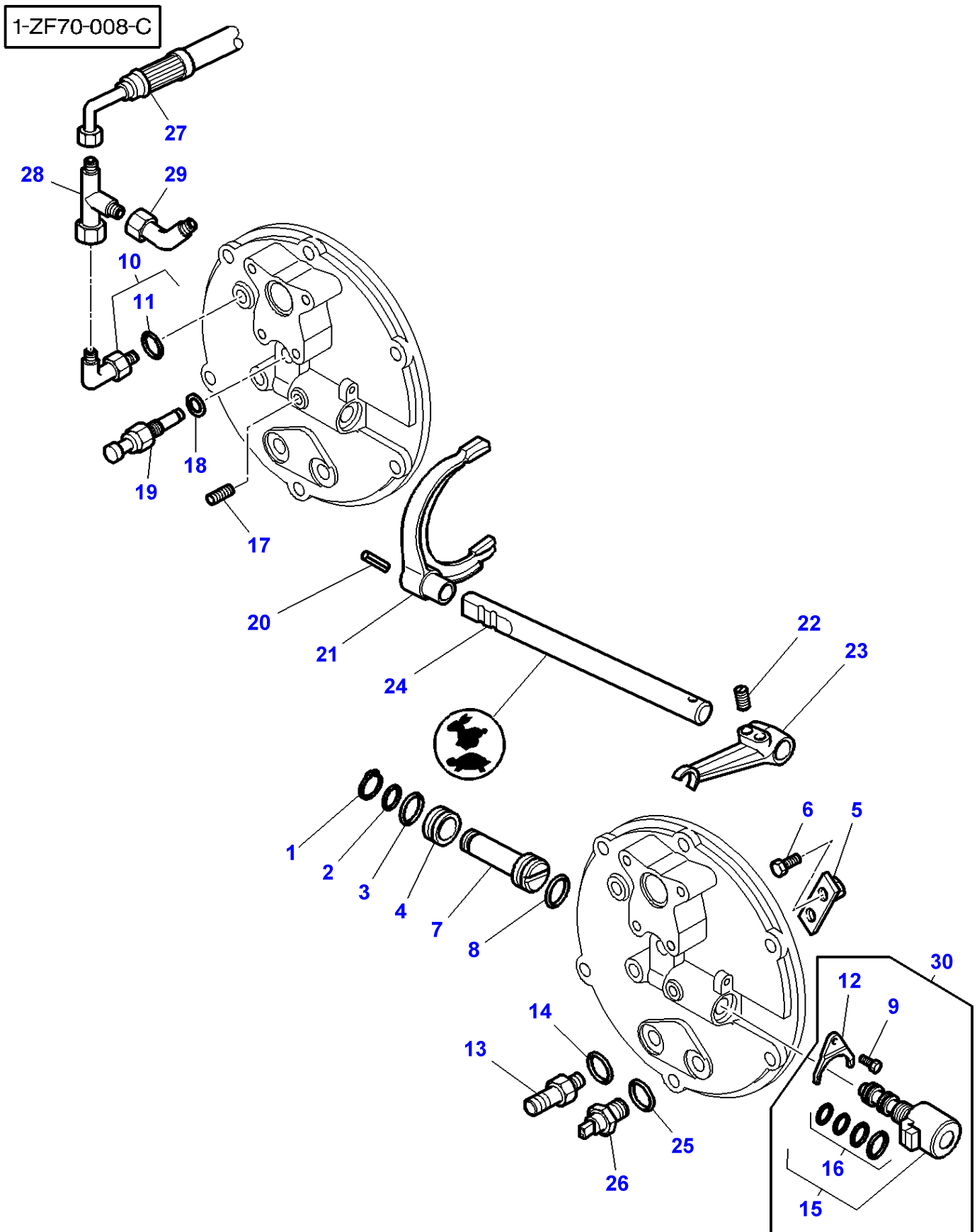


Item	Part Number	Qty	Description	Comments
1	390933X1	1	Circlip	
2	1006335M1	1	O Ring	
3	195876M1	1	O Ring	
4	3618872M1	1	Bush	
5	3583301M91	1	Strap	
6	391074X1	1	Hex. Sock. Screw	M6x12
7	3618871M1	1	Piston	
8	1001465M1	1	Ring	
9	1441772X1	1	Plug	
10	3790170M1	1	Seal	[B]
11	3385622M2	1	Selector	
12	3619763M1	1	Solenoid	
13	3010799X1	1	Union	
14	3019396X1	1	O Ring	
15	3619762M1	1	Spool	
16	3900994M91	1	Kit, Joint	(15)
17	356039X1	1	Plug	Replace and repair. Old not interchangeable with new 365332X1
18	3010890X1	1	Bush	
19	3383546M1	1	Switch,Indirect	Up to Serial or Engine Number H169002
	3792196M1	1	Switch,Indirect	From Serial or Engine Number H169003
20	390950X1	1	Pin	5x70
21	3712862M1	1	Fork	
22	3386683M1	4	Screw Special	
23	3618865M1	1	Selector	
24	3714935M1	1	Stem	Length 493MM
25	3385769M2	1	Stem	[B]
26	191221M1	1	Spring	
27	3714925M1	1	Fork	
28	3010890X1	1	Bush	
29	3618249M1	1	Inductive Taker	
30	3322463M2	1	Journal	
31	3019418X91	1	Elbow Nipple	M22X1,5
32	3019398X1	1	O Ring	(31)
33	3792496M1	1	Stem	
34	3007458X1	1	Plug	[A]

FOOTNOTE [A] WITH POWER SHUTTLE

FOOTNOTE [B] WITHOUT POWER SHUTTLE

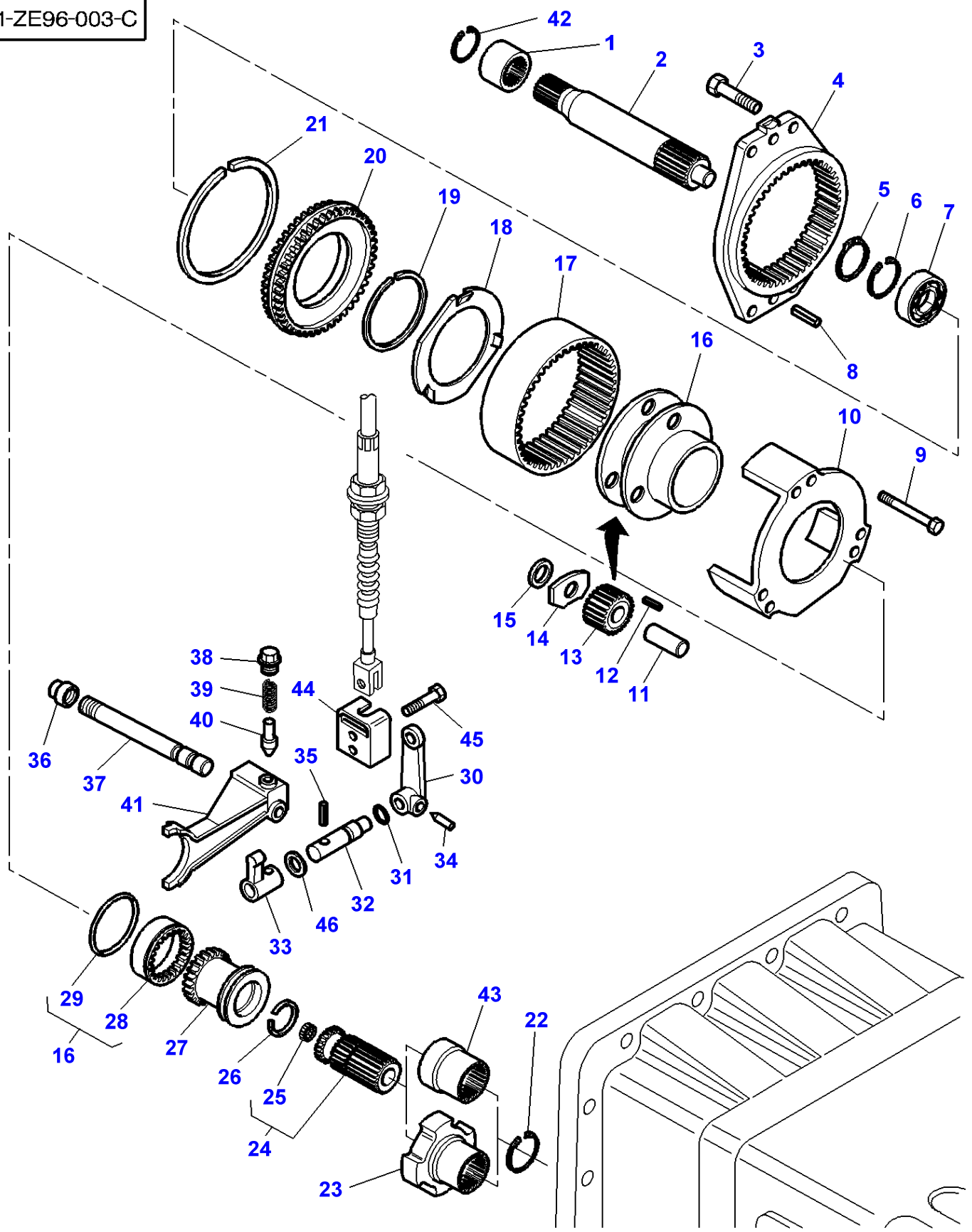
MF 8250 TRACTOR - 1637366
1-ZF70-008-C



Item	Part Number	Qty	Description	Comments
1	390933X1	1	Circlip	
2	1006335M1	1	O Ring	
3	195876M1	1	O Ring	
4	3618872M1	1	Bush	
5	3583301M91	1	Strap	
6	391074X1	1	Hex. Sock. Screw	M6x12
7	3618871M1	1	Piston	
8	1001465M1	1	Ring	
9	3009281X1	1	Screw	(30) M6X16
10	3019418X91	1	Elbow Nipple	M22X1,5
11	3019398X1	1	O Ring	(10)
12	3795003M2	1	Bridle	(30)
13	3010799X1	1	Union	
14	3019396X1	1	O Ring	
15		1	Electrovalve	(30) Not serviced,order REF. 30
16	3903732M91	1	Kit,Joint/Gasket	(15)
17	356039X1	1	Plug	
18	3010890X1	1	Bush	
19	3795429M1	1	Switch,Indirect	
20	390950X1	1	Pin	5x70
21	3712862M1	1	Fork	
22	3386683M1	2	Screw Special	
23	3618865M1	1	Selector	
24	3714935M1	1	Stem	Length 493MM
25	3010890X1	1	Bush	
26	3618249M1	1	Inductive Taker	
27	3714956M1	1	Hydr Hose	From Serial or Engine Number L191016 Length 600MM
28	364704X1	1	Teepiece	From Serial or Engine Number L191016 Up to Serial or Engine Number M188047
29	373784X1	1	Elbow	From Serial or Engine Number L191016 Up to Serial or Engine Number M188047
30	3907182M91	1	Parts Pack	

MF 8250 TRACTOR - 1637366
1-ZE96-003-C

1-ZE96-003-C

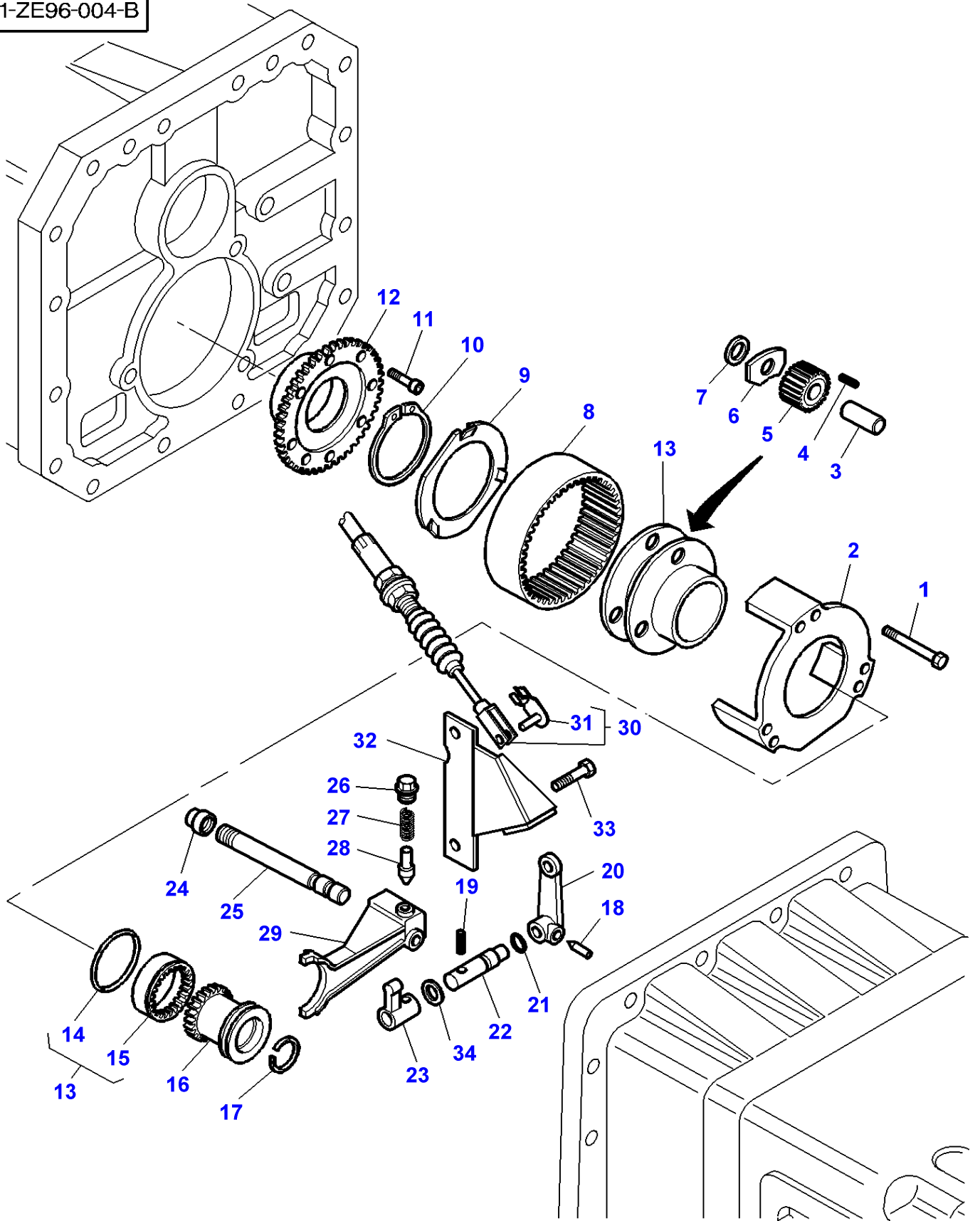


Item	Part Number	Qty	Description	Comments
1	3716442M1	1	Sleeve	
2	3716838M2	1	Shaft	
3	3009507X1	4	Hex. Sock. Screw	M12X35MM
4	3716843M1	1	Support	
5	339605X1	1	Circlip	
6	339606X1	1	Circlip	
7	3010128X1	1	Bearing Assy	
8	3385839M2	2	Pin	
9	3015134X1	6	Screw	M6X65MM
10	3716862M4	1	Plate	
11	1866538M2	3	Shaft	
12	1866553M2	96	Roller	
13	1866552M1	3	Pinion	
14	1866543M1	3	Washer	
15	1866542M1	6	Thrust Washer	
16	1866558M93	1	Carrier	
17	3716821M2	1	Annular Gear	
18	1866545M2	2	Disc	
19	377424X1	1	Ring	
20	3716837M1	1	Support	
21	3010750X1	1	Segment	Diameter 180MM
22	1441247X1	1	Ring	
23	3791821M1	1	Sleeve	[A]
24	3716840M11	1	Shaft	
25	3010741X1	1	Insert	(24)
26	3010640X1	1	Ring	
27	3716845M2	1	Coupling	
28	1866544M2	1	Spacer	(16)
29	1866539M1	1	Ring	(16)
30	3386195M2	1	Rod Link	
31	851258M1	1	O Ring	
32	3716448M1	1	Clevis Pin	
33	3716449M1	1	Selector	
34	3382979M1	1	Screw Special	
35	3001293X1	1	Pin	
36	3716447M2	1	Nut	
37	3716847M2	1	Stem	
38	3382343M2	1	Plug	
39	3794220M1	1	Spring	
40	180418M2	1	Plunger	Up to Serial or Engine Number M248041
	3797573M1	1	Plunger	From Serial or Engine Number M248042
41	3716846M3	1	Fork	
42	392376X1	1	Circlip	
43	3716415M1	1	Sleeve	
44	3791565M2	1	Thruster	
45	1444232X1	2	Screw	M8x16
46	3792320M1	X	Chock	Thickness 0,50MM
	3792321M1	X	Chock	Thickness 1MM
	3792322M1	X	Chock	Thickness 3MM
	3792361M1	X	Chock	Thickness 5MM

FOOTNOTE [A] WITH PARKING BRAKE

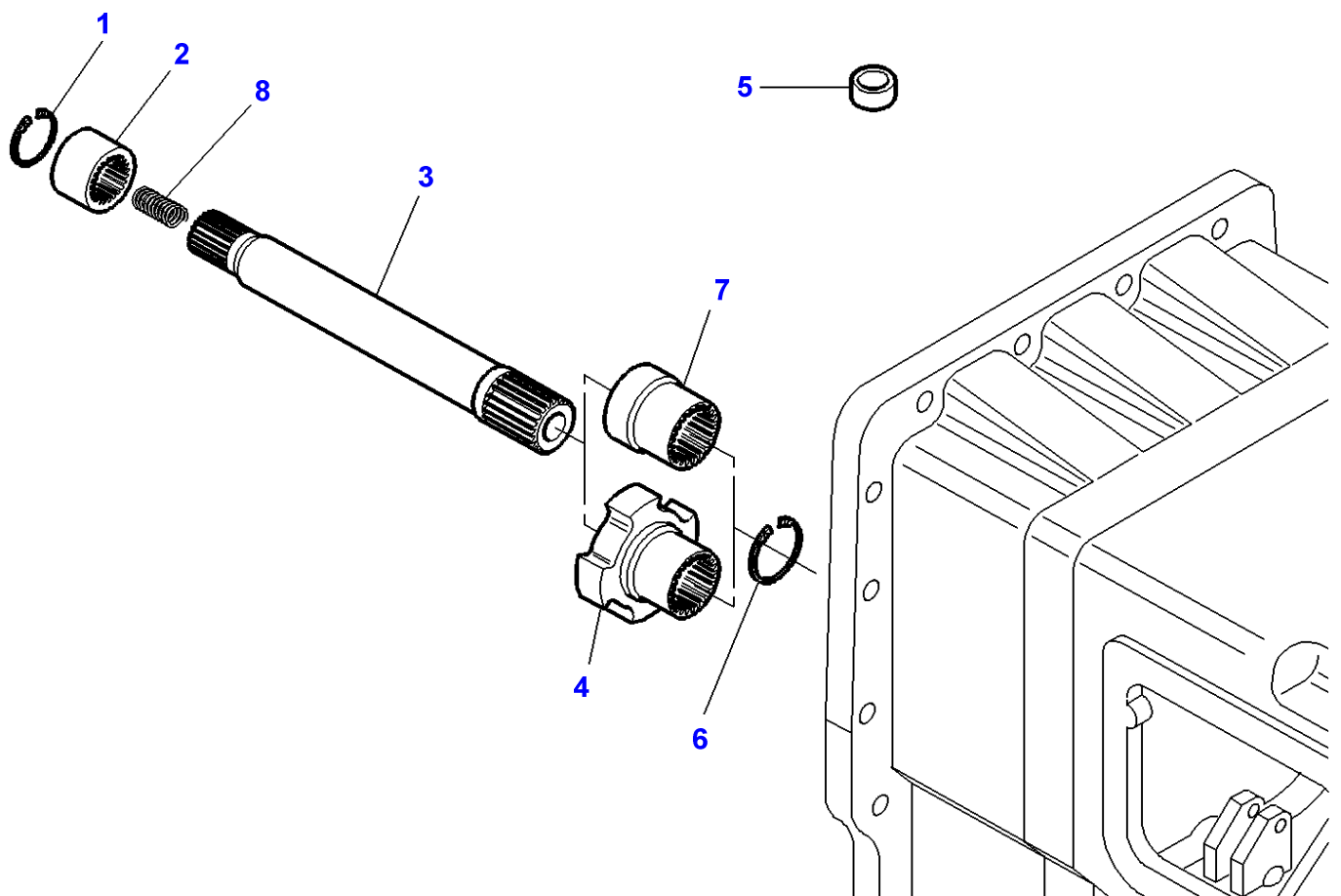
MF 8250 TRACTOR - 1637366
1-ZE96-004-B

1-ZE96-004-B



Item	Part Number	Qty	Description	Comments
1	3015134X1	6	Screw	M6X65
2	3716862M4	1	Plate	
3	1866538M2	3	Shaft	
4	1866553M2	96	Roller	
5	1866552M1	3	Pinion	
6	1866543M1	3	Washer	
7	1866542M1	6	Thrust Washer	
8	3716821M2	1	Annular Gear	
9	1866545M2	2	Disc	
10	377424X1	1	Ring	
11	1442647X1	8	Screw	M10X25MM
12	3716835M4	1	Support	
13	1866558M93	1	Carrier	
14	1866539M1	1	Ring	(13)
15	1866544M2	1	Spacer	(13)
16	3716845M2	1	Coupling	
17	3010640X1	1	Ring	
18	3382979M1	1	Screw Special	M8X20
19	3001293X1	1	Pin	
20	3386195M2	1	Rod Link	
21	851258M1	1	O Ring	
22	3716448M1	1	Clevis Pin	
23	3716449M1	1	Selector	
24	3716447M2	1	Nut	
25	3716869M3	1	Stem	
26	3382343M2	1	Plug	
27	3794220M1	1	Spring	
28	180418M2	1	Plunger	Up to Serial or Engine Number M248041
	3797573M1	1	Plunger	From Serial or Engine Number M248042
29	3791158M1	1	Fork	
30	3712989M2	1	Cable	
31	3600191M1	1	Clevis Pin	(30)
32	3791839M1	1	Thruster	
33	354264X1	2	Bolt Unc	Diameter 3/8" Length 44,4 MM
34	3792320M1	X	Chock	Thickness 0,50MM
	3792321M1	X	Chock	Thickness 1,00MM
	3792322M1	X	Chock	Thickness 3,00MM
	3792361M1	X	Chock	Thickness 5,00MM

1-ZE99-002-A

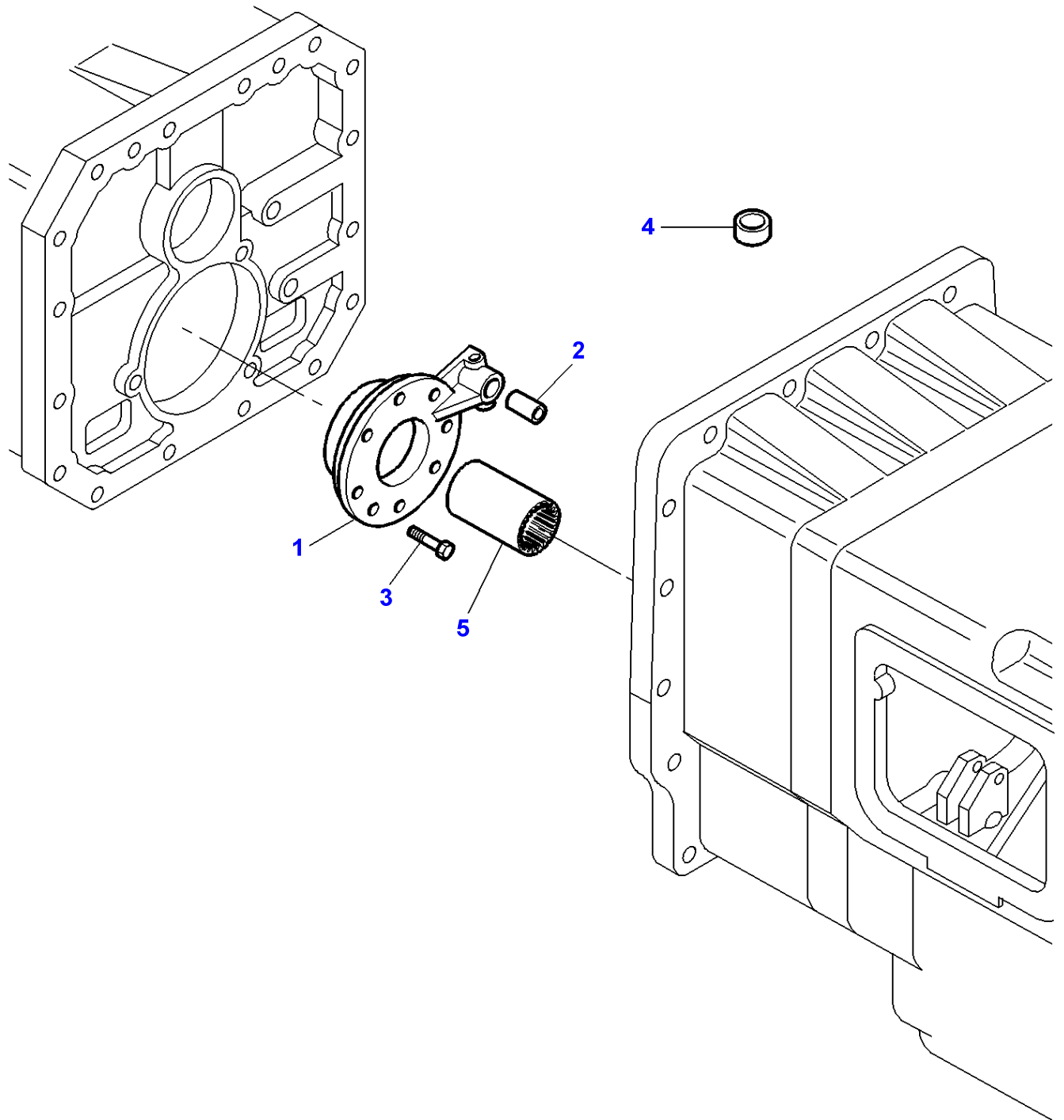


Massey Ferguson**MF 8250 TRACTOR - 1637366****1637366****Transmission - Output Shaft - With Full Powershift - Without Creeper Gear****Page025-0095**

Item	Part Number	Qty	Description	Comments
1	392376X1	1	Circlip	
2	3716442M1	1	Sleeve	
3	3716459M3	1	Shaft	
4	3791821M1	1	Sleeve	[A]
5	3006020X1	1	Plug	Diameter 20MM
6	1441247X1	1	Ring	
7	3716415M1	1	Sleeve	
8	3715534M1	1	Spring	

FOOTNOTE [A] WITH PARKING BRAKE

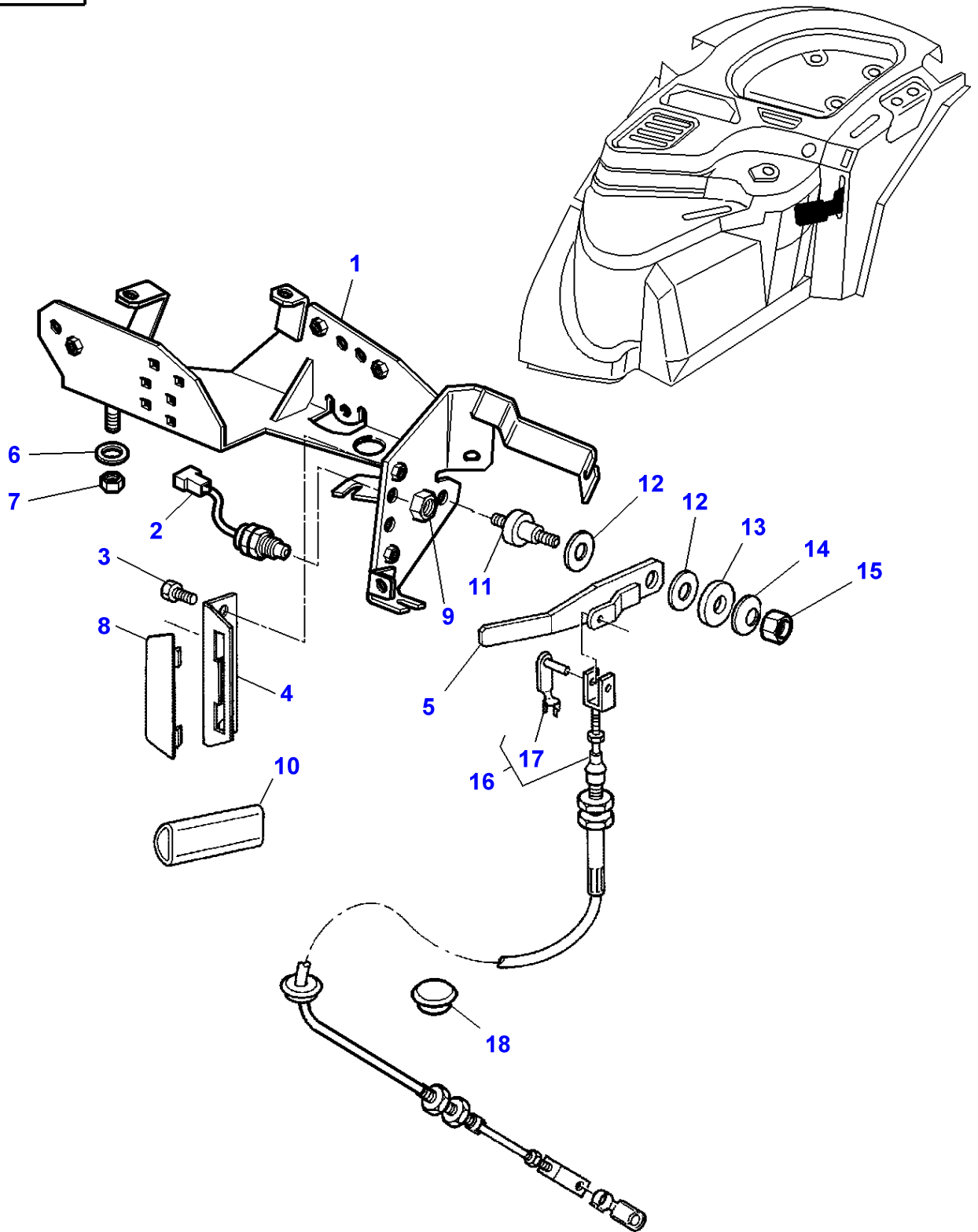
1-ZE99-003-A



Massey Ferguson**MF 8250 TRACTOR - 1637366****1637366****Transmission - Output Shaft - Dynashift - Without Creeper Gear****Page025-0100**

Item	Part Number	Qty	Description	Comments
1	3716238M4	1	Support	
2	3716240M3	1	Pin	
3	3009293X1	8	Screw	
4	3006020X1	1	Plug	Diameter 20MM
5	3791822M1	1	Sleeve	

1-ZF10-004-A



Massey Ferguson**MF 8250 TRACTOR - 1637366**

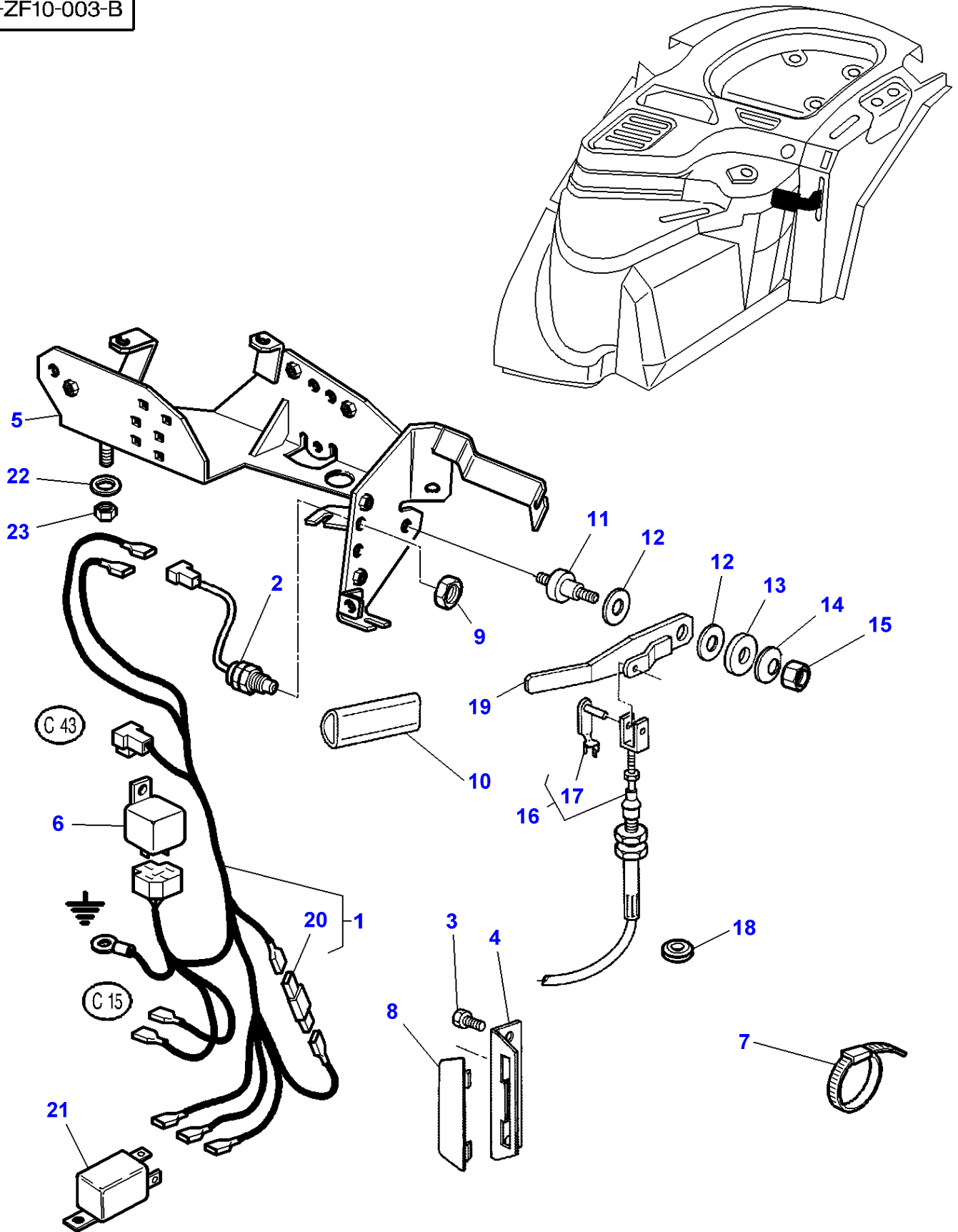
1637366

Page025-0105

Creeper Gearbox Control

Item	Part Number	Qty	Description	Comments
1	3778480M93	1	Support	
2	3780581M2	1	Switch,Indirect	
3	339228X1	2	Screw Metric	M8X12
4	3712275M1	1	Grille	
5	3712281M3	1	Lever	
6	385361X1	4	Washer	
7	1441461X1	4	Locknut	
8	3712984M1	X	Plate	
9	339070X1	1	Nut	
10	3712976M2	1	Handle	
11	3712277M1	1	Clevis Pin	
12	3386166M1	2	Washer	
13	1442174X1	1	Washer	
14	3386192M1	1	Washer	
15	1441461X1	1	Locknut	
16	3712989M2	1	Cable	
17	3600190M1	1	Clevis Pin	(16) Length 28MM
	3600191M1	1	Clevis Pin	(16) Length 40MM
18	3713587M1	1	Plug	Diameter 22MM

1-ZF10-003-B



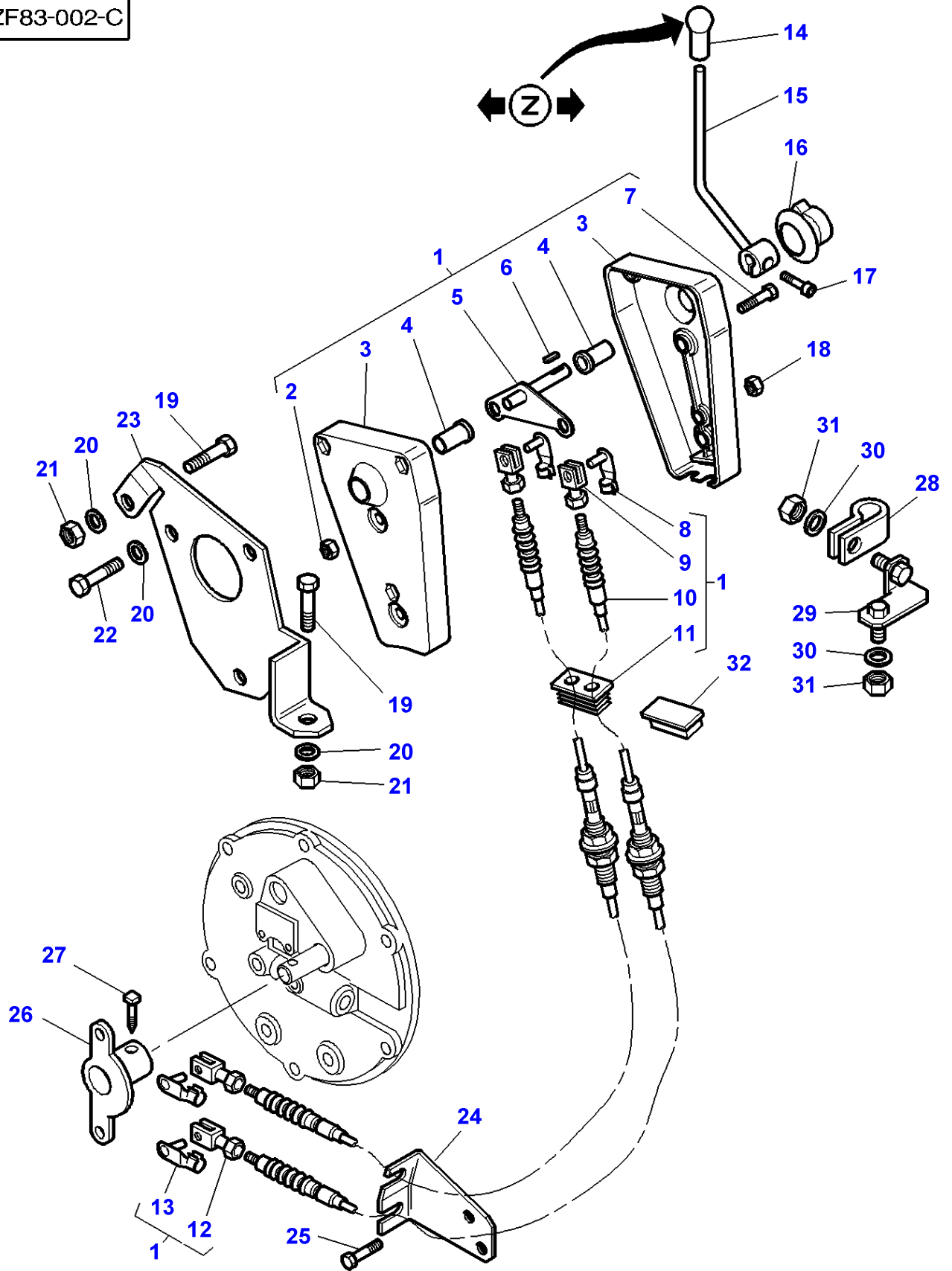
Creeper Gearbox Control - Dynashift

Item	Part Number	Qty	Description	Comments
1	3714539M92	1	Harness	Up to Serial or Engine Number 07-JAN-2001
2	3780581M2	1	Switch,Indirect	
3	339228X1	2	Screw Metric	M8X12
4	3712275M1	1	Grille	
5	3778480M93	1	Support	
6	3618239M1	1	Relay	Up to Serial or Engine Number 07-JAN-2001
7	3619622M1	5	Cable Tie	
8	3712984M1	1	Plate	[A]
9	339070X1	1	Nut	
10	3712976M2	1	Handle	
11	3712277M1	1	Clevis Pin	
12	3386166M1	2	Washer	
13	1442174X1	1	Washer	
14	3386192M1	1	Washer	
15	1441461X1	1	Locknut	
16	3712989M2	1	Cable	
17	3600190M1	1	Clevis Pin	(16) Length 28MM
	3600191M1	1	Clevis Pin	(16) Length 40MM
18	3713587M1	1	Plug	[A]
19	3712281M3	1	Lever	
20	1897312M1	1	Diode	(1) Replace and repair. Old interchangeable with new 3615548M1
21	3615652M1	1	Relay	Up to Serial or Engine Number 07-JAN-2001 12V - 25A
22	385361X1	4	Washer	
23	1441461X1	4	Locknut	

FOOTNOTE [A] WITHOUT CREEPER GEAR

MF 8250 TRACTOR - 1637366
1-ZF83-002-C

1-ZF83-002-C



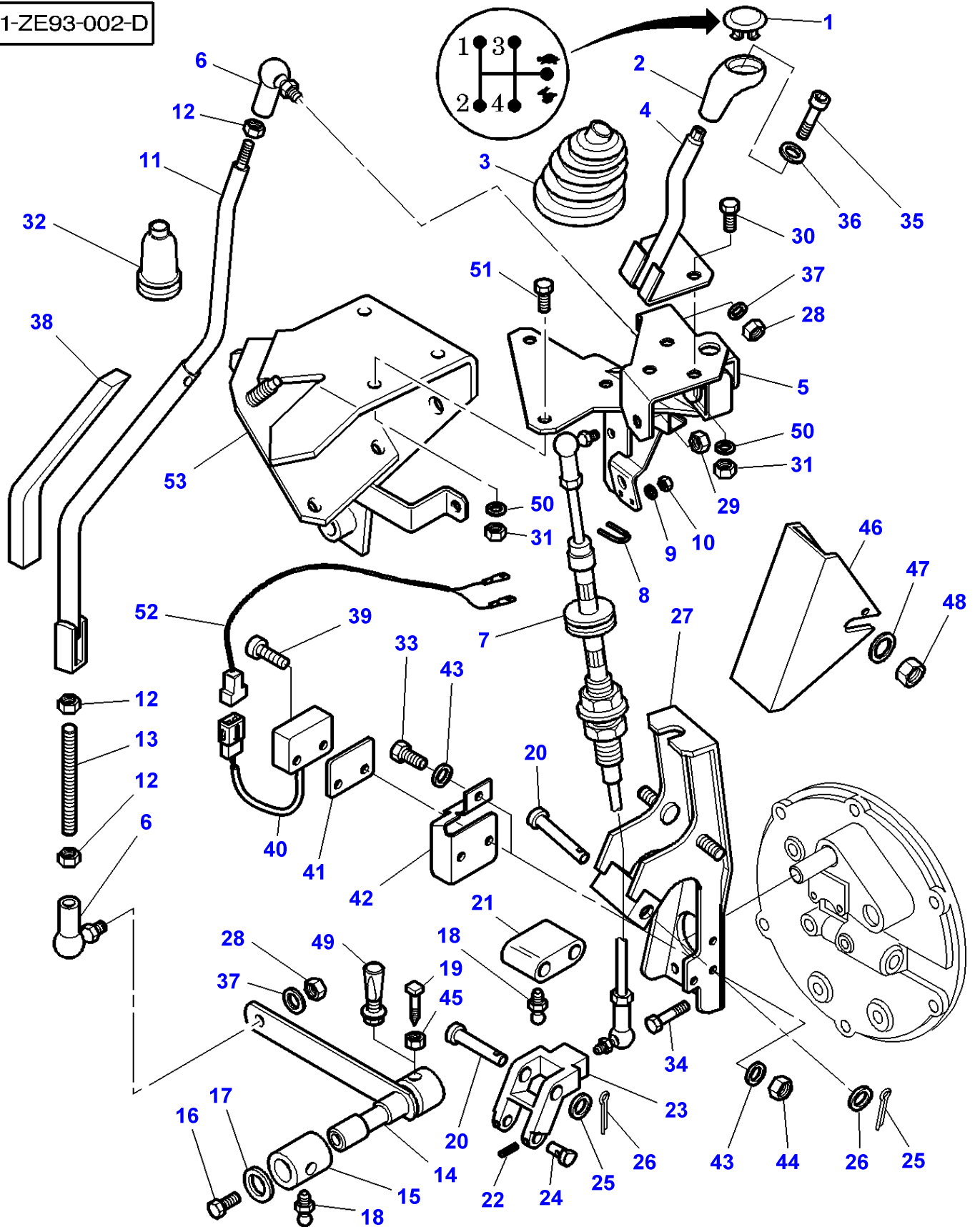
Manual Shuttle Shift Levers - Left Hand Controls - Dynashift

Item	Part Number	Qty	Description	Comments
1	3781242M92	1	Case Assy	
2	339030X1	2	Nut Metric	(1) M6
3	3782222M1	2	Case Assy	(1)
4	3385604M1	2	Bearing	(1)
5	3782223M1	1	Rockerarm	(1)
6	3782221M1	1	Key	(1) 5x5x25 MM
7	339666X1	2	Hex. Sock. Screw	(1) M6x20
8	3782220M1	1	Clevis Pin	(1) Length 12 MM
9	3009130X1	1	Clevis	(1) Length 12 MM
10	3782217M1	2	Cable	(1) Length 2370 MM
11	3782218M1	1	Plug	(1)
12	392463X1	1	Clevis	(1) Length 24 MM
13	3713042M1	1	Clevis Pin	(1) Length 24 MM
14	3613871M3	1	Knob	
15	3780365M1	1	Lever	
16	3780654M1	1	Bellows	
17	3009285X1	1	Screw	M8x16
18	1441461X1	3	Locknut	M8
19	339124X1	3	Hex. Sock. Screw	M8x16
20	390972X1	6	Washer Metric	M8
21	1441461X1	3	Locknut	M8
22	339009X1	3	Hex. Sock. Screw	M8x35
23	3780375M2	1	Support	
24	3783109M1	1	Support	
25	339123X1	2	Hex. Sock. Screw	M8x20
26	3783108M1	1	Selector	
27	3771408M1	1	Screw	Diameter 3/4"
28	360567X1	1	Clamp	Up to Serial or Engine Number 07-02-2002
29	3782598M1	1	Strap	Up to Serial or Engine Number 07-02-2002
30	390972X1	2	Washer Metric	Up to Serial or Engine Number 07-02-2002
31	1441461X1	2	Locknut	Up to Serial or Engine Number 07-02-2002
32	3780926M1	1	Stub	[A]

FOOTNOTE [A] WITHOUT MANUAL SHUTTLE SHIFT LEVERS LEFT HAND CONTROLS

MF 8250 TRACTOR - 1637366
1-ZE93-002-D

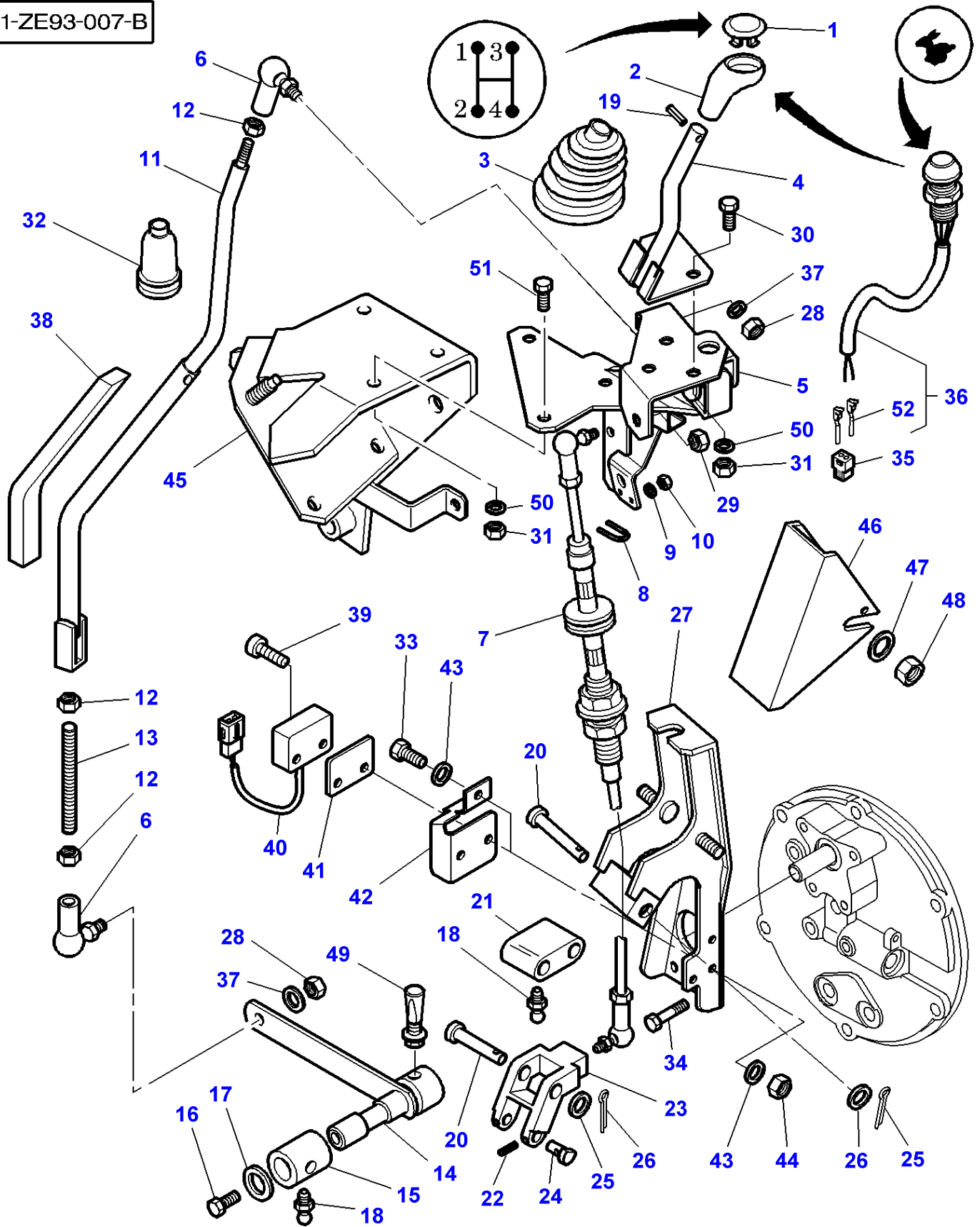
1-ZE93-002-D



Item	Part Number	Qty	Description	Comments
1	3782025M1	1	Helmet	
2	3781587M1	1	Handle	
3	3781060M1	1	Bellows	
4	3781979M2	1	Lever	Up to Serial or Engine Number H104014
	3781979M4	1	Lever	From Serial or Engine Number H104015
5	3781577M91	1	Support	Up to Serial or Engine Number H104014
	3781577M92	1	Support	From Serial or Engine Number H104015
6	3781935M1	2	Stub	
7	3781153M1	1	Cable	Length 819 MM
8	3781002M1	1	Stirrup	M6
9	390971X1	2	Washer	M6
10	1441462X1	2	Locknut	M6
11	3781582M1	1	Rod	
12	3009693X1	3	Nut Metric	M10
13	3781578M1	1	Stem	Diameter M10
14	3781561M3	1	Selector	Up to Serial or Engine Number J021015
	3783463M1	1	Selector	From Serial or Engine Number J021016
15	3781559M1	1	Bush	
16	339228X1	1	Screw Metric	M8x12
17	3010467X1	1	Washer	Diameter 9-30 MM Thickness 2 MM
18	1441858X1	2	Grease Nipple	M6
19	3771408M1	1	Screw	Diameter 3/8" Up to Serial or Engine Number J021015
20	3383531M1	2	Clevis Pin	
21	3781566M1	1	Angle Trans.	
22	70934582	2	Pin	Diameter 3 MM Length 26 MM
23	3781585M1	1	Cam	
24	3781586M1	2	Centraliser	
25	390735X1	2	Washer	Diameter 12-24 MM Thickness 2,5 MM
26	354066X1	2	Pin	Diameter 4 MM Length 25 MM
27	3781583M95	1	Support	
28	1440329X1	2	Locknut	M10
29	1441461X1	1	Locknut	M8
30	339123X1		Hex. Sock. Screw	M8x20
31	1441461X1		Locknut	M8
32	3782005M1	1	Bellows	Up to Serial or Engine Number H140028
	3783137M1	1	Bellows	From Serial or Engine Number H140029
33	3001162X1	1	Screw	M4X16
34	339123X1	2	Hex. Sock. Screw	M8x20
35	3009281X1	1	Screw	M6X16
36	390971X1	1	Washer	
37	390734X1	2	Washer	
38	3779389M1	1	Gasket	
39	3010933X1	2	Screw	M4X25
40	3782556M1	1	Sensor	
41	3782693M1	1	Chock	
42	3782555M3	1	Protector	
43	339102X1	2	Washer	
44	3019139X1	3	Nut	
45	353431X1	1	Nut Unf	Up to Serial or Engine Number J021015
46	3783135M1	1	Cowl	From Serial or Engine Number H285031
47	391039X1	2	Washer Metric	From Serial or Engine Number H285031
48	394367X1	2	Locknut	From Serial or Engine Number H285031
49	3783464M1	1	Key	From Serial or Engine Number J021016
50	390972X1	X	Washer Metric	
51	339761X1	3	Hex. Sock. Screw	M8X25
52	3782538M1	1	Harness	Length 2600MM Up to Serial or Engine Number 07/01/2001
53	3784362M91	1	Support	From Serial or Engine Number 08-JAN-2001

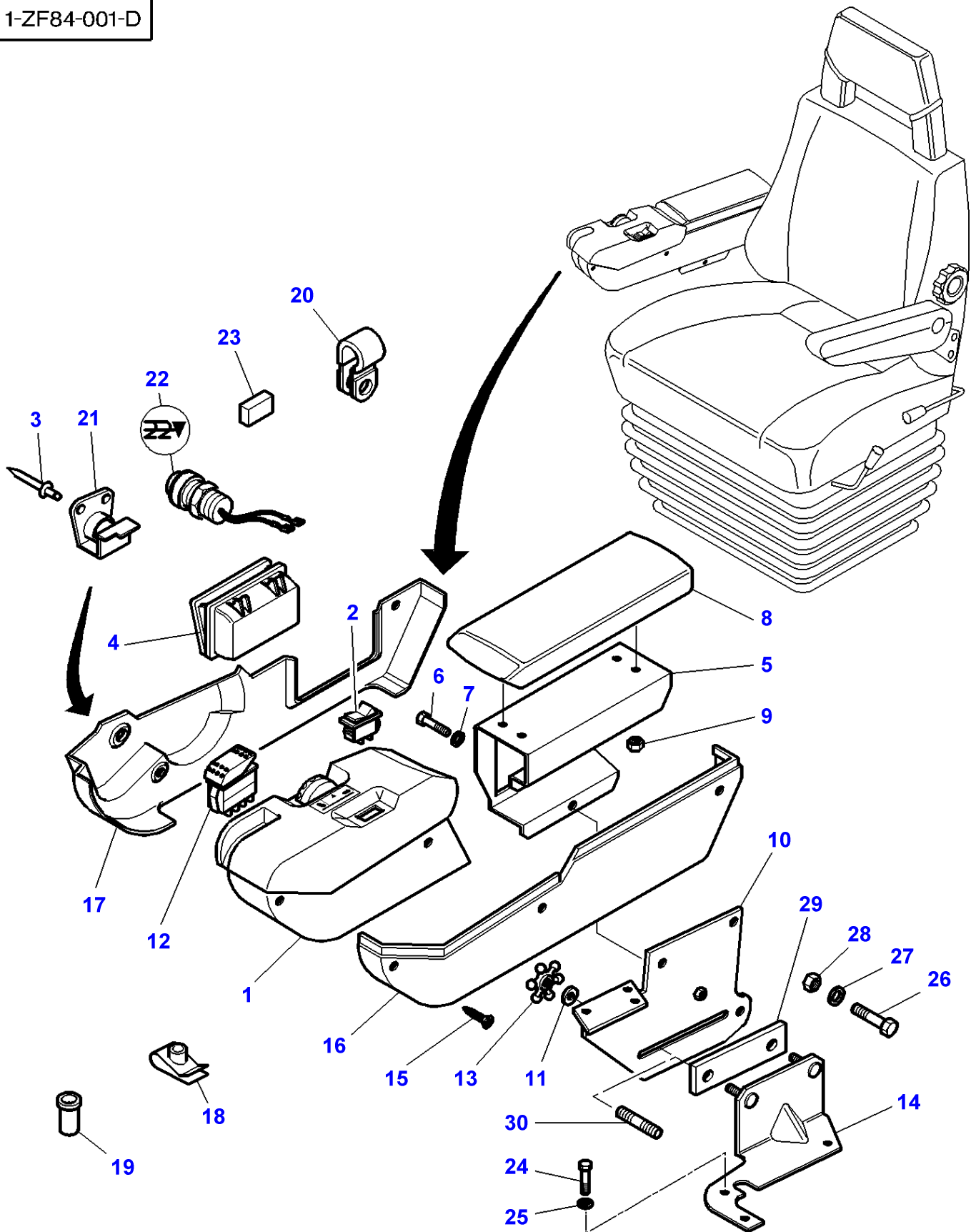
MF 8250 TRACTOR - 1637366
1-ZE93-007-B

1-ZE93-007-B



Item	Part Number	Qty	Description	Comments
1	3786513M1	1	Helmet	
2	3787674M1	1	Knob	Up to Serial or Engine Number L077028
	3789474M1	1	Knob	From Serial or Engine Number L077029
3	3781060M1	1	Bellows	
4	3787673M1	1	Lever	Up to Serial or Engine Number L077028
	3789473M1	1	Lever	From Serial or Engine Number L077029
5	3781577M92	1	Support	
6	3781935M1	2	Stub	
7	3781153M1	1	Cable	Length 819 MM
8	3781002M1	1	Stirrup	M6
9	390971X1	2	Washer	M6
10	1441462X1	2	Locknut	M6
11	3781582M1	1	Rod	
12	3009693X1	3	Nut Metric	M10
13	3781578M1	1	Stem	Diameter M10
14	3783463M1	1	Selector	
15	3781559M1	1	Bush	
16	339228X1	1	Screw Metric	M8x12
17	3010467X1	1	Washer	Diameter 9-30 MM Thickness 2 MM
18	1441858X1	2	Grease Nipple	M6
19	3002151X1	1	Pin	Diameter 6X20MM Up to Serial or Engine Number L077028
20	3383531M1	2	Clevis Pin	
21	3781566M1	1	Angle Trans.	
22	70934582	2	Pin	Diameter 3 MM Length 26 MM
23	3781585M1	1	Cam	
24	3781586M1	2	Centraliser	
25	390735X1	2	Washer	Diameter 12-24 MM Thickness 2,5 MM
26	354066X1	2	Pin	Diameter 4 MM Length 25 MM
27	3781583M95	1	Support	
28	1440329X1	2	Locknut	M10
29	1441461X1	1	Locknut	M8
30	339123X1		Hex. Sock. Screw	M8x20
31	1441461X1		Locknut	M8
32	3783137M1	1	Bellows	
33	3001162X1	1	Screw	M4X16
34	339123X1	2	Hex. Sock. Screw	M8x20
35	3784375M1	1	Connectors	
36	3786097M2	1	Switch	
37	390734X1	2	Washer	
38	3779389M1	1	Gasket	
39	3010933X1	2	Screw	M4X25
40	3782556M1	1	Sensor	
41	3782693M1	1	Chock	
42	3782555M3	1	Protector	
43	339102X1	2	Washer	
44	3019139X1	3	Nut	
45	3784362M91	1	Support	
46	3783135M1	1	Cowl	
47	391039X1	2	Washer Metric	
48	394367X1	2	Locknut	
49	3783464M1	1	Key	
50	390972X1	X	Washer Metric	
51	339761X1	3	Hex. Sock. Screw	M8X25
52	3903650M1	2	Connectors	(36)

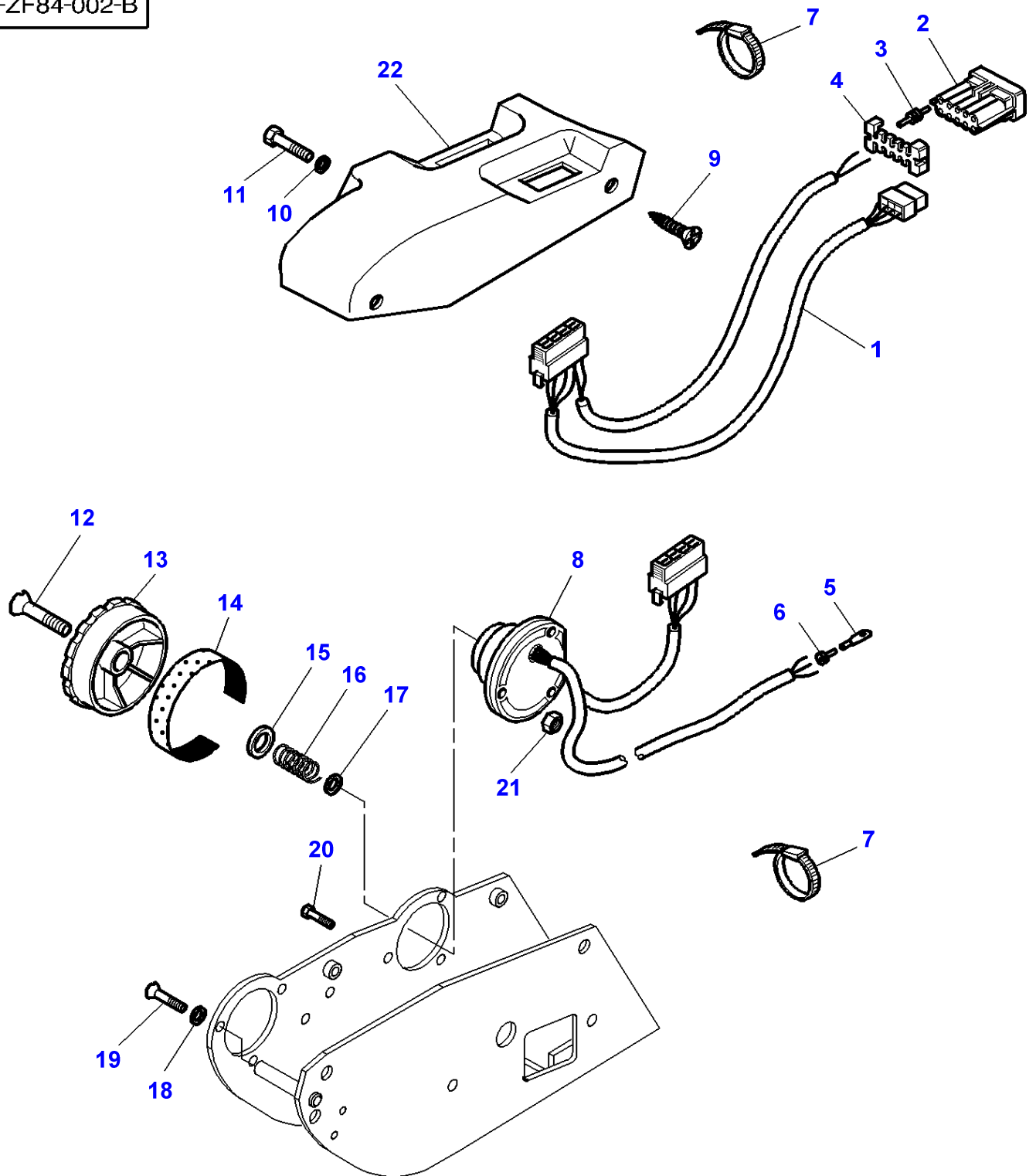
1-ZF84-001-D



Item	Part Number	Qty	Description	Comments
1	3782015M92	1	Plate Control	See Page - Reference Number 025-0135
2	3785201M1	1	Switch,Indirect	Two Wheel Drive
	3785202M1	1	Switch,Indirect	Four Wheel Drive
3	3011214X1	2	Rivet	Diameter 3,2 X7,5MM Up to Serial or Engine Number J102023
4	3712912M1	1	Ashtray	
5	3778674M2	1	Support	
6	391074X1	3	Hex. Sock. Screw	M6x12
7	390971X1	3	Washer	
8	3778521M1	1	Armrest	
9	1441500X1	4	Locknut	M6
10	3778747M1	1	Plate	Up to Serial or Engine Number H340002
	3783660M1	1	Plate	From Serial or Engine Number H340003 Up to Serial or Engine Number J245007
	3783660M2	1	Plate	From Serial or Engine Number J245008 Up to Serial or Engine Number J291016
	3783660M3	1	Plate	From Serial or Engine Number J291017
11	3778519M1	2	Washer	
12	3782020M2	1	Switch,Indirect	
13	3778520M1	2	Button	Up to Serial or Engine Number
	3784102M1	2	Button	From Serial or Engine Number
				Up to Serial or Engine Number J291016 M10X30
	3778520M1	2	Button	From Serial or Engine Number J291017 M10
14	3778517M1	1	Angle	Up to Serial or Engine Number
15	3010578X1	7	Screw	
16	3778528M2	1	Flange	Left Hand
17	3782019M2	1	Flange	Right Hand Up to Serial or Engine Number J102023
	3784095M1	1	Flange	Right Hand From Serial or Engine Number J102024
18	3715142M1	2	Nut	M5
19	3778672M1	3	Nut	M5
20	3779547M1	1	Clamp	Diameter 10-12 MM
21	3782022M3	1	Support	Up to Serial or Engine Number J102023
22	3783772M1	1	Switch,Indirect	From Serial or Engine Number J102024
23	3782023M1	1	Chock	Up to Serial or Engine Number J102023
24	339228X1	3	Screw Metric	M8X12
25	390972X1	3	Washer Metric	
26	3009494X1	1	Screw Metric	From Serial or Engine Number H340003 M10X35
27	3619096M1	2	Washer	From Serial or Engine Number H340003
28	3009693X1	1	Nut Metric	From Serial or Engine Number H340003
29	3784970M1	1	Plate	From Serial or Engine Number J245008 Up to Serial or Engine Number J291016
30	391005X1	2	Stud	From Serial or Engine Number J291017 M10X25

MF 8250 TRACTOR - 1637366
1-ZF84-002-B

1-ZF84-002-B



Massey Ferguson**MF 8250 TRACTOR - 1637366**

1637366

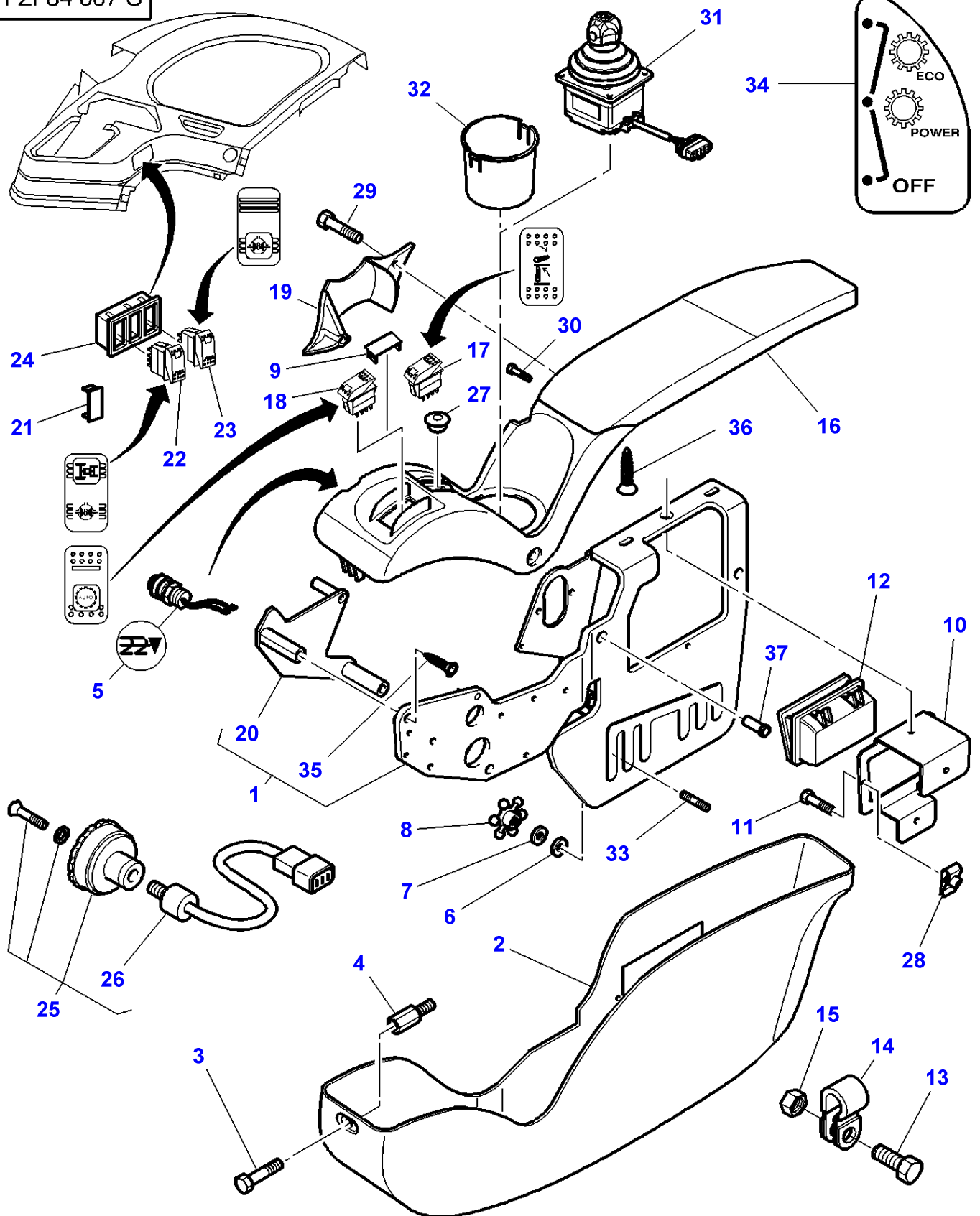
Control Armrest - Up to Serial or Engine Number 07-01-2001

Page025-0135

Item	Part Number	Qty	Description	Comments
1	3903311M91	1	Harness	
2	3902943M1	1	Connectors	NOIR - BLACK
3	3902940M1	4	Plastic Plug	
4	3902941M1	1	Connectors	
5	3902843M1	9	Connectors	
6	3902842M1	9	Grommet	ROUGE - RED
7	3902829M1	X	Tie	
8	3903312M91	1	Potentiometer	
9	3004566X1	2	Screw	M6x16
10	3902863M1	2	Washer	M6
11	339560X1	2	Hex. Sock. Screw	M6x16
12	3009674X1	1	Screw	M6x35
13	3902836M1	1	Button	
14	3902826M1	1	Decal	
15	3902830M1	1	Washer	
16	3902832M1	1	Spring	
17	3902833M1	1	Seal	
18	339102X1	2	Washer	
19	3008179X1	2	Screw Metric	M4X10
20	3009531X1	3	Screw Metric	M4X12
21	3019139X1	3	Nut	M4
22	3903477M1	1	Cover	

MF 8250 TRACTOR - 1637366
1-ZF84-007-C

1-ZF84-007-C



Item	Part Number	Qty	Description	Comments
1	3783778M3	1	Support	[F] Up to Serial or Engine Number L148005
	4270775M91	1	Support	From Serial or Engine Number L148006
2	3783777M3	1	Envelope	
3	3011175X1	1	Screw	M5X8
4	3786164M1	1	Spacer	
5	3783772M1	1	Switch,Indirect	
6	3619096M1	2	Washer	Diameter 10,5-32X5
7	3778519M1	2	Washer	Diameter 10-27X1,8
8	3778520M1	2	Button	Up to Serial or Engine Number K347035
	3786216M1	2	Button	From Serial or Engine Number K347036
9	3713151M1	X	Tap	
10	3785295M2	1	Reinforcement	Up to Serial or Engine Number K309014
11	3010506X1	2	Screw	M5X16
12	3781512M1	1	Ashtray	
13	3779547M1	1	Clamp	
14	3009494X1	1	Screw Metric	M10X35
15	3009693X1	1	Nut Metric	
16	3785279M2	1	Envelope	
17	3782020M2	1	Switch,Indirect	Up to Serial or Engine Number L347041
	4270970M2	1	Switch,Indirect	From Serial or Engine Number L347042
18	3783775M1	1	Switch	[B]
	3784327M1	1	Switch	[C]
19	3784381M1	1	Muff	
20	3783773M1	1	Plate	(1)
21	3713151M1	X	Tap	
22	3785202M1	1	Switch,Indirect	[D] Four Wheel Drive
23	3785201M1	1	Switch,Indirect	[D] Two Wheel Drive
24	3809798M1	1	Housing	
25	3784868M3	1	Potentiometer	
26	3580997M1	1	Potentiometer	(25)
27	3784237M1	4	Plug	[E, G]
28	3715143M1	2	Nut	Up to Serial or Engine Number M5
29	3010818X1	2	Screw Metric	M4X20
30	3010578X1	2	Screw	M5X10
31	3785028M93	1	Joystick	See Page - Reference Number 025-0175/1
32	3784376M1	1	Support	[E]
33	391005X1	2	Stud	Up to Serial or Engine Number K347035 M10X25
	3008483X1	2	Stud	From Serial or Engine Number K347036 M10X35
34	3788814M1	1	Decal	[C] From Serial or Engine Number L077021
35	3009439X1	2	Screw	(1) M8X16
36	4270255M1	1	Screw	N 5X22
37	3580776M1	1	Nut	From Serial or Engine Number M5

FOOTNOTE [A] WITH DYNASHIFT

FOOTNOTE [B] WITH SPEED MATCHING

FOOTNOTE [C] WITH AUTODRIVE

FOOTNOTE [D] DIFFERENTIAL LOCK

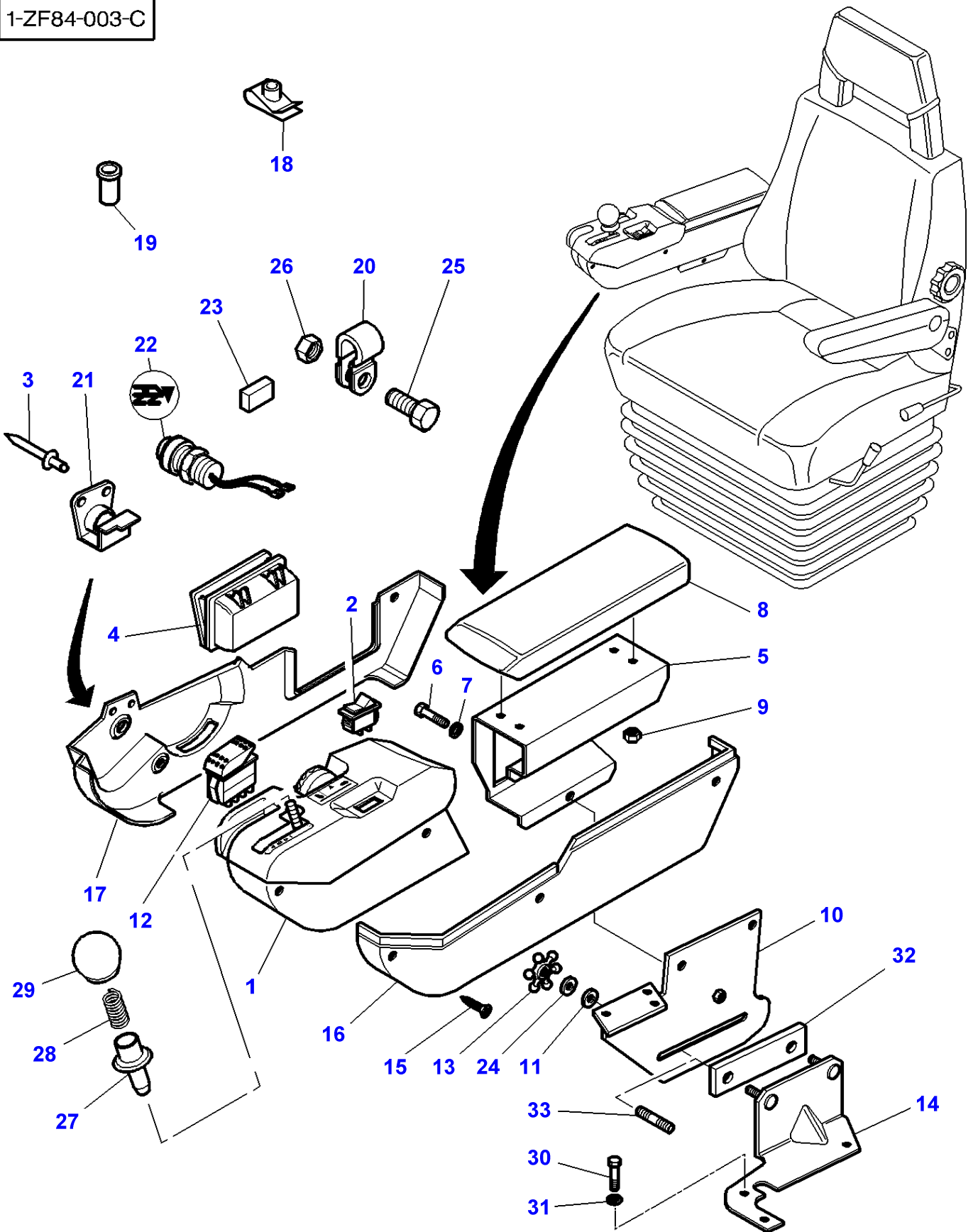
FOOTNOTE [E] WITHOUT JOYSTICK

FOOTNOTE [F] PLATE 3783773M1 IS NOT INCLUDED

FOOTNOTE [G] BLACK

MF 8250 TRACTOR - 1637366
1-ZF84-003-C

1-ZF84-003-C



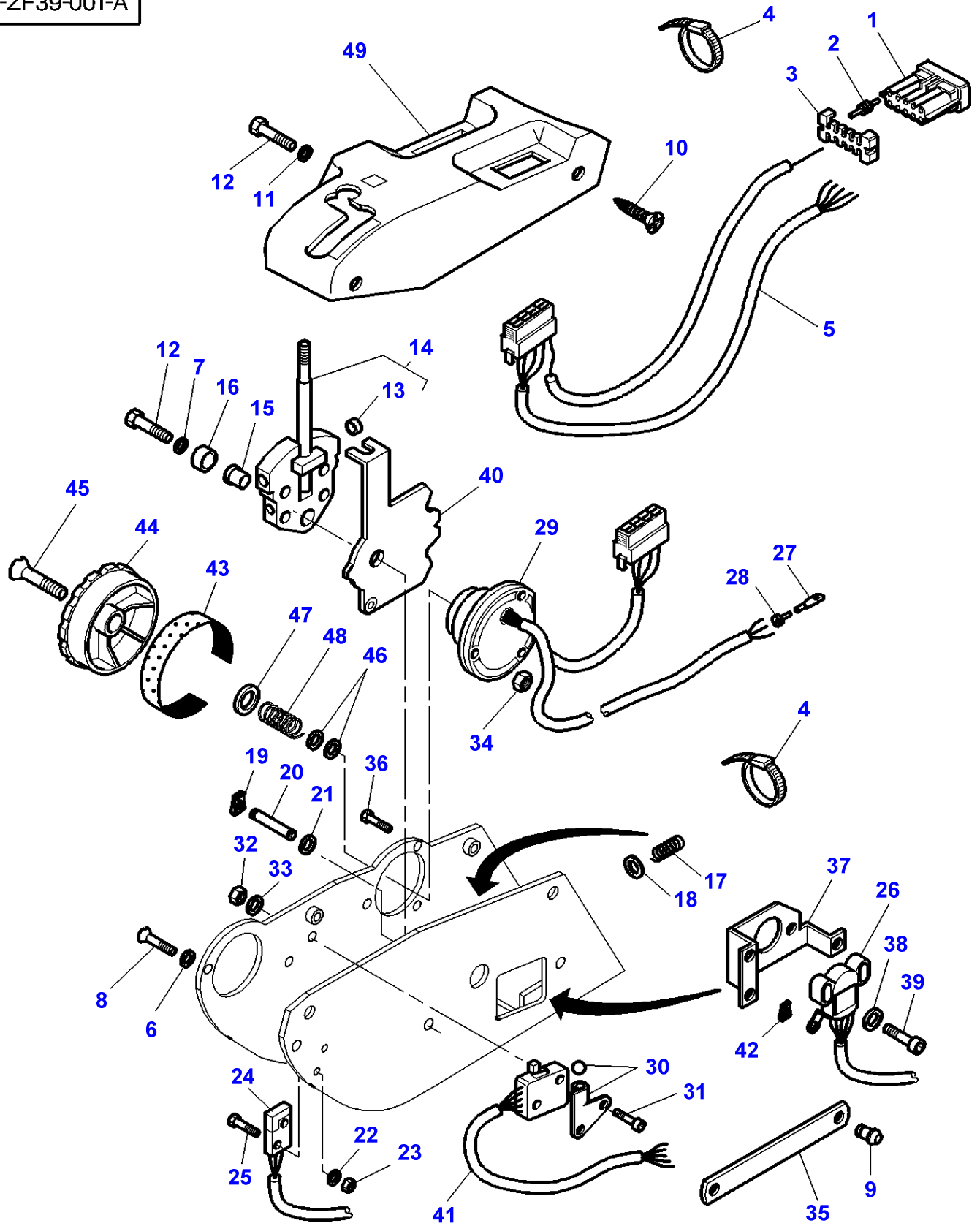
Item	Part Number	Qty	Description	Comments
1	3782014M93	1	Plate Control	See Page - Reference Number 025-0150
2	3785201M1	1	Switch,Indirect	Two Wheel Drive
	3785202M1	1	Switch,Indirect	Four Wheel Drive
3	3011214X1	2	Rivet	Diameter 3,2 X 7,5MM Up to Serial or Engine Number J102023
4	3712912M1	1	Ashtray	
5	3778674M2	1	Support	
6	391074X1	3	Hex. Sock. Screw	M6x12
7	390971X1	3	Washer	
8	3778521M1	1	Armrest	
9	1441500X1	4	Locknut	Diameter M6
10	3778518M2	1	Plate	Up to Serial or Engine Number J025011
	3783660M3	1	Plate	From Serial or Engine Number J025012
11	3778519M1	2	Washer	
12	3782020M2	1	Switch,Indirect	
13	3778520M1	2	Button	Up to Serial or Engine Number
	3784102M1	2	Button	From Serial or Engine Number
				Up to Serial or Engine Number J291016
				M10X30
	3778520M1	2	Button	From Serial or Engine Number J291017
				M10
14	3778517M1	1	Angle	Up to Serial or Engine Number
15	3010578X1	7	Screw	
16	3778528M2	1	Flange	Left Hand
17	3782019M2	1	Flange	Right Hand
				Up to Serial or Engine Number J102023
	3784095M1	1	Flange	Right Hand
				From Serial or Engine Number J102024
18	3715142M1	2	Nut	Diameter M5
19	3778672M1	3	Nut	Diameter M5
20	3779547M1	1	Clamp	Diameter 10-12 MM
21	3782022M3	1	Support	Up to Serial or Engine Number J102023
22	3783772M1	1	Switch,Indirect	From Serial or Engine Number J102024
23	3782023M1	1	Chock	Up to Serial or Engine Number J102023
24	3619096M1	2	Washer	
25	3009494X1	1	Screw Metric	M10X35
26	3009693X1	1	Nut Metric	
27	3782951M3	1	Latch	
28	3783315M1	1	Spring	
29	3782952M2	1	Knob	[A]
30	339228X1	3	Screw Metric	M8X12
31	390972X1	3	Washer Metric	
32	3784970M1	1	Plate	From Serial or Engine Number J245008
33		2	Stud	[B] M10X35 From Serial or Engine Number

FOOTNOTE [A] ORANGE

FOOTNOTE [B] TO BE ADVISED

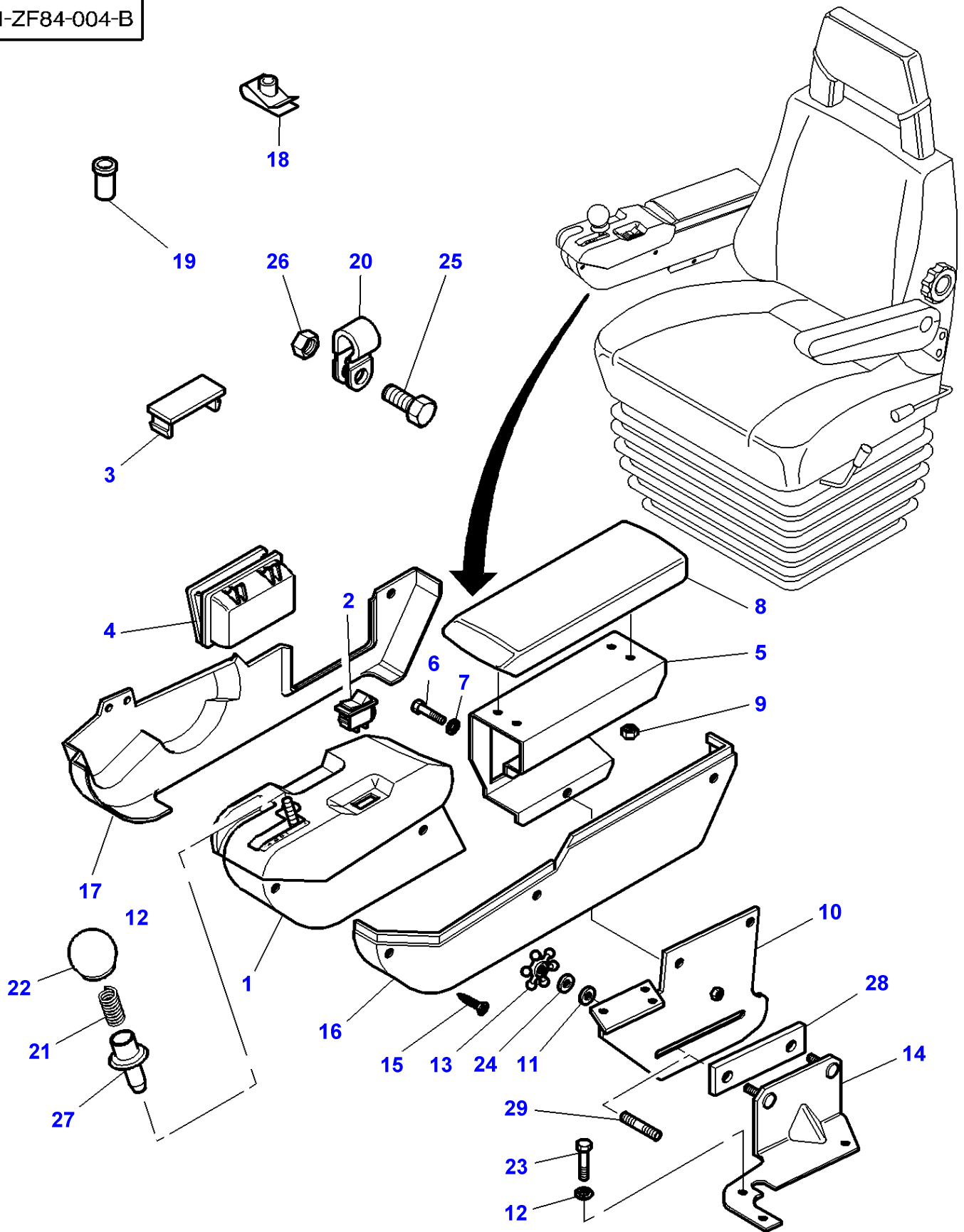
MF 8250 TRACTOR - 1637366
1-ZF39-001-A

1-ZF39-001-A



Item	Part Number	Qty	Description	Comments
1	3902942M1	1	Connectors	GREY
	3902943M1	1	Connectors	BLACK
2	3902940M1	2	Plastic Plug	
3	3902941M1	2	Connectors	
4	3902829M1	X	Tie	
5	3903445M91	1	Cable	
6	339102X1	2	Washer	
7	1441206X1	1	Lock Washer	
8	3008179X1	2	Screw Metric	M4X10
9	3903447M1	1	Clevis Pin	
10	3004566X1	2	Screw	M6x16
11	3902863M1	2	Washer	M6
12	339560X1	3	Hex. Sock. Screw	M6x16
13	3902863M1	1	Washer	(14)
14	3903449M91	1	Lever	
15	3902838M1	1	Bearing	
16	3902850M1	1	Spacer	
17	3902859M1	1	Spring	
18	3902863M1	1	Washer	
19	3902944M1	2	Clip	Diameter 6 MM
20	3902945M2	1	Pin	
21	3902947M1	1	Roller	
22	3902866M1	2	Washer	M3
23	3010599X1	2	Nut Metric	M3
24	3902860M1	1	Switch,Indirect	
25	1442829X1	2	Screw	M3x16
26	3902946M91	1	Potentiometer	
27	3902843M1	4	Connectors	
28	3902842M1	4	Grommet	RED
29	3903312M91	1	Potentiometer	
30	3902862M1	1	Plate	
31	3903270M1	2	Screw	M3x16
32	3010599X1	2	Nut Metric	M3
33	3902866M1	2	Washer	M3
34	3019139X1	3	Nut	M4
35	3903448M1	1	Cam	
36	3009531X1	3	Screw Metric	M4x12
37	3903446M91	1	Support	
38	3903451M1	2	Washer	
39	3009534X1	2	Screw Metric	M4X25
40	3903450M91	1	Lever	
41	3903199M91	1	Harness	
42	3902955M1	2	Clip	Diameter 5 MM
43	3902826M1	1	Decal	
44	3902836M1	1	Button	
45	3009674X1	1	Screw	M6x35
46	3902833M1	1	Seal	
47	3902830M1	1	Washer	
48	3902832M1	1	Spring	
49	3903476M1	1	Cover	

1-ZF84-004-B

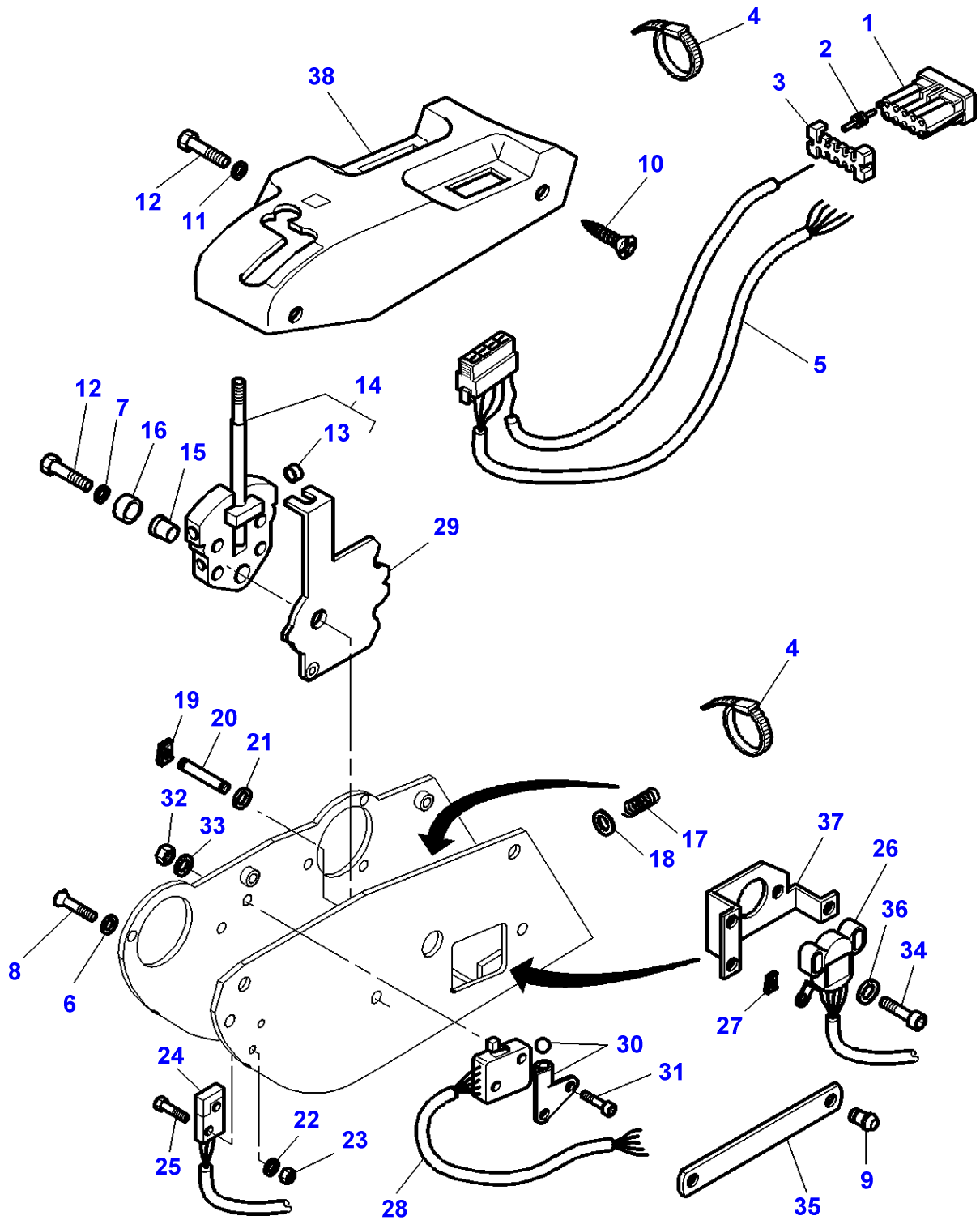


Item	Part Number	Qty	Description	Comments
1	3782018M92	1	Plate Control	See Page - Reference Number 025-0160
2	3785202M1	1	Switch, Indirect	
3	3713151M1	2	Tap	
4	3712912M1	1	Ashtray	
5	3778674M2	1	Support	
6	391074X1	3	Hex. Sock. Screw	M6x12
7	390971X1	3	Washer	
8	3778521M1	1	Armrest	
9	1441500X1	4	Locknut	M6
10	3778518M2	1	Plate	Up to Serial or Engine Number J025011
	3783660M3	1	Plate	From Serial or Engine Number J025012
11	3778519M1	2	Washer	
12	390972X1	3	Washer Metric	
13	3778520M1	2	Button	
14	3778517M1	1	Angle	Up to Serial or Engine Number
15	3010578X1	7	Screw	
16	3778528M2	1	Flange	Left Hand
17	3783015M1	1	Flange	Right Hand
18	3715142M1	2	Nut	M5
19	3778672M1	3	Nut	M5
20	3779547M1	1	Clamp	Diameter 10-12 MM
21	3783315M1	1	Spring	
22	3782952M2	1	Knob	[A]
23	339228X1	3	Screw Metric	M8X12
24	3619096M1	2	Washer	
25	3009494X1	1	Screw Metric	M10X35
26	3009693X1	1	Nut Metric	
27	3782951M3	1	Latch	
28	3784970M1	1	Plate	From Serial or Engine Number J245008
29	391006X1	2	Stud	From Serial or Engine Number M10X30

FOOTNOTE [A] ORANGE

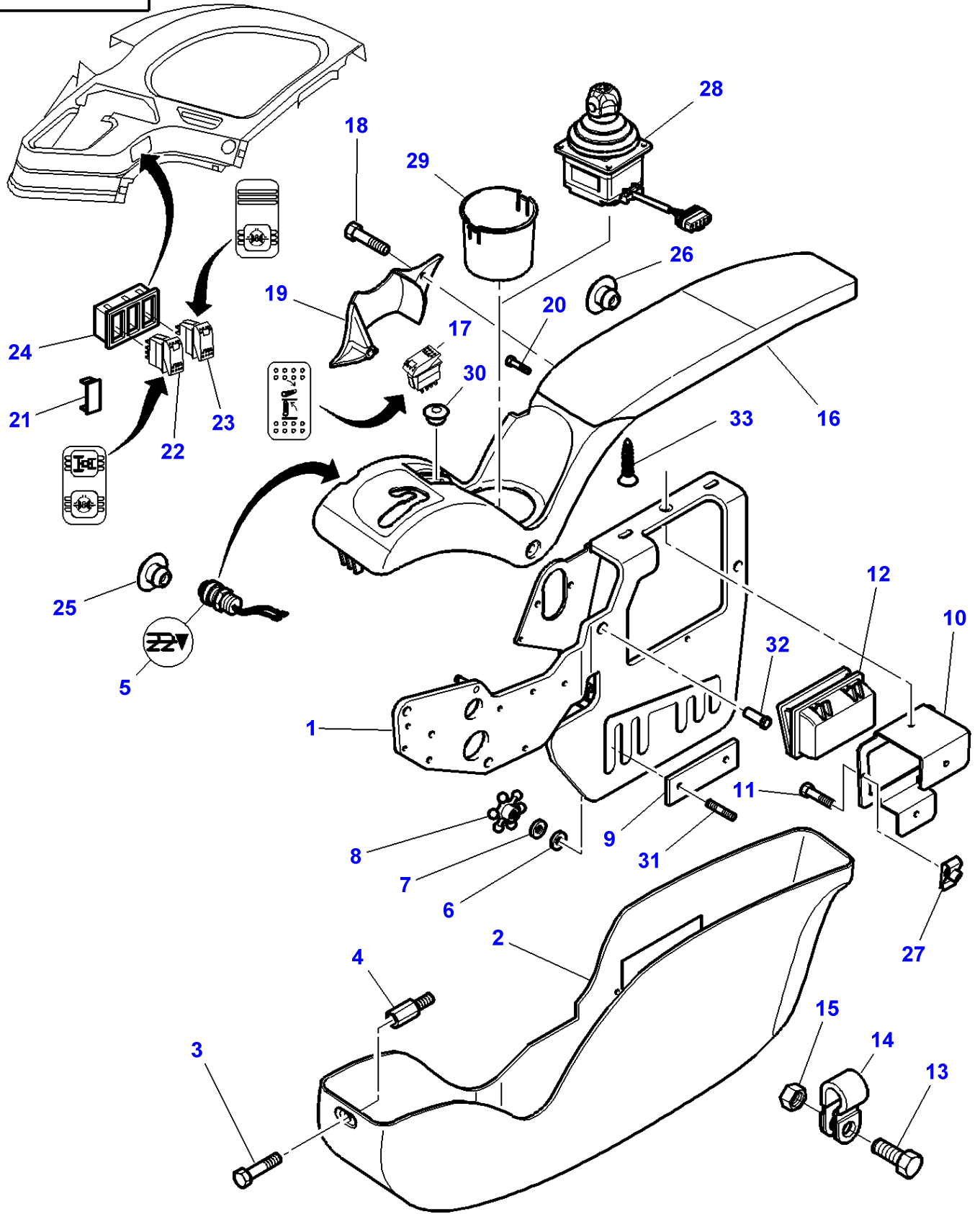
FOOTNOTE [B] TO BE ADVISED

1-ZF39-002-A



Item	Part Number	Qty	Description	Comments
1	3902942M1	1	Connectors	GREY
	3902943M1	1	Connectors	BLACK
2	3902940M1	X	Plastic Plug	
3	3902941M1	2	Connectors	
4	3902829M1	X	Tie	
5	3903445M91	1	Cable	
6	339102X1	2	Washer	
7	1441206X1	1	Lock Washer	
8	3008179X1	2	Screw Metric	M4X10
9	3903447M1	1	Clevis Pin	
10	3004566X1	2	Screw	M6x16
11	3902863M1	2	Washer	M6
12	339560X1	3	Hex. Sock. Screw	M6x16
13	3902863M1	1	Washer	(14)
14	3903449M91	1	Lever	
15	3902838M1	1	Bearing	
16	3902850M1	1	Spacer	
17	3902859M1	1	Spring	
18	3902863M1	1	Washer	
19	3902944M1	2	Clip	Diameter 6 MM
20	3902945M2	1	Pin	
21	3902947M1	1	Roller	
22	3902866M1	2	Washer	M3
23	3010599X1	2	Nut Metric	M3
24	3902860M1	1	Switch,Indirect	
25	1442829X1	2	Screw	M3x16
26	3902946M91	1	Potentiometer	
27	3902955M1	2	Clip	Diameter 5 MM
28	3903199M91	1	Harness	
29	3903450M91	1	Lever	
30	3902862M1	1	Plate	
31	3903270M1	2	Screw	M3x16
32	3010599X1	2	Nut Metric	M3
33	3902866M1	2	Washer	M3
34	3009534X1	2	Screw Metric	M4X25
35	3903448M1	1	Cam	
36	3903451M1	2	Washer	
37	3903446M91	1	Support	
38	3903475M1	1	Cover	

1-ZF84-006-C



Item	Part Number	Qty	Description	Comments
1	3783778M3	1	Support	
2	3783777M3	1	Envelope	
3	3011175X1	1	Screw	M5X8
4	3786164M1	1	Spacer	
5	3783772M1	1	Switch, Indirect	
6	3619096M1	2	Washer	Diameter 10,5-32X5
7	3778519M1	2	Washer	Diameter 10-27X1,8
8	3784102M1	2	Button	Up to Serial or Engine Number L276032
	3786216M1	2	Button	From Serial or Engine Number L276033
9	3784970M1	1	Plate	
10	3785295M2	1	Reinforcement	Up to Serial or Engine Number K309014
11	3010506X1	1	Screw	M5X16
12	3781512M1	1	Ashtray	
13	3779547M1	1	Clamp	
14	3009494X1	1	Screw Metric	M10X35
15	3009693X1	1	Nut Metric	
16	3785280M2	1	Envelope	
17	3782020M2	1	Switch, Indirect	Up to Serial or Engine Number L347041
	4270970M2	1	Switch, Indirect	From Serial or Engine Number L347042
18	3010818X1	2	Screw Metric	M4X20
19	3784381M1	1	Muff	
20	3010578X1	2	Screw	M5X10
21	3713151M1	X	Tap	
22	3785202M1	1	Switch, Indirect	[B] Four Wheel Drive
23	3785201M1	1	Switch, Indirect	[B] Two Wheel Drive
24	3809798M1	1	Housing	
25	3784237M1	1	Plug	[A] Diameter 13MM
26	3785802M1	1	Plug	[A]
27	3715143M1	1	Nut	Up to Serial or Engine Number M5
28	3785028M93	1	Joystick	See Page - Reference Number 025-0175/1
29	3784376M1	1	Support	[C]
30	3784237M1	4	Plug	[C,D]
31	391005X1	2	Stud	Up to Serial or Engine Number L276032 M10X25
	3008483X1	2	Stud	From Serial or Engine Number L276033 M10X35
32	3580776M1	1	Nut	From Serial or Engine Number M5
33	4270255M1	1	Screw	N 5X22

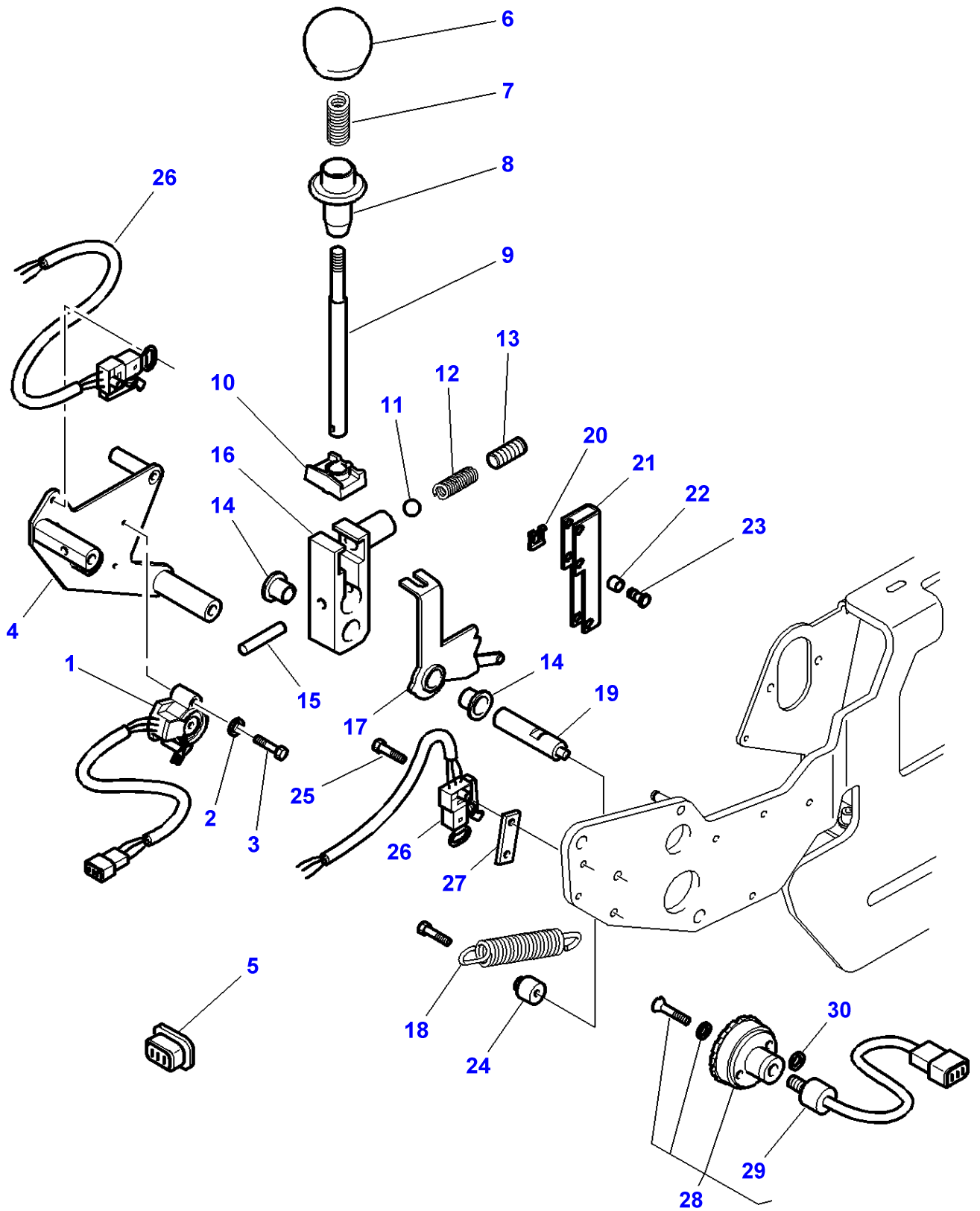
FOOTNOTE [A] WITHOUT HYDRAULIC LIFT

FOOTNOTE [B] DIFFERENTIAL LOCK

FOOTNOTE [C] WITHOUT JOYSTICK

FOOTNOTE [D] BLACK

1-ZF39-003-B



Massey Ferguson**MF 8250 TRACTOR - 1637366**

1637366

Controle Full Powershift - From Serial or Engine Number 08-01-2001

Page025-0170

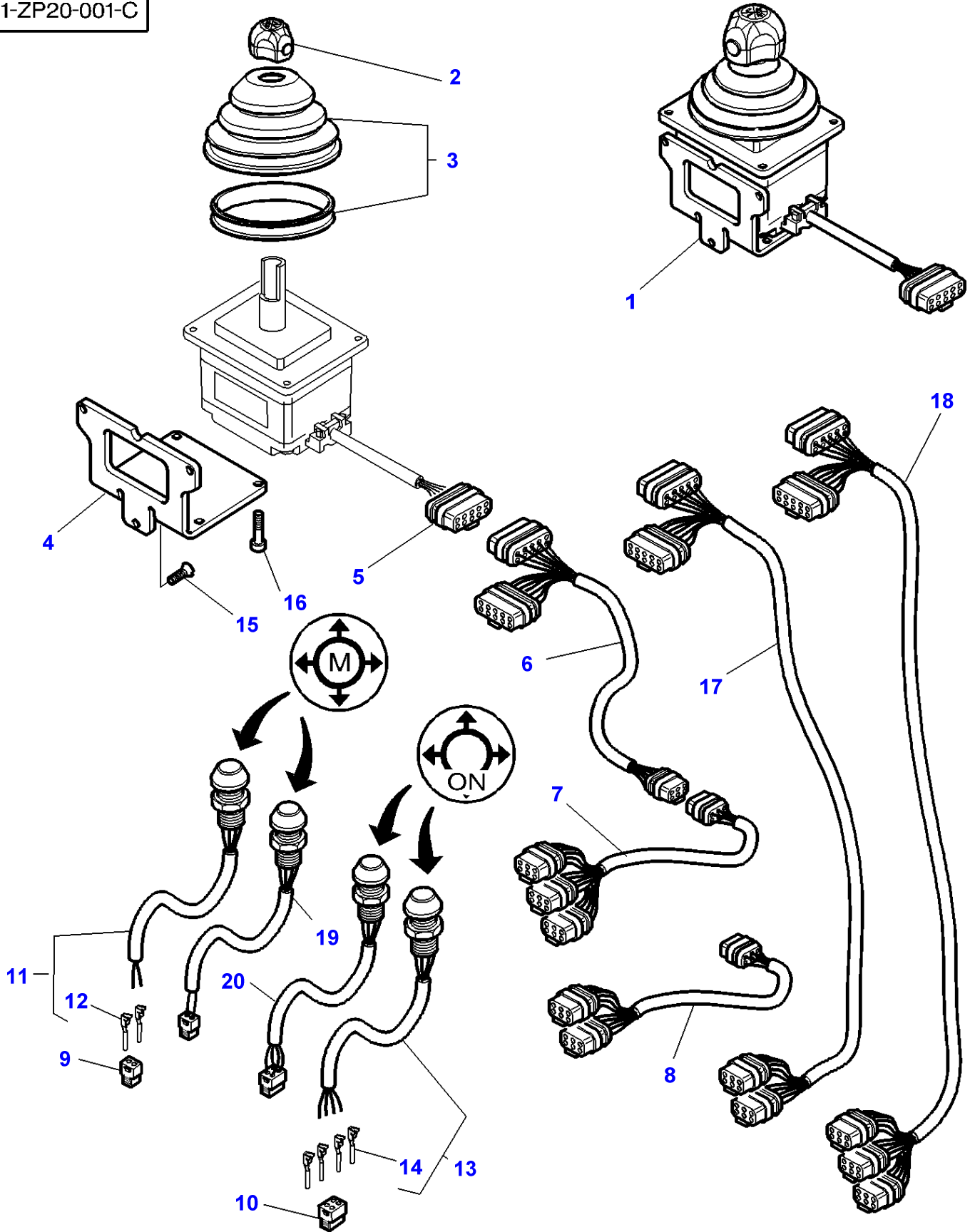
Item	Part Number	Qty	Description	Comments
1	3784099M1	1	Transducer	
2	339102X1	2	Washer	
3	3010354X1	2	Screw	M4X25
4	3784445M2	1	Plate	
5	3784687M1	1	Connectors	[A]
	3784686M1	1	Connectors	[B]
6	3782952M2	1	Knob	
7	3783315M1	1	Spring	
8	3782951M3	1	Latch	
9	3784121M1	1	Lever	
10	3784606M1	1	Selector	
11	3784122M1	1	Ball	
12	3784123M1	1	Spring	
13	3015185X1	1	Setscrew	M12
14	3784124M1	2	Bearing Carrier	
15	391290X1	1	Pin	Diameter 5X28
16	3784120M1	1	Support	
17	3784126M4	1	Cam	
18	3784187M3	1	Tension Spring	
19	3784446M1	1	Clevis Pin	
20	3784191M1	3	Thruster	
21	3784171M1	1	Support	
22	3784184M1	1	Roller	
23	3784185M1	2	Clevis Pin	
24	3784188M1	1	Spacer	
25	3010351X1	2	Screw	M4X12
26	3784192M1	2	Switch	
27	3784228M1	1	Chock	
28	3784868M3	1	Potentiometer	
29	3580997M1	1	Potentiometer	(28)
30	3001856X1	2	Washer Metric	

FOOTNOTE [A] BLACK

FOOTNOTE [B] BROWN

MF 8250 TRACTOR - 1637366
1-ZP20-001-C

1-ZP20-001-C



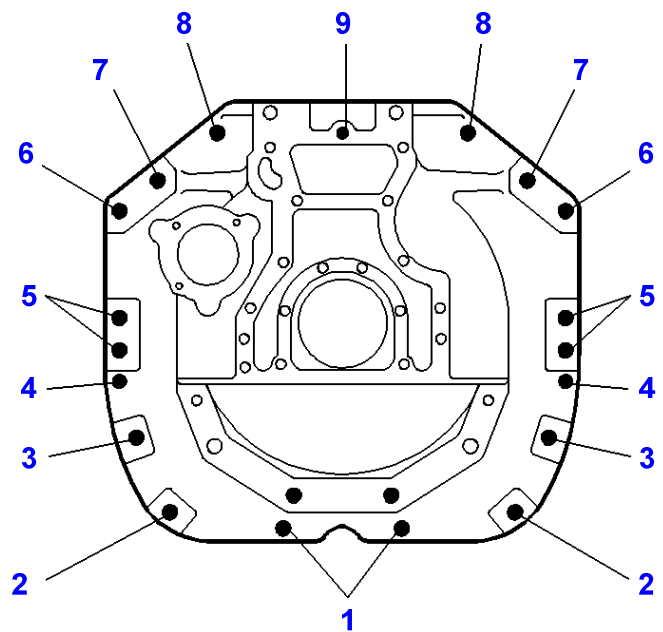
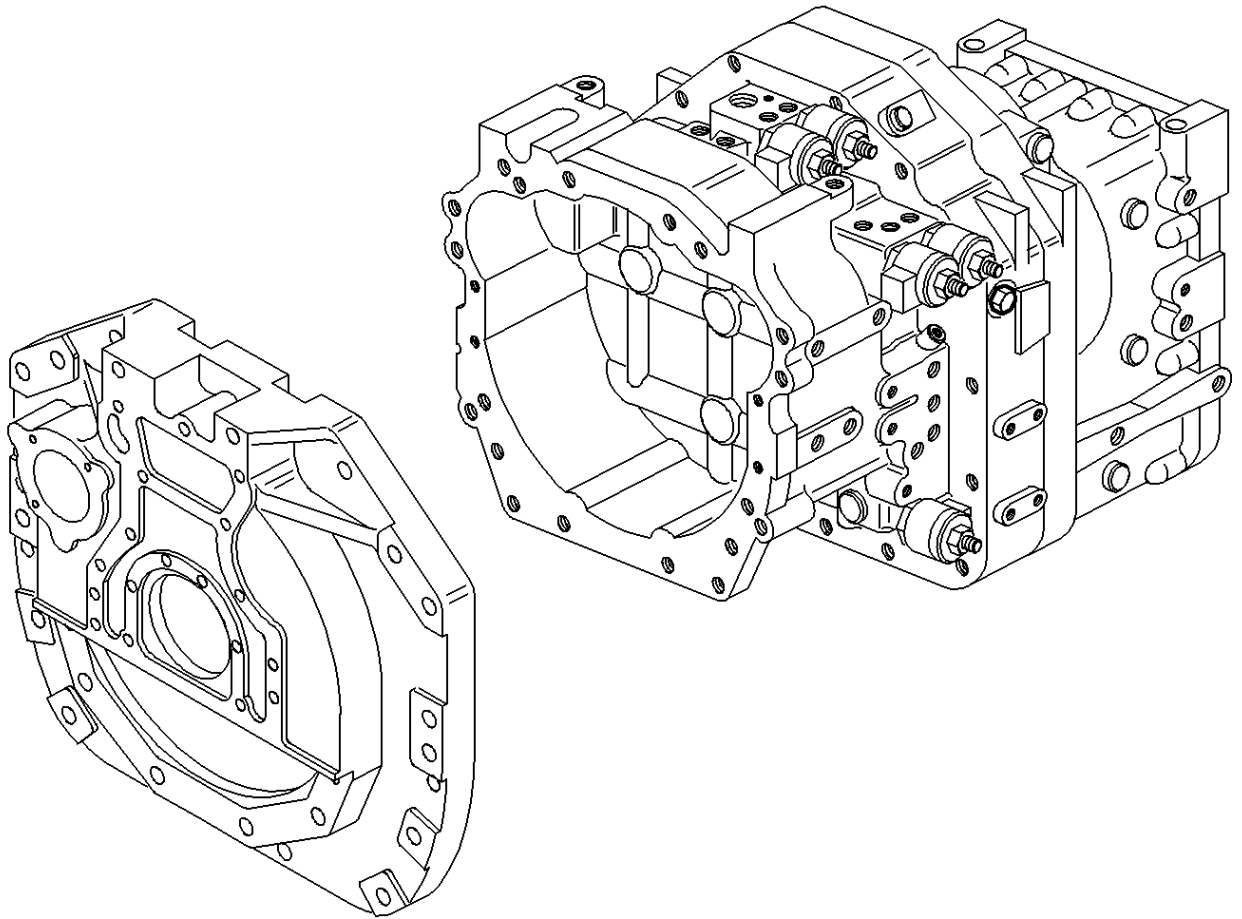
Joystick For Distributor With electrodynamique Control

Item	Part Number	Qty	Description	Comments
1	3785028M93	1	Joystick	
2	3903673M91	1	Shell	(1)
3	3903672M91	1	Bellows	(1)
4	3784658M1	1	Support	(1)
5	3902473M1	1	Connectors	(1)
6	3785970M1	1	Harness	Up to Serial or Engine Number K190010
7	3785973M1	1	Harness	[B] Up to Serial or Engine Number K190010
8	3785972M1	1	Harness	[A] Up to Serial or Engine Number K190010
9	3784375M1	1	Connectors	Up to Serial or Engine Number L347041
10	3784374M1	1	Connectors	Up to Serial or Engine Number L347041
11	3783782M1	1	Switch	Up to Serial or Engine Number L347041
12	3903650M1	2	Connectors	(11)
13	3783834M1	1	Switch	Up to Serial or Engine Number L347041
14	3903650M1	4	Connectors	(13)
15	3011000X1	3	Screw	M5X12
16	3010354X1	4	Screw	M4X25
17	3784340M1	1	Harness	[A] From Serial or Engine Number K190011
18	3787783M1	1	Harness	[B] From Serial or Engine Number K190011
19	4271759M1	1	Switch,Indirect	From Serial or Engine Number L347042
20	4271760M1	1	Switch,Indirect	From Serial or Engine Number L347042

FOOTNOTE [A] 2 DISTRIBUTORS WITH ELECTRIC CONTROL

FOOTNOTE [B] 3 DISTRIBUTORS WITH ELECTRIC CONTROL

1-ZD12-004-A



Massey Ferguson**MF 8250 TRACTOR - 1637366**

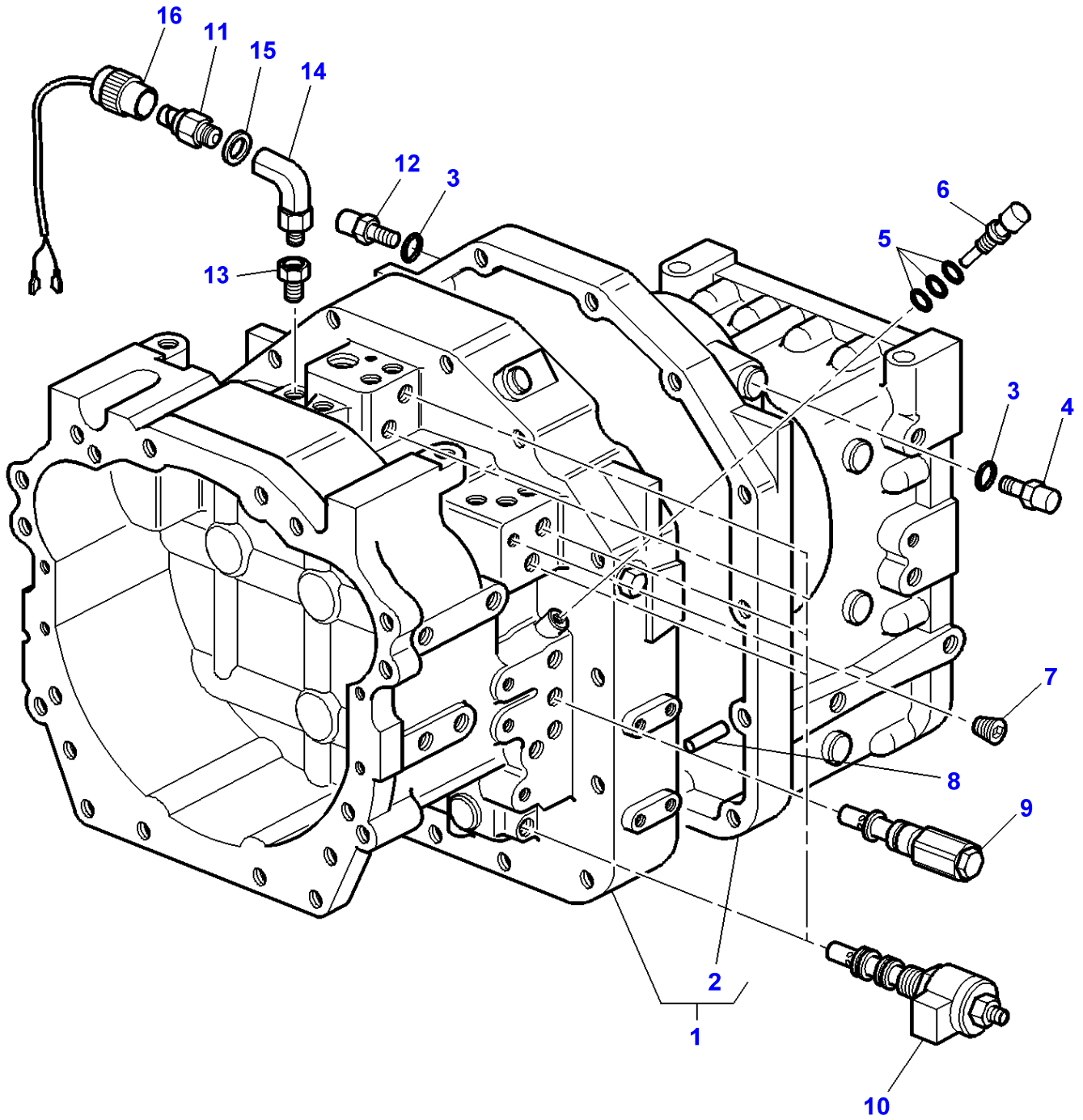
1637366

Engine-Transmission Assembling - With Full Powershift

Page025-0180

Item	Part Number	Qty	Description	Comments
1	3010575X1	2	Screw	Up to Serial or Engine Number 03-JAN-2000 M20X130
	3010850X1	2	Screw	From Serial or Engine Number 04-JAN-2000 M20X170
	385365X1	2	Washer	
	3009746X1	2	Nut	M20
2	3010557X1	2	Screw Metric	M20X100
	385365X1	2	Washer	
	3009746X1	2	Nut	M20
3	3010575X1	2	Screw	Up to Serial or Engine Number 03-JAN-2000 M20X130
	3010850X1	2	Screw	From Serial or Engine Number 04-JAN-2000 M20X170
	385365X1	2	Washer	
	3009746X1	2	Nut	M20
4	3583428M1	2	Centraliser	
5	3010850X1	4	Screw	M20X170
	385365X1	4	Washer	
	3009746X1	4	Nut	M20
6	3010563X1	2	Screw	M20X90
	385365X1	2	Washer	
	3009746X1	2	Nut	M20
7	3010556X1	2	Screw Metric	M20X70
8	3010563X1	2	Screw	M20X90
	385365X1	2	Washer	
	3009746X1	2	Nut	M20
9	3010563X1	1	Screw	M20X90

1-ZF60-004-B



Gear Box Full Power Shift

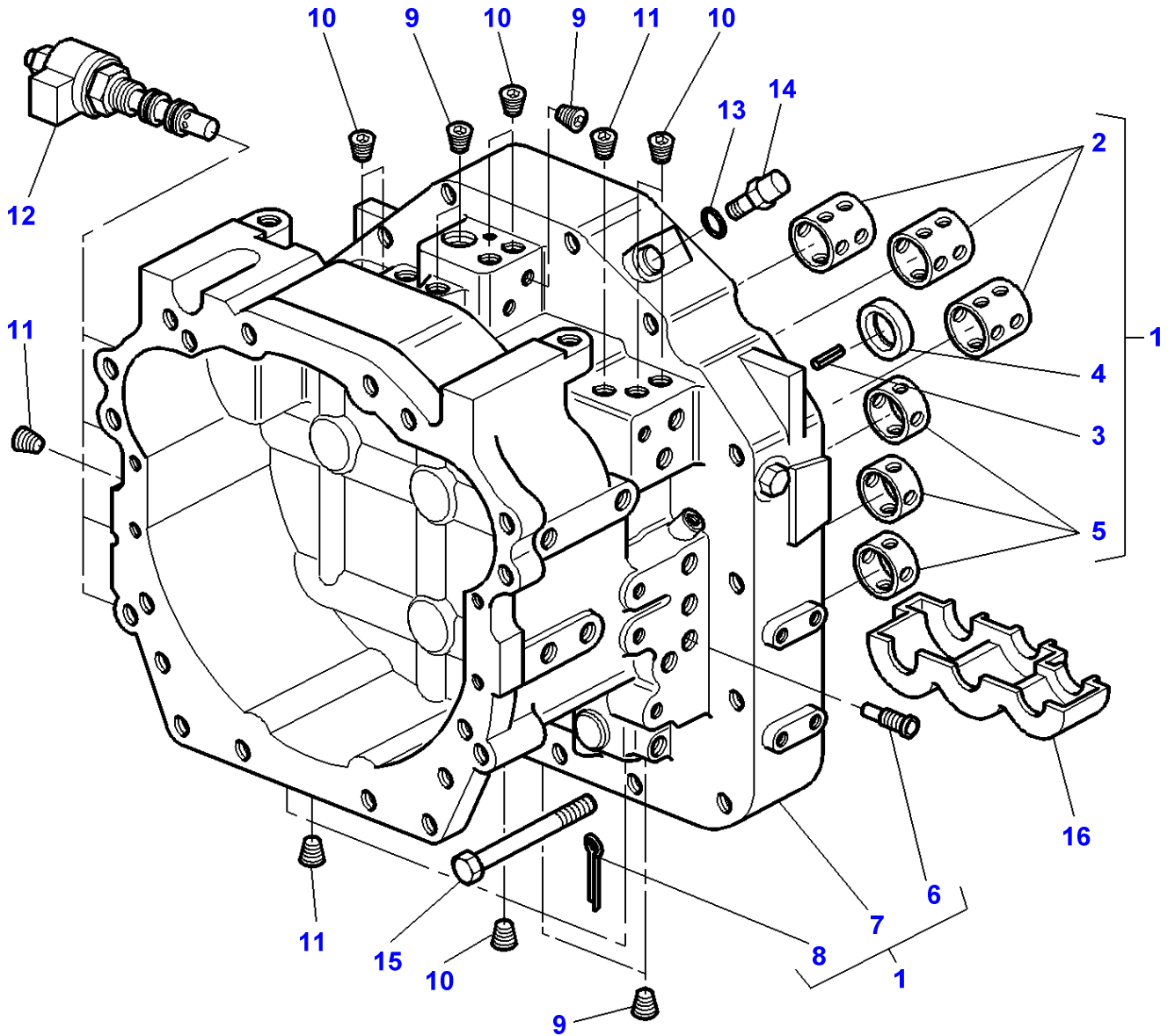
Item	Part Number	Qty	Description	Comments
1	3791898M91	1	Gearbox	
2	3779362M1	1	Housing	(1)
3	3779222M1	2	O Ring	
4	3779280M1	1	Eng.Speed Sensor	[B]
5	3779235M1	1	Kit, O Rings	
6	3779237M1	1	Transmitter	[A]
7	3779234M1	1	Plug	Diameter 9/16"
8	72503986	2	Pin	Replace and repair. Old interchangeable with new 3779225M1
9	3903986M91	1	Relief Valve	260 PSI Replace and repair. Old not interchangeable with new 3779244M91
10	3779284M92	5	Solenoid	
11	3795284M1	1	Low Pr.Oil Trmtr	Repairs and replaces 3381387M5
12	3779280M1	1	Eng.Speed Sensor	[C]
13	3795276M1	1	Adaptor	
14	3795742M1	1	Elbow Nipple	
15	1440012X1	1	Gasket	
16	3795285M1	1	Harness	Up to Serial or Engine Number

FOOTNOTE [A] HEAT

FOOTNOTE [B] MOTOR SPEED

FOOTNOTE [C] TRAVELLING SPEED

1-ZF60-002-A



Massey Ferguson**MF 8250 TRACTOR - 1637366**

1637366

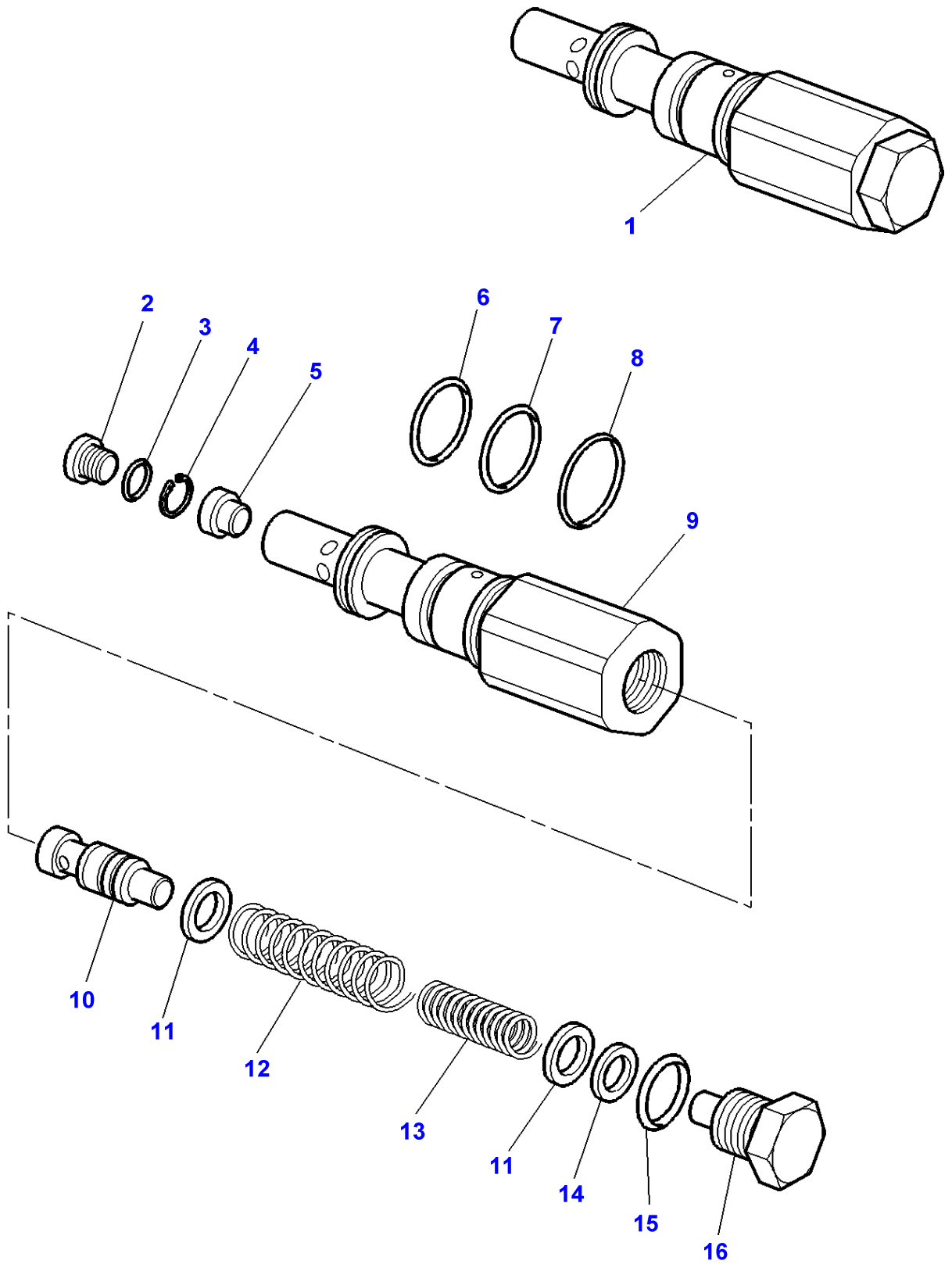
Page025-0190

Gear Box Full Power Shift

Item	Part Number	Qty	Description	Comments
1	3779367M91	1	Housing	
2	3779206M1	3	Bush	(1)
3	3779215M1	1	Plug	(1)
4	3779208M1	1	Gasket	(1)
5	3779207M1	3	Bush	(1)
6	3903979M1	1	Pressure Valve	(1)
7	3779365M1	1	Housing	Replace and repair. Old not interchangeable with new 3779283M91 (1)
8	72503936	1	Pin	(1)
				Replace and repair. Old interchangeable with new 3779224M1
9	3779308M1	5	Plug	
10	3779242M1	11	Plug	Diameter 7/16"
11	3779234M1	6	Plug	Diameter 9/16"
12	3779284M92	4	Solenoid	
13	3779222M1	1	O Ring	
14	3779280M1	1	Eng.Speed Sensor	[A]
15	3779318M1	18	Screw	M16x200
16	3779359M1	1	Deflector	

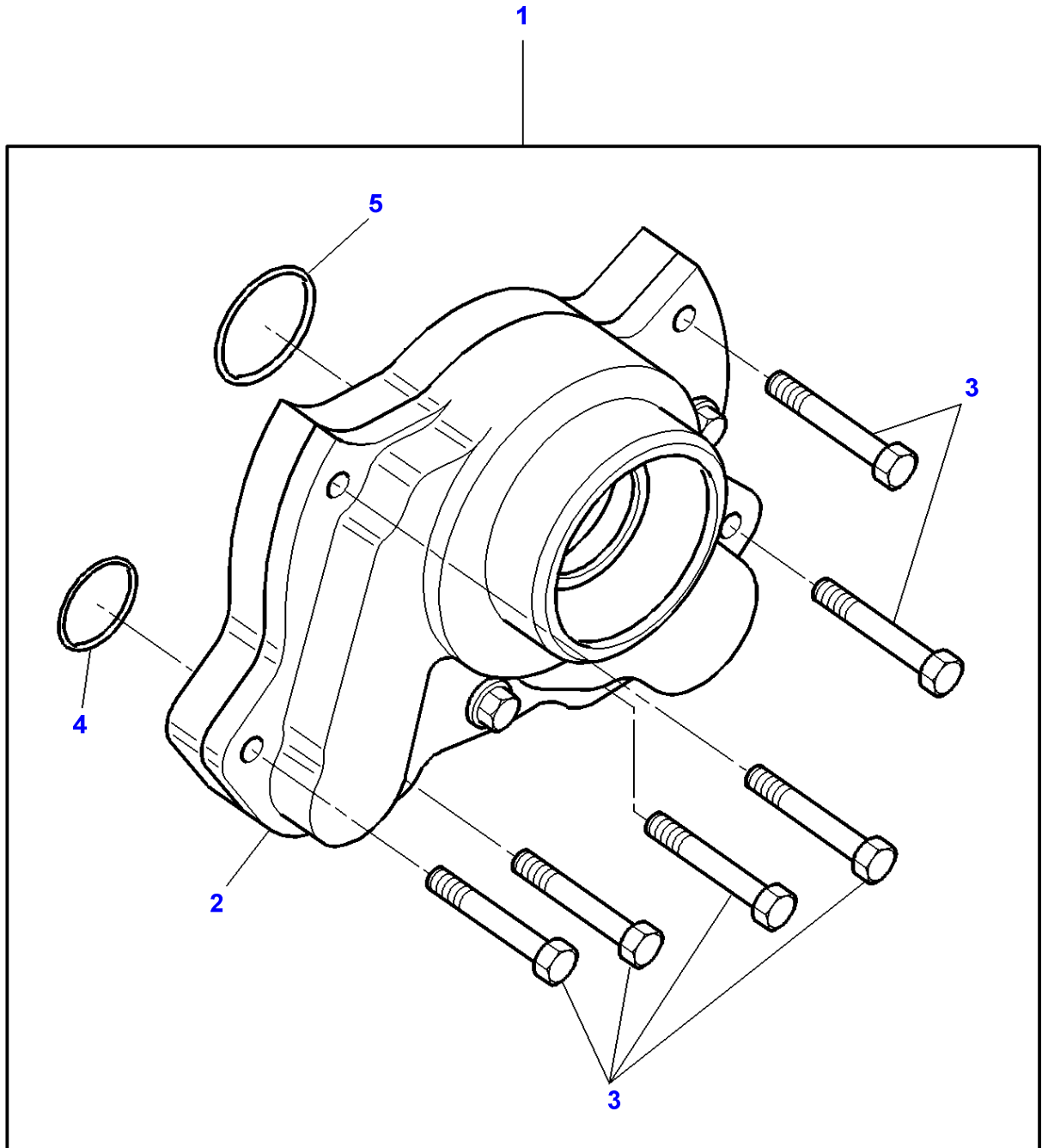
FOOTNOTE [A] INTERMEDIARY SPEED

1-ZF60-005-A



Item	Part Number	Qty	Description	Comments
1	3903986M91	1	Relief Valve	260 PSI Replace and repair. Old not interchangeable with new 3779244M91
2	3779308M1	1	Plug	(1)
3	72503971	1	O Ring	(1) Replace and repair. Old interchangeable with new 3779307M1
4	72503970	1	Snapping	(1) Replace and repair. Old interchangeable with new 3779306M1
5	3779305M1	1	Cover	(1)
6	3779315M1	1	O Ring	(1)
7	3779316M1	1	O Ring	(1)
8	3779317M1	1	O Ring	(1)
9	3779303M1	1	Cartridge	(1)
10	3779304M1	1	Distributor	(1)
11	72503968	2	Washer	(1) Replace and repair. Old interchangeable with new 3779309M1
12	3779311M1	1	Spring	(1)
13	3779310M1	1	Spring	(1)
14	3779312M1	3	Chock	(1)
15	72503969	1	O Ring	(1) Replace and repair. Old interchangeable with new 3779313M1
16	3779314M1	1	Plug	(1)

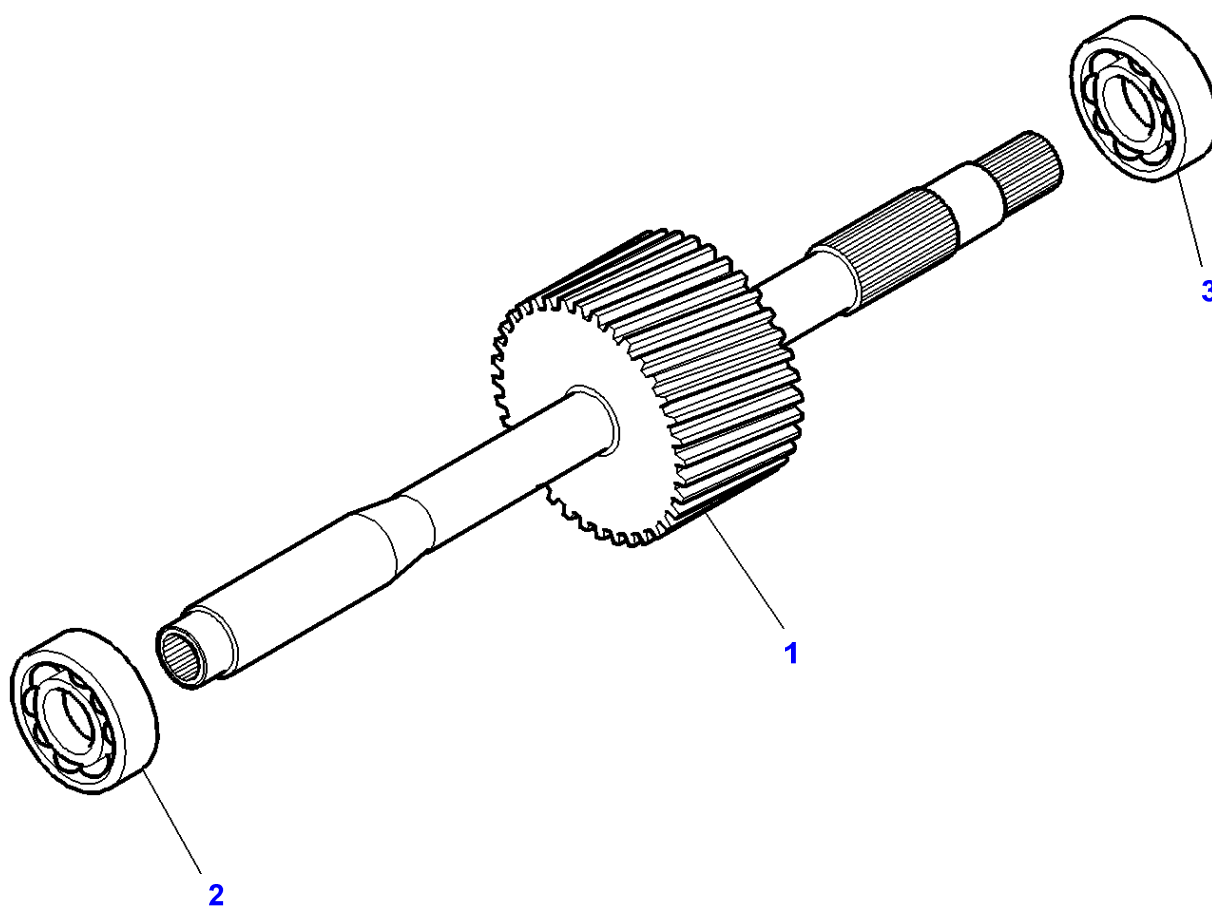
1-ZF68-001-A



Massey Ferguson**MF 8250 TRACTOR - 1637366****1637366****Gear Box Full Power Shift - Pump****Page025-0200**

Item	Part Number	Qty	Description	Comments
1	72516601	1	Pump	Replace and repair. Old interchangeable with new 3779272M91
2	3903654M2	1	Pump	
3	3779217M1	6	Screw	(1)
4	72503984	1	O Ring	(1) Replace and repair. Old interchangeable with new 3779227M1
5	72503985	1	O Ring	(1) Replace and repair. Old interchangeable with new 3779228M1

1-ZF61-002-A

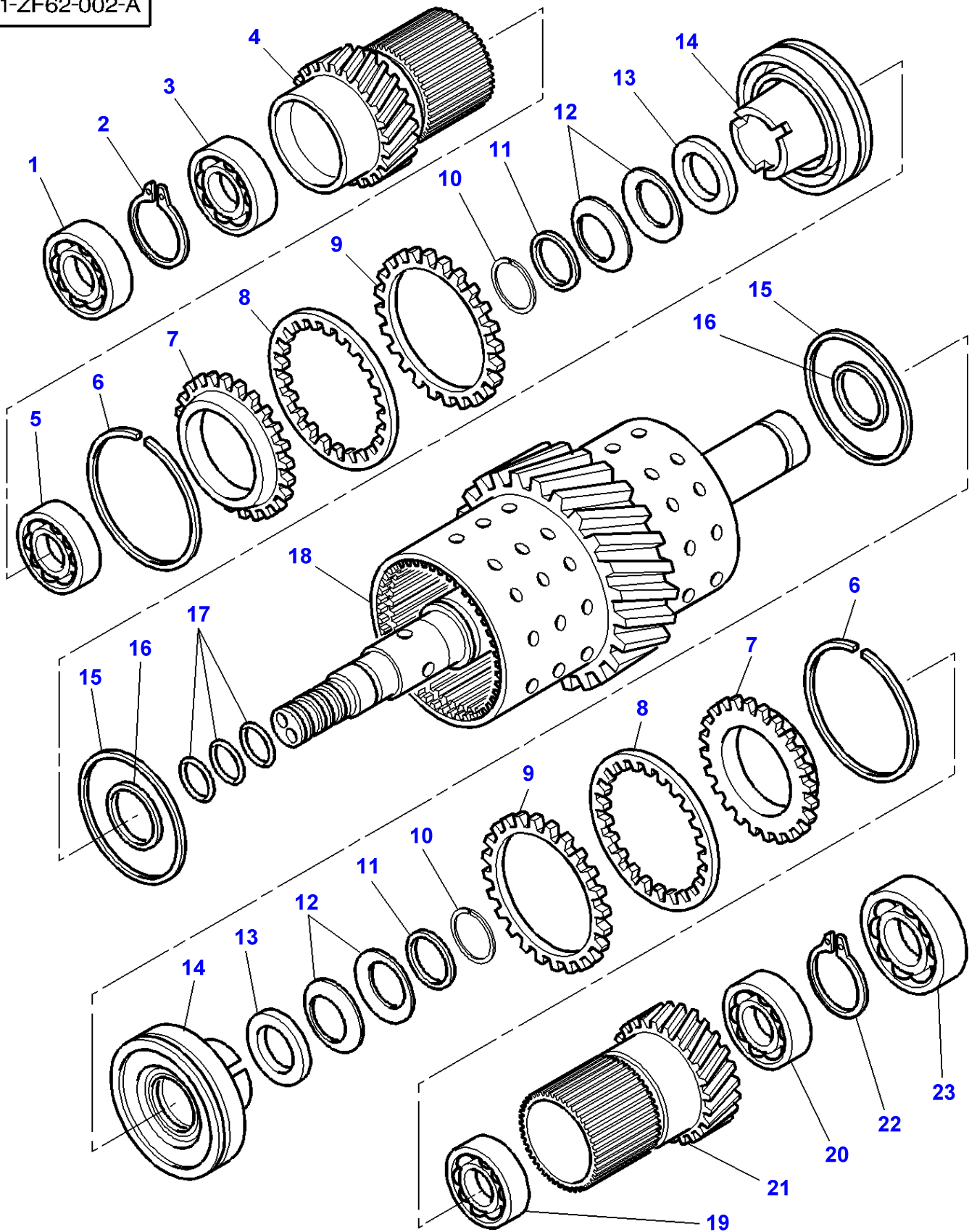


Massey Ferguson**MF 8250 TRACTOR - 1637366****1637366****Gear Box Full Power Shift - Input Shaft****Page025-0205**

Item	Part Number	Qty	Description	Comments
1	3779363M1	1	Shaft	
2	3907230M1	1	Bearing	Replace and repair. Old not interchangeable with new 3779259M1
3	3779336M1	1	Bearing Assy	

MF 8250 TRACTOR - 1637366
1-ZF62-002-A

1-ZF62-002-A



Massey Ferguson**MF 8250 TRACTOR - 1637366**

1637366

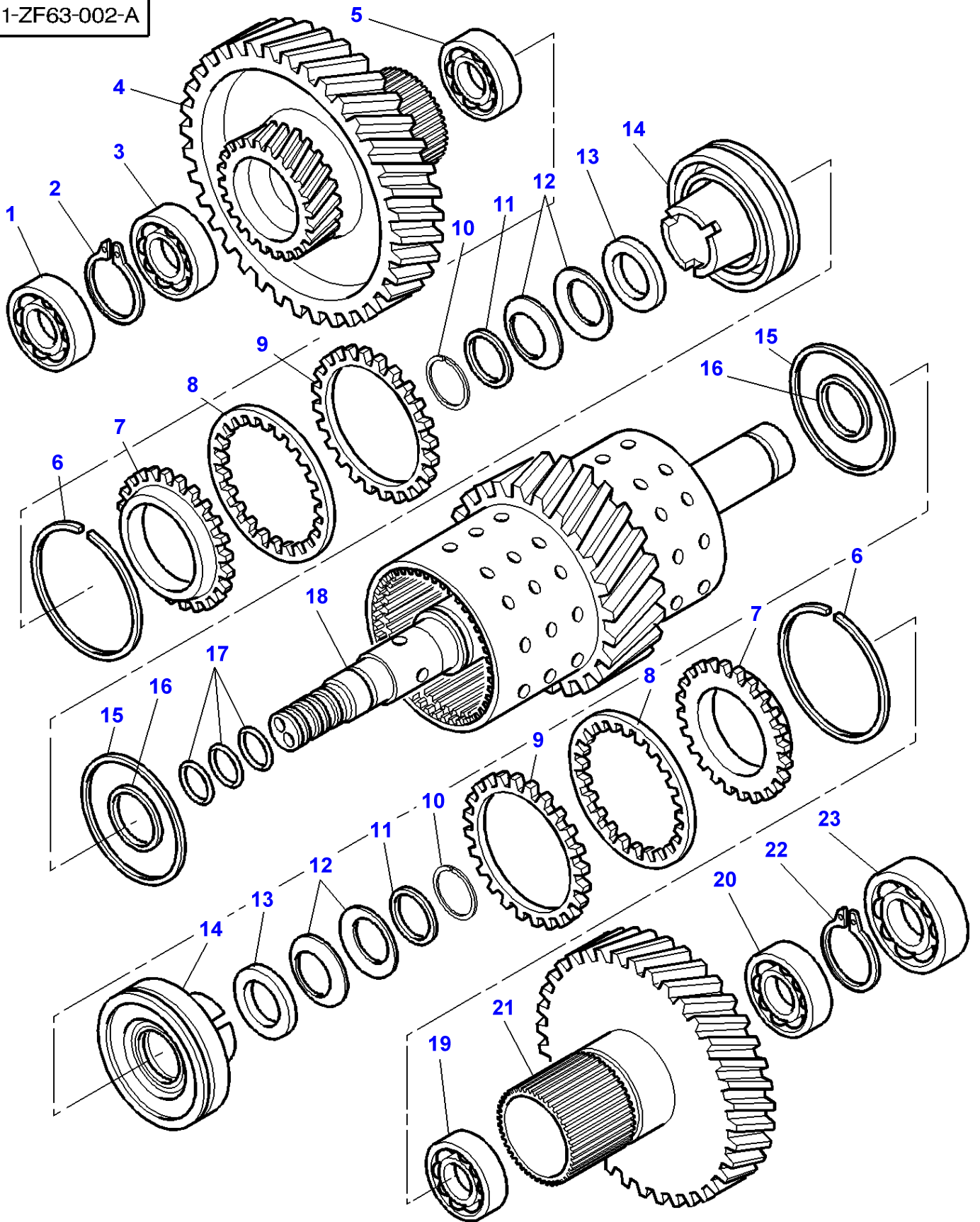
Gear Box Full Power Shift - 2 nd Gears

Page025-0210

Item	Part Number	Qty	Description	Comments
	3779338M91	1	Kit, Pinion	
1	3779336M1	1	Bearing Assy	
2	3779231M1	1	Circlip	
3	3907230M1	1	Bearing	Replace and repair. Old not interchangeable with new 3779259M1
4	3779335M1	1	Pinion	Number of teeth/spines 48
5	3907230M1	1	Bearing	Replace and repair. Old not interchangeable with new 3779334M1 Replace and repair. Old not interchangeable with new 3779259M1
6	3779326M1	2	Circlip	
7	3903980M1	2	Crownwheel	Replace and repair. Old not interchangeable with new 3779330M1
8	3779324M1	20	Disc	
9	3779323M1	20	Disc	
10	3779322M1	2	Circlip	
11	3779360M1	2	Circlip	
12	3779328M2	12	Washer	
13	3779327M1	2	Washer	
14	3779329M1	2	Piston	
15	3779325M1	2	Gasket	
16	3779319M1	2	O Ring	
17	3779220M1	3	Oil Seal	
18	3907014M1	1	Shaft	
19	3779337M1	1	Bearing Assy	
20	1692601M1	1	Ball Bearing	Replace and repair. Old not interchangeable with new 3779212M1
21	3779333M1	1	Pinion	Number of teeth/spines 59
22	3779321M1	1	Circlip	
23	3779331M1	1	Bearing Assy	

MF 8250 TRACTOR - 1637366
1-ZF63-002-A

1-ZF63-002-A

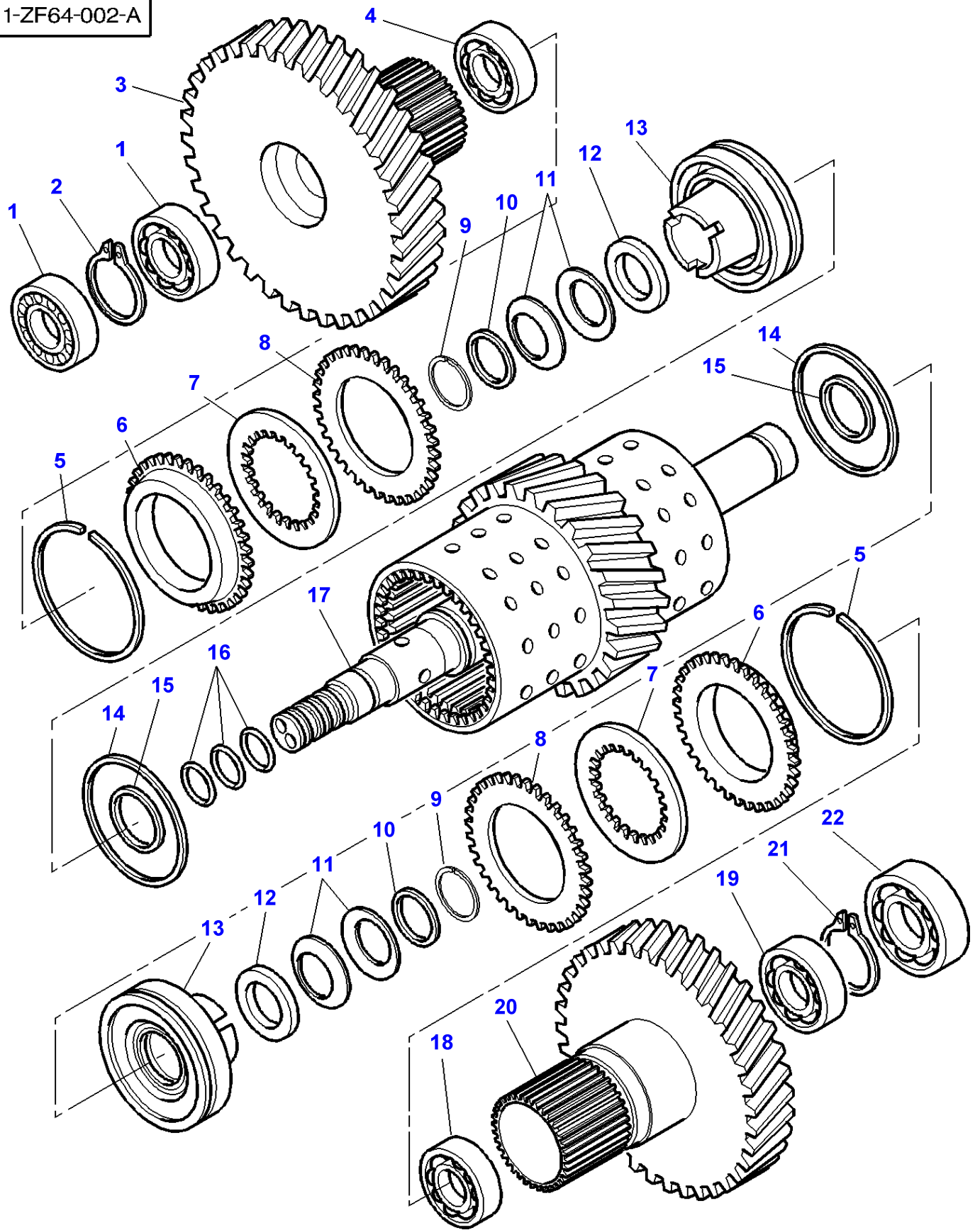


Massey Ferguson**MF 8250 TRACTOR - 1637366****1637366****Gear Box Full Power Shift - 3 rd Gears****Page025-0215**

Item	Part Number	Qty	Description	Comments
	3779339M91	1	Kit, Sprocket	
1	3779336M1	1	Bearing Assy	
2	3779231M1	1	Circlip	
3	3779260M1	1	Bearing Assy	
4	3779343M1	1	Pinion	
5	3779342M1	1	Bearing Assy	
6	3779326M1	2	Circlip	
7	3903980M1	2	Crownwheel	Replace and repair. Old not interchangeable with new 3779330M1
8	3779324M1	20	Disc	
9	3779323M1	20	Disc	
10	3779322M1	2	Circlip	
11	3779360M1	2	Circlip	
12	3779328M2	12	Washer	
13	3779327M1	2	Washer	
14	3779329M1	2	Piston	
15	3779325M1	2	Gasket	
16	3779319M1	2	O Ring	
17	3779220M1	3	Oil Seal	
18	3779340M1	1	Shaft	
19	3779337M1	1	Bearing Assy	
20	1692601M1	1	Ball Bearing	Replace and repair. Old not interchangeable with new 3779212M1
21	3779341M1	1	Pinion	Number of teeth/spines 76
22	3779321M1	1	Circlip	
23	72507595	1	Bearing	Replace and repair. Old interchangeable with new 3779213M1

MF 8250 TRACTOR - 1637366
1-ZF64-002-A

1-ZF64-002-A



Massey Ferguson**MF 8250 TRACTOR - 1637366**

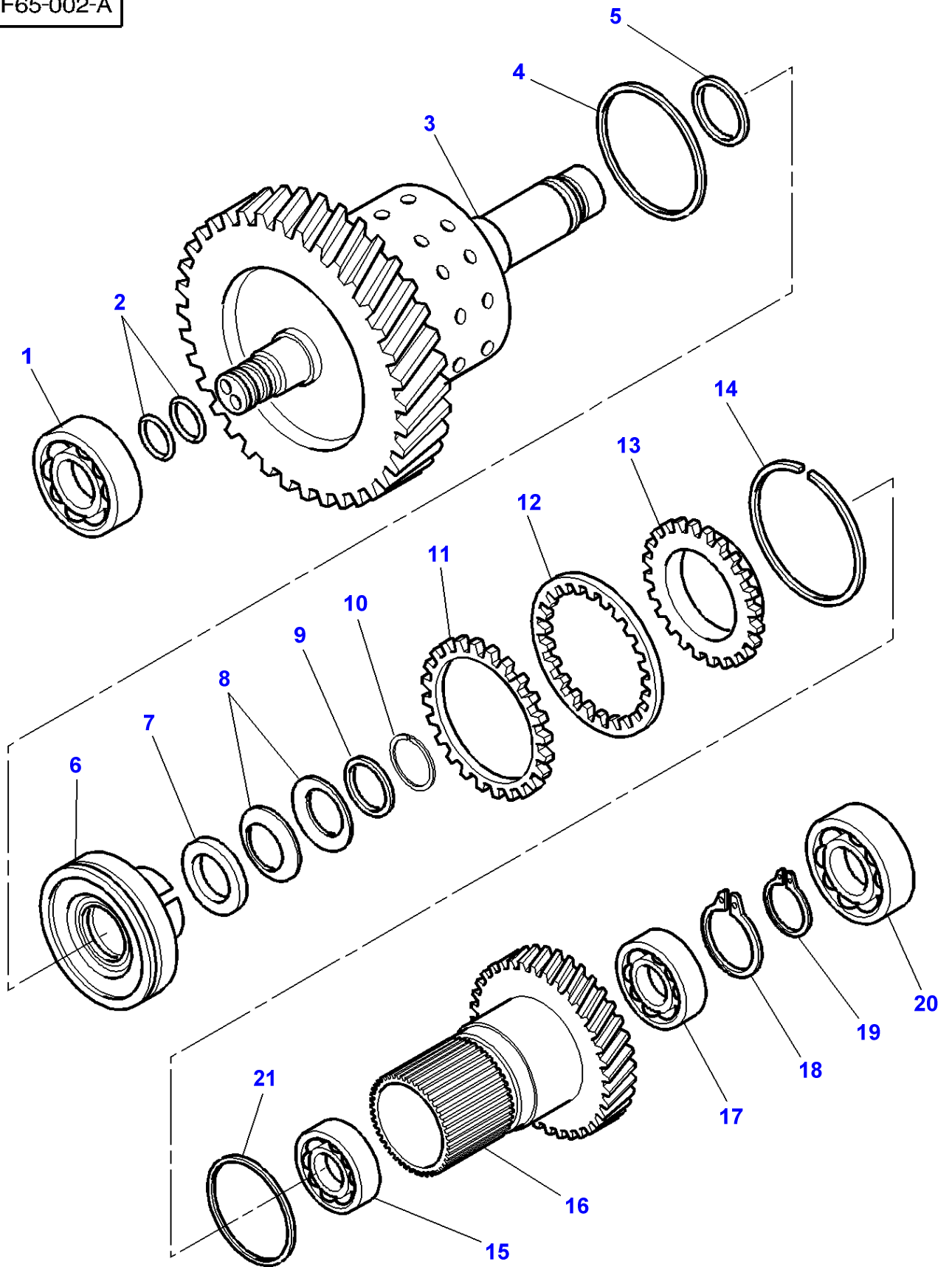
1637366

Gear Box Full Power Shift - 4 th Gears

Page025-0220

Item	Part Number	Qty	Description	Comments
	3779344M91	1	Kit, Sprocket	
1	3779336M1	2	Bearing Assy	
2	3779231M1	1	Circlip	
3	3779347M1	1	Pinion	Number of teeth/spines 80
4	3779346M1	1	Bearing Assy	
5	3779326M1	2	Circlip	
6	3903980M1	2	Crownwheel	Replace and repair. Old not interchangeable with new 3779330M1
7	3779324M1	20	Disc	
8	3779323M1	20	Disc	
9	3779322M1	2	Circlip	
10	3779360M1	2	Circlip	
11	3779328M2	12	Washer	
12	3779327M1	2	Washer	
13	3779329M1	2	Piston	
14	3779325M1	2	Gasket	
15	3779319M1	2	O Ring	
16	3779220M1	3	Oil Seal	
17	3907014M1	1	Shaft	
18	3779337M1	1	Bearing Assy	
19	1692601M1	1	Ball Bearing	Replace and repair. Old not interchangeable with new 3779212M1
20	3779345M1	1	Pinion	Number of teeth/spines 76
21	3779321M1	1	Circlip	
22	3779331M1	1	Bearing Assy	

1-ZF65-002-A



Massey Ferguson**MF 8250 TRACTOR - 1637366**

1637366

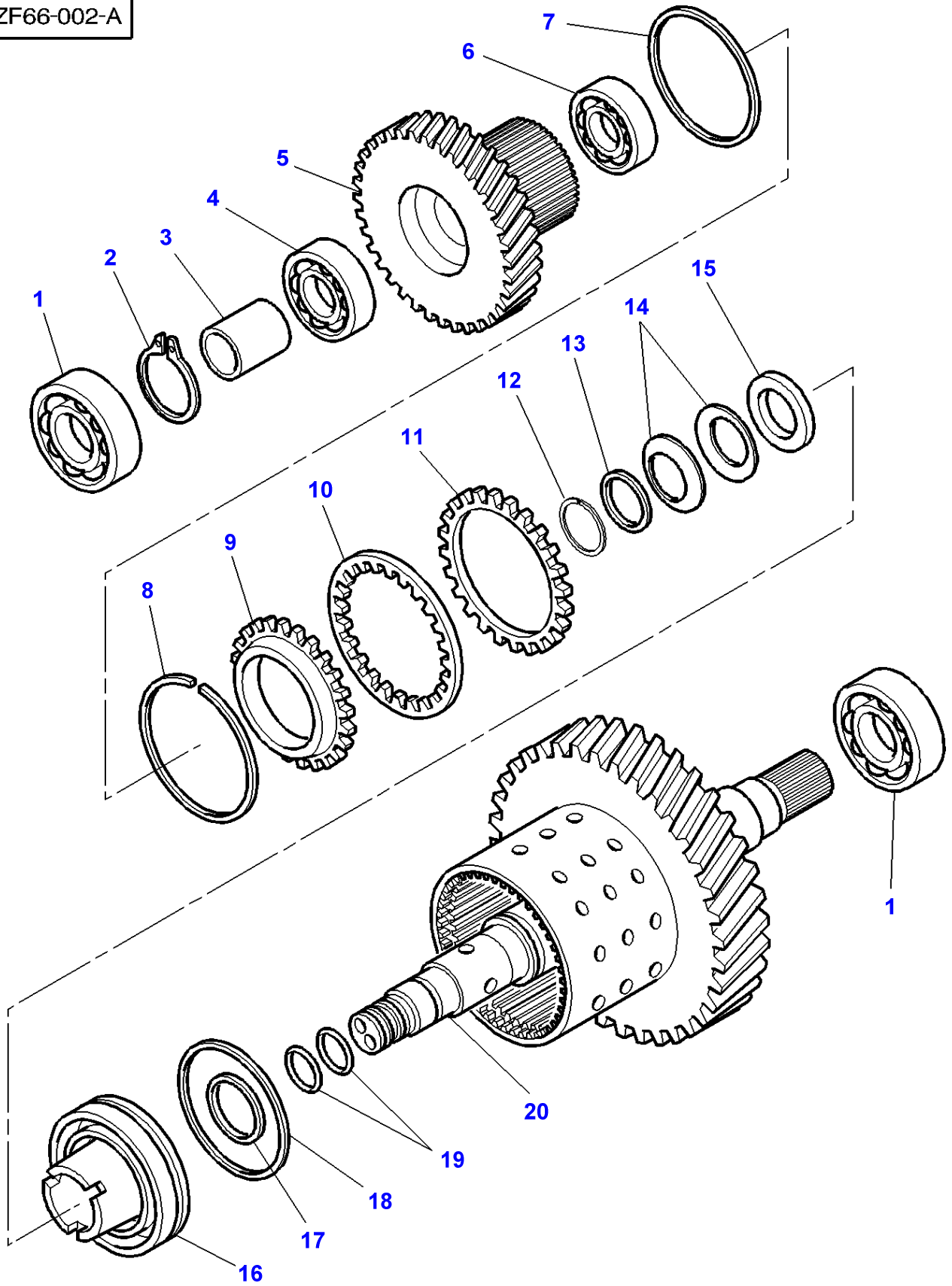
Gear Box Full Power Shift - 5 th Gears

Page025-0225

Item	Part Number	Qty	Description	Comments
	3779348M91	1	Kit, Sprocket	
1	3779331M1	1	Bearing Assy	
2	3779220M1	2	Oil Seal	
3	3907016M1	1	Shaft	
4	3779325M1	1	Gasket	
5	3779319M1	1	O Ring	
6	3779329M1	1	Piston	
7	3779327M1	1	Washer	
8	3779328M2	6	Washer	
9	3779360M1	1	Circlip	
10	3779322M1	1	Circlip	
11	3779323M1	10	Disc	
12	3779324M1	10	Disc	
13	3903980M1	1	Crownwheel	Replace and repair. Old not interchangeable with new 3779330M1
14	3779326M1	1	Circlip	
15	3779350M1	1	Bearing Assy	
16	3779351M1	1	Pinion	Number of teeth/spines 44
17	3779352M1	1	Bearing Assy	
18	3779321M1	1	Circlip	
19	3779231M1	1	Circlip	
20	3779336M1	1	Bearing Assy	
21	3779320M1	1	O Ring	

MF 8250 TRACTOR - 1637366
1-ZF66-002-A

1-ZF66-002-A



Massey Ferguson**MF 8250 TRACTOR - 1637366**

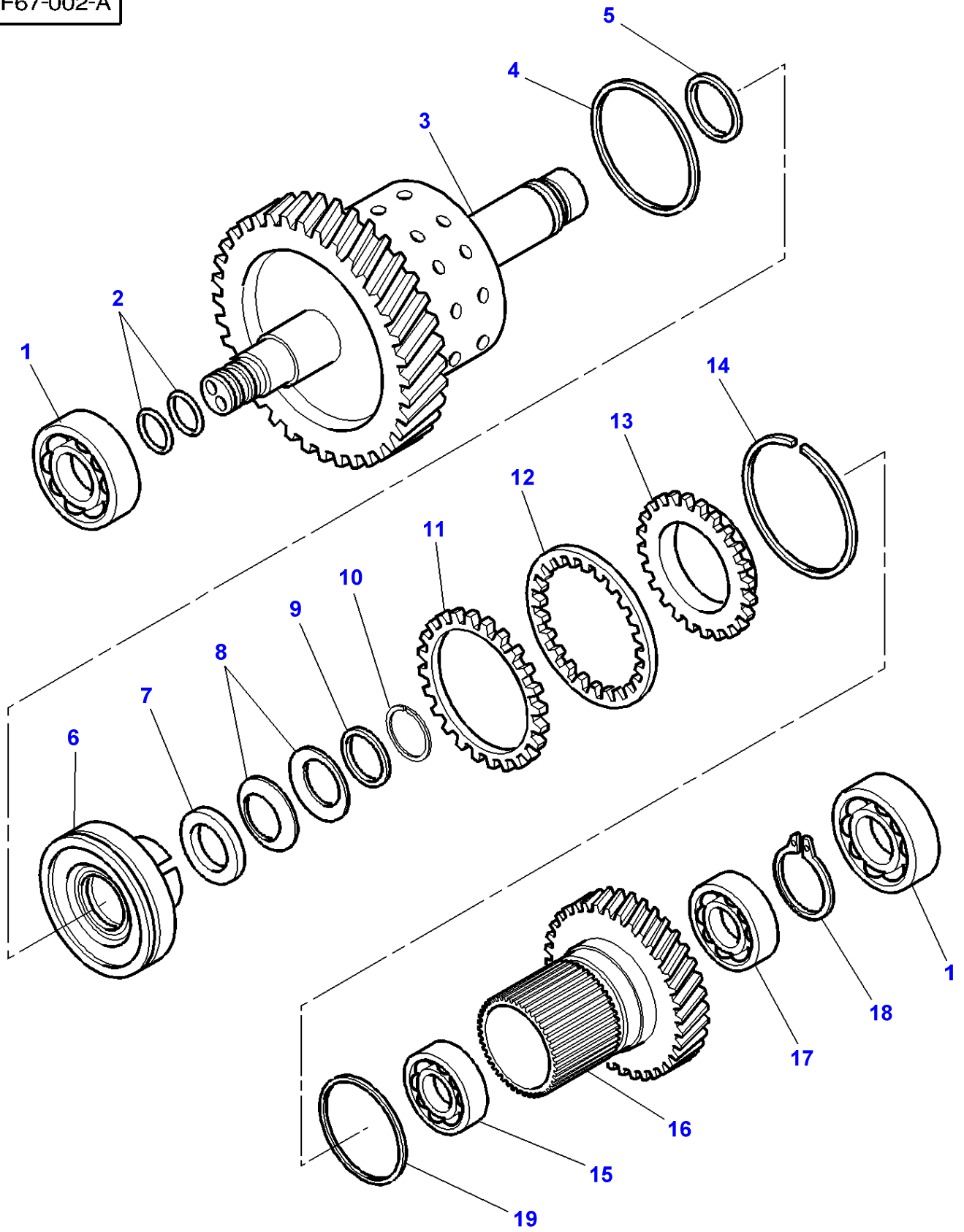
1637366

Gear Box Full Power Shift - 6 th Gears

Page025-0230

Item	Part Number	Qty	Description	Comments
	3779353M91	1	Kit, Sprocket	
1	3779331M1	2	Bearing Assy	
2	3779321M1	1	Circlip	
3	3779361M1	1	Spacer	
4	1692601M1	1	Ball Bearing	Replace and repair. Old not interchangeable with new 3779212M1
5	3779355M1	1	Pinion	
6	3779350M1	1	Bearing Assy	
7	3779320M1	1	O Ring	
8	3779326M1	1	Circlip	
9	3903980M1	1	Crownwheel	Replace and repair. Old not interchangeable with new 3779330M1
10	3779324M1	10	Disc	
11	3779323M1	10	Disc	
12	3779322M1	1	Circlip	
13	3779360M1	1	Circlip	
14	3779328M2	6	Washer	
15	3779327M1	1	Washer	
16	3779329M1	1	Piston	
17	3779319M1	1	O Ring	
18	3779325M1	1	Gasket	
19	3779220M1	2	Oil Seal	
20	3779354M1	1	Shaft	

1-ZF67-002-A



Massey Ferguson**MF 8250 TRACTOR - 1637366**

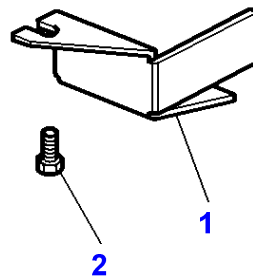
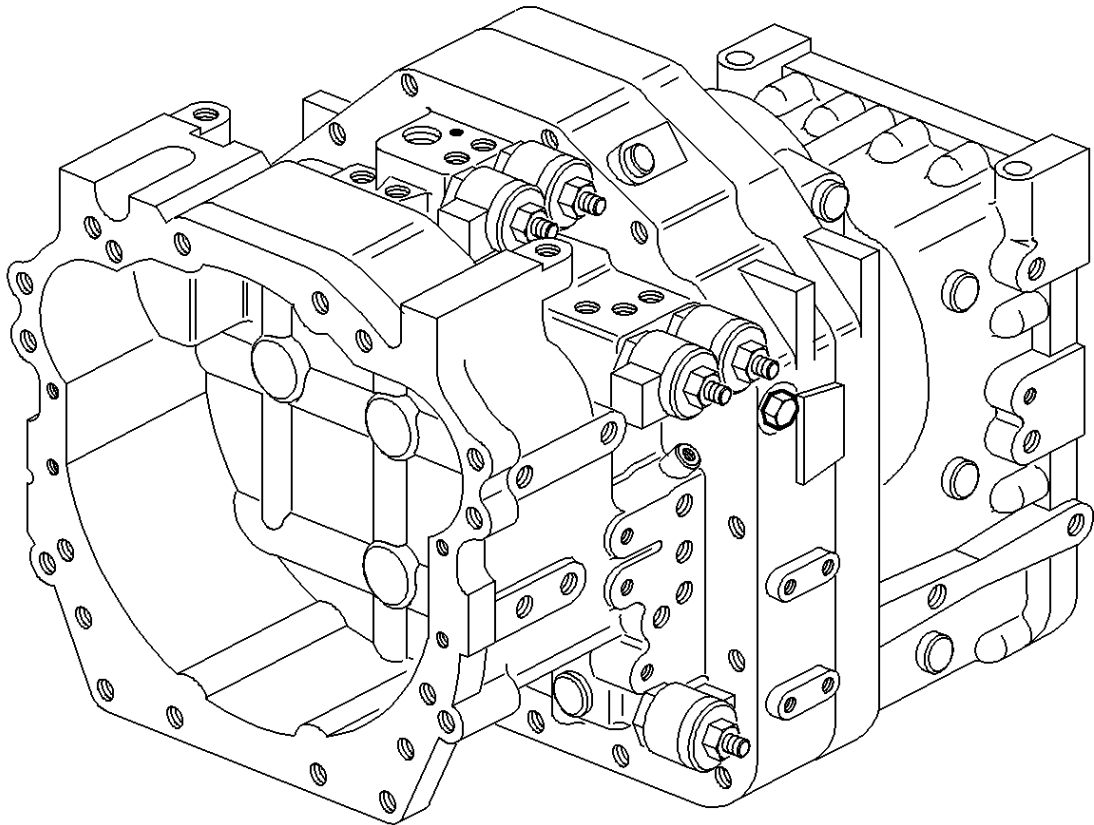
1637366

Gear Box Full Power Shift - 7 th Gears

Page025-0235

Item	Part Number	Qty	Description	Comments
	3779356M91	1	Kit, Pinion	
1	3779331M1	2	Bearing Assy	
2	3779220M1	2	Oil Seal	
3	3907015M1	1	Shaft	
4	3779325M1	1	Gasket	
5	3779319M1	1	O Ring	
6	3779329M1	1	Piston	
7	3779327M1	1	Washer	
8	3779328M2	6	Washer	
9	3779360M1	1	Circlip	
10	3779322M1	1	Circlip	
11	3779323M1	10	Disc	
12	3779324M1	10	Disc	
13	3903980M1	1	Crownwheel	Replace and repair. Old not interchangeable with new 3779330M1
14	3779326M1	1	Circlip	
15	3779350M1	1	Bearing Assy	
16	3779358M1	1	Pinion	Number of teeth/spines 47
17	3779352M1	1	Bearing Assy	
18	3779321M1	1	Circlip	
19	3779320M1	1	O Ring	

1-ZW26-002-B

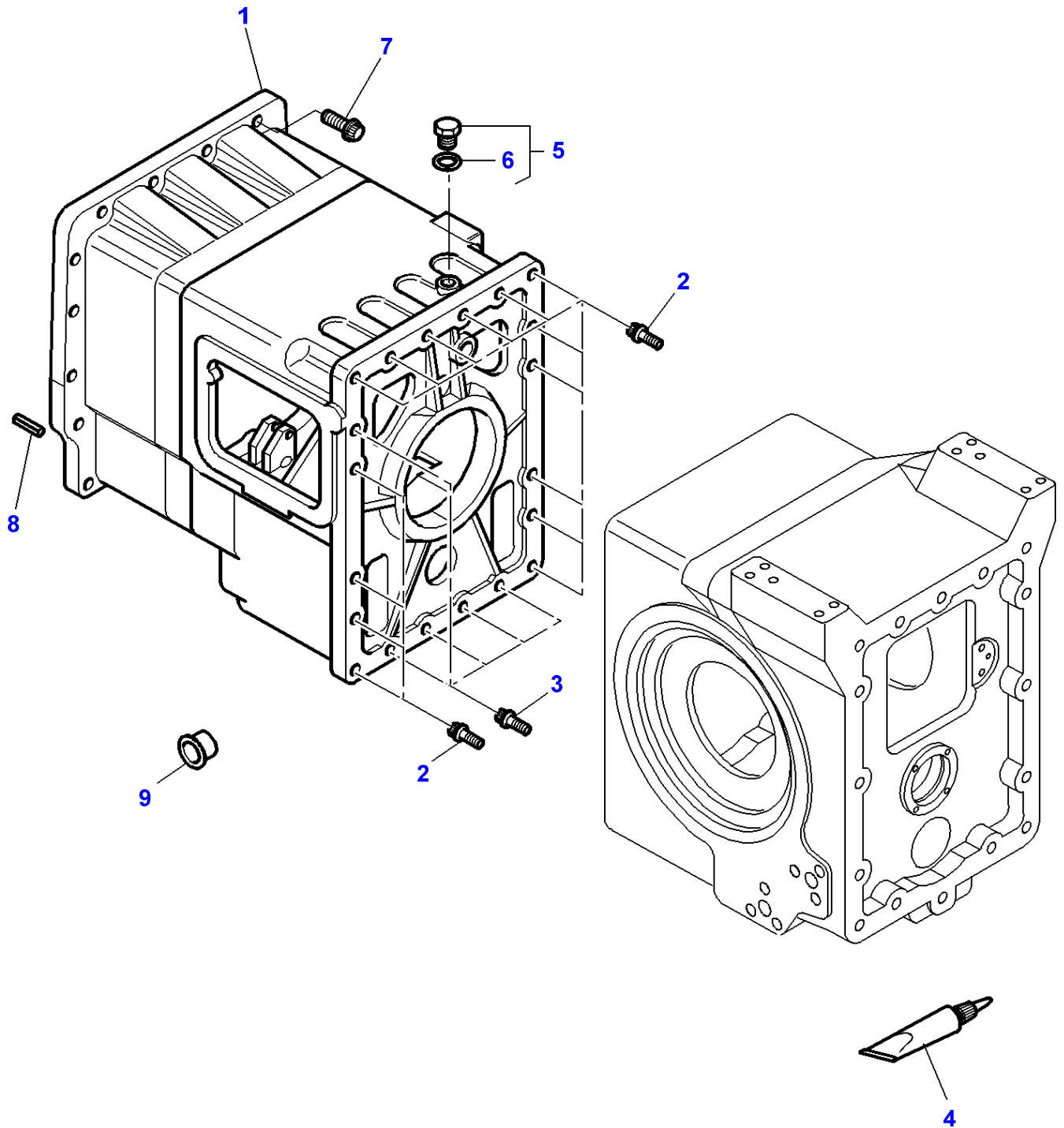


Massey Ferguson**MF 8250 TRACTOR - 1637366****1637366****Full Powershift - Electrovalves - Cowl****Page025-0240**

Item	Part Number	Qty	Description	Comments
1	3791246M4	1	Cowl	Right Hand
	3791247M4	1	Cowl	Left Hand
2	339228X1	2	Screw Metric	M8X12

Page Title	Page Number
Rear Axle - Intermediary Housing - With Full Powershift	030-0005
Rear Axle - Intermediary Housing - Dynashift	030-0010
Handbrake - Lower Control	030-0015
Brakes - Handbrake - Up to Serial or Engine Number - H091014	030-0020
Brakes - Handbrake - From Serial or Engine Number - H091014	030-0025
Parking Brake - With Powershift	030-0030
Rear Axle - Centre Housing	030-0035
Short Rear Axle Housings - Outer Final Drive Gear - Shaft Diameter 95 mm With Sealed Housing	030-0040
Short Rear Axle Housings - Outer Final Drive Gear - With Composite Reducer	030-0045
Rear Axle - Differential - 5" Differential	030-0050
Rear Axle - Differential - 7" DIFFERENTIAL - UP TO L113019	030-0055
Rear Axle - Differential - 7" DIFFERENTIAL FROM L113020	030-0060
Rear Axle Differential Lock Mechanism - Hydromechanical	030-0065
Rear Axle Differential Lock Mecchanism - Multidiscs - 5" Differential	030-0070
Rear Axle Differential Lock Mecchanism - Multidiscs - 7" Differential	030-0075

1-ZG63-002-B

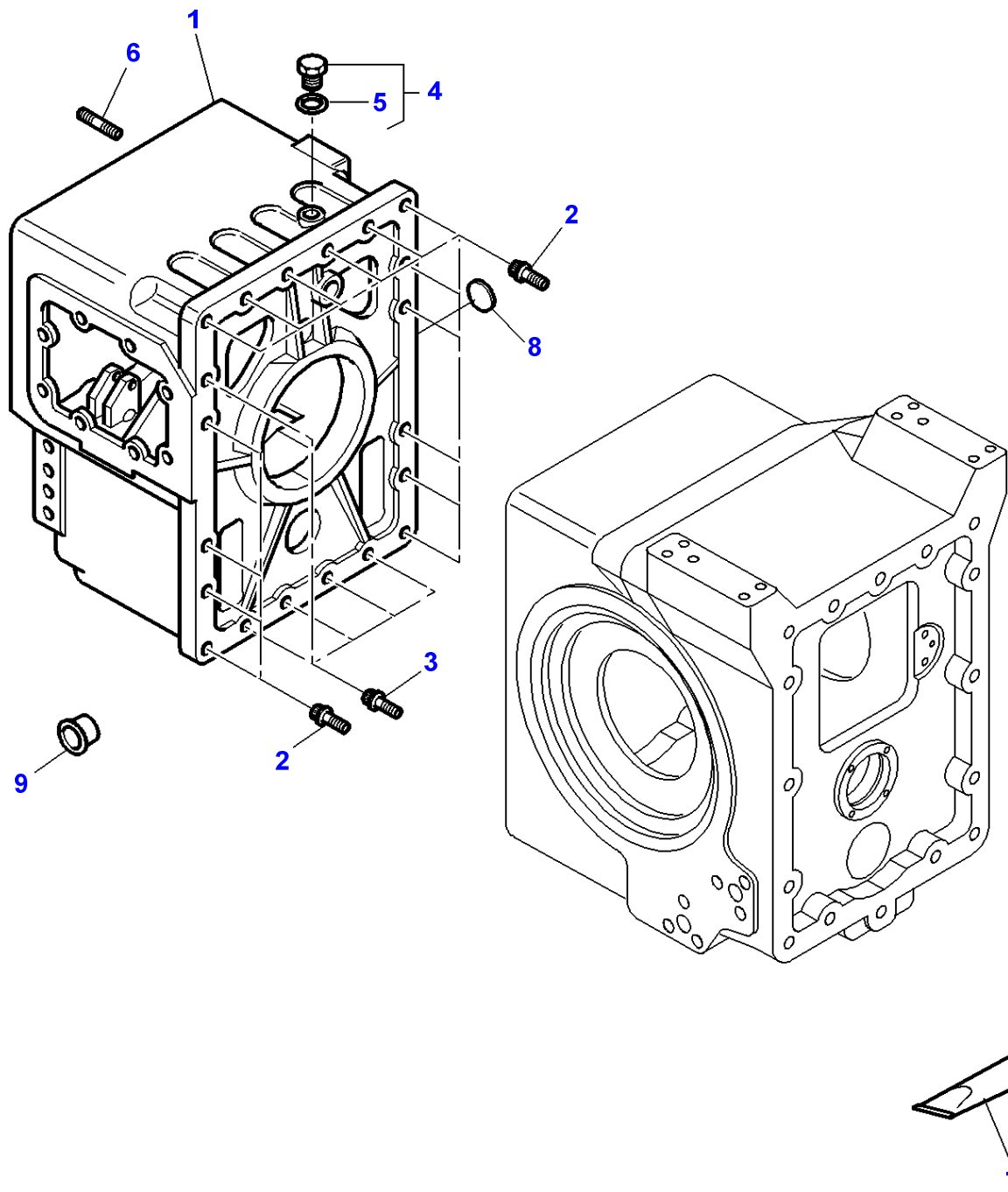


Massey Ferguson**MF 8250 TRACTOR - 1637366****1637366****Rear Axle - Intermediary Housing - With Full Powershift****Page030-0005**

Item	Part Number	Qty	Description	Comments
1	3716412M5	1	Housing	
2	3009805X1	15	Screw Metric	M16X60
3	3009806X1	5	Plough Bolt	M16X70
4	3900613M2	X	Loctite	
5	3019649X91	1	Plug	M33
6	3019399X1	1	O Ring	(5)
7	3010007X1	18	Screw Metric	M16X60
8	3385839M2	2	Pin	
9	831564M1	2	Plug	[A] Diameter 20,9MM
				Replace and repair. Old interchangeable with new 3792315M1
	3792314M1	8	Plug	[A] Diameter 15MM
	3583240M1	2	Plug	[A] Diameter 6MM

FOOTNOTE [A] PLASTICS

1-ZG63-001-B



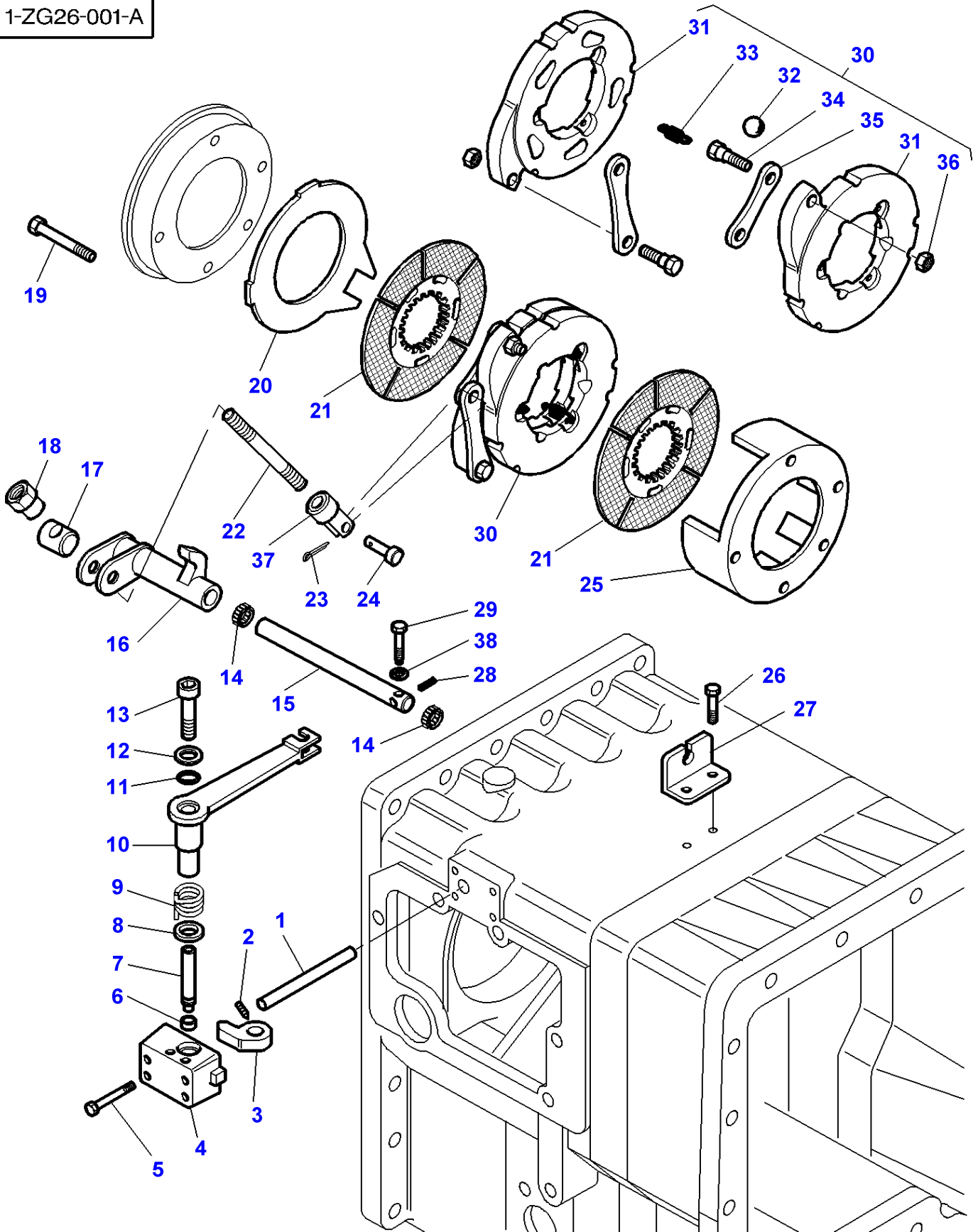
Massey Ferguson**MF 8250 TRACTOR - 1637366****1637366****Rear Axle - Intermediary Housing - Dynashift****Page030-0010**

Item	Part Number	Qty	Description	Comments
1	3716414M4	1	Housing	
2	3009805X1	15	Screw Metric	M16X60
3	3009806X1	5	Plough Bolt	M16X70
4	3019649X91	1	Plug	M33
5	3019399X1	1	O Ring	(4)
6	3716945M1	3	Stud	M16
7	3900613M2	X	Loctite	
8	19466X	1	Plug	Diameter 49,3MM
9	831564M1	2	Plug	[A] Diameter 20,9MM
	3792314M1	8	Plug	Replace and repair. Old interchangeable with new 3792315M1 [A] Diameter 15MM
	3583240M1	4	Plug	[A] Diameter 6MM

FOOTNOTE [A] PLASTICS

MF 8250 TRACTOR - 1637366
1-ZG26-001-A

1-ZG26-001-A



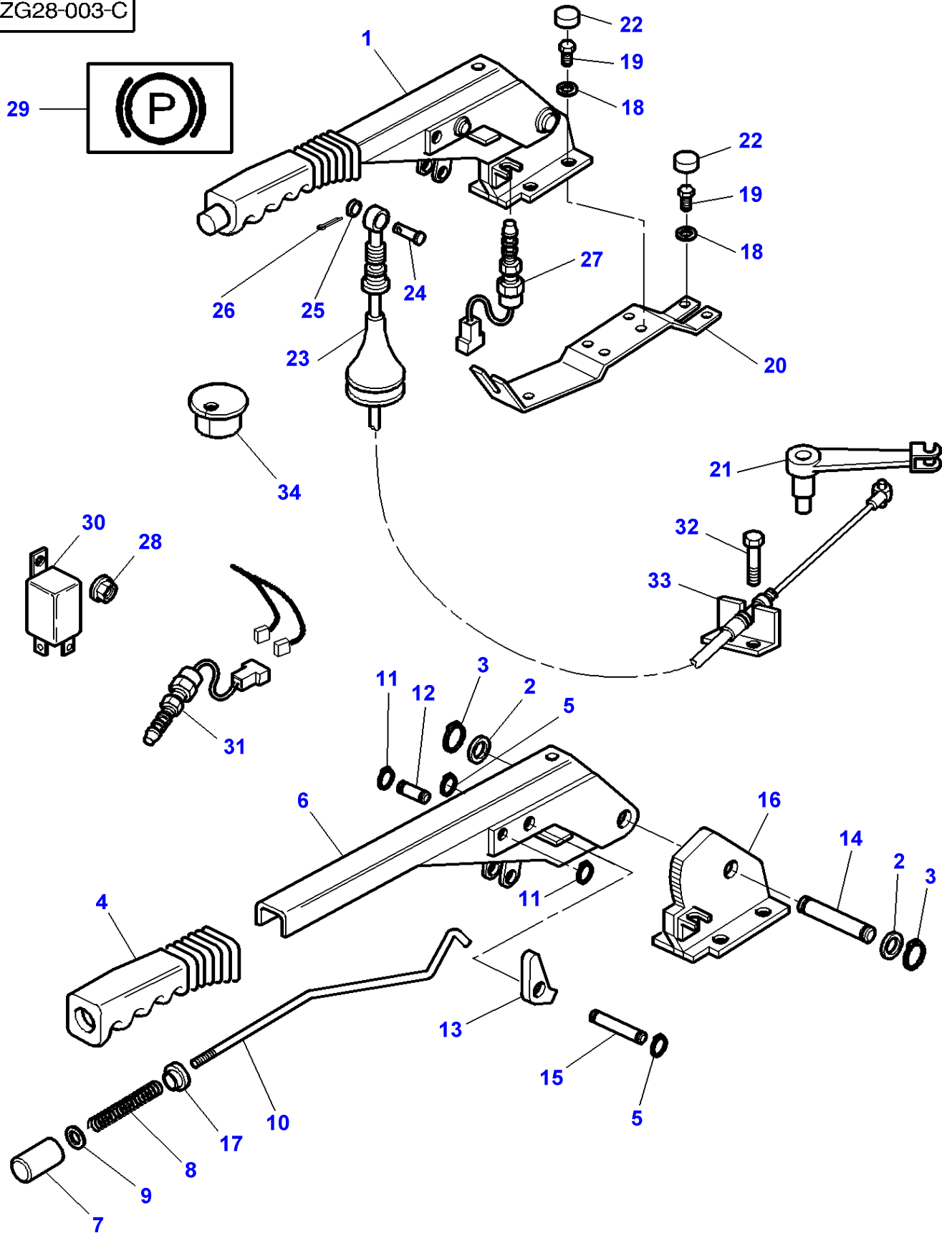
Handbrake - Lower Control

Item	Part Number	Qty	Description	Comments
1	3716540M1	1	Tappet Rod	
2	3009429X1	1	Screw	M6x10
3	3716544M1	1	Poppet	
4	3716501M1	1	Case Assy	
5	390246X1	4	Bolt	M8X70
6	3716560M1	1	Bush	
7	3716503M2	1	Clevis Pin	
8	3716310M1	1	Oil Seal	
9	3716554M3	1	Spring	
10	3716502M2	1	Shifter	
11	3010740X1	1	O Ring	
12	3716539M1	1	Washer	
13	1440350X1	1	Screw Metric	M6X20
14	3716561M1	2	Bush	Diameter 20 MM
15	3716542M1	1	Clevis Pin	
16	3716477M2	1	Angle Trans.	
17	3581305M1	1	Trunnion	
18	3791431M1	1	Nut Special	
19	3009301X1	5	Screw Metric	M12x80
20	3716932M1	4	Counterplate	Up to Serial or Engine Number K304025 Thickness 6MM
	3795094M1	4	Counterplate	From Serial or Engine Number K304026 Thickness 5MM
21	3716933M1	6	Disc	Up to Serial or Engine Number K304025 Thickness 3,6 MM
	3795093M1	6	Brake Disc	From Serial or Engine Number K304026 Thickness 4,3MM
22	3791669M1	1	Stud	M10X110
23	354048X1	1	Pin	Diameter 2,4 MM Length 19 MM
24	354190X1	1	Clevis Pin	Diameter 7/16"
25	3716411M2	1	Case Assy	[A]
26	339228X1	2	Screw Metric	M8x12
27	3716543M1	1	Support	From Serial or Engine Number H344001
28	1440394X1	1	Pin	Diameter 4 MM Length 30 MM
29	3791488M2	1	Screw Special	
30	3716920M91	1	Brake	
31		2	Disc	(30) Not serviced,order REF No30
32	3310764M1	5	Ball	(30)
33	3310765M1	3	Spring	(30)
34	3902669M1	2	Screw	(30)
35	3902668M1	2	Draglink	(30)
36	3902667M1	2	Nut	(30)
37	3790494M1	1	Draglink	
38	195561M1	1	O Ring	

FOOTNOTE [A] 6 PLATE WET BRAKES

MF 8250 TRACTOR - 1637366
1-ZG28-003-C

1-ZG28-003-C

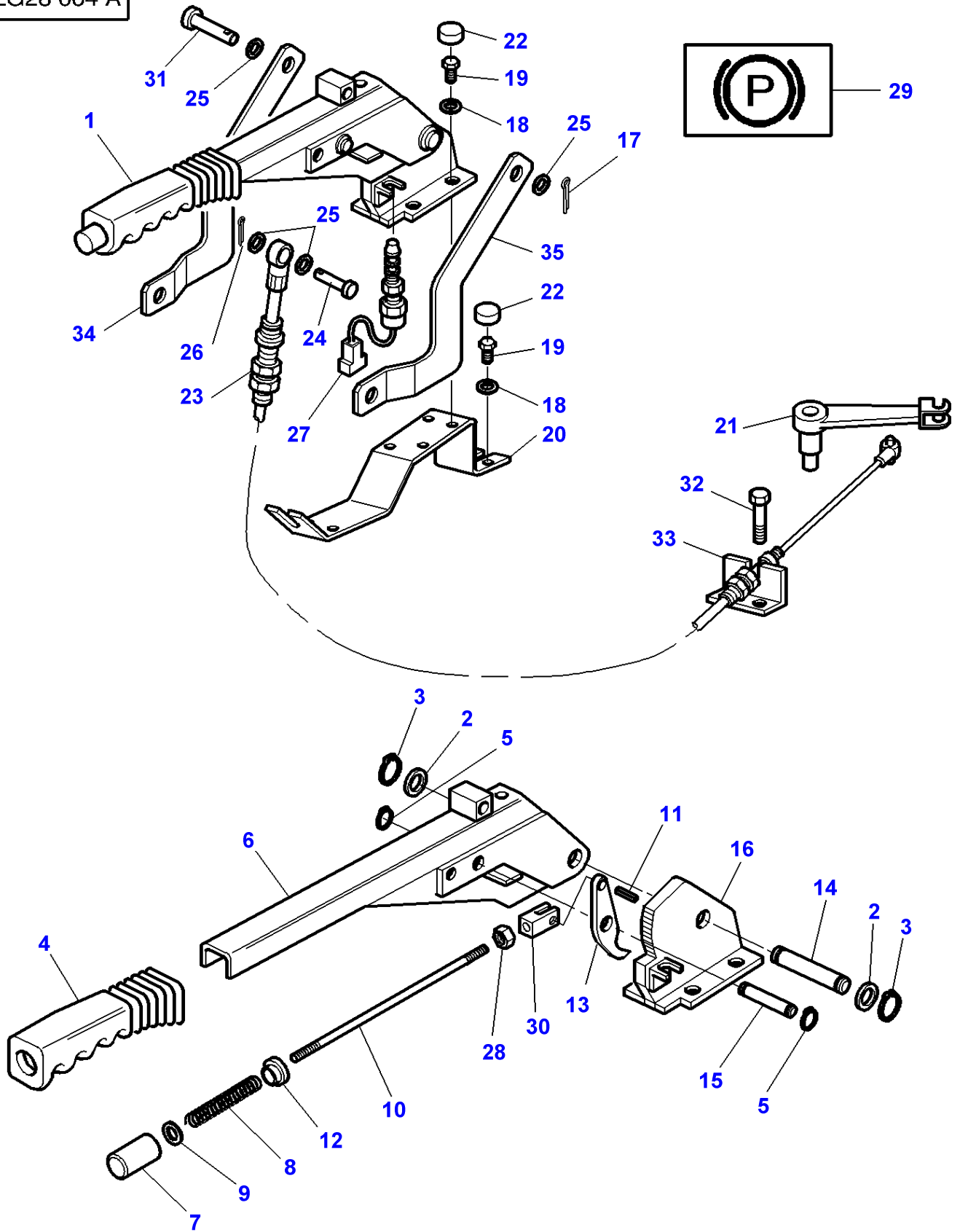


Item	Part Number	Qty	Description	Comments
1	3778478M92	1	Handbrake Assy	
2	1693980M1	2	Washer	(1)
3	339356X1	2	Circlip	(1)
4	1693965M1	1	Handle	(1)
5	1440988X1	2	Circlip	(1)
6		1	Lever	(1)
				Not serviced,order REF No 1
7	3616904M1	1	Button	(1)
8	1693970M1	1	Spring	(1)
9	353754X1	1	Washer	(1)
10	3715943M1	1	Rod	(1)
11	1440988X1	2	Circlip	(1)
12	1693974M1	1	Clevis Pin	(1)
13	3715942M1	1	Ratchet	(1)
14	1693976M1	1	Clevis Pin	(1)
15	1693973M1	1	Clevis Pin	(1)
16	3779133M92	1	Sector	(1)
17	3616905M1	1	Washer	(1)
18	390972X1	8	Washer Metric	
19	339123X1	8	Hex. Sock. Screw	M8X20
20	3778452M1	1	Support	
21	3716502M2	1	Shifter	
22	3616277M1	8	Helmet	
23	3778741M1	1	Cable	Length 1570MM Up to Serial or Engine Number
	3782575M3	1	Cable	Length 1510MM From Serial or Engine Number
24	195234M1	1	Clevis Pin	
25	390972X1	1	Washer Metric	
26	354057X1	1	Pin	
27	3780395M2	1	Switch,Indirect	
28	3010477X1	1	Nut Metric	M5
29	3580502M1	1	Decal	
30	3786958M1	1	Buzzer	Replace and repair. Old not interchangeable with new 3320197M1 12V 3SB 004 438-03
31	3780395M2	1	Switch,Indirect	
32	339228X1	2	Screw Metric	M8X12
33	3716543M1	1	Support	
34	3785200M1	1	Plug	Up to Serial or Engine Number J299034 Diameter 40MM

FOOTNOTE [A] WITH CAB

MF 8250 TRACTOR - 1637366
1-ZG28-004-A

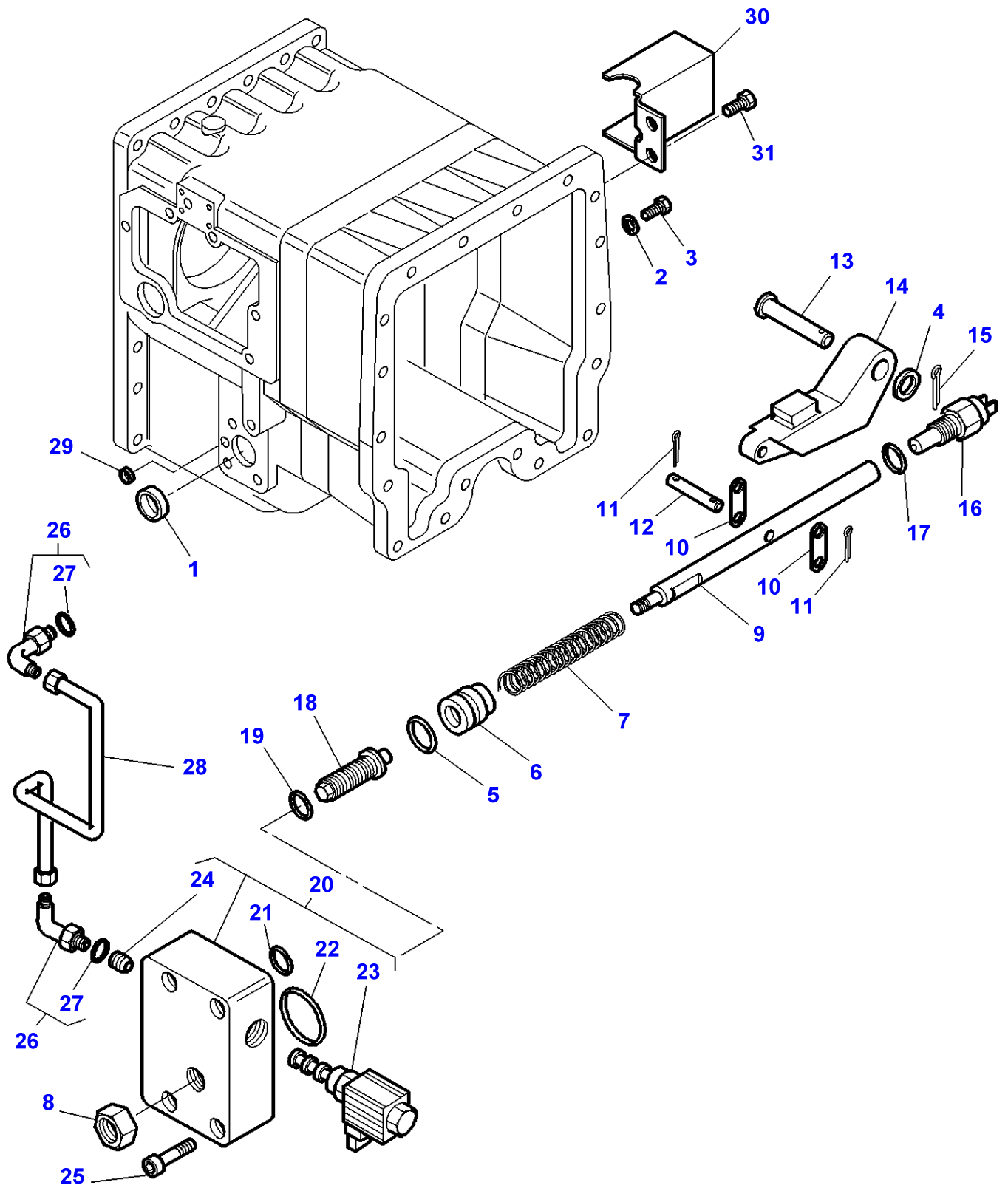
1-ZG28-004-A



Item	Part Number	Qty	Description	Comments
1	3782572M91	1	Handbrake Assy	
2	1693980M1	2	Washer	(1)
3	339356X1	2	Circlip	(1)
4	1693965M1	1	Handle	(1)
5	1440988X1	2	Circlip	(1)
6		1	Hand Brake Lever	(1)
				Not serviced,order REF. No 1
7	3616904M1	1	Button	(1)
8	1693970M1	1	Spring	(1)
9	353754X1	1	Washer	(1)
10	3782646M1	1	Rod	(1)
11	3782649M1	1	Pin	(1)
12	3616905M1	1	Washer	(1)
13	3782645M1	1	Hasp	(1)
14	1693976M1	1	Clevis Pin	(1)
15	1693974M1	1	Clevis Pin	(1)
16	3779133M92	1	Sector	(1)
17	354057X1	1	Pin	
18	390972X1	8	Washer Metric	
19	339123X1	8	Hex. Sock. Screw	M8X20
20	3782571M2	1	Support	
21	3716502M2	1	Shifter	
22	3616277M1	8	Helmet	
23	3782575M3	1	Cable	Length 1510MM
24	195235M1	1	Clevis Pin	Up to Serial or Engine Number L008018 Length 25,4MM
	195234M1	1	Clevis Pin	From Serial or Engine Number L008019 Length 22,2MM
25	390972X1	2	Washer Metric	Up to Serial or Engine Number L008018
	390972X1	1	Washer Metric	From Serial or Engine Number L008019
26	354057X1	1	Pin	
27	3780395M2	1	Switch,Indirect	
28	3782647M1	1	Nut	(1)
29	3580502M1	1	Decal	
30	3782648M1	1	Clevis	(1)
31	195237M1	1	Clevis Pin	
32	339228X1	2	Screw Metric	M8X12
33	3716543M1	1	Support	
34	3782574M1	1	Rod Link	Right Hand
35	3782573M1	1	Rod Link	Left Hand

MF 8250 TRACTOR - 1637366
1-ZG64-001-B

1-ZG64-001-B



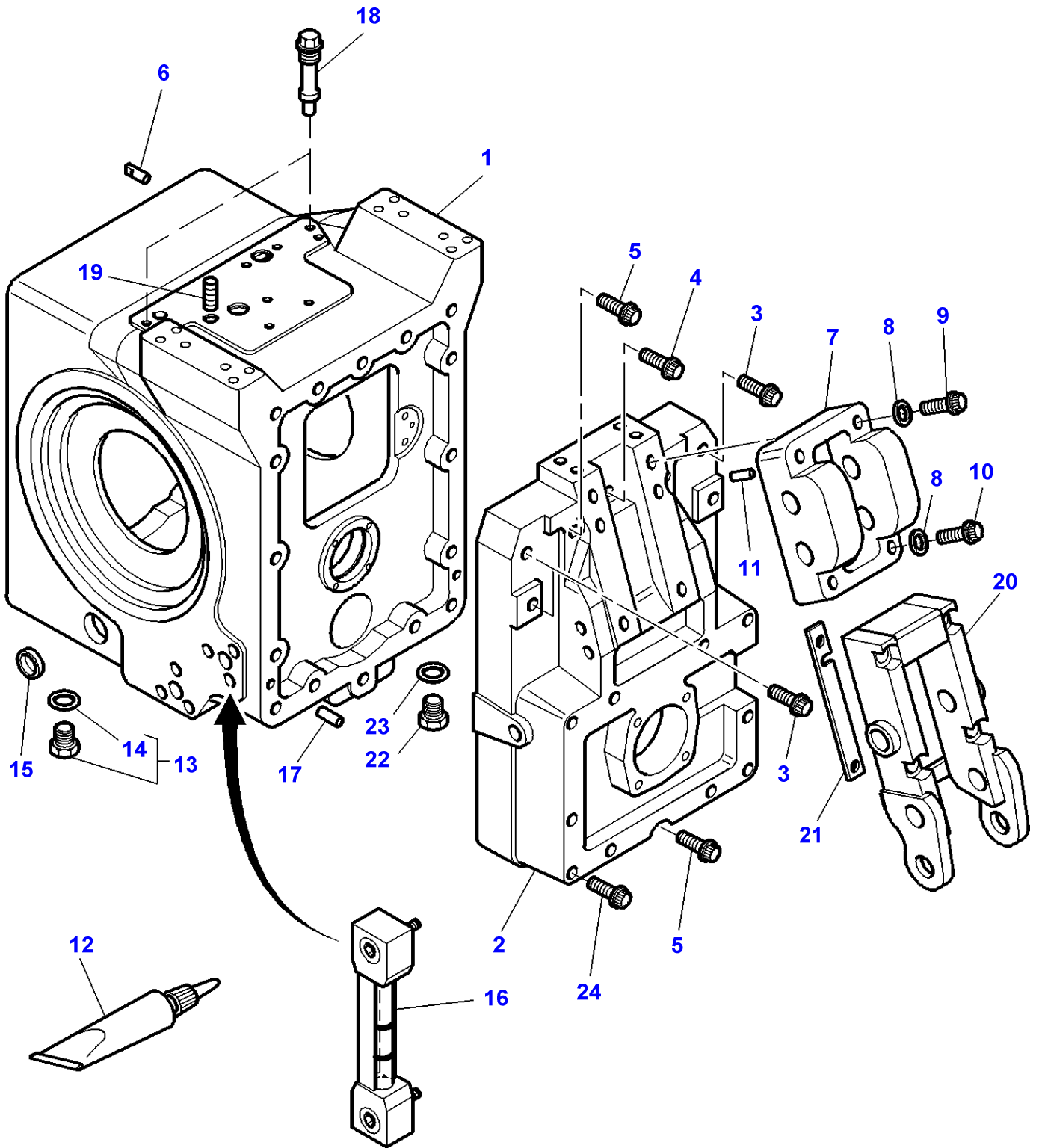
Parking Brake - With Powershift

Item	Part Number	Qty	Description	Comments
1	3011306X1	1	Plug	[A] Diameter 40 MM
2	3010890X1	1	Bush	[A]
3	3019424X1	1	Plug	[A] M14
4	3791380M1	1	Washer	Diameter 19 MM
5	366434X1	1	O Ring	Diameter 2,62 X 34,59 MM
6	3791570M1	1	Piston	
7	3716228M1	1	Spring	
8	3384600M2	1	Nut Special	Up to Serial or Engine Number J249006 M18 X 1,5
	390336X1	1	Nut Metric	From Serial or Engine Number J249007 M18 X 2,5
9	3791571M2	1	Stem	
10	3716548M1	2	Rod Link	
11	1442993X1	2	Pin	Diameter 3,2 MM
12	3791124M2	2	Clevis Pin	
13	3791125M4	1	Clevis Pin	
14	3716551M4	1	Ratchet	
15	339531X1	1	Pin	Diameter 4 MM
16	3792196M1	1	Switch, Indirect	
17	3010890X1	1	Bush	
18	3790951M1	1	Screw	Up to Serial or Engine Number J249006 M18 X 1,5
	3793504M1	1	Setscrew	From Serial or Engine Number J249007 M18 X 2,5
19	3007118X1	1	O Ring	Up to Serial or Engine Number J249006
	3010946X1	1	O Ring	From Serial or Engine Number J249007
20	3791141M91	1	Block	Up to Serial or Engine Number J249006
	3793505M91	1	Spacer	From Serial or Engine Number J249007
21	3019467X1	1	O Ring	(20) Diameter 10,1 X 1,6 MM
22	364281X1	1	O Ring	(20) Diameter 47,35 X 1,78 MM
23	3791106M1	1	Electrovalve	(20)
24	3791107M1	1	Non Return Valve	(20)
25	3001758X1	4	Screw Metric	M6 X 50
26	3019412X91	2	Elbow	
27	3019395X1	1	O Ring	(26)
28	3791287M1	1	Tube	
29	3010761X1	1	Plug	Diameter 8 MM
30	3795099M2	1	Cowl	
31	391074X1	2	Hex. Sock. Screw	M6 X 12

FOOTNOTE [A] WITHOUT PARKING BRAKE

MF 8250 TRACTOR - 1637366
1-ZG02-002-E

1-ZG02-002-E



Rear Axle - Centre Housing

Item	Part Number	Qty	Description	Comments
1	3792105M5	1	Housing	[B] Up to Serial or Engine Number J319020
	3794374M2	1	Housing	[B] From Serial or Engine Number J319021
	3792105M5	1	Housing	[A]
2	3716000M5	1	Housing	Up to Serial or Engine Number
	3797005M1	1	Housing	From Serial or Engine Number
3	3010556X1	4	Screw Metric	M20X70
4	3010557X1	1	Screw Metric	M20X100
5	3010558X1	3	Screw Metric	M20X120
6	3716496M2	1	Centraliser	
7	3716917M3	1	Lug	Up to Serial or Engine Number K029022 For United States of America
8	385365X1	4	Washer	Diameter 20 MM Diameter 37 MM Thickness 5 MM
9	3010575X1	2	Screw	M20X130
10	3010563X1	2	Screw	M20X90
11	3716918M2	2	Centraliser	
12	3900613M2	X	Loctite	
13	3583994M91	1	Plug	M18
14	3019397X1	1	O Ring	(13)
15	3010760X1	2	Plug	Up to Serial or Engine Number Diameter 46 MM
16	3790930M1	1	Oil Dipstick	[B]
	3790931M1	1	Oil Dipstick	[A]
17	3385839M2	2	Pin	Length 22,2 MM
18	3791706M1	2	Plug	
19	3010990X1	1	Screw	M12X12
20	3795831M91	1	Support	From Serial or Engine Number K029023 For United States of America
21	3795839M1	X	Chock	From Serial or Engine Number K029023 For United States of America Thickness 0,2MM
	3795838M1	X	Chock	From Serial or Engine Number K029023 For United States of America Thickness 0,7MM
22	3019638X1	2	Plug	[A,C] From Serial or Engine Number K337036 M12
	3019638X1	2	Plug	[B,C] From Serial or Engine Number K324037 M12
23	3019394X1	2	O Ring	[A] From Serial or Engine Number K337036
	3019394X1	2	O Ring	[B] From Serial or Engine Number K324037
24	3010777X1	8	Screw Metric	M20X210
	3010556X1	2	Screw Metric	M20X70

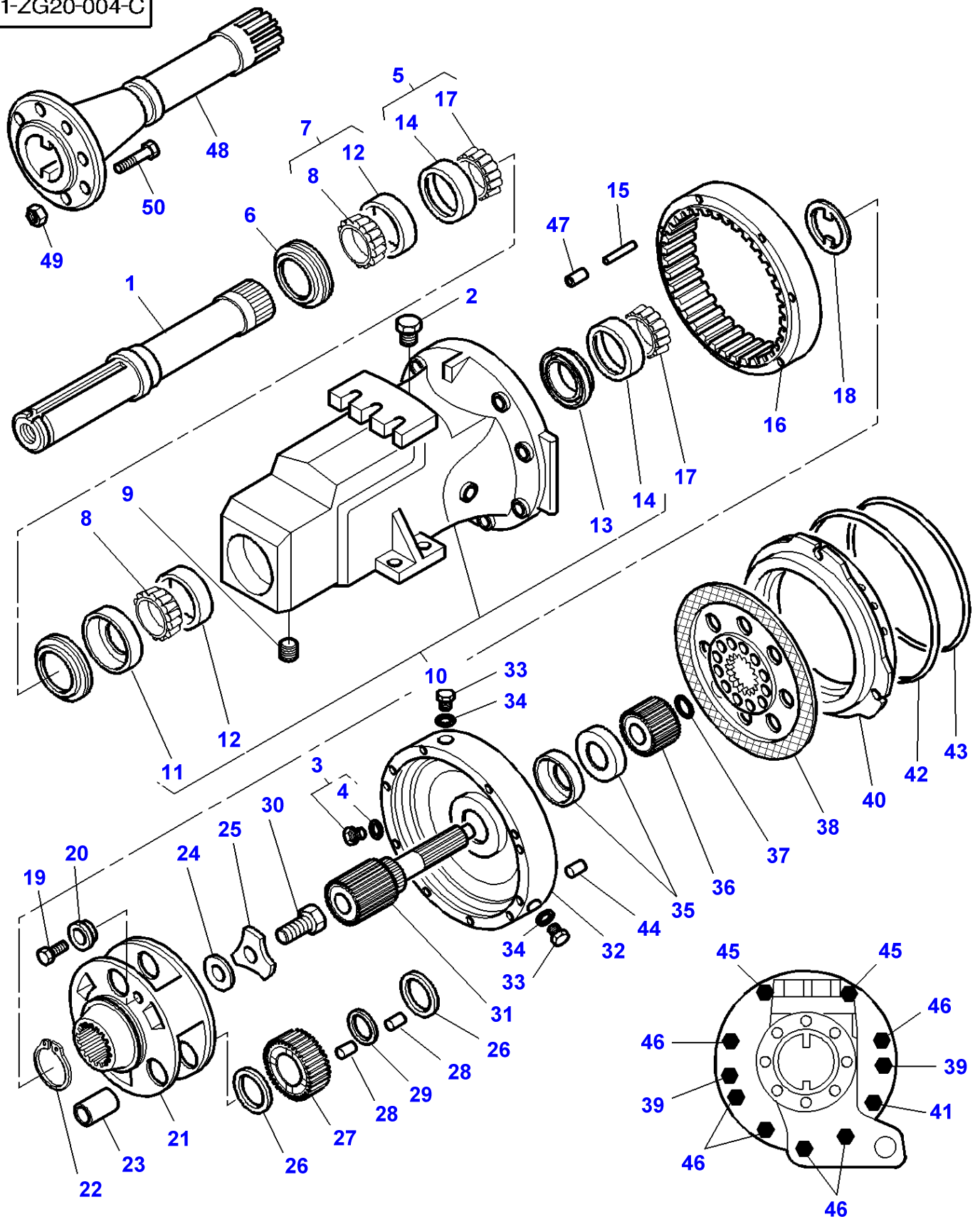
FOOTNOTE [A] WITH DYNASHIFT

FOOTNOTE [B] WITH FULL POWERSHIFT

FOOTNOTE [C] DRAIN PLUG FOR MAIN BRAKES HYDR.CIRCUIT

MF 8250 TRACTOR - 1637366
1-ZG20-004-C

1-ZG20-004-C



Item	Part Number	Qty	Description	Comments
1	3581074M2	2	Shaft	[C] Up to Serial or Engine Number J321008 Number of teeth/spines 30 Length 828,5 MM
	3794041M1	2	Shaft	[D] From Serial or Engine Number J321009 Up to Serial or Engine Number M127036 Number of teeth/spines 30 Length 828,5 MM
	3797468M1	2	Shaft	[D] From Serial or Engine Number M127037 Number of teeth/spines 30 Length 828,5MM
	3581075M2	2	Shaft	[C] Up to Serial or Engine Number J343015 Number of teeth/spines 30 Length 1150 MM
	3794042M1	2	Shaft	[D] From Serial or Engine Number J343016 Up to Serial or Engine Number M127036 Number of teeth/spines 30 Length 1150 MM
	3797466M1	2	Shaft	[D] From Serial or Engine Number M127037 Number of teeth/spines 30 Length 1150MM
2	3619001M1	2	Breather	
3	3019635X91	2	Plug	
4	3019393X1	1	O Ring	(3)
5	3383709M1	2	Bearing Taper	
6	3583530M2	2	Seal	
7	3383709M1	2	Bearing Taper	
8		1	Cone	(7) Not serviced,order REF 7
9	355547X1	2	Plug	Up to Serial or Engine Number J159014
	3795042M1	2	Plug	From Serial or Engine Number J159015
10	3580617M13	1	Axle Housing	Left Hand
	3580618M13	1	Axle Housing	Right Hand
11	3580619M2	1	Dust Shield	(10)
12		1	Race	(10) Not serviced,order REF 7
13	3619346M1	1	Seal	(10)
14		1	Race	(10) Not serviced,order REF 5
15	3039014M1	2	Clevis Pin	Length 124 MM
16	3792924M2	2	Annular Gear	Number of teeth/spines 73 Replace and repair. Old not interchangeable with new 3383256M4
17		2	Cone	Not serviced,order REF 5
18	3580458M2	2	Washer	
19	353693X1	2	Screw Unc	Diameter 3/8"-16 Length 31,7 MM
20	3046114M1	2	Bush	
21	3581051M1	2	Carrier	Number of teeth/spines 30
22	3380713M2	2	Ring	
23	1610204M2	6	Clevis Pin	
24	519954M1	X	Shim	Thickness 0,05 MM Up to Serial or Engine Number
	519955M1	X	Shim	Thickness 0,13 MM Up to Serial or Engine Number
	519956M1	X	Shim	Thickness 0,25 MM Up to Serial or Engine Number
	519957M1	X	Shim	Thickness 0,46 MM Up to Serial or Engine Number
	3797270M1	X	Shim	Thickness 0,20 MM From Serial or Engine Number
	3798552M1	X	Shim	Thickness 0,25MM
	3797271M1	X	Shim	Thickness 0,30 MM From Serial or Engine Number
	3798553M1	X	Shim	Thickness 0,35MM

Item	Part Number	Qty	Description	Comments
24	3797272M1	X	Shim	Thickness 0,40 MM From Serial or Engine Number
25	3580436M1	2	Washer	Up to Serial or Engine Number
25	3796983M2	2	Washer	Diameter 26-136 From Serial or Engine Number
26	3321291M1	12	Spacer	Diameter 22-136
27	3792923M1	6	Diff Pinion	Number of teeth/spines 29 Replace and repair. Old not interchangeable with new 3791386M1
28	1610191M1	336	Needle	
29	1626976M2	6	Ring	
30	3011004X1	2	Screw	M20X45 Up to Serial or Engine Number
30	3011320X1	2	Screw	M24X80 From Serial or Engine Number
31	3792922M1	2	Planet	[A] Number of teeth/spines 14 Up to Serial or Engine Number
31	3797454M1	2	Planet	Replace and repair. Old not interchangeable with new 3791384M2 Length 336MM [A] Number of teeth/spines 14 From Serial or Engine Number
31	3793082M1	1	Planet	Length 331MM [B] Number of teeth/spines 14 Up to Serial or Engine Number
31	3797455M1	1	Planet	Left Hand Length 341MM [B] Number of teeth/spines 14 From Serial or Engine Number
31	3793083M1	1	Planet	Left Hand Length 341MM [B] Number of teeth/spines 14 Up to Serial or Engine Number
31	3797456M1	1	Planet	Right Hand Length 266MM [B] Number of teeth/spines 14 From Serial or Engine Number
32	3716936M5	1	Spacer	Left Hand
32	3716937M5	1	Spacer	Right Hand
33	3583993M1	4	Plug	
34	3019397X1	4	O Ring	
35	3582195M1	4	Seal	
36	3582194M1	2	Hub	
37	380005X1	2	Clip	[A]
37	380005X1	3	Clip	[B]
38	3617649M91	2	Disc	
39	354663X1	4	Bolt Unc	Diameter 1/2"-13
40	3791208M2	2	Piston	
41	3791438M1	2	Screw	Up to Serial or Engine Number K151001 M16x150
41	3794395M1	2	Screw Metric	From Serial or Engine Number K151002 M16X145
42	3716252M1	2	O Ring	
43	3716335M1	2	O Ring	
44	3716770M2	6	Clevis Pin	
45	3791625M2	4	Stud	M16x229 Replace and repair. Old not interchangeable with new 3716515M1
45	3010875X1	4	Washer	Diameter 16 MM
45	3019871X1	4	Nut Metric	M16
46	3010565X1	12	Screw Metric	Up to Serial or Engine Number K151001 M16X175
46	3010985X1	12	Screw Metric	From Serial or Engine Number K151002 M16X170
47	1611422M1	2	Spacer	From Serial or Engine Number J251025

Item	Part Number	Qty	Description	Comments
48	3583538M2	2	Shaft	[E] Number of teeth/spines 30 Length 636 MM Up to Serial or Engine Number M076006
48	3797460M1	2	Shaft	[E] Number of teeth/spines 30 Length 636 MM From Serial or Engine Number M076007
48	3797650M1	2	Shaft	[F] Number of teeth/spines 30 Length 636MM Up to Serial or Engine Number M092061
48	3798188M1	2	Shaft	[F] Number of teeth/spines 30 Length 636 MM From Serial or Engine Number M092062
49	3384597M1	16	Nut	M18
49	3712611M2	16	Nut Special	M22
50	3384602M4	16	Stud	M18X1,5X72
50	3384601M4	16	Stud	M18X1,5X98
50	3794694M1	16	Stud	M18X1,5X113
50	3796151M1	16	Stud	M22X1,5X72
50	3796150M1	16	Stud	M22X1,5X98
50	3796152M1	16	Stud	M22X1,5X113

FOOTNOTE [A] FOR 5" DIFF ONLY

FOOTNOTE [B] FOR 7" DIFF ONLY

FOOTNOTE [C] RECTANGULAR KEY

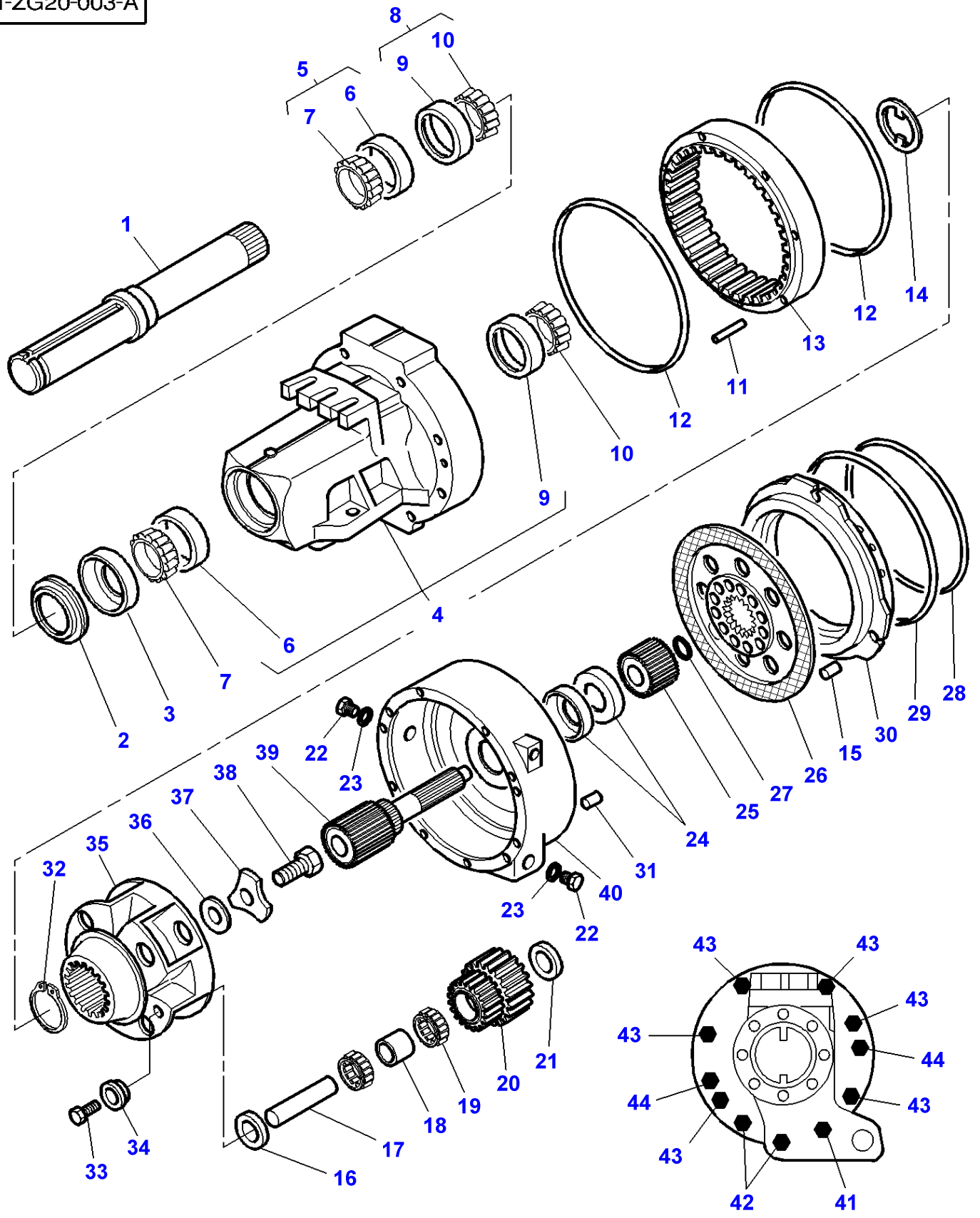
FOOTNOTE [D] HEXAGONAL KEY

FOOTNOTE [E] 8 STUDS M18

FOOTNOTE [F] 8 STUDS M22

MF 8250 TRACTOR - 1637366
1-ZG20-003-A

1-ZG20-003-A



Item	Part Number	Qty	Description	Comments
1	3716379M3	2	Shaft	Up to Serial or Engine Number M044054 Length 804 / 806 MM Diameter 110 MM
	3797050M1	2	Shaft	From Serial or Engine Number M044055 Length 804 / 806 MM Diameter 110 MM
	3793047M1	2	Shaft	Up to Serial or Engine Number M044054 Length 1057 MM Diameter 95 MM
	3797467M1	2	Shaft	From Serial or Engine Number M044055 Length 1057 MM Diameter 95 MM
	3793046M1	2	Shaft	Up to Serial or Engine Number M044054 Length 735 MM Diameter 95 MM
	3796985M1	2	Shaft	From Serial or Engine Number M044055 Length 735 MM Diameter 95 MM
2	3716041M2	2	Bush	
3	3716210M1	2	Gasket	
4	3791298M14	1	Axle Housing	Right Hand
	3791297M14	1	Axle Housing	Left Hand
5	3010912X91	1	Bearing Assy	
6		1	Cone Cup	(5) Not serviced,order REF. N 5
7		1	Bearing Cone	(5) Not serviced,order REF. N 5
8	3383709M1	1	Bearing Taper	
9		1	Cone Cup	(8) Not serviced,order REF. N 8
10		1	Bearing Cone	(8) Not serviced,order REF. N 8
11	3615934M1	2	Clevis Pin	Length 82 MM
12	3010064X1	4	O Ring	378 X 3
13	3583791M2	2	Crownwheel	Up to Serial or Engine Number K142023 Number of teeth/spines 54
	3794449M1	2	Crownwheel	From Serial or Engine Number K142024 Number of teeth/spines 54
14	3580458M2	2	Washer	
15	3716769M1	6	Clevis Pin	
16	3615201M2	X	Stop	Thickness 0,5 MM
	3615202M2	X	Stop	Thickness 1,5 MM
	3615200M2	X	Stop	Thickness 3,5 MM
17	3615147M2	6	Clevis Pin	Up to Serial or Engine Number K113030
	3794422M1	6	Clevis Pin	From Serial or Engine Number K113031
18	3615182M1	6	Bush	
19	3616525M1	216	Needle	
20	3583790M3	6	Diff Pinion	Up to Serial or Engine Number K099001 Number of teeth/spines 17/29
	3794150M1	6	Diff Pinion	From Serial or Engine Number K099002 Number of teeth/spines 17/29
21	3615200M2	6	Stop	
22	3583993M1	4	Plug	
23	3019397X1	4	O Ring	
24	3582195M1	4	Seal	
25	3582194M1	2	Hub	
26	3617649M91	2	Disc	
27	380005X1	2	Clip	[A]
	380005X1	3	Clip	[B]
28	3716335M1	2	O Ring	
29	3716252M1	2	O Ring	
30	3716755M3	2	Piston	
31	1612150M1	2	Clevis Pin	Length 29 MM
32	3615183M2	2	Ring	
33	353693X1	2	Screw Unc	Diameter H 3/8-16 Length 31,7 MM
34	3046114M1	2	Bush	
35	3583792M2	2	Carrier	
36	519954M1	X	Shim	Thickness 0,05 MM Up to Serial or Engine Number M044054

Item	Part Number	Qty	Description	Comments
36	519955M1	X	Shim	Thickness 0,13 MM Up to Serial or Engine Number M044054
36	519956M1	X	Shim	Thickness 0,25 MM Up to Serial or Engine Number M044054
36	519957M1	X	Shim	Thickness 0,46 MM Up to Serial or Engine Number M044054
36	3797270M1	X	Shim	Thickness 0,20 MM From Serial or Engine Number M044055
36	3798552M1	X	Shim	Thickness 0,25MM
36	3797271M1	X	Shim	Thickness 0,30 MM From Serial or Engine Number M044055
36	3798553M1	X	Shim	Thickness 0,35MM
36	3797272M1	X	Shim	Thickness 0,40 MM From Serial or Engine Number M044055
37	3580436M1	2	Washer	Up to Serial or Engine Number M044054
37	3796983M2	2	Washer	From Serial or Engine Number M044055
38	1442668X1	2	Screw	M20 X 70 Up to Serial or Engine Number K087010
38	3010915X1	2	Screw Metric	M20 X 70 From Serial or Engine Number K087011
38	3011320X1	2	Screw	Up to Serial or Engine Number M044054 M24 X 80 From Serial or Engine Number M044055
39	3583789M2	2	Planet	[A] Number of teeth/spines 15 Length 428,7 MM
39	3792774M1	1	Planet	[B] Up to Serial or Engine Number K114008 Number of teeth/spines 15 Left Hand Length 431 MM
39	3794494M1	1	Planet	[B] From Serial or Engine Number K114009 Up to Serial or Engine Number M044054 Number of teeth/spines 15 Left Hand Length 431 MM
39	3797049M1	1	Planet	[B] From Serial or Engine Number M044055 Number of teeth/spines 15 Left Hand Length 431 MM
39	3792775M1	1	Planet	[B] Up to Serial or Engine Number K117017 Number of teeth/spines 15 Right Hand Length 356MM
39	3794495M1	1	Planet	[B] From Serial or Engine Number K117018 Up to Serial or Engine Number M044054 Number of teeth/spines 15 Right Hand Length 356MM
39	3797048M1	1	Planet	[B] From Serial or Engine Number M044055 Left Hand Number of teeth/spines 15 Length 356 MM
40	3616545M4	1	Spacer	Left Hand
40	3616544M4	1	Spacer	Right Hand
41	3716517M1	2	Stud	M16 X 363
41	3010875X1	2	Washer	M16
41	3019871X1	2	Nut Metric	M16
42	3791294M1	4	Stud	M16 X 335
42	3010875X1	4	Washer	M16
42	3019871X1	4	Nut Metric	M16
43	3716516M1	12	Stud	M16 X 353
43	3010875X1	12	Washer	M16
43	3019871X1	12	Nut Metric	M16
44	357039X1	4	Screw	Diameter 1/2"-13 Length 165 MM

Massey Ferguson

MF 8250 TRACTOR - 1637366

1637366

Short Rear Axle Housings - Outer Final Drive Gear - With Composite Reducer

Page030-0045

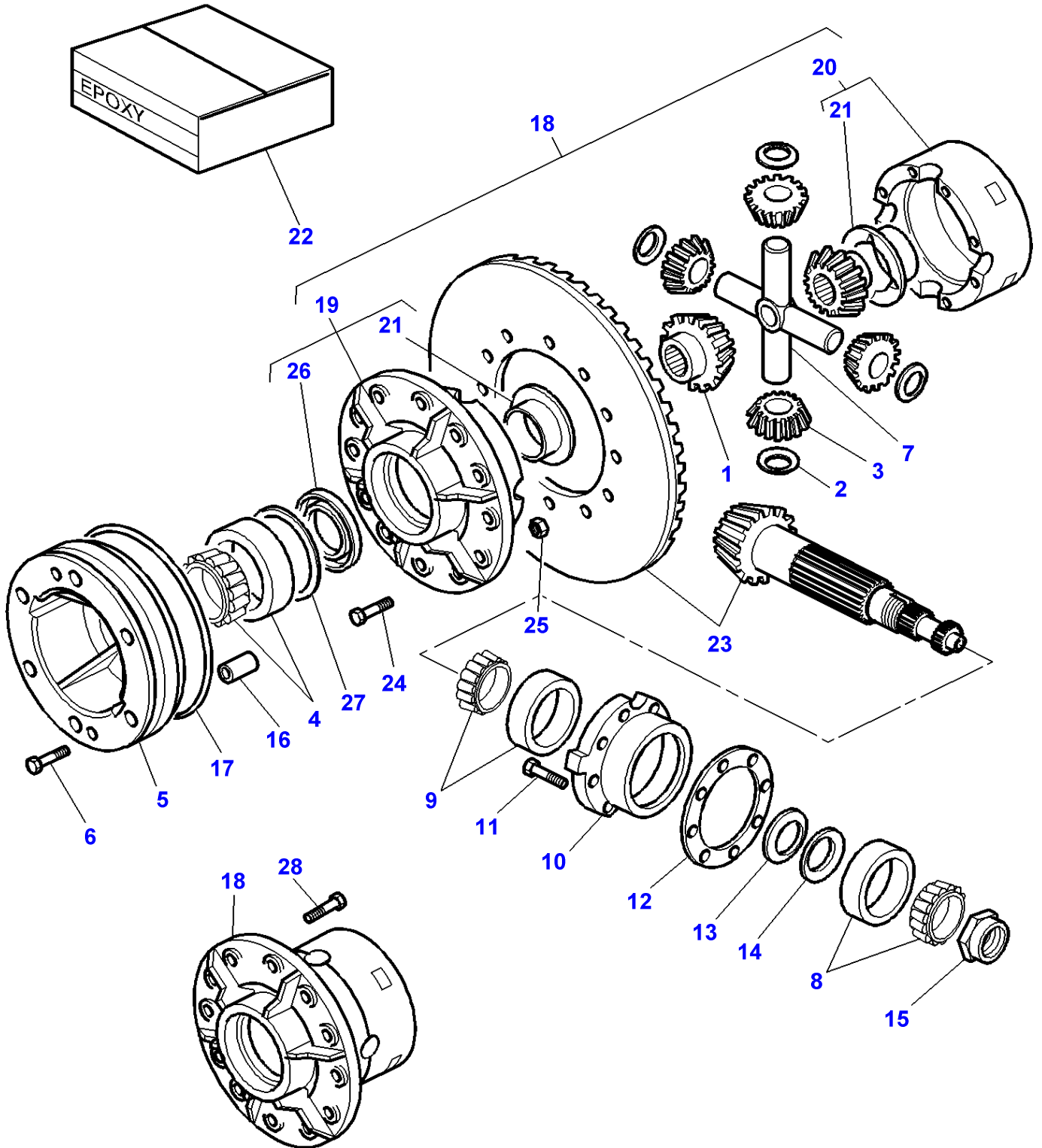
Item	Part Number	Qty	Description	Comments
------	-------------	-----	-------------	----------

FOOTNOTE [A] FOR 5" DIFF ONLY

FOOTNOTE [B] FOR 7" DIFF ONLY

MF 8250 TRACTOR - 1637366
1-ZG09-001-C

1-ZG09-001-C



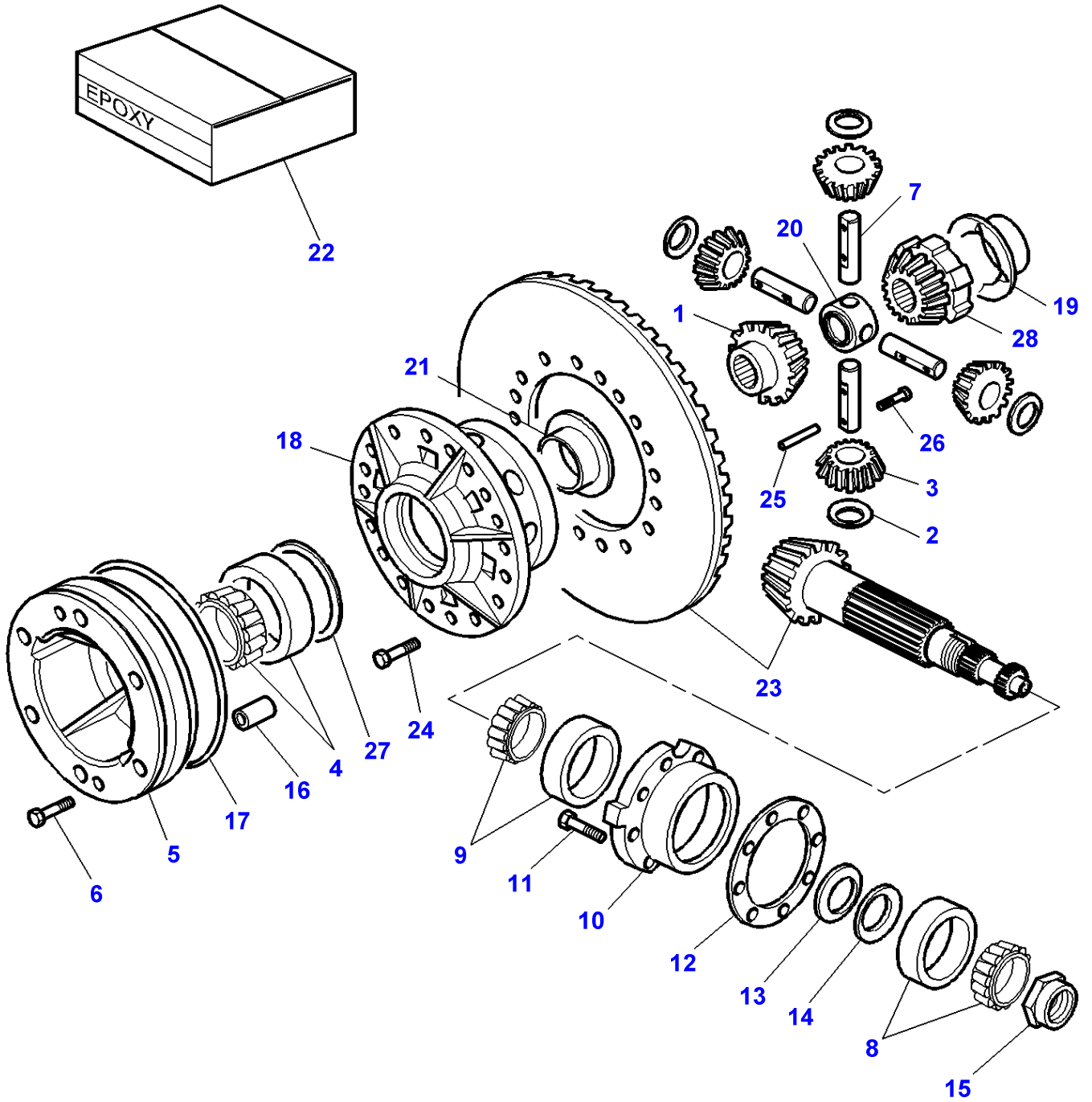
Rear Axle - Differential - 5" Differential

Item	Part Number	Qty	Description	Comments
1	885518M5	2	Gear	
2	3387281M1	4	Washer	
3	2746322M1	4	Pinion	
4	1851533M91	1	Bearing Assy	
5	3716332M4	1	Support	Up to Serial or Engine Number K092030
	3716332M5	1	Support	From Serial or Engine Number K092031
6	3019899X1	6	Bolt Metric	M12 X 50
7	2746135M2	1	Crosspiece	
8	3010720X91	1	Bearing Assy	
9	3010735X91	1	Bearing Assy	
10	3716430M2	1	Case Assy	
11	3010010X1	4	Screw	Up to Serial or Engine Number L156019 M12 X 40
	3010770X1	4	Screw Metric	From Serial or Engine Number L156020 M12 X 35
	3010770X1	4	Screw Metric	Up to Serial or Engine Number L156019 M12 X 35
	3010492X1	4	Screw	From Serial or Engine Number L156020 M12 X 30
12	3716566M1	X	Shim	Thickness 0,05 MM
	3716567M1	X	Shim	Thickness 0,10 MM
	3716568M1	X	Shim	Thickness 0,20 MM
	3716569M1	X	Shim	Thickness 0,30 MM
13	3716422M1	1	Washer	
14	3792328M2	X	Chock	Thickness 0,65 MM
	3716431M2	X	Chock	Thickness 0,70 MM
	3792329M2	X	Chock	Thickness 0,75 MM
	3716432M2	X	Chock	Thickness 0,80 MM
	3792330M2	X	Chock	Thickness 0,85 MM
	3716433M2	X	Chock	Thickness 0,90 MM
	3792331M2	X	Chock	Thickness 0,95 MM
	3716434M2	X	Chock	Thickness 1,00 MM
15	3716450M1	1	Nut Special	M60
16	1611277M1	1	Pin	Diameter 16 X 20
17	3716335M1	1	O Ring	
18	3714981M16	1	Kit Case	
19		1	Housing	(18) Not serviced,order REF. 18
20		1	Housing	(18) Not serviced,order REF. 18
21	3714982M4	2	Bush	(18)
22	3930274M92	1	Loctite	
23	3716832M94	1	Kit, Bevel Gear	[A] 9 X 41
	3794834M92	1	Kit, Bevel Gear	[B] 9 X 44
24	825776M1	12	Screw Special	
25	891947M1	12	Nut Special	
26	3791415M1	1	Deflector	(19)
27	3791686M1	X	Chock	Up to Serial or Engine Number K092030 Thickness 0,10 MM
	3791687M1	X	Chock	Up to Serial or Engine Number K092030 Thickness 0,30 MM
	3791689M1	X	Chock	Up to Serial or Engine Number K092030 Thickness 0,05 MM
	3795176M1	X	Shim	From Serial or Engine Number K092031 Thickness 0,30 MM
	3795177M1	X	Shim	From Serial or Engine Number K092031 Thickness 0,35 MM
	3795178M1	X	Shim	From Serial or Engine Number K092031 Thickness 0,40 MM
	3795179M1	X	Shim	From Serial or Engine Number K092031 Thickness 0,45 MM
	3795180M1	X	Shim	From Serial or Engine Number K092031 Thickness 0,50 MM
	3795181M1	X	Shim	From Serial or Engine Number K092031 Thickness 0,55 MM
28	362782X1	8	Bolt Unc	

FOOTNOTE [A] OUTER FINAL DRIVE GEAR WITH COMPOSITE REDUCER

FOOTNOTE [B] WITH REAR AXLE HOUSINGS OUTER GEAR WITH SEALED HOUSING

1-ZG09-002-A



Rear Axle - Differential - 7" DIFFERENTIAL - UP TO L113019

Item	Part Number	Qty	Description	Comments
1	3716473M5	1	Pinion	
2	3791227M2	4	Washer	
3	3716463M1	4	Diff Pinion	
4	3010714X91	1	Bearing Taper	
5	3792791M1	1	Support	Up to Serial or Engine Number K043019
	3792791M2	1	Support	From Serial or Engine Number K043020
6	3019899X1	6	Bolt Metric	M12 X 50
7	3716470M3	4	Clevis Pin	
8	3010720X91	1	Bearing Assy	
9	3010735X91	1	Bearing Assy	
10	3716430M2	1	Case Assy	
11	3010010X1	4	Screw	M12 X 40
	3010770X1	4	Screw Metric	M12 X 35
12	3716566M1	X	Shim	Thickness 0,05 MM
	3716567M1	X	Shim	Thickness 0,10 MM
	3716568M1	X	Shim	Thickness 0,20 MM
	3716569M1	X	Shim	Thickness 0,30 MM
13	3716422M1	1	Washer	
14	3792328M2	X	Chock	Thickness 0,65 MM
	3716431M2	X	Chock	Thickness 0,70 MM
	3792329M2	X	Chock	Thickness 0,75 MM
	3716432M2	X	Chock	Thickness 0,80 MM
	3792330M2	X	Chock	Thickness 0,85 MM
	3716433M2	X	Chock	Thickness 0,90 MM
	3792331M2	X	Chock	Thickness 0,95 MM
	3716434M2	X	Chock	Thickness 1,00 MM
15	3716450M1	1	Nut Special	M60
16	1611277M1	1	Pin	Diameter 16 X 20
17	3716335M1	1	O Ring	
18	3716464M4	1	Case Assy	
19	3716472M3	1	Washer	
20	3716059M5	1	Crosspiece	
21	3716327M3	1	Bush	
22	3930274M92	1	Loctite	
23	3793085M91	1	Kit, Bevel Gear	[A,C] 9 X 41
	3793087M92	1	Kit, Bevel Gear	[B,C] 9 X 41
	3794836M92	1	Kit, Bevel Gear	[A,D] 9 X 44
24	3010783X1	18	Screw Metric	M16 X 40
25	3384279M1	4	Needle	
26	1441000X1	4	Screw Metric	M8 X 16
27	3791616M1	X	Chock	Up to Serial or Engine Number K043019 Thickness 0,05 MM
	3791617M1	X	Chock	Up to Serial or Engine Number K043019 Thickness 0,10 MM
	3791618M1	X	Chock	Up to Serial or Engine Number K043019 Thickness 0,30 MM
	3795187M1	X	Shim	From Serial or Engine Number K043020 Thickness 0,30 MM
	3795188M1	X	Shim	From Serial or Engine Number K043020 Thickness 0,35 MM
	3795189M1	X	Shim	From Serial or Engine Number K043020 Thickness 0,40 MM
	3795190M1	X	Shim	From Serial or Engine Number K043020 Thickness 0,45 MM
	3795191M1	X	Shim	From Serial or Engine Number K043020 Thickness 0,50 MM
	3795192M1	X	Shim	From Serial or Engine Number K043020 Thickness 0,55 MM
28	3716474M6	1	Planet	

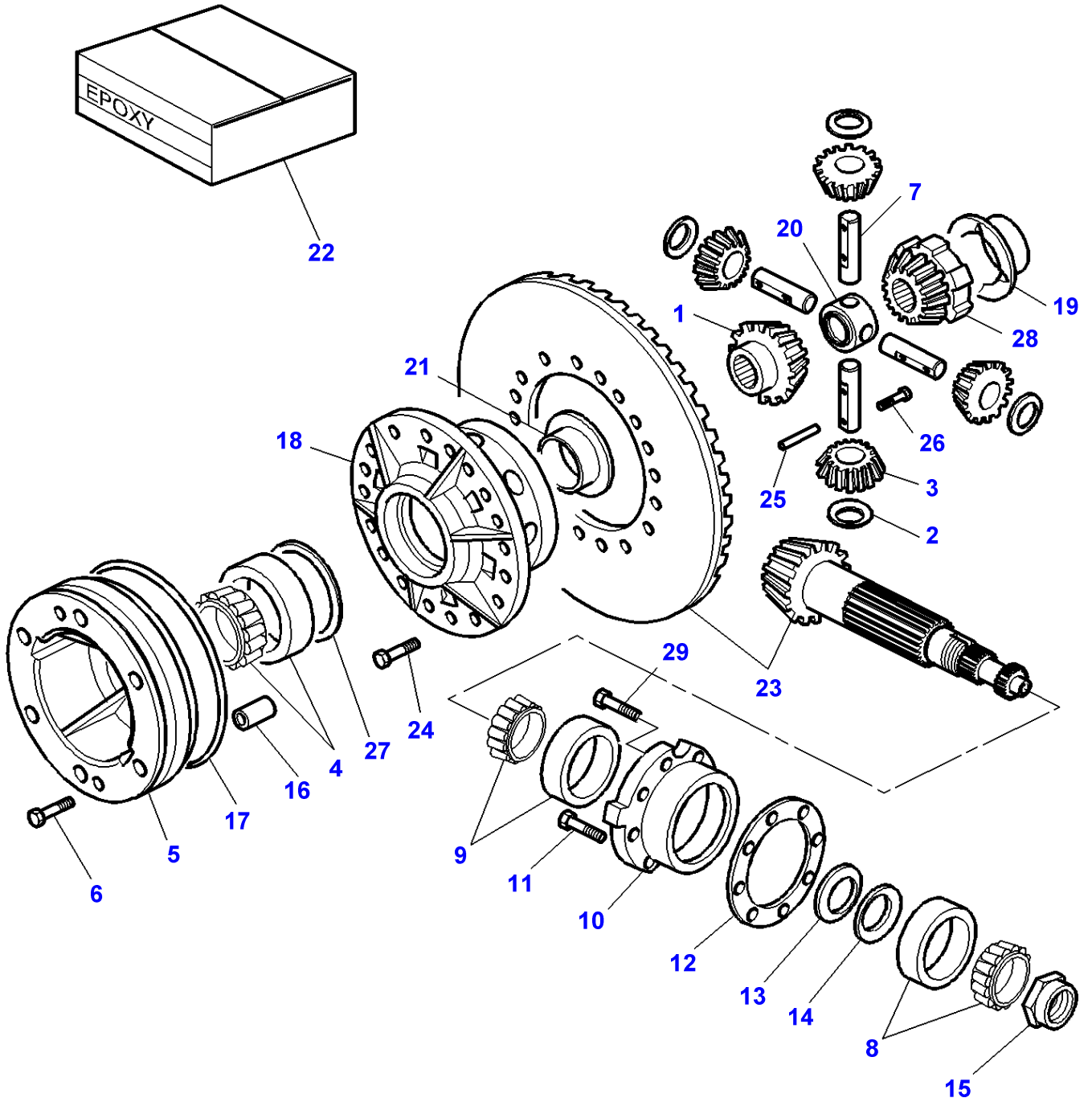
FOOTNOTE [A] WITH FULL POWERSHIFT

FOOTNOTE [B] WITH DYNASHIFT

FOOTNOTE [C] OUTER FINAL DRIVE GEAR WITH COMPOSITE REDUCER

FOOTNOTE [D] WITH REAR AXLE HOUSINGS OUTER GEAR WITH SEALED HOUSING

1-ZG09-004-B



Item	Part Number	Qty	Description	Comments
1	3716473M5	1	Pinion	
2	3791227M2	4	Washer	
3	3716463M1	4	Diff Pinion	
4	3010714X91	1	Bearing Taper	
5	3792791M2	1	Support	
6	3019899X1	6	Bolt Metric	M12 X 50
7	3716470M3	4	Clevis Pin	
8	3010720X91	1	Bearing Assy	
9	3010735X91	1	Bearing Assy	
10	3716430M2	1	Case Assy	
11	3010770X1	4	Screw Metric	Up to Serial or Engine Number L156019 M12 X 35
	3010492X1	4	Screw	From Serial or Engine Number L156020 M12 X 30
12	3716566M1	X	Shim	Thickness 0,05 MM
	3716567M1	X	Shim	Thickness 0,10 MM
	3716568M1	X	Shim	Thickness 0,20 MM
	3716569M1	X	Shim	Thickness 0,30 MM
13	3716422M1	1	Washer	
14	3792328M2	X	Chock	Thickness 0,65 MM
	3716431M2	X	Chock	Thickness 0,70 MM
	3792329M2	X	Chock	Thickness 0,75 MM
	3716432M2	X	Chock	Thickness 0,80 MM
	3792330M2	X	Chock	Thickness 0,85 MM
	3716433M2	X	Chock	Thickness 0,90 MM
	3792331M2	X	Chock	Thickness 0,95 MM
	3716434M2	X	Chock	Thickness 1,00 MM
15	3716450M1	1	Nut Special	M60
16	1611277M1	1	Pin	Diameter 16 X 20
17	3716335M1	1	O Ring	
18	3716464M4	1	Case Assy	
19	3716472M3	1	Washer	
20	3716059M5	1	Crosspiece	
21	3716327M3	1	Bush	
22	3930274M92	1	Loctite	
23	3793085M91	1	Kit, Bevel Gear	[A,C] 9 X 41
	3793087M92	1	Kit, Bevel Gear	[B,C] 9 X 41
	3794836M92	1	Kit, Bevel Gear	[A,D] 9 X 44
24	3010783X1	18	Screw Metric	M16 X 40
25	3384279M1	4	Needle	
26	1441000X1	4	Screw Metric	M8 X 16
27	3796205M1	X	Chock	Thickness 0,30 MM
	3796206M1	X	Chock	Thickness 0,35 MM
	3796207M1	X	Chock	Thickness 0,40 MM
	3796208M1	X	Chock	Thickness 0,45 MM
	3796209M1	X	Chock	Thickness 0,50 MM
	3796210M1	X	Chock	Thickness 0,55 MM
28	3716474M6	1	Planet	
29	3010010X1	4	Screw	Up to Serial or Engine Number L156019 M12 X 40
	3010770X1	4	Screw Metric	From Serial or Engine Number L156020 M12 X 35

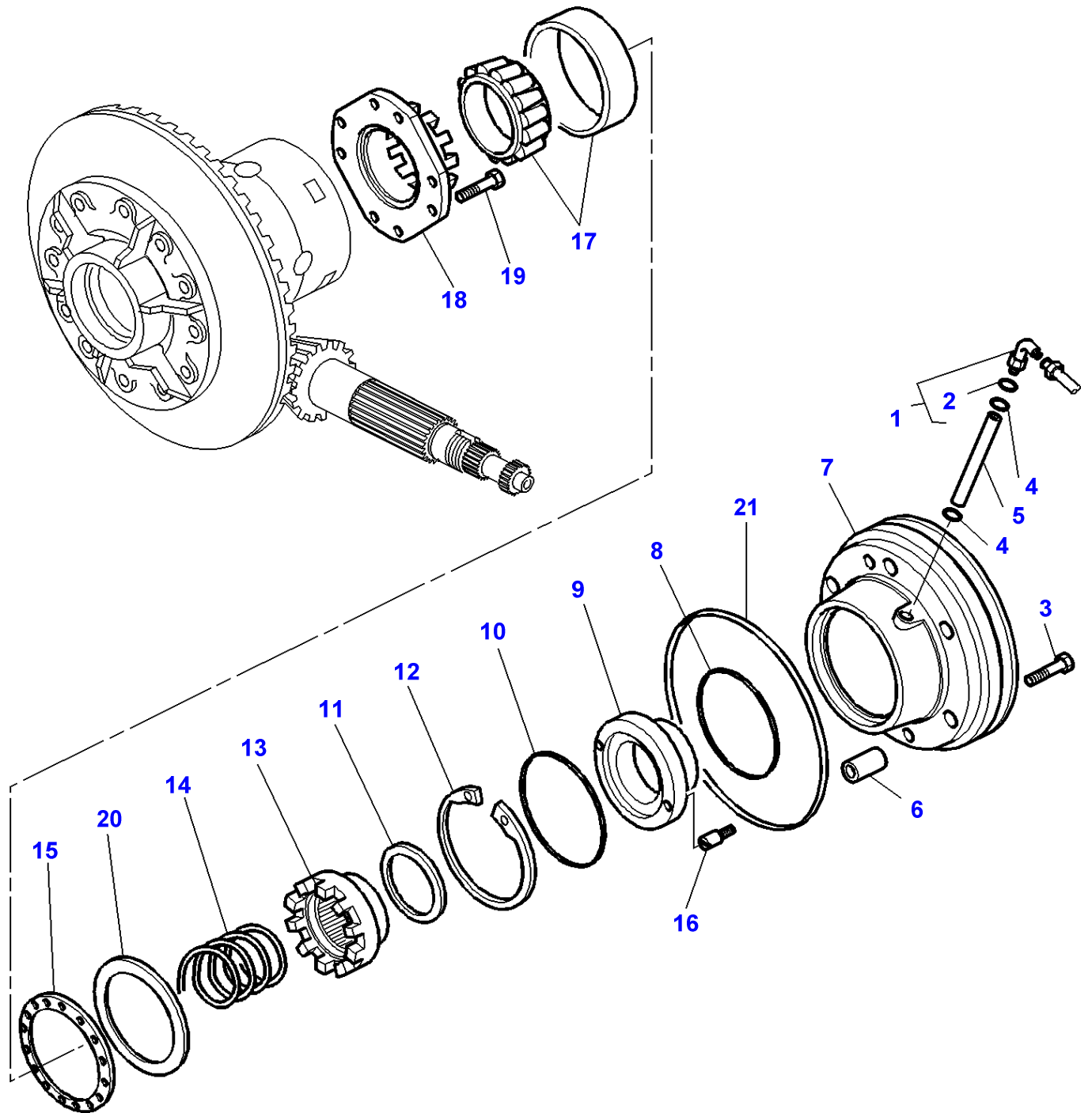
FOOTNOTE [A] WITH FULL POWERSHIFT

FOOTNOTE [B] WITH DYNASHIFT

FOOTNOTE [C] OUTER FINAL DRIVE GEAR WITH COMPOSITE REDUCER

FOOTNOTE [D] WITH REAR AXLE HOUSINGS OUTER GEAR WITH SEALED HOUSING

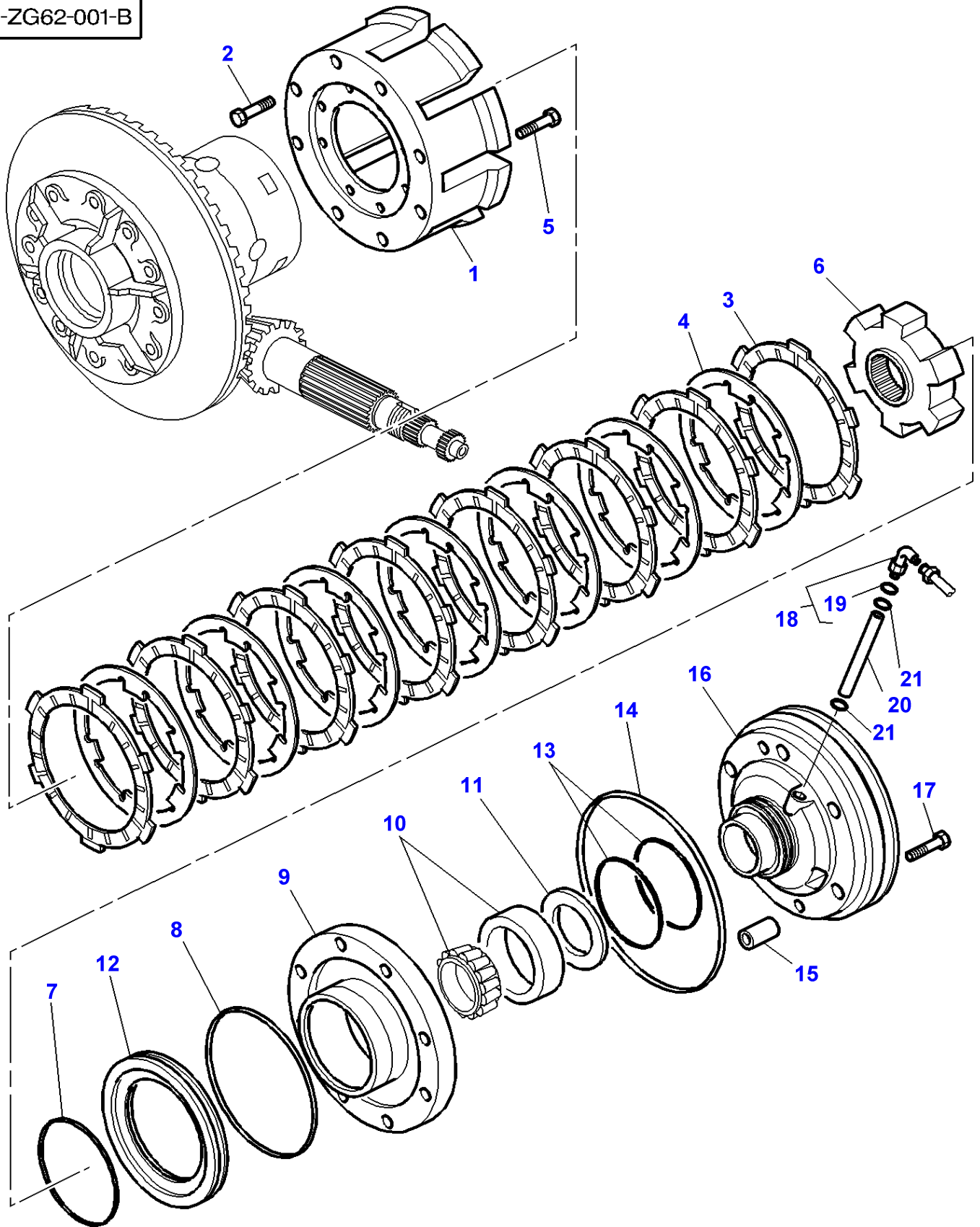
1-ZG21-002-C



Rear Axle Differential		Lock Mechanism - Hydromechanical		
Item	Part Number	Qty	Description	Comments
1	3385713M91	1	Union	
2	831497M1	1	O Ring	(1)
3	3019899X1	6	Bolt Metric	M12X50
4	377494X1	2	O Ring	
5	3716571M2	1	Tube	
6	1611277M1	1	Pin	Diameter 16X20
7	3716331M4	1	Support	
8	152613M1	1	O Ring	
9	3382480M1	1	Piston	Up to Serial or Engine Number H162000 For France only or any text in French only For UK only or any text in English only From Serial or Engine Number H162001 For France only or any text in French only For UK only or any text in English only
	3792455M1	1	Piston	Not for France Without or not for example : not United Kingdom
	3792455M1	1	Piston	
10	359118X1	1	O Ring	
11	3715419M1	1	Washer	Up to Serial or Engine Number H162000 For France only or any text in French only For UK only or any text in English only From Serial or Engine Number H162001 For France only or any text in French only For UK only or any text in English only
	3792454M1	1	Washer	Not for France Without or not for example : not United Kingdom
	3792454M1	1	Washer	
12	356005X1	1	Clip	
13	3382477M4	1	Coupling	Up to Serial or Engine Number H162000 For France only or any text in French only For UK only or any text in English only From Serial or Engine Number H162001 For France only or any text in French only For UK only or any text in English only
	3792456M1	1	Coupling	Not for France Without or not for example : not United Kingdom
	3792456M1	1	Coupling	
14	3382481M2	1	Spring	
15	1686054M2	X	Shim	Thickness 0,48-0,53MM From Serial or Engine Number 11/00
	521401M2	X	Shim	Thickness 0,61-0,66MM
	187689M2	X	Shim	Thickness 0,73-0,78MM
	892173M2	X	Shim	Thickness 0,864-0,914
	892172M2	X	Shim	Thickness 0,991-1,041
	892171M2	X	Shim	Thickness 1,118-1,168
	892170M2	X	Shim	Thickness 1,245-1,295
	191124M2	X	Shim	Thickness 1,37-1,42MM
	191125M2	X	Shim	Thickness 1,49-1,54MM
16	3382377M1	1	Centraliser	
17	1850909M91	1	Bearing Assy	
18	3382476M2	1	Coupling	Up to Serial or Engine Number K065018
	3794210M1	1	Coupling	From Serial or Engine Number K065019
19	362782X1	8	Bolt Unc	1/2"-13X105
20	3794031M1	X	Chock	Thickness 0,7MM From Serial or Engine Number 11/00
21	3716335M1	1	O Ring	

MF 8250 TRACTOR - 1637366
1-ZG62-001-B

1-ZG62-001-B



Massey Ferguson**MF 8250 TRACTOR - 1637366**

1637366

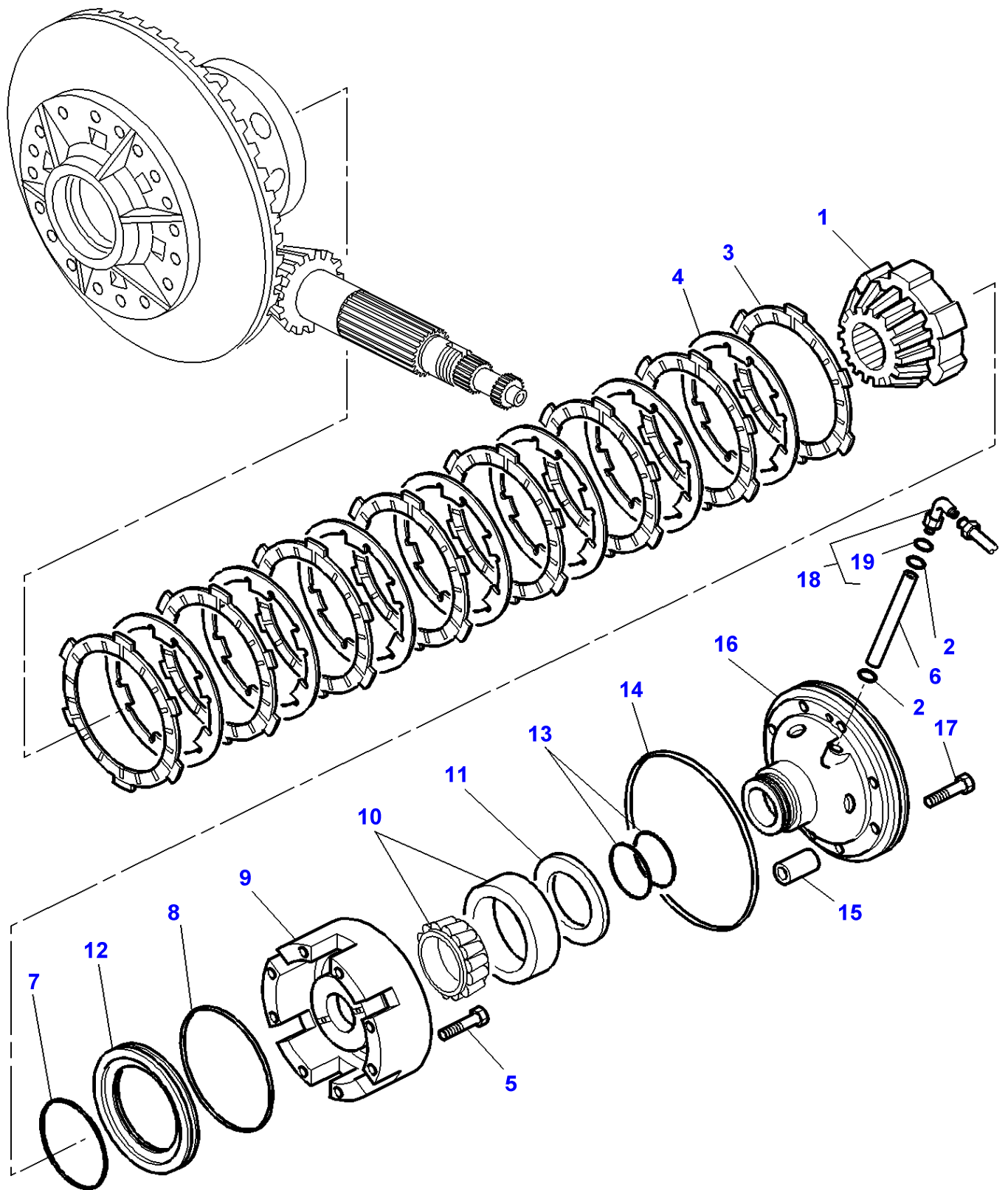
Rear Axle Differential Lock Mechanism - Multidisks - 5" Differential

Page030-0070

Item	Part Number	Qty	Description	Comments
1	3716851M3	1	Case Assy	Diameter 262 MM
2	3009515X1	8	Bolt Metric	M12 X 80
3	3616741M1	8	Disc	
4	3616742M1	7	Counterplate	
5	362782X1	8	Bolt Unc	1/2"-13 X 102
6	3716855M3	1	Hub	
7	70923591	1	O Ring	
8	359008X1	1	O Ring	
9	3716309M13	1	Case Assy	
10	3010726X91	1	Bearing Taper	
11	3716857M1	X	Shim	Thickness 0,5 MM
	3716858M1	X	Shim	Thickness 0,6 MM
	3791784M1	X	Shim	Thickness 0,7 MM
	3716859M1	X	Shim	Thickness 0,8 MM
	3716860M1	X	Shim	Thickness 0,9 MM
12	3716854M1	1	Piston	
13	3716856M2	2	Segment	
14	3716335M1	1	O Ring	
15	1611277M1	1	Pin	Diameter 16 X 20
16	3716853M14	1	Support	
17	3019899X1	6	Bolt Metric	M12 X 50
18	3385713M91	1	Union	
19	831497M1	1	O Ring	(18)
20	3716571M2	1	Tube	
21	377494X1	2	O Ring	

MF 8250 TRACTOR - 1637366
1-ZG62-003-A

1-ZG62-003-A



Item	Part Number	Qty	Description	Comments
1	3716474M6	1	Planet	
2	377494X1	2	O Ring	
3	3616741M1	8	Disc	
4	3616742M1	7	Counterplate	
5	3010784X1	8	Screw Metric	M12 X 110
6	3716571M2	1	Tube	
7	70923591	1	O Ring	
8	359008X1	1	O Ring	
9	3716562M12	1	Case Assy	Diameter 256 MM
10	1850909M91	1	Bearing Assy	
11	3716479M1	X	Chock	Thickness 0,5 MM
	3716480M1	X	Chock	Thickness 0,6 MM
	3791782M1		Chock	Thickness 0,7 MM
	3716486M1	X	Chock	Thickness 0,8 MM
	3791783M1		Chock	Thickness 0,9 MM
12	3716467M1	1	Piston	
13	3716580M3	2	Segment	
14	3716335M1	1	O Ring	
15	1611277M1	1	Pin	Diameter 16 X 20
16	3792800M11	1	Support	
17	3019899X1	6	Bolt Metric	M12 X 50
18	3385713M91	1	Union	
19	831497M1	1	O Ring	(18)

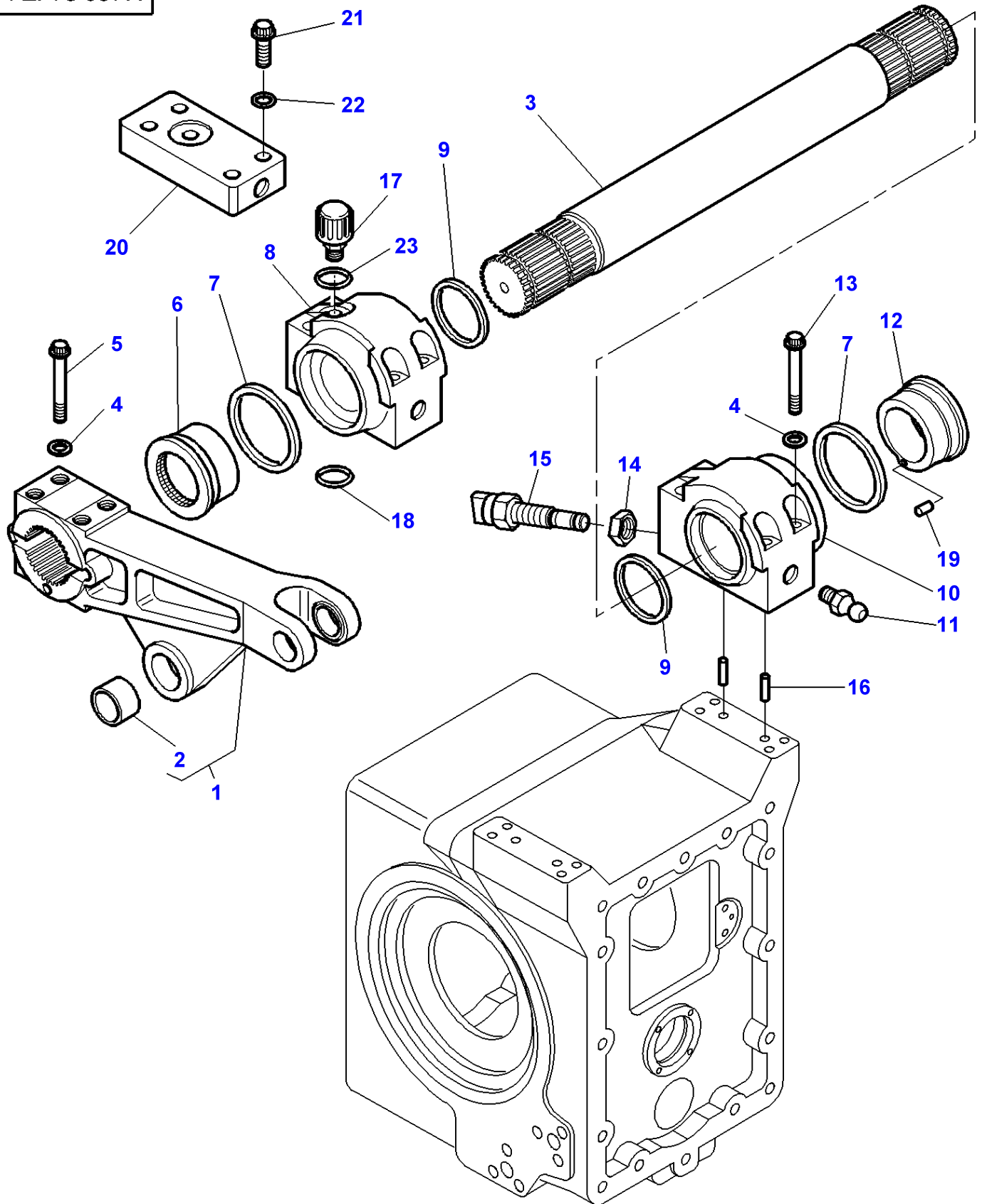
Page Title	Page Number
Electronic Lift - Lift Arms	040-0005
Linkage - Lift Cylinders	040-0010
Levelling box	040-0015
Levelling box	040-0020
Linkage - Top Link With Ball End	040-0025
Linkage - Top Link With Ball End	040-0030
Linkage - Top Link With Hook End	040-0035
Linkage - Top Link With Hook End	040-0040
Top Link Lock	040-0045
Linkage - Lower Cat 2 And 3	040-0050
Linkage - Lower Cat 2 And 3 - UP TO H119030	040-0055
Linkage - Lower Cat 2 And 3 - FROM H119031	040-0060
Linkage - Lower Cat 2 And 3	040-0065
Linkage - Swinging Drawbar Support	040-0070
Linkage - Swinging Drawbar Support	040-0075
Linkage - Swinging Drawbar Support	040-0080
Linkage - Swinging Drawbar Support	040-0085
Linkage - Swinging Drawbar Support	040-0090
Hitch	040-0095
Hitch	040-0100
Hitch - HAY LADDER SUPPORT FOR AUTOMATIC HOOK "DROMONE" - From 12-NOV-2001	040-0105
Hitch - Cramer	040-0110
Hitch	040-0115
Hitch - Cramer	040-0120
Linkage - Swinging Drawbar	040-0125
Linkage - Swinging Drawbar - SAE STANDARD	040-0130
Linkage - Swinging Drawbar - ISO STANDARD	040-0135
Linkage - Swinging Drawbar - SAE STANDARD	040-0140
Linkage - Swinging Drawbar - ISO STANDARD	040-0145
Linkage - Swinging Drawbar - With Trailed Implemmt Control	040-0150
Linkage - Swinging Drawbar - With Trailed Implemmt Control - Up To K110022	040-0155
Linkage - Swinging Drawbar - With Trailed Implemmt Control - From K110023	040-0160
Linkage - Swinging Drawbar - With Trailed Implemmt Control	040-0165
Linkage - Swinging Drawbar - With Trailed Implemmt Control - Up To K110022	040-0170
Linkage - Swinging Drawbar - With Trailed Implemmt Control - From K110023	040-0175
Tube Stabilizers - With Heavy Duty Rear Axle Housing - Composite Reducer	040-0180
Tube Stabilizers - With Rear Axle Housings Outer Gear - With Sealed Housing	040-0185
Tube Stabilizers	040-0190
Tube Stabilizers - With Heavy Duty Rear Axle Housing - Composite Reducer	040-0195
Tube Stabilizers - With Rear Axle Housings Outer Gear - With Sealed Housing	040-0200
Tube Stabilizers	040-0205
Linkage - Shoe Stabilizers - With Sealed Rear Axle Housings	040-0210
Linkage - Shoe Stabilizers - With Composite Reducer	040-0215
Drawbar	040-0220
Automatic Hitch - With Remote Control - Automatic Hook "DROMONE"	040-0225
Autohitch - Dromone - Hydraulic Control - Up To 31-12-2000	040-0230
Autohitch - Dromone - Hydraulic Control - From 01-01-2001	040-0235
Automatic Hitch - With Remote Control - Hitch Support - "DROMONE"	040-0240
Automatic Hitch - With Remote Control	040-0245
Front Linkage 35000N - WITH DANA FRONT AXLE	040-0250
Front Linkage 35000N - WITH DYNASHIFT - WITH DANA FRONT AXLE	040-0255
Front Linkage 35000N - WITH FULL POWERSHIFT - WITH DANA FRONT AXLE	040-0260
Front Linkage 35000N - WITH DYNASHIFT - WITH DANA FRONT AXLE	040-0265

Linkage

Front Linkage 35000N - WITH FULL POWERSHIFT - WITH DANA FRONT AXLE	040-0270
Front Linkage 35000N - CARRARO FRONT AXLE - UP TO M079019	040-0275
Front Linkage 35000N - CARRARO FRONT AXLE - UP TO M079019	040-0280
Front Linkage 35000N - CARRARO FRONT AXLE - FROM M079020	040-0285
Front Linkage 35000N - CARRARO FRONT AXLE - FROM M079020	040-0290
Front Linkage 35000N - Hydraulic - With CARRARO Front Axle - Up To L337008	040-0295
Front Linkage 35000N - Hydraulic - With CARRARO Front Axle - From L337009	040-0300
Front Linkage 35000N - ACCUMULATOR - WITH NO SUSPENDED CARRARO FRONT AXLE	040-0305
Front Linkage 35000N - WITH FRONT DUAL CONTROL	040-0310
Front Linkage 35000N - Without Front Dual Control - Lift External Control	040-0315
Front Linkage 50000N - WITH FULL POWERSHIFT - WITH DANA FRONT AXLE	040-0320
Front Linkage 50000N - WITH FULL POWERSHIFT - WITH DANA FRONT AXLE	040-0325
Front Linkage 50000N - With Full Powershift - DANA Front Axle - Up To J068007	040-0330
Front Linkage 50000N - With Full Powershift - DANA Front Axle - From J068008	040-0335
Front Linkage 50000N - CARRARO FRONT AXLE - DYNASHIFT	040-0340
Front Linkage 50000N - CARRARO FRONT AXLE - DYNASHIFT	040-0345
Front Linkage 50000N - CARRARO FRONT AXLE - FULL POWERSHIFT	040-0350
Front Linkage 50000N - CARRARO FRONT AXLE - FULL POWERSHIFT	040-0355
Front Linkage 50000N - Hydraulic - With CARRARO Front Axle	040-0360
Front Linkage 50000N	040-0365
Front Linkage 50000N - WITH FRONT DUAL CONTROL	040-0370
Front Linkage 50000N - Without Front Dual Control - Lift External Control	040-0375
Front Linkage - HYDRAULIC - Single Acting-WITH ACCUMULATOR-WITH CARRARO FRONT AXLE	040-0380
Front Linkage - HYDRAULIC - Two Way-WITH ACCUMULATOR-WITH CARRARO FRONT AXLE	040-0385
Front Linkage - HYDRAULIC - Single Acting-WITHOUT ACCUMULATOR-WITH CARRARO FRONT AXLE	040-0390
Front Linkage - HYDRAULIC - Two Way-WITHOUT ACCUMULATOR-WITH CARRARO FRONT AXLE	040-0395

MF 8250 TRACTOR - 1637366
1-ZP73-001-A

1-ZP73-001-A

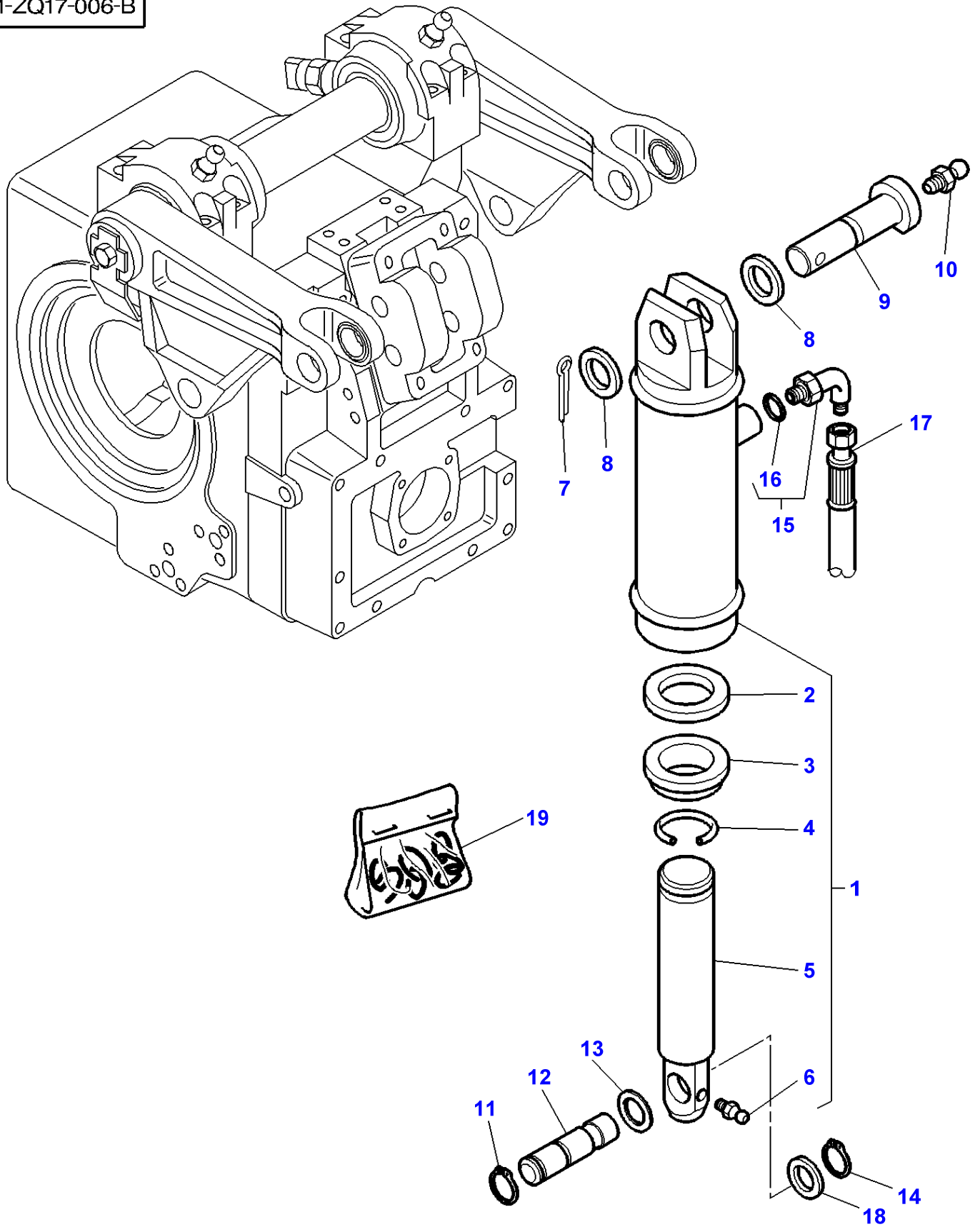


Electronic Lift - Lift Arms

Item	Part Number	Qty	Description	Comments
1	3716511M13	1	Arm	Left Hand
	3716527M13	1	Arm	Right Hand
2	3716510M2	1	Bush	(1)
3	3716538M2	1	Shaft	
4	3010875X1	16	Washer	Diameter 16 MM
5	3019874X1	8	Screw Metric	M16 X 115
6	3716522M2	1	Cam	Left Hand
7	3716689M1	2	Gasket	Diameter 120 MM
8	3716506M14	1	Bearing Carrier	Left Hand
9	3716616M1	2	Gasket	Diameter 85 MM
10	3716521M15	1	Bearing Carrier	Right Hand
11	1441858X1	2	Grease Nipple	
12	3716513M4	1	Cam	Right Hand
13	3010566X1	8	Screw Metric	M16 X 130
14	3385674M1	1	Nut	M24
15	3712728M3	1	Inductive Taker	
16	3385839M2	4	Pin	
17	3716934M1	1	Breather	
18	364105X1	1	O Ring	
19	3019304X1	1	Spirol Pin	
20	3791696M1	1	Bearing Carrier	[A]
21	3009806X1	4	Plough Bolt	[A] M16 X 70
22	3010875X1	4	Washer	[A]
23	3019396X1	1	O Ring	

FOOTNOTE [A] WITHOUT HYDRAULIC LIFT

1-ZQ17-006-B



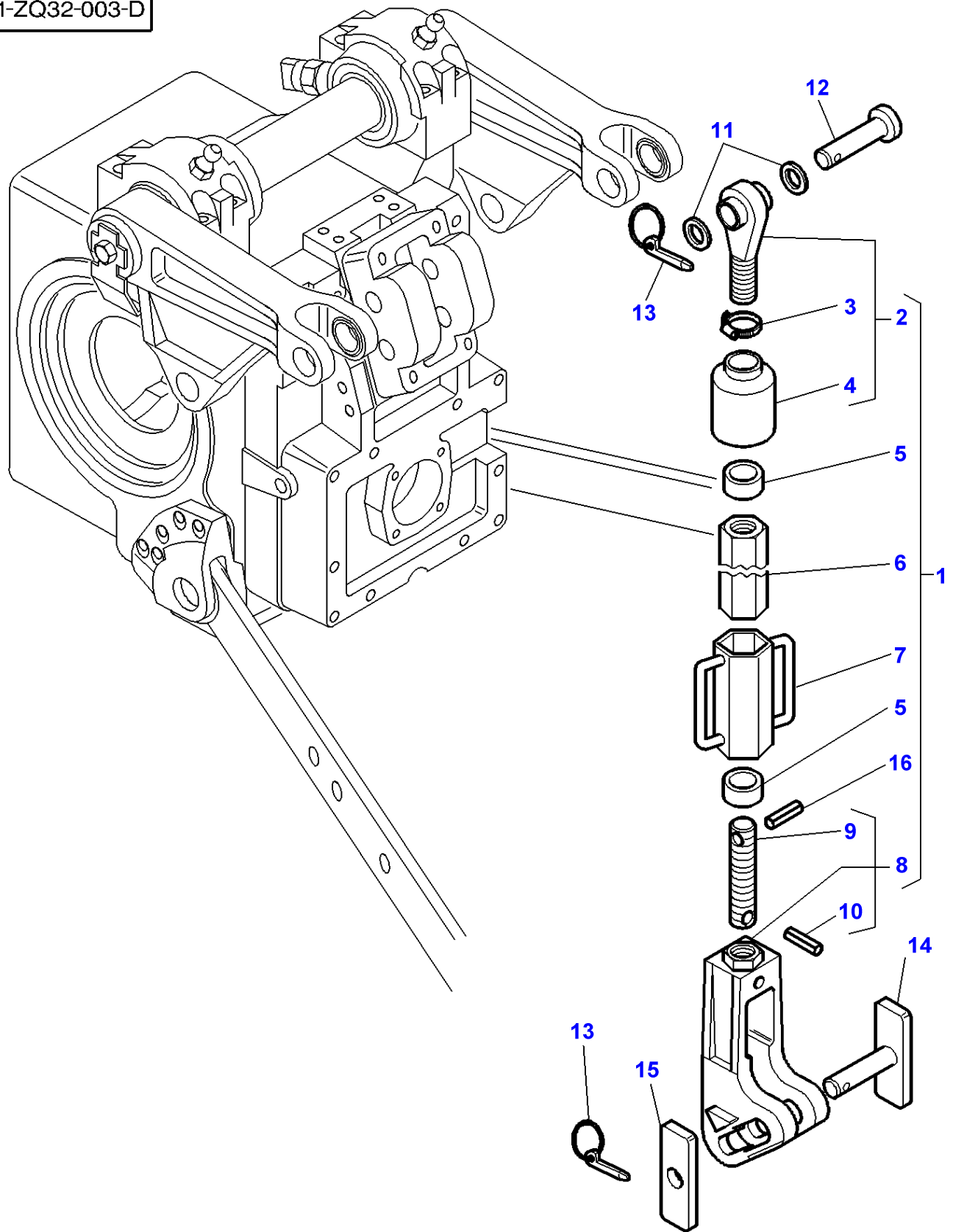
Linkage - Lift Cylinders

Item	Part Number	Qty	Description	Comments
1	3716601M93	2	Lift Cylinder	[C] Up to Serial or Engine Number K113001 Diameter 95MM HYDROPRO
	3795032M1	2	Lift Cylinder	[C] From Serial or Engine Number K113002 Diameter 95MM SERTA
2	3902766M1	1	Gasket	(1) HYDROPRO
		1	Gasket	(1) SERTA Not serviced,order REF. 19
3	3902765M1	1	Wiper	(1) HYDROPRO
		1	Wiper	(1) SERTA Not serviced,order REF. 19
4	3902768M1	1	Ring	(1) HYDROPRO
	3903666M1	1	Ring	(1) SERTA
5	3902767M1	1	Cylinder Rod	(1) HYDROPRO
	3903667M1	1	Cylinder Rod	(1) SERTA
6	1441858X1	2	Grease Nipple	(1) HYDROPRO
	3903664M1	1	Greaser	(1) SERTA
7	1442981X1	2	Pin	
8	3716678M2	4	Washer	[A] Diameter 41 MM Diameter 60 MM Thickness 5,5 MM
	3716680M2	2	Washer	[B] Diameter 41 MM Diameter 60 MM Thickness 10,5 MM
9	3716609M1	2	Clevis Pin	
10	1441858X1	2	Grease Nipple	
11	22608X	2	Circlip	
12	3716627M3	2	Clevis Pin	[A]
	3716688M2	2	Clevis Pin	[B]
13	3716676M2	2	Washer	[A] Diameter 45,4 MM Diameter 60 MM Thickness 15,5 MM
14	3010066X1	2	Clip	
15	3019418X91	2	Elbow Nipple	
16	3019398X1	1	O Ring	(15)
17	3716385M1	1	Tube	Left Hand Up to Serial or Engine Number 31/12/2000
	3716383M1	1	Tube	Right Hand Up to Serial or Engine Number 31/12/2001
	3793420M1	1	Tube	Left Hand From Serial or Engine Number 01/01/2001
	3793422M1	1	Tube	Right Hand From Serial or Engine Number 01/01/2001
18	3792060M1	X	Chock	[A] Thickness 0,5MM
	3792061M2	X	Chock	[A] Thickness 1MM
19	3903665M91	1	Kit, Joint	SERTA

FOOTNOTE [A] WITH HEAVY DUTY REAR AXLE HOUSING COMPOSITE REDUCE R
FOOTNOTE [B] WITH REAR AXLE HOUSINGS OUTER GEAR WITH SEALED HOUSING
FOOTNOTE [C] IDENTIFICATION ON CYLINDER CASING
FOOTNOTE [D] WITH VERTICAL POSITION DISTRIBUTOR
FOOTNOTE [E] WITH HORIZONTAL POSITION DISTRIBUTOR

MF 8250 TRACTOR - 1637366
1-ZQ32-003-D

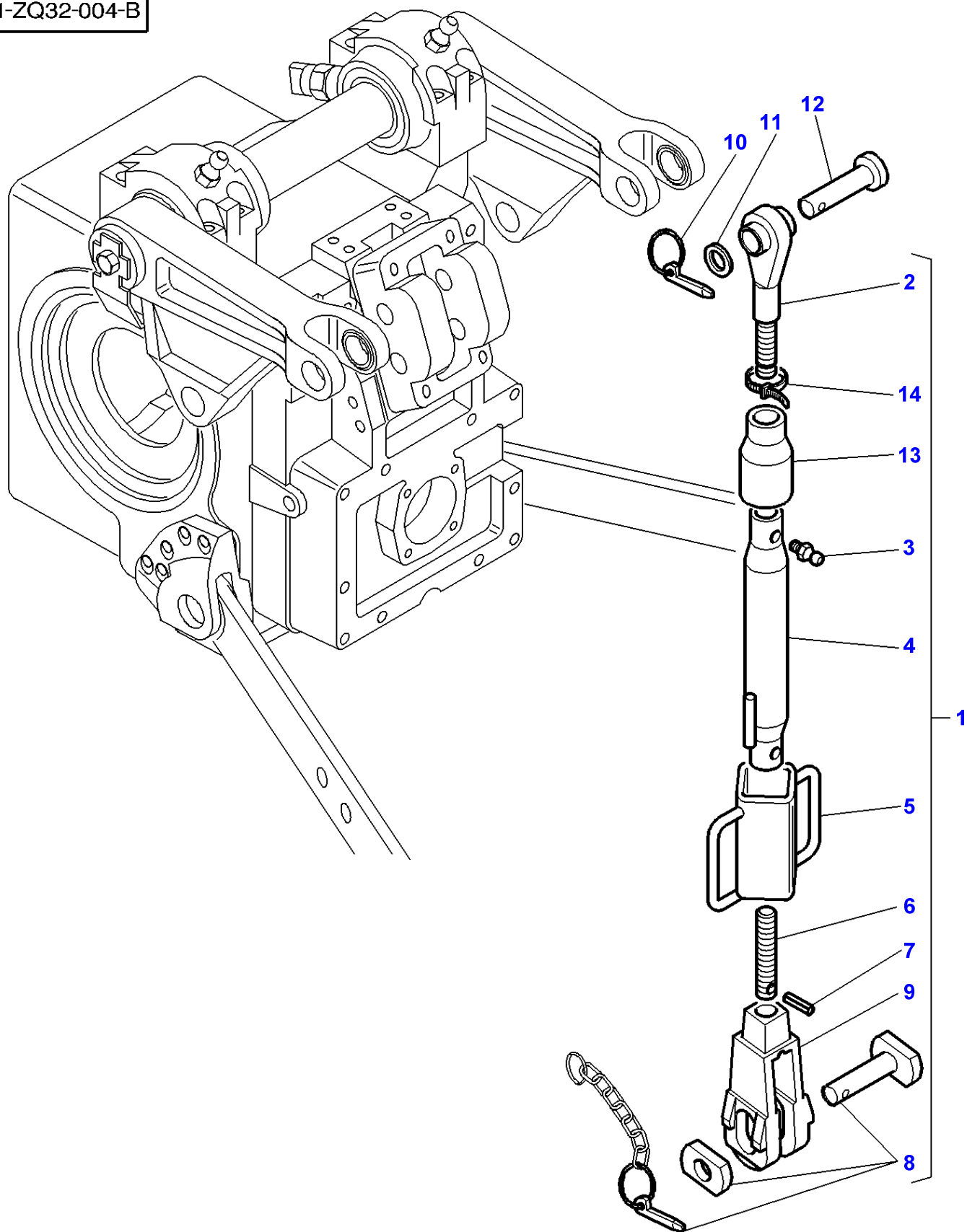
1-ZQ32-003-D



Levelling box

Item	Part Number	Qty	Description	Comments
1	3792628M92	2	Draglink	
2	3792629M91	1	Toggle	(1)
3	338615X1	1	Clamp	(2)
4	3580198M1	1	Helmet	(2)
5	3716978M1	2	Bush	(1)
6	3581997M2	1	Tube	(1)
7	3386457M2	1	Handle	(1)
8	3792637M92	1	Clevis	(1)
9	3716979M1	1	Clevis Pin	(8)
10	3819644M1	1	Spirol Pin	(8)
11	3716148M1	4	Washer	
12	3716661M2	2	Clevis Pin	
13	3387161M2	4	Pin	
14	3792015M91	2	Clevis Pin	
15	3580195M1	2	Tappet Plate	
16	3011358X1	1	Pin	(1) Diameter 5X36MM

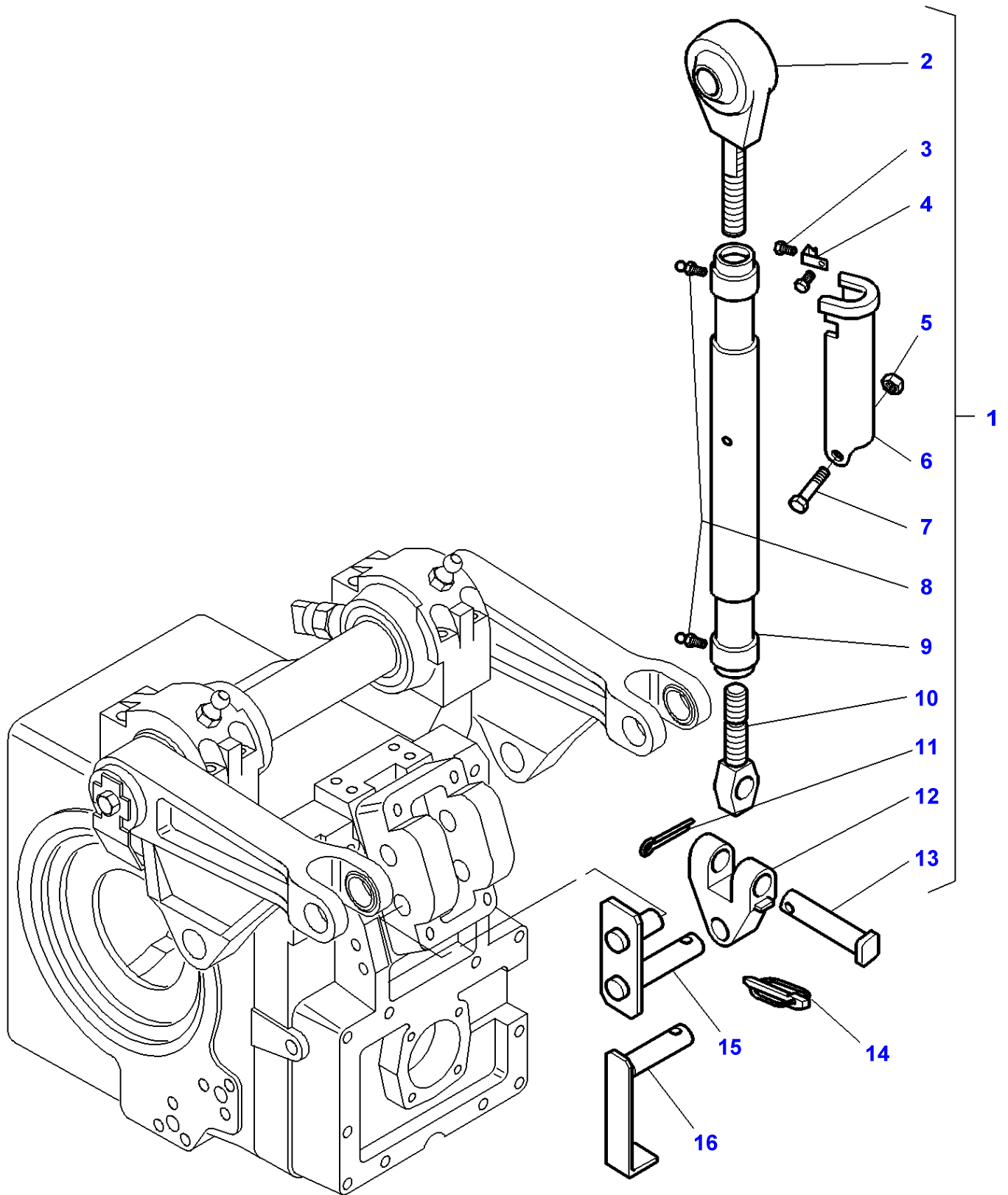
1-ZQ32-004-B



Levelling box

Item	Part Number	Qty	Description	Comments
1	3792920M1	2	Draglink	Replace and repair. Old not interchangeable with new 3716615M2
2	3902790M1	1	Toggle	(1)
3		2	Greaser	(1) Not serviced,order REF. 4
4	3902788M1	1	Tube	(1)
5	3902787M2	1	Handle	(1)
6	3902785M1	1	Clevis Pin	(1)
7	3902786M1	1	Pin	(1)
8	3902789M91	1	Parts Pack	(1)
9	3902784M1	1	Clevis	(1)
10	3387161M2	2	Pin	
11	3716148M1	2	Washer	Diameter 29 MM
12	3716661M2	2	Clevis Pin	
13	3903576M1	1	Protector	(1)
14	3903577M1	1	Clamp	(1)

1-ZQ08-004-B



Massey Ferguson**MF 8250 TRACTOR - 1637366**

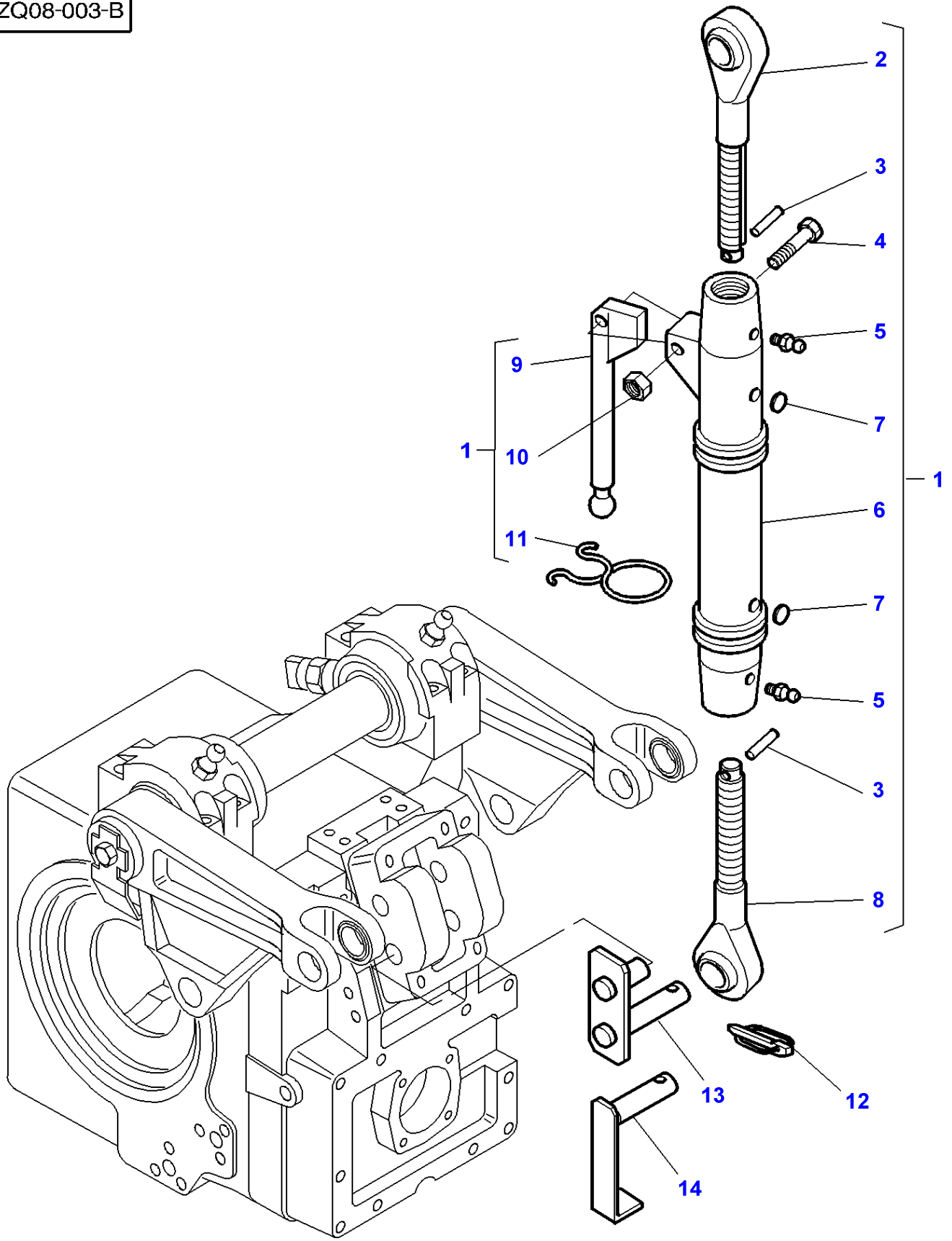
1637366

Linkage - Top Link With Ball End

Page040-0025

Item	Part Number	Qty	Description	Comments
1	3791536M92	1	Bar	
2	3791537M1	1	Toggle	(1)
3	3008179X1	2	Screw Metric	(1) M4X10
4	3715691M1	1	Spring	(1)
5	394367X1	1	Locknut	(1)
6	3715828M91	1	Lever	(1)
7	390246X1	1	Bolt	(1) M8X70
8	3715689M1	2	Greaser	(1)
9	3791539M1	1	Tube	(1) Length 420MM
10	3791540M1	1	Draglink	(1)
11	354092X1	1	Pin	(1)
12	3791541M1	1	Clevis	(1)
13	3715690M1	1	Clevis Pin	(1)
14	3387161M2	1	Pin	
15	3716129M3	1	Clevis Pin	
	3716129M3	1	Clevis Pin	Up to Serial or Engine Number K029022 For United States of America
16	3795817M91	1	Clevis Pin	From Serial or Engine Number K029023 For United States of America

1-ZQ08-003-B



Massey Ferguson**MF 8250 TRACTOR - 1637366**

1637366

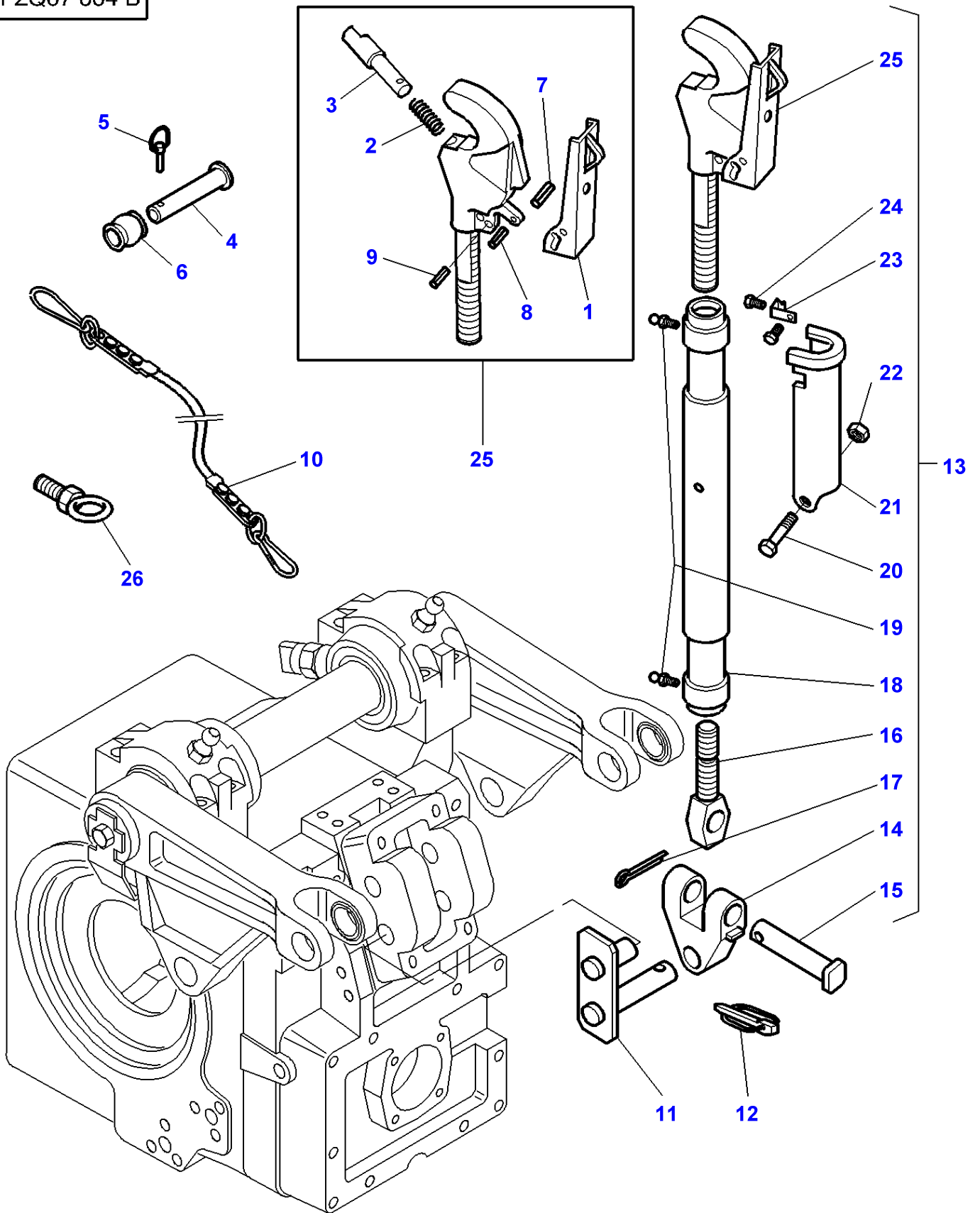
Linkage - Top Link With Ball End

Page040-0030

Item	Part Number	Qty	Description	Comments
1	3716663M2	1	Top Link	
2	3902856M1	1	Toggle	(1)
3	3902853M1	2	Clevis Pin	(1)
4	339679X1	1	Bolt Metric	(1)
5	3902857M1	2	Greaser	(1)
6	3902852M1	1	Tube	(1)
7	3902858M1	2	Plug	(1)
8	3902851M1	1	Toggle	(1)
9	3902855M1	1	Lever	(1)
10	1440329X1	1	Locknut	(1)
11	3902854M1	1	Retainer	(1)
12	3387161M2	1	Pin	
13	3716129M3	1	Clevis Pin	Up to Serial or Engine Number K184022 For United States of America
14	3795817M91	1	Clevis Pin	From Serial or Engine Number K184023 For United States of America

MF 8250 TRACTOR - 1637366
1-ZQ07-004-B

1-ZQ07-004-B

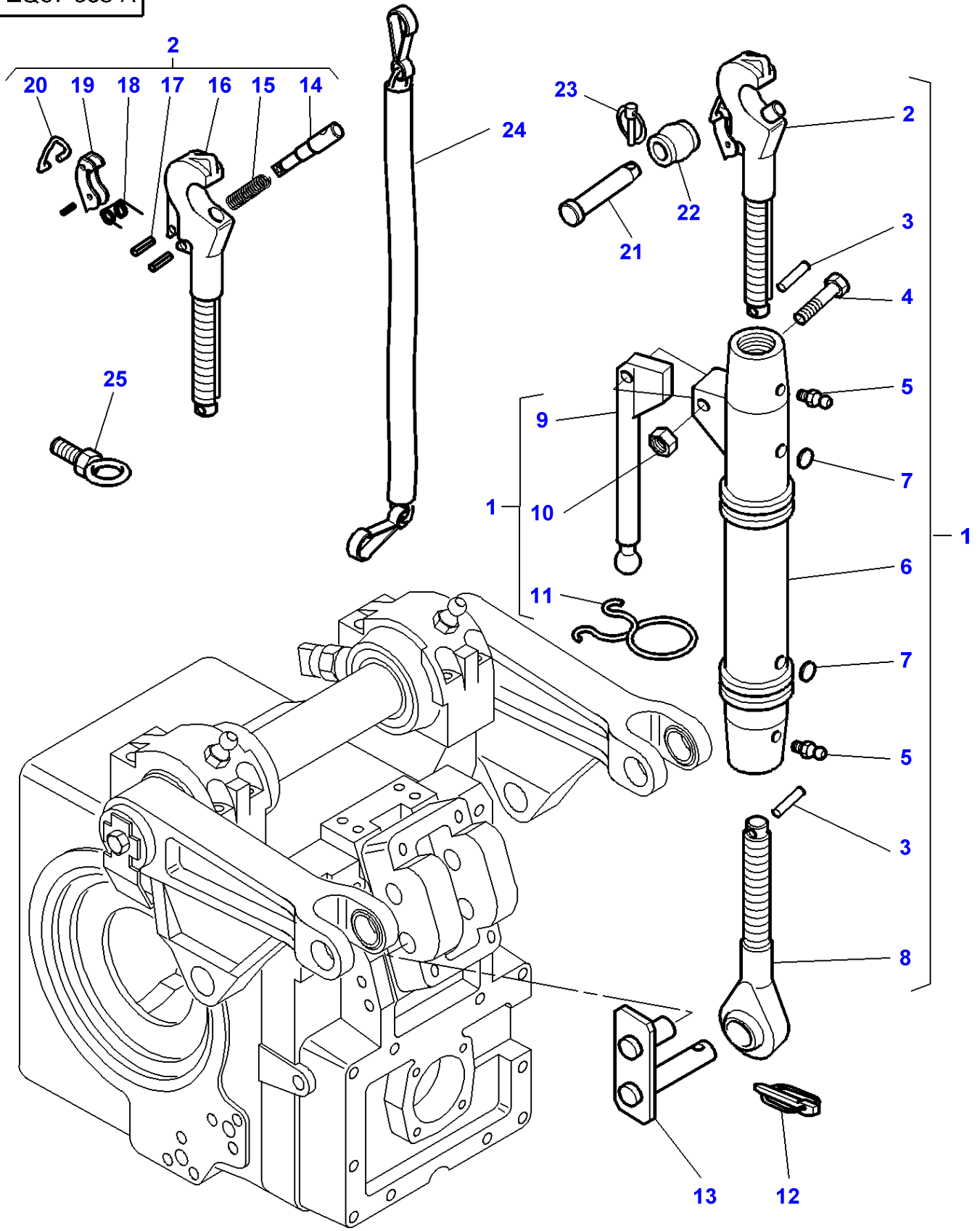


Linkage - Top Link With Hook End

Item	Part Number	Qty	Description	Comments
1	3900589M91	1	Lever	(25)
2	3900577M1	1	Spring	(25)
3	3715849M1	1	Clevis Pin	(25)
4	3582043M2	1	Clevis Pin	Diameter 25,40MM Length 124MM
	367073X1	1	Clevis Pin	Diameter 31,75MM Length 130,2MM
5	3387161M2	1	Pin	
6	3042433M1	1	Toggle	CAT 2/3
	3042434M1	1	Toggle	CAT 3
7	3900578M1	1	Pin	(25) 6X20MM
8	390538X1	1	Roll Pin	(25) 5X24MM
9	339080X1	1	Roll Pin	(25) 6X24MM
10	3903995M1	1	Chain	Replace and repair. Old interchangeable with new 3619220M1
11	3716129M3	1	Clevis Pin	
12	3387161M2	1	Pin	
13	3791535M92	1	Bar	Length 605/850MM
14	3791541M1	1	Clevis	(13)
15	3715690M1	1	Clevis Pin	(13)
16	3791540M1	1	Draglink	(13)
17	354092X1	1	Pin	(13)
18	3791538M1	1	Tube	(13) Length 370MM
19	3715689M1	2	Greaser	(13)
20	390246X1	1	Bolt	(13)
21	3715685M91	1	Lever	(13)
22	394367X1	1	Locknut	(13)
23	3715691M1	1	Spring	(13)
24	3008179X1	2	Screw Metric	(13)
25	3715681M3	1	Hook	(13) CAT 3
26	3580524M91	1	Ring	Up to Serial or Engine Number K101014

MF 8250 TRACTOR - 1637366
1-ZQ07-003-A

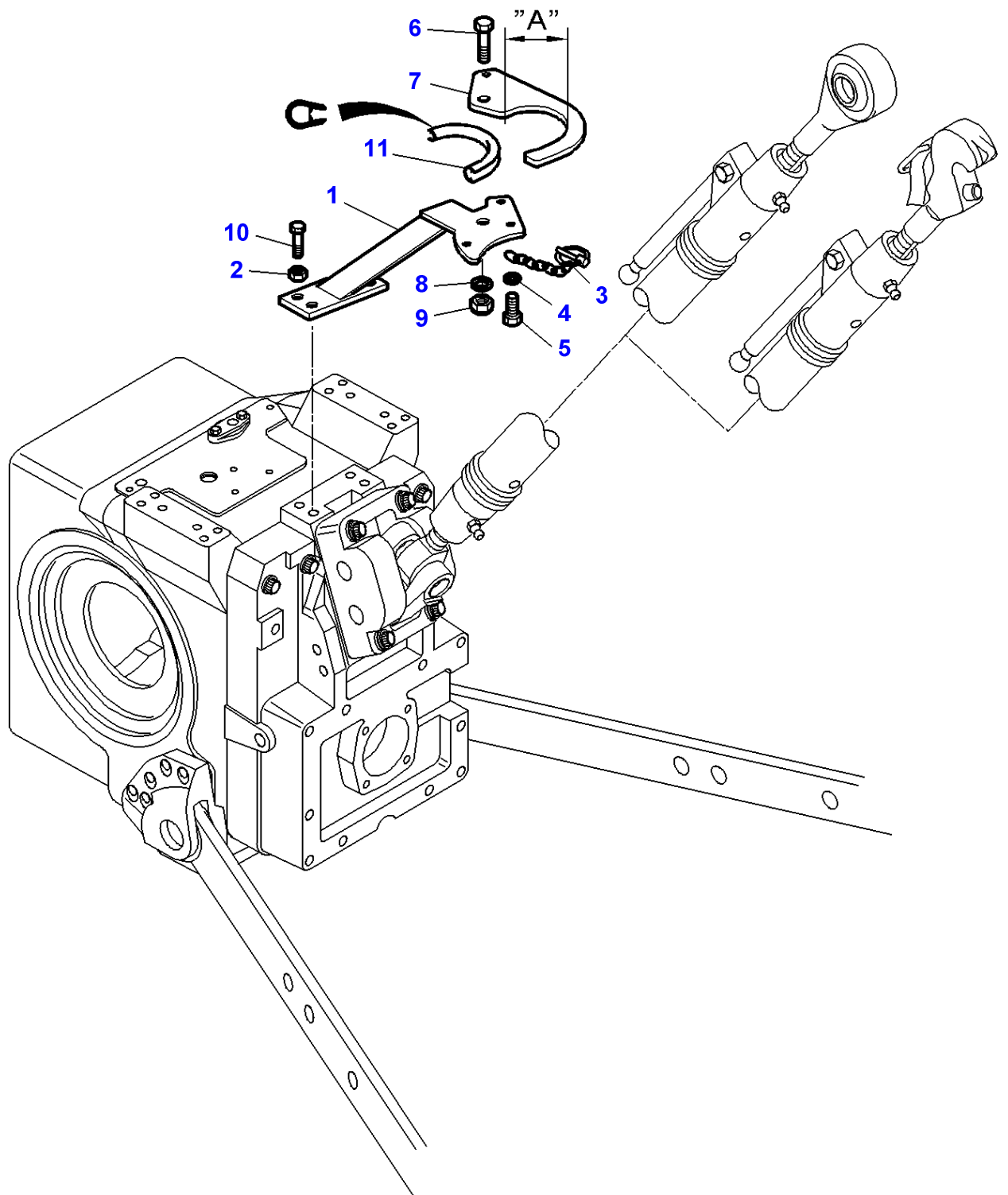
1-ZQ07-003-A



Linkage - Top Link With Hook End

Item	Part Number	Qty	Description	Comments
1	3716607M2	1	Top Link	
2	3902908M91	1	Hook	(1)
3	3902853M1	2	Clevis Pin	(1)
4	339679X1	1	Bolt Metric	(1)
5	3902857M1	2	Greaser	(1)
6	3902852M1	1	Tube	(1)
7	3902858M1	2	Plug	(1)
8	3902851M1	1	Toggle	(1)
9	3902855M1	1	Lever	(1)
10	1440329X1	1	Locknut	(1)
11	3902854M1	1	Retainer	(1)
12	3387161M2	1	Pin	
13	3716129M3	1	Clevis Pin	
14	3101927M1	1	Clevis Pin	(2)
15	3101929M1	1	Spring	(2)
16		1	Hook	(2)
				Not serviced,order REF.2
17	339662X1	3	Pin	(2)
18	3101930M1	1	Spring	(2)
19	3902909M1	1	Lever	(2)
20	3101935M1	1	Tie	(2)
21	367073X1	1	Clevis Pin	Diameter 31,75 X 130,2MM
	3582043M2	1	Clevis Pin	Diameter 25,4 X 124MM
22	3042434M1	1	Toggle	CAT.3
	3042433M1	1	Toggle	CAT.2/3
23	3387161M2	1	Pin	
24	3903995M1	1	Chain	Length 1500MM
				Replace and repair. Old interchangeable with new 3619220M1
25	3580524M91	1	Ring	Up to Serial or Engine Number K101014

1-ZQ35-002-D



Massey Ferguson**MF 8250 TRACTOR - 1637366**

1637366

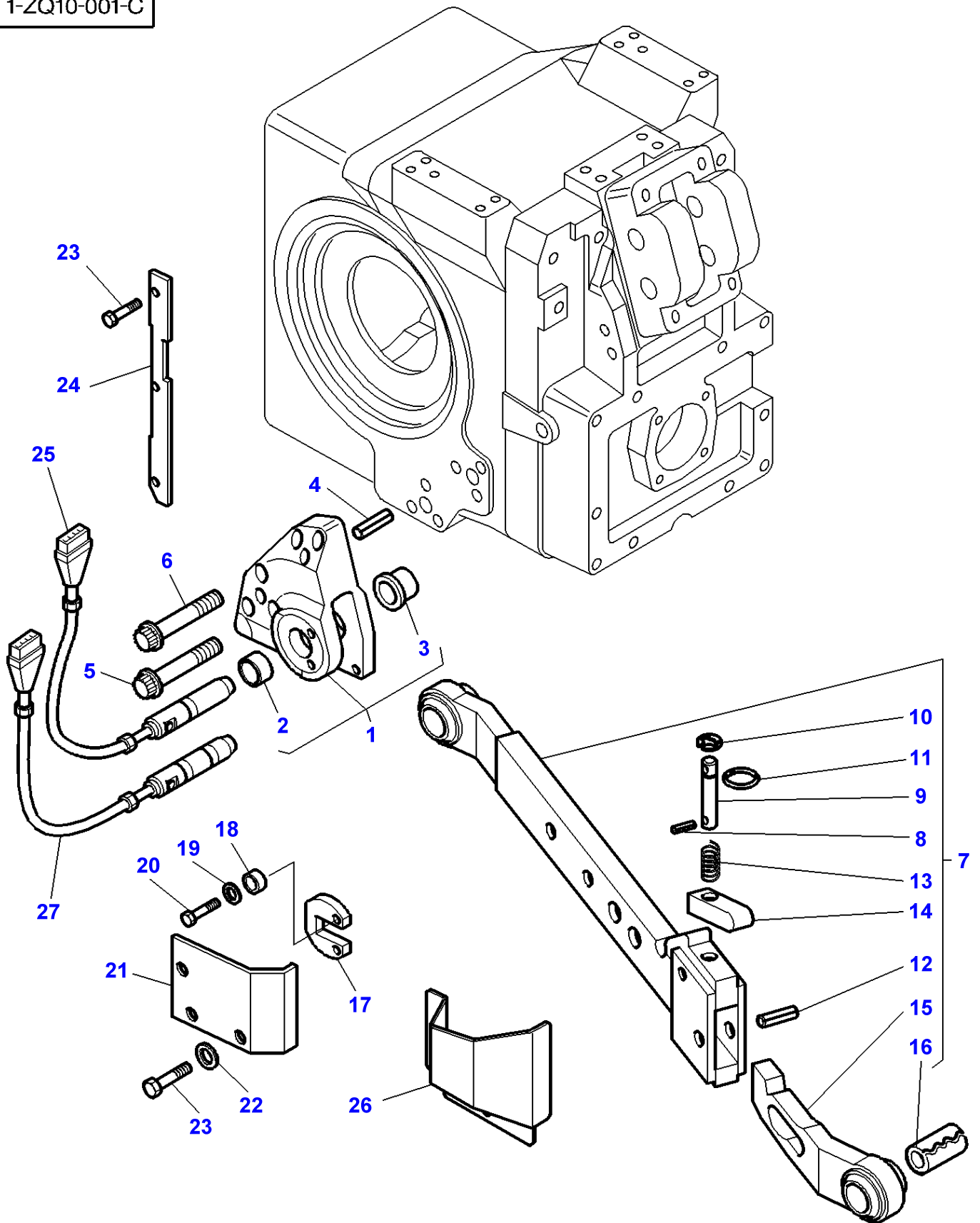
Top Link Lock

Page040-0045

Item	Part Number	Qty	Description	Comments
1	3792183M1	1	Support	Up to Serial or Engine Number 31-DEC-2000
	3793433M1	1	Support	From Serial or Engine Number 01-JAN-2001
2	1440330X1	3	Locknut	Up to Serial or Engine Number 31-DEC-2000
3	3712199M91	1	Chain	
4	390971X1	1	Washer	
5	339560X1	1	Hex. Sock. Screw	M6X16MM
6	339009X1	1	Hex. Sock. Screw	M8X35MM
7	3793434M1	1	Latch	"A"= 76MM
	3793951M1	1	Latch	"A"= 66MM
8	390972X1	1	Washer Metric	
9	394367X1	1	Locknut	
10	3009495X1	2	Bolt Metric	From Serial or Engine Number 01-JAN-2001 M10X40
	3009493X1	2	Hex. Sock. Screw	From Serial or Engine Number 01-JAN-2001 M10X30
11	3615637M1	1	Gasket	Length 200MM

MF 8250 TRACTOR - 1637366
1-ZQ10-001-C

1-ZQ10-001-C



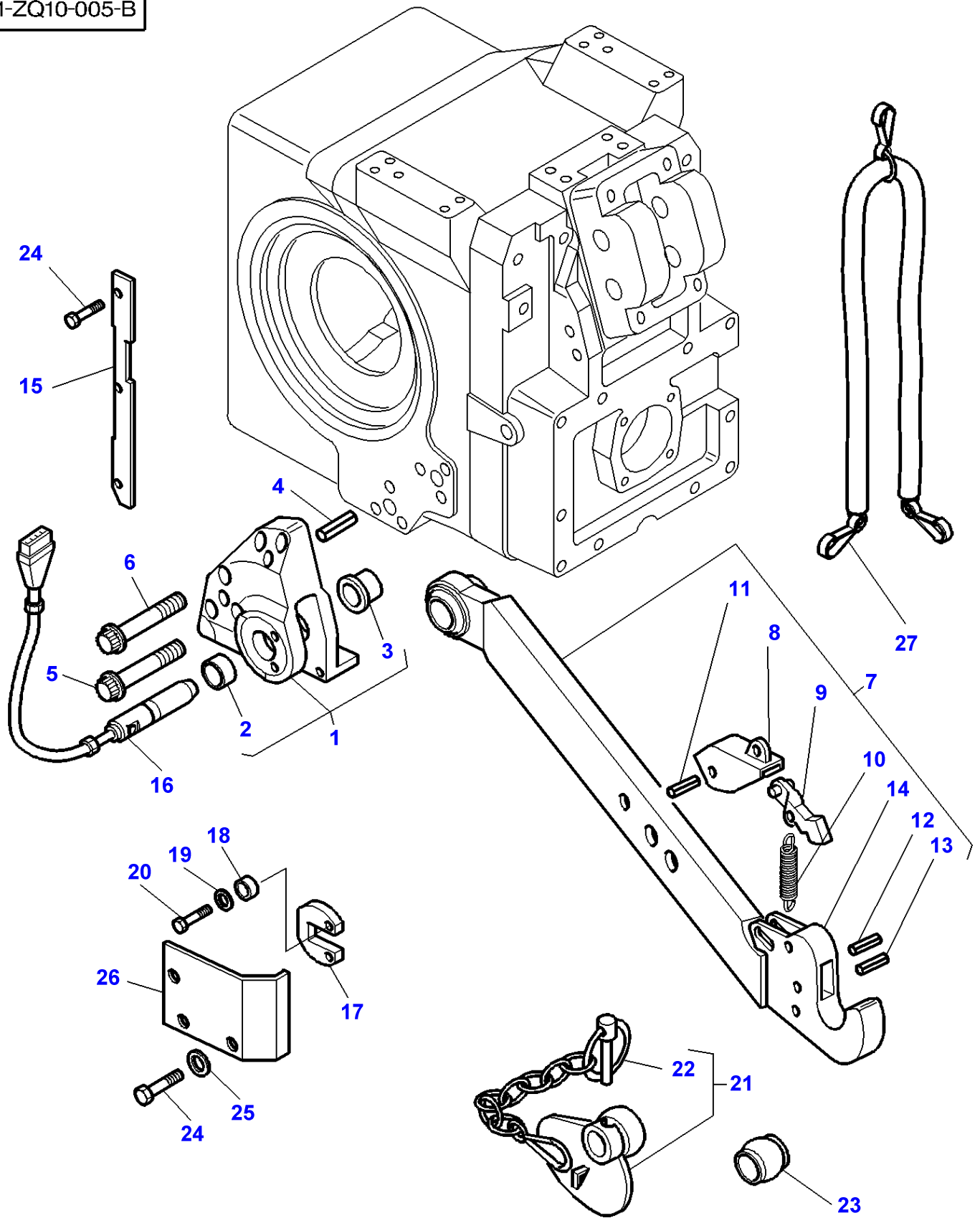
Linkage - Lower Cat 2 And 3

Item	Part Number	Qty	Description	Comments
1	3716998M14	1	Clevis	Right Hand Up to Serial or Engine Number H180022
	3791868M11	1	Clevis	Right Hand From Serial or Engine Number H180023
	3716997M14	1	Clevis	Left Hand Up to Serial or Engine Number H180022
	3791867M11	1	Clevis	Left Hand From Serial or Engine Number H180023
2	3716994M2	2	Bush	(1)
3	3716995M2	2	Bush	(1)
4	3716624M1	4	Centraliser	
5	3010434X1	10	Screw Metric	M20x80
6	3010558X1	2	Screw Metric	M20x120
7	3793226M92	1	Bar	Left Hand Replace and repair. Old interchangeable with new 3792052M1
	3793227M92	1	Bar	Right Hand Replace and repair. Old interchangeable with new 3792053M1
8	3792592M1	1	Pin	(7) Replace and repair. Old interchangeable with new 3902001M1
9	3792594M1	1	Clevis Pin	(7) Replace and repair. Old interchangeable with new 3902004M1
10	3792590M1	1	Washer	(7) Replace and repair. Old not interchangeable with new 3902006M1
11	3792595M1	1	Ring	(7) Replace and repair. Old interchangeable with new 3902791M1
12	3792589M1	1	Pin	(7) Replace and repair. Old interchangeable with new 3902005M1
13	3792591M1	1	Spring	(7) Replace and repair. Old interchangeable with new 3902007M1
14	3792593M2	1	Stop	(7) Replace and repair. Old interchangeable with new 3902002M1
15	3793230M92	1	Stub	(7) Left Hand
	3793231M92	1	Stub	(7) Right Hand
16	3793233M1	1	Bush	(7)
17	3716499M1	2	Plate	
18	3384183M2	4	Bush	
19	385362X1	4	Washer	
20	3001429X1	4	Screw	M10X35
21	3716983M3	1	Protector	Left Hand Up to Serial or Engine Number H181010
	3716984M3	1	Protector	Right Hand Up to Serial or Engine Number H181010
22	390972X1	6	Washer Metric	
23	339124X1	12	Hex. Sock. Screw	M8X16
24	3791193M1	2	Cowl	
25	3713764M1	2	Sensing Pin	BOSCH 60KN
26	3791630M1	1	Protector	Left Hand From Serial or Engine Number H181011
	3791631M1	1	Protector	Right Hand From Serial or Engine Number H181011
27	3796399M2	2	Sensing Pin	[A] TEDEA 60KN

FOOTNOTE [A] 2 GROOVE

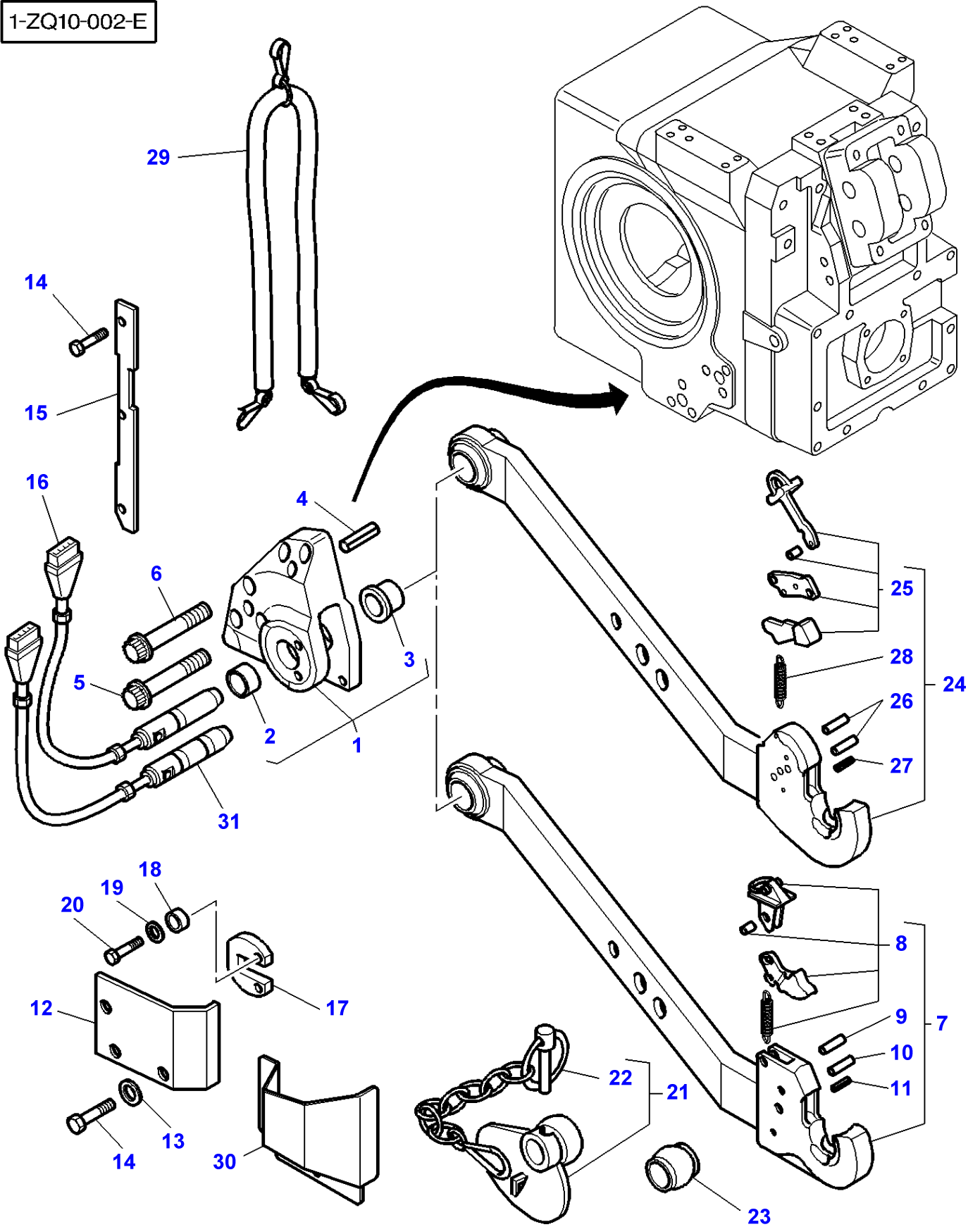
MF 8250 TRACTOR - 1637366
1-ZQ10-005-B

1-ZQ10-005-B



Item	Part Number	Qty	Description	Comments
1	3716998M14	1	Clevis	Right Hand
	3716997M14	1	Clevis	Left Hand
2	3716994M2	1	Bush	(1)
3	3716995M2	1	Bush	(1)
4	3716624M1	4	Centraliser	
5	3010434X1	10	Screw Metric	M20x80
6	3010558X1	2	Screw Metric	M20x120
7	3616298M1	1	Bar	Left Hand
	3616299M1	1	Bar	Right Hand
8	3103830M1	1	Lever	(7)
9	3101932M1	1	Ratchet	(7)
				Replace and repair. Old interchangeable with new 3106461M1
10	3101934M1	1	Spring	(7)
11	339290X1	1	Pin	(7)
12	3008317X1	1	Pin	(7)
13	339783X1	1	Pin	(7)
14		1	Bar	(7)
				Not serviced,order REF. 7
15	3791193M1	2	Cowl	
16	3713764M1	2	Sensing Pin	6T
	3716981M1	2	Inductive Taker	9T
17	3716499M1	2	Plate	
18	3384183M2	4	Bush	
19	385362X1	4	Washer	
20	3001429X1	4	Screw	M10X35
21	3042427M1	2	Toggle	CAT 2/3
	3042428M1	2	Toggle	CAT 3
22	3102086M91	1	Linch Pin	(21)
23	3042430M1	2	Toggle	CAT 2/3
	3042431M1	2	Toggle	CAT 3
24	339124X1	12	Hex. Sock. Screw	M8X16
25	390972X1	6	Washer Metric	
26	3716983M3	1	Protector	Left Hand
	3716984M3	1	Protector	Right Hand
27	3619219M1	1	Chain	Length 3700MM

1-ZQ10-002-E



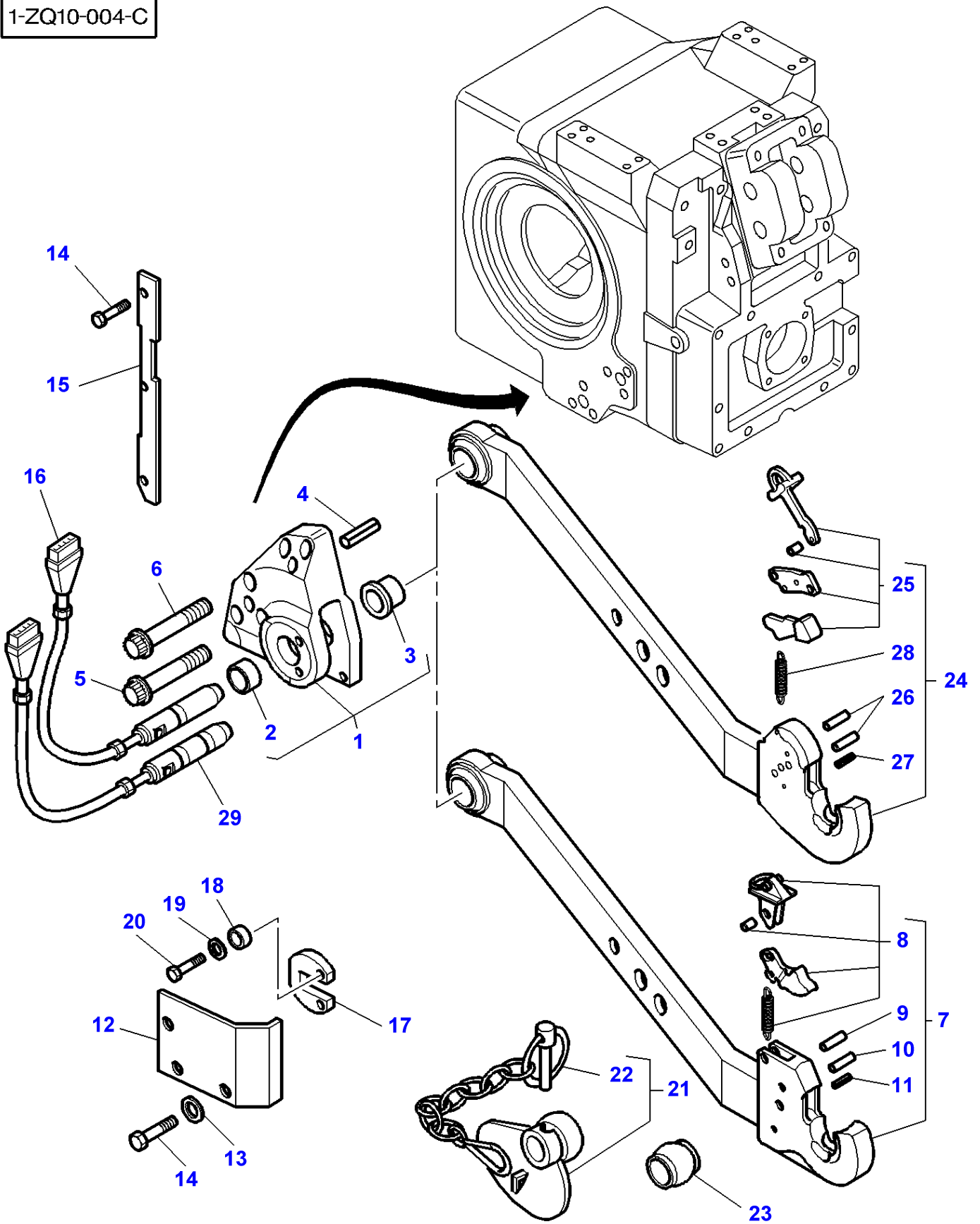
Item	Part Number	Qty	Description	Comments
1	3716998M14	1	Clevis	Right Hand Up to Serial or Engine Number H180022
	3791868M11	1	Clevis	Right Hand From Serial or Engine Number H180023
	3716997M14	1	Clevis	Left Hand Up to Serial or Engine Number H180022
	3791867M11	1	Clevis	Left Hand From Serial or Engine Number H180023
2	3716994M2	1	Bush	(1)
3	3716995M2	1	Bush	(1)
4	3716624M1	4	Centraliser	
5	3010434X1	10	Screw Metric	M20x80
6	3010558X1	2	Screw Metric	M20x120
7	3792539M1	1	Bar	[A,C] Left Hand CAT . 3 100X35X981MM
	3792538M1	1	Bar	[A,C] Right Hand CAT . 3 100X35X981MM
	3792536M1	1	Bar	[A,D] Left Hand CAT . 3 120X35X975MM
	3792535M1	1	Bar	[A,D] Right Hand CAT . 3 120X35X975MM
8	3903314M91	1	Kit, Repair	(7)
9	3006429X1	1	Pin	(7)
10	3008317X1	1	Pin	(7)
11	339783X1	1	Pin	(7)
12	3716983M3	1	Protector	Left Hand Up to Serial or Engine Number H180022
	3716984M3	1	Protector	Right Hand Up to Serial or Engine Number H180022
13	390972X1	6	Washer Metric	
14	339124X1	12	Hex. Sock. Screw	M8X16
15	3791193M1	2	Cowl	
16	3713764M1	2	Sensing Pin	BOSCH 60KN
	3716981M1	2	Inductive Taker	BOSCH 90KN
17	3716499M1	2	Plate	
18	3384183M2	4	Bush	
19	385362X1	4	Washer	
20	3001429X1	4	Screw	M10X35
21	3042427M1	2	Toggle	CAT 2/3
	3042428M1	2	Toggle	CAT 3
22	3102086M91	1	Linch Pin	(21)
23	3042430M1	2	Toggle	CAT 2/3
	3042431M1	2	Toggle	CAT 3
24	3796875M1	1	Bar	[B,C] Left Hand CAT . 3 100X35X981MM
	3796874M1	1	Bar	[B,C] Right Hand CAT . 3 100X35X981MM
	3796870M1	1	Bar	[A,D] Left Hand CAT . 3 120X35X975MM
	3796869M1	1	Bar	[A,D] Right Hand CAT . 3 120X35X975MM
25	3903954M91	1	Kit, Lever	(24)
26	3903948M91	1	Kit, Roll Pins	(24)
27	3903955M91	1	Kit, Roll Pins	(24)

Massey Ferguson**MF 8250 TRACTOR - 1637366****1637366****Linkage - Lower Cat 2 And 3 - FROM H119031****Page040-0060**

Item	Part Number	Qty	Description	Comments
28	3903949M1	1	Spring	(24)
29	3619219M1	1	Chain	Length 3700MM
30	3791630M1	1	Protector	Left Hand From Serial or Engine Number H180023
30	3791631M1	1	Protector	Right Hand From Serial or Engine Number H180023
31	3796399M2	2	Sensing Pin	[E] TEDEA 60KN
31	3796400M2	2	Sensing Pin	[E] TEDEA 90KN

FOOTNOTE [A] WALTERSCHEID**FOOTNOTE [B]** CBM**FOOTNOTE [C]** HEAVY DUTY**FOOTNOTE [D]** SUPER HEAVY DUTY**FOOTNOTE [E]** 2 GROOVE

1-ZQ10-004-C



Linkage - Lower Cat 2 And 3

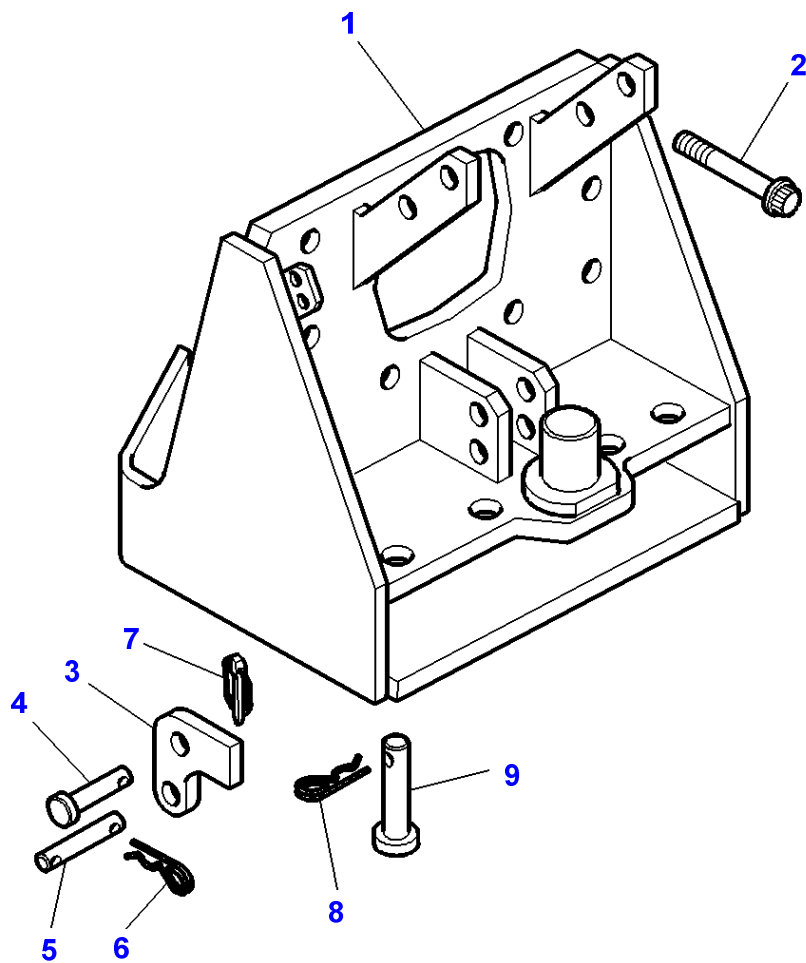
Item	Part Number	Qty	Description	Comments
1	3791868M11	1	Clevis	Right Hand
	3791867M11	1	Clevis	Left Hand
2	3716994M2	1	Bush	(1)
3	3716995M2	1	Bush	(1)
4	3716624M1	4	Centraliser	
5	3010434X1	10	Screw Metric	M20x80
6	3010558X1	2	Screw Metric	M20x120
7	3792536M1	1	Bar	[A] Left Hand CAT . 3
	3792535M1	1	Bar	[A] Right Hand CAT . 3
8	3903314M91	1	Kit, Repair	(7)
9	3006429X1	1	Pin	(7)
10	3008317X1	1	Pin	(7)
11	339783X1	1	Pin	(7)
12	3791630M1	1	Protector	Left Hand
	3791631M1	1	Protector	Right Hand
13	390972X1	6	Washer Metric	
14	339124X1	12	Hex. Sock. Screw	M8X16
15	3791193M1	2	Cowl	
16	3713764M1	2	Sensing Pin	BOSCH 60KN
	3716981M1	2	Inductive Taker	BOSCH 90KN
17	3716499M1	2	Plate	
18	3384183M2	4	Bush	
19	385362X1	4	Washer	
20	3001429X1	4	Screw	M10X35
21	3042427M1	2	Toggle	CAT 2/3
	3042428M1	2	Toggle	CAT 3
22	3102086M91	1	Linch Pin	(21)
23	3042430M1	2	Toggle	CAT 2/3
	3042431M1	2	Toggle	CAT 3
24	3796870M1	1	Bar	[B] Left Hand CAT . 3
	3796869M1	1	Bar	[B] Right Hand CAT . 3
25	3903954M91	1	Kit, Lever	(24)
26	3903948M91	1	Kit, Roll Pins	(24)
27	3903955M91	1	Kit, Roll Pins	(24)
28	3903949M1	1	Spring	(24)
29	3796399M2	2	Sensing Pin	[C] TEDEA 60KN
	3796400M2	2	Sensing Pin	[C] TEDEA 90KN

FOOTNOTE [A] WALTERSCHEID

FOOTNOTE [B] CBM

FOOTNOTE [C] 2 GROOVE

1-ZQ36-004-A



Massey Ferguson**MF 8250 TRACTOR - 1637366**

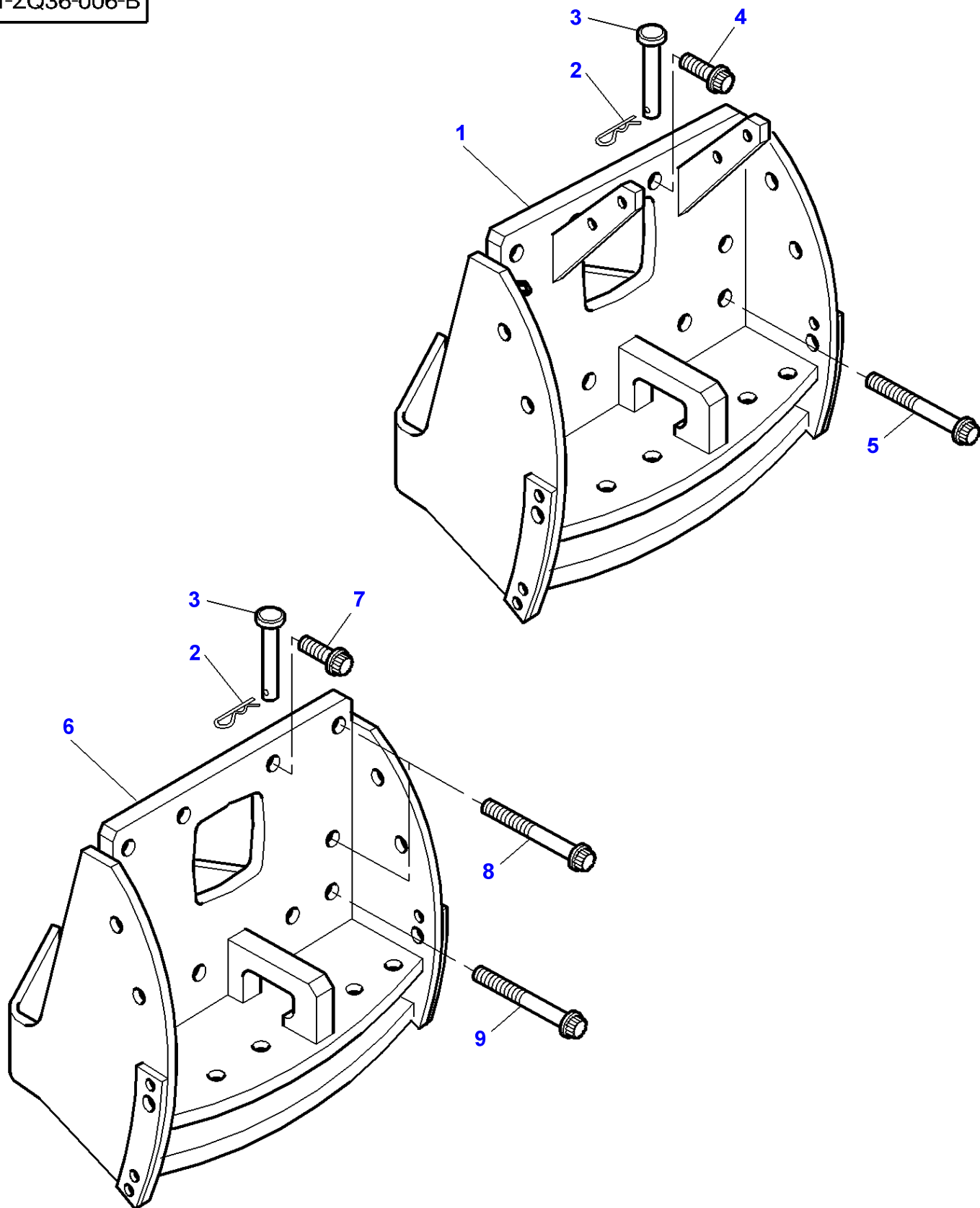
1637366

Linkage - Swinging Drawbar Support

Page040-0070

Item	Part Number	Qty	Description	Comments
1	3716948M93	1	Support	
2	3010561X1	2	Screw	M20X50
	3010562X1	8	Screw	M20X230
3	3582213M3	1	Hook	
4	3582216M1	1	Clevis Pin	
5	3582197M1	1	Clevis Pin	
6	391403X1	1	Split Pin	
7	3382824M1	1	Pin	
8	3010932X1	2	Pin	Replace and repair. Old interchangeable with new 3010632X1
9	3010631X1	2	Clevis Pin	

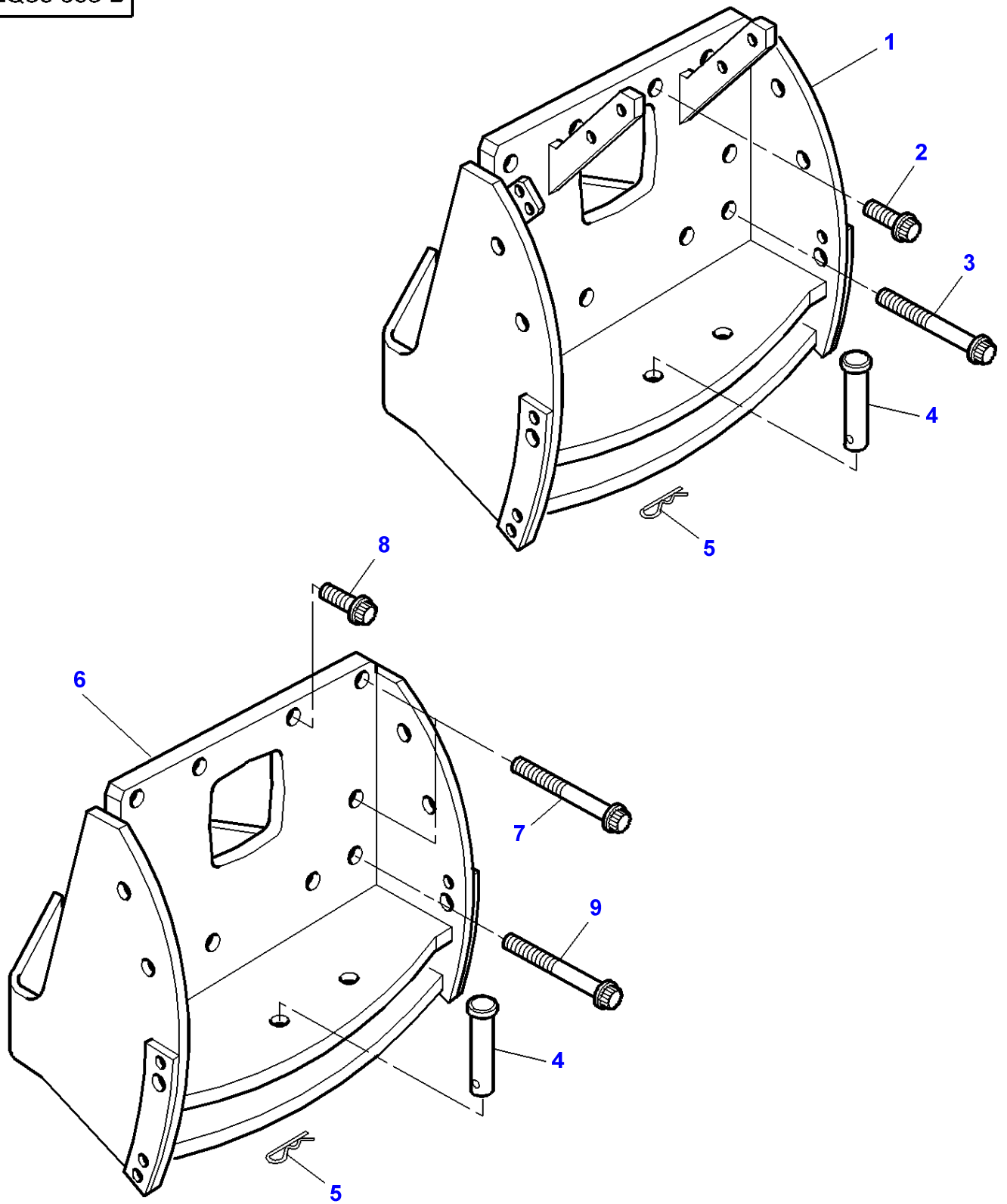
1-ZQ36-006-B



Massey Ferguson**MF 8250 TRACTOR - 1637366****1637366****Linkage - Swinging Drawbar Support****Page040-0075**

Item	Part Number	Qty	Description	Comments
1	3716954M92	1	Support	
	3716954M92	1	Support	Up to Serial or Engine Number K029022 For United States of America
2	3010932X1	2	Pin	Replace and repair. Old interchangeable with new 3010632X1
3	3010631X1	2	Clevis Pin	
4	3010561X1	2	Screw	M20X50MM
	3010561X1	2	Screw	Up to Serial or Engine Number K029022 For United States of America M20X50MM
5	3010562X1	8	Screw	M20X230MM
	3010562X1	8	Screw	Up to Serial or Engine Number K029022 For United States of America M20X230MM
6	3795816M91	1	Support	From Serial or Engine Number K029023 For United States of America
7	3010556X1	2	Screw Metric	From Serial or Engine Number K029023 For United States of America M20X70MM
8	3010941X1	4	Screw Metric	From Serial or Engine Number K029023 For United States of America M20X250MM
9	3010562X1	4	Screw	From Serial or Engine Number K029023 For United States of America M20X230MM

1-ZQ36-005-B



Massey Ferguson**MF 8250 TRACTOR - 1637366**

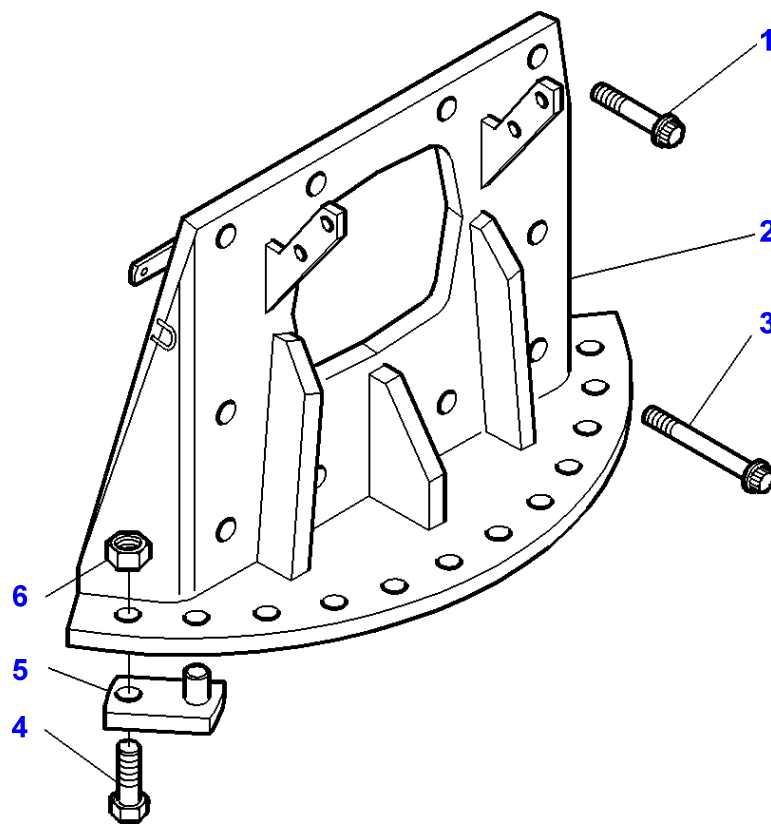
1637366

Linkage - Swinging Drawbar Support

Page040-0080

Item	Part Number	Qty	Description	Comments
1	3791475M91	1	Support	
	3791475M91	1	Support	Up to Serial or Engine Number K029022 For United States of America
2	3010561X1	2	Screw	M20X50MM
	3010561X1	2	Screw	Up to Serial or Engine Number K029022 For United States of America M20X50MM
3	3010562X1	8	Screw	M20X230MM
	3010562X1	8	Screw	Up to Serial or Engine Number K029022 For United States of America M20X230MM
4	3010631X1	2	Clevis Pin	
5	3010932X1	2	Pin	Replace and repair. Old interchangeable with new 3010632X1
6	3795815M91	1	Support	From Serial or Engine Number K029023 For United States of America
7	3010941X1	4	Screw Metric	From Serial or Engine Number K029023 For United States of America M20X250MM
8	3010556X1	2	Screw Metric	From Serial or Engine Number K029023 For United States of America M20X70MM
9	3010562X1	4	Screw	From Serial or Engine Number K029023 For United States of America M20X230MM

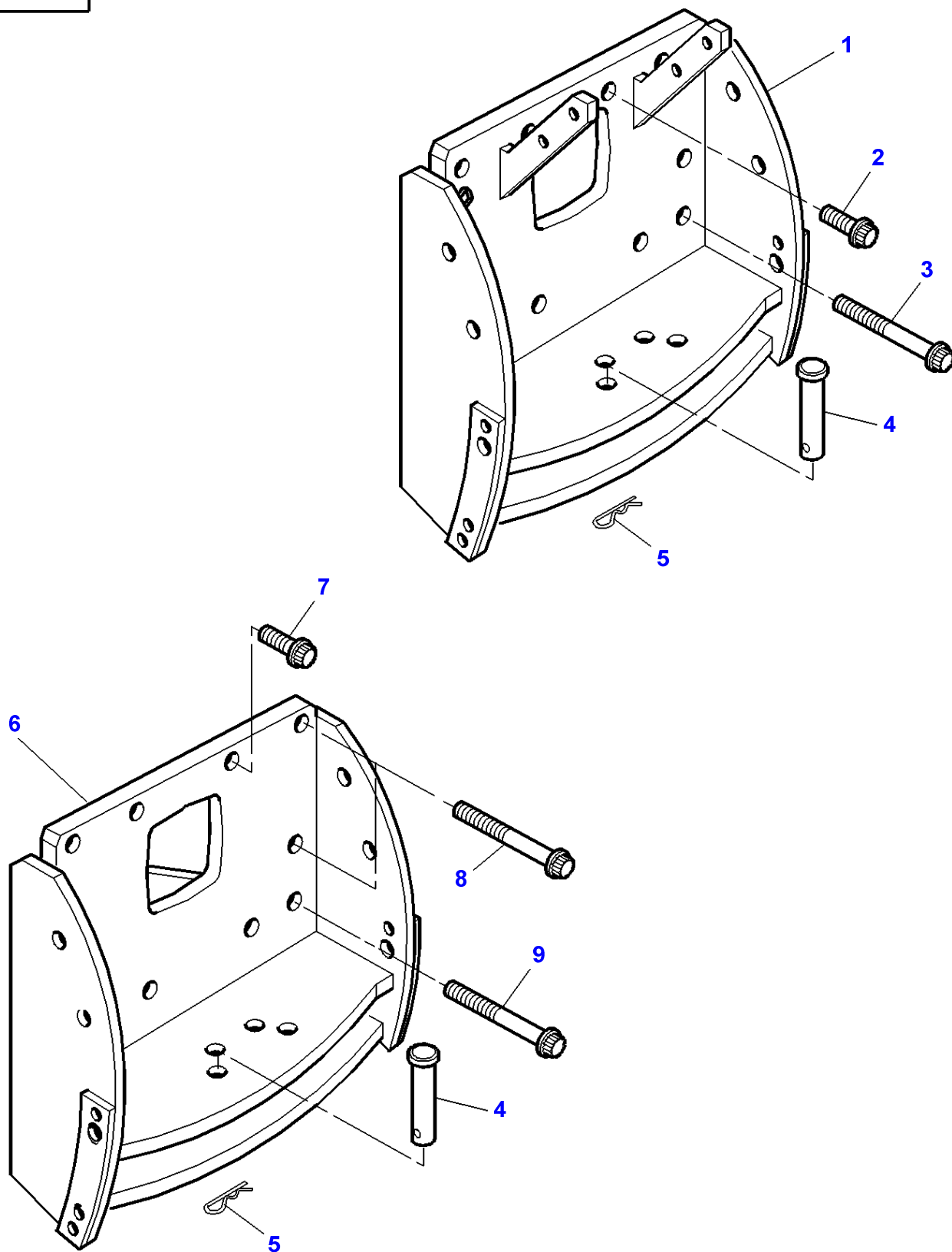
1-ZQ36-007-C



Massey Ferguson**MF 8250 TRACTOR - 1637366****1637366****Linkage - Swinging Drawbar Support****Page040-0085**

Item	Part Number	Qty	Description	Comments
1	3010561X1	2	Screw	M20 X 50
2	3791542M94	1	Support	
3	3010562X1	8	Screw	M20 X 230
4	1442668X1	2	Screw	M20 X 80
5	3791677M92	2	Plate	
6	339035X1	2	Nut Metric	M20

1-ZQ36-010-B



Massey Ferguson**MF 8250 TRACTOR - 1637366**

1637366

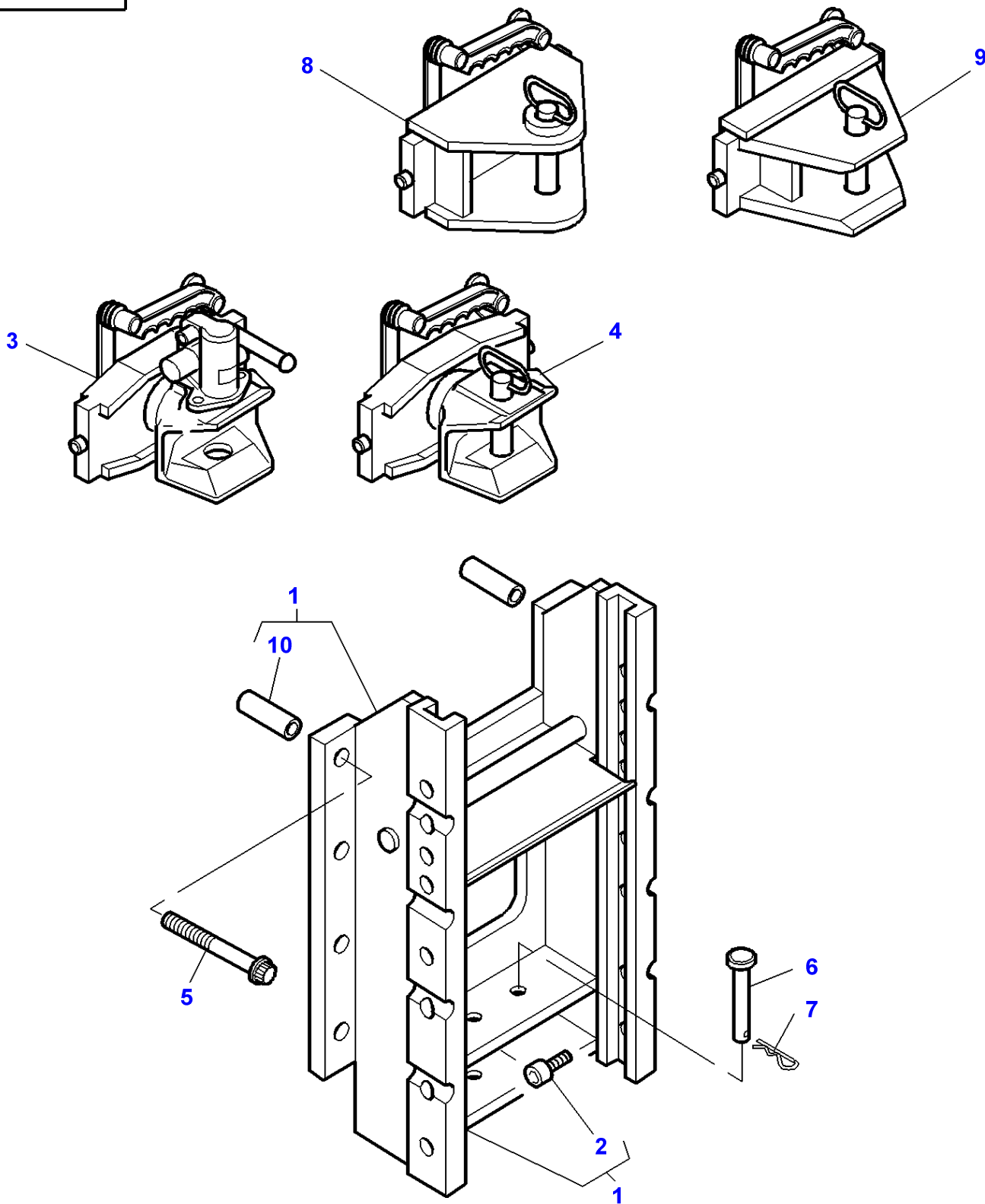
Linkage - Swinging Drawbar Support

Page040-0090

Item	Part Number	Qty	Description	Comments
1	3792408M91	1	Support	[A]
	3792408M91	1	Support	[A] Up to Serial or Engine Number K029022 For United States of America
2	3010561X1	2	Screw	M20 X 50
	3010561X1	2	Screw	Up to Serial or Engine Number K029022 For United States of America M20 X 50
3	3010562X1	8	Screw	M20 X 230
	3010562X1	8	Screw	Up to Serial or Engine Number K029022 For United States of America M20 X 230
4	3010560X1	2	Clevis Pin	
5	365139X1	2	Hair Pin	Up to Serial or Engine Number
6	3795813M91	1	Support	[A] From Serial or Engine Number K029023 For United States of America
7	3010556X1	2	Screw Metric	From Serial or Engine Number K029023 For United States of America M20 X 70
8	3010941X1	4	Screw Metric	From Serial or Engine Number K029023 For United States of America M20 X 250
9	3010562X1	4	Screw	From Serial or Engine Number K029023 For United States of America M20 X 230

FOOTNOTE [A] WITH TRAILED IMPELEMNT CONTROL

1-ZQ18-005-C

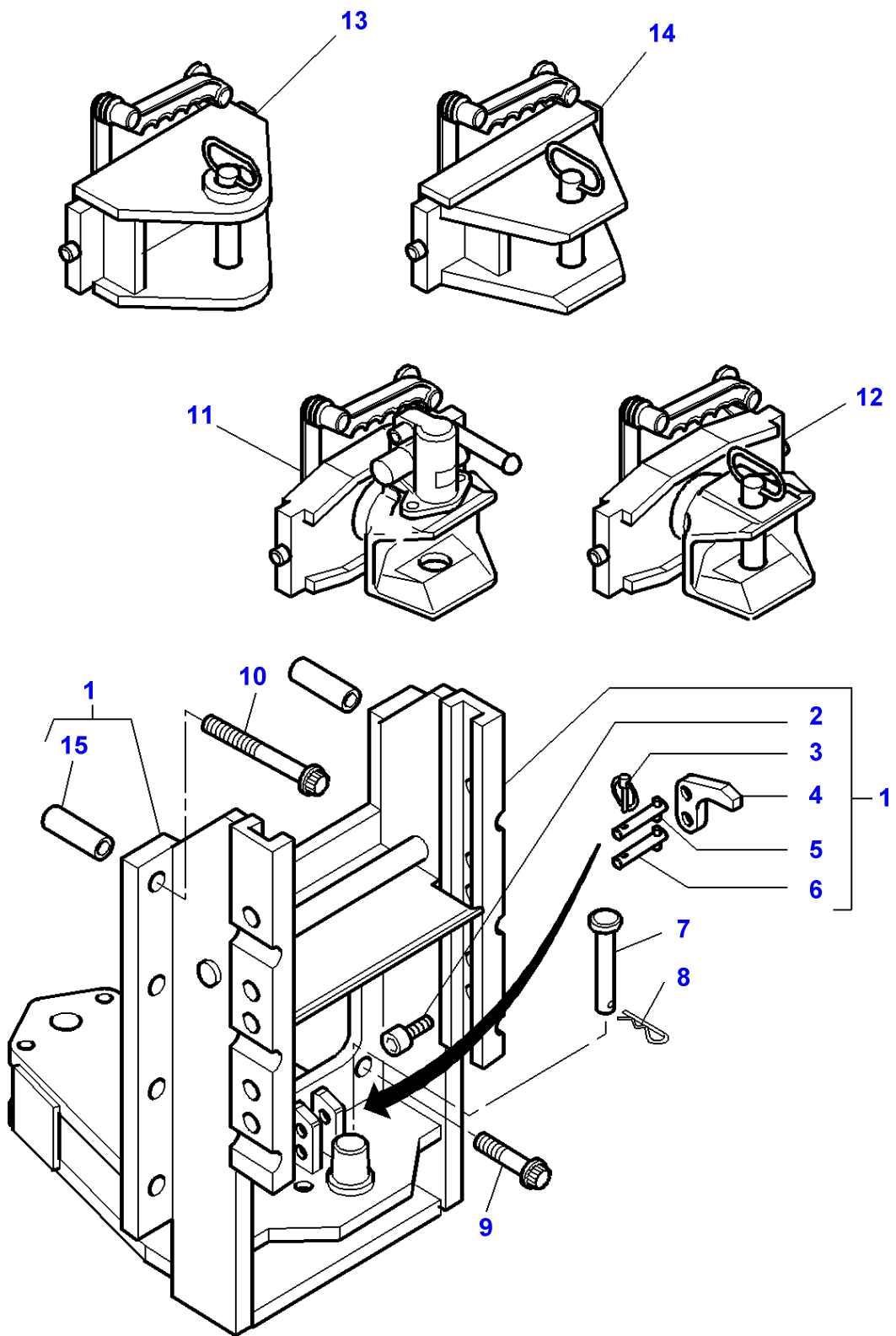


Hitch

Item	Part Number	Qty	Description	Comments
1	3791483M1	1	Support	
	3792574M1	1	Support	[A]
2	339114X1	1	Screw Metric	(1) M12X25
3	3791484M1	1	Clevis	For Germany only or any text in German only See Page - Reference Number 040-0115
	3792433M1	1	Clevis	For UK only or any text in English only See Page - Reference Number 040-0115
4	3791502M1	1	Clevis	
5	3010562X1	8	Screw	M20X230
	3010777X1	2	Screw Metric	M20X210
6	3010560X1	2	Clevis Pin	
7	3010932X1	2	Pin	Replace and repair. Old interchangeable with new 3010632X1
8	3792934M91	1	Clevis	For Italy only or any text in Italian only 20 T See Page - Reference Number 040-0110/5
9	3792932M91	1	Clevis	For Italy only or any text in Italian only 6 T See Page - Reference Number 040-0110/1
10	3902987M1	2	Spacer	(1) Diameter 44,5X140

FOOTNOTE [A] WITH TRAILED IMPELEMENT CONTROL

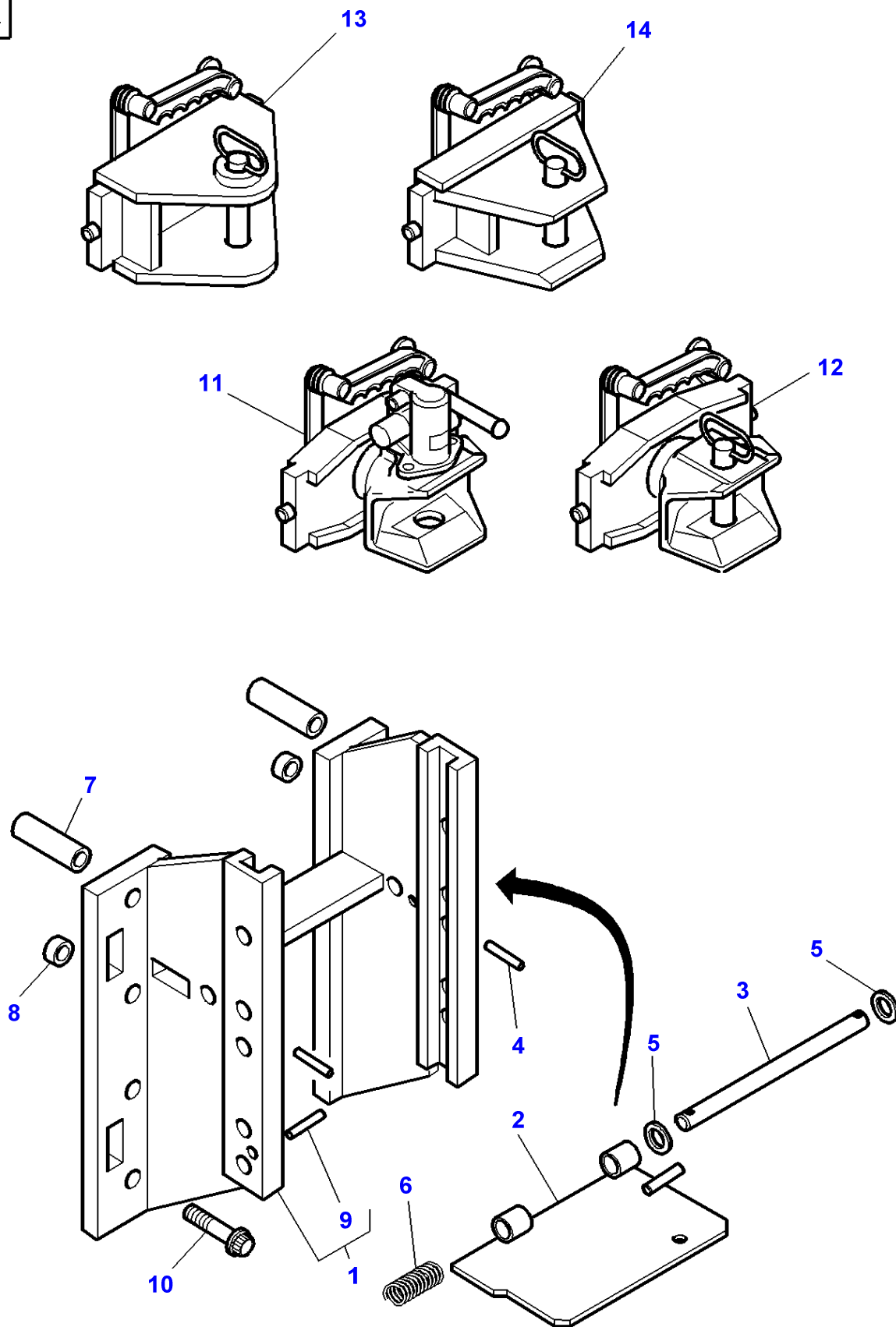
1-ZQ18-006-C



Hitch

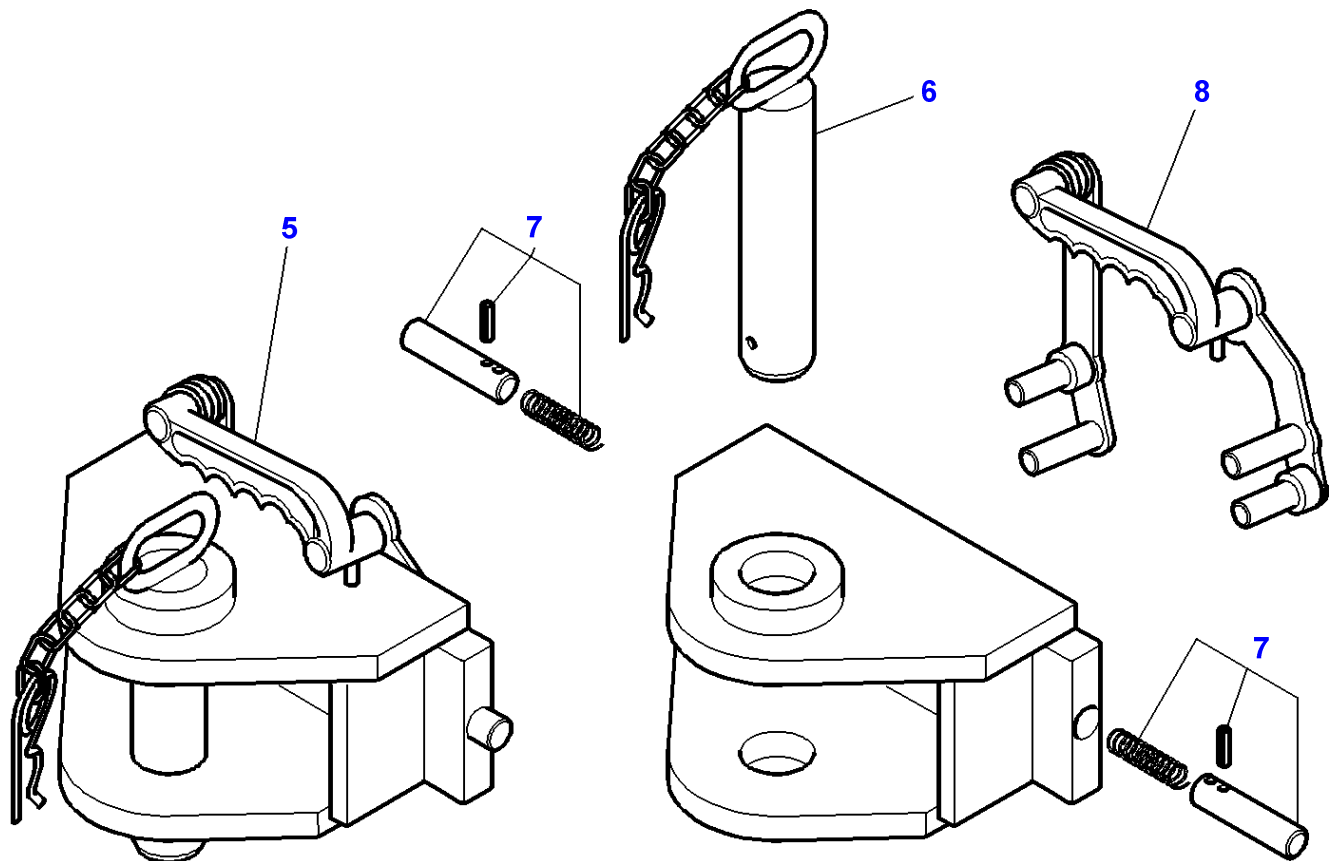
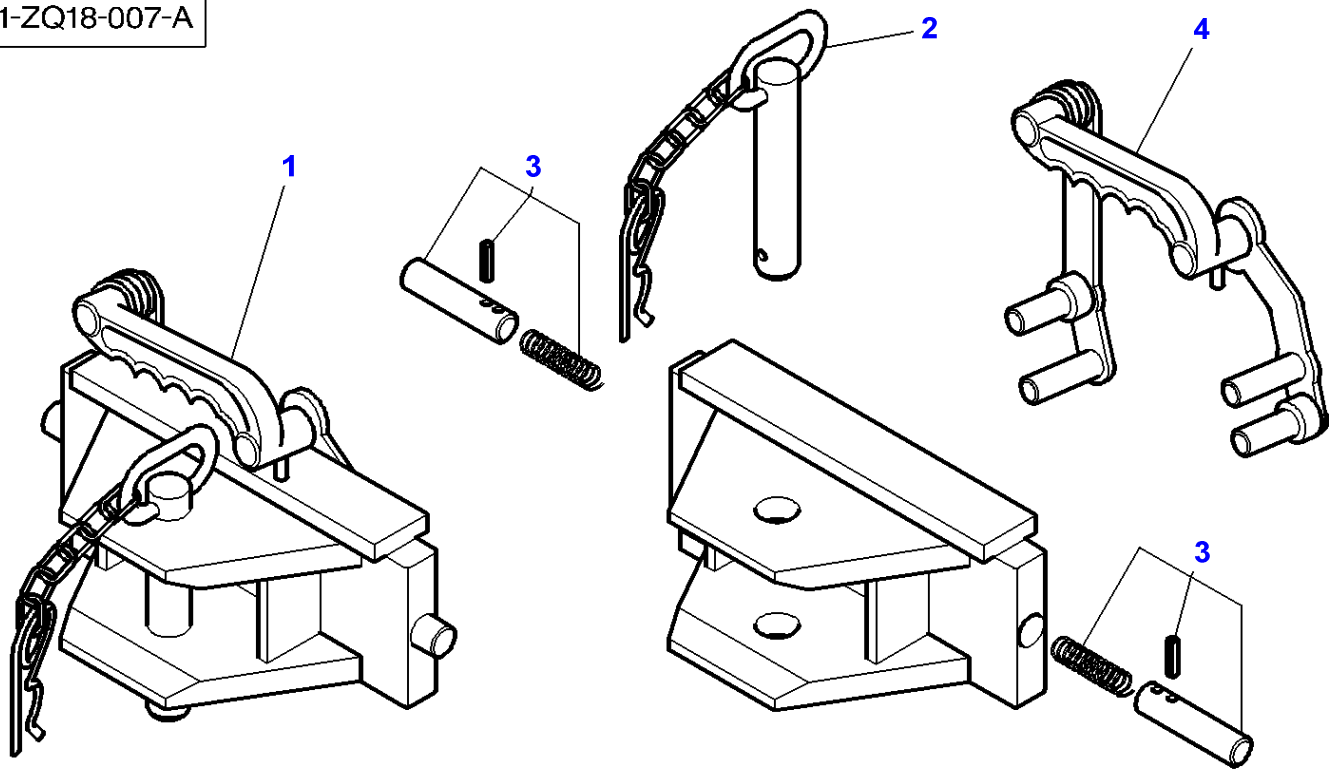
Item	Part Number	Qty	Description	Comments
1	3791835M1	1	Support	
2	339114X1	1	Screw Metric	(1) M12X25
3	3382825M1	1	Pin	(1)
4	3714803M1	1	Hook	(1)
5	3714805M1	1	Clevis Pin	(1)
6	3714804M1	1	Clevis Pin	(1)
7	3010560X1	2	Clevis Pin	
8	3010932X1	2	Pin	Replace and repair. Old interchangeable with new 3010632X1
9	3010777X1	2	Screw Metric	M20X210
10	3010562X1	8	Screw	M20X230
11	3791484M1	1	Clevis	For Germany only or any text in German only See Page - Reference Number 040-0115
	3792433M1	1	Clevis	See Page - Reference Number 040-0115
12	3791502M1	1	Clevis	See Page - Reference Number 040-0120
13	3792934M91	1	Clevis	For Italy only or any text in Italian only 20 T See Page - Reference Number 040-0110/5
14	3792932M91	1	Clevis	For Italy only or any text in Italian only 6 T See Page - Reference Number 040-0110/1
15	3902987M1	2	Spacer	(1) Diameter 44,5X140

1-ZQ18-009-A



Item	Part Number	Qty	Description	Comments
1	3794221M91	1	Support	
2	3794230M91	1	Cowl	
3	3794227M1	1	Clevis Pin	
4	391018X1	2	Pin	Diameter 5X35
5	390975X1	2	Washer Metric	
6	3794614M1	1	Spring	
7	3794663M1	2	Spacer	
8	3794662M1	2	Bush	
9	3794232M1	1	Thruster	(1)
10	3010997X1	8	Screw	M20X240
11	3791484M1	1	Clevis	For Germany only or any text in German only See Page - Reference Number 040-0115
	3792433M1	1	Clevis	See Page - Reference Number 040-0115
12	3791502M1	1	Clevis	See Page - Reference Number 040-0120
13	3792934M91	1	Clevis	For Italy only or any text in Italian only 20 T See Page - Reference Number 040-0110/5
14	3792932M91	1	Clevis	For Italy only or any text in Italian only 6 T See Page - Reference Number 040-0110/1

1-ZQ18-007-A

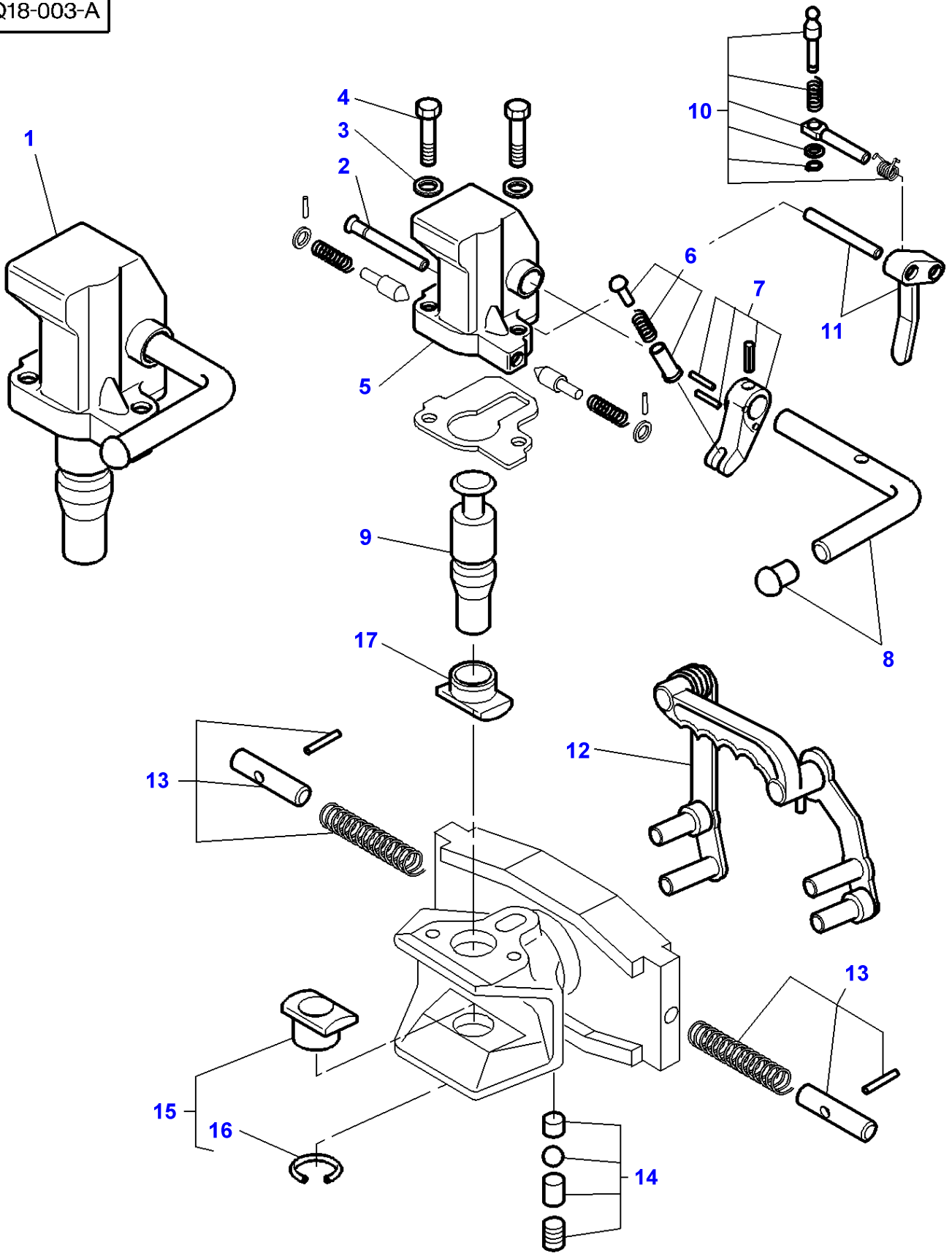


Massey Ferguson**MF 8250 TRACTOR - 1637366****1637366****Hitch - Cramer****Page040-0110**

Item	Part Number	Qty	Description	Comments
1	3792932M91	1	Clevis	For Italy only or any text in Italian only 6 T
2	3903398M91	1	Pin	(1) Diameter 28MM
3	3903394M91	1	Kit, Rod	(1)
4	3903431M91	1	Linkage	(1)
5	3792934M91	1	Clevis	For Italy only or any text in Italian only 20 T
6	3903397M91	1	Pin	(5) Diameter 50MM
7	3903394M91	1	Kit, Rod	(5)
8	3107940M92	1	Linkage	(5)

MF 8250 TRACTOR - 1637366
1-ZQ18-003-A

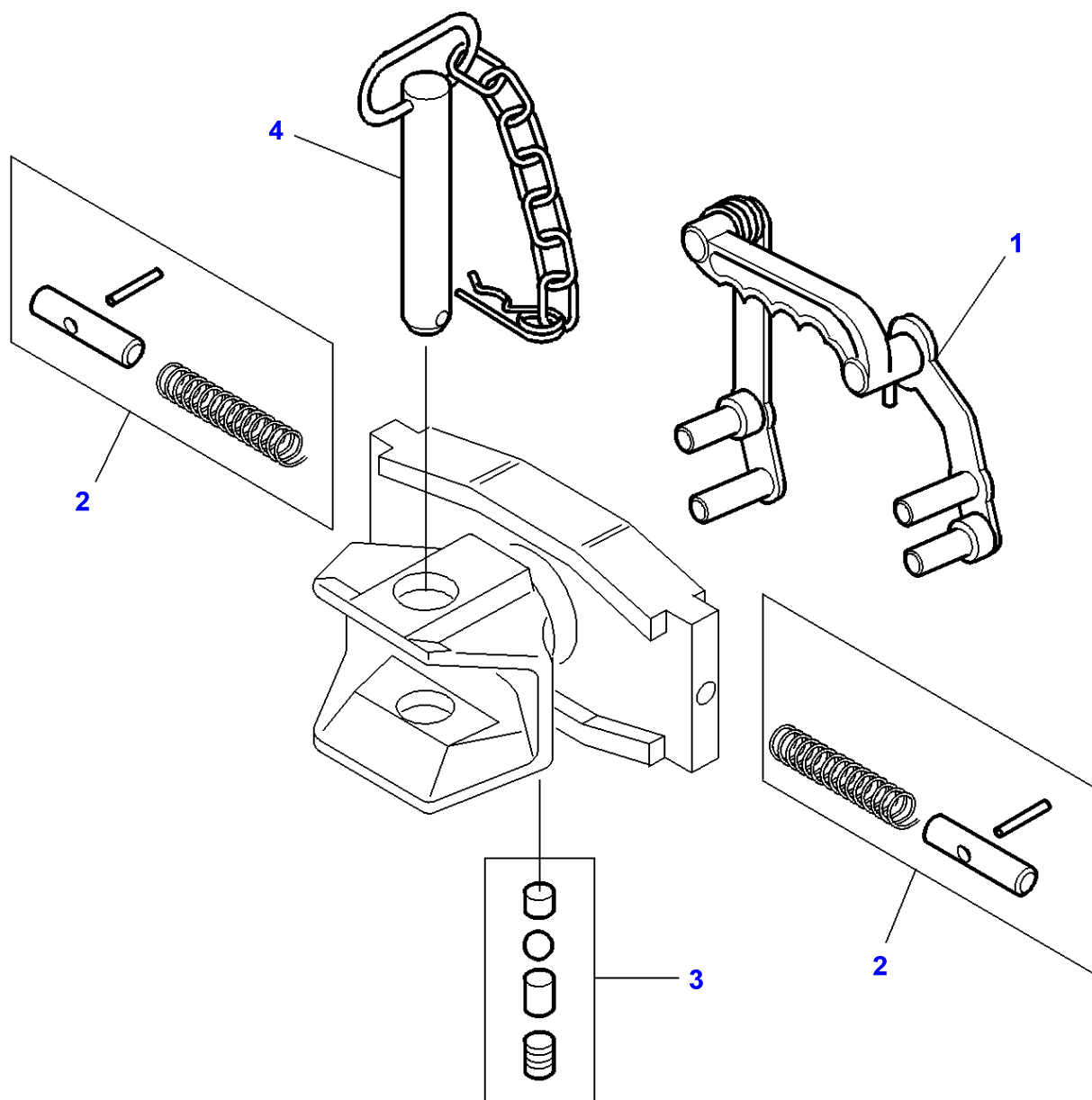
1-ZQ18-003-A



Hitch

Item	Part Number	Qty	Description	Comments
1	3902974M91	1	Head	For Germany only or any text in German only Diameter 37MM
2	3903268M91	1	Head	Diameter 32MM
	3902982M1	1	Clevis Pin	(1) For Germany only or any text in German only
3	3903269M1	1	Clevis Pin	(1)
	390734X1	2	Washer	(1)
4	339246X1	2	Bolt Metric	(1)
5		1	Head	(1) Not serviced,order REF. NO 1
6	3902979M91	1	Clevis Pin	(1)
7	3902978M91	1	Cam	(1)
8	3902977M91	1	Lever	(1)
9	3902981M91	1	Clevis Pin	(1) For Germany only or any text in German only Diameter 37MM
	3903267M91	1	Clevis Pin	(1) Diameter 32MM
10	3902976M91	1	Clevis Pin	(1)
11	3902975M91	1	Lever	(1)
12	3107940M92	1	Linkage	
13	3107941M91	2	Kit, Rod	For Germany only or any text in German only
	3903394M91	2	Kit, Rod	
14	3105953M91	1	Kit, Brake	
15	3902983M91	1	Sleeve	For Germany only or any text in German only
	3903264M91	1	Sleeve	
16	395520X1	1	Circlip	(15)
17	3902980M91	1	Sleeve	For Germany only or any text in German only
	3903266M91	1	Sleeve	

1-ZQ18-004-A

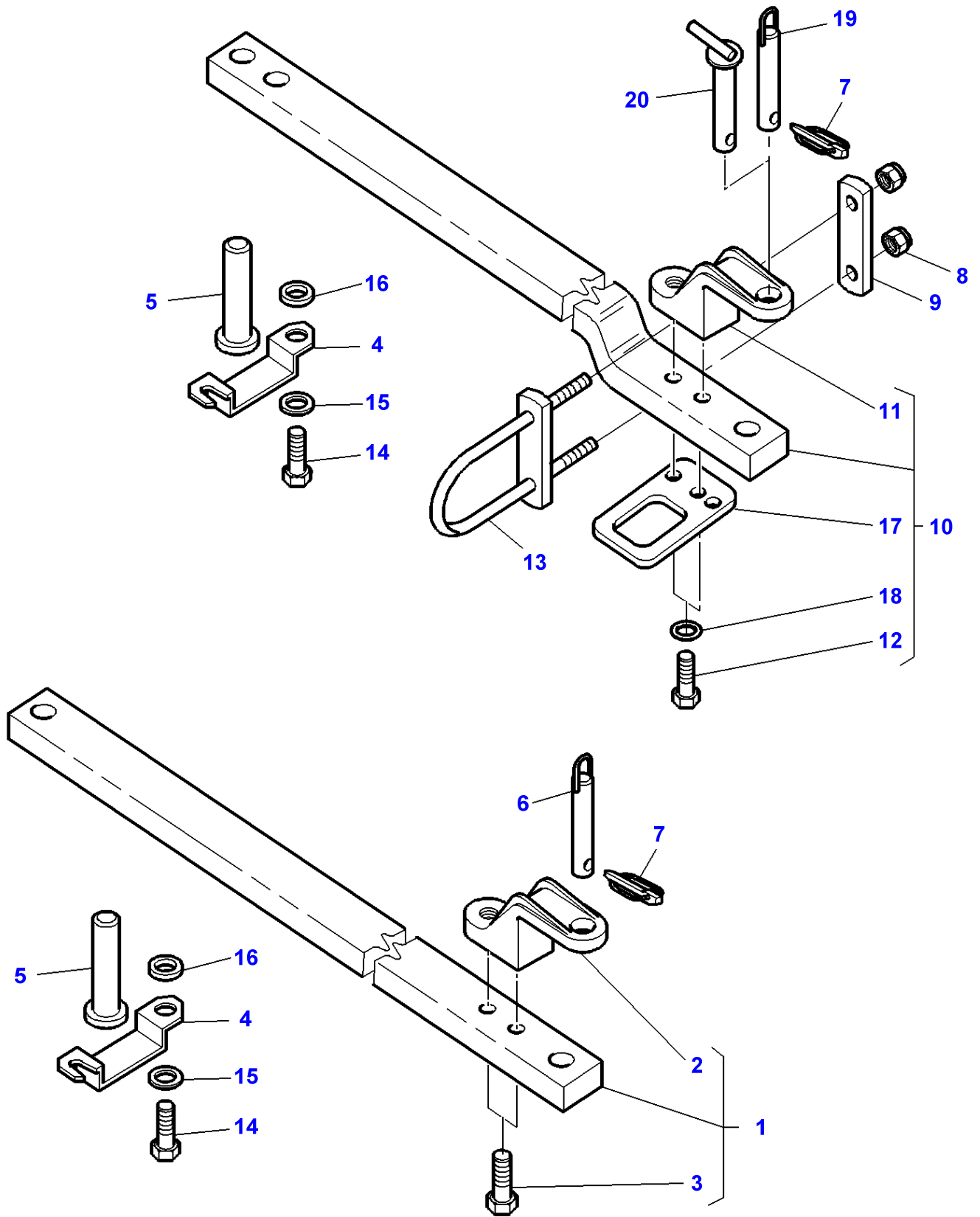


Massey Ferguson**MF 8250 TRACTOR - 1637366****1637366****Hitch - Cramer****Page040-0120**

Item	Part Number	Qty	Description
1	3107940M92	1	Linkage
2	3107941M91	2	Kit, Rod
3	3105953M91	1	Kit, Brake
4	3902984M91	1	Pin Hitch

MF 8250 TRACTOR - 1637366
1-ZQ12-003-B

1-ZQ12-003-B



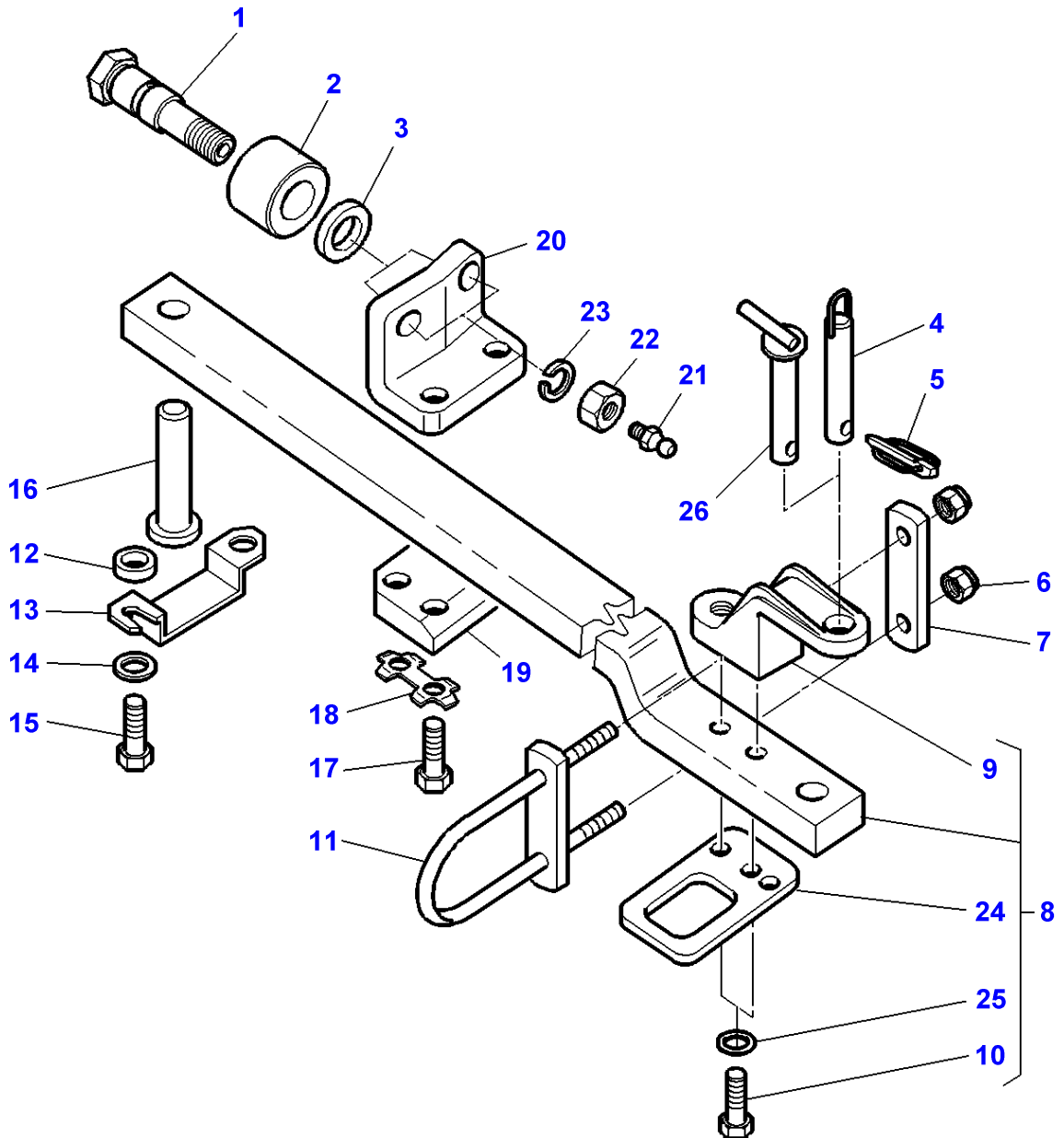
Massey Ferguson
MF 8250 TRACTOR - 1637366

Linkage - Swinging Drawbar

Item	Part Number	Qty	Description	Comments
1	3716969M92	1	Bar	ISO
2	3790470M1	1	Clevis	(1)
3	1442668X1	2	Screw	(1) M20X70
4	3790751M91	1	Locking Plate	
	3791831M91	1	Plate	[A]
5	3790750M4	1	Pin Hitch	Length 115MM
	3791833M3	1	Pin Hitch	[A] Length 105MM
6	3790349M92	1	Pin Hitch	Diameter 30X231
7	3382826M1	1	Pin	
8	1442739X1	2	Locknut	Up to Serial or Engine Number J133009 For United States of America
9	3790094M1	1	Counterplate	Up to Serial or Engine Number J133009 For United States of America
10	3716970M92	1	Bar	Up to Serial or Engine Number J133009 SAE
	3793418M91	1	Drawbar	From Serial or Engine Number J133010 SAE
11	3790470M1	1	Clevis	(10) Up to Serial or Engine Number J133009
	3793414M1	1	Clevis	(10) From Serial or Engine Number J133010
12	1442668X1	2	Screw	(10) Up to Serial or Engine Number J133009 M20X70
	3010441X1	1	Screw	(10) From Serial or Engine Number J133010 M20X95
13	3790474M2	1	Shackle	Up to Serial or Engine Number J133009 For United States of America
14	3009492X1	2	Hex. Sock. Screw	M10X25
15	385362X1	2	Washer	
16	3790749M1	1	Bush	
17	3795530M1	1	Shackle	(10) From Serial or Engine Number J133010 For United States of America
18	385365X1	2	Washer	(10) From Serial or Engine Number J133010
19	3790349M92	1	Pin Hitch	Up to Serial or Engine Number J133009 Diameter 30X231MM
20	3793419M3	1	Pin Hitch	From Serial or Engine Number J133010 Diameter 30X184MM

FOOTNOTE [A] WITH CLEVIS QUICK ADJUSTMENT

1-ZQ12-004-B



Massey Ferguson**MF 8250 TRACTOR - 1637366**

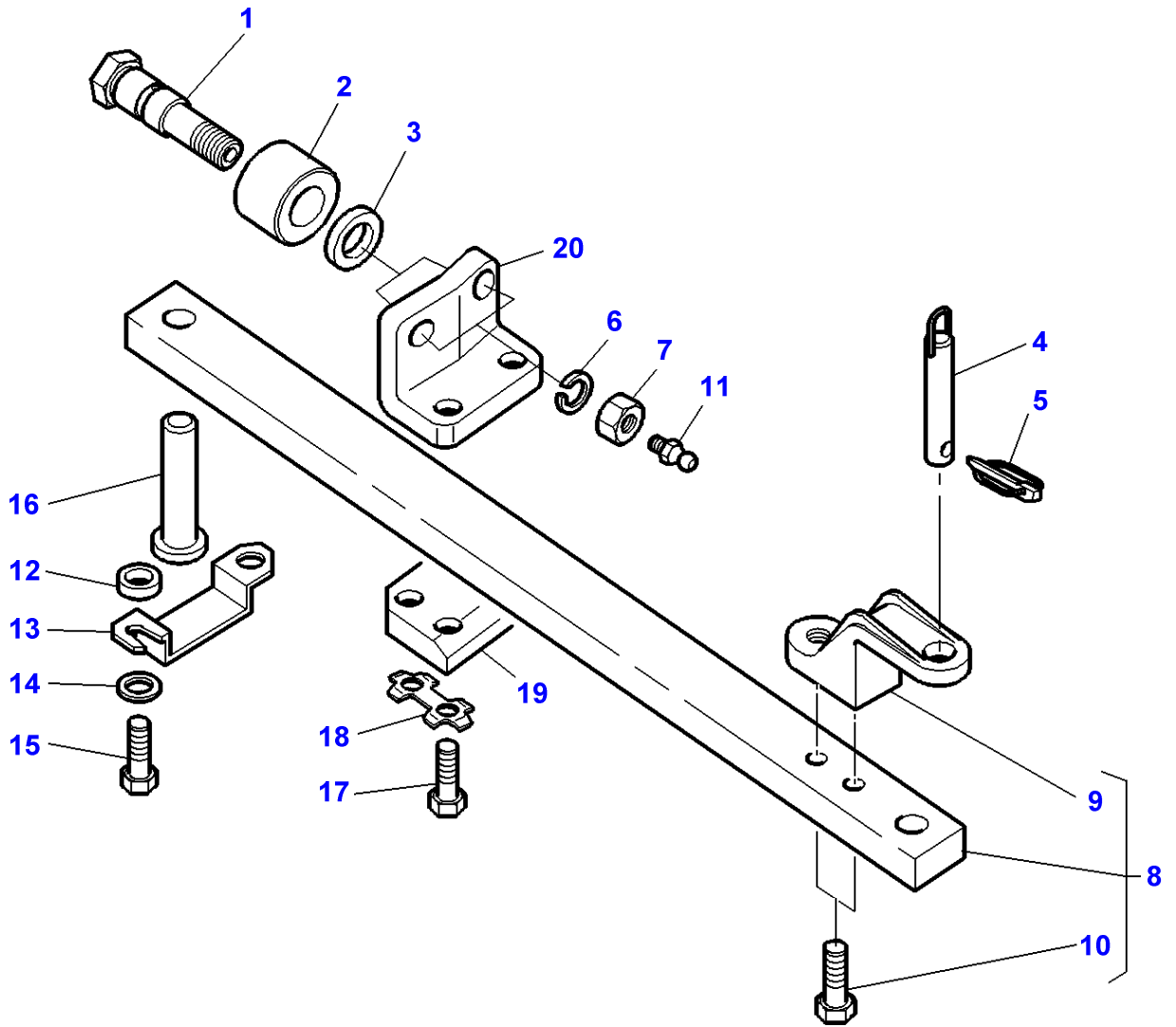
1637366

Linkage - Swinging Drawbar - SAE STANDARD

Page040-0130

Item	Part Number	Qty	Description	Comments
1	3791469M1	2	Clevis Pin	
2	3581980M1	2	Roll	
3	3791823M1	2	Washer	
4	3790349M92	1	Pin Hitch	Up to Serial or Engine Number J133009 Diameter 30X231
5	3382826M1	1	Pin	
6	1442739X1	2	Locknut	Up to Serial or Engine Number J133009 For United States of America
7	3790094M1	1	Counterplate	Up to Serial or Engine Number J133009 For United States of America
8	3716970M92	1	Bar	Up to Serial or Engine Number J133009
	3793418M91	1	Drawbar	From Serial or Engine Number J133010
9	3790470M1	1	Clevis	(8) Up to Serial or Engine Number J133009
	3793414M1	1	Clevis	(8) From Serial or Engine Number J133010
10	1442668X1	2	Screw	(8) Up to Serial or Engine Number J133009 M20x70
	3010441X1	2	Screw	(8) From Serial or Engine Number J133010 M20X95
11	3790474M2	1	Shackle	Up to Serial or Engine Number J133009 For United States of America
12	3790749M1	1	Bush	
13	3790751M91	1	Locking Plate	
14	385362X1	2	Washer	Diameter M10
15	3009492X1	2	Hex. Sock. Screw	M10x25
16	3790750M4	1	Pin Hitch	
17	3010045X1	4	Screw	M20x90
18	3790457M1	2	Tongue	
19	3791470M1	1	Counterplate	
20	3791474M1	1	Angle	
21	364461X1	2	Grease Nipple	
22	375102X1	2	Nut Unc	
23	353443X1	2	Lock Washer	
24	3795530M1	1	Shackle	(8) From Serial or Engine Number J133010 For United States of America
25	385365X1	2	Washer	(8) From Serial or Engine Number J133010
26	3793419M3	1	Pin Hitch	From Serial or Engine Number J133010 Diameter 30X184

1-ZQ12-014-B



Massey Ferguson**MF 8250 TRACTOR - 1637366**

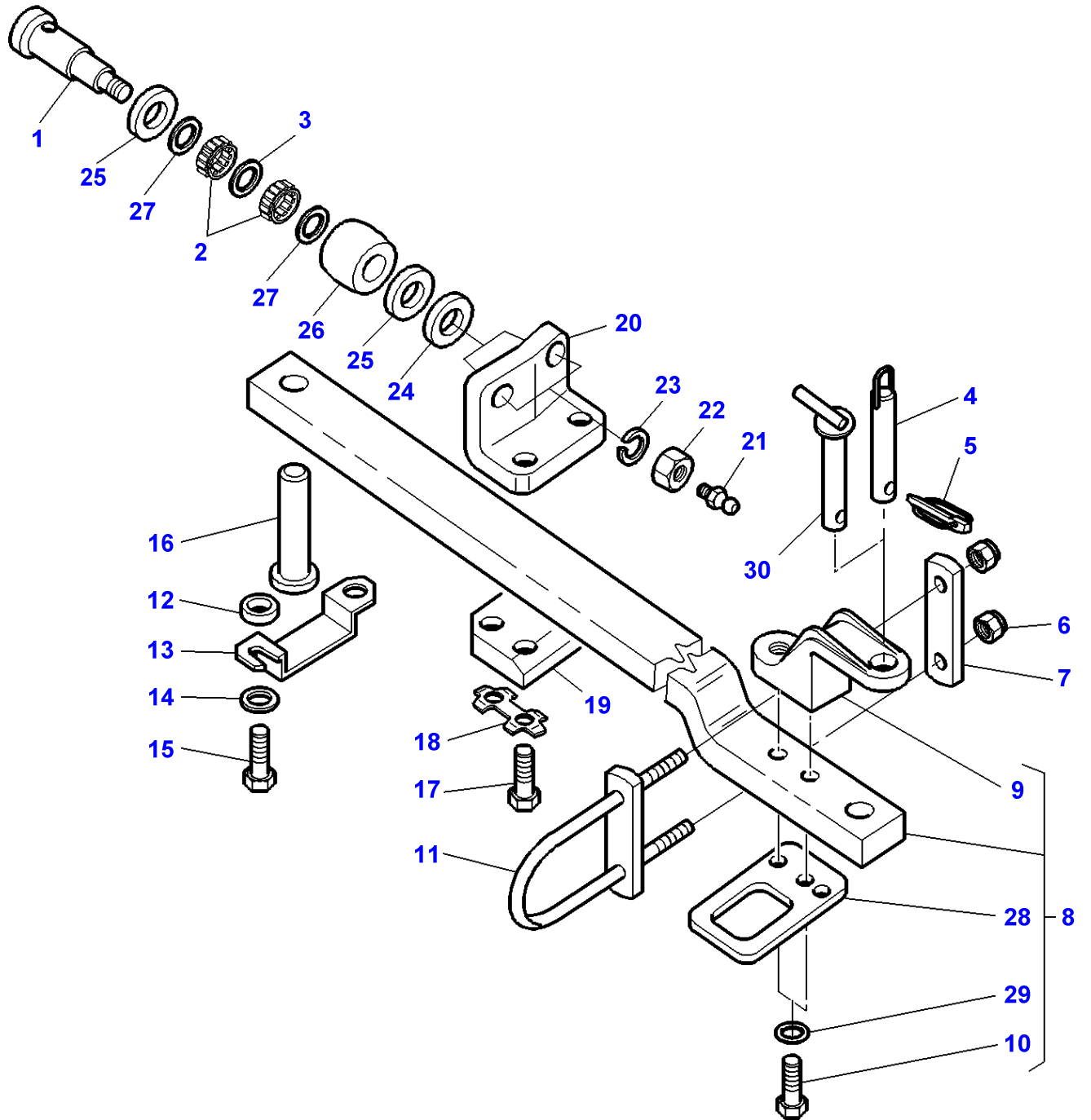
1637366

Linkage - Swinging Drawbar - ISO STANDARD

Page040-0135

Item	Part Number	Qty	Description	Comments
1	3791469M1	2	Clevis Pin	
2	3581980M1	2	Roll	
3	3791823M1	2	Washer	
4	3790349M92	1	Pin Hitch	Diameter 30X231MM
5	3382826M1	1	Pin	
6	353443X1	2	Lock Washer	
7	375102X1	2	Nut Unc	
8	3716969M92	1	Bar	
9	3790470M1	1	Clevis	(8)
10	1442668X1	2	Screw	(8) M20x70
11	364461X1	2	Grease Nipple	
12	3790749M1	1	Bush	
13	3790751M91	1	Locking Plate	
14	385362X1	2	Washer	Diameter M10
15	3009492X1	2	Hex. Sock. Screw	M10x25
16	3790750M4	1	Pin Hitch	
17	3010045X1	4	Screw	M20x90
18	3790457M1	2	Tongue	
19	3791470M1	1	Counterplate	
20	3791474M1	1	Angle	

1-ZQ12-005-B



Massey Ferguson**MF 8250 TRACTOR - 1637366**

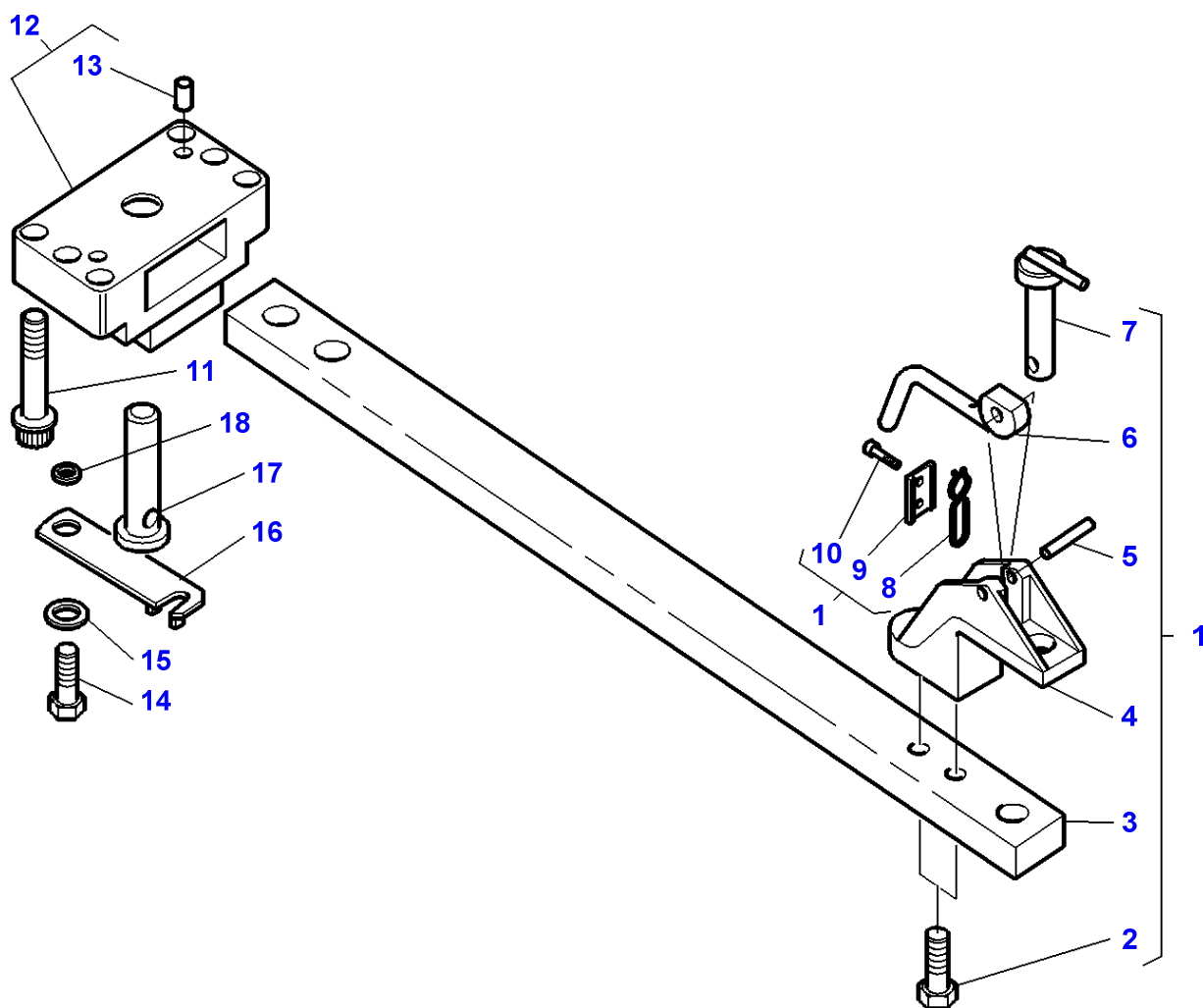
1637366

Linkage - Swinging Drawbar - SAE STANDARD

Page040-0140

Item	Part Number	Qty	Description	Comments
1	3791858M1	2	Roll Axle	
2	833083M1	4	Bearing Needle	
3	1618225M1	2	Spacer	
4	3790349M92	1	Pin Hitch	Up to Serial or Engine Number J133009 Diameter 30X231
5	3382826M1	1	Pin	
6	1442739X1	2	Locknut	Up to Serial or Engine Number J133009 For United States of America
7	3790094M1	1	Counterplate	Up to Serial or Engine Number J133009 For United States of America
8	3716970M92	1	Bar	Up to Serial or Engine Number J133009
	3793418M91	1	Drawbar	From Serial or Engine Number J133010
9	3790470M1	1	Clevis	(8) Up to Serial or Engine Number J133009
	3793414M1	1	Clevis	(8) From Serial or Engine Number J133010
10	1442668X1	2	Screw	(8) Up to Serial or Engine Number J133009 M20x70
	3010441X1	2	Screw	(8) From Serial or Engine Number J133010 M20X95
11	3790474M2	1	Shackle	Up to Serial or Engine Number J133009 For United States of America
12	3790749M1	1	Bush	
13	3790751M91	1	Locking Plate	
14	385362X1	2	Washer	Diameter M10
15	3009492X1	2	Hex. Sock. Screw	M10x25
16	3790750M4	1	Pin Hitch	
17	3010045X1	4	Screw	M20x90
18	3790457M1	2	Tongue	
19	3791470M1	1	Counterplate	
20	3791545M1	1	Angle	
21	364461X1	2	Grease Nipple	
22	375102X1	2	Nut Unc	
23	353443X1	2	Lock Washer	
24	3791823M1	2	Washer	
25	1618290M1	4	Washer	
26	1618190M1	2	Roller	
27	831225M1	4	Seal	
28	3795530M1	1	Shackle	(8) From Serial or Engine Number J133010 For United States of America
29	385365X1	2	Washer	(8) From Serial or Engine Number J133010
30	3793419M3	1	Pin Hitch	From Serial or Engine Number J133010 Diameter 30X184

1-ZQ12-002-B

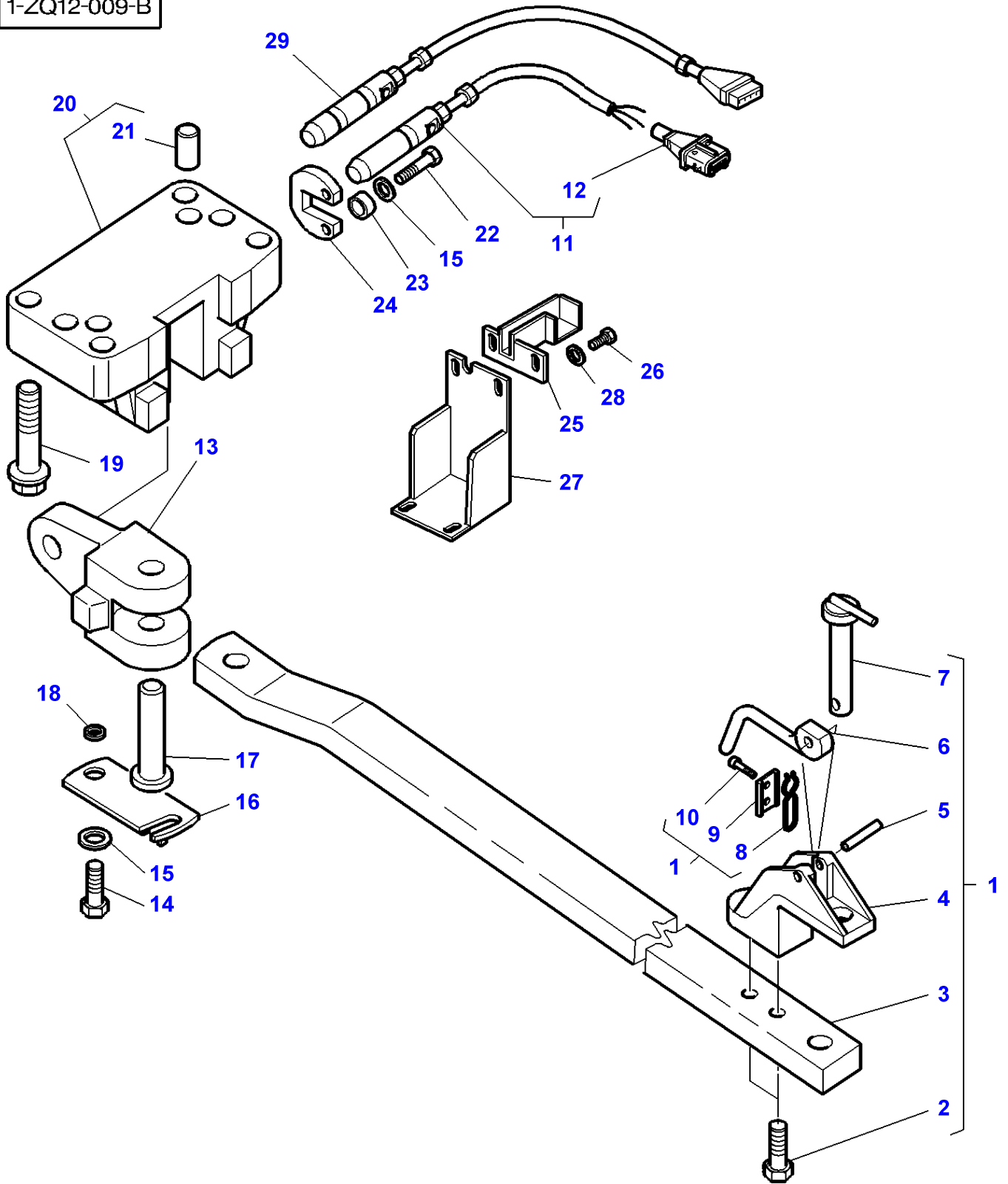


Massey Ferguson**MF 8250 TRACTOR - 1637366****1637366****Linkage - Swinging Drawbar - ISO STANDARD****Page040-0145**

Item	Part Number	Qty	Description	Comments
1	3716631M95	1	Bar	
2	1442668X1	2	Screw	(1) M20X80
3		1	Bar	(1) Not serviced,order REF.1
4	3716619M3	1	Clevis	(1)
5	3010553X1	1	Pin	(1)
6	3791643M1	1	Lever	(1)
7	3716103M2	1	Pin Hitch	(1)
8	3716622M1	1	Thruster	(1)
9	3716621M2	1	Plate	(1)
10	339560X1	2	Hex. Sock. Screw	(1)
11	3010557X1	6	Screw Metric	M20X100
12	3793161M11	1	Bearing Carrier	
13	3716624M1	2	Centraliser	(12) Replace and repair. Old not interchangeable with new 3716623M3
14	3009492X1	2	Hex. Sock. Screw	M10X25
15	385362X1	2	Washer	
16	3716306M91	1	Plate	
17	3716121M3	1	Clevis Pin	
18	3790749M1	1	Bush	

MF 8250 TRACTOR - 1637366
1-ZQ12-009-B

1-ZQ12-009-B



Massey Ferguson**MF 8250 TRACTOR - 1637366**

1637366

Linkage - Swinging Drawbar - With Trailed Implement Control

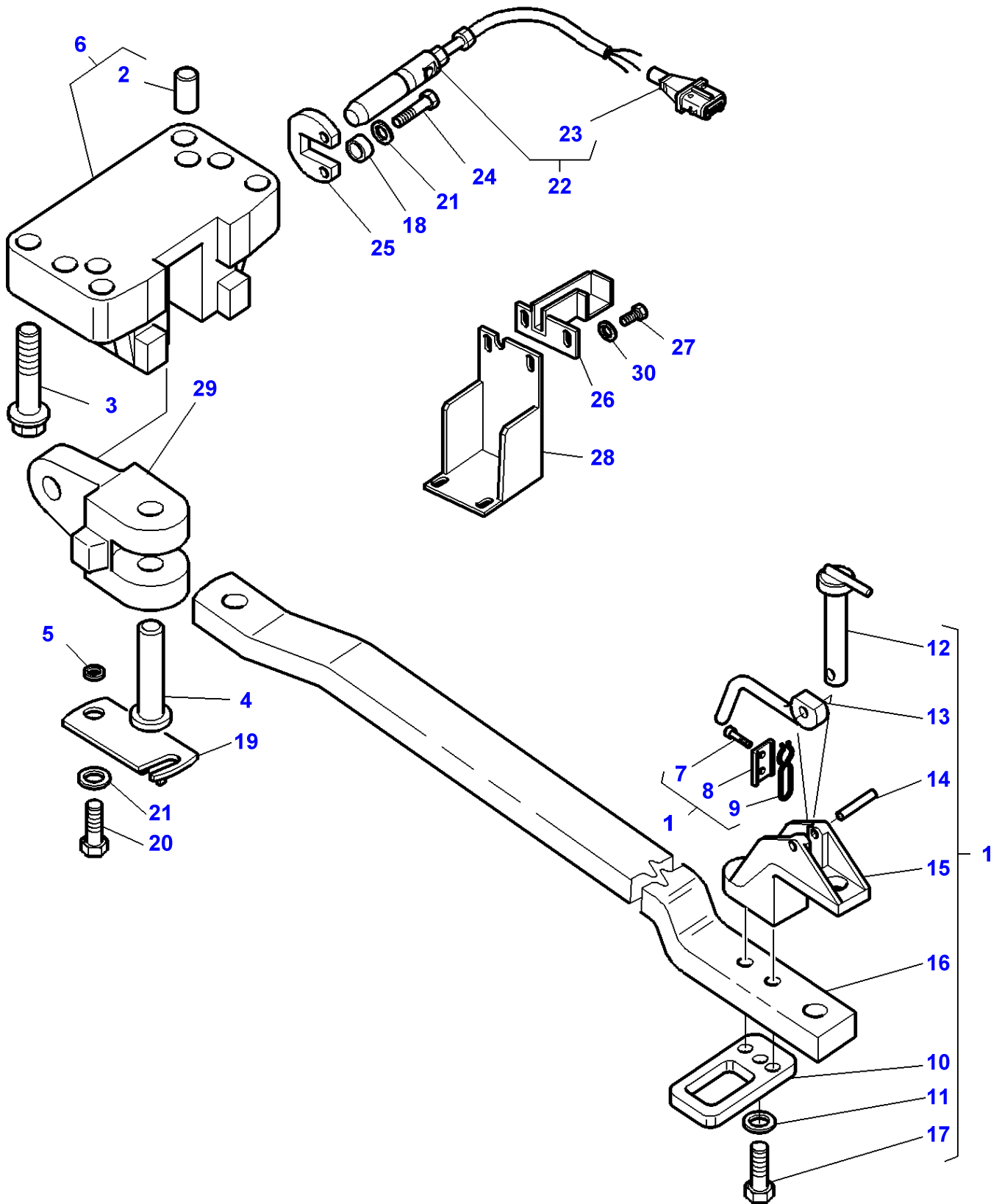
Page040-0150

Item	Part Number	Qty	Description	Comments
1	3792397M93	1	Bar	
2	1442668X1	2	Screw	(1) M20X80
3		1	Bar	(1) Not serviced,order REF.1
4	3716619M3	1	Clevis	(1)
5	3010553X1	1	Pin	(1)
6	3791643M1	1	Lever	(1)
7	3716103M2	1	Pin Hitch	(1)
8	3716622M1	1	Thruster	(1)
9	3716621M2	1	Plate	(1)
10	339560X1	2	Hex. Sock. Screw	(1)
11	3792432M1	1	Switch,Indirect	BOSCH 150KN
12	3385534M1	1	Connectors	(11)
13	3790933M1	1	Clevis	
14	3009492X1	2	Hex. Sock. Screw	M10X25
15	385362X1	4	Washer	
16	3790936M91	1	Locking Plate	
17	3790937M2	1	Clevis Pin	
18	3790749M1	1	Bush	
19	3010557X1	5	Screw Metric	M20X100
	3010561X1	1	Screw	M20X50
20	3793160M11	1	Bearing Carrier	Replace and repair. Old not interchangeable with new 3790932M1
21	3716624M1	2	Centraliser	(20)
22	3001429X1	2	Screw	M10X35
23	3384183M1	2	Bush	
24	3716499M1	1	Plate	
25	3792577M2	1	Cowl	
26	339560X1	4	Hex. Sock. Screw	M6X16
27	3790940M2	1	Cowl	
28	390971X1	4	Washer	
29	3797803M1	1	Sensing Pin	[A] TEDEA 150KN

FOOTNOTE [A] 2 GROOVE

MF 8250 TRACTOR - 1637366
1-ZQ12-010-A

1-ZQ12-010-A



Massey Ferguson**MF 8250 TRACTOR - 1637366**

1637366

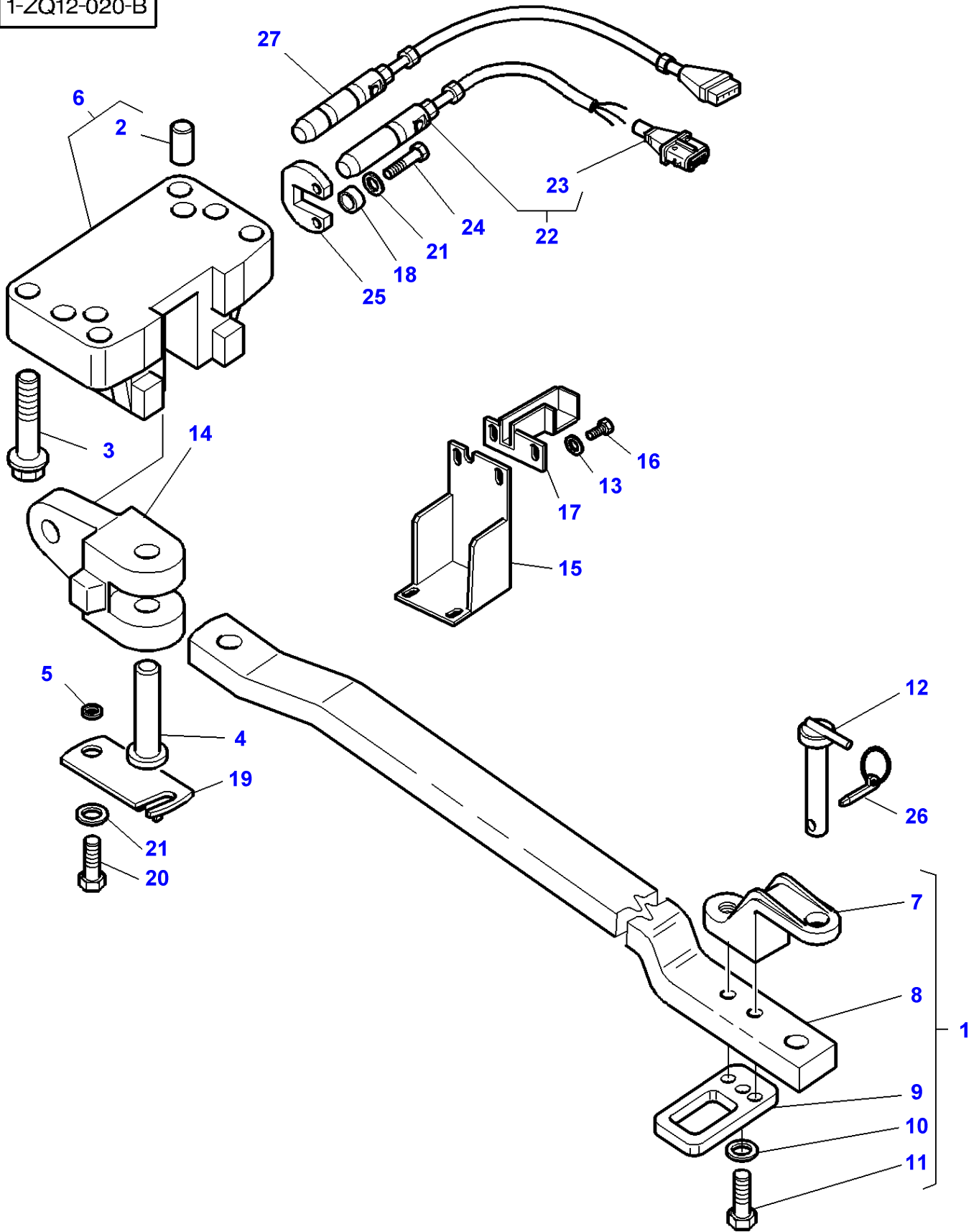
Linkage - Swinging Drawbar - With Trailed Implement Control - Up To K110022

Page040-0155

Item	Part Number	Qty	Description	Comments
1	3792398M92	1	Bar	For United States of America
2	3716624M1	2	Centraliser	(6)
3	3010557X1	5	Screw Metric	M20X100
	3010561X1	1	Screw	M20X50
4	3790937M2	1	Clevis Pin	
5	3790749M1	1	Bush	
6	3793160M11	1	Bearing Carrier	Replace and repair. Old not interchangeable with new 3790932M1
7	339560X1	2	Hex. Sock. Screw	(1)
8	3716621M2	1	Plate	(1)
9	3716622M1	1	Thruster	(1)
10	3793421M1	1	Shackle	(1)
11	385365X1	2	Washer	(1)
12	3716103M2	1	Pin Hitch	(1)
13	3791643M1	1	Lever	(1)
14	3010553X1	1	Pin	(1)
15	3716619M3	1	Clevis	(1)
16		1	Bar	(1)
				Not serviced,order REF. NO 1
17	3010945X1	2	Screw	(1) M20X105
18	3384183M1	2	Bush	
19	3790936M91	1	Locking Plate	
20	3009492X1	2	Hex. Sock. Screw	M10X25
21	385362X1	2	Washer	
22	3792432M1	1	Switch,Indirect	
23	3385534M1	1	Connectors	(22)
24	3001429X1	2	Screw	M10X35
25	3716499M1	1	Plate	
26	3792577M2	1	Cowl	
27	339560X1	4	Hex. Sock. Screw	M6X16
28	3790940M2	1	Cowl	
29	3790933M1	1	Clevis	
30	390971X1	4	Washer	

MF 8250 TRACTOR - 1637366
1-ZQ12-020-B

1-ZQ12-020-B



Massey Ferguson**MF 8250 TRACTOR - 1637366**

1637366

Linkage - Swinging Drawbar - With Trailed Implement Control - From K110023

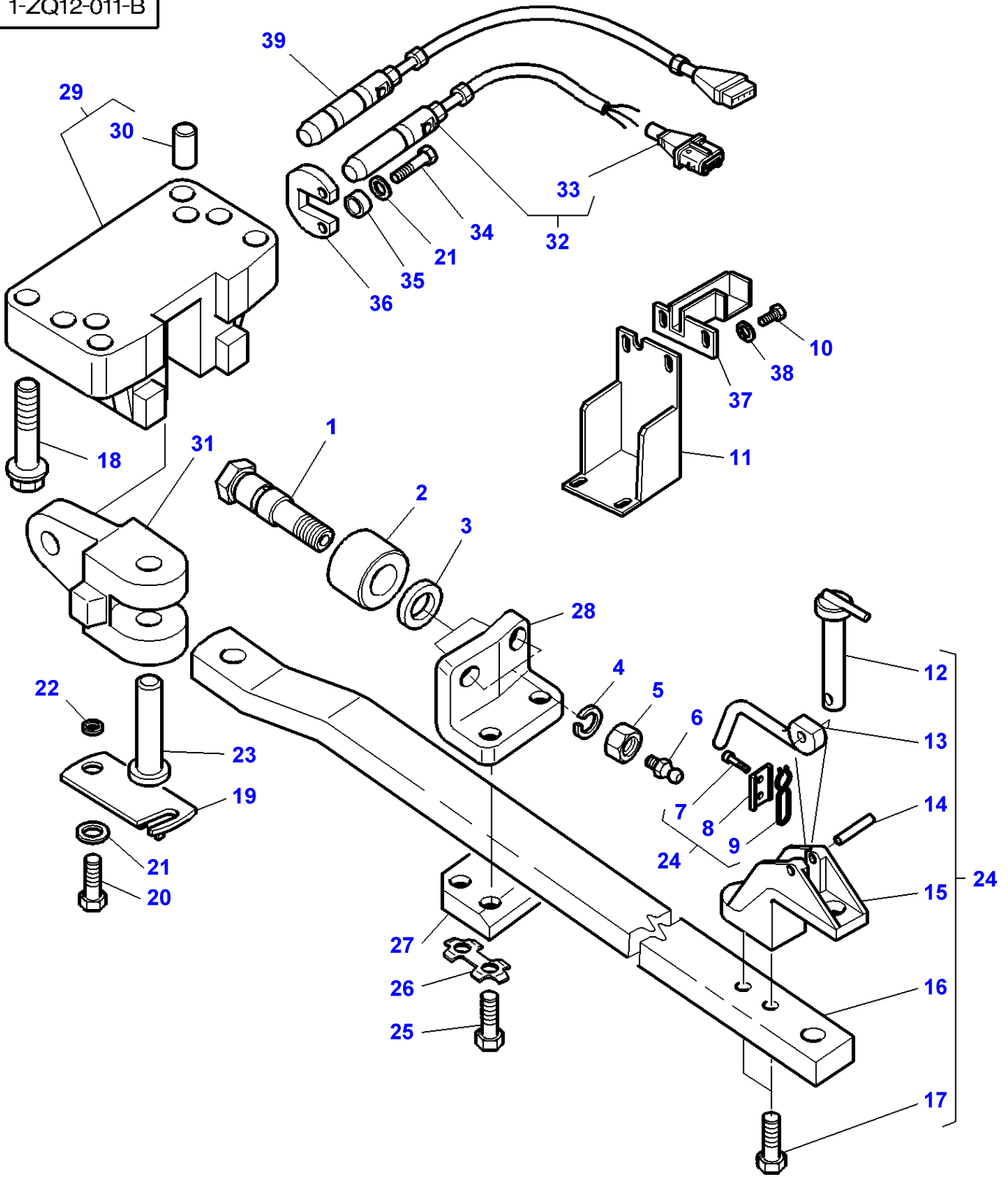
Page040-0160

Item	Part Number	Qty	Description	Comments
1	3793668M91	1	Bar	
2	3716624M1	2	Centraliser	(6)
3	3010557X1	5	Screw Metric	M20X100
	3010561X1	1	Screw	M20X50
4	3790937M2	1	Clevis Pin	
5	3790749M1	1	Bush	
6	3793160M11	1	Bearing Carrier	Replace and repair. Old not interchangeable with new 3790932M1
7	3793664M1	1	Clevis	(1)
8		1	Bar	(1) Not serviced,order REF. NO1
9	3793421M1	1	Shackle	(1)
10	385365X1	2	Washer	(1)
11	3010945X1	2	Screw	(1) M20X105
12	3793419M3	1	Pin Hitch	
13	390971X1	4	Washer	
14	3790933M1	1	Clevis	
15	3790940M2	1	Cowl	
16	339560X1	4	Hex. Sock. Screw	M6X16
17	3792577M2	1	Cowl	
18	3384183M1	2	Bush	
19	3790936M91	1	Locking Plate	
20	3009492X1	2	Hex. Sock. Screw	M10X25
21	385362X1	4	Washer	
22	3792432M1	1	Switch,Indirect	BOSCH 150KN
23	3385534M1	1	Connectors	(22)
24	3001429X1	2	Screw	M10X35
25	3716499M1	1	Plate	
26	3382826M1	1	Pin	
27	3797803M1	1	Sensing Pin	[A] TEDEA 150KN

FOOTNOTE [A] 2 GROOVE

MF 8250 TRACTOR - 1637366
1-ZQ12-011-B

1-ZQ12-011-B

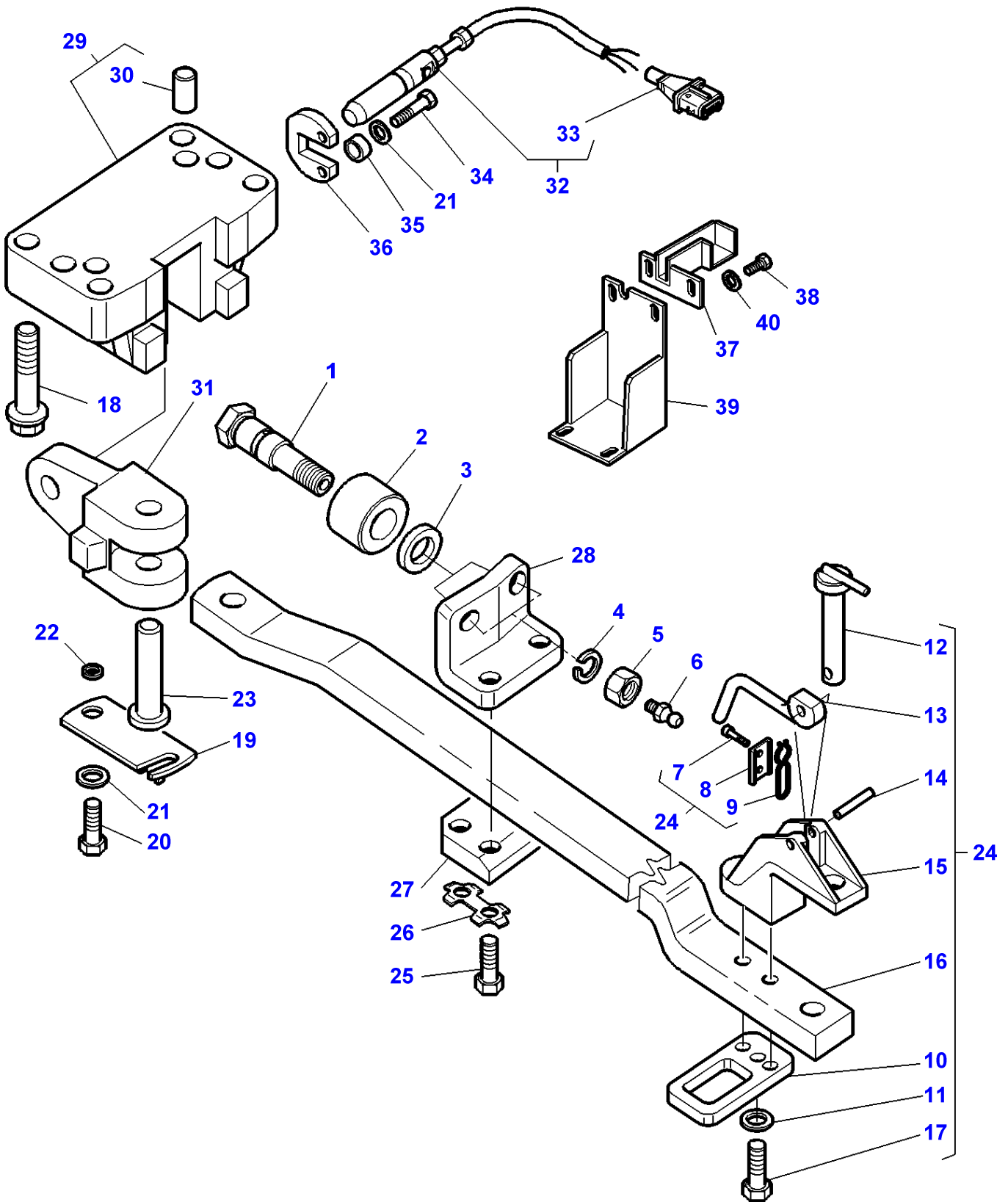


Item	Part Number	Qty	Description	Comments
1	3791469M1	2	Clevis Pin	
2	3581980M1	2	Roll	
3	3791823M1	2	Washer	
4	353443X1	2	Lock Washer	
5	375102X1	2	Nut Unc	
6	364461X1	2	Grease Nipple	
7	339560X1	2	Hex. Sock. Screw	(24)
8	3716621M2	1	Plate	(24)
9	3716622M1	1	Thruster	(24)
10	339560X1	4	Hex. Sock. Screw	M6X16
11	3790940M2	1	Cowl	
12	3716103M2	1	Pin Hitch	(24)
13	3791643M1	1	Lever	(24)
14	3010553X1	1	Pin	(24)
15	3716619M3	1	Clevis	(24)
16		1	Bar	(24)
				Not serviced,order REF. NO 24
17	1442668X1	2	Screw	(24) M20X80
18	3010557X1	5	Screw Metric	M20X100
	3010561X1	1	Screw	M20X50
19	3790936M91	1	Locking Plate	
20	3009492X1	2	Hex. Sock. Screw	M10X25
21	385362X1	4	Washer	
22	3790749M1	1	Bush	
23	3790937M2	1	Clevis Pin	
24	3792397M93	1	Bar	
25	391332X1	4	Screw	M20X100
26	3790457M1	2	Tongue	
27	3791470M1	1	Counterplate	
28	3791467M2	1	Angle	
29	3793160M11	1	Bearing Carrier	Replace and repair. Old not interchangeable with new 3790932M1
30	3716624M1	2	Centraliser	(29)
31	3790933M1	1	Clevis	
32	3792432M1	1	Switch,Indirect	BOSCH 150KN
33	3385534M1	1	Connectors	(32)
34	3001429X1	2	Screw	M10X35
35	3384183M1	2	Bush	
36	3716499M1	1	Plate	
37	3792577M2	1	Cowl	
38	390971X1	4	Washer	
39	3797803M1	1	Sensing Pin	[A] TEDEA 150KN

FOOTNOTE [A] 2 GROOVE

MF 8250 TRACTOR - 1637366
1-ZQ12-012-A

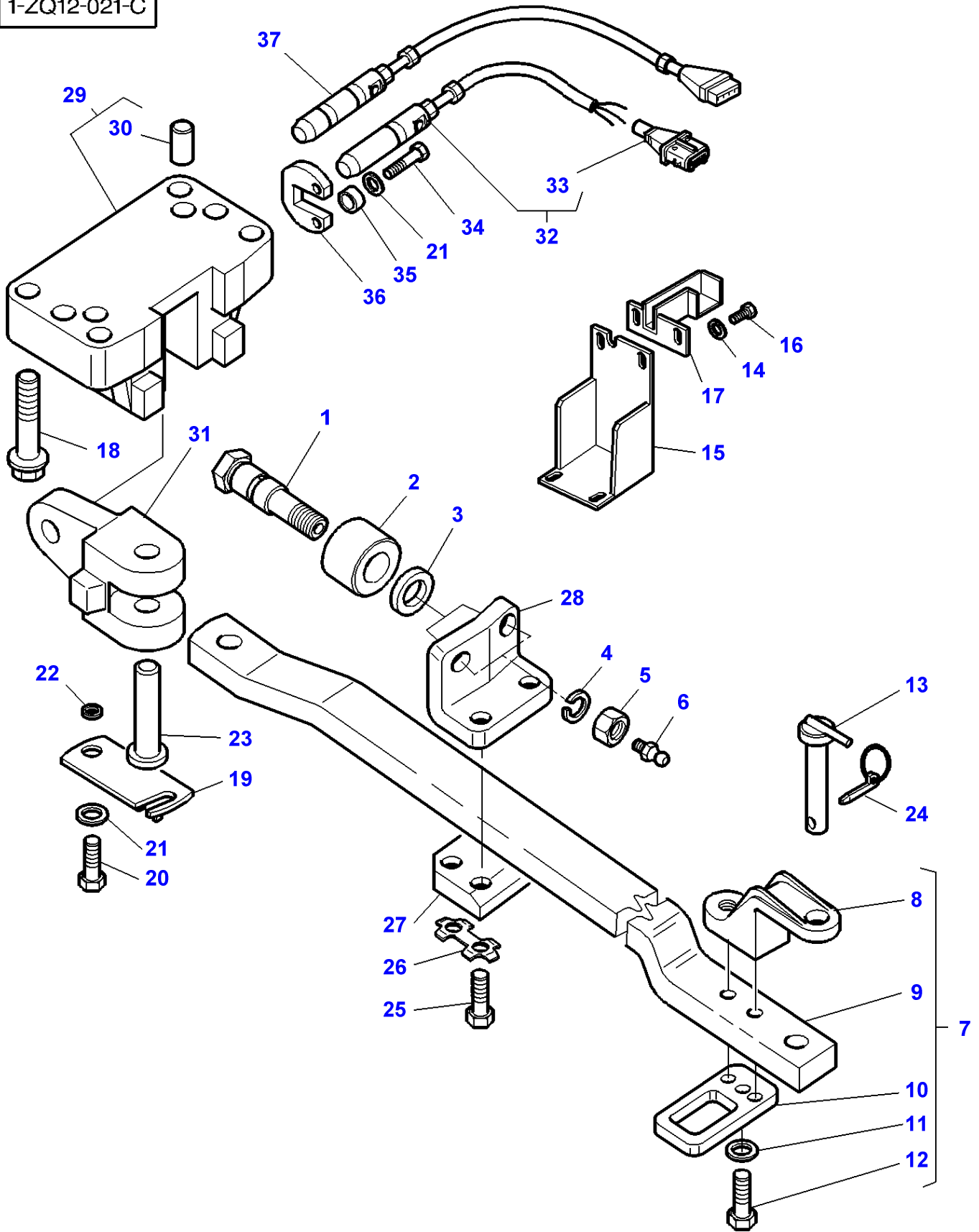
1-ZQ12-012-A



Item	Part Number	Qty	Description	Comments
1	3791469M1	2	Clevis Pin	
2	3581980M1	2	Roll	
3	3791823M1	2	Washer	
4	353443X1	2	Lock Washer	
5	375102X1	2	Nut Unc	
6	364461X1	2	Grease Nipple	
7	339560X1	2	Hex. Sock. Screw	(24)
8	3716621M2	1	Plate	(24)
9	3716622M1	1	Thruster	(24)
10	3793421M1	4	Shackle	(24)
				M6X16
11	385365X1	2	Washer	(24)
12	3716103M2	1	Pin Hitch	(24)
13	3791643M1	1	Lever	(24)
14	3010553X1	1	Pin	(24)
15	3716619M3	1	Clevis	(24)
16		1	Bar	(24)
				Not serviced,order REF. NO 24
17	3010945X1	2	Screw	(24)
				M20X105
18	3010557X1	5	Screw Metric	M20X100
	3010561X1	1	Screw	M20X50
19	3790936M91	1	Locking Plate	
20	3009492X1	2	Hex. Sock. Screw	M10X25
21	385362X1	4	Washer	
22	3790749M1	1	Bush	
23	3790937M2	1	Clevis Pin	
24	3792398M92	1	Bar	For United States of America
25	391332X1	4	Screw	M20X100
26	3790457M1	2	Tongue	
27	3791470M1	1	Counterplate	
28	3791467M2	1	Angle	
29	3793160M11	1	Bearing Carrier	Replace and repair. Old not interchangeable with new 3790932M1
30	3716624M1	2	Centraliser	(29)
31	3790933M1	1	Clevis	
32	3792432M1	1	Switch,Indirect	
33	3385534M1	1	Connectors	(32)
34	3001429X1	2	Screw	M10X35
35	3384183M1	2	Bush	
36	3716499M1	1	Plate	
37	3792577M2	1	Cowl	
38	339560X1	4	Hex. Sock. Screw	M6X16
39	3790940M2	1	Cowl	
40	390971X1	4	Washer	

MF 8250 TRACTOR - 1637366
1-ZQ12-021-C

1-ZQ12-021-C

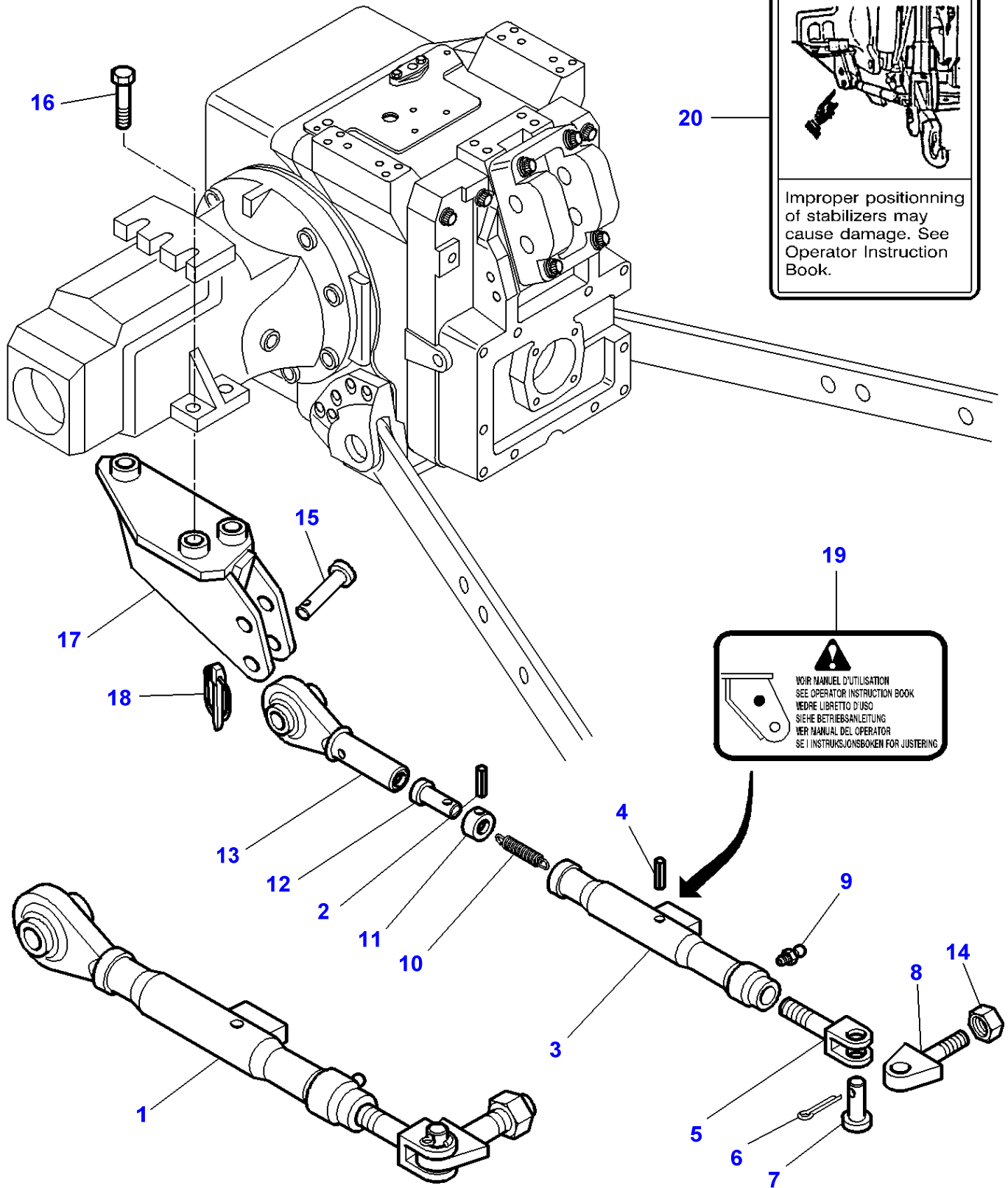


Item	Part Number	Qty	Description	Comments
1	3791469M1	2	Clevis Pin	
2	3581980M1	2	Roll	
3	3791823M1	2	Washer	
4	353443X1	2	Lock Washer	
5	375102X1	2	Nut Unc	
6	364461X1	2	Grease Nipple	
7	3793668M91	1	Bar	For United States of America
8	3793664M1	1	Clevis	(7)
9		1	Bar	(7) Not serviced,order REF. NO7
10	3793421M1	1	Shackle	(7)
11	385365X1	2	Washer	(7)
12	3010945X1	2	Screw	(7) M20X105
13	3793419M3	1	Pin Hitch	
14	390971X1	4	Washer	
15	3790940M2	1	Cowl	
16	339560X1	4	Hex. Sock. Screw	M6X16
17	3792577M2	1	Cowl	
18	3010557X1	5	Screw Metric	M20X100
	3010561X1	1	Screw	M20X50
19	3790936M91	1	Locking Plate	
20	3009492X1	2	Hex. Sock. Screw	M10X25
21	385362X1	4	Washer	
22	3790749M1	1	Bush	
23	3790937M2	1	Clevis Pin	
24	3382826M1	1	Pin	
25	391332X1	4	Screw	M20X100
26	3790457M1	2	Tongue	
27	3791470M1	1	Counterplate	
28	3791467M2	1	Angle	
29	3793160M11	1	Bearing Carrier	Replace and repair. Old not interchangeable with new 3790932M1
30	3716624M1	2	Centraliser	(29)
31	3790933M1	1	Clevis	
32	3792432M1	1	Switch,Indirect	BOSCH 150KN
33	3385534M1	1	Connectors	(32)
34	3001429X1	2	Screw	M10X35
35	3384183M1	2	Bush	
36	3716499M1	1	Plate	
37	3797803M1	1	Sensing Pin	[A] TEDEA 150KN

FOOTNOTE [A] 2 GROOVE

MF 8250 TRACTOR - 1637366
1-ZQ16-004-B

1-ZQ16-004-B

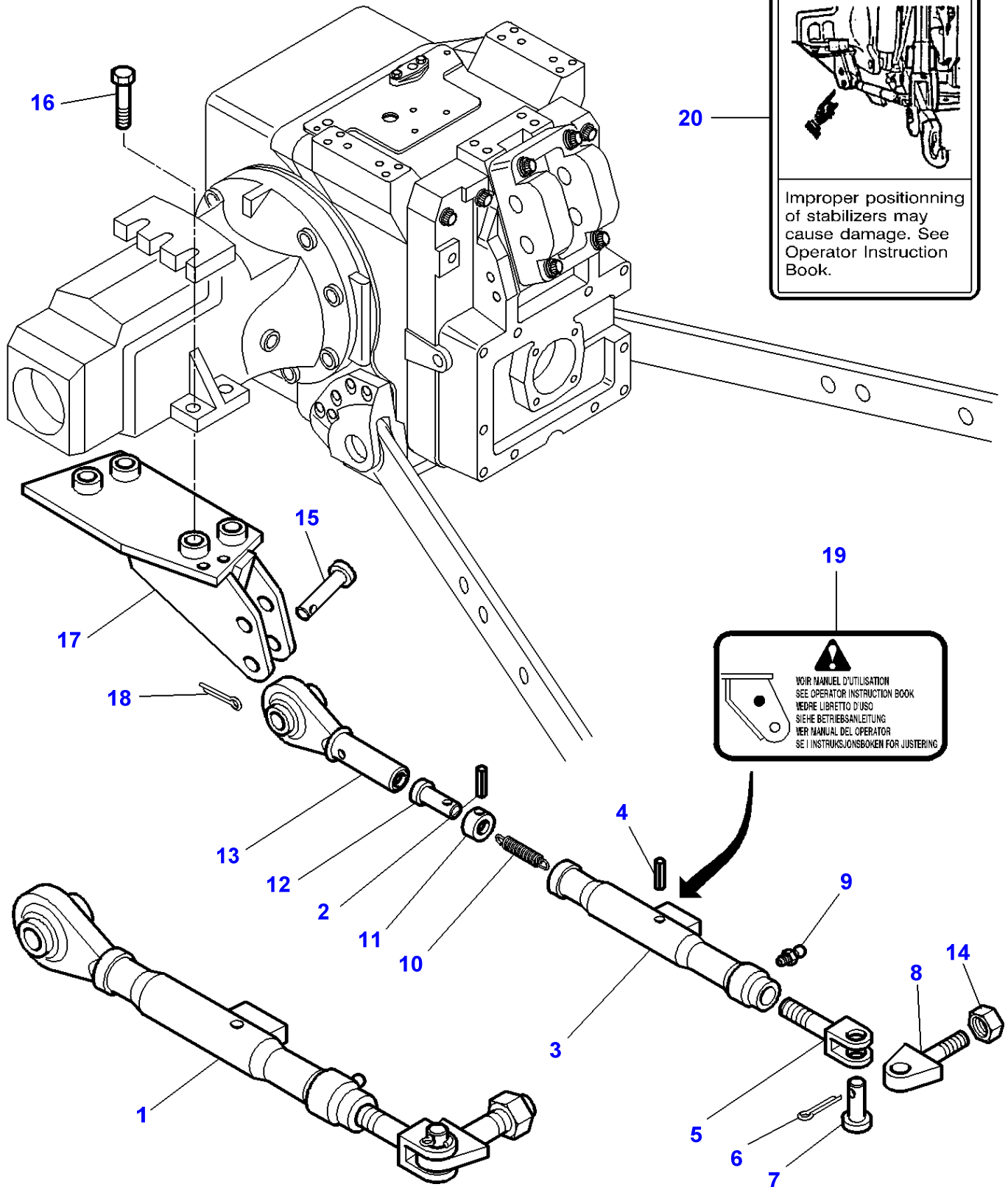


Tube Stabilizers - With Heavy Duty Rear Axle Housing - Composite Reducer

Item	Part Number	Qty	Description	Comments
1	3615707M93	2	Stabiliser	Up to Serial or Engine Number J279029
	3794474M91	2	Stabiliser	From Serial or Engine Number J279030
2	391290X1	1	Pin	(1)
3	3615712M2	1	Tube	(1)
				Up to Serial or Engine Number J279029
	3794472M91	1	Tube	(1)
				From Serial or Engine Number J279030
4	3819644M1	1	Spirol Pin	(1)
				Diameter 8X50
5	3790004M1	1	Clevis	(1)
6	391371X1	1	Split Pin	(1)
				Diameter 5X40
7	3019228X1	1	Clevis Pin	(1)
8	3790005M1	1	Journal	(1)
				M24
9	339608X1	1	Grease Nipple	(1)
10	3615711M1	1	Spring	(1)
11	3615709M1	1	Sleeve	(1)
12	3615710M1	1	Clevis Pin	(1)
13	3615708M1	1	Toggle	(1)
				Up to Serial or Engine Number J279029
	3794411M91	1	Toggle	(1)
				From Serial or Engine Number J279030
14	3001189X1	1	Nut	(1)
15	3582043M2	2	Clevis Pin	
16	3010556X1	2	Screw Metric	M20X70
	3010562X1	4	Screw	M20X230
17	3716126M1	1	Support	Left Hand
	3716127M1	1	Support	Right Hand
18	3792034M1	2	Pin	
19	3617574M3	2	Decal	Not for USA Not for Norway
20	3777022M1	2	Decal	For United States of America For Norway

MF 8250 TRACTOR - 1637366
1-ZQ16-005-B

1-ZQ16-005-B

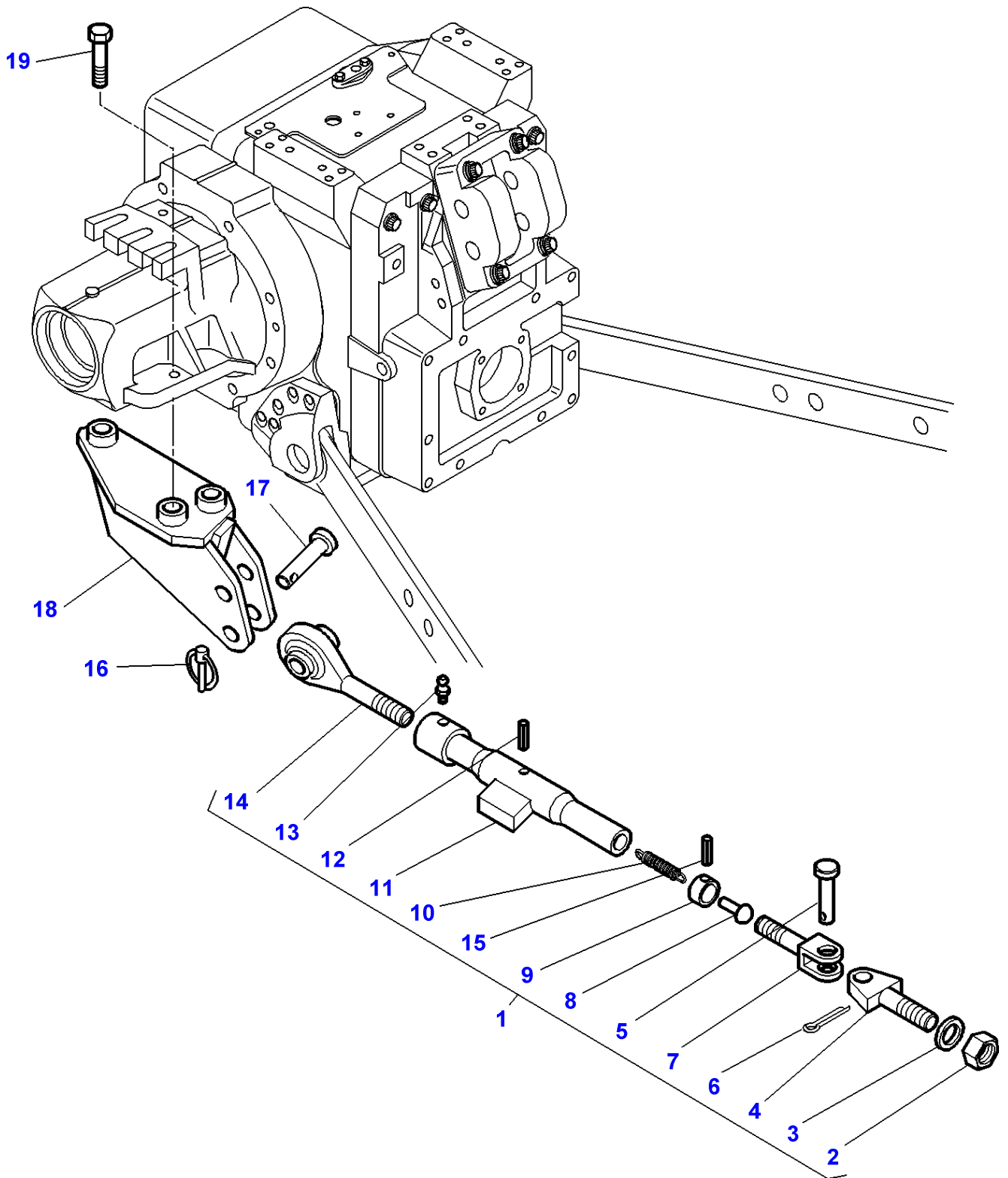


Tube Stabilizers - With Rear Axle Housings Outer Gear - With Sealed Housing

Item	Part Number	Qty	Description	Comments
1	3615707M93	2	Stabiliser	Up to Serial or Engine Number J279029
	3794474M91	2	Stabiliser	From Serial or Engine Number J279030
2	391290X1	1	Pin	(1)
3	3615712M2	1	Tube	(1)
				Up to Serial or Engine Number J279029
	3794472M91	1	Tube	(1)
				From Serial or Engine Number J279030
4	3819644M1	1	Spirol Pin	(1)
				Diameter 8X50
5	3790004M1	1	Clevis	(1)
6	391371X1	1	Split Pin	(1)
				Diameter 5X40
7	3019228X1	1	Clevis Pin	(1)
8	3790005M1	1	Journal	(1)
				M24
9	339608X1	1	Grease Nipple	(1)
10	3615711M1	1	Spring	(1)
11	3615709M1	1	Sleeve	(1)
12	3615710M1	1	Clevis Pin	(1)
13	3615708M1	1	Toggle	(1)
				Up to Serial or Engine Number J279029
	3794411M91	1	Toggle	(1)
				From Serial or Engine Number J279030
14	3001189X1	1	Nut	(1)
15	3615647M1	2	Clevis Pin	
16	3010556X1	8	Screw Metric	M20X70
17	3716773M2	1	Support	Left Hand
	3716774M2	1	Support	Right Hand
18	1442492X1	2	Pin	Diameter 6,3X36MM
19	3617574M3	2	Decal	Not for USA
				Not for Norway
20	3777022M1	2	Decal	For United States of America
				For Norway

MF 8250 TRACTOR - 1637366
1-ZQ16-008-A

1-ZQ16-008-A



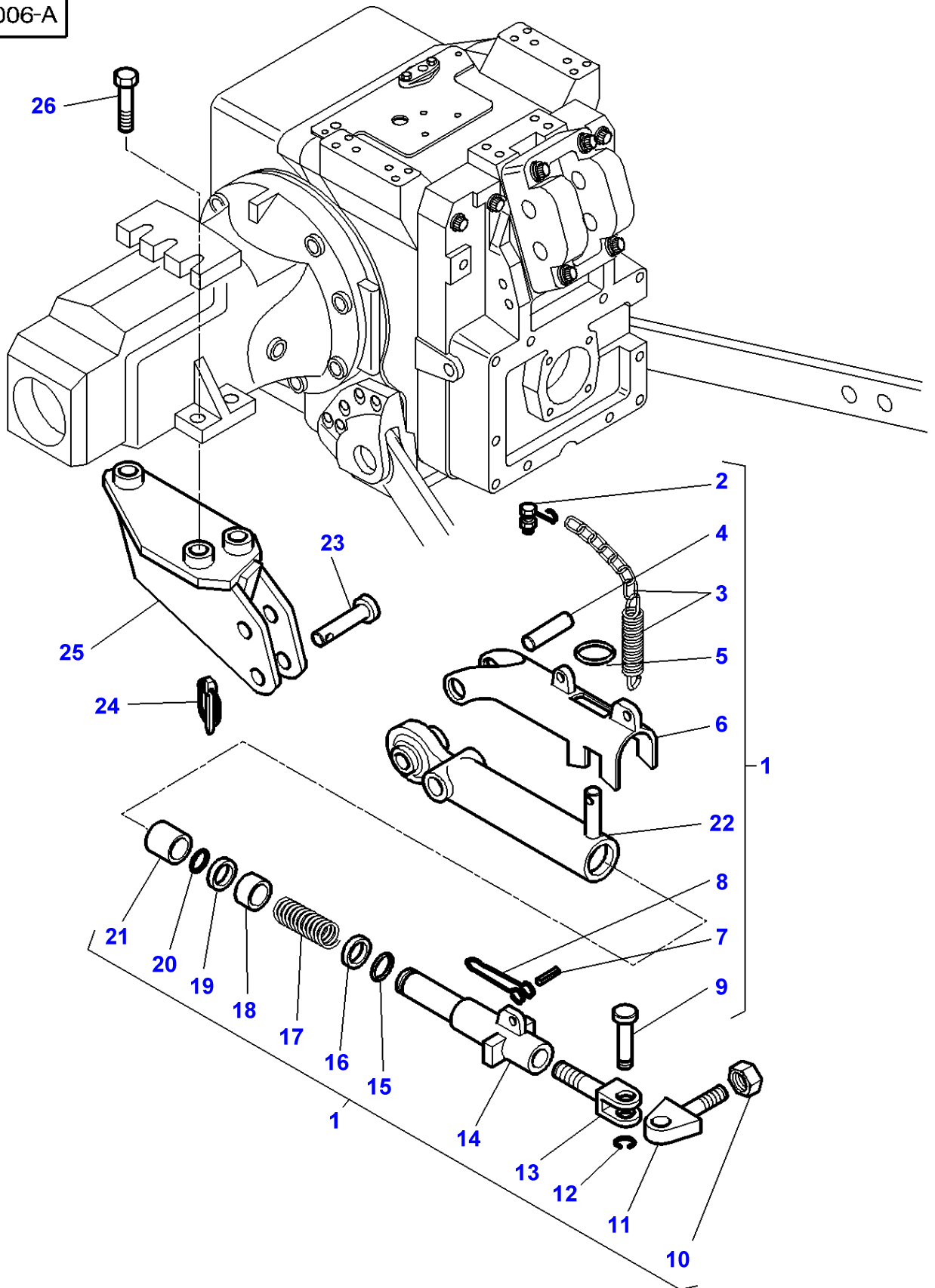
Tube Stabilizers

Item	Part Number	Qty	Description	Comments
1	3716775M1	2	Stabiliser	[A] M27
2	3902877M1	1	Nut	(1)
3	3902879M1	1	Washer	(1)
4	3902875M1	1	Journal	(1) M27
5	3902876M1	1	Clevis Pin	(1)
6	354068X1	1	Pin	(1)
7	3902872M1	1	Clevis	(1)
8	3902873M1	1	Clevis Pin	(1)
9	3902874M1	1	Bush	(1)
10	3902871M1	1	Spring	(1)
11	3902870M1	1	Tube	(1)
12	390383X1	1	Pin	(1)
13	3900862M1	1	Greaser	(1)
14	3902878M1	1	Toggle	(1)
15	339304X1	1	Pin	(1)
16	3792034M1	2	Pin	
17	3582043M2	2	Clevis Pin	
18	3716126M1	1	Support	Left Hand
	3716127M1	1	Support	Right Hand
19	3010556X1	2	Screw Metric	M20X70
	3010562X1	4	Screw	M20X230

FOOTNOTE [A] HEAVY DUTY LINKS

MF 8250 TRACTOR - 1637366
1-ZQ16-006-A

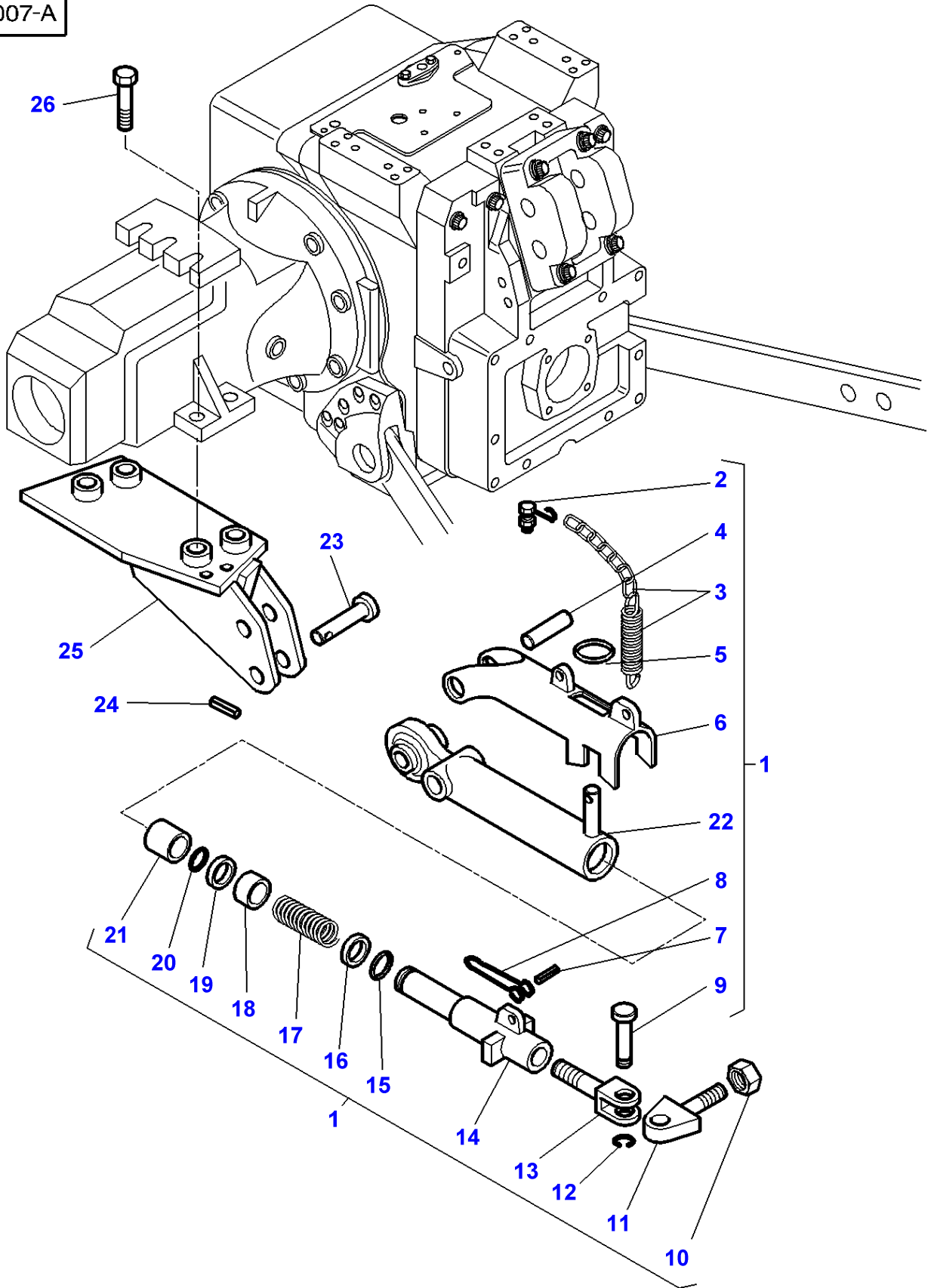
1-ZQ16-006-A



Item	Part Number	Qty	Description	Comments
1	3791642M1	2	Stabiliser	M24
2	3902906M1	1	Retainer	(1)
3	3903191M91	1	Chain	(1)
4	3902891M1	1	Pin	(1)
5	3902890M1	1	Ring	(1)
6	3902889M1	1	Latch	(1)
7	3000046X1	1	Pin	(1)
8	3902899M1	1	Handle	(1)
9	3902901M1	1	Screw	(1)
10	3903193M1	1	Nut	(1)
11	3903192M1	1	Stub	(1)
				M24
12	3902902M1	1	Clip	(1)
				M24
13	3902900M1	1	Clevis	(1)
14	3902898M1	1	Tube	(1)
15	3902897M1	1	Clip	(1)
16	3902894M1	1	Bush	(1)
17	3902896M1	1	Spring	(1)
18	3903190M1	1	Bush	(1)
				42X48X39,5
19	3902894M1	1	Bush	(1)
20	3902893M1	1	Clip	(1)
21	3902892M1	1	Bush	(1)
				42X48X47,5
22	3902888M1	1	Toggle	(1)
23	3582043M2	2	Clevis Pin	
24	3792034M1	2	Pin	
25	3716126M1	1	Support	Left Hand
	3716127M1	1	Support	Right Hand
26	3010556X1	2	Screw Metric	M20X70
	3010562X1	4	Screw	M20X230

MF 8250 TRACTOR - 1637366
1-ZQ16-007-A

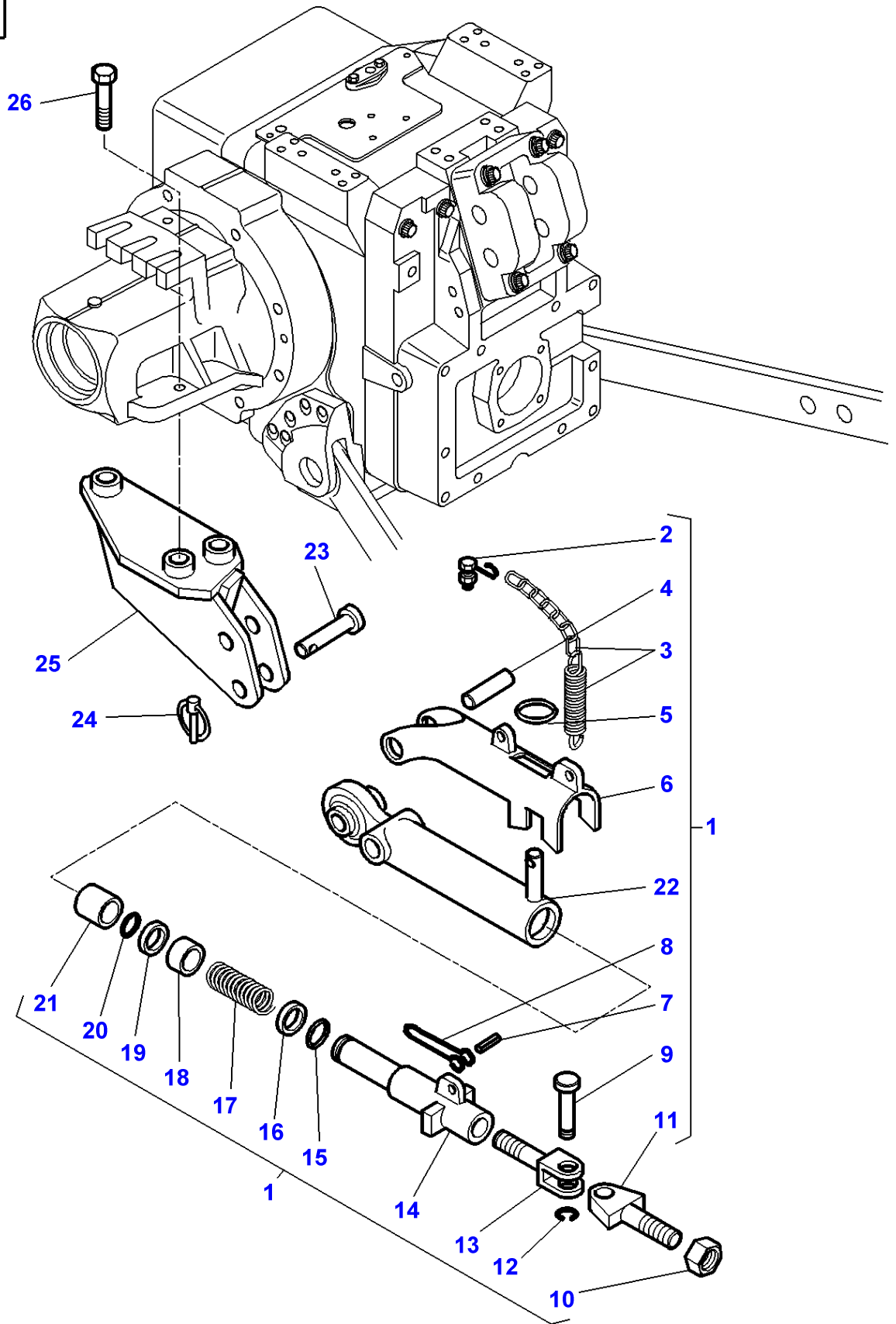
1-ZQ16-007-A



Item	Part Number	Qty	Description	Comments
1	3791642M1	2	Stabiliser	M24
2	3902906M1	1	Retainer	(1)
3	3903191M91	1	Chain	(1)
4	3902891M1	1	Pin	(1)
5	3902890M1	1	Ring	(1)
6	3902889M1	1	Latch	(1)
7	3000046X1	1	Pin	(1)
8	3902899M1	1	Handle	(1)
9	3902901M1	1	Screw	(1)
10	3903193M1	1	Nut	(1)
11	3903192M1	1	Stub	(1) M24
12	3902902M1	1	Clip	(1)
13	3902900M1	1	Clevis	(1)
14	3902898M1	1	Tube	(1)
15	3902897M1	1	Clip	(1)
16	3902894M1	1	Bush	(1)
17	3902896M1	1	Spring	(1)
18	3903190M1	1	Bush	(1) 42X48X39,5
19	3902894M1	1	Bush	(1)
20	3902893M1	1	Clip	(1)
21	3902892M1	1	Bush	(1) 42X48X47,5
22	3902888M1	1	Toggle	(1)
23	3615647M1	2	Clevis Pin	
24	1442492X1	2	Pin	
25	3716773M2	1	Support	Left Hand
	3716774M2	1	Support	Right Hand
26	3010556X1	8	Screw Metric	M20X70

MF 8250 TRACTOR - 1637366
1-ZQ16-009-A

1-ZQ16-009-A



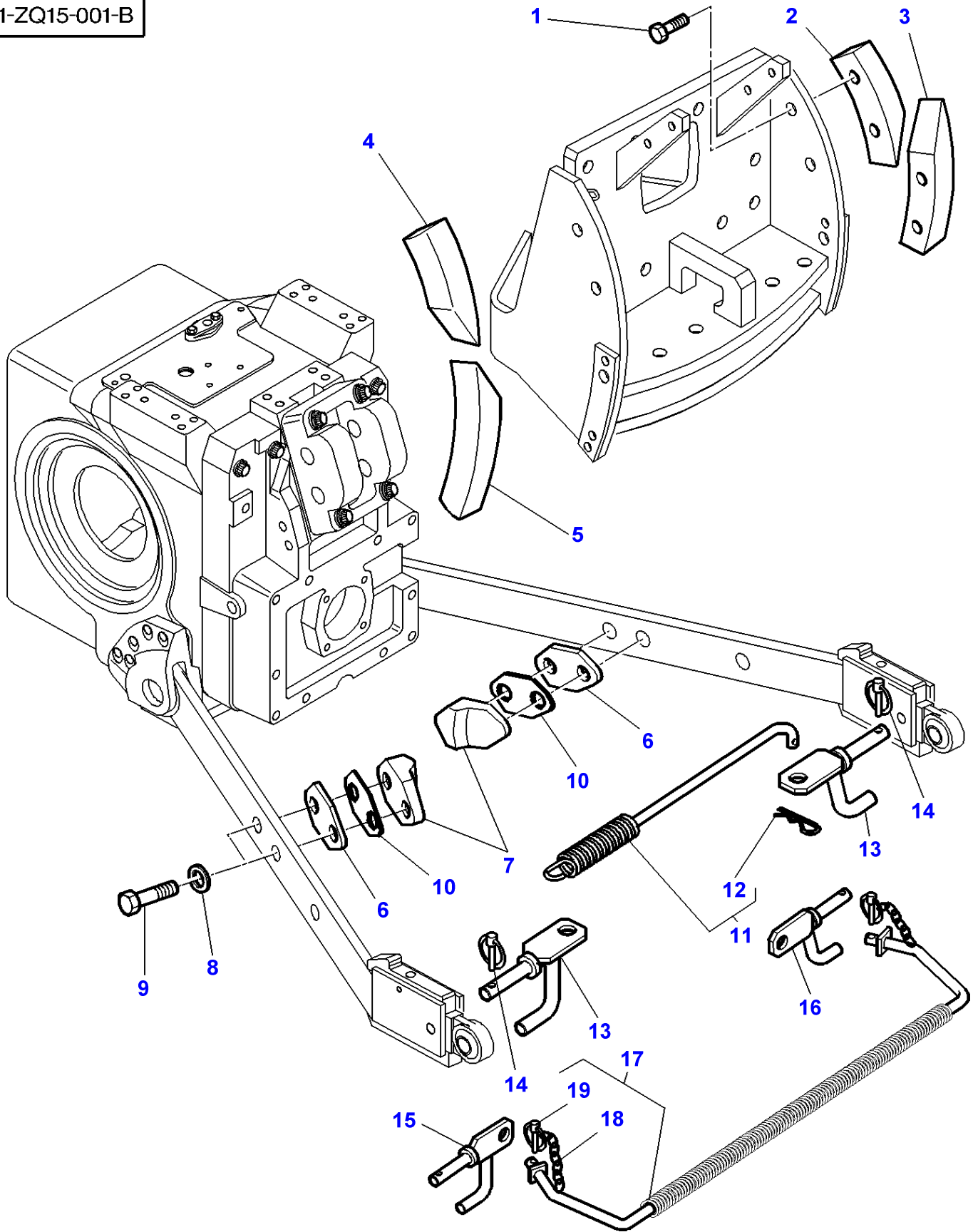
Tube Stabilizers

Item	Part Number	Qty	Description	Comments
1	3716608M1	2	Stabiliser	[A] M27
2	3902906M1	1	Retainer	(1)
3	3902905M91	1	Parts Pack	(1)
4	3902891M1	1	Pin	(1)
5	3902890M1	1	Ring	(1)
6	3902889M1	1	Latch	(1)
7	3000046X1	1	Pin	(1)
8	3902899M1	1	Handle	(1)
9	3902901M1	1	Screw	(1)
10	3902904M1	1	Nut	(1)
11	3902903M1	1	Journal	(1) M27
12	3902902M1	1	Clip	(1)
13	3902900M1	1	Clevis	(1)
14	3902898M1	1	Tube	(1)
15	3902897M1	1	Clip	(1)
16	3902894M1	1	Bush	(1)
17	3902896M1	1	Spring	(1)
18	3902895M1	1	Bush	(1)
19	3902894M1	1	Bush	(1)
20	3902893M1	1	Clip	(1)
21	3902892M1	1	Bush	(1)
22	3902888M1	1	Toggle	(1)
23	3582043M2	2	Clevis Pin	
24	3792034M1	2	Pin	
25	3716126M1	1	Support	Left Hand
	3716127M1	1	Support	Right Hand
26	3010556X1	2	Screw Metric	M20X70
	3010562X1	4	Screw	M20X230

FOOTNOTE [A] HEAVY DUTY LINKS

MF 8250 TRACTOR - 1637366
1-ZQ15-001-B

1-ZQ15-001-B

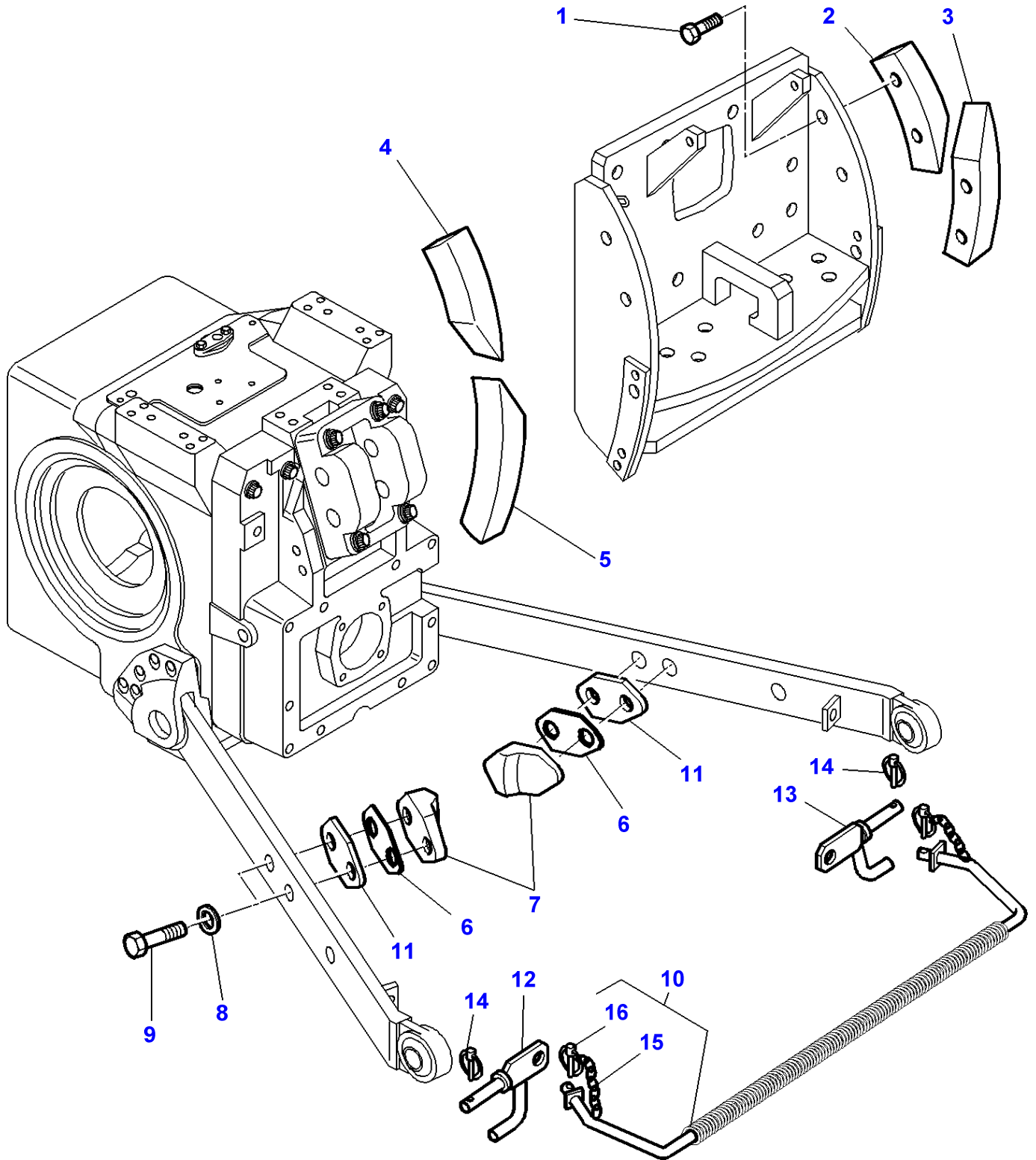


Linkage - Shoe Stabilizers - With Sealed Rear Axle Housings

Item	Part Number	Qty	Description	Comments
1	391120X1	8	Hex. Sock. Screw	M16X45MM
2	3716138M1	1	Shoe	
3	3716141M1	1	Shoe	
4	3716137M1	1	Shoe	
5	3716140M1	1	Shoe	
6	3716144M1	2	Chock	Thickness 4MM
7	3716143M1	2	Stop	
8	3019575X1	4	Washer Metric	
9	339881X1	4	Hex. Sock. Screw	M16X60MM
10	3386369M1	2	Chock	Thickness 1,2MM
11	3617118M1	1	Spring	
12	1633899M1	1	Pin	(11)
13	3791602M1	2	Spring Carrier	
14	3382824M1	2	Pin	
15	3797646M1	1	Support	[A] Left Hand
16	3797673M1	1	Support	[A] Right Hand
17	3792237M1	1	Spring	[A]
18	3105772M1	2	Ring	(17)
19	3105774M1	2	Pin	(17)

FOOTNOTE [A] WITH TRAILED IMPEMEMENT CONTROL

1-ZQ15-003-C

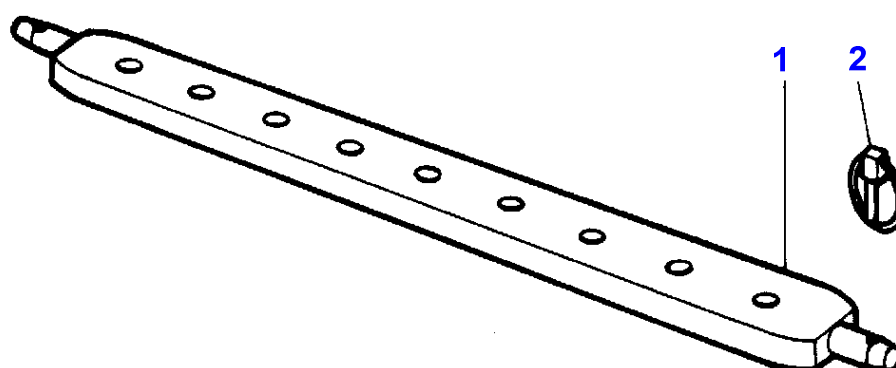
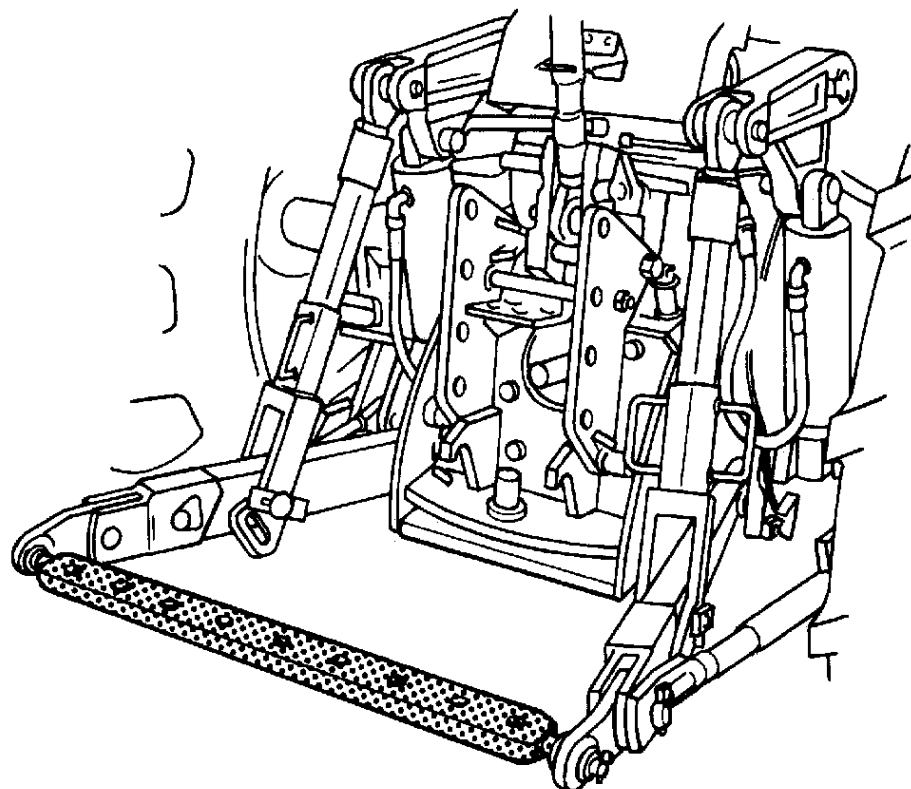


Linkage - Shoe Stabilizers - With Composite Reducer

Item	Part Number	Qty	Description	Comments
1	391120X1	8	Hex. Sock. Screw	M16X45MM
2	3716138M1	1	Shoe	
3	3716141M1	1	Shoe	
4	3716137M1	1	Shoe	
5	3716140M1	1	Shoe	
6	3386369M1	4	Chock	Thickness 1,2MM
7	3716143M1	2	Stop	
8	3019575X1	4	Washer Metric	
9	339881X1	4	Hex. Sock. Screw	M16X60MM
10	3792237M1	1	Spring	
11	3716144M1	2	Chock	
12	3797646M1	1	Support	[A] Left Hand
13	3797673M1	1	Support	[A] Right Hand
14	3382824M1	2	Pin	[A]
15	3105772M1	2	Ring	(10)
16	3105774M1	2	Pin	(10)

FOOTNOTE [A] WITH TRAILED IMPEMMENT CONTROL

1-ZQ14-001-A



Massey Ferguson

MF 8250 TRACTOR - 1637366

1637366

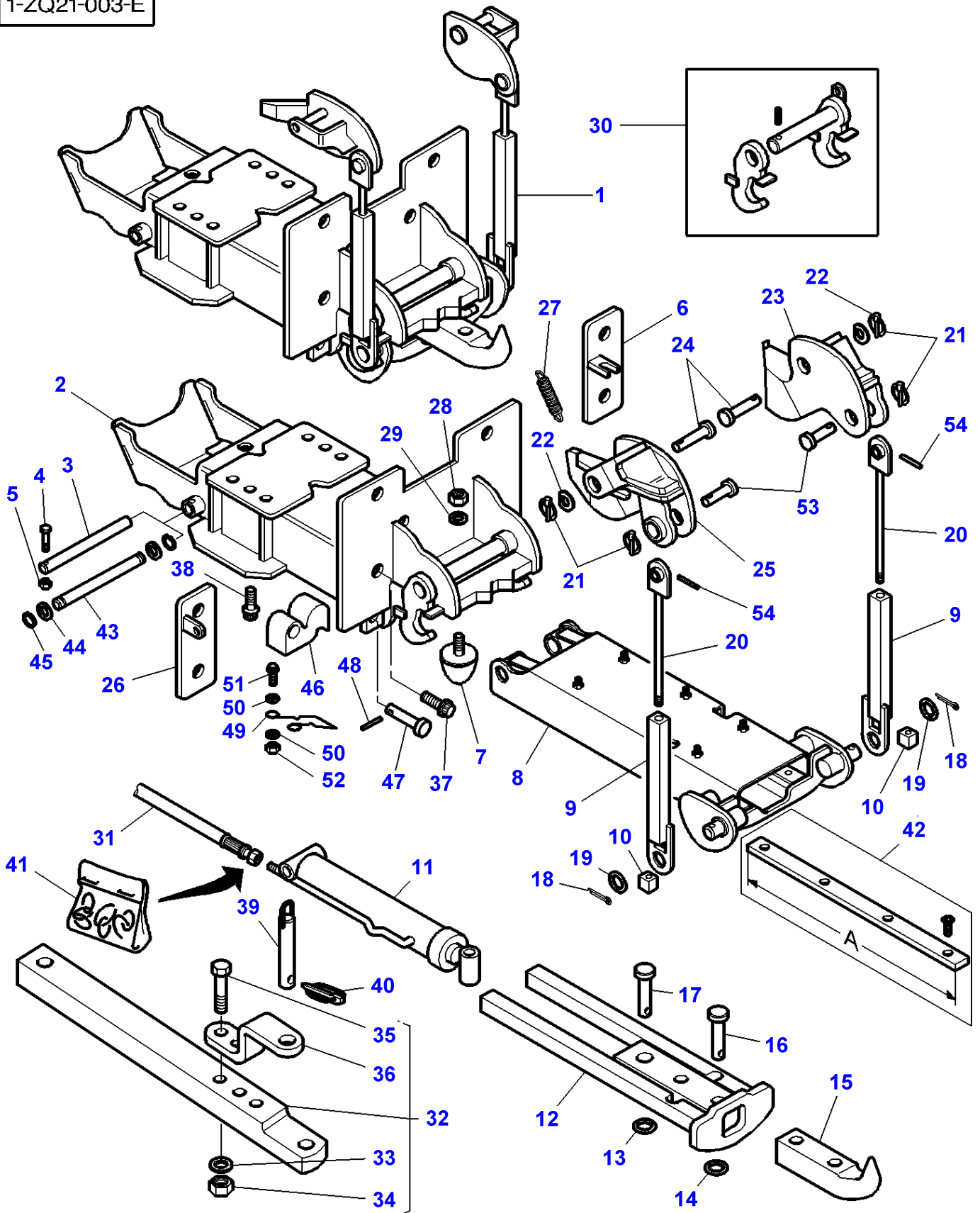
Drawbar

Page040-0220

Item	Part Number	Qty	Description	Comments
1	3387153M1	1	Bar	CAT 2
2	3581687M1	2	Pin	

MF 8250 TRACTOR - 1637366
1-ZQ21-003-E

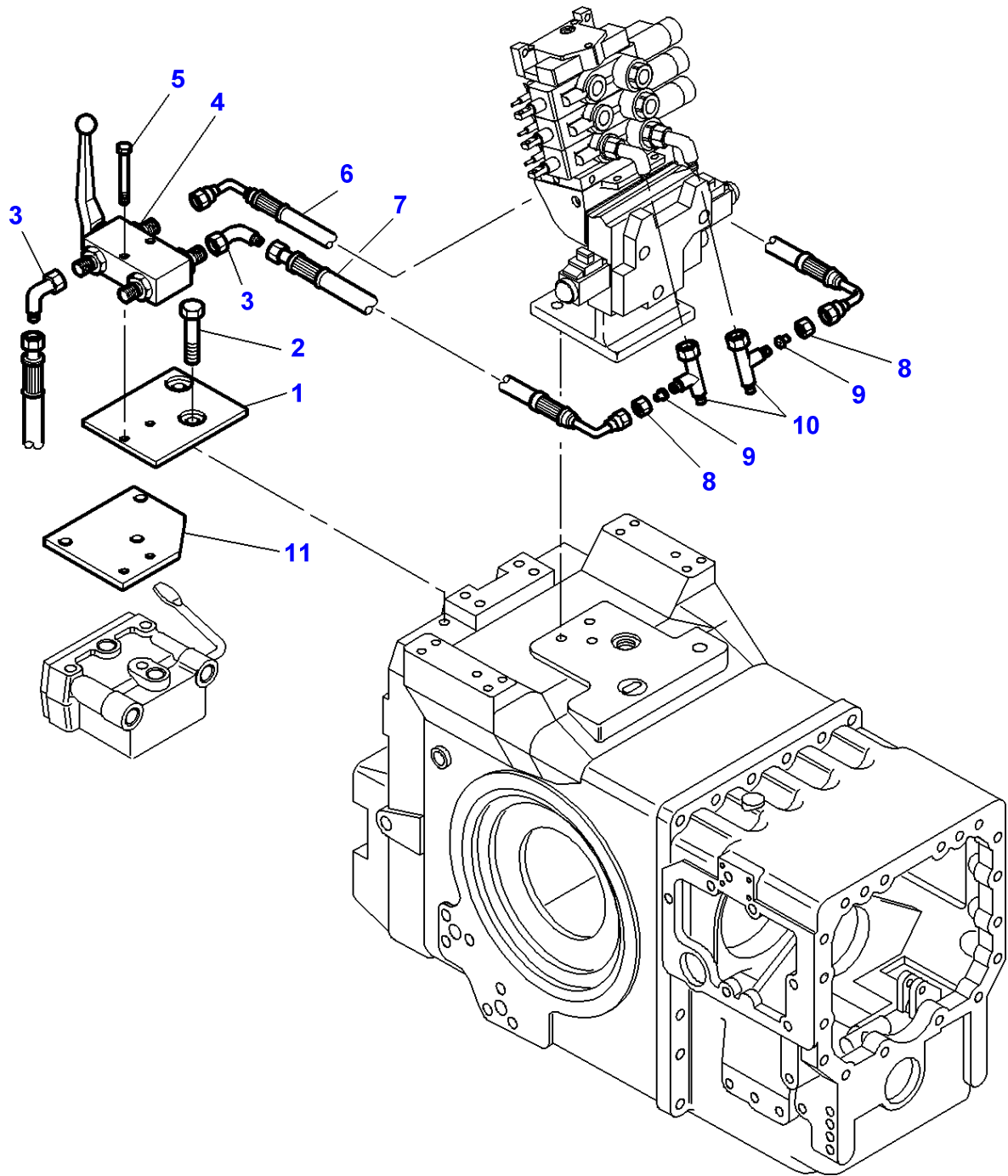
1-ZQ21-003-E



Item	Part Number	Qty	Description	Comments
1	3792667M95	1	Hook	
2		1	Frame	(1) Not serviced, order REF N0 1
3	3010904X1	1	Bolt	(1) Up to Serial or Engine Number K260013
4	3792645M1	1	Clevis Pin	(1) Up to Serial or Engine Number K260013
5	1441461X1	1	Locknut	(1) Up to Serial or Engine Number K260013
6	3792663M91	1	Support	(1)
7	3907051M91	1	Buffer	(1)
8	3792646M91	1	Housing	(1) Replace and repair. Old interchangeable with new 3792083M1
	3907081M91	1	Housing	(1) Up to Serial or Engine Number K260013
				(1) From Serial or Engine Number K260014
				(1) Replace and repair. Old interchangeable with new 3794178M91
9	3792658M92	2	Slider Bearing	(1)
10	3792081M1	2	Nut	(1)
11	3907046M91	1	Ram	(1)
				(1) Replace and repair. Old interchangeable with new 3792647M1
12	3907080M1	1	Pedestal	(1) Replace and repair. Old interchangeable with new 3792648M91
13	352438X1	1	Circlip	(1)
14	392758X1	1	Ring	(1)
15	3907048M91	1	Hook	(1)
				(1) Replace and repair. Old interchangeable with new 3792649M1
16	3907049M91	1	Clevis Pin	(1) Replace and repair. Old interchangeable with new 3792650M1
17	3907047M91	1	Clevis Pin	(1) Replace and repair. Old interchangeable with new 3792660M1
18	390721X1	2	Pin	(1)
19	3019558X1	2	Washer	(1)
20	3792654M91	2	Stem	(1)
21	3792091M1	4	Pin	(1) Up to Serial or Engine Number K260013
	3792091M1	2	Pin	(1) From Serial or Engine Number K260014
22	3792664M1	2	Washer	(1)
23	3792653M91	1	Extension	(1) Up to Serial or Engine Number K260013
				(1) Right Hand
	3795786M91	1	Extension	(1) From Serial or Engine Number K260014
				(1) Right Hand
24	3792651M1	2	Clevis Pin	(1)
25	3792652M91	1	Extension	(1) Up to Serial or Engine Number K260013
				(1) Left Hand
	3795780M91	1	Extension	(1) From Serial or Engine Number K260014
				(1) Left Hand
26	3792665M91	1	Support	(1) Up to Serial or Engine Number K260013
	3795847M91	1	Support	(1) From Serial or Engine Number K260014
27	3792666M1	1	Spring	(1) Up to Serial or Engine Number K260013
				(1) Diameter 25MM
	3795807M1	1	Spring	(1) From Serial or Engine Number K260014
				(1) Diameter 23,6MM
28	1440329X1	1	Locknut	(1)
29	390734X1	1	Washer	(1)
30	3792834M91	1	Latch	(1) Up to Serial or Engine Number M272052
	3798335M91	1	Latch	(1) From Serial or Engine Number M272053
31	3792727M1	2	Hydr Hose	
32	3792662M91	1	Bar	
33	1441664X1	2	Washer Metric	(32)
34	339034X1	2	Nut	(32)

Item	Part Number	Qty	Description	Comments
35	339616X1	2	Bolt Metric	(32) M16X120
36	3907058M91	1	Clevis	(32) Replace and repair. Old interchangeable with new 3792786M1
37	3010562X1	6	Screw	M20X230
37	3010777X1	2	Screw Metric	M20X210
38	3010561X1	6	Screw	M20X50
39	3790349M92	1	Pin Hitch	
40	3382826M1	1	Pin	
41	3903497M91	1	Kit, Joint	
42	3903572M91	2	Parts Pack	(8) Length A=600MM
42	3903573M91	2	Parts Pack	(8) Length A=250MM
42	3903571M91	2	Parts Pack	(8) Length A=148MM
43	3907093M91	1	Clevis Pin	(1) From Serial or Engine Number K260014 Replace and repair. Old interchangeable with new 3793999M1
44	3794000M1	2	Thrust Washer	(1) From Serial or Engine Number K260014
45	3795752M1	2	Ring	(1)
46	3907044M91	2	Latch	(1) Replace and repair. Old interchangeable with new 3795809M1
47	3794020M1	2	Clevis Pin	(1)
48	391018X1	2	Pin	(1) Diameter 5X36MM
49	3793389M1	2	Spring	(1)
50	390972X1	8	Washer Metric	(1)
51	339009X1	4	Hex. Sock. Screw	(1) M8X35
52	394367X1	4	Locknut	(1)
53	3795808M1	2	Clevis Pin	(1) From Serial or Engine Number K260014
54	339414X1	2	Pin	(1) From Serial or Engine Number K260014 Diameter 6X60MM

1-ZQ22-001-A



Massey Ferguson**MF 8250 TRACTOR - 1637366**

1637366

Autohitch - Dromone - Hydraulic Control - Up To 31-12-2000

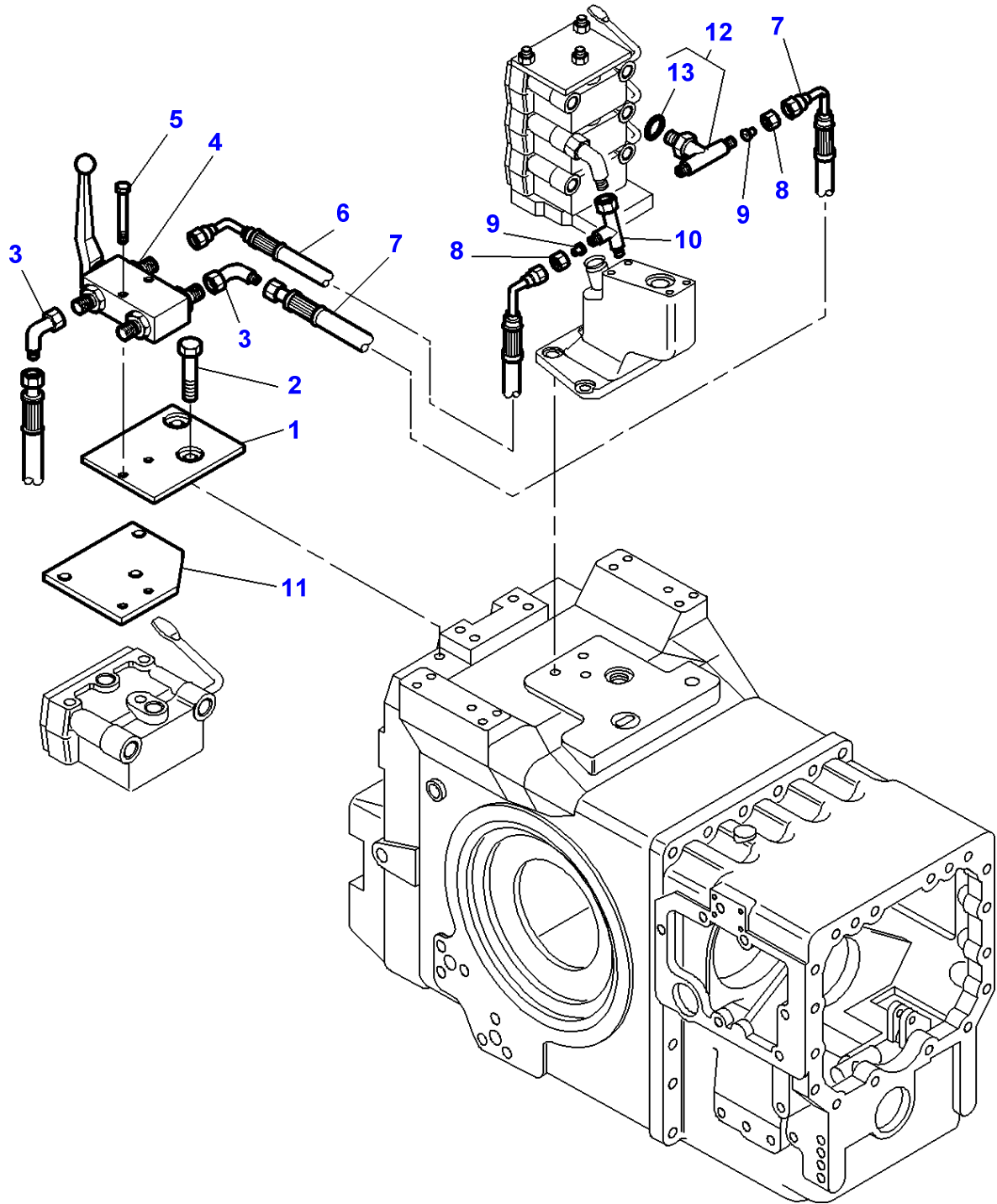
Page040-0230

Item	Part Number	Qty	Description	Comments
1	3792872M1	1	Plate	[B]
2	339123X1	2	Hex. Sock. Screw	[B] M8X20
3	1442508X91	3	Union	
4	3792875M92	1	Vane	
5	339229X1	2	Hex. Sock. Screw	M6X40
6	3792777M2	1	Hydr Hose	Length 760MM
7	3792776M1	1	Hydr Hose	Length 570MM
8	22576X	2	Union Nut	
9	356629X1	2	Reducer	
10	364704X1	2	Teepiece	
11	3792787M1	1	Plate	[A]

FOOTNOTE [A] WITH 4 DISTRIBUTORS

FOOTNOTE [B] WITH 3 DISTRIBUTORS

1-ZQ22-002-A

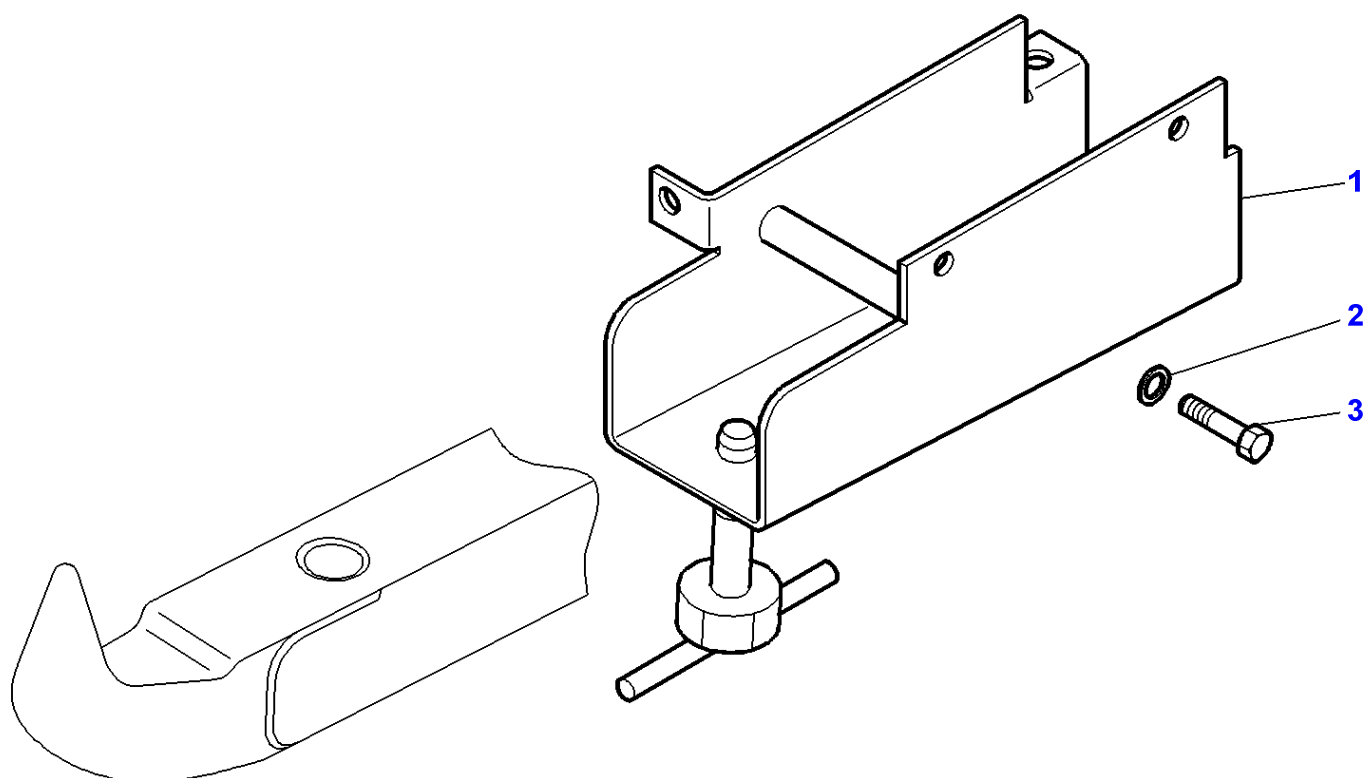


Massey Ferguson**MF 8250 TRACTOR - 1637366****1637366****Autohitch - Dromone - Hydraulic Control - From 01-01-2001****Page040-0235**

Item	Part Number	Qty	Description	Comments
1	3792872M1	1	Plate	[B]
2	339123X1	2	Hex. Sock. Screw	[B] M8X20
3	1442508X91	3	Union	
4	3792875M92	1	Vane	
5	339229X1	2	Hex. Sock. Screw	M6X40
6	3793949M1	1	Hydr Hose	Length 550MM
7	3793948M1	1	Hydr Hose	Length 1175MM
8	22576X	2	Union Nut	
9	356629X1	2	Reducer	
10	364704X1	1	Teepiece	
11	3792787M1	1	Plate	[A]
12	3019613X91	1	Union	
13	3019398X1	1	O Ring	(12)

FOOTNOTE [A] WITH 4 DISTRIBUTORS**FOOTNOTE [B] WITH 2/3 DISTRIBUTORS**

1-ZQ21-004-B



Massey Ferguson

MF 8250 TRACTOR - 1637366

1637366

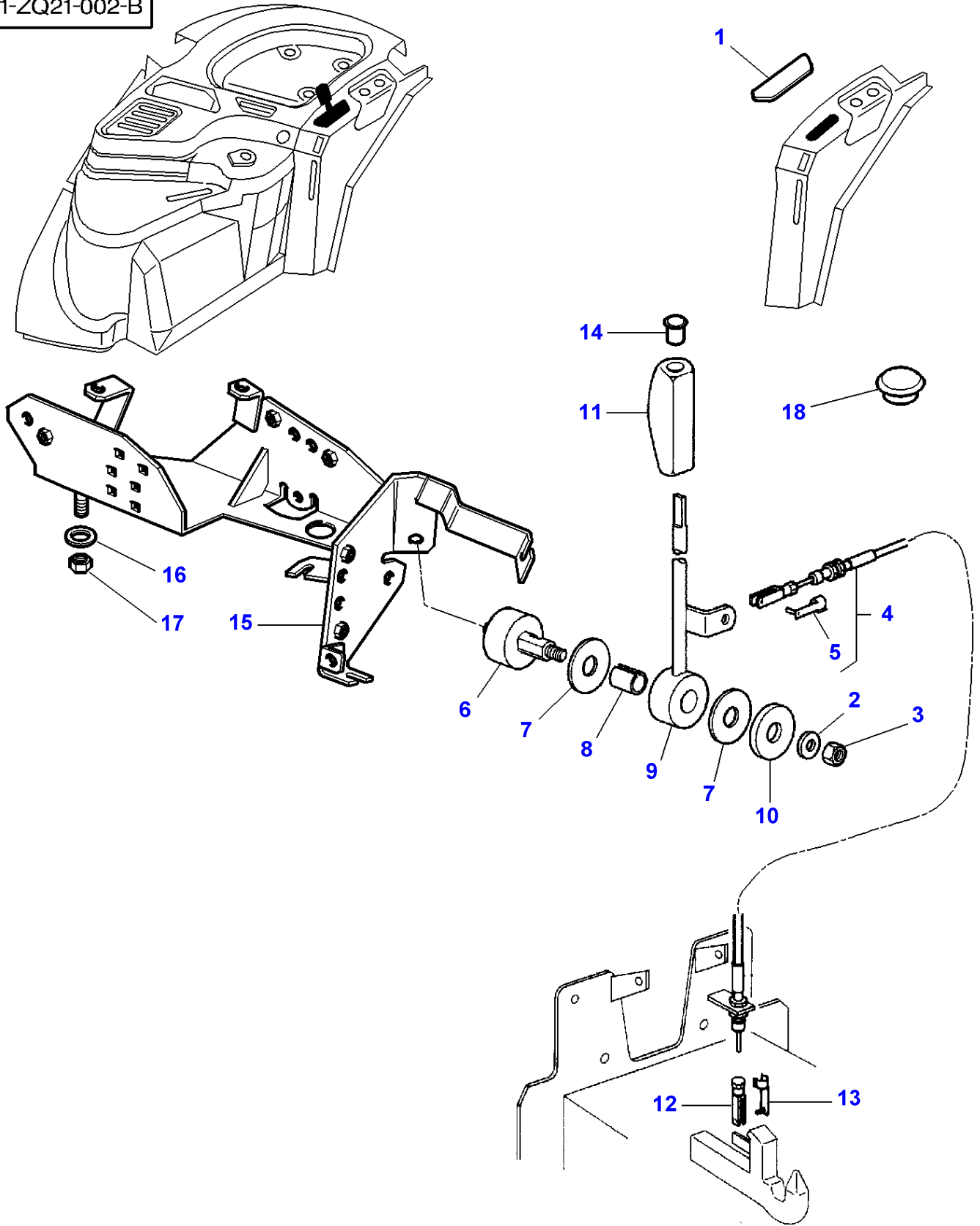
Automatic Hitch - With Remote Control - Hitch Support - "DROMONE"

Page040-0240

Item	Part Number	Qty	Description	Comments
1	3783267M93	1	Support	
2	390972X1	4	Washer Metric	
3	339123X1	4	Hex. Sock. Screw	M8X20

MF 8250 TRACTOR - 1637366
1-ZQ21-002-B

1-ZQ21-002-B



Massey Ferguson**MF 8250 TRACTOR - 1637366**

1637366

Automatic Hitch - With Remote Control

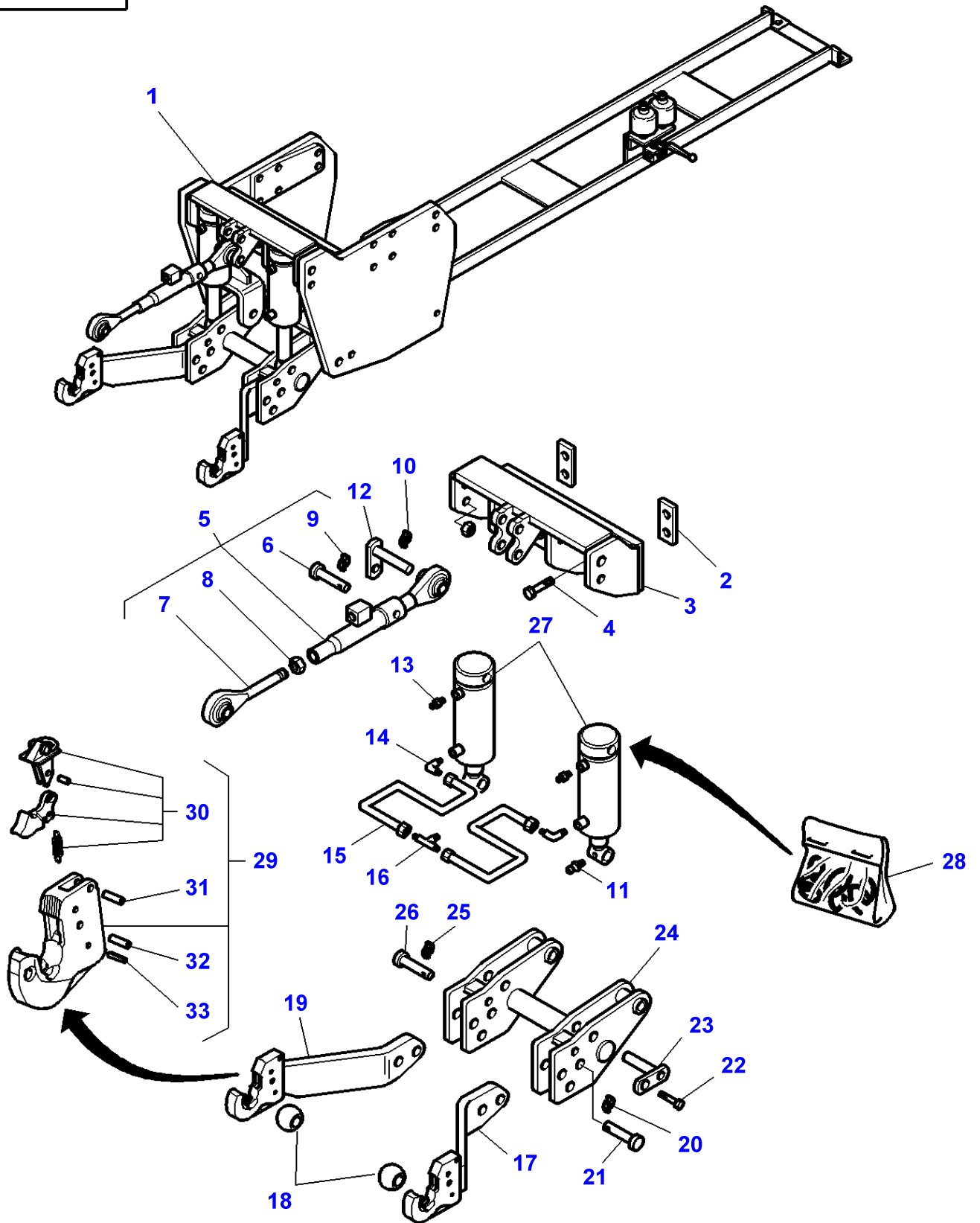
Page040-0245

Item	Part Number	Qty	Description	Comments
1	3712984M1	1	Plate	[A]
2	390972X1	1	Washer Metric	
3	1441461X1	1	Locknut	
4	3715975M3	1	Hook Cable	
5	3600190M1	1	Clevis Pin	(4) Length 28MM
	3600191M1	1	Clevis Pin	(4) Length 40MM
6	3712276M1	1	Clevis Pin	
7	3386514M1	2	Friction Disc	
8	3386515M1	1	Bearing	
9	3712280M1	1	Lever	
10	3387447M1	1	Washer	
11	3715495M1	1	Handle	
12	392463X1	1	Clevis	
13	3713042M1	1	Clevis Pin	
14	3715496M1	1	Muff	
15	3778480M93	1	Support	
16	385361X1	4	Washer	
17	1441461X1	4	Locknut	
18	3713587M1	1	Plug	[A] Diameter 22MM

FOOTNOTE [A] WITHOUT AUTOMATIC HITCH

MF 8250 TRACTOR - 1637366
1-ZQ37-008-C

1-ZQ37-008-C



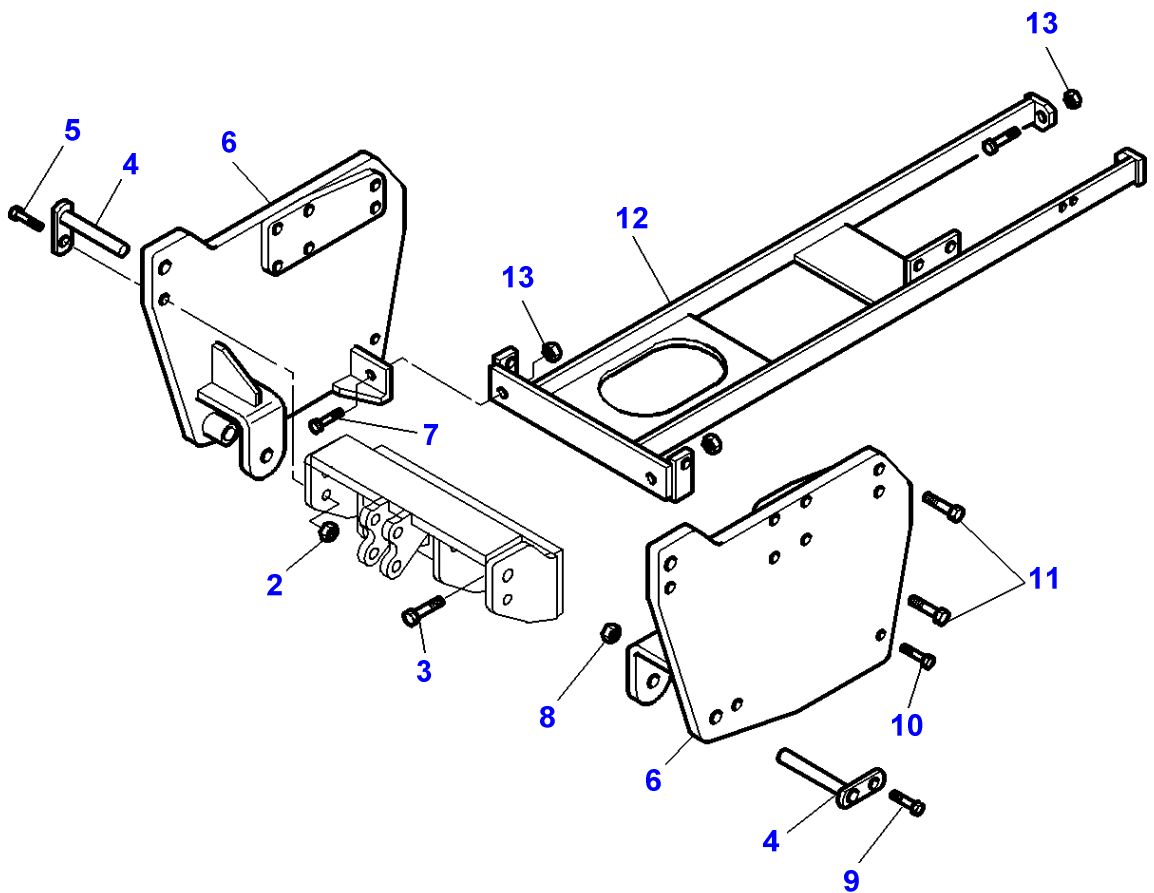
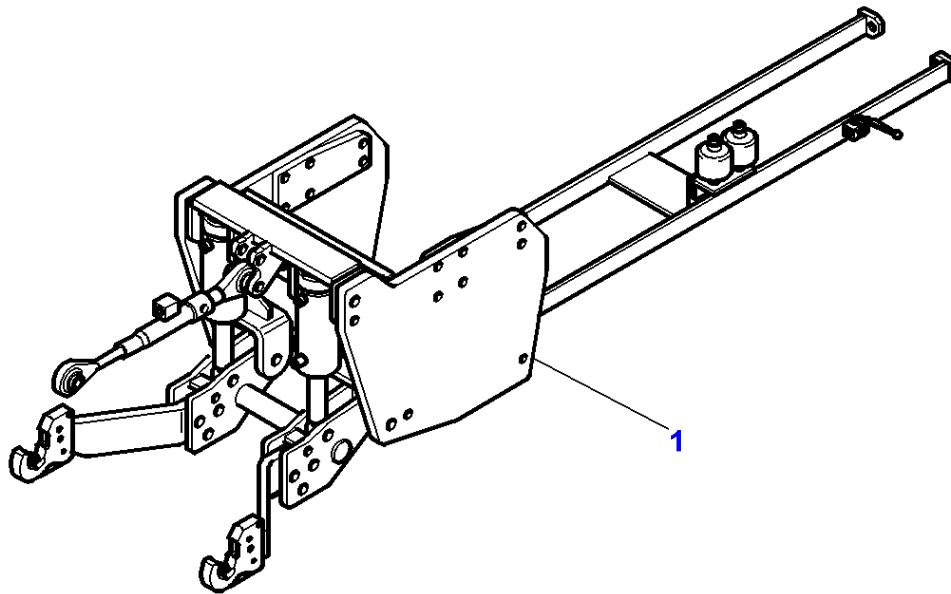
Front Linkage 3500N - WITH DANA FRONT AXLE

Item	Part Number	Qty	Description	Comments
1	3783049M92	1	Hitch	[A]
	3783053M92	1	Hitch	[B]
2	3782990M1	2	Chock	(1)
3	3782989M1	1	Support	(1)
4	391329X1	4	Screw	(1) M20X70
5	3782689M1	1	Bar	(1)
6	3782690M1	1	Clevis Pin	(5)
7	3900885M1	1	Toggle	(5)
8	3900887M1	1	Nut	(5)
9	3782691M1	1	Clip	(5)
10	3782684M1	1	Clip	(1)
11	3900862M1	6	Greaser	(1)
12	3782680M1	1	Clevis Pin	(1)
13	3784859M1	2	Breather	(1)
14	3900868M1	2	Elbow	(1)
15	3783011M1	2	Tube	(1)
16	3902227M1	1	Teepiece	(1)
17	3783840M1	1	Arm	(1) Left Hand
18	3782685M1	2	Toggle	(1) CAT 3
	3782686M1	2	Toggle	(1) CAT 2/3
19	3783839M1	1	Arm	(1) Right Hand
20	3782691M1	1	Clip	(1)
21	3782682M1	2	Clevis Pin	(1)
22	3009505X1	2	Screw Metric	(1) M12X25
23	3782679M1	2	Clevis Pin	(1)
24	3782675M2	1	Support	(1)
25	3010460X1	2	Pin	(1)
26	3782678M1	2	Clevis Pin	(1)
27	3782688M1	2	Ram	(1)
28	3903317M91	1	Kit, Joint	
29		1	Hook	CAT 3/2 Not serviced, order REF NO 17/19
30	3903314M91	1	Kit, Repair	(29)
31	3006429X1	1	Pin	(29) Diameter 10X36MM
32	3008317X1	1	Pin	(29) Diameter 13X36MM
33	339783X1	1	Pin	(29) Diameter 6X32MM

FOOTNOTE [A] WITH FULL POWERSHIFT

FOOTNOTE [B] WITH DYNASHIFT

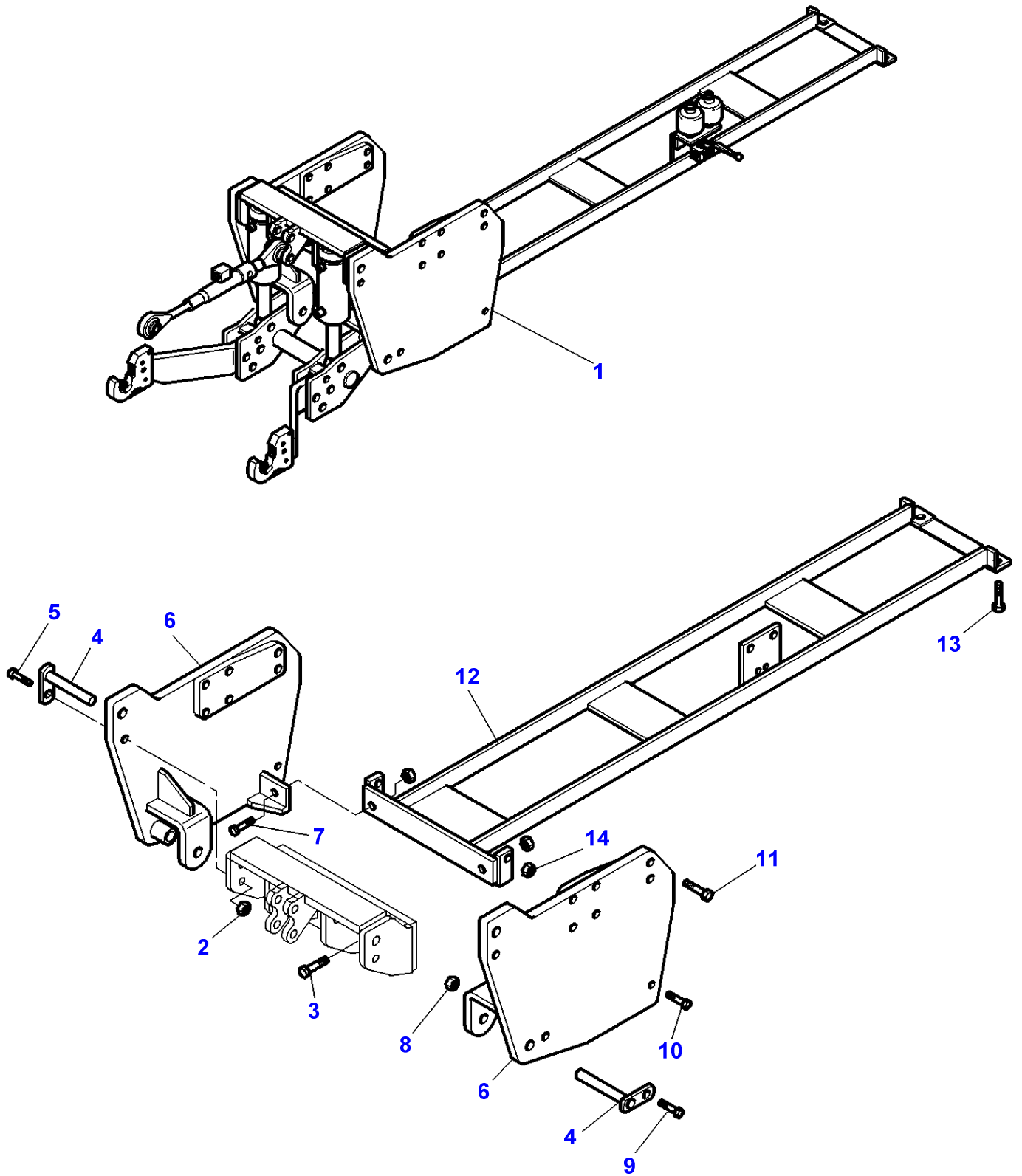
1-ZQ37-010-A



Massey Ferguson**MF 8250 TRACTOR - 1637366****1637366****Front Linkage 35000N - WITH DYNASHIFT - WITH DANA FRONT AXLE****Page040-0255**

Item	Part Number	Qty	Description	Comments
1	3783053M92	1	Hitch	
2	3009747X1	2	Nut	(1)
3	391329X1	4	Screw	(1) M20X70
4	3782681M1	4	Clevis Pin	(1)
5	1442668X1	2	Screw	(1) M20X80
6	3782991M1	1	Runner	(1)
7	339881X1	2	Hex. Sock. Screw	(1) M16X60
8	3009747X1	2	Nut	(1)
9	3001968X1	2	Screw	(1) M20X60
10	339881X1	4	Hex. Sock. Screw	(1) M16X60
11	391332X1	12	Screw	(1) M20X110
12	3782994M1	1	Reinforcement	(1)
13	339034X1	6	Nut	(1)

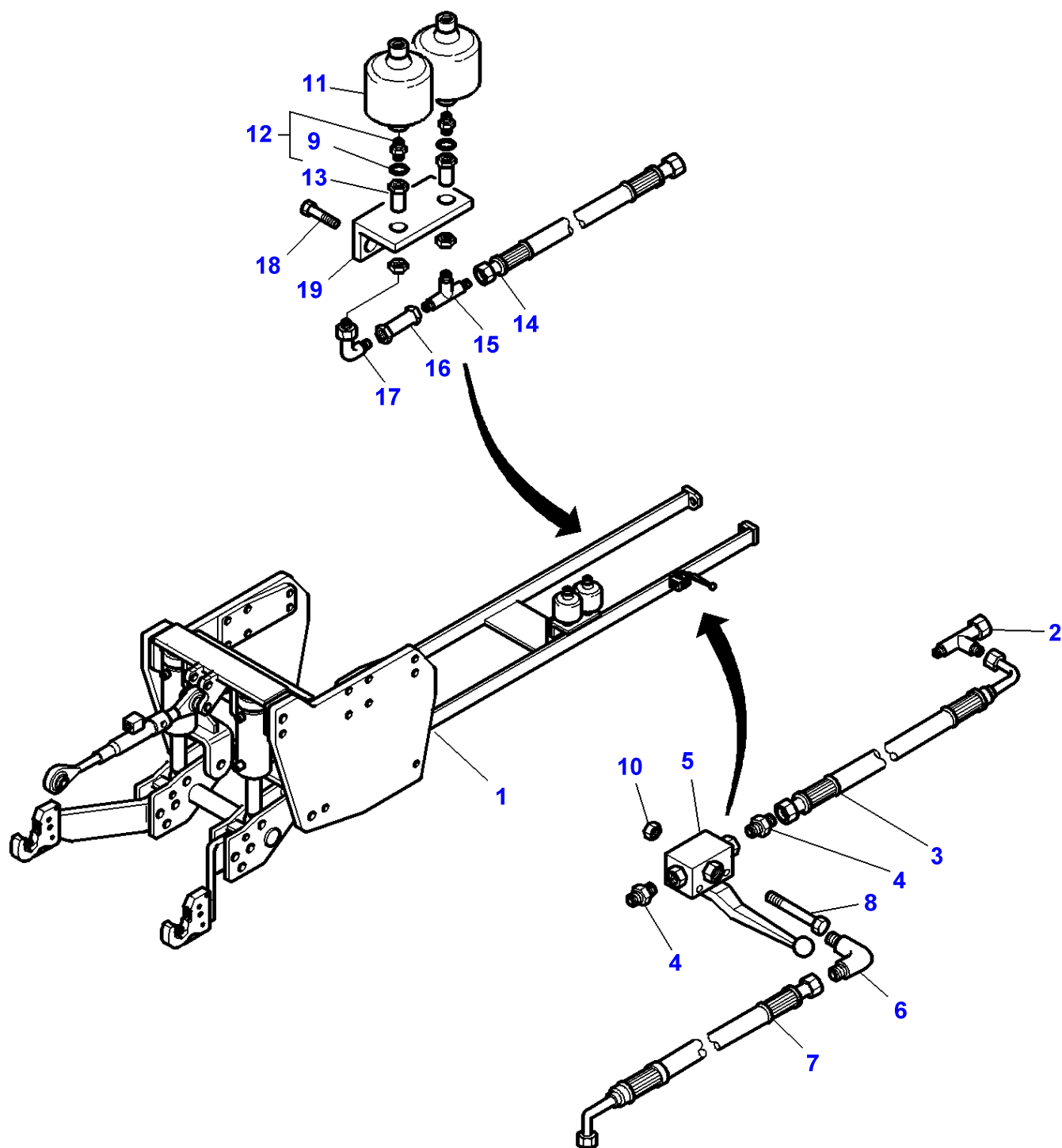
1-ZQ37-009-A



Massey Ferguson**MF 8250 TRACTOR - 1637366****1637366****Front Linkage 3500N - WITH FULL POWERSHIFT - WITH DANA FRONT AXLE****Page040-0260**

Item	Part Number	Qty	Description	Comments
1	3783049M92	1	Hitch	
2	3009747X1	2	Nut	(1)
3	391329X1	4	Screw	(1) M20X70
4	3782681M1	4	Clevis Pin	(1)
5	1442668X1	2	Screw	(1) M20X80
6	3782991M1	1	Runner	(1)
7	339881X1	2	Hex. Sock. Screw	(1) M16X60
8	3009747X1	2	Nut	(1)
9	3001968X1	2	Screw	(1) M20X60
10	339881X1	2	Hex. Sock. Screw	(1) M16X60
11	391332X1	12	Screw	(1) M20X110
12	3782993M2	1	Reinforcement	(1)
13	3010921X1	4	Screw	(1) M16X50
14	339034X1	4	Nut	(1)

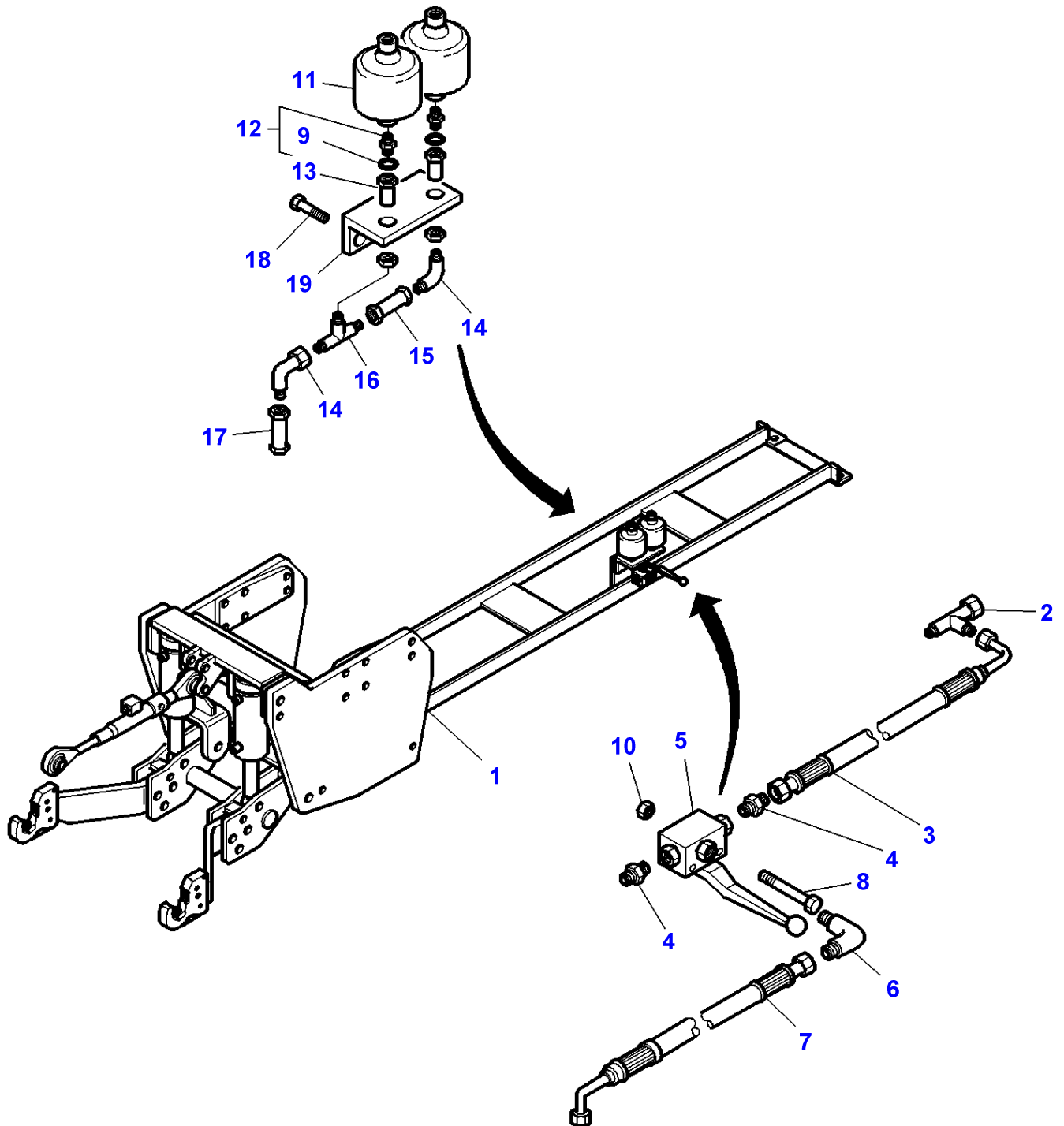
1-ZQ37-011-B



Massey Ferguson**MF 8250 TRACTOR - 1637366****1637366****Front Linkage 3500N - WITH DYNASHIFT - WITH DANA FRONT AXLE****Page040-0265**

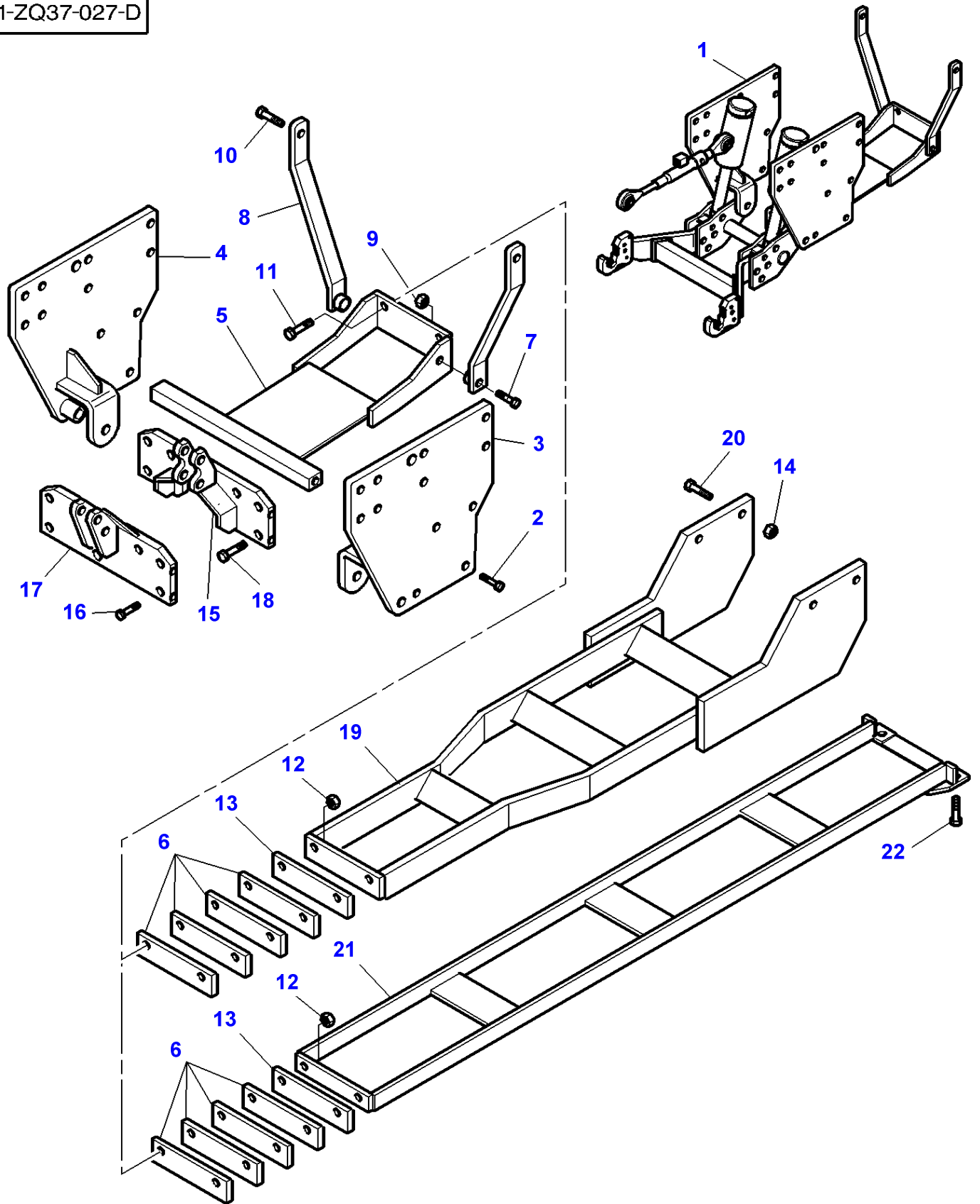
Item	Part Number	Qty	Description	Comments
1	3783053M92	1	Hitch	
2	3782998M1	1	Teepiece	(1)
3	3782997M1	1	Hydr Hose	(1) Length 3200MM
4	3900869M1	2	Union	(1)
5	3900873M1	1	Vane	(1)
6	3900868M1	1	Elbow	(1)
7	3783856M2	1	Hydr Hose	(1) Length 2700MM
8	3900874M1	2	Bolt	(1) M5X60
9	3900865M1	1	Gasket	(12)
10	3005823X1	2	Nut	(1) M5
11	3900877M1	2	Accumulator	(1) Up to Serial or Engine Number 50 Bars
	3900877M1	1	Accumulator	(1) From Serial or Engine Number 50 Bars
	3784036M1	1	Accumulator	(1) From Serial or Engine Number 26 Bars
12	3900878M1	2	Union	(1)
13	3900880M1	2	Union	(1)
14	3782999M1	1	Hydr Hose	(1) Length 250MM
15	3900914M1	1	Teepiece	(1)
16	3900882M1	1	Tube	(1)
17	3900883M1	1	Elbow	(1)
18	3010922X1	2	Screw	(1) M14X30
19	3902225M1	1	Support	(1)

1-ZQ37-012-B



Item	Part Number	Qty	Description	Comments
1	3783049M92	1	Hitch	
2	3782998M1	1	Teepiece	(1)
3	3782997M1	1	Hydr Hose	(1) Length 3200MM
4	3900869M1	2	Union	(1)
5	3900873M1	1	Vane	(1)
6	3900868M1	1	Elbow	(1)
7	3783856M2	1	Hydr Hose	(1) Length 2700MM
8	3010924X1	2	Screw	(1) M5X50
9	3900865M1	1	Gasket	(12)
10	3005823X1	2	Nut	(1) M5
11	3900877M1	2	Accumulator	(1) Up to Serial or Engine Number J060004 50 Bars
	3900877M1	1	Accumulator	(1) From Serial or Engine Number J060005 50 Bars
	3784036M1	1	Accumulator	(1) From Serial or Engine Number J060005 26 Bars
12	3900878M1	2	Union	(1)
13	3900880M1	2	Union	(1)
14	3900883M1	2	Elbow	(1)
15	3900882M1	2	Tube	(1)
16	3900914M1	2	Teepiece	(1)
17	3783000M1	1	Tube	(1)
18	3010922X1	2	Screw	(1) M14X30
19	3902225M1	1	Support	(1)

1-ZQ37-027-D



Item	Part Number	Qty	Description	Comments
1	3785134M95	1	Hitch	
2	3015535X1	2	Screw	(1) M20 X 60 Replace and repair. Old interchangeable with new 3785148M1
3	3785172M2	1	Runner	(1) Left Hand
4	3785171M2	1	Runner	(1) Right Hand
5	3786747M2	1	Transverse	(1)
6	3786109M1	1	Chock	(1) Thickness 3MM
7	391891X1	2	Bolt Metric	(1) M20 X 90
8	3786108M1	2	Stirrup	(1)
9	339035X1	2	Nut Metric	(1) M20
10	391329X1	2	Screw	(1) M20 X 70
11	3010164X1	2	Screw Metric	(1) M18 X 80
12	392335X1	2	Nut	(1) M18
13	3787759M1	1	Chock	(1) Thickness 8MM
14	339035X1	4	Nut Metric	[B] M20
15	3785142M1	1	Support	
16	3010047X1	6	Screw	[A] M20 X 60
17	3787507M1	1	Support	[A]
18	3384129M1	6	Screw	M20 X 55
	3010047X1	6	Screw	M20 X 60
19	3786750M1	1	Transverse	[B]
20	391329X1	4	Screw	[B] M20 X 70
21	3786752M1	1	Transverse	[C]
22	3009703X1	4	Screw	[C] M16 X 60

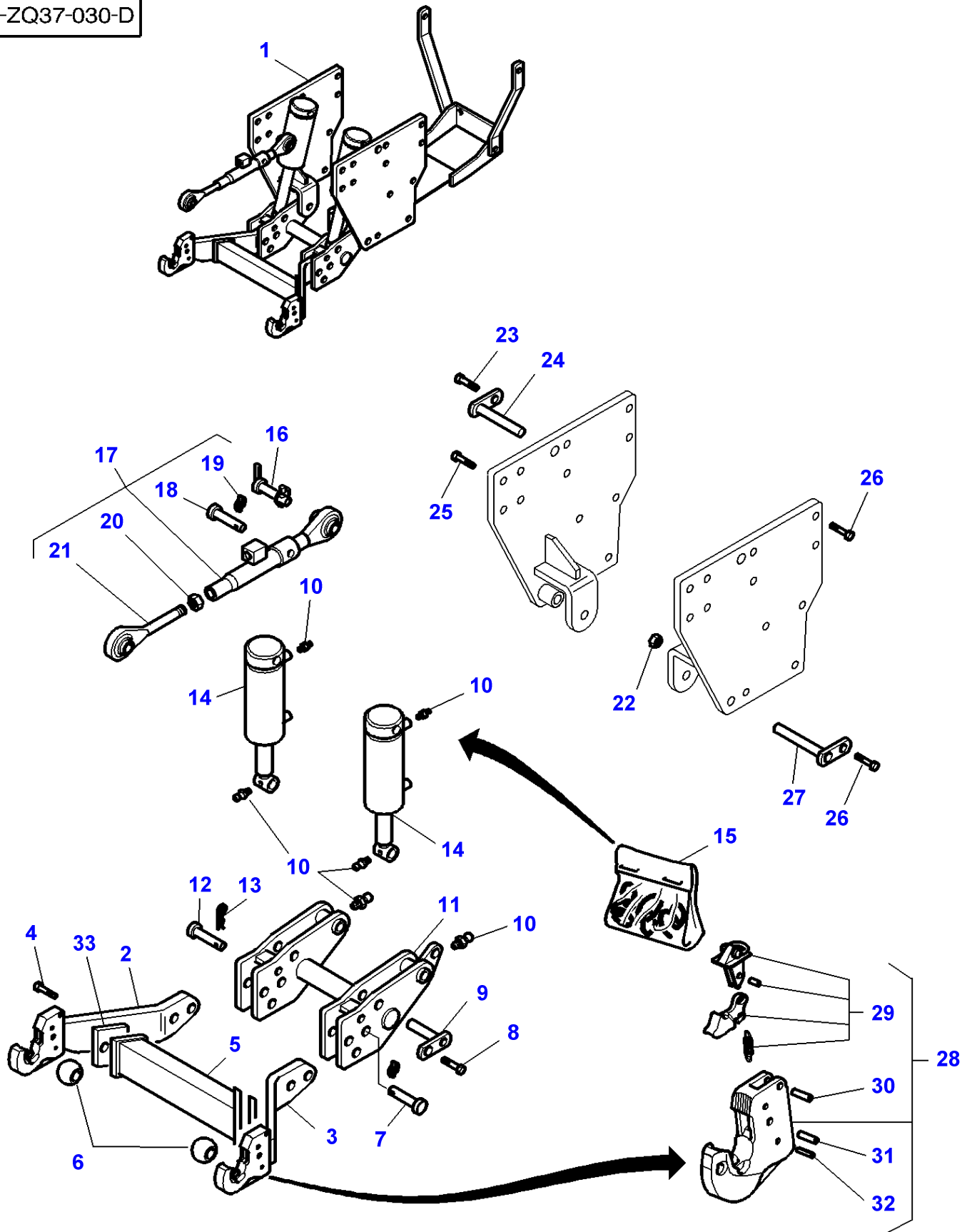
FOOTNOTE [A] WITHOUT FRONT PTO

FOOTNOTE [B] WITH DYNASHIFT

FOOTNOTE [C] WITH FULL POWERSHIFT

MF 8250 TRACTOR - 1637366
1-ZQ37-030-D

1-ZQ37-030-D

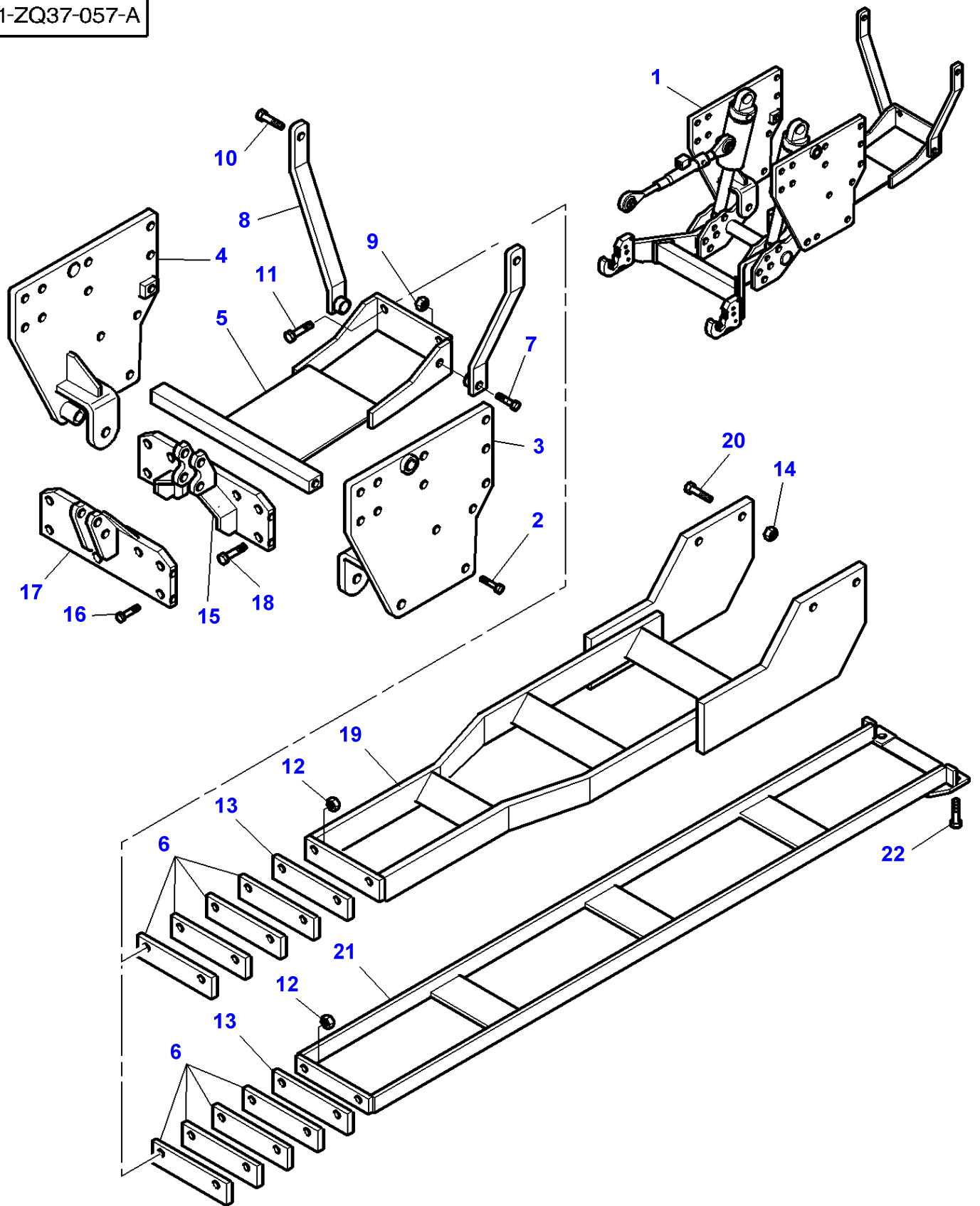


Item	Part Number	Qty	Description	Comments
1	3785134M95	1	Hitch	
2	3785144M2	1	Arm	(1) Right Hand
3	3785145M2	1	Arm	(1) Left Hand
4	1441590X1	4	Bolt Metric	(1)
5	3786746M1	1	Transverse	(1)
6	3782686M1	2	Toggle	(1) CAT 2/3
	3782685M1	2	Toggle	(1) CAT 3
7	3782682M1	2	Clevis Pin	(1)
8	3009505X1	2	Screw Metric	(1) M12 X 25
9	3782679M1	2	Clevis Pin	(1)
10	3900862M1	6	Greaser	(1) M6
11	3785143M2	1	Support	(1)
12	3782678M1	2	Clevis Pin	(1)
13	3010460X1	2	Pin	(1) Diameter 3X50
14	3782688M1	2	Ram	(1)
15	3903317M91	1	Kit, Joint	
16	3782512M1	1	Clevis Pin	(1)
17	3782689M1	1	Bar	(1)
18	3782690M1	1	Clevis Pin	(17)
19	3782691M1	1	Clip	(17) Diameter 6
20	3900887M1	1	Nut	(17) M30
21	3900885M1	1	Toggle	(17)
22	339035X1	2	Nut Metric	(1) M20
23	391329X1	2	Screw	(1) M20 X 70
24	3785150M1	2	Clevis Pin	(1)
25	391890X1	4	Screw	(1) M18 X 60
26	3015535X1	12	Screw	(1) M20 X 60
27	3782681M1	2	Clevis Pin	(1) Replace and repair. Old interchangeable with new 3785148M1
28		1	Hook	Not serviced,order REF. 2-3
29	3903314M91	1	Kit, Repair	(28)
30	3006429X1	1	Pin	(28) Diameter 10X36MM
31	3008317X1	1	Pin	(28) Diameter 13X36MM
32	339783X1	1	Pin	(28) Diameter 6X32MM
33	4271509M1	2	Chock	Thickness 1,5MM

FOOTNOTE [A] WITHOUT FRONT PTO

MF 8250 TRACTOR - 1637366
1-ZQ37-057-A

1-ZQ37-057-A



Massey Ferguson**MF 8250 TRACTOR - 1637366**

1637366

Front Linkage 35000N - CARRARO FRONT AXLE - FROM M079020

Page040-0285

Item	Part Number	Qty	Description	Comments
1	3789044M92	1	Hitch	[D]
2	3015535X1	2	Screw	(1) M20 X 60
3	3789046M1	1	Runner	(1) Left Hand
4	3789047M1	1	Runner	(1) Right Hand
5	3786747M2	1	Transverse	(1)
6	3786109M1	4	Chock	(1) Thickness 3MM
7	391891X1	2	Bolt Metric	(1) M20 X 90
8	3786108M1	2	Stirrup	(1)
9	339035X1	2	Nut Metric	(1) M20
10	391329X1	2	Screw	(1) M20 X 70
11	3010164X1	2	Screw Metric	(1) M18 X 80
12	392335X1	2	Nut	(1) M18
13	3787759M1	1	Chock	(1) Thickness 8MM
14	339035X1	4	Nut Metric	[B] M20
15	3785142M1	1	Support	
16	3010047X1	6	Screw	[A] M20 X 60
17	3787507M1	1	Support	[A]
18	3384129M1	6	Screw	M20 X 55
	3010047X1	6	Screw	M20 X 60
19	3786750M1	1	Transverse	[B]
20	391329X1	4	Screw	[B] M20 X 70
21	3786752M1	1	Transverse	[C]
22	3009703X1	4	Screw	[C] M16 X 60

FOOTNOTE [A] WITHOUT FRONT PTO

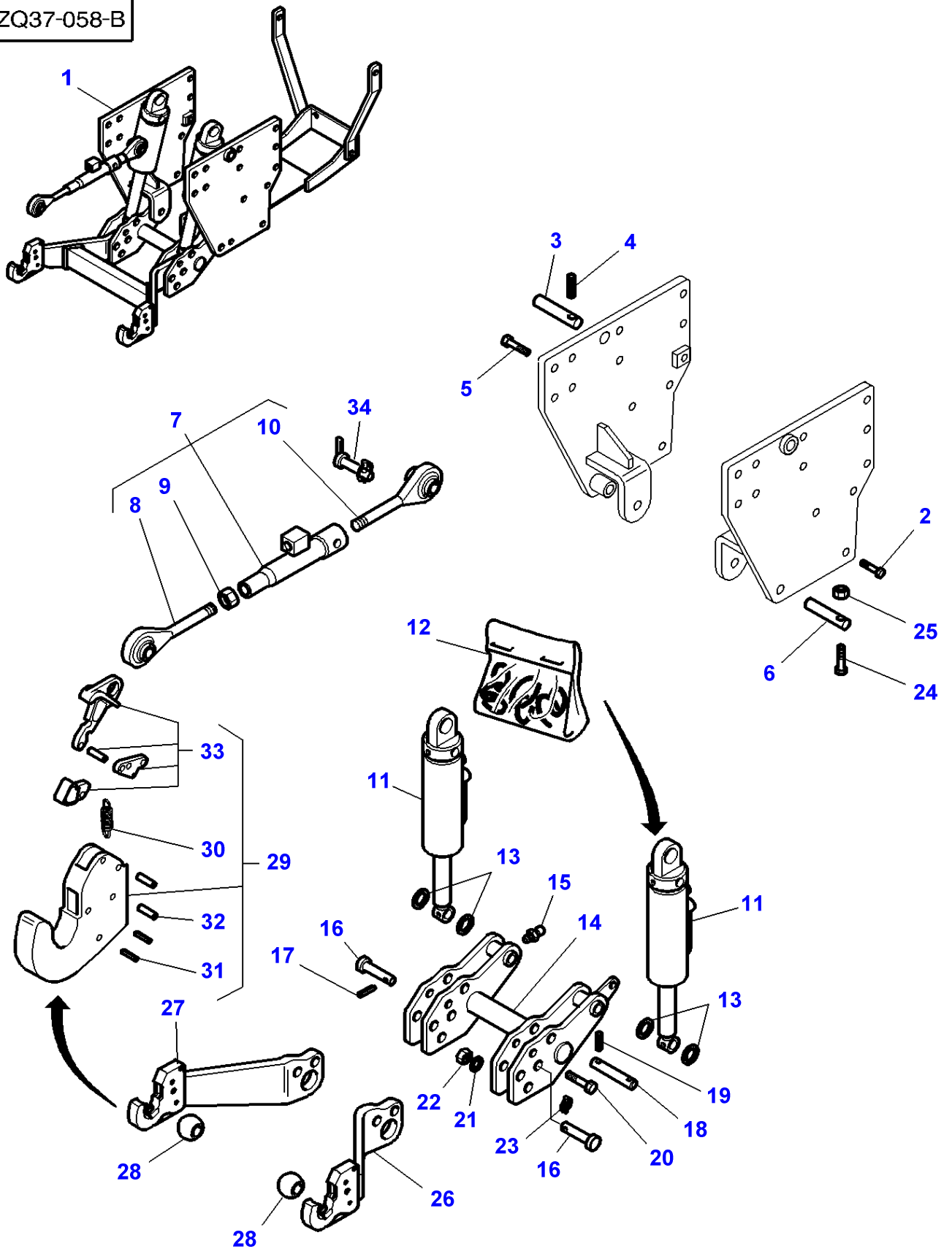
FOOTNOTE [B] WITH DYNASHIFT

FOOTNOTE [C] WITH FULL POWERSHIFT

FOOTNOTE [D] RAM WITH TOGGLE

MF 8250 TRACTOR - 1637366
1-ZQ37-058-B

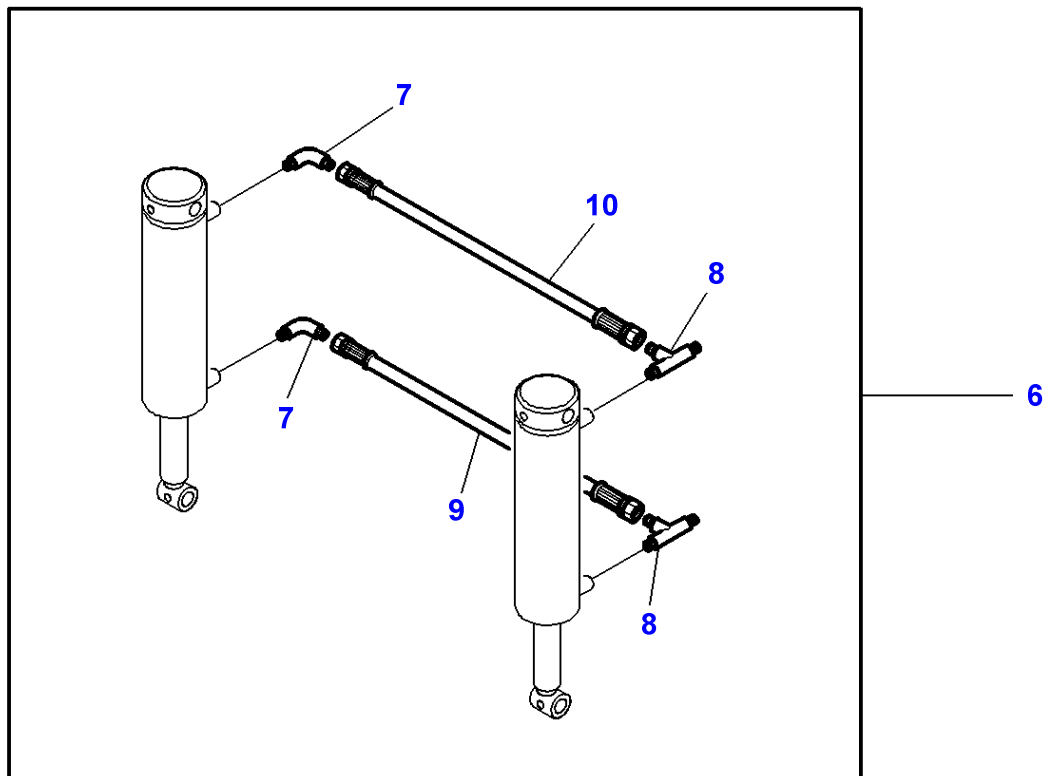
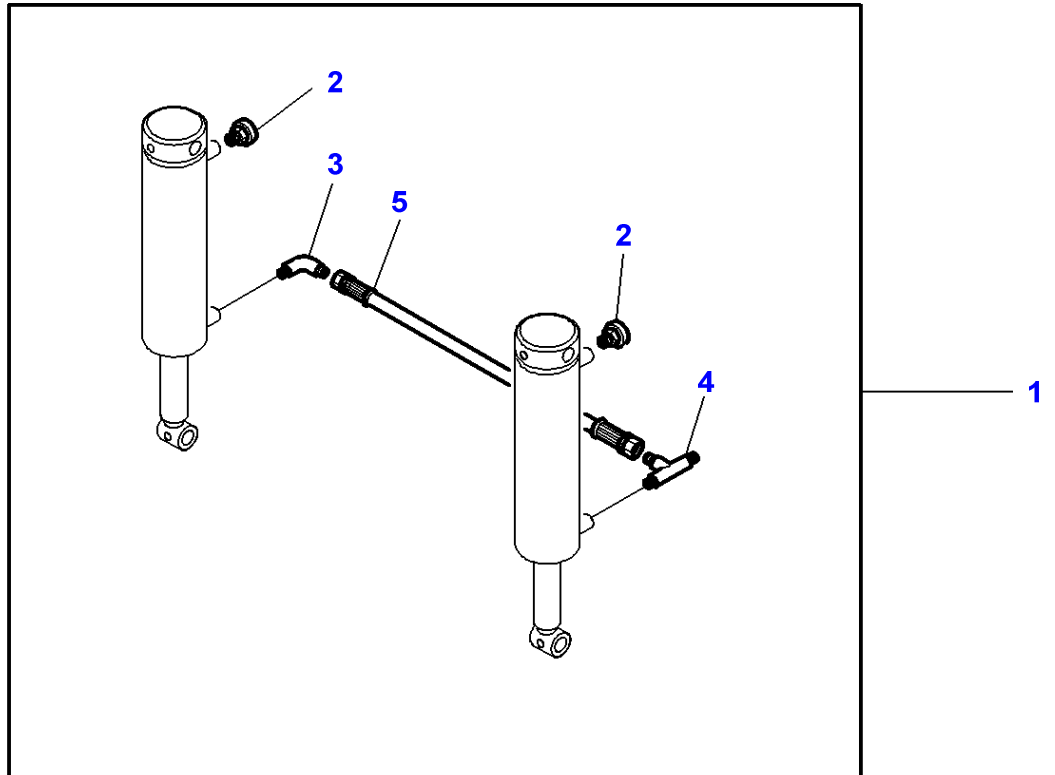
1-ZQ37-058-B



Item	Part Number	Qty	Description	Comments
1	3789044M92	1	Hitch	[A]
2	3015535X1	6	Screw	(1) M20X60
3	3789048M1	2	Clevis Pin	(1)
4	3788607M1	2	Pin	(1) Diameter 8MM
5	391890X1	4	Screw	(1) M18X60
6	3789049M1	2	Clevis Pin	(1)
7	3788609M1	1	Bar	(1)
8	3900885M1	1	Toggle	(7)
9	3900887M1	1	Nut	(7)
10	3903895M1	1	Toggle	(7)
11	4270295M1	2	Ram	(1)
12	3903317M91	1	Kit, Joint	
13	3788604M1	4	Washer	(1) Diameter 50-36 X 4
14	3788592M1	1	Support	(1)
15	3900862M1	2	Greaser	(1)
16	3788596M1	4	Clevis Pin	(1)
17	3788608M1	2	Pin	(1)
18	3788597M1	2	Clevis Pin	(1)
19	3788607M1	2	Pin	(1) Diameter 8MM
20	3788599M1	2	Clevis Pin	(1)
21	1443512X1	2	Washer	(1) Diameter 24MM
22	3788603M1	2	Locknut	(1) M24 X 2
23	3788605M1	2	Clip	(1)
24	1441764X1	2	Screw Metric	(1) M8X60
25	1441461X1	2	Locknut	(1) M8
26	3788601M1	1	Arm	(1) Left Hand
27	3788600M1	1	Arm	(1) Right Hand
28	3782685M1	2	Toggle	(1) CAT. 3
	3782686M1	2	Toggle	(1) CAT. 3/2
29		1	Hook	CAT 3/2 Not serviced,order REF NO 26/27
30	3903949M1	1	Spring	(29)
31	3903947M91	1	Kit, Roll Pins	(29)
32	3903948M91	1	Kit, Roll Pins	(29)
33	3903946M91	1	Kit, Lever	(29)
34	3782512M1	1	Clevis Pin	

FOOTNOTE [A] RAM WITH TOGGLE

1-ZQ37-035-A

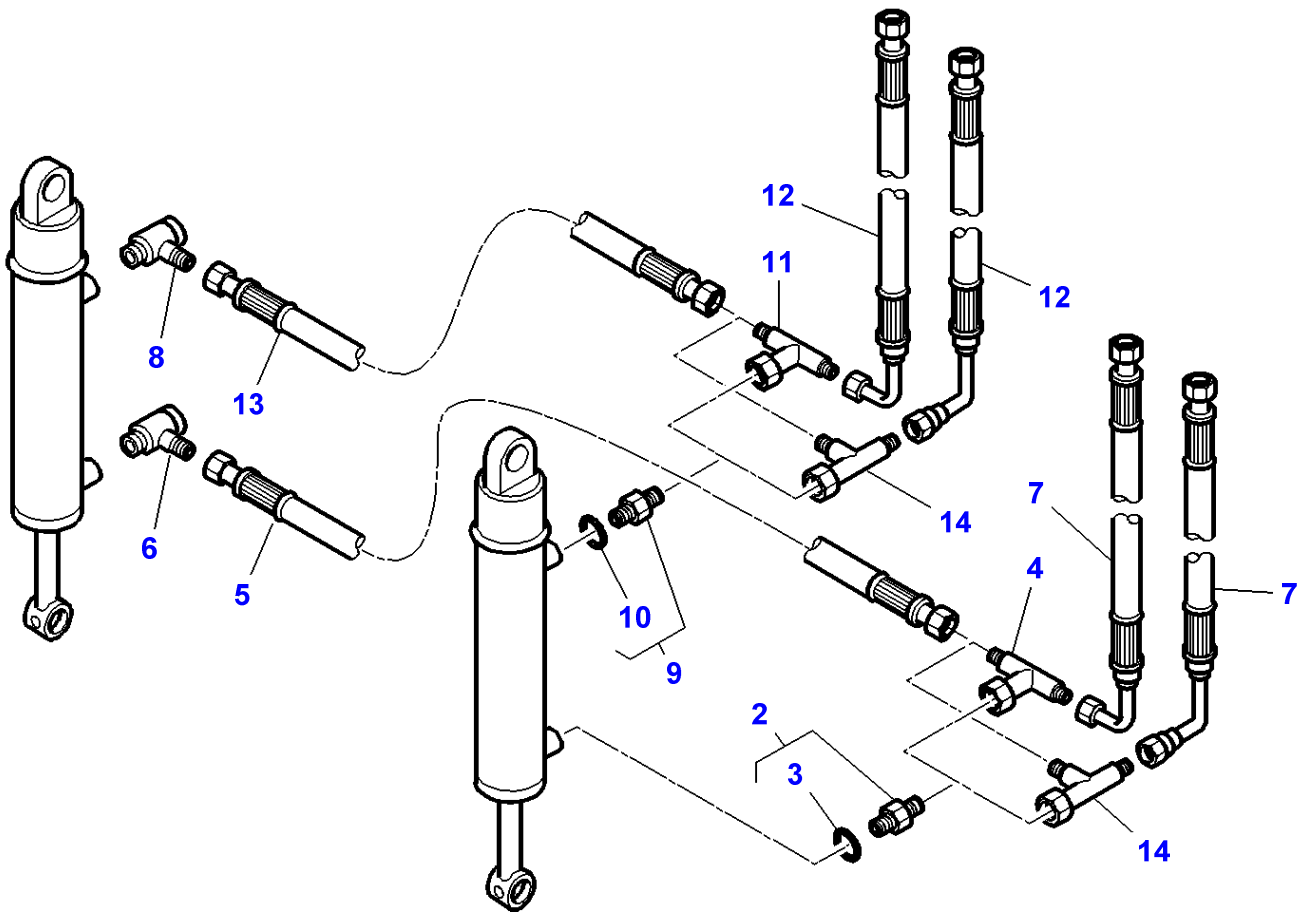
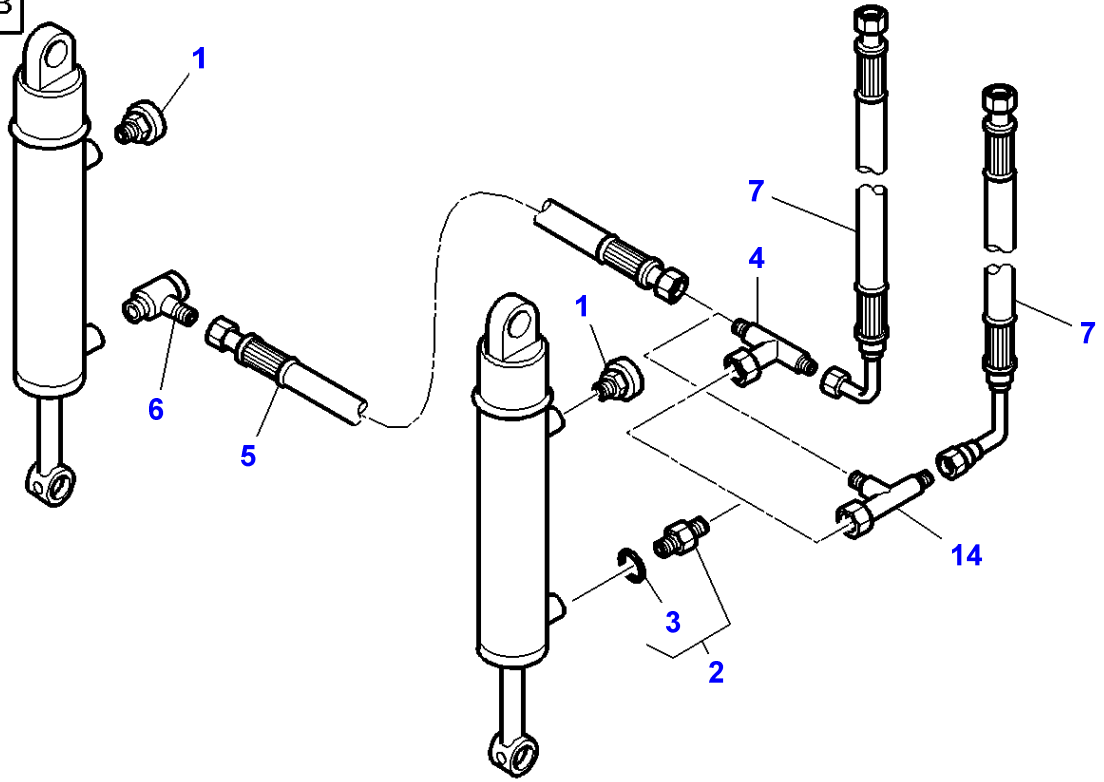


Item	Part Number	Qty	Description	Comments
1	3787764M91	1	Kit,Hose Fitting	[A]
2	3784859M1	2	Breather	(1)
3	3783164M1	1	Elbow	(1)
4	3785149M1	1	Teepiece	(1)
5	3785151M1	1	Hydr Hose	(1) Length 310MM
6	3787765M91	1	Kit,Hose Fitting	[B]
7	3783164M1	2	Elbow	(6)
8	3785149M1	2	Teepiece	(6)
9	3785151M1	1	Hydr Hose	(6) Length 310MM
10	3787771M1	1	Hydr Hose	(6) Length 500MM

FOOTNOTE [A] KIT SINGLE ACTING**FOOTNOTE [B]** KIT DUAL ACTING

MF 8250 TRACTOR - 1637366
1-ZQ37-056-B

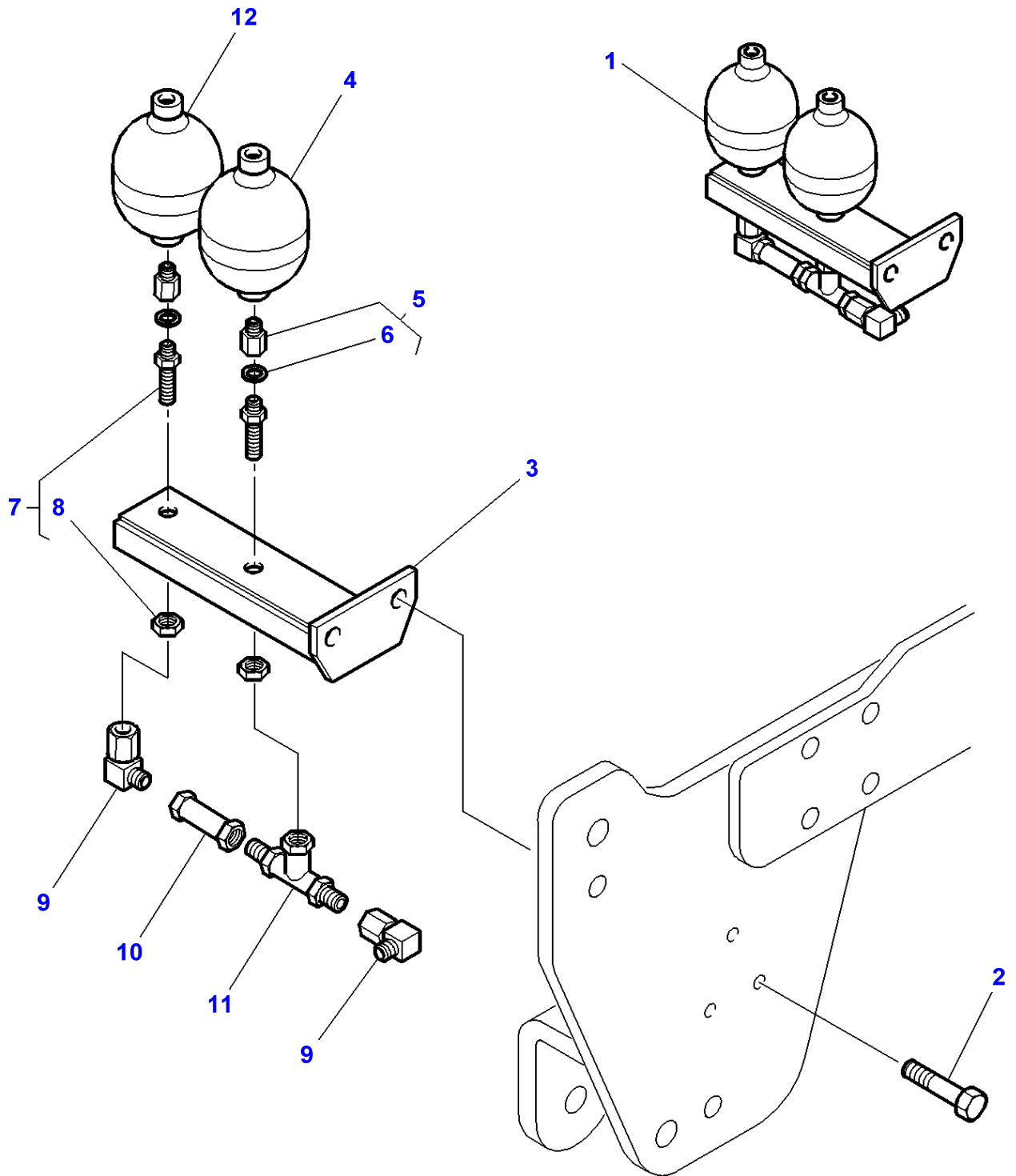
1-ZQ37-056-B



Massey Ferguson**MF 8250 TRACTOR - 1637366****1637366****Front Linkage 3500N - Hydraulic - With CARRARO Front Axle - From L337009****Page040-0300**

Item	Part Number	Qty	Description	Comments
1	3784859M1	2	Breather	
2	3011223X91	1	Union	
3	338923X1	1	Gasket	(2)
4	3011092X1	2	Union	Up to Serial or Engine Number M050024
5	4271469M1	1	Hydr Hose	Length 520MM
6	4271463M1	1	Union	
7	4271519M1	1	Hydr Hose	Length 450MM
8	4271463M1	1	Union	
9	3011223X91	1	Union	
10	338923X1	1	Gasket	(9)
11	3011092X91	1	Union	Up to Serial or Engine Number M050024
12	4271519M1	1	Hydr Hose	
13	4271470M1	1	Hydr Hose	Length 430MM
14	3011289X91	3	Teepiece	From Serial or Engine Number M050025

1-ZQ37-026-B

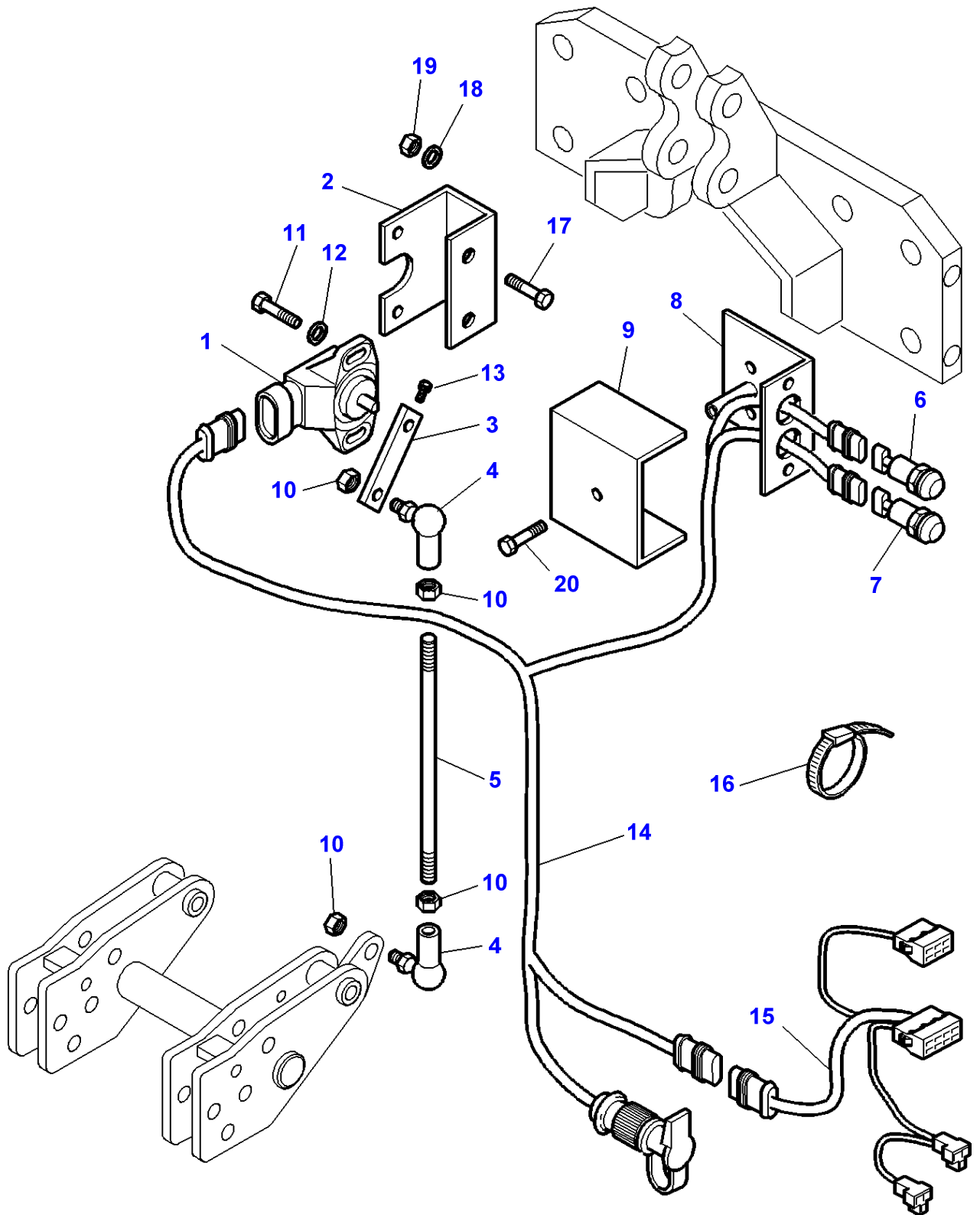


Massey Ferguson**MF 8250 TRACTOR - 1637366****1637366****Front Linkage 35000N - ACCUMULATOR - WITH NO SUSPENDED CARRARO FRONT AXLE****Page040-0305**

Item	Part Number	Qty	Description	Comments
1	3784883M92	1	Kit, Accumulator	
2	3009495X1	2	Bolt Metric	(1) M12 X 40
3	3784885M2	1	Support	(1)
4	3784036M1	1	Accumulator	(1) 26 Bars
5	3900878M1	2	Union	(1) 12-18X1,5
6	3900865M1	1	Gasket	(5)
7	3900880M1	2	Union	(1) M18X1,5
8		1	Nut	(7) Not serviced,order REF 7
9	3900883M1	2	Elbow	(1)
10	3900882M1	1	Tube	(1)
11	3900914M1	1	Teepiece	(1)
12	3900877M1	1	Accumulator	(1) 50 Bars

MF 8250 TRACTOR - 1637366
1-ZQ37-032-B

1-ZQ37-032-B



Massey Ferguson**MF 8250 TRACTOR - 1637366**

1637366

Front Linkage 35000N - WITH FRONT DUAL CONTROL

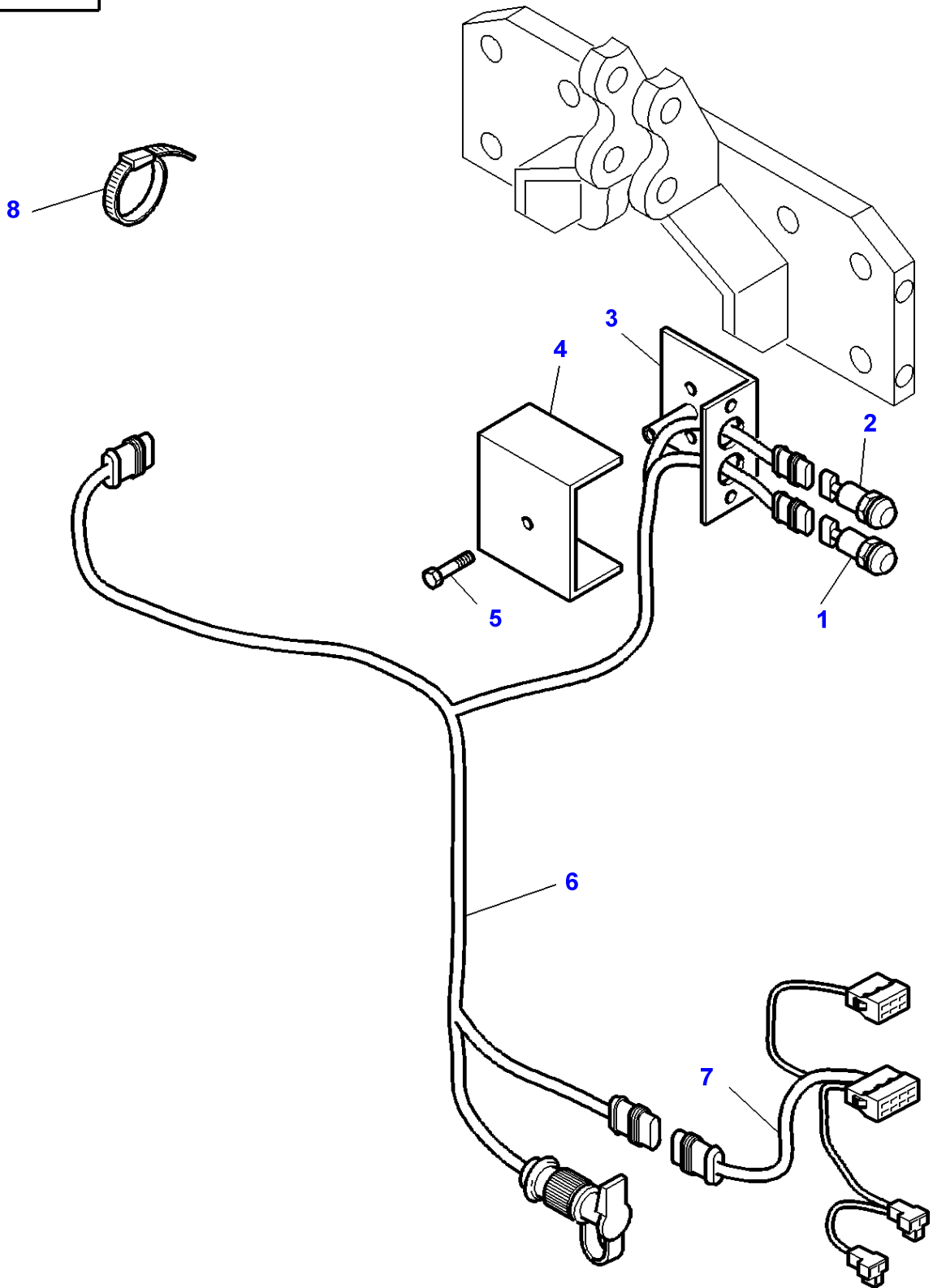
Page040-0310

Item	Part Number	Qty	Description	Comments
1	3784361M1	1	Transducer	
2	3786081M1	1	Support	
3	3786080M2	1	Rod Link	Length 86MM
4	3778648M1	2	Stub	M8
5	3786083M1	1	Stem	Diameter M8X230MM
6	3714137M1	1	Switch,Indirect	[A]
7	3714138M1	1	Switch,Indirect	[B]
8	3786188M1	1	Support	
9	3786187M1	1	Cover	
10	3011202X1	4	Nut	M8
11	1442171X1	2	Screw	M4X10
12	339102X1	2	Washer	
13	3011203X1	1	Screw	M4X10
14	3786263M1	1	Harness	
15	3786264M2	1	Harness	
16	3619622M1	10	Cable Tie	
17	339011X1	2	Bolt Metric	M8X45
18	390972X1	2	Washer Metric	
19	339169X1	2	Nut	
20	391074X1	1	Hex. Sock. Screw	M6X12

FOOTNOTE [A] UP

FOOTNOTE [B] DOWN

1-ZQ37-049-A



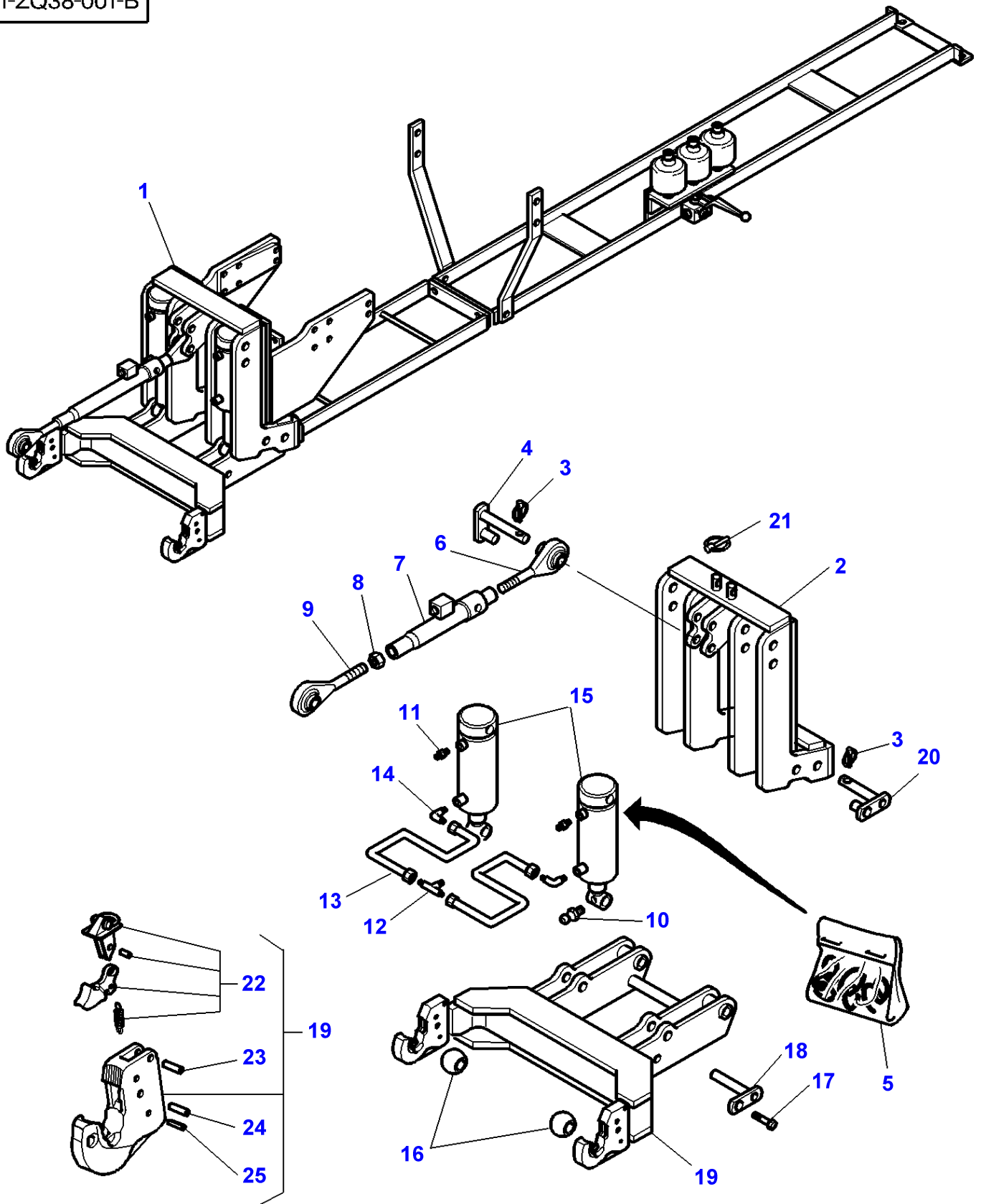
Massey Ferguson**MF 8250 TRACTOR - 1637366****1637366****Front Linkage 35000N - Without Front Dual Control - Lift External Control****Page040-0315**

Item	Part Number	Qty	Description	Comments
1	3714137M1	1	Switch,Indirect	[A]
2	3714138M1	1	Switch,Indirect	[B]
3	3786188M1	1	Support	
4	3786187M1	1	Cover	
5	391074X1	1	Hex. Sock. Screw	M6X12
6	3786263M1	1	Harness	
7	3786264M2	1	Harness	
8	3619622M1	X	Cable Tie	

FOOTNOTE [A] UP

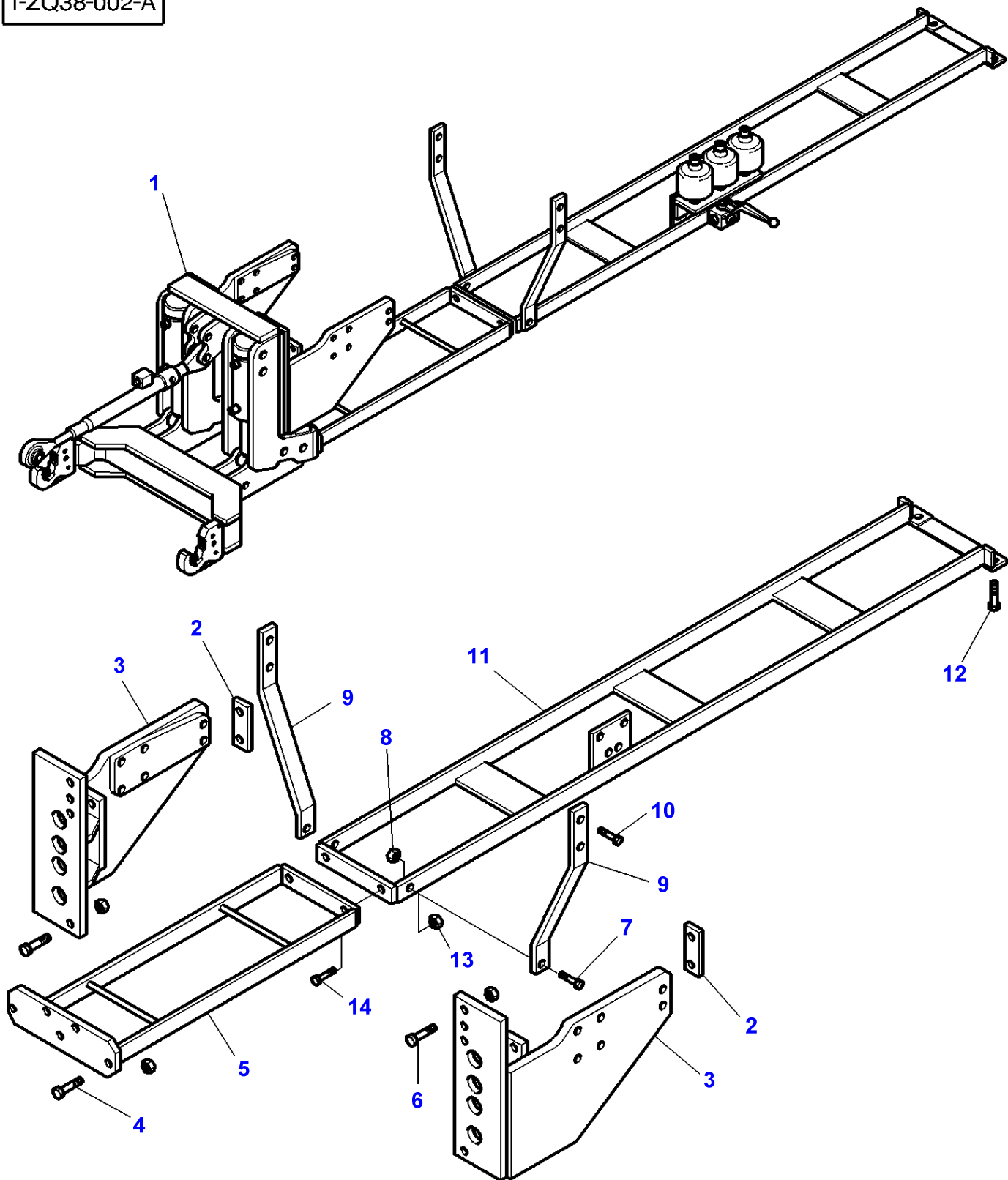
FOOTNOTE [B] DOWN

1-ZQ38-001-B



Item	Part Number	Qty	Description	Comments
1	3783072M93	1	Hitch	
2		1	Frame	(1) Not serviced,order REF NO 1
3	3782684M1	5	Clip	(1)
4	3783024M1	1	Support	(1)
5	3903317M91	1	Kit, Joint	
6	3783030M1	1	Toggle	(1)
7	3783027M1	1	Body	(1)
8	3010927X1	1	Nut	(1)
9	3783029M1	1	Toggle	(1)
10	3900862M1	6	Greaser	(1)
11	3784859M1	2	Breather	(1)
12	3902227M1	1	Teepiece	(1)
13	3783025M1	2	Tube	(1)
14	3900868M1	2	Elbow	(1)
15	3783031M1	2	Ram	(1) Up to Serial or Engine Number J068007
	3783421M1	2	Ram	(1) From Serial or Engine Number J068008
16	3782685M1	2	Toggle	(1) CAT 3
	3782686M1	2	Toggle	(1) CAT 2/3
17	3010923X1	2	Screw	(1) M12X20
18	3783023M1	2	Clevis Pin	(1)
19	3783021M2	1	Arm	(1)
20	3783022M1	4	Clevis Pin	(1)
21	3782691M1	1	Clip	(1)
22	3903314M91	1	Kit, Repair	(19) CAT 3/2
23	3006429X1	1	Pin	(19) Diameter 10X36MM
24	3008317X1	1	Pin	(19) Diameter 13X36MM
25	339783X1	1	Pin	(19) Diameter 6X32MM

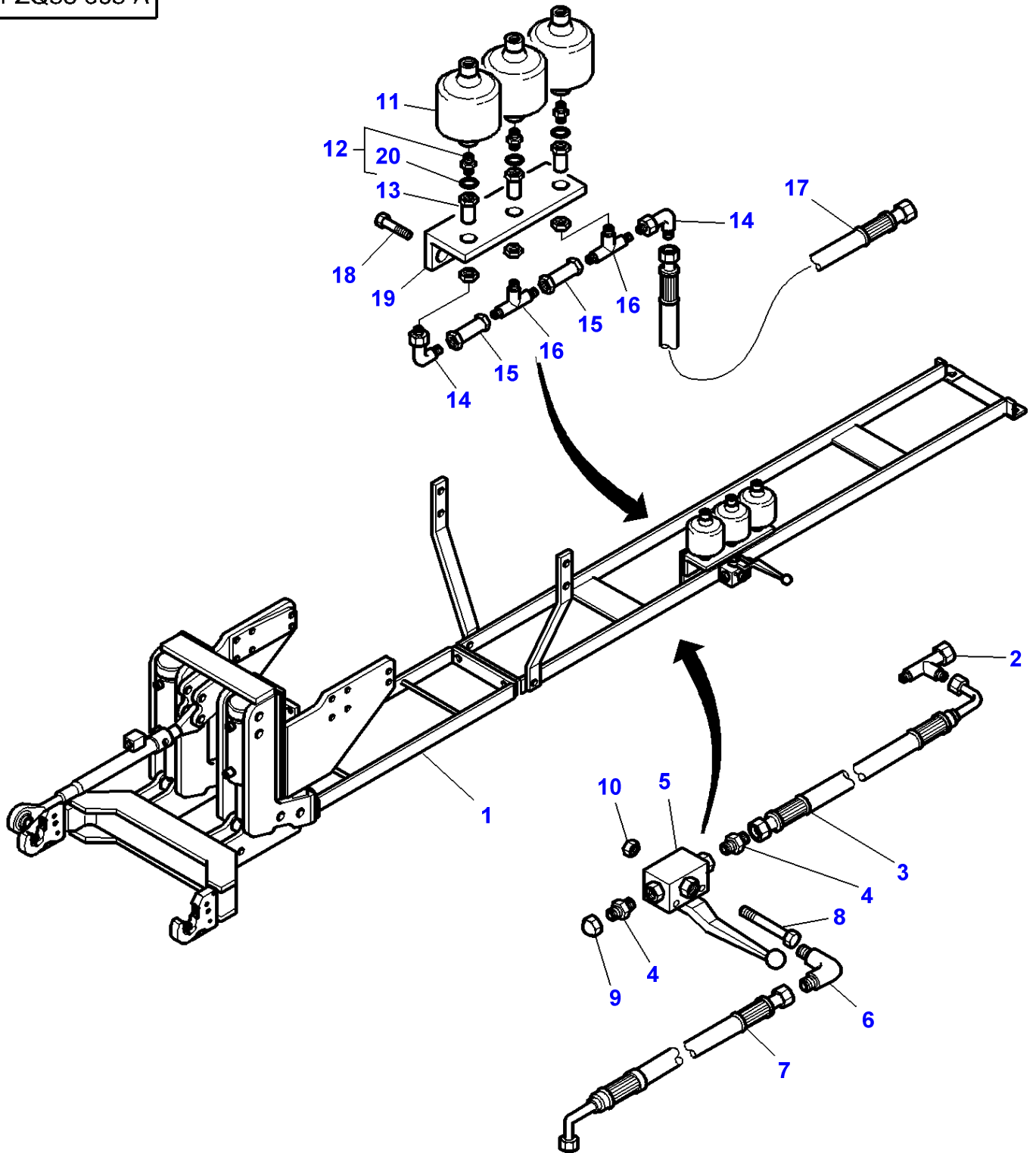
1-ZQ38-002-A



Massey Ferguson**MF 8250 TRACTOR - 1637366****1637366****Front Linkage 50000N - WITH FULL POWERSHIFT - WITH DANA FRONT AXLE****Page040-0325**

Item	Part Number	Qty	Description	Comments
1	3783072M93	1	Hitch	
2	3782990M1	2	Chock	(1)
3	3783001M1	1	Support	(1)
4	1442668X1	13	Screw	(1) M20X80
5	3783002M1	1	Transverse	(1)
6	391332X1	12	Screw	(1) M20X100
7	3001968X1	6	Screw	(1) M20X60
8	3009747X1	15	Nut	(1) M20
9	3783004M1	2	Stirrup	(1)
10	1442668X1	4	Screw	(1) M20X80
11	3783003M1	1	Transverse	(1)
12	3010921X1	4	Screw	(1) M16X50
13	392338X1	2	Nut	(1) M18
14	391890X1	2	Screw	(1) M18X60

1-ZQ38-003-A



Massey Ferguson**MF 8250 TRACTOR - 1637366**

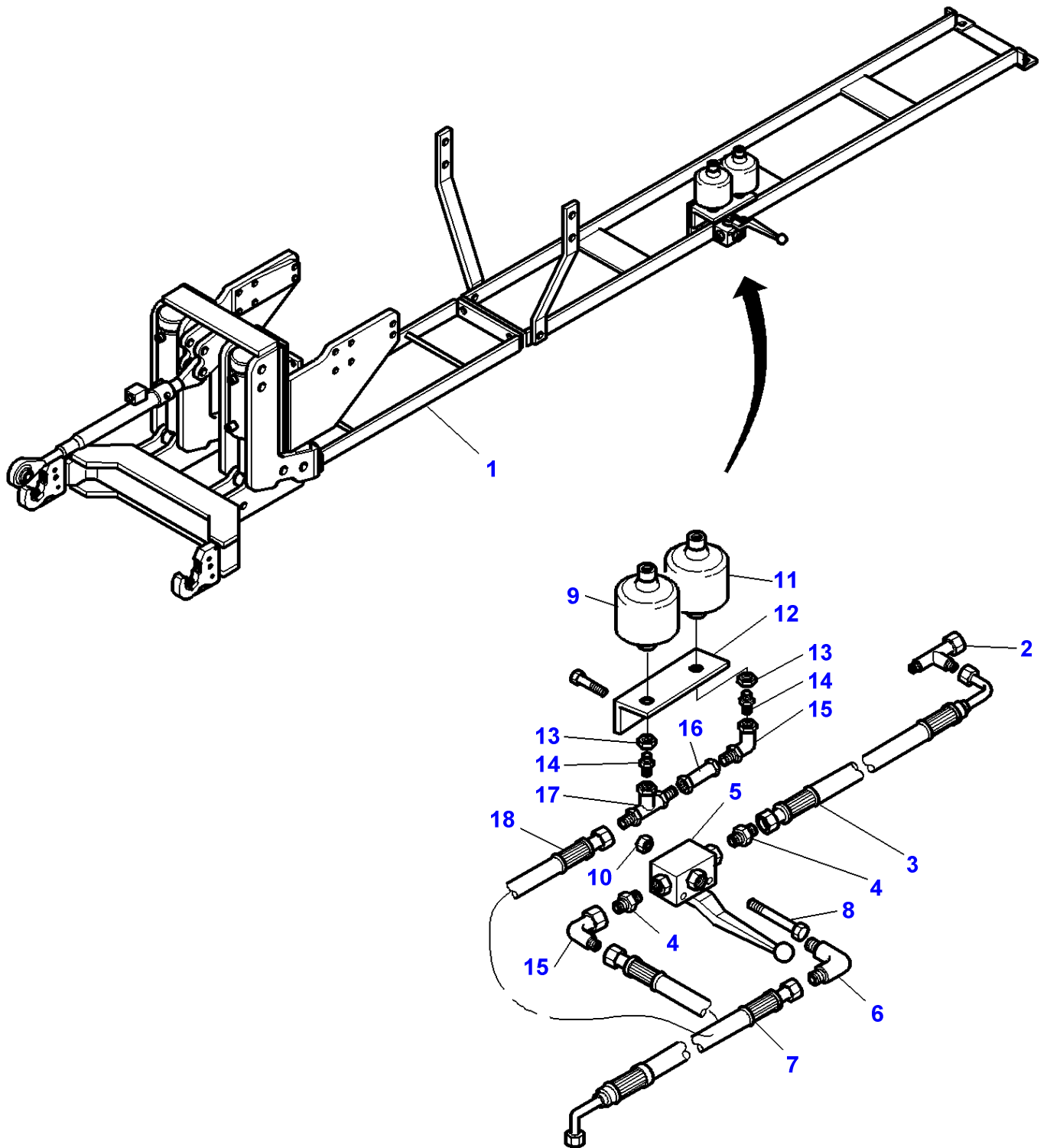
1637366

Front Linkage 5000N - With Full Powershift - DANA Front Axle - Up To J068007

Page040-0330

Item	Part Number	Qty	Description	Comments
1	3783072M93	1	Hitch	
2	3782998M1	1	Teepiece	(1)
3	3782997M1	1	Hydr Hose	(1) Length 3200MM
4	3900869M1	2	Union	(1)
5	3900873M1	1	Vane	(1)
6	3900868M1	1	Elbow	(1)
7	3782996M1	1	Hydr Hose	(1) Length 2500MM
8	3010924X1	2	Screw	(1) M5X50
9	3900872M1	1	Plug	(1)
10	3005823X1	2	Nut	(1) M5
11	3900877M1	3	Accumulator	(1)
12	3900878M1	3	Union	(1)
13	3900880M1	3	Union	(1)
14	3900883M1	2	Elbow	(1)
15	3900882M1	2	Tube	(1)
16	3900914M1	2	Teepiece	(1)
17	3783006M1	1	Tube	(1)
18	3010922X1	2	Screw	(1) M14X30
19	3783005M1	1	Support	(1)
20	3900865M1	1	Gasket	(12)

1-ZQ38-011-A



Massey Ferguson**MF 8250 TRACTOR - 1637366**

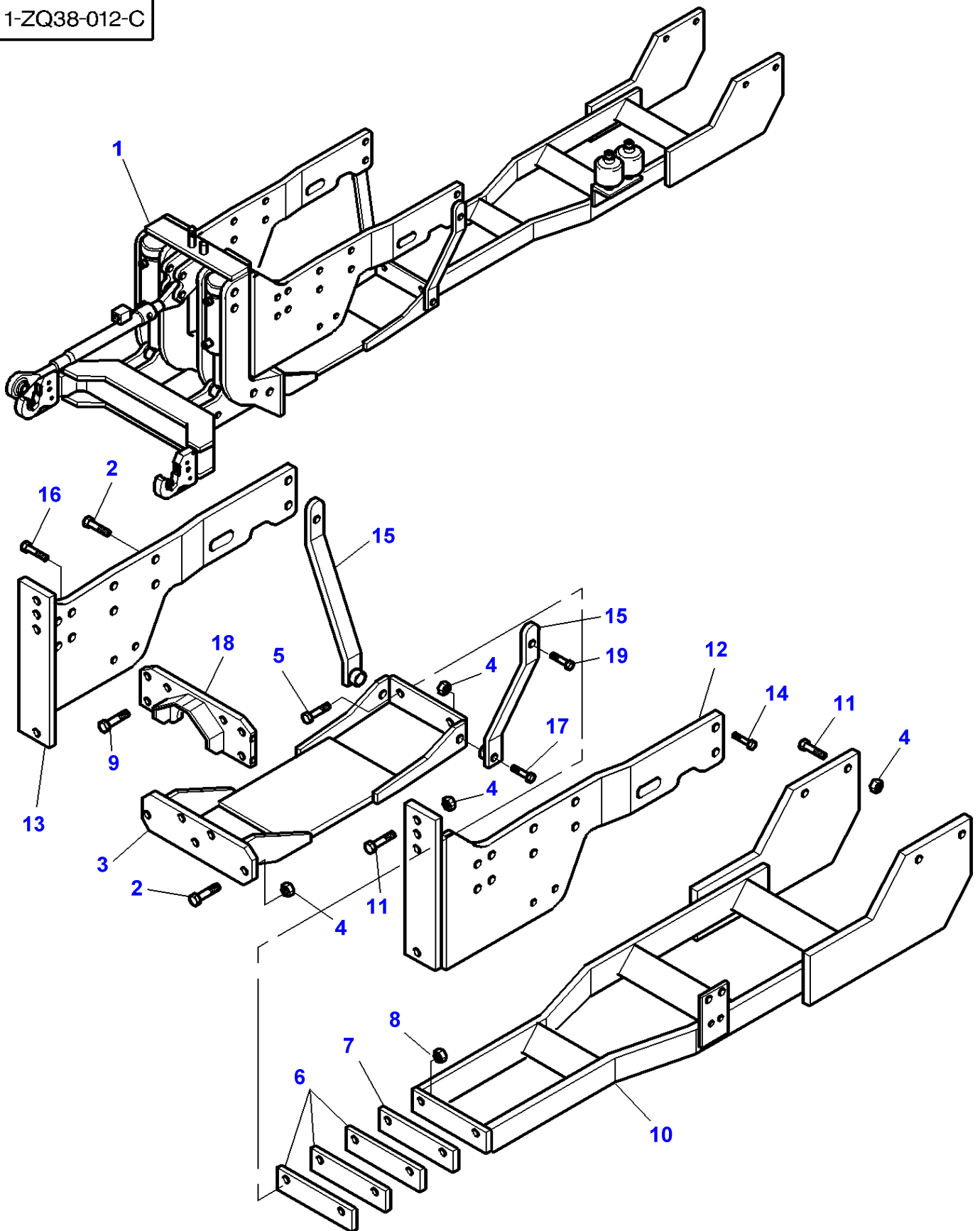
1637366

Front Linkage 5000N - With Full Powershift - DANA Front Axle - From J068008

Page040-0335

Item	Part Number	Qty	Description	Comments
1	3783072M93	1	Hitch	
2	3782998M1	1	Teepiece	(1)
3	3782997M1	1	Hydr Hose	(1) Length 3200MM
4	3900869M1	2	Union	(1)
5	3900873M1	1	Vane	(1)
6	3900868M1	1	Elbow	(1)
7	3784043M1	1	Hydr Hose	(1) Length 2500MM
8	3010924X1	2	Screw	(1) M5X50
9	3783641M2	1	Accumulator	(1) 26 Bars
10	3005823X1	2	Nut	(1) M5
11	3783640M1	1	Accumulator	(1) 80 Bars
12	3783854M1	1	Support	(1)
13	3010967X1	2	Nut	(1)
14	3783642M1	2	Union	(1)
15	3900883M1	2	Elbow	(1)
16	3783643M1	1	Tube	(1)
17	3900914M1	1	Teepiece	(1)
18	3783855M1	1	Tube	(1)

1-ZQ38-012-C



Massey Ferguson**MF 8250 TRACTOR - 1637366**

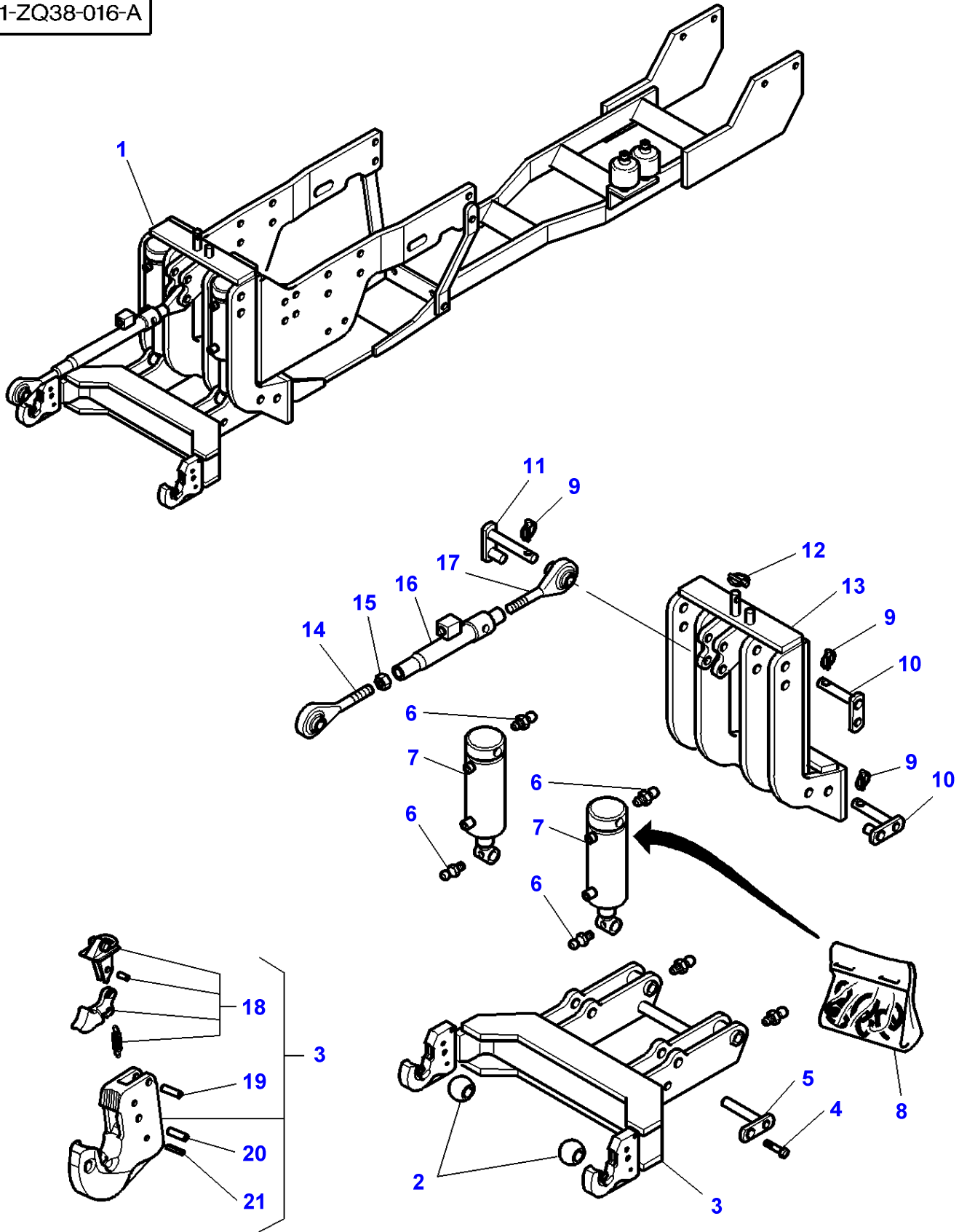
1637366

Front Linkage 50000N - CARRARO FRONT AXLE - DYNASHIFT

Page040-0340

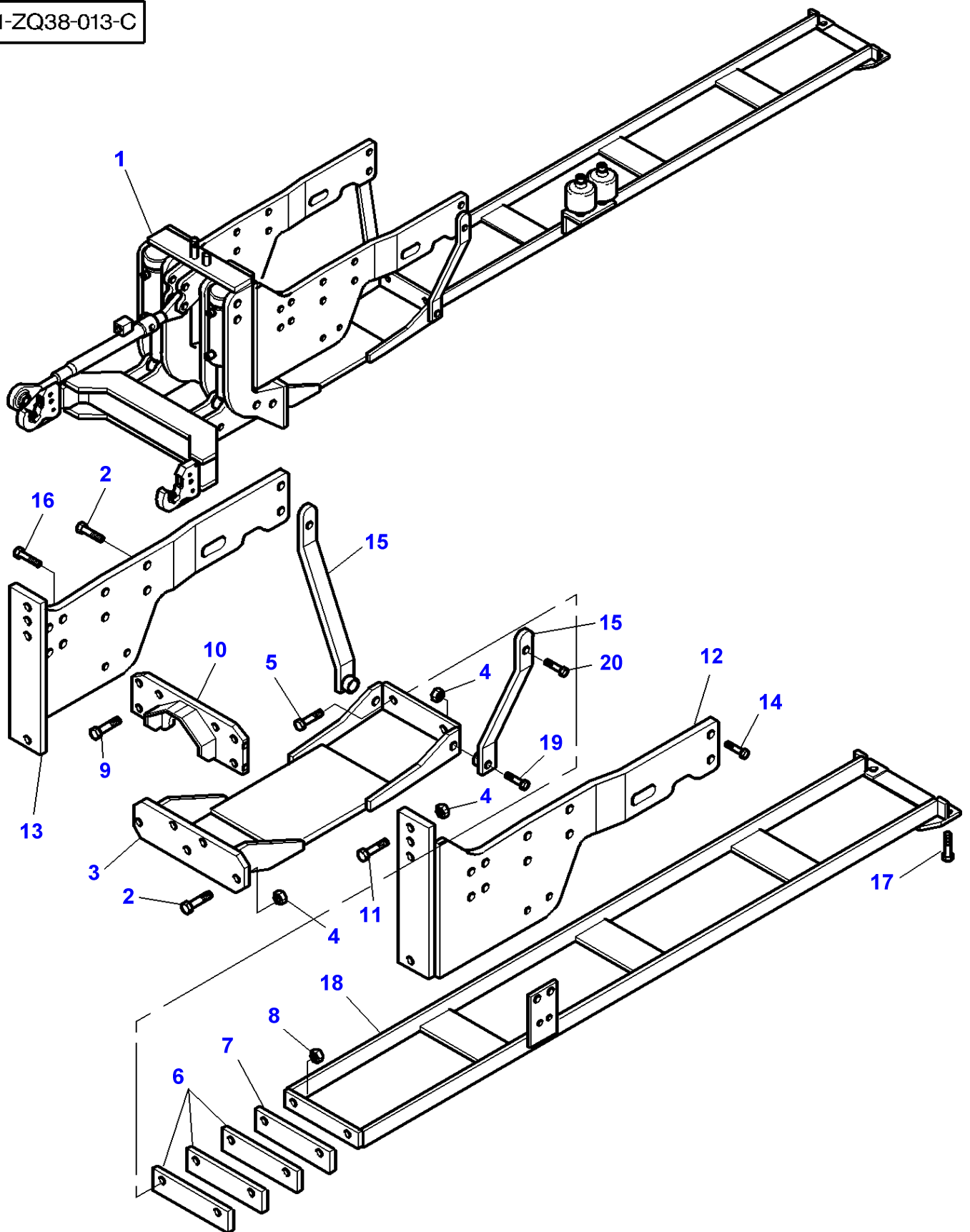
Item	Part Number	Qty	Description	Comments
1	3787784M13	1	Hitch	
2	3010047X1	17	Screw	(1) M20 X 60
3	3786107M2	1	Transverse	(1) Up to Serial or Engine Number L030018
	3788201M1	1	Transverse	(1) From Serial or Engine Number L030019
4	3788201M1	1	Transverse	(1)
	339035X1	19	Nut Metric	(1) M20
5	3010164X1	2	Screw Metric	(1) M18 X 80
6	3786109M1	4	Chock	(1) Thickness 3MM
7	3787759M1	1	Chock	(1) Thickness 8MM
8	392338X1	2	Nut	(1) M18
9	1441598X1	6	Bolt Metric	(1) M20 X 55
10	3786110M2	1	Transverse	(1)
11	391329X1	12	Screw	(1) M20 X 70
12	3787383M1	1	Runner	(1) Left Hand
13	3787384M2	1	Runner	(1) Right Hand
14	3010045X1	4	Screw	(1) M20 X 90
15	3786108M1	2	Stirrup	(1)
16	391890X1	4	Screw	(1) M18 X 60
17	391891X1	2	Bolt Metric	(1) M20 X 90
18	3786106M1	1	Support	(1)
19	3010569X1	2	Screw	(1) M20 X 80

1-ZQ38-016-A



Item	Part Number	Qty	Description	Comments
1	3787784M13	1	Hitch	
2	3782686M1	2	Toggle	(1) CAT 2-3
	3782685M1	2	Toggle	(1) CAT 3
3	3783021M2	1	Arm	(1)
4	3010923X1	2	Screw	(1) M12 X 20
5	3783023M1	2	Clevis Pin	(1)
6	3900862M1	6	Greaser	(1) M6 X 100
7	3783421M1	2	Ram	(1)
8	3903317M91	1	Kit, Joint	
9	3782684M1	5	Clip	(1)
10	3783022M1	4	Clevis Pin	(1)
11	3783024M1	1	Support	(1)
12	3782691M1	1	Clip	(1)
13	3783420M1	1	Frame	(1)
14	3783029M1	1	Toggle	(1)
15	3010927X1	1	Nut	(1) M36
16	3783027M1	1	Body	(1)
17	3783030M1	1	Toggle	(1)
18	3903314M91	1	Kit, Repair	(3)
19	3006429X1	1	Pin	(3) Diameter 10X36MM
20	3008317X1	1	Pin	(3) Diameter 13X36MM
21	339783X1	1	Pin	(3) Diameter 6X32MM

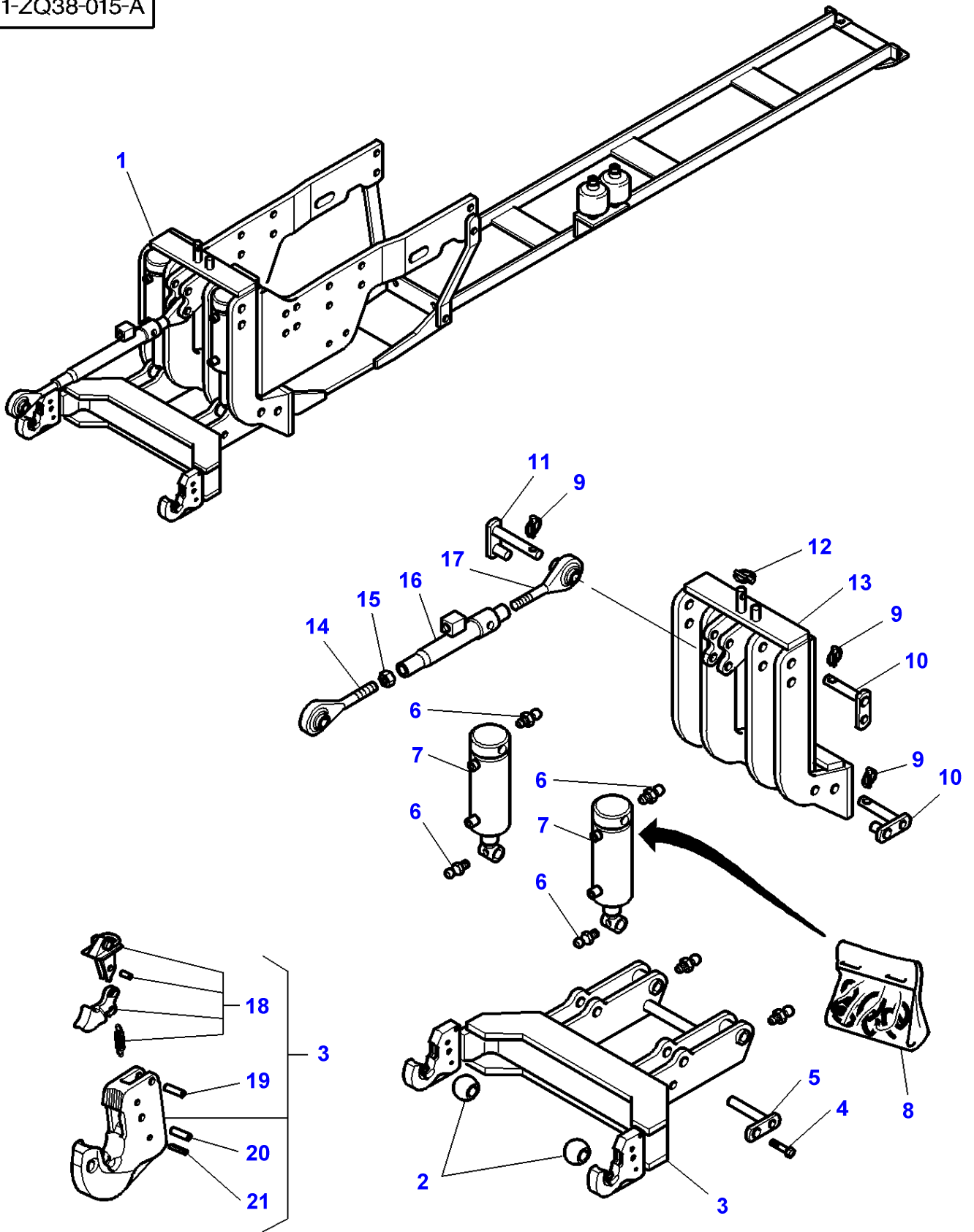
1-ZQ38-013-C



Item	Part Number	Qty	Description	Comments
1	3787786M13	1	Hitch	
2	3010047X1	17	Screw	(1) M20 X 60
3	3786107M2	1	Transverse	(1) Up to Serial or Engine Number L030018
	3788201M1	1	Transverse	(1) From Serial or Engine Number L030019
4	339035X1	15	Nut Metric	(1) M20
5	3010164X1	2	Screw Metric	(1) M18 X 80
6	3786109M1	4	Chock	(1) Thickness 3MM
7	3787759M1	1	Chock	(1) Thickness 8MM
8	392338X1	2	Nut	(1) M18
9	1441598X1	6	Bolt Metric	(1) M20 X 55
10	3786106M1	1	Support	(1)
11	391329X1	8	Screw	(1) M20 X 70
12	3787383M1	1	Runner	(1) Left Hand
13	3787384M2	1	Runner	(1) Right Hand
14	3010045X1	4	Screw	(1) M20 X 90
15	3786108M1	2	Stirrup	(1)
16	391890X1	4	Screw	(1) M18 X 60
17	3010921X1	4	Screw	(1) M16 X 50
18	3786112M2	1	Transverse	(1)
19	391891X1	2	Bolt Metric	(1) M20 X 90
20	3010569X1	2	Screw	(1) M20 X 80

MF 8250 TRACTOR - 1637366
1-ZQ38-015-A

1-ZQ38-015-A



Massey Ferguson**MF 8250 TRACTOR - 1637366**

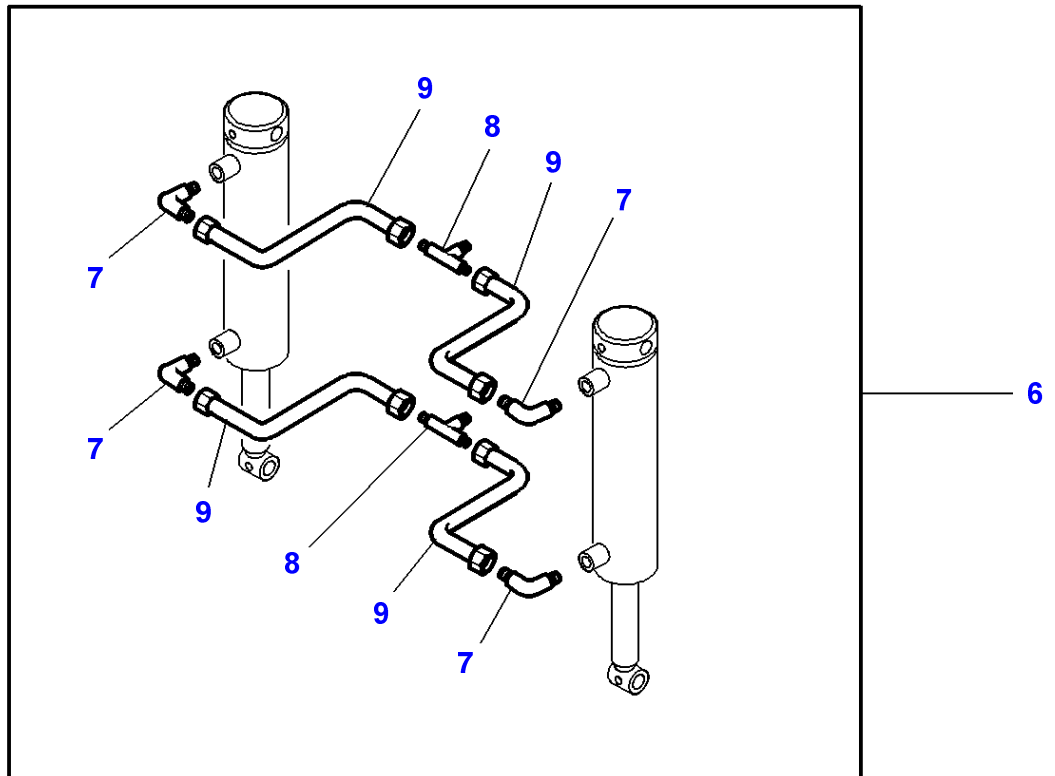
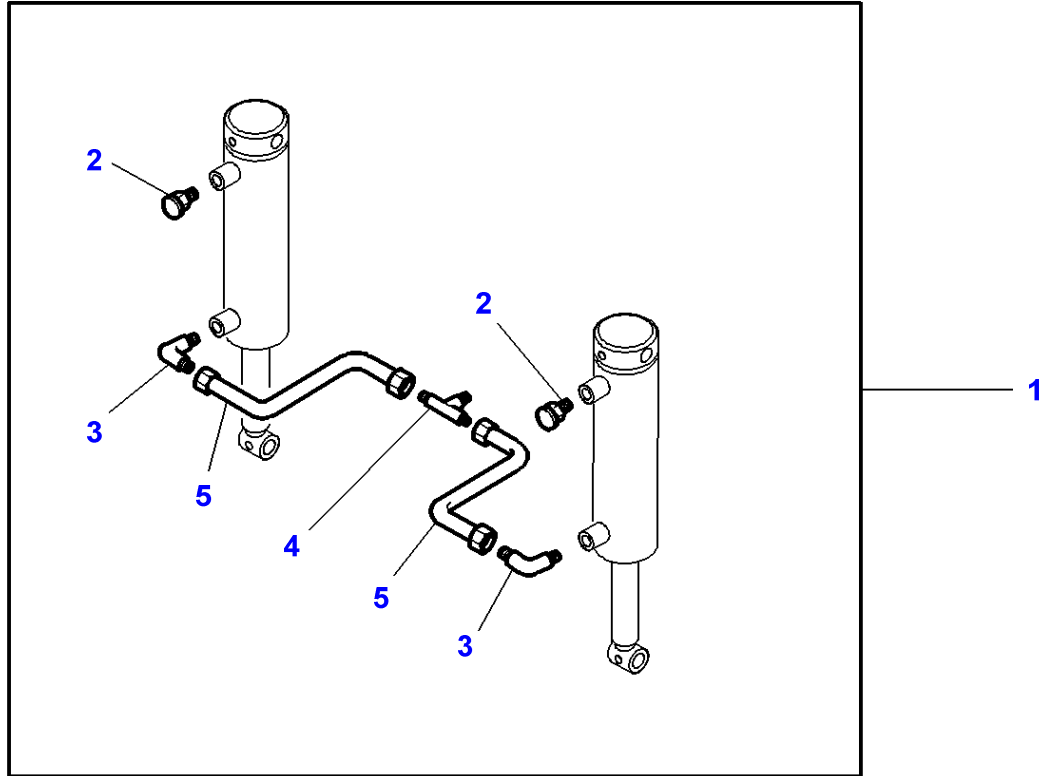
1637366

Front Linkage 50000N - CARRARO FRONT AXLE - FULL POWERSHIFT

Page040-0355

Item	Part Number	Qty	Description	Comments
1	3787786M13	1	Hitch	
2	3782686M1	2	Toggle	(1) CAT 2-3
	3782685M1	2	Toggle	(1) CAT 3
3	3783021M2	1	Arm	(1)
4	3010923X1	2	Screw	(1) M12 X 20
5	3783023M1	2	Clevis Pin	(1)
6	3900862M1	6	Greaser	(1) M6 X 100
7	3783421M1	2	Ram	(1)
8	3903317M91	1	Kit, Joint	
9	3782684M1	5	Clip	(1)
10	3783022M1	4	Clevis Pin	(1)
11	3783024M1	1	Support	(1)
12	3782691M1	1	Clip	(1)
13	3783420M1	1	Frame	(1)
14	3783029M1	1	Toggle	(1)
15	3010927X1	1	Nut	(1) M36
16	3783027M1	1	Body	(1)
17	3783030M1	1	Toggle	(1)
18	3903314M91	1	Kit, Repair	(3)
19	3006429X1	1	Pin	(3) Diameter 10X36MM
20	3008317X1	1	Pin	(3) Diameter 13X36MM
21	339783X1	1	Pin	(3) Diameter 6X32MM

1-ZQ38-018-A



Massey Ferguson**MF 8250 TRACTOR - 1637366**

1637366

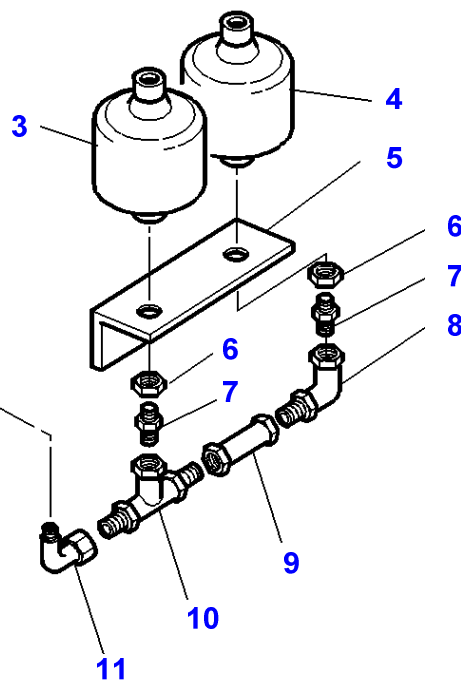
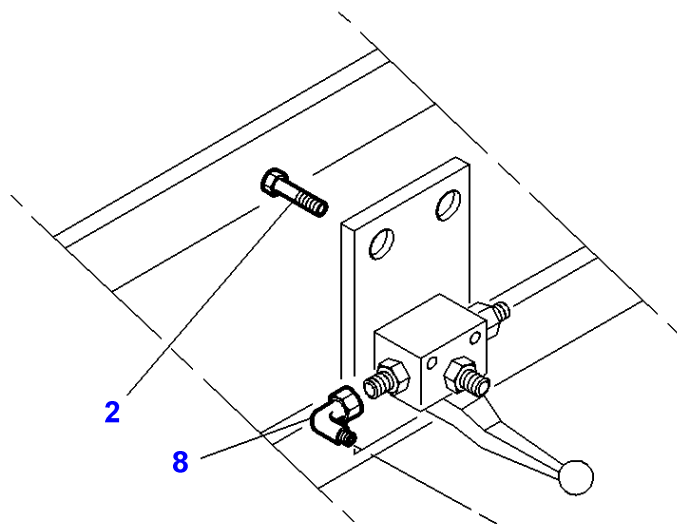
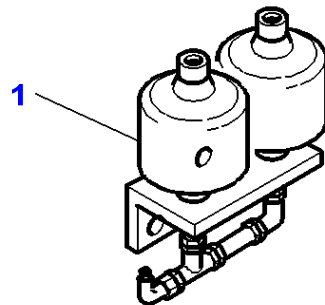
Front Linkage 50000N - Hydraulic - With CARRARO Front Axle

Page040-0360

Item	Part Number	Qty	Description	Comments
1	3787766M91	1	Kit,Hose Fitting	[A]
2	3784859M1	2	Breather	(1)
3	3783164M1	2	Elbow	(1)
4	3902227M1	1	Teepiece	(1)
5	3783025M1	1	Tube	(1)
6	3787767M91	1	Kit,Hose Fitting	[B]
7	3783164M1	4	Elbow	(6)
8	3902227M1	2	Teepiece	(6)
9	3783025M1	4	Tube	(6)

FOOTNOTE [A] KIT SINGLE ACTING**FOOTNOTE [B]** KIT DUAL ACTING

1-ZQ38-014-A

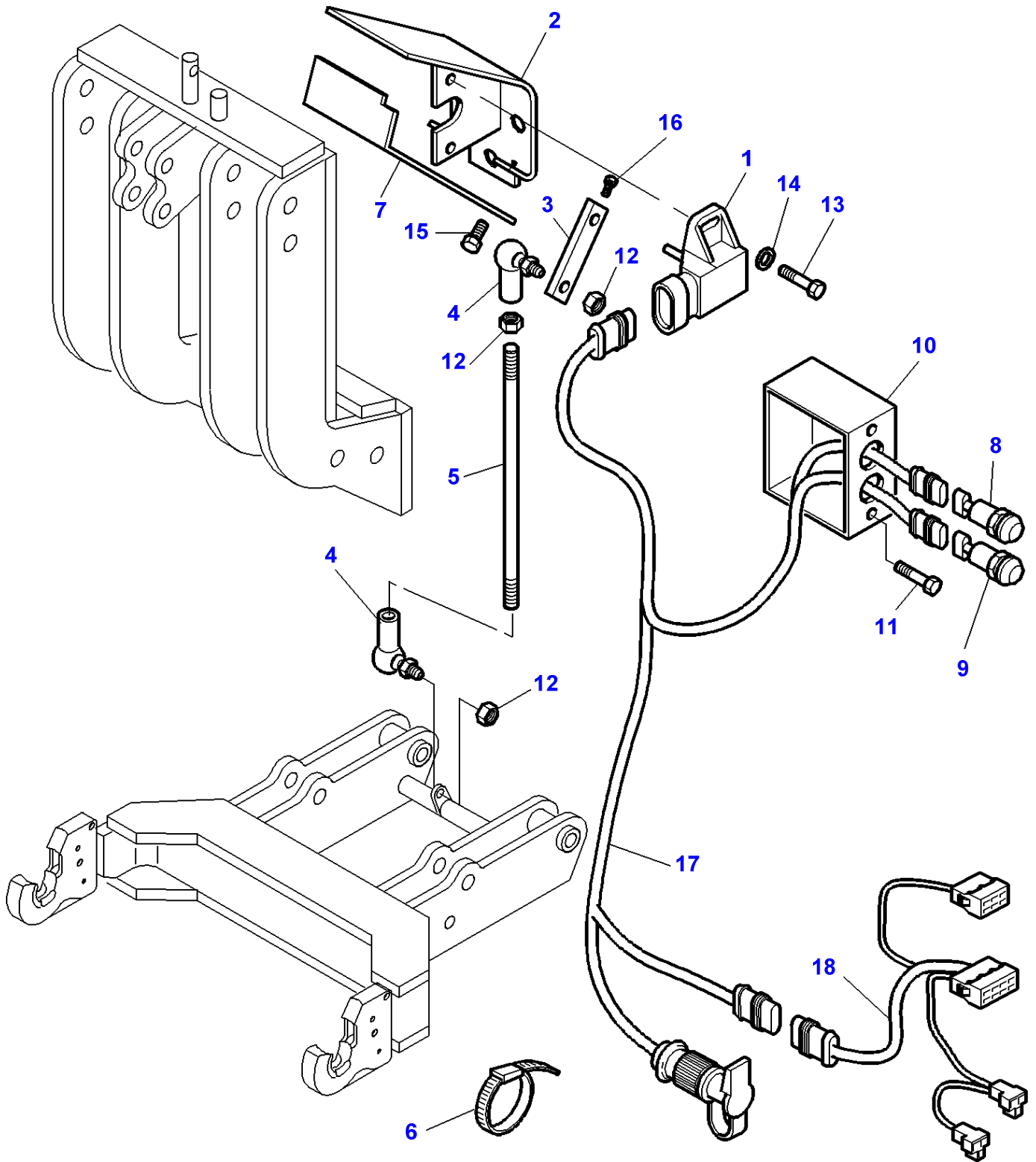


Massey Ferguson**MF 8250 TRACTOR - 1637366****1637366****Front Linkage 50000N****Page040-0365**

Item	Part Number	Qty	Description	Comments
1	3787768M91	1	Kit, Accumulator	
2	3010922X1	2	Screw	(1) M14 X 30
3	3783641M2	1	Accumulator	(1) 26 BAR
4	3783640M1	1	Accumulator	(1) 80 BAR
5	3783854M1	1	Support	(1)
6	3384126M1	2	Nut	(1) M33 Thickness 10MM
7	3783642M1	2	Union	(1)
8	3900883M1	2	Elbow	(1)
9	3783643M1	1	Tube	(1)
10	3900914M1	1	Teepiece	(1)
11	3783855M1	1	Tube	(1)

MF 8250 TRACTOR - 1637366
1-ZQ38-017-B

1-ZQ38-017-B

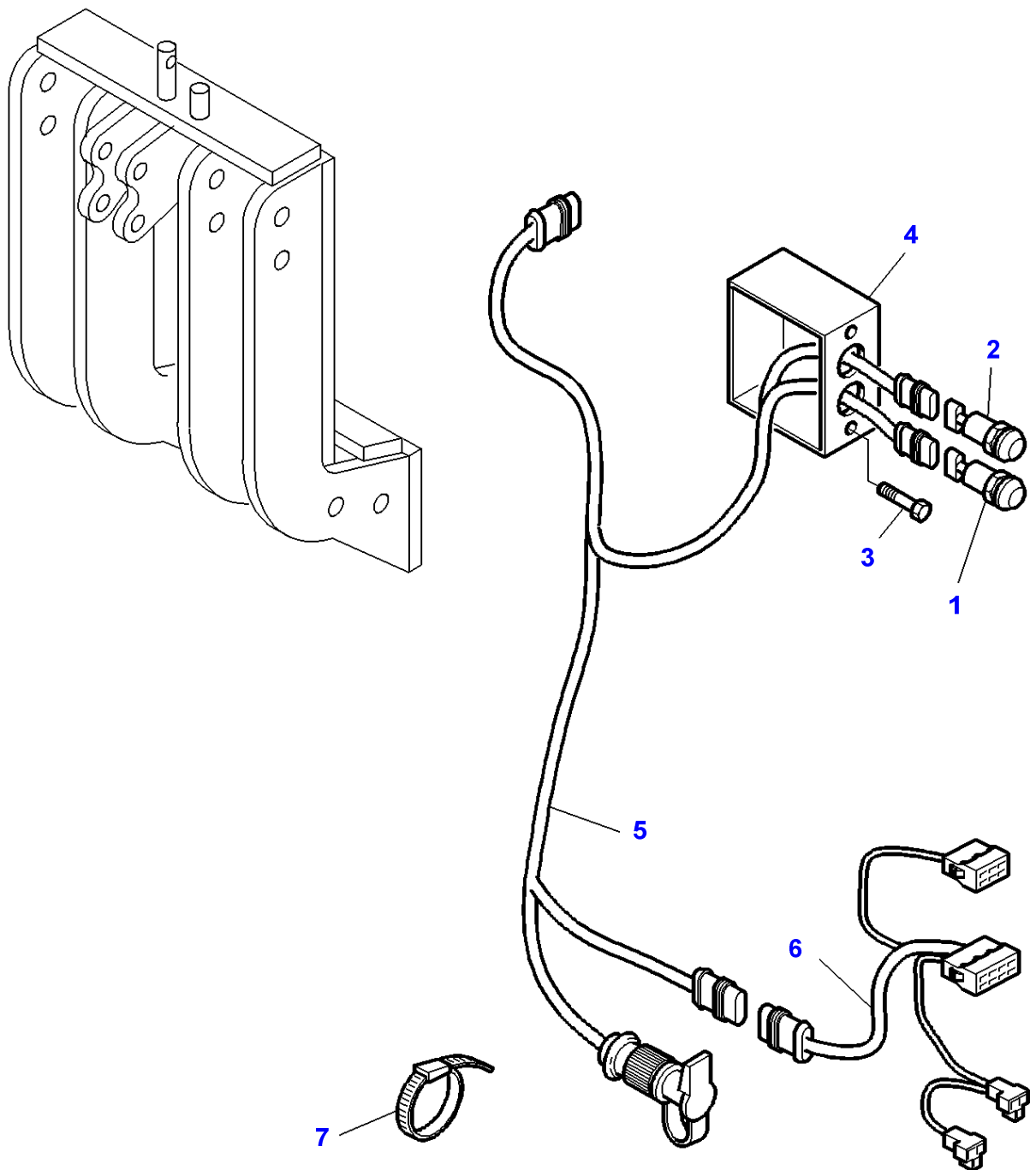


Item	Part Number	Qty	Description	Comments
1	3784361M1	1	Transducer	
2	3786132M1	1	Support	
3	3786098M2	1	Rod Link	Length 56MM
4	3782780M1	2	Stub	M6
5	3786131M1	1	Stem	Length 38MM
6	3619622M1	10	Cable Tie	
7	3786133M2	1	Cowl	
8	3714137M1	1	Switch,Indirect	[A]
9	3714138M1	1	Switch,Indirect	[B]
10	3786186M2	1	Support	
11	339009X1	2	Hex. Sock. Screw	M8X35
12	3011202X1	3	Nut	
13	1442171X1	2	Screw	M4X10
14	339102X1	2	Washer	
15	3009491X1	2	Hex. Sock. Screw	M10X20
16	3011203X1	1	Screw	M4X10
17	3786263M1	1	Harness	
18	3786264M2	1	Harness	Length 2150MM

FOOTNOTE [A] UP

FOOTNOTE [B] DOWN

1-ZQ38-023-A



Massey Ferguson**MF 8250 TRACTOR - 1637366****1637366****Front Linkage 50000N - Without Front Dual Control - Lift External Control****Page040-0375**

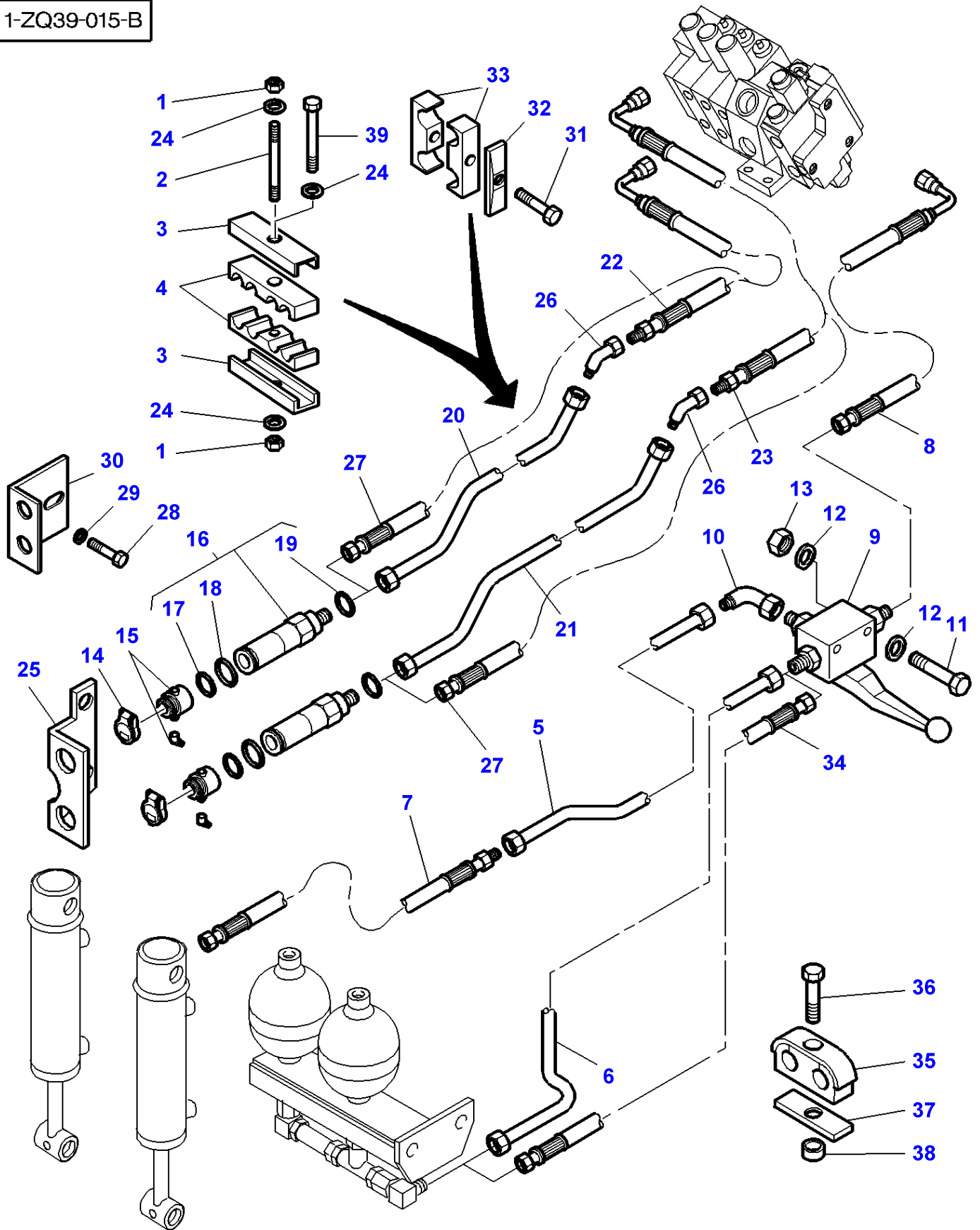
Item	Part Number	Qty	Description	Comments
1	3714137M1	1	Switch,Indirect	[A]
2	3714138M1	1	Switch,Indirect	[B]
3	339009X1	1	Hex. Sock. Screw	M8X35
4	3786186M2	1	Support	
5	3786263M1	1	Harness	
6	3786264M2	1	Harness	
7	3619622M1	X	Cable Tie	

FOOTNOTE [A] UP

FOOTNOTE [B] DOWN

MF 8250 TRACTOR - 1637366
1-ZQ39-015-B

1-ZQ39-015-B



Item	Part Number	Qty	Description	Comments
1	1441500X1	4	Locknut	
2	3019058X1	4	Stud	M6X35
3	3784260M1	2	Plate	
4	3784258M1	2	Bridle	Diameter 12MM
	3784259M1	2	Bridle	Diameter 16MM
5	3784295M1	1	Tube	Length 1250MM
6	3784297M1	1	Tube	[C,E] Length 1319MM
7	3784412M1	1	Hydr Hose	[E] Length 420MM
	3784412M1	1	Hydr Hose	[C] Length 420MM
	4271519M1	1	Hydr Hose	Up to Serial or Engine Number L337008 [C] From Serial or Engine Number L337009 Length 450MM
	3787883M1	1	Hydr Hose	[D] Diameter 1000MM Length 3000MM
8	3785125M1	1	Hydr Hose	
9	3784417M2	1	Vane	
10	338739X1	1	Union	
11	3010920X1	2	Screw	M5X70
12	390469X1	4	Washer Metric	
13	1441494X1	2	Nut Metric	
14	3784927M1	2	Helmet	[B]
15	3785253M91	2	Breather	Up to Serial or Engine Number 06-2001
16	3794608M1	2	Female Coupler	
17	3903512M2	1	Snapping	(16) Replace and repair. Old interchangeable with new 3903512M1
18	368374X1	1	O Ring	(16)
19	3903520M1	1	Gasket	(16)
20	3784285M2	1	Tube	[A,C] Up to Serial or Engine Number K243004 Length 1773MM
	3787697M2	1	Tube	[A,C] From Serial or Engine Number K243005 Length 1840MM
	3787697M2	1	Tube	[A,E] Length 1840MM
21	3784286M2	1	Tube	[A,C] Up to Serial or Engine Number K243004 Length 1803MM
	3787698M3	1	Tube	[A,C] From Serial or Engine Number K243005 Length 1840MM
	3787698M3	1	Tube	[A,E] Length 1840MM
22	3785119M1	1	Hydr Hose	[A,C,E] Length 2800MM
23	3785120M1	1	Hydr Hose	[A,C,E] Length 3250MM
24	390971X1	4	Washer	
25	3788071M1	1	Support	[C] Up to Serial or Engine Number K243004
	3787688M1	1	Bracket	[C] From Serial or Engine Number K243005
	3787688M1	1	Bracket	[E]
26	373784X1	2	Elbow	[C] Up to Serial or Engine Number K243004
27	3787710M1	2	Hydr Hose	[D] Length 5500MM
28	339123X1	2	Hex. Sock. Screw	M8 X 20
29	390972X1	2	Washer Metric	
30	3787707M3	1	Support	[D]
31	339011X1	1	Bolt Metric	M8 X 45
32	3780683M1	1	Plate	[D]
33	3780682M1	2	Bridle	[D]
34	3787882M1	1	Hydr Hose	[D] Length 450MM
35	3781907M1	1	Bridle	[E] From Serial or Engine Number L079023

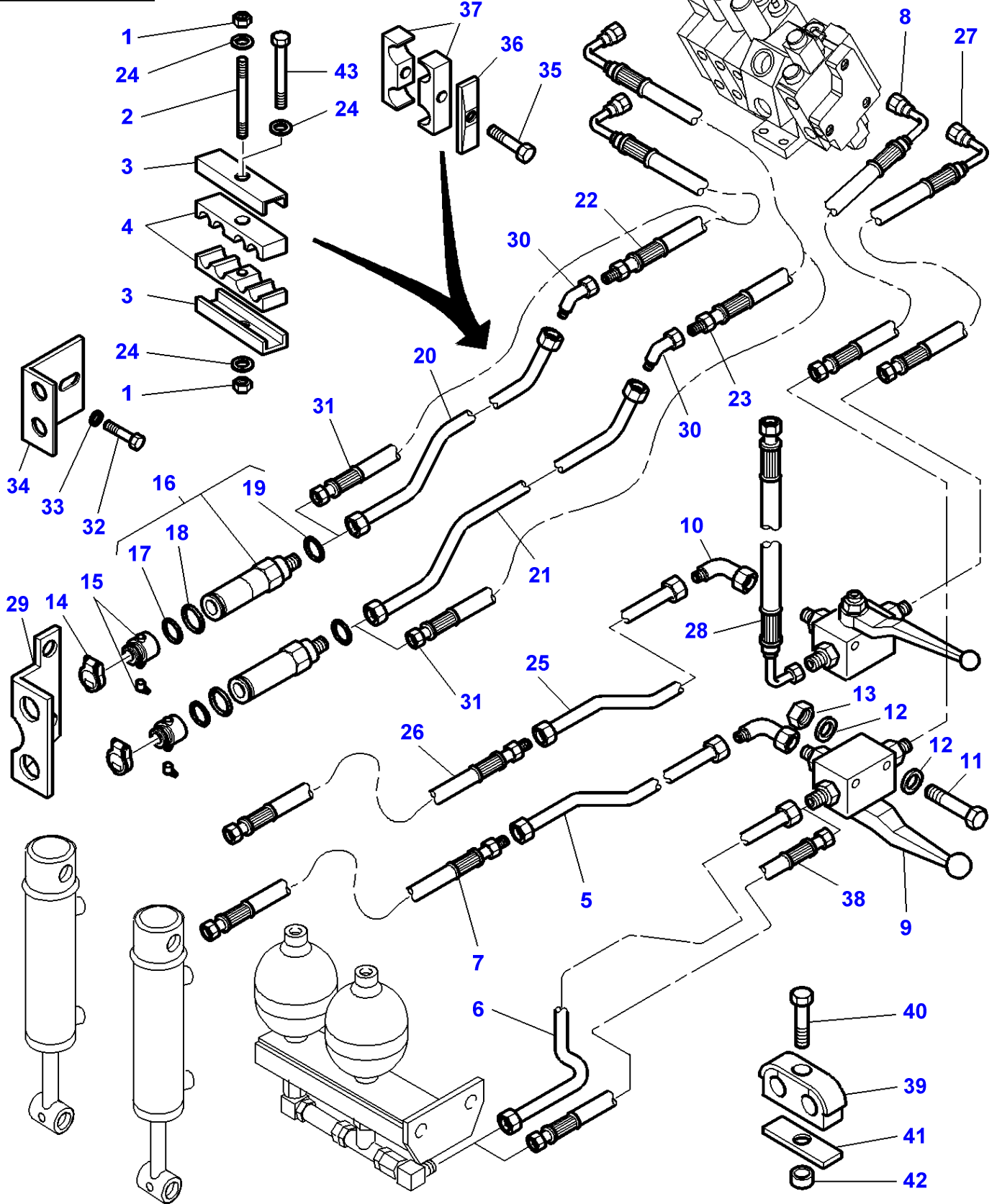
Massey Ferguson**MF 8250 TRACTOR - 1637366****1637366****Front Linkage - HYDRAULIC - Single Acting-WITH ACCUMULATOR-WITH CARRARO FRONT AXLE****Page040-0380**

Item	Part Number	Qty	Description	Comments
36	339891X1	1	Screw	From Serial or Engine Number L079023 M8X80
37	3788417M2	1	Plate	From Serial or Engine Number L079023
38	3714943M1	1	Spacer	From Serial or Engine Number L079023 Diameter 9-20X28
39	339096X1	2	Bolt Metric	M6 X 35

FOOTNOTE [A] WITH HYDRAULIC COUPLING**FOOTNOTE [B]** RED**FOOTNOTE [C]** WITH FRONT LINKAGE 35000N**FOOTNOTE [D]** WITH FRONT LINKAGE 50000N - SUSPENDED FRONT AXLE SUSPENDED**FOOTNOTE [E]** WITH FRONT LINKAGE 50000N - FIXED FRONT AXLE

MF 8250 TRACTOR - 1637366
1-ZQ39-016-B

1-ZQ39-016-B



Item	Part Number	Qty	Description	Comments
1	1441500X1	4	Locknut	
2	3019058X1	4	Stud	M6X35
3	3784260M1	2	Plate	
4	3784258M1	2	Bridle	Diameter 12MM
	3784259M1	2	Bridle	Diameter 16MM
5	3784295M1	1	Tube	Length 1250MM
6	3784297M1	1	Tube	[C,E] Length 1319MM
7	3784412M1	1	Hydr Hose	[E] Length 420MM
	3784412M1	1	Hydr Hose	[C] Length 420MM
	4271519M1	1	Hydr Hose	Up to Serial or Engine Number L337008 [C] From Serial or Engine Number L337009 Length 450MM
	3787883M1	1	Hydr Hose	[D] Length 1000MM
8	3785125M1	1	Hydr Hose	Length 3000MM
9	3784417M2	2	Vane	
10	338739X1	2	Union	
11	3010920X1	4	Screw	M5X70
12	390469X1	8	Washer Metric	
13	1441494X1	4	Nut Metric	
14	3784927M1	2	Helmet	[B]
15	3785253M91	2	Breather	Up to Serial or Engine Number 06-2001
16	3794608M1	2	Female Coupler	
17	3903512M2	1	Snapping	(16) Replace and repair. Old interchangeable with new 3903512M1
18	368374X1	1	O Ring	(16)
19	3903520M1	1	Gasket	(16)
20	3784285M2	1	Tube	[A,C] Up to Serial or Engine Number K243004 Length 1773MM
	3787697M2	1	Tube	[A,C] From Serial or Engine Number K243005 Length 1840MM
	3787697M2	1	Tube	[A,E] Length 1840MM
21	3784286M2	1	Tube	[A,C] Up to Serial or Engine Number K243004 Length 1803MM
	3787698M3	1	Tube	[A,C] From Serial or Engine Number K243005 Length 1840MM
	3787698M3	1	Tube	[A,E] Length 1840MM
22	3785119M1	1	Hydr Hose	[A,C,E] Length 2800MM
23	3785120M1	1	Hydr Hose	[A,C,E] Length 3250MM
24	390971X1	4	Washer	
25	3784296M1	1	Tube	Length 1256MM
26	3784418M1	1	Hydr Hose	[E] Length 640MM
	3784418M1	1	Hydr Hose	[C] Length 640MM
	4271519M1	1	Hydr Hose	Up to Serial or Engine Number L337008 [C] From Serial or Engine Number L337009 Length 450MM
	3787883M1	1	Hydr Hose	[D] Length 1000MM
27	3784688M1	1	Hydr Hose	Length 3400MM
28	3784298M1	1	Hydr Hose	Length 2500MM
29	3788071M1	1	Support	[C] Up to Serial or Engine Number K243004
	3787688M1	1	Bracket	[C] From Serial or Engine Number K243005
	3787688M1	1	Bracket	[E]
30	373784X1	2	Elbow	[C] Up to Serial or Engine Number K243005

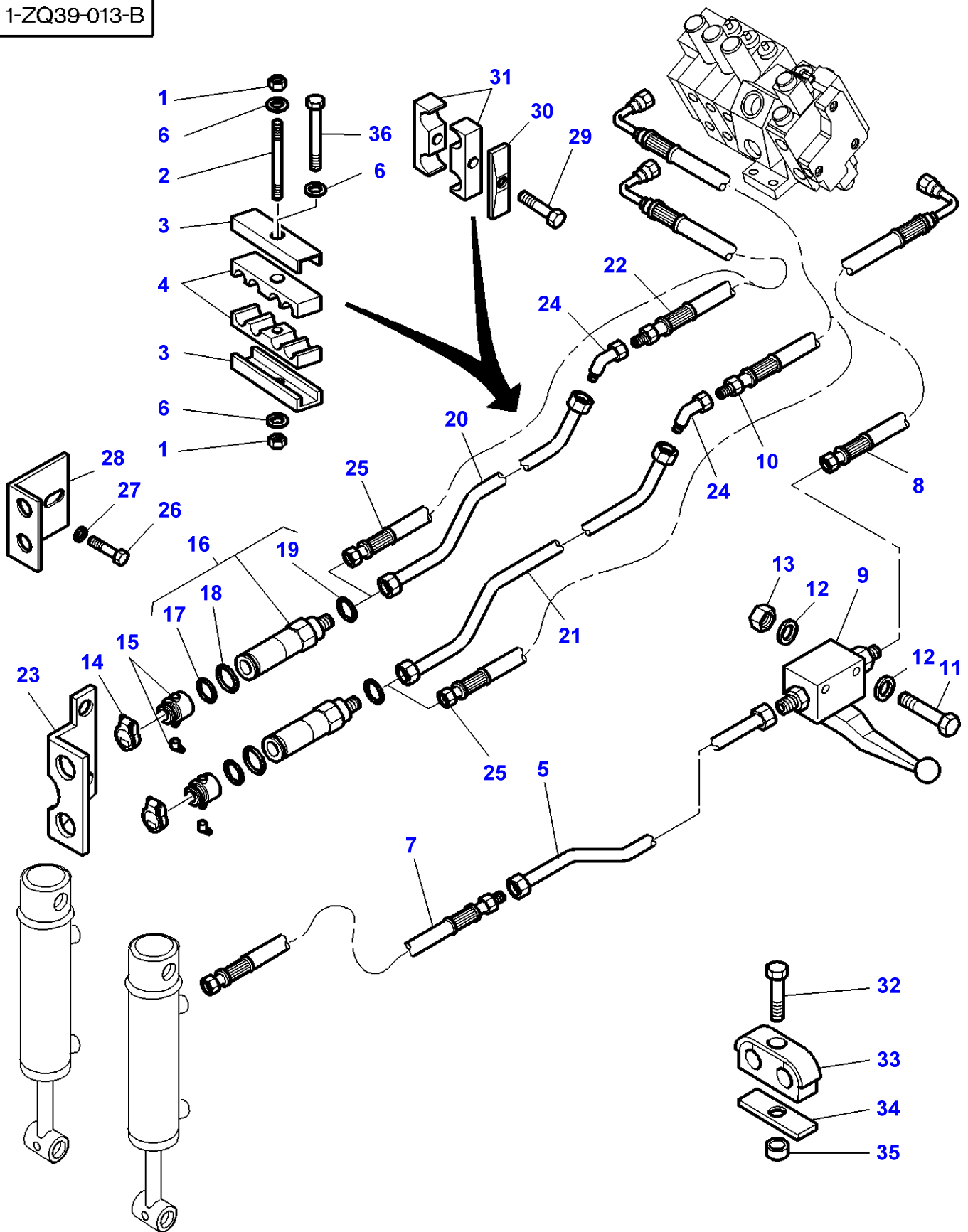
Massey Ferguson**MF 8250 TRACTOR - 1637366****1637366****Front Linkage - HYDRAULIC - Two Way-WITH ACCUMULATOR-WITH CARRARO FRONT AXLE****Page040-0385**

Item	Part Number	Qty	Description	Comments
31	3787710M1	2	Hydr Hose	[D] Length 5500MM
32	339123X1	2	Hex. Sock. Screw	M8 X 20
33	390972X1	2	Washer Metric	
34	3787707M3	1	Support	[D]
35	339011X1	1	Bolt Metric	
36	3780683M1	1	Plate	[D]
37	3780682M1	2	Bridle	[D]
38	3787882M1	1	Hydr Hose	[D] Length 450MM
39	3781907M1	1	Bridle	[E] From Serial or Engine Number L079023
40	339891X1	1	Screw	From Serial or Engine Number L079023 M8X80
41	3788417M2	1	Plate	From Serial or Engine Number L079023
42	3714943M1	1	Spacer	From Serial or Engine Number L079023 Diameter 9-20X28
43	339096X1	2	Bolt Metric	M6 X 35

FOOTNOTE [A] WITH HYDRAULIC COUPLING**FOOTNOTE [B]** RED**FOOTNOTE [C]** WITH FRONT LINKAGE 35000N**FOOTNOTE [D]** WITH FRONT LINKAGE 50000N - SUSPENDED FRONT AXLE SUSPENDED**FOOTNOTE [E]** WITH FRONT LINKAGE 50000N - FIXED FRONT AXLE

MF 8250 TRACTOR - 1637366
1-ZQ39-013-B

1-ZQ39-013-B



Item	Part Number	Qty	Description	Comments
1	1441500X1	4	Locknut	
2	3019058X1	4	Stud	M6X35
3	3784260M1	2	Plate	
4	3784258M1	2	Bridle	Diameter 12MM
	3784259M1	2	Bridle	Diameter 16MM
5	3784293M1	1	Tube	Length 1236MM
6	390971X1	4	Washer	
7	3784412M1	1	Hydr Hose	[C] Length 420MM Up to Serial or Engine Number L337008
	4271519M1	1	Hydr Hose	[C] From Serial or Engine Number L337009 Length 450MM
	3787883M1	1	Hydr Hose	[D] Length 1000MM
8	3785125M1	1	Hydr Hose	Length 3000MM
9	3784416M1	1	Vane	
10	3785120M1	1	Hydr Hose	[A,C] Length 3250MM
11	3010920X1	2	Screw	M5X70
12	390469X1	4	Washer Metric	
13	1441494X1	2	Nut Metric	
14	3784927M1	2	Helmet	[B]
15	3785253M91	2	Breather	Up to Serial or Engine Number 06-2001
16	3794608M1	2	Female Coupler	
17	3903512M2	1	Snapping	(16) Replace and repair. Old interchangeable with new 3903512M1
18	368374X1	1	O Ring	(16)
19	3903520M1	1	Gasket	(16)
20	3784285M2	1	Tube	[A,C] Up to Serial or Engine Number K243004 Length 1773MM
	3787697M2	1	Tube	[A,C] From Serial or Engine Number K243005 Length 1840MM
21	3784286M2	1	Tube	[A,C] Up to Serial or Engine Number K243004 Length 1803MM
	3787698M3	1	Tube	[A,C] From Serial or Engine Number K243005 Length 1840MM
22	3785119M1	1	Hydr Hose	[A,C] Length 2800MM
23	3788071M1	1	Support	[C] Up to Serial or Engine Number K243004
	3787688M1	1	Bracket	[C] From Serial or Engine Number K243005
24	373784X1	2	Elbow	[C] Up to Serial or Engine Number K243004
25	3787710M1	2	Hydr Hose	[D] Length 5500MM
26	339123X1	2	Hex. Sock. Screw	M8 X 20
27	390972X1	2	Washer Metric	
28	3787707M3	1	Support	[D]
29	339011X1	1	Bolt Metric	
30	3780683M1	1	Plate	[D]
31	3780682M1	2	Bridle	[D]
32	339891X1	1	Screw	From Serial or Engine Number L079023 M8X80
33	3781907M1	1	Bridle	From Serial or Engine Number L079023
34	3788417M2	1	Plate	From Serial or Engine Number L079023
35	3714943M1	1	Spacer	From Serial or Engine Number L079023 Diameter 9-20X28
36	339096X1	2	Bolt Metric	M6 X 35

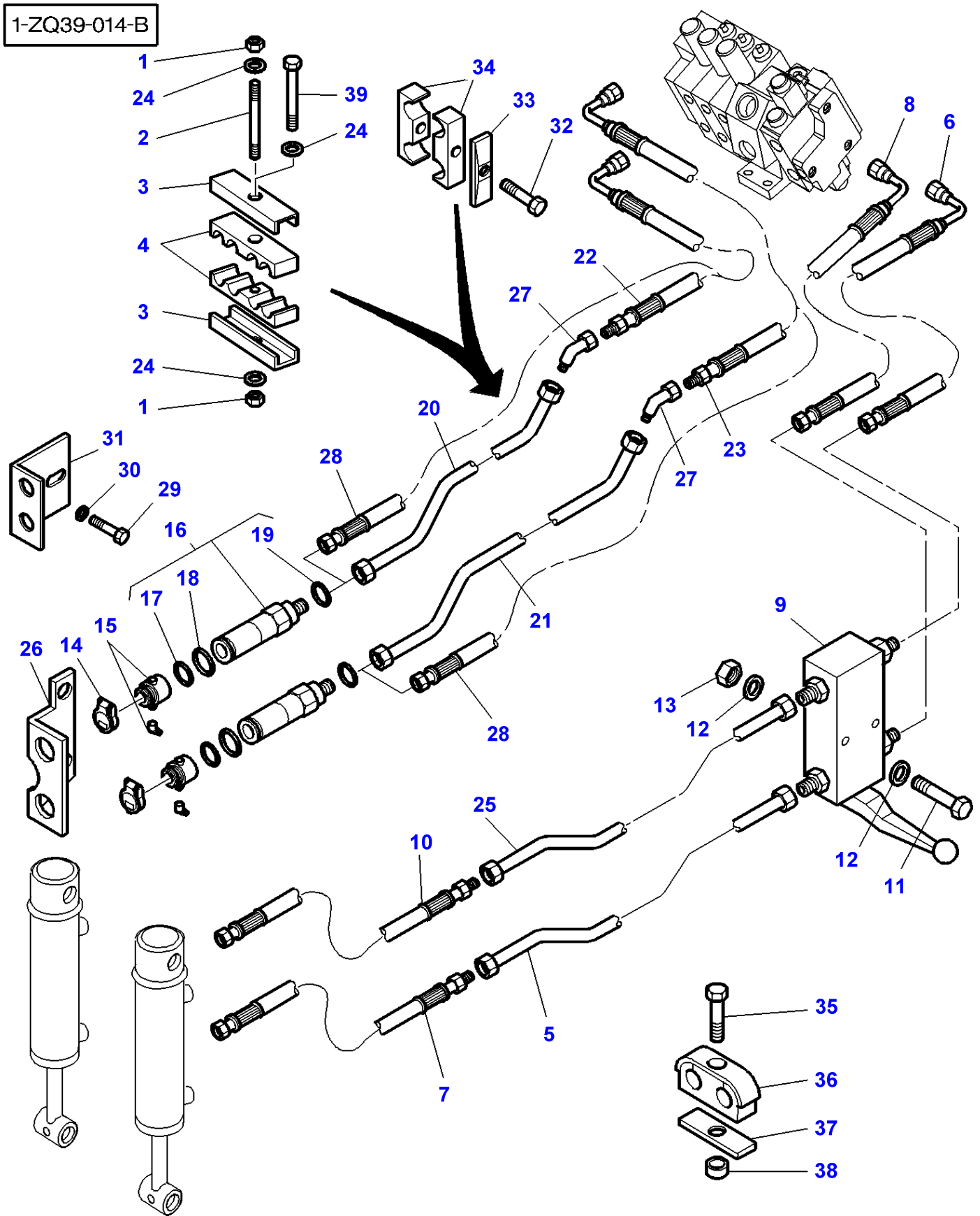
FOOTNOTE [A] WITH HYDRAULIC COUPLING

FOOTNOTE [B] RED

FOOTNOTE [C] WITH FRONT LINKAGE 35000N

FOOTNOTE [D] WITH FRONT LINKAGE 50000N

MF 8250 TRACTOR - 1637366
1-ZQ39-014-B



Item	Part Number	Qty	Description	Comments
1	1441500X1	4	Locknut	
2	3019058X1	4	Stud	M6X35
3	3784260M1	2	Plate	
4	3784258M1	2	Bridle	Diameter 12MM
	3784259M1	2	Bridle	Diameter 16MM
5	3784293M1	1	Tube	Length 1236MM
6	3784688M1	1	Hydr Hose	Length 3400MM
7	3784412M1	1	Hydr Hose	[C] Length 420MM Up to Serial or Engine Number L337008
	4271519M1	1	Hydr Hose	[C] From Serial or Engine Number L337009 Length 450MM
	3787883M1	1	Hydr Hose	[D] Length 1000MM
8	3785125M1	1	Hydr Hose	Length 3000MM
9	3792875M92	1	Vane	
10	3784418M1	1	Hydr Hose	[C] Length 640MM Up to Serial or Engine Number L337008
	4271519M1	1	Hydr Hose	[C] From Serial or Engine Number L337009 Length 450MM
	3787883M1	1	Hydr Hose	[D] Length 1000MM
11	3010920X1	2	Screw	M5X70
12	390469X1	4	Washer Metric	
13	1441494X1	2	Nut Metric	
14	3784927M1	2	Helmet	[B]
15	3785253M91	2	Breather	Up to Serial or Engine Number 06-2001
16	3794608M1	2	Female Coupler	
17	3903512M2	1	Snapping	(16) Replace and repair. Old interchangeable with new 3903512M1
18	368374X1	1	O Ring	(16)
19	3903520M1	1	Gasket	(16)
20	3784285M2	1	Tube	[A,C] Up to Serial or Engine Number K243004 Length 1773MM
	3787697M2	1	Tube	[A,C] From Serial or Engine Number K243005 1840MM
21	3784286M2	1	Tube	[A,C] Up to Serial or Engine Number K243004 Length 1803MM
	3787698M3	1	Tube	[A,C] From Serial or Engine Number K243005 1840MM
22	3785119M1	1	Hydr Hose	[A,C] Length 2800MM
23	3785120M1	1	Hydr Hose	[A,C] Length 3250MM
24	390971X1	4	Washer	
25	3784294M1	1	Tube	Length 1236MM
26	3788071M1	1	Support	[C] Up to Serial or Engine Number K243004
	3787688M1	1	Bracket	[C] From Serial or Engine Number K243005
27	373784X1	2	Elbow	[C] Up to Serial or Engine Number K243004
28	3787710M1	2	Hydr Hose	[D] Length 5500MM
29	339123X1	2	Hex. Sock. Screw	M8 X 20
30	390972X1	2	Washer Metric	
31	3787707M3	1	Support	[D]
32	339011X1	1	Bolt Metric	M8 X 45
33	3780683M1	1	Plate	[D]
34	3780682M1	2	Bridle	[D]
35	339891X1	1	Screw	From Serial or Engine Number L079023 M8X80
36	3781907M1	1	Bridle	From Serial or Engine Number L079023
37	3788417M2	1	Plate	From Serial or Engine Number L079023

Massey Ferguson**MF 8250 TRACTOR - 1637366****1637366****Front Linkage - HYDRAULIC - Two Way-WITHOUT ACCUMULATOR-WITH CARRARO FRONT AXLE****Page040-0395**

Item	Part Number	Qty	Description	Comments
38	3714943M1	1	Spacer	From Serial or Engine Number L079023 Diameter 9-20X28
39	339096X1	2	Bolt Metric	M6 X 35

FOOTNOTE [A] WITH HYDRAULIC COUPLING

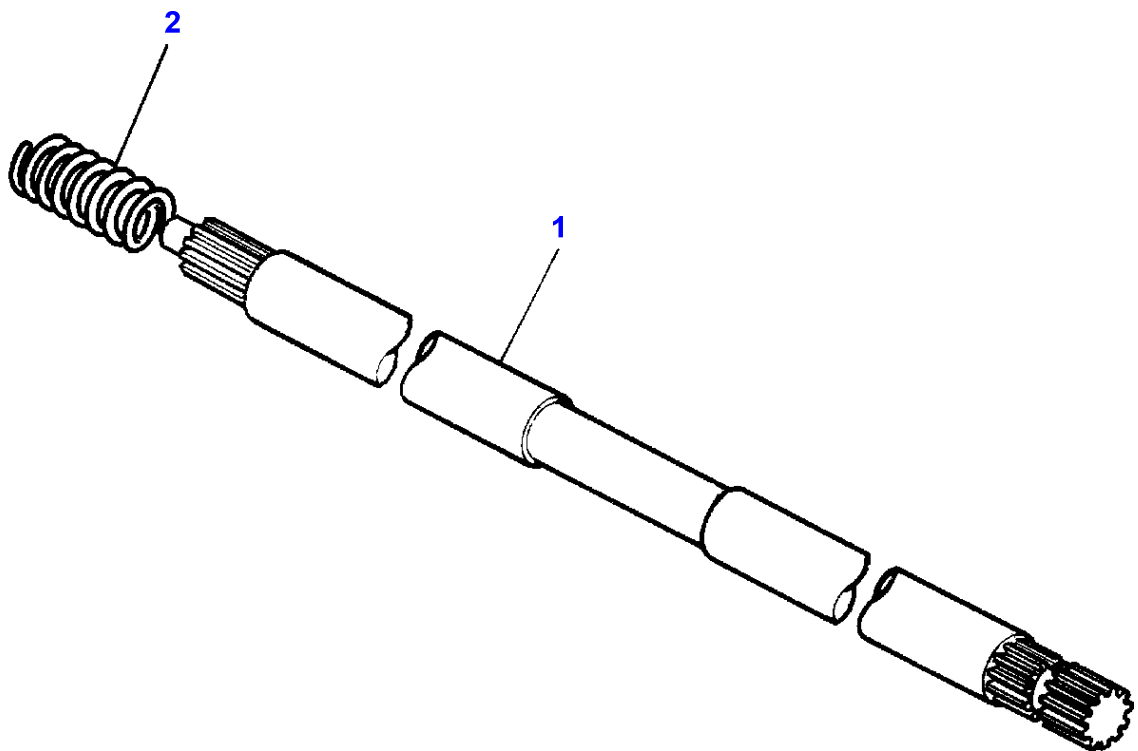
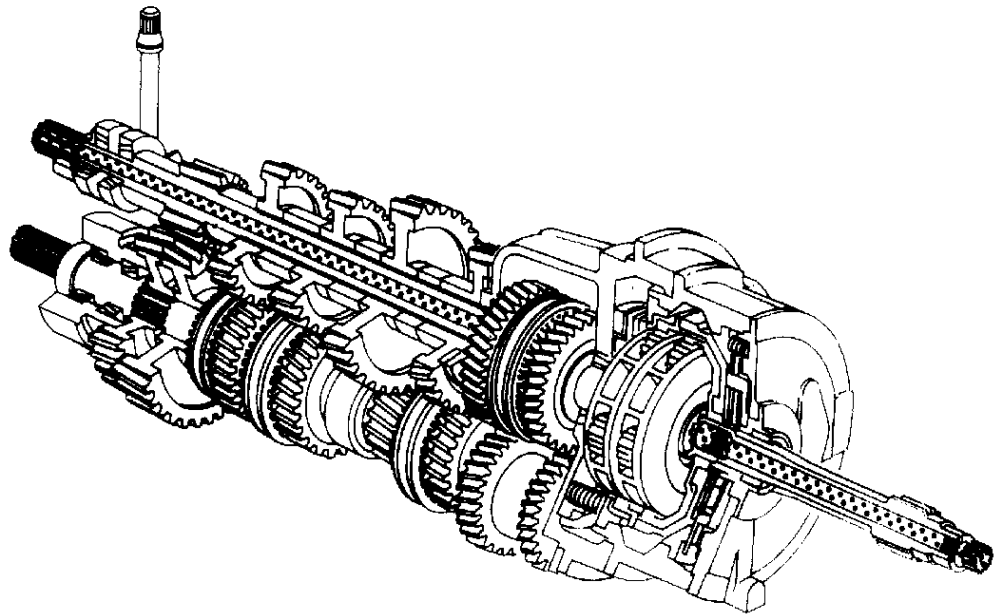
FOOTNOTE [B] RED

FOOTNOTE [C] WITH FRONT LINKAGE 35000N

FOOTNOTE [D] WITH FRONT LINKAGE 50000N

Page Title	Page Number
Pto Shaft - 8 Speed Transmission - Dynashift	050-0005
Pto Shaft - With Full Powershift	050-0010
Pto Shaft - Dynashift	050-0015
Independant Power Take Off Clutch - 6 Discs	050-0020
Independant Power Take Off Drive Mechanism - Two Speed - Brakes	050-0025
Independant Power Take Off Clutch	050-0030
Pto Shaft	050-0035
Pto Shaft - Throttle Control Right Side - Up To ...	050-0040
Pto Shaft - Throttle Control Left Side - From ...	050-0045
Pto Shaft - Cable Control	050-0050
Pto-Coupling Drive Mechanism - P.T.O Control 540/1000 TR/MN	050-0055
Pto-Proportional Drive Mechanism - Cable Control	050-0060
Pto Shaft	050-0065
Pto Shaft	050-0070
Pto Shaft - Cowl - From K029023 - United States only	050-0075
Front Pto - Housing - Reverse Drive Front Pto - Up To 07-01-2001	050-0080
Front Pto - Housing - Clockwise Drive Front Pto - Up To 07-01-2001	050-0085
Front Pto - Drive - Up To 07-01-2001	050-0090
Front Pto - IPTO Clutch - Up To 07-01-2001	050-0095
Front Pto - Drive - Up To 07-01-2001	050-0100
Front Pto - Drive - Up To 07-01-2001	050-0105
Front Pto - Drive - Up To 07-01-2001	050-0110
Front Pto - Lines - Reverse Drive Front Pto - Up To 07-01-2001	050-0115
Front Pto - Lines - Clockwise Drive Front Pto - Up To 07-01-2001	050-0120
Front Pto - Harness - Up To 07-01-2001	050-0125
Front Pto - Housing - Clock Wise Drive Front Pto - From 08-01-2001	050-0130
Front Pto - Housing - Counterclockwise Drive Front Pto - From 08-01-2001	050-0135
Front Pto - Drive - From 08-01-2001	050-0140
Front Pto - IPTO Clutch - From 08-01-2001	050-0145
Front Pto - Lines - From 08-01-2001	050-0150

1-ZX18-009-A



Massey Ferguson

MF 8250 TRACTOR - 1637366

1637366

Pto Shaft - 8 Speed Transmission - Dynashift

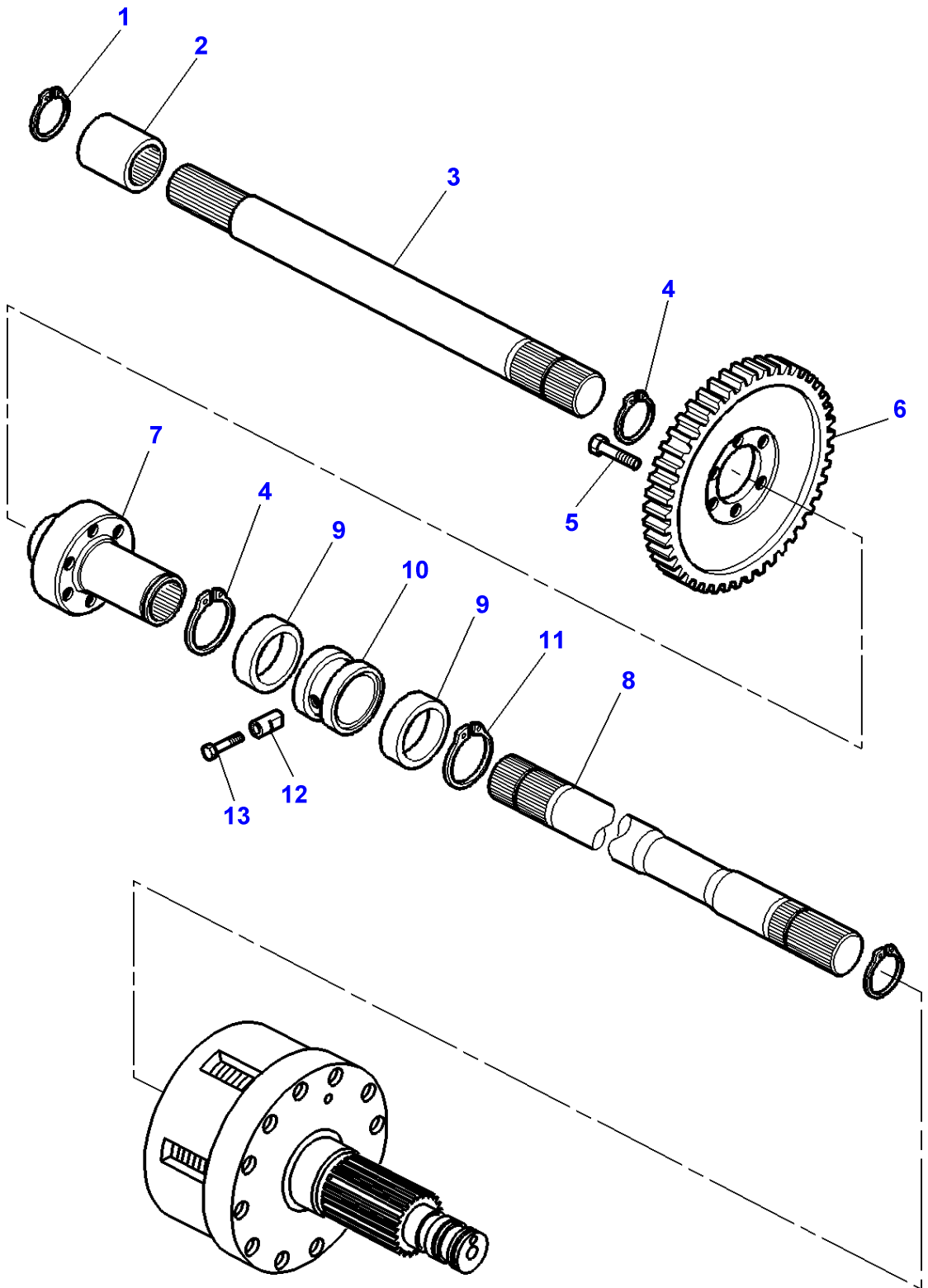
Page050-0005

Item	Part Number	Qty	Description	Comments
1	3716339M2	1	Shaft	
	3793584M1	1	Shaft	[A]
2	3716340M2	1	Spring	

FOOTNOTE [A] WITH POWER SHUTTLE

MF 8250 TRACTOR - 1637366
1-ZX18-003-A

1-ZX18-003-A



Massey Ferguson**MF 8250 TRACTOR - 1637366**

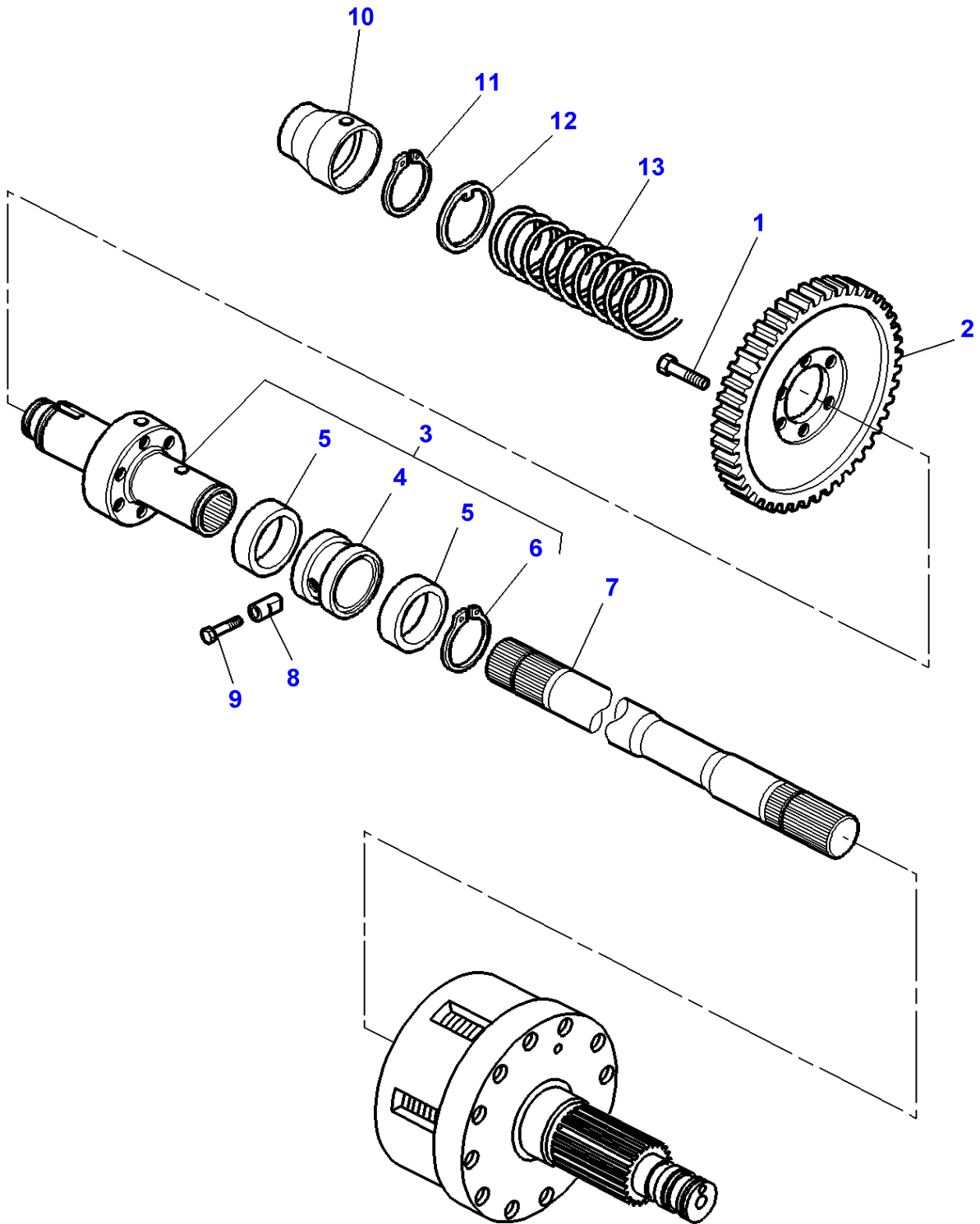
1637366

Pto Shaft - With Full Powershift

Page050-0010

Item	Part Number	Qty	Description	Comments
1	3019268X1	1	Circlip	
2	3716460M1	1	Sleeve	
3	3716417M1	1	Shaft	Length 370MM
4	339469X1	2	Circlip	
5	3010969X1	6	Screw Metric	M10X20
6	3716420M1	1	Pinion	Number of teeth/spines 87
7	3716489M1	1	Hub	
8	3716421M2	1	Shaft	
9	3003277X1	2	Bear. 6010	
10	3716564M2	1	Bush	
11	391129X1	1	Circlip	
12	3716807M1	1	Pin	
13	3019642X1	1	Plug	M16

1-ZX18-002-A

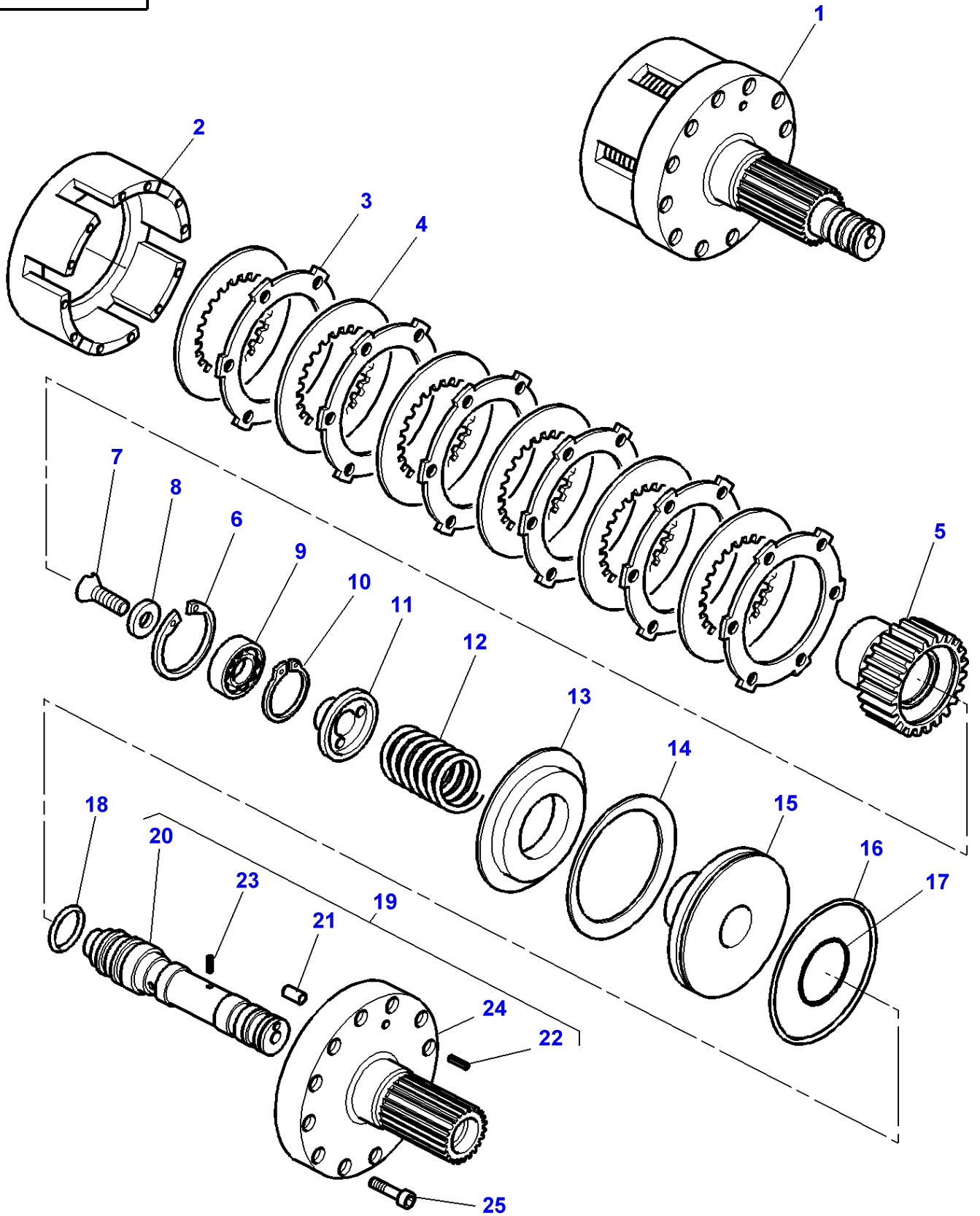


Massey Ferguson**MF 8250 TRACTOR - 1637366****1637366****Page050-0015****Pto Shaft - Dynashift**

Item	Part Number	Qty	Description	Comments
1	3010969X1	6	Screw Metric	M10X20
2	3716420M1	1	Pinion	Number of teeth/spines 87
3	3791963M11	1	Hub	
4	3791929M1	1	Bush	(3)
5	3003277X1	2	Bear. 6010	(3)
6	391129X1	1	Circlip	(3)
7	3790868M1	1	Shaft	
8	3716807M1	1	Pin	
9	3019642X1	1	Plug	M16
10	3791925M1	1	Spacer	
11	1442697X1	1	Circlip	
12	3791928M1	1	Washer	
13	3791926M1	1	Spring	

MF 8250 TRACTOR - 1637366
1-ZG23-004-A

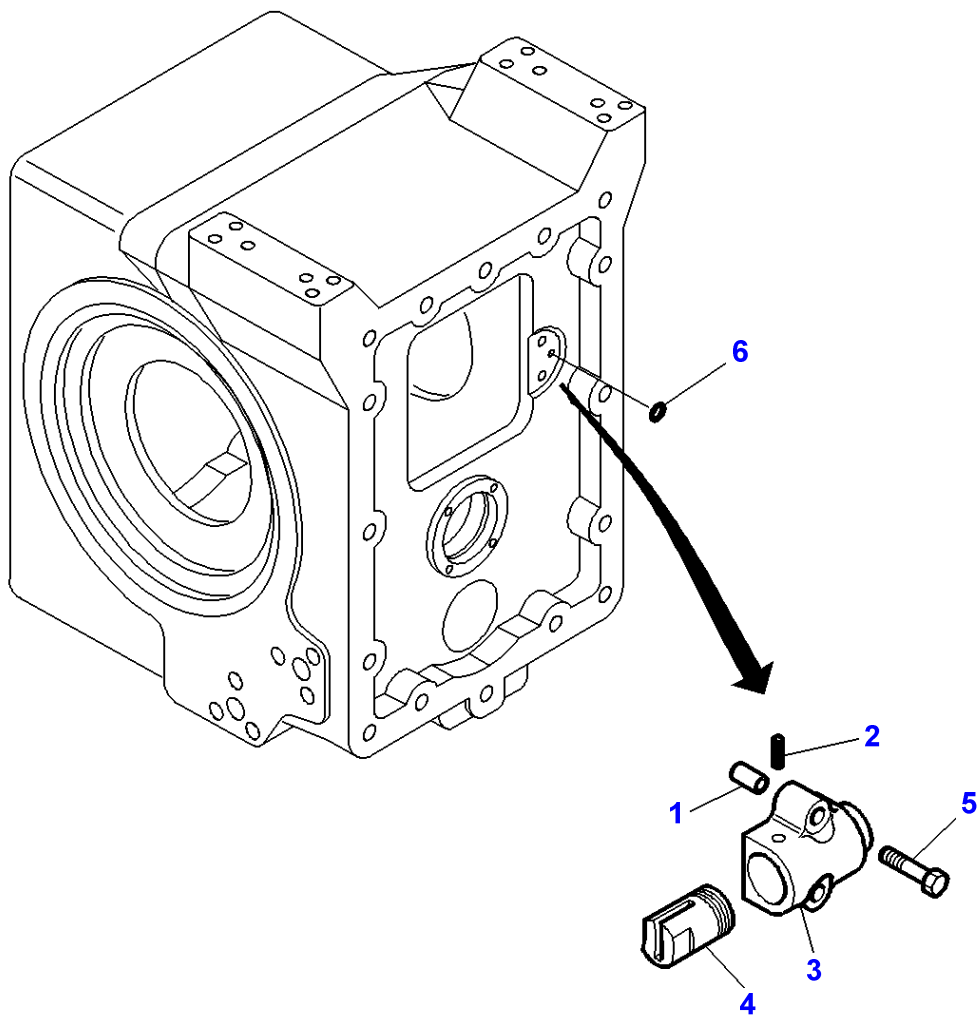
1-ZG23-004-A



Independent Power Take Off Clutch - 6 Discs

Item	Part Number	Qty	Description	Comments
1	3716924M15	1	Clutch	
2	3716922M1	1	Cover	(1)
3	3387347M1	6	Disc	(1)
4	3387346M1	6	Counterplate	(1)
5	3716033M1	1	Hub	(1)
6	3716080M1	1	Ring	(1)
7	3009450X1	1	Screw	(1) M10X20
8	3389211M1	1	Washer	(1)
9	3010767X1	1	Bear. 6004	(1)
10	391061X1	1	Circlip	(1)
11	3716034M1	1	Stop	(1)
12	3582893M1	1	Spring	(1)
13	3387198M1	1	Support	(1)
14	3619148M1	1	Cup Spring	(1)
15	3387193M1	1	Piston	(1)
16	3582933M1	1	O Ring	(1)
17	3582934M1	1	Gasket	(1)
18	367156X1	1	O Ring	(1) Diameter 29,74X3,53MM Diameter 26,64X2,62MM
19	3716061M12	1	Support	(1)
20	3716030M1	1	Clevis Pin	(19)
21	3009351X1	1	Screw	(19) M6x8
22	1872134M92	1	Valve Check	(19)
23	3006442X1	1	Pin	(19) Diameter 2 MM Length 12 MM
24		1	Hub Carrier	(19) Not serviced,order REF 19
25	3011311X1	12	Screw	(1) M8X50

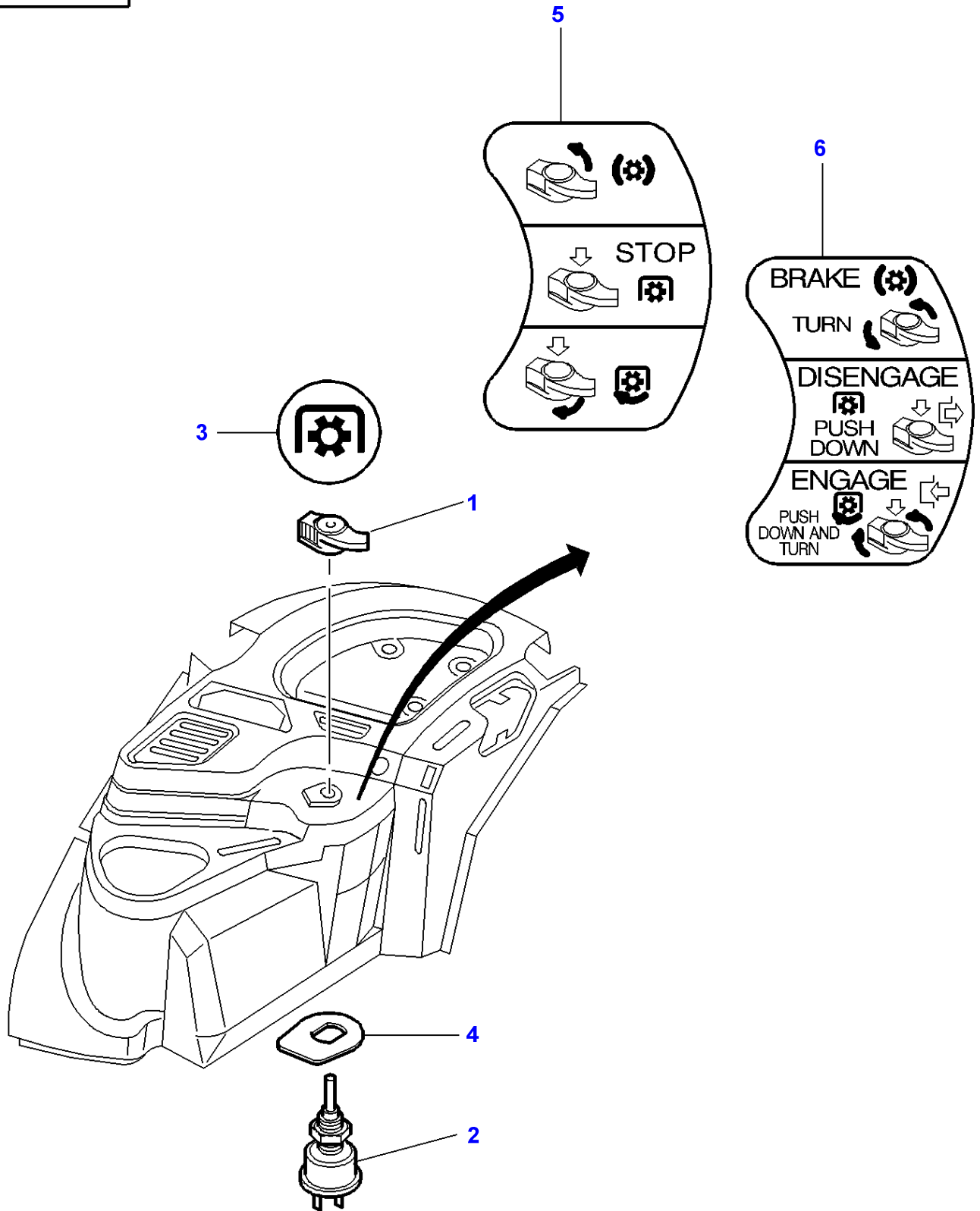
1-ZG24-001-A



Massey Ferguson**MF 8250 TRACTOR - 1637366****1637366****Independent Power Take Off Drive Mechanism - Two Speed - Brakes****Page050-0025**

Item	Part Number	Qty	Description	Comments
1	3000052X1	2	Sleeve	
2	1440961X1	1	Pin	Diameter 4 MM Length 10 MM
3	3716181M1	1	Case Assy	Up to Serial or Engine Number J062012
	3793768M1	1	Case Assy	From Serial or Engine Number J062013
4	3716180M2	1	Piston	
5	3004715X1	2	Screw	M8X60
6	1440011X1	1	O Ring	

1-ZG23-003-A

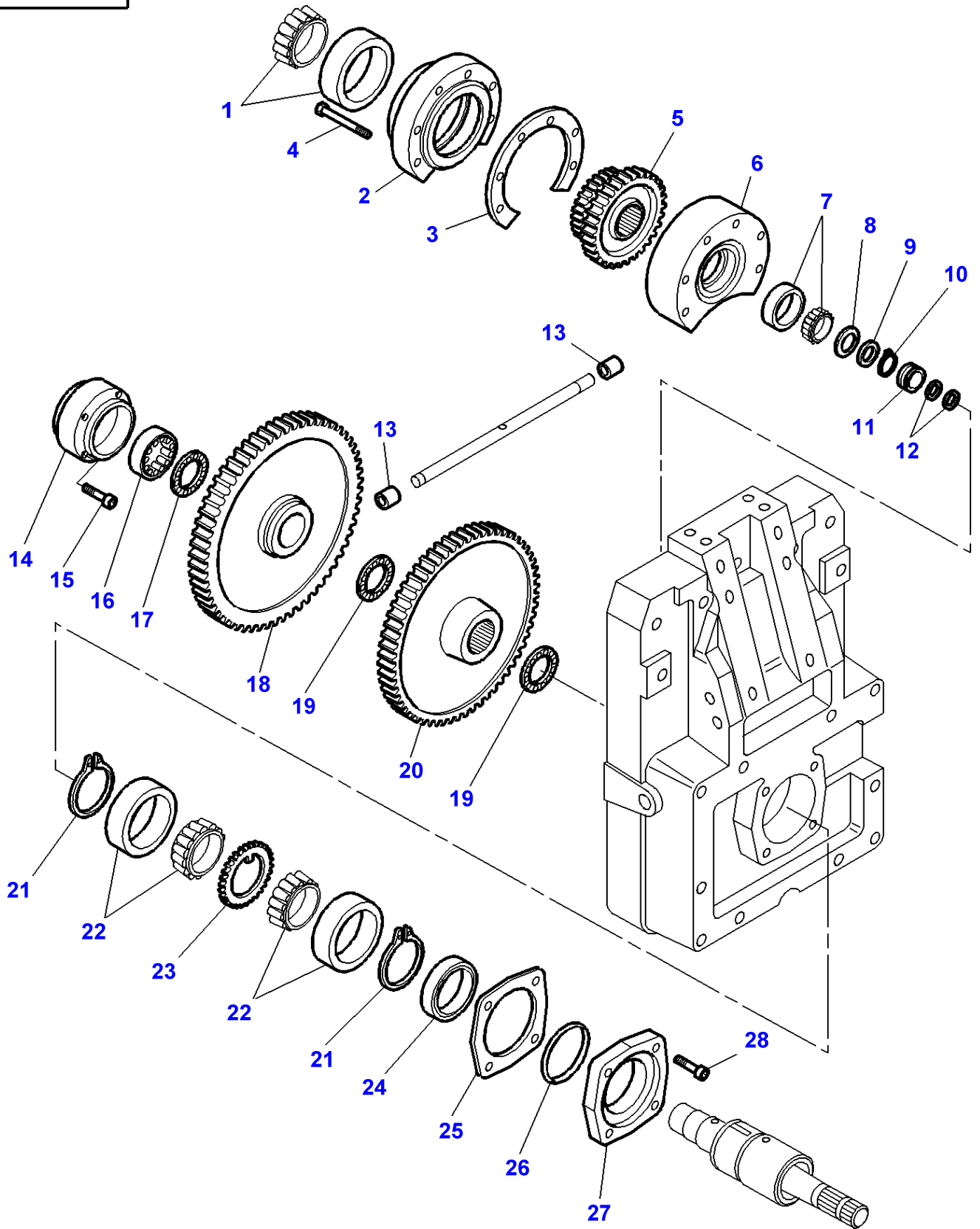


Massey Ferguson**MF 8250 TRACTOR - 1637366****1637366****Independent Power Take Off Clutch****Page050-0030**

Item	Part Number	Qty	Description	Comments
1	3778562M2	1	Button	
2	3619445M2	1	Switch,Indirect	
3	3781792M1	1	Decal	
4	3781924M1	1	Plate	
5	3782569M1	1	Decal	
6	3781649M2	1	Decal	For United States of America

MF 8250 TRACTOR - 1637366
1-ZX18-006-A

1-ZX18-006-A

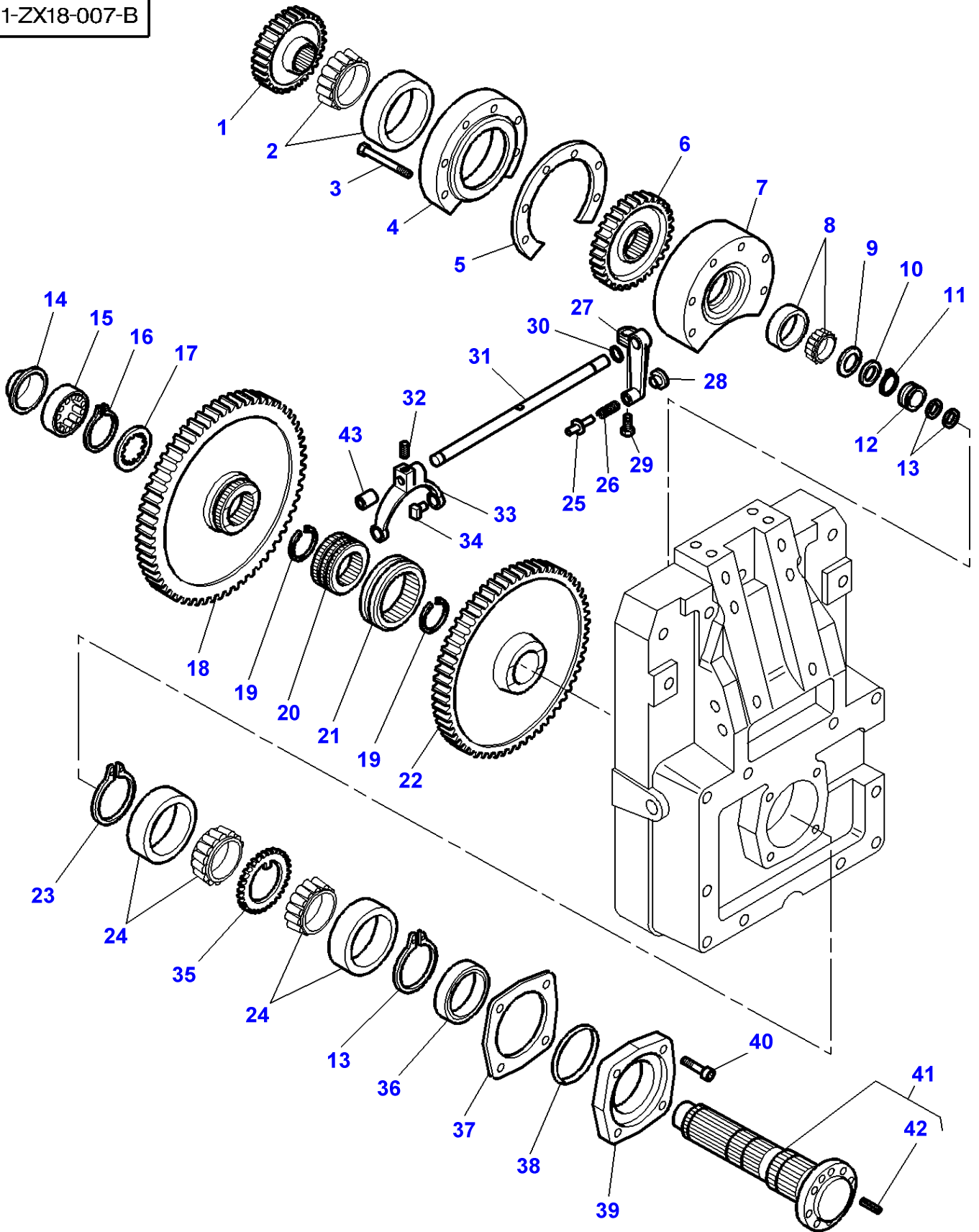


Pto Shaft

Item	Part Number	Qty	Description	Comments
1	3010034X91	1	Bearing Assy	
2	3716001M2	1	Bearing Carrier	
3	3716037M1	X	Chock	Thickness 0,1 MM
	3795175M1	X	Shim	Thickness 0,15MM
	3716038M1	X	Chock	Thickness 0,4 MM
4	339488X1	6	Bolt Metric	M10x85
5	3716004M2	1	Pinion	Number of teeth/spines 29/44 540/1000 RPM
	3716079M3	1	Pinion	Number of teeth/spines 37/44 750/1000 RPM
6	3716003M2	1	Case Assy	
7	3009853X1	1	Bearing Taper	
8	3716007M1	1	Washer	
9	3716028M1	1	Washer	
10	3010624X1	1	Ring	
11	3382868M1	1	Bush	
12	3382874M1	2	Segment	
13	390979X1	2	Plug	Diameter 20MM
14	3716023M2	1	Bearing Carrier	
15	3009286X1	4	Screw	M8x35
16	1612707M1	1	Bearing Assy	
17	1610244M1	1	Washer	
18	3387509M92	1	Pinion	Number of teeth/spines 107 540 RPM
	3712002M12	1	Pinion	Number of teeth/spines 99 750 RPM
19	1610243M2	2	Washer	
20	3052440M92	1	Pinion	Number of teeth/spines 92 1000 RPM
21	3010554X1	2	Circlip	
22	968634M91	2	Bearing Assy	
23	3716014M2	1	Spacer	
24	3716017M1	1	Gasket	
25	3716053M1	X	Chock	Thickness 0,1 MM
	3716054M1	X	Chock	Thickness 0,4 MM
26	152623M1	1	O Ring	
27	3716022M2	1	Hub	
28	3009292X1	4	Screw	M10x25

MF 8250 TRACTOR - 1637366
1-ZX18-007-B

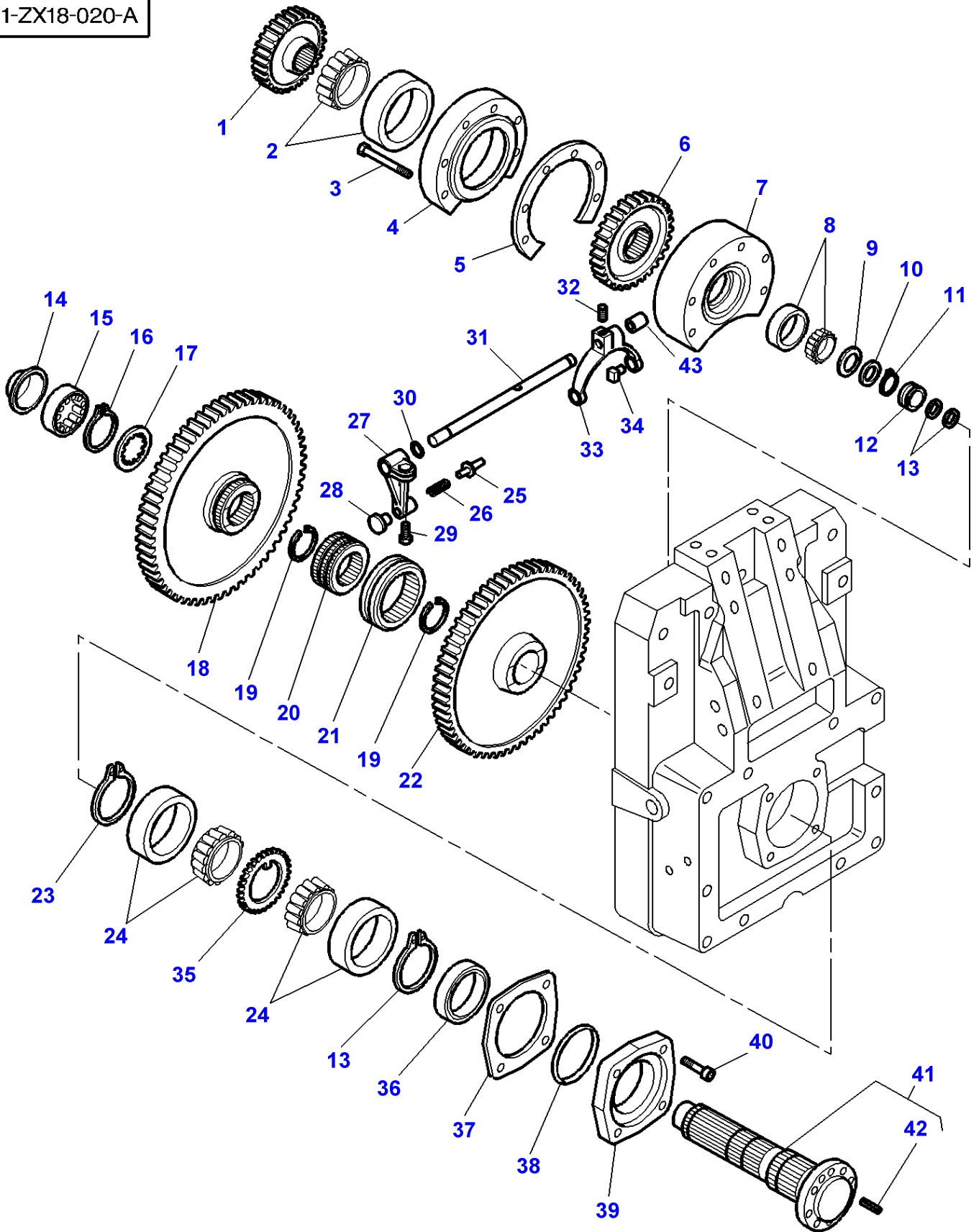
1-ZX18-007-B



Item	Part Number	Qty	Description	Comments
1	3716288M1	1	Pinion	Number of teeth/spines 29 540 RPM
	3716005M1	1	Pinion	Number of teeth/spines 37 750 RPM
2	968634M91	1	Bearing Assy	
3	339488X1	6	Bolt Metric	M10x85
4	3716002M2	1	Bearing Carrier	
5	3716037M1	X	Chock	Thickness 0,1 MM
	3795175M1	X	Shim	Thickness 0,15MM
	3716038M1	X	Chock	Thickness 0,4 MM
6	3716006M1	1	Pinion	Number of teeth/spines 44 1000 RPM
7	3716003M2	1	Case Assy	
8	3009853X1	1	Bearing Taper	
9	3716007M1	1	Washer	
10	3716028M1	1	Washer	
11	3010624X1	1	Ring	
12	3382868M1	1	Bush	
13	3382874M1	2	Segment	
14	3716024M1	1	Deflector	
15	1612707M1	1	Bearing Assy	
16	391129X1	1	Circlip	
17	3716027M2	1	Washer	
18	3716290M12	1	Pinion	Number of teeth/spines 107 540 RPM
	3716009M13	1	Pinion	Number of teeth/spines 99 750 RPM
19	3010555X1	2	Ring	
20	3716025M2	1	Hub	
21	3382069M3	1	Slider Bearing	
22	3716012M12	1	Pinion	Number of teeth/spines 92 1000 RPM
23	3010554X1	2	Circlip	
24	968634M91	2	Bearing Assy	
25	3383009M1	1	Clevis Pin	
26	1426515M1	1	Spring	
27	3581440M1	1	Lever	
28	973052M1	1	Knob	
29	1440350X1	1	Screw Metric	M6
30	195868M1	1	O Ring	
31	3792291M1	1	Stem	
32	3382979M1	1	Screw Special	M8x20
33	3382971M1	1	Fork	
34	3382972M2	2	Skate	
35	3716014M2	1	Spacer	
36	3716017M1	1	Gasket	
37	3716053M1	X	Chock	Thickness 0,1 MM
	3716054M1	X	Chock	Thickness 0,4 MM
38	152623M1	1	O Ring	
39	3716022M2	1	Hub	
40	3009292X1	4	Screw	M10x25
41	3716057M13	1	Shaft	
42	3006290X1	1	Centraliser	(41) Diameter 10 MM Length 30 MM Diameter 20MM
43	390979X1	1	Plug	

MF 8250 TRACTOR - 1637366
1-ZX18-020-A

1-ZX18-020-A

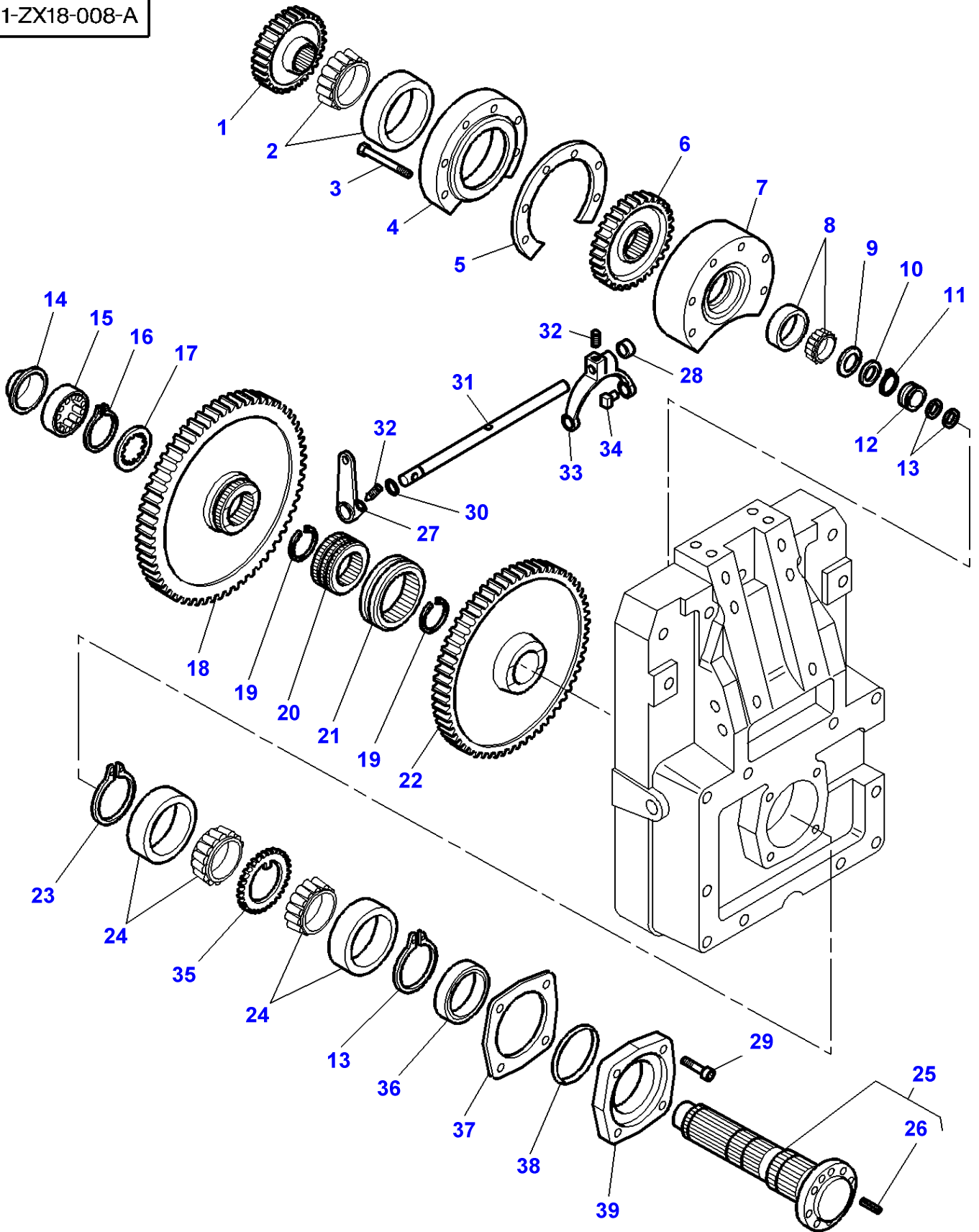


Pto Shaft - Throttle Control Left Side - From ...

Item	Part Number	Qty	Description	Comments
1	3716288M1	1	Pinion	Number of teeth/spines 29 540 RPM
	3716005M1	1	Pinion	Number of teeth/spines 37 750 RPM
2	968634M91	1	Bearing Assy	
3	339488X1	6	Bolt Metric	M10x85
4	3716002M2	1	Bearing Carrier	
5	3716037M1	X	Chock	Thickness 0,1 MM
	3795175M1	X	Shim	Thickness 0,15MM
	3716038M1	X	Chock	Thickness 0,4 MM
6	3716006M1	1	Pinion	Number of teeth/spines 44 1000 RPM
7	3716003M2	1	Case Assy	
8	3009853X1	1	Bearing Taper	
9	3716007M1	1	Washer	
10	3716028M1	1	Washer	
11	3010624X1	1	Ring	
12	3382868M1	1	Bush	
13	3382874M1	2	Segment	
14	3716024M1	1	Deflector	
15	1612707M1	1	Bearing Assy	
16	391129X1	1	Circlip	
17	3716027M2	1	Washer	
18	3716290M12	1	Pinion	Number of teeth/spines 107 540 RPM
	3716009M13	1	Pinion	Number of teeth/spines 99 750 RPM
19	3010555X1	2	Ring	
20	3716025M2	1	Hub	
21	3382069M3	1	Slider Bearing	
22	3716012M12	1	Pinion	Number of teeth/spines 92 1000 RPM
23	3010554X1	2	Circlip	
24	968634M91	2	Bearing Assy	
25	3383009M1	1	Clevis Pin	
26	1426515M1	1	Spring	
27	3581440M1	1	Lever	
28	973052M1	1	Knob	
29	1440350X1	1	Screw Metric	M6
30	195868M1	1	O Ring	
31	3791859M1	1	Stem	
32	3382979M1	1	Screw Special	M8x20
33	3382971M1	1	Fork	
34	3382972M2	2	Skate	
35	3716014M2	1	Spacer	
36	3716017M1	1	Gasket	
37	3716053M1	X	Chock	Thickness 0,1 MM
	3716054M1	X	Chock	Thickness 0,4 MM
38	152623M1	1	O Ring	
39	3716022M2	1	Hub	
40	3009292X1	4	Screw	M10x25
41	3716057M13	1	Shaft	
42	3006290X1	1	Centraliser	(41) Diameter 10 MM Length 30 MM Diameter 20MM
43	390979X1	1	Plug	

MF 8250 TRACTOR - 1637366
1-ZX18-008-A

1-ZX18-008-A

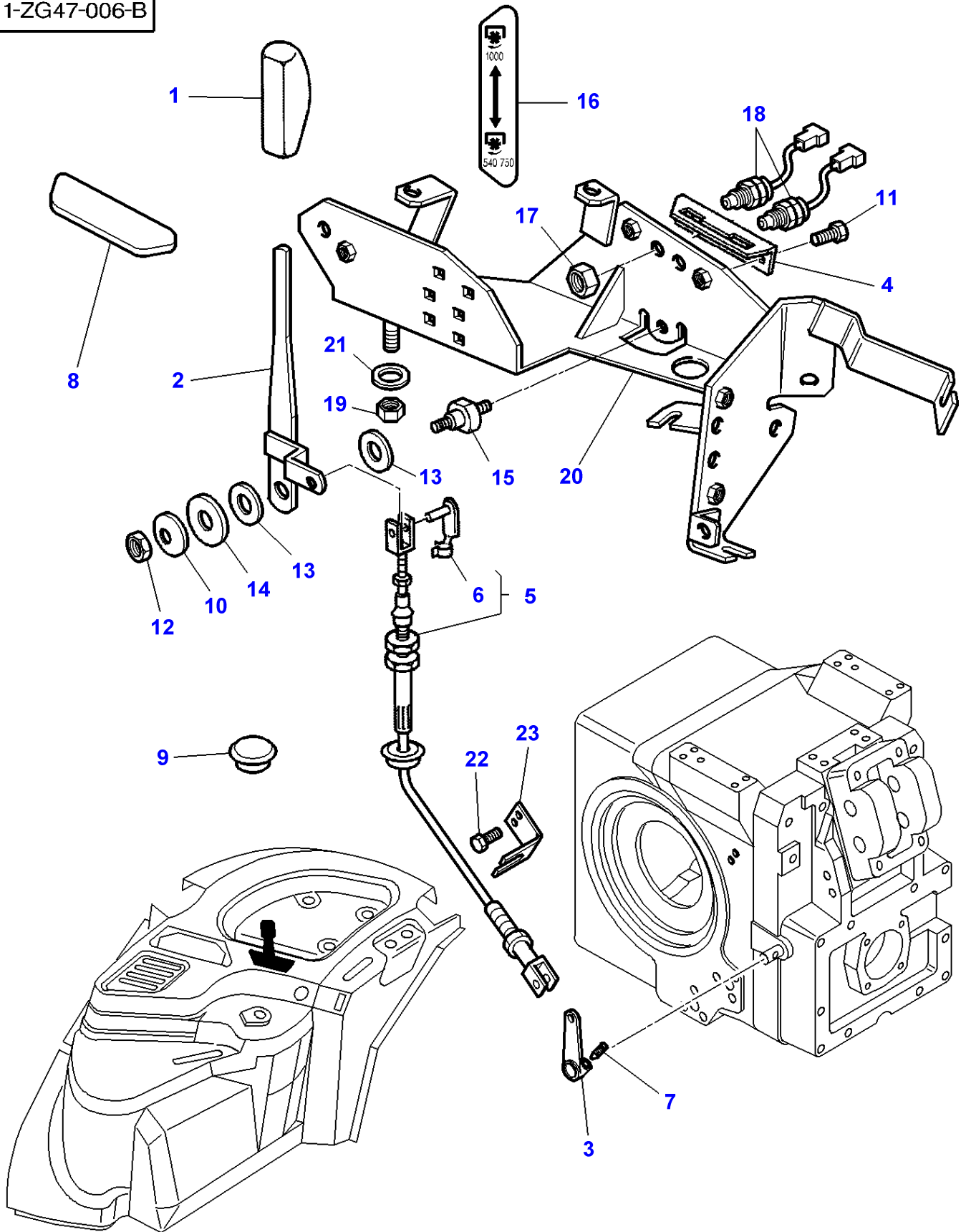


Pto Shaft - Cable Control

Item	Part Number	Qty	Description	Comments
1	3716288M1	1	Pinion	Number of teeth/spines 29 540 RPM
	3716005M1	1	Pinion	Number of teeth/spines 37 750 RPM
2	968634M91	1	Bearing Assy	
3	339488X1	6	Bolt Metric	M10x85
4	3716002M2	1	Bearing Carrier	
5	3716037M1	X	Chock	Thickness 0,1 MM
	3795175M1	X	Shim	Thickness 0,15MM
	3716038M1	X	Chock	Thickness 0,4 MM
6	3716006M1	1	Pinion	Number of teeth/spines 44 1000 RPM
7	3716003M2	1	Case Assy	
8	3009853X1	1	Bearing Taper	
9	3716007M1	1	Washer	
10	3716028M1	1	Washer	
11	3010624X1	1	Ring	
12	3382868M1	1	Bush	
13	3382874M1	2	Segment	
14	3716024M1	1	Deflector	
15	1612707M1	1	Bearing Assy	
16	391129X1	1	Circlip	
17	3716027M2	1	Washer	
18	3716290M12	1	Pinion	Number of teeth/spines 107 540 RPM
	3716009M13	1	Pinion	Number of teeth/spines 99 750 RPM
19	3010555X1	2	Ring	
20	3716025M2	1	Hub	
21	3382069M3	1	Slider Bearing	
22	3716012M12	1	Pinion	Number of teeth/spines 92 1000 RPM
23	3010554X1	2	Circlip	
24	968634M91	2	Bearing Assy	
25	3716057M13	1	Shaft	
26	3006290X1	1	Centraliser	(25) Diameter 10 MM Length 30 MM
27	3389580M2	1	Lever	
28	390979X1	1	Plug	Diameter 20MM
29	3009292X1	4	Screw	M10x25
30	195868M1	1	O Ring	
31	3791859M1	1	Stem	
32	3382979M1	2	Screw Special	M8x20
33	3382971M1	1	Fork	
34	3382972M2	2	Skate	
35	3716014M2	1	Spacer	
36	3716017M1	1	Gasket	
37	3716053M1	X	Chock	Thickness 0,1 MM
	3716054M1	X	Chock	Thickness 0,4 MM
38	152623M1	1	O Ring	
39	3716022M2	1	Hub	

MF 8250 TRACTOR - 1637366
1-ZG47-006-B

1-ZG47-006-B



Massey Ferguson**MF 8250 TRACTOR - 1637366**

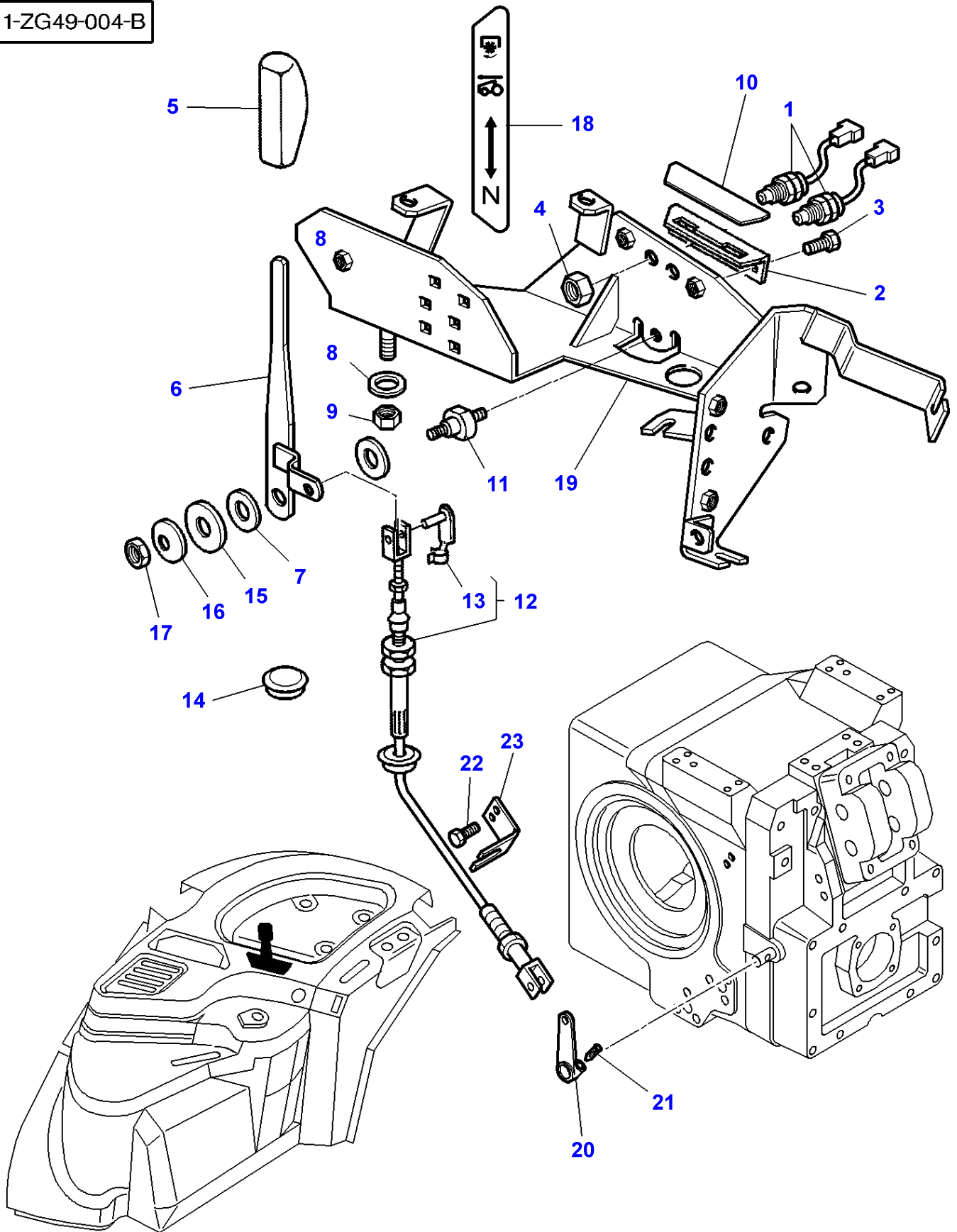
1637366

Pto-Coupling Drive Mechanism - P.T.O Control 540/1000 TR/MN

Page050-0055

Item	Part Number	Qty	Description	Comments
1	3712976M2	1	Handle	
2	3712282M3	1	Lever	
3	3389580M2	1	Lever	M16X50
4	3715489M3	1	Grille	
5	3715483M1	1	Cable	
6	3600190M1	1	Clevis Pin	(5) Length 28MM
	3600191M1	1	Clevis Pin	(5) Length 40MM
7	3382979M1	1	Screw Special	
8	3712984M1	X	Plate	
9	3715587M1	1	Decal	Diameter 22MM
10	3386192M1	1	Washer	
11	339228X1	2	Screw Metric	M8X12
12	1441461X1	2	Locknut	
13	3386166M1	2	Washer	
14	1442174X1	1	Washer	
15	3712277M1	1	Clevis Pin	
16	3715185M2	1	Decal	
17	339070X1	2	Nut	
18	3780581M2	2	Switch,Indirect	
19	1441461X1	4	Locknut	
20	3778480M93	1	Support	
21	385361X1	4	Washer	
22	391989X1	2	Screw Metric	M8X20
23	3791860M1	1	Thruster	

1-ZG49-004-B



Massey Ferguson**MF 8250 TRACTOR - 1637366**

1637366

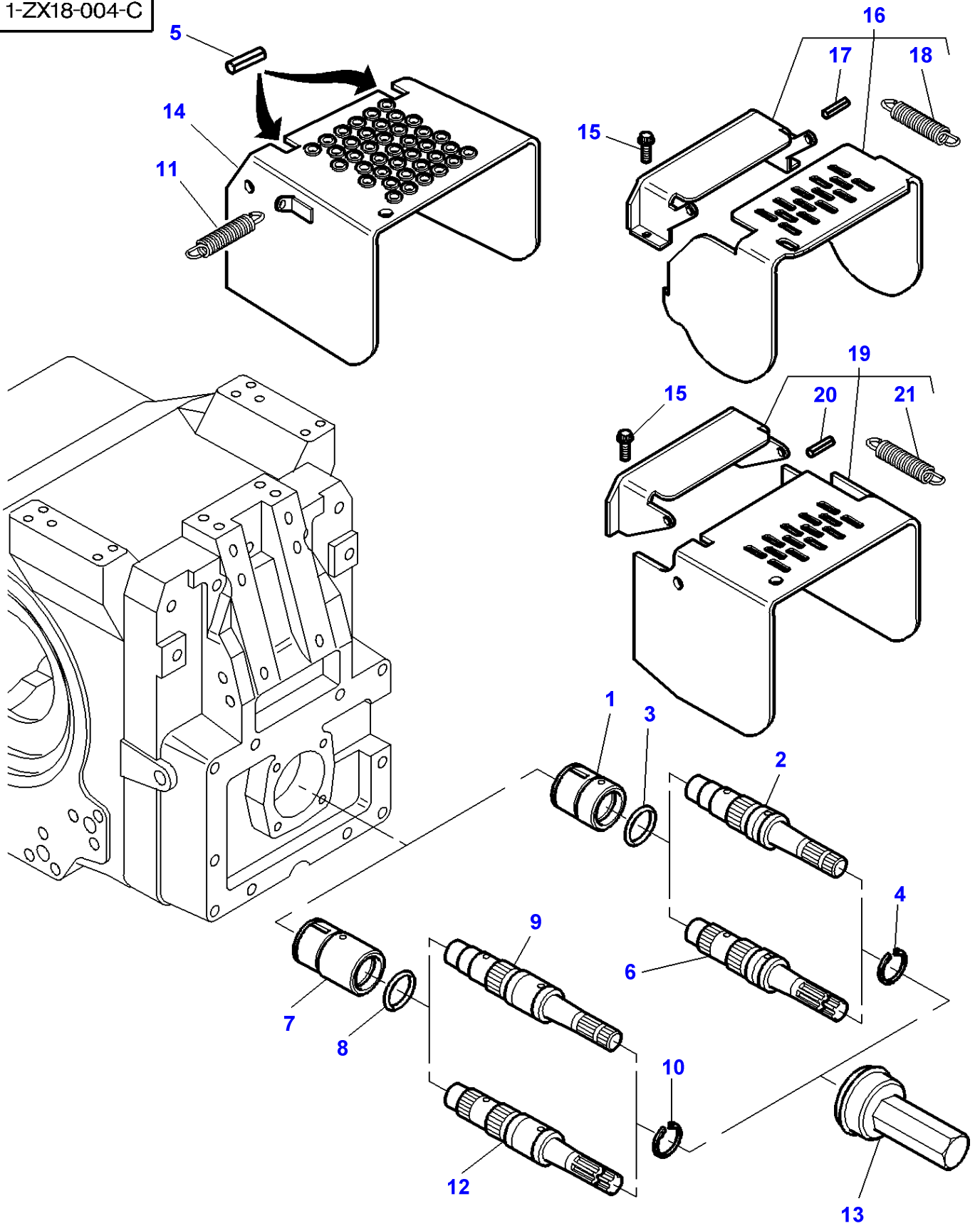
Pto-Proportional Drive Mechanism - Cable Control

Page050-0060

Item	Part Number	Qty	Description	Comments
1	3780581M2	2	Switch,Indirect	
2	3712275M1	1	Grille	
3	339228X1	2	Screw Metric	M8X12
4	339070X1	2	Nut	
5	3712976M2	1	Handle	
6	3712282M3	1	Lever	
7	3386166M1	2	Washer	
8	385361X1	4	Washer	
9	1441461X1	4	Locknut	
10	3712984M1	1	Plate	
11	3712277M1	1	Clevis Pin	
12	3715483M1	1	Cable	
13	3600190M1	1	Clevis Pin	(12) Length 28MM
	3600191M1	1	Clevis Pin	(12) Length 40MM
14	3713587M1	1	Plug	
15	1442174X1	1	Washer	
16	3386192M1	1	Washer	
17	1441461X1	1	Locknut	
18	3780175M1	1	Decal	
19	3778480M93	1	Support	
20	3389580M2	1	Lever	
21	3382979M1	1	Screw Special	
22	391989X1	2	Screw Metric	M8X20
23	3791860M1	1	Thruster	

MF 8250 TRACTOR - 1637366
1-ZX18-004-C

1-ZX18-004-C



Pto Shaft

Item	Part Number	Qty	Description	Comments
1	3716029M2	1	Hub	[A]
2	3716043M3	1	Shaft	[A] Number of teeth/spines 21 / ISO Diameter 1"3/8-34,9 MM Length 368,8 MM 1000 RPM
3	1610254M1	1	O Ring	
4	3322250M3	1	Clip	
5	3019541X1	2	Roll Pin	Diameter 8 MM Length 22 MM
6	3716045M4	1	Shaft	Number of teeth/spines 6 / ISO Diameter 1"3/8-34,9MM Length 368,8MM 540 RPM
7	3716075M2	1	Hub	[B]
8	1610254M1	1	O Ring	
9	3716070M3	1	Shaft	[B] Number of teeth/spines 21 / SAE Diameter 1"3/8-34,9 MM Length 408,8 MM 1000 RPM
10	3322250M3	1	Clip	
11	3716643M1	1	Spring	Up to Serial or Engine Number K029022 For United States of America Length 85 MM
	3716643M1	1	Spring	[C]
	3618683M1	1	Spring	Length 118 MM
12	3716068M4	1	Shaft	[B] Number of teeth/spines 6 / SAE Diameter 1"3/8-34,9 MM Length 408,8 MM 540 RPM
13	3716071M1	1	Protector	Length 206MM
	3716021M1	1	Protector	Length 166MM
14	3716693M92	1	Protector	[B,E] CAT . 3
	3716696M91	1	Protector	[B,D,E]
	3716696M91	1	Protector	[B,D,E] Up to Serial or Engine Number K029022 For United States of America CAT . 2
	3716640M91	1	Protector	[A,E]
15	3010917X1	2	Screw Metric	M20X30
16	3792679M91	1	Protector	[A,E] Up to Serial or Engine Number H151014 CAT . 2/3
17	3792837M1	2	Pin	(16)
18	3792838M1	1	Spring	(16)
19	3793135M91	1	Protector	[A,E] From Serial or Engine Number H151015 CAT . 2/3
20	3002169X1	2	Pin	(19)
21	3793246M1	1	Spring	(19)

FOOTNOTE [A] ISO STANDARD

FOOTNOTE [B] SAE STANDARD

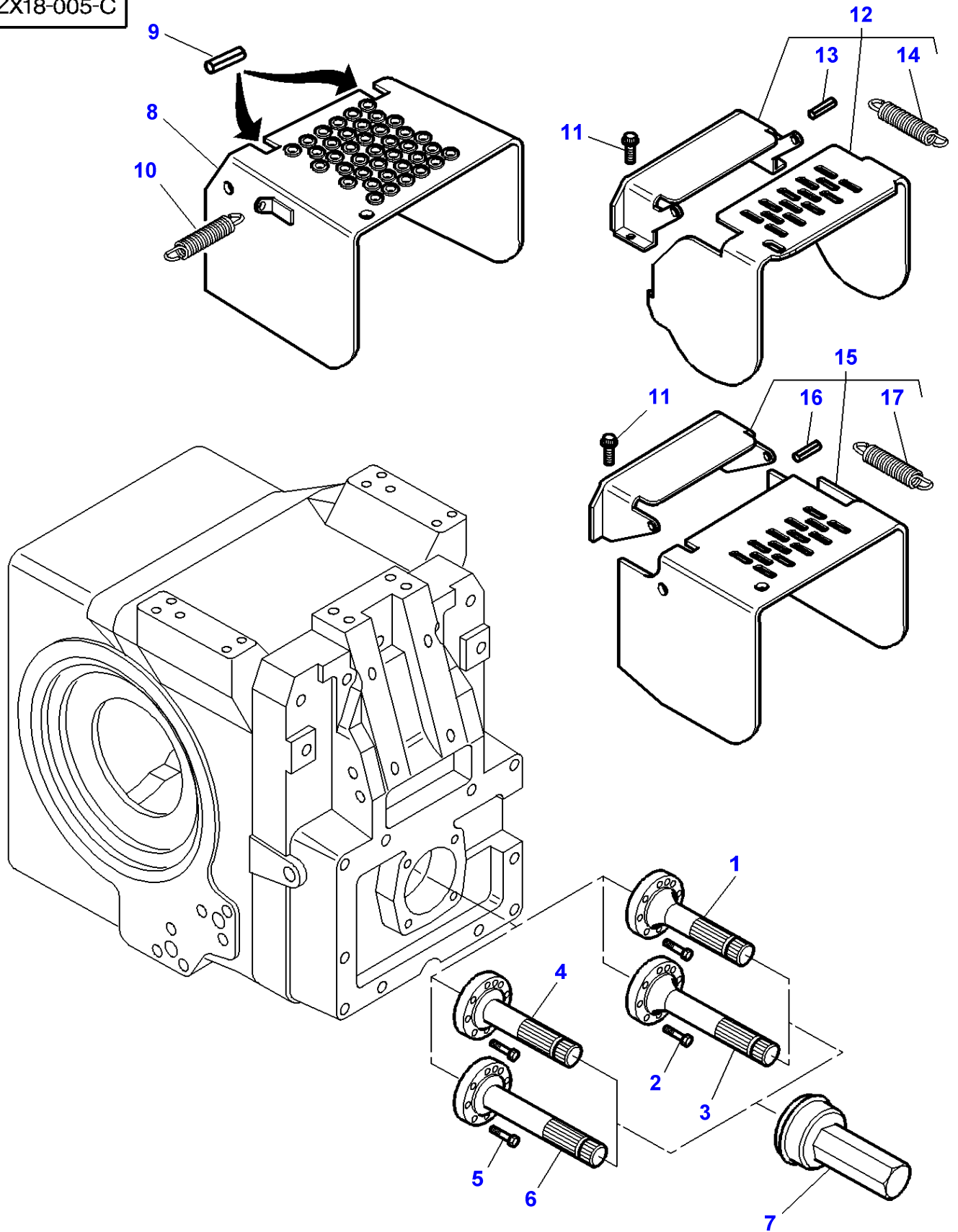
FOOTNOTE [C] LESS STABILISERS

FOOTNOTE [D] WITH SHOE STABILIZERS

FOOTNOTE [E] THE APPROPRIATE SAFETY DECALS MUST BE ORDERED AND FITTED TO THIS PART

MF 8250 TRACTOR - 1637366
1-ZX18-005-C

1-ZX18-005-C



Pto Shaft

Item	Part Number	Qty	Description	Comments
1	3716016M2	1	Shaft	Number of teeth/spines 21 / ISO Diameter 1"3/8-34,9 MM Length 137,45 MM 1000 RPM
	3716018M2	1	Shaft	Number of teeth/spines 6 / ISO Diameter 1"3/8-34.9 MM Length 137.45MM 540 RPM
2	3010800X1	8	Screw	M12x35
3	3716074M2	1	Shaft	Number of teeth/spines 21 / SAE Diameter 1" 3/8-34,9MM Length 177,45 MM 1000 RPM
4	3716019M2	1	Shaft	Number of teeth/spines 20 / ISO 1"3/4-44,2MM Length 137,45MM 1000 RPM
5	3010800X1	8	Screw	M12x35
6	3716073M2	1	Shaft	Number of teeth/spines 20 / SAE Diameter 1"3/4-44,2 MM Length 177,45 MM 1000 RPM
7	3716071M1	1	Protector	Length 206MM
	3716021M1	1	Protector	Length 166MM
8	3716693M92	1	Protector	[D,E] CAT . 3
	3716696M91	1	Protector	[D,B,E] CAT . 2
	3716696M91	1	Protector	[D,B,E] Up to Serial or Engine Number K029022 For United States of America CAT . 2
	3716640M91	1	Protector	[C,E]
9	3019541X1	2	Roll Pin	Diameter 8 MM Length 22 MM
10	3716643M1	1	Spring	Length 85MM
	3716643M1	1	Spring	Up to Serial or Engine Number K029022 For United States of America
	3618683M1	1	Spring	[A] Length 118MM
11	3010917X1	2	Screw Metric	M20X30
12	3792679M91	1	Protector	[C,E] Up to Serial or Engine Number H151014 CAT . 2/3
13	3792837M1	2	Pin	(12)
14	3792838M1	1	Spring	(12)
15	3793135M91	1	Protector	[C,E] From Serial or Engine Number H151015 CAT . 2/3
16	3002169X1	2	Pin	(15)
17	3793246M1	1	Spring	(15)

FOOTNOTE [A] LESS STABILISERS

FOOTNOTE [B] WITH SHOE STABILIZERS

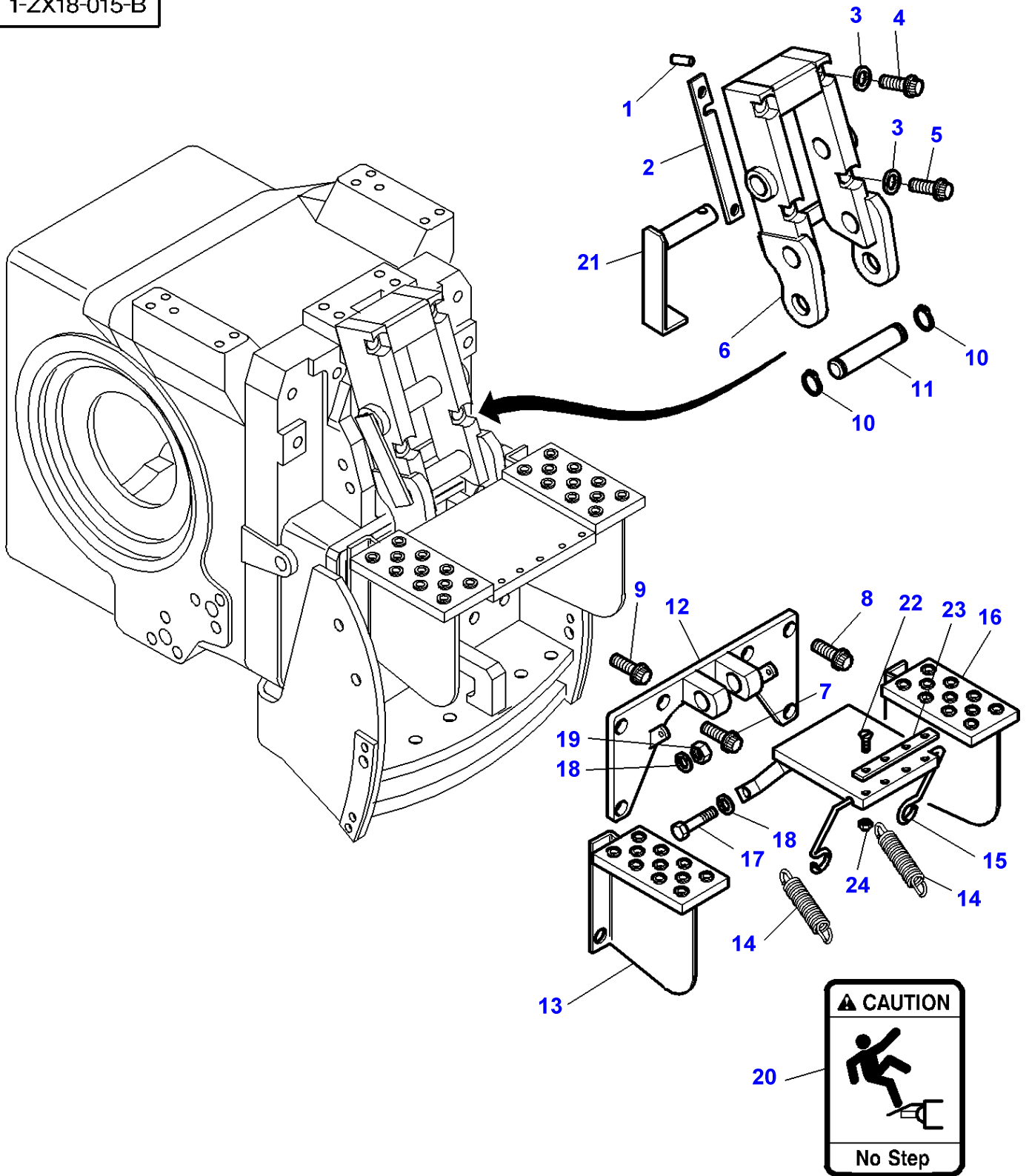
FOOTNOTE [C] ISO STANDARD

FOOTNOTE [D] SAE STANDARD

FOOTNOTE [E] THE APPROPRIATE SAFETY DECALS MUST BE ORDERED AND FITTED TO THIS PART

MF 8250 TRACTOR - 1637366
1-ZX18-015-B

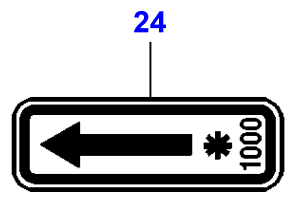
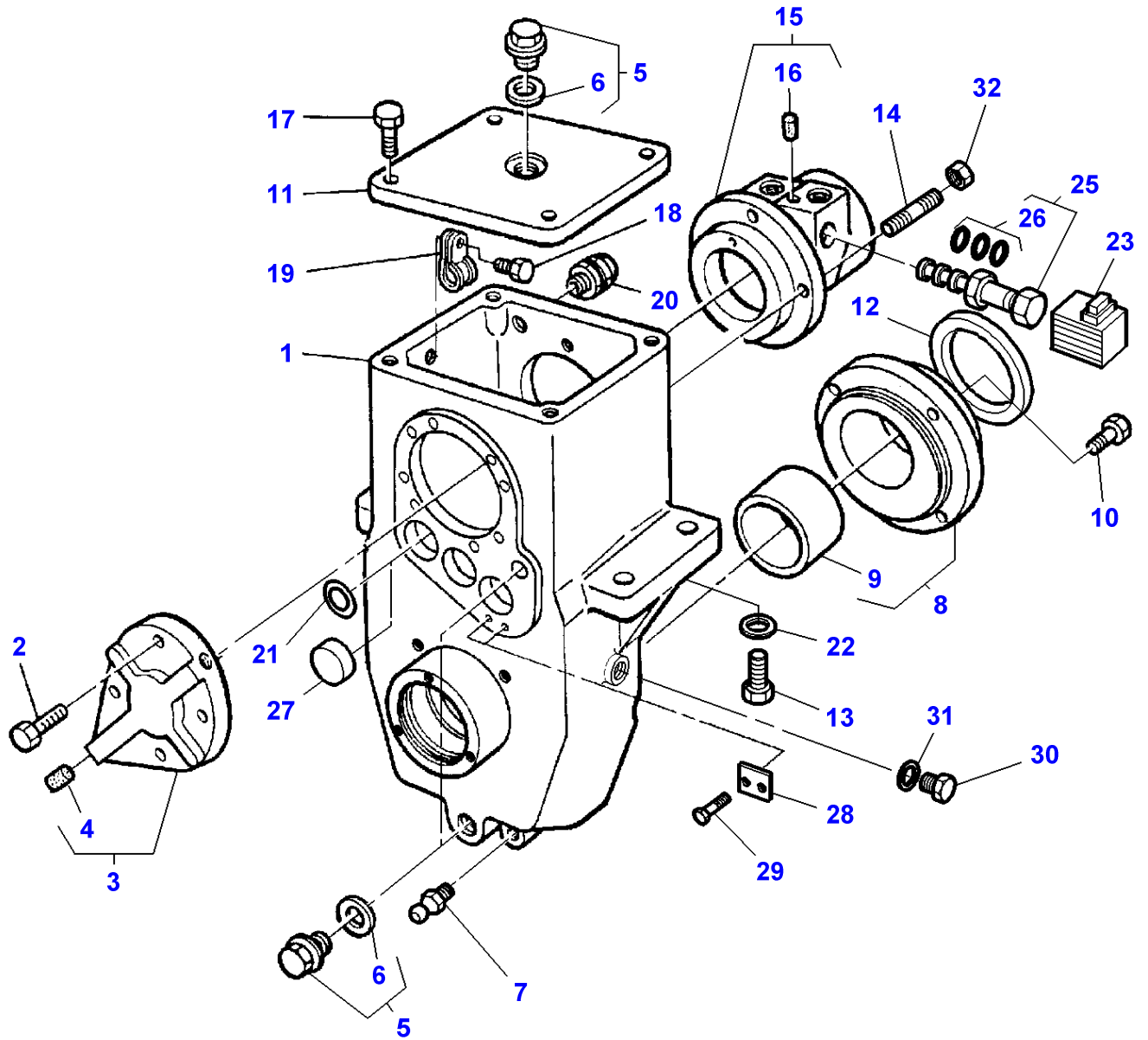
1-ZX18-015-B



Item	Part Number	Qty	Description	Comments
1	3716918M2	2	Centraliser	
2	3795839M1	X	Chock	Thickness 0,20 MM
	3795838M1	X	Chock	Thickness 0,70 MM
3	385365X1	4	Washer	Diameter 20-37 X 5
4	3010575X1	2	Screw	M20 X 130
5	3010563X1	2	Screw	M20 X 90
6	3795831M91	1	Support	
7	3010556X1	2	Screw Metric	M20 X 70
8	3010941X1	4	Screw Metric	M20 X 250
9	3010562X1	4	Screw	M20 X 230
10	339322X1	2	Segment	
11	3795830M1	1	Clevis Pin	
12	3795820M91	1	Plate	
13	3795845M91	1	Cowl	Left Hand
14	3798926M1	2	Spring	
15	3795824M91	1	Cowl	[A]
16	3795841M91	1	Cowl	Right Hand
17	339337X1	2	Hex. Sock. Screw	M8 X 30
18	385361X1	4	Washer	Diameter 9-17 X 3,2
19	394367X1	2	Locknut	M8
20	3795840M1	1	Decal	
21	3795817M91	1	Clevis Pin	
22	392404X1	4	Screw	M5 X 12
23	3796476M1	1	Band	
24	1441494X1	4	Nut Metric	M5

FOOTNOTE [A] THE APPROPRIATE SAFETY DECALS MUST BE ORDERED AND FITTED TO THIS PART

1-ZX39-003-B

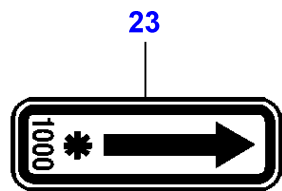
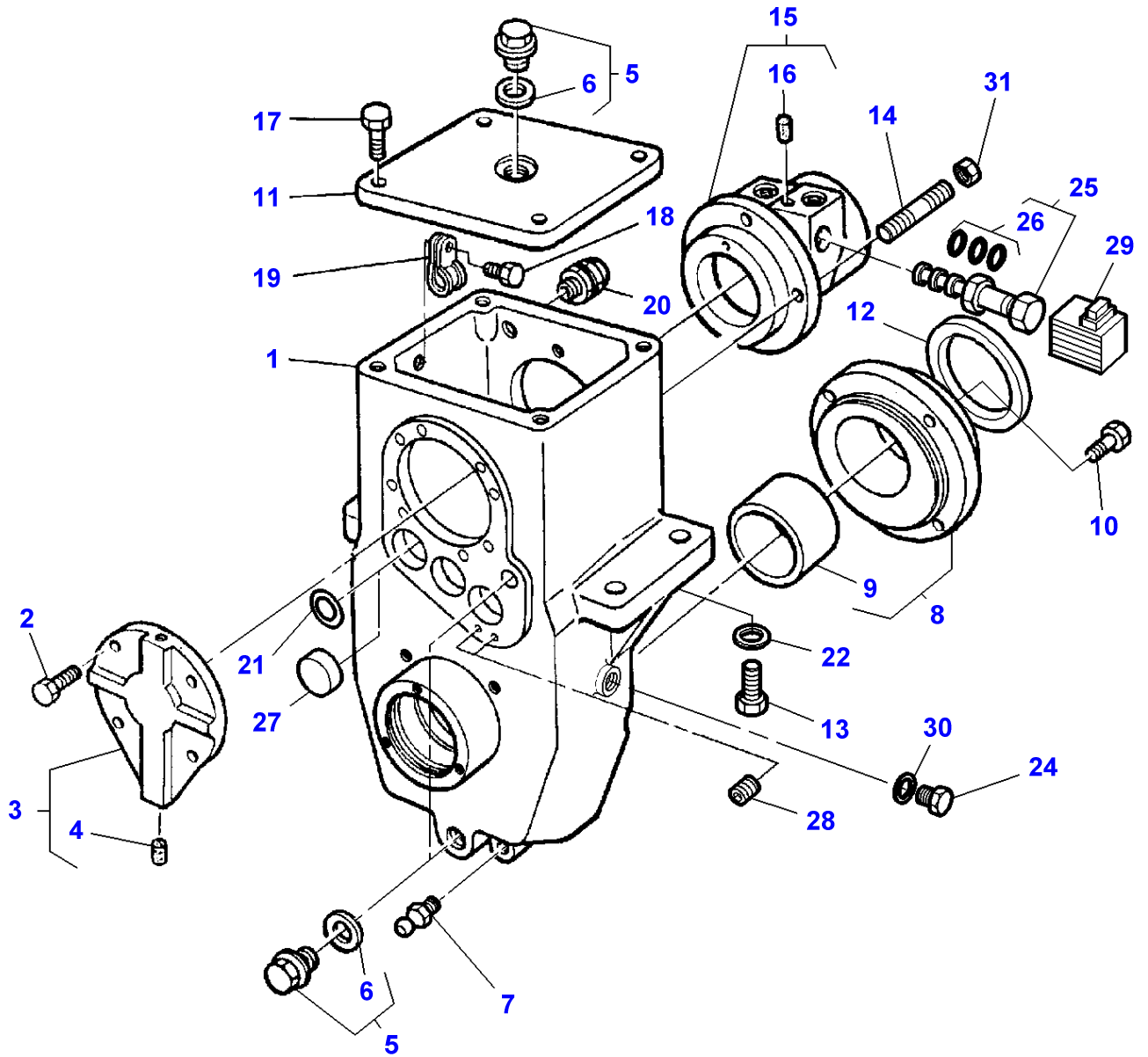


Item	Part Number	Qty	Description	Comments
1	3615609M2	1	Case Assy	
2	339761X1	4	Hex. Sock. Screw	M8 X 25
3	3581124M11	1	Cover	
4	3581130M1	1	Plug	(3)
5	3583994M91	3	Plug	M18
6	3019397X1	3	O Ring	(5)
7	339608X1	1	Grease Nipple	
8	3783252M12	1	Bearing Carrier	
9	3783251M2	1	Bush	(8)
10	1442210X1	4	Bolt Metric	M12 X 30
11	3389345M3	1	Cover	
12	3783595M1	1	Cup	Diameter 120-150 X 8 MM
13	3386216M1	4	Screw	M20 X 60
14	3386903M1	2	Stud	M8 X 32
15	3581116M11	1	Bearing Carrier	
16	3388063M1	1	Plug	(15) Diameter 6 MM
17	339761X1	4	Hex. Sock. Screw	M8 X 25
18	391074X1	1	Hex. Sock. Screw	M6 X 12
19	3581132M1	1	Clamp	Diameter 8 - M6
20	3389615M1	1	Gland	
21	195562M1	2	O Ring	
22	385365X1	4	Washer	Diameter 20-37 X 5 MM
23	3619764M1	1	Solenoid	[A] (1)
24	3618157M2	1	Decal	
25	3619762M1	1	Spool	
26	3900994M91	1	Kit, Joint	(25)
27	3713445M1	1	Plug	Diameter 36 MM
28	3615604M1	1	Stop	
29	339123X1	2	Hex. Sock. Screw	M8 X 20
30	339494X1	1	Plug	[B] M20
31	390202X1	1	Seal	[B]
32	339169X1	2	Nut	M8

FOOTNOTE [A] INCLUDING A DIODE

FOOTNOTE [B] WITHOUT SENSOR

1-ZX39-004-B

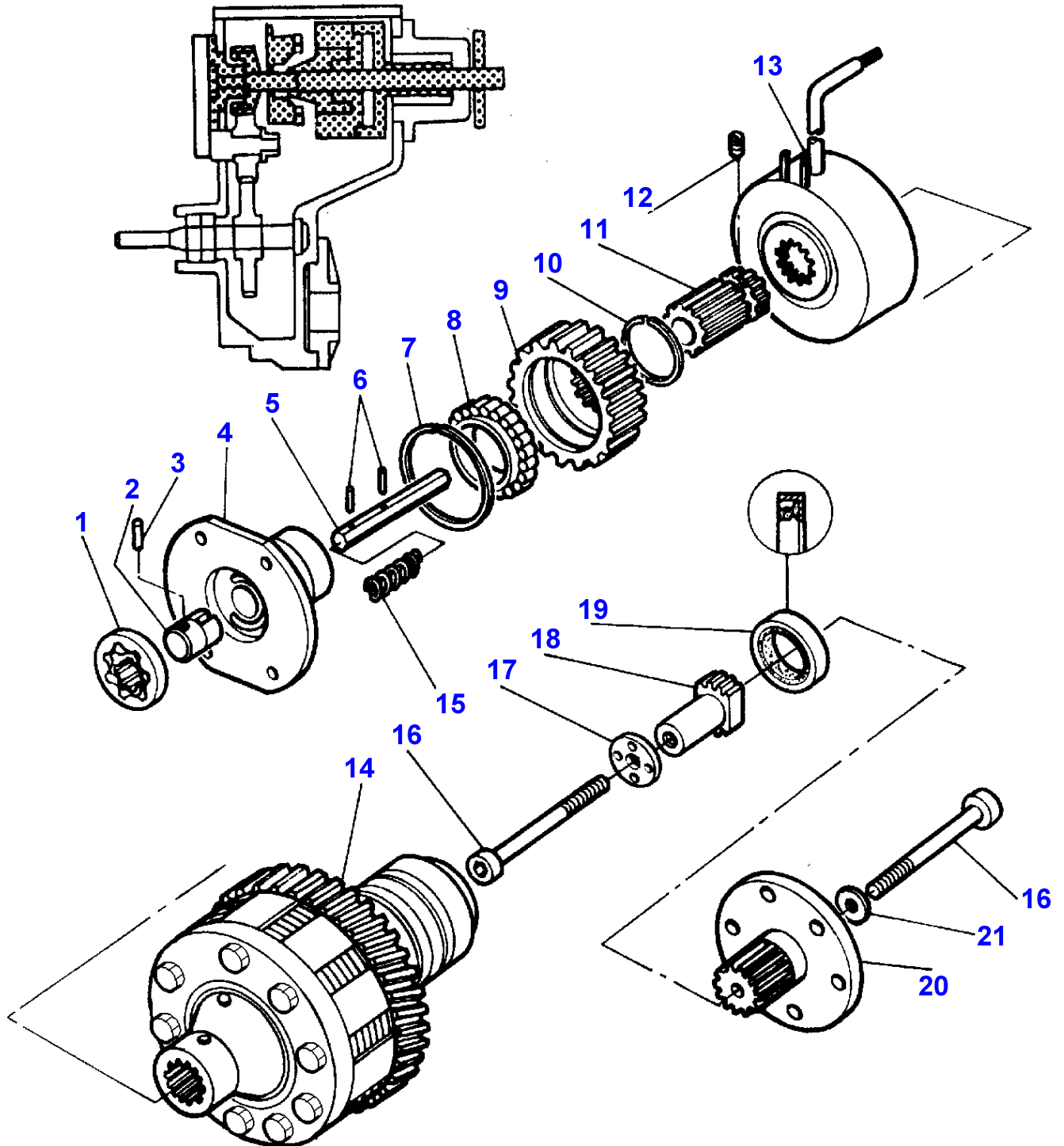


Item	Part Number	Qty	Description	Comments
1	3615609M2	1	Case Assy	
2	339761X1	4	Hex. Sock. Screw	M8 X 25
3	3581124M11	1	Cover	
4	3581130M1	1	Plug	(3)
5	3583994M91	3	Plug	M18
6	3019397X1	3	O Ring	(5)
7	339608X1	1	Grease Nipple	
8	3783252M12	1	Bearing Carrier	
9	3783251M2	1	Bush	(8)
10	1442210X1	4	Bolt Metric	M12 X 30
11	3389345M3	1	Cover	
12	3783595M1	1	Cup	Diameter 120-150 X 8 MM
13	3386216M1	4	Screw	M20 X 60
14	3386903M1	2	Stud	M8 X 32
15	3581116M11	1	Bearing Carrier	
16	3388063M1	1	Plug	(15) Diameter 6 MM
17	339761X1	4	Hex. Sock. Screw	M8 X 25
18	391074X1	1	Hex. Sock. Screw	M6 X 12
19	3581132M1	1	Clamp	Diameter 8 - M6
20	3389615M1	1	Gland	
21	195562M1	1	O Ring	
22	385365X1	4	Washer	Diameter 20-37 X 5 MM
23	3618157M2	1	Decal	
24	339494X1	1	Plug	[B] M20
25	3619762M1	1	Spool	
26	3900994M91	1	Kit, Joint	(25)
27	3713445M1	2	Plug	Diameter 36 MM
28	3009711X1	2	Screw	M8 X 12
29	3619764M1	1	Solenoid	[A] (1)
30	390202X1	1	Seal	[B]
31	339169X1	2	Nut	M8

FOOTNOTE [A] INCLUDING A DIODE

FOOTNOTE [B] WITHOUT SENSOR

1-ZX38-002-A



Massey Ferguson**MF 8250 TRACTOR - 1637366**

1637366

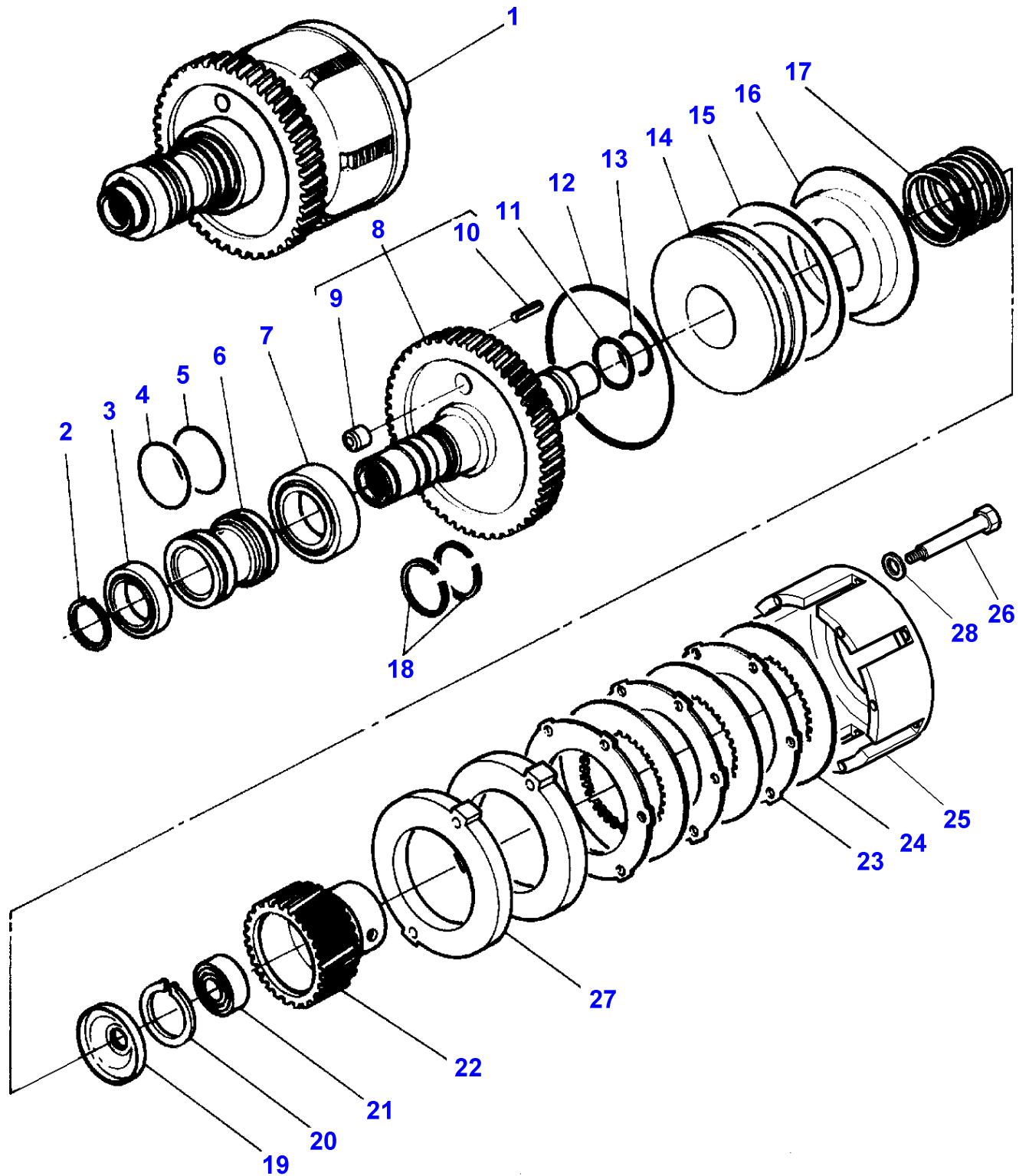
Front Pto - Drive - Up To 07-01-2001

Page050-0090

Item	Part Number	Qty	Description	Comments
1	274797M1	1	Rotor	
2	3389604M1	1	Hub	
3	338334X1	1	Pin	Diameter 3 X 20
4	3615601M1	1	Hub Carrier	
5	3617323M1	1	Clevis Pin	
6	3010612X1	2	Needle	
7	1442502X1	1	Circlip	
8	3580985M1	1	Bearing Assy	
9	3389332M2	1	Pinion	Number of teeth/spines 25
10	3389610M1	X	Chock	Thickness 0,25 MM
	3389611M1	X	Chock	Thickness 0,50 MM
	3389612M1	X	Chock	Thickness 1,00 MM
11	3389347M2	1	Shaft	
12	3009711X1	1	Screw	M8 X 12
13	3389631M91	1	Brake	
14	3714535M13	1	Clutch	
15	3389605M1	1	Spring	
16	3389349M1	2	Screw Special	M8 X 90
17	3389603M1	1	Washer	
18	3617321M1	1	Nut Special	
19	3389614M1	1	Gasket	
20	3389861M91	1	Shaft	
21	391376X1	1	Joint	

MF 8250 TRACTOR - 1637366
1-ZX50-001-A

1-ZX50-001-A



Massey Ferguson**MF 8250 TRACTOR - 1637366**

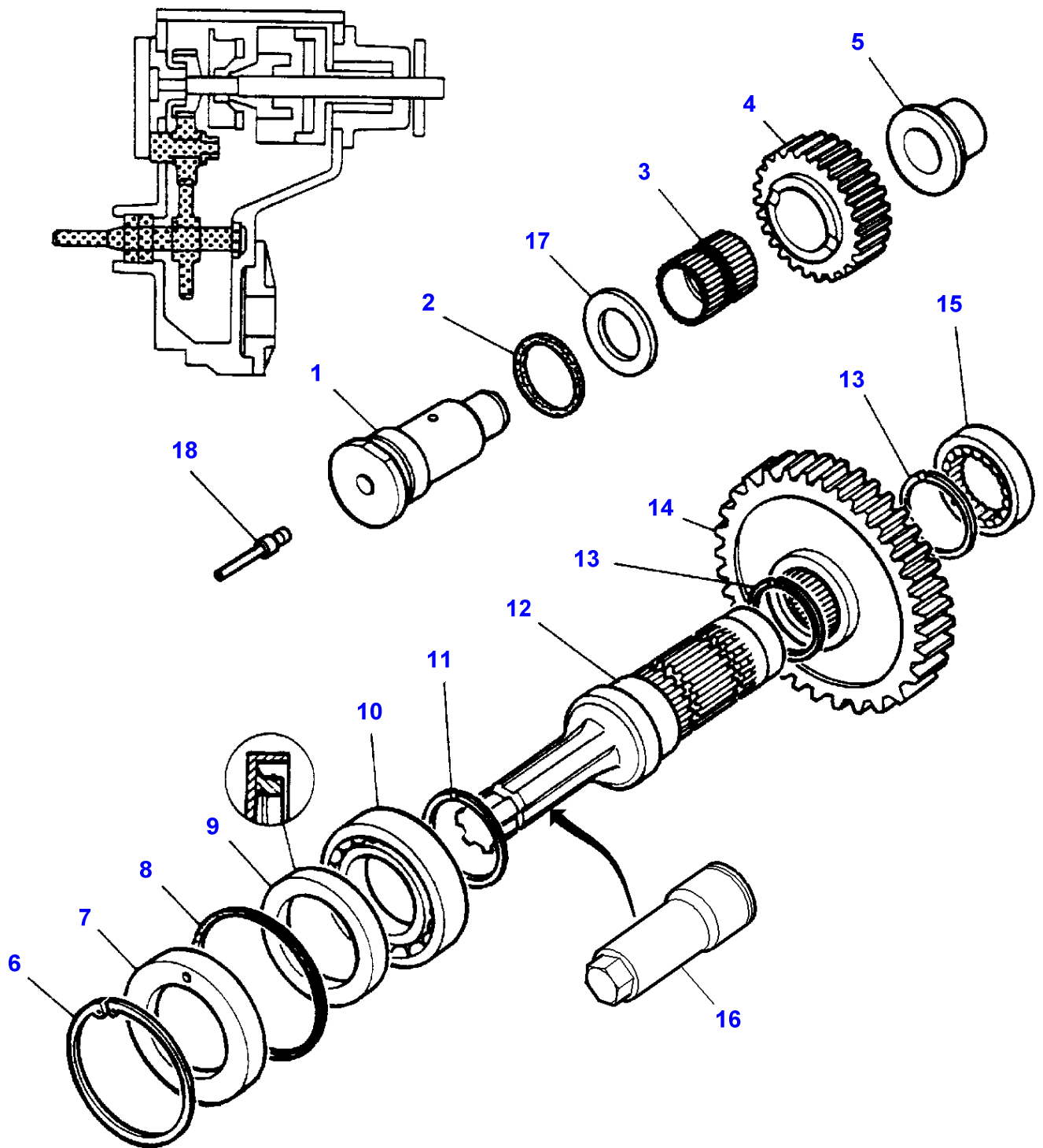
1637366

Front Pto - IPTO Clutch - Up To 07-01-2001

Page050-0095

Item	Part Number	Qty	Description	Comments
1	3714535M13	1	Clutch	
2	391832X1	1	Circlip	(1) Diameter 40 MM
3	834820M1	1	Bear. 6008	(1)
4	3007077X1	1	Gasket	(1)
5	365801X1	1	Ring	(1)
6	3384388M1	1	Hub	(1)
7	3002233X1	1	Bear. 6009	(1)
8	3715426M13	1	Housing	(1) Number of teeth/spines 76
9	1872134M92	1	Valve Check	(8)
10	3019306X1	2	Clevis Pin	(8) Diameter 6 X 20
11	3582934M1	1	Gasket	(1)
12	3582933M1	1	O Ring	(1)
13	832038M1	1	O Ring	(1)
14	3387193M1	1	Piston	(1)
15	3619148M1	1	Cup Spring	(1)
16	3387198M1	1	Support	(1)
17	3582893M1	1	Spring	(1)
18	3384502M1	2	Segment	(1)
19	3619555M1	1	Spring	(1)
20	391061X1	1	Circlip	(1) Diameter 42 MM
21	339073X1	1	Bear. 6004	(1)
22	3619553M1	1	Hub	(1)
23	3387346M1	3	Counterplate	(1)
24	3387347M1	3	Disc	(1)
25	3387192M2	1	Cover	(1)
26	3010805X1	10	Screw Metric	(1) M6 X 55
27	3616056M2	2	Spacer	(1)
28	3019571X1	10	Washer	(1) Diameter 6-12 X 2 MM

1-ZX38-001-A



Massey Ferguson**MF 8250 TRACTOR - 1637366**

1637366

Front Pto - Drive - Up To 07-01-2001

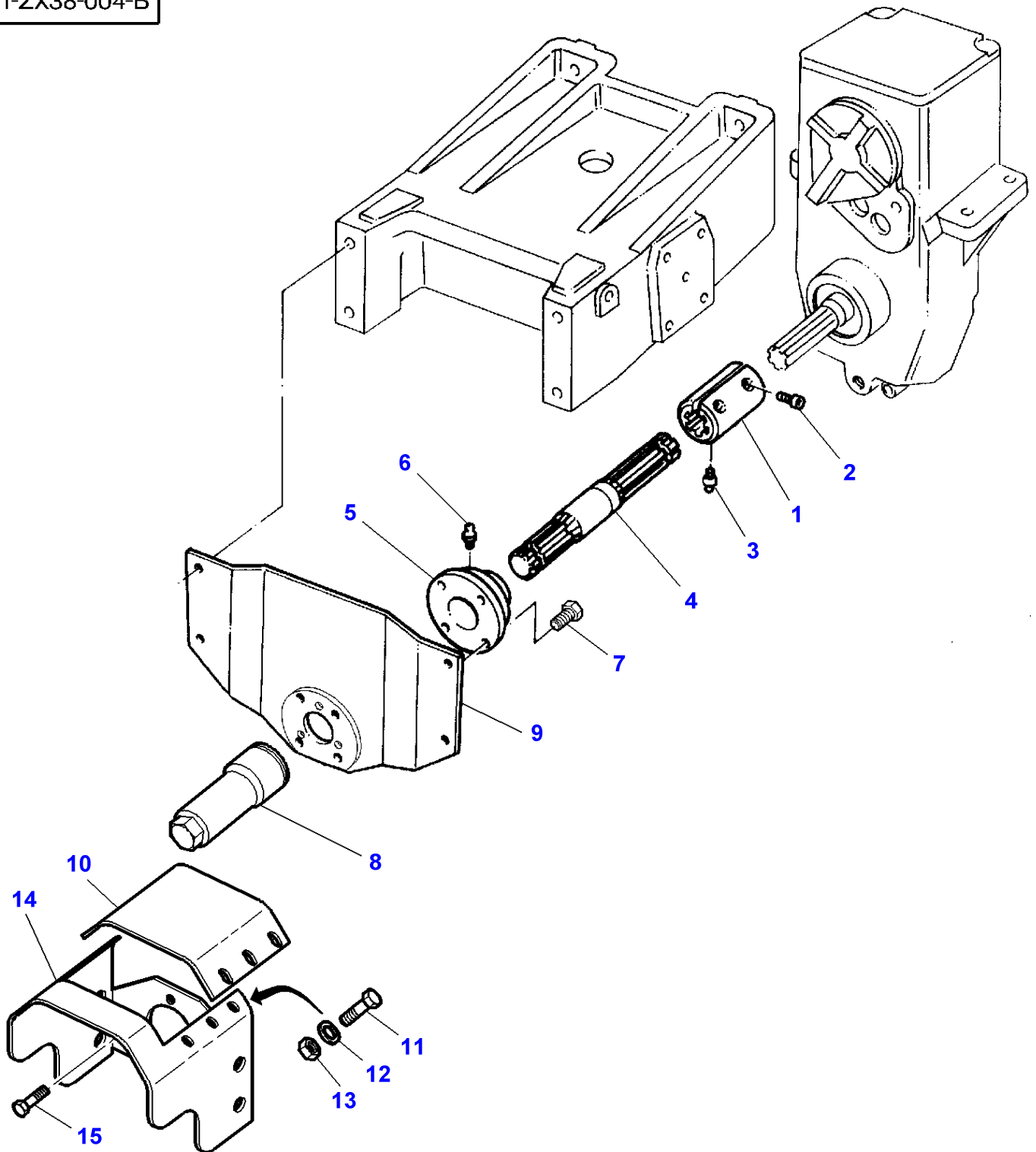
Page050-0100

Item	Part Number	Qty	Description	Comments
1	3615603M2	2	Clevis Pin	[B]
	3615603M2	1	Clevis Pin	[C]
2	378201X1	2	O Ring	[B]
	378201X1	1	O Ring	[C]
3	3389599M1	2	Needle Cage	[B]
	3389599M1	1	Needle Cage	[C]
4	3389333M1	2	Pinion	[B]
			Number of teeth/spines 25	
	3389333M1	1	Pinion	[C]
			Number of teeth/spines 25	
5	3389346M1	2	Bush	[B]
	3389346M1	1	Bush	[C]
6	1440516X1	1	Circlip	Diameter 90 MM
7	3389339M2	1	Sealing Holder	
8	842332M1	1	Gasket	
9	3389613M2	1	Seal	
10	391261X1	1	Bear. 6011	
11	377602X1	1	Circlip	
12	3617117M1	1	Shaft	Number of teeth/spines 6
	3389338M1	1	Shaft	Number of teeth/spines 21
13	3386987M1	2	Circlip	Diameter 50 MM
14	3389337M1	1	Pinion	Number of teeth/spines 51
15	3387381M1	1	Bearing Assy	
16	3715248M1	1	Protector	
17	3615602M1	2	Washer	[B]
	3615602M1	1	Washer	[C]
18	3581130M1	1	Plug	[B]

FOOTNOTE [B] REVERSE DRIVE FRONT PTO

FOOTNOTE [C] CLOCK WISE DRIVE FRONT PTO

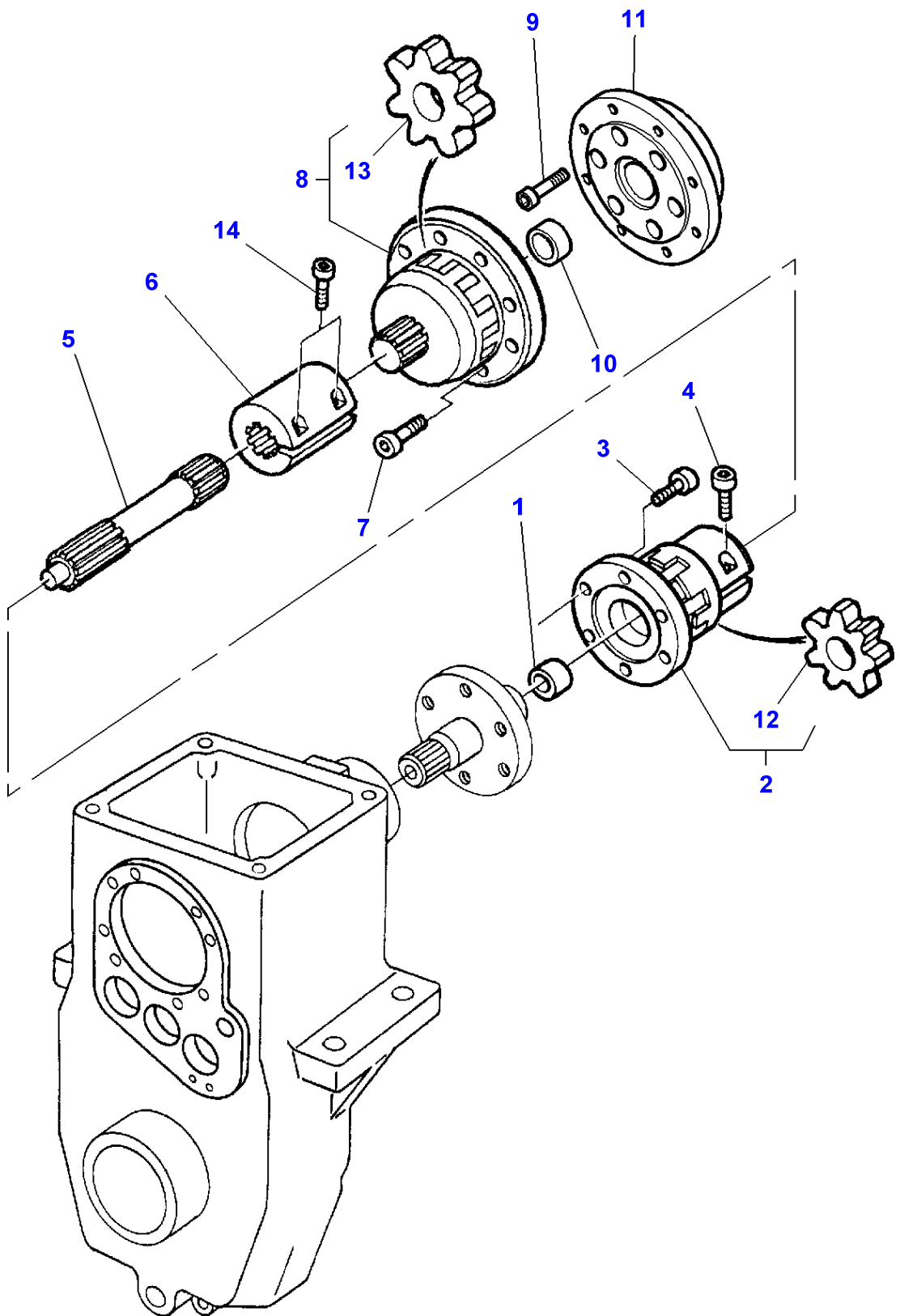
1-ZX38-004-B



Massey Ferguson**MF 8250 TRACTOR - 1637366****1637366****Front Pto - Drive - Up To 07-01-2001****Page050-0105**

Item	Part Number	Qty	Description	Comments
1	3617368M1	1	Sleeve	
2	1441366X1	2	Bolt Metric	M12 X 40
3	339608X1	1	Grease Nipple	
4	3617364M1	1	Shaft	Number of teeth/spines 6
	3617365M1	1	Shaft	Number of teeth/spines 21
5	3617367M1	1	Bearing Carrier	
6	364461X1	1	Grease Nipple	
7	3009505X1	4	Screw Metric	M12 X 25
8	3715248M1	1	Protector	
9	3618167M1	1	Support	
10	3777563M2	1	Cover	
11	339666X1	4	Hex. Sock. Screw	M6 X 20
12	390971X1	4	Washer	Diameter 6-12 X 1,5 MM
13	339030X1	4	Nut Metric	M6
14	3777564M2	1	Cowl	
15	339123X1	3	Hex. Sock. Screw	M8 X 20

1-ZX38-005-A

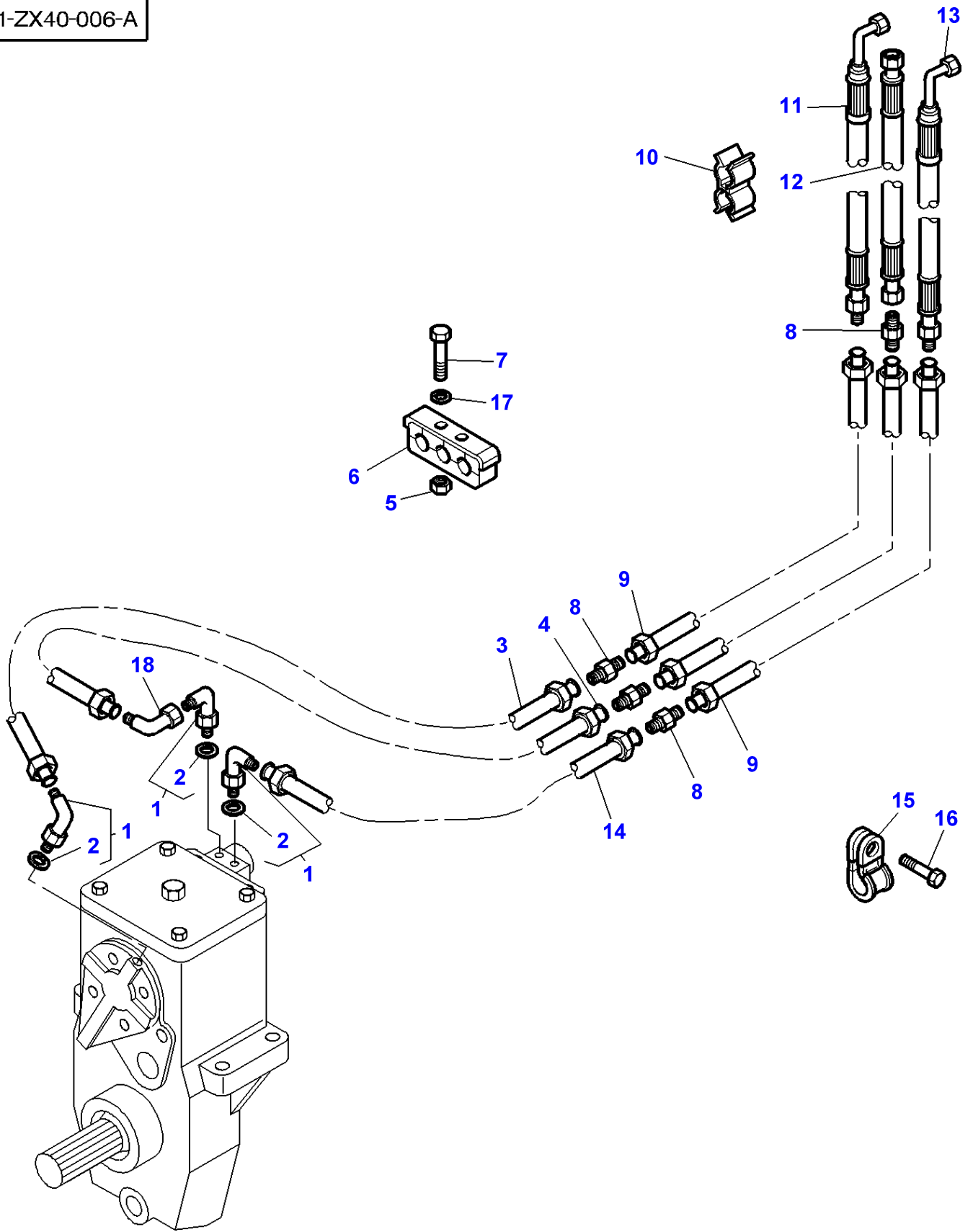


Massey Ferguson**MF 8250 TRACTOR - 1637366****1637366****Front Pto - Drive - Up To 07-01-2001****Page050-0110**

Item	Part Number	Qty	Description	Comments
1	3389791M1	1	Bush	
2	3389825M1	1	Coupler	
3	1440350X1	6	Screw Metric	M6 X 20
4	1440349X1	1	Screw Metric	M8 X 30
5	3617283M1	1	Shaft	Length 150 MM
6	3619929M1	1	Sleeve	
7	391989X1	8	Screw Metric	M8 X 20
8	3580604M91	1	Coupler	
9	3004715X1	6	Screw	M8 X 60
10	3389766M1	1	Bush	
11	3617282M1	1	Hub	
12	3467932M1	1	Shock Absorber	(2)
13	3467933M1	1	Shock Absorber	(8)
14	3010238X1	2	Screw	M10 X 40

MF 8250 TRACTOR - 1637366
1-ZX40-006-A

1-ZX40-006-A

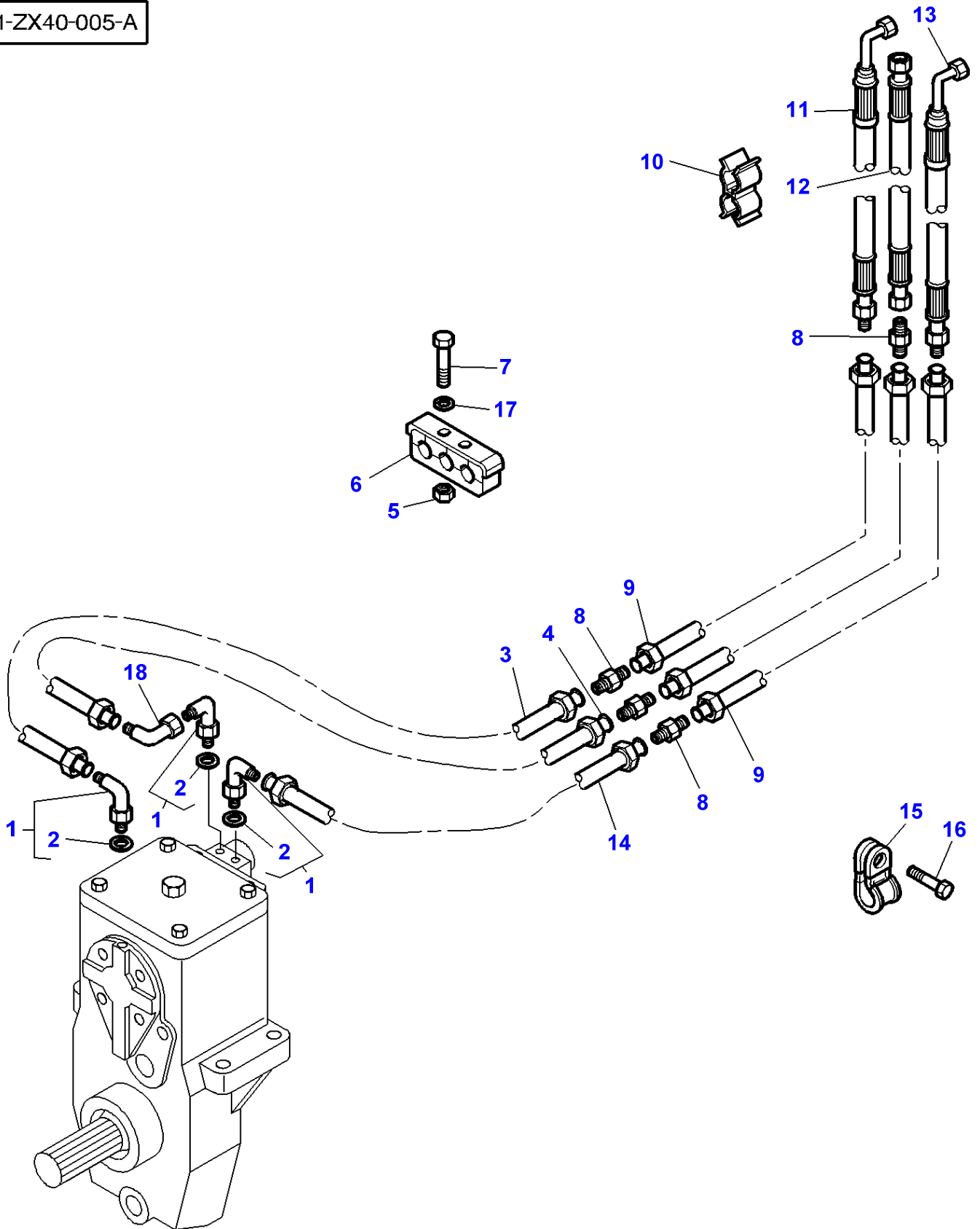


Massey Ferguson**MF 8250 TRACTOR - 1637366****1637366****Front Pto - Lines - Reverse Drive Front Pto - Up To 07-01-2001****Page050-0115**

Item	Part Number	Qty	Description	Comments
1	3019412X91	3	Elbow	
2	3019395X1	1	O Ring	(1)
3	3784011M1	1	Tube	
4	3784013M1	1	Tube	
5	339030X1	6	Nut Metric	
6	3784009M1	3	Clamp	
7	339096X1	6	Bolt Metric	M6X35
8	355529X1	4	Union	
9	3784010M1	3	Tube	
10	3581696M1	4	Clamp	
11	3783432M1	1	Hydr Hose	Length 1400MM
12	3781572M1	1	Hydr Hose	Length 2200MM
13	3783431M1	1	Hydr Hose	Length 2200MM
14	3784014M1	1	Tube	
15	3010808X1	1	Strap	
16	339123X1	1	Hex. Sock. Screw	M8X20
17	390971X1	6	Washer	
18	364603X1	1	Elbow	

MF 8250 TRACTOR - 1637366
1-ZX40-005-A

1-ZX40-005-A



Massey Ferguson**MF 8250 TRACTOR - 1637366**

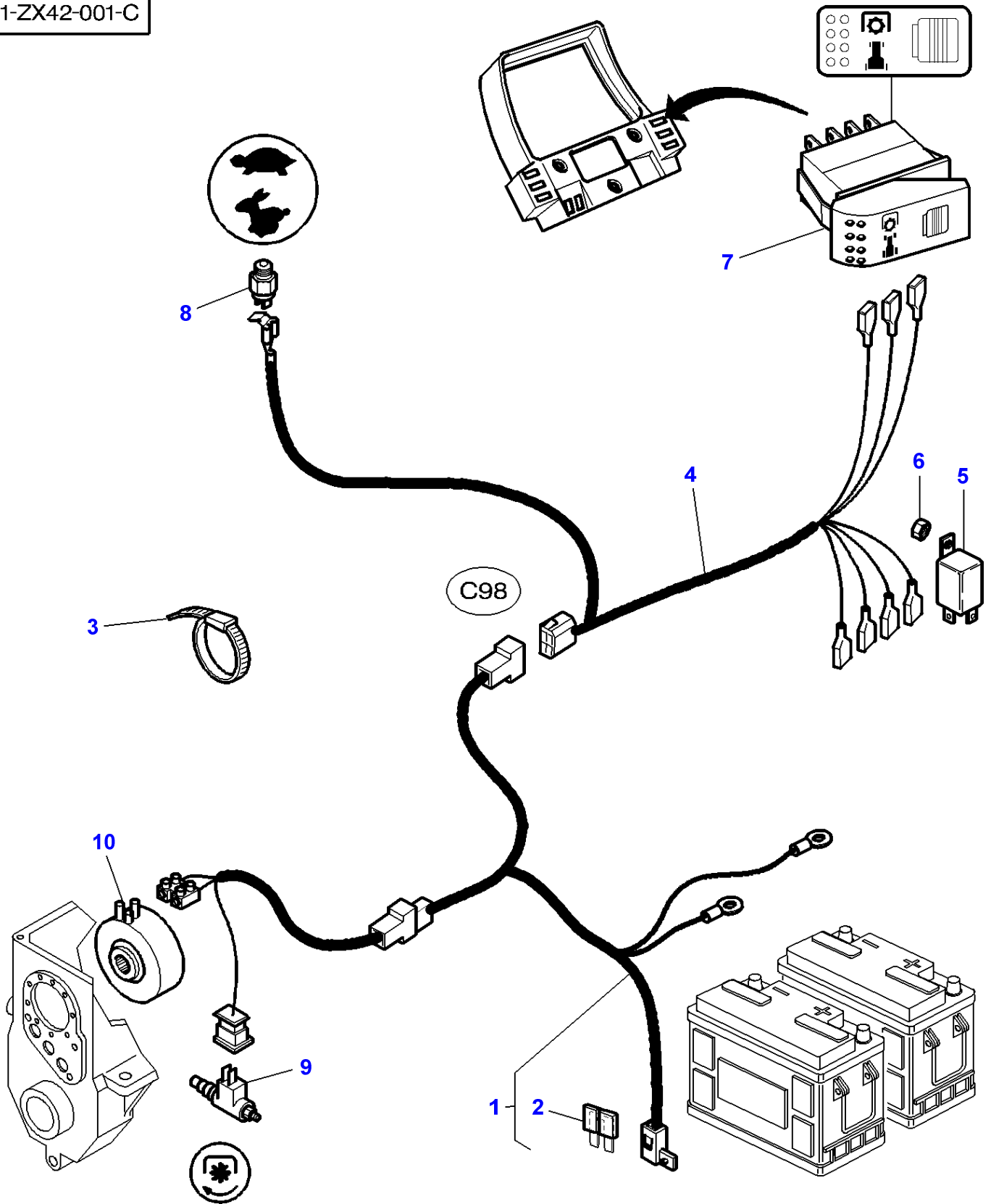
1637366

Front Pto - Lines - Clockwise Drive Front Pto - Up To 07-01-2001

Page050-0120

Item	Part Number	Qty	Description	Comments
1	3019412X91	3	Elbow	
2	3019395X1	1	O Ring	(1)
3	3784012M1	1	Tube	
4	3784013M1	1	Tube	
5	339030X1	6	Nut Metric	
6	3784009M1	3	Clamp	
7	339096X1	6	Bolt Metric	M6X35
8	355529X1	4	Union	
9	3784010M1	3	Tube	
10	3581696M1	4	Clamp	
11	3783432M1	1	Hydr Hose	Length 1400MM
12	3781572M1	1	Hydr Hose	Length 2200MM
13	3783431M1	1	Hydr Hose	Length 2200MM
14	3784014M1	1	Tube	
15	3010808X1	1	Strap	
16	339123X1	1	Hex. Sock. Screw	M8X20
17	390971X1	6	Washer	
18	364603X1	1	Elbow	

1-ZX42-001-C



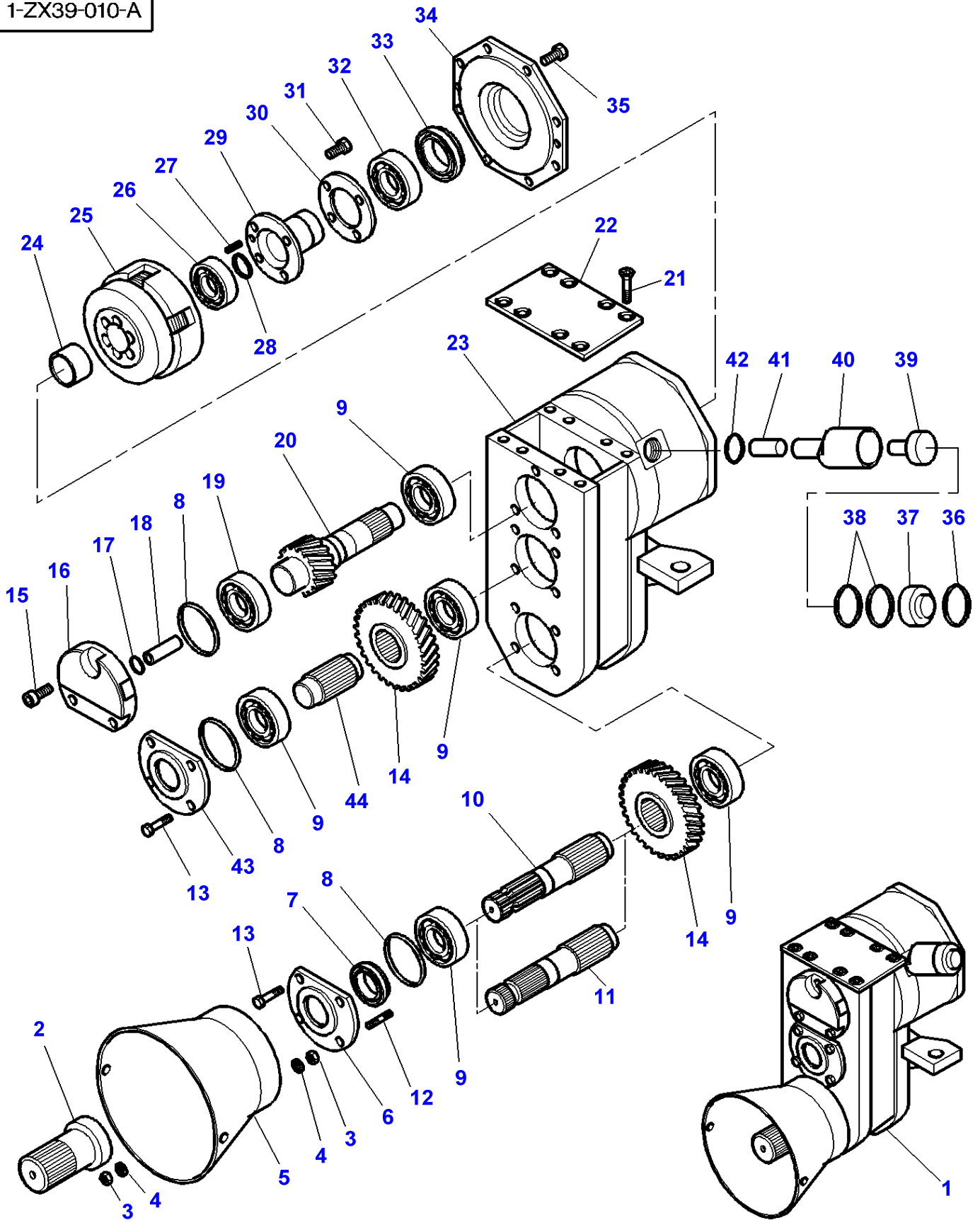
Massey Ferguson**MF 8250 TRACTOR - 1637366****1637366****Front Pto - Harness - Up To 07-01-2001****Page050-0125**

Item	Part Number	Qty	Description	Comments
1	3784044M91	1	Harness	
2	3387318M1	1	Fuse	(1) 5 AMP
3	3619622M1	7	Cable Tie	
4	3783675M1	1	Harness	
5	3615652M1	1	Relay	12V-25A
6	3010477X1	1	Nut Metric	
7	3783086M1	1	Switch,Indirect	
8		1	Switch,Indirect	See Page - Reference Number 025-0075/19
9		1	Electrovalve	See Page - Reference Number 050-0085/25
10	3389631M91	1	Brake	

FOOTNOTE [B] TRACTOR STEEP NOSE ONLY

MF 8250 TRACTOR - 1637366
1-ZX39-010-A

1-ZX39-010-A

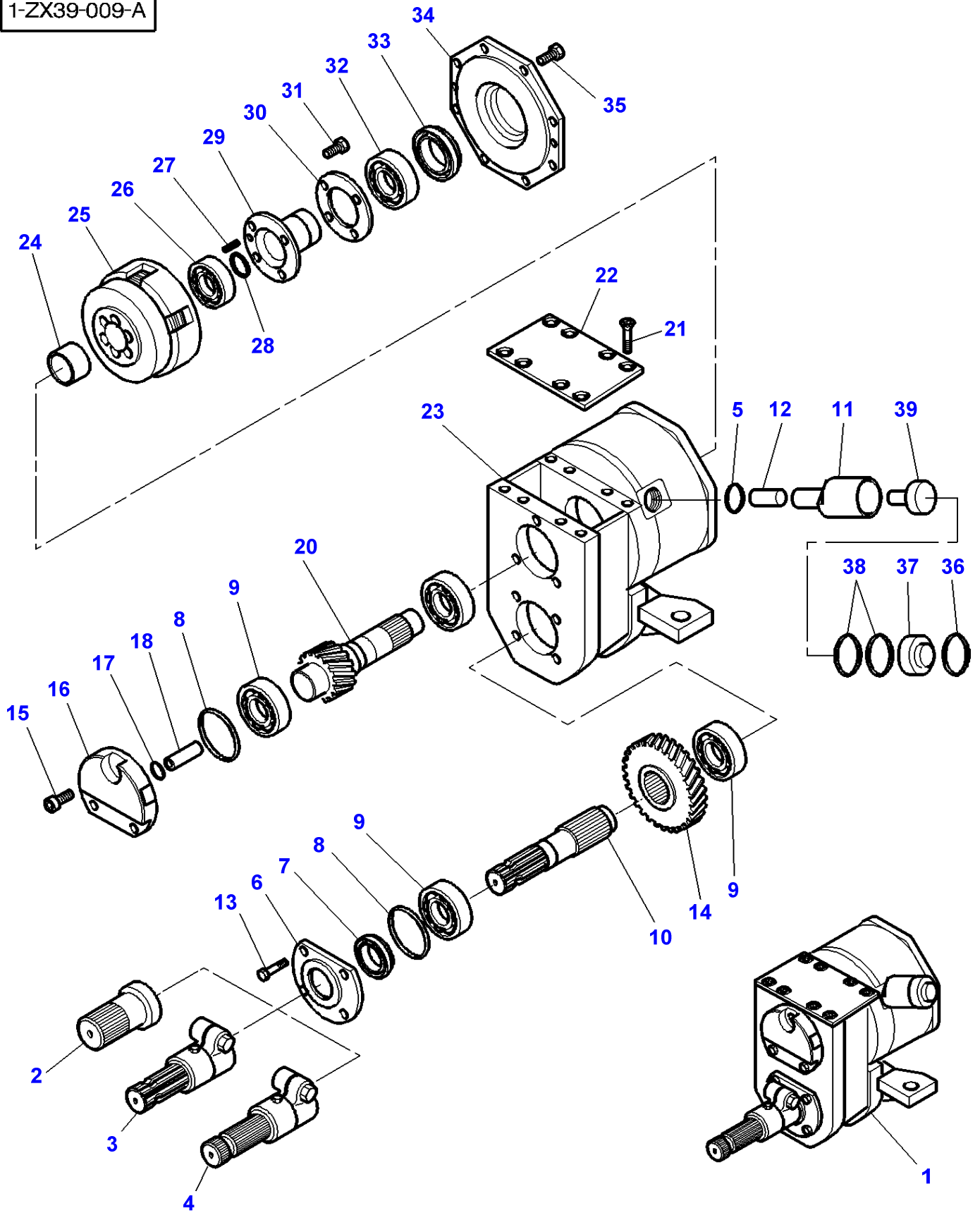


Item	Part Number	Qty	Description	Comments
1	3785130M91	1	Front Pto Case	Number of teeth/spines 6
	3785132M91	1	Front Pto Case	Number of teeth/spines 21
2	3785058M1	1	Helmet	(1)
3	339169X1	4	Nut	(1) M8
4	390972X1	4	Washer Metric	(1)
5	3784835M1	1	Bowl	(1)
6	3784814M1	1	Cover	(1)
7	3784840M1	1	Gasket	(1)
8	3784819M1	3	Washer	(1)
9	3784838M1	5	Bearing Assy	(1)
10	3784828M1	1	Shaft	(1) Number of teeth/spines 6
11	3784832M1	1	Shaft	(1) Number of teeth/spines 21
12	3784848M1	2	Stud	(1)
13	390739X1	6	Pin	(1) M8 X 18
14	3784827M1	2	Pinion	(1) Number of teeth/spines 29
15	3009292X1	3	Screw	(1) M10 X 25
16	3784813M1	1	Cover	(1)
17	3784825M1	1	Segment	(1)
18	3784816M1	1	Tube	(1)
19	3784839M1	1	Bearing Assy	(1)
20	3784826M1	1	Pinion	(1) Number of teeth/spines 14
21	3784846M1	8	Screw	(1) M8 X 16
22	3784815M1	1	Cover	(1)
23		1	Housing	(1) Not serviced,order REF. 1
24	3784818M1	1	Bush	(1)
25	3784833M1	1	Clutch	(1) See Page - Reference Number 050-0145/1
26	3784836M1	1	Bearing Assy	(1)
27	3784845M1	2	Pin	(1) Diameter 8 X 20
28	3784844M1	1	Ring	(1)
29	3784834M1	1	Hub	(1) Number of teeth/spines 6
30	3784817M1	1	Washer	(1)
31	3784847M1	4	Screw	(1) M8 X 30
32	3784837M1	1	Bearing Assy	(1)
33	3784841M1	1	Gasket	(1)
34	3784812M1	1	Plate	(1)
35	3010182X1	8	Screw	(1) M8 X 20
36	3784821M1	1	Ring	(1)
37	3784820M1	1	Plug	(1)
38	3784843M1	2	O Ring	(1)
39	3784822M1	1	Piston	(1)
40	3784823M1	1	Brake Cylinder	(1)
41	3784824M1	1	Brake	(1)
42	3784842M1	1	Gasket	(1)
43	3784829M1	1	Bonnet	(1)
44	3784830M1	1	Shaft	(1)

FOOTNOTE [A] NOT USED

MF 8250 TRACTOR - 1637366
1-ZX39-009-A

1-ZX39-009-A

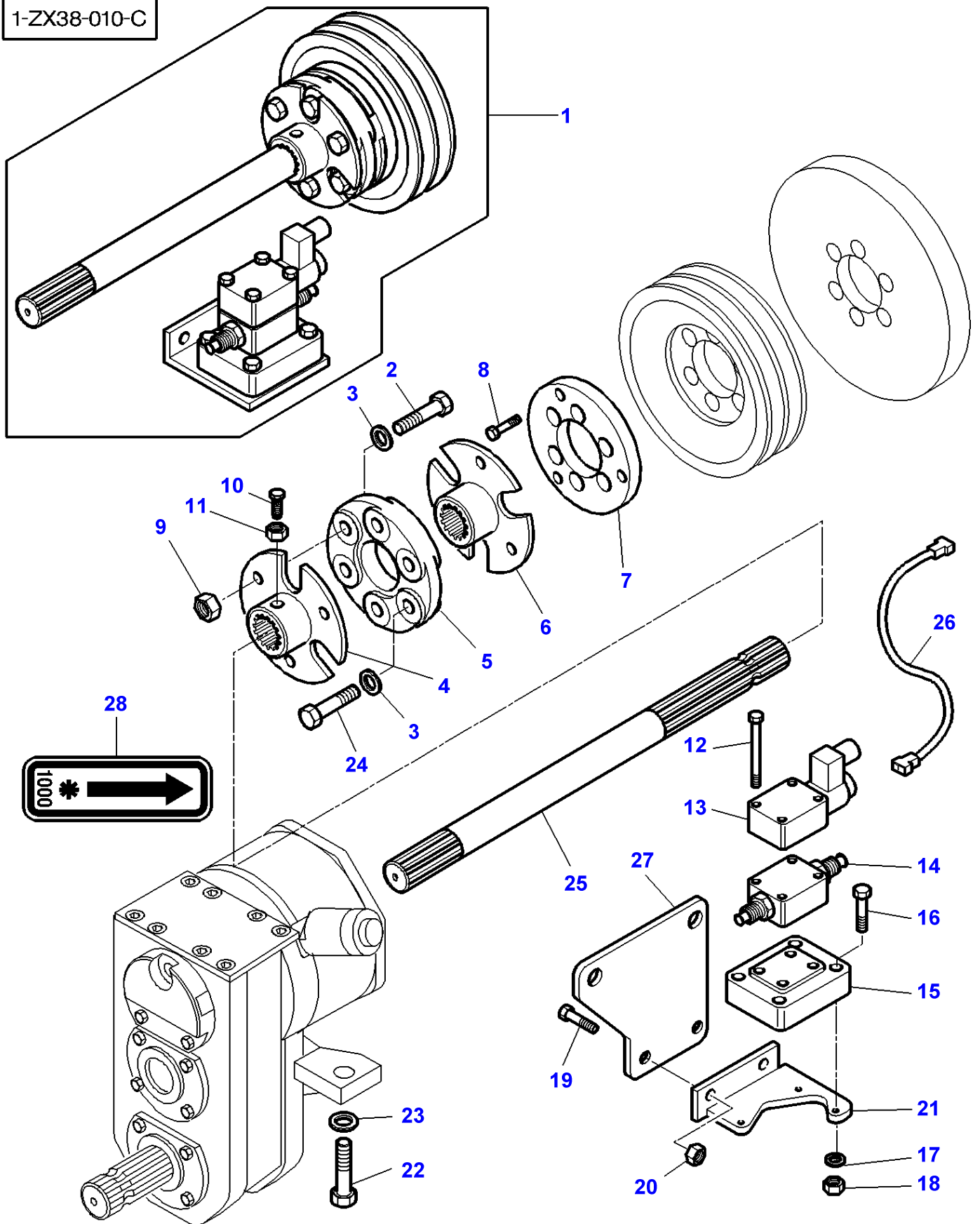


Front Pto - Housing - Counterclockwise Drive Front Pto - From 08-01-2001

Item	Part Number	Qty	Description	Comments
1	3785129M91	1	Front Pto Case	Number of teeth/spines 6
	3785131M91	1	Front Pto Case	Number of teeth/spines 21
2	3785058M1	1	Helmet	(1)
3	3785281M1	1	Shaft	(1)
				Number of teeth/spines 6/6
4	3785282M1	1	Shaft	(1)
				Number of teeth/spines 6/21
5	3784842M1	1	Gasket	(1)
6	3784814M1	1	Cover	(1)
7	3784840M1	1	Gasket	(1)
8	3784819M1	2	Washer	(1)
9	3784838M1	3	Bearing Assy	(1)
10	3784828M1	1	Shaft	(1)
				Number of teeth/spines 6
11	3784823M1	1	Brake Cylinder	(1)
12	3784824M1	1	Brake	(1)
13	390739X1	4	Pin	(1)
				M8 X 18
14	3784827M1	1	Pinion	(1)
				Number of teeth/spines 29
15	3009292X1	3	Screw	(1)
				M10 X 25
16	3784813M1	1	Cover	(1)
17	3784825M1	1	Segment	(1)
18	3784816M1	1	Tube	(1)
19	3784839M1	1	Bearing Assy	(1)
20	3784826M1	1	Pinion	(1)
				Number of teeth/spines 14
21	3784846M1	8	Screw	(1)
				M8 X 16
22	3784815M1	1	Cover	(1)
23		1	Housing	(1)
				Not serviced,order REF. 1
24	3784818M1	1	Bush	(1)
25	3784833M1	1	Clutch	(1)
				See Page - Reference Number 050-0145/1
26	3784836M1	1	Bearing Assy	(1)
27	3784845M1	2	Pin	(1)
				Diameter 8 X 20
28	3784844M1	1	Ring	(1)
29	3784834M1	1	Hub	(1)
				Number of teeth/spines 6
30	3784817M1	1	Washer	(1)
31	3784847M1	4	Screw	(1)
				M8 X 30
32	3784837M1	1	Bearing Assy	(1)
33	3784841M1	1	Gasket	(1)
34	3784812M1	1	Plate	(1)
35	3010182X1	8	Screw	(1)
				M8 X 20
36	3784821M1	1	Ring	(1)
37	3784820M1	1	Plug	(1)
38	3784843M1	2	O Ring	(1)
39	3784822M1	1	Piston	(1)

MF 8250 TRACTOR - 1637366
1-ZX38-010-C

1-ZX38-010-C



Front Pto - Drive - From 08-01-2001

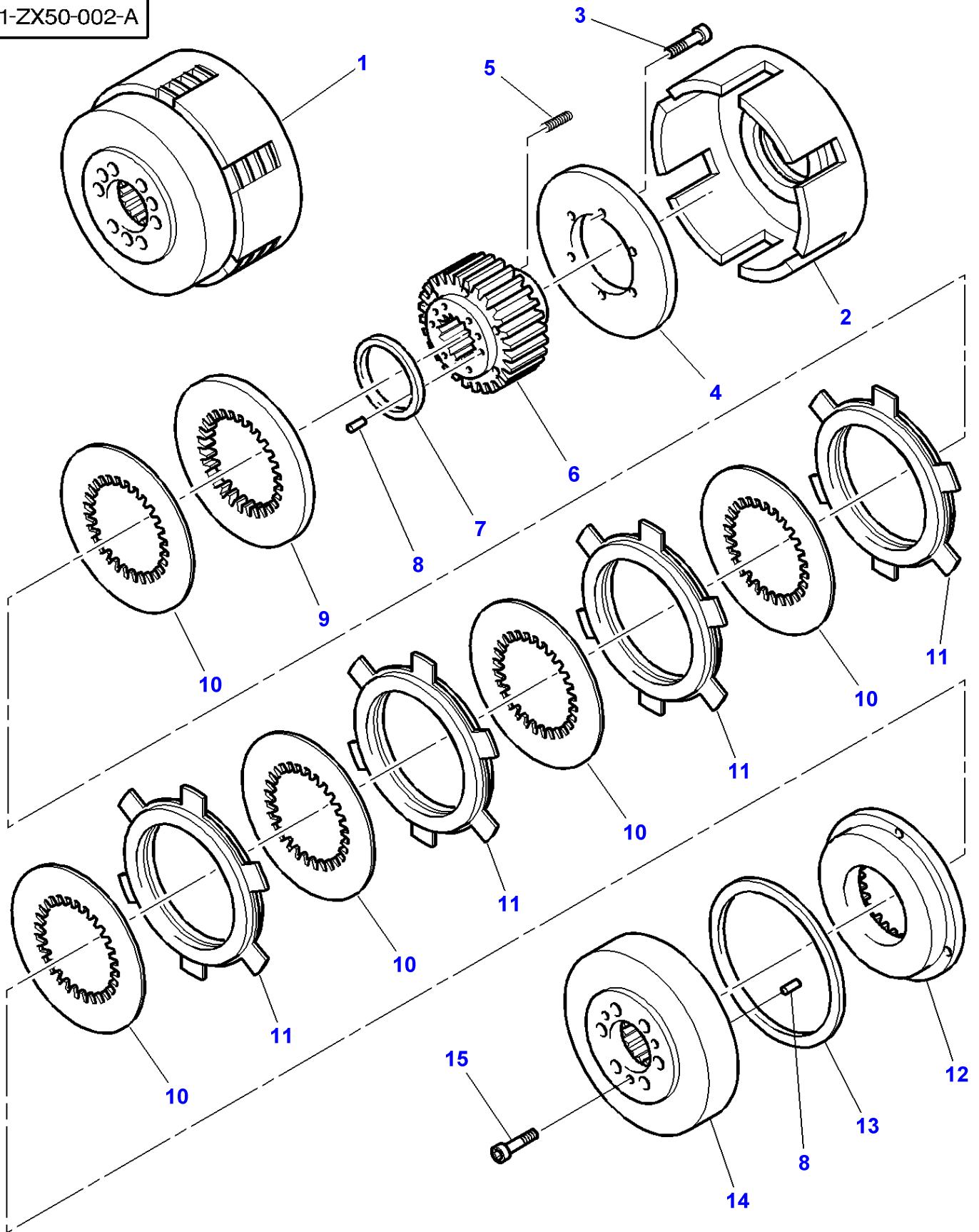
Item	Part Number	Qty	Description	Comments
1	3785128M93	1	Parts Pack	
2	3009512X1	3	Bolt Metric	(1) Up to Serial or Engine Number M273030 M12 X 60
	3019851X1	3	Bolt Metric	(1) From Serial or Engine Number M273031 M12 X 45
3	390735X1	6	Washer	(1) Diameter 12-24 X 2,5 MM
4	3785137M2	1	Hub	(1) Number of teeth/spines 6/6
5	3785138M1	1	Rotor	(1)
6	3785136M1	1	Flange	(1)
7	3785135M1	1	Flange	(1)
8	1442525X1	6	Screw	(1) M8 X 45
9	1442190X1	3	Locknut	(1) Up to Serial or Engine Number M273030 M12
10	3784798M1	3	Screw	(1) Up to Serial or Engine Number M273030 M8 X 30
	3010144X1	1	Screw	(1) From Serial or Engine Number M273031 M12 X 45
11	339169X1	3	Nut	(1) Up to Serial or Engine Number M273030 M8
12	3784804M1	4	Screw	(1) M5 X 90
13	3784801M1	1	Distributor	(1)
14	3784802M1	1	Regulator	(1)
15	3784803M1	1	Support	(1)
16	3009277X1	4	Screw	(1) M5 X 40
17	339381X1	4	Lock Washer	(1)
18	390995X1	4	Nut Metric	(1) M5
19	3009497X1	2	Bolt Metric	(1) M10 X 50
20	3009693X1	2	Nut Metric	(1) M10
21	4272729M1	1	Support	(1)
22	3001968X1	2	Screw	(1) M20 X 60
23	339378X1	2	Lock Washer	(1)
24	3009511X1	3	Bolt Metric	(1) M12 X 55
25	3785290M1	1	Shaft	(1) Number of teeth/spines 6/6
26	3785974M1	1	Harness	[A,B]
27	3787675M1	1	Support	[A,B] From Serial or Engine Number 23-MAI-2001
28	3618157M2	1	Decal	[A,B]

FOOTNOTE [A] ORDER SEPARATELY

FOOTNOTE [B] NOT INCLUDED IN KIT

MF 8250 TRACTOR - 1637366
1-ZX50-002-A

1-ZX50-002-A



Massey Ferguson**MF 8250 TRACTOR - 1637366**

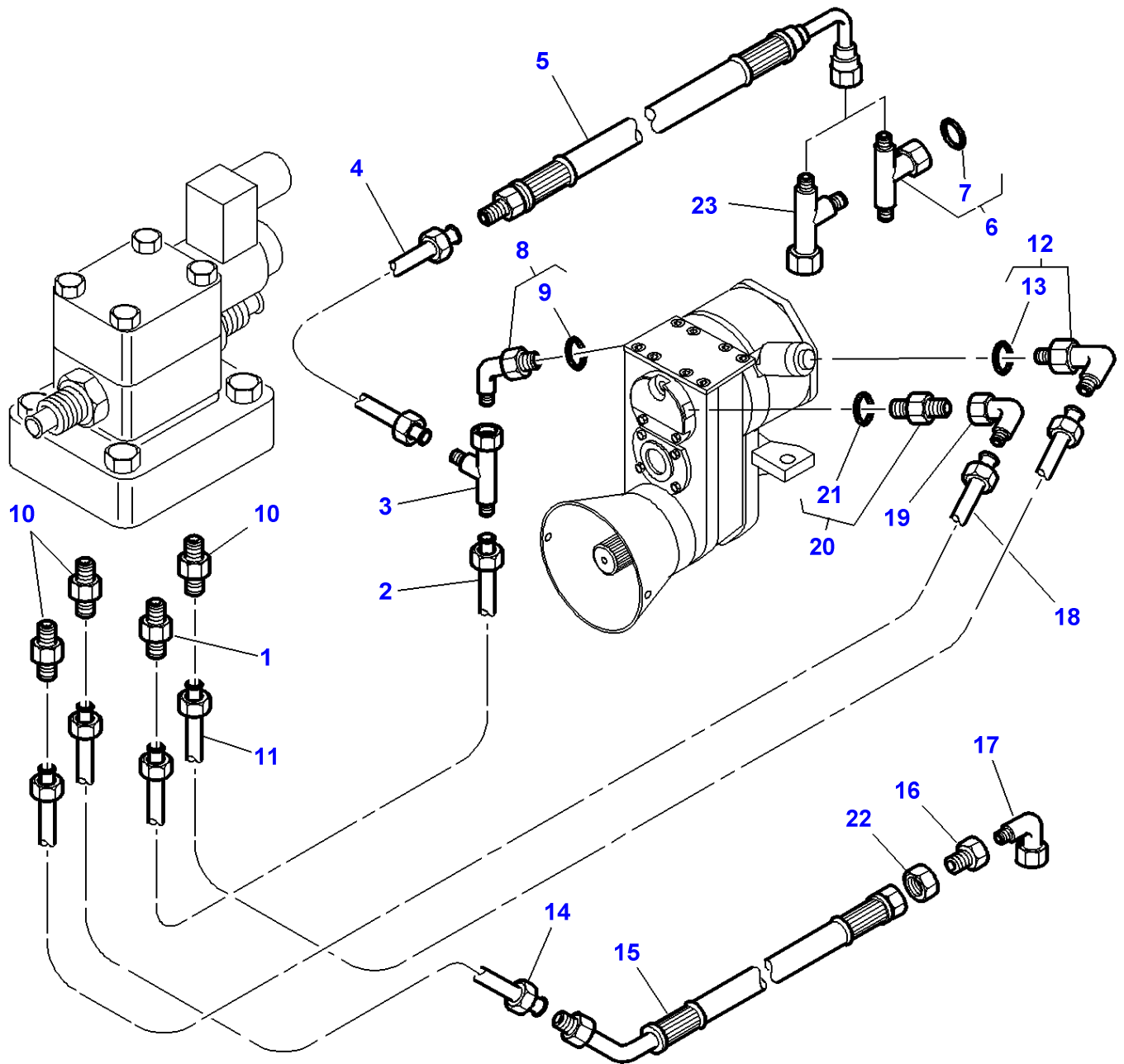
1637366

Front Pto - IPTO Clutch - From 08-01-2001

Page050-0145

Item	Part Number	Qty	Description	Comments
1	3784833M1	1	Clutch	
2		1	Cover	(1) Not serviced,order REF. 1
3		6	Screw	(1) Not serviced,order REF. 1
4		1	Plate	(1) Not serviced,order REF. 1
5	3903642M1	6	Spring	(1)
6		1	Pinion	(1) Not serviced,order REF. 1
7	3903644M1	1	Segment	(1)
8		X	Clevis Pin	(1) Not serviced,order REF. 1
9	3903645M1	1	Counterplate	(1)
10	3903641M1	5	Disc	(1)
11	3903640M1	4	Disc	(1)
12		1	Disc	(1) Not serviced,order REF. 1
13	3903643M1	1	Segment	(1)
14		1	Cover	(1) Not serviced,order REF. 1
15		X	Screw	(1) Not serviced,order REF. 1

1-ZX40-008-B



Massey Ferguson**MF 8250 TRACTOR - 1637366**

1637366

Front Pto - Lines - From 08-01-2001

Page050-0150

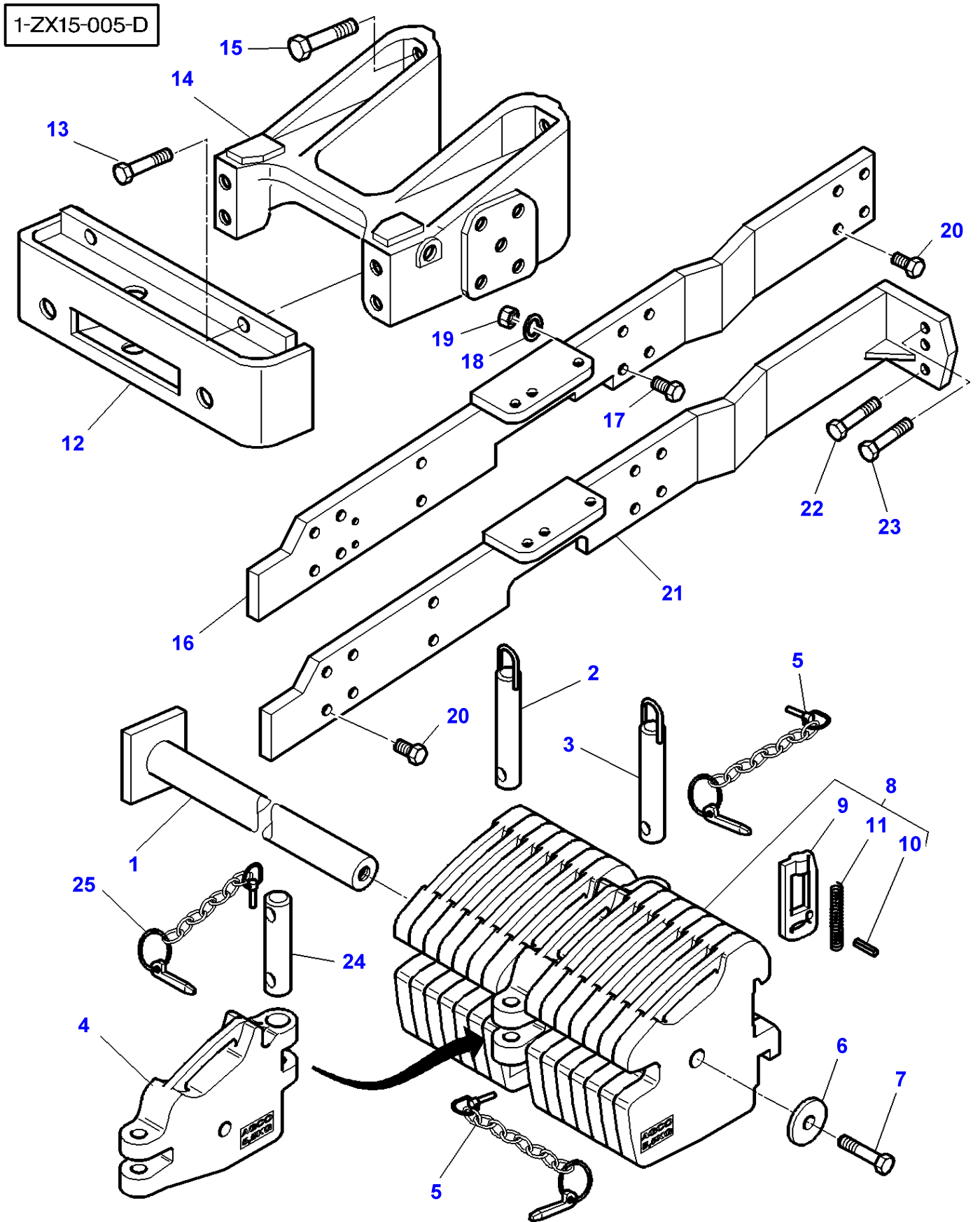
Item	Part Number	Qty	Description	Comments
1	3785070M1	1	Union	
2	3785208M1	1	Tube	
3	370576X1	1	Union	
4	3784301M2	1	Tube	
5	3785123M1	1	Hydr Hose	Length 1450MM
6	3019611X91	1	Union	[A]
7	3019397X1	1	O Ring	(6)
8	3019679X91	1	Union	
9	3019397X1	1	O Ring	(8)
10	3785069M1	3	Union	
11	3785207M2	1	Tube	
12	3019410X91	1	Elbow Nipple	
13	3019394X1	1	O Ring	(12)
14	3784302M1	1	Tube	
15	3785124M1	1	Hydr Hose	Length 1450MM
16	356629X1	1	Reducer	
17	367386X1	1	Elbow	
18	3785206M2	1	Tube	
19	373778X1	1	Union	
20	3019692X91	1	Union	
21	3019395X1	1	O Ring	(20)
22	22576X	1	Union Nut	
23	364704X1	1	Teepiece	[B]

FOOTNOTE [A] WITH DYNASHIFT

FOOTNOTE [B] WITH FULL POWERSHIFT

Page Title	Page Number
Weight Frame And Tow Pin - WITH DANA FRONT AXLE UP TO K017003	060-0005
Weight Frame And Tow Pin - WITH CARRARO FRONT AXLE AND DANA FRONT AXLE FROM K017004	060-0010
Weight Frame And Tow Pin - With Front Lift	060-0015
Weight Frame And Tow Pin	060-0020
Chassis Structure - Dynashift	060-0025
Belly Weight	060-0030
Belly Weight - WITH CARRARO FRONT AXLE AND DANA FRONT AXLE FROM K017004	060-0035
Belly Weight - With Fixed Front Axle CARRARO-3T5 Front Linkage-Left Front PTO	060-0040
Front Axle - Bracket 4 Wheel Drive - Up To K017003	060-0045
Front Axle - Bracket 4 Wheel Drive - From K017004 - Up To K116014 - With Front Axle A G 200	060-0050
Front Axle Fixed CARRARO - Bracket	060-0055
Front Axle Suspended CARRARO - Bracket	060-0060
Front Axle 4 Wheel Drive - Clutch	060-0065
Front Axle 4 Wheel Drive - Differential Lock Mechanism	060-0070
Front Axle CARRARO - Differential Lock Mechanism	060-0075
Guard And Transmission Shaft - Dynashift	060-0080
Guard And Transmission Shaft - With Full Powershift - Excepted East Europe	060-0085
Guard And Transmission Shaft - With Full Powershift - For East Europe	060-0090
Front Axle Fixed CARRARO - Guard And Transmission Shaft	060-0095
Front Axle Suspended CARRARO - Guard And Transmission Shaft	060-0100
Front Axle 4 Wheel Drive	060-0105
Front Axle 4 Wheel Drive - Steering Cylinders - Up to Serial or Engine Number - H152027	060-0110
Front Axle 4 Wheel Drive - Steering Cylinders - From Serial or Engine Number - H152028	060-0115
Front Axle 4 Wheel Drive - Housing	060-0120
Front Axle 4 Wheel Drive - Differential	060-0125
Front Axle 4 Wheel Drive - Final Drive	060-0130
Front Axle Fixed CARRARO - M.F 8250 - TYPE 20,43	060-0135
Front Axle Fixed CARRARO - M.F 8250 XTRA - TYPE 20,48	060-0140
Front Axle Suspended CARRARO - M.F 8250 - TYPE 20,43	060-0145
Front Axle Suspended CARRARO - M.F 8250 XTRA - TYPE 20,48	060-0150
Front Axle Fixed CARRARO - Housing - M.F 8250 - TYPE 20,43	060-0155
Front Axle Fixed CARRARO - Housing - M.F 8250 XTRA - TYPE 20,48	060-0160
Front Axle Suspended CARRARO - Housing - M.F 8250 - TYPE 20,43	060-0165
Front Axle Suspended CARRARO - Housing - M.F 8250 XTRA - TYPE 20,48	060-0170
Front Axle CARRARO - Differential - M.F 8250 - TYPE 20,43	060-0175
Front Axle CARRARO - Differential - M.F 8250 XTRA - TYPE 20,48	060-0180
Front Axle CARRARO - Final Drive - M.F 8250 - TYPE 20,43	060-0185
Front Axle CARRARO - Final Drive - M.F 8250 XTRA - TYPE 20,48	060-0190
Front Axle Suspended CARRARO - Arms - M.F 8250 - TYPE 20,43	060-0195
Front Axle Suspended CARRARO - Arms - M.F 8250 XTRA - TYPE 20,48	060-0200
Front Axle Suspended CARRARO - Arms - Shock Absorber	060-0205
Front Axle Suspended CARRARO - Accumulator	060-0210

MF 8250 TRACTOR - 1637366
1-ZX15-005-D

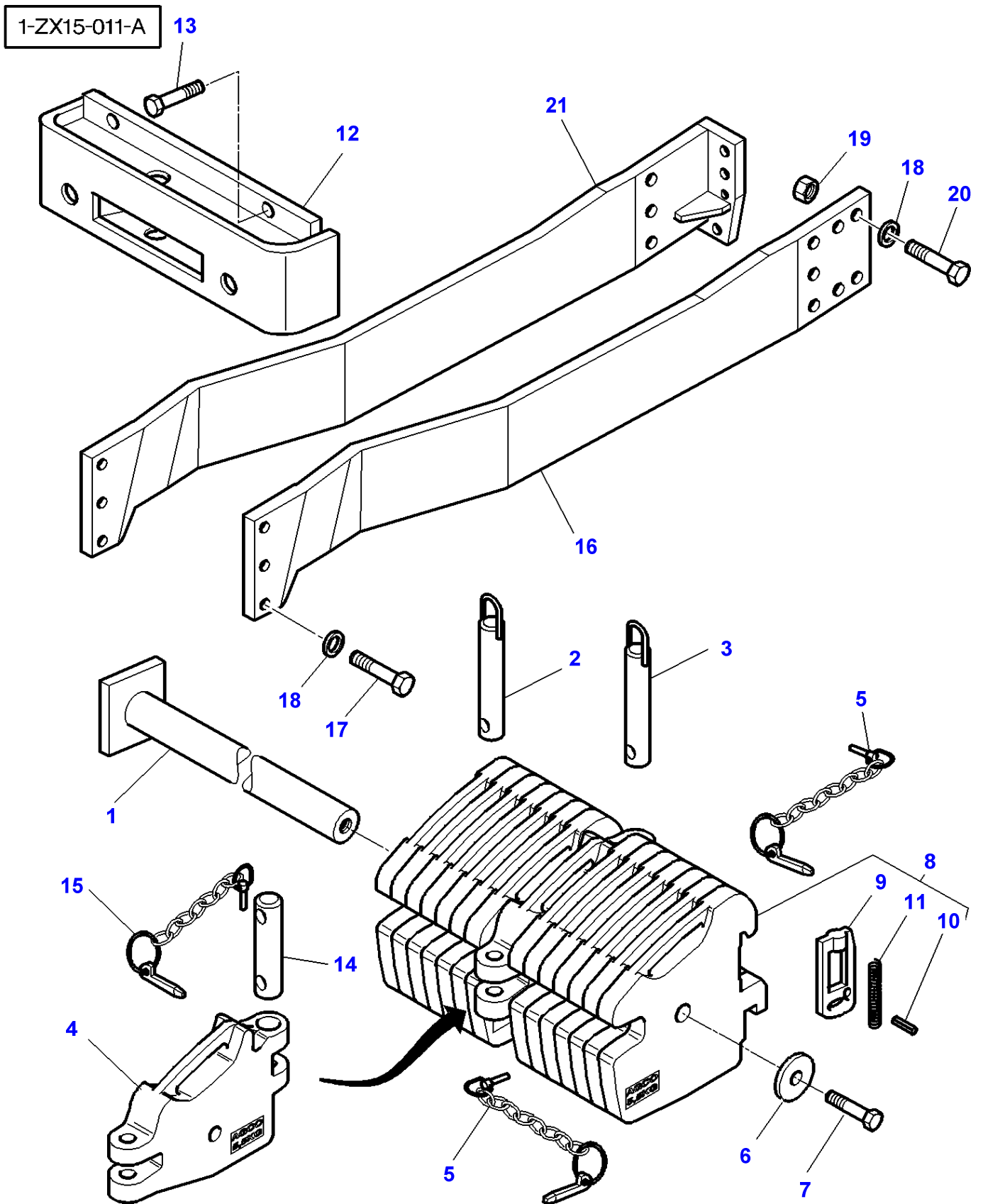


Item	Part Number	Qty	Description	Comments
1	3619728M1	1	Bridle	Length 335MM
	3618713M1	1	Bridle	Length 470MM
	3618712M1	1	Bridle	Length 550MM
2	3387270M92	1	Pin Hitch	Diameter 30X171.5MM
3	3382813M91	1	Pin Hitch	Diameter 30X215MM
4	3382789M4	1	Weight	Up to Serial or Engine Number J320040 51KG
	3784591M2	1	Weight	From Serial or Engine Number J320041 60KG
5	3382812M91	1	Pin	Diameter 1/4 X 32
6	3385963M1	1	Washer	
7	1441685X1	1	Screw Metric	Up to Serial or Engine Number J320040 M16X60
	3008823X1	1	Screw Metric	M16X80
	3000171X1	1	Screw Metric	M16X90
	339498X1	1	Screw	From Serial or Engine Number J320041 M16X110
	390190X1	1	Screw	From Serial or Engine Number J320041 M16X140
	391413X1	1	Bolt Metric	From Serial or Engine Number J320041 M16X160
8	3582867M92	X	Weight	Up to Serial or Engine Number J320040 Thickness 35MM 45KG
	3784628M12	X	Weight	From Serial or Engine Number J320041 Thickness 45MM 55KG
9	3581636M1	1	Hasp	(8)
10	339080X1	1	Roll Pin	(8)
11	1680172M1	1	Spring	(8)
12	3580888M5	1	Support	
13	1441590X1	4	Bolt Metric	M20X50
	3001968X1	4	Screw	M20X60
14	3715537M1	1	Spacer	
15	3580231M1	4	Screw	M20X75
16	3781967M2	1	Runner	[A] Left Hand
	3783244M1	1	Runner	[A] Left Hand For United States of America
	3781966M2	1	Runner	[A] Right Hand
	3783243M1	1	Runner	[A] Right Hand For United States of America
17	391891X1	8	Bolt Metric	M20X90
18	385365X1	8	Washer	
19	339035X1	8	Nut Metric	
20	3001968X1	20	Screw	M20X60
21	3782168M2	1	Runner	[B] Left Hand
	3782173M2	1	Runner	[B] Right Hand
22	3010558X1	2	Screw Metric	M20X120
23	3010575X1	4	Screw	M20X130
24	3782456M1	1	Pin Hitch	
25	3782461M92	1	Pin	Diameter 6.3 X 63

FOOTNOTE [A] WITH DYNASHIFT

FOOTNOTE [B] WITH FULL POWERSHIFT

MF 8250 TRACTOR - 1637366
1-ZX15-011-A

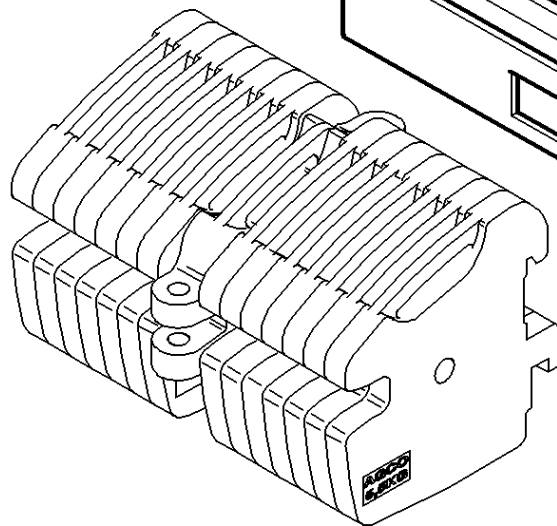
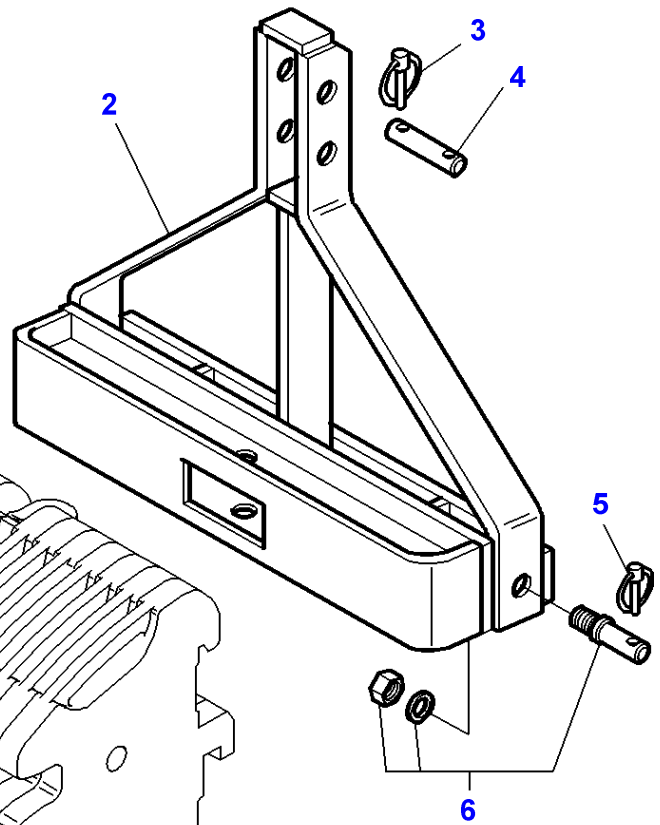
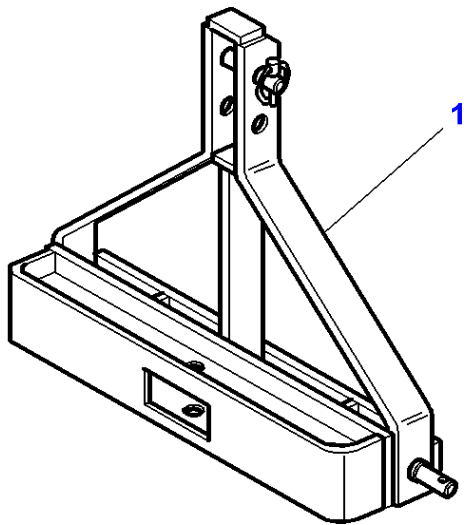


Item	Part Number	Qty	Description	Comments
1	3619728M1	1	Bridle	Length 335MM
	3618713M1	1	Bridle	Up to Serial or Engine Number L192005 Length 470MM
	3788795M1	1	Bridle	Length 510MM
	3618712M1	1	Bridle	Up to Serial or Engine Number L340020 Length 550MM
2	3387270M92	1	Pin Hitch	Up to Serial or Engine Number L144006 Diameter 30X171.5MM
	3790349M92	1	Pin Hitch	From Serial or Engine Number L144007 Diameter 30X191MM
3	3782456M1	1	Pin Hitch	Diameter 30X245MM
4	3784591M2	1	Weight	60KG
5	3382812M91	2	Pin	Diameter 1/4 X 32
6	3385963M1	1	Washer	
7	339805X1	1	Bolt Metric	M16 X 100
	3000171X1	1	Screw Metric	Up to Serial or Engine Number L192005 M16X90
	391334X1	1	Screw	From Serial or Engine Number L192006 M16X50
	339498X1	1	Screw	M16X110
	390190X1	1	Screw	M16X140
	391413X1	1	Bolt Metric	M16X160
8	3784628M12	X	Weight	Thickness 45MM 55KG
9	3581636M1	1	Hasp	(8)
10	339080X1	1	Roll Pin	(8)
11	1680172M1	1	Spring	(8)
12	3580888M5	1	Support	
13	1441590X1	4	Bolt Metric	M20X50
14	3782456M1	1	Pin Hitch	Diameter 30X245MM
15	3782461M92	1	Pin	Diameter 6.3 X 63
16	3783733M1	1	Runner	[A] Left Hand
	3783732M1	1	Runner	[A] Right Hand
17	391328X1	6	Screw Metric	M20X65
18	385365X1	14	Washer	[A]
19	339035X1	8	Nut Metric	[A]
20	391891X1	8	Bolt Metric	[A] M20X90
21	3783729M1	1	Runner	[B] Left Hand
	3783728M1	1	Runner	[B] Right Hand

FOOTNOTE [A] WITH DYNASHIFT

FOOTNOTE [B] WITH FULL POWERSHIFT

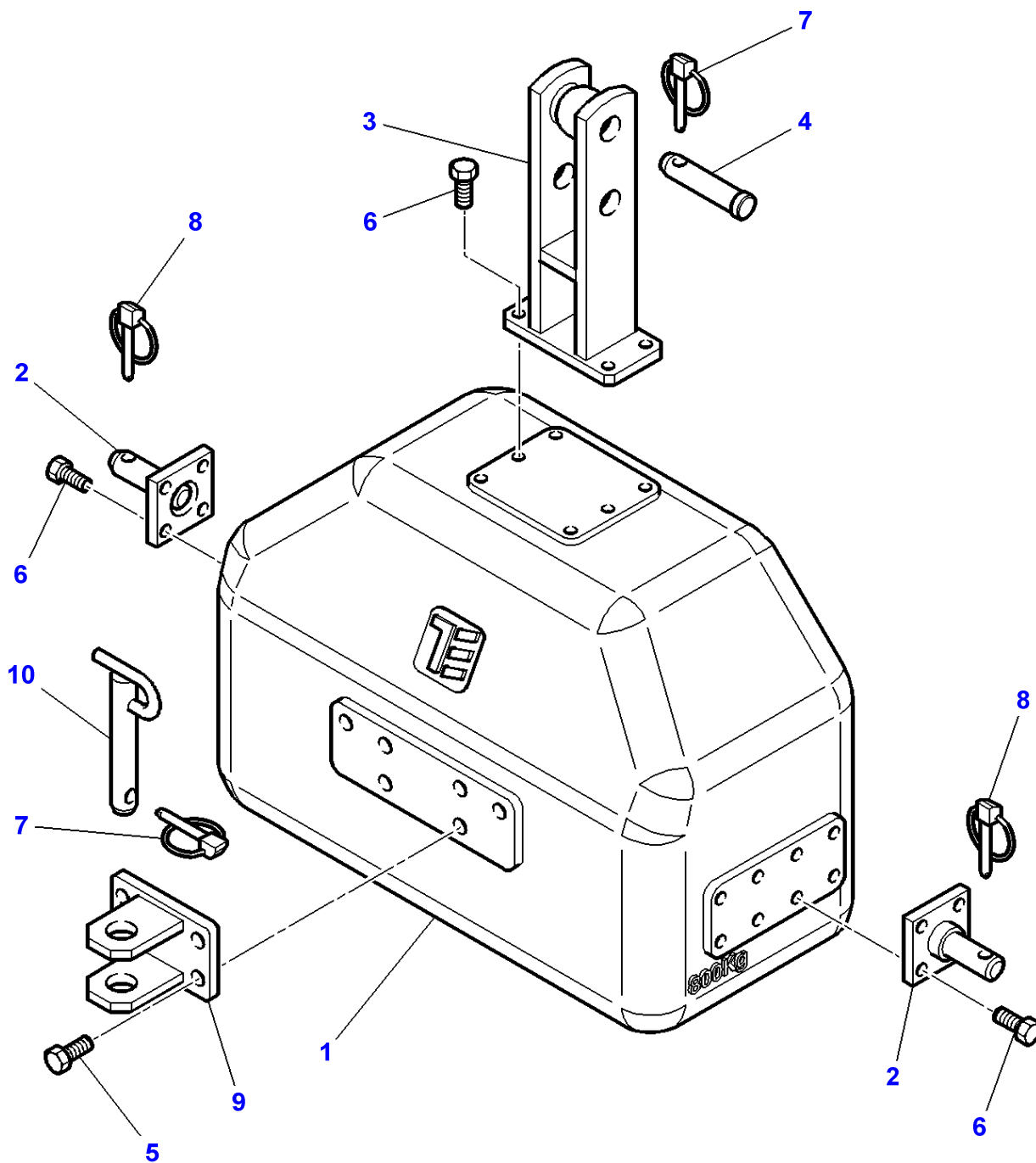
1-ZX15-014-A



Massey Ferguson**MF 8250 TRACTOR - 1637366****1637366****Weight Frame And Tow Pin - With Front Lift****Page060-0015**

Item	Part Number	Qty	Description	Comments
1	3786462M91	1	Support	
2		1	Support	(1) Not serviced,order REF. 1
3	3782684M1	1	Clip	(1)
4	3903839M1	1	Clevis Pin	(1)
5	3903841M1	1	Clip	(1)
6	3903840M1	1	Piton	(1)

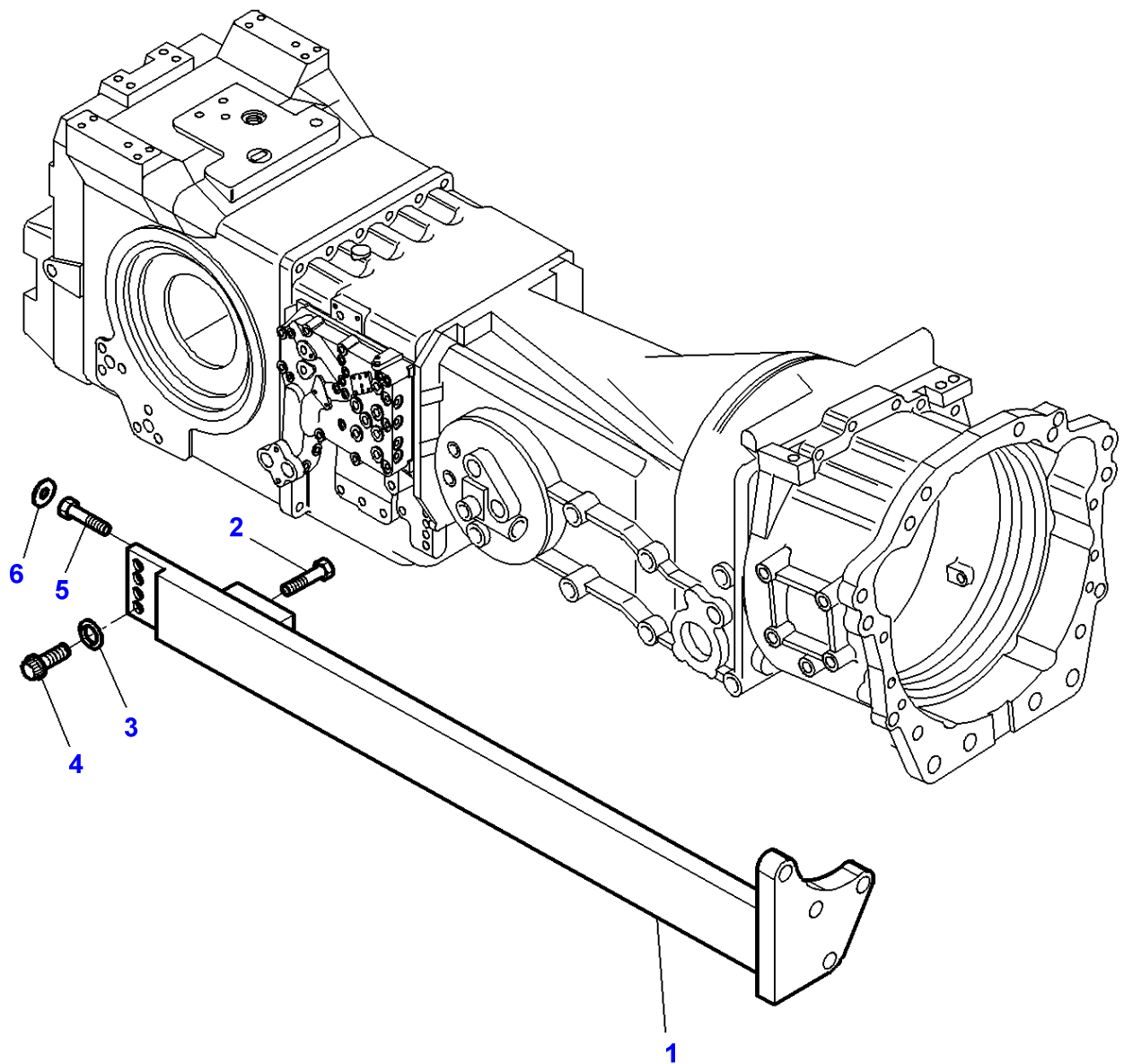
1-ZX15-020-A



Massey Ferguson**MF 8250 TRACTOR - 1637366****1637366****Page060-0020****Weight Frame And Tow Pin**

Item	Part Number	Qty	Description	Comments
1	4271480M91	1	Weight	800KG
2	3907225M1	2	Piton	
3	3907226M1	1	Support	
4	3903839M1	1	Clevis Pin	
5	391269X1	4	Screw Metric	M16 X 30
6	3011611X1	12	Screw	M16 X 45
7	3782684M1	2	Clip	Diameter 8
8	3903841M1	2	Clip	Diameter 11
9	3907227M1	1	Clevis	
10	3900263M91	1	Pin	

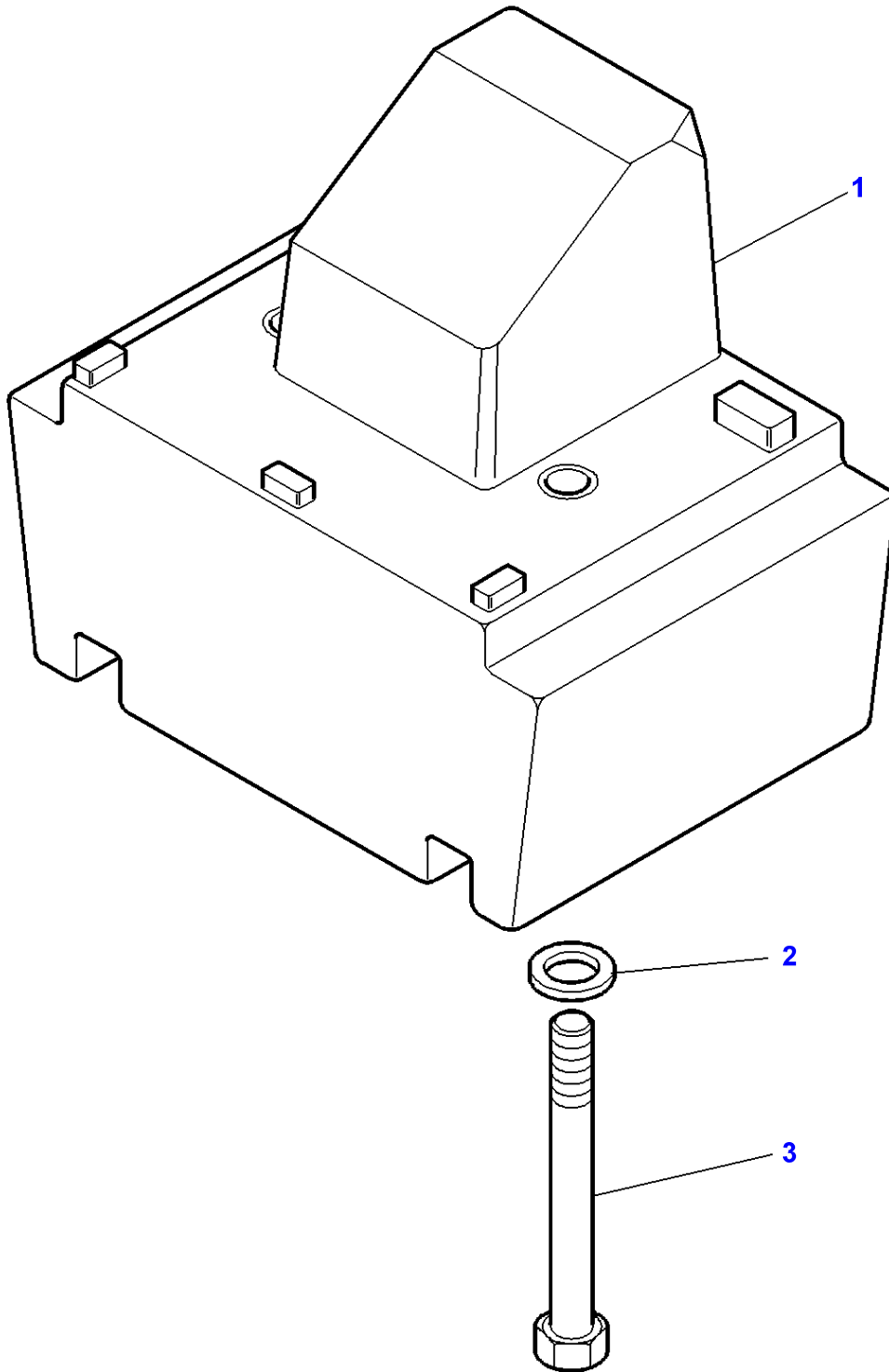
1-ZE10-001-A



Massey Ferguson**MF 8250 TRACTOR - 1637366****1637366****Chassis Structure - Dynashift****Page060-0025**

Item	Part Number	Qty	Description	Comments
1	3716943M2	1	Reinforcement	Right Hand
	3716944M2	1	Reinforcement	Left Hand
2	391989X1	2	Screw Metric	M8X20
3	3010875X1	8	Washer	
4	3010008X1	8	Screw	M16X50
5	3619813M1	2	Screw	
6	3619814M1	2	Washer	

1-ZJ07-003-A



Massey Ferguson

MF 8250 TRACTOR - 1637366

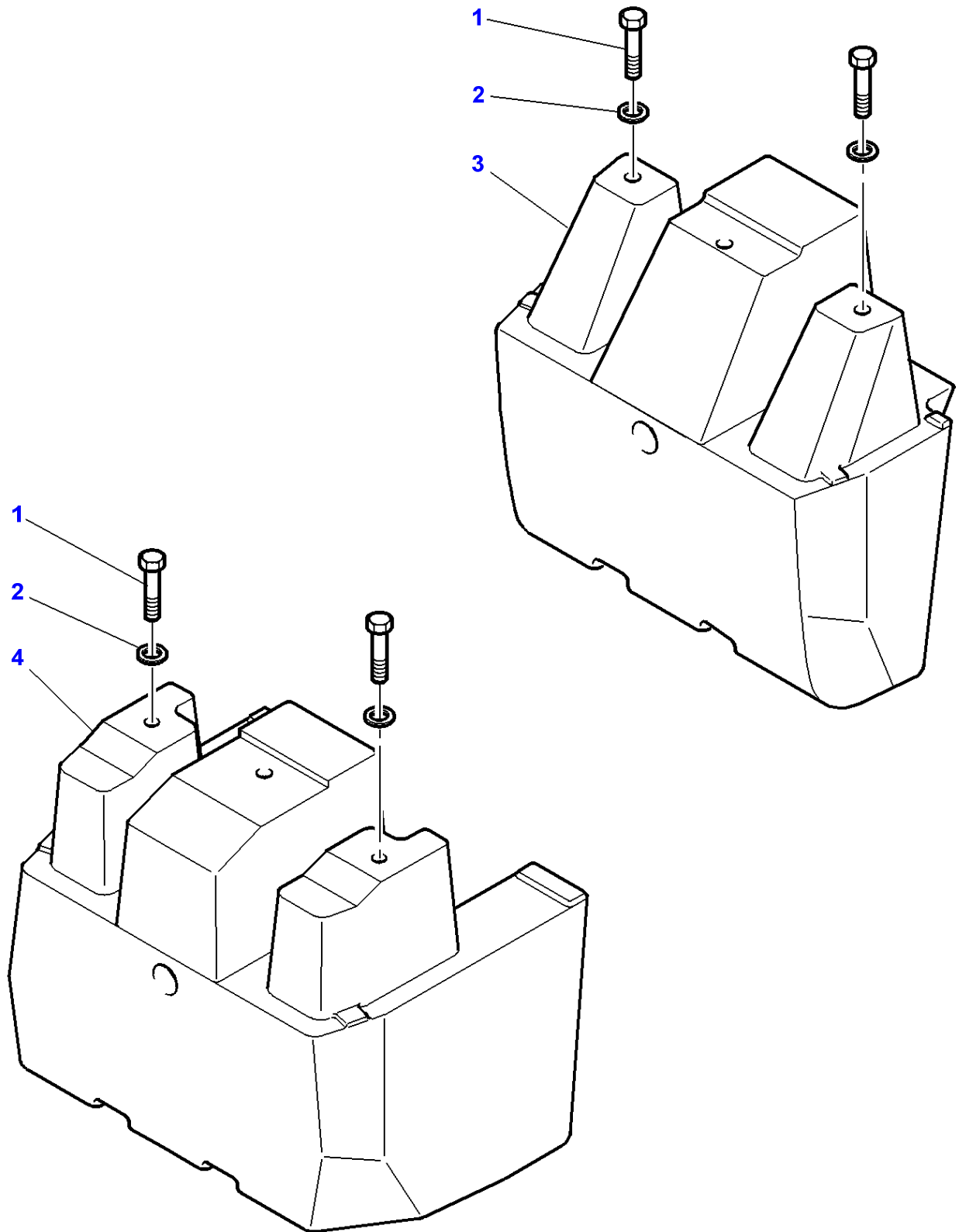
1637366

Belly Weight

Page060-0030

Item	Part Number	Qty	Description	Comments
1	3715563M5	1	Weight	525 KGS
2	3384348M1	2	Washer	
3	3010613X1	2	Screw	M20X280

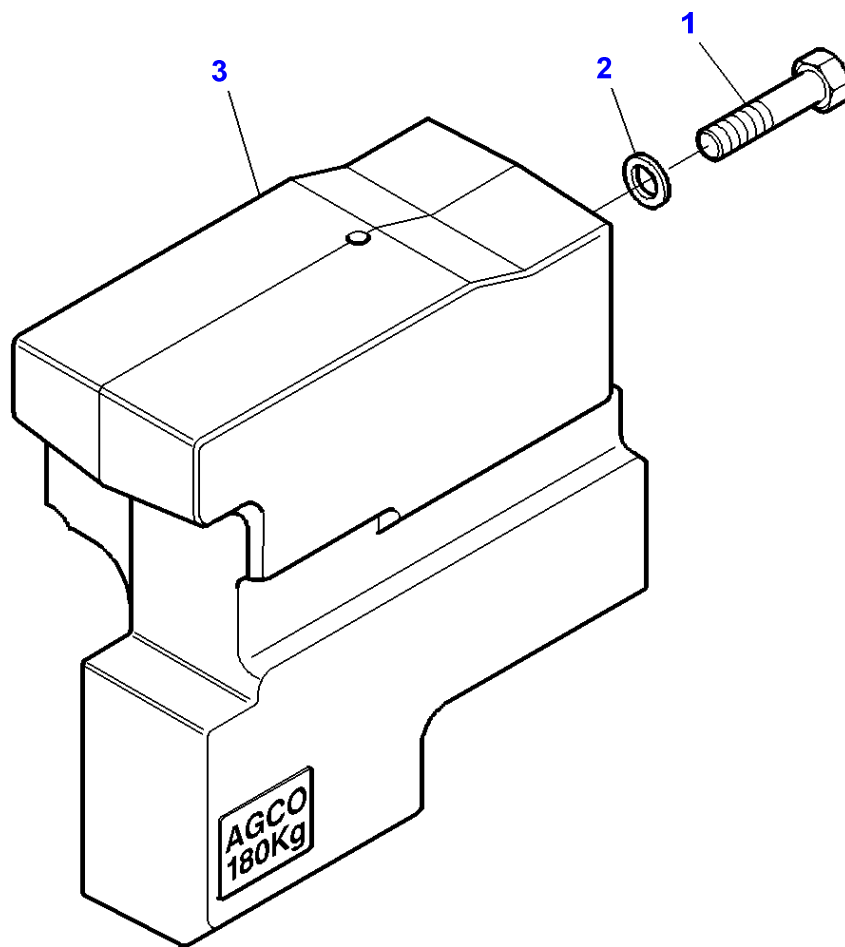
1-ZJ07-006-A



Massey Ferguson**MF 8250 TRACTOR - 1637366****1637366****Belly Weight - WITH CARRARO FRONT AXLE AND DANA FRONT AXLE FROM K017004****Page060-0035**

Item	Part Number	Qty	Description	Comments
1	391891X1	2	Bolt Metric	Up to Serial or Engine Number L199039 M20 X 90
	1442668X1	2	Screw	From Serial or Engine Number L199040 Up to Serial or Engine Number 08-DEC-2002 M20X80
	3010435X1	2	Bolt	From Serial or Engine Number 09-DEC-2002 M20 X 165
2	385365X1	2	Washer	
3	3783807M4	1	Weight	285KG
4	3784633M4	1	Weight	405KG

1-ZJ07-007-A

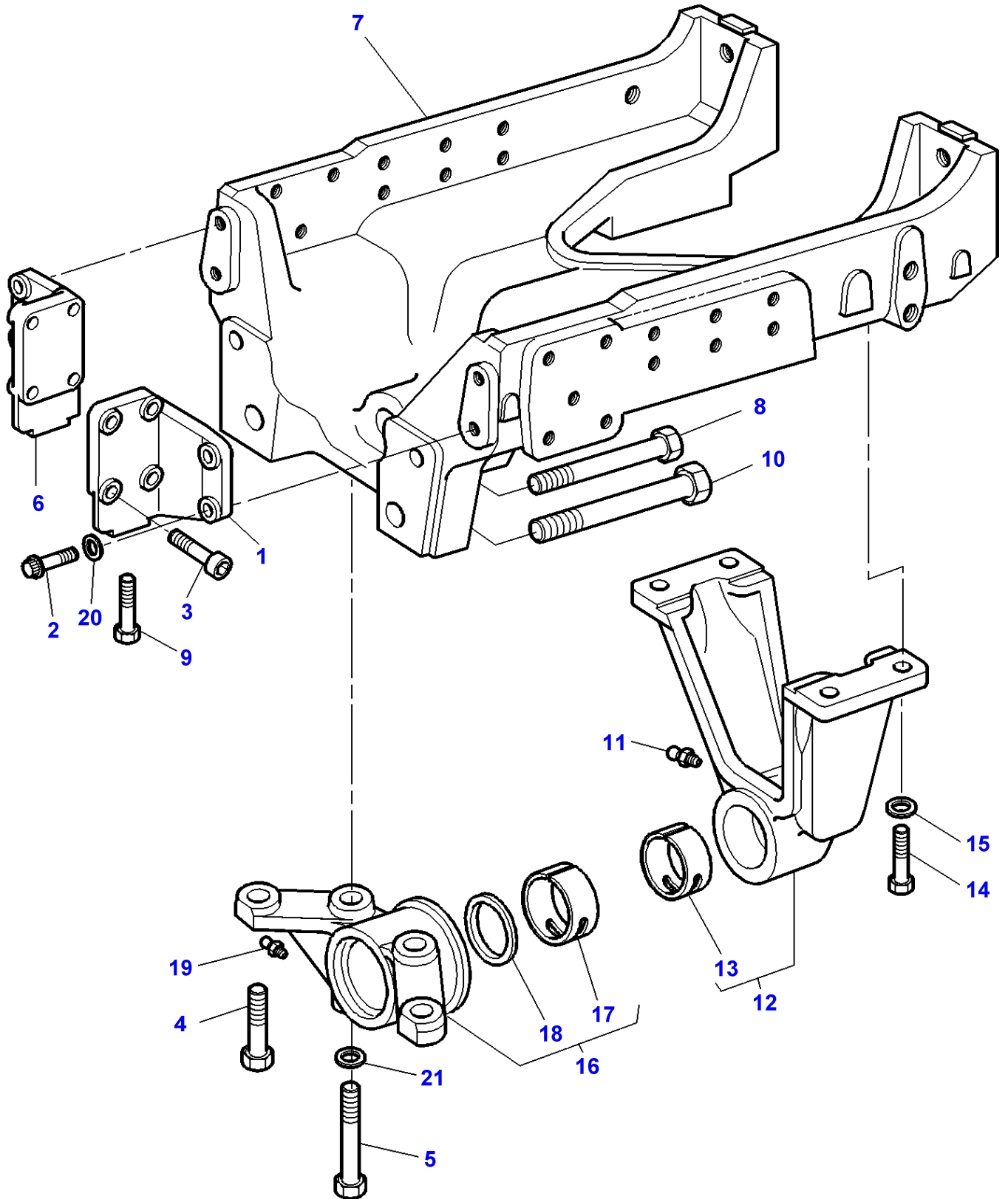


Massey Ferguson**MF 8250 TRACTOR - 1637366****1637366****Belly Weight - With Fixed Front Axle CARRARO-3T5 Front Linkage-Le ss Front PTO****Page060-0040**

Item	Part Number	Qty	Description	Comments
1	3010556X1	2	Screw Metric	M20 X 62
2	385365X1	2	Washer	
3	3786461M2	1	Weight	180 KG

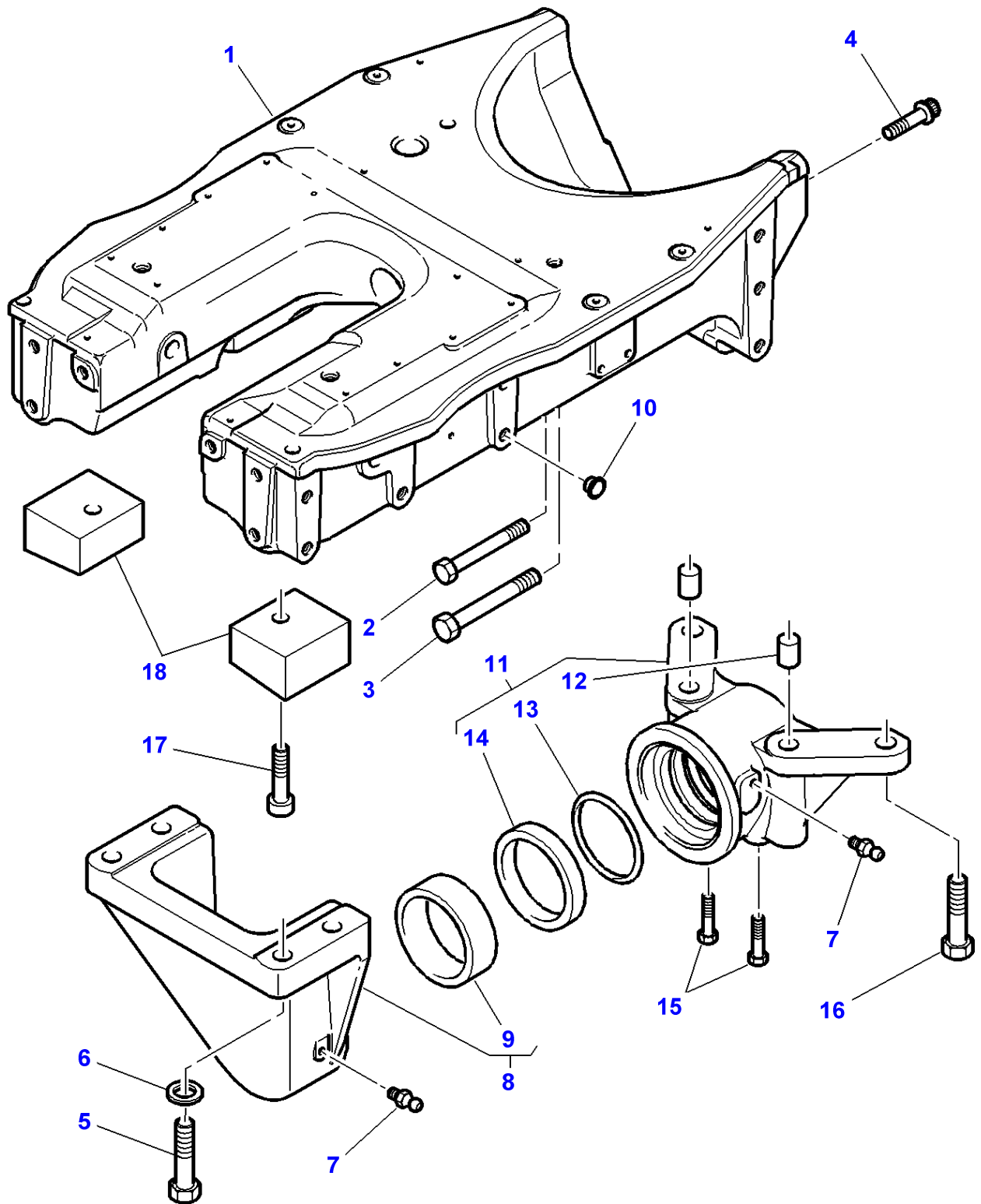
MF 8250 TRACTOR - 1637366
1-ZJ01-005-B

1-ZJ01-005-B



Item	Part Number	Qty	Description	Comments
1	V836852657	1	Support	Right Hand
2	3009806X1	4	Plough Bolt	M16 X 70
3	V529802682	8	Screw	M14 X 65
4	3581527M1	2	Screw	M20 X 75
5	3019888X1	2	Bolt	Up to Serial or Engine Number J285019 M16 X 195
	3019890X1	2	Bolt Metric	From Serial or Engine Number J285020 M16 X 200
6	V836852656	1	Support	Left Hand
7	3715695M4	1	Axle Holder	
8	3389552M1	2	Screw	M20 X 155
9	3019868X1	2	Bolt Metric	M16 X 115
10	3389553M1	2	Screw	M24 X 165
11	339608X1	1	Grease Nipple	
12	3780598M14	1	Bearing Carrier	
13	3782845M2	1	Bush	(12)
14	3386216M1	4	Screw	M20 X 60
15	385365X1	4	Washer	Diameter 20-37 X 5 MM
16	3780600M11	1	Bearing Carrier	
17	5016739M1	1	Bush	(16)
18	3010843X1	1	Gasket	(16)
19	339608X1	1	Grease Nipple	
20	3010875X1	4	Washer	
21	3019575X1	2	Washer Metric	From Serial or Engine Number J285020 Diameter 17-44 X 3 MM

1-ZJ01-015-A

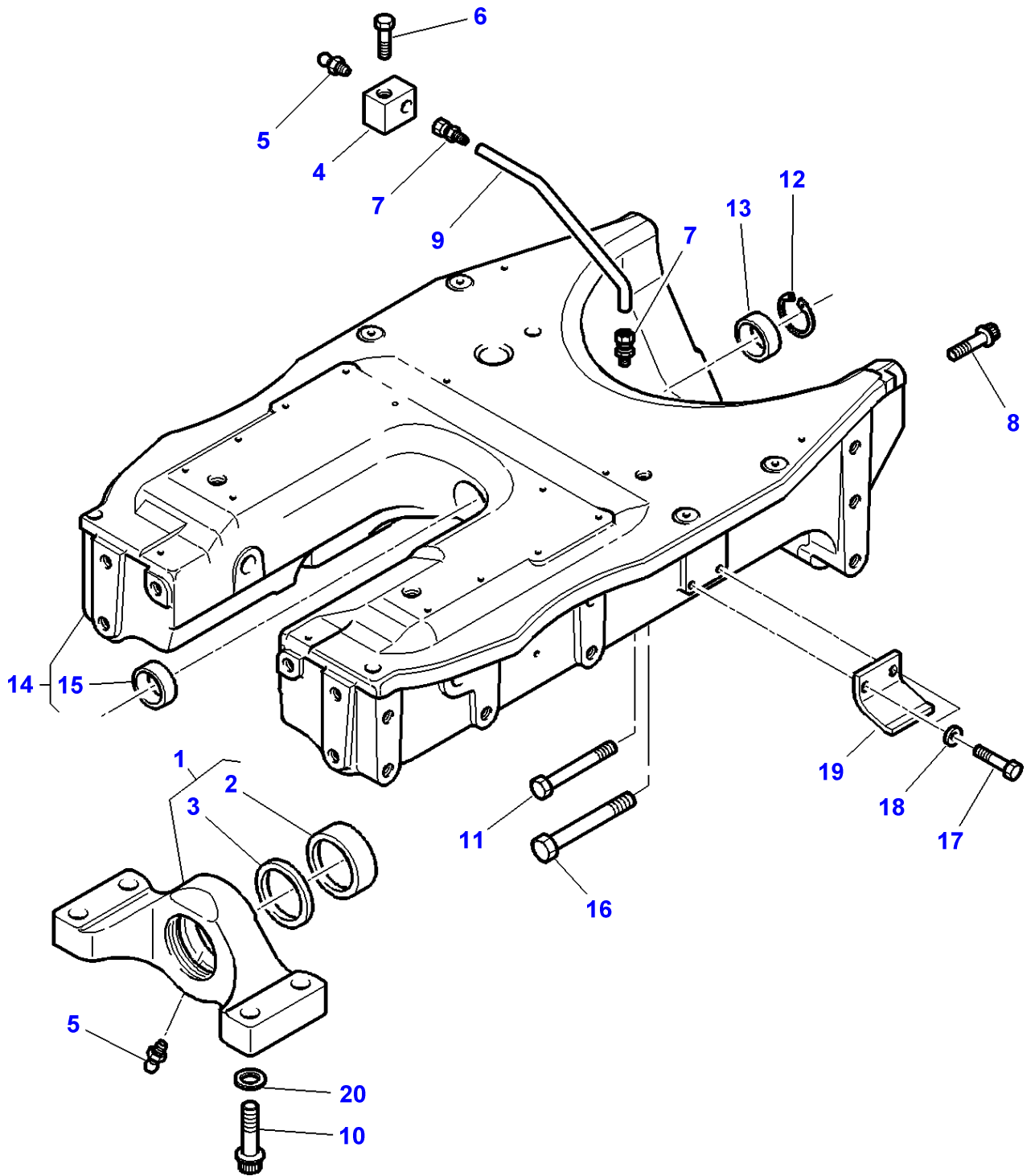


Massey Ferguson**MF 8250 TRACTOR - 1637366****1637366****Front Axle - Bracket 4 Wheel Drive - From K017004 - Up To K116014 - With Front Axle A G 200****Page060-0050**

Item	Part Number	Qty	Description	Comments
1	3783746M2	1	Axle Holder	
2	3011159X1	2	Screw	M20 X 130
3	3389553M1	2	Screw	M24 X 165
4	3009807X1	4	Screw Metric	M16 X 80
5	3581527M1	4	Screw	M20 X 75
6	385365X1	4	Washer	
7	339608X1	2	Grease Nipple	
8	3785930M11	1	Bearing Carrier	
9	3782844M2	1	Bush	(8)
	3782845M2	1	Bush	(8)
11	3780600M11	1	Bearing Carrier	
12	3010867X1	2	Pin	(11)
13	3010843X1	1	Gasket	(11)
14	5016739M1	1	Bush	(11)
15	3019890X1	2	Bolt Metric	M16 X 200
16	3581527M1	2	Screw	M20 X 75
17	3000258X1	2	Screw Metric	M10 X 40
18	3785938M1	2	Stop	

MF 8250 TRACTOR - 1637366
1-ZK22-003-B

1-ZK22-003-B

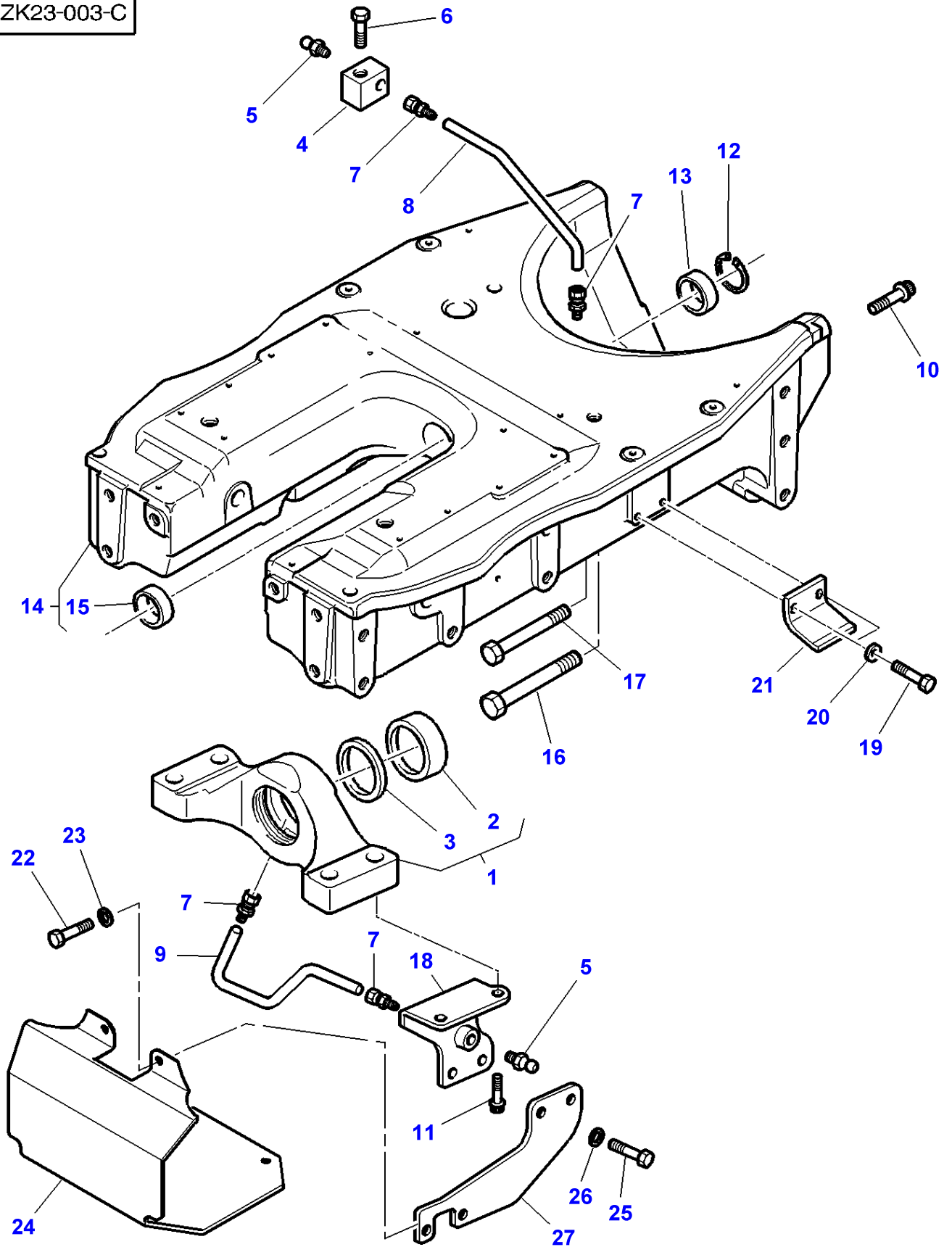


Front Axle Fixed CARRARO - Bracket

Item	Part Number	Qty	Description	Comments
1	3784713M13	1	Axle Carrier	Diameter 70 MM
2	3785203M4	1	Bush	(1)
3	3785153M1	1	Gasket	(1)
4	3784937M1	1	Support	
5	339608X1	2	Grease Nipple	
6	339010X1	1	Bolt Metric	M8 X 40
7	3002070X91	2	Connector	
8	3009807X1	4	Screw Metric	M16 X 80
9	3785176M1	1	Tube	
10	3010556X1	4	Screw Metric	M20 X 70
11	3011159X1	2	Screw	M20 X 130
12	339437X1	1	Circlip	Up to Serial or Engine Number K093015
	1440480X1	1	Circlip	From Serial or Engine Number K093016
13	3384156M2	1	Plug	Up to Serial or Engine Number K093015
	390237X1	1	Plug	From Serial or Engine Number K093016
14	3784958M11	1	Axle Holder	Up to Serial or Engine Number M079019
	4272199M11	1	Axle Holder	From Serial or Engine Number M079020
15	3784615M2	1	Bush	(14) Diameter 60 MM
16	3389553M1	2	Screw	M24 X 165
17	3009506X1	4	Screw Metric	M12 X 30
18	390735X1	4	Washer	
19	3783873M1	2	Spacer	
20	385365X1	4	Washer	

MF 8250 TRACTOR - 1637366
1-ZK23-003-C

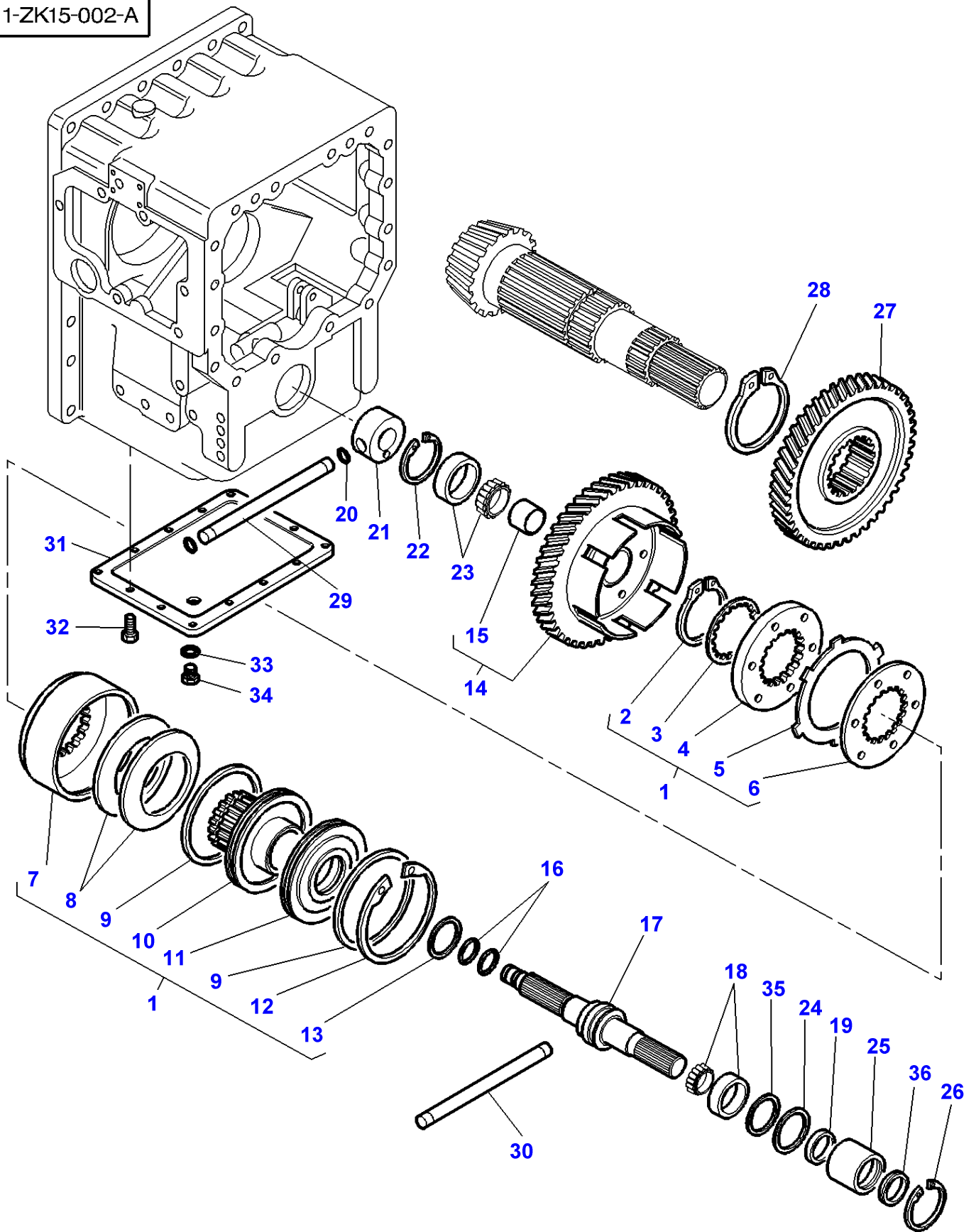
1-ZK23-003-C



Item	Part Number	Qty	Description	Comments
1	3784714M13	1	Axle Carrier	Diameter 80 MM
2	3785204M4	1	Bush	(1)
3	3785154M1	1	Gasket	(1)
4	3784937M1	1	Support	
5	339608X1	2	Grease Nipple	
6	339010X1	1	Bolt Metric	M8 X 40
7	3002070X91	4	Connector	
8	3785176M1	1	Tube	
9	3785303M1	1	Tube	
10	3009807X1	4	Screw Metric	M16 X 80
11	3010434X1	4	Screw Metric	M20 X 80
12	339437X1	1	Circlip	Up to Serial or Engine Number K093015
	1440480X1	1	Circlip	From Serial or Engine Number K093016
13	3384156M2	1	Plug	Up to Serial or Engine Number K093015
	390237X1	1	Plug	From Serial or Engine Number K093016
14	3784957M11	1	Axle Holder	Up to Serial or Engine Number M079019
	4272198M11	1	Axle Holder	From Serial or Engine Number M079020
15	3784614M2	1	Bush	(14)
16	3389553M1	2	Screw	M24 X 165
17	3011159X1	2	Screw	M20 X 130
18	3784663M1	1	Support	Right Hand
	3784664M1	1	Support	Left Hand
19	3009506X1	4	Screw Metric	M12 X 30
20	390734X1	4	Washer	
21	3783873M1	2	Spacer	
22	339560X1	2	Hex. Sock. Screw	M6 X 16
23	339375X1	2	Lock Washer	
24	3787896M1	1	Cowl	
25	3009492X1	2	Hex. Sock. Screw	M10 X 25
26	385362X1	2	Washer	
27	3784662M1	2	Plate	

MF 8250 TRACTOR - 1637366
1-ZK15-002-A

1-ZK15-002-A



Front Axle 4 Wheel Drive - Clutch

Item	Part Number	Qty	Description	Comments
1	3713519M12	1	Clutch	[B]
	3716078M13	1	Clutch	[C]
2	1440533X1	1	Circlip	(1)
3	3387182M1	X	Shim	(1)
	3033343M1	X	Shim	Thickness 0,60 MM (1)
	3713553M1	X	Shim	Thickness 0,80 MM (1)
	3713554M1	X	Shim	Thickness 1,40 MM (1)
				Thickness 1,70 MM
4	3617232M1	1	Tray	[C] (1)
	3583586M2	1	Tray	[B] (1)
5	3616400M2	6	Disc	[B] (1)
	3616400M2	7	Disc	[C] (1)
6	3384488M1	5	Tray	[B] (1)
	3384488M1	6	Tray	[C] (1)
7	3384414M3	1	Housing	(1)
8	3619473M1	2	Cup Spring	(1)
				Thickness 3.05/3.15 MM
9	3384524M1	2	O Ring	(1)
10	3583585M2	1	Hub	[B] (1)
	3716509M3	1	Hub	[C] (1)
11	3384427M1	1	Cover	(1)
12	1441403X1	1	Circlip	(1)
13	3384523M1	1	O Ring	(1)
14	3716453M15	1	Pinion	[B,E] Number of teeth/spines 49
	3795090M91	1	Pinion	[C,E,H] Number of teeth/spines 51
	3716293M16	1	Pinion	[C,D,F] Number of teeth/spines 48
	3795088M91	1	Pinion	[C,D,H] Number of teeth/spines 45
	3716530M15	1	Pinion	[C,D] Number of teeth/spines 47
	3796609M91	1	Pinion	[C] Number of teeth/spines 47
15	3387727M1	1	Bush	(14)
16	3382874M1	2	Segment	
17	3716526M13	1	Shaft	[B]
	3716518M13	1	Shaft	[C]
18	3010697X91	1	Bearing Assy	
19	3716067M2	1	Oil Seal	
20	377494X1	2	O Ring	
21	3716441M2	1	Bush	
22	1440480X1	1	Circlip	
23	339481X1	1	Bearing Taper	
24	1441885X1	1	O Ring	
25	3716815M3	1	Sealing Holder	
26	1440819X1	1	Circlip	
27	3716452M4	1	Pinion	[B,E] Number of teeth/spines 45
	3716177M5	1	Pinion	[C,D,F] Number of teeth/spines 40 Diameter 176MM
	3795084M1	1	Pinion	[C,D,H] Number of teeth/spines 42
	3716531M4	1	Pinion	[C,D] Number of teeth/spines 41
	3795085M1	1	Pinion	[C,E] Number of teeth/spines 44

Massey Ferguson**MF 8250 TRACTOR - 1637366**

1637366

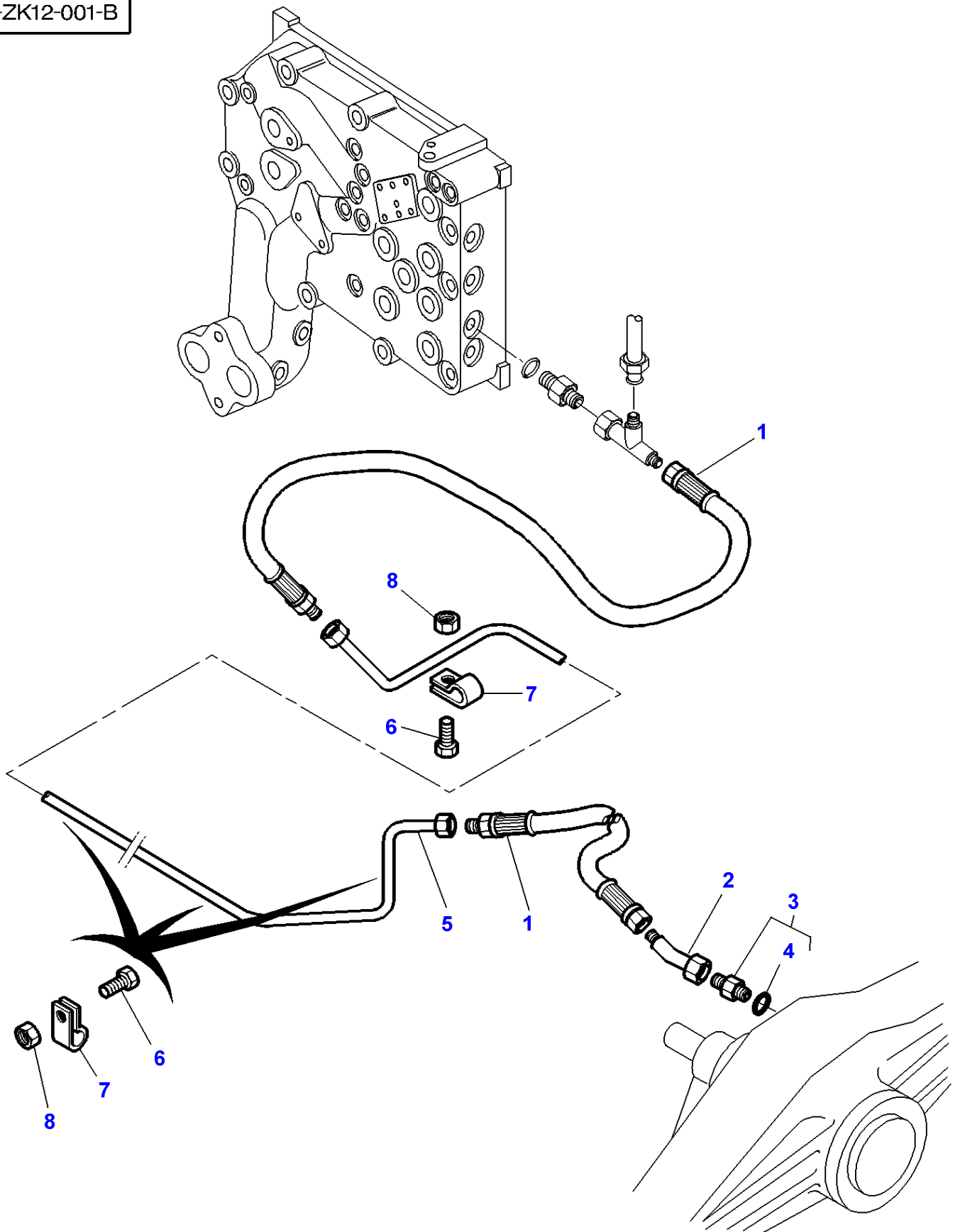
Page060-0065

Front Axle 4 Wheel Drive - Clutch

Item	Part Number	Qty	Description	Comments
27	3796607M1	1	Pinion	[C] Number of teeth/spines 40 Diameter 178MM
28	1440533X1	1	Circlip	
29	3716573M1	1	Tube	Length 160 MM
30	3716572M1	1	Tube	[D] Length 95 MM
30	3716810M1	1	Tube	[E] Length 72MM
31	3716553M2	1	Cover	
32	3009493X1	13	Hex. Sock. Screw	M10 X 30
33	831497M1	1	O Ring	
34	3716563M2	1	Plug	
35	3716801M1	X	Chock	Thickness 0,10 MM
35	3716802M1	X	Chock	Thickness 0,20 MM
35	3716803M1	X	Chock	Thickness 0,50 MM
35	3716804M1	X	Chock	Thickness 0,80 MM
36	3791400M1	1	Gasket	

FOOTNOTE [A] CLUTCH 8 DISCS**FOOTNOTE [B]** CLUTCH 6 DISCS**FOOTNOTE [C]** CLUTCH 7 DISCS**FOOTNOTE [D]** WITH FULL POWERSHIFT**FOOTNOTE [E]** WITH DYNASHIFT**FOOTNOTE [F]** WITH DANA FRONT AXLE**FOOTNOTE [G]** FOR HIGH-CLEARANCE TRACTOR**FOOTNOTE [H]** WITH CARRARO FRONT AXLE

1-ZK12-001-B



Massey Ferguson**MF 8250 TRACTOR - 1637366**

1637366

Front Axle 4 Wheel Drive - Differential Lock Mechanism

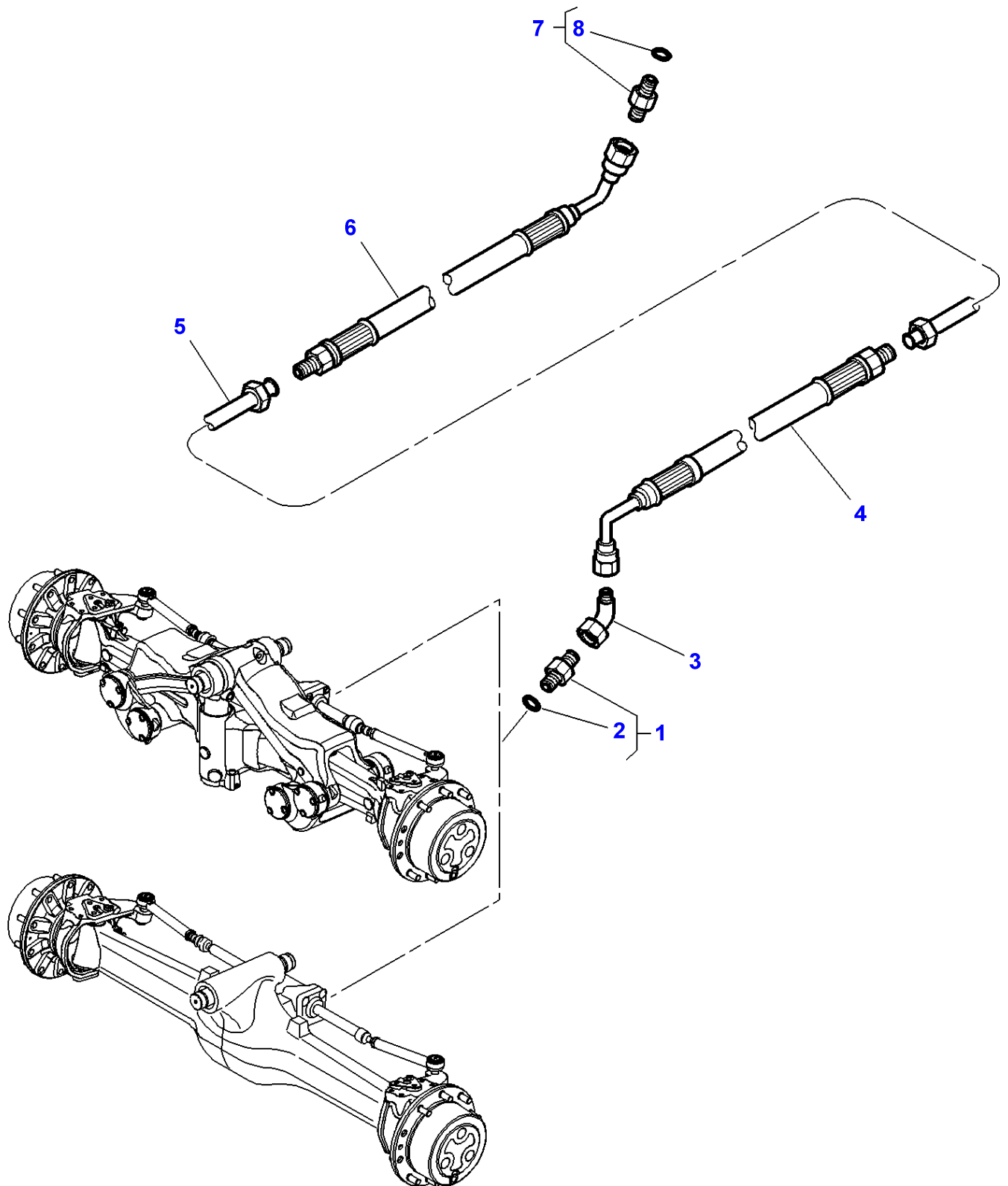
Page060-0070

Item	Part Number	Qty	Description	Comments
1	3389702M1	2	Hydr Hose	
2	366665X1	1	Elbow	
3	3019700X91	1	Union	
4	3019394X1	1	O Ring	(3)
5	3784895M1	1	Tubing	[A]
	3783241M91	1	Tube	[B]
6	339560X1	4	Hex. Sock. Screw	M6X16
7	3389841M1	4	Clamp	
8	339030X1	4	Nut Metric	M6

FOOTNOTE [A] WITH DYNASHIFT

FOOTNOTE [B] WITH FULL POWERSHIFT

1-ZK16-002-A

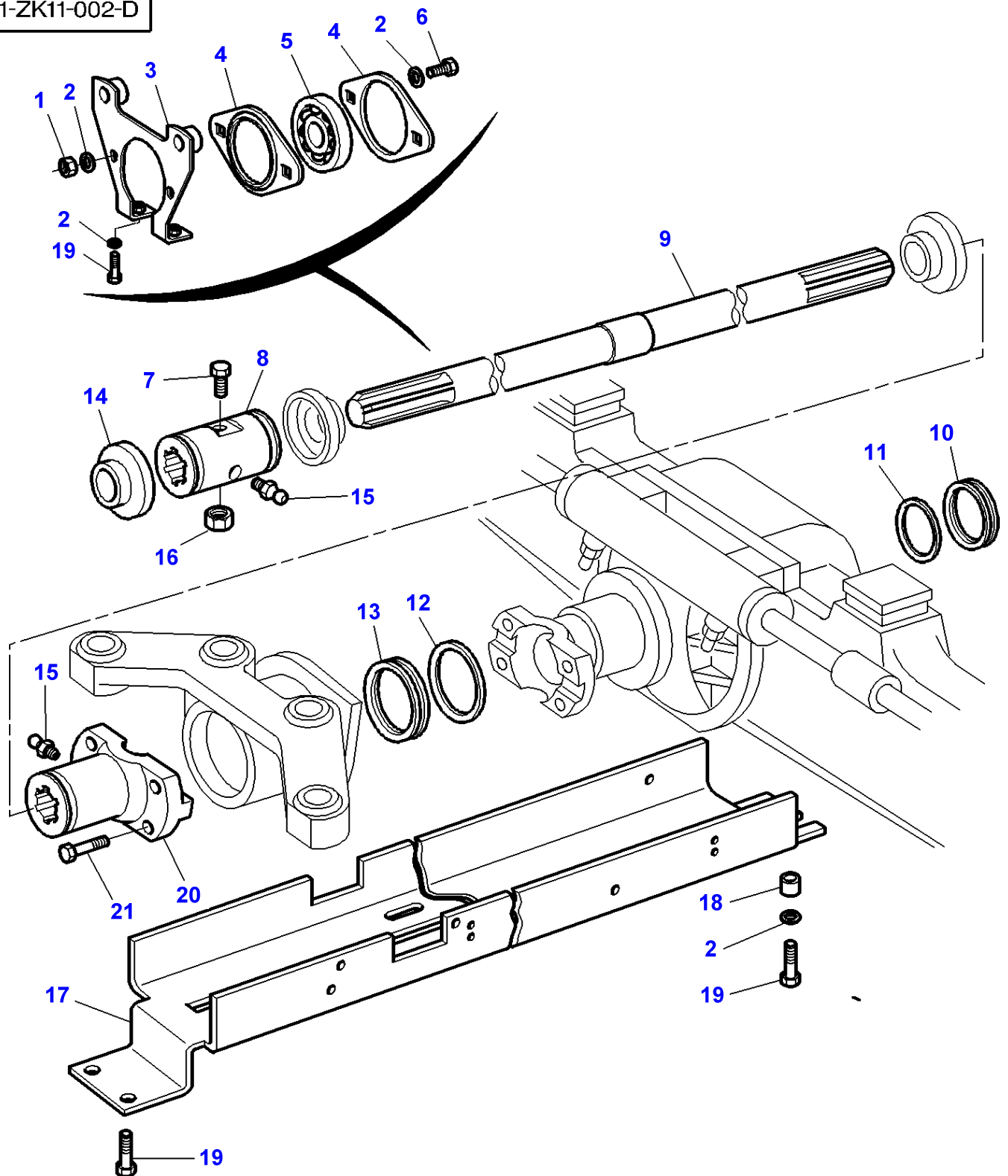


Massey Ferguson**MF 8250 TRACTOR - 1637366****1637366****Front Axle CARRARO - Differential Lock Mechanism****Page060-0075**

Item	Part Number	Qty	Description	Comments
1	3019700X91	1	Union	
2	3019394X1	1	O Ring	(1)
3	366665X1	1	Elbow	M.F 8250
	366665X1	1	Elbow	M.F 8250 XTRA Up to Serial or Engine Number L283009
4	3785122M2	1	Hydr Hose	Length 740MM
5	3785212M2	1	Tube	Length 1540MM
6	3785115M1	1	Hydr Hose	Length 1300MM
7	3019383X91	1	Adaptor	
8	3019397X1	1	O Ring	(7)

MF 8250 TRACTOR - 1637366
1-ZK11-002-D

1-ZK11-002-D



Massey Ferguson**MF 8250 TRACTOR - 1637366**

1637366

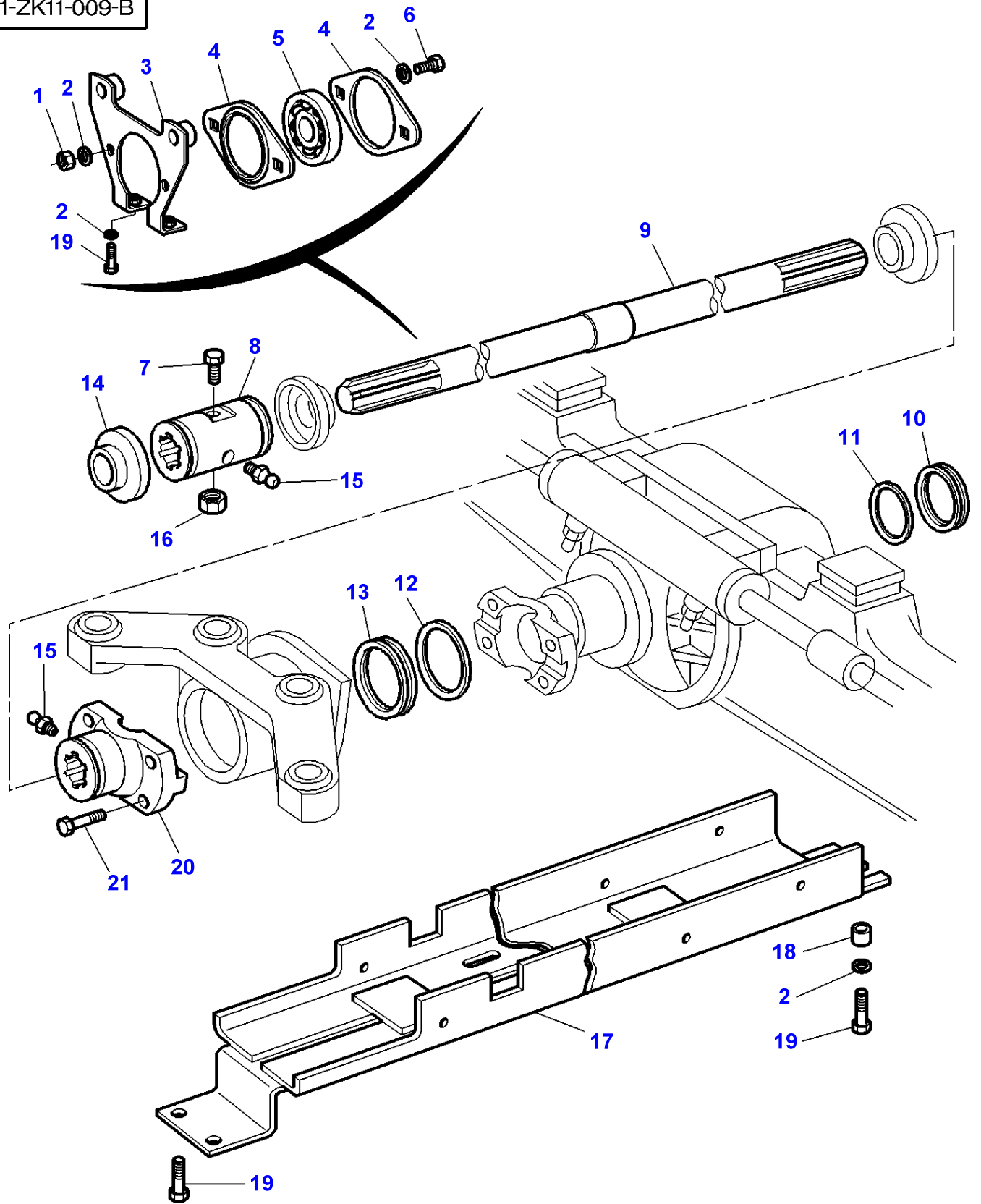
Guard And Transmission Shaft - Dynashift

Page060-0080

Item	Part Number	Qty	Description	Comments
1	339402X1	2	Nut	
2	390597X1	8	Washer Metric	
3	3783374M1	1	Support	
4	3712872M1	2	Bearing Carrier	
5	3712873M1	1	Bearing Assy	
6	3009493X1	2	Hex. Sock. Screw	M10X30
7	1440922X1	1	Bolt	M6X60
8	3714416M2	1	Sleeve	
9	3777218M2	1	Shaft	Length 1939MM
10	3780671M1	1	Gasket	Diameter 122-142MM
11	3780669M1	1	Thrust Washer	Diameter 100,30-122MM
12	3780670M1	1	Thrust Washer	Diameter 125,30-168MM
13	3780672M1	1	Gasket	Diameter 168-196MM
14	3714575M1	3	Bellows	
15	1441858X1	2	Grease Nipple	
16	339030X1	1	Nut Metric	M6
17	3783843M1	1	Cowl	Replace and repair. Old not interchangeable with new 3782593M3
18	3785836M1	2	Spacer	
19	392054X1	6	Screw	M10X22
20	3780673M1	1	Sleeve	
21	368506X1	4	Bolt Unf	3/8-24

MF 8250 TRACTOR - 1637366
1-ZK11-009-B

1-ZK11-009-B



Massey Ferguson**MF 8250 TRACTOR - 1637366**

1637366

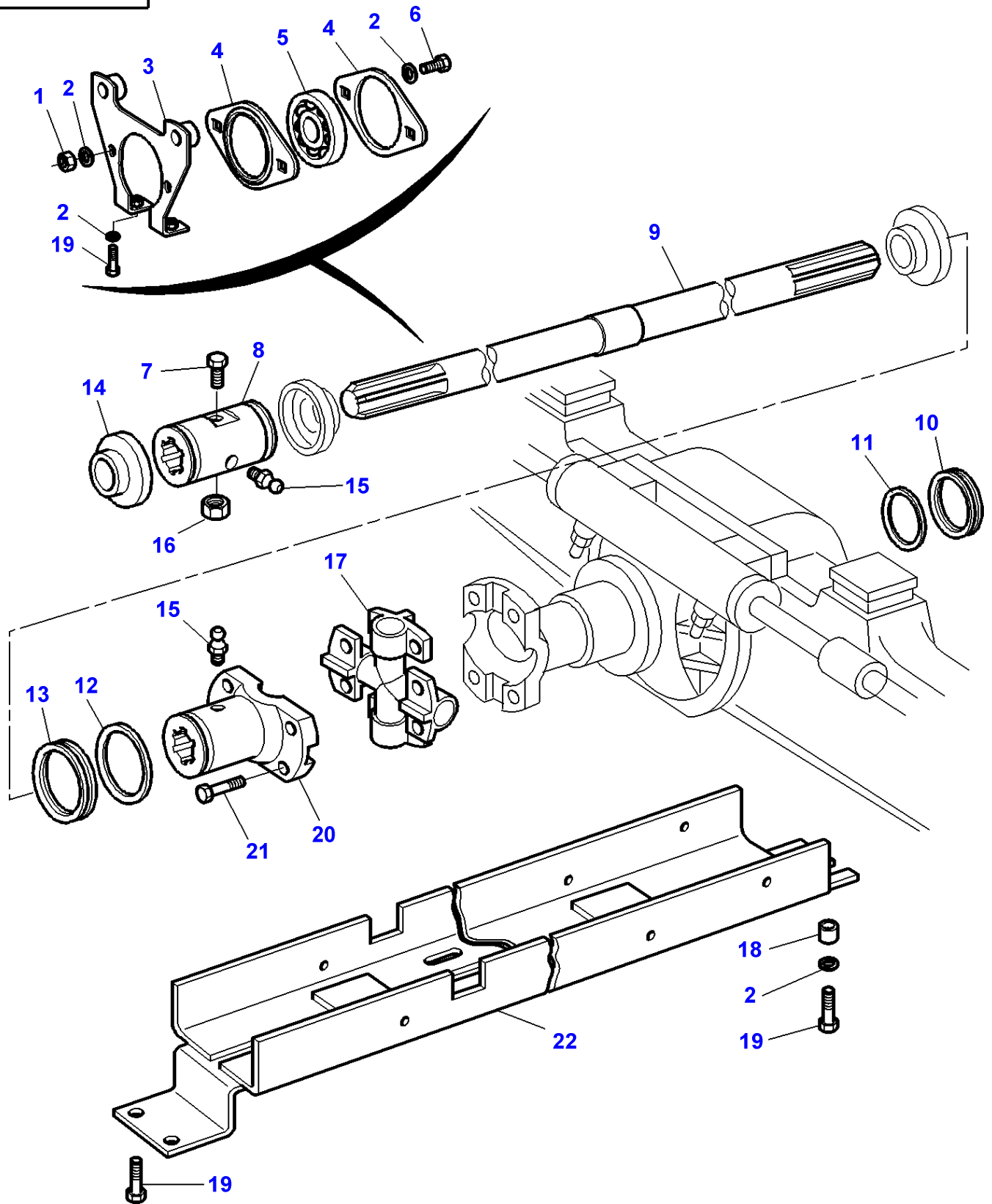
Guard And Transmission Shaft - With Full Powershift - Excepted East Europe

Page060-0085

Item	Part Number	Qty	Description	Comments
1	339402X1	2	Nut	
2	390597X1	8	Washer Metric	
3	3715987M1	1	Bearer	
4	3712872M1	2	Bearing Carrier	
5	3712873M1	1	Bearing Assy	
6	3009493X1	2	Hex. Sock. Screw	M10X30
7	1440922X1	1	Bolt	M6X60
8	3714416M2	1	Sleeve	
9	3781870M2	1	Shaft	Length 2060MM
10	3780671M1	1	Gasket	Diameter 122-142MM
11	3780669M1	1	Thrust Washer	Diameter 100,30-122MM
12	3780670M1	1	Thrust Washer	Diameter 125,30-168MM
13	3780672M1	1	Gasket	Diameter 168-196MM
14	3714575M1	3	Bellows	
15	1441858X1	2	Grease Nipple	
16	339030X1	1	Nut Metric	M6
17	3782595M3	1	Cowl	
18	3785836M1	2	Spacer	
19	392054X1	6	Screw	M10X22
20	3783369M1	1	Sleeve	
21	368506X1	4	Bolt Unf	3/8-24

MF 8250 TRACTOR - 1637366
1-ZK11-006-A

1-ZK11-006-A



Massey Ferguson**MF 8250 TRACTOR - 1637366**

1637366

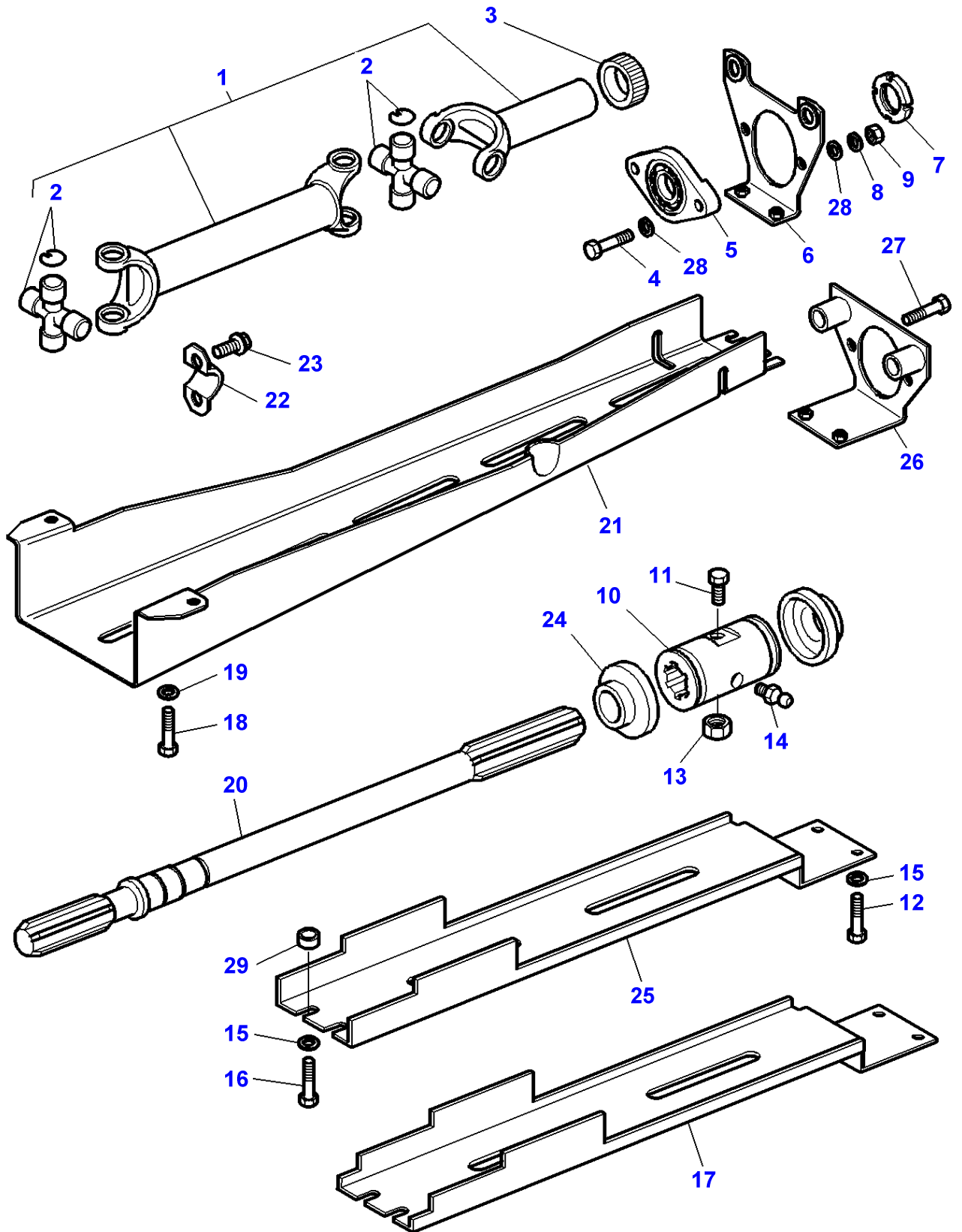
Guard And Transmission Shaft - With Full Powershift - For East Europe

Page060-0090

Item	Part Number	Qty	Description	Comments
1	339402X1	2	Nut	
2	390597X1	8	Washer Metric	
3	3715987M1	1	Bearer	
4	3712872M1	2	Bearing Carrier	
5	3712873M1	1	Bearing Assy	
6	3009493X1	2	Hex. Sock. Screw	M10X30
7	1440922X1	1	Bolt	M6X60
8	3714416M2	1	Sleeve	
9	3783353M1	1	Shaft	Length 2017MM
10	3780671M1	1	Gasket	Diameter 122-142MM
11	3780669M1	1	Thrust Washer	Diameter 100,30-122MM
12	3780670M1	1	Thrust Washer	Diameter 125,30-168MM
13	3780672M1	1	Gasket	Diameter 168-196MM
14	3714575M1	3	Bellows	
15	1441858X1	2	Grease Nipple	
16	339030X1	1	Nut Metric	M6
17	3783305M1	1	Crosspiece	
18	3785836M1	2	Spacer	
19	392054X1	6	Screw	M10X22
20	3782971M1	1	Bridle	
21	358012X1	8	Screw	3/8-24
22	3782595M3	1	Cowl	

MF 8250 TRACTOR - 1637366
1-ZK17-004-B

1-ZK17-004-B



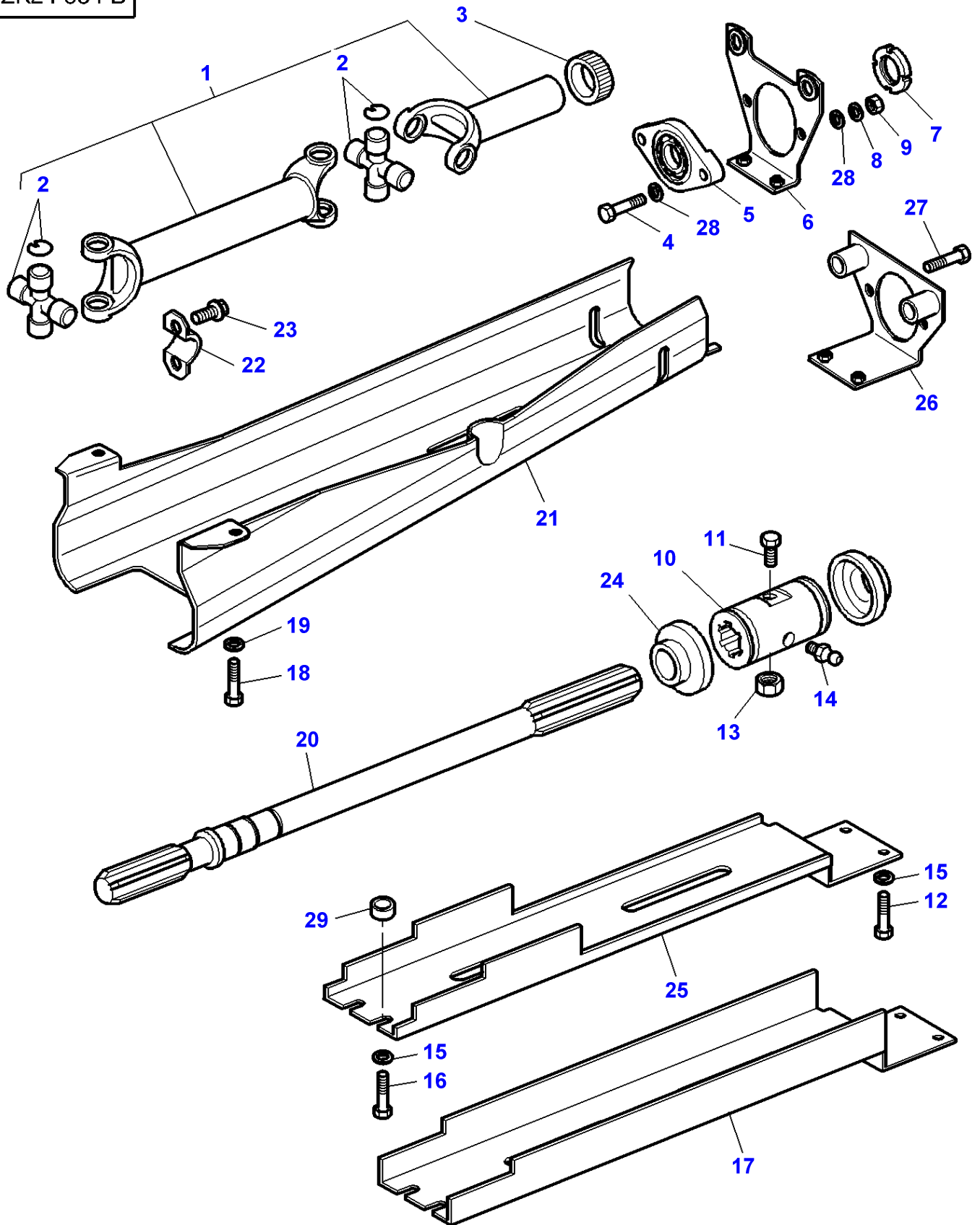
Item	Part Number	Qty	Description	Comments
1	3783753M1	1	Universal Joint	[A] Length 825MM
	3783754M1	1	Universal Joint	[B] Length 915MM
2	3903646M1	2	Crosspiece	(1)
3	3788066M1	1	Dust Shield	
4	3019899X1	2	Bolt Metric	M12X50
5	3785179M91	1	Bearing Assy	
6	3783757M2	1	Bearer	[A]
7	3015396X1	1	Top Locknut	M40
8	390735X1	2	Washer	Diameter 12-24 X 2.5 Up to Serial or Engine Number
9	339054X1	2	Nut Metric	
10	3714416M2	1	Sleeve	Up to Serial or Engine Number L031018
	3787798M1	1	Sleeve	From Serial or Engine Number L031019
11	1440922X1	1	Bolt	Up to Serial or Engine Number L031018
	3009499X1	1	Screw	From Serial or Engine Number L031019 M10X60
12	392054X1	2	Screw	M10X22
13	339030X1	1	Nut Metric	Up to Serial or Engine Number L031018
	1440329X1	1	Locknut	From Serial or Engine Number L031019 M10
14	1441858X1	1	Grease Nipple	M6
15	385362X1	4	Washer	
16	3009494X1	2	Screw Metric	M10X35
17	3783761M2	1	Cowl	[B]
18	1441704X1	2	Screw Metric	M20X40
19	385365X1	2	Washer	
20	3785190M2	1	Shaft	Up to Serial or Engine Number L031018 Length 1090MM
	3788130M1	1	Shaft	From Serial or Engine Number L031019 Length 1086MM
21	3785178M3	1	Cowl	
22	3783586M1	2	Bridle	
23	3783587M1	4	Plough Bolt	5/16 X 27
24	3714575M1	2	Bellows	
25	3783760M2	1	Cowl	[A]
26	3783758M2	1	Bearer	[B]
27	3010850X1	2	Screw	M12 X 170
28	385363X1	4	Washer	Diameter 12-24 X 4
29	3011220X1	2	Spacer	

FOOTNOTE [A] WITH DYNASHIFT

FOOTNOTE [B] WITH FULL POWERSHIFT

MF 8250 TRACTOR - 1637366
1-ZK24-004-B

1-ZK24-004-B

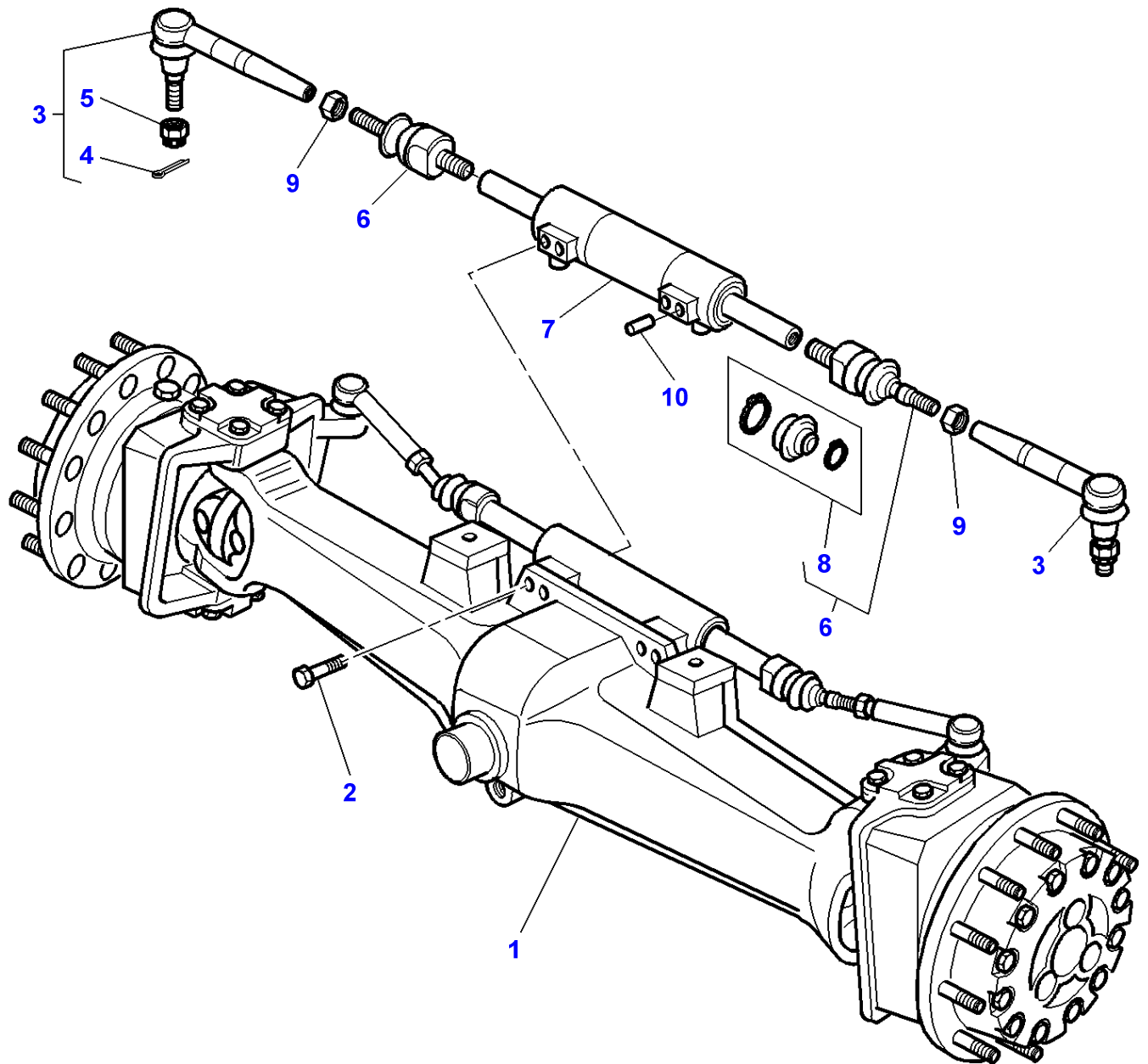


Item	Part Number	Qty	Description	Comments
1	3783753M1	1	Universal Joint	[A] Length 830MM
	3783754M1	1	Universal Joint	[B] Length 915MM
2	3903646M1	2	Crosspiece	(1)
3	3788066M1	1	Dust Shield	
4	3019899X1	2	Bolt Metric	M12X50
5	3785179M91	1	Bearing Assy	
6	3783757M2	1	Bearer	[A]
7	3015396X1	1	Top Locknut	M40
8	390735X1	2	Washer	Diameter 12-24 X 2.5 Up to Serial or Engine Number
9	339054X1	2	Nut Metric	
10	3714416M2	1	Sleeve	Up to Serial or Engine Number L031018
	3787798M1	1	Sleeve	From Serial or Engine Number L031019
11	1440922X1	1	Bolt	Up to Serial or Engine Number L031018 M6X60
	3009499X1	1	Screw	Up to Serial or Engine Number L031019 M10X60
12	392054X1	2	Screw	M10X22
13	339030X1	1	Nut Metric	Up to Serial or Engine Number L031018 M6
	1440329X1	1	Locknut	From Serial or Engine Number L031019 M10
14	1441858X1	1	Grease Nipple	M6
15	385362X1	4	Washer	
16	3009494X1	2	Screw Metric	M10X35
17	3783759M2	1	Cowl	[A]
18	1441704X1	2	Screw Metric	M20X40
19	385365X1	2	Washer	
20	3785190M2	1	Shaft	Up to Serial or Engine Number L031018 Length 1090MM
	3788130M1	1	Shaft	From Serial or Engine Number L031019 Length 1086MM
21	3783756M4	1	Cowl	
22	3783586M1	2	Bridle	
23	3783587M1	4	Plough Bolt	5/16 X 27
24	3714575M1	2	Bellows	
25	3783761M2	1	Cowl	[B]
26	3783758M2	1	Bearer	[B]
27	3010850X1	2	Screw	M12 X 170
28	385363X1	4	Washer	Diameter 12-24 X 4
29	3011220X1	2	Spacer	

FOOTNOTE [A] WITH DYNASHIFT

FOOTNOTE [B] WITH FULL POWERSHIFT

1-ZK01-001-A

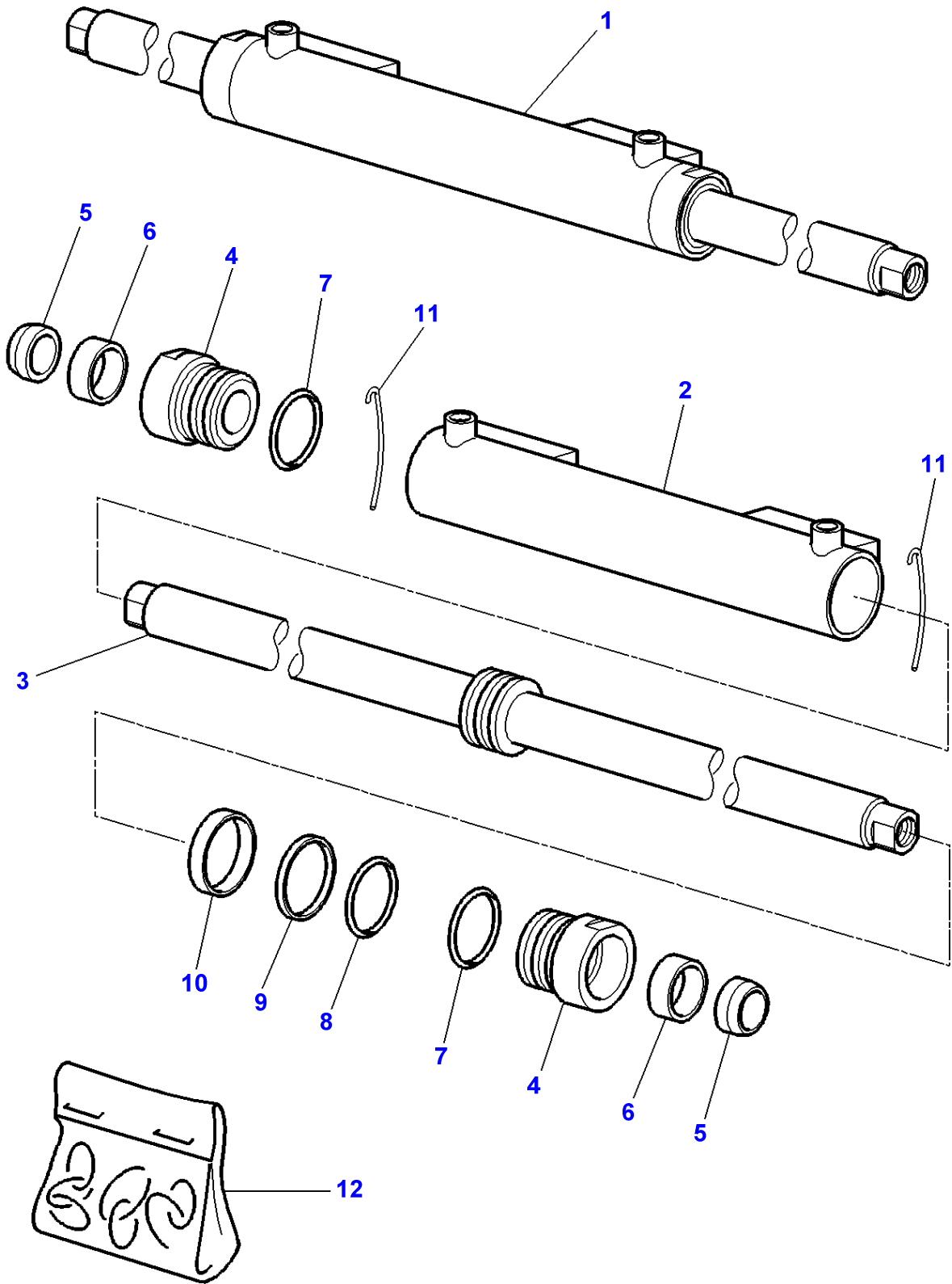


Massey Ferguson**MF 8250 TRACTOR - 1637366****1637366****Front Axle 4 Wheel Drive****Page060-0105**

Item	Part Number	Qty	Description	Comments
1	3765591M92	1	Front Live Axle	TYPE AG 200 Replace and repair. Old not interchangeable with new 3765132M91
2	3764202M1	4	Bolt	(1)
3	3764286M1	2	Toggle	(1)
4	354083X1	1	Pin	(3)
5	391233X1	1	Nut Metric	(3) M24
6	3765176M1	2	Ball Joint	(1)
7	3765168M91	1	Steering Cyl	(1) Up to Serial or Engine Number H152027
	3429759M93	1	Steering Cyl	(1) From Serial or Engine Number H152028
8	3311603M91	1	Kit, Repair	(6)
9	392420X1	2	Nut	(1) M18X1,5
10	3764700M1	1	Dowel	(1)

MF 8250 TRACTOR - 1637366
1-ZK13-002-A

1-ZK13-002-A

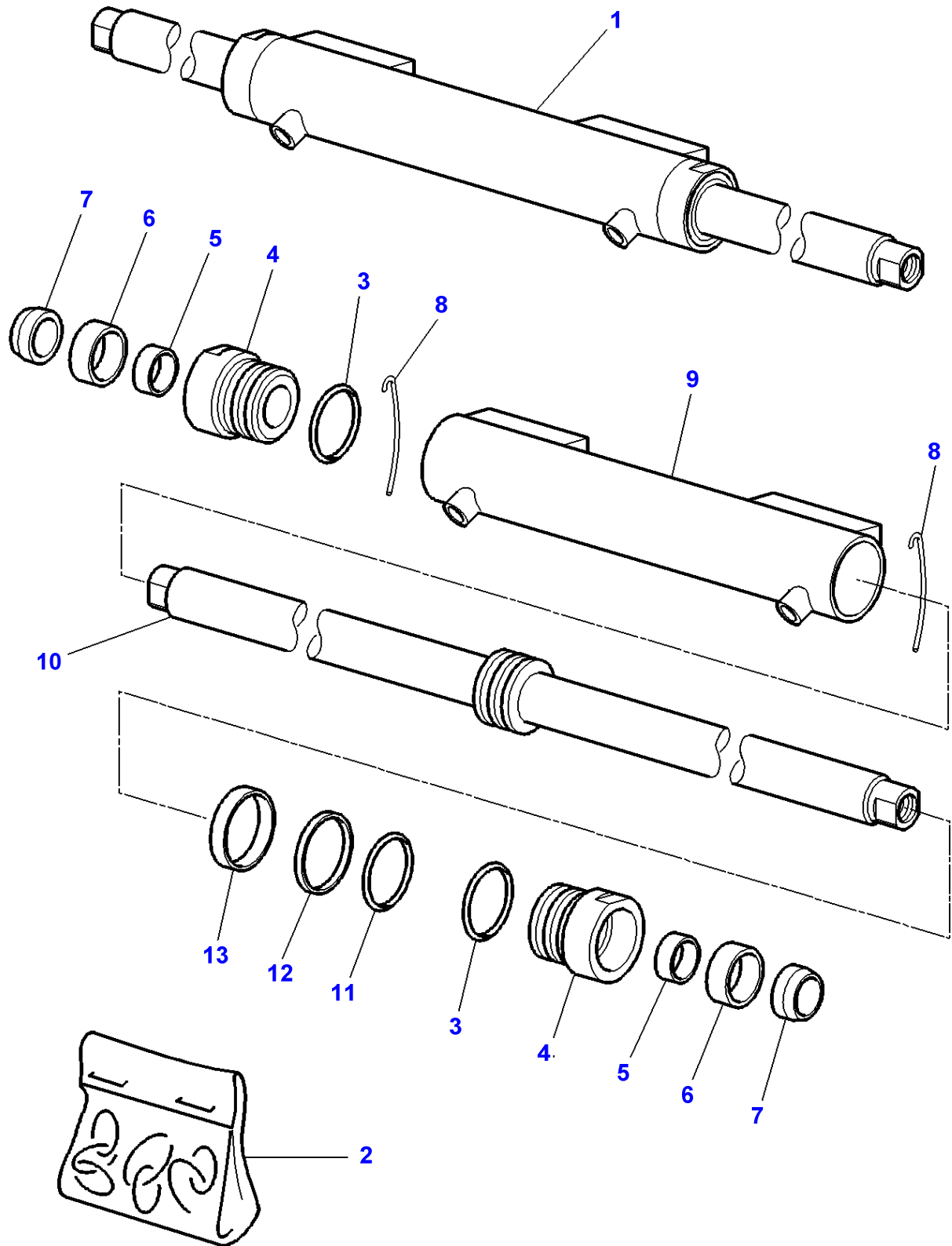


Massey Ferguson**MF 8250 TRACTOR - 1637366****1637366****Front Axle 4 Wheel Drive - Steering Cylinders - Up to Serial or Engine Number H152027****Page060-0110**

Item	Part Number	Qty	Description	Comments
1	3765168M91	1	Steering Cyl	
2		1	Body	(1) Not serviced,order REF NO 1
3	3623923M91	1	Cylinder Rod	(1)
4	3624902M91	2	Guide Bush	(1)
5	1606503M1	2	Wiper	(12)
6	1606463M1	2	Seal	(12)
7	359188X1	2	O Ring	(12)
8	359187X1	1	O Ring	(12)
9	3484797M1	1	Seal	(12)
10	1606805M1	1	Seal	(12)
11	1605415M1	2	Ring	(1)
12	3624903M91	X	Kit, Seal	

MF 8250 TRACTOR - 1637366
1-ZK13-001-A

1-ZK13-001-A

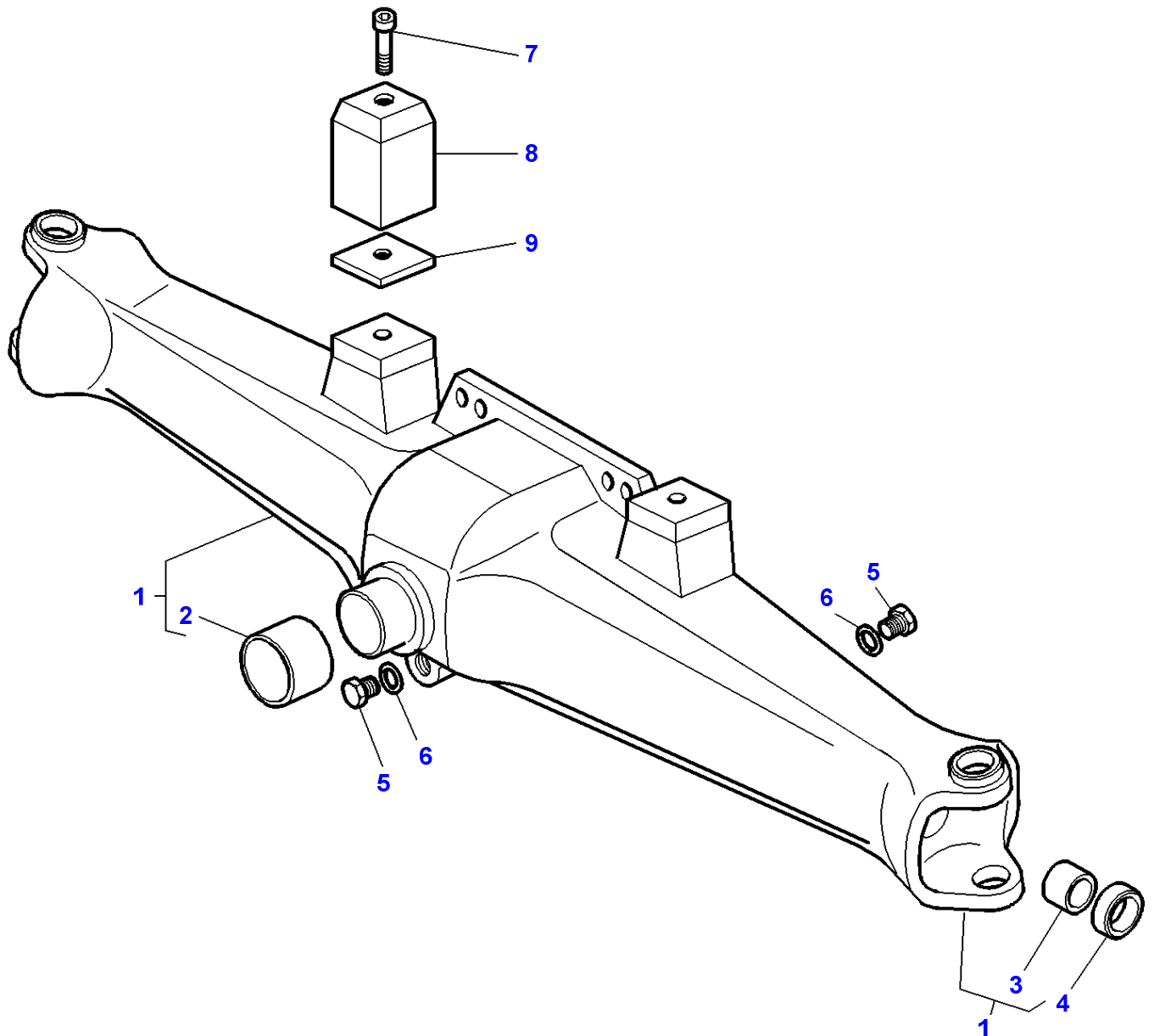


Massey Ferguson**MF 8250 TRACTOR - 1637366****1637366****Front Axle 4 Wheel Drive - Steering Cylinders - From Serial or Engine Number H152028****Page060-0115**

Item	Part Number	Qty	Description	Comments
1	3429759M93	1	Steering Cyl	
2	3624903M91	X	Kit, Seal	
3		2	O Ring	(2) Not serviced,order REF.2
4	3624902M91	2	Guide Bush	(1)
5		2	Ring	(2) Not serviced,order REF.2
6		2	Seal	(2) Not serviced,order REF.2
7		2	Wiper	(2) Not serviced,order REF.2
8	1605415M1	2	Ring	(1)
9		1	Barrel	(1) Not serviced,order REF.1
10	3623923M91	1	Cylinder Rod	(1)
11		1	O Ring	(2) Not serviced,order REF.2
12		1	Seal	(2) Not serviced,order REF.2
13		1	Seal	(2) Not serviced,order REF.2

FOOTNOTE [A] COLD CLIMATE**FOOTNOTE [B] FOR JAPANESE MARKET ONLY**

1-ZK03-003-A



Front Axle 4 Wheel Drive - Housing

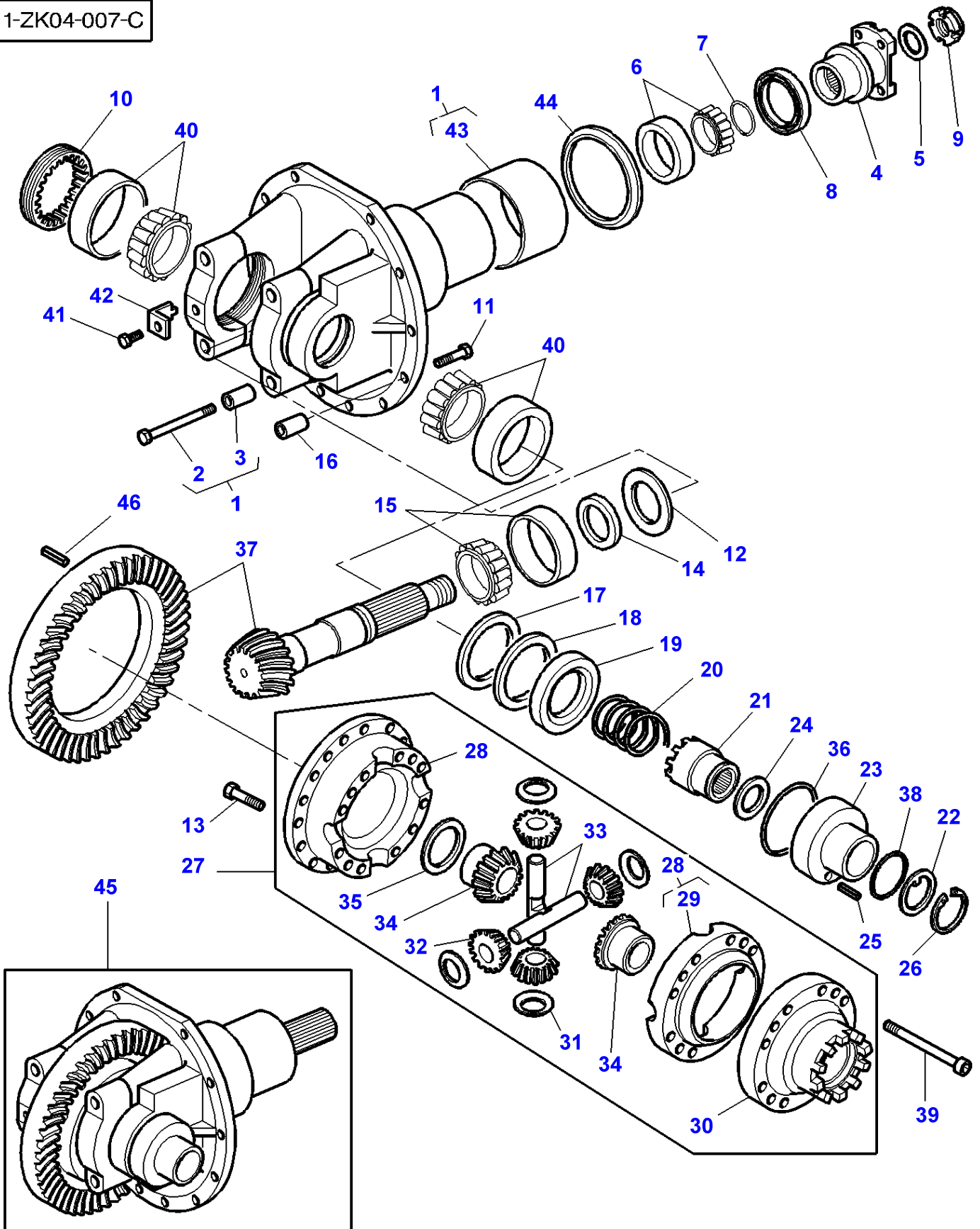
Item	Part Number	Qty	Description	Comments
1	3765161M91	1	Housing	Up to Serial or Engine Number H152027
	3765592M91	1	Housing	From Serial or Engine Number H152028
2	3765172M2	1	Bush	(1)
3	3426938M1	2	Bush	(1)
4	3428064M1	2	Seal	40X60X18,5
5	3429400M1	2	Plug	
6	3427185M1	2	Washer	
7	3009296X1	2	Screw	[A] M10X80
	3008120X1	2	Screw	M10X70
	3010046X1	2	Screw	M10X95
8	3616572M1	2	Spacer	Thickness 59MM
	3616573M1	2	Spacer	Thickness 76,5MM
9	3580720M1	2	Spacer	

FOOTNOTE [A] USED ONLY WITH 3580720M1

FOOTNOTE [B] FOR JAPANESE MARKET ONLY

MF 8250 TRACTOR - 1637366
1-ZK04-007-C

1-ZK04-007-C



Front Axle 4 Wheel Drive - Differential

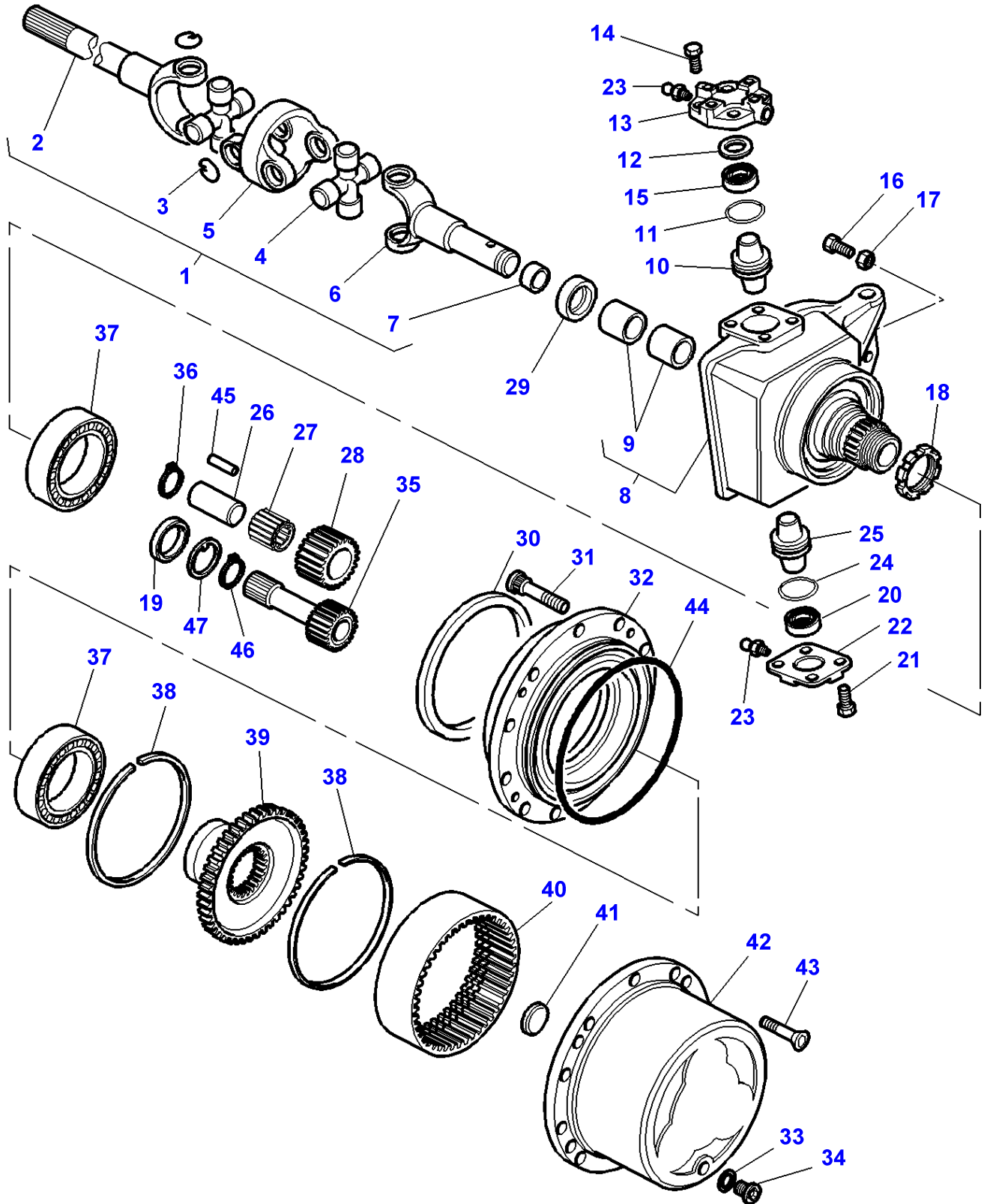
Item	Part Number	Qty	Description	Comments
1	3765163M91	1	Support	
2	3019856X1	4	Bolt Metric	(1) M12X80
3	3427445M1	4	Dowel	(1)
4	3765456M1	1	Flange	
5	3765040M1	1	Washer	
6	3764593M1	1	Bearing	
7	366434X1	1	O Ring	2,62X34,59
8	3428314M1	1	Seal	65X92X18
9	3765039M1	1	Nut	
10	3427462M1	1	Ferrule	
11	3764102M1	12	Screw	M14X45
12	3428487M1	X	Chock	Thickness 0,10MM
	3428488M1	X	Chock	Thickness 0,15MM
	3428489M1	X	Chock	Thickness 0,30MM
	3428490M1	X	Chock	Thickness 0,50MM
	3428491M1	X	Chock	Thickness 0,70MM
	3428492M1	X	Chock	Thickness 1MM
13	3764973M1	16	Screw	M12X35
14	3764216M1	X	Spacer	Thickness 6 MM
	3764217M1	X	Spacer	Thickness 6,03MM
	3764218M1	X	Spacer	Thickness 6,06MM
	3764219M1	X	Spacer	Thickness 6,09MM
	3764220M1	X	Spacer	Thickness 6,12MM
	3764221M1	X	Spacer	Thickness 6,15MM
	3764222M1	X	Spacer	Thickness 6,18MM
	3764223M1	X	Spacer	Thickness 6,21MM
	3764224M1	X	Spacer	Thickness 6,24MM
	3764225M1	X	Spacer	Thickness 6,27MM
	3764226M1	X	Spacer	Thickness 6,30MM
	3764227M1	X	Spacer	Thickness 6,33MM
	3764228M1	X	Spacer	Thickness 6,36MM
	3764229M1	X	Spacer	Thickness 6,39MM
	3764230M1	X	Spacer	Thickness 6,42MM
	3764231M1	X	Spacer	Thickness 6,45MM
	3764232M1	X	Spacer	Thickness 6,48MM
	3764233M1	X	Spacer	Thickness 6,51MM
	3764234M1	X	Spacer	Thickness 6,54MM
	3764235M1	X	Spacer	Thickness 6,57MM
	3764236M1	X	Spacer	Thickness 6,60MM
	3764237M1	X	Spacer	Thickness 6,63MM
	3764238M1	X	Spacer	Thickness 6,66MM
	3764239M1	X	Spacer	Thickness 6,69MM
	3764240M1	X	Spacer	Thickness 6,72MM
	3764241M1	X	Spacer	Thickness 6,75MM
	3764242M1	X	Spacer	Thickness 6,78MM
	3764243M1	X	Spacer	Thickness 7,03MM
15	3764266M1	1	Bearing	
16	3428426M1	2	Centraliser	
17	3427281M1	X	Shim	Thickness 0,10MM
	3427282M1	X	Shim	Thickness 0,15MM
	3427283M1	X	Shim	Thickness 0,30MM
	3427284M1	X	Shim	Thickness 0,50MM
	3427285M1	X	Shim	Thickness 0,70MM
	3427286M1	X	Shim	Thickness 1MM
18	3427079M1	1	Spacer	
19	3427839M1	1	Guide	
20	3427313M1	1	Spring	
21	3427838M1	1	Sleeve	
22	3427463M1	1	Washer	
23	3427460M1	1	Piston	
24	3427443M1	1	Washer	
25	3427444M1	1	Dowel	
26	1442697X1	1	Circlip	
27	3765019M92	1	Differential	
28	3765020M92	1	Housing	(27)
29		1	Housing	(28) Not serviced,order REF.28
30	3429722M1	1	Flange	(27)
31	3764851M1	4	Washer	(27)
32	3429724M1	4	Diff Pinion	(27)

Massey Ferguson**MF 8250 TRACTOR - 1637366****1637366****Front Axle 4 Wheel Drive - Differential****Page060-0125**

Item	Part Number	Qty	Description	Comments
33	3429059M1	2	Clevis Pin	(27)
34	3429723M1	2	Planet	(27)
35	3764874M1	2	Washer	(27)
36	359236X1	1	O Ring	97,79X5,33
37	3765008M92	1	Kit, Bevel Gear	10X39
38	3019927X1	1	O Ring	60,33X3,53
39	3765047M1	12	Screw	M12X55
40	391339X1	2	Bearing Bush	
41	1444071X1	1	Screw	M8X8
42	3427466M1	1	Locking Plate	
43	3765164M1	1	Bush	(1)
44	3765167M1	1	Flange	
45	3765705M92	1	Kit, Service	
46	3764700M1	2	Dowel	

MF 8250 TRACTOR - 1637366
1-ZK05-007-B

1-ZK05-007-B



Massey Ferguson

MF 8250 TRACTOR - 1637366

1637366

Page060-0130

Front Axle 4 Wheel Drive - Final Drive

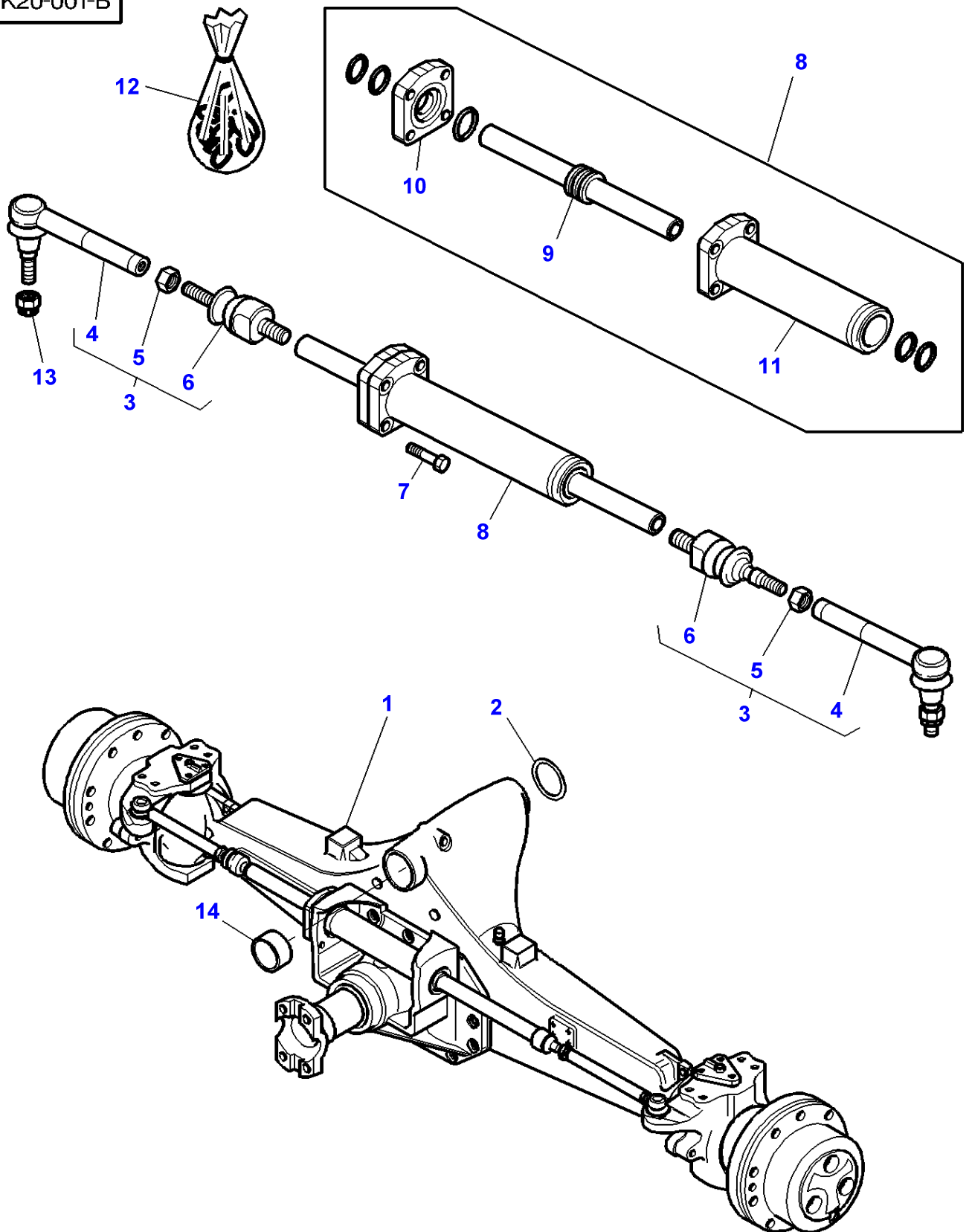
Item	Part Number	Qty	Description	Comments
1	3765001M91	1	Universal Joint	Right Hand
	3765002M91	1	Universal Joint	Left Hand
2	3765006M1	1	Yoke	(1) Right Hand BTB
	3765016M1	1	Yoke	(1) Right Hand DBM
	3765007M1	1	Yoke	(1) Left Hand BTB
	3765015M1	1	Yoke	(1) Left Hand DBM
3	339657X1	8	Circlip	(1)
4	3428434M91	2	Spider	(1) BTB
	3765013M91	2	Crosspiece	(1) DBM
5	3428435M1	1	Body	(1) BTB
	3765014M1	1	Body	(1) DBM
6	3765005M1	1	Fork	(1) BTB
	3765012M1	1	Fork	(1) DBM
7	3764962M1	1	Plug	(1) BTB
	3764878M1	1	Plug	(1) DBM
8	3765044M91	1	Housing	Left Hand
	3765042M91	1	Housing	Right Hand
9	3764875M1	2	Bush	(8)
10	3429864M1	2	Pivot	
11	3429318M1	2	Gasket	
12	3428722M1	X	Shim	Thickness 0,10MM
	3428723M1	X	Shim	Thickness 0,15MM
	3428724M1	X	Shim	Thickness 0,30MM
	3428725M1	X	Shim	Thickness 0,50MM
	3428726M1	X	Shim	Thickness 0,70MM
	3428727M1	X	Shim	Thickness 1MM
13	3765004M1	2	Cover	
14	3428397M1	8	Screw	
15	3426619M1	2	Bearing Assy	
16	3764203M2	2	Bolt	
17	3764828M1	2	Nut	
18	3429521M1	2	Nut	
19	3764859M1	2	Thrust Plate	
20	3426619M1	2	Bearing Assy	
21	3428397M1	8	Screw	
22	3429323M1	2	Cover	
23	339003X1	4	Greaser	
24	3429318M1	2	Gasket	
25	3429864M1	2	Pivot	
26	3764935M1	6	Clevis Pin	
27	3428484M1	6	Bearing Assy	
28	3428472M1	6	Gear	Number of teeth/spines 18
29	3428942M1	2	Oil Seal	55X82X16,5
30	3429889M2	2	Seal	210X240X14. 5/18
31	3428141M3	20	Screw	
32	3765003M1	2	Hub	
33	3427185M1	2	Washer	
34	3428230M1	2	Plug	
35	3764999M1	2	Pinion	Number of teeth/spines 12X26
36	3764822M1	6	Circlip	
37	3907228M1	4	Bearing Taper Segment	Replace and repair. Old interchangeable with new 3428478M1
38	3428481M1	4	Segment	
39	3429863M1	2	Flange	
40	3429856M1	2	Annular Gear	Number of teeth/spines 51
41	3426771M1	2	Thrust Plate	

Massey Ferguson**MF 8250 TRACTOR - 1637366****1637366****Front Axle 4 Wheel Drive - Final Drive****Page060-0130**

Item	Part Number	Qty	Description	Comments
42	3765011M1	2	Carrier	
43	3007449X1	8	Bolt	
44	3765041M1	2	O Ring	Diameter 253,59 X 3,53
45	3764823M1	6	Needle	
46	3764881M1	2	Circlip	
47	3764860M1	2	Plate	

MF 8250 TRACTOR - 1637366
1-ZK20-001-B

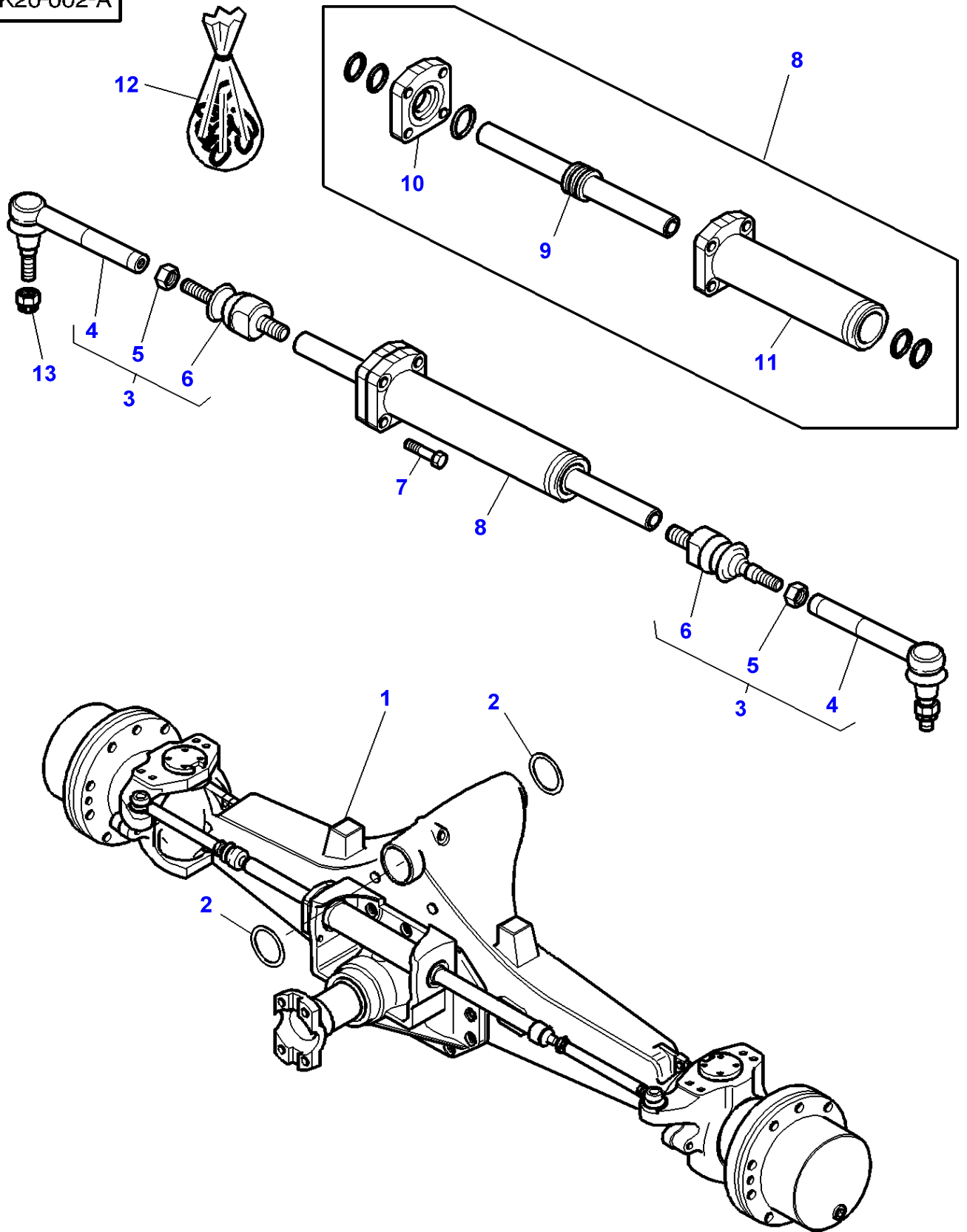
1-ZK20-001-B



Massey Ferguson**MF 8250 TRACTOR - 1637366****1637366****Front Axle Fixed CARRARO - M.F 8250 - TYPE 20,43****Page060-0135**

Item	Part Number	Qty	Description	Comments
1	3786161M91	1	Front Live Axle	Replace and repair. Old not interchangeable with new 3783323M91
2	3785074M1	1	Thrust Washer	Thickness 4 MM
3	3785554M1	2	Toggle	
4	3903686M1	1	Toggle	(3)
5	3903685M1	1	Nut	(3) M24
6	3903684M1	1	Ball Joint	(3)
7	3785485M1	4	Bolt	M12 X 45
8	3785504M1	1	Steering Cyl	
9	3903687M1	1	Cylinder Rod	(8)
10	3903688M1	1	Head	(8)
11	3903719M1	1	Cylinder	(8)
12	3903689M91	1	Kit,Joint/Gasket	
13	3785409M1	2	Locknut	M20
14	3785924M1	2	Thrust Washer	Thickness 8 MM

1-ZK20-002-A



Massey Ferguson**MF 8250 TRACTOR - 1637366**

1637366

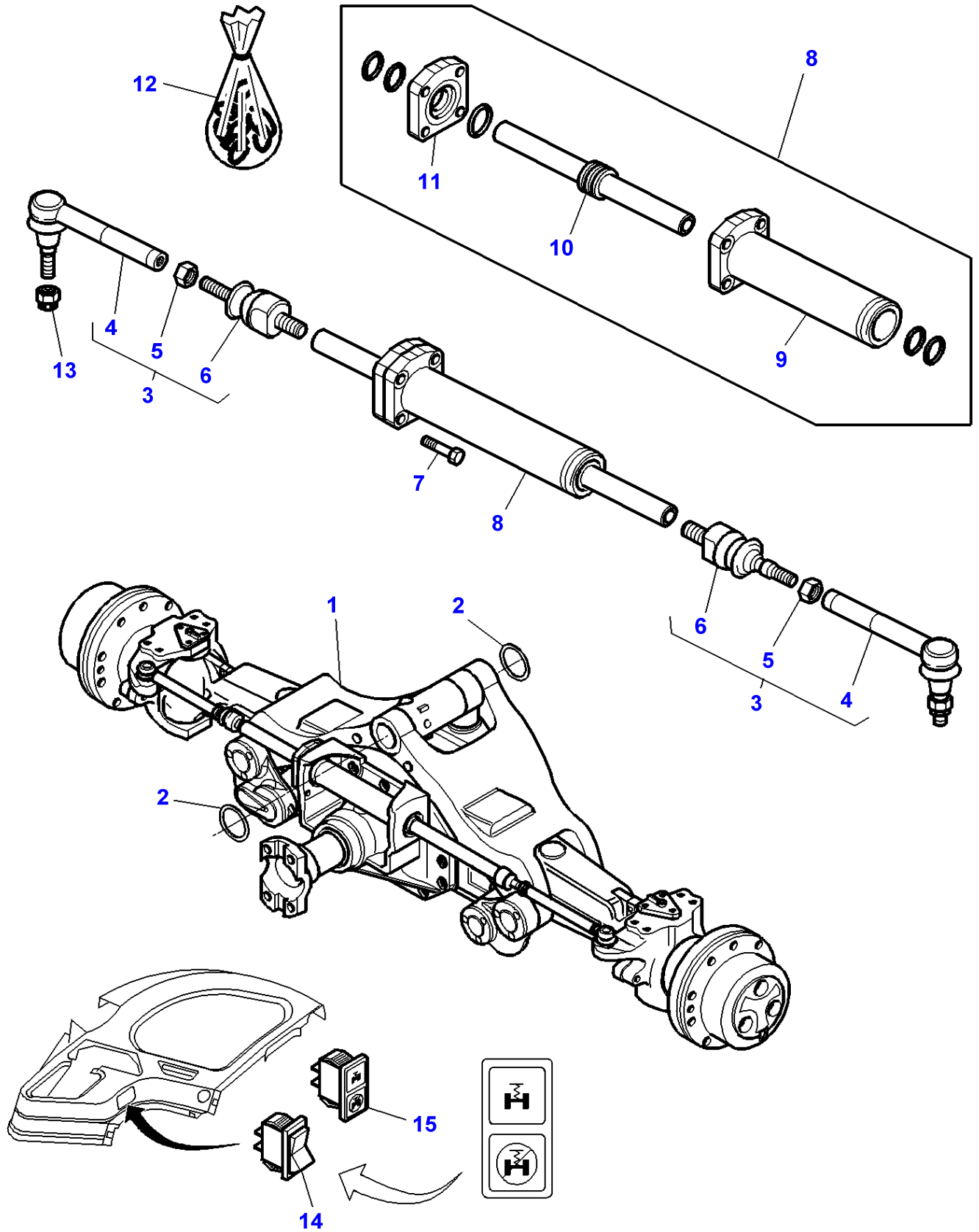
Front Axle Fixed CARRARO - M.F 8250 XTRA - TYPE 20,48

Page060-0140

Item	Part Number	Qty	Description	Comments
1	3786169M91	1	Front Live Axle	
2	3785074M1	2	Thrust Washer	
3	3789571M1	2	Toggle	
4	3789572M1	2	Toggle	(3)
5	3903685M1	2	Nut	(3)
6	3903684M1	2	Ball Joint	(3)
7	3785485M1	4	Bolt	M12X45
8	3789573M1	1	Steering Cyl	
9	3789577M1	1	Cylinder Rod	(8)
10	3789578M1	1	Head	(8)
11	3789730M1	1	Cylinder	(8)
12	3789579M1	1	Kit, Joint	
13	3789569M1	2	Locknut	M24X1,5

MF 8250 TRACTOR - 1637366
1-ZK21-001-C

1-ZK21-001-C



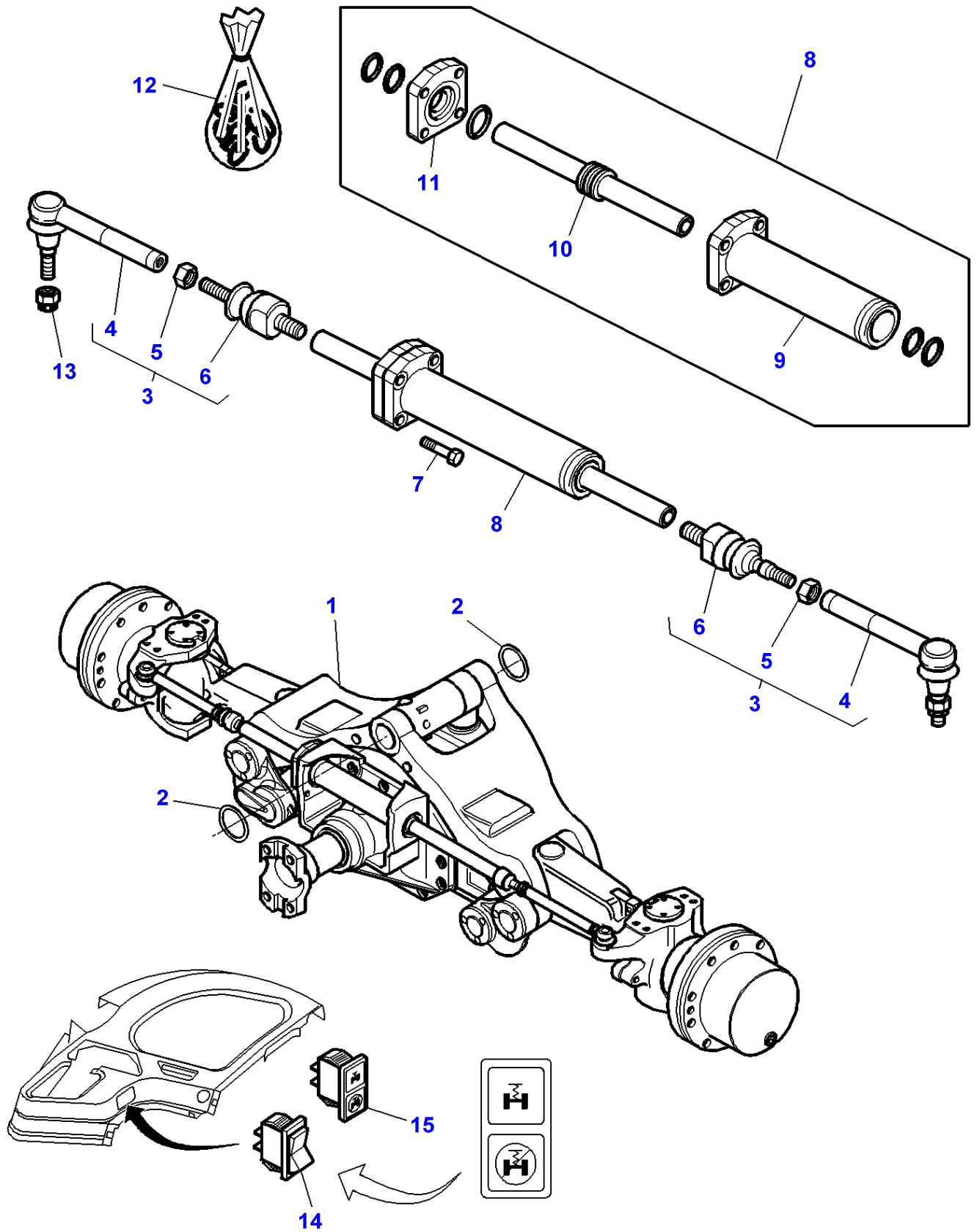
Massey Ferguson**MF 8250 TRACTOR - 1637366****1637366****Front Axle Suspended CARRARO - M.F 8250 - TYPE 20,43****Page060-0145**

Item	Part Number	Qty	Description	Comments
1	3786160M92	1	Front Live Axle	TYPE 20,43 Replace and repair. Old not interchangeable with new 3784691M91
2	3785075M1	2	Thrust Washer	Diameter 115 MM
3	3785554M1	2	Toggle	
4	3903686M1	1	Toggle	(3)
5	3903685M1	1	Nut	(3) M24
6	3903684M1	1	Ball Joint	(3)
7	3785485M1	4	Bolt	M12 X 45
8	3785504M1	1	Steering Cyl	
9	3903719M1	1	Cylinder	(8)
10	3903687M1	1	Cylinder Rod	(8)
11	3903688M1	1	Head	(8)
12	3903689M91	1	Kit,Joint/Gasket	
13	3785409M1	2	Locknut	M20
14	3784234M1	1	Switch,Indirect	
15	3784235M1	1	Indicator	[A]

FOOTNOTE [A] WITH BULB

MF 8250 TRACTOR - 1637366
1-ZK21-002-B

1-ZK21-002-B



Massey Ferguson**MF 8250 TRACTOR - 1637366**

1637366

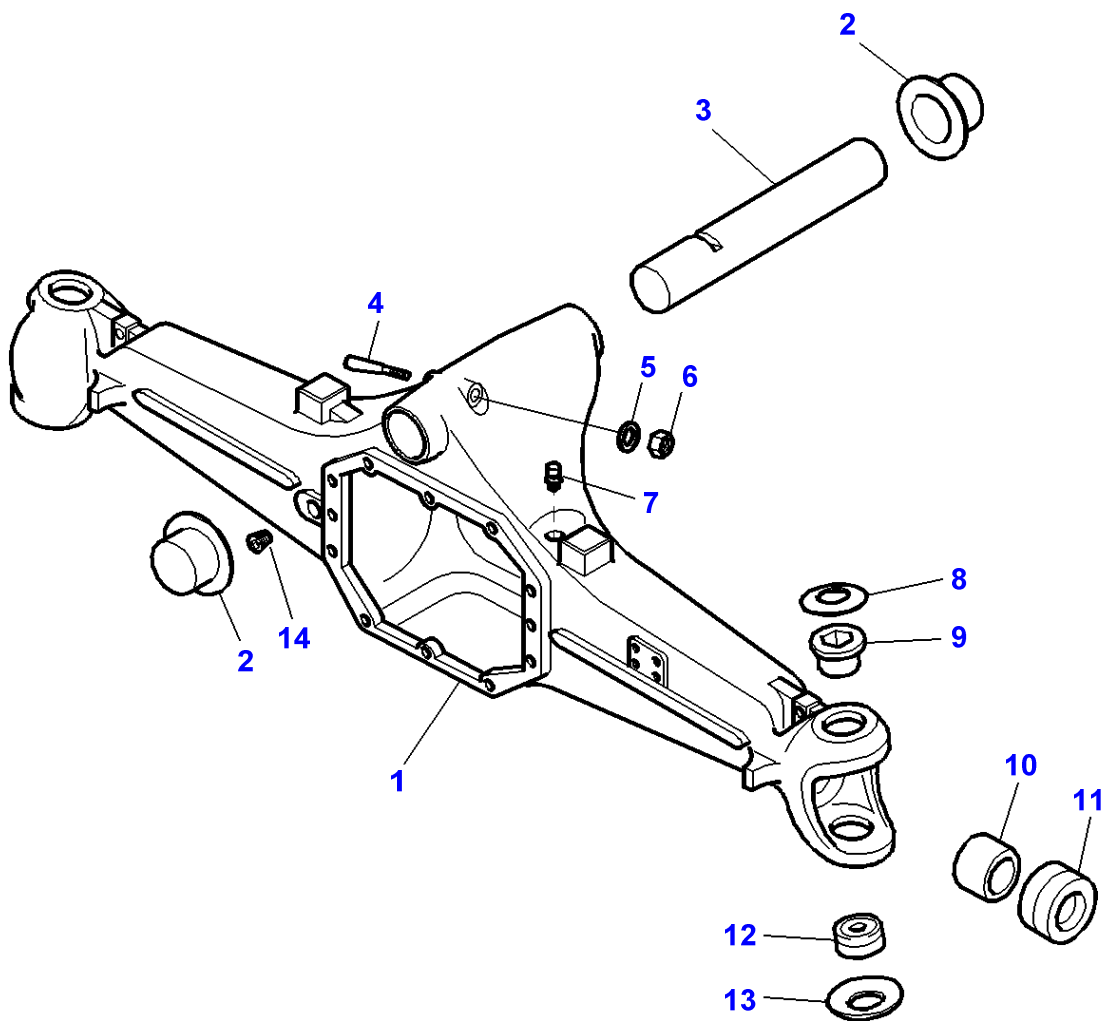
Front Axle Suspended CARRARO - M.F 8250 XTRA - TYPE 20,48

Page060-0150

Item	Part Number	Qty	Description	Comments
1	3786168M91	1	Front Live Axle	
2	3785075M1	1	Thrust Washer	
3	3789571M1	2	Toggle	
4	3789572M1	2	Toggle	(3)
5	3903685M1	2	Nut	(3)
6	3903684M1	2	Ball Joint	(3)
7	3785485M1	4	Bolt	M12X45
8	3789573M1	1	Steering Cyl	
9	3789730M1	1	Cylinder	(8)
10	3789577M1	1	Cylinder Rod	(8)
11	3789578M1	1	Head	(8)
12	3789579M1	1	Kit, Joint	
13	3785485M1	2	Bolt	M24X1,5
14	3784234M1	1	Switch,Indirect	
15	3784235M1	1	Indicator	[A]

FOOTNOTE [A] WITH BULB

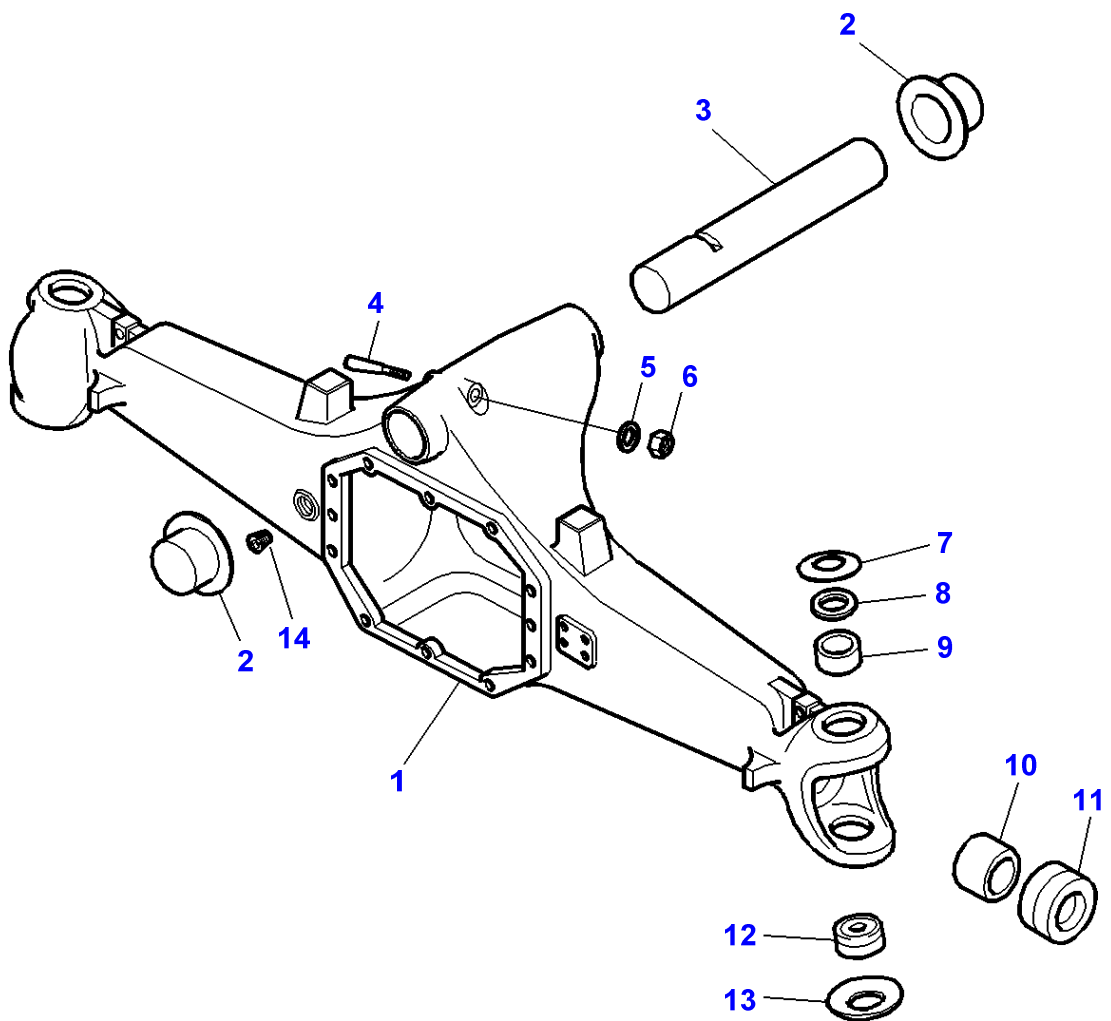
1-ZK31-001-A



Massey Ferguson**MF 8250 TRACTOR - 1637366****1637366****Front Axle Fixed CARRARO - Housing - M.F 8250 - TYPE 20,43****Page060-0155**

Item	Part Number	Qty	Description	Comments
1	3785586M1	1	Housing	
2	3785609M1	2	Protector	Diameter 60
3	3785618M1	1	Clevis Pin	Diameter 60
4	3785606M1	1	Clevis Pin	
5	390597X1	1	Washer Metric	
6	3785407M1	1	Locknut	M10
7	3785448M1	1	Breather	M10
8	3785487M1	2	Cup Spring	
9	3785508M1	2	Bush	
10	3785457M1	2	Bush	
11	3785543M1	2	Seal	
12	3785465M1	2	Bearing Assy	
13	3785486M1	2	Cup Spring	
14	3785483M1	1	Plug	M24

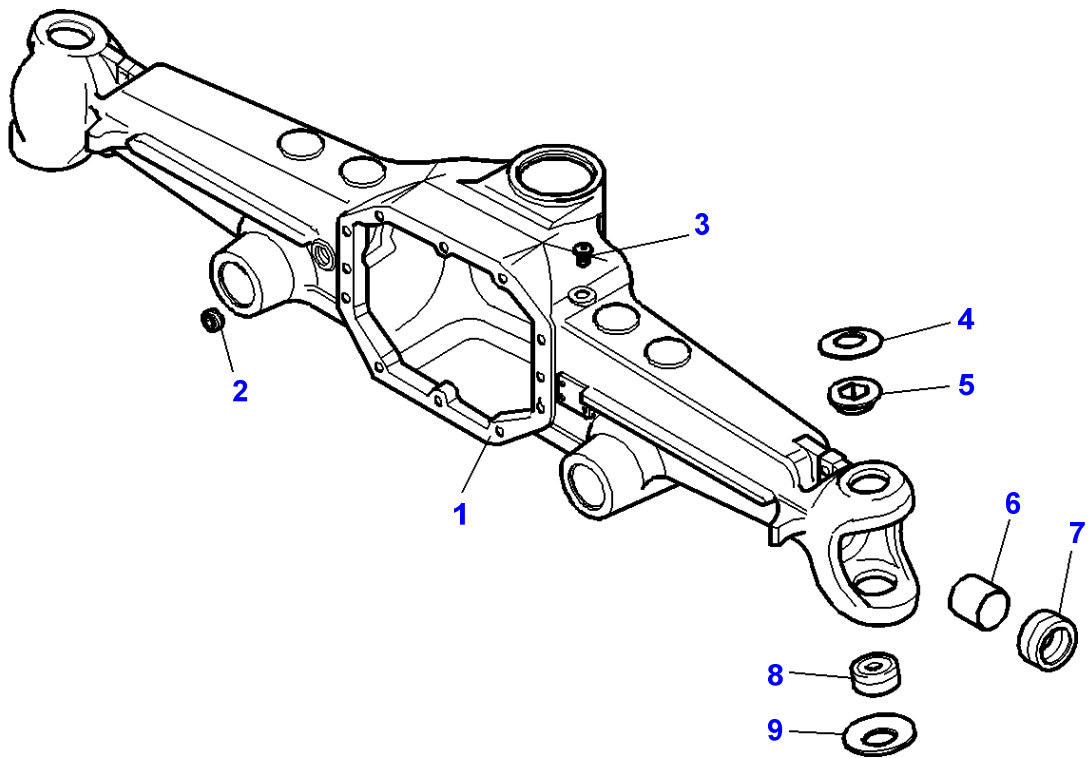
1-ZK31-002-A



Massey Ferguson**MF 8250 TRACTOR - 1637366****1637366****Front Axle Fixed CARRARO - Housing - M.F 8250 XTRA - TYPE 20,48****Page060-0160**

Item	Part Number	Qty	Description	Comments
1	3789658M1	1	Housing	
2	3785609M1	2	Protector	Diameter 60
3	3785618M1	1	Clevis Pin	Diameter 60
4	3785606M1	1	Clevis Pin	
5	390597X1	1	Washer Metric	
6	3785407M1	1	Locknut	M10
7	3789555M1	2	Washer	
8	3789556M1	2	Shim	
9	3789557M1	2	Bush	
10	3789559M1	2	Bush	
11	3789558M1	2	Seal	
12	3789560M1	2	Bearing Assy	
13	3789561M1	2	Washer	
14	3785483M1	1	Plug	M24X1,5

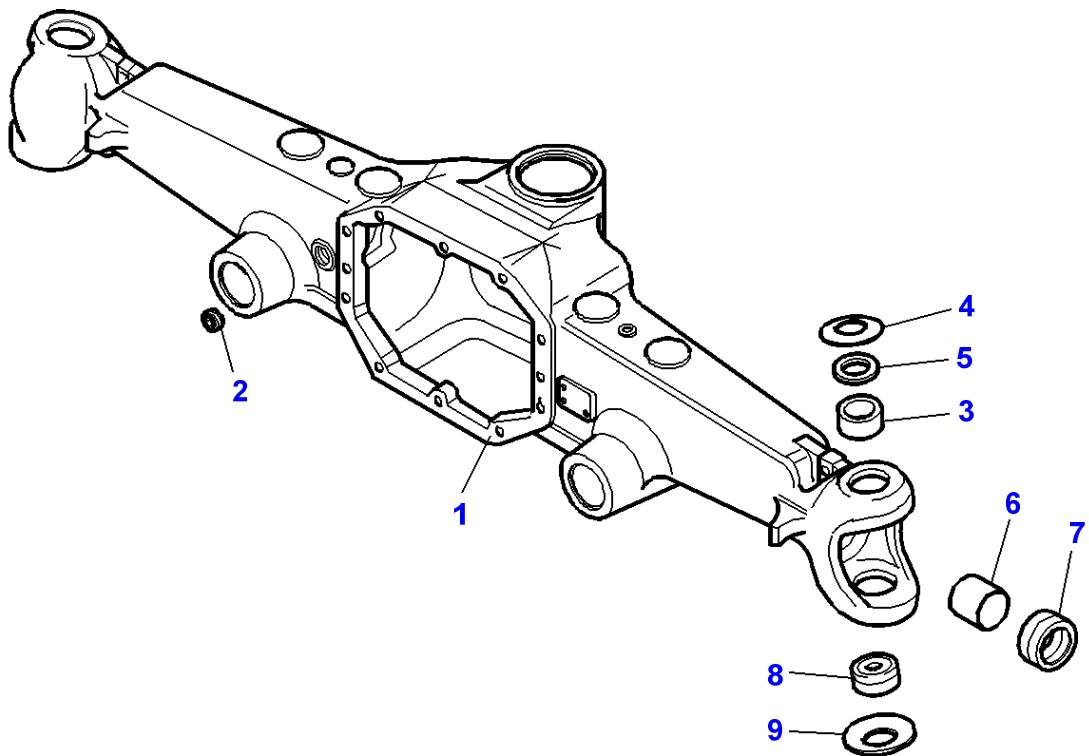
1-ZK26-001-A



Massey Ferguson**MF 8250 TRACTOR - 1637366****1637366****Front Axle Suspended CARRARO - Housing - M.F 8250 - TYPE 20,43****Page060-0165**

Item	Part Number	Qty	Description	Comments
1	3785621M2	1	Housing	
2	3785483M1	1	Plug	M24
3	3785441M1	1	Plug	M10
4	3785487M1	2	Cup Spring	
5	3785508M1	2	Bush	
6	3785457M1	2	Bush	
7	3785543M1	2	Seal	
8	3785465M1	2	Bearing Assy	
9	3785486M1	2	Cup Spring	

1-ZK26-002-A

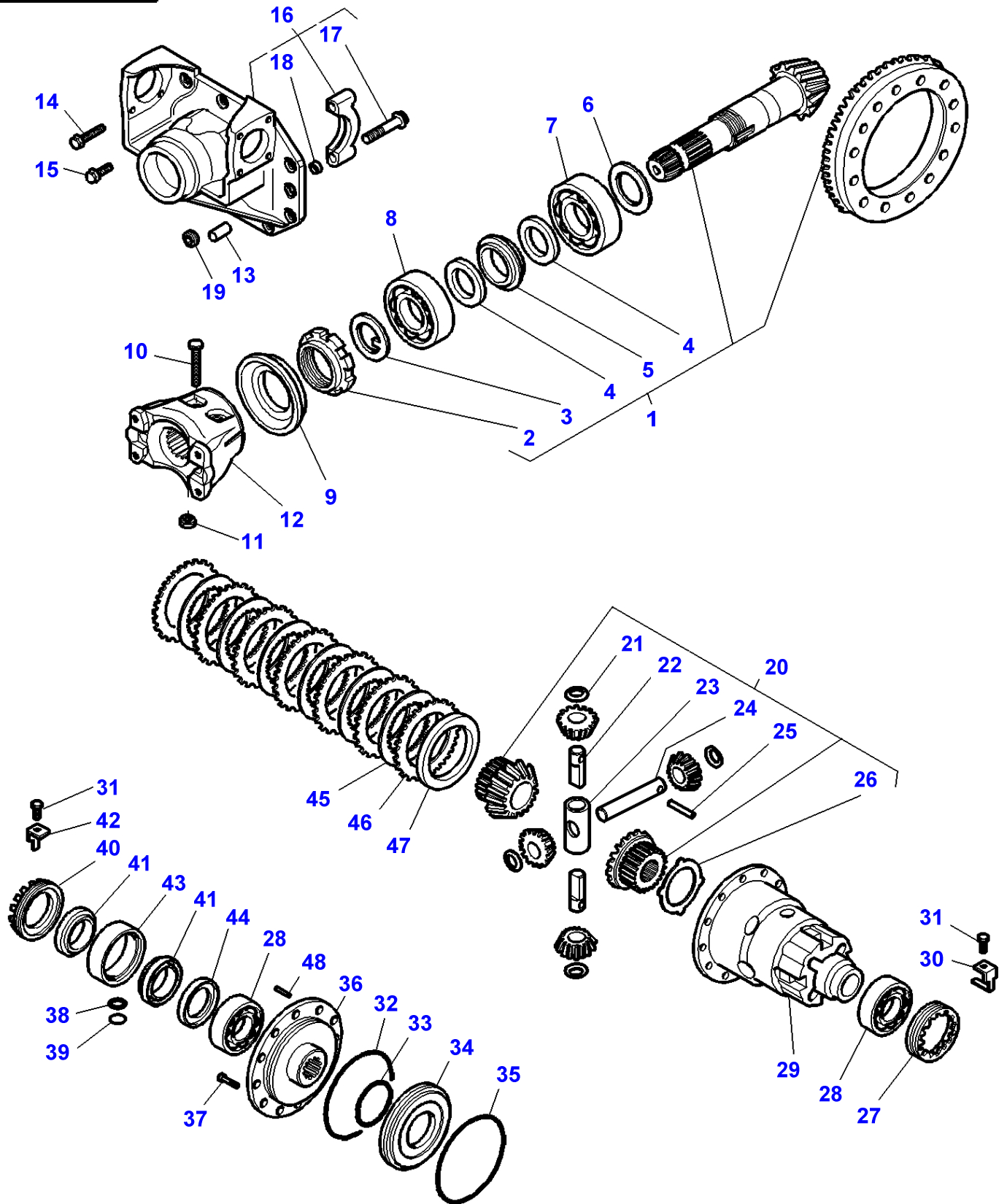


Massey Ferguson**MF 8250 TRACTOR - 1637366****1637366****Front Axle Suspended CARRARO - Housing - M.F 8250 XTRA - TYPE 20,48****Page060-0170**

Item	Part Number	Qty	Description	Comments
1	3789554M1	1	Housing	
2	3785483M1	1	Plug	M24X1,5
3	3789557M1	2	Bush	
4	3789555M1	2	Washer	
5	3789556M1	2	Shim	
6	3789559M1	2	Bush	
7	3789558M1	2	Seal	
8	3789560M1	2	Bearing Assy	
9	3789561M1	2	Washer	

MF 8250 TRACTOR - 1637366
1-ZK29-001-A

1-ZK29-001-A



Item	Part Number	Qty	Description	Comments
1	3903697M91	1	Kit, Bevel Gear	[C] 11/33
2	3785451M1	1	Nut Special	[C] (1) M40
3	3785450M1	1	Washer	[C] (1)
4	3785477M1	2	Washer	[C] (1)
5	3785479M1	1	Spacer	[C] (1)
6	3785527M1	X	Chock	[C] Thickness 2,50 MM
	3785528M1	X	Chock	[C] Thickness 2,60 MM
	3785529M1	X	Chock	[C] Thickness 2,70 MM
	3785530M1	X	Chock	[C] Thickness 2,80 MM
	3785531M1	X	Chock	[C] Thickness 2,90 MM
	3785532M1	X	Chock	[C] Thickness 3,00 MM
	3785533M1	X	Chock	[C] Thickness 3,10 MM
	3785534M1	X	Chock	[C] Thickness 3,20 MM
	3785535M1	X	Chock	[C] Thickness 3,30 MM
	3785536M1	X	Chock	[C] Thickness 3,40 MM
7	3785420M1	1	Bearing Assy	[C]
8	3785419M1	1	Bearing Assy	[C]
9	3785540M1	1	Seal	[C]
10	339679X1	2	Bolt Metric	M10 X 60
11	3785408M1	2	Locknut	
12	3785499M1	1	Coupling	
13	3785447M1	2	Pin	Diameter 15 X 35
14	3785476M1	10	Bolt	[B] M12 X 33
	3785476M1	8	Bolt	[A,C] M12 X 33
15	3009511X1	2	Bolt Metric	[A] M12 X 55
16	3785590M2	1	Support	[C]
17	3785478M1	4	Bolt	[C] (16)
18	3788736M1	4	Bush	[C] (16)
19	3785483M1	1	Plug	M24
20	3903682M91	1	Kit,Differential	[C]
21	3785453M1	4	Washer	[C] (20)
22	3785510M1	2	Shaft	[C] (20) Replace and repair. Old interchangeable with new 3475579M1
23	3785546M1	1	Spider	[C] (20)
24	3785454M1	1	Clevis Pin	[C] (20)
25	3785455M1	3	Pin	[C] (20) Diameter 7 X 40
26	3785506M1	1	Plate	[C] (20)
27	3785449M1	1	Protector	[C]
28	3785418M1	2	Bearing Assy	[C]
29	3785513M1	1	Diff Housing	[C]
30	3785545M1	1	Thruster	[C]
31	3785484M1	2	Bolt	[C] M6 X 10
32	3785433M1	1	O Ring	[C]

Item	Part Number	Qty	Description	Comments
33	3785422M1	1	O Ring	[C]
34	3785518M1	1	Piston	[C]
35	3785432M1	1	O Ring	[C]
36	3785514M1	1	Cover	[C]
37	3785482M1	12	Bolt	[C] M10 X 30
38	3785526M1	1	Washer	[C]
39	3785430M1	1	O Ring	[C]
40	3785521M2	1	Castle Nut	[C] M94 X 2
41	3785525M1	2	Seal	[C]
42	3785522M1	1	Thruster	[C]
43	3785520M2	1	Spacer	[C]
44	3785519M1	1	Washer	[C]
45	3785523M1	7	Friction Disc	[C]
46	3785524M1	8	Counterplate	[C]
47	3785517M1	1	Washer	[C]
48	3785412M1	1	Rivet	[A]
49	3907268M11	1	Kit,Differential	[A,D]

FOOTNOTE [A] FRONT AXLE SUSPENDED CARRARO

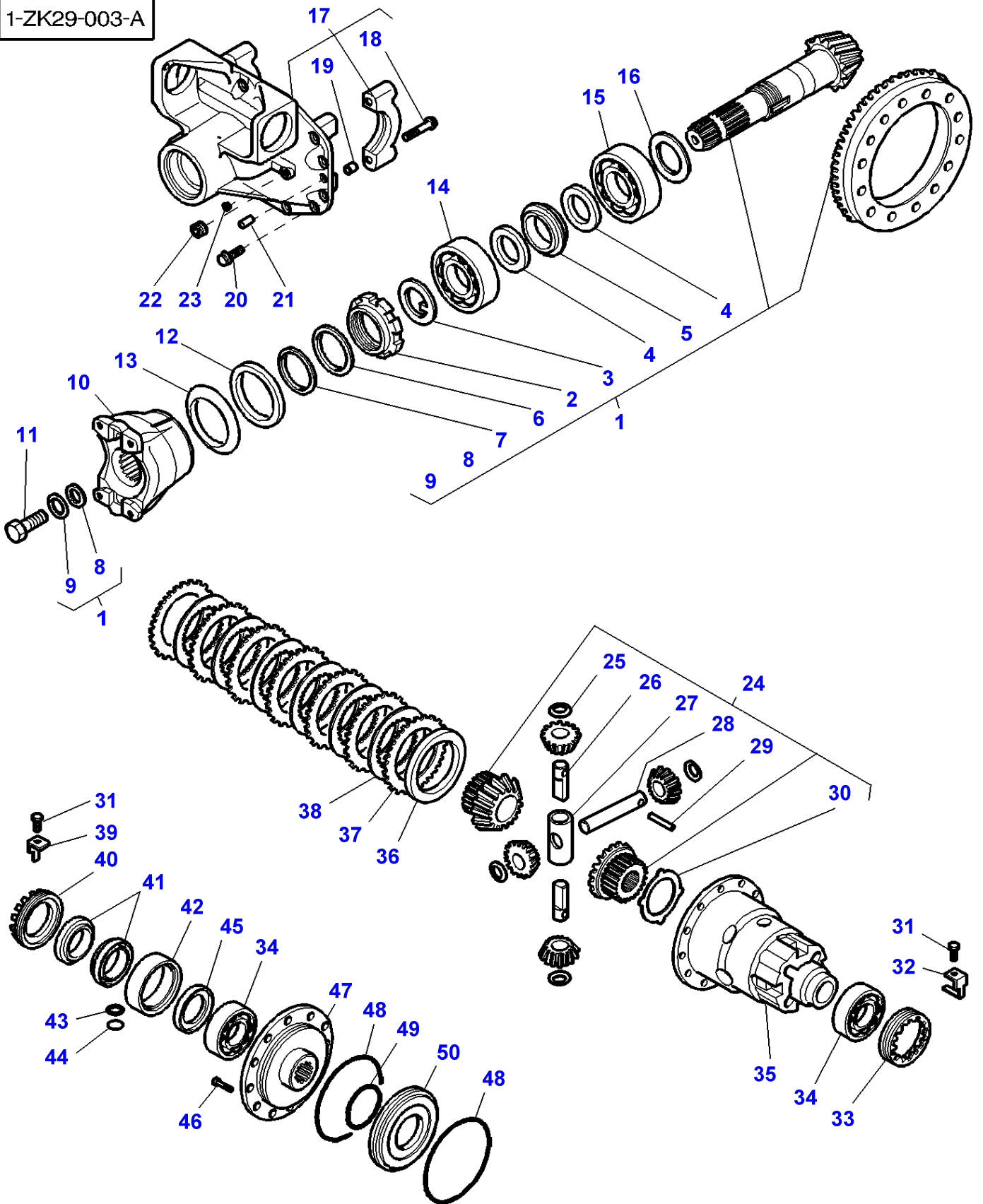
FOOTNOTE [B] FRONT AXLE FIXED CARRARO

FOOTNOTE [C] INCLUDED IN KIT DIFFERENTIAL 3907268M11

FOOTNOTE [D] NOT ILLUSTRATED

MF 8250 TRACTOR - 1637366
1-ZK29-003-A

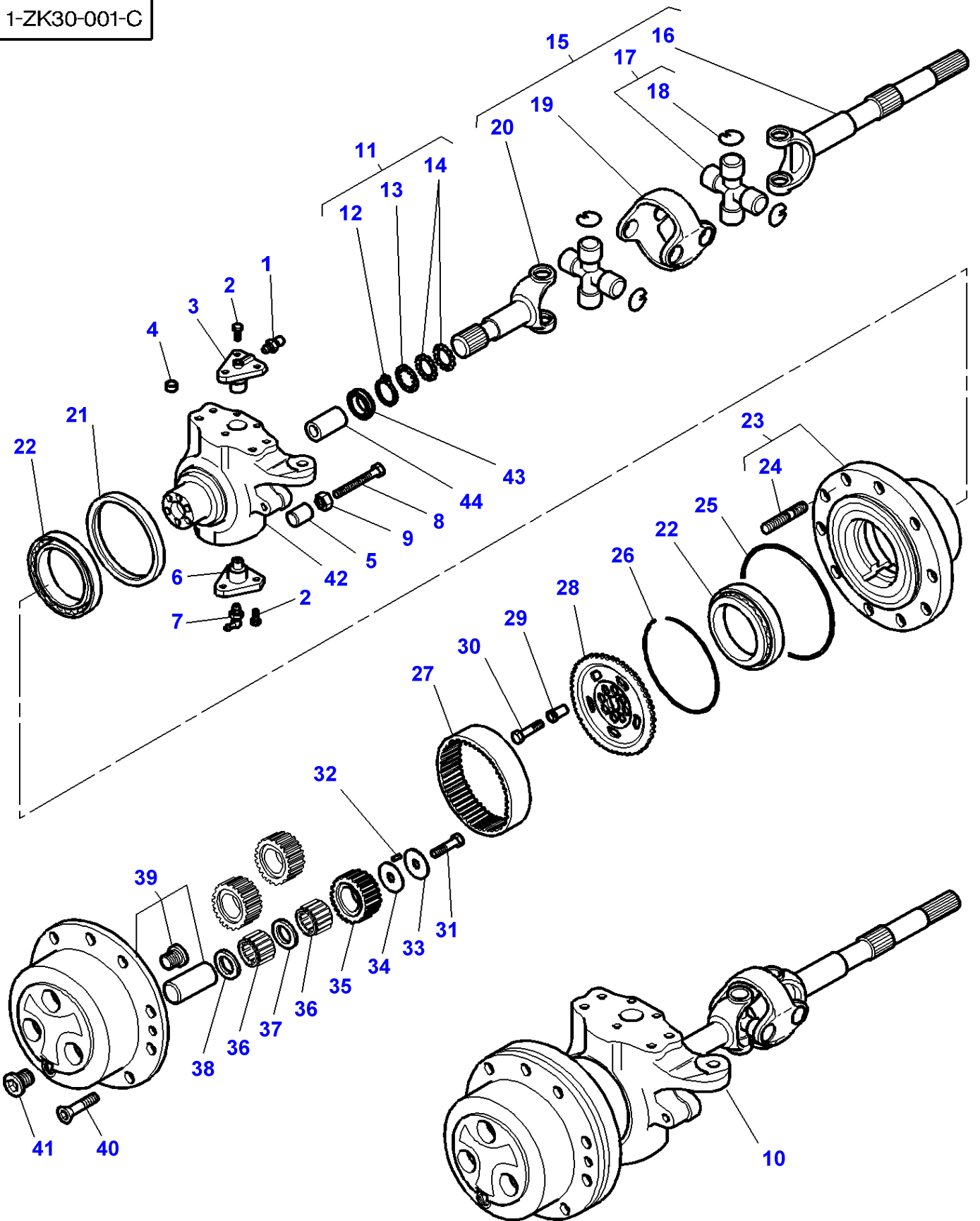
1-ZK29-003-A



Item	Part Number	Qty	Description	Comments
1	3789580M1	1	Kit, Bevel Gear	Number of teeth/spines 11/36
2	3789584M1	1	Nut Special	(1) M45X1,5
3	3789583M1	1	Washer	(1)
4	3789581M1	2	Washer	(1)
5	3789582M1	1	Spacer	(1)
6	3789585M1	1	Washer	(1)
7	3789586M1	1	O Ring	(1)
8	3789587M1	X	Chock	(1) Thickness 0,05MM
	3789588M1	X	Chock	(1) Thickness 0,10MM
	3789589M1	X	Chock	(1) Thickness 0,20MM
9	3789590M1	1	Washer	(1)
10	3789591M1	1	Coupling	
11	3789592M1	1	Bolt	M12X25
12	3789593M1	1	Gasket	
13	3789594M1	1	Cover	
14	3789596M1	1	Bearing Assy	
15	3789595M1	1	Bearing Assy	
16	3789597M1	X	Chock	Thickness 2,50MM
	3789598M1	X	Chock	Thickness 2,60MM
	3789599M1	X	Chock	Thickness 2,70MM
	3789600M1	X	Chock	Thickness 2,80MM
	3789601M1	X	Chock	Thickness 2,90MM
	3789602M1	X	Chock	Thickness 3,00MM
	3789603M1	X	Chock	Thickness 3,10MM
	3789604M1	X	Chock	Thickness 3,20MM
	3789605M1	X	Chock	Thickness 3,30MM
	3789606M1	X	Chock	Thickness 3,40MM
17	3789562M1	1	Support	
18	3789563M1	4	Bolt	(17)
19	3789669M1	4	Bush	(17)
20	3785476M1	14	Bolt	M12X33
21	3785447M1	2	Pin	Diameter 15X35MM
22	3785483M1	1	Plug	M24X1,5
23	3785439M1	1	Plug	Diameter 12,5MM
24	3789607M1	1	Kit,Differential	
25	3789608M1	4	Washer	(24)
26	3789609M1	2	Shaft	(24)
27	3789611M1	1	Spider	(24)
28	3789612M1	1	Shaft	(24)
29	3789610M1	3	Pin	(24) Diameter 7X65
30	3789613M1	1	Plate	(24)
31	3785484M1	2	Bolt	M6X10
32	3789617M1	1	Thruster	
33	3789614M1	1	Protector	M114X2
34	3789615M1	2	Bearing Assy	
35	3789616M1	1	Diff Housing	
36	3789620M1	1	Spacer	
37	3789619M1	7	Counterplate	
38	3789618M1	6	Friction Disc	
39	3789621M1	1	Thruster	
40	3789632M1	1	Protector	M114X2
41	3789624M1	2	Seal	
42	3789622M1	1	Spacer	
43	3789630M1	1	Washer	
44	3789631M1	1	Seal	
45	3789623M1	1	Washer	
46	3789629M1	12	Bolt	M14X40
47	3789628M1	1	Cover	
48	3789625M1	2	O Ring	
49	3789626M1	1	O Ring	
50	3789627M1	1	Piston	

MF 8250 TRACTOR - 1637366
1-ZK30-001-C

1-ZK30-001-C



Massey Ferguson

MF 8250 TRACTOR - 1637366

1637366

Front Axle CARRARO - Final Drive - M.F 8250 - TYPE 20,43

Page060-0185

Item	Part Number	Qty	Description	Comments
1	1441858X1	2	Grease Nipple	M16
2	3785481M1	12	Bolt	M14X35
3	3785507M1	2	Cover	[A]
4	3785440M1	8	Plug	Diameter 14,5
5	3787942M1	1	Stop	Right Hand
6	3785490M1	2	Pivot	
7	3008923X1	2	Nipple	M6
8	3785466M1	2	Bolt	M16X100
9	339034X1	2	Nut	M16
10	3903811M11	1	Final Drive	[A] Up to Serial or Engine Number K206027 Left Hand
	3903874M91	1	Final Drive	[A] From Serial or Engine Number K206028 Left Hand
	3903812M11	1	Final Drive	[A] Up to Serial or Engine Number K206027 Right Hand
	3903875M91	1	Final Drive	[A] From Serial or Engine Number K206028 Right Hand
	3903811M11	1	Final Drive	[B] Up to Serial or Engine Number K271024 Left Hand
	3903874M91	1	Final Drive	[B] From Serial or Engine Number K271025 Left Hand
	3903812M11	1	Final Drive	[B] Up to Serial or Engine Number K271024 Right Hand
	3903875M91	1	Final Drive	[B] From Serial or Engine Number K271025 Right Hand
11	3903813M11	1	Kit, Service	(10)
12	3786426M1	2	Ring	(11)
13	3786425M1	2	Washer	(11)
14	3785505M1	4	Thrust Washer	(11)
15	3785583M1	2	Universal Joint	[A] (10) Up to Serial or Engine Number K206027
	3788631M1	2	Universal Joint	[A] (10) From Serial or Engine Number K206028
	3785583M1	2	Universal Joint	[B] (10) Up to Serial or Engine Number K271024
	3788631M1	2	Universal Joint	[B] (10) From Serial or Engine Number K271025
16	3903726M1	1	Fork	[A] (15) Up to Serial or Engine Number K206027
	3788632M1	1	Fork	[A] (15) From Serial or Engine Number K206028
	3903726M1	1	Fork	[B] (15) Up to Serial or Engine Number K271024
	3788632M1	1	Fork	[B] (15) From Serial or Engine Number K271025
17	3903728M1	2	Crosspiece	[A] (15) Up to Serial or Engine Number K206027
	3788633M1	2	Crosspiece	[A] (15) From Serial or Engine Number K206028
	3903728M1	2	Crosspiece	[B] (15) Up to Serial or Engine Number K271024

Massey Ferguson**MF 8250 TRACTOR - 1637366**

1637366

Front Axle CARRARO - Final Drive - M.F 8250 - TYPE 20,43

Page060-0185

Item	Part Number	Qty	Description	Comments
17	3788633M1	2	Crosspiece	[B] (15) From Serial or Engine Number K271025
18	3903721M1	4	Circlip	[A] (17) Up to Serial or Engine Number K206027
18		4	Circlip	[A] (17) From Serial or Engine Number K206028 Not serviced,order REF. 17
18	3903721M1	4	Circlip	[B] (17) Up to Serial or Engine Number K271024
18		4	Circlip	[B] (17) From Serial or Engine Number K271025 Not serviced,order REF.17
19	3903727M1	1	Knuckle	[A] (15) Up to Serial or Engine Number K206027
19	3788634M1	1	Knuckle	[A] (15) From Serial or Engine Number K206028
19	3903727M1	1	Knuckle	[B] (15) Up to Serial or Engine Number K271024
19	3788634M1	1	Knuckle	[B] (15) From Serial or Engine Number K271025
20	3903729M1	1	Fork	[A] (15) Up to Serial or Engine Number K206027
20	3788635M1	1	Fork	[A] (15) From Serial or Engine Number K206028
20	3903729M1	1	Fork	[B] (15) Up to Serial or Engine Number K271024
20	3788635M1	1	Fork	[B] (15) From Serial or Engine Number K271025
21	3907166M1	2	Seal	(10) Replace and repair. Old interchangeable with new 3785511M1
22	3785458M1	4	Bearing Assy	(10)
23	3903680M91	2	Impeller Hub	(10)
24	3785456M1	10	Stud	(23)
25	3785429M1	2	O Ring	(10)
26	3785472M1	2	Ring	(10)
27	3785558M1	2	Annular Gear	(10) Number of teeth/spines 77
28	3785557M1	2	Flange	(10)
29	3785470M1	16	Bush	(10)
30	3785461M1	16	Bolt	(10) M14X65
31	3785471M1	6	Bolt	(10) M10X50
32	3785425M1	6	Needle	(10)
33	3785550M1	6	Thrust Washer	(10)
34	3785551M1	6	Thrust Washer	(10)
35	3785552M1	6	Gear	[A] (10) Up to Serial or Engine Number K206027 Number of teeth/spines 31
35	3788638M1	6	Gear	[A] (10) From Serial or Engine Number K206028 Number of teeth/spines 31
35	3785552M1	6	Gear	[B] (10) Up to Serial or Engine Number K271024 Number of teeth/spines 31

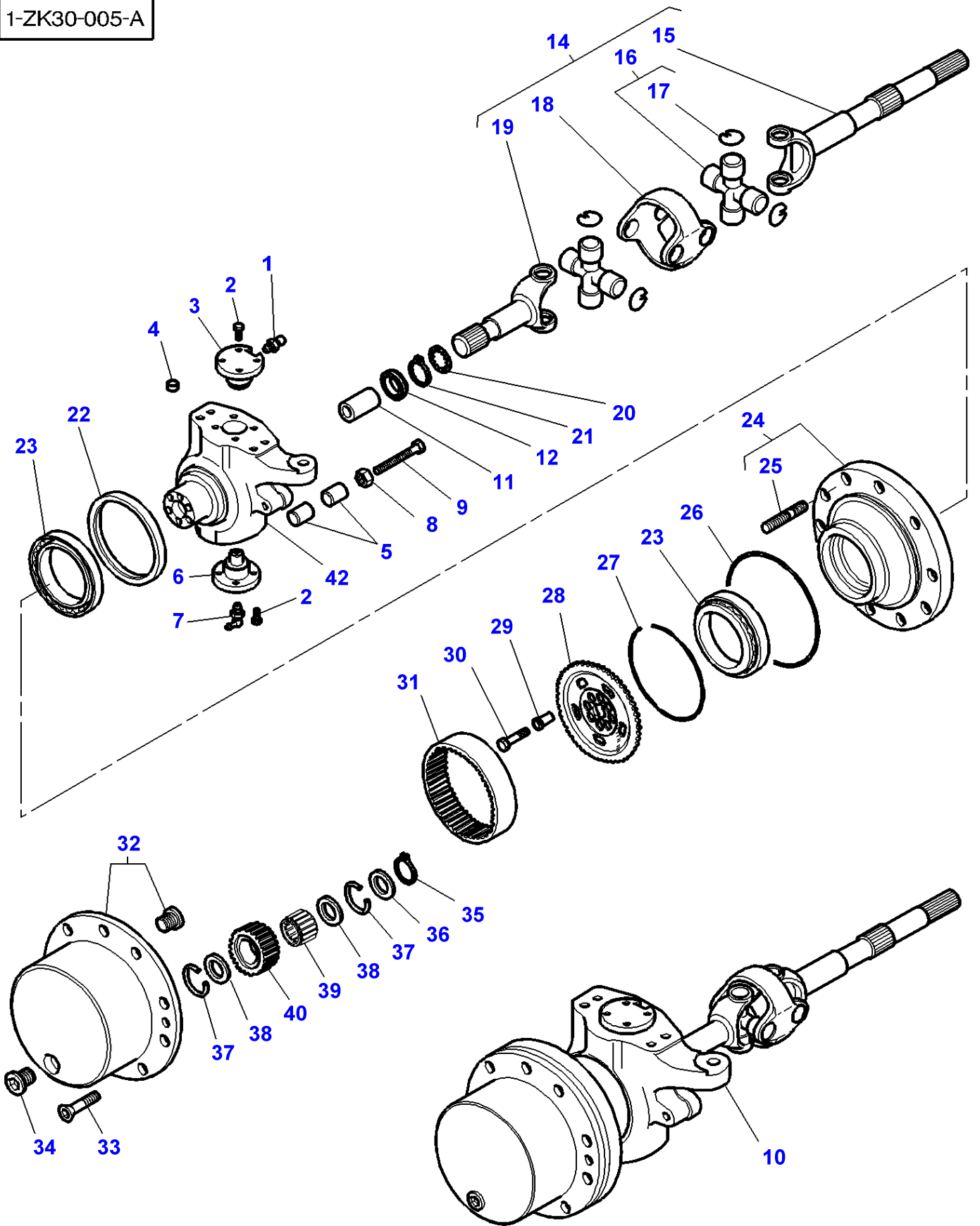
Massey Ferguson**MF 8250 TRACTOR - 1637366****1637366****Front Axle CARRARO - Final Drive - M.F 8250 - TYPE 20,43****Page060-0185**

Item	Part Number	Qty	Description	Comments
35	3788638M1	6	Gear	[B] (10) From Serial or Engine Number K271025 Number of teeth/spines 31
36	3785424M1	336	Needle Bag Of 10	(10)
37	3785553M1	6	Thrust Washer	(10)
38	3785549M1	6	Thrust Washer	(10)
39	3903698M91	2	Kit, Carrier	[A] (10) Up to Serial or Engine Number K206027
39	3788637M1	2	Kit, Carrier	[A] (10) From Serial or Engine Number K206028
39	3903698M91	2	Kit, Carrier	[B] (10) Up to Serial or Engine Number K271024
39	3788637M1	2	Kit, Carrier	[B] (10) From Serial or Engine Number K271025
40	3009440X1	4	Screw Special	(10) M8X20
41	3785473M1	2	Plug	(10) M30X2
42	3785573M1	1	Housing	(10) Left Hand
42	3785574M1	1	Housing	(10) Right Hand
43	3785501M1	2	Seal	(10)
44	3785468M1	2	Bush	(10)

FOOTNOTE [A] WITH FRONT AXLE SUSPENDED**FOOTNOTE [B] FRONT AXLE FIXED**

MF 8250 TRACTOR - 1637366
1-ZK30-005-A

1-ZK30-005-A

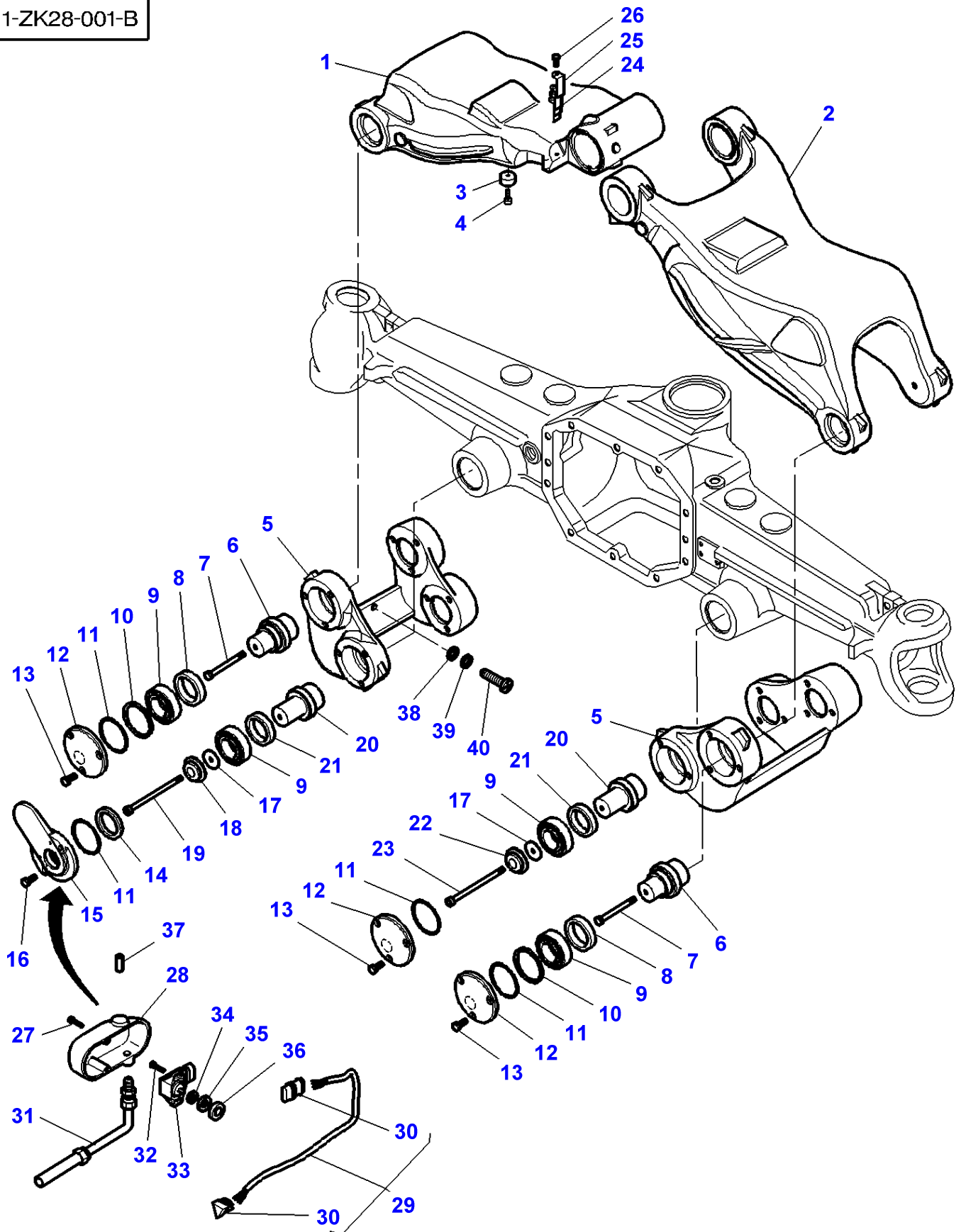


Item	Part Number	Qty	Description	Comments
1	1441858X1	2	Grease Nipple	M6X1
2	3789566M1	16	Bolt	M16X38
3	3789567M1	2	Cover	
4	3785440M1	8	Plug	Diameter 14,5MM
5	3787942M1	4	Stop	
6	3789570M1	2	Pivot	
7	3008923X1	2	Nipple	
8	339034X1	2	Nut	
9	3785466M1	2	Bolt	M16X100
10	3903904M91	1	Final Drive	Left Hand
	3903905M91	1	Final Drive	Right Hand
11	3789576M1	2	Bush	
12	3789575M1	2	Seal	
13	3789568M1	1	Housing	Left Hand
	3789574M1	1	Housing	Right Hand
14	3789633M1	2	Universal Joint	
15	3789634M1	2	Fork	[A] (14)
16	3789636M1	4	Crosspiece	(14)
17	3789637M1	16	Circlip	(14) Thickness 1,50MM
	3789638M1	16	Circlip	(14) Thickness 1,45MM
	3789639M1	16	Circlip	(14) Thickness 1,55MM
	3789640M1	16	Circlip	(14) Thickness 1,60MM
18	3789635M1	2	Knuckle	(14)
19	3789641M1	2	Fork	(14)
20	3789642M1	2	Washer	
21	3789643M1	2	Circlip	
22	3789645M1	2	Seal	
23	3789646M1	4	Bearing Assy	
24	3789644M1	2	Impeller Hub	
25	3785456M1	20	Stud	(24)
26	3785429M1	2	O Ring	
27	3789647M1	2	Ring	
28	3789648M1	2	Flange	
29	3789649M1	20	Bush	
30	3785461M1	20	Bolt	M14X1,5
31	3789650M1	2	Annular Gear	Number of teeth/spines 81
32	3789651M1	2	Kit, Carrier	
33	391989X1	4	Screw Metric	M8X20
34	3785473M1	2	Plug	M30X2
35	3789652M1	6	Snpring	
36	3789653M1	6	Thrust Washer	
37	3789654M1	12	Snpring	
38	3789655M1	12	Thrust Washer	
39	3789656M1	6	Bearing Assy	
40	3789657M1	6	Gear	Number of teeth/spines 31

FOOTNOTE [A] DIFFERENTIAL SIDE

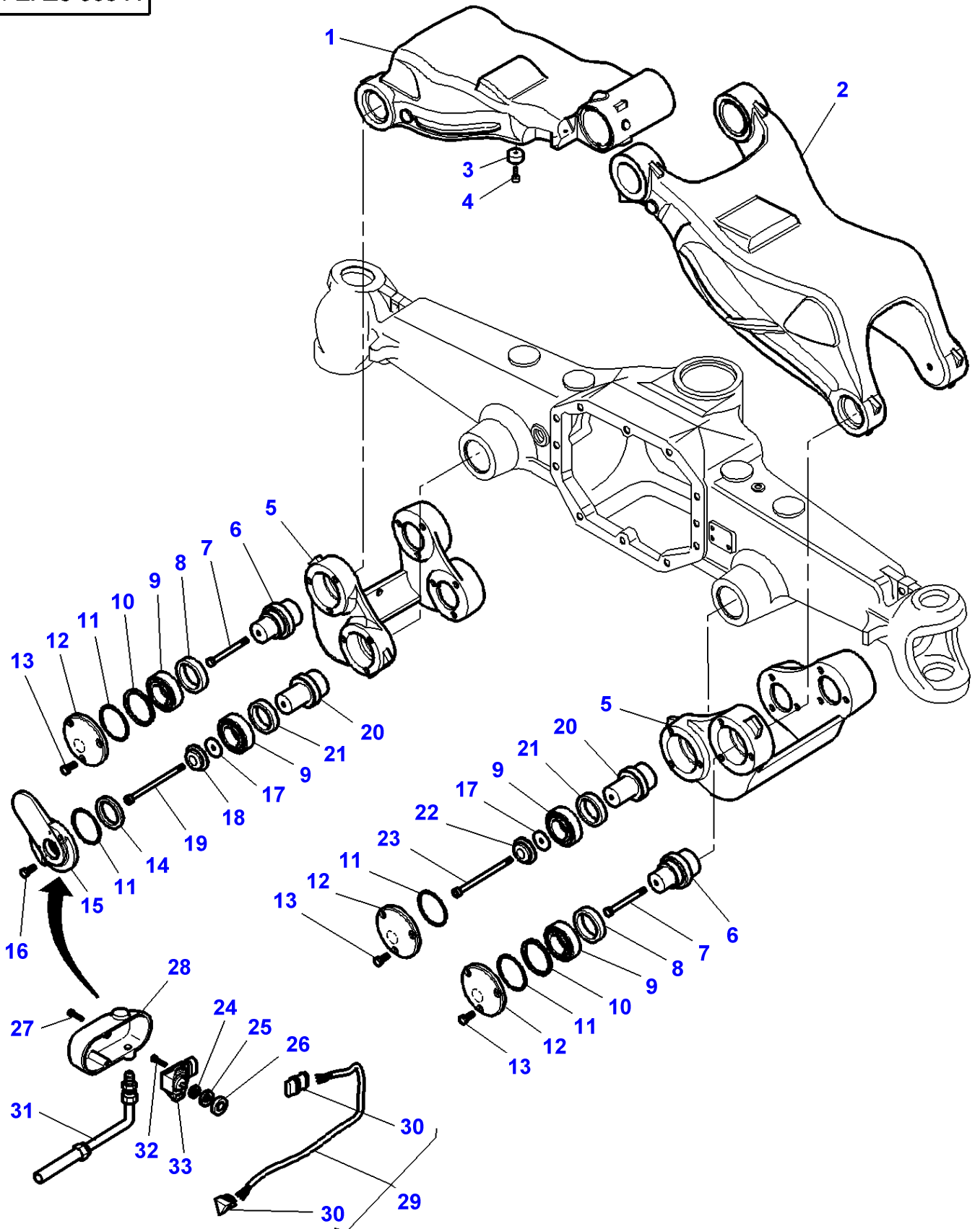
MF 8250 TRACTOR - 1637366
1-ZK28-001-B

1-ZK28-001-B



Item	Part Number	Qty	Description	Comments
1	3785622M2	1	Arm	
2	3785623M2	1	Arm	
3	3785591M1	2	Pad	
4	3009292X1	2	Screw	M10 X 25
5	3786315M1	2	Arm	
6	3785564M1	4	Clevis Pin	
7	3785400M1	4	Screw	M14 X 100
8	3785443M1	4	Ring	
9	3785567M1	8	Bearing Assy	
10	3785491M1	X	Shim	Thickness 0,50 MM
	3785492M1	X	Shim	Thickness 0,20 MM
	3785493M1	X	Shim	Thickness 0,10 MM
11	3785426M1	8	O Ring	
12	3785587M1	7	Cover	
13	3015452X1	21	Bolt	M10 X 30
14	3785417M1	1	Bearing	
15	3785565M1	1	Sensor	
16	391990X1	2	Screw	M8 X 25
17	3785569M1	4	Chock	Thickness 0,50 MM
	3785570M1	4	Chock	Thickness 0,20 MM
18	3785568M1	1	Thrust Washer	
19	3785405M1	1	Screw	M14 X 120
20	3785566M1	4	Clevis Pin	
21	3785442M1	4	Ring	
22	3785588M1	3	Thrust Washer	
23	3785401M1	3	Screw	M14 X 120
24	3786416M1	X	Shim	Thickness 0,05 MM
	3786417M1	X	Shim	Thickness 0,10 MM
	3786418M1	X	Shim	Thickness 0,20 MM
25	3786419M1	1	Plate	
26	339228X1	1	Screw Metric	M8 X 12
27	3009283X1	2	Screw	M6 X 30
28	3788141M1	1	Cover	
29	3788144M1	1	Harness	
30	3788145M1	1	Connection	(29)
31	3788142M1	1	Tube	
32	3785395M1	2	Bolt	M8 X 25
33	3785555M2	1	Sensor	
34	3785562M1	1	Washer	
35	3785556M1	1	Rubber Part	
36	3785584M1	1	Ring	
37	1442967X1	1	Pin	Replace and repair. Old not interchangeable with new 1442961X1
38	3788642M1	2	Washer	Diameter 26 X 16,25 X 8
39	3788630M1	2	Spacer	Diameter 26 X 16,5 X 1
40	3788629M1	2	Screw	M16 X 2 X 30

1-ZK28-005-A



Massey Ferguson**MF 8250 TRACTOR - 1637366**

1637366

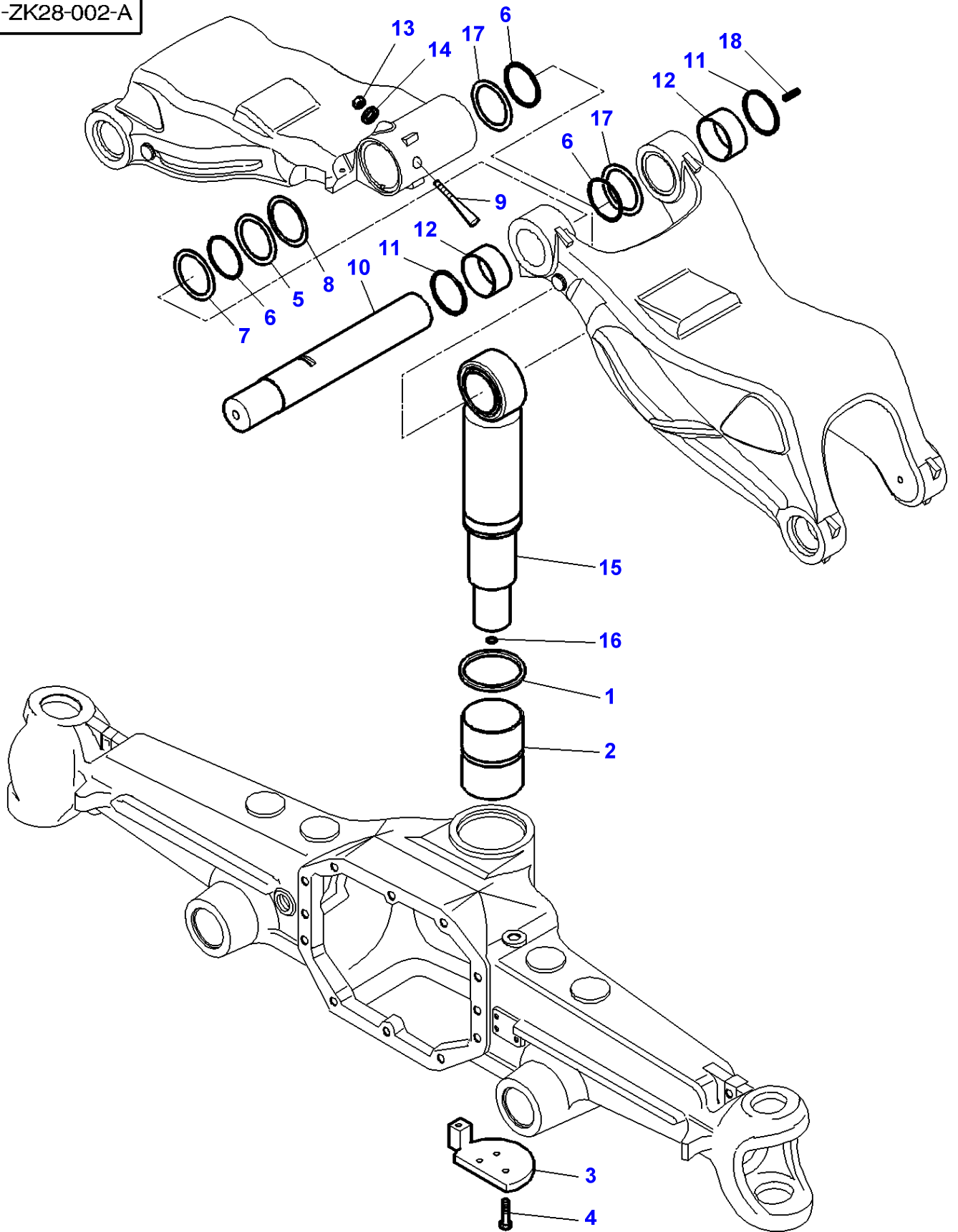
Front Axle Suspended CARRARO - Arms - M.F 8250 XTRA - TYPE 20,48

Page060-0200

Item	Part Number	Qty	Description	Comments
1	3789564M1	1	Arm	
2	3789565M1	1	Arm	
3	3785591M1	2	Pad	
4	3009292X1	2	Screw	M10x25
5	3786315M1	2	Arm	
6	3785564M1	4	Clevis Pin	
7	3785400M1	4	Screw	M14X100
8	3785443M1	4	Ring	
9	3785567M1	8	Bearing Assy	
10	3785491M1	X	Shim	Thickness 0,5MM
	3785492M1	X	Shim	Thickness 0,2MM
	3785493M1	X	Shim	Thickness 0,1MM
11	3785426M1	8	O Ring	
12	3785587M1	7	Cover	
13	3015452X1	21	Bolt	M10X30
14	3785417M1	1	Bearing	
15	3785565M1	1	Sensor	
16	391990X1	2	Screw	M8X25
17	3785569M1	4	Chock	Thickness 0,5MM
	3785570M1	4	Chock	Thickness 0,2MM
18	3785568M1	1	Thrust Washer	
19	3785405M1	1	Screw	M14X120
20	3785566M1	4	Clevis Pin	
21	3785442M1	4	Ring	
22	3785588M1	3	Thrust Washer	
23	3785401M1	3	Screw	M14X120
24	3785562M1	1	Washer	
25	3785556M1	1	Rubber Part	
26	3785584M1	1	Ring	
27	3009283X1	2	Screw	M6X30
28	3788141M1	1	Cover	
29	3788144M1	1	Harness	
30	3788145M1	1	Connection	(29)
31	3788142M1	1	Tube	
32	3785395M1	2	Bolt	M8X25
33	3785555M2	1	Sensor	

MF 8250 TRACTOR - 1637366
1-ZK28-002-A

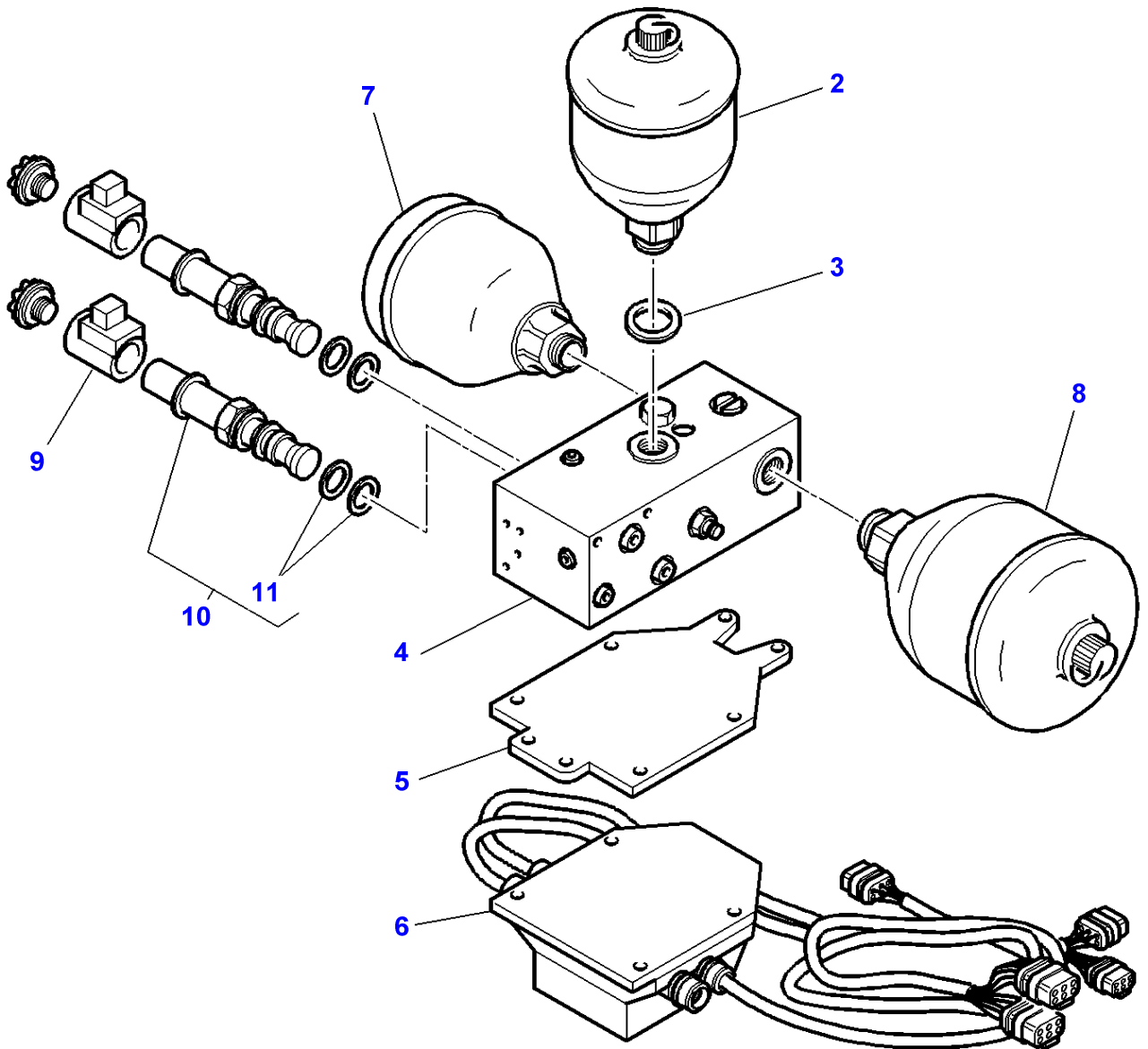
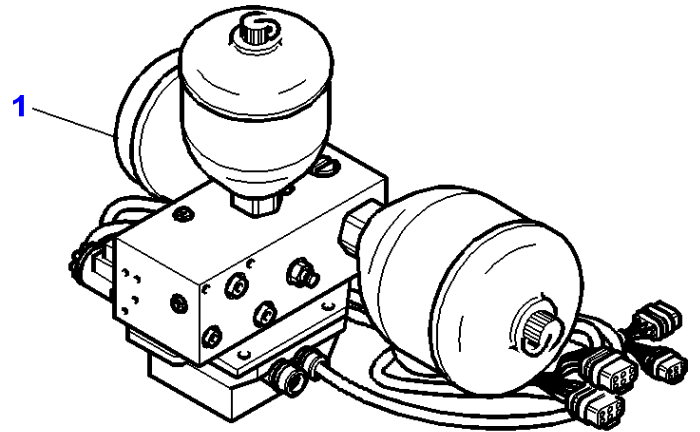
1-ZK28-002-A



Item	Part Number	Qty	Description	Comments
1	3786421M2	1	Seal	Diameter 85X98X7,6 MM
2	3785434M1	1	Bush	
3	3785589M1	1	Cover	
4	1443667X1	3	Bolt	MF 8250 TYPE 20,43 Up to Serial or Engine Number No 121 Alternative M10X35
	3015452X1	3	Bolt	MF 8250 TYPE 20,43 From Serial or Engine Number No 122 M10X30
	1443667X1	3	Bolt	MF 8250 XTRA TYPE 20,48 M10X35
5	3785612M1	1	Spacer	
6	3785427M1	3	O Ring	
7	3785608M1	1	Spacer	
8	3785615M1	1	Chock	Thickness 0,10 MM
	3785616M1	1	Chock	Thickness 0,30 MM
9	3785606M1	1	Clevis Pin	
10	3785602M1	1	Clevis Pin	
11	3785154M1	2	Gasket	
12	3785605M1	2	Bush	
13	3785407M1	1	Locknut	
14	390597X1	1	Washer Metric	
15	3785599M2	1	Shock Absorber	MF 8250 TYPE 20,43 Up to Serial or Engine Number No 112
	3786422M3	1	Shock Absorber	MF 8250 TYPE 20,43 From Serial or Engine Number No 113
	3786422M3	1	Shock Absorber	MF 8250 XTRA TYPE 20,48
16	3788149M1	1	Gasket	
17	3786423M1	2	Spacer	
18	3786424M1	1	Plug	MF 8250 TYPE 20,43
		1	Plug	[A] MF 8250 XTRA TYPE 20,48

FOOTNOTE [A] NOT USED

1-ZK27-001-B



Item	Part Number	Qty	Description	Comments
1	3784071M91	1	Valve Block	[A]
2	3786058M1	1	Accumulator	[A] (1)
3	3786061M1	1	Gasket	(1)
4	3788146M1	1	Block	(1)
5	3788148M1	1	Plate	(1)
6	3788147M2	1	Electronic Box	(1)
7	3786063M1	1	Accumulator	[A] (1)
8	3786063M1	1	Accumulator	[A] (1)
9	3786064M1	2	Solenoid	(1)
10	3786065M1	2	Pressure Valve	(1)
11	3903731M91	1	Kit,Joint/Gasket	(10)
12	3777021M3	X	Decal	

FOOTNOTE [A] THE APPROPRIATE SAFETY DECALS MUST BE ORDERED AND FITTED TO THIS PART

Page Title	Page Number
Steering Wheel And Steady Column	070-0005
Steering Wheel And Telescopic Column	070-0010
Steering Wheel And Telescopic Column	070-0015
Lighting Dynashift Drive	070-0020
Lighting Power Shuttle	070-0025
Steering Pump	070-0030
Steering Pump	070-0035
Steering Hydraulic Lines - WITH DANA FRONT AXLE - UP TO 16-11-2000	070-0040
Steering Hydraulic Lines - WITH DANA FRONT AXLE - FROM 17-11-2000 UP TO	070-0045
Steering Hydraulic Lines - WITH CARRARO FRONT AXLE	070-0050
Front Suspension Hydraulic Lines - Dynashift	070-0055
Front Suspension Hydraulic Lines - With Full Powershift	070-0060
Load Sensing - Cover Lh-Pump / Filter	070-0065
Load Sensing - Cover Rh - With Pump 45cc	070-0070
Load Sensing - Cover Rh - Pump 45cc / With Trailer Braking	070-0075
Load Sensing - Cover Rh - With Pump 110 L/mm - Without Trailer Braking	070-0080
Hydraulics - Hydraulic Cover Rh - With Pump 45cc / Electrovalves - Up To L207014	070-0085
Hydraulics - Hydraulic Cover Rh - With Pump 45cc / Electrovalves - From L207015	070-0090
Hydraulics - Hydraulic Cover Rh - Pump 45cc / Hydr. Lines	070-0095
Hydraulics - Hydraulic Cover Rh - Pump 60cc / Electrovalves	070-0100
Load Sensing - Cover Rh - Pump 45cc / Hydr. Lines / With Trailor Braking	070-0105
Load Sensing With Power Shuttle - Cover Rh - Pump 45cc / Hydr. Lines / With Trailor Braking	070-0110
Load Sensing - Cover Rh - Pump 45cc / Hydr. Lines / Without Trailor Braking	070-0115
Load Sensing With Power Shuttle - Cover Rh - Pump 45cc / Hydr. Lines / Without Trailor Braking	070-0120
Load Sensing - Cover Rh - With Hydraulic Pump 110 L/mn / DUAL CONTROL DISTRIBUTOR FEEDING	070-0125
Hydraulics - Hydraulic Cover Rh - Pump 60cc / Hydr. Lines	070-0130
Load Sensing - Cover Rh - With Pump 150 L/mm	070-0135
Load Sensing - Cover Rh - With Pump 150 L/mm - Without Trailor Braking	070-0140
Load Sensing - Cover Rh - With Pump 150 L/mm - With Trailor Braking	070-0145
Load Sensing - Cover Rh - Pump 60cc / Hydr. Lines - With Trailor Braking	070-0150
Load Sensing - Cover Rh - WITH PUMP 60CC / HYDR. LINES / WITH OR WITHOUT TRAILOR BRAKING	070-0155
Load Sensing - Cover Rh - With Hydraulic Pump 150 L/mn / DUAL CONTROL DISTRIBUTOR FEEDING	070-0160
Hydraulic Circuit Lube System - With Full Powershift	070-0165
Hydraulic Circuit Lube System - With Pump 45cc	070-0170
Hydraulic Circuit Lube System - Pump 60cc - 2 & 4 Wheels Drive - Full Powershift	070-0175
Oil Cooler - M.F 8250 - With Dynashift	070-0180
Oil Cooler - M.F 8250 XTRA - With Dynashift	070-0185
Oil Cooler - M.F 8250 - With Full Powershift	070-0190
Oil Cooler - M.F 8250 XTRA - With Full Powershift	070-0195
Oil Cooler	070-0200
Hydraulic Valve - With Full Powershift	070-0205
Brakes - Pedals - Up to Serial or Engine Number - L038021	070-0210
Brakes - Pedals - With Cab And Power Brakes - From L038022	070-0215
Brakes - Master Cylinder - Assisted - Without Trailer Braking - Up To 07-01-2001	070-0220
Brakes - Master Cylinder - Assisted - Without Trailer Braking - From 08-01-2001 Up To L038021	070-0225
Brakes - Master Cylinder - Assisted - With Trailor Brakes - Up To 07-01-2001	070-0230
Brakes - Master Cylinder - Assisted - With Trailor Brakes - From 08-01-2001 & Up To L038021	070-0235
Brakes - Master Cylinder - With Power Brakes - From L038022	070-0240
Brakes - Brake Pipes And Master Cylinder - ASSISTED-WITHOUT TRAILER	070-0245

Hydraulics

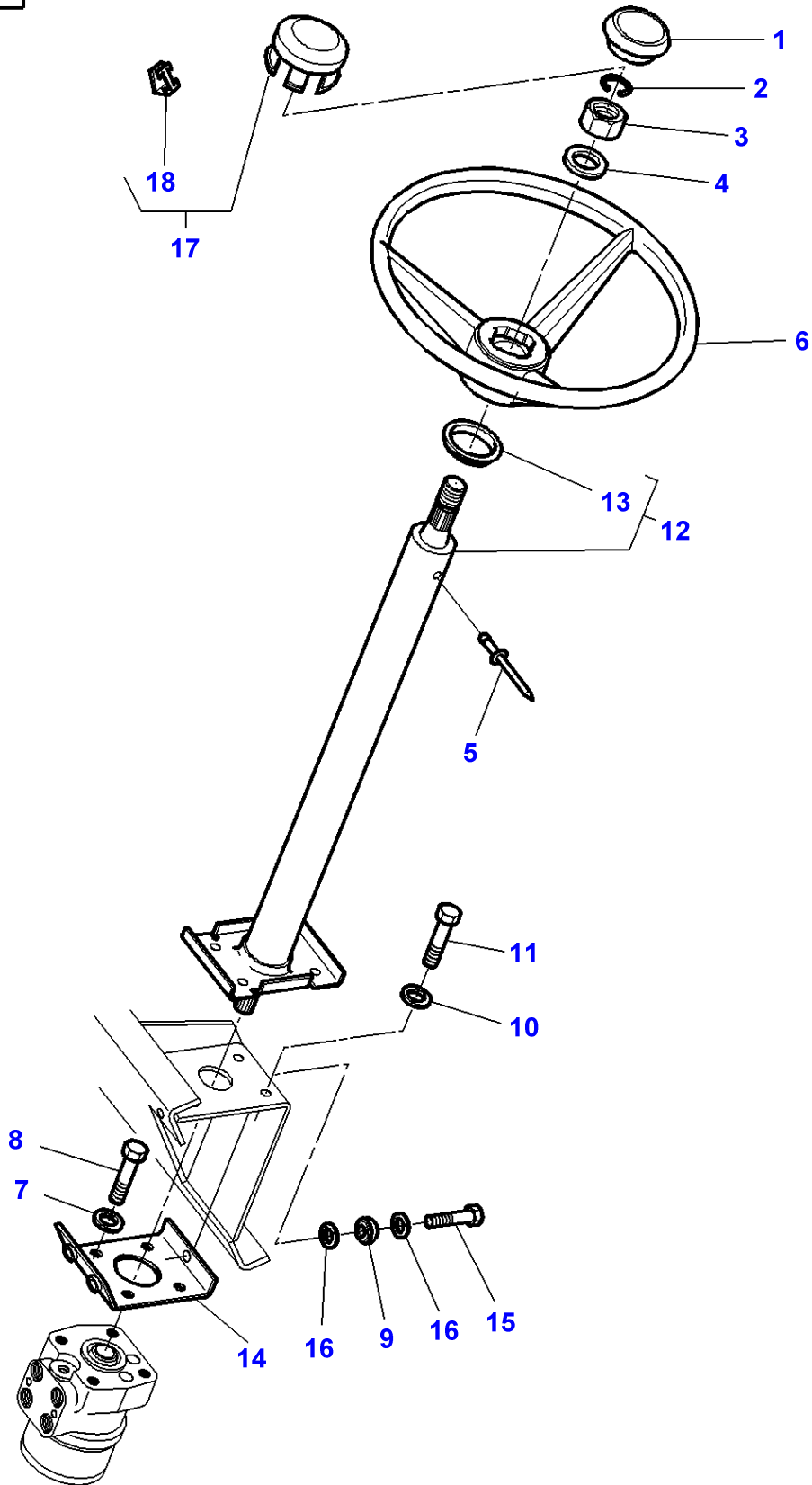
BRAKING UP TO L038021	
Brakes - Assisted- Pipes And Fitting - ASSISTED-WITHOUT TRAILER BRAKING UP TO L038021	070-0250
Brakes - Brake Pipes And Master Cylinder - Assisted - With Traylor Brakes - Up To L038021	070-0255
Brakes - Assisted- Pipes And Fitting - Assisted - With Traylor Brakes - Up To L038021	070-0260
Brakes - Assisted- Pipes And Fitting - Without Trailer Braking Dynashift - Up To L038021	070-0265
Brakes - Assisted- Pipes And Fitting - With Trailer Braking Dynashift - Up To L038021	070-0270
Brakes - Assisted- Pipes And Fitting - With Full Powershift - Without Trailer Braking - Up To L038021	070-0275
Brakes - Assisted- Pipes And Fitting - With Pump150 L/mm -Full Powershift-Without Trailer Braking - Up To 31-01-2002	070-0280
Brakes - Assisted- Pipes And Fitting - With Full Powershift - With Trailer Braking - Up To L038021	070-0285
Brakes - Assisted- Pipes And Fitting - With Hydraulic Pump 150 L/mn - Full Powershift - With Trailer Braking - Up To L038021	070-0290
Brakes - Assisted- Pipes And Fitting - ASSISTED - WITHOUT TRAILER BRAKING - FROM L038022	070-0295
Brakes - Assisted- Pipes And Fitting - ASSISTED - WITH TRAILER BRAKING - FROM L038022	070-0300
Brakes - Hydraulic Pipes	070-0305
Brakes - Hydraulic Pipes	070-0310
Brakes - Hydraulic Pipes	070-0315
Hydraulic Lift Distributor - Up to Serial or Engine Number - 31-12-2000	070-0320
Hydraulic Lift Distributor - From 01-01-2001	070-0325
Hydraulic Lift Distributor	070-0330
Auxiliary Distributor - 2 Distributors With Load Sensing - Up To 31-12-2000	070-0335
Load Sensing - Auxiliary Distributors Installati - 2 Distributors With Load Sensing - Up To 31-12-2000	070-0340
Auxiliary Distributor - 2 Distributors With Load Sensing - From 01-01-2001	070-0345
Load Sensing - Auxiliary Distributors Installati - 2 Distributors With Load Sensing - From 01-01-2001	070-0350
Auxiliary Distributor - 3 Distributors With Load Sensing - Up To 31-12-2000	070-0355
Load Sensing - Auxiliary Distributors Installati - 3 Distributors With Load Sensing - Up To 31-12-2000	070-0360
Auxiliary Distributor - 3 DISTRIBUTORS - FOR HYDRAULIC MOTOR - Up To 31-12-2000	070-0365
Load Sensing - Auxiliary Distributors Installati - 3 DISTRIBUTORS - FOR HYDRAULIC MOTOR - Up To 31-12-2000	070-0370
Auxiliary Distributor - 3 Distributors With Load Sensing - Up To 31-12-2000	070-0375
Load Sensing - Auxiliary Distributors Installati - 3 Distributors With Load Sensing - Up To 31-12-2000	070-0380
Auxiliary Distributor - 3 DISTRIBUTORS - DUAL CONTROL - Up To 31-12-2000	070-0385
Load Sensing - Auxiliary Distributors Installati - 3 DISTRIBUTORS - DUAL CONTROL - Up To 31-12-2000	070-0390
Auxiliary Distributor - 3 Distributors With Load Sensing - From 01-01-2001	070-0395
Auxiliary Distributor - 3 Distributors With Load Sensing - USA	070-0400
Auxiliary Distributor - 3 Distributors With Load Sensing - From 01-01-2001	070-0405
Auxiliary Distributor - 3 DISTRIBUTORS WITH 2 ELECTRIC CONTROL - From 01-01-2001	070-0410
Load Sensing - Auxiliary Distributors Installati - 3 Distributors With Load Sensing - From 01-01-2001	070-0415
Auxiliary Distributor - 4 Distributors With Load Sensing - Up To 31-12-2000	070-0420
Load Sensing - Auxiliary Distributors Installati - 4 Distributors With Load Sensing - Up To 31-12-2000	070-0425
Auxiliary Distributor - 4 DISTRIBUTORS - FOR HYDRAULIC MOTOR - Up To 31-12-2000	070-0430
Load Sensing - Auxiliary Distributors Installati - 4 DISTRIBUTORS - FOR HYDRAULIC MOTOR - Up To 31-12-2000	070-0435

Hydraulics

Auxiliary Distributor - 4 Distributors With Load Sensing - Up To 31-12-2000	070-0440
Load Sensing - Auxiliary Distributors Installati - 4 Distributors With Load Sensing - Up To 31-12-2000	070-0445
Auxiliary Distributor - 4 DISTRIBUTORS - DUAL CONTROL - Up To 31-12-2000	070-0450
Load Sensing - Auxiliary Distributors Installati - 4 DISTRIBUTORS - DUAL CONTROL - Up To 31-12-2000	070-0455
Auxiliary Distributor - 4 DISTRIBUTORS-FOR HYDRAULIC MOTOR-DUAL CONTROL - Up To 31-12-2000	070-0460
Load Sensing - Auxiliary Distributors Installati - 4 DISTRIBUTORS-FOR HYDRAULIC MOTOR-DUAL CONTROL - Up To 31-12-2000	070-0465
Auxiliary Distributor - 4 Distributors With Load Sensing - From 01-01-2001	070-0470
Auxiliary Distributor - 4 Distributors With Load Sensing - USA	070-0475
Auxiliary Distributor - 2 DISTRIBUTORS ELECTRODYNAMIQUE AND 2 MECHANICAL CONTROL - FROM 01-01-2001	070-0480
Auxiliary Distributor - 2 DISTRIBUTORS ELECTRODYNAMIQUE 1 MECHANICAL AND 1 DUAL CONTROL - FROM 01-01-2001	070-0485
Auxiliary Distributor	070-0490
Load Sensing - Auxiliary Distributors Installati - 4 Distributors With Load Sensing - From 01-01-2001	070-0495
Auxiliary Distributor	070-0500
Hydraulic Lift Distributor	070-0505
Auxiliary Distributor	070-0510
Auxiliary Distributor	070-0515
Auxiliary Distributor	070-0520
Load Sensing - Auxiliary Distributors Installati - 3 Distributors	070-0525
Load Sensing - Auxiliary Distributors Installati - 4 Distributors	070-0530
Hydraulic Coupling - 2 Distributors With Load Sensing - Up To 31-12-2000	070-0535
Hydraulic Coupling - 2 Distributors With Load Sensing - From 01-01-2001	070-0540
Hydraulic Coupling - 3 Distributors With Load Sensing - Up To 31-12-2000	070-0545
Hydraulic Coupling - 3 Distributors With Load Sensing - From 01-01-2001	070-0550
Hydraulic Coupling - 4 Distributors With Load Sensing - Up To 31-12-2000	070-0555
Hydraulic Coupling - 4 Distributors With Load Sensing - From 01-01-2001	070-0560
Hydraulic Coupling	070-0565
DIPSTICK / CENTRE HOUSING - Up to Serial or Engine Number - 31-12-2000	070-0570
DIPSTICK / CENTRE HOUSING - From Serial or Engine Number - 01-JAN-2001	070-0575
2 DISTRIBUTORS CONTROL - Up to Serial or Engine Number - H351014	070-0580
2 DISTRIBUTORS CONTROL - From H351015 - Up To 31-12-2000	070-0585
2 DISTRIBUTORS CONTROL - From Serial or Engine Number - 01-JAN-2001	070-0590
3 DISTRIBUTORS CONTROL - Up to Serial or Engine Number - H351014	070-0595
3 DISTRIBUTORS CONTROL - From H351015 - Up To 31-12-2000	070-0600
3 DISTRIBUTORS CONTROL - From Serial or Engine Number - 01-JAN-2001	070-0605
3 DISTRIBUTORS CONTROL - With Dual Control - Up to Serial or Engine Number - H351014	070-0610
3 DISTRIBUTORS CONTROL - With Dual Control - From Serial or Engine Number - H351015	070-0615
4 DISTRIBUTORS CONTROL - Up to Serial or Engine Number - H351014	070-0620
4 DISTRIBUTORS CONTROL - From H351015 - Up To 31-12-2000	070-0625
4 DISTRIBUTORS CONTROL - From Serial or Engine Number - 01-JAN-2001	070-0630
4 DISTRIBUTORS CONTROL - With Dual Control - Up to Serial or Engine Number - H351014	070-0635
4 DISTRIBUTORS CONTROL - With Dual Control - From Serial or Engine Number - H351015	070-0640
CONTROL WITH 2 DISTRIBUTORS ELECTRODYNAMIQUE - AND 1 MECHANICAL CONTROL - From Serial or Engine Number - 01-JAN-2001	070-0645
CONTROL WITH 2 DISTRIBUTORS ELECTRODYNAMIQUE - AND 1 DUAL CONTROL - From Serial or Engine Number - 01-JAN-2001	070-0650
CONTROL WITH 2 DISTRIBUTORS ELECTRODYNAMIQUE - AND 2 MECHANICAL CONTROL - From Serial or Engine Number - 01-JAN-2001	070-0655
CONTROL WITH 2 DISTRIBUTORS ELECTRODYNAMIQUE - +1 MECHANICAL CONTROL+ 1 DUAL - From Serial or Engine Number - 01-JAN-2001	070-0660

MF 8250 TRACTOR - 1637366
1-ZN03-001-B

1-ZN03-001-B



Massey Ferguson**MF 8250 TRACTOR - 1637366**

1637366

Steering Wheel And Steady Column

Page070-0005

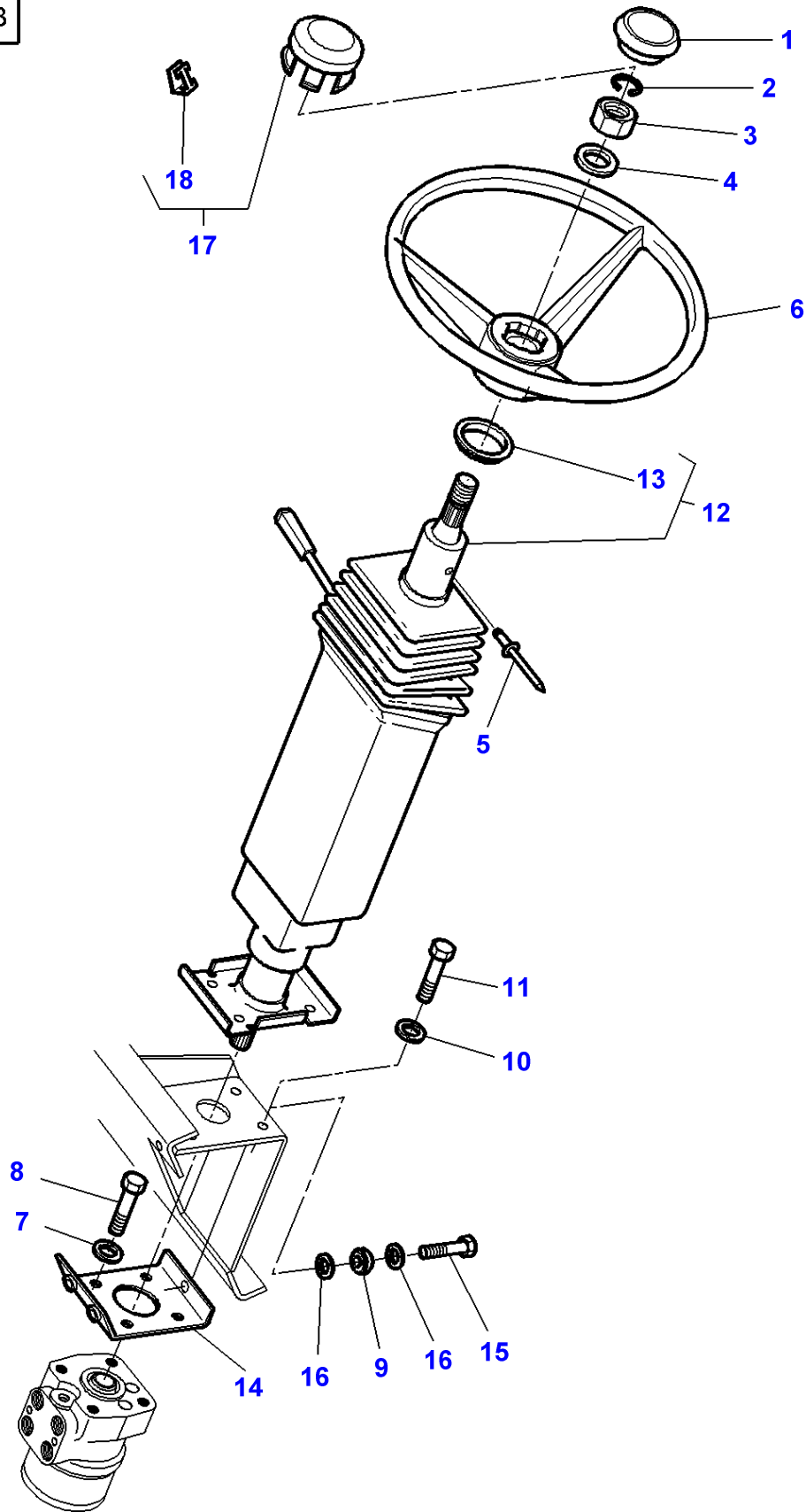
Item	Part Number	Qty	Description	Comments
1	3618970M91	1	Helmet	Up to Serial or Engine Number H176010
2		1	Ring	[A]
3	339070X1	1	Nut	M14
4	390973X1	1	Washer Metric	Diameter 15-28X2,5MM
5	3011268X1	1	Rivet	Diameter 4 X 7,5MM
6	3385796M2	1	Steering Wheel	Replace and repair. Old interchangeable with new 338941X1
	3809661M1	1	Steering Wheel	Up to Serial or Engine Number J168017
				From Serial or Engine Number J168018
7	390734X1	4	Washer	
8	339282X1	4	Screw Metric	M10X16
9	1619912M1	3	Vibration Mount	
10	1440921X1	4	Washer Metric	Diameter 8-22X2MM
11	339124X1	4	Hex. Sock. Screw	M8
12	3714650M94	1	Column	
13	3902578M1	1	Gasket	(12)
14	3388920M93	1	Support	
15	3009494X1	3	Screw Metric	M10X35
16	3389958M1	3	Washer	
17	3759758M92	1	Cap	From Serial or Engine Number H176011
18	3817055M1	2	Clip	(17)

FOOTNOTE [A] NOT USED

FOOTNOTE [B] FOR JAPANESE MARKET ONLY

MF 8250 TRACTOR - 1637366
1-ZN04-001-B

1-ZN04-001-B



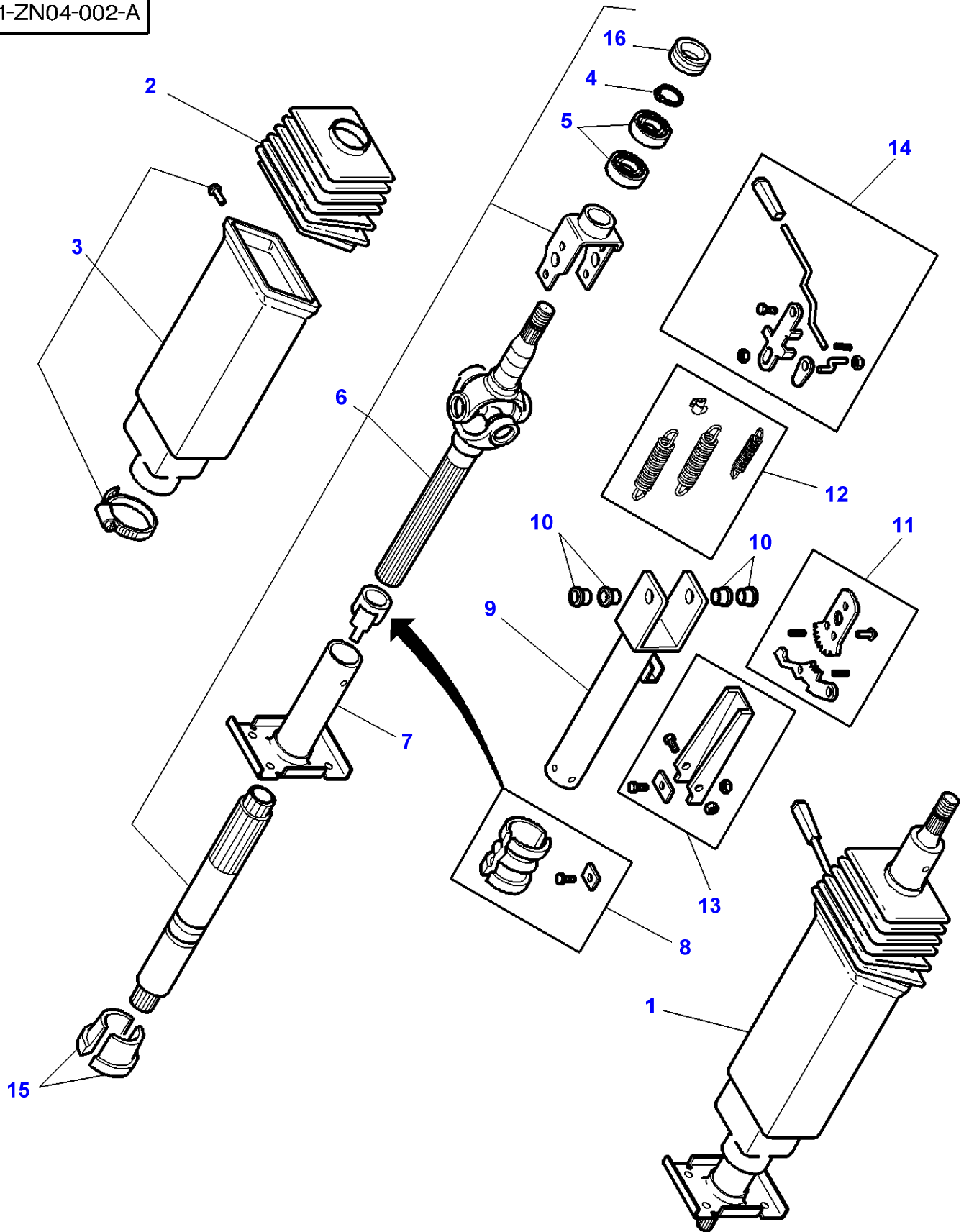
Steering Wheel And Telescopic Column

Item	Part Number	Qty	Description	Comments
1	3618970M91	1	Helmet	Up to Serial or Engine Number H176010
2		1	Ring	[A]
3	339070X1	1	Nut	M14
4	390973X1	1	Washer Metric	Diameter 15-28x2,5MM
5	3011268X1	1	Rivet	Diameter 4X7,5MM Replace and repair. Old interchangeable with new 338941X1
6	3809661M1	1	Steering Wheel	
7	390734X1	4	Washer	
8	339282X1	4	Screw Metric	M10X16
9	1619912M1	3	Vibration Mount	
10	1440921X1	4	Washer Metric	Diameter 8-22X2MM
11	339124X1	4	Hex. Sock. Screw	M8x16
12	3713868M2	1	Column	See Page - Reference Number 070-0015/1
13		1	Gasket	(12) See Page - Reference Number 070-0015/16
14	3388920M93	1	Support	
15	3009494X1	3	Screw Metric	M10X35
16	3389958M1	3	Washer	
17	3759758M92	1	Cap	From Serial or Engine Number H176011
18	3817055M1	2	Clip	(17)

FOOTNOTE [A] NOT USED**FOOTNOTE [B]** FOR JAPANESE MARKET ONLY

MF 8250 TRACTOR - 1637366
1-ZN04-002-A

1-ZN04-002-A



Massey Ferguson**MF 8250 TRACTOR - 1637366**

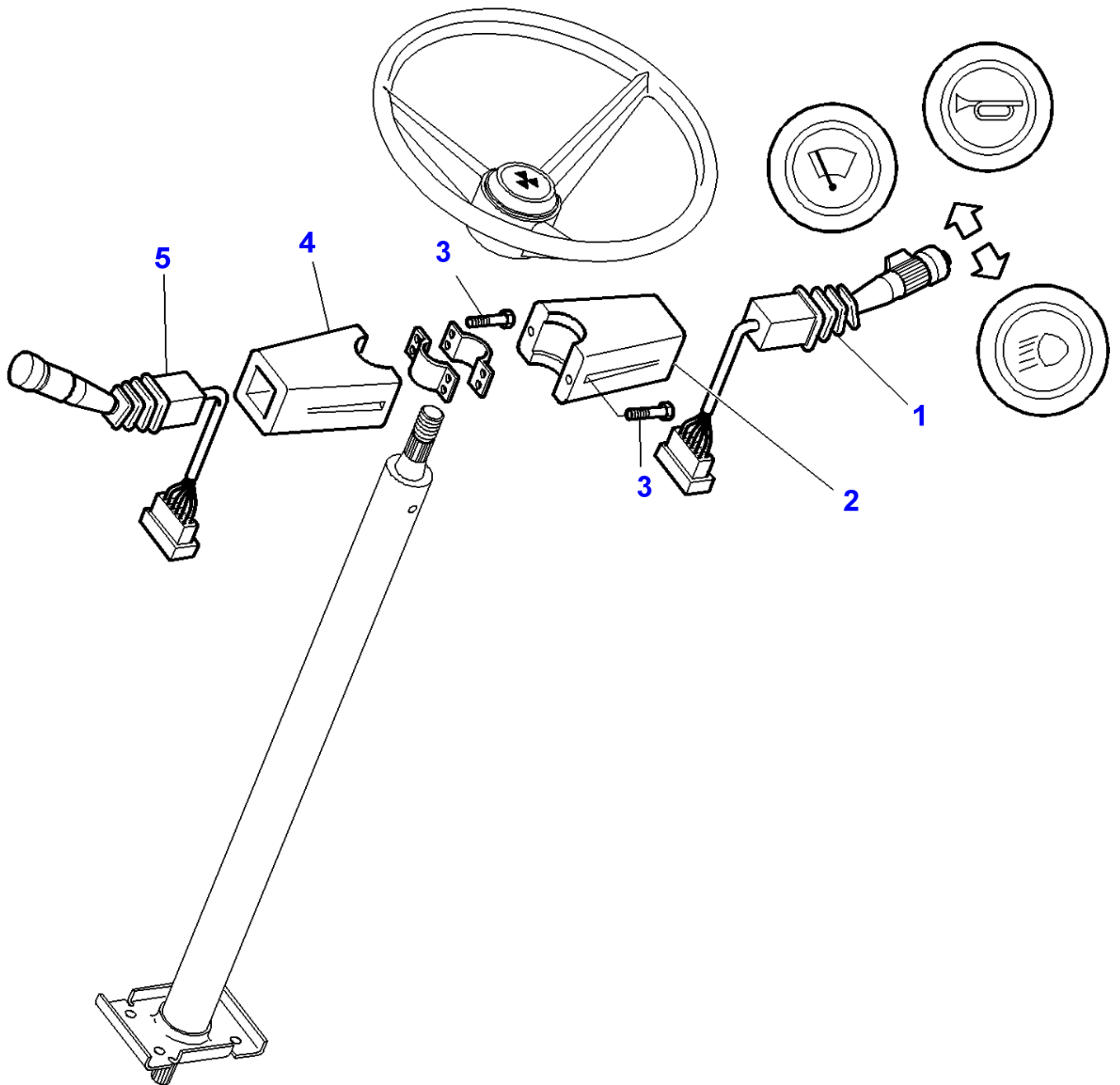
1637366

Steering Wheel And Telescopic Column

Page070-0015

Item	Part Number	Qty	Description	Comments
1	3713868M2	1	Column	
2	3902566M91	1	Bellows	(1)
3	3902568M91	1	Case Assy	(1)
4	1440475X1	1	Circlip	(6)
5	1440872X1	2	Bear. 6004 Rs	(6)
6	3902564M1	1	Shaft	(1)
7	3902565M1	1	Column	(1)
8	3900242M91	1	Parts Pack	(1)
9	3900241M91	1	Column	(1)
10	3900164M91	1	Clevis Pin	(1)
11	3900146M91	1	Kit, Lever	(1)
12	3900167M91	1	Kit, Spring	(1)
13	3900166M91	1	Kit, Brake	(1)
14	3902567M91	1	Kit, Lever	(1)
15	3900145M1	1	Bearing	(1)
16	3902578M1	1	Gasket	(6)

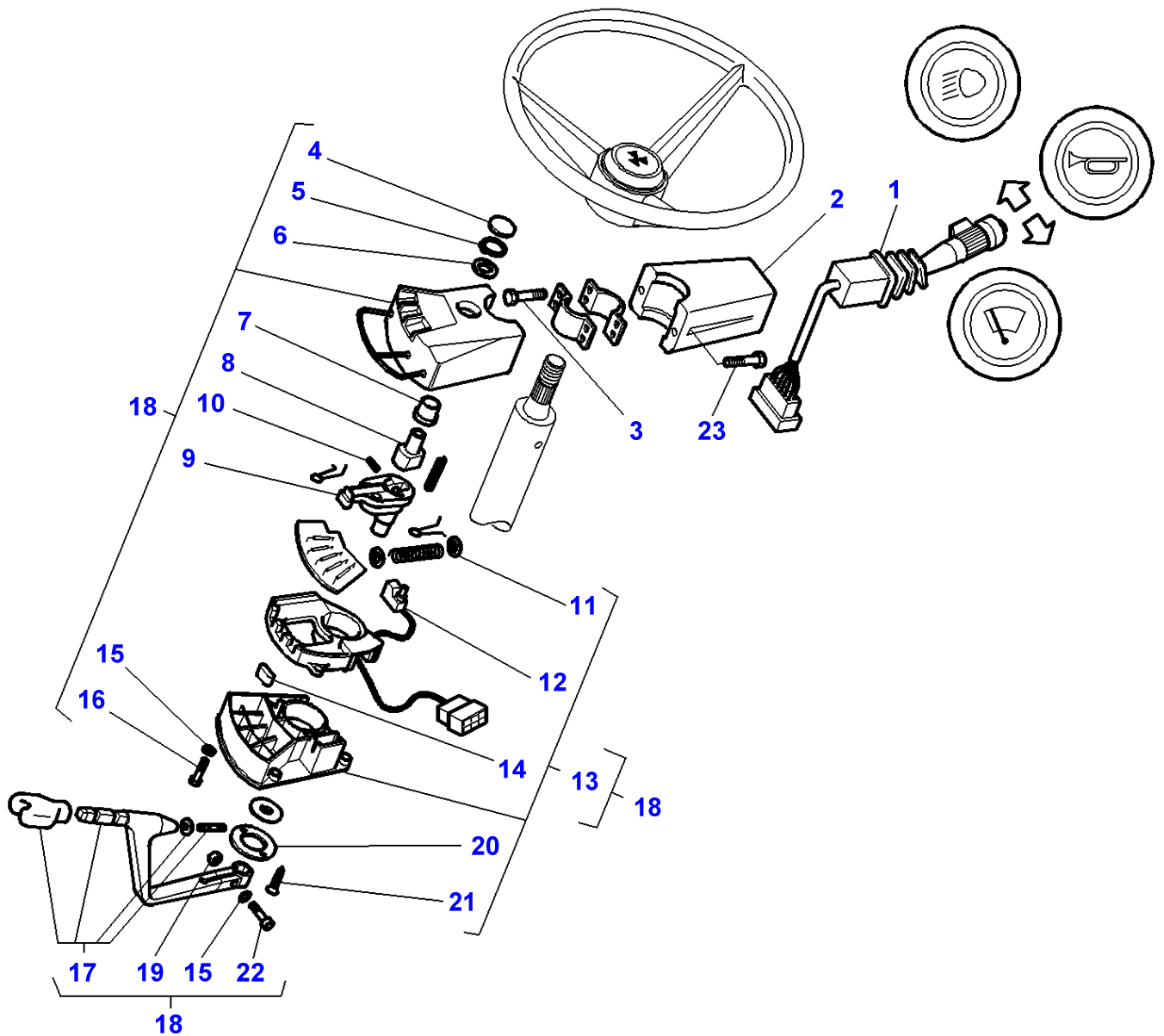
1-ZN16-001-A



Massey Ferguson**MF 8250 TRACTOR - 1637366****1637366****Lighting Dynashift Drive****Page070-0020**

Item	Part Number	Qty	Description	Comments
1	3713669M3	1	Switch,Indirect	
2	3713680M1	1	Case Assy	
3	3713785M1	6	Screw	M4
4	3713670M1	1	Case Assy	
5	3715822M4	1	Switch,Indirect	

1-ZN15-001-C



**Massey Ferguson
MF 8250 TRACTOR - 1637366**

1637366

Page070-0025

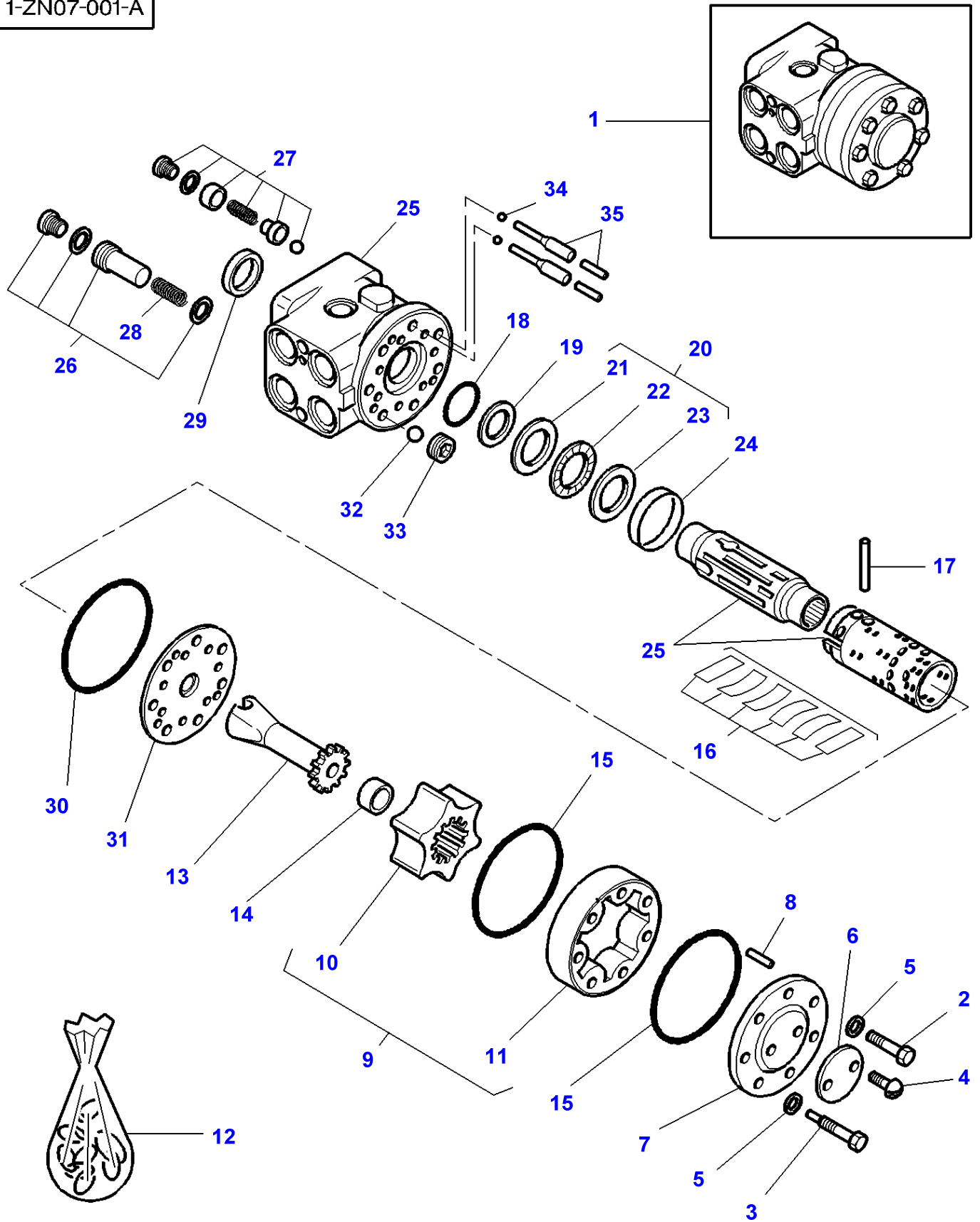
Lighting Power Shuttle

Item	Part Number	Qty	Description	Comments
1	3713669M3	1	Switch,Indirect	
2	3779042M1	1	Case Assy	
3	3713785M1	4	Screw	M4 X 16
4	3903223M1	1	Helmet	(18)
5	3903224M1	1	Circlip	(18)
6	3903225M1	1	Washer	(18)
7	3903226M1	1	Guide Bush	(18)
8	3903227M1	1	Flanged Pin	(18)
9	3903507M1	1	Shifter	(18)
10	3903228M1	1	Roll Pin	(18) Diameter 4 X 28
11	3903243M1	2	Plug	(13)
12	3903230M1	1	Micro Switch	(13)
13	3903302M91	1	Module	(18)
14	3903232M1	1	Rubber	(13)
15	3903234M1	5	Tab Washer	(18)
16	3903233M1	4	Screw	(18) M4 X 14
17	3903303M91	1	Lever	(18)
18	3780596M94	1	Combi Switch	Not for USA
	3789736M91	1	Combi Switch	For United States of America
19	3903238M1	1	Nut	(18) M4
20	3903235M1	1	Pivot Plate	(13)
21	3903236M1	2	Screw	(13)
22	3903239M1	1	Screw	(18) M4 X 18
23	3010818X1	1	Screw Metric	M4 X 20
	3010895X1	1	Screw Metric	M4 X 35

FOOTNOTE [A] NOT ILLUSTRATED

MF 8250 TRACTOR - 1637366
1-ZN07-001-A

1-ZN07-001-A



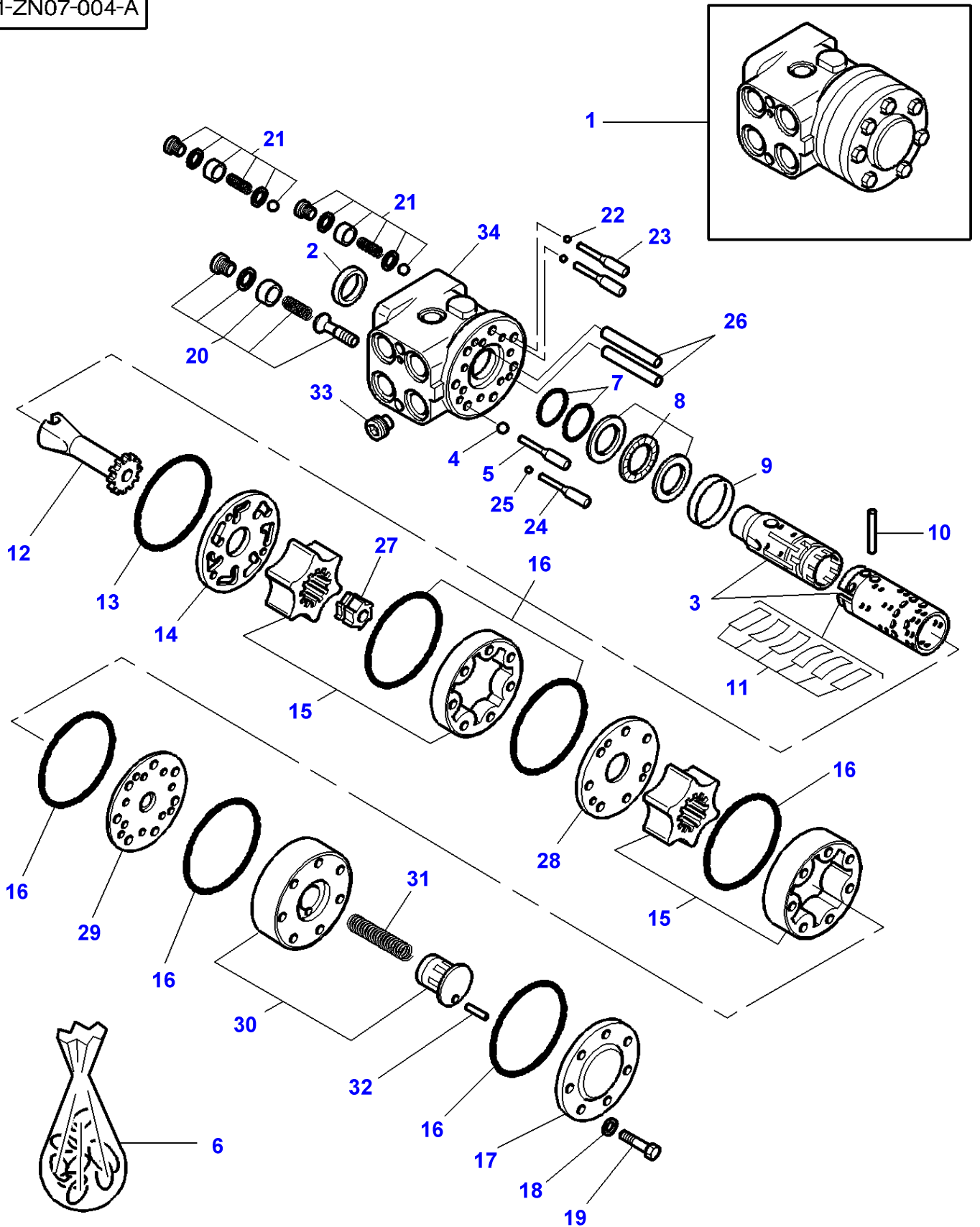
Steering Pump

Item	Part Number	Qty	Description	Comments
1	3712250M2	1	Distributor	Four Wheel Drive 200 CM3 Up to Serial or Engine Number L346018
	3712250M3	1	Distributor	[A] Four Wheel Drive 200 CM3 From Serial or Engine Number L346019
2	1429154M1	6	Screw	(1) Four Wheel Drive
3	1429153M1	1	Screw	(1) Four Wheel Drive
4	1806318M1	2	Screw	(1)
5	1806317M1	7	Washer	(1)
6	1890402M1	1	Plate	(1)
7	1806316M1	1	Cap	(1)
8	1806312M1	1	Pin	(1)
9	1429157M91	1	Kit, Gear	(1) Four Wheel Drive
10		1	Gear	(9) Not serviced,order REF.9
11		1	Stator	(9) Not serviced,order REF.9
12	1810503M92	1	Parts Pack	
13	1806416M1	1	Shaft	(1)
14	1429155M1	1	Spacer	(1) Four Wheel Drive
15	1806315M1	2	Seal	(1)
16	1894415M1	1	Kit, Spring	(1)
17	1806310M1	1	Pin	(1)
18		1	Seal	(12) Not serviced,order REF.12
19		1	Seal	(12) Not serviced,order REF.12
20	1894414M91	1	Bearing Assy	(1)
21		1	Bearing Assy	(20) Not serviced,order REF.20
22		1	Bearing Assy	(20) Not serviced,order REF.20
23		1	Bearing Assy	(20) Not serviced,order REF.20
24	1806303M1	1	Bush	(1)
25		1	Pump	(1) Not serviced,order REF. 1
26	3476502M91	1	Pressure Valve	(1) Four Wheel Drive
27	1897432M91	2	Parts Pack	(1)
28		1	Spring	(26) Not serviced,order REF.26
29	1887719M1	1	Seal	(1)
30	1806314M1	1	Seal	(1)
31	1806319M1	1	Plate	(1)
32	1806311M1	1	Ball	(1)
33	1806313M1	1	Seat	(1)
34	1897434M1	2	Ball	(1)
35	1897608M91	2	Roll Pin	(1)

FOOTNOTE [A] NOT DETAILED
FOOTNOTE [B] FRONT AXLE FIXED
FOOTNOTE [C] WITH FRONT AXLE SUSPENDED

MF 8250 TRACTOR - 1637366
1-ZN07-004-A

1-ZN07-004-A



Massey Ferguson
MF 8250 TRACTOR - 1637366

1637366

Page070-0035

Steering Pump

Item	Part Number	Qty	Description	Comments
1	3716328M2	1	Distributor	OSPD 100/260 LS Up to Serial or Engine Number L323041
	4271592M1	1	Distributor	[A] From Serial or Engine Number L323042 OSPD 100/260 LS
2	1887719M1	1	Seal	[B] (6)
3		1	Pump	[B] (1) Not serviced,order REF 1
4	1806311M1	1	Ball	[B] (1)
5	3902962M91	1	Roll Pin	[B] (1)
6	3903005M91	1	Parts Pack	
7		1	O Ring	[B] (6) Not serviced,order REF 6
8	1894414M91	1	Bearing Assy	[B] (1)
9	1806303M1	1	Bush	[B] (1)
10	1806310M1	1	Pin	[B] (1)
11	1894415M1	1	Kit, Spring	[B] (1)
12	3902963M1	1	Shaft	[B] (1)
13	1806314M1	1	Seal	[B] (6)
14	3902966M91	1	Plate	[B] (1)
15	3902964M91	1	Kit, Gear	[B] (1) 100CC
	3902965M91	1	Kit, Gear	[B] (1) 260CC
16	3902967M1	6	O Ring	[B] (6)
17	1806316M1	1	Cap	[B] (1)
18	1806317M1	7	Washer	[B] (6)
19	3902968M1	7	Screw	[B] (1)
20	3902076M91	1	Pressure Valve	[B] (1)
21	1897432M91	2	Parts Pack	[B] (1)
22	1897434M1	2	Ball	[B] (1)
23	3903002M91	2	Roll Pin	[B] (1)
24	3902969M91	1	Pressure Valve	[B] (1)
25	3902970M1	1	Ball	[B] (1)
26	3902971M1	2	Pin	[B] (1)
27	3902972M1	1	Shaft	[B] (1)
28	3902973M1	1	Plate	[B] (1)
29	3903001M1	1	Plate	[B] (1)
30		1	Body Pump	[B] (1) Not serviced,order REF 1
31	3792595M1	1	Ring	[B] (1)

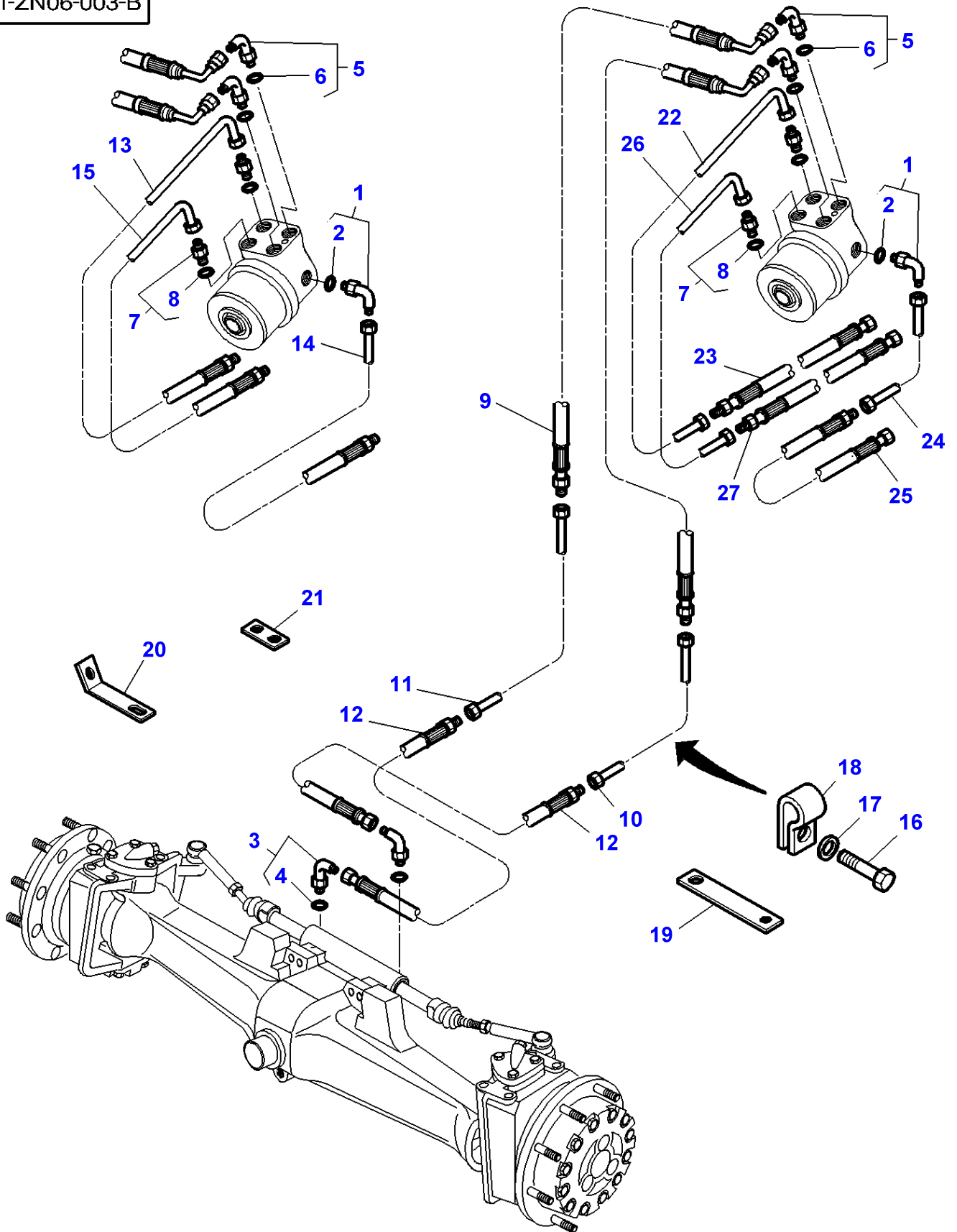
Massey Ferguson**MF 8250 TRACTOR - 1637366****1637366****Steering Pump****Page070-0035**

Item	Part Number	Qty	Description	Comments
32	3903004M1	1	Pin	[B] (1)
33	3903006M91	1	Pressure Valve	[B] (1)
34			Body Pump	[B] (1) Not serviced,order REF 1

FOOTNOTE [A] NOT DETAILED

FOOTNOTE [B] ONLY FOR 3716328M2

1-ZN06-003-B



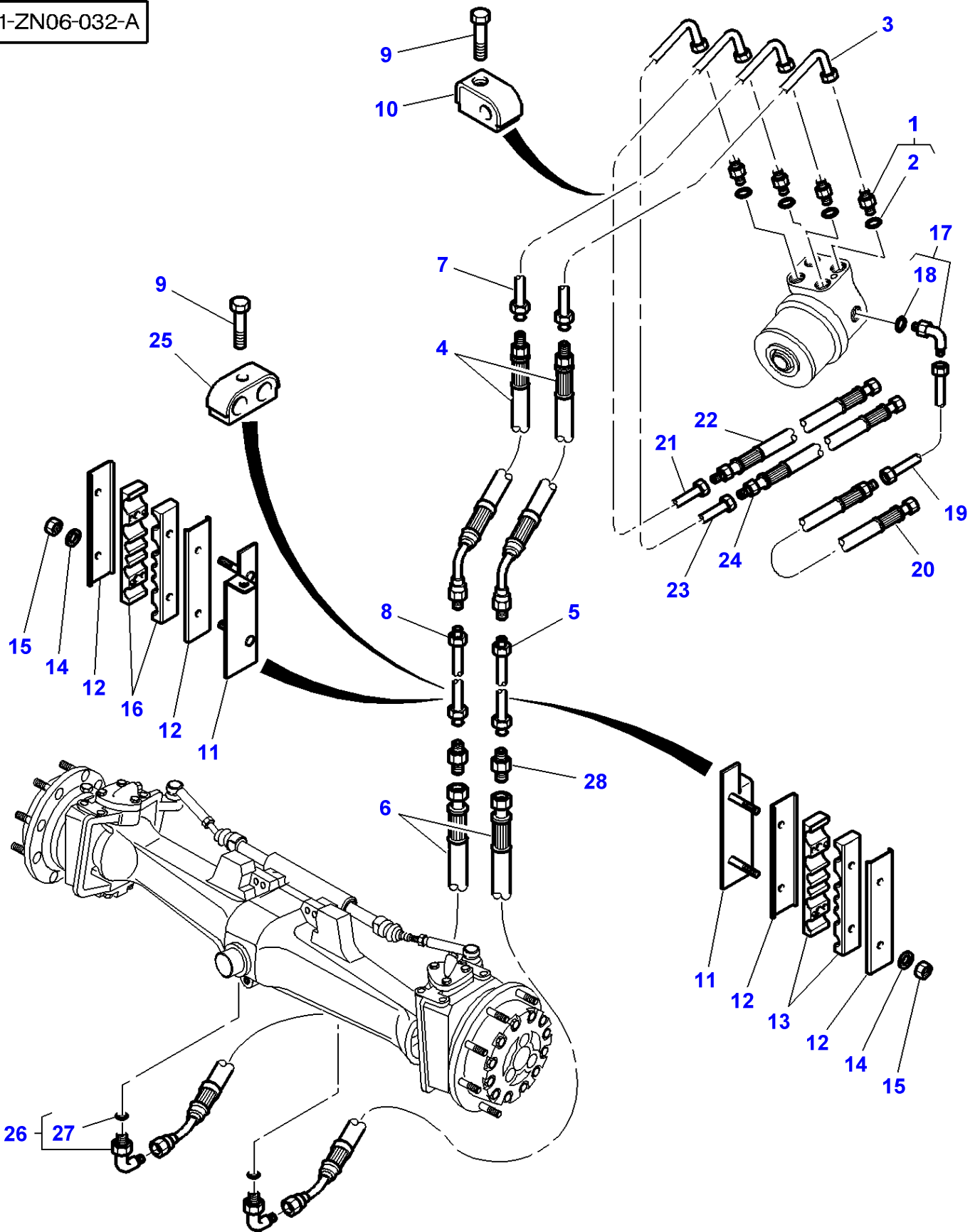
Item	Part Number	Qty	Description	Comments
1	3019410X91	1	Elbow Nipple	M12
2	3019394X1	1	O Ring	(1)
3	3019414X91	2	Union	M16
4	3019396X1	1	O Ring	(3)
5	3019588X91	2	Union	M18
6	3019394X1	1	O Ring	(5)
7	3019383X91	2	Adaptor	M18
8	3019397X1	1	O Ring	(7)
9	5015903M2	2	Hydr Hose	Length 555MM
10	3783269M2	1	Tube	
11	3783268M2	1	Tube	
12	5015330M3	2	Hydr Hose	Length 880MM
13	3778588M1	1	Tube	[C] Up to Serial or Engine Number J185016
	3779448M2	1	Tube	[B] Up to Serial or Engine Number J182026
14	3778589M1	1	Tube	Up to Serial or Engine Number J150027
15	3778590M2	1	Tube	Up to Serial or Engine Number J070009
16	339123X1	6	Hex. Sock. Screw	M8X20
17	390972X1	6	Washer Metric	
18	70925617	6	Clamp	
19	3781238M1	1	Strap	[B] Length 175MM
	3783263M2	1	Strap	Length 95MM
20	3781239M2	1	Strap	[B]
21	3781240M1	2	Strap	[B] Length 45MM
22	3783528M1	1	Tube	[C] From Serial or Engine Number J185017
	3783528M1	1	Tube	[B] From Serial or Engine Number J182027
23	3783516M1	1	Hydr Hose	[C] Length 1300MM From Serial or Engine Number J185017
	3783517M1	1	Hydr Hose	[B] Length 900MM From Serial or Engine Number J182027
24	3783525M2	1	Tube	From Serial or Engine Number J150028
25	3783512M1	1	Hydr Hose	Length 1250MM From Serial or Engine Number J150028
26	3783523M3	1	Tube	From Serial or Engine Number J070010
27	3783514M1	1	Hydr Hose	Length 1350MM From Serial or Engine Number J070010

FOOTNOTE [B] WITH DYNASHIFT

FOOTNOTE [C] WITH FULL POWERSHIFT

MF 8250 TRACTOR - 1637366
1-ZN06-032-A

1-ZN06-032-A



Massey Ferguson**MF 8250 TRACTOR - 1637366**

1637366

Steering Hydraulic Lines - WITH DANA FRONT AXLE - FROM 17-11-2000 UP TO

Page070-0045

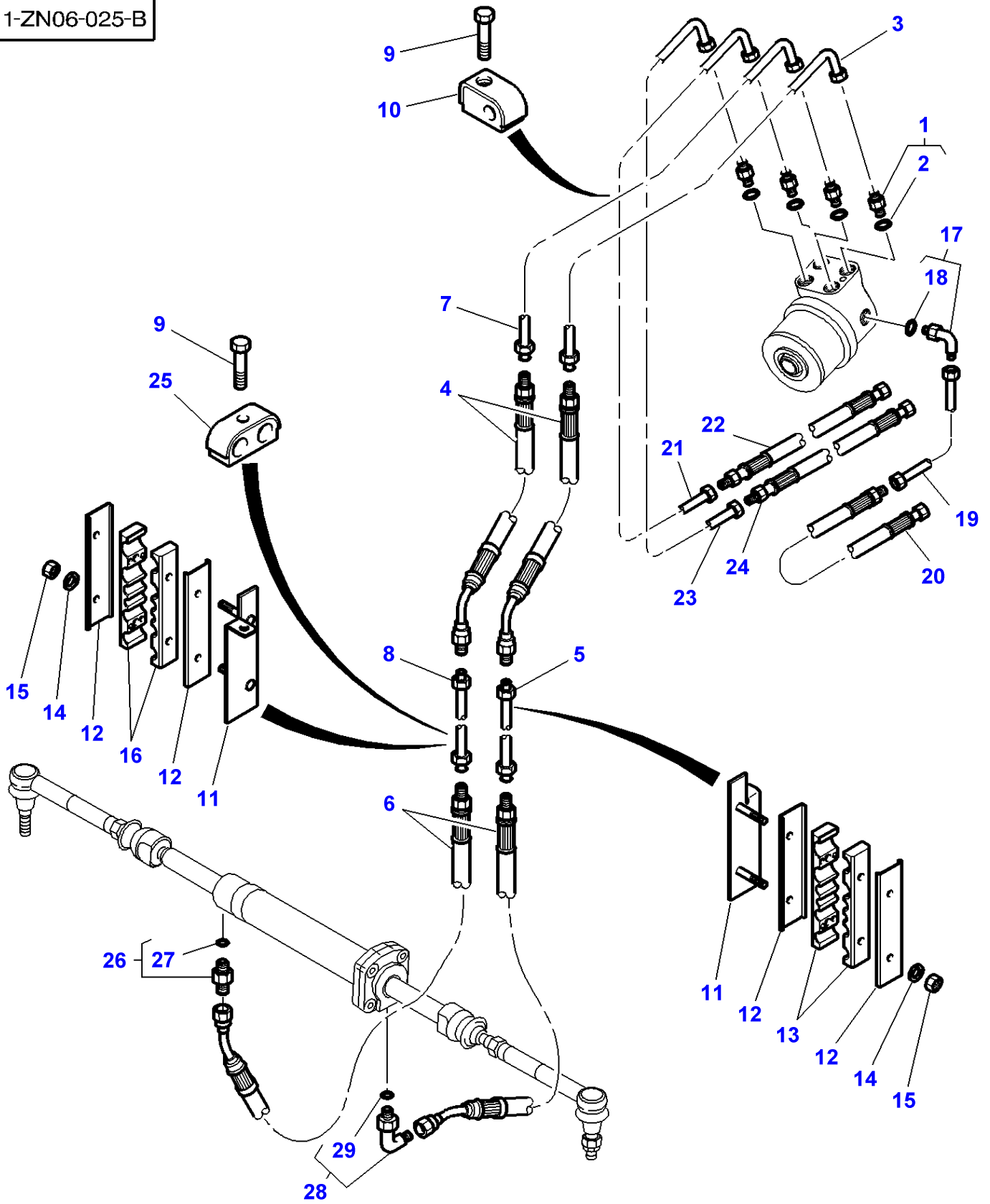
Item	Part Number	Qty	Description	Comments
1	3019383X91	4	Adaptor	
2	3019397X1	4	O Ring	(1)
3	3785862M2	1	Tube	
4	3785114M1	2	Hydr Hose	Length 1200MM
5	3785213M1	1	Tube	Left Hand
6	3786079M1	2	Hydr Hose	Length 460MM
7	3784424M3	1	Tube	
8	3785211M1	1	Tube	Right Hand
9	339010X1	X	Bolt Metric	M8 X 40
10	3784423M1	X	Bridle	
11	3784213M1	1	Support	
12	3784208M1	2	Plate	
13	3784204M1	2	Bridle	
14	390971X1	2	Washer	
15	1441500X1	2	Locknut	M6
16	3784203M1	2	Bridle	
17	3019410X91	1	Elbow Nipple	
18	3019394X1	1	O Ring	(17)
19	3783525M2	1	Tube	
20	3783512M1	1	Hydr Hose	Length 1250MM
21	3783528M1	1	Tube	
22	3783516M1	1	Hydr Hose	[A] Length 1300MM
	3783517M1	1	Hydr Hose	[B] Length 900MM
23	3783523M3	1	Tube	
24	3783514M1	1	Hydr Hose	Length 1350MM
25	3783121M1	1	Bridle	
26	3019414X91	2	Union	
27	3019396X1	2	O Ring	(26)
28	355528X1	2	Union	

FOOTNOTE [A] WITH DYNASHIFT

FOOTNOTE [B] WITH FULL POWERSHIFT

MF 8250 TRACTOR - 1637366
1-ZN06-025-B

1-ZN06-025-B



Steering Hydraulic Lines - WITH CARRARO FRONT AXLE

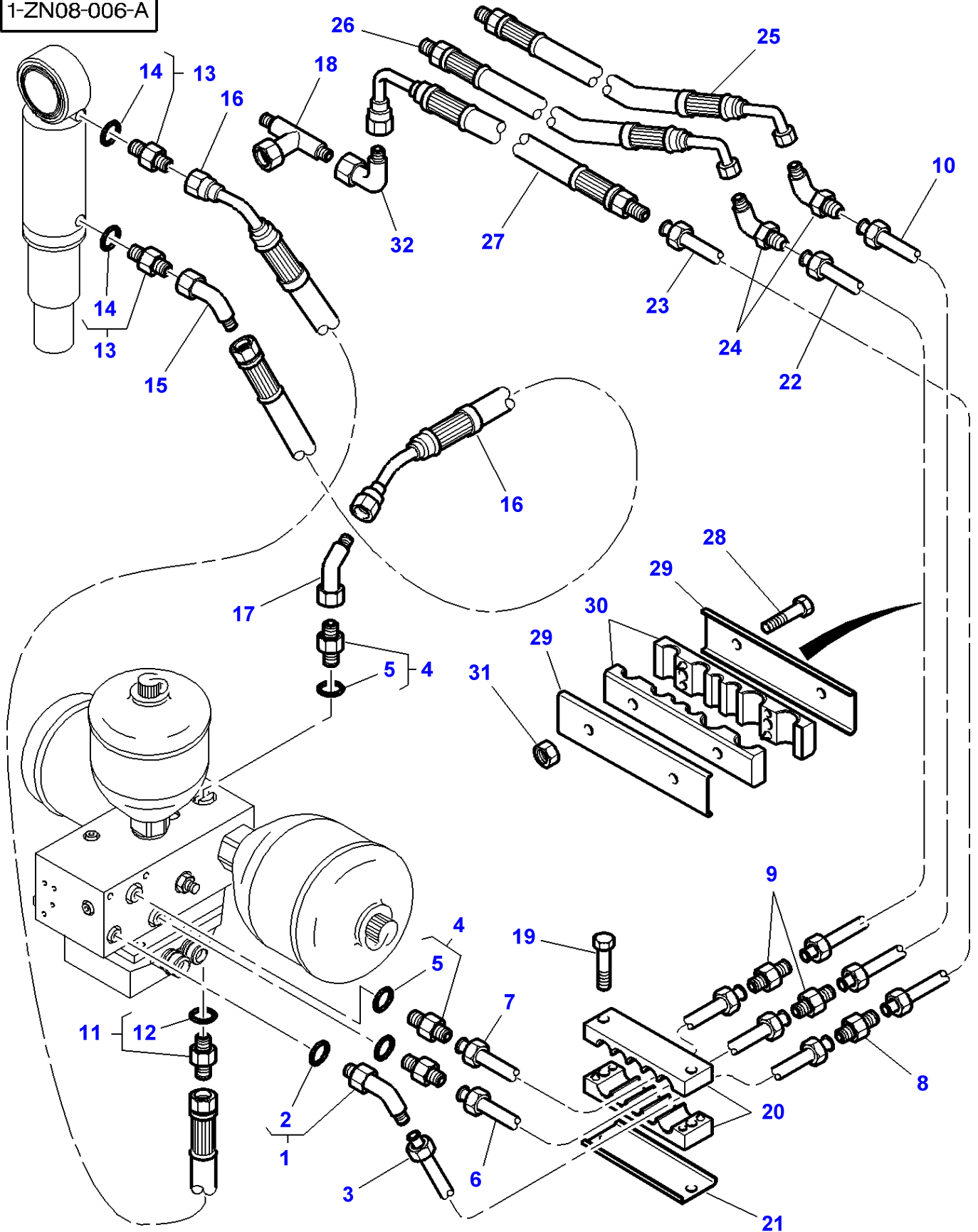
Item	Part Number	Qty	Description	Comments
1	3019383X91	4	Adaptor	
2	3019397X1	4	O Ring	(1)
3	3785862M2	1	Tube	
4	3785114M1	2	Hydr Hose	Length 1200MM
5	3785213M1	1	Tube	Left Hand
6	3785121M2	2	Hydr Hose	Length 500MM
7	3784424M3	1	Tube	
8	3785211M1	1	Tube	Right Hand
9	339010X1	X	Bolt Metric	M8 X 40
10	3784423M1	X	Bridle	
11	3784213M1	1	Support	
12	3784208M1	2	Plate	
13	3784204M1	2	Bridle	
14	390971X1	2	Washer	
15	1441500X1	2	Locknut	M6
16	3784203M1	2	Bridle	
17	3019410X91	1	Elbow Nipple	
18	3019394X1	1	O Ring	(17)
19	3783525M2	1	Tube	
20	3783512M1	1	Hydr Hose	Length 1250MM
21	3783528M1	1	Tube	
22	3783516M1	1	Hydr Hose	[A] Length 1300MM
	3783517M1	1	Hydr Hose	[B] Length 900MM
23	3783523M3	1	Tube	
24	3783514M1	1	Hydr Hose	Length 1350MM
25	3783121M1	1	Bridle	
26	3019383X91	1	Adaptor	
27	3019397X1	1	O Ring	(26)
28	3019690X91	1	Elbow	
29	3019397X1	1	O Ring	(28)

FOOTNOTE [A] WITH DYNASHIFT

FOOTNOTE [B] WITH FULL POWERSHIFT

MF 8250 TRACTOR - 1637366
1-ZN08-006-A

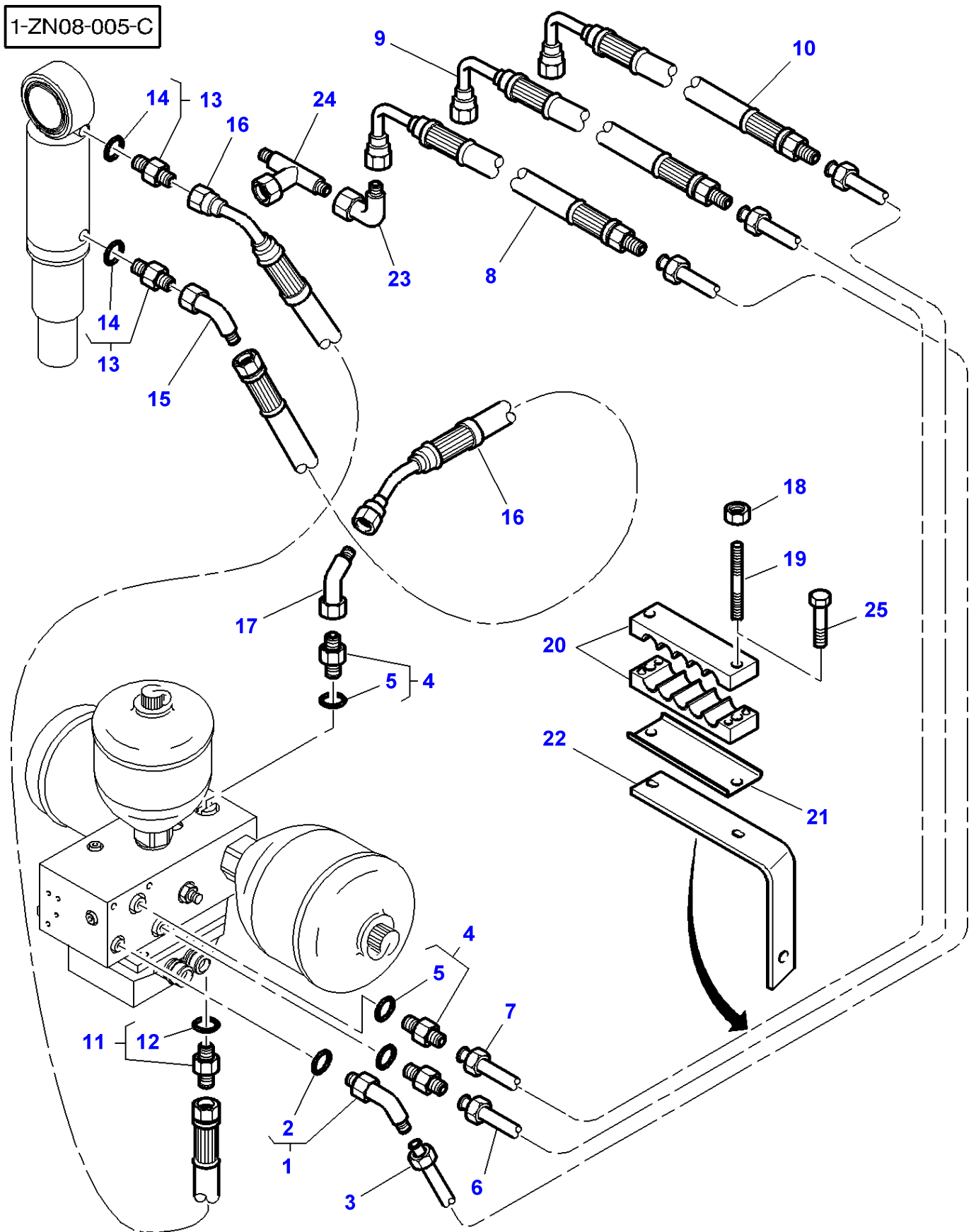
1-ZN08-006-A



Item	Part Number	Qty	Description	Comments
1	3019584X91	1	Union	
2	3019395X1	1	O Ring	(1)
3	3784274M6	1	Tube	
4	3019383X91	3	Adaptor	
5	3019397X1	1	O Ring	(4)
6	3784276M4	1	Tube	
7	3784275M4	1	Tube	
8	355529X1	1	Union	
9	355528X1	2	Union	
10	3784267M4	1	Tube	
11	3019383X91	1	Adaptor	
12	3019397X1	1	O Ring	(11)
13	3019658X91	2	Union	
14	3019398X1	1	O Ring	(13)
15	366665X1	1	Elbow	
16	3784304M2	2	Hydr Hose	Length 550MM
17	366665X1	1	Elbow	
18	3794665M3	1	Union	
19	339096X1	2	Bolt Metric	M6 X 35
20	3784258M1	2	Bridle	
21	3784260M1	1	Plate	
22	3784271M4	1	Tube	
23	3784265M4	1	Tube	
24	366665X1	2	Elbow	
25	3785116M1	1	Hydr Hose	Length 700MM
26	3785117M1	1	Hydr Hose	Length 700MM
27	3785118M1	1	Hydr Hose	Length 1150MM
28	339096X1	2	Bolt Metric	M6 X 35
29	3784208M1	2	Plate	
30	3784203M1	2	Bridle	
31	1441500X1	2	Locknut	M6
32	364603X1	1	Elbow	

FOOTNOTE [A] DISTRIBUTOR WITH MECHANICAL CONTROL

MF 8250 TRACTOR - 1637366
1-ZN08-005-C



Massey Ferguson**MF 8250 TRACTOR - 1637366**

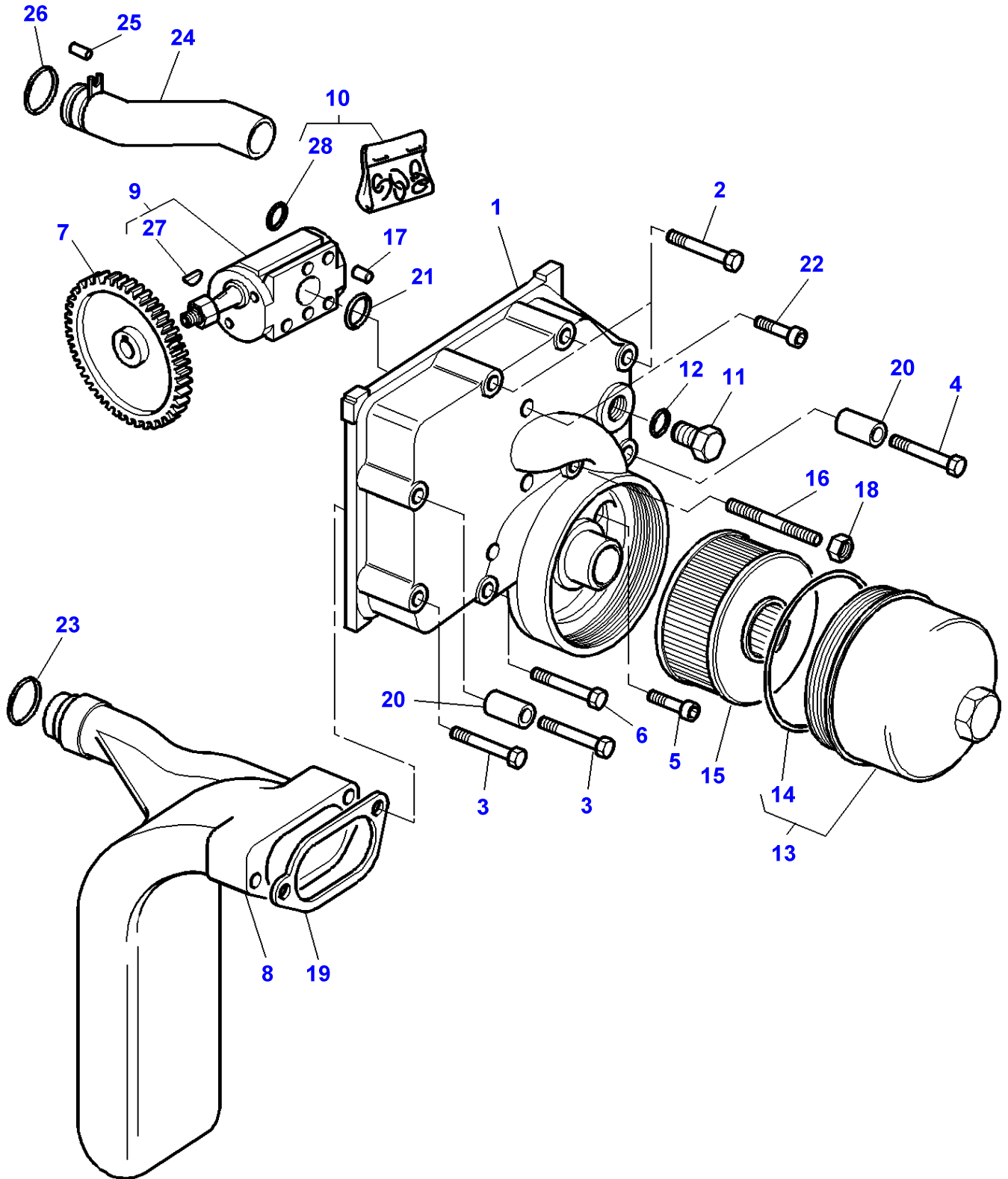
1637366

Front Suspension Hydraulic Lines - With Full Powershift

Page070-0060

Item	Part Number	Qty	Description	Comments
1	3019584X91	1	Union	
2	3019395X1	1	O Ring	(1)
3	3785967M4	1	Tube	
4	3019383X91	3	Adaptor	
5	3019397X1	1	O Ring	(4)
6	3785969M4	1	Tube	
7	3785968M4	1	Tube	
8	3784282M1	1	Hydr Hose	Length 2500MM
9	3784272M1	1	Hydr Hose	Length 1900MM
10	3784269M1	1	Hydr Hose	Length 1900MM
11	3019383X91	1	Adaptor	
12	3019397X1	1	O Ring	(11)
13	3019658X91	2	Union	
14	3019398X1	1	O Ring	(13)
15	366665X1	1	Elbow	
16	3784304M2	2	Hydr Hose	Length 550MM
17	366665X1	1	Elbow	
18	1441500X1	2	Locknut	M6
19	3019058X1	2	Stud	
20	3784258M1	2	Bridle	
21	3784260M1	1	Plate	
22	3786346M2	1	Bracket	
23	364603X1	1	Elbow	
24	3794665M3	1	Union	
25	339096X1	2	Bolt Metric	M6 X 35

1-ZP60-002-C



Load Sensing - Cover Lh-Pump / Filter

Item	Part Number	Qty	Description	Comments
1	3791328M4	1	Cover	
2	3009518X1	3	Screw	M12 X 110
3	3009517X1	2	Bolt Metric	M12 X 100
4	1444034X1	1	Screw	M12 X 125
5	3009300X1	1	Screw	M12 X 70
6	3009518X1	1	Screw	M12 X 110
7	3716351M1	1	Pinion	Number of teeth/spines 70
8	3716938M3	1	Manifold	[C]
	3793088M1	1	Manifold	[D]
9	3618001M3	1	Pump	[A]
				Up to Serial or Engine Number M253009
	3799411M1	1	Pump	[A]
				From Serial or Engine Number M253010
	3791900M1	1	Pump	[B]
10	3903020M91	1	Kit, Joint	
11	3019438X1	1	Plug	M30
12	391265X1	1	Gasket	
13	3715772M91	1	Cover	[A]
	3790001M91	1	Cover	[B]
14	3715773M1	1	O Ring	(13)
15	3714453M1	1	Strainer	[A]
				Length 98 MM
	3790002M1	1	Strainer	[B]
				Length 139 MM
16	392531X1	2	Stud	M8 X 105
17	1442522X1	2	Dowel	Diameter 6 X 12
18	339169X1	2	Nut	M8
19	3791530M1	1	Gasket	
20	3000705X1	2	Pin	Diameter 16 X 18
21	851150M1	1	Ring	
22	3009297X1	2	Screw Metric	M10 X 90
23	1001489M1	1	O Ring	
24	3716375M91	1	Tube	Up to Serial or Engine Number M253009
	3799422M91	1	Tube	From Serial or Engine Number M253010
25	1441722X1	1	Pin	Diameter 3 X 16
26	364777X1	1	O Ring	
27	1440360X1	1	Key	(9)
28	1441708X1	1	O Ring	(10)

FOOTNOTE [A] WITH PUMP 45CC

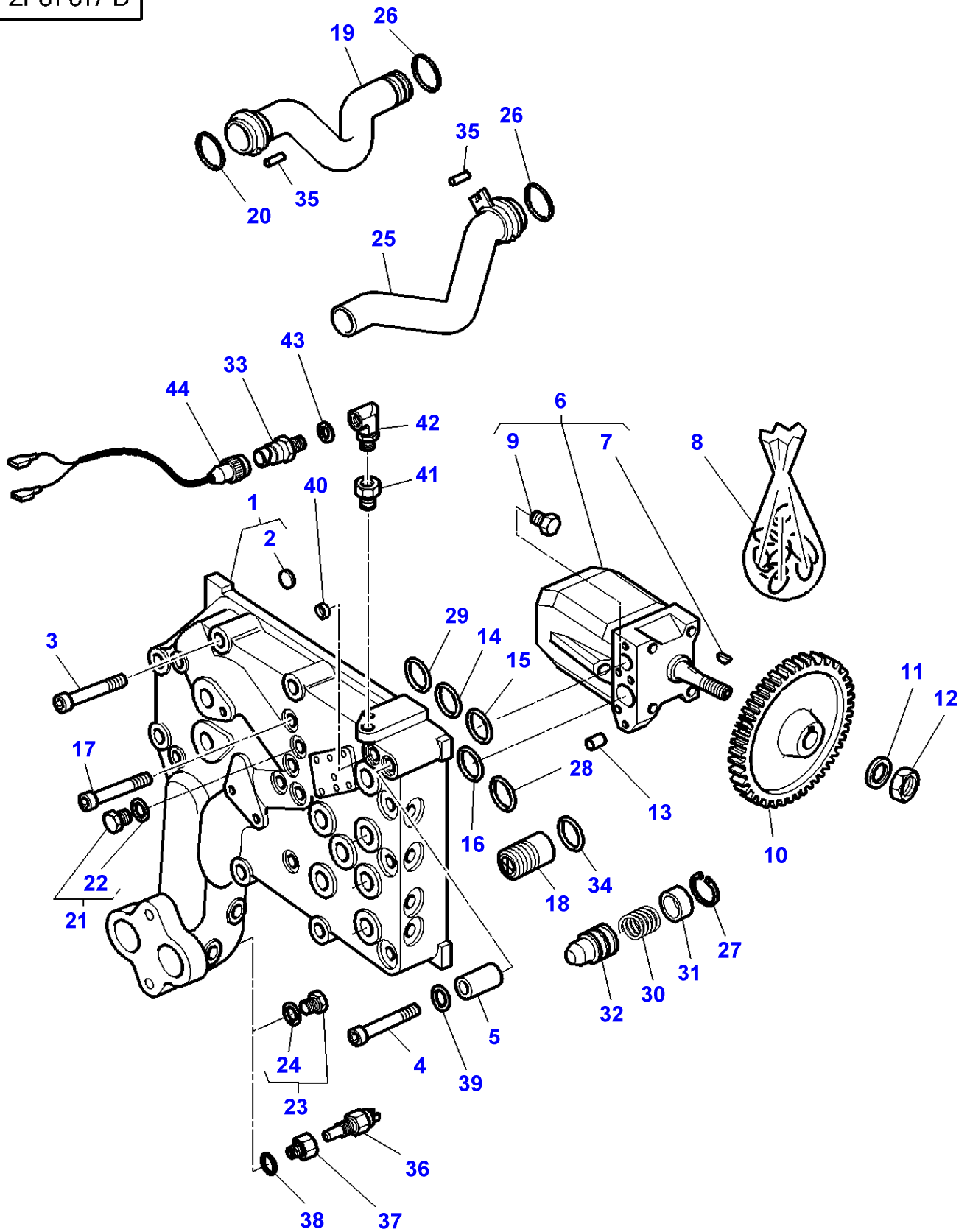
FOOTNOTE [B] WITH PUMP 60CC

FOOTNOTE [C] WITH DYNASHIFT

FOOTNOTE [D] WITH FULL POWERSHIFT

MF 8250 TRACTOR - 1637366
1-ZP61-017-D

1-ZP61-017-D

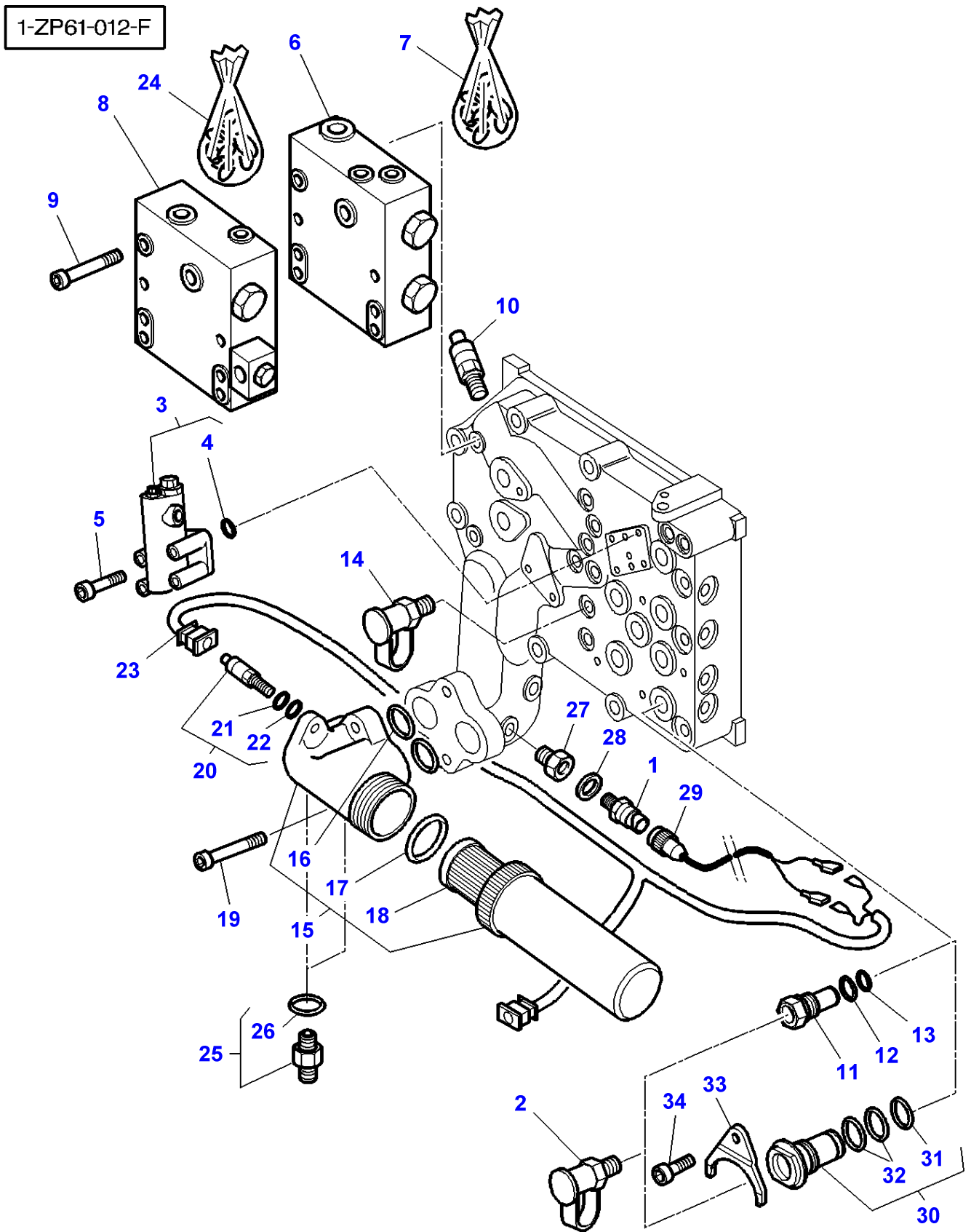


Item	Part Number	Qty	Description	Comments
1	3716703M15	1	Cover	Up to Serial or Engine Number L207014
	3795398M12	1	Cover	From Serial or Engine Number L207015
2	3712249M1	1	Plug	(1) Diameter 10MM
3	3009302X1	7	Screw Metric	M12X90
4	3009303X1	3	Screw	M12X100
5	3000705X1	2	Pin	Diameter 16X18MM
6	3716370M3	1	Pump	45CM3/RPM
7	22277X	1	Key	(6)
8	3902614M91	1	Kit,Joint/Gasket	
9	3902662M1	1	Plug	(6)
10	3716365M1	1	Pinion	Number of teeth/spines 73
11	353775X1	1	Washer	
12	353436X1	1	Nut Unf	
13	1442522X1	2	Dowel	Diameter 6X12MM
14	1001833M1	1	O Ring	Diameter 6,07X1,78MM
15	359299X1	1	O Ring	Diameter 23,4X3,53MM
16	378251X1	1	O Ring	Diameter 36,17X2,62MM
17	1440354X1	4	Screw Metric	M12X50
18	3792040M91	1	Non Return Valve	5BARS Replace and repair. Old not interchangeable with new 3715621M92
19	3716376M93	1	Tube	
20	3793346M1	1	Seal	
21	3019639X91	1	Plug	M14
22	3019395X1	1	O Ring	(21)
23	3019645X91	1	Plug	[B] M22
24	3019398X1	2	O Ring	(23)
25	3716377M91	1	Tube	
26	364777X1	2	O Ring	
27	1441785X1	1	Clip	
28	1007240M1	2	O Ring	Diameter 9,2X2,62MM Up to Serial or Engine Number H277003
29	195562M1	1	O Ring	Diameter 10,77X2,62MM Up to Serial or Engine Number H277003
30	3715619M1	1	Spring	
31	3715618M1	1	Cup	
32	3715616M1	1	Non Return Valve	22BARS
33	3795284M1	1	Low Pr.Oil Trmtr	8 BAR
34	359300X1	1	O Ring	
35	1441722X1	2	Pin	Diameter 3X16MM
36	3790121M1	1	Thermocontact	[A]
37	3790193M1	1	Adaptor	[A]
38	3019398X1	1	O Ring	[A]
39	3792365M1	1	Washer	Up to Serial or Engine Number H277003
40	3006020X1	1	Plug	Diameter 20MM
41	3795276M1	1	Adaptor	Up to Serial or Engine Number L207014
42	3795742M1	1	Elbow Nipple	Up to Serial or Engine Number L164019
43	1440012X1	1	Gasket	
44	3795285M1	1	Harness	Up to Serial or Engine Number

FOOTNOTE [A] WITH DYNASHIFT

FOOTNOTE [B] WITH FULL POWERSHIFT

MF 8250 TRACTOR - 1637366
1-ZP61-012-F



Load Sensing - Cover Rh - Pump 45cc / With Trailer Braking

Item	Part Number	Qty	Description	Comments
1	3795283M1	1	Low Pr.Oil Trmtr	[E]
2	3384387M1	1	Pressure Intake	
3	3716371M1	1	Adjuster	
4	359291X1	3	O Ring	(3)
5	3009283X1	4	Screw	M6X30
6	3790025M1	1	Safety Valve	[A]
7	3790027M1	1	Kit, Joint	
8	3790036M2	1	Safety Valve	[B]
				Up to Serial or Engine Number L191015
	3797004M1	1	Safety Valve	[B]
				From Serial or Engine Number L191016
9	3015017X1	4	Screw	M8X135
10	3716357M1	1	Restrictor	
11	3716195M1	1	Plug	Up to Serial or Engine Number L207014
12	831497M1	1	O Ring	Diameter 16,36X2,21MM
				Up to Serial or Engine Number L207014
13	70923841	1	O Ring	Diameter 12,42X1,78MM
				Up to Serial or Engine Number L207014
14	3384387M1	2	Pressure Intake	
15	3791109M2	1	Filter	[C]
	3792618M1	1	Filter	[D]
16	831196M1	2	O Ring	(15)
17	842332M1	1	Gasket	(15)
18	3618662M1	1	Filter Insert	(15)
19	3000258X1	2	Screw Metric	[C]
				M10X40
				Up to Serial or Engine Number L042026
	1440351X1	2	Screw Metric	[C]
				M10X35
				From Serial or Engine Number L042027
	1440351X1	2	Screw Metric	[D]
				M10X35
20	3618663M4	1	Indicator	
21	831497M1	1	O Ring	(20)
				Diameter 16,4X2,2
22	70923841	1	O Ring	(20)
				Diameter 12,4X1,8
23	3715994M2	1	Harness	[D]
24	3902094M91	1	Kit, Joint	
25	3019389X91	2	Union	[D]
26	3019398X1	1	O Ring	[D]
				(25)
27	3795276M1	1	Adaptor	Up to Serial or Engine Number L207014
28	3010890X1	1	Bush	
29	3795285M1	1	Harness	Up to Serial or Engine Number
30	3795432M92	1	Plug	From Serial or Engine Number L207015
31	394923X1	1	O Ring	(30)
				12,42X1,78MM
				From Serial or Engine Number L207015
32	3015311X1	2	O Ring	(30)
				18,77X1,78MM
				From Serial or Engine Number L207015
33	3795003M2	1	Bridle	From Serial or Engine Number L207015
34	3009281X1	1	Screw	M6X16

FOOTNOTE [A] STEERING

FOOTNOTE [B] BRAKING

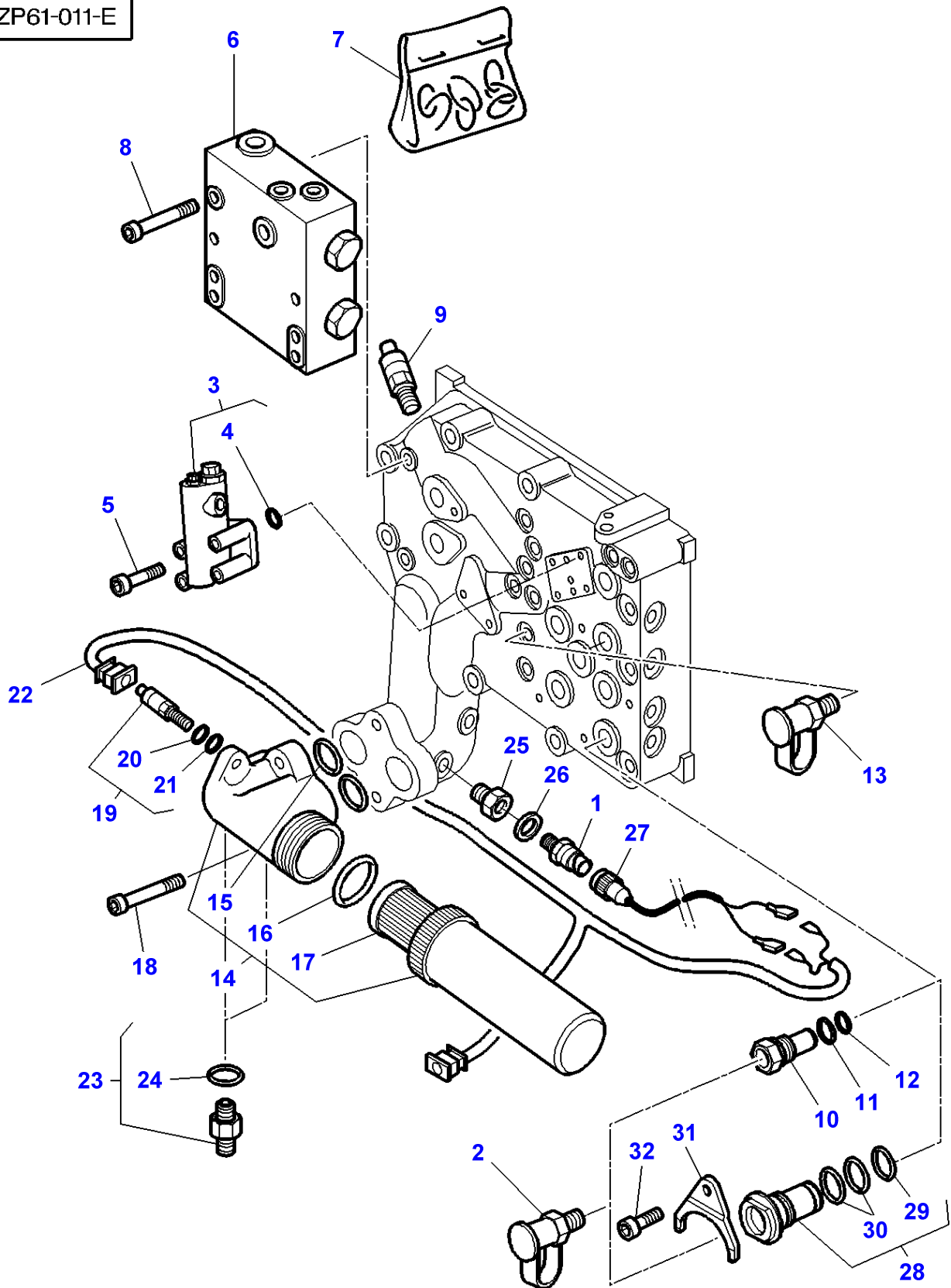
FOOTNOTE [C] WITH FULL POWERSHIFT

FOOTNOTE [D] WITH DYNASHIFT

FOOTNOTE [E] GREEN

MF 8250 TRACTOR - 1637366
1-ZP61-011-E

1-ZP61-011-E



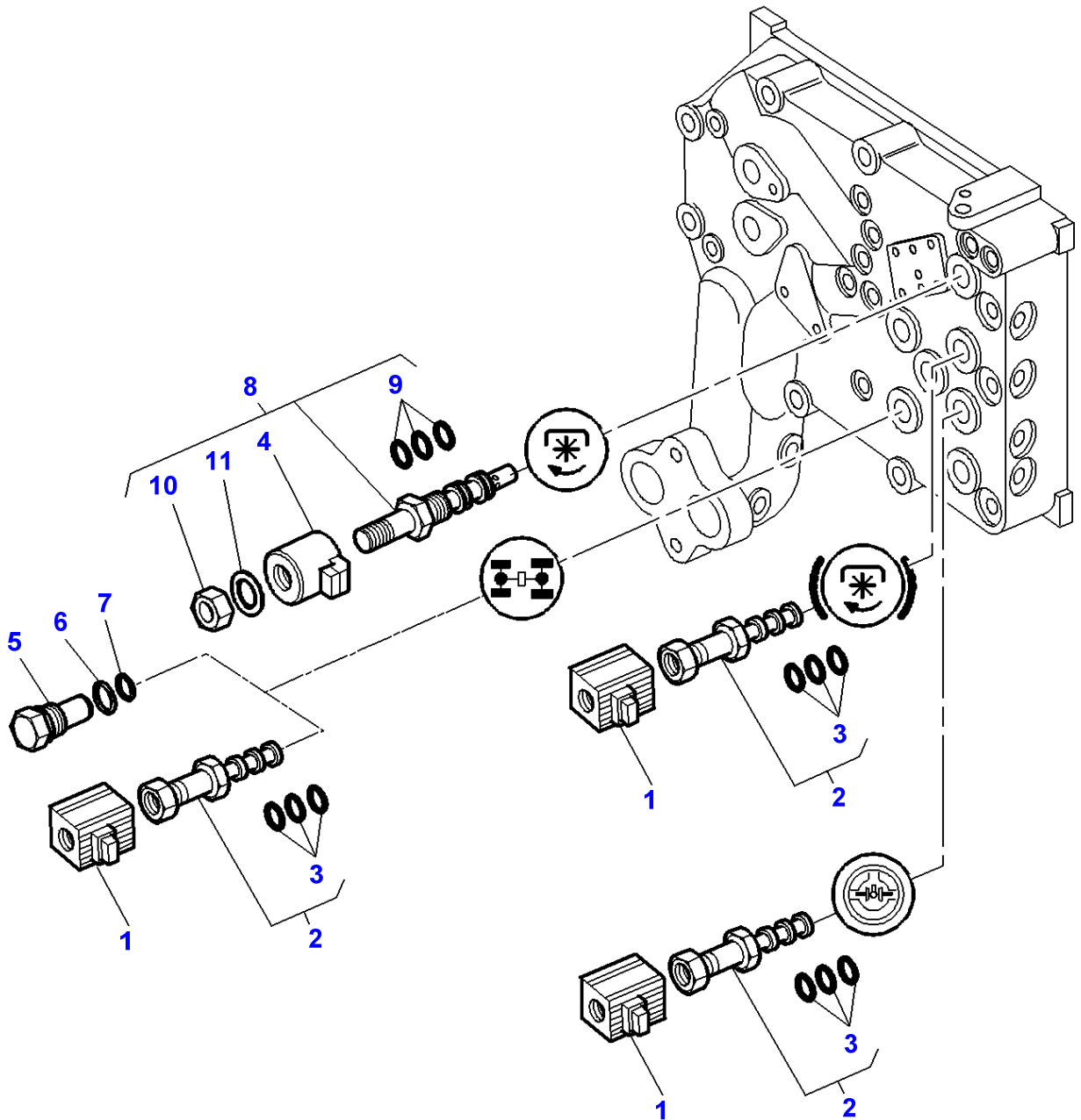
Item	Part Number	Qty	Description	Comments
1	3795283M1	1	Low Pr.Oil Trmtr	[C]
2	3384387M1	1	Pressure Intake	
3	3716371M1	1	Adjuster	
4	359291X1	3	O Ring	(3)
5	3009283X1	4	Screw	M6X30
6	3716355M1	1	Safety Valve	
7	3790027M11	1	Kit, Joint	
8	1441946X1	4	Screw	M8X75
9	3716357M1	1	Restrictor	
10	3716195M1	1	Plug	Up to Serial or Engine Number L207014
11	831497M1	1	O Ring	Diameter 16,36X2,21MM
				Up to Serial or Engine Number L207014
12	70923841	1	O Ring	Diameter 12,42X1,78MM
				Up to Serial or Engine Number L207014
13	3384387M1	2	Pressure Intake	
14	3791109M2	1	Filter	[A]
	3792618M1	1	Filter	[B]
15	831196M1	2	O Ring	(14)
16	842332M1	1	Gasket	(14)
17	3618662M1	1	Filter Insert	(14)
18	3000258X1	2	Screw Metric	[A]
				M10X40
				Up to Serial or Engine Number L042026
	1440351X1	2	Screw Metric	[A]
				M10X35
				From Serial or Engine Number L042027
	1440351X1	2	Screw Metric	[B]
				M10X35
19	3618663M4	1	Indicator	
20	831497M1	1	O Ring	(19)
				Diameter 16,4X2,2
21	70923841	1	O Ring	(19)
				Diameter 12,4X1,8
22	3715994M2	1	Harness	[B]
23	3019389X91	2	Union	[B]
24	3019398X1	1	O Ring	(23)
25	3795276M1	1	Adaptor	Up to Serial or Engine Number L207014
26	3010890X1	1	Bush	
27	3795285M1	1	Harness	Up to Serial or Engine Number
28	3795432M92	1	Plug	From Serial or Engine Number L207015
29	394923X1	1	O Ring	(28)
				12,42X1,78MM
				From Serial or Engine Number L207015
30	3015311X1	2	O Ring	(28)
				18,77X1,78MM
				From Serial or Engine Number L207015
31	3795003M2	1	Bridle	From Serial or Engine Number L207015
32	3009281X1	1	Screw	From Serial or Engine Number L207015
				M6x16

FOOTNOTE [A] WITH FULL POWERSHIFT

FOOTNOTE [B] WITH DYNASHIFT

FOOTNOTE [C] GREEN

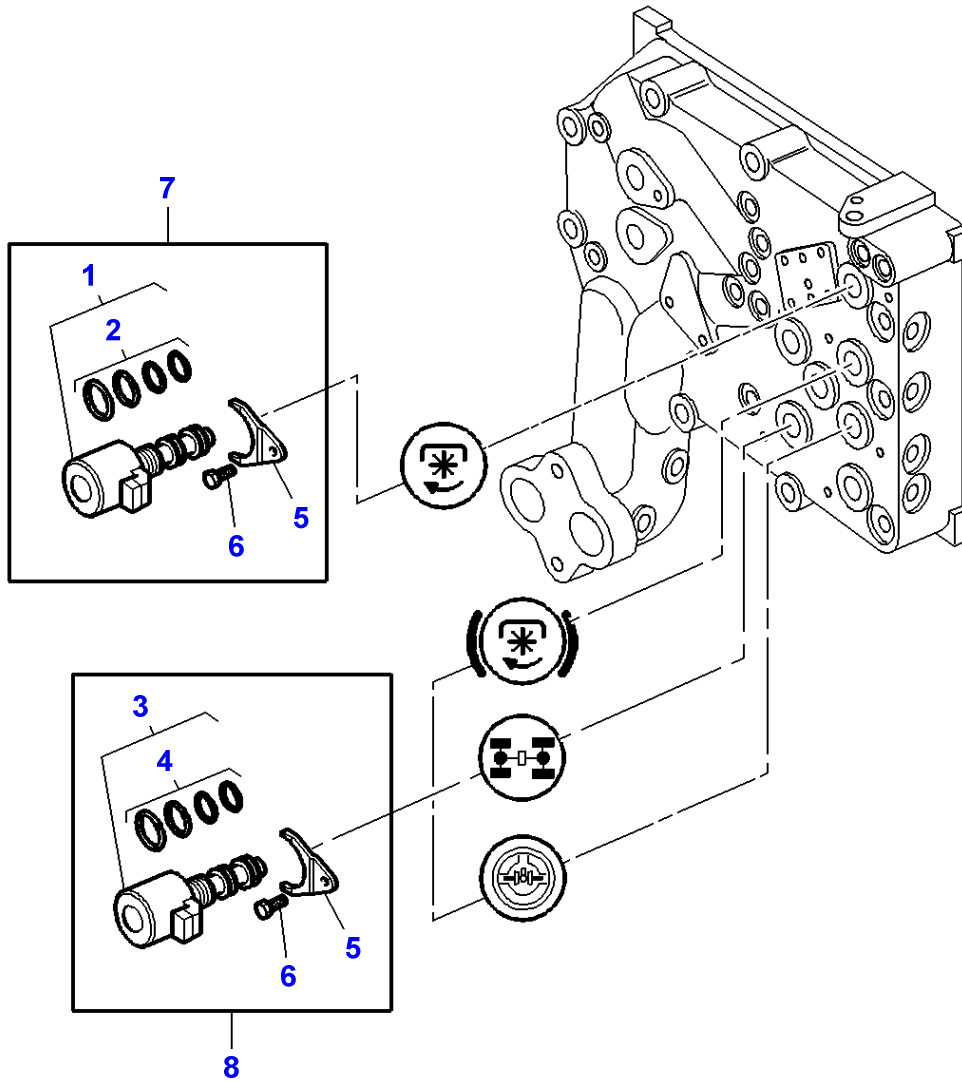
1-ZP31-002-C



Massey Ferguson**MF 8250 TRACTOR - 1637366****1637366****Hydraulics - Hydraulic Cover Rh - With Pump 45cc / Electrovalves - Up To L207014****Page070-0085**

Item	Part Number	Qty	Description	Comments
1	3619763M1	3	Solenoid	
2	3619762M1	3	Spool	
3	3900994M91	X	Kit, Joint	(2)
4	3791412M1	1	Solenoid	(8)
5	3381874M1	1	Plug	Two Wheel Drive
6	831497M1	1	O Ring	Two Wheel Drive
7	363510X1	1	O Ring	Two Wheel Drive
8	3793575M1	1	Electrovalve	Replace and repair. Old not interchangeable with new 3791399m91
9	3902774M92	1	Kit, Joint	(8)
10	3903671M1	1	Nut	(8)
11	3903988M1	1	Washer	(8)

1-ZP31-009-B



Massey Ferguson**MF 8250 TRACTOR - 1637366**

1637366

Hydraulics - Hydraulic Cover Rh - With Pump 45cc / Electrovalves - From L207015

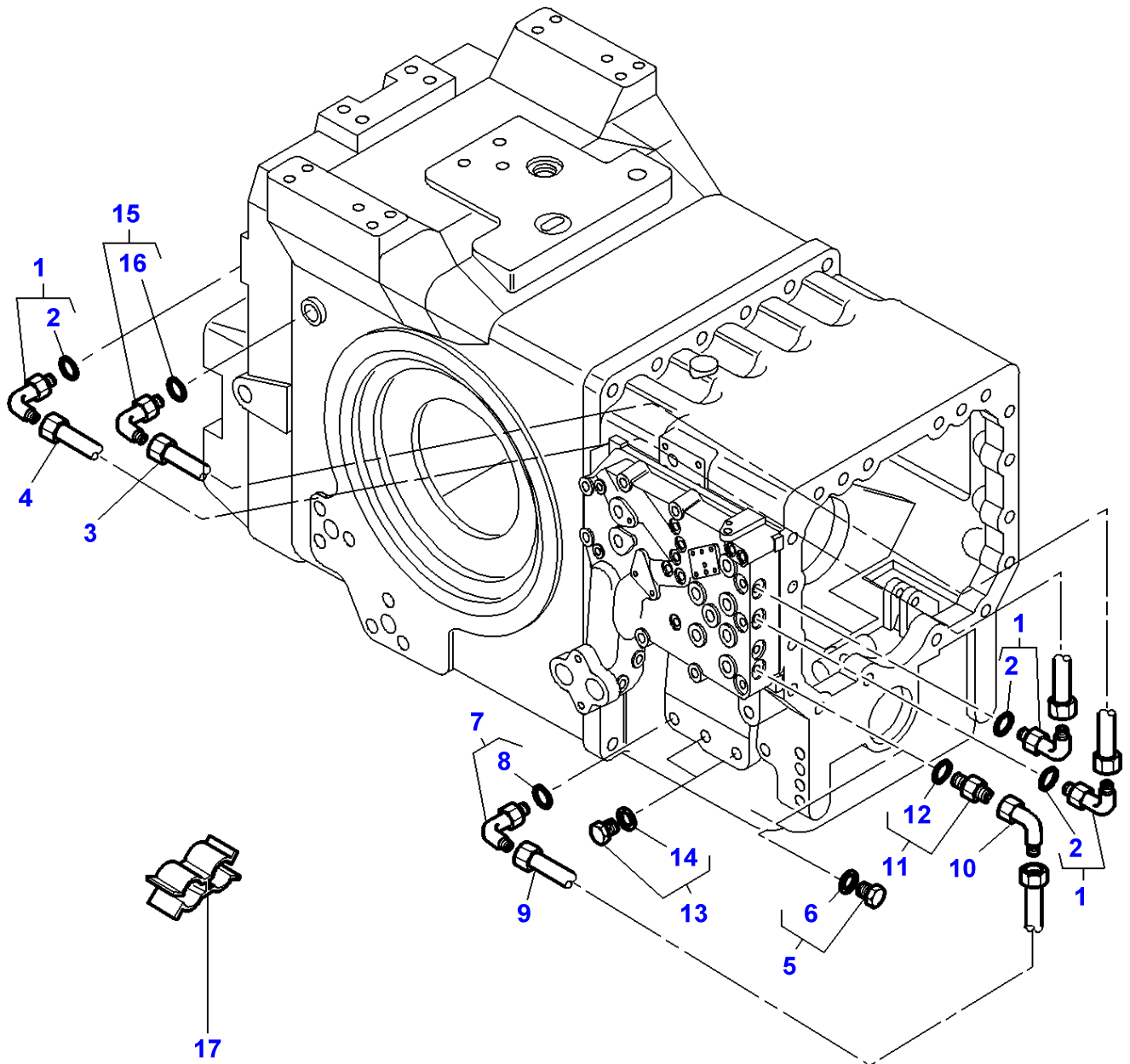
Page070-0090

Item	Part Number	Qty	Description	Comments
1		1	Electrovalve	[A] (7) Not serviced,order REF. 7
2	3903733M91	1	Kit,Joint/Gasket	(2)
3		3	Electrovalve	(8) Not serviced,order REF. 8
4	3903732M91	1	Kit,Joint/Gasket	(3)
5	3795003M2	4	Bridle	
6	3009281X1	4	Screw	M6 X 16
7	3907183M91	1	Parts Pack	
8	3907182M91	3	Parts Pack	

FOOTNOTE [A] PROPORTIONAL ELECTROVALVE

MF 8250 TRACTOR - 1637366
1-ZP31-003-D

1-ZP31-003-D



Massey Ferguson**MF 8250 TRACTOR - 1637366**

1637366

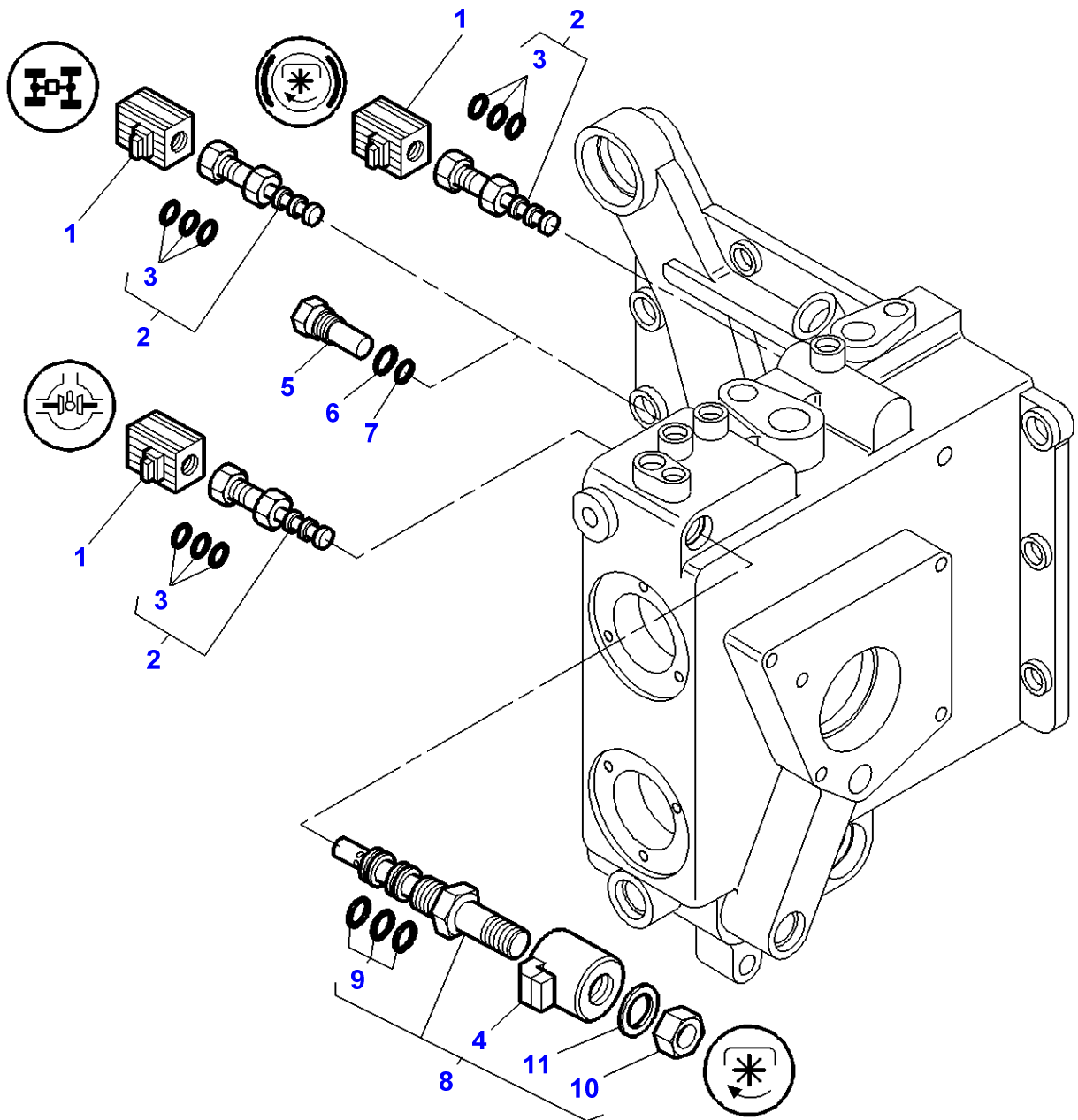
Hydraulics - Hydraulic Cover Rh - Pump 45cc / Hydr. Lines

Page070-0095

Item	Part Number	Qty	Description	Comments
1	3019412X91	3	Elbow	
2	3019395X1	1	O Ring	(1)
3	3791375M91	1	Tube	
4	3791376M91	1	Tube	
5	3019639X91	1	Plug	Two Wheel Drive
6	3019395X1	1	O Ring	(5)
7	3385713M91	1	Union	Four Wheel Drive
8	3019395X1	1	O Ring	(7)
9	3791419M92	1	Tube	[A] Four Wheel Drive
	3798787M1	1	Tube	[B] Four Wheel Drive
10	365233X1	1	Elbow	Four Wheel Drive
11	3019700X91	1	Union	Four Wheel Drive
12	3019394X1	1	O Ring	(11)
13	3019645X91	2	Plug	M22X1,5
14	3019398X1	1	O Ring	(13)
15	3019412X91	1	Elbow	Up to Serial or Engine Number J062012
	3793772M91	1	Jet	From Serial or Engine Number J062013
	3796324M91	1	Jet	Up to Serial or Engine Number L085033
				From Serial or Engine Number L085034
16	3019395X1	1	O Ring	(15)
17	3581696M1	2	Clamp	

FOOTNOTE [A] WITH DYNASHIFT**FOOTNOTE [B]** WITH FULL POWERSHIFT

1-ZP31-001-C

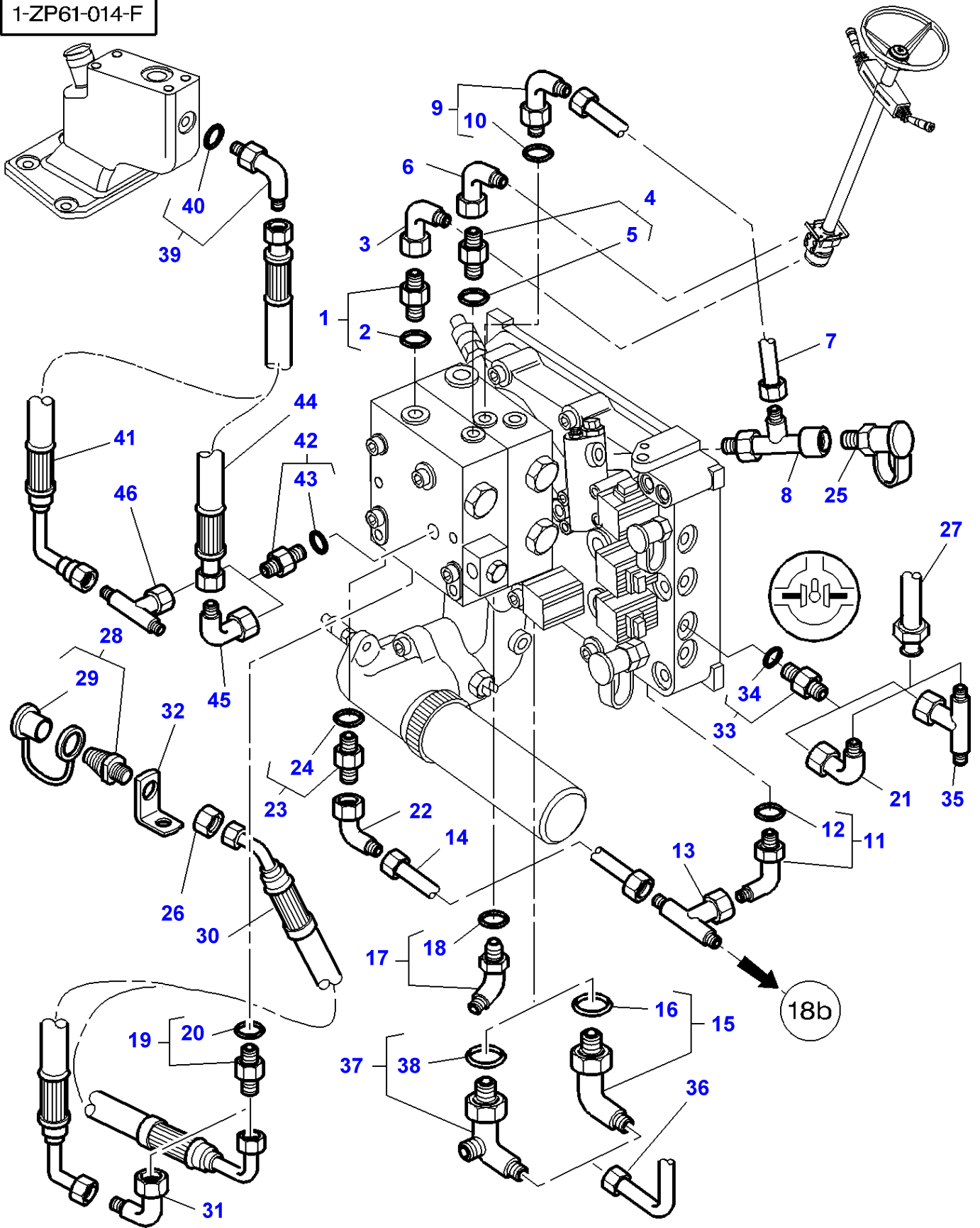


Massey Ferguson**MF 8250 TRACTOR - 1637366****1637366****Hydraulics - Hydraulic Cover Rh - Pump 60cc / Electrovalves****Page070-0100**

Item	Part Number	Qty	Description	Comments
1	3619763M1	3	Solenoid	
2	3619762M1	3	Spool	
3	3900994M91	X	Kit, Joint	(2)
4	3791412M1	1	Solenoid	(8)
5	3381874M1	1	Plug	Two Wheel Drive
6	831497M1	1	O Ring	Two Wheel Drive
7	363510X1	1	O Ring	Two Wheel Drive
8	3793575M1	1	Electrovalve	Replace and repair. Old not interchangeable with new 3791399m91
9	3902774M92	1	Kit, Joint	(8)
10	3903671M1	1	Nut	(8)
11	3903988M1	1	Washer	(8)

MF 8250 TRACTOR - 1637366
1-ZP61-014-F

1-ZP61-014-F



Item	Part Number	Qty	Description	Comments
1	3019658X91	1	Union	M22
2	3019398X1	1	O Ring	(1)
3	365233X1	1	Elbow	
4	3019379X91	1	Union	M14
5	3019395X1	1	O Ring	(4)
6	364603X1	1	Elbow	9/16"
7	3790074M92	1	Tube	
8	3712689M1	1	Union	
9	3019694X91	1	Union	M14
10	3019395X1	1	O Ring	(9)
11	3019416X91	1	Elbow	M18
12	3019397X1	1	O Ring	(11)
13	367261X1	1	Union	7/8"
14	3716780M92	1	Tube	
15	3019422X91	1	Union	M33
16	3019399X1	1	O Ring	(15)
17	3019584X91	1	Union	M14
18	3019395X1	1	O Ring	(17)
19	3019658X91	1	Union	M22
20	3019398X1	1	O Ring	(19)
21	365233X1	1	Elbow	Two Wheel Drive 3/4"
22	70921325	1	Elbow Nipple	7/8"
23	3019387X91	1	Union	M22
24	3019398X1	1	O Ring	(23)
25	3712707M1	1	Intake	
26	1442336X1	1	Nut	
27	3791202M91	1	Tube	
28	3581307M3	1	Pressure Valve	
29	3616259M1	1	Plug	(28)
30	3791611M1	1	Hydr Hose	Length 1480MM
31	365233X1	1	Elbow	Up to Serial or Engine Number 26/08/1999
32	3792736M1	1	Support	
33	3019700X91	1	Union	3/4"-M14
34	3019394X1	1	O Ring	(33)
35	364735X1	1	Union	Four Wheel Drive 3/4"
36	3716397M1	1	Tube	Up to Serial or Engine Number 31-12-2000
	3793424M1	1	Tube	From Serial or Engine Number 01-01-2001
37	3794315M1	1	Union	[A]
38	3019399X1	1	O Ring	(37)
39	3019418X91	1	Elbow Nipple	[B] From Serial or Engine Number L191016
40	3019398X1	1	O Ring	[B] (39)
41	3792164M1	1	Hydr Hose	[B] From Serial or Engine Number L191016 Length 900MM
42	3019696X91	1	Union	From Serial or Engine Number L191016
43	3019395X1	1	O Ring	(42)
44	3714956M1	1	Hydr Hose	[C] From Serial or Engine Number L191016 Length 600MM
45	367386X1	1	Elbow	[C] From Serial or Engine Number L191016
46	3780180M1	1	Teepiece	[B] From Serial or Engine Number L191016 Up to Serial or Engine Number M188052
	367261X1	1	Union	[B] From Serial or Engine Number M188053

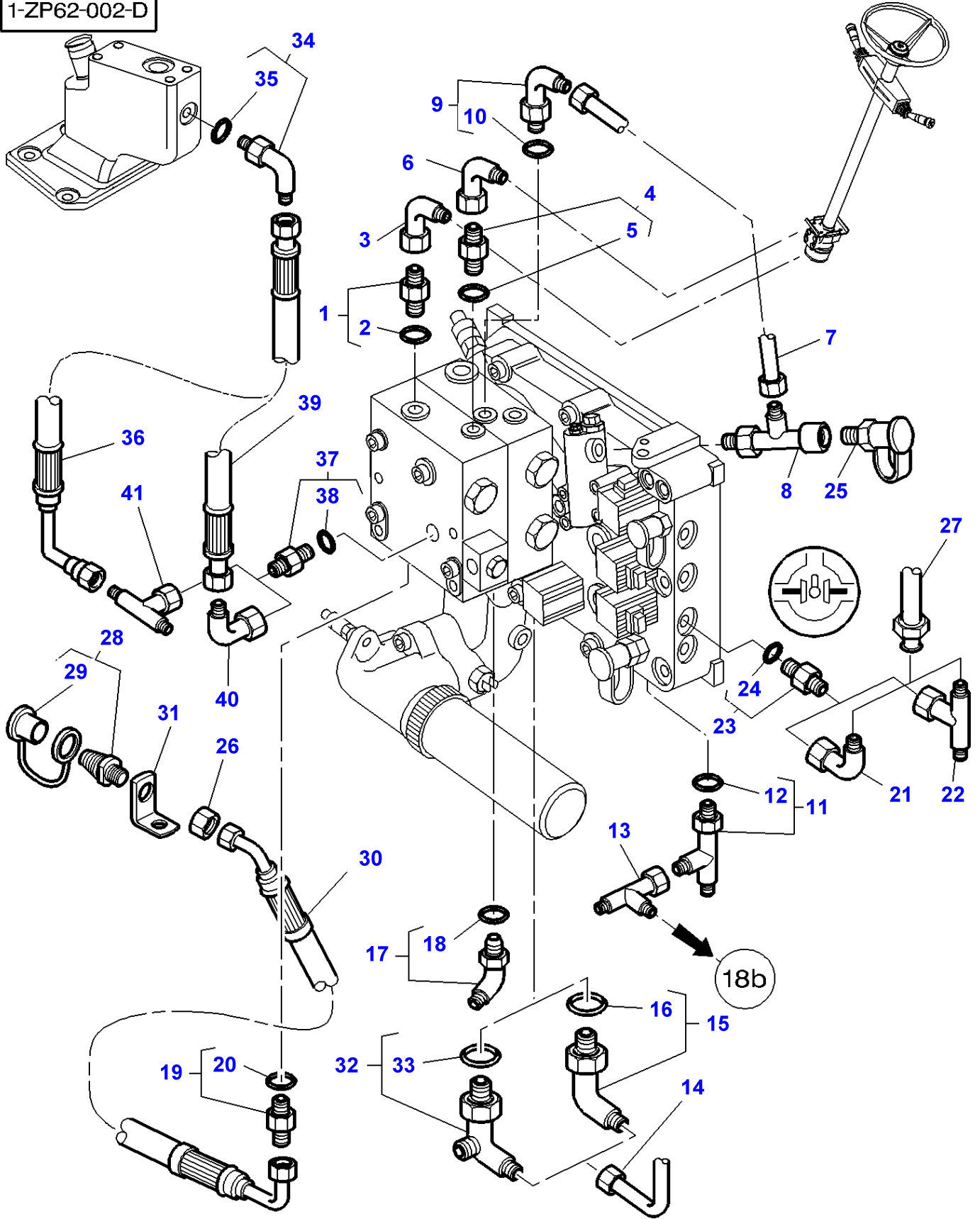
FOOTNOTE [A] WITH FRONT AXLE SUSPENDED CARRARO

FOOTNOTE [B] WITH FULL POWERSHIFT

FOOTNOTE [C] WITH DYNASHIFT

MF 8250 TRACTOR - 1637366
1-ZP62-002-D

1-ZP62-002-D



Item	Part Number	Qty	Description	Comments
1	3019658X91	1	Union	M22
2	3019398X1	1	O Ring	(1)
3	365233X1	1	Elbow	
4	3019379X91	1	Union	M14
5	3019395X1	1	O Ring	(4)
6	364603X1	1	Elbow	9/16"
7	3790074M92	1	Tube	
8	3712689M1	1	Union	
9	3019694X91	1	Union	M14
10	3019395X1	1	O Ring	(9)
11	3019627X91	1	Teepiece	
12	3019397X1	1	O Ring	(11)
13	364704X1	1	Teepiece	
14	3716397M1	1	Tube	Up to Serial or Engine Number 31-12-2000
	3793424M1	1	Tube	From Serial or Engine Number 01-01-2001
15	3019422X91	1	Union	
16	3019399X1	1	O Ring	(15) M33
17	3019584X91	1	Union	M14
18	3019395X1	1	O Ring	(17)
19	3019658X91	1	Union	M22
20	3019398X1	1	O Ring	(19)
21	365233X1	1	Elbow	Two Wheel Drive 3/4"
22	364735X1	1	Union	Four Wheel Drive 3/4"
23	3019700X91	1	Union	3/4"-M14
24	3019394X1	1	O Ring	(33)
25	3712707M1	1	Intake	
26	1442336X1	1	Nut	
27	3791202M91	1	Tube	
28	3581307M3	1	Pressure Valve	
29	3616259M1	1	Plug	(28)
30	3791611M1	1	Hydr Hose	Length 1480MM
31	3792736M1	1	Support	
32	3794315M1	1	Union	[A]
33	3019399X1	1	O Ring	(32)
34	3019418X91	1	Elbow Nipple	[B] From Serial or Engine Number L191016
35	3019398X1	1	O Ring	[B] (34)
36	3792164M1	1	Hydr Hose	[B] From Serial or Engine Number L191016 Length 900MM
37	3019696X91	1	Union	From Serial or Engine Number L191016
38	3019395X1	1	O Ring	(37)
39	3714956M1	1	Hydr Hose	[C] From Serial or Engine Number L191016 Length 600MM
40	367386X1	1	Elbow	[C] From Serial or Engine Number L191016
41	3780180M1	1	Teepiece	[B] From Serial or Engine Number L191016 Up to Serial or Engine Number M188052
	367261X1	1	Union	[B] From Serial or Engine Number M188053

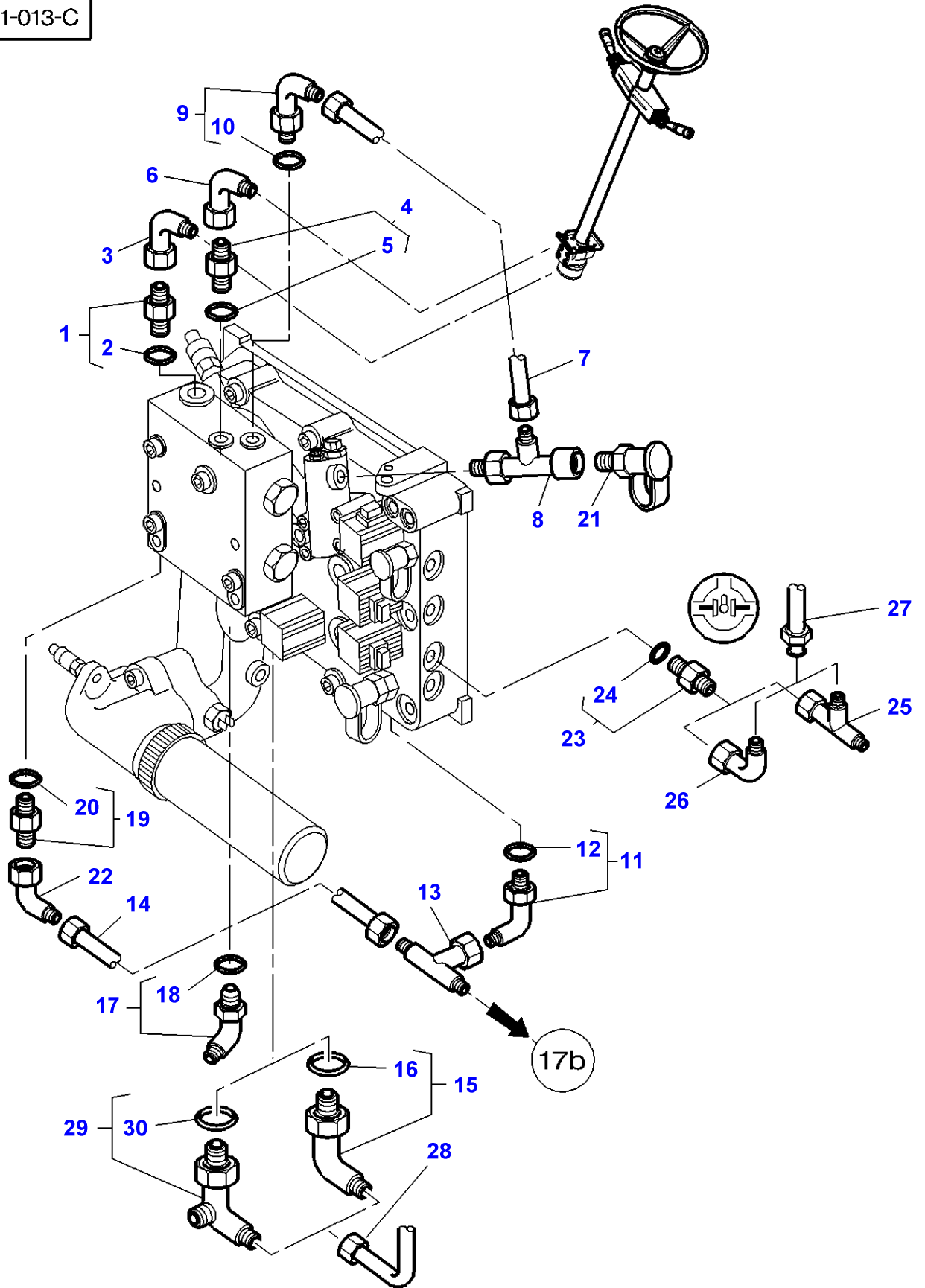
FOOTNOTE [A] WITH FRONT AXLE SUSPENDED CARRARO

FOOTNOTE [B] WITH FULL POWERSHIFT

FOOTNOTE [C] WITH DYNASHIFT

MF 8250 TRACTOR - 1637366
1-ZP61-013-C

1-ZP61-013-C



Massey Ferguson**MF 8250 TRACTOR - 1637366**

1637366

Load Sensing - Cover Rh - Pump 45cc / Hydr. Lines / Without Tractor Braking

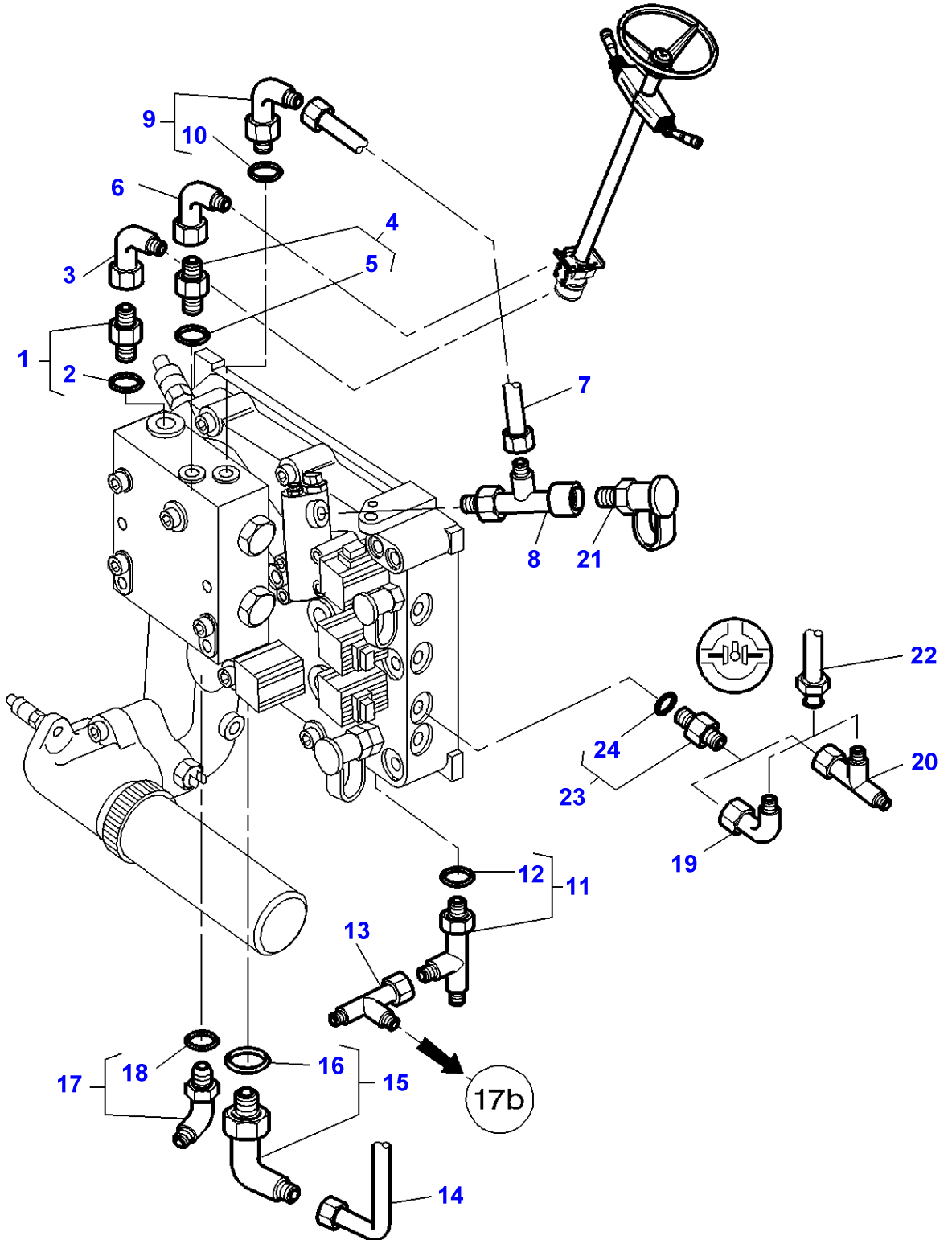
Page070-0115

Item	Part Number	Qty	Description	Comments
1	3019658X91	1	Union	M22
2	3019398X1	1	O Ring	(1)
3	365233X1	1	Elbow	
4	3019379X91	1	Union	M14
5	3019395X1	1	O Ring	(4)
6	364603X1	1	Elbow	9/16"
7	3790074M92	1	Tube	
8	3712689M1	1	Union	
9	3019694X91	1	Union	M14
10	3019395X1	1	O Ring	(9)
11	3019416X91	1	Elbow	M18
12	3019397X1	1	O Ring	(11)
13	367261X1	1	Union	7/8"
14	3716780M92	1	Tube	
15	3019422X91	1	Union	M33
16	3019399X1	1	O Ring	(15)
17	3019584X91	1	Union	M14
18	3019395X1	1	O Ring	(17)
19	3019387X91	1	Union	M22
20	3019398X1	1	O Ring	(19)
21	3712707M1	1	Intake	
22	70921325	1	Elbow Nipple	7/8"
23	3019700X91	1	Union	3/4"/M14
24	3019394X1	1	O Ring	(23)
25	364735X1	1	Union	Four Wheel Drive 3:4"
26	365233X1	1	Elbow	Two Wheel Drive 3/4"
27	3791202M91	1	Tube	
28	3716397M1	1	Tube	Up to Serial or Engine Number 31-12-2000
	3793424M1	1	Tube	From Serial or Engine Number 01-01-2001
29	3794315M1	1	Union	[A]
30	3019399X1	1	O Ring	(29)

FOOTNOTE [A] WITH FRONT AXLE SUSPENDED CARRARO

MF 8250 TRACTOR - 1637366
1-ZP62-001-A

1-ZP62-001-A



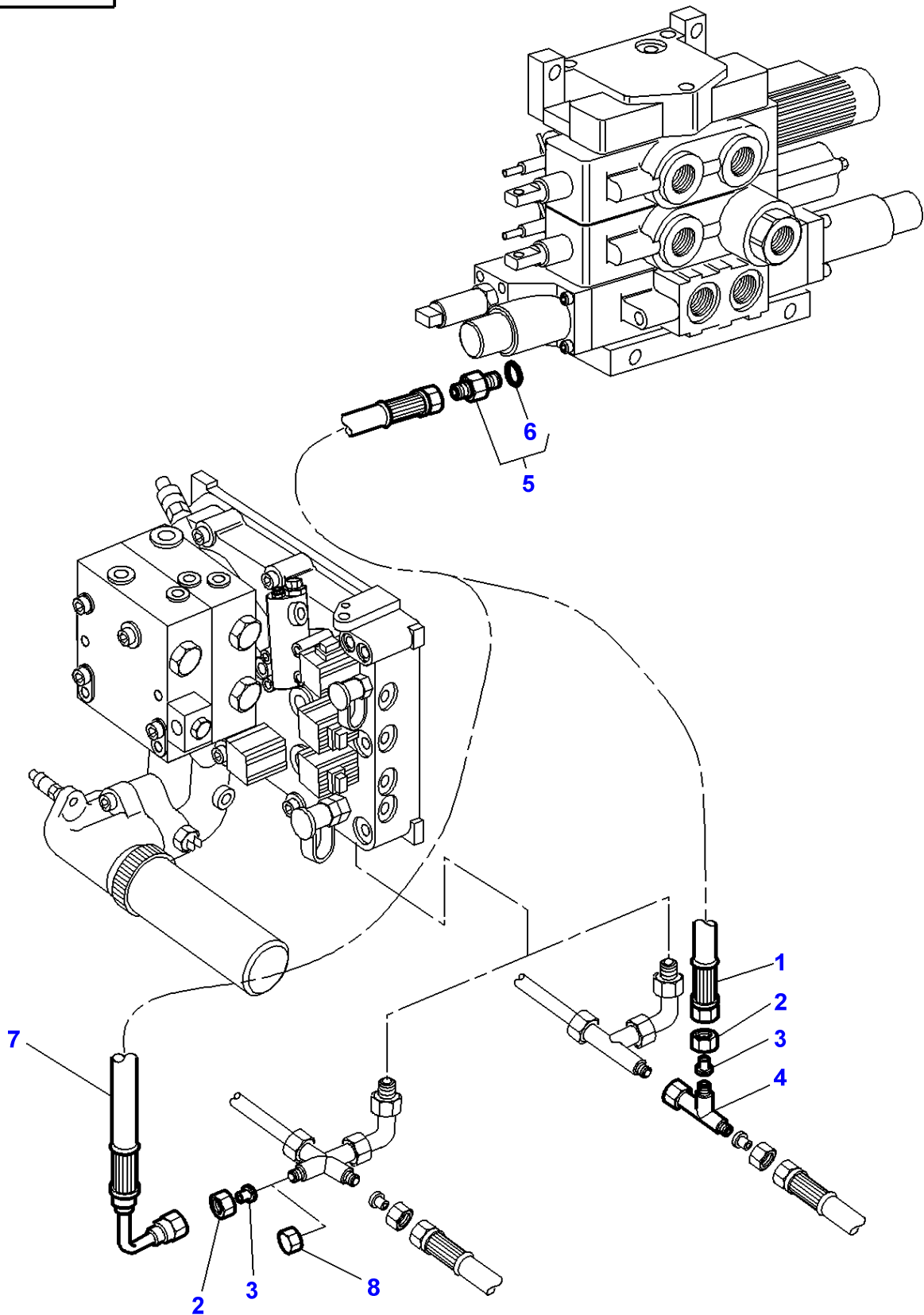
Massey Ferguson**MF 8250 TRACTOR - 1637366**

1637366

Load Sensing With Power Shuttle - Cover Rh - Pump 45cc / Hydr. Lines / Without Tractor Braking**Page070-0120**

Item	Part Number	Qty	Description	Comments
1	3019658X91	1	Union	M22
2	3019398X1	1	O Ring	(1)
3	365233X1	1	Elbow	
4	3019379X91	1	Union	M14
5	3019395X1	1	O Ring	(4)
6	364603X1	1	Elbow	9/16"
7	3790074M92	1	Tube	
8	3712689M1	1	Union	
9	3019694X91	1	Union	M14
10	3019395X1	1	O Ring	(9)
11	3019627X91	1	Teepiece	
12	3019397X1	1	O Ring	(11)
13	364704X1	1	Teepiece	
14	3716397M1	1	Tube	Up to Serial or Engine Number 31-12-2001
	3793424M1	1	Tube	From Serial or Engine Number 01-01-2001
15	3019422X91	1	Union	M33
16	3019399X1	1	O Ring	(15)
17	3019584X91	1	Union	M14
18	3019395X1	1	O Ring	(17)
19	365233X1	1	Elbow	Two Wheel Drive 3/4"
20	364735X1	1	Union	Four Wheel Drive 3:4"
21	3712707M1	1	Intake	
22	3791202M91	1	Tube	
23	3019700X91	1	Union	3/4"/M14
24	3019394X1	1	O Ring	(23)

1-ZP61-021-B



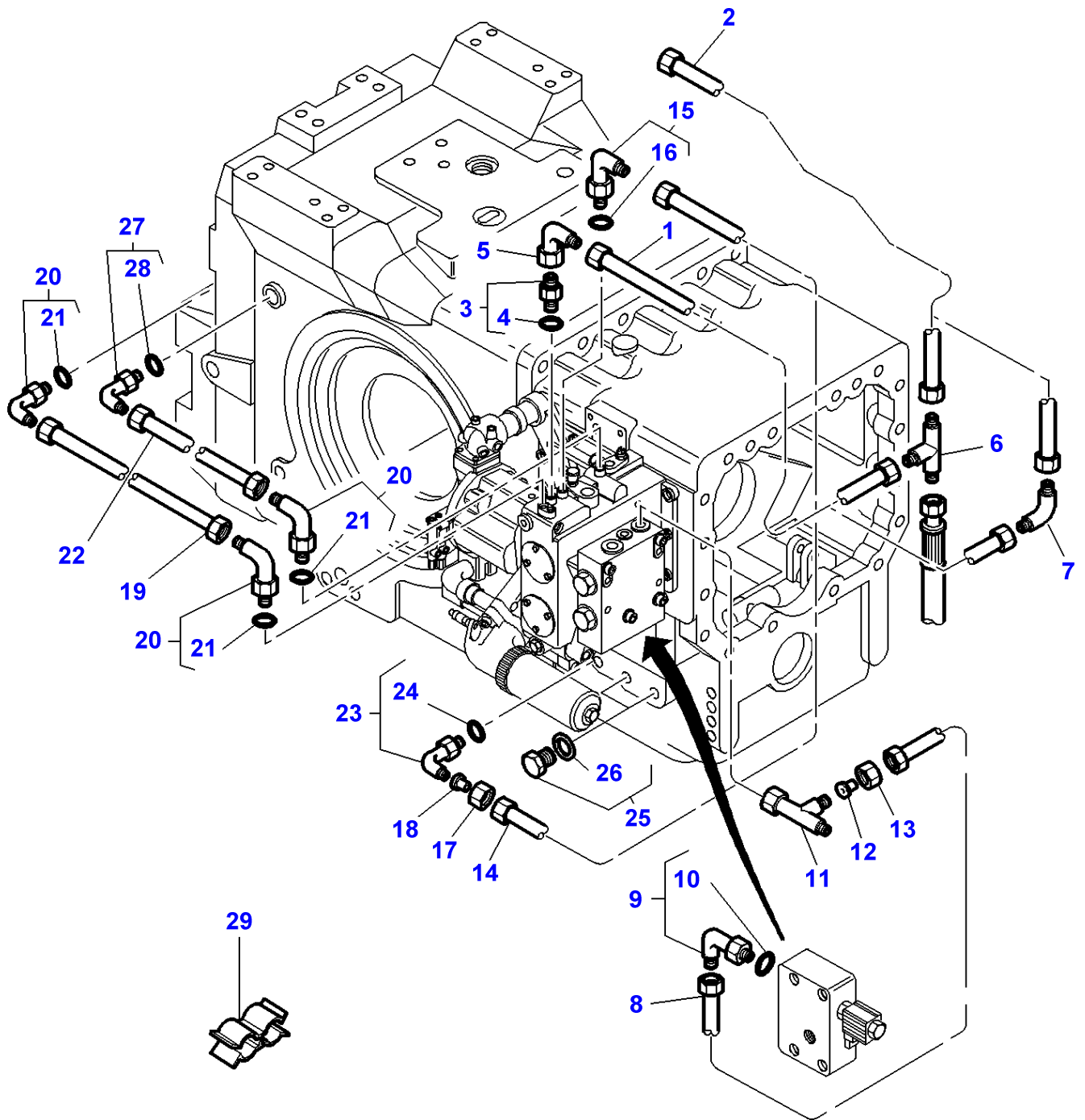
Massey Ferguson**MF 8250 TRACTOR - 1637366****1637366****Load Sensing - Cover Rh - With Hydraulic Pump 110 L/mn / DUAL CONTROL DISTRIBUTOR FEEDING****Page070-0125**

Item	Part Number	Qty	Description	Comments
1	3716399M1	1	Hydr Hose	Up to Serial or Engine Number H309009
2	22576X	1	Union Nut	
3	356629X1	1	Reducer	
4	377218X1	1	Teepiece	Up to Serial or Engine Number H309009
5	3019660X91	1	Union	
6	3019393X1	1	O Ring	(5)
7	3793445M1	1	Hydr Hose	From Serial or Engine Number H309010
8	22833X	1	Cap	[A]

FOOTNOTE [A] WITHOUT DUAL CONTROL

MF 8250 TRACTOR - 1637366
1-ZP31-004-D

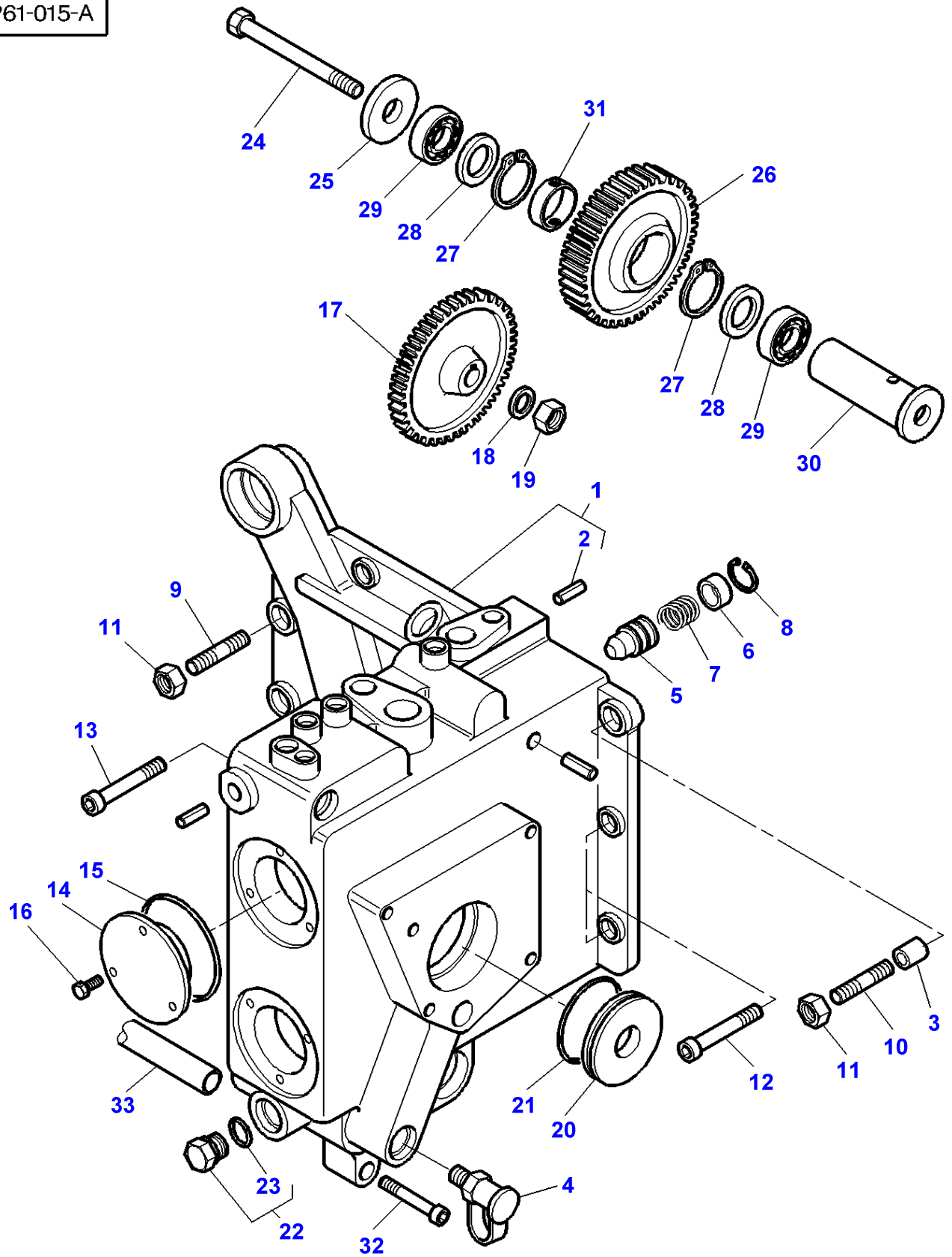
1-ZP31-004-D



Item	Part Number	Qty	Description	Comments
1	3791713M1	1	Tube	
2	3791714M1	1	Tube	
3	3019381X91	1	Union	Diameter M16X3/4
4	3019396X1	1	O Ring	(3)
5	365233X1	1	Elbow	Diameter 3/4-16
6	356560X1	1	Teepiece	Four Wheel Drive Diameter 3/4-16
7	356376X1	1	Elbow	Two Wheel Drive Diameter 3/4-16
8	3791718M2	1	Tube	
9	3019412X91	1	Elbow	Diameter M14
10	3019395X1	1	O Ring	(9)
11	364735X1	1	Union	Diameter 3/4-16
12	380003X1	1	Union	Diameter 1/2-20 /12X8
13	338773X1	1	Olive	
14	3791717M1	1	Tube	
15	3019412X91	1	Elbow	Diameter M14
16	3019395X1	1	O Ring	(15)
17	195960M1	1	Nut	Diameter 3/4
18	356627X1	1	Adaptor	Diameter 9/16-18 /12X10
19	3791715M1	1	Tube	
20	3019412X91	3	Elbow	
21	3019395X1	1	O Ring	(20)
22	3791712M1	1	Tube	
23	3385713M91	1	Union	
24	3019395X1	1	O Ring	(23)
25	3019645X91	2	Plug	M22X1,5
26	3019398X1	1	O Ring	(25)
27	3019412X91	1	Elbow	Up to Serial or Engine Number J062012
	3793772M91	1	Jet	From Serial or Engine Number J062013
				Up to Serial or Engine Number L085033
	3796324M91	1	Jet	From Serial or Engine Number L085034
28	3019395X1	1	O Ring	(27)
29	3581696M1	2	Clamp	

MF 8250 TRACTOR - 1637366
1-ZP61-015-A

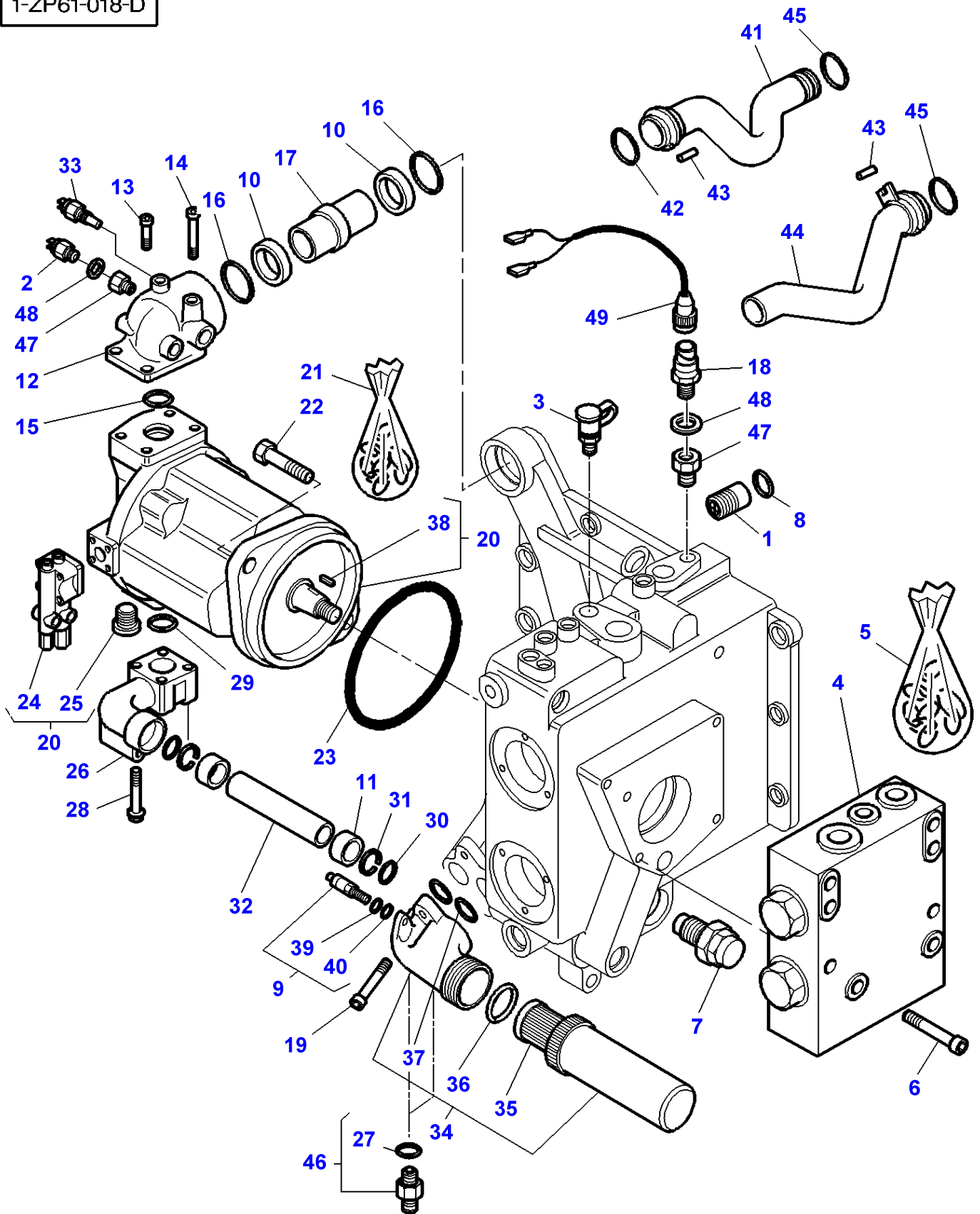
1-ZP61-015-A



Item	Part Number	Qty	Description	Comments
1	3716732M11	1	Cover	
2	3712249M1	3	Plug	(1)
3	3000705X1	2	Pin	Diameter 16 X 18
4	3384387M1	1	Pressure Intake	
5	3715616M1	1	Non Return Valve	22 Bars
6	3715618M1	1	Cup	
7	3715619M1	1	Spring	
8	1441785X1	1	Clip	
9	3019897X1	2	Stud	M12 X 32
10	1440029X1	2	Stud	M12 X 38
11	339054X1	4	Nut Metric	M12
12	1440356X1	3	Screw Metric	M12 X 30
13	3009301X1	1	Screw Metric	M12 X 80
14	3716746M1	2	Cover	
15	3019920X1	2	O Ring	
16	339560X1	6	Hex. Sock. Screw	M6 X 16
17	3791889M1	1	Pinion	Number of teeth/spines 77
18	11298X	1	Washer	
19	355647X1	1	Nut Unf	M12
20	3716747M1	1	Cover	
21	3580247M1	1	O Ring	
22	3019645X91	1	Plug	M22
23	3019398X1	1	O Ring	(22)
24	3010448X1	1	Screw	M12 X 140
25	3618971M2	1	Washer	
26	3716735M1	1	Pinion	Number of teeth/spines 80
27	1440480X1	2	Circlip	
28	3716741M1	X	Chock	Thickness 0,10 MM
	3716742M1	X	Chock	Thickness 0,20 MM
	3716743M1	X	Chock	Thickness 0,50 MM
29	339481X1	2	Bearing Taper	
30	3716738M1	1	Clevis Pin	
31	3716739M1	1	Spacer	
32	1440352X1	2	Bolt	M10 X 60
33	3791844M1	1	Draglink	

MF 8250 TRACTOR - 1637366
1-ZP61-018-D

1-ZP61-018-D



Item	Part Number	Qty	Description	Comments
1	3792040M91	1	Non Return Valve	5 BARS
2	3795283M1	1	Low Pr.Oil Trmtr	[C]
3	3384387M1	1	Pressure Intake	
4	3716355M1	1	Safety Valve	
5	3790027M11	1	Kit, Joint	
6	1441946X1	4	Screw	M8X75
7	3716357M1	1	Restrictor	
8	359300X1	1	O Ring	
9	3618663M4	1	Indicator	
10	3716748M1	2	Gasket	
11	3790863M1	2	Gasket	
12	3716737M2	1	Manifold	
13	3009299X1	2	Screw Metric	M12X25
14	3009300X1	2	Screw	M12X70
15	835130M1	1	O Ring	
16	370087X1	2	O Ring	
17	3716744M1	1	Tube	
18	3795284M1	1	Low Pr.Oil Trmtr	8 BAR
19	3000258X1	2	Screw Metric	[A] M10X40 Up to Serial or Engine Number L042026
	1440351X1	2	Screw Metric	[B] M10X35
	1440351X1	2	Screw Metric	[A] M10X35 From Serial or Engine Number L042027
20	3790900M1	1	Pump	60CM3/RPM
21	3903018M91	1	Kit, Joint	
22	390419X1	2	Hex. Sock. Screw	M16X40
23	70923591	1	O Ring	
24	3903022M1	1	Adjuster	(20)
25	3903019M1	1	Plug	(20)
26	3791912M1	1	Manifold	
27	3019398X1	1	O Ring	(46)
28	3811722M1	4	Bolt	M10X70
29	359306X1	1	O Ring	
30	3010827X1	2	O Ring	
31	3010709X1	2	Bush	
32	3716745M1	1	Tube	
33	3790121M1	1	Thermocontact	Up to Serial or Engine Number J102006
34	3791109M2	1	Filter	[A]
	3792618M1	1	Filter	[B]
35	3618662M1	1	Filter Insert	(34)
36	842332M1	1	Gasket	(34)
37	831196M1	2	O Ring	(34)
38	3903021M1	1	Key	(20)
39	831497M1	1	O Ring	(9) Diameter 16,4X2,2
40	70923841	1	O Ring	(9) Diameter 12,4X1,8
41	3716376M93	1	Tube	
42	3793346M1	1	Seal	
43	1441722X1	2	Pin	Diameter 3X16MM
44	3716377M91	1	Tube	
45	364777X1	2	O Ring	
46	3019389X91	2	Union	[B]
47	3795276M1	2	Adaptor	
48	3010890X1	2	Bush	
49	3795285M1	1	Harness	Up to Serial or Engine Number

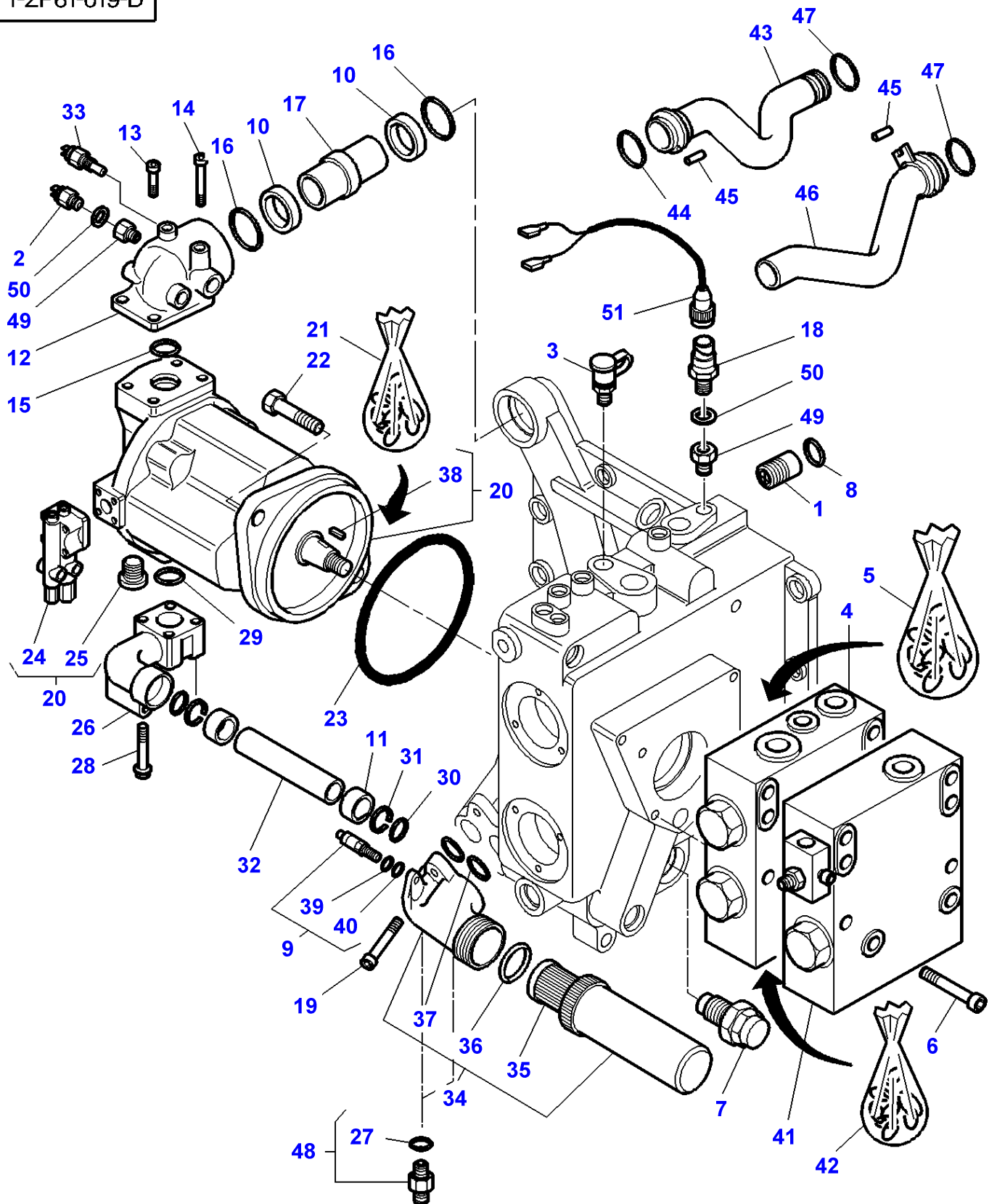
FOOTNOTE [A] WITH FULL POWERSHIFT

FOOTNOTE [B] WITH DYNASHIFT

FOOTNOTE [C] GREEN

MF 8250 TRACTOR - 1637366
1-ZP61-019-D

1-ZP61-019-D



Item	Part Number	Qty	Description	Comments
1	3792040M91	1	Non Return Valve	5 BARS
2	3795283M1	1	Low Pr.Oil Trmtr	[E]
3	3384387M1	1	Pressure Intake	
4	3790025M1	1	Safety Valve	[B]
5	3790027M11	1	Kit, Joint	
6	3015017X1	4	Screw	M8X135
7	3716357M1	1	Restrictor	
8	359300X1	1	O Ring	
9	3618663M4	1	Indicator	
10	3716748M1	2	Gasket	
11	3790863M1	2	Gasket	
12	3716737M2	1	Manifold	
13	3009299X1	2	Screw Metric	M12X25
14	3009300X1	2	Screw	M12X70
15	835130M1	1	O Ring	
16	370087X1	2	O Ring	
17	3716744M1	1	Tube	
18	3795284M1	1	Low Pr.Oil Trmtr	8 BAR
19	3000258X1	2	Screw Metric	[A] M10X40 Up to Serial or Engine Number L042026
	1440351X1	2	Screw Metric	[A] M10X35 From Serial or Engine Number L042027
	1440351X1	2	Screw Metric	[D] M10X35
20	3790900M1	1	Pump	60CM3/RPM
21	3903018M91	1	Kit, Joint	
22	390419X1	2	Hex. Sock. Screw	M16X40
23	70923591	1	O Ring	
24	3903022M1	1	Adjuster	(20)
25	3903019M1	1	Plug	(20)
26	3791912M1	1	Manifold	
27	3019398X1	1	O Ring	(48)
28	3811722M1	4	Bolt	M10X70
29	359306X1	1	O Ring	
30	3010827X1	2	O Ring	
31	3010709X1	2	Bush	
32	3716745M1	1	Tube	
33	3790121M1	1	Thermocontact	Up to Serial or Engine Number J102006
34	3791109M2	1	Filter	[A]
	3792618M1	1	Filter	[D]
35	3618662M1	1	Filter Insert	(34)
36	842332M1	1	Gasket	(34)
37	831196M1	2	O Ring	(34)
38	3903021M1	1	Key	(20)
39	831497M1	1	O Ring	(9) Diameter 16,4X2,2
40	70923841	1	O Ring	(9) Diameter 12,4X1,8
41	3790036M2	1	Safety Valve	[C] Up to Serial or Engine Number L191015
	3797004M1	1	Safety Valve	[C] From Serial or Engine Number L191016
42	3902094M91	1	Kit, Joint	
43	3716376M93	1	Tube	
44	3793346M1	1	Seal	
45	1441722X1	2	Pin	Diameter 3X16MM
46	3716377M91	1	Tube	
47	364777X1	2	O Ring	
48	3019389X91	2	Union	[D]
49	3795276M1	2	Adaptor	
50	3010890X1	2	Bush	
51	3795285M1	1	Harness	Up to Serial or Engine Number

FOOTNOTE [A] WITH FULL POWERSHIFT

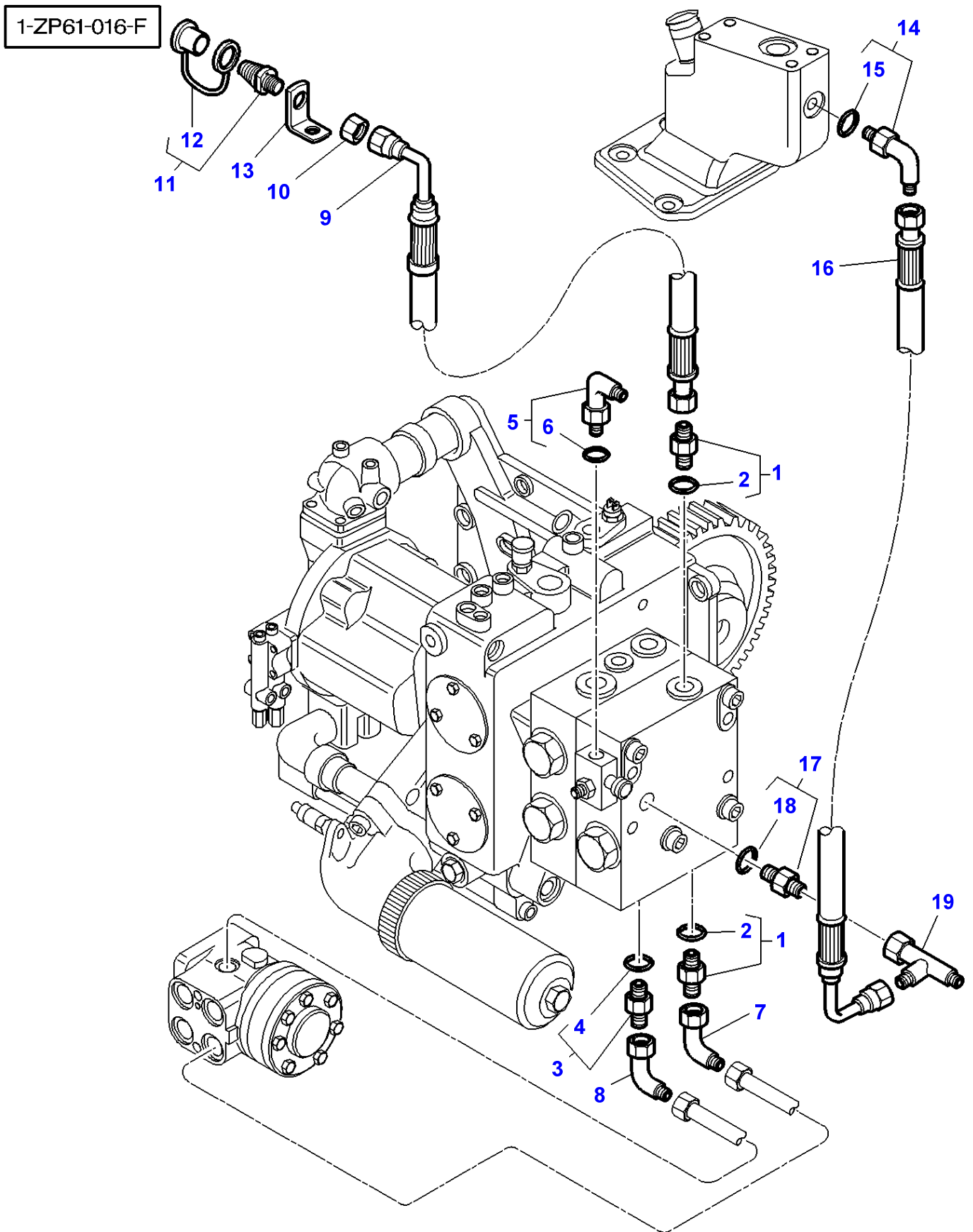
FOOTNOTE [B] STEERING

FOOTNOTE [C] BRAKING

FOOTNOTE [D] WITH DYNASHIFT

FOOTNOTE [E] GREEN

MF 8250 TRACTOR - 1637366
1-ZP61-016-F



Massey Ferguson**MF 8250 TRACTOR - 1637366**

1637366

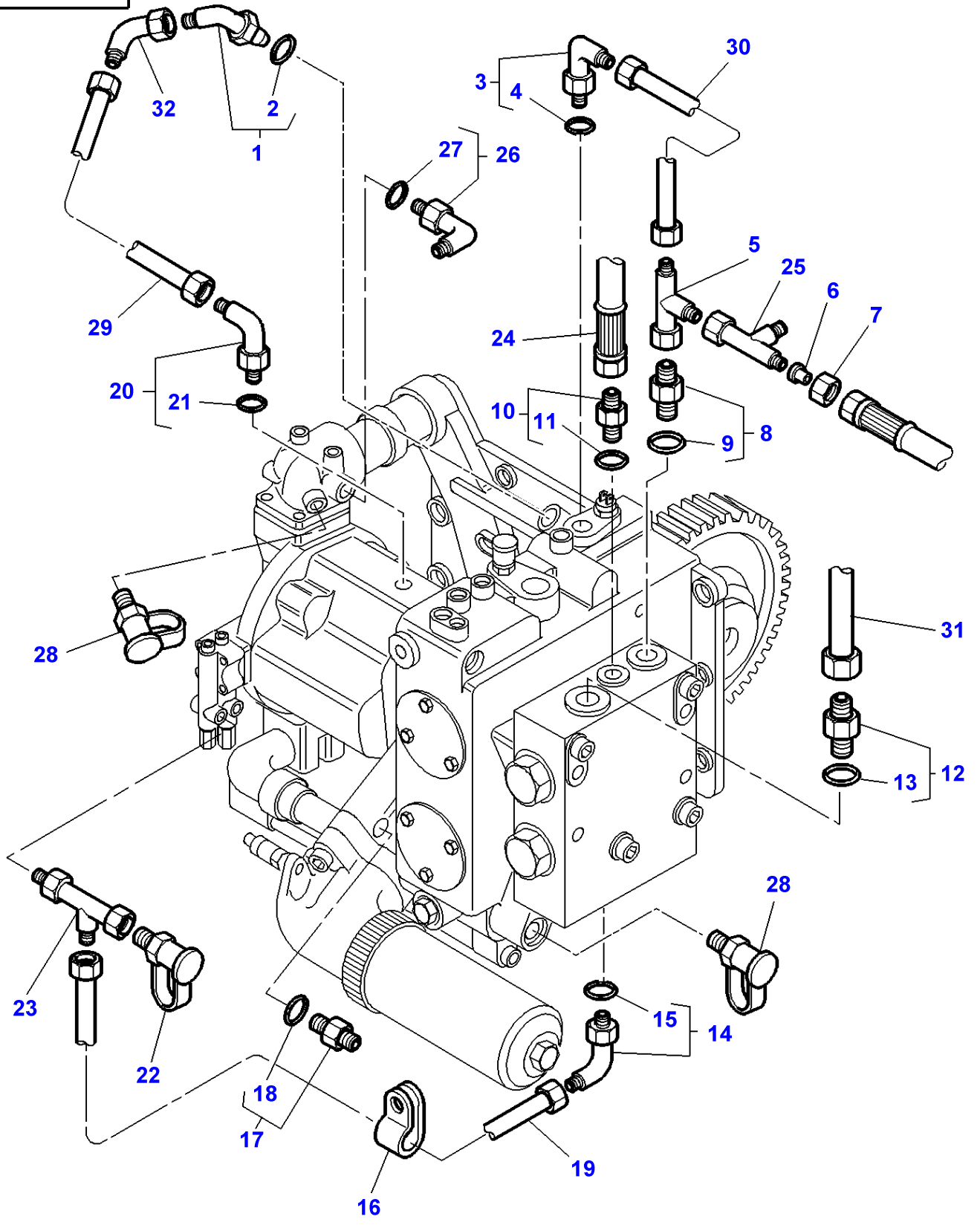
Load Sensing - Cover Rh - Pump 60cc / Hydr. Lines - With Tractor Braking

Page070-0150

Item	Part Number	Qty	Description	Comments
1	3019658X91	2	Union	Diameter M22-3/4
2	3019398X1	1	O Ring	(1)
3	3019379X91	1	Union	Diameter M14 X 9/16
4	3019395X1	1	O Ring	(3)
5	3019694X91	1	Union	Diameter M14 X 1/2
6	3019395X1	1	O Ring	(5)
7	365233X1	1	Elbow	
8	364603X1	1	Elbow	
9	3792041M1	1	Hydr Hose	
10	1442336X1	1	Nut	
11	3581307M3	1	Pressure Valve	
12	3616259M1	1	Plug	(11)
13	3792736M1	1	Support	
14	3019418X91	1	Elbow Nipple	From Serial or Engine Number L191016
15	3019398X1	1	O Ring	(14)
16	3798503M1	1	Hydr Hose	Length 1200 MM
17	3019696X91	1	Union	From Serial or Engine Number L191016
18	3019395X1	1	O Ring	(17)
19	3780180M1	1	Teepiece	From Serial or Engine Number L191016
				Up to Serial or Engine Number M188052
	364704X1	1	Teepiece	From Serial or Engine Number M188053

MF 8250 TRACTOR - 1637366
1-ZP61-020-B

1-ZP61-020-B



Massey Ferguson**MF 8250 TRACTOR - 1637366**

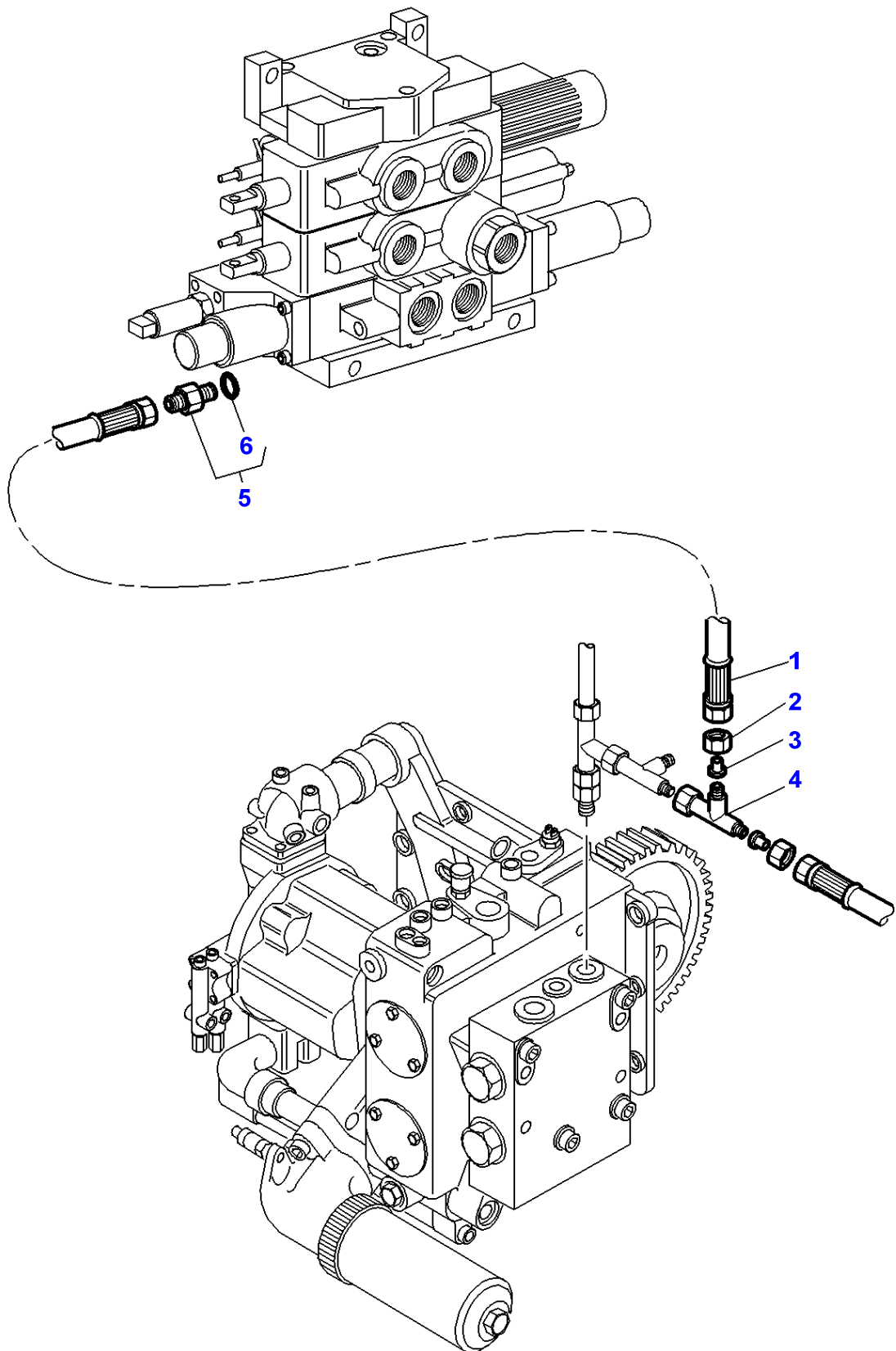
1637366

Load Sensing - Cover Rh - WITH PUMP 60CC / HYDR. LINES / WITH OR WITHOUT TRAILOR BRAKING

Page 070-0155

Item	Part Number	Qty	Description	Comments
1	3019418X91	1	Elbow Nipple	Diameter M22X7/8
2	3019398X1	1	O Ring	(1)
3	3019414X91	1	Union	Diameter M16X3/4
4	3019396X1	1	O Ring	(3)
5	364735X1	1	Union	
6	356627X1	1	Adaptor	Diameter 3/4X9/16
7	195960M1	1	Nut	Diameter 3/4
8	3019658X91	1	Union	Diameter M22-3/4
9	3019398X1	1	O Ring	(8)
10	3019379X91	1	Union	Diameter M14X9/16
11	3019395X1	1	O Ring	(10)
12	3019391X91	1	Union	Diameter M33X1"5/16
13	3019399X1	1	O Ring	(12)
14	3019694X91	1	Union	Diameter M14X1/2
15	3019395X1	1	O Ring	(14)
16	3581132M1	1	Clamp	
17	3019381X91	1	Union	Diameter M16X3/4
18	3019399X1	1	O Ring	(17)
19	3791710M2	1	Tube	
20	835007M91	1	Elbow	Diameter 7/8X7/8
21	1882958M1	1	O Ring	(20)
22	3712707M1	1	Intake	
23	3712689M1	1	Union	
24	3716398M1	1	Hydr Hose	
25	364735X1	1	Union	Diameter 3/4-16
26	3019416X91	1	Elbow	Diameter M18X7/8
27	3019397X1	1	O Ring	(26)
28	3384387M1	2	Pressure Intake	
29	3792313M2	1	Tube	
30	3791711M2	1	Tube	
31	3797956M91	1	Tube	
32	367386X1	1	Elbow	

1-ZP61-022-A

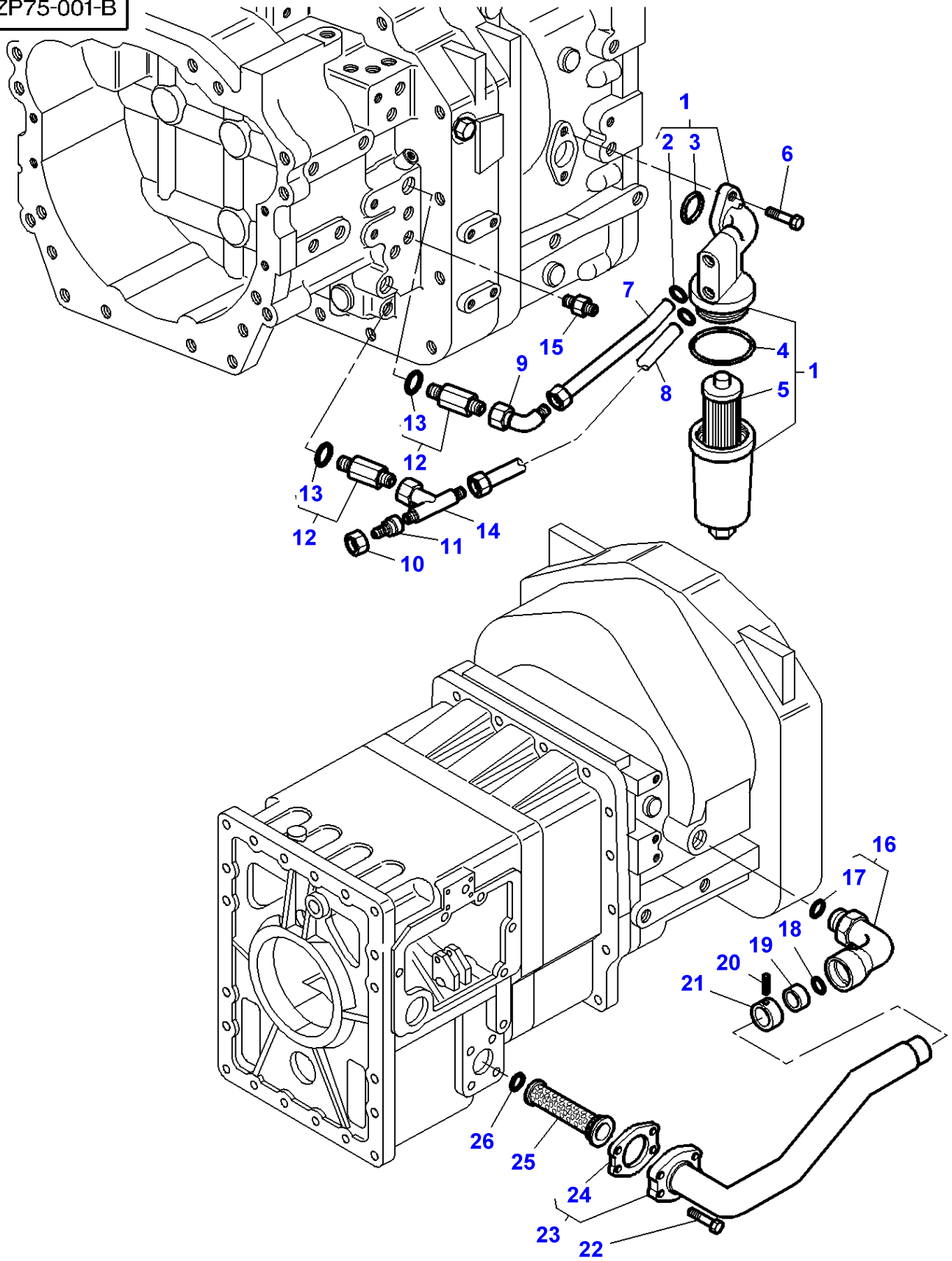


Massey Ferguson**MF 8250 TRACTOR - 1637366****1637366****Load Sensing - Cover Rh - With Hydraulic Pump 150 L/mn / DUAL CONTROL DISTRIBUTOR FEEDING****Page070-0160**

Item	Part Number	Qty	Description	Comments
1	3716399M1	1	Hydr Hose	Length 1360MM
2	338773X1	1	Olive	
3	356627X1	1	Adaptor	
4	364735X1	1	Union	
5	3019660X91	1	Union	
6	3019393X1	1	O Ring	(5)

MF 8250 TRACTOR - 1637366
1-ZP75-001-B

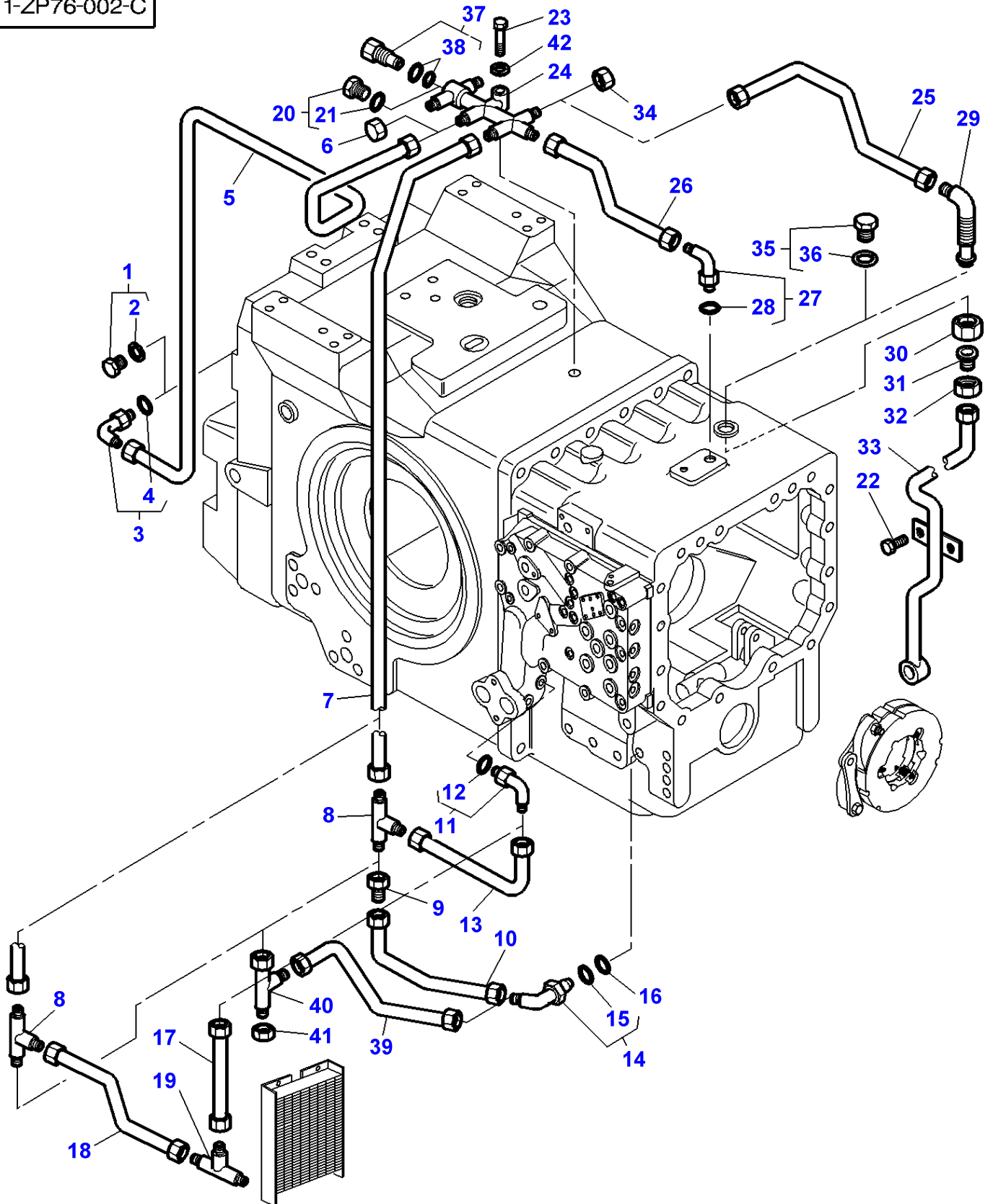
1-ZP75-001-B



Item	Part Number	Qty	Description	Comments
1	3791110M2	1	Filter	
2	70924776	2	O Ring	(1)
3	377353X1	1	O Ring	(1)
4	842332M1	1	Gasket	(1)
5	3618662M1	1	Filter Insert	(1)
6	1440356X1	2	Screw Metric	M12x30
7	3791875M2	1	Tube	
8	3791876M2	1	Tube	
9	367277X1	1	Elbow	Diameter 1"5/16-12
10	375048X1	1	Nut	
11	356633X1	1	Adaptor	
12	3791393M91	2	Union	Diameter 1"5/16-12
13	835026M1	1	O Ring	(12)
14	373793X1	1	Teepiece	Diameter 1"5/16-12
15	3790887M1	1	Union	Diameter 1"5/16 Diameter 1"1/16-18
16	3716901M1	1	Bridle	
17	70921887	1	O Ring	(16) Replace and repair. Old interchangeable with new 831504M1
18	852140M1	1	O Ring	
19	3716902M1	1	Gasket	
20	3009351X1	1	Screw	M6X8
21	3716903M1	1	Bush	
22	1440356X1	4	Screw Metric	M12X30
23	3716908M93	1	Tube	
24	3716358M1	1	Seal	(23)
25	3716334M1	1	Strainer	
26	1006234M1	1	O Ring	

MF 8250 TRACTOR - 1637366
1-ZP76-002-C

1-ZP76-002-C



Hydraulic Circuit Lube Systeme - With Pump 45cc

Item	Part Number	Qty	Description	Comments
1	3019639X91	1	Plug	[C]
2	3019395X1	1	O Ring	[C] (1)
3	3716879M91	1	Union	
4	3019395X1	1	O Ring	(3)
5	3790898M91	1	Tube	
6	356578X1	1	Plug	[C]
7	3790896M91	1	Tube	
8	356561X1	1	Union	
9	377651X1	1	Reducer	Up to Serial or Engine Number J049024
10	3790894M91	1	Tube	Up to Serial or Engine Number J049024
11	3019416X91	1	Elbow	
12	3019397X1	1	O Ring	(11)
13	3790892M91	1	Tube	[B]
14	3716884M91	1	Union	Up to Serial or Engine Number J049024
	3385713M91	1	Union	From Serial or Engine Number J049025
15	3019395X1	1	O Ring	(14)
16	3019395X1	1	O Ring	
17	3790922M91	1	Tube	[A]
18	3790920M91	1	Tube	[A]
19	356561X1	1	Union	[A]
20	358724X91	1	Plug	[B]
21	831497M1	1	O Ring	[B] (20)
22	391989X1	2	Screw Metric	M8x20
23	339010X1	1	Bolt Metric	M8x40
24	3790871M3	1	Bar	
25	3790924M91	1	Tube	
26	3796898M1	1	Tube	
27	3716772M91	1	Union	[B]
	3791953M91	1	Union	[A]
28	831497M1	1	O Ring	(27)
29	3791258M91	1	Union	[B]
30	353436X1	1	Nut Unf	[B] Diameter 3/4"-16
31	380003X1	1	Union	[B]
32	195960M1	1	Nut	[B] Diameter 3/4"
33	3790926M93	1	Tube	[B]
34	70923737	1	Plug	[E]
35	358724X91	1	Plug	[E]
36	831497M1	1	O Ring	(35)
37	3793452M2	1	Non Return Valve	[A] 2,8 BARS
38	3903493M91	1	Kit, Joint	[A] (37)
39	3793517M1	1	Tube	From Serial or Engine Number J049025
40	3793518M91	1	Union	From Serial or Engine Number J049025
41	356580X1	1	Plug	From Serial or Engine Number J049025
42	390972X1	1	Washer Metric	

FOOTNOTE [A] WITH DYNASHIFT

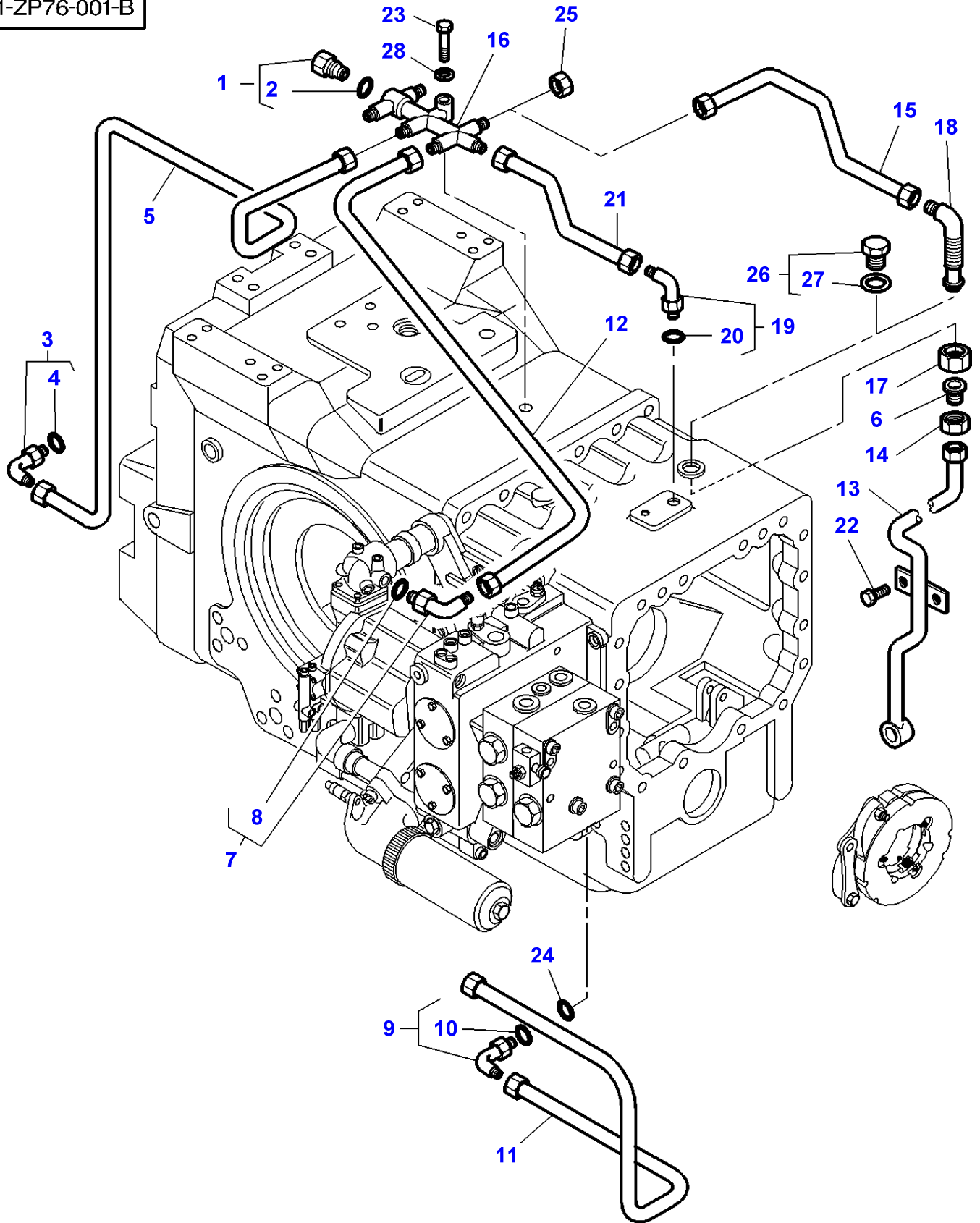
FOOTNOTE [B] WITH FULL POWERSHIFT

FOOTNOTE [C] WITHOUT INDEPENDANT P.T.O.

FOOTNOTE [E] WITHOUT CREEPER GEAR

MF 8250 TRACTOR - 1637366
1-ZP76-001-B

1-ZP76-001-B

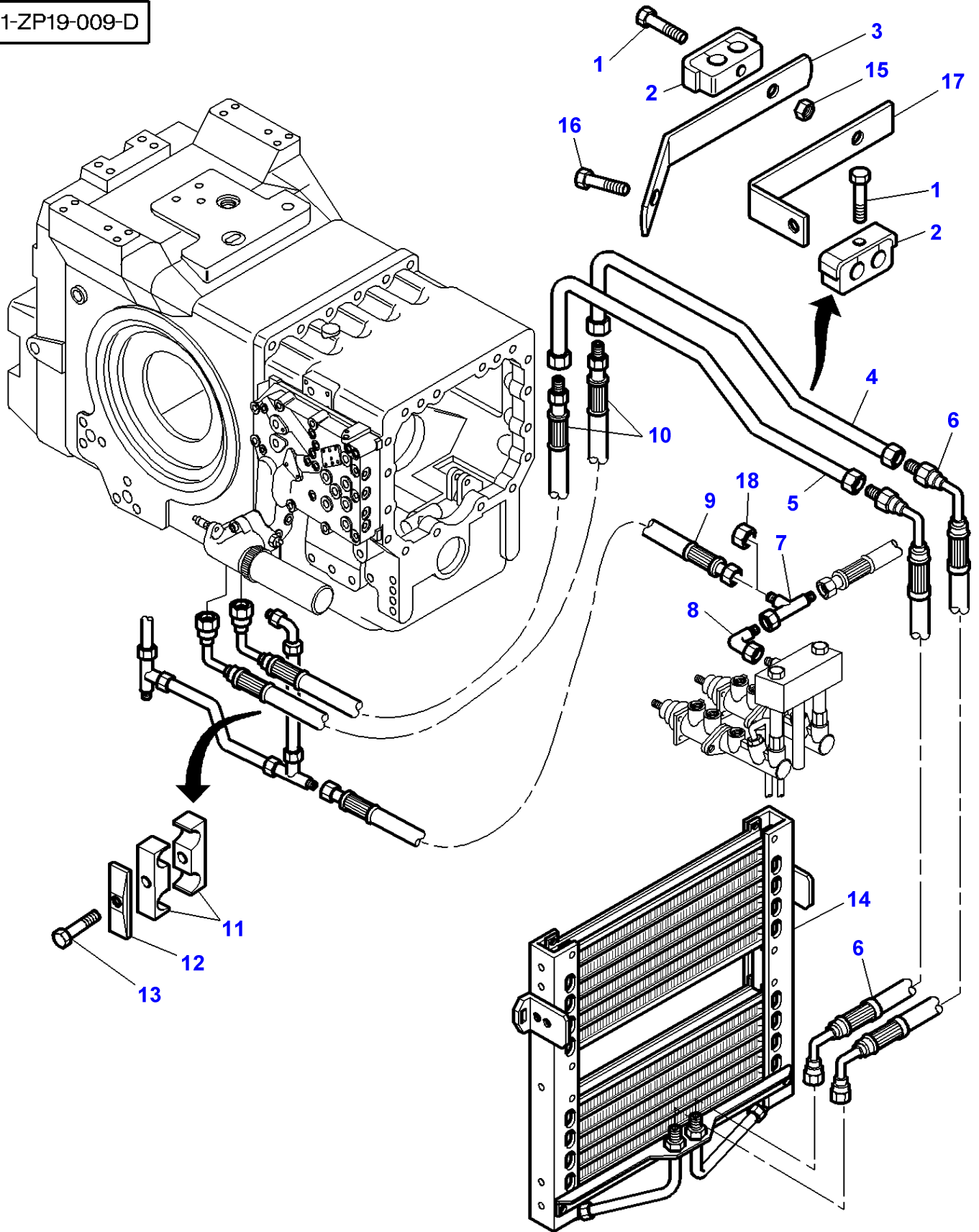


Item	Part Number	Qty	Description	Comments
1	358724X91	1	Plug	
2	831497M1	1	O Ring	(1)
3	3716879M91	1	Union	
4	3019395X1	1	O Ring	(3)
5	3790898M91	1	Tube	
6	380003X1	1	Union	[B]
7	3019416X91	1	Elbow	Diameter M18
8	3019397X1	1	O Ring	(7)
9	3716884M91	1	Union	
10	831497M1	1	O Ring	(9)
11	3792019M1	1	Tube	
12	3791716M1	1	Tube	
13	3790926M93	1	Tube	
14	195960M1	1	Nut	[B]
15	3790924M91	1	Tube	[B]
16	3790871M3	1	Bar	
17	353436X1	1	Nut Unf	[B]
18	3791258M91	1	Union	
19	3791953M91	1	Union	Up to Serial or Engine Number H174011
	3716772M91	1	Union	From Serial or Engine Number H174012
20	831497M1	1	O Ring	(19)
21	3796898M1	1	Tube	
22	391989X1	2	Screw Metric	[B] M8X20
23	339010X1	1	Bolt Metric	M8X40
24	3019395X1	1	O Ring	
25	70923737	1	Plug	[C]
26	358724X91	1	Plug	[C]
27	831497M1	1	O Ring	[C] (26)
28	390972X1	1	Washer Metric	

FOOTNOTE [B] WITH CREEPER GEAR

FOOTNOTE [C] WITHOUT CREEPER GEAR

1-ZP19-009-D



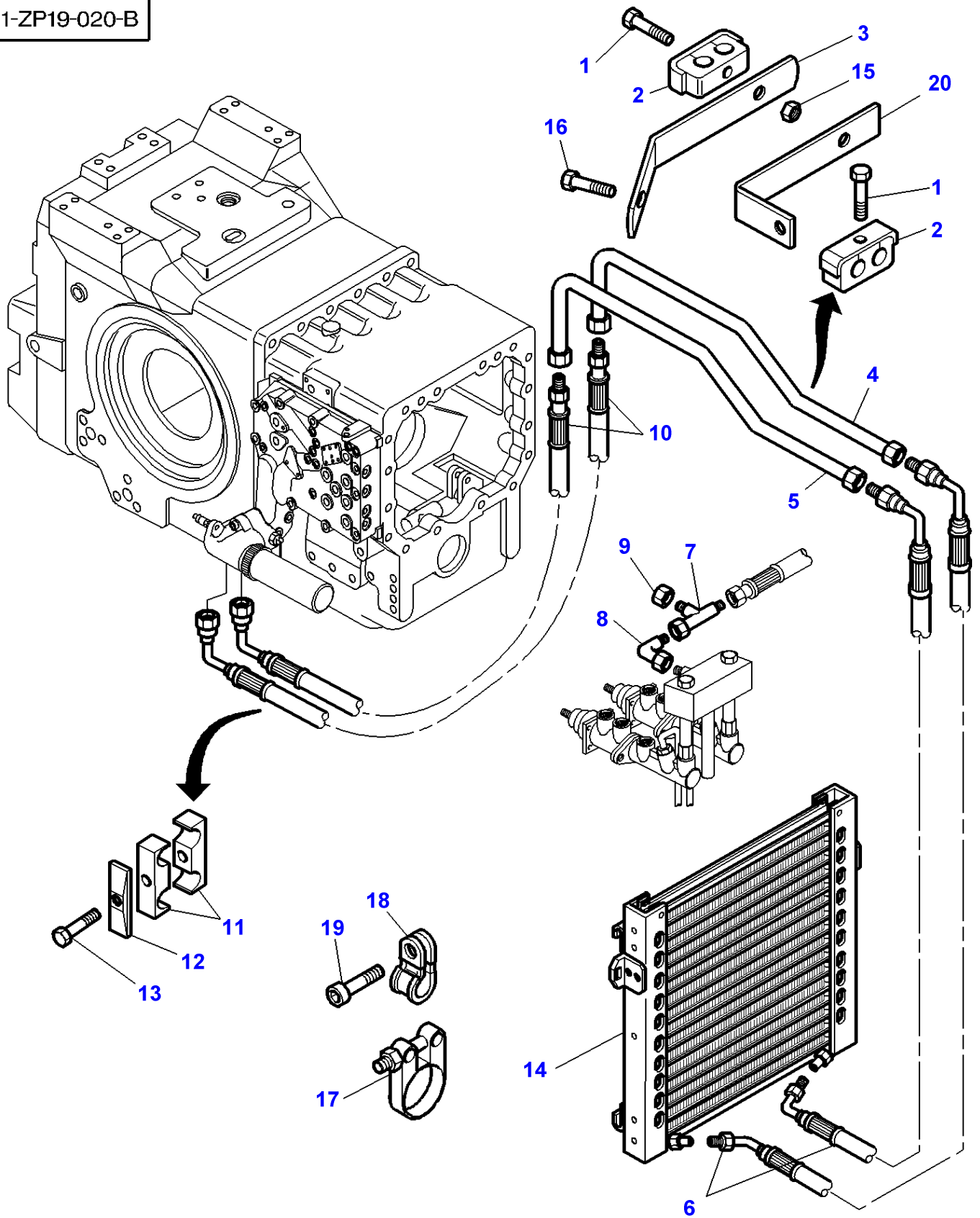
Massey Ferguson**MF 8250 TRACTOR - 1637366****1637366****Oil Cooler - M.F 8250 - With Dynashift****Page070-0180**

Item	Part Number	Qty	Description	Comments
1	339011X1	2	Bolt Metric	M8X45
2	3781936M1	2	Bridle	
3	3782825M2	1	Strap	Up to Serial or Engine Number 15-07-2002
4	3782605M2	1	Tube	
5	3782606M2	1	Tube	
6	3781918M2	2	Hydr Hose	Length 950MM
7	3791175M92	1	Union	
8	364603X1	1	Elbow	
9	3781572M1	1	Hydr Hose	Length 2200MM Up to Serial or Engine Number L038021
10	3782869M1	2	Hydr Hose	Length 2300MM
11	3780682M1	2	Bridle	
12	3780683M1	1	Plate	
13	339011X1	1	Bolt Metric	M8X45
14	3780275M2	1	Oil Cooler	[A] See Page - Reference Number 070-0200/1
15	339169X1	1	Nut	
16	339560X1	1	Hex. Sock. Screw	M6X16
17	4270204M1	1	Strap	From Serial or Engine Number 16-07-2002
18	22833X	1	Cap	From Serial or Engine Number L038022

FOOTNOTE [A] THE APPROPRIATE SAFETY DECALS MUST BE ORDERED AND FITTED TO THIS PART

MF 8250 TRACTOR - 1637366
1-ZP19-020-B

1-ZP19-020-B



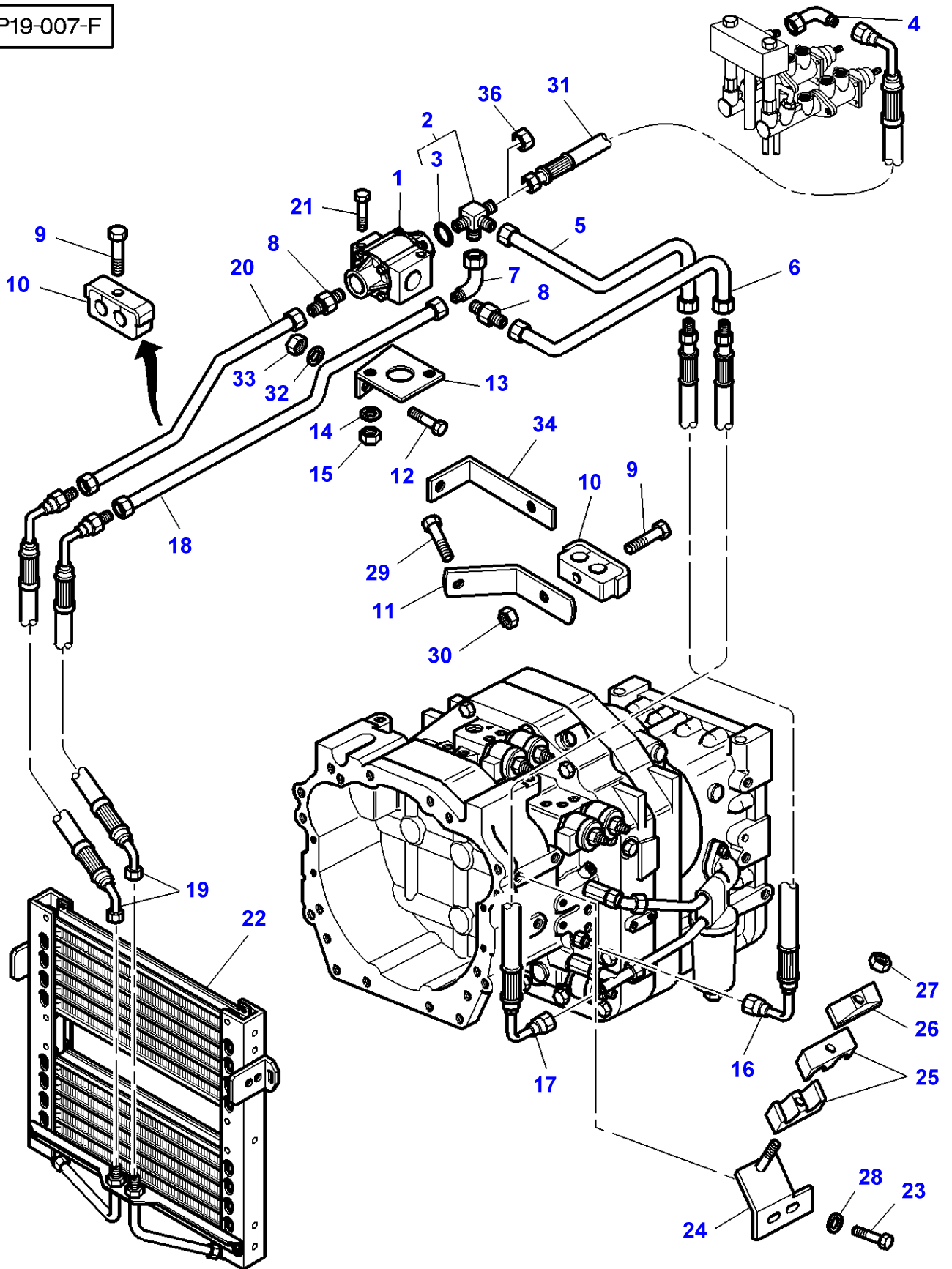
Item	Part Number	Qty	Description	Comments
1	339011X1	2	Bolt Metric	M8X45
2	3781936M1	2	Bridle	
3	3782825M2	1	Strap	Up to Serial or Engine Number 15-07-2002
4	3789738M3	1	Tube	
5	3789739M3	1	Tube	
6	4273622M1	2	Hydr Hose	Length 1060MM
7	3791175M92	1	Union	
8	364603X1	1	Elbow	
9	356579X1	1	Cap	
10	3782869M1	2	Hydr Hose	Length 2300MM
11	3780682M1	2	Bridle	
12	3780683M1	1	Plate	
13	339011X1	1	Bolt Metric	M8X45
14	3789539M2	1	Oil Cooler	[A,B]
15	339169X1	1	Nut	
16	339560X1	1	Hex. Sock. Screw	M6X16
17	3787802M1	2	Clamp	
18	3581424M1	2	Clamp	
19	1440349X1	1	Screw Metric	M8X30
20	4270204M1	1	Strap	From Serial or Engine Number 16-07-2002

FOOTNOTE [A] NOT DETAILED

FOOTNOTE [B] THE APPROPRIATE SAFETY DECALS MUST BE ORDERED AND FITTED TO THIS PART

MF 8250 TRACTOR - 1637366
1-ZP19-007-F

1-ZP19-007-F

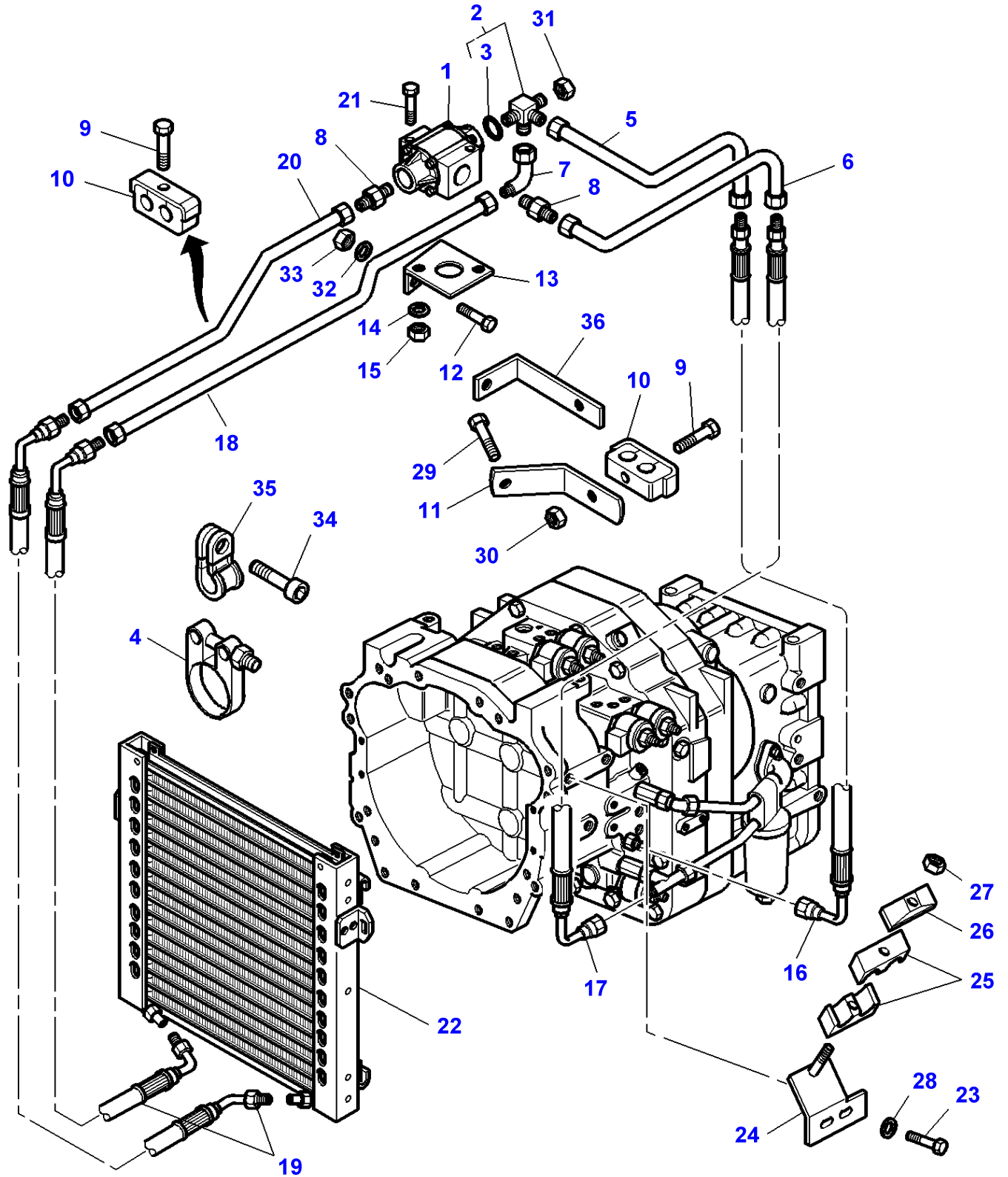


Item	Part Number	Qty	Description	Comments
1	3790883M1	1	Pressure Valve	See Page - Reference Number 070-0205/1
2	5016401M91	1	Pressure Valve	
3	835026M1	1	O Ring	(2)
4	3791382M92	1	Union	Up to Serial or Engine Number L038021
5	3781949M2	1	Tube	
6	3781948M2	1	Tube	
7	366462X1	1	Elbow	
8	70935768	2	Connector	
9	339011X1	2	Bolt Metric	M8X45
10	3781936M1	2	Bridle	
11	3782825M2	1	Strap	Up to Serial or Engine Number 15-07-2002
12	339123X1	2	Hex. Sock. Screw	M8X20
13	3781952M1	1	Support	
14	390734X1	2	Washer	
15	3009693X1	2	Nut Metric	
16	3781919M1	1	Hydr Hose	Length 950MM
17	3781920M1	1	Hydr Hose	Length 1050MM
18	3781913M1	1	Tube	
19	3781918M2	2	Hydr Hose	
20	3781912M1	1	Tube	
21	3009502X1	2	Bolt Metric	M10X80
22	3780275M2	1	Oil Cooler	[A] See Page - Reference Number 070-0200/1
23	339761X1	1	Hex. Sock. Screw	M8X25
24	3782861M93	1	Support	
25	3780682M1	2	Bridle	
26	3780683M1	1	Plate	
27	339169X1	1	Nut	
28	390972X1	1	Washer Metric	
29	339560X1	1	Hex. Sock. Screw	M6X16
30	339169X1	1	Nut	
31	3783358M1	1	Hydr Hose	Length 750MM Up to Serial or Engine Number L038021
32	390972X1	2	Washer Metric	
33	339169X1	2	Nut	
34	4270204M1	1	Strap	From Serial or Engine Number 16-07-2002
35	356579X1	1	Cap	From Serial or Engine Number L038022

FOOTNOTE [A] THE APPROPRIATE SAFETY DECALS MUST BE ORDERED AND FITTED TO THIS PART

MF 8250 TRACTOR - 1637366
1-ZP19-018-B

1-ZP19-018-B



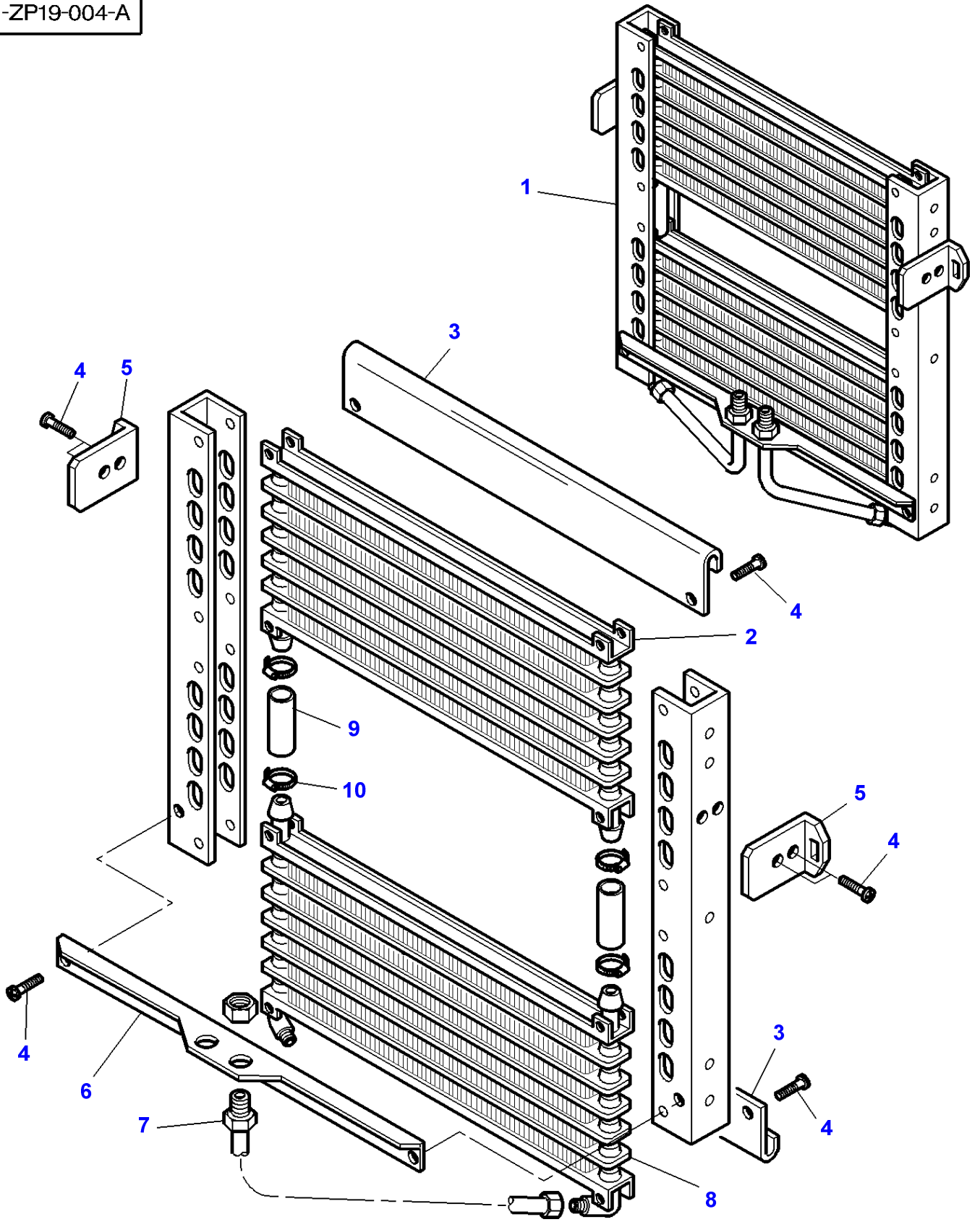
Item	Part Number	Qty	Description	Comments
1	3790883M1	1	Pressure Valve	See Page - Reference Number 070-0205/1
2	5016401M91	1	Pressure Valve	
3	835026M1	1	O Ring	(2)
4	3787802M1	2	Clamp	Diameter 26-28
5	3781949M2	1	Tube	
6	3781948M2	1	Tube	
7	366462X1	1	Elbow	
8	70935768	2	Connector	
9	339011X1	2	Bolt Metric	M8X45
10	3781936M1	2	Bridle	
11	3782825M2	1	Strap	Up to Serial or Engine Number 15-07-2002
12	339123X1	2	Hex. Sock. Screw	M8X20
13	3781952M1	1	Support	
14	390734X1	2	Washer	
15	3009693X1	2	Nut Metric	
16	3781919M1	1	Hydr Hose	Length 950MM
17	3781920M1	1	Hydr Hose	Length 1050MM
18	3789741M1	1	Tube	
19	4273622M1	2	Hydr Hose	Length 1060MM
20	3789740M1	1	Tube	
21	3009502X1	2	Bolt Metric	M10X80
22	3789539M2	1	Oil Cooler	[A,B]
23	339761X1	1	Hex. Sock. Screw	M8X25
24	3782861M93	1	Support	
25	3780682M1	2	Bridle	
26	3780683M1	1	Plate	
27	339169X1	1	Nut	
28	390972X1	1	Washer Metric	
29	339560X1	1	Hex. Sock. Screw	M6X16
30	339169X1	1	Nut	
31	356579X1	1	Cap	
32	390972X1	2	Washer Metric	
33	339169X1	2	Nut	
34	1440349X1	1	Screw Metric	M8X30
35	3581424M1	2	Clamp	
36	4270204M1	1	Strap	From Serial or Engine Number 16-07-2002

FOOTNOTE [A] NOT DETAILED

FOOTNOTE [B] THE APPROPRIATE SAFETY DECALS MUST BE ORDERED AND FITTED TO THIS PART

MF 8250 TRACTOR - 1637366
1-ZP19-004-A

1-ZP19-004-A



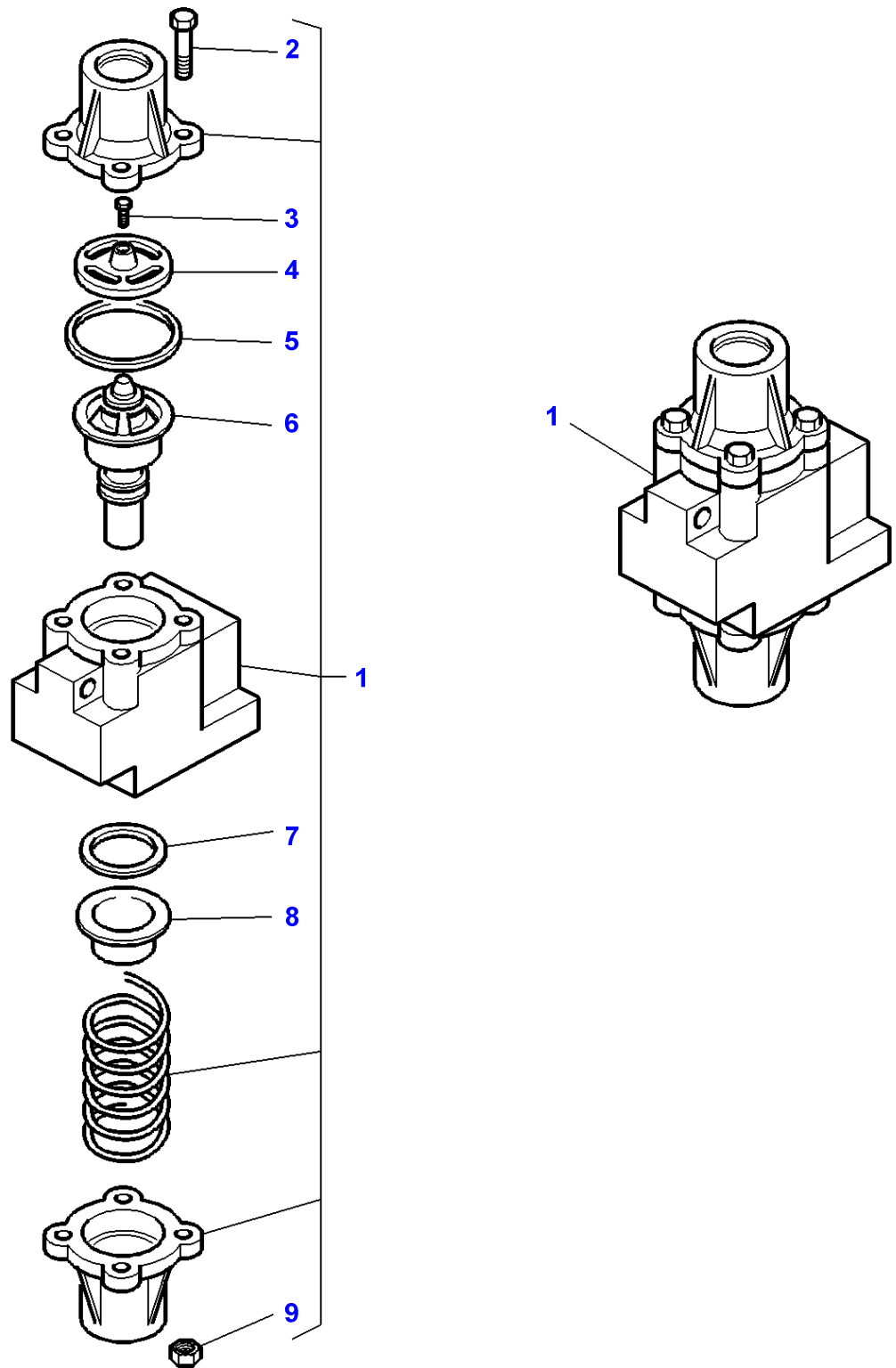
Oil Cooler

Item	Part Number	Qty	Description	Comments
1	3780275M2	1	Oil Cooler	[B] MF 8250
	3789539M2	1	Oil Cooler	[A,B] MF 8250 XTRA
2	3903406M1	1	Oil Cooler	(1)
3	3903404M1	2	Guide	(1)
4	3007920X1	10	Screw Metric	(1) M6X12
5	3903403M1	2	Support	(1)
6	3903402M1	1	Support	(1)
7	3903401M91	2	Tube	(1)
8	3903407M1	1	Oil Cooler	(1)
9	3903405M1	2	Hose	(1)
10	3019566X1	4	Clamp	(1)

FOOTNOTE [A] NOT DETAILED

FOOTNOTE [B] THE APPROPRIATE SAFETY DECALS MUST BE ORDERED AND FITTED TO THIS PART

1-ZP01-001-A



Massey Ferguson**MF 8250 TRACTOR - 1637366**

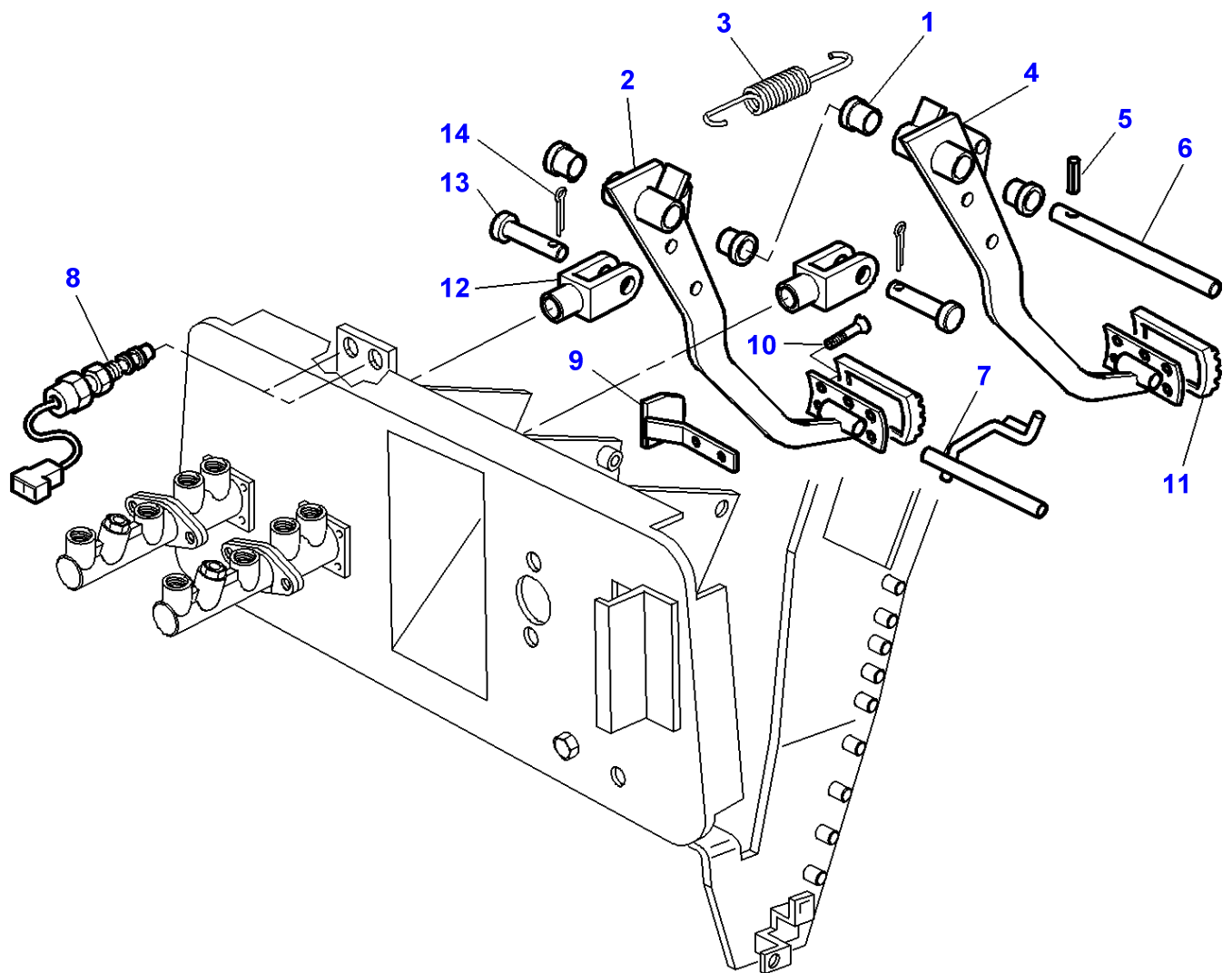
1637366

Hydraulic Valve - With Full Powershift

Page070-0205

Item	Part Number	Qty	Description	Comments
1	3790883M1	1	Pressure Valve	
2	70934293	4	Bolt	(1)
3	72514302	1	Screw	(1)
4	72514301	1	Washer	(1)
5	72511856	1	Seal	(1)
6	72514303	1	Pressure Valve	(1)
7	72511856	1	Seal	(1)
8	72511858	1	Seal	(1)
9	70923358	4	Nut	(1)

1-ZG16-003-C



Massey Ferguson**MF 8250 TRACTOR - 1637366**

1637366

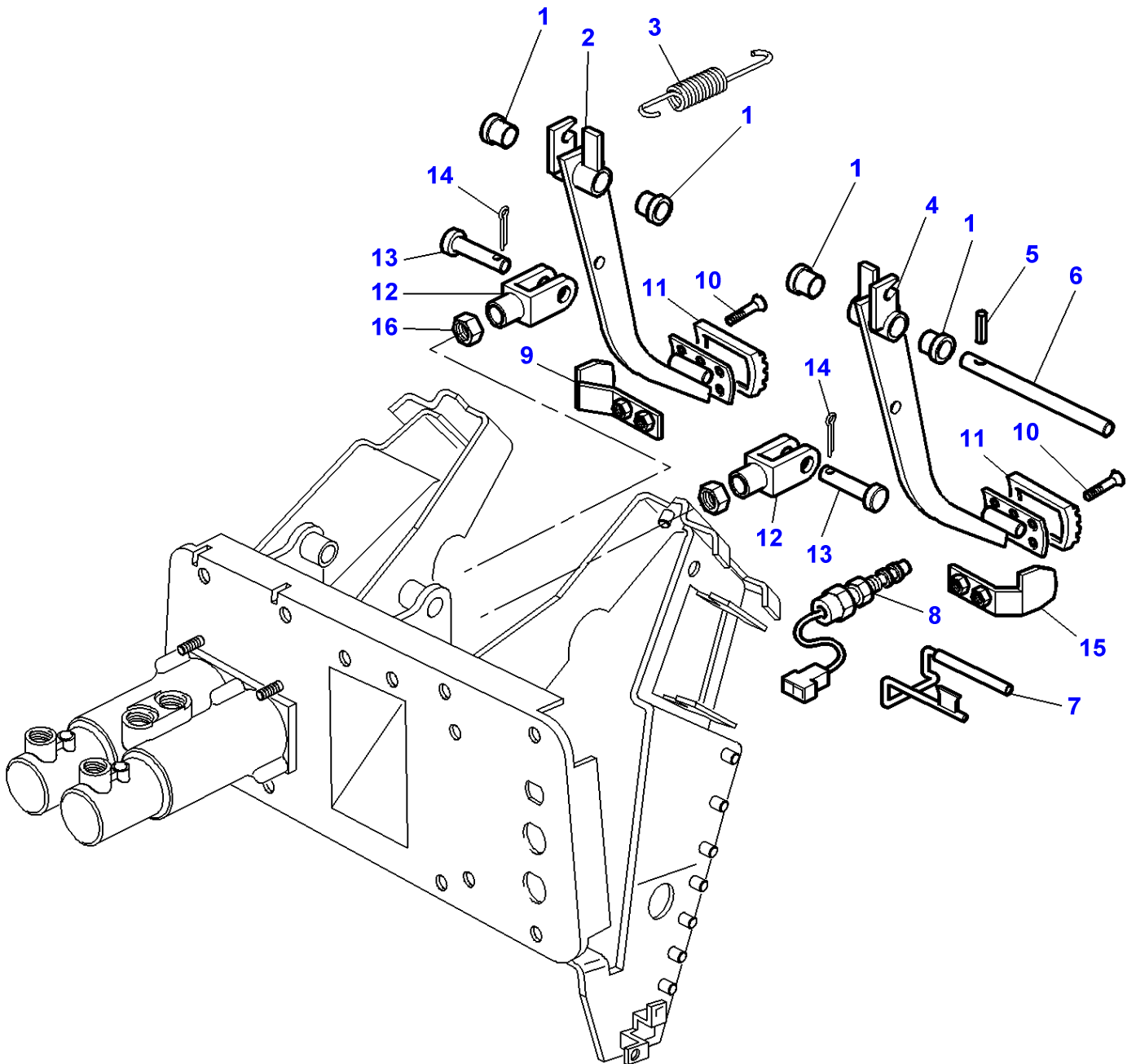
Brakes - Pedals - Up to Serial or Engine Number L038021

Page070-0210

Item	Part Number	Qty	Description	Comments
1	3385604M1	4	Bearing	
2	3782118M1	1	Brake Pad	Right Hand
3	3781689M1	2	Spring	
4	3782117M1	1	Brake Pad	Left Hand
5	391290X1	1	Pin	Diameter 5 X 30
6	3713576M1	1	Clevis Pin	
7	3583930M3	1	Latch	
8	3780395M2	2	Switch,Indirect	
9	3714488M3	1	Stop	
10	392404X1	2	Screw	M5 X 12
11	1626321M2	2	Skate	
12	3385612M3	2	Clevis	[A] Length 51 MM
	3384656M1	2	Clevis	Length 61 MM
13	3019213X1	2	Clevis Pin	
14	357146X1	2	Pin	Diameter 2,8 X 25

FOOTNOTE [A] WITH ASSISTED BRAKE

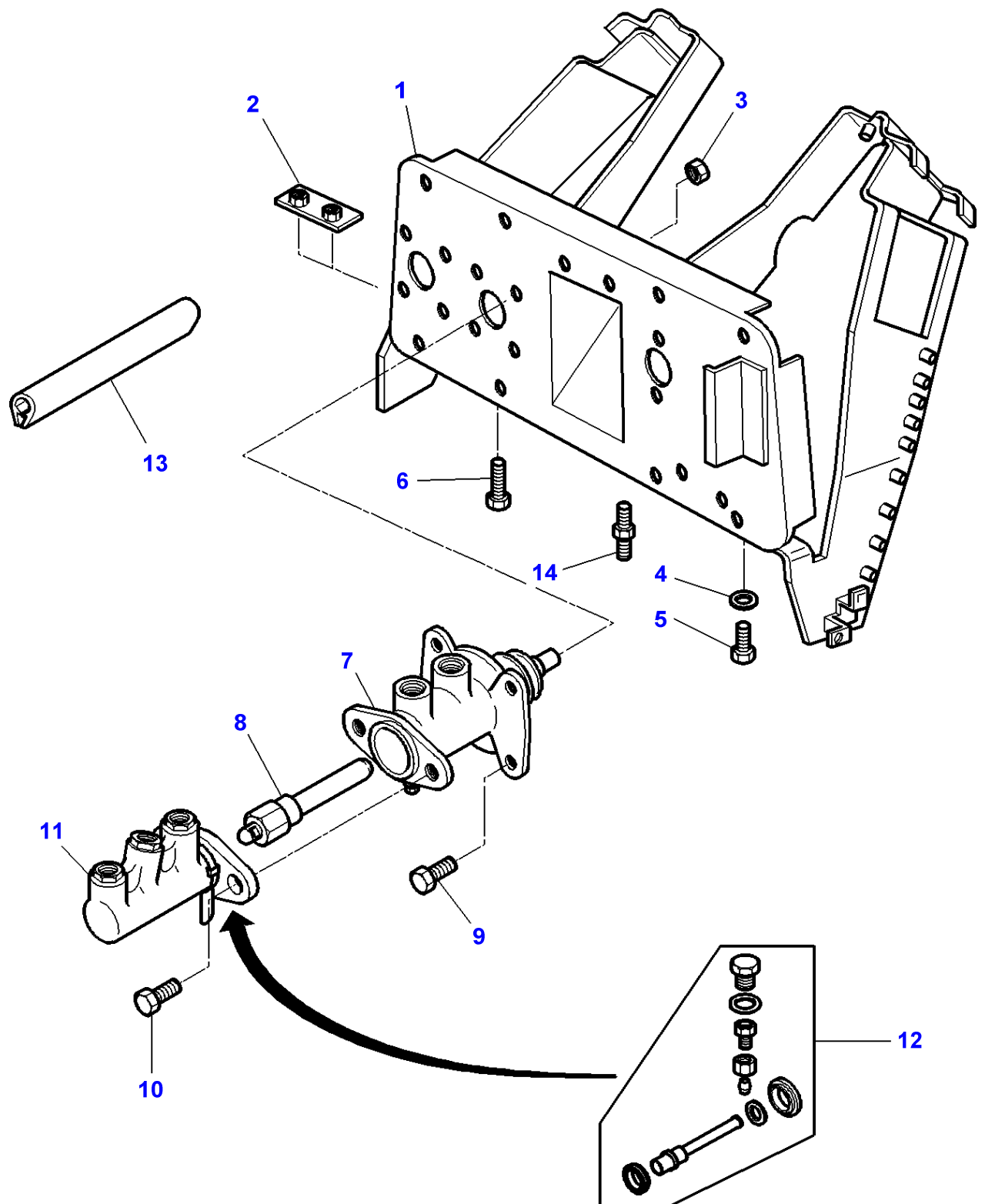
1-ZG16-006-B



Massey Ferguson**MF 8250 TRACTOR - 1637366****1637366****Brakes - Pedals - With Cab And Power Brakes - From L038022****Page070-0215**

Item	Part Number	Qty	Description	Comments
1	3385604M1	4	Bearing	
2	3785647M1	1	Brake Pad	Right Hand
3	3785651M1	2	Spring	
4	3785646M1	1	Brake Pad	Left Hand
5	391290X1	1	Pin	5X30
6	3785652M2	1	Clevis Pin	
7	3785648M1	1	Latch	
8	3780395M2	2	Switch,Indirect	
9	3714488M3	1	Stop	
10	392404X1	4	Screw	
11	1626321M2	2	Skate	
12	3384656M1	2	Clevis	Length 61MM
13	3019213X1	2	Clevis Pin	
14	357146X1	2	Pin	2,8X25MM
15	3785649M1	1	Stop	
16	392310X1	2	Nut Metric	M10

1-ZG18-006-A



Massey Ferguson**MF 8250 TRACTOR - 1637366**

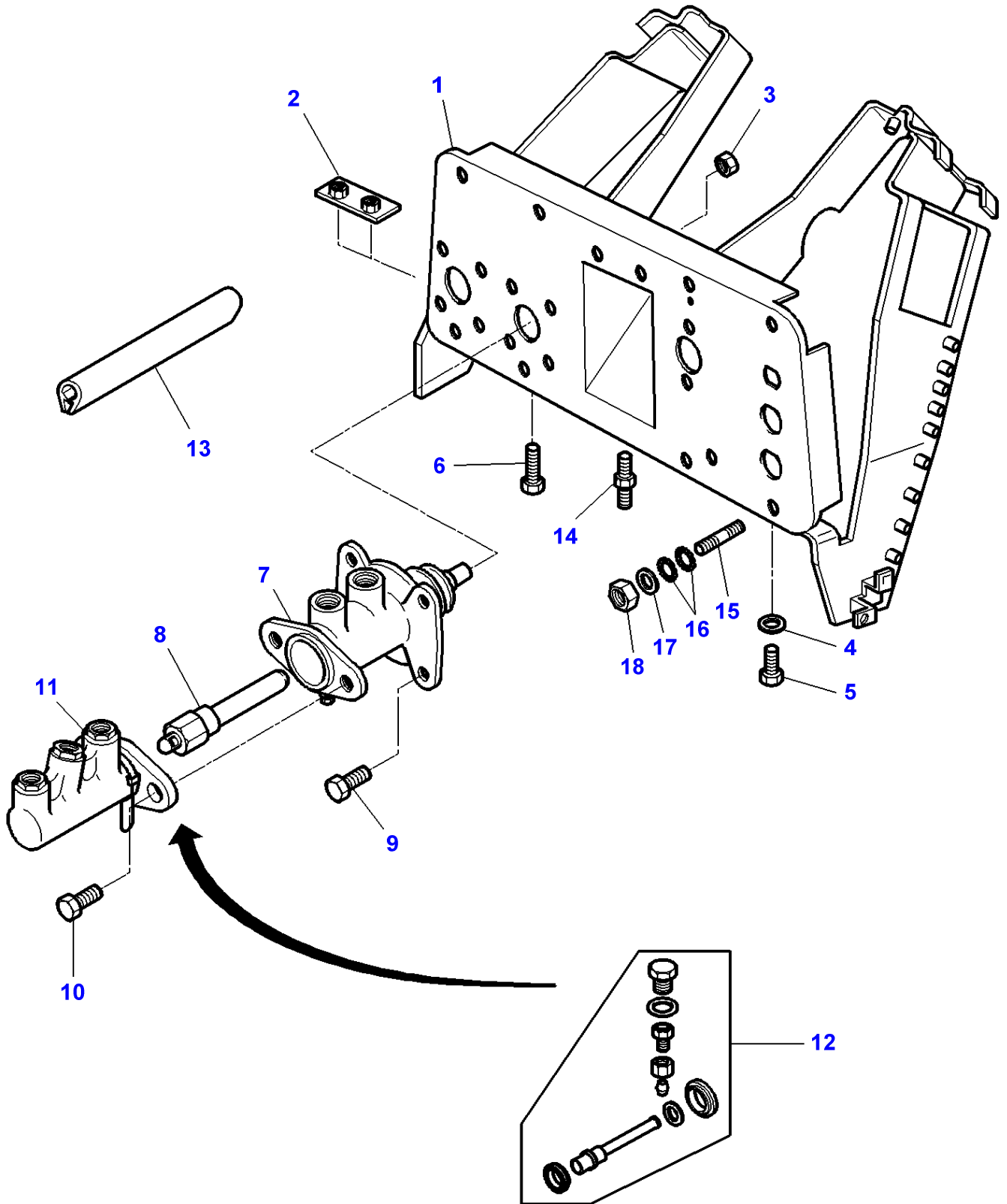
1637366

Brakes - Master Cylinder - Assisted - Without Trailer Braking - Up To 07-01-2001

Page070-0220

Item	Part Number	Qty	Description	Comments
1	3713562M96	1	Support	
2	3714445M1	1	Stop	
3	339169X1	4	Nut	
4	390972X1	8	Washer Metric	
5	339123X1	8	Hex. Sock. Screw	M8X20
6	339666X1	2	Hex. Sock. Screw	M6X20
7	3617596M1	2	Brake Cylinder	
8	3617594M93	2	Stem	
9	339761X1	8	Hex. Sock. Screw	M8X25
10	339761X1	4	Hex. Sock. Screw	M8X25
11	3384685M3	2	Main Cylinder	
12	1810832M91	1	Kit, Repair	(11)
13	3580695M1	1	Gasket	Length 1600MM
14	3783231M2	2	Stud	M8X40,5

1-ZG18-011-C



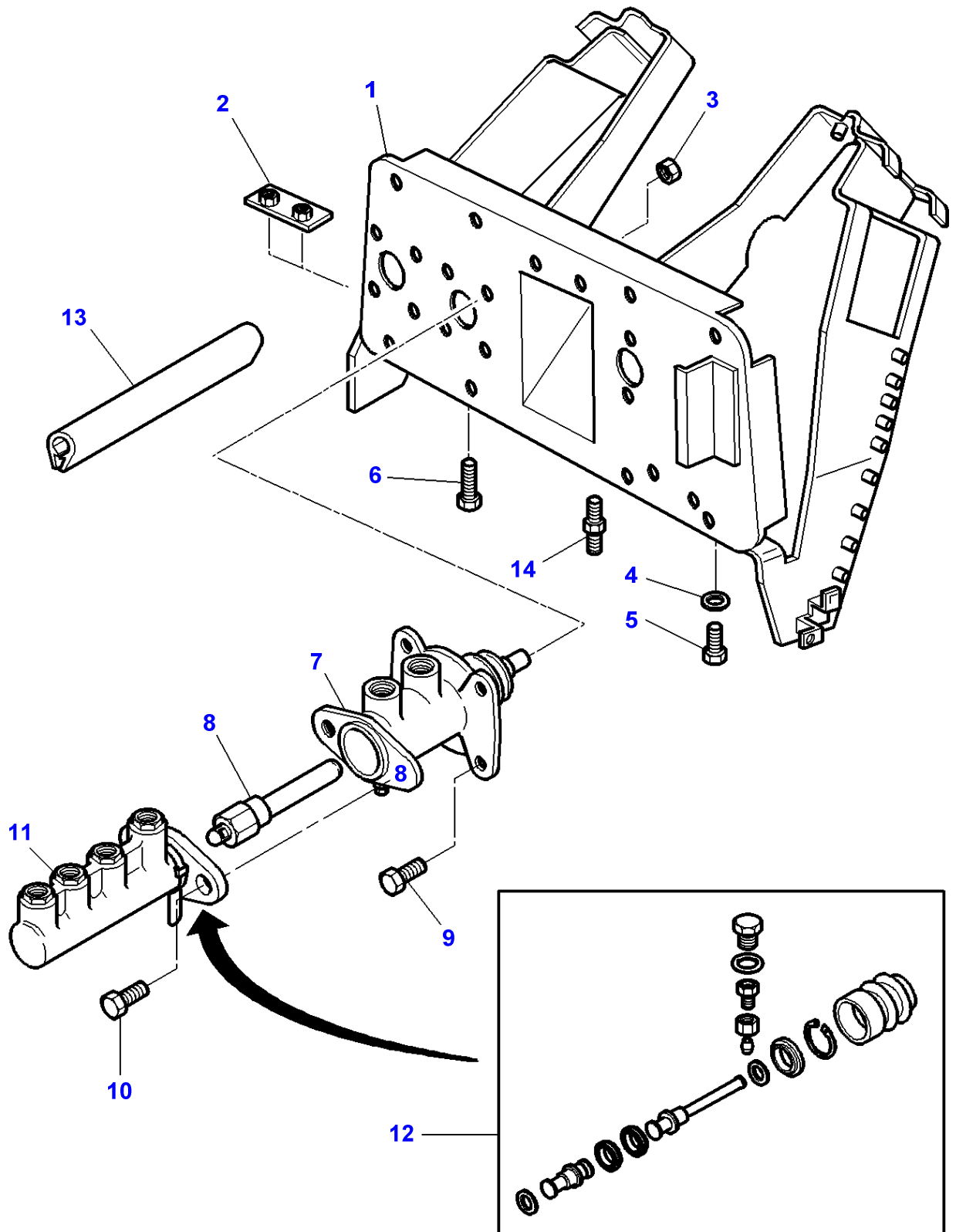
Massey Ferguson**MF 8250 TRACTOR - 1637366**

1637366

Brakes - Master Cylinder - Assisted - Without Trailer Braking - From 08-01-2001 Up To L038021**Page070-0225**

Item	Part Number	Qty	Description	Comments
1	3784217M91	1	Support	
2	3714445M1	1	Stop	
3	339169X1	4	Nut	
4	390972X1	8	Washer Metric	
5	339123X1	8	Hex. Sock. Screw	M8X20
	339761X1	1	Hex. Sock. Screw	M8X25
6	339666X1	2	Hex. Sock. Screw	M6X20
7	3617596M1	2	Brake Cylinder	
8	3617594M93	2	Stem	
9	339761X1	8	Hex. Sock. Screw	M8X25
10	339761X1	4	Hex. Sock. Screw	M8X25
11	3384685M3	2	Main Cylinder	
12	1810832M91	1	Kit, Repair	(11)
13	3580695M1	1	Gasket	Length 1600MM
14	3783231M2	2	Stud	M8X40,5
15	3011204X1	1	Stud	M8X40
16	22428X	2	Lock Washer	
17	390972X1	1	Washer Metric	
18	339169X1	1	Nut	

1-ZG18-007-A



Massey Ferguson**MF 8250 TRACTOR - 1637366**

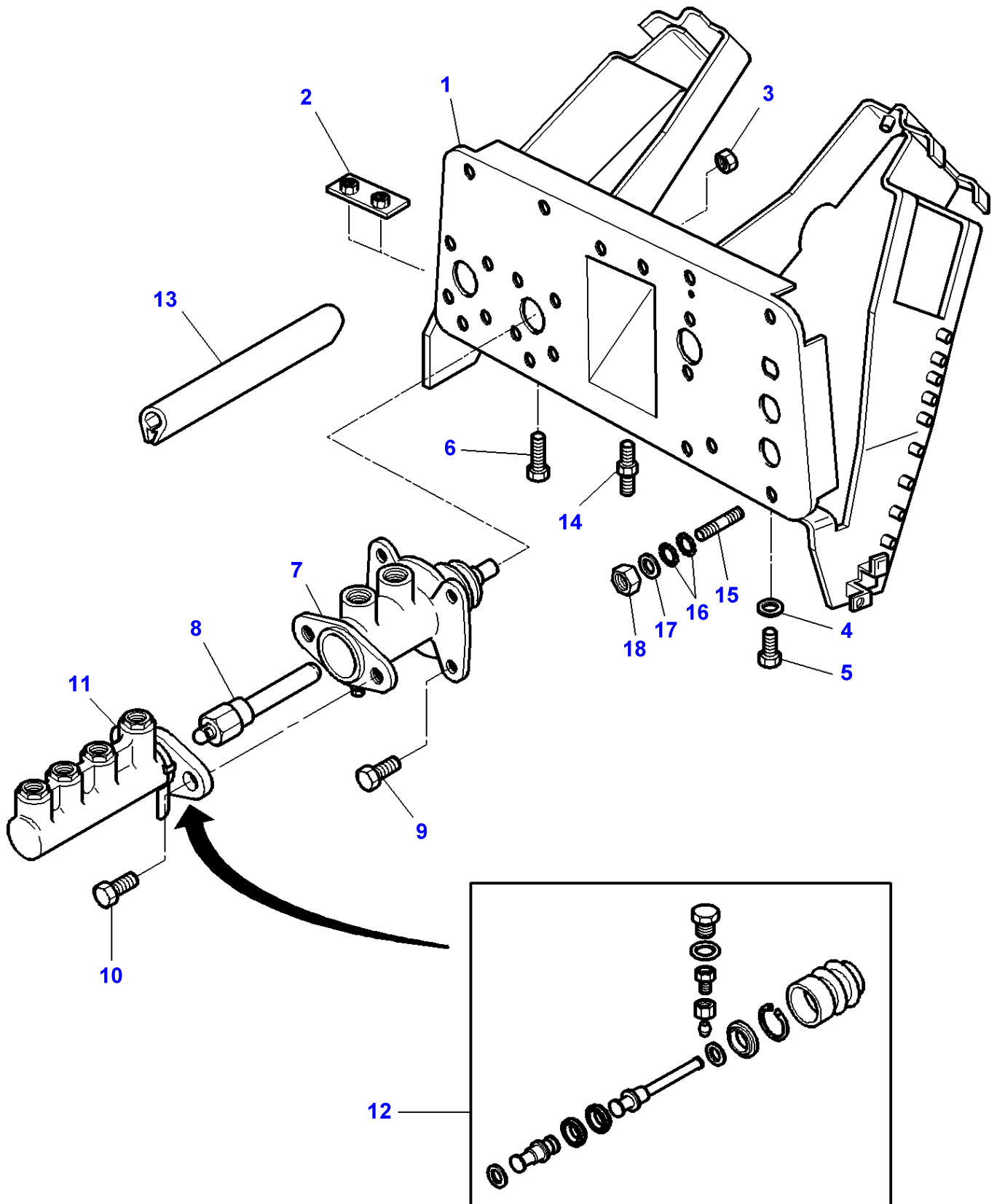
1637366

Brakes - Master Cylinder - Assisted - With Tractor Brakes - Up To 07-01-2001

Page070-0230

Item	Part Number	Qty	Description	Comments
1	3713562M96	1	Support	
2	3714445M1	1	Stop	
3	339169X1	4	Nut	
4	390972X1	8	Washer Metric	
5	339123X1	8	Hex. Sock. Screw	M8X20
6	339666X1	2	Hex. Sock. Screw	M6X20
7	3617596M1	2	Brake Cylinder	
8	3617594M93	2	Stem	
9	339761X1	8	Hex. Sock. Screw	M8X25
10	339761X1	4	Hex. Sock. Screw	M8X25
11	3383079M5	2	Main Cylinder	
12	1810833M91	1	Kit, Repair	(12)
13	3580695M1	1	Gasket	Length 1600 MM
14	3783231M2	2	Stud	M8X40,5

1-ZG18-012-C



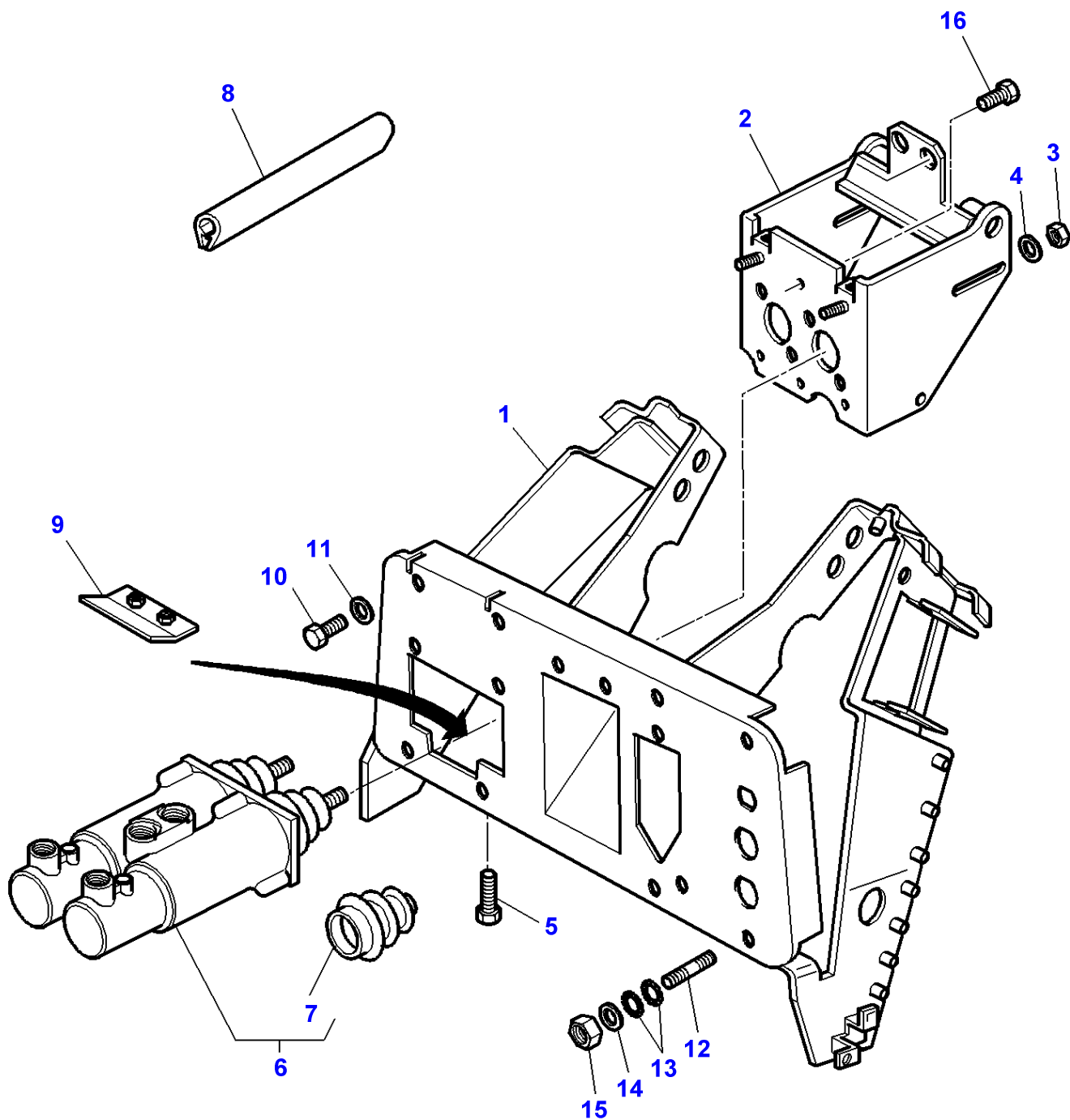
Massey Ferguson**MF 8250 TRACTOR - 1637366**

1637366

Brakes - Master Cylinder - Assisted - With Trailer Brakes - From 08-01-2001 & Up To L038021**Page070-0235**

Item	Part Number	Qty	Description	Comments
1	3784217M91	1	Support	
2	3714445M1	1	Stop	
3	339169X1	4	Nut	
4	390972X1	8	Washer Metric	
5	339123X1	8	Hex. Sock. Screw	M8X20
	339761X1	1	Hex. Sock. Screw	M8X25
6	339666X1	2	Hex. Sock. Screw	M6X20
7	3617596M1	2	Brake Cylinder	
8	3617594M93	2	Stem	
9	339761X1	8	Hex. Sock. Screw	M8X25
10	339761X1	4	Hex. Sock. Screw	M8X25
11	3383079M5	2	Main Cylinder	
12	1810833M91	1	Kit, Repair	(12)
13	3580695M1	1	Gasket	Length 1600 MM
14	3783231M2	2	Stud	M8X40,5
15	3011204X1	1	Stud	M8X40
16	22428X	2	Lock Washer	
17	390972X1	1	Washer Metric	
18	339169X1	1	Nut	

1-ZG18-018-D



Massey Ferguson**MF 8250 TRACTOR - 1637366**

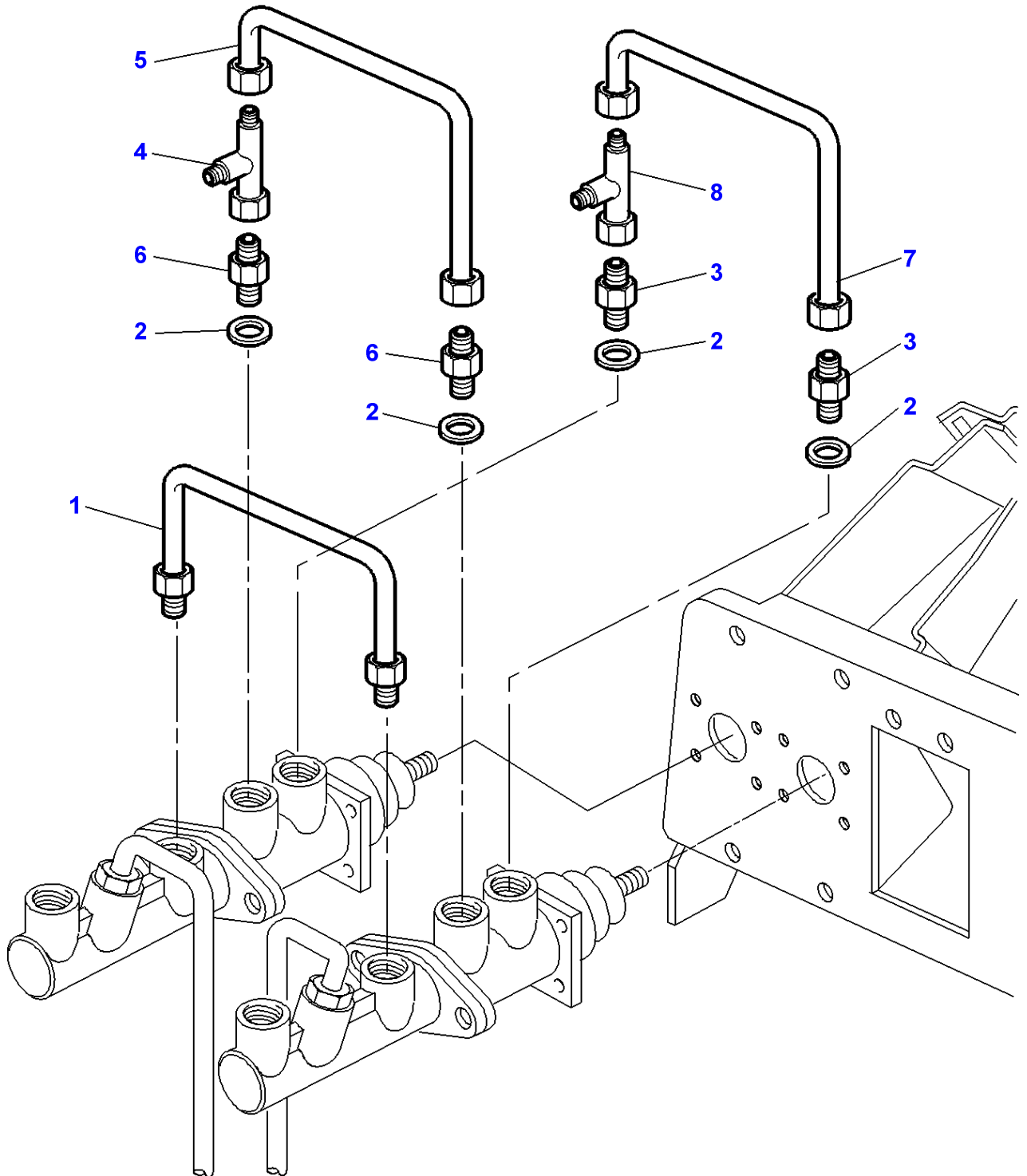
1637366

Brakes - Master Cylinder - With Power Brakes - From L038022

Page070-0240

Item	Part Number	Qty	Description	Comments
1	3787864M93	1	Support	
2	3785637M5	1	Support	
3	339169X1	4	Nut	Up to Serial or Engine Number M183044 M8
4	390972X1	4	Washer Metric	Up to Serial or Engine Number M183044 Diameter 8-17 X 1,7
5	339666X1	2	Hex. Sock. Screw	M6 X 20
6	3786100M2	1	Brake Cylinder	
7	3903845M1	1	Bellows	(6)
8	3580695M1	1	Gasket	
9	3785650M1	1	Stop	
10	339123X1	8	Hex. Sock. Screw	M8 X 20
11	390972X1	8	Washer Metric	Diameter 8-17 X 1,7
12	3011204X1	1	Stud	M8 X 40
13	22428X	2	Lock Washer	
14	390972X1	1	Washer Metric	Diameter 8-17 X 1,7
15	339169X1	1	Nut	M8
16	339230X1	2	Hex. Sock. Screw	From Serial or Engine Number M183045 M6 X 10

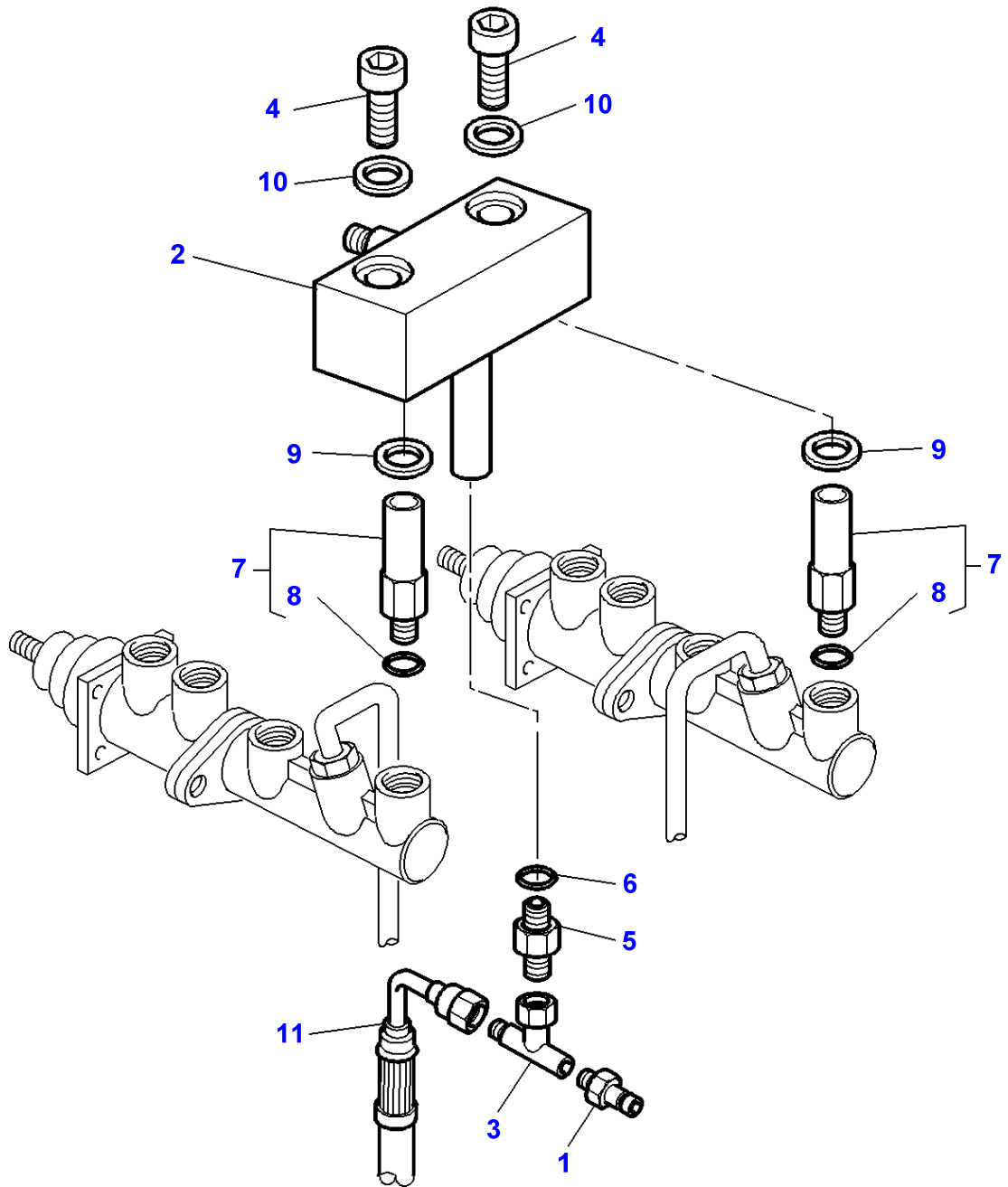
1-ZG32-001-A



Massey Ferguson**MF 8250 TRACTOR - 1637366****1637366****Brakes - Brake Pipes And Master Cylinder - ASSISTED-WITHOUT TRAILER BRAKING UP TO L038021****Page070-0245**

Item	Part Number	Qty	Description	Comments
1	3386681M92	1	Tube	
2	3004861X1	4	Washer	
3	3019574X1	2	Union	
4	364735X1	1	Union	3/4"-16
5	3387574M91	1	Tube	
6	3019382X1	2	Union	
7	3386678M91	1	Tube	
8	377218X1	1	Teepiece	9/16"-18

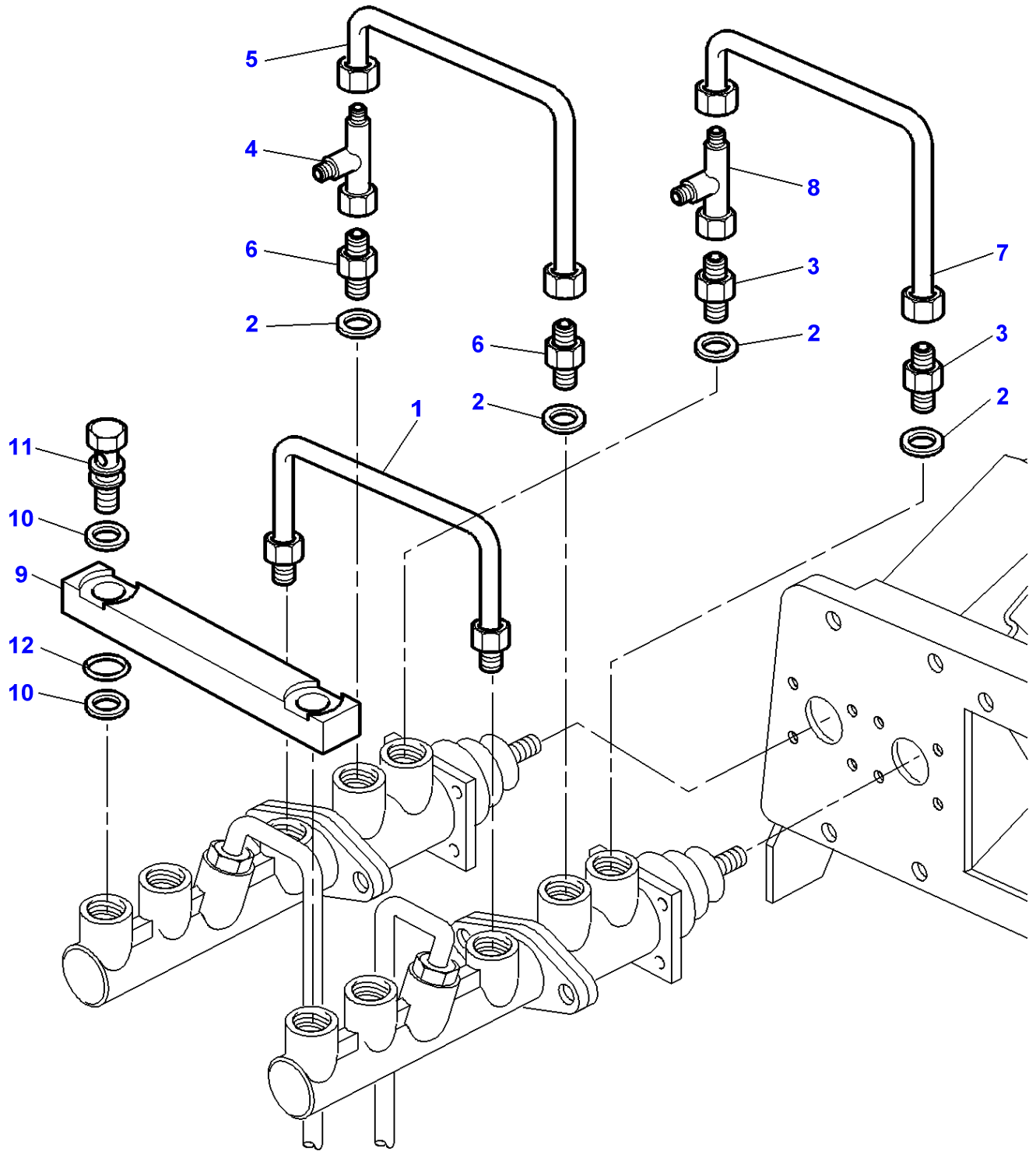
1-ZP78-010-B



Massey Ferguson**MF 8250 TRACTOR - 1637366****1637366****Brakes - Assisted- Pipes And Fitting - ASSISTED-WITHOUT TRAILER BRAKING UP TO L038021****Page070-0250**

Item	Part Number	Qty	Description	Comments
1	3384387M1	1	Pressure Intake	
2	3778712M94	1	Tank	
3	3780180M1	1	Teepiece	
4	1441000X1	2	Screw Metric	M8 X 16
5	3617226M1	1	Jet	
6	3019395X1	1	O Ring	
7	3778718M92	2	Union	
8	3019395X1	1	O Ring	(7)
9	3778767M1	2	Bush	Diameter 14 MM
10	3778766M1	2	Bush	Diameter 8 MM
11	3782337M2	1	Hydr Hose	Length 1650 MM

1-ZG32-006-A

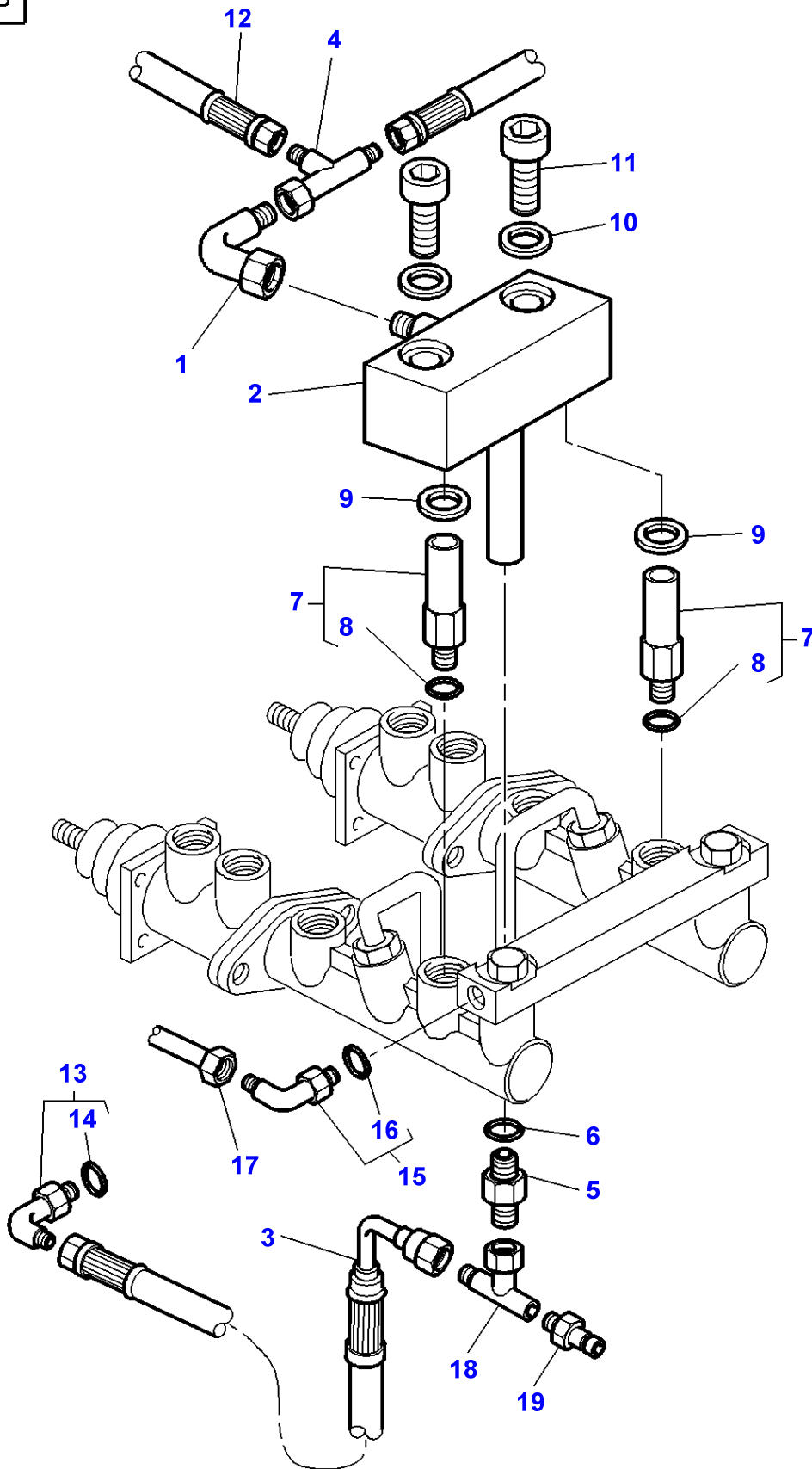


Massey Ferguson**MF 8250 TRACTOR - 1637366****1637366****Brakes - Brake Pipes And Master Cylinder - Assisted - With Trailor Brakes - Up To L038021****Page070-0255**

Item	Part Number	Qty	Description
1	3386681M92	1	Tube
2	3004861X1	4	Washer
3	3019574X1	2	Union
4	364735X1	1	Union
5	3387574M91	1	Tube
6	3019382X1	2	Union
7	3386678M91	1	Tube
8	377218X1	1	Teepiece
9	3581463M2	1	Bar
10	3581464M1	4	Bush
11	3581491M1	2	Banjo Bolt
12	3019395X1	2	O Ring

MF 8250 TRACTOR - 1637366
1-ZP78-011-B

1-ZP78-011-B



Massey Ferguson**MF 8250 TRACTOR - 1637366**

1637366

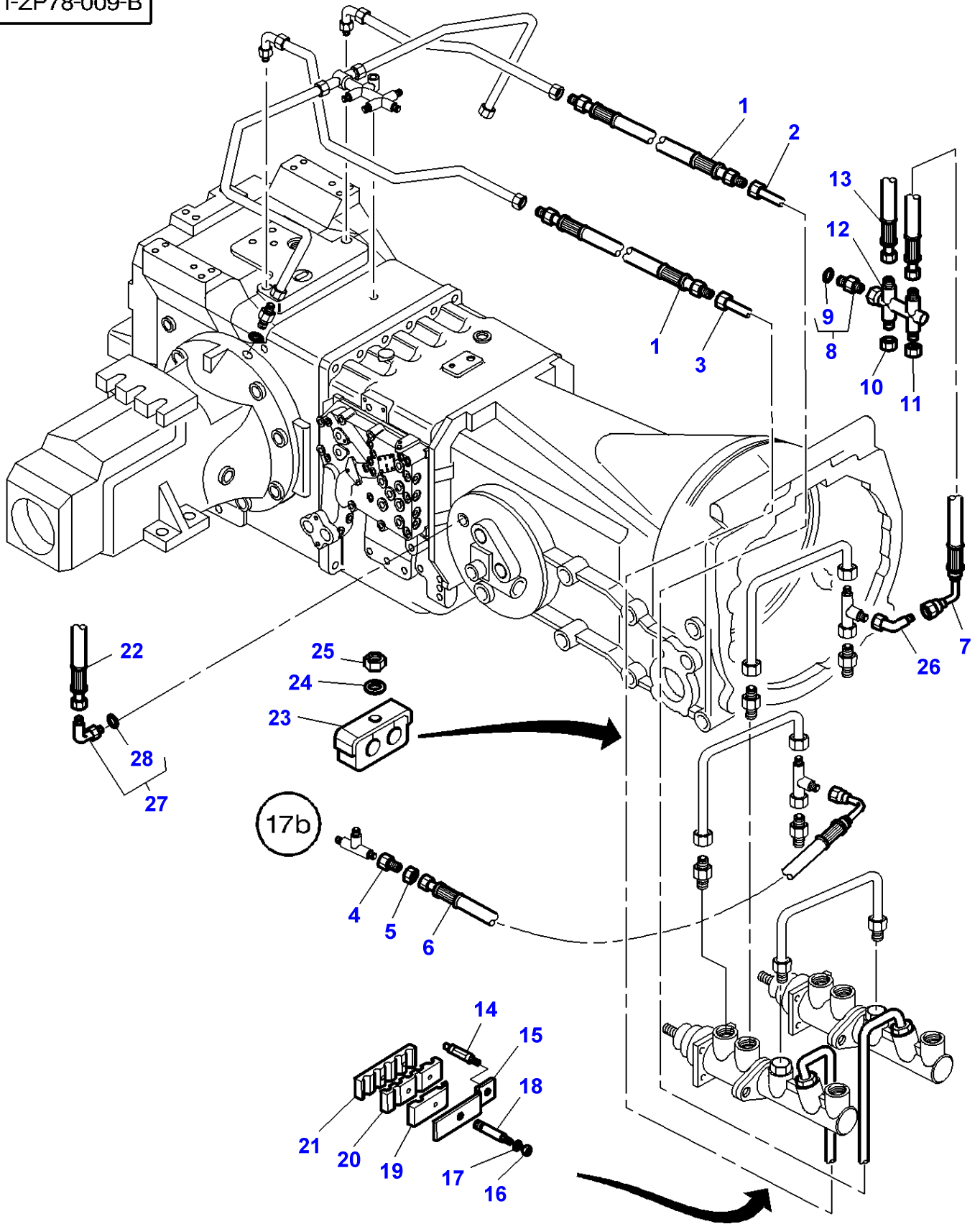
Brakes - Assisted- Pipes And Fitting - Assisted - With Trailor Brakes - Up To L038021

Page070-0260

Item	Part Number	Qty	Description	Comments
1	364603X1	1	Elbow	
2	3778712M94	1	Tank	
3	3782337M2	1	Hydr Hose	Length 1650MM
4	3791175M92	1	Union	
5	3617226M1	1	Jet	
6	3019395X1	1	O Ring	
7	3778718M92	2	Union	
8	3019395X1	1	O Ring	(7)
9	3778767M1	2	Bush	Diameter 14MM
10	3778766M1	2	Bush	Diameter 8MM
11	1441000X1	2	Screw Metric	M8X16
12	3781572M1	1	Hydr Hose	
13	3019418X91	1	Elbow Nipple	M18
14	3019398X1	1	O Ring	(13)
15	3019694X91	1	Union	
16	3019395X1	1	O Ring	(15)
17	3778045M2	1	Tubing	
18	3780180M1	1	Teepiece	
19	3384387M1	1	Pressure Intake	

MF 8250 TRACTOR - 1637366
1-ZP78-009-B

1-ZP78-009-B

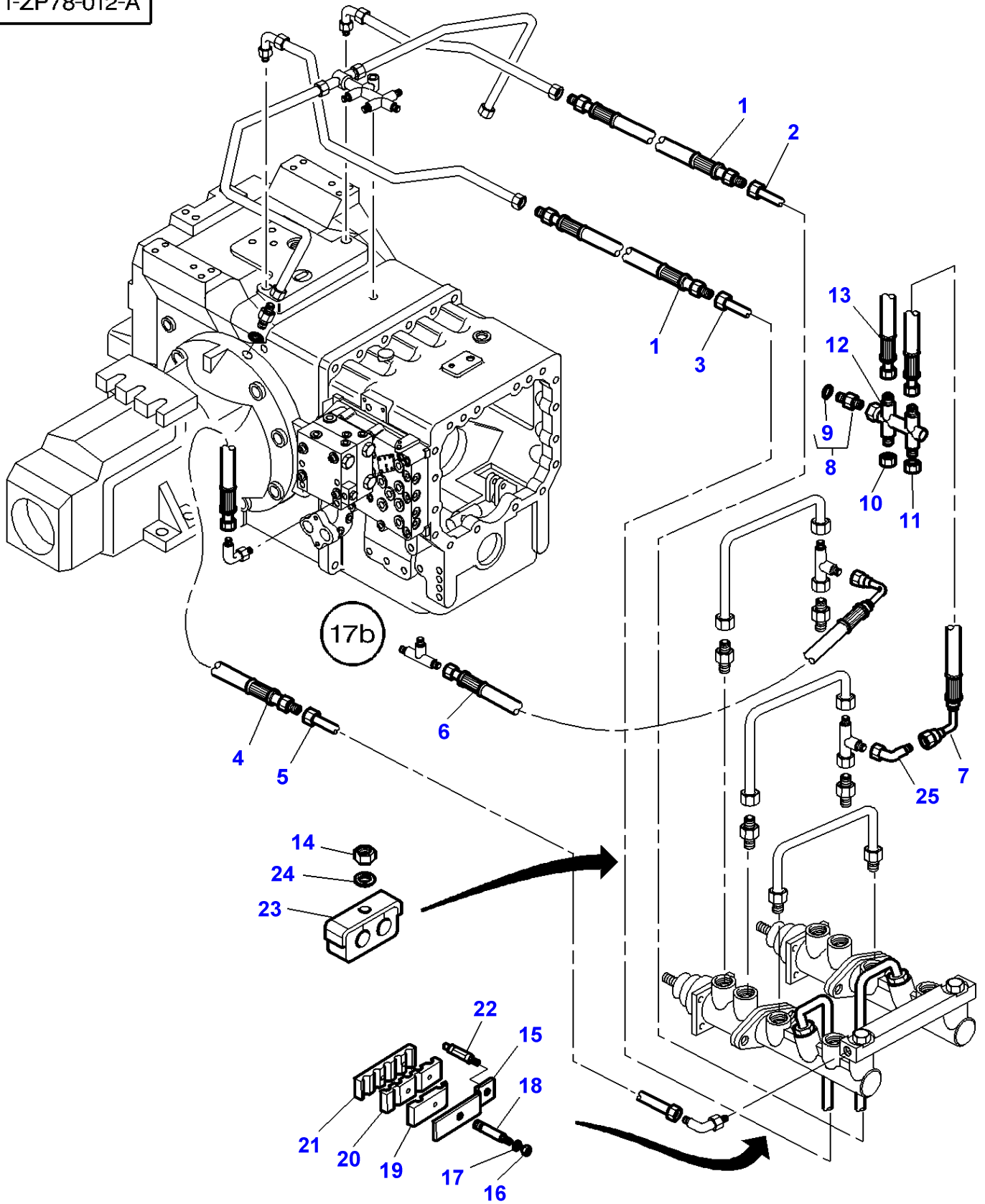


Item	Part Number	Qty	Description	Comments
1	3778585M1	2	Hydr Hose	
2	3778041M3	1	Tube	Left Hand
3	3778040M2	1	Tube	Right Hand
4	22576X	1	Union Nut	
5	356629X1	1	Reducer	
6	3386947M2	1	Hydr Hose	
7	3779446M1	1	Hydr Hose	
8	3019387X91	1	Union	
9	3019398X1	1	O Ring	(8)
10	356580X1	1	Plug	
11	356579X1	1	Cap	
12	3777412M1	1	Union	
13	3783516M1	1	Hydr Hose	
14	3778279M1	1	Stud	
15	3778280M1	1	Plate	
16	1441500X1	1	Locknut	M6
17	391038X1	3	Washer	
18	3715878M3	1	Stud	Diameter M8/M6
19	3715882M1	1	Bridle	
20	3715881M1	1	Bridle	
21	3715880M1	1	Bridle	
22	3782337M2	1	Hydr Hose	Length 1650MM
23	3780550M1	2	Bridle	
24	391038X1	2	Washer	
25	339030X1	2	Nut Metric	
26	365233X1	1	Elbow	
27	3019418X91	1	Elbow Nipple	M22
28	3019398X1	1	O Ring	(27)

FOOTNOTE [A] TRACTOR WITH PLATFORM

MF 8250 TRACTOR - 1637366
1-ZP78-012-A

1-ZP78-012-A



Massey Ferguson**MF 8250 TRACTOR - 1637366**

1637366

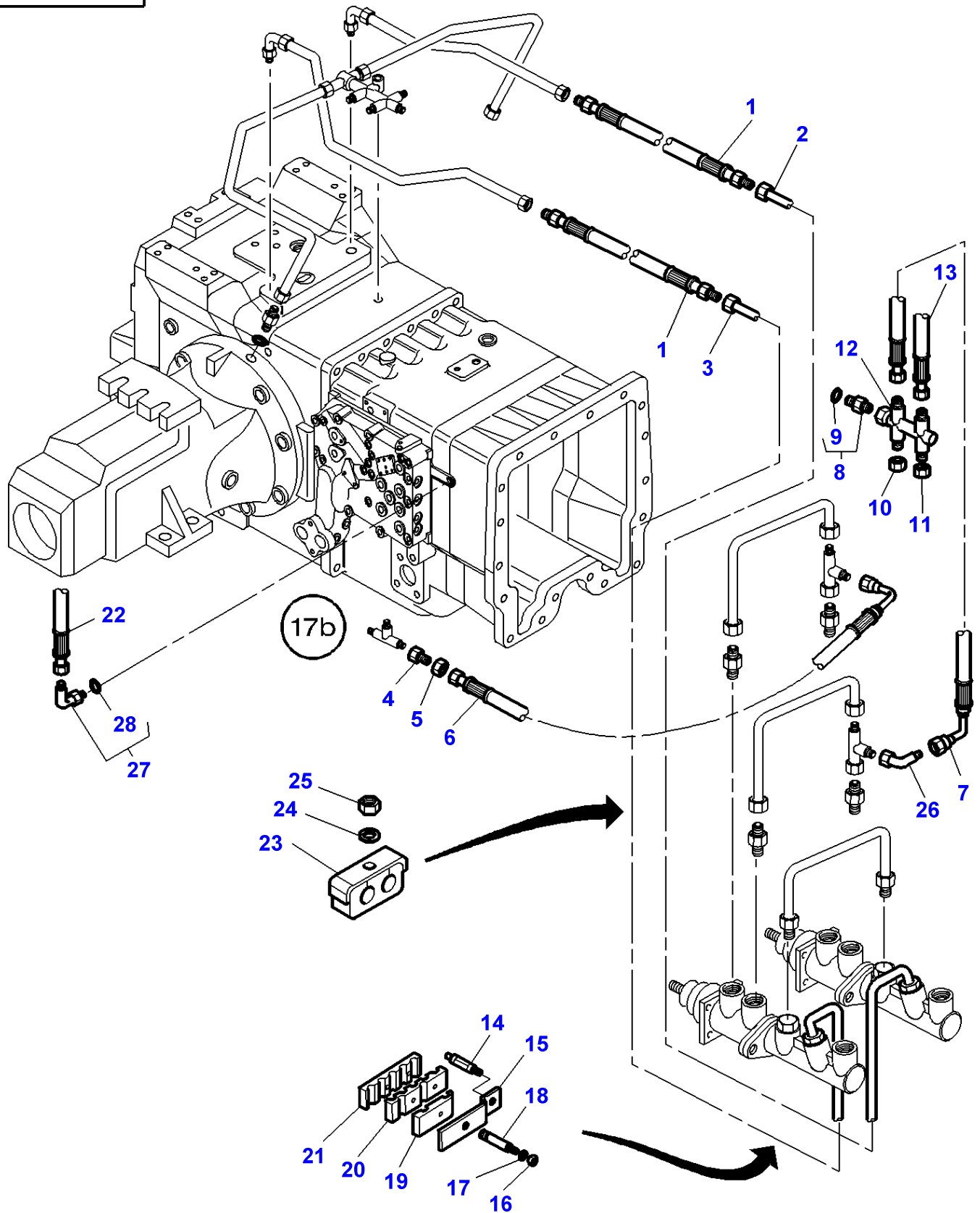
Brakes - Assisted- Pipes And Fitting - With Trailer Braking Dynashift - Up To L038021

Page070-0270

Item	Part Number	Qty	Description	Comments
1	3778585M1	2	Hydr Hose	
2	3778043M3	1	Tube	Left Hand
3	3778042M2	1	Tube	Right Hand
4	3778586M2	1	Hydr Hose	Length 950MM
5	3778045M2	1	Tubing	
6	3386947M2	1	Hydr Hose	
7	3779446M1	1	Hydr Hose	
8	3019387X91	1	Union	
9	3019398X1	1	O Ring	(8)
10	356580X1	1	Plug	
11	356579X1	1	Cap	
12	3777412M1	1	Union	
13	3779448M2	1	Tube	
14	339030X1	2	Nut Metric	
15	3778280M1	1	Plate	
16	1441500X1	1	Locknut	M6
17	391038X1	3	Washer	
18	3715878M3	1	Stud	Diameter M8/M6
19	3715882M1	1	Bridle	
20	3715881M1	1	Bridle	
21	3715880M1	1	Bridle	
22	3778279M1	1	Stud	
23	3780550M1	2	Bridle	
24	391038X1	2	Washer	
25	365233X1	1	Elbow	

MF 8250 TRACTOR - 1637366
1-ZP78-013-B

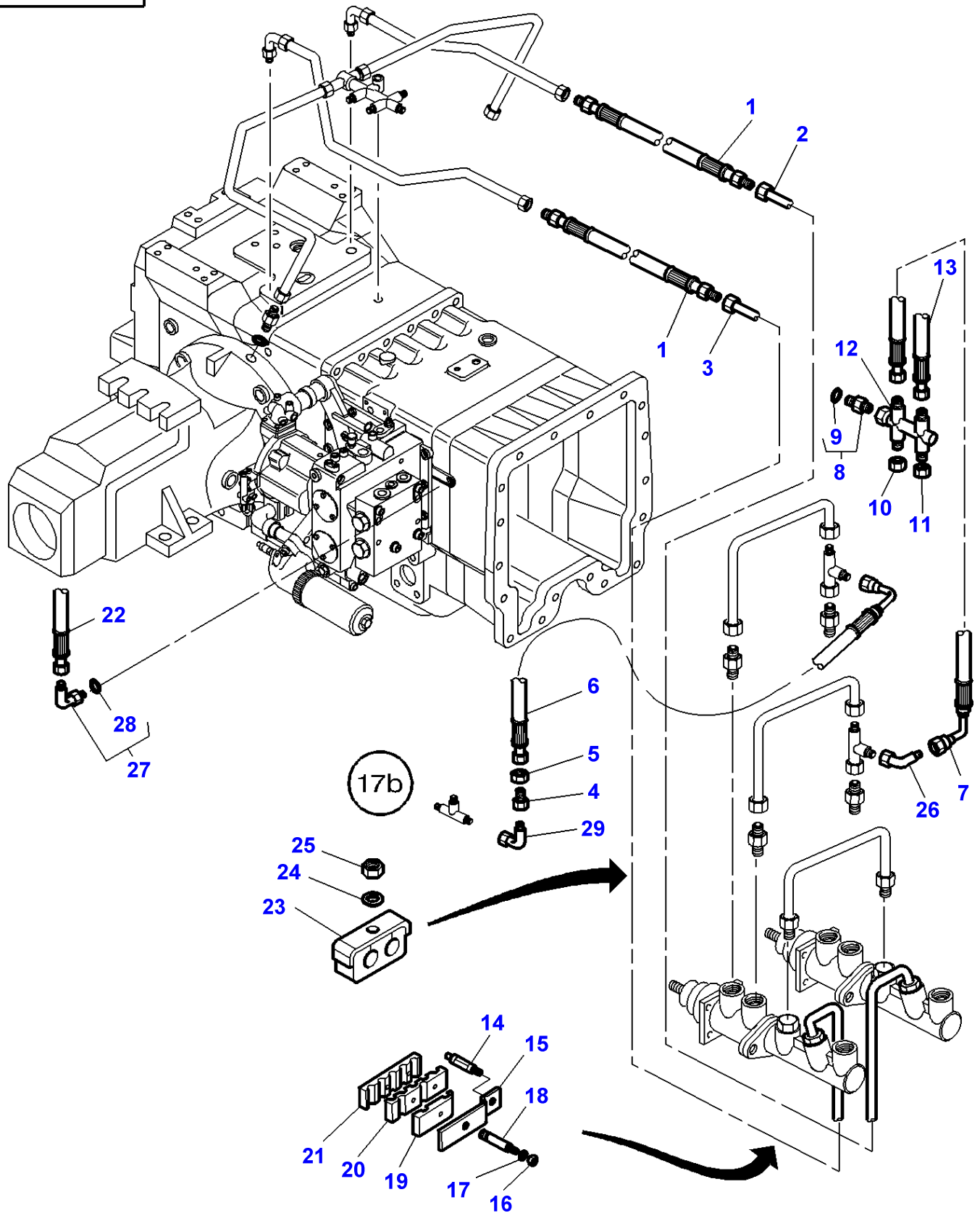
1-ZP78-013-B



Item	Part Number	Qty	Description	Comments
1	3778585M1	2	Hydr Hose	
2	3778041M3	1	Tube	Left Hand
3	3778040M2	1	Tube	Right Hand
4	22576X	1	Union Nut	
5	356629X1	1	Reducer	
6	3778664M2	1	Hydr Hose	Length 1800MM
7	3778663M1	1	Hydr Hose	Length 1600MM
8	3019387X91	1	Union	
9	3019398X1	1	O Ring	(8)
10	356580X1	1	Plug	
11	356579X1	1	Cap	
12	3777412M1	1	Union	
13	3783517M1	1	Hydr Hose	
14	3778279M1	1	Stud	
15	3778280M1	1	Plate	
16	1441500X1	1	Locknut	M6
17	391038X1	3	Washer	
18	3715878M3	1	Stud	Diameter M8/M6
19	3715882M1	1	Bridle	
20	3715881M1	1	Bridle	
21	3715880M1	1	Bridle	
22	3782337M2	1	Hydr Hose	Length 1650MM
23	3780550M1	2	Bridle	
24	391038X1	2	Washer	
25	339030X1	2	Nut Metric	
26	365233X1	1	Elbow	
27	3019416X91	1	Elbow	M18
28	3019397X1	1	O Ring	(27)

MF 8250 TRACTOR - 1637366
1-ZP78-016-B

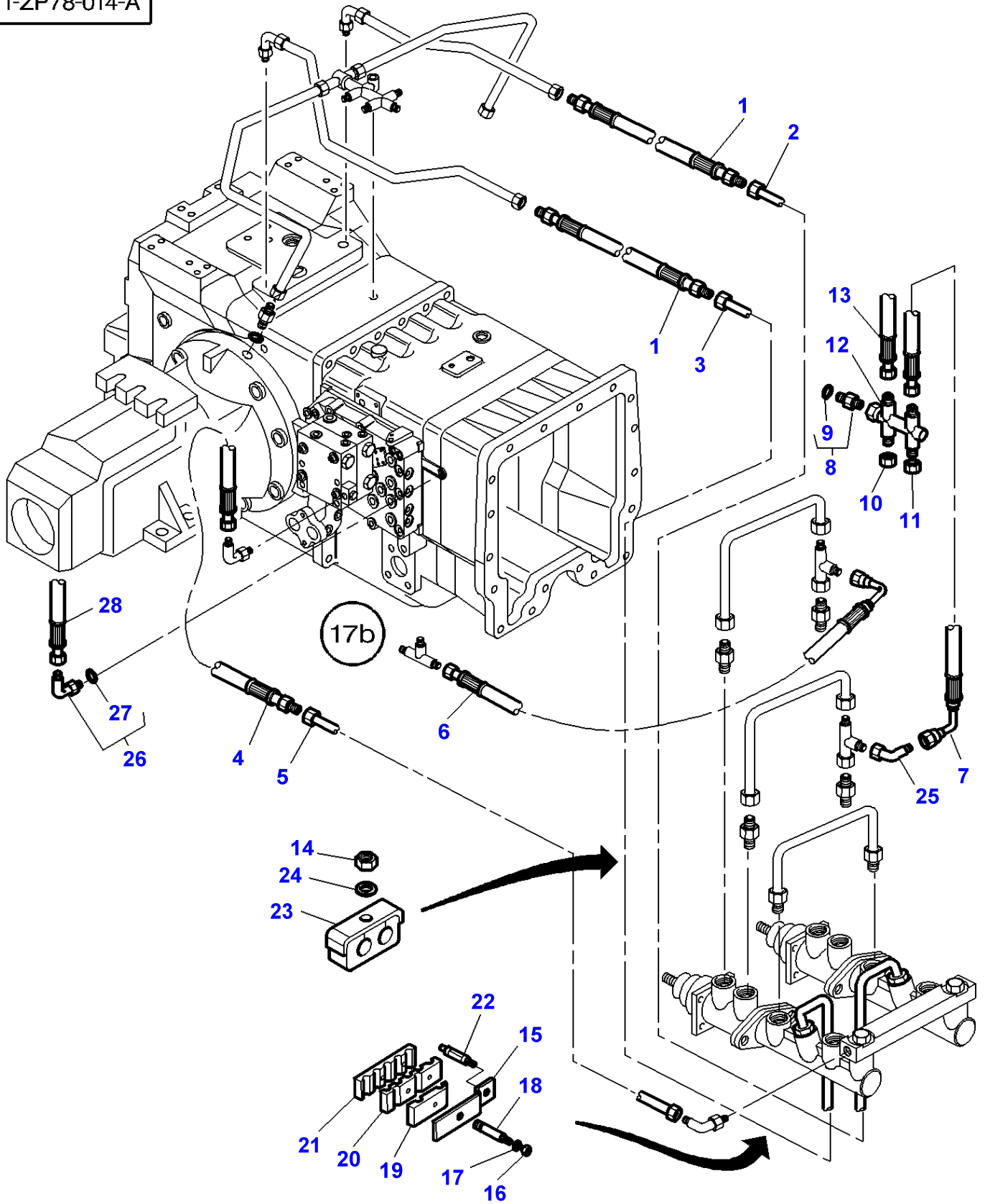
1-ZP78-016-B



Item	Part Number	Qty	Description	Comments
1	3778585M1	2	Hydr Hose	
2	3778041M3	1	Tube	Left Hand
3	3778040M2	1	Tube	Right Hand
4	356629X1	1	Reducer	
5	22576X	1	Union Nut	
6	3782787M1	1	Hydr Hose	Length 1400MM
7	3778663M1	1	Hydr Hose	
8	3019387X91	1	Union	
9	3019398X1	1	O Ring	(8)
10	356580X1	1	Plug	
11	356579X1	1	Cap	
12	3777412M1	1	Union	
13	3779448M2	1	Tube	
14	3778279M1	1	Stud	
15	3778280M1	1	Plate	
16	1441500X1	1	Locknut	M6
17	391038X1	3	Washer	
18	3715878M3	1	Stud	Diameter M8/M6
19	3715882M1	1	Bridle	
20	3715881M1	1	Bridle	
21	3715880M1	1	Bridle	
22	3782337M2	1	Hydr Hose	Length 1650MM
23	3780550M1	2	Bridle	
24	391038X1	2	Washer	
25	339030X1	2	Nut Metric	
26	365233X1	1	Elbow	
27	3019416X91	1	Elbow	M22
28	3019397X1	1	O Ring	(27)
29	364603X1	1	Elbow	9/16

MF 8250 TRACTOR - 1637366
1-ZP78-014-A

1-ZP78-014-A



Massey Ferguson**MF 8250 TRACTOR - 1637366**

1637366

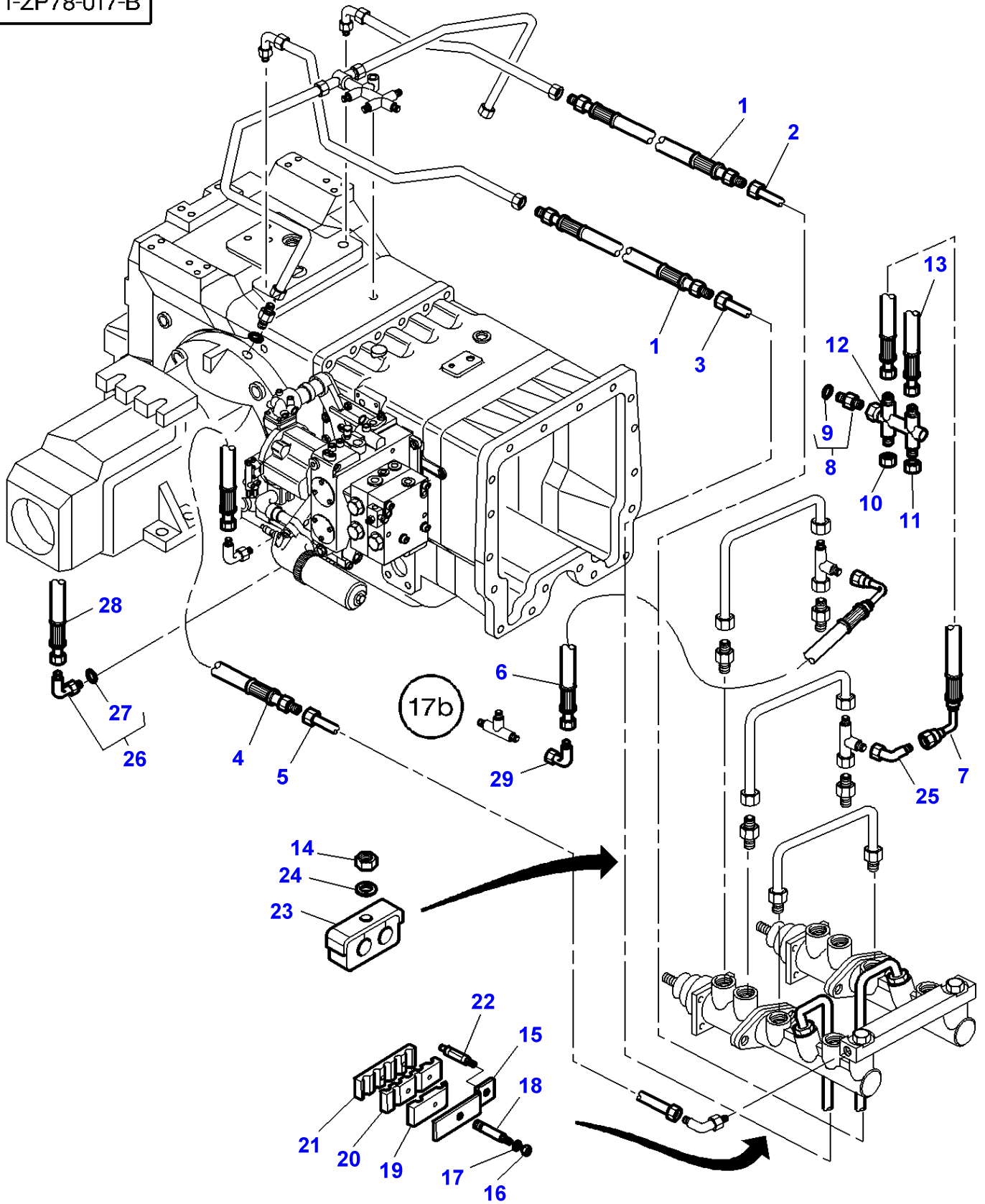
Brakes - Assisted- Pipes And Fitting - With Full Powershift - With Trailer Braking - Up To L038021

Page070-0285

Item	Part Number	Qty	Description	Comments
1	3778585M1	2	Hydr Hose	
2	3778043M3	1	Tube	Left Hand
3	3778042M2	1	Tube	Right Hand
4	3778586M2	1	Hydr Hose	Length 950MM
5	3778045M2	1	Tubing	
6	3778664M2	1	Hydr Hose	Length 1800MM
7	3778663M1	1	Hydr Hose	Length 1600MM
8	3019387X91	1	Union	
9	3019398X1	1	O Ring	(8)
10	356580X1	1	Plug	
11	356579X1	1	Cap	
12	3777412M1	1	Union	
13	3779448M2	1	Tube	
14	339030X1	2	Nut Metric	
15	3778280M1	1	Plate	
16	1441500X1	1	Locknut	M6
17	391038X1	3	Washer	
18	3715878M3	1	Stud	Diameter M8/M6
19	3715882M1	1	Bridle	
20	3715881M1	1	Bridle	
21	3715880M1	1	Bridle	
22	3778279M1	1	Stud	
23	3780550M1	2	Bridle	
24	391038X1	2	Washer	
25	365233X1	1	Elbow	
26	3019416X91	1	Elbow	
27	3019397X1	1	O Ring	(26)
28	3782337M2	1	Hydr Hose	Length 1650MM

MF 8250 TRACTOR - 1637366
1-ZP78-017-B

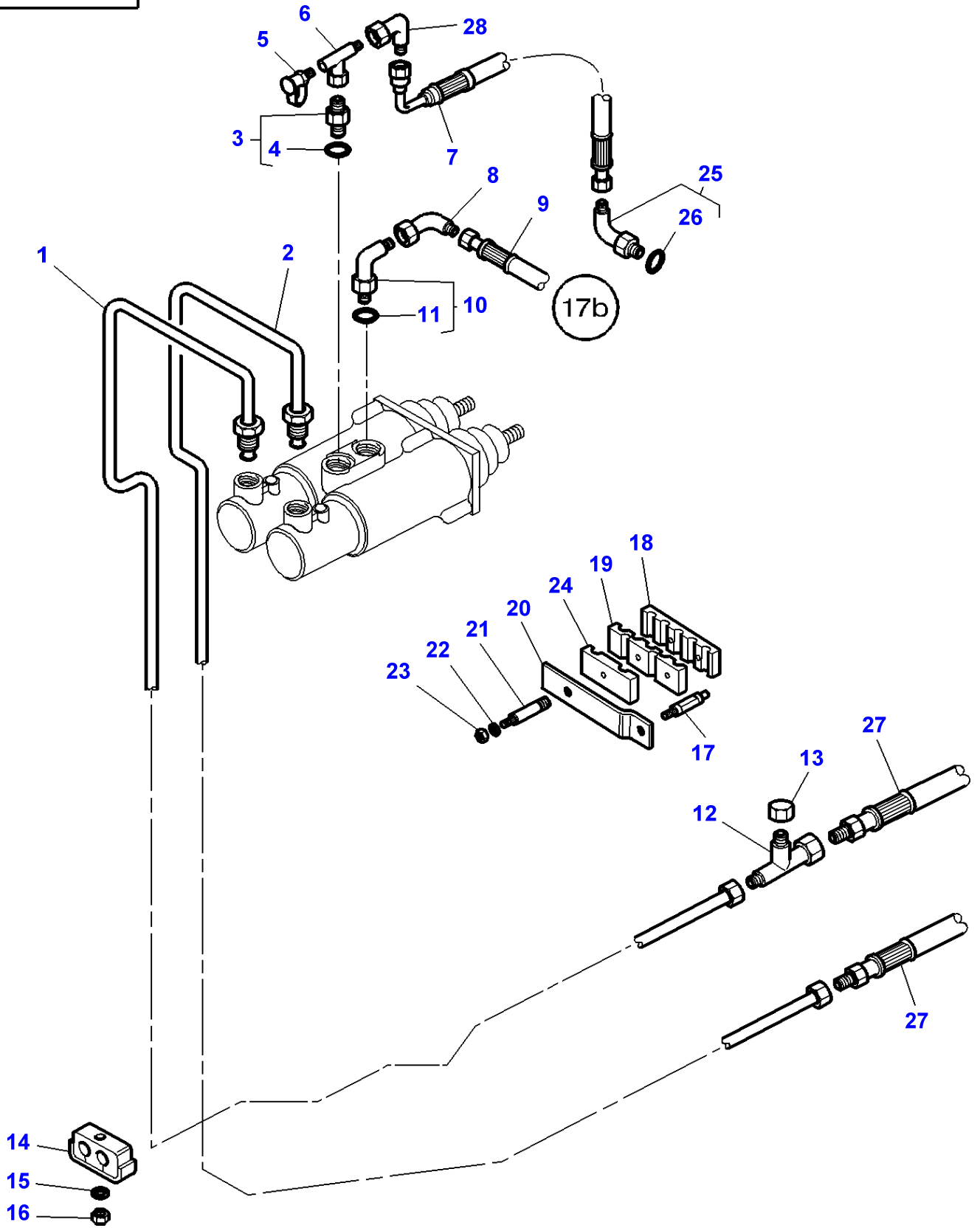
1-ZP78-017-B



Item	Part Number	Qty	Description	Comments
1	3778585M1	2	Hydr Hose	
2	3778043M3	1	Tube	Left Hand
3	3778042M2	1	Tube	Right Hand
4	3778586M2	1	Hydr Hose	Length 950MM
5	3778045M2	1	Tubing	
6	3782787M1	1	Hydr Hose	Length 1400MM
7	3778663M1	1	Hydr Hose	
8	3019387X91	1	Union	
9	3019398X1	1	O Ring	(8)
10	356580X1	1	Plug	
11	356579X1	1	Cap	
12	3777412M1	1	Union	
13	3779448M2	1	Tube	
14	339030X1	2	Nut Metric	
15	3778280M1	1	Plate	
16	1441500X1	1	Locknut	M6
17	391038X1	3	Washer	
18	3715878M3	1	Stud	Diameter M8/M6
19	3715882M1	1	Bridle	
20	3715881M1	1	Bridle	
21	3715880M1	1	Bridle	
22	3778279M1	1	Stud	
23	3780550M1	2	Bridle	
24	391038X1	2	Washer	
25	365233X1	1	Elbow	
26	3019416X91	1	Elbow	
27	3019397X1	1	O Ring	(26)
28	3782337M2	1	Hydr Hose	Length 1650MM
29	364603X1	1	Elbow	9/16

MF 8250 TRACTOR - 1637366
1-ZP78-022-B

1-ZP78-022-B



Item	Part Number	Qty	Description	Comments
1	3786343M1	1	Tube	
2	3786342M1	1	Tube	
3	3019385X91	1	Union	Up to Serial or Engine Number L067030
	3789776M2	1	Union	From Serial or Engine Number L067031
4	3019397X1	1	O Ring	(3)
5	3384387M1	1	Pressure Intake	
6	3780180M1	1	Teepiece	
7	3780832M5	1	Hydr Hose	Length 800MM
8	364603X1	1	Elbow	
9	3782787M1	1	Hydr Hose	Length 1400MM
10	3019412X91	1	Elbow	
11	3019395X1	1	O Ring	(10)
12	373796X1	1	Teepiece	
13	356578X1	1	Plug	
14	3780550M1	2	Bridle	
15	391038X1	2	Washer	
16	339030X1	2	Nut Metric	
17	3778279M1	1	Stud	
18	3715880M1	1	Bridle	
19	3715881M1	1	Bridle	
20	3778280M1	1	Plate	
21	3715878M3	1	Stud	
22	391038X1	1	Washer	
23	1441500X1	1	Locknut	
24	3715882M1	1	Bridle	
25	3019418X91	1	Elbow Nipple	[B]
	3019416X91	1	Elbow	[C]
26	3019398X1	1	O Ring	[B] (25)
	3019397X1	1	O Ring	[C] (25)
27	3778585M1	2	Hydr Hose	Length 500MM
28	367386X1	1	Elbow	From Serial or Engine Number L042005

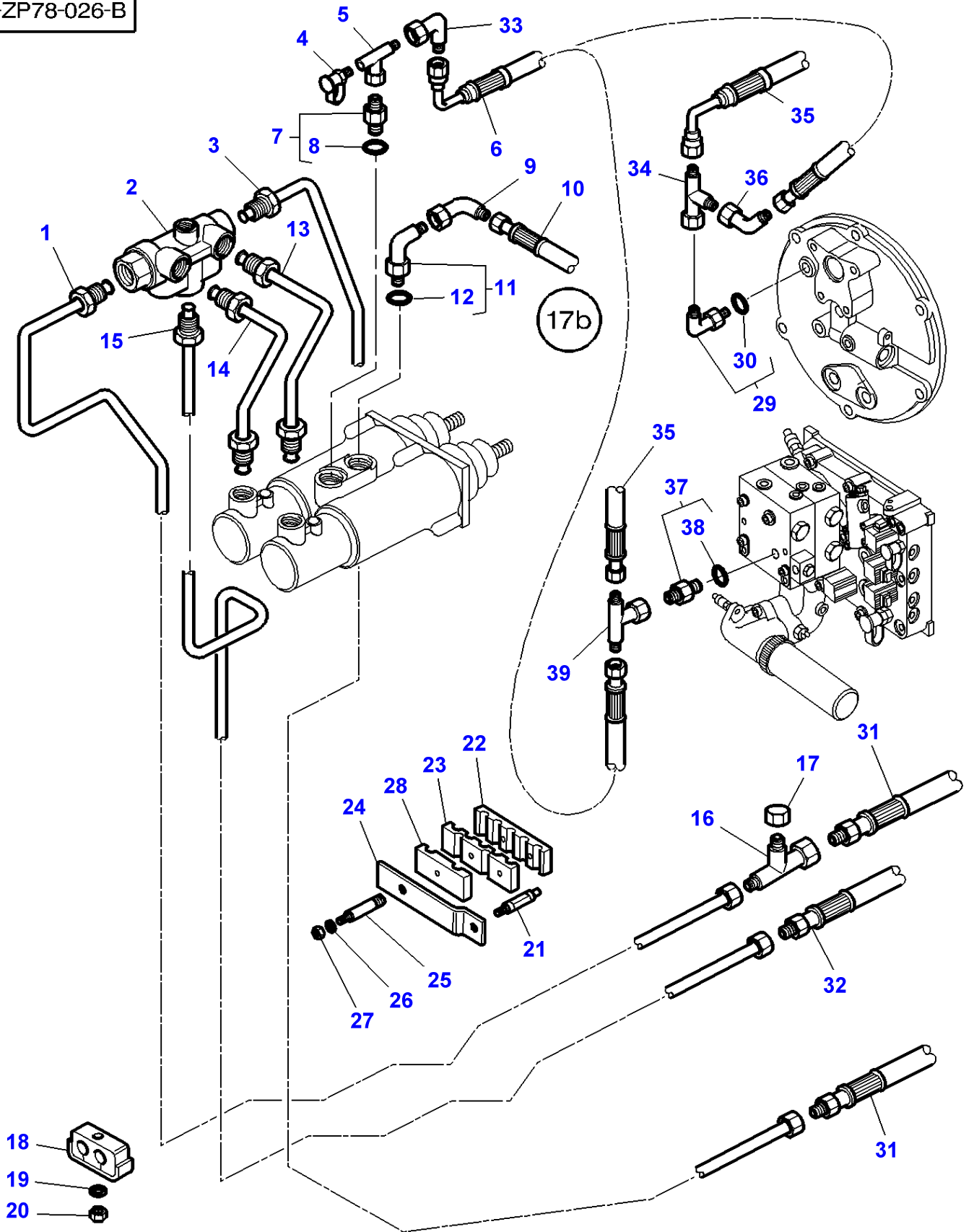
FOOTNOTE [A] TRACTOR WITH PLATFORM

FOOTNOTE [B] WITH DYNASHIFT

FOOTNOTE [C] WITH FULL POWERSHIFT

MF 8250 TRACTOR - 1637366
1-ZP78-026-B

1-ZP78-026-B



Item	Part Number	Qty	Description	Comments
1	3788083M1	1	Tube	
2	3788151M1	1	Pressure Valve	
3	3788082M1	1	Tube	
4	3384387M1	1	Pressure Intake	
5	3780180M1	1	Teepiece	
6	3780832M5	1	Hydr Hose	Length 800MM
7	3019385X91	1	Union	Up to Serial or Engine Number L067030
	3789776M2	1	Union	From Serial or Engine Number L067031
8	3019397X1	1	O Ring	(7)
9	364603X1	1	Elbow	
10	3782787M1	1	Hydr Hose	Length 1400MM
11	3019412X91	1	Elbow	
12	3019395X1	1	O Ring	(11)
13	3788080M1	1	Tube	
14	3788081M1	1	Tube	
15	3788084M1	1	Tube	
16	373796X1	1	Teepiece	
17	356578X1	1	Plug	
18	3780550M1	2	Bridle	
19	391038X1	2	Washer	
20	339030X1	2	Nut Metric	
21	3778279M1	1	Stud	
22	3715880M1	1	Bridle	
23	3715881M1	1	Bridle	
24	3778280M1	1	Plate	
25	3715878M3	1	Stud	
26	391038X1	1	Washer	
27	1441500X1	1	Locknut	
28	3715882M1	1	Bridle	
29	3019418X91	1	Elbow Nipple	[B]
	3019416X91	1	Elbow	[C]
30	3019398X1	1	O Ring	[B] (29)
	3019397X1	1	O Ring	[C] (29)
31	3778585M1	2	Hydr Hose	Length 500MM
32	3778586M2	1	Hydr Hose	Length 950MM
33	367386X1	1	Elbow	From Serial or Engine Number L042005
34	364704X1	1	Teepiece	[B] From Serial or Engine Number L192034 Up to Serial or Engine Number M188047
35	3714956M1	1	Hydr Hose	[B] From Serial or Engine Number L192034 Length 600MM
36	373784X1	1	Elbow	[B] From Serial or Engine Number L192034 Up to Serial or Engine Number M188047 From Serial or Engine Number M188048
37	3019696X91	1	Union	
38	3019395X1	1	O Ring	(37)
39	367261X1	1	Union	From Serial or Engine Number M188048

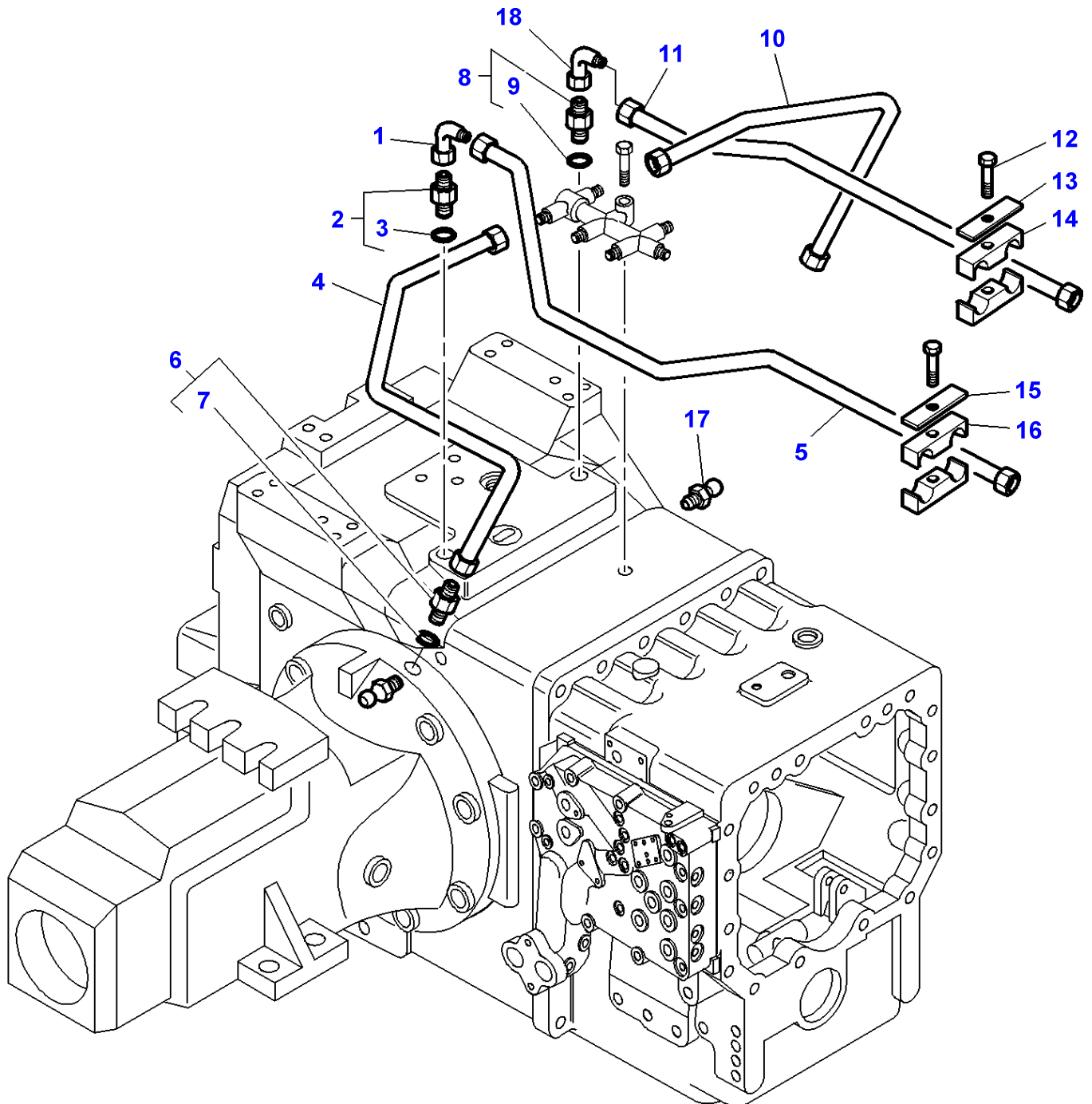
FOOTNOTE [A] TRACTOR WITH PLATFORM

FOOTNOTE [B] WITH DYNASHIFT

FOOTNOTE [C] WITH FULL POWERSHIFT

MF 8250 TRACTOR - 1637366
1-ZG17-007-A

1-ZG17-007-A



Massey Ferguson**MF 8250 TRACTOR - 1637366**

1637366

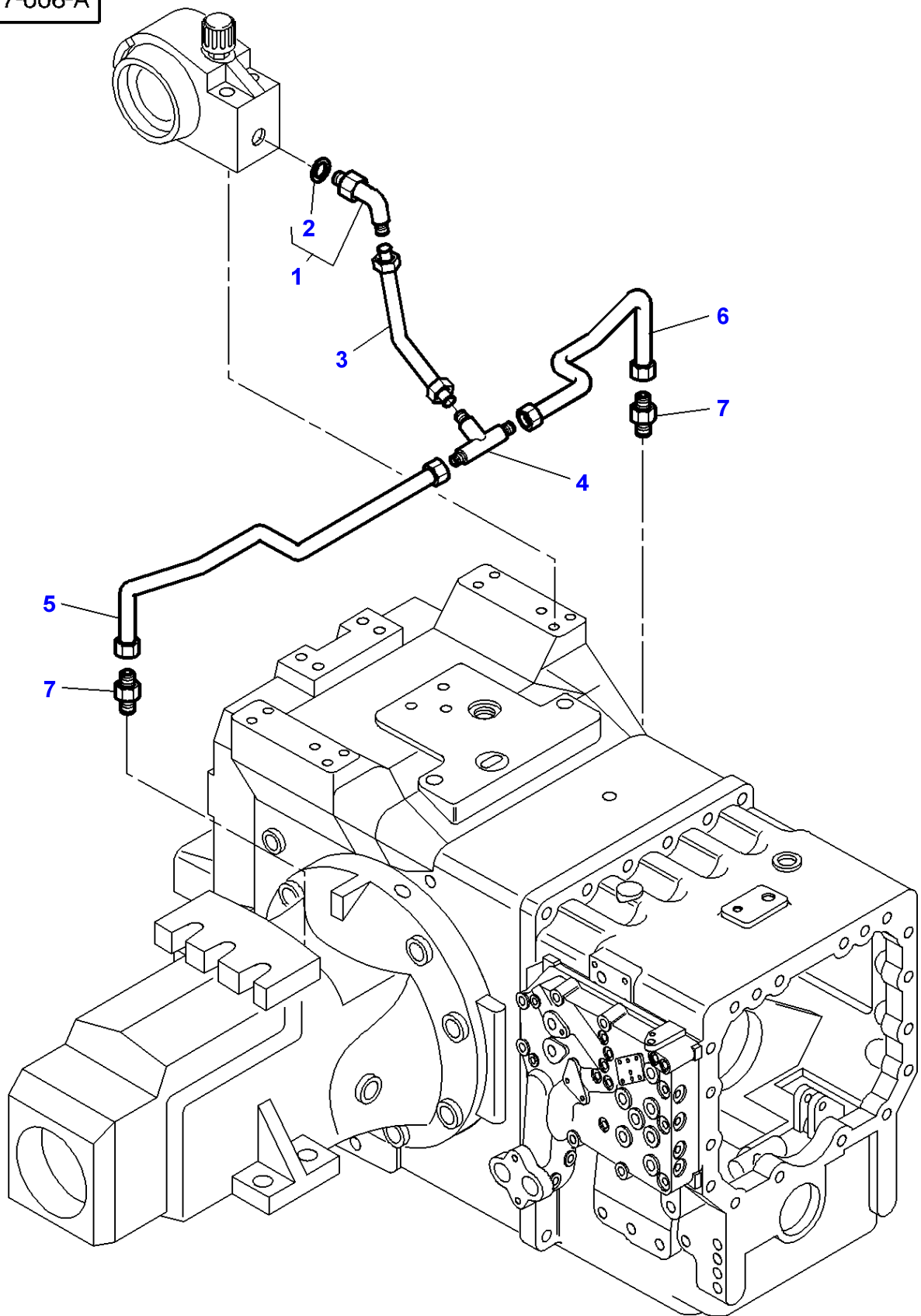
Brakes - Hydraulic Pipes

Page070-0305

Item	Part Number	Qty	Description	Comments
1	373778X1	1	Union	
2	3019377X91	1	Union	
3	3019394X1	1	O Ring	(2)
4	3791200M91	1	Tube	Right Hand
5	3791194M91	1	Tube	Right Hand
6	3791486M91	2	Union	
7	3019394X1	1	O Ring	(6)
8	3019377X91	1	Union	
9	3019394X1	1	O Ring	(8)
10	3791198M91	1	Tube	Left Hand
11	3791196M91	1	Tube	Left Hand
12	339337X1	2	Hex. Sock. Screw	M8x30
13	3716911M1	1	Plate	
14	3716910M1	2	Bridle	
15	3716913M1	1	Plate	
16	3716912M1	2	Bridle	
17	3052960M1	2	Banjo Bolt	
18	373778X1	1	Union	

MF 8250 TRACTOR - 1637366
1-ZG17-006-A

1-ZG17-006-A



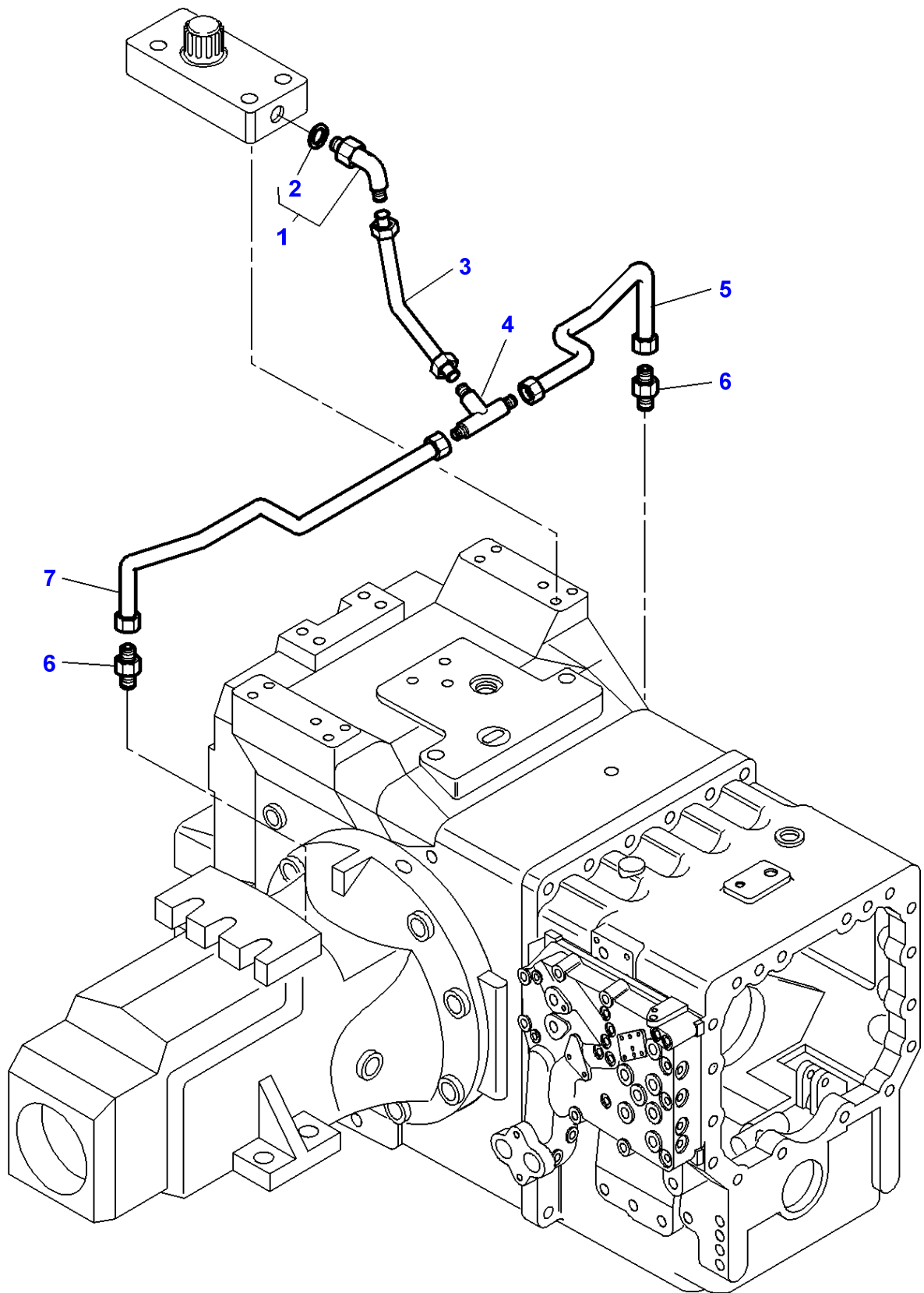
Brakes - Hydraulic Pipes

Item	Part Number	Qty	Description	Comments
1	3019584X91	1	Union	
2	3019395X1	1	O Ring	(1)
3	3791845M91	1	Tube	
4	355829X1	1	Teepiece	
5	3791500M91	1	Tube	[A] Right Hand
	3792107M1	1	Tube	[B] Right Hand
6	3791846M91	1	Tube	[A] Left Hand
	3791847M91	1	Tube	[B] Left Hand
7	354469X1	2	Union	

FOOTNOTE [A] WITH HEAVY DUTY REAR AXLE HOUSING COMPOSITE REDUCE R

FOOTNOTE [B] WITH REAR AXLE HOUSINGS OUTER GEAR WITH SEALED HOUSING

1-ZG17-004-A



Massey Ferguson**MF 8250 TRACTOR - 1637366**

1637366

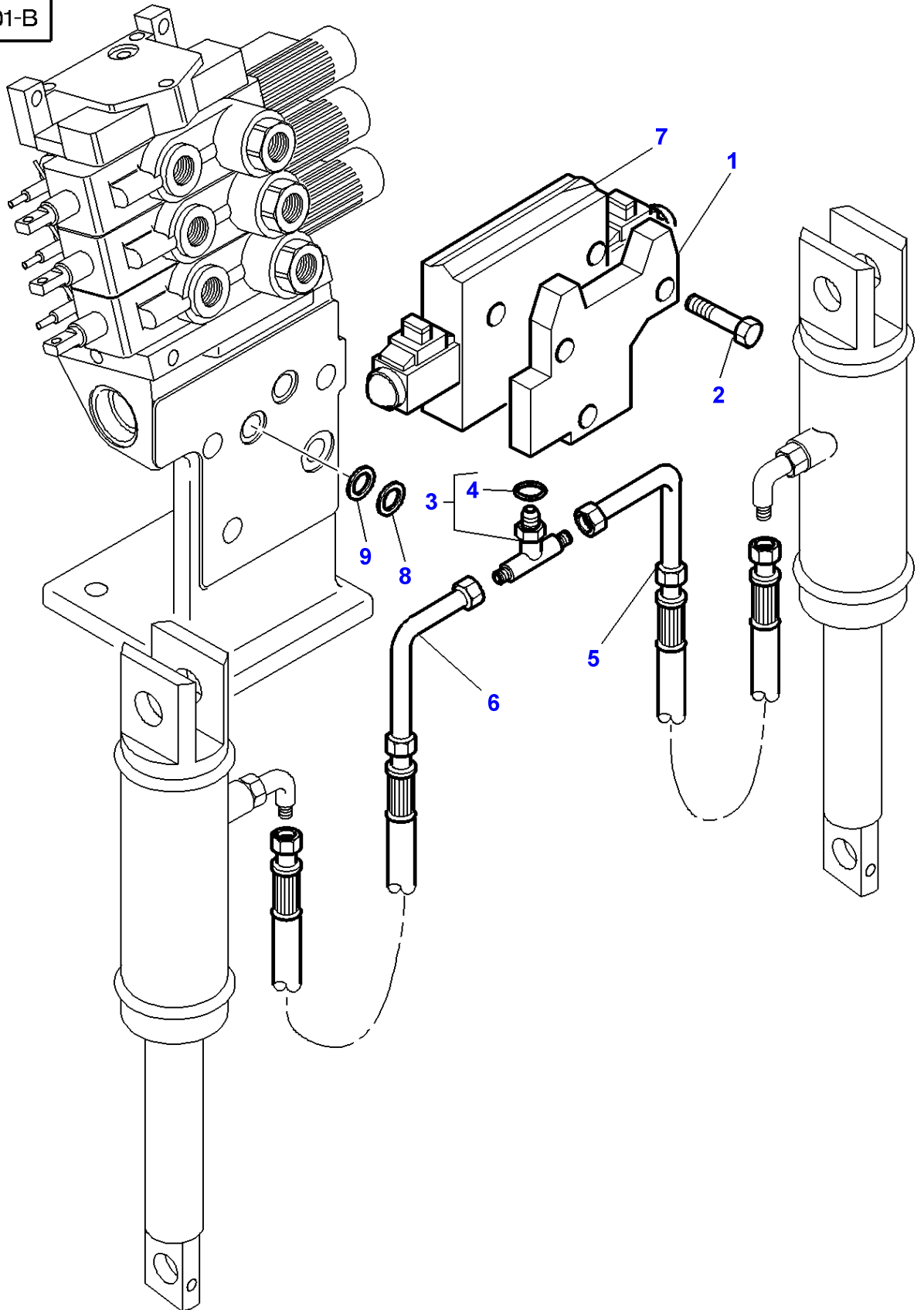
Page070-0315

Brakes - Hydraulic Pipes

Item	Part Number	Qty	Description	Comments
1	3019584X91	1	Union	
2	3019395X1	1	O Ring	(1)
3	3791697M91	1	Tube	
4	355829X1	1	Teepiece	Diameter 9/16"-18
5	3791846M91	1	Tube	[A] Left Hand
	3791847M91	1	Tube	[B] Left Hand
6	354469X1	2	Union	
7	3791500M91	1	Tube	[A] Right Hand
	3792107M1	1	Tube	[B] Right Hand

FOOTNOTE [A] WITH HEAVY DUTY REAR AXLE HOUSING COMPOSITE REDUCE R**FOOTNOTE [B]** WITH REAR AXLE HOUSINGS OUTER GEAR WITH SEALED HOUSING

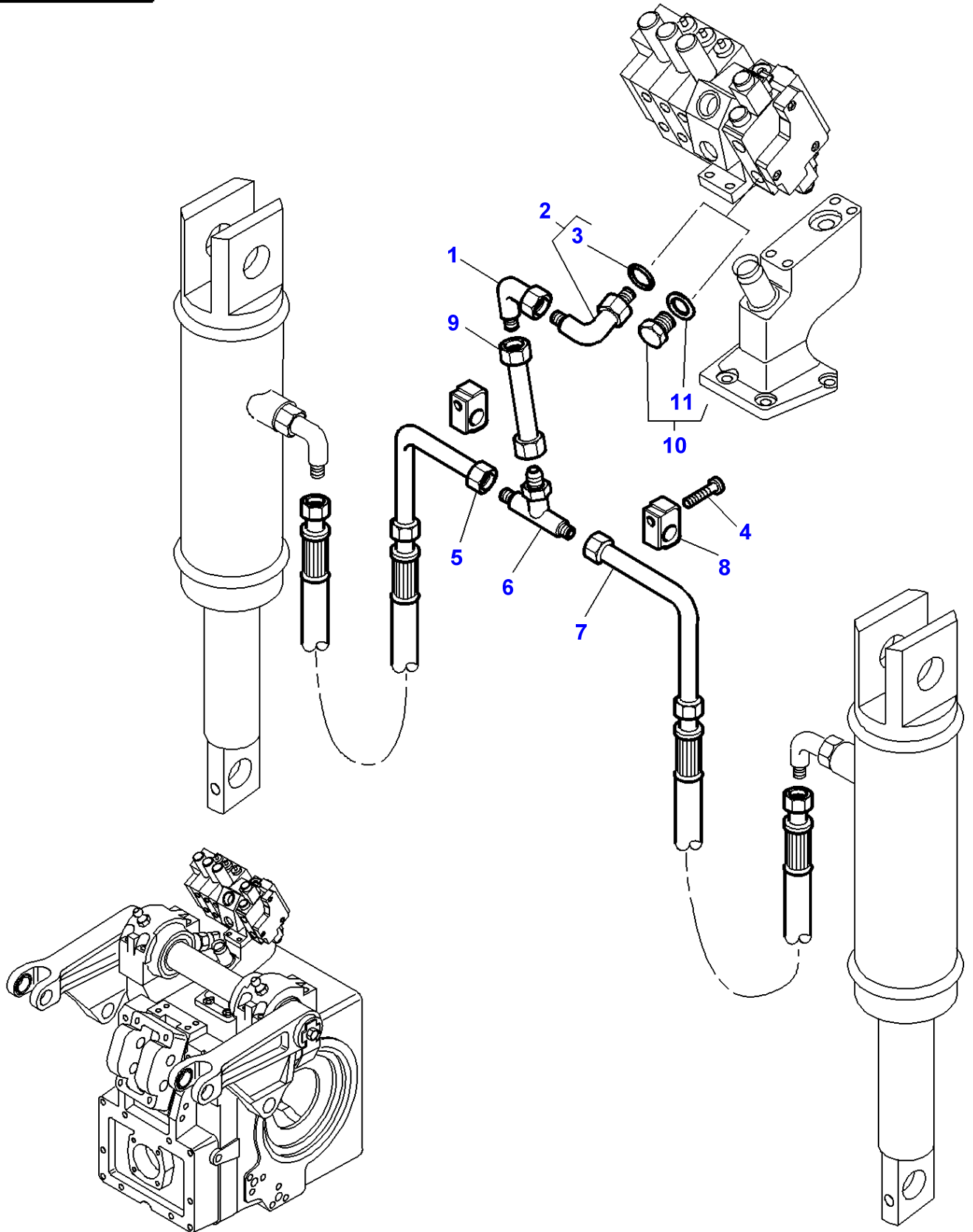
1-ZP18-001-B



Massey Ferguson**MF 8250 TRACTOR - 1637366****1637366****Hydraulic Lift Distributor - Up to Serial or Engine Number 31-12-2000****Page070-0320**

Item	Part Number	Qty	Description	Comments
1	3716382M1	1	Plate	
2	390246X1	3	Bolt	M8X70
3	3019613X91	1	Union	M22
4	3019398X1	1	O Ring	(3)
5	3716383M1	1	Tube	Right Hand
6	3716385M1	1	Tube	Left Hand
7	3791418M1	1	Pressure Valve	90L/MN See Page - Reference Number 070-0330/1
8	1442477X1	1	Gasket	
9	3791884M2	1	Bush	

1-ZP18-004-B



Massey Ferguson**MF 8250 TRACTOR - 1637366**

1637366

Hydraulic Lift Distributor - From 01-01-2001

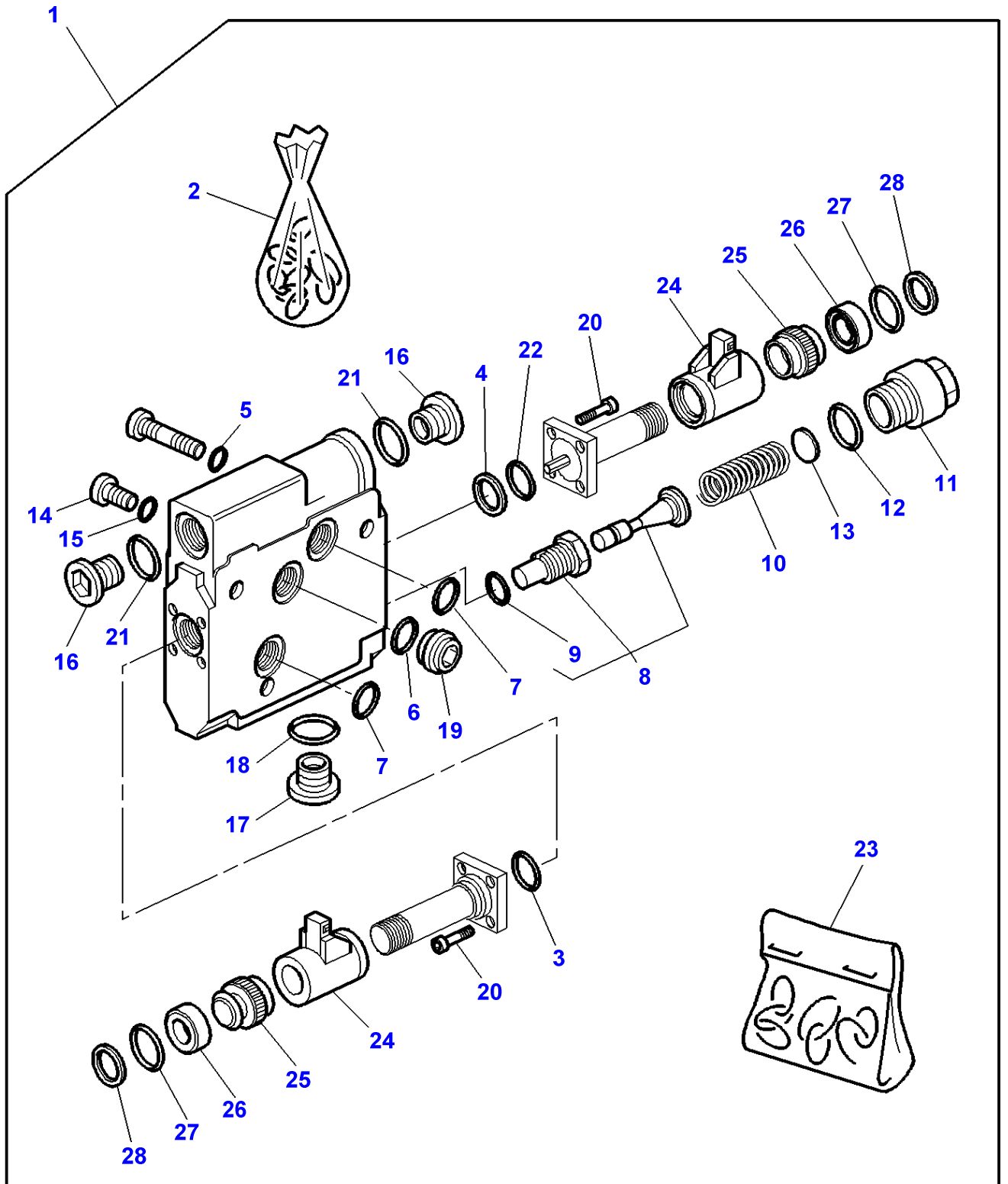
Page070-0325

Item	Part Number	Qty	Description	Comments
1	367386X1	1	Elbow	
2	3019418X91	1	Elbow Nipple	
3	3019398X1	1	O Ring	(2)
4	339229X1	2	Hex. Sock. Screw	M6X40
5	3793420M1	1	Tube	Left Hand
6	356561X1	1	Union	
7	3793422M1	1	Tube	Right Hand
8	3793671M1	2	Bridle	
9	3793423M1	1	Tube	
10	3019645X91	1	Plug	[A]
11	3019398X1	1	O Ring	(10)

FOOTNOTE [A] WITHOUT HYDRAULIC LIFT

MF 8250 TRACTOR - 1637366
1-ZP18-002-A

1-ZP18-002-A

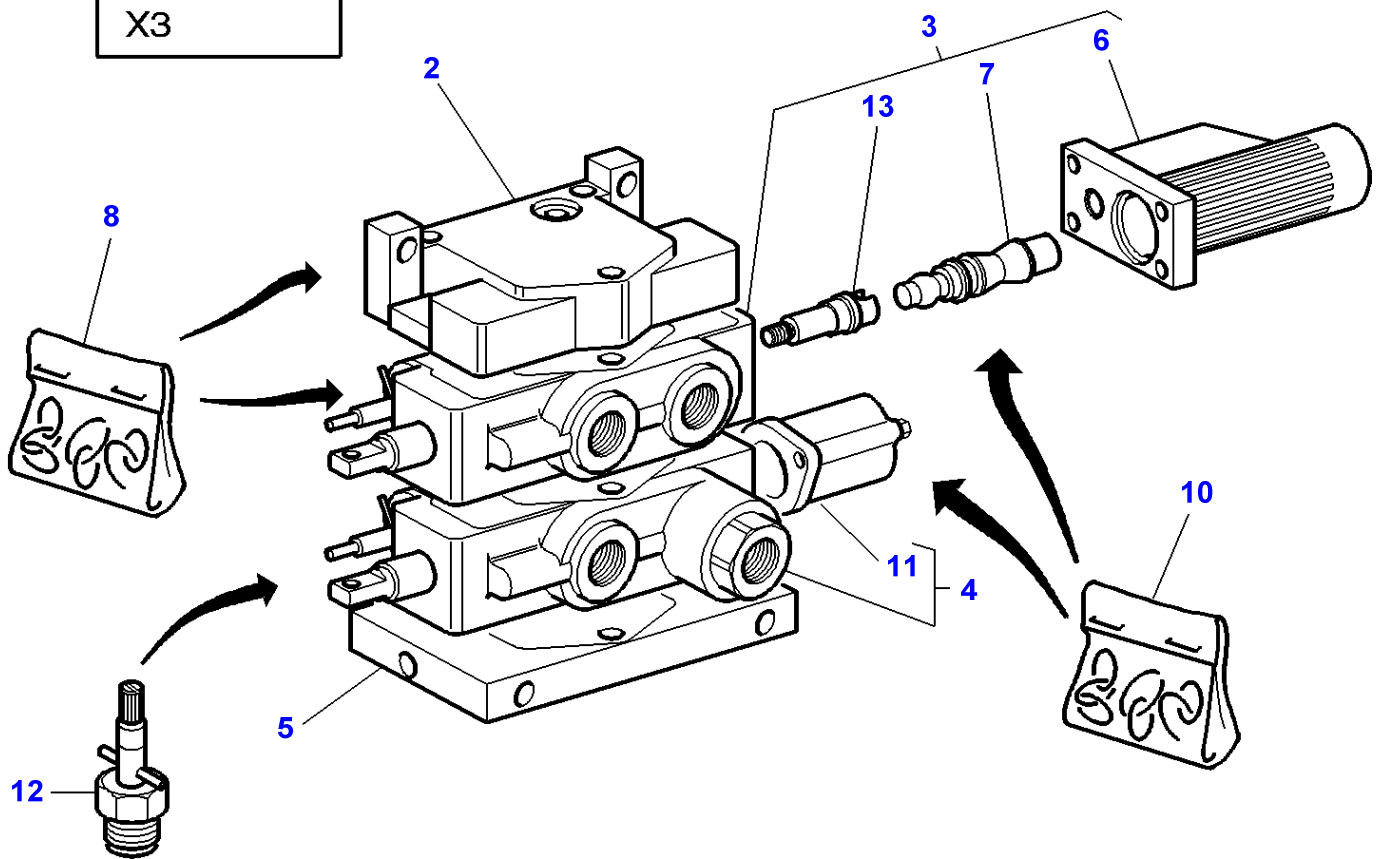
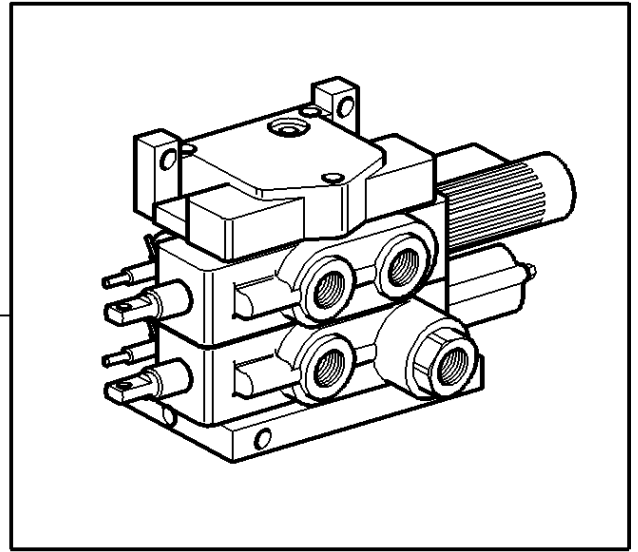
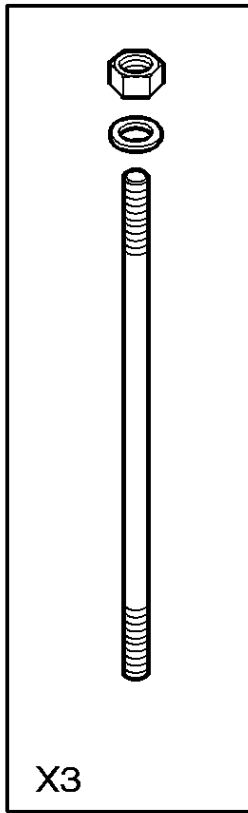


Hydraulic Lift Distributor

Item	Part Number	Qty	Description	Comments
1	3791418M1	1	Pressure Valve	[A] BOSCH 90L/MN
2	3902938M91	1	Kit, Joint	(1)
3	3902933M1	1	O Ring	(2) Diameter 19X1,5MM
4	3902934M1	1	Gasket	(2)
5	3108257M1	2	O Ring	(2) Diameter 5X1,5MM
6	3796223M1	1	O Ring	(2) Diameter 18X2,5MM
7	3796222M1	2	O Ring	Replace and repair. Old interchangeable with new 3108233M1 (2) Diameter 20X2,5MM Replace and repair. Old interchangeable with new 3108232M1
8	3108258M1	1	Valve	(1)
9	3902935M1	1	O Ring	(2) Diameter 10,82X1,78MM
10	3104936M1	1	Comp.Spring	(1)
11	3902936M1	1	Plug	(1)
12		1	O Ring	(2) Not serviced,order REF 2 Diameter 22X2,5MM
13	3104724M1	X	Shim	(1) Thickness 0,8MM
	1806184M1	X	Shim	(1) Thickness 0,5MM
	3102069M1	X	Shim	(1) Thickness 0,4MM
	3102068M1	X	Shim	(1) Thickness 0,3MM
14	3102240M1	1	Plug	(1)
15	3108259M1	1	O Ring	(2) Diameter 8X2MM
16	3902932M1	2	Plug	(1)
17	3108244M1	1	Plug	(1)
18	3108238M1	1	O Ring	(1)
19	3797262M1	1	Non Return Valve	(1) Replace and repair. Old not interchangeable with new 3108248M1
20	3902937M1	8	Screw	(1) M4X8
21		2	O Ring	(2) Not serviced,order REF 2 Diameter 17X2,5MM
22		1	O Ring	(2) Not serviced,order REF 2 Diameter 28X2MM
23	3902961M91	2	Parts Pack	Replace and repair. Old interchangeable with new 3901801M91
24		1	Solenoid	(23) Not serviced,order REF 23
25		1	Union Nut	(23) Not serviced,order REF 23
26		1	Helmet	(23) Not serviced,order REF 23
27		1	O Ring	(23) Not serviced,order REF 23 Diameter 21X1,5MM
28		1	O Ring	(23) Not serviced,order REF 23 Diameter 20X2,5MM

FOOTNOTE [A] ONLY P/NS WITH ITEMS ARE SUPPLIED IN SPARE PARTS

1-ZP34-025-B



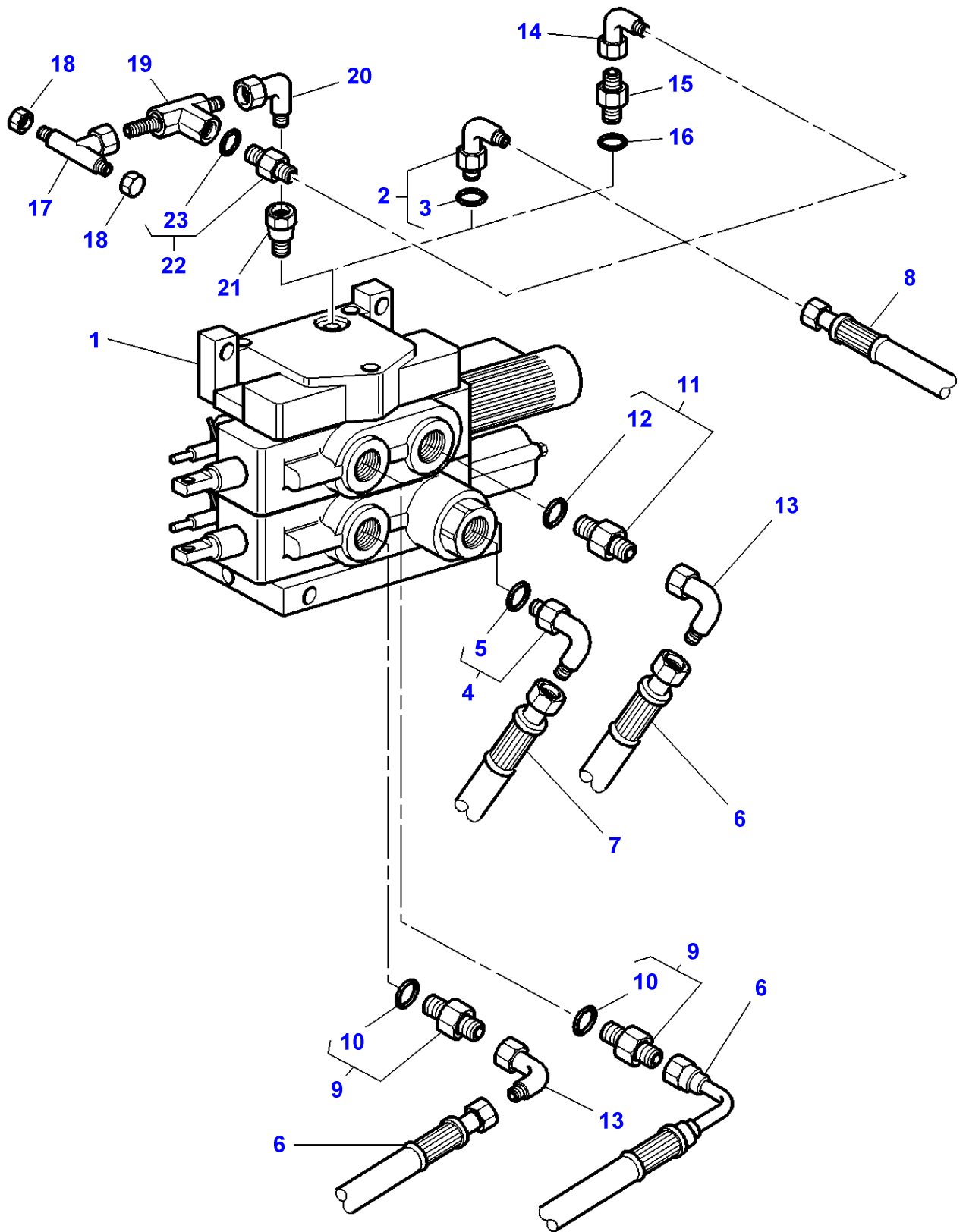
Item	Part Number	Qty	Description	Comments
1	3716317M93	1	Distributor	
2	3716316M1	1	Element	(1)
3	3792803M3	1	Distributor	[A] (1) Replace and repair. Old interchangeable with new 3902062M92
4	3792802M1	1	Distributor	[B] (1) Replace and repair. Old interchangeable with new 3902063M91
5	3716314M1	1	Element	(1)
6	3902797M91	1	Protector	(3)
7	3790773M11	1	Kit, Service	(3)
8	3792640M1	1	Kit, Joint	(1) Replace and repair. Old interchangeable with new 3902067M91
9	3902732M91	1	Parts Pack	(1)
10	3902066M91	1	Kit, Joint	(1)
11	3902813M91	1	Protector	(4)
12	3790797M11	1	Kit, Service	(1)
13	3903893M1	1	Pivot	(3)

FOOTNOTE [A] DIST 4 FLOATING POSITIONS ,FLOW ADJUST,KICK-OUT,W/ O, ZERO LEAK

FOOTNOTE [B] DIST 3 FLOATING POSITIONS,RETURN BY SPRING,FLOW AD JUST,ZERO LEAK

MF 8250 TRACTOR - 1637366
1-ZP36-014-C

1-ZP36-014-C



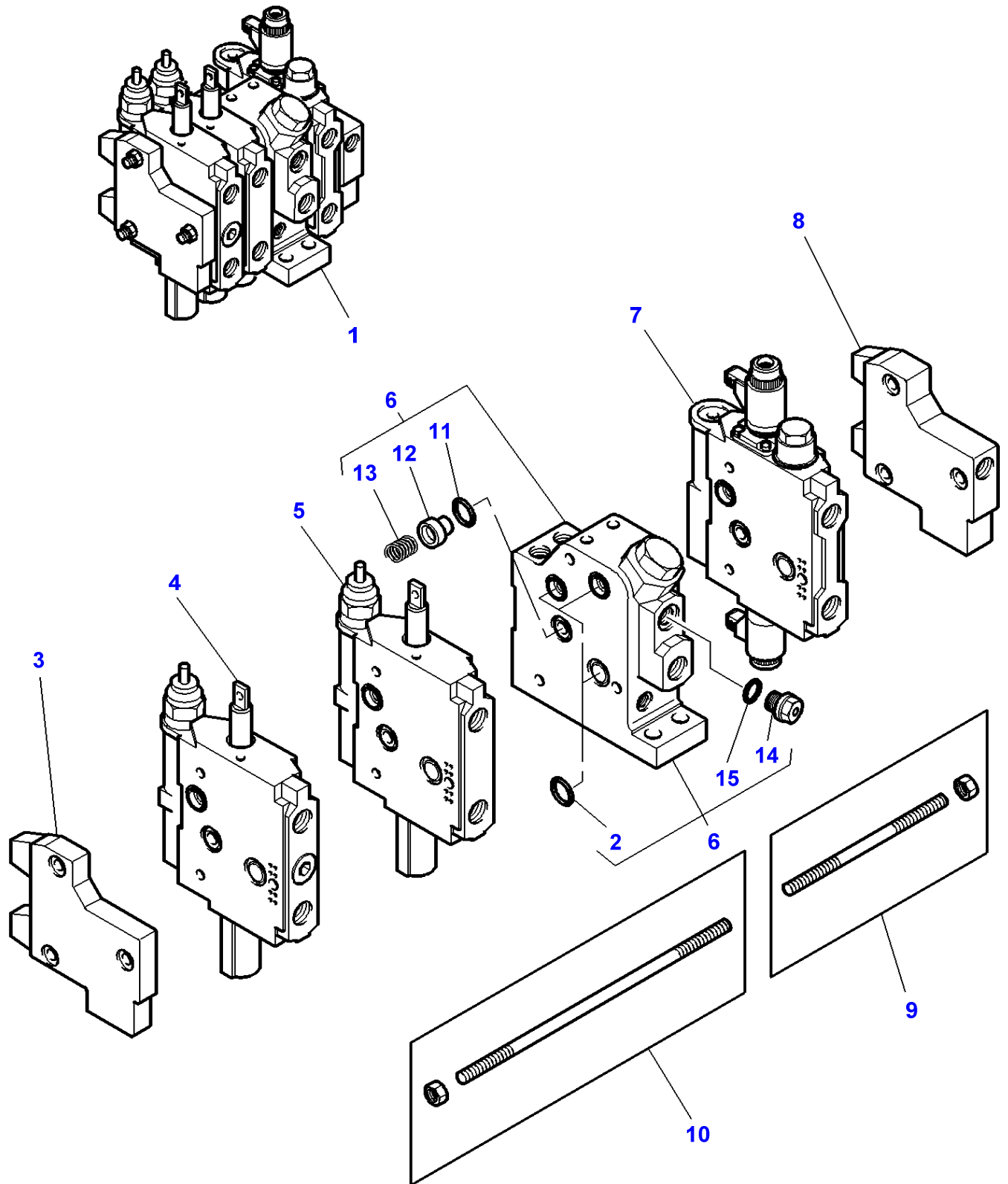
Item	Part Number	Qty	Description	Comments
1	3716317M93	1	Distributor	
2	357197X91	1	Elbow	Up to Serial or Engine Number H321001
3	831452M1	1	O Ring	(2)
4	380031X91	1	Union	
5	1882958M1	1	O Ring	(4)
6	3712540M1	3	Hydr Hose	Length 650MM
7	3714956M1	1	Hydr Hose	Length 600MM
8	3716398M1	1	Hydr Hose	[A]
	3792042M1	1	Hydr Hose	[B] Length 1400MM
9	835013M91	2	Union	
10	1882958M1	1	O Ring	(9)
11	380055X91	1	Union	
12	835024M1	1	O Ring	(11)
13	367386X1	2	Elbow	
14	364603X1	1	Elbow	From Serial or Engine Number H321002
15	358733X1	1	Union	From Serial or Engine Number H321002
16	831452M1	1	O Ring	
17	3794665M3	1	Union	[C]
18	356579X1	2	Cap	[C]
19	3793574M3	1	Selector	[C]
20	364603X1	1	Elbow	[C]
21	3795674M1	1	Union	[C]
22	3010626X91	1	Union	[C]
23	3019394X1	1	O Ring	(22)

FOOTNOTE [A] WITH PUMP 45CC

FOOTNOTE [B] WITH PUMP 60CC

FOOTNOTE [C] WITH FRONT AXLE SUSPENDED CARRARO

1-ZP34-034-D



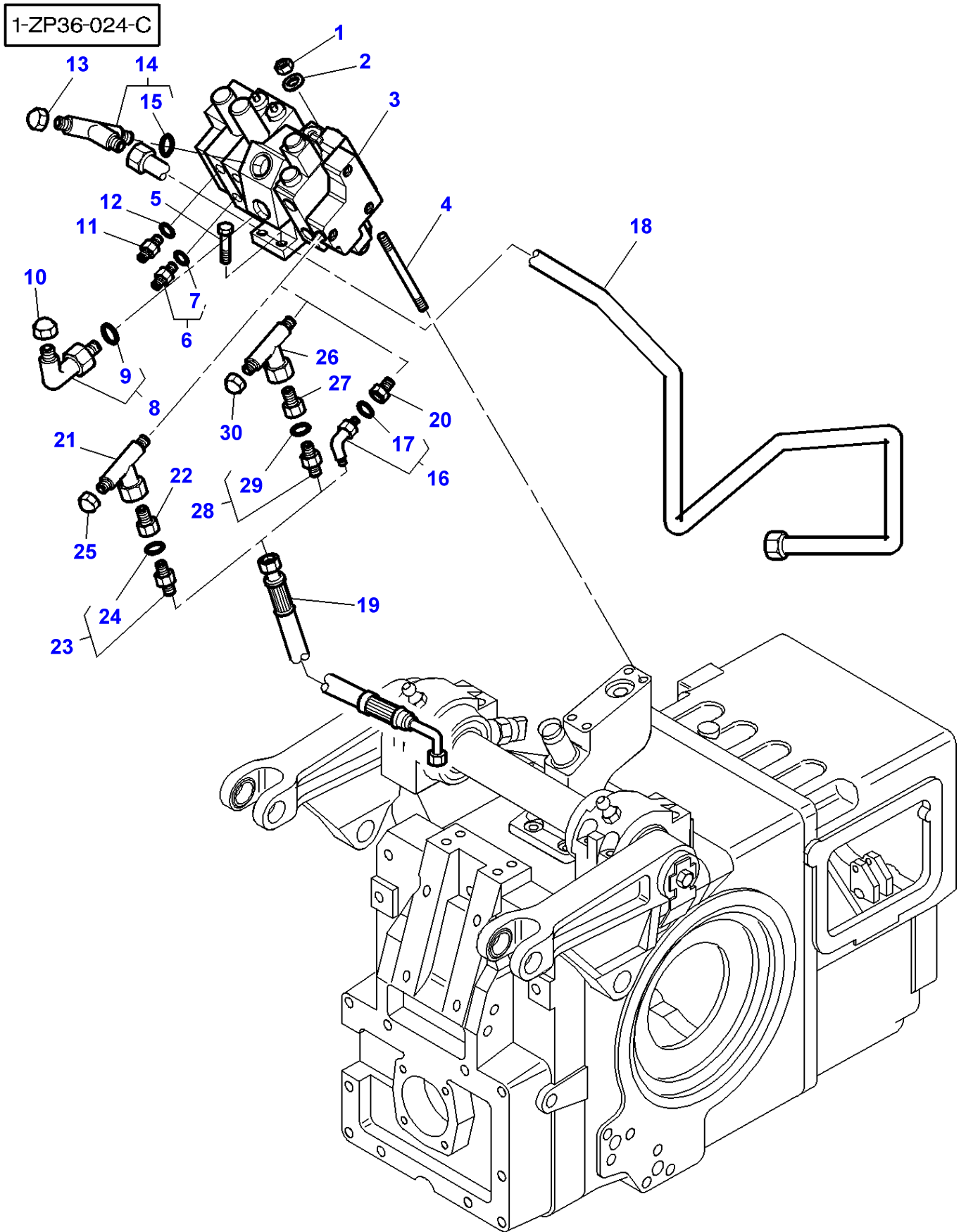
Item	Part Number	Qty	Description	Comments
1	3794725M14	1	Distributor	
2	3796222M1	3	O Ring	(6) 20 X 1,5
3	3796108M1	1	Element	(1)
4	3796090M3	1	Distributor	[B] (1) See Page - Reference Number 070-0520/1
5	3796091M3	1	Distributor	[A] (1) See Page - Reference Number 070-0515/1
6	3796109M1	1	Element	(1)
7	3796103M2	1	Pressure Valve	[C] (1) See Page - Reference Number 070-0505/1
8	3796107M1	1	Element	(1)
9	3796231M1	3	Stud	(1) Length 91MM
10	3796232M1	3	Stud	(1) Length 131MM
11	3796223M1	1	O Ring	(6) 18 X 1,5
12	3796224M1	1	Non Return Valve	(6)
13	3796225M1	1	Spring	(6)
14	3108244M1	1	Plug	(6)
15	3108238M1	1	O Ring	(6)

FOOTNOTE [A] DIST 4 FLOATING POSITIONS, FLOW ADJUST, DOUBLE ACTION, KICK OUT

FOOTNOTE [B] DIST 3 POSITIONS, FLOW ADJUST, DOUBLE ACTION, ZERO LEAK

FOOTNOTE [C] HYDRAULIC LIFT VALVE

MF 8250 TRACTOR - 1637366
1-ZP36-024-C



Item	Part Number	Qty	Description	Comments
1	339054X1	2	Nut Metric	
2	390735X1	2	Washer	
3	3794725M14	1	Distributor	[A,B] See Page - Reference Number 070-0345/1
4	3010449X1	2	Stud	
5	3009494X1	2	Screw Metric	M10 X 35
6	3019387X91	2	Union	
7	3019398X1	1	O Ring	(6)
8	3019596X91	1	Union	
9	3019455X1	1	O Ring	(8)
10	70921244	1	Cap	Replace and repair. Old not interchangeable with new 355782X1
11	3793544M1	2	Union	
12	3019398X1	2	O Ring	
13	356582X1	1	Cap	
14	3019633X91	1	Union	
15	3019399X1	1	O Ring	(14)
16	3010642X91	1	Union	[D] Up to Serial or Engine Number K197000
	3010667X91	1	Union	[C] Up to Serial or Engine Number K197000
17	3019394X1	1	O Ring	(16)
18	3793424M1	1	Tube	[C]
	3797956M91	1	Tube	[D]
19	3790086M1	1	Hydr Hose	[C] Length 930 MM
	3792042M2	1	Hydr Hose	[D] Length 1100 MM
20	3793729M1	1	Reducer	Up to Serial or Engine Number K197000
21	3794885M3	1	Selector	[E]
22	3793729M1	1	Reducer	[E]
23	3010626X91	1	Union	[E]
24	3019394X1	1	O Ring	[E] (23)
25	356579X1	1	Cap	[E]
26	3794885M3	1	Selector	From Serial or Engine Number K197001
27	3793729M1	1	Reducer	From Serial or Engine Number K197001
28	3010626X91	1	Union	From Serial or Engine Number K197001
29	3019394X1	1	O Ring	(28) From Serial or Engine Number K197001
30	356579X1	1	Cap	From Serial or Engine Number K197001

FOOTNOTE [A] DIST 3 POSITIONS, FLOW ADJUST, DOUBLE ACTION, ZERO LEAK

FOOTNOTE [B] DIST 4 FLOATING POSITIONS, FLOW ADJUST, DOUBLE ACTION, KICK OUT

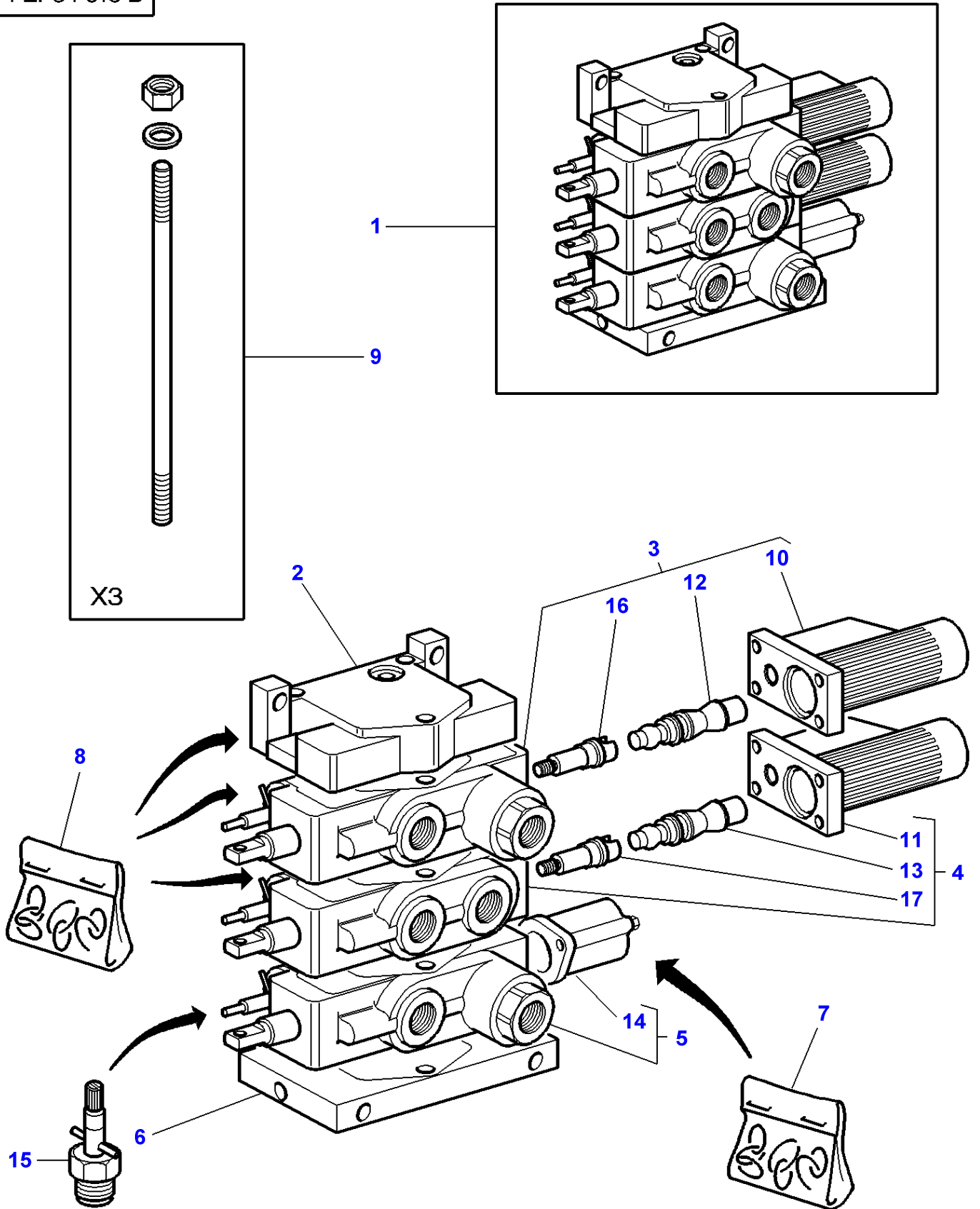
FOOTNOTE [C] WITH PUMP 45CC

FOOTNOTE [D] WITH PUMP 60CC

FOOTNOTE [E] WITH FRONT AXLE SUSPENDED CARRARO

MF 8250 TRACTOR - 1637366
1-ZP34-016-B

1-ZP34-016-B



Item	Part Number	Qty	Description	Comments
1	3716318M93	1	Distributor	
2	3716316M1	1	Element	(1)
3	3713928M5	1	Distributor	[C] (1)
4	3792803M3	1	Distributor	[A] (1) Replace and repair. Old interchangeable with new 3902062M9
5	3792802M1	1	Distributor	[B] (1) Replace and repair. Old interchangeable with new 3902063M91
6	3716314M1	1	Element	(1)
7	3902066M91	1	Kit, Joint	(1)
8	3792640M1	1	Kit, Joint	(1) Replace and repair. Old interchangeable with new 3902067M91
9	3716366M1	1	Parts Pack	(1)
10	3902797M91	1	Protector	(3)
11	3902797M91	1	Protector	(4)
12	3790773M11	1	Kit, Service	(3)
13	3790773M11	1	Kit, Service	(4)
14	3902813M91	1	Protector	(5)
15	3790797M11	1	Kit, Service	(1)
16	3903893M1	1	Pivot	(3)
17	3903893M1	1	Pivot	(4)

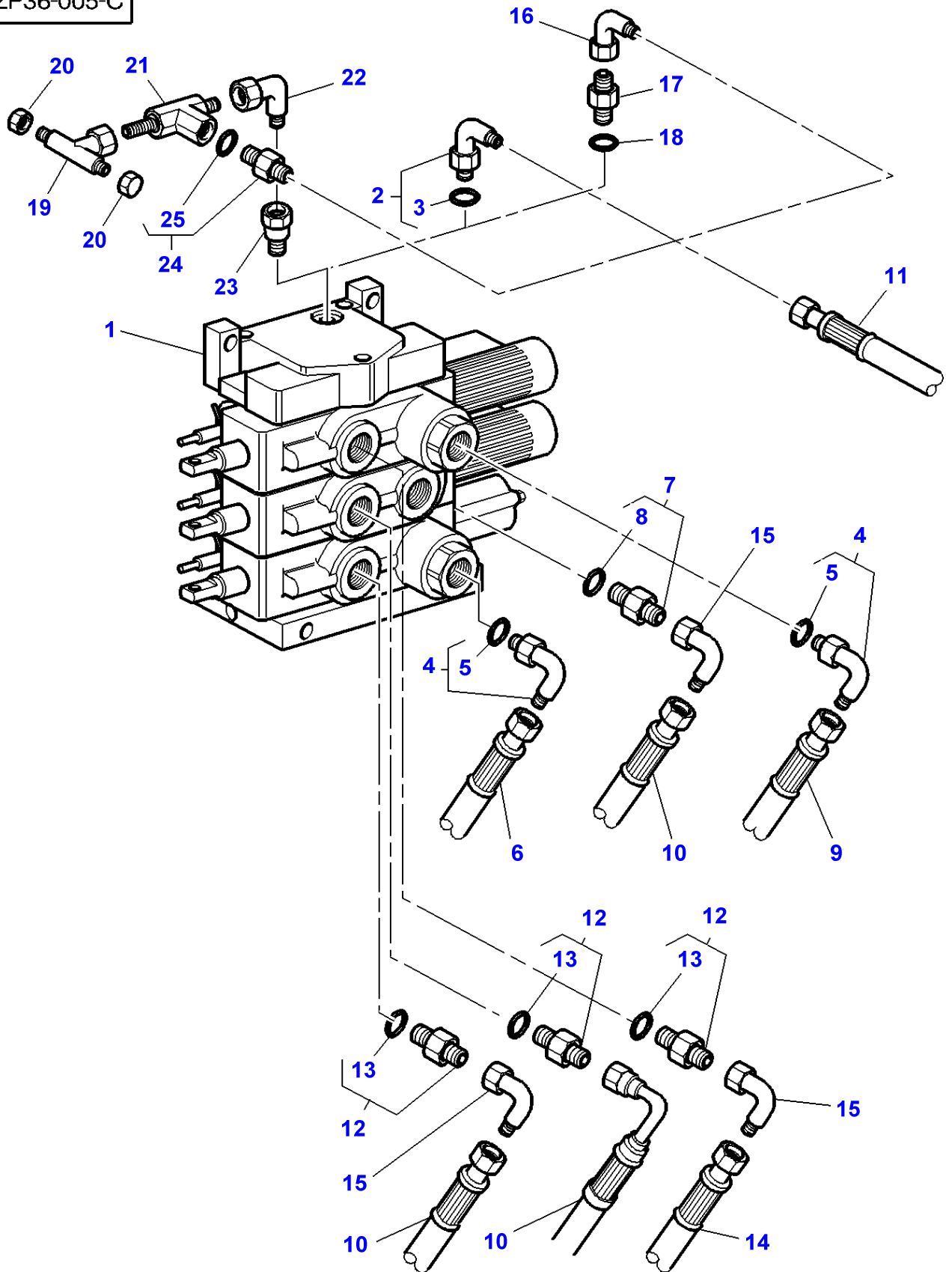
FOOTNOTE [A] DIST 4 FLOATING POSITIONS ,FLOW ADJUST,KICK-OUT,W/ O, ZERO LEAK

FOOTNOTE [B] DIST 3 FLOATING POSITIONS,RETURN BY SPRING,FLOW AD JUST,ZERO LEAK

FOOTNOTE [C] 4 FLOATING POSITIONS DIST,FLOW ADJUST,KICK-OUT,ZER O LEAK

MF 8250 TRACTOR - 1637366
1-ZP36-005-C

1-ZP36-005-C



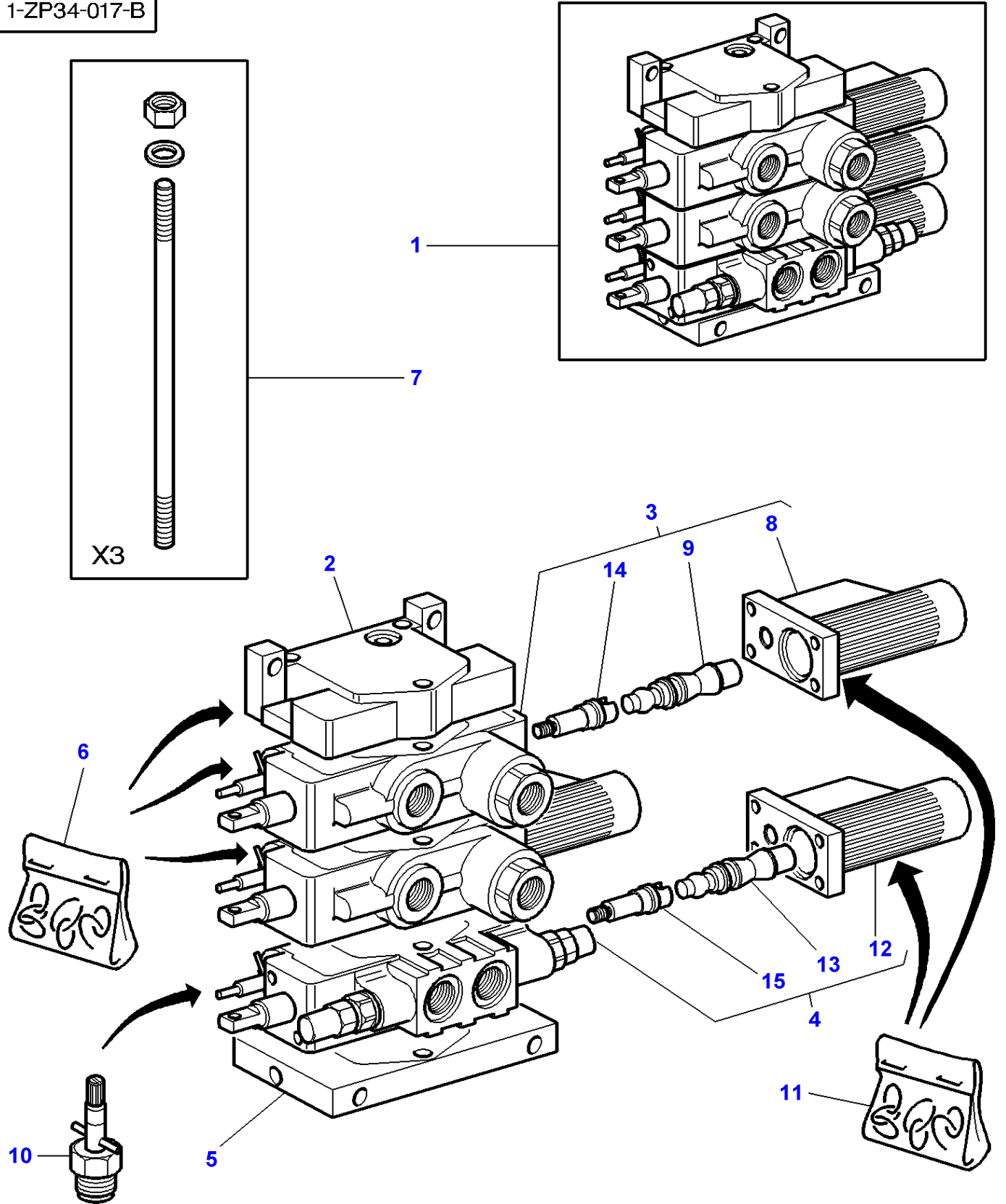
Item	Part Number	Qty	Description	Comments
1	3716318M93	1	Distributor	
2	357197X91	1	Elbow	Up to Serial or Engine Number H321001
3	831452M1	1	O Ring	(2)
4	380031X91	2	Union	
5	1882958M1	1	O Ring	(4)
6	3714956M1	1	Hydr Hose	Length 600MM
7	380055X91	1	Union	
8	835024M1	1	O Ring	(7)
9	3583591M1	1	Hydr Hose	Length 690MM
10	3712540M1	3	Hydr Hose	Length 650MM
11	3716398M1	1	Hydr Hose	[A]
	3792042M1	1	Hydr Hose	[B] Length 1400MM
12	835013M91	3	Union	
13	1882958M1	1	O Ring	(12)
14	3792164M1	1	Hydr Hose	Length 900MM
15	367386X1	3	Elbow	
16	364603X1	1	Elbow	From Serial or Engine Number H321002
17	358733X1	1	Union	From Serial or Engine Number H321002
18	831452M1	1	O Ring	
19	3794665M3	1	Union	[C]
20	356579X1	2	Cap	[C]
21	3793574M3	1	Selector	[C]
22	364603X1	1	Elbow	[C]
23	3795674M1	1	Union	[C]
24	3010626X91	1	Union	[C]
25	3019394X1	1	O Ring	(24)

FOOTNOTE [A] WITH PUMP 45CC

FOOTNOTE [B] WITH PUMP 60CC

FOOTNOTE [C] WITH FRONT AXLE SUSPENDED CARRARO

1-ZP34-017-B

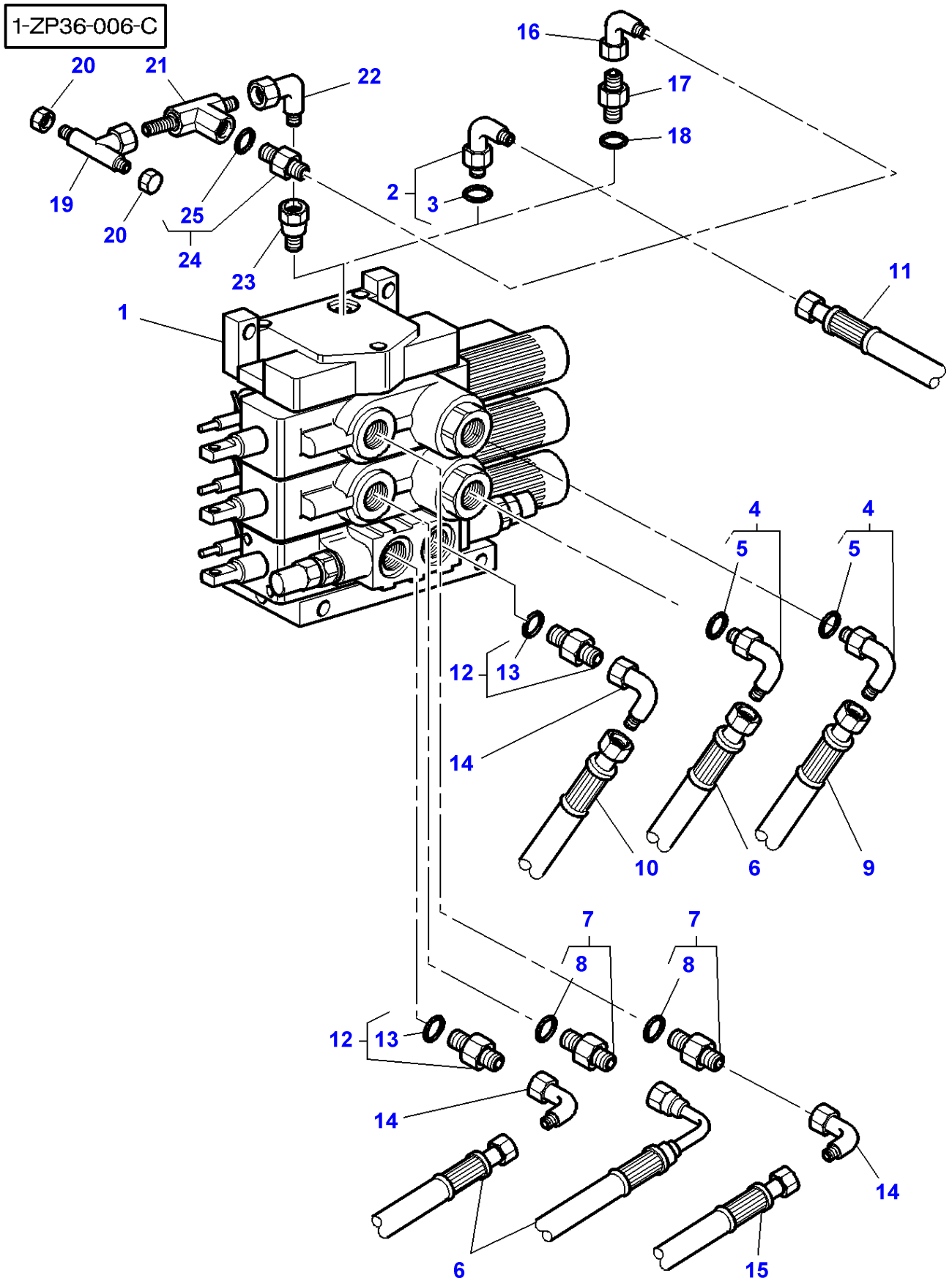


Item	Part Number	Qty	Description	Comments
1	3716319M93	1	Distributor	
2	3716316M1	1	Element	(1)
3	3713928M5	2	Distributor	[A] (1)
4	3713927M4	1	Distributor	[B] (1)
5	3716314M1	1	Element	(1)
6	3792640M1	1	Kit, Joint	(1) Replace and repair. Old interchangeable with new 3902067M91
7	3716366M1	1	Parts Pack	(1)
8	3902797M91	1	Protector	(3)
9	3790773M11	1	Kit, Service	(3)
10	3790797M11	1	Kit, Service	(1)
11	3902066M91	1	Kit, Joint	(1)
12	3902797M91	1	Protector	(4)
13	3790773M11	1	Kit, Service	(4)
14	3903893M1	1	Pivot	(3)
15	3903893M1	1	Pivot	(4)

FOOTNOTE [A] 4 FLOATING POSITIONS DIST,FLOW ADJUST,KICK-OUT,ZER O LEAK

FOOTNOTE [B] 4 FLOAT POSIT DIST,FLOW ADJUST,KICK-OUT W 2 OVERP RES.VALVE AND RESUPPLYING FOR HYDRAULIC MOTOR

MF 8250 TRACTOR - 1637366
1-ZP36-006-C



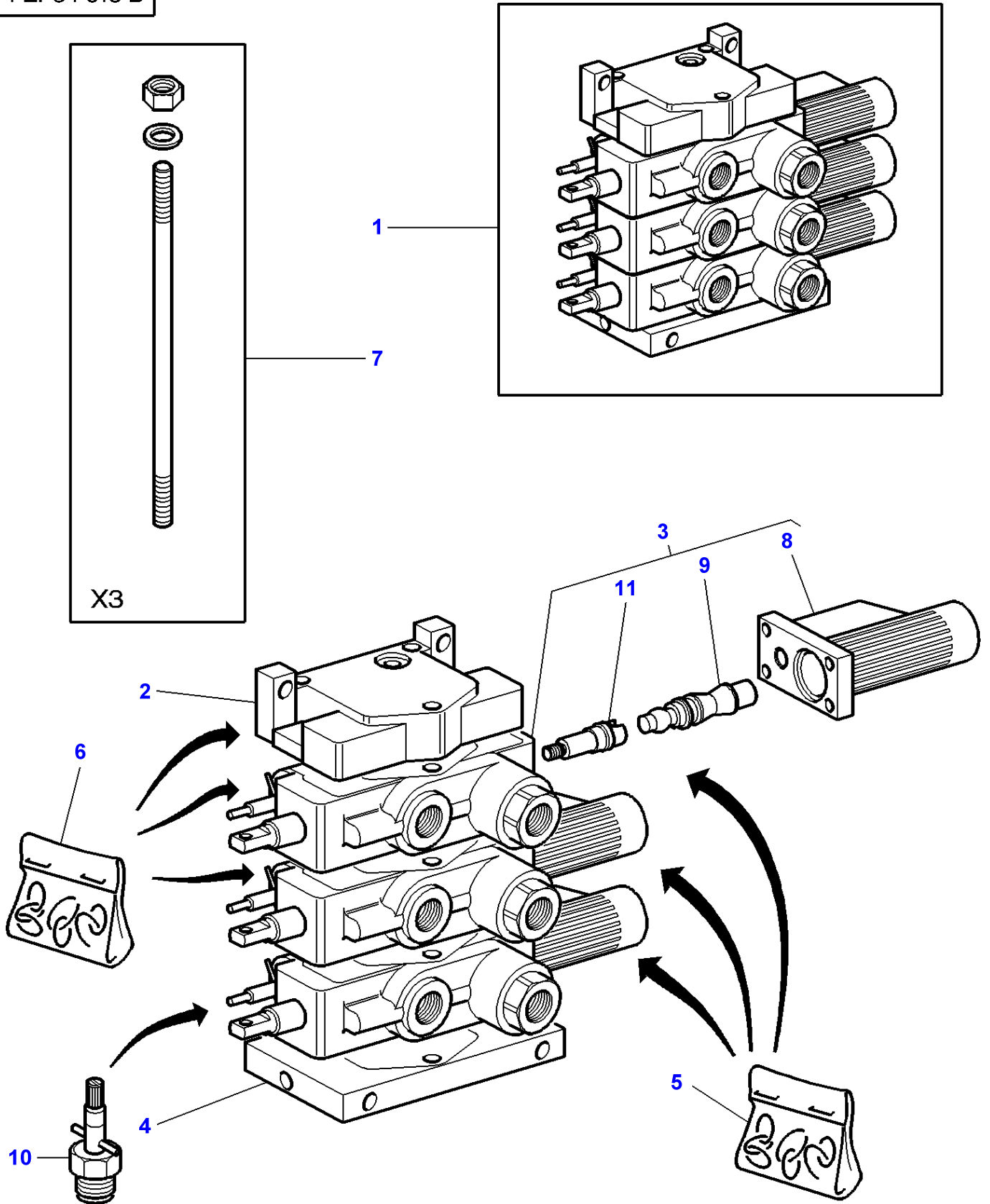
Item	Part Number	Qty	Description	Comments
1	3716319M93	1	Distributor	
2	357197X91	1	Elbow	Up to Serial or Engine Number H321001
3	831452M1	1	O Ring	(2)
4	380031X91	2	Union	
5	1882958M1	1	O Ring	(4)
6	3712540M1	3	Hydr Hose	Length 650MM
7	380055X91	1	Union	
8	835024M1	1	O Ring	(7)
9	3583591M1	1	Hydr Hose	Length 690MM
10	3714956M1	1	Hydr Hose	Length 600MM
11	3716398M1	1	Hydr Hose	[A]
	3792042M1	1	Hydr Hose	[B] Length 1400MM
12	835013M91	2	Union	
13	1882958M1	1	O Ring	(12)
14	367386X1	3	Elbow	
15	3792164M1	1	Hydr Hose	Length 900MM
16	364603X1	1	Elbow	From Serial or Engine Number H321002
17	358733X1	1	Union	From Serial or Engine Number H321002
18	831452M1	1	O Ring	
19	3794665M3	1	Union	[C]
20	356579X1	2	Cap	[C]
21	3793574M3	1	Selector	[C]
22	364603X1	1	Elbow	[C]
23	3795674M1	1	Union	[C]
24	3010626X91	1	Union	[C]
25	3019394X1	1	O Ring	(24)

FOOTNOTE [A] WITH PUMP 45CC

FOOTNOTE [B] WITH PUMP 60CC

FOOTNOTE [C] WITH FRONT AXLE SUSPENDED CARRARO

1-ZP34-018-B

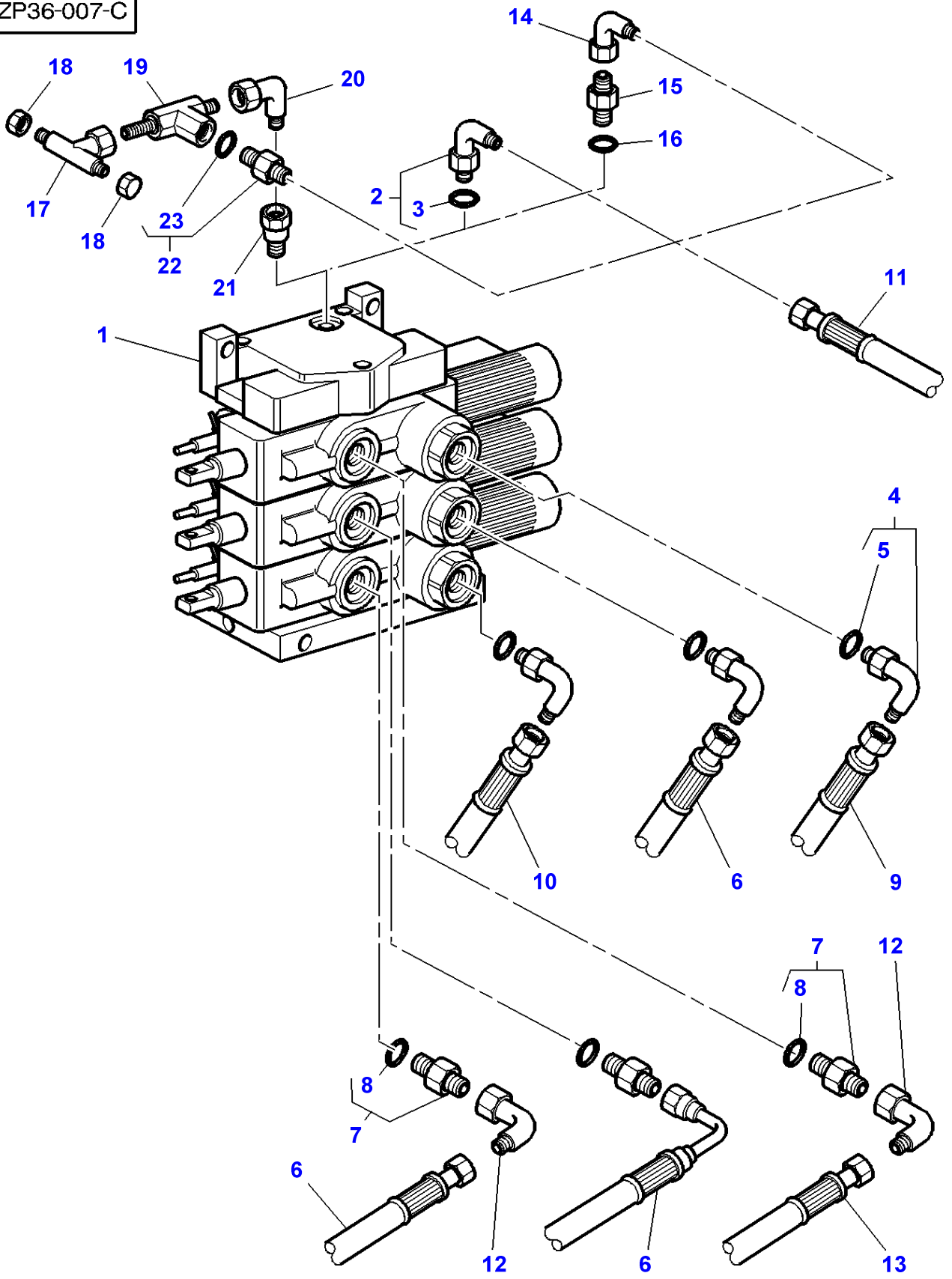


Item	Part Number	Qty	Description	Comments
1	3716320M93	1	Distributor	
2	3716316M1	1	Element	(1)
3	3713928M5	3	Distributor	[A] (1)
4	3716314M1	1	Element	(1)
5	3902066M91	1	Kit, Joint	(1)
6	3792640M1	1	Kit, Joint	(1) Replace and repair. Old interchangeable with new 3902067M91
7	3716366M1	1	Parts Pack	(1)
8	3902797M91	1	Protector	(3)
9	3790773M11	1	Kit, Service	(3)
10	3790797M11	1	Kit, Service	(3)
11	3903893M1	1	Pivot	(3)

FOOTNOTE [A] 4 FLOATING POSITIONS DIST,FLOW ADJUST,KICK-OUT,ZER O LEAK

MF 8250 TRACTOR - 1637366
1-ZP36-007-C

1-ZP36-007-C



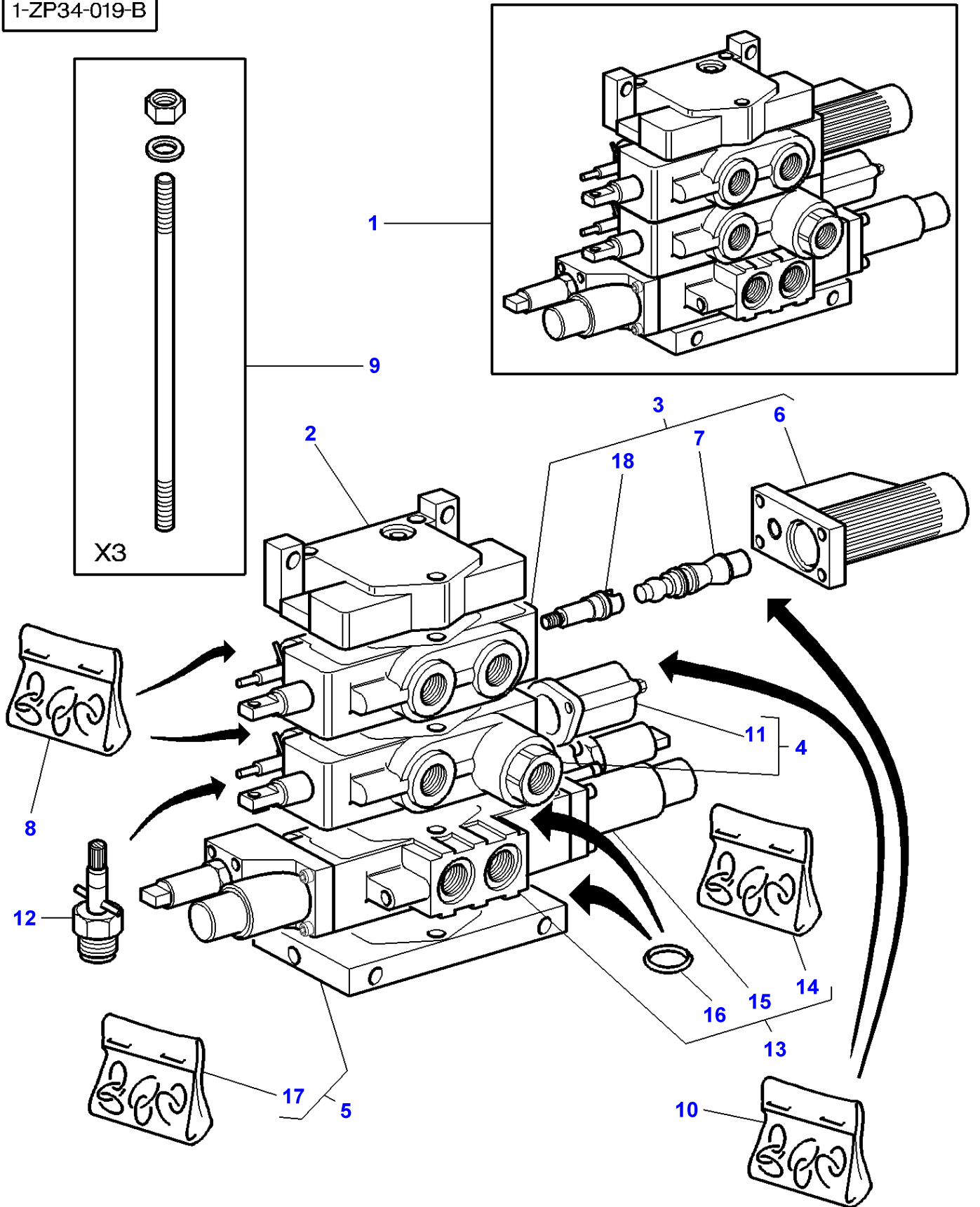
Item	Part Number	Qty	Description	Comments
1	3716320M93	1	Distributor	
2	357197X91	1	Elbow	Up to Serial or Engine Number H321001
3	831452M1	1	O Ring	(2)
4	380031X91	3	Union	7/88-14
5	1882958M1	1	O Ring	(4)
6	3712540M1	3	Hydr Hose	Length 650MM
7	835013M91	3	Union	
8	1882958M1	1	O Ring	(7)
9	3583591M1	1	Hydr Hose	Length 690MM
10	3714956M1	1	Hydr Hose	Length 600MM
11	3716398M1	1	Hydr Hose	[A]
	3792042M1	1	Hydr Hose	[B]
				Length 1400MM
12	367386X1	2	Elbow	
13	3792164M1	1	Hydr Hose	Length 900MM
14	364603X1	1	Elbow	From Serial or Engine Number H321002
15	358733X1	1	Union	From Serial or Engine Number H321002
16	831452M1	1	O Ring	
17	3794665M3	1	Union	[C]
18	356579X1	2	Cap	[C]
19	3793574M3	1	Selector	[C]
20	364603X1	1	Elbow	[C]
21	3795674M1	1	Union	[C]
22	3010626X91	1	Union	[C]
23	3019394X1	1	O Ring	(22)

FOOTNOTE [A] WITH PUMP 45CC

FOOTNOTE [B] WITH PUMP 60CC

FOOTNOTE [C] WITH FRONT AXLE SUSPENDED CARRARO

1-ZP34-019-B



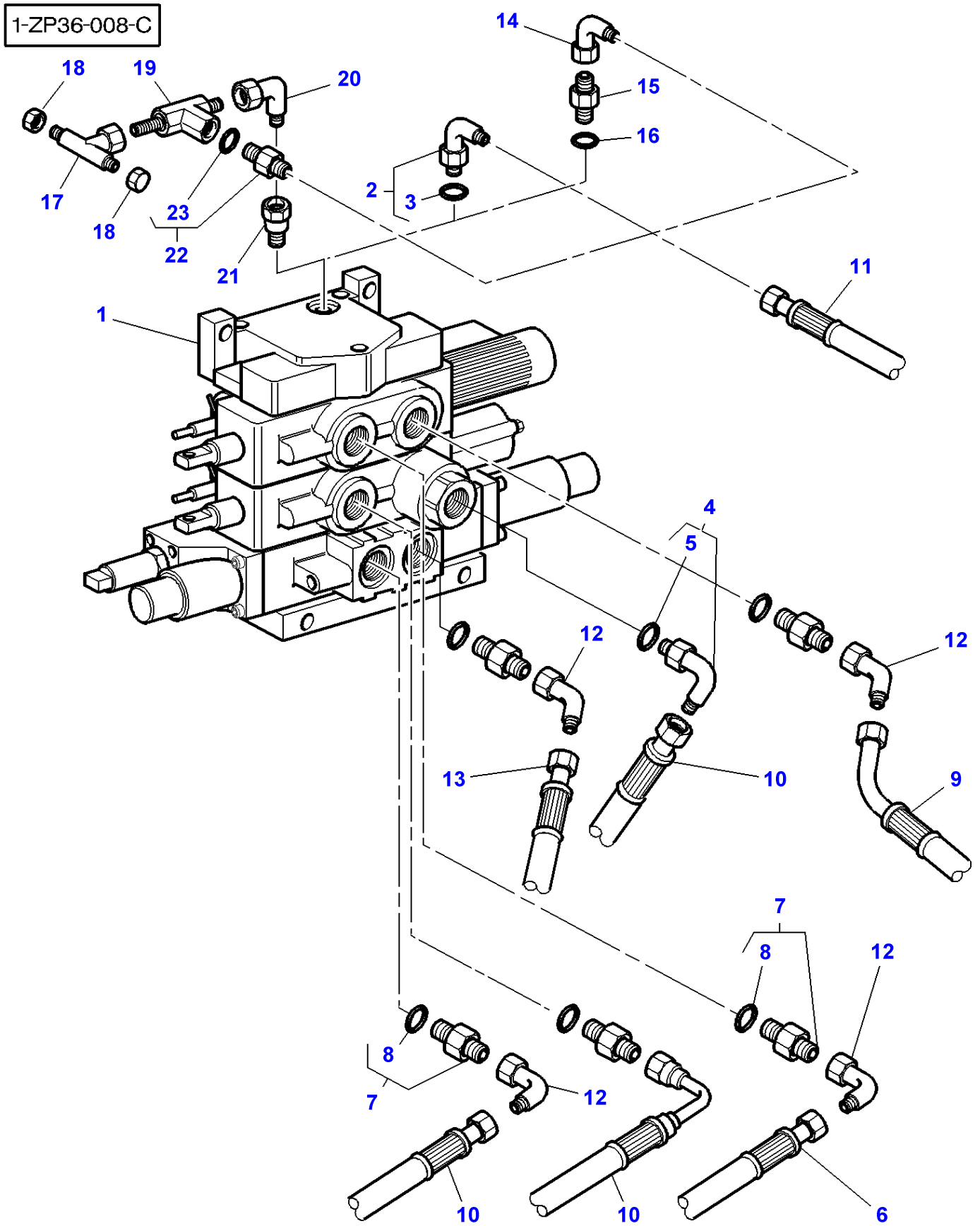
Item	Part Number	Qty	Description	Comments
1	3716321M93	1	Distributor	
2	3716316M1	1	Element	(1)
3	3792803M3	1	Distributor	[A] (1) Replace and repair. Old interchangeable with new 3902062M92
4	3792802M1	1	Distributor	[B] (1) Replace and repair. Old interchangeable with new 3902063M91
5	3716315M1	1	Element	(1)
6	3902797M91	1	Protector	(3)
7	3790773M11	1	Kit, Service	(3)
8	3792640M1	1	Kit, Joint	(1) Replace and repair. Old interchangeable with new 3902067M91
9	3716366M1	1	Parts Pack	(1)
10	3902066M91	1	Kit, Joint	(1)
11	3902813M91	1	Protector	(4)
12	3790797M11	2	Kit, Service	(1)
13	3715122M2	1	Pressure Valve	[C] (1)
14	3902734M91	1	Kit, Joint	(13)
15	3900512M92	2	Pressure Valve	(13)
16	359288X1	4	Seal	(13)
17	3792639M1	1	Kit, Joint	(5) Replace and repair. Old interchangeable with new 3902733M91
18	3903893M1	1	Pivot	(3)

FOOTNOTE [A] DIST 4 FLOATING POSITIONS ,FLOW ADJUST,KICK-OUT,W/ O, ZERO LEAK

FOOTNOTE [B] DIST 3 FLOATING POSITIONS,RETURN BY SPRING,FLOW AD JUST,ZERO LEAK

FOOTNOTE [C] DIST 3 FLOATING POSITIONS,AUTOMATIC KICK-OUT(BY SP RING),FLOW ADJUST,ELECTRIC CONTROL

MF 8250 TRACTOR - 1637366
1-ZP36-008-C



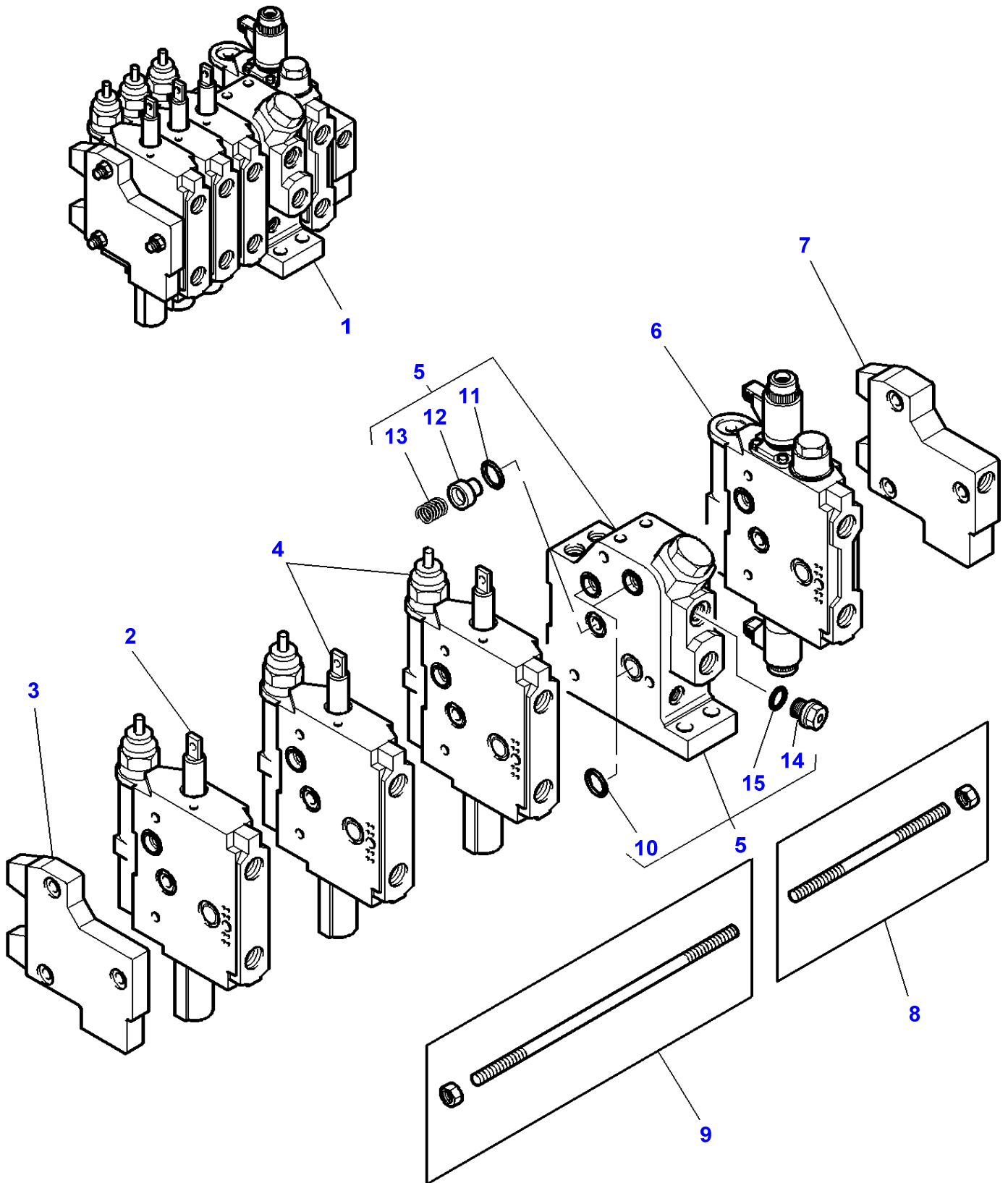
Item	Part Number	Qty	Description	Comments
1	3716321M93	1	Distributor	
2	357197X91	1	Elbow	Up to Serial or Engine Number H321001
3	831452M1	1	O Ring	(2)
4	380031X91	1	Union	
5	1882958M1	1	O Ring	(4)
6	3792164M1	1	Hydr Hose	Length 900MM
7	835013M91	5	Union	
8	1882958M1	1	O Ring	(7)
9	3792167M1	1	Hydr Hose	Length 780MM
10	3712540M1	3	Hydr Hose	Length 650MM
11	3716398M1	1	Hydr Hose	[A]
	3792042M1	1	Hydr Hose	[B] Length 1400MM
12	367386X1	4	Elbow	
13	3714956M1	1	Hydr Hose	Length 600MM
14	364603X1	1	Elbow	From Serial or Engine Number H321002
15	358733X1	1	Union	From Serial or Engine Number H321002
16	831452M1	1	O Ring	
17	3794665M3	1	Union	[C]
18	356579X1	2	Cap	[C]
19	3793574M3	1	Selector	[C]
20	364603X1	1	Elbow	[C]
21	3795674M1	1	Union	[C]
22	3010626X91	1	Union	[C]
23	3019394X1	1	O Ring	(22)

FOOTNOTE [A] WITH PUMP 45CC

FOOTNOTE [B] WITH PUMP 60CC

FOOTNOTE [C] WITH FRONT AXLE SUSPENDED CARRARO

1-ZP34-043-D



Item	Part Number	Qty	Description	Comments
1	3794727M14	1	Distributor	
2	3796128M3	1	Distributor	[C] (1) See Page - Reference Number 070-0510/1
3	3796108M1	1	Element	(1)
4	3795751M3	2	Distributor	[B] (1) See Page - Reference Number 070-0500/1
5	3796109M1	1	Element	(1)
6	3796103M2	1	Pressure Valve	[A] (1) See Page - Reference Number 070-0505/1
7	3796107M1	1	Element	(1)
8	3796231M1	3	Stud	(1)
9	3796233M1	3	Stud	(1)
10	3796222M1	3	O Ring	(5) 20 X 1,5
11	3796223M1	1	O Ring	(5) 18 X 1,5
12	3796224M1	1	Non Return Valve	(5)
13	3796225M1	1	Spring	(5)
14	3108244M1	1	Plug	(5)
15	3108238M1	1	O Ring	(5)

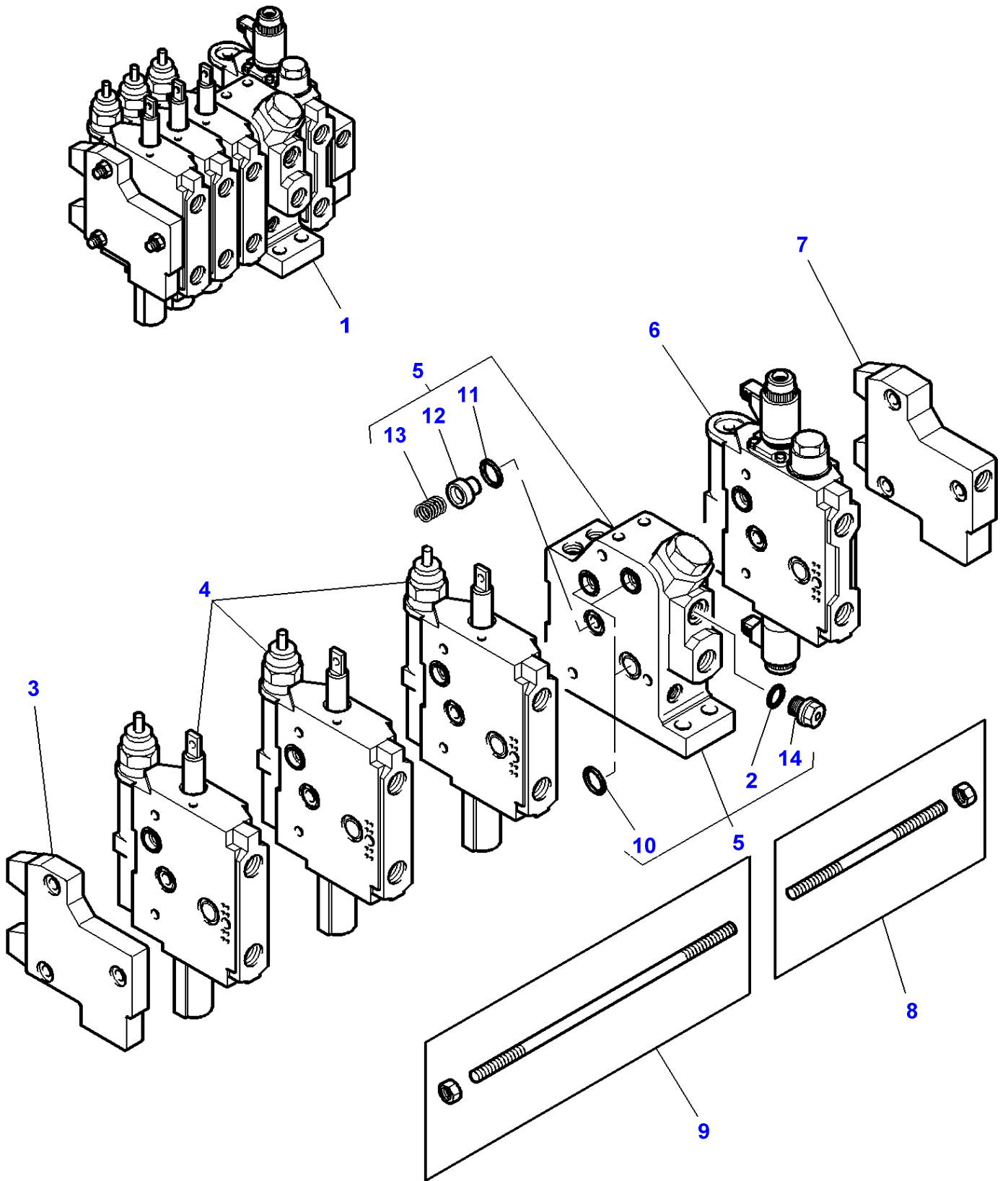
FOOTNOTE [A] HYDRAULIC LIFT VALVE

FOOTNOTE [B] DIST 4 FLOATING POSITIONS ,FLOW ADJUST,DOUBLE ACTI ON,KICK OUT,ZERO LEAK

FOOTNOTE [C] DIST 3 POSITIONS,FLOW ADJUST,DOUBLE ACTION,KICK OU T,FOR HYDRAULIC MOTOR

MF 8250 TRACTOR - 1637366
1-ZP34-063-A

1-ZP34-063-A



Massey Ferguson**MF 8250 TRACTOR - 1637366**

1637366

Auxiliary Distributor - 3 Distributors With Load Sensing - USA

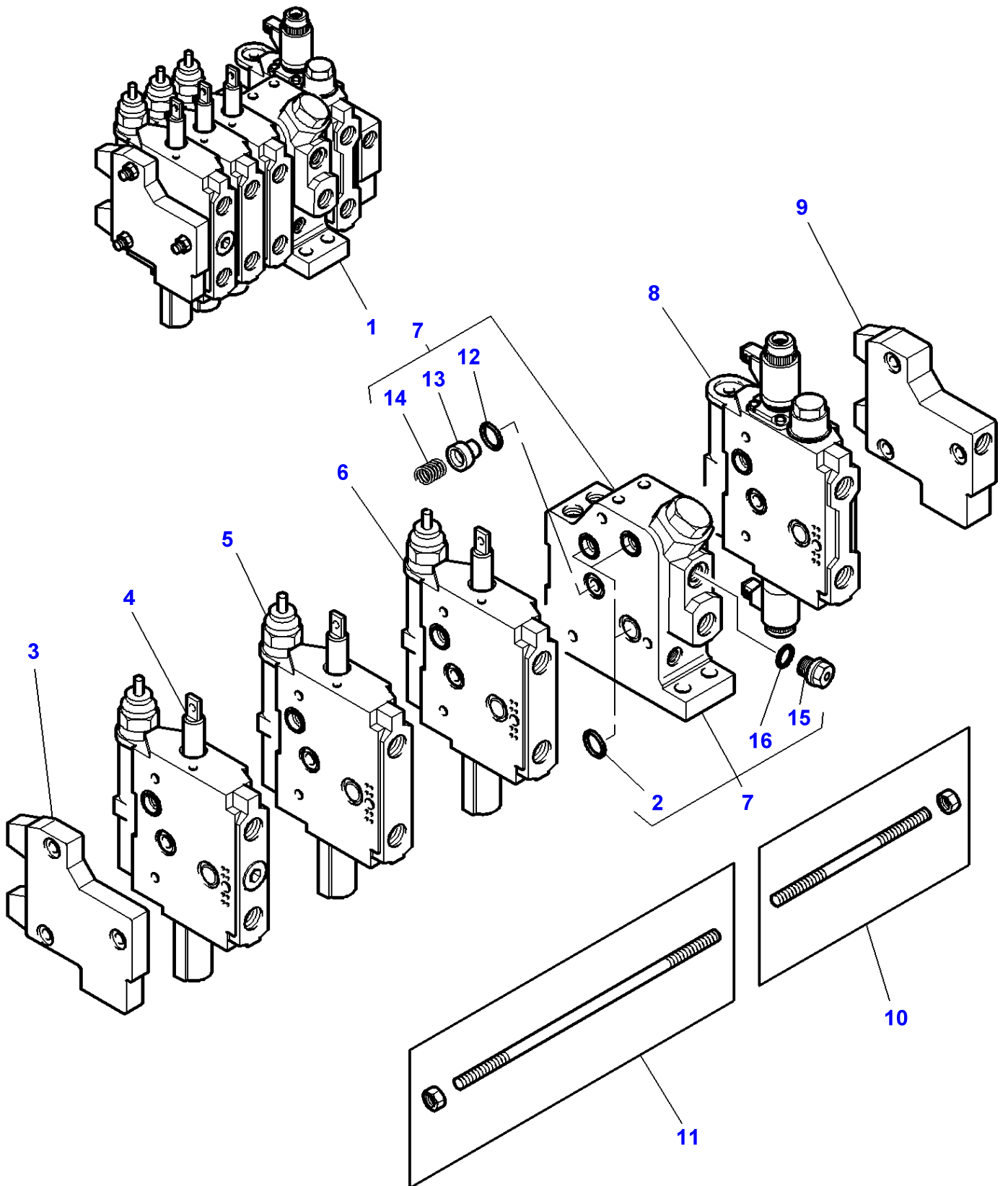
Page070-0400

Item	Part Number	Qty	Description	Comments
1	3797437M12	1	Distributor	
2	3108238M1	1	O Ring	(5)
3	3796108M1	1	Element	(1)
4	3795751M3	3	Distributor	[B] (1) See Page - Reference Number 070-0500/1
5	3796109M1	1	Element	(1)
6	3796103M2	1	Pressure Valve	[A] (1) See Page - Reference Number 070-0505/1
7	3796107M1	1	Element	(1)
8	3796231M1	3	Stud	(1)
9	3796233M1	3	Stud	(1)
10	3796222M1	3	O Ring	(5) 20 X 1,5
11	3796223M1	1	O Ring	(5) 18 X 1,5
12	3796224M1	1	Non Return Valve	(5)
13	3796225M1	1	Spring	(5)
14	3108244M1	1	Plug	(5)

FOOTNOTE [A] HYDRAULIC LIFT VALVE**FOOTNOTE [B]** DIST 4 FLOATING POSITIONS ,FLOW ADJUST,DOUBLE ACTI ON,KICK OUT,ZERO LEAK

MF 8250 TRACTOR - 1637366
1-ZP34-044-D

1-ZP34-044-D



Item	Part Number	Qty	Description	Comments
1	3794726M14	1	Distributor	
2	3796222M1	3	O Ring	(7) 20 X 1,5
3	3796108M1	1	Element	(1)
4	3796090M3	1	Distributor	[A] (1) See Page - Reference Number 070-0520/1
5	3796091M3	1	Distributor	[B] (1) See Page - Reference Number 070-0515/1
6	3795751M3	1	Distributor	[C] (1) See Page - Reference Number 070-0500/1
7	3796109M1	1	Element	(1)
8	3796103M2	1	Pressure Valve	[D] (1) See Page - Reference Number 070-0505/1
9	3796107M1	1	Element	(1)
10	3796231M1	3	Stud	(1)
11	3796233M1	3	Stud	(1)
12	3796223M1	1	O Ring	(7) 18 X 1,5
13	3796224M1	1	Non Return Valve	(7)
14	3796225M1	1	Spring	(7)
15	3108244M1	1	Plug	(7)
16	3108238M1	1	O Ring	(7)

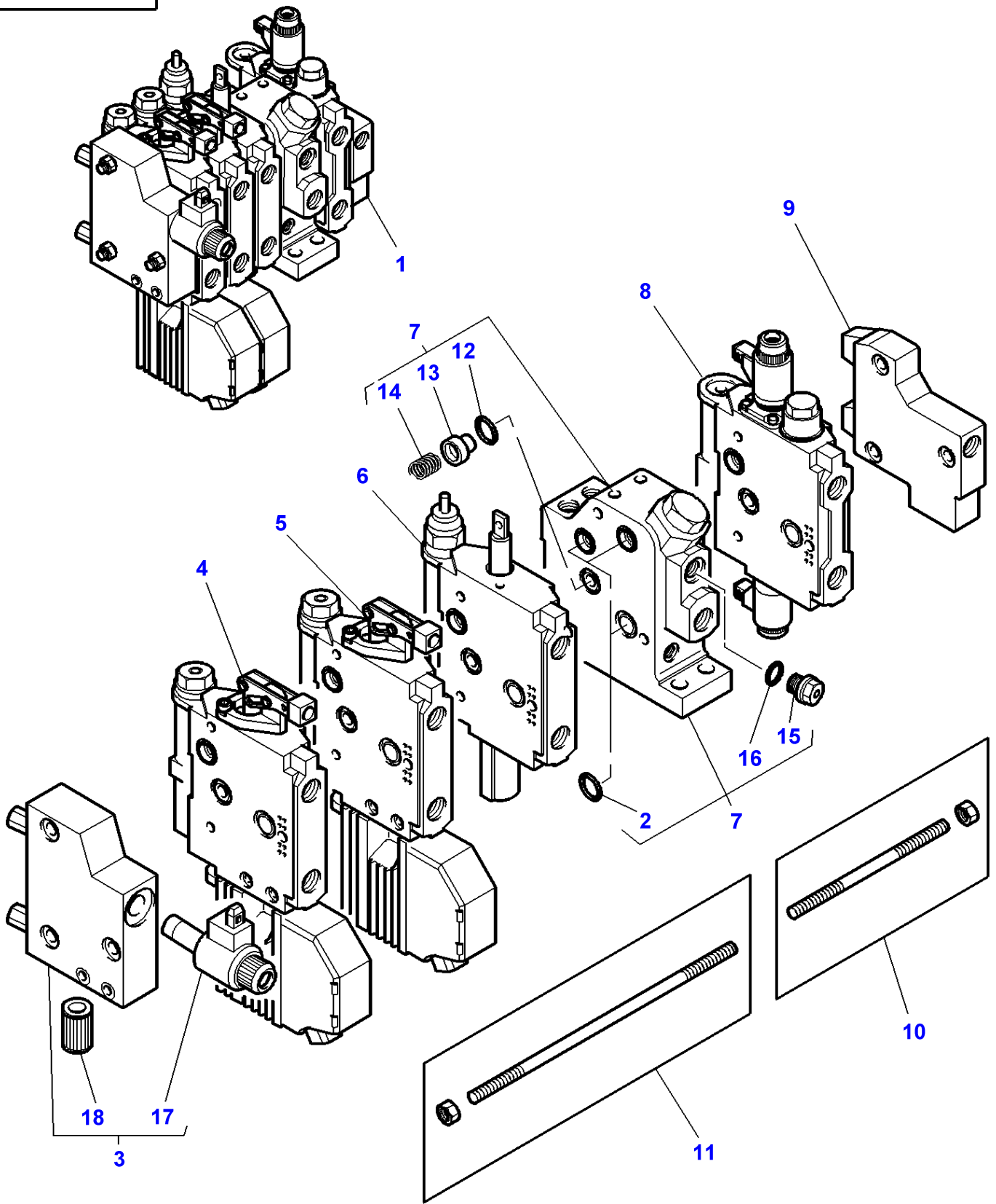
FOOTNOTE [A] DIST 3 POSITIONS, FLOW ADJUST, DOUBLE ACTION, ZERO LEAK

FOOTNOTE [B] DIST 4 FLOATING POSITIONS, FLOW ADJUST, DOUBLE ACTION, KICK OUT

FOOTNOTE [C] DIST 4 FLOATING POSITIONS, FLOW ADJUST, DOUBLE ACTION, KICK OUT, ZERO LEAK

FOOTNOTE [D] HYDRAULIC LIFT VALVE

1-ZP34-045-E



Item	Part Number	Qty	Description	Comments
1	3794728M15	1	Distributor	[C]
2	3796222M1	3	O Ring	(7) 20X1,5
3	3796111M2	1	Element	(1)
4	3796027M5	1	Distributor	[B] (1) See Page - Reference Number 070-0490/1
5	3796026M5	1	Distributor	[B,E] (1) See Page - Reference Number 070-0490/1
6	3795751M3	1	Distributor	[A] (1) See Page - Reference Number 070-0500/1
7	3796109M1	1	Element	(1)
8	3796103M2	1	Pressure Valve	[D] (1) See Page - Reference Number 070-0505/1
9	3796107M1	1	Element	(1)
10	3796231M1	3	Stud	(1)
11	3796389M1	3	Stud	(1)
12	3796223M1	1	O Ring	(7) 18 X 1,5
13	3796224M1	1	Non Return Valve	(7)
14	3796225M1	1	Spring	(7)
15	3108244M1	1	Plug	(7)
16	3108238M1	1	O Ring	(7)
17	3903997M1	1	Electrovalve	(3)
18	3907069M1	1	Filter	(3) 25 MICRONS

FOOTNOTE [A] DIST 4 FLOATING POSITIONS ,FLOW ADJUST,DOUBLE ACTION,KICK OUT,ZERO LEAK

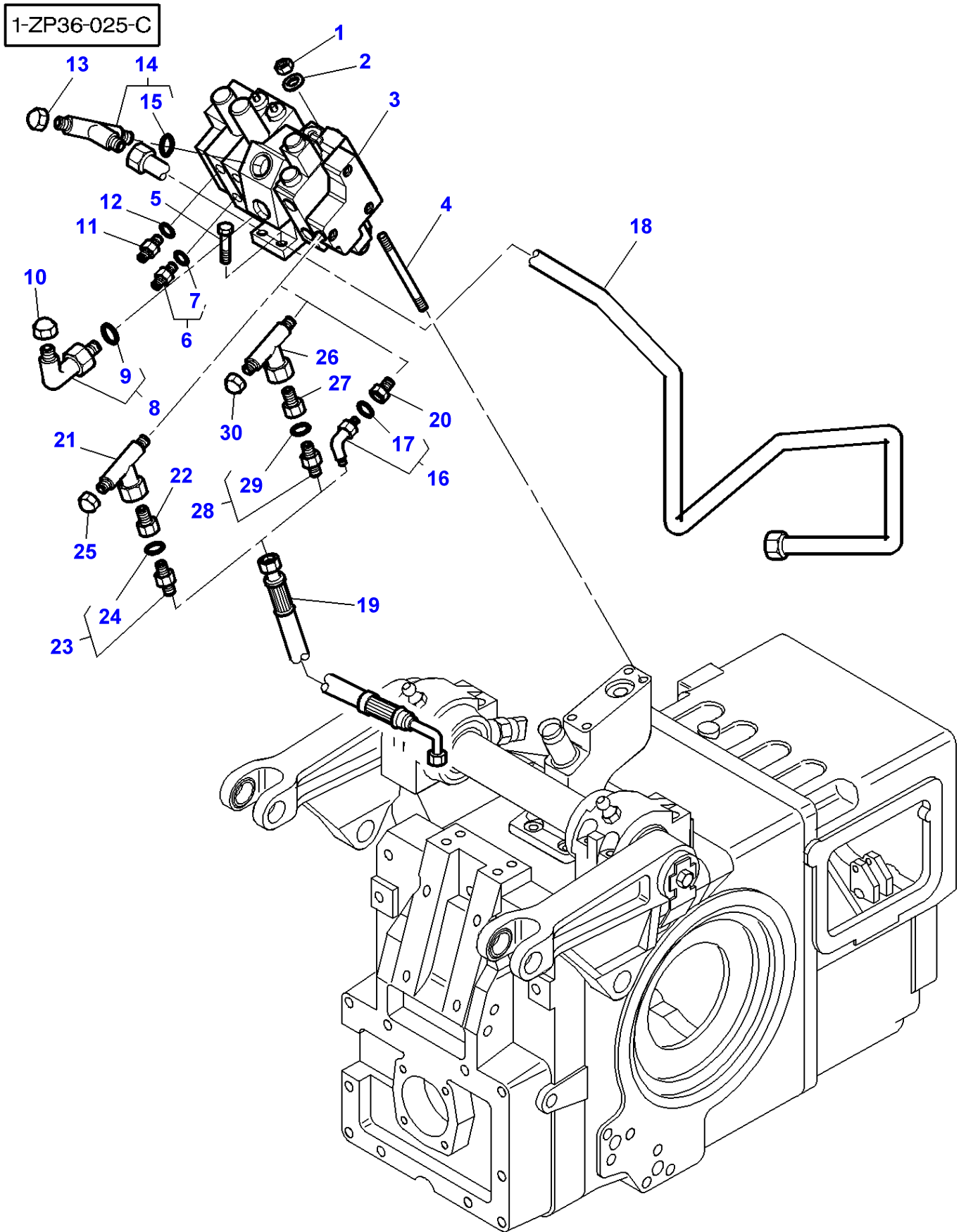
FOOTNOTE [B] DIST 4 POSITIONS,FLOW ADJUST,DOUBLE ACTION,ZERO LEAK

FOOTNOTE [C] 2 DISTRIBUTORS WITH ELECTRIC CONTROL-1 DISTRIBUTOR WITH MECHANICAL CONTROL

FOOTNOTE [D] HYDRAULIC LIFT VALVE

FOOTNOTE [E] WITH TIGHTNESS BALLS

MF 8250 TRACTOR - 1637366
1-ZP36-025-C



Item	Part Number	Qty	Description	Comments
1	339054X1	2	Nut Metric	
2	390735X1	2	Washer	
3	3794726M14	1	Distributor	[A,B,C] See Page - Reference Number 070-0405/1
	3794727M14	1	Distributor	[B,C,D] See Page - Reference Number 070-0395/1
	3794728M15	1	Distributor	[C,E,F] See Page - Reference Number 070-0410/1
	3797437M12	1	Distributor	[C] For United States of America See Page - Reference Number 070-0400/1
4	3010449X1	2	Stud	
5	3009494X1	2	Screw Metric	M10 X 35
6	3019387X91	3	Union	
7	3019398X1	1	O Ring	(6)
8	3019596X91	1	Union	
9	3019455X1	1	O Ring	(8)
10	70921244	1	Cap	Replace and repair. Old not interchangeable with new 355782X1
11	3793544M1	3	Union	
12	3019398X1	3	O Ring	
13	356582X1	1	Cap	
14	3019633X91	1	Union	
15	3019399X1	1	O Ring	(14)
16	3010642X91	1	Union	[H] Up to Serial or Engine Number K197000
	3010667X91	1	Union	[G] Up to Serial or Engine Number K197000
17	3019394X1	1	O Ring	(16)
18	3793424M1	1	Tube	[G]
	3797956M91	1	Tube	[H]
19	3790086M1	1	Hydr Hose	[G] Length 930 MM
	3792042M2	1	Hydr Hose	[H] Length 1100 MM
20	3793729M1	1	Reducer	Up to Serial or Engine Number K197000
21	3794885M3	1	Selector	[I]
22	3793729M1	1	Reducer	[I]
23	3010626X91	1	Union	[I]
24	3019394X1	1	O Ring	[I] (23)
25	356579X1	1	Cap	[I]
26	3794885M3	1	Selector	From Serial or Engine Number K197001
27	3793729M1	1	Reducer	From Serial or Engine Number K197001
28	3010626X91	1	Union	From Serial or Engine Number K197001
29	3019394X1	1	O Ring	(28) From Serial or Engine Number K197001
30	356579X1	1	Cap	From Serial or Engine Number K197001

FOOTNOTE [A] DIST 3 POSITIONS, FLOW ADJUST, DOUBLE ACTION, ZERO LEAK

FOOTNOTE [B] DIST 4 FLOATING POSITIONS, FLOW ADJUST, DOUBLE ACTION, KICK OUT

FOOTNOTE [C] DIST 4 FLOATING POSITIONS, FLOW ADJUST, DOUBLE ACTION, KICK OUT, ZERO LEAK

FOOTNOTE [D] 3 DISTRIBUTORS - FOR HYDRAULIC MOTOR

FOOTNOTE [E] DIST 4 POSITIONS, FLOW ADJUST, DOUBLE ACTION, ZERO LEAK

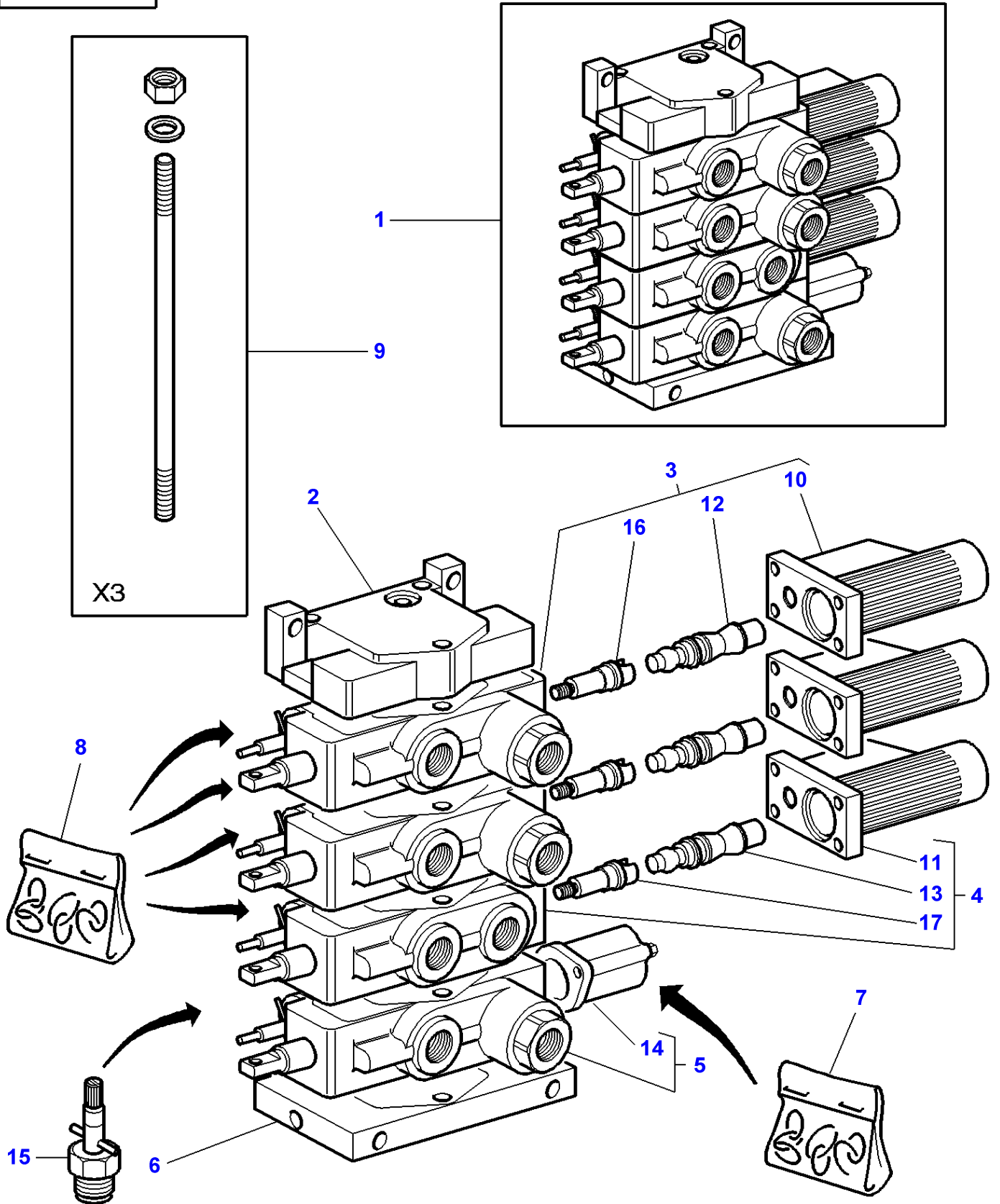
FOOTNOTE [F] 2 DISTRIBUTORS WITH ELECTRIC CONTROL-1 DISTRIBUTOR WITH MECHANICAL CONTROL

FOOTNOTE [G] WITH PUMP 45CC

FOOTNOTE [H] WITH PUMP 60CC

FOOTNOTE [I] WITH FRONT AXLE SUSPENDED CARRARO

1-ZP34-020-B



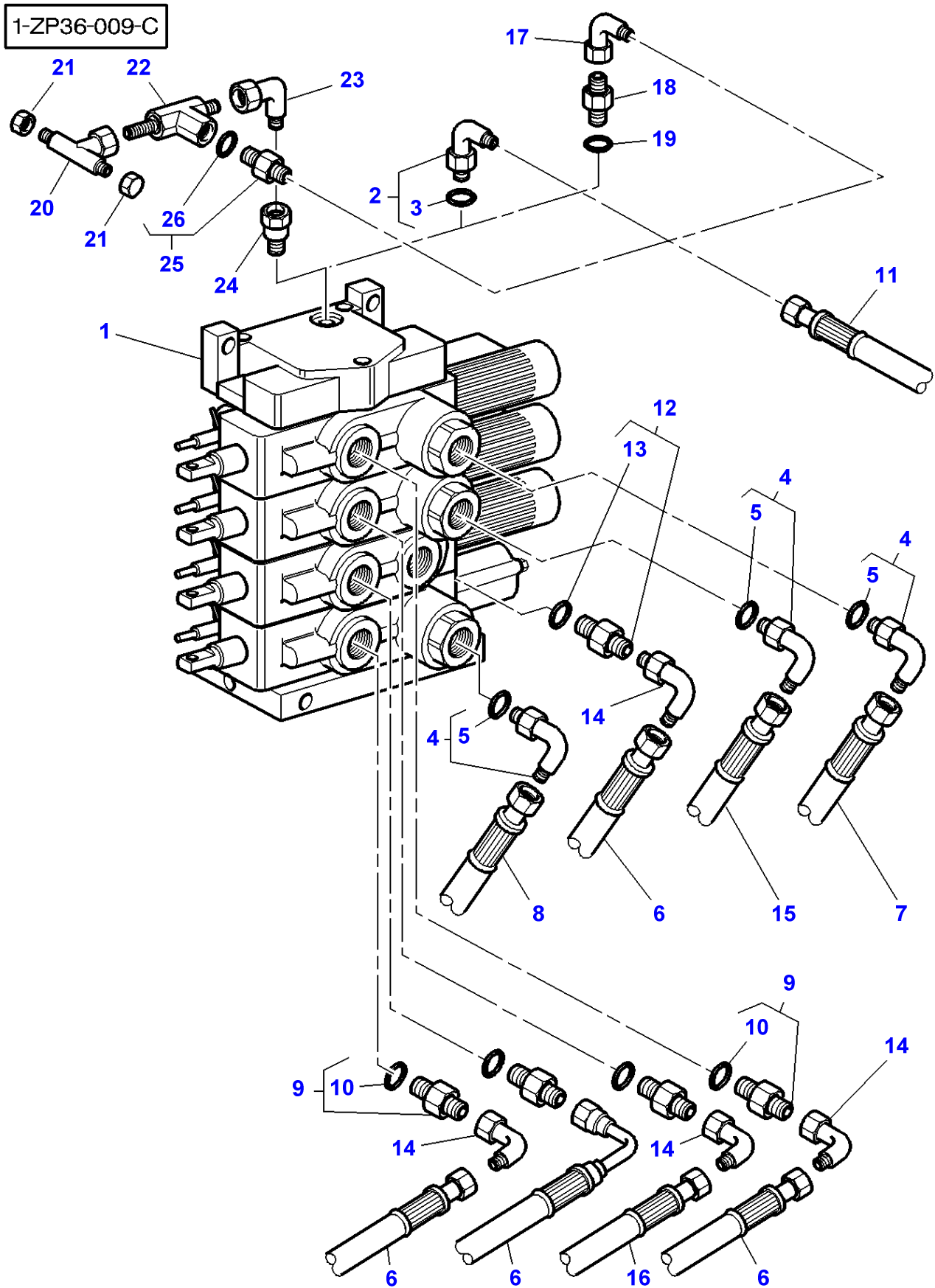
Item	Part Number	Qty	Description	Comments
1	3716322M93	1	Distributor	
2	3716316M1	1	Element	(1)
3	3713928M5	2	Distributor	[C] (1)
4	3792803M3	1	Distributor	[A] (1) Replace and repair. Old interchangeable with new 3902062M92
5	3792802M1	1	Distributor	[B] (1) Replace and repair. Old interchangeable with new 3902063M91
6	3716314M1	1	Element	(1)
7	3902066M91	1	Kit, Joint	(1)
8	3792640M1	1	Kit, Joint	(1) Replace and repair. Old interchangeable with new 3902067M91
9	3716367M1	1	Parts Pack	(1)
10	3902797M91	1	Protector	(3)
11	3902797M91	1	Protector	(4)
12	3790773M11	1	Kit, Service	(3)
13	3790773M11	1	Kit, Service	(4)
14	3902813M91	1	Protector	(5)
15	3790797M11	4	Kit, Service	(1)
16	3903893M1	2	Pivot	(3)
17	3903893M1	1	Pivot	(4)

FOOTNOTE [A] DIST 4 FLOATING POSITIONS ,FLOW ADJUST,KICK-OUT,W/ O, ZERO LEAK

FOOTNOTE [B] DIST 3 FLOATING POSITIONS,RETURN BY SPRING,FLOW AD JUST,ZERO LEAK

FOOTNOTE [C] 4 FLOATING POSITIONS DIST,FLOW ADJUST,KICK-OUT,ZER O LEAK

MF 8250 TRACTOR - 1637366
1-ZP36-009-C



Item	Part Number	Qty	Description	Comments
1	3716322M93	1	Distributor	
2	357197X91	1	Elbow	Up to Serial or Engine Number H321001
3	831452M1	1	O Ring	(2)
4	380031X91	3	Union	7/88-14
5	1882958M1	1	O Ring	(4)
6	3712540M1	4	Hydr Hose	Length 650MM
7	3714953M1	1	Hydr Hose	Length 600MM
8	3714956M1	1	Hydr Hose	Length 600MM
9	835013M91	4	Union	
10	1882958M1	1	O Ring	(9)
11	3716398M1	1	Hydr Hose	[A]
	3792042M1	1	Hydr Hose	[B] Length 1400MM
12	380055X91	1	Union	
13	835024M1	1	O Ring	(12)
14	367386X1	4	Elbow	
15	3583591M1	1	Hydr Hose	Length 690MM
16	3792164M1	1	Hydr Hose	Length 900MM
17	364603X1	1	Elbow	From Serial or Engine Number H321002
18	358733X1	1	Union	From Serial or Engine Number H321002
19	831452M1	1	O Ring	
20	3794665M3	1	Union	[C]
21	356579X1	2	Cap	[C]
22	3793574M3	1	Selector	[C]
23	364603X1	1	Elbow	[C]
24	3795674M1	1	Union	[C]
25	3010626X91	1	Union	[C]
26	3019394X1	1	O Ring	(25)

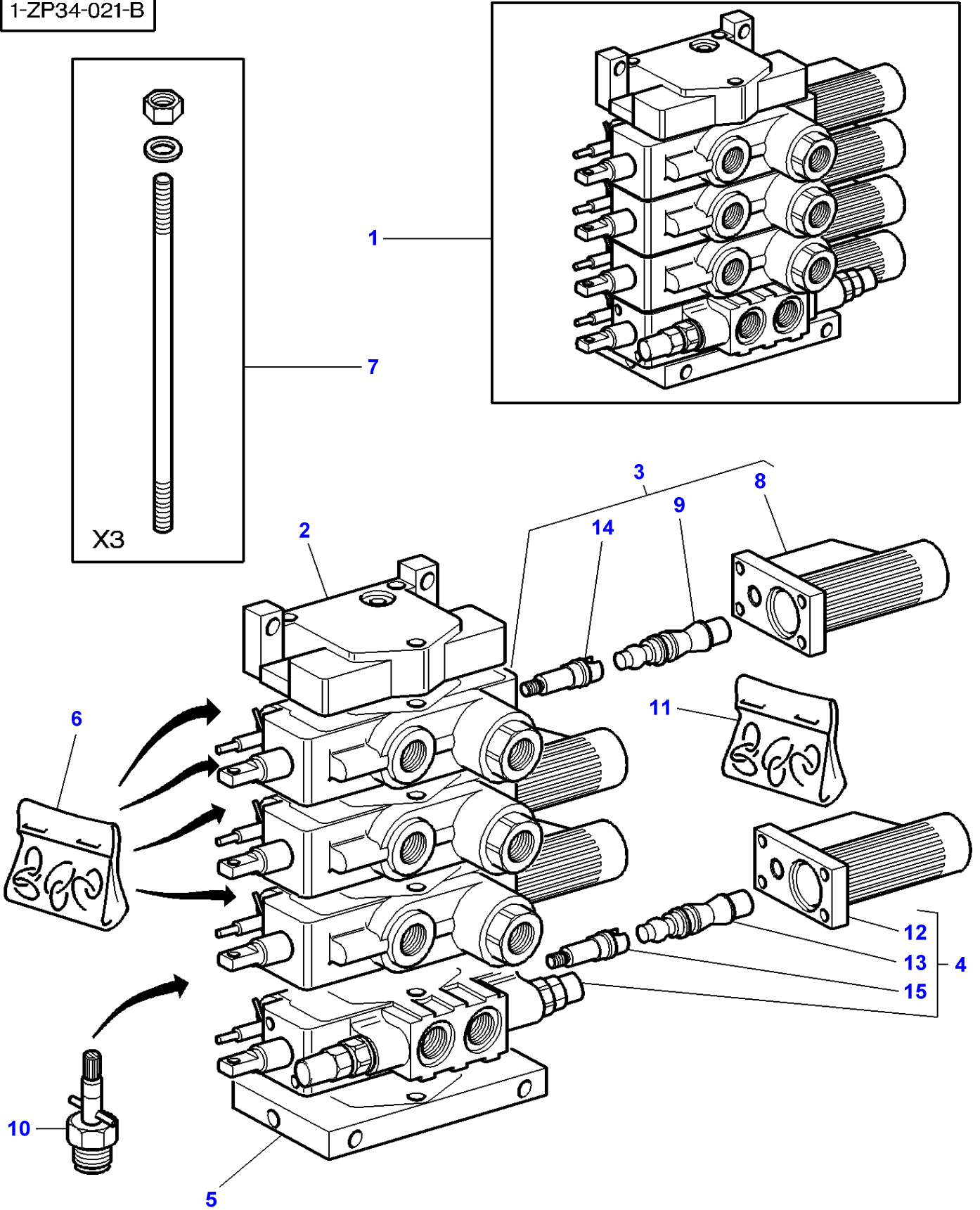
FOOTNOTE [A] WITH PUMP 45CC

FOOTNOTE [B] WITH PUMP 60CC

FOOTNOTE [C] WITH FRONT AXLE SUSPENDED CARRARO

MF 8250 TRACTOR - 1637366
1-ZP34-021-B

1-ZP34-021-B

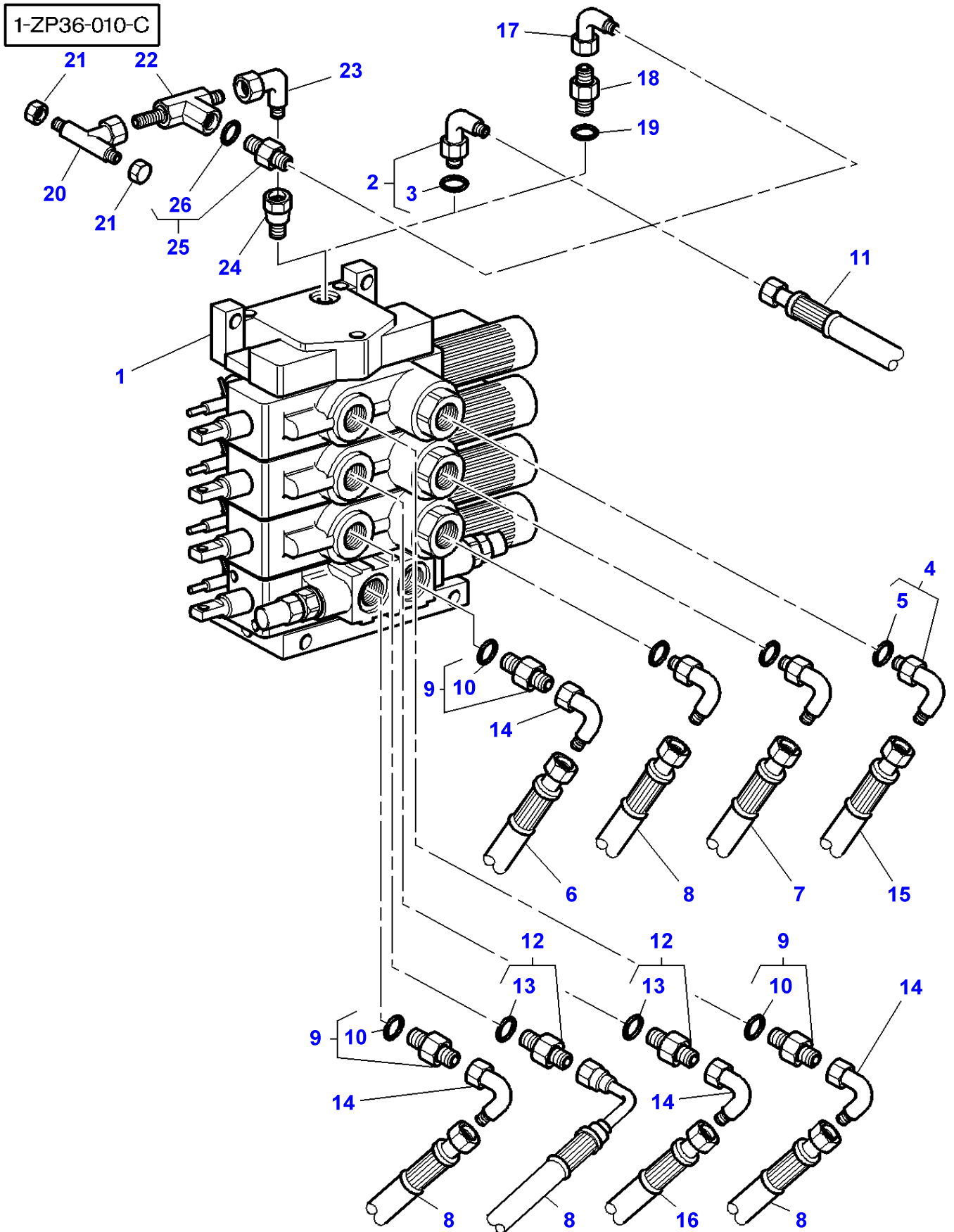


Item	Part Number	Qty	Description	Comments
1	3716323M93	1	Distributor	
2	3716316M1	1	Element	(1)
3	3713928M5	3	Distributor	[A] (1)
4	3713927M4	1	Distributor	[B] (1)
5	3716314M1	1	Element	(1)
6	3792640M1	1	Kit, Joint	(1) Replace and repair. Old interchangeable with new 3902067M91
7	3716367M1	1	Parts Pack	(1)
8	3902797M91	1	Protector	(3)
9	3790773M11	1	Kit, Service	(3)
10	3790797M11	1	Kit, Service	(1)
11	3902066M91	1	Kit, Joint	(1)
12	3902797M91	1	Protector	(4)
13	3790773M11	1	Kit, Service	(4)
14	3903893M1	1	Pivot	(3)
15	3903893M1	1	Pivot	(4)

FOOTNOTE [A] 4 FLOATING POSITIONS DIST,FLOW ADJUST,KICK-OUT,ZER O LEAK

FOOTNOTE [B] 4 FLOAT POSIT DIST,FLOW ADJUST,KICK-OUT W 2 OVERP RES.VALVE AND RESUPPLYING FOR HYDRAULIC MOTOR

MF 8250 TRACTOR - 1637366
1-ZP36-010-C



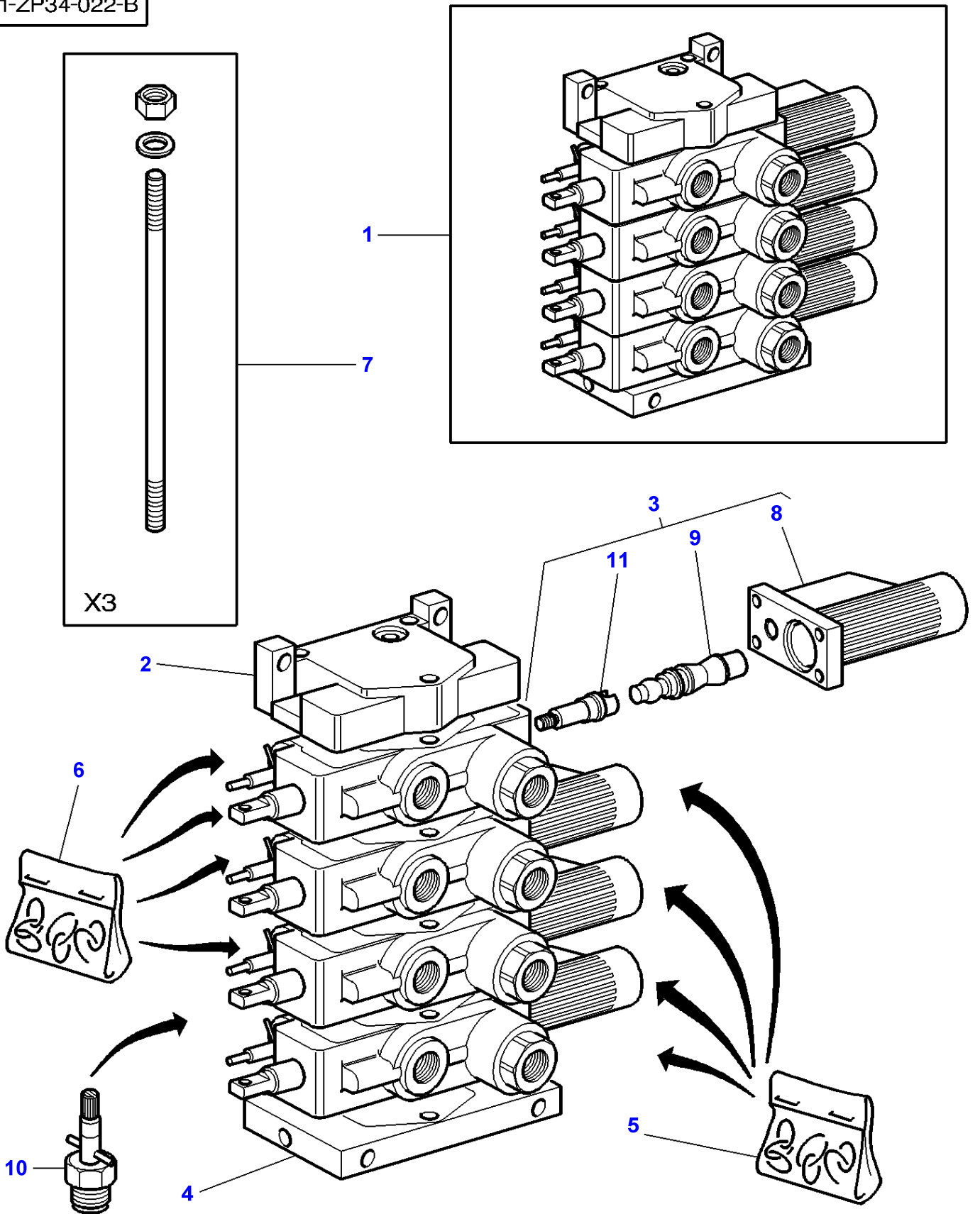
Item	Part Number	Qty	Description	Comments
1	3716323M93	1	Distributor	
2	357197X91	1	Elbow	Up to Serial or Engine Number H321001
3	831452M1	1	O Ring	(2)
4	380031X91	3	Union	7/88-14
5	1882958M1	1	O Ring	(4)
6	3714956M1	1	Hydr Hose	Length 600MM
7	3583591M1	1	Hydr Hose	Length 690MM
8	3712540M1	4	Hydr Hose	Length 650MM
9	835013M91	3	Union	
10	1882958M1	1	O Ring	(9)
11	3716398M1	1	Hydr Hose	[A]
	3792042M1	1	Hydr Hose	[B] Length 1400MM
12	380055X91	2	Union	
13	835024M1	1	O Ring	(12)
14	367386X1	4	Elbow	
15	3714953M1	1	Hydr Hose	Length 600MM
16	3792164M1	1	Hydr Hose	Length 900MM
17	364603X1	1	Elbow	From Serial or Engine Number H321002
18	358733X1	1	Union	From Serial or Engine Number H321002
19	831452M1	1	O Ring	
20	3794665M3	1	Union	[C]
21	356579X1	2	Cap	[C]
22	3793574M3	1	Selector	[C]
23	364603X1	1	Elbow	[C]
24	3795674M1	1	Union	[C]
25	3010626X91	1	Union	[C]
26	3019394X1	1	O Ring	(25)

FOOTNOTE [A] WITH PUMP 45CC

FOOTNOTE [B] WITH PUMP 60CC

FOOTNOTE [C] WITH FRONT AXLE SUSPENDED CARRARO

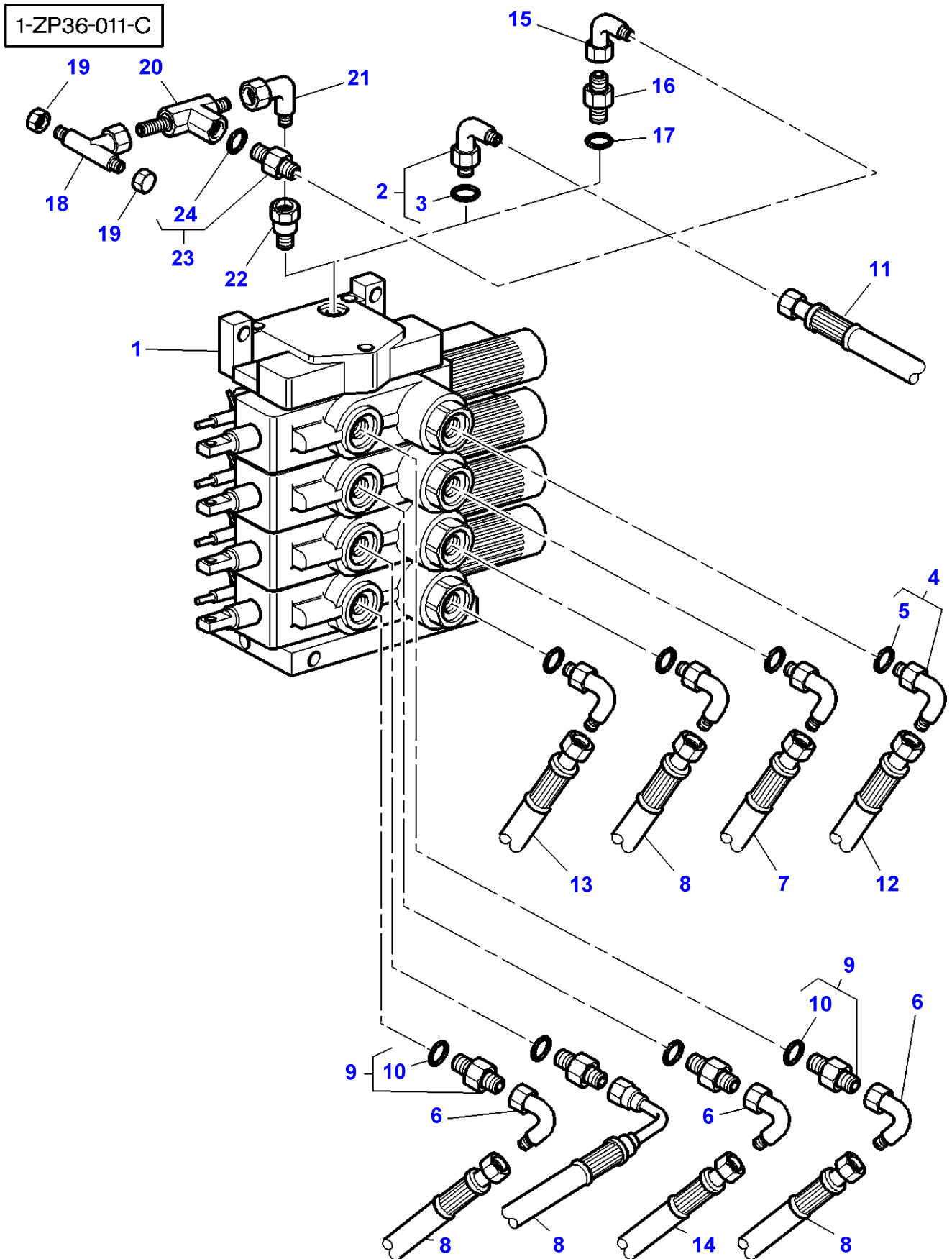
1-ZP34-022-B



Item	Part Number	Qty	Description	Comments
1	3716324M93	1	Distributor	
2	3716316M1	1	Element	(1)
3	3713928M5	4	Distributor	[A] (1)
4	3716314M1	1	Element	(1)
5	3902066M91	1	Kit, Joint	(1)
6	3792640M1	1	Kit, Joint	(1) Replace and repair. Old interchangeable with new 3902067M91
7	3716367M1	1	Parts Pack	(1)
8	3902797M91	1	Protector	(3)
9	3790773M11	1	Kit, Service	(3)
10	3790797M11	1	Kit, Service	(3)
11	3903893M1	1	Pivot	(3)

FOOTNOTE [A] 4 FLOATING POSITIONS DIST, FLOW ADJUST, KICK-OUT, ZERO LEAK

MF 8250 TRACTOR - 1637366
1-ZP36-011-C



Item	Part Number	Qty	Description	Comments
1	3716324M93	1	Distributor	
2	357197X91	1	Elbow	Up to Serial or Engine Number H321001
3	831452M1	1	O Ring	(2)
4	380031X91	4	Union	7/88-14
5	1882958M1	1	O Ring	(4)
6	367386X1	3	Elbow	
7	3583591M1	1	Hydr Hose	Length 690MM
8	3712540M1	4	Hydr Hose	Length 650MM
9	835013M91	4	Union	
10	1882958M1	1	O Ring	(9)
11	3716398M1	1	Hydr Hose	[A]
	3792042M1	1	Hydr Hose	[B] Length 1400MM
12	3714953M1	1	Hydr Hose	Length 600MM
13	3714956M1	1	Hydr Hose	Length 600MM
14	3792164M1	1	Hydr Hose	Length 900MM
15	364603X1	1	Elbow	From Serial or Engine Number H321002
16	358733X1	1	Union	From Serial or Engine Number H321002
17	831452M1	1	O Ring	
18	3794665M3	1	Union	[C]
19	356579X1	2	Cap	[C]
20	3793574M3	1	Selector	[C]
21	364603X1	1	Elbow	[C]
22	3795674M1	1	Union	[C]
23	3010626X91	1	Union	[C]
24	3019394X1	1	O Ring	(23)

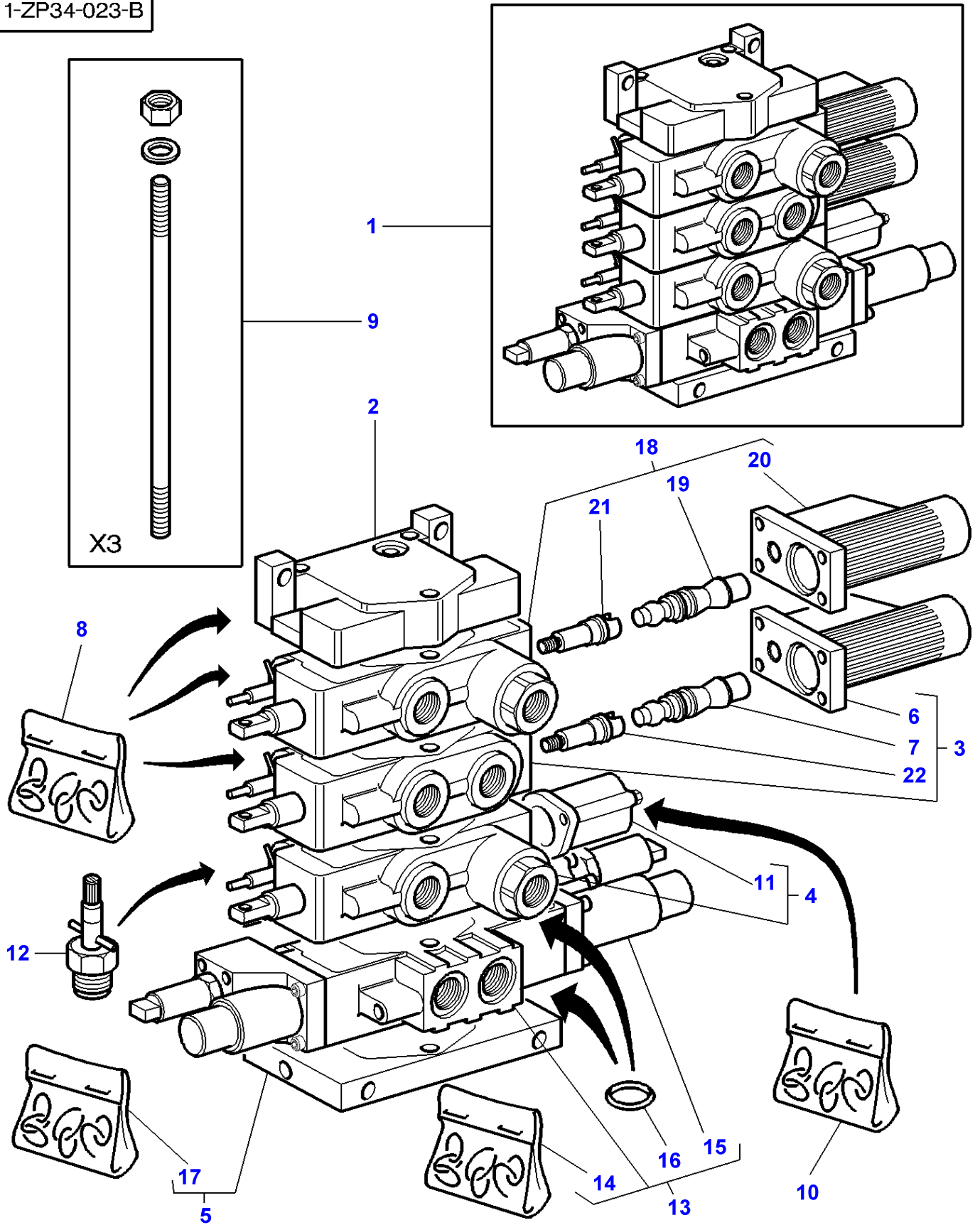
FOOTNOTE [A] WITH PUMP 45CC

FOOTNOTE [B] WITH PUMP 60CC

FOOTNOTE [C] WITH FRONT AXLE SUSPENDED CARRARO

MF 8250 TRACTOR - 1637366
1-ZP34-023-B

1-ZP34-023-B



Item	Part Number	Qty	Description	Comments
1	3716393M93	1	Distributor	
2	3716316M1	1	Element	(1)
3	3792803M3	1	Distributor	[A] (1)
4	3792802M1	1	Distributor	Replace and repair. Old interchangeable with new 3902062M92 [B] (1)
5	3716315M1	1	Element	(1)
6	3902797M91	1	Protector	(3)
7	3790773M11	1	Kit, Service	(3)
8	3792640M1	1	Kit, Joint	(1)
9	3716367M1	1	Parts Pack	Replace and repair. Old interchangeable with new 3902067M91 (1)
10	3902066M91	1	Kit, Joint	(1)
11	3902813M91	1	Protector	(4)
12	3790797M11	3	Kit, Service	(1)
13	3715122M2	1	Pressure Valve	[C] (1)
14	3902734M91	1	Kit, Joint	(13)
15	3900512M92	2	Pressure Valve	(13)
16	359288X1	4	Seal	(13)
17	3792639M1	1	Kit, Joint	(5)
18	3713928M5	1	Distributor	Replace and repair. Old interchangeable with new 3902733M91 [D] (1)
19	3790773M11	1	Kit, Service	(18)
20	3902797M91	1	Protector	(18)
21	3903893M1	1	Pivot	(18)
22	3903893M1	1	Pivot	(3)

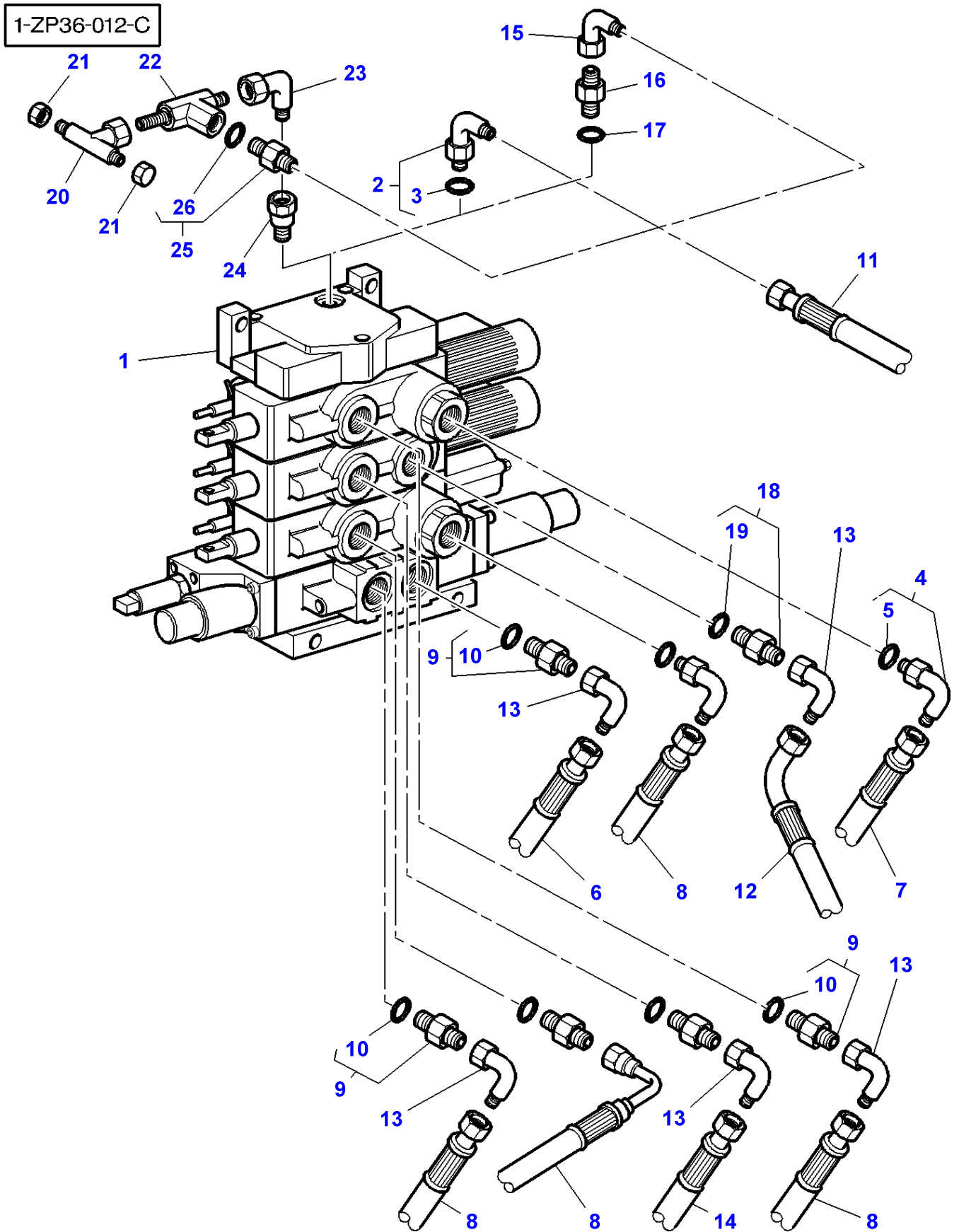
FOOTNOTE [A] DIST 4 FLOATING POSITIONS ,FLOW ADJUST,KICK-OUT,W/ O, ZERO LEAK

FOOTNOTE [B] DIST 3 FLOATING POSITIONS,RETURN BY SPRING,FLOW AD JUST,ZERO LEAK

FOOTNOTE [C] DIST 3 FLOATING POSITIONS,AUTOMATIC KICK-OUT(BY SP RING),FLOW ADJUST,ELECTRIC CONTROL

FOOTNOTE [D] 4 FLOATING POSITIONS DIST,FLOW ADJUST,KICK-OUT,ZER O LEAK

MF 8250 TRACTOR - 1637366
1-ZP36-012-C



Item	Part Number	Qty	Description	Comments
1	3716393M93	1	Distributor	
2	357197X91	1	Elbow	Up to Serial or Engine Number H321001
3	831452M1	1	O Ring	(2)
4	380031X91	2	Union	7/88-14
5	1882958M1	1	O Ring	(4)
6	3714956M1	1	Hydr Hose	Length 600MM
7	3714953M1	1	Hydr Hose	Length 600MM
8	3712540M1	4	Hydr Hose	Length 650MM
9	835013M91	5	Union	
10	1882958M1	1	O Ring	(9)
11	3716398M1	1	Hydr Hose	[A]
	3792042M1	1	Hydr Hose	[B] Length 1400MM
12	3792167M1	1	Hydr Hose	Length 780MM
13	367386X1	5	Elbow	
14	3792164M1	1	Hydr Hose	Length 900MM
15	364603X1	1	Elbow	From Serial or Engine Number H321002
16	358733X1	1	Union	From Serial or Engine Number H321002
17	831452M1	1	O Ring	
18	380055X91	1	Union	
19	835024M1	1	O Ring	(18)
20	3794665M3	1	Union	[C]
21	356579X1	2	Cap	[C]
22	3793574M3	1	Selector	[C]
23	364603X1	1	Elbow	[C]
24	3795674M1	1	Union	[C]
25	3010626X91	1	Union	[C]
26	3019394X1	1	O Ring	(25)

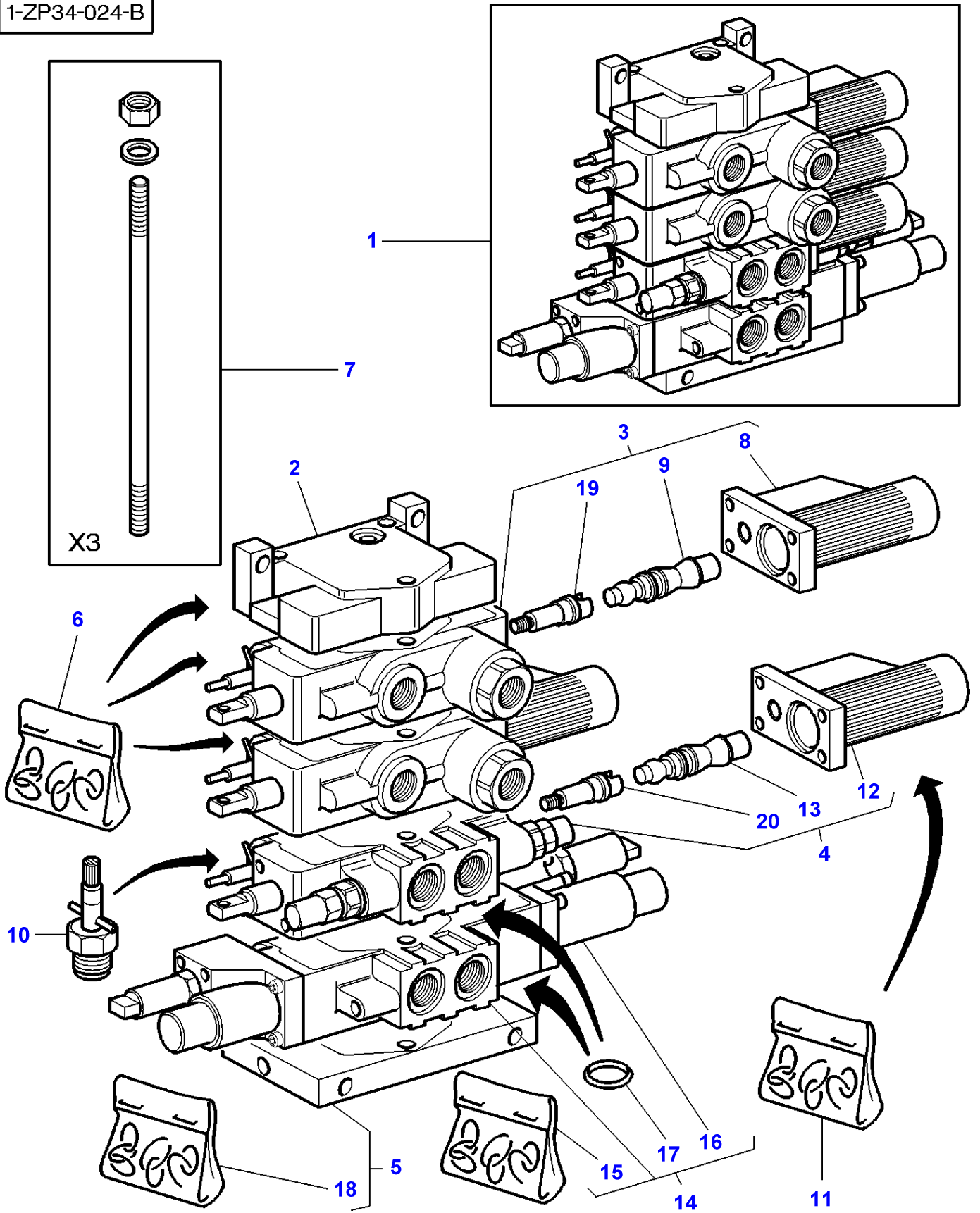
FOOTNOTE [A] WITH PUMP 45CC

FOOTNOTE [B] WITH PUMP 60CC

FOOTNOTE [C] WITH FRONT AXLE SUSPENDED CARRARO

MF 8250 TRACTOR - 1637366
1-ZP34-024-B

1-ZP34-024-B



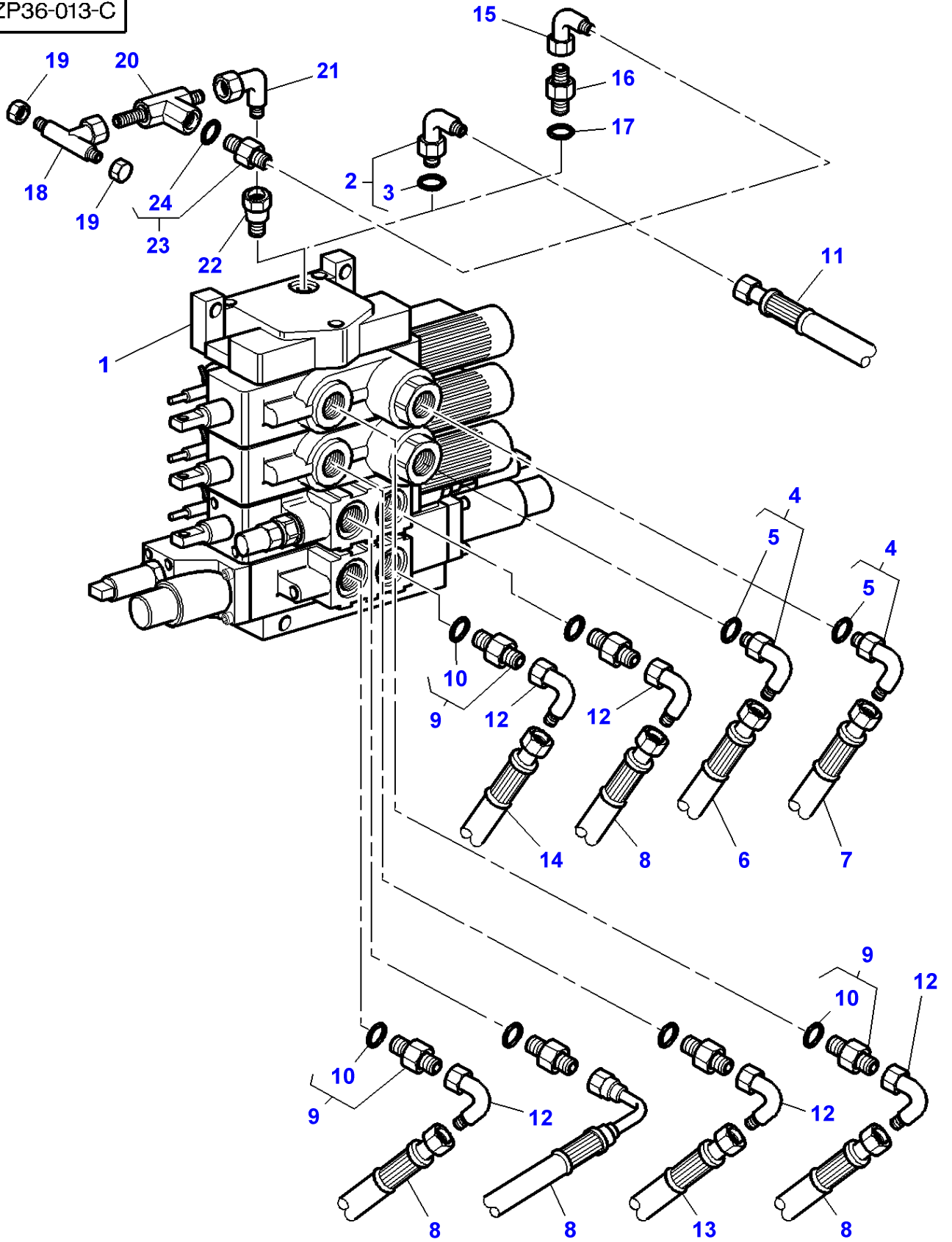
Massey Ferguson**MF 8250 TRACTOR - 1637366****1637366****Auxiliary Distributor - 4 DISTRIBUTORS-FOR HYDRAULIC MOTOR-DUAL CONTROL - Up To 31-12-2000****Page070-0460**

Item	Part Number	Qty	Description	Comments
1	3716394M93	1	Distributor	
2	3716316M1	1	Element	(1)
3	3713928M5	2	Distributor	[A] (1)
4	3713927M4	1	Distributor	[B] (1)
5	3716315M1	1	Element	(1)
6	3792640M1	1	Kit, Joint	(1) Replace and repair. Old interchangeable with new 3902067M91
7	3716367M1	1	Parts Pack	(1)
8	3902797M91	1	Protector	(3)
9	3790773M11	1	Kit, Service	(3)
10	3790797M11	2	Kit, Service	(1)
11	3902066M91	1	Kit, Joint	(1)
12	3902797M91	1	Protector	(4)
13	3790773M11	1	Kit, Service	(4)
14	3715122M2	1	Pressure Valve	[C] (1)
15	3902734M91	1	Kit, Joint	(14)
16	3900512M92	2	Pressure Valve	(14)
17	359288X1	4	Seal	(14)
18	3792639M1	1	Kit, Joint	(5) Replace and repair. Old interchangeable with new 3902733M91
19	3903893M1	1	Pivot	(3)
20	3903893M1	1	Pivot	(4)

FOOTNOTE [A] 4 FLOATING POSITIONS DIST,FLOW ADJUST,KICK-OUT,ZER O LEAK**FOOTNOTE [B]** 4 FLOAT POSIT DIST,FLOW ADJUST,KICK-OUT W 2 OVERP RES.VALVE AND RESUPPLYING FOR HYDRAULIC MOTOR**FOOTNOTE [C]** DIST 3 FLOATING POSITIONS,AUTOMATIC KICK-OUT(BY SP RING),FLOW ADJUST,ELECTRIC CONTROL

MF 8250 TRACTOR - 1637366
1-ZP36-013-C

1-ZP36-013-C



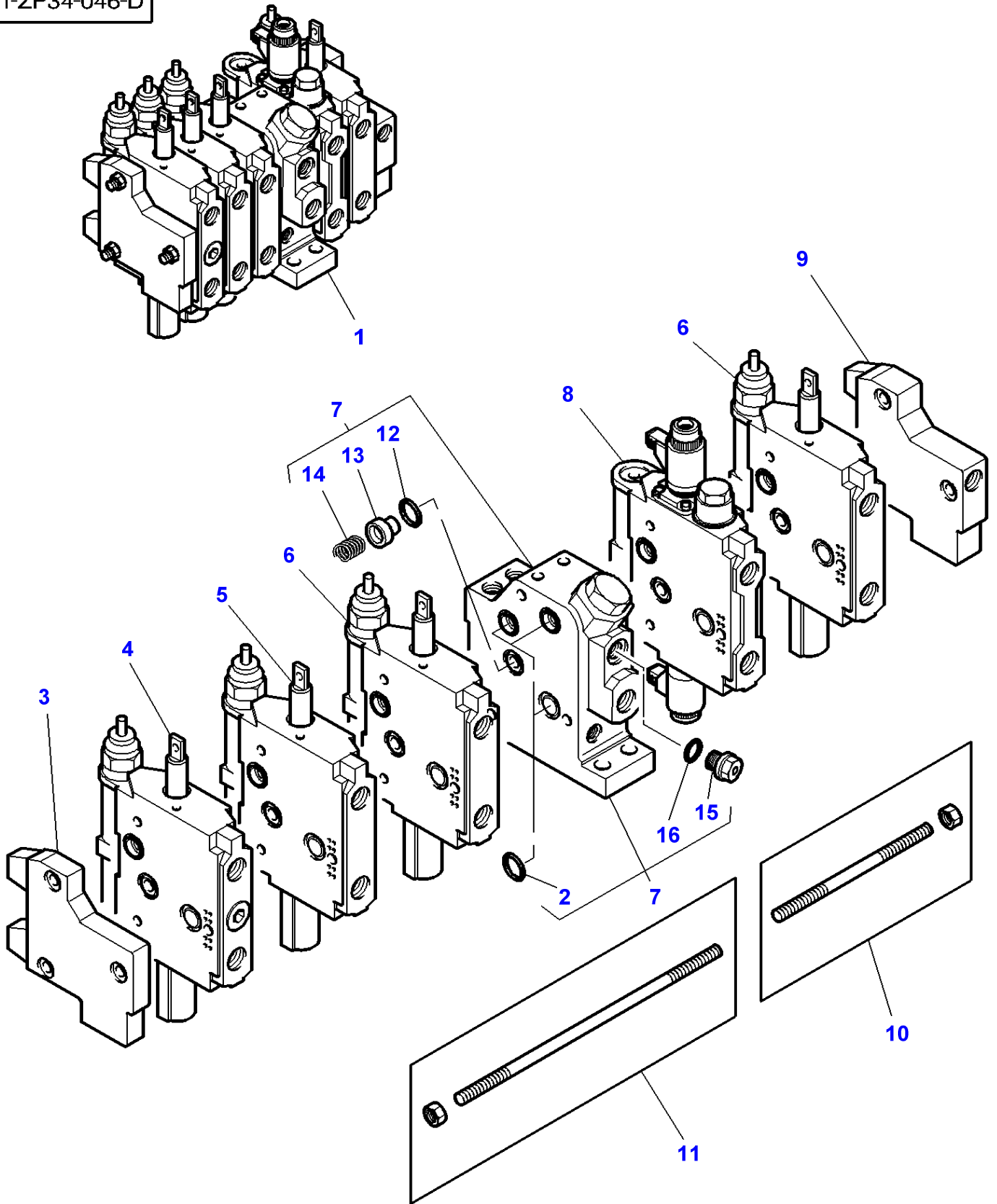
Item	Part Number	Qty	Description	Comments
1	3716394M93	1	Distributor	
2	357197X91	1	Elbow	Up to Serial or Engine Number H321001
3	831452M1	1	O Ring	(2)
4	380031X91	2	Union	7/88-14
5	1882958M1	1	O Ring	(4)
6	3583591M1	1	Hydr Hose	Length 690MM
7	3714953M1	1	Hydr Hose	Length 600MM
8	3712540M1	4	Hydr Hose	Length 650MM
9	835013M91	6	Union	
10	1882958M1	1	O Ring	(9)
11	3716398M1	1	Hydr Hose	[A]
	3792042M1	1	Hydr Hose	[B] Length 1400MM
12	367386X1	5	Elbow	
13	3792164M1	1	Hydr Hose	Length 900MM
14	3714956M1	1	Hydr Hose	Length 600MM
15	364603X1	1	Elbow	From Serial or Engine Number H321002
16	358733X1	1	Union	From Serial or Engine Number H321002
17	831452M1	1	O Ring	
18	3794665M3	1	Union	[C]
19	356579X1	2	Cap	[C]
20	3793574M3	1	Selector	[C]
21	364603X1	1	Elbow	[C]
22	3795674M1	1	Union	[C]
23	3010626X91	1	Union	[C]
24	3019394X1	1	O Ring	(23)

FOOTNOTE [A] WITH PUMP 45CC

FOOTNOTE [B] WITH PUMP 60CC

FOOTNOTE [C] WITH FRONT AXLE SUSPENDED CARRARO

1-ZP34-046-D



Item	Part Number	Qty	Description	Comments
1	3794729M14	1	Distributor	
2	3796222M1	3	O Ring	(7) Diameter 20X1,5
3	3796108M1	1	Element	(1)
4	3796090M3	1	Distributor	[A] (1) See Page - Reference Number 070-0520/1
5	3796091M3	1	Distributor	[B] (1) See Page - Reference Number 070-0515/1
6	3795751M3	2	Distributor	[C] (10) See Page - Reference Number 070-0500/1
7	3796109M1	1	Element	(1)
8	3796103M2	1	Pressure Valve	[D] (1) See Page - Reference Number 070-0505/1
9	3796107M1	1	Element	(1)
10	3796232M1	3	Stud	(1) M8 X 131
11	3796233M1	3	Stud	(1) M8 X 171
12	3796223M1	1	O Ring	(7) 18 X 1,5
13	3796224M1	1	Non Return Valve	(7)
14	3796225M1	1	Spring	(7)
15	3108244M1	1	Plug	(7)
16	3108238M1	1	O Ring	(7)

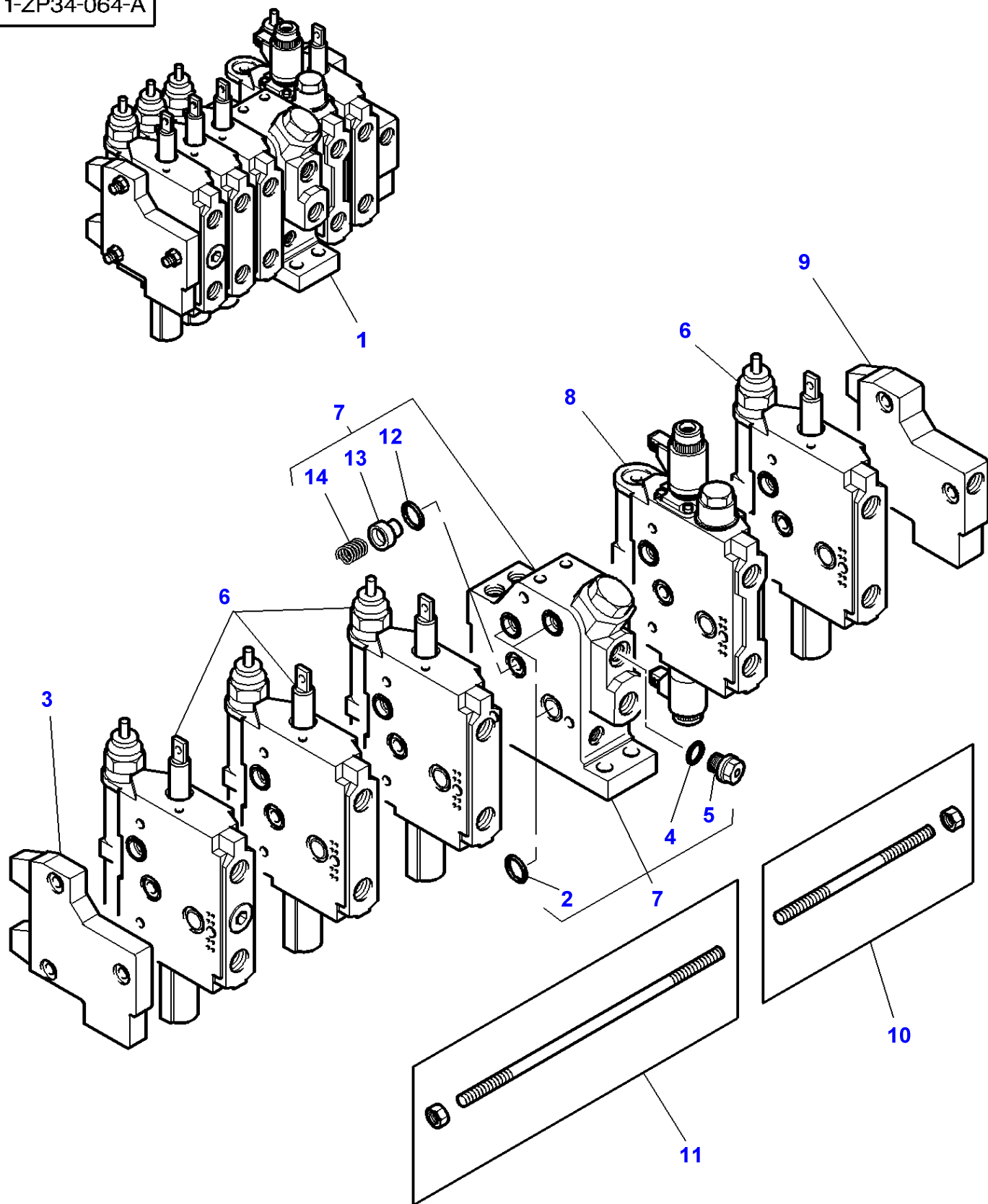
FOOTNOTE [A] DIST 3 POSITIONS, FLOW ADJUST, DOUBLE ACTION, ZERO LEAK

FOOTNOTE [B] DIST 4 FLOATING POSITIONS, FLOW ADJUST, DOUBLE ACTION, KICK OUT

FOOTNOTE [C] DIST 4 FLOATING POSITIONS, FLOW ADJUST, DOUBLE ACTION, KICK OUT, ZERO LEAK

FOOTNOTE [D] HYDRAULIC LIFT VALVE

1-ZP34-064-A



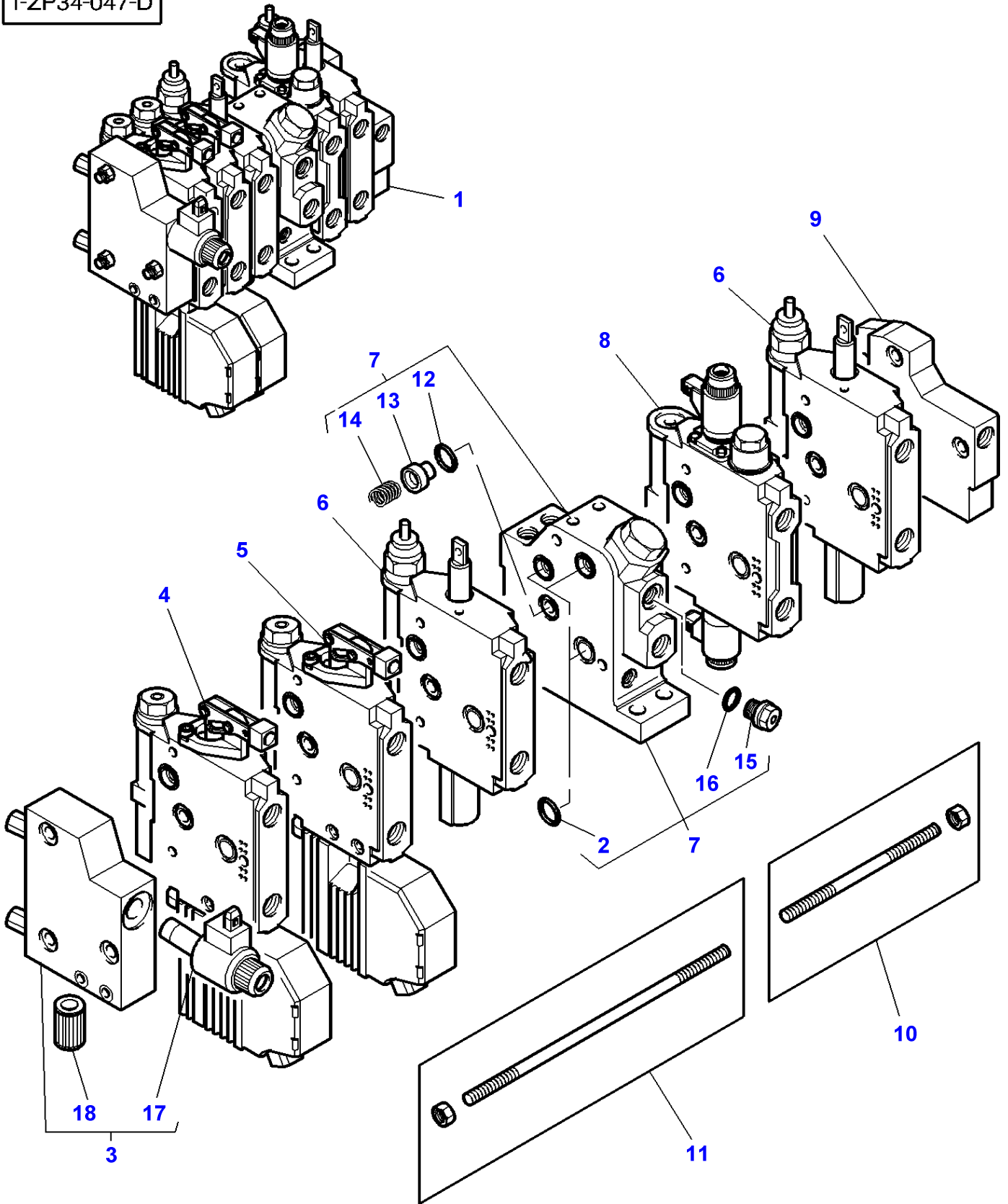
Massey Ferguson**MF 8250 TRACTOR - 1637366****1637366****Auxiliary Distributor - 4 Distributors With Load Sensing - USA****Page070-0475**

Item	Part Number	Qty	Description	Comments
1	3797438M12	1	Distributor	
2	3796222M1	3	O Ring	(7) Diameter 20 X 1,5
3	3796108M1	1	Element	(1)
4	3108238M1	1	O Ring	(7)
5	3108244M1	1	Plug	(7)
6	3795751M3	4	Distributor	[C] (1) See Page - Reference Number 070-0500/1
7	3796109M1	1	Element	(1)
8	3796103M2	1	Pressure Valve	[D] (1) See Page - Reference Number 070-0505/1
9	3796107M1	1	Element	(1)
10	3796232M1	3	Stud	(1) M8 X 131
11	3796233M1	3	Stud	(1) M8 X 171
12	3796223M1	1	O Ring	(7) Diameter 18 X 1,5
13	3796224M1	1	Non Return Valve	(7)
14	3796225M1	1	Spring	(7)

FOOTNOTE [C] DIST 4 FLOATING POSITIONS ,FLOW ADJUST,DOUBLE ACTI ON,KICK OUT,ZERO LEAK**FOOTNOTE [D] HYDRAULIC LIFT VALVE**

MF 8250 TRACTOR - 1637366
1-ZP34-047-D

1-ZP34-047-D



Item	Part Number	Qty	Description	Comments
1	3794730M15	1	Distributor	
2	3796222M1	3	O Ring	(7) Diameter 20X1,5
3	3796111M2	1	Element	(1)
4	3796027M5	1	Distributor	[A,B] (1) See Page - Reference Number 070-0490/1
5	3796026M5	1	Distributor	[A,B,C] (1) See Page - Reference Number 070-0490/1
6	3795751M3	2	Distributor	[E] (1) See Page - Reference Number 070-0500/1
7	3796109M1	1	Element	(1)
8	3796103M2	1	Pressure Valve	[D] (1) See Page - Reference Number 070-0505/1
9	3796107M1	1	Element	(1)
10	3796232M1	3	Stud	(1) (1) M8 X 131
11	3796389M1	3	Stud	(1)
12	3796223M1	1	O Ring	(7) Diameter 18 X 1,5
13	3796224M1	1	Non Return Valve	(7)
14	3796225M1	1	Spring	(7)
15	3108244M1	1	Plug	(7)
16	3108238M1	1	O Ring	(7)
17	3903997M1	1	Electrovalve	(3)
18	3907069M1	1	Filter	(3) 25 MICRONS

FOOTNOTE [A] DISTRIBUTOR WITH ELECTRIC CONTROL

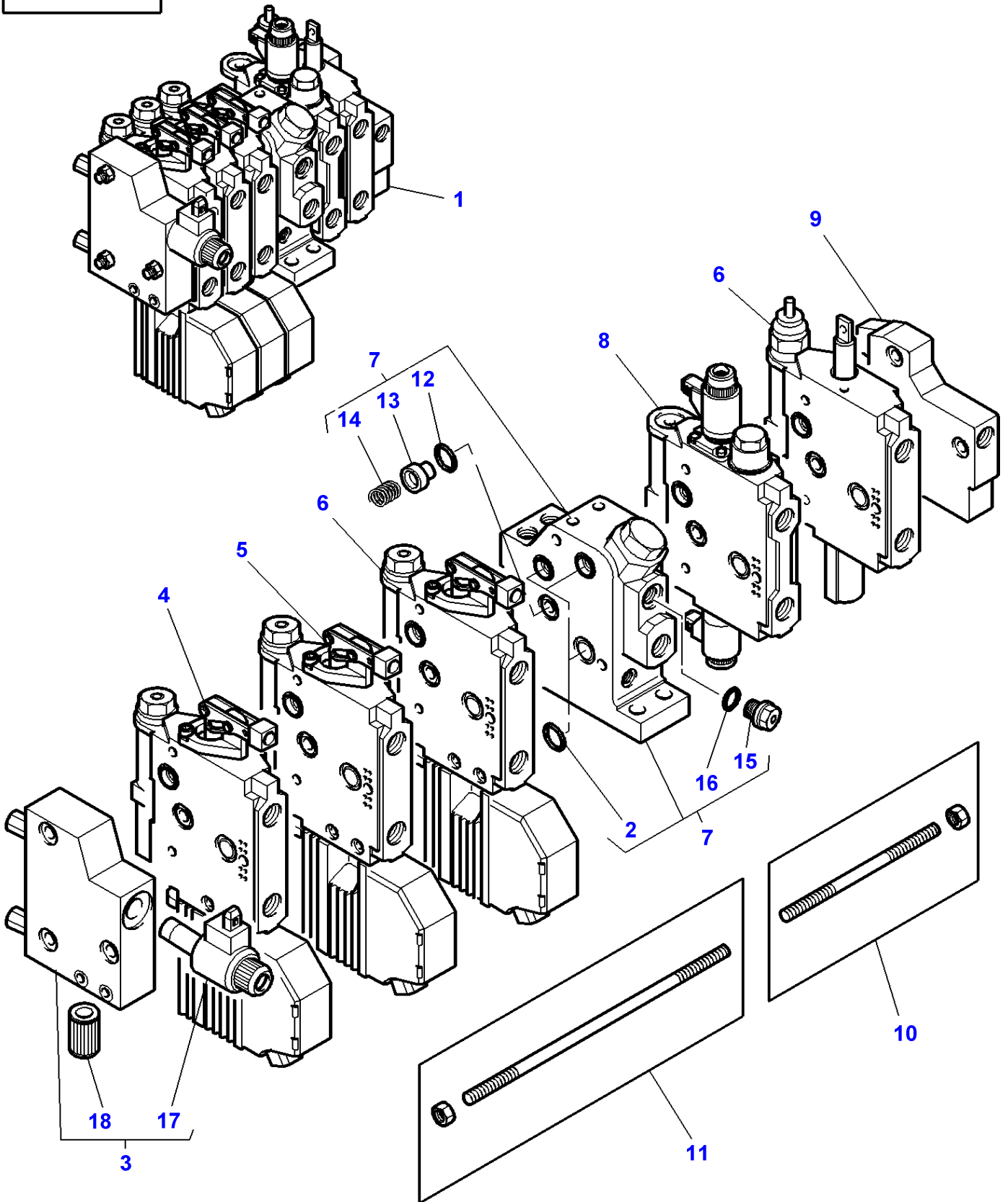
FOOTNOTE [B] DIST 4 POSITIONS, FLOW ADJUST, DOUBLE ACTION, ZERO LEAK

FOOTNOTE [C] WITH TIGHTNESS BALLS

FOOTNOTE [D] HYDRAULIC LIFT VALVE

FOOTNOTE [E] DIST 4 FLOATING POSITIONS, FLOW ADJUST, DOUBLE ACTION, KICK OUT, ZERO LEAK

1-ZP34-048-D



Item	Part Number	Qty	Description	Comments
1	3794731M15	1	Distributor	
2	3796222M1	3	O Ring	(7) Diameter 20X1,5
3	3796111M2	1	Element	(1)
4	3796027M5	2	Distributor	[A,B,C] (1) See Page - Reference Number 070-0490/1
5	3796026M5	1	Distributor	[B,C,E] (1) See Page - Reference Number 070-0490/1
6	3795751M3	1	Distributor	[F] (1) See Page - Reference Number 070-0500/1
7	3796109M1	1	Element	(1)
8	3796103M2	1	Pressure Valve	[D] (1) See Page - Reference Number 070-0505/1
9	3796107M1	1	Element	(1)
10	3796232M1	3	Stud	(1)
11	3796389M1	3	Stud	(1)
12	3796223M1	1	O Ring	(7) 18 X 1,5
13	3796224M1	1	Non Return Valve	(7)
14	3796225M1	1	Spring	(7)
15	3108244M1	1	Plug	(7)
16	3108238M1	1	O Ring	(7)
17	3903997M1	1	Electrovalve	(3)
18	3907069M1	1	Filter	(3) 25 MICRONS

FOOTNOTE [A] WITH DUAL CONTROL

FOOTNOTE [B] DIST 4 POSITIONS, FLOW ADJUST, DOUBLE ACTION, ZERO LEAK

FOOTNOTE [C] DISTRIBUTOR WITH ELECTRIC CONTROL

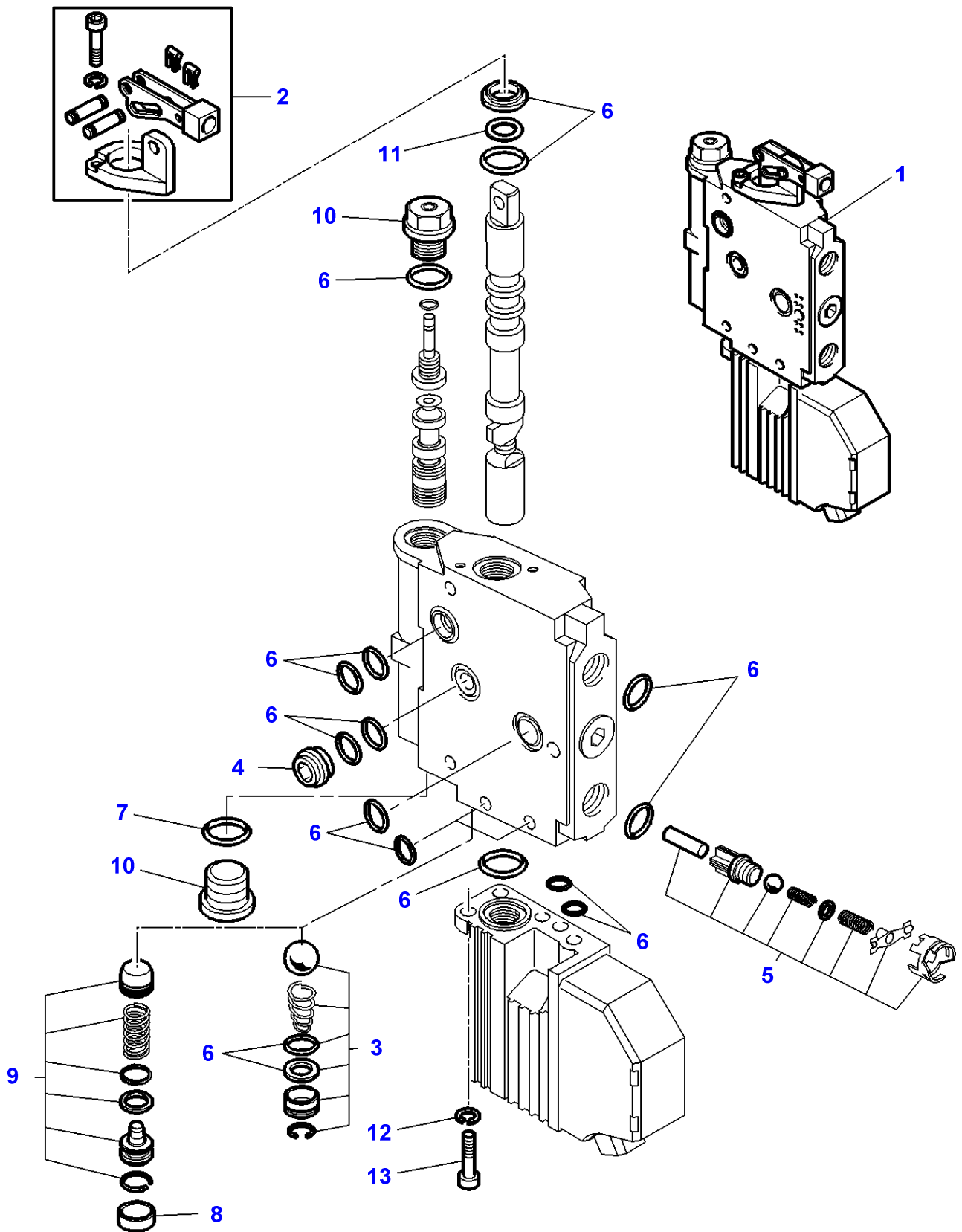
FOOTNOTE [D] HYDRAULIC LIFT VALVE

FOOTNOTE [E] WITH TIGHTNESS BALLS

FOOTNOTE [F] DIST 4 FLOATING POSITIONS, FLOW ADJUST, DOUBLE ACTION, KICK OUT, ZERO LEAK

MF 8250 TRACTOR - 1637366
1-ZP34-057-C

1-ZP34-057-C



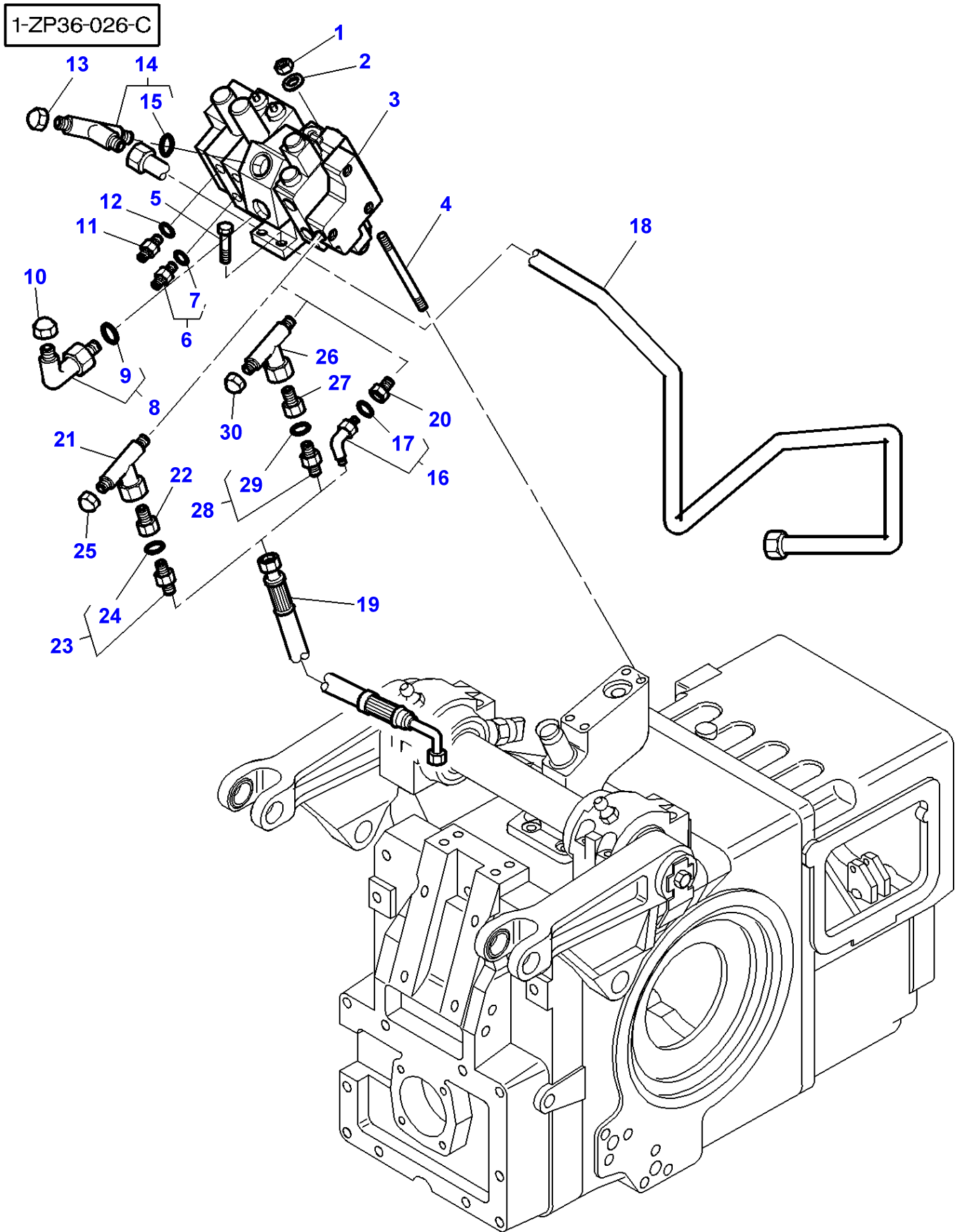
Auxiliary Distributor

Item	Part Number	Qty	Description	Comments
1	3796026M5	1	Distributor	[A,B]
	3796027M5	1	Distributor	[A]
2	3797284M1	1	Drive	(1)
3	3105331M91	1	Parts Pack	(1) Up to Serial or Engine Number M022034
4	3108248M1	1	Bypass	(1)
5	3903864M91	1	Parts Pack	(1)
6	3903869M92	1	Kit,Joint/Gasket	(1)
7	3108243M1	1	Washer	(1)
8	3903856M1	1	Plug	(1)
9	3904676M91	1	Parts Pack	(1) From Serial or Engine Number M022035
10	3108244M1	2	Plug	(1)
11	3904668M1	1	Washer	(1)
12	391130X1	3	Lock Washer	(1)
13	3009281X1	3	Screw	(1) M6 X 16

FOOTNOTE [A] DIST 4 POSITIONS, FLOW ADJUST, DOUBLE ACTION, ZERO LEAK

FOOTNOTE [B] WITH TIGHTNESS BALLS

MF 8250 TRACTOR - 1637366
1-ZP36-026-C



Item	Part Number	Qty	Description	Comments
1	339054X1	2	Nut Metric	
2	390735X1	2	Washer	
3	3794729M14	1	Distributor	[A,B,C] See Page - Reference Number 070-0470/1
	3794730M15	1	Distributor	[C,D,E] See Page - Reference Number 070-0480/1
	3794731M15	1	Distributor	[C,D,F,G] See Page - Reference Number 070-0485/1
	3797438M12	1	Distributor	[C] For United States of America See Page - Reference Number 070-0475/1
4	3010449X1	2	Stud	
5	3009494X1	2	Screw Metric	M10 X 35
6	3019387X91	4	Union	
7	3019398X1	1	O Ring	(6)
8	3019596X91	1	Union	
9	3019455X1	1	O Ring	(8)
10	70921244	1	Cap	Replace and repair. Old not interchangeable with new 355782X1
11	3793544M1	4	Union	
12	3019398X1	4	O Ring	
13	356582X1	1	Cap	
14	3019633X91	1	Union	
15	3019399X1	1	O Ring	(14)
16	3010642X91	1	Union	[I] Up to Serial or Engine Number K197000
	3010667X91	1	Union	[H] Up to Serial or Engine Number K197000
17	3019394X1	1	O Ring	(16)
18	3793424M1	1	Tube	[H]
	3797956M91	1	Tube	[I]
19	3790086M1	1	Hydr Hose	[H] Length 930 MM
	3792042M2	1	Hydr Hose	[I] Length 1100 MM
20	3793729M1	1	Reducer	Up to Serial or Engine Number K197000
21	3794885M3	1	Selector	[J]
22	3793729M1	1	Reducer	[J]
23	3010626X91	1	Union	[J]
24	3019394X1	1	O Ring	[J] (23)
25	356579X1	1	Cap	[J]
26	3794885M3	1	Selector	From Serial or Engine Number K197001
27	3793729M1	1	Reducer	From Serial or Engine Number K197001
28	3010626X91	1	Union	From Serial or Engine Number K197001
29	3019394X1	1	O Ring	(28) From Serial or Engine Number K197001
30	356579X1	1	Cap	From Serial or Engine Number K197001

FOOTNOTE [A] DIST 3 POSITIONS, FLOW ADJUST, DOUBLE ACTION, ZERO LEAK

FOOTNOTE [B] DIST 4 FLOATING POSITIONS, FLOW ADJUST, DOUBLE ACTION, KICK OUT

FOOTNOTE [C] DIST 4 FLOATING POSITIONS, FLOW ADJUST, DOUBLE ACTION, KICK OUT, ZERO LEAK

FOOTNOTE [D] DIST 4 POSITIONS, FLOW ADJUST, DOUBLE ACTION, ZERO LEAK

FOOTNOTE [E] 2 DISTRIBUTORS WITH ELECTRIC CONTROL-2 DISTRIBUTOR WITH MECHANICAL CONTROL

FOOTNOTE [F] 3 DISTRIBUTORS WITH ELECTRIC CONTROL-1 DISTRIBUTOR WITH MECHANICAL CONTROL

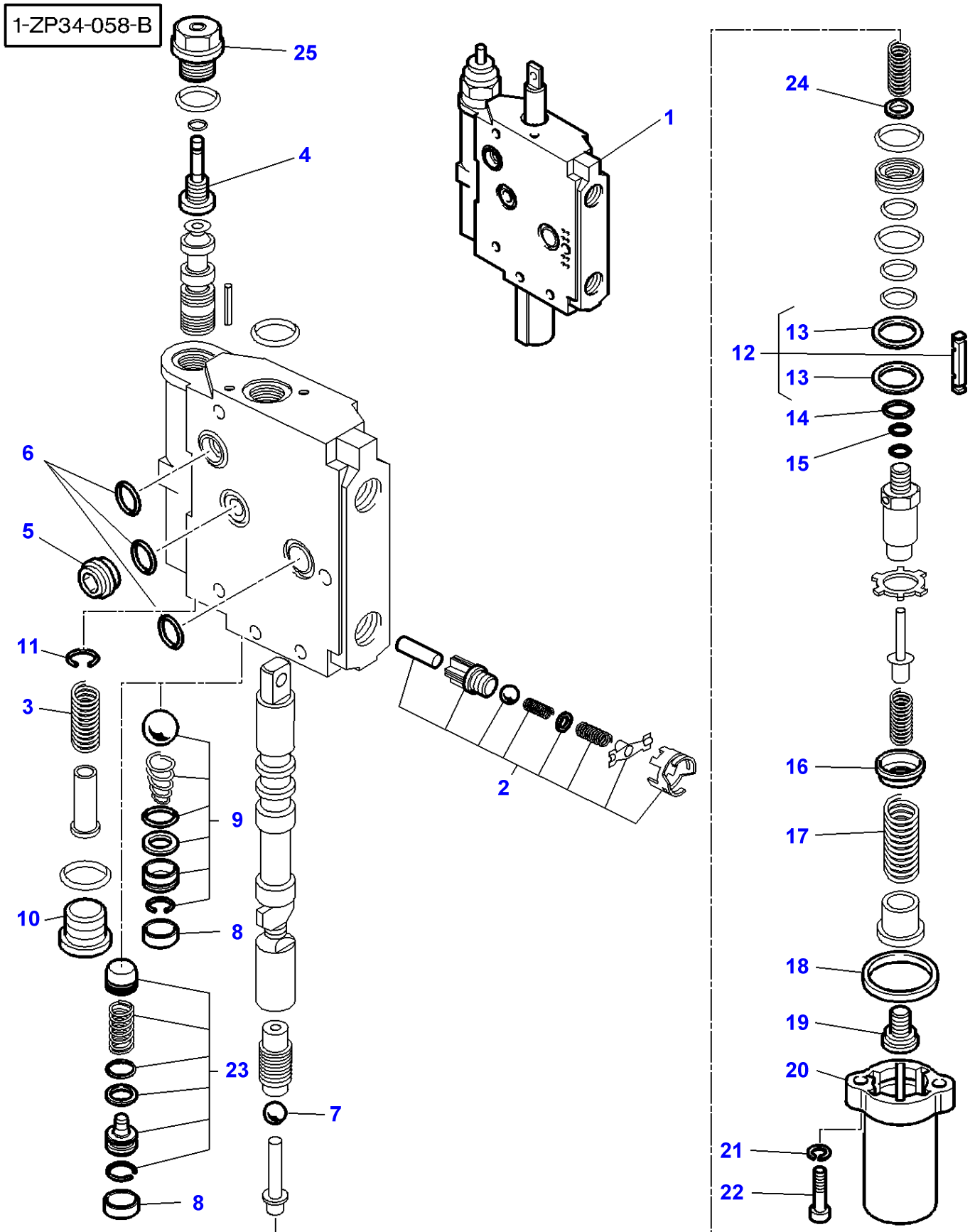
FOOTNOTE [G] WITH DUAL CONTROL

FOOTNOTE [H] WITH PUMP 45CC

FOOTNOTE [I] WITH PUMP 60CC

FOOTNOTE [J] WITH FRONT AXLE SUSPENDED CARRARO

MF 8250 TRACTOR - 1637366
1-ZP34-058-B



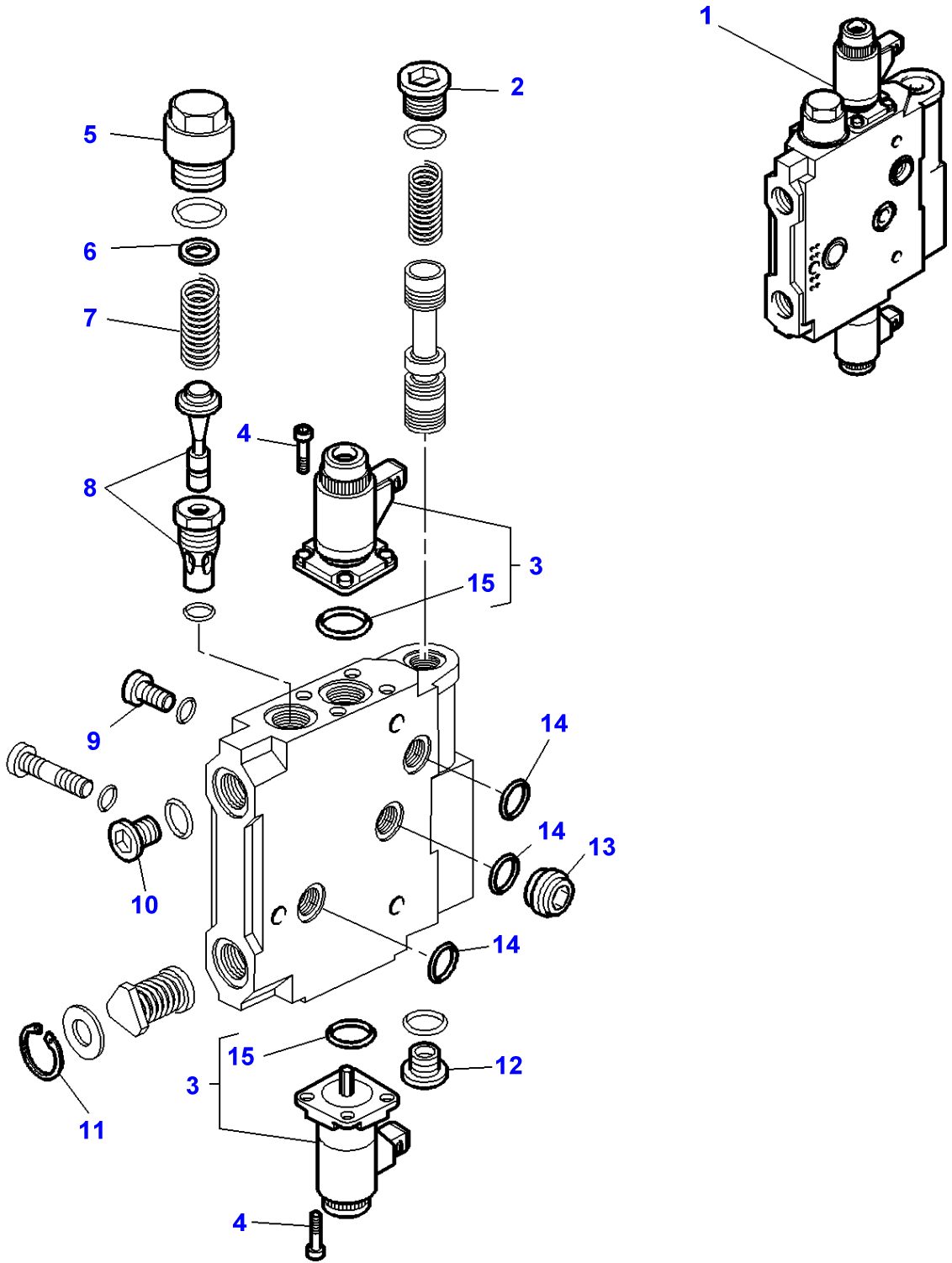
Auxiliary Distributor

Item	Part Number	Qty	Description	Comments
1	3795751M3	1	Distributor	[A]
2	3903864M91	1	Parts Pack	(1)
3	3903862M1	1	Comp.Spring	(1)
4	3903863M1	1	Screw	(1)
5	3797262M1	1	Non Return Valve	(1)
6	3104876M91	1	Kit, Seal	(1)
7	1442737X1	1	Ball	(1)
				Replace and repair. Old not interchangeable with new 3903855M1
8	3903856M1	1	Plug	(1)
9	3105331M91	1	Parts Pack	(1)
				Up to Serial or Engine Number M022034
10	3108244M1	1	Plug	(1)
11	1807113M1	1	Ring	(1)
12	3903984M91	1	Latch	(1)
13	3903865M1	2	Ring	(12)
14	3903853M1	1	O Ring	(1)
15	3902822M1	1	O Ring	(1)
16	3902820M1	1	Cup	(1)
17	3903852M1	1	Comp.Spring	(1)
18	1717452M1	X	Shim	(1)
				Thickness 0,20MM
19	3903851M1	1	Plug	(1)
20	3108251M1	1	Muff	(1)
21	3903850M1	2	Washer	(1)
22	391980X1	2	Screw Metric	(1)
				M6 X 28
23	3904676M91	1	Parts Pack	(1)
				From Serial or Engine Number M022035
24	3904670M1	X	Washer	(1)
				Thickness 0,30MM
	3904671M1	X	Washer	(1)
				Thickness 0,40MM
	3904672M1	X	Washer	(1)
				Thickness 0,50MM
	3904673M1	X	Washer	(1)
				Thickness 1MM
25	3108246M1	1	Plug	(1)

FOOTNOTE [A] DIST 4 FLOATING POSITIONS ,FLOW ADJUST,DOUBLE ACTI ON,KICK OUT,ZERO LEAK

MF 8250 TRACTOR - 1637366
1-ZP18-006-B

1-ZP18-006-B

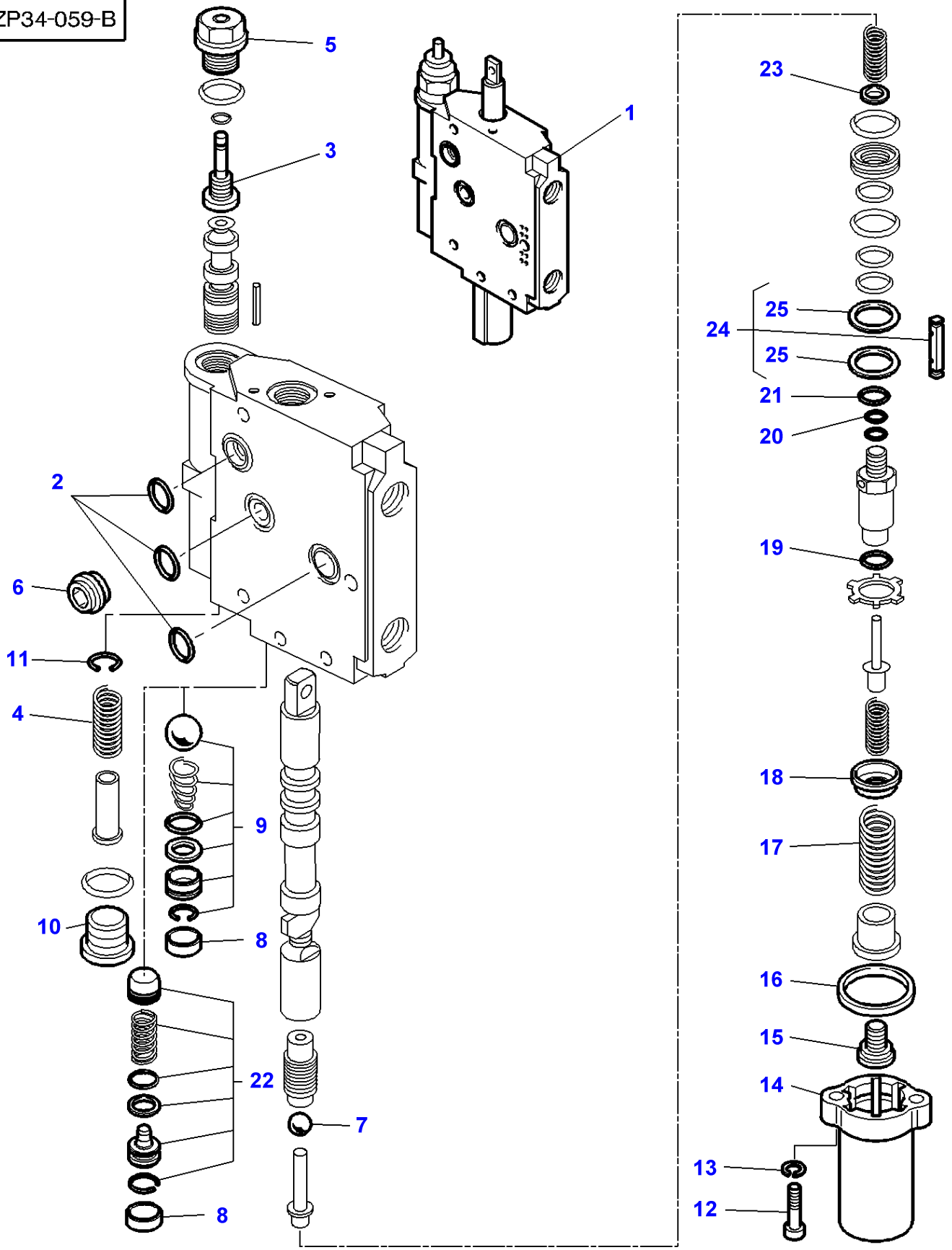


Hydraulic Lift Distributor

Item	Part Number	Qty	Description	Comments
1	3796103M2	1	Pressure Valve	
2	3902932M1	1	Plug	(1)
3	3903198M91	2	Parts Pack	(1)
4	3902937M1	8	Screw	(1) M4 X 8
5	3902936M1	1	Plug	(1)
6	3102068M1	X	Shim	(1) Thickness 0,30 MM
	3102069M1	X	Shim	(1) Thickness 0,40 MM
	1806184M1	X	Shim	(1) Thickness 0,50 MM
	3104724M1	X	Shim	(1) Thickness 0,80 MM
7	3104936M1	1	Comp.Spring	(1)
8	3108258M1	1	Valve	(1)
9	3102240M1	1	Plug	(1)
10	3108244M1	1	Plug	(1)
11	3902959M1	1	Ring	(1)
12	3902932M1	1	Plug	(1)
13	3797262M1	1	Non Return Valve	(1) Replace and repair. Old not interchangeable with new 3108248M1
14	3903848M91	1	Kit, Joint	(1)
15	3901768M1	1	O Ring	(3) Diameter 21 X 1,5
	3796222M1	1	O Ring	(3)

MF 8250 TRACTOR - 1637366
1-ZP34-059-B

1-ZP34-059-B



Massey Ferguson
MF 8250 TRACTOR - 1637366

1637366

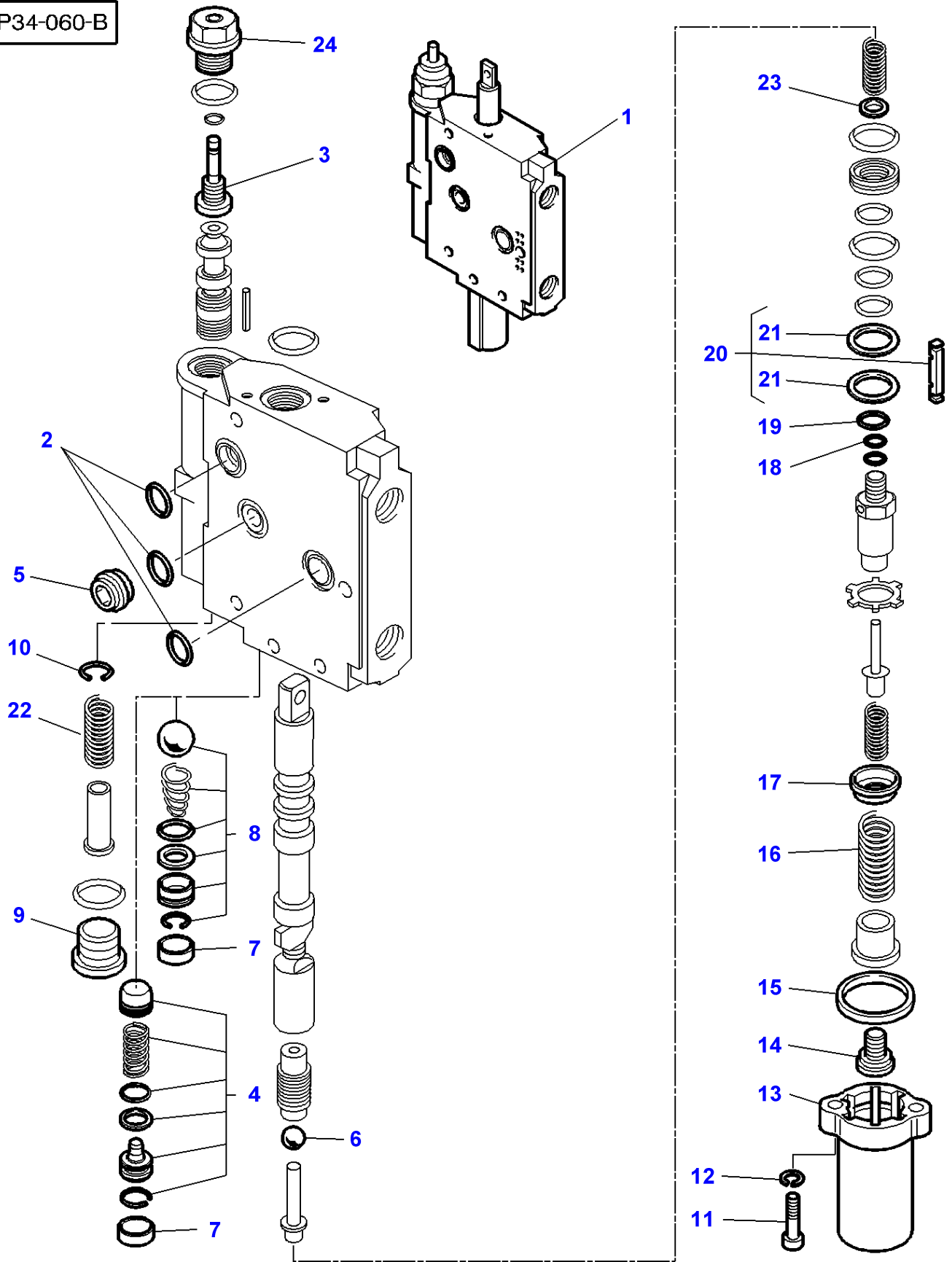
Page070-0510

Auxiliary Distributor

Item	Part Number	Qty	Description	Comments
1	3796128M3	1	Distributor	
2	3104876M91	1	Kit, Seal	(1)
3	3903863M1	1	Screw	(1)
4	3903862M1	1	Comp.Spring	(1)
5	3108246M1	1	Plug	(1)
6	3797262M1	1	Non Return Valve	(1)
7	1442737X1	1	Ball	(1)
				Replace and repair. Old not interchangeable with new 3903855M1
8	3903856M1	1	Plug	(1)
9	3105331M91	1	Parts Pack	(1)
				Up to Serial or Engine Number M022034
10	3108244M1	1	Plug	(1)
11	1807113M1	1	Ring	(1)
12	391980X1	2	Screw Metric	(1)
				M6 X 28
13	3903850M1	2	Washer	(1)
14	3108251M1	1	Muff	(1)
15	3903851M1	1	Plug	(1)
16	1717452M1	X	Shim	(1)
				Thickness 0,20 MM
17	3903852M1	1	Comp.Spring	(1)
18	3902820M1	1	Cup	(1)
19	3903880M1	1	Washer	(1)
20	3902822M1	1	O Ring	(1)
				2,5 X 1,5
21	3903853M1	1	O Ring	(1)
				10 X 2
22	3904676M91	1	Parts Pack	(1)
				From Serial or Engine Number M022035
23	3904670M1	X	Washer	(1)
				Thickness 0,30MM
	3904671M1	X	Washer	(1)
				Thickness 0,40MM
	3904672M1	X	Washer	(1)
				Thickness 0,50MM
	3904673M1	X	Washer	(1)
				Thickness 1MM
24	3903984M91	1	Latch	(1)
25	3903865M1	2	Ring	(24)

MF 8250 TRACTOR - 1637366
1-ZP34-060-B

1-ZP34-060-B

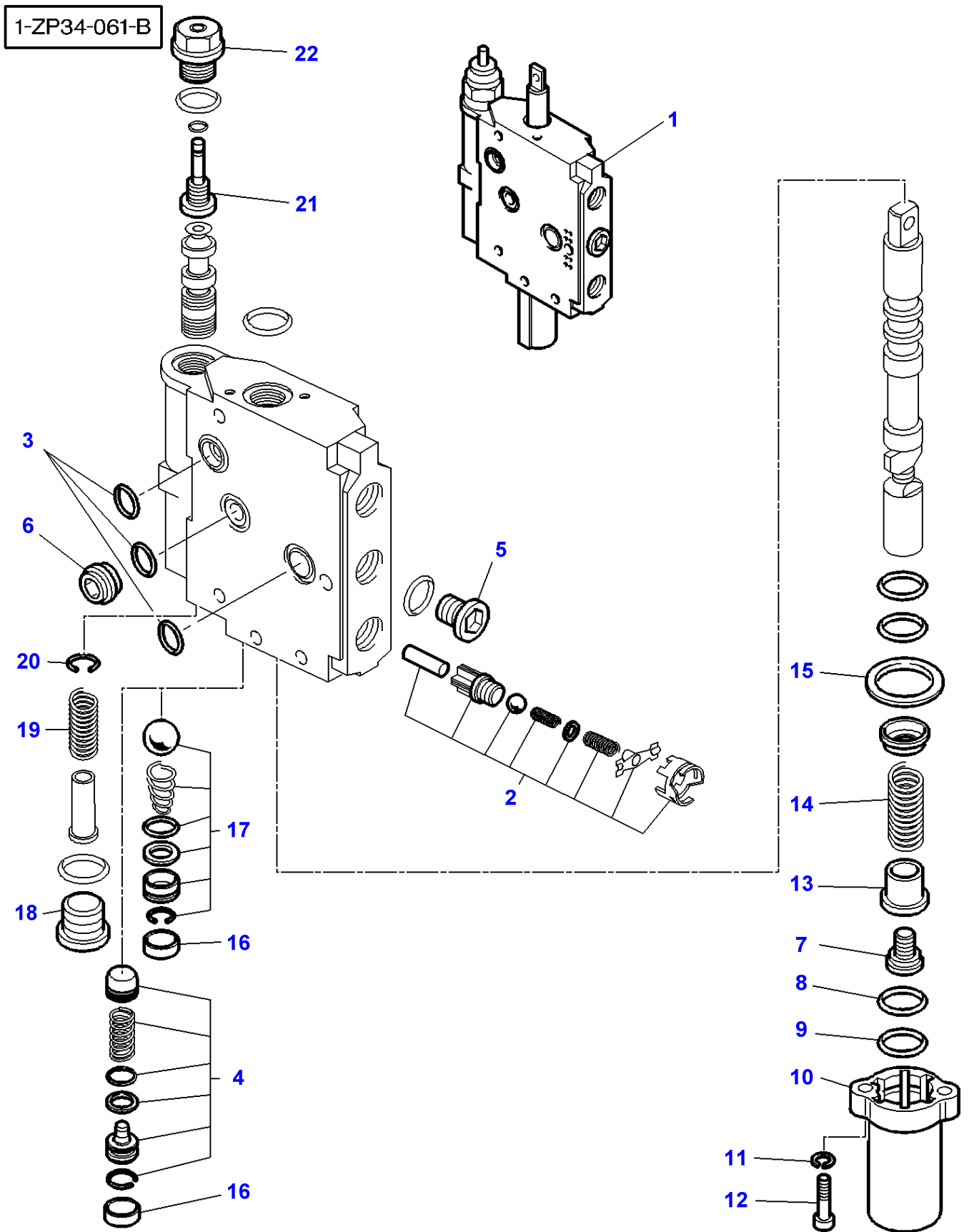


Auxiliary Distributor

Item	Part Number	Qty	Description	Comments
1	3796091M3	1	Distributor	[A]
2	3104876M91	1	Kit, Seal	(1)
3	3903863M1	1	Screw	(1)
4	3904676M91	1	Parts Pack	(1) From Serial or Engine Number M022035
5	3797262M1	1	Non Return Valve	(1)
6	1442737X1	1	Ball	(1) Replace and repair. Old not interchangeable with new 3903855M1
7	3903856M1	1	Plug	(1)
8	3105331M91	1	Parts Pack	(1) Up to Serial or Engine Number M022034
9	3108244M1	1	Plug	(1)
10	1807113M1	1	Ring	(1)
11	391980X1	2	Screw Metric	(1) M6 X 28
12	3903850M1	2	Washer	(1)
13	3108251M1	1	Muff	(1)
14	3903851M1	1	Plug	(1)
15	1717452M1	X	Shim	(1) Thickness 0,20 MM
16	3903852M1	1	Comp.Spring	(1)
17	3902820M1	1	Cup	(1)
18	3902822M1	1	O Ring	(1) Diameter 2,5 X 1,5
19	3903853M1	1	O Ring	(1) Diameter 10 X 2
20	3903984M91	1	Latch	(1)
21	3903865M1	2	Ring	(20)
22	3903862M1	1	Comp.Spring	(1)
23	3904670M1	X	Washer	(1) Thickness 0,30MM
	3904671M1	X	Washer	(1) Thickness 0,40MM
	3904672M1	X	Washer	(1) Thickness 0,50MM
	3904673M1	X	Washer	(1) Thickness 1MM
24	3108246M1	1	Plug	(1)

FOOTNOTE [A] DIST 4 FLOATING POSITIONS, FLOW ADJUST, DOUBLE ACTION, KICK OUT

MF 8250 TRACTOR - 1637366
1-ZP34-061-B



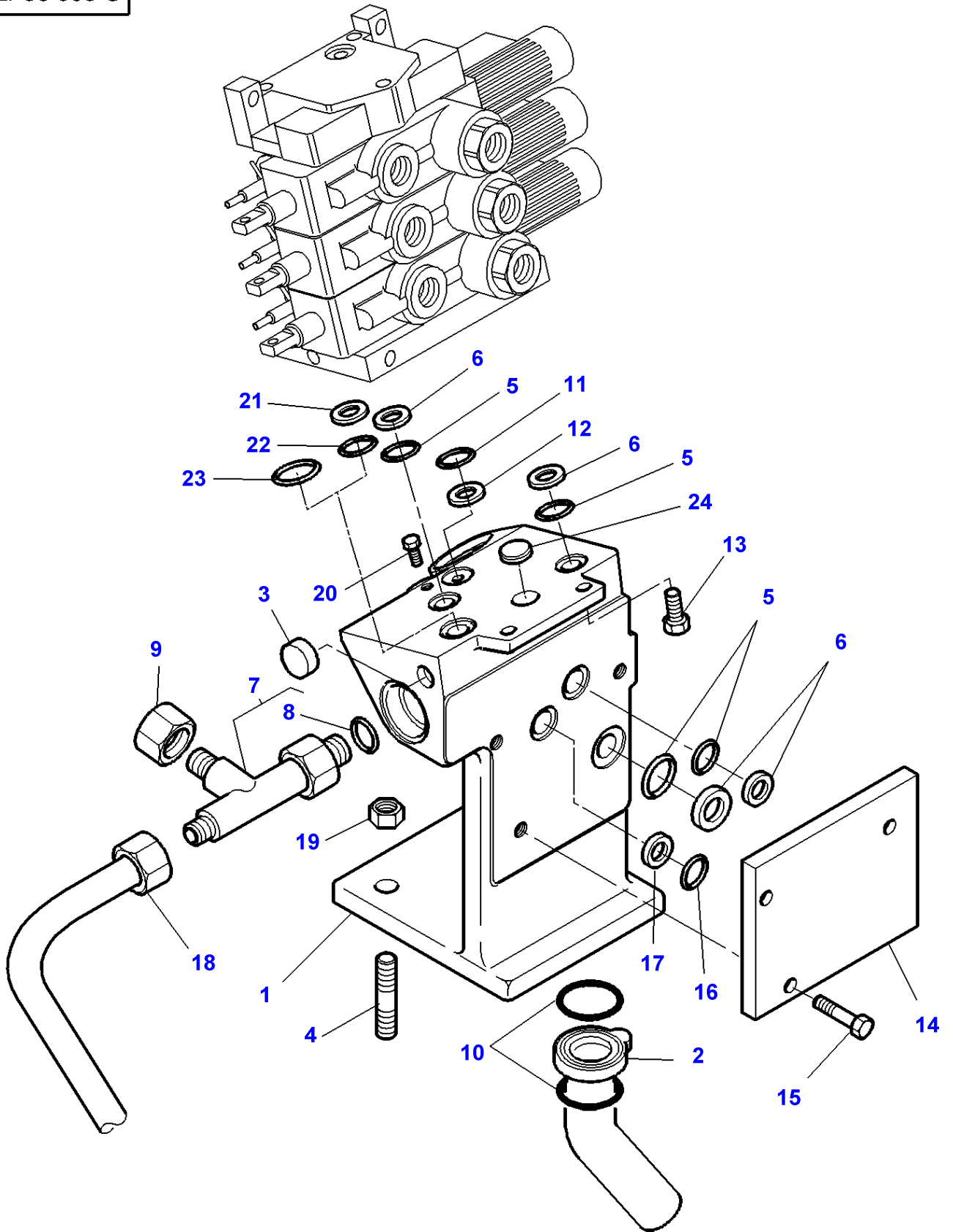
Auxiliary Distributor

Item	Part Number	Qty	Description	Comments
1	3796090M3	1	Distributor	[A]
2	3903864M91	1	Parts Pack	(1)
3	3104876M91	1	Kit, Seal	(1)
4	3904676M91	1	Parts Pack	(1)
From Serial or Engine Number M022035				
5	3108241M1	1	Plug	(1)
6	3797262M1	1	Non Return Valve	(1)
7	3903860M1	1	Screw	(1)
8	1717452M1	X	Shim	(1)
9	3108237M1	1	Shim	(1)
10	3108236M1	1	Muff	(1)
11	391130X1	2	Lock Washer	(1)
12	3009281X1	2	Screw	(1)
M6 X 16				
13	3903859M1	2	Cup	(1)
14	3903861M1	1	Comp.Spring	(1)
15	3903858M1	1	Washer	(1)
16	3903856M1	1	Plug	(1)
17	3105331M91	1	Parts Pack	(1)
Up to Serial or Engine Number M022034				
18	3108244M1	1	Plug	(1)
19	3903862M1	1	Comp.Spring	(1)
20	1807113M1	1	Ring	(1)
21	3903863M1	1	Screw	(1)
22	3108246M1	1	Plug	(1)

FOOTNOTE [A] DIST 3 POSITIONS, FLOW ADJUST, DOUBLE ACTION, ZERO LE AK

MF 8250 TRACTOR - 1637366
1-ZP36-003-C

1-ZP36-003-C



Item	Part Number	Qty	Description	Comments
1	3716900M5	1	Angle	
2	3716914M92	1	Tube	
3	3015150X1	2	Plug	Diameter 24MM
4	3791655M1	3	Stud	
5	392224X1	4	O Ring	
6	3791880M1	4	Bush	Diameter 22,3 MM
7	3019633X91	1	Union	
8	3019399X1	1	O Ring	(7)
9	70922195	1	Cap	
10	366617X1	2	O Ring	Diameter 47MM
11	3791879M1	1	Bush	
12	1441133X1	1	Gasket	
13	3009292X1	2	Screw	M10X25
14	3716325M1	1	Plate	[B]
15	339123X1	3	Hex. Sock. Screw	M8X20
16	1442477X1	1	Gasket	
17	3791884M2	1	Bush	
18	3716397M1	1	Tube	[A]
	3791709M1	1	Tube	[C]
19	3019862X1	3	Nut Metric	M12
20	3010812X1	1	Screw	M8X30
21	3791880M1	1	Bush	Up to Serial or Engine Number H328037
22	392224X1	1	O Ring	Up to Serial or Engine Number H328037
23	3010980X1	1	O Ring	From Serial or Engine Number H328038 Diameter 25,07MM
24	391563X1	1	Plug	Diameter 16MM

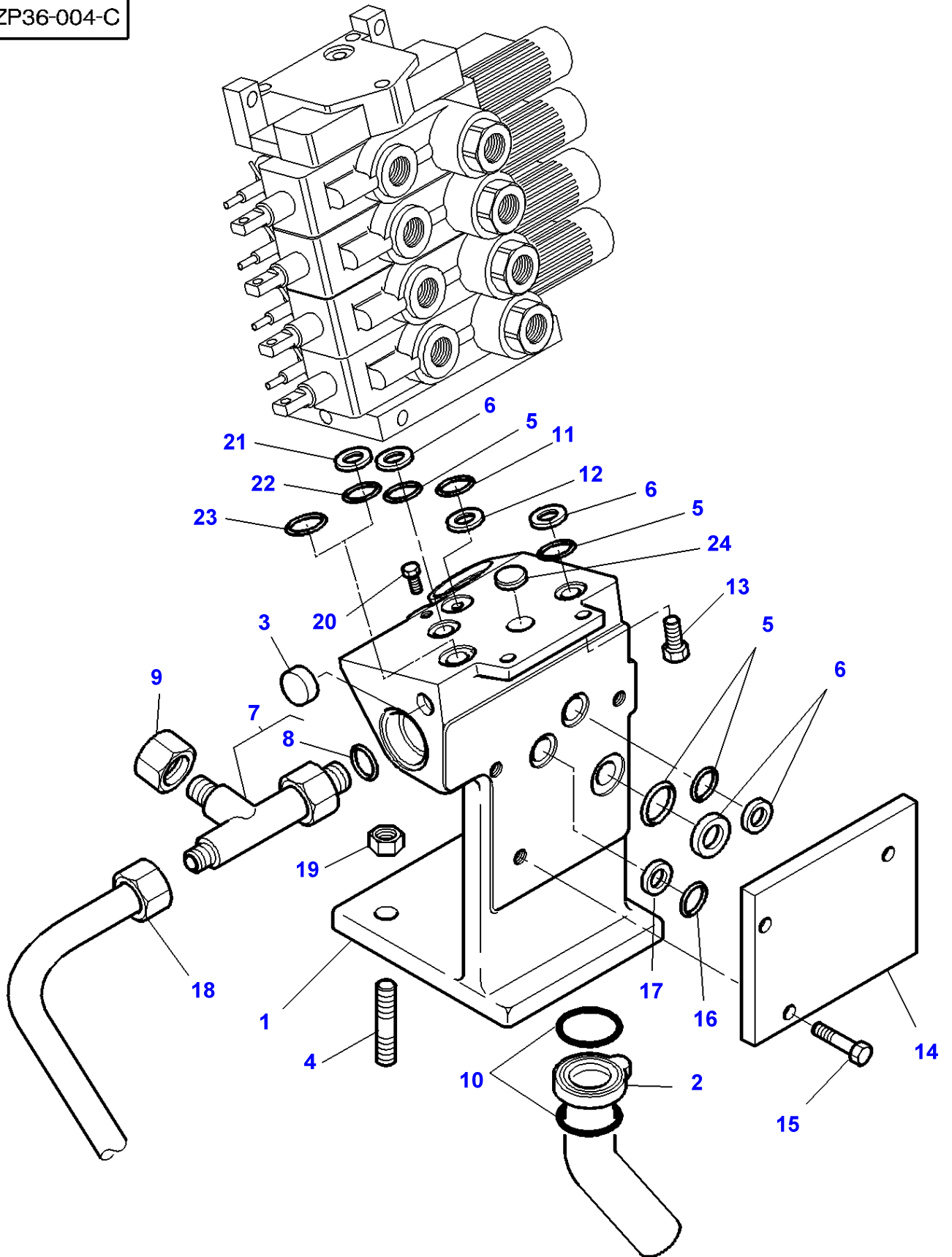
FOOTNOTE [A] WITH PUMP 45CC

FOOTNOTE [B] WITHOUT HYDRAULIC LIFT

FOOTNOTE [C] WITH PUMP 60CC

MF 8250 TRACTOR - 1637366
1-ZP36-004-C

1-ZP36-004-C



Item	Part Number	Qty	Description	Comments
1	3716900M5	1	Angle	
2	3716914M92	1	Tube	
3	3015150X1	2	Plug	Diameter 24MM
4	3791655M1	3	Stud	
5	392224X1	4	O Ring	
6	3791880M1	4	Bush	Diameter 22,3 MM
7	3019633X91	1	Union	
8	3019399X1	1	O Ring	(7)
9	70922195	1	Cap	
10	366617X1	2	O Ring	Diameter 47MM
11	3791879M1	1	Bush	
12	1441133X1	1	Gasket	
13	3009292X1	2	Screw	M10X25
14	3716325M1	1	Plate	[B]
15	339123X1	3	Hex. Sock. Screw	M8X20
16	1442477X1	1	Gasket	
17	3791884M2	1	Bush	
18	3716397M1	1	Tube	[A]
	3791709M1	1	Tube	[C]
19	3019862X1	3	Nut Metric	M12
20	3010812X1	1	Screw	M8X30
21	3791880M1	1	Bush	Up to Serial or Engine Number H328037
22	392224X1	1	O Ring	Up to Serial or Engine Number H328037
23	3010980X1	1	O Ring	From Serial or Engine Number H328038 Diameter 25,07MM
24	391563X1	1	Plug	Diameter 16MM

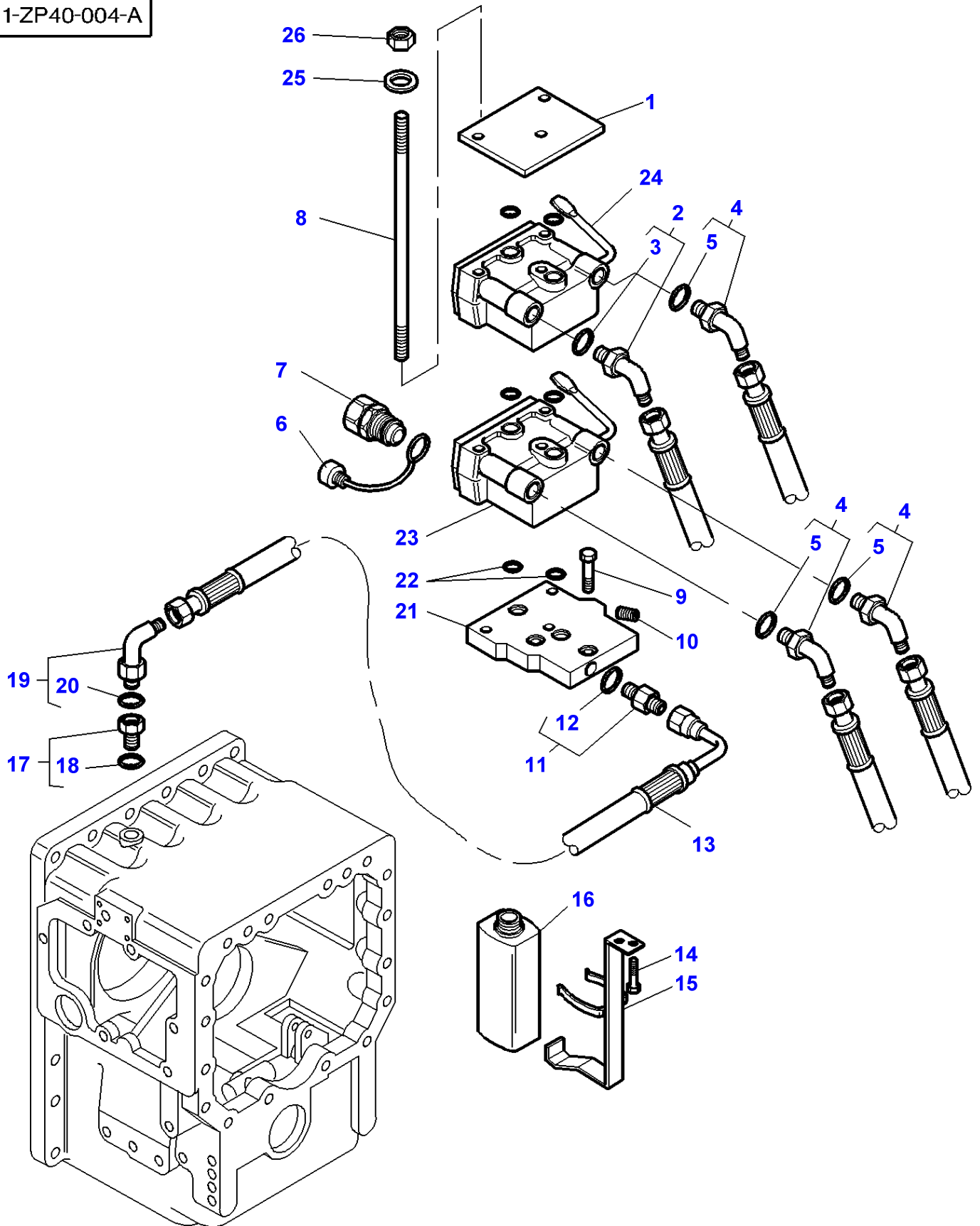
FOOTNOTE [A] WITH PUMP 45CC

FOOTNOTE [B] WITHOUT HYDRAULIC LIFT

FOOTNOTE [C] WITH PUMP 60CC

MF 8250 TRACTOR - 1637366
1-ZP40-004-A

1-ZP40-004-A



Massey Ferguson**MF 8250 TRACTOR - 1637366**

1637366

Hydraulic Coupling - 2 Distributors With Load Sensing - Up To 31-12-2000

Page070-0535

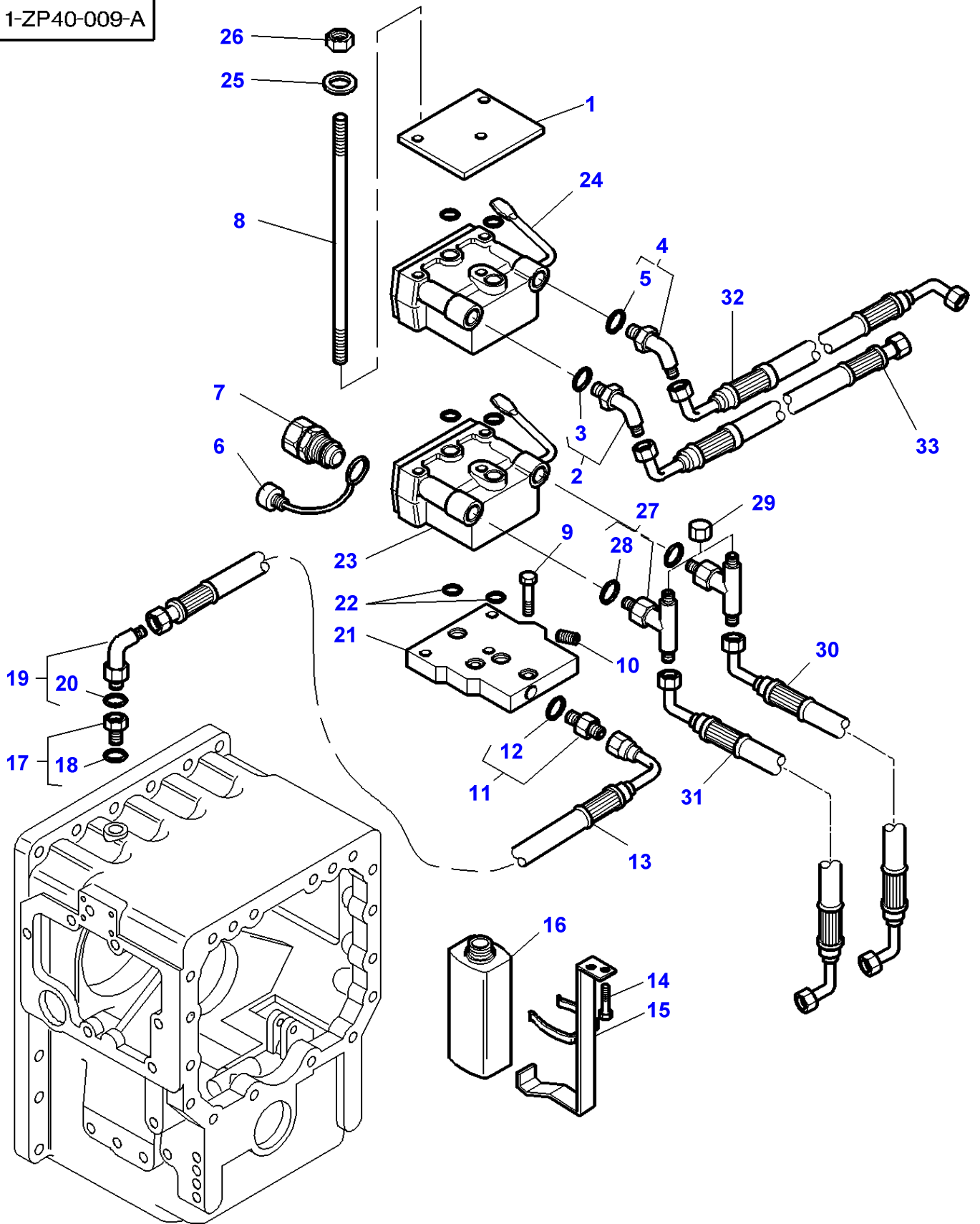
Item	Part Number	Qty	Description	Comments
1	3792734M1	1	Plate	
2	3019592X91	1	Union	
3	3019396X1	1	O Ring	(2)
4	3019418X91	3	Elbow Nipple	
5	3019398X1	1	O Ring	(4)
6	3615822M1	4	Cap	
7	1026700M91	4	Male Coupler	3/4-16
	3583932M1	4	Male Coupler	M18
8	3793410M3	3	Stud	M8 X 173
9	339123X1	2	Hex. Sock. Screw	M8 X 20
10	3791352M1	1	Plug	
11	3019660X91	1	Union	
12	3019393X1	1	O Ring	(11)
13	3792750M1	1	Hydr Hose	
14	3009270X1	2	Screw Metric	M5 X 10
15	3792769M91	1	Support	
16	3792741M1	1	Can	
17	3792739M1	1	Plug	
18	3019399X1	1	O Ring	(17)
19	3019302X91	1	Union	
20	3019393X1	1	O Ring	(19)
21	3792745M1	1	Support	
22	3007432X1	6	O Ring	
23	3792559M1	1	Female Coupler	[A] See Page - Reference Number 070-0565/1
24	3792561M1	1	Female Coupler	[B] See Page - Reference Number 070-0565/1
25	390972X1	3	Washer Metric	
26	339169X1	3	Nut	

FOOTNOTE [A] BLACK

FOOTNOTE [B] RED

MF 8250 TRACTOR - 1637366
1-ZP40-009-A

1-ZP40-009-A



Item	Part Number	Qty	Description	Comments
1	3792734M1	1	Plate	
2	3019592X91	1	Union	
3	3019396X1	1	O Ring	(2)
4	3019418X91	1	Elbow Nipple	
5	3019398X1	1	O Ring	(4)
6	3615822M1	4	Cap	
7	1026700M91	4	Male Coupler	3/4-16
	3583932M1	4	Male Coupler	M18
8	3793410M3	3	Stud	M8X173
9	339123X1	2	Hex. Sock. Screw	M8X20
10	3791352M1	1	Plug	
11	3019660X91	1	Union	
12	3019393X1	1	O Ring	(11)
13	3792750M1	1	Hydr Hose	
14	3009270X1	2	Screw Metric	M5X10
15	3792769M91	1	Support	
16	3792741M1	1	Can	
17	3792739M1	1	Plug	
18	3019399X1	1	O Ring	(17)
19	3019302X91	1	Union	
20	3019393X1	1	O Ring	(19)
21	3792745M1	1	Support	
22	3007432X1	6	O Ring	
23	3792559M1	1	Female Coupler	[A] See Page - Reference Number 070-0565/1
24	3792561M1	1	Female Coupler	[B] See Page - Reference Number 070-0565/1
25	390972X1	3	Washer Metric	
26	339169X1	3	Nut	
27	3019613X91	2	Union	
28	3019398X1	1	O Ring	(27)
29	22833X	2	Cap	
30	3793524M1	1	Hydr Hose	Length 400MM
31	3793523M1	1	Hydr Hose	Length 410MM
32	3793522M1	1	Hydr Hose	Length 435MM
33	3793521M1	1	Hydr Hose	Length 475MM
	3794428M1	1	Hydr Hose	[C] Length 350MM

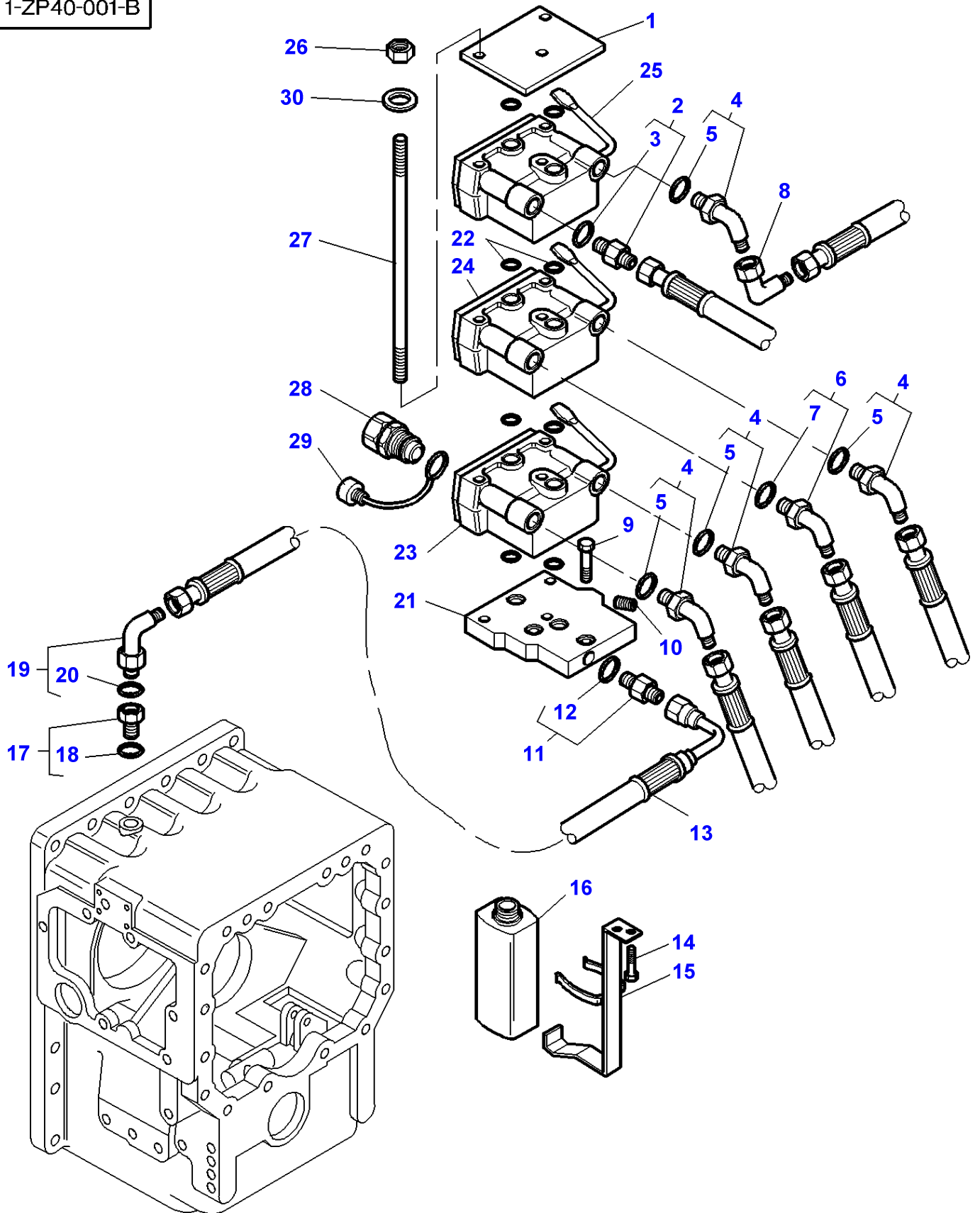
FOOTNOTE [A] BLACK

FOOTNOTE [B] RED

FOOTNOTE [C] WITH AUTOMATIC HITCH "DROMONE"

MF 8250 TRACTOR - 1637366
1-ZP40-001-B

1-ZP40-001-B



Item	Part Number	Qty	Description	Comments
1	3792734M1	1	Plate	
2	3019387X91	1	Union	
3	3019398X1	1	O Ring	(2)
4	3019418X91	4	Elbow Nipple	
5	3019398X1	1	O Ring	(4)
6	3019592X91	1	Union	
7	3019396X1	1	O Ring	(6)
8	367386X1	1	Elbow	
9	339123X1	2	Hex. Sock. Screw	M8X20
10	3791352M1	1	Plug	
11	3019660X91	1	Union	
12	3019393X1	1	O Ring	(11)
13	3792750M1	1	Hydr Hose	
14	3009270X1	2	Screw Metric	M5X10
15	3792769M91	1	Support	
16	3792741M1	1	Can	
17	3792739M1	1	Plug	
18	3019399X1	1	O Ring	(17)
19	3019302X91	1	Union	
20	3019393X1	1	O Ring	(19)
21	3792745M1	1	Support	
22	3007432X1	8	O Ring	
23	3792559M1	1	Female Coupler	[A] See Page - Reference Number 070-0565/1
24	3792561M1	1	Female Coupler	[B] See Page - Reference Number 070-0565/1
25	3792562M1	1	Female Coupler	[C] See Page - Reference Number 070-0565/1
26	339169X1	3	Nut	
27	3792751M3	3	Stud	M8X243
28	1026700M91	6	Male Coupler	3/4-16
	3583932M1	6	Male Coupler	M18
29	3615822M1	6	Cap	
30	390972X1	3	Washer Metric	

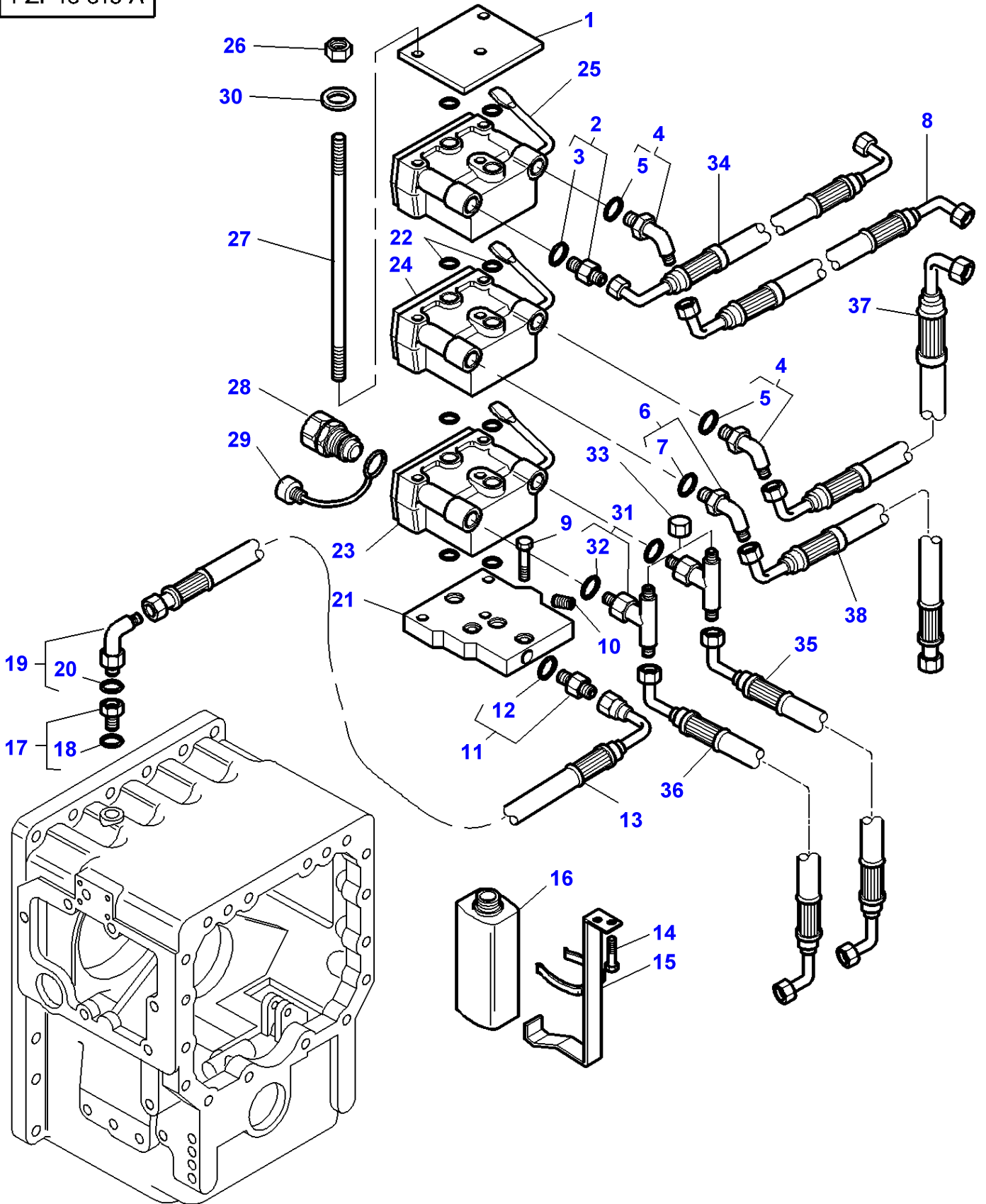
FOOTNOTE [A] BLACK

FOOTNOTE [B] RED

FOOTNOTE [C] GREEN

MF 8250 TRACTOR - 1637366
1-ZP40-010-A

1-ZP40-010-A



Item	Part Number	Qty	Description	Comments
1	3792734M1	1	Plate	
2	3019387X91	1	Union	
3	3019398X1	1	O Ring	(2)
4	3019418X91	2	Elbow Nipple	
5	3019398X1	1	O Ring	(4)
6	3019592X91	1	Union	
7	3019396X1	1	O Ring	(6)
8	3793520M1	1	Hydr Hose	Length 475MM
9	339123X1	2	Hex. Sock. Screw	M8X20
10	3791352M1	1	Plug	
11	3019660X91	1	Union	
12	3019393X1	1	O Ring	(11)
13	3792750M1	1	Hydr Hose	
14	3009270X1	2	Screw Metric	M5X10
15	3792769M91	1	Support	
16	3792741M1	1	Can	
17	3792739M1	1	Plug	
18	3019399X1	1	O Ring	(17)
19	3019302X91	1	Union	
20	3019393X1	1	O Ring	(19)
21	3792745M1	1	Support	
22	3007432X1	8	O Ring	
23	3792559M1	1	Female Coupler	[A] See Page - Reference Number 070-0565/1
24	3792561M1	1	Female Coupler	[B] See Page - Reference Number 070-0565/1
25	3792562M1	1	Female Coupler	[C] See Page - Reference Number 070-0565/1
26	339169X1	3	Nut	
27	3792751M3	3	Stud	M8X243
28	1026700M91	6	Male Coupler	3/4-16
	3583932M1	6	Male Coupler	M18
29	3615822M1	6	Cap	
30	390972X1	3	Washer Metric	
31	3019613X91	2	Union	
32	3019398X1	1	O Ring	(31)
33	22833X	2	Cap	
34	3793521M1	1	Hydr Hose	Length 475MM
35	3793524M1	1	Hydr Hose	Length 400MM
36	3793523M1	1	Hydr Hose	Length 410MM
37	3793522M1	1	Hydr Hose	Length 435MM
38	3793521M1	1	Hydr Hose	Length 475MM
	3794428M1	1	Hydr Hose	[D] Length 350MM

FOOTNOTE [A] BLACK

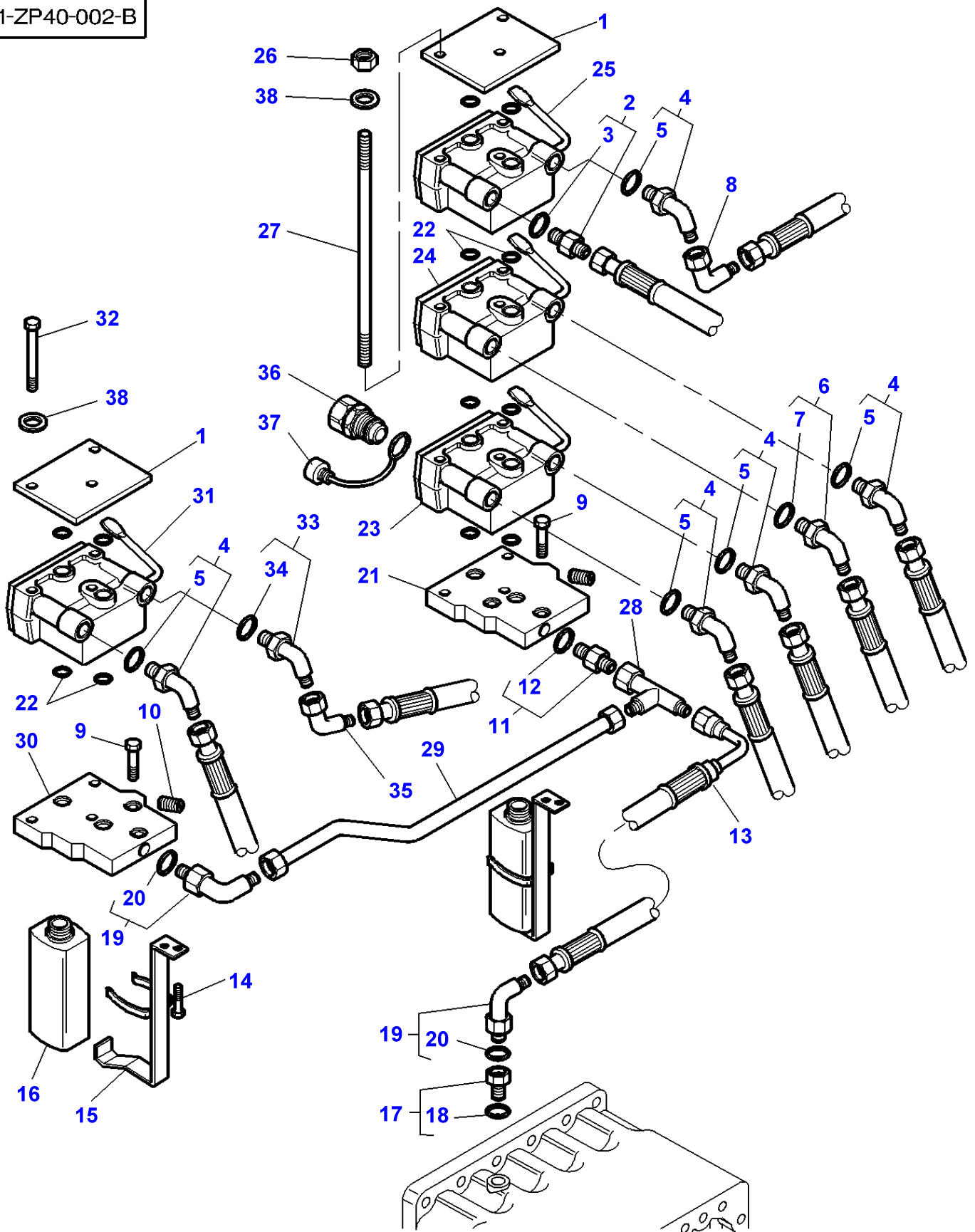
FOOTNOTE [B] RED

FOOTNOTE [C] GREEN

FOOTNOTE [D] WITH AUTOMATIC HITCH "DROMONE"

MF 8250 TRACTOR - 1637366
1-ZP40-002-B

1-ZP40-002-B



Item	Part Number	Qty	Description	Comments
1	3792734M1	2	Plate	
2	3019387X91	1	Union	
3	3019398X1	1	O Ring	(2)
4	3019418X91	5	Elbow Nipple	
5	3019398X1	1	O Ring	(4)
6	3019592X91	1	Union	
7	3019396X1	1	O Ring	(6)
8	367386X1	1	Elbow	
9	339123X1	4	Hex. Sock. Screw	M8X20
10	3791352M1	2	Plug	
11	3019660X91	1	Union	
12	3019393X1	1	O Ring	(11)
13	3792750M1	1	Hydr Hose	
14	3009270X1	4	Screw Metric	M5X10
15	3792769M91	2	Support	
16	3792741M1	2	Can	
17	3792739M1	1	Plug	
18	3019399X1	1	O Ring	(17)
19	3019302X91	2	Union	
20	3019393X1	1	O Ring	(19)
21	3792745M1	1	Support	
22	3007432X1	12	O Ring	
23	3792559M1	1	Female Coupler	[A] See Page - Reference Number 070-0565/1
24	3792561M1	1	Female Coupler	[B] See Page - Reference Number 070-0565/1
25	3792562M1	1	Female Coupler	[C] See Page - Reference Number 070-0565/1
26	339169X1	3	Nut	
27	3792751M3	3	Stud	M8X243
28	373796X1	1	Teepiece	
29	3792720M91	1	Tube	
30	3792747M1	1	Support	
31	3792563M1	1	Female Coupler	[D] See Page - Reference Number 070-0565/1
32	339136X1	3	Hex. Sock. Screw	M8X90
33	3019592X91	1	Union	
34	3019396X1	1	O Ring	(33)
35	373784X1	1	Elbow	
36	1026700M91	8	Male Coupler	3/4-16
	3583932M1	8	Male Coupler	M18
37	3615822M1	8	Cap	
38	390972X1	6	Washer Metric	

FOOTNOTE [A] BLACK

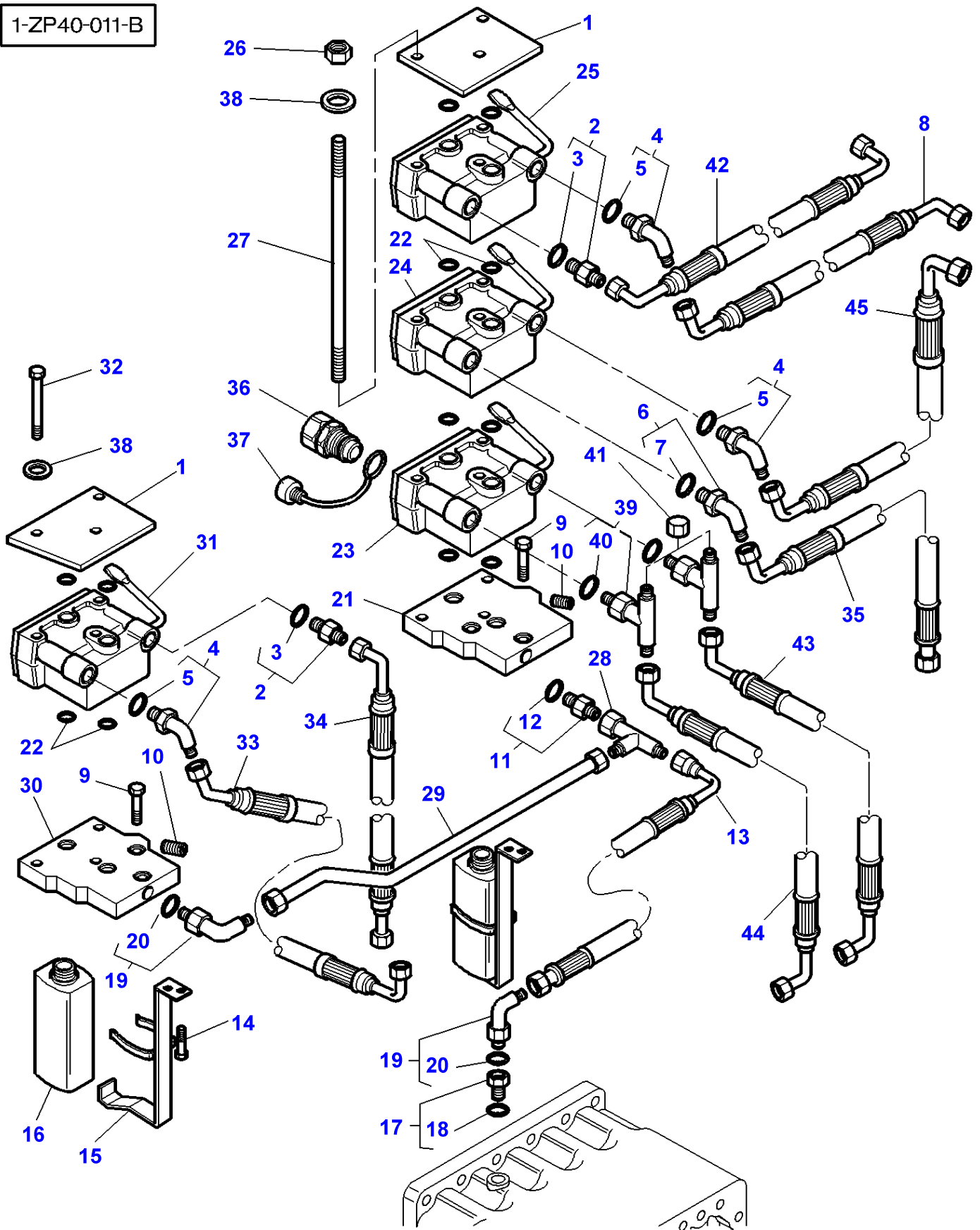
FOOTNOTE [B] RED

FOOTNOTE [C] GREEN

FOOTNOTE [D] YELLOW

MF 8250 TRACTOR - 1637366
1-ZP40-011-B

1-ZP40-011-B



Item	Part Number	Qty	Description	Comments
1	3792734M1	2	Plate	
2	3019387X91	2	Union	
3	3019398X1	1	O Ring	(2)
4	3019418X91	3	Elbow Nipple	
5	3019398X1	1	O Ring	(4)
6	3019592X91	1	Union	
7	3019398X1	1	O Ring	(6)
8	3793520M1	1	Hydr Hose	Length 475MM
9	339123X1	4	Hex. Sock. Screw	M8X20
10	3791352M1	2	Plug	
11	3019660X91	1	Union	
12	3019393X1	1	O Ring	(11)
13	3792750M1	1	Hydr Hose	
14	3009270X1	4	Screw Metric	M5X10
15	3792769M91	2	Support	
16	3792741M1	2	Can	
17	3792739M1	1	Plug	
18	3019399X1	1	O Ring	(17)
19	3019302X91	2	Union	
20	3019393X1	1	O Ring	(19)
21	3792745M1	1	Support	
22	3007432X1	12	O Ring	
23	3792559M1	1	Female Coupler	[A] See Page - Reference Number 070-0565/1
24	3792561M1	1	Female Coupler	[B] See Page - Reference Number 070-0565/1
25	3792562M1	1	Female Coupler	[C] See Page - Reference Number 070-0565/1
26	339169X1	3	Nut	
27	3792751M3	3	Stud	M8X243
28	373796X1	1	Teepiece	
29	3792720M91	1	Tube	
30	3792747M1	1	Support	
31	3792563M1	1	Female Coupler	[D] See Page - Reference Number 070-0565/1
32	339136X1	3	Hex. Sock. Screw	M8X90
33	3793523M1	1	Hydr Hose	Length 410MM
34	3793521M1	1	Hydr Hose	Length 475MM
35	3794428M1	1	Hydr Hose	Length 350MM
36	1026700M91	8	Male Coupler	3/4-16
	3583932M1	8	Male Coupler	M18
37	3615822M1	8	Cap	
38	390972X1	6	Washer Metric	
39	3019613X91	2	Union	
40	3019398X1	1	O Ring	(31)
41	22833X	2	Cap	
42	3793521M1	1	Hydr Hose	Length 475MM
43	3793524M1	1	Hydr Hose	Length 400MM
44	3793523M1	1	Hydr Hose	Length 410MM
45	3793522M1	1	Hydr Hose	Length 435MM

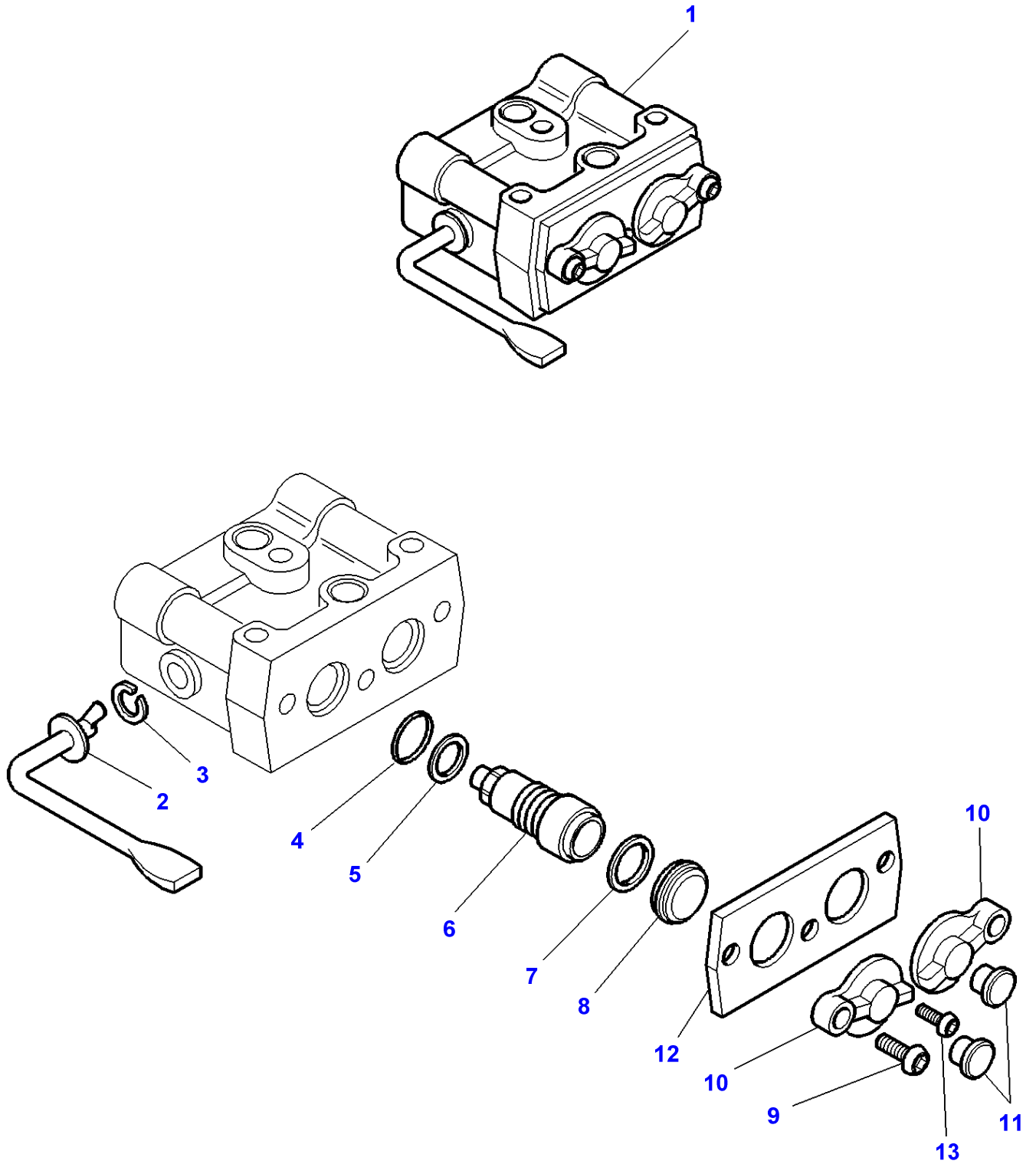
FOOTNOTE [A] BLACK

FOOTNOTE [B] RED

FOOTNOTE [C] GREEN

FOOTNOTE [D] YELLOW

1-ZP40-003-A



Hydraulic Coupling

Item	Part Number	Qty	Description	Comments
1	3796260M1	1	Female Coupler	
2	3903463M91	1	Lever	(1)
3	3903462M1	1	Circlip	(1)
4	3903465M1	2	Gasket	(1)
5	3903464M1	2	Gasket	(1)
6	3903972M91	2	Kit, Cartridge	(1) Replace and repair. Old not interchangeable with new 3903461M91
7	3903460M1	2	Clip	(1)
8	3903459M1	2	Seal	(1)
9	3903455M1	2	Screw	(1)
10	3903456M1	2	Tap	(1)
11	3796263M1	2	Plug	[A]
	3796264M1	2	Plug	[B]
	3796262M1	2	Plug	[C]
	3796261M1	2	Plug	[D]
12	3903458M1	1	Plate	(1)
13	3903457M1	1	Screw	(1)

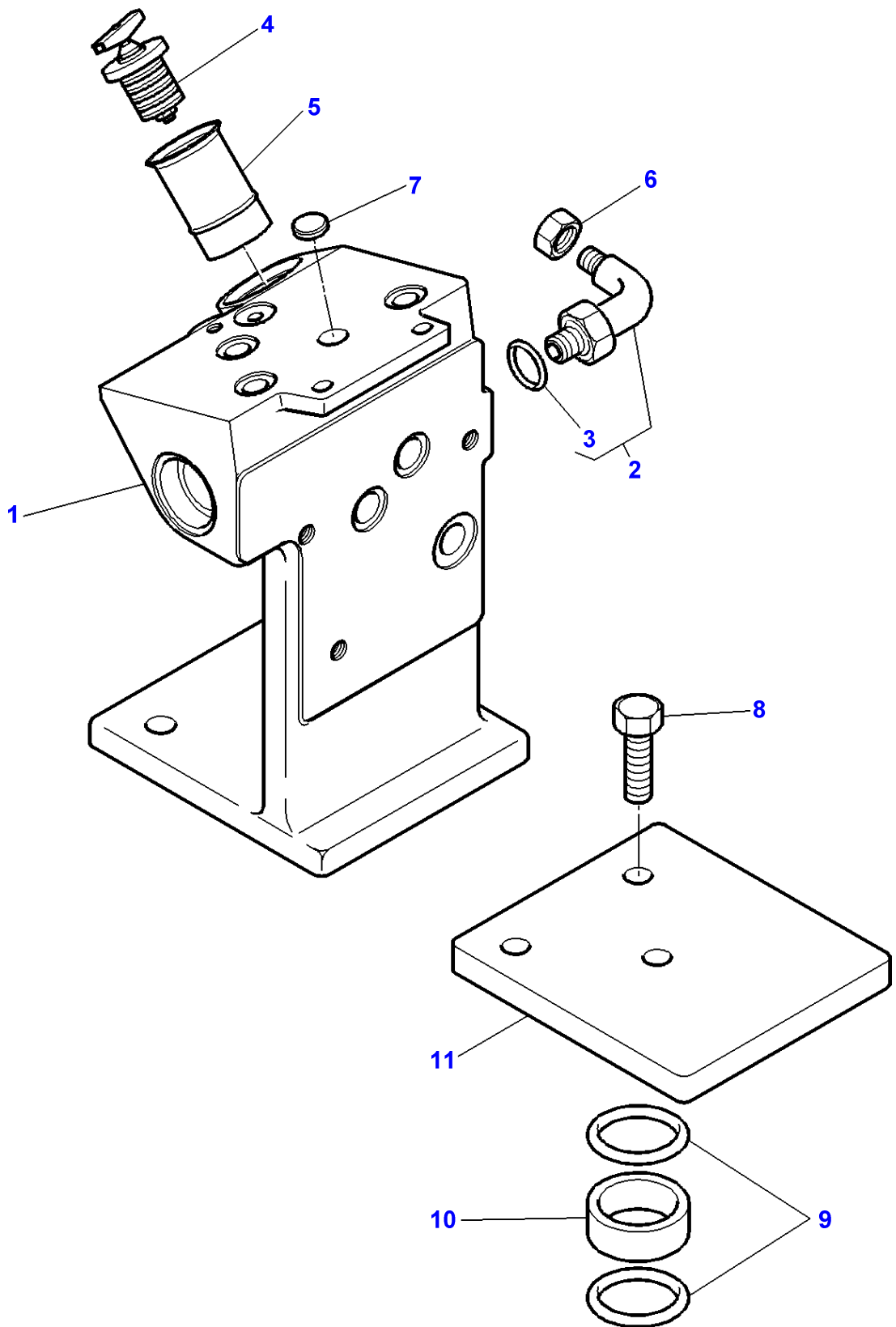
FOOTNOTE [A] BLACK

FOOTNOTE [B] RED

FOOTNOTE [C] GREEN

FOOTNOTE [D] YELLOW

1-ZP77-001-C

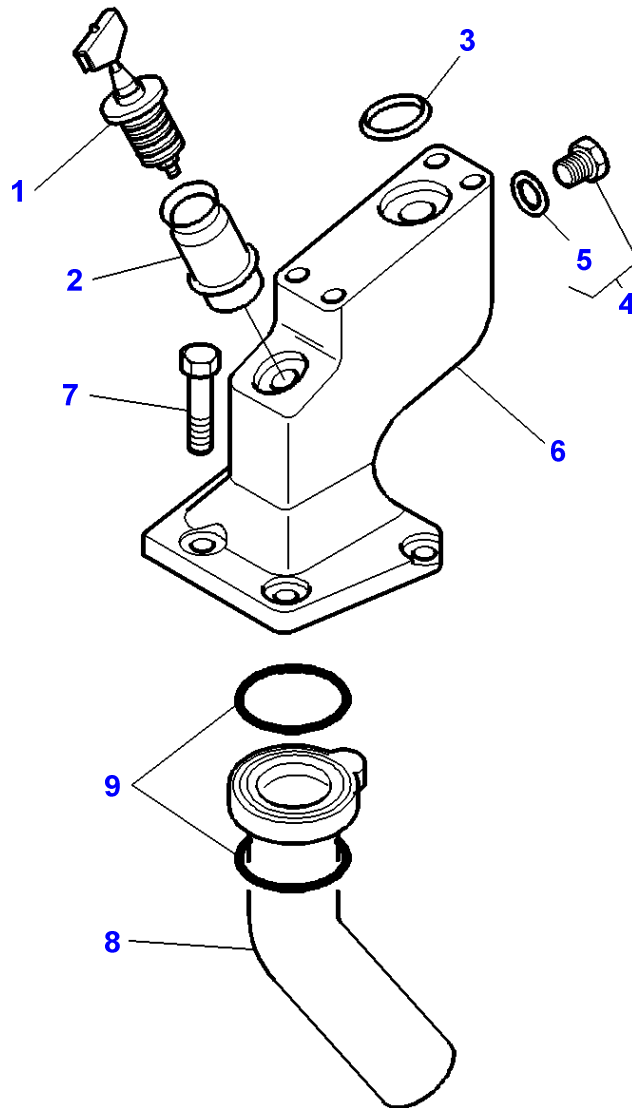


Massey Ferguson**MF 8250 TRACTOR - 1637366****1637366****DIPSTICK / CENTRE HOUSING - Up to Serial or Engine Number 31-12-2000****Page070-0570**

Item	Part Number	Qty	Description	Comments
1	3716900M5	1	Angle	
2	3019420X91	1	Union	
3	3019398X1	1	O Ring	(2)
4	3791288M1	1	Plug	
5	3791466M2	1	Tube	
6	70921244	1	Cap	Replace and repair. Old not interchangeable with new 355782X1
7	391563X1	1	Plug	Diameter 16MM
8	3009507X1	3	Hex. Sock. Screw	[A] M12X35
9	366617X1	2	O Ring	[A] Diameter 47MM
10	3792280M1	1	Collar	[A]
11	3716396M1	1	Plate	[A]

FOOTNOTE [A] WITHOUT DISTRIBUTOR

1-ZP77-003-A

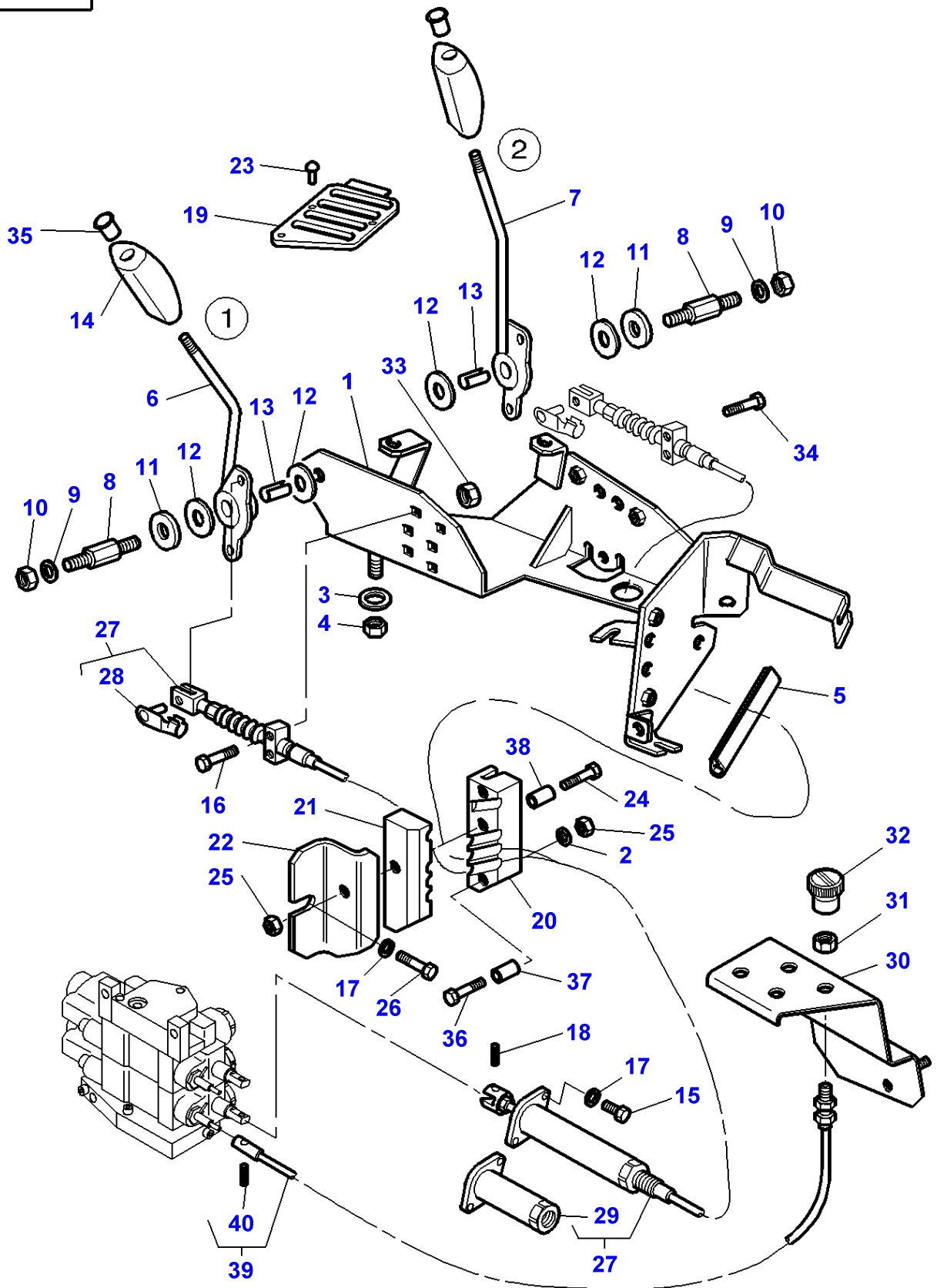


Massey Ferguson**MF 8250 TRACTOR - 1637366****1637366****DIPSTICK / CENTRE HOUSING - From Serial or Engine Number 01-JAN-2001****Page070-0575**

Item	Part Number	Qty	Description	Comments
1	3791288M1	1	Plug	
2	3791466M2	1	Tube	
3	3015077X1	1	O Ring	
4	3019645X91	1	Plug	
5	3019398X1	1	O Ring	(4)
6	3793411M3	1	Angle	
7	3009507X1	4	Hex. Sock. Screw	M12X35
8	3716914M92	1	Tube	
9	366617X1	2	O Ring	

MF 8250 TRACTOR - 1637366
1-ZP39-002-A

1-ZP39-002-A



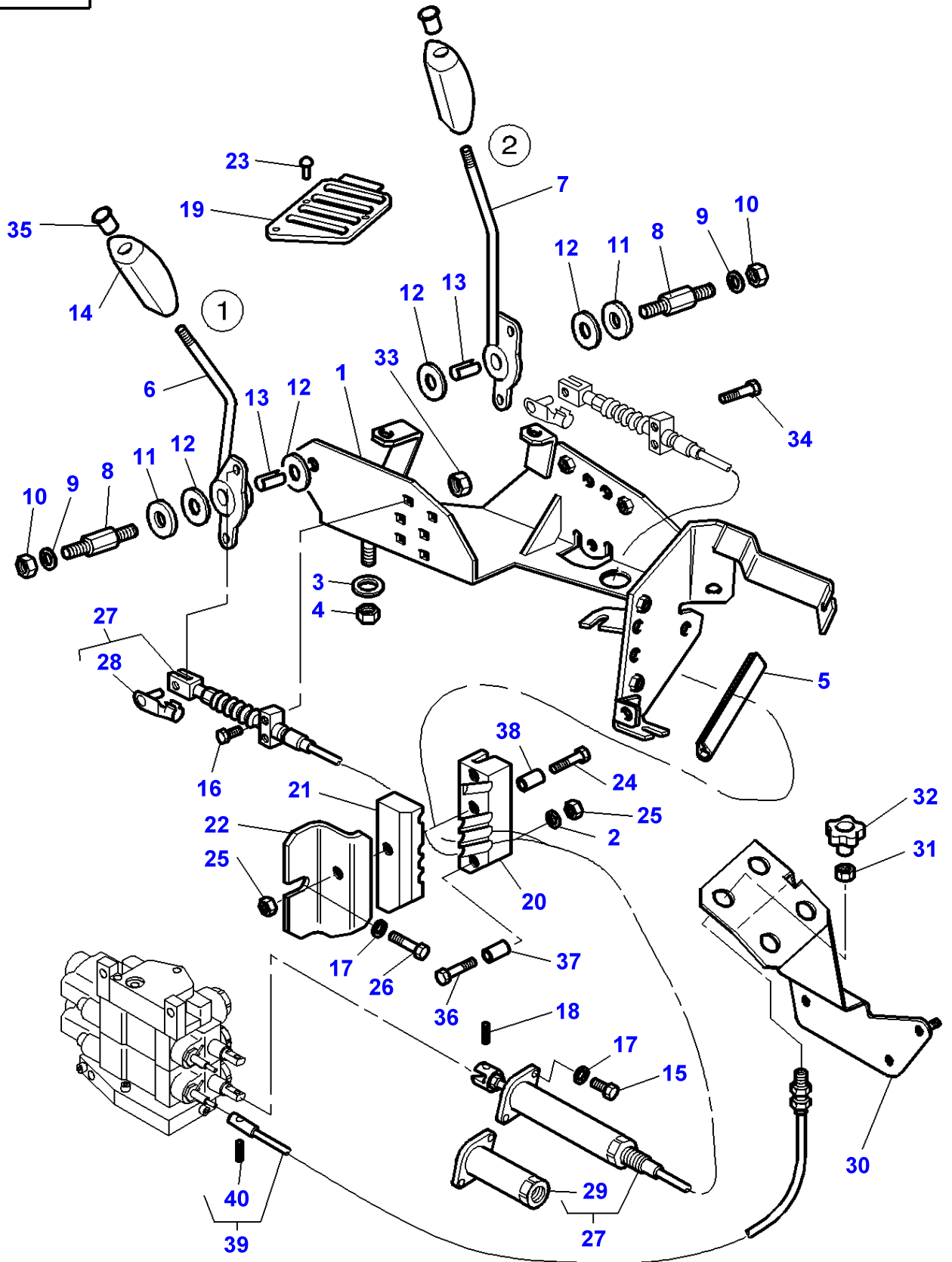
Item	Part Number	Qty	Description	Comments
1	3778480M93	1	Support	
2	390971X1	2	Washer	
3	385361X1	4	Washer	
4	1441461X1	4	Locknut	M8
5	1684844M1	1	Seal	Length 80MM
6	3778481M2	1	Lever	
7	3778482M2	1	Lever	
8	3712956M3	2	Clevis Pin	
9	390972X1	2	Washer Metric	
10	1441461X1	2	Locknut	M8
11	3387447M1	2	Washer	
12	3386514M1	4	Friction Disc	
13	3713905M1	2	Bearing	
14	3715495M1	2	Handle	
15	357831X1	4	Screw	1/4"-20X16
16	3009332X1	2	Screw	M6X30
17	390971X1	7	Washer	
18	3714223M1	2	Clevis Pin	
19	3778486M1	1	Grille	
20	3712979M2	1	Bridle	
21	3712980M2	1	Bridle	
22	3712981M2	1	Angle	
23	3010506X1	7	Screw	M5X16
24	339096X1	2	Bolt Metric	M6X35
25	339030X1	3	Nut Metric	
26	339560X1	1	Hex. Sock. Screw	M6X16
27	3778566M2	2	Hydraulic Cable	Length 1310MM
28	3600190M1	1	Clevis Pin	(27) Length 28MM
29	3902200M91	1	Parts Pack	(27)
30	3779479M1	1	Support	
31	3009693X1	2	Nut Metric	
32	3715367M1	1	Button	[B]
	3715365M1	1	Button	[C]
33	1441500X1	4	Locknut	M6
34	3009332X1	2	Screw	M6X30
35	3715496M1	1	Muff	[B]
	3715497M1	1	Muff	[C]
36	1440922X1	1	Bolt	M6X60
37	3714645M1	2	Spacer	Diameter 8X26,5
38	3714646M1	1	Spacer	Diameter 8X50
39	3779469M1	2	Cable	Length 593MM
40	3010003X1	1	Screw	(39)

FOOTNOTE [B] BLACK

FOOTNOTE [C] RED

MF 8250 TRACTOR - 1637366
1-ZP39-003-A

1-ZP39-003-A



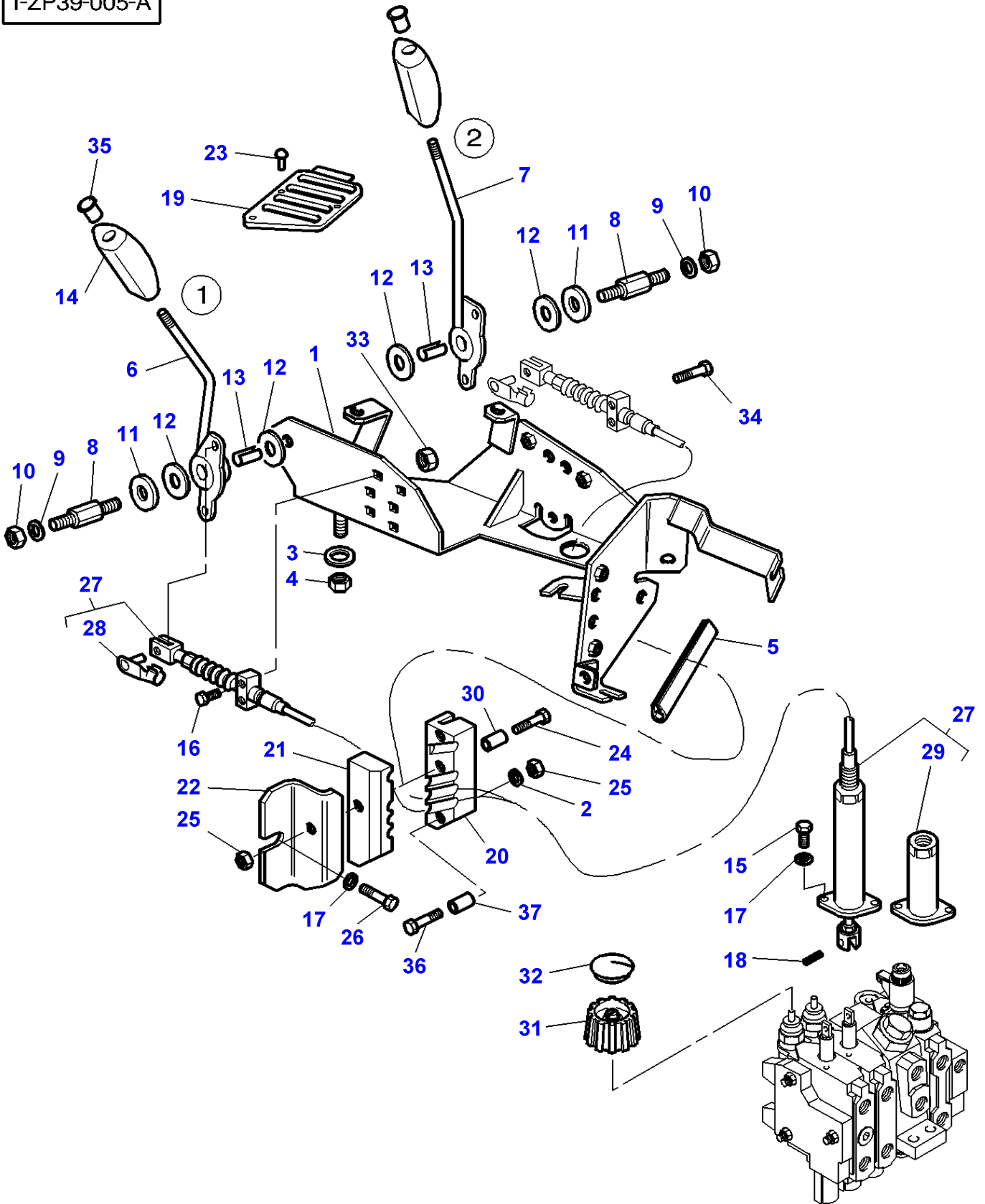
Item	Part Number	Qty	Description	Comments
1	3778480M93	1	Support	
2	390971X1	2	Washer	
3	385361X1	4	Washer	
4	1441461X1	4	Locknut	M8
5	1684844M1	1	Seal	Length 80MM
6	3778481M2	1	Lever	
7	3778482M2	1	Lever	
8	3712956M3	2	Clevis Pin	
9	390972X1	2	Washer Metric	
10	1441461X1	2	Locknut	M8
11	3387447M1	2	Washer	
12	3386514M1	4	Friction Disc	
13	3713905M1	2	Bearing	
14	3715495M1	2	Handle	
15	357831X1	4	Screw	1/4"-20X16
16	3009332X1	2	Screw	M6X30
17	390971X1	7	Washer	
18	3714223M1	2	Clevis Pin	
19	3778486M1	1	Grille	
20	3712979M2	1	Bridle	
21	3712980M2	1	Bridle	
22	3712981M2	1	Angle	
23	3010506X1	7	Screw	M5X16
24	339096X1	2	Bolt Metric	M6X35
25	339030X1	3	Nut Metric	
26	339560X1	1	Hex. Sock. Screw	M6X16
27	3778566M2	2	Hydraulic Cable	Length 1310MM
28	3600190M1	1	Clevis Pin	(27) Length 28MM
29	3902200M91	1	Parts Pack	(27)
30	3783151M1	1	Plate	
31	3009693X1	2	Nut Metric	
32	3783400M1	1	Button	[B]
	3783401M1	1	Button	[C]
33	1441500X1	4	Locknut	M6
34	3009332X1	2	Screw	M6X30
35	3715496M1	1	Muff	[B]
	3715497M1	1	Muff	[C]
36	1440922X1	1	Bolt	M6X60
37	3714645M1	2	Spacer	Diameter 8X26,5
38	3714646M1	1	Spacer	Diameter 8X50
39	3783230M1	2	Cable	Length 605,5MM
40	3010003X1	1	Screw	(39)

FOOTNOTE [B] BLACK

FOOTNOTE [C] RED

MF 8250 TRACTOR - 1637366
1-ZP39-005-A

1-ZP39-005-A



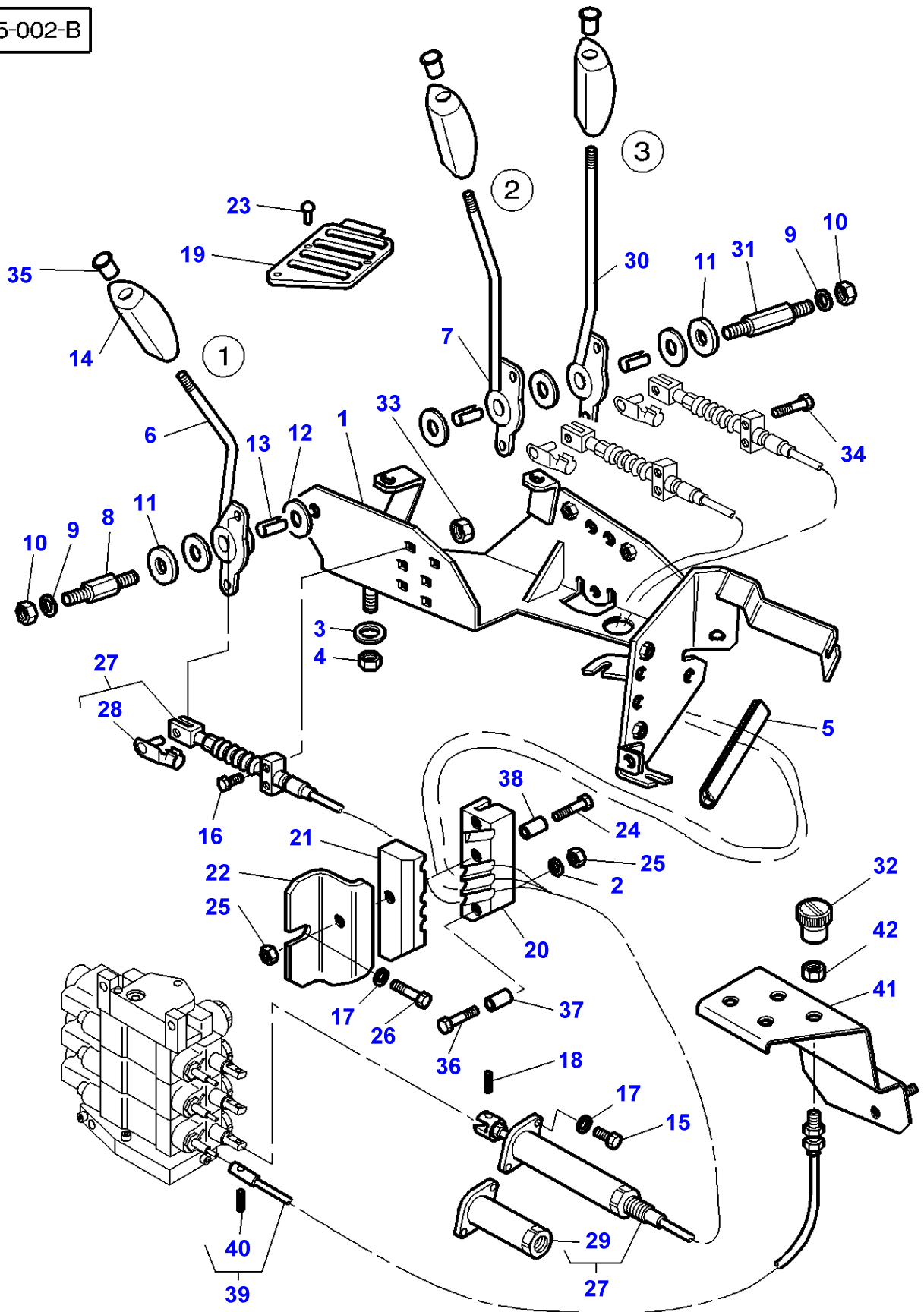
Item	Part Number	Qty	Description	Comments
1	3778480M93	1	Support	
2	390971X1	2	Washer	
3	385361X1	4	Washer	
4	1441461X1	4	Locknut	M8
5	1684844M1	2	Seal	Length 80MM
6	3778481M2	1	Lever	
7	3778482M2	1	Lever	
8	3712956M3	2	Clevis Pin	
9	390972X1	2	Washer Metric	
10	1441461X1	2	Locknut	M8
11	3387447M1	2	Washer	
12	3386514M1	4	Friction Disc	
13	3713905M1	2	Bearing	
14	3715495M1	2	Handle	
15	339560X1	4	Hex. Sock. Screw	M6X16
16	3009332X1	2	Screw	M6X30
17	390971X1	7	Washer	
18	3387566M2	2	Clevis Pin	
19	3778486M1	1	Grille	
20	3712979M2	1	Bridle	
21	3712980M2	1	Bridle	
22	3712981M2	1	Angle	
23	3010506X1	3	Screw	M5X16
24	339096X1	2	Bolt Metric	M6X35
25	339030X1	3	Nut Metric	
26	339560X1	1	Hex. Sock. Screw	M6X16
27	3715989M1	2	Hydraulic Cable	Length 1600MM
28	3600190M1	1	Clevis Pin	(27) Length 28MM
29	3902200M91	1	Parts Pack	(27)
30	3714646M1	1	Spacer	Diameter 8X50
31	3784369M1	2	Button	
32	3784402M1	1	Muff	[B]
	3784403M1	1	Muff	[C]
33	1441462X1	4	Locknut	M6
34	3009332X1	2	Screw	M6X30
35	3715496M1	1	Muff	[B]
	3715497M1	1	Muff	[C]
36	1440922X1	1	Bolt	M6X60
37	3714645M1	2	Spacer	Diameter 8X26,5

FOOTNOTE [B] BLACK

FOOTNOTE [C] RED

MF 8250 TRACTOR - 1637366
1-ZP35-002-B

1-ZP35-002-B



Item	Part Number	Qty	Description	Comments
1	3778480M93	1	Support	
2	390971X1	2	Washer	
3	385361X1	4	Washer	
4	1441461X1	4	Locknut	M8
5	1684844M1	1	Seal	Length 80MM
6	3778481M2	1	Lever	
7	3778482M2	1	Lever	
8	3712956M3	1	Clevis Pin	
9	390972X1	2	Washer Metric	
10	1441461X1	2	Locknut	M8
11	3387447M1	2	Washer	
12	3386514M1	5	Friction Disc	
13	3713905M1	3	Bearing	
14	3715495M1	3	Handle	
15	357831X1	6	Screw	1/4"-20X16
16	3009332X1	2	Screw	M6X30
17	390971X1	7	Washer	
18	3714223M1	3	Clevis Pin	
19	3778487M1	1	Grille	
20	3712979M2	1	Bridle	
21	3712980M2	1	Bridle	
22	3712981M2	1	Angle	
23	3010506X1	7	Screw	M5X16
24	339096X1	2	Bolt Metric	M6X35
25	339030X1	3	Nut Metric	
26	339560X1	1	Hex. Sock. Screw	M6X16
27	3778566M2	3	Hydraulic Cable	Length 1310MM
28	3600190M1	1	Clevis Pin	(27) Length 28MM
29	3902200M91	1	Parts Pack	(27)
30	3778483M2	1	Lever	
31	3712279M3	1	Clevis Pin	Length 78MM
32	3715367M1	1	Button	[B]
	3715365M1	1	Button	[C]
	3715364M1	1	Button	[D]
33	1441500X1	4	Locknut	M6
34	3009336X1	2	Screw	M6X55
35	3715496M1	1	Muff	[B]
	3715497M1	1	Muff	[C]
	3715498M1	1	Muff	[D]
36	1440922X1	1	Bolt	M6X60
37	3714645M1	2	Spacer	Diameter 8X26,5
38	3714646M1	1	Spacer	Diameter 8X50
39	3778560M2	1	Cable	Length 563MM
	3779469M1	2	Cable	Length 593MM
40	3010003X1	1	Screw	(39)
41	3779479M1	1	Support	
42	3009693X1	3	Nut Metric	

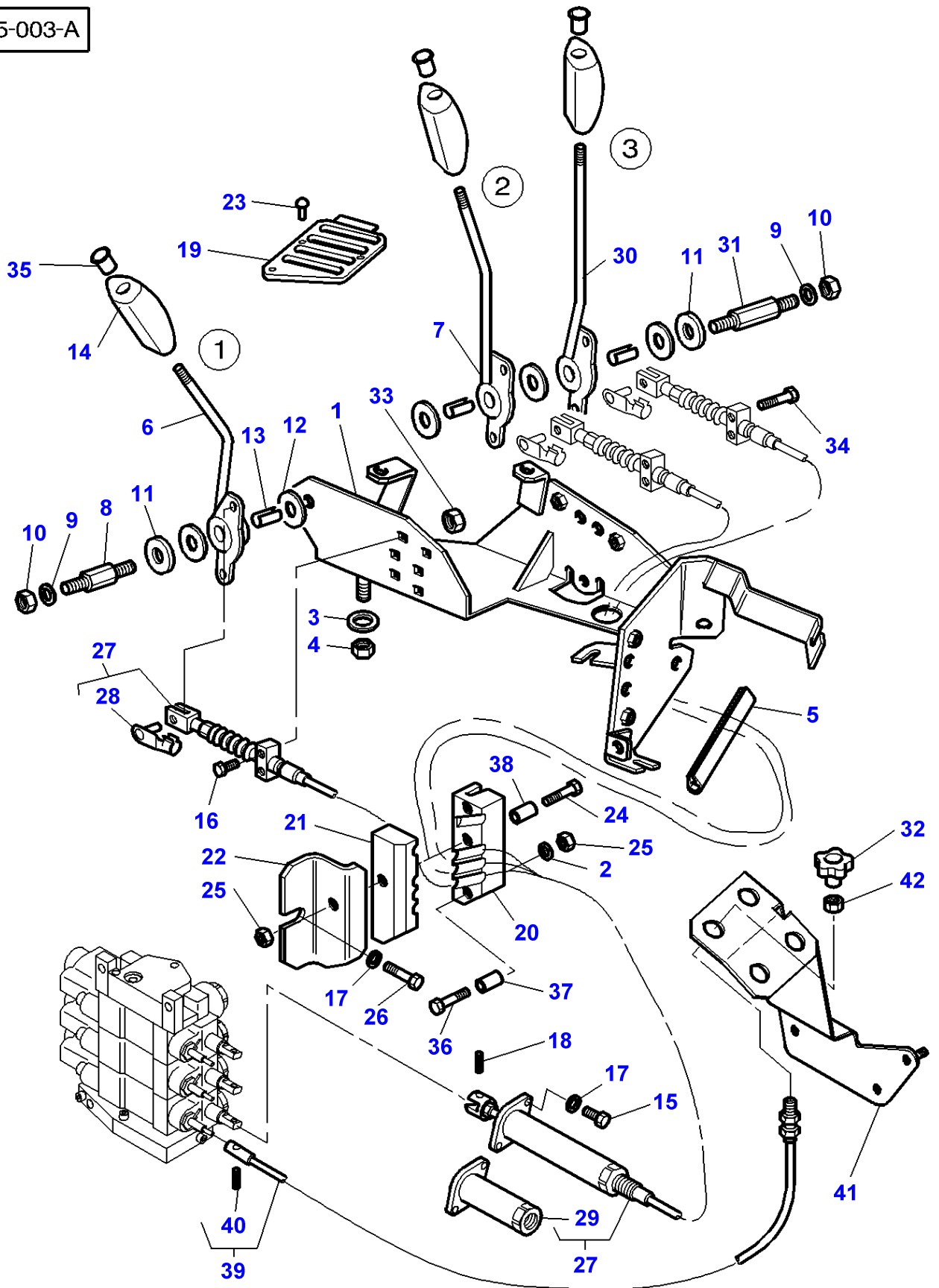
FOOTNOTE [B] BLACK

FOOTNOTE [C] RED

FOOTNOTE [D] GREEN

MF 8250 TRACTOR - 1637366
1-ZP35-003-A

1-ZP35-003-A



Item	Part Number	Qty	Description	Comments
1	3778480M93	1	Support	
2	390971X1	2	Washer	
3	385361X1	4	Washer	
4	1441461X1	4	Locknut	M8
5	1684844M1	1	Seal	Length 80MM
6	3778481M2	1	Lever	
7	3778482M2	1	Lever	
8	3712956M3	1	Clevis Pin	
9	390972X1	2	Washer Metric	
10	1441461X1	2	Locknut	M8
11	3387447M1	2	Washer	
12	3386514M1	5	Friction Disc	
13	3713905M1	3	Bearing	
14	3715495M1	3	Handle	
15	357831X1	6	Screw	1/4"-20X16
16	3009332X1	2	Screw	M6X30
17	390971X1	7	Washer	
18	3714223M1	3	Clevis Pin	
19	3778487M1	1	Grille	
20	3712979M2	1	Bridle	
21	3712980M2	1	Bridle	
22	3712981M2	1	Angle	
23	3010506X1	7	Screw	M5X16
24	339096X1	2	Bolt Metric	M6X35
25	339030X1	3	Nut Metric	
26	339560X1	1	Hex. Sock. Screw	M6X16
27	3778566M2	3	Hydraulic Cable	Length 1310MM
28	3600190M1	1	Clevis Pin	(27) Length 28MM
29	3902200M91	1	Parts Pack	(27)
30	3778483M2	1	Lever	
31	3712279M3	1	Clevis Pin	Length 78MM
32	3783400M1	1	Button	[B]
	3783401M1	1	Button	[C]
	3783402M1	1	Button	[D]
33	1441500X1	4	Locknut	M6
34	3009336X1	2	Screw	M6X55
35	3715496M1	1	Muff	[B]
	3715497M1	1	Muff	[C]
	3715498M1	1	Muff	[D]
36	1440922X1	1	Bolt	M6X60
37	3714645M1	2	Spacer	Diameter 8X26,5
38	3714646M1	1	Spacer	Diameter 8X50
39	3783229M1	1	Cable	Length 515,5MM
	3783230M1	2	Cable	Length 605,5MM
40	3010003X1	1	Screw	(39)
41	3783151M1	1	Plate	
42	3009693X1	3	Nut Metric	

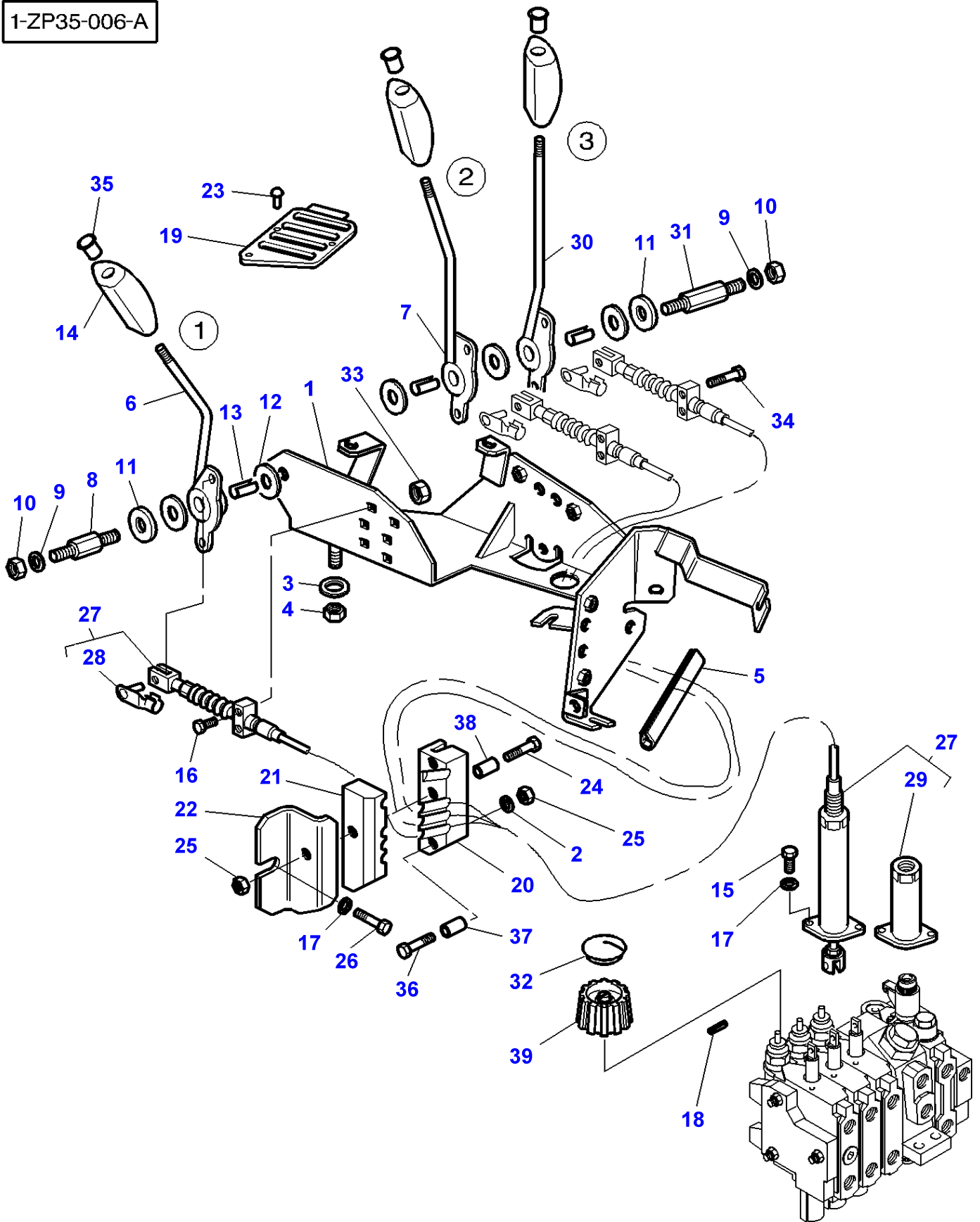
FOOTNOTE [B] BLACK

FOOTNOTE [C] RED

FOOTNOTE [D] GREEN

MF 8250 TRACTOR - 1637366
1-ZP35-006-A

1-ZP35-006-A



Item	Part Number	Qty	Description	Comments
1	3778480M93	1	Support	
2	390971X1	2	Washer	
3	385361X1	4	Washer	
4	1441461X1	4	Locknut	M8
5	1684844M1	2	Seal	Length 80MM
6	3778481M2	1	Lever	
7	3778482M2	1	Lever	
8	3712956M3	1	Clevis Pin	
9	390972X1	2	Washer Metric	
10	1441461X1	2	Locknut	M8
11	3387447M1	2	Washer	
12	3386514M1	5	Friction Disc	
13	3713905M1	3	Bearing	
14	3715495M1	3	Handle	
15	339560X1	6	Hex. Sock. Screw	M6X16
16	3009332X1	2	Screw	M6X30
17	390971X1	9	Washer	
18	3387566M2	3	Clevis Pin	
19	3778487M1	1	Grille	
20	3712979M2	1	Bridle	
21	3712980M2	1	Bridle	
22	3712981M2	1	Angle	
23	3010506X1	7	Screw	M5X16
24	339096X1	2	Bolt Metric	M6X35
25	339030X1	3	Nut Metric	
26	339560X1	1	Hex. Sock. Screw	M6X16
27	3715989M1	2	Hydraulic Cable	Length 1600MM
	3784368M1	1	Hydraulic Cable	Length 1700MM
28	3600190M1	1	Clevis Pin	(27) Length 28MM
29	3902200M91	1	Parts Pack	(27)
30	3778483M2	1	Lever	
31	3712279M3	1	Clevis Pin	Length 78MM
32	3784402M1	1	Muff	[B]
	3784403M1	1	Muff	[C]
	3784404M1	1	Muff	[D]
33	1441462X1	4	Locknut	M6
34	3009336X1	2	Screw	M6X55
35	3715496M1	1	Muff	[B]
	3715497M1	1	Muff	[C]
	3715498M1	1	Muff	[D]
36	1440922X1	1	Bolt	M6X60
37	3714645M1	2	Spacer	Diameter 8X26,5
38	3714646M1	1	Spacer	Diameter 8X50
39	3784369M1	3	Button	

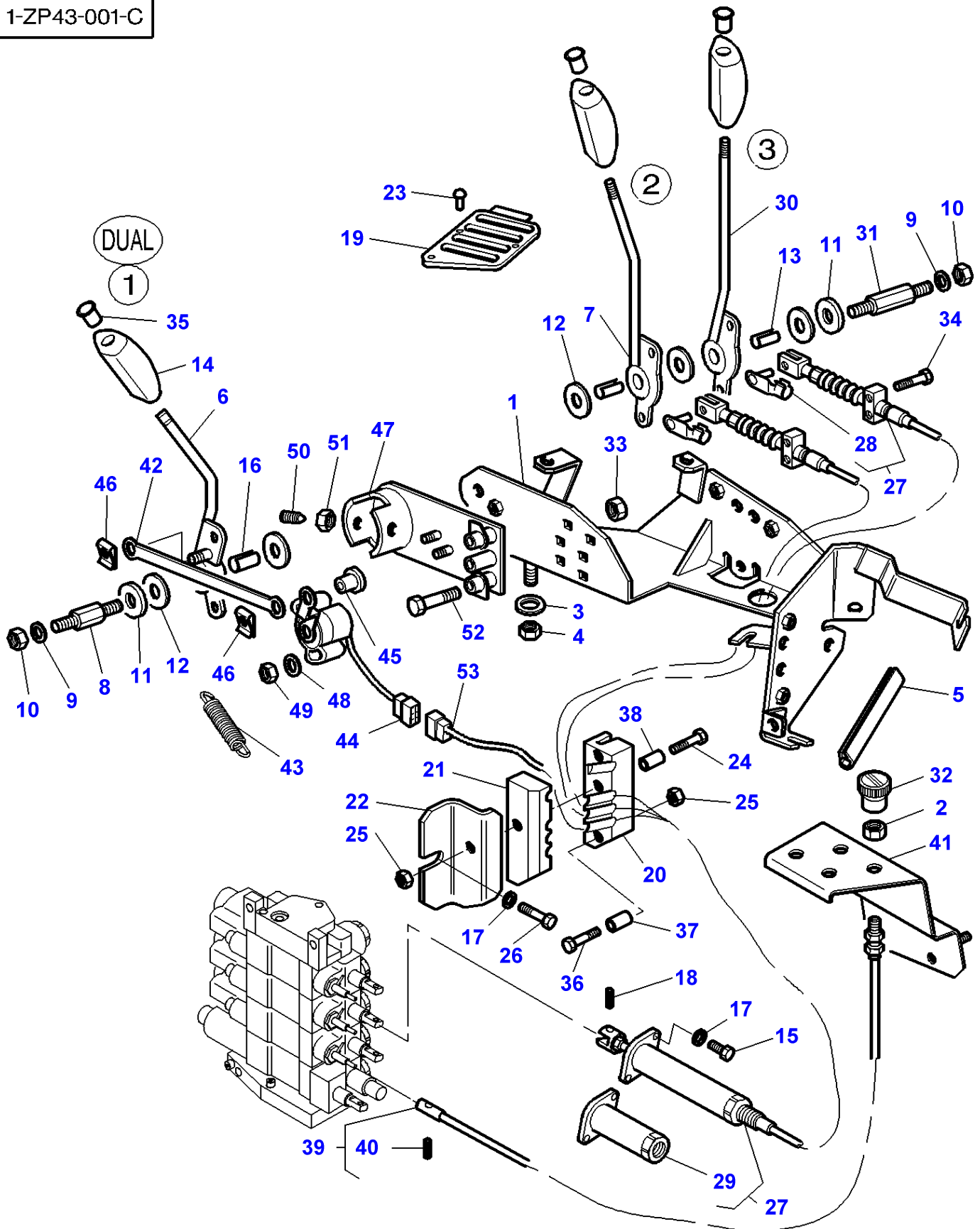
FOOTNOTE [B] BLACK

FOOTNOTE [C] RED

FOOTNOTE [D] GREEN

MF 8250 TRACTOR - 1637366
1-ZP43-001-C

1-ZP43-001-C



Item	Part Number	Qty	Description	Comments
1	3778480M93	1	Support	
2	3009693X1	3	Nut Metric	
3	385361X1	4	Washer	
4	1441461X1	4	Locknut	M8
5	1684844M1	1	Seal	Length 80MM
6	3783143M1	1	Lever	
7	3778482M2	1	Lever	
8	3712956M3	1	Clevis Pin	
9	390972X1	2	Washer Metric	
10	1441461X1	2	Locknut	M8
11	3387447M1	2	Washer	
12	3386514M1	5	Friction Disc	
13	3713905M1	2	Bearing	
14	3715495M1	3	Handle	
15	357831X1	6	Screw	1/4"-20X16
16	3386515M1	1	Bearing	
17	390971X1	7	Washer	
18	3714223M1	2	Clevis Pin	
19	3778487M1	1	Grille	
20	3712979M2	1	Bridle	
21	3712980M2	1	Bridle	
22	3712981M2	1	Angle	
23	3010506X1	7	Screw	M5X16
24	339096X1	2	Bolt Metric	M6X35
25	1441500X1	3	Locknut	
26	339560X1	1	Hex. Sock. Screw	M6X16
27	3778566M2	2	Hydraulic Cable	Length 1310MM
28	3600190M1	1	Clevis Pin	(27) Length 28MM
29	3902200M91	1	Parts Pack	(27)
30	3778483M2	1	Lever	
31	3712279M3	1	Clevis Pin	Length 78MM
32	3715367M1	1	Button	[B]
	3715365M1	1	Button	[C]
	3715364M1	1	Button	[D]
33	1441500X1	4	Locknut	M6
34	3009336X1	2	Screw	M6X55
35	3715496M1	1	Muff	[B]
	3715497M1	1	Muff	[C]
	3715498M1	1	Muff	[D]
36	1440922X1	1	Bolt	M6X60
37	3714645M1	2	Spacer	Diameter 8X26,5
38	3714646M1	1	Spacer	Diameter 8X50
39	3778560M2	1	Cable	Length 563MM
	3779469M1	2	Cable	Length 593MM
40	3010003X1	1	Screw	(39)
41	3779479M1	1	Support	
42	3715466M1	1	Rod Link	
43	3616740M2	2	Spring	
44	3715459M1	1	Inductive Taker	
45	3783144M1	1	Clevis Pin	
46	3783145M1	2	Thruster	
47	3783142M1	1	Support	
48	390469X1	2	Washer Metric	
49	3010477X1	2	Nut Metric	
50	3618127M2	2	Poppet	
51	3009696X1	2	Nut	
52	3010974X1	2	Screw	M6X40
53		1	Harness	See Page - Reference Number 090-0025/2

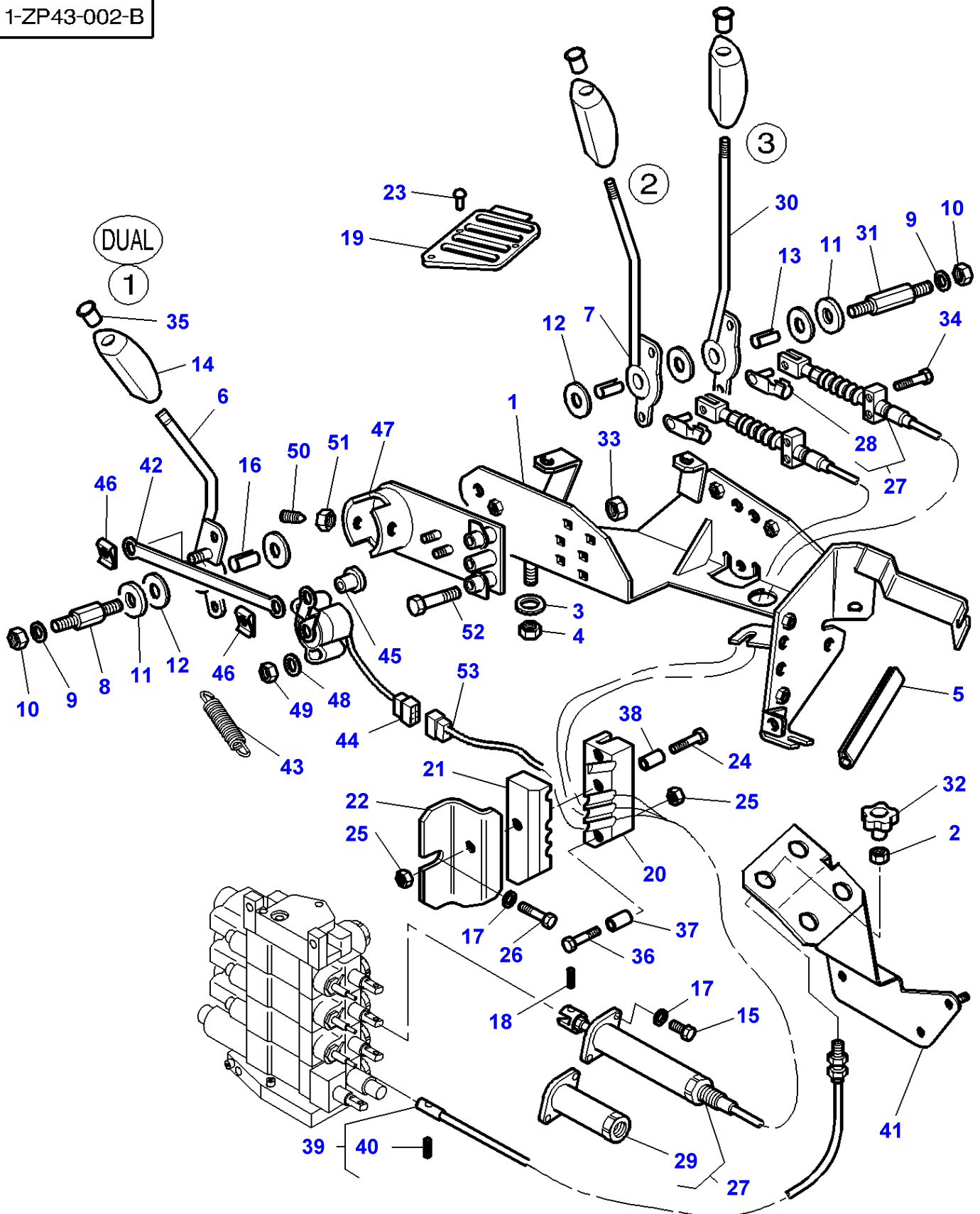
FOOTNOTE [B] BLACK

FOOTNOTE [C] RED

FOOTNOTE [D] GREEN

MF 8250 TRACTOR - 1637366
1-ZP43-002-B

1-ZP43-002-B



Item	Part Number	Qty	Description	Comments
1	3778480M93	1	Support	
2	3009693X1	3	Nut Metric	
3	385361X1	4	Washer	
4	1441461X1	4	Locknut	M8
5	1684844M1	1	Seal	Length 80MM
6	3783143M1	1	Lever	
7	3778482M2	1	Lever	
8	3712956M3	1	Clevis Pin	
9	390972X1	2	Washer Metric	
10	1441461X1	2	Locknut	M8
11	3387447M1	2	Washer	
12	3386514M1	5	Friction Disc	
13	3713905M1	2	Bearing	
14	3715495M1	3	Handle	
15	357831X1	6	Screw	1/4"-20X16
16	3386515M1	1	Bearing	
17	390971X1	7	Washer	
18	3714223M1	2	Clevis Pin	
19	3778487M1	1	Grille	
20	3712979M2	1	Bridle	
21	3712980M2	1	Bridle	
22	3712981M2	1	Angle	
23	3010506X1	7	Screw	M5X16
24	339096X1	2	Bolt Metric	M6X35
25	1441500X1	3	Locknut	
26	339560X1	1	Hex. Sock. Screw	M6X16
27	3778566M2	2	Hydraulic Cable	Length 1310MM
28	3600190M1	1	Clevis Pin	(27) Length 28MM
29	3902200M91	1	Parts Pack	(27)
30	3778483M2	1	Lever	
31	3712279M3	1	Clevis Pin	Length 78MM
32	3783400M1	1	Button	[B]
	3783401M1	1	Button	[C]
	3783402M1	1	Button	[D]
33	1441500X1	4	Locknut	M6
34	3009336X1	2	Screw	M6X55
35	3715496M1	1	Muff	[B]
	3715497M1	1	Muff	[C]
	3715498M1	1	Muff	[D]
36	1440922X1	1	Bolt	M6X60
37	3714645M1	2	Spacer	Diameter 8X26,5
38	3714646M1	1	Spacer	Diameter 8X50
39	3783229M1	1	Cable	Length 515,5MM
	3783230M1	2	Cable	Length 605,5MM
40	3010003X1	1	Screw	(39)
41	3783151M1	1	Plate	
42	3715466M1	1	Rod Link	
43	3616740M2	2	Spring	
44	3715459M1	1	Inductive Taker	
45	3783144M1	1	Clevis Pin	
46	3783145M1	2	Thruster	
47	3783142M1	1	Support	
48	390469X1	2	Washer Metric	
49	3010477X1	2	Nut Metric	
50	3618127M2	2	Poppet	
51	3009696X1	2	Nut	
52	3010974X1	2	Screw	M6X40
53		1	Harness	See Page - Reference Number 090-0025/2

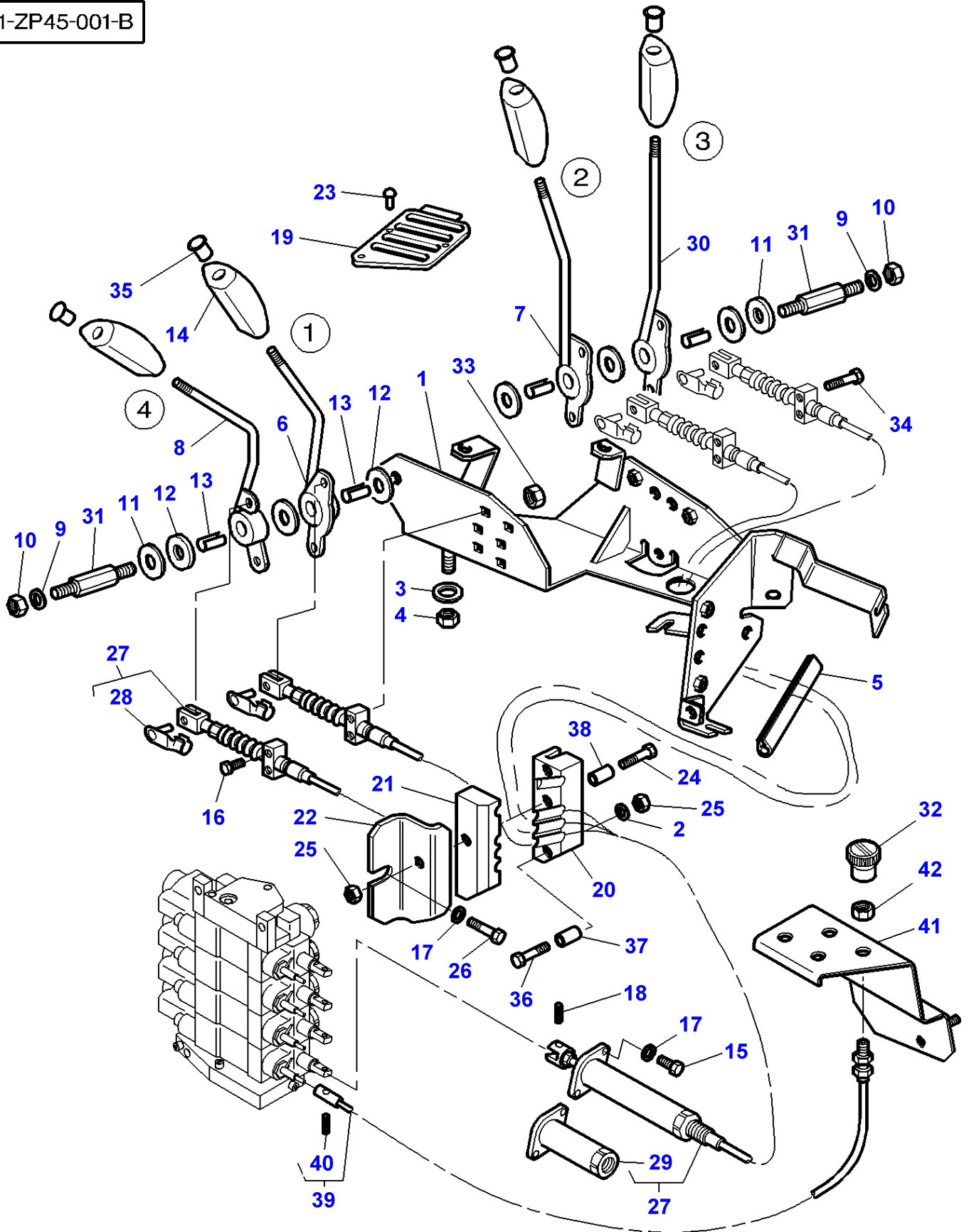
FOOTNOTE [B] BLACK

FOOTNOTE [C] RED

FOOTNOTE [D] GREEN

MF 8250 TRACTOR - 1637366
1-ZP45-001-B

1-ZP45-001-B



Item	Part Number	Qty	Description	Comments
1	3778480M93	1	Support	
2	390971X1	2	Washer	
3	385361X1	4	Washer	
4	1441461X1	4	Locknut	M8
5	1684844M1	1	Seal	Length 80MM
6	3778481M2	1	Lever	
7	3778482M2	1	Lever	
8	3778484M3	1	Lever	
9	390972X1	2	Washer Metric	
10	1441461X1	2	Locknut	M8
11	3387447M1	2	Washer	
12	3386514M1	6	Friction Disc	
13	3713905M1	4	Bearing	
14	3715495M1	4	Handle	
15	357831X1	8	Screw	1/4"-20X16
16	3009336X1	2	Screw	M6X55
17	390971X1	9	Washer	
18	3714223M1	4	Clevis Pin	
19	3778488M1	1	Grille	
20	3712979M2	1	Bridle	
21	3712980M2	1	Bridle	
22	3712981M2	1	Angle	
23	3010506X1	7	Screw	M5X16
24	339096X1	2	Bolt Metric	M6X35
25	339030X1	3	Nut Metric	
26	339560X1	1	Hex. Sock. Screw	M6X16
27	3778566M2	4	Hydraulic Cable	Length 1310MM
28	3600190M1	1	Clevis Pin	(27) Length 28MM
29	3902200M91	1	Parts Pack	(27)
30	3778483M2	1	Lever	
31	3712279M3	2	Clevis Pin	Length 78MM
32	3715366M1	1	Button	[A]
	3715367M1	1	Button	[B]
	3715365M1	1	Button	[C]
	3715364M1	1	Button	[D]
33	1441500X1	4	Locknut	M6
34	3009336X1	2	Screw	M6X55
35	3715496M1	1	Muff	[B]
	3715497M1	1	Muff	[C]
	3715498M1	1	Muff	[D]
	3715499M1	1	Muff	[A]
36	1440922X1	1	Bolt	M6X60
37	3714645M1	2	Spacer	Diameter 8X26,5
38	3714646M1	1	Spacer	Diameter 8X50
39	3778560M2	2	Cable	Length 563MM
	3779469M1	2	Cable	Length 593MM
40	3010003X1	1	Screw	(39)
41	3779479M1	1	Support	
42	3009693X1	4	Nut Metric	

FOOTNOTE [A] YELLOW

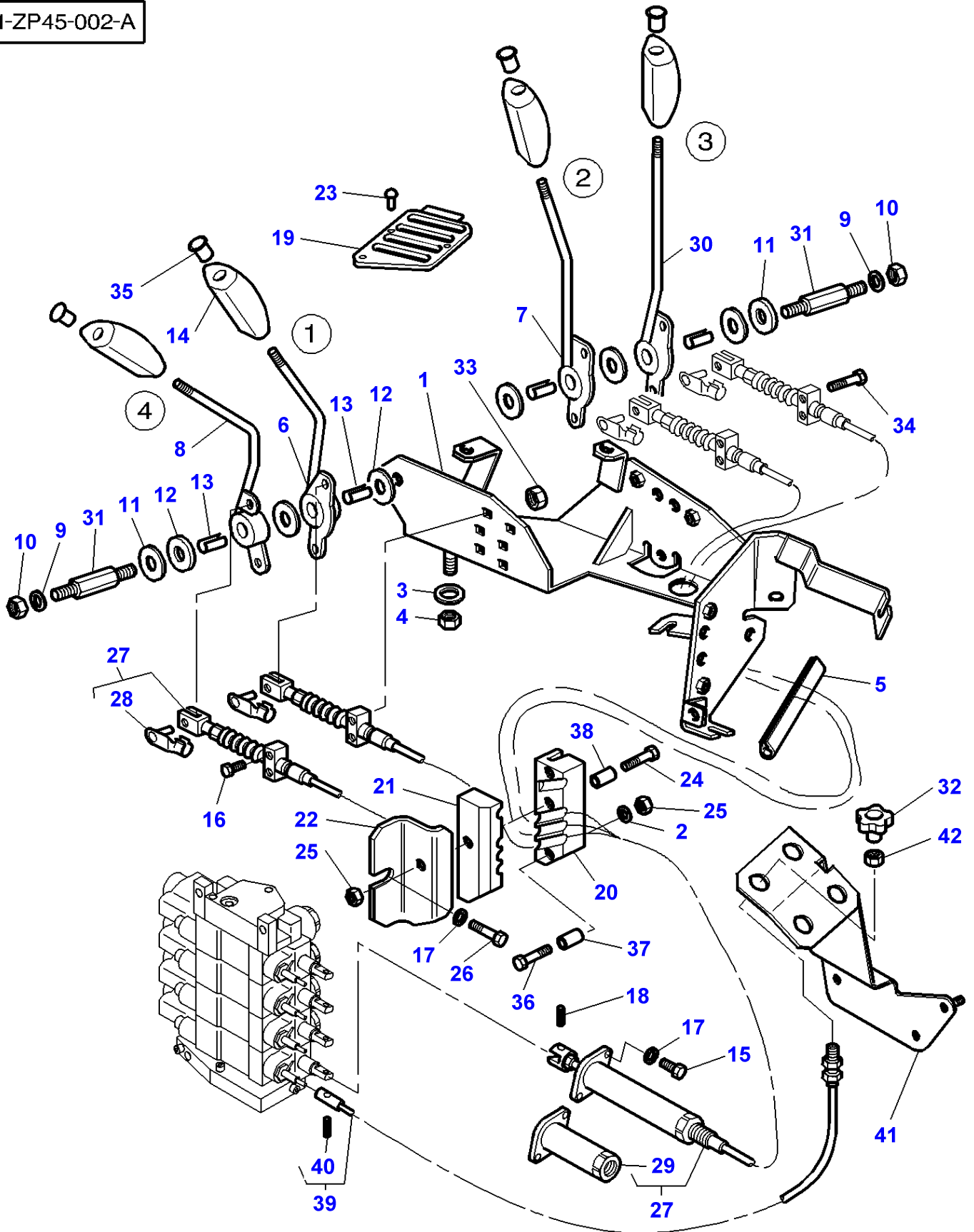
FOOTNOTE [B] BLACK

FOOTNOTE [C] RED

FOOTNOTE [D] GREEN

MF 8250 TRACTOR - 1637366
1-ZP45-002-A

1-ZP45-002-A



Item	Part Number	Qty	Description	Comments
1	3778480M93	1	Support	
2	390971X1	2	Washer	
3	385361X1	4	Washer	
4	1441461X1	4	Locknut	M8
5	1684844M1	1	Seal	Length 80MM
6	3778481M2	1	Lever	
7	3778482M2	1	Lever	
8	3778484M3	1	Lever	
9	390972X1	2	Washer Metric	
10	1441461X1	2	Locknut	M8
11	3387447M1	2	Washer	
12	3386514M1	6	Friction Disc	
13	3713905M1	4	Bearing	
14	3715495M1	4	Handle	
15	357831X1	8	Screw	1/4"-20X16
16	3009336X1	2	Screw	M6X55
17	390971X1	9	Washer	
18	3714223M1	4	Clevis Pin	
19	3778488M1	1	Grille	
20	3712979M2	1	Bridle	
21	3712980M2	1	Bridle	
22	3712981M2	1	Angle	
23	3010506X1	7	Screw	M5X16
24	339096X1	2	Bolt Metric	M6X35
25	339030X1	3	Nut Metric	
26	339560X1	1	Hex. Sock. Screw	M6X16
27	3778566M2	4	Hydraulic Cable	Length 1310MM
28	3600190M1	1	Clevis Pin	(27) Length 28MM
29	3902200M91	1	Parts Pack	(27)
30	3778483M2	1	Lever	
31	3712279M3	2	Clevis Pin	Length 78MM
32	3783403M1	1	Button	[A]
	3783400M1	1	Button	[B]
	3783401M1	1	Button	[C]
	3783402M1	1	Button	[D]
33	1441500X1	4	Locknut	M6
34	3009336X1	2	Screw	M6X55
35	3715496M1	1	Muff	[B]
	3715497M1	1	Muff	[C]
	3715498M1	1	Muff	[D]
	3715499M1	1	Muff	[A]
36	1440922X1	1	Bolt	M6X60
37	3714645M1	2	Spacer	Diameter 8X26,5
38	3714646M1	1	Spacer	Diameter 8X50
39	3783229M1	2	Cable	Length 515,5MM
	3783230M1	2	Cable	Length 605,5MM
40	3010003X1	1	Screw	(39)
41	3783151M1	1	Plate	
42	3009693X1	4	Nut Metric	

FOOTNOTE [A] YELLOW

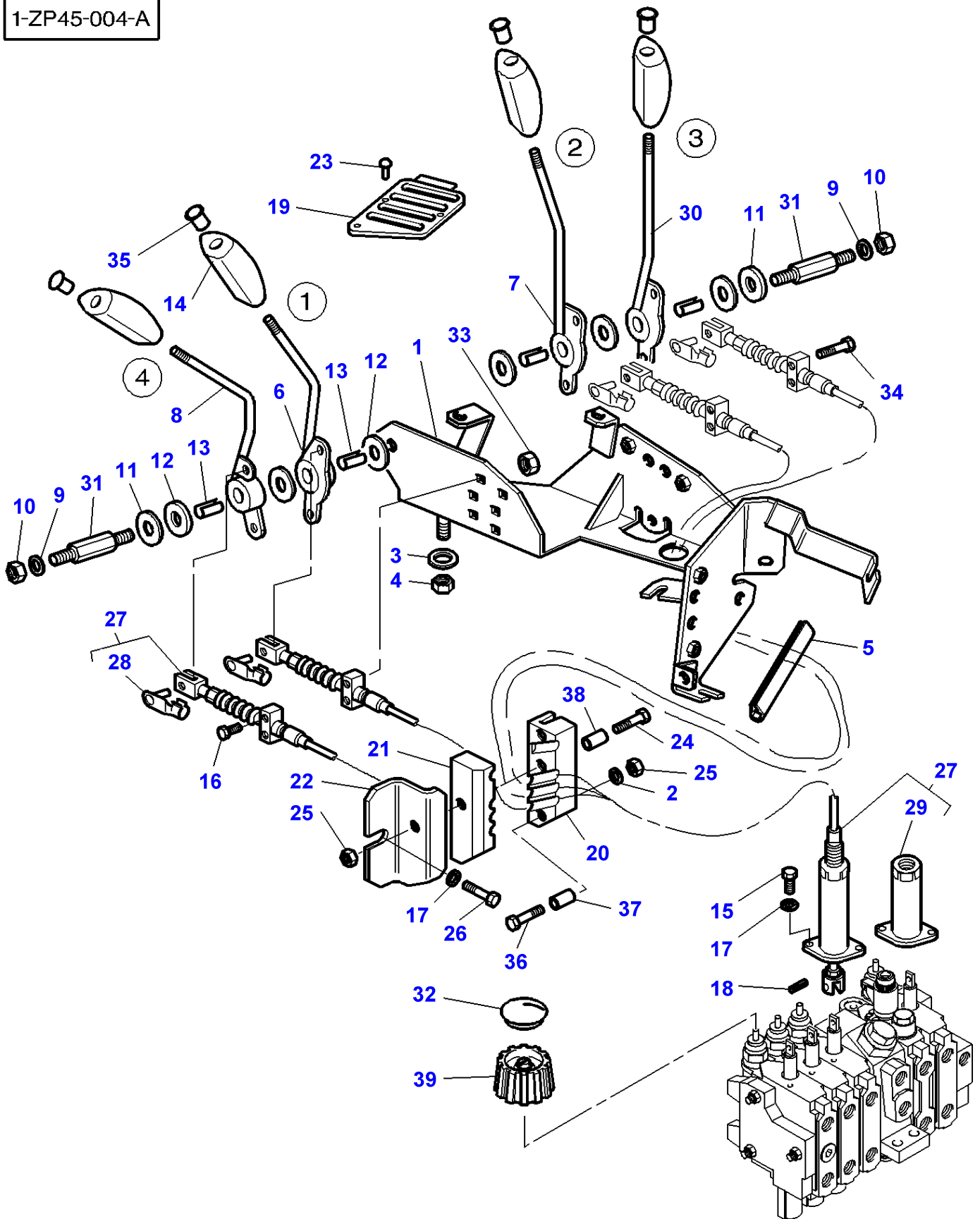
FOOTNOTE [B] BLACK

FOOTNOTE [C] RED

FOOTNOTE [D] GREEN

MF 8250 TRACTOR - 1637366
1-ZP45-004-A

1-ZP45-004-A



Item	Part Number	Qty	Description	Comments
1	3778480M93	1	Support	
2	390971X1	2	Washer	
3	385361X1	4	Washer	
4	1441461X1	4	Locknut	M8
5	1684844M1	2	Seal	Length 80MM
6	3778481M2	1	Lever	
7	3778482M2	1	Lever	
8	3778484M3	1	Lever	
9	390972X1	2	Washer Metric	
10	1441461X1	2	Locknut	M8
11	3387447M1	2	Washer	
12	3386514M1	6	Friction Disc	
13	3713905M1	4	Bearing	
14	3715495M1	4	Handle	
15	339560X1	8	Hex. Sock. Screw	M6X16
16	3009336X1	2	Screw	M6X55
17	390971X1	8	Washer	
18	3387566M2	4	Clevis Pin	
19	3778488M1	1	Grille	
20	3712979M2	1	Bridle	
21	3712980M2	1	Bridle	
22	3712981M2	1	Angle	
23	3010506X1	3	Screw	M5X16
24	339096X1	2	Bolt Metric	M6X35
25	339030X1	3	Nut Metric	
26	339560X1	1	Hex. Sock. Screw	M6X16
27	3715989M1	2	Hydraulic Cable	Length 1600MM
	3784368M1	1	Hydraulic Cable	Length 1700MM
	3715988M1	1	Hydraulic Cable	Length 1480MM
28	3600190M1	1	Clevis Pin	(27) Length 28MM
29	3902200M91	1	Parts Pack	(27)
30	3778483M2	1	Lever	
31	3712279M3	2	Clevis Pin	Length 78MM
32	3784405M1	1	Muff	[A]
	3784402M1	1	Muff	[B]
	3784403M1	1	Muff	[C]
	3784404M1	1	Muff	[D]
33	1441462X1	4	Locknut	M6
34	3009336X1	2	Screw	M6X55
35	3715496M1	1	Muff	[B]
	3715497M1	1	Muff	[C]
	3715498M1	1	Muff	[D]
	3715499M1	1	Muff	[A]
36	1440922X1	1	Bolt	M6X60
37	3714645M1	2	Spacer	Diameter 8X26,5
38	3714646M1	1	Spacer	Diameter 8X50
39	3784369M1	4	Button	

FOOTNOTE [A] YELLOW

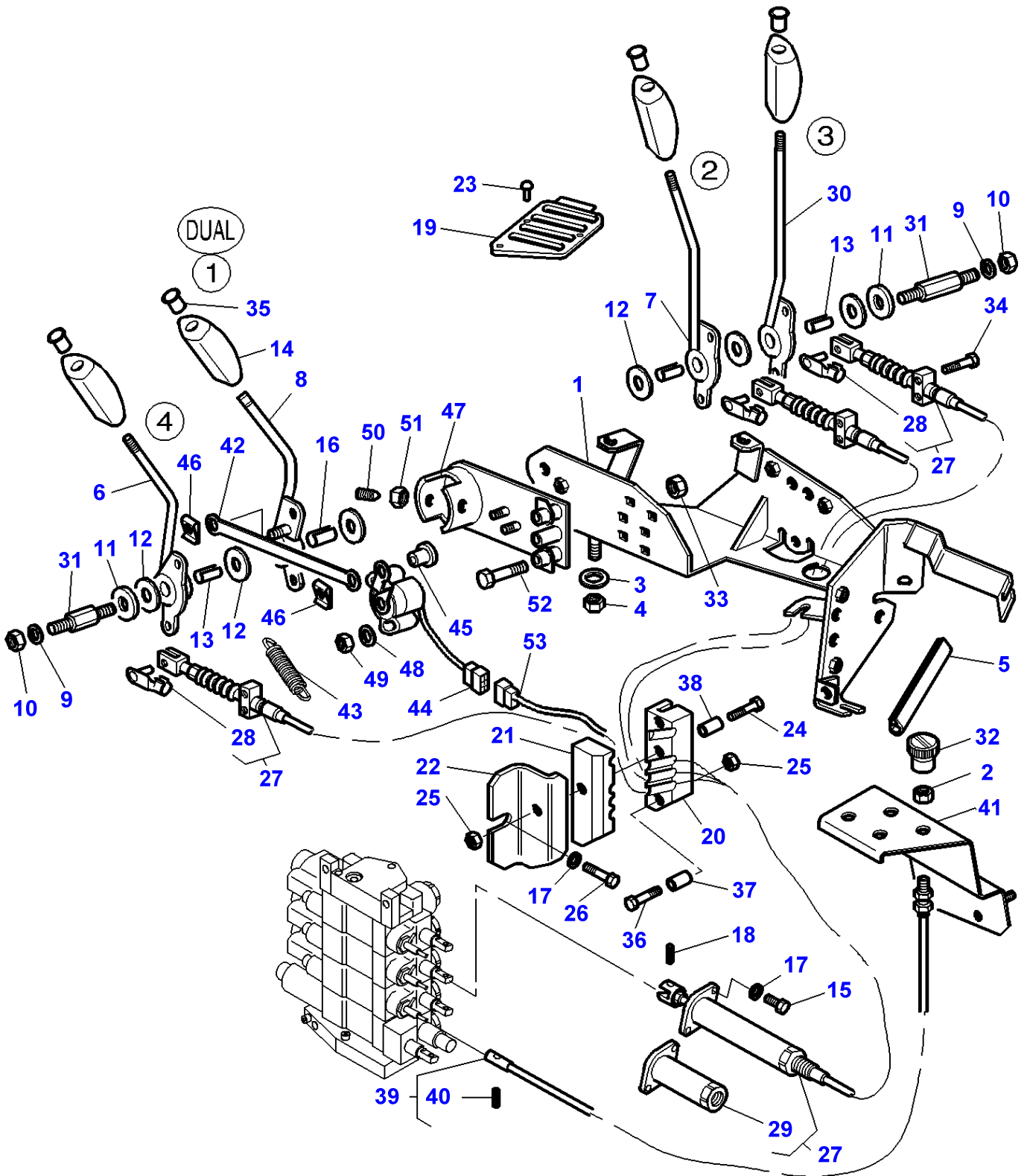
FOOTNOTE [B] BLACK

FOOTNOTE [C] RED

FOOTNOTE [D] GREEN

MF 8250 TRACTOR - 1637366
1-ZP44-001-C

1-ZP44-001-C



Item	Part Number	Qty	Description	Comments
1	3778480M93	1	Support	
2	3009693X1	4	Nut Metric	
3	385361X1	4	Washer	
4	1441461X1	4	Locknut	M8
5	1684844M1	1	Seal	Length 80MM
6	3783146M1	1	Lever	
7	3778482M2	1	Lever	
8	3783143M1	1	Lever	
9	390972X1	2	Washer Metric	
10	1441461X1	2	Locknut	M8
11	3387447M1	2	Washer	
12	3386514M1	6	Friction Disc	
13	3713905M1	3	Bearing	
14	3715495M1	4	Handle	
15	357831X1	8	Screw	1/4"-20X16
16	3386515M1	1	Bearing	
17	390971X1	9	Washer	
18	3714223M1	3	Clevis Pin	
19	3778488M1	1	Grille	
20	3712979M2	1	Bridle	
21	3712980M2	1	Bridle	
22	3712981M2	1	Angle	
23	3010506X1	7	Screw	M5X16
24	339096X1	2	Bolt Metric	M6X35
25	1441500X1	3	Locknut	
26	339560X1	1	Hex. Sock. Screw	M6X16
27	3778566M2	3	Hydraulic Cable	Length 1310MM
28	3600190M1	1	Clevis Pin	(27) Length 28MM
29	3902200M91	1	Parts Pack	(27)
30	3778483M2	1	Lever	
31	3712279M3	2	Clevis Pin	Length 78MM
32	3715366M1	1	Button	[A]
	3715367M1	1	Button	[B]
	3715365M1	1	Button	[C]
	3715364M1	1	Button	[D]
33	1441500X1	4	Locknut	M6
34	3009336X1	2	Screw	M6X55
35	3715496M1	1	Muff	[B]
	3715497M1	1	Muff	[C]
	3715498M1	1	Muff	[D]
	3715499M1	1	Muff	[A]
36	1440922X1	1	Bolt	M6X60
37	3714645M1	2	Spacer	Diameter 8X26,5
38	3714646M1	1	Spacer	Diameter 8X50
39	3778560M2	2	Cable	Length 563MM
	3779469M1	2	Cable	Length 593MM
40	3010003X1	1	Screw	(39)
41	3779479M1	1	Support	
42	3715466M1	1	Rod Link	
43	3616740M2	2	Spring	
44	3715459M1	1	Inductive Taker	
45	3783144M1	1	Clevis Pin	
46	3783145M1	2	Thruster	
47	3783142M1	1	Support	
48	390469X1	2	Washer Metric	
49	3010477X1	2	Nut Metric	
50	3618127M2	2	Poppet	
51	3009696X1	2	Nut	
52	3010975X1	2	Screw	M6X60
53		1	Harness	See Page - Reference Number 090-0025/2

FOOTNOTE [A] YELLOW

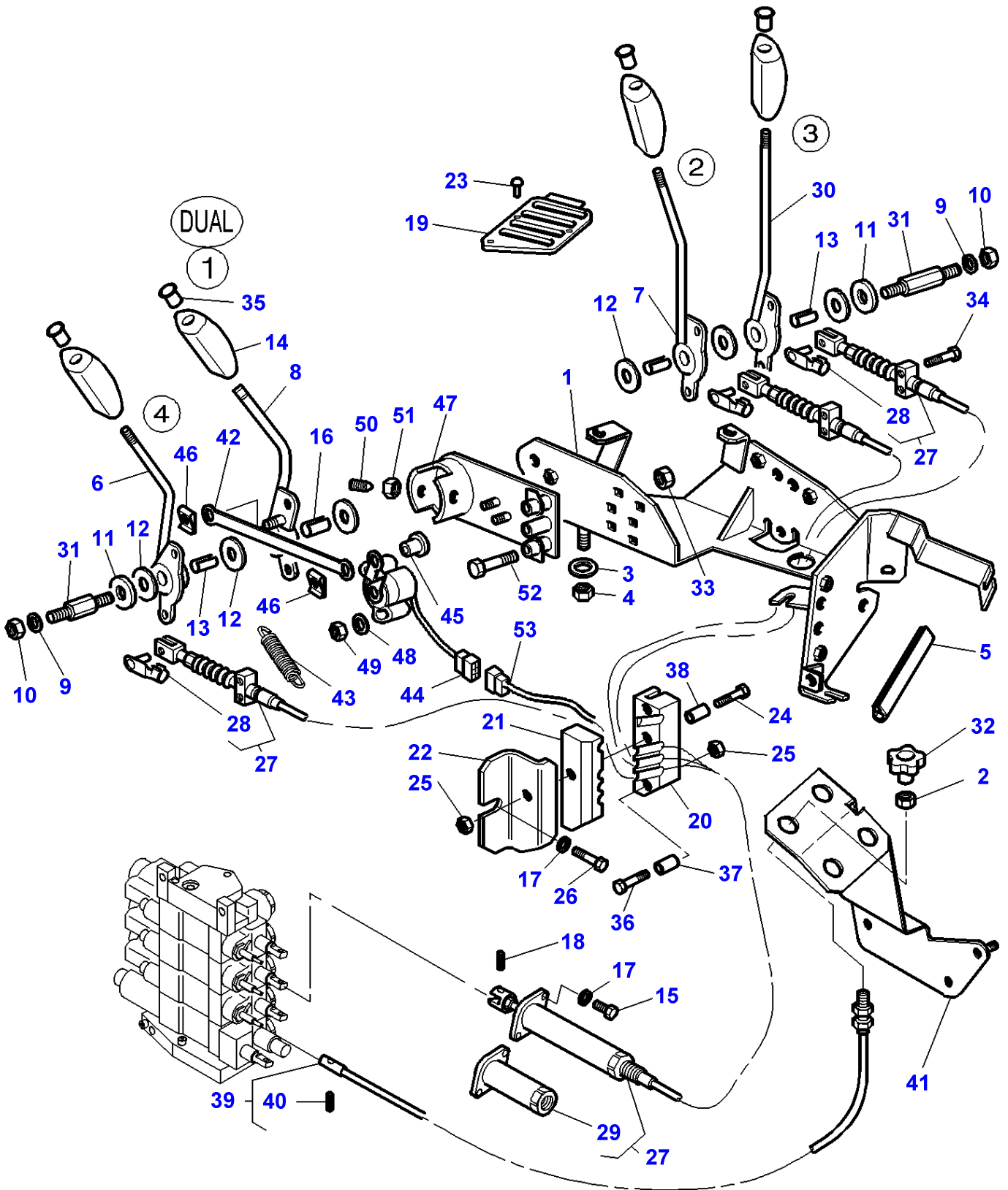
FOOTNOTE [B] BLACK

FOOTNOTE [C] RED

FOOTNOTE [D] GREEN

MF 8250 TRACTOR - 1637366
1-ZP44-002-B

1-ZP44-002-B



Item	Part Number	Qty	Description	Comments
1	3778480M93	1	Support	
2	3009693X1	4	Nut Metric	
3	385361X1	4	Washer	
4	1441461X1	4	Locknut	M8
5	1684844M1	1	Seal	Length 80MM
6	3783146M1	1	Lever	
7	3778482M2	1	Lever	
8	3783143M1	1	Lever	
9	390972X1	2	Washer Metric	
10	1441461X1	2	Locknut	M8
11	3387447M1	2	Washer	
12	3386514M1	6	Friction Disc	
13	3713905M1	3	Bearing	
14	3715495M1	4	Handle	
15	357831X1	8	Screw	1/4"-20X16
16	3386515M1	1	Bearing	M6X55
17	390971X1	9	Washer	
18	3714223M1	3	Clevis Pin	
19	3778488M1	1	Grille	
20	3712979M2	1	Bridle	
21	3712980M2	1	Bridle	
22	3712981M2	1	Angle	
23	3010506X1	7	Screw	M5X16
24	339096X1	2	Bolt Metric	M6X35
25	1441500X1	3	Locknut	
26	339560X1	1	Hex. Sock. Screw	M6X16
27	3778566M2	3	Hydraulic Cable	Length 1310MM
28	3600190M1	1	Clevis Pin	(27) Length 28MM
29	3902200M91	1	Parts Pack	(27)
30	3778483M2	1	Lever	
31	3712279M3	2	Clevis Pin	Length 78MM
32	3783403M1	1	Button	[A]
	3783400M1	1	Button	[B]
	3783401M1	1	Button	[C]
	3783402M1	1	Button	[D]
33	1441500X1	4	Locknut	M6
34	3009336X1	2	Screw	M6X55
35	3715496M1	1	Muff	[B]
	3715497M1	1	Muff	[C]
	3715498M1	1	Muff	[D]
	3715499M1	1	Muff	[A]
36	1440922X1	1	Bolt	M6X60
37	3714645M1	2	Spacer	Diameter 8X26,5
38	3714646M1	1	Spacer	Diameter 8X50
39	3783229M1	2	Cable	Length 515,5MM
	3783230M1	2	Cable	Length 605,5MM
40	3010003X1	1	Screw	(39)
41	3783151M1	1	Plate	
42	3715466M1	1	Rod Link	
43	3616740M2	2	Spring	
44	3715459M1	1	Inductive Taker	
45	3783144M1	1	Clevis Pin	
46	3783145M1	2	Thruster	
47	3783142M1	1	Support	
48	390469X1	2	Washer Metric	
49	3010477X1	2	Nut Metric	
50	3618127M2	2	Poppet	
51	3009696X1	2	Nut	
52	3010975X1	2	Screw	M6X60
53		1	Harness	See Page - Reference Number 090-0025/2

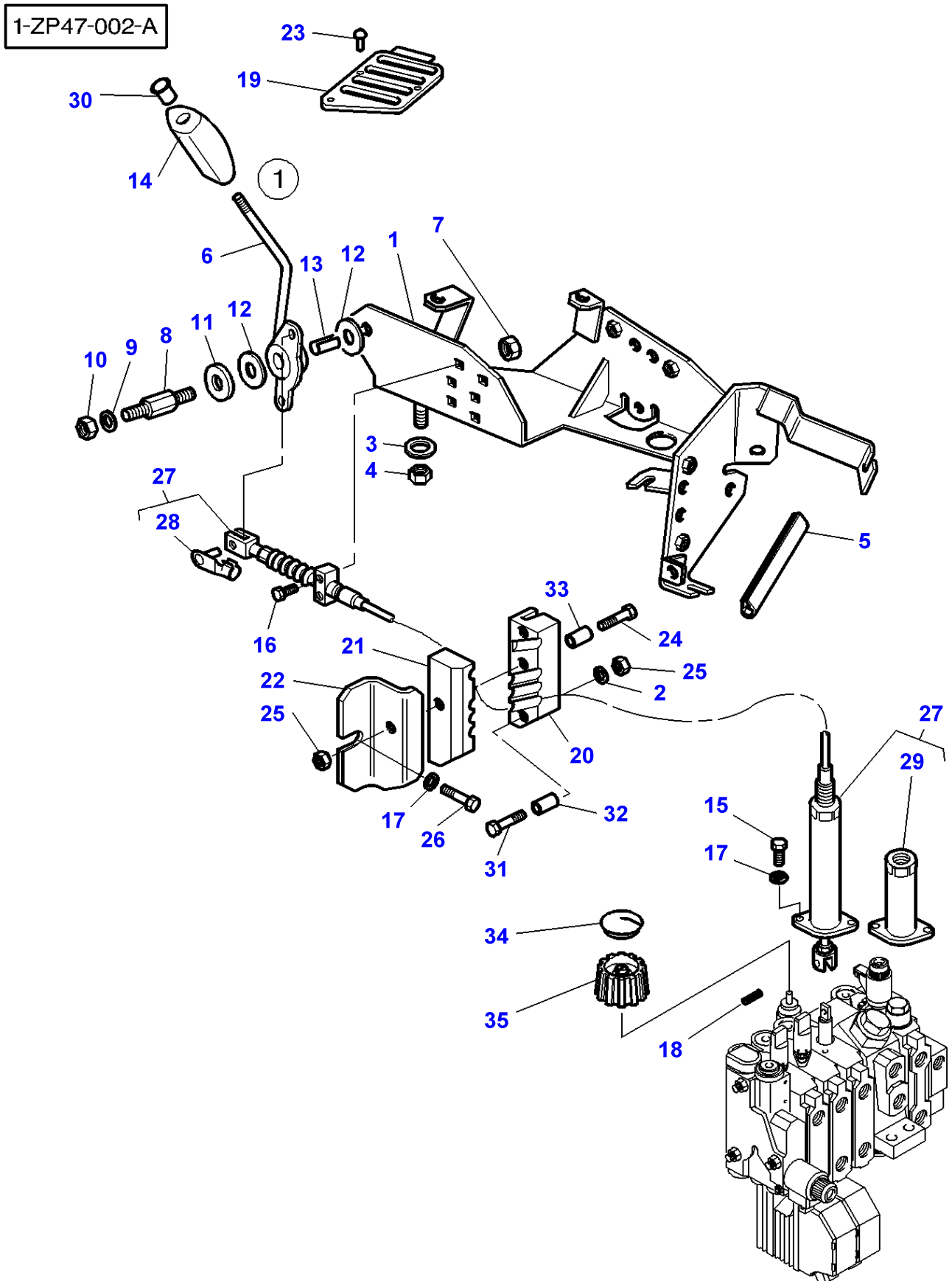
FOOTNOTE [A] YELLOW

FOOTNOTE [B] BLACK

FOOTNOTE [C] RED

FOOTNOTE [D] GREEN

MF 8250 TRACTOR - 1637366
1-ZP47-002-A

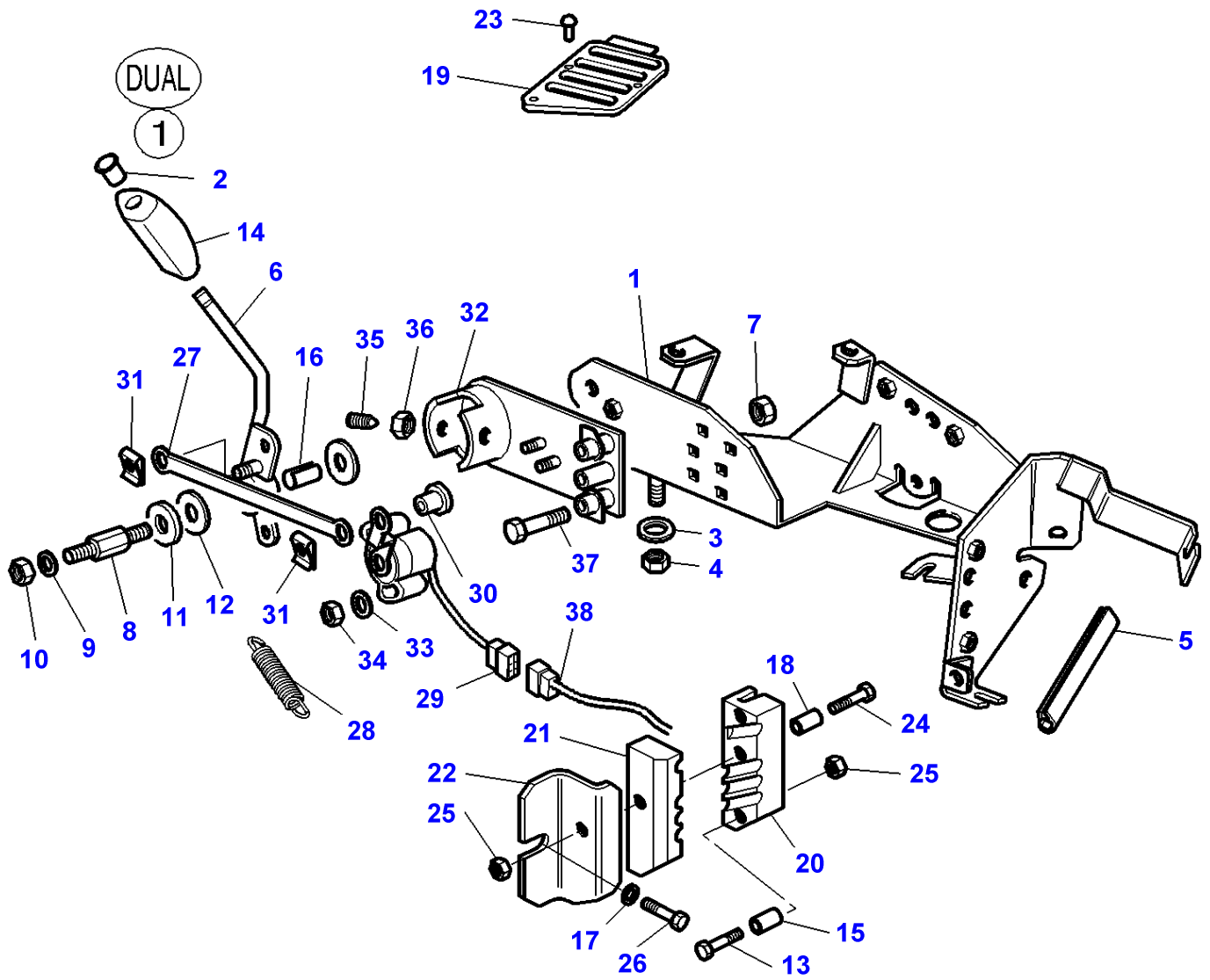


Item	Part Number	Qty	Description	Comments
1	3778480M93	1	Support	
2	390971X1	2	Washer	
3	385361X1	4	Washer	
4	1441461X1	4	Locknut	M8
5	1684844M1	2	Seal	Length 80MM
6	3778481M2	1	Lever	
7	1441462X1	2	Locknut	M6
8	3712956M3	1	Clevis Pin	
9	390972X1	1	Washer Metric	
10	1441461X1	1	Locknut	M8
11	3387447M1	1	Washer	
12	3386514M1	2	Friction Disc	
13	3713905M1	1	Bearing	
14	3715495M1	1	Handle	
15	339560X1	2	Hex. Sock. Screw	
16	3009332X1	2	Screw	M6X30
17	390971X1	3	Washer	
18	3387566M2	1	Clevis Pin	
19	3784401M1	1	Grille	
20	3712979M2	1	Bridle	
21	3712980M2	1	Bridle	
22	3712981M2	1	Angle	
23	3010506X1	3	Screw	M5X16
24	339096X1	2	Bolt Metric	M6X35
25	339030X1	3	Nut Metric	
26	339560X1	1	Hex. Sock. Screw	M6X16
27	3715989M1	2	Hydraulic Cable	Length 1600MM
28	3600190M1	1	Clevis Pin	(27) Length 28MM
29	3902200M91	1	Parts Pack	(27)
30	3715496M1	1	Muff	[B]
31	1440922X1	1	Bolt	M6X60
32	3714645M1	2	Spacer	Diameter 8X26,5
33	3714646M1	1	Spacer	Diameter 8X50
34	3784402M1	1	Muff	[B]
35	3784369M1	1	Button	

FOOTNOTE [B] BLACK

MF 8250 TRACTOR - 1637366
1-ZP46-002-A

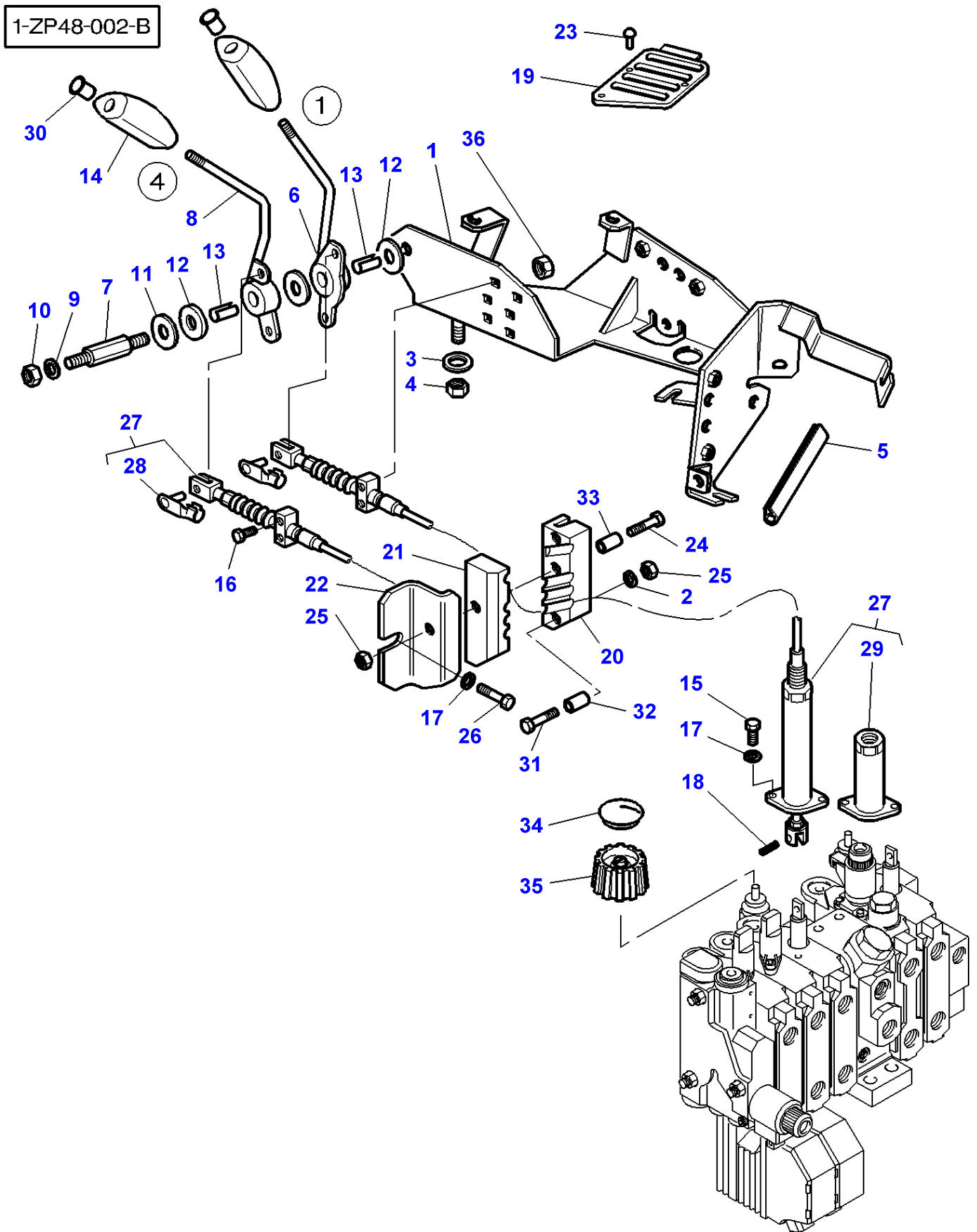
1-ZP46-002-A



Item	Part Number	Qty	Description	Comments
1	3778480M93	1	Support	
2	3715496M1	1	Muff	[A]
3	385361X1	4	Washer	
4	1441461X1	4	Locknut	M8
5	1684844M1	2	Seal	Length 80MM
6	3783143M1	1	Lever	
7	1441462X1	4	Locknut	M6
8	3712956M3	1	Clevis Pin	
9	390972X1	1	Washer Metric	
10	1441461X1	1	Locknut	M8
11	3387447M1	1	Washer	
12	3386514M1	2	Friction Disc	
13	1440922X1	1	Bolt	M6X60
14	3715495M1	1	Handle	
15	3714645M1	2	Spacer	Diameter 8X26,5
16	3386515M1	1	Bearing	
17	390971X1	2	Washer	
18	3714646M1	1	Spacer	Diameter 8X50
19	3784401M1	1	Grille	
20	3712979M2	1	Bridle	
21	3712980M2	1	Bridle	
22	3712981M2	1	Angle	
23	3010506X1	3	Screw	M5X16
24	339096X1	2	Bolt Metric	M6X35
25	1441500X1	2	Locknut	
26	339560X1	1	Hex. Sock. Screw	M6X16
27	3715466M1	1	Rod Link	
28	3616740M2	2	Spring	
29	3715459M1	1	Inductive Taker	
30	3783144M1	1	Clevis Pin	
31	3783145M1	2	Thruster	
32	3783142M1	1	Support	
33	390469X1	2	Washer Metric	
34	3010477X1	2	Nut Metric	
35	3618127M2	2	Poppet	
36	3009696X1	2	Nut	
37	3010974X1	2	Screw	M6X40
38		1	Harness	See Page - Reference Number 090-0035/2

FOOTNOTE [A] BLACK

MF 8250 TRACTOR - 1637366
1-ZP48-002-B



Serial or Engine Number 01-JAN-2001

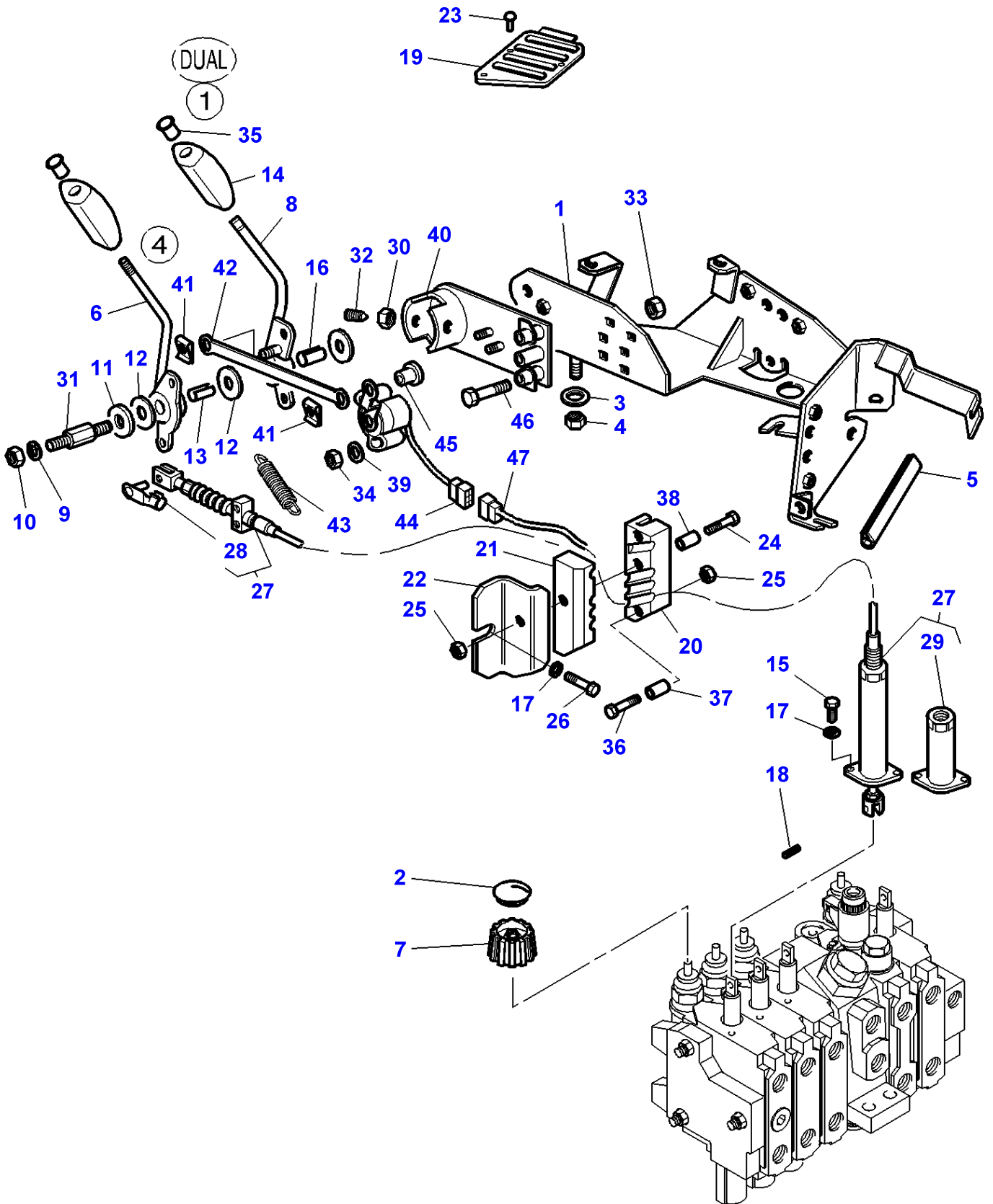
Item	Part Number	Qty	Description	Comments
1	3778480M93	1	Support	
2	390971X1	2	Washer	
3	385361X1	4	Washer	
4	1441461X1	4	Locknut	M8
5	1684844M1	2	Seal	Length 80MM
6	3778481M2	1	Lever	
7	3712279M3	1	Clevis Pin	Length 78MM
8	3778484M3	1	Lever	
9	390972X1	1	Washer Metric	
10	1441461X1	1	Locknut	M8
11	3387447M1	1	Washer	
12	3386514M1	3	Friction Disc	
13	3713905M1	2	Bearing	
14	3715495M1	2	Handle	
15	339560X1	4	Hex. Sock. Screw	
16	3009336X1	2	Screw	M6X55
17	390971X1	5	Washer	
18	3387566M2	2	Clevis Pin	
19	3784411M1	1	Grille	
20	3712979M2	1	Bridle	
21	3712980M2	1	Bridle	
22	3712981M2	1	Angle	
23	3010506X1	3	Screw	M5X16
24	339096X1	2	Bolt Metric	M6X35
25	339030X1	3	Nut Metric	
26	339560X1	1	Hex. Sock. Screw	M6X16
27	3715989M1	1	Hydraulic Cable	Length 1600MM
	3715988M1	1	Hydraulic Cable	Length 1480MM
28	3600190M1	1	Clevis Pin	(27) Length 28MM
29	3902200M91	1	Parts Pack	(27)
30	3715496M1	1	Muff	[B]
	3715499M1	1	Muff	[A]
31	1440922X1	1	Bolt	M6X60
32	3714645M1	2	Spacer	Diameter 8X26,5
33	3714646M1	1	Spacer	Diameter 8X50
34	3784402M1	1	Muff	[B]
	3784405M1	1	Muff	[A]
35	3784369M1	2	Button	
36	1441462X1	2	Locknut	M6

FOOTNOTE [A] YELLOW

FOOTNOTE [B] BLACK

MF 8250 TRACTOR - 1637366
1-ZP42-002-A

1-ZP42-002-A



From Serial or Engine Number 01-JAN-2001

Item	Part Number	Qty	Description	Comments
1	3778480M93	1	Support	
2	3784405M1	1	Muff	[A]
3	385361X1	4	Washer	
4	1441461X1	4	Locknut	M8
5	1684844M1	2	Seal	Length 80MM
6	3783146M1	1	Lever	
7	3784369M1	1	Button	
8	3783143M1	1	Lever	
9	390972X1	1	Washer Metric	
10	1441461X1	1	Locknut	M8
11	3387447M1	1	Washer	
12	3386514M1	3	Friction Disc	
13	3713905M1	1	Bearing	
14	3715495M1	2	Handle	
15	339560X1	2	Hex. Sock. Screw	
16	3386515M1	1	Bearing	
17	390971X1	5	Washer	
18	3387566M2	1	Clevis Pin	
19	3784411M1	1	Grille	
20	3712979M2	1	Bridle	
21	3712980M2	1	Bridle	
22	3712981M2	1	Angle	
23	3010506X1	3	Screw	M5X16
24	339096X1	2	Bolt Metric	M6X35
25	1441500X1	2	Locknut	
26	339560X1	1	Hex. Sock. Screw	M6X16
27	3715988M1	1	Hydraulic Cable	Length 1480MM
28	3600190M1	1	Clevis Pin	(27) Length 28MM
29	3902200M91	1	Parts Pack	(27)
30	3009696X1	2	Nut	
31	3712279M3	1	Clevis Pin	Length 78MM
32	3618127M2	2	Poppet	
33	1441462X1	2	Locknut	M6
34	3010477X1	2	Nut Metric	
35	3715496M1	1	Muff	[B]
	3715499M1	1	Muff	[A]
36	1440922X1	1	Bolt	M6X60
37	3714645M1	2	Spacer	Diameter 8X26,5
38	3714646M1	1	Spacer	Diameter 8X50
39	390469X1	2	Washer Metric	
40	3783142M1	1	Support	
41	3783145M1	2	Thruster	
42	3715466M1	1	Rod Link	
43	3616740M2	2	Spring	
44	3715459M1	1	Inductive Taker	
45	3783144M1	1	Clevis Pin	
46	3010975X1	2	Screw	M6X60
47		1	Harness	See Page - Reference Number 090-0035/2

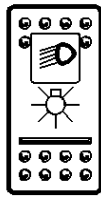
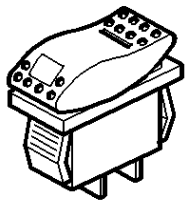
FOOTNOTE [A] YELLOW

FOOTNOTE [B] BLACK

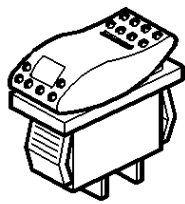
Page Title	Page Number
Switches	080-0005
Instrument Panel And Instruments - With Dynashift	080-0010
Instrument Panel And Instruments - With Speedometer With Power Shuttle	080-0015
Instrument Panel And Instruments - With Dynashift - Without Speedometer	080-0020
Instrument Panel And Instruments - Without Speedometer With Power Shuttle	080-0025
Instrument Panel And Instruments - With Full Powershift	080-0030
Electric Equipment & Instrument Panel	080-0035
ENGINE HARNESS - M.F 8250 - Up To 07-01-2001	080-0040
ENGINE HARNESS - M.F 8250 - From 08-01-2001	080-0045
ENGINE HARNESS - M.F 8250 XTRA	080-0050
Electrical Wiring - With Electronic Lift	080-0055
Tractor Cab - Electrical Wiring - Without Electronic Lift - Up To 07-01-2001	080-0060
INSTRUMENT PANEL HARNESS - With Dynashift - Up To 07-01-2001	080-0065
INSTRUMENT PANEL HARNESS - With Power Shuttle - Up To 07-01-20001	080-0070
INSTRUMENT PANEL HARNESS - From Serial or Engine Number - 08-01-2001	080-0075
INSTRUMENT PANEL HARNESS - United States - With Dynashift - Up To 07-01-2001	080-0080
INSTRUMENT PANEL HARNESS - United States - From 08-01-2001	080-0085
INSTRUMENT PANEL HARNESS - With Full Powershift - Up To 07-01-2001	080-0090
INSTRUMENT PANEL HARNESS - With Full Powershift - From 08-01-2001	080-0095
INSTRUMENT PANEL HARNESS - United States - With Full Powershift - Up To 07-01-2001	080-0100
INSTRUMENT PANEL HARNESS - United States - With Full Powershift - From 08-01-2001	080-0105
INSTRUMENT PANEL HARNESS - DECALS - With Dynashift - From 08-01-2001	080-0110
INSTRUMENT PANEL HARNESS - DECALS - With Full Powershift - From 08-01-2001	080-0115
INSTRUMENT PANEL HARNESS - ARMREST - Up to Serial or Engine Number - 07-01-2001	080-0120
INSTRUMENT PANEL HARNESS - ARMREST - With Dynashift - From 08-01-2001	080-0125
FULL POWERSHIFT CONTROL HARNESS - ARMREST - Up to Serial or Engine Number - 07-01-2001	080-0130
FULL POWERSHIFT CONTROL HARNESS - ARMREST - From Serial or Engine Number - 08-01-2001	080-0135
Harness Console - With Dynashift - Up To 07-01-2001	080-0140
Harness Console - With Dynashift - From 08-01-2001	080-0145
Harness Console - With High Visibility Roof-Dyna-Way Lights Fitted O n The Cab Roof Up To 07-JAN-2001	080-0150
Harness Console - With Full Powershift - Up To 07-01-2001	080-0155
Harness Console - With Full Powershift - From 08-01-2001	080-0160
ROOF HARNESS	080-0165
ROOF HARNESS - United States Only	080-0170
ROOF HARNESS - With High Visibility Roof	080-0175
ROOF HARNESS - WITH HIGH VISIBILITY ROOF / WAY LIGHTS FITTED ON T HE CAB ROOF	080-0180
LIGHTING HARNESS - ROOF	080-0185
LIGHTING HARNESS - ROOF - For United States of America	080-0190
FIELD LIGHTS HARNESS - GUIDEWAY / FOOTSTEPS / FENDERS - Up To ...	080-0195
FIELD LIGHTS HARNESS - GUIDEWAY / FOOTSTEPS / FENDERS - From ...	080-0200
FIELD LIGHTS HARNESS - GUIDEWAY / FOOTSTEPS / FENDERS - Up To ...	080-0205
FIELD LIGHTS HARNESS - GUIDEWAY / FOOTSTEPS / FENDERS - From ...	080-0210

MF 8250 TRACTOR - 1637366
1-ZC90-011-A

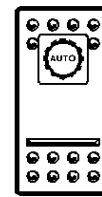
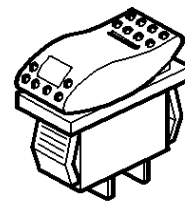
1-ZC90-011-A



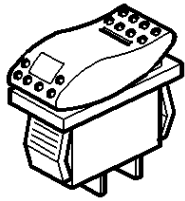
1



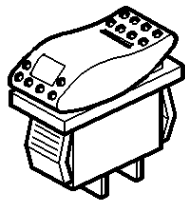
7



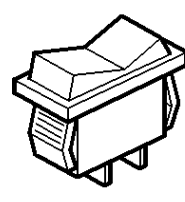
12



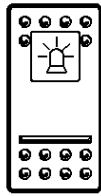
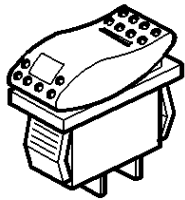
2



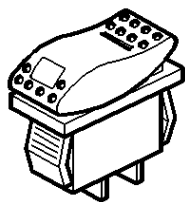
8



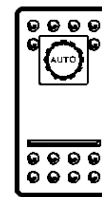
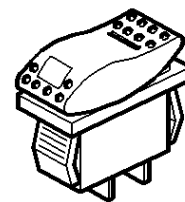
13



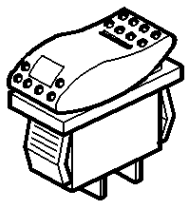
3



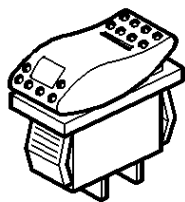
9



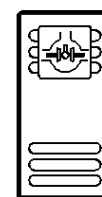
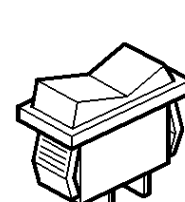
14



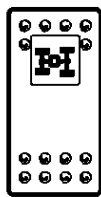
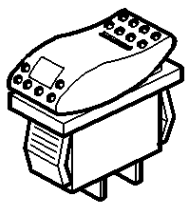
4



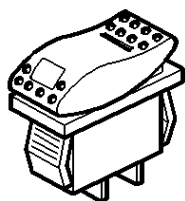
10



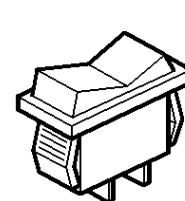
15



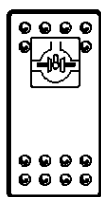
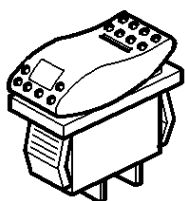
5



11



16



6

Switches

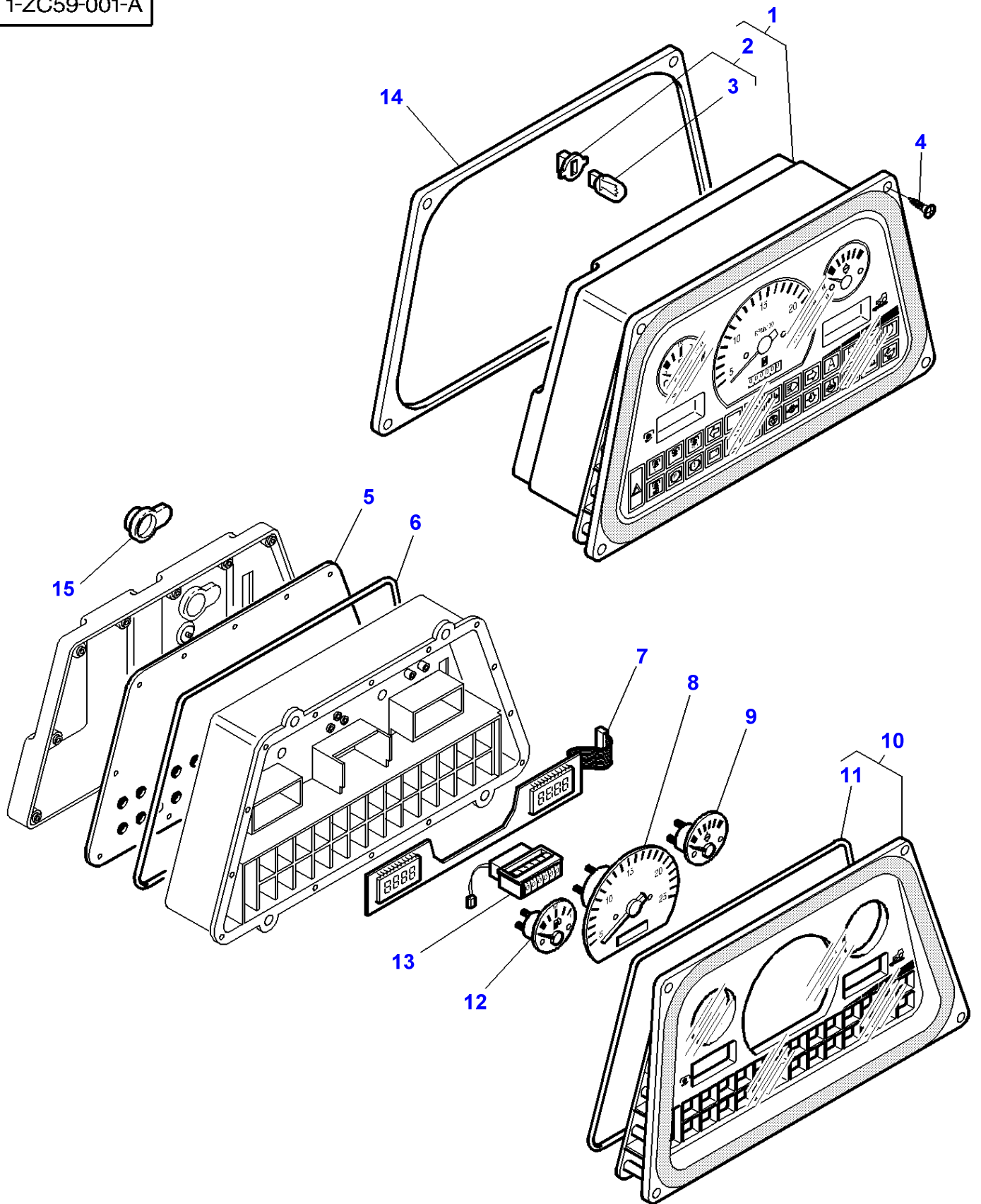
Item	Part Number	Qty	Description	Comments
1	3713142M2	1	Switch,Indirect	
2	3713145M1	1	Switch,Indirect	
3	3713146M1	1	Switch,Indirect	
4	3713147M1	1	Switch,Indirect	
5	3713148M2	1	Switch,Indirect	
6	3713149M2	1	Switch,Indirect	
7	3778391M1	1	Switch,Indirect	
8	3780552M1	1	Switch,Indirect	[A]
9	3780553M1	1	Switch,Indirect	
10	3782020M2	1	Switch,Indirect	Up to Serial or Engine Number L347041
	4270970M2	1	Switch,Indirect	From Serial or Engine Number L347042
11	3783086M1	1	Switch,Indirect	
12	3783775M1	1	Switch	[B]
13	3784234M1	1	Switch,Indirect	
14	3784327M1	1	Switch	[C]
15	3785201M1	1	Switch,Indirect	
16	3785202M1	1	Switch,Indirect	

FOOTNOTE [A] REAR WORKING LIGHT

FOOTNOTE [B] WITH SPEED MATCHING

FOOTNOTE [C] WITH AUTODRIVE

1-ZC59-001-A

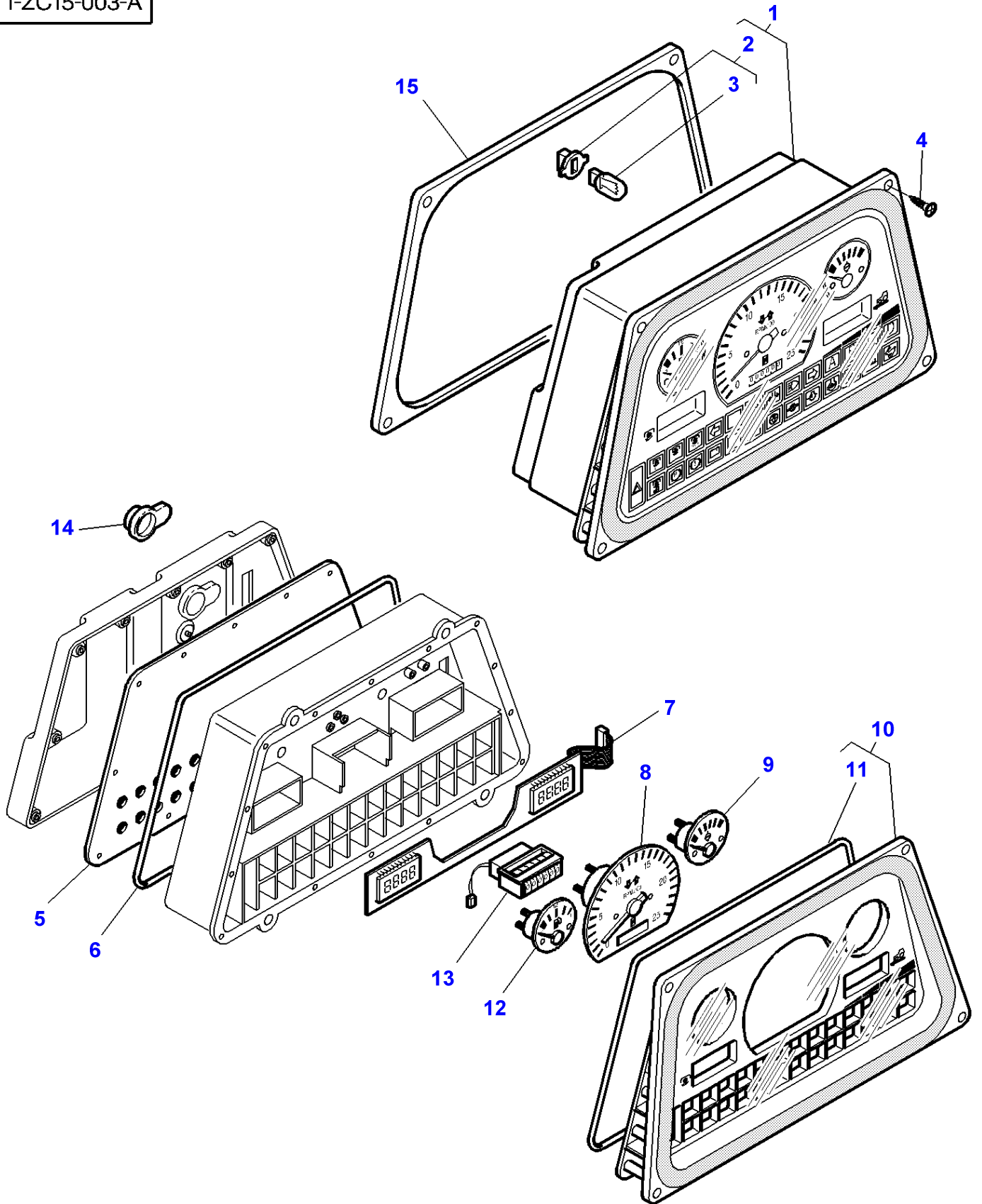


Massey Ferguson**MF 8250 TRACTOR - 1637366****1637366****Instrument Panel And Instruments - With Dynashift****Page080-0010**

Item	Part Number	Qty	Description	Comments
1	3783469M95	1	Instrument Panel	Replace and repair. Old not interchangeable with new 3778683M94
2	3713385M1	33	Lamp Socket	(1)
3	3405185M1	1	Bulb 12v 1.2w	(2)
4	3010499X1	4	Screw Metric	M4X16
5	3903494M92	1	Printed Circuit	(1)
6	3902345M1	1	Gasket	(1)
7	3902346M91	1	Printed Circuit	(1)
8	3902347M91	1	Rev Indicator	(1)
9	3902348M91	1	Thermometer	(1)
10	3902349M92	1	Panel	(1)
11	3902376M1	1	Gasket	(10)
12	3902377M91	1	Fuel Indicator	(1)
13	3902378M92	1	Tractormeter	(1)
14	3902577M1	1	Gasket	(1)
15	3715927M1	1	Tap	(1)

MF 8250 TRACTOR - 1637366
1-ZC15-003-A

1-ZC15-003-A



Massey Ferguson**MF 8250 TRACTOR - 1637366**

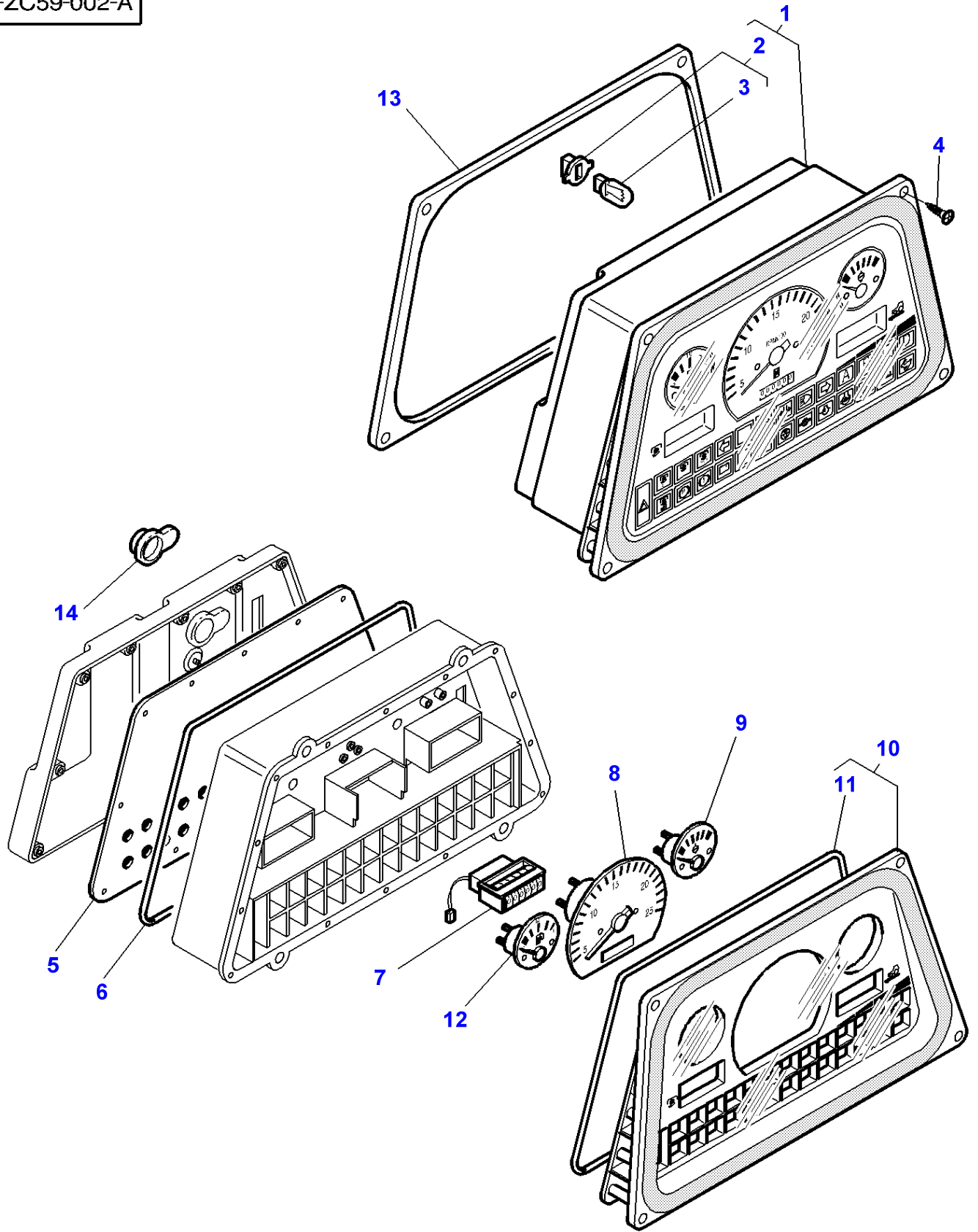
1637366

Instrument Panel And Instruments - With Speedometer With Power Shuttle

Page080-0015

Item	Part Number	Qty	Description	Comments
1	3783470M95	1	Instrument Panel	
2	3713385M1	33	Lamp Socket	(1)
3	3405185M1	33	Bulb 12v 1.2w	(2)
4	3010499X1	4	Screw Metric	
5	3903495M92	1	Printed Circuit	(1)
6	3902345M1	1	Gasket	(1)
7	3902346M91	1	Printed Circuit	(1)
8	3902380M91	1	Rev Indicator	(1)
9	3902348M91	1	Thermometer	(1)
10	3902349M92	1	Panel	(1)
11	3902376M1	1	Gasket	(10)
12	3902377M91	1	Fuel Indicator	(1)
13	3902378M92	1	Tractormeter	(1)
14	3715927M1	1	Tap	(1)
15	3902577M1	1	Gasket	(1)

1-ZC59-002-A



Massey Ferguson**MF 8250 TRACTOR - 1637366**

1637366

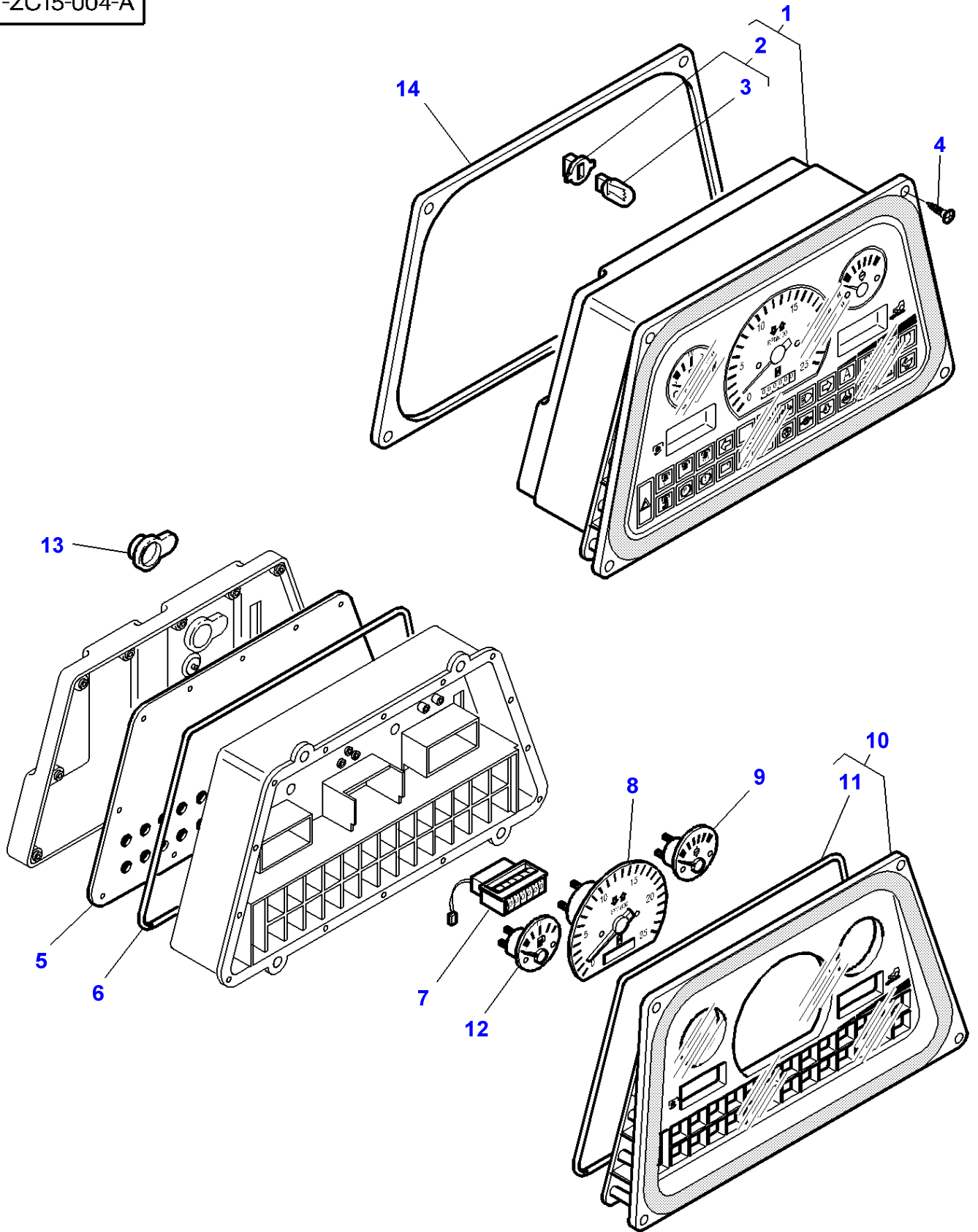
Instrument Panel And Instruments - With Dynashift - Without Speedometer

Page080-0020

Item	Part Number	Qty	Description	Comments
1	3778685M95	1	Instrument Panel	
2	3713385M1	33	Lamp Socket	(1)
3	3405185M1	33	Bulb 12v 1.2w	(2)
4	3010499X1	4	Screw Metric	
5	3902796M91	1	Printed Circuit	(1)
6	3902345M1	1	Gasket	(1)
7	3902378M92	1	Tractormeter	(1)
8	3902347M91	1	Rev Indicator	(1)
9	3902383M93	1	Thermometer	(1)
10	3902385M92	1	Panel	(1)
11	3902376M1	1	Gasket	(10)
12	3902384M91	1	Fuel Indicator	(1)
13	3902577M1	1	Gasket	(1)
14	3715927M1	1	Tap	(1)

MF 8250 TRACTOR - 1637366
1-ZC15-004-A

1-ZC15-004-A



Massey Ferguson**MF 8250 TRACTOR - 1637366**

1637366

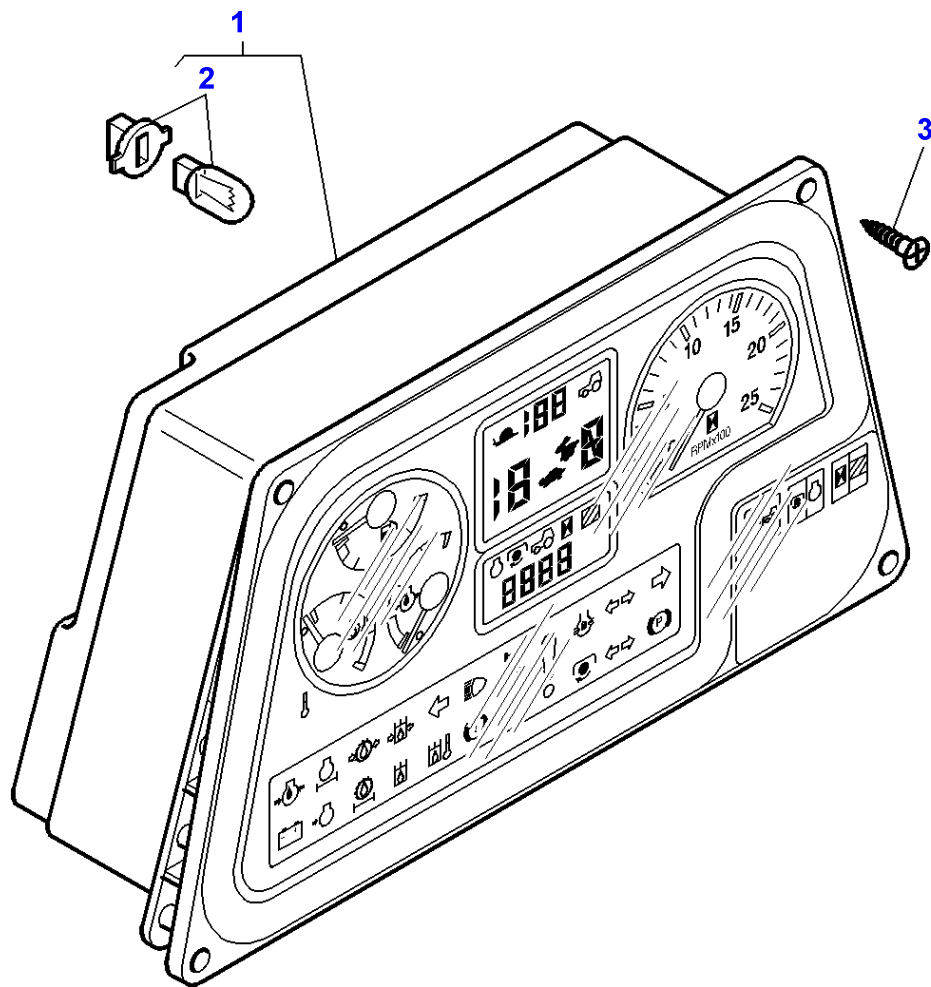
Instrument Panel And Instruments - Without Speedometer With Power Shuttle

Page080-0025

Item	Part Number	Qty	Description	Comments
1	3780579M95	1	Instrument Panel	
2	3713385M1	33	Lamp Socket	(1)
3	3405185M1	33	Bulb 12v 1.2w	(2)
4	3010499X1	4	Screw Metric	(1)
5	3903214M91	1	Printed Circuit	(1)
6	3902345M1	1	Gasket	(1)
7	3902378M92	1	Tractormeter	(1)
8	3902380M91	1	Rev Indicator	(1)
9	3902383M93	1	Thermometer	(1)
10	3902385M92	1	Panel	(1)
11	3902376M1	1	Gasket	(10)
12	3902384M91	1	Fuel Indicator	(1)
13	3715927M1	1	Tap	(1)
14	3902577M1	1	Gasket	(1)

MF 8250 TRACTOR - 1637366
1-ZC60-001-A

1-ZC60-001-A

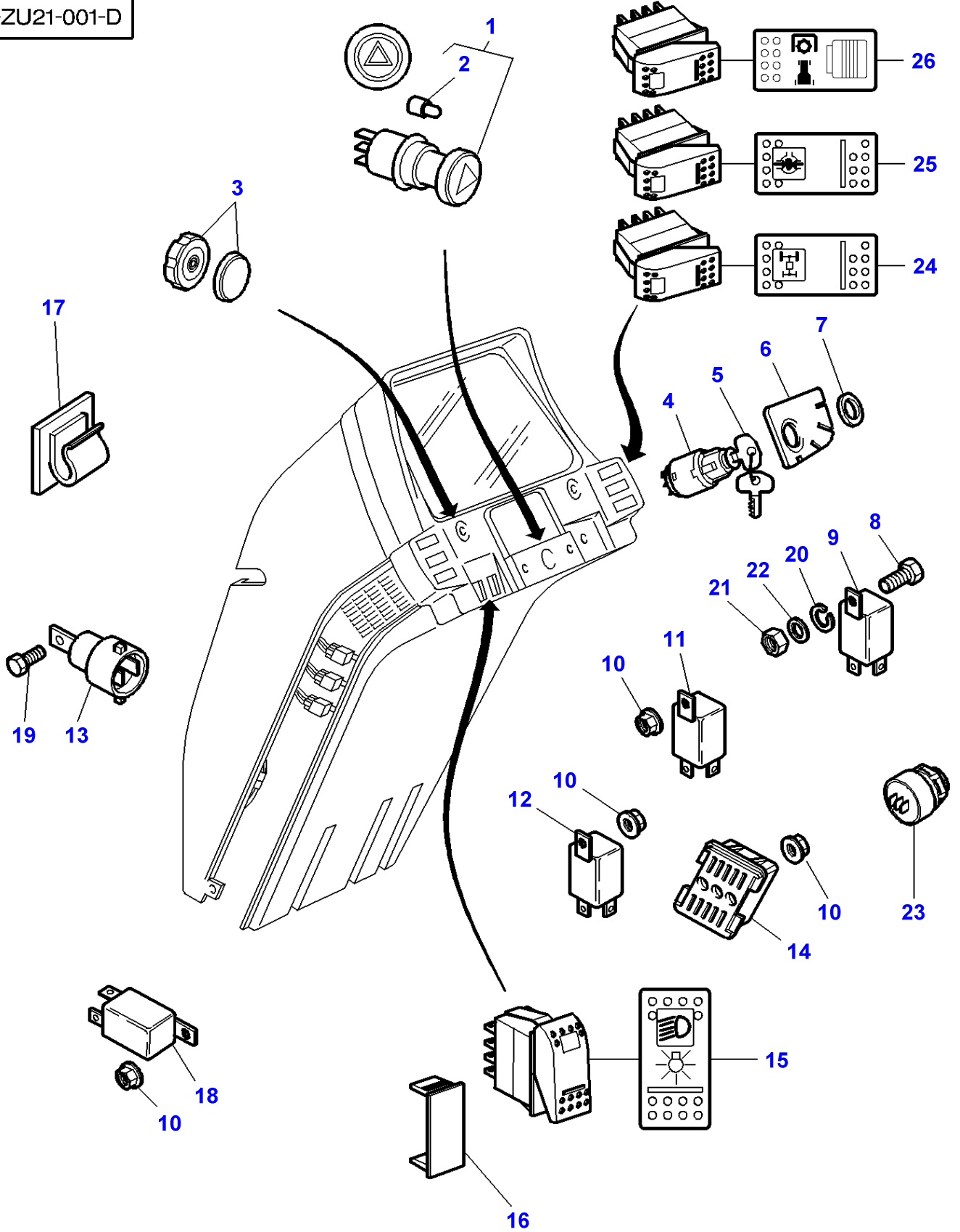


Massey Ferguson**MF 8250 TRACTOR - 1637366****1637366****Instrument Panel And Instruments - With Full Powershift****Page080-0030**

Item	Part Number	Qty	Description	Comments
1	3783591M2	1	Instrument Panel	
2	72505208	26	Bulb	(1)
3	3010791X1	4	Screw	M4 X 20

MF 8250 TRACTOR - 1637366
1-ZU21-001-D

1-ZU21-001-D



Electric Equipment & Instrument Panel

Item	Part Number	Qty	Description	Comments
1	3370427M91	1	Switch	
2	3405185M1	1	Bulb 12v 1.2w	(1)
3	2191950K91	1	Button	
4	3779699M1	1	Switch,Indirect	
5	3813361M1	1	Ignition Key	
6	3779720M1	1	Plate	For United States of America
	3780466M1	1	Plate	
7	1694534M1	1	Nut	
8	339560X1	1	Hex. Sock. Screw	M6X16
9	3617865M1	1	Blinker Unit	
	3715413M1	1	Blinker	For United States of America 12V 2X21W+1+1(8)
10	3010477X1	X	Nut Metric	
11	3387326M2	1	Relay	12V-50A
12	3615652M1	1	Relay	4RD 003 520-31 4RD 007 794-03
	3615652M1	2	Relay	For United States of America 4RD 003 520-31 4RD 007 794-03
13	3779879M1	1	Relay	12V-50A
14	3713103M1	1	Connector	Up to Serial or Engine Number
15	3713142M2	1	Switch,Indirect	
16	3713151M1	X	Tap	
17	3582094M1	2	Tie	
18	3713403M3	1	Relay	[C]
19	339560X1	1	Hex. Sock. Screw	M5X16
20	1441206X1	1	Lock Washer	
21	339030X1	1	Nut Metric	
22	339375X1	1	Lock Washer	
23	3713367M1	1	Horn	Replace and repair. Old not interchangeable with new 3777567M1
24	3713148M2	1	Switch,Indirect	
25	3713149M2	1	Switch,Indirect	
26	3783086M1	1	Switch,Indirect	

FOOTNOTE [A] TRACTOR WITH PLATFORM

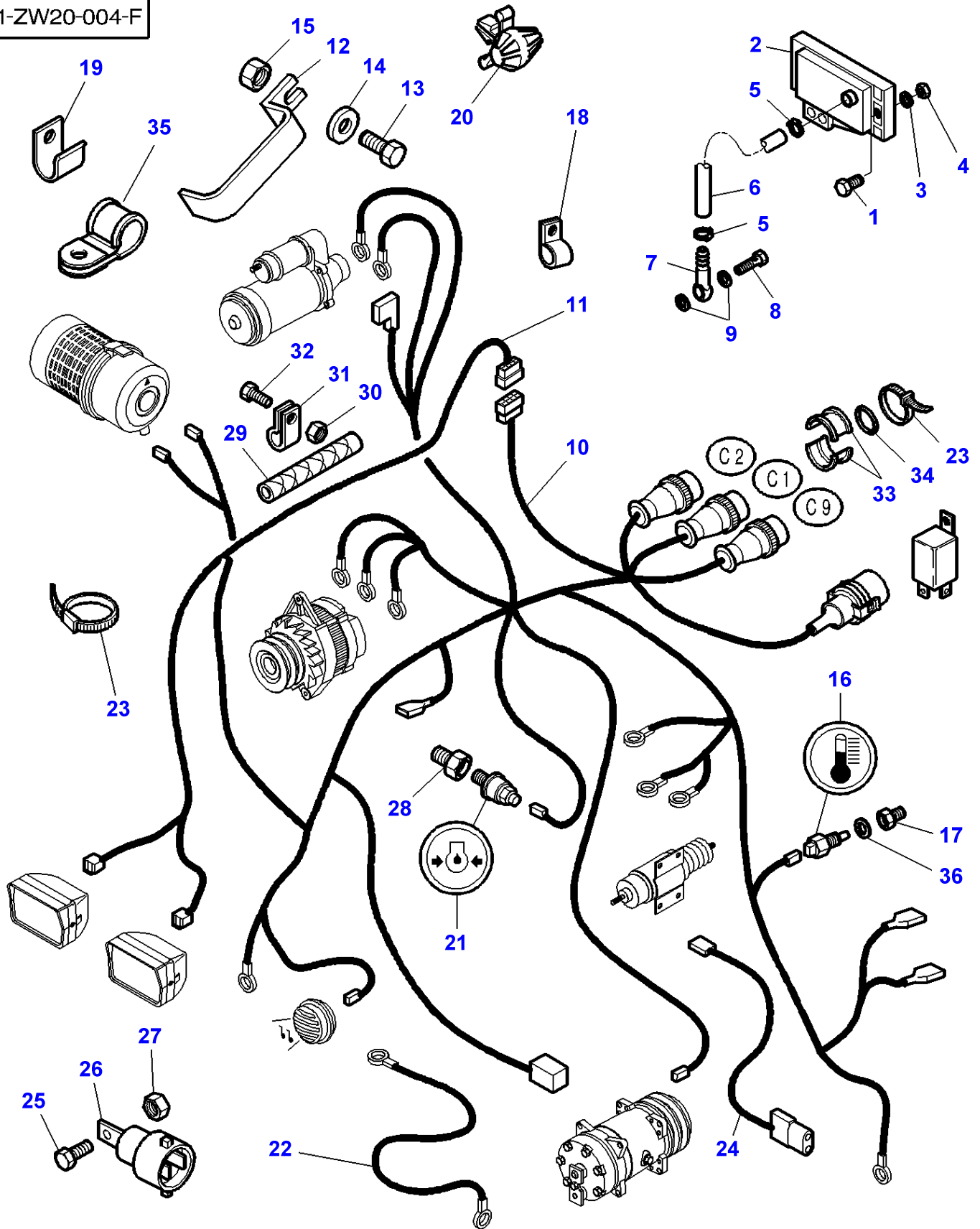
FOOTNOTE [B] TRACTOR WITH CAB

FOOTNOTE [C] TEMPORIZER

FOOTNOTE [D] FOR JAPANESE MARKET ONLY

MF 8250 TRACTOR - 1637366
1-ZW20-004-F

1-ZW20-004-F



Item	Part Number	Qty	Description	Comments
1	391883X1	2	Screw	M5X25
2	72502305	1	Transmitter	[C]
3	390469X1	2	Washer Metric	
4	1441494X1	2	Nut Metric	M5
5	338612X1	2	Hose Clip	Diameter 10-16
6	3781363M1	1	Hydr Hose	Length 800MM
7	3777546M1	1	Union	
8	3777549M1	1	Screw	
9	3007188X1	2	Gasket	
10	3781081M3	1	Harness	[A]
	3781082M3	1	Harness	[A] For Sweden
	3779114M2	1	Harness	[B]
	3785301M91	1	Harness	[B] For United States of America
11	5015264M2	1	Harness	
12	3715996M1	1	Bridle	Up to Serial or Engine Number 10-09-2000
13	339123X1	1	Hex. Sock. Screw	M8X20
14	385361X1	1	Washer	
15	339169X1	1	Nut	M8
16	5015257M1	1	Sender	[A]
	3583331M1	1	Sender	[B]
17	3778202M1	1	Union	[A] M18X1,5
18	3387756M1	X	Strap	
19	3583344M1	2	Strap	
20	3615984M1	1	Fastener	
21	72512518	1	Sender	[A]
	3583330M1	1	Sender	[B]
22	3712175M2	1	Wire	
23	3619622M1	X	Cable Tie	
24	3781072M1	1	Connection	
25	390990X1	1	Screw Metric	M5X12
26	3779879M1	1	Relay	12V-50A
27	3010477X1	1	Nut Metric	M5
28	70917032	1	Union	[A]
29	3782421M1	1	Protective Strip	Up to Serial or Engine Number J105020 Length 500MM
	3784039M1	1	Protective Strip	From Serial or Engine Number J105021 Length 240MM
30	339169X1	1	Nut	
31	360567X1	1	Clamp	
32	339368X1	1	Bolt Metric	M8X60
33	3785087M1	6	Bridle	
34	3785088M1	3	O Ring	Diameter 22,5X2
35	3581424M1	1	Clamp	From Serial or Engine Number 11-09-2000
36	195561M1	1	O Ring	[A]

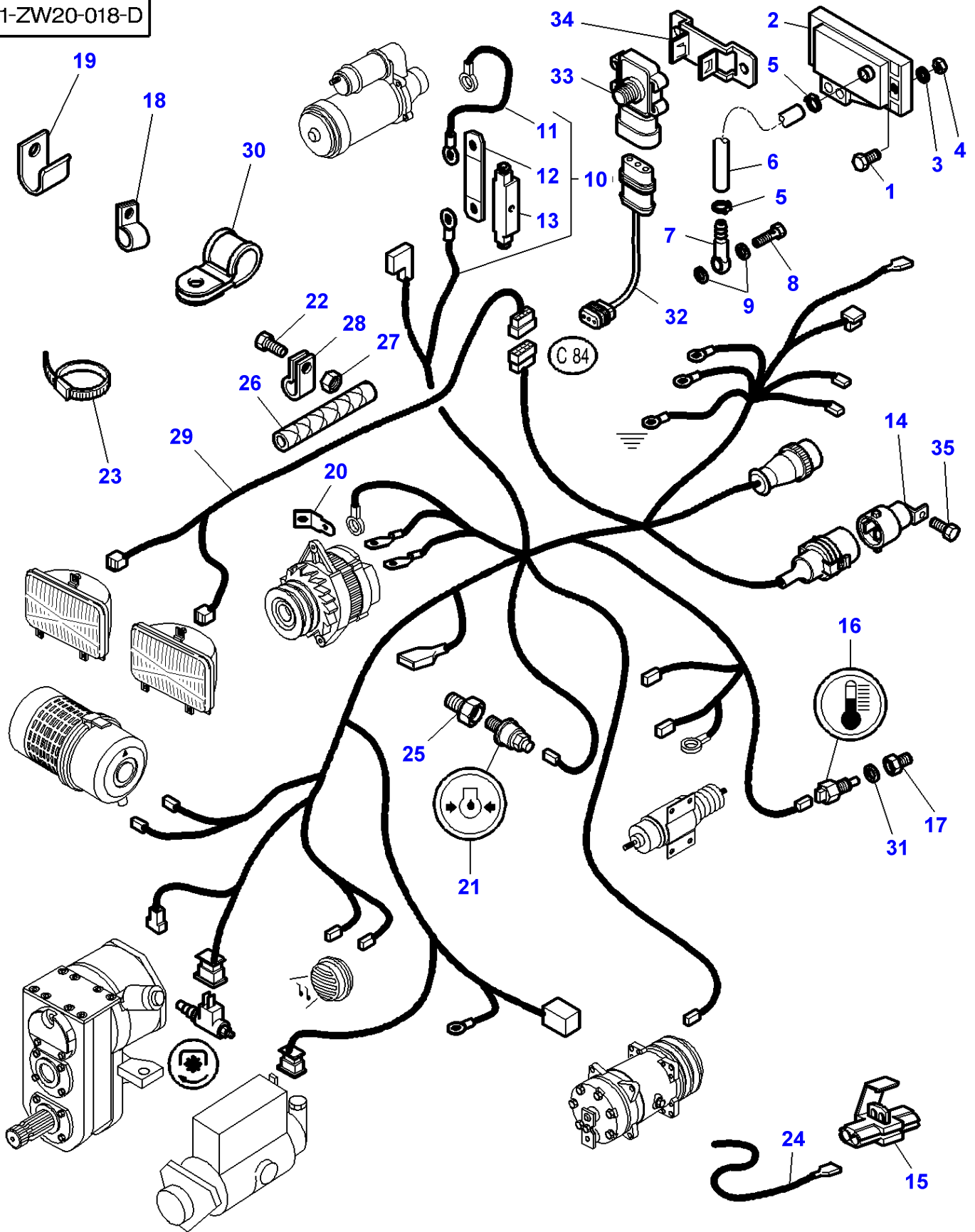
FOOTNOTE [A] WITH FULL POWERSHIFT

FOOTNOTE [B] WITH DYNASHIFT

FOOTNOTE [C] TURBO PRESSURE TRANSDUCER

MF 8250 TRACTOR - 1637366
1-ZW20-018-D

1-ZW20-018-D



Item	Part Number	Qty	Description	Comments
1	1441509X1	2	Screw Metric	M5X35
2	72502305	1	Transmitter	[C] Up to Serial or Engine Number JUIL-2002
3	390469X1	2	Washer Metric	
4	1441494X1	2	Nut Metric	M5
5	338612X1	2	Hose Clip	Diameter 10-16
6	3781363M1	1	Hydr Hose	Length 800MM
7	3777546M1	1	Union	
8	3777549M1	1	Screw	
9	3007188X1	2	Gasket	
10	3784179M4	1	Harness	[B]
	3784183M3	1	Harness	[A] Up to Serial or Engine Number M037007
	4270822M1	1	Harness	[A] From Serial or Engine Number M037008
11	3789734M1	1	Wire	(10) Length 300MM
12	3789731M1	1	Fuse	(10) 175 AMP
13	3789733M1	1	Case Assy	(10)
14	3779879M1	1	Relay	12V-50A
15	3042464M1	1	Union	[A] Up to Serial or Engine Number K200032
16	5015257M1	1	Sender	[A]
	3583331M1	1	Sender	[B]
17	3778202M1	1	Union	[A] M18X1,5
18	3387756M1	X	Strap	
19	3583344M1	2	Strap	
20	3781500M1	1	Adaptor	[D] Up to Serial or Engine Number 14-OCT-2001
21	72512518	1	Sender	[A]
	3583330M1	1	Sender	[B]
22	339368X1	1	Bolt Metric	M8X60
23	3619622M1	X	Cable Tie	
24	3715702M2	1	Wire	[A] Up to Serial or Engine Number K200022
25	70917032	1	Union	[A]
26	3784039M1	1	Protective Strip	Length 240MM
27	339169X1	1	Nut	
28	360567X1	1	Clamp	
29	5015264M2	1	Harness	
30	3581424M1	1	Clamp	Diameter 30MM
	3389841M1	1	Clamp	Diameter 12MM
31	195561M1	1	O Ring	
32	4270802M1	1	Harness	[A] From Serial or Engine Number JUIL-2002 Up to Serial or Engine Number M037007
33	4270729M1	1	Transmitter	[A] From Serial or Engine Number JUIL-2002
34	4270740M1	1	Support	[A] From Serial or Engine Number JUIL-2002
35	339560X1	1	Hex. Sock. Screw	[A] M6X16

FOOTNOTE [A] WITH FULL POWERSHIFT

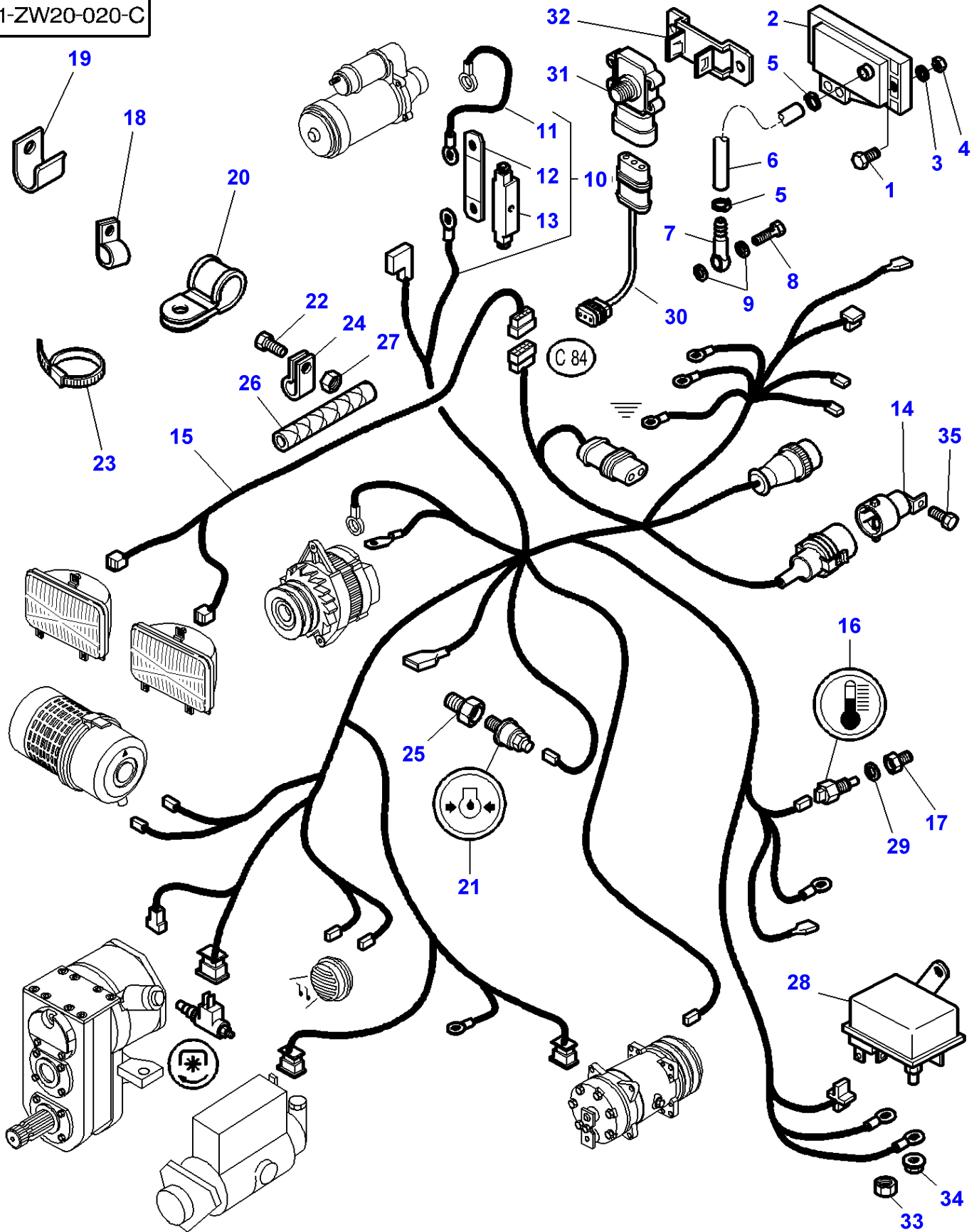
FOOTNOTE [B] WITH DYNASHIFT

FOOTNOTE [C] TURBO PRESSURE TRANSDUCER

FOOTNOTE [D] WITH ALTERNATOR 120 AMP

MF 8250 TRACTOR - 1637366
1-ZW20-020-C

1-ZW20-020-C



ENGINE HARNESS - M.F 8250 XTRA

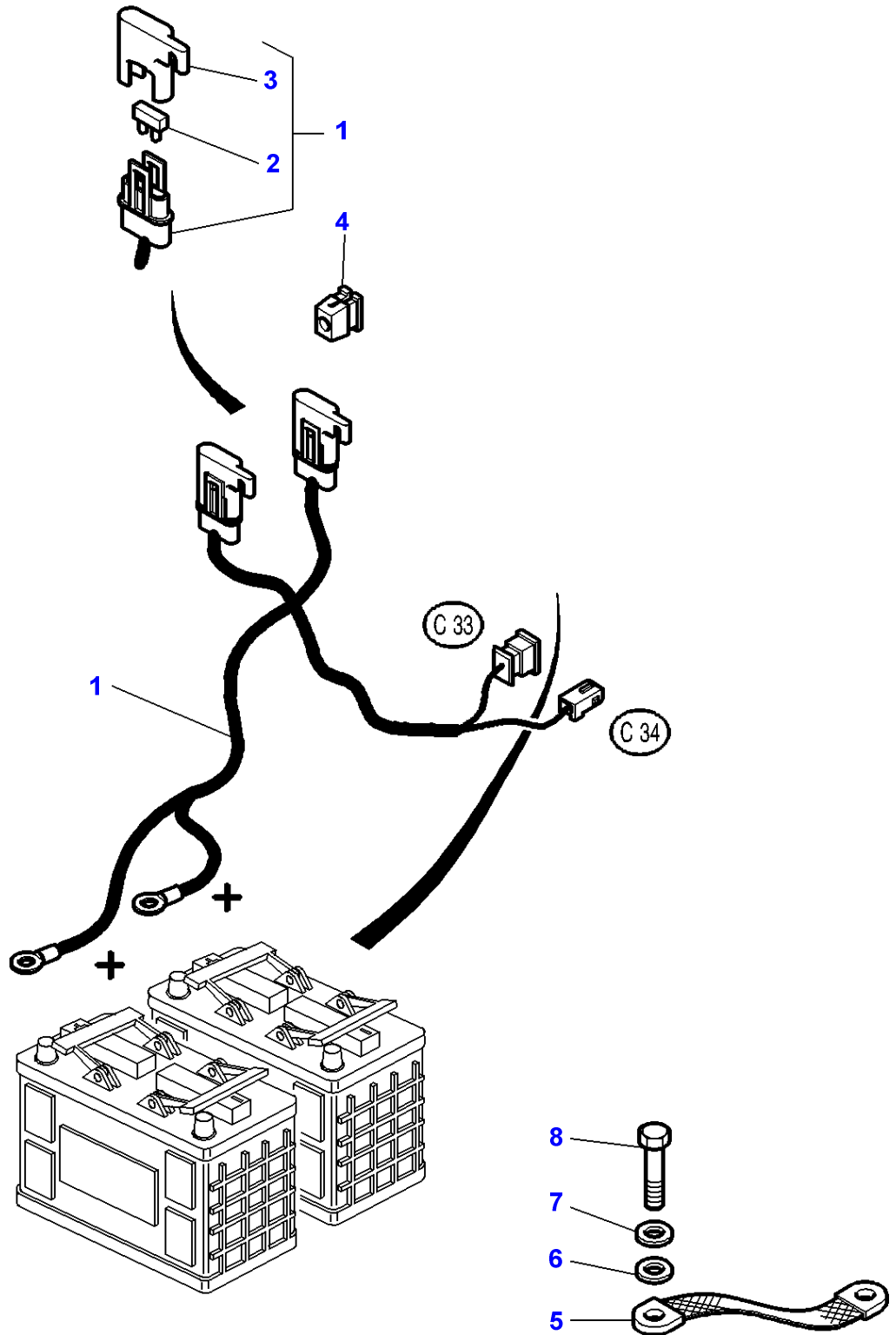
Item	Part Number	Qty	Description	Comments
1	1441509X1	2	Screw Metric	M5X35
2	72502305	1	Transmitter	[C] Up to Serial or Engine Number JUIL-2002
3	390469X1	2	Washer Metric	
4	1441494X1	2	Nut Metric	M5
5	338612X1	2	Hose Clip	Diameter 10-16
6	3781363M1	1	Hydr Hose	Length 800MM
7	3777546M1	1	Union	
8	3777549M1	1	Screw	
9	3007188X1	2	Gasket	
10	3787890M4	1	Harness	[B] Up to Serial or Engine Number L303014
	3787890M5	1	Harness	[B] From Serial or Engine Number L303015 Up to Serial or Engine Number M147019
	3787890M6	1	Harness	[B] From Serial or Engine Number M147020
	3787889M4	1	Harness	[A] Up to Serial or Engine Number L303014
	4270826M2	1	Harness	[A] From Serial or Engine Number L303015
11	3789734M1	1	Wire	(10) Length 300MM
12	3789732M1	1	Fuse	(10) 225 AMP
13	3789733M1	1	Case Assy	(10)
14	3779879M1	1	Relay	12V-50A
15	5015264M2	1	Harness	
16	5015257M1	1	Sender	[A]
	3583331M1	1	Sender	[B]
17	3778202M1	1	Union	[A] M18X1,5
18	3387756M1	X	Strap	
19	3583344M1	2	Strap	
20	3581424M1	1	Clamp	Diameter 30MM
	3389841M1	1	Clamp	Diameter 12MM
21	72512518	1	Sender	[A]
	3583330M1	1	Sender	[B]
22	339368X1	1	Bolt Metric	M8X60
23	3619622M1	X	Cable Tie	
24	360567X1	1	Clamp	
25	70917032	1	Union	[A]
26	3784039M1	1	Protective Strip	Length 240MM
27	339169X1	1	Nut	
28	3788015M2	1	Case Assy	
29	195561M1	1	O Ring	[A]
30	4270802M1	1	Harness	[A] From Serial or Engine Number JUIL-2002 Up to Serial or Engine Number L303014
31	4270729M1	1	Transmitter	[A] From Serial or Engine Number JUIL-2002
32	4270740M1	1	Support	[A] From Serial or Engine Number JUIL-2002
33	339169X1	1	Nut	M6
34	3010477X1	1	Nut Metric	M5
35	339560X1	1	Hex. Sock. Screw	M6X16

FOOTNOTE [A] WITH FULL POWERSHIFT

FOOTNOTE [B] WITH DYNASHIFT

FOOTNOTE [C] TURBO PRESSURE TRANSDUCER

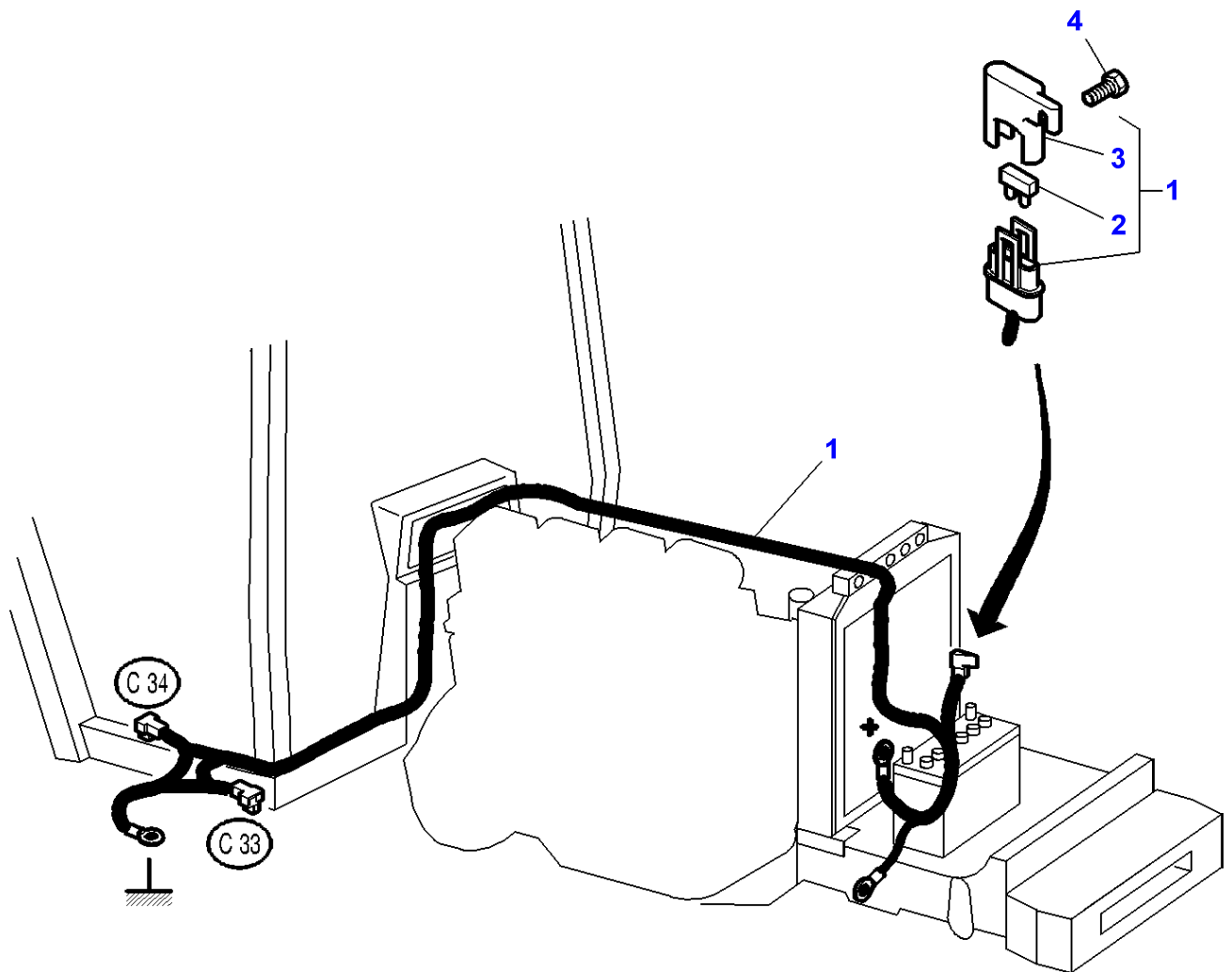
1-ZW04-002-A



Massey Ferguson**MF 8250 TRACTOR - 1637366****1637366****Electrical Wiring - With Electronic Lift****Page080-0055**

Item	Part Number	Qty	Description	Comments
1	3779043M91	1	Harness	Up to Serial or Engine Number 08-JAN-2001
2	3620026M1	1	Fuse	(1) 15 AMP
	3387319M1	1	Fuse	(1) 7,5 AMP
3	3600224M1	2	Cover	(1)
4	3809347M1	2	Nut	Up to Serial or Engine Number 04-JAN-2000
5	1625401M2	1	Cable	
6	385362X1	1	Washer	
7	339374X1	1	Lock Washer	
8	339761X1	1	Hex. Sock. Screw	M8X25

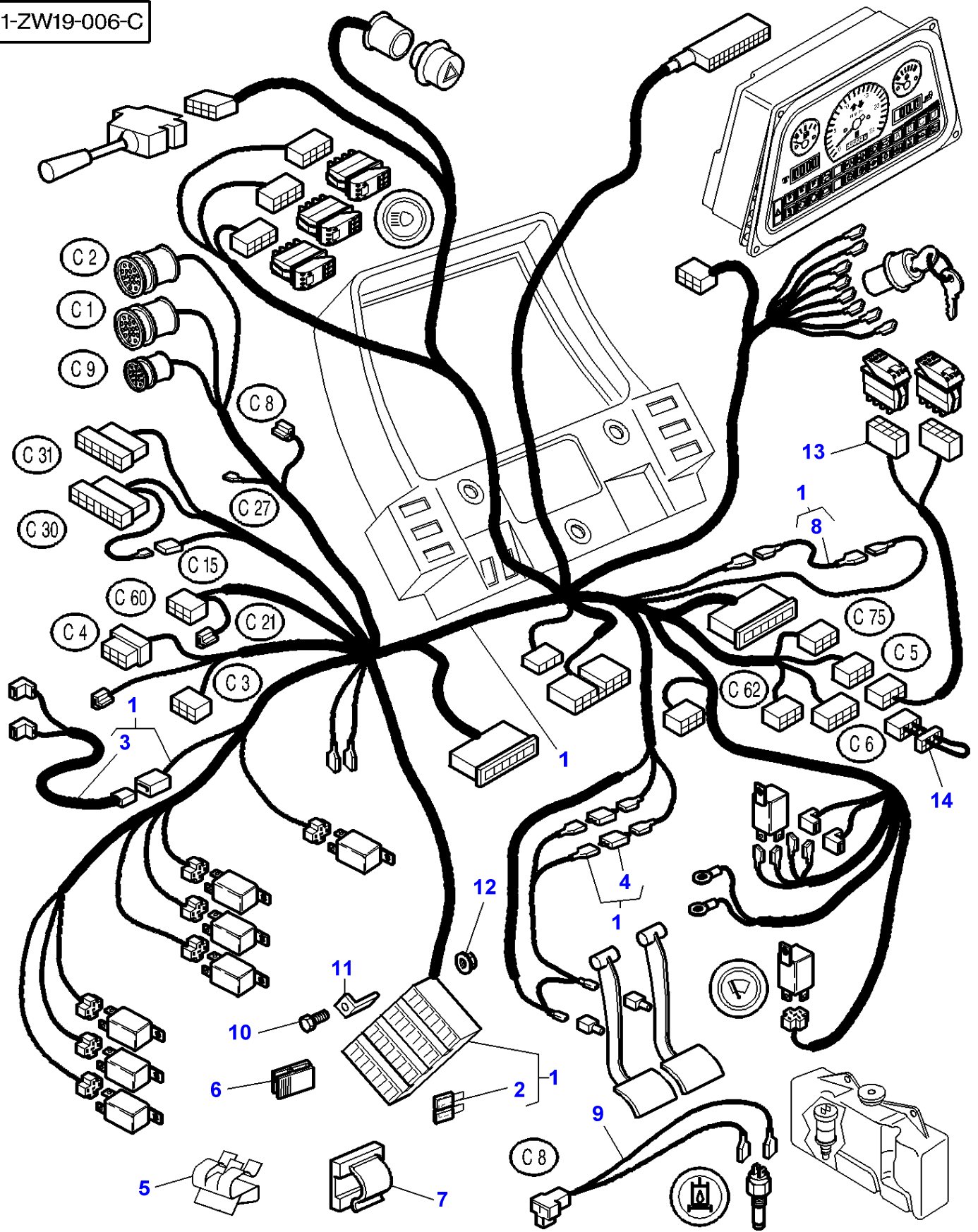
1-ZU16-003-B



Massey Ferguson**MF 8250 TRACTOR - 1637366****1637366****Tractor Cab - Electrical Wiring - Without Electronic Lift - Up To 07-01-2001****Page080-0060**

Item	Part Number	Qty	Description	Comments
1	3779048M91	1	Harness	
2	3620026M1	1	Fuse	(1) 15 AMP
3	3600224M1	1	Cover	(1)
4	3010506X1	1	Screw	M5X16

1-ZW19-006-C



Item	Part Number	Qty	Description	Comments
1	3779753M94	1	Harness	Not for USA Not for Sweden
	3779755M93	1	Harness	Up to Serial or Engine Number J257011 For Sweden
	3779753M94	1	Harness	From Serial or Engine Number J257012 For Sweden
	3779757M93	1	Harness	[A] Up to Serial or Engine Number J265021 Not for USA Not for Sweden
	3779753M94	1	Harness	[A] From Serial or Engine Number J265022 Not for USA Not for Sweden
2	3580868M1	1	Fuse	(1) 3 AMP
	3387318M1	X	Fuse	(1) 5 AMP
	3387319M1	X	Fuse	(1) 7,5 AMP
	3620025M1	X	Fuse	(1) 10 AMP
	3620026M1	X	Fuse	(1) 15 AMP
	3387322M1	X	Fuse	(1) 25 AMP
	3712661M1	X	Fuse	(1) 30 AMP
3	3713090M1	1	Harness	(1)
4	3777531M1	2	Diode	(1) 2X6AMP
5	3618680M1	1	Fastener	
6	3389401M1	1	Fastener	
7	3760697M1	X	Tie	
8	3781003M1	1	Wire	[B] (1)
9	3713812M1	1	Harness	
10	339160X1	4	Screw	M5X10
11	3782186M1	4	Support	
12	3010477X1	4	Nut Metric	
13		1	Harness	[D]
14		1	Harness	[D]

FOOTNOTE [A] WITH WAY LIGHTS FITTED ON THE CAB ROOF

FOOTNOTE [B] EXCEPT WAY LIGHTS FITTED ON THE CAB ROOF

FOOTNOTE [C] TRACTOR WITH PLATFORM

FOOTNOTE [D] NOT USED

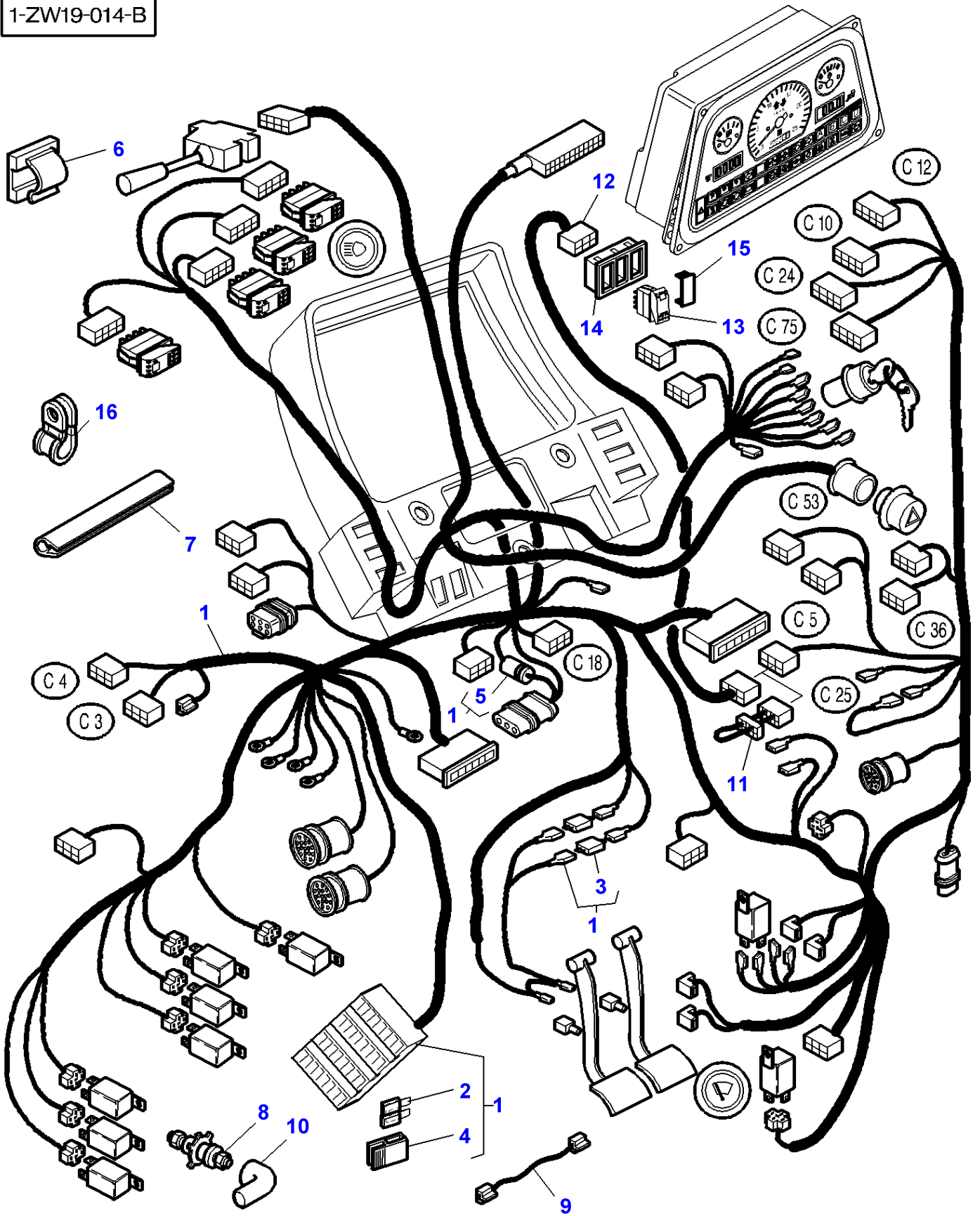
Item	Part Number	Qty	Description	Comments
1	3779744M97	1	Harness	
2	3580868M1	1	Fuse	(1) 3 AMP
	3387319M1	X	Fuse	(1) 7,5 AMP
	3620025M1	X	Fuse	(1) 10 AMP
	3620026M1	X	Fuse	(1) 15 AMP
	3387322M1	X	Fuse	(1) 25 AMP
	3712661M1	X	Fuse	(1) 30 AMP
3	3783857M1	1	Harness	
4	3777531M1	2	Diode	(1) 2X6AMP
5	3618680M1	1	Fastener	
6	3389401M1	1	Fastener	
7	3760697M1	X	Tie	
8	3781003M1	1	Wire	[B] (1)
9	3715702M2	1	Wire	
10	339160X1	4	Screw	M5X10
11	3782186M1	4	Support	
12	3010477X1	4	Nut Metric	
13	3042464M1	1	Union	
14	3777527M1	1	Wire	
15		1	Harness	[D]
16		1	Harness	[D]

FOOTNOTE [B] EXCEPT WAY LIGHTS FITTED ON THE CAB ROOF

FOOTNOTE [C] TRACTOR WITH PLATFORM

FOOTNOTE [D] NOT USED

1-ZW19-014-B



Item	Part Number	Qty	Description	Comments
1	3785038M93	1	Harness	Up to Serial or Engine Number L270016
	4270792M93	1	Harness	From Serial or Engine Number L270017
2	3580868M1	1	Fuse	(1) 3 AMP
	3387318M1	3	Fuse	(1) 5 AMP
	3387319M1	4	Fuse	(1) 7,5 AMP
	1695939M1	7	Fuse	(1) 10 AMP
	1695966M1	5	Fuse	(1) 15 AMP
	3780003M1	1	Fuse	(1) 20 AMP
	3387322M1	5	Fuse	(1) 25 AMP
	3712661M1	4	Fuse	(1) 30 AMP
3	3777531M1	2	Diode	(1)
4	3389401M1	1	Fastener	(1)
5	4271180M1	1	Resistor	(1) 5K
6	3760697M1	1	Tie	
7	3381232M1	1	Gasket	Length 140 MM
8	72500822	1	Terminal	
9	3781003M1	1	Wire	[A] Not for USA
10	3784666M1	1	Helmet	[B]
11	3785807M1	1	Harness	
12	3785797M1	1	Harness	[E,G,H] From Serial or Engine Number L114005
13	3785201M1	1	Switch,Indirect	[F] Two Wheel Drive
	3785202M1	1	Switch,Indirect	[F] Four Wheel Drive
14	3809798M1	1	Housing	
15	3713151M1	X	Tap	
16	3582289M1	2	Clamp	Diameter 25MM

FOOTNOTE [A] WITH WAY LIGHTS FITTED ON THE CAB ROOF

FOOTNOTE [B] RED

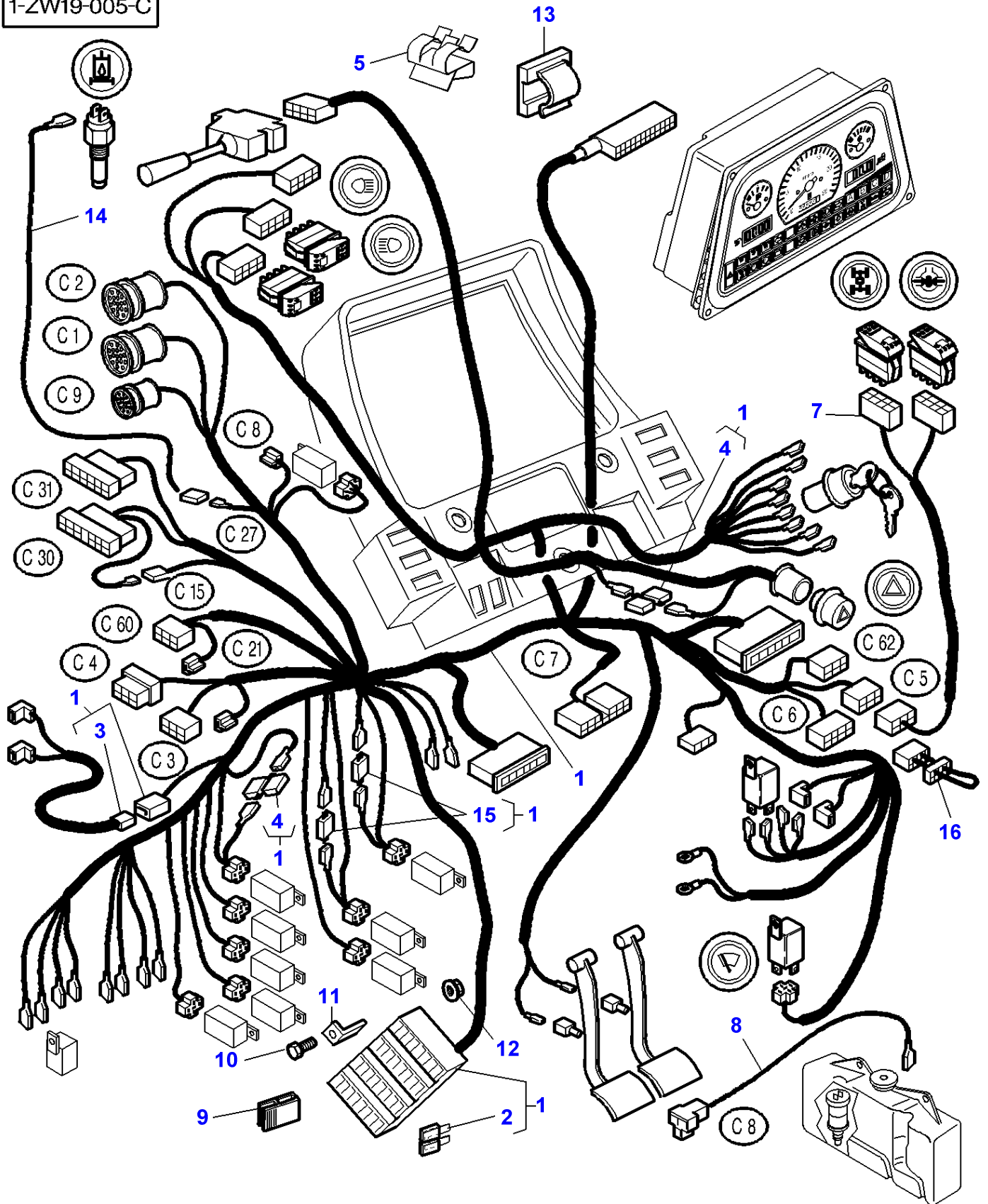
FOOTNOTE [E] WITHOUT CONTROL ARMREST

FOOTNOTE [F] DIFFERENTIAL LOCK

FOOTNOTE [G] WITH AUTODRIVE

FOOTNOTE [H] WITH SPEED MATCHING

1-ZW19-005-C



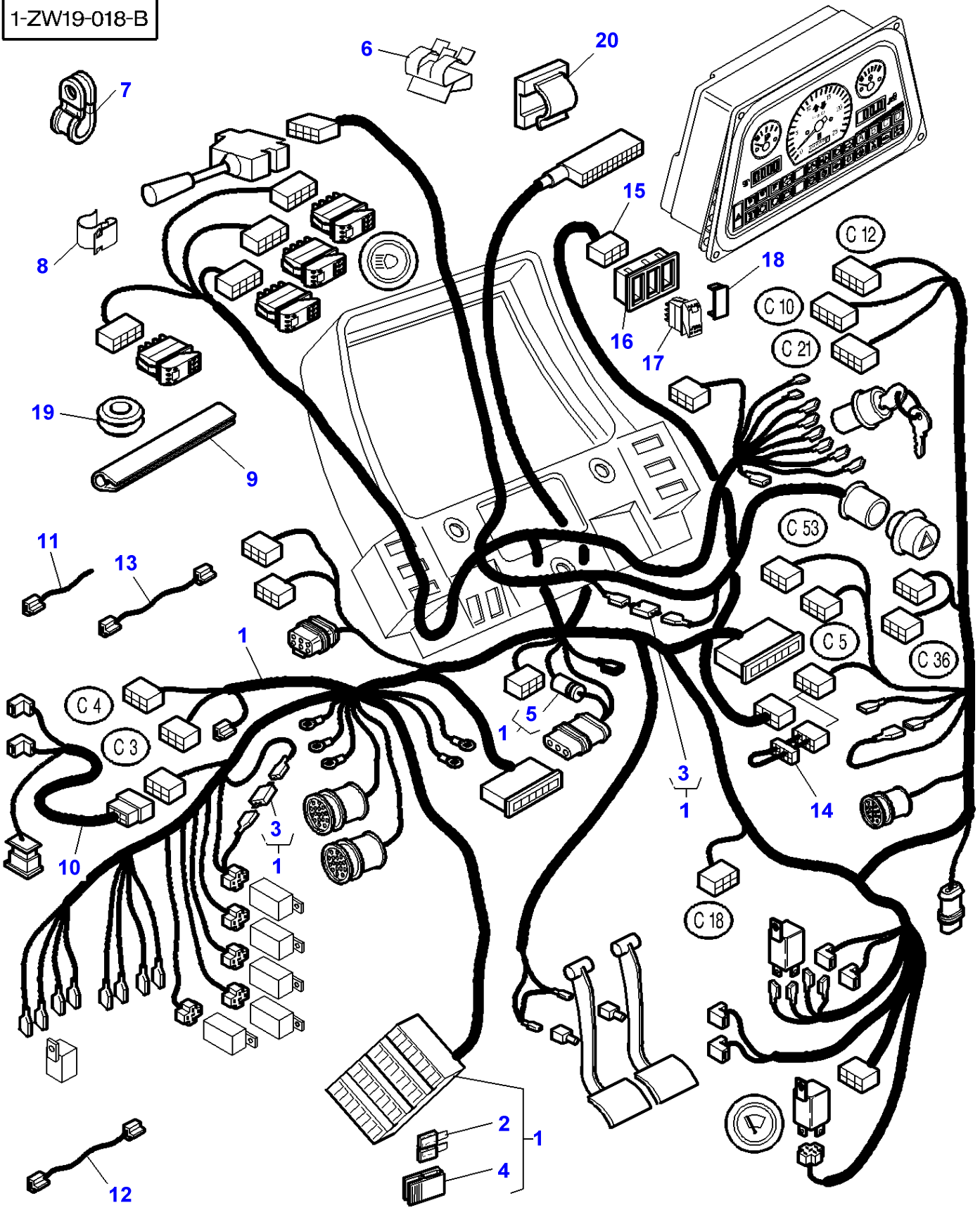
Item	Part Number	Qty	Description	Comments
1	3780445M95	1	Harness	Replace and repair. Old not interchangeable with new 3778522M92 Up to Serial or Engine Number J209023
2	3785297M91	1	Harness	From Serial or Engine Number J209024
	3580868M1	2	Fuse	(1) 3 AMP
	3387318M1	1	Fuse	(1) 5 AMP
	3387319M1	4	Fuse	(1) 7,5 AMP
	3620025M1	4	Fuse	(1) 10 AMP
	3620026M1	15	Fuse	(1) 15 AMP
	3780003M1	1	Fuse	(1) 20 AMP
	3387322M1	4	Fuse	(1) 25 AMP
	3712661M1	4	Fuse	(1) 30 AMP
3	3713090M1	1	Harness	(1)
4	3777531M1	2	Diode	(1) 2X6AMP
5	3618680M1	1	Fastener	
6	3782986M1	1	Harness	[A]
7		1	Harness	[B]
8	3777527M1	1	Wire	
9	3389401M1	1	Fastener	
10	339160X1	4	Screw	M5X10
11	3782186M1	4	Support	
12	3010477X1	4	Nut Metric	
13	3760697M1	X	Tie	
14	3778737M1	1	Harness	
15	3779377M1	1	Diode	(1) 6AMP
16		1	Harness	[B]

FOOTNOTE [A] TRACTOR WITH PLATFORM

FOOTNOTE [B] NOT USED

MF 8250 TRACTOR - 1637366
1-ZW19-018-B

1-ZW19-018-B



Item	Part Number	Qty	Description	Comments
1	3784707M95	1	Harness	Up to Serial or Engine Number L270016
	4270794M93	1	Harness	From Serial or Engine Number L270017
2	3580868M1	2	Fuse	(1) 3 AMP
	3387318M1	1	Fuse	(1) 5 AMP
	3387319M1	5	Fuse	(1) 7,5 AMP
	1695939M1	6	Fuse	(1) 10 AMP
	1695966M1	8	Fuse	(1) 15 AMP
	3387322M1	3	Fuse	(1) 25 AMP
	3712661M1	5	Fuse	(1) 30 AMP
3	3777531M1	1	Diode	(1) 2X6 AMP
4	3389401M1	1	Fastener	(1)
5	4271180M1	1	Resistor	(1) 5K
6	3618680M1	1	Fastener	
7	3581424M1	2	Clamp	Diameter 30 MM
8	3582525M1	1	Tie	
9	3381232M1	1	Gasket	Length 140MM
10	3783857M1	1	Harness	
11		1	Harness	[C]
12	3785347M1	1	Harness	
13	3785349M1	1	Harness	
14	3785807M1	1	Harness	
15	3785797M1	1	Harness	[E,F,G] From Serial or Engine Number L114005
16	3809798M1	1	Housing	
17	3785201M1	1	Switch,Indirect	[D] Two Wheel Drive
	3785202M1	1	Switch,Indirect	[D] Four Wheel Drive
18	3713151M1	X	Tap	
19	3784390M1	1	Grommet	Diameter 54-16
20	3760697M1	1	Tie	

FOOTNOTE [A] TRACTOR WITH PLATFORM

FOOTNOTE [B] TRACTOR WITH CAB

FOOTNOTE [C] NOT USED

FOOTNOTE [D] DIFFERENTIAL LOCK

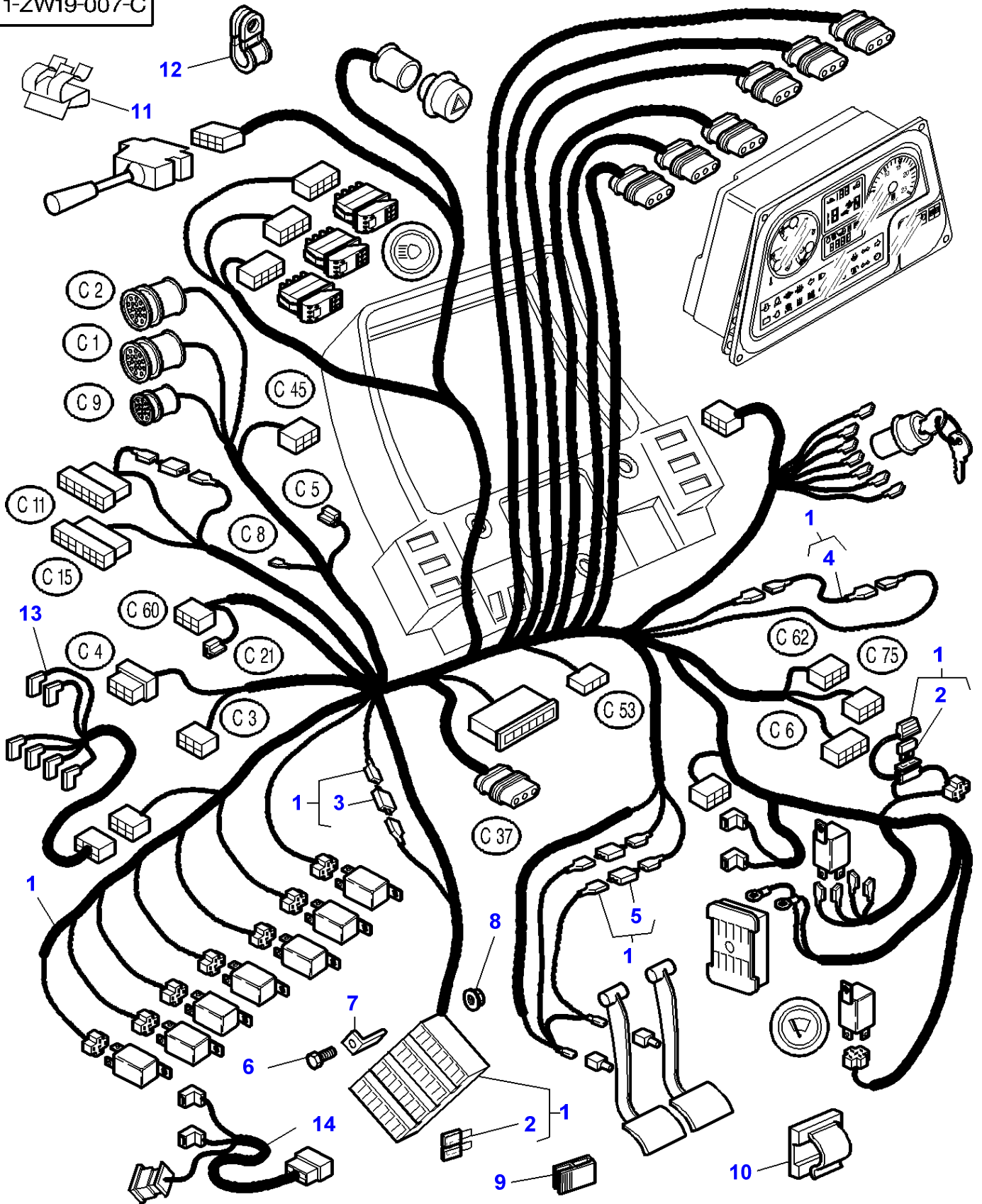
FOOTNOTE [E] WITHOUT CONTROL ARMREST

FOOTNOTE [F] WITH AUTODRIVE

FOOTNOTE [G] WITH SPEED MATCHING

MF 8250 TRACTOR - 1637366
1-ZW19-007-C

1-ZW19-007-C



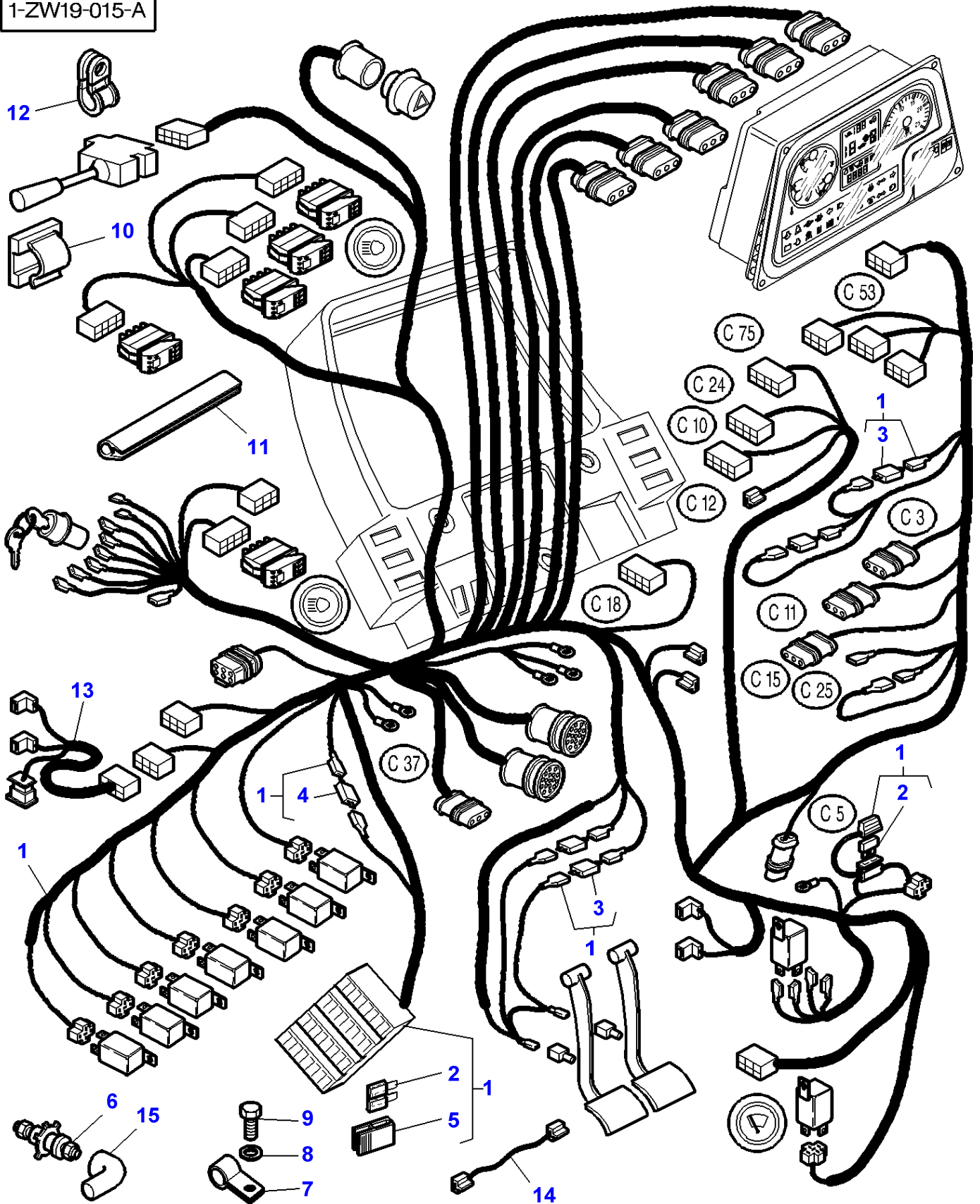
Item	Part Number	Qty	Description	Comments
1	3780154M96	1	Harness	Not for USA Not for Sweden
	3780156M96	1	Harness	For Sweden Up to Serial or Engine Number 25-09-2000
	3780154M96	1	Harness	For Sweden From Serial or Engine Number 26-09-2000
	3780159M96	1	Harness	[A] Not for USA Not for Sweden Up to Serial or Engine Number J207017
	3780154M96	1	Harness	[A] Not for USA Not for Sweden From Serial or Engine Number J207018
2	3580868M1	2	Fuse	(1) 3 AMP.
	3387319M1	3	Fuse	(1) 7.5 AMP.
	1695939M1	3	Fuse	(1) 10 AMP.
	1695966M1	6	Fuse	(1) 15 AMP.
	3387322M1	3	Fuse	(1) 25 AMP.
	3712661M1	6	Fuse	(1) 30 AMP.
3	3783014M1	1	Diode	(1)
4	3781003M1	1	Wire	[B] (1)
5	3777531M1	2	Diode	(1)
6	339160X1	4	Screw	M5X10
7	3387325M1	4	Support	
8	3010477X1	4	Nut Metric	M5
9	3389401M1	1	Fastener	
10	3760697M1	X	Tie	
11	3618680M1	1	Fastener	
12	3581424M1	2	Clamp	
13	3780415M1	1	Harness	Up to Serial or Engine Number J032030
14	3783857M1	1	Harness	From Serial or Engine Number J032031

FOOTNOTE [A] WITH WAY LIGHTS FITTED ON THE CAB ROOF

FOOTNOTE [B] EXCEPT WAY LIGHTS FITTED ON THE CAB ROOF

MF 8250 TRACTOR - 1637366
1-ZW19-015-A

1-ZW19-015-A

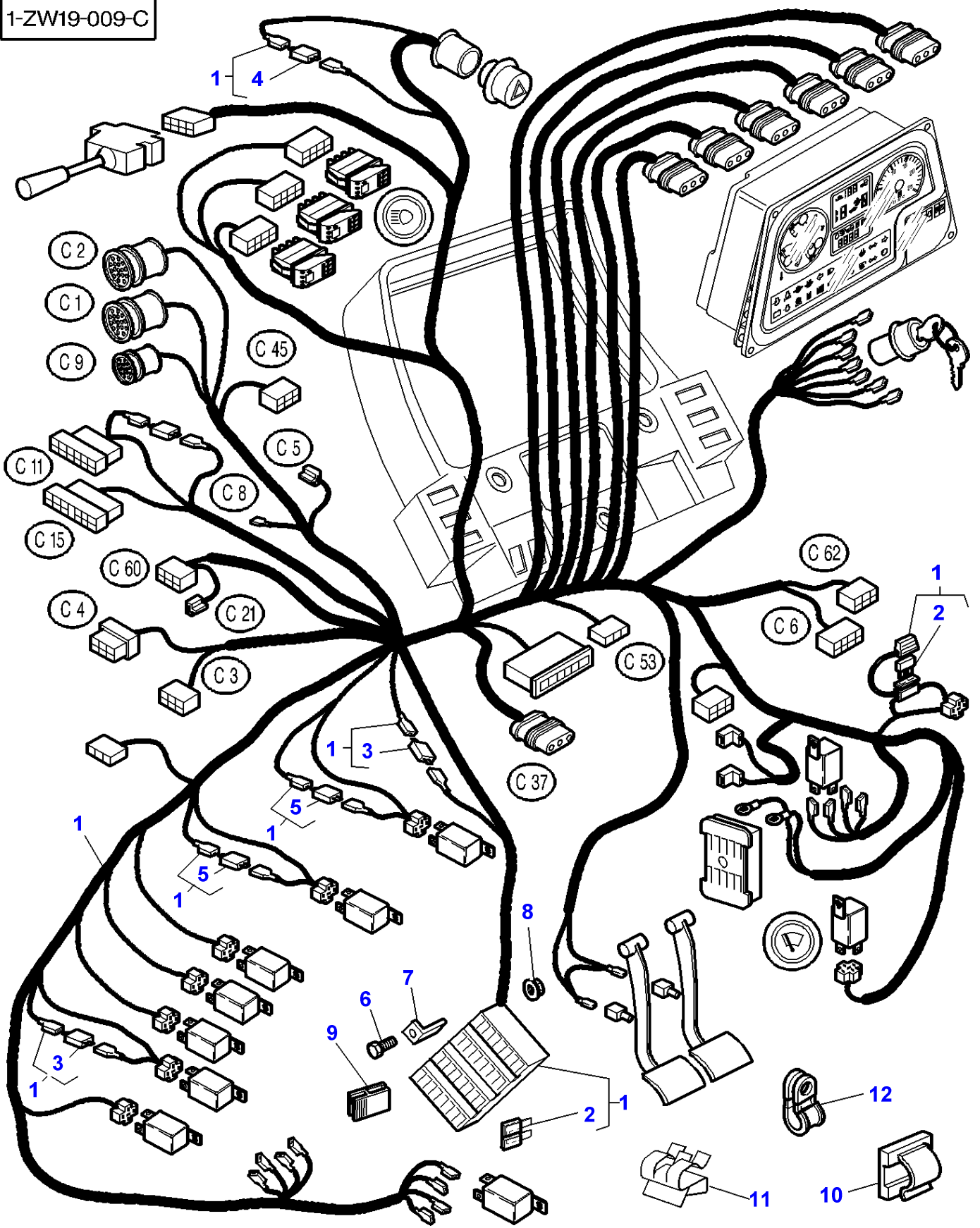


Item	Part Number	Qty	Description	Comments
1	3784579M93	1	Harness	Up to Serial or Engine Number L270016
	4270793M92	1	Harness	From Serial or Engine Number L270017
2	3580868M1	1	Fuse	(1) 3 AMP
	3387318M1	1	Fuse	(1) 5 AMP
	3387319M1	5	Fuse	(1) 7,5 AMP
	1695939M1	7	Fuse	(1) 10 AMP
	1695966M1	7	Fuse	(1) 15 AMP
	3780003M1	1	Fuse	(1) 20 AMP
	3387322M1	5	Fuse	(1) 25 AMP
	3712661M1	4	Fuse	(1) 30 AMP
3	3777531M1	4	Diode	(1) 2X6 AMP
4	3783014M1	1	Diode	(1)
5	3389401M1	1	Fastener	(1)
6	72500822	1	Terminal	
7	3581507M1	1	Clamp	Diameter 18MM
8	390972X1	1	Washer Metric	
9	339123X1	1	Hex. Sock. Screw	M8X20
10	3760697M1	1	Tie	
11	3580695M1	1	Gasket	Length 140MM
12	3581424M1	2	Clamp	Diameter 30MM
13	3783857M1	1	Harness	
14	3781003M1	1	Wire	[A] Not for USA
15	3784666M1	1	Helmet	[B]

FOOTNOTE [A] WITH WAY LIGHTS FITTED ON THE CAB ROOF

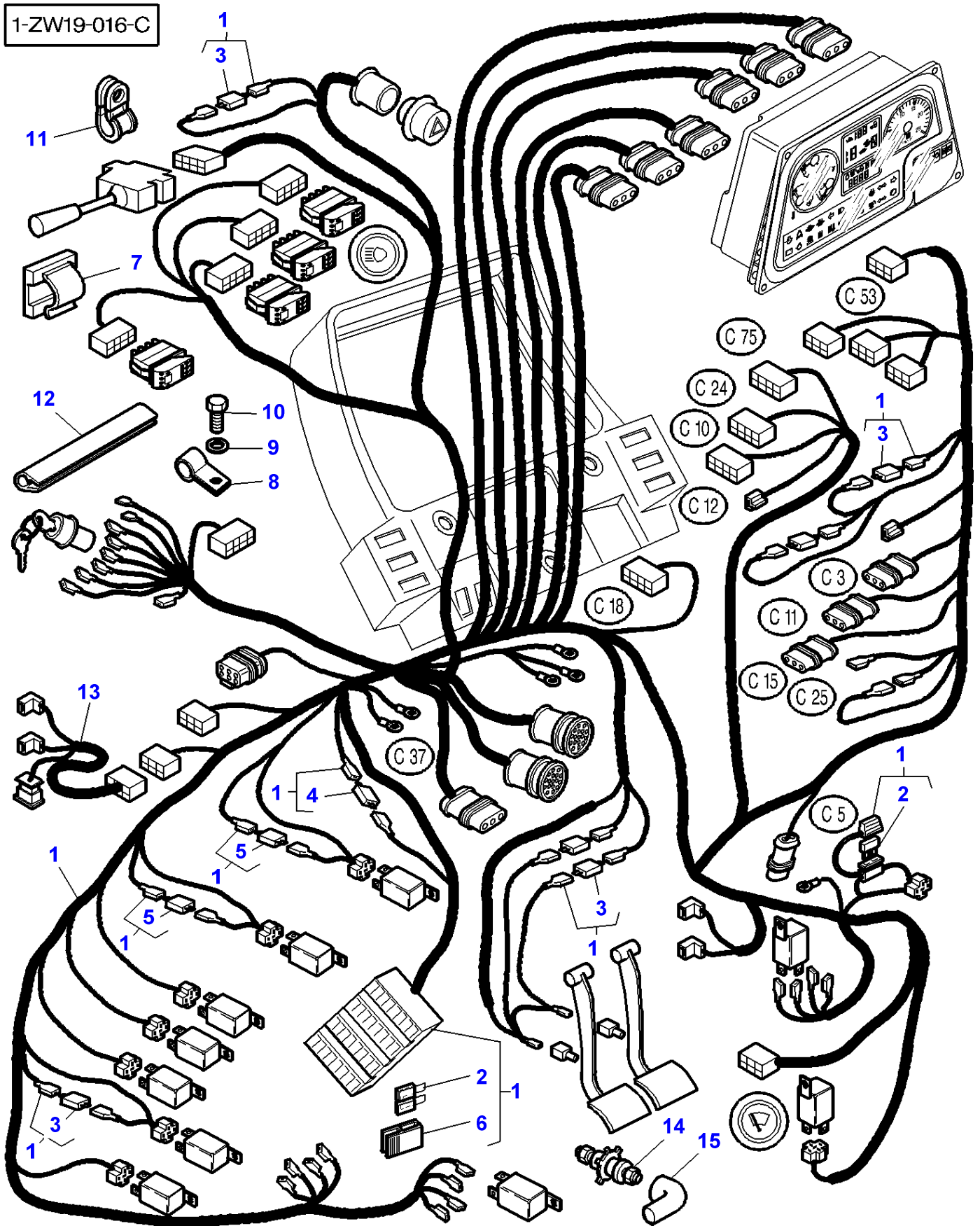
FOOTNOTE [B] RED

1-ZW19-009-C



Item	Part Number	Qty	Description	Comments
1	3780161M96	1	Harness	Up to Serial or Engine Number J208015
	3785296M91	1	Harness	From Serial or Engine Number J208016
2	3580868M1	3	Fuse	(1) 3 AMP.
	3387319M1	3	Fuse	(1) 7.5 AMP.
	1695939M1	3	Fuse	(1) 10 AMP.
	1695966M1	7	Fuse	(1) 15 AMP.
	3387322M1	3	Fuse	(1) 25 AMP.
	3712661M1	4	Fuse	(1) 30 AMP.
	3780003M1	1	Fuse	(1) 20 AMP.
3	3783014M1	1	Diode	(1)
4	3777531M1	2	Diode	(1)
5	3779377M1	2	Diode	(1)
6	339160X1	4	Screw	M5X10
7	3387325M1	4	Support	
8	3010477X1	4	Nut Metric	M5
9	3389401M1	1	Fastener	
10	3760697M1	X	Tie	
11	3618680M1	1	Fastener	
12	3581424M1	2	Clamp	

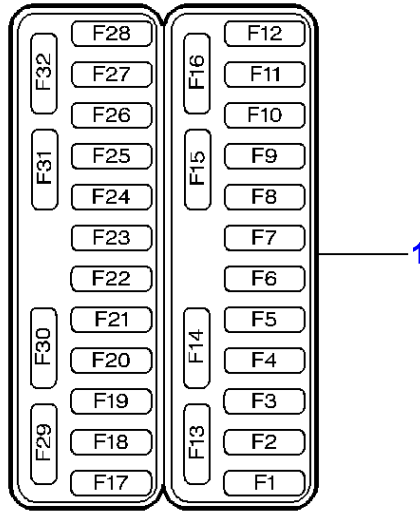
MF 8250 TRACTOR - 1637366
1-ZW19-016-C



Item	Part Number	Qty	Description	Comments
1	3784709M94	1	Harness	Up to Serial or Engine Number L270016
	4271171M92	1	Harness	From Serial or Engine Number L270017
2	3580868M1	1	Fuse	(1) 3 AMP
	3387318M1	1	Fuse	(1) 5 AMP
	3387319M1	5	Fuse	(1) 7,5 AMP
	1695939M1	7	Fuse	(1) 10 AMP
	1695966M1	8	Fuse	(1) 15 AMP
	3780003M1	1	Fuse	(1) 20 AMP
	3387322M1	2	Fuse	(1) 25 AMP
	3712661M1	6	Fuse	(1) 30 AMP
3	3777531M1	4	Diode	(1) 2X6 AMP
4	3783014M1	1	Diode	(1)
5	3779377M1	2	Diode	(1) 6 AMP
6	3389401M1	1	Fastener	(1)
7	3760697M1	1	Tie	
8	3581507M1	1	Clamp	Diameter 18MM
9	390972X1	1	Washer Metric	
10	339123X1	1	Hex. Sock. Screw	M8X20
11	3581424M1	2	Clamp	Diameter 30MM
12	3580695M1	1	Gasket	Length 140MM
13	3783857M1	1	Harness	
14	72500822	1	Terminal	
15	3784666M1	1	Helmet	

MF 8250 TRACTOR - 1637366
1-ZW41-002-B

1-ZW41-002-B



2

F1-30A	F2-7,5A	F3-10A	F4-5A	F5-30A
F6-10A	F7-5A	F8-7,5A	F9-10A	F10-25A
F11-15A	F12-30A	F13-25A	F14-15A	F15
F16 25A	F17 30A	F18 7,5A	F19 7,5A	F20 10A
F21 10A	F22 20A	F23 7,5A	F24 15A	F25 10A
F26-7,5A	F27-15A	F28-25A	F29-25A	F30-15A
F31-15A	F32-10A			

3

F1-30A	F2-7,5A	F3-10A	F4	F5-30A
F6-10A	F7-5A	F8-7,5A	F9-10A	F10-25A
F11-15A	F12-30A	F13-15A	F14-15A	F15
F16 25A	F17 30A	F18 7,5A	F19 7,5A	F20 10A
F21 10A	F22 3A	F23 7,5A	F24 15A	F25 10A
F26-7,5A	F27-15A	F28-25A	F29-30A	F30-15A
F31-15A	F32-10A			

Massey Ferguson

MF 8250 TRACTOR - 1637366

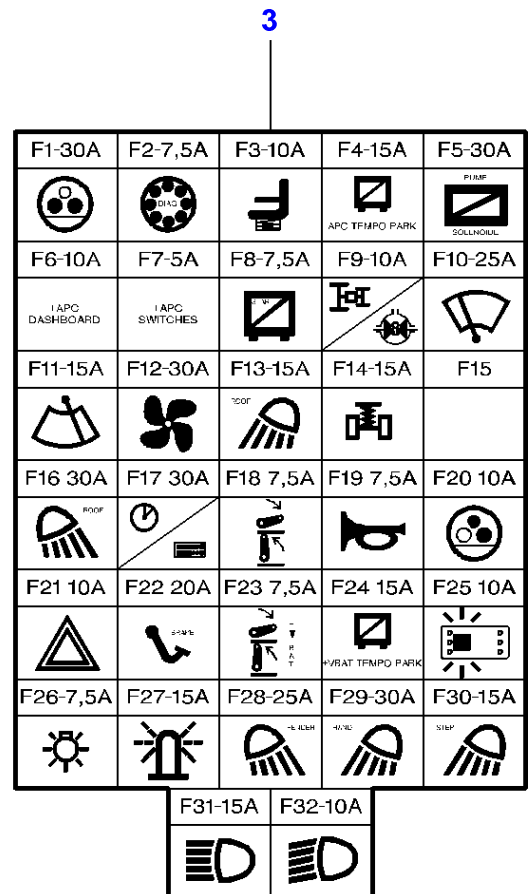
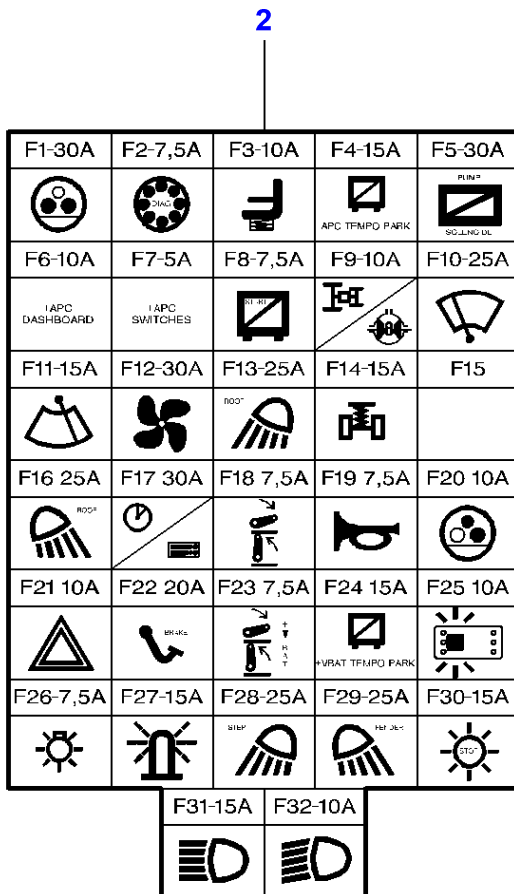
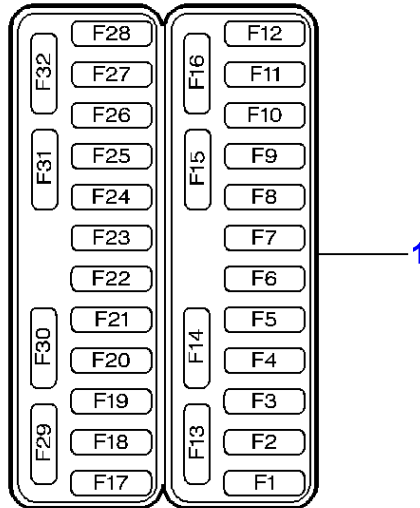
1637366

INSTRUMENT PANEL HARNESS - DECALS - With Dynashift - From 08-01-2001

Page080-0110

Item	Part Number	Qty	Description	Comments
1	3785764M1	1	Decal	
2	3785765M2	1	Decal	Not for USA
3	3785917M2	1	Decal	For United States of America

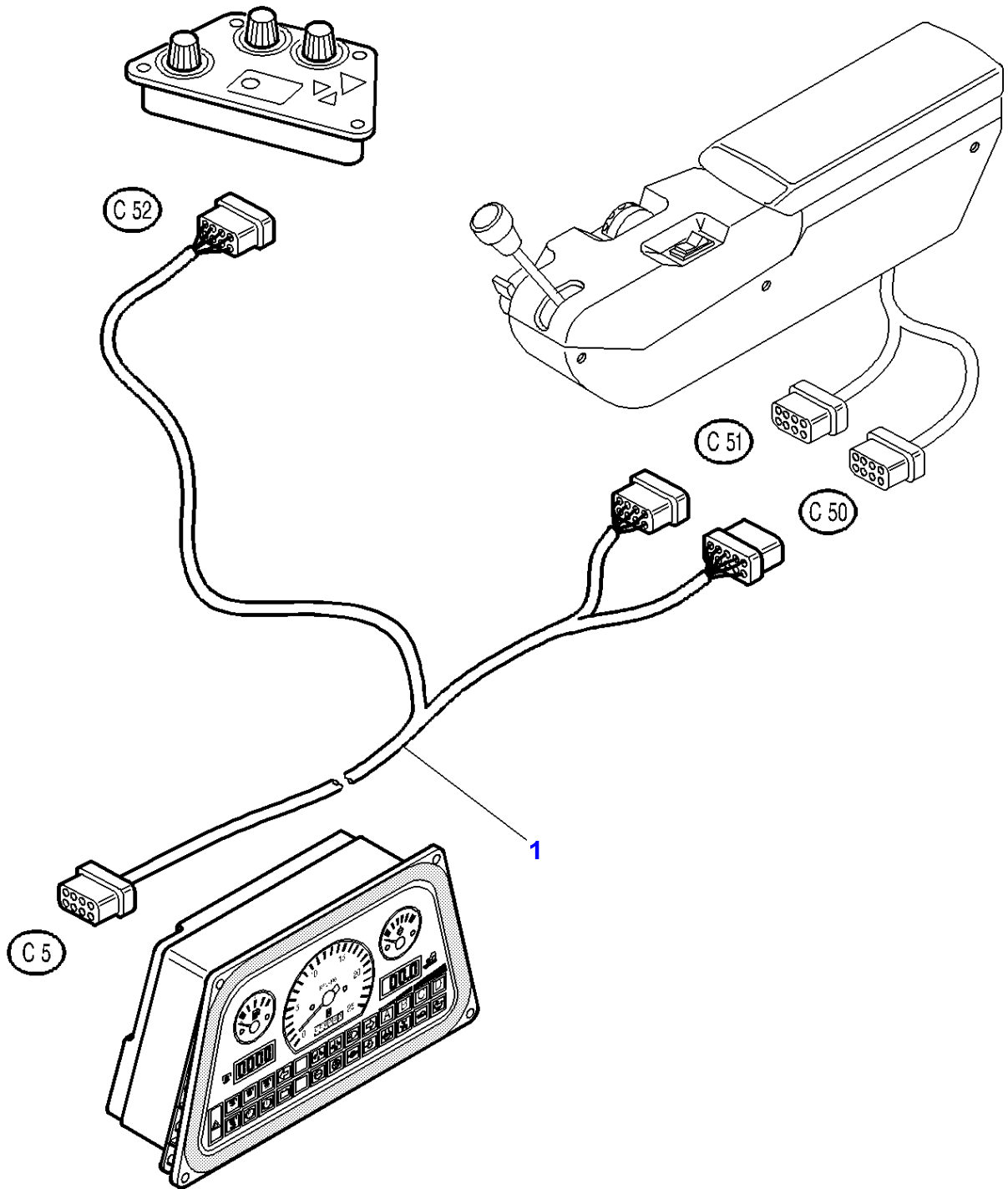
1-ZW41-003-B



Massey Ferguson**MF 8250 TRACTOR - 1637366****1637366****INSTRUMENT PANEL HARNESS - DECALS - With Full Powershift - From 08-01-2001****Page080-0115**

Item	Part Number	Qty	Description	Comments
1	3785764M1	1	Decal	
2	3785918M2	1	Decal	Not for USA
3	3785919M2	1	Decal	For United States of America

1-ZW18-001-A



Massey Ferguson

MF 8250 TRACTOR - 1637366

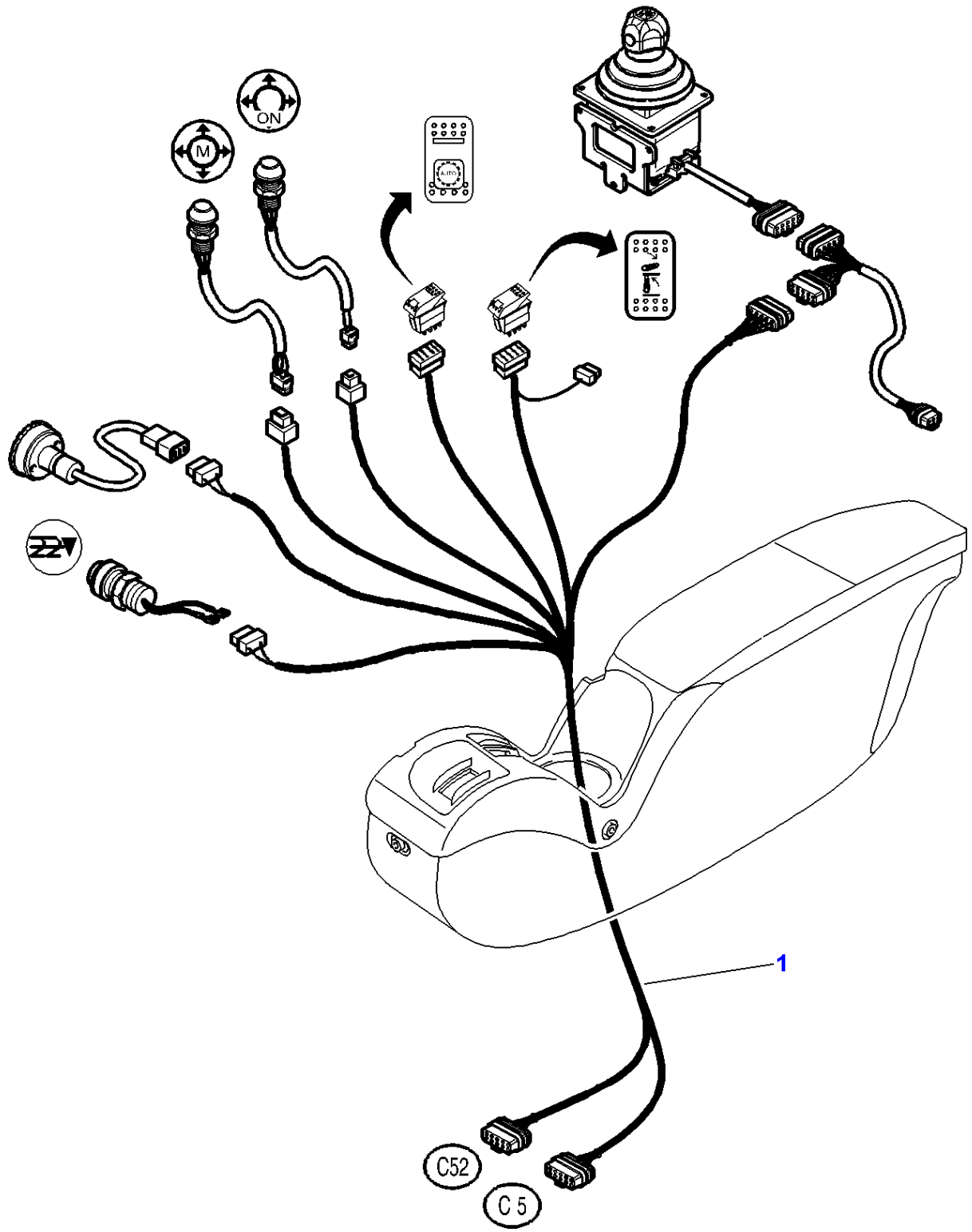
1637366

INSTRUMENT PANEL HARNESS - ARMREST - Up to Serial or Engine Number 07-01-2001

Page080-0120

Item	Part Number	Qty	Description
1	3778514M1	1	Harness

1-ZW18-002-B



Massey Ferguson

MF 8250 TRACTOR - 1637366

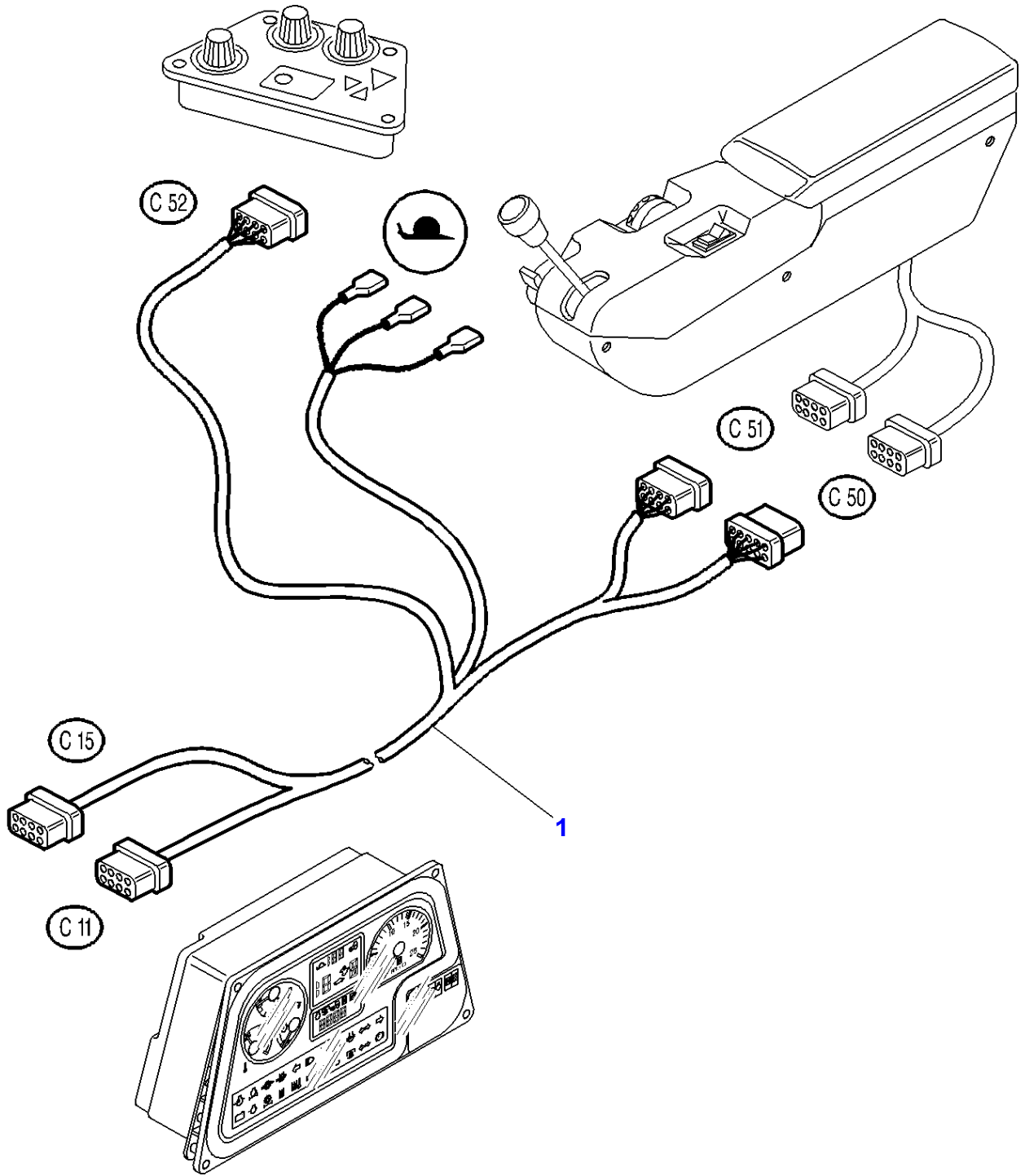
1637366

INSTRUMENT PANEL HARNESS - ARMREST - With Dynashift - From 08-01-2001

Page080-0125

Item	Part Number	Qty	Description	Comments
1	3783779M1	1	Harness	Up to Serial or Engine Number L347041
	4271666M1	1	Harness	From Serial or Engine Number L347042

1-ZW24-001-A



Massey Ferguson

MF 8250 TRACTOR - 1637366

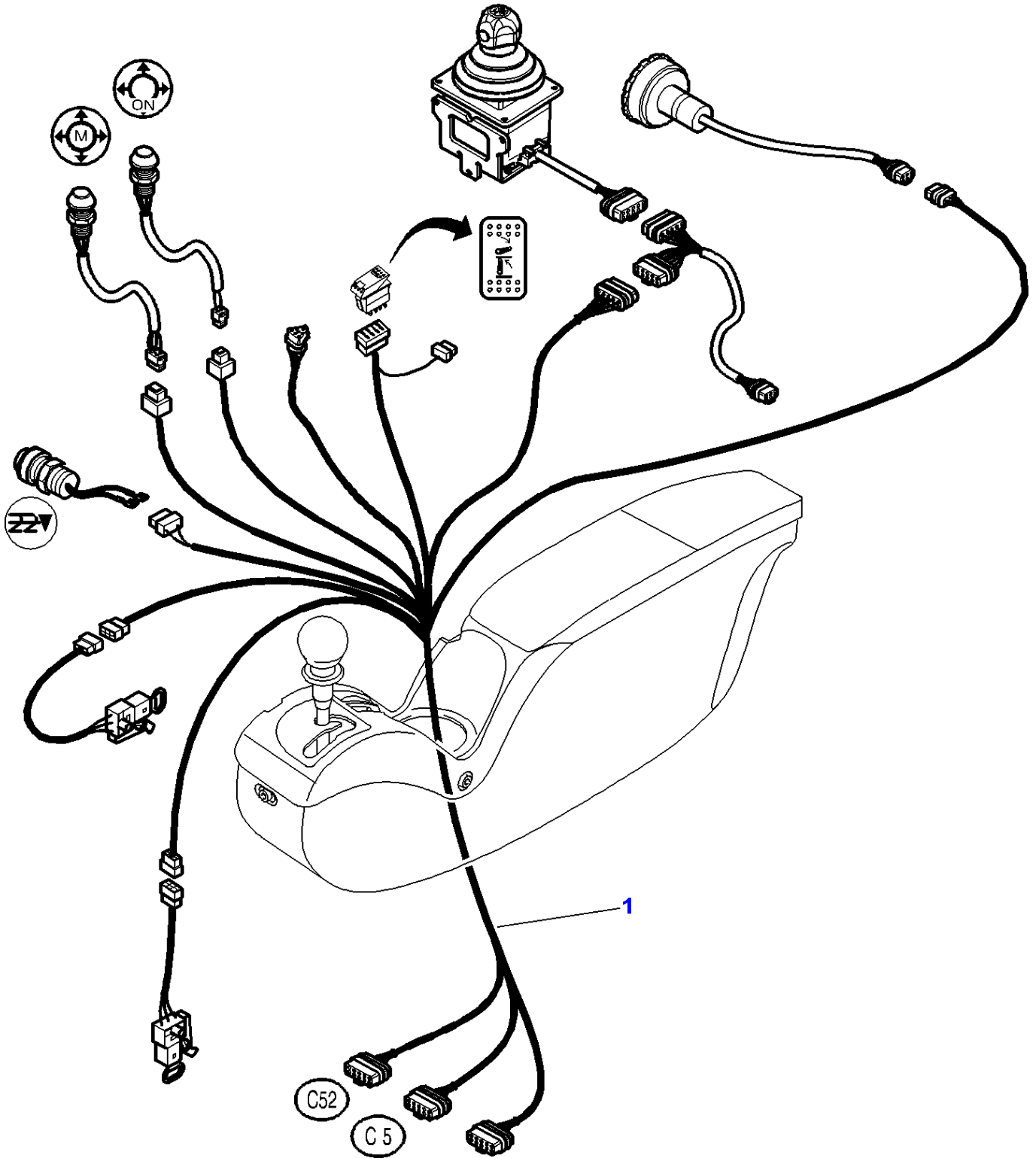
1637366

FULL POWERSHIFT CONTROL HARNESS - ARMREST - Up to Serial or Engine Number 07-01-2001

Page080-0130

Item	Part Number	Description
1	3777521M1	Harness

1-ZW24-002-B



Massey Ferguson

MF 8250 TRACTOR - 1637366

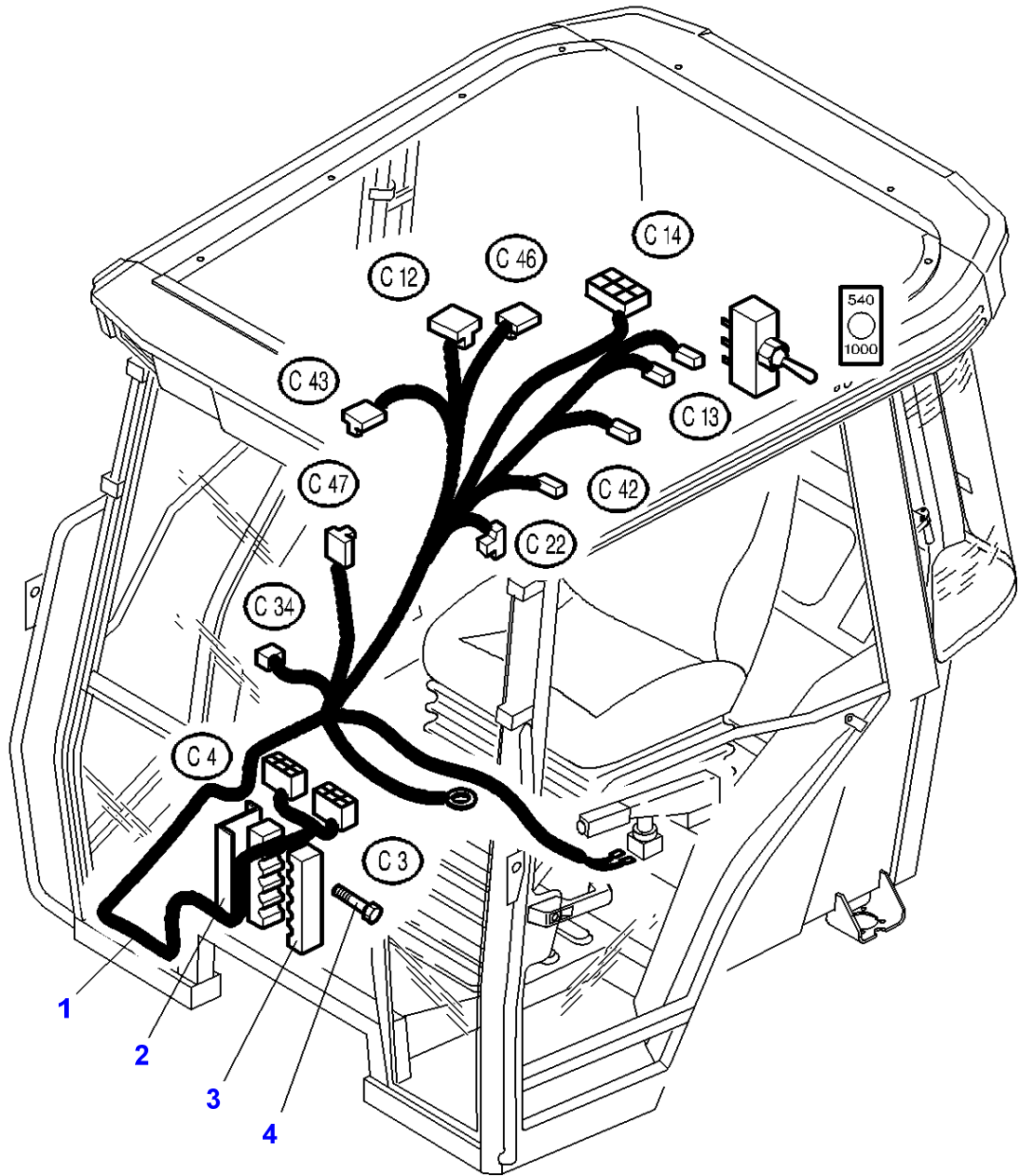
1637366

FULL POWERSHIFT CONTROL HARNESS - ARMREST - From Serial or Engine Number 08-01-2001

Page080-0135

Item	Part Number	Qty	Description	Comments
1	3784426M1	1	Harness	Up to Serial or Engine Number L347041
	4271666M1	1	Harness	From Serial or Engine Number L347042

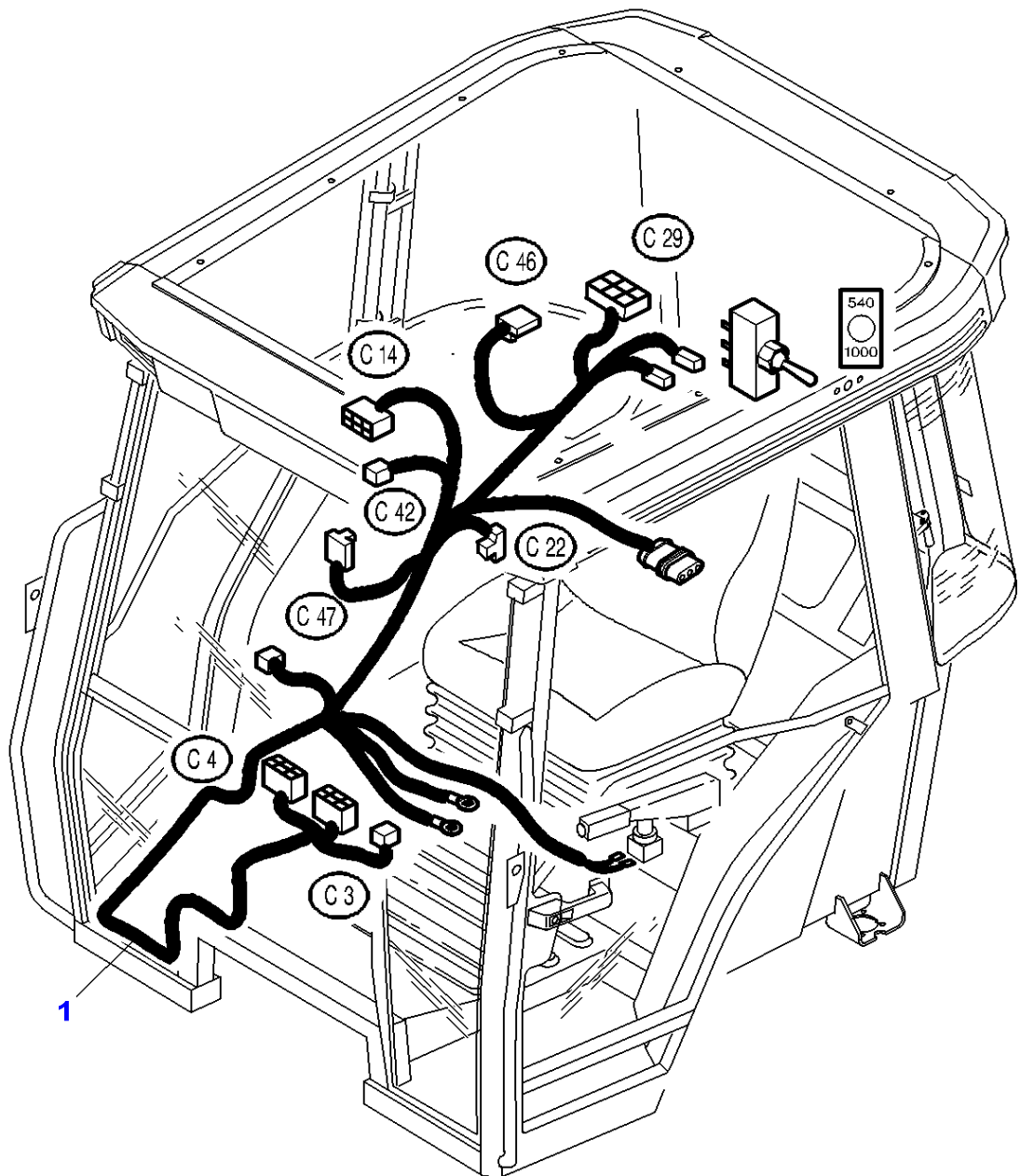
1-ZW23-003-B



Massey Ferguson**MF 8250 TRACTOR - 1637366****1637366****Harness Console - With Dynashift - Up To 07-01-2001****Page080-0140**

Item	Part Number	Qty	Description	Comments
1	3782541M3	1	Harness	
2	3583308M92	1	Bridle	
3	3713556M3	2	Bridle	
4	391074X1	1	Hex. Sock. Screw	M6 X 12
	391884X1	1	Bolt Metric	M6 X 50

1-ZW23-005-A



Massey Ferguson

MF 8250 TRACTOR - 1637366

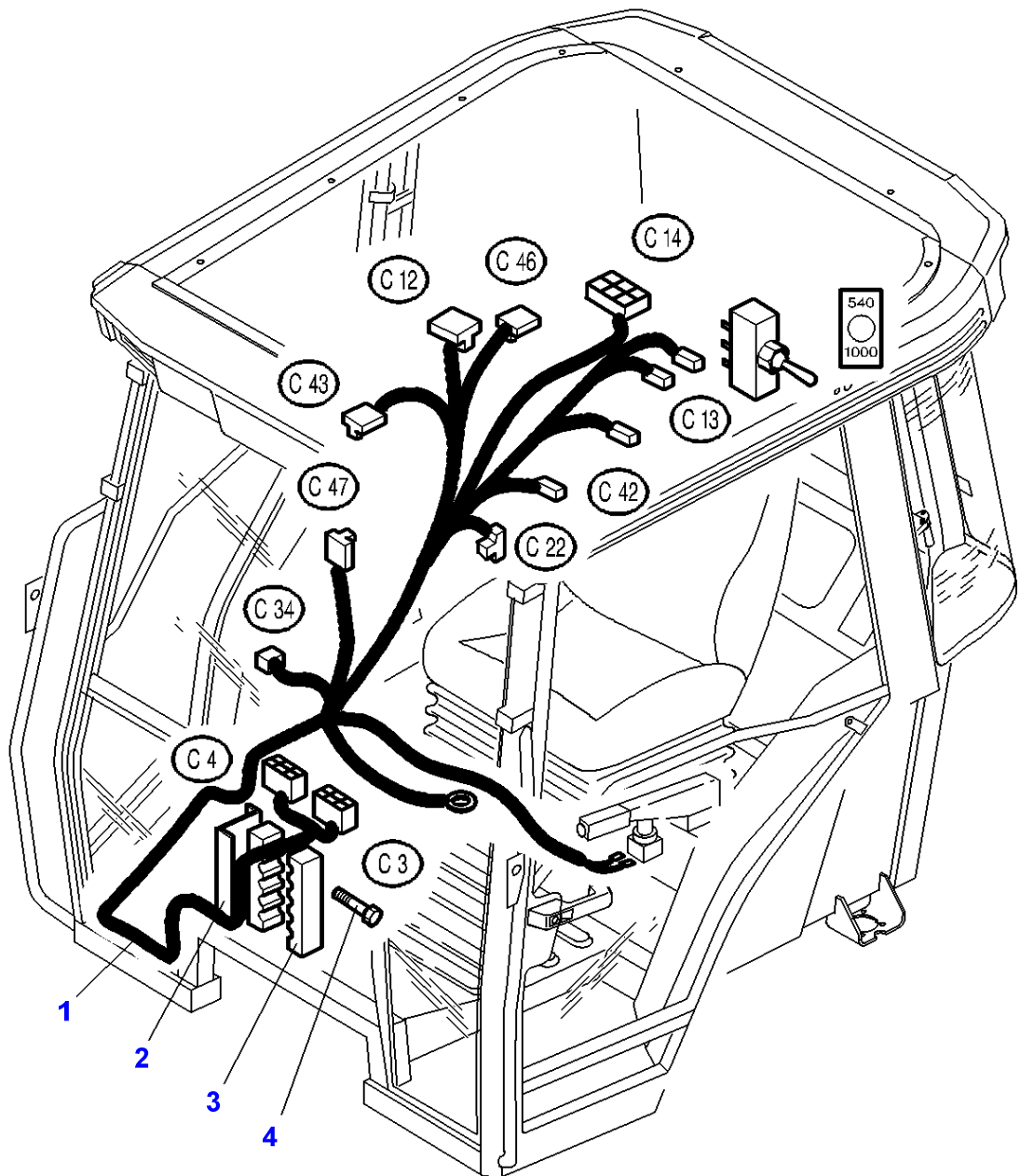
1637366

Harness Console - With Dynashift - From 08-01-2001

Page080-0145

Item	Part Number	Qty	Description
1	3783770M1	1	Harness

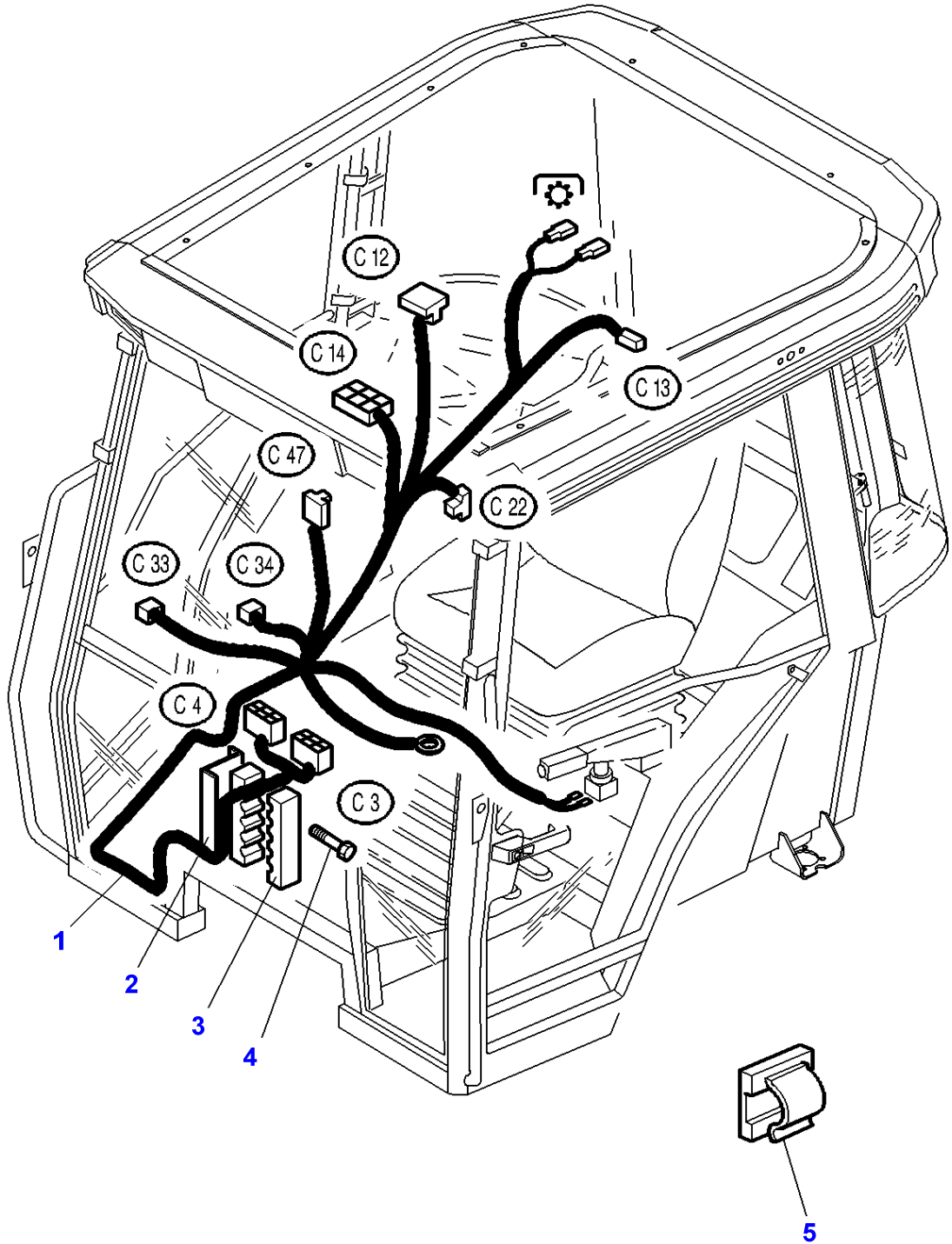
1-ZW23-001-A



Massey Ferguson**MF 8250 TRACTOR - 1637366****1637366****Harness Console - With High Visibility Roof-Dyna-Way Lights Fitted O n The Cab Roof Up To 07-JAN-2001****Page080-0150**

Item	Part Number	Qty	Description	Comments
1	3778515M1	1	Harness	
2	3583308M92	1	Bridle	
3	3713556M3	2	Bridle	
4	391074X1	1	Hex. Sock. Screw	M6 X 12
	391884X1	1	Bolt Metric	M6 X 50

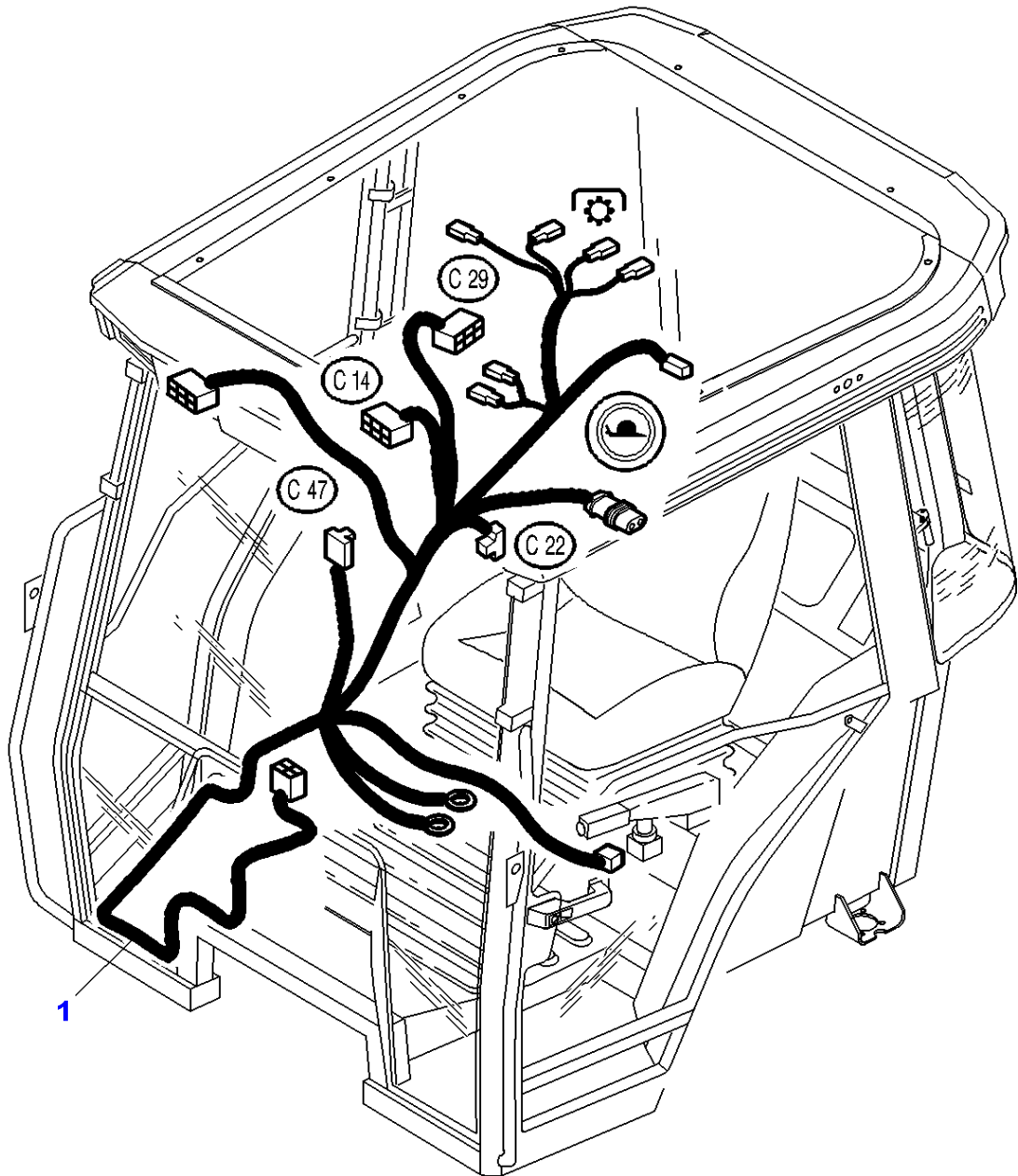
1-ZW23-004-A



Massey Ferguson**MF 8250 TRACTOR - 1637366****1637366****Harness Console - With Full Powershift - Up To 07-01-2001****Page080-0155**

Item	Part Number	Qty	Description	Comments
1	3777520M1	1	Harness	
2	3583308M92	1	Bridle	
3	3713556M3	2	Bridle	
4	391074X1	1	Hex. Sock. Screw	M6 X 12
	391884X1	1	Bolt Metric	M6 X 50
5	3760697M1	X	Tie	

1-ZW23-006-A



Massey Ferguson

MF 8250 TRACTOR - 1637366

1637366

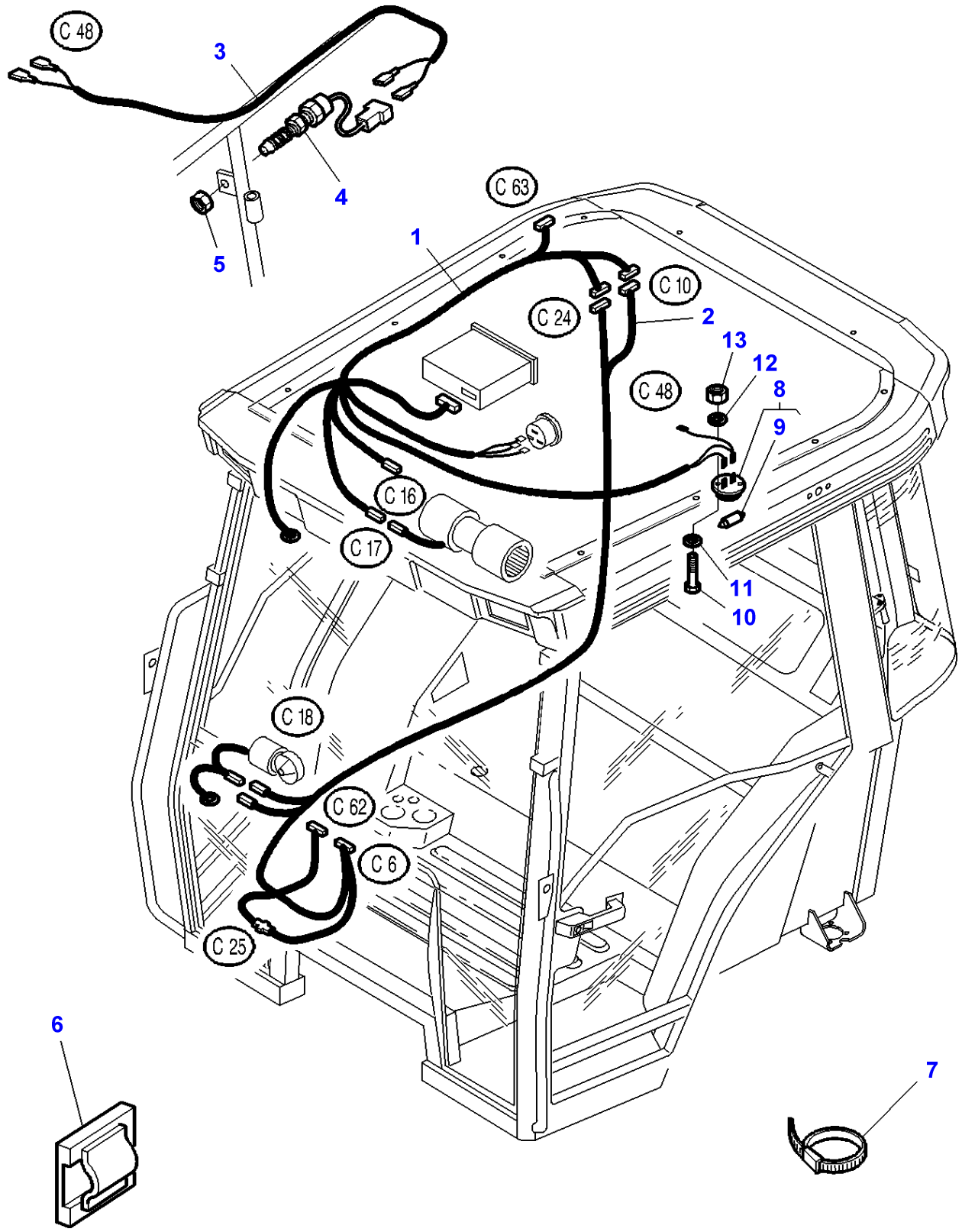
Harness Console - With Full Powershift - From 08-01-2001

Page080-0160

Item	Part Number	Qty	Description
1	3784581M1	1	Harness

MF 8250 TRACTOR - 1637366
1-ZW22-002-B

1-ZW22-002-B

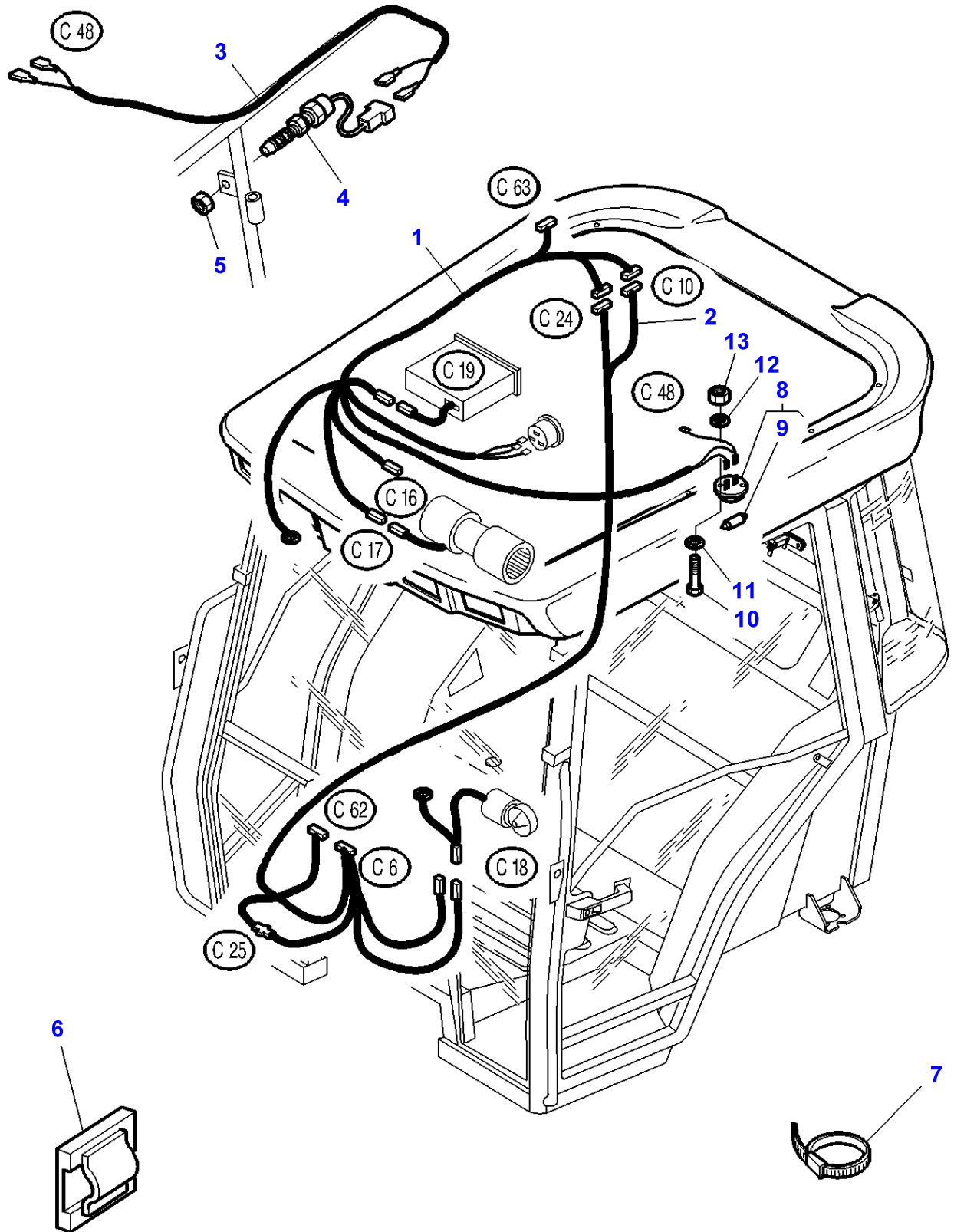


ROOF HARNESS

Item	Part Number	Qty	Description	Comments
1	3780373M1	1	Harness	
2	3780372M2	1	Harness	Up to Serial or Engine Number 07-JAN-2001
3	3714845M1	1	Harness	
4	3780395M2	1	Switch,Indirect	
5	390333X1	1	Nut Metric	M10
6	3760697M1	X	Tie	
7	3619622M1	X	Cable Tie	
8	3713129M1	1	Roof Light	
9	3385821M1	2	Bulb 12v 10w	(8)
10	3001162X1	2	Screw	M4X16
11	339102X1	2	Washer	Diameter 9MM
12	3001856X1	2	Washer Metric	Diameter 4-12MM
13	3019139X1	2	Nut	M4

MF 8250 TRACTOR - 1637366
1-ZW22-004-B

1-ZW22-004-B

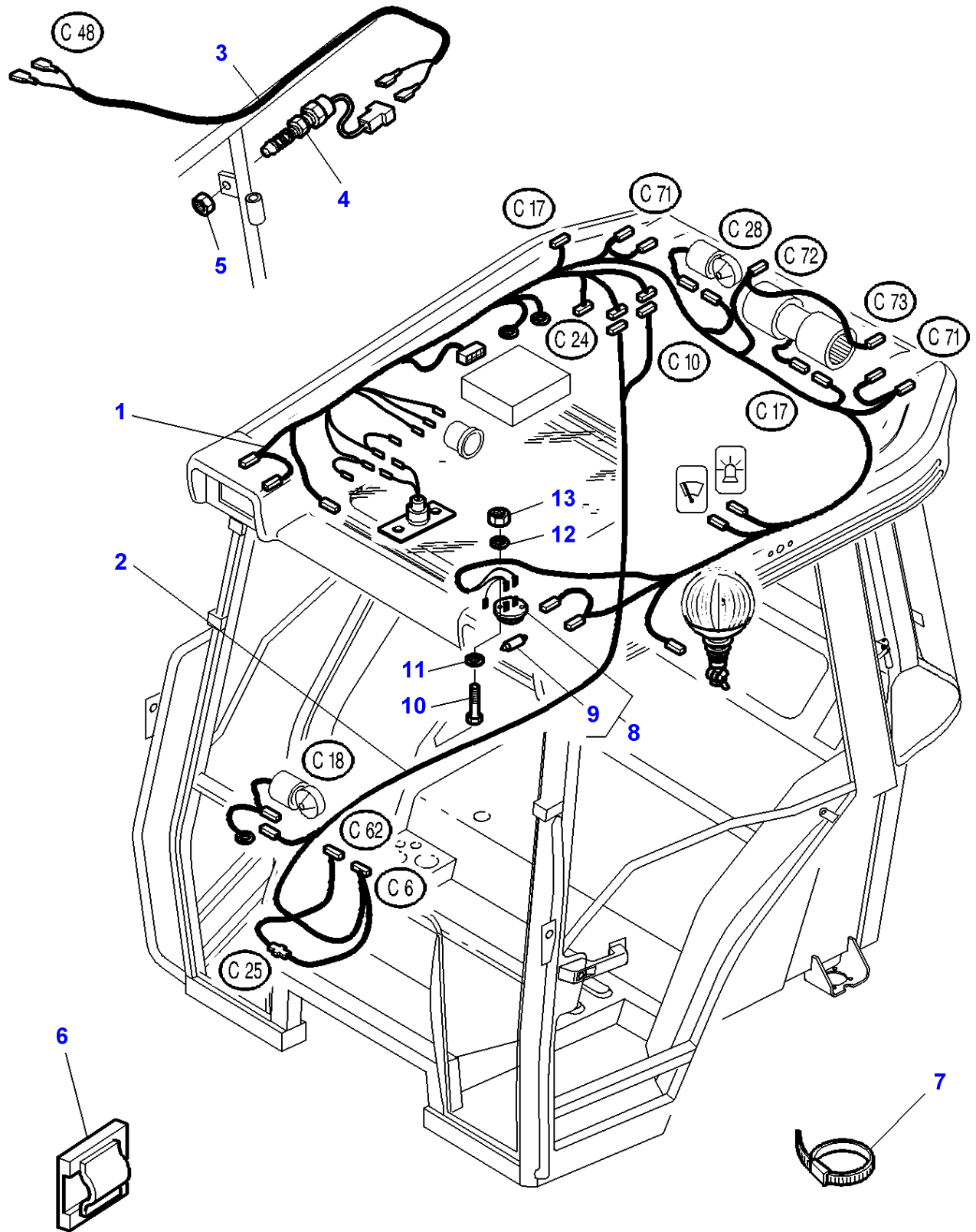


Massey Ferguson**MF 8250 TRACTOR - 1637366****1637366****ROOF HARNESS - United States Only****Page080-0170**

Item	Part Number	Qty	Description	Comments
1	3780457M1	1	Harness	
2	3780456M2	1	Harness	Up to Serial or Engine Number 07-JAN-2001
3	3714845M1	1	Harness	
4	3780395M2	1	Switch,Indirect	
5	390333X1	1	Nut Metric	M10
6	3760697M1	X	Tie	
7	3619622M1	X	Cable Tie	
8	3713129M1	1	Roof Light	
9	3385821M1	2	Bulb 12v 10w	(8)
10	3001162X1	2	Screw	M4X16
11	339102X1	2	Washer	Diameter 9MM
12	3001856X1	2	Washer Metric	Diameter 12MM
13	3019139X1	2	Nut	M4

MF 8250 TRACTOR - 1637366
1-ZW22-001-B

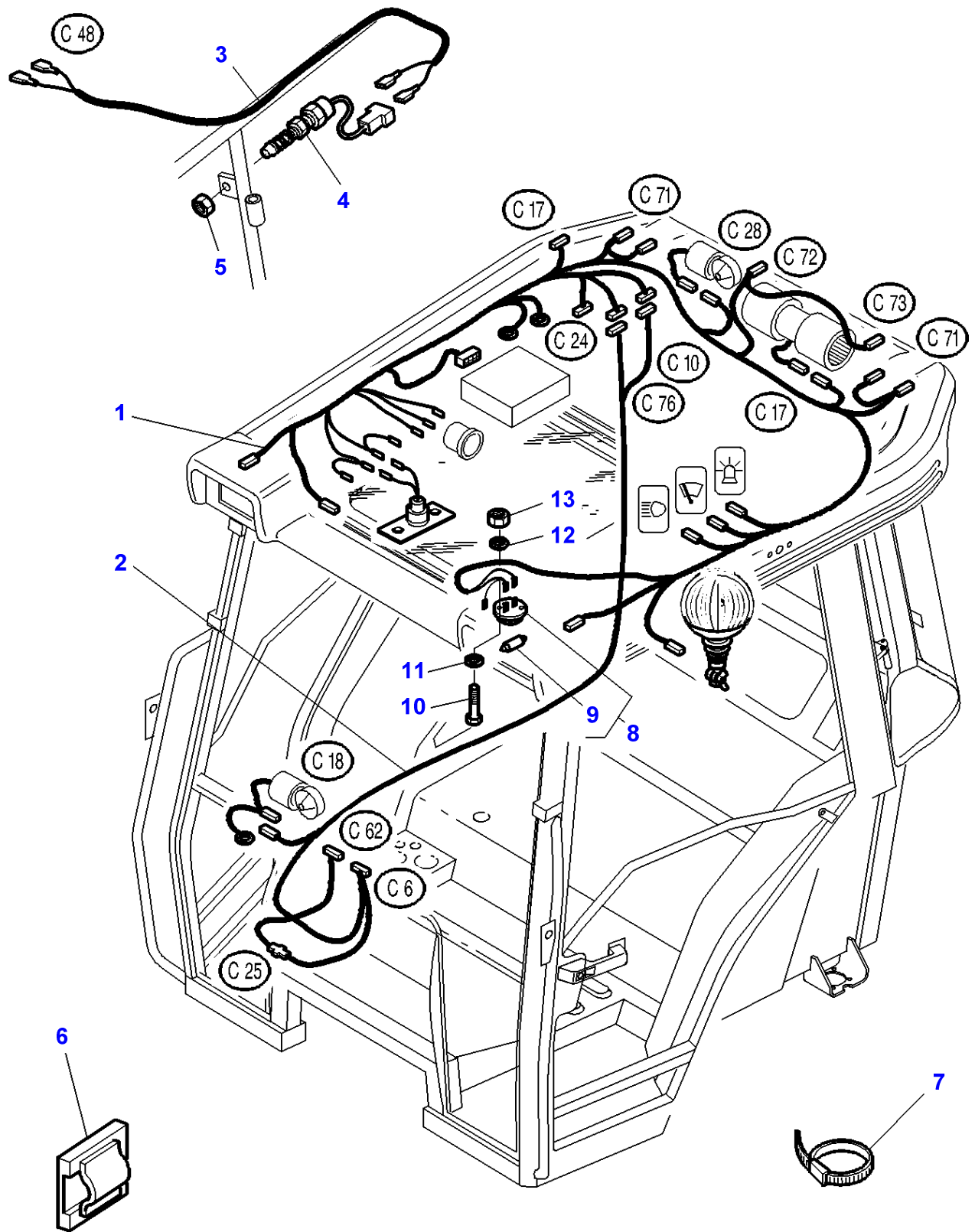
1-ZW22-001-B



Item	Part Number	Qty	Description	Comments
1	3779762M1	1	Harness	
2	3777696M3	1	Harness	Up to Serial or Engine Number 07-JAN-2001
3	3714845M1	1	Harness	
4	3780395M2	1	Switch,Indirect	
5	390333X1	1	Nut Metric	M10
6	3760697M1	X	Tie	
7	3619622M1	X	Cable Tie	
8	3713129M1	1	Roof Light	
9	3385821M1	2	Bulb 12v 10w	(8)
10	3001162X1	2	Screw	M4X16
11	339102X1	2	Washer	Diameter 9MM
12	3001856X1	2	Washer Metric	Diameter 12MM
13	3019139X1	2	Nut	M4

MF 8250 TRACTOR - 1637366
1-ZW22-003-B

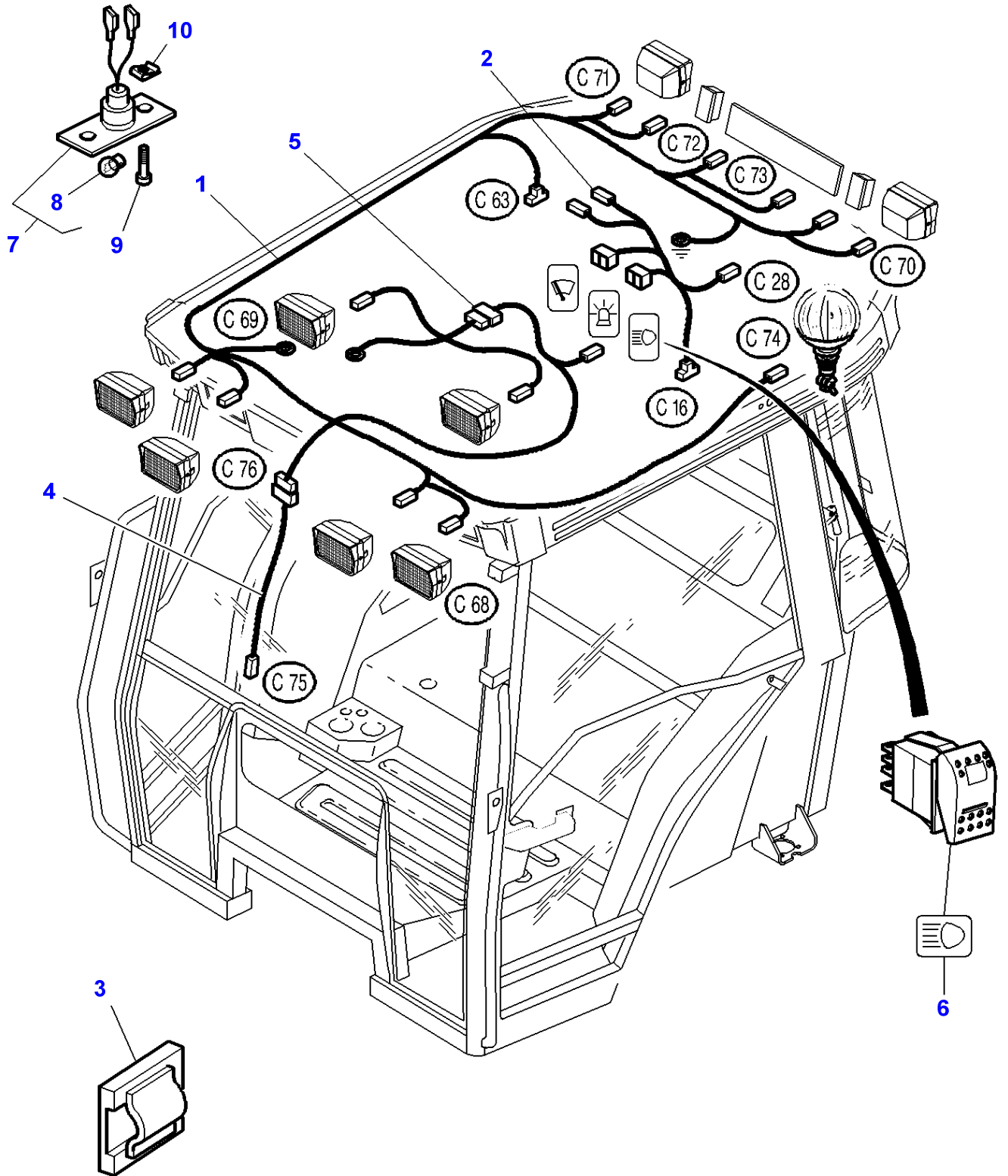
1-ZW22-003-B



Item	Part Number	Qty	Description	Comments
1	3780481M1	1	Harness	
2	3777696M3	1	Harness	Up to Serial or Engine Number 07-JAN-2001
3	3714845M1	1	Harness	
4	3780395M2	1	Switch,Indirect	
5	390333X1	1	Nut Metric	M10
6	3760697M1	X	Tie	
7	3619622M1	X	Cable Tie	
8	3713129M1	1	Roof Light	
9	3385821M1	2	Bulb 12v 10w	(8)
10	3001162X1	2	Screw	M4X16
11	339102X1	2	Washer	Diameter 9MM
12	3001856X1	2	Washer Metric	Diameter 12MM
13	3019139X1	2	Nut	M4

MF 8250 TRACTOR - 1637366
1-ZW21-001-A

1-ZW21-001-A



LIGHTING HARNESS - ROOF

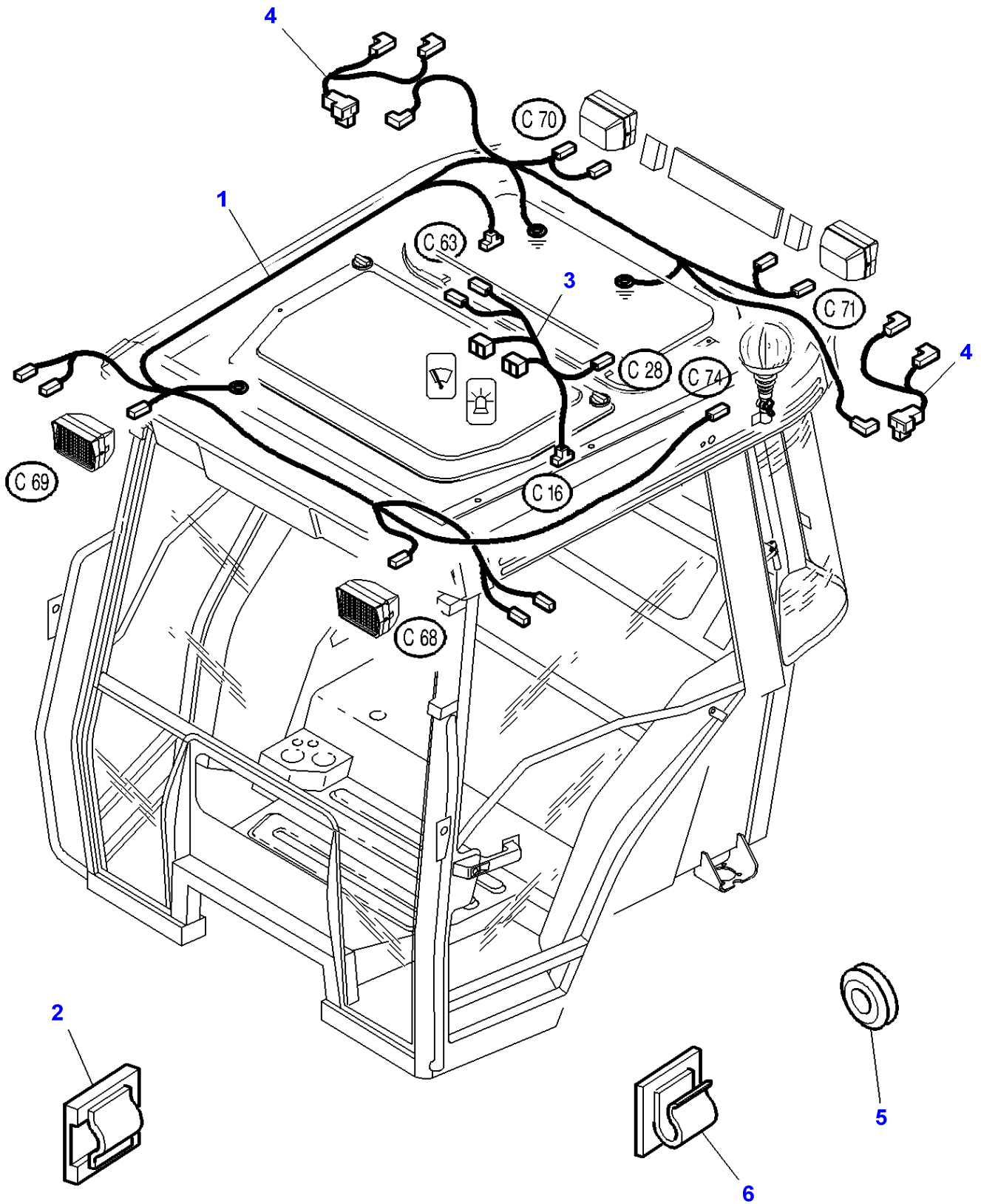
Item	Part Number	Qty	Description	Comments
1	3778212M1	1	Harness	
2	3780127M1	1	Harness	
3	3760697M1	X	Tie	Diameter 8MM
4	3713331M1	1	Harness	[A,B] Not for USA
5	3714887M92	1	Harness	[A]
6	3713145M1	1	Switch,Indirect	[A]
7	72502614	1	Roof Light	
8	71129920	1	Bulb	(7)
9	3009532X1	2	Screw	CBZ M4X16
10	3010819X1	2	Nut	M4

FOOTNOTE [A] WITH WAY LIGHTS FITTED ON THE CAB ROOF

FOOTNOTE [B] WITH FULL POWERSHIFT

MF 8250 TRACTOR - 1637366
1-ZW21-002-A

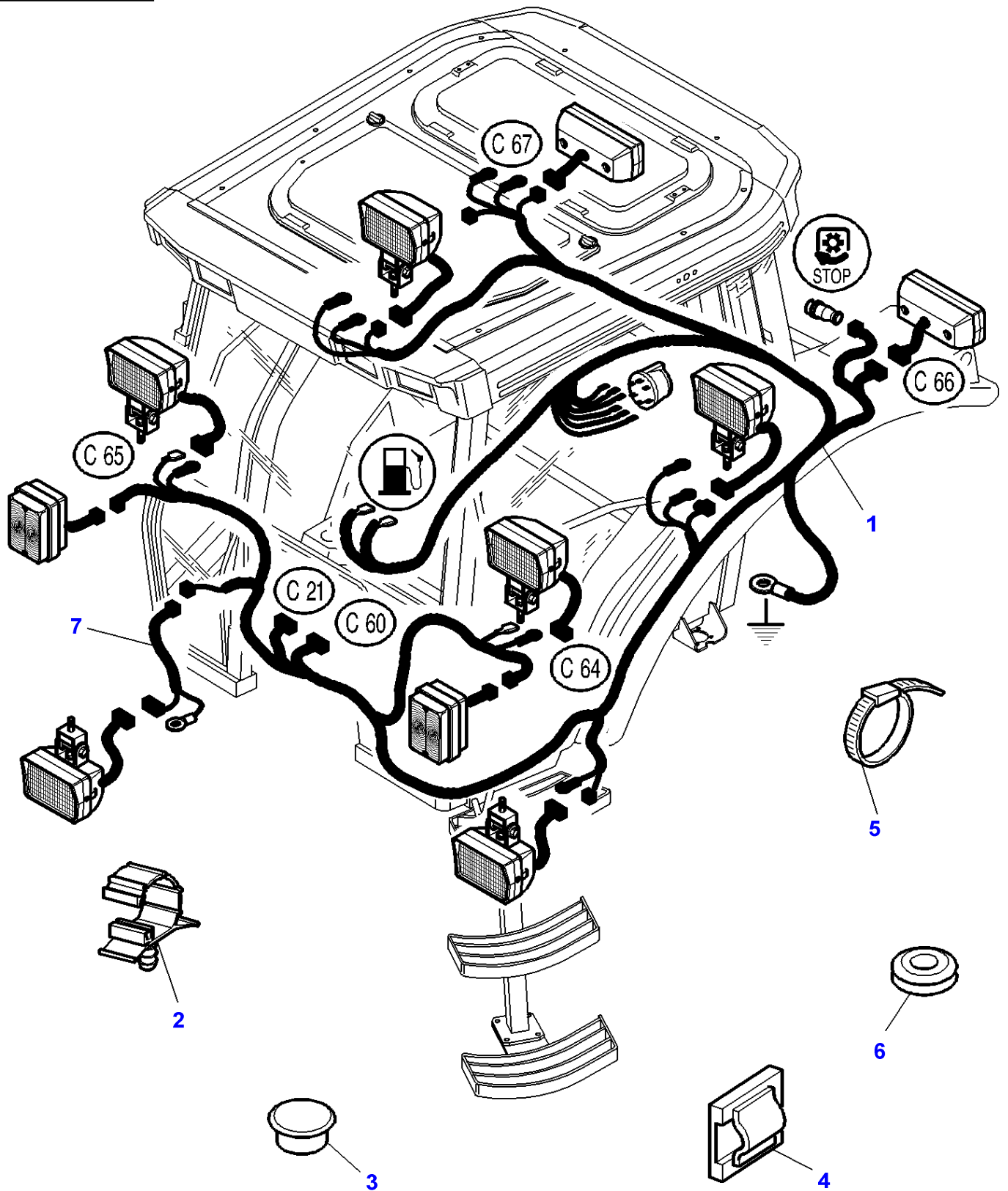
1-ZW21-002-A



Massey Ferguson**MF 8250 TRACTOR - 1637366****1637366****LIGHTING HARNESS - ROOF - For United States of America****Page080-0190**

Item	Part Number	Qty	Description
1	3778213M2	1	Harness
2	3760697M1	X	Tie
3	3780127M1	1	Harness
4	3779599M1	2	Harness
5	367439X1	1	Grommet
6	3583514M1	4	Strap

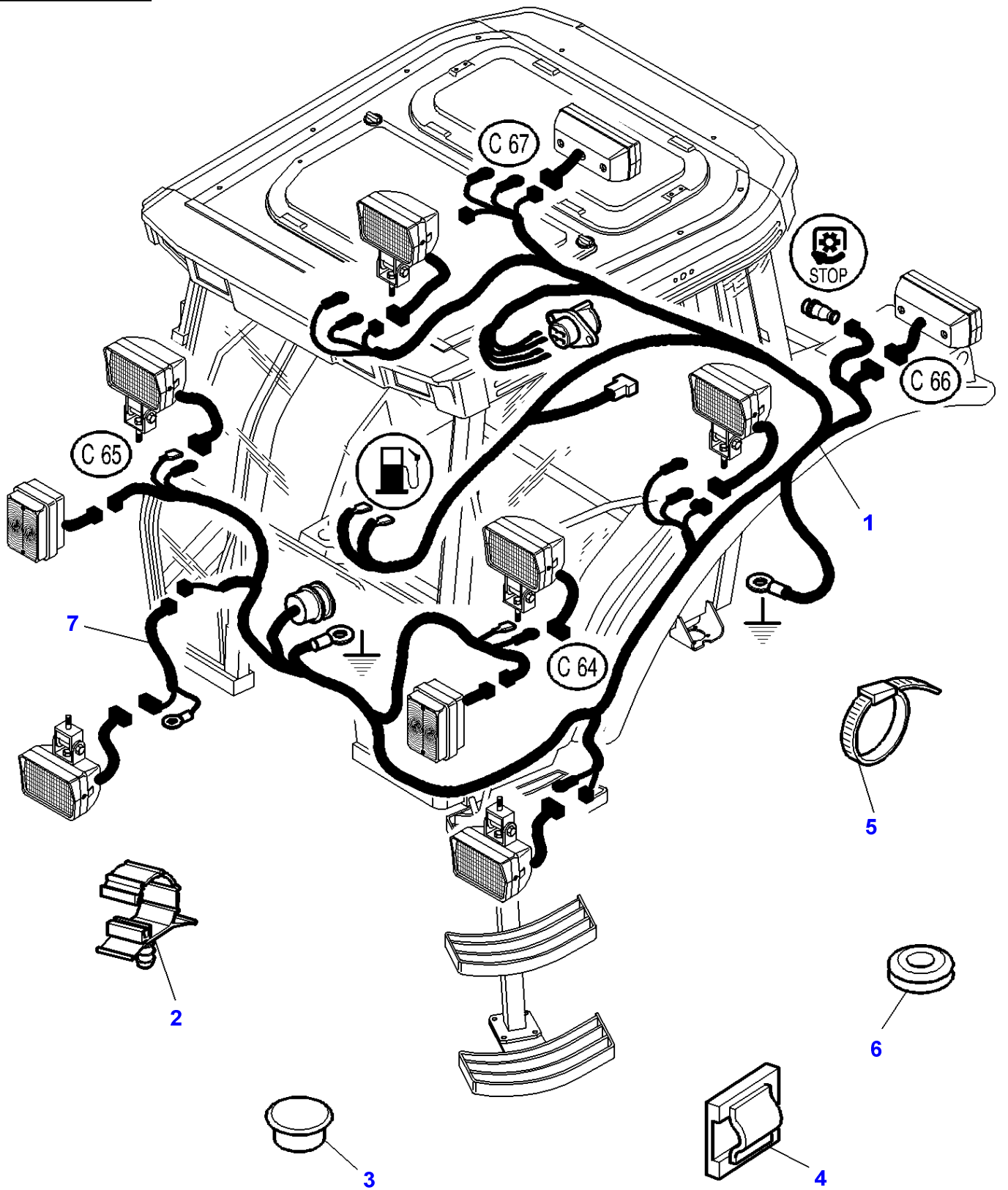
1-ZW28-002-B



Massey Ferguson**MF 8250 TRACTOR - 1637366****1637366****FIELD LIGHTS HARNESS - GUIDEWAY / FOOTSTEPS / FENDERS - Up To ...****Page080-0195**

Item	Part Number	Qty	Description	Comments
1	3779683M4	1	Harness	Not for USA
2	3715130M1	4	Clamp	Diameter 10 MM
	3715129M1	5	Clamp	Diameter 20MM
3	3580599M1	1	Plug	Diameter 22X3
4	3760697M1	2	Tie	
5	3619622M1	X	Cable Tie	
6	3010670X1	1	Grommet	
7	3783465M3	1	Harness	From Serial or Engine Number H250034 Length 1550MM

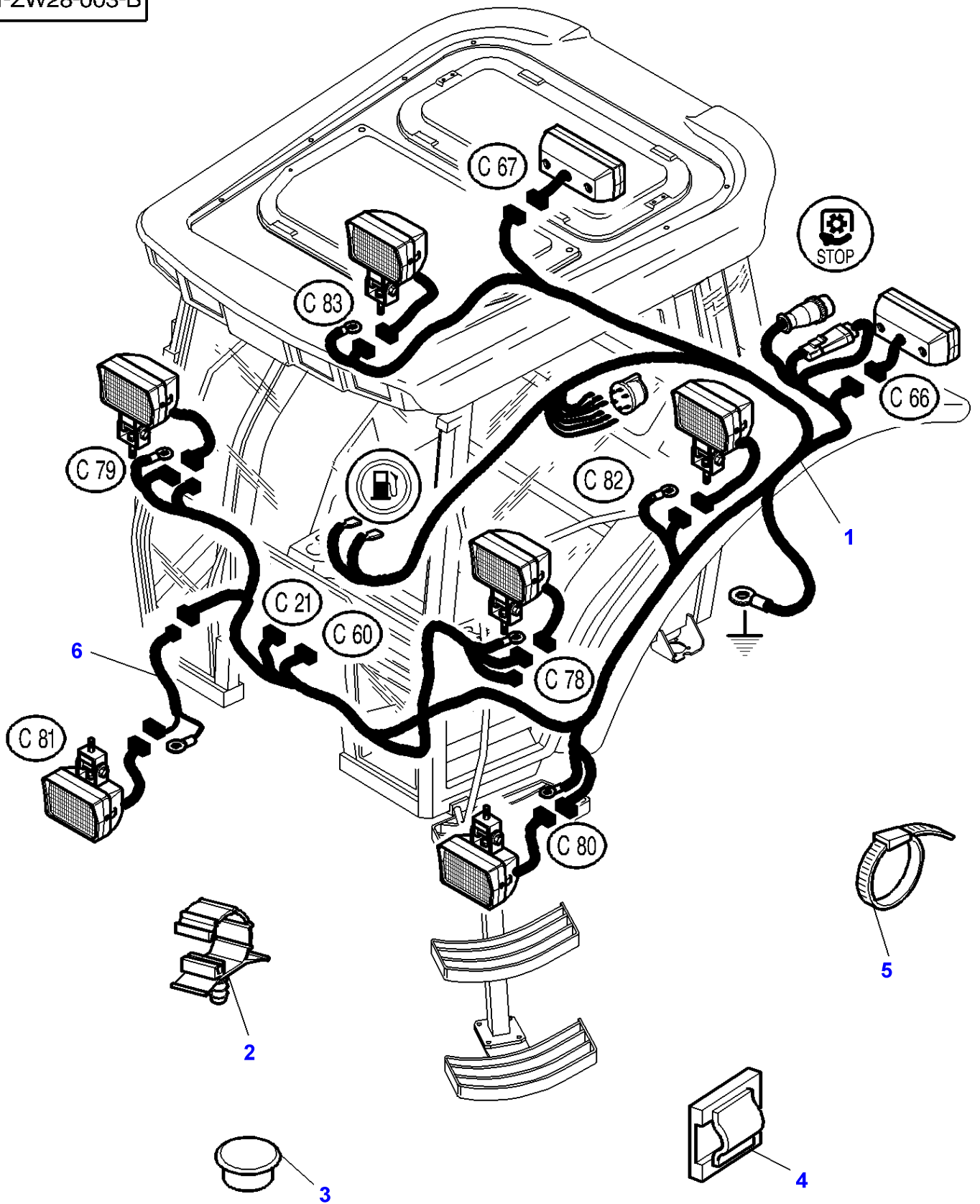
1-ZW28-005-B



Massey Ferguson**MF 8250 TRACTOR - 1637366****1637366****FIELD LIGHTS HARNESS - GUIDEWAY / FOOTSTEPS / FENDERS - From ...****Page080-0200**

Item	Part Number	Qty	Description	Comments
1	3783768M1	1	Harness	Not for USA
2	3715130M1	4	Clamp	Diameter 10 MM
	3715129M1	5	Clamp	Diameter 20MM
3	3580599M1	1	Plug	Diameter 22X3
4	3760697M1	2	Tie	
5	3619622M1	X	Cable Tie	
6	3010670X1	1	Grommet	
7	3783465M3	1	Harness	Length 1550MM

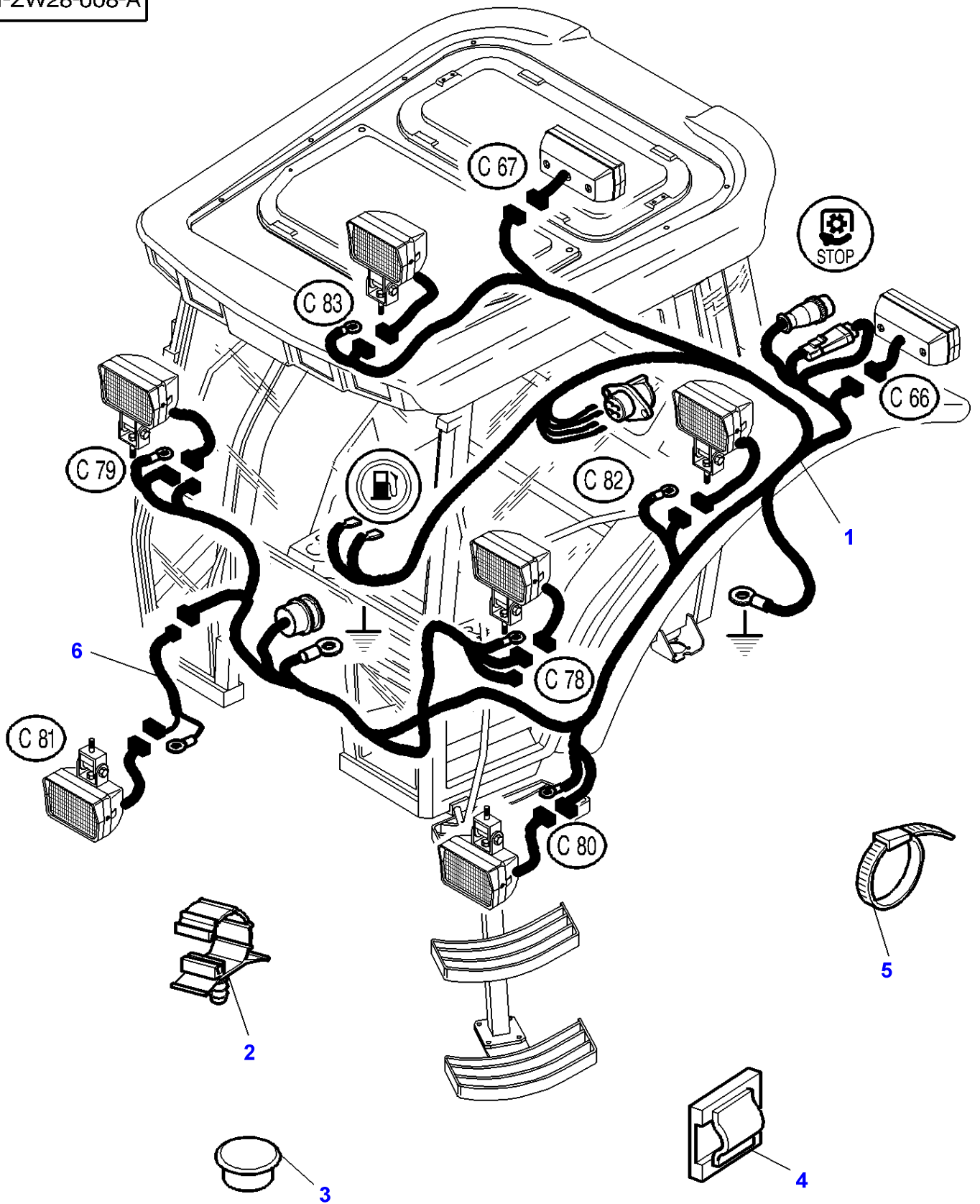
1-ZW28-003-B



Massey Ferguson**MF 8250 TRACTOR - 1637366****1637366****FIELD LIGHTS HARNESS - GUIDEWAY / FOOTSTEPS / FENDERS - Up To ...****Page080-0205**

Item	Part Number	Qty	Description	Comments
1	3777529M5	1	Harness	For United States of America
2	3715130M1	3	Clamp	Diameter 10 MM
	3715129M1	5	Clamp	Diameter 20MM
3	3580599M1	1	Plug	Diameter 22X3
4	3760697M1	2	Tie	
5	3619622M1	X	Cable Tie	
6	3783465M3	1	Harness	From Serial or Engine Number Length 1550MM

1-ZW28-008-A

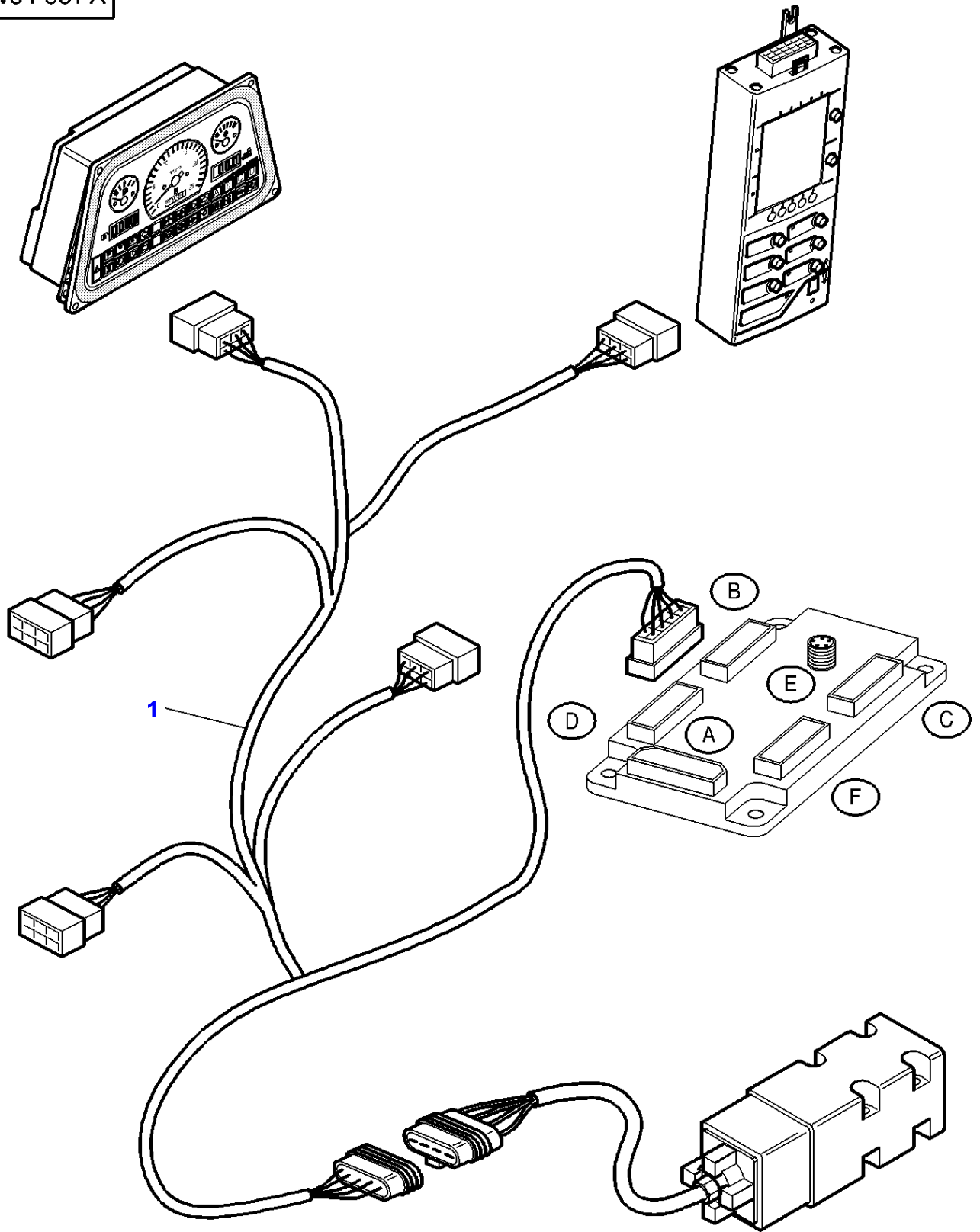


Massey Ferguson**MF 8250 TRACTOR - 1637366****1637366****FIELD LIGHTS HARNESS - GUIDEWAY / FOOTSTEPS / FENDERS - From ...****Page080-0210**

Item	Part Number	Qty	Description	Comments
1	3784699M1	1	Harness	For United States of America
2	3715130M1	3	Clamp	Diameter 10 MM
	3715129M1	5	Clamp	Diameter 20MM
3	3580599M1	1	Plug	Diameter 22X3
4	3760697M1	2	Tie	
5	3619622M1	X	Cable Tie	
6	3783465M3	1	Harness	Length 1550MM

Page Title	Page Number
Electrical Wiring - Without Electronic Lift	090-0005
Electronic Lift - Main Harness - Up to Serial or Engine Number - 07-01-2001	090-0010
Electronic Lift - Main Harness - With Power Shuttle - Up To 07-01-20001	090-0015
Electronic Lift - Main Harness - From Serial or Engine Number - 08-01-2001	090-0020
Electronic Lift - Main Harness - Dual Control - Up To H277037	090-0025
Electronic Lift - Main Harness - Dual Control - From H277038 - Up To 07-01-2001	090-0030
Electronic Lift - Main Harness - Dual Control - From 08-01-2001	090-0035
Electronic Lift - Console	090-0040
Electronic Equipment - Sensors	090-0045
Aboard Computer	090-0050
Aboard Computer - Transfers	090-0055
Aboard Computer - Wiring	090-0060
Radar - Dynashift	090-0065
Radar - With Full Powershift	090-0070
Fieldstar	090-0075
Control Box - Cab - Dynashift	090-0080
Control Box - Cab - With Power Shuttle	090-0085
Control Box - Cab - With Full Powershift	090-0090
Electrovanes Harness / ETCU Harness-Instrument Panel - Cab - Dynashift	090-0095
Electrovanes Harness / ETCU Harness-Instrument Panel - Cab - With Power Shuttle - Load Sensing	090-0100
Electrovanes Harness / ETCU Harness-Instrument Panel - Cab - With Power Shuttle - Up To 07-01-20001	090-0105
Electrovanes Harness / ETCU Harness-Instrument Panel - Cab - With Power Shuttle - From 08-01-2001	090-0110
DYNASHIFT HARNESS - Cab	090-0115
CONTROL BOX HARNESS / CONSOLE - Cab - Dynashift	090-0120
Sensors Harness - Cab - Dynashift	090-0125
Full Powershift - TRANSMISSION MAIN HARNESS	090-0130
Full Powershift - TRANSMISSION MAIN HARNESS - From Serial or Engine Number - ...	090-0135
Full Powershift - EMERGENCY HARNESS	090-0140
Temporised relay park-lock - Full Powershift - From Serial or Engine Number - H343026	090-0145

1-ZW04-001-A



Massey Ferguson

MF 8250 TRACTOR - 1637366

1637366

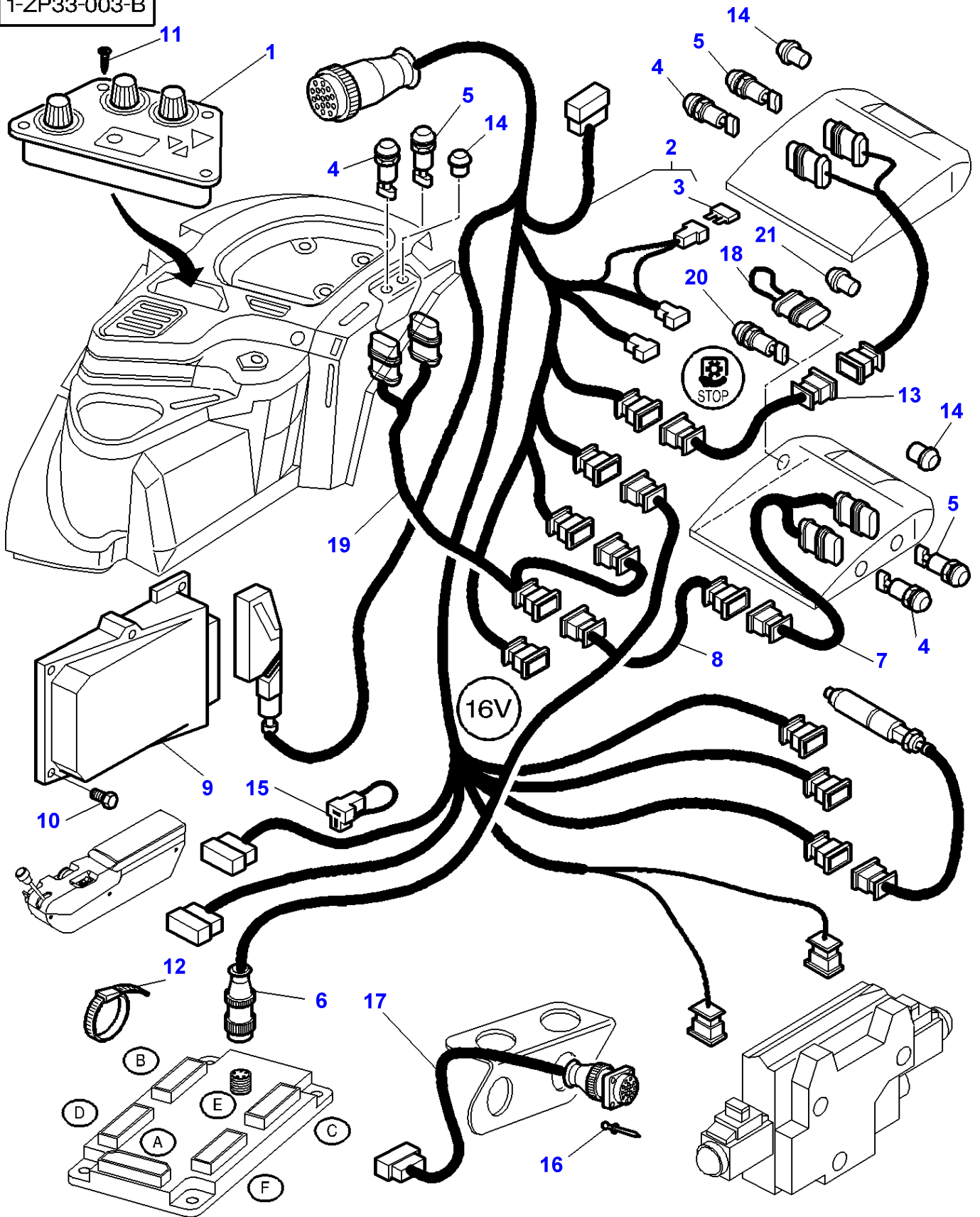
Electrical Wiring - Without Electronic Lift

Page090-0005

Item	Part Number	Qty	Description
1	3780090M3	1	Harness

MF 8250 TRACTOR - 1637366
1-ZP33-003-B

1-ZP33-003-B



Item	Part Number	Qty	Description	Comments
1	3778510M94	1	Electron Console	
2	3778505M92	1	Elect.Lift Cable	
3	3580868M1	1	Fuse	(2) 3 Amp
4	3714137M1	3	Switch,Indirect	[A]
5	3714138M1	3	Switch,Indirect	[B]
6	3778702M1	1	Harness	[C]
	3778707M1	1	Harness	[D]
7	3714135M1	2	Harness	
8	3712725M1	1	Harness	Left Hand Length 3500 MM
9	3778504M94	1	Calculator	[C]
	3779194M94	1	Calculator	[D]
10	3010506X1	2	Screw	M5 X 16
11	3010559X1	4	Screw	M4 X 12
12	3619622M1	20	Cable Tie	
13	3712726M1	1	Harness	Right Hand
14	3380422M1	X	Plug	
15	3715934M1	1	Harness	[C]
16	3011214X1	4	Rivet	
17	3778708M1	1	Harness	
18	3782172M1	1	Wire	
19	3712724M1	1	Harness	
20	3777568M2	1	Switch,Indirect	
21	3778808M1	1	Plug	

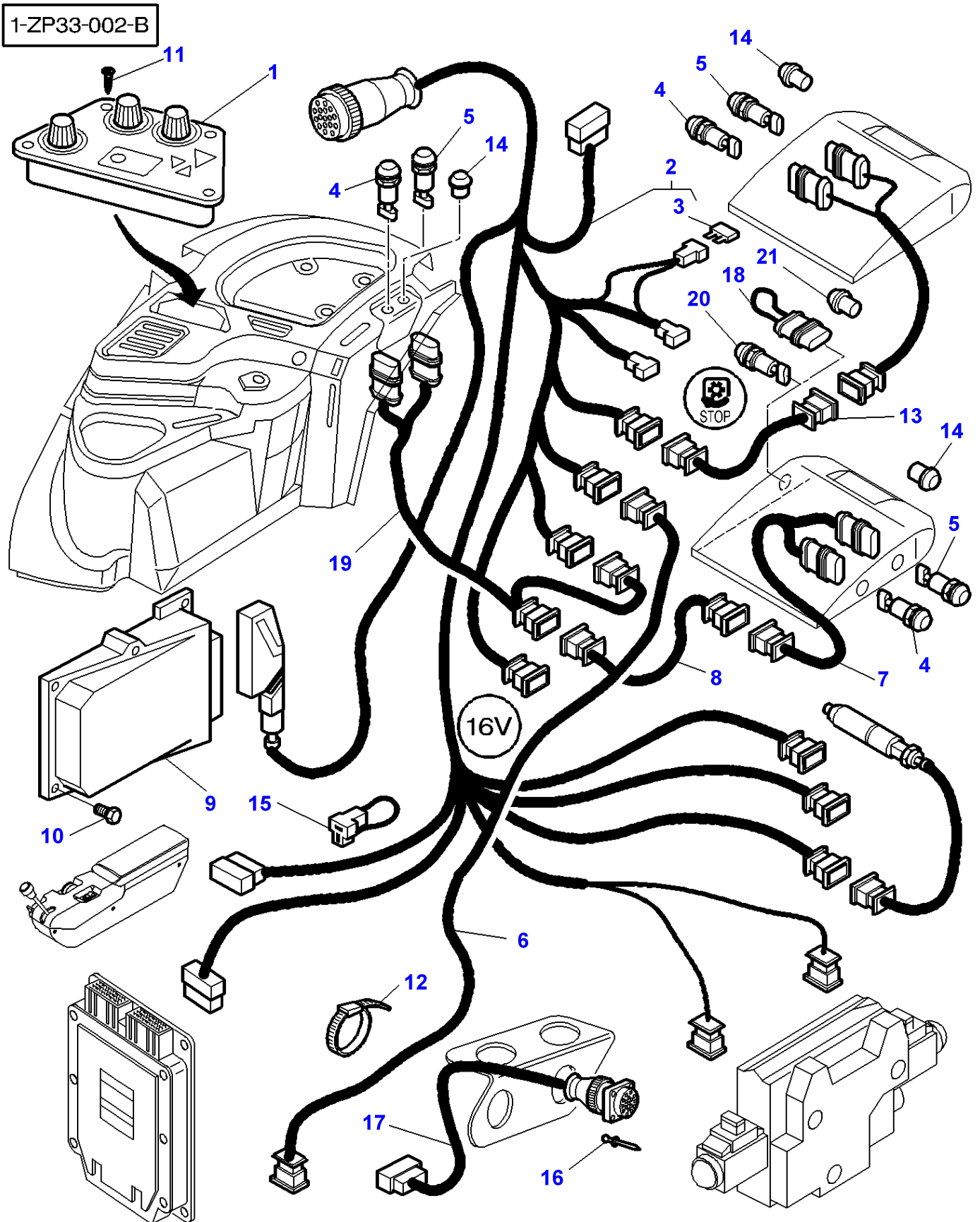
FOOTNOTE [A] UP

FOOTNOTE [B] DOWN

FOOTNOTE [C] WITH DYNASHIFT

FOOTNOTE [D] WITH FULL POWERSHIFT

MF 8250 TRACTOR - 1637366
1-ZP33-002-B



Massey Ferguson**MF 8250 TRACTOR - 1637366**

1637366

Electronic Lift - Main Harness - With Power Shuttle - Up To 07-01-20001

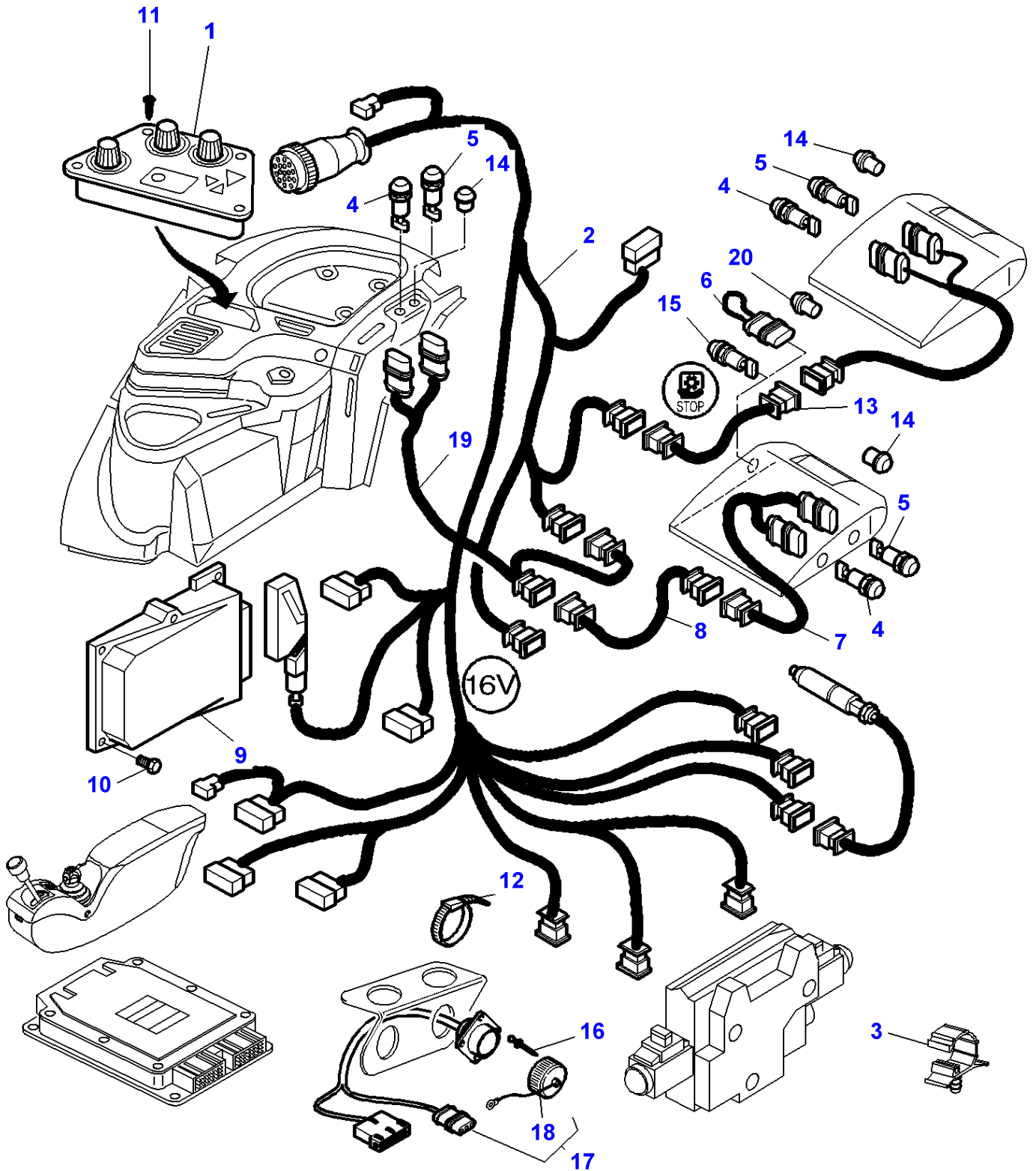
Page090-0015

Item	Part Number	Qty	Description	Comments
1	3778510M94	1	Electron Console	
2	3778505M92	1	Elect.Lift Cable	
3	3580868M1	1	Fuse	(2) 3 AMP
4	3714137M1	3	Switch,Indirect	[A]
5	3714138M1	3	Switch,Indirect	[B]
6	3778707M1	1	Harness	
7	3714135M1	2	Harness	
8	3712725M1	1	Harness	Left Hand Length 3500 MM
9	3782615M92	1	Calculator	
10	3010506X1	2	Screw	M5X16
11	3010559X1	4	Screw	M4X12
12	3619622M1	20	Cable Tie	
13	3712726M1	1	Harness	Right Hand
14	3380422M1	X	Plug	
15	3715934M1	1	Harness	
16	3011214X1	4	Rivet	
17	3778708M1	1	Harness	
18	3782172M1	1	Wire	For United States of America
19	3712724M1	1	Harness	
20	3777568M2	1	Switch,Indirect	Not for USA
21	3778808M1	1	Plug	

FOOTNOTE [A] UP

FOOTNOTE [B] DOWN

1-ZP33-008-D

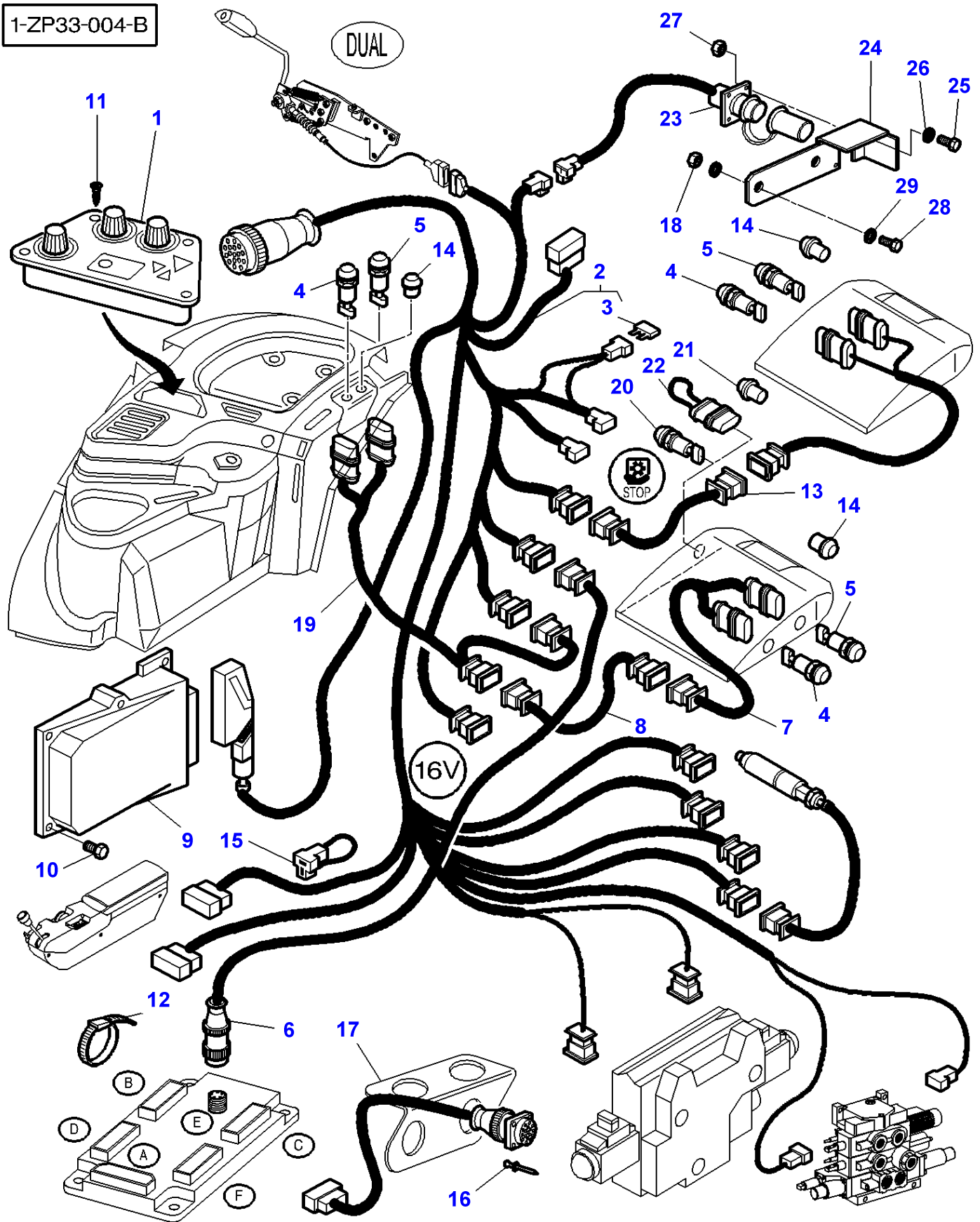


Item	Part Number	Qty	Description	Comments
1	3784084M91	1	Electron Console	
2	3783833M3	1	Elect.Lift Cable	
3	3715130M1	X	Clamp	Diameter 10 MM
	3715129M1	X	Clamp	Diameter 30 MM
4	3714137M1	X	Switch,Indirect	[A]
5	3714138M1	X	Switch,Indirect	[B]
6	3782172M1	1	Wire	
7	3714135M1	X	Harness	
8	3712725M1	X	Harness	Left Hand Length 3500 MM
9	3784319M97	1	Calculator	
10	3010506X1	2	Screw	M5 X 16
11	3010804X1	4	Screw	M4 X 16
12	3619622M1	X	Cable Tie	
13	3712726M1	X	Harness	Right Hand
14	3380422M1	X	Plug	Diameter 30 MM
15	3777568M2	1	Switch,Indirect	
16	3011214X1	4	Rivet	
17	3778708M2	1	Harness	
18	3900383M1	1	Plug	(17)
19	3712724M1	X	Harness	
20	3778808M1	X	Plug	Diameter 33,5 MM

FOOTNOTE [A] UP

FOOTNOTE [B] DOWN

MF 8250 TRACTOR - 1637366
1-ZP33-004-B



Item	Part Number	Qty	Description	Comments
1	3778510M94	1	Electron Console	
2	3783148M92	1	Harness	
3	3580868M1	1	Fuse	(2) 3 AMP
4	3714137M1	3	Switch,Indirect	[A]
5	3714138M1	3	Switch,Indirect	[B]
6	3778702M1	1	Harness	[C]
	3778707M1	1	Harness	[D]
7	3714135M1	2	Harness	
8	3712725M1	1	Harness	Left Hand Length 3500 MM
9	3783217M91	1	Calculator	[C] 100KB
	3783218M91	1	Calculator	[D] 250KB
10	3010506X1	2	Screw	M5X16
11	3010559X1	4	Screw	M4X12
12	3619622M1	20	Cable Tie	
13	3712726M1	1	Harness	Right Hand
14	3380422M1	X	Plug	
15	3715934M1	1	Harness	
16	3011214X1	4	Rivet	
17	3778708M1	1	Harness	
18	3009693X1	2	Nut Metric	
19	3712724M1	1	Harness	
20	3777568M2	1	Switch,Indirect	
21	3778808M1	1	Plug	
22	3782172M1	1	Wire	
23	3617813M1	1	Harness	
24	3783205M1	1	Support	
25	3001162X1	4	Screw	
26	339102X1	4	Washer	
27	1443615X1	4	Nut Metric	
28	3009494X1	2	Screw Metric	M10X35
29	390734X1	4	Washer	

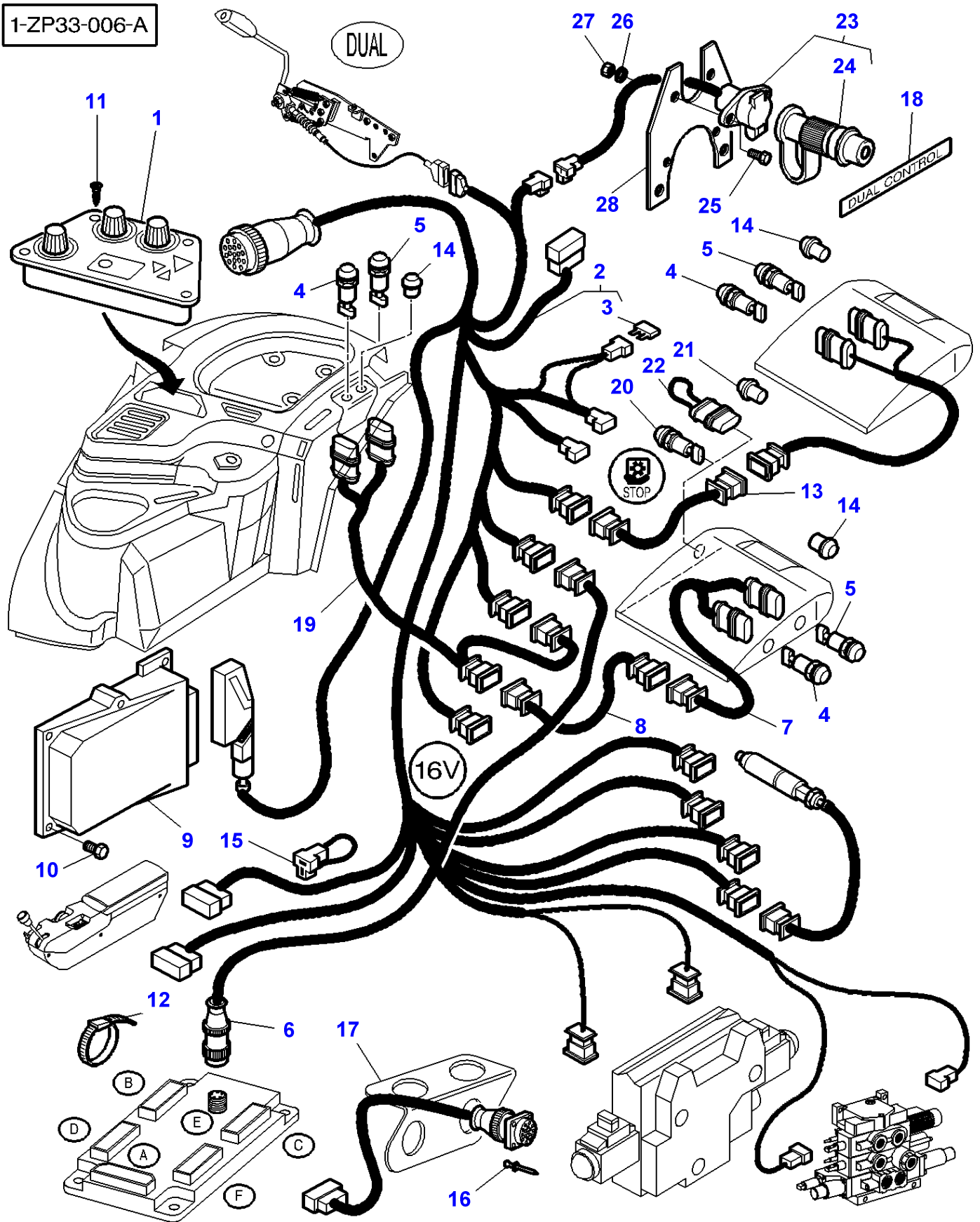
FOOTNOTE [A] UP

FOOTNOTE [B] DOWN

FOOTNOTE [C] WITH DYNASHIFT

FOOTNOTE [D] WITH FULL POWERSHIFT

MF 8250 TRACTOR - 1637366
1-ZP33-006-A



Item	Part Number	Qty	Description	Comments
1	3778510M94	1	Electron Console	
2	3783148M92	1	Harness	
3	3580868M1	1	Fuse	(2) 3 AMP
4	3714137M1	3	Switch,Indirect	[A]
5	3714138M1	3	Switch,Indirect	[B]
6	3778702M1	1	Harness	[C]
	3778707M1	1	Harness	[D]
7	3714135M1	2	Harness	
8	3712725M1	1	Harness	Left Hand Length 3500 MM
9	3783217M91	1	Calculator	[C] 100KB
	3783218M91	1	Calculator	[D] 250KB
10	3010506X1	2	Screw	M5X16
11	3010559X1	4	Screw	M4X12
12	3619622M1	20	Cable Tie	
13	3712726M1	1	Harness	Right Hand
14	3380422M1	X	Plug	
15	3715934M1	1	Harness	
16	3011214X1	4	Rivet	
17	3778708M1	1	Harness	
18	3783975M1	1	Decal	
19	3712724M1	1	Harness	
20	3777568M2	1	Switch,Indirect	
21	3778808M1	1	Plug	
22	3782172M1	1	Wire	
23	3783970M91	1	Harness	
24		1	Plug 7 Pin Male	(23) Not serviced,order REF NO 23
25	390990X1	2	Screw Metric	M5X12
26	390469X1	2	Washer Metric	
27	3010477X1	2	Nut Metric	
28	3783962M2	1	Support	

FOOTNOTE [A] UP

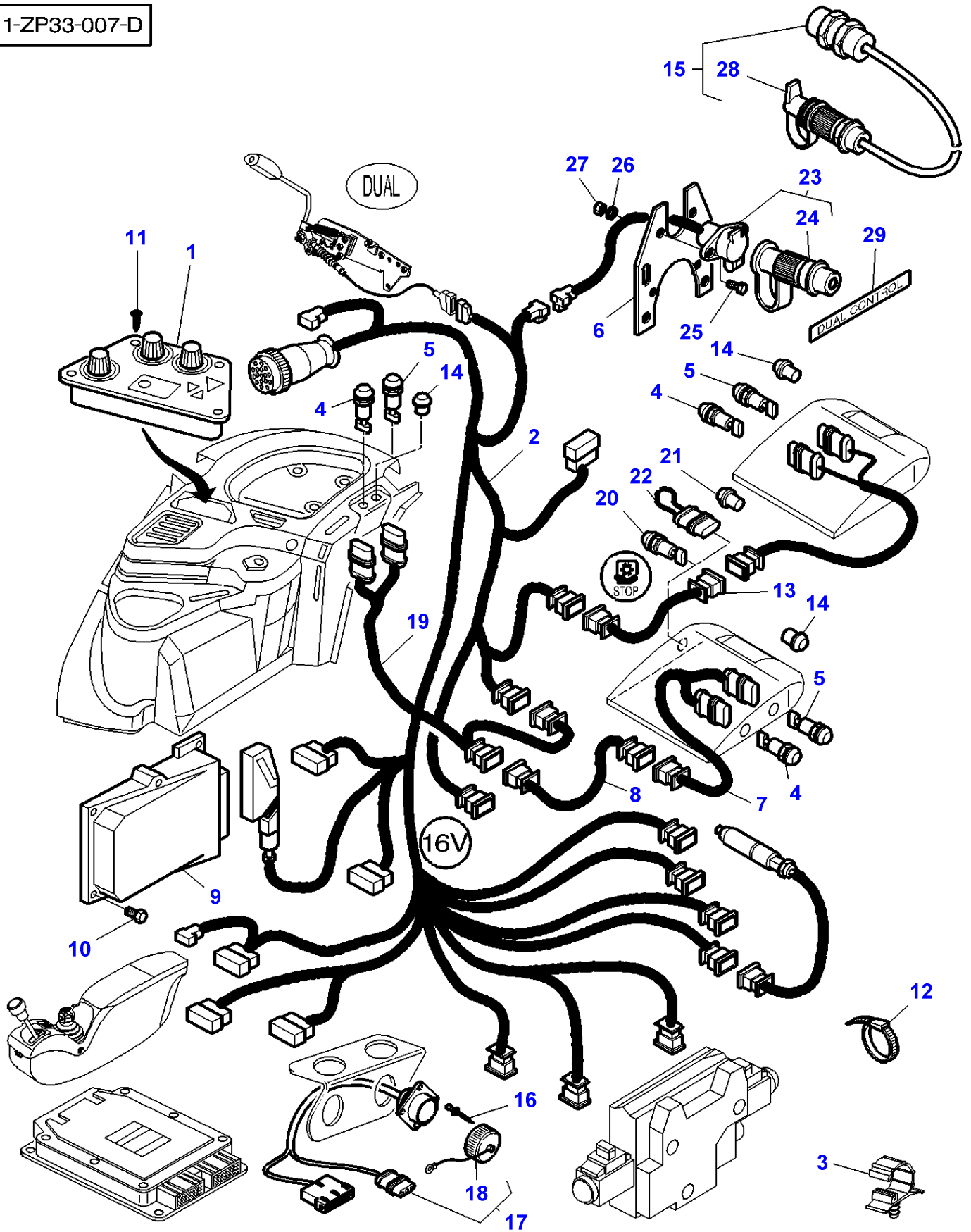
FOOTNOTE [B] DOWN

FOOTNOTE [C] WITH DYNASHIFT

FOOTNOTE [D] WITH FULL POWERSHIFT

MF 8250 TRACTOR - 1637366
1-ZP33-007-D

1-ZP33-007-D



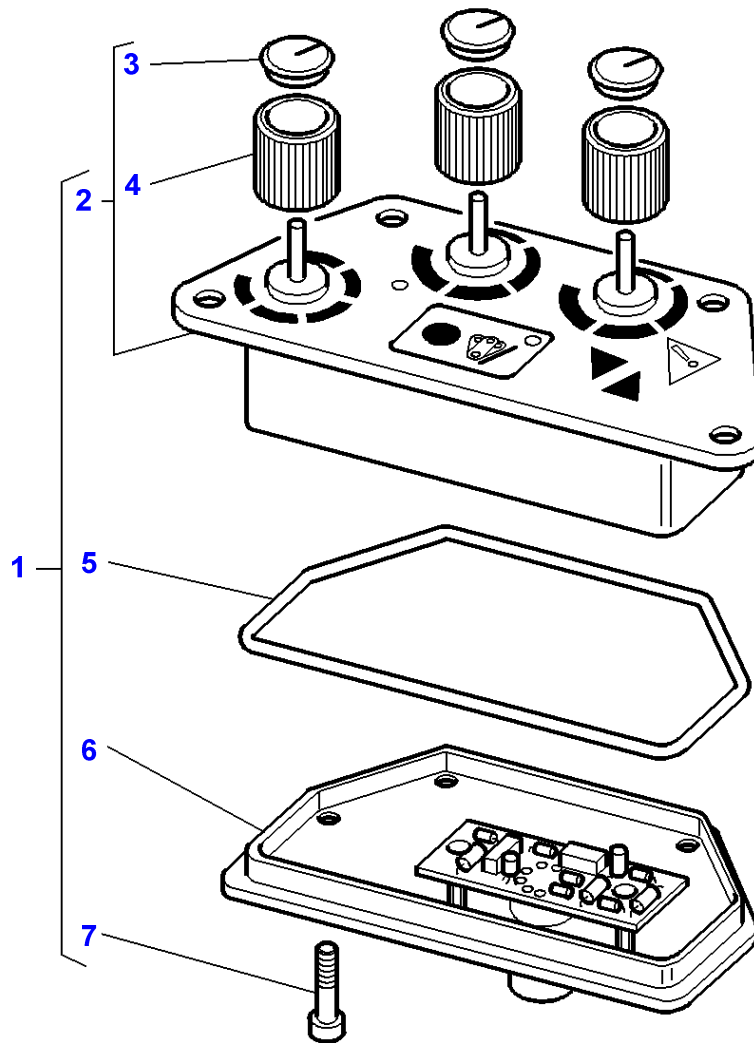
Item	Part Number	Qty	Description	Comments
1	3784084M91	1	Electron Console	
2	3784313M3	1	Elect.Lift Cable	
3	3715130M1	X	Clamp	Diameter 10MM
	3715129M1	X	Clamp	Diameter 30MM
4	3714137M1	X	Switch,Indirect	[A]
5	3714138M1	X	Switch,Indirect	[B]
6	3783962M2	1	Support	
7	3714135M1	X	Harness	
8	3712725M1	X	Harness	Left Hand Length 3500 MM
9	3784319M97	1	Calculator	
10	3010506X1	2	Screw	M5X16
11	3010804X1	4	Screw	M4X16
12	3619622M1	X	Cable Tie	
13	3712726M1	X	Harness	Right Hand
14	3380422M1	X	Plug	Diameter 30MM
15	3784995M91	1	Harness	[C]
16	3011214X1	4	Rivet	
17	3778708M2	1	Harness	
18	3900383M1	1	Plug	(17)
19	3712724M1	X	Harness	
20	3777568M2	1	Switch,Indirect	
21	3778808M1	X	Plug	Diameter 33,5MM
22	3782172M1	1	Wire	
23	3783970M91	1	Harness	
24		1	Plug 7 Pin Male	(23) Not serviced,order REF NO 23
25	390990X1	2	Screw Metric	M5X12
26	390469X1	2	Washer Metric	
27	3010477X1	2	Nut Metric	
28		1	Plug 7 Pin Male	(15) Not serviced,order REF NO 15
29	3783975M1	1	Decal	

FOOTNOTE [A] UP

FOOTNOTE [B] DOWN

FOOTNOTE [C] PLOUGH HARNESS

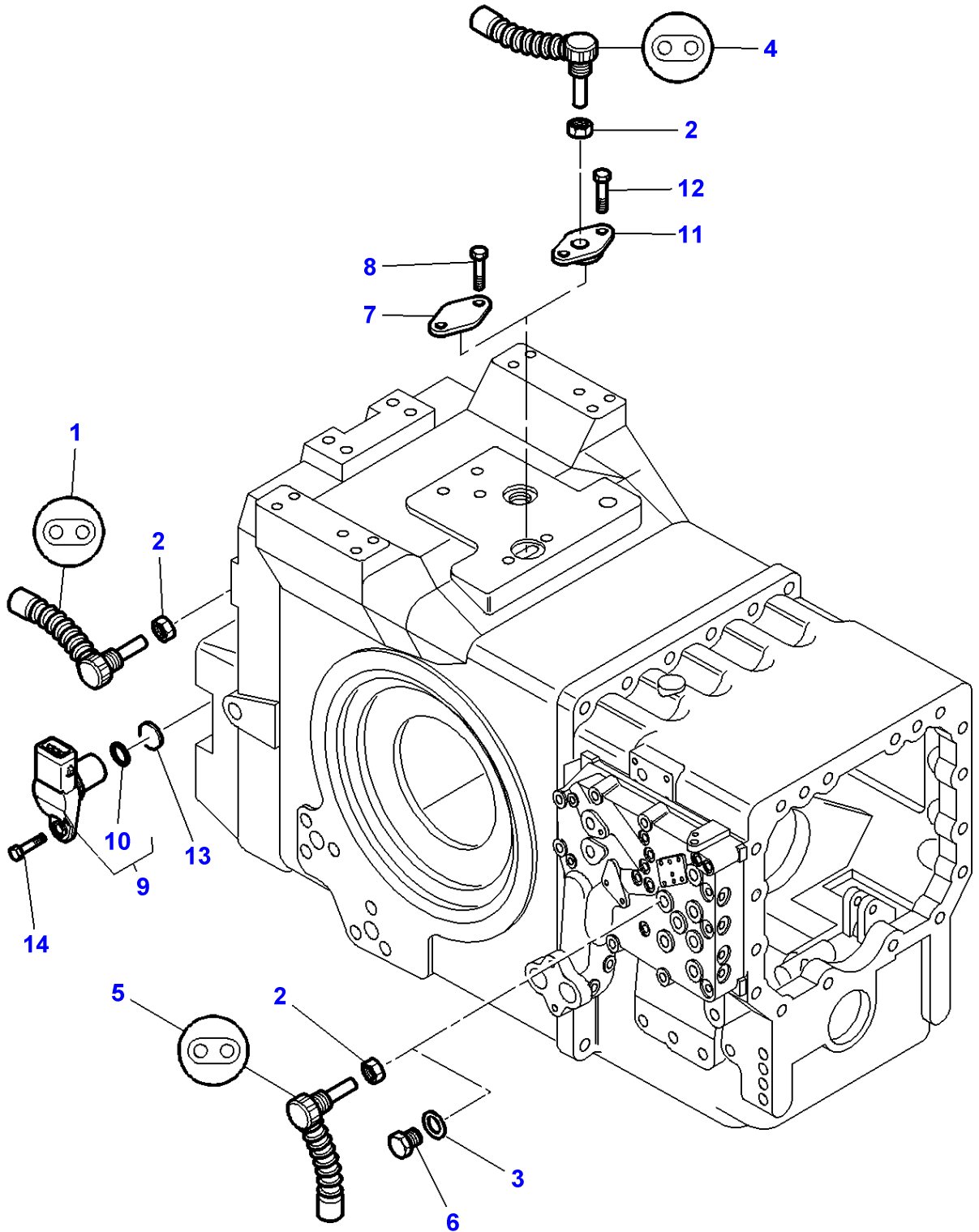
1-ZP37-001-B



Massey Ferguson**MF 8250 TRACTOR - 1637366****1637366****Electronic Lift - Console****Page090-0040**

Item	Part Number	Qty	Description	Comments
1	3778510M94	1	Electron Console	Up to Serial or Engine Number 07-JAN-2001
	3784084M91	1	Electron Console	From Serial or Engine Number 08-JAN-2001
2	3902809M94	1	Cover	(1) Up to Serial or Engine Number 07-JAN-2001
	3903652M91	1	Cover	(1) From Serial or Engine Number 08-JAN-2001
3	3902440M1	3	Helmet	(2)
4	3902808M1	3	Button	(2) Up to Serial or Engine Number H140013
	3903452M1	3	Button	(2) From Serial or Engine Number H140014
5	3902452M1	1	O Ring	(1)
6	3902810M91	1	Printed Circuit	(1) Up to Serial or Engine Number 07-JAN-2001
	3903651M91	1	Printed Circuit	(1) From Serial or Engine Number 08-JAN-2001
7	3902811M1	4	Screw	(1)

1-ZU37-001-D



Electronic Equipment - Sensors

Item	Part Number	Qty	Description	Comments
1	3790881M1	1	Inductive Taker	[F] Length 75MM
2	339592X1	3	Nut Metric	[B]
	339592X1	2	Nut Metric	[A]
	339592X1	1	Nut Metric	[G]
3	390202X1	1	Seal	[A]
4	3583287M2	1	Inductive Taker	[E] Length 150MM
5	3712058M1	1	Inductive Taker	[B,D] Length 70MM
6	339494X1	1	Plug	[A,G]
7	3792054M1	1	Plate	[C]
8	339761X1	2	Hex. Sock. Screw	M8x25
9	3716042M1	1	Pto Speed Sensor	[A]
10	3009597X1	1	O Ring	(9)
11	3716581M3	1	Support	
12	339761X1	2	Hex. Sock. Screw	M8X25
13	3011014X1	1	Plug	[B] Diameter 20,5MM
14	3009280X1	1	Screw	[A] M6X12

FOOTNOTE [A] WITH FULL POWERSHIFT

FOOTNOTE [B] WITH DYNASHIFT

FOOTNOTE [C] WITHOUT DATATRONIC

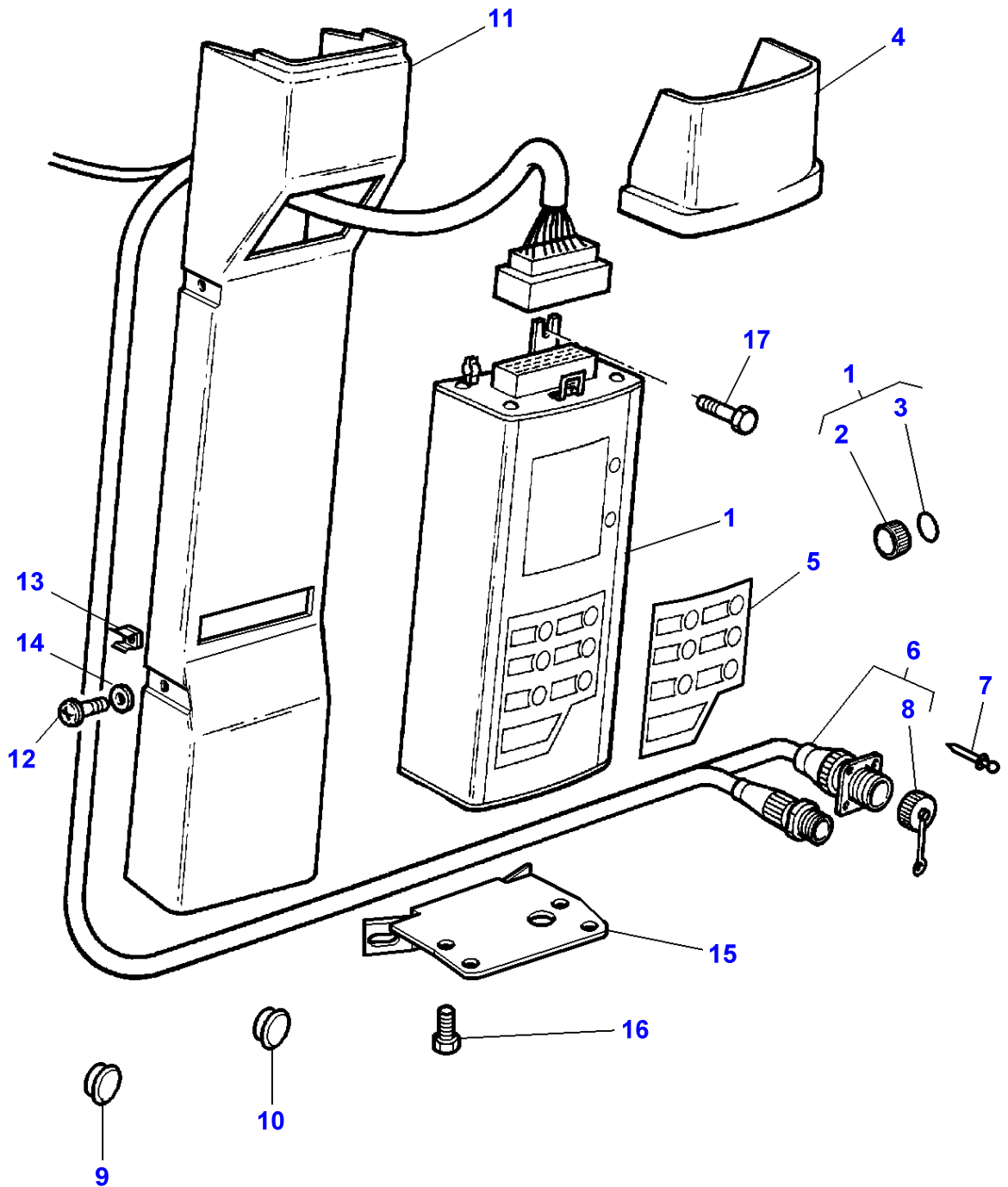
FOOTNOTE [D] MOTOR SPEED

FOOTNOTE [E] TRAVELLING SPEED

FOOTNOTE [F] PTO SPEED

FOOTNOTE [G] WITH KIT,BEVEL GEAR 8X43

1-ZU31-001-B



Massey Ferguson
MF 8250 TRACTOR - 1637366

1637366

Page 090-0050

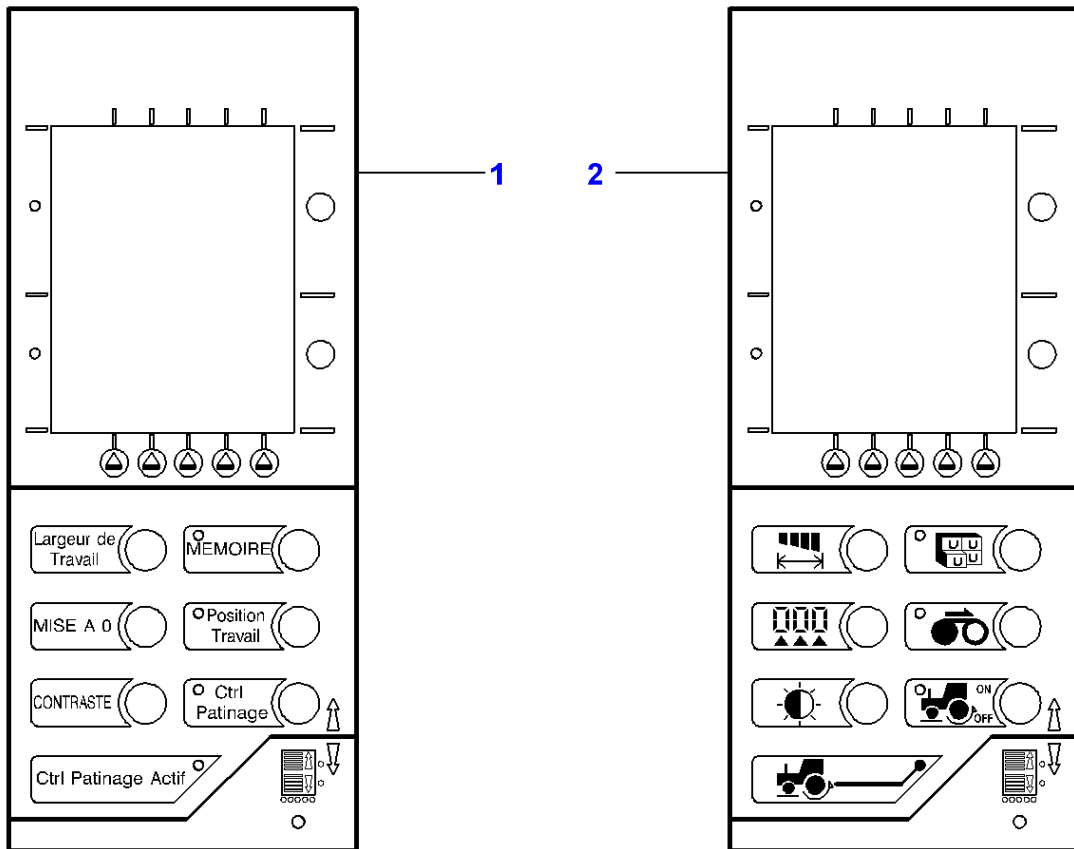
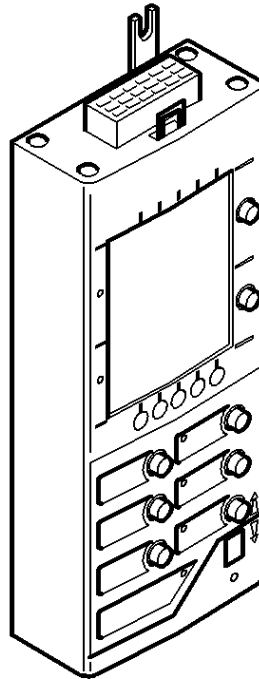
Aboard Computer

Item	Part Number	Qty	Description	Comments
1	3792434M1	1	Onboard Computer	
2	3907170M1	1	Button	[B] (1)
3	3907171M1	1	Helmet	[B] (1)
4	3714916M1	1	Moulding	
5		1	Decal	See Page - Reference Number 090-0055/1
6	3778701M3	1	Harness	
7	3011214X1	4	Rivet	
8	3900383M1	1	Plug	(6) [A]
9	3380422M1	1	Plug	[A]
10	3042671M1	1	Plug	[A] Diameter 12,7MM Up to Serial or Engine Number H043028
	3042523M1	1	Plug	[A] Diameter 10MM From Serial or Engine Number H043029
11	3714919M1	1	Mounting	
	3713072M4	1	Mounting	[A]
12	3010506X1	4	Screw	M5X16
13	3615557M1	7	Boxnut	
14	1427000M1	4	Washer	
15	3714918M2	1	Support	
16	3010578X1	2	Screw	M5X10
17	3010506X1	5	Screw	M5X16

FOOTNOTE [A] WITHOUT DATATRONIC

FOOTNOTE [B] GREY

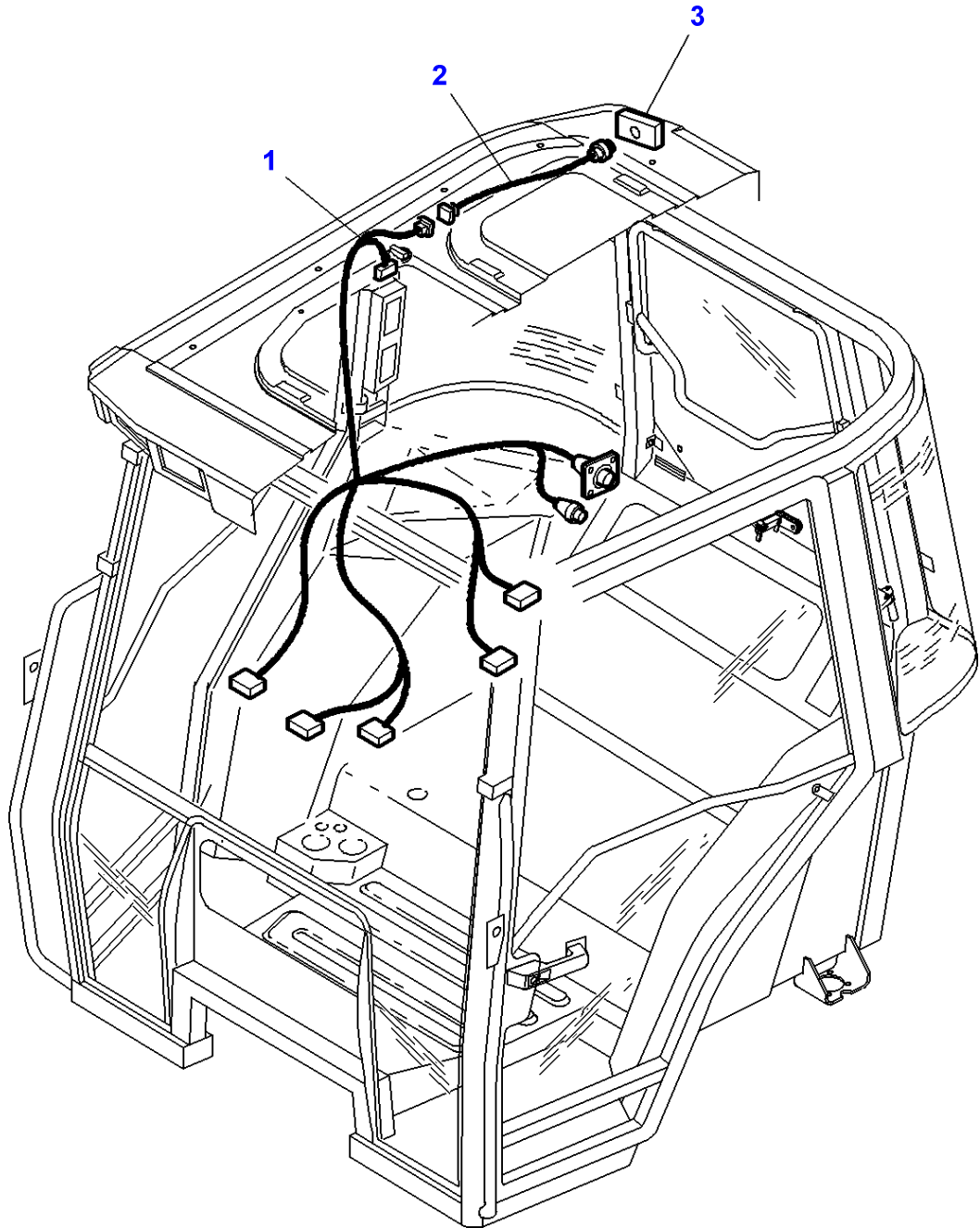
1-ZU32-001-A



Item	Part Number	Qty	Description	Comments
1	3714660M1	1	Decal	For France only or any text in French only
	3714661M1	1	Decal	For UK only or any text in English only
	3714662M1	1	Decal	For Germany only or any text in German only
	3714663M1	1	Decal	For Italy only or any text in Italian only
	3714664M1	1	Decal	[A]
2	3714665M1	1	Decal	

FOOTNOTE [A] SPAIN

1-ZU35-001-A



Massey Ferguson

MF 8250 TRACTOR - 1637366

1637366

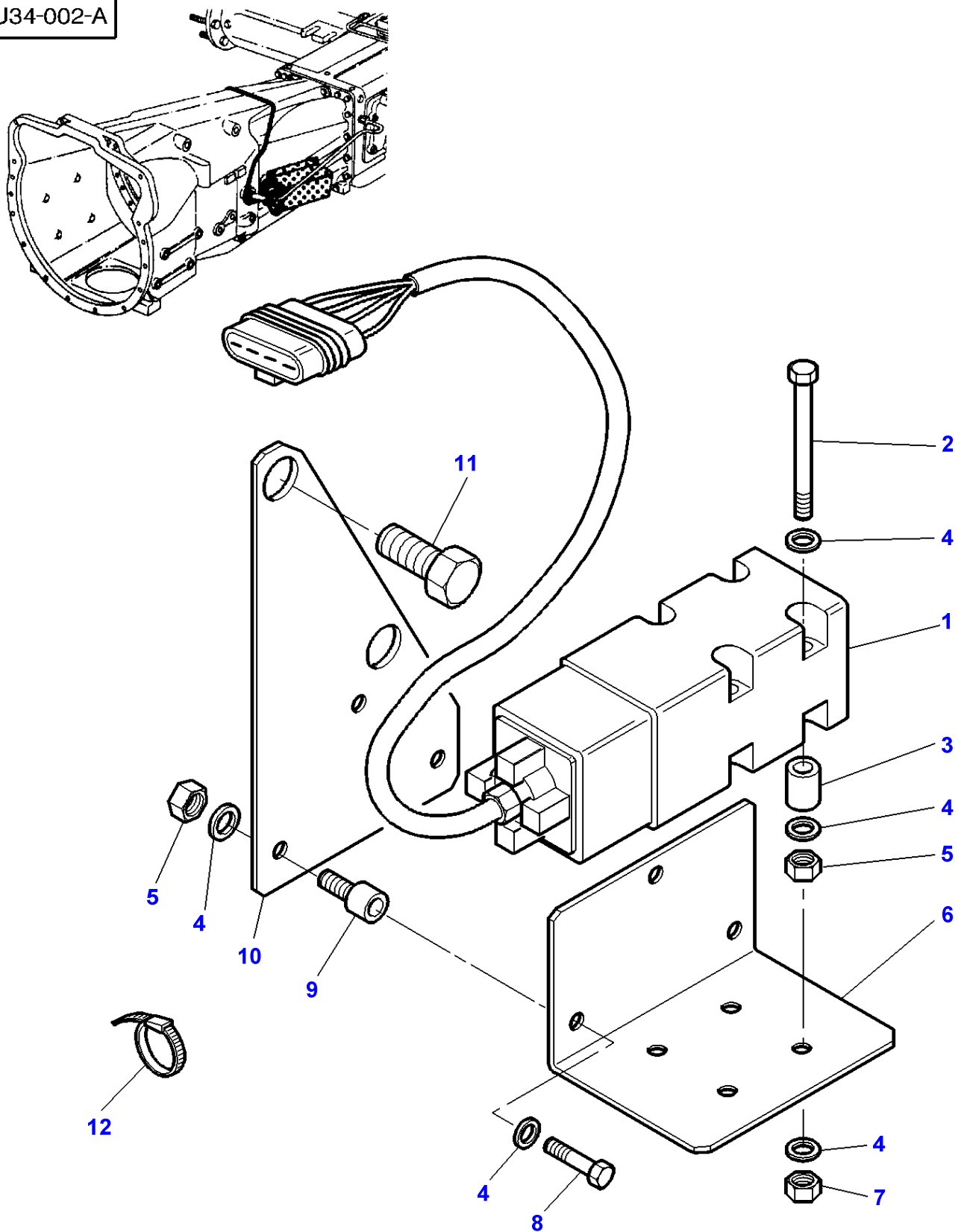
Aboard Computer - Wiring

Page090-0060

Item	Part Number	Qty	Description
1	3778701M3	1	Harness
2	3714262M1	1	Harness
3	3714264M1	1	Transmitter

MF 8250 TRACTOR - 1637366
1-ZU34-002-A

1-ZU34-002-A

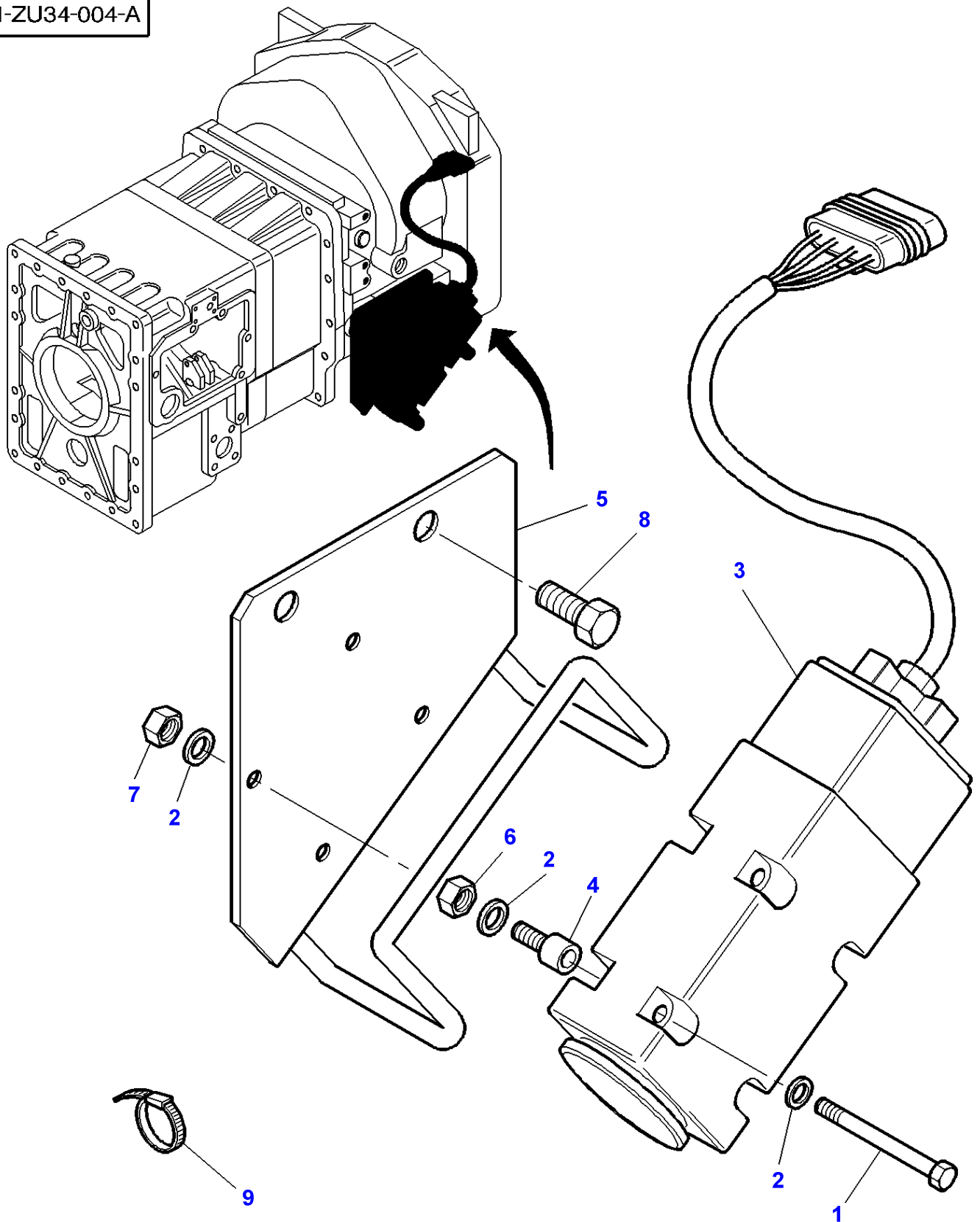


Radar - Dynashift

Item	Part Number	Qty	Description	Comments
1	3714291M2	1	Speed Detector	GHZ 24.125
	3714290M2	1	Speed Detector	For UK only or any text in English only GHZ 24.300
	4270037M1	1	Speed Detector	[A] GHZ 24.200
2	3019894X1	4	Screw	M6X100
3	3582802M1	4	Spacer	
4	390971X1	X	Washer	
5	1440207X1	4	Nut Metric	M6
6	3781310M1	1	Support	
7	339030X1	4	Nut Metric	
8	339230X1	3	Hex. Sock. Screw	M6X10
9	3583548M1	3	Dowel	
10	3781309M1	1	Support	
11	354704X1	2	Bolt Unc	3/4-10X32
12	3619622M1	X	Cable Tie	

FOOTNOTE [A] JAPAN ONLY

1-ZU34-004-A



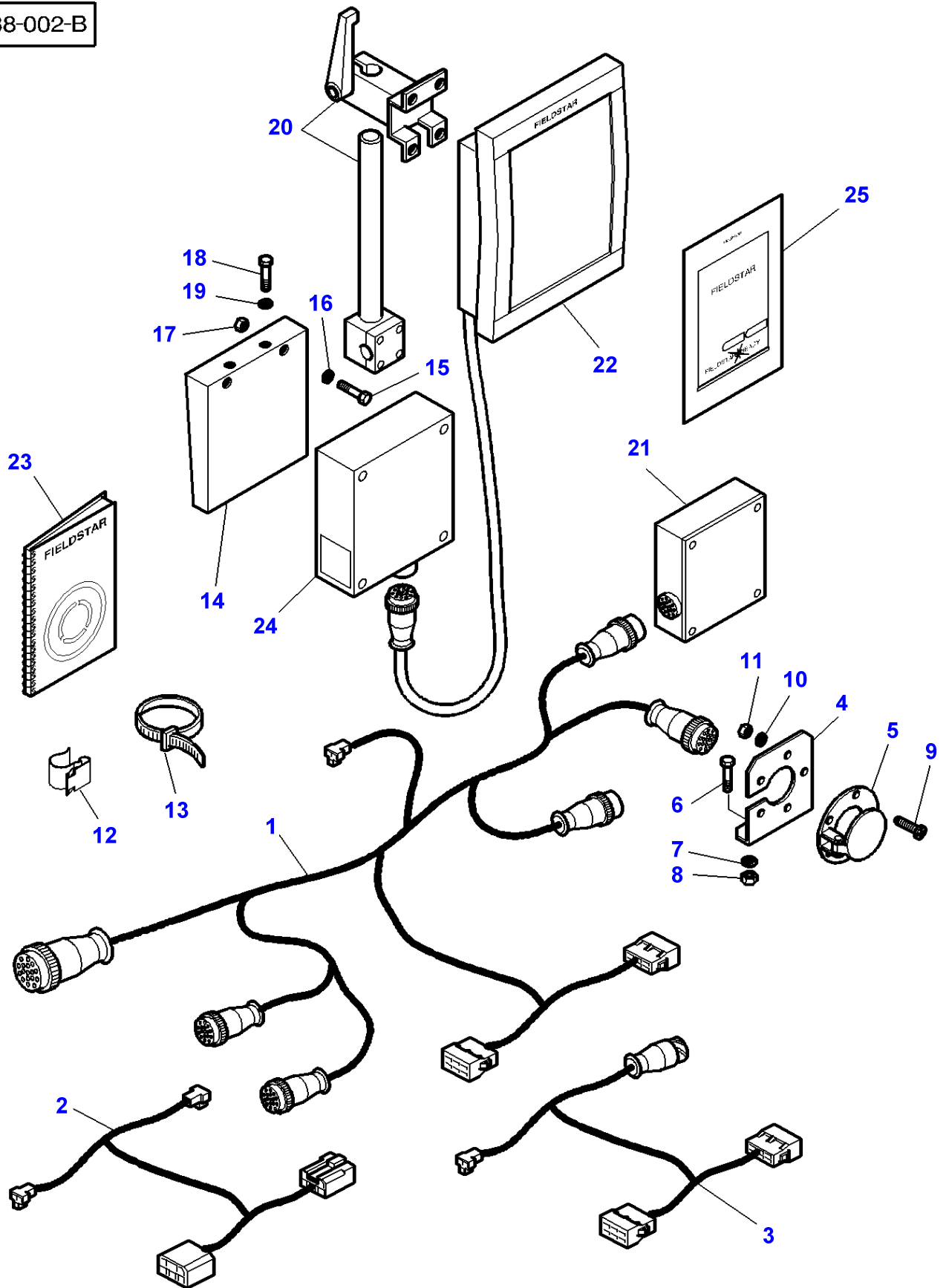
Radar - With Full Powershift

Item	Part Number	Qty	Description	Comments
1	3019894X1	4	Screw	M6 X 100
2	390971X1	X	Washer	Diameter 6-12 X 1,5
3	3714290M2	1	Speed Detector	For UK only or any text in English only GHZ 24.300
	3714291M2	1	Speed Detector	GHZ 24.125
	4270037M1	1	Speed Detector	[A] GHZ 24.200
4	3582802M1	4	Spacer	
5	3779850M1	1	Support	
6	1440207X1	4	Nut Metric	M6
7	339030X1	4	Nut Metric	M6
8	339613X1	2	Screw	M16 X 35
9	3619622M1	X	Cable Tie	

FOOTNOTE [A] JAPAN ONLY

MF 8250 TRACTOR - 1637366
1-ZU38-002-B

1-ZU38-002-B



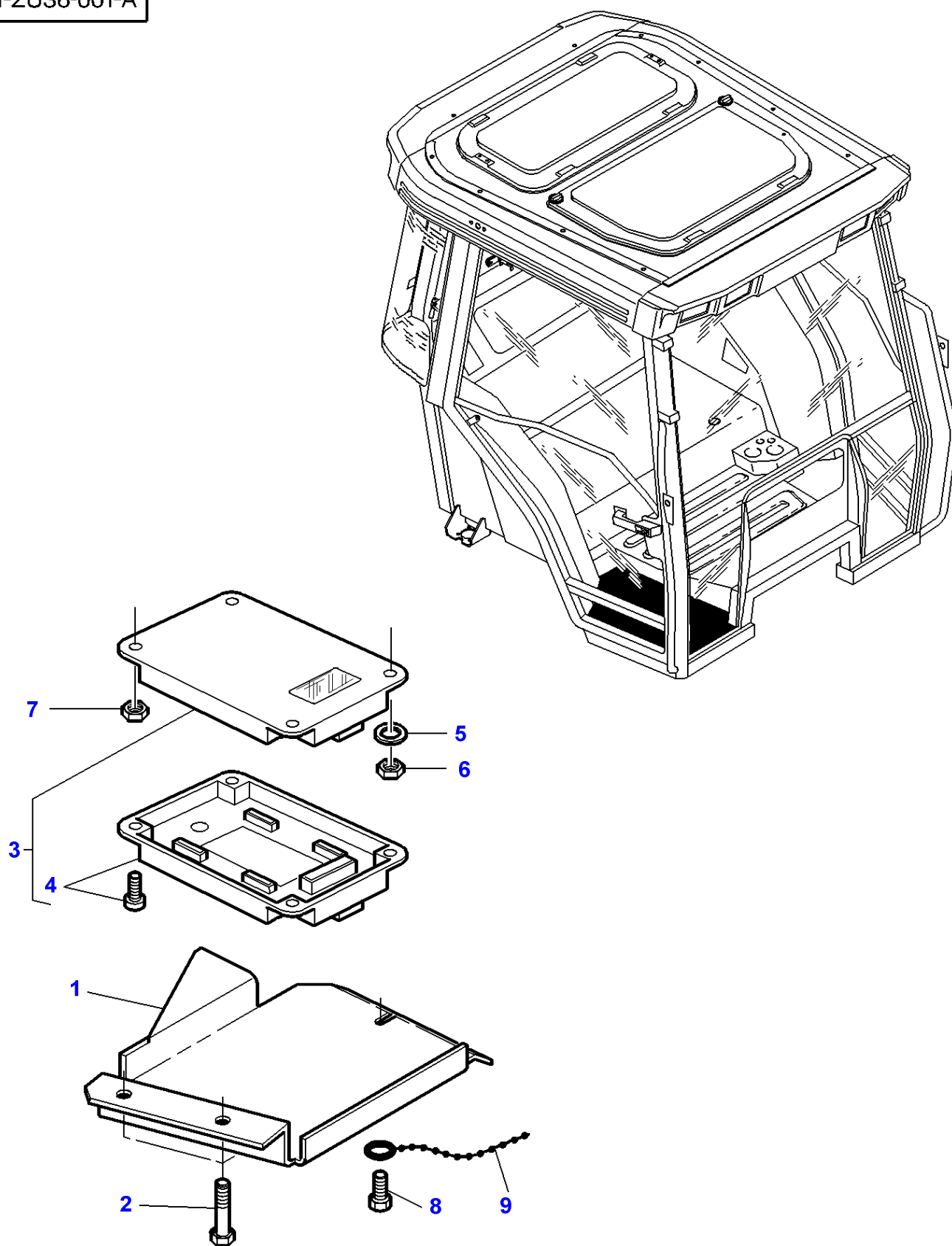
Item	Part Number	Qty	Description	Comments
1	3788428M91	1	Harness	
2	3788429M91	1	Harness	[A]
3	3788430M92	1	Harness	[B]
4	3820452M1	1	Bracket	
5	3822490M1	1	Cap	
6	391074X1	2	Hex. Sock. Screw	M6 X 12
7	390971X1	2	Washer	Diameter 6-12 X 1,5
8	339030X1	2	Nut Metric	M6
9	390958X1	5	Screw	M5 X 16
10	390469X1	5	Washer Metric	Diameter 5-10 X 1,5
11	1441917X1	5	Locknut	
12	3598904M1	2	Clip	
13	3619622M1	5	Cable Tie	
14	3820451M1	1	Bracket	
15	3010818X1	4	Screw Metric	M4 X 20
16	339102X1	4	Washer	Diameter 4-9 X 1
17	3019139X1	4	Nut	M4
18	391883X1	4	Screw	M5 X 25
19	390469X1	4	Washer Metric	Diameter 5-10 X 1,5
20	D28789001	1	Bracket	
21	G716.972.170.010	1	Electronic Box	
22	D28989054	1	Monitor	
23	D63001805	1	O.I.B.	[C]
	D63001806	1	O.I.B.	For UK only or any text in English only
	D63001807	1	O.I.B.	For Germany only or any text in German only
	D63001808	1	O.I.B.	For France only or any text in French only
	D63001809	1	O.I.B.	For Sweden
24	D28789378	1	Intake	
25	4271993M1	1	Decal	

FOOTNOTE [A] FEEDER HARNESS

FOOTNOTE [B] DATATRONIC SIGNAL HARNESS

FOOTNOTE [C] DENMARK

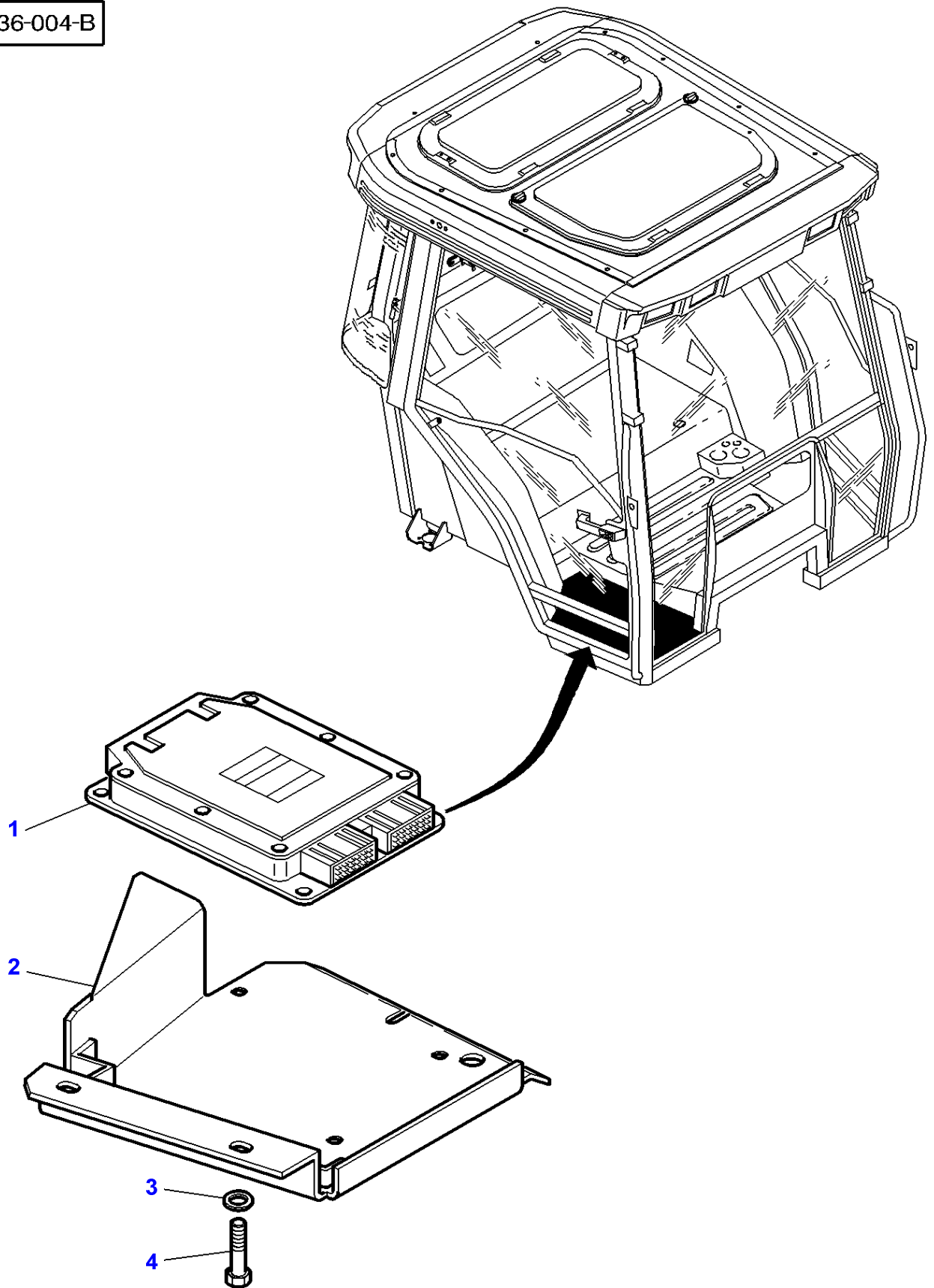
1-ZU36-001-A



Item	Part Number	Qty	Description	Comments
1	3782614M3	1	Cover	
2	391074X1	3	Hex. Sock. Screw	M6X12
	391074X1	2	Hex. Sock. Screw	[A] For Germany only or any text in German only
3	3792094M1	1	Switch Box	
4	3903181M91	1	Case Assy	(3)
5	391038X1	1	Washer	Diameter 6-18X1,5
	339375X1	1	Lock Washer	
6	339030X1	1	Nut Metric	M6 Thickness 5MM
	1440207X1	1	Nut Metric	M6
7	3010477X1	3	Nut Metric	M5
8	1442674X1	1	Screw	For Germany only or any text in German only
9	3618653M1	1	Wire	For Germany only or any text in German only

FOOTNOTE [A] WITH SAFETY WIRE BLOKING

1-ZU36-004-B

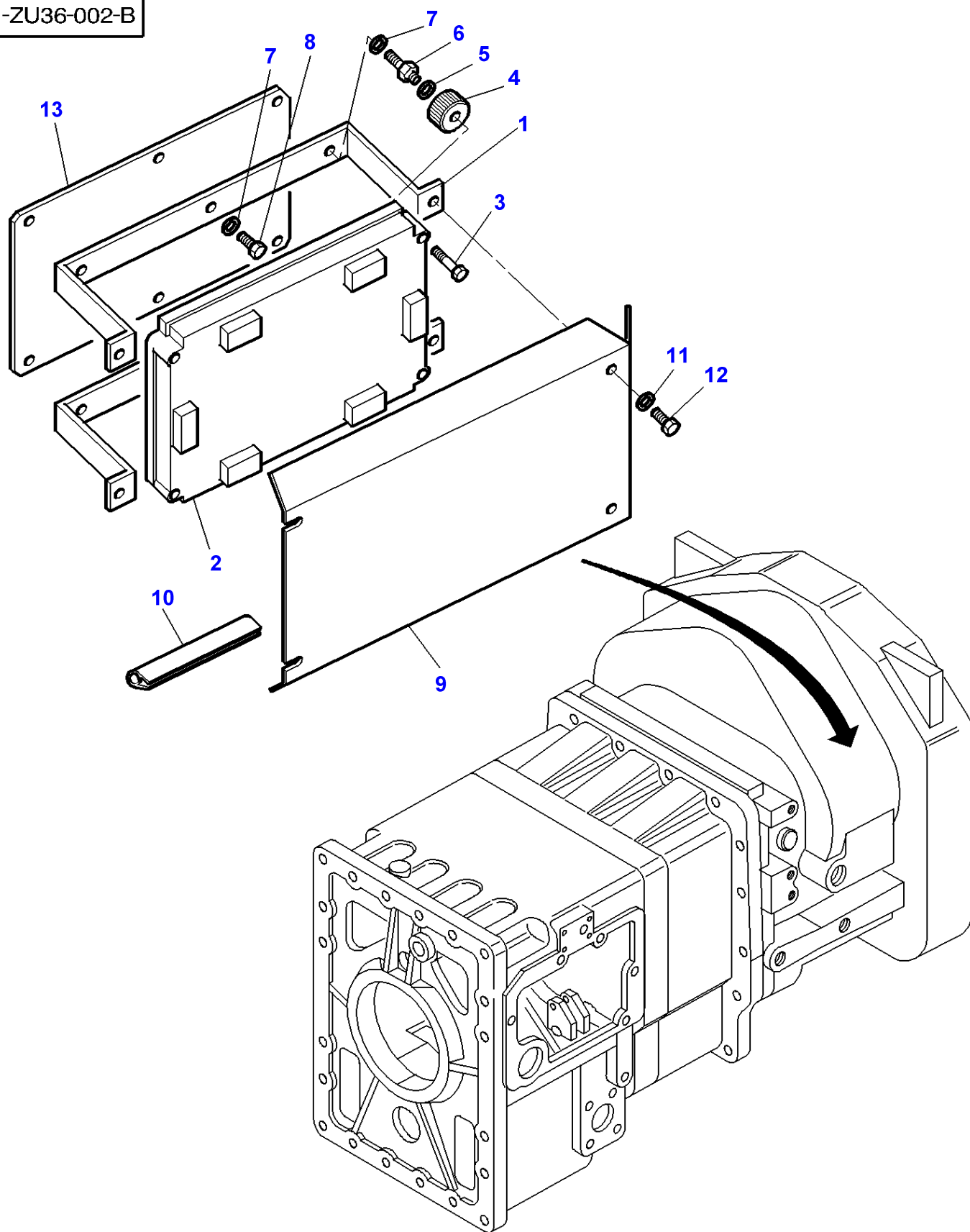


Massey Ferguson**MF 8250 TRACTOR - 1637366****1637366****Control Box - Cab - With Power Shuttle****Page090-0085**

Item	Part Number	Qty	Description	Comments
1	3791700M6	1	Switch Box	
2	3782614M3	1	Cover	
3	391038X1	3	Washer	
4	339560X1	2	Hex. Sock. Screw	M6X16
	339666X1	1	Hex. Sock. Screw	M6X20

MF 8250 TRACTOR - 1637366
1-ZU36-002-B

1-ZU36-002-B



Massey Ferguson**MF 8250 TRACTOR - 1637366**

1637366

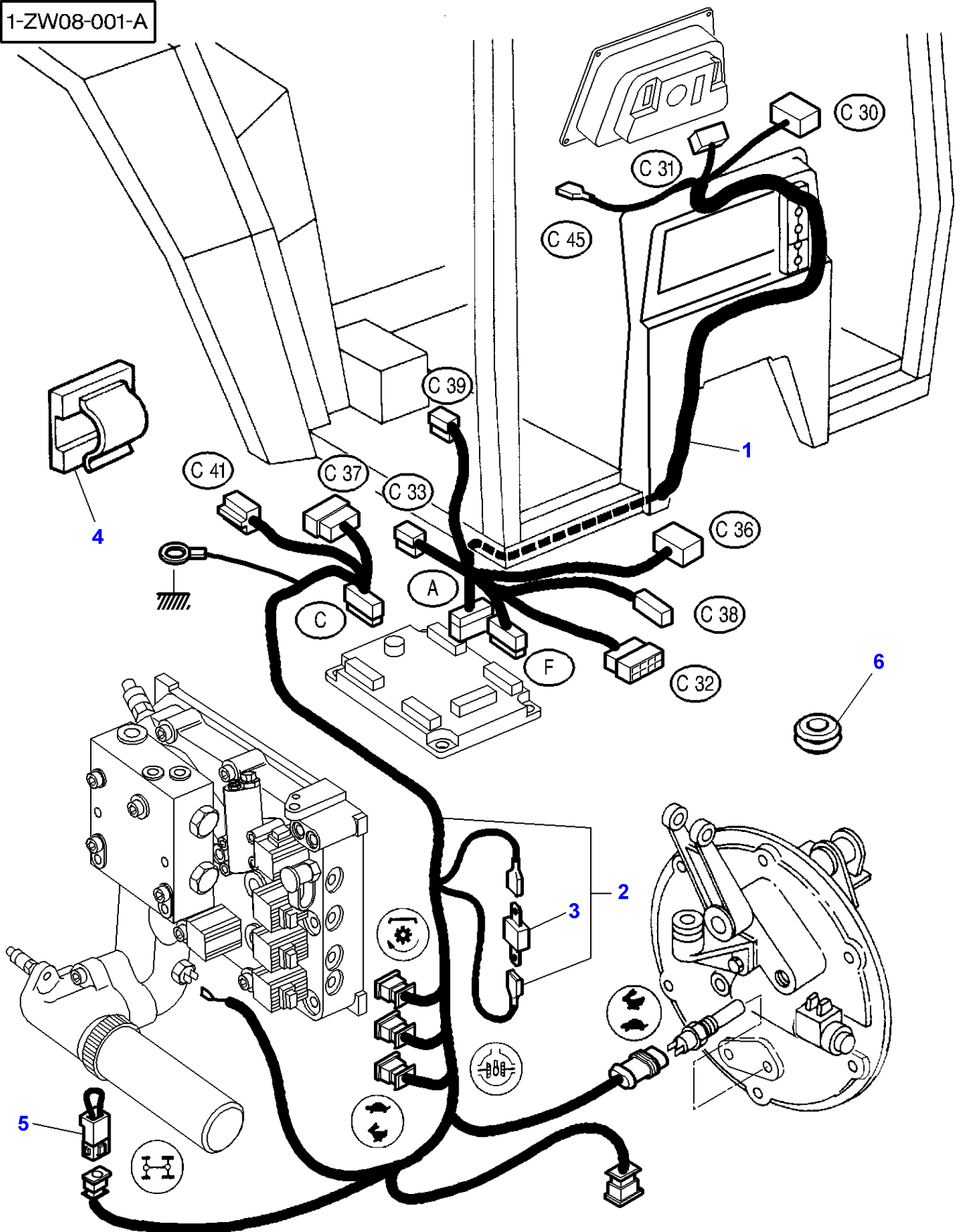
Control Box - Cab - With Full Powershift

Page090-0090

Item	Part Number	Qty	Description	Comments
1	3790912M1	2	Support	
2	3790842M1	1	Switch Box	
3	339096X1	4	Bolt Metric	M6 X 35
4	3790853M1	4	Support	
5	391289X1	4	Lock Washer	
6	3791098M1	4	Screw	M6/M8
7	22428X	5	Lock Washer	
8	339228X1	1	Screw Metric	M8 X 12
9	3790911M3	1	Cowl	
10	3791213M1	2	Gasket	Length 35MM
	1684844M1	1	Seal	Length 80MM
11	390972X1	2	Washer Metric	Diameter 8-17 X 1,7
12	339228X1	4	Screw Metric	M8 X 12
13	3783453M1	1	Cowl	

MF 8250 TRACTOR - 1637366
1-ZW08-001-A

1-ZW08-001-A

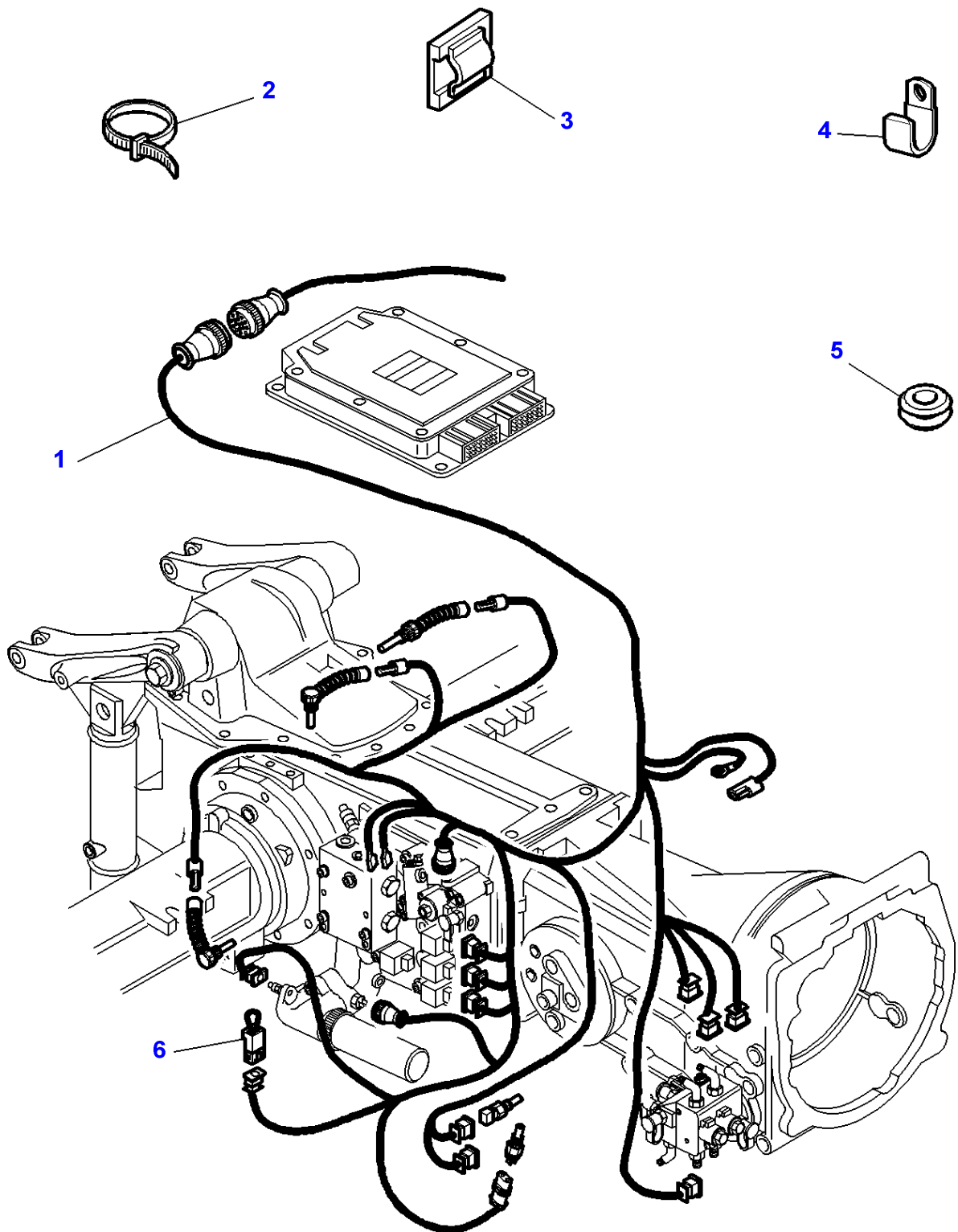


Massey Ferguson**MF 8250 TRACTOR - 1637366****1637366****Electrovanes Harness / ETCU Harness-Instrument Panel - Cab - Dynashift****Page090-0095**

Item	Part Number	Qty	Description	Comments
1	3778652M2	1	Harness	
2	3778722M93	1	Harness	
3	1897312M1	1	Diode	(2) Diameter 21/10-28 Replace and repair. Old interchangeable with new 3615548M1
4	3582094M1	2	Tie	
5	3779572M1	1	Connectors	[A]
6	3580984M1	3	Grommet	Diameter 21/10-28

FOOTNOTE [A] 2 WHEEL DRIVE ONLY

1-ZW08-007-B



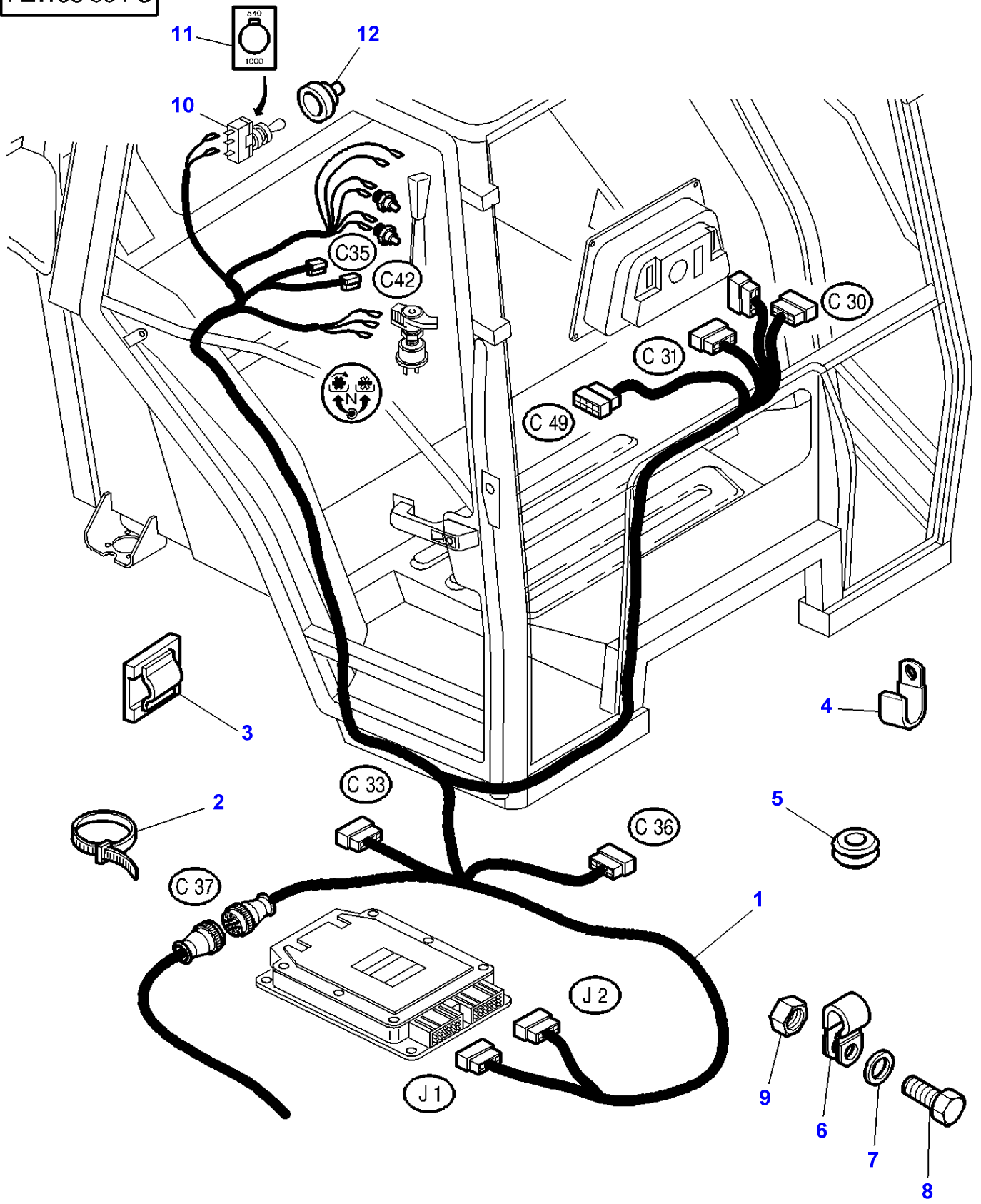
Massey Ferguson**MF 8250 TRACTOR - 1637366****1637366****Electrovanes Harness / ETCU Harness-Instrument Panel - Cab - With Power Shuttle - Load Sensing****Page090-0100**

Item	Part Number	Qty	Description	Comments
1	3793785M1	1	Harness	Up to Serial or Engine Number K240025
	3795566M1	1	Harness	From Serial or Engine Number K240026
2	3619622M1	4	Cable Tie	
3	3582094M1	2	Tie	
4	3583344M1	1	Strap	
5	3580984M1	3	Grommet	
6	3779572M1	1	Connectors	Two Wheel Drive

FOOTNOTE [A] 2 WHEEL DRIVE ONLY

MF 8250 TRACTOR - 1637366
1-ZW08-004-C

1-ZW08-004-C

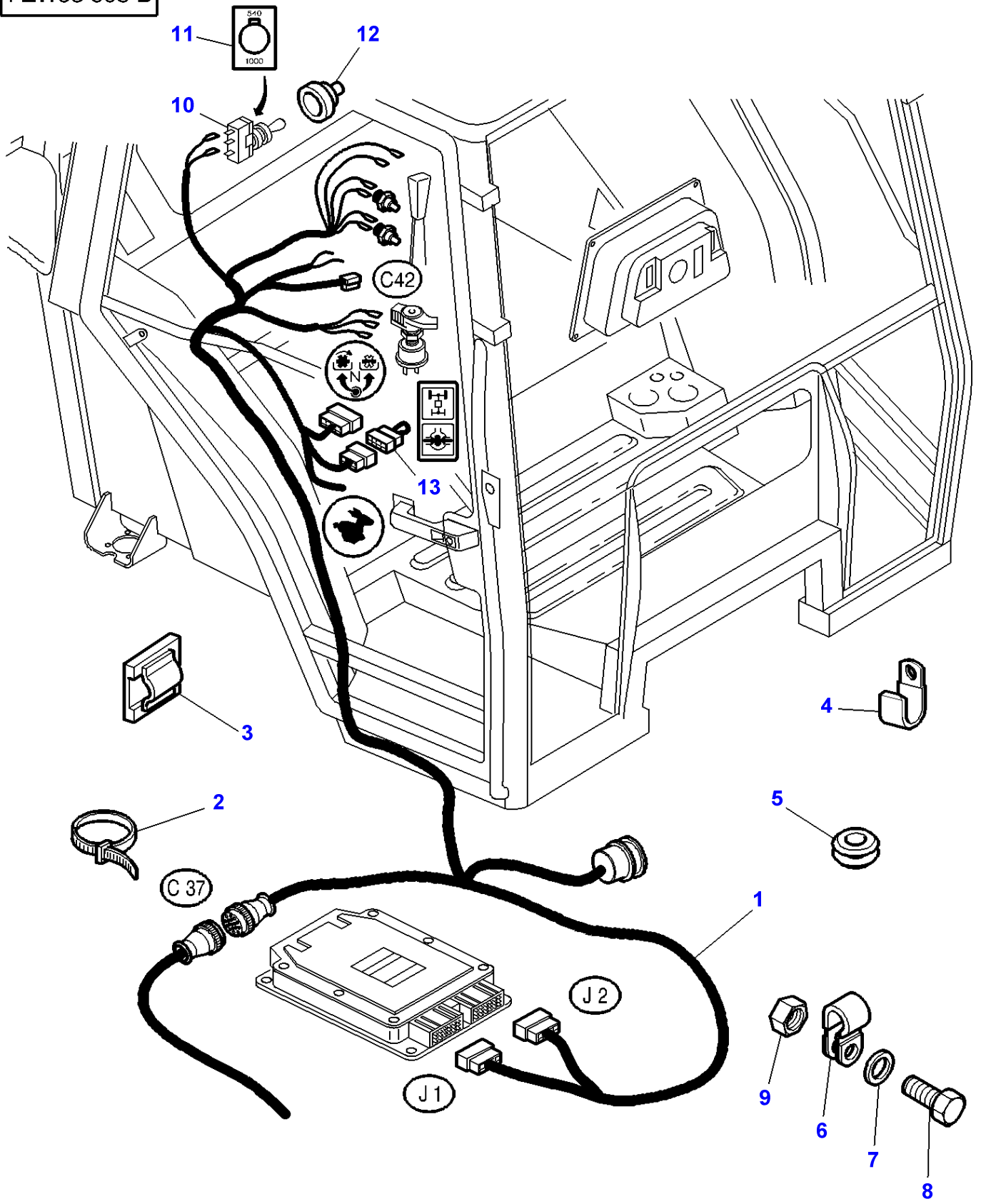


Massey Ferguson**MF 8250 TRACTOR - 1637366****1637366****Electrovanes Harness / ETCU Harness-Instrument Panel - Cab - With Power Shuttle - Up To 07-01-20001****Page090-0105**

Item	Part Number	Qty	Description	Comments
1	3779849M4	1	Harness	
2	3619622M1	4	Cable Tie	
3	3582094M1	2	Tie	
4	3583344M1	1	Strap	
5	3580984M1	3	Grommet	
6	3779547M1	1	Clamp	
7	390972X1	1	Washer Metric	
8	339337X1	1	Hex. Sock. Screw	
9	339169X1	1	Nut	
10	3713348M1	1	Switch,Indirect	
11	3714886M1	1	Decal	540/1000 RPM
	3713782M2	1	Decal	750/1000 RPM
12	3713349M1	1	Helmet	

MF 8250 TRACTOR - 1637366
1-ZW08-008-B

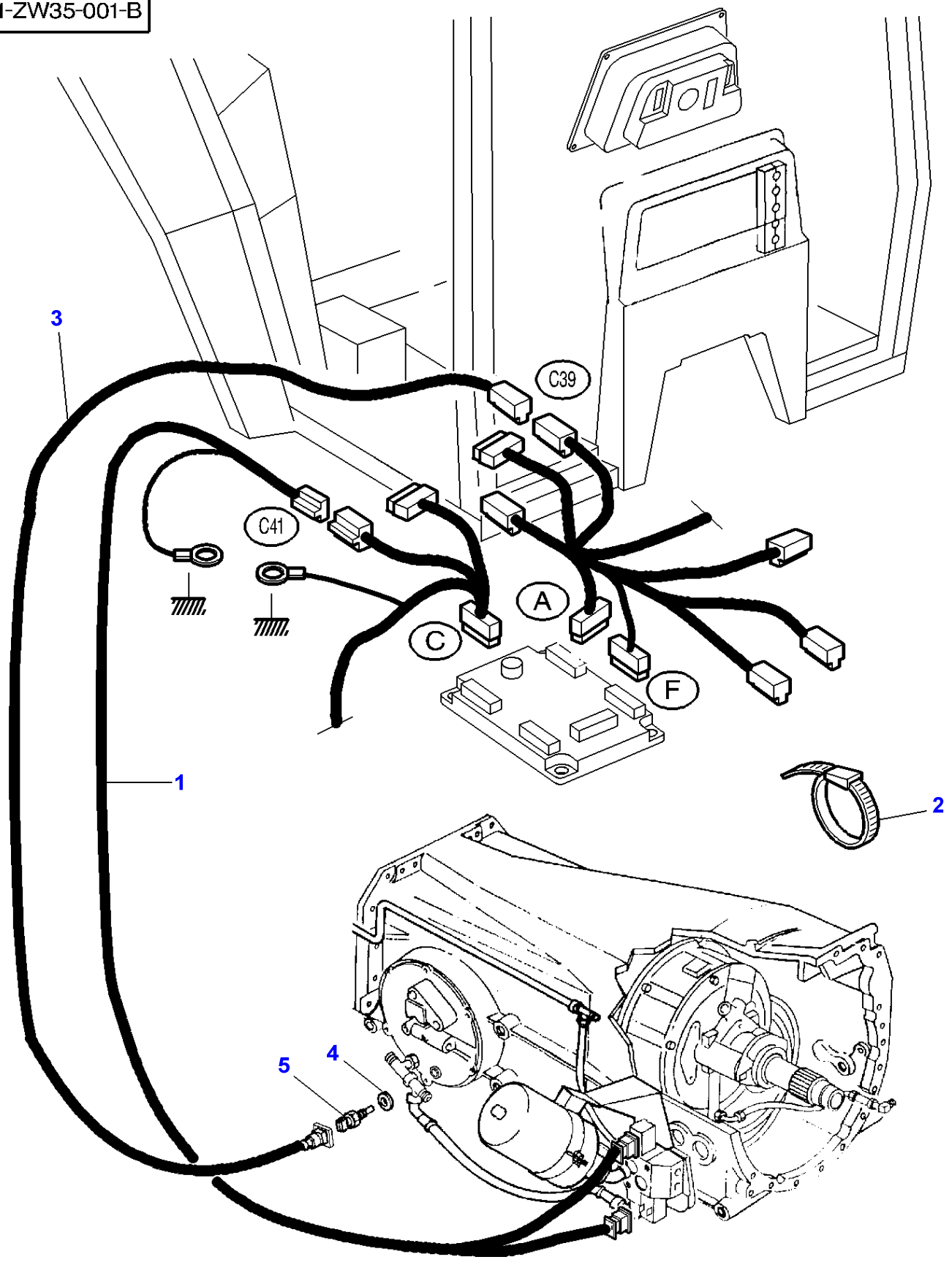
1-ZW08-008-B



Massey Ferguson**MF 8250 TRACTOR - 1637366****1637366****Electrovanes Harness / ETCU Harness-Instrument Panel - Cab - With Power Shuttle - From 08-01-2001****Page090-0110**

Item	Part Number	Qty	Description	Comments
1	3783769M2	1	Harness	
2	3619622M1	4	Cable Tie	
3	3582094M1	2	Tie	
4	3583344M1	1	Strap	
5	3580984M1	2	Grommet	
6	3389841M1	1	Clamp	Diameter 12MM
7	390971X1	1	Washer	
8	339560X1	1	Hex. Sock. Screw	M6X16
9	339030X1	1	Nut Metric	M6
10	3713348M1	1	Switch,Indirect	
11	3713782M2	1	Decal	750/1000 RPM
12	3713349M1	1	Helmet	
13	3787633M1	1	Wire	From Serial or Engine Number K185027 Up to Serial or Engine Number K309018

1-ZW35-001-B



Massey Ferguson

MF 8250 TRACTOR - 1637366

1637366

DYNASHIFT HARNESS - Cab

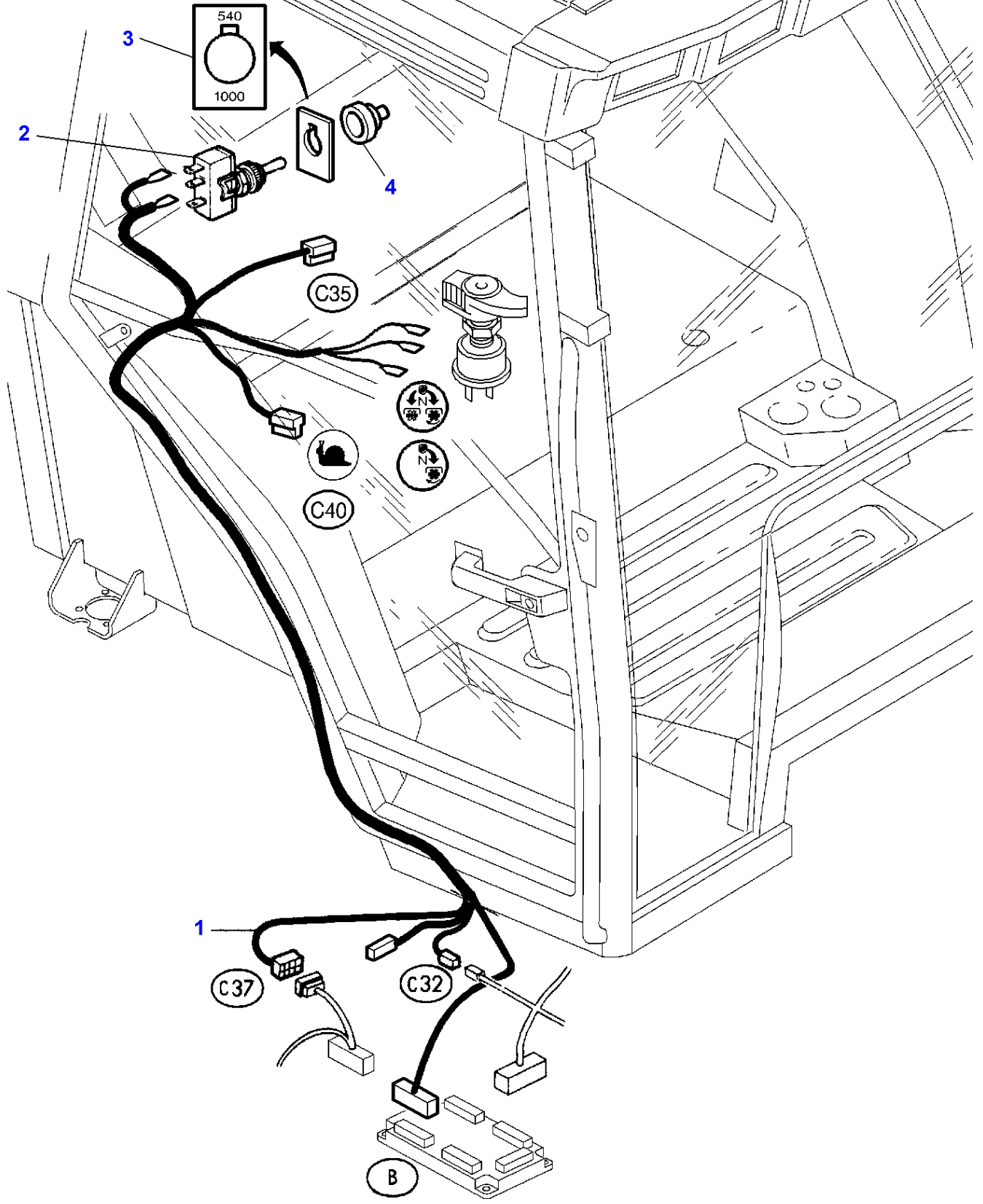
Page090-0115

Item	Part Number	Qty	Description	Comments
1	3713121M1	1	Harness	
2	3619622M1	X	Cable Tie	
3	3618603M1	1	Harness	[A]
4	1440012X1	1	Gasket	
5	3618249M1	1	Inductive Taker	

FOOTNOTE [A] HEAT SENSOR HARNESS

MF 8250 TRACTOR - 1637366
1-ZW36-001-C

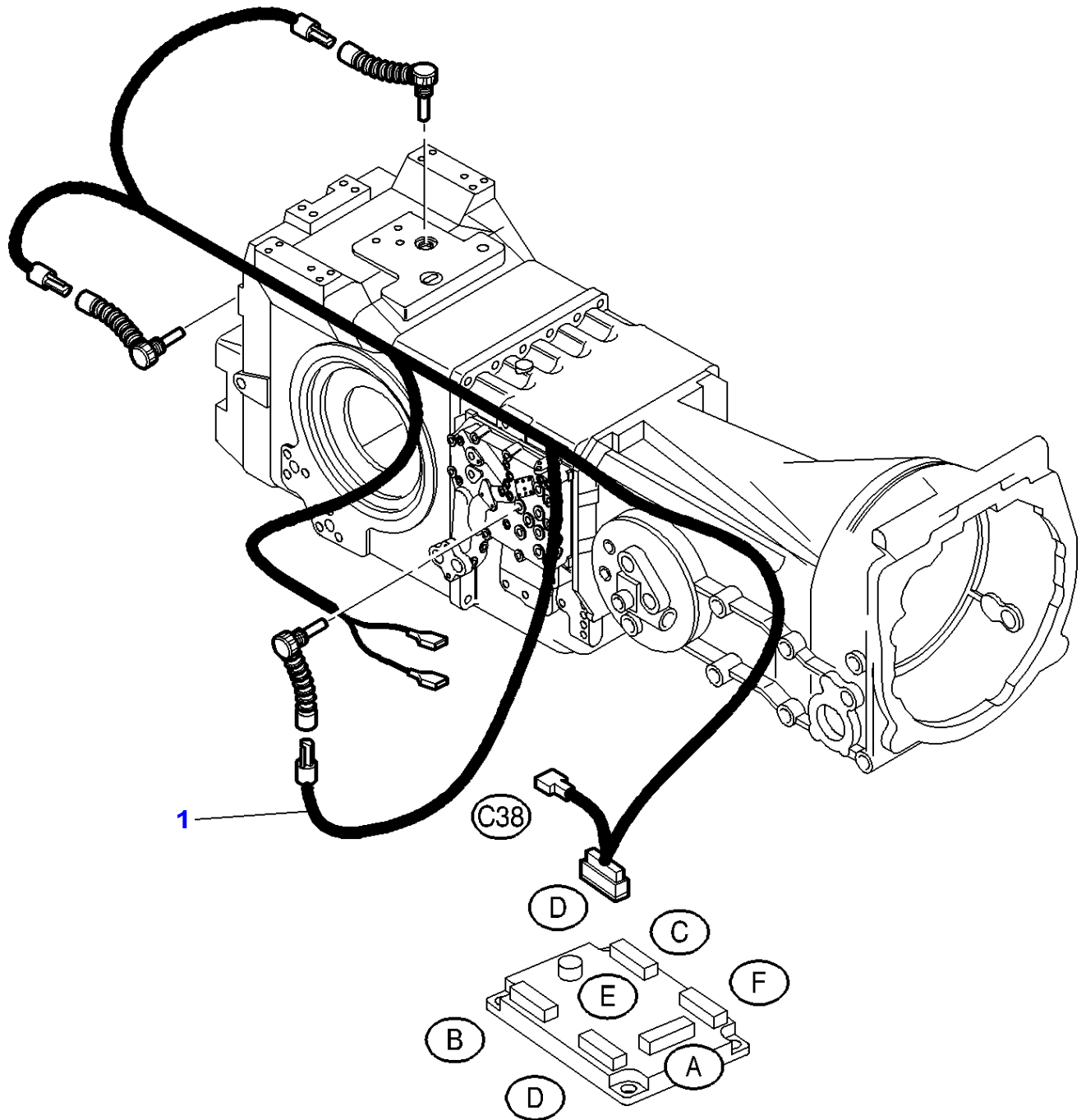
1-ZW36-001-C



Massey Ferguson**MF 8250 TRACTOR - 1637366****1637366****CONTROL BOX HARNESS / CONSOLE - Cab - Dynashift****Page090-0120**

Item	Part Number	Qty	Description	Comments
1	3779500M4	1	Harness	
2	3713348M1	1	Switch,Indirect	
3	3714886M1	1	Decal	540/1000RPM
	3713782M2	1	Decal	750/1000RPM
4	3713349M1	1	Helmet	

1-ZW07-001-A



Massey Ferguson

MF 8250 TRACTOR - 1637366

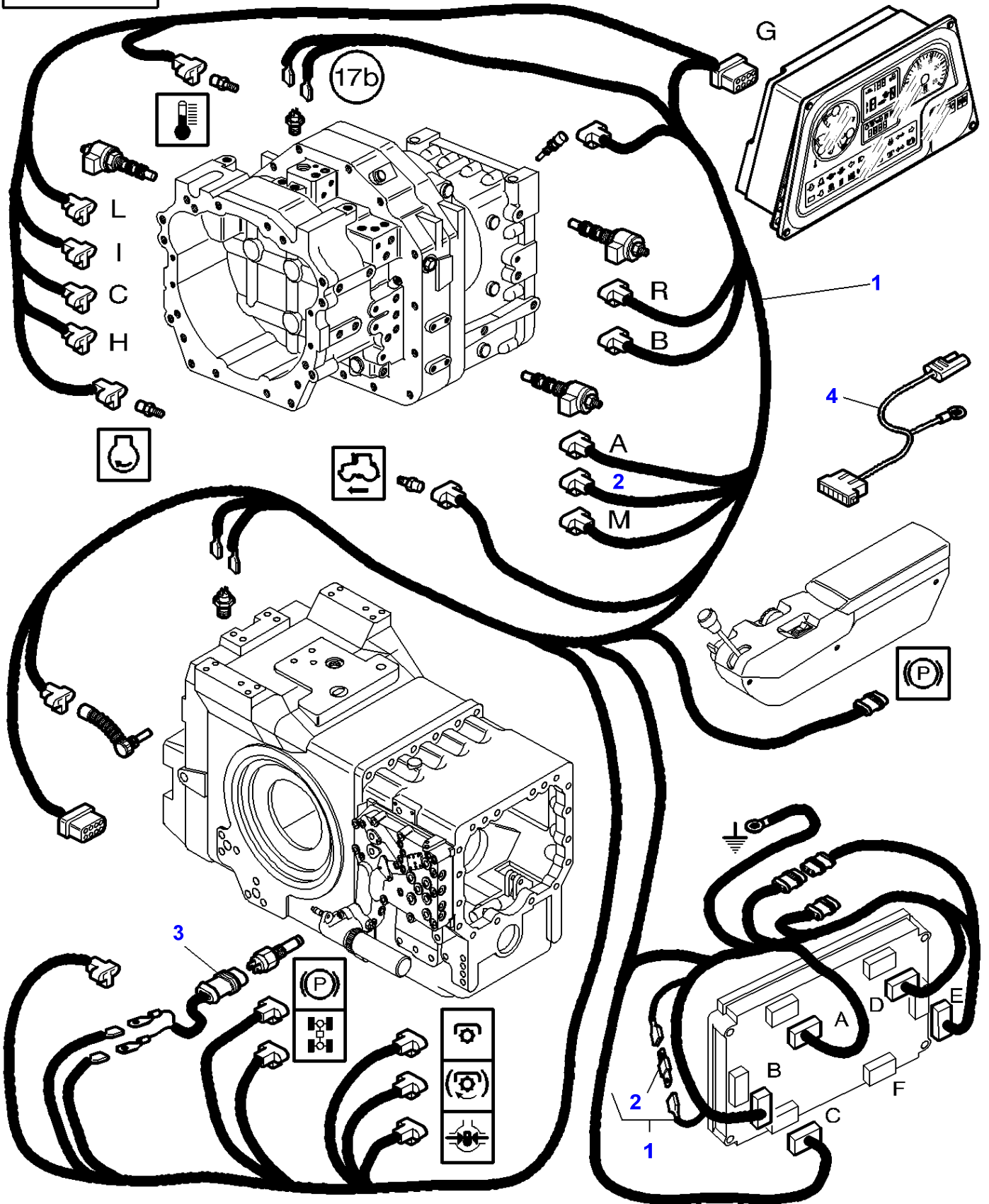
1637366

Sensors Harness - Cab - Dynashift

Page090-0125

Item	Part Number	Qty	Description
1	3618346M1	1	Harness

1-ZW25-002-B



Full Powershift - TRANSMISSION MAIN HARNESS

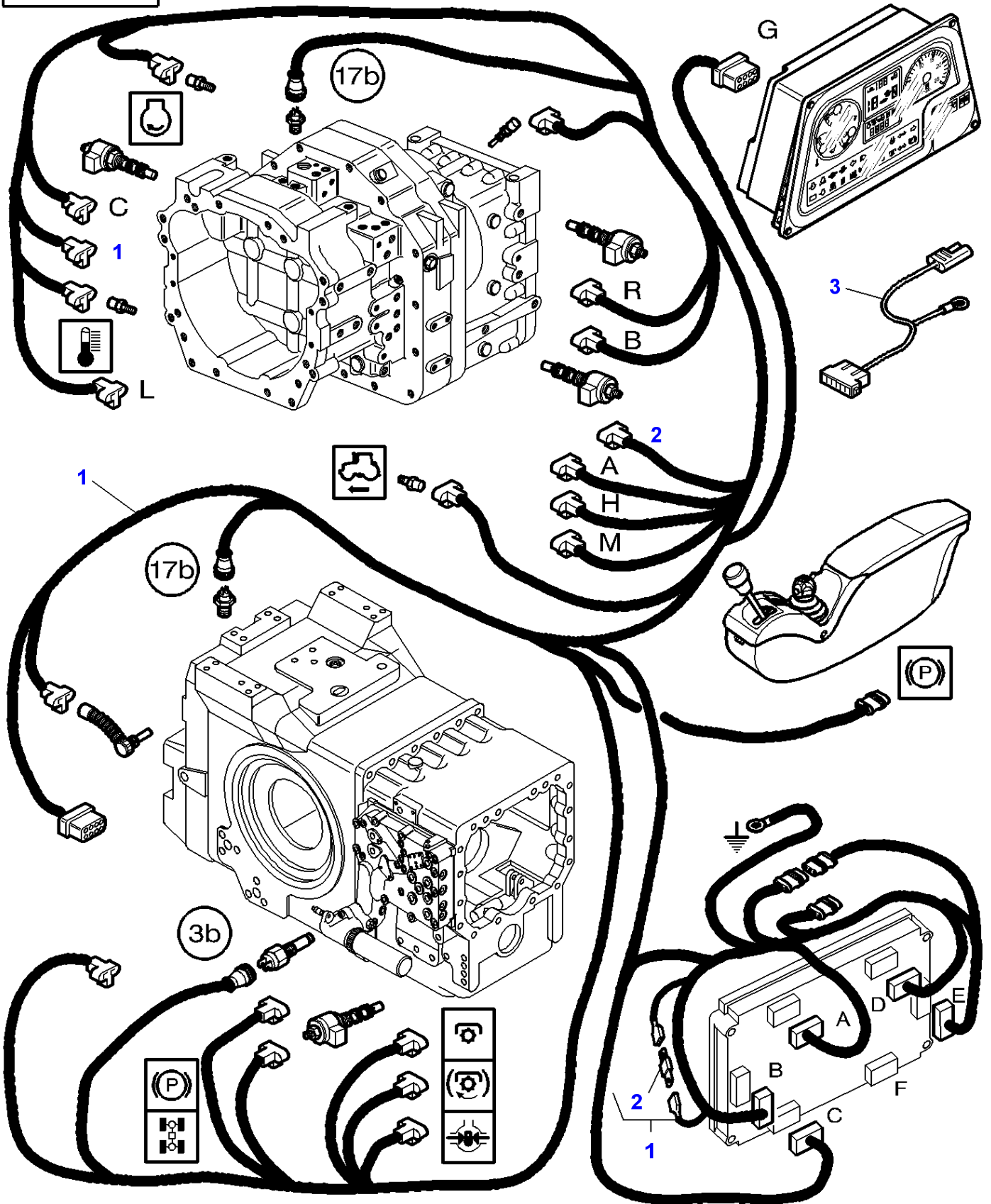
Item	Part Number	Qty	Description	Comments
1	3790909M3	1	Harness	[A] Up to Serial or Engine Number H169002
	3790909M5	1	Harness	[A] From Serial or Engine Number H169003
	3792505M1	1	Harness	[B]
2	3779377M1	1	Diode	[A] (1)
3	3792198M1	1	Harness	[A] Up to Serial or Engine Number H169002
4	3779558M2	1	Harness	[C]

FOOTNOTE [A] WITH PUMP 45CC

FOOTNOTE [B] WITH PUMP 60CC

FOOTNOTE [C] DATATRONIC HARNESS : THEORETICAL SPEED

1-ZW25-003-C



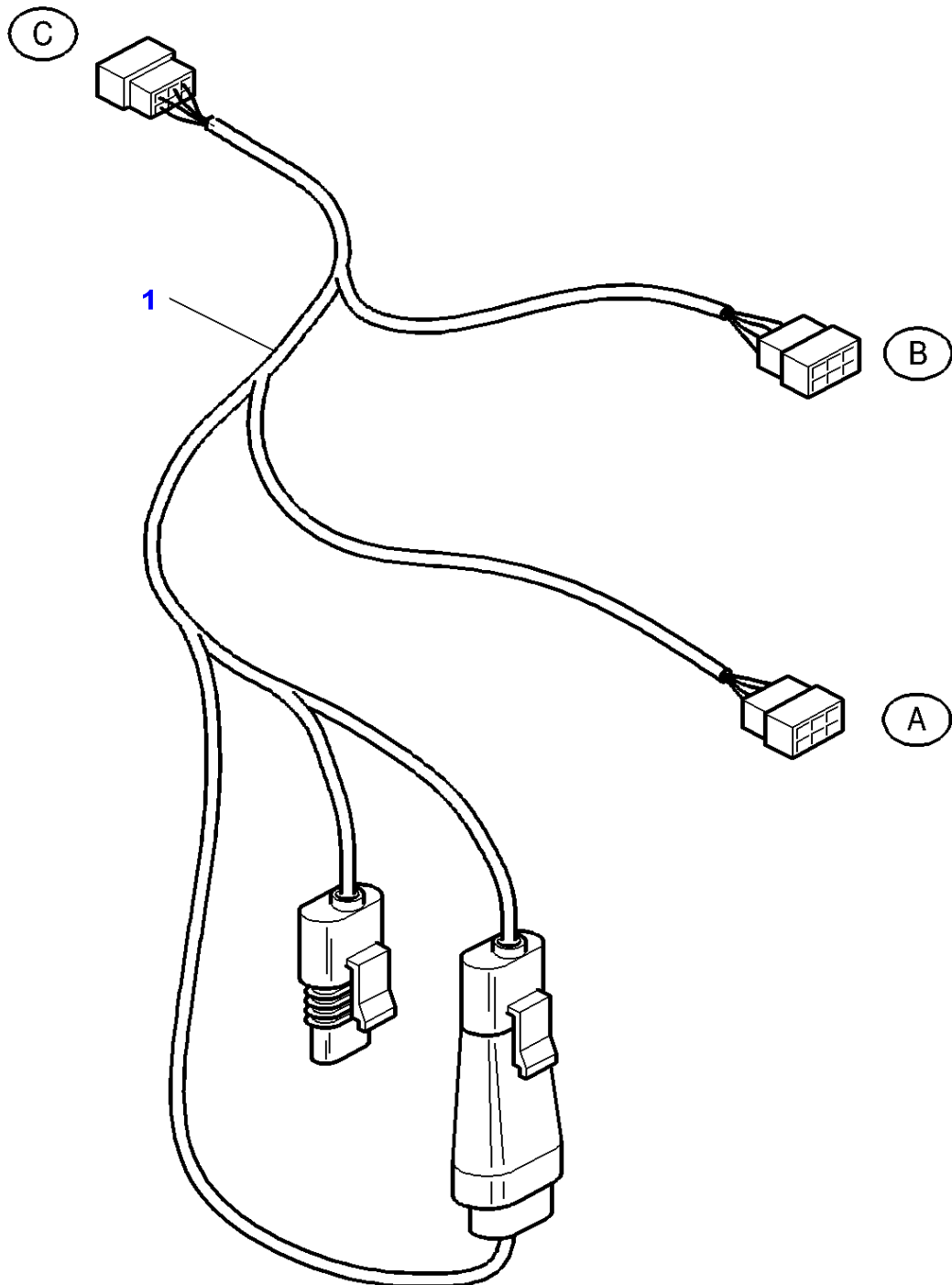
Item	Part Number	Qty	Description	Comments
1	3792699M1	1	Harness	[A] Up to Serial or Engine Number K290004
	3795568M1	1	Harness	[A] From Serial or Engine Number K290005
	3794757M1	1	Harness	[B] Up to Serial or Engine Number K198026
	3795570M1	1	Harness	[B] From Serial or Engine Number K198027
2	3779377M1	1	Diode	(1)
3	3779558M2	1	Harness	[C]

FOOTNOTE [A] WITH PUMP 45CC

FOOTNOTE [B] WITH PUMP 60CC

FOOTNOTE [C] DATATRONIC HARNESS : THEORETICAL SPEED

1-ZW37-001-A



Massey Ferguson

MF 8250 TRACTOR - 1637366

1637366

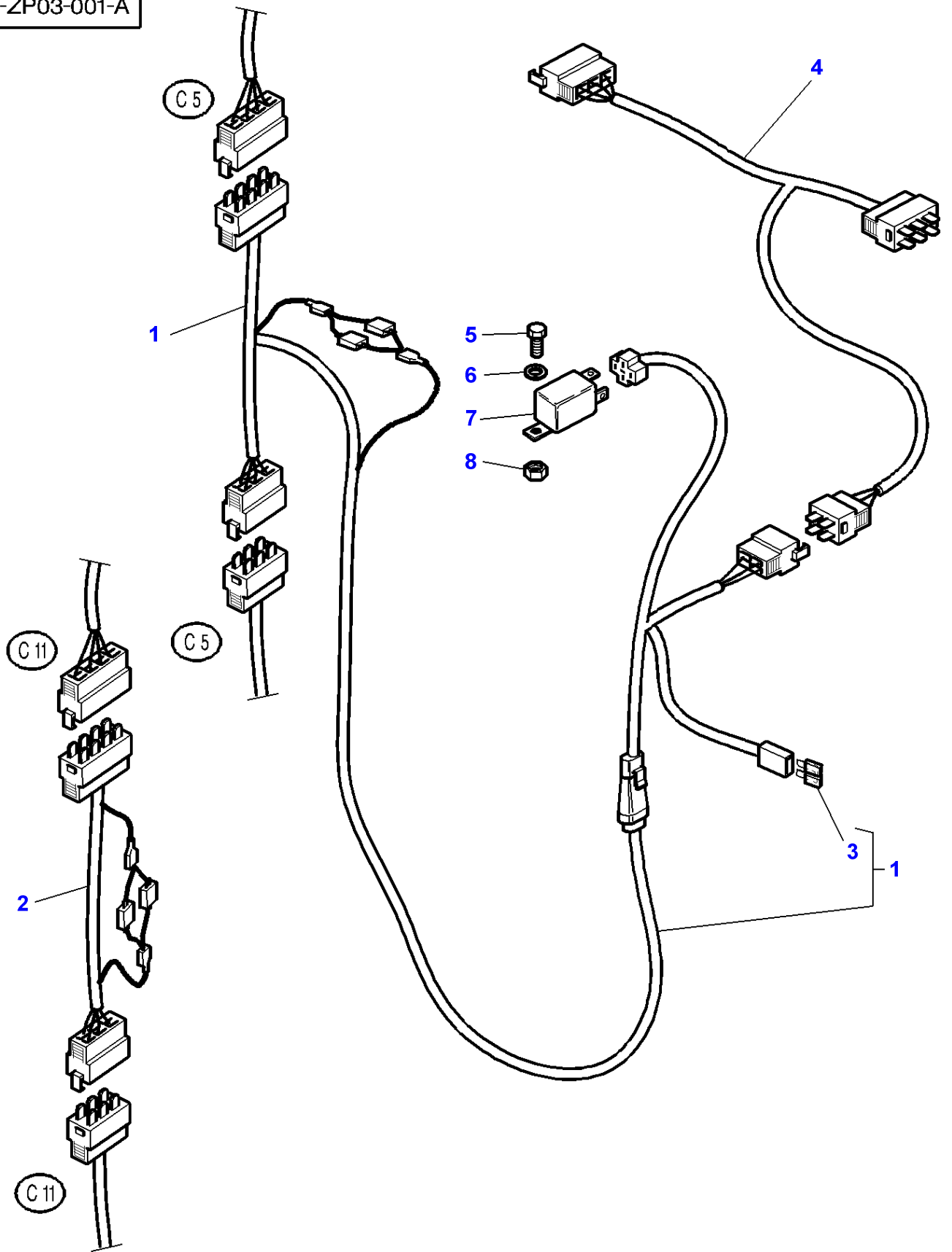
Full Powershift - EMERGENCY HARNESS

Page090-0140

Item	Part Number	Qty	Description
1	3791105M2	1	Harness

MF 8250 TRACTOR - 1637366
1-ZP03-001-A

1-ZP03-001-A



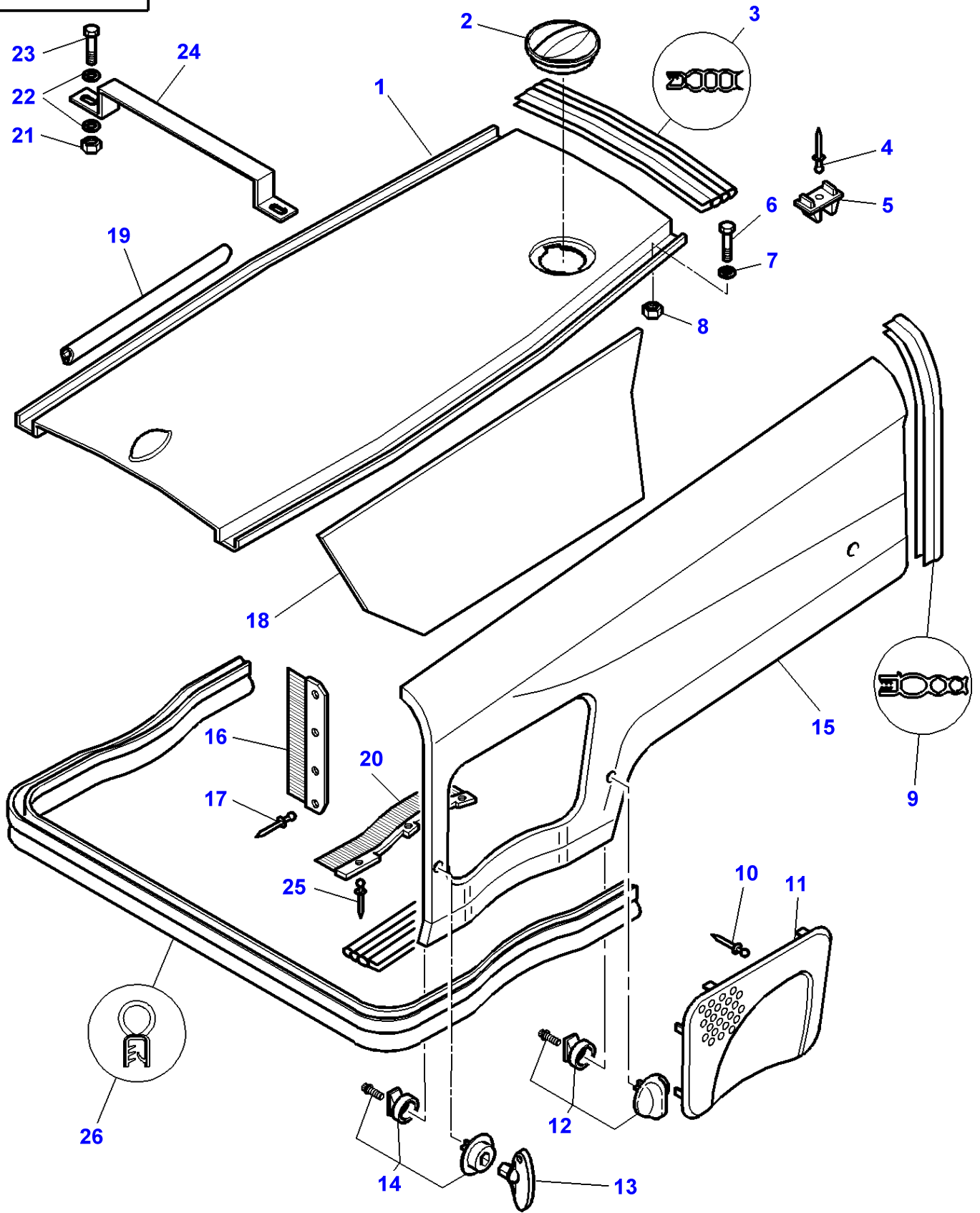
Massey Ferguson**MF 8250 TRACTOR - 1637366****1637366****Temporised relay park-lock - Full Powershift - From Serial or Engine Number H343026****Page090-0145**

Item	Part Number	Qty	Description	Comments
1	3783154M2	1	Harness	
2	3783662M1	1	Harness	
3	1695966M1	1	Fuse	(1) 15 Amp
4	3783153M1	1	Harness	
5	339666X1	1	Hex. Sock. Screw	M6 X 20
6	391038X1	2	Washer	Diameter 6-18 X 1,5
7	3783425M2	1	Relay	AST TIMER 48.04.06
8	1441500X1	1	Locknut	M6

Page Title	Page Number
Sheet Metal - Hood - Dynashift	100-0005
Sheet Metal - Hood handle	100-0010
Sheet Metal - Hood - With Full Powershift	100-0015
Sheet Metal - Screen Frame	100-0020
Sheet Metal - Hood Frame - Dynashift	100-0025
Sheet Metal - Hood Frame - With Full Powershift	100-0030
Footstep And Battery Box - Dynashift	100-0035
Footstep And Battery Box - With Full Powershift	100-0040
Cab Mountings And Step / Stairs - Dynashift	100-0045
Cab Mountings And Step / Stairs - With Full Powershift	100-0050
Cab Mountings And Step / Stairs - Without Additional Tank	100-0055
Tool Box	100-0060
Emblems	100-0065
Speed Charts - Dynashift	100-0070
Speed Charts - With Full Powershift	100-0075
Decals - Safety - For UK only or any text in English only	100-0080
Decals - Safety - For United States of America	100-0085
Decals - Safety - For United States of America	100-0090
Decals - Safety - For France only or any text in French only	100-0095
Decals - Safety - For Germany only or any text in German only	100-0100
Decals - Safety - For Italy only or any text in Italian only	100-0105
Decals - Safety - For Spanish	100-0110
Decals - Safety - For Norway	100-0115
Decals - Safety - For Sweden	100-0120
Decals - Safety - Denmark	100-0125
Decals - Safety - FOR RUSSIAN MARKET ONLY	100-0130
Literature - M.F 8250 - Up To 07-01-2001	100-0135
Literature - M.F 8250 - From 08-01-2001	100-0140
Literature - M.F 8250 XTRA	100-0145

MF 8250 TRACTOR - 1637366
1-ZR03-004-D

1-ZR03-004-C

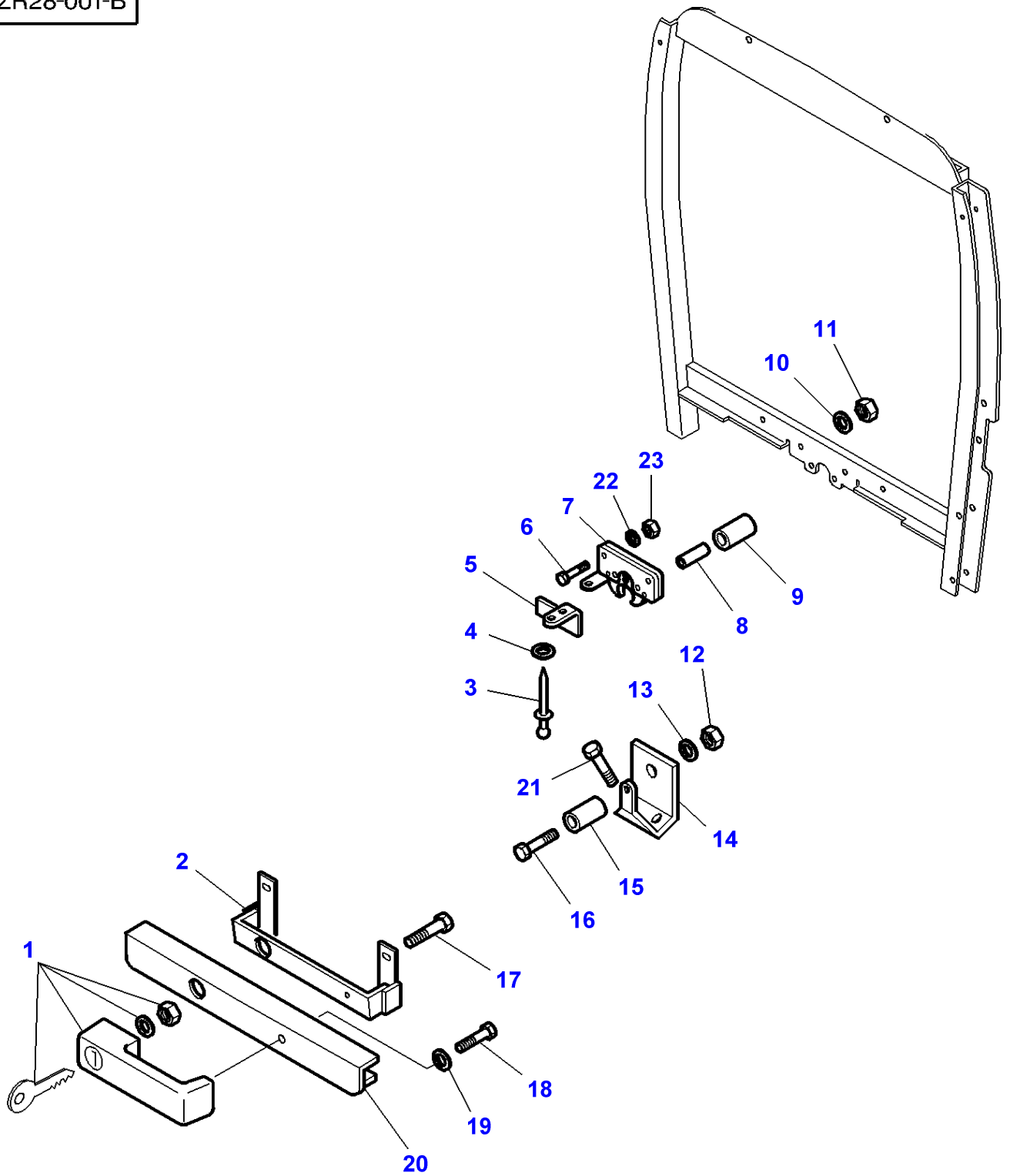


Item	Part Number	Qty	Description	Comments
1	3780016M1	1	Bonnet	
2	3800373M1	1	Cover	
3	3782773M1	1	Gasket	Length 305MM
4	3010935X1	6	Rivet	
5	3800376M1	6	Buffer	
6	339129X1	8	Split Pin	M8X20
7	385361X1	8	Washer	
8	339169X1	8	Nut	
9	3782772M1	2	Gasket	Length 630MM
10	3819546M1	18	Rivet	
11	3780859M2	1	Grille	Right Hand
	3780860M2	1	Grille	Left Hand
12	3903344M91	6	Latch	Alternative 3903345M91
13	3813582M1	1	Tool	
14	3903345M91	6	Latch	Alternative 3903344M91
15	3780017M1	1	Panel	Left Hand Up to Serial or Engine Number 07-01-2001
	3784561M1	1	Panel	Left Hand From Serial or Engine Number 08-01-2001
	3784560M1	1	Panel	Right Hand From Serial or Engine Number 08-01-2001
	3780389M1	1	Panel	Right Hand Up to Serial or Engine Number 07-01-2001
16	3782002M2	1	Seal Plate	Left Hand
	3782003M2	1	Seal Plate	Right Hand
17	391354X1	8	Rivet	Diameter 3.2 X 10
	3010934X1	8	Rivet	
18	3782121M1	1	Fence	
19	3782493M1	2	Gasket	Length 700MM
20	3782000M2	1	Seal	Left Hand Up to Serial or Engine Number 07-01-2001
	3782001M2	1	Seal	Right Hand Up to Serial or Engine Number 07-01-2001
	3780382M1	2	Seal	From Serial or Engine Number 08-01-2001 Length 510MM
21	339169X1	2	Nut	
22	385361X1	4	Washer	
23	339228X1	2	Screw Metric	M8X12
24	3781252M2	1	Sealing Holder	
25	3010935X1	6	Rivet	
26	3785231M1	1	Gasket	From Serial or Engine Number 08-01-2001 Length 1970MM

FOOTNOTE [A] TRACTOR WITH PLATFORM

FOOTNOTE [B] NUMBER TO BE ADVISED

1-ZR28-001-B

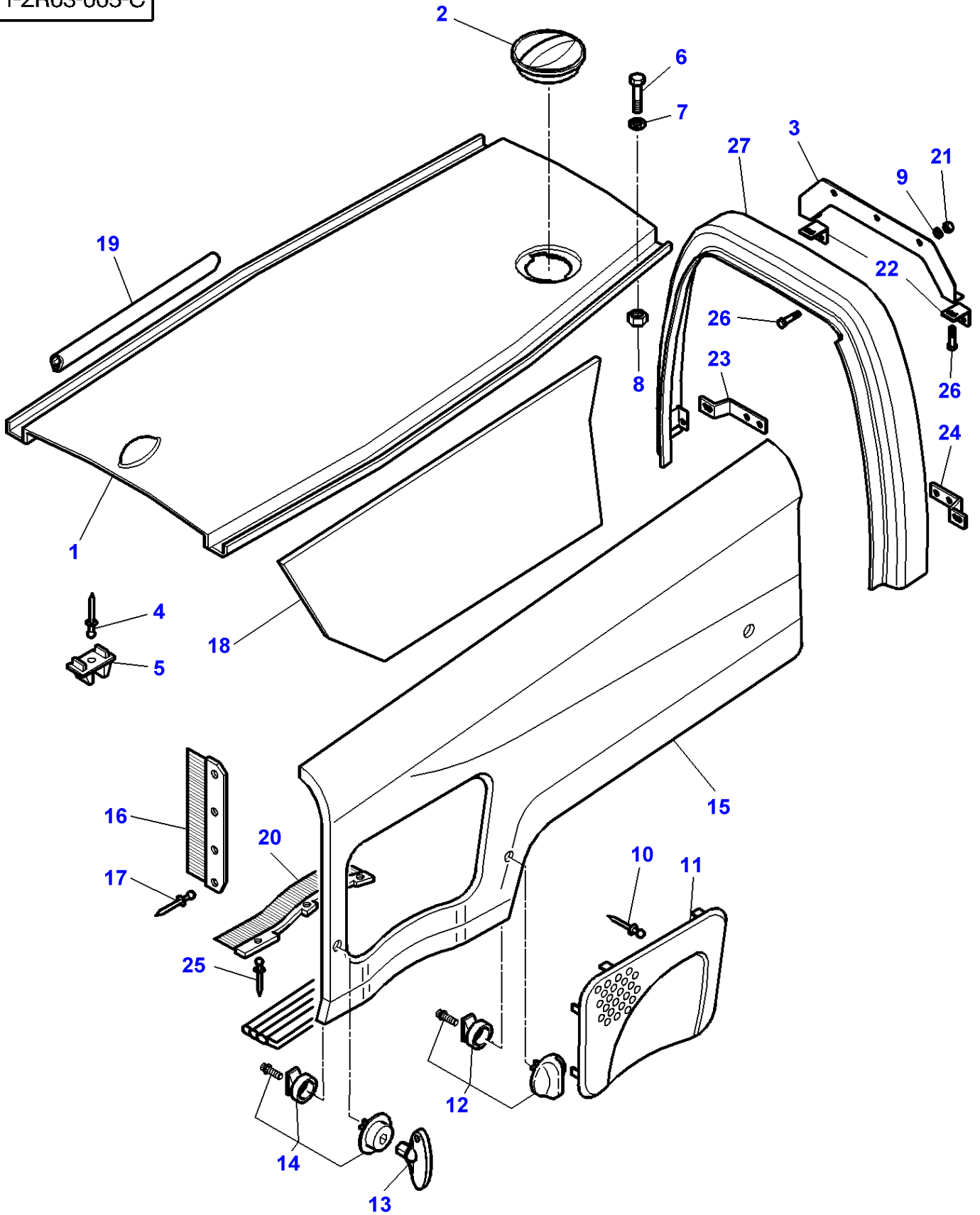


Sheet Metal - Hood handle

Item	Part Number	Qty	Description	Comments
1	3902356M91	1	Handle	
2	3780988M3	1	Bracket	
3	391354X1	2	Rivet	
4	390468X1	2	Washer Metric	
5	3780990M2	1	Strap	
6	339262X1	2	Bolt Metric	M6X30
	3015036X1	2	Screw	M6X70
				Up to Serial or Engine Number H186024
7	72161441	1	Latch	
8	3781976M1	2	Spacer	Up to Serial or Engine Number H186024
9	3781233M1	2	Roll	Up to Serial or Engine Number H186024
10	390971X1	4	Washer	Up to Serial or Engine Number H186024
	390971X1	2	Washer	From Serial or Engine Number H186025
11	339030X1	4	Nut Metric	Up to Serial or Engine Number H186024
	339030X1	2	Nut Metric	From Serial or Engine Number H186025
12	339030X1	1	Nut Metric	
13	390971X1	1	Washer	
14	3780699M4	1	Bracket	Up to Serial or Engine Number
		1	Bracket	From Serial or Engine Number
				See Page - Reference Number 010-0340/11
15	3782811M2	1	Spacer	Diameter 6-17 X 59
				Up to Serial or Engine Number
16	390246X1	1	Bolt	M6X70
				Up to Serial or Engine Number
17	339124X1	2	Hex. Sock. Screw	M8X16
18	339560X1	1	Hex. Sock. Screw	M6X16
19	390971X1	1	Washer	
20	3780998M92	1	Grille	
21	339124X1	2	Hex. Sock. Screw	M8X16
22	390971X1	2	Washer	
23	1441500X1	2	Locknut	

MF 8250 TRACTOR - 1637366
1-ZR03-005-C

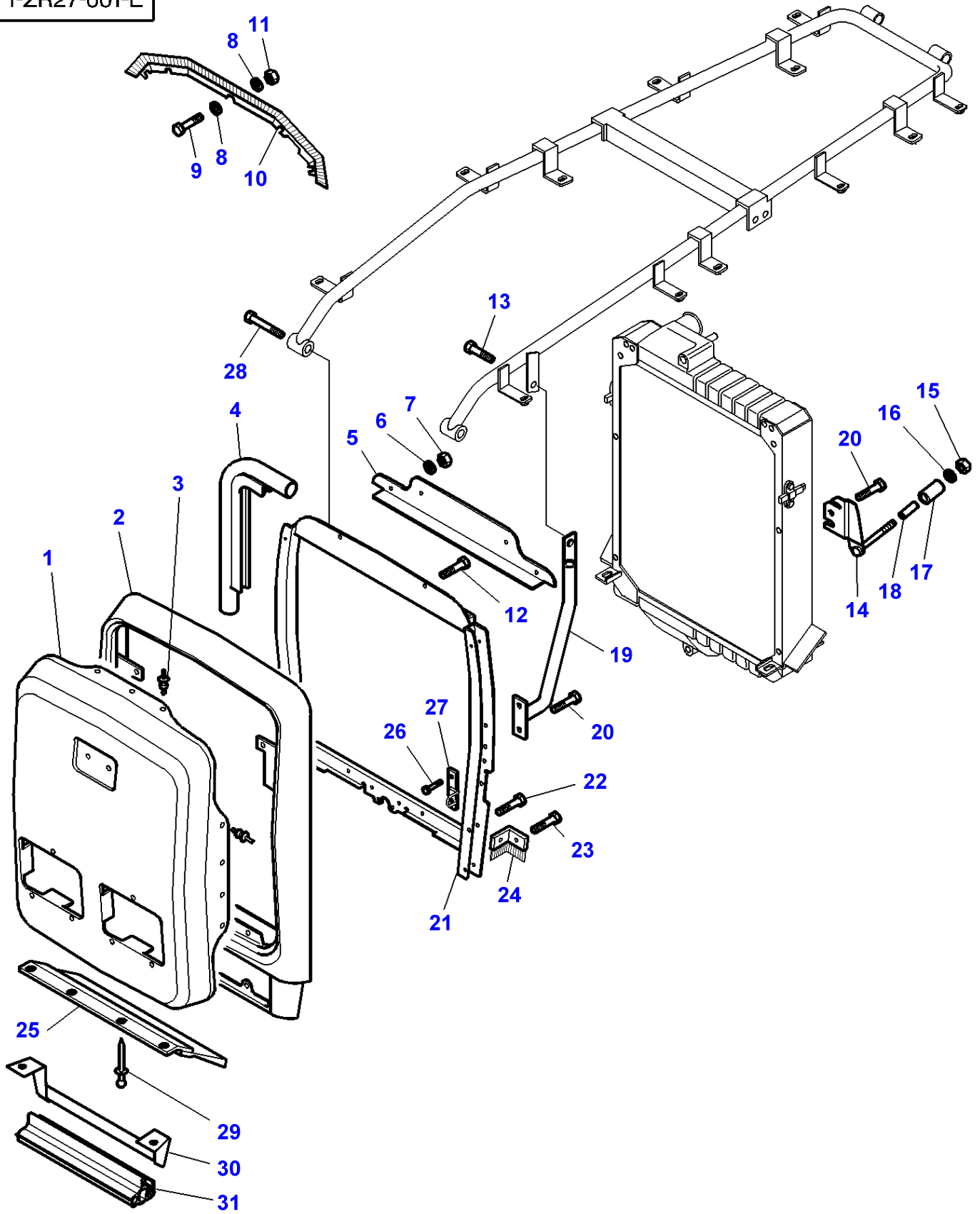
1-ZR03-005-C



Item	Part Number	Qty	Description	Comments
1	3780016M1	1	Bonnet	
2	3800373M1	1	Cover	
3	3782174M2	1	Bracket	
4	3010935X1	6	Rivet	
5	3800376M1	6	Buffer	
6	339129X1	8	Split Pin	M8X20
7	385361X1	8	Washer	
8	339169X1	8	Nut	
9	390972X1	2	Washer Metric	
10	3819546M1	18	Rivet	
11	3780859M2	1	Grille	Right Hand
	3780860M2	1	Grille	Left Hand
12	3903344M91	6	Latch	Alternative 3903345M91
13	3813582M1	1	Tool	
14	3903345M91	6	Latch	Alternative 3903344M91
15	3780017M1	1	Panel	Left Hand
	3780389M1	1	Panel	Right Hand
16	3782002M2	1	Seal Plate	Left Hand
	3782003M2	1	Seal Plate	Right Hand
17	391354X1	8	Rivet	Diameter 3.2 X 10
	3010934X1	8	Rivet	
18	3782121M1	1	Fence	
19	3782493M1	2	Gasket	Length 700MM
20	3782000M2	1	Seal	Left Hand
	3782001M2	1	Seal	Right Hand
21	339169X1	2	Nut	
22	3782178M1	2	Strap	
23	3782176M1	1	Bracket	Right Hand
24	3782175M1	1	Bracket	Left Hand
25	3010935X1	6	Rivet	
26	339124X1	6	Hex. Sock. Screw	M8X16
27	3782177M1	1	Support	

MF 8250 TRACTOR - 1637366
1-ZR27-001-E

1-ZR27-001-E

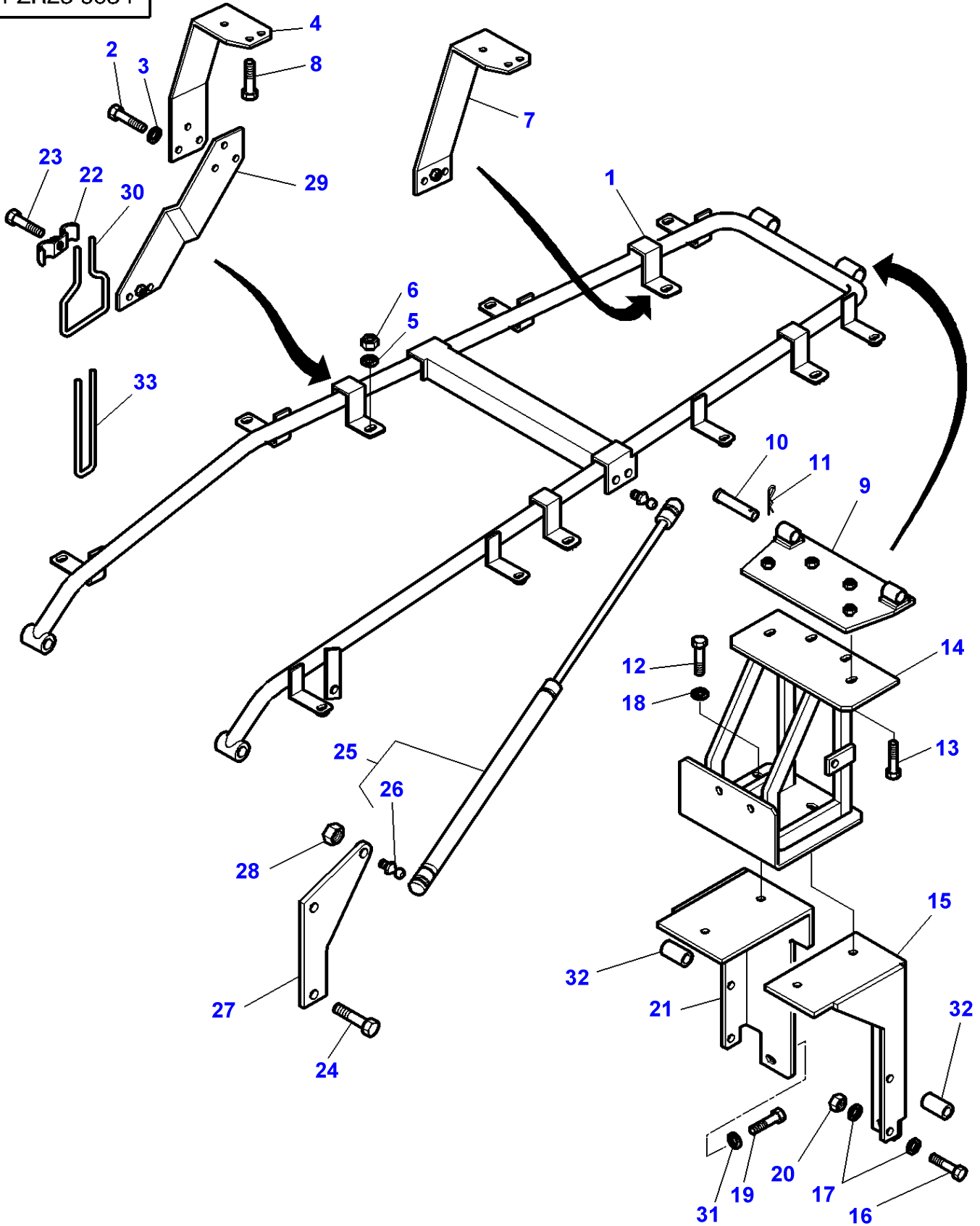


Sheet Metal - Screen Frame

Item	Part Number	Qty	Description	Comments
1	3805876M91	1	Grille	
2	3779302M2	1	Screen	
3	3010935X1	18	Rivet	
4	3783199M1	1	Gasket	Length 2060MM Up to Serial or Engine Number 26-JUIL-2001
	3785231M1	1	Gasket	Length 1970MM From Serial or Engine Number 27-JUIL-2001
5	3782763M1	1	Seal Plate	
6	385361X1	2	Washer	
7	339169X1	2	Nut	
8	390971X1	10	Washer	
9	339666X1	5	Hex. Sock. Screw	M6X20
10	3782004M1	1	Gasket	
11	339030X1	5	Nut Metric	
12	391074X1	2	Hex. Sock. Screw	M6X25
13	339123X1	2	Hex. Sock. Screw	M8X20
14	3782075M3	1	Support	Right Hand
	3782076M3	1	Support	Left Hand
15	339169X1	2	Nut	
16	385361X1	2	Washer	
17	3782073M1	2	Roll	
18	3782072M1	2	Spacer	
19	3781166M3	1	Strut	Left Hand
	3781194M3	1	Strut	Right Hand
20	339123X1	6	Hex. Sock. Screw	M8X20
21	3782630M2	1	Support	
22	1440922X1	4	Bolt	M6X60
23	391074X1	4	Hex. Sock. Screw	M6X12
24	3782726M3	1	Seal	Left Hand Up to Serial or Engine Number 07-JAN-2001
	3782727M3	1	Seal	Right Hand Up to Serial or Engine Number 07-JAN-2001
25	3782722M2	1	Gasket	Length 535MM Up to Serial or Engine Number H285006
	3781999M2	1	Gasket	Length 450MM From Serial or Engine Number H285007 Up to Serial or Engine Number 07-01-2001
26	339228X1	4	Screw Metric	M8X12
27	3780693M2	1	Bracket	Left Hand
	3780694M2	1	Bracket	Right Hand
28	3009497X1	2	Bolt Metric	M10X50
29	3010934X1	4	Rivet	
30	3784567M1	1	Support	From Serial or Engine Number 08-01-2001
31	3784568M1	1	Seal	Length 520MM From Serial or Engine Number 08-JUIN-2001

MF 8250 TRACTOR - 1637366
1-ZR25-003-F

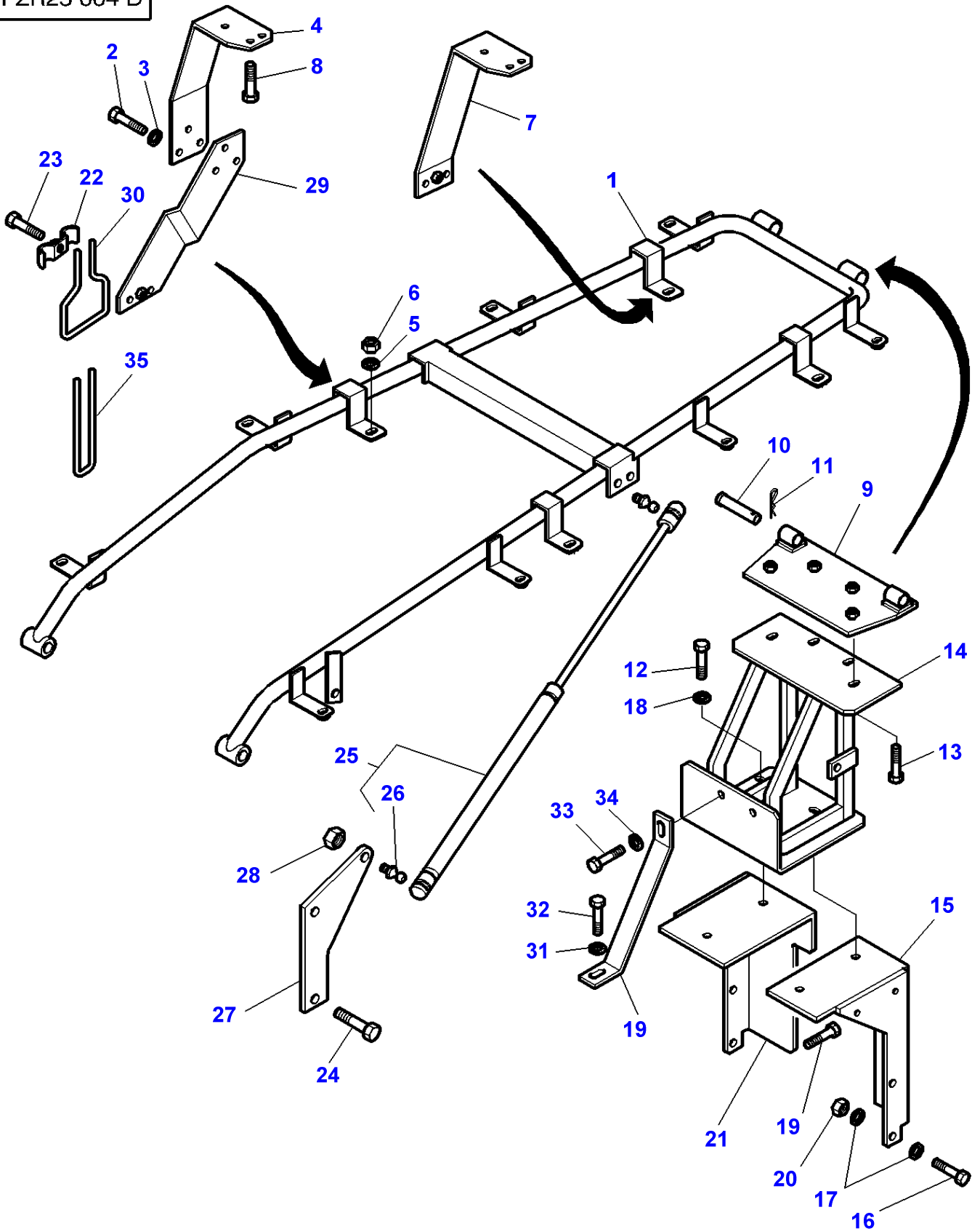
1-ZR25-003-F



Item	Part Number	Qty	Description	Comments
1	3782628M2	1	Chassis	
2	339123X1	6	Hex. Sock. Screw	M8X20
3	385361X1	6	Washer	
4	3782728M1	1	Support	Left Hand
	3782729M1	1	Support	Right Hand
5	385361X1	12	Washer	
6	339169X1	12	Nut	
7	3782730M1	1	Support	Left Hand
	3782731M1	1	Support	Right Hand
8	339123X1	12	Hex. Sock. Screw	M8X20
9	3781236M4	1	Plate	
10	3779399M1	2	Clevis Pin	
11	354066X1	2	Pin	
12	339337X1	4	Hex. Sock. Screw	M8X30
13	339337X1	2	Hex. Sock. Screw	M8X30
14	3781229M6	1	Support	Up to Serial or Engine Number K275012
	3787652M2	1	Support	From Serial or Engine Number K275013
15	3781228M1	1	Support	Left Hand
16	3009492X1	4	Hex. Sock. Screw	M10X25
17	385362X1	6	Washer	
18	385361X1	4	Washer	
19	339275X1	2	Hex. Sock. Screw	M16X35
20	3009693X1	2	Nut Metric	M8X25
21	3781227M1	1	Support	Up to Serial or Engine Number K275012
				Right Hand
	3787651M1	1	Support	From Serial or Engine Number K275013
				Right Hand
22	3597673M1	4	Catch	
23	339124X1	4	Hex. Sock. Screw	M8X16
24	339123X1	4	Hex. Sock. Screw	M8X20
25	3782974M1	2	Ram	
26	3903200M1	2	Toggle	(25)
27	3783149M1	2	Support	
28	339169X1	4	Nut	
29	3782732M1	1	Support	Left Hand
	3782733M1	1	Support	Right Hand
30	3808671M1	4	Wire	
31	1443769X1	2	Washer	
32	3383637M1	2	Spacer	Length 11,7MM
33	3780301M1	2	Tie	

MF 8250 TRACTOR - 1637366
1-ZR25-004-D

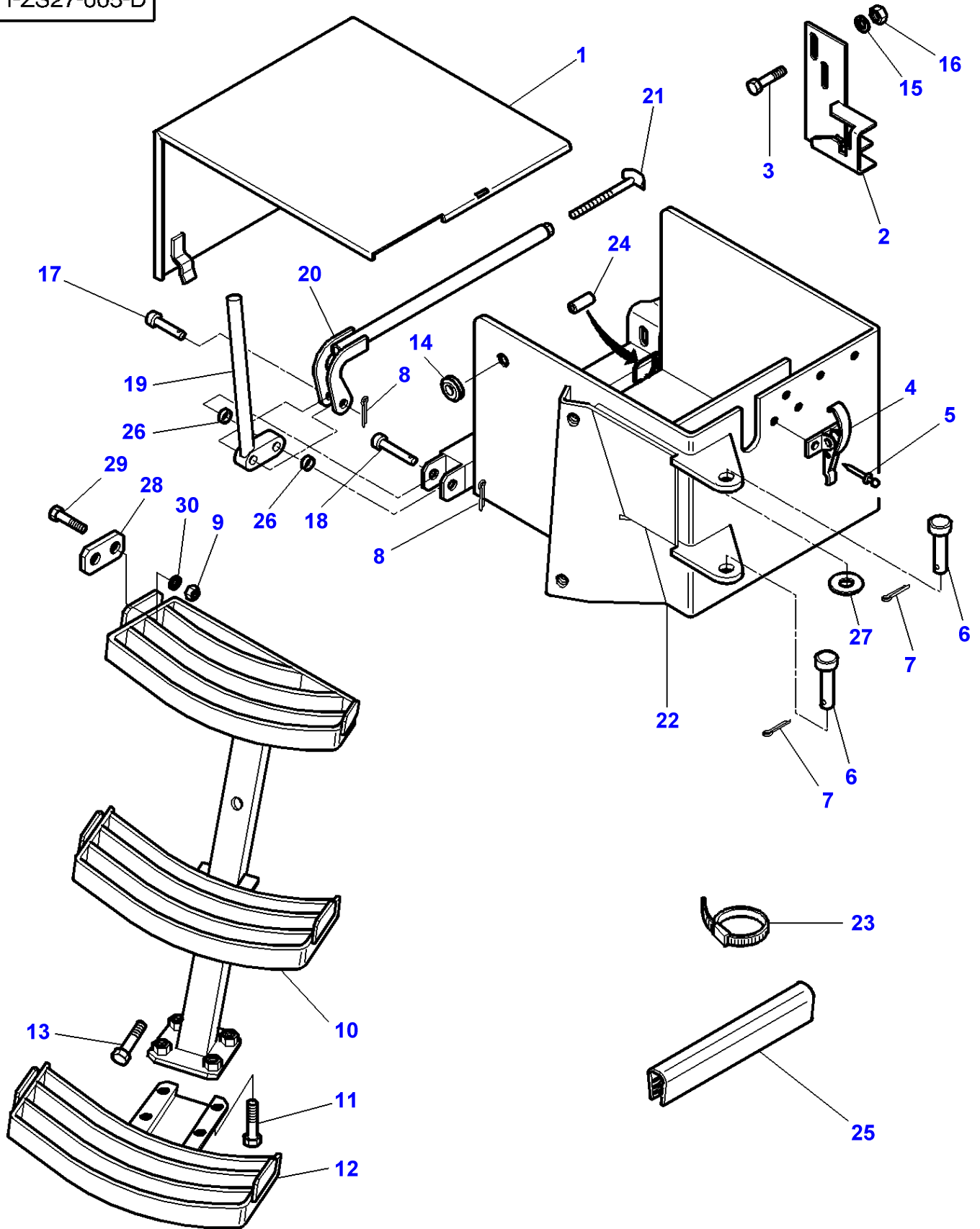
1-ZR25-004-D



Item	Part Number	Qty	Description	Comments
1	3782628M2	1	Chassis	
2	339123X1	6	Hex. Sock. Screw	M8X20
3	385361X1	6	Washer	
4	3782728M1	1	Support	Left Hand
	3782729M1	1	Support	Right Hand
5	385361X1	12	Washer	
6	339169X1	12	Nut	
7	3782730M1	1	Support	Left Hand
	3782731M1	1	Support	Right Hand
8	339123X1	12	Hex. Sock. Screw	M8X20
9	3781236M4	1	Plate	
10	3779399M1	2	Clevis Pin	
11	354066X1	2	Pin	
12	339337X1	4	Hex. Sock. Screw	M8X30
13	339337X1	2	Hex. Sock. Screw	M8X30
14	3781229M6	1	Support	Up to Serial or Engine Number K275012
	3787652M2	1	Support	From Serial or Engine Number K275013
15	3782707M1	1	Support	Left Hand
16	3009492X1	4	Hex. Sock. Screw	M10X25
17	385362X1	6	Washer	
18	385361X1	4	Washer	
19	3782736M1	1	Reinforcement	
20	3009693X1	2	Nut Metric	M8X25
21	3782706M1	1	Support	Up to Serial or Engine Number L038033 Right Hand
	3787664M1	1	Support	From Serial or Engine Number L038034 Right Hand
22	3597673M1	4	Catch	
23	339124X1	4	Hex. Sock. Screw	M8X16
24	339123X1	4	Hex. Sock. Screw	M8X20
25	3782974M1	2	Ram	
26	3903200M1	2	Toggle	(25)
27	3783149M1	2	Support	
28	339169X1	4	Nut	
29	3782732M1	1	Support	Left Hand
	3782733M1	1	Support	Right Hand
30	3808671M1	4	Wire	
31	390735X1	1	Washer	
32	3009505X1	1	Screw Metric	M12X25
33	3009492X1	1	Hex. Sock. Screw	M10X25
34	390734X1	1	Washer	
35	3780301M1	2	Tie	

MF 8250 TRACTOR - 1637366
1-ZS27-005-D

1-ZS27-005-D

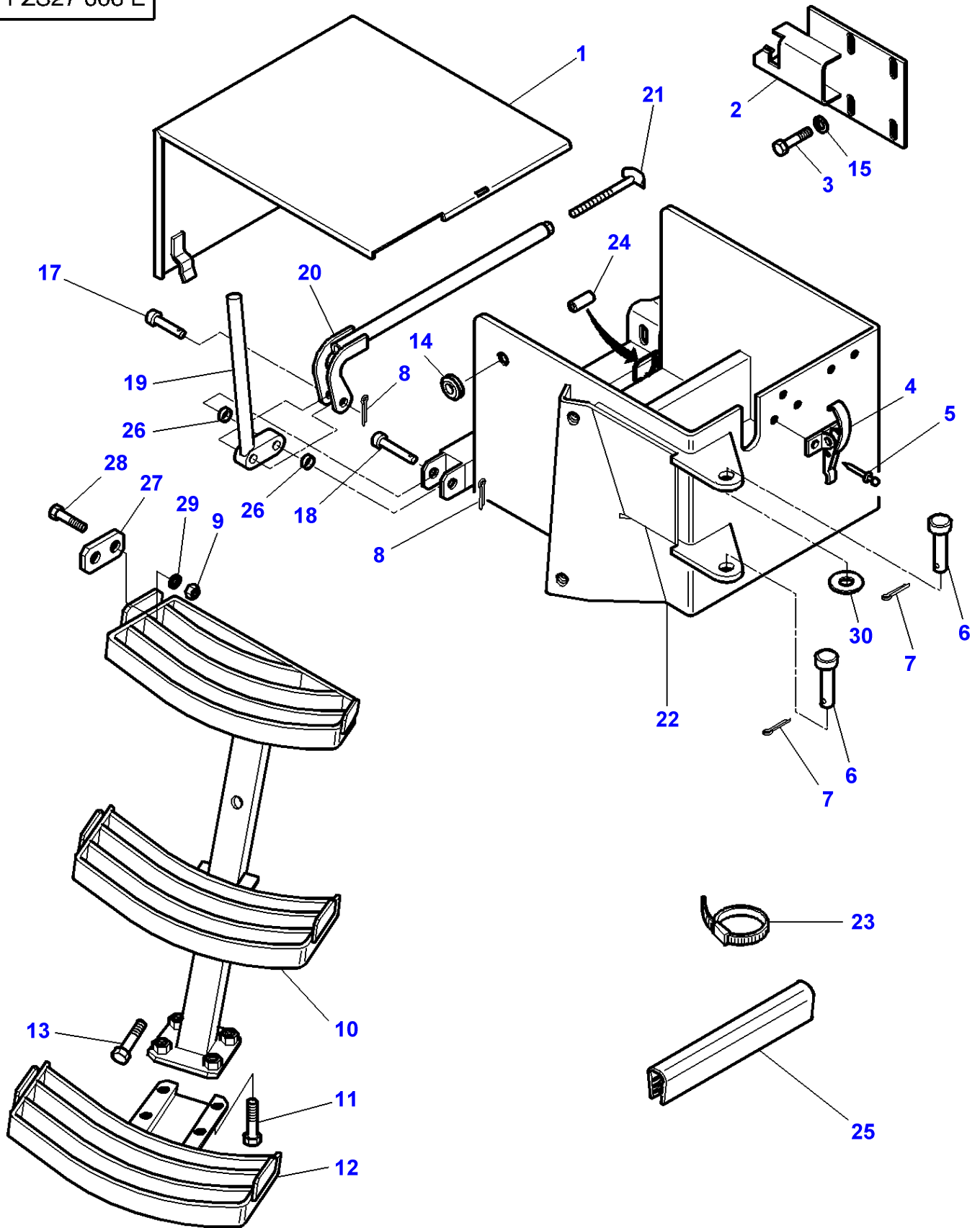


Footstep And Battery Box - Dynashift

Item	Part Number	Qty	Description	Comments
1	3779908M93	1	Cover	[A] Up to Serial or Engine Number H307029
	3783485M1	1	Cover	From Serial or Engine Number H307030
2	3779458M2	1	Anglepiece	
3	339337X1	2	Hex. Sock. Screw	M8X30
4	3781710M1	1	Bridle	
5	3010021X1	2	Rivet	
6	3019227X1	2	Clevis Pin	Diameter 20 Length 50MM
7	195415M1	2	Hair Pin	
8	354066X1	2	Pin	
9	339169X1	2	Nut	Up to Serial or Engine Number H250016
10	3781171M92	1	Step	Right Hand
11	3009491X1	4	Hex. Sock. Screw	M10X20
12	3779071M91	1	Stair	Right Hand
13	3009514X1	2	Screw	M12X70
14	3783677M1	1	Grommet	
15	390972X1	2	Washer Metric	
16	339169X1	2	Nut	M8
17	3019214X1	1	Clevis Pin	Diameter 12 Length 40MM
18	3019216X1	1	Clevis Pin	Diameter 12 Length 60MM
19	3779978M91	1	Lever	
20	3779927M92	1	Stem	
21	3779968M91	1	Stem	
22	3782446M91	1	Battery Box	Up to Serial or Engine Number 16-06-1999
	3782446M92	1	Battery Box	From Serial or Engine Number 17-06-1999
	3783850M92	1	Battery Box	Up to Serial or Engine Number J189015
	3619622M1	X	Cable Tie	From Serial or Engine Number J189016
23	3581340M1	2	Shock Absorber	
24	1684844M1	X	Seal	Length 80MM
25	3714837M1	X	Gasket	Length 50MM
26	3779066M1	2	Spacer	
27	385365X1	1	Washer	
28	3781189M1	1	Stop	Up to Serial or Engine Number H250016
29	339123X1	2	Hex. Sock. Screw	M8X20 Up to Serial or Engine Number H250016
30	390972X1	2	Washer Metric	Up to Serial or Engine Number H250016

FOOTNOTE [A] THE APPROPRIATE SAFETY DECALS MUST BE ORDERED AND FITTED TO THIS PART

1-ZS27-006-E



Massey Ferguson**MF 8250 TRACTOR - 1637366**

1637366

Page 100-0040

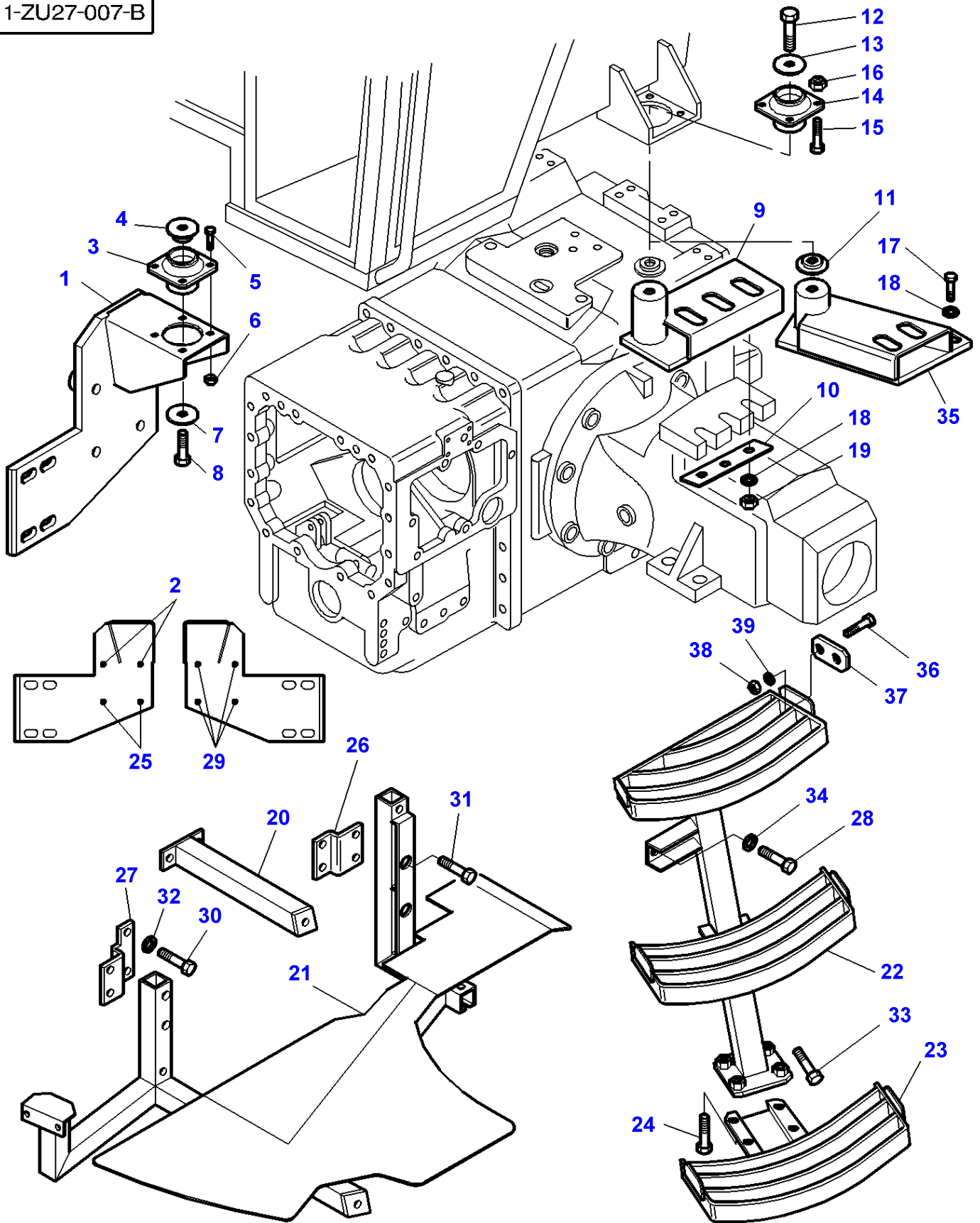
Footstep And Battery Box - With Full Powershift

Item	Part Number	Qty	Description	Comments
1	3779908M93	1	Cover	[A] Up to Serial or Engine Number H307029
	3783485M1	1	Cover	[A] From Serial or Engine Number H307030
2	3779983M91	1	Anglepiece	
3	339337X1	4	Hex. Sock. Screw	M8X30
4	3781710M1	1	Bridle	
5	3010021X1	2	Rivet	
6	3019227X1	2	Clevis Pin	Diameter 20 Length 50MM
7	195415M1	2	Hair Pin	
8	354066X1	2	Pin	
9	339169X1	2	Nut	Up to Serial or Engine Number H250016
10	3781171M92	1	Step	Right Hand
11	3009491X1	4	Hex. Sock. Screw	M10X20
12	3779071M91	1	Stair	Right Hand
13	3009514X1	2	Screw	M12X70
14	3783677M1	1	Grommet	
15	390972X1	4	Washer Metric	
16	385365X1	1	Washer	
17	3019214X1	1	Clevis Pin	Diameter 12 Length 40MM
18	3019216X1	1	Clevis Pin	Diameter 12 Length 60MM
19	3779978M91	1	Lever	
20	3779927M92	1	Stem	
21	3779968M91	1	Stem	
22	3782446M91	1	Battery Box	Up to Serial or Engine Number 16-06-1999
	3782446M92	1	Battery Box	From Serial or Engine Number 17-06-1999
				Up to Serial or Engine Number J189015
	3783850M92	1	Battery Box	From Serial or Engine Number J189016
23	3619622M1	X	Cable Tie	
24	3581340M1	2	Shock Absorber	
25	1684844M1	X	Seal	Length 80MM
	3714837M1	X	Gasket	Length 50MM
26	3779066M1	2	Spacer	
27	3781189M1	1	Stop	Up to Serial or Engine Number H250016
28	339123X1	2	Hex. Sock. Screw	M8X20 Up to Serial or Engine Number H250016
				Up to Serial or Engine Number H250016
29	390972X1	2	Washer Metric	
30	385365X1	1	Washer	

FOOTNOTE [A] THE APPROPRIATE SAFETY DECALS MUST BE ORDERED AND FITTED TO THIS PART

MF 8250 TRACTOR - 1637366
1-ZU27-007-B

1-ZU27-007-B



Cab Mountings And Step / Stairs - Dynashift

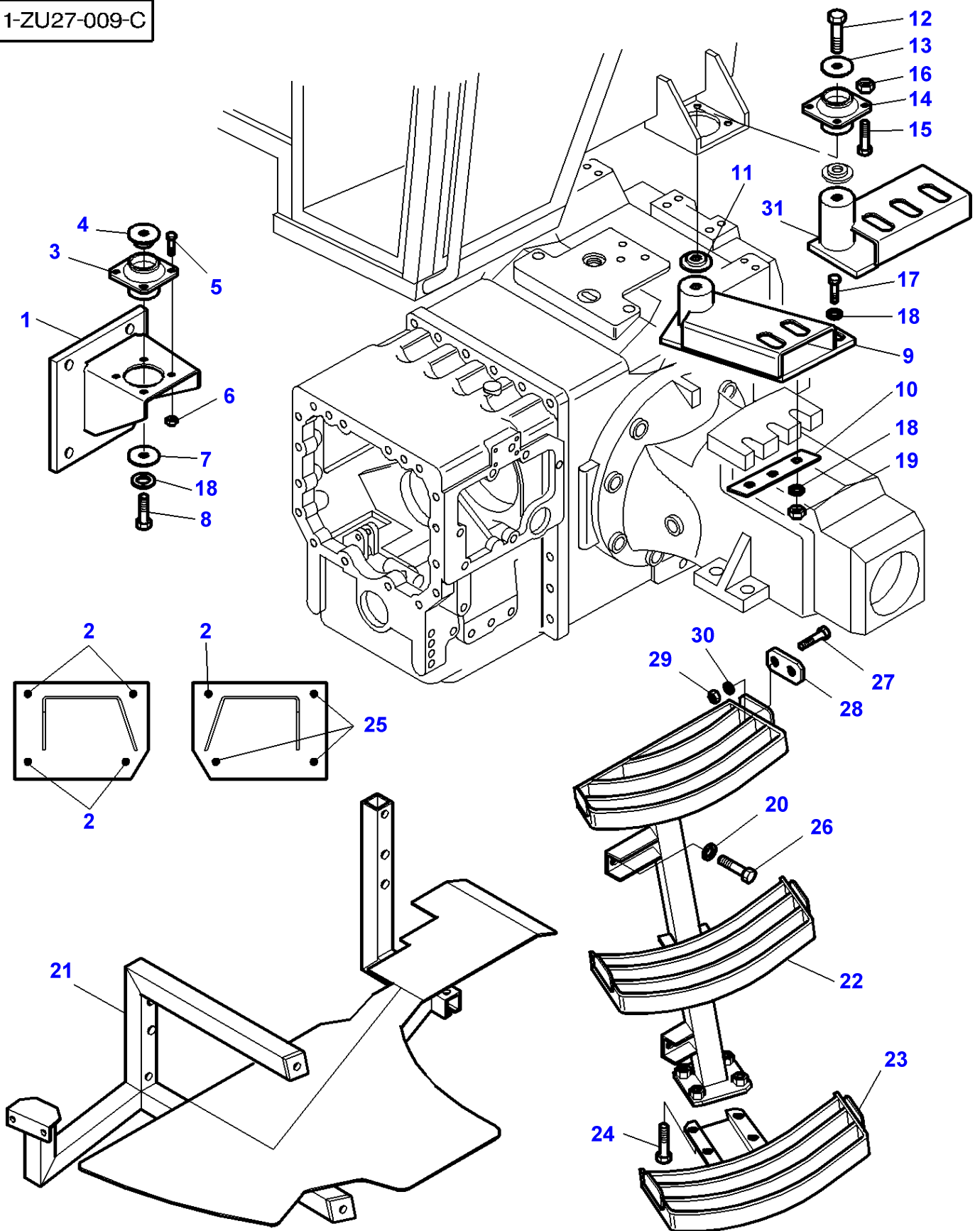
Item	Part Number	Qty	Description	Comments
1	3715435M2	1	Support	Left Hand
	3715436M2	1	Support	Right Hand
2	3001915X1	2	Screw	M16 X 85
3	3712693M1	2	Vibration Mount	Up to Serial or Engine Number L050018
	3789027M1	2	Vibration Mount	From Serial or Engine Number L050019
4	3388272M1	2	Washer	
5	3009492X1	7	Hex. Sock. Screw	M10 X 25
	3009493X1	1	Hex. Sock. Screw	M10 X 30
6	339402X1	8	Nut	M10
7	3712809M2	2	Spacer	
8	339805X1	2	Bolt Metric	M16 X 100
9	3779767M1	1	Support	Left Hand
	3779768M1	1	Support	Right Hand
10	3777417M1	2	Plate	
11	3388272M1	2	Washer	
12	339805X1	2	Bolt Metric	M16 X 100
13	3712809M2	2	Spacer	
14	3715926M1	2	Buffer	
15	3009492X1	8	Hex. Sock. Screw	M10 X 25
16	339402X1	8	Nut	M10
17	339805X1	6	Bolt Metric	M16 X 100
18	3019575X1	12	Washer Metric	Diameter 17-44 X 3 MM
19	339034X1	6	Nut	M16
20	3778242M2	1	Support	Replace and repair. Old not interchangeable with new 3778242M1
21	3781375M94	1	Support	
22	3778240M92	1	Step	
23	3778337M91	1	Stair	
24	3009491X1	4	Hex. Sock. Screw	M10 X 20
25	339805X1	2	Bolt Metric	M16 X 100
26	3778294M2	1	Plate	[A]
27	3778295M2	1	Plate	[A]
28	339275X1	1	Hex. Sock. Screw	M16 X 35
29	339498X1	4	Screw	M16 X 110
30	354710X1	4	Bolt Unc	[A] 3/4-10 X 50
31	390864X1	4	Bolt Metric	[A] M16 X 80
32	353775X1	4	Washer	[A]
33	390864X1	1	Bolt Metric	M16 X 80
34	3019575X1	1	Washer Metric	Diameter 17-44 X 3 MM
35	3780125M2	1	Support	[B] Left Hand
	3780126M2	1	Support	[B] Right Hand
36	339123X1	2	Hex. Sock. Screw	M8 X 20 Up to Serial or Engine Number H259009
37	3781189M1	1	Stop	Up to Serial or Engine Number H259009
38	339169X1	2	Nut	M8 Up to Serial or Engine Number H259009
39	390972X1	2	Washer Metric	Up to Serial or Engine Number H259009

FOOTNOTE [A] WITH DYNASHIFT

FOOTNOTE [B] WITH HEAVY DUTY REAR AXLE HOUSING COMPOSITE REDUCE R

MF 8250 TRACTOR - 1637366
1-ZU27-009-C

1-ZU27-009-C



Cab Mountings And Step / Stairs - With Full Powershift

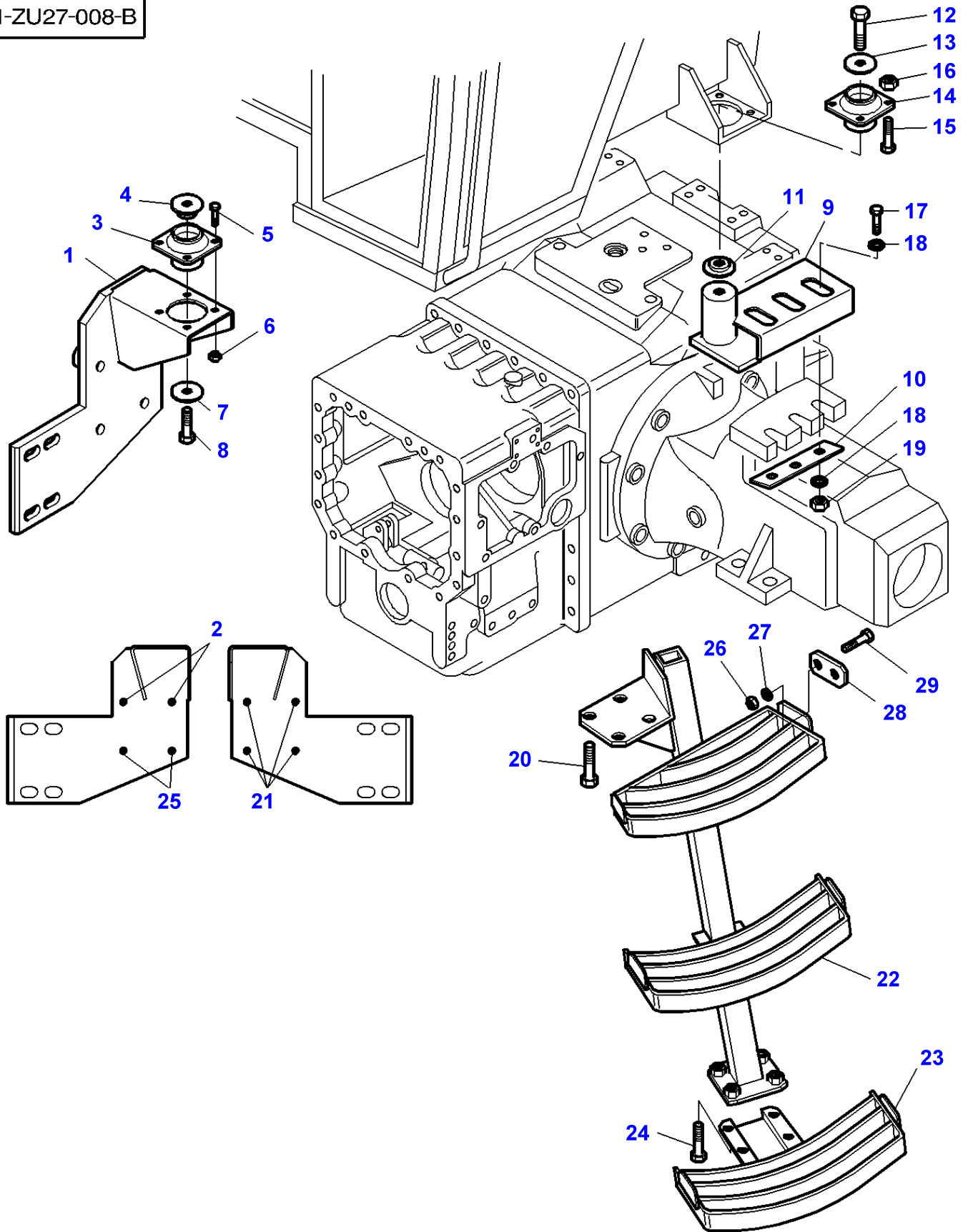
Item	Part Number	Qty	Description	Comments
1	3781609M1	1	Support	Left Hand
	3781610M1	1	Support	Right Hand
2	339275X1	5	Hex. Sock. Screw	M16 X 35
3	3712693M1	2	Vibration Mount	
4	3388272M1	2	Washer	
5	3009492X1	7	Hex. Sock. Screw	M10 X 25
	3009493X1	1	Hex. Sock. Screw	M10 X 30
6	339402X1	8	Nut	M10
7	3712809M2	2	Spacer	
8	339805X1	2	Bolt Metric	M16 X 100
9	3780125M2	1	Support	[A] Left Hand
	3780126M2	1	Support	[A] Right Hand
10	3777417M1	2	Plate	
11	3388272M1	2	Washer	
12	339805X1	2	Bolt Metric	M16 X 100
13	3712809M2	2	Spacer	
14	3715926M1	2	Buffer	
15	3009492X1	8	Hex. Sock. Screw	M10 X 25
16	339402X1	8	Nut	M10
17	339805X1	6	Bolt Metric	M16 X 100
18	3019575X1	14	Washer Metric	[A] Diameter 17-44 X 3 MM
	3019575X1	10	Washer Metric	[B] Diameter 17-44 X 3 MM
	353774X1	4	Washer	[B]
19	339034X1	6	Nut	M16
20	3019575X1	2	Washer Metric	Diameter 17-44 X 3 MM
21	3782401M94	1	Frame	
22	3782116M92	1	Step	Left Hand
23	3778337M91	1	Stair	
24	3009491X1	4	Hex. Sock. Screw	M10 X 20
25	339881X1	3	Hex. Sock. Screw	M16 X 60
26	339275X1	2	Hex. Sock. Screw	M16 X 35
27	339123X1	2	Hex. Sock. Screw	M8 X 20
28	3781189M1	1	Stop	Up to Serial or Engine Number H266033
29	339169X1	2	Nut	M8 Up to Serial or Engine Number H266033
30	390972X1	2	Washer Metric	Up to Serial or Engine Number H266033
31	3784968M1	1	Support	[B] Left Hand
	3784969M1	1	Support	[B] Right Hand
32	353774X1	4	Washer	

FOOTNOTE [A] WITH HEAVY DUTY REAR AXLE HOUSING COMPOSITE REDUCE R

FOOTNOTE [B] WITH REAR AXLE HOUSINGS OUTER GEAR WITH SEALED HOUSING

MF 8250 TRACTOR - 1637366
1-ZU27-008-B

1-ZU27-008-B

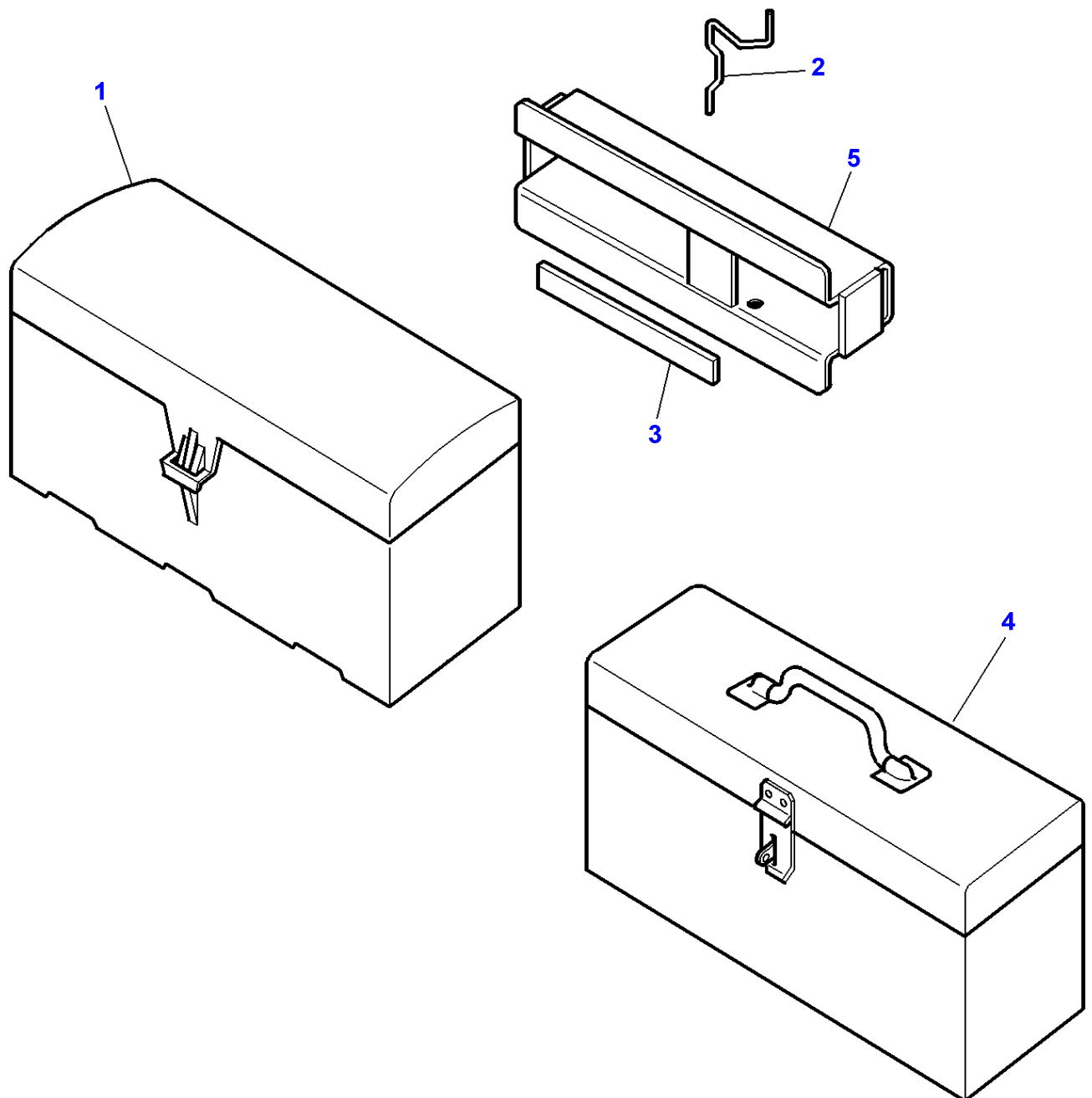


Item	Part Number	Qty	Description	Comments
1	3715435M2	1	Support	Left Hand
	3715436M2	1	Support	Right Hand
2	3001915X1	2	Screw	M16 X 85
3	3712693M1	2	Vibration Mount	Up to Serial or Engine Number L050018
	3789027M1	2	Vibration Mount	From Serial or Engine Number L050019
4	3388272M1	2	Washer	
5	3009492X1	7	Hex. Sock. Screw	M10 X 25
	3009493X1	1	Hex. Sock. Screw	M10 X 30
6	339402X1	8	Nut	M10
7	3712809M2	2	Spacer	
8	339805X1	2	Bolt Metric	M16 X 100
9	3780125M2	1	Support	[A] Left Hand
	3780126M2	1	Support	[A] Right Hand
	3784968M1	1	Support	[B] Left Hand
	3784969M1	1	Support	[B] Right Hand
10	3777417M1	2	Plate	
11	3388272M1	2	Washer	
12	339805X1	2	Bolt Metric	M16 X 100
13	3712809M2	2	Spacer	
14	3715926M1	2	Buffer	
15	3009492X1	8	Hex. Sock. Screw	M10 X 25
16	339402X1	8	Nut	M10
17	339805X1	6	Bolt Metric	M16 X 100
18	3019575X1	12	Washer Metric	Diameter 17-44 X 3 MM
19	339034X1	6	Nut	M16
20	3009493X1	4	Hex. Sock. Screw	M10 X 30
21	339498X1	4	Screw	M16 X 110
22	3781245M91	1	Step	
23	3778337M91	1	Stair	
24	3009491X1	4	Hex. Sock. Screw	M10 X 20
25	339805X1	2	Bolt Metric	M16 X 100
26	339169X1	2	Nut	M8 Up to Serial or Engine Number
27	390972X1	2	Washer Metric	Up to Serial or Engine Number
28	3781189M1	1	Stop	Up to Serial or Engine Number
29	339123X1	2	Hex. Sock. Screw	M8 X 20 Up to Serial or Engine Number

FOOTNOTE [A] WITH HEAVY DUTY REAR AXLE HOUSING COMPOSITE REDUCE R

FOOTNOTE [B] WITH REAR AXLE HOUSINGS OUTER GEAR WITH SEALED HOUSING

1-ZR08-003-B

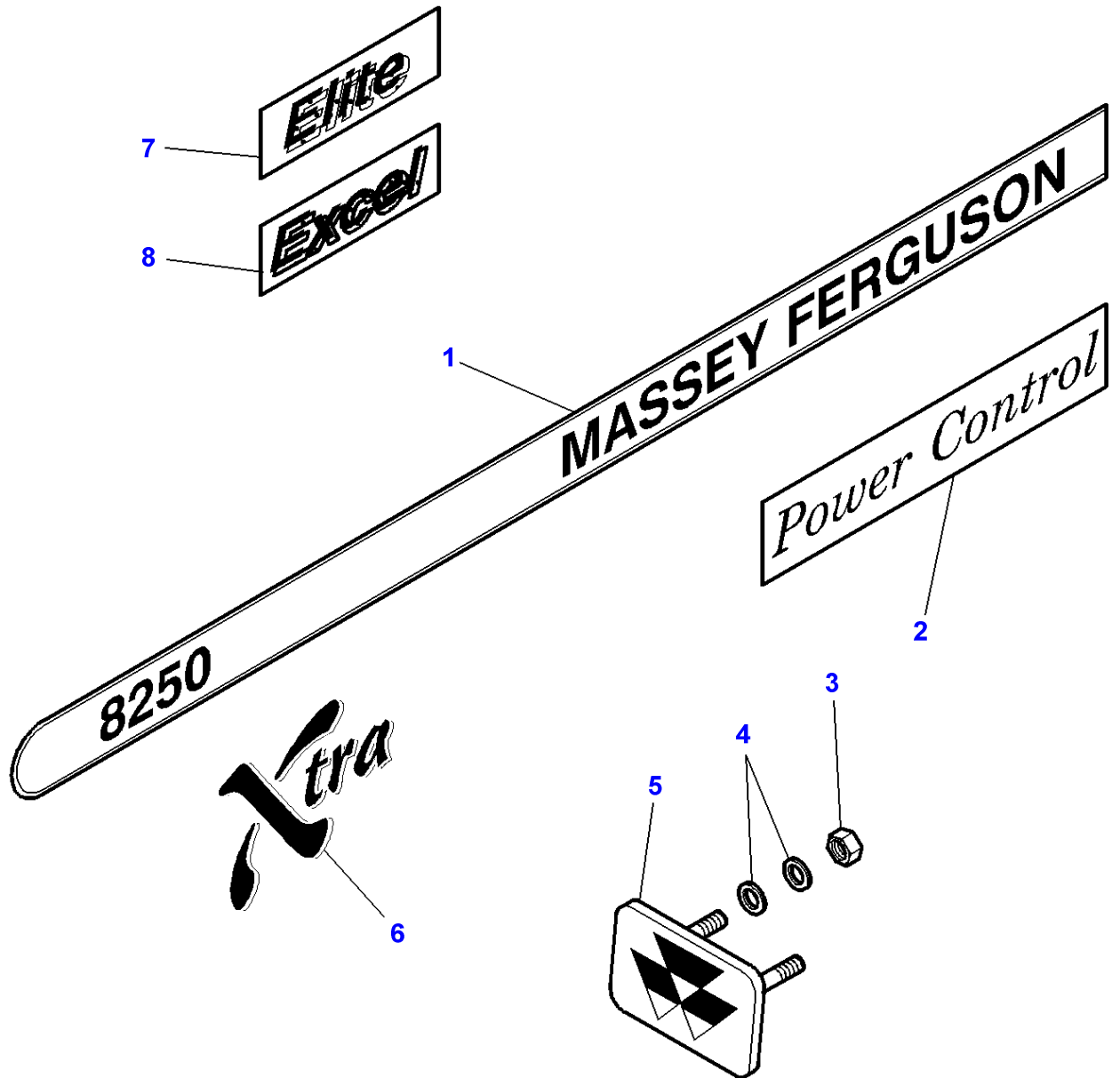


Massey Ferguson**MF 8250 TRACTOR - 1637366****1637366****Page 100-0060****Tool Box**

Item	Part Number	Qty	Description	Comments
1	1696186M93	1	Tool Box	[A]
2	3580564M1	1	Eccentric	
3	3580639M1	1	Gasket	
4	3616340M1	1	Tool Box	[B]
5	3780567M1	1	Support	

FOOTNOTE [A] PLASTICS**FOOTNOTE [B]** METAL

1-ZR05-007-D

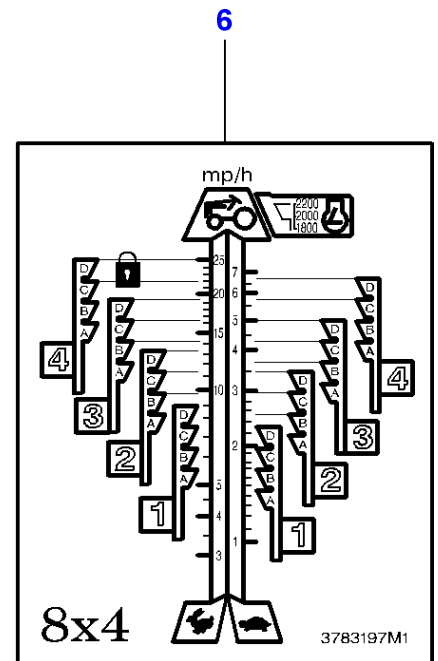
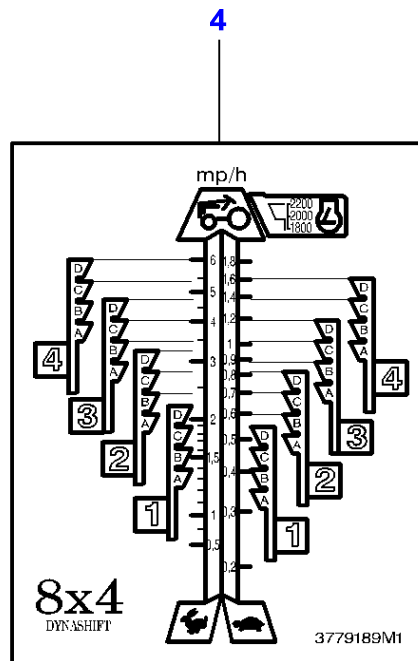
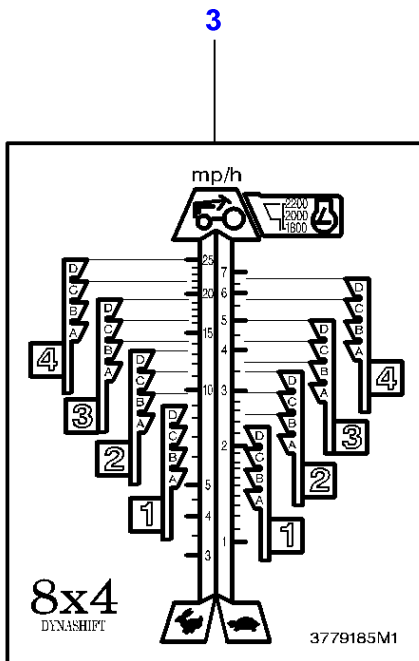
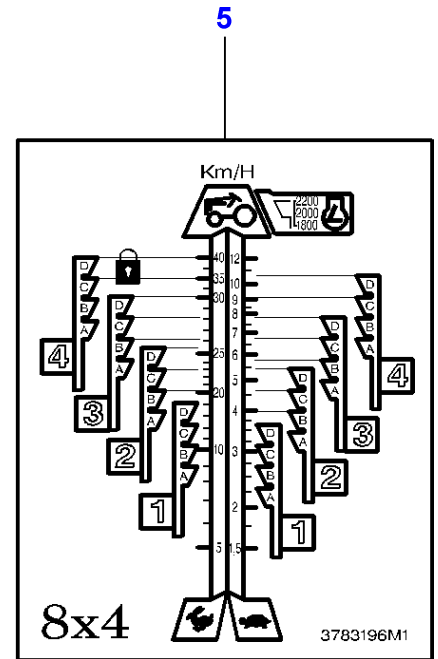
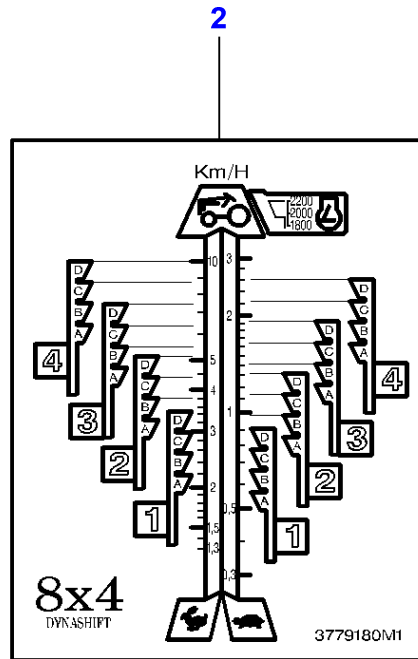
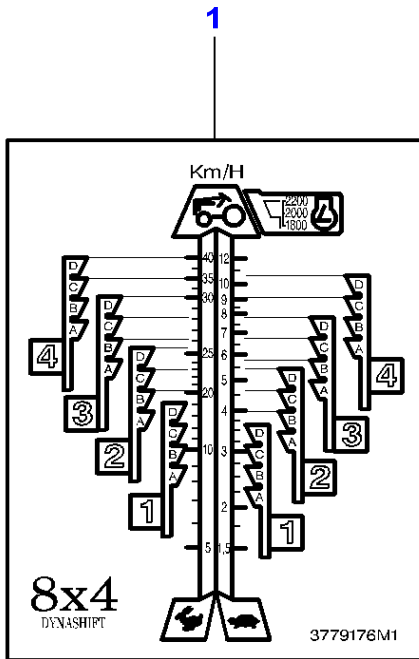


Emblems

Item	Part Number	Qty	Description	Comments
1	3781426M1	1	Emblem	Left Hand
	3781431M1	1	Emblem	Right Hand
2	3783415M1	2	Decal	[A] Not for USA
3	1441500X1	2	Locknut	
4	390971X1	2	Washer	
5	3808163M91	1	Badge	
6	3789532M1	2	Decal	
7	3789729M1	1	Decal	
8	3789728M1	1	Decal	

FOOTNOTE [A] WITH FULL POWERSHIFT

1-ZR12-005-A

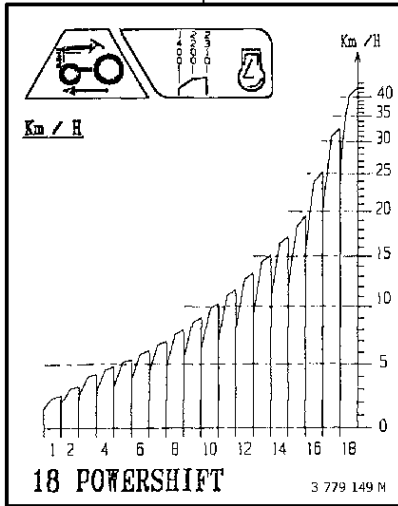


Speed Charts - Dynashift

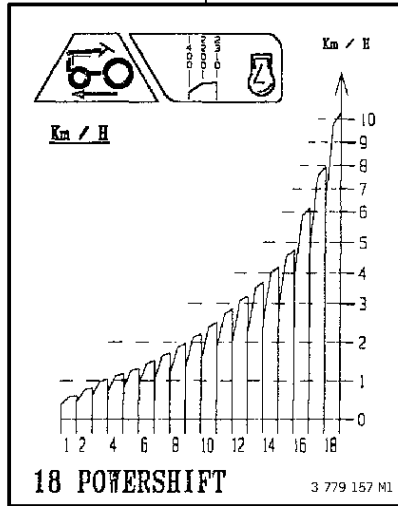
Item	Part Number	Qty	Description	Comments
1	3779176M1	1	Decal	Km/H
2	3779180M1	1	Decal	Km/H
3	3779185M1	1	Decal	mp/h
4	3779189M1	1	Decal	mp/h
5	3783196M1	1	Decal	Km/H
6	3783197M1	1	Decal	mp/h

1-ZR12-004-A

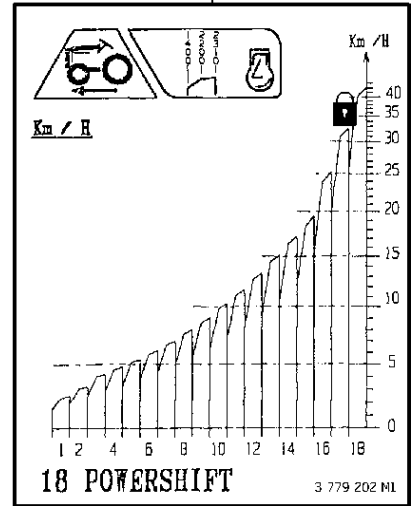
1



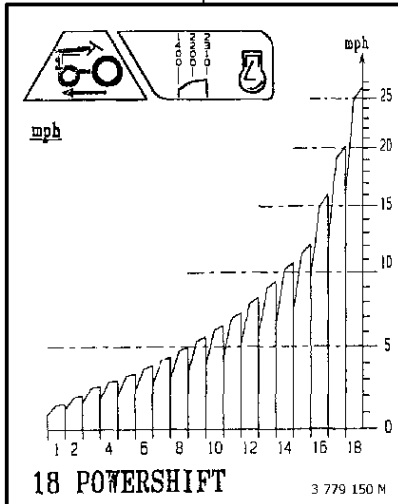
2



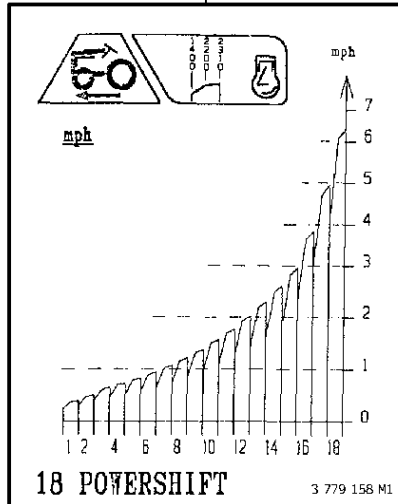
6



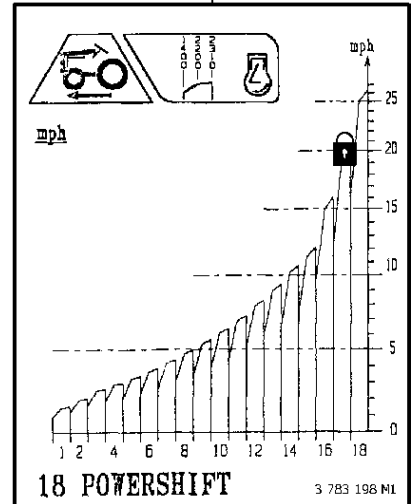
4



3



5



Massey Ferguson**MF 8250 TRACTOR - 1637366****1637366****Speed Charts - With Full Powershift****Page 100-0075**


Item	Part Number	Qty	Description	Comments
1	3779149M1	1	Decal	Km/H
2	3779157M1	1	Decal	Km/H
3	3779158M1	1	Decal	mp/h
4	3779150M1	1	Decal	mp/h
5	3783198M1	1	Decal	mp/h
6	3779202M1	1	Decal	Km/H

MF 8250 TRACTOR - 1637366 1-ZR13-011-B

1-ZR13-011-B

1

CAUTION



Thoroughly read operator's instruction book before operating the tractor.

Make sure everyone is clear of equipment before starting the engine.

Keep all shields, covers and guards in place while engine is running.

Keep hands, feet and clothing away from power driven or moving parts.

Always drive with due care and attention.

If differential lock does not disengage automatically, depress clutch pedal.

Brake pedals must always be coupled together when independent brakes are not being used.

Engage "park lock" apply parking brake, lower equipment, stop engine and remove key before leaving the tractor unattended.

When attaching equipment check operator's instruction book for front and rear axle load limits.

Place transmission shift lever in neutral, engage "park lock" apply parking brake before using external lift controls.


Ensure that all wheel and rim nuts are tightened as specified in operator's instruction book.

On public roads, use SMV emblem and flashing warning lights where required by law.

DO NOT REMOVE OR OBSCURE DECAL 3 792 718 M1

2

CAUTION



Before operating, read operators instruction book thoroughly.

do not start engine until everyone is a safe distance from tractor and equipment.

Keep all shields, covers and guards in place while engine is running.

Keep hands, feet and clothing away from power driven or moving parts.

Always drive with due care and attention.

If differential lock does not disengage automatically, depress clutch pedal brake pedals must always be coupled together when independent brakes are not being used.

Before leaving tractor, apply parking brake, lower equipment, stop engine and remove key from starter switch.

When attaching equipment check operator's instruction book for front and rear axle load limits.

Put the gears lever (1, 2, 3, 4) and the reverse/forward level in neutral position in order to use the external lift controls.

Ensure that all wheel and rim nuts are tightened as specified in operator's instruction book.

On public roads, use SMV emblem and flashing warning lights where required by law.

DO NOT REMOVE OR OBSCURE DECAL 3 880 121 M2


Do not stop the engine before the vehicle has completely stopped.

3763366M1

Always declutch to change gear range.

3763364M1

WARNING




Engage the parking brake to prevent tractor movement with the engine off.

Clutch **WILL NOT** hold tractor in place, even though transmission is in gear.

Unexpected tractor movement may cause serious injury.

16


WARNING



PLEASE ENSURE PICKUP HITCH IS LATCHED AND FULLY RETRACTED BEFORE TRANSPORT

4


WARNING



Gears lever (1,2,3,4), and the reverse/forward level must be in his neutral position:

- in order to use the external lift controls.
- When the driver is not in his seat.

WARNING




When the tractor is stationary, it is imperative to fully apply the handbrake because leaving the tractor in gear will not prevent movement.

When attempting to start the engine using a slave battery, ensure that the gear lever (1,2,3,4) is in neutral.

Never connect a slave battery directly to the starter motor.


DO NOT REMOVE OR OBSCURE DECAL 3 713 705 M3

5




DO NOT REMOVE OR OBSCURE DECAL 3596680 M1

7



6

WARNING




High pressure steam and hot water. Remove filler cap with extreme care.

DO NOT REMOVE OR OBSCURE DECAL 3595685 M1


14

WARNING



Before working on the tractor or removing this cover, disconnect negative leads to all Battery.

CAUTION



Do not short across starter terminals to start engine. Never start engine while standing on the ground. Start engine only with start key from operator's seat, ensuring that gearbox and PTO are in neutral with parking brake applied.

DO NOT REMOVE OR OBSCURE DECAL 3596432 M1

9

WARNING




IT IS OPERATIVE TO USE THE TRANSMISSION OIL RECOMMENDED IN THE OPERATING MANUAL.

3713699 M1

8

CAUTION




TO AVOID POSSIBLE TRACTOR OVERTURN, PULL ONLY FROM DRAWBAR OR LOWER LINKS OF THREE POINT HITCH

2752579 M1

10


WARNING



Before working on the tractor, disconnect negative leads to all batteries.

10

WARNING




Before removing any battery, disconnect all negative leads before positive leads.

DO NOT REMOVE OR OBSCURE DECAL 3595679 M1

11


CAUTION



Keep all shields, covers and guards fastened in place while engine is running.

11

WARNING




Beware hot parts


DO NOT REMOVE OR OBSCURE DECAL 3596518 M1

13

CAUTION




If tractor is overturning, hold onto steering wheel. Do not leave seat.



3582315 M1

12

WARNING




Always disengage PTO and stop engine before attaching or detaching PTO shafts or working on PTO driven equipment.

Always fit PTO cover when PTO is not in use.

12

CAUTION



Do not stand between tractor and equipment when operating controls.

Tow only with MF approved tractor drawbar or hitch

DO NOT REMOVE OR OBSCURE DECAL 3581563 M1

Massey Ferguson**MF 8250 TRACTOR - 1637366**

1637366

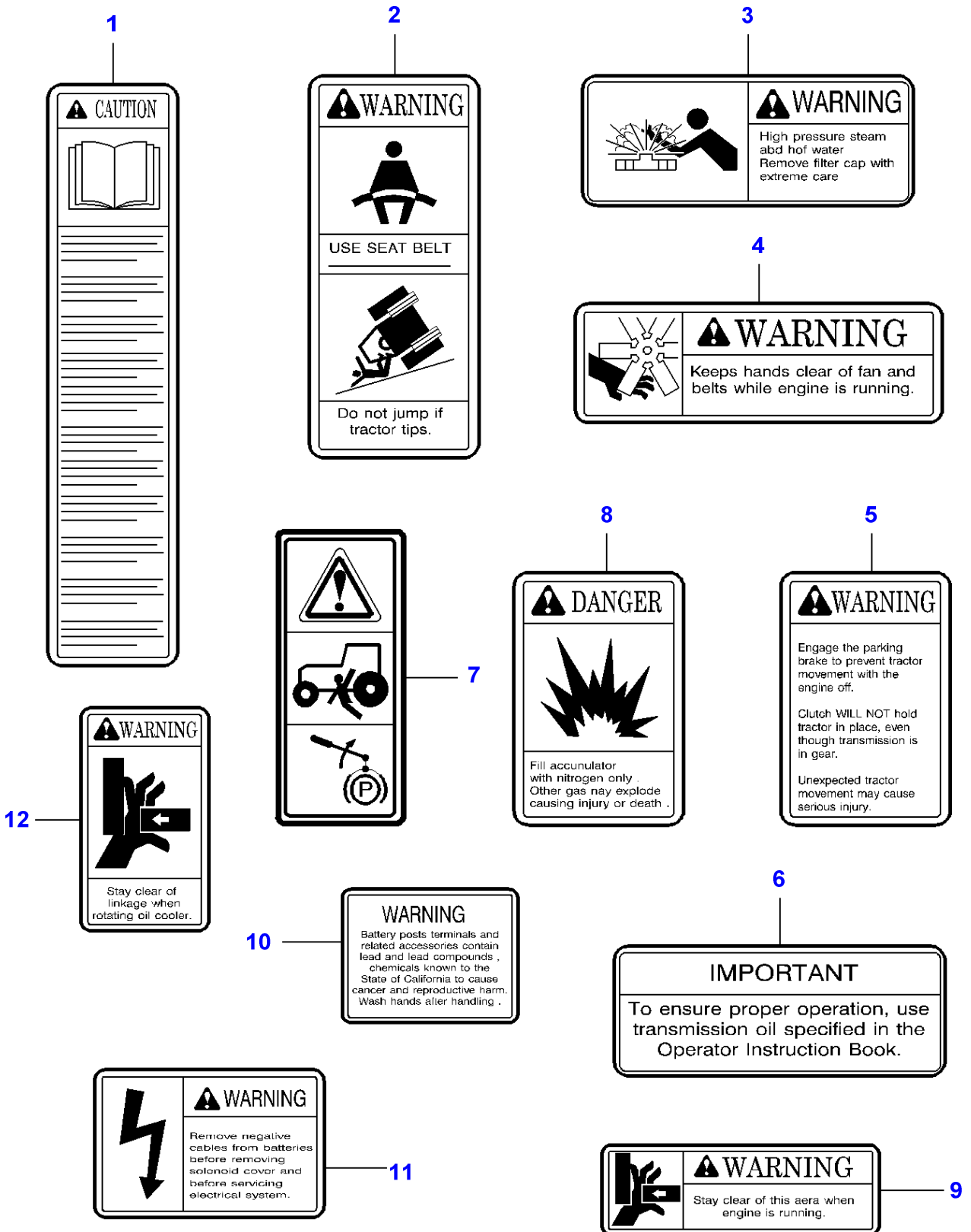
Decals - Safety - For UK only or any text in English only

Page 100-0080

Item	Part Number	Qty	Description	Comments
1	3780718M1	1	Decal	POWERSHIFT
2	3580321M5	1	Decal	DYNASHIFT
3	3783396M2	1	Decal	
4	3713705M3	1	Decal	
5	3595680M1	1	Decal	
6	3595685M1	1	Decal	
7	3782489M1	1	Decal	
8	2752579M1	1	Decal	
9	3713699M1	1	Decal	
10	3595679M1	1	Decal	
11	3595678M1	1	Decal	
12	3581563M1	1	Decal	
13	3580315M1	1	Decal	
14	3596432M1	1	Decal	
15	3777017M2	1	Decal	
16	3781401M1	1	Decal	
17	3783394M1	1	Decal	[A]

FOOTNOTE [A] WITH POWER SHUTTLE

1-ZR13-005-C



Massey Ferguson**MF 8250 TRACTOR - 1637366**

1637366

Decals - Safety - For United States of America

Page 100-0085

Item	Part Number	Qty	Description	Comments
1	3808550M3	1	Decal	
2	3808567M2	1	Decal	
3	3808561M3	1	Decal	
4	3777018M1	2	Decal	
5	3777017M2	1	Decal	
6	3777020M1	2	Decal	
7	3782489M1	1	Decal	
8	3777021M3	1	Decal	
9	3786314M1	1	Decal	[A]
10	3786812M1	1	Decal	
11	5016204M1	1	Decal	
12	5016744M1	1	Decal	

FOOTNOTE [A] WITH FRONT AXLE SUSPENDED CARRARO

1-ZR13-006-B

DANGER	Shield eyes	Explosive gas	Avoid sparks and flame	Sulphuric acid
	EXPLOSIVE GASES		POISON causes severe burns	
	Always shield eyes and face from battery. Cigarettes, flames or sparks could cause battery to explode. Do not charge or use booster cables or adjust post connections without proper instruction or training.		Contains sulphuric acid. Avoid contact with skin, eyes or clothing. In event of accident flush with water and call a physician immediately. Keep out of reach of children	
3810054 M1				

1

	WARNING												
Personal injury could result from PTO driveline separation													
1. Drawbar supplied provides standard distance "A". Do not change.													
<table border="1"> <thead> <tr> <th>PTO RPM</th> <th>SHAFT SIZE</th> <th>DISTANCE "A"</th> </tr> </thead> <tbody> <tr> <td>540</td> <td>35 mm (1.38 in)</td> <td>355</td> </tr> <tr> <td></td> <td>mm (1.40 in)</td> <td>1000 - 35</td> </tr> <tr> <td></td> <td>mm (1.38 in)</td> <td>1005 mm (116.0)</td> </tr> </tbody> </table>	PTO RPM	SHAFT SIZE	DISTANCE "A"	540	35 mm (1.38 in)	355		mm (1.40 in)	1000 - 35		mm (1.38 in)	1005 mm (116.0)	
PTO RPM	SHAFT SIZE	DISTANCE "A"											
540	35 mm (1.38 in)	355											
	mm (1.40 in)	1000 - 35											
	mm (1.38 in)	1005 mm (116.0)											
2. Three-point link distance "C" and mounted implement distance "D" may not be standard.													
Measure distance "B" over complete lift range for tractor and implement combination. Select driveline length to ensure that driveline will not bottom out at minimum distance "B" and will have sufficient overlap at maximum distance													
3808479 M1													

5

			DANGER
		Start only from seat with transmission and PTO in neutral. Starting in gear kills.	
WARNING			
Remove negative cables from batteries before removing solenoid cover and before servicing the electrical system.			
3808564 M1			

2

DANGER	DANGER	WARNING
Pull only from approved drawbar or lower links of 3 points linkage at horizontal position or below.	Rotating driveline contact may cause serious injury or death. Keep all driveline, tractor and equipment shields in place during operation.	Stand clear when using controls to move 3 points hitch.

3

6

			DANGER
		Start only from seat with transmission and PTO in neutral. Starting in gear kills.	

	WARNING	
To avoid personal injury, keep all shields, covers and guards in place while engine is running. Beware of hot parts.		

4

Massey Ferguson**MF 8250 TRACTOR - 1637366****1637366****Decals - Safety - For United States of America****Page 100-0090**

Item	Part Number	Qty	Description	Comments
1	3810054M1	2	Decal	
2	3808564M4	1	Decal	Up to Serial or Engine Number L017002
3	3808558M3	1	Decal	
4	3777019M1	2	Decal	
5	3808479M1	2	Decal	
6	5016264M1	1	Decal	From Serial or Engine Number L017003

1-ZR13-003-B

1	<p>ATTENTION Vapeur sous haute pression et eau chaude. Retirez le bouchon avec précaution. NE PAS ENLEVER OU COUVRIR CETTE DECAL 3596029 M1</p>	11	<p>ATTENTION NE PAS ENLEVER OU COUVRIR CETTE DECAL 3596459 M1</p>	9	<p>AVERTISSEMENT NE PAS ENLEVER OU COUVRIR CETTE DECAL 3783393M1</p>	<p>AVERTISSEMENT</p> <p>Avant d'utiliser, lire attentivement le livret d'utilisation.</p> <p>Avant de mettre le moteur en marche, s'assurer qu'il n'y ait personne à proximité de l'appareil.</p> <p>Toujours maintenir les garants et protecteurs en place pendant que le moteur tourne.</p> <p>Eloigner les mains, les pieds et les vêtements de toutes pièces entraînées ou en mouvement.</p> <p>Toujours conduire avec attention.</p> <p>Si le blocage de différentiel ne se désengage pas automatiquement enfoncer la pédale d'embrayage.</p> <p>Les pédales de frein doivent toujours être jumelées lorsque les freins indépendants ne sont pas utilisés.</p> <p>Avant de quitter le tracteur, serrer le frein à main, abaisser l'instrument, arrêter le moteur et retirer la clé.</p> <p>Avant d'atteler un instrument voir le livret d'utilisation pour vérifier les charges maximales d'essieux avant et arrière.</p> <p>Mettre le levier de vitesses (1,2,3,4), et le levier d'inverseur au neutre pour pouvoir utiliser les commandes extérieures de relevage.</p> <p>Vérifier que tous les écrous de roue et de jante sont serrés au couple indiqué dans le livret.</p> <p>Sur voie publique, utiliser l'emblème véhicule lent et les feux de warning lorsque la loi l'exige.</p> <p>NE PAS ENLEVER OU COUVRIR CETTE DECAL/COMMANDE 3 580 320 M5</p>
10	<p>ATTENTION POUR EVITER LE CAPOTAGE DU TRACTEUR, NE REMORQUER QU'AVEC LA BARRE DE TIRAGE OU AVEC LES BRAS INFÉRIEURS DE L'ATTELAGE EN TROIS POINTS. 539013 M1</p>	14	<p>Toujours débrayer lors du changement de gamme. 3783393M1</p>	3		
5	<p>AVERTISSEMENT Si le tracteur se renverse, tenir le volant. Ne pas quitter le siège. NE PAS ENLEVER OU COUVRIR CETTE DECAL 3580313 M1</p>	2	<p>Ne pas stopper le moteur véhicule roulant. 3780396M1</p>	7		
6	<p>ATTENTION Débrancher les câbles négatifs des batteries avant de retirer ce couvercle ou d'intervenir sur le tracteur</p> <p>AVERTISSEMENT Ne pas mettre les bornes en court-circuit pour faire démarrer le moteur. Ne pas faire démarrer le moteur sans être assis sur le siège. Ne faire démarrer le moteur qu'avec la clé, la transmission et la PTO étant en point mort, et le frein à main serré. NE PAS ENLEVER OU COUVRIR CETTE DECAL 3596467 M1</p>	7	<p>AVERTISSEMENT UTILISER IMPERATIVEMENT L'HUILE DE TRANSMISSION PRÉCONISÉE PAR LE LIVRET D'UTILISATION. 3713698M1</p>			
13	<p>ATTENTION Débrancher les câbles négatifs de toutes les batteries avant d'intervenir sur le tracteur.</p>	4	<p>ATTENTION Avant de déposer une batterie, débrancher les câbles négatifs avant les câbles positifs. NE PAS ENLEVER OU COUVRIR CETTE DECAL 3596045M1</p>			
12	<p>AVERTISSEMENT Toujours maintenir les garants et protecteurs en place pendant que le moteur tourne</p>	4	<p>ATTENTION Pièces chaudes NE PAS ENLEVER OU COUVRIR CETTE DECAL 3596037 M1</p>			
8	<p>ATTENTION Toujours désenclencher la PTO et arrêter le moteur avant d'accoupler ou de désaccoupler un arbre de PTO ou avant d'intervenir sur un instrument entraîné par PTO. Toujours monter le garant de PTO lorsque la PTO n'est pas utilisée.</p>	4	<p>AVERTISSEMENT Ne jamais se tenir entre le tracteur et l'instrument lorsqu'on actionne les commandes. N'utiliser qu'une barre de traction ou un attelage agréés par MF. NE PAS ENLEVER OU COUVRIR CETTE DECAL 3581564 M1</p>			
			<p>ATTENTION Le levier de vitesses (1,2,3,4), et le levier d'inverseur doivent être mis au neutre. - Pour utiliser les commandes extérieures de relevage. - Lorsque le chauffeur quitte son siège.</p> <p>ATTENTION Pour immobiliser le tracteur, serrer impérativement le frein à main. Une vitesse engagée ne permet pas de maintenir le tracteur à l'arrêt. S'assurer que le levier de vitesse est au point mort avant tout démarrage du moteur avec une batterie extérieure. Ne jamais connecter une batterie extérieure au démarreur. NE PAS ENLEVER OU COUVRIR CETTE DECAL/COMMANDE 3 713 704 M3</p>			

Massey Ferguson**MF 8250 TRACTOR - 1637366**

1637366

Decals - Safety - For France only or any text in French only

Page 100-0095

Item	Part Number	Qty	Description	Comments
1	3596029M1	1	Decal	
2	3783395M1	1	Decal	
3	3580320M5	1	Decal	
4	3713704M3	1	Decal	
5	3580313M1	1	Decal	
6	3596467M2	1	Decal	
7	3713698M1	1	Decal	
8	3581564M1	1	Decal	
9	3782489M1	1	Decal	
10	539613M1	1	Decal	
11	3596459M1	1	Decal	
12	3596037M1	1	Decal	
13	3596045M1	1	Decal	
14	3783393M1	1	Decal	[A]

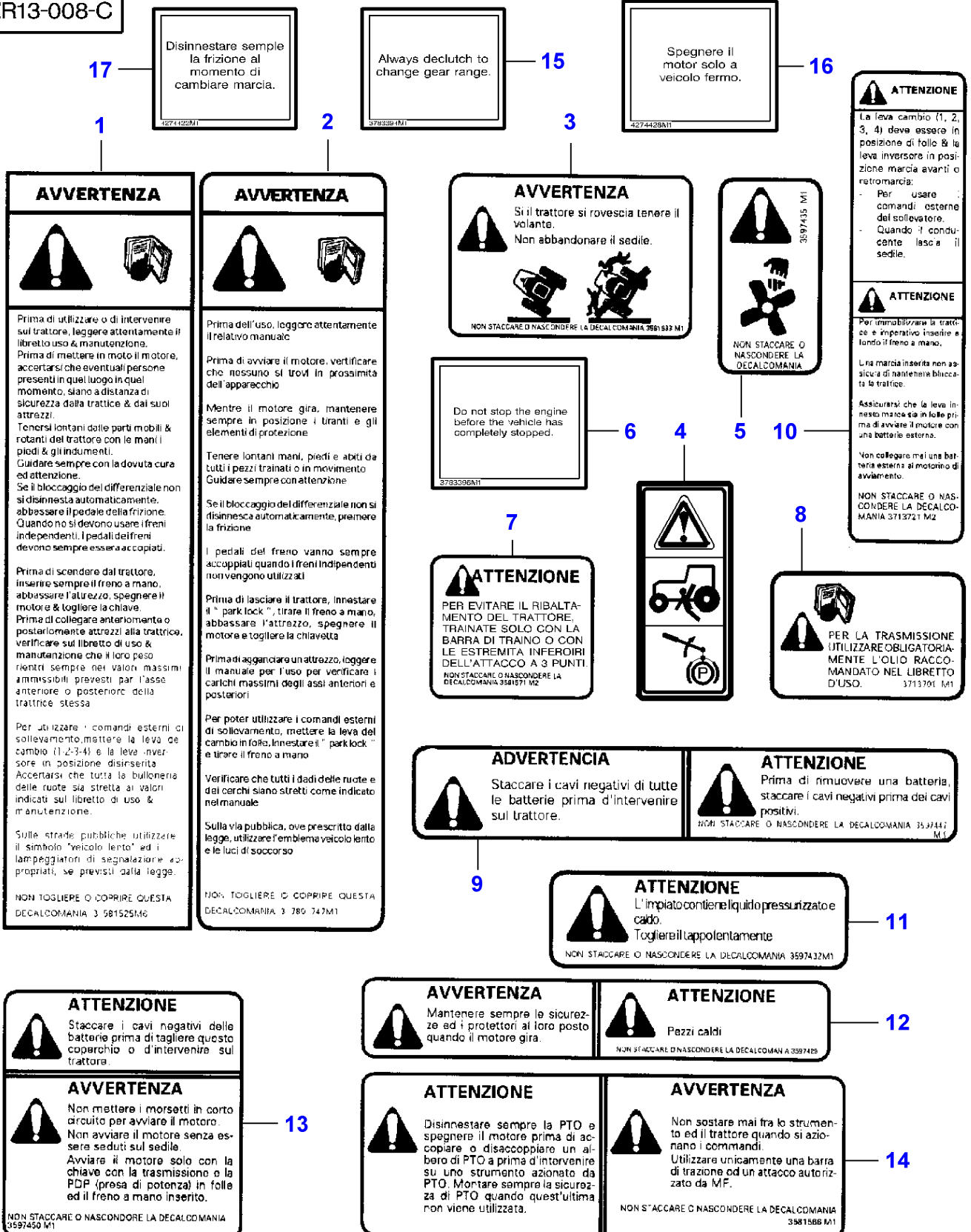
FOOTNOTE [A] WITH POWER SHUTTLE

Massey Ferguson**MF 8250 TRACTOR - 1637366****1637366****Decals - Safety - For Germany only or any text in German only****Page 100-0100**

Item	Part Number	Qty	Description	Comments
1	3581524M5	1	Decal	
2	3597446M1	1	Decal	
3	3597428M1	1	Decal	
4	3713706M3	1	Decal	
5	3780746M1	1	Decal	
6	3713700M1	1	Decal	
7	3581570M2	1	Decal	
8	3783396M2	1	Decal	Up to Serial or Engine Number
9	3583497M1	1	Decal	
10	3782489M1	1	Decal	
11	3597449M2	1	Decal	
12	3783394M1	1	Decal	Up to Serial or Engine Number
13	4274426M1	1	Decal	From Serial or Engine Number
14	4274419M1	1	Decal	From Serial or Engine Number

MF 8250 TRACTOR - 1637366
1-ZR13-008-C

1-ZR13-008-C





Decals - Safety - For Italy only or any text in Italian only

Item	Part Number	Qty	Description	Comments
1	3581525M6	1	Decal	DYNASHIFT
2	3780747M1	1	Decal	POWERSHIFT
3	3581533M2	1	Decal	
4	3782489M1	1	Decal	
5	3597435M1	1	Decal	
6	3783396M2	1	Decal	Up to Serial or Engine Number
7	3581571M2	1	Decal	
8	3713701M1	1	Decal	
9	3597447M1	1	Decal	
10	3713721M3	1	Decal	
11	3597432M1	1	Decal	
12	3597429M1	1	Decal	
13	3597450M2	1	Decal	
14	3581566M1	1	Decal	
15	3783394M1	1	Decal	[A] Up to Serial or Engine Number
16	4274428M1	1	Decal	From Serial or Engine Number
17	4274422M1	1	Decal	[A] From Serial or Engine Number

FOOTNOTE [A] WITH POWER SHUTTLE

1-ZR13-009-D

ADVERTENCIA

Antes de operar, lea el libro de instrucciones detenidamente.

No ponga en marcha el motor hasta que todos estén a una distancia segura del tractor y equipo.

Se prohíbe llevar a pasajeros en el tractor o equipo salvo en un puesto aprobado.

Aleje las manos, los pies y la ropa de las piezas móviles.

Conduzca siempre con cuidado. Si el bloqueo de diferencial no se desengrana automáticamente, apriete el pedal del embrague. Los pedales de freno deben siempre juntarse cuando no se usan los frenos independientes. Antes de abandonar el tractor, apriete el freno de estacionamiento, baje el implemento, pare el motor y quite la llave del interruptor de arranque.

Antes de acoplar el equipo consulte el libro de instrucciones para las cargas máximas sobre los ejes frontal y trasero.

Poner la palanca de velocidades (1, 2, 3, 4) y la palanca de inversor en posición neutra para utilizar los mandos exteriores de levantamiento.

Compruebe que todas las tuercas y rines de rueda están apretadas según lo especificado en el libro de instrucciones.

En carreteras use un emblema de vehículo lento y luces destellantes si se exigen por la ley.

NO RETIRAR NI CUBRIR ESTA CALCOMANIA 3581 526 M4

ADVERTENCIA



La palanca de velocidades (1-2-3-4) debe estar al neutro y la palanca de inversor en posición adelante o atrás.

- Para utilizar los mandos exteriores de levantamiento.
- Cuando el conductor deja su asiento.

ADVERTENCIA



Para inmobilizar el tractor es imprescindible poner el freno de mano.


Una velocidad enganchada no permite mantener el tractor detenido.

Cerciorarse que la palanca de cambios está en neutro antes de arrancar el motor con una batería exterior.

Nunca conectar una batería exterior al arrancador.

NO QUITAR O CUBRIR ESTA CALCOMANIA 371372M2

ADVERTENCIA



Desconectar los cables negativos de todas las baterías antes de intervenir en el tractor.

ADVERTENCIA



Piezas calientes

NO RETIRAR NI CUBRIR ESTA CALCOMANIA 3597430 M1

ADVERTENCIA



Mantener siempre protecciones y protectores en su sitio mientras el motor esté en marcha.



ADVERTENCIA



Antes de retirar una batería, desconectar los cables negativos antes que los cables positivos.

NO RETIRAR NI CUBRIR ESTA CALCOMANIA 3597448M1

ADVERTENCIA

Antes de usar, leer cuidadosamente el manual de utilización.

Antes de poner el motor en funcionamiento asegúrese que no haya nadie a proximidad del operador.

Mantener siempre los parantes y protecciones instaladas, revisar el motor y funciones.

Ajustar las marcas, los pies y las reglas de todas las piezas accionadas y en movimiento.

Conducir siempre atentamente.

Si el bloque del diferencial no se libera automáticamente, hacer el pedal de embrague.

Los pedales de freno siempre deben estar herméticos cuando no se utilizan los frenos independientes.

Antes de abandonar el tractor, bajar el "park lock", apriete el freno de mano, bajar el instrumento, parar el motor y retirar la llave.

Antes de enganchar un instrumento, ver el cuadro de utilización para verificar las cargas máximas de los ejes delantero y trasero.


Poner la palanca de velocidad en neutro, poner el "park lock" y apriete el freno de mano, para poder utilizar los mandos exteriores de levantamiento.

Verificar que todas las tuercas de rueda y de llanta están apretadas al par indicado en el cuadro.

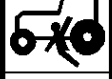
En la vía pública, utilizar el emblema vehículo lento y las luces de peligro cuando la ley lo exige.

NO RETIRAR NI CUBRIR ESTA CALCOMANIA 3790762 M1

ADVERTENCIA



UTILIZAR IMPERATIVAMENTE EL ACEITE DE TURBOCARGA RECOMENDADO EN EL MANUAL DE USUARIO.


ADVERTENCIA



Vapor de alta presión y agua caliente. Quite el tapon con sumo cuidado.


NO RETIRAR NI CUBRIR ESTA CALCOMANIA 3597 433 M1

ADVERTENCIA



NO RETIRAR NI CUBRIR ESTA CALCOMANIA 3597438M1


ADVERTENCIA



PARA EVITAR EL VOLTEO DEL TRACTOR, REMOLCAR SOLAMENTE CON LA BARRA TRACCIÓN O CON LOS BRAZOS INFERIORES DEL ENGANCHE DE TRES PUNTOS.


3581573 M2

ADVERTENCIA



Siempre desengrane la TDF y pare el motor antes de acoplar o de desacoplar los ejes de TDF o ajustar el equipo mandado por TDF. Siempre coloque la defensa de TDF cuando no se emplea la TDF. Siempre lape la TDF cuando no se usa.

ADVERTENCIA



No se ponga entre el tractor y el equipo cuando se accionen los mandos. Remolque solamente con una barra o enganche aprobado MF.

NO RETIRAR NI CUBRIR ESTA CALCOMANIA 3581558 M1

Always declutch to change gear range.

3783394M1

Desembragar siempre durante el cambio de gama.

4874480M1

Nunca parar el vehículo estando.

42701320M1

ADVERTENCIA




Si el tractor vuelca, sujetar el volante. No abandonar el asiento.




NO RETIRAR NI CUBRIR ESTA CALCOMANIA 3581532 M1

ADVERTENCIA



Antes de trabajar en el tractor o quitar esta tapa, desconecte los cables negativos en todas las baterías

ADVERTENCIA



No ponga en cortocircuito los terminales del arrancador para poner en marcha el motor. No ponga en marcha el motor estando de pie. Arranque el motor con la llave desde el asiento comprobando que la caja de cambios y la TDF estén en neutro y el freno de estacionamiento este apretado.

NO RETIRAR NI CUBRIR ESTA CALCOMANIA 3597451 M1

Massey Ferguson**MF 8250 TRACTOR - 1637366**

1637366

Decals - Safety - For Spanish


Page 100-0110

Item	Part Number	Qty	Description	Comments
1	3581526M4	1	Decal	DYNASHIFT
2	3597430M1	1	Decal	
3	3597448M1	1	Decal	
4	3597433M1	1	Decal	
5	3581573M2	1	Decal	
6	3581568M1	1	Decal	
7	3597451M2	1	Decal	
8	3581532M1	1	Decal	
9	3713702M1	1	Decal	
10	3713722M3	1	Decal	
11	4270122M1	1	Decal	
12	3597436M1	1	Decal	
13	3782489M1	1	Decal	
14	3780742M1	1	Decal	
15	3783394M1	1	Decal	[A] Up to Serial or Engine Number
16	4274420M1	1	Decal	[A] From Serial or Engine Number

FOOTNOTE [A] WITH POWER SHUTTLE

1-ZR13-012-C

ADVARSEL



Les instruksjonsboken for traktoren tas i bruk eller vedlikehold foretas på traktoren.

Førvis deg om at alle er i trygg avstand fra traktor og redskap før start.

Passasjerer er ikke tillatt dersom traktoren ikke er utstyrt med godkjent passasjersele og er registrert for to.

Hold hender, føtter og klær i trygg avstand fra alle roterende og bevegelige deler.

Bruk traktoren med årvåkenhet og varsomhet.

Dersom differensialsperrene ikke koples ut umiddelbart.

Trå inn kløtsjen.

Øg og sving om nødvendig motsatt veg for å avlaste sperrene.

Differensialsperrene må ikke brukes på vei.

Bremsepedalene skal alltid være sammenkoplet når svingbremsen ikke skal benyttes.

Trekk til parkeringsbremsen, senk redskapene til bakken.

Stopp motoren og ta ut startnøkkelen for traktoren forlastes.

Før tilkopling av tunge redskaper.

Sjekk instruksjonsboken for maks tillatt front- og bakakselbelastning.


Sørg for å ettertrekke hjulmutterne som beskrevet i instruksjonsboken.

Ved kjøring på vei.

Bruk varseltrekant for saktegående kjøretøy og roterende varselampe der det er påbudt.

IKKE FJERN ELLER DEKK DETTE MERKET 3715581 M4

ADVARSEL



Før du bruker traktoren bør du lese instruksjonsboken grundig.

Før du starter motoren må du kontrollere at det ikke står noen i nærheten av apparatet. Merker og beskyttelsesdeksler må alltid være på mens motoren går.

Hold hender, føtter og klær unna alle deler som trekker med eller er i bevegelse. Kjør alltid forsiktig.

Dersom differensialsperrene ikke kobler seg automatisk ut, trykker du inn kløtsjedalen. Bremspepedalene må alltid være sammenkoplet når de motoruavhengige bremsene ikke brukes.

Før du går av traktoren må du kople inn parkeringsbremsen ("park lock"), trekke til håndbremsen, senke redskapet, stanse motoren og trekke ut nøkkelen.

Før du kople til et redskap, bør du slå opp i instruksjonsboken og sjekke maksimal belastning på for og bakaksel.

For å bruke de eksterne bryterne for trepunktkoplingen må du sette gearspaken i fri, kople inn parkeringsbremsen ("park lock") og trekke til håndbremsen.

Kontroller at alle hjul- og felgbolter er trukket til med tilrekningsmomentet som er angitt i instruksjonsboken. Ved kjøring på offentlig vei må du bruke skiltet for langsomme kjøretøy og nødis dersom noe av dette er lovbestemt.

IKKE FJERN ELLER DEKK DETTE MERKET 3 78Q 744 M1

Do not stop the engine before the vehicle has completely stopped.

3763396M1

Ikke stopp motoren når kjøretøyet kjører.


4974429M1

Always declutch to change gear range.

3738399 M1

Trykk alltid inn clutchen ved hastighetsveksling.

427423M1



IKKE TA BORD ELLER DEKK TIL DETTE MERKET 3715586M1



DET ER HELT NØDVENDIG Å BRUKE DEN TRANSMISSJONSOLJEN SOM ER BESKREVET I INSTRUKSJONSBOKEN. 3715591 M1

FORSIKTIG

TREKK BARE FRA TREKKBOM ELLER TREKKSTENGER SLIK AT TRAKTOREN IKKE KAN TIPPE RUNDT. IKKE FJERN ELLER TILDEKK DETTE MERKET 3715588M1

ADVARSEL

Hvis traktoren velter, hold fast i rattet og forsøk ikke å hoppe av.



IKKE FJERN ELLER TILDEKK DETTE MERKET 3715589 M1

FORSIKTIG

Varmt vann og damp under trykk. Påfyllingslokket må fjernes med den aller største forsiktighet. IKKE FJERN ELLER TILDEKK DETTE MERKET 3715 583 M1

ADVARSEL

Fjern minusledningene til alle batteriene før dette dekslet fjernes, eller arbeid igangsettes på traktoren.

FORSIKTIG

Start aldri motoren ved å kortslutte starteren. Start aldri motoren fra utsiden av førerhuset. Sitt alltid i setet, bruk startnøkkelen, sørg for at gir og kraftuttak er i nøytral og parkeringsbremsen tiltrukket når traktoren startes. IKKE FJERN ELLER TILDEKK DETTE MERKET 3715 590M1

FORSIKTIG

Ta av den negative ledningen på alle batteriene, før du utfører arbeide på traktoren.

FORSIKTIG

Når du skal ta av et batteri, ta først av alle negative ledninger før de positive. IKKE FJERN ELLER TILDEKK DETTE MERKET 3715584 M1

FORSIKTIG

Ha alle verneplater i orden og på plass når motoren er igang.

ADVARSEL

Varmt! IKKE FJERN ELLER TILDEKK DETTE MERKET 3715585 M1

ADVARSEL

Kople alltid fra kraftuttaket og stopp motoren ved til- eller frakopling av kraftoverføringsaksel, eller ved arbeid på kraftuttaksdrivet redskap. Sørg for at kraftoverføringsakselen er skikkelig tilkoplet og har tilstrekkelig overlappning. Skru på beskyttelseshylen når kraftuttak ikke er i bruk.

FORSIKTIG

Stå ikke mellom traktor og redskap når hydraulikken betjenes. Tauing/sleping må kun gjøres i trekkraken. IKKE FJERN ELLER TILDEKK DETTE MERKET 3715587 M1

FORSIKTIG

Sett girspaken (1-2-3-4) i nøytral og vend girspaken i stillingen forover eller bakover når: - du vil bruke utvendige brytere for hydraulikken. - føreren ikke er i setet.

FORSIKTIG

Når traktoren står stille, er det alltid påkrevet å trekke til håndbrekket, fordi det ikke vil hindre traktoren å komme i bevegelse selv om den er i gir. Når du forsøker å starte motoren med et slavebatteri, må du passe på at girspaken (1, 2, 3, 4) er i fristilling. Du må aldri kople et slavebatteri direkte til startmotoren.

IKKE FJERN ELLER TILDEKK DETTE MERKET 3715582M2

8



11

13

12

14

3

16

15

4

17

10

6

11

13

14

9

5

7

4

10

Decals - Safety - For Norway

Item	Part Number	Qty	Description	Comments
1	3715581M3	1	Decal	DYNASHIFT
2	3780744M1	1	Decal	POWERSHIFT
3	3783396M2	1	Decal	Up to Serial or Engine Number
4	3715583M1	1	Decal	
5	3715588M1	1	Decal	
6	3715586M1	1	Decal	
7	3715589M1	1	Decal	
8	3782489M1	1	Decal	
9	3715591M1	1	Decal	
10	3715590M1	1	Decal	
11	3715584M1	1	Decal	
12	3715582M3	1	Decal	
13	3715585M1	1	Decal	
14	3715587M1	1	Decal	
15	3783394M1	1	Decal	[A] Up to Serial or Engine Number
16	4274429M1	1	Decal	From Serial or Engine Number
17	4274423M1	1	Decal	[A] From Serial or Engine Number

FOOTNOTE [A] WITH POWER SHUTTLE

1-ZR13-007-B

1

VARNING

Urkoppla alltid kraftluftaget och stanna motorn före till- och frånkoppling av kraftöverföringsaxlar eller vid arbete på kraftuttagsdriven maskin.

Montera alltid skyddskåpan över kraftluftagets axeltapp, så kraftluftaget inte används.

VARNING

Stå aldrig mellan traktor och utrustning vid manövrering av manövrerorganen.

Använd endast av M.F. godkänd dragstång eller lyftdragkrok vid bogsering.

16

VARNING

Koppla loss batteriernas jordkablar (-) innan något arbete påbörjas på traktorn eller detta skydd las bort.

16

VARNING

Starta aldrig motorn genom att kortsluta startmotorns poler.

Stå inte vid sidan av traktorn och starta motorn.

Sitt alltid på sätet vid start av motorn och använd startnyckeln. Se till att parkeringsbromsen är dragen och att växellådan och kraftluftaget är i neutralläge.

14

IT IS IMPERATIVE TO USE THE TRANSMISSION OIL RECOMMENDED IN THE OPERATING MANUAL

2

Do not stop the engine before the vehicle has completely stopped.

15

WARNING

Engage the parking brake to prevent tractor movement with the engine off.

Clutch WILL NOT hold tractor in place, even though transmission is in gear.

Unexpected tractor movement may cause serious injury.

3

HITCH

5

WARNING

Gears lever (1, 2, 3, 4), and the reverse/forward level must be in his neutral position.

- In order to use the external lift controls.
- When the driver is not in his seat.

WARNING

When the tractor is stationary, it is imperative to fully apply the handbrake because leaving the tractor in gear will not prevent movement.

When attempting to start the engine using a slave battery, ensure that the gear lever (1, 2, 3, 4) is in neutral.

Never connect a slave battery directly to the starter motor.

DO NOT REMOVE OR OBSCURE DECAL

4

DO NOT REMOVE OR OBSCURE DECAL

17

Always declutch to change gear range.

6

WARNING

High pressure steam and hot water. Remove filler cap with extreme care.

DO NOT REMOVE OR OBSCURE DECAL

13

VARNING

Läs noggrann medföljande bruksanvisning före användning av ett nytt tillbehör, komponent eller tillbehör som inte är godkända av tillverkaren.

Alla arbetsinstruktioner och säkerhetsråd skall vara på plats vid maskinens användning.

Håll händerna, fötterna och kläderna rena och fria från olja och smör.

Vid användning av tillbehör eller tillbehör som inte är godkända av tillverkaren, ska tillbehöret vara tydligt märkt med tillverkarens namn och adress.

Om du inte är säker på att du kan utföra arbetet, ska du kontakta din återförsäljare eller tillverkaren för ytterligare information.

Om du inte är säker på att du kan utföra arbetet, ska du kontakta din återförsäljare eller tillverkaren för ytterligare information.

Om du inte är säker på att du kan utföra arbetet, ska du kontakta din återförsäljare eller tillverkaren för ytterligare information.

OM EN DECAL, FÅR INTE TAS BORT ELLER ÖVERTACKAS

12

STARTINSTRUKTION

Skjut in sloppreglaget. Ge full gas vid alla starter. Stopp gasreglaget efter start.

Varmt väder eller varm motor
Vrid till läge S.

Kallt väder eller kall motor
Vrid till läge H. Håll kvar i 15-20 sek. vrid sedan till läge H+S. Om motorn inte startar inom 15 sek. vrid tillbaka till läge H. Håll kvar i 10 sek. vrid sedan till läge H+S. När motorn startat, vrid tillbaka till läge H. Håll kvar i max 15 sek. tills motorn går jämnt.

VIKTIGT

Om motorn inte startar, vänta tills startmotorn stannat före nästa startförsök.

10

DO NOT REMOVE OR OBSCURE DECAL

11

VARNING

Håll fast i ratten (handtaget) om traktorn stjäpar
HOPPA EJ!

TA INTE BORT ELLER FÖRSTÖR DEKALEN

7

CAUTION

TO AVOID POSSIBLE TRACTOR OVERTURN, PULL ONLY FROM DRAWBAR OR LOWER LINKS OF THREE POINT HITCH

DO NOT REMOVE OR OBSCURE DECAL

8

WARNING

Before working on the tractor, disconnect negative leads to all batteries.

WARNING

Before removing any battery, disconnect all negative leads before positive leads.

DO NOT REMOVE OR OBSCURE DECAL

9

CAUTION

Keep all shields, covers and guards fastened in place while engine is running.

WARNING

Beware hot parts

DO NOT REMOVE OR OBSCURE DECAL

Massey Ferguson**MF 8250 TRACTOR - 1637366**

1637366

Decals - Safety - For Sweden

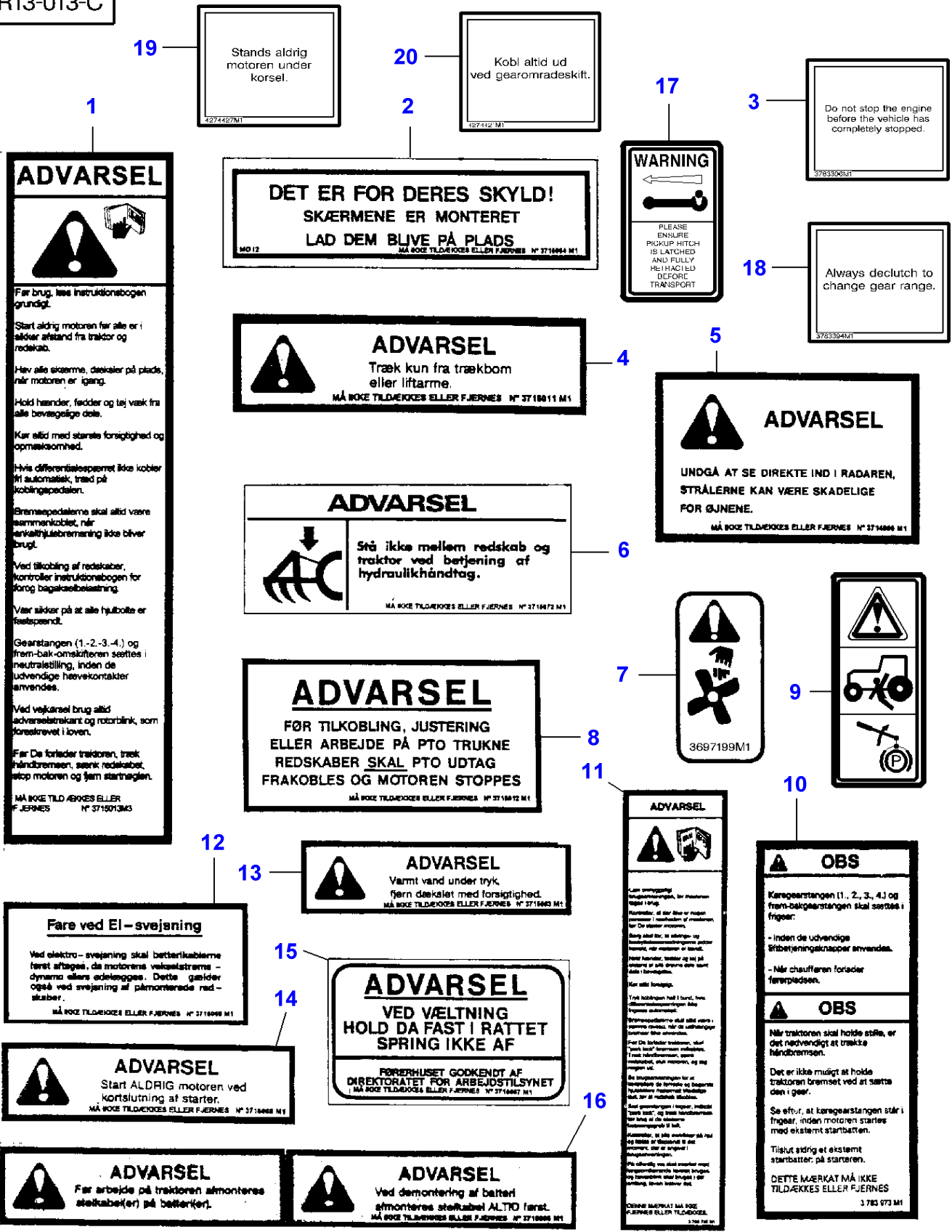
Page 100-0120

Item	Part Number	Qty	Description	Comments
1	3618264M1	1	Decal	
2	3783396M2	1	Decal	
3	3618263M1	1	Decal	
4	3595680M1	1	Decal	
5	3713705M3	1	Decal	
6	3595685M1	1	Decal	
7	2752579M1	1	Decal	
8	3595679M1	1	Decal	
9	3595678M1	1	Decal	
10	3782489M1	1	Decal	
11	3618260M1	1	Decal	
12	3618261M1	1	Decal	
13	3780743M1	1	Decal	
14	3713699M1	1	Decal	
15	3777017M2	1	Decal	
16	3618262M1	1	Decal	
17	3783394M1	1	Decal	[A]

FOOTNOTE [A] WITH POWER SHUTTLE

MF 8250 TRACTOR - 1637366
1-ZR13-013-C

1-ZR13-013-C



Decals - Safety - Denmark

Item	Part Number	Qty	Description	Comments
1	3715013M3	1	Decal	
2	3715064M1	1	Decal	
3	3783396M2	1	Decal	Up to Serial or Engine Number
4	3715011M1	1	Decal	
5	3714996M1	1	Decal	
6	3715072M1	1	Decal	
7	3697199M1	1	Decal	
8	3715012M1	1	Decal	
9	3782489M1	1	Decal	
10	3783973M1	1	Decal	
11	3780745M1	1	Decal	
12	3715068M1	1	Decal	
13	3715063M1	1	Decal	
14	3715069M1	1	Decal	
15	3715067M1	1	Decal	
16	3715065M1	1	Decal	
17	3781401M1	1	Decal	
18	3783394M1	1	Decal	[A] Up to Serial or Engine Number
19	4274427M1	1	Decal	From Serial or Engine Number
20	4274421M1	1	Decal	[A] From Serial or Engine Number

FOOTNOTE [A] WITH POWER SHUTTLE

1-ZR13-004-A

ВНИМАНИЕ
Перед работой убедитесь, что пар под высоким давлением и горячая вода.
Открывать пробку с осторожностью.
Не следует снимать или закрывать предупреждающую наклейку. 1779 60 M1

ВНИМАНИЕ
Перед тем, как начать работу, убедитесь, что все органы управления исправны.
ВНИМАНИЕ
Перед работой убедитесь, что все органы управления исправны.
Не следует снимать или закрывать предупреждающую наклейку. 1779 60 M1

ПРЕДУПРЕЖДЕНИЕ!
Не снимать колот и защитные приспособления при работающем двигателе.

ВНИМАНИЕ
Горячие детали!
Не следует снимать или закрывать предупреждающую наклейку. 1779 60 M1

ВНИМАНИЕ
НЕ СНИМАТЬ И НЕ ЗАКРЫВАТЬ ЭТО УКАЗАНИЕ

ВНИМАНИЕ
ВО ИЗБЕЖАНИЕ ОПОКИДЫВАНИЯ ТРАКТОРА БУКСИРОВАТЬ ТОЛЬКО ЗА БУКСИРНОЕ ДЫШЛО ИЛИ ЗАНИЖЕННЫЕ РЫЧАГИ ТРЕХТОЧЕЧНОЙ СВЯЗКИ
3779672 M1

ВНИМАНИЕ
Парковка на наклонной поверхности.
Парковка на наклонной поверхности.
Парковка на наклонной поверхности.

ВНИМАНИЕ
Всегда отключать PTO и отключать двигатель прежде чем присоединять или отсоединять механизм PTO, или прежде чем производить какие-либо действия с устройством, присоединенным к движению с помощью PTO.
Всегда устанавливать предохранитель на PTO, когда PTO не используется.

ПРЕДУПРЕЖДЕНИЕ
Никогда не находиться между трактором и устройством во время выключения двигателя.
Никогда не находиться между трактором и устройством во время выключения двигателя.
Не следует снимать или закрывать предупреждающую наклейку. 1779 60 M1

ВНИМАНИЕ
Перед началом обслуживания трактора или перед снятием данной крышки снять отрядительные провода всех батарей.

ВНИМАНИЕ
В ОБЯЗАТЕЛЬНОМ ПОРЯДКЕ ИСПОЛЬЗОВАТЬ СМАЗОЧНОЕ МАСЛО ДЛЯ СИСТЕМЫ ПЕРЕДАЧ, РЕГУЛИРОВАНИЕ ИЛИ ИНСТРУКЦИИ ПОЛЬЗОВАНИЯ.
1779 678 M1

ПРЕДУПРЕЖДЕНИЕ!
Никогда не заходить на трактор или на его движущие части.
Перед запуском двигателя занять место водителя.
Производить запуск двигателя только соответствующим ключом при включенной нейтральной передаче и стоянке и при снятом ручном тормозе.
Не следует снимать или закрывать предупреждающую наклейку. 1779 625 M1

ПРЕДУПРЕЖДЕНИЕ
При опускании трактора держаться за руль.
Не покидать своего сиденья.
Не следует снимать или закрывать предупреждающую наклейку. 1779 625 M1

ВНИМАНИЕ!

Перед применением внимательно ознакомиться с руководством по эксплуатации.

Прежде чем запустить двигатель, убедитесь в том, что рядом с машиной никого нет.

Во время работы двигателя все предохранительные устройства и защитные кожухи всегда должны быть установлены на предназначенные для них места.

Следите за тем, чтобы Ваши руки, ноги и одежда находились на безопасном расстоянии от рабочих зон всех деталей привода и частей машины, находящихся в движении.

Всегда всегда правильно выключать двигатель при остановке машины.

Если блокировка дифференциала не снимается автоматически, нажмите на педаль сцепления.

Педаль тормоза должны быть всегда открыты, если не используются автоматические тормоза.

Прежде чем покинуть машину, выключите блокировку «Стоянка» и затворите ручной тормоз, отпустите рабочий орган машины, выключите двигатель и выйдите ключ из замка зажигания.

Перед установкой навесного рабочего органа ознакомьтесь с руководством по эксплуатации, чтобы проверить максимальную допустимую нагрузку и переднюю и заднюю ось машины.

Поставьте рычаг переключения скорости в нейтральное положение, выключите блокировку «Стоянка» и затворите ручной тормоз, чтобы предотвратить ненужные органы управления для полнотранспортных операций.

Проверьте, все ли гайки колеса и обода затянуты с моментом затяжки, указанным в руководстве по эксплуатации машины.

Находясь на дороге общего пользования, следует размещать на машине эмблему транспортного средства, а также использовать световую сигнализацию, предписанную дорожным законодательством.

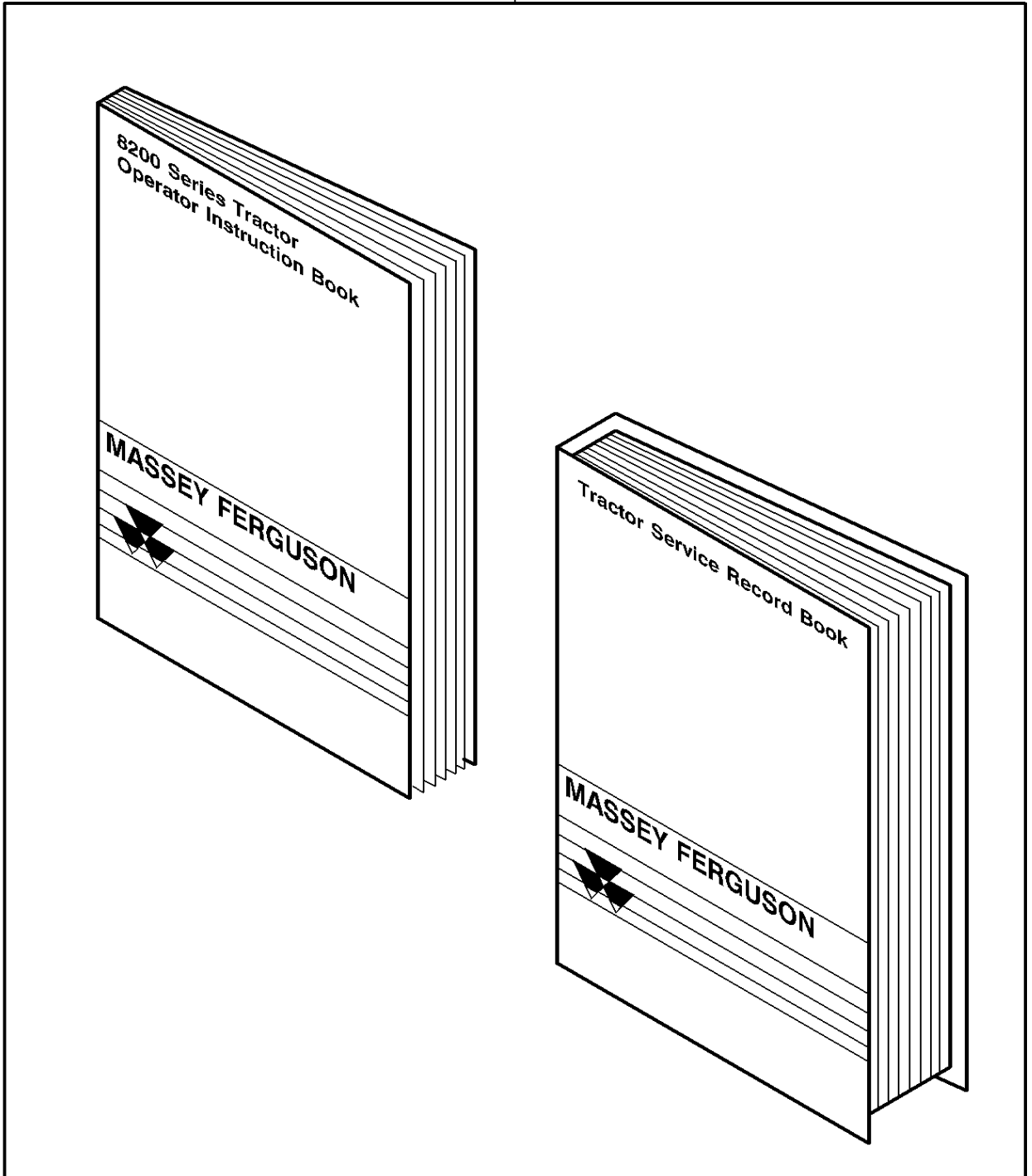
НЕ СНИМАТЬ И НИЧЕМ НЕ ЗАКРЫВАТЬ ДАННЫЕ СРЕДСТВА СИГНАЛИЗАЦИИ!
1781 730 M1

Massey Ferguson**MF 8250 TRACTOR - 1637366****1637366****Decals - Safety - FOR RUSSIAN MARKET ONLY****Page 100-0130**

Item	Part Number	Qty	Description
1	3779667M1	1	Decal
2	3779668M1	1	Decal
3	3779669M1	1	Decal
4	3781230M1	1	Decal
5	3779670M1	1	Decal
6	3779672M1	1	Decal
7	3782489M1	1	Decal
8	3779671M1	1	Decal
9	3779678M1	1	Decal
10	3779675M1	1	Decal
11	3779676M1	1	Decal

1-ZR06-002-B

1

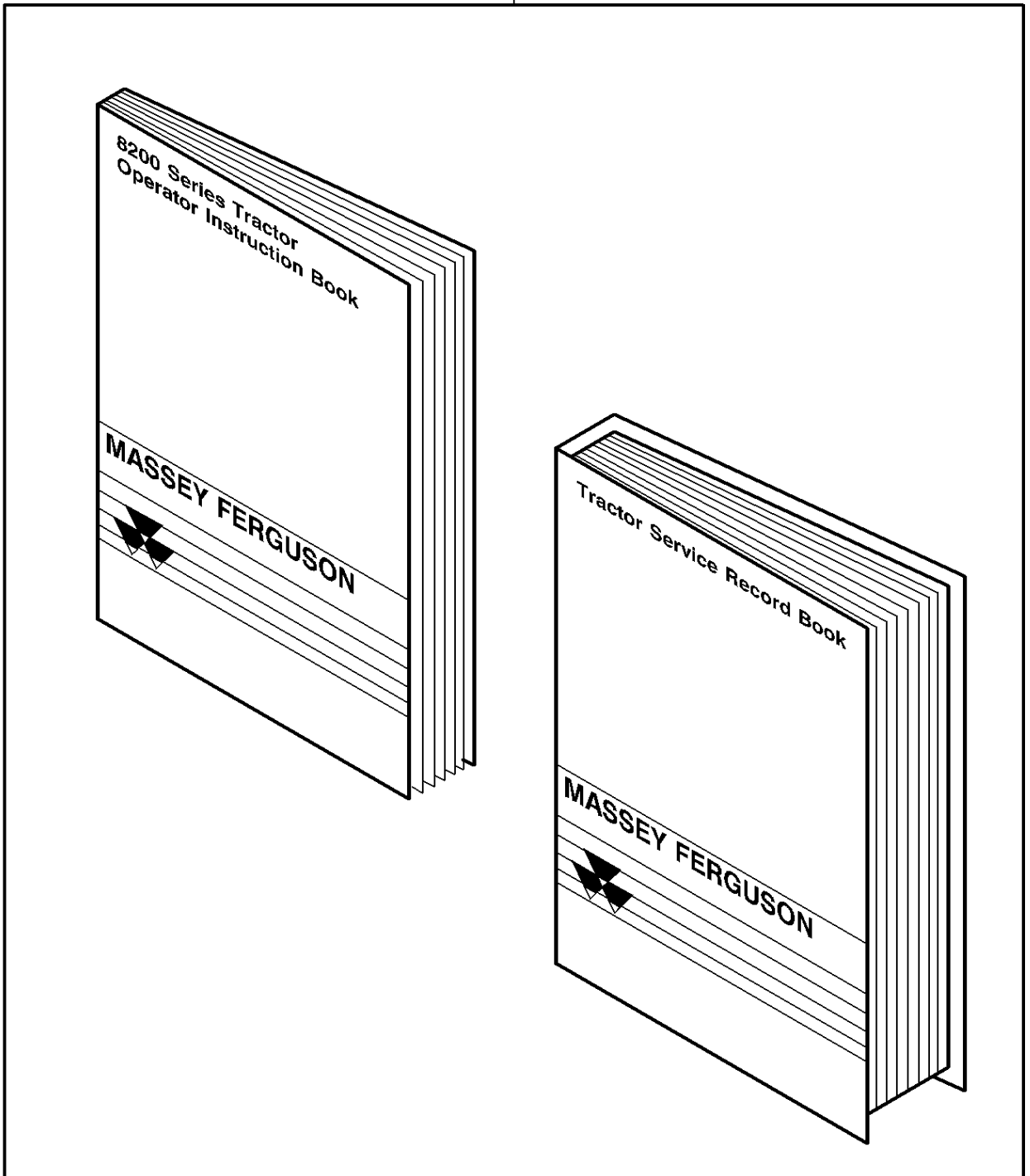


Massey Ferguson**MF 8250 TRACTOR - 1637366****1637366****Literature - M.F 8250 - Up To 07-01-2001****Page 100-0135**

Item	Part Number	Qty	Description	Comments
1	3784145M91	1	Instruction Book	FRENCH
	3784146M91	1	Instruction Book	ENGLISH
	3784147M91	1	Instruction Book	For United States of America ENGLISH
	3784148M91	1	Instruction Book	GERMAN
	3784150M91	1	Instruction Book	ITALIAN
	3784149M91	1	Instruction Book	SPANISH
	3784151M91	1	Instruction Book	DANISH
	3784152M91	1	Instruction Book	NORWEGIAN
	3784153M91	1	Instruction Book	SWEDISH
	3784154M91	1	Instruction Book	RUSSIAN

1-ZR06-014-A

1

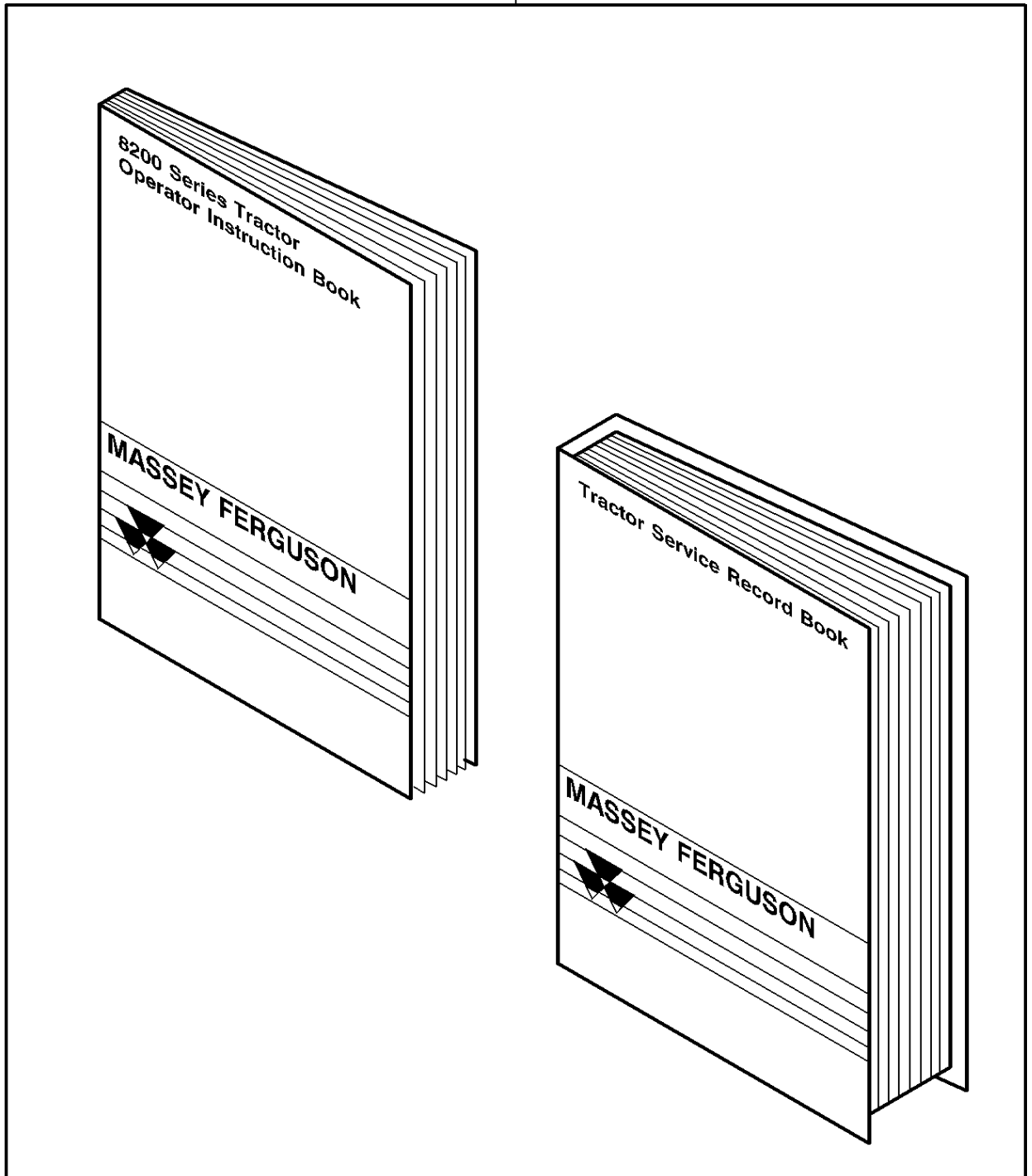


Massey Ferguson**MF 8250 TRACTOR - 1637366****1637366****Literature - M.F 8250 - From 08-01-2001****Page 100-0140**

Item	Part Number	Qty	Description	Comments
1	3789524M92	1	Instruction Book	FRENCH
	3789525M92	1	Instruction Book	ENGLISH
	3789951M91	1	Instruction Book	For United States of America ENGLISH
	3789526M91	1	Instruction Book	GERMAN
	3789528M91	1	Instruction Book	ITALIAN
	3789527M91	1	Instruction Book	SPANISH
	3789529M91	1	Instruction Book	DANISH
	3784154M91	1	Instruction Book	RUSSIAN

1-ZR06-011-A

1



Item	Part Number	Qty	Description	Comments
1	4270234M91	1	Instruction Book	FRENCH
	4270235M91	1	Instruction Book	For United States of America ENGLISH
	4270236M91	1	Instruction Book	GERMAN
	4270237M91	1	Instruction Book	SPANISH
	4270238M91	1	Instruction Book	ITALIAN
	4270239M91	1	Instruction Book	DANISH
	4270240M91	1	Instruction Book	NORWEGIAN
	4270241M91	1	Instruction Book	SWEDISH

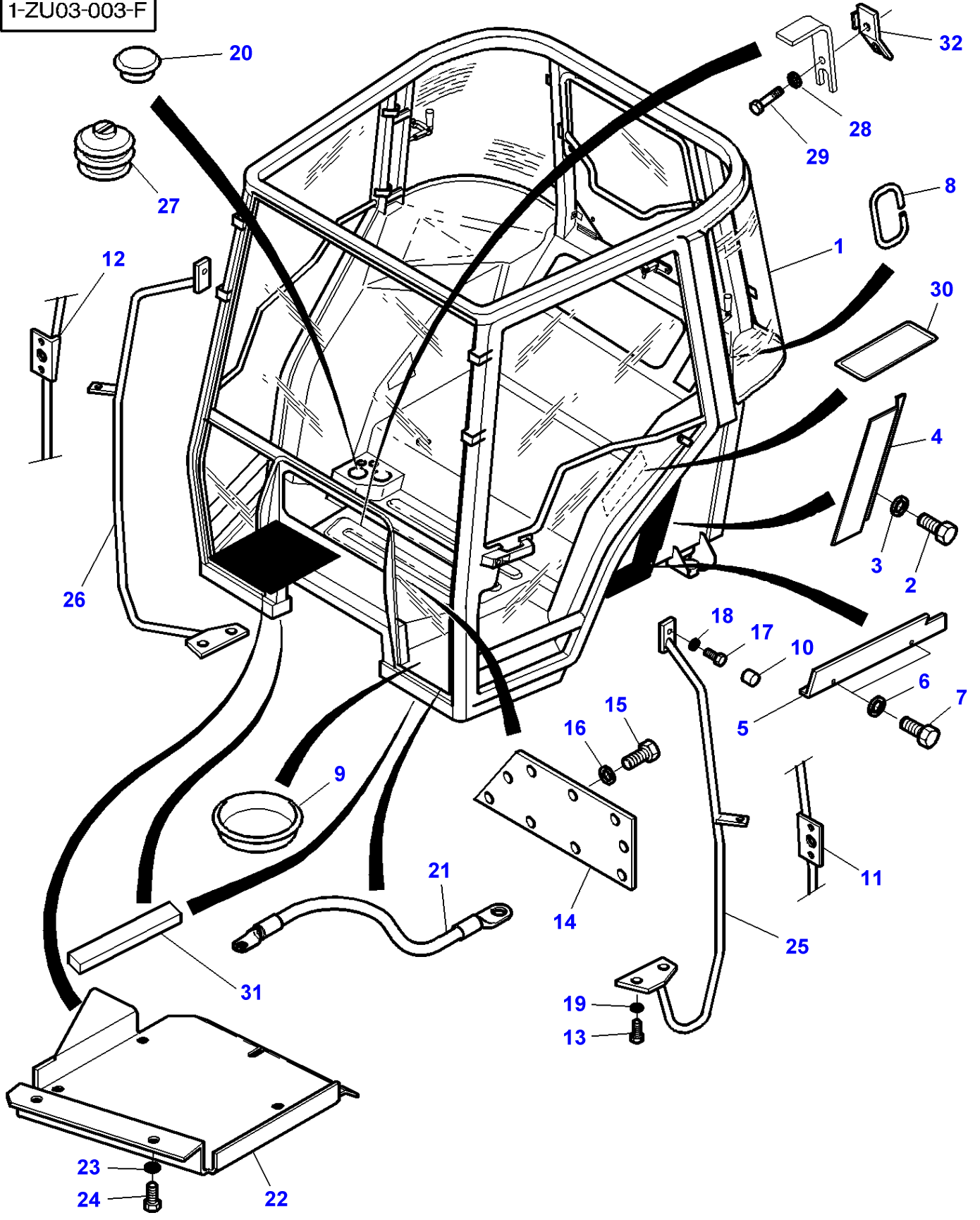
Page Title	Page Number
Tractor Cab	110-0005
Doors	110-0010
Glass	110-0015
Side Window Mechanism	110-0020
Rear Window Mechanism	110-0025
Roof	110-0030
Heating Hatchway	110-0035
Air Hatchway	110-0040
High Visibility Roof	110-0045
High Visibility Roof - Window	110-0050
Tractor Cab - Cladding	110-0055
High Visibility Roof - Cladding	110-0060
Tractor Cab - Cladding	110-0065
Tractor Cab - Cladding - United States Only	110-0070
High Visibility Roof - Cladding	110-0075
Tractor Cab - Cladding - With Dynashift - Up To J326005	110-0080
Tractor Cab - Cladding - With Dynashift - From J326006	110-0085
Tractor Cab - Cladding - With Full Powershift - Up To J326005	110-0090
Tractor Cab - Cladding - With Full Powershift - From J326006	110-0095
Instrument Panel Cladding	110-0100
Tractor Cab - Cladding - Struments Support	110-0105
Tractor Cab - Cab Insulation - Up to Serial or Engine Number - L037028	110-0110
Tractor Cab - Cab Insulation - From Serial or Engine Number - L037029	110-0115
Tractor Cab - Cab Insulation	110-0120
Tractor Cab - Fenders	110-0125
Tractor Cab - Fenders - FENDERS EXTENSION	110-0130
Air Conditioner - Hose	110-0135
Air Conditioner - Hose - With High Visibility Roof - Up To J348039	110-0140
Air Conditioner - Hose - With High Visibility Roof - From J348040	110-0145
Tractor Cab - Heater Hoses	110-0150
Tractor Cab - Heater Hoses - With High Visibility Roof	110-0155
Tractor Cab - Heater	110-0160
Tractor Cab - Heater	110-0165
Tractor Cab - Heater - With High Visibility Roof - Up To K015006	110-0170
Tractor Cab - Heater - With High Visibility Roof - From K015007	110-0175
Air Conditioner	110-0180
Air Conditioner	110-0185
Air Conditioner - With High Visibility Roof - Up To J348039	110-0190
Air Conditioner - With High Visibility Roof - From J348040	110-0195
Tractor Cab - Heater	110-0200
Tractor Cab - Heater - With High Visibility Roof	110-0205
Tractor Cab - Heater - HIGH COLD	110-0210
Tractor Cab - Heater - HIGH COLD - WITH HIGH VISIBILITY ROOF	110-0215
Windscreen Washer	110-0220
Front Windscreen Wiper	110-0225
Rear Window Wiper	110-0230
Tractor Cab - Canopy	110-0235
Tractor Cab - Canopy - With High Visibility Roof	110-0240
Radio Installation	110-0245
Radio Installation - United States Only	110-0250
Watch	110-0255
Electrical Plug And Cigar Lighter - Up To ...	110-0260
Electrical Plug And Cigar Lighter - From ...	110-0265
Electrical Plug And Cigar Lighter - Up To ... - United States only	110-0270

Tractor Cab

Electrical Plug And Cigar Lighter - From ... - United States only	110-0275
Tractor Cab - External Mirrors	110-0280
Tractor Cab - External Mirrors	110-0285
Tractor Cab - Internal Mirrors	110-0290
Seat - Grammer	110-0295
Seat - Grammer - AIR PRESSURE SEAT WITH AUTOMATIC ADJUSTMENT - LUXUY	110-0300
Seat - Grammer - MECHANICAL SEAT - UP TO J245007	110-0305
Seat - Grammer - MECHANICAL SEAT	110-0310
Seat - Grammer - Air Ride Seat & Suspension - Up To ...	110-0315
Seat - Grammer - Air Ride Seat & Suspension - From ...	110-0320
Seat - Grammer - Air Ride Seat & Suspension	110-0325
Seat - Grammer - AIR PRESSURE SEAT WITH AUTOMATIC ADJUSTMENT - LUXUY	110-0330
Seat - Grammer - AIR PRESSURE SEAT WITH AUTOMATIC ADJUSTMENT	110-0335
Seat - Grammer - AIR PRESSURE SEAT WITH MANUAL ADJUSTMENT	110-0340
Seat - Grammer - AIR PRESSURE SEAT WITH AUTOMATIC ADJUSTMENT - LUXUY	110-0345
Seat Belt	110-0350
SECONDARY SEAT	110-0355

MF 8250 TRACTOR - 1637366
1-ZU03-003-F

1-ZU03-003-F



Tractor Cab

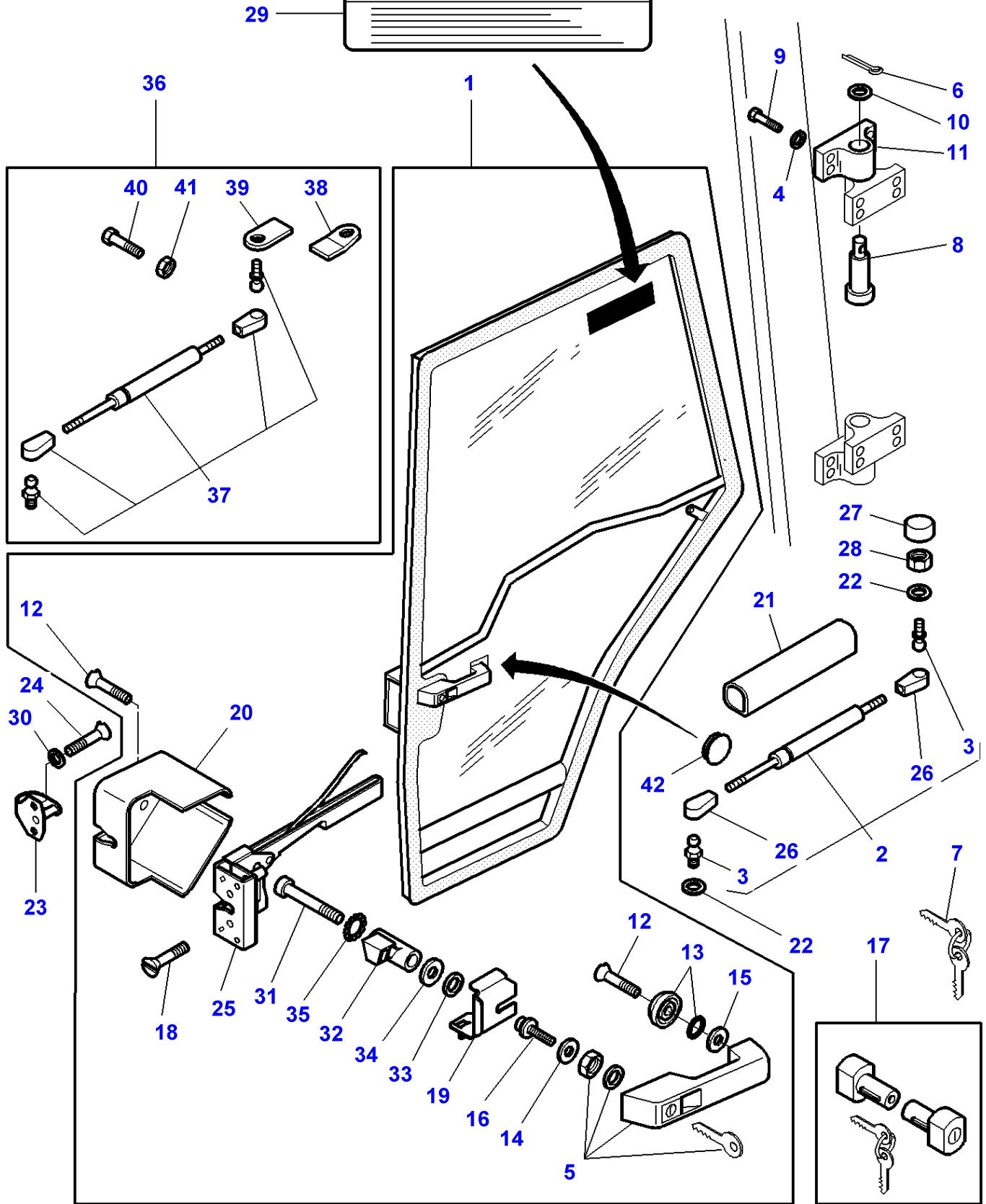
Item	Part Number	Qty	Description	Comments
1	3779192M93	1	Cab	[B] Up to Serial or Engine Number J326005
	3784333M92	1	Cab	[B] From Serial or Engine Number J326006
	3779192M93	1	Cab	[C] Not for USA Up to Serial or Engine Number J326005
	3784333M92	1	Cab	[C] From Serial or Engine Number J326006
	3778493M92	1	Cab	[C] For United States of America
2	339123X1	4	Hex. Sock. Screw	M8X20
3	390972X1	4	Washer Metric	Diameter 9MM
4	3713290M1	1	Cowl	Right Hand Top
	3713289M1	1	Cowl	Left Hand Top
5	3713292M1	1	Cowl	Right Hand Bottom
	3713291M1	1	Cowl	Left Hand Bottom
6	390971X1	4	Washer	M6
7	391074X1	4	Hex. Sock. Screw	M6X12
8	3714681M1	1	Profile	Length 150MM
9	3902363M1	1	Plug	Diameter 20MM
10	3616277M1	2	Helmet	
11	3780049M91	1	Guideway	[A] Left Hand
12	3780048M92	1	Guideway	Right Hand
13	3009495X1	2	Bolt Metric	M10X40
14	3778052M1	1	Inspection Cover	(1)
15	3010775X1	9	Screw	(1) CBLX M6X25 Replace and repair. Old interchangeable with new 3903188M1
16	390971X1	9	Washer	(1)
17	339228X1	2	Screw Metric	M8X12
18	22428X	2	Lock Washer	
19	385362X1	2	Washer	
20	3782487M1	1	Plug	Diameter 29MM
	3782486M1	1	Plug	Up to Serial or Engine Number H140028 Diameter 50MM
21	3779046M2	1	Wire	[A] Length 550MM
22	3782614M3	1	Cover	
23	391038X1	3	Washer	
24	339560X1	3	Hex. Sock. Screw	M6X16
25	3780040M91	1	Guideway	[A] Left Hand
26	3780692M92	1	Guideway	[A] Right Hand
27	3783232M1	1	Plug	From Serial or Engine Number H140029 50X55MM
28	390971X1	1	Washer	
29	339666X1	1	Hex. Sock. Screw	M6X20
30	3785180M1	1	Plate	206x97
31	3785101M1	2	Foam	Up to Serial or Engine Number 10-DEC-2001 15x13x450
32	3785310M1	1	Strap	From Serial or Engine Number J326006 Up to Serial or Engine Number

FOOTNOTE [A] NORTH AMERICA ONLY
FOOTNOTE [B] WITH DYNASHIFT
FOOTNOTE [C] WITH FULL POWERSHIFT

MF 8250 TRACTOR - 1637366
1-ZU05-001-E

1-ZU05-001-E

CABINE CLIMATISEE - AIR CONDITIONED CAB - KLIMATISIERIE PABINE
CABINA CLIMATIZZATA CABINA CLIMATIZADA



Doors

Item	Part Number	Qty	Description	Comments
1	3902120M91	1	Gate	[C] Right Hand Up to Serial or Engine Number L192045
	3902120M92	1	Gate	[D] Right Hand From Serial or Engine Number L192046
	3902119M91	1	Gate	[C] Left Hand Up to Serial or Engine Number L192045
	3902119M92	1	Gate	[D] Left Hand From Serial or Engine Number L192046
2	3902121M4	2	Ram	
3	3902773M1	2	Toggle	(2)
4	385361X1	16	Washer	
5	3902356M91	2	Handle	[A] (1) No610 Diameter 2,5X32
6	1442963X1	4	Split Pin	
7	3902584M91	1	Kit, Spanner	
8	3903186M1	4	Clevis Pin	
9	3902414M1	16	Screw	M8X20
10	3903187M1	4	Washer	Diameter 22X12X1,2
11	3902116M1	4	Hinge	
12	3902411M1	4	Screw	(1) M6X16
13	3902145M1	2	Skate	(1)
14	3902366M1	2	Washer	(1) 28X42X2
15	3902367M1	2	Washer	(1) 5X18X1
16	3902368M1	2	Screw Special	(1) Up to Serial or Engine Number
17	3902370M91	1	Parts Pack	No 610
18	3902412M1	4	Screw	(1) M6X25
19	3902369M1	1	Rod Link	(1) Left Hand Up to Serial or Engine Number
	3902371M1	1	Rod Link	(1) Right Hand Up to Serial or Engine Number
20	3804660M1	1	Cover	(1) Right Hand
	3804661M1	1	Cover	(1) Left Hand
21	3902415M1	2	Protector	
22	391025X1	4	Lock Washer	
23	3902372M1	2	Latch	
24	3010775X1	4	Screw	CBLX M6X25 Replace and repair. Old interchangeable with new 3903188M1
25	3804663M1	1	Latch	(1) Left Hand
	3804662M1	1	Latch	(1) Right Hand
26		2	Toggle	(2) Not serviced,order REFNo2
27	3616277M1	2	Helmet	
28	339169X1	2	Nut	
29	3619471M1	1	Decal	
30	391038X1	4	Washer	
31	3001757X1	2	Bolt	(1) M6X40
32	3903504M1	2	Latch	(1) From Serial or Engine Number
33	3011035X1	2	Washer	(1) M6
34	391038X1	2	Washer	(1) M6LL
35	391289X1	2	Lock Washer	
36	3789764M11	1	Kit, Repair	[B]
37	3902121M4	1	Ram	(36)

Doors

Item	Part Number	Qty	Description	Comments
38	4270074M1	1	Reinforcement	(36)
39	3789763M1	1	Support	(36)
40	339291X1	1	Hex. Sock. Screw	(36) M8X55
41	339169X1	1	Nut	(36)
42	3821964M1	1	Plug	Diameter 12 MM

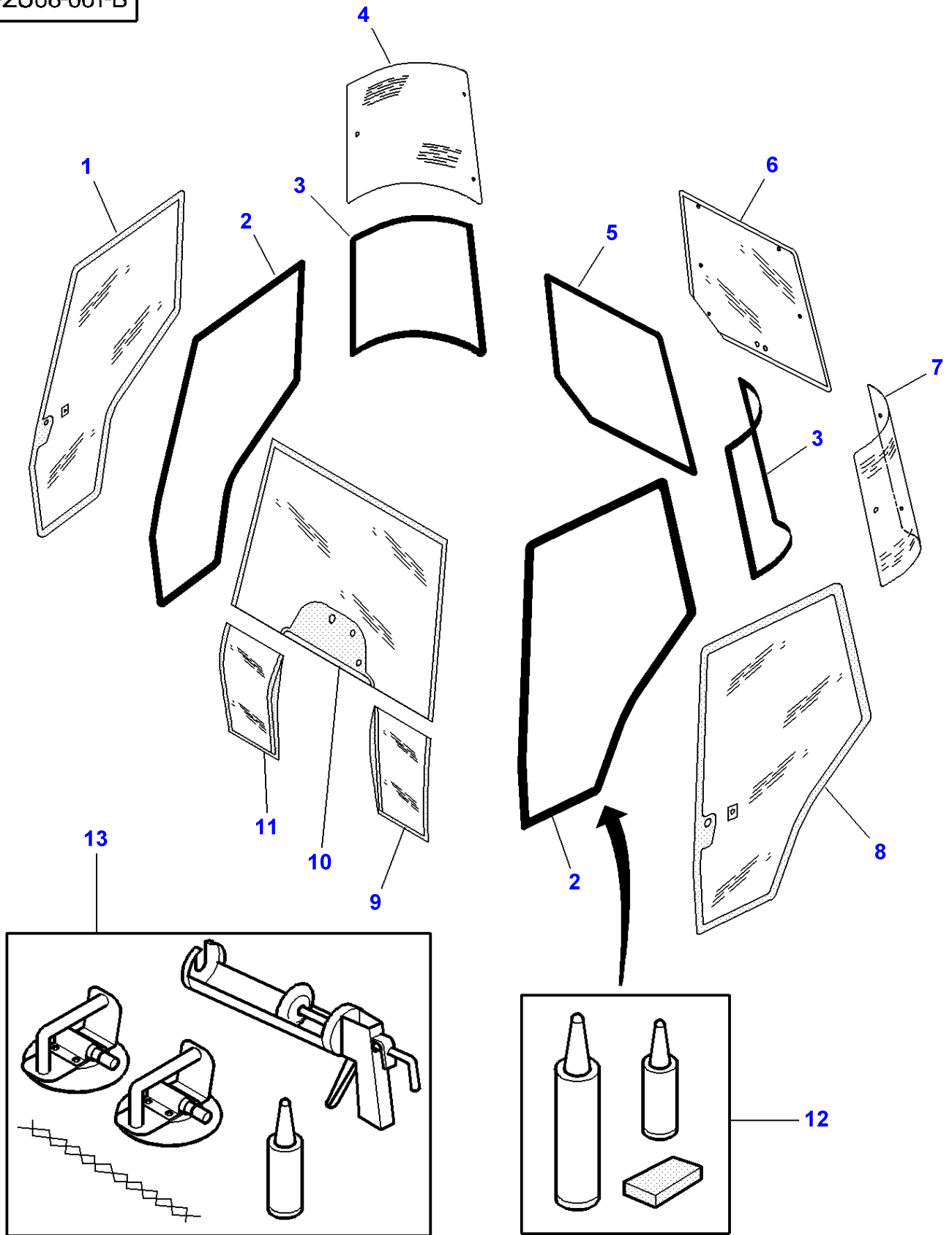
FOOTNOTE [A] NUMBER STAMPED ON THE LOCK

FOOTNOTE [B] TRUSSING KIT OF DOOR RAM

FOOTNOTE [C] HORIZONTAL HANDLE

FOOTNOTE [D] VERTICAL HANDLE

1-ZU06-001-B



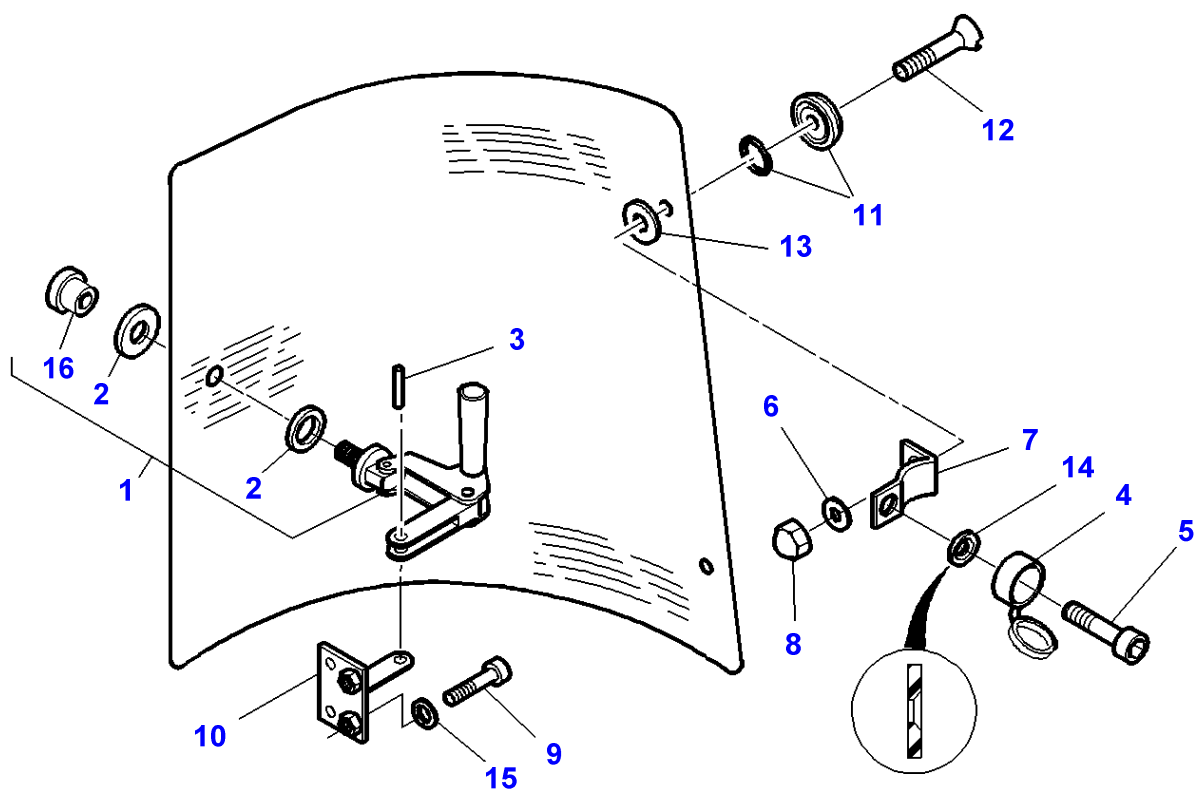
Glass

Item	Part Number	Qty	Description	Comments
1	3902124M1	1	Window	[A] Right Hand Up to Serial or Engine Number L192045
	3902124M2	1	Window	[B] Right Hand From Serial or Engine Number L192046
2	3902122M1	2	Seal	
3	3902133M1	2	Seal	
4	3902131M1	1	Window	Right Hand
5	3902144M1	1	Seal	
6	3715438M1	1	Window	
7	3902130M1	1	Window	Left Hand
8	3902123M1	1	Window	[A] Left Hand Up to Serial or Engine Number L192045
	3902123M2	1	Window	[B] Left Hand From Serial or Engine Number L192046
9	3902149M1	1	Window	Left Hand
10	3777602M2	1	Windscreen	
11	3902150M1	1	Window	Right Hand
12	3902373M91	1	Parts Pack	
13	3902503M91	1	Parts Pack	

FOOTNOTE [A] HORIZONTAL HANDLE

FOOTNOTE [B] VERTICAL HANDLE

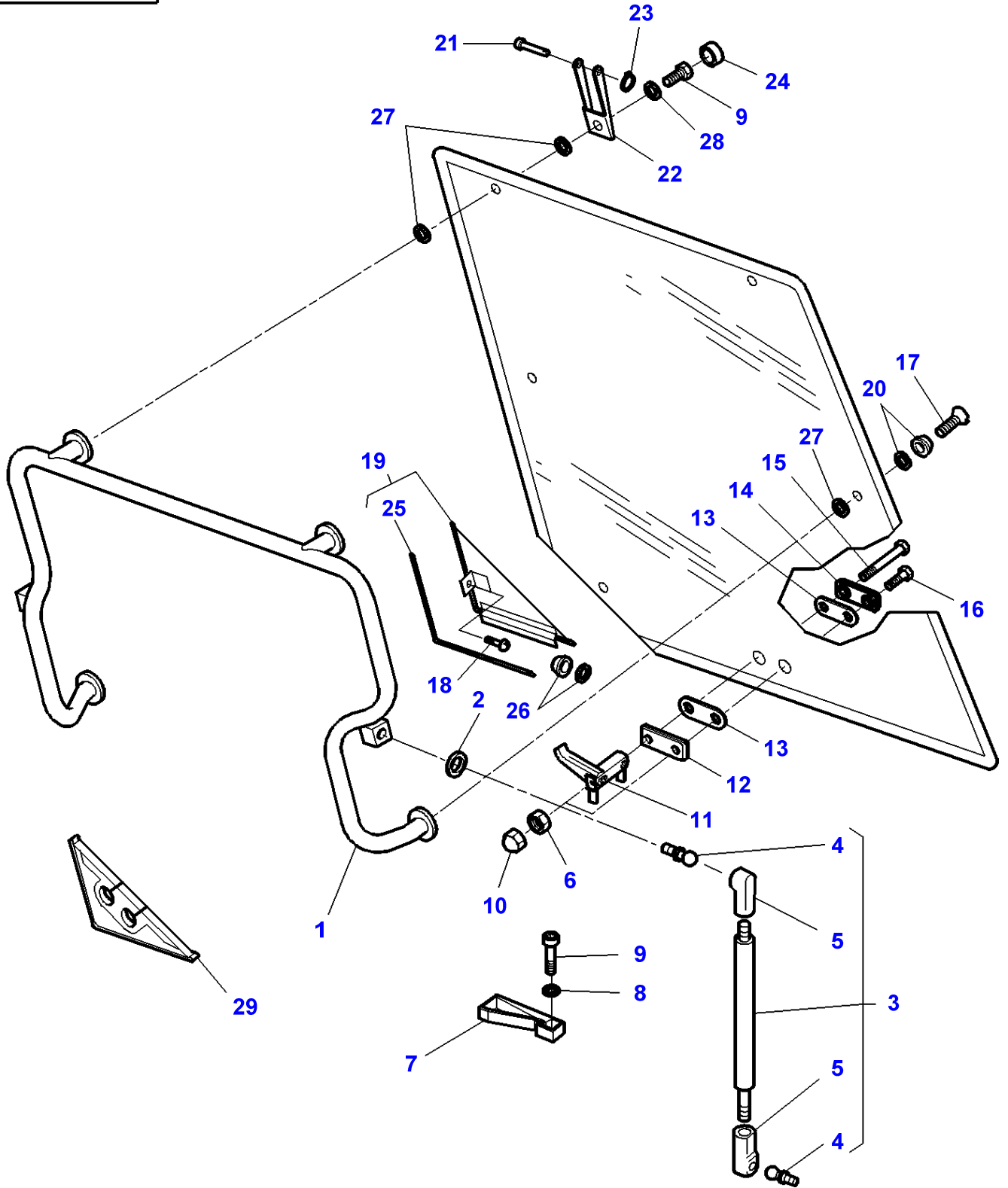
1-ZU85-001-A



Side Window Mechanism

Item	Part Number	Qty	Description	Comments
1	3476132M91	1	Stay	Right Hand
	3476133M91	1	Stay	Left Hand
2	3478052M1	2	Washer	(1)
3	1440396X1	2	Dowel	5X12
4	3902129M1	4	Muff	
5	3010775X1	4	Screw	CBLX M6X25 Replace and repair. Old interchangeable with new 3903188M1
6	390971X1	4	Washer	
7	3902128M1	4	Hinge	
8	3902455M1	4	Nut	M6
9	3010775X1	8	Screw	CBLX M6X25 Replace and repair. Old interchangeable with new 3903188M1
10	3902134M1	2	Support	Up to Serial or Engine Number H110015
11	3902145M1	4	Skate	
12	3010775X1	4	Screw	CBLX M6X25 Replace and repair. Old interchangeable with new 3903188M1
13	3902365M1	4	Washer	Diameter 8X30X3
14		4	Muff	Not serviced,order REF 5+4
15	391289X1	8	Lock Washer	
16	3478051M1	1	Nut	(1)

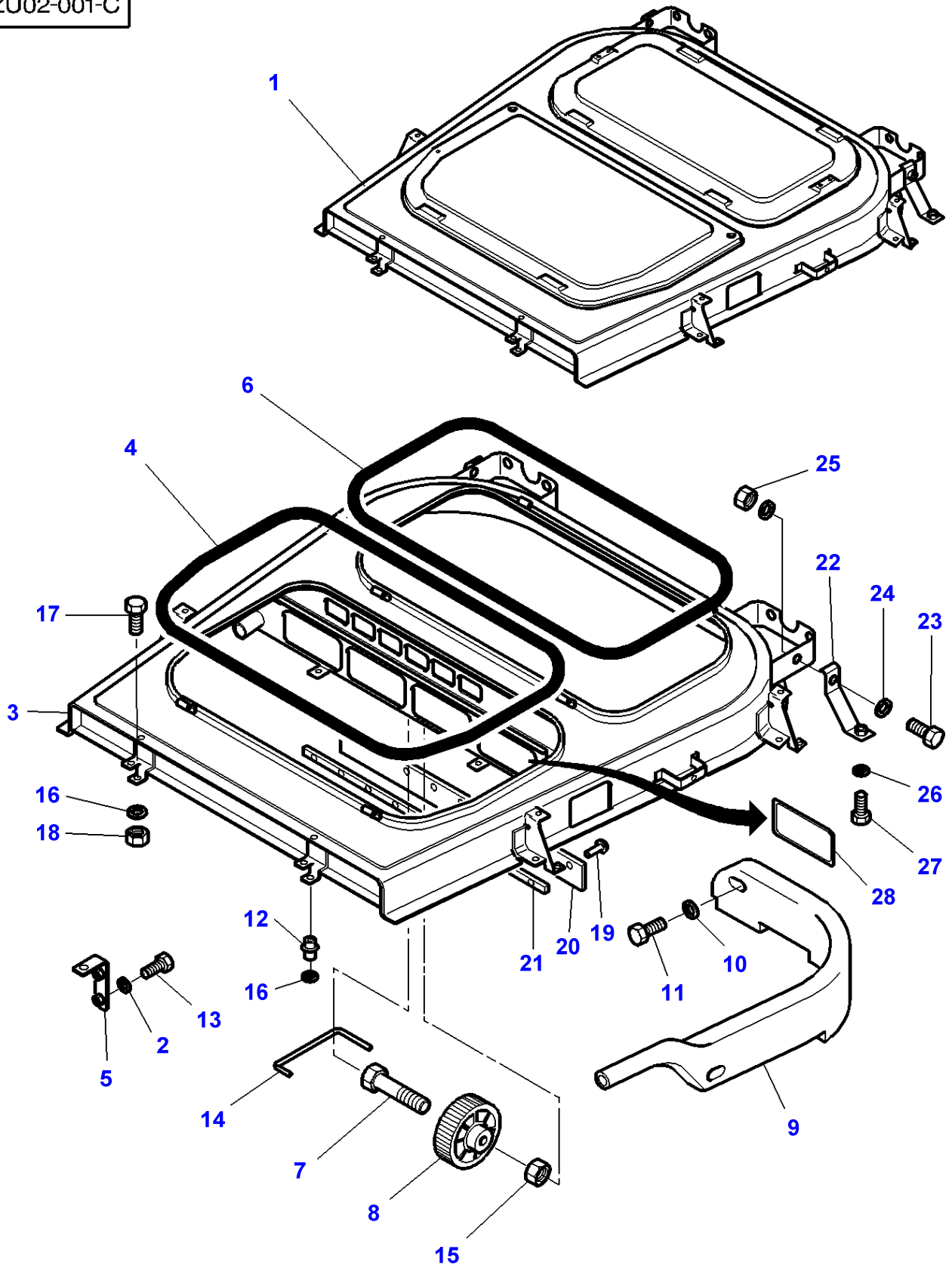
1-ZU84-001-B



Rear Window Mechanism

Item	Part Number	Qty	Description	Comments
1	3902135M92	1	Support	
2	391025X1	4	Lock Washer	
3	3902140M1	2	Ram	
4		2	Toggle	(3) Not serviced,order REFNo3
5		2	Toggle	(3) Not serviced,order REFNo3
6	1440329X1	2	Locknut	M10
7	3619610M1	1	Thruster	
8	391289X1	2	Lock Washer	
9	3010775X1	4	Screw	CBLX M6X25 Replace and repair. Old interchangeable with new 3903188M1
10	3619609M1	2	Helmet	M10
11	3619605M1	1	Handle	
12	3619604M1	1	Plate	
13	3619906M1	2	Gasket	
14	3619603M1	1	Plate	
15	3619907M1	1	Screw	M10X130
16	3619908M1	1	Screw	M10X35
17	3010775X1	2	Screw	M6X25 Replace and repair. Old interchangeable with new 3903188M1
18	339228X1	1	Screw Metric	Up to Serial or Engine Number 12/09/99 M8X12
19	3902386M91	1	Plate	Up to Serial or Engine Number 12/09/99
20	3902145M1	2	Skate	
21	3902137M1	2	Clevis Pin	
22	3902136M2	2	Clevis	
23	1440988X1	2	Circlip	
24	3902129M1	2	Muff	
25	3902417M1	1	Gasket	(19) Up to Serial or Engine Number 12/09/99
26	3619241M1	1	Button	Up to Serial or Engine Number 12/09/99
27	3902365M1	6	Washer	Diameter 8X30X3
28	385361X1	2	Washer	
29	3806376M1	1	Seal	From Serial or Engine Number 13/09/99

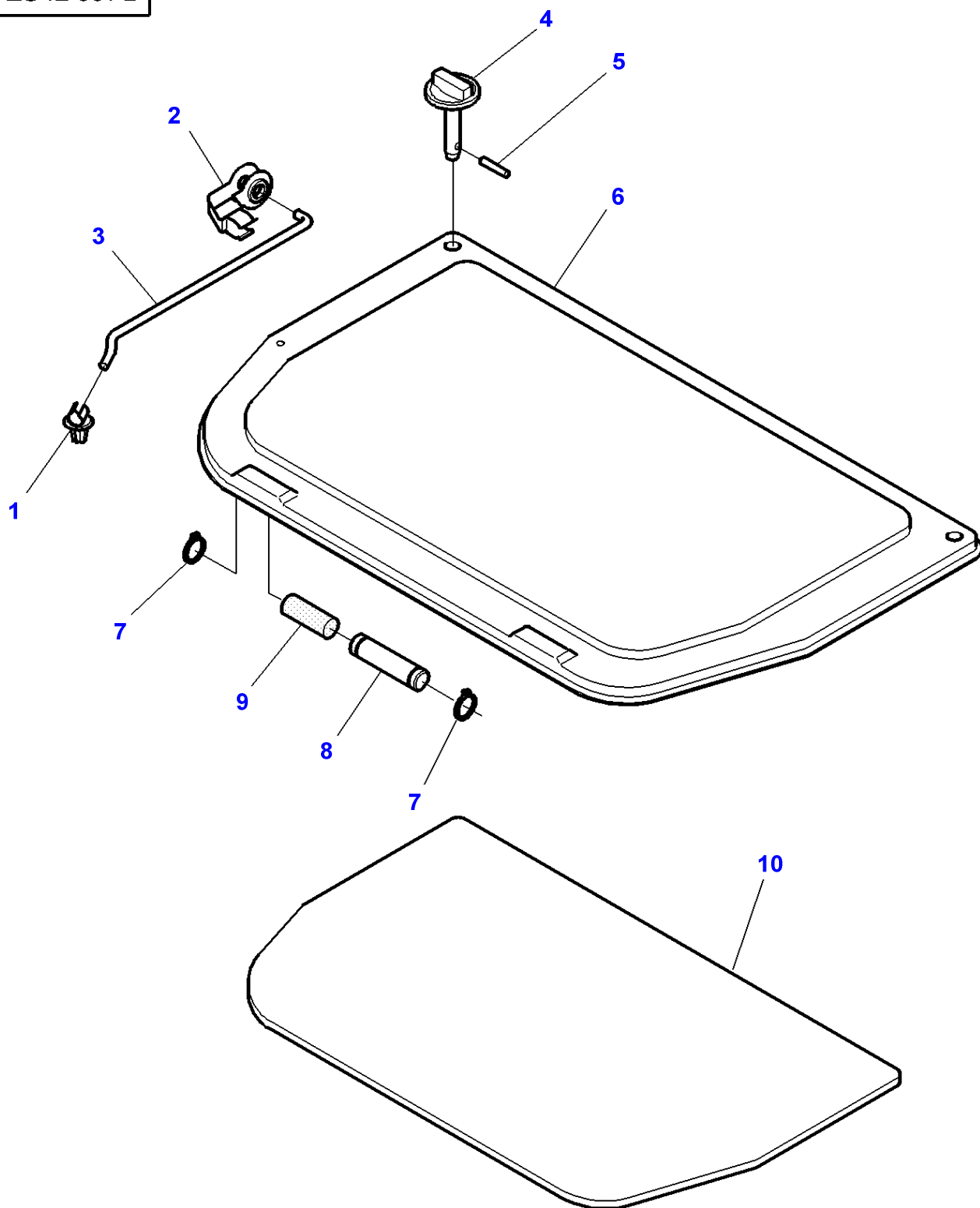
1-ZU02-001-C



Roof

Item	Part Number	Qty	Description	Comments
1	3714088M94	1	Roof	
	5016001M92	1	Roof	For United States of America
2	339102X1	2	Washer	(1) M5
3		1	Roof	(1) Not serviced,order REF NO 1
4	3713158M1	1	Gasket	(1) Length 2858MM
5	3713802M1	1	Strap	(1)
6	3713159M1	1	Gasket	Length 2740MM
7	339229X1	1	Hex. Sock. Screw	(1) M6
8	3713167M1	1	Button	(1)
9	3713163M1	1	Manifold	(1) Right Hand
	3713164M1	1	Manifold	(1) Left Hand
10	390971X1	4	Washer	(1) M6
11	3008342X1	4	Screw Metric	(1) M6X25
12	3901206M1	8	Nut	(1) M6
	3778304M1	8	Nut	(1) M8
13	390990X1	2	Screw Metric	(1) M5X12
14	3714090M1	1	Draglink	(1)
15	1441500X1	1	Locknut	(1) M6
16	3010597X1	16	Tab Washer	Diameter 8-22MM
17	339123X1	8	Hex. Sock. Screw	M8X20MM
18	339169X1	8	Nut	M8
19	338980X1	9	Rivet	(1)
20	3713165M1	1	Band	(1)
21	3713166M2	1	Plate	(1)
22	3782969M1	2	Bracket	Not for USA
23	339123X1	2	Hex. Sock. Screw	Not for USA M8X20
24	390972X1	4	Washer Metric	Not for USA
25	394367X1	2	Locknut	Not for USA
26	391038X1	2	Washer	Not for USA
27	339560X1	2	Hex. Sock. Screw	Not for USA M6X16
28	3784593M1	1	Plate	130X216X0,8 Up to Serial or Engine Number 14-04-2001

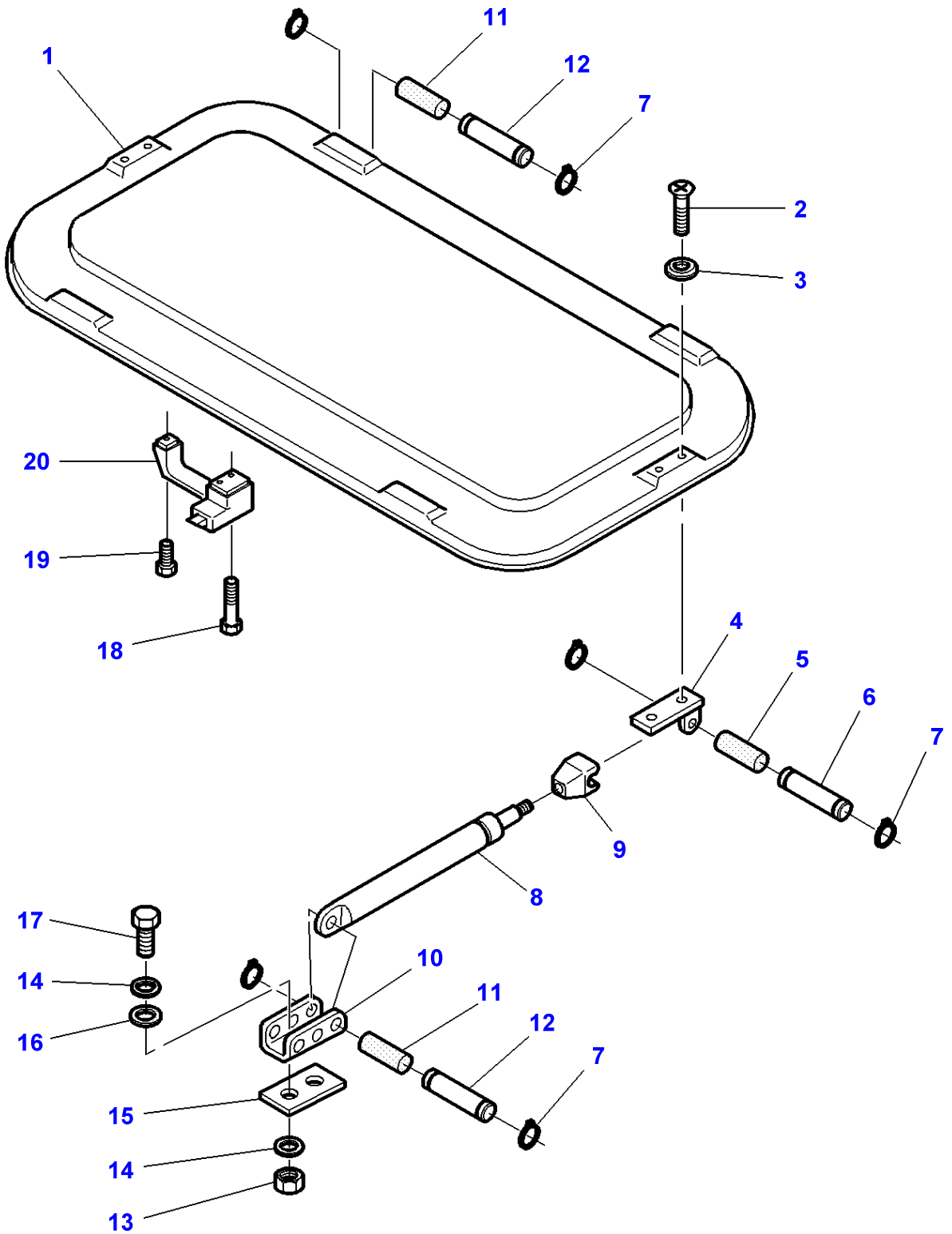
1-ZU42-001-B



Heating Hatchway

Item	Part Number	Qty	Description	Comments
1	3385465M1	1	Pliers	
2	894225M1	1	Clip	
3	3713161M1	1	Stem	
4	3713160M91	2	Stem	
5	3006465X1	2	Roll Pin	
6	3712959M1	1	Trap	
7	3000261X1	4	Clip	
8	3303074M1	2	Clevis Pin	
9	3303077M1	2	Bush	
10	3784700M1	1	Foam	Thickness 5MM

1-ZU43-001-A

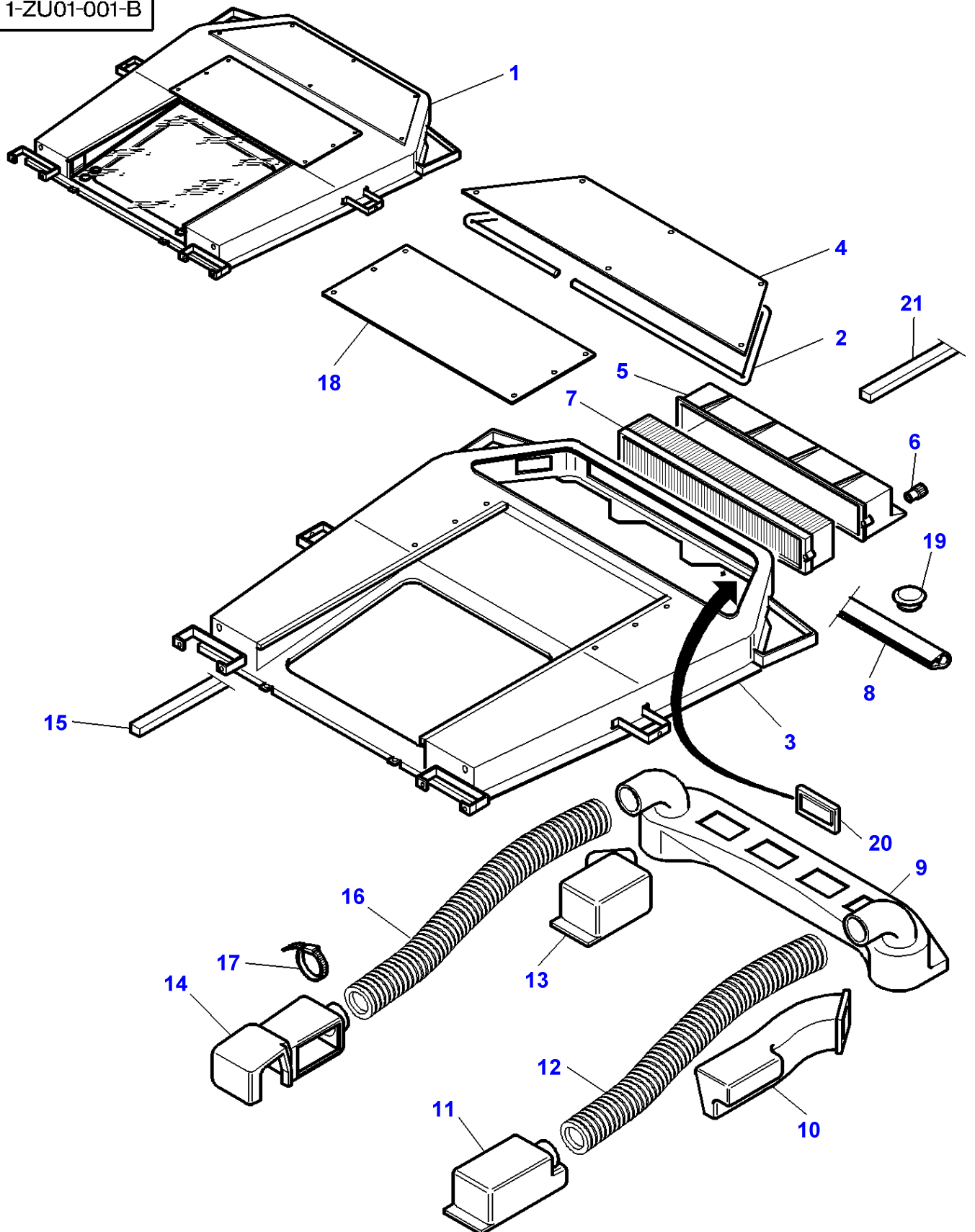


Air Hatchway

Item	Part Number	Qty	Description	Comments
1	3712960M1	1	Trap	
2	3009439X1	4	Screw	M8 X 16
3	3530168M1	4	Washer	
4	3580934M91	1	Support	Right Hand
	3580933M91	1	Support	Left Hand
5	3303076M1	2	Bush	
6	3303075M1	2	Clevis Pin	Diameter 6 X 33
7	3000261X1	8	Clip	
8	3303021M91	2	Gas Strut	
9	3303019M3	1	Head	
10	3301743M1	2	Lock	
11	3303077M1	4	Bush	
12	3303074M1	4	Clevis Pin	6X38
13	339169X1	4	Nut	M8
14	390972X1	8	Washer Metric	Diameter 8-17 X 1,7
15	3385446M1	2	Gasket	
16	3301742M1	4	Washer	
17	339123X1	4	Hex. Sock. Screw	M8 X 20
18	1441967X1	2	Screw Metric	M6 X 45
19	395579X1	1	Screw Metric	M6 X 16
20	3388511M91	1	Handle	

MF 8250 TRACTOR - 1637366
1-ZU01-001-B

1-ZU01-001-B

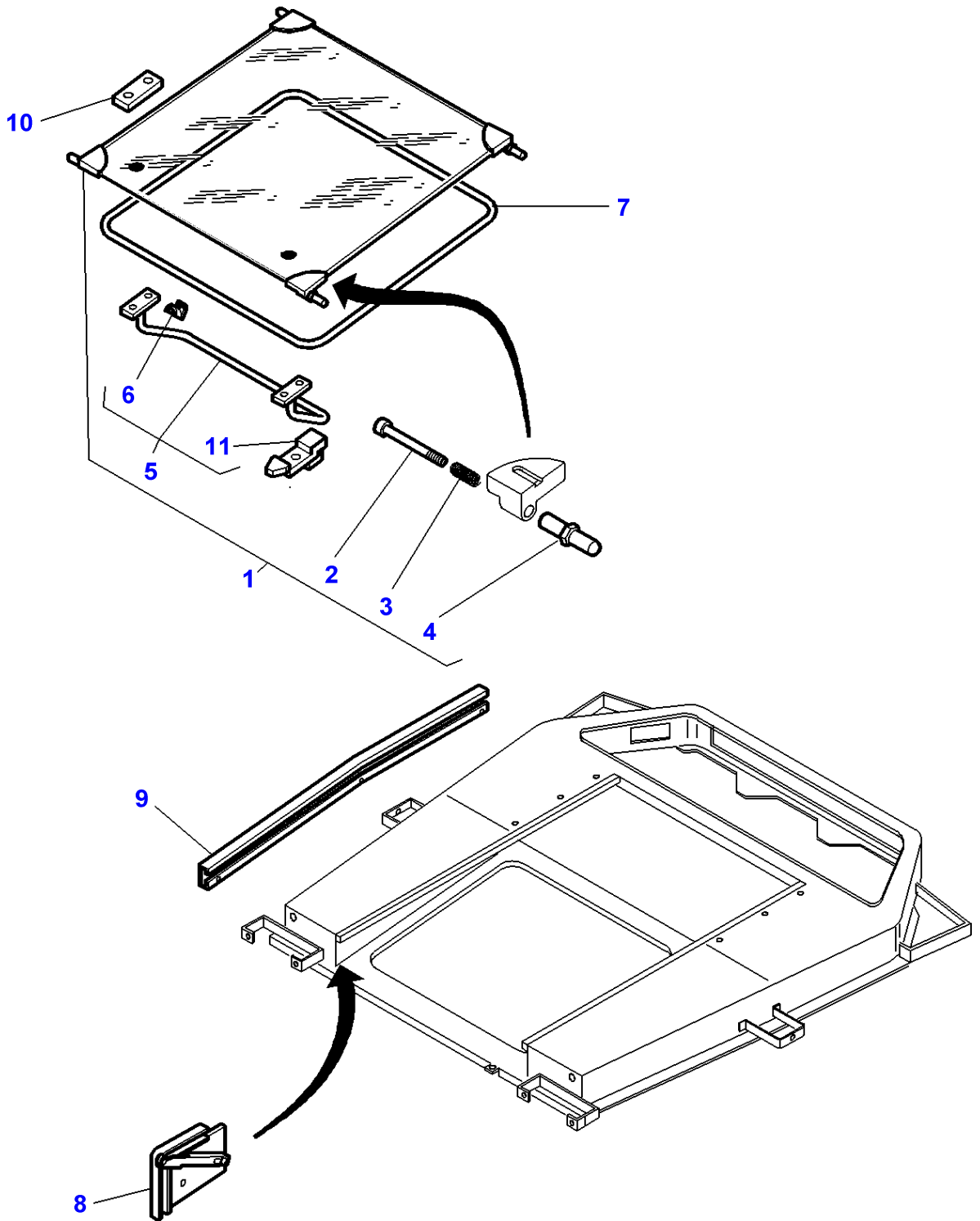


High Visibility Roof

Item	Part Number	Qty	Description	Comments
1	3780714M91	1	Roof	
2	3778710M1	1	Gasket	(1)
3		1	Roof	(1) Not serviced,order REF NO 1
4	3777396M1	1	Trap	(1)
5	3388743M1	1	Frame Assy	
6	3778322M1	2	Button	(1)
7	3388840M2	1	Cab Filter	
	3389746M1	1	Cab Filter	[A]
8	3778711M1	2	Gasket	
	3783129M1	1	Staple	Length 25
	3580695M1	1	Gasket	
9	3778070M1	1	Locker	(1)
10	3778072M2	1	Locker	(1) Left Hand
11	3778069M1	1	Locker	(1) Left Hand
12	3777709M1	1	Warm Air Ducting	(1) Length 780MM
13	3778071M1	1	Locker	(1) Right Hand
14	3778068M1	1	Locker	(1) Right Hand
15	3778289M1	4	Gasket	10X15X580MM
	3778290M1	2	Gasket	10X15X370MM
16	3777710M1	1	Warm Air Ducting	(1) Length 670MM
17	3619622M1	4	Cable Tie	(1)
18	3778704M1	1	Cover	(1)
19	3713587M1	4	Plug	Diameter 22
20	3784593M1	1	Plate	130X216MM
21	3713635M1	1	Gasket	Up to Serial or Engine Number 14-04-2001 25X10X200

FOOTNOTE [A] CARBON FILTER

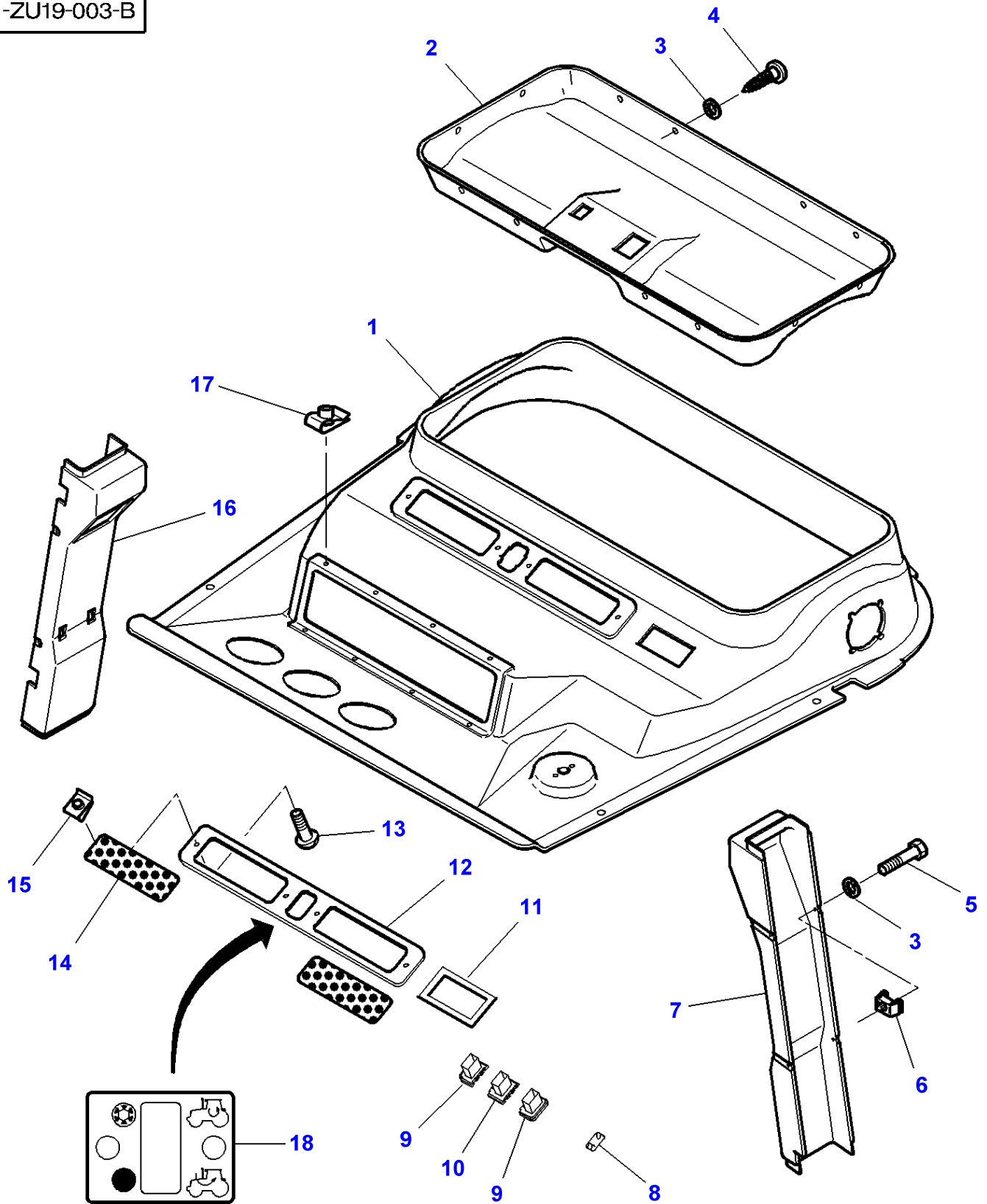
1-ZU14-001-A



Massey Ferguson**MF 8250 TRACTOR - 1637366****1637366****High Visibility Roof - Window****Page 110-0050**

Item	Part Number	Qty	Description	Comments
1	3780538M91	1	Window	
2	3780474M1	4	Screw	(1)
3	3780473M1	4	Spring	(1)
4	3780472M1	4	Roller	(1)
5	3780540M91	1	Handle	(1)
6	3780544M1	2	Strap	(5)
7	3902869M91	1	Frame Assy	
8	3780529M91	1	Thruster	Left Hand
	3780523M91	1	Thruster	Right Hand
9	3904102M91	1	Guide	Left Hand
	3780532M91	1	Guide	Right Hand
10	3904103M1	2	Plate	
11	3904104M1	2	Lever	(5)

1-ZU19-003-B



Massey Ferguson
MF 8250 TRACTOR - 1637366

1637366

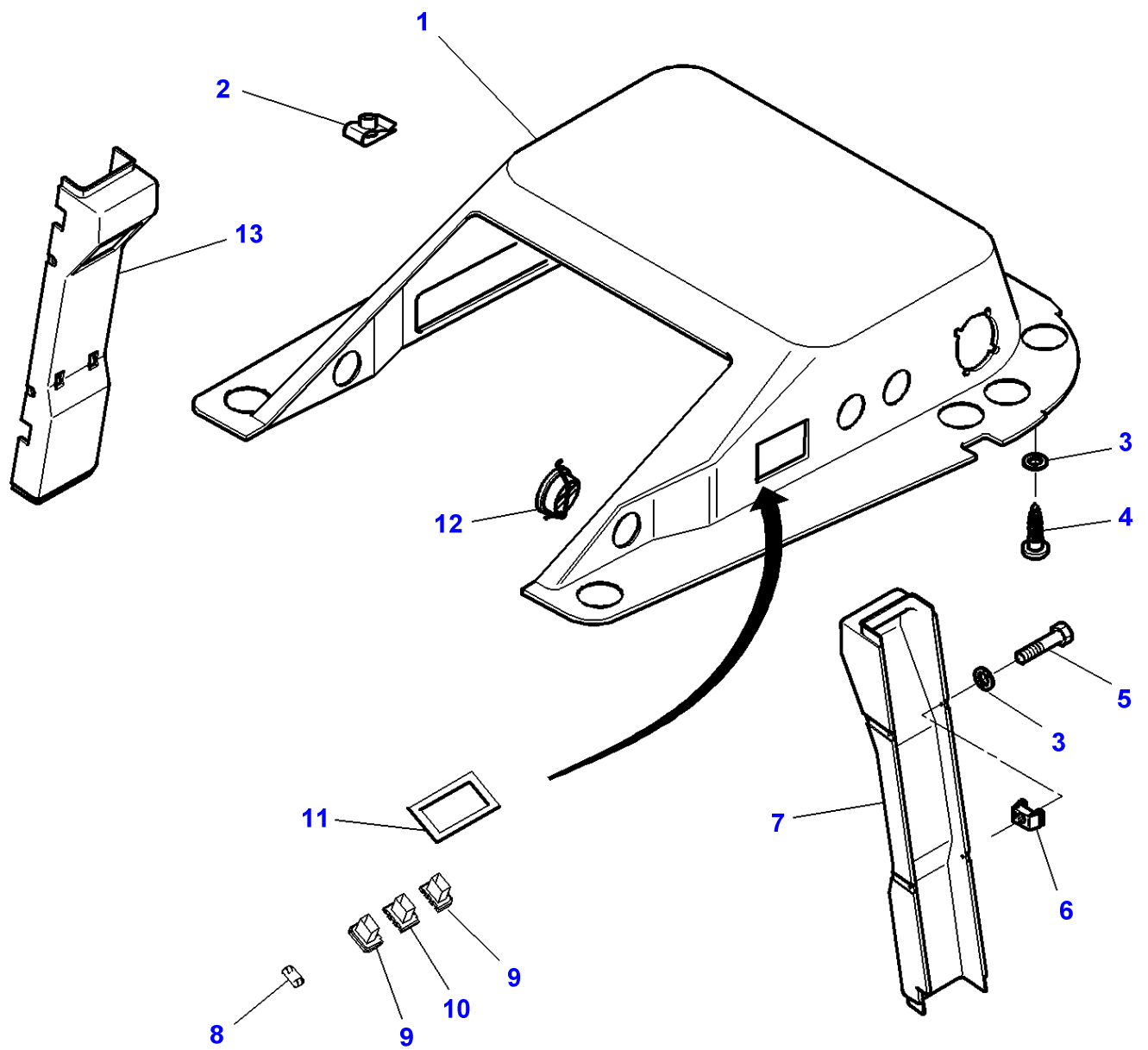
Page 110-0055

Tractor Cab - Cladding

Item	Part Number	Qty	Description	Comments
1	3780279M2	1	Facing	
2	3712606M1	1	Facing	
3	1427000M1	23	Washer	
4	3389854M1	X	Self Tap Screws	CBZ NO10X19
	3010506X1	X	Screw	M5X16
5	3580257M1	8	Screw	M5 X 20
6	3615557M1	8	Boxnut	M5
7	3712752M5	1	Mounting	Left Hand
8	3713151M1	1	Tap	
9	3713153M1	2	Support	
10	3713152M1	1	Support	
11	3713621M1	1	Plate	
12	3712608M1	1	Cover	
13	3010506X1	4	Screw	
14	3712607M2	2	Grille	
15	3715142M1	4	Nut	Thickness 3/5MM
16	3713072M4	1	Mounting	[A] Right Hand
	3714919M1	1	Mounting	Right Hand
17	3715142M1	8	Nut	Thickness 3/5MM
18	3784594M1	1	Decal	

FOOTNOTE [A] WITHOUT DATATRONIC

1-ZU54-002-A

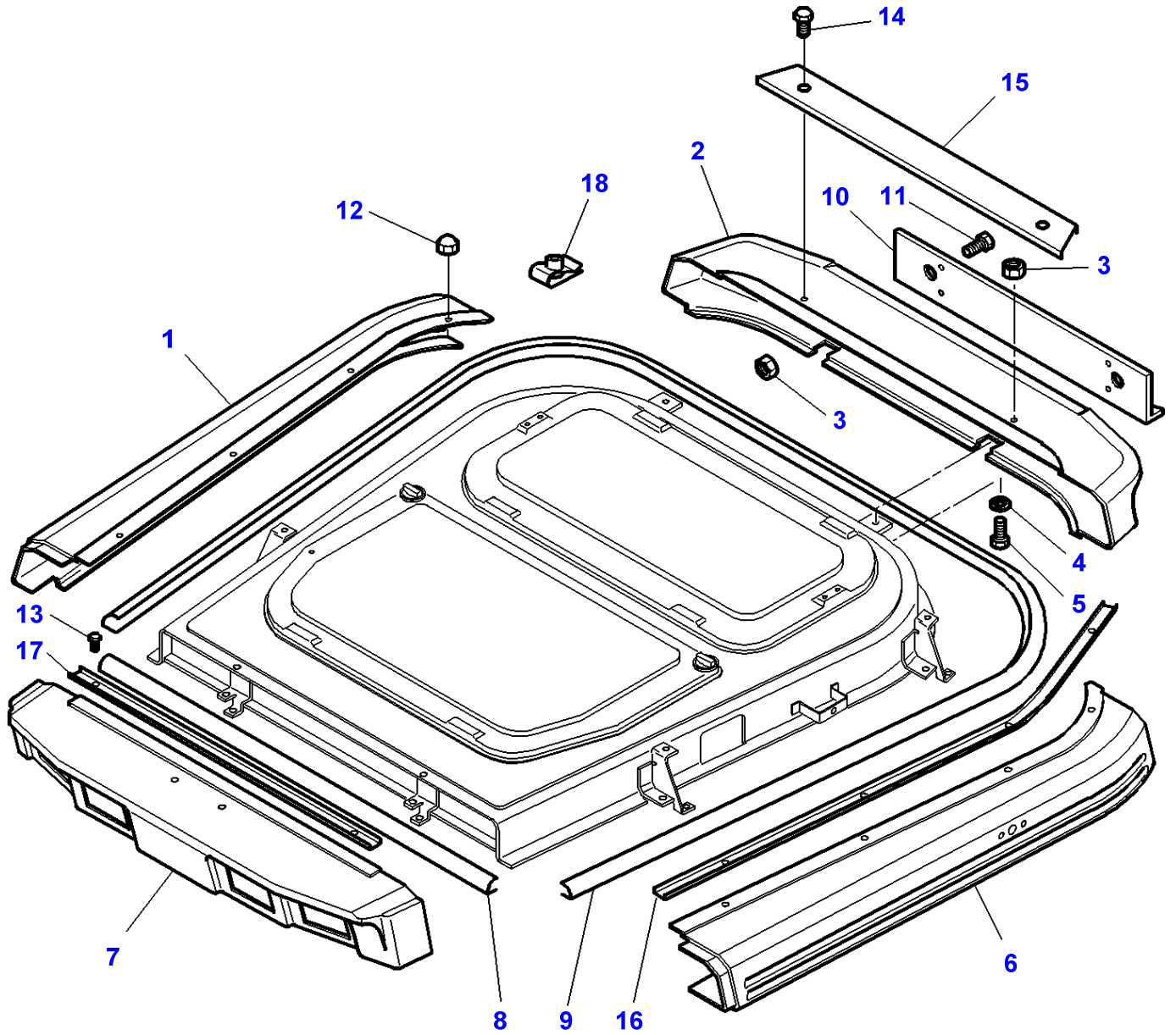


High Visibility Roof - Cladding

Item	Part Number	Qty	Description	Comments
1	3777402M2	1	Facing	
2	3715142M1	8	Nut	Thickness 3/5MM
3	1427000M1	X	Washer	
4	365924X1	X	Screw	CBZ NO10X16
	3010506X1	X	Screw	M5X16
5	3010506X1	4	Screw	M5X16
6	3615557M1	4	Boxnut	M5
7	3712752M5	1	Mounting	Left Hand
8	3713151M1	1	Tap	
9	3713153M1	2	Support	
10	3713152M1	1	Support	
11	3778011M1	1	Support	
12	3807934M1	12	Vent	Up to Serial or Engine Number M295061 Diameter 102MM
	3786678M1	12	Vent	From Serial or Engine Number M295062 Diameter 98MM
13	3713072M4	1	Mounting	[A] Right Hand
	3714919M1	1	Mounting	Right Hand

FOOTNOTE [A] WITHOUT DATATRONIC

1-ZU19-001-B



Tractor Cab - Cladding

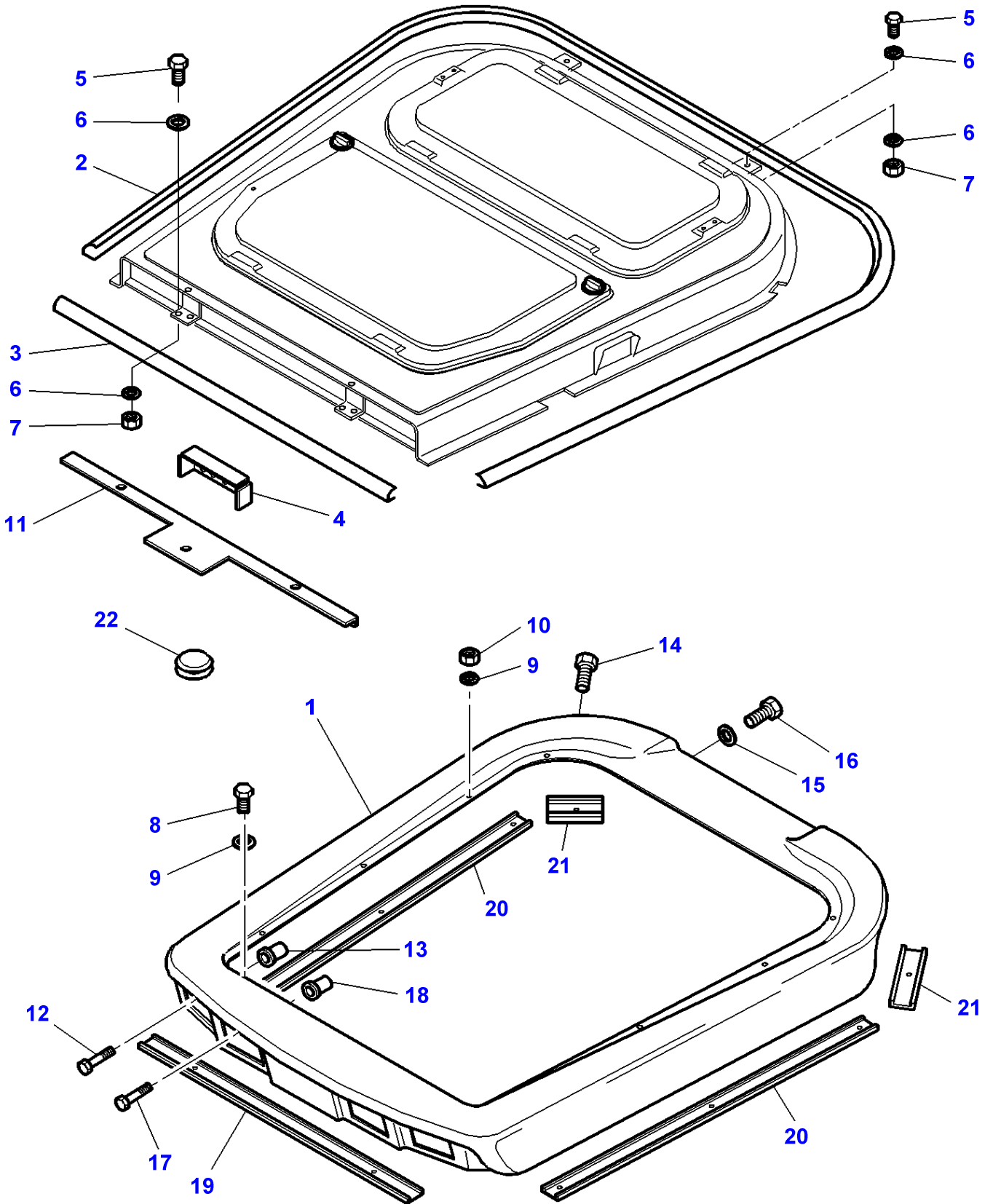
Item	Part Number	Qty	Description	Comments
1	3712833M2	1	Trim	Right Hand
2	3712831M2	1	Visor	
3	339030X1	12	Nut Metric	M6
4	391038X1	14	Washer	Diameter 6-18 X 1,5
5	339666X1	2	Hex. Sock. Screw	M6 X 20
6	3712832M1	1	Trim	Left Hand
7	3780676M1	1	Visor	[A]
	3780675M1	1	Visor	[B]
8	3714885M1	1	Gasket	Length 1050 MM
9	3714884M1	1	Gasket	Length 3700 MM
10	3715422M1	1	Deflector	
11	391074X1	4	Hex. Sock. Screw	M6 X 12
12	3010594X1	8	Nut Metric	M6
13	339804X1	2	Hex. Sock. Screw	M6 X 25
14	339262X1	2	Bolt Metric	M6 X 30
15	3715679M1	1	Profile	
16	3715676M1	1	Profile	Right Hand
	3715677M1	1	Profile	Left Hand
17	3715678M1	1	Profile	
18	3010070X1	X	Nut	M6

FOOTNOTE [A] WITH 2 HEADLAMPS

FOOTNOTE [B] WITH 4 HEADLAMPS

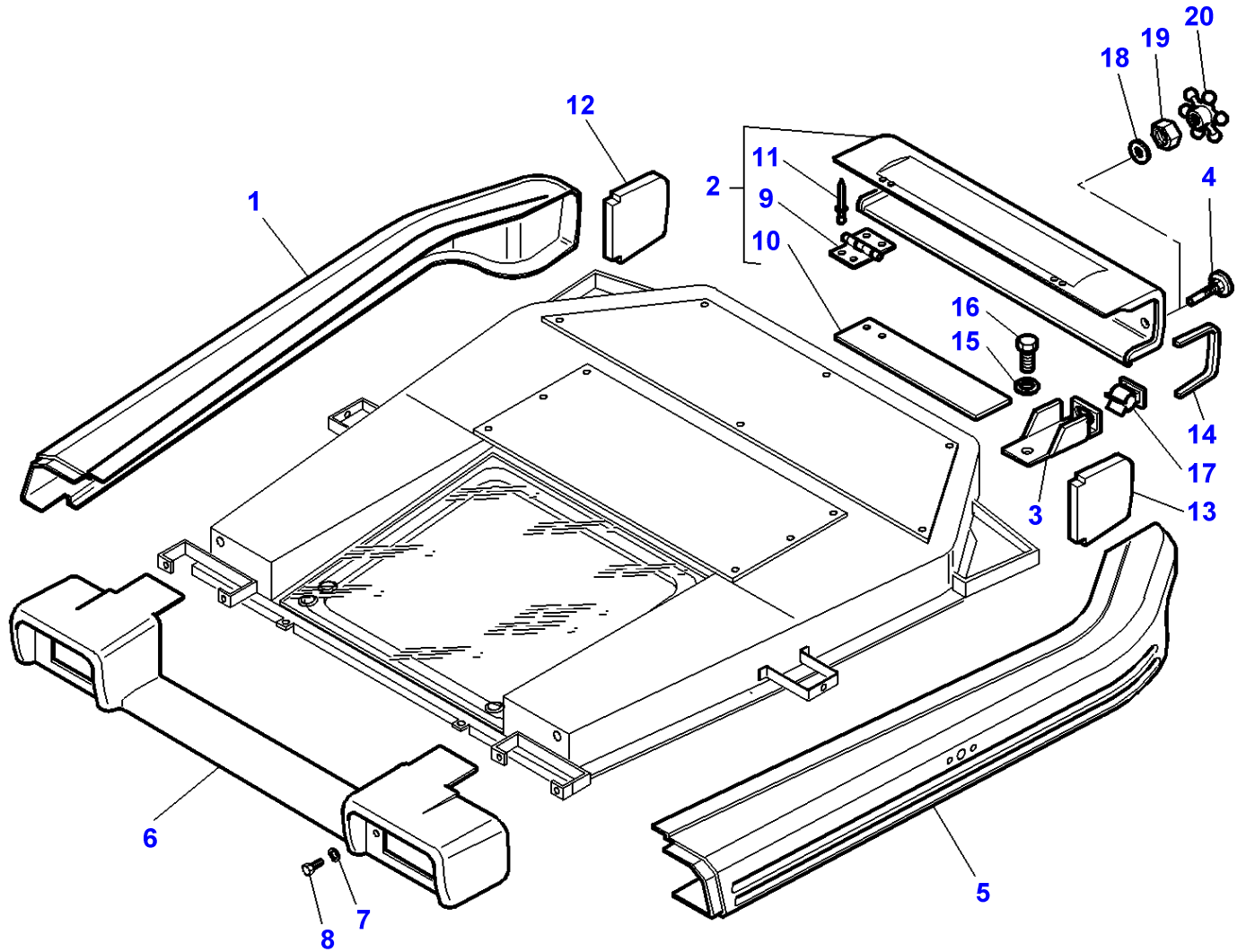
MF 8250 TRACTOR - 1637366
1-ZU19-005-B

1-ZU19-005-B



Item	Part Number	Qty	Description	Comments
1	5015727M94	1	Trim	
2	3714884M1	1	Gasket	Length 3700 MM
3	3714885M1	11	Gasket	Length 1050 MM
4	5015730M3	1	Cover	Up to Serial or Engine Number
5	339123X1	4	Hex. Sock. Screw	M8x20
6	3010597X1	8	Tab Washer	Diameter 8 MM Diameter 22 MM
7	339169X1	4	Nut	M8
8	339804X1	2	Hex. Sock. Screw	M6x25
9	391038X1	10	Washer	Diameter 6 MM Diameter 18 MM Thickness 1,5 MM
10	3010594X1	8	Nut Metric	M6
11	3780888M2	1	Plate	
12	3010754X1	4	Screw	M5x60
13	3580776M1	4	Nut	M5
14	3019950X1	4	Screw	M5x50
15	390972X1	4	Washer Metric	Diameter 8 MM Diameter 17 MM Thickness 1,7 MM
16	339123X1	4	Hex. Sock. Screw	M8x20
17	3009535X1	4	Screw	M4x30
18	3713803M1	4	Nut	M4
19	3715678M1	1	Profile	
20	3789442M1	2	Profile	
21	3789443M1	2	Profile	
22	3713587M1	2	Plug	Diameter 22MM

1-ZU54-001-C

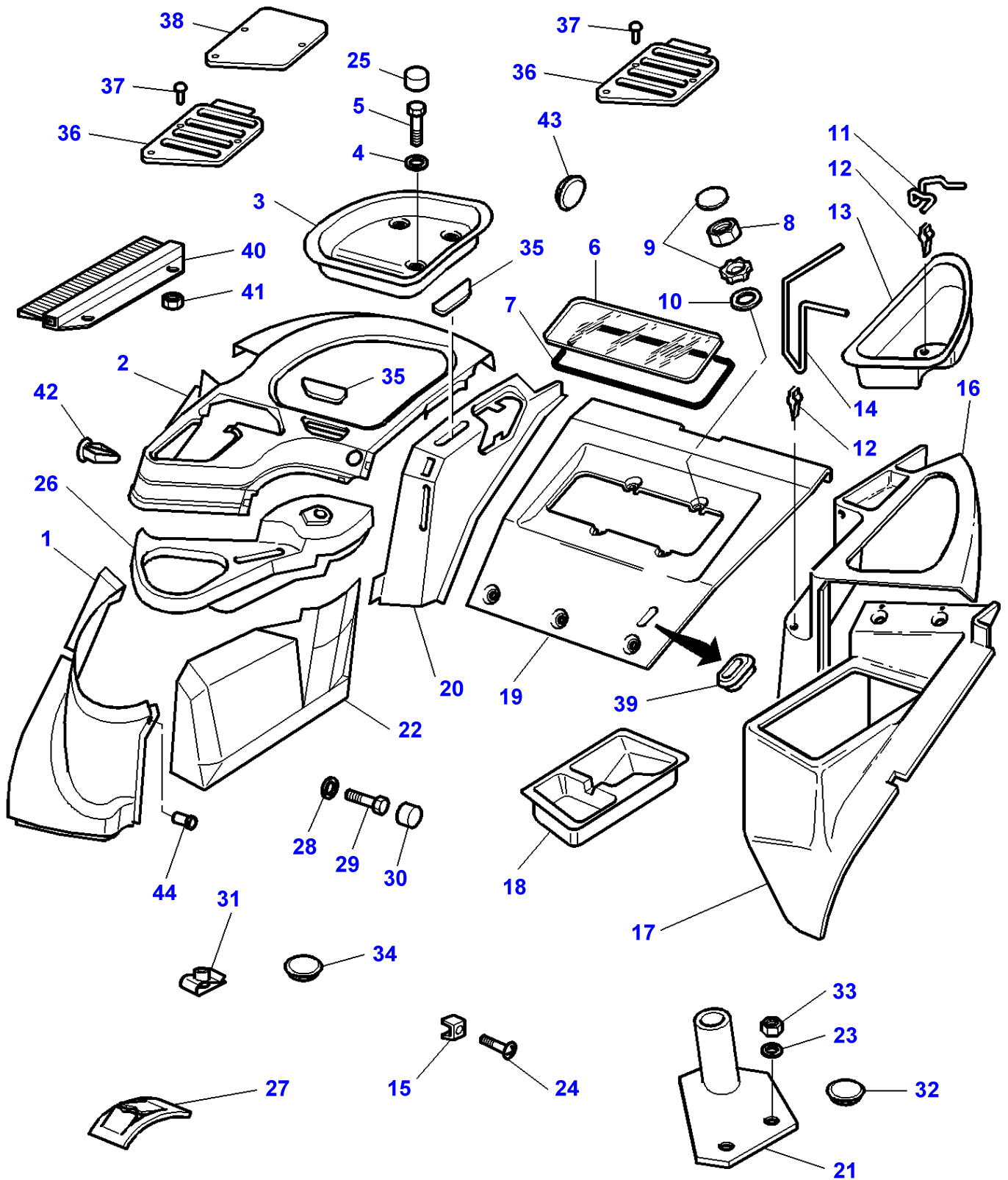


High Visibility Roof - Cladding

Item	Part Number	Qty	Description	Comments
1	3777399M1	1	Visor	Right Hand
2	3778744M91	1	Visor	
3	3778313M1	1	Support	Left Hand
	3778314M1	1	Support	Right Hand
4	3778784M1	2	Latch	Up to Serial or Engine Number K323028
	3778784M1	2	Latch	From Serial or Engine Number K351002
5	3777398M1	1	Visor	Left Hand
6	3777397M1	1	Visor	
7	391038X1	4	Washer	Diameter 6-18 X 1,5
8	339666X1	4	Hex. Sock. Screw	M6 X 20
9	3778703M1	2	Hinge	(2)
10	3778745M1	1	Reinforcement	(2)
11	3778746M1	4	Rivet	(2)
12	3778705M1	1	Pad	Right Hand
13	3778706M1	1	Pad	Left Hand
14	3778785M1	2	Gasket	25 X 20 X 230
15	339123X1	2	Hex. Sock. Screw	M8 X 20
16	3010597X1	2	Tab Washer	
17	3713226M1	2	Bridle	
18	390597X1	2	Washer Metric	From Serial or Engine Number K323029 Up to Serial or Engine Number K351001 Diameter 10-30 X 2,5
19	339402X1	2	Nut	From Serial or Engine Number K323029 Up to Serial or Engine Number K351001 M10
20	3784102M1	2	Button	From Serial or Engine Number K323029 Up to Serial or Engine Number K351001 M10 X 40

MF 8250 TRACTOR - 1637366
1-ZU19-007-C

1-ZU19-007-C



Tractor Cab - Cladding - With Dynashift - Up To J326005

Item	Part Number	Qty	Description	Comments
1	3780666M1	1	Plate Clamping	Right Hand
2	3778055M1	1	Plate Clamping	
3	3712410M1	1	Pocket	Right Hand
4	390597X1	4	Washer Metric	Diameter 10MM
5	339282X1	4	Screw Metric	M10 X 16
6	3714482M1	1	Window	
7	3714481M1	1	Gasket	
8	339169X1	4	Nut	
9	3619241M1	4	Button	
10	390972X1	4	Washer Metric	
11	3713500M2	1	Stem	
12	3713616M1	2	Clip	
13	3712414M1	1	Pocket	Left Hand
14	3713501M1	1	Stem	
15	3714235M1	8	Nut	M5
16	3712412M1	1	Panel	
17	3712413M2	1	Panel	[I]
	3715179M2	1	Panel	[B]
18	3712925M1	1	Pocket	
19	3712421M2	1	Breech Plate	
20	3712408M1	1	Panel	
21	3714666M1	1	Support	
22	3780667M1	1	Plate	
	3782666M1	1	Plate Clamping	[H]
23	22428X	2	Lock Washer	
24	3010506X1	21	Screw	M5X16
	3010578X1	3	Screw	M5X10
25	3619609M1	4	Helmet	
26	3780665M1	1	Plate Clamping	[D]
27	3714529M1	4	Nut Special	
28	3715991M1	1	Spacer	
29	339123X1	1	Hex. Sock. Screw	
30	3616277M1	1	Helmet	
31	3715142M1	17	Nut	Thickness 3/5MM
	3715143M1	3	Nut	Thickness 0,5/4MM
32	3580982M1	1	Plug	[A]
33	339169X1	2	Nut	M8
34	3713587M1	X	Plug	[F,G] Diameter 22MM
35	3712984M1	X	Plate	[F,G]
36	3778479M1	1	Plug	[C]
37	3010506X1	7	Screw	[C] Diameter 13/19MM
38	3778506M1	1	Plate	[H]
39	3715170M1	1	Tap	
40	3778790M1	1	Profile	
41	1441917X1	2	Locknut	
42	3780626M1	2	Tie	
43	3041932M1	1	Plug	
44	3580776M1	1	Nut	M5 Up to Serial or Engine Number

FOOTNOTE [A] WITHOUT ROTATING LIGHT

FOOTNOTE [B] WITHOUT SECONDARY SEAT

FOOTNOTE [C] WITHOUT DISTRIBUTOR

FOOTNOTE [D] WITHOUT REVERSING GEAR MANUAL

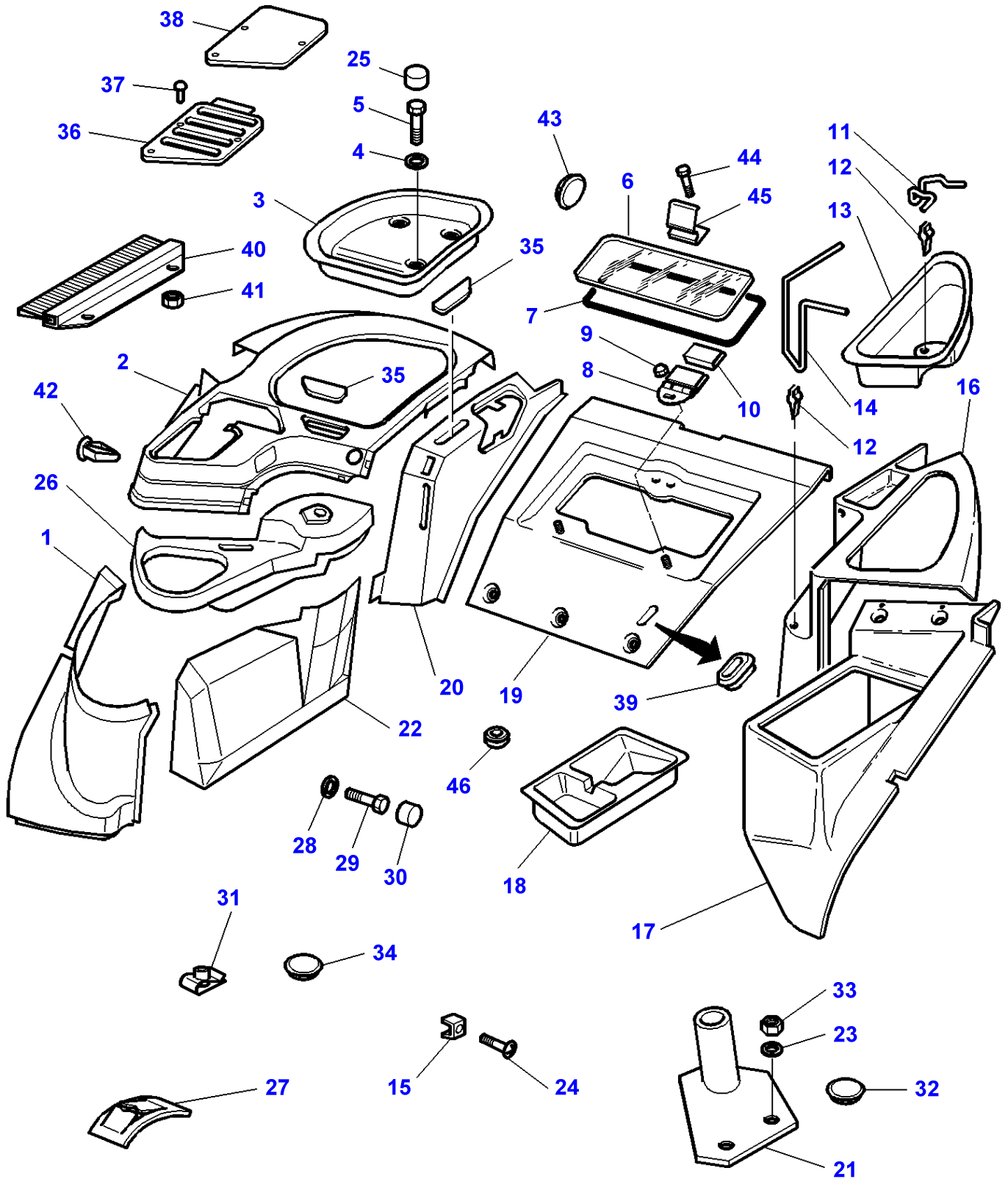
FOOTNOTE [F] WITHOUT AUTOMATIC HITCH

FOOTNOTE [G] LESS PTO

FOOTNOTE [H] WITHOUT HYDRAULIC LIFT

FOOTNOTE [I] THE APPROPRIATE SAFETY DECALS MUST BE ORDERED AND FITTED TO THIS PART

1-ZU19-013-B



Tractor Cab - Cladding - With Dynashift - From J326006

Item	Part Number	Qty	Description	Comments
1	3780666M1	1	Plate Clamping	Right Hand
2	3778055M1	1	Plate Clamping	Up to Serial or Engine Number 07-JAN-2001
	3784344M1	1	Plate Clamping	From Serial or Engine Number 08-JAN-2001
3	3712410M1	1	Pocket	Right Hand
4	390597X1	4	Washer Metric	Diameter 10MM
5	339282X1	4	Screw Metric	M10 X 16
6	3714482M1	1	Window	
7	3786411M1	1	Gasket	Length 1385MM
8	3784336M1	2	Hinge	
9	3902455M1	2	Nut	M6
10	3784894M1	2	Gasket	
11	3713500M2	1	Stem	
12	3713616M1	2	Clip	
13	3712414M1	1	Pocket	Left Hand
14	3713501M1	1	Stem	
15	3714235M1	8	Nut	M5
16	3712412M1	1	Panel	
17	3712413M2	1	Panel	[I]
	3715179M2	1	Panel	[B]
18	3712925M1	1	Pocket	
19	3784347M1	1	Rear Window	
20	3712408M1	1	Panel	
21	3714666M1	1	Support	
22	3780667M1	1	Plate	
	3782666M1	1	Plate Clamping	[H]
23	22428X	2	Lock Washer	
24	3010506X1	21	Screw	M5X16
	3010578X1	3	Screw	M5X10
25	3619609M1	4	Helmet	
26	3780665M1	1	Plate Clamping	[D]
				Up to Serial or Engine Number 07-JAN-2001
	3784345M1	1	Plate Clamping	[D]
				From Serial or Engine Number 08-JAN-2001
27	3714529M1	4	Nut Special	
28	3715991M1	1	Spacer	
29	339123X1	1	Hex. Sock. Screw	
30	3616277M1	1	Helmet	
31	3715142M1	17	Nut	Thickness 3/5MM
	3715143M1	3	Nut	Thickness 0,5/4MM
32	3580982M1	1	Plug	[A]
33	339169X1	2	Nut	M8
34	3713587M1	X	Plug	[F,G]
				Diameter 22MM
35	3712984M1	X	Plate	[F,G]
36	3778479M1	1	Plug	[C]
37	3010506X1	7	Screw	[C]
				Diameter 13/19MM
38	3778506M1	1	Plate	[H]
39	3715170M1	1	Tap	
40	3778790M1	1	Profile	
41	1441917X1	2	Locknut	
42	3780626M1	2	Tie	
43	3041932M1	1	Plug	
44	3010506X1	2	Screw	M5X16
45	3784337M1	1	Latch	
46	3786228M1	2	Grommet	Diameter 25MM

FOOTNOTE [A] WITHOUT ROTATING LIGHT

FOOTNOTE [B] WITHOUT SECONDARY SEAT

FOOTNOTE [C] WITHOUT DISTRIBUTOR

FOOTNOTE [D] WITHOUT REVERSING GEAR MANUAL

FOOTNOTE [F] WITHOUT AUTOMATIC HITCH

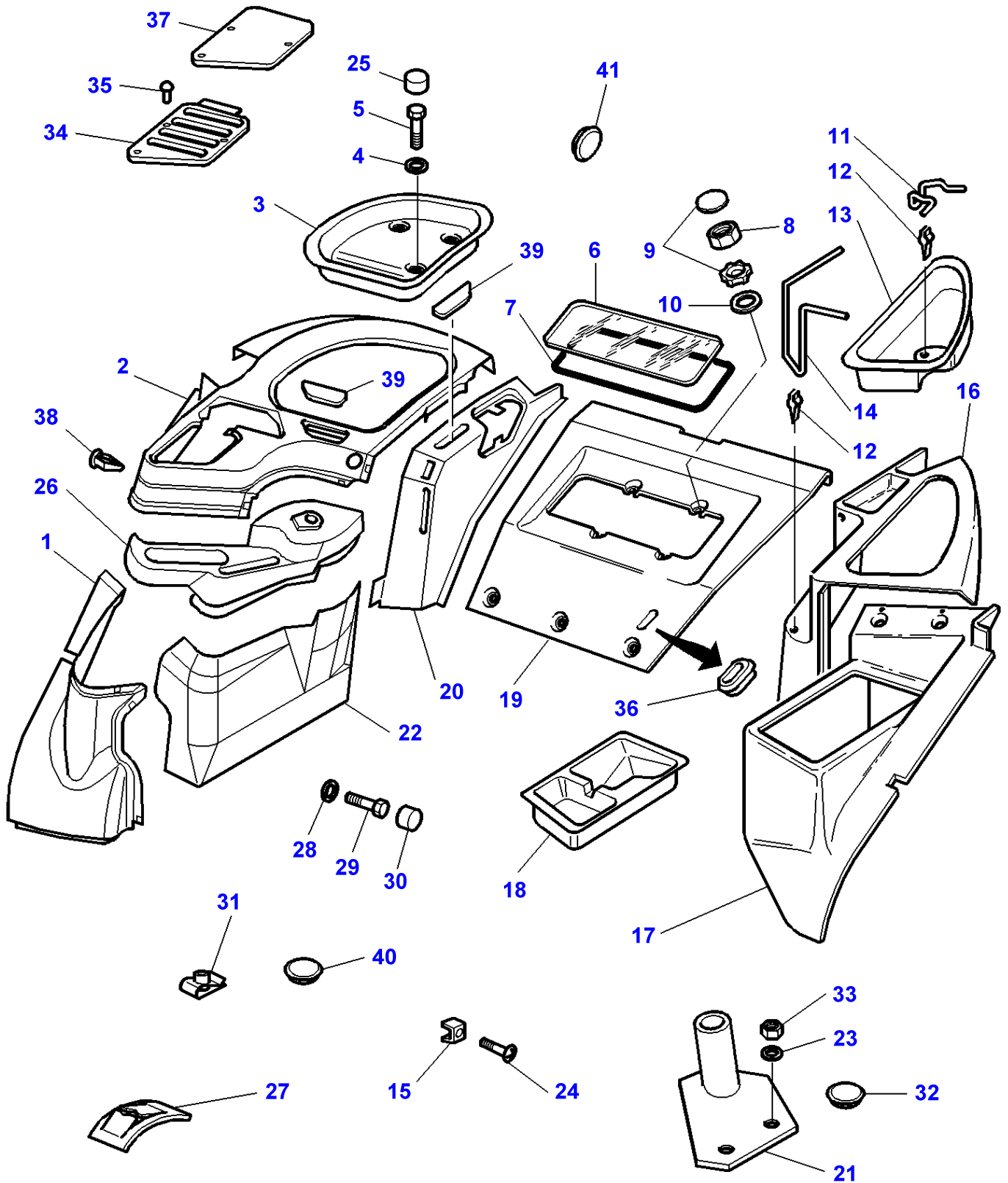
FOOTNOTE [G] LESS PTO

FOOTNOTE [H] WITHOUT HYDRAULIC LIFT

FOOTNOTE [I] THE APPROPRIATE SAFETY DECALS MUST BE ORDERED AND FITTED TO THIS PART

MF 8250 TRACTOR - 1637366
1-ZU19-008-B

1-ZU19-008-B



Item	Part Number	Qty	Description	Comments
1	3778252M2	1	Plate Clamping	Right Hand
2	3778055M1	1	Plate Clamping	
3	3712410M1	1	Pocket	Right Hand
4	390597X1	4	Washer Metric	Diameter 10MM
5	339282X1	4	Screw Metric	M10 X 16
6	3714482M1	1	Window	
7	3714481M1	1	Gasket	Length 1438MM
8	339169X1	4	Nut	
9	3619241M1	4	Button	
10	390972X1	4	Washer Metric	
11	3713500M2	1	Stem	
12	3713616M1	2	Clip	
13	3712414M1	1	Pocket	Left Hand
14	3713501M1	1	Stem	
15	3714235M1	8	Nut	M5
16	3712412M1	1	Panel	
17	3712413M2	1	Panel	[K]
	3715179M2	1	Panel	[E]
18	3712925M1	1	Pocket	
19	3712421M2	1	Breech Plate	
20	3712408M1	1	Panel	
21	3714666M1	1	Support	
22	3778253M2	1	Panel	
23	339024X1	2	Washer Metric	
24	3010506X1	21	Screw	M5X16
	3010578X1	2	Screw	M5X10
25	3619609M1	4	Helmet	
26	3778251M1	1	Plate Clamping	[C]
	3778426M1	1	Plate Clamping	[D]
27	3714529M1	4	Nut Special	
28	3715991M1	1	Spacer	
29	339123X1	1	Hex. Sock. Screw	
30	3616277M1	1	Helmet	
31	3715142M1	11	Nut	Thickness 3/5MM
	3715143M1	3	Nut	Thickness 0,5/4MM
32	3580982M1	1	Plug	[A]
33	339169X1	2	Nut	M8
34	3778479M1	1	Plug	[B]
	3778488M1	1	Grille	[J]
	3778487M1	1	Grille	[I]
35	3010506X1	7	Screw	
36	3715170M1	1	Tap	Replace and repair. Old not interchangeable with new 3715169M1
37	3778506M1	1	Plate	[H]
38	3780626M1	4	Tie	
39	3712984M1	X	Plate	[F,G]
40	3713587M1	X	Plug	[F,G] Diameter 22MM
41	3041932M1	1	Plug	Diameter 13/19MM

FOOTNOTE [A] WITHOUT ROTATING LIGHT

FOOTNOTE [B] WITHOUT DISTRIBUTOR

FOOTNOTE [C] WITH REVERSING GEAR MANUAL

FOOTNOTE [D] WITHOUT REVERSING GEAR MANUAL

FOOTNOTE [E] WITHOUT SECONDARY SEAT

FOOTNOTE [F] WITHOUT AUTOMATIC HITCH

FOOTNOTE [G] LESS PTO

FOOTNOTE [H] WITHOUT HYDRAULIC LIFT

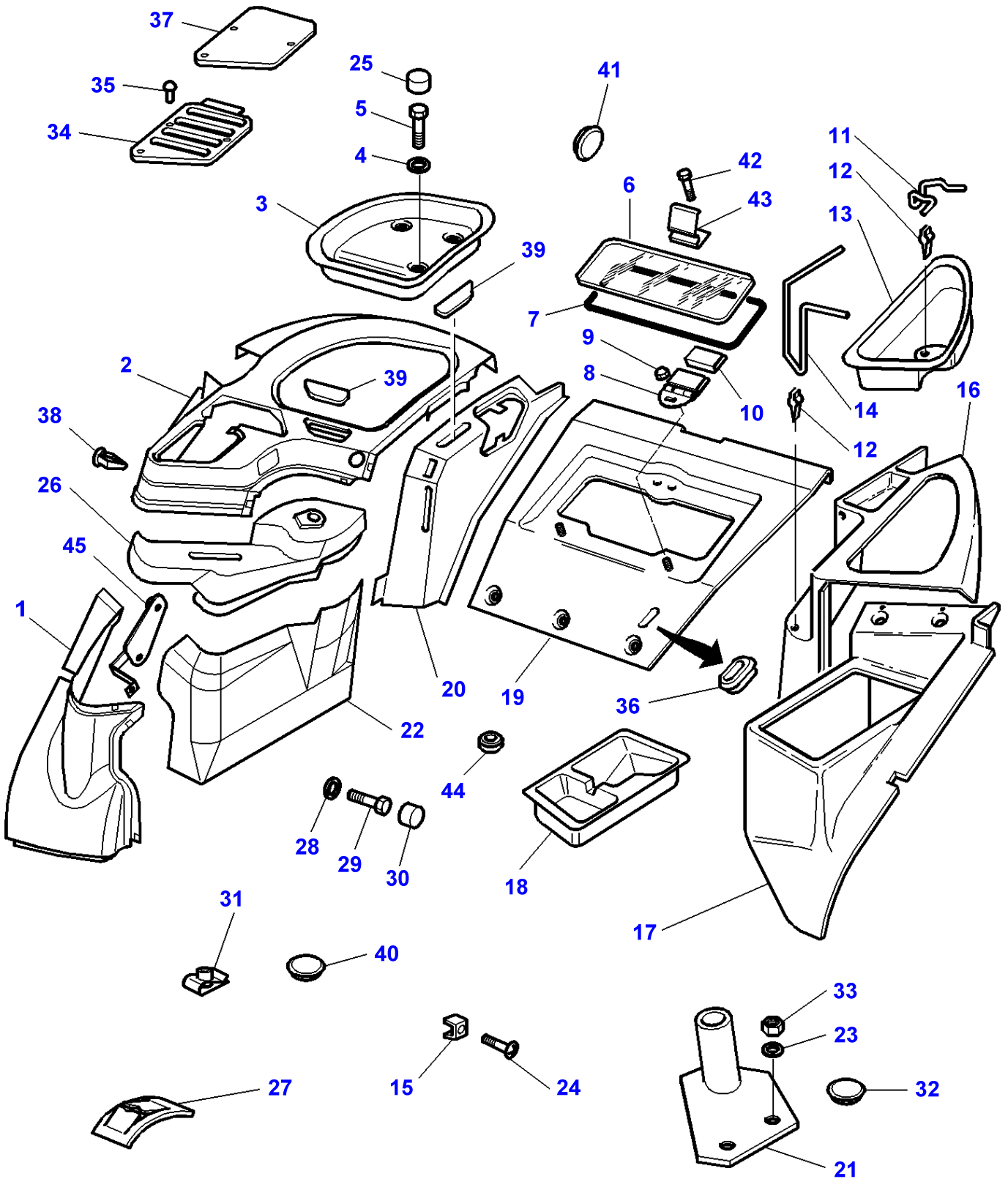
FOOTNOTE [I] WITH 3 DISTRIBUTORS

FOOTNOTE [J] WITH 4 DISTRIBUTORS

FOOTNOTE [K] THE APPROPRIATE SAFETY DECALS MUST BE ORDERED AND FITTED TO THIS PART

MF 8250 TRACTOR - 1637366
1-ZU19-014-A

1-ZU19-014-A



Item	Part Number	Qty	Description	Comments
1	3778252M2	1	Plate Clamping	Right Hand
2	3778055M1	1	Plate Clamping	Up to Serial or Engine Number 07-JAN-2001
	3784344M1	1	Plate Clamping	From Serial or Engine Number 08-JAN-2001
3	3712410M1	1	Pocket	Right Hand
4	390597X1	4	Washer Metric	Diameter 10MM
5	339282X1	4	Screw Metric	M10 X 16
6	3714482M1	1	Window	
7	3786411M1	1	Gasket	
8	3784336M1	2	Hinge	
9	3902455M1	2	Nut	M6
10	3784894M1	2	Gasket	
11	3713500M2	1	Stem	
12	3713616M1	2	Clip	
13	3712414M1	1	Pocket	Left Hand
14	3713501M1	1	Stem	
15	3714235M1	8	Nut	M5
16	3712412M1	1	Panel	
17	3712413M2	1	Panel	[K]
	3715179M2	1	Panel	[E]
18	3712925M1	1	Pocket	
19	3784347M1	1	Rear Window	
20	3712408M1	1	Panel	
21	3714666M1	1	Support	
22	3778253M2	1	Panel	
23	339024X1	2	Washer Metric	
24	3010506X1	21	Screw	M5X16
	3010578X1	2	Screw	M5X10
25	3619609M1	4	Helmet	
26	3778426M1	1	Plate Clamping	[D]
				Up to Serial or Engine Number 07-JAZN-2001
	3784346M1	1	Plate Clamping	[D]
				From Serial or Engine Number 08-JAN-2001
27	3714529M1	4	Nut Special	
28	3715991M1	1	Spacer	
29	339123X1	1	Hex. Sock. Screw	
30	3616277M1	1	Helmet	
31	3715142M1	11	Nut	Thickness 3/5MM
	3715143M1	3	Nut	Thickness 0,5/4MM
32	3580982M1	1	Plug	[A]
33	339169X1	2	Nut	M8
34	3778479M1	1	Plug	[B]
	3778488M1	1	Grille	[J]
	3778487M1	1	Grille	[I]
35	3010506X1	7	Screw	
36	3715170M1	1	Tap	Replace and repair. Old not interchangeable with new 3715169M1
37	3778506M1	1	Plate	[H]
38	3780626M1	4	Tie	
39	3712984M1	X	Plate	[F,G]
40	3713587M1	X	Plug	[F,G]
				Diameter 22MM
41	3041932M1	1	Plug	Diameter 13/19MM
42	3010506X1	2	Screw	M5X16
43	3784337M1	1	Latch	
44	3786228M1	2	Grommet	Diameter 25MM
45	3784364M91	1	Bracket	

FOOTNOTE [A] WITHOUT ROTATING LIGHT

FOOTNOTE [B] WITHOUT DISTRIBUTOR

FOOTNOTE [D] WITHOUT REVERSING GEAR MANUAL

FOOTNOTE [E] WITHOUT SECONDARY SEAT

FOOTNOTE [F] WITHOUT AUTOMATIC HITCH

FOOTNOTE [G] LESS PTO

FOOTNOTE [H] WITHOUT HYDRAULIC LIFT

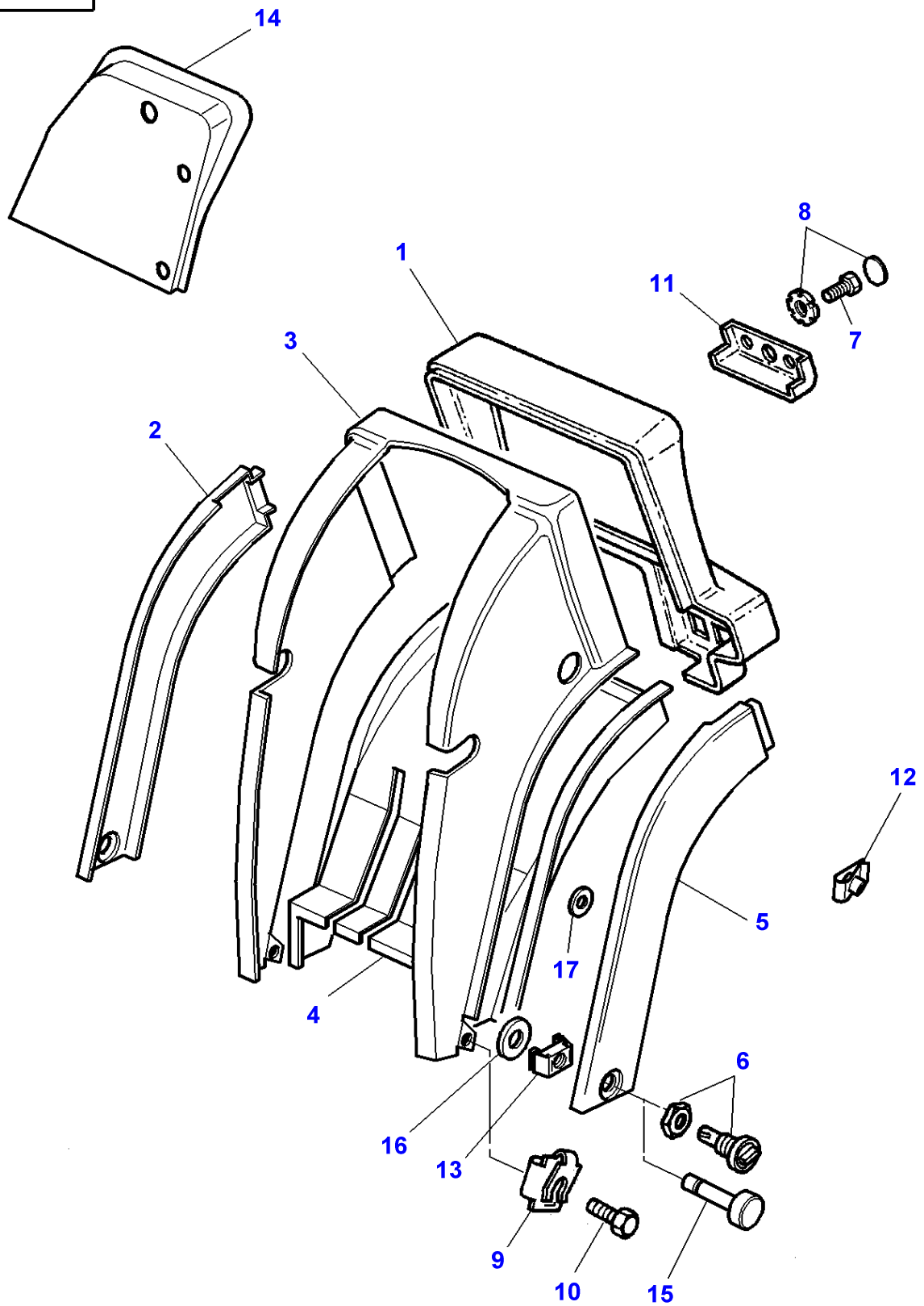
FOOTNOTE [I] WITH 3 DISTRIBUTORS

FOOTNOTE [J] WITH 4 DISTRIBUTORS

FOOTNOTE [K] THE APPROPRIATE SAFETY DECALS MUST BE ORDERED AND FITTED TO THIS PART

MF 8250 TRACTOR - 1637366
1-ZU20-001-C

1-ZU20-001-C



Instrument Panel Cladding

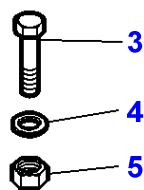
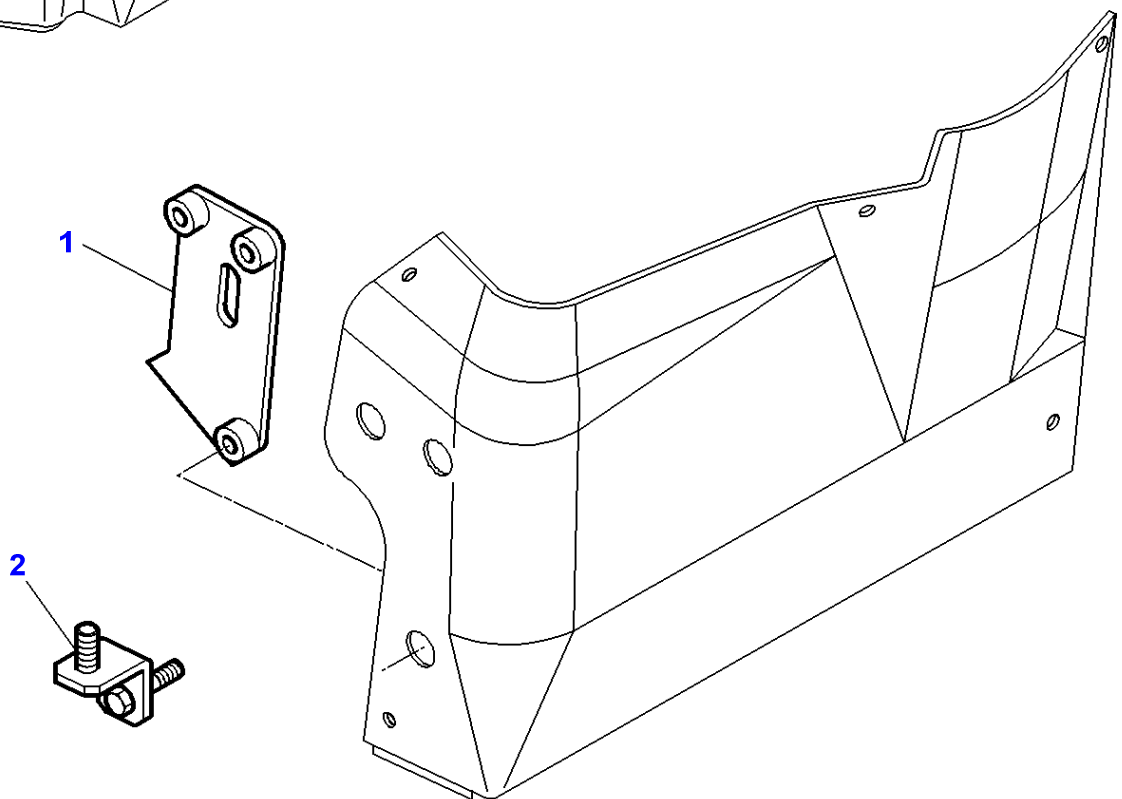
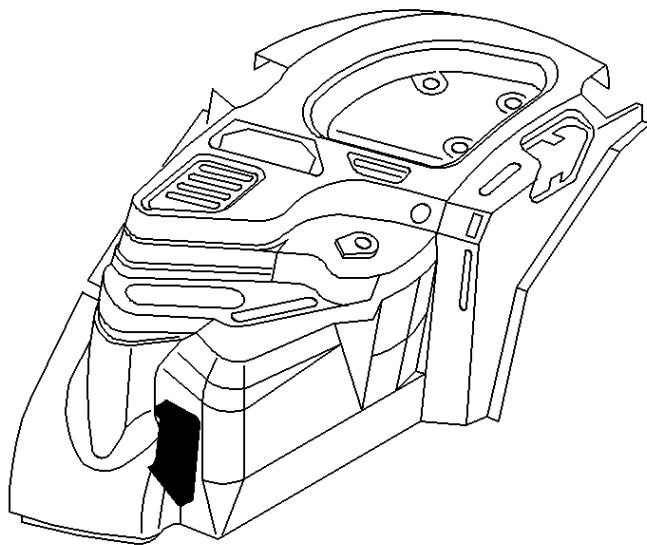
Item	Part Number	Qty	Description	Comments
1	3777603M1	1	Plate Clamping	
2	3712420M1	1	Facing	Up to Serial or Engine Number H259015 Right Hand
	4272597M92	1	Envelope	From Serial or Engine Number H259016 Right Hand
3	4272586M92	1	Envelope	
	4272582M92	1	Envelope	[A]
4	3712417M1	1	Envelope	[B]
	4274762M91	1	Envelope	Up to Serial or Engine Number L038021 [B]
				From Serial or Engine Number L038022
5	3712419M1	1	Facing	Up to Serial or Engine Number H259015 Left Hand
	4272595M92	1	Envelope	From Serial or Engine Number H259016 Left Hand
6	3618739M1	2	Button	Up to Serial or Engine Number H259015
7	339560X1	2	Hex. Sock. Screw	M6 X 16
8	3713550M1	2	Latch	
9	3388231M1	1	Nut	M5
10	3010506X1	7	Screw	M5 X 16
	3010578X1	2	Screw	M5 X 10
11	3714209M1	1	Plate	
12	3715142M1	2	Nut	Thickness 3/5 MM
	3715143M1	1	Nut	Thickness 0,5/4MM
13	3618738M1	2	Clip	Up to Serial or Engine Number H259015
	3782697M1	2	Clamp	From Serial or Engine Number H259016
14	4272590M92	1	Envelope	
15	3782696M1	2	Button	From Serial or Engine Number H259016
16	3782892M1	2	Washer	From Serial or Engine Number H259016
17	1427000M1	2	Washer	

FOOTNOTE [A] WITH MANUAL SHUTTLE SHIFT LEVERS LEFT HAND CONTROLS

FOOTNOTE [B] WITH POWER BRAKES

FOOTNOTE [C] WITHOUT POWER BRAKES

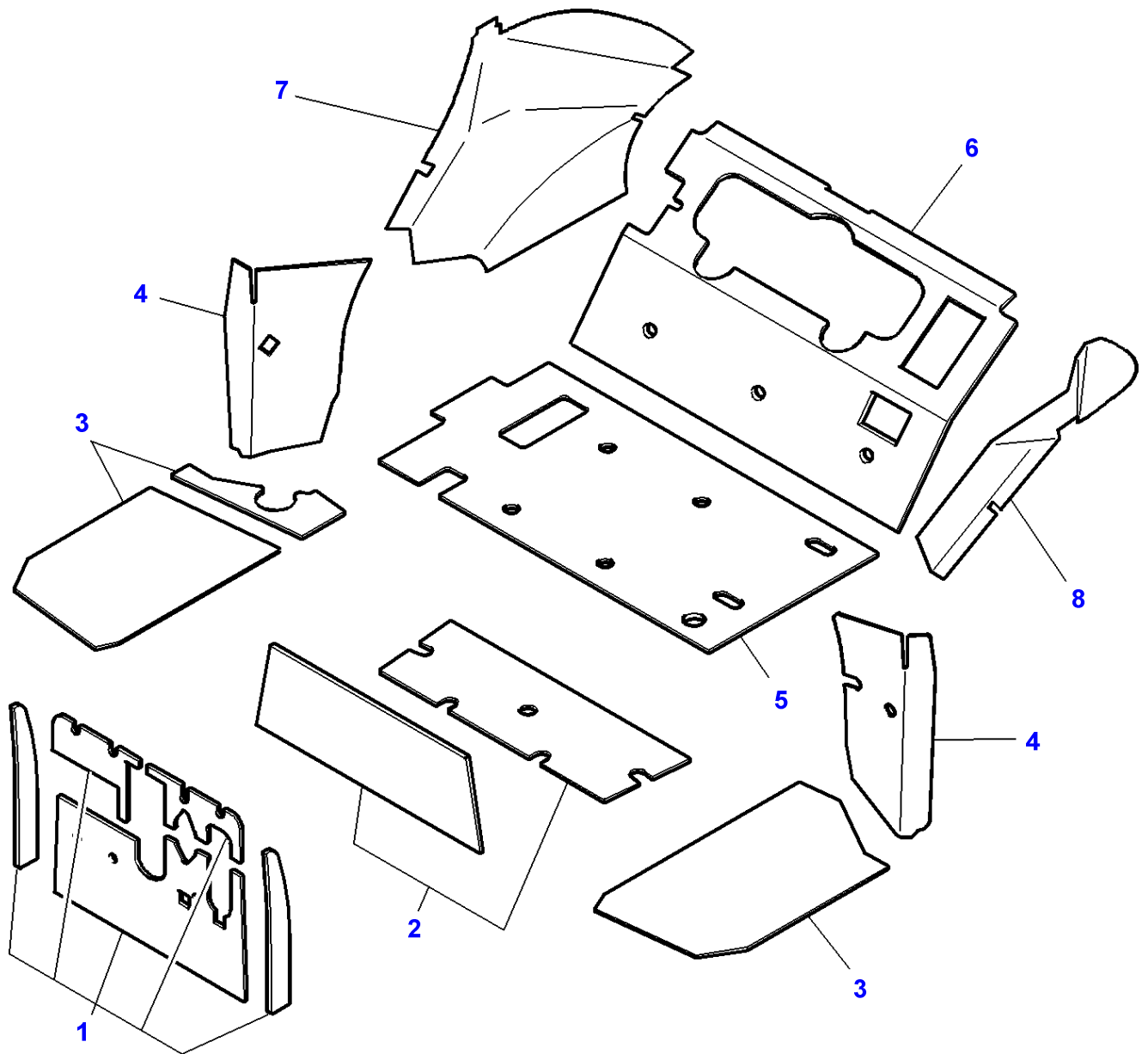
1-ZU19-009-A



Massey Ferguson**MF 8250 TRACTOR - 1637366****1637366****Tractor Cab - Cladding - Struments Support****Page 110-0105**

Item	Part Number	Qty	Description	Comments
1	3780421M1	1	Plate	
2	3780422M1	1	Plate	
3	339123X1	2	Hex. Sock. Screw	M8x20
	339124X1	5	Hex. Sock. Screw	M8x16
4	390972X1	17	Washer Metric	Diameter 8 MM Diameter 17 MM Thickness 1,7 MM
5	1441461X1	8	Locknut	M8

1-ZU11-002-C

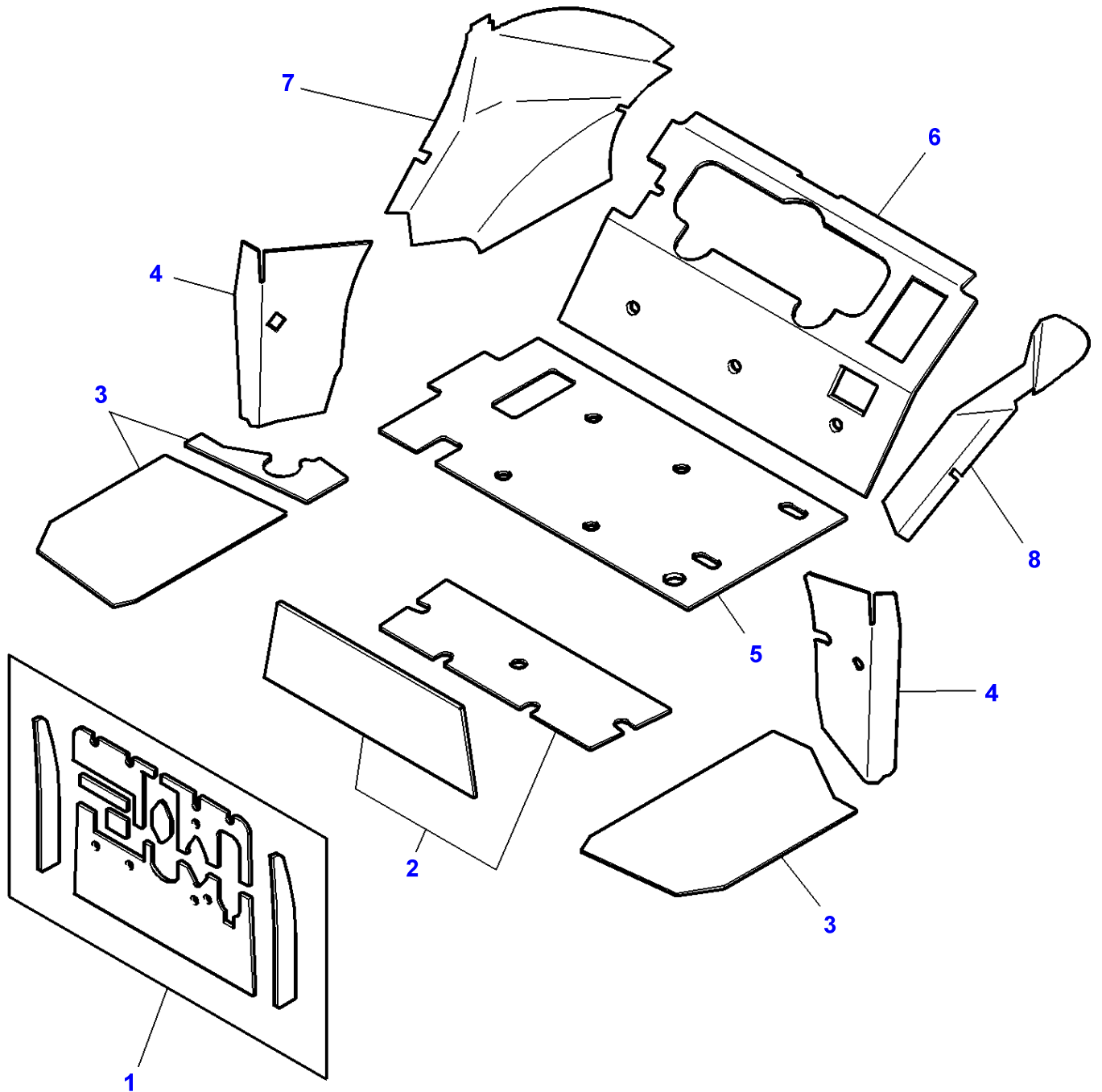


Massey Ferguson**MF 8250 TRACTOR - 1637366****1637366****Tractor Cab - Cab Insulation - Up to Serial or Engine Number L037028****Page 110-0110**

Item	Part Number	Qty	Description	Comments
1	3714448M94	1	Sound Reduction	[B] Up to Serial or Engine Number J312014
	3784349M91	1	Sound Reduction	[B] From Serial or Engine Number J312015
	3713870M93	1	Sound Reduction	[A] Up to Serial or Engine Number J334014
	3784387M91	1	Sound Reduction	[A] From Serial or Engine Number J334015
2	3778445M91	1	Sound Reduction	
3	3713881M93	1	Sound Reduction	
4	3713884M93	1	Sound Reduction	
5	3713899M3	1	Sound Reduction	
6	3713898M5	1	Sound Reduction	Up to Serial or Engine Number J334014
	3784348M1	1	Sound Reduction	From Serial or Engine Number J334015
7	3713897M6	1	Sound Reduction	Right Hand
8	3713896M5	1	Sound Reduction	Left Hand

FOOTNOTE [A] WITH ASSISTED BRAKE**FOOTNOTE [B]** WITH MECHANICAL BRAKES

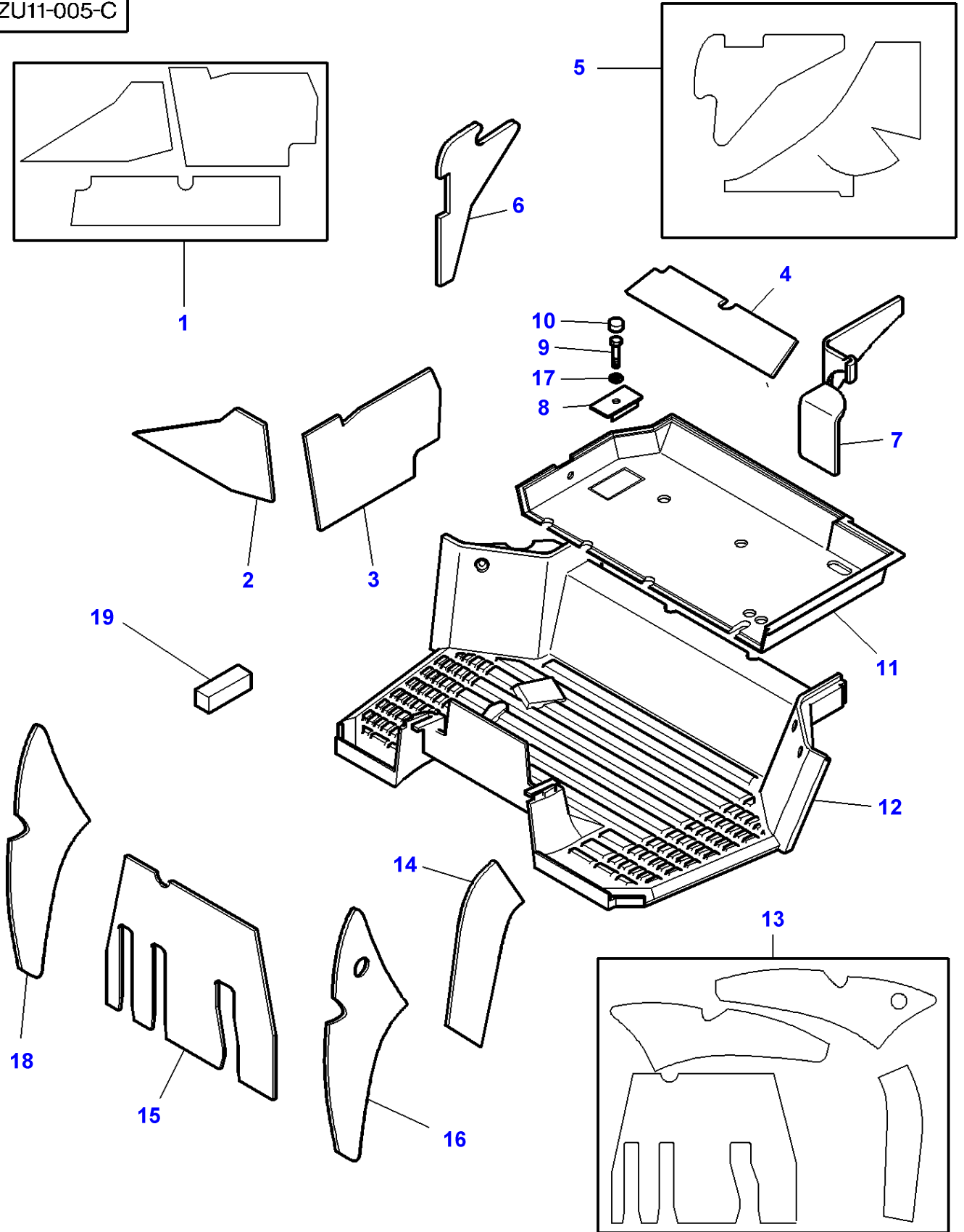
1-ZU11-009-A



Massey Ferguson**MF 8250 TRACTOR - 1637366****1637366****Tractor Cab - Cab Insulation - From Serial or Engine Number L037029****Page 110-0115**

Item	Part Number	Qty	Description	Comments
1	3786453M91	1	Sound Reduction	
2	3778445M91	1	Sound Reduction	
3	3713881M93	1	Sound Reduction	
4	3713884M93	1	Sound Reduction	
5	3713899M3	1	Sound Reduction	
6	3784348M1	1	Sound Reduction	
7	3713897M6	1	Sound Reduction	Right Hand
8	3713896M5	1	Sound Reduction	Left Hand

1-ZU11-005-C



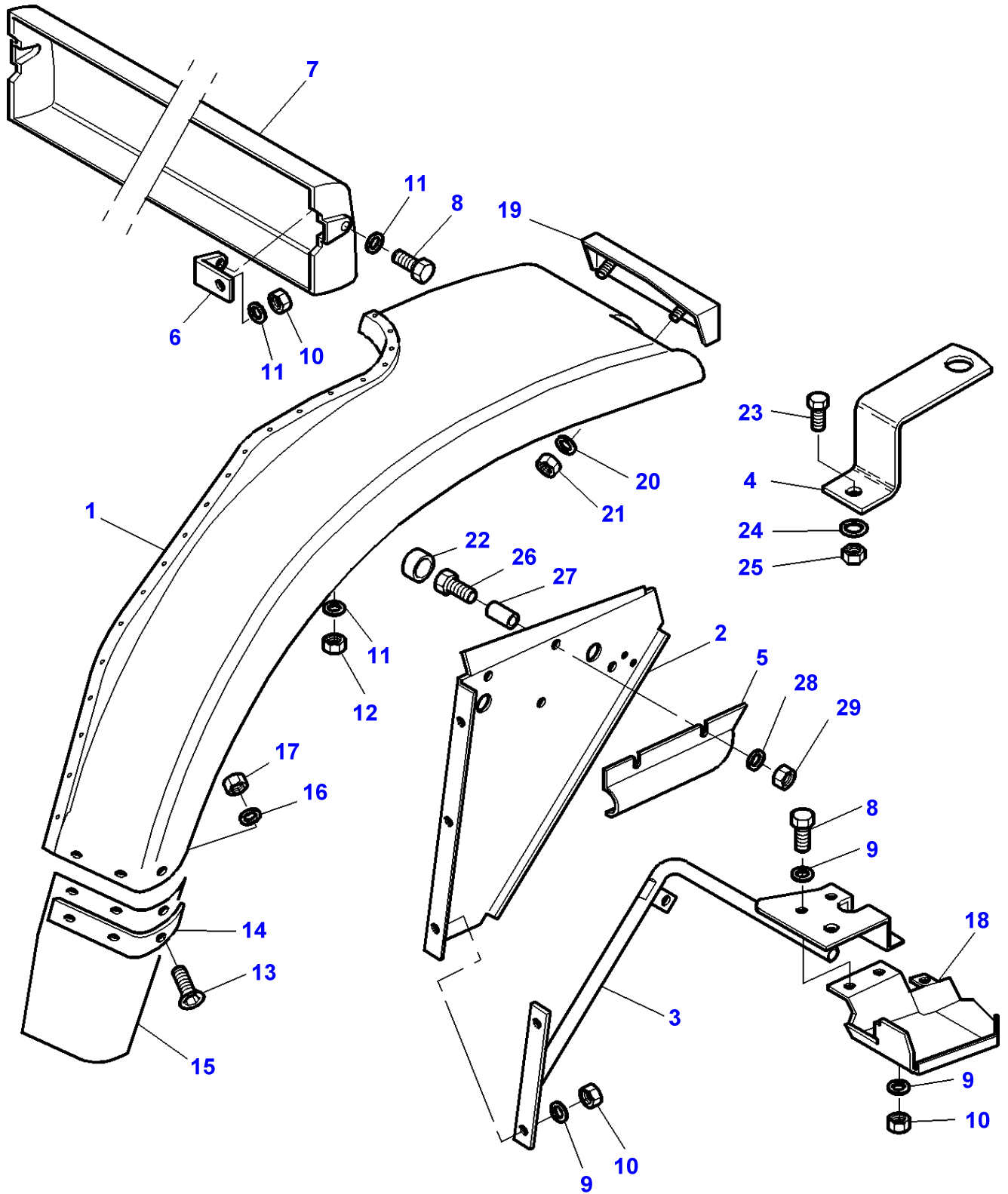
Tractor Cab - Cab Insulation

Item	Part Number	Qty	Description	Comments
1	3782534M92	1	Sound Reduction	[A]
	3778448M93	1	Sound Reduction	[B]
2		1	Sound Reduction	(1) Not serviced,order REF.1
3		1	Sound Reduction	(1) Not serviced,order REF.1
4		1	Sound Reduction	(1) Not serviced,order REF.1
5	3778447M91	1	Sound Reduction	
6		1	Sound Reduction	(5) Not serviced,order REF.5
7		1	Sound Reduction	(5) Not serviced,order REF.5
8	3778789M1	1	Helmet	Up to Serial or Engine Number J271000
9	339124X1	1	Hex. Sock. Screw	M8X16 Up to Serial or Engine Number J271000
10	3616277M1	1	Helmet	Up to Serial or Engine Number J271000
11	3777378M4	1	Mat	
12	3777377M2	1	Mat	
13	3778449M93	1	Sound Reduction	
14		1	Sound Reduction	(13) Not serviced,order REF.13
15		1	Sound Reduction	(13) Not serviced,order REF.13
16		1	Sound Reduction	(13) Not serviced,order REF.13
17	390972X1	1	Washer Metric	Up to Serial or Engine Number J271000
18		1	Sound Reduction	(13) Not serviced,order REF.13
19	3779389M1	1	Gasket	30X13X160MM

FOOTNOTE [A] FOR DYNASHIFT

FOOTNOTE [B] WITH FULL POWERSHIFT

1-ZU07-003-F



Massey Ferguson
MF 8250 TRACTOR - 1637366

1637366

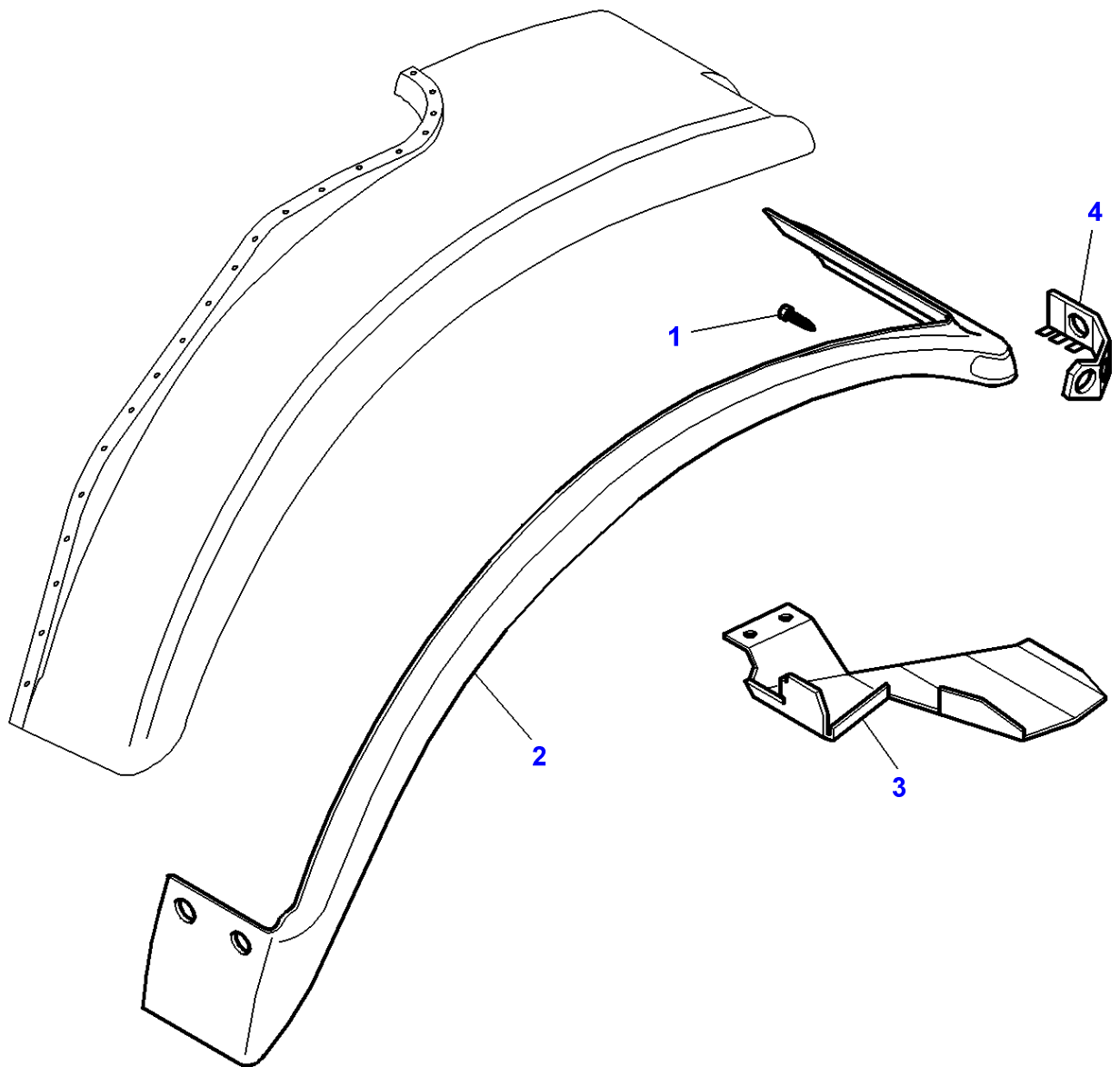
Page 110-0125

Tractor Cab - Fenders

Item	Part Number	Qty	Description	Comments
1	5015465M2	1	Fender	[A] Left Hand
	5015466M2	1	Fender	[A] Right Hand
2	5015292M6	1	Skirt	Left Hand
	5015293M5	1	Skirt	Right Hand
3	5015287M94	1	Support	Left Hand
	5015288M94	1	Support	Right Hand
4	3783012M2	1	Support	
5	3778897M1	1	Protector	Left Hand
	3778898M1	1	Protector	Right Hand
6	5015298M93	2	Strap	
7	5015296M2	1	Panel	[A]
8	339123X1	14	Hex. Sock. Screw	M8x20
9	385361X1	22	Washer	Diameter 9 MM Diameter 17 MM Thickness 3,2 MM
10	339169X1	26	Nut	M8
11	3010467X1	18	Washer	
12	394367X1	20	Locknut	M8
13	3010909X1	6	Screw	M8X20
14	3782599M2	2	Plate	
15	3781117M2	1	Extension	Left Hand
	3781118M2	1	Extension	Right Hand
16	390972X1	6	Washer Metric	
17	1441461X1	6	Locknut	M8
18	3781881M2	1	Cowl	Left Hand
	3781882M2	1	Cowl	Right Hand
19	3781889M1	1	Support	Left Hand
	3781890M1	1	Support	Right Hand
20	390469X1	4	Washer Metric	
21	1441494X1	4	Nut Metric	
22	3616277M1	2	Helmet	
23	339123X1	1	Hex. Sock. Screw	M8x20
24	390972X1	1	Washer Metric	Diameter 8-17X1,7
25	339169X1	1	Nut	M8
26	339291X1	2	Hex. Sock. Screw	M8X55
27	3781233M1	1	Roll	
28	390972X1	2	Washer Metric	
29	394367X1	2	Locknut	M8

FOOTNOTE [A] THE APPROPRIATE SAFETY DECALS MUST BE ORDERED AND FITTED TO THIS PART

1-ZU07-004-B



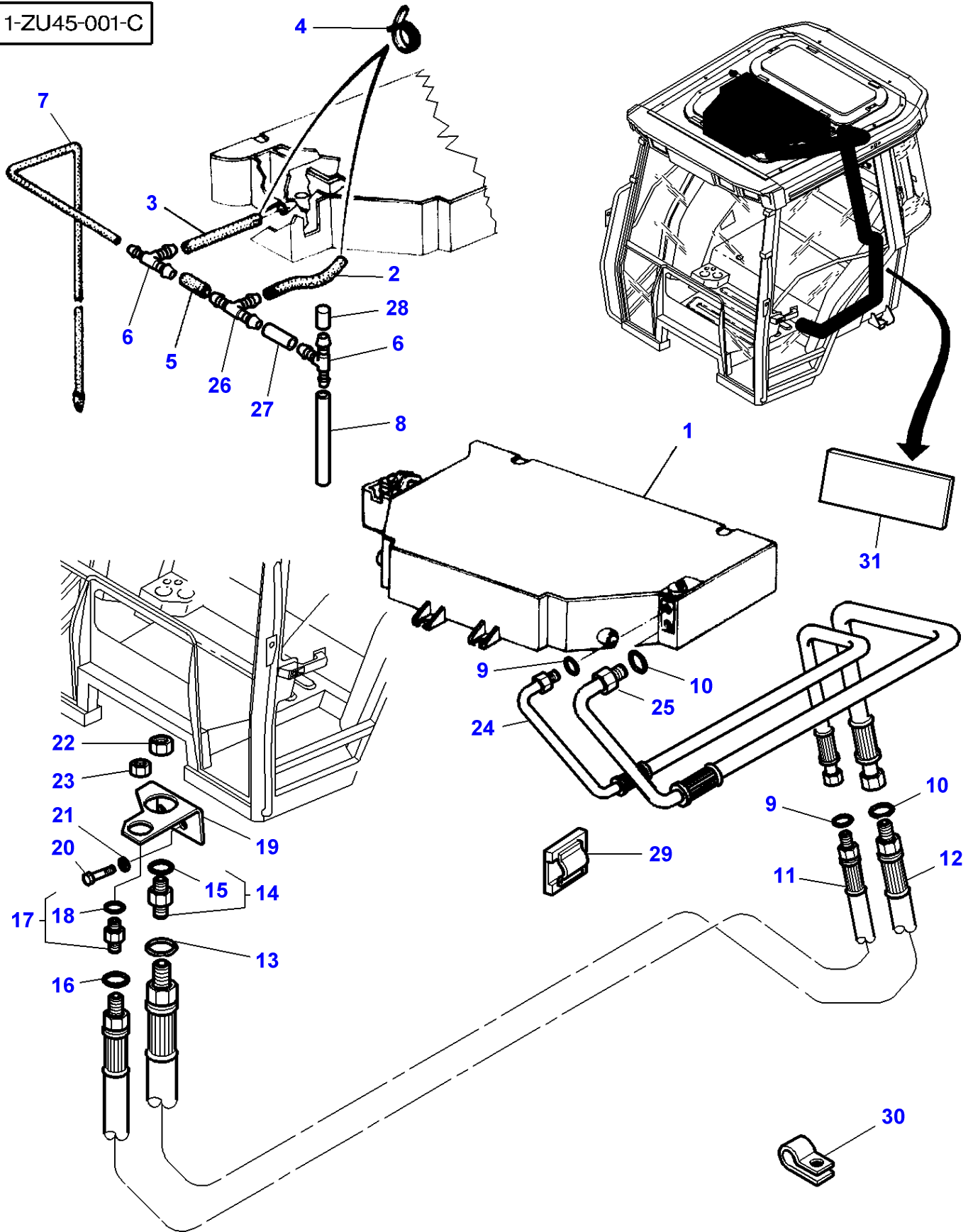
Tractor Cab - Fenders - FENDERS EXTENSION

Item	Part Number	Qty	Description	Comments
1	3782092M1	X	Screw	
2	3781447M2	1	Extension	Left Hand Width 115MM
	3781446M2	1	Extension	Right Hand Width 115MM
	3781449M2	1	Extension	Left Hand Width 205MM
	3781448M2	1	Extension	Right Hand Width 205MM
3	3781883M4	1	Cowl	[A] Left Hand
	3781884M4	1	Cowl	[A] Right Hand
	3781885M4	1	Cowl	[B] Left Hand
	3781886M4	1	Cowl	[B] Right Hand
4	3781891M2	1	Support	Left Hand
	3781892M2	1	Support	Right Hand

FOOTNOTE [A] USED WITH 115MM EXTENSION FENDERS

FOOTNOTE [B] USED WITH 205MM EXTENSION FENDERS

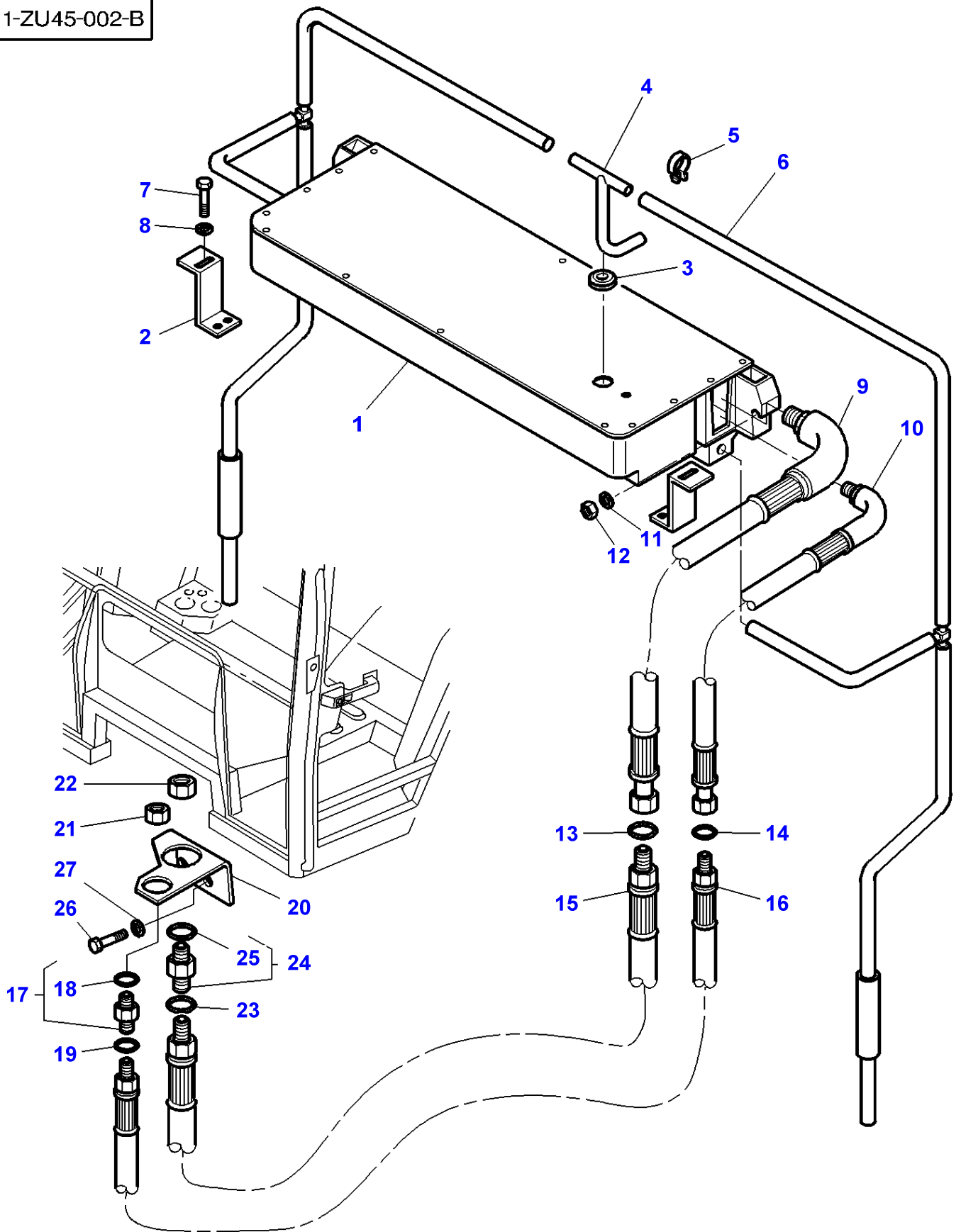
1-ZU45-001-C



Air Conditioner - Hose

Item	Part Number	Qty	Description	Comments
1	3713375M2	1	Air Conditioner	
2	3777614M1	2	Tube	Diameter 15,9-23MM Length 150MM
3	3777616M1	2	Hose	Diameter 15,9-23MM Length 195MM
4	3000483X1	4	Clamp	Diameter 12-22MM
5	3777613M1	2	Hose	Diameter 15,9-23MM Length 60MM
6	3388779M1	2	Union	Diameter 16-16-08MM
7	3713470M1	2	Hose	Diameter 08-12 Length 165MM
8	3777744M1	2	Tube	Diameter 8MM Length 1500MM
9	3010473X1	2	O Ring	
10	3010471X1	2	O Ring	
11	3714143M1	1	Hydr Hose	
12	3714246M1	1	Hydr Hose	
13	3010502X1	1	O Ring	
14	368544X1	1	Union	
15	3600218M1	1	Joint	(14)
16	3010474X1	1	O Ring	
17	368523X1	1	Union	
18	3600219M1	1	Joint	(17)
19	3713615M1	1	Support	
20	339124X1	2	Hex. Sock. Screw	M8X16
21	390972X1	2	Washer Metric	
22	1691973M1	1	Nut	
23	1691972M1	1	Nut	
24	3713462M1	1	Hydr Hose	
25	3714144M1	1	Hydr Hose	
26	3010683X1	2	Teepiece	Diameter 16-16-16MM
27	3777741M1	2	Hose	Diameter 16MM Length 490MM
28	3777737M1	2	Plug	
29	3582094M1	1	Tie	
30	3581507M1	1	Clamp	
31	3784596M1	1	Gasket	55x165x19

1-ZU45-002-B



Massey Ferguson**MF 8250 TRACTOR - 1637366**

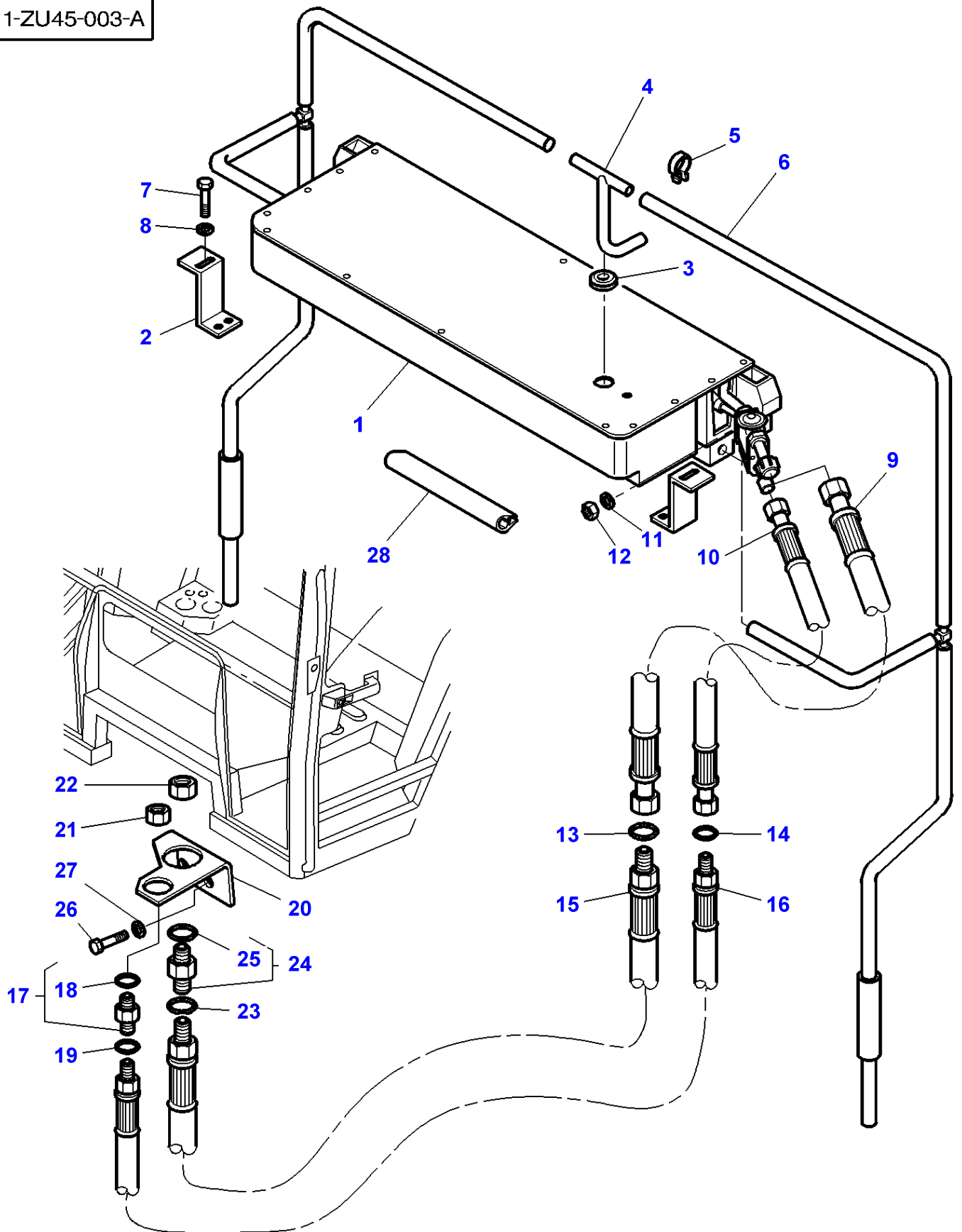
1637366

Air Conditioner - Hose - With High Visibility Roof - Up To J348039

Page 110-0140

Item	Part Number	Qty	Description	Comments
1	3778116M4	1	Air Conditioner	See Page - Reference Number 110-0190/1
2	3778321M1	2	Strap	
3	3714694M1	1	Grommet	
4	3779905M2	1	Teepiece	
5	3779906M1	1	Clamp	
6	3779892M91	1	Tube	Left Hand
	3779893M91	1	Tube	Right Hand
7	339124X1	2	Hex. Sock. Screw	
8	391039X1	2	Washer Metric	
9	3777707M1	1	Hydr Hose	
10	3777708M1	1	Hydr Hose	
11	391039X1	2	Washer Metric	
12	390345X1	2	Nut Metric	
13	3010471X1	1	O Ring	
14	3010473X1	1	O Ring	
15	3714246M1	1	Hydr Hose	
16	3714143M1	1	Hydr Hose	
17	368523X1	1	Union	
18	3600219M1	1	Joint	(17)
19	3010474X1	1	O Ring	
20	3713373M4	1	Support	
	3713615M1	1	Support	
21	1691972M1	1	Nut	
22	1691973M1	1	Nut	
23	3010502X1	1	O Ring	
24	368544X1	1	Union	
25	3600218M1	1	Joint	(24)
26	339124X1	2	Hex. Sock. Screw	M8X16
27	339374X1	2	Lock Washer	

1-ZU45-003-A



Massey Ferguson**MF 8250 TRACTOR - 1637366**

1637366

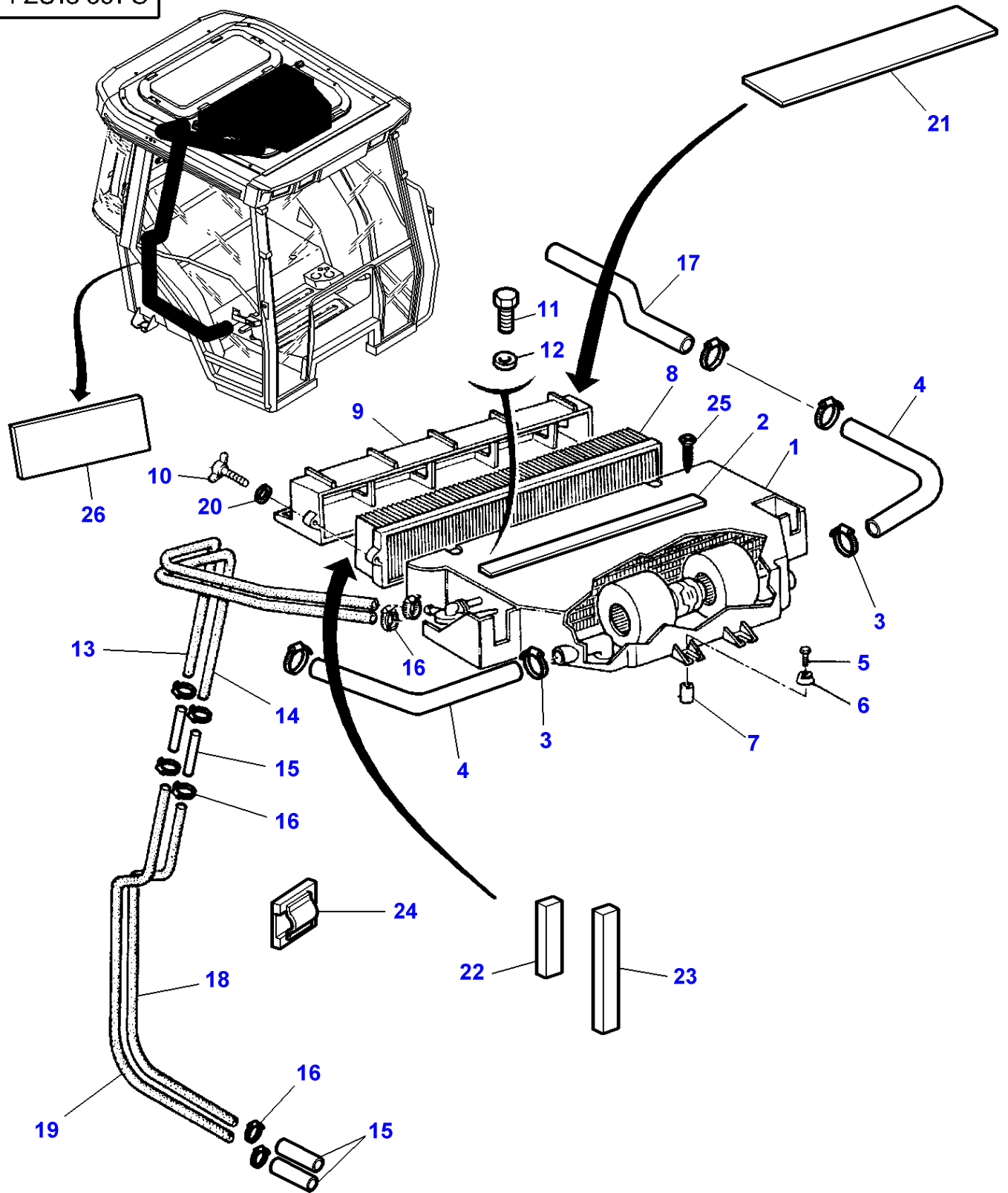
Air Conditioner - Hose - With High Visibility Roof - From J348040

Page 110-0145

Item	Part Number	Qty	Description	Comments
1	3784656M1	1	Air Conditioner	See Page - Reference Number 110-0195/1 MAGNETI MARELLI
2	3778321M1	2	Strap	
3	3714694M1	1	Grommet	
4	3779905M2	1	Teepiece	
5	3779906M1	1	Clamp	
6	3785719M91	1	Tube	Left Hand
	3785720M91	1	Tube	Right Hand
7	339124X1	2	Hex. Sock. Screw	
8	391039X1	2	Washer Metric	
9	3784604M3	1	Hydr Hose	
10	3784605M1	1	Hydr Hose	
11	391039X1	2	Washer Metric	
12	390345X1	2	Nut Metric	
13	3010471X1	1	O Ring	
14	3010473X1	1	O Ring	
15	3714246M1	1	Hydr Hose	
16	3714143M1	1	Hydr Hose	
17	368523X1	1	Union	
18	3600219M1	1	Joint	(17)
19	3010474X1	1	O Ring	
20	3713373M4	1	Support	
	3713615M1	1	Support	
21	1691972M1	1	Nut	
22	1691973M1	1	Nut	
23	3010502X1	1	O Ring	
24	368544X1	1	Union	
25	3600218M1	1	Joint	(24)
26	339124X1	2	Hex. Sock. Screw	M8X16
27	339374X1	2	Lock Washer	
28	3580695M1	1	Gasket	Length 1600MM

MF 8250 TRACTOR - 1637366
1-ZU13-001-C

1-ZU13-001-C



Tractor Cab - Heater Hoses

Item	Part Number	Qty	Description	Comments
1	3713375M2	1	Air Conditioner	[A]
	3713374M1	1	Boot	[B]
2	3713745M1	1	Gasket	15X05X1950
3	338616X1	8	Hose Clip	Diameter 32X50
4	3387515M1	2	Hose	
5	339009X1	4	Hex. Sock. Screw	M8X35
6	3387512M1	8	Buffer	
7	3387513M1	4	Spacer	
8	3388840M2	1	Cab Filter	
	3389746M1	1	Cab Filter	[C]
9	3388743M1	1	Frame Assy	
10	3388758M2	2	Wingbolt	M6X60
				Up to Serial or Engine Number J265017
	3783455M1	2	Screw	M6X60
				From Serial or Engine Number J265018
11	339160X1	1	Screw	M5X10
12	390469X1	1	Washer Metric	
13	3714872M1	1	Hose	Length 1000MM
14	3714871M1	1	Hose	Length 900MM
15	3713469M1	4	Tube	
16	3019564X1	8	Hose Clip	Diameter 16-27
17	3713461M1	2	Hose	
18	3779739M1	1	Hose	Length 1670MM
19	3787686M1	1	Hose	Length 2450MM
20	391038X1	2	Washer	Up to Serial or Engine Number J265017
21	3778497M2	1	Foam	915X150X12MM
22	3778658M1	1	Gasket	38X13X60MM
23	3778659M1	1	Gasket	38X13X80MM
24	3582094M1	1	Tie	
25	380026X1	9	Screw	16X3,5
26	3784596M1	4	Gasket	165X55X19MM

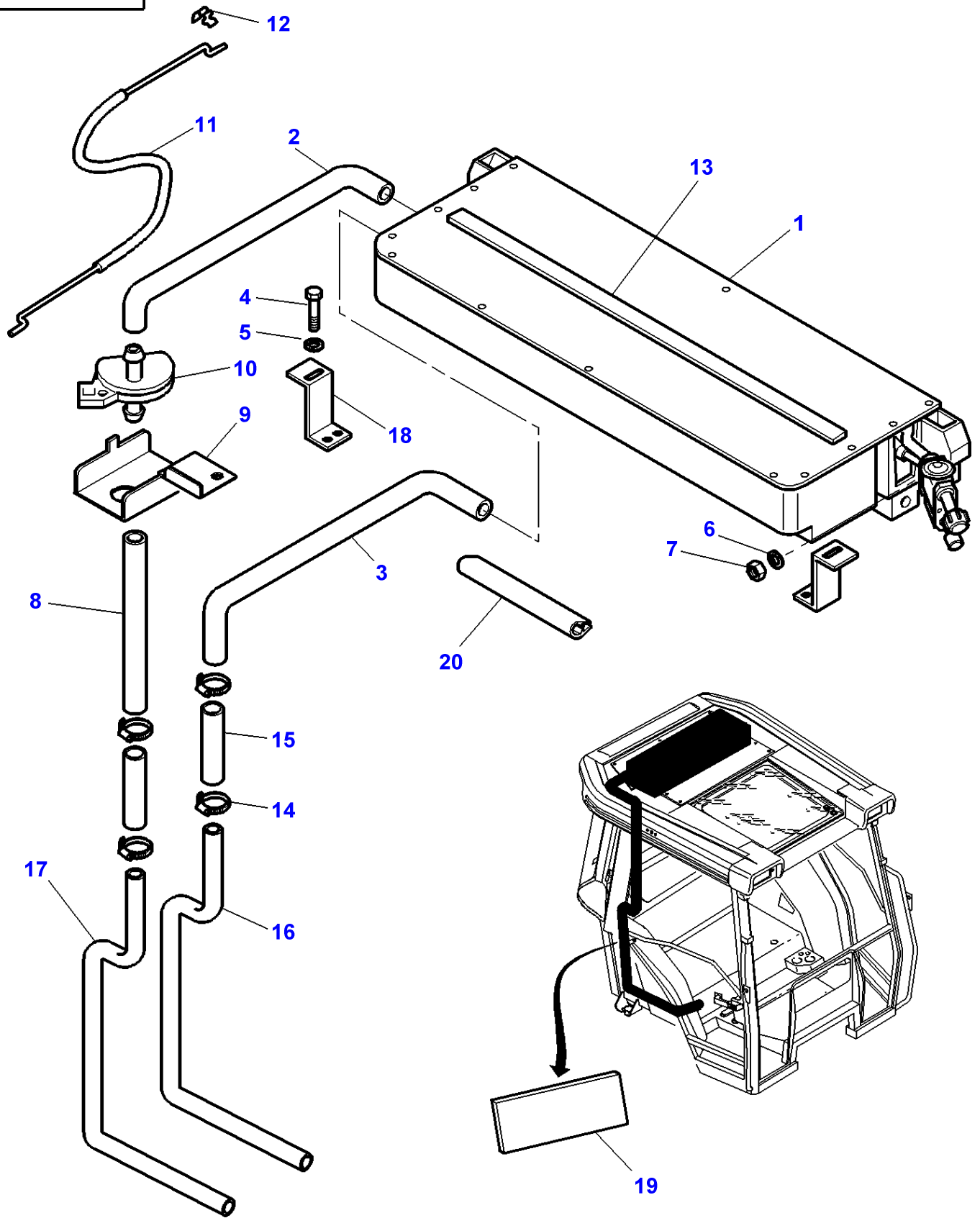
FOOTNOTE [A] WITH CONDITIONED AIR

FOOTNOTE [B] WITHOUT CONDITIONED AIR

FOOTNOTE [C] CARBON FILTER

MF 8250 TRACTOR - 1637366
1-ZU13-002-C

1-ZU13-002-C

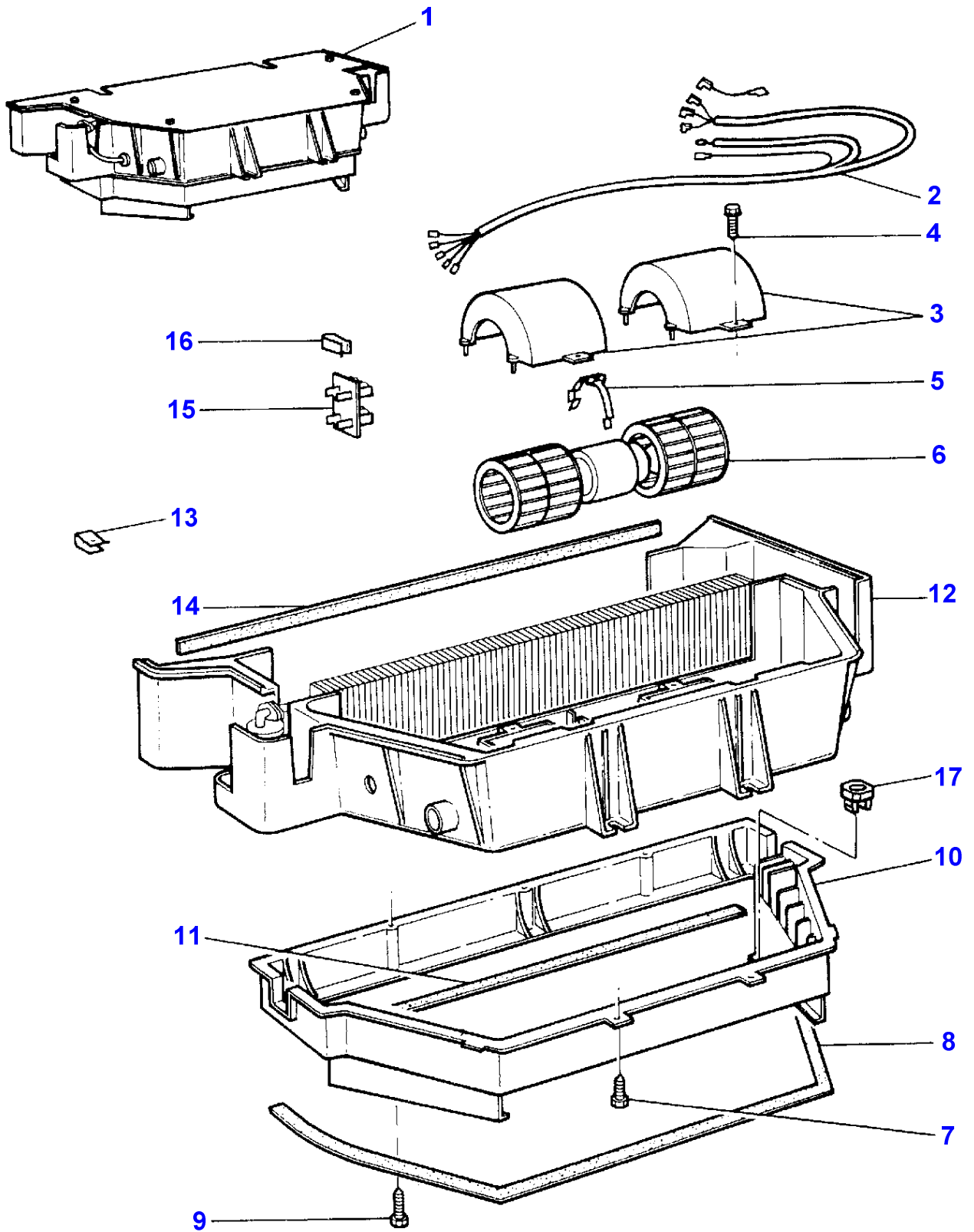


Item	Part Number	Qty	Description	Comments
1	3778116M4	1	Air Conditioner	[A] See Page - Reference Number 110-0190/1 Up to Serial or Engine Number J348039
	3784656M1	1	Air Conditioner	[A] See Page - Reference Number 110-0195/1 From Serial or Engine Number J348040
	3778115M2	1	Heater	[B] See Page - Reference Number 110-0170/1 Up to Serial or Engine Number K015006
	3784655M1	1	Heater	[B] See Page - Reference Number 110-0175/1 From Serial or Engine Number K015007
2	3777712M1	1	Hose	[A] Up to Serial or Engine Number J348039
	3777712M1	1	Hose	[B] Up to Serial or Engine Number K015006
	3784602M1	1	Hose	[A] From Serial or Engine Number J348040
	3784602M1	1	Hose	[B] From Serial or Engine Number K015007
3	3777711M1	1	Hose	[A] Up to Serial or Engine Number J348039
	3777711M1	1	Hose	[B] Up to Serial or Engine Number K015006
	3784603M1	1	Hose	[A] From Serial or Engine Number J348040
	3784603M1	1	Hose	[B] From Serial or Engine Number K015007
4	339124X1	2	Hex. Sock. Screw	M8X16
5	391039X1	2	Washer Metric	
6	391039X1	2	Washer Metric	
7	390345X1	2	Nut Metric	
8	3778361M1	1	Water Hose	Length 500MM
9	3778366M2	1	Support	
10	1694047M1	1	Cock	
11	3902700M2	1	Cable	
12	1696477M1	1	Clip	
13	3713745M1	1	Gasket	15X05X1950
14	3000483X1	4	Clamp	
15	3713469M1	2	Tube	
16	3779739M1	1	Hose	Length 1670MM
17	3714873M1	1	Hose	Length 2350MM
18	3778321M1	2	Strap	
19	3784596M1	4	Gasket	165X55X19MM
20	3580695M1	1	Gasket	Length 1600MM

FOOTNOTE [A] WITH CONDITIONED AIR

FOOTNOTE [B] WITHOUT CONDITIONED AIR

1-ZU12-002-A



Massey Ferguson**MF 8250 TRACTOR - 1637366**

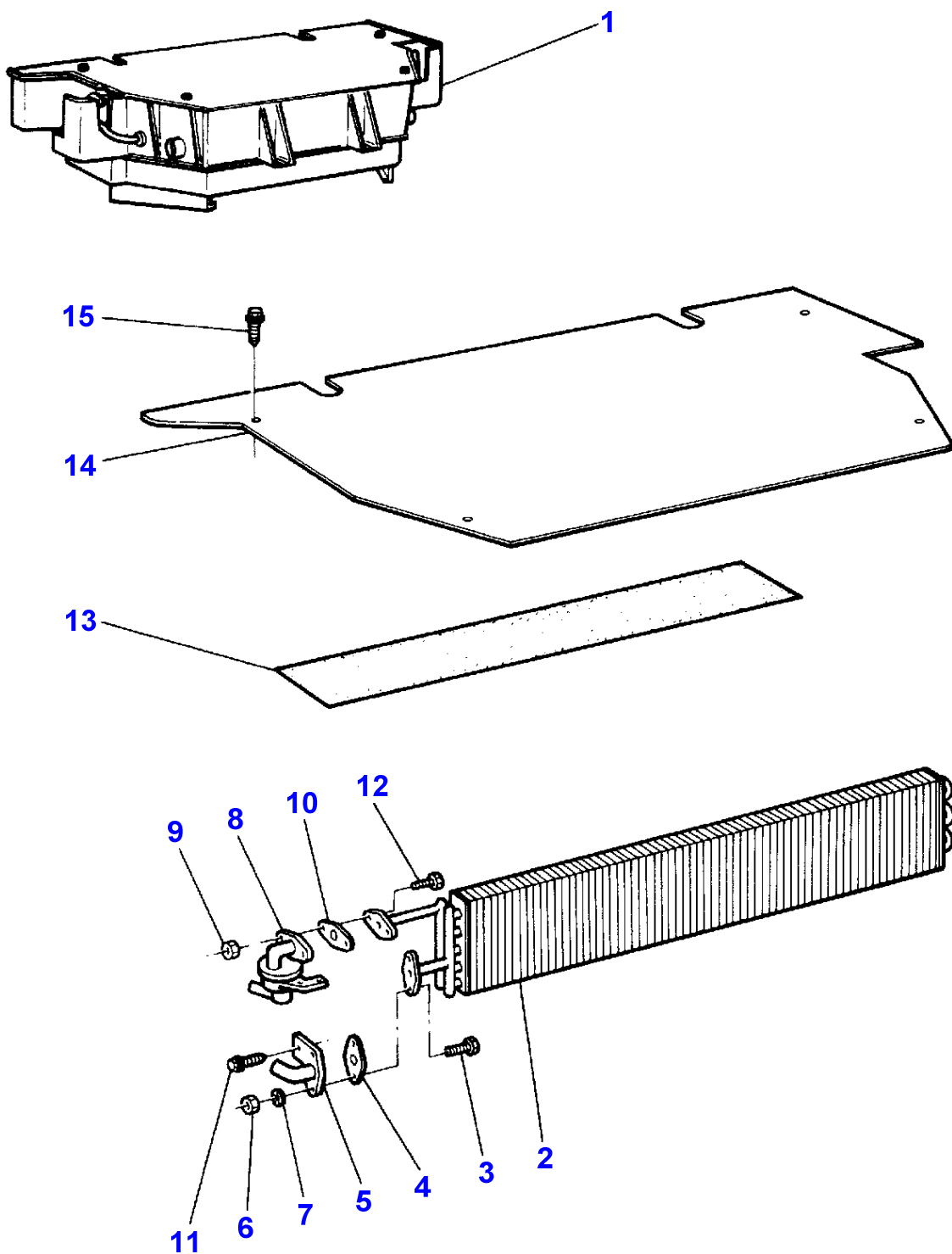
1637366

Tractor Cab - Heater

Page 110-0160

Item	Part Number	Qty	Description	Comments
1	3713374M1	1	Boot	
2	3310850M1	1	Harness	(1)
3	3310833M1	2	Cover	(1)
4	3310837M1	4	Screw	(1)
5	3902320M1	1	Strap	(1)
6	3310831M91	1	Motor	(1)
7	3310837M1	6	Screw	(1)
8	3902322M1	1	Foam	(1)
9	3310841M1	3	Screw	(1)
10	3310840M1	1	Housing	(1)
11	3310843M1	1	Foam	(1)
12	3310848M1	1	Housing	(1)
13	3310842M1	9	Strap	(1)
14	3310849M1	1	Foam	(1)
15	3304510M92	1	Resistor	(1)
16	3310834M1	1	Strap	(1)
17	3583649M1	1	Nut Special	

1-ZU12-003-A



Massey Ferguson**MF 8250 TRACTOR - 1637366**

1637366

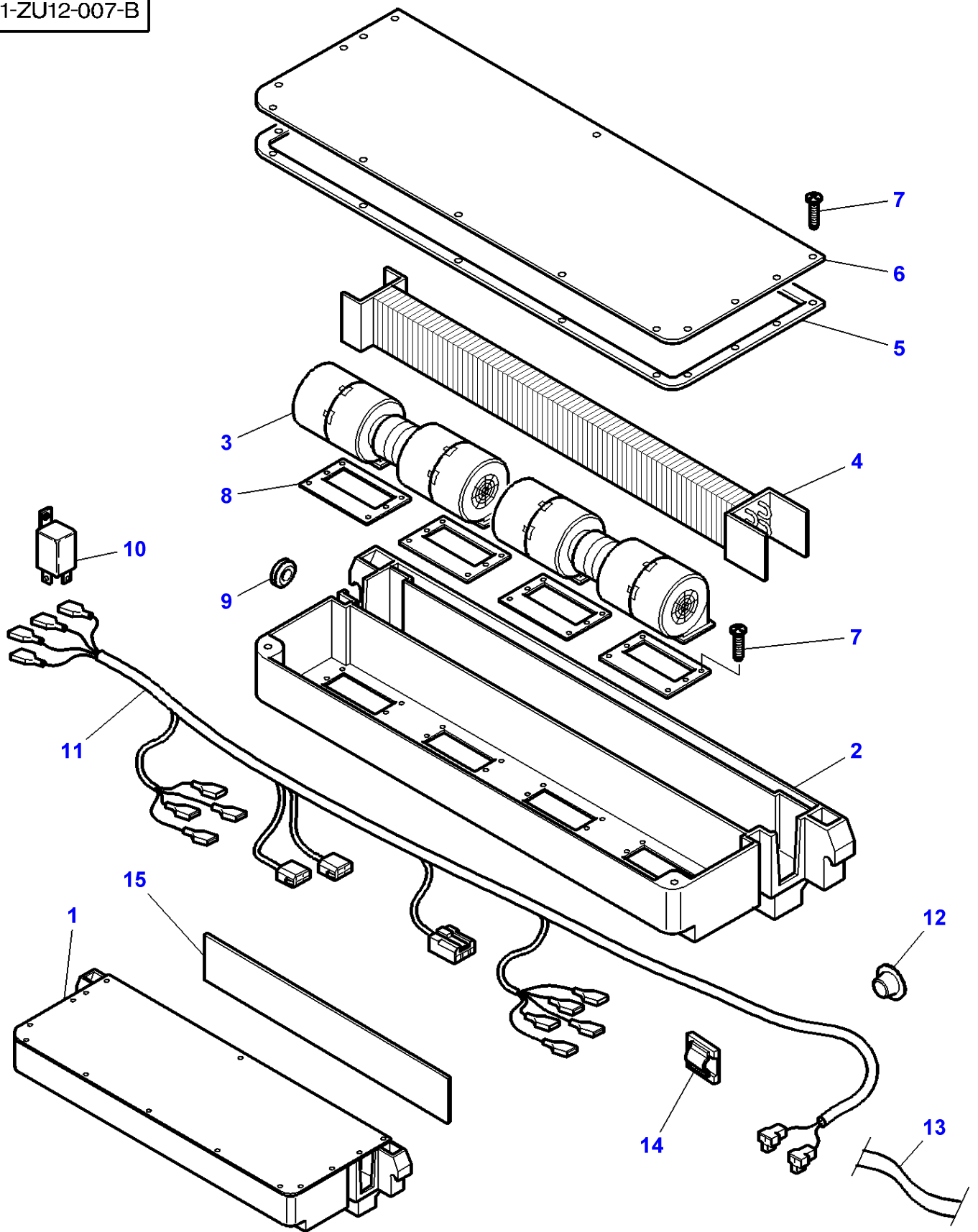
Page 110-0165

Tractor Cab - Heater

Item	Part Number	Qty	Description	Comments
1	3713374M1	1	Boot	
2	3310827M92	1	Radiator	(1)
3	3902089M1	2	Screw	(1)
4	3902327M1	1	Gasket	(1)
5	3310946M1	1	Elbow	(1)
6	3902090M1	2	Nut	(1)
7	3902090M1	2	Nut	(1)
8	3310945M1	1	Cock	(1)
9	3902090M1	2	Nut	(1)
10	3902327M1	1	Gasket	(1)
11	3902089M1	1	Screw	(1)
12	3902089M1	2	Screw	(1)
13	3902332M1	1	Foam	(1)
14	3310839M1	1	Plate	(1)
15	3310837M1	5	Screw	(1)

MF 8250 TRACTOR - 1637366
1-ZU12-007-B

1-ZU12-007-B

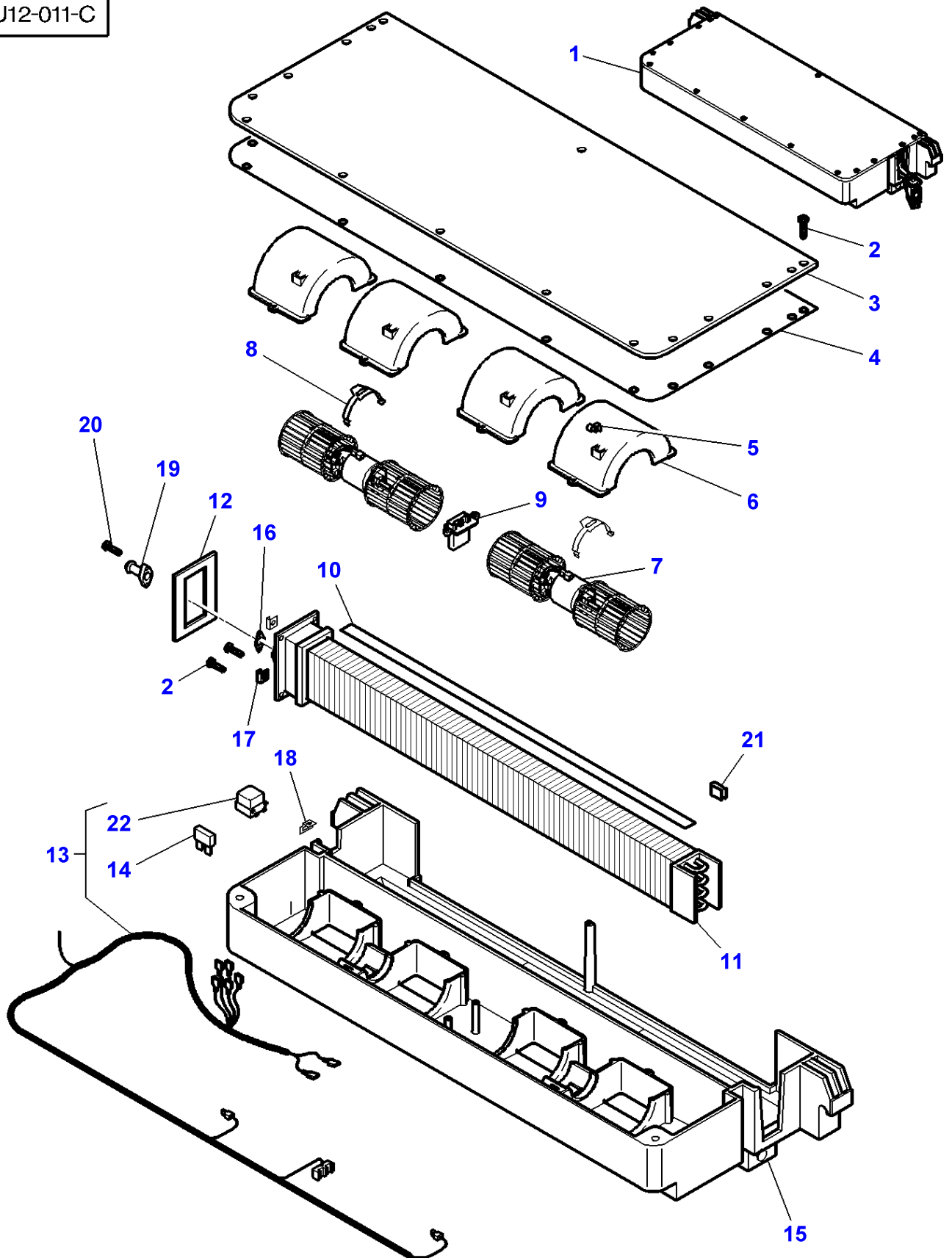


Item	Part Number	Qty	Description	Comments
1	3778115M2	1	Heater	
2	3901499M1	1	Housing	(1)
3	3901501M91	2	Blower	(1) Up to Serial or Engine Number J207026
	3904158M91	2	Blower	[A] (1) From Serial or Engine Number J207027
4	3901502M1	1	Radiator	(1)
5	3901506M1	1	Seal	(1)
6	3901500M1	1	Plate	(1)
7	3902719M1	26	Screw	(1)
8	3901505M1	4	Seal	(1) Up to Serial or Engine Number J207026
	3901980M1	4	Gasket	(1) From Serial or Engine Number J207027
9	3901503M1	1	Grommet	(1)
10	3611893M1	1	Relay	(1)
11	3902720M91	1	Harness	(1) Up to Serial or Engine Number J207026
	3904163M91	1	Harness	(1) From Serial or Engine Number J207027
12	3901512M1	2	Cap	(1)
13	3901504M1	1	Tape	(1) Length 0.10M
14	3582094M1	4	Tie	
15	3901983M1	1	Seal	(1) From Serial or Engine Number J207027 670 X 50 X 3MM

FOOTNOTE [A] WITH RESISTOR

MF 8250 TRACTOR - 1637366
1-ZU12-011-C

1-ZU12-011-C



Massey Ferguson**MF 8250 TRACTOR - 1637366**

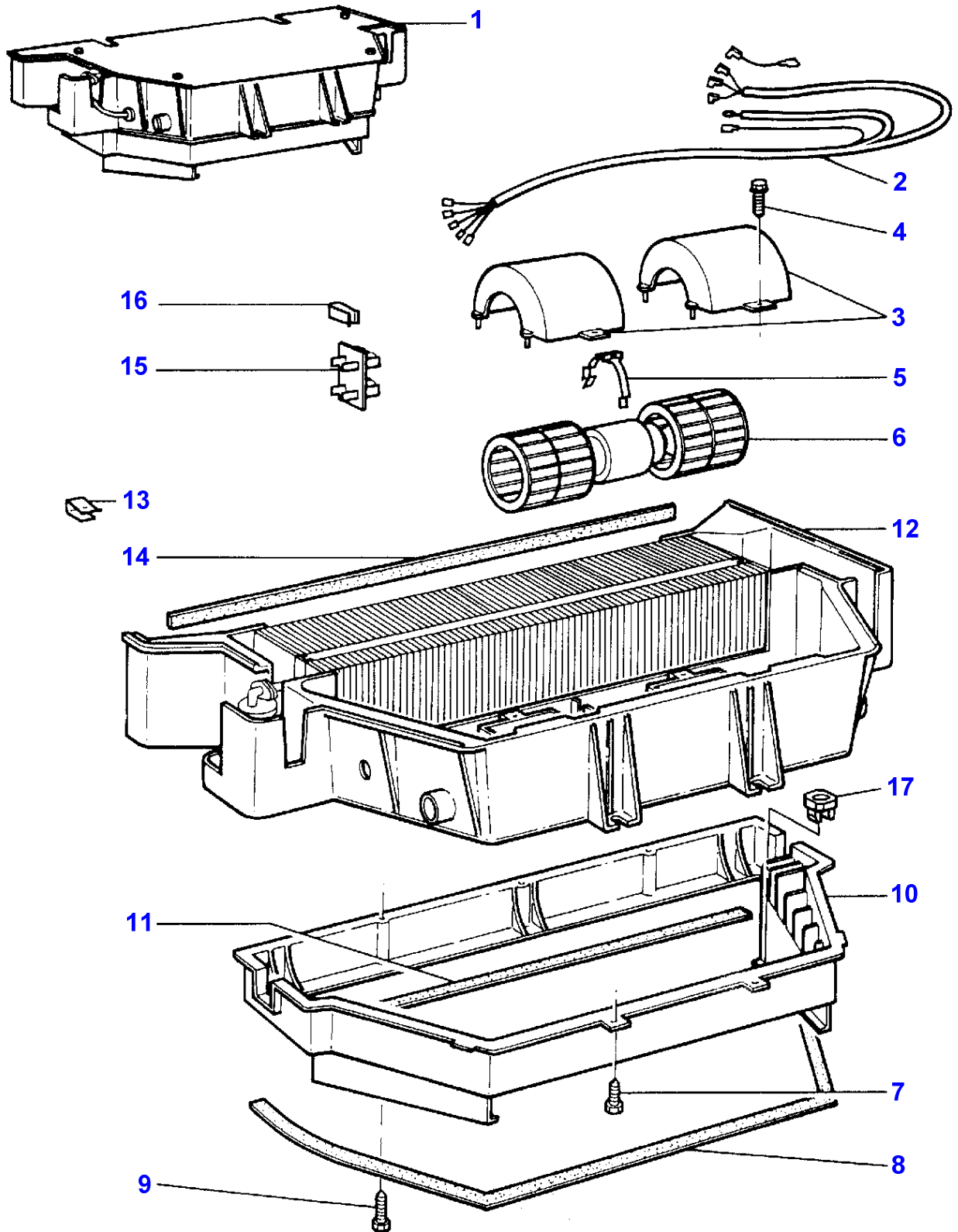
1637366

Tractor Cab - Heater - With High Visibility Roof - From K015007

Page 110-0175

Item	Part Number	Qty	Description	Comments
1	3784655M1	1	Heater	MAGNETI MARELLI
2	3810819M1	29	Screw	(1) 3.5 X 16
3	3904291M1	1	Cover	(1)
4	3904293M1	1	Seal	(1)
5	3904307M1	2	Clip	(1)
6	3904294M1	4	Cover	(1)
7	3904296M1	2	Blower	(1)
8	3904297M1	2	Spring Clip	(1)
9	3904295M1	1	Resistor	(1)
10	3904318M1	1	Gasket	(1)
11	3904324M1	1	Radiator	(1)
12	3904317M1	1	Gasket	(1)
13	3904312M1	1	Harness	(1)
14	3904334M1	1	Fuse	(13) 50A
15	3904290M1	1	Housing	(1)
16	3902327M1	1	Gasket	(1)
17	3902090M1	2	Nut	(1)
18	3904304M1	1	Bracket	(1)
19	3904314M1	1	Union	(1)
20	3904319M1	2	Screw	(1)
21	3310834M1	1	Strap	(1)
22	3611893M1	1	Relay	(13) 12v - 40Amp Replace and repair. Old not interchangeable with new 3904552M1

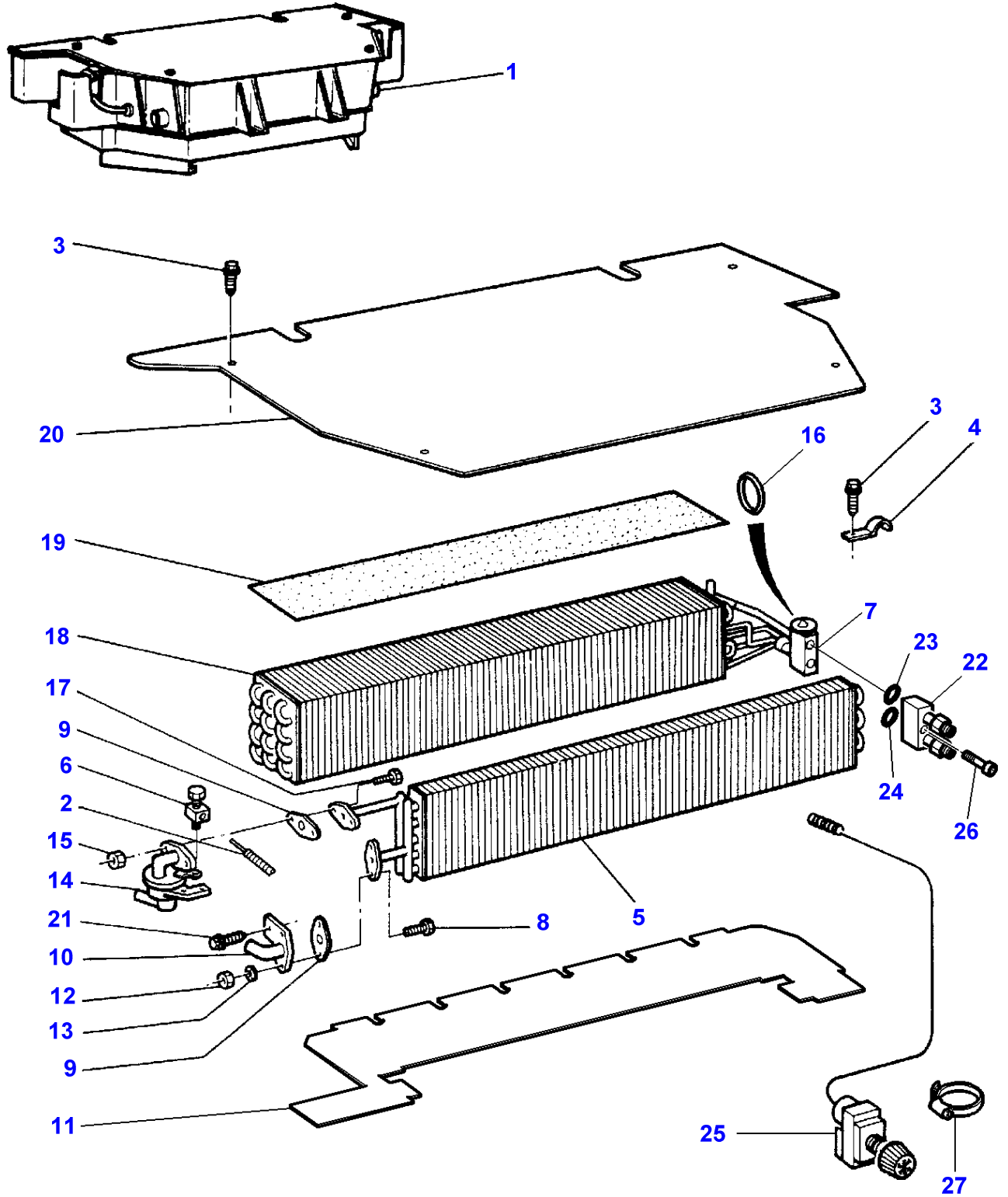
1-ZU44-001-A



Air Conditioner

Item	Part Number	Qty	Description	Comments
1	3713375M2	1	Air Conditioner	
2	3902318M91	1	Harness	(1)
3	3310833M1	2	Cover	(1)
4	3310837M1	4	Screw	(1)
5	3902320M1	1	Strap	(1)
6	3310831M91	1	Motor	(1)
7	3310837M1	6	Screw	(1)
8	3902322M1	1	Foam	(1)
9	3310841M1	3	Screw	(1)
10	3310840M1	1	Housing	(1)
11	3310843M1	1	Foam	(1)
12	3310825M1	1	Housing	(1)
13	3310842M1	9	Strap	(1)
14	3310849M1	1	Foam	(1)
15	3304510M92	1	Resistor	(1)
16	3310834M1	1	Strap	(1)
17	3583649M1	1	Nut Special	(1)

1-ZU44-002-A

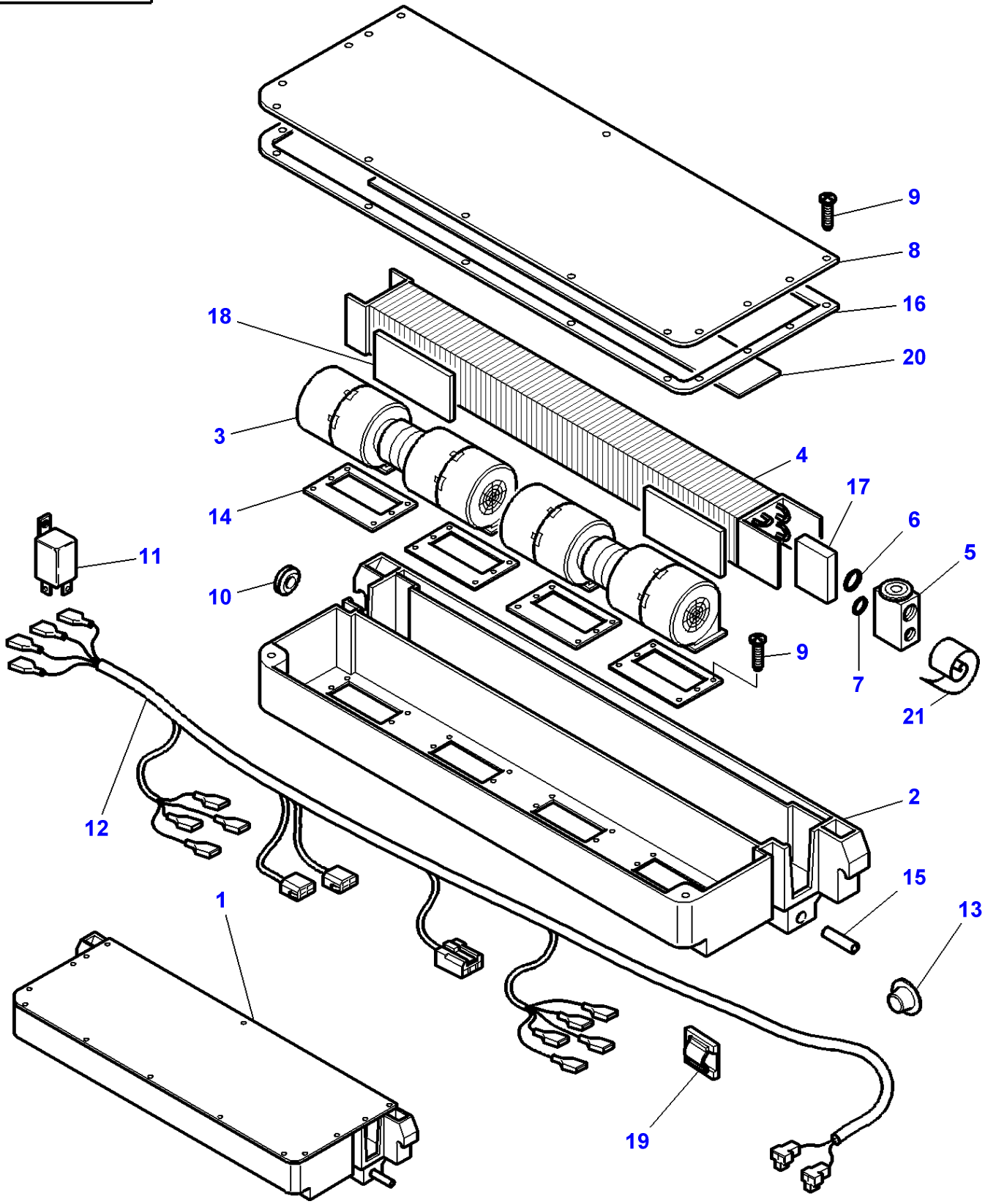


Air Conditioner

Item	Part Number	Qty	Description	Comments
1	3713375M2	1	Air Conditioner	
2	3902212M2	1	Cable	
3	3310837M1	6	Screw	(1)
4	3310836M1	1	Strap	(1)
5	3310827M92	1	Radiator	(1)
6	3311579M91	1	Union	(1)
7	3902334M91	1	Regulator	(1)
8	3902089M1	2	Screw	(1)
9	3902327M1	2	Gasket	(1)
10	3310946M1	1	Elbow	(1)
11	3902329M2	1	Plate	(1)
12	3902090M1	2	Nut	(1)
13	3902090M1	2	Nut	(1)
14	3310945M1	1	Cock	(1)
15	3902090M1	2	Nut	(1)
16	3902499M1	1	Gasket	(1)
				Diameter 6,7MM
	3902500M1	3	Gasket	(1)
				Diameter 13,4MM
17	3902089M1	2	Screw	(1)
18	3902331M91	1	Evaporator	(1)
19	3902332M1	1	Foam	(1)
20	3310839M1	1	Plate	(1)
21	3902089M1	2	Screw	(1)
22	3902549M91	1	Connection	(1)
23	3902550M1	1	O Ring	(1)
				Diameter 6,7X1,8MM
24	3902551M1	1	O Ring	(1)
				Diameter 13,4X2,4MM
25	3310669M92	1	Thermostat	(1)
26	3015257X1	2	Screw Metric	(1)
				M6X55
27	3000483X1	2	Clamp	

MF 8250 TRACTOR - 1637366
1-ZU44-003-B

1-ZU44-003-B

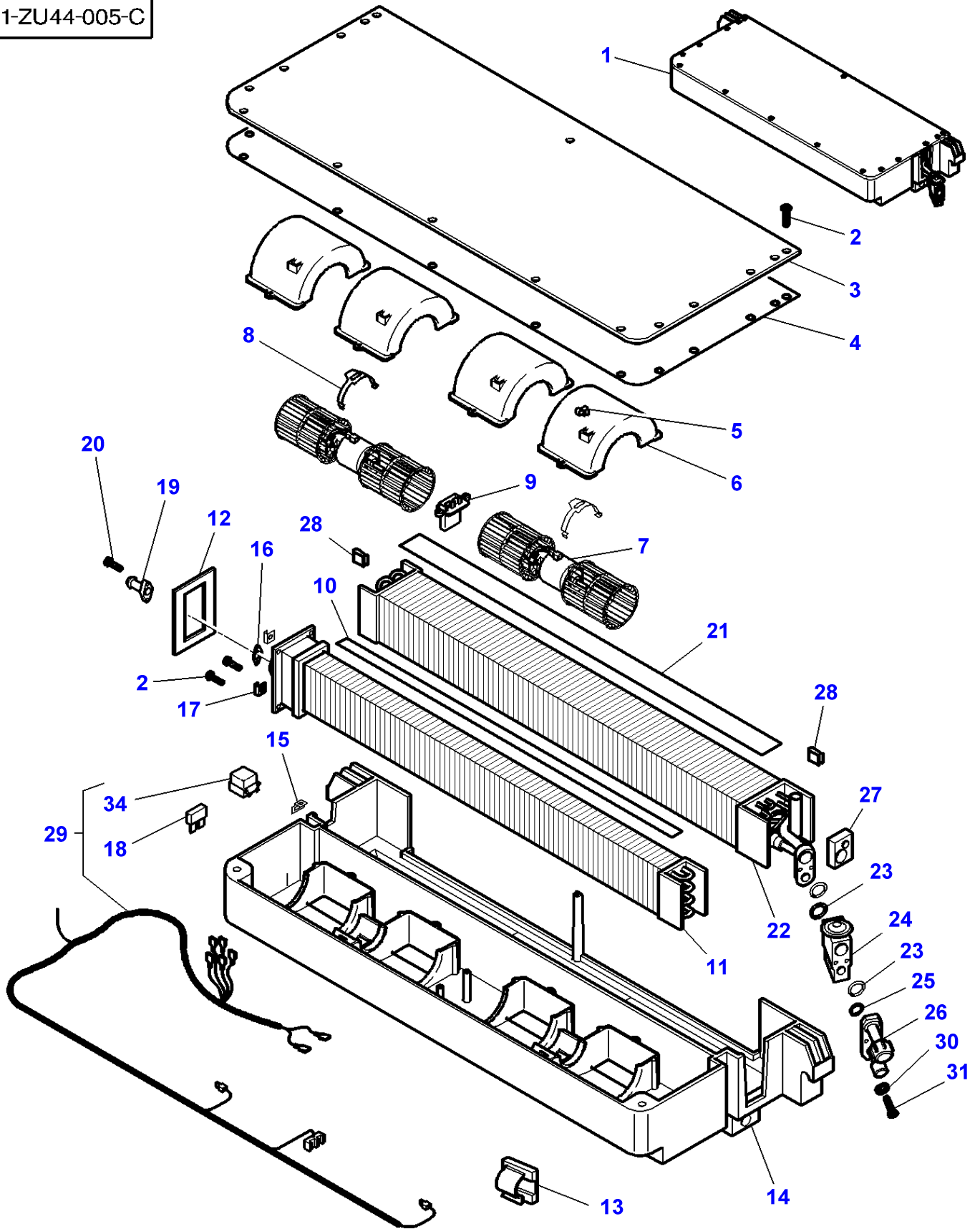


Item	Part Number	Qty	Description	Comments
1	3778116M4	1	Air Conditioner	
2	3901499M1	1	Housing	(1)
3	3901501M91	2	Blower	(1) Up to Serial or Engine Number J150022
	3904158M91	2	Blower	[A] (1) From Serial or Engine Number J150023
4	3901516M1	1	Evaporator	(1) Up to Serial or Engine Number J150022
	3904159M1	1	Evaporator	(1) From Serial or Engine Number J150023
5	3901517M1	1	Pressure Valve	(1)
6	3901518M1	1	O Ring	(1)
7	3901519M1	1	O Ring	(1)
8	3901500M1	1	Plate	(1) Up to Serial or Engine Number G135016
	3903196M1	1	Plate	(1) From Serial or Engine Number G135017
9	3902719M1	26	Screw	(1)
10	3901503M1	1	Grommet	(1)
11	3611893M1	1	Relay	(1)
12	3902720M91	1	Harness	(1) Up to Serial or Engine Number J150022
	3904163M91	1	Harness	(1) From Serial or Engine Number J150023
13	3901512M1	2	Cap	(1)
14	3901505M1	4	Seal	(1) Up to Serial or Engine Number J150022
	3901980M1	4	Gasket	(1) From Serial or Engine Number J150023
15	3901515M2	2	Tube	(1)
16	3901513M1	1	Seal	(1)
17	3901822M1	1	Seal	(1)
18	3901823M1	2	Pad	(1) Up to Serial or Engine Number J150022
	3904161M1	2	Pad	(1) From Serial or Engine Number J150023
19	3582094M1	4	Tie	(1)
20	3904164M1	1	Insulation	(1) Length 1M
21	3904160M1	1	Seal	(1)

FOOTNOTE [A] WITH RESISTOR

MF 8250 TRACTOR - 1637366
1-ZU44-005-C

1-ZU44-005-C



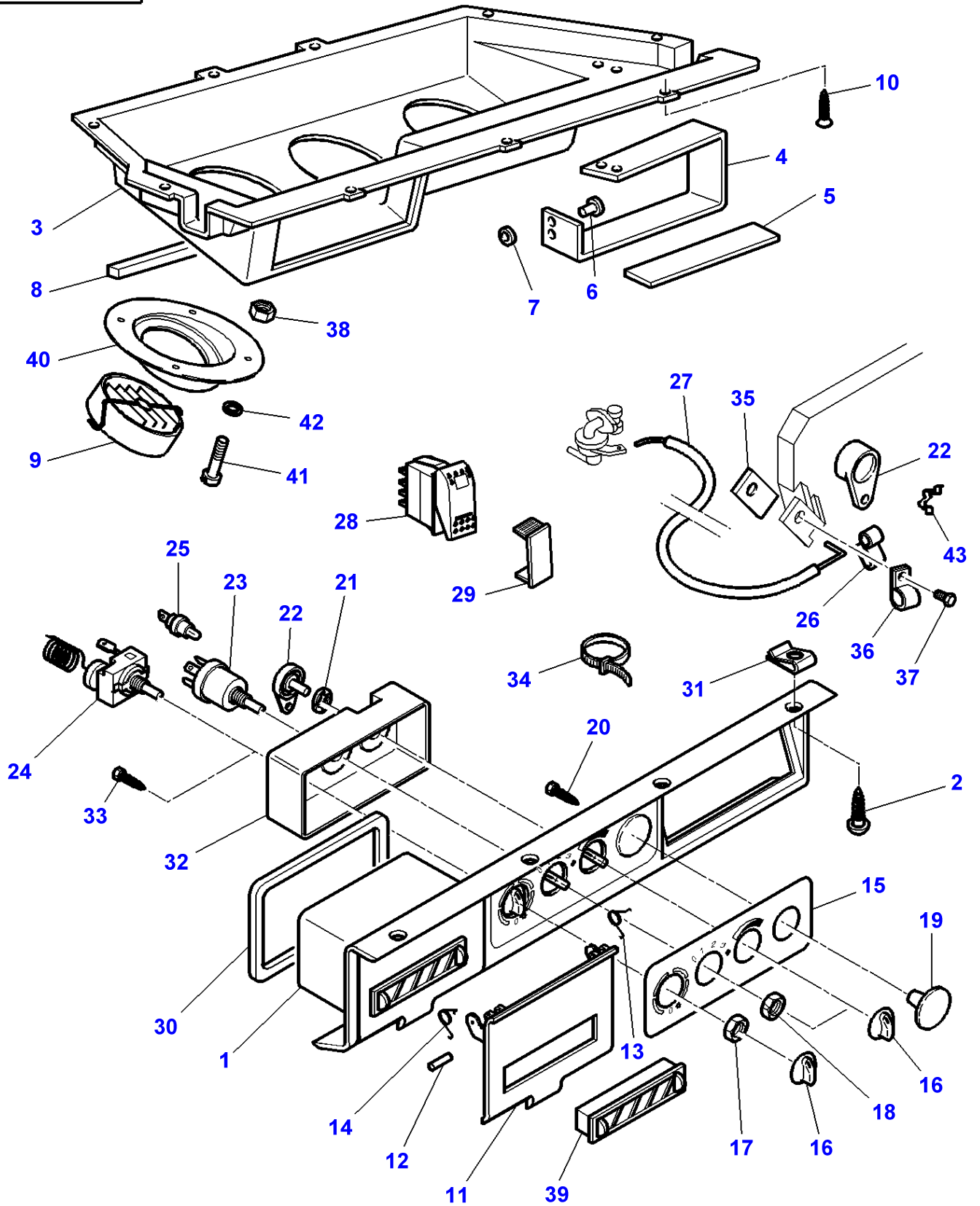
Air Conditioner - With High Visibility Roof - From J348040

Item	Part Number	Qty	Description	Comments
1	3784656M1	1	Air Conditioner	MAGNETI MARELLI
2	3810819M1	29	Screw	(1) 3.5 X 16
3	3904292M1	1	Cover	(1)
4	3904293M1	1	Seal	(1)
5	3904307M1	2	Clip	(1)
6	3904294M1	4	Cover	(1)
7	3904296M1	2	Blower	(1)
8	3904297M1	2	Spring Clip	(1)
9	3904295M1	1	Resistor	(1)
10	3904318M1	1	Gasket	(1)
11	3904324M1	1	Radiator	(1)
12	3904317M1	1	Gasket	(1)
13	3582094M1	4	Tie	
14	3904289M1	1	Housing	(1)
15	3904304M1	1	Bracket	(1)
16	3902327M1	1	Gasket	(1)
17	3902090M1	2	Nut	(1)
18	3904334M1	1	Fuse	(29) 50A
19	3904314M1	1	Union	(1)
20	3904319M1	2	Screw	(1)
21	3904321M1	1	Gasket	(1)
22	3904325M1	1	Evaporator	(1)
23	3902551M1	3	O Ring	(1) Diameter 13.4MM
24	3902334M91	1	Regulator	(1) 2 TONS
25	3902550M1	1	O Ring	(1) Diameter 6,7MM
26	3902549M91	1	Connection	(1)
27	3904303M1	1	Seal	(1) 12v - 40Amp
28	3310834M1	2	Strap	(1)
29	3904306M1	1	Harness	(1)
30	390971X1	2	Washer	(1) M6
31	3904328M1	2	Screw	(1) M6X50
32	3904326M1	1	Screw	[A] (1)
33	3904327M1	1	Nut	[A] (1)
34	3611893M1	1	Relay	(29) Replace and repair. Old not interchangeable with new 3904552M1

FOOTNOTE [A] NOT ILLUSTRATED

MF 8250 TRACTOR - 1637366
1-ZU12-001-D

1-ZU12-001-D



Tractor Cab - Heater

Item	Part Number	Qty	Description	Comments
1	3712609M3	1	Control Panel	[A] Up to Serial or Engine Number M192016
	3712609M5	1	Control Panel	[A] From Serial or Engine Number M192017
	3713532M3	1	Control Panel	[B] Up to Serial or Engine Number M239010
	3713532M5	1	Control Panel	[B] From Serial or Engine Number M239011
2	3389854M1	6	Self Tap Screws	N 10X19
	3010506X1	8	Screw	M5X16
3	3714076M2	1	Boot	
4	3714077M1	1	Support	
5	3713635M1	1	Gasket	
6	3714846M1	4	Rivet	
7	339102X1	4	Washer	
8	3713744M1	1	Gasket	10X15X1080MM
9	3388030M1	3	Louvre	
10	380026X1	9	Screw	Diameter 3.5X16
11	3902214M1	1	Gate	[A] (1) Up to Serial or Engine Number J032033
	3902214M1	1	Gate	[B] (1) Up to Serial or Engine Number J040028
	3902214M2	1	Gate	[A] (1) From Serial or Engine Number J032034
	3902214M2	1	Gate	[B] (1) From Serial or Engine Number J040029
12	3902204M1	2	Clevis Pin	(1)
13	3902203M1	1	Spring	(1)
14	3902202M1	1	Spring	(1)
15	3902215M1	1	Diffusing Lens	[B] (1)
	3902299M1	1	Diffusing Lens	[A] (1)
16	3902213M2	3	Knob	(1)
17	3902217M1	1	Nut	[A] (1) Up to Serial or Engine Number M192016
	3904310M1	1	Nut	[A] (1) From Serial or Engine Number M192017
18	3902208M1	1	Nut	[A] (1) Up to Serial or Engine Number M192016
	3904309M1	1	Nut	[A] (1) From Serial or Engine Number M192017
	3902208M1	1	Nut	[B] (1) Up to Serial or Engine Number M239010
	3904309M1	1	Nut	[B] (1) From Serial or Engine Number M239011
19	3902205M1	1	Plug	[A] (1)
	3902205M1	2	Plug	[B] (1)
20	3902218M1	1	Screw	[A] (1) M5X14
	3902218M1	2	Screw	[B] (1) M5X14
21	3902210M1	1	Washer	(1)
22	3902211M1	1	Lever	(1)
23	3310871M1	1	Commutator	(1)
24	3310669M92	1	Thermostat	[A] (1)
25	1427873M1	1	Bulb	(1)

Massey Ferguson
MF 8250 TRACTOR - 1637366

Tractor Cab - Heater

Item	Part Number	Qty	Description	Comments
26	3902206M1	1	Spring	[A] (1) Up to Serial or Engine Number M192016
26	3902206M1	1	Spring	[B] (1) Up to Serial or Engine Number M239010
27	3902212M2	1	Cable	[A,C] (1)
27	3902212M2	1	Cable	[B,D] (1)
28	3713146M1	1	Switch,Indirect	
29	3713151M1	1	Tap	
30	3713746M1	1	Gasket	15X10X480MM
31	3389351M1	6	Nut	No 10
31	3389250M1	3	Nut	M5
32	3902591M3	1	Cover	(1)
33	365916X1	4	Self Tap Screws	(1)
34	3000483X1	2	Clamp	
35	3782904M1	1	Plate	Up to Serial or Engine Number H125001
36	3782903M1	1	Clip	Up to Serial or Engine Number H125001
37	3008179X1	1	Screw Metric	M4X10 Up to Serial or Engine Number H125001
38	3010477X1	8	Nut Metric	Up to Serial or Engine Number J349023
39	3783537M1	1	Diffuser	[A] (1) From Serial or Engine Number J032034
39	3783537M1	1	Diffuser	[B] (1) From Serial or Engine Number J040029
40	3784566M1	2	Support	Up to Serial or Engine Number J349023
41	3010506X1	8	Screw	Up to Serial or Engine Number J349023 M5X16
42	3019560X1	8	Washer	Up to Serial or Engine Number J349023
43	1696477M1	1	Clip	[A] From Serial or Engine Number M192017
43	1696477M1	1	Clip	[B] From Serial or Engine Number M239011

FOOTNOTE [A] WITH CONDITIONED AIR

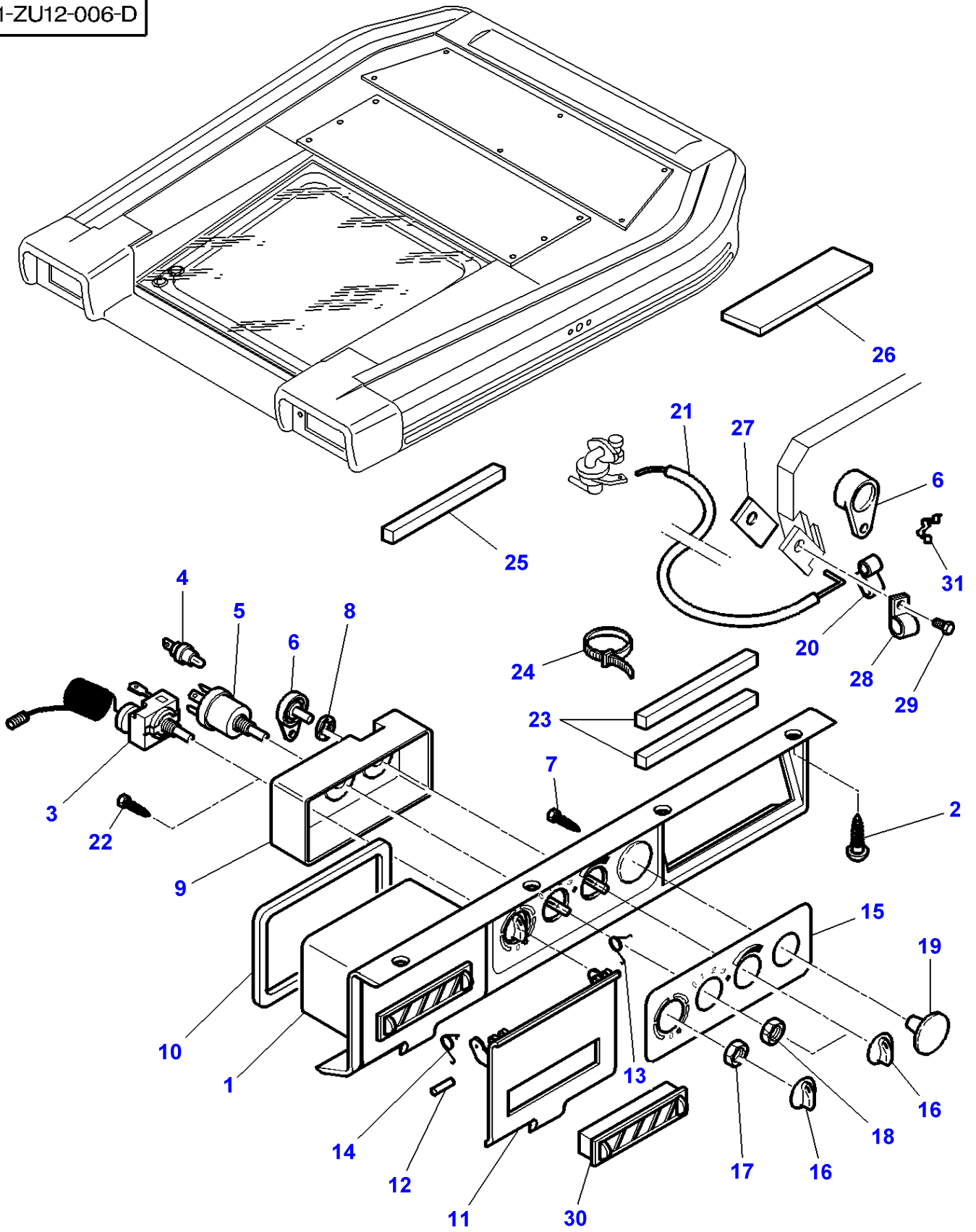
FOOTNOTE [B] WITHOUT CONDITIONED AIR

FOOTNOTE [C] FROM M192017 PART NOT INCLUDED IN ASSEMBLY

FOOTNOTE [D] FROM M239011 PART NOT INCLUDED IN ASSEMBLY

MF 8250 TRACTOR - 1637366
1-ZU12-006-D

1-ZU12-006-D



Tractor Cab - Heater - With High Visibility Roof

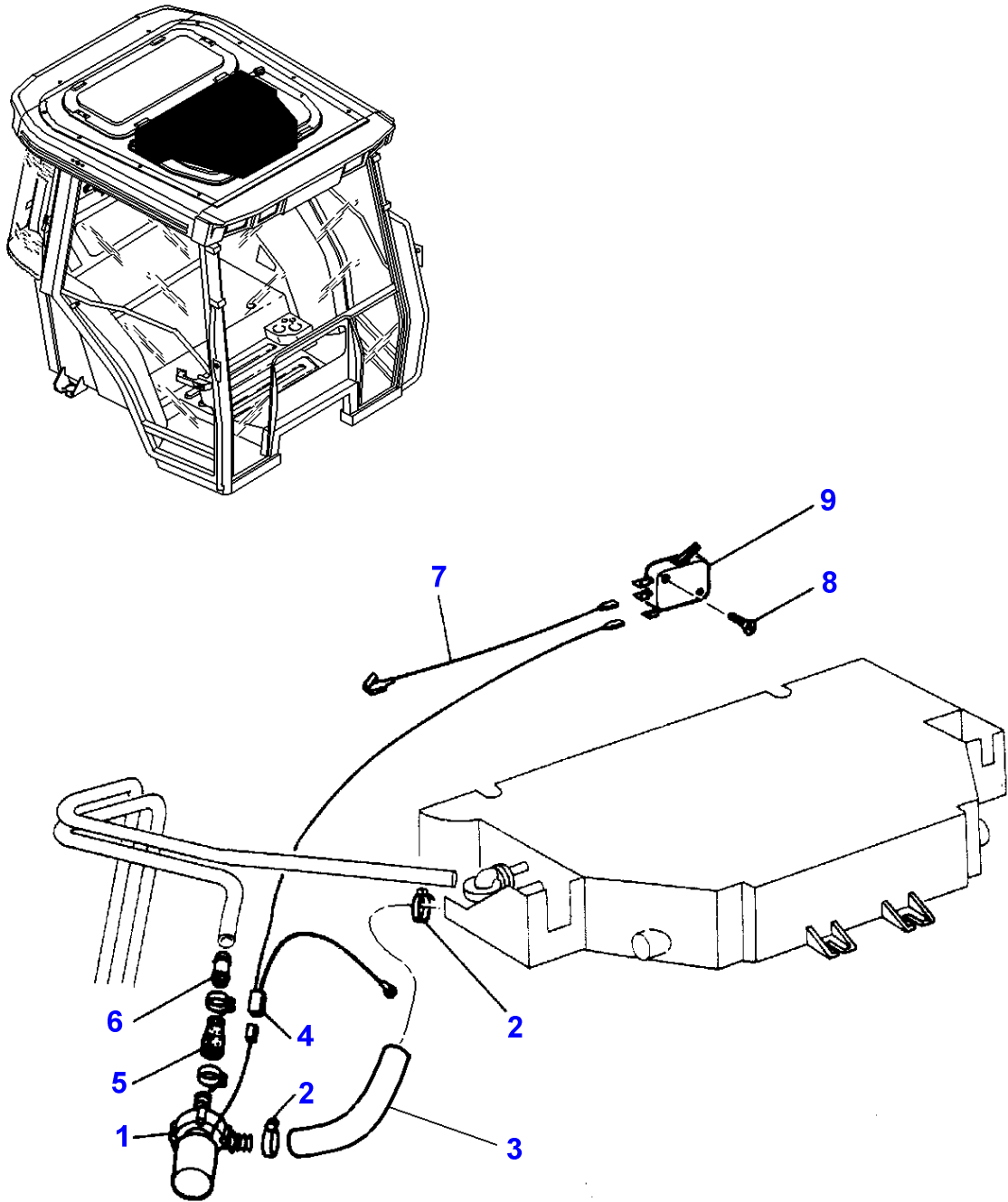
Item	Part Number	Qty	Description	Comments
1	3778013M3	1	Control Panel	[A] Up to Serial or Engine Number M101028
	3778013M5	1	Control Panel	[A] From Serial or Engine Number M101029
	3778073M3	1	Control Panel	[B] Up to Serial or Engine Number M134054
	3778073M5	1	Control Panel	[B] From Serial or Engine Number M134055
2	3010506X1	8	Screw	M5X16
	365925X1	8	Self Tap Screws	No 10X13
3	3902701M92	1	Thermostat	[A] (1)
4	1427873M1	2	Bulb	(1)
5	3310871M1	1	Commutator	(1)
6	3902211M1	1	Lever	(1)
7	3902218M1	1	Screw	[A] (1) M5X14
	3902218M1	2	Screw	[B] (1) M5X14
8	3902210M1	1	Washer	(1)
9	3902591M3	1	Cover	(1)
10	3713746M1	1	Gasket	15X10X480MM
11	3902214M1	1	Gate	[A] (1) Up to Serial or Engine Number J041011
	3902214M1	1	Gate	[B] (1) Up to Serial or Engine Number J081004
	3902214M2	1	Gate	[A] (1) From Serial or Engine Number J041012
	3902214M2	1	Gate	[B] (1) From Serial or Engine Number J081005
12	3902204M1	2	Clevis Pin	(1)
13	3902203M1	1	Spring	(1)
14	3902202M1	1	Spring	(1)
15	3902299M1	1	Diffusing Lens	[A] (1)
	3902215M1	1	Diffusing Lens	[B] (1)
16	3902213M2	3	Knob	[A] (1)
	3902213M2	2	Knob	[B] (1)
17	3902217M1	1	Nut	[A] (1) Up to Serial or Engine Number M101028
	3904310M1	1	Nut	[A] (1) From Serial or Engine Number M101029
18	3902208M1	1	Nut	[A] (1) Up to Serial or Engine Number M101028
	3904309M1	1	Nut	[A] (1) From Serial or Engine Number M101029
	3902208M1	1	Nut	[B] (1) Up to Serial or Engine Number M134054
	3904309M1	1	Nut	[B] (1) From Serial or Engine Number M134055
19	3902205M1	1	Plug	[A] (1)
	3902205M1	2	Plug	[B] (1)
20	3902206M1	1	Spring	[A] (1) Up to Serial or Engine Number M101028

Item	Part Number	Qty	Description	Comments
20	3902206M1	1	Spring	[B] (1) Up to Serial or Engine Number M134054
21	3902700M2	1	Cable	
22	365916X1	4	Self Tap Screws	(1)
23	3778749M1	1	Foam	25X15X80MM
24	3000483X1	2	Clamp	
25	3713635M1	1	Gasket	25X10X200
26	3713744M1	1	Gasket	10X15X1080
27	3782904M1	1	Plate	Up to Serial or Engine Number H141023
28	3782903M1	1	Clip	Up to Serial or Engine Number H141023
29	3008179X1	1	Screw Metric	Up to Serial or Engine Number H141023 M4X10
30	3783537M1	1	Diffuser	[A] (1) From Serial or Engine Number J041012
30	3783537M1	1	Diffuser	[B] (1) From Serial or Engine Number J081005
31	1696477M1	1	Clip	[A] From Serial or Engine Number M101029
31	1696477M1	1	Clip	[B] From Serial or Engine Number M134055

FOOTNOTE [A] WITH CONDITIONED AIR

FOOTNOTE [B] WITHOUT CONDITIONED AIR

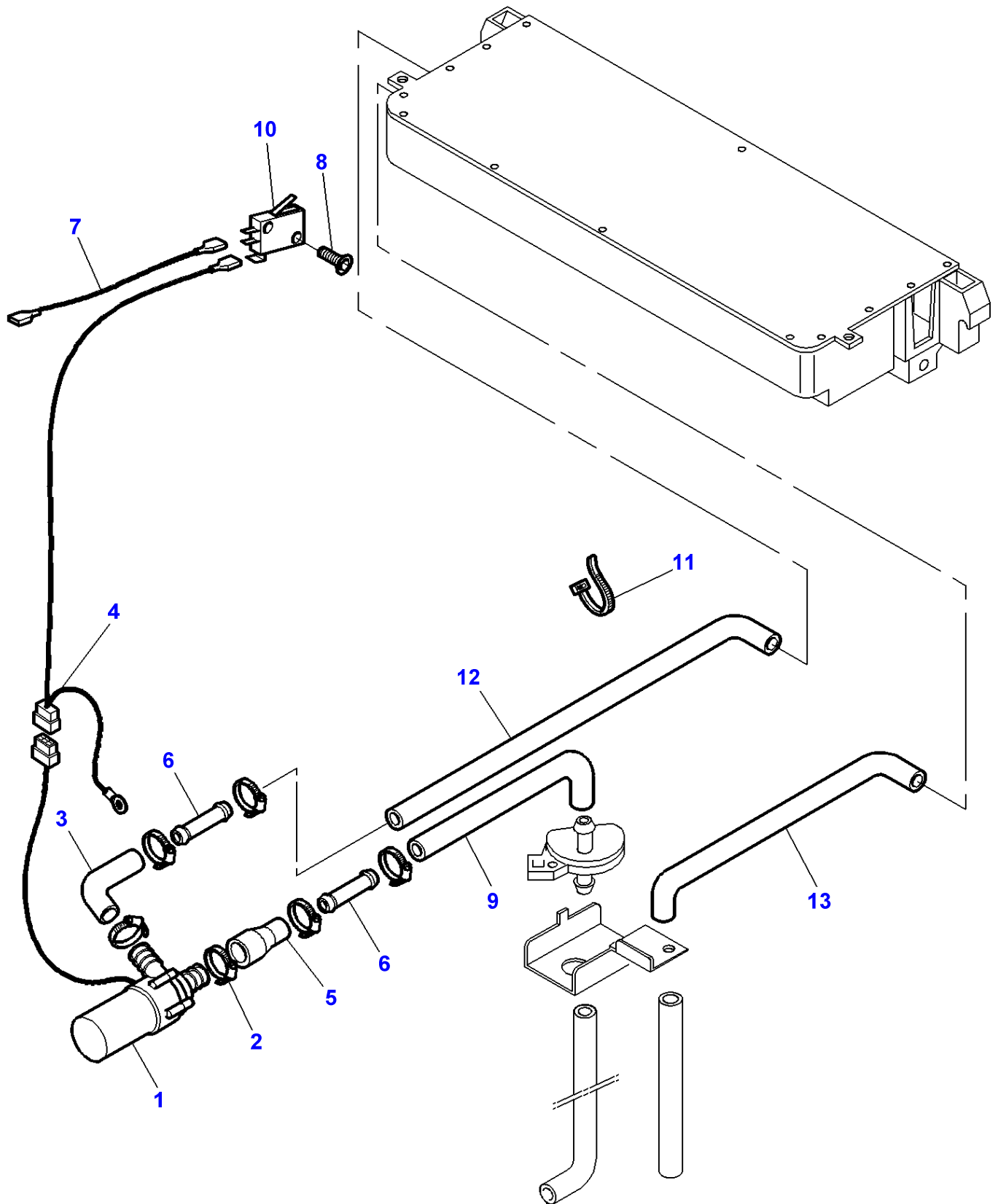
1-ZU12-004-A



Massey Ferguson**MF 8250 TRACTOR - 1637366****1637366****Tractor Cab - Heater - HIGH COLD****Page 110-0210**

Item	Part Number	Qty	Description	Comments
1	3712744M1	1	Water Pump	
2	3019564X1	4	Hose Clip	
3	3714538M1	1	Hose	
4	3778017M1	1	Harness	Replace and repair. Old not interchangeable with new 3712734M1
5	3616062M1	1	Hose	
6	3616064M1	1	Tube	
7	3583973M2	1	Wire	
8	3010065X1	2	Self Tap Screws	
9	3616429M1	1	Switch,Indirect	

1-ZU12-005-A

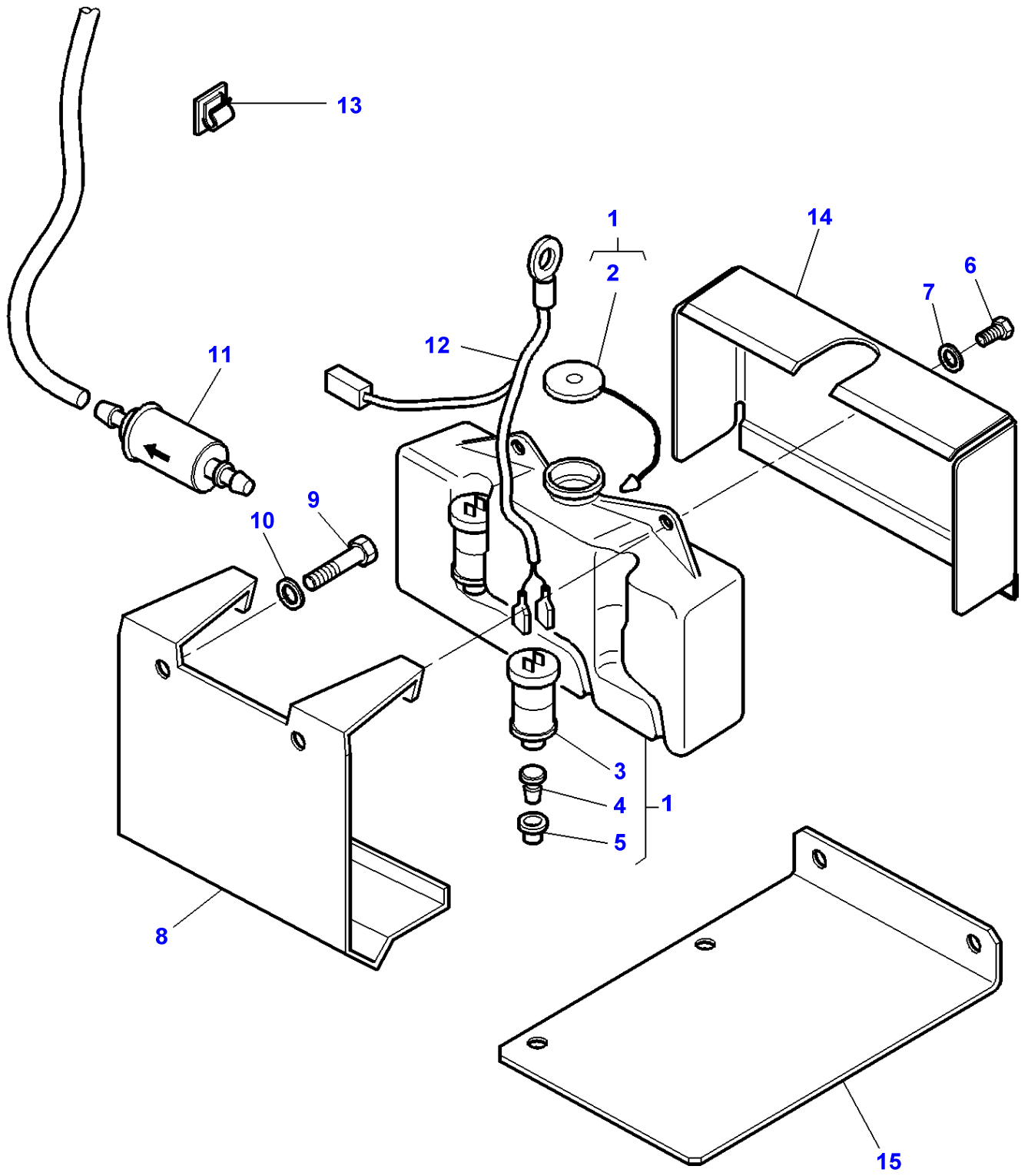


Item	Part Number	Qty	Description	Comments
1	3712744M1	1	Water Pump	
2	3019564X1	4	Hose Clip	
3	3714538M1	1	Hose	
4	3778017M1	1	Harness	
5	3616062M1	1	Hose	
6	3616064M1	2	Tube	
7	3583973M2	1	Wire	
8	3010065X1	2	Self Tap Screws	
9	3778359M1	1	Water Hose	Length 520MM
10	3616429M1	1	Switch,Indirect	
11	3619622M1	2	Cable Tie	
12	3778335M1	1	Water Hose	[B] Up to Serial or Engine Number K015006
	3778335M1	1	Water Hose	[A] Up to Serial or Engine Number J348039
	3785723M1	1	Hose	[B] From Serial or Engine Number K015007
	3785723M1	1	Hose	[A] From Serial or Engine Number J348040
13	3777711M1	1	Hose	[A] Up to Serial or Engine Number J348039
	3777711M1	1	Hose	[B] Up to Serial or Engine Number K015006
	3784602M1	1	Hose	[A] From Serial or Engine Number J348040
	3784602M1	1	Hose	[B] From Serial or Engine Number K015007

FOOTNOTE [A] WITH CONDITIONED AIR

FOOTNOTE [B] WITHOUT CONDITIONED AIR

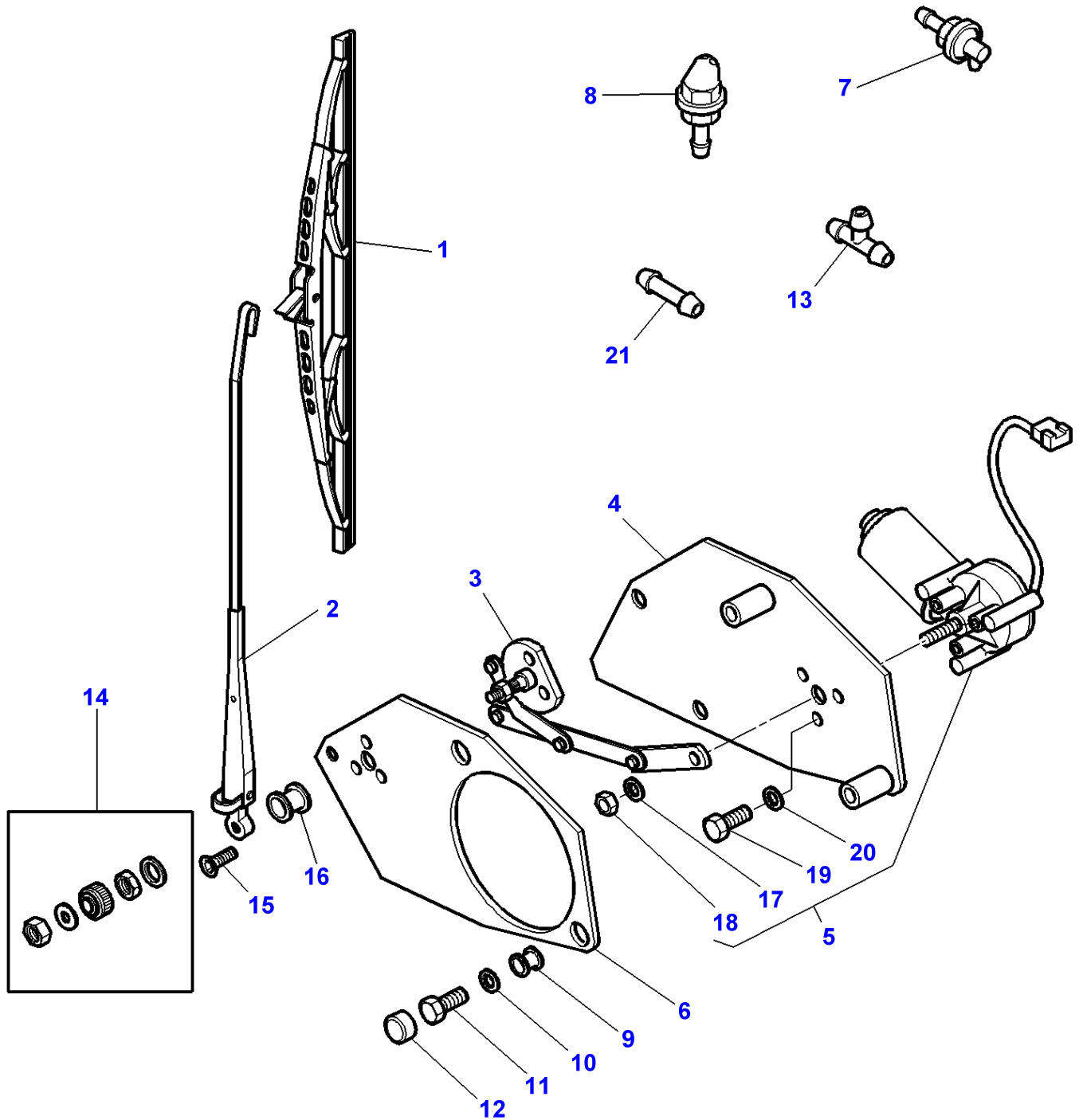
1-ZU24-003-A



Windscreen Washer

Item	Part Number	Qty	Description	Comments
1	3582444M91	1	Tank	
2	3106496M1	1	Plug	(1)
3	3582441M1	1	Water Pump	(1)
4	3582442M1	1	Plug	(1)
5	3582443M1	1	Gasket	(1)
6	339123X1	2	Hex. Sock. Screw	
7	391039X1	2	Washer Metric	
8	3778973M3	1	Support	
9	339123X1	2	Hex. Sock. Screw	M8X20
10	390972X1	2	Washer Metric	
11	3583086M1	1	Pressure Valve	
12	3618017M1	1	Harness	
13	1677803M1	2	Clip	
14	3780314M91	1	Cowl	Up to Serial or Engine Number
15	3782342M2	1	Support	

1-ZU23-001-B



Massey Ferguson**MF 8250 TRACTOR - 1637366**

1637366

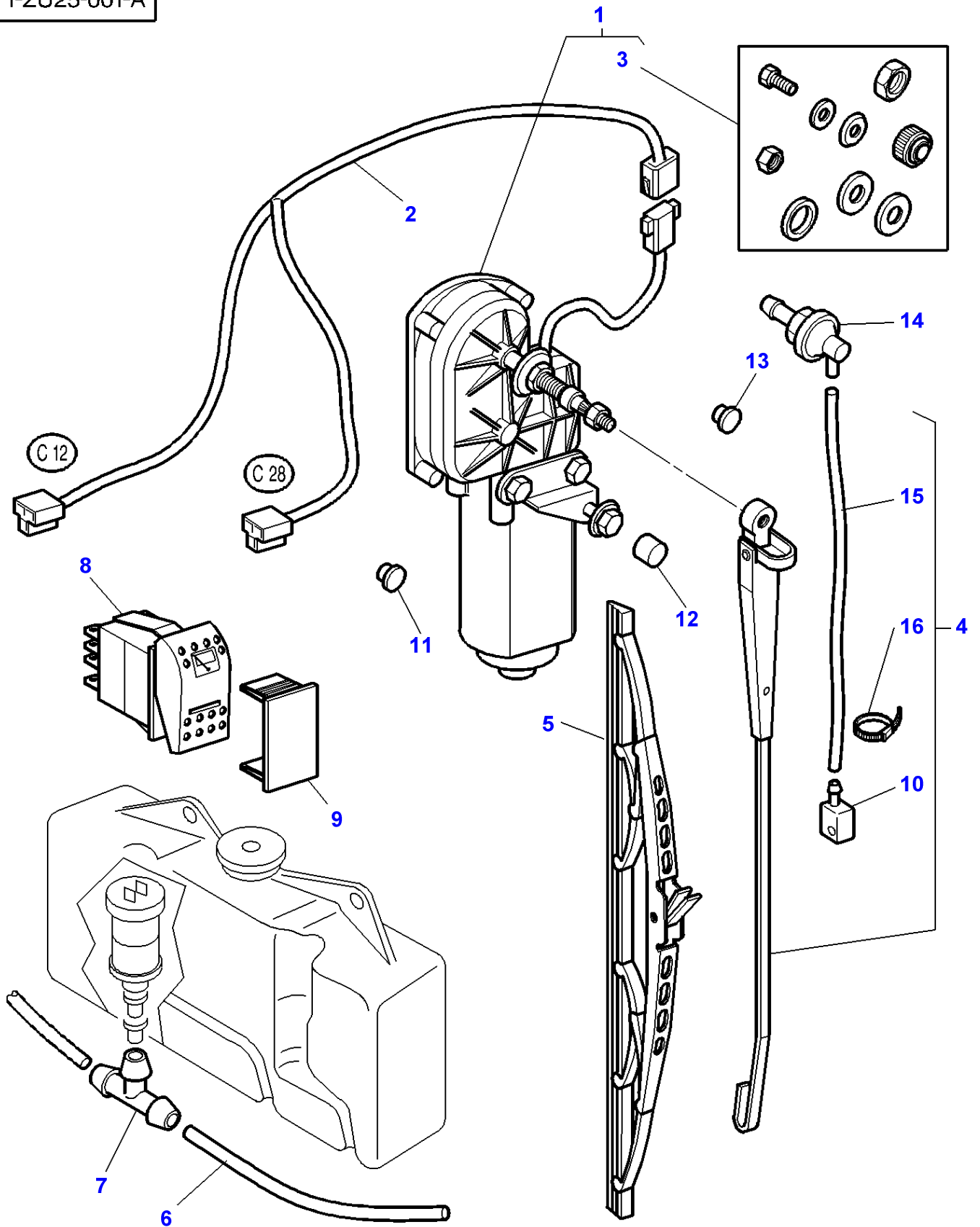
Page 110-0225

Front Windscreen Wiper

Item	Part Number	Qty	Description	Comments
1	3777648M1	1	Wiper Blade	
2	3777649M1	1	Wiper Arm	
3	3778259M1	1	Tie Rod	
4	3777699M2	1	Support	
5	3777698M92	1	Wiper Motor	
6	3777700M2	1	Support	
7	3902342M1	1	Union	
8	3389664M1	2	Jet	
9	3777608M1	2	Grommet	
10	391039X1	2	Washer Metric	
11	339123X1	2	Hex. Sock. Screw	M8X20MM
12	3616277M1	2	Helmet	
13	3583069M1	2	Teepiece	
14	3778258M1	1	Parts Pack	
15	3010762X1	3	Screw	
16	3777607M1	1	Grommet	
17	3008914X1	1	Tab Washer	(5)
18	339169X1	1	Nut	(5)
19	339560X1	3	Hex. Sock. Screw	(5) M8 M6
20	391289X1	3	Lock Washer	(5)
21	3715074M1	1	Union	

FOOTNOTE [A] INDUSTRIAL CAB

1-ZU25-001-A

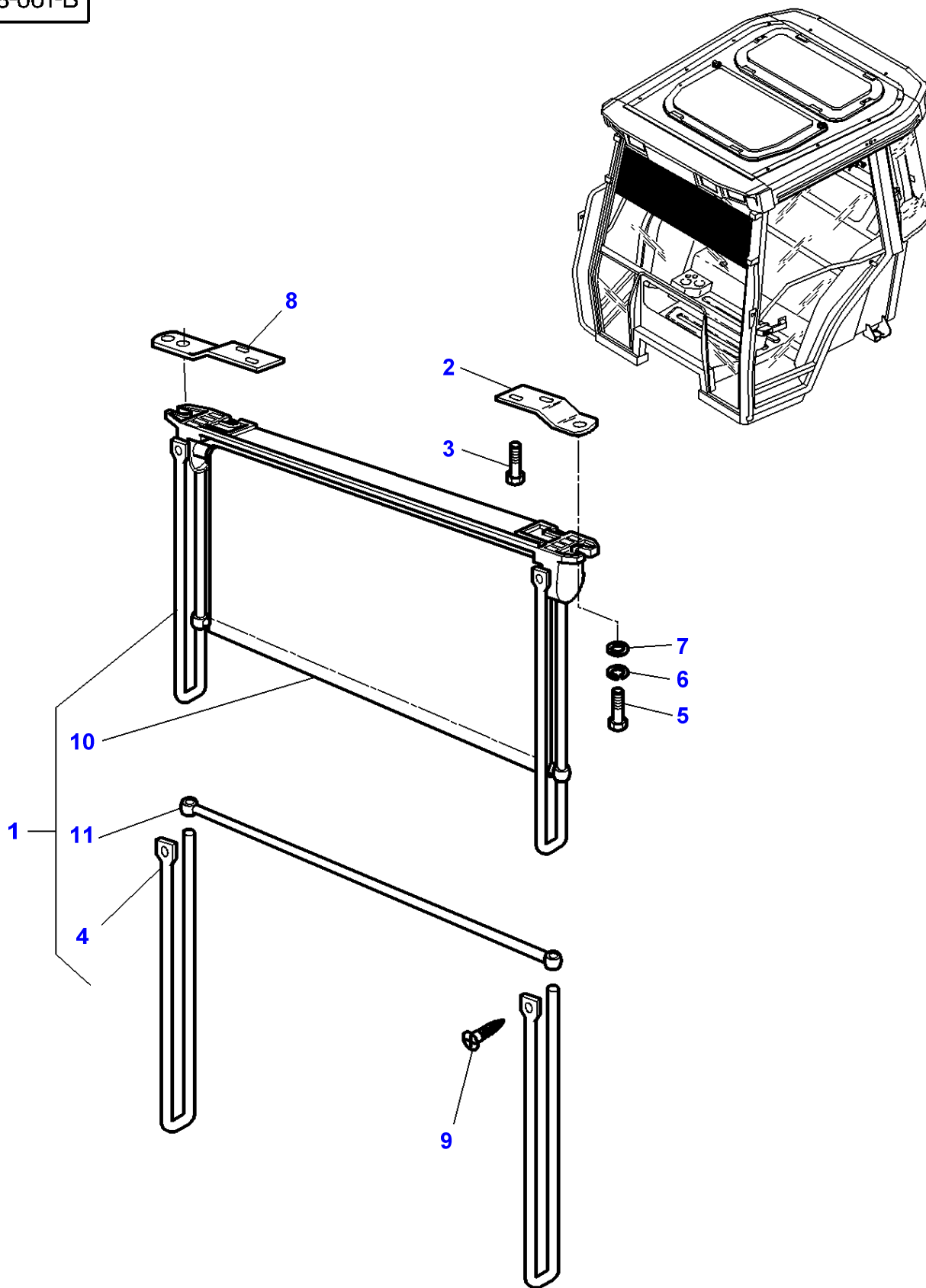


Rear Window Wiper

Item	Part Number	Qty	Description	Comments
1	3715610M2	1	Wiper Motor	
2	3713738M2	1	Harness	
3	3902580M91	1	Parts Pack	(1)
4	3713196M2	1	Wiper Arm	
5	3713195M1	1	Wiper Blade	
6	3781312M1	1	Hydr Hose	Length 250MM
	3714118M1	1	Tube	Length 200MM
	3714119M1	1	Tube	Length 1300MM
	3714120M2	1	Tube	Length 2800MM
	3580902M1	1	Hose	Length 1400MM
	3778372M1	1	Tube	Length 370MM
7	3583069M1	1	Teepiece	
8	3713147M1	1	Switch,Indirect	
9	3713151M1	1	Tap	[A]
10	3902461M1	1	Jet	(4)
11	3713742M1	1	Plug	[A] Diameter 9,5MM
12	3616277M1	X	Helmet	
13	3713741M1	1	Plug	[A] Diameter 17,5MM
14	3902342M1	1	Union	
15	3902462M1	1	Tube	(4)
16	3902463M1	1	Clamp	(4)

FOOTNOTE [A] WITHOUT REAR WIPER AND WASHER WINDSCREEN

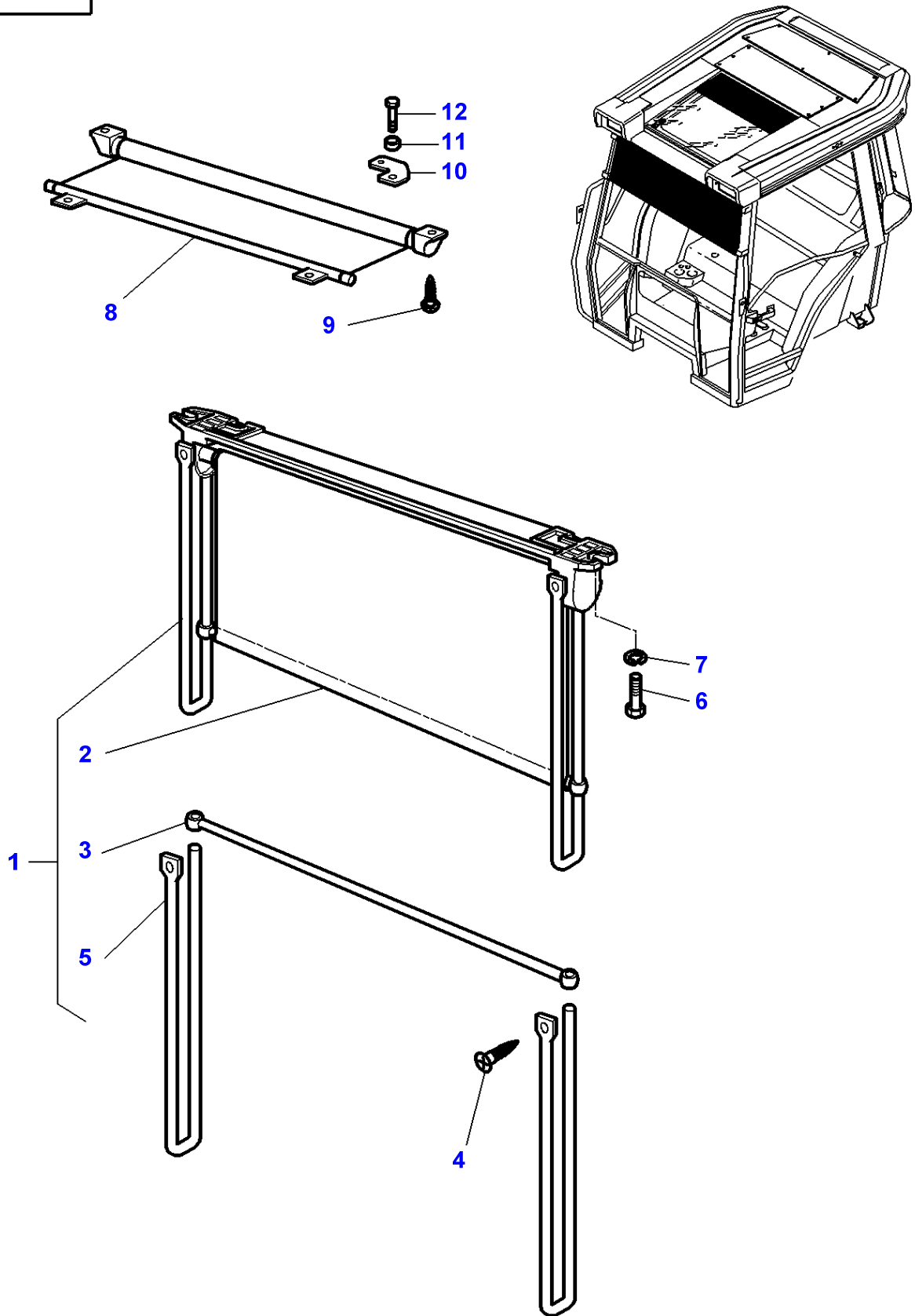
1-ZU28-001-B



Massey Ferguson**MF 8250 TRACTOR - 1637366****1637366****Page 110-0235****Tractor Cab - Canopy**

Item	Part Number	Qty	Description	Comments
1	3714072M91	1	Canopy	
2	3389750M1	1	Support	Left Hand
3	339666X1	4	Hex. Sock. Screw	M6X20
4	3902174M91	2	Rod	(1)
5	339560X1	2	Hex. Sock. Screw	M16X16
6	339375X1	2	Lock Washer	
7	390971X1	2	Washer	
8	3389749M1	1	Support	Right Hand
9	365924X1	2	Screw	CBZ N10X16
10	3902176M91	1	Panel	(1)
11	3902175M91	1	Bar	(1)

1-ZU28-002-B



Massey Ferguson**MF 8250 TRACTOR - 1637366**

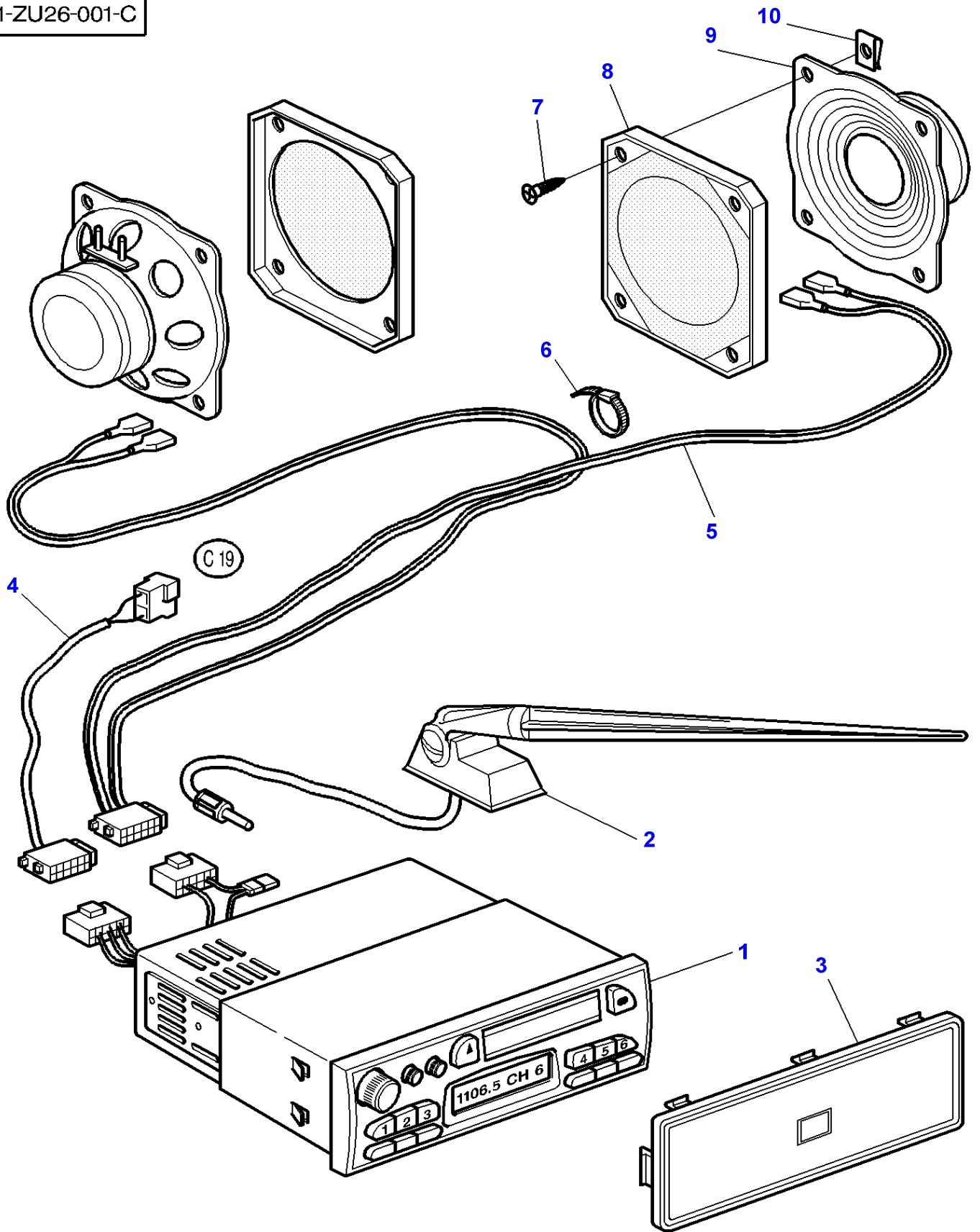
1637366

Tractor Cab - Canopy - With High Visibility Roof

Page 110-0240

Item	Part Number	Qty	Description	Comments
1	3714072M91	1	Canopy	
2	3902176M91	1	Panel	(1)
3	3902175M91	1	Bar	(1)
4	3005728X1	2	Screw	CBZ N10X16
5	3902174M91	2	Rod	(1)
6	339666X1	2	Hex. Sock. Screw	M6X20
7	339375X1	2	Lock Washer	
8	3777706M1	1	Canopy	
9	360367X1	2	Screw	
10	3778315M1	1	Support	
11	3045014M2	2	Spacer	
12	391244X1	2	Bolt Metric	M6X45

1-ZU26-001-C

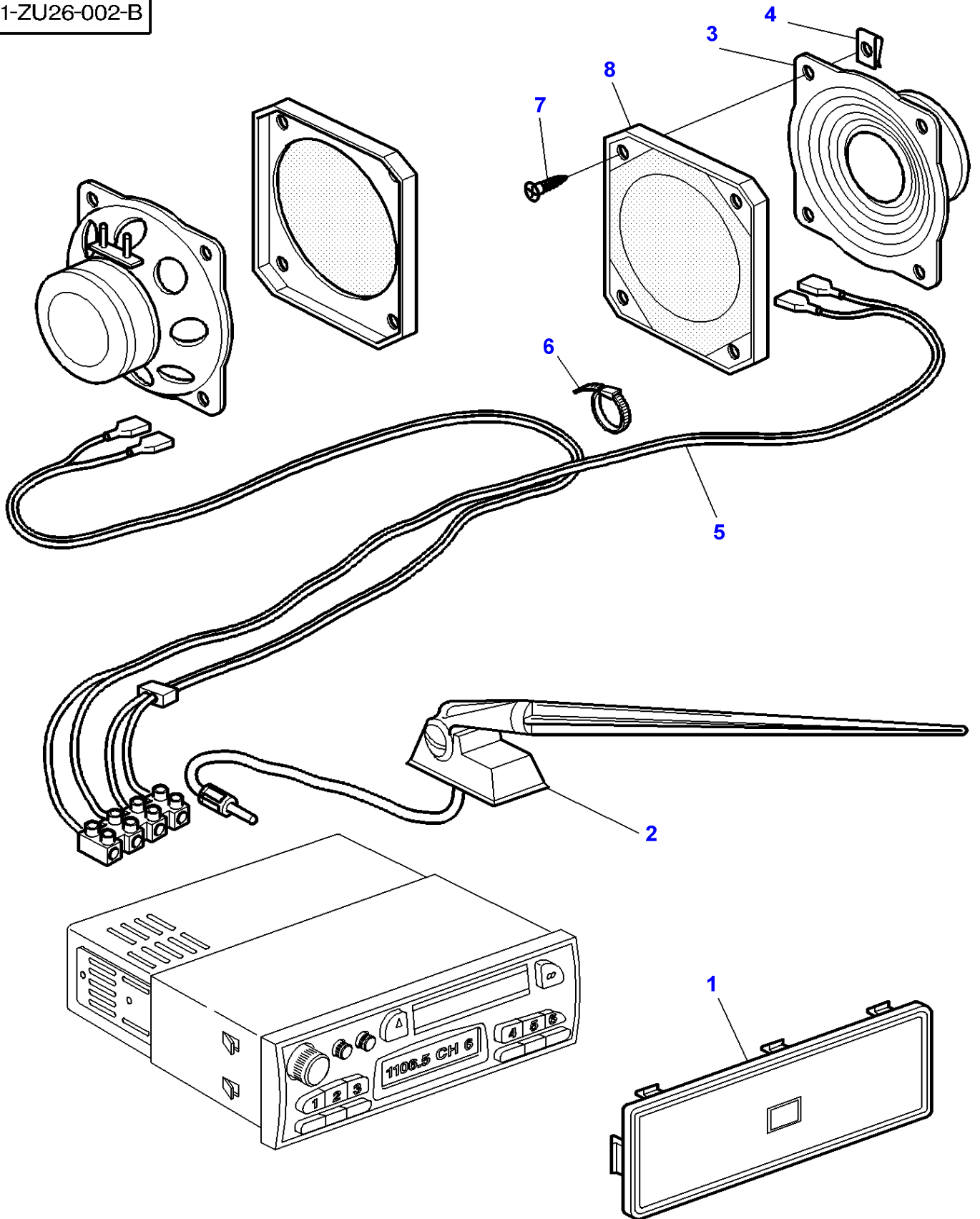


Radio Installation

Item	Part Number	Qty	Description	Comments
1	3816384M91	1	Radio Push Butt.	
2	3617629M92	1	Top Aerial	
3	3580173M1	1	Plate	[A]
4	3715099M1	1	Harness	Up to Serial or Engine Number J105016
	3715099M1	1	Harness	[B] Up to Serial or Engine Number J252017
5	3715100M1	1	Harness	
	3778108M1	1	Harness	[B]
6	3619622M1	1	Cable Tie	
7	3580257M1	8	Screw	
8	3617395M1	2	Grille	
9	3617394M1	2	Speaker	
10	3715142M1	8	Nut	

FOOTNOTE [A] WITHOUT RADIO
FOOTNOTE [B] WITH HIGH VISIBILITY ROOF
FOOTNOTE [C] INDUSTRIAL CAB

1-ZU26-002-B

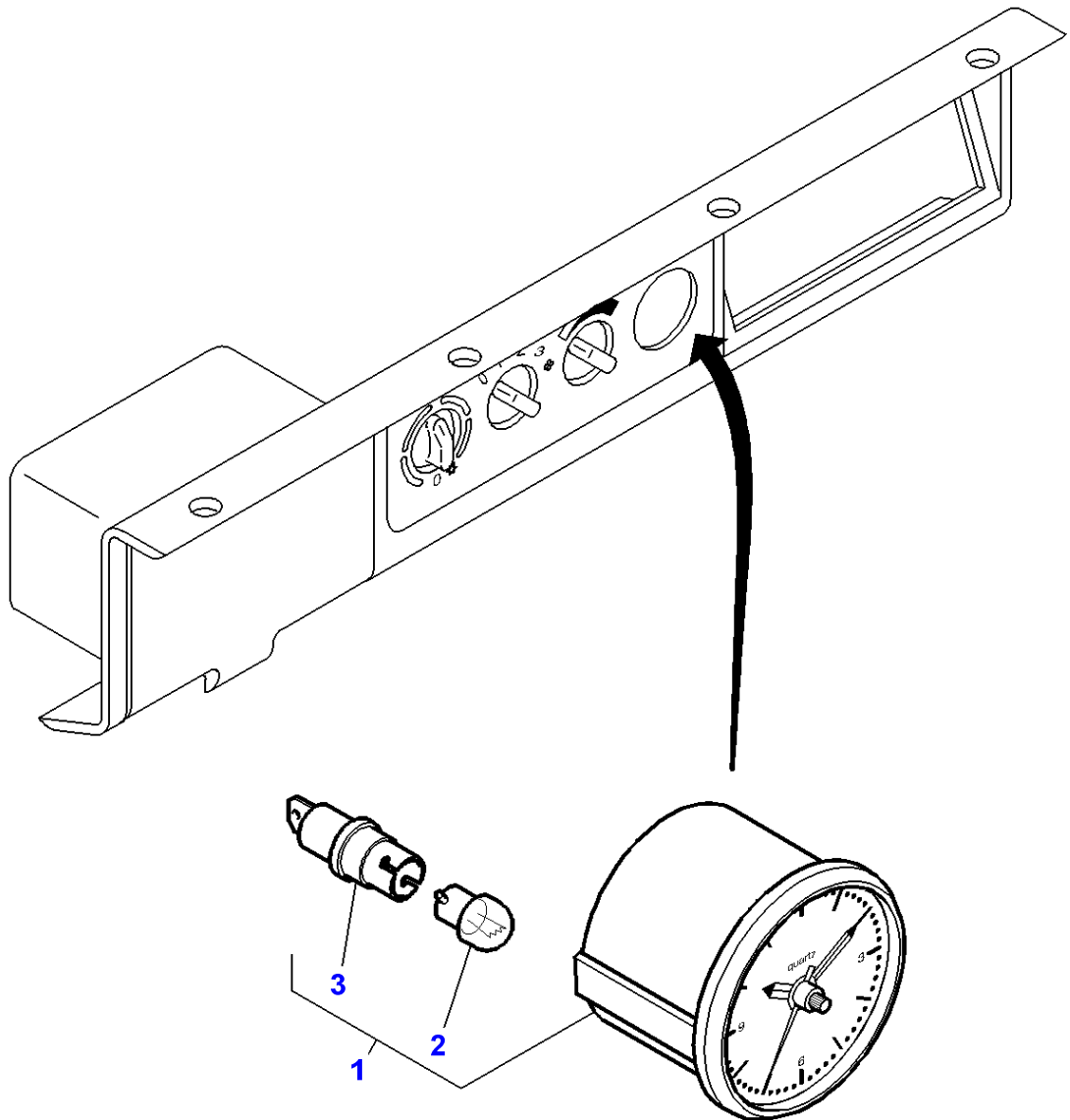


Massey Ferguson**MF 8250 TRACTOR - 1637366****1637366****Radio Installation - United States Only****Page 110-0250**

Item	Part Number	Qty	Description	Comments
1	3580173M1	1	Plate	[A]
2	3617629M92	1	Top Aerial	
3	3617394M1	2	Speaker	
4	3715142M1	8	Nut	
5	3388458M4	1	Harness	
	3780928M1	1	Harness	[B]
6	3619622M1	1	Cable Tie	
7	3580257M1	8	Screw	
8	3617395M1	2	Grille	

FOOTNOTE [A] WITHOUT RADIO**FOOTNOTE [B]** WITH HIGH VISIBILITY ROOF

1-ZU18-001-B

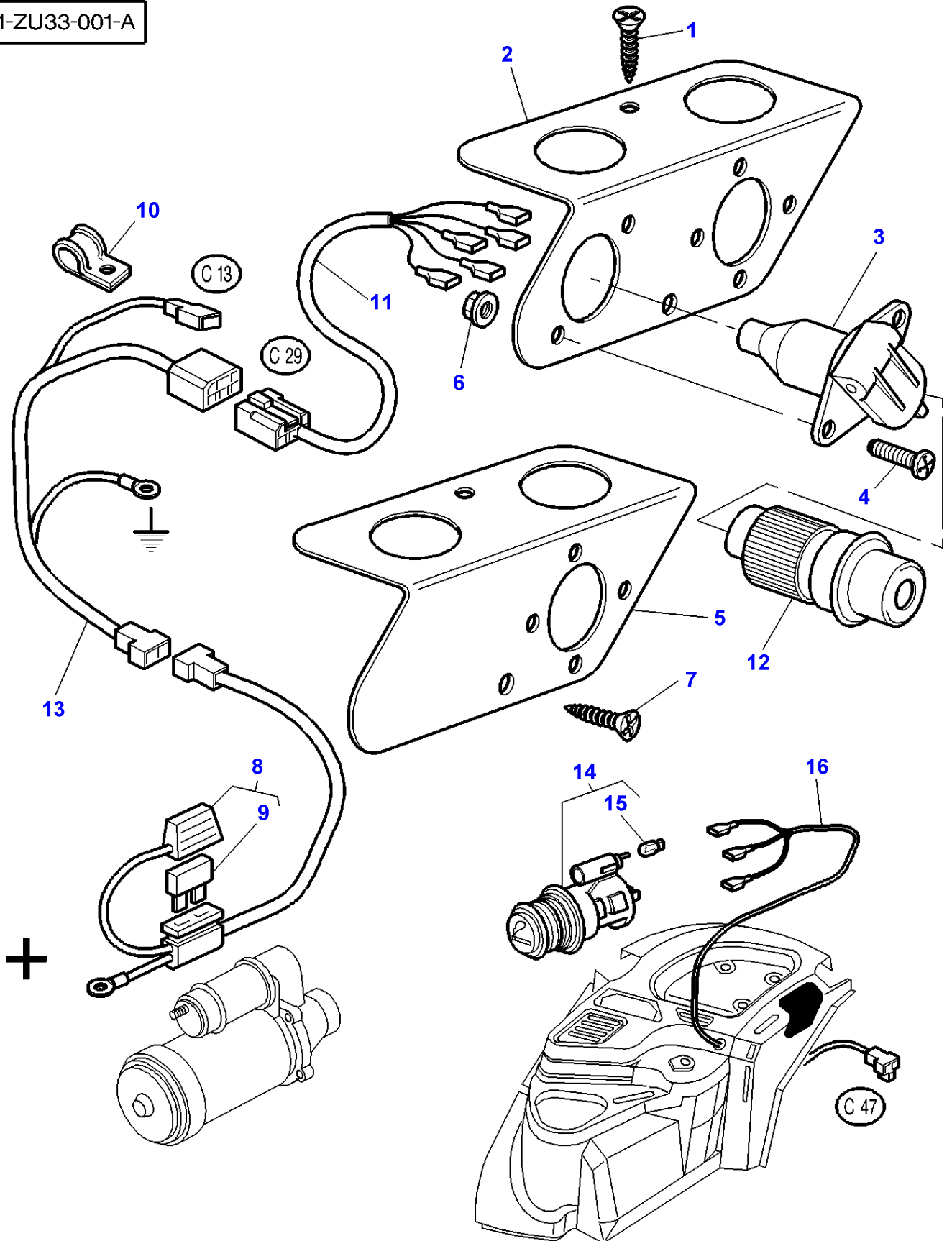


Watch

Item	Part Number	Qty	Description	Comments
1	3713364M1	1	Watch	
2	963333M1	1	Bulb 12v 5w	(1) VEGLIA
		1	Bulb	[A] (1) IPCO
3	3902191M1	1	Lamp Socket	(1) VEGLIA
		1	Lamp Socket	[A] (1) IPCO

FOOTNOTE [A] NOT DETAILED

1-ZU33-001-A



Massey Ferguson**MF 8250 TRACTOR - 1637366**

1637366

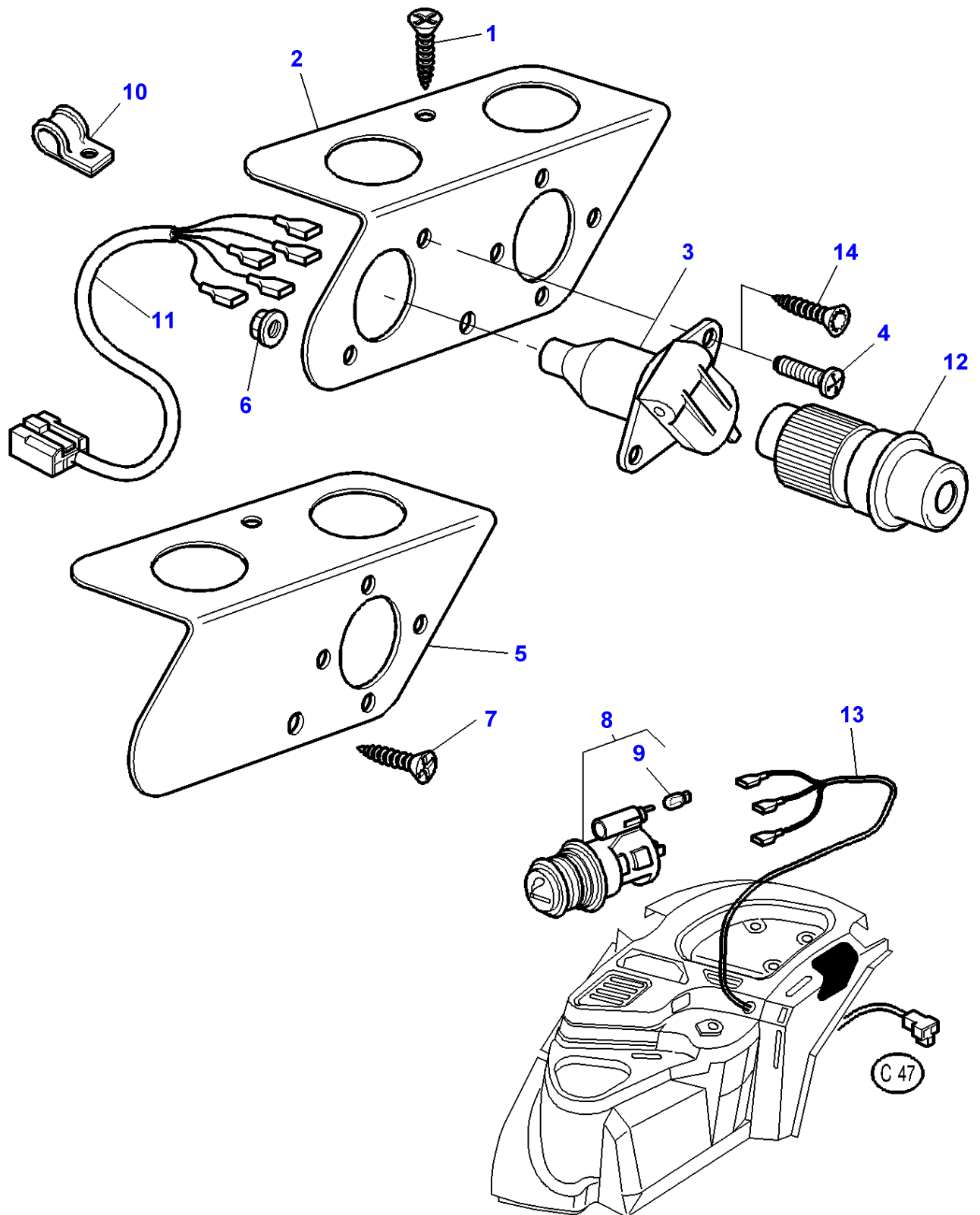
Electrical Plug And Cigar Lighter - Up To ...

Page 110-0260

Item	Part Number	Qty	Description	Comments
1	3010506X1	1	Screw	M5X16
	3010578X1	1	Screw	M5X10
2	3713356M1	1	Support	
3	3760033M1	1	Electric Socket	
4	3000926X1	2	Screw	
5	3713357M1	1	Support	[A]
6	3010477X1	2	Nut Metric	
7	3010506X1	2	Screw	
8	3715073M91	1	Harness	
9	3712661M1	1	Fuse	(8) 30 AMP
10	3387578M1	1	Clamp	
11	3714516M1	1	Harness	
12	3760032M1	1	Electrical Plug	
13	3714515M1	1	Harness	
14	3617848M91	1	Lighter	
15	3302213M1	1	Bulb 12v 1.2w	(14)
16	3714566M1	1	Harness	

FOOTNOTE [A] WITHOUT ELECTRICAL PLUG

1-ZU33-004-B

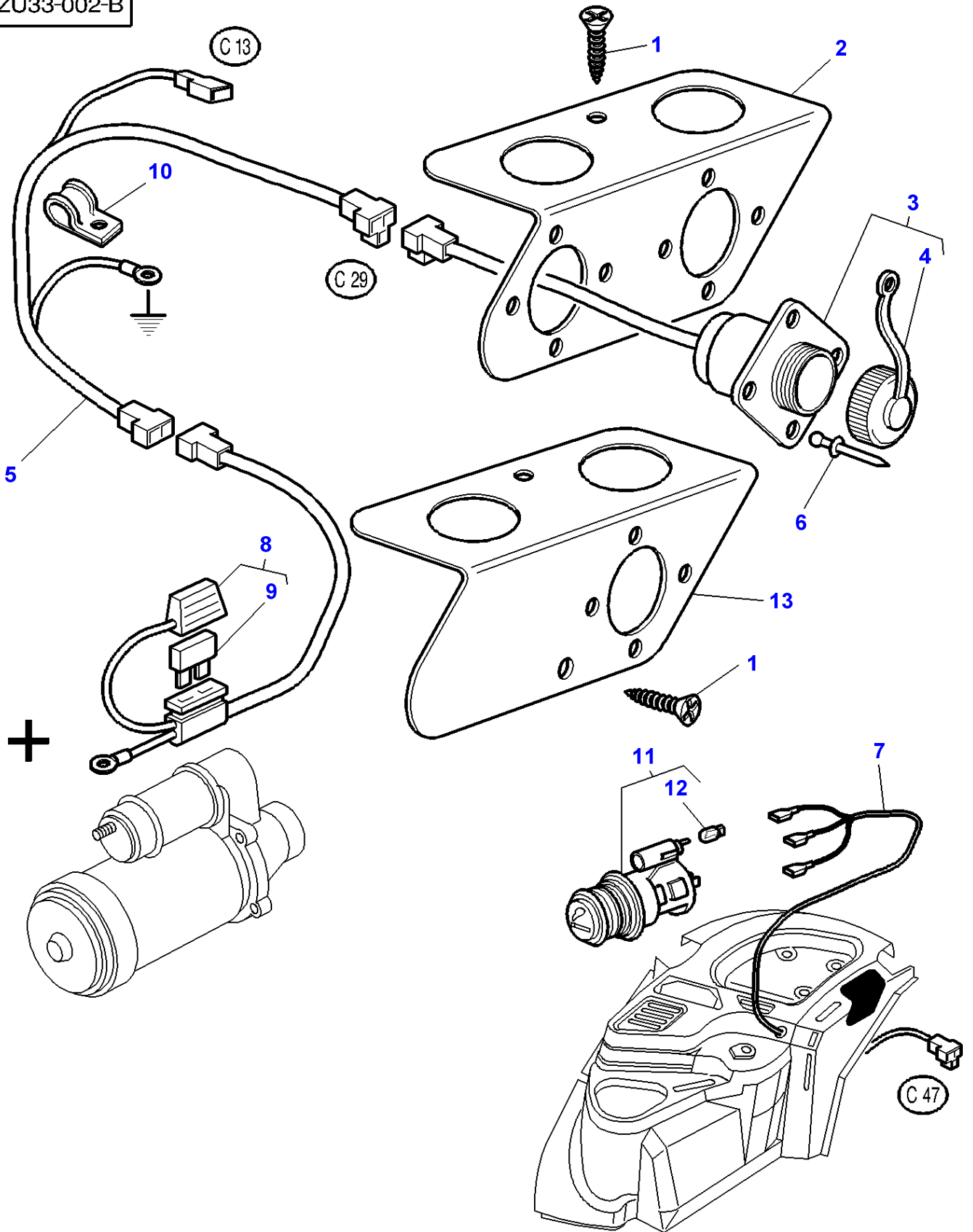


Massey Ferguson**MF 8250 TRACTOR - 1637366****1637366****Electrical Plug And Cigar Lighter - From ...****Page 110-0265**

Item	Part Number	Qty	Description	Comments
1	3010506X1	1	Screw	M5X16
	3010578X1	1	Screw	M5X10
2	3713356M1	1	Support	
3	3760033M1	1	Electric Socket	
4	3000926X1	2	Screw	Up to Serial or Engine Number L031000
5	3713357M1	1	Support	[A]
6	3010477X1	2	Nut Metric	
7	3010506X1	2	Screw	
8	3617848M91	1	Lighter	
9	3302213M1	1	Bulb 12v 1.2w	(8)
10	3387578M1	1	Clamp	
11	3714516M1	1	Harness	
12	3760032M1	1	Electrical Plug	
13	3714566M1	1	Harness	
14	3010578X1	2	Screw	From Serial or Engine Number L031001

FOOTNOTE [A] WITHOUT ELECTRICAL PLUG

1-ZU33-002-B



Massey Ferguson**MF 8250 TRACTOR - 1637366**

1637366

Electrical Plug And Cigar Lighter - Up To ... - United States only

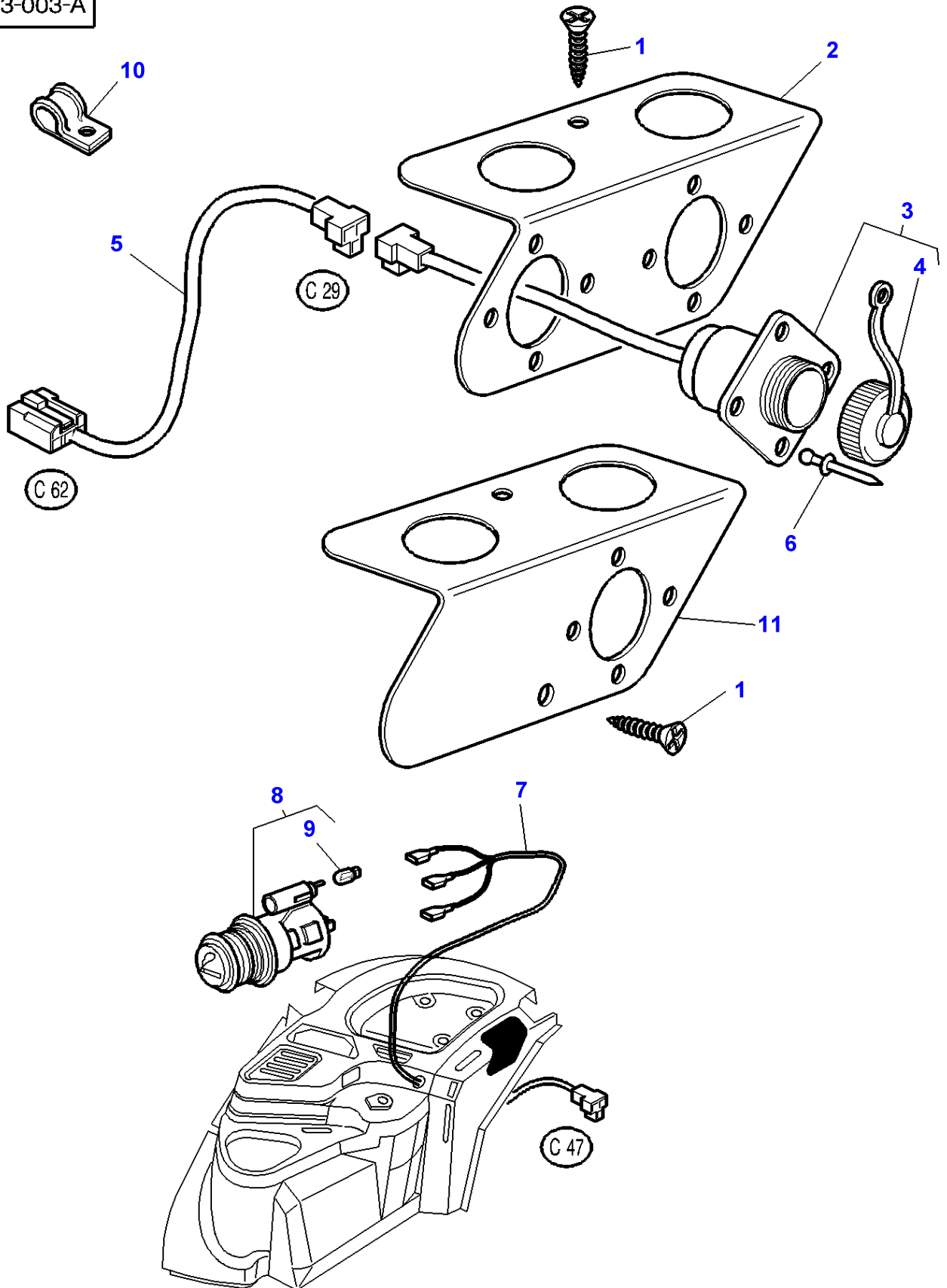
Page 110-0270

Item	Part Number	Qty	Description	Comments
1	3010506X1	4	Screw	M5X16
2	3779807M1	1	Support	
3	3779785M2	1	Intake	
4	3900383M1	1	Plug	(3)
5	3779784M1	1	Harness	
6	3011214X1	4	Rivet	
7	3714566M1	1	Harness	
8	3715073M91	1	Harness	
9	3712661M1	1	Fuse	(8) 30 AMP
10	3387578M1	1	Clamp	
11	3617848M91	1	Lighter	
12	3405185M1	1	Bulb 12v 1.2w	(11)
13	3713357M1	1	Support	[A]

FOOTNOTE [A] WITHOUT ELECTRICAL PLUG

MF 8250 TRACTOR - 1637366
1-ZU33-003-A

1-ZU33-003-A

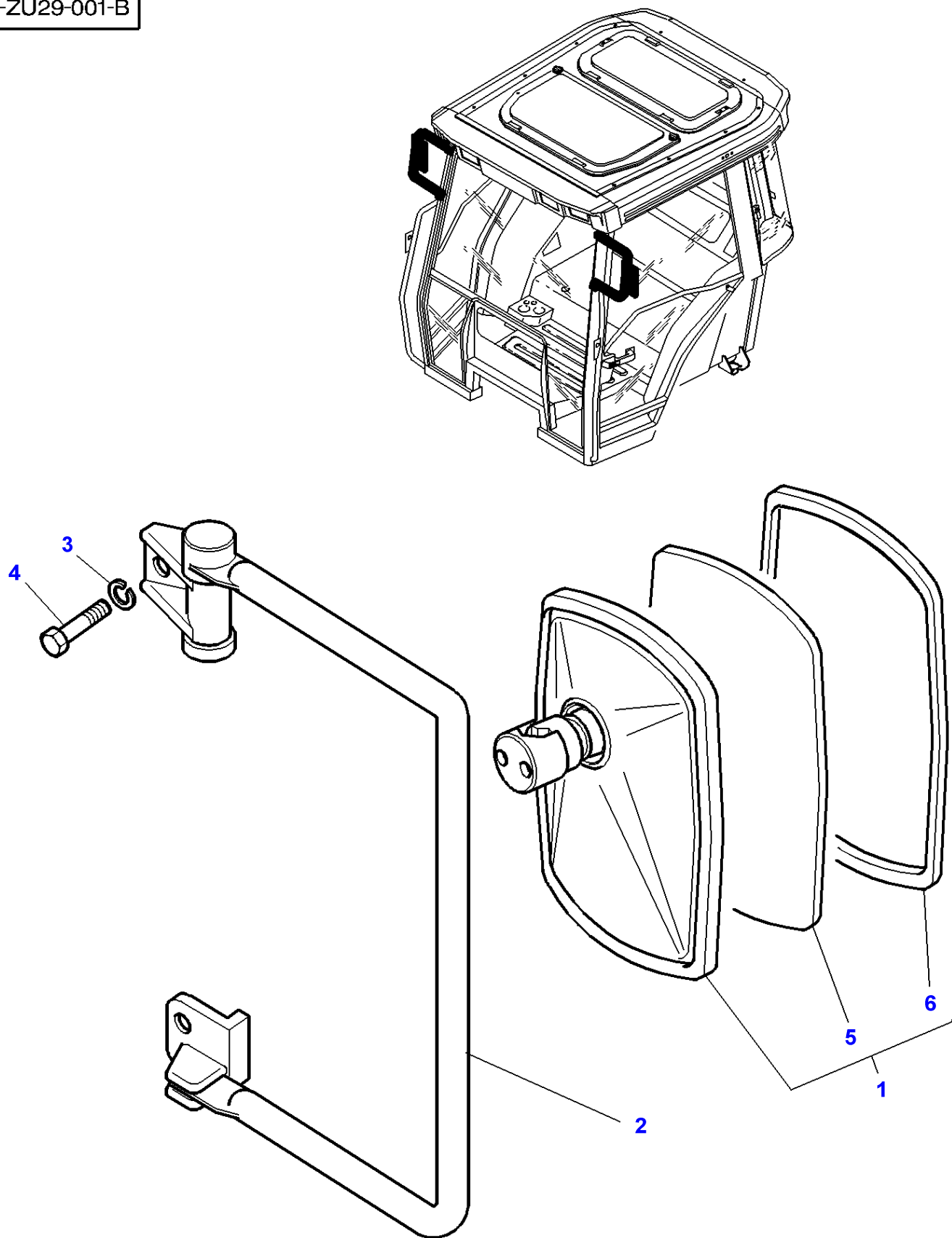


Massey Ferguson**MF 8250 TRACTOR - 1637366****1637366****Electrical Plug And Cigar Lighter - From ... - United States only****Page 110-0275**

Item	Part Number	Qty	Description	Comments
1	3010506X1	1	Screw	M5X16
2	3779807M1	1	Support	
3	3779785M2	1	Intake	Up to Serial or Engine Number K137032
	3786495M1	1	Intake	From Serial or Engine Number K137033
4	3900383M1	1	Plug	(3)
5	3786005M1	1	Harness	Up to Serial or Engine Number K137032
6	3011214X1	4	Rivet	
7	3714566M1	1	Harness	
8	3617848M91	1	Lighter	
9	3405185M1	1	Bulb 12v 1.2w	(8)
10	3387578M1	1	Clamp	
11	3713357M1	1	Support	[A]

FOOTNOTE [A] WITHOUT ELECTRICAL PLUG

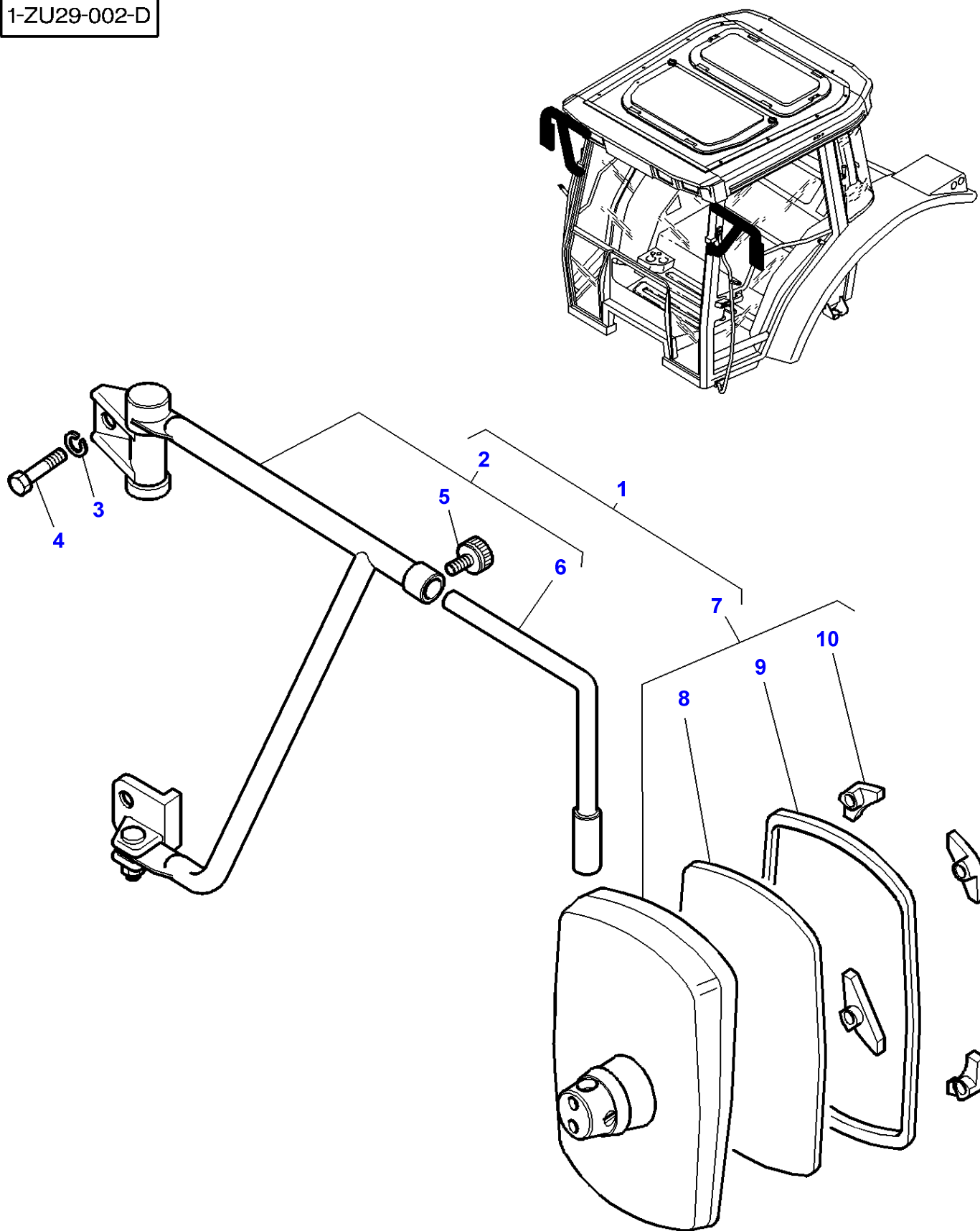
1-ZU29-001-B



Massey Ferguson**MF 8250 TRACTOR - 1637366****1637366****Tractor Cab - External Mirrors****Page 110-0280**

Item	Part Number	Qty	Description	Comments
1	3806614M91	2	Mirror	
2	3806610M92	1	Arm	Left Hand
	3806611M92	1	Arm	Right Hand
3	385361X1	4	Washer	
4	339123X1	4	Hex. Sock. Screw	M8X20
5	1894397M1	1	Mirror Glass	(1)
6	3904489M1	1	Gasket	(1)

1-ZU29-002-D



Massey Ferguson**MF 8250 TRACTOR - 1637366**

1637366

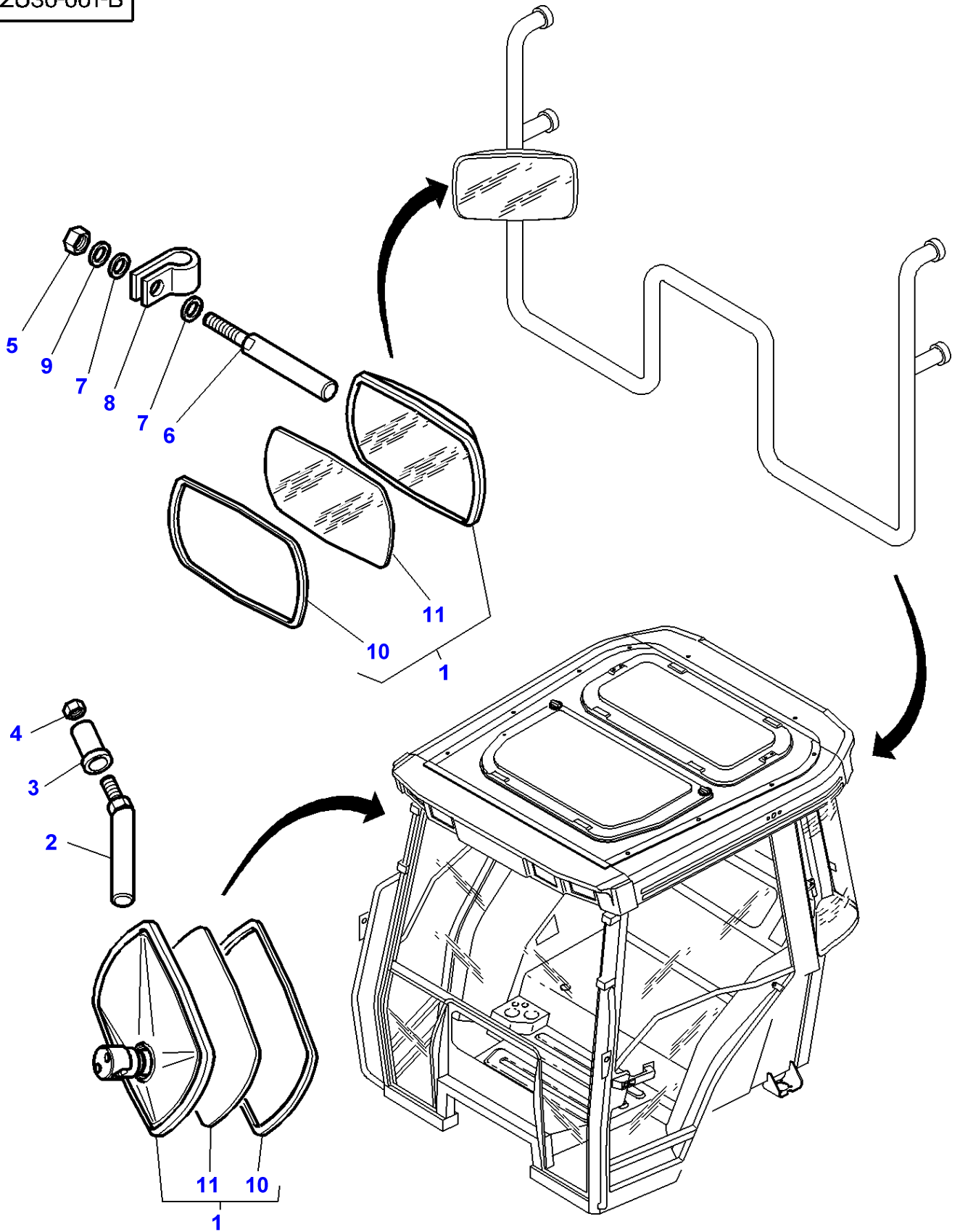
Page 110-0285

Tractor Cab - External Mirrors

Item	Part Number	Qty	Description	Comments
1	3777056M92	1	Mirror	Left Hand
	3777057M92	1	Mirror	Right Hand
2	3818647M92	1	Arm	(1) Left Hand
	3818648M92	1	Arm	(1) Right Hand
3	385361X1	4	Washer	
4	339123X1	4	Hex. Sock. Screw	
5	3903400M91	1	Setscrew	(2)
6	3903399M91	1	Stem	(2)
7	3787152M1	1	Mirror	(1) Replace and repair. Old not interchangeable with new 3818552M1
	3806617M91	1	Mirror	[A]
8	3904488M1	1	Mirror Glass	(7) 224X304MM
	3904486M1	1	Mirror Glass	[A] (7) 172X280MM
9	3907107M1	1	Gasket	(7)
10	3904493M1	4	Gusset	(7)

FOOTNOTE [A] FOR JAPANESE MARKET ONLY

1-ZU30-001-B

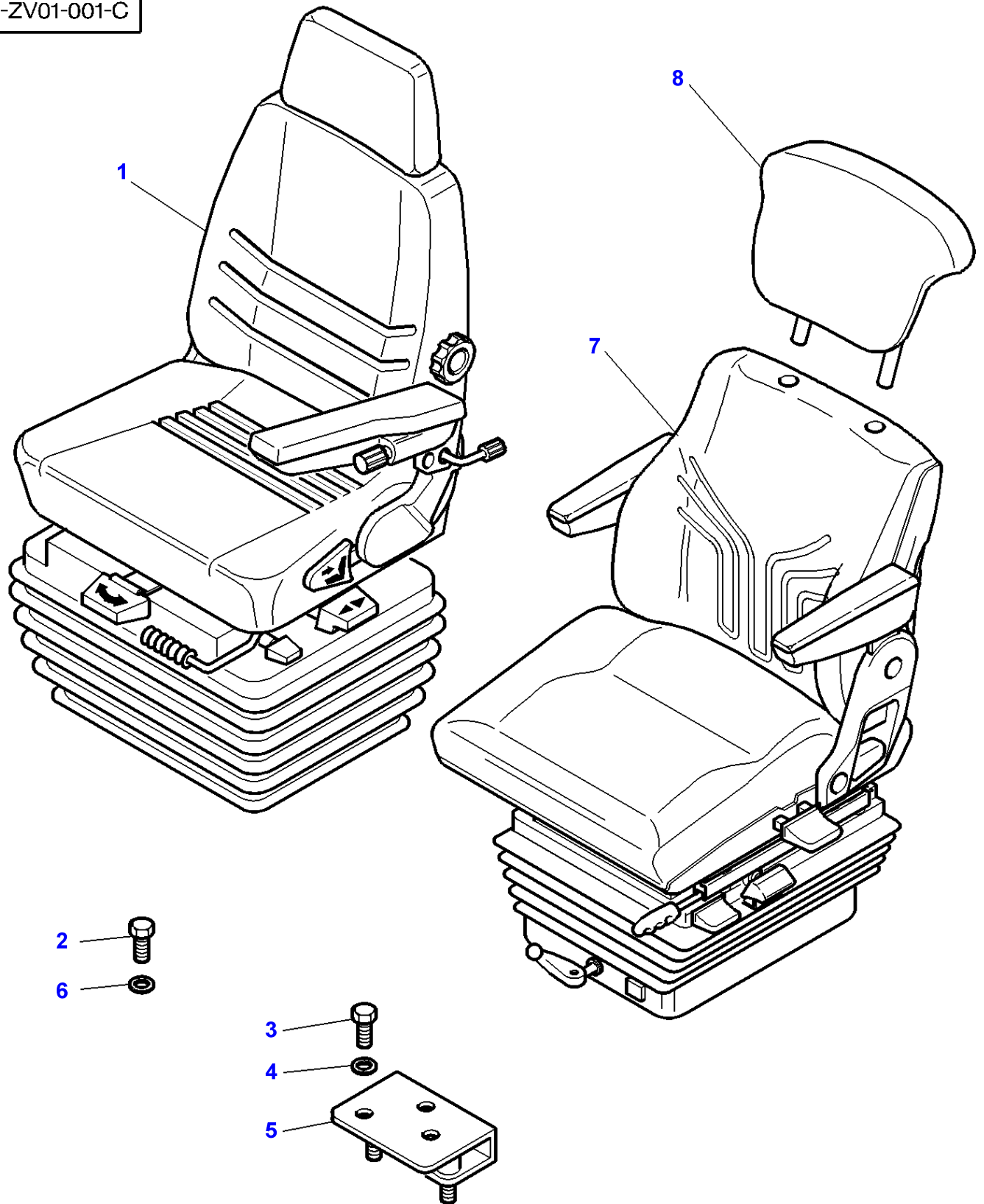


Tractor Cab - Internal Mirrors

Item	Part Number	Qty	Description	Comments
1	3806618M91	2	Mirror	
2	3778091M1	1	Clevis Pin	
3	3778092M1	1	Spacer	[A]
4	3009693X1	1	Nut Metric	M10
5	3009693X1	1	Nut Metric	M10
6	3581239M1	1	Clevis Pin	
7	385362X1	2	Washer	
8	3581507M1	1	Clamp	
9	391026X1	1	Lock Washer	
10	3904487M1	1	Mirror Glass	(1)
11	3904491M1	1	Gasket	(1)

FOOTNOTE [A] WITH HIGH VISIBILITY ROOF

1-ZV01-001-C



Seat - Grammer

Item	Part Number	Qty	Description	Comments
1	3780646M91	1	Seat	[A] Up to Serial or Engine Number J245007 See Page - Reference Number 110-0305/1 See Page - Reference Number 110-0310/1
	3779611M91	1	Seat	[B] Up to Serial or Engine Number J248028 See Page - Reference Number 110-0315 See Page - Reference Number 110-0335
	3779611M91	1	Seat	[B,D] Up to Serial or Engine Number J263012 See Page - Reference Number 110-0315 See Page - Reference Number 110-0335
	3780629M91	1	Seat	[C] Up to Serial or Engine Number 04-09-2000 See Page - Reference Number 110-0315 See Page - Reference Number 110-0340
2	391989X1	4	Screw Metric	M8x20
	1441000X1	4	Screw Metric	M8x16
3	339124X1	3	Hex. Sock.	M8x16
			Screw	Up to Serial or Engine Number
4	390972X1	4	Washer Metric	M8 Up to Serial or Engine Number
5	3780410M1	1	Plate	Up to Serial or Engine Number
6	390972X1	4	Washer Metric	M8
7	3784092M92	1	Seat	[A] From Serial or Engine Number J245008 See Page - Reference Number 110-0320 See Page - Reference Number 110-0310 See Page - Reference Number 110-0325
	3784092M92	1	Seat	[A,D] From Serial or Engine Number
				See Page - Reference Number 110-0320 See Page - Reference Number 110-0310 See Page - Reference Number 110-0325
	3784088M92	1	Seat	[B] From Serial or Engine Number J248029 See Page - Reference Number 110-0320 See Page - Reference Number 110-0335 See Page - Reference Number 110-0325
	3784088M92	1	Seat	[B,D] From Serial or Engine Number J263013 See Page - Reference Number 110-0320 See Page - Reference Number 110-0335 See Page - Reference Number 110-0325
	3784089M92	1	Seat	[C] From Serial or Engine Number 05-09-2000 See Page - Reference Number 110-0320 See Page - Reference Number 110-0340 See Page - Reference Number 110-0325
	3784089M92	1	Seat	[C,D] From Serial or Engine Number
				See Page - Reference Number 110-0320 See Page - Reference Number 110-0340 See Page - Reference Number 110-0325
8	3784097M1	1	Back Rest	From Serial or Engine Number

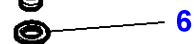
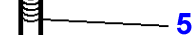
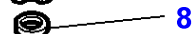
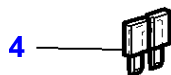
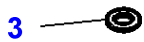
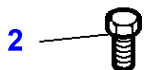
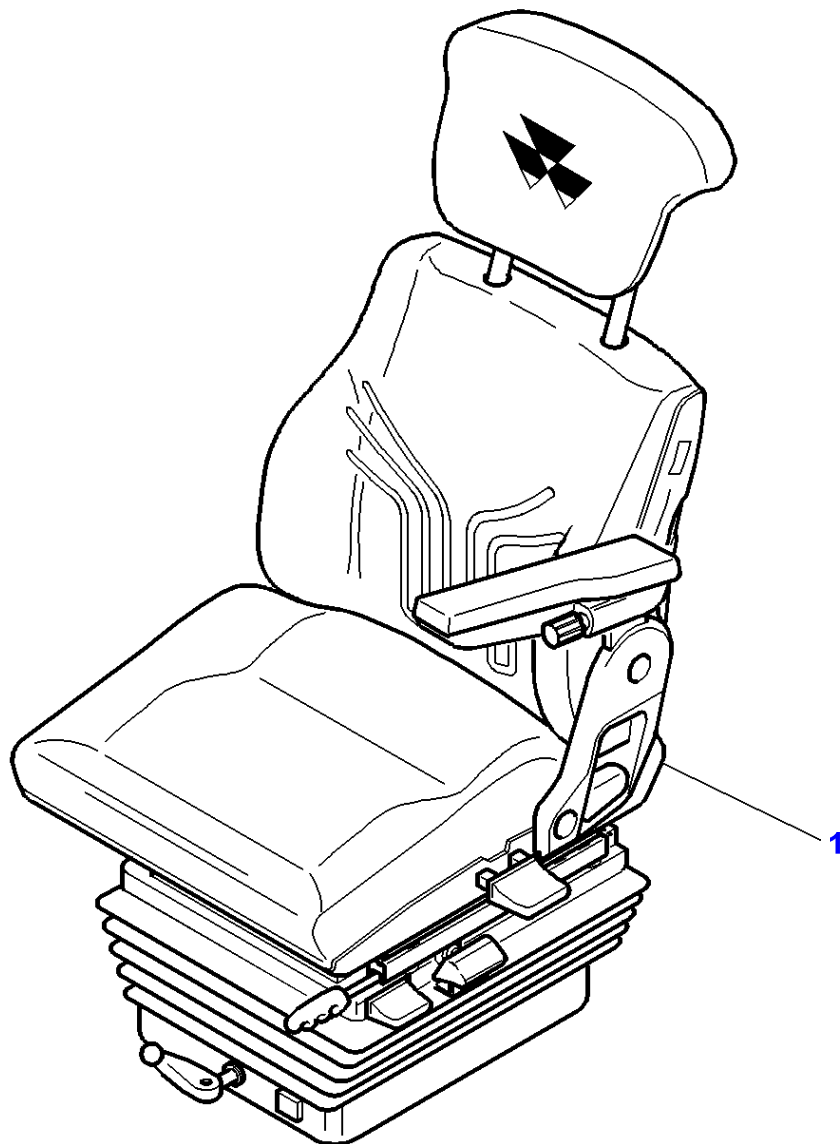
FOOTNOTE [A] MECHANICAL SEAT

FOOTNOTE [B] AIR PRESSURE SEAT WITH AUTOMATIC ADJUSTMENT

FOOTNOTE [C] AIR PRESSURE SEAT WITH MANUAL ADJUSTMENT

FOOTNOTE [D] WITHOUT HYDRAULIC LIFT

1-ZV01-014-A

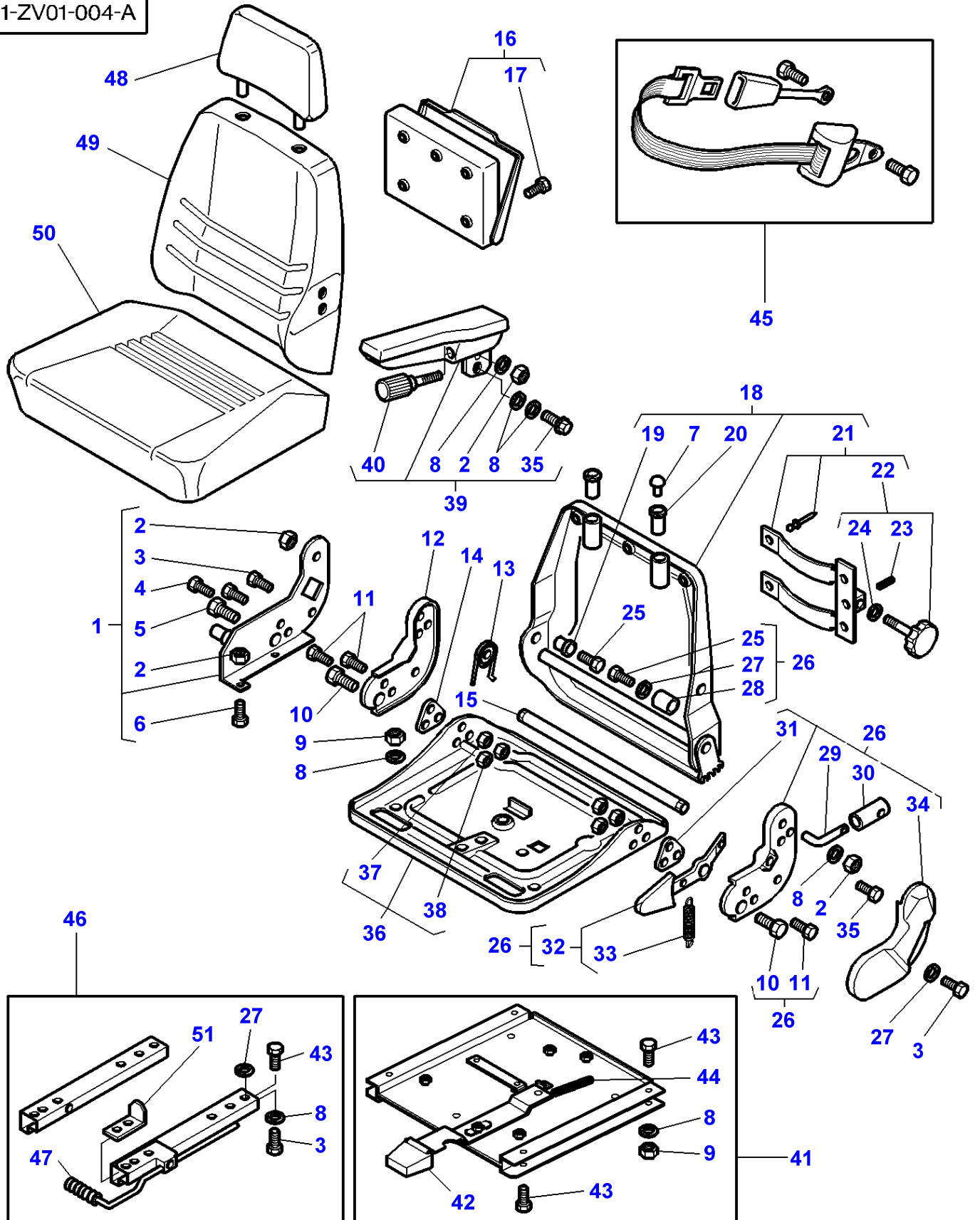


Massey Ferguson**MF 8250 TRACTOR - 1637366****1637366****Seat - Grammer - AIR PRESSURE SEAT WITH AUTOMATIC ADJUSTMENT - LUXUY****Page 110-0300**

Item	Part Number	Qty	Description	Comments
1	3786166M92	1	Seat	See Page - Reference Number 110-0345/1 See Page - Reference Number 110-0330/1
2	1441000X1	4	Screw Metric	M8X16
3	390972X1	4	Washer Metric	
4	3387322M1	1	Fuse	25 AMP.
5	391005X1	2	Stud	M10X25
	3008483X1	2	Stud	M10X35
6	3778519M1	2	Washer	Diameter 10-27x1.8
7	3786216M1	2	Button	M10
8	3619096M1	2	Washer	Diameter 10.5-32x5

MF 8250 TRACTOR - 1637366
1-ZV01-004-A

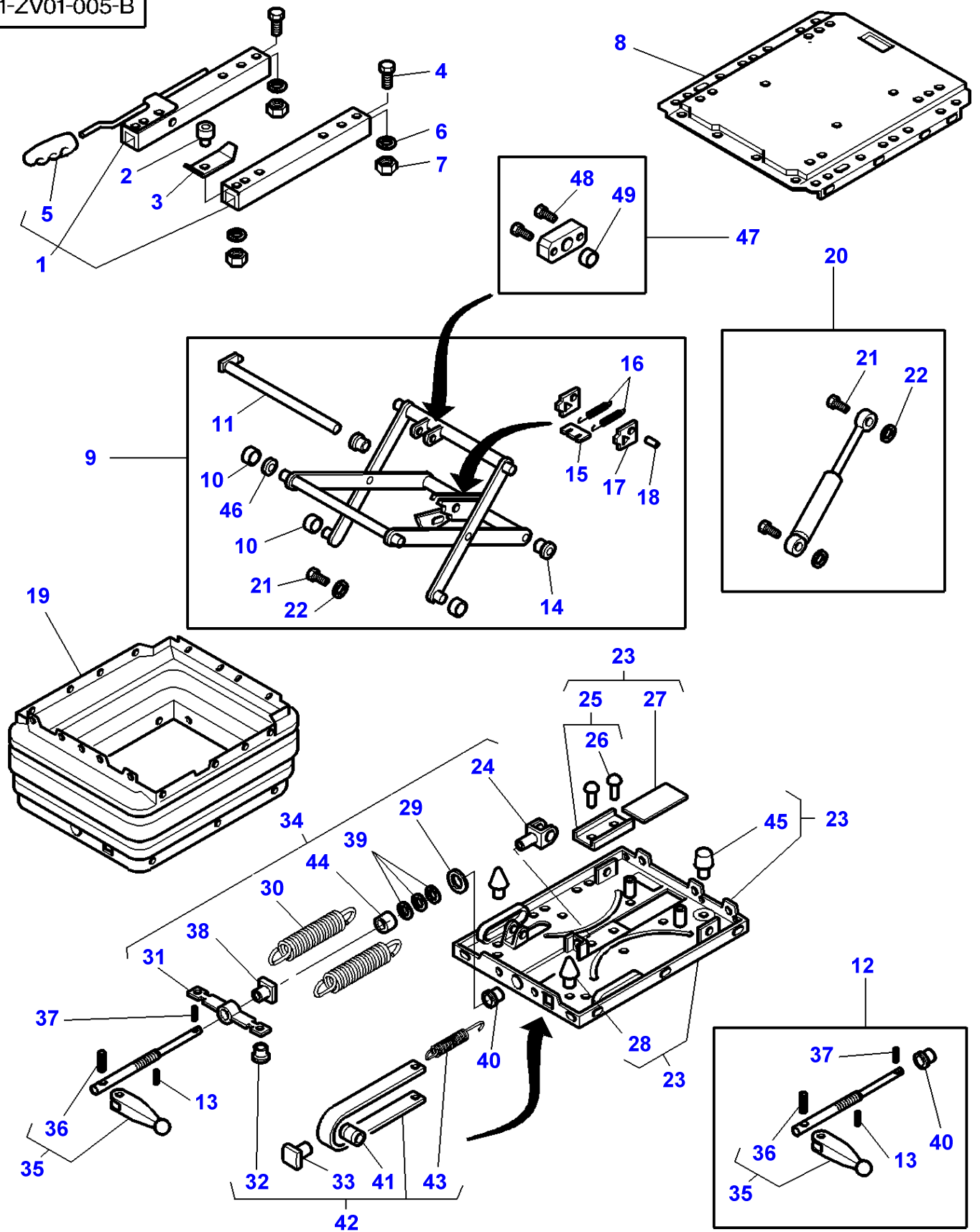
1-ZV01-004-A



Item	Part Number	Qty	Description	Comments
	3780646M91	1	Seat	
1	3903086M91	1	Support	
2	1441461X1	3	Locknut	M8
3	391148X1	3	Screw	M8x20
4	1440349X1	2	Screw Metric	M8x30
5	353562X1	1	Bolt Unf	Diameter 7/16"-20 Length 35 MM
6	3009439X1	1	Screw	M8x16
7	3101653M1	2	Cap	
8	391565X1	11	Washer Metric	Diameter 8 MM
9	339169X1	8	Nut	Diameter M8
10	353561X1	2	Bolt Unf	Diameter 7/16"-20 Length 30 MM
11	391990X1	4	Screw	M8x25
12	3105795M1	1	Support	
13	3105793M1	1	Spring	
14	3903073M1	1	Plate	
15	3903074M1	1	Tube	
16	3903085M91	1	Pocket	
17	3903093M1	4	Screw	Diameter 4 MM
18	3903070M91	1	Frame	
19	3903075M1	1	Insert	
20	3101494M1	2	Bush	
21	3903071M91	1	Support	
22	3903072M91	1	Stem	
23	3009322X1	1	Spirol Pin	Diameter 3 MM Length 18 MM
24	1444351X1	1	Washer	Diameter 13 MM
25	339287X1	2	Screw Metric	M8x35
26	3903079M91	1	Driven Plate	
27	391039X1	5	Washer Metric	Diameter 8 MM
28	3903076M1	1	Tube	
29	3903080M1	1	Lever	
30	3903081M1	1	Handle	
31	3903077M1	1	Plate	
32	3903078M91	1	Lever	
33	3105797M1	1	Spring	
34	3903082M1	1	Housing	
35	3101996M1	1	Screw Special	M8x16
36	3903083M91	1	Frame	
37	339169X1	4	Nut	Diameter M8
38	353428X1	2	Nut Unf	Diameter 7/16"-20
39	3903099M91	1	Armrest	
40	3903098M1	1	Stem	
41	3903100M91	1	Plate	
42	3903102M1	1	Handle	
43	1441000X1	12	Screw Metric	M8x16
44	3903101M1	1	Spring	
45	3903092M1	1	Safety Belt	
46	3903088M91	1	Kit, Guide	
47	3903087M1	1	Handle	
48	3779612M1	1	Head Rest	
49	3903118M1	1	Cushion	
50	3903117M1	1	Cushion	
51	3903142M1	1	Strap	

MF 8250 TRACTOR - 1637366
1-ZV01-005-B

1-ZV01-005-B



Item	Part Number	Qty	Description	Comments
	3780646M91	1	Seat	
	3784092M92	1	Seat	
1	3903286M91	1	Kit, Guide	
	3903286M91	1	Kit, Guide	[B]
				Up to Serial or Engine Number L197035
	3903621M91	1	Kit, Slider	[B]
				From Serial or Engine Number L197036
2	3903291M1	1	Roller	
3	3903142M1	1	Strap	
	3903636M1	1	Stop	[B]
4	1441000X1	3	Screw Metric	M8x16
5	3903087M1	1	Handle	
6	391039X1	4	Washer Metric	Diameter 8,4 MM
7	339169X1	4	Nut	Diameter M8
8	3903274M91	1	Fit Plate Seat	
9	3903290M91	1	Suspension	
10	1719914M1	4	Roller	
11	3103597M1	1	Stem	
12	3903287M91	1	Stem	
	3903287M91	1	Stem	[B]
				Up to Serial or Engine Number L197035
	3904440M91	1	Kit, Rod	[B]
				From Serial or Engine Number L197036
13	3903277M1	1	Pin	Diameter 3 MM Length 18 MM
14	3103596M1	2	Bush	
15	1719910M1	1	Plate	
16	3903148M1	2	Spring	
17	3903275M1	2	Shield	
18	1719923M1	1	Pin	
19	3903145M1	1	Bellows	
20	3903276M91	1	Shock Absorber	
21	1719935M1	2	Pin	
22	1442783X1	2	Circlip	
23	3903281M91	1	Fit Plate Seat	
24	3103605M1	1	Fork	
25	3103612M91	1	Plate	
26	338627X1	2	Rivet	Diameter 4 MM Length 10 MM
27	1719917M1	1	Plate	
28	3903282M1	2	Buffer	
29	1719902M1	1	Washer	
30	3903278M1	2	Tension Spring	
31	1719900M1	1	Support	
32	1719918M1	1	Plug	
33	1719891M1	1	Guide	
34	3903280M91	1	Parts Pack	
35	3903133M91	1	Toggle	
36	3903153M1	1	Pin	Diameter 4 MM Length 28 MM
37	3903152M1	1	Pin	Diameter 3 MM Length 16 MM
38	1719920M1	1	Nut Special	Diameter M12
39	1719921M1	1	Bearing	
40	3103608M1	1	Bush	
41	1719903M1	1	Roller	
42	3903285M91	1	Parts Pack	
	3903285M91	1	Parts Pack	[B]
				Up to Serial or Engine Number L197035
	3904439M91	1	Kit, Repair	[B]
				From Serial or Engine Number L197036
43	1719932M1	1	Spring	
44	3903279M1	1	Tube	
45	3903283M1	1	Buffer	
46	3903284M1	2	Insert	
47	3903288M91	1	Bearing Carrier	
48	339560X1	4	Hex. Sock. Screw	(47) M6x16
49	3903289M1	2	Insert	(47)

Massey Ferguson

MF 8250 TRACTOR - 1637366

1637366

Seat - Grammer - MECHANICAL SEAT

Page 110-0310

Item	Part Number	Qty	Description	Comments
FOOTNOTE	[B]		USED WITH SEAT 3784092M92	

Item	Part Number	Qty	Description	Comments
	3779611M91	1	Seat	
	3780629M91	1	Seat	
1	3903086M91	1	Support	
2	1441461X1	3	Locknut	M8
3	391148X1	3	Screw	M8x20
4	1440349X1	2	Screw Metric	M8x30
5	353562X1	1	Bolt Unf	Diameter 7/16"-20 Length 35 MM
6	3009439X1	1	Screw	M8x16
7	3903084M91	1	Driven Plate	
8	390972X1	11	Washer Metric	Diameter 8 MM
9	339169X1	4	Nut	M8
10	353561X1	2	Bolt Unf	Diameter 7/16"-20 Length 30 MM
11	391990X1	4	Screw	M8x25
12	3105795M1	1	Support	
13	3105793M1	1	Spring	
14	3903073M1	1	Plate	
15	3903074M1	1	Tube	
16	3903085M91	1	Pocket	
17	3903093M1	4	Screw	Diameter 4 MM
18	3903070M91	1	Frame	
19	3903075M1	1	Insert	
20	3101494M1	2	Bush	
21	3903071M91	1	Support	
22	3903072M91	1	Stem	
23	3009322X1	1	Spirol Pin	Diameter 3 MM Length 18 MM
24	1444351X1	1	Washer	Diameter 13 MM
25	339287X1	2	Screw Metric	M8x35
26	3903079M91	1	Driven Plate	
27	391039X1	5	Washer Metric	Diameter 8 MM
28	3903076M1	1	Tube	
29	3903080M1	1	Lever	
30	3903081M1	1	Handle	
31	3903077M1	1	Plate	
32	3903078M91	1	Lever	
33	3105797M1	1	Spring	
34	3903082M1	1	Housing	
35	3101996M1	1	Screw Special	M8x16
36	3903083M91	1	Frame	
37	339169X1	4	Nut	M8
38	353428X1	2	Nut Unf	Diameter 7/16"-20
39	3903099M91	1	Armrest	
40	3903098M1	1	Stem	
41	3903100M91	1	Plate	
42	3903102M1	1	Handle	
43	1441000X1	12	Screw Metric	M8x16
44	3903101M1	1	Spring	
45	3903092M1	1	Safety Belt	
46	3903088M91	1	Kit, Guide	
47	3903087M1	1	Handle	
48	3779612M1	1	Head Rest	
49	3903118M1	1	Cushion	
50	3903117M1	1	Cushion	

Seat - Grammer - Air Ride Seat & Suspension - From ...

Item	Part Number	Qty	Description	Comments
	3784088M92	1	Seat	Up to Serial or Engine Number L191010
	3784089M92	1	Seat	Up to Serial or Engine Number L189012
	3784092M92	1	Seat	Up to Serial or Engine Number L197035
1	3903636M1	1	Stop	[F]
2	3903626M1	2	Insert	
3	3903625M91	1	Back Rest	
4	3903628M91	1	Support	
5	3903601M1	2	Plate	
6	3903602M1	1	Plate	
7	3903600M1	1	Rod	
8	3903633M1	1	Driving	
9	3903632M1	1	Holder	
10	3903631M1	1	Cam	
11	3903630M91	1	Handle	
12	392831X1	1	Screw	M6 X 10
13	3903598M1	1	Tap	
14	339168X1	1	Screw	M8 X 50
15	3903634M1	1	Tube	
16	3903627M1	1	Support	
17	3903603M1	1	Pocket	[D,E]
18	3903599M1	3	Screw	[D,E] M4 X 8
19	3903607M1	1	Clevis	
20	3903609M1	1	Support	
21		1	Support	Not serviced,order REF. 20
22	3903606M1	1	Bolt	
23	3903605M1	1	Insert	
24	353557X1	1	Bolt Unf	7/16-20 X 20
25	339169X1	X	Nut	M8
26	1441461X1	1	Locknut	M8
27	391565X1	X	Washer Metric	M8
28	3009439X1	2	Screw	M8 X 16
29	391039X1	X	Washer Metric	M8
30	353428X1	2	Nut Unf	7/16-20
31	3784393M1	1	Armrest	[B,C] Right Hand
32	3903098M1	2	Stem	
33	3903615M1	1	Spring	
34	3903608M1	1	Shank	
35	353562X1	1	Bolt Unf	7/16-20 X 35
36	3903635M91	1	Lever	
37	3903623M1	1	Insert	
38	3104902M1	1	Spring	
39	339228X1	1	Screw Metric	M8 X 12
40	3903617M1	1	Frame	
41	3903611M91	1	Handle	
42	3903612M1	1	Rod	
43	3903619M1	1	Handle	
44	1441000X1	5	Screw Metric	M8 X 16
45	3903604M1	1	Shield	
46		X	Rivet	[A]
47	3903618M1	1	Lever	
48	3903629M1	1	Screw	M8 X 18
49	3903620M1	1	Plate	
50	1440947X1	3	Screw	M6 X 10
51	3903597M91	1	Armrest	Left Hand
52	3903614M1	1	Housing	
53	3903622M91	1	Plate	
54	3102265M1	8	Washer	Diameter 13 X 2.5-0.12
55	3903616M1	2	Bearing	
56	3903610M1	4	Bolt	
57	3903613M1	1	Insert	
58	339124X1	4	Hex. Sock. Screw	M8 X 16
59	3903621M91	1	Kit, Slider	
60	3903595M1	1	Handle	
61	3904089M1	4	Nut	M8
62	3904087M1	7	Bolt	M5 X 16
63	3903593M1	1	Cushion	
64	3903594M1	1	Cushion	
65	391148X1	1	Screw	[F] M8X20

Massey Ferguson

MF 8250 TRACTOR - 1637366

1637366

Seat - Grammer - Air Ride Seat & Suspension - From ...

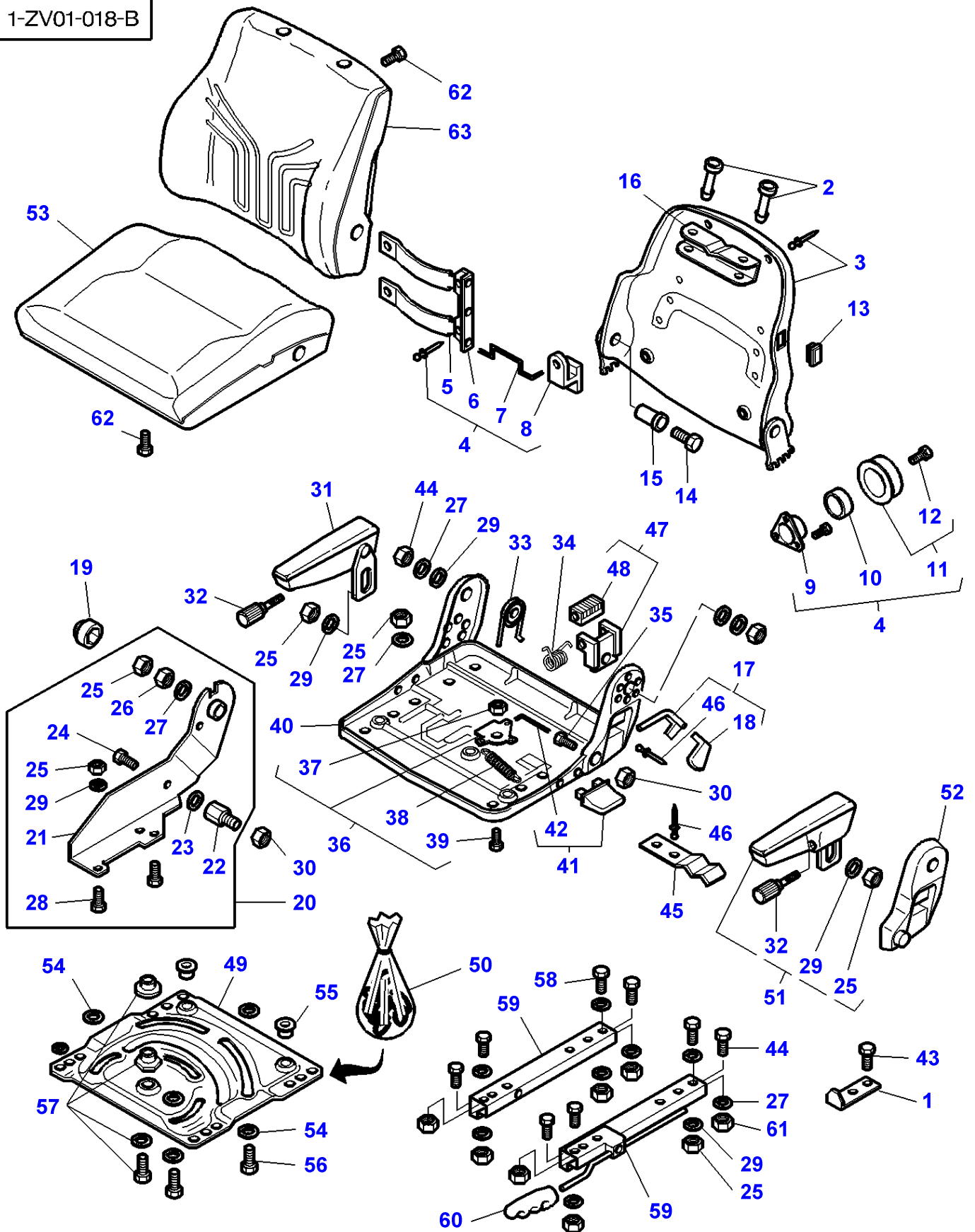
Page 110-0320

Item	Part Number	Qty	Description	Comments
-------------	--------------------	------------	--------------------	-----------------

- FOOTNOTE [A] NOT SERVICED
- FOOTNOTE [B] NOT SERVICED WITH THE SEAT
- FOOTNOTE [C] WITHOUT HYDRAULIC LIFT
- FOOTNOTE [D] USED WITH SEAT 3784088M91
- FOOTNOTE [E] USED WITH SEAT 3784089M92
- FOOTNOTE [F] USED WITH SEAT 3784092M92

MF 8250 TRACTOR - 1637366
1-ZV01-018-B

1-ZV01-018-B



Item	Part Number	Qty	Description	Comments
	3784088M92	1	Seat	From Serial or Engine Number L191011
	3784089M92	1	Seat	From Serial or Engine Number L189013
	3784092M92	1	Seat	From Serial or Engine Number L197036
1	3903636M1	1	Stop	[E,F]
2	3903626M1	2	Insert	
3	3903625M91	1	Back Rest	
4	3903628M91	1	Support	
5	3903601M1	2	Plate	
6	3903602M1	1	Plate	
7	3903600M1	1	Rod	
8	3903633M1	1	Driving	
9	3903632M1	1	Holder	
10	3903631M1	1	Cam	
11	3903630M91	1	Handle	
12	392831X1	1	Screw	M6 X 10
13	3903598M1	1	Tap	
14	339168X1	1	Screw	M8 X 50
15	3903634M1	1	Tube	
16	3903627M1	1	Support	
17	3904264M1	1	Lever	
18	3904265M1	1	Handle	
19	3903607M1	1	Clevis	
20	3903609M1	1	Support	
21		1	Support	Not serviced,order REF. 20
22	3903606M1	1	Bolt	
23	3903605M1	1	Insert	
24	353557X1	1	Bolt Unf	7/16-20 X 20
25	339169X1	X	Nut	M8
26	1441461X1	1	Locknut	M8
27	391565X1	X	Washer Metric	M8
28	3009439X1	2	Screw	M8 X 16
29	391039X1	X	Washer Metric	M8
30	353428X1	2	Nut Unf	7/16-20
31	3784393M1	1	Armrest	[B,C] Right Hand
32	3903098M1	2	Stem	
33	3903615M1	1	Spring	
34	3903788M1	1	Spring	
35	353562X1	1	Bolt Unf	7/16-20 X 35
36	3903635M91	1	Lever	
37	3903623M1	1	Insert	
38	3104902M1	1	Spring	
39	339228X1	1	Screw Metric	M8 X 12
40	3903969M1	1	Frame	
41	3903611M91	1	Handle	
42	3903612M1	1	Rod	
43	391148X1	1	Screw	[E,F] M8X20
44	1441000X1	5	Screw Metric	M8 X 16
45	3903604M1	1	Shield	
46		X	Rivet	[A]
47	3904270M1	1	Support	
48	3904269M1	1	Stop	
49	3903622M91	1	Plate	
50	3904275M1	1	Parts Pack	
51	3903597M91	1	Armrest	Left Hand
52	3903971M1	1	Frame	
53	3903594M1	1	Cushion	
54	3102265M1	8	Washer	Diameter 13 X 2.5-0.12
55	3903616M1	2	Bearing	
56	3903610M1	4	Bolt	
57	3903967M91	1	Parts Pack	
58	339124X1	4	Hex. Sock. Screw	M8 X 16
59	3903621M91	1	Kit, Slider	
60	3903595M1	1	Handle	
61	3904089M1	4	Nut	M8
62	3903965M1	7	Screw	M5 X 25
63	3903593M1	1	Cushion	

FOOTNOTE [A] NOT SERVICED

FOOTNOTE [B] NOT SERVICED WITH THE SEAT

Massey Ferguson

MF 8250 TRACTOR - 1637366

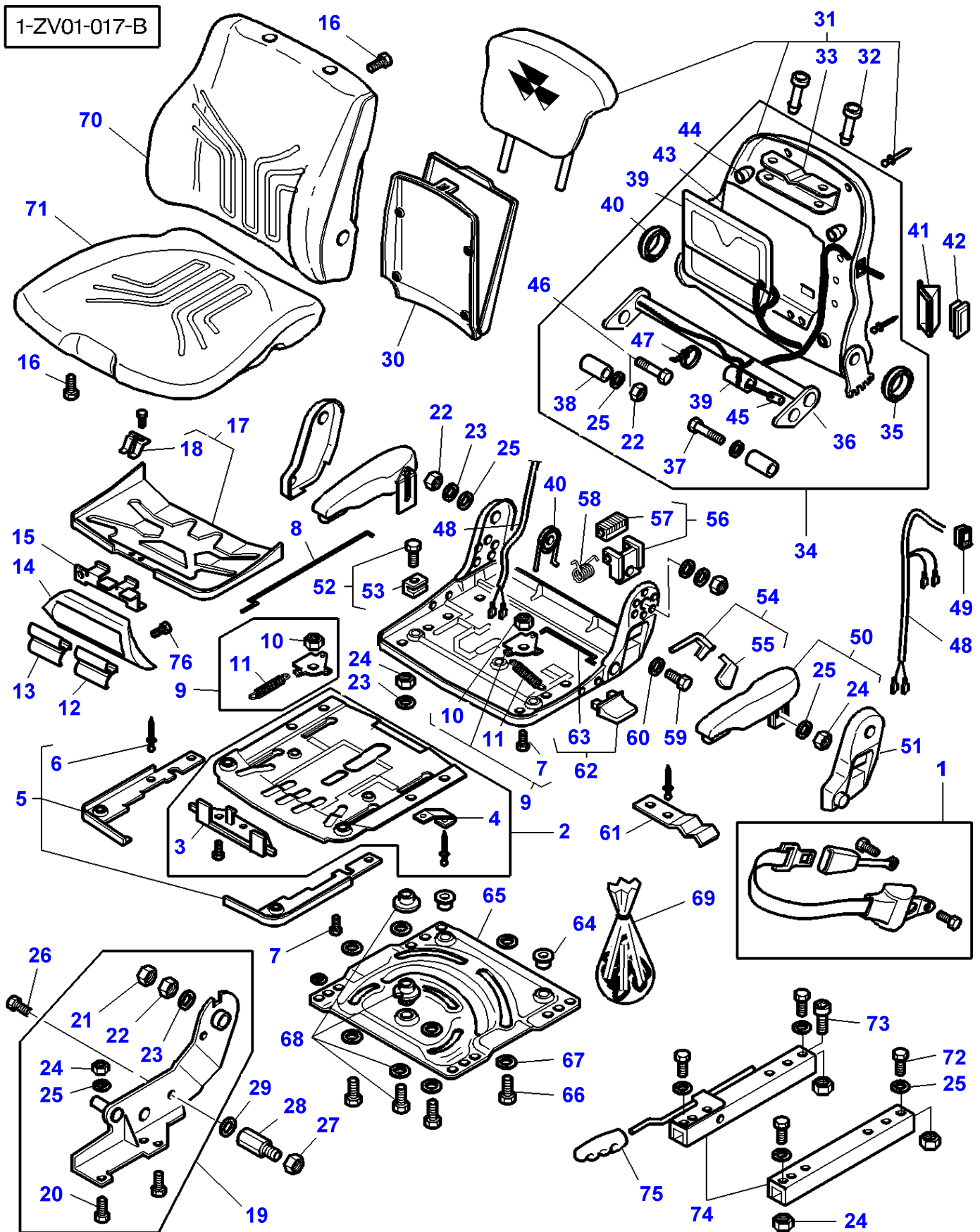
1637366

Seat - Grammer - Air Ride Seat & Suspension

Page 110-0325

Item	Part Number	Qty	Description	Comments
FOOTNOTE	[C]		WITHOUT HYDRAULIC LIFT	
FOOTNOTE	[E]		USED WITH SEAT 3784089M92	
FOOTNOTE	[F]		USED WITH SEAT 3784092M92	

MF 8250 TRACTOR - 1637366
1-ZV01-017-B



Item	Part Number	Qty	Description	Comments
	3786166M92	1	Seat	
1	3903805M1	1	Safety Belt	
2	3903780M91	1	Frame	
3	3903785M91	1	Adjuster	
4	3903781M1	2	Shield	
5	3903784M91	1	Housing	
6	339362X1	2	Washer	
7	339228X1	2	Screw Metric	M8x12
8	3903783M1	1	Rod	
9	3903635M91	2	Lever	
10	3903623M1	2	Insert	
11	3104902M1	2	Spring	
12	3903794M1	1	Muff	
13	3903793M91	1	Handle	
14	3903792M91	1	Housing	
15	3903791M1	1	Lever	
16	3904087M1	10	Bolt	M5x16
	3903965M1	10	Screw	Up to Serial or Engine Number M002057 From Serial or Engine Number M002058 M5x16
17	3903789M91	1	Positioner	
18	3903790M91	1	Shield	
19	3903808M91	1	Support	
20	3009439X1	2	Screw	M8x16
21	3903607M1	1	Clevis	
22	1441461X1	1	Locknut	M8
23	391565X1	9	Washer Metric	
24	339169X1	7	Nut	M8
25	391039X1	9	Washer Metric	
26	353557X1	1	Bolt Unf	7/16-20x20
27	353428X1	1	Nut Unf	7/16-20
28	3903807M1	1	Bolt	
29	3903605M1	1	Insert	
30	3903603M1	1	Pocket	
31	3903782M91	1	Head Rest	
32	3903626M1	2	Insert	
33	3903627M1	1	Support	Up to Serial or Engine Number M002057
34	3903795M91	1	Back Rest	
35	3903802M1	1	Washer	Up to Serial or Engine Number M002057
	3907136M1	1	Washer	From Serial or Engine Number M002058
36	3903803M1	1	Tube	
37	339168X1	2	Screw	M8x50
38	3903796M1	2	Tube	
39	3903800M1	1	Support	
40	3903779M1	1	Spring	
41	3903798M1	1	Cover	
42	3903843M1	1	Switch	
43	3903799M91	1	Plate	
44	1719867M1	2	Protector	
45	3903797M1	3	Spring	Up to Serial or Engine Number M002057
	3903970M1	3	Spring	From Serial or Engine Number M002058
46	3903806M1	1	Screw	M8x60
47	3105397M1	8	Cable Clamp	
48	3903801M1	1	Harness	
49	3903804M1	1	Switch	[A]
50	3903597M91	1	Armrest	Left Hand
	3784393M1	1	Armrest	Right Hand
51	3904266M1	1	Protector	
52	3903787M91	1	Frame	
53	3903786M1	1	Skate	
54	3904264M1	1	Lever	
55	3904265M1	1	Handle	
56	3904270M1	1	Support	
57	3904269M1	1	Stop	
58	3903788M1	1	Spring	
59	353562X1	1	Bolt Unf	7/16-20X35
60	353428X1	1	Nut Unf	7/16-20
61	3903604M1	1	Shield	
62	3903611M91	1	Handle	
63	3903612M1	1	Rod	(62)
64	3903616M1	2	Bearing	

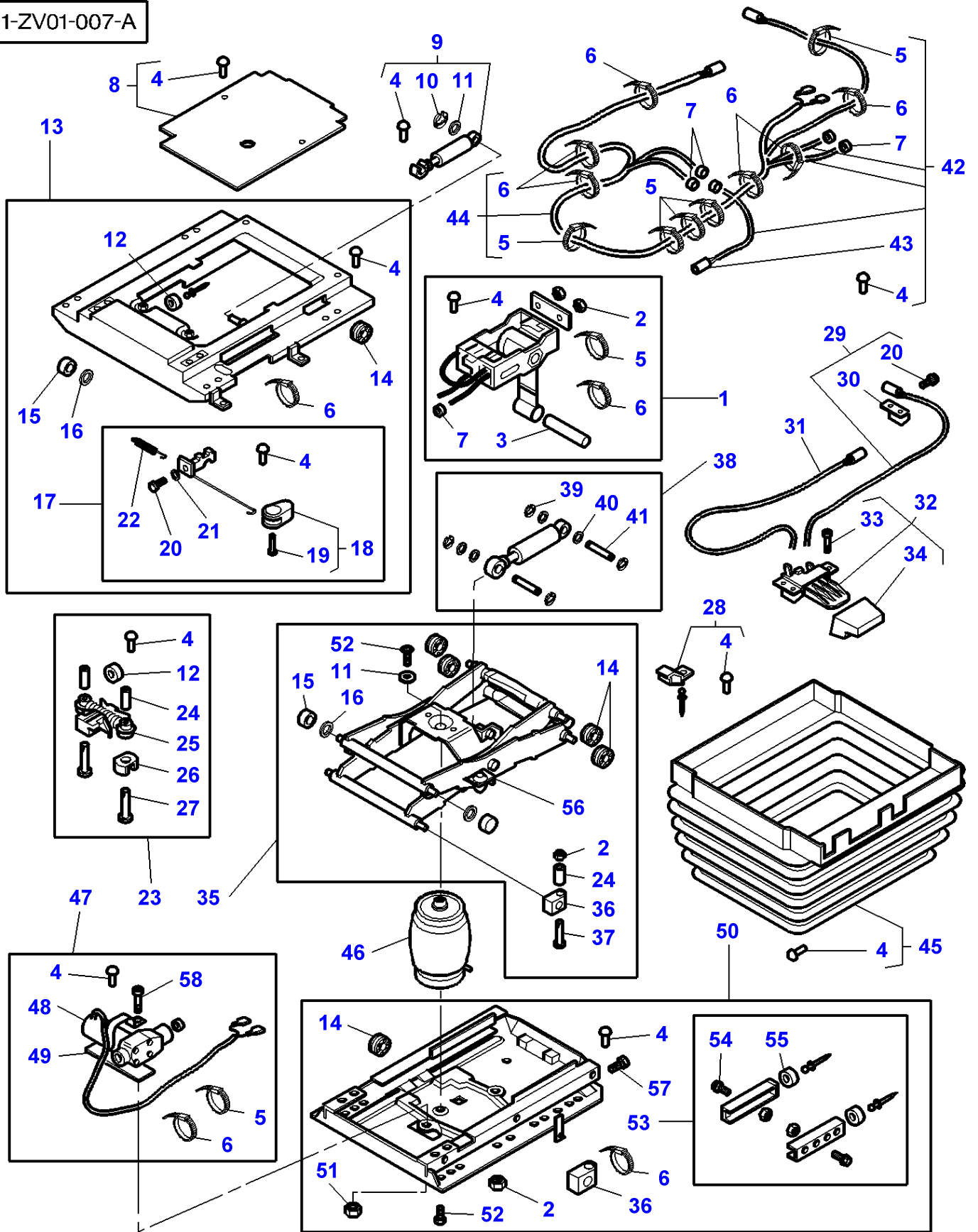
Massey Ferguson**MF 8250 TRACTOR - 1637366****1637366****Seat - Grammer - AIR PRESSURE SEAT WITH AUTOMATIC ADJUSTMENT - LUXUY****Page 110-0330**

Item	Part Number	Qty	Description	Comments
65	3903622M91	1	Plate	
66	3903610M1	4	Bolt	
67	390735X1	8	Washer	
68	3903613M1	1	Insert	Up to Serial or Engine Number M002057
68	3903967M91	1	Parts Pack	From Serial or Engine Number M002058
69	3904275M1	1	Parts Pack	
70	3903777M1	1	Cushion	
71	3903778M1	1	Cushion	
72	339124X1	4	Hex. Sock. Screw	M8x16
73	1441000X1	4	Screw Metric	M8x16
74	3903621M91	1	Kit, Slider	
75	3903595M1	1	Handle	
76	3904087M1	2	Bolt	M5x16

FOOTNOTE [A] HEATER

MF 8250 TRACTOR - 1637366
1-ZV01-007-A

1-ZV01-007-A



Item	Part Number	Qty	Description	Comments
	3779611M91	1	Seat	
	3784088M92	1	Seat	
1	3903129M91	1	Lever	
2	1441461X1	4	Locknut	M8
3	3903130M1	1	Clevis Pin	
4	1719896M1	24	Plug	
5	3903068M1	4	Tie	4,7x204 MM
6	3105397M1	5	Cable Clamp	2,5x102 MM
7	3903052M1	4	Olive	
8	3903037M91	1	Housing	
9	3903039M91	1	Shock Absorber	
10	1441206X1	1	Lock Washer	Diameter 6 MM
11	390972X1	2	Washer Metric	[C] Diameter 8,4 MM
	391565X1	2	Washer Metric	Diameter 8.4 MM
12	3903040M1	1	Buffer	
13	3903132M91	1	Suspension	
14	3903050M1	4	Roller	
15	3105382M1	2	Bearing Needle	[C]
	3105382M1	2	Bearing Needle	[D]
	3903815M1	2	Pulley	Up to Serial or Engine Number L191010 [D] From Serial or Engine Number L191011
16	3903048M1	2	Ring	[C]
	3903048M1	2	Ring	[D] Up to Serial or Engine Number L191010
17	3903045M91	1	Rod Link	
18	3903180M91	1	Handle	
19	3903065M1	1	Screw	4x14
20	3903064M1	2	Screw	3,5x12 MM
21	339362X1	1	Washer	Diameter 4,3 MM
22	3903044M1	2	Spring	
23	3903032M91	1	Shock Absorber	(1)
24	3105404M1	4	Tube	(1)
25	3903033M1	2	Insert	
26	3903034M1	2	Buffer	
27	339287X1	2	Screw Metric	M8x35
28	3903036M1	2	Stop	
29	3903138M91	1	Cable	
30	3903136M1	1	Support	
31	3903137M91	1	Cable	
32	3903164M91	1	Selector	Replace and repair. Old interchangeable with new 3903043M91
33	3903063M1	3	Screw	M5x16
	3904087M1	3	Bolt	[D] M5X16
34	3903042M1	1	Handle	
35	3903047M91	1	Suspension	
36	3903049M1	2	Bearing Carrier	
37	3903066M1	2	Screw	
38	3903058M91	1	Shock Absorber	
39	390287X1	4	Lock Washer	
40	3101663M1	4	Washer	
41	3903035M1	2	Clevis Pin	
42	3903141M91	1	Hydr Hose	
43	3105395M1	2	Hose Clip	
44	3904448M1	1	Harness	
45	3903139M91	1	Bellows	
46	3903051M91	1	Accumulator	
47	3903057M91	1	Compressor	
48	3903053M1	1	Clamp	
49	3903054M1	1	Plate	
50	3903059M91	1	Fit Plate Seat	
51	339169X1	1	Nut	[C] M8
	1441461X1	1	Locknut	M8
52	3903067M1	2	Screw	M8x20
53	3903062M1	1	Stop	
54	3101996M1	2	Screw Special	M8x16
55	3102401M1	2	Buffer	
56	1719867M1	2	Protector	
57	3000926X1	1	Screw	M5x10

Item	Part Number	Qty	Description	Comments
58	3001414X1	1	Screw Metric	M8x12
59	3903135M91	1	Kit, Repair	[A,B]

FOOTNOTE [A] INCLUDE ITEM 2/4/5/6/11/12/14/15/16/24/25/ 26/36/51/52/53/56/58

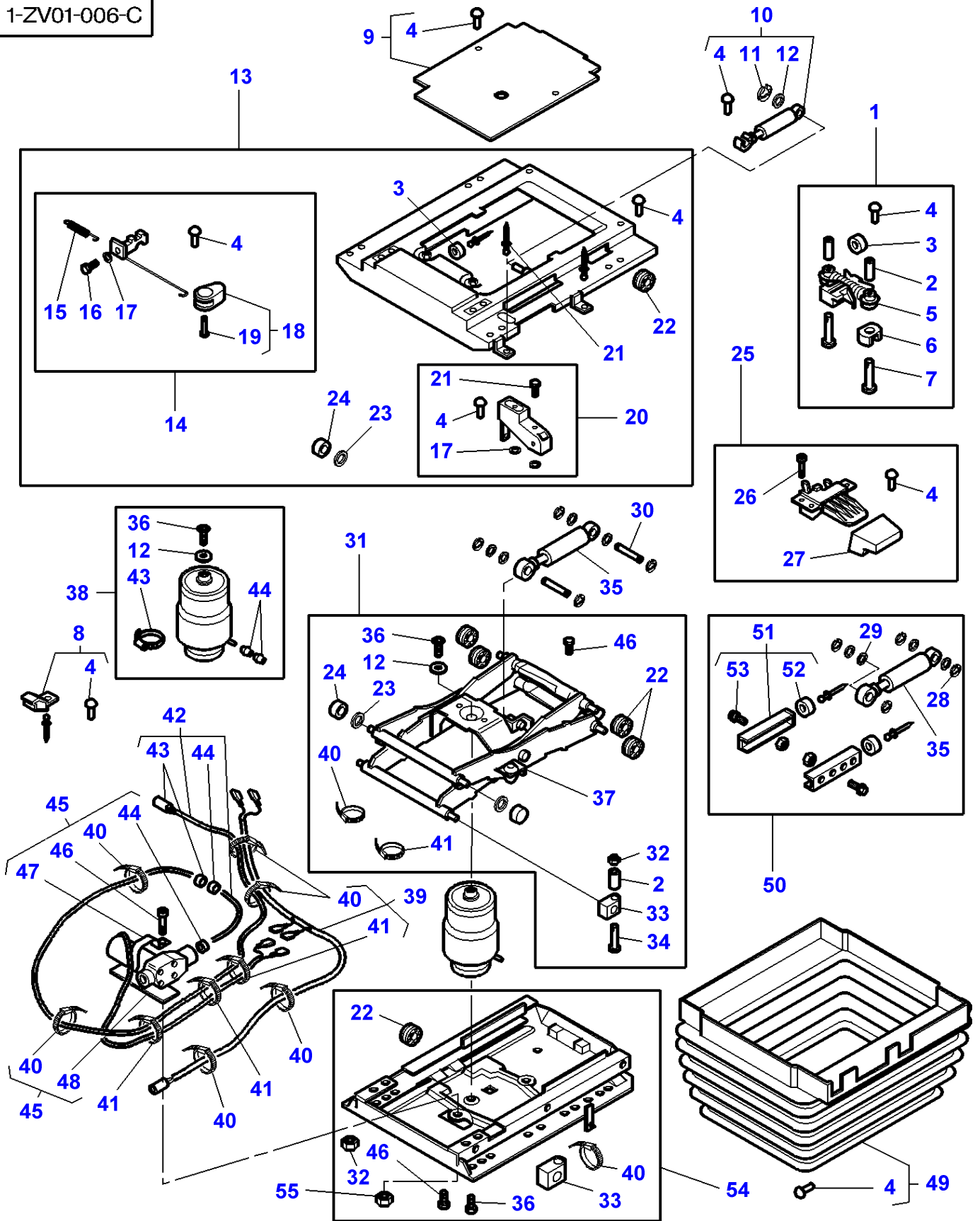
FOOTNOTE [B] NOT ILLUSTRATED

FOOTNOTE [C] USED WITH SEAT 3779611M91

FOOTNOTE [D] USED WITH SEAT 3784088M91

MF 8250 TRACTOR - 1637366
1-ZV01-006-C

1-ZV01-006-C



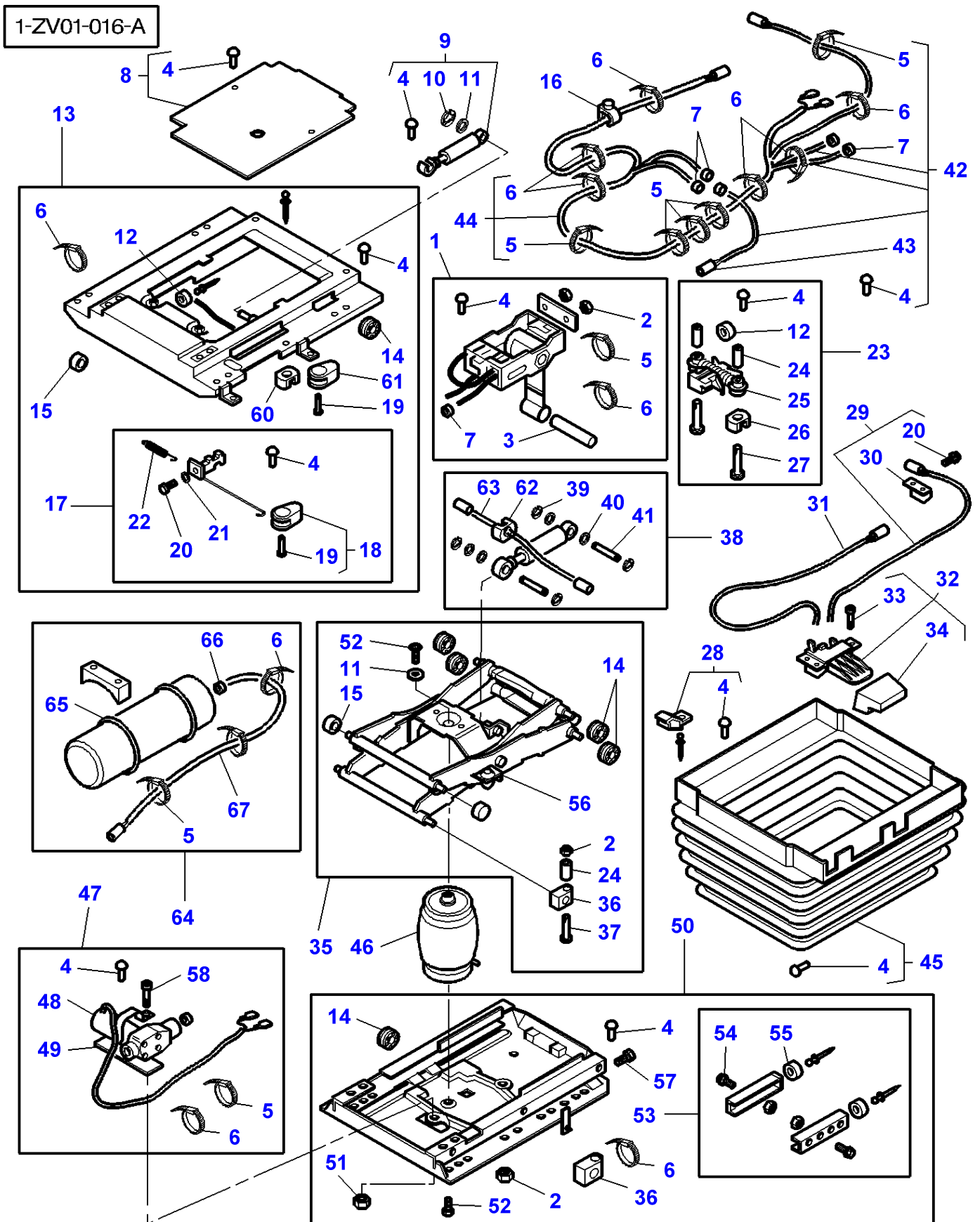
Item	Part Number	Qty	Description	Comments
	3780629M91		Seat	
	3784089M92		Seat	
1	3903032M91	1	Shock Absorber	
2	3105404M1	4	Tube	
3	3903040M1	1	Buffer	
4	1719896M1	24	Plug	
5	3903033M1	2	Insert	
6	3903034M1	1	Buffer	
7	339287X1	2	Screw Metric	M8x35
8	3903036M1	2	Stop	
9	3903037M91	1	Housing	
10	3903039M91	1	Shock Absorber	M8
11	1441206X1	1	Lock Washer	Diameter 6 MM
12	391565X1	2	Washer Metric	Diameter 8,4 MM
13	3903038M91	1	Fit Plate Seat	
14	3903045M91	1	Rod Link	
15	3903044M1	2	Spring	
16	3903064M1	1	Screw	Diameter 3,5 X 12
	3903064M1	1	Screw	[C] Up to Serial or Engine Number L189012
	3904444M1	1	Screw	[C] From Serial or Engine Number L189013
17	339362X1	3	Washer	Diameter 4 MM
18	3903046M91	1	Handle	
	3903046M91	1	Handle	[C] Up to Serial or Engine Number L189012
	3903180M91	1	Handle	[C] From Serial or Engine Number L189013
19	3903065M1	1	Screw	4x14
20	3903041M91	1	Parts Pack	
21	3103289M1	2	Rivet	4x12
22	3903050M1	4	Roller	
23	3903048M1	2	Ring	
	3903048M1	2	Ring	[C] Up to Serial or Engine Number L189012
24	3105382M1	2	Bearing Needle	
	3105382M1	2	Bearing Needle	[C] Up to Serial or Engine Number L189012
	3903815M1	2	Pulley	[C] From Serial or Engine Number L189013
25	3903313M91	1	Drive	
26	3903063M1	3	Screw	5x16
	3904087M1	3	Bolt	[C] M5X16
27	3903042M1	1	Handle	
28	390287X1	4	Lock Washer	Diameter 10 MM
29	3101663M1	4	Washer	Diameter 13 MM
30	3903035M1	2	Clevis Pin	
31	3903047M91	1	Suspension	
32	1441461X1	2	Locknut	M8
33	3903049M1	2	Bearing Carrier	
34	3903066M1	2	Screw	
35		1	Ram	Not serviced,order REF 50
36	3903067M1	2	Screw	8x20
37	1719867M1	2	Protector	
38	3903051M91	1	Accumulator	
39	3903056M91	1	Cable	
40	3105397M1	7	Cable Clamp	
41	3903068M1	4	Tie	
42	3904445M91	1	Kit, Repair	
43	3903052M1	2	Olive	
44	3105395M1	2	Hose Clip	
45	3903057M91	1	Compressor	
46	3001414X1	1	Screw Metric	M8x12
47	3903053M1	1	Clamp	
48	3903054M1	1	Plate	
49	3903060M91	1	Bellows	
50	3903058M91	1	Shock Absorber	
51	3903062M1	1	Stop	
52	3102401M1	2	Buffer	
53	3101996M1	2	Screw Special	M8x16

Massey Ferguson**MF 8250 TRACTOR - 1637366****1637366****Seat - Grammer - AIR PRESSURE SEAT WITH MANUAL ADJUSTMENT****Page 110-0340**

Item	Part Number	Qty	Description	Comments
54	3903059M91	1	Fit Plate Seat	
55	339169X1	2	Nut	M8
56	3903061M91	1	Kit, Repair	[A,B]
56	3903061M91	1	Kit, Repair	[A,B,C] Up to Serial or Engine Number L189012
56	3903135M91	1	Kit, Repair	[A,B,C] From Serial or Engine Number L189013

FOOTNOTE [A] INCLUDE ITEM 2/3/4/6/22/23/24/33/35/36/37/ 40/41/44/46/51**FOOTNOTE [B]** NOT ILLUSTRATED**FOOTNOTE [C]** USED WITH SEAT 3784089M92

MF 8250 TRACTOR - 1637366
1-ZV01-016-A



Item	Part Number	Qty	Description	Comments
	3786166M92	1	Seat	
1	3903129M91	1	Lever	
2	1441461X1	4	Locknut	M8
3	3903130M1	1	Clevis Pin	
4	1719896M1	24	Plug	
5	3903068M1	4	Tie	4,7x204 MM
6	3105397M1	5	Cable Clamp	2,5x102 MM
7	3903052M1	4	Olive	
8	3903037M91	1	Housing	
9	3903039M91	1	Shock Absorber	
10	1441206X1	1	Lock Washer	Diameter 6 MM
11	391565X1	2	Washer Metric	Diameter 8.4 MM
12	3903040M1	1	Buffer	
13	3903814M91	1	Fit Plate Seat	
14	3903816M1	4	Roller	
15	3903815M1	2	Pulley	
16	3903823M1	1	Cable Clamp	
17	3903045M91	1	Rod Link	
18	3903180M91	1	Handle	
19	3903065M1	1	Screw	4x14
20	3904444M1	2	Screw	3.5x12MM
21	339362X1	1	Washer	Diameter 4,3 MM
22	3903044M1	2	Spring	
23	3903032M91	1	Shock Absorber	(1)
24	3105404M1	4	Tube	(1)
25	3903033M1	2	Insert	
26	3903034M1	2	Buffer	
27	339287X1	2	Screw Metric	M8x35
28	3903036M1	2	Stop	
29	3903138M91	1	Cable	
30	3903136M1	1	Support	
31	3903137M91	1	Cable	
32	3903164M91	1	Selector	Replace and repair. Old interchangeable with new 3903043M91
33	3904087M1	3	Bolt	M5X16
34	3903042M1	1	Handle	
35	3903047M91	1	Suspension	
36	3903049M1	2	Bearing Carrier	
37	3903066M1	2	Screw	
38	3903822M91	1	Shock Absorber	
39	390287X1	4	Lock Washer	
40	3101663M1	4	Washer	
41	3903035M1	2	Clevis Pin	
42	3903141M91	1	Hydr Hose	
43	3105395M1	2	Hose Clip	
44	3903817M91	1	Cable	
45	3903172M91	1	Bellows	Up to Serial or Engine Number M002057
	3903139M91	1	Bellows	From Serial or Engine Number M002058
46	3903051M91	1	Accumulator	
47	3903057M91	1	Compressor	
48	3903053M1	1	Clamp	
49	3903054M1	1	Plate	
50	3903059M91	1	Fit Plate Seat	
51	1441461X1	1	Locknut	M8
52	3903067M1	2	Screw	M8x20
53	3903062M1	1	Stop	
54	3101996M1	2	Screw Special	M8x16
55	3102401M1	2	Buffer	
56	1719867M1	2	Protector	
57	3000926X1	1	Screw	M5x10
58	3001414X1	1	Screw Metric	M8x12
59	3903135M91	1	Kit, Repair	[A,B]
60	3903819M91	1	Guide	
61	3903818M91	1	Handle	
62	3903820M91	1	Bearing Carrier	
63	3903821M91	1	Cable	
64	3903827M91	1	Accumulator	
65	3903826M1	2	Tie	7.6x387
66	3903824M1	2	Clamp	
67	3903825M1	1	Facing	

Massey Ferguson

MF 8250 TRACTOR - 1637366

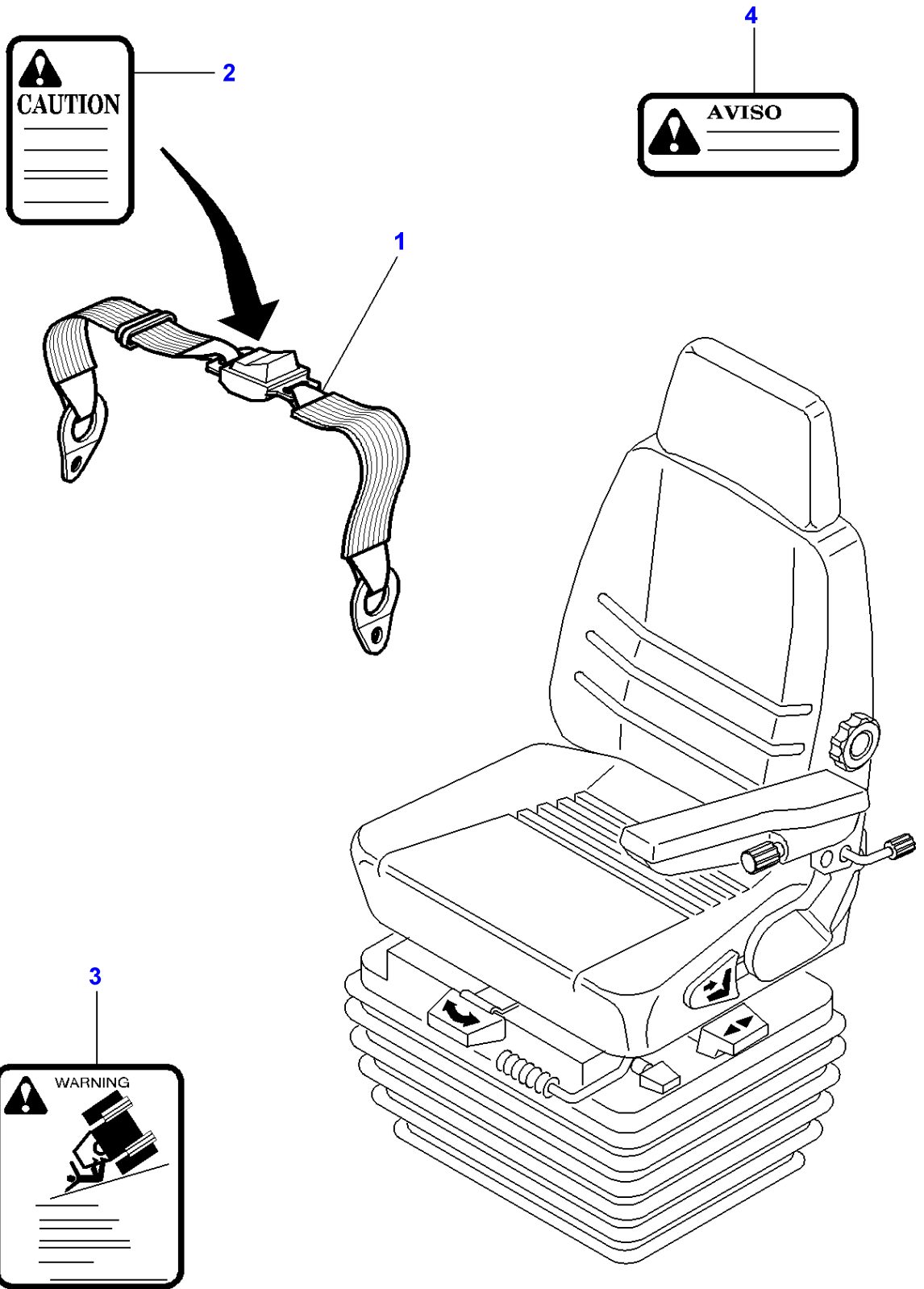
1637366

Seat - Grammer - AIR PRESSURE SEAT WITH AUTOMATIC ADJUSTMENT - LUXUY

Page 110-0345

Item	Part Number	Qty	Description	Comments
			FOOTNOTE [B] NOT ILLUSTRATED	

1-ZZ02-001-B



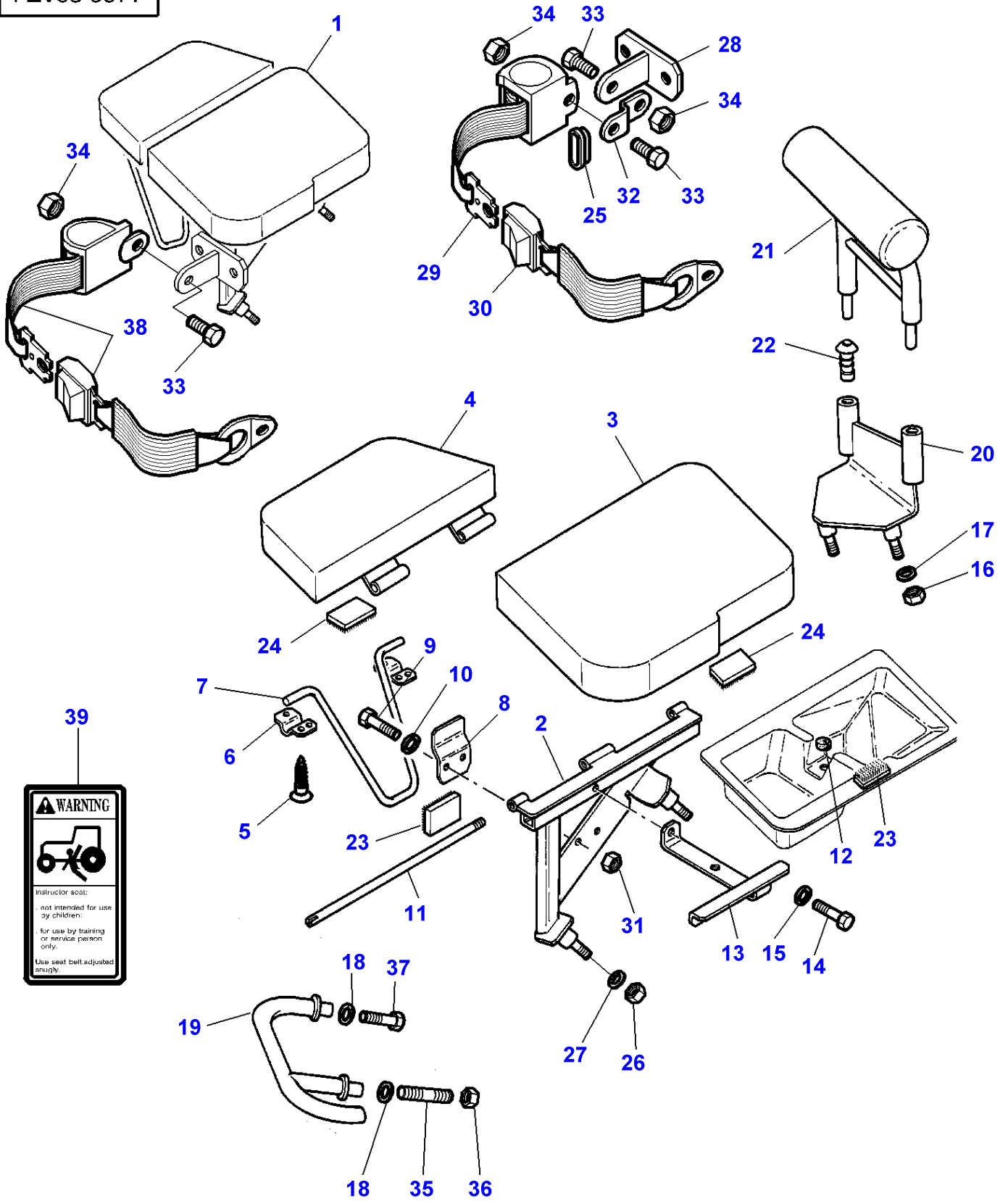
Seat Belt

Item	Part Number	Qty	Description	Comments
1	3772121M91	1	Safety Belt	Up to Serial or Engine Number K009007
	3785693M91	1	Safety Belt	From Serial or Engine Number K009008
2	523784M3	1	Decal	For UK only or any text in English only
	3597443M1	1	Decal	For Germany only or any text in German only
	3597445M1	1	Decal	[A]
3	3760678M1	1	Decal	For UK only or any text in English only
4	3597454M1	1	Decal	[A]

FOOTNOTE [A] SPANISH

MF 8250 TRACTOR - 1637366
1-ZV03-001-F

1-ZV03-001-F



SECONDARY SEAT

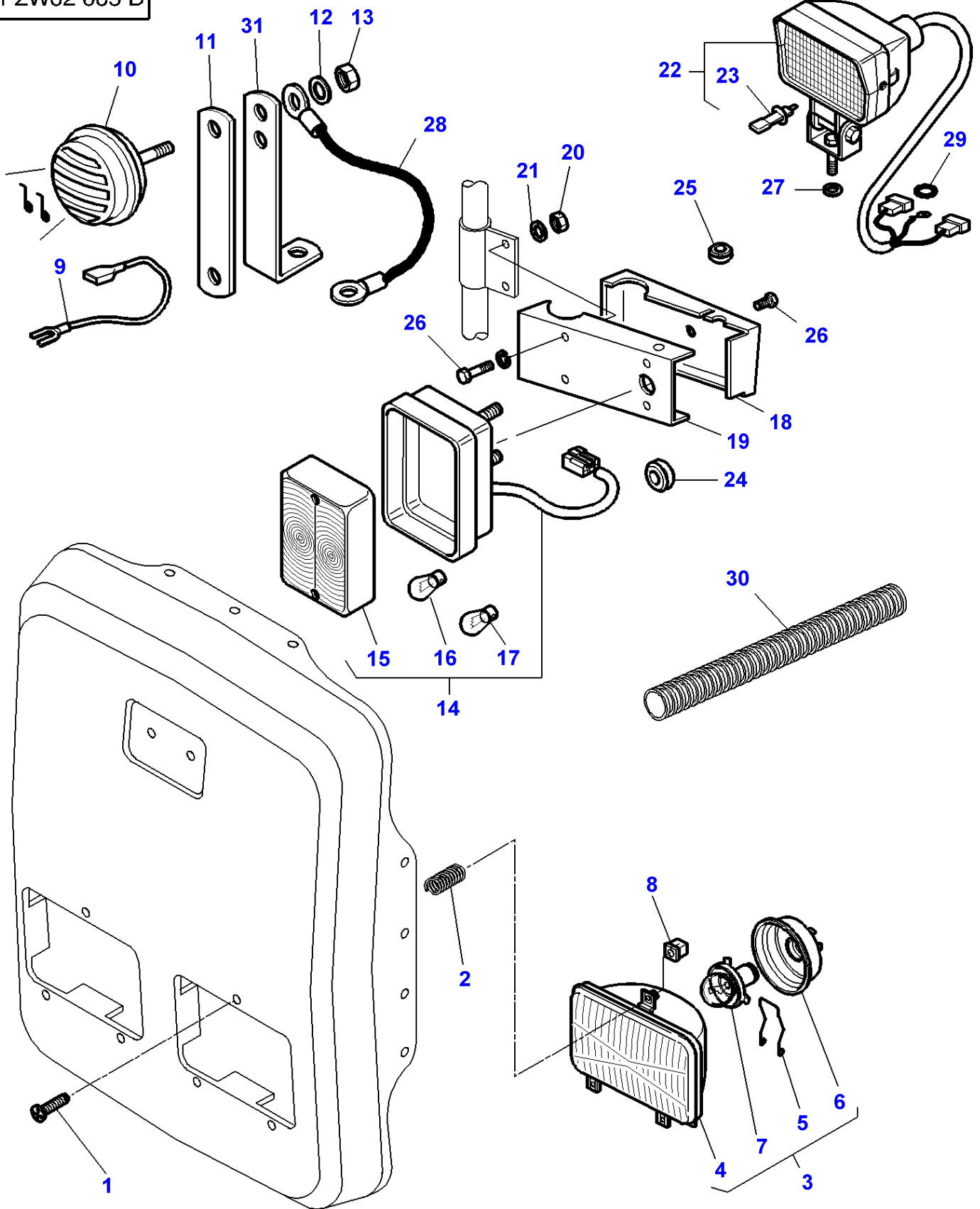
Item	Part Number	Qty	Description	Comments
1	3779641M93	1	Seat	GREY
2	3712855M4	1	Support	(1)
3	3779636M1	1	Cushion	(1) GREY
4	3779634M1	1	Cushion	(1) GREY
5	3713140M1	6	Screw	(1)
6	3712859M1	2	Bridle	(1)
7	3712861M1	1	Stand	(1)
8	3712856M1	1	Hook	
9	339666X1	2	Hex. Sock. Screw	M6X20
10	390971X1	2	Washer	
11	3712899M1	1	Stem	(1)
12	3616277M1	1	Helmet	
13	3712860M1	1	Angle	(1)
14	339124X1	2	Hex. Sock. Screw	M8X16
15	390972X1	1	Washer Metric	
16	394367X1	3	Locknut	M8X35
17	390972X1	3	Washer Metric	Diameter 8MM
18	3010467X1	2	Washer	
19	3713139M1	1	Foot Rest	
20	3712857M2	1	Support	
21	3779638M1	1	Back Rest	GREY
22	3713138M1	2	Guide Bush	
23	3714101M1	2	Band	
24	3714102M1	2	Band	
25	3715170M1	1	Tap	Up to Serial or Engine Number L036007
26	394367X1	2	Locknut	
27	390972X1	2	Washer Metric	
28	3715118M1	1	Support	
29	3715151M2	1	Safety Belt	Up to Serial or Engine Number L036007
30	3715149M2	1	Safety Belt	Up to Serial or Engine Number L036007
31	1441500X1	2	Locknut	[A] M6
	339030X1	2	Nut Metric	
32	3781090M1	1	Plate	From Serial or Engine Number H130001 Up to Serial or Engine Number L036007
33	353558X1	2	Bolt Unf	From Serial or Engine Number H130001 7/16X16 Up to Serial or Engine Number L036007
	353558X1	1	Bolt Unf	From Serial or Engine Number L036008 Length 7/16X16
34	360201X1	2	Nut Unf	From Serial or Engine Number H130001 Up to Serial or Engine Number L036007
	360201X1	1	Nut Unf	From Serial or Engine Number L036008
35	1440022X1	2	Stud	From Serial or Engine Number H308002 M8X20
36	339169X1	2	Nut	From Serial or Engine Number H308002
37	339124X1	2	Hex. Sock. Screw	Up to Serial or Engine Number H308001 M8 X 16
38	3789236M1	1	Safety Belt	From Serial or Engine Number L036008
39	3787683M1	1	Decal	For United States of America

FOOTNOTE [A] CHECK NUT

Page Title	Page Number
Lighting Equipment - Front - Cab	120-0005
Lighting Equipment - Rear	120-0010
Lighting Equipment - Rear - For United States of America	120-0015
TRAFFIC WARNING - Distributors With Horizontal Position	120-0020
TRAFFIC WARNING	120-0025
TRAFFIC WARNING - Distributors With Vertical Position	120-0030
TRAILOR ELECTRIC SOCKET	120-0035
Field Lights	120-0040
Field Lights - With High Visibility Roof	120-0045
Field Lights - GUIDEWAY / FOOTSTEPS / FENDERS	120-0050
ROTATING LIGHT	120-0055
ROTATING LIGHT - For United States of America	120-0060

MF 8250 TRACTOR - 1637366
1-ZW02-005-D

1-ZW02-005-D



Lighting Equipment - Front - Cab

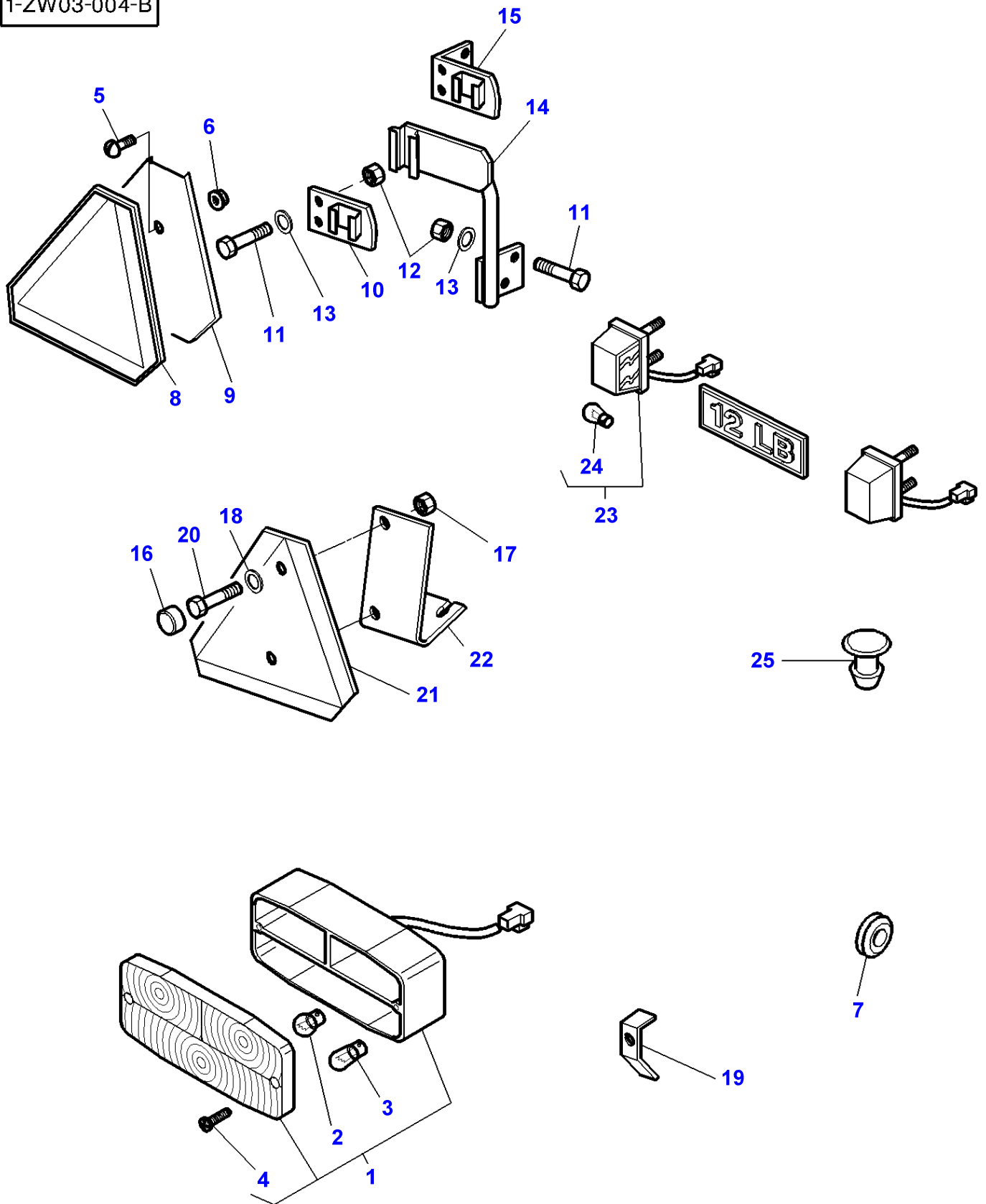
Item	Part Number	Qty	Description	Comments
1	3771996M1	6	Screw	
2	3771550M1	6	Spring	
3	3809345M91	2	Headlamp	[A]
	3809346M91	2	Headlamp	[B]
4		1	Housing	(3) Not serviced,order REP. NO 4
5	3901522M1	1	Clip	(3)
6	3901521M1	1	Cap	(3)
7	961866M1	1	Bulb H/L 45/40w	(3)
8	3809347M1	6	Nut	
9	3042257M1	1	Earth Strap	
10	1678404M1	1	Horn	
11	3778841M2	1	Strap	
12	339374X1	1	Lock Washer	
13	339169X1	1	Nut	M8
14	3714184M92	2	Light	Not for USA
15	3105505M1	1	Lens	(14)
16	1420037M1	1	Bulb 12v 5w	(14)
17	621235M1	1	Bulb 12v 21w Sbc	(14)
18	3714858M1	1	Case Assy	Left Hand
	3714857M1	1	Case Assy	Right Hand
19	3714316M2	1	Extension	Left Hand
	3714317M2	1	Extension	Right Hand
20	3010477X1	4	Nut Metric	
21	1441100X1	4	Washer	
	390469X1	4	Washer Metric	
22	3714399M92	2	Lamp	
23	1628494M1	1	Bulb H3	(22)
24	3042523M1	2	Plug	Diameter 10-15
25	338977X1	2	Grommet	Diameter 8-16
26	3010578X1	6	Screw	M5X10
27	385362X1	2	Washer	
28	3782897M1	1	Earth Strap	
29	22428X	2	Lock Washer	
30	5016845M1	1	Sheath	
31	656632M4	1	Bracket	

FOOTNOTE [A] WHITE BULB.FOR LH DRIVING

FOOTNOTE [B] WHITE BULB.FOR RH DRIVING

MF 8250 TRACTOR - 1637366
1-ZW03-004-B

1-ZW03-004-B



Lighting Equipment - Rear

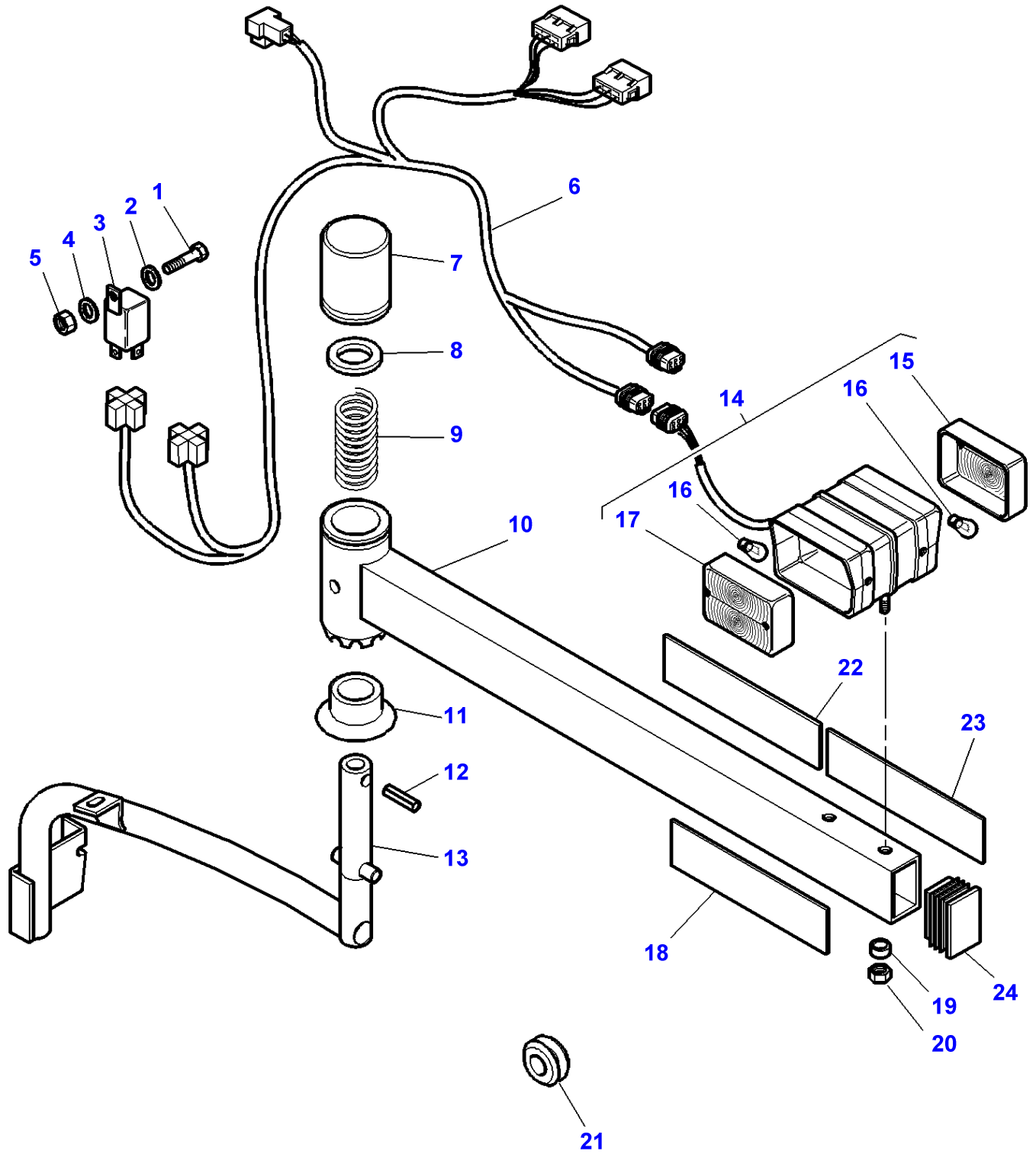
Item	Part Number	Qty	Description	Comments
1	3781445M92	1	Rear Light	Left Hand
	3781444M92	1	Rear Light	Right Hand
2	621235M1	2	Bulb 12v 21w Sbc	(1)
3	3002706X1	1	Bulb 12v 10w	(1)
4	1440827X1	2	Screw	(1) M5X30
5	3580257M1	2	Screw	M5X20
6	3010477X1	2	Nut Metric	
7	3580984M1	2	Grommet	Diameter 21/10-28
	3777000M1	2	Grommet	Diameter 21-25MM
8	3040758M1	1	Emblem	[A]
	3712185M1	1	Triangle	[B]
9	3389910M92	1	Plate	Up to Serial or Engine Number
10	3714371M91	1	Support	
11	339123X1	4	Hex. Sock. Screw	M8X20
12	339169X1	4	Nut	
13	339374X1	4	Lock Washer	
14	3715817M91	1	Support	
15	3389907M92	1	Reflector Mtg.	
16	3714113M1	2	Plug	
17	339030X1	2	Nut Metric	
18	339375X1	2	Lock Washer	
19	3713696M2	4	Bridle	
20	339560X1	2	Hex. Sock. Screw	M6X16
21	3789701M1	1	Triangle	[C]
22	3778811M1	1	Support	
23	3619018M91	2	N/Plate Lamp	
24	3042087M1	1	Bulb 12v 10w	(23)
25	3713404M1	1	Plug	Diameter 15MM

FOOTNOTE [A] ADHESIVE

FOOTNOTE [B] REFLECTOR

FOOTNOTE [C] RETROREFLECTIVE

1-ZW03-013-C



Massey Ferguson**MF 8250 TRACTOR - 1637366**

1637366

Lighting Equipment - Rear - For United States of America

Page 120-0015

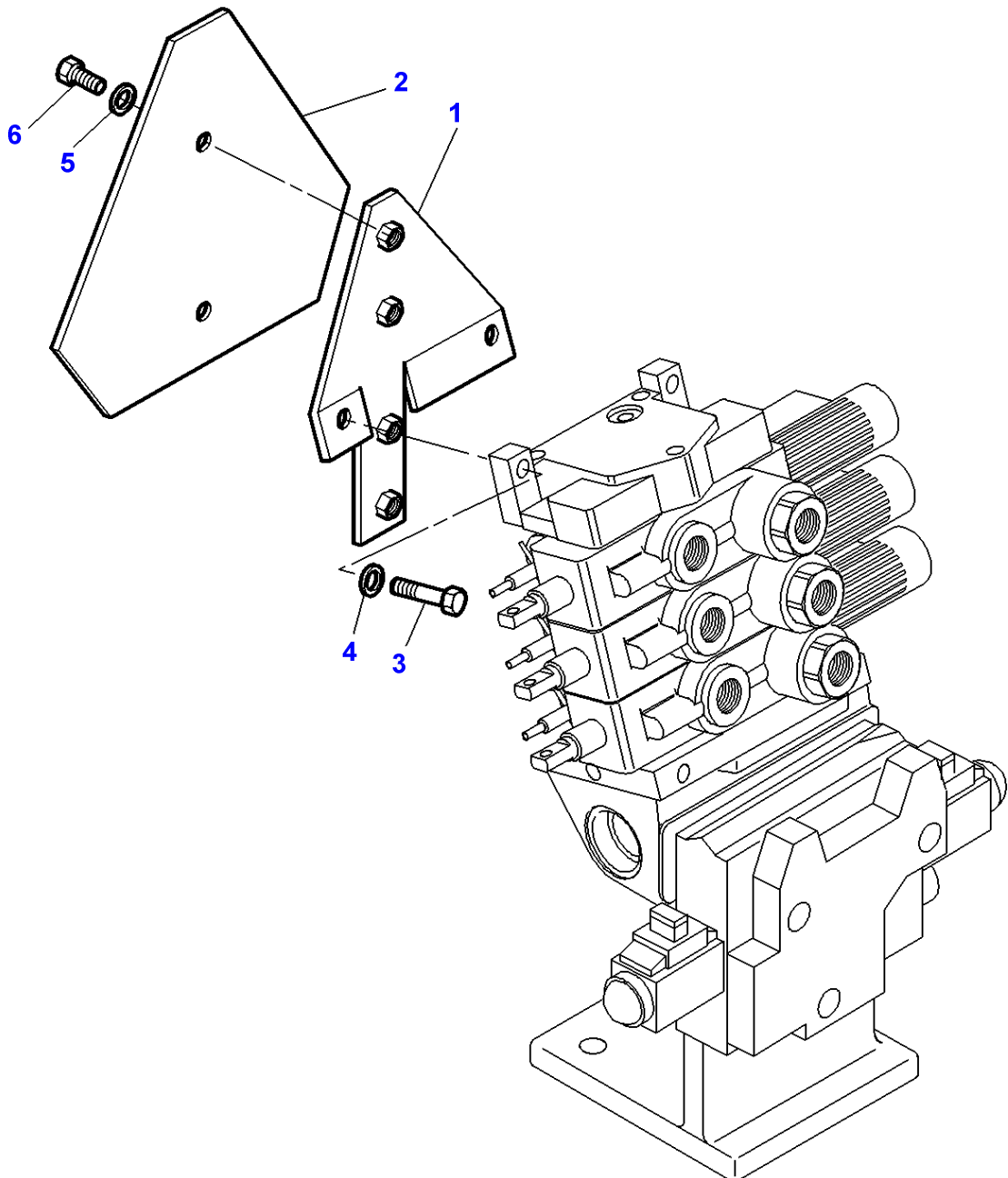
Item	Part Number	Qty	Description	Comments
1	339560X1	1	Hex. Sock. Screw	M6 X 16
2	339375X1	1	Lock Washer	
3	3615652M1	2	Relay	4RD 003 520-31 4RD 007 794-03
4	390971X1	1	Washer	
5	339030X1	1	Nut Metric	M6
6	3788523M2	1	Harness	
7	3788369M1	1	Plug	
8	3788365M2	1	Washer	
9	3788364M2	1	Spring	
10	3788385M93	1	Support	Left Hand
	3788386M93	1	Support	Right Hand
11	3788367M2	2	Gasket	
12	3019546X1	2	Pin	
13	3788375M95	1	Extension	Left Hand
	3788376M95	1	Extension	Right Hand
14	3788465M2	2	Light	
15	3907168M91	1	Lens	(14)
16	621235M1	2	Bulb 12v 21w Sbc	(14)
17	3310902M91		Lens	(14)
18	3788462M1	2	Reflectingmirror	[C]
19	3580848M1	4	Spacer	Diameter 11-20 X 14.5
20	339169X1	4	Nut	M8
21	3714694M1	2	Grommet	Diameter 7-21
22	3788460M1	2	Reflectingmirror	[B]
23	3788461M1	2	Reflectingmirror	[A]
24	3788368M1	2	Tap	

FOOTNOTE [A] ORANGE

FOOTNOTE [B] RED

FOOTNOTE [C] YELLOW

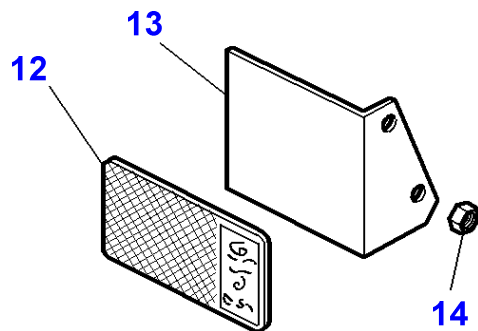
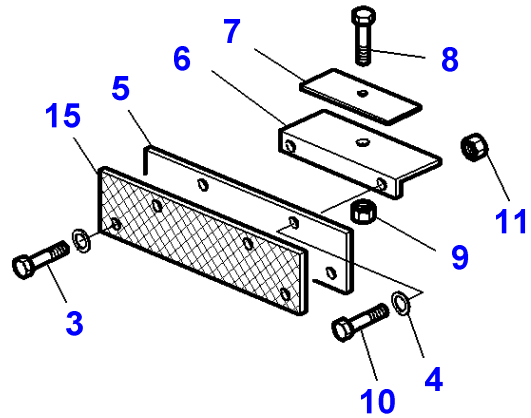
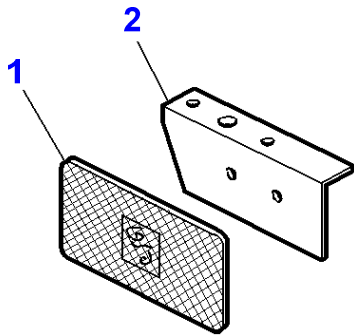
1-ZW27-002-B



Massey Ferguson**MF 8250 TRACTOR - 1637366****1637366****TRAFFIC WARNING - Distributors With Horizontal Position****Page 120-0020**

Item	Part Number	Qty	Description	Comments
1	3783356M91	1	Support	Repairs and replaces 3779136m92
2	3789701M1	1	Triangle	
3	3009494X1	2	Screw Metric	M10 X 35
4	390734X1	2	Washer	Diameter 10-21 X 2
5	390971X1	2	Washer	Diameter 6-12 X 1,5
6	339560X1	2	Hex. Sock. Screw	M6 X 16

1-ZW27-003-C



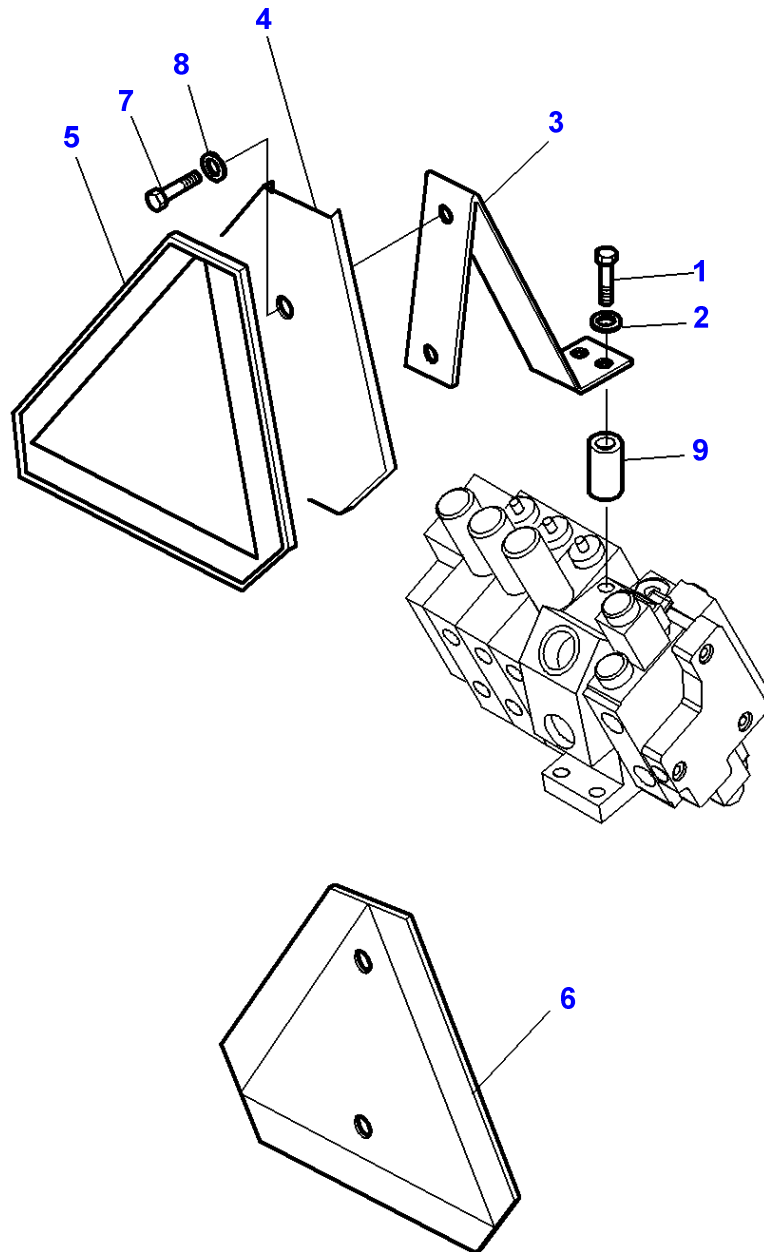
TRAFFIC WARNING

Item	Part Number	Qty	Description	Comments
1	3618951M1	2	Reflector	[A]
2	3052943M2	1	Bearer	Left Hand
	3052944M2	1	Bearer	Right Hand
	3783372M1	1	Support	[B] Left Hand
	3783373M1	1	Support	[B] Right Hand
3	390990X1	4	Screw Metric	Up to Serial or Engine Number 13/09/1999 M5X12
4	3019560X1	8	Washer	Up to Serial or Engine Number 13/09/1999
5	3615903M1	2	Rubber	Up to Serial or Engine Number 13/09/1999
6	3615912M91	2	Support	Up to Serial or Engine Number 13/09/1999
7	3615904M1	2	Bridle	Up to Serial or Engine Number 13/09/1999
8	339010X1	2	Bolt Metric	Up to Serial or Engine Number 13/09/1999 M8X40
9	394367X1	2	Locknut	Up to Serial or Engine Number 13/09/1999
10	3000926X1	4	Screw	Up to Serial or Engine Number 13/09/1999 M5X10
11	390995X1	4	Nut Metric	Up to Serial or Engine Number 13/09/1999
12	3389596M1	X	Reflector	[A] 31,5X70
13	3778910M2	1	Support	Left Hand
	3778911M2	1	Support	Right Hand
14	3764827M1	4	Nut	M16
15	3713522M1	2	Reflector	Up to Serial or Engine Number 13/09/1999

FOOTNOTE [A] WITH ADHESIVE

FOOTNOTE [B] FOR REAR AXLE HOUSING WITH COMPOSITE REDUCER

1-ZW27-006-B



TRAFFIC WARNING - Distributors With Vertical Position

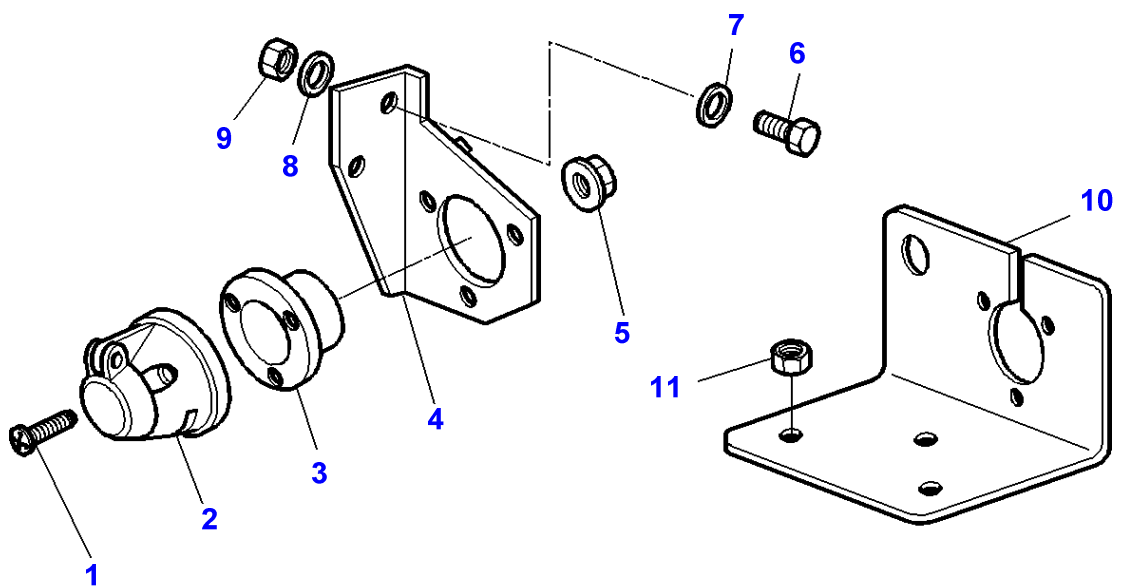
Item	Part Number	Qty	Description	Comments
1	3009491X1	2	Hex. Sock. Screw	M10 X 20
2	390734X1	2	Washer	Diameter 10-21 X 2
3	3785113M1	1	Support	
4	3389910M92	1	Plate	Up to Serial or Engine Number
5	3712185M1	1	Triangle	[A,C]
6	3789701M1	1	Triangle	[B]
7	339560X1	2	Hex. Sock. Screw	M6 X 16
8	390971X1	2	Washer	Diameter 6-12 X 1,5
9	3582076M1	2	Spacer	Diameter 10-20 X 6

FOOTNOTE [A] NORM C.E.E

FOOTNOTE [B] SAE STANDARD

FOOTNOTE [C] REFLECTOR

1-ZW39-003-E

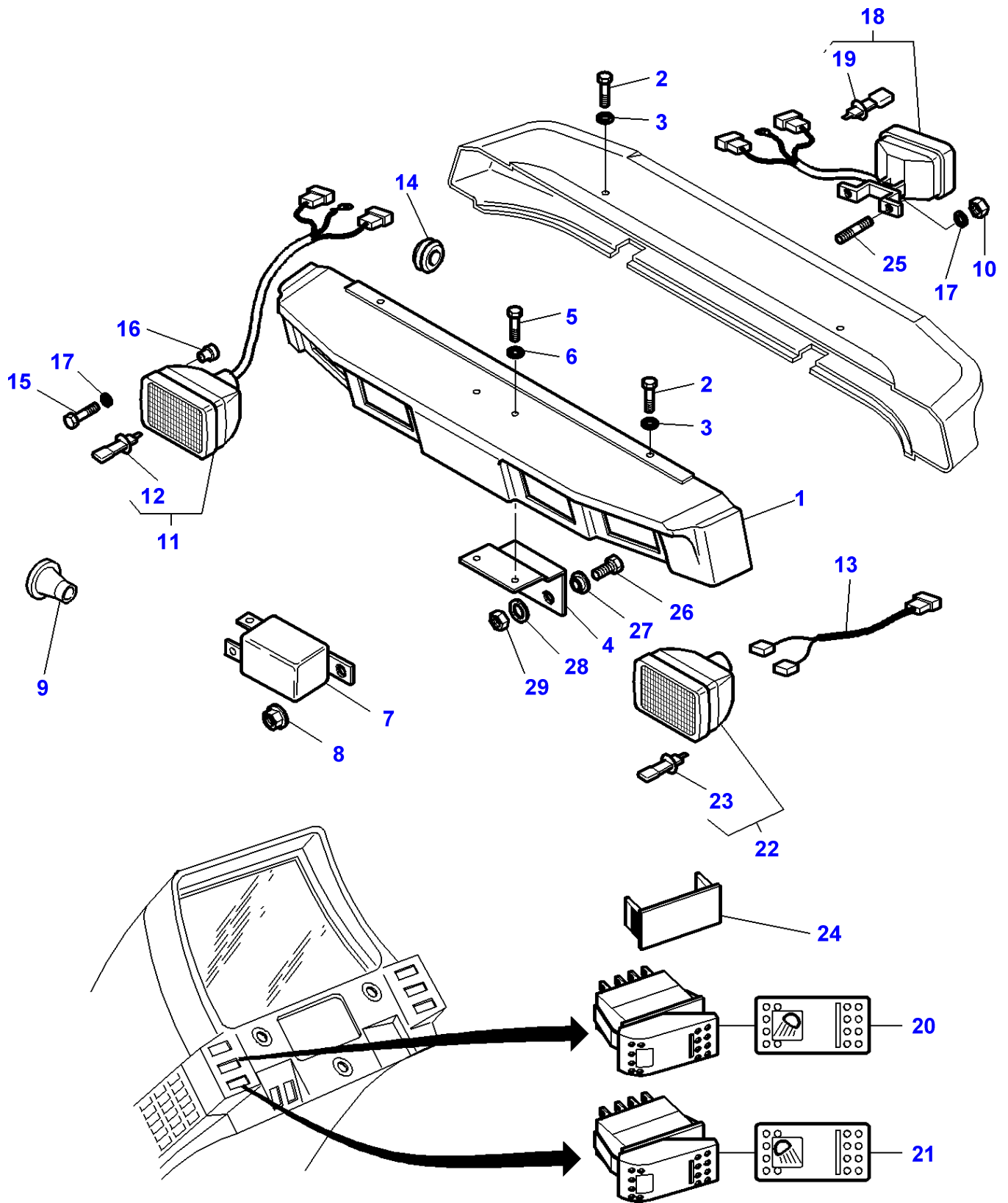


TRAILOR ELECTRIC SOCKET

Item	Part Number	Qty	Description	Comments
1	3009538X1	3	Screw	M5 X 35
2	409965M1	1	Socket 7 Pin Sup	
3	3041656M2	1	Plate	
4	3779126M2	1	Support	Up to Serial or Engine Number 30-JUN-2000
5	3010477X1	3	Nut Metric	M5
6	339123X1	2	Hex. Sock. Screw	Up to Serial or Engine Number 30-JUN-2000 M8 X 20
7	22428X	2	Lock Washer	Up to Serial or Engine Number 30-JUN-2000
8	390972X1	X	Washer Metric	Up to Serial or Engine Number 30-JUN-2000 Diameter 8-17 X 1,7
9	339169X1	X	Nut	Up to Serial or Engine Number 30-JUN-2000 M8
10	3783417M1	1	Support	From Serial or Engine Number 01-JUL-2000 Up to Serial or Engine Number 06-JAN-2002
11	339169X1	3	Nut	M8

MF 8250 TRACTOR - 1637366
1-ZW05-001-C

1-ZW05-001-C



Field Lights

Item	Part Number	Qty	Description	Comments
1	3780675M1	1	Visor	[A]
	3780676M1	1	Visor	[B]
2	339666X1	4	Hex. Sock. Screw	M6X20
3	391038X1	4	Washer	
4	3714426M1	1	Support	
5	339666X1	2	Hex. Sock. Screw	M6X20
6	391038X1	2	Washer	
7	3615652M1	X	Relay	12V-25AMP 4RD 007 794-03 4RD 003 520-31 12V-50AMP
	3387326M2	X	Relay	
8	3010477X1	X	Nut Metric	
9	833062M1	2	Grommet	
10	339169X1	4	Nut	
11	3713132M91	2	Headlamp	[C] Up to Serial or Engine Number M016023
	4271030M91	2	Headlamp	[C] From Serial or Engine Number M016024 (11)
12	1628494M1	2	Bulb H3	
13	3713339M1	4	Harness	
14	3714694M1	X	Grommet	Diameter 7/21
15	3009535X1	8	Screw	M4X30
16	3713803M1	8	Nut	M4
17	390972X1	4	Washer Metric	
18	3713130M91	2	Lamp	[C]
19	1628494M1	2	Bulb H3	(18)
20	3778391M1	1	Switch, Indirect	
21	3780552M1	1	Switch, Indirect	
22	3713134M91	4	Headlamp	[E,F] Up to Serial or Engine Number M126039
	4271029M91	4	Headlamp	[E,F] From Serial or Engine Number M126040
	3713137M1	1	Lamp	[G]
23	1628494M1	1	Bulb H3	[I] (22)
	3713341M1	2	Bulb 12v 60/55w	[H] (22) H4
24	3713151M1	X	Tap	
25	1440022X1	4	Stud	M8X20
26	1441704X1	2	Screw Metric	Up to Serial or Engine Number H274030 M20X40
	339124X1	2	Hex. Sock. Screw	From Serial or Engine Number H274031 M8X20
27	3783380M1	2	Washer	From Serial or Engine Number H274031
28	3010467X1	2	Washer	From Serial or Engine Number H274031
29	3009746X1	2	Nut	Up to Serial or Engine Number H274030
	339169X1	2	Nut	From Serial or Engine Number H274031 M8

FOOTNOTE [A] WITH 4 HEADLAMPS

FOOTNOTE [B] WITH 2 HEADLAMPS

FOOTNOTE [C] WITH 2 BULB WORKLIGHT

FOOTNOTE [E] WITH 1 BULB WORKLIGHT

FOOTNOTE [F] INCLUDE ITEM 13

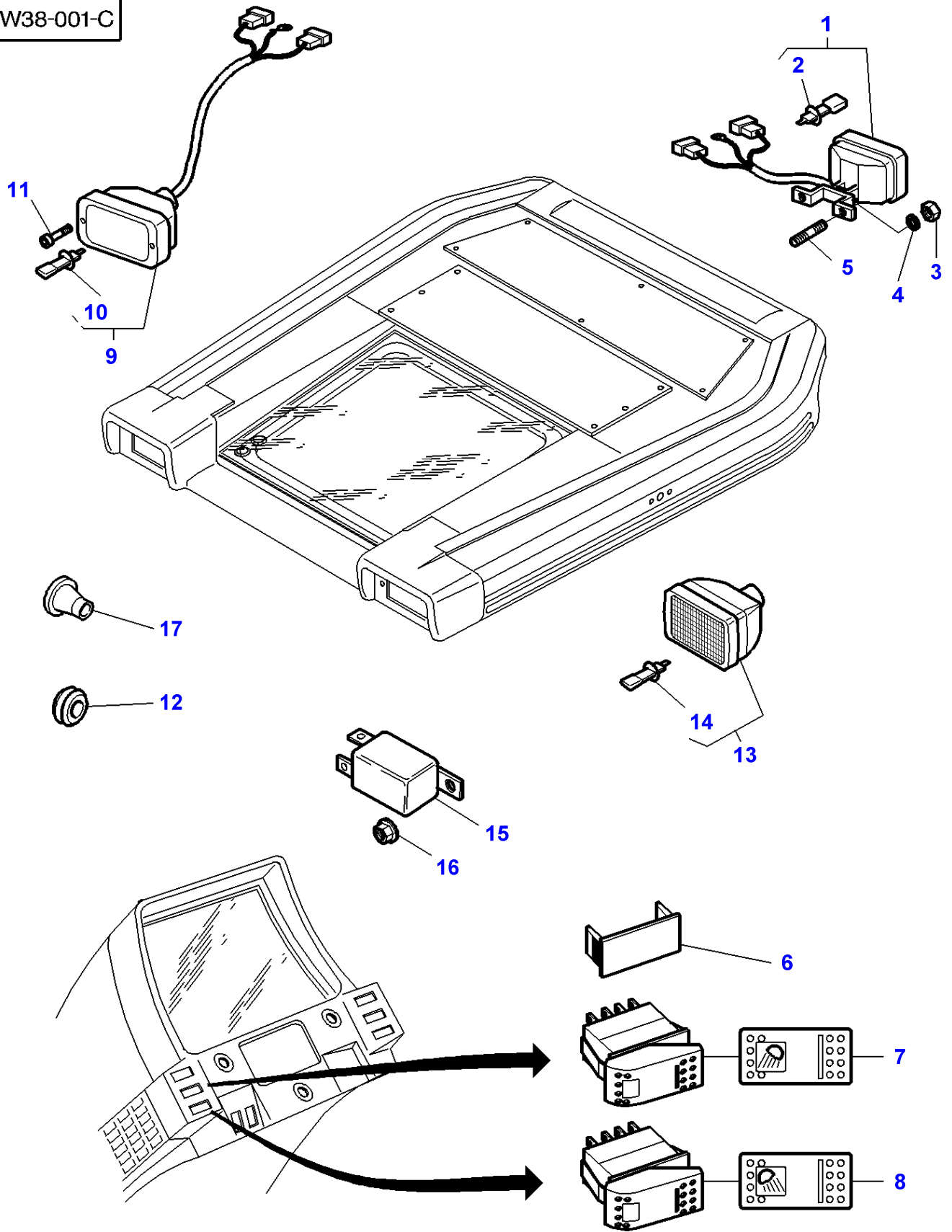
FOOTNOTE [G] WITH WAY LIGHTS FITTED ON THE CAB ROOF

FOOTNOTE [H] USE WITH 3713137M1

FOOTNOTE [I] USE WITH 3713134M91

MF 8250 TRACTOR - 1637366
1-ZW38-001-C

1-ZW38-001-C



Massey Ferguson**MF 8250 TRACTOR - 1637366**

1637366

Field Lights - With High Visibility Roof

Page 120-0045

Item	Part Number	Qty	Description	Comments
1	3713130M91	2	Lamp	[A]
2	1628494M1	2	Bulb H3	(1) 12V. 55W.
3	339169X1	4	Nut	
4	390972X1	4	Washer Metric	
5	1440022X1	4	Stud	
6	3713151M1	1	Tap	
7	3778391M1	1	Switch,Indirect	
8	3780552M1	1	Switch,Indirect	
9	3713132M91	2	Headlamp	[A] Up to Serial or Engine Number M016023
	4271030M91	2	Headlamp	[A] From Serial or Engine Number M016024
10	1628494M1	2	Bulb H3	(9) 12V. 55W.
11	3010742X1	4	Screw Metric	M4X40
12	3714694M1	X	Grommet	
13	3713137M1	2	Lamp	[B]
14	3713341M1	2	Bulb 12v 60/55w	(13) H4-12V. 55W.
15	3615652M1	X	Relay	12V-25Amp. 4RD 003 520-31 4RD 007 794-03
16	3010477X1	X	Nut Metric	M5
17	833062M1	2	Grommet	

FOOTNOTE [A] WITH 2 BULB WORKLIGHT**FOOTNOTE [B]** WITH WAY LIGHTS FITTED ON THE CAB ROOF**FOOTNOTE [C]** WITH 1 BULB WORKLIGHT

Field Lights - GUIDEWAY / FOOTSTEPS / FENDERS

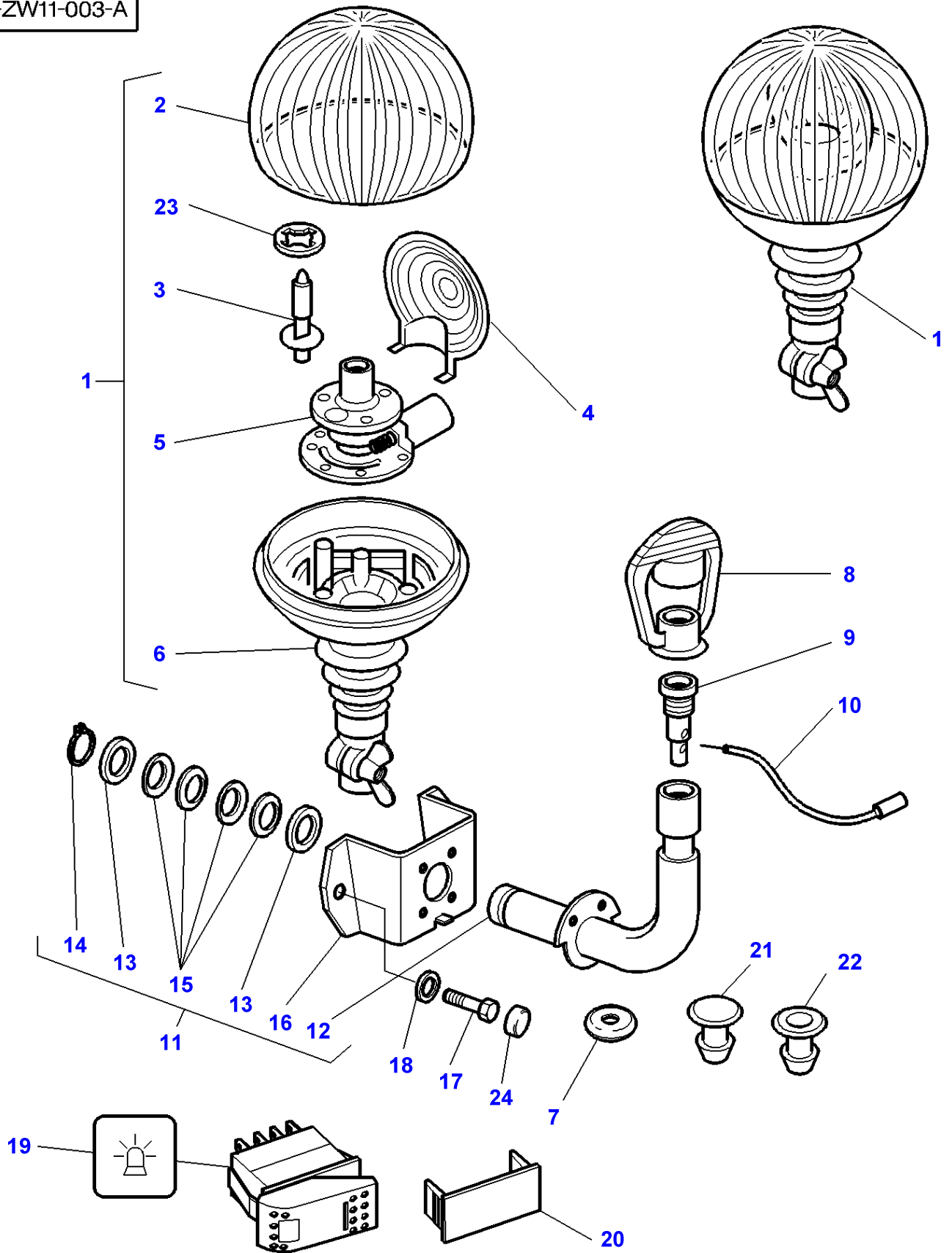
Item	Part Number	Qty	Description	Comments
1	3714399M92	2	Lamp	[C]
2	1628494M1	1	Bulb H3	(1) 12V - 55W
3	5016887M2	2	Spacer	From Serial or Engine Number H279035
4	70921230	2	Grommet	Diameter 25-35
5	390734X1	2	Washer	Up to Serial or Engine Number H279034
6	3009491X1	2	Hex. Sock. Screw	Up to Serial or Engine Number H279034 M10X20
7	3778391M1	1	Switch,Indirect	
8	3780553M1	1	Switch,Indirect	
9	3713151M1	X	Tap	
10	3778456M92	2	Light	[A]
11	1628494M1	2	Bulb H3	(10) 12V - 55W
12	367439X1	2	Grommet	Diameter 15-25
13	339030X1	2	Nut Metric	M6
14	3615652M1	1	Relay	12V - 25AMP 4RD 003 520-31 4RD 007 794-03
15	5016845M1	1	Sheath	From Serial or Engine Number J168024
16	3788157M91	4	Work Light	[C]
17	1628494M1	1	Bulb H3	(16)

FOOTNOTE [A] WITH 2 BULB WORKLIGHT

FOOTNOTE [B] WITH FIELD LIGHTS ON THE FENDERS

FOOTNOTE [C] WITH 1 BULB WORKLIGHT

1-ZW11-003-A



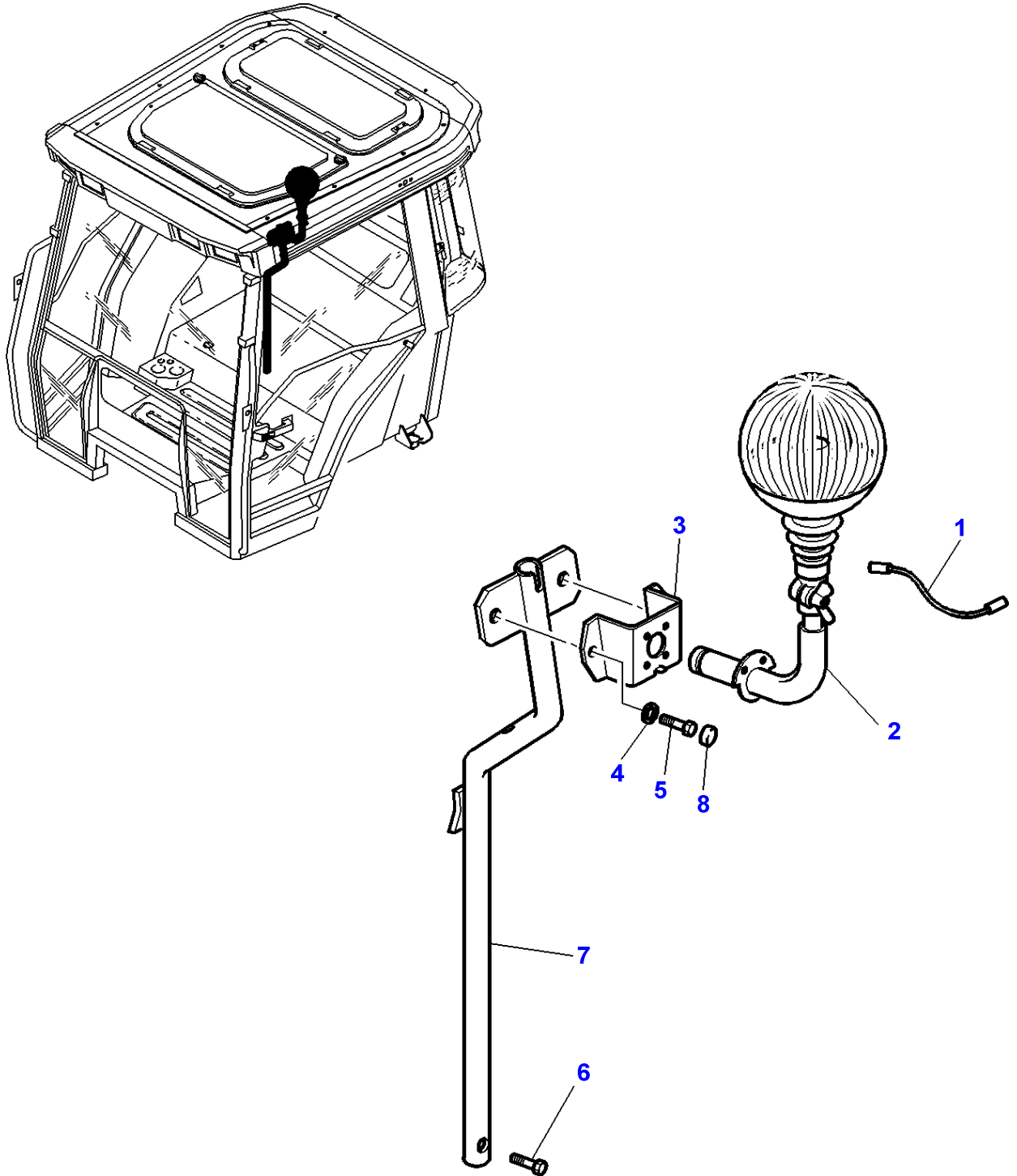
ROTATING LIGHT

Item	Part Number	Qty	Description	Comments
1	3715144M92	1	Turning Light	
2	3902469M1	1	Lens	(1)
3	3405180M1	1	Bulb 12v	(1)
4	3900282M1	1	Reflectingmirror	(1)
5	3900285M1	1	Engine	(1)
6		1	Support	(1)
				Not serviced,order REF. NO1
7	3714694M1	2	Grommet	
8	3617859M1	1	Helmet	
9	3617860M1	1	Intake	
10	3713260M1	1	Wire	
11	3778093M91	1	Support	
12	3778023M1	1	Tube	(11)
13	3778025M1	2	Washer	(11)
				Diameter 45MM
14	3006699X1	1	Clip	(11)
15	3778094M1	4	Washer	(11)
16	3778024M1	2	Support	(11)
17	339123X1	4	Hex. Sock. Screw	M8X20
18	390972X1	4	Washer Metric	
19	3713146M1	1	Switch,Indirect	
20	3713151M1	1	Tap	[A]
21	3713404M1	1	Plug	
22	3713405M2	1	Grommet	
23	3900281M1	1	Bush	(1)
24	3616277M1	4	Helmet	

FOOTNOTE [A] WITHOUT ROTATING LIGHT

FOOTNOTE [B] INDUSTRIAL CAB

1-ZW11-004-A

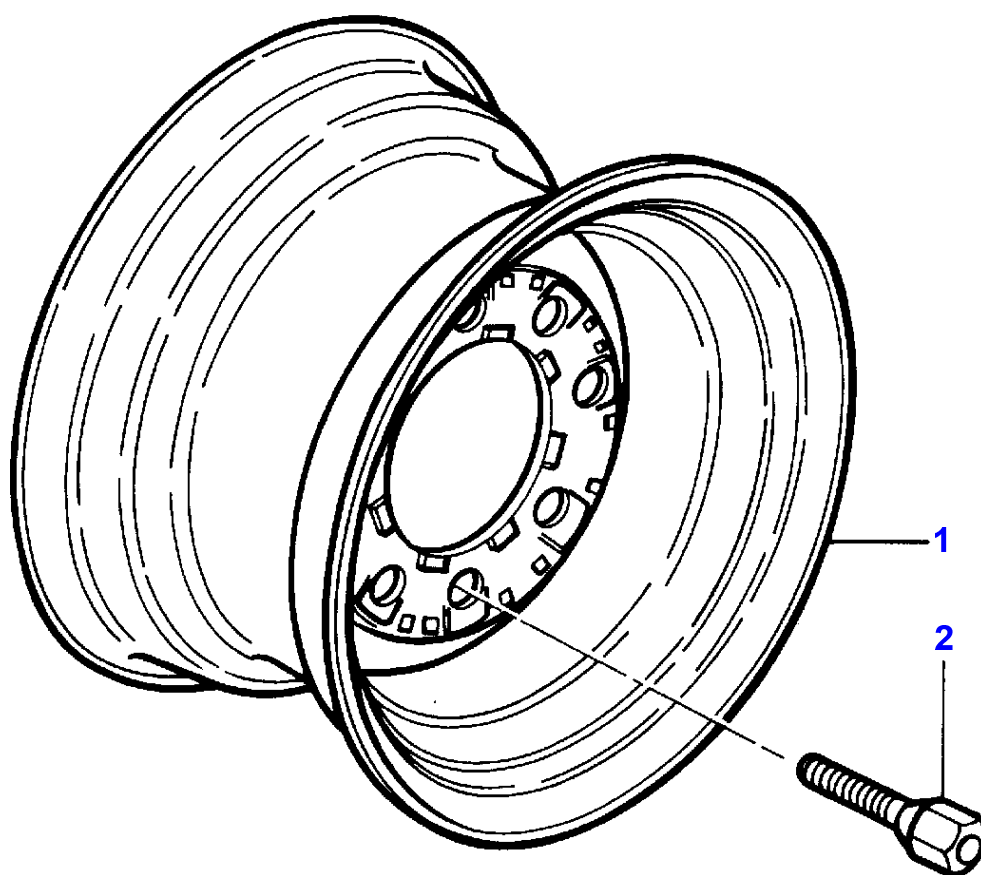


Massey Ferguson**MF 8250 TRACTOR - 1637366****1637366****ROTATING LIGHT - For United States of America****Page 120-0060**

Item	Part Number	Qty	Description	Comments
1	3788078M1	1	Harness	Length 1480 MM
2		1	Rotating Light	See Page - Reference Number 120-0055/1
3	3778093M91	1	Support	
4	390972X1	2	Washer Metric	Diameter 8-17 X 1,7
5	339123X1	2	Hex. Sock. Screw	M8 X 20
6	339010X1	1	Bolt Metric	M8 X 40
7	3788069M1	1	Support	
8	3616277M1	2	Helmet	

Page Title	Page Number
Front Wheels - 2 Wheel Drive - Fitting 8 Screws	130-0005
Front Wheels - 4 Wheel Drive	130-0010
Front Wheels - 4 Wheel Drive - Sirmac	130-0015
Front Wheels - 4 Wheel Drive - Wheel Hub 10 Holes Assembling	130-0020
Front Wheels - 4 Wheel Drive	130-0025
Front Wheels - 4 Wheel Drive - WHEEL HUB 12 HOLES ASSEMBLING	130-0030
Front Wheels - 4 Wheel Drive - Wheel Hub 10 Holes Assembling	130-0035
Front Axle 4 Wheel Drive - Mudguards And Supports	130-0040
Front Axle 4 Wheel Drive - Mudguards And Supports - WITH CARRARO FRONT AXLE	130-0045
Front Axle 4 Wheel Drive - Mudguards And Supports - Pivoting - With DANA Front Axle	130-0050
Front Axle 4 Wheel Drive - Mudguards And Supports - Pivoting - With CARRARO Front Axle	130-0055
Front Axle 4 Wheel Drive - Mudguards And Supports - Pivoting	130-0060
Rear Wheels	130-0065
Rear Wheels	130-0070
Rear Wheels	130-0075
Rear Wheels	130-0080
Rear Wheels - Fixing By Cone - Shaft Diameter 95 mm / Cone/Wheel Hub Standard	130-0085
Rear Wheels - Fixing By Cone - Shaft Diameter 95MM From K248042 / Cone/Wheel Hub Reversed	130-0090
Rear Wheels - Fixing By Cone - Short Shaft Diameter 95 mm With Spacers For Dual Wheels Cone/Wheel Hub Reversed	130-0095
Rear Wheels - Fixing By Cone - Shaft Diameter 110MM Up To L011007 / Cone/Wheel Hub Standard	130-0100
Rear Wheels - Fixing By Cone - Shaft Diameter 110MM From L011008 / Cone/Wheel Hub Reversed	130-0105
Rear Wheels - Fixing By Cone - Shaft Diameter 110MM / Cone/Wheel Hub Standard For Dual Wheels Cast Iron/Cast Iron	130-0110
Rear Wheels - Fixing By Cone - Short Shaft Diameter 110MM - With Spacers for Dual Wheels Cone/Wheel Hub Reversed	130-0115
Wheel Weights	130-0120
Wheel Wedges	130-0125

1-ZL02-001-A

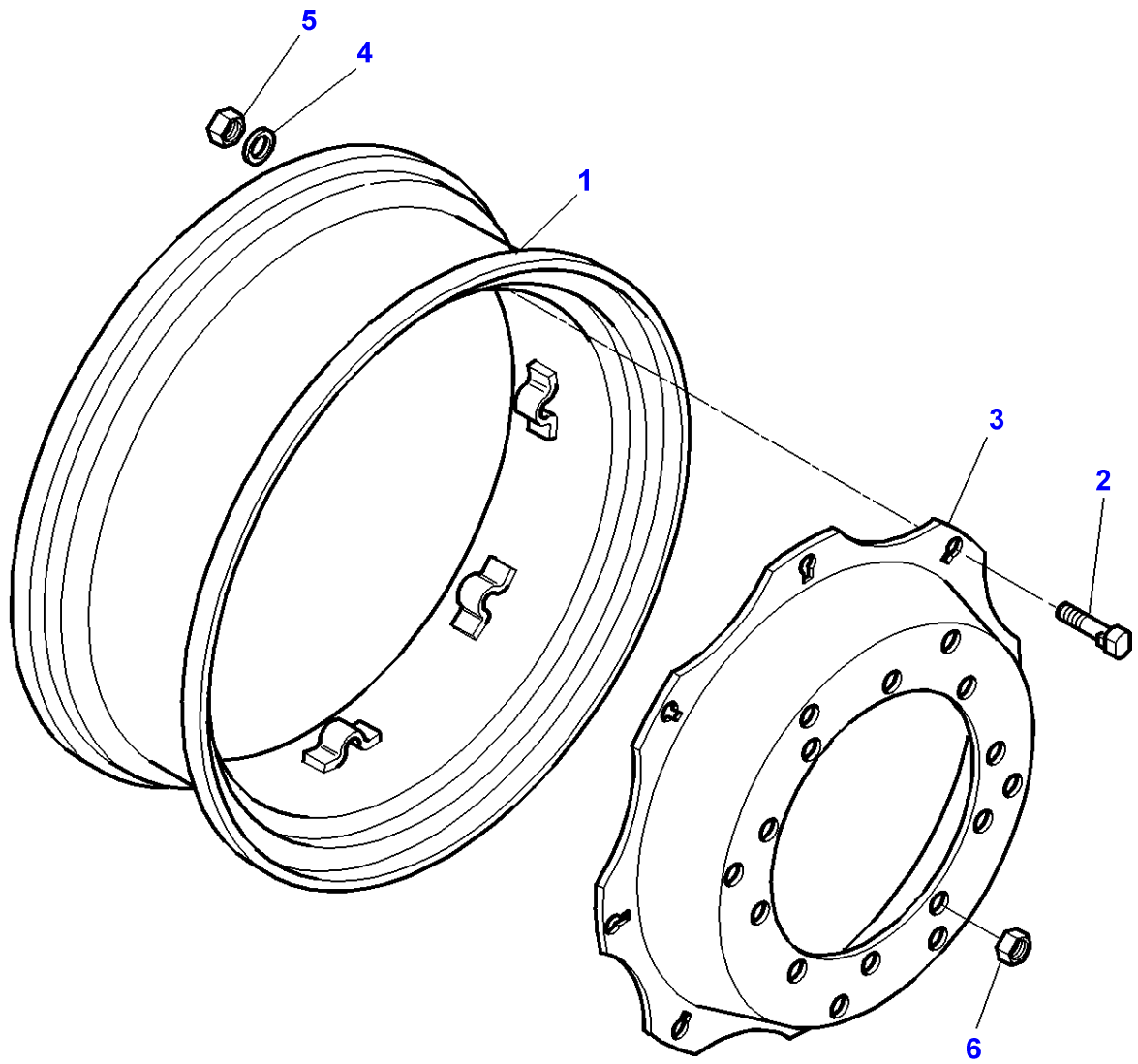


Massey Ferguson**MF 8250 TRACTOR - 1637366****1637366****Front Wheels - 2 Wheel Drive - Fitting 8 Screws****Page 130-0005**

Item	Part Number	Qty	Description	Comments
1	1614384M1	2	Wheel	[A,B] W8 X 16"
	1614385M1	2	Rim	W11X16"
2	1823598M1	16	Screw Metric	M16

FOOTNOTE [A] USED WITH 11.00" X 16" TYRES**FOOTNOTE [B]** USED WITH 10.00" X 16" TYRES

1-ZL03-006-A

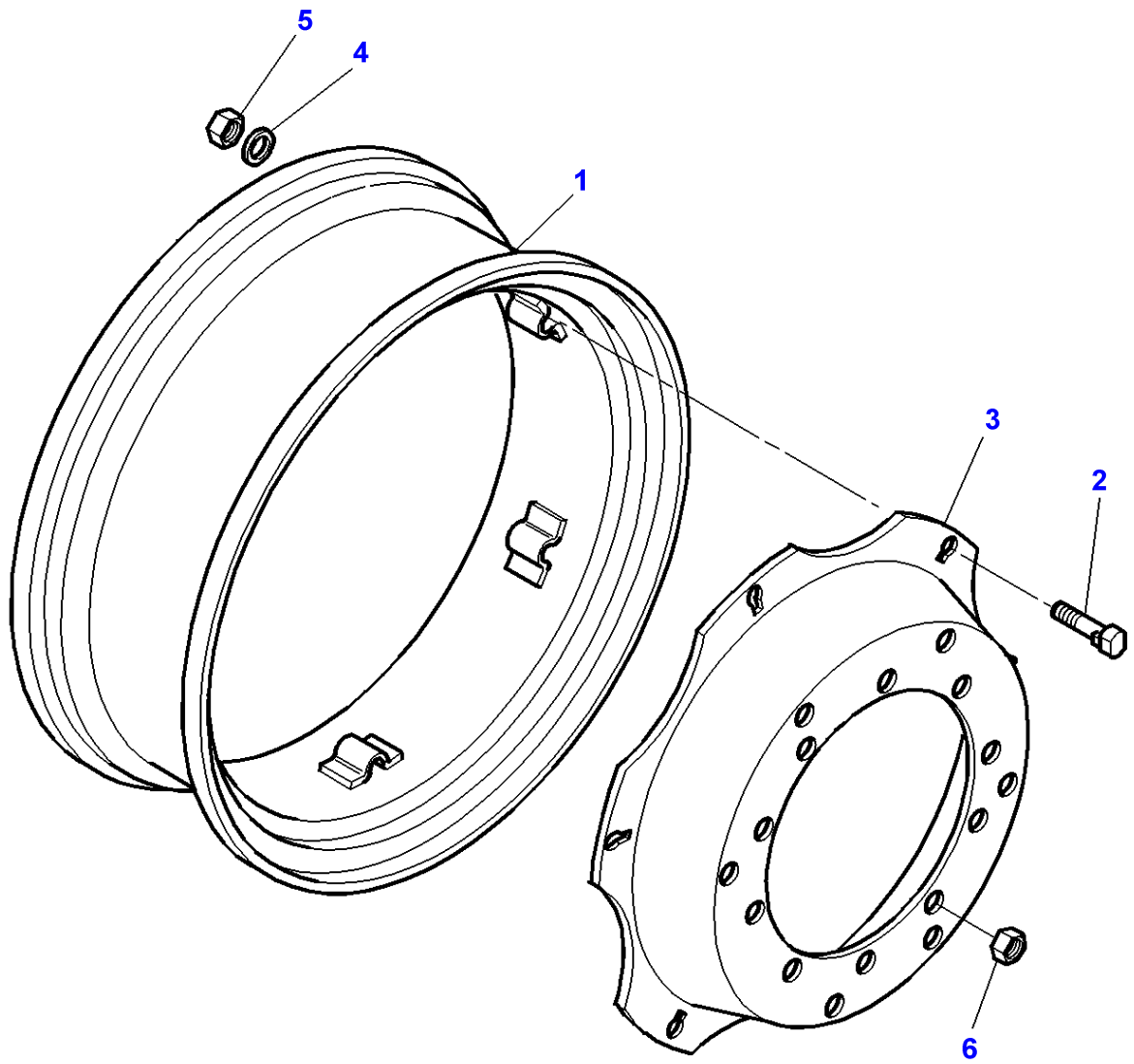


Massey Ferguson**MF 8250 TRACTOR - 1637366****1637366****Front Wheels - 4 Wheel Drive****Page 130-0010**

Item	Part Number	Qty	Description	Comments
1	3714786M1	2	Rim	[A] 15x30
2	3384620M1	16	Screw Special	M16X80
3	3712590M1	2	Disc	30"
4	338577X1	16	Washer	
5	1440231X1	16	Nut Metric	M16X1,5
6	3712611M2	20	Nut Special	M22X1,5

FOOTNOTE [A] USED WITH 16.90" X 30" TYRES

1-ZL03-005-A

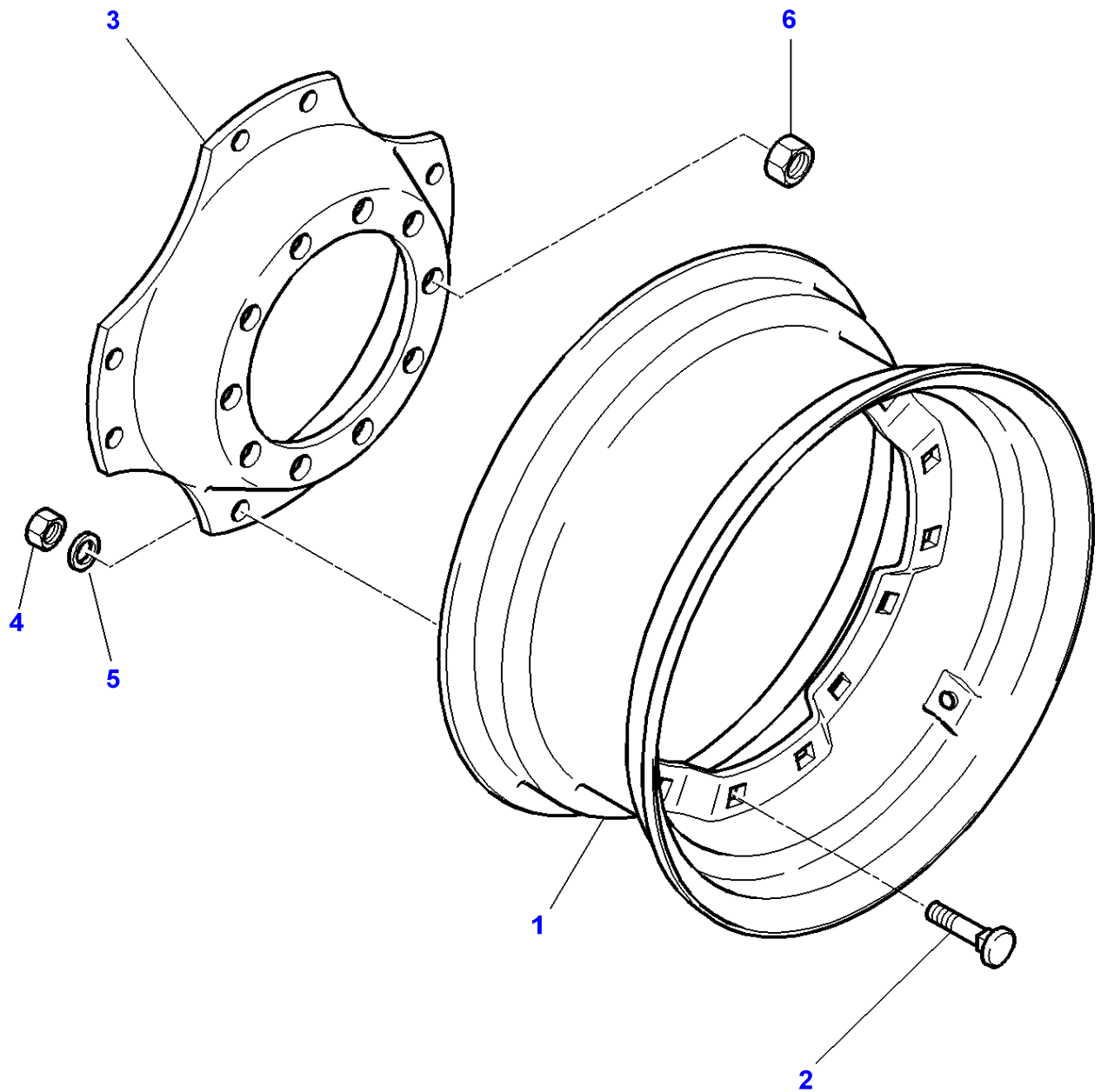


Massey Ferguson**MF 8250 TRACTOR - 1637366****1637366****Front Wheels - 4 Wheel Drive - Sirmac****Page 130-0015**

Item	Part Number	Qty	Description	Comments
1	3583099M2	2	Rim	[E,C] W12 X 28"
	3581857M2	2	Rim	[A,C] W12 X 28"
	3583347M2	2	Rim	[E,G] W14 X 28"
	3581859M2	2	Rim	[A,G] W 14 X 28"
	3714784M1	2	Rim	[A,H] W15L X 28"
2	3384620M1	X	Screw Special	M16X80
3	3712578M1	2	Disc	[A] 28"
	3712587M1	2	Disc	[E] 28"
4	338577X1	X	Washer	
5	1440231X1	X	Nut Metric	
6	3712611M2	20	Nut Special	M22

FOOTNOTE [A] 6 BRIDGE PIECES**FOOTNOTE [C]** USED WITH 13.6-14.9-340/85-380/70-380/85-420/70-44 0/65-480/65 X 28" TYRES**FOOTNOTE [E]** 8 BRIDGE PIECES**FOOTNOTE [G]** USED WITH-16.9-420/70-440/65-480/65-480/70-540/65 X 28" TYRES**FOOTNOTE [H]** USED WITH 480/65-480/70-540/65 X 28" TYRES

1-ZL03-004-A



Massey Ferguson**MF 8250 TRACTOR - 1637366**

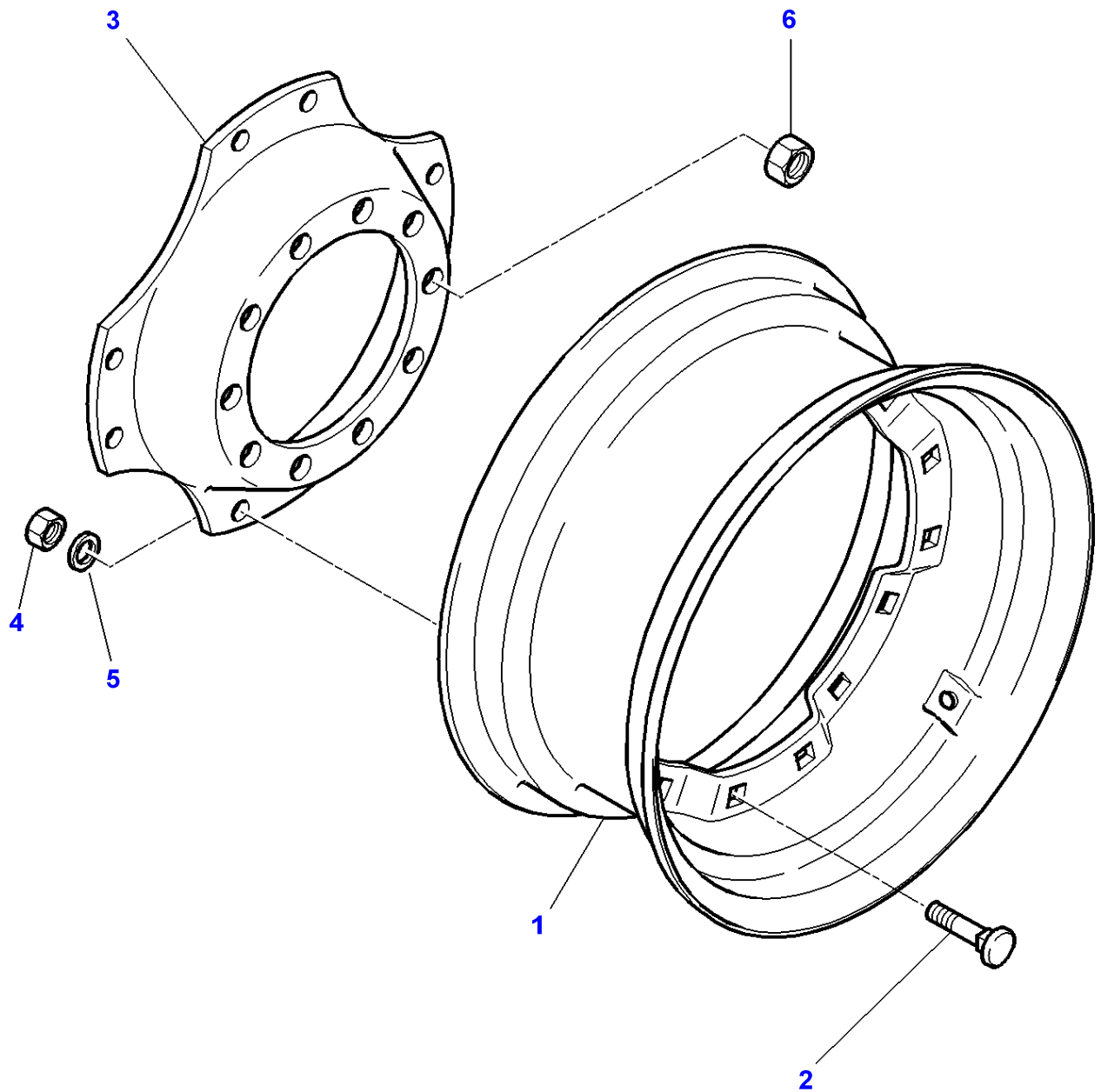
1637366

Front Wheels - 4 Wheel Drive - Wheel Hub 10 Holes Assembling

Page 130-0020

Item	Part Number	Qty	Description	Comments
1	3786607M1	1	Rim	18'X28'
	3786509M1	2	Rim	12'X28'
	3786510M1	2	Rim	15'X28'
	3785778M1	2	Rim	13'X30'
	3785240M1	2	Rim	15'X30'
	3785786M1	2	Rim	13'X34'
2	72506938	8	Bolt	M16X2X50
	3785847M1	8	Screw	M16X1,5X40
3	3785241M1	2	Disc	12'X28'-15'X28'
				13'X30'-15'X30'
	3786088M1	2	Disc	13'X34'
	3786088M1	2	Disc	10'X34'-13'X34'
4	70950947	8	Nut	M16X2
	3785846M1	8	Nut	M16X1,5
5	338577X1	8	Washer	Diameter 16,6/17,1X34X4
	3785848M1	8	Washer	Diameter 16.3X31.5
6	3712611M2	20	Nut Special	

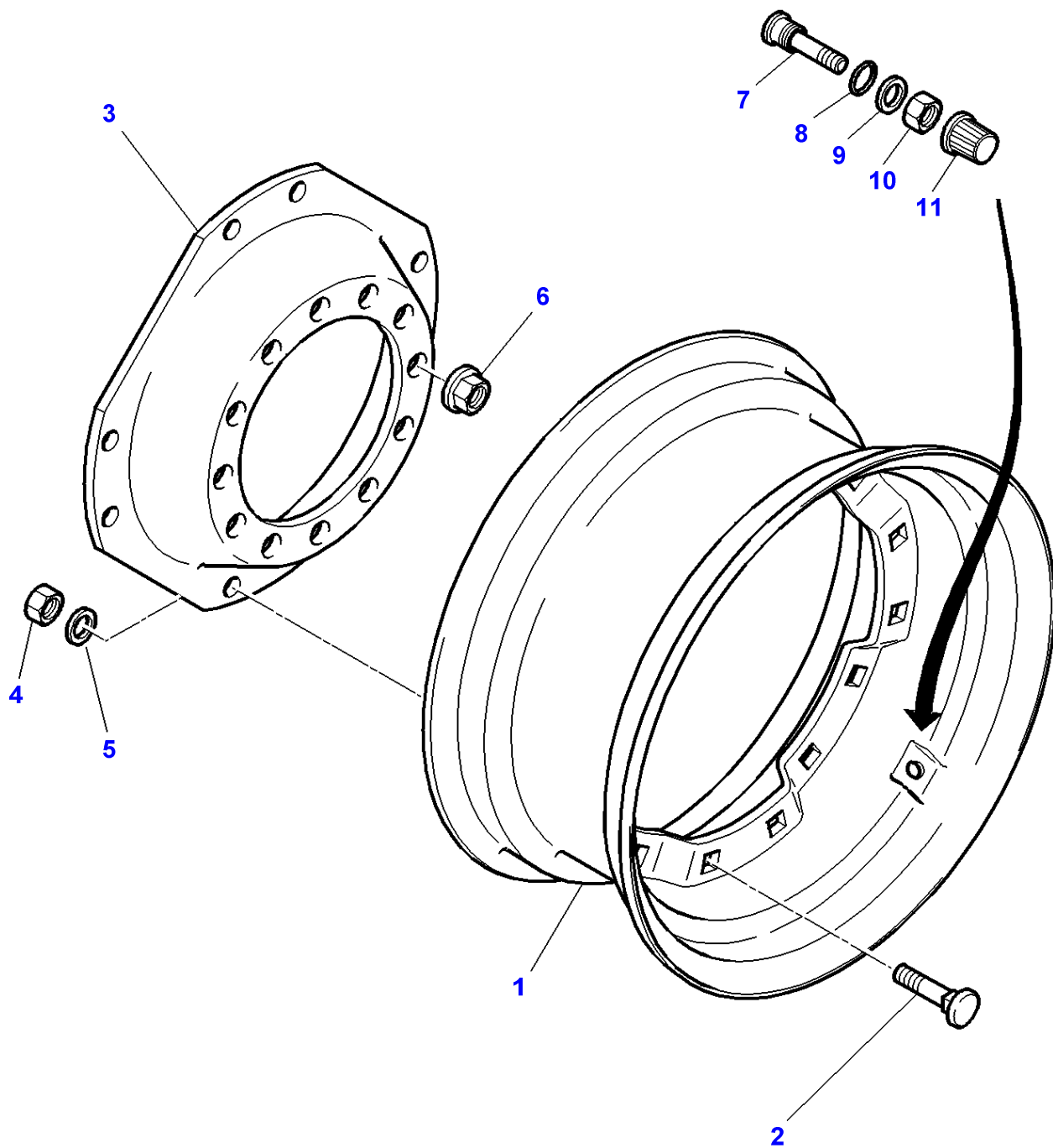
1-ZL03-007-A



Massey Ferguson**MF 8250 TRACTOR - 1637366****1637366****Front Wheels - 4 Wheel Drive****Page 130-0025**

Item	Part Number	Qty	Description	Comments
1	3785174M1	2	Rim	WD18LX28" Replace and repair. Old interchangeable with new 3903222M1
2	3903220M1	16	Screw	
3	3903221M1	2	Flange	
4	3903218M1	16	Nut Special	
5	3903219M1	16	Washer	
6	3712611M2	20	Nut Special	

1-ZL03-008-A



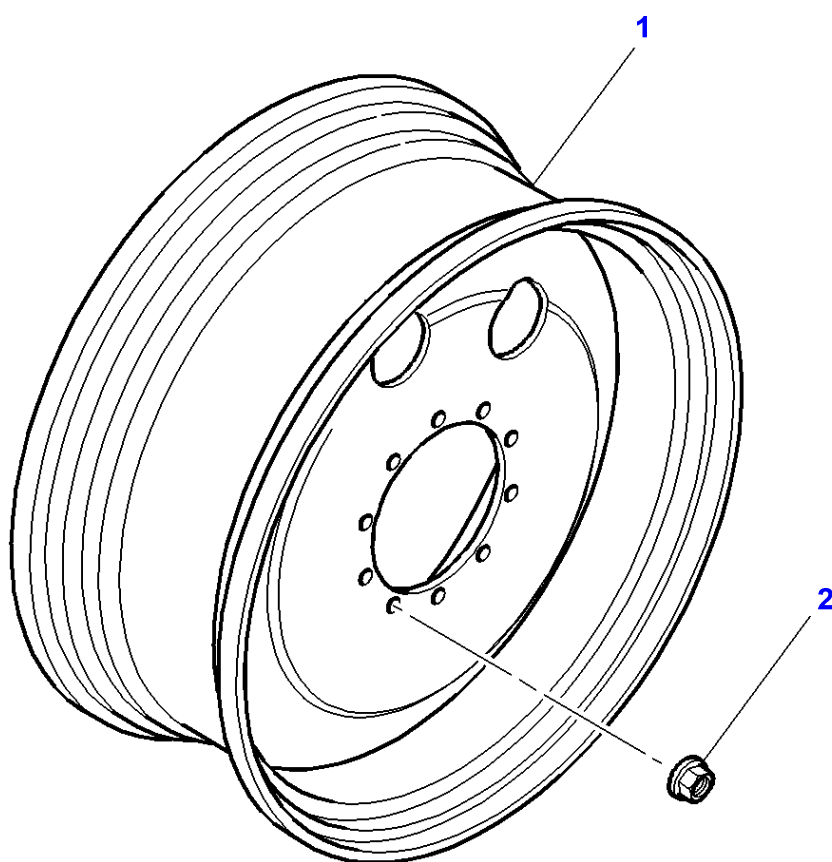
Item	Part Number	Qty	Description	Comments
1	3785778M1	2	Rim	[B] W 13" X 30"
2	72506938	8	Bolt	M16 X 2 X 50
	3785847M1	8	Screw	M16 X 1,5 X 40
3	3785095M1	2	Disc	Replace and repair. Old interchangeable with new 72512677 Up to Serial or Engine Number M..... 28'X18'-30'X13' 30'X15'
	4270526M1	2	Disc	From Serial or Engine Number M..... 13"X30"-15"X30" 18"X28"
4	70950947	8	Nut	M16 X 2
	3785846M1	8	Nut	M16 X 1,5
5	338577X1	8	Washer	Diameter 16,6/17,1X34X4
	3785848M1	8	Washer	Diameter 16,3X31,5
6	3712611M2	24	Nut Special	M22 X 1,5
7	72514013	1	Adaptor	
8	71170390	1	Grommet	
9	71175919	1	Washer	
10	71175918	1	Nut	
11	71169204	1	Plug	

FOOTNOTE [A] USE WITH TYRES 600/70R28

FOOTNOTE [B] USED WITH 16.90" X 30" TYRES

FOOTNOTE [C] USED WITH 480/70R34 TYRES

1-ZL03-015-A

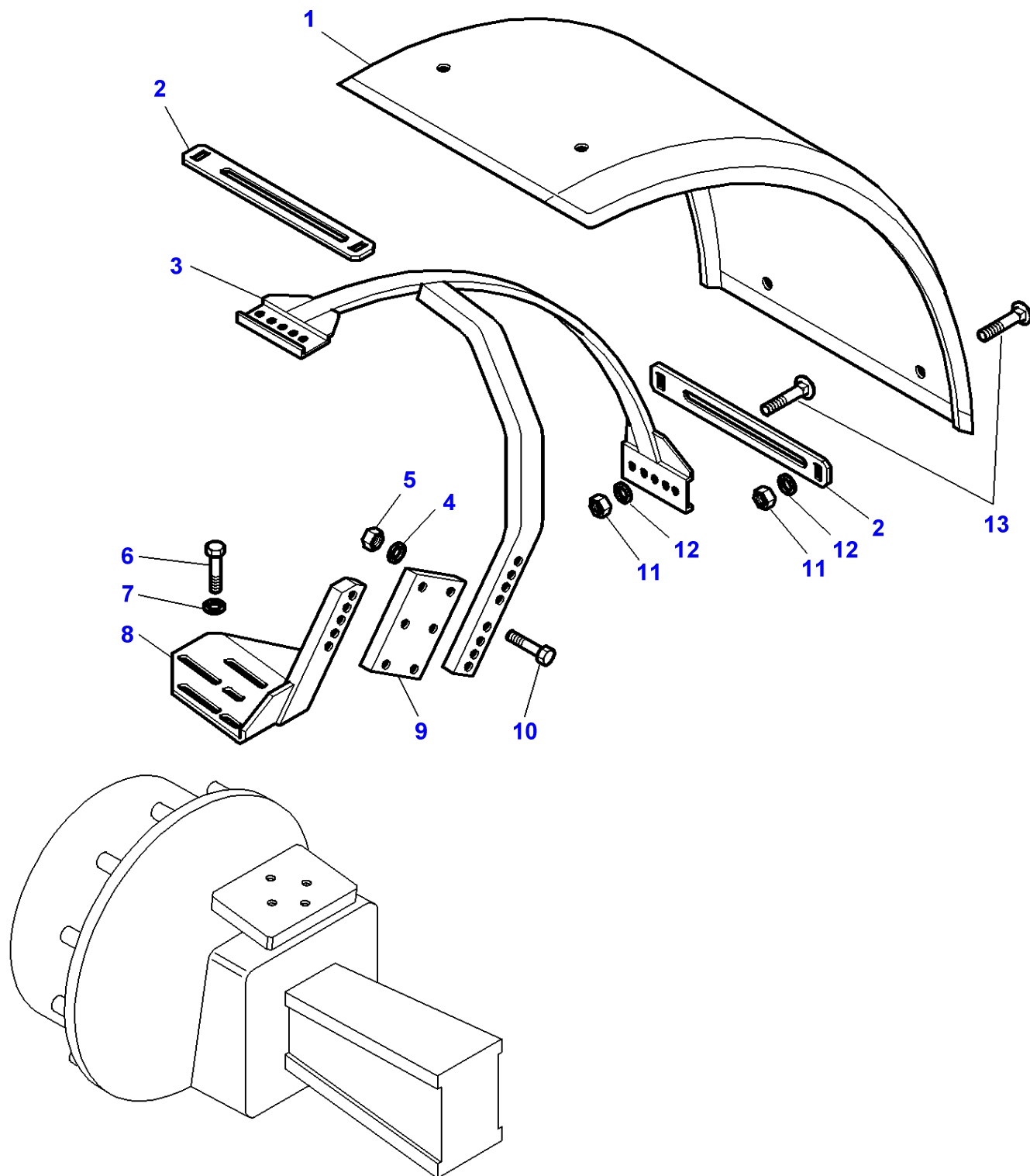


Massey Ferguson**MF 8250 TRACTOR - 1637366****1637366****Front Wheels - 4 Wheel Drive - Wheel Hub 10 Holes Assembling****Page 130-0035**

Item	Part Number	Qty	Description	Comments
1	3787689M1	2	Rim	W14LX28"
	3786703M1	2	Rim	W15LX28"
2	3712611M2	20	Nut Special	M22X1,5

FOOTNOTE [A] USED WITH 600/65-600/70 R28 TL-710/55-420/90 R30 T L TYRES

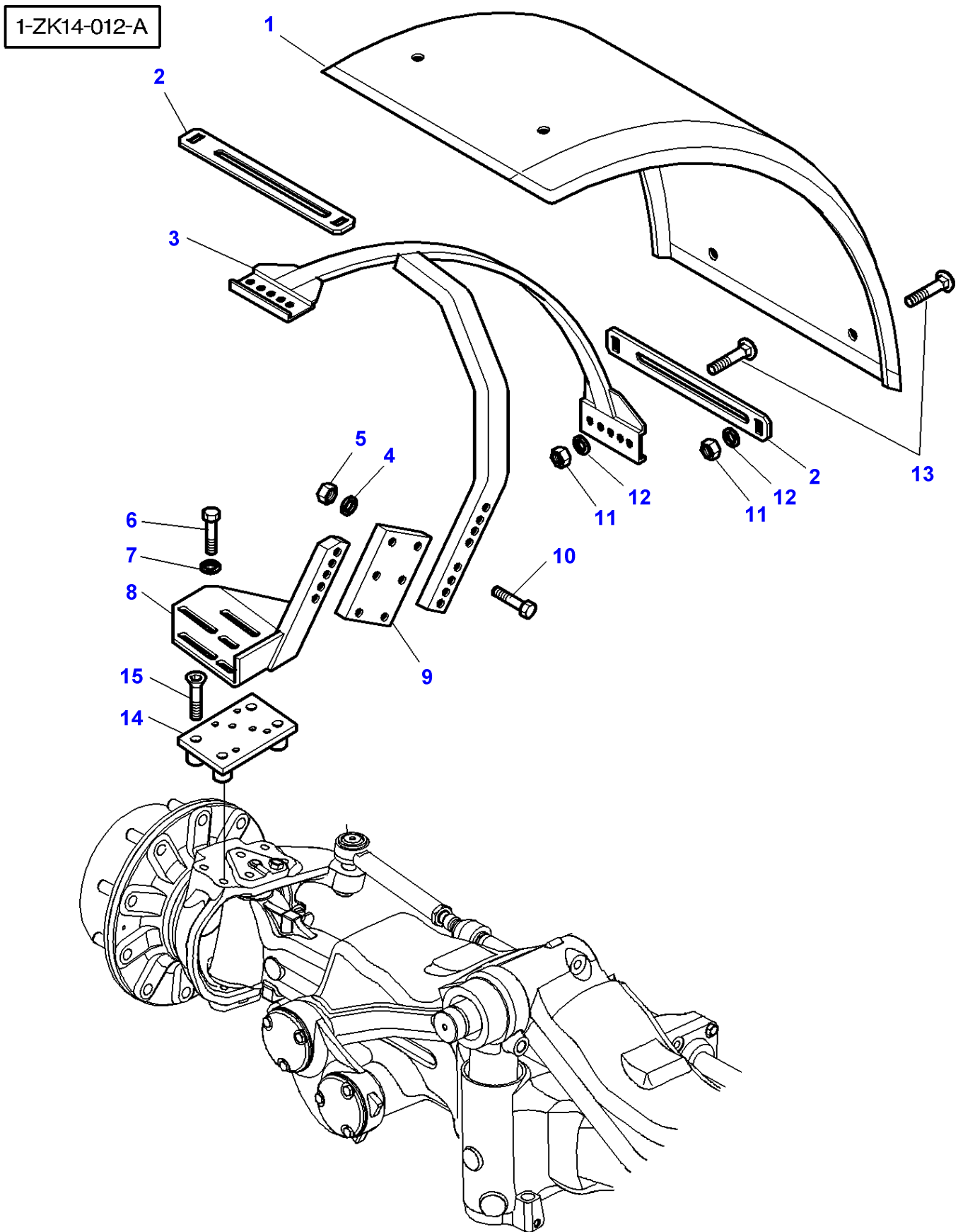
1-ZK14-008-B



Front Axle 4 Wheel Drive - Mudguards And Supports

Item	Part Number	Qty	Description	Comments
1	3619229M2	2	Fender	Width 470 MM
	3779567M1	2	Fender	Width 520 MM
2	3777586M2	4	Plate	Length 340 MM
	3777587M2	4	Plate	Length 400 MM
3	3777588M1	1	Support	Left Hand
	3777590M1	1	Support	Right Hand
4	390735X1	8	Washer	Diameter 12-24 X 2,5 MM
5	3009695X1	8	Nut	M12
6	3009493X1	6	Hex. Sock. Screw	Up to Serial or Engine Number H152027 M10 X 30
	3009506X1	6	Screw Metric	From Serial or Engine Number H152028 M12X30
7	3619096M1	6	Washer	Up to Serial or Engine Number H152027
8	3777589M1	1	Support	Up to Serial or Engine Number H152027 Left Hand
	3777591M1	1	Support	Up to Serial or Engine Number H152027 Right Hand
	3781336M1	1	Support	From Serial or Engine Number H152028 Left Hand
	3781337M1	1	Support	From Serial or Engine Number H152028 Right Hand
9	3779565M2	2	Spacer	
10	3009513X1	8	Bolt Metric	M12 X 65
11	339402X1	12	Nut	M10
12	390734X1	12	Washer	Diameter 10-21 X 2 MM
13	390809X1	12	Bolt Metric	M10 X 25

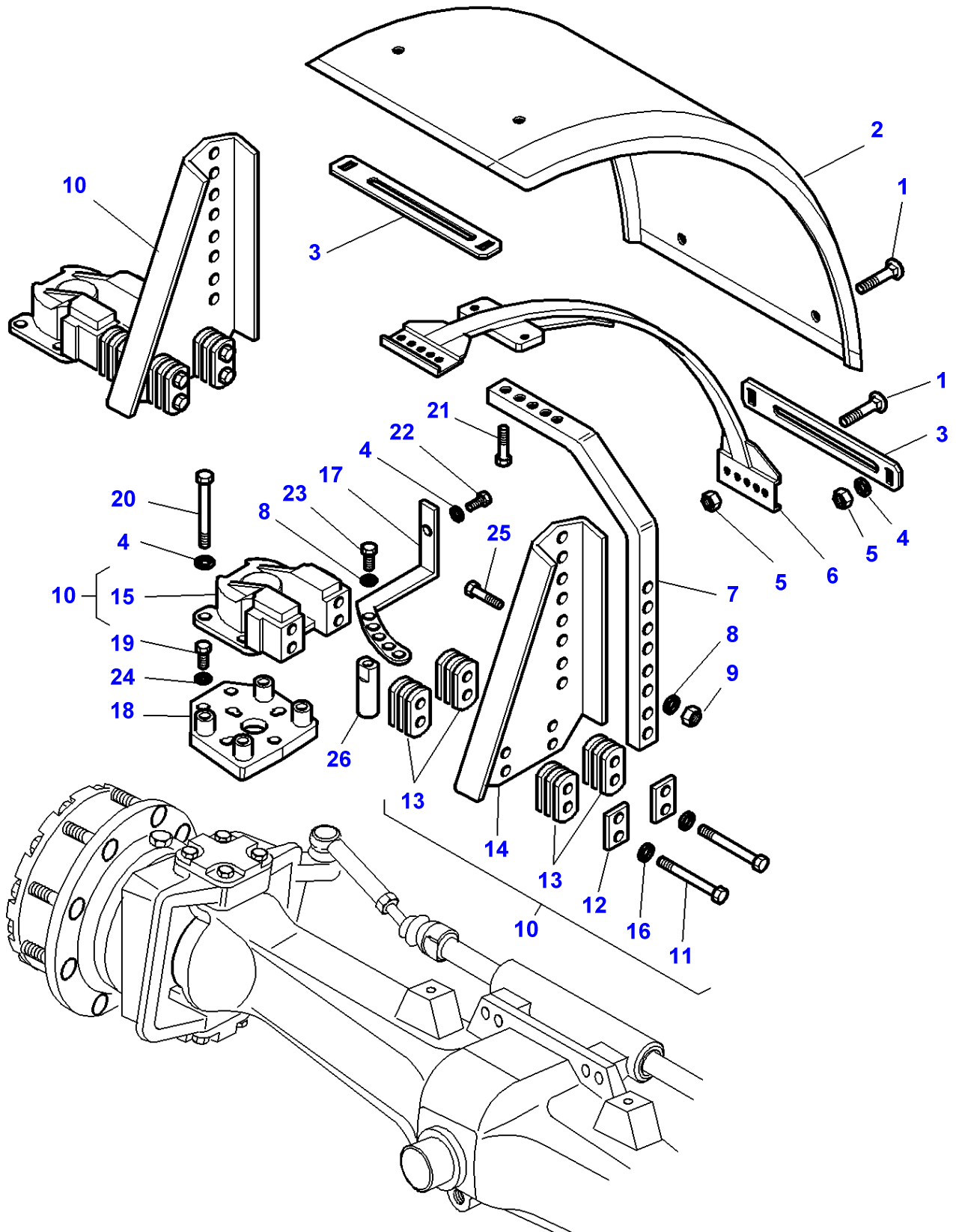
MF 8250 TRACTOR - 1637366
1-ZK14-012-A



Item	Part Number	Qty	Description	Comments
1	3619229M2	2	Fender	Width 470 MM
	3779567M1	2	Fender	Width 520 MM
	3780467M1	2	Fender	Width 620 MM
2	3777586M2	4	Plate	Length 340 MM
	3777587M2	4	Plate	Length 400 MM
	3780468M2	4	Plate	Length 448 MM
3	3777588M1	1	Support	Left Hand
	3777590M1	1	Support	Right Hand
4	390735X1	8	Washer	Diameter 12-24 X 2,5 MM
5	3009695X1	8	Nut	M12
6	3009492X1	6	Hex. Sock. Screw	M10 X 25
7	390597X1	6	Washer Metric	Diameter 10-30 X 2,5 MM
8	3784571M1	1	Support	Left Hand
	3784572M1	1	Support	Right Hand
9	3779565M2	2	Spacer	
10	3009513X1	8	Bolt Metric	M12 X 65
11	339402X1	12	Nut	M10
12	390734X1	12	Washer	Diameter 10-21 X 2 MM
13	390809X1	12	Bolt Metric	M10 X 25
14	3784569M1	2	Support	
15	3009480X1	8	Screw	M16 X 60

MF 8250 TRACTOR - 1637366
1-ZK14-010-C

1-ZK14-010-C



Massey Ferguson**MF 8250 TRACTOR - 1637366**

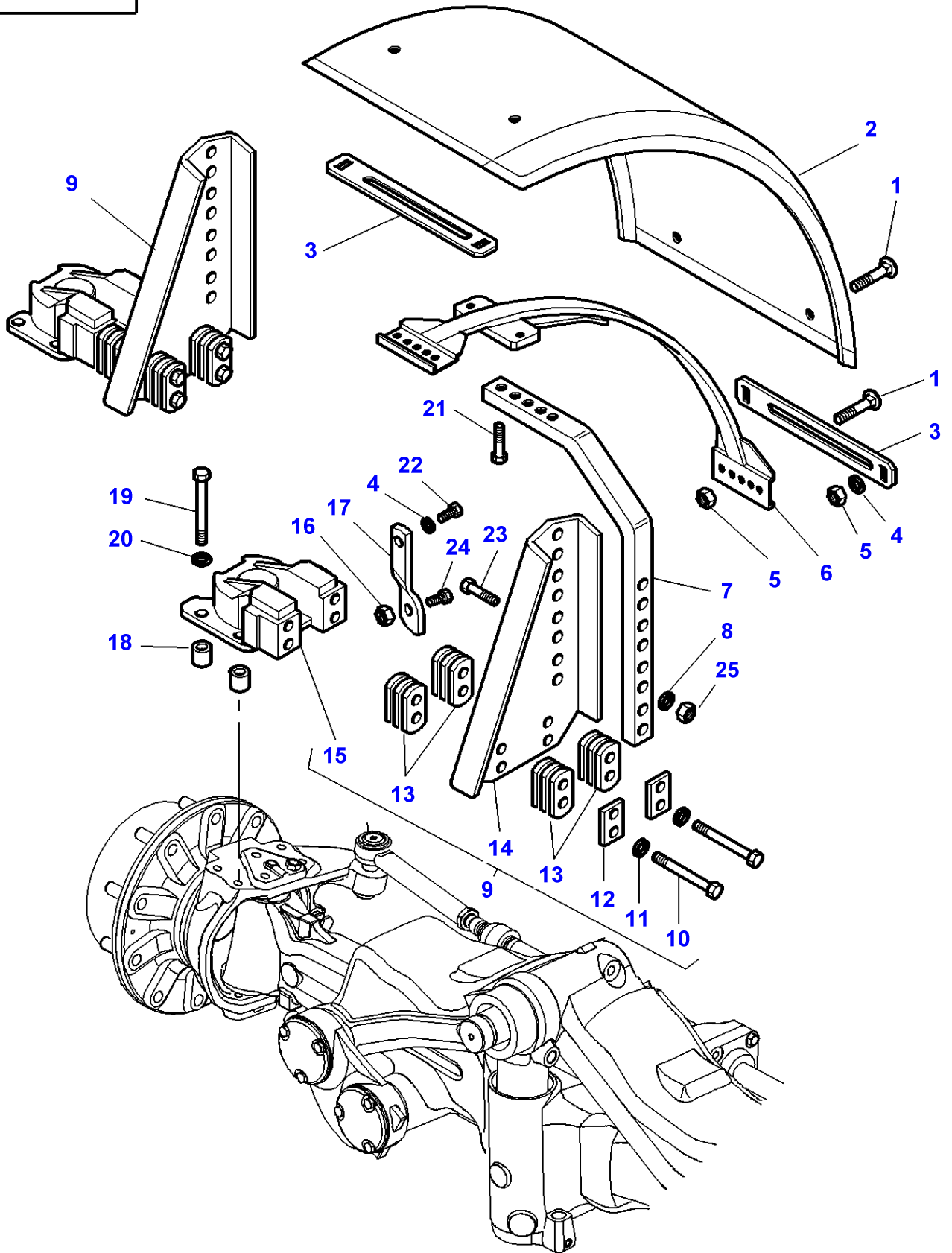
1637366

Front Axle 4 Wheel Drive - Mudguards And Supports - Pivoting - With DANA Front Axle

Page 130-0050

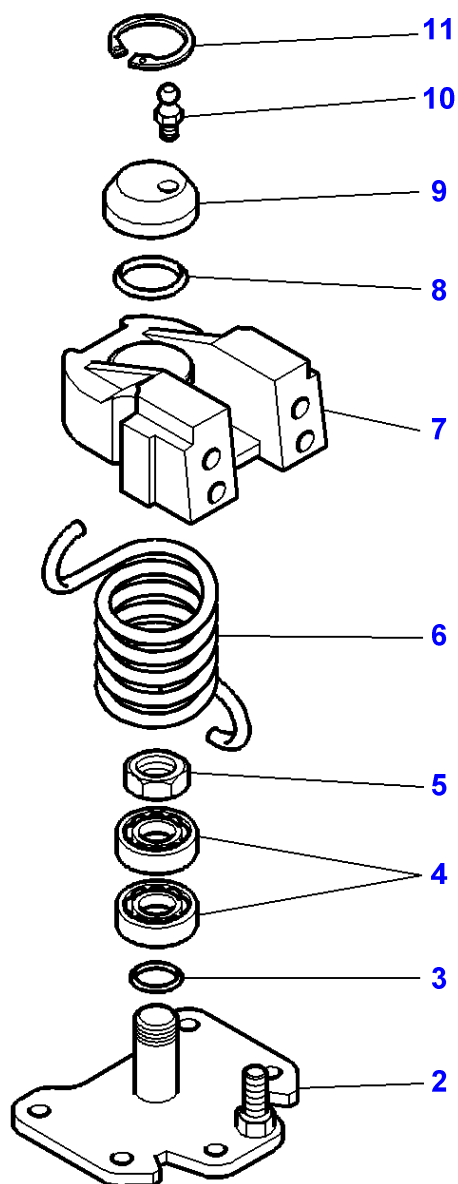
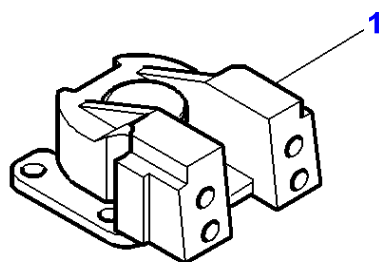
Item	Part Number	Qty	Description	Comments
1	390809X1	12	Bolt Metric	M10 X 25
2	3619229M2	2	Fender	Width 470 MM
	3779567M1	2	Fender	Width 520 MM
	3780467M1	2	Fender	Width 620 MM
3	3777586M2	4	Plate	Length 340 MM
	3777587M2	4	Plate	Length 400 MM
	3780468M2	4	Plate	Length 448 MM
4	390734X1	18	Washer	Diameter 10-21 X 2 MM
5	339402X1	12	Nut	M10
6	3784948M1	2	Safety Frame	
7	3784947M2	2	Arm	
8	390735X1	8	Washer	Diameter 12-24 X 2,5 MM
9	1442190X1	4	Locknut	M12
10	3784943M92	1	Pivot	Right Hand
	3784944M92	1	Pivot	Left Hand
11	1442602X1	4	Screw Metric	(10) M10 X 100
12	3785052M1	2	Bridle	(10)
13	3785051M1	26	Spacer	(10)
14	3785050M1	1	Plate	(10) Left Hand
	3785049M1	1	Plate	(10) Right Hand
15	3785053M2	1	Pivot	(10) Right Hand See Page - Reference Number 130-0060/1
	3785271M2	1	Pivot	(10) Left Hand See Page - Reference Number 130-0060/1
16	390734X1	4	Washer	(10) Diameter 10-21 X 2 MM
17	3785266M1	1	Strap	Left Hand
	3785267M1	1	Strap	Right Hand
18	3785027M1	2	Plate	
19	3009493X1	6	Hex. Sock. Screw	M10 X 30
20	3009496X1	8	Bolt Metric	M10 X 45
21	1441226X1	4	Screw	M12 X 40
22	3011002X1	2	Screw	M10 X 35
23	3009509X1	2	Bolt Metric	M12 X 45
24	390734X1	6	Washer	Diameter 10-21 X 2 MM
25	3009510X1	4	Bolt Metric	M12 X 50
26	3784976M2	2	Clevis Pin	

1-ZK14-013-A



Item	Part Number	Qty	Description	Comments
1	390809X1	12	Bolt Metric	M10 X 25
2	3619229M2	2	Fender	Width 470 MM
	3779567M1	2	Fender	Width 520 MM
	3780467M1	2	Fender	Width 620 MM
3	3777586M2	4	Plate	Length 340 MM
	3777587M2	4	Plate	Length 400 MM
	3780468M2	4	Plate	Length 448 MM
4	390734X1	14	Washer	Diameter 10-21 X 2 MM
5	339402X1	12	Nut	M10
6	3784948M1	2	Safety Frame	
7	3784947M2	2	Arm	
8	390735X1	4	Washer	Diameter 12-24 X 2,5 MM
9	3784945M92	1	Pivot	Right Hand
	3784946M92	1	Pivot	Left Hand
10	1442602X1	4	Screw Metric	(9) M10 X 100
11	390734X1	4	Washer	(9) Diameter 10-21 X 2 MM
12	3785052M1	2	Bridle	(9)
13	3785051M1	26	Spacer	(9)
14	3785050M1	1	Plate	(9) Left Hand
	3785049M1	1	Plate	(9) Right Hand
15	3785109M2	1	Pivot	(9) Right Hand
	3785306M2	1	Pivot	(9) See Page - Reference Number 130-0060/1 Left Hand See Page - Reference Number 130-0060/1
16	3009695X1	2	Nut	M12
17	3785090M2	1	Strap	Left Hand
	3785082M2	1	Strap	Right Hand
18	3010942X1	8	Spacer	Up to Serial or Engine Number L198014 Length 25 MM
	3011172X1	8	Spacer	From Serial or Engine Number L198015 Diameter 17-32 X 30 MM
19	339881X1	8	Hex. Sock. Screw	Up to Serial or Engine Number L198014 M16 X 60
	391889X1	8	Screw	From Serial or Engine Number L198015 M16 X 70
20	1441664X1	8	Washer Metric	Up to Serial or Engine Number L198014
21	1441226X1	4	Screw	M12 X 40
22	3011002X1	2	Screw	M10 X 35
23	3009510X1	4	Bolt Metric	M12 X 50
24	1440716X1	2	Hex. Sock. Screw	M12 X 30
25	1442190X1	4	Locknut	M12

1-ZK14-024-A



Massey Ferguson**MF 8250 TRACTOR - 1637366**

1637366

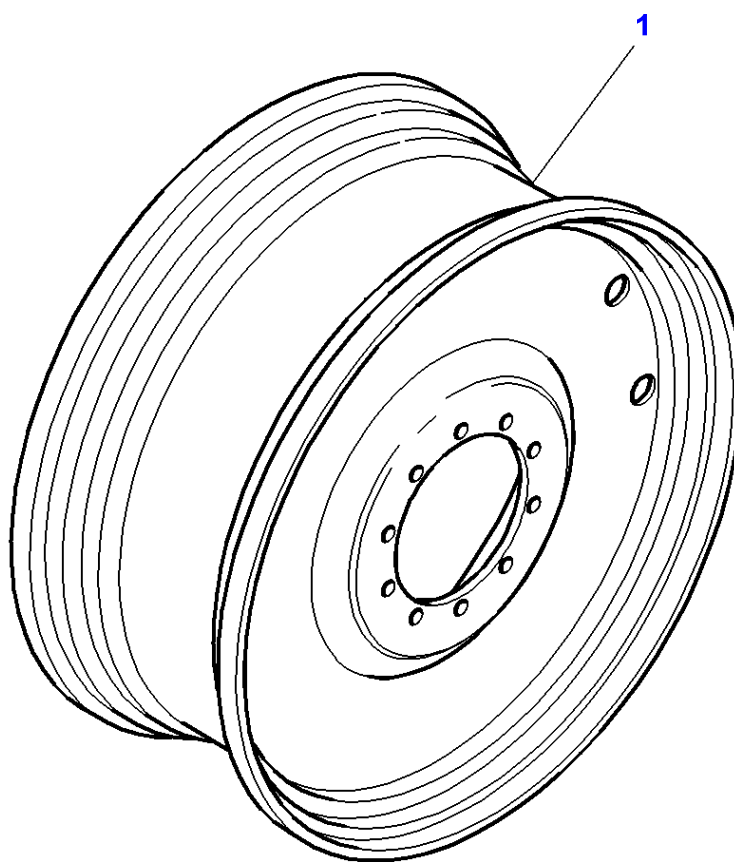
Front Axle 4 Wheel Drive - Mudguards And Supports - Pivoting

Page 130-0060

Item	Part Number	Qty	Description	Comments
1	3785306M2	1	Pivot	[A] Left Hand
	3785109M2	1	Pivot	[A] Right Hand
	3785271M2	1	Pivot	[B] Left Hand
	3785053M2	1	Pivot	[B] Right Hand
2		1	Pedestal	(1) Not serviced,order REF. 1
3	3903902M1	1	Gasket	(1)
4	3903897M1	2	Bearing Assy	(1)
5	3000845X1	1	Top Locknut	(1) M25
6	3903899M1	1	Spring	(1) Left Hand
	3903898M1	1	Spring	(1) Right Hand
7		1	Cover	(1) Not serviced,order REF. 1
8	3903903M1	1	Gasket	(1)
9	3903896M1	1	Cover	(1)
10	3903900M1	1	Greaser	(1)
11	3903901M1	1	Segment	(1)

FOOTNOTE [A] WITH CARRARO FRONT AXLE**FOOTNOTE [B]** WITH DANA FRONT AXLE

1-ZM01-004-A



Rear Wheels

Item	Part Number	Qty	Description	Comments
1	3781970M2	2	Rim	[A] DWW 16 X 38" (Single Wheels)
	3781971M2	2	Rim	[B] DWW 18 X 38" (Single Wheels)
	3781972M2	2	Rim	[C] DWW 23 X 38" (Single Wheels)
	3781968M2	2	Rim	[D] DWW 16 X 42" (Single Wheels)
	3781969M2	2	Rim	[E] DWW 18 X 42" (Single Wheels)
	3781969M2	2	Rim	[E] DWW 18 X 42" (Dual Wheels)
	3787712M1	2	Rim	[K] W 13 X 46" Replace and repair. Old not interchangeable with new 3781981M1 (Single Wheels)
	3787712M1	2	Rim	[K] W 13 X 46" Replace and repair. Old not interchangeable with new 3781981M1 (Dual Wheels)
	3781982M2	2	Rim	[F] W 16 X 46" (Single Wheels)
	3781982M2	2	Rim	[F] W 16 X 46" (Dual Wheels)

FOOTNOTE [A] USED WITH 16.9-18.4-20.8-420/85-460/85-480/70 -520/70-540/65 X 38" TYRES

FOOTNOTE [B] USED WITH 20.8-520/70-520/85-580/70-600/65 -650/65 X 38" TYRES

FOOTNOTE [C] USED WITH 650/85-710/70 X 38" TYRES

FOOTNOTE [D] USED WITH 18.4 X 42" TYRES

FOOTNOTE [E] USED WITH 20.8-620/70-350/65-520/85 X 42" TYRES

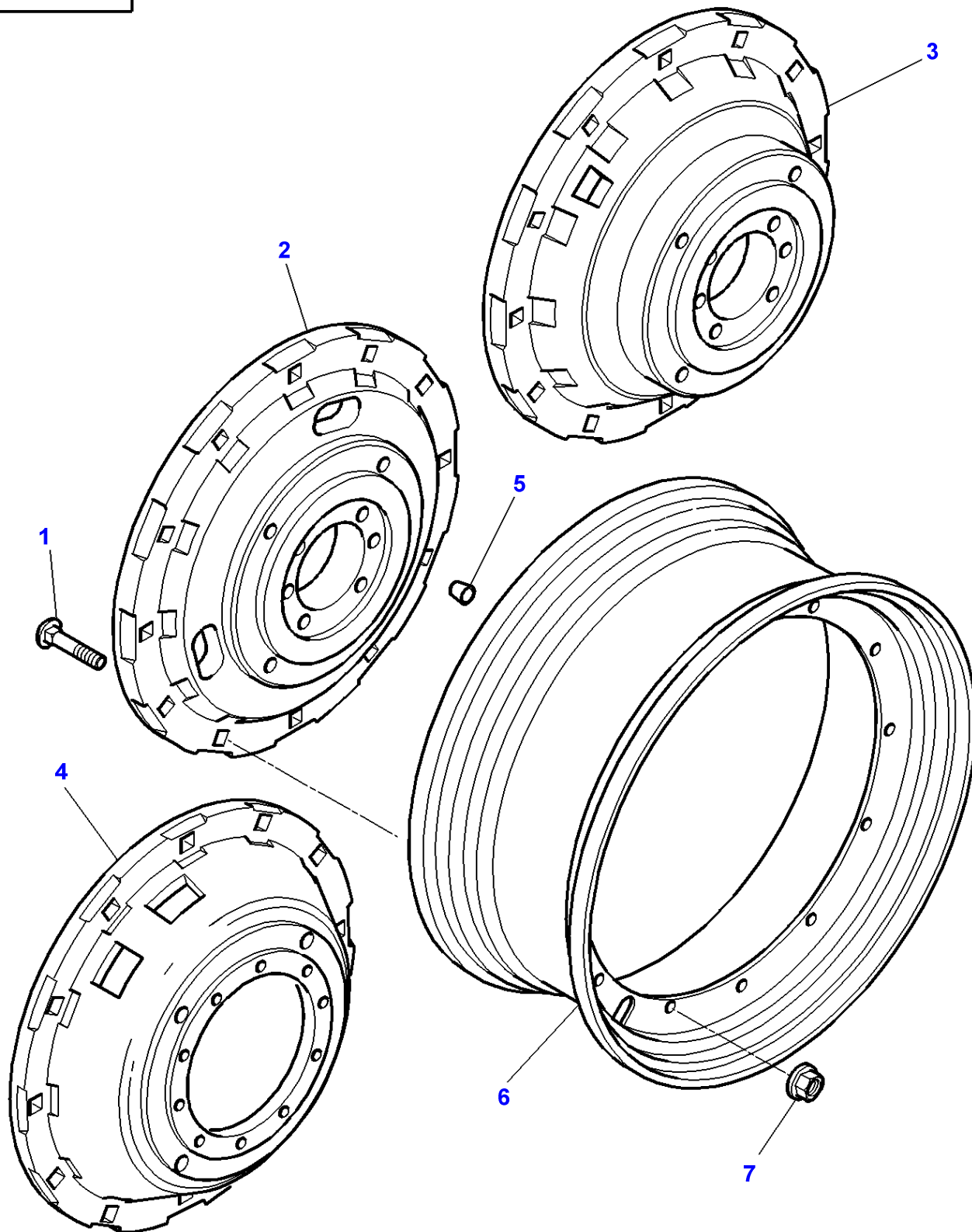
FOOTNOTE [F] USED WITH 18.4 - 520/85 X 46" TYRES

FOOTNOTE [H] USED WITH 16,9 - 420/85 X 38" TYRES

FOOTNOTE [J] WITH SHAFT DIAMETER 82 MM

FOOTNOTE [K] USED WITH 19.90" X 46" TYRES

1-ZM01-005-B



Rear Wheels

Item	Part Number	Qty	Description	Comments
1	3384603M1	24	Screw	M18X95 (Single Wheels)
	3384603M1	24	Screw	M18X95 (Dual Wheels)
2	3582139M4	2	Flange	38" 195 KG (Single Wheels)
3	3615370M3	2	Flange	38" 260 KG (Single Wheels)
4	3716108M3	2	Weight	38" 209KG (Single Wheels)
	3716108M3	2	Weight	38" 209KG (Dual Wheels)
5	3780302M1	8	Dowel	(Single Wheels)
	3780302M1	8	Dowel	(Dual Wheels)
6	3781929M1	2	Rim	[A,D,E] DWW 16 X 38" (Single Wheels)
	3781929M1	2	Rim	[A,D,E] DWW 16 X 38" (Dual Wheels)
	3781930M1	2	Rim	[B,E,F] DWW 18 X 38" (Single Wheels)
	3781930M1	2	Rim	[B,E,F] DWW 18 X 38" (Dual Wheels)
	3782154M1	2	Rim	[C] DWW 23 X 38" (Single Wheels)
	3782154M1	2	Rim	[C] DWW 23 X 38" (Dual Wheels)
7	3384600M2	24	Nut Special	M18 (Single Wheels)
	3384600M2	24	Nut Special	M18 (Dual Wheels)

FOOTNOTE [A] USED WITH 16.9-18.4-20.8-420/85-460/85-480/70 -520/70-540/65 X 38" TYRES

FOOTNOTE [B] USED WITH 20.8-520/70-520/85-580/70-600/65 -650/65 X 38" TYRES

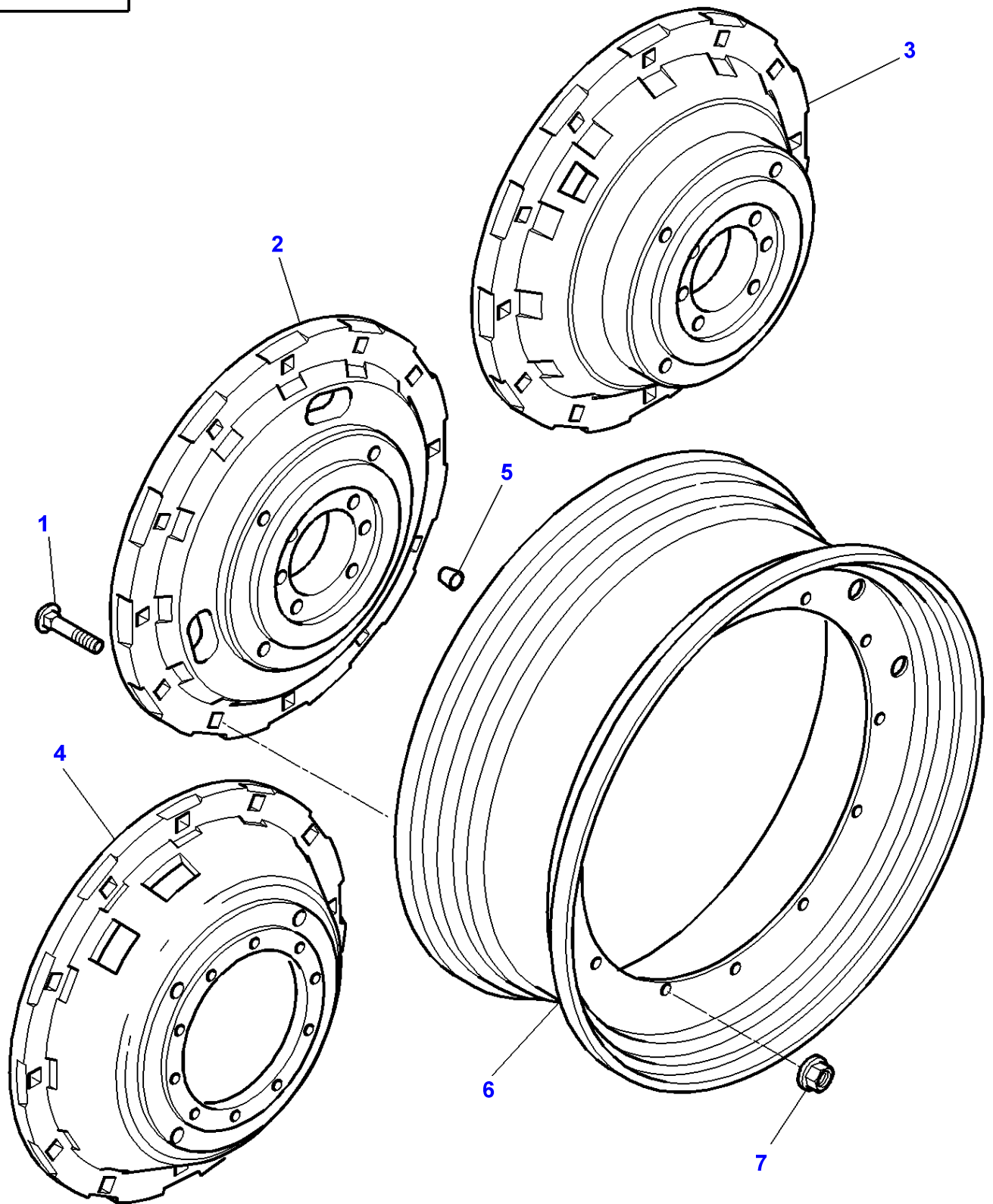
FOOTNOTE [C] USED WITH 650/85-710/70 X 38" TYRES

FOOTNOTE [D] WITH RIM 3615370M3 CAN BE TWINED FITTED WITH WHEEL 3781970M1

FOOTNOTE [E] WITH RIM 3716108M3 CAN BE TWINED FITTED WITH WHEEL 3781971M1

FOOTNOTE [F] WITH RIM 3615370M3 CAN BE TWINED FITTED WITH WHEEL 3781971M1

1-ZM01-007-B



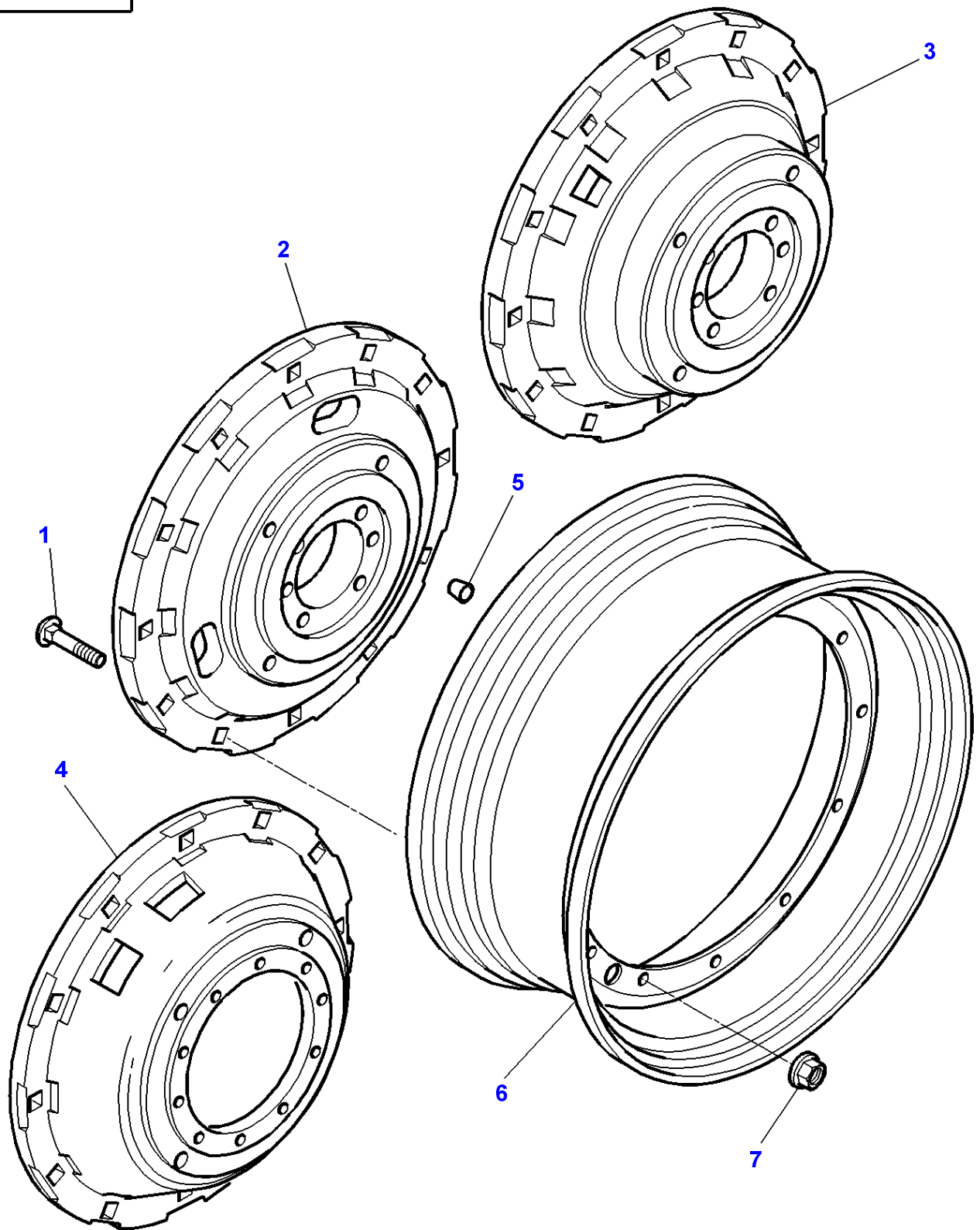
Rear Wheels

Item	Part Number	Qty	Description	Comments
1	3384603M1	24	Screw	M18X95 (Single Wheels)
	3384603M1	24	Screw	M18X95 (Dual Wheels)
2	3582139M4	2	Flange	38" 195 KG (Single Wheels)
3	3615370M3	2	Flange	38" 260 KG (Single Wheels)
4	3716108M3	2	Weight	38" 209KG (Single Wheels)
	3716108M3	2	Weight	38" 209KG (Dual Wheels)
5	3780302M1	8	Dowel	(Single Wheels)
	3780302M1	8	Dowel	(Dual Wheels)
6	3787713M1	2	Rim	[B] W 13 X 46" Replace and repair. Old not interchangeable with new 3782156M1 (Single Wheels)
	3787713M1	2	Rim	[B] W 13 X 46" Replace and repair. Old not interchangeable with new 3782156M1 (Dual Wheels)
	3782157M2	2	Rim	[A] W 16 X 46" (Single Wheels)
	3782157M2	2	Rim	[A] W 16 X 46" (Dual Wheels)
7	3384600M2	24	Nut Special	M18 (Single Wheels)
	3384600M2	24	Nut Special	M18 (Dual Wheels)

FOOTNOTE [A] USED WITH 18.4 - 520/85 X 46" TYRES

FOOTNOTE [B] USED WITH 19.90" X 46" TYRES

1-ZM01-009-B



Rear Wheels

Item	Part Number	Qty	Description	Comments
1	3384603M1	24	Screw	M18X95 (Single Wheels)
	3384603M1	24	Screw	M18X95 (Dual Wheels)
2	3582139M4	2	Flange	38" 195 KG (Single Wheels)
3	3615370M3	2	Flange	38" 260 KG (Single Wheels)
4	3716108M3	2	Weight	38" 209KG (Single Wheels)
	3716108M3	2	Weight	38" 209KG (Dual Wheels)
5	3780302M1	8	Dowel	(Single Wheels)
	3780302M1	8	Dowel	(Dual Wheels)
6	3781926M1	2	Rim	[A,C,D] DWW 16 X 42" (Single Wheels)
	3781926M1	2	Rim	[A,C,D] DWW 16 X 42" (Dual Wheels)
	3782155M1	2	Rim	[B,E,F] DWW 18 X 42" (Single Wheels)
	3782155M1	2	Rim	[B,E,F] DWW 18 X 42" (Dual Wheels)
7	3384600M2	24	Nut Special	M18 (Single Wheels)
	3384600M2	24	Nut Special	M18 (Dual Wheels)

FOOTNOTE [A] USED WITH 18.4 X 42" TYRES

FOOTNOTE [B] USED WITH 20.8-620/70-350/65-520/85 X 42" TYRES

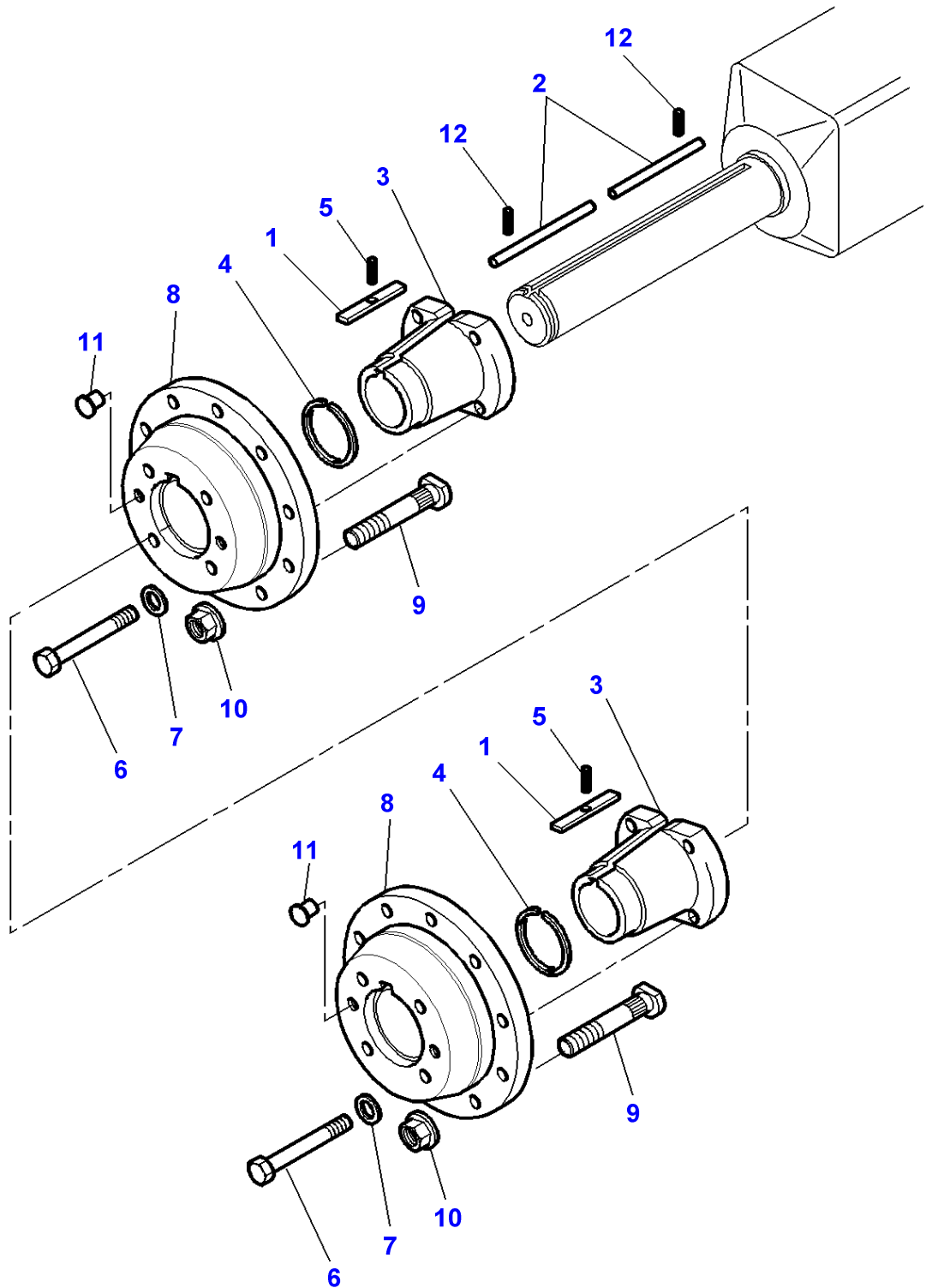
FOOTNOTE [C] WITH RIM 3615370M3 CAN BE TWINED FITTED WITH WHEEL 3781968M2

FOOTNOTE [D] WITH RIM 3716108M3 CAN BE TWINED FITTED WITH WHEEL 3781968M2

FOOTNOTE [E] WITH RIM 3615370M3 CAN BE TWINED FITTED WITH WHEEL 3781969M2

FOOTNOTE [F] WITH RIM 3716108M3 CAN BE TWINED FITTED WITH WHEEL 3781969M2

1-ZM05-002-D

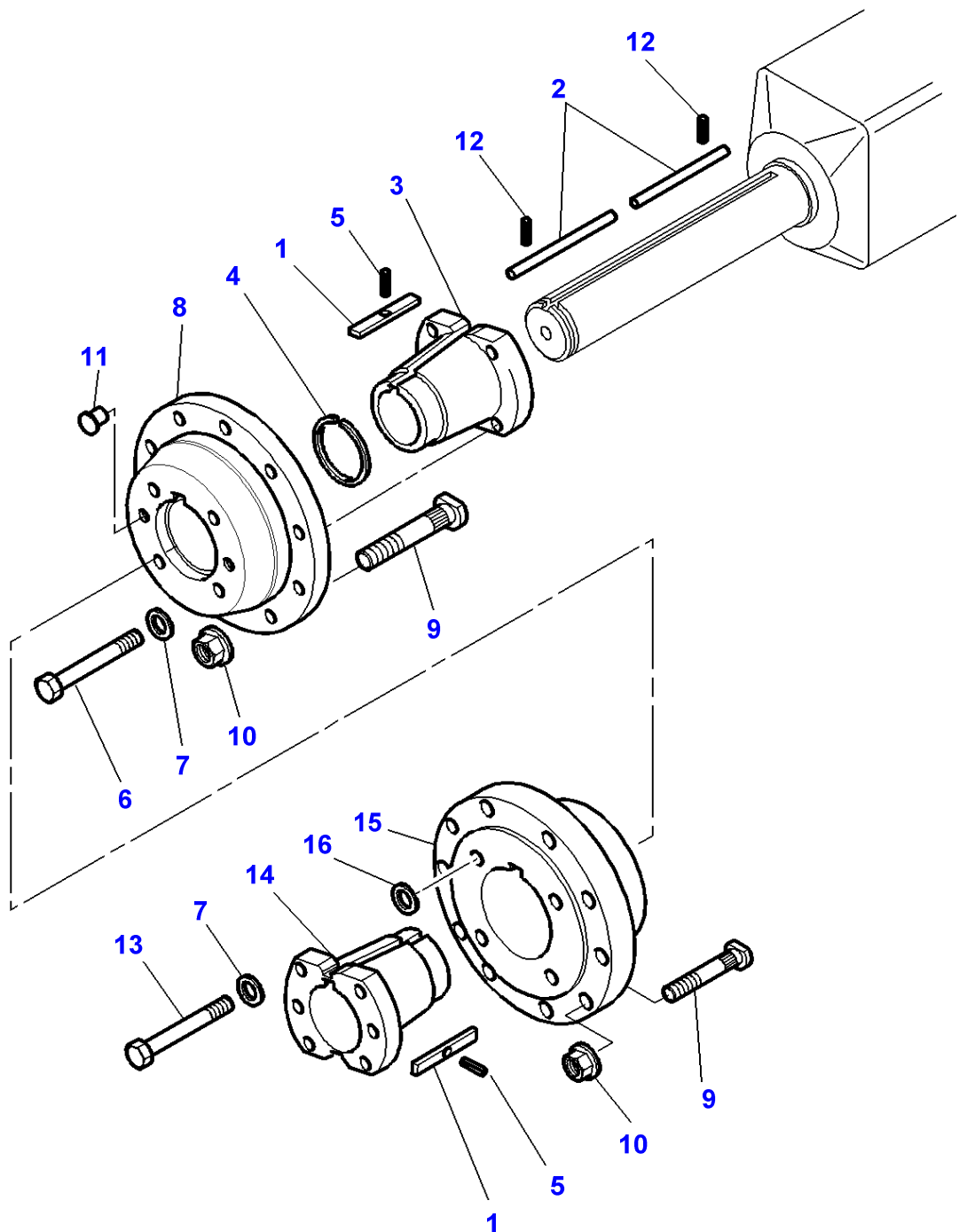


Item	Part Number	Qty	Description	Comments
1	509816M3	2	Key	(Single Wheels)
	509816M3	2	Key	(Dual Wheels)
2	1612098M2	2	Key	Up to Serial or Engine Number J325039 (Single Wheels)
	1612098M2	2	Key	Up to Serial or Engine Number J325039 (Dual Wheels)
	3716106M4	2	Key	[C] From Serial or Engine Number J325040 (Single Wheels)
	3716106M4	2	Key	[C] From Serial or Engine Number J325040 (Dual Wheels)
3	1612096M1	1	Hub	Up to Serial or Engine Number J325039 Left Hand (Single Wheels)
	1612096M1	1	Hub	Up to Serial or Engine Number J325039 Left Hand (Dual Wheels)
	3793048M1	1	Cone	From Serial or Engine Number J325040 Left Hand (Single Wheels)
	3793048M1	1	Cone	From Serial or Engine Number J325040 Left Hand (Dual Wheels)
	1612097M1	1	Hub	Up to Serial or Engine Number J325039 Right Hand (Single Wheels)
	1612097M1	1	Hub	Up to Serial or Engine Number J325039 Right Hand (Dual Wheels)
	3793049M1	1	Cone	From Serial or Engine Number J325040 Right Hand (Single Wheels)
	3793049M1	1	Cone	From Serial or Engine Number J325040 Right Hand (Dual Wheels)
4	358882X1	2	Ring	(Single Wheels)
	358882X1	2	Ring	(Dual Wheels)
5	763786M1	2	Pin	Diameter 3X19 (Single Wheels)
	763786M1	2	Pin	Diameter 3X19 (Dual Wheels)
6	511411M3	8	Screw	Diameter 3/4-10X165 (Single Wheels)
	511411M3	8	Screw	Diameter 3/4-10X165 (Dual Wheels)
7	353775X1	8	Washer	(Single Wheels)
	353775X1	8	Washer	(Dual Wheels)
8	3792619M2	2	Impeller Hub	[A] (Single Wheels)
	3792619M2	2	Impeller Hub	[A] (Dual Wheels)
9	3792488M2	20	Stud	M22X78 (Single Wheels)
	3792488M2	20	Stud	M22X78 (Dual Wheels)
10	3712611M2	20	Nut Special	(Single Wheels)
	3712611M2	20	Nut Special	(Dual Wheels)
11	831564M1	4	Plug	(Single Wheels)
	831564M1	4	Plug	(Dual Wheels)
12	3006431X1	2	Pin	From Serial or Engine Number J325040 Diameter 5X18MM (Single Wheels)
	3006431X1	2	Pin	From Serial or Engine Number J325040 Diameter 5X18MM (Dual Wheels)

FOOTNOTE [A] WITH RIM STEEL

FOOTNOTE [C] HEXAGONAL KEY

1-ZM05-011-B

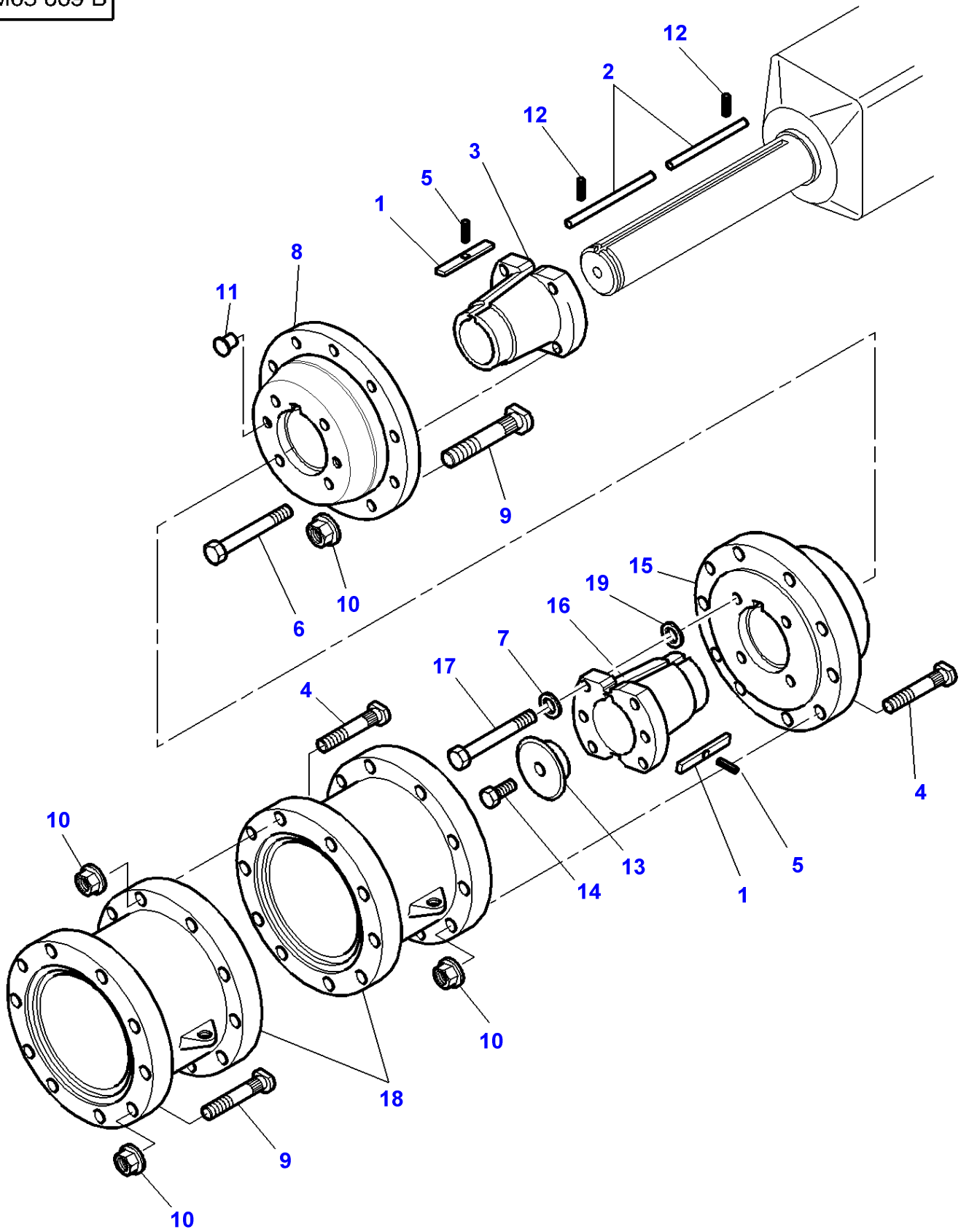


Item	Part Number	Qty	Description	Comments
1	509816M3	2	Key	(Single Wheels)
	509816M3	2	Key	(Dual Wheels)
2	3716106M4	2	Key	[A] (Single Wheels)
	3716106M4	2	Key	[A] (Dual Wheels)
3	3793049M1	1	Cone	Right Hand (Single Wheels)
	3793049M1	1	Cone	Right Hand (Dual Wheels)
	3793048M1	1	Cone	Left Hand (Single Wheels)
	3793048M1	1	Cone	Left Hand (Dual Wheels)
4	358882X1	2	Ring	(Single Wheels)
	358882X1	2	Ring	(Dual Wheels)
5	763786M1	2	Pin	Diameter 3X19 (Single Wheels)
	763786M1	2	Pin	Diameter 3X19 (Dual Wheels)
6	511411M3	8	Screw	Diameter 3/4-10X165 (Single Wheels)
	511411M3	8	Screw	Diameter 3/4-10X165 (Dual Wheels)
7	353775X1	8	Washer	(Single Wheels)
	353775X1	8	Washer	(Dual Wheels)
8	3792619M2	2	Impeller Hub	[B] (Single Wheels)
	3792619M2	2	Impeller Hub	[B] (Dual Wheels)
9	3792488M2	20	Stud	M22X78 (Single Wheels)
	3792488M2	20	Stud	M22X78 (Dual Wheels)
	3792488M2		Stud	[B] (Dual Wheels)
10	3712611M2	20	Nut Special	(Single Wheels)
	3712611M2	20	Nut Special	(Dual Wheels)
	3712611M2		Nut Special	[B] (Dual Wheels)
11	831564M1	4	Plug	Diameter 19-21 (Single Wheels)
	831564M1	4	Plug	Diameter 19-21 (Dual Wheels)
12	3006431X1	2	Pin	Diameter 5X18 (Single Wheels)
	3006431X1	2	Pin	Diameter 5X18 (Dual Wheels)
13	3010945X1		Screw	M20X105 (Dual Wheels)
14	3786497M1		Cone	Right Hand (Dual Wheels)
	3786579M1		Cone	Left Hand (Dual Wheels)
15	3786491M1		Hub	(Dual Wheels)
16	353775X1		Washer	From Serial or Engine Number L051013 (Dual Wheels)

FOOTNOTE [A] HEXAGONAL KEY

FOOTNOTE [B] WITH RIM STEEL

1-ZM05-009-B



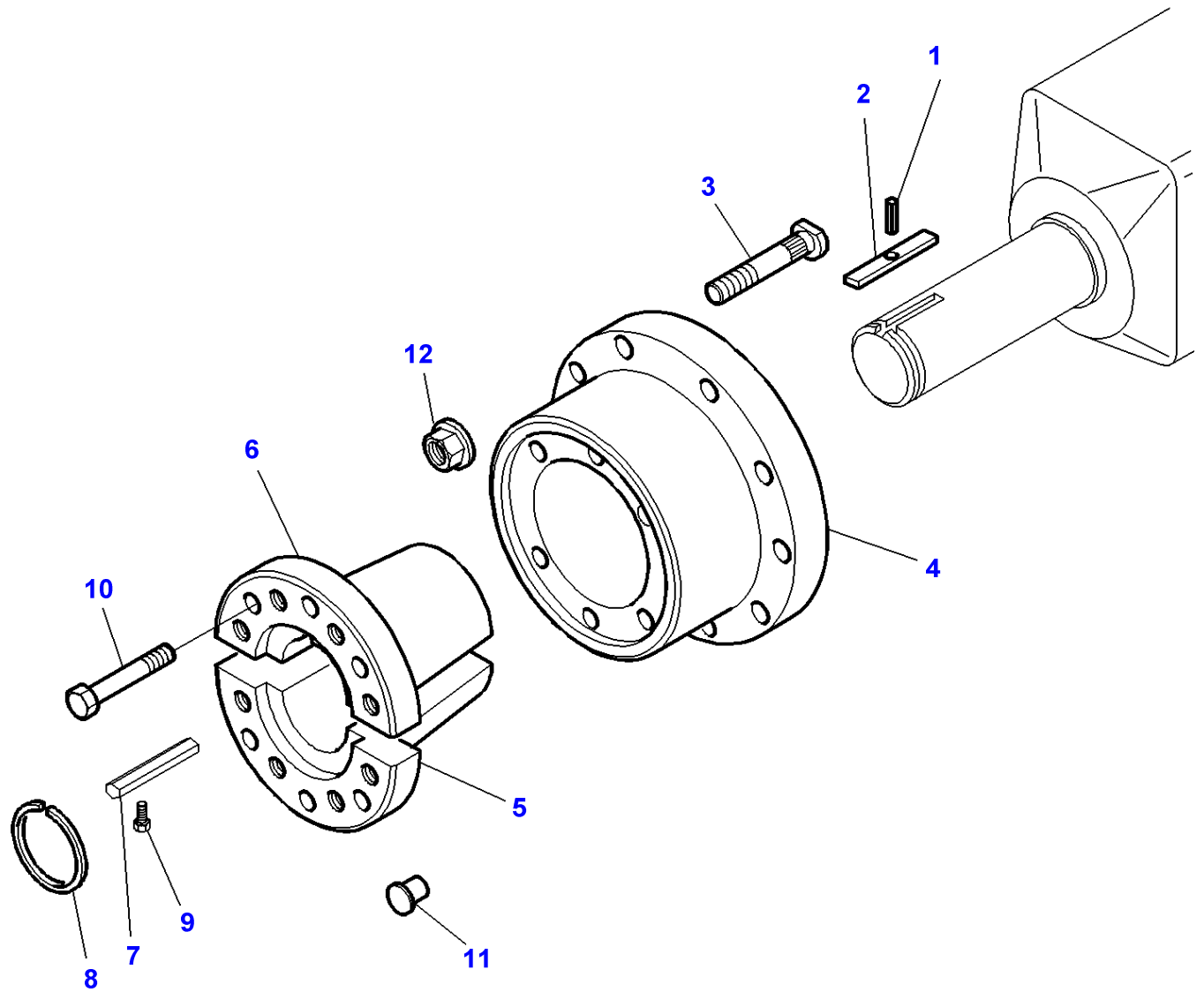
Rear Wheels - Fixing By Cone - Short Shaft Diameter 95 mm With Spacers For Dual Wheels Cone/Wheel Hub Reversed

Item	Part Number	Description	Comments
1	509816M3	Key	(Dual Wheels)
2	3716106M4	Key	[A] (Dual Wheels)
3	3793049M1	Cone	Right Hand (Dual Wheels)
	3793048M1	Cone	Left Hand (Dual Wheels)
4	3716105M2	Stud	M22X100 (Dual Wheels)
5	763786M1	Pin	Diameter 3X19 (Dual Wheels)
6	511411M3	Screw	Diameter 3/4-10X165 (Dual Wheels)
7	353775X1	Washer	(Dual Wheels)
8	3792619M2	Impeller Hub	[B] (Dual Wheels)
9	3792488M2	Stud	M22X78 (Dual Wheels)
10	3712611M2	Nut Special	(Dual Wheels)
11	831564M1	Plug	Diameter 19-21 (Dual Wheels)
	3791968M1	Plug	Diameter 17,8-24 (Dual Wheels)
12	3006431X1	Pin	Diameter 5X18 (Dual Wheels)
13	3787333M1	Thrust Washer	(Dual Wheels)
14	3001462X1	Screw Metric	M24X60 (Dual Wheels)
15	3786491M1	Hub	(Dual Wheels)
16	3786497M1	Cone	Right Hand (Dual Wheels)
	3786579M1	Cone	Left Hand (Dual Wheels)
17	3010945X1	Screw	M20X105 (Dual Wheels)
18	3786577M2	Spacer	(Dual Wheels)
19	353775X1	Washer	From Serial or Engine Number L051013 (Dual Wheels)

FOOTNOTE [A] HEXAGONAL KEY

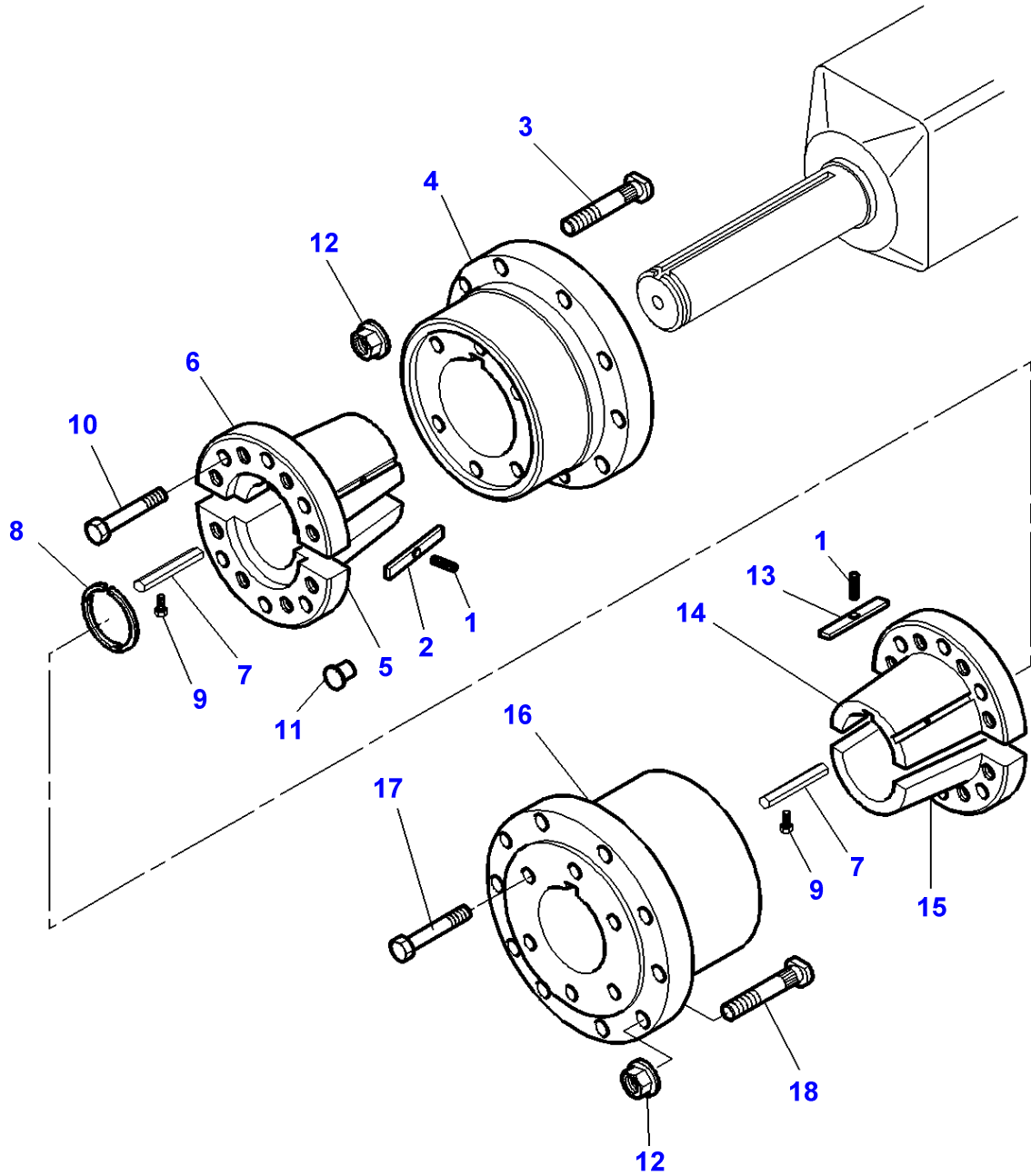
FOOTNOTE [B] WITH RIM STEEL

1-ZM05-003-C



Item	Part Number	Qty	Description	Comments
1	763786M1	2	Pin	(Single Wheels)
	763786M1	2	Pin	(Dual Wheels)
2	509816M3	2	Key	(Single Wheels)
	509816M3	2	Key	(Dual Wheels)
3	3792488M2	20	Stud	M22 X 64
				(Single Wheels)
	3792488M2	20	Stud	M22 X 64
				(Dual Wheels)
	3716105M2	20	Stud	M22 X 100
				(Single Wheels)
	3716105M2	20	Stud	M22 X 100
				(Dual Wheels)
4	3716107M2	2	Hub	(Single Wheels)
	3716107M2	2	Hub	(Dual Wheels)
5	3716269M1	2	Cone	Length 198 MM
				(Single Wheels)
	3716269M1	2	Cone	Length 198 MM
				(Dual Wheels)
6	3716268M1	2	Cone	Length 198 MM
				(Single Wheels)
	3716268M1	2	Cone	Length 198 MM
				(Dual Wheels)
7	3716106M4	2	Key	(Single Wheels)
	3716106M4	2	Key	(Dual Wheels)
8	3010765X1	2	Ring	(Single Wheels)
	3010765X1	2	Ring	(Dual Wheels)
9	1440350X1	2	Screw Metric	M6 X 20
				(Single Wheels)
	1440350X1	2	Screw Metric	M6 X 20
				(Dual Wheels)
10	3010569X1	12	Screw	M20 X 80
				(Single Wheels)
	3010569X1	12	Screw	M20 X 80
				(Dual Wheels)
11	3791968M1	16	Plug	(Single Wheels)
	3791968M1	16	Plug	(Dual Wheels)
12	3712611M2	20	Nut Special	M22
				(Single Wheels)
	3712611M2	20	Nut Special	M22
				(Dual Wheels)

1-ZM05-012-A

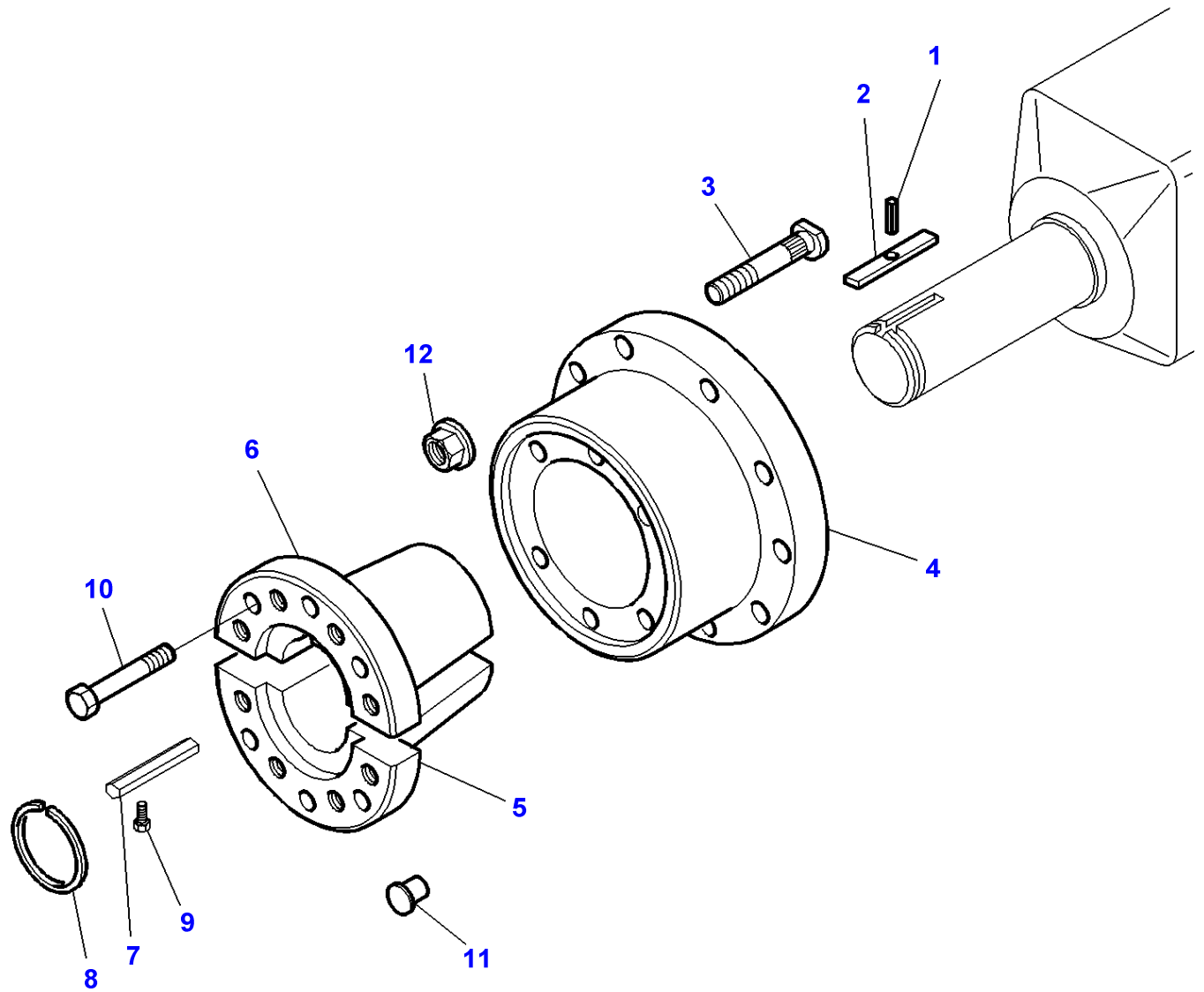


Item	Part Number	Qty	Description	Comments
1	763786M1	2	Pin	(Single Wheels)
	763786M1	2	Pin	(Dual Wheels)
2	509816M3	2	Key	(Single Wheels)
	509816M3	2	Key	(Dual Wheels)
3	3792488M2	20	Stud	[A] M22 X 64 (Single Wheels)
	3792488M2	20	Stud	[A] M22 X 64 (Dual Wheels)
	3716105M2	20	Stud	[B] M22 X 100 (Single Wheels)
	3716105M2	20	Stud	[B] M22 X 100 (Dual Wheels)
4	3716107M2	2	Hub	(Single Wheels)
	3716107M2	2	Hub	(Dual Wheels)
5	3716269M1	2	Cone	Length 198 MM (Single Wheels)
	3716269M1	2	Cone	Length 198 MM (Dual Wheels)
6	3716268M1	2	Cone	Length 198 MM (Single Wheels)
	3716268M1	2	Cone	Length 198 MM (Dual Wheels)
7	3716106M4	2	Key	(Single Wheels)
	3716106M4	2	Key	(Dual Wheels)
8	3010765X1	2	Ring	(Single Wheels)
	3010765X1	2	Ring	(Dual Wheels)
9	1440350X1	2	Screw Metric	M6 X 20 (Single Wheels)
	1440350X1	2	Screw Metric	M6 X 20 (Dual Wheels)
10	3010569X1	12	Screw	M20 X 80 (Single Wheels)
	3010569X1	12	Screw	M20 X 80 (Dual Wheels)
11	3791968M1	16	Plug	(Single Wheels)
	3791968M1	16	Plug	(Dual Wheels)
12	3712611M2	20	Nut Special	M22 (Single Wheels)
	3712611M2	20	Nut Special	M22 (Dual Wheels)
13	3787102M1		Key	(Dual Wheels)
14	3786847M1		Cone	(Dual Wheels)
15	3786848M1		Cone	(Dual Wheels)
16	3786490M1		Hub	(Dual Wheels)
17	3580230M1		Screw	M20 X 190 (Dual Wheels)
18	3792488M2		Stud	[A] M22 X 64 (Dual Wheels)

FOOTNOTE [A] WITH RIM STEEL

FOOTNOTE [B] WITH CAST WHEELS

1-ZM05-013-A

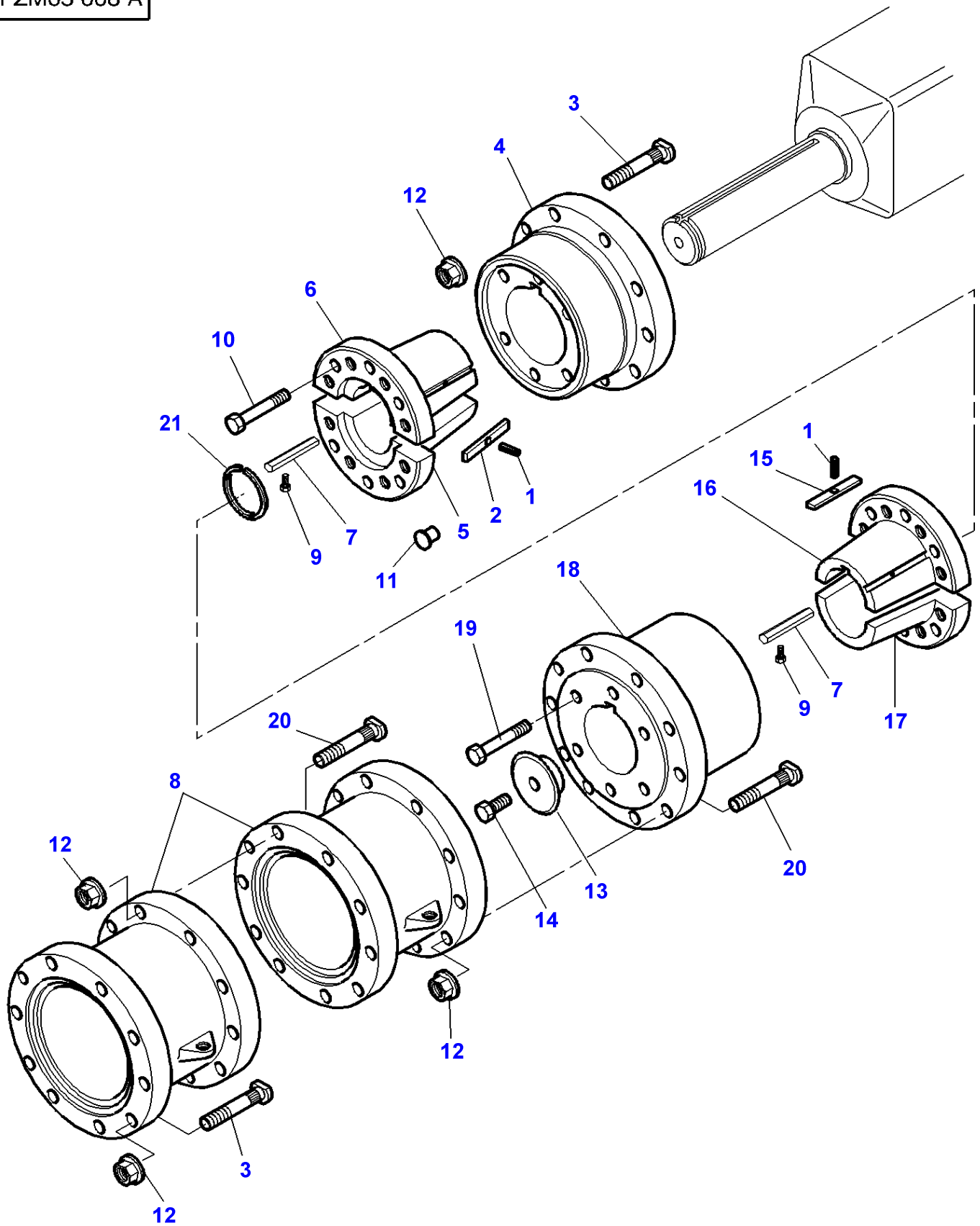


Massey Ferguson**MF 8250 TRACTOR - 1637366****1637366****Rear Wheels - Fixing By Cone - Shaft Diameter 110MM / Cone/Wheel Hub Standart For Dual Wheels Cast Iron/Cast Iron****Page130-0110**

Item	Part Number	Qty	Description	Comments
1	763786M1	4	Pin	
2	509816M3	4	Key	
3	3716105M2	40	Stud	M22 X 100
4	3716107M2	4	Hub	
5	3716269M1	4	Cone	Length 198 MM
6	3716268M1	4	Cone	Length 198 MM
7	3716106M4	4	Key	
8	3010765X1	2	Ring	
9	1440350X1	4	Screw Metric	M6 X 20
10	3010569X1	24	Screw	M20 X 80
11	3791968M1	32	Plug	
12	3712611M2	40	Nut Special	M22

MF 8250 TRACTOR - 1637366
1-ZM05-008-A

1-ZM05-008-A



Item	Part Number	Qty	Description	Comments
1	763786M1	4	Pin	
2	509816M3	2	Key	
3	3792488M2	40	Stud	M22 X 64
	3792488M2	20	Stud	[D,E] M22 X 64
4	3716107M2	2	Hub	[A]
5	3716269M1	2	Cone	Length 198 MM
6	3716268M1	2	Cone	Length 198 MM
7	3716106M4	4	Key	
8	3786577M2	4	Spacer	
9	1440350X1	4	Screw Metric	M6 X 20
10	3010569X1	12	Screw	M20 X 80
11	3791968M1	16	Plug	
12	3712611M2	80	Nut Special	M22 X 1,5
13	3787332M1	2	Thrust Washer	[C]
14	3001462X1	2	Screw Metric	[C] M24 X 60
15	3787102M1	2	Key	
16	3786847M1	2	Cone	Length 174 MM
17	3786848M1	2	Cone	Length 174 MM
18	3786490M1	2	Hub	[B]
19	3580230M1	16	Screw	M20 X 190
20	3716105M2	40	Stud	M22 X 100
	3716105M2	60	Stud	[D,E] M22 X 100
21	3010765X1	2	Ring	[F]

FOOTNOTE [A] 6 HOLES FIXING

FOOTNOTE [B] 8 HOLES FIXING

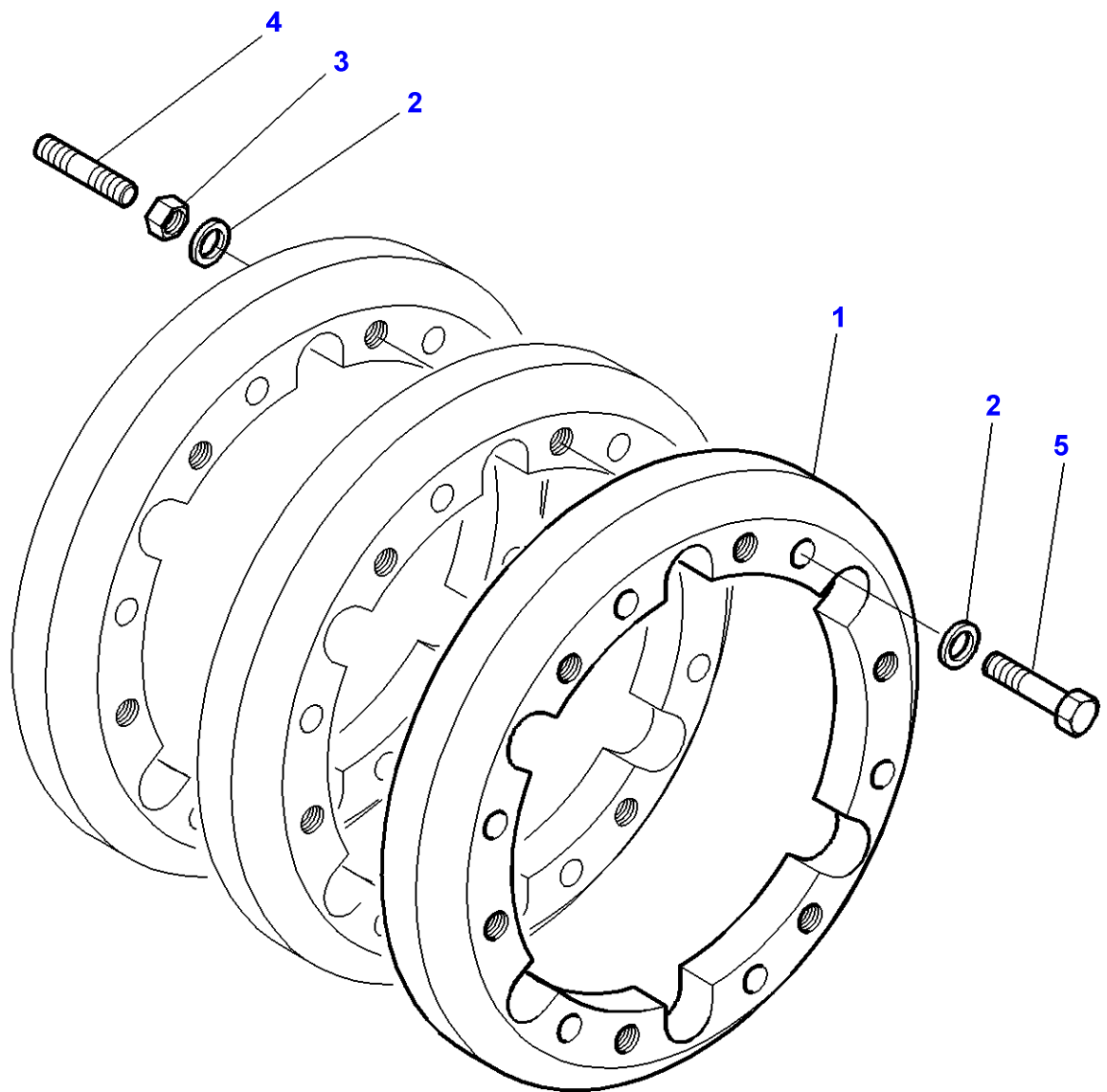
FOOTNOTE [C] WITH SHORT SHAFT

FOOTNOTE [D] WITH CAST WHEELS

FOOTNOTE [E] WITH RIM STEEL

FOOTNOTE [F] WITH LONG SHAFT

1-ZX17-001-B

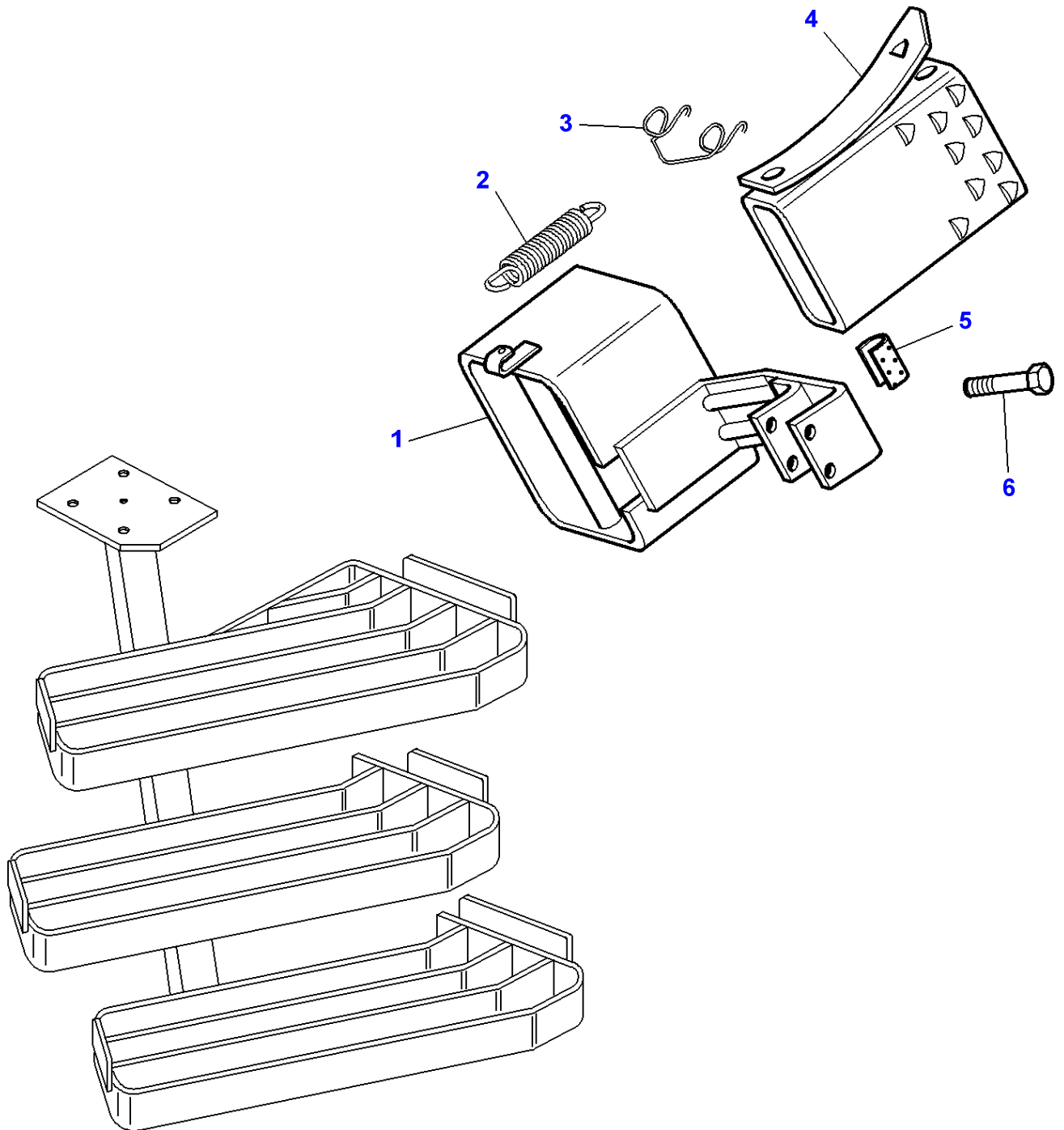


Massey Ferguson**MF 8250 TRACTOR - 1637366****1637366****Page 130-0120****Wheel Weights**

Item	Part Number	Qty	Description	Comments
1	3712626M1	X	Weight	53KG
2	3019575X1	X	Washer Metric	Diameter 17-44 X 3
3	339034X1	12	Nut	M16
4	3386466M1	12	Stud	M16 X 65
5	339805X1	X	Bolt Metric	M16 X 100

FOOTNOTE [A] INDUSTRIAL CAB**FOOTNOTE [B]** LEFT, REAR

1-ZX37-001-A



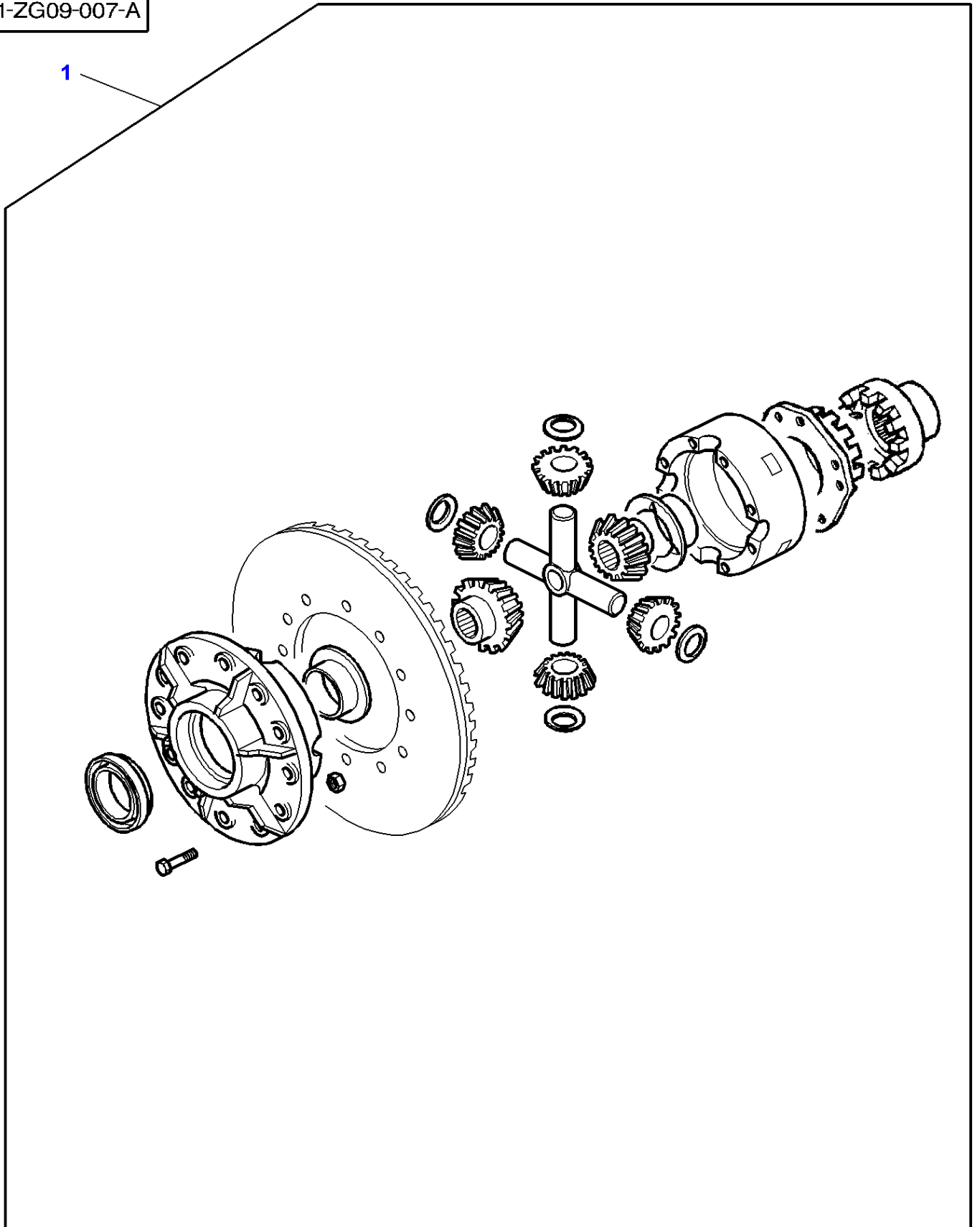
Wheel Wedges

Item	Part Number	Qty	Description	Comments
1	3715111M91	1	Support	
2	3616740M2	1	Spring	
3	3715112M1	1	Stem	
4	3042422M1	2	Chock	
5	3619191M1	2	Gasket	Length 42 MM
6	3015134X1	2	Screw	M6 X 65

Page Title	Page Number
Rear Axle - Differential - 5" COUPLING DIFFERENTIAL - REPAIR KIT	145-0005
Rear Axle - Differential - 5" MULTI DISCS DIFFRENTIAL - REPAIR KIT	145-0010
Rear Axle - Differential - 7" DIFFRENTIAL - REPAIR KIT	145-0015

1-ZG09-007-A

1



Massey Ferguson

MF 8250 TRACTOR - 1637366

1637366

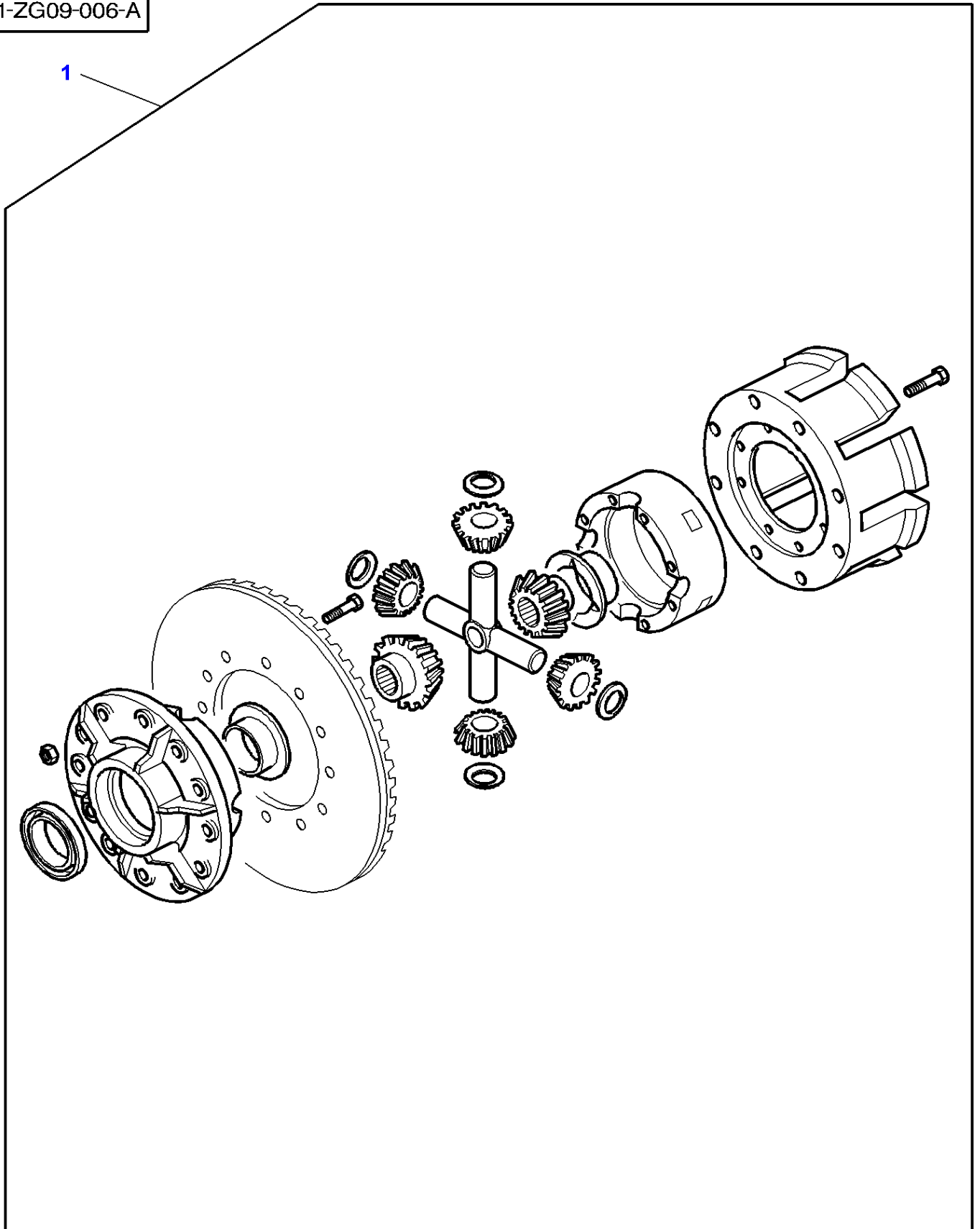
Rear Axle - Differential - 5" COUPLING DIFFERENTIAL - REPAIR KIT

Page 145-0005

Item	Part Number	Qty	Description
1	3797449M11	1	Kit,Differential

1-ZG09-006-A

1



Massey Ferguson

MF 8250 TRACTOR - 1637366

1637366

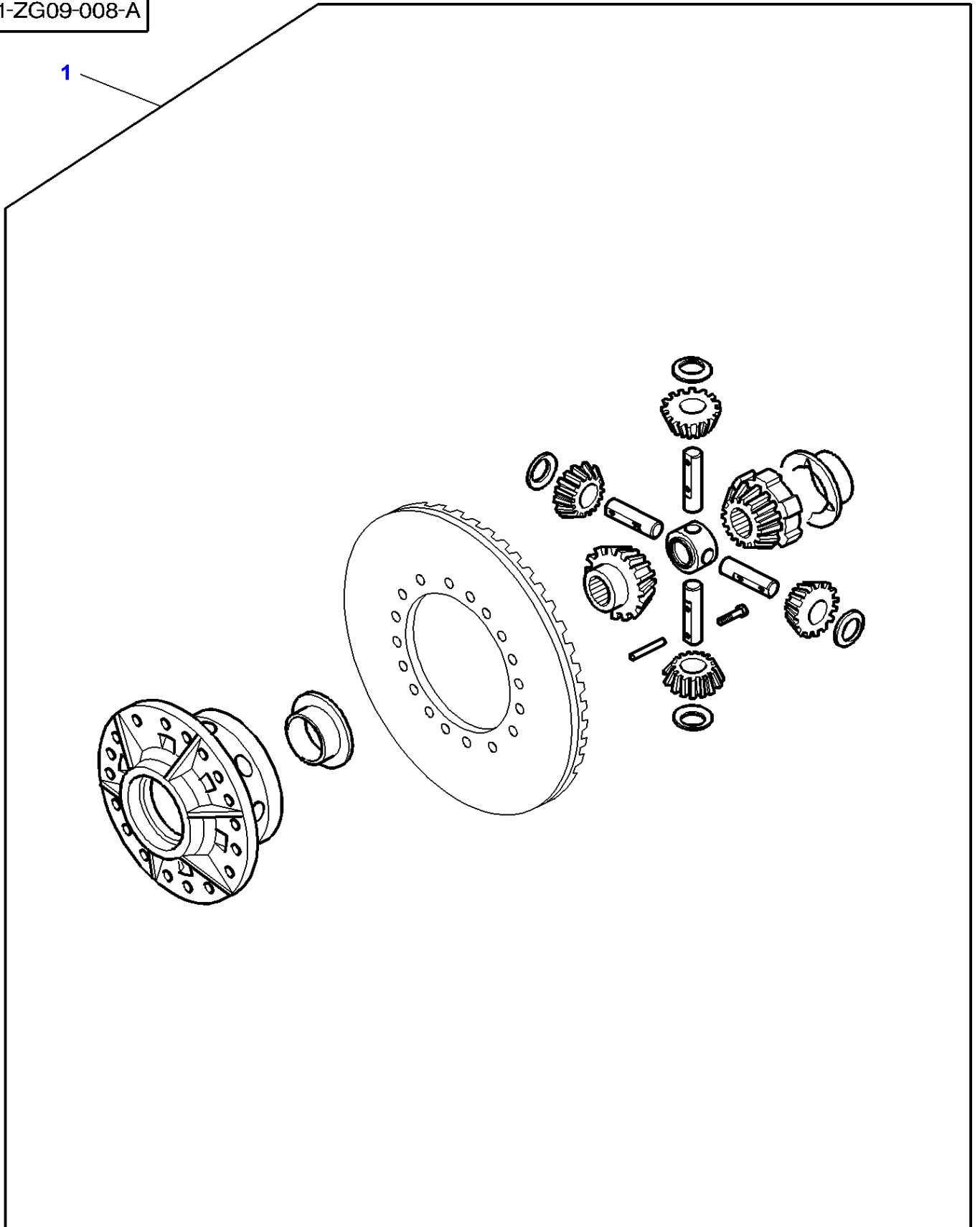
Rear Axle - Differential - 5" MULTI DISCS DIFFRENTIAL - REPAIR KIT

Page 145-0010

Item	Part Number	Qty	Description
1	3797450M11	1	Kit,Differential

1-ZG09-008-A

1



Massey Ferguson

MF 8250 TRACTOR - 1637366

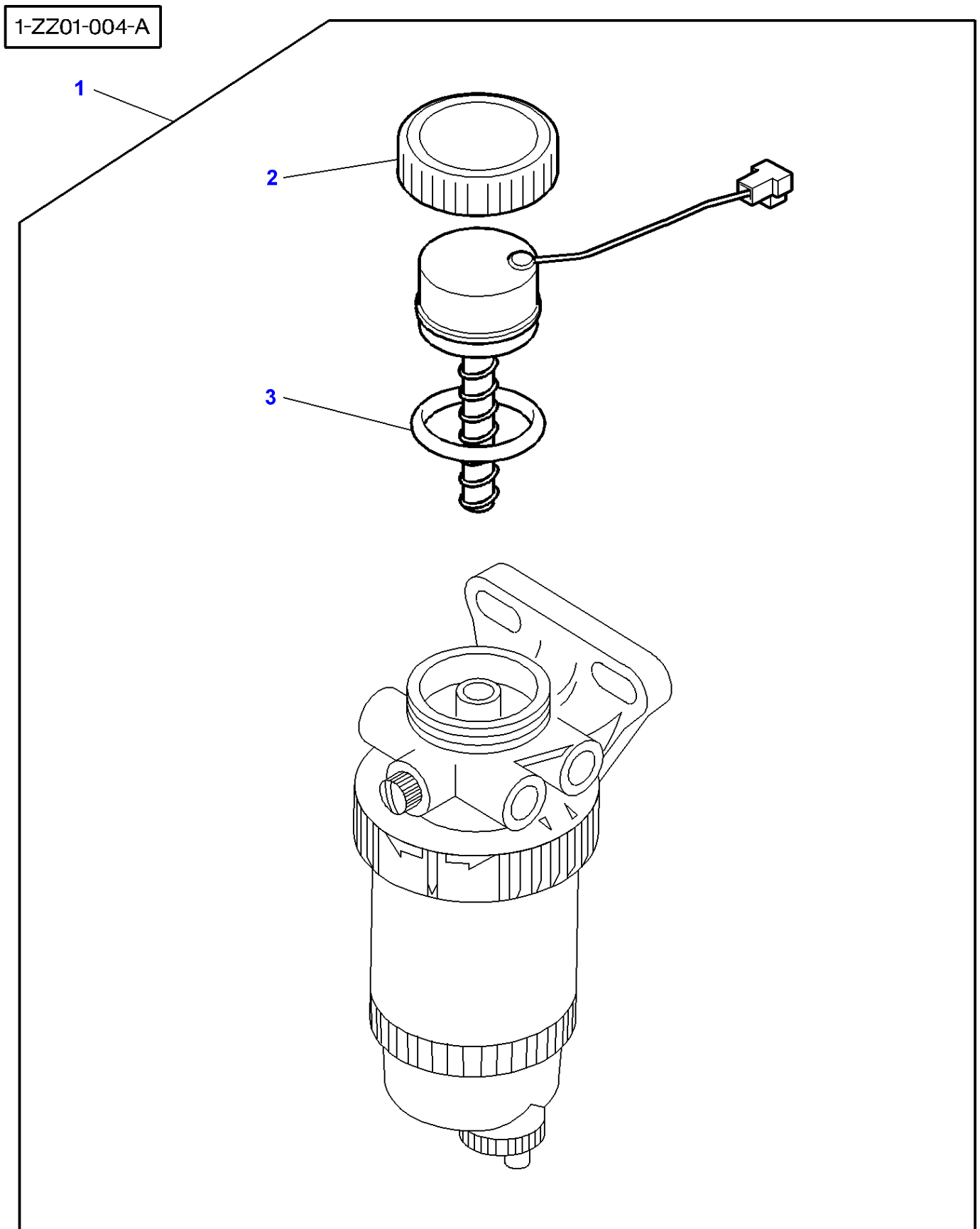
1637366

Rear Axle - Differential - 7" DIFFERENTIAL - REPAIR KIT

Page 145-0015

Item	Part Number	Qty	Description
1	3797452M12	1	Kit,Differential

Page Title	Page Number
FUEL HEATER	150-0005
Epicyclic Unit - Creeper Gear Dynashift Transmission	150-0010
Epicyclic Unit - Creeper Gear Full Powershift Transmission	150-0015
Front Linkage 35000N - WITH DYNASHIFT - WITH DANA FRONT AXLE	150-0020
Front Linkage 35000N - WITH FULL POWERSHIFT - WITH DANA FRONT AXLE	150-0025
Front Linkage 35000N - KIT CONVERSION RAM LESS TOGGLE TO RAM WITH TOGGLE	150-0030
Front Linkage 35000N - WITH CARRARO FRONT AXLE	150-0035
Front Linkage 35000N - Hydraulic - With Fixed CARRARO Front Axle	150-0040
Front Linkage 35000N - Hydraulic - With Suspended CARRARO Front Axle	150-0045
Front Linkage 35000N - TWO WAYS KIT FOR RAMS	150-0050
Front Linkage 35000N - WITH FRONT DUAL CONTROL	150-0055
Front Linkage 35000N - Without Front Dual Control - Lift External Control	150-0060
Front Linkage 50000N - WITH FULL POWERSHIFT - WITH DANA FRONT AXLE	150-0065
Front Linkage 50000N - WITH CARRARO FRONT AXLE	150-0070
Front Linkage 50000N - Hydraulic - With CARRARO Front Axle	150-0075
Front Linkage 50000N - TWO WAYS KIT FOR RAMS	150-0080
Front Linkage 50000N - WITH FRONT DUAL CONTROL	150-0085
Front Linkage 50000N - Without Front Dual Control - Lift External Control	150-0090
Front Pto - WITH DANA FRONT AXLE	150-0095
Front Pto - WITH CARRARO FRONT AXLE	150-0100
TRAILOR BRAKE - With Pump 45cc	150-0105
TRAILOR BRAKE - With Pump 150 L/mm	150-0110
Auxiliary Distributor - 4 Th Horizontal Spool Valve Kit For Cab	150-0115
Auxiliary Distributor - 4 Th Load Sensing Vertical Spool Valve Kit With Mechanical control For Cab	150-0120
Auxiliary Distributor - 5 Th Load Sensing Vertical Spool Valve Kit With Mechanical control For Cab	150-0125
Aboard Computer - With Dynashift-WITH FUEL FLOWMETER	150-0130
Aboard Computer - With Dynashift-WITHOUT FUEL FLOWMETER	150-0135
Aboard Computer - With Full Powershift - With Fuel Flowmeter	150-0140
Aboard Computer - With Full Powershift-WITHOUT FUEL FLOWMETER	150-0145
Fieldstar - STOCK	150-0150
Fieldstar	150-0155
APPLIANCE BRACKET BOARDED FOR CAB	150-0160
Air Conditioner	150-0165
Rear Window Wiper	150-0170
SECONDARY SEAT	150-0175
Seat Belt	150-0180
ROTATING LIGHT	150-0185
Front Axle 4 Wheel Drive - Mudguards And Supports - WITH DANA FRONT AXLE	150-0190
Front Axle 4 Wheel Drive - Mudguards And Supports - Pivoting - With DANA Front Axle	150-0195
Front Axle 4 Wheel Drive - Mudguards And Supports - WITH CARRARO FRONT AXLE	150-0200
Front Axle 4 Wheel Drive - Mudguards And Supports - Pivoting - With CARRARO Front Axle	150-0205
SENSOR HARNESS-REAR DUAL CONTROL - From Serial or Engine Number - 08-01-2001	150-0210
Autodrive - With Dynashift - From 08-01-2001	150-0215

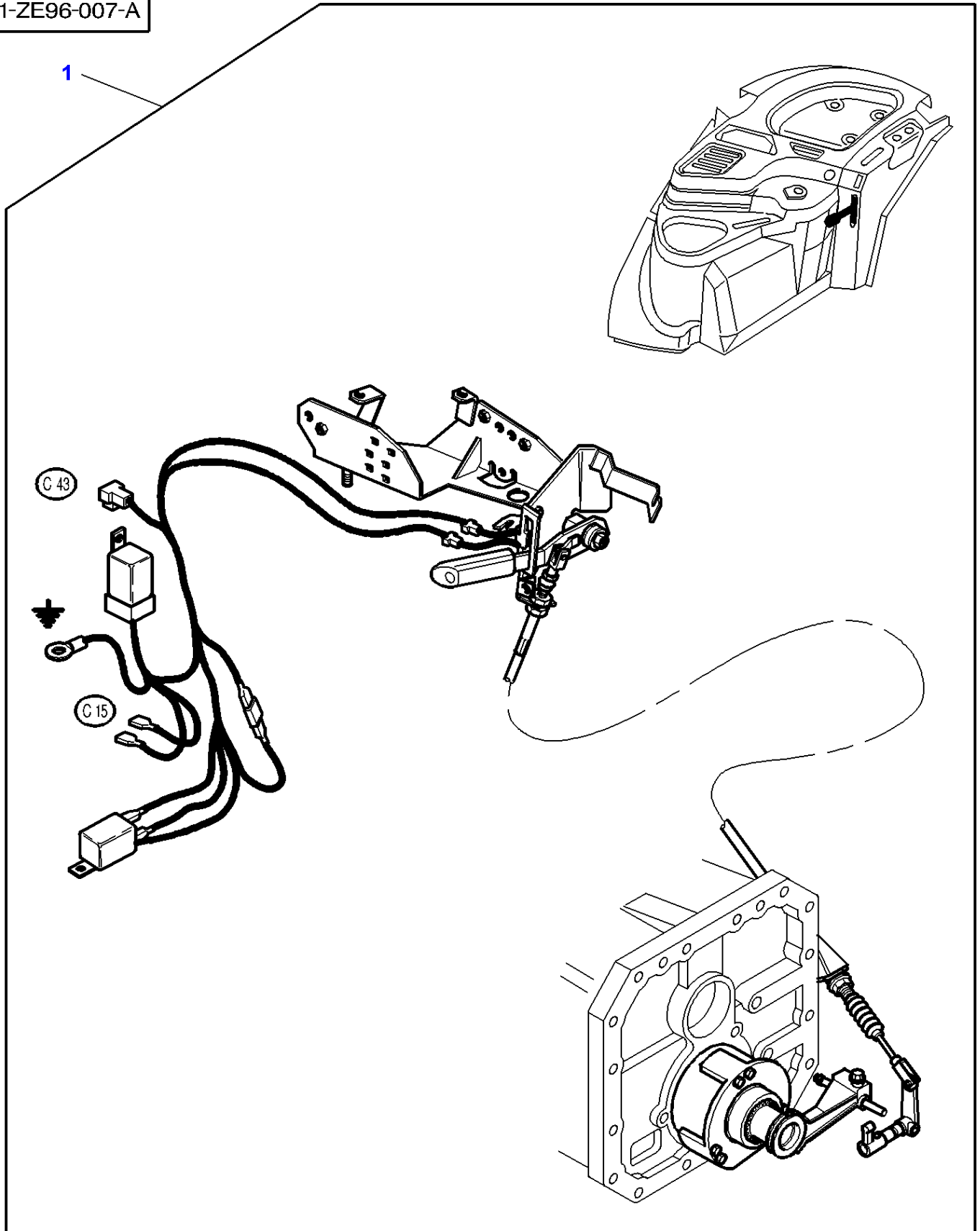


FUEL HEATER

Item	Part Number	Qty	Description	Comments
1	3781978M11	1	Parts Pack	12V - 100W
2	3903292M1	1	Nut	(1)
3	3903293M1	1	O Ring	(1)

1-ZE96-007-A

1



Massey Ferguson

MF 8250 TRACTOR - 1637366

1637366

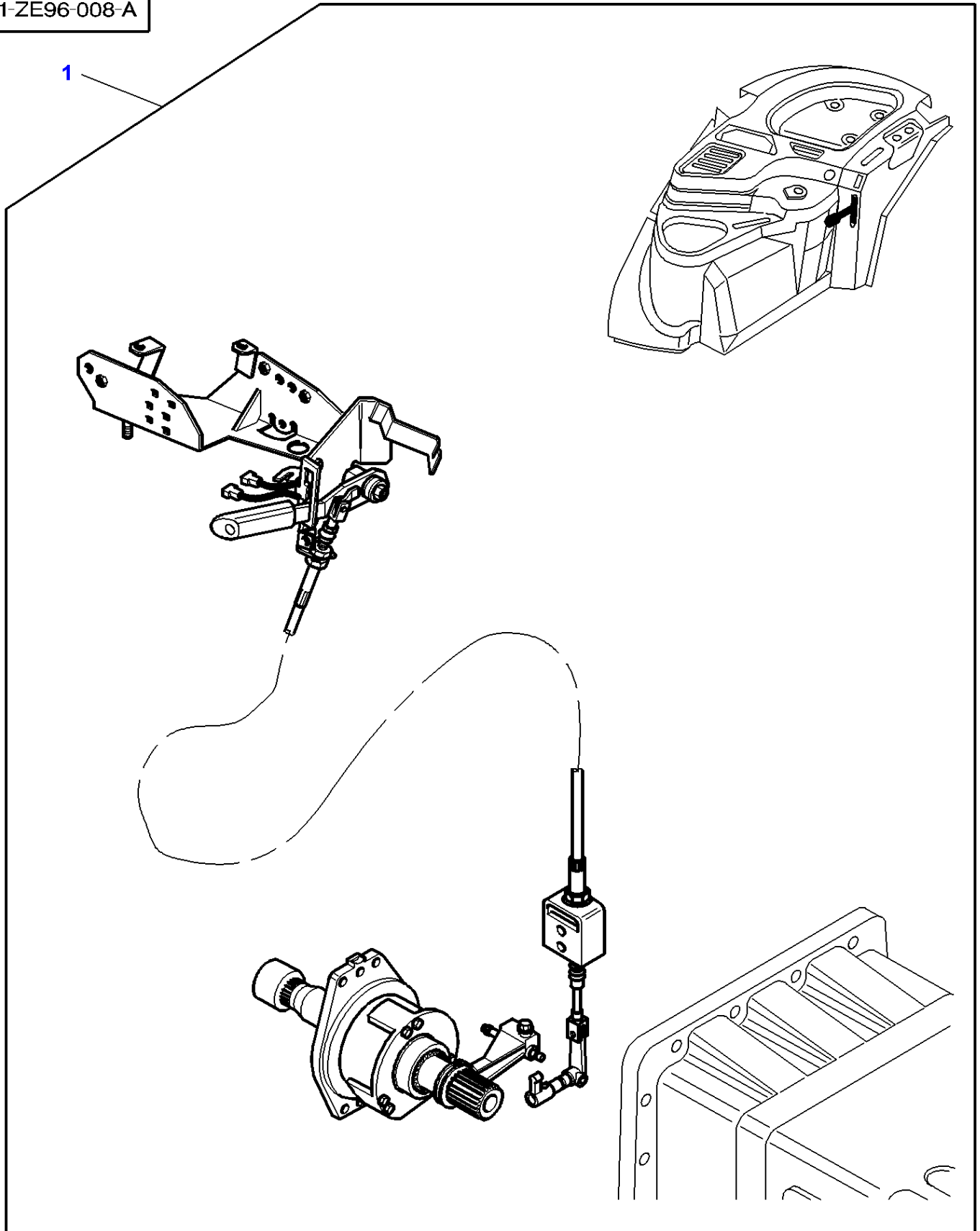
Epicyclic Unit - Creeper Gear Dynashift Transmission

Page 150-0010

Item	Part Number	Qty	Description
1	3783825M11	1	Reducer

1-ZE96-008-A

1



Massey Ferguson

MF 8250 TRACTOR - 1637366

1637366

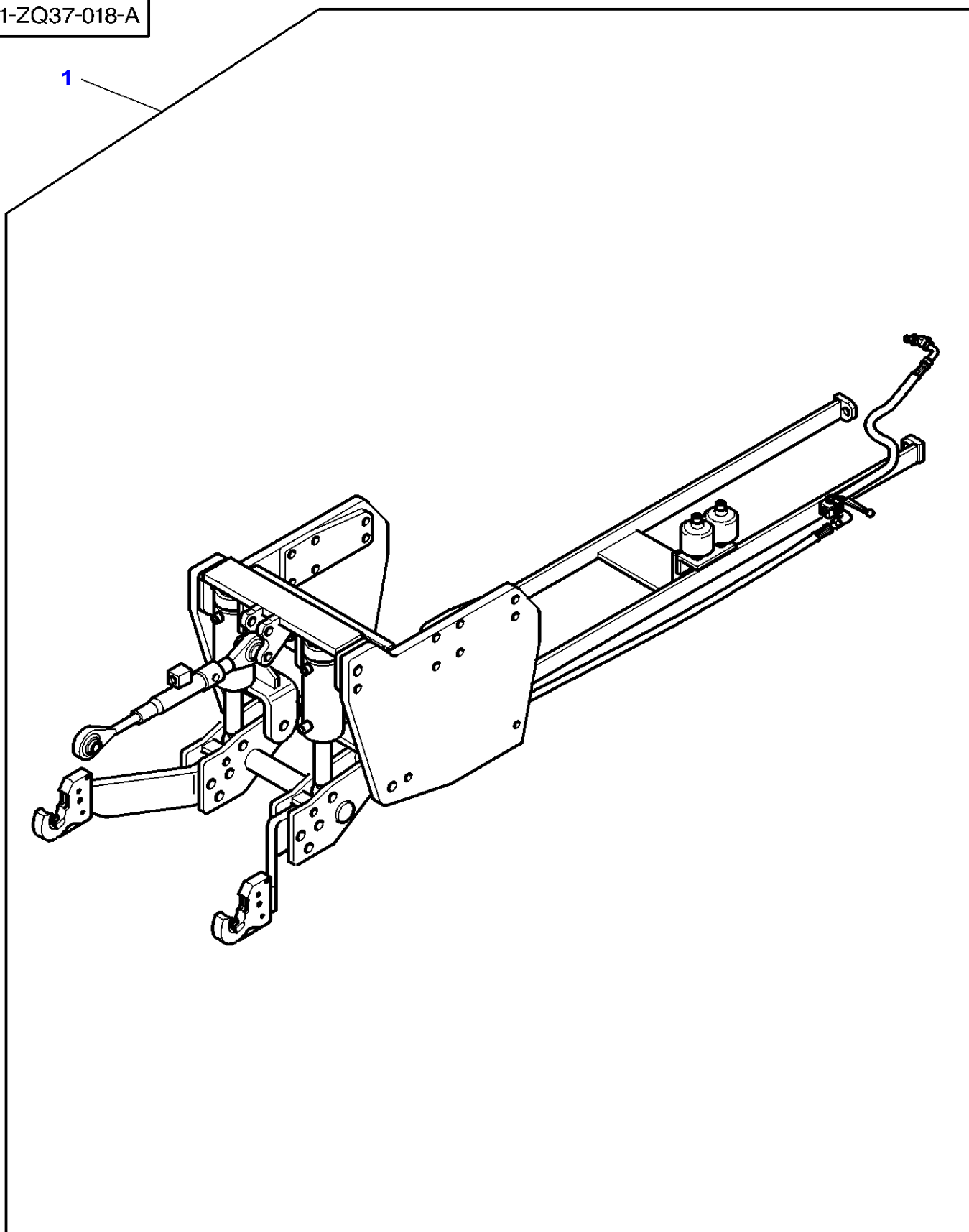
Epicyclic Unit - Creeper Gear Full Powershift Transmission

Page 150-0015

Item	Part Number	Qty	Description
1	3783826M12	1	Reducer

1-ZQ37-018-A

1



Massey Ferguson

MF 8250 TRACTOR - 1637366

1637366

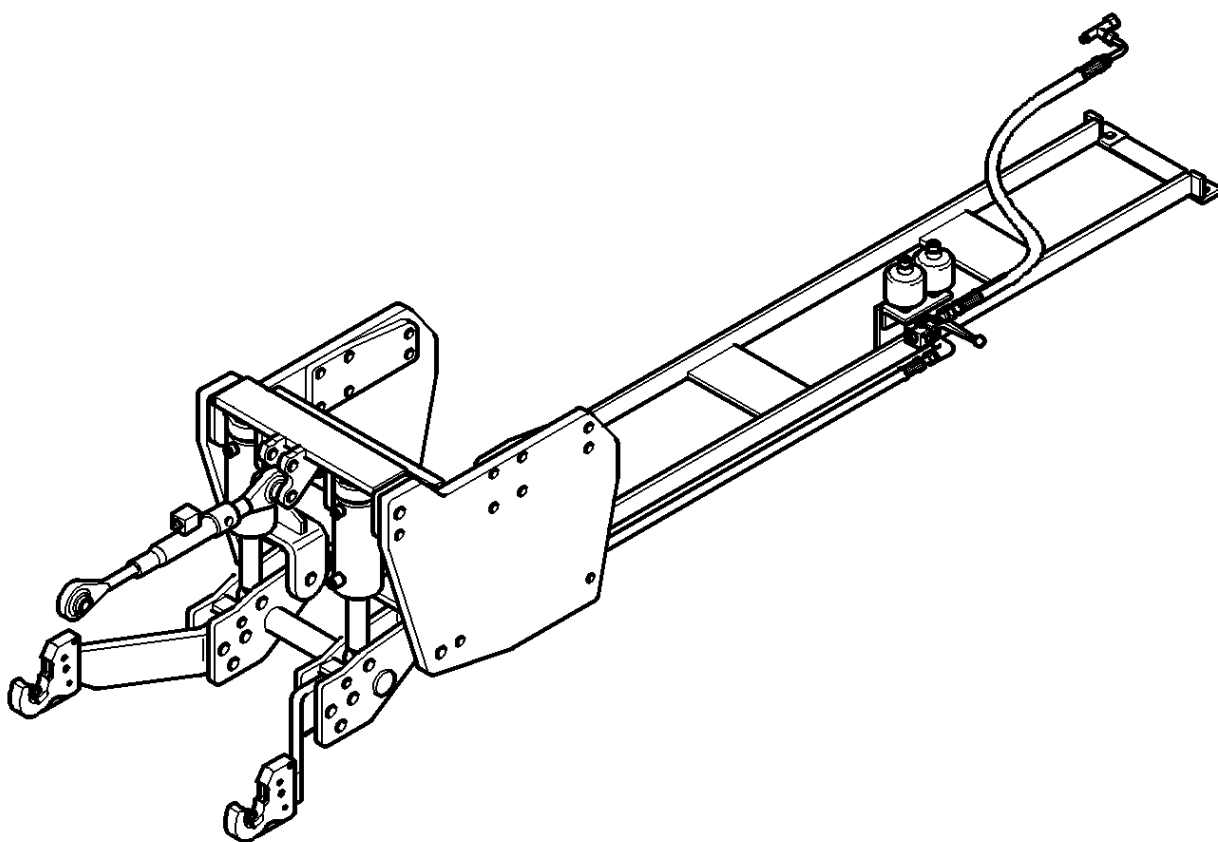
Front Linkage 35000N - WITH DYNASHIFT - WITH DANA FRONT AXLE

Page 150-0020

Item	Part Number	Qty	Description
1	3783053M92	1	Hitch

1-ZQ37-019-A

1



Massey Ferguson

MF 8250 TRACTOR - 1637366

1637366

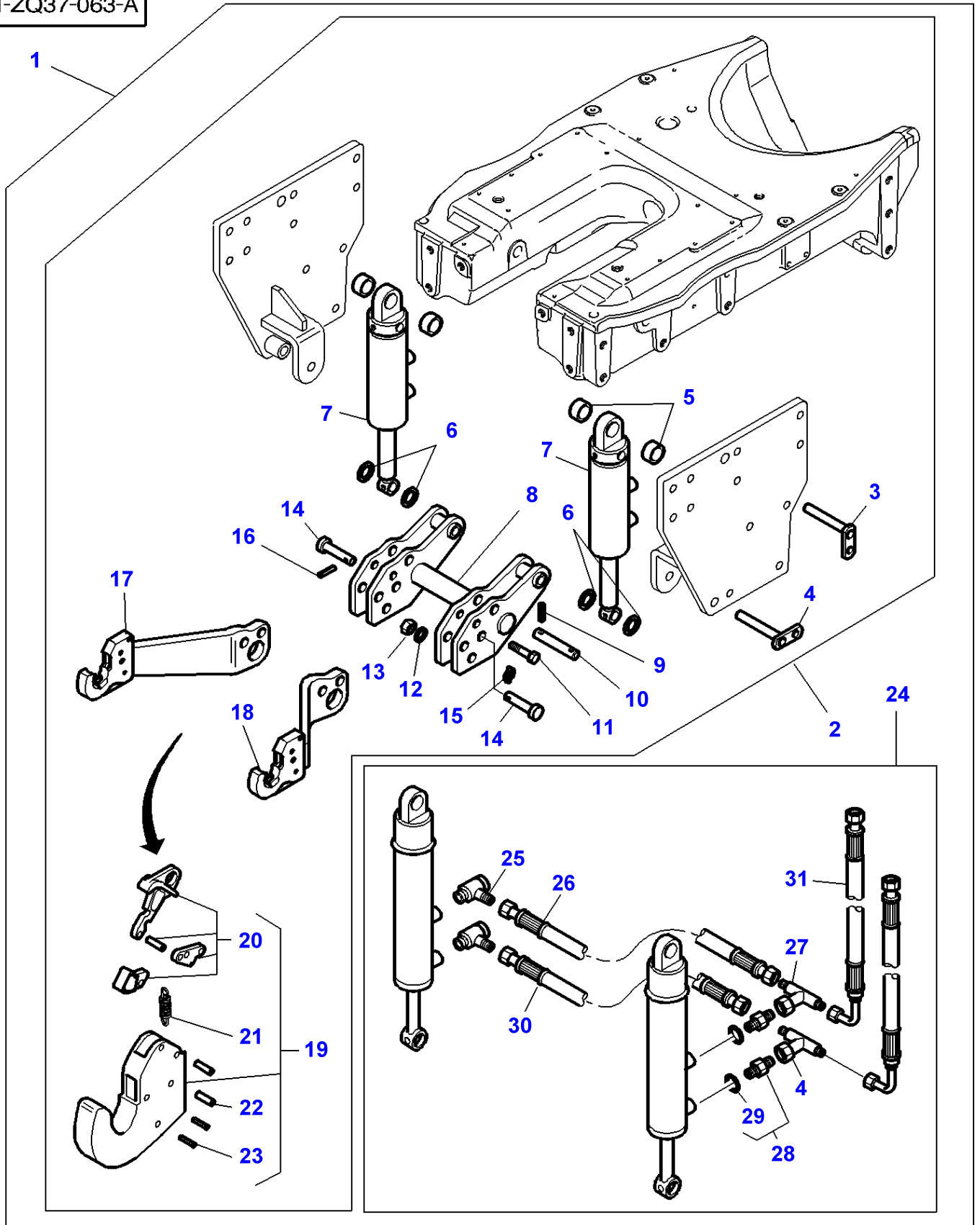
Front Linkage 35000N - WITH FULL POWERSHIFT - WITH DANA FRONT AXLE

Page 150-0025

Item	Part Number	Qty	Description
1	3783049M92	1	Hitch

MF 8250 TRACTOR - 1637366
1-ZQ37-063-A

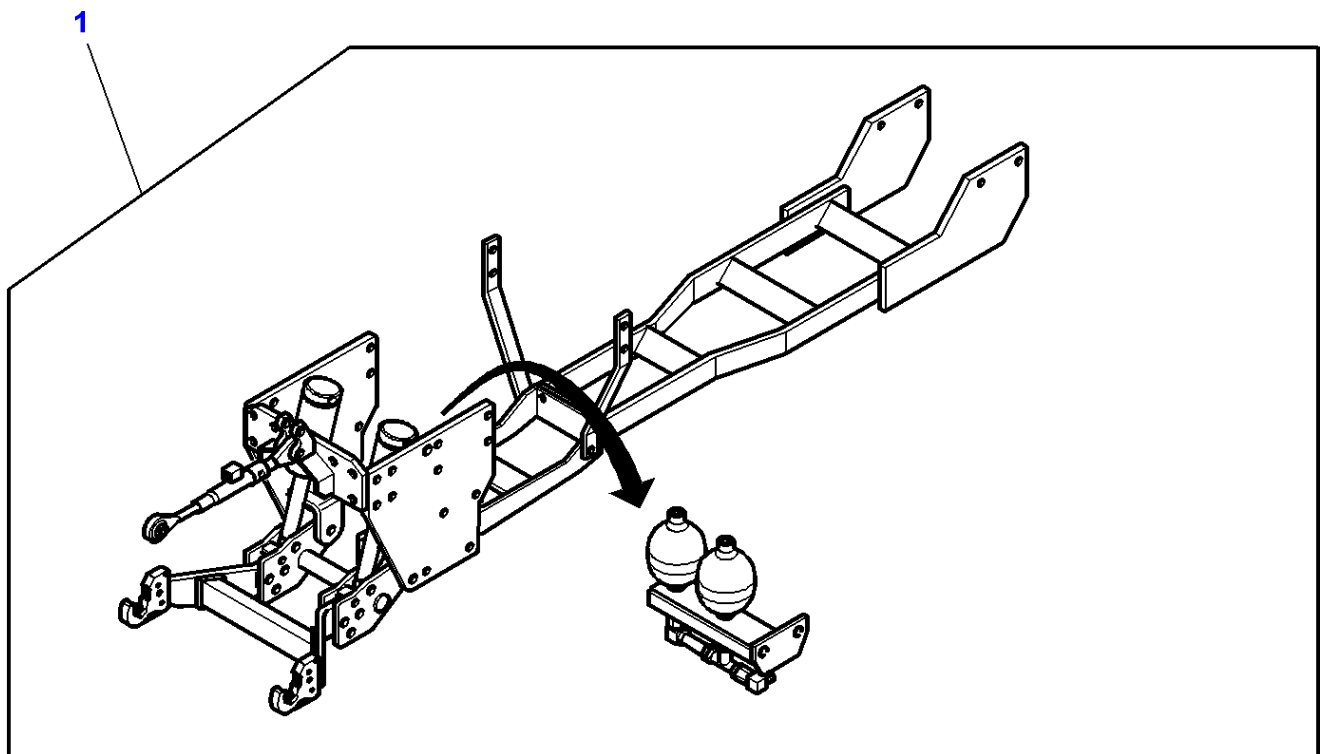
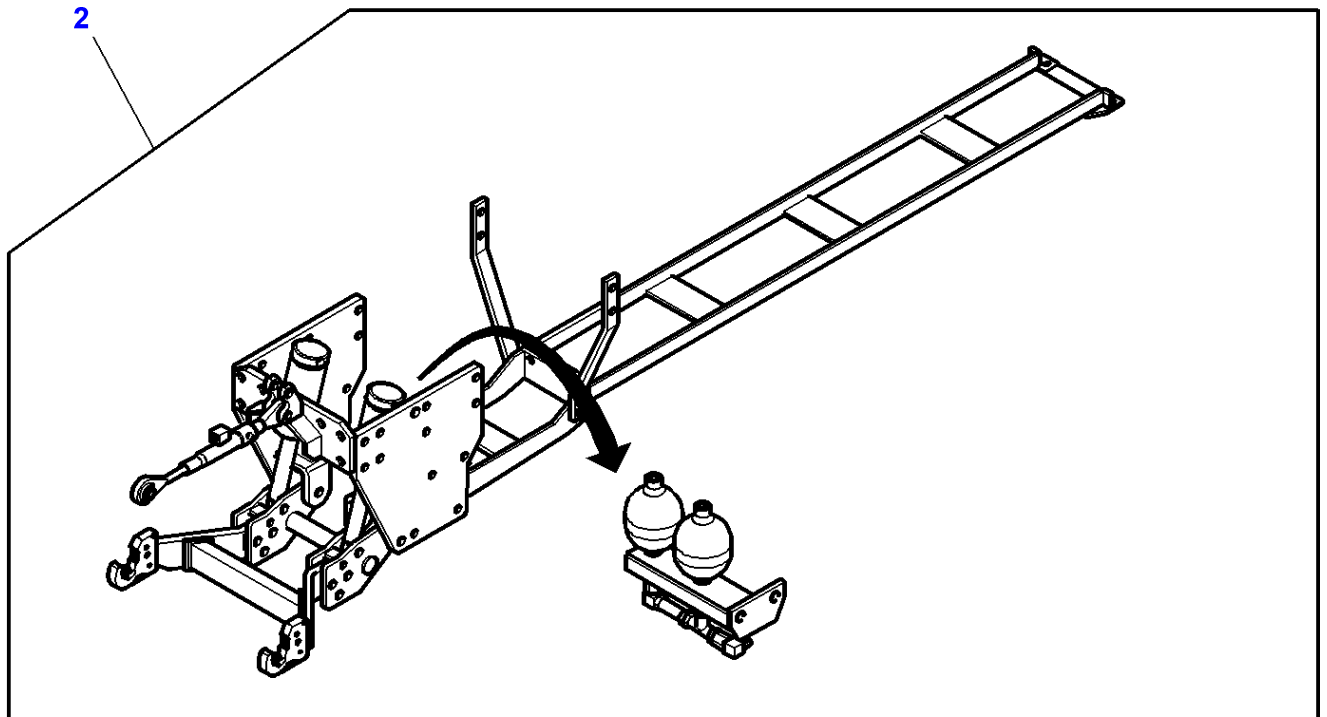
1-ZQ37-063-A



Item	Part Number	Qty	Description	Comments
1	4275464M11	1	Kit, Conversion	[A]
2	4275725M91	1	Fit.Instruction	(1)
3	3785150M1	2	Clevis Pin	(2)
4	3782681M1	2	Clevis Pin	(2)
5	4275465M1	4	Insert	(2)
6	3788604M1	4	Washer	(2) Diameter 50-36 X 4MM
7	4270295M1	2	Ram	(2)
8	4275466M1	1	Support	(2)
9	3788607M1	2	Pin	(2) Diameter 8MM
10	3788597M1	2	Clevis Pin	(2)
11	3788599M1	2	Clevis Pin	(2)
12	1443512X1	2	Washer	(2)
13	3788603M1	2	Locknut	(2) M12
14	3788596M1	4	Clevis Pin	(2)
15	3788605M1	2	Clip	(2) Diameter 10.5MM
16	3788608M1	2	Pin	(2) Diameter 12MM
17	3788600M1	1	Arm	(2) Right Hand
18	3788601M1	1	Arm	(2) Left Hand
19		1	Hook	(18) Not serviced,order REF. 17/18
20	3903946M91	1	Kit, Lever	(19)
21	3903949M1	1	Spring	(19)
22	3903948M91	1	Kit, Roll Pins	(19)
23	3903947M91	1	Kit, Roll Pins	(19)
24	4275726M91	1	Fit.Instruction	(1)
25	4271463M1	2	Union	(24)
26	4271470M1	1	Hydr Hose	(24) Length 430MM
27	3011289X91	1	Teepiece	(24)
28	3011223X91	2	Union	(24)
29	338923X1	1	Gasket	(28)
30	4271469M1	1	Hydr Hose	(24) Length 520MM
31	4271516M3	2	Hose	(24) Length 450MM

FOOTNOTE [A] RAM WITH TOGGLE

1-ZQ37-036-A



Item	Part Number	Qty	Description	Comments
1	3786249M13	1	Hitch	[A,C] Up to Serial or Engine Number M079019
	3789304M12	1	Hitch	[A,C,E] From Serial or Engine Number M079019
	3786248M13	1	Hitch	[A,D] Up to Serial or Engine Number M079019
	3789303M12	1	Hitch	[A,D,E] From Serial or Engine Number M079020
2	3786253M13	1	Hitch	[B,C] Up to Serial or Engine Number M079019
	3789308M12	1	Hitch	[B,C,E] Up to Serial or Engine Number M079020
	3786252M13	1	Hitch	[B,D] Up to Serial or Engine Number M079019
	3789307M12	1	Hitch	[B,D,E] From Serial or Engine Number M079020

FOOTNOTE [A] WITH DYNASHIFT

FOOTNOTE [B] WITH FULL POWERSHIFT

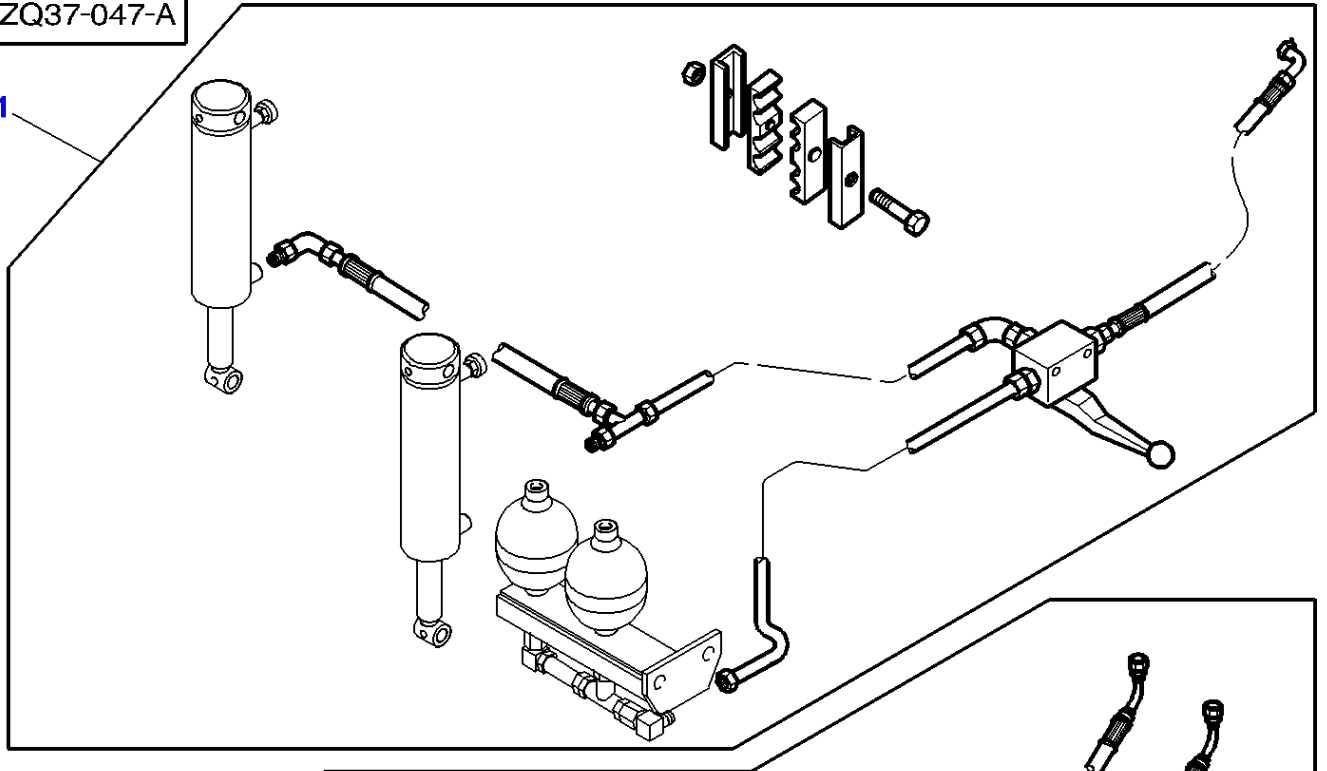
FOOTNOTE [C] WITH ACCUMULATOR

FOOTNOTE [D] WITHOUT ACCUMULATOR

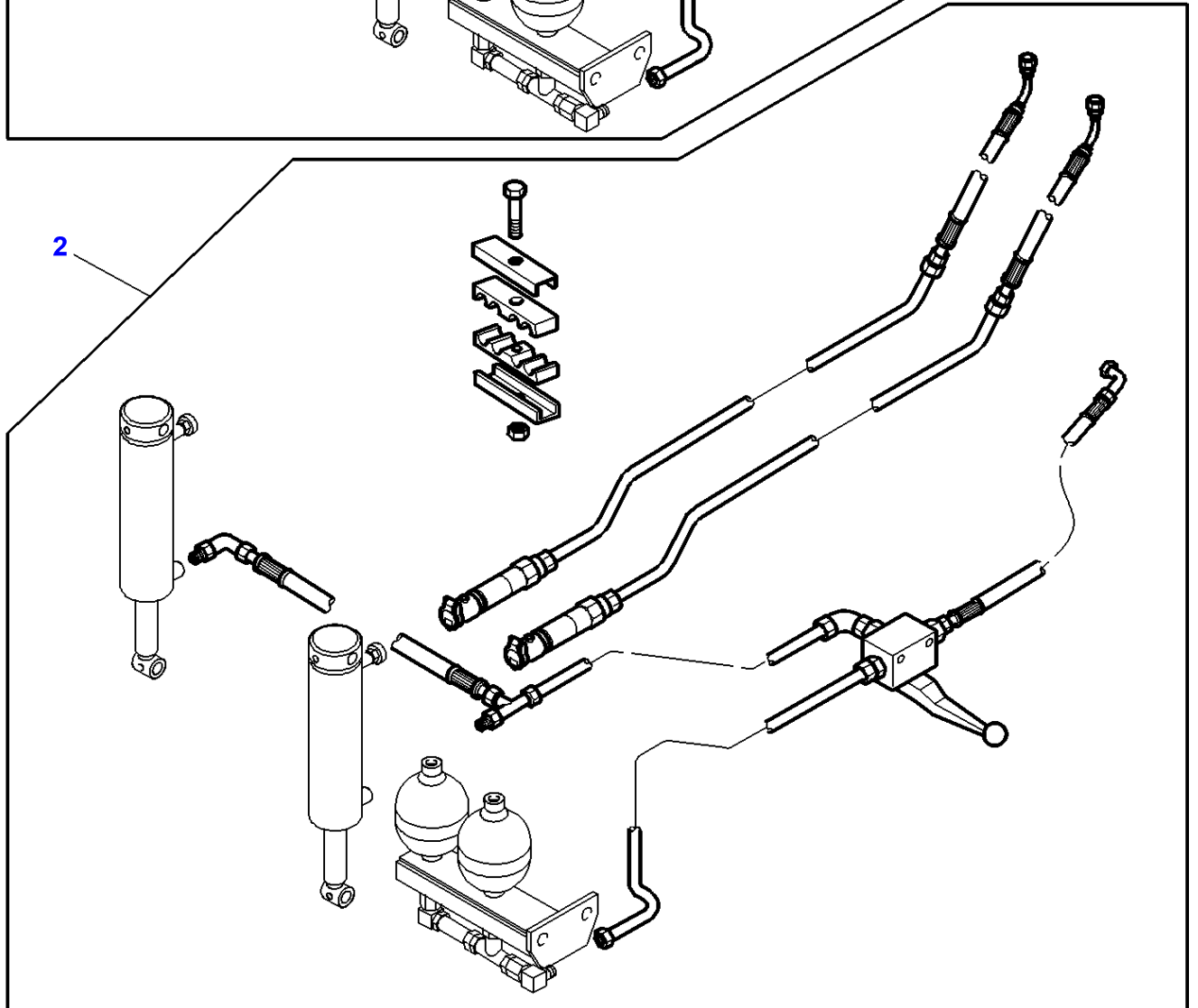
FOOTNOTE [E] RAM WITH TOGGLE

1-ZQ37-047-A

1



2



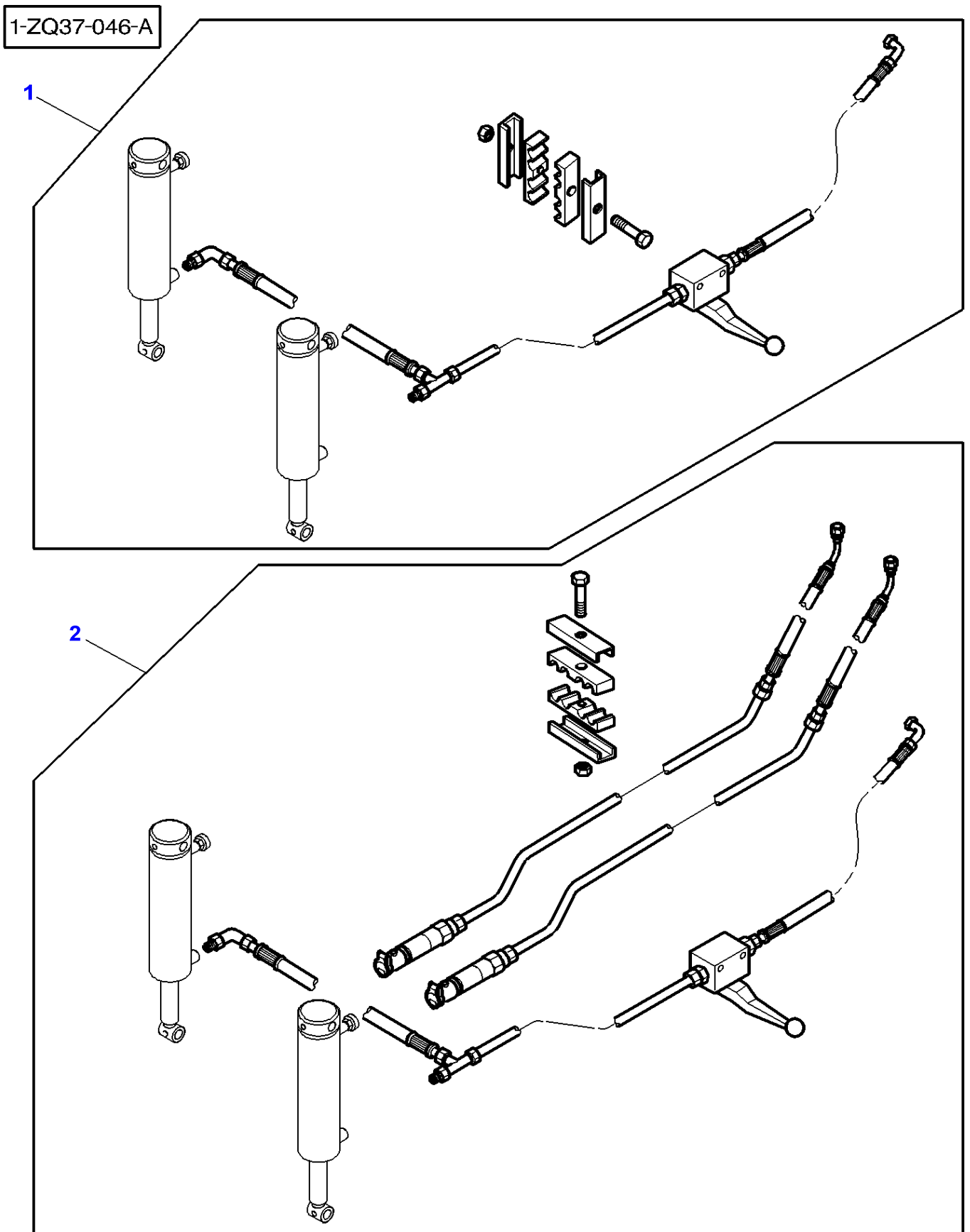
Item	Part Number	Qty	Description	Comments
1	3786945M12	1	Parts Pack	[A,B]
	3786947M12	1	Parts Pack	[D,B]
2	3786946M12	1	Parts Pack	[A,C]
	3786948M12	1	Parts Pack	[D,C]

FOOTNOTE [A] KIT SINGLE ACTING

FOOTNOTE [B] WITHOUT HYDRAULIC COUPLING

FOOTNOTE [C] WITH HYDRAULIC COUPLING

FOOTNOTE [D] KIT DUAL ACTING



Item	Part Number	Qty	Description	Comments
1	3786941M12	1	Parts Pack	[A,B,C]
	3786943M12	1	Parts Pack	[E,B,C]
2	3786942M12	1	Parts Pack	[A,B,D]
	3786944M12	1	Parts Pack	[E,B,D]

FOOTNOTE [A] KIT SINGLE ACTING

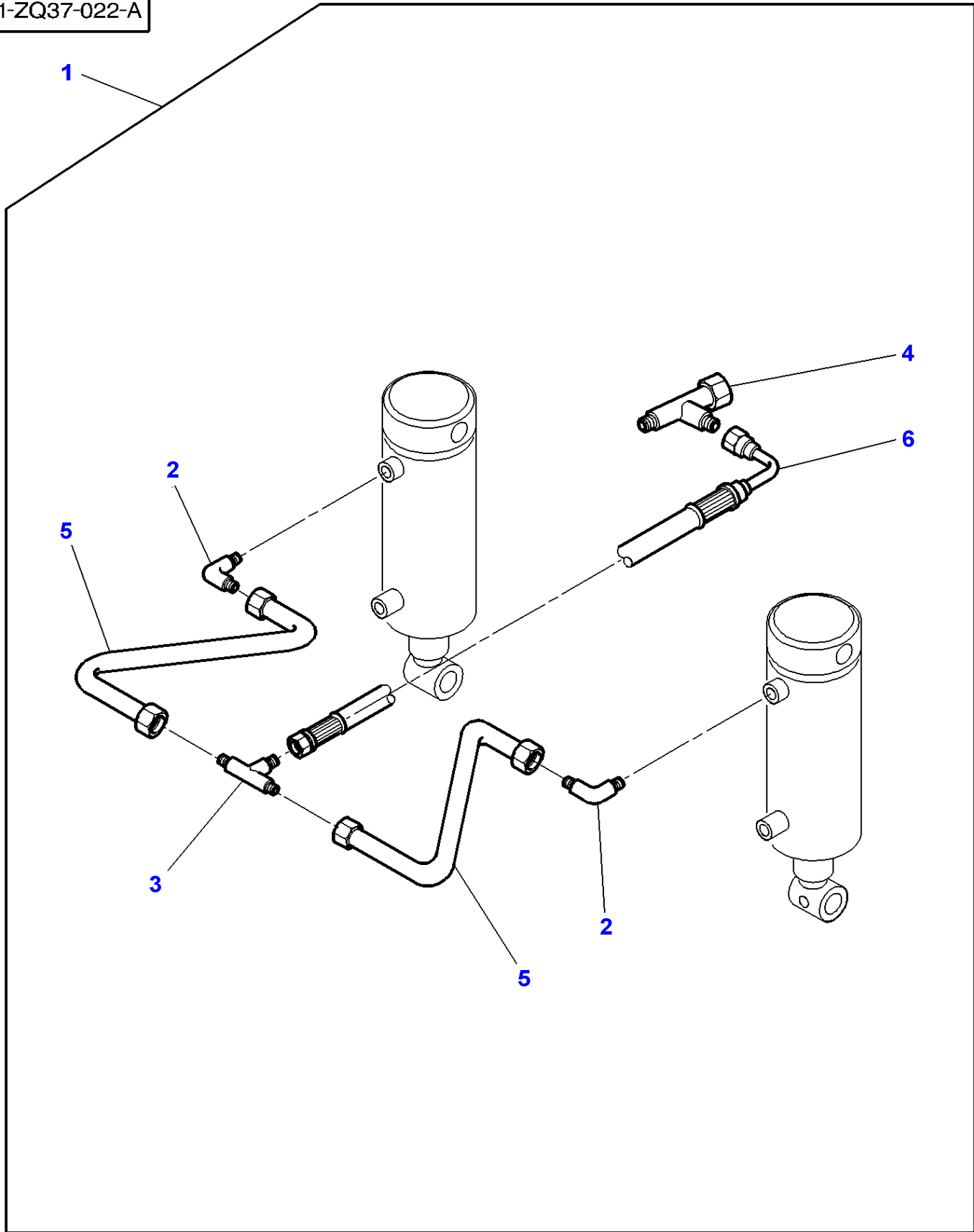
FOOTNOTE [B] WITHOUT ACCUMULATOR

FOOTNOTE [C] WITHOUT HYDRAULIC COUPLING

FOOTNOTE [D] WITH HYDRAULIC COUPLING

FOOTNOTE [E] KIT DUAL ACTING

1-ZQ37-022-A

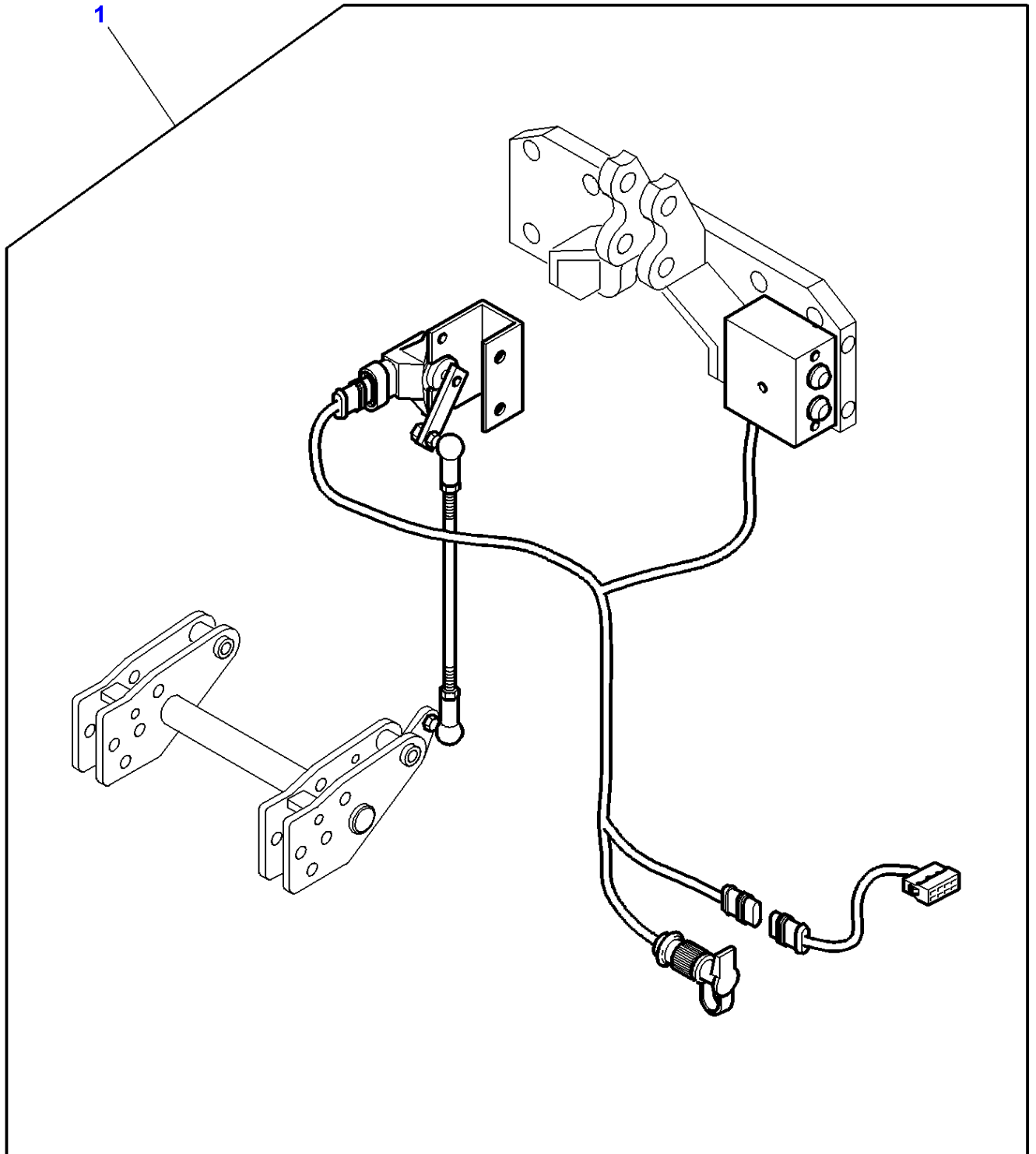


Massey Ferguson**MF 8250 TRACTOR - 1637366****1637366****Front Linkage 35000N - TWO WAYS KIT FOR RAMS****Page 150-0050**

Item	Part Number	Qty	Description	Comments
1	3903532M91	1	Kit,Hose Fitting	[A]
		1	Kit,Hose Fitting	[B]
				See Page - Reference Number 040-0295/6
2	3900868M1	2	Elbow	(1) Diameter 3/8"
3	3902227M1	1	Teepiece	(1)
4	3782998M1	1	Teepiece	(1)
5	3783011M1	2	Tube	(1)
6	3903527M1	1	Hydr Hose	(1) Length 5500MM

FOOTNOTE [A] WITH DANA FRONT AXLE**FOOTNOTE [B]** WITH CARRARO FRONT AXLE

1-ZQ37-039-A



Massey Ferguson

MF 8250 TRACTOR - 1637366

1637366

Front Linkage 35000N - WITH FRONT DUAL CONTROL

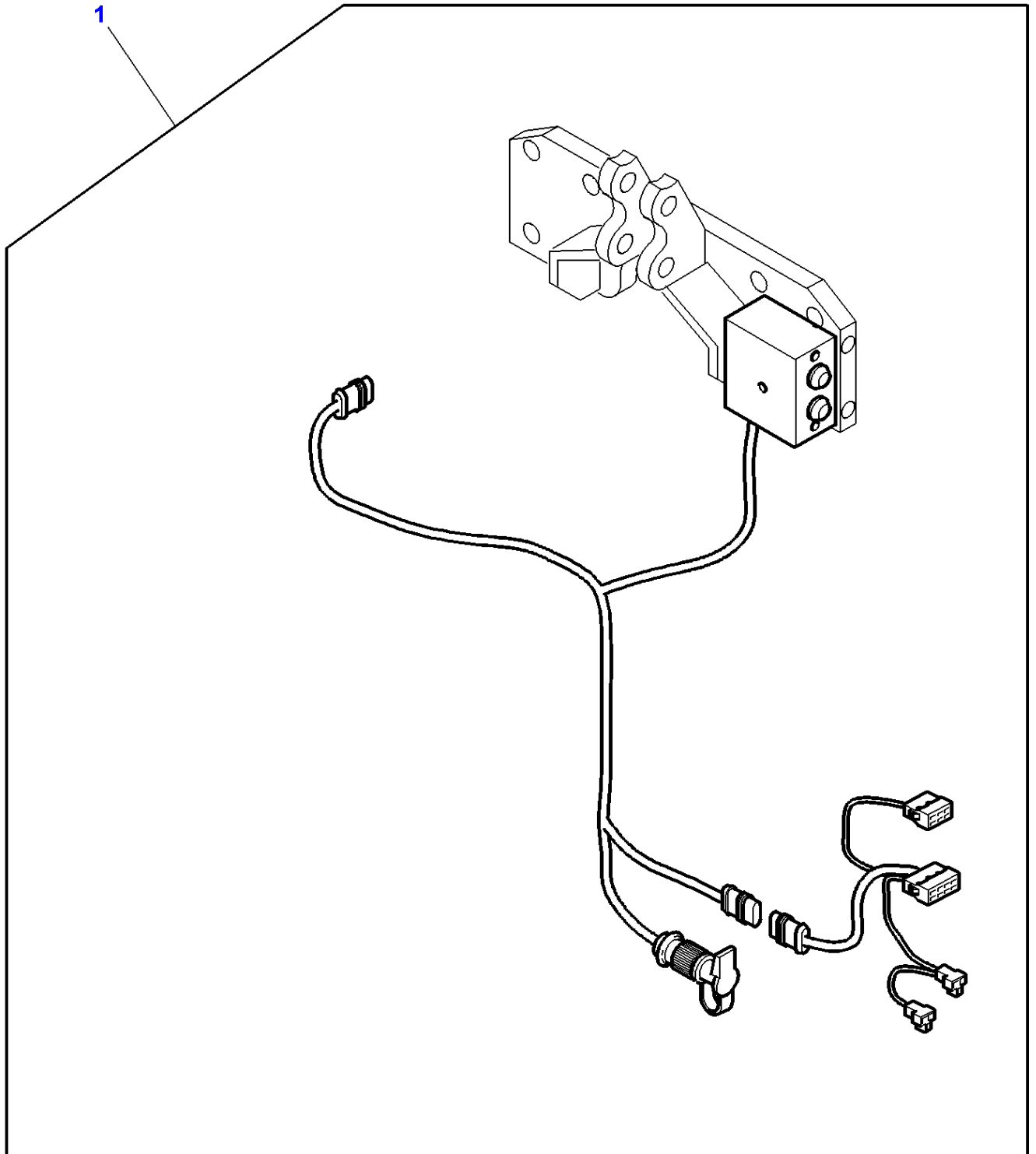
Page 150-0055

Item	Part Number	Qty	Description
1	3786304M12	1	Accessory Code

FOOTNOTE [A] UP

FOOTNOTE [B] DOWN

1-ZQ37-051-A



Massey Ferguson

MF 8250 TRACTOR - 1637366

1637366

Front Linkage 35000N - Without Front Dual Control - Lift External Control

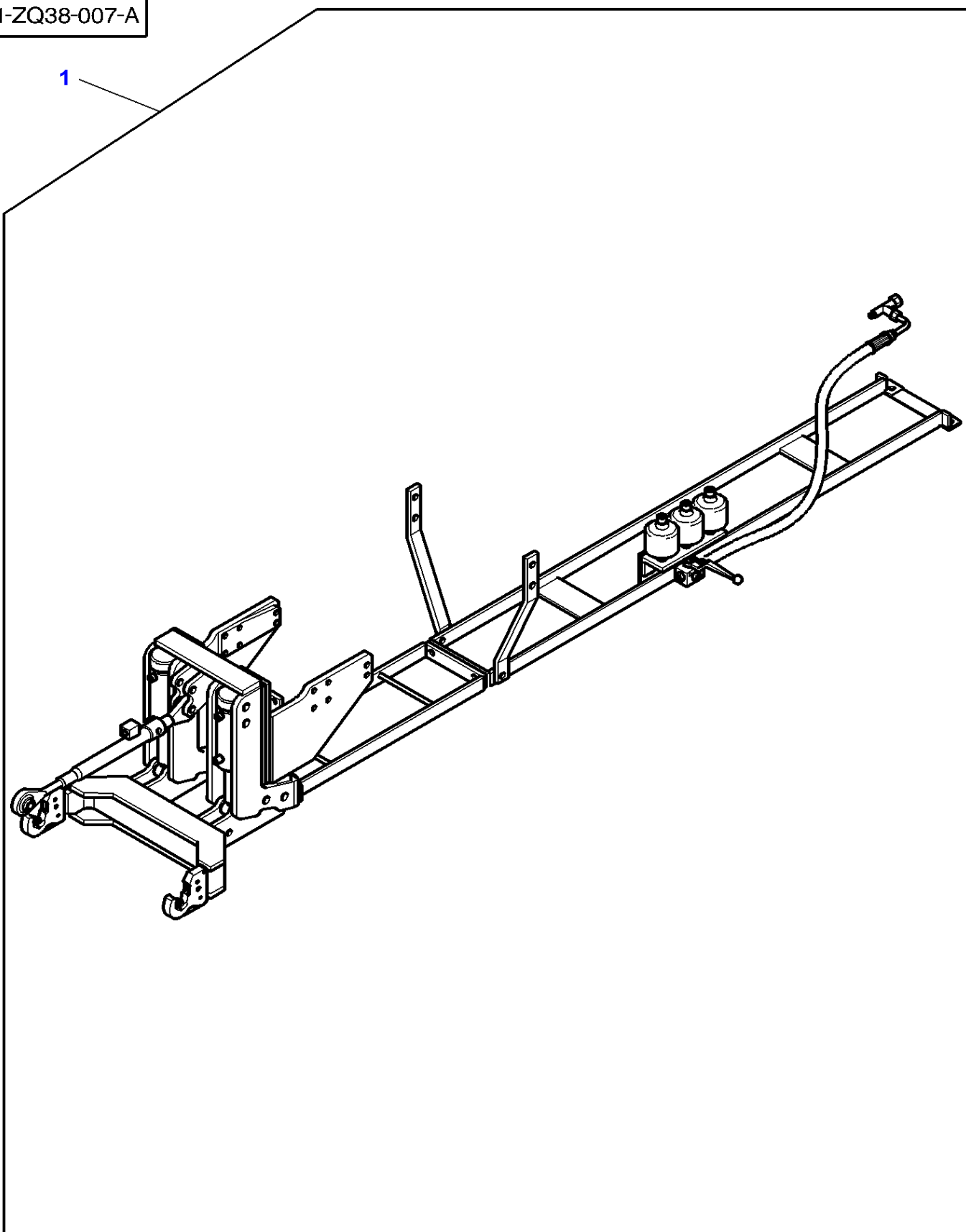
Page 150-0060

Item	Part Number	Qty	Description	Comments
1	3788765M11	1	Kit, Drive	[A]

FOOTNOTE [A] USE WITH DISTRIBUTORS ELECTRODYNAMIQUE ONLY AND JO YSTICK

1-ZQ38-007-A

1



Massey Ferguson

MF 8250 TRACTOR - 1637366

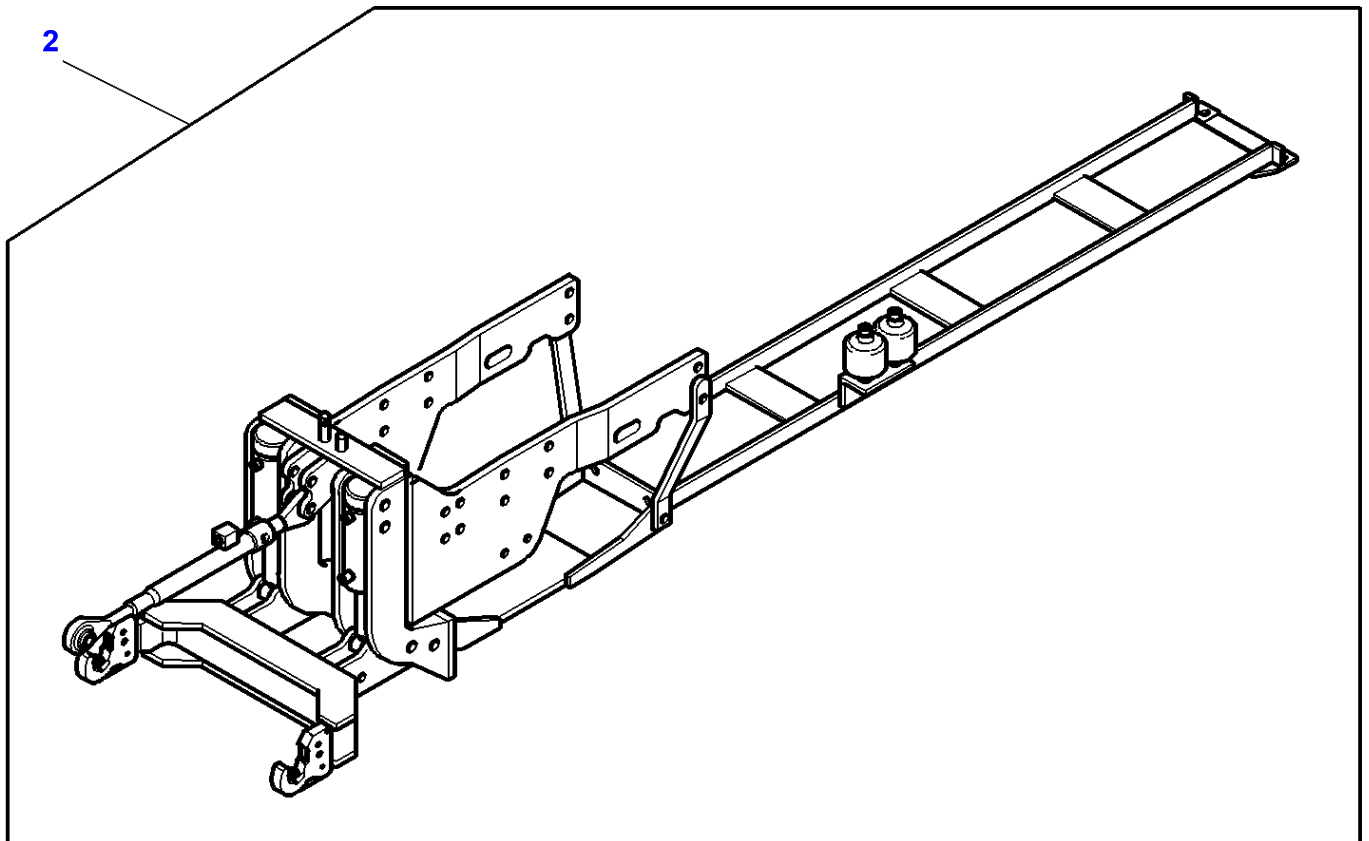
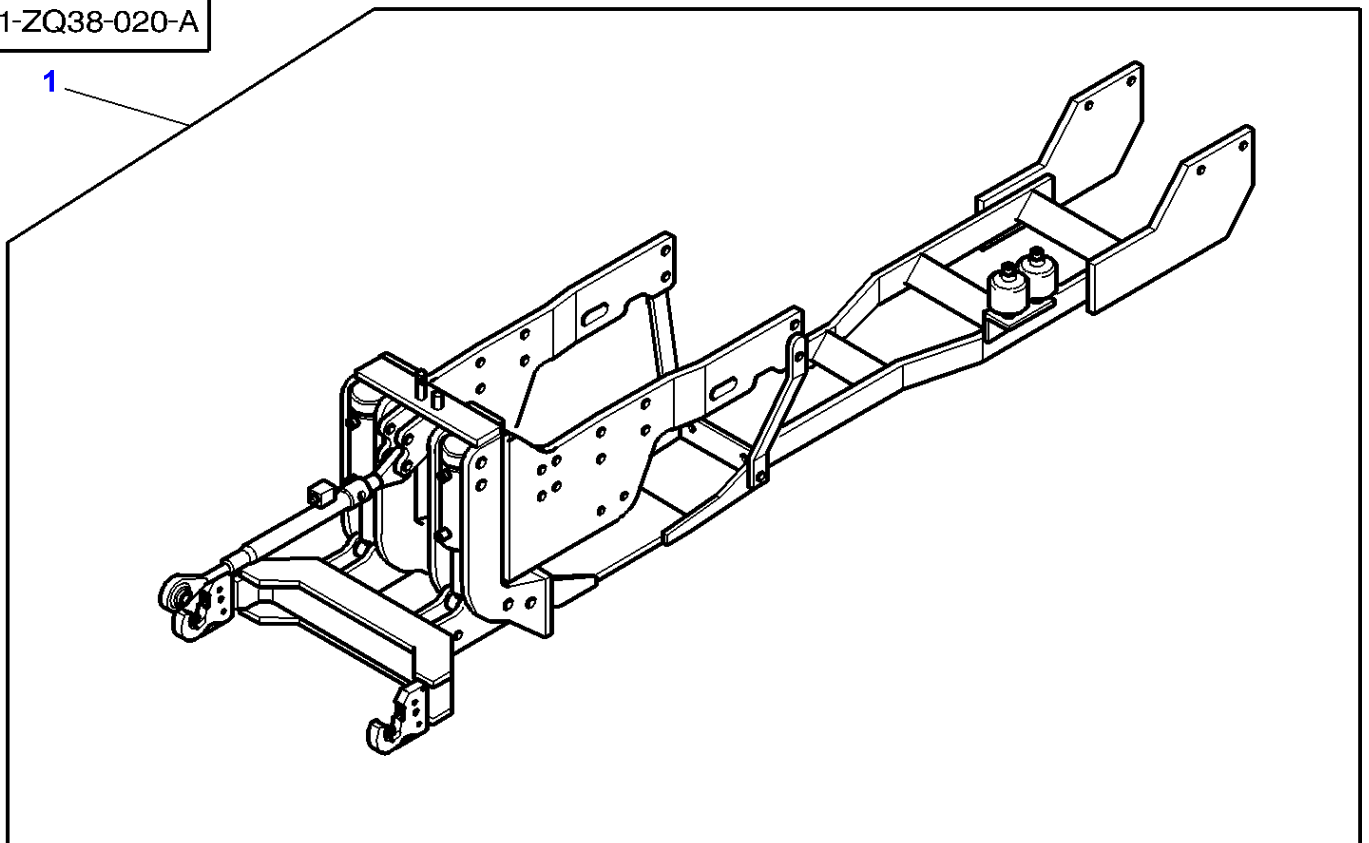
1637366

Front Linkage 50000N - WITH FULL POWERSHIFT - WITH DANA FRONT AXLE

Page 150-0065

Item	Part Number	Qty	Description
1	3783072M93	1	Hitch

1-ZQ38-020-A



Massey Ferguson

MF 8250 TRACTOR - 1637366

1637366

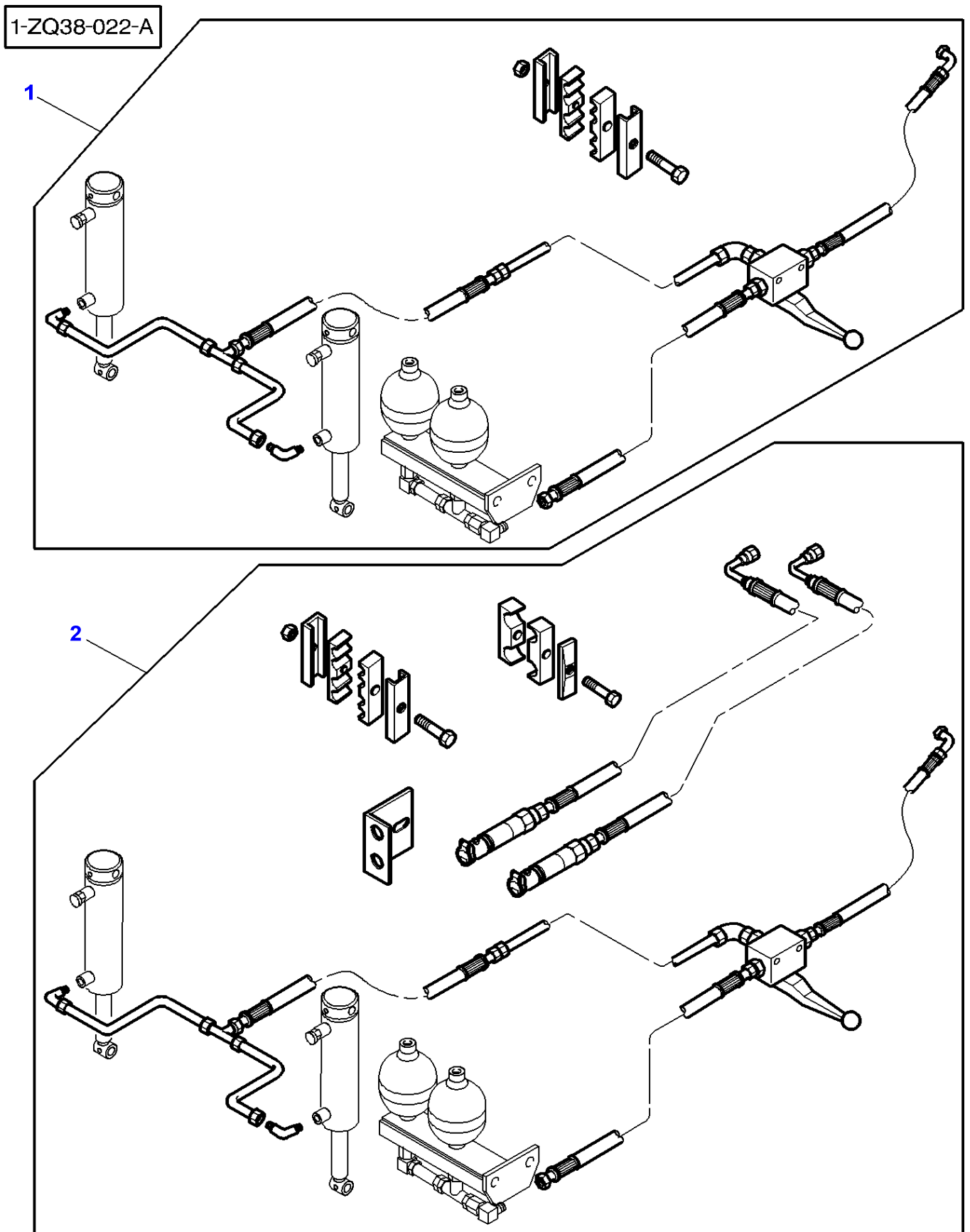
Front Linkage 50000N - WITH CARRARO FRONT AXLE

Page 150-0070

Item	Part Number	Qty	Description	Comments
1	3787784M13	1	Hitch	[A]
2	3787786M13	1	Hitch	[B]

FOOTNOTE [A] WITH DYNASHIFT

FOOTNOTE [B] WITH FULL POWERSHIFT



Massey Ferguson

MF 8250 TRACTOR - 1637366

1637366

Front Linkage 50000N - Hydraulic - With CARRARO Front Axle

Page 150-0075

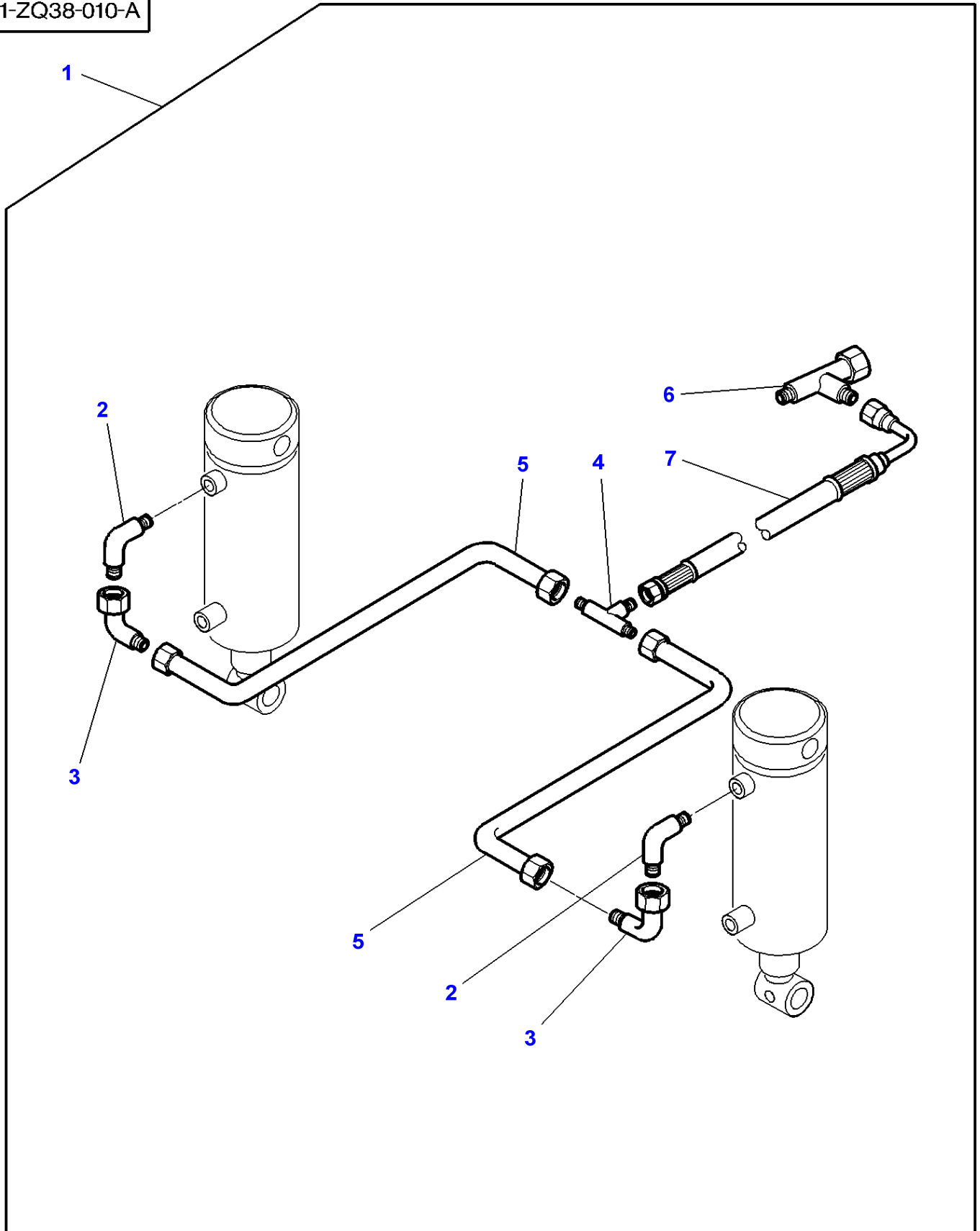
Item	Part Number	Qty	Description	Comments
1	3788341M11	1	Parts Pack	[A,C]
2	3788342M11	1	Parts Pack	[A,B]

FOOTNOTE [A] KIT SINGLE ACTING

FOOTNOTE [B] WITH HYDRAULIC COUPLING

FOOTNOTE [C] WITHOUT HYDRAULIC COUPLING

1-ZQ38-010-A



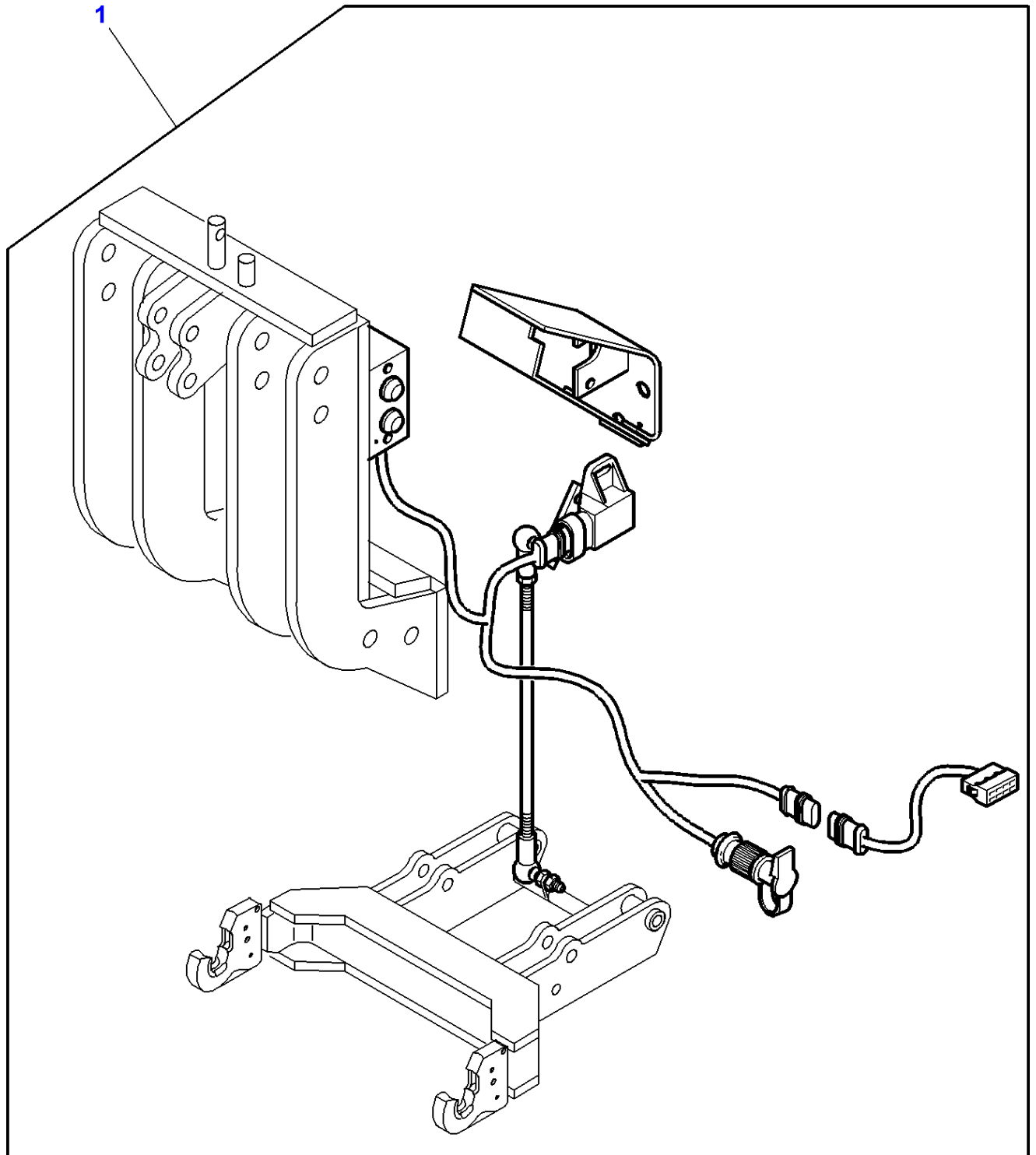
Front Linkage 50000N - TWO WAYS KIT FOR RAMS

Item	Part Number	Qty	Description	Comments
1	3903541M91	1	Kit,Fuel Fitting	[A]
		1	Kit,Fuel Fitting	[B]
				See Page - Reference Number 040-0360/6
2	3900868M1	2	Elbow	(1)
3	3900883M1	2	Elbow	(1)
4	3902227M1	1	Teepiece	(1)
5	3783025M1	2	Tube	(1)
6	3782998M1	1	Teepiece	(1)
7	3903527M1	1	Hydr Hose	(1)
				Length 5500 MM

FOOTNOTE [A] WITH DANA FRONT AXLE

FOOTNOTE [B] WITH CARRARO FRONT AXLE

1-ZQ38-019-A



Massey Ferguson

MF 8250 TRACTOR - 1637366

1637366

Front Linkage 50000N - WITH FRONT DUAL CONTROL

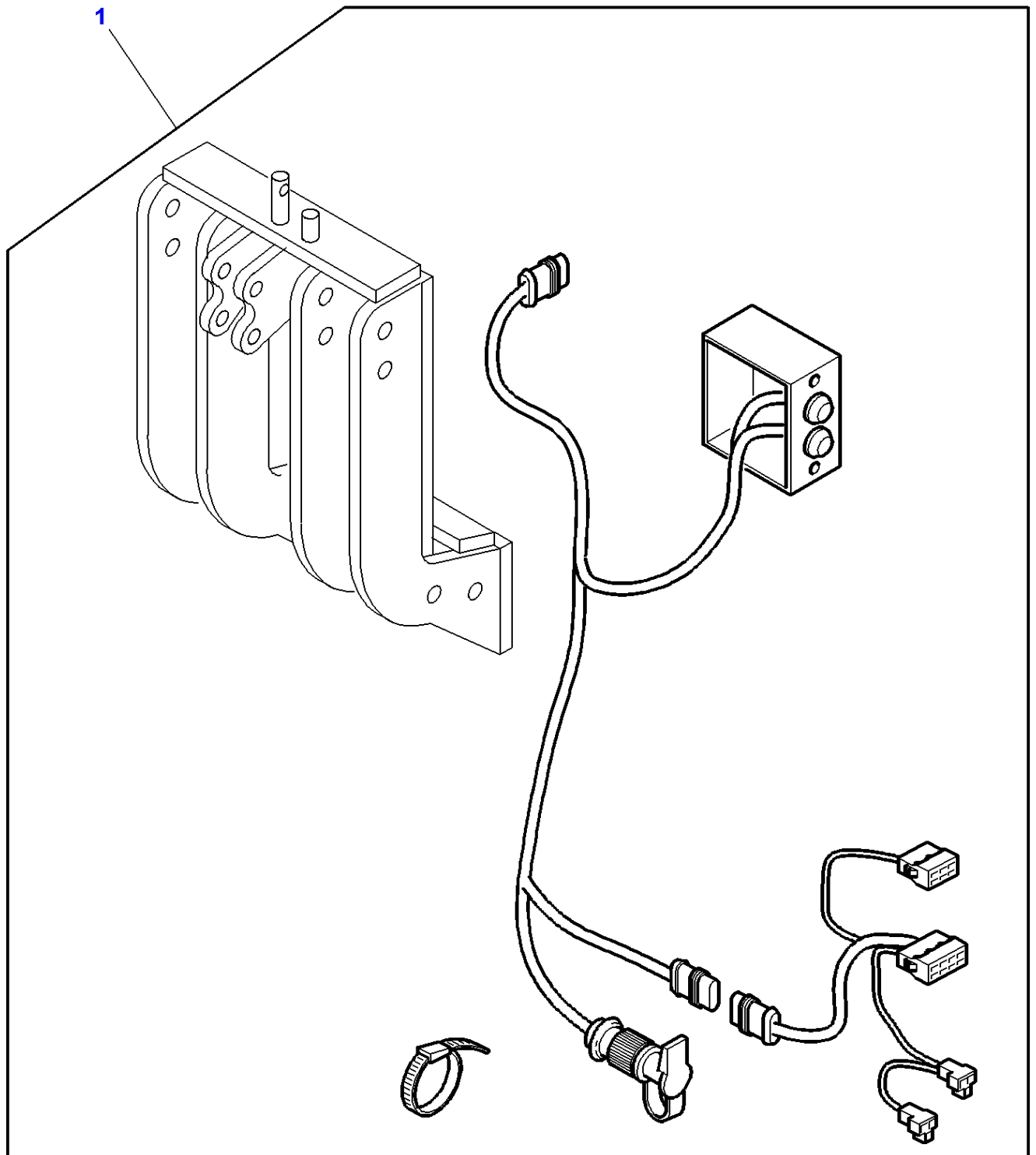
Page 150-0085

Item	Part Number	Qty	Description
1	3786305M12	1	Accessory Code

FOOTNOTE [A] UP

FOOTNOTE [B] DOWN

1-ZQ38-024-A



Massey Ferguson

MF 8250 TRACTOR - 1637366

1637366

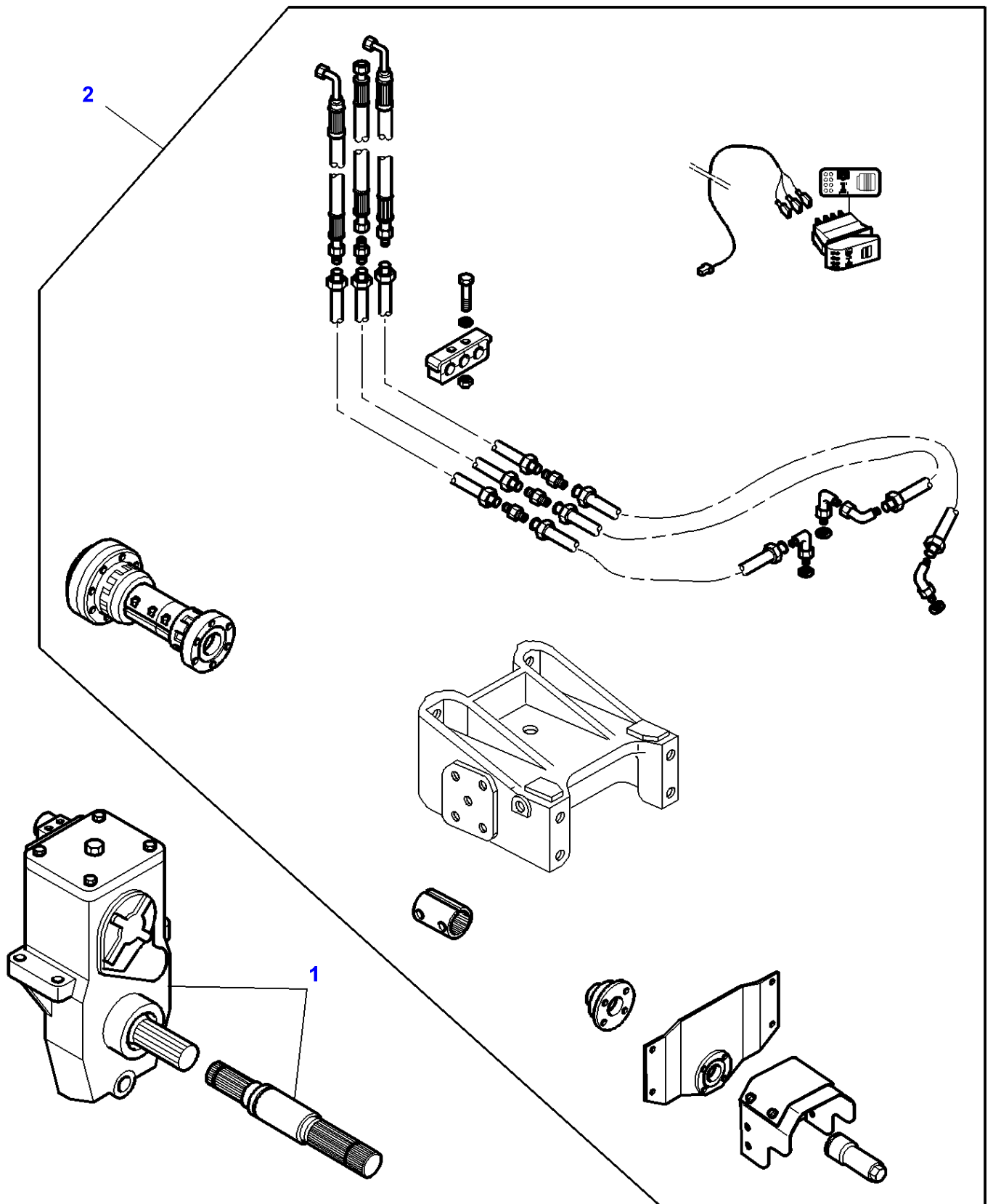
Front Linkage 50000N - Without Front Dual Control - Lift External Control

Page 150-0090

Item	Part Number	Qty	Description	Comments
1	3788766M11	1	Kit, Drive	[A]

FOOTNOTE [A] USE WITH DISTRIBUTORS ELECTRODYNAMIQUE ONLY AND JO YSTICK

1-ZX43-003-A



Front Pto - WITH DANA FRONT AXLE

Item	Part Number	Qty	Description	Comments
1	3783456M11	1	Front Pto Case	[A,C,E]
	3783457M11	1	Front Pto Case	[A,D,E]
	3783458M11	1	Front Pto Case	[B,C,E]
	3783459M11	1	Front Pto Case	[B,D,E]
2	3784671M11	1	Kit, Pto	[A]
	3784672M11	1	Kit, Pto	[B]

FOOTNOTE [A] CLOCKWISE

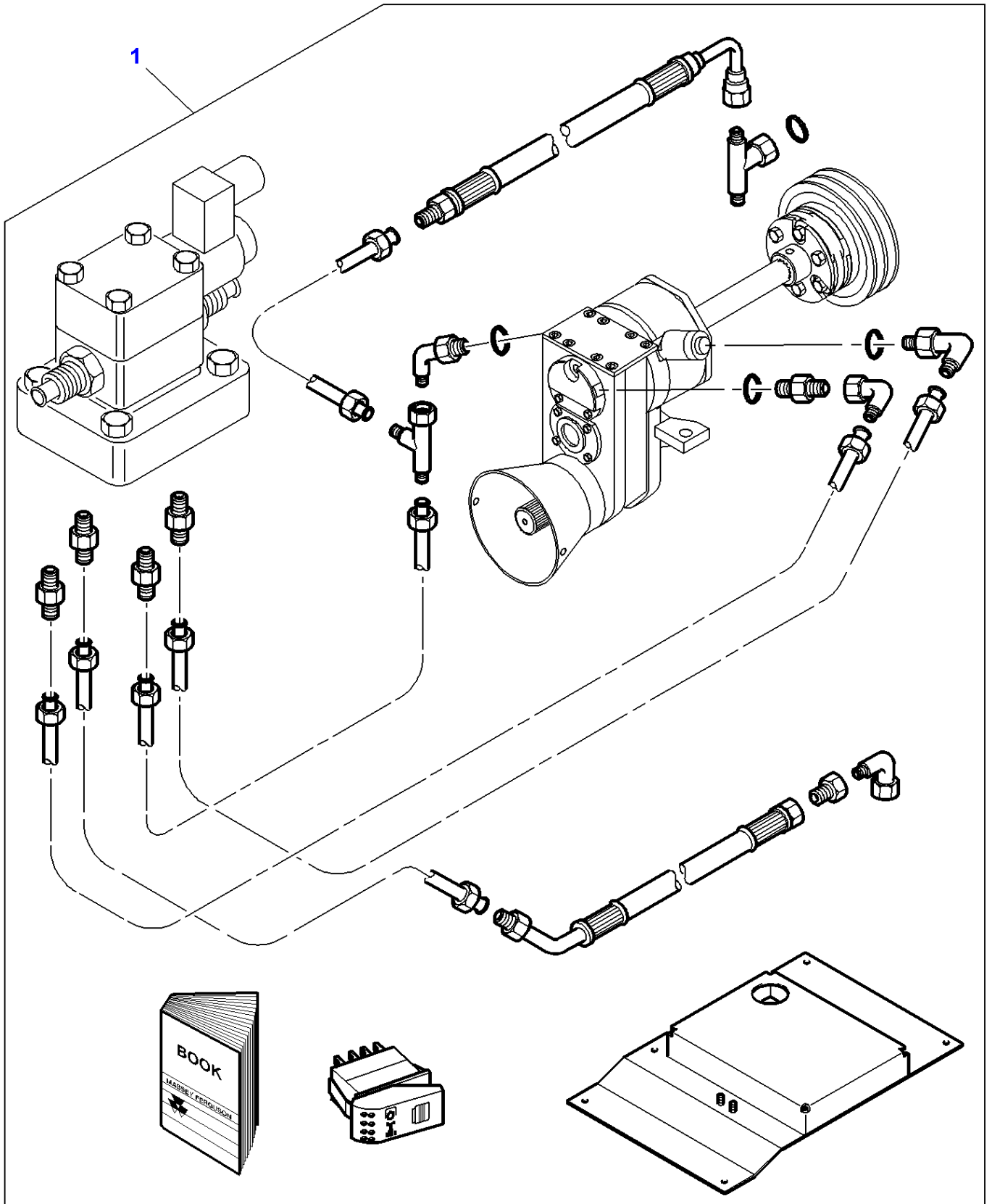
FOOTNOTE [B] COUNTER CLOCKWISE

FOOTNOTE [C] 6 SPLINE

FOOTNOTE [D] 21 SPLINES

FOOTNOTE [E] ORDER SEPARATELY PTO FITTING KIT

1-ZX43-001-A



Item	Part Number	Qty	Description	Comments
1	3786027M13	1	Kit, Pto	[B,C] Number of teeth/spines 6
	3786028M13	1	Kit, Pto	[A,C] Number of teeth/spines 6
	3786029M13	1	Kit, Pto	[B,C] Number of teeth/spines 21
	3786030M13	1	Kit, Pto	[A,C] Number of teeth/spines 21

FOOTNOTE [A] CLOCKWISE

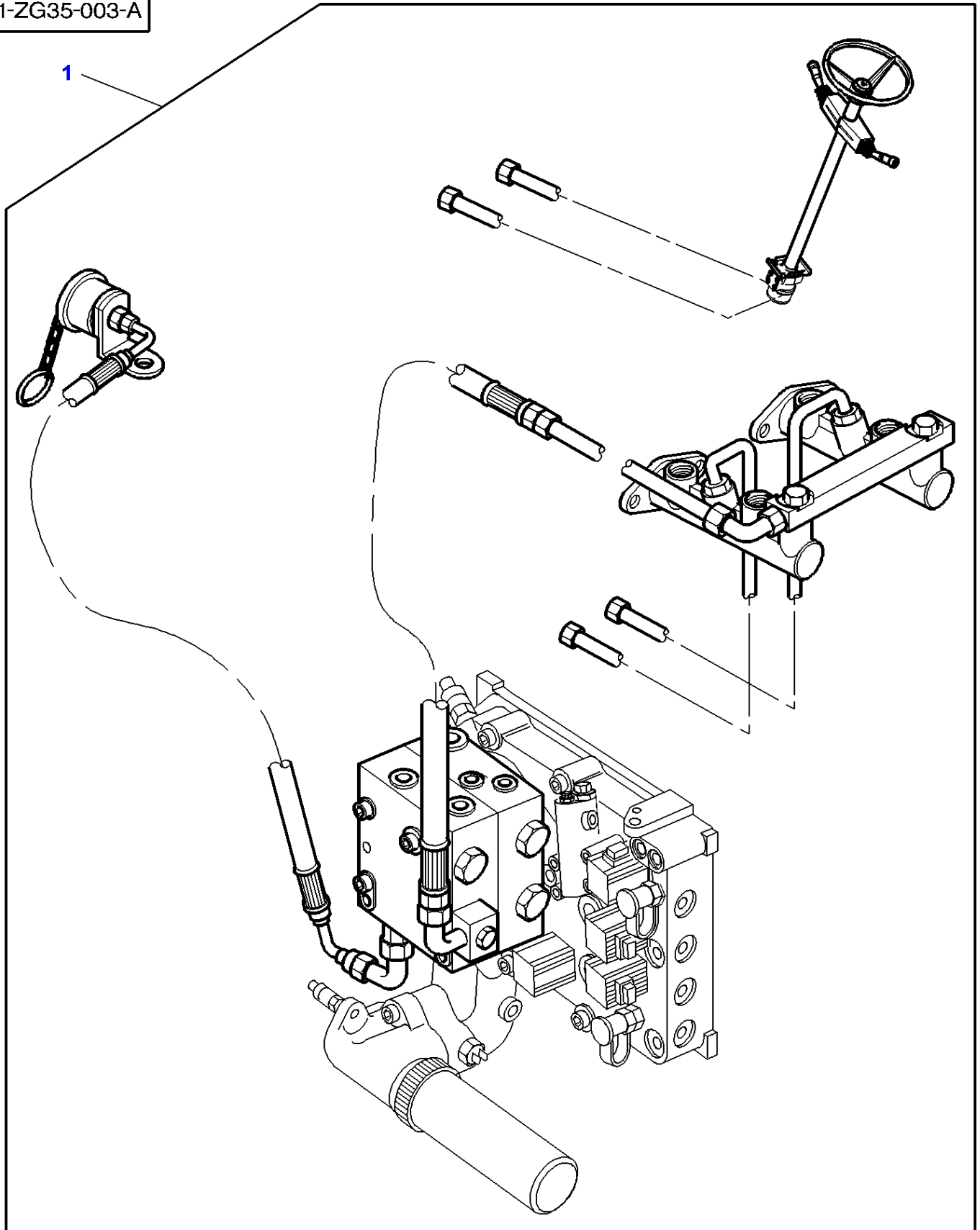
FOOTNOTE [B] COUNTER CLOCKWISE

FOOTNOTE [C] WITH FITTING BOOK CD2718

FOOTNOTE [D] WITH FITTING BOOK CD2719

FOOTNOTE [E] WITH FITTING BOOK CD2717

1-ZG35-003-A



Massey Ferguson

MF 8250 TRACTOR - 1637366

1637366

TRAILOR BRAKE - With Pump 45cc

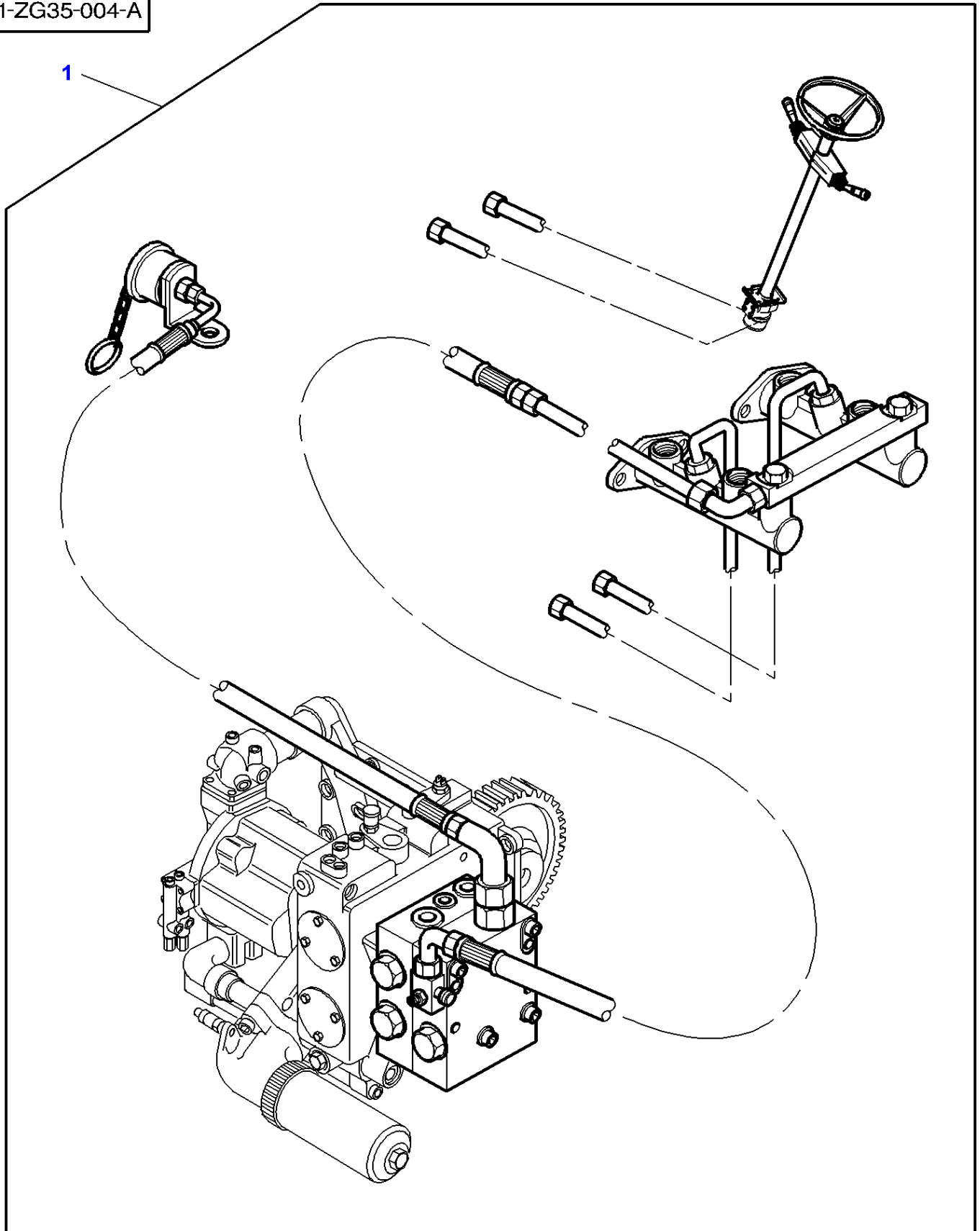
Page 150-0105

Item	Part Number	Qty	Description	Comments
1	3781031M11	1	Kit, Trailr Brake	[C]
	3781036M11	1	Kit, Trailr Brake	[D]

Up to Serial or Engine Number 31-JAN-2002

- FOOTNOTE [A]** TRACTOR WITH CAB
- FOOTNOTE [B]** TRACTOR WITH PLATFORM
- FOOTNOTE [C]** WITH MECHANICAL BRAKES
- FOOTNOTE [D]** WITH ASSISTED BRAKE

1-ZG35-004-A



Massey Ferguson

MF 8250 TRACTOR - 1637366

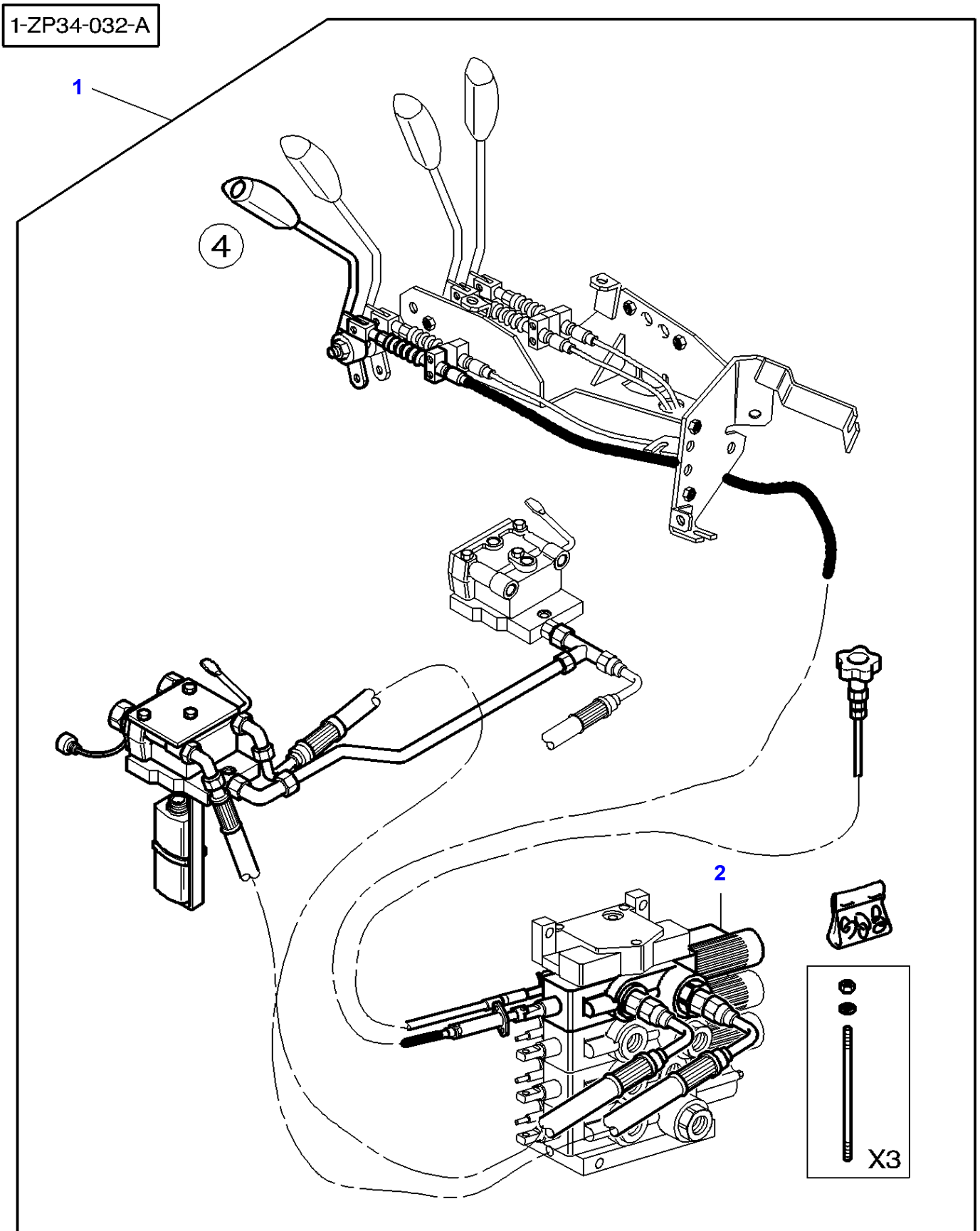
1637366

TRAILOR BRAKE - With Pump 150 L/mm

Page 150-0110

Item	Part Number	Qty	Description	Comments
1	3781674M11	1	Kit, Trailr Brake	[A,C] Up to Serial or Engine Number 31-JAN-2002

- FOOTNOTE [A]** WITH FULL POWERSHIFT
- FOOTNOTE [B]** TRACTOR WITH PLATFORM
- FOOTNOTE [C]** WITH MECHANICAL BRAKES
- FOOTNOTE [D]** WITH ASSISTED BRAKE
- FOOTNOTE [E]** TRACTOR WITH CAB



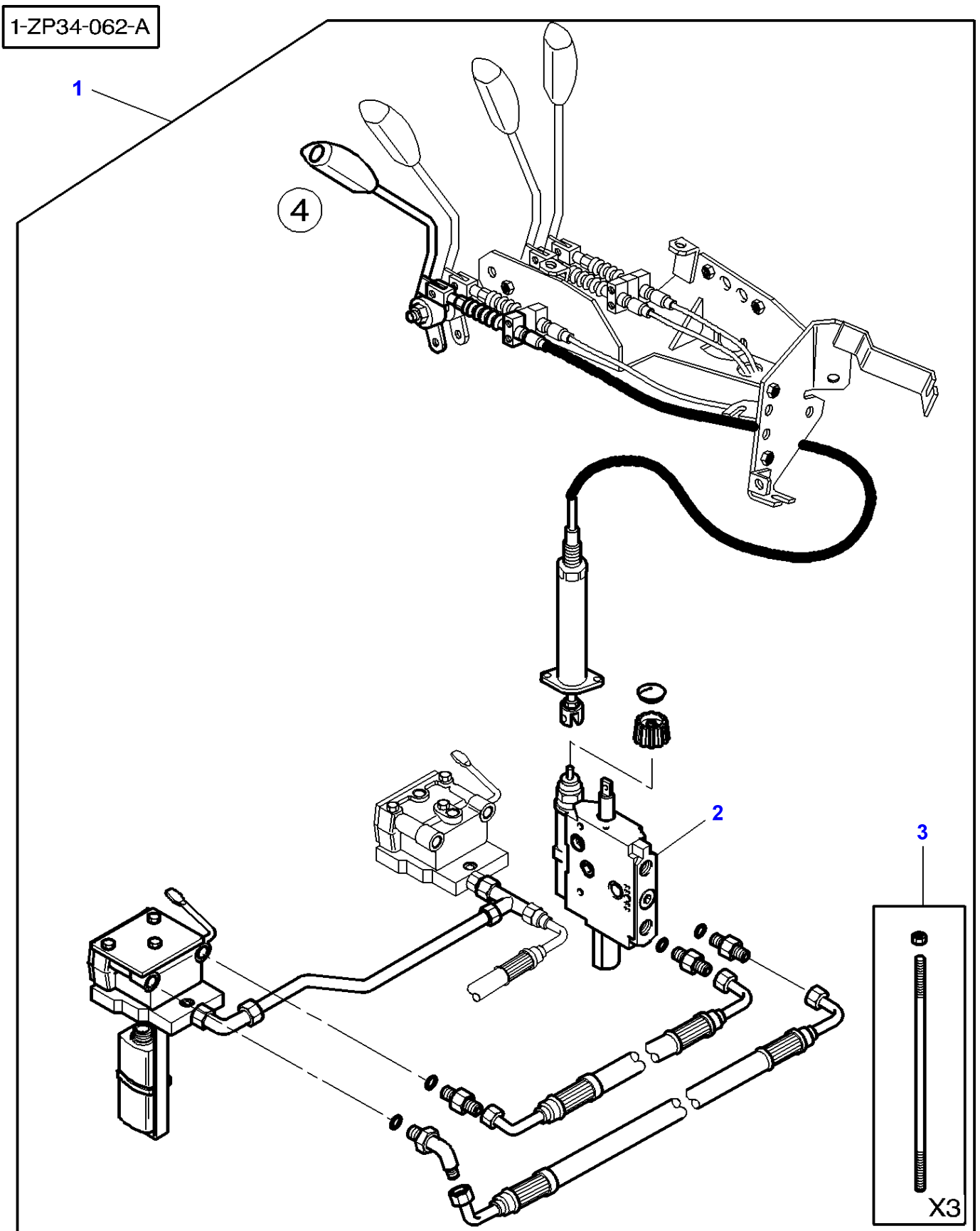
Auxiliary Distributor - 4 Th Horizontal Spool Valve Kit For Cab

Item	Part Number	Qty	Description	Comments
1	3783496M11	1	Kit, Contrl Vlve	[B,A]
	3783498M11	1	Kit, Contrl Vlve	[B,A]
	3783497M11	1	Kit, Contrl Vlve	[B,C]
	3783499M11	1	Kit, Contrl Vlve	[B,C]
2	3713928M4	1	Distributor	[A] (1)
	3713927M4	1	Distributor	[C] (1)

FOOTNOTE [A] 4 FLOATING POSITIONS DIST, FLOW ADJUST, KICK-OUT, ZERO LEAK

FOOTNOTE [B] FOR SERVICE BREAKDOWN REFER TO TRACTOR BOOK

FOOTNOTE [C] 4 FLOAT POSIT DIST, FLOW ADJUST, KICK-OUT W 2 OVERP RES. VALVE AND RESUPPLYING FOR HYDRAULIC MOTOR



Massey Ferguson**MF 8250 TRACTOR - 1637366**

1637366

Auxiliary Distributor - 4 Th Load Sensing Vertical Spool Valve Kit With Mechanical control For Cab

Page 150-0120

Item	Part Number	Qty	Description	Comments
1	3903883M12	1	Kit, Contrl Vlve	[A]
	3903884M12	1	Kit, Contrl Vlve	[D]
2	3795751M3	1	Distributor	[B,C] (1)
3	3796232M1	3	Stud	(1) M8 X 131

FOOTNOTE [A] USE WITH 2 DISTRIBUTORS ELECTRODYNAMIQUE AND 1 DISTRIBUTOR MECHANICAL CONTROL

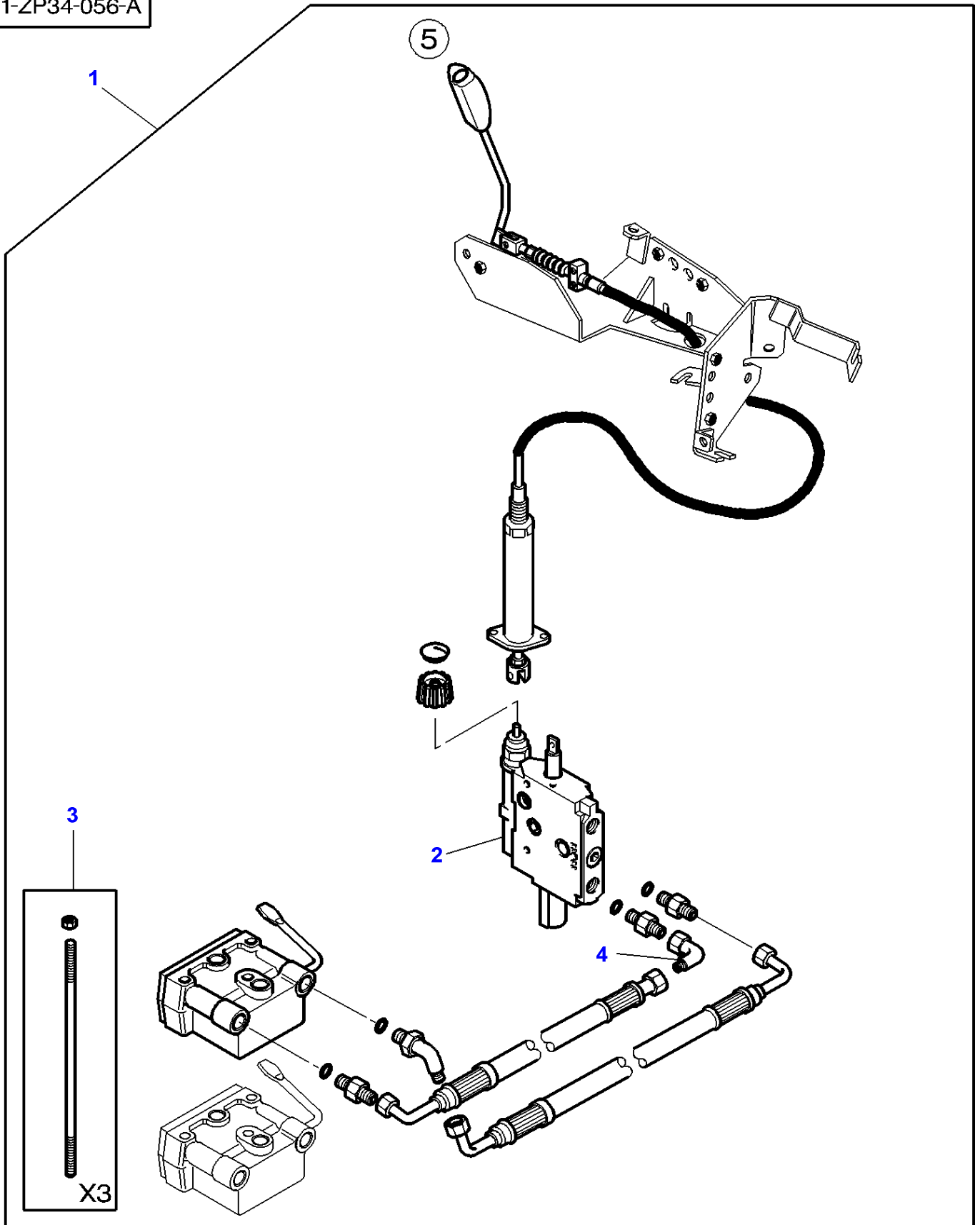
FOOTNOTE [B] DIST 4 FLOATING POSITIONS ,FLOW ADJUST,DOUBLE ACTION,KICK OUT,ZERO LEAK

FOOTNOTE [C] DISTRIBUTOR WITH MECHANICAL CONTROL

FOOTNOTE [D] USE WITH 3 DISTRIBUTORS MECHANICAL CONTROL

MF 8250 TRACTOR - 1637366
1-ZP34-056-A

1-ZP34-056-A



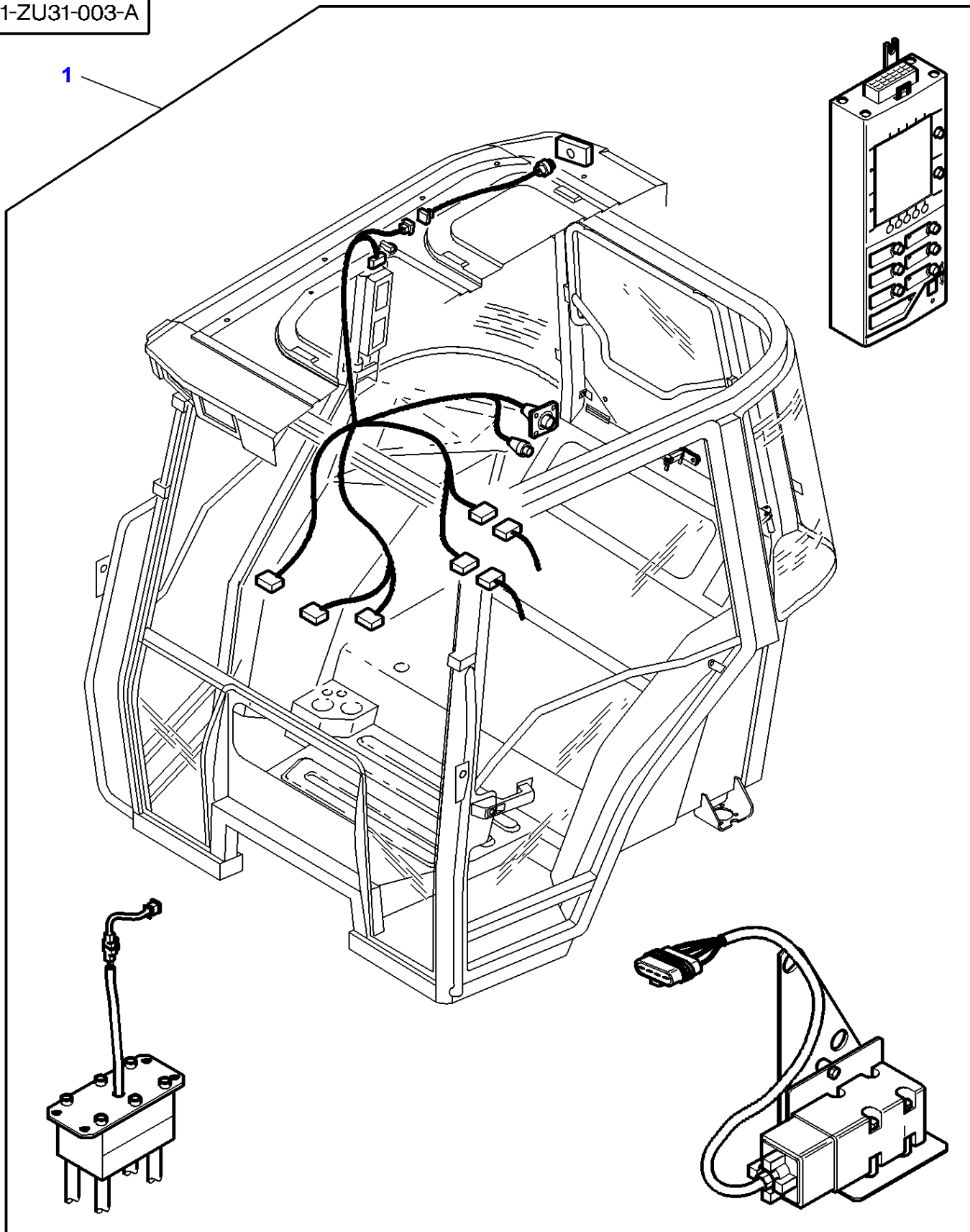
Massey Ferguson**MF 8250 TRACTOR - 1637366****1637366****Auxiliary Distributor - 5 Th Load Sensing Vertical Spool Valve Kit With Mechanical control For Cab****Page 150-0125**

Item	Part Number	Qty	Description	Comments
1	3788100M12	1	Kit, Spool Valve	
2	3795751M3	1	Distributor	[A,B] (1)
3	3796125M1	1	Stud	(1) M8 X 211
4	70921325	1	Elbow Nipple	Replace and repair. Old interchangeable with new 3795749M1 (1)

FOOTNOTE [A] DIST 4 FLOATING POSITIONS ,FLOW ADJUST,DOUBLE ACTION,KICK OUT,ZERO LEAK**FOOTNOTE [B]** DISTRIBUTOR WITH MECHANICAL CONTROL

1-ZU31-003-A

1



Massey Ferguson

MF 8250 TRACTOR - 1637366

1637366

Aboard Computer - With Dynashift-WITH FUEL FLOWMETER

Page 150-0130

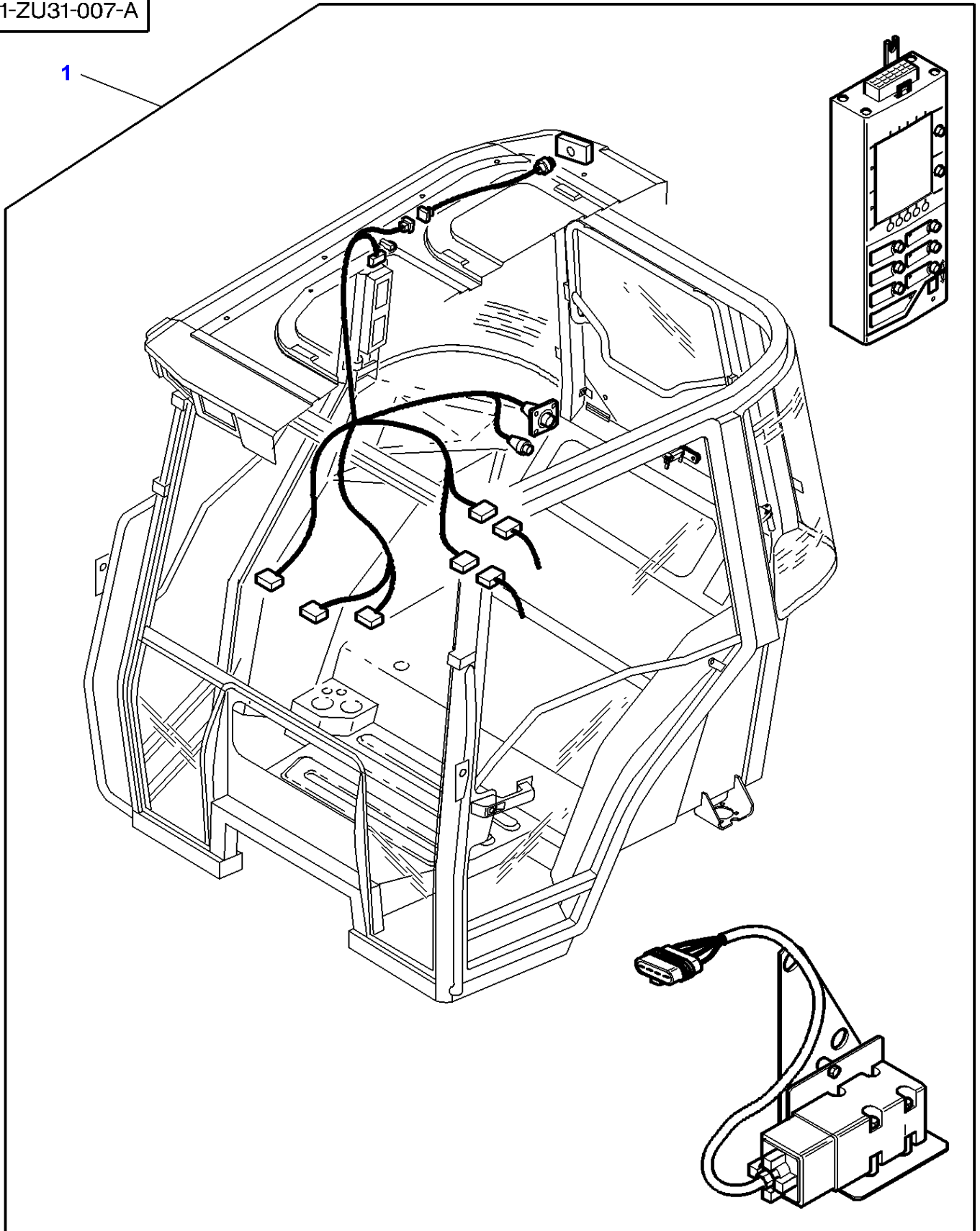
Item	Part Number	Qty	Description	Comments
1	3903423M11	1	Accessory Code	[B] For UK only or any text in English only GHZ 24.300
	3903424M12	1	Accessory Code	[A] Without or not for example : not United Kingdom GHZ 24.125

FOOTNOTE [A] ORDER SEPARATELY ABOARD COMPUTER DECALS

FOOTNOTE [B] ABOARD COMPUTER DECALS INCLUDED IN KIT

1-ZU31-007-A

1



Massey Ferguson

MF 8250 TRACTOR - 1637366

1637366

Aboard Computer - With Dynashift-WITHOUT FUEL FLOWMETER

Page 150-0135

Item	Part Number	Qty	Description	Comments
1	3903886M11	1	Accessory Code	[B] For UK only or any text in English only GHZ 24.300
	3903888M11	1	Accessory Code	[A] Without or not for example : not United Kingdom GHZ 24.125

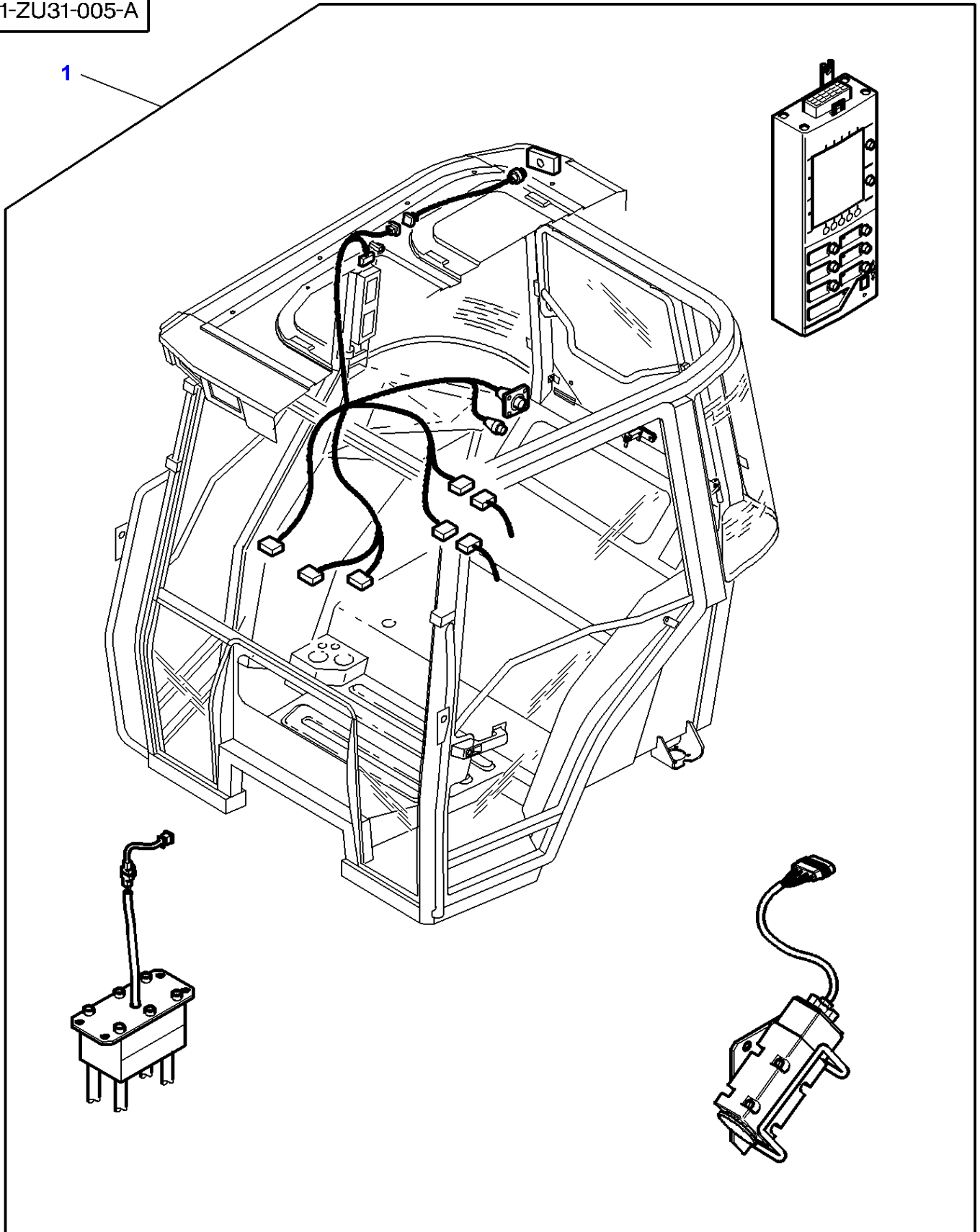
FOOTNOTE [A] ORDER SEPARATELY ABOARD COMPUTER DECALS

FOOTNOTE [B] ABOARD COMPUTER DECALS INCLUDED IN KIT

MF 8250 TRACTOR - 1637366
1-ZU31-005-A

1-ZU31-005-A

1



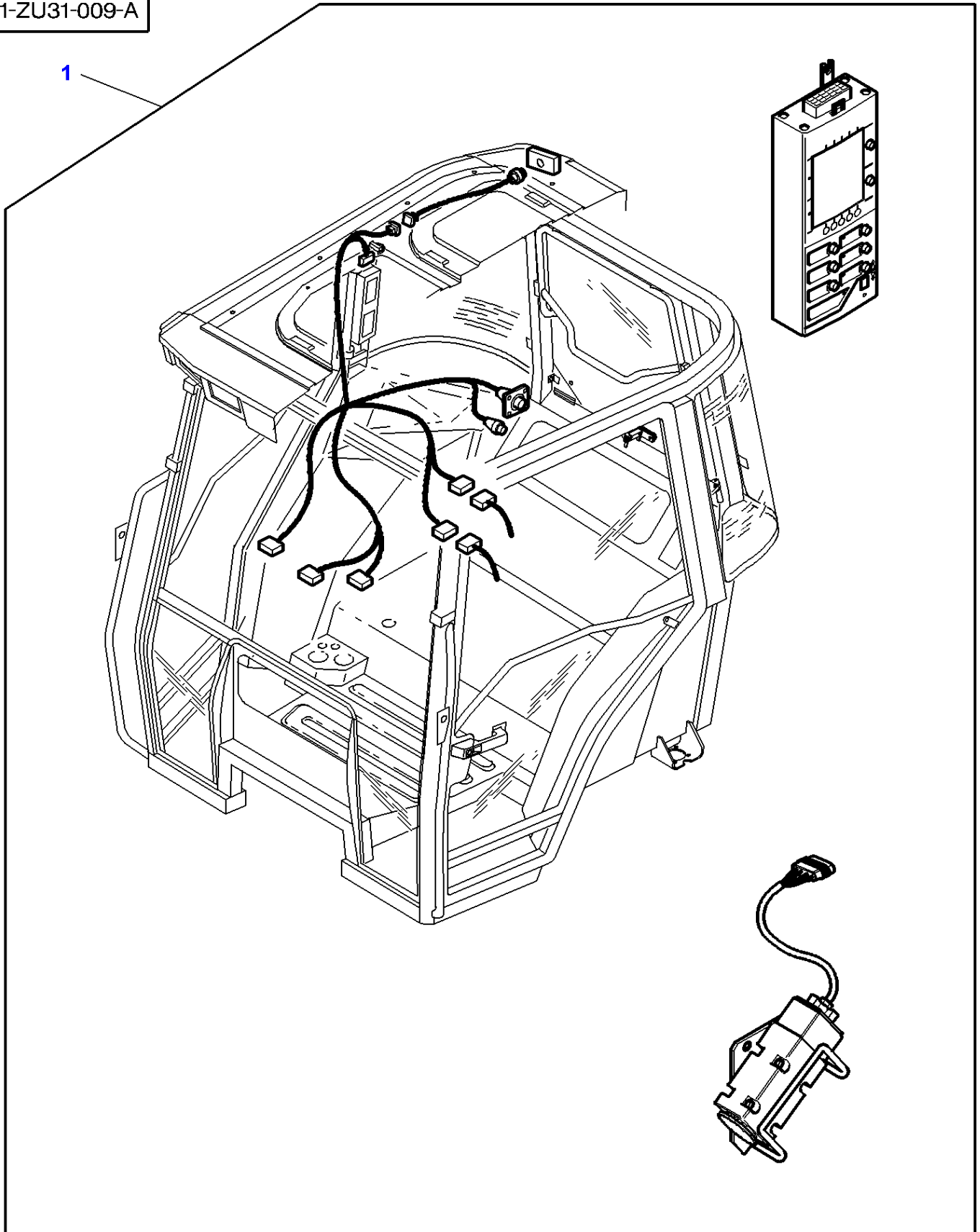
Massey Ferguson**MF 8250 TRACTOR - 1637366****1637366****Aboard Computer - With Full Powershift - With Fuel Flowmeter****Page 150-0140**

Item	Part Number	Qty	Description	Comments
1	3903421M12	1	Accessory Code	[B] For UK only or any text in English only GHZ 24.300
	3903422M12	1	Accessory Code	[A] Without or not for example : not United Kingdom GHZ 24.125

FOOTNOTE [A] ORDER SEPARATELY ABOARD COMPUTER DECALS**FOOTNOTE [B]** ABOARD COMPUTER DECALS INCLUDED IN KIT

1-ZU31-009-A

1

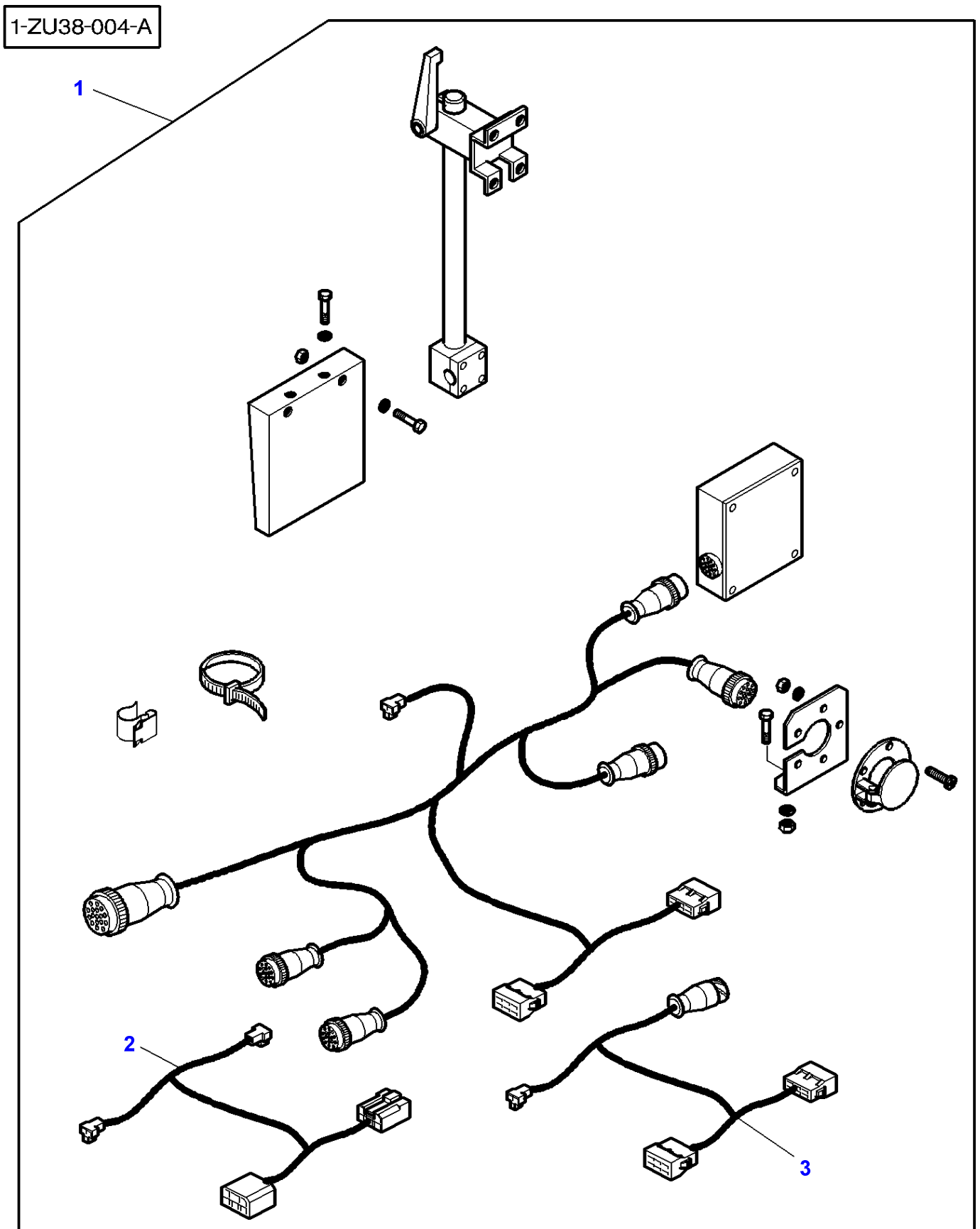


Massey Ferguson**MF 8250 TRACTOR - 1637366****1637366****Aboard Computer - With Full Powershift-WITHOUT FUEL FLOWMETER****Page 150-0145**

Item	Part Number	Qty	Description	Comments
1	3903890M11	1	Accessory Code	[B] For UK only or any text in English only GHZ 24.300
	5017631M12	1	Accessory Code	[A] Without or not for example : not United Kingdom GHZ 24.125

FOOTNOTE [A] ORDER SEPARATELY ABOARD COMPUTER DECALS**FOOTNOTE [B]** ABOARD COMPUTER DECALS INCLUDED IN KIT

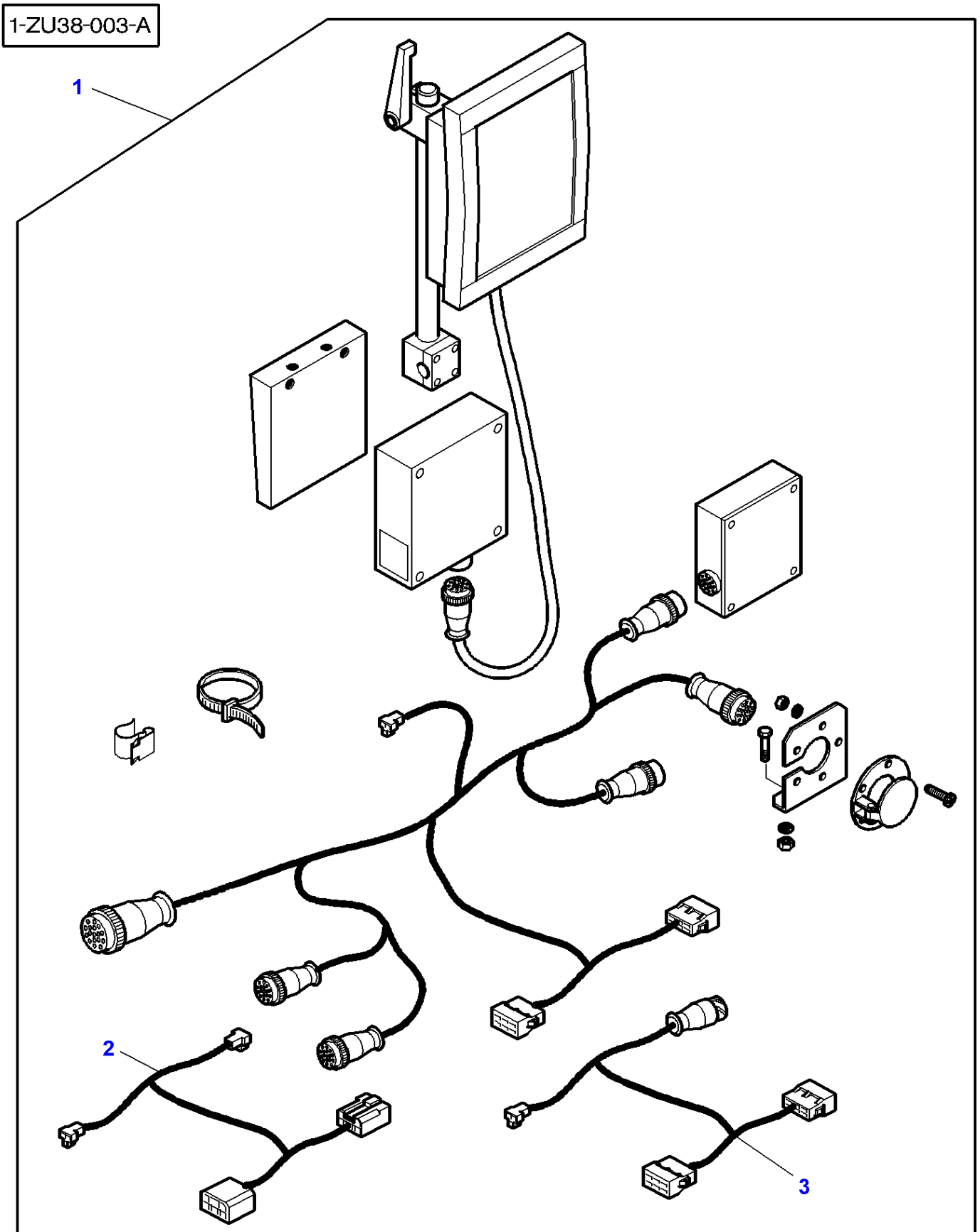
MF 8250 TRACTOR - 1637366
1-ZU38-004-A



Item	Part Number	Qty	Description	Comments
1	3788790M13	1	Parts Pack	
2	3788714M91	1	Harness	[A] (1) For United States of America Up to Serial or Engine Number 07-JAN-2001
	3788429M91	1	Harness	[A] (1) For United States of America From Serial or Engine Number 08-JAN-2001
3	3788430M92	1	Harness	[B] (1)

FOOTNOTE [A] FEEDER HARNESS

FOOTNOTE [B] DATATRONIC SIGNAL HARNESS



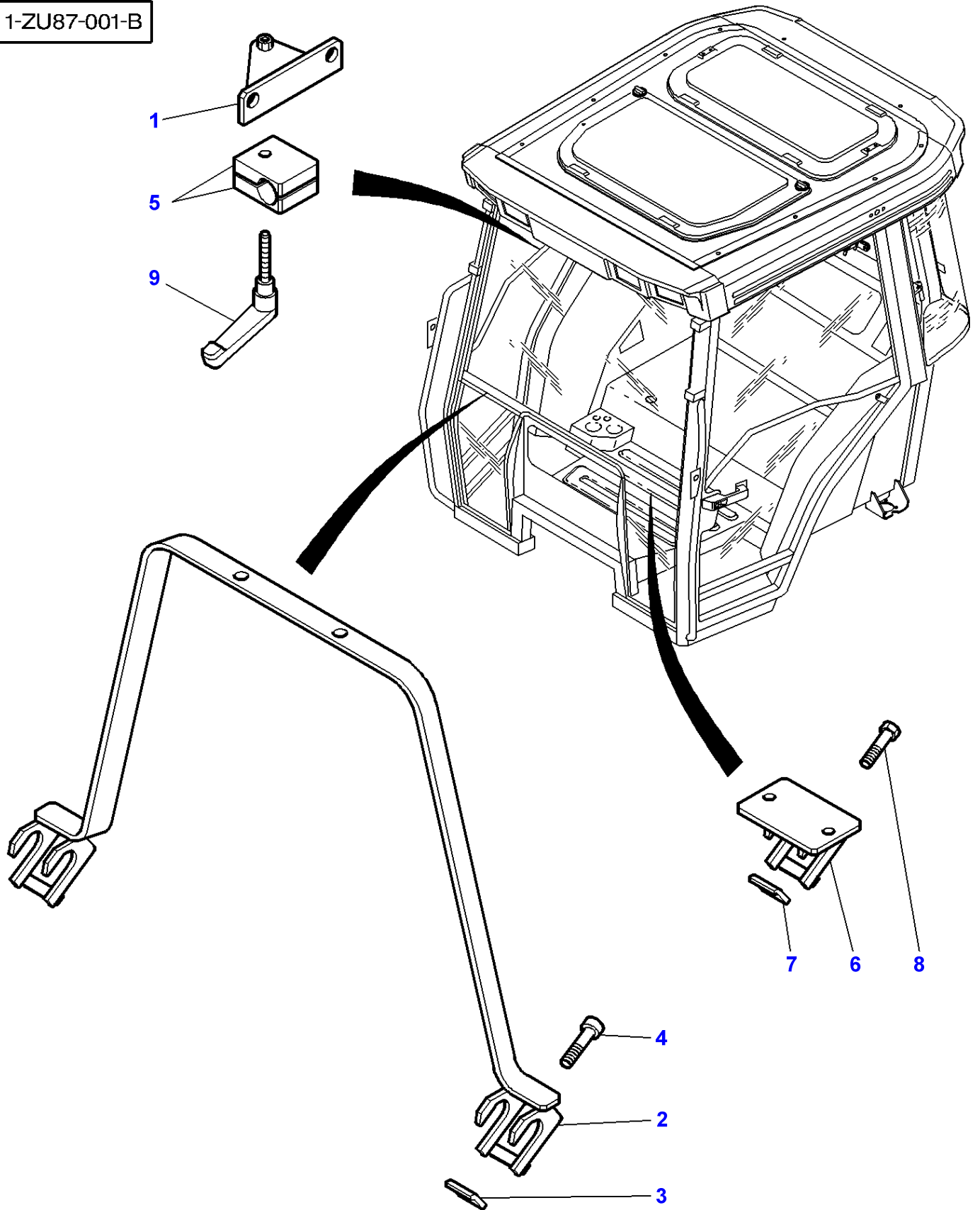
Item	Part Number	Qty	Description	Comments
1	3788789M12	1	Parts Pack	
2	3788714M91	1	Harness	[A] (1) For United States of America Up to Serial or Engine Number 07-JAN-2001
	3788429M91	1	Harness	[A] (1) For United States of America From Serial or Engine Number 08-JAN-2001
3	3788430M92	1	Harness	[B] (1)

FOOTNOTE [A] FEEDER HARNESS

FOOTNOTE [B] DATATRONIC SIGNAL HARNESS

MF 8250 TRACTOR - 1637366
1-ZU87-001-B

1-ZU87-001-B



APPLIANCE BRACKET BOARDED FOR CAB

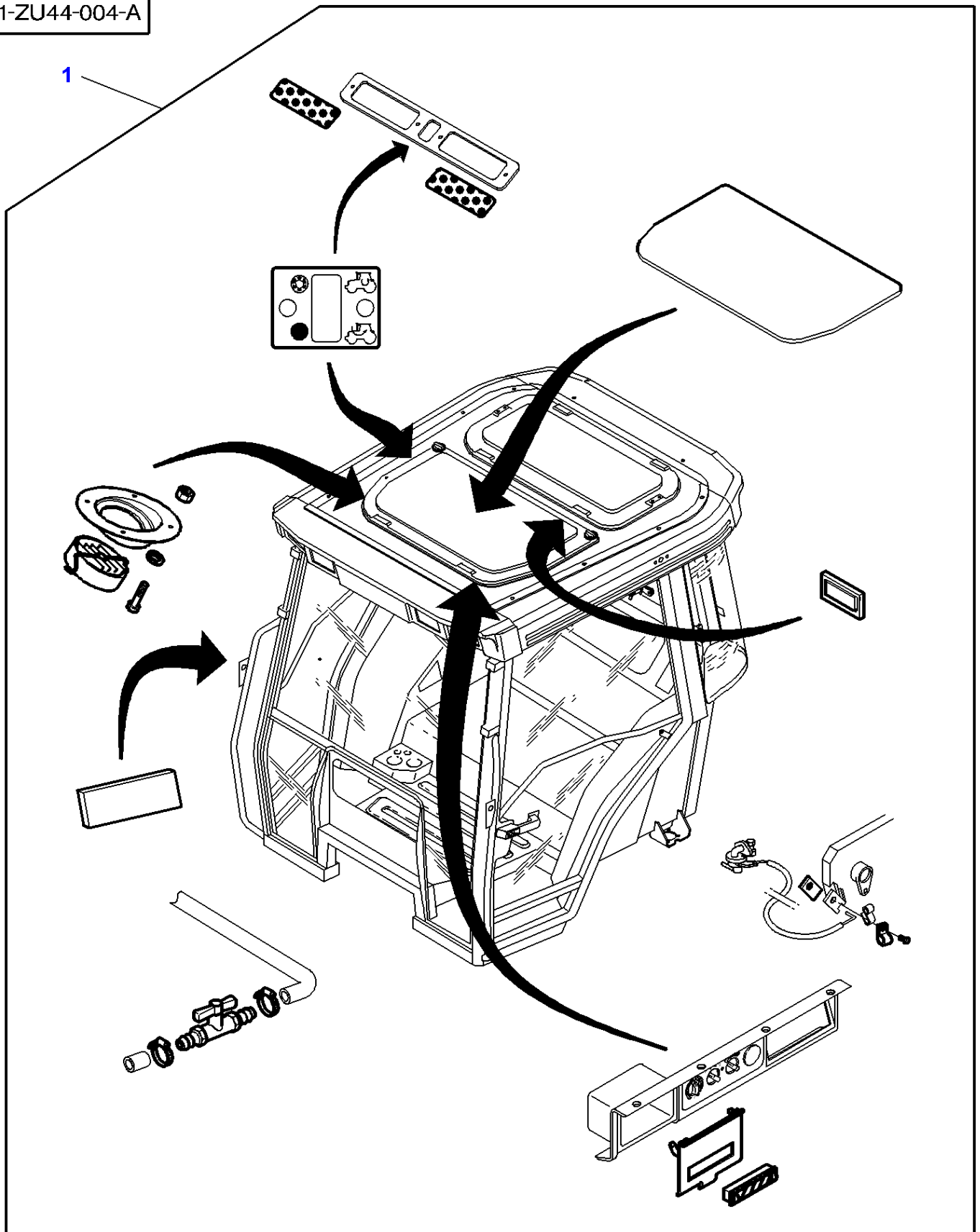
Item	Part Number	Qty	Description	Comments
1	3782484M1	1	Handle	[C]
2	3782478M91	1	Safety Frame	[A]
3	3782479M1	2	Counterplate	
4	3010177X1	2	Screw	M8 X 90
5	3782482M1	2	Support	[C]
6	3782480M91	1	Support	[B]
7	3782479M1	1	Counterplate	
8	3010177X1	1	Screw	M8 X 90
9	3782481M1	1	Angle	[C]

FOOTNOTE [A] ON INSTRUMENT PANEL

FOOTNOTE [B] ON TRANSVERSE CABINE

FOOTNOTE [C] ON CAB DOOR

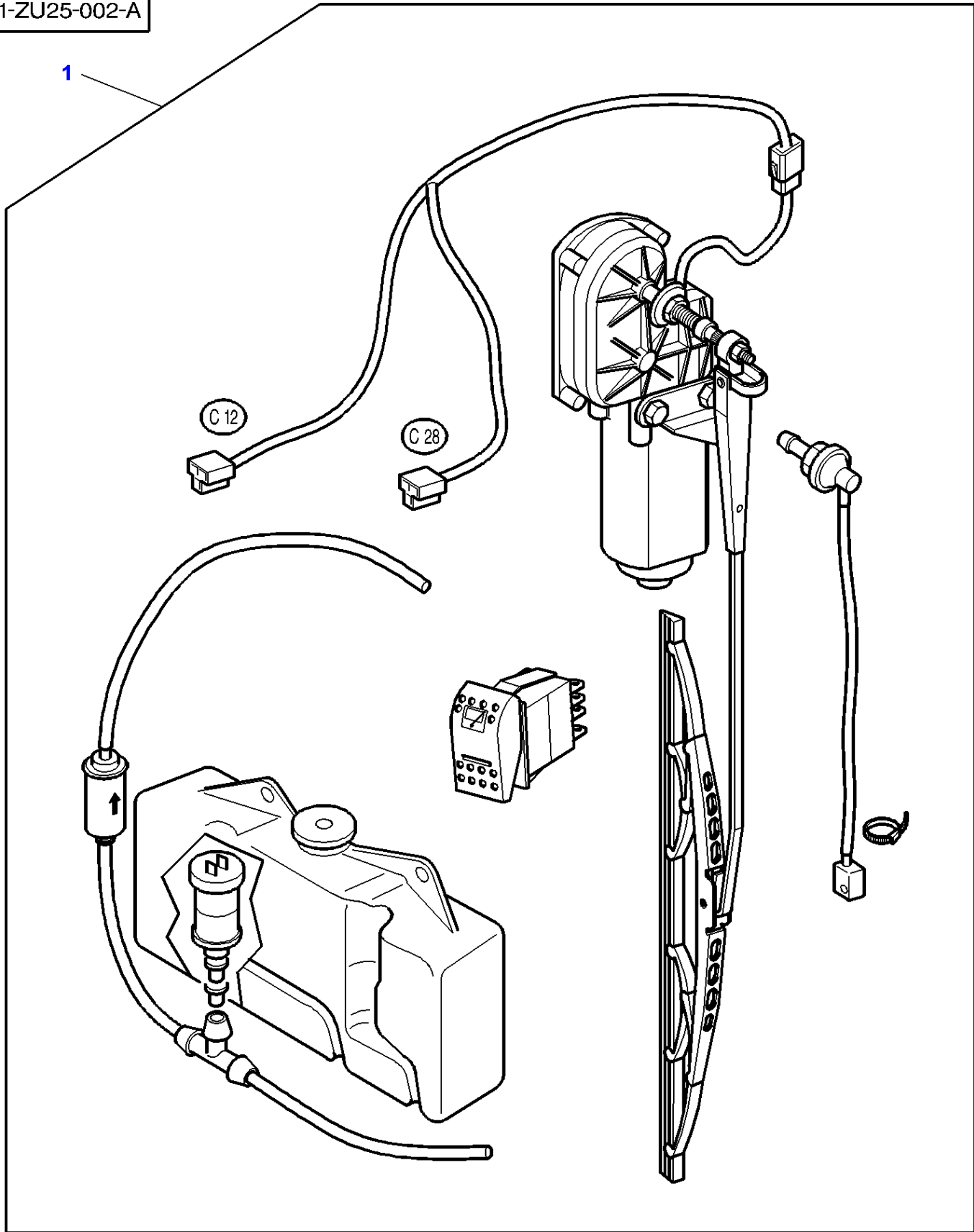
1-ZU44-004-A



Massey Ferguson**MF 8250 TRACTOR - 1637366****1637366****Air Conditioner****Page 150-0165**

Item	Part Number	Qty	Description	Comments
1	3784595M12	1	Kit Air Condi	For United States of America For Australia For South Africa

1-ZU25-002-A



Massey Ferguson

MF 8250 TRACTOR - 1637366

1637366

Rear Window Wiper

Page 150-0170

Item	Part Number	Qty	Description	Comments
1	3777332M11	1	Accessory Code	
	3778374M11	1	Kit, Wiper	[A]

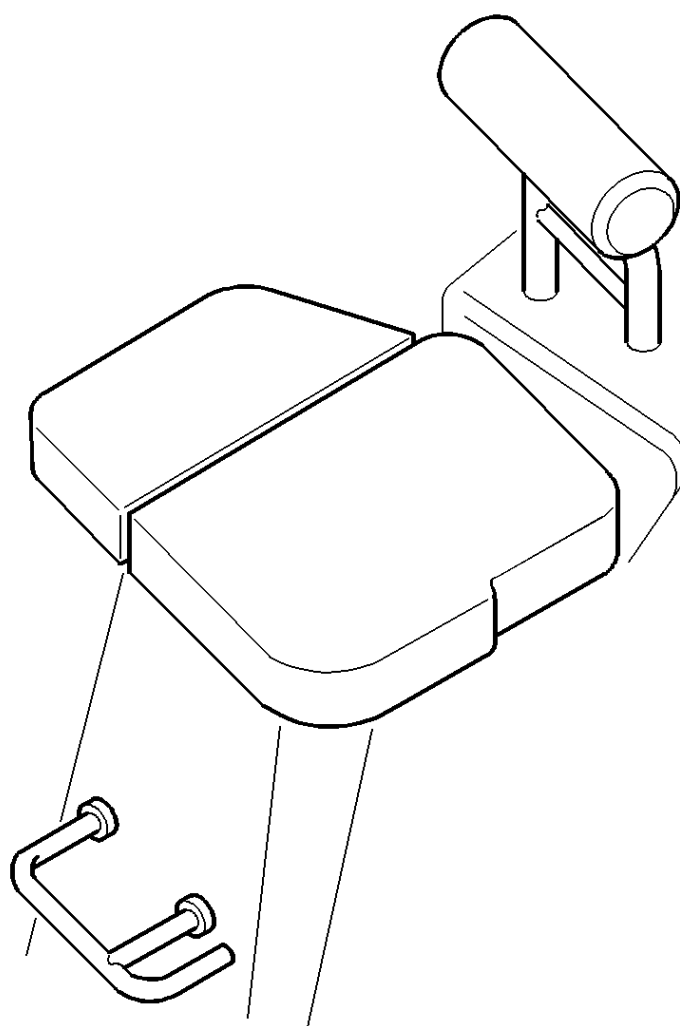
FOOTNOTE [A] WITH HIGH VISIBILITY ROOF

FOOTNOTE [B] STANDARD CAB

FOOTNOTE [C] INDUSTRIAL CAB

1-ZV03-002-A

1



Massey Ferguson

MF 8250 TRACTOR - 1637366

1637366

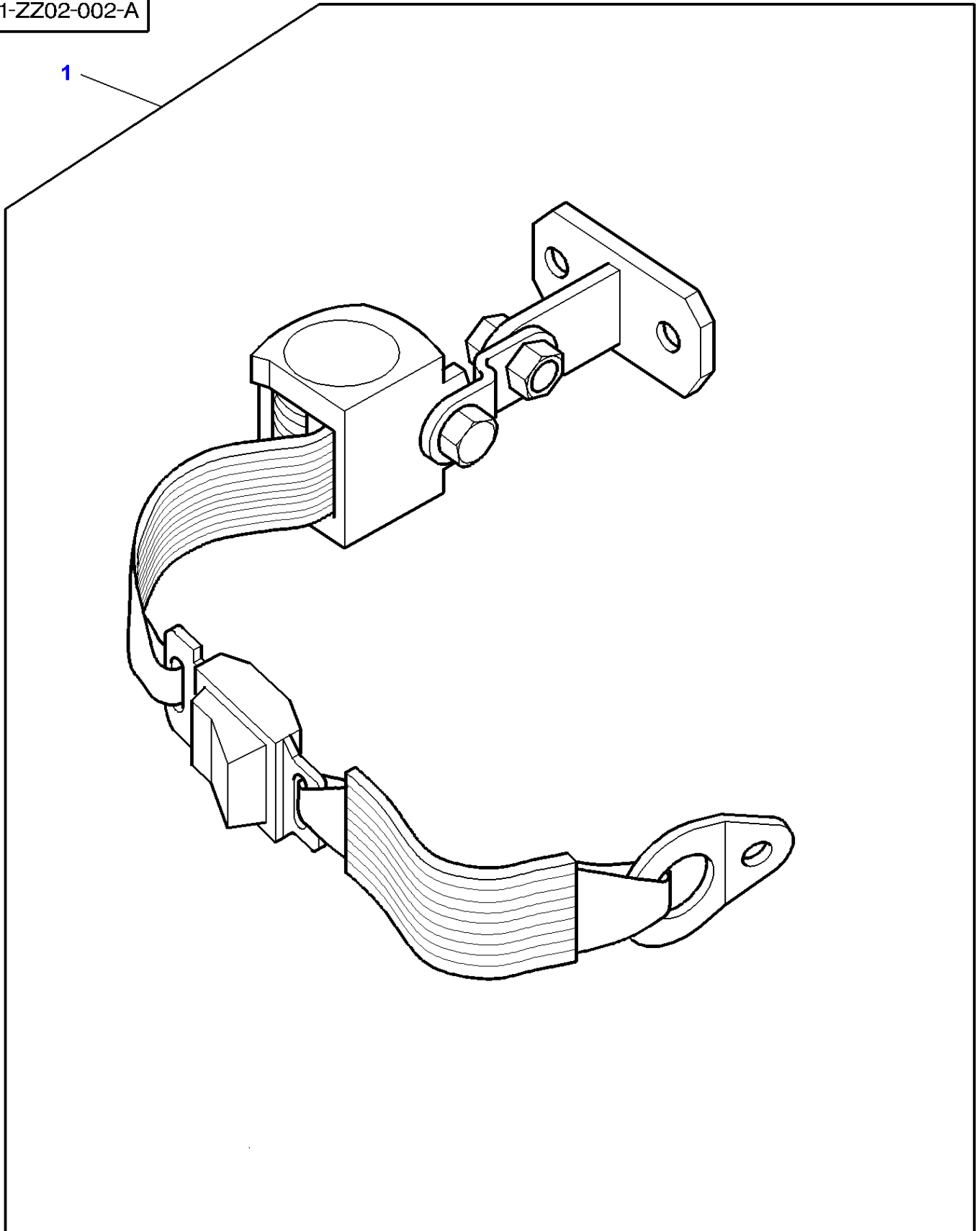
SECONDARY SEAT

Page 150-0175

Item	Part Number	Qty	Description
1	3781247M11	1	Accessory Code

1-ZZ02-002-A

1



Massey Ferguson

MF 8250 TRACTOR - 1637366

1637366

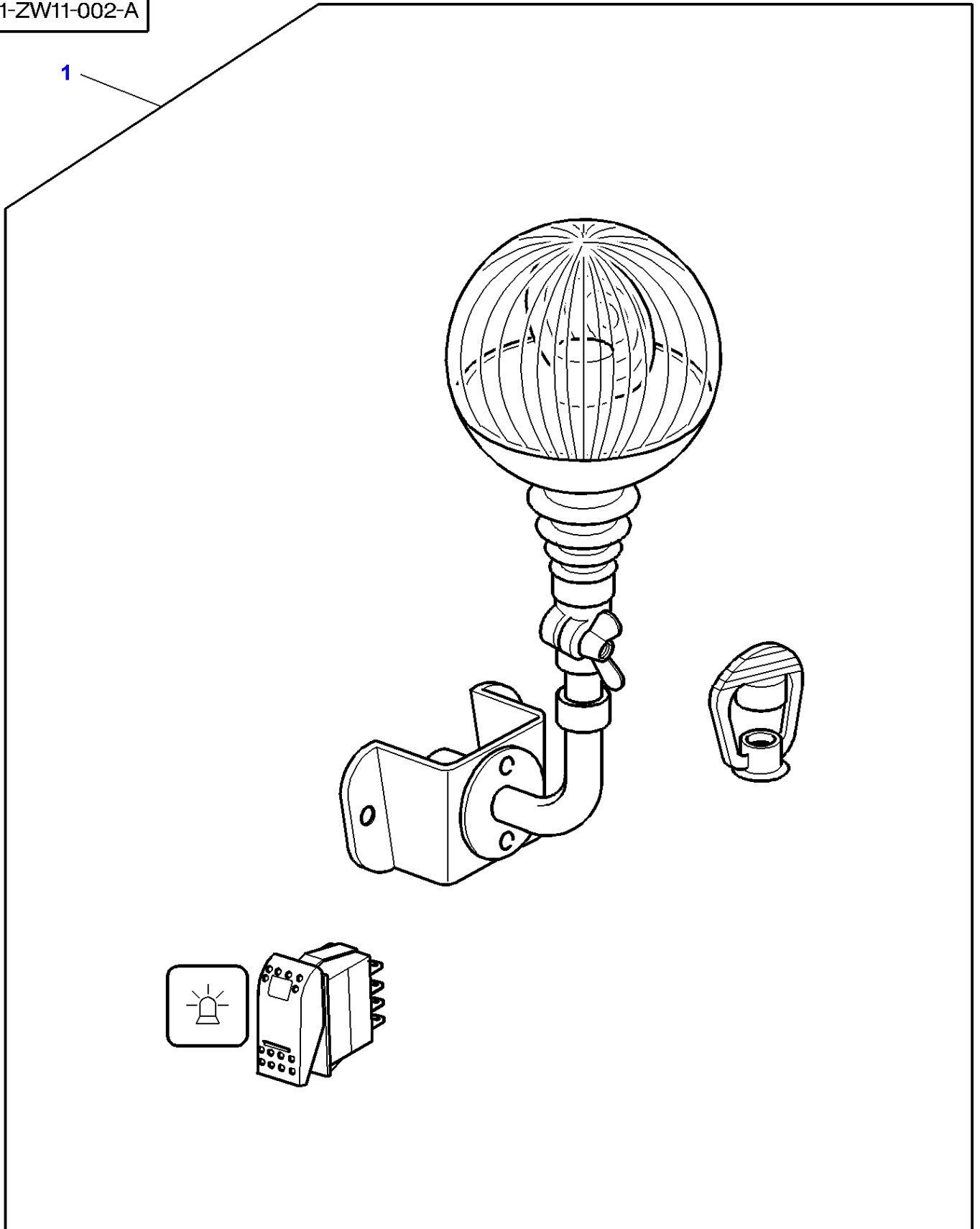
Seat Belt

Page 150-0180

Item	Part Number	Qty	Description
1	3781249M11	1	Accessory Code

1-ZW11-002-A

1



Massey Ferguson

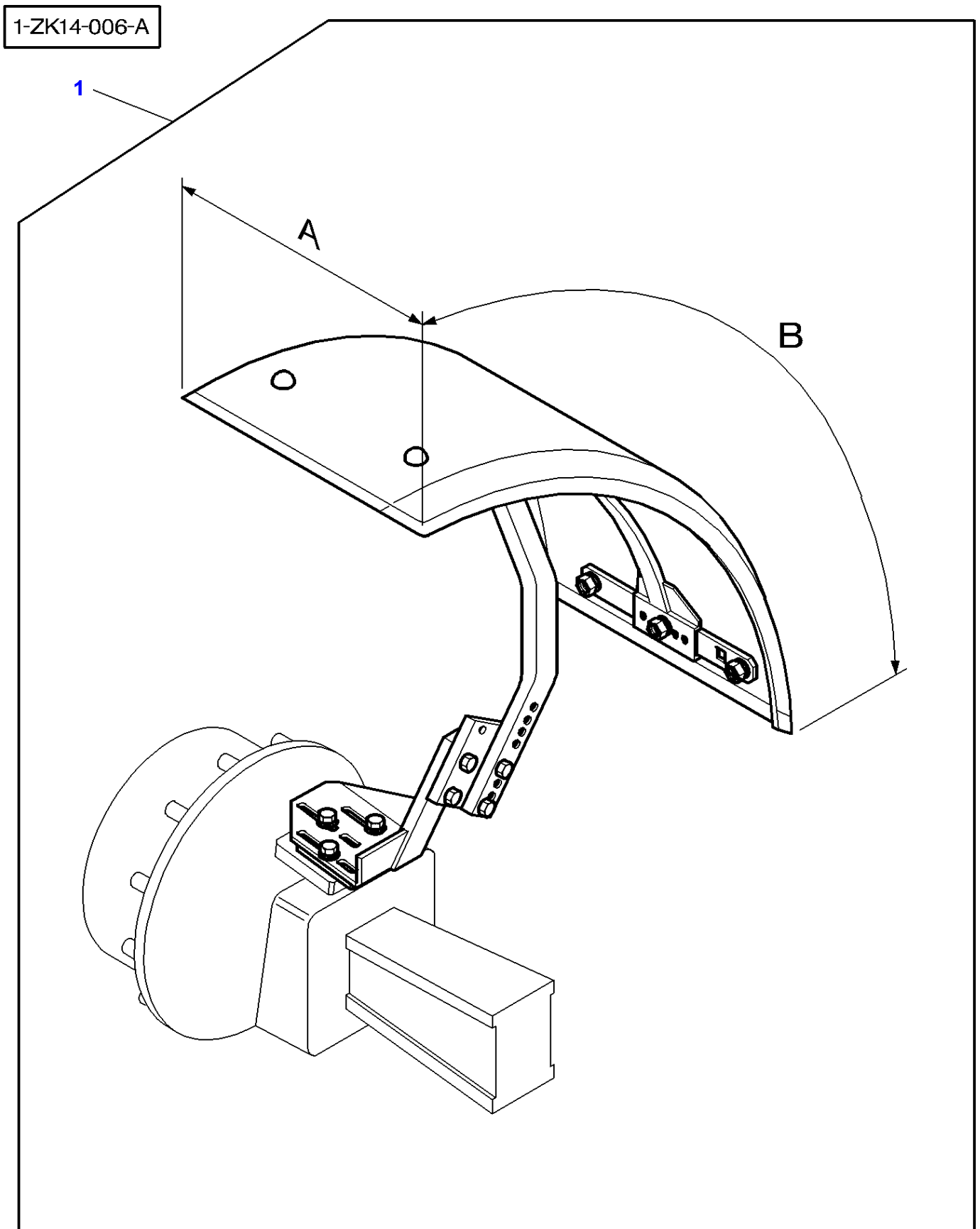
MF 8250 TRACTOR - 1637366

1637366

ROTATING LIGHT

Page 150-0185

Item	Part Number	Qty	Description
1	3777324M11	1	Accessory Code

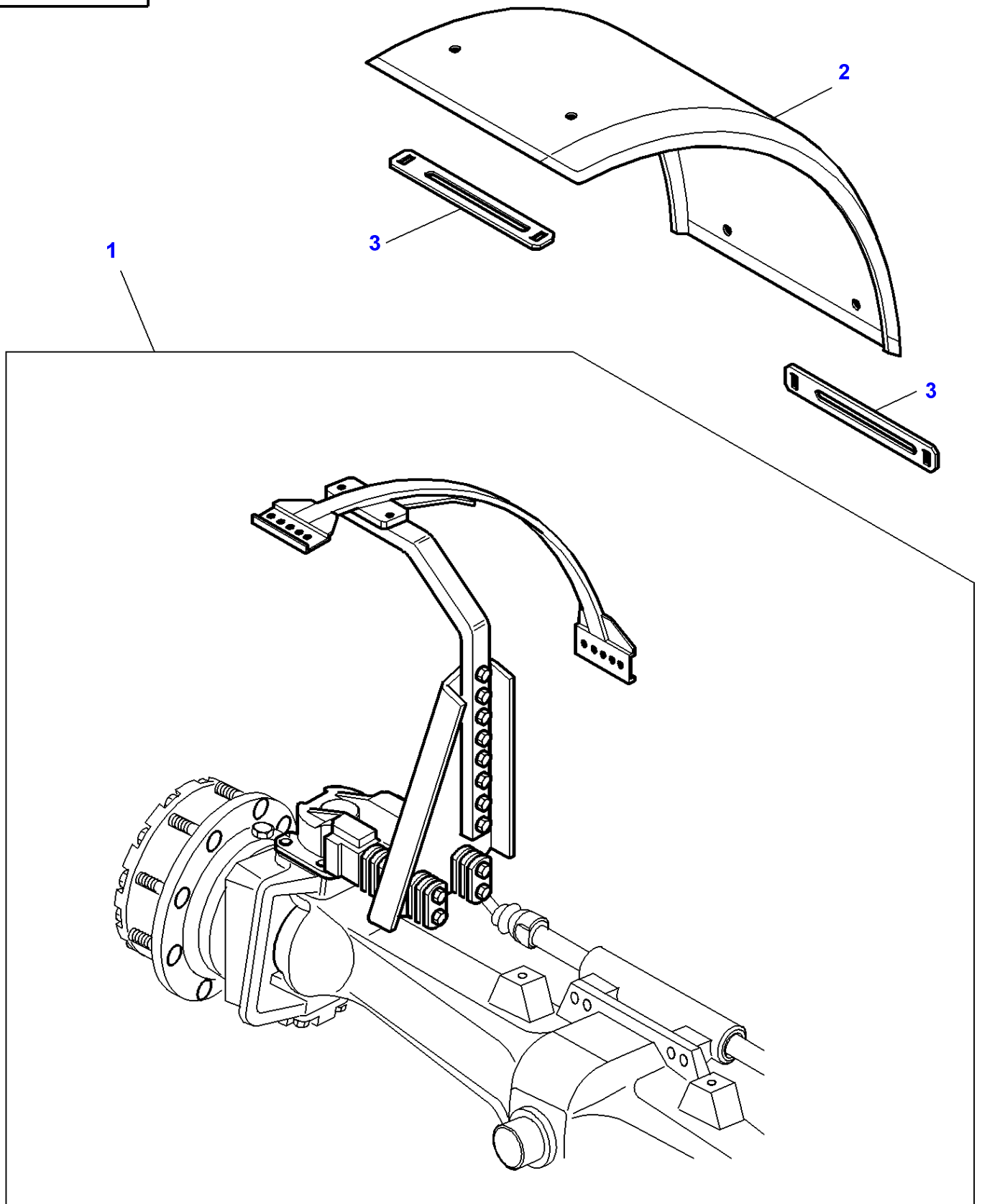


Massey Ferguson**MF 8250 TRACTOR - 1637366****1637366****Front Axle 4 Wheel Drive - Mudguards And Supports - WITH DANA FRONT AXLE****Page 150-0190**

Item	Part Number	Qty	Description	Comments
1	3783927M11	1	Mudguard	Up to Serial or Engine Number H152027 A = 470 MM B = 1300 MM
	3783930M11	1	Mudguard	From Serial or Engine Number H152028 A = 470 MM B = 1300 MM
	3783928M11	1	Mudguard	Up to Serial or Engine Number H152027 A = 520 MM B = 1550 MM
	3783931M11	1	Mudguard	From Serial or Engine Number H152028 A = 520 MM B = 1550 MM
	3783929M11	1	Mudguard	Up to Serial or Engine Number H152027 A = 620 MM B = 1560 MM
	3783932M11	1	Mudguard	From Serial or Engine Number H152028 A = 620 MM B = 1560 MM

FOOTNOTE [A] WITH DANA FRONT AXLE AG155**FOOTNOTE [B]** WITH DANA FRONT AXLE AG200

1-ZK14-018-A

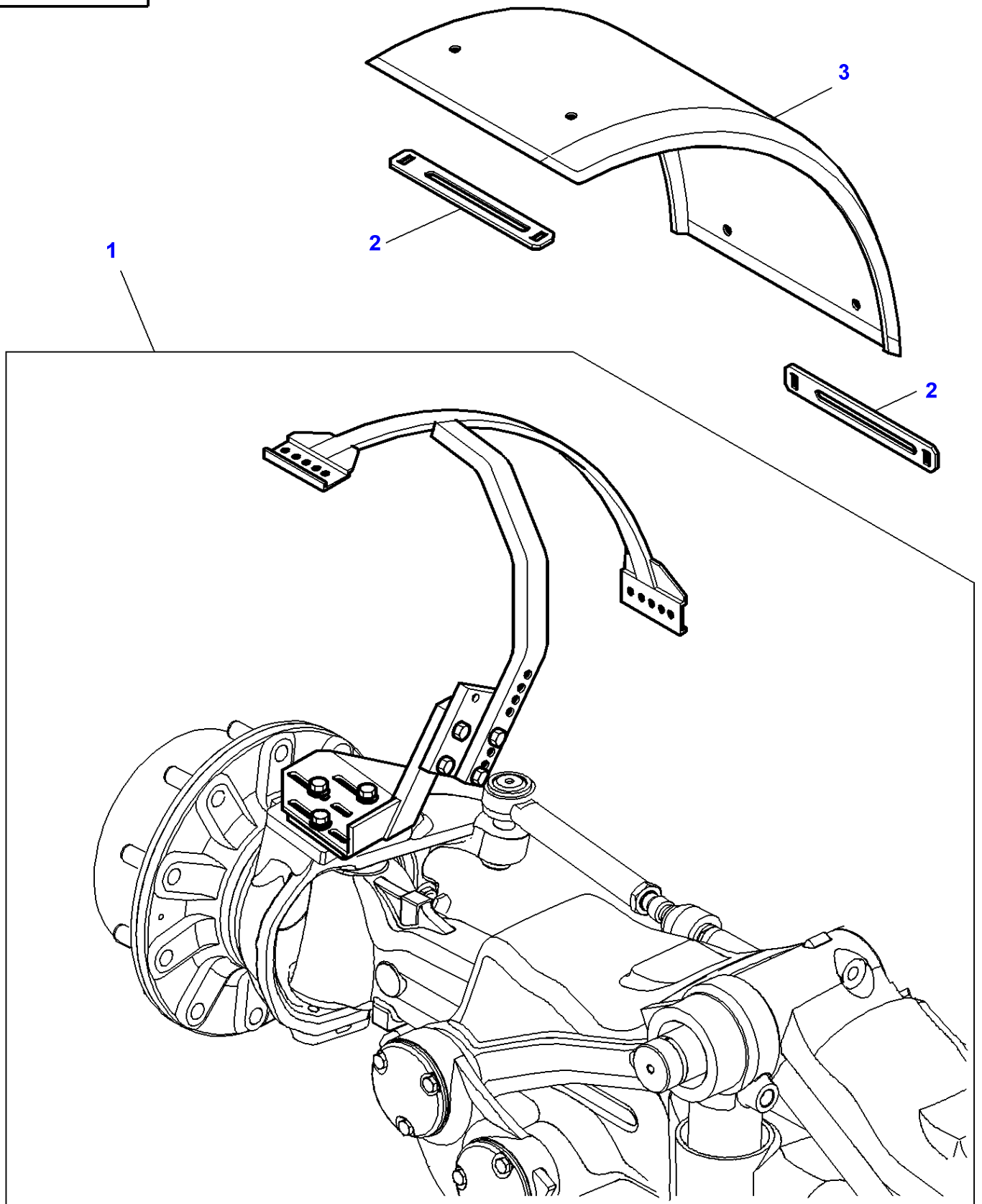


Massey Ferguson**MF 8250 TRACTOR - 1637366****1637366****Front Axle 4 Wheel Drive - Mudguards And Supports - Pivoting - With DANA Front Axle****Page 150-0195**

Item	Part Number	Qty	Description	Comments
1	3785083M12	1	Accessory Code	
2	3619229M2	1	Fender	[A] Width 470 MM
	3779567M1	1	Fender	[A] Width 520 MM
	3780467M1	1	Fender	[A] Width 620 MM
3	3777586M2	2	Plate	[A] Length 340 MM
	3777587M2	2	Plate	[A] Length 400 MM
	3780468M2	2	Plate	[A] Length 448 MM

FOOTNOTE [A] NOT INCLUDED IN KIT

1-ZK14-016-A

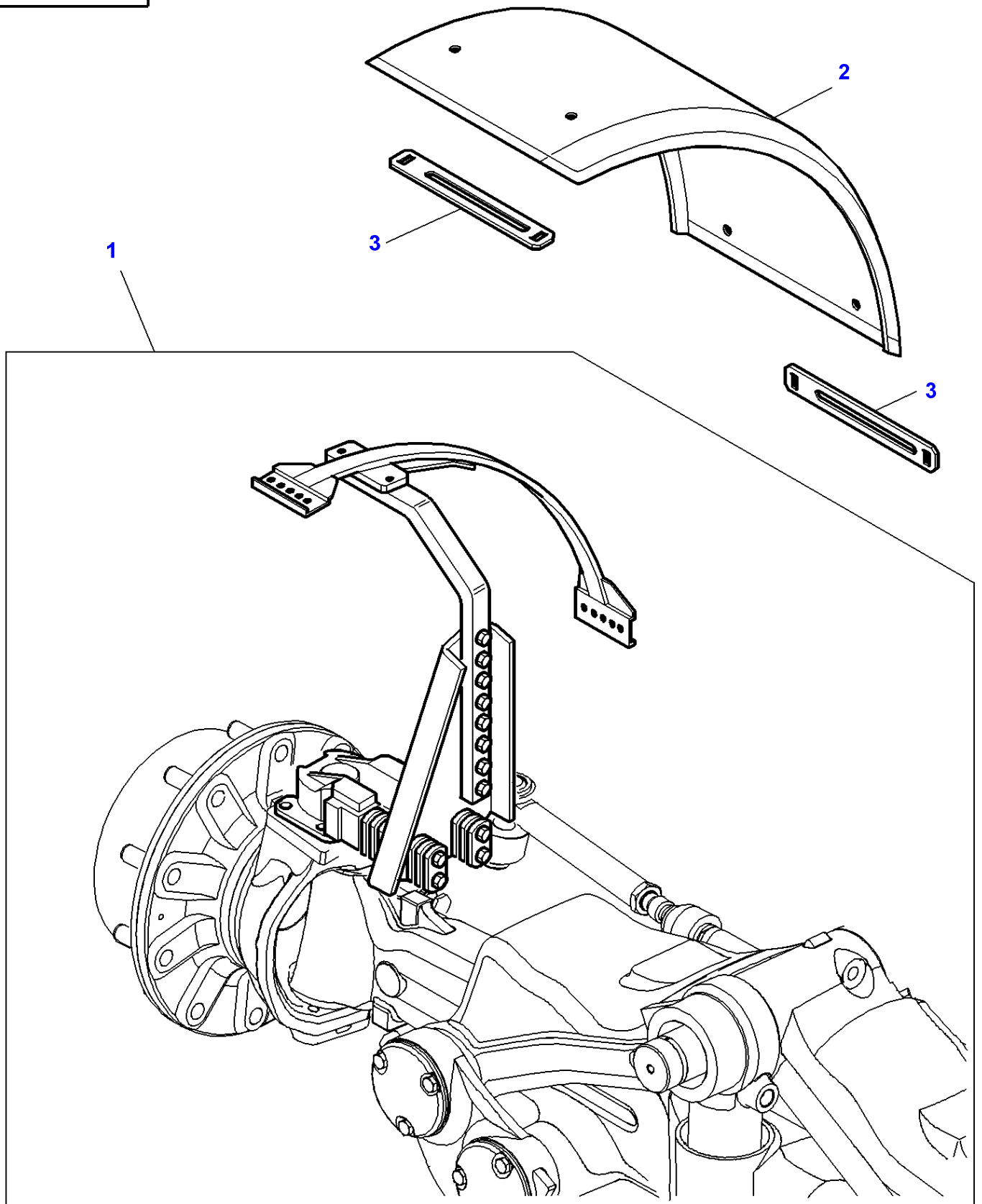


Massey Ferguson**MF 8250 TRACTOR - 1637366****1637366****Front Axle 4 Wheel Drive - Mudguards And Supports - WITH CARRARO FRONT AXLE****Page 150-0200**

Item	Part Number	Qty	Description	Comments
1	3785927M11		Accessory Code	
2	3777586M2	2	Plate	[A] Length 340 MM
	3777587M2	2	Plate	[A] Length 400 MM
	3780468M2	2	Plate	[A] Length 448 MM
3	3619229M2	1	Fender	[A] Width 470 MM
	3779567M1	1	Fender	[A] Width 520 MM
	3780467M1	1	Fender	[A] Width 620 MM

FOOTNOTE [A] NOT INCLUDED IN KIT

1-ZK14-014-A

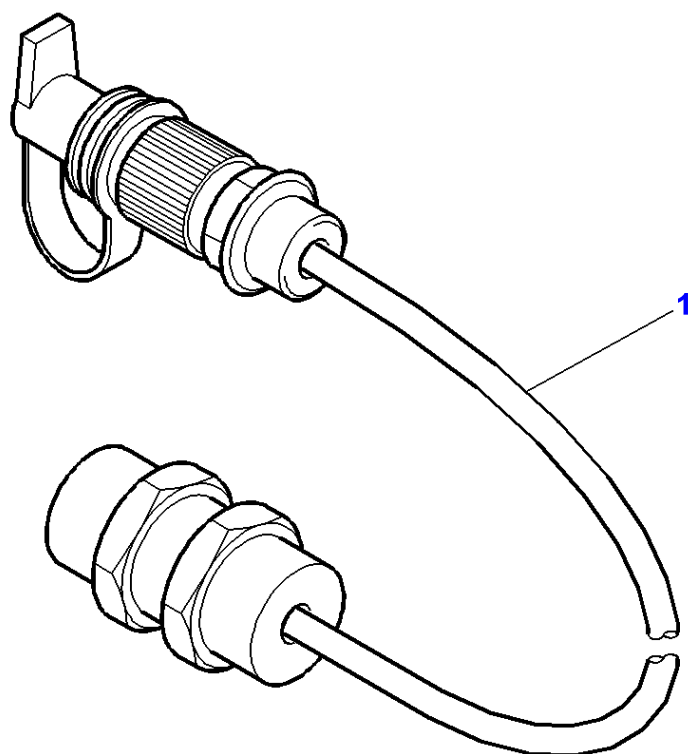


Massey Ferguson**MF 8250 TRACTOR - 1637366****1637366****Front Axle 4 Wheel Drive - Mudguards And Supports - Pivoting - With CARRARO Front Axle****Page 150-0205**

Item	Part Number	Qty	Description	Comments
1	3785084M11	1	Accessory Code	
2	3619229M2	1	Fender	[A] Width 470 MM
	3779567M1	1	Fender	[A] Width 520 MM
	3780467M1	1	Fender	[A] Width 620 MM
3	3777586M2	2	Plate	[A] Length 340 MM
	3777587M2	2	Plate	[A] Length 400 MM
	3780468M2	2	Plate	[A] Length 448 MM

FOOTNOTE [A] NOT INCLUDED IN KIT

1-ZF85-001-A



Massey Ferguson

MF 8250 TRACTOR - 1637366

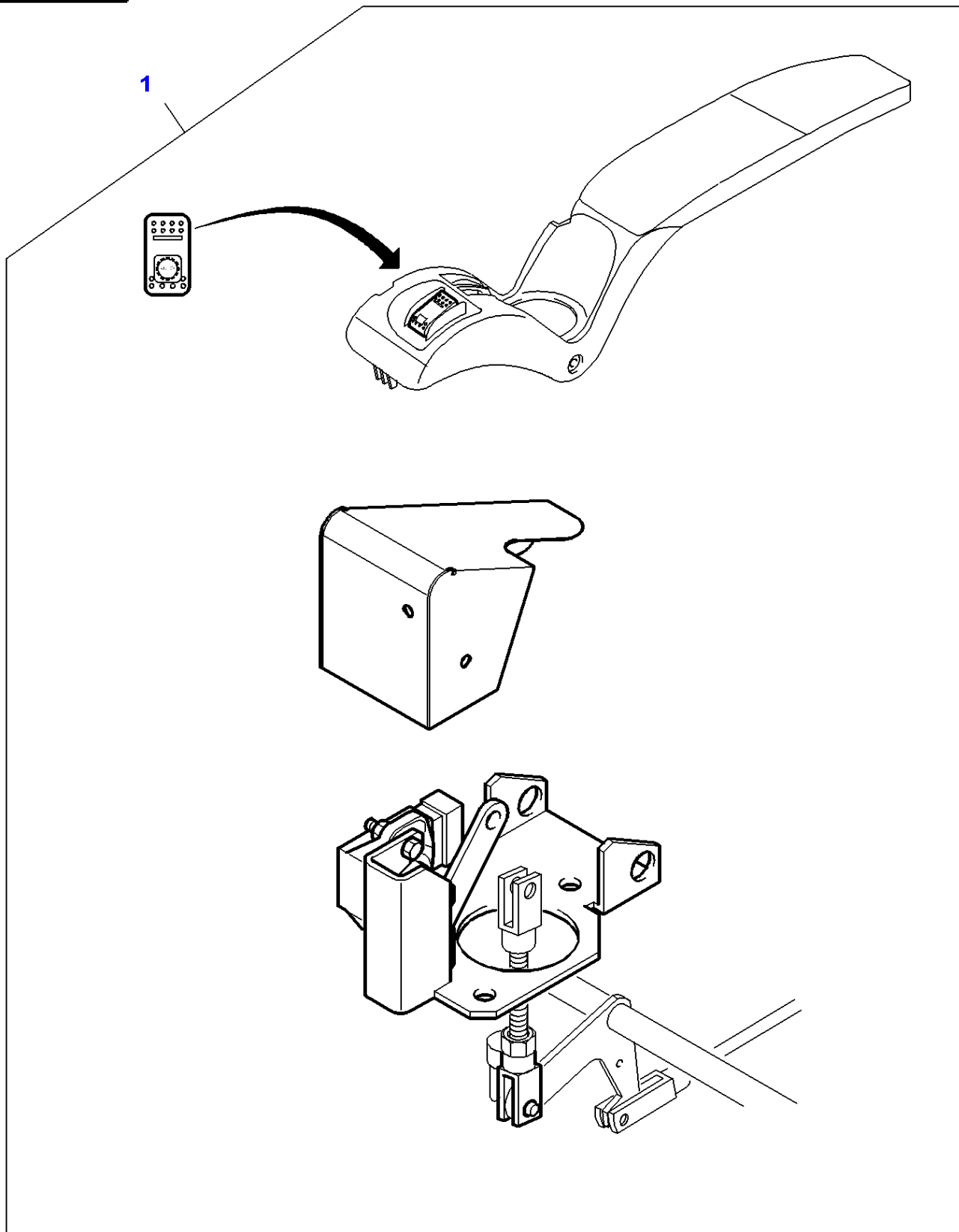
1637366

SENSOR HARNESS-REAR DUAL CONTROL - From Serial or Engine Number 08-01-2001

Page 150-0210

Item	Part Number	Qty	Description
1	3784995M91	1	Harness

1-ZF87-001-A



Massey Ferguson

MF 8250 TRACTOR - 1637366

1637366

Autodrive - With Dynashift - From 08-01-2001

Page 150-0215

Item	Part Number	Qty	Description
1	3786104M11	1	Kit, Conversion