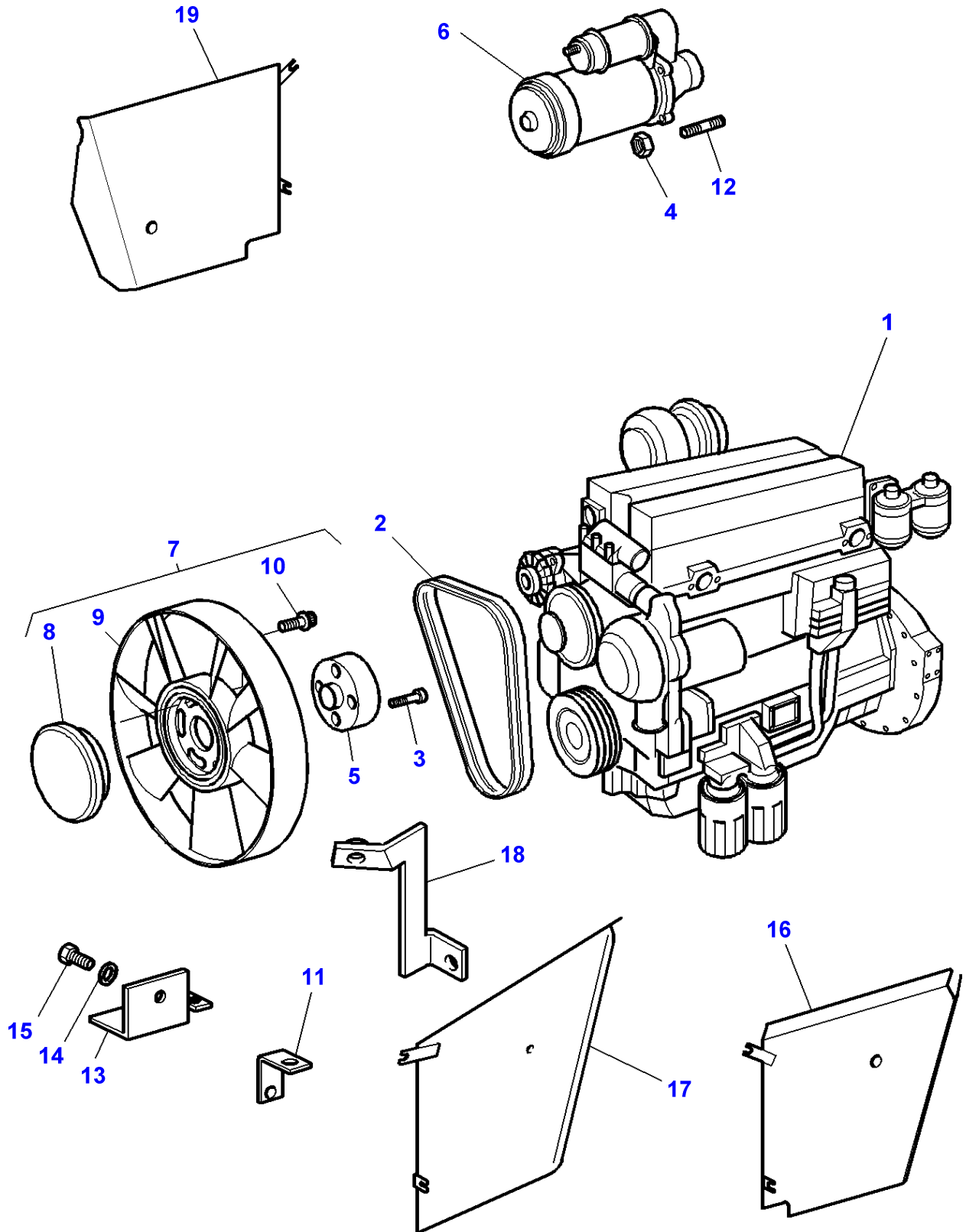


Page Title	Page Number
Engine And Equipment - M.F 8210	010-0005
Engine And Equipment - M.F 8220 - 8220 XTRA	010-0010
Engine And Equipment - With Pneumatic Brake	010-0015
Alternator And Bracket - Up to Serial or Engine Number - K	010-0020
Alternator And Bracket - From Serial or Engine Number - K	010-0025
ALTERNATOR - MAGNETI MARELLI - Up to Serial or Engine Number - K 284016	010-0030
Alternator - ISKRA - From Serial or Engine Number - K 284017	010-0035
Alternator - Valeo - Up to Serial or Engine Number - K 289024	010-0040
Alternator - ISKRA - From Serial or Engine Number - K 289025	010-0045
Starter - Magneti Marelli - Up to Serial or Engine Number - K302039	010-0050
Starter - ISKRA - From Serial or Engine Number - K302040	010-0055
Fan Drive Section	010-0060
Cylinder Block	010-0065
Crankshaft, Pistons And Connecting Rods	010-0070
Cylinder Head	010-0075
Rocker Shaft	010-0080
Lubricating Oil Filler And Breather	010-0085
Timing Gear And Camshaft	010-0090
Fuel Injection Equipment (Diesel)	010-0095
Fuel Injection Equipment (Diesel) - M.F 8210	010-0100
Fuel Injection Equipment (Diesel) - M.F 8220 - 8220 XTRA	010-0105
Lubricating Oil Sump	010-0110
Lubricating Oil Filter And Integral Cooler	010-0115
Closed circuit breather	010-0120
Water Pump, Thermostat And Heat Exchanger - M.F 8210	010-0125
Water Pump, Thermostat And Heat Exchanger - M.F 8220 - 8220 XTRA	010-0130
Air Compressor - M.F 8220 - 8220 XTRA	010-0135
Air Compressor - M.F 8220 - 8220 XTRA	010-0140
Low Pressure Fuel System - M.F 8210	010-0145
Low Pressure Fuel System - M.F 8220 - 8220 XTRA	010-0150
Low Pressure Fuel System - M.F 8220 - 8220 XTRA - With Pneumatic Brake	010-0155
Low Pressure Fuel System	010-0160
Low Pressure Fuel System	010-0165
Turbocharger	010-0170
Turbocharger - Pipes And Heat Shields	010-0175
Air Induction And Exhaust System - M.F 8210	010-0180
Air Induction And Exhaust System - M.F 8220 - 8220 XTRA	010-0185
Engine Gaskets Sets	010-0190
Heater Engine Block - Up to Serial or Engine Number - L155012	010-0195
Heater Engine Block - From Serial or Engine Number - L155013	010-0200
Battery & Cables - Without Battery Cut-Off W/O Positive Connection	010-0205
Battery & Cables - Without Battery Cut-Off With Positive Connection	010-0210
Battery & Cables - With Battery Cut-Off	010-0215
Cooling System - Air Conditioned Installation - Up To 07-09-2000	010-0220
Cooling System - Air Conditioned Installation - From 08-09-2000	010-0225
Sanden Compressor	010-0230
Cooling System - Engine	010-0235
Cab Heating System - Engine Part	010-0240
Fuel System - Fuel Tank And Attachments - Without Additional Tank	010-0245
Fuel System - Fuel Tank And Attachments - With Additional Tank	010-0250
Fuel System - Fuel Tank And Attachments - Tractor With Cab - With Additional Tank	010-0255
Fuel System - Fuel Tank And Attachments - Platform	010-0260
Fuel System - Fuel Tank And Attachments - Platform -With Additional Tank	010-0265

Engine And Equipment

Fuel System - Fuel Filters And Pipes	010-0270
Fuel System - Fuel Filters And Pipes - With Flow Fuel	010-0275
Fuel System - Fuel Filters And Pipes - WITH FUEL COOLER	010-0280
Fuel System - Fuel Filters And Pipes - WITH FLOW METER AND FUEL COOLER	010-0285
Sedimenter	010-0290
Fuel System - Fuel Tank And Attachments	010-0295
Air Filter - Dry - Dual Element - Up To ...	010-0300
Air Filter - Dry - Dual Element - From	010-0305
Air Filter - Dry - Dual Element - With Platform - Up To ...	010-0310
Air Filter - Dry - Dual Element - With Platform - From	010-0315
Air Filter - Dry - Dual Element	010-0320
Vertical Exhaust On The Side - With Dusty Aspiration - Up To J250011	010-0325
Vertical Exhaust On The Side - With Dusty Aspiration - From J250012	010-0330
Vertical Exhaust On The Side - M.F 8210 - Platform	010-0335
Vertical Exhaust On The Side - M.F 8220 - 8220 XTRA - Platform	010-0340
Throttle Controls	010-0345
Throttle Controls - With AUTODRIVE	010-0350
Throttle Controls - Platform	010-0355
Throttle Controls	010-0360
Throttle Controls - Up To 07-01-2001	010-0365
Throttle Controls - From 08-01-2001	010-0370
Hand Throttle Control - Platform	010-0375

1-ZA06-009-E

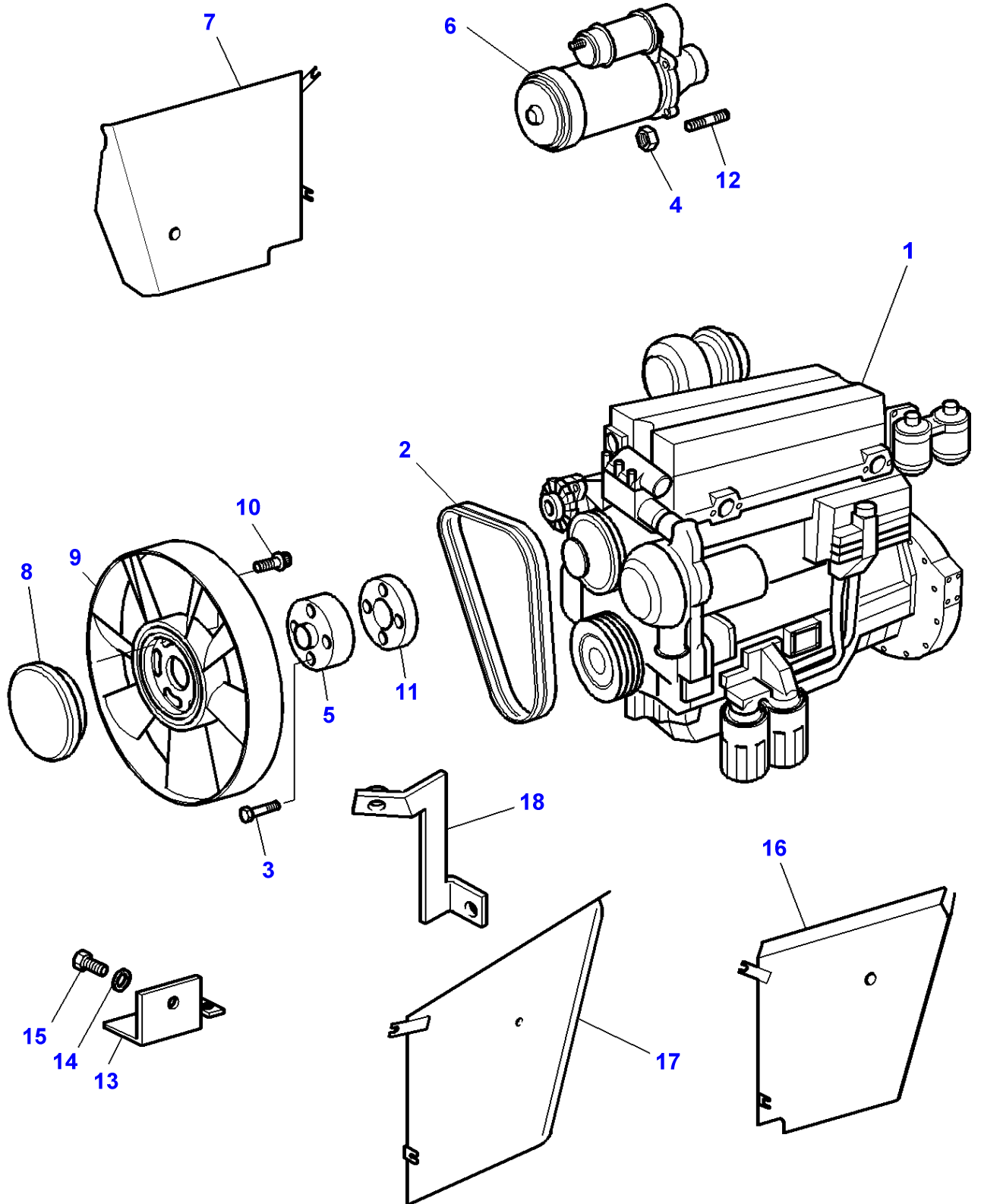


Engine And Equipment - M.F 8210

Item	Part Number	Qty	Description	Comments
1	3779022M2	1	Engine	PEL. YH31441
	4224683M91	1	Short Engine	Up to Serial or Engine Number U786028J
	4225081M91	1	Short Engine	From Serial or Engine Number U786029J
2	3617180M91	1	Kit, Belt	Length 1470 MM
3	3009287X1	4	Screw Metric	M8 X 40
4	339402X1	3	Nut	M10
5	3780201M2	1	Spacer	Thickness 27MM
6	3581576M3	1	Startermotor	[A] Up to Serial or Engine Number K302039 See Page - Reference Number 010-0050/1
	3823621M91	1	Startermotor	[A] From Serial or Engine Number K302040 See Page - Reference Number 010-0055/1
7	3781005M91	1	Clutch	Up to Serial or Engine Number H286008
8	3780206M1	1	Clutch	(7) Up to Serial or Engine Number H286008
	3783350M1	1	Clutch	From Serial or Engine Number H286009
9	3781006M1	1	Fan	(7)
10	3009920X1	4	Plough Bolt	(7) M8 X 16
11	3782028M1	1	Strap	
12	391005X1	3	Stud	M10 X 25
13	3779643M3	1	Strap	
14	385361X1	1	Washer	Diameter 9-17 X 3,2 MM
15	390246X1	1	Bolt	M8 X 70
16	3782008M5	1	Cowl	Left Hand Up to Serial or Engine Number 27-08-2000
17	3785236M1	1	Cowl	From Serial or Engine Number 28-08-2000 Left Hand
18	3785287M1	1	Support	From Serial or Engine Number 28-08-2000
19	3782009M4	1	Cowl	Right Hand Up to Serial or Engine Number 27-08-2000
	3785237M1	1	Cowl	From Serial or Engine Number 28-08-2000 Right Hand

FOOTNOTE [A] THE APPROPRIATE SAFETY DECALS MUST BE ORDERED AND FITTED TO THIS PART

1-ZA06-013-C

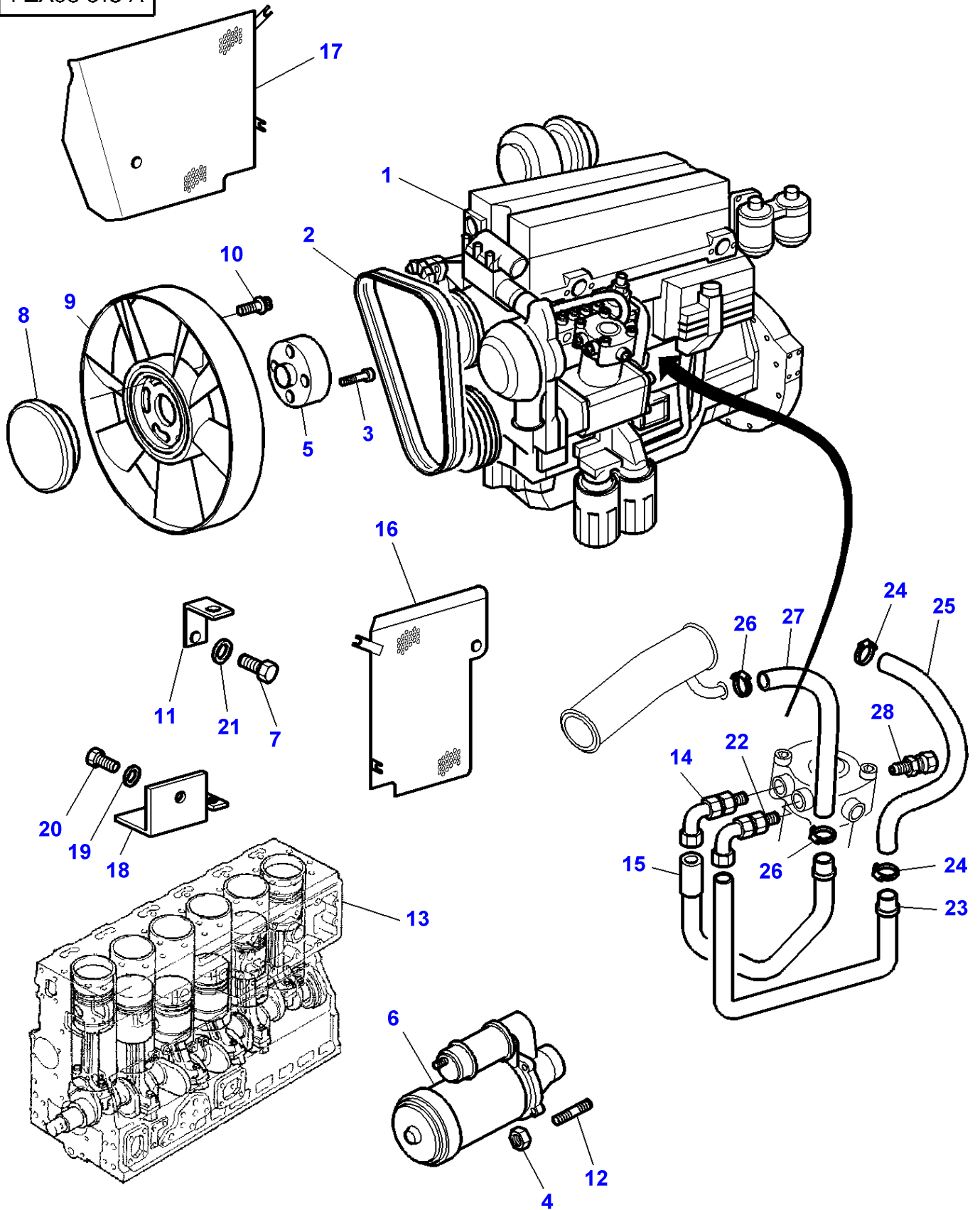


Item	Part Number	Qty	Description	Comments
1	3779023M2	2	Engine	PEL. YK31431
	4222878M91	1	Short Engine	
2	3617180M91	1	Kit, Belt	Length 1470MM
3	3009287X1	4	Screw Metric	M8X40 Up to Serial or Engine Number H327030
	3009288X1	4	Screw Metric	M8X50 From Serial or Engine Number H327031
4	3009693X1	3	Nut Metric	M10
5	3780201M2	1	Spacer	Thickness 27MM Up to Serial or Engine Number J077023
	3784034M1	1	Spacer	Thickness 37MM From Serial or Engine Number J077024
6	3581576M3	1	Startermotor	[A] Up to Serial or Engine Number K302039 See Page - Reference Number 010-0050/1
	3823621M91	1	Startermotor	[A] From Serial or Engine Number K302040 See Page - Reference Number 010-0055/1
7	3782009M4	1	Cowl	Right Hand Up to Serial or Engine Number 27-08-2000
	3785237M1	1	Cowl	From Serial or Engine Number 28-08-2000 Right Hand
8	3783350M1	1	Clutch	Up to Serial or Engine Number H327030
	3783352M1	1	Clutch	From Serial or Engine Number H327031
9	3781006M1	1	Fan	Up to Serial or Engine Number H327030 Diameter 550MM
	3780204M1	1	Fan	From Serial or Engine Number H327031 Diameter 600MM
10	3009920X1	4	Plough Bolt	M8X16 Up to Serial or Engine Number H327030
	3009920X1	6	Plough Bolt	M8X16 From Serial or Engine Number H327031
11	3779170M1	1	Spacer	From Serial or Engine Number H327031 Up to Serial or Engine Number J077023
12	391005X1	3	Stud	M10X25
13	3779643M3	1	Strap	
14	385361X1	1	Washer	
15	390246X1	1	Bolt	M8X70
16	3782008M5	1	Cowl	Left Hand Up to Serial or Engine Number 27-08-2000
17	3785236M1	1	Cowl	From Serial or Engine Number 28-08-2000 Left Hand
18	3785287M1	1	Support	From Serial or Engine Number 28-08-2000

FOOTNOTE [A] THE APPROPRIATE SAFETY DECALS MUST BE ORDERED AND FITTED TO THIS PART

MF 8210/8220 TRACTORS - 1637365
1-ZA06-018-A

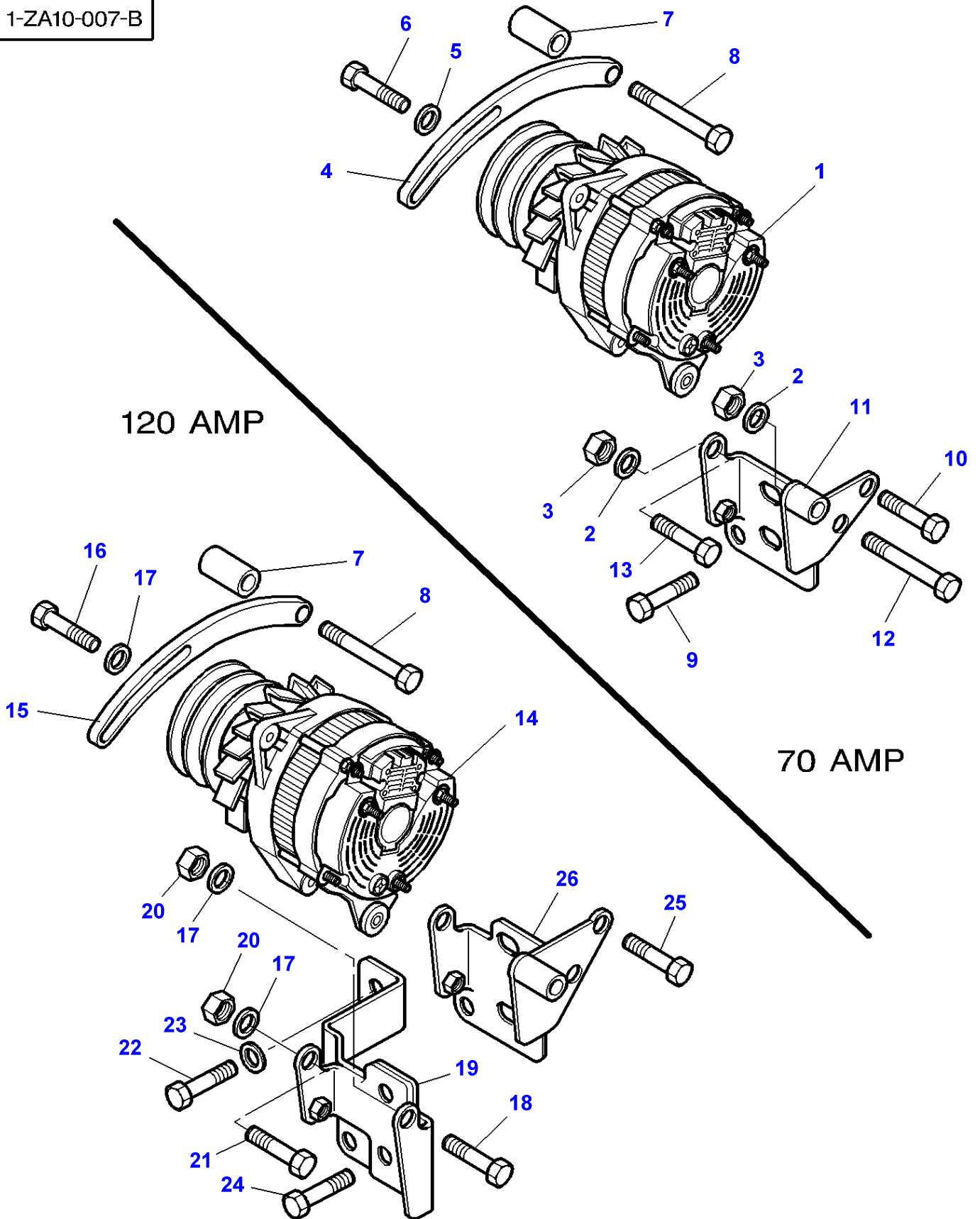
1-ZA06-018-A



Item	Part Number	Qty	Description	Comments
1	3779631M2	1	Engine	PEL. XXXXX MF 8210
	3779632M2	1	Engine	PEL. YK31476 MF 8220 MF 8220 XTRA
2	3617180M91	1	Kit, Belt	Length 1470MM
3	3009287X1	4	Screw Metric	M8X40 MF 8210
	3009288X1	4	Screw Metric	M8X50 MF 8220 MF 8220 XTRA
4	3009693X1	3	Nut Metric	M10
5	3780201M2	1	Spacer	Thickness 27MM MF 8210
	3784034M1	1	Spacer	Thickness 37MM MF 8220 MF 8220 XTRA
6	3581576M3	1	Startermotor	[A] Up to Serial or Engine Number K302039 See Page - Reference Number 010-0050/1
	3823621M91	1	Startermotor	[A] From Serial or Engine Number K302040 See Page - Reference Number 010-0055/1
7	339761X1	2	Hex. Sock. Screw	M8X25
8	3783350M1	1	Clutch	MF 8210
	3783352M1	1	Clutch	MF 8220 MF 8220 XTRA
9	3781006M1	1	Fan	MF 8210
	3780204M1	1	Fan	MF 8220 MF 8220 XTRA
10	3009920X1	4	Plough Bolt	M8X16
11	3782028M1	1	Strap	
12	391005X1	3	Stud	M10X25
13	4222878M91	1	Short Engine	
14	3784396M1	1	Elbow Nipple	M26
15	3784448M1	1	Tube	
16	3780390M1	1	Cowl	Left Hand Up to Serial or Engine Number 27-08-2000
	3785285M1	1	Cowl	From Serial or Engine Number 28-08-2000 Left Hand
17	3782009M4	1	Cowl	Right Hand Up to Serial or Engine Number 27-08-2000
	3785237M1	1	Cowl	From Serial or Engine Number 28-08-2000 Right Hand
18	3779643M3	1	Strap	
19	385361X1	1	Washer	
20	390246X1	1	Bolt	
21	390972X1	2	Washer Metric	
22	3784395M1	1	Elbow Nipple	M16
23	3784447M1	1	Tube	
24	3000483X1	2	Clamp	
25	3784573M1	1	Hose	Length 220MM
26	338615X1	2	Clamp	
27	3787857M1	1	Hose	Length 1050MM
28	3784398M1	1	Union	M26

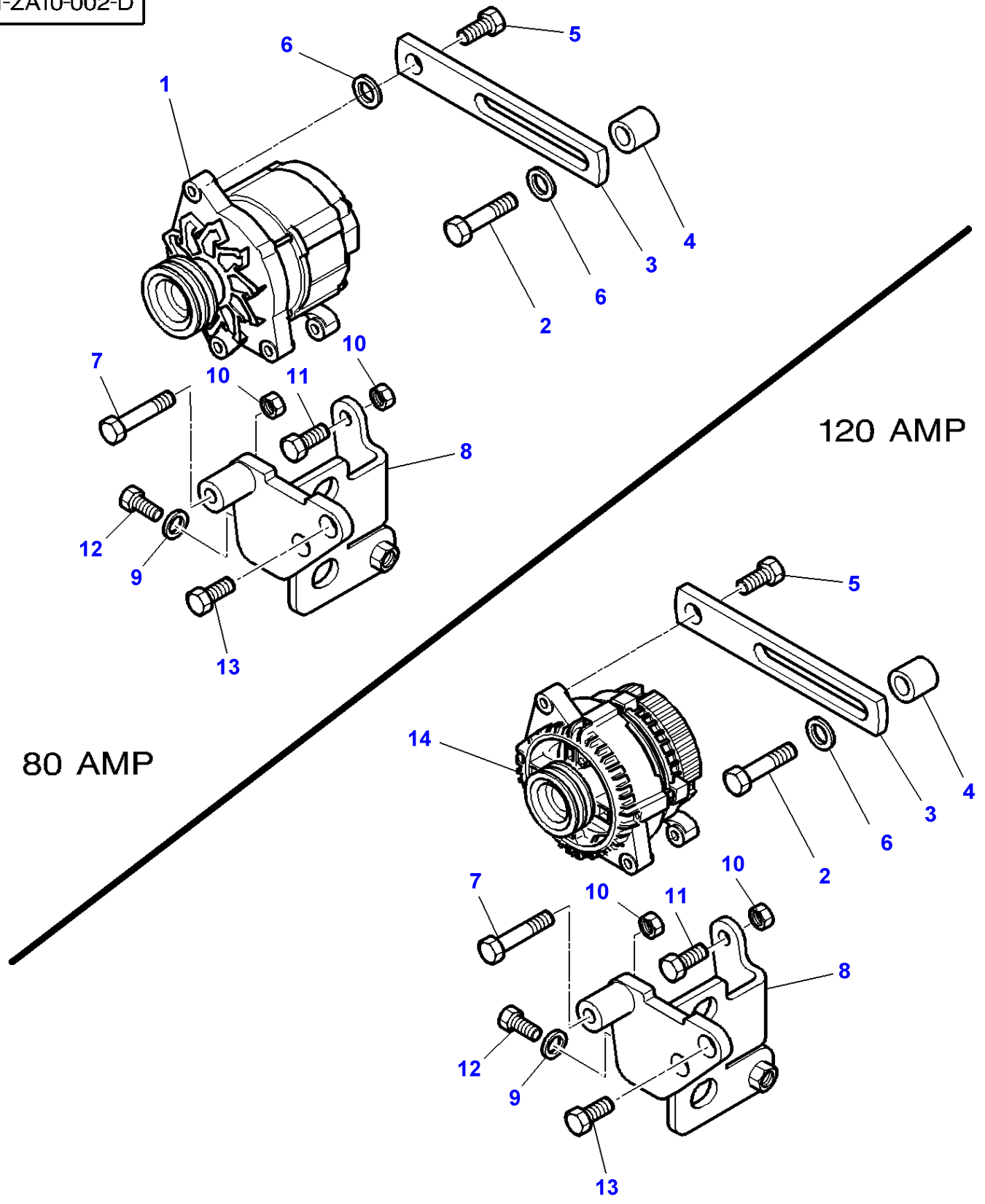
FOOTNOTE [A] THE APPROPRIATE SAFETY DECALS MUST BE ORDERED AND FITTED TO THIS PART

1-ZA10-007-B



Item	Part Number	Qty	Description	Comments
1	3714944M1	1	Alternator	70 AMP. Up to Serial or Engine Number K284016 ZC401001 1
2	390734X1	3	Washer	Diameter 10-21 X 2 MM
3	339169X1	2	Nut	M8
4	3782559M1	1	Tensioner	
5	385361X1	1	Washer	Diameter 9-17 X 3,2 MM
6	339761X1	1	Hex. Sock. Screw	M8 X 25
7	3779375M1	1	Spacer	Length 70 MM
	3580956M1	1	Bellows	Diameter 11-20 X 6
8	339269X1	1	Hex. Sock. Screw	M10 X 100
9	3009492X1	2	Hex. Sock. Screw	M10 X 25
10	3009505X1	2	Screw Metric	M12 X 25
11	3783700M1	1	Support	
12	339291X1	1	Hex. Sock. Screw	M8 X 55
13	339010X1	1	Bolt Metric	M8 X 40
14	3780634M1	1	Alternator	120 AMP Up to Serial or Engine Number K289024 See Page - Reference Number 010-0040/1
15	3782607M1	1	Tensioner	
16	3009495X1	1	Bolt Metric	M10 X 40
17	390734X1	3	Washer	Diameter 10-21 X 2 MM
18	3009494X1	1	Screw Metric	Up to Serial or Engine Number J014023 M10 X 35
	3009501X1	1	Bolt	From Serial or Engine Number J014024 M10 X 70
19	3780560M2	1	Support	Up to Serial or Engine Number J014023
20	339402X1	2	Nut	M10
21	3009494X1	1	Screw Metric	M10 X 35
22	3009492X1	1	Hex. Sock. Screw	Up to Serial or Engine Number J014023 M10 X 25
23	390734X1	1	Washer	Up to Serial or Engine Number J014023 Diameter 10-21 X 2 MM
24	3009492X1	2	Hex. Sock. Screw	M10 X 25
25	1440716X1	2	Hex. Sock. Screw	From Serial or Engine Number J014023 M12 X 30
26	3783702M1	1	Support	From Serial or Engine Number J014024

1-ZA10-002-D



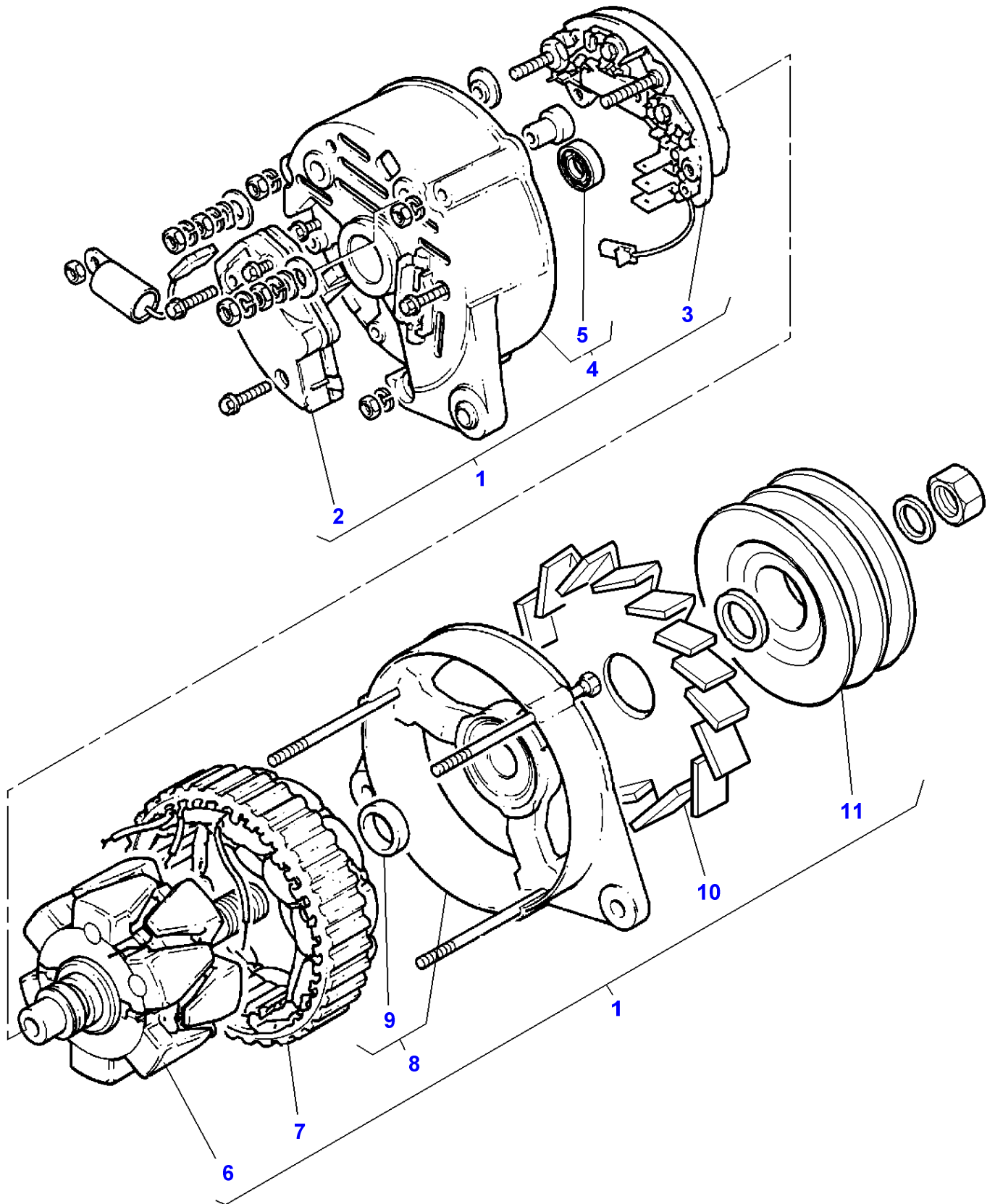
80 AMP

120 AMP

Massey Ferguson**MF 8210/8220 TRACTORS - 1637365****1637365****Alternator And Bracket - From Serial or Engine Number K****Page010-0025**

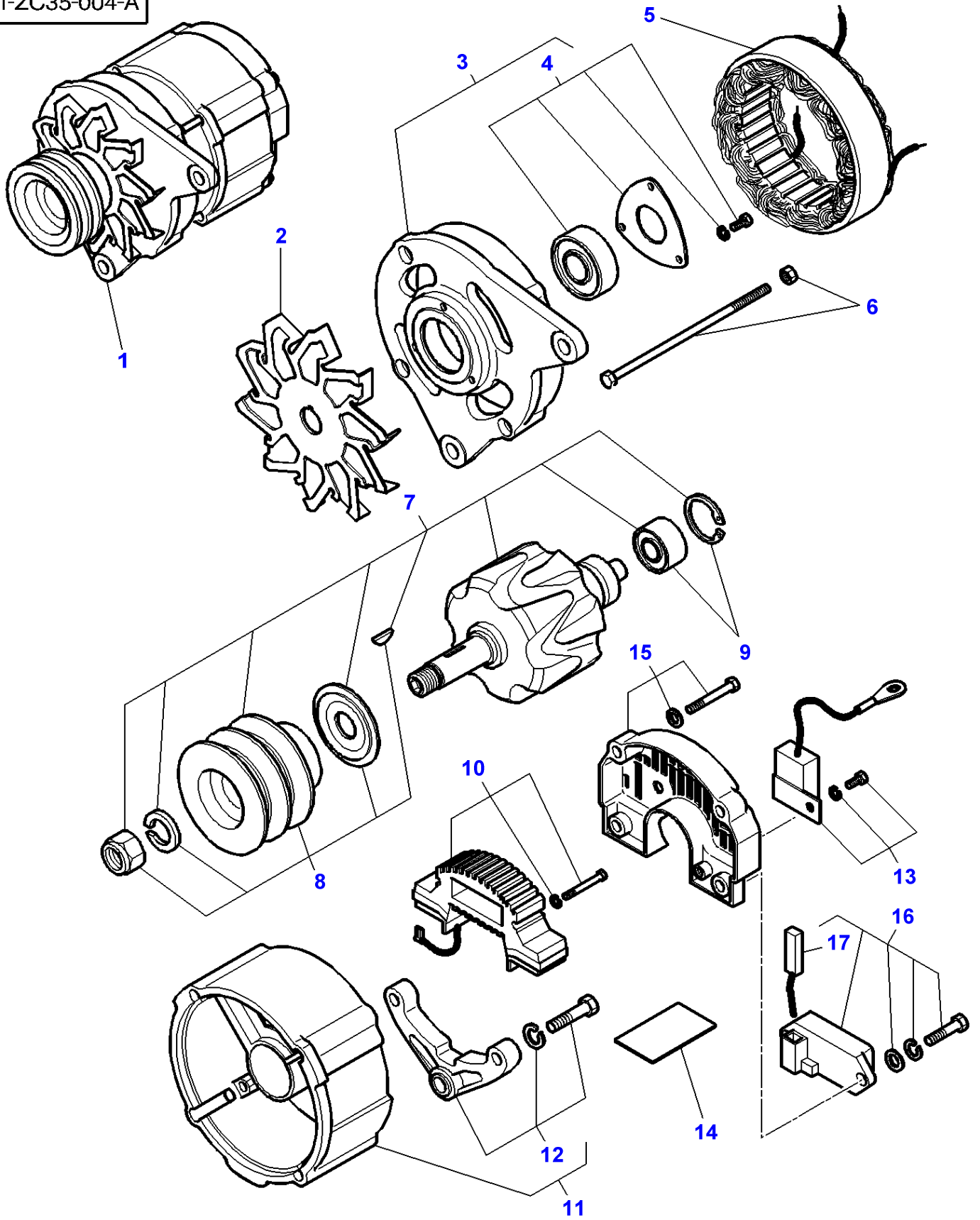
Item	Part Number	Qty	Description	Comments
1	3821974M91	1	Alternator	80 AMP. From Serial or Engine Number K284017 See Page - Reference Number 010-0035/1
2	390246X1	1	Bolt	M8 X 70
	339891X1	1	Screw	M8 X 80
3	3785834M2	1	Tensioner	
4	3786163M1	1	Spacer	Diameter 9-20 X 45 MM
5	339761X1	1	Hex. Sock. Screw	M8 X 25
	339337X1	1	Hex. Sock. Screw	M8 X 30
6	385361X1	1	Washer	Diameter 9-17 X 3,2 MM
7	339291X1	1	Hex. Sock. Screw	M8 X 55
8	3785820M2	1	Support	
9	390734X1	2	Washer	Diameter 10-21 X 2 MM
10	339169X1	2	Nut	M8
11	339009X1	1	Hex. Sock. Screw	M8 X 35
12	3009492X1	2	Hex. Sock. Screw	M10 X 25
13	3009505X1	1	Screw Metric	M12 X 25
14	3788017M91	1	Alternator	120 AMP. From Serial or Engine Number K289025 See Page - Reference Number 010-0045/1

1-ZC40-001-A



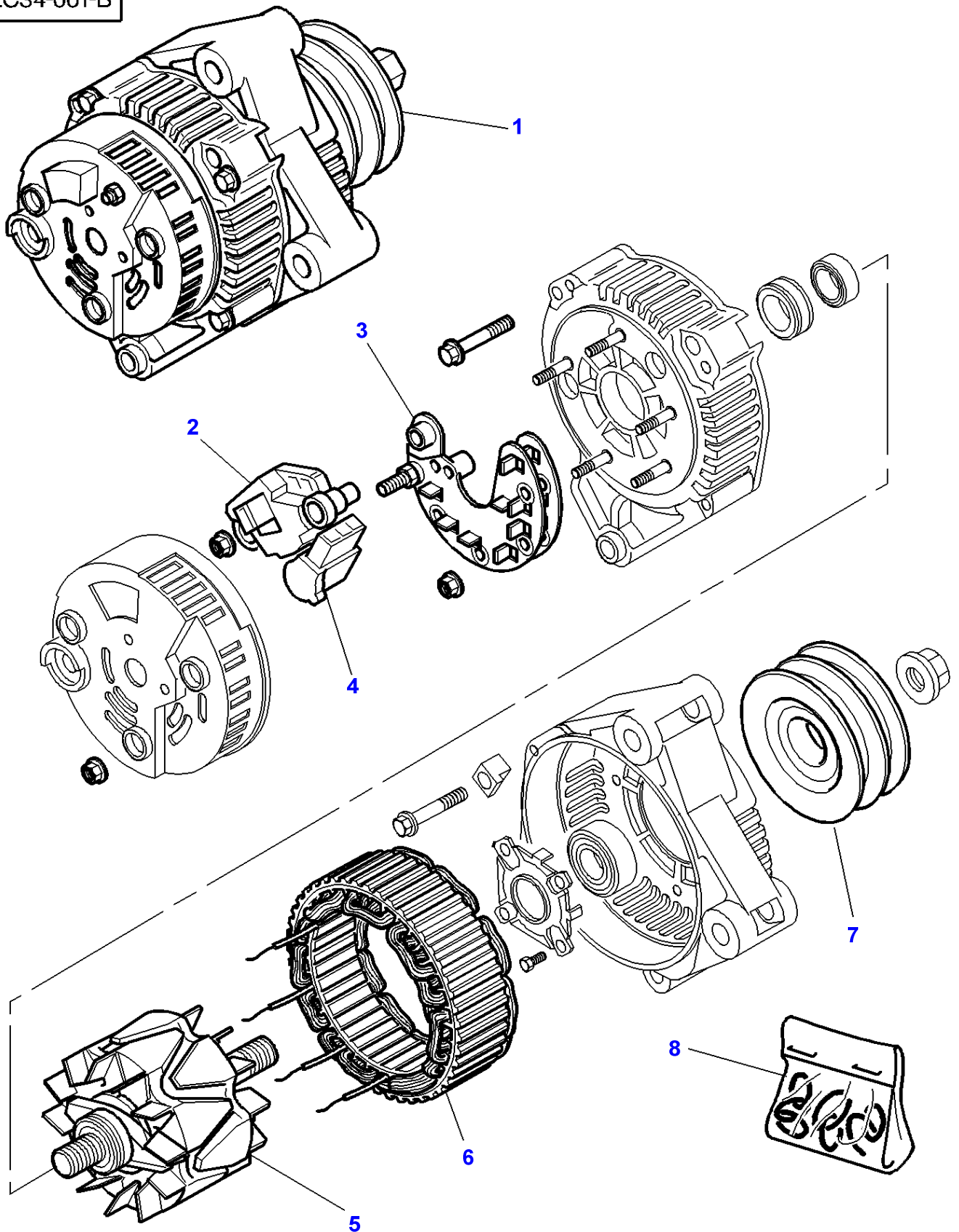
Item	Part Number	Qty	Description	Comments
1	3714944M1	1	Alternator	70 AMP
2	3900691M91	1	Regulator	(1)
3	3477529M91	1	Rectifier	(1)
4	3902778M1	1	Bracket	(1)
5	3477859M1	1	Bearing Assy	(4)
6	3476715M91	1	Rotor	(1)
7	3478386M1	1	Stator	(1)
8		1	Support	(1) Not serviced,order REF .1
9		1	Bearing Assy	(8) Not serviced,order REF .1
10	1897696M1	1	Fan	(1)
11	3902432M1	1	Pulley	(1)

1-ZC35-004-A



Item	Part Number	Qty	Description	Comments
1	3821974M91	1	Alternator	AAK3355 14V 80A
2	3904367M1	1	Fan	(1)
3		1	Kit, Drive	(1) Not serviced,order REF. 1
4	3904368M91	1	Kit, Bearing	(3)
5		1	Stator	(1) Not serviced,order REF. 1
6	3904369M91	1	Kit, Bolt	(1)
7		1	Rotor	(1) Not serviced,order REF. 1
8	3903846M91	1	Pulley	(1)
9	3904371M91	1	Kit, Bearing	(1)
10	3904377M91	1	Rectifier	(1)
11		1	Rear Cover Assy.	(1) Not serviced,order REF. 1
12		1	Parts Pack	(11) Not serviced,order REF. 1
13	3904373M91	1	Capacitor	(1)
14	3904374M1	1	Gasket	(1)
15	3904378M91	1	Cover	(1)
16	3904376M91	1	Regulator	(1)
17		1	Kit, Brush	(16) Not serviced,order REF. 1

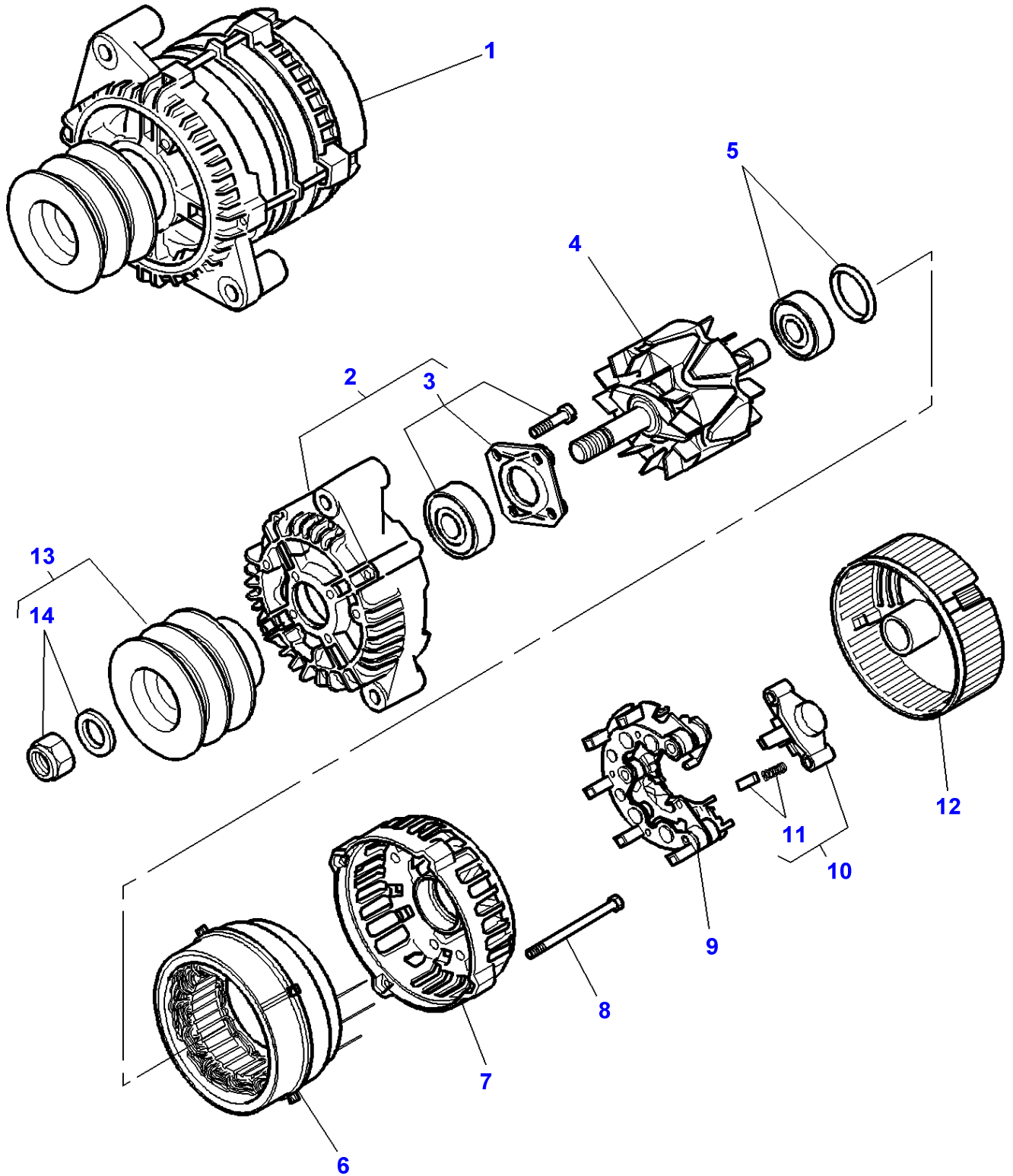
1-ZC34-001-B



Massey Ferguson**MF 8210/8220 TRACTORS - 1637365****1637365****Alternator - Valeo - Up to Serial or Engine Number K 289024****Page010-0040**

Item	Part Number	Qty	Description	Comments
1	3780634M1	1	Alternator	120 AMP
2	3903324M91	1	Support	(1)
3	3903321M91	1	Bridge	(1)
4	3903318M91	1	Regulator	(1)
5	3903319M91	1	Rotor	(1)
6	3903320M91	1	Stator	(1)
7	3903322M1	1	Pulley	(1)
8	3903323M91	1	Parts Pack	

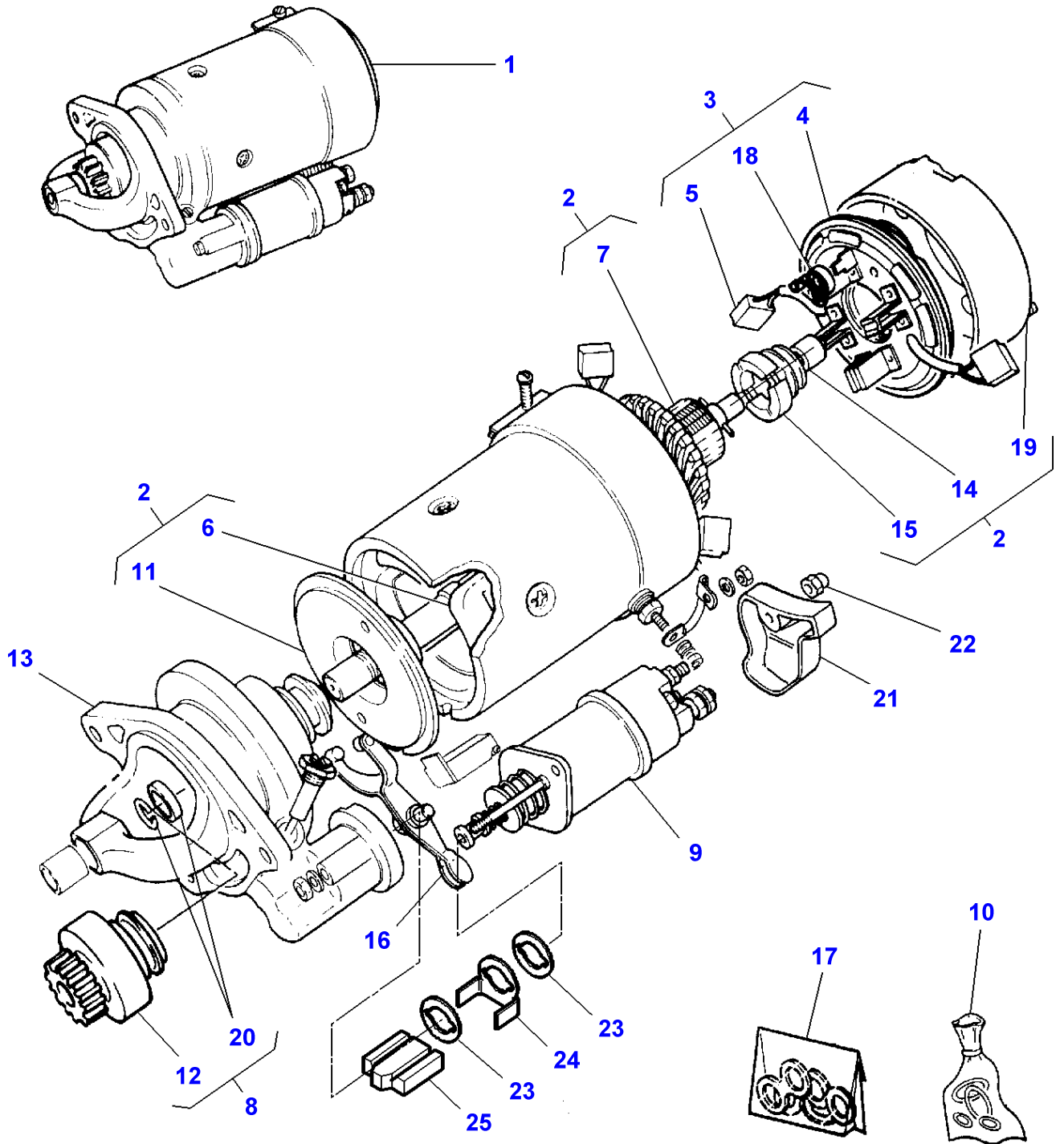
1-ZC35-005-B



Massey Ferguson**MF 8210/8220 TRACTORS - 1637365****1637365****Alternator - ISKRA - From Serial or Engine Number K 289025****Page010-0045**

Item	Part Number	Qty	Description	Comments
1	3788017M91	1	Alternator	120 AMP.
2		1	Nose	(1) Not serviced,order REF. 1
3	3904379M91	1	Kit, Bearing	(2)
4		1	Rotor	(1) Not serviced,order REF. 1
5	3904382M91	1	Kit, Bearing	(1)
6		1	Stator	(1) Not serviced,order REF. 1
7		1	Rear Cover Assy.	(1) Not serviced,order REF. 1
8	3904380M91	1	Kit, Bolt	(1)
9	3904383M91	1	Rectifier	(1)
10	3904385M91	1	Regulator	(1)
11		1	Kit, Brush	(10) Not serviced,order REF. 10
12	3904384M1	1	Cover	(1)
13	3903847M91	1	Pulley	(1)
14		1	Kit, Nut	(13) Not serviced,order REF. 13

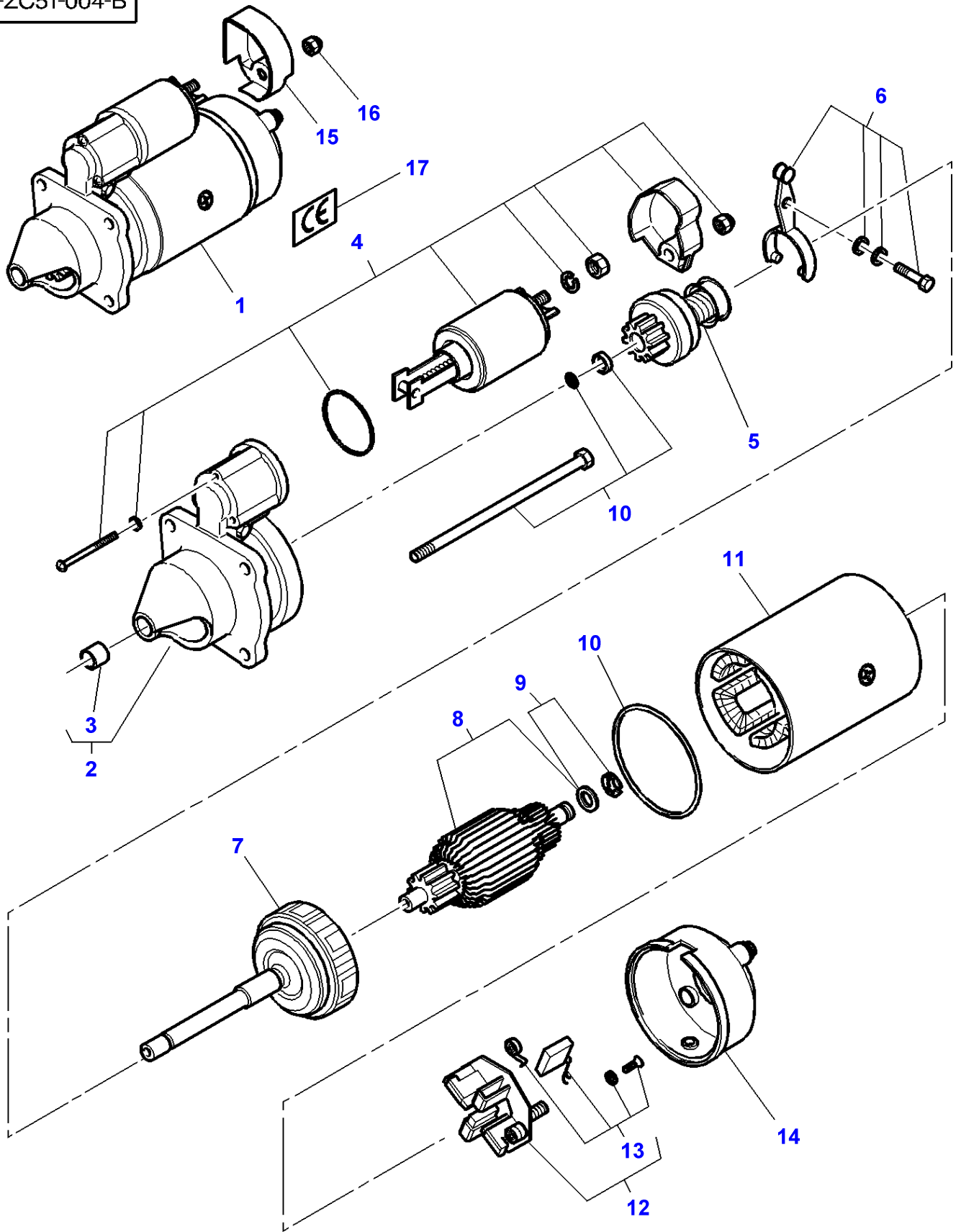
1-ZC50-002-B



Item	Part Number	Qty	Description	Comments
1	3581576M3	1	Startermotor	[A] M127/2.8
2	3902392M91	1	Parts Pack	(1)
3	3902391M91	1	Parts Pack	(1)
4		1	Kit, Spring	(3) Not serviced,order REF NO 3
5		1	Kit, Brush	(3) Not serviced,order REF NO 3
6		1	Coil	(2) Not serviced,order REF NO 2
7		1	Armature	(2) Not serviced,order REF NO 2
8	3902390M91	1	Parts Pack	(1)
9	3904281M2	1	Solenoid	(1) Replace and repair. Old not interchangeable with new 3901191M1
10	1887967M91	1	Kit	(1)
11		1	Bearing Plate	(2) Not serviced,order REF NO 2
12		1	Drive	(8) Not serviced,order REF NO 8
13	3901195M91	1	Bracket	(1) Up to Serial or Engine Number H174010
	3904181M91	1	Bracket	(1) From Serial or Engine Number H174011
14		1	Bush	(2) Not serviced,order REF NO 2
15		1	Kit, Brake	(2) Not serviced,order REF NO 2
16	1897317M92	1	Kit, Lever	(1)
17	1806002M1	1	Kit, Seal	(1)
18		1	Kit, Brush Plate	(3) Not serviced,order REF NO 3
19		1	Housing	(2) Not serviced,order REF NO 2
20		1	Kit, Retainer	(8) Not serviced,order REF NO 8
21	3611662M1	1	Cover	
22	3611638M1	1	Nut	
23	3904186M1	2	Gasket	(1) From Serial or Engine Number H174011
24	3904185M1	1	Carrier	(1) From Serial or Engine Number H174011
25	3904184M1	1	Grommet	(1) From Serial or Engine Number H174011

FOOTNOTE [A] THE APPROPRIATE SAFETY DECALS MUST BE ORDERED AND FITTED TO THIS PART

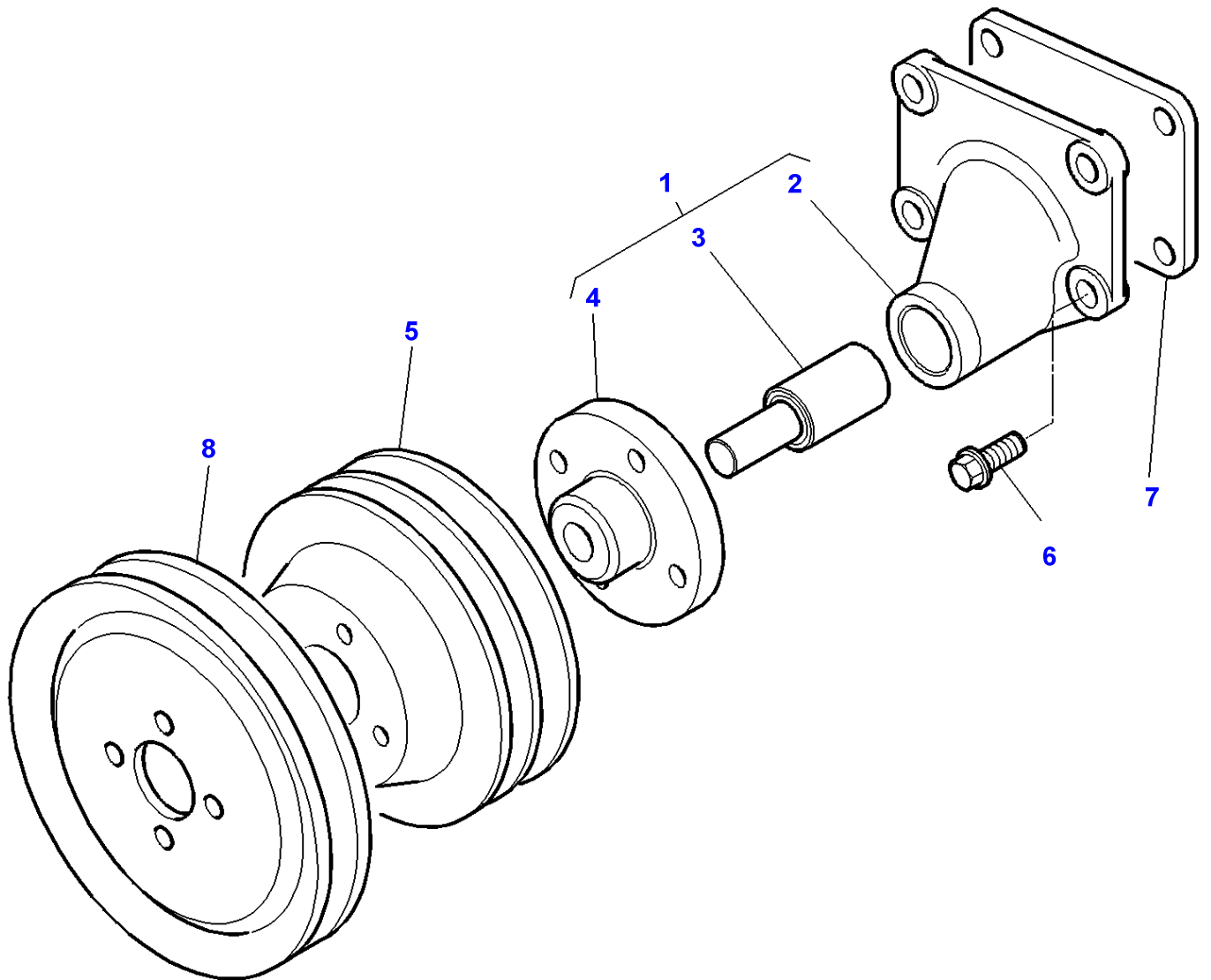
1-ZC51-004-B



Item	Part Number	Qty	Description	Comments
1	3823621M91	1	Startermotor	[A] AZF 4542 12V
2		1	Housing	(1) Not serviced,order REF. 1
3	3903761M1	1	Bearing	(2)
4	3904366M91	1	Kit, Solenoid	(1)
5	3904360M1	1	Drive Gear	(1)
6	3904361M91	1	Kit, Lever	(1)
7		1	Reducer	(1) Not serviced,order REF. 1
8		1	Rotor	(1) Not serviced,order REF. 1
9	3904362M91	1	Kit, Bearing	(1)
10	3904363M91	1	Parts Pack	(1)
11		1	Stator	(1) Not serviced,order REF. 1
12	3904364M91	1	Holder	(1)
13	3904365M91	1	Kit, Brush	(12)
14		1	Cover	(1) Not serviced,order REF. 1
15	3786093M1	1	Protector	
16	3786092M1	1	Nut	M10
17	3788193M1	1	Label	

FOOTNOTE [A] THE APPROPRIATE SAFETY DECALS MUST BE ORDERED AND FITTED TO THIS PART

1-ZH17-004-B

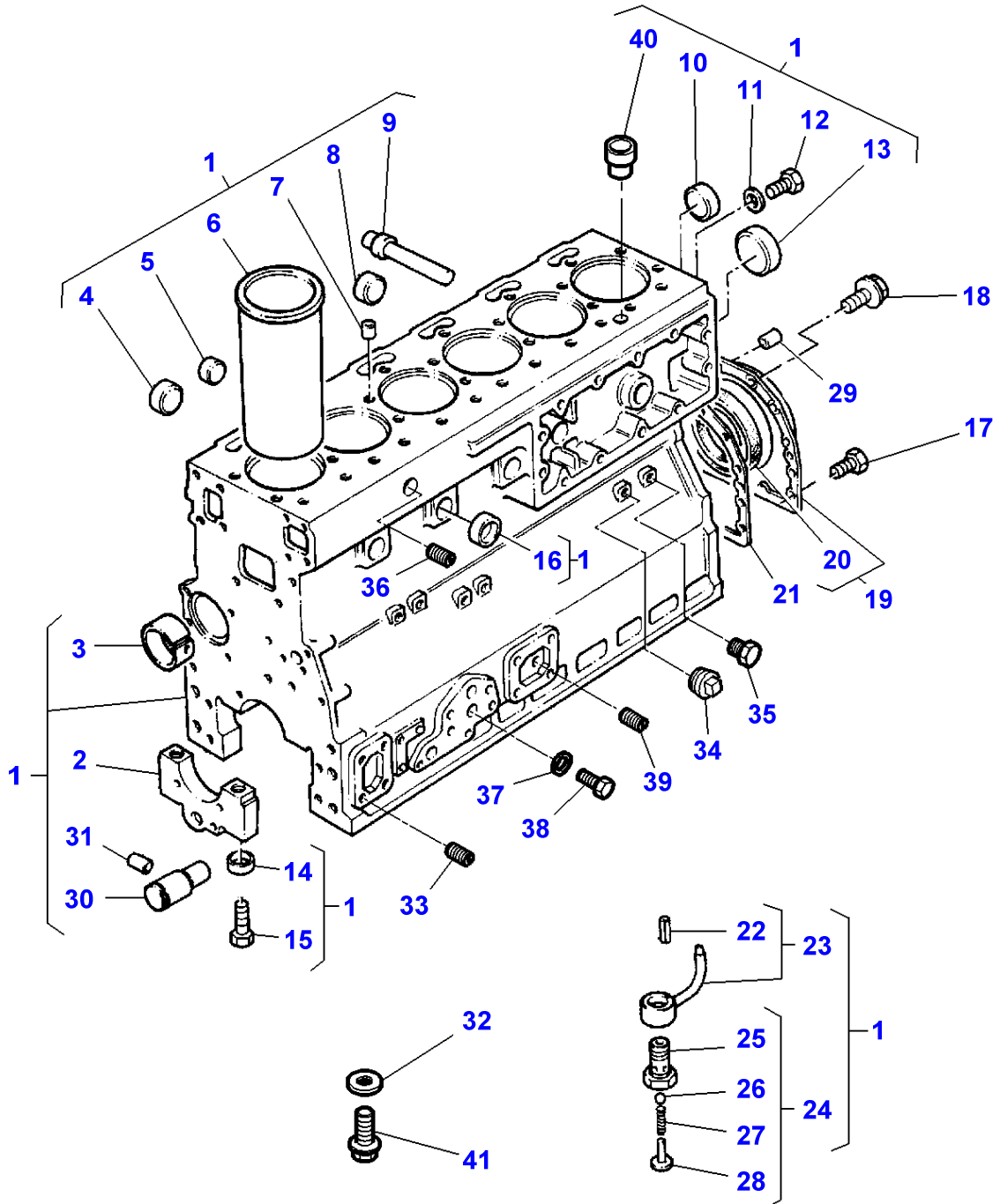


Fan Drive Section

Item	Part Number	Qty	Description	Comments
1	4222016M91	1	Fandrive Housing	
	4224465M91	1	Housing	[A] MF 8220 MF 8220 XTRA
2		1	Housing	(1) Not serviced,order REF NO 1
3		1	Bearing Assy	(1) Not serviced,order REF NO 1
4		1	Hub	(1) Not serviced,order REF NO 1
5	4222301M1	1	Pulley	
6	3638592M1	4	Screw	
7	4222197M1	1	Plate	
8	3808727M1	1	Pulley	

FOOTNOTE [A] ENGINE WITH AIR COMPRESSOR

1-ZH01-002-A



Cylinder Block

Item	Part Number	Qty	Description	Comments
1	4224542M91	1	Kit,Cyl.Block	Up to Serial or Engine Number U786028J MF 8210
	4224647M91	1	Cylinder Block	From Serial or Engine Number U786029J MF 8210
	4224542M91	1	Kit,Cyl.Block	MF 8220 MF 8220 XTRA
2		7	Cap	(1) Not serviced,order REF . 1
3	4222017M1	1	Bush	(1)
4	731354M1	3	Plug	[D] (1)
5	746259M1	3	Plug	[D] (1)
6	4222128M1	6	Liner	[B]
	4222129M1	6	Liner	[A] (1)
	4223985M1	6	Liner	[B] Thickness +0.25MM
7	736868M1	1	Plug	[G] (1)
8	4222012M1	5	Plug	[E] (1)
9	1476282X1	1	Plug	[F] (1)
10	746259M1	1	Plug	[H] (1)
11	3638664M1	1	Washer	(1)
12	376180X1	1	Plug	[I] (1)
13	4222043M1	1	Plug	[J] (1)
14	733072M1	14	Ring	(1)
15	1476108X1	14	Screw	(1)
16	746259M1	5	Plug	[C] (1)
17	3641756M1	2	Screw	
18	3637008M1	12	Screw	
19	3640868M91	1	Housing	
20	1447691M1	1	Seal	(19)
21	4223587M1	1	Joint.	
22	4222512M1	1	Dowel	(23)
	1447763M1		Dowel	
23	4224385M91	6	Jet	(1)
24	3637005M91	6	Valve.	(1)
25		1	Body	(24) Not serviced,order REF. 24
26	3637006M1	1	Ball	(24)
27	748149M1	1	Spring	(24)
28	3637007M1	1	Retainer	(24)
29	731947M1	2	Dowel	
30	3641847M1	1	Shaft	(1)
31	3638414M1	1	Pin	
32	376616X1	6	Bush	(1)
33	748393M1	4	Plug	
34	731996M1	2	Plug	
35	376670X1	2	Plug	
36	376606X1	1	Plug	
37	1650388M1	1	Washer	
38	3638809M1	1	Screw	
39	4224584M1	1	Plug	
40	4222439M1	2	Dowel	(1)
41	348281X1	6	Screw	(1)

FOOTNOTE [A] UNFINISHED - PRESS FIT

FOOTNOTE [B] FINISHED - SLIP FIT

FOOTNOTE [C] WATER JACKET , LEFT HAND SIDE

FOOTNOTE [D] WATER JACKET , RIGHT HAND SIDE

FOOTNOTE [E] TAPPET CHAMBER

FOOTNOTE [F] ROCKER OIL FEED DRILLING, RIGHT HAND SIDE

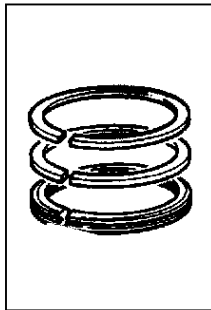
FOOTNOTE [G] ROCKER OIL FEED DRILLING, TOP FACE

FOOTNOTE [H] WATER JACKET , REAR FACE

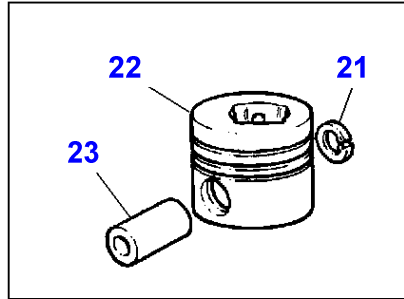
Cylinder Block

Item	Part Number	Qty	Description	Comments
FOOTNOTE	[I]		LUBRICATING OIL PRESSURE RAIL , REAR END	
FOOTNOTE	[J]		CAMSHAFT CHAMBER, REAR END	

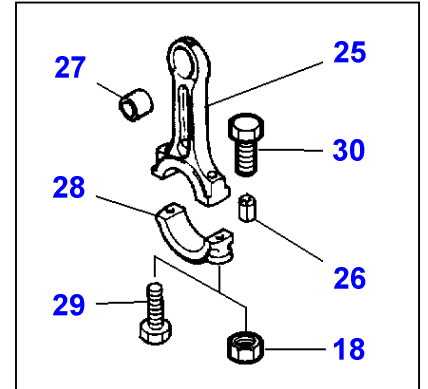
1-ZH02-002-C



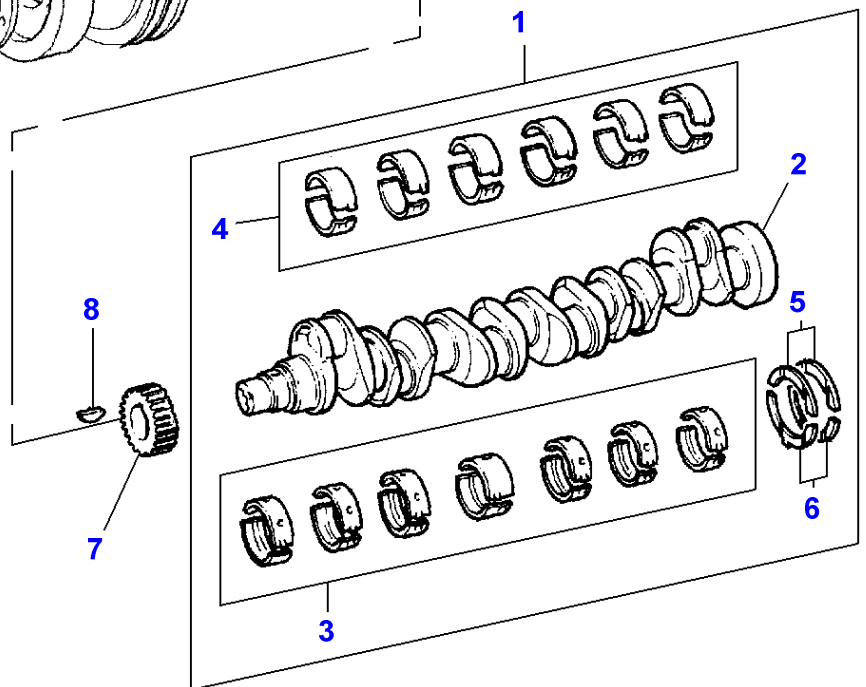
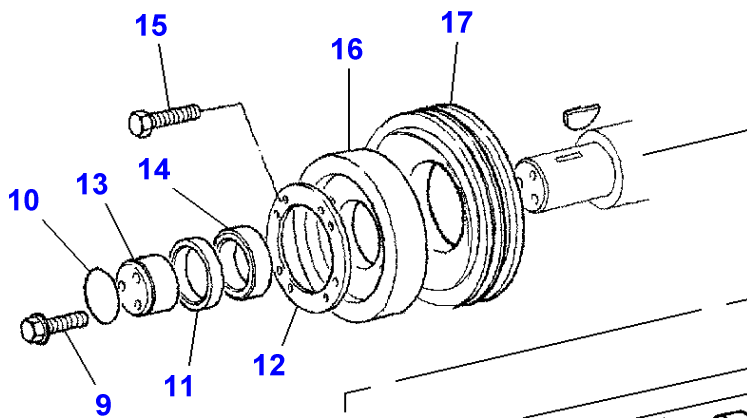
19



20



24



Crankshaft, Pistons And Connecting Rods

Item	Part Number	Qty	Description	Comments
1	4222279M91	1	Kit, Crankshaft	MF 8210
	3637019M91	1	Kit, Crankshaft	MF 8220
				MF 8220 XTRA
2		1	Crankshaft	(1) Not serviced,order REF.1
3	3637020M91	1	Kit, Bearing	[A] (1)
	3637021M91	X	Kit, Bearing	[A] Thickness (-)0.25MM
	3637022M91	X	Kit, Bearing	[A] Thickness (-)0.50MM
	3637023M91	X	Kit, Bearing	[A] Thickness (-)0.75MM
4	3637024M91	1	Kit, Bearing	[A] (1)
	3637025M91	X	Kit, Bearing	[A] Thickness (-)0.25MM
	3637026M91	X	Kit, Bearing	[A] Thickness (-)0.50MM
	3637027M91	X	Kit, Bearing	[A] Thickness (-)0.75MM
5	747128M1	2	Thrust Washer	(1)
	735742M1	X	Washer	Thickness (+)0.19MM
6	747129M1	2	Thrust Washer	(1)
	735743M1	X	Washer	Thickness (+)0.19MM
7	748201M1	1	Gear	
8	2196X	1	Key	
9	748074M1	3	Screw	
10	1447207M1	1	O Ring	
11	1447128M1	1	Spacer	
12	3638589M1	1	Plate	
13	742536M1	1	Thrust Plate	
14	748315M1	1	Spacer	
15	3638590M1	6	Screw	
16	1476037M1	1	Damper	
17	3638588M1	1	Pulley	
18	3637030M1	12	Nut	[B] (24)
19	4222136M91	6	Kit, Piston Ring	
20	4222134M91	6	Kit, Piston	HIGH GRADE
21	4222135M1	2	Circlip	(20)
22		1	Piston	(20) Not serviced,order REF. 20
23		1	Pin	(20) Not serviced,order REF. 20
24	4223432M91	6	Kit, Conrod	HIGH GRADE
	4223433M91	6	Kit, Conrod	WHITE "H"
	4223434M91	6	Kit, Conrod	INT GRADE GREEN "J"
	4223435M91	6	Kit, Conrod	INT GRADE PURPLE "K"
	4223522M91	6	Kit, Conrod	LOW GRADE BLUE "L"
	4223523M91	6	Kit, Conrod	[B] MF 8220 MF 8220 XTRA HIGH GRADE "L"
				[B] MF 8220 MF 8220 XTRA LOW GRADE "H"
25		1	Rod	(24) Not serviced,order REF. 24
26	4222133M1	2	Dowel	(24)
27	4222131M1	1	Bush	(24)
28		1	Cap	(24) Not serviced,order REF. 24
29	4222132M1	2	Screw	(24)
30	4222485M1	12	Screw	[B] (24)

Massey Ferguson

MF 8210/8220 TRACTORS - 1637365

1637365

Crankshaft, Pistons And Connecting Rods

Page010-0070

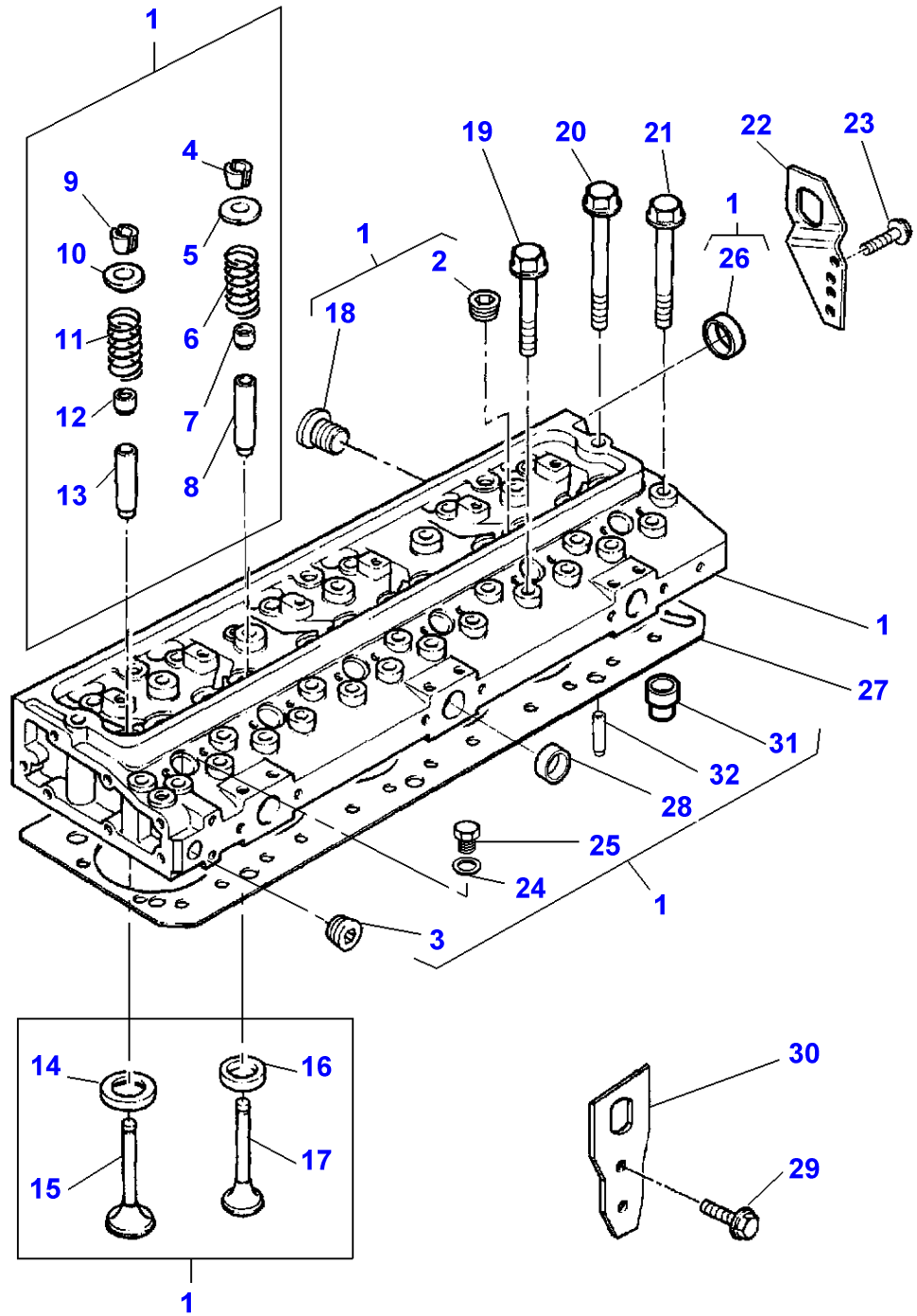
Item	Part Number	Qty	Description	Comments
-------------	--------------------	------------	--------------------	-----------------

FOOTNOTE [A] PRE-FINISHED

FOOTNOTE [B] ENGINE WITH AIR COMPRESSOR

MF 8210/8220 TRACTORS - 1637365
1-ZH03-002-A

1-ZH03-002-A

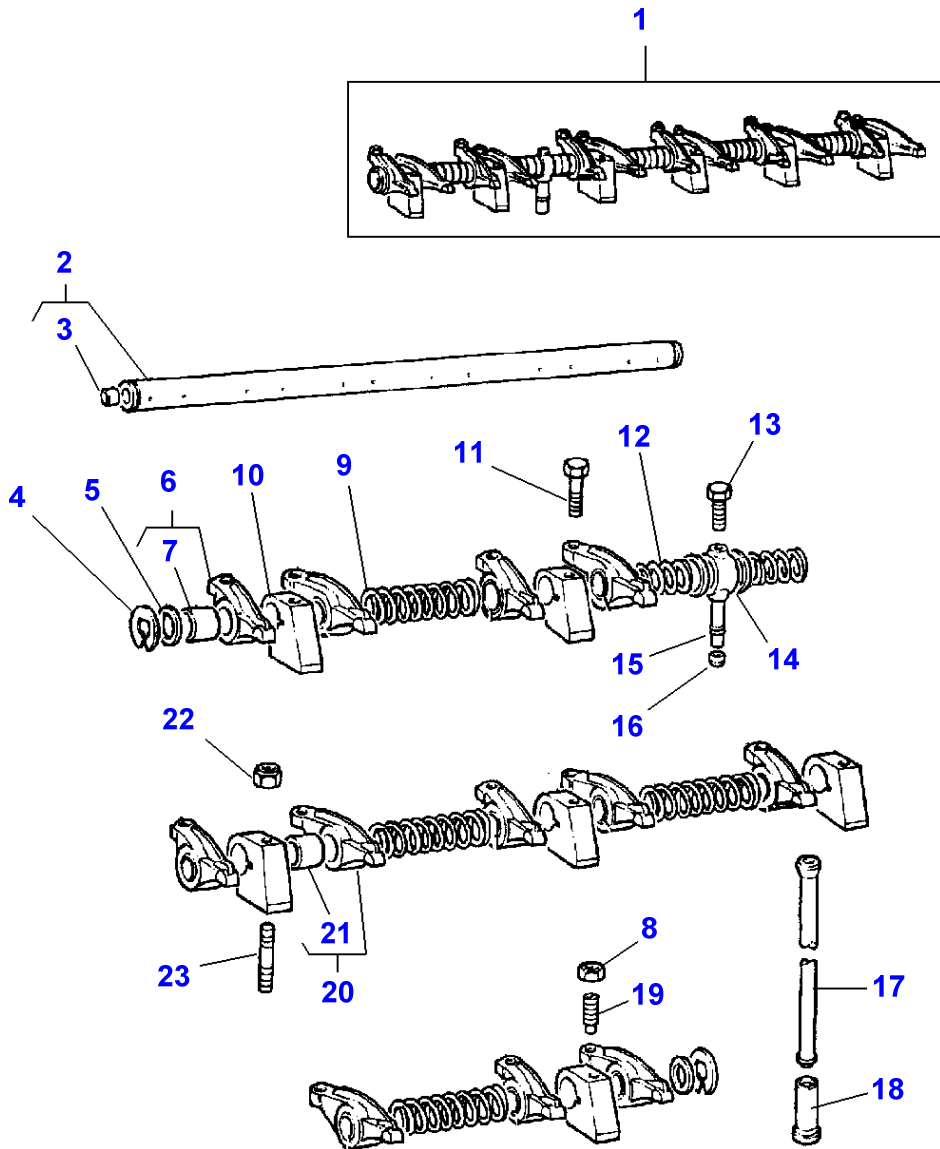


Cylinder Head

Item	Part Number	Qty	Description	Comments
1	4223757M91	1	Kit, Cyl. Head	MF 8210
	4223594M91	1	Kit, Cyl. Head	MF 8220
				MF 8220 XTRA
2	4224584M1	6	Plug	(1)
3	376606X1	1	Plug	(1)
4	4222141M1	12	Cotter	[A]
				(1)
5	4222140M1	6	Cap	(1)
6	4222139M1	6	Spring	(1)
7	4223442M1	6	Seal	(1)
8	4223581M1	6	Valve Guide	(1)
9	4222141M1	12	Cotter	[A]
				(1)
10	4222140M1	6	Cap	(1)
11	4222139M1	6	Spring	(1)
12	4222333M1	6	Oil Seal	(1)
13	4223987M1	6	Guide	(1)
				Replace and repair. Old not interchangeable with new 4222954M1
14	4222895M1	6	Insert	(1)
				MF 8210
	4222148M1	6	Insert	(1)
				MF 8220
				MF 8220 XTRA
15	4222894M1	6	Valve Inlet	(1)
				MF 8210
	4222149M91	6	Valve Inlet	(1)
				MF 8220
				MF 8220 XTRA
16	4222897M1	6	Insert	(1)
				MF 8210
	4224284M1	6	Insert	(1)
				MF 8220
				MF 8220 XTRA
17	4222896M1	6	Valve Exhaust	(1)
				MF 8210
	4222147M91	6	Valve Exhaust	(1)
				MF 8220
				MF 8220 XTRA
18	4222144M1	1	Plug	(1)
19	745662M1	12	Screw	
20	1476243X1	2	Screw	
21	745663M1	18	Screw	
22	4222170M1	1	Plate	
23	3637051M1	2	Screw	
24	376178X1	1	Washer	(1)
25	731410M1	1	Plug	(1)
26	746259M1	1	Plug	(1)
27	4222354M1	1	Head Gasket	
28	731354M1	3	Plug	(1)
29	3637051M1	2	Screw	
30	4222228M1	1	Plate	
31	4222439M1	2	Dowel	(1)
32	4222552M1	2	Dowel	(1)

FOOTNOTE [A] SERVICED IN PAIRS

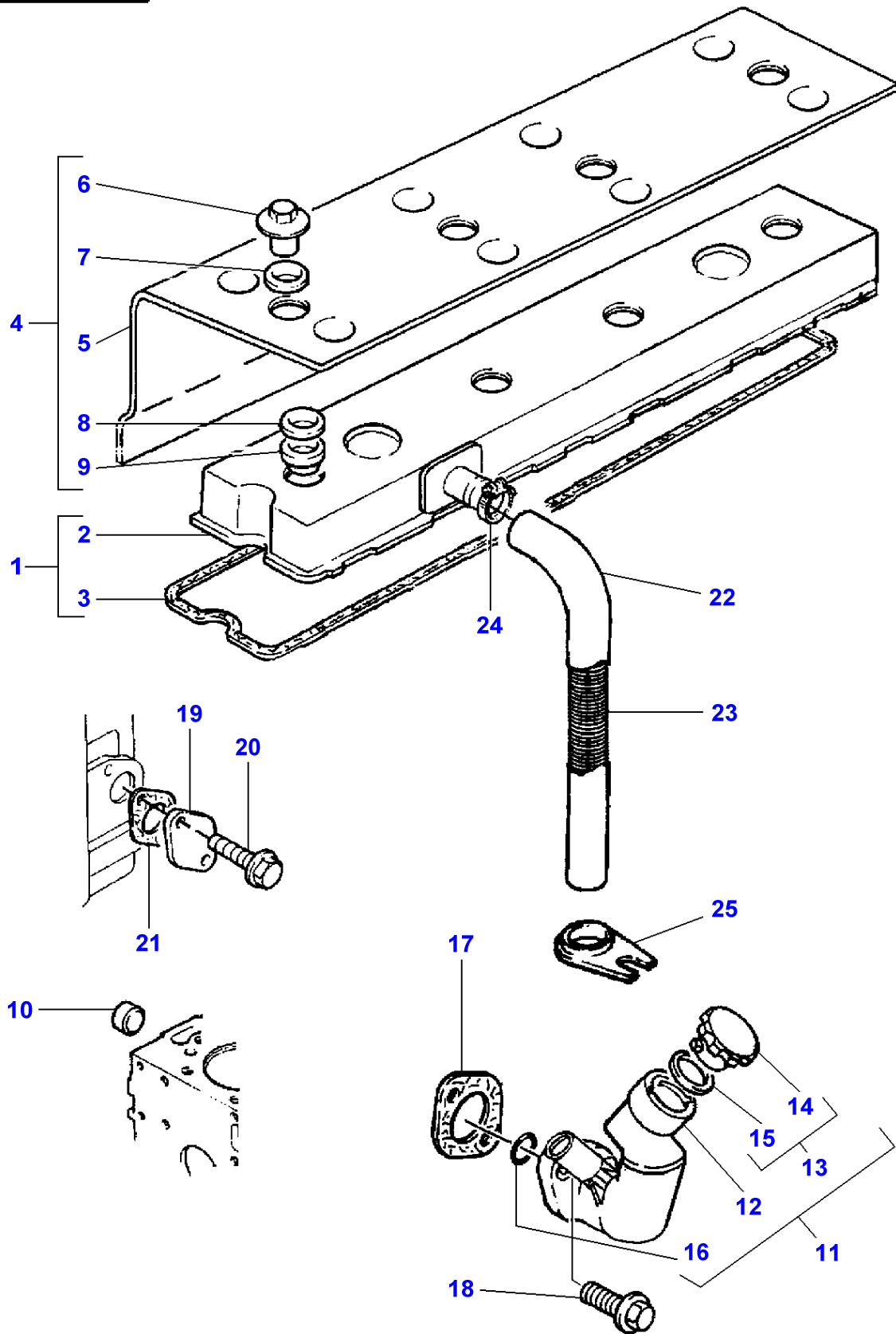
1-ZH04-002-A



Rocker Shaft

Item	Part Number	Qty	Description	Comments
1	4224482M91	1	Rocker Shaft Ass	Replace and repair. Old not interchangeable with new 4222334M91
2	4222335M91	1	Rocker Shaft	(1)
3	731330M1	2	Plug	(2)
4	376137X1	2	Circlip	(1)
5	4222156M1	2	Washer	(1)
6	4224543M1	6	Rocker	(1)
7	4224553M1	1	Bush	Replace and repair. Old interchangeable with new 4222157M1 (6)
8	376123X1	12	Nut	Replace and repair. Old not interchangeable with new 4222158M1 (1)
9	733811M1	4	Spring	(1)
10	3638403M1	6	Bracket	(1)
11	3637073M1	2	Screw	
12	733812M1	2	Spring	(1)
13	3638500M1	1	Screw	(1)
14	739513M91	2	Shim	(1)
15	3638499M1	1	Connection	(1)
16	376525X1	1	Olive	
17	733817M1	12	Rod	
18	4222069M1	12	Tappet	
19	4223933M1	12	Screw	(1) MF 8210
	731516M1	12	Bolt	(1) MF 8220
	4223933M1	12	Screw	Up to Serial or Engine Number 26-03-99 (1) MF 8220
	4223933M1	12	Screw	From Serial or Engine Number 27-03-99 (1) MF 8220 XTRA
20	4224544M1	6	Rocker	(1) Replace and repair. Old interchangeable with new 4222159M1
21	4224553M1	1	Bush	(20) Replace and repair. Old not interchangeable with new 4222158M1
22	3637067M1	4	Nut	
23	3637066M1	4	Stud	

1-ZH10-005-B



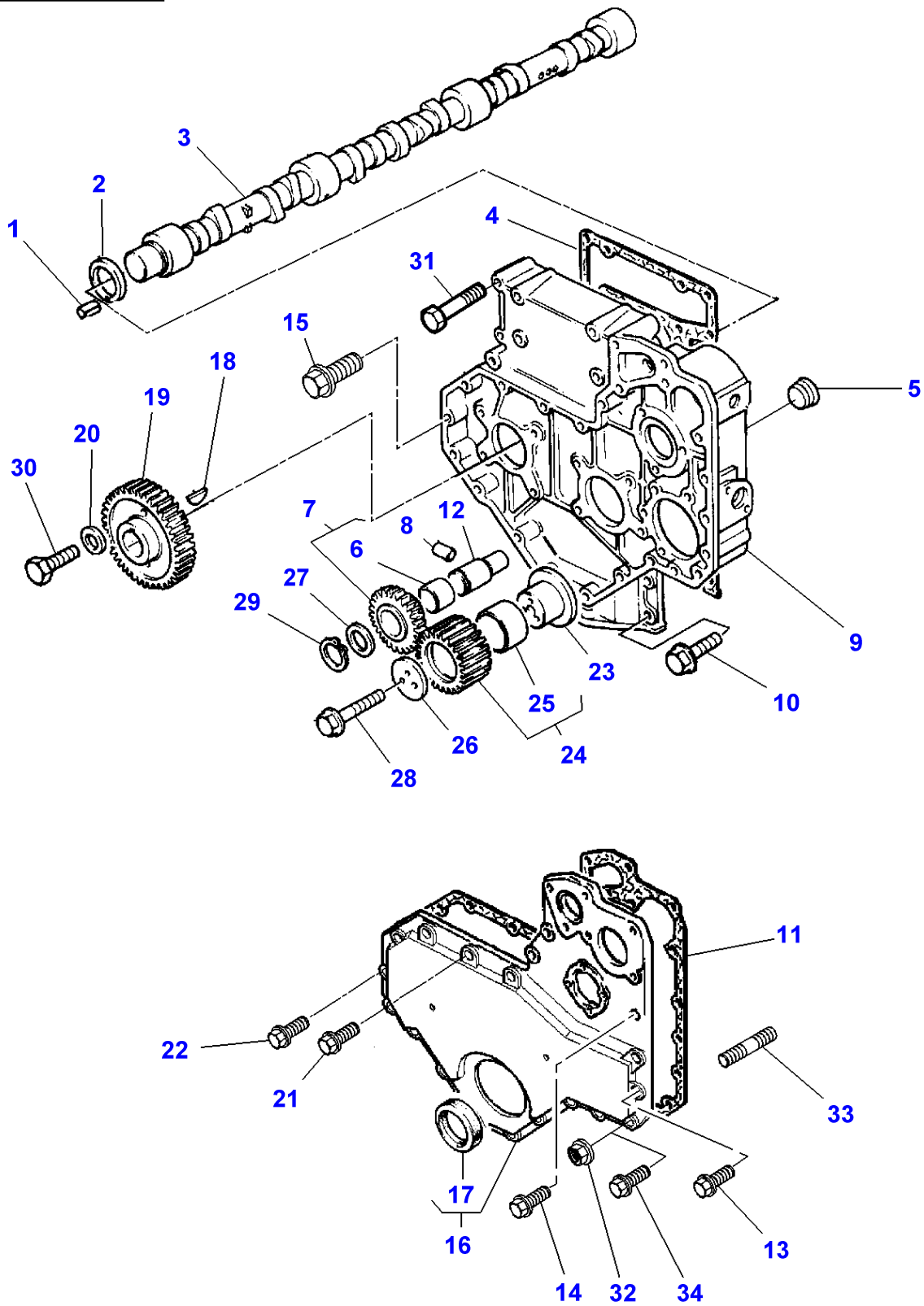
Lubricating Oil Filler And Breather

Item	Part Number	Qty	Description	Comments
1	4223935M91	1	Cyl.Head Cover	Replace and repair. Old interchangeable with new 4223721M91
	4223935M91	1	Cyl.Head Cover	[A] MF 8220 MF 8220 XTRA
2		1	Cover	(1) Not serviced,order REF NO 1
3	4224398M1	1	Gasket	(1) Replace and repair. Old not interchangeable with new 4222930M1
4	4223723M91	1	Cover	
5		1	Cover	(4) Not serviced,order REF NO 4
6	4223724M1	4	Nut	(4)
7	376656X1	4	Washer	(4)
8	4223725M1	4	Washer	(4)
9	3638640M1	4	Bush	(4)
10	4222012M1	1	Plug	
11	4222041M1	1	Filler	
12		1	Filler	(11) Not serviced,order REF NO 11
13	3641889M1	1	Cap	(11)
14		1	Cap	(13) Not serviced,order REF NO 13
15	3641231M1	1	O Ring	(13)
16	4222713M1	1	O Ring	(11)
17	3641284M1	1	Joint.	
18	3637011M1	2	Screw	
19	3641267M1	1	Plate	
20	3637008M1	1	Screw	
21	3641266M1	1	Joint.	
22	740597M1	1	Pipe	
23	745540M1	1	Spring	
24	3638640M1	1	Bush	
25	745489M1	1	Bracket	

FOOTNOTE [A] ENGINE WITH AIR COMPRESSOR

MF 8210/8220 TRACTORS - 1637365
1-ZH08-002-B

1-ZH08-002-B



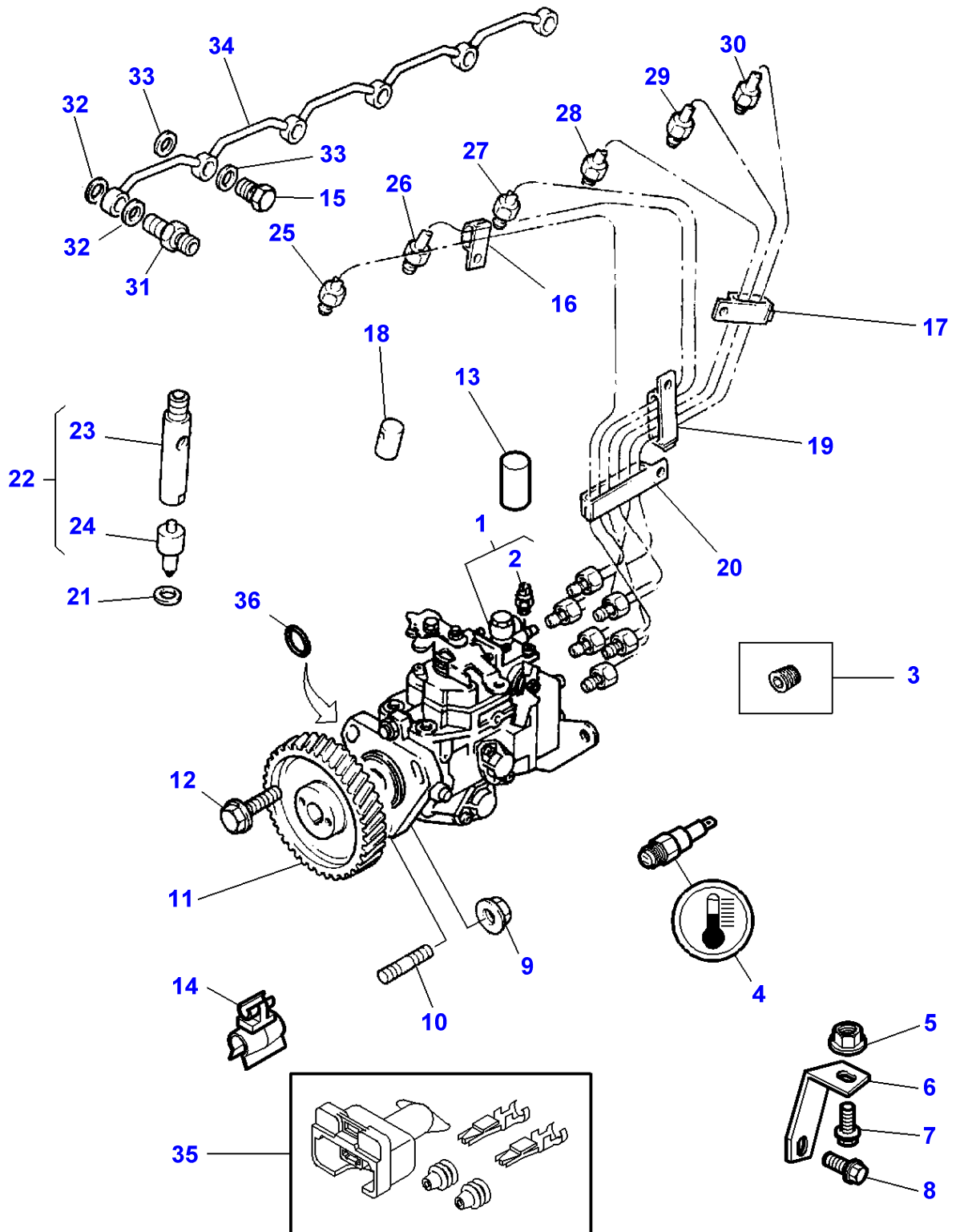
Timing Gear And Camshaft

Item	Part Number	Qty	Description	Comments
1	1476145X1	1	Dowel	
2	733728M1	1	Washer	
3	4222161M1	1	Camshaft	
4	4224442M1	1	Gasket	Replace and repair. Old not interchangeable with new 3640678M1
5	376606X1	1	Plug	
6	1447752M1	1	Bush	(7)
7	748072M91	1	Gear,Idler	
8	3638414M1	1	Pin	
9	4223596M1	1	Timing Case	
	4224431M1	1	Timing Gear Case	[A] MF 8220 MF 8220 XTRA
10	3637011M1	4	Screw	
11	4222828M1	1	Gasket	
	4224629M1	1	Gasket	[A] MF 8220 MF 8220 XTRA Replace and repair. Old not interchangeable with new 4224445M1
12	3641847M1	1	Shaft	
13	3637092M1	2	Screw	
14	3637011M1	1	Screw	
15	3637008M1	8	Screw	
16	4223472M1	1	Cover	MF 8210
	4223472M1	1	Cover	MF 8220 Up to Serial or Engine Number 12-02-2001
	4224444M1	1	Cover	[A] MF 8220 MF 8220 XTRA
	4224444M1	1	Cover	MF 8220 From Serial or Engine Number 13-02-2001
	4224444M1	1	Cover	MF 8220 XTRA
17	1447690M1	1	Seal	(16)
18	2196X	1	Key	
19	3641739M1	1	Gear	
20	747557M1	1	Washer	
21	3637085M1	6	Screw	
22	3637102M1	6	Screw	
23	735852M1	1	Hub	
24	3637075M91	1	Gear,Idler	
25	731033M1	1	Bush	(24)
26	3641760M1	1	Plate	
27	3637078M1	1	Washer	
28	3637076M1	3	Screw	
29	1476193X1	1	Circlip	
30	1476280X1	1	Screw	
31	3637096M1	4	Screw	
32			Not Used	
33			Not Used	
34	3637092M1	X	Screw	

FOOTNOTE [A] ENGINE WITH AIR COMPRESSOR

MF 8210/8220 TRACTORS - 1637365
1-ZH09-019-D

1-ZH09-019-D



Fuel Injection Equipment (Diesel)

Item	Part Number	Qty	Description	Comments
1	4223759M91	1	Injection Pump	MF 8210
	4224493M91	1	Injection Pump	MF 8220
2	1896464M1	1	Solenoid	(1) Up to Serial or Engine Number U097118G
	4224321M1	1	Solenoid	(1) From Serial or Engine Number U097119G
3	731996M1	1	Plug	
4	4223862M1	1	Sender	[C] 3/8
5	3637137M1	1	Nut	
6	4222182M1	1	Bracket	
7	3637008M1	1	Screw	
8	3637139M1	1	Screw	
9	3637137M1	3	Nut	
10	4222709M1	3	Stud	
11	4222832M1	1	Gear,Fuel Pump	
12	3637044M1	4	Screw	
13	4223953M1	1	Cap	MF 8220 MF 8220 XTRA
	4224464M1	1	Cap	[A] OPTION MF 8220 MF 8220 XTRA
14		X	Not Used	MF 8210
	4223106M1	2	Clip	MF 8220 MF 8220 XTRA
15	3641699M1	5	Banjo Bolt	
16	4222083M1	3	Clip	
17	4222084M1	1	Clip	
18	4224464M1	1	Cap	
19	4222085M1	1	Clip	
20	4222294M1	1	Clip	
21	3641568M1	6	Washer	
22	4223760M91	6	Atomiser	MF 8210
	4222255M1	6	Atomiser	MF 8220 MF 8220 XTRA
23	4222976M1	1	Atomiser Body	(22) MF 8210
	4222190M1	1	Atomiser Body	(22) MF 8220 MF 8220 XTRA
24	4223761M1	1	Nozzle	(22) MF 8210
	4222256M1	1	Nozzle	(22) MF 8220 MF 8220 XTRA
25	4223597M1	1	Pipe,Fuel	NO.1 CYL.
26	4223598M1	1	Pipe,Fuel	NO.2 CYL.
27	4223715M1	1	Pipe,Fuel	NO.3 CYL.
28	4223716M1	1	Pipe,Fuel	NO.4 CYL.
29	4223717M1	1	Pipe,Fuel	NO.5 CYL.
30	4223718M1	1	Pipe,Fuel	NO.6 CYL.
31	4222194M1	1	Connection	
32	4224454M1	2	Washer	Replace and repair. Old not interchangeable with new 4222193M1
33	4224454M1	10	Washer	Replace and repair. Old not interchangeable with new 4222193M1
34	4222192M1	1	Leak-Off Pipe	
35	4224322M91	1	Kit, Conversion	[B]
36	4222059M1	1	O Ring	[D] MF 8210
	4222834M1	1	O Ring	[E] MF 8220 MF 8220 XTRA

FOOTNOTE [A] ENGINE WITH AIR COMPRESSOR

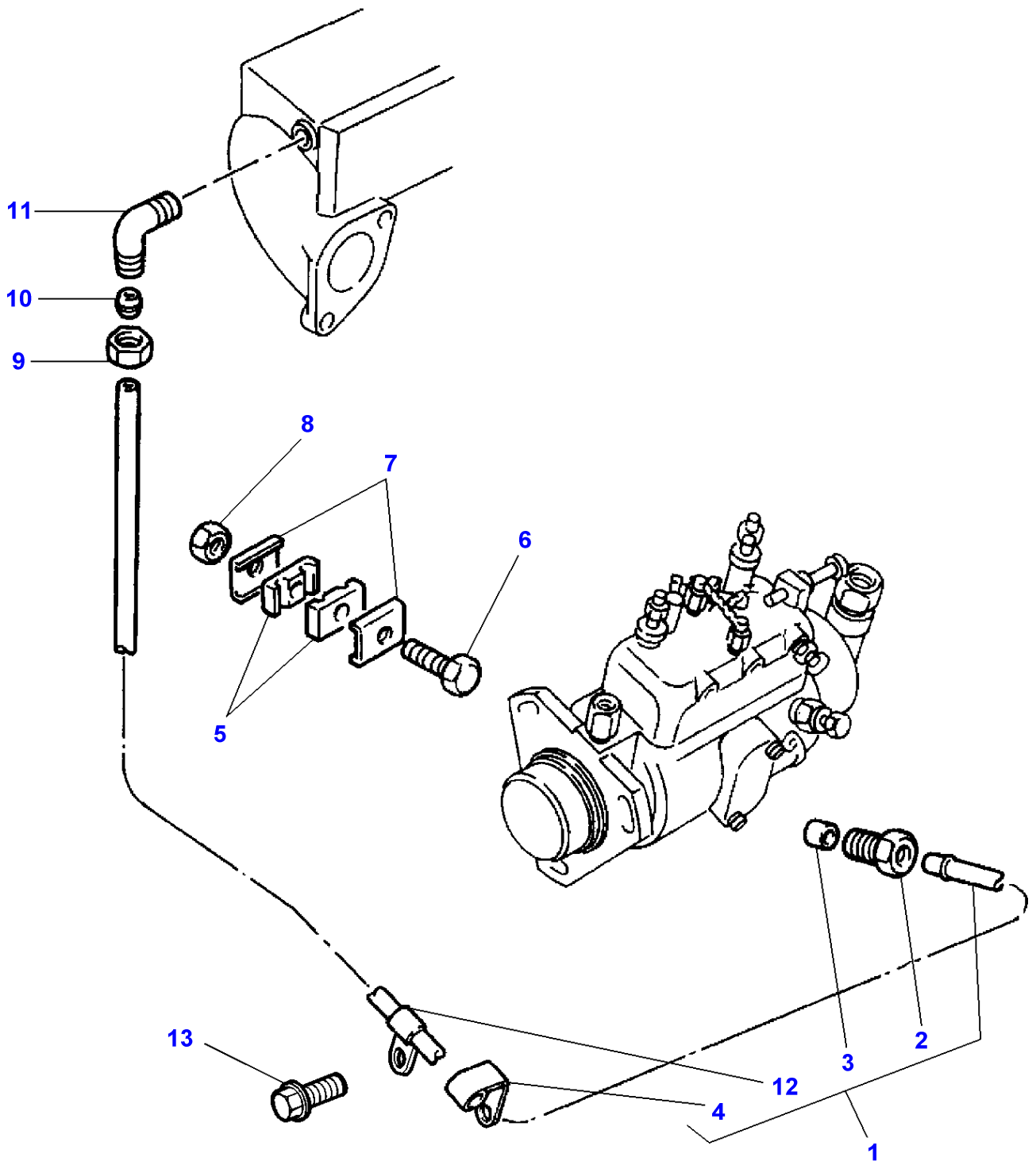
FOOTNOTE [B] TO FIT NEW SOLENOID WITH OLD HARNESS

FOOTNOTE [C] TEMPERATURE SWITCH WITH 2 BLADE TERMINAL

FOOTNOTE [D] ROUND ROPE

FOOTNOTE [E] SQUARE SECTION

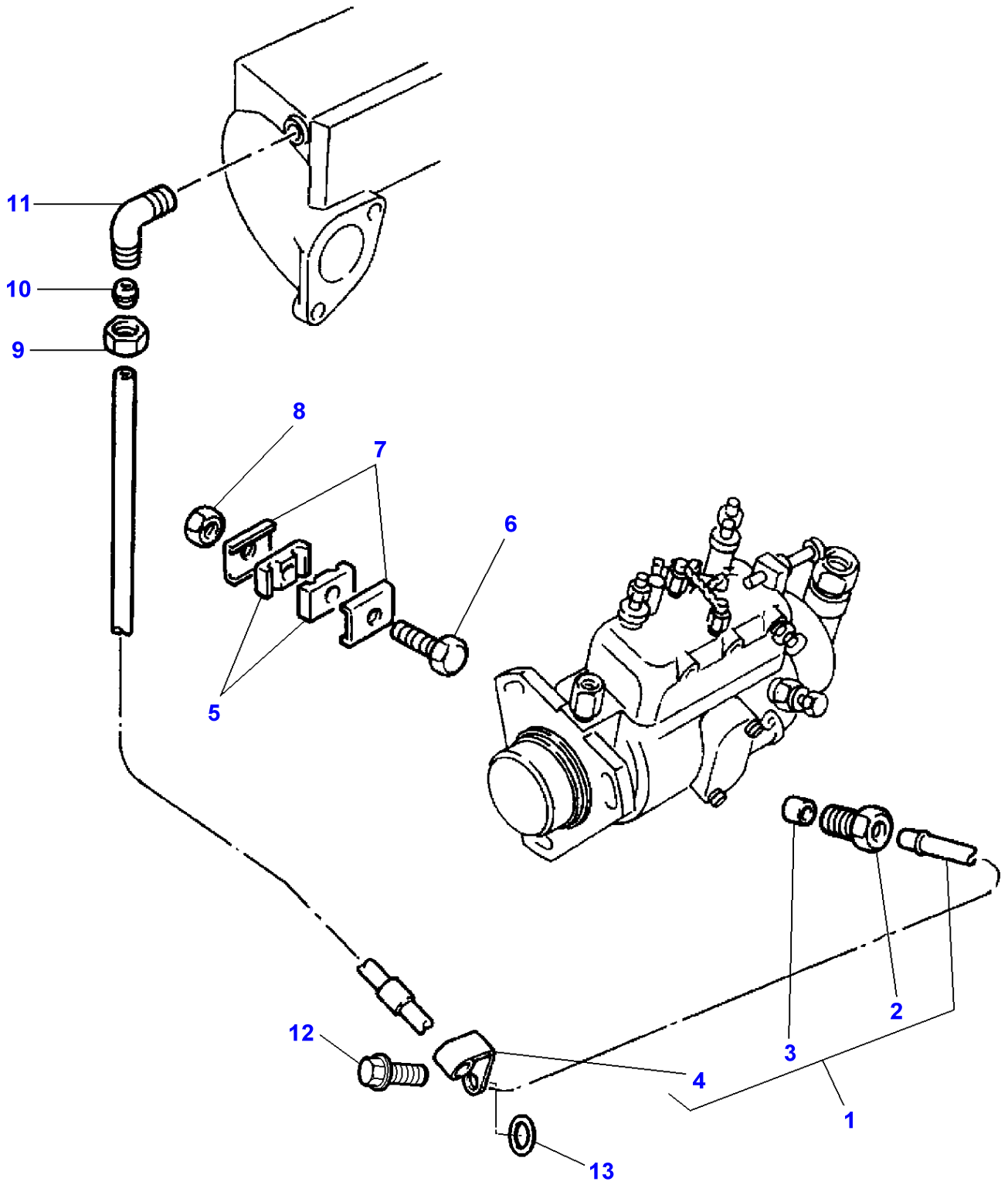
1-ZH09-017-B



Massey Ferguson**MF 8210/8220 TRACTORS - 1637365****1637365****Fuel Injection Equipment (Diesel) - M.F 8210****Page010-0100**

Item	Part Number	Qty	Description	Comments
1	4223860M91	1	Pipe,Air	
2	3637157M1	1	Nut	(1)
3	3638445M1	1	Olive	(1)
4	747674M1	1	Clip	(1)
5	733868M1	1	Clip	
6	3637173M1	1	Screw	
7	733869M1	2	Channel	
8	3637174M1	1	Nut	
9	375738X1	1	Nut	
10	827276M1	1	Olive	
11	731250M1	1	Connection	
12	3637171M1	1	Clip	(1)
13	3641654M1	1	Screw	

1-ZH09-018-A



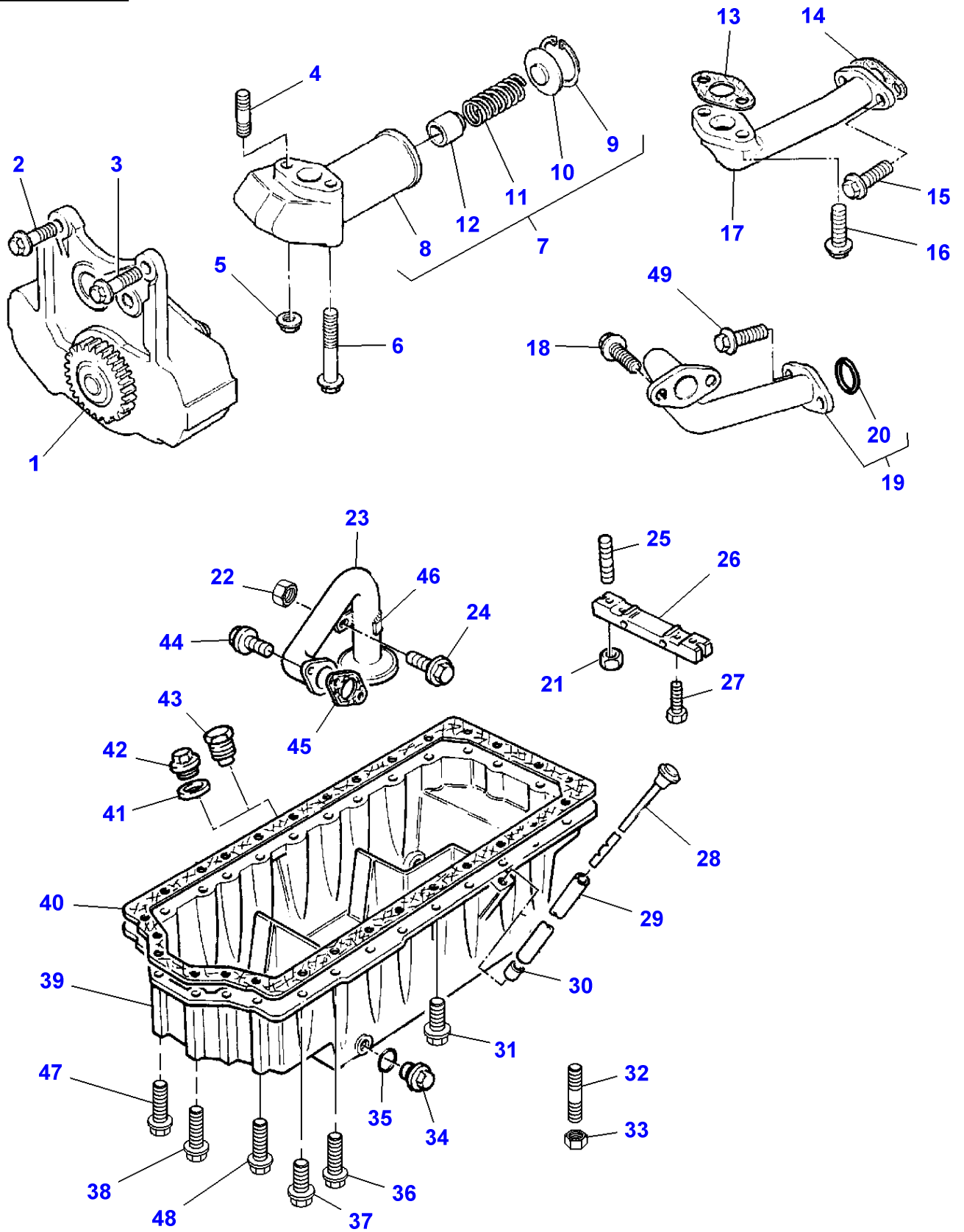
Massey Ferguson**MF 8210/8220 TRACTORS - 1637365****1637365****Fuel Injection Equipment (Diesel) - M.F 8220 - 8220 XTRA****Page010-0105**

Item	Part Number	Qty	Description	Comments
1	4224463M1	1	Pipe,Air	Replace and repair. Old not interchangeable with new 4223509M1
	4224463M1	1	Pipe,Air	[A] Replace and repair. Old not interchangeable with new 4223509M1
2	3637157M1	1	Nut	(1)
3	376524X1	1	Olive	(1)
4	3637171M1	1	Clip	(1)
5	733868M1	1	Clip	
6	3637173M1	1	Screw	
7	733869M1	2	Channel	
8	3637174M1	1	Nut	
9	375738X1	1	Nut	
10	827276M1	1	Olive	
11	731250M1	1	Connection	
12	4223010M1	1	Screw	
13	743028M1	1	Spacer	

FOOTNOTE [A] ENGINE WITH AIR COMPRESSOR

MF 8210/8220 TRACTORS - 1637365
1-ZH11-002-D

1-ZH11-002-D

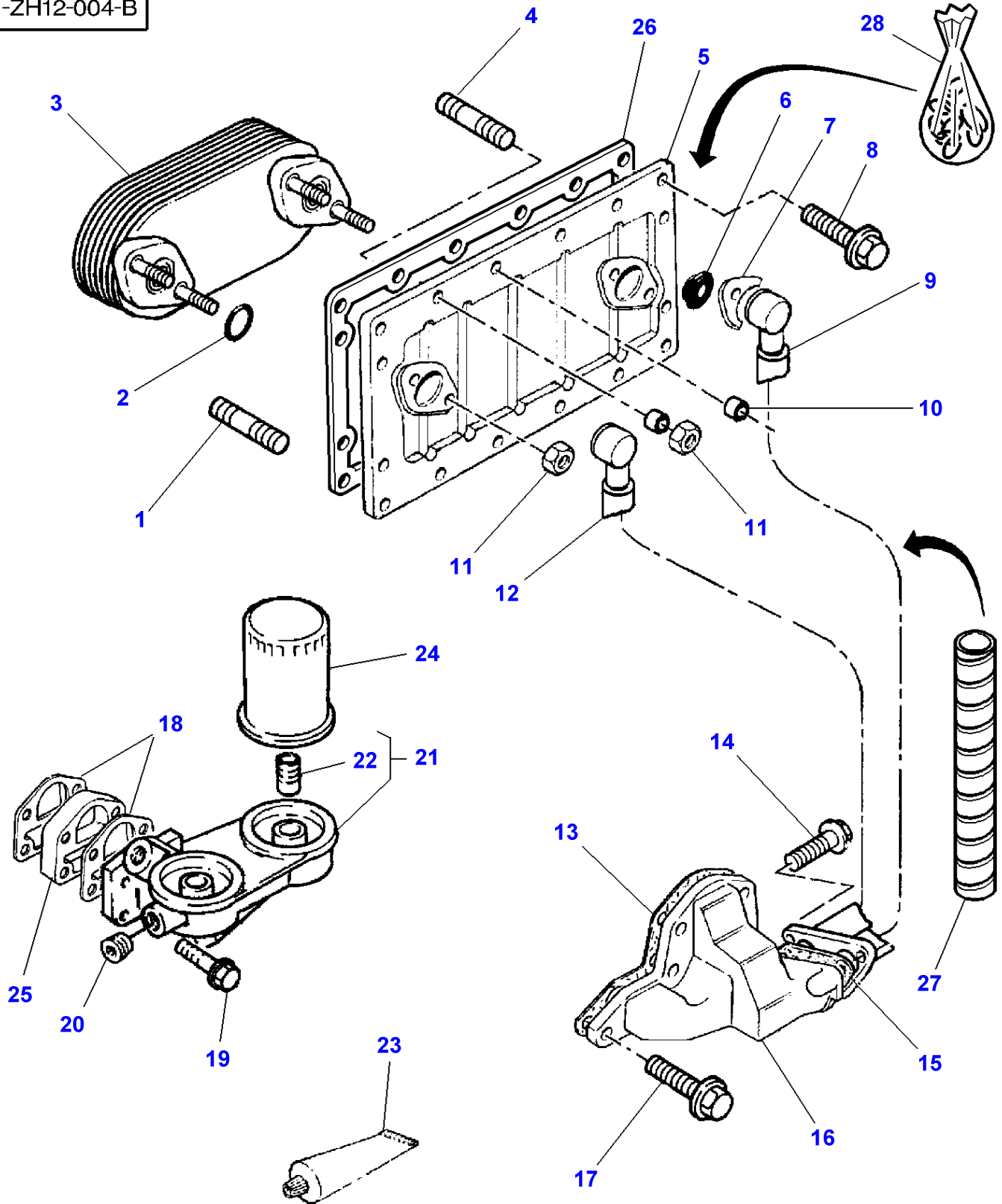


Lubricating Oil Sump

Item	Part Number	Qty	Description	Comments
1	3641171M91	1	Oil Pump	
2	3637011M1	2	Screw	
3	3637044M1	1	Screw	
4	3638684M1	1	Stud	
5	3637137M1	1	Nut	
6	3637095M1	1	Screw	
7	3637242M91	1	Valve.	
8		1	Body	(7) Not serviced,order REF. 7
9	3637243M1	1	Circlip	(7)
10	744534M1	1	Seat	(7)
11	742692M1	1	Spring	(7)
12	744397M1	1	Plunger	(7)
13	3641291M1	1	Joint.	
14	3641292M1	1	Joint.	
15	4222100M1	2	Screw	
16	3637247M1	2	Screw	
17	4222099M1	1	Pipe,Oil	
18	3637011M1	2	Screw	
19	4223850M91	1	Pipe	
20	4223851M1	1	O Ring	(19)
21	3637137M1	2	Nut	
22	3637137M1	1	Nut	
23	3637240M91	1	Pipe	
24	3637044M1	1	Screw	
25	4222712M1	2	Stud	
26	3641863M1	1	Bridge Piece	
27	3637236M1	2	Screw	
28	3641818M1	1	Dipstick	
29	3641779M91	1	Tube Assy	
30	739562M1	1	Olive	
31	4223010M1	11	Screw	
32	4222712M1	2	Stud	
33	3637137M1	2	Nut	
34	748160M1	1	Plug	Up to Serial or Engine Number U710063D
	748160M1	2	Plug	From Serial or Engine Number U710064D
35	3638382M1	1	O Ring	Up to Serial or Engine Number U710063D
	3638382M1	2	O Ring	From Serial or Engine Number U710064D
36	3637207M1	2	Screw	
37	4222836M1	3	Screw	
38	3637207M1	4	Screw	
39	4224003M1	1	Sump	Up to Serial or Engine Number U746839G
	4224396M1	1	Sump	From Serial or Engine Number U746840G
40	3638562M1	1	Joint.	
	3638431M1	1	Joint.	[A] MF 8220 MF 8220 XTRA
41	1476281X1	1	Washer	
42	376501X1	1	Plug	
43	3638329M1	1	Plug	
44	3637011M1	2	Screw	
45	4222298M1	1	Gasket	
46	748244M1	1	Clip	
47	3637048M1	2	Screw	
48	3637014M1	2	Screw	
49	3637011M1	2	Screw	

FOOTNOTE [A] ENGINE WITH AIR COMPRESSOR

1-ZH12-004-B

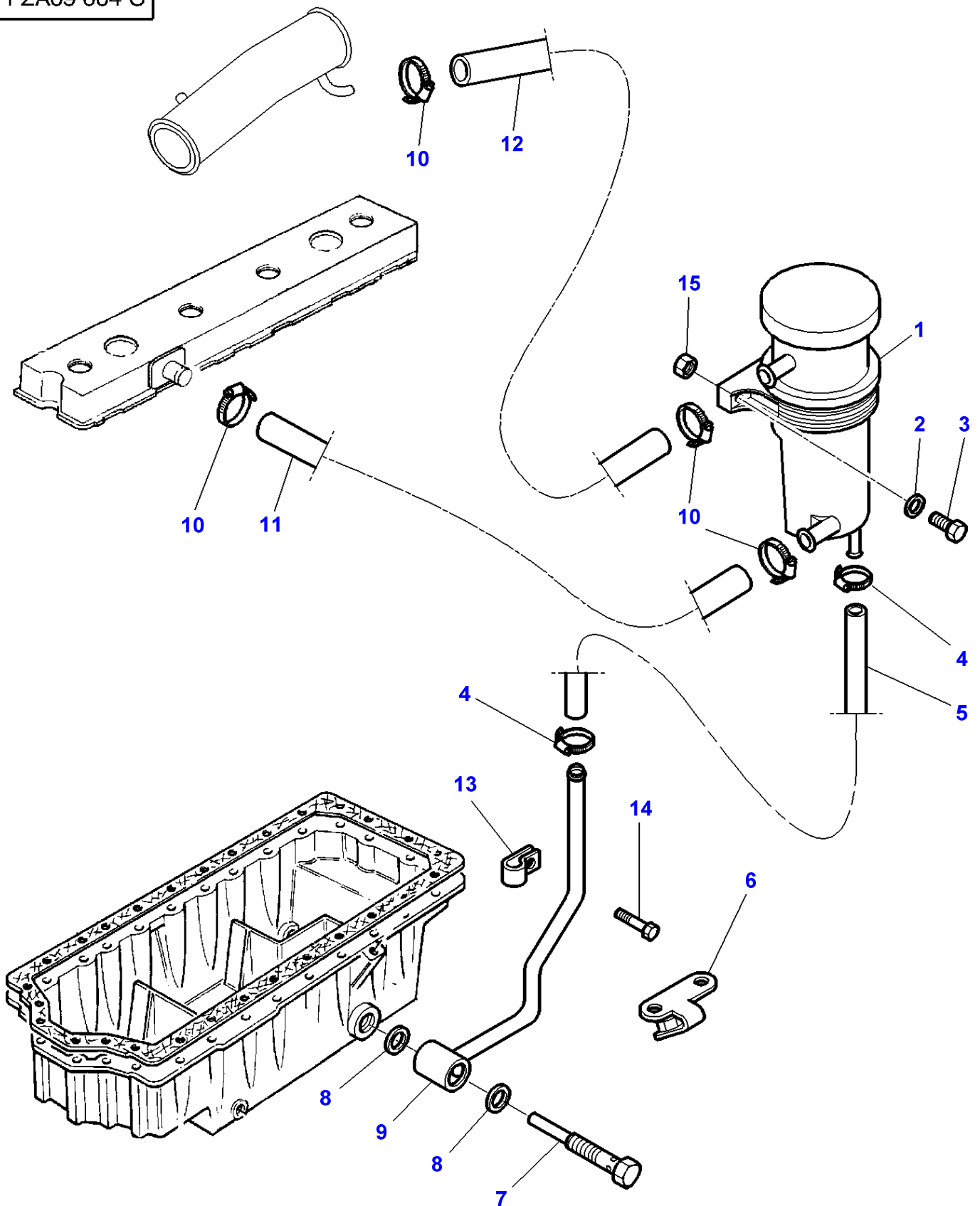


Lubricating Oil Filter And Integral Cooler

Item	Part Number	Qty	Description	Comments
1	4223888M1	2	Stud	
2	4222507M1	2	Gasket	
3	4223912M91	1	Cooler	Up to Serial or Engine Number U714389E
	4223950M91	1	Oil Cooler	From Serial or Engine Number U714390E
4	1476283M1	3	Stud	
5	4222551M91	1	Housing	Up to Serial or Engine Number U714389E
	4223951M91	1	Housing	From Serial or Engine Number U714390E MF 8220
	4223951M91	1	Housing	MF 8220 XTRA
	4223951M91	1	Housing	From Serial or Engine Number U714390E Up to Serial or Engine Number U786028J MF 8210
	4224645M1	1	Plate	From Serial or Engine Number U786029J MF 8210
6	4224709M1	2	Seal	Replace and repair. Old not interchangeable with new 4222547M1
7	4222550M1	4	Flange	
8	3637044M1	10	Screw	MF 8220 MF 8220 XTRA
	3637044M1	10	Screw	Up to Serial or Engine Number U786028J MF 8210
	3637044M1	X	Screw	From Serial or Engine Number U786029J MF 8210
9	4222549M1	1	Pipe	Length 540MM
10	735220M1	5	Spacer	
11	3637137M1	X	Nut	
12	4222548M1	1	Pipe	Length 365MM
13	3641286M1	1	Joint.	
14	3637011M1	3	Screw	
15	3641287M1	1	Joint.	
16	4222234M1	1	Housing	
17	3637051M1	5	Screw	
18	3638708M1	2	Joint.	
19	3640871M1	4	Screw	
20	4224584M1	1	Plug	
21	3641207M1	1	Filter Head	
22	3641208M1	2	Adaptor	(21)
23	4222702M1	1	Loctite	Up to Serial or Engine Number 26-03-1999
24	1447048M1	2	Oil Filter	
25	3640872M1	1	Adaptor	
26	4224500M1	1	Gasket	From Serial or Engine Number 27-03-1999 MF 8220
	4224500M1	1	Gasket	MF 8220 XTRA
	4224500M1	1	Gasket	Up to Serial or Engine Number U786028J MF 8210
	4224646M1	1	Gasket	From Serial or Engine Number U786029J MF 8210
	4224433M1	1	Gasket	[A] MF 8220 MF 8220 XTRA
27	4272050M1	1	Sheath	Length 400M
28	4224644M91	1	Kit, Repair	From Serial or Engine Number U786029J

FOOTNOTE [A] ENGINE WITH AIR COMPRESSOR

1-ZA09-004-C

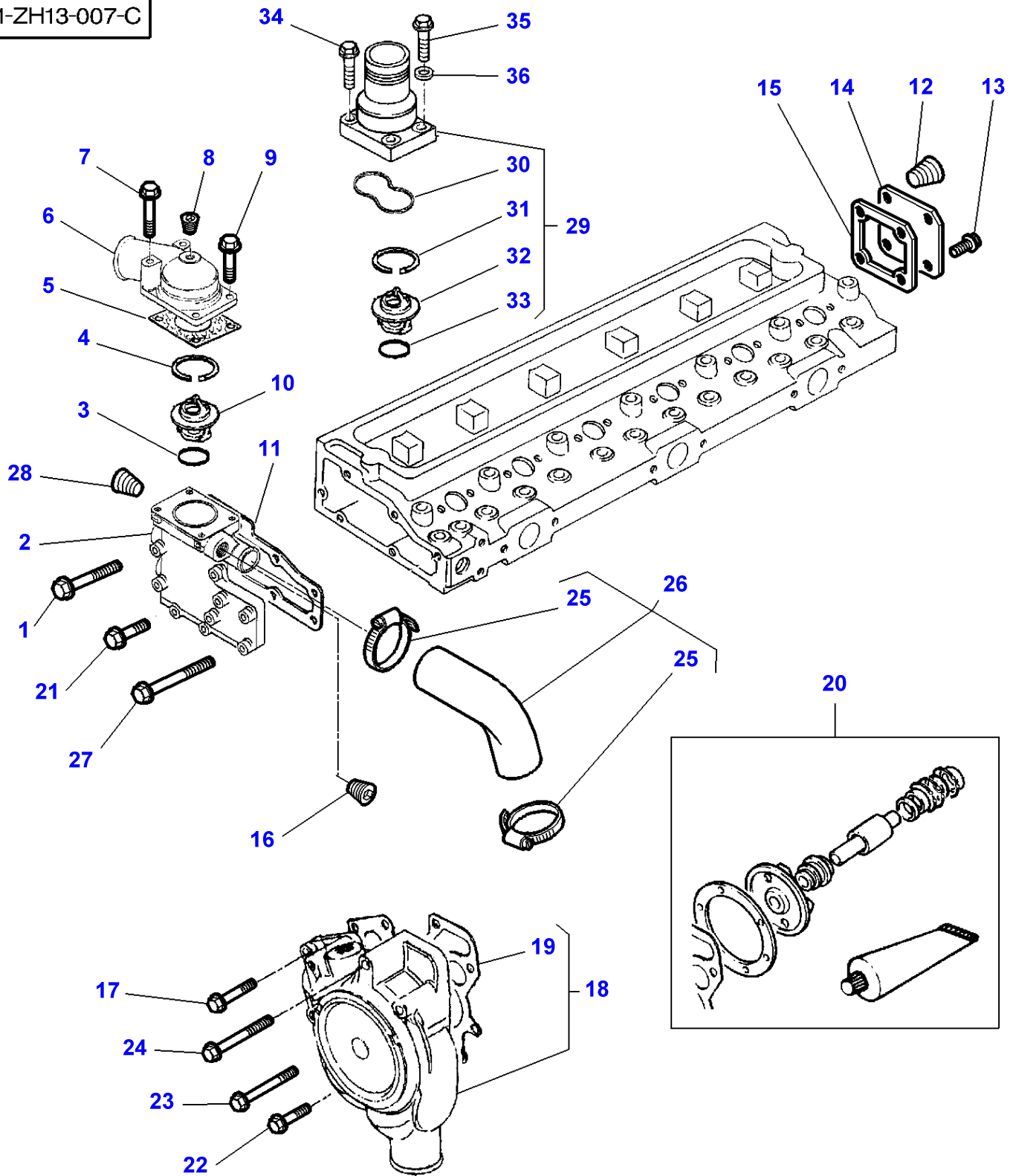


Massey Ferguson**MF 8210/8220 TRACTORS - 1637365****1637365****Closed circuit breather****Page010-0120**

Item	Part Number	Qty	Description	Comments
1	3780487M1	1	Breather	
2	390971X1	2	Washer	
3	339262X1	2	Bolt Metric	M6X30
4	3019564X1	2	Hose Clip	
5	3780370M1	1	Hose	Length 645MM
6	3782048M1	1	Support	
7	3782047M2	1	Banjo Bolt	
8	3785835M1	2	Gasket	
9	3782050M1	1	Tube	
10	338614X1	4	Hose Clip	
11	3780374M1	1	Hose	Length 170MM
12	3782101M2	1	Hose	Length 800MM
13	736640M1	1	Clip	
14	339124X1	1	Hex. Sock. Screw	M8X16
15	339030X1	2	Nut Metric	M6

MF 8210/8220 TRACTORS - 1637365
1-ZH13-007-C

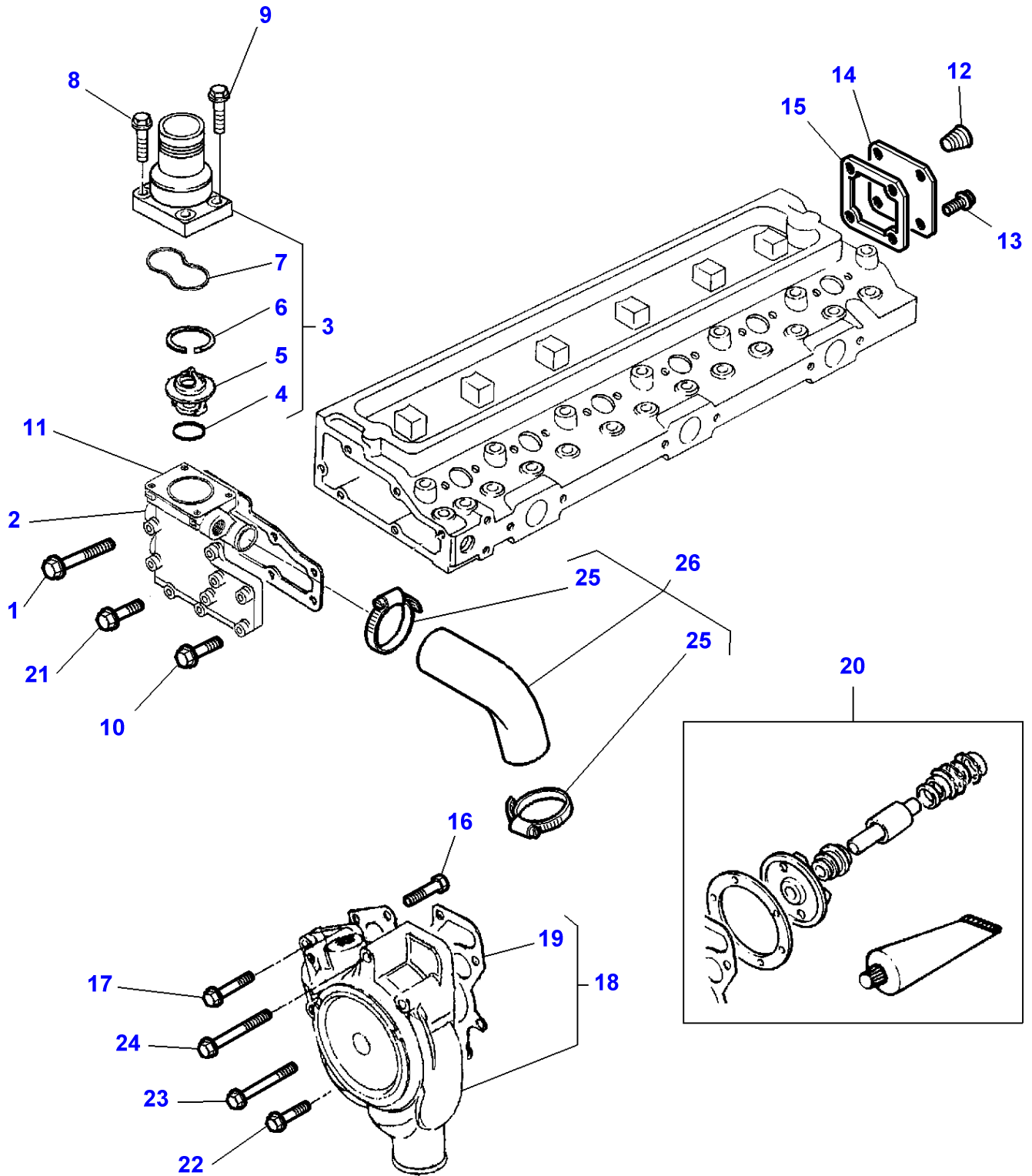
1-ZH13-007-C



Item	Part Number	Qty	Description	Comments
1	3637048M1	5	Screw	
2	4223754M1	1	Housing	
3	4222848M1	1	O Ring	
4	4222847M1	1	Ring	Up to Serial or Engine Number
5	4222851M1	1	Gasket	Up to Serial or Engine Number
6	4222850M1	1	Connection	Up to Serial or Engine Number
7	3637008M1	2	Screw	
8	731997M1	1	Plug	Up to Serial or Engine Number
9	3640628M1	2	Screw	
10	4224639M1	1	Thermostat	Up to Serial or Engine Number Replace and repair. Old not interchangeable with new 4222845M1
11	4223763M1	1	Gasket	
12	376606X1	1	Plug	
13	3637044M1	3	Screw	
14	4222842M1	1	Cover	
15	4222155M1	1	Joint.	
16	376606X1	1	Plug	
17	3637199M1	1	Screw	
18	4223101M91	1	Water Pump	
19	4222849M1	1	Gasket	(18)
20	4222841M91	X	Kit, Repair	
21	3637046M1	1	Screw	
22	3637092M1	3	Screw	
23	4222836M1	1	Screw	
24	3640628M1	3	Screw	
25	364125X1	2	Clamp	(26)
26	4223764M91	1	Kit, Hose	
27	3637095M1	3	Screw	
28	4224584M1	1	Plug	
29	4225035M1	1	Connection	From Serial or Engine Number Replace and repair. Old not interchangeable with new 4224467M1
30	4223842M1	1	O Ring	(29)
31	4223841M1	1	Ring	(29)
32	4223770M1	1	Thermostat	(29)
33	4222848M1	1	O Ring	(29)
34	3637011M1	3	Screw	
35	3637095M1	1	Screw	
36	4223968M1	1	Spacer	

MF 8210/8220 TRACTORS - 1637365
1-ZH13-008-C

1-ZH13-008-C

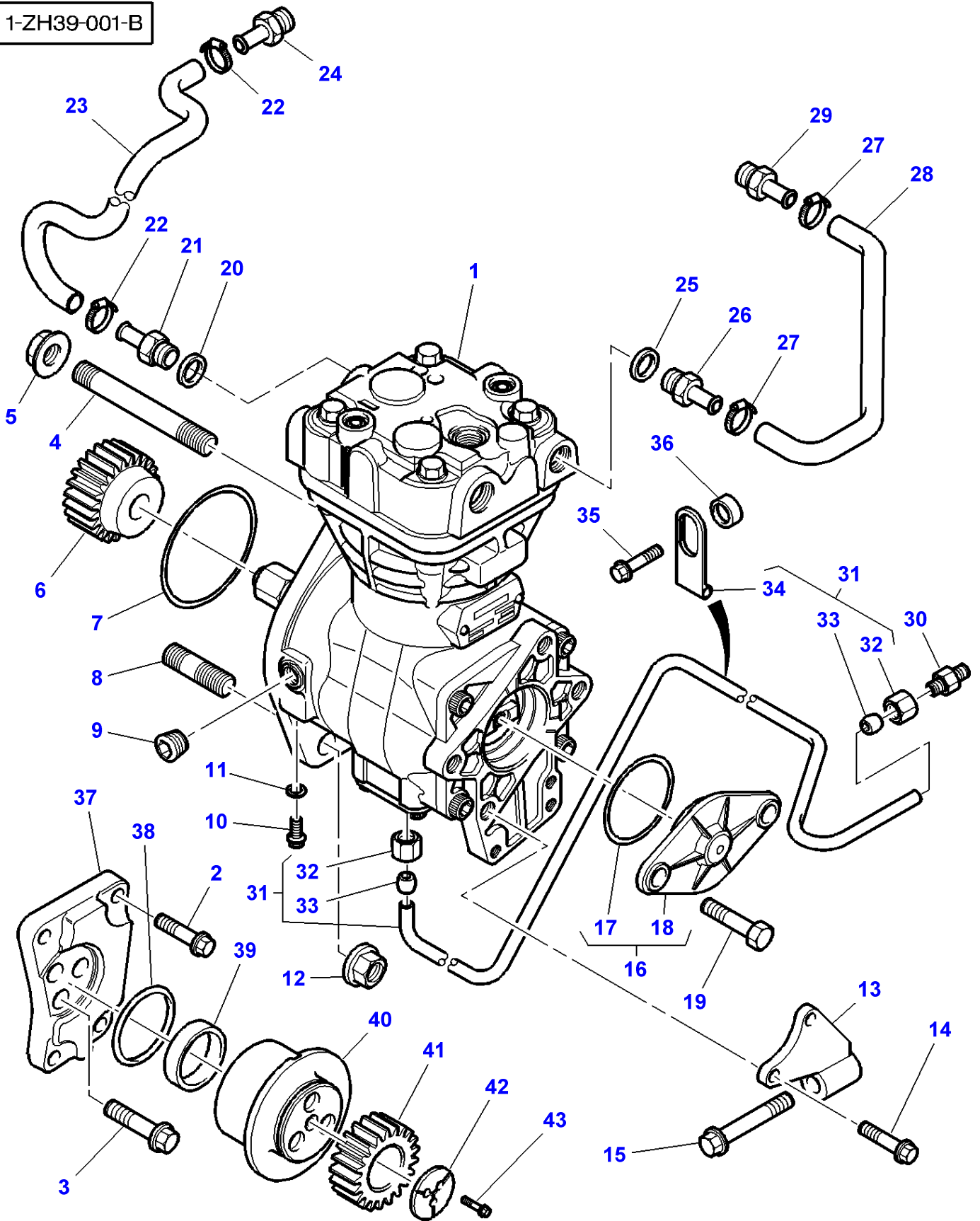


Item	Part Number	Qty	Description	Comments
1	3637048M1	5	Screw	
2	4223771M1	1	Housing	
	4224466M1	1	Housing	[A]
3	4222153M1	1	Connection	
	4225035M1	1	Connection	[A]
				Replace and repair. Old not interchangeable with new 4224467M1
4	4222848M1	1	O Ring	(3)
5	4223770M1	1	Thermostat	(3)
6	4223841M1	1	Ring	(3)
7	4223842M1	2	O Ring	(3)
8	3637011M1	2	Screw	
9	3637095M1	2	Screw	
10	3637046M1	1	Screw	
11	4223763M1	1	Gasket	
12	376606X1	1	Plug	
13	3637044M1	3	Screw	
14	4222842M1	1	Cover	
15	4222155M1	1	Joint.	
16	4222836M1	2	Screw	
17	3637199M1	1	Screw	
18	4223908M91	1	Water Pump	
19	4222849M1	1	Gasket	(18)
20	4222841M91	X	Kit, Repair	
21	3637046M1	1	Screw	
22	4223102M1	1	Screw	
23	3638435M1	3	Screw	
24	3640628M1	3	Screw	
25	364125X1	2	Clamp	(26)
26	4223764M91	1	Kit, Hose	

FOOTNOTE [A] ENGINE WITH AIR COMPRESSOR

MF 8210/8220 TRACTORS - 1637365
1-ZH39-001-B

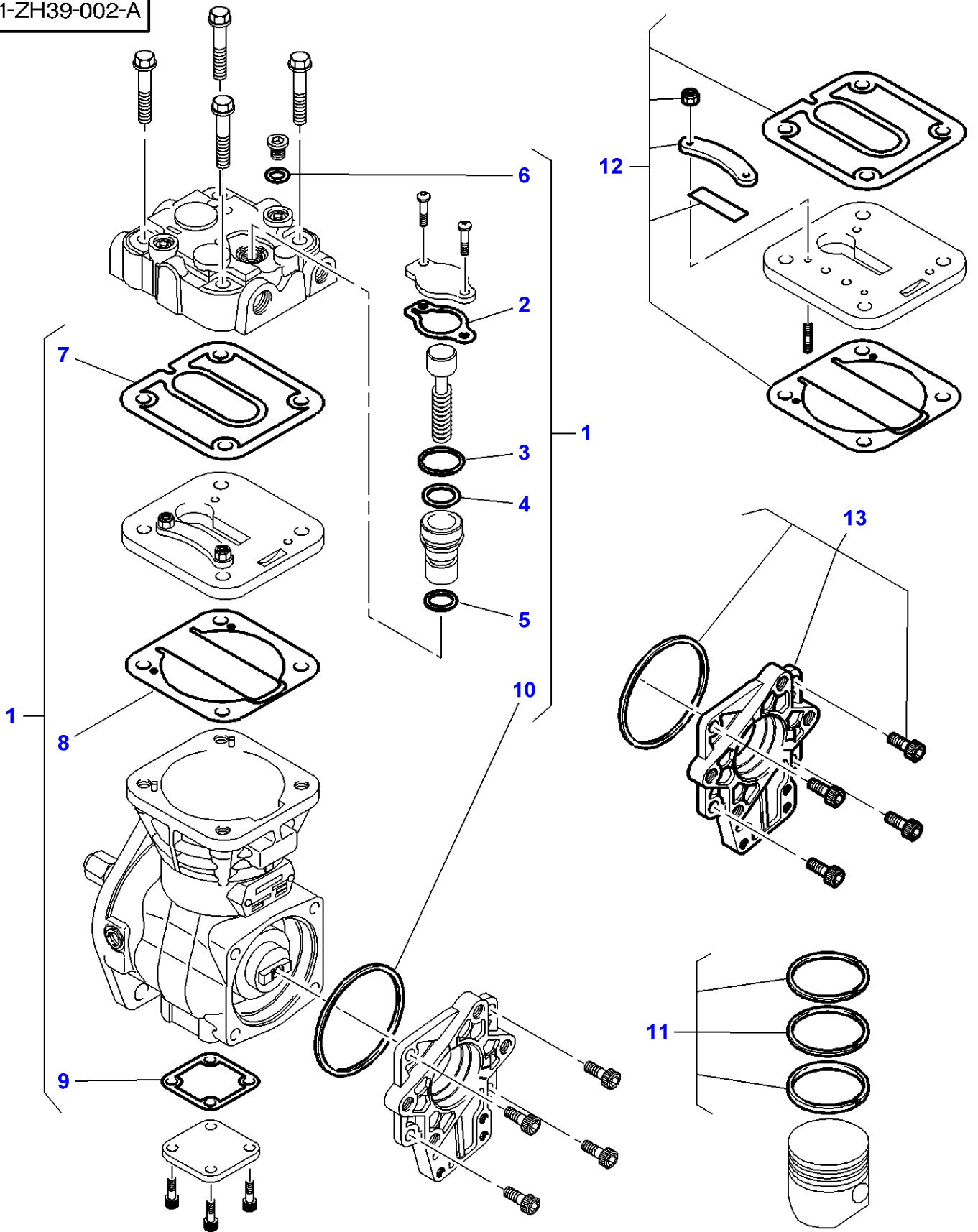
1-ZH39-001-B



Item	Part Number	Qty	Description	Comments
1	4224407M1	1	Compressor	
2	4222446M1	3	Screw	
3	4224428M1	4	Screw	
4	4224416M1	1	Stud	
5	3637067M1	1	Nut	
6	4224409M1	1	Gear	
7	4224408M1	1	O Ring	
8	4224415M1	1	Stud	
9	4224584M1	1	Plug	
10	3638809M1	1	Screw	
11	1650388M1	1	Washer	
12	3637067M1	3	Nut	
13	4224410M1	1	Support	
14	3637008M1	2	Screw	
15	3638592M1	1	Screw	
16	4224412M91	1	Blanking Plate	
17	4224413M1	1	O Ring	(16)
18	4224414M1	1	Blanking Plate	(16)
19	3640697M1	2	Screw	
20	376178X1	1	Washer	
21	4224420M1	1	Union	
22	375790X1	2	Clip	
23	4224418M1	1	Hose	
24	4224419M1	1	Adaptor	
25	376178X1	1	Washer	
26	4224420M1	1	Union	
27	375790X1	2	Clip	
28	4224429M1	1	Hose	
29	4224419M1	1	Adaptor	
30	731514M1	1	Union	
31	4224421M91	1	Pipe	
32	375738X1	2	Nut	(31)
33	827276M1	2	Olive	(31)
34	747674M1	1	Clip	(31)
35	3637139M1	1	Screw	
36	734886M1	1	Spacer	
37	4224422M1	1	Support	
38	4224423M1	1	O Ring	
39	4224424M1	1	Bearing Assy	
40	4224425M1	1	Hub	
41	4224426M1	1	Gear	
42	4224427M1	1	Plate	
43	3637044M1	3	Screw	

MF 8210/8220 TRACTORS - 1637365
1-ZH39-002-A

1-ZH39-002-A

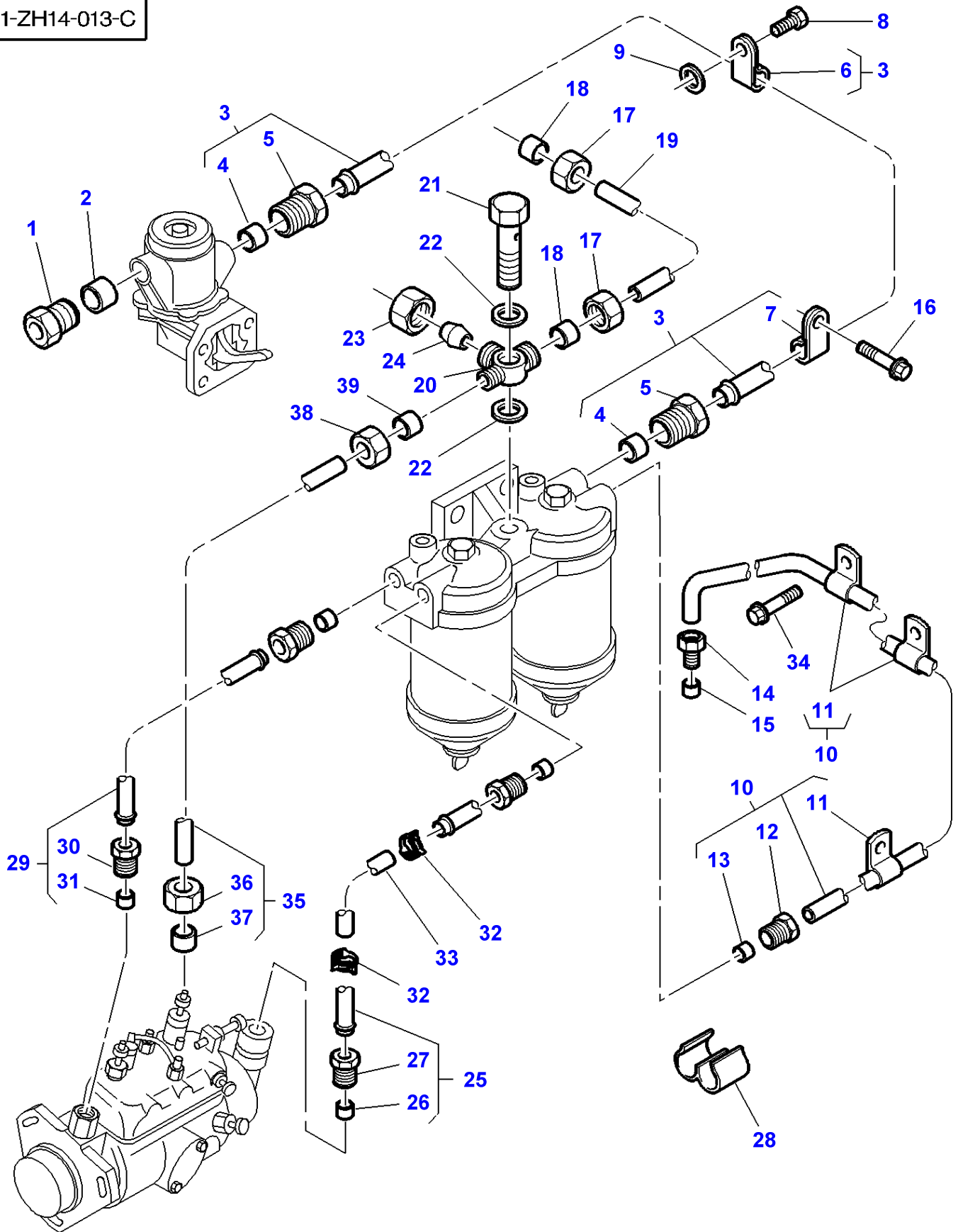


Massey Ferguson**MF 8210/8220 TRACTORS - 1637365****1637365****Air Compressor - M.F 8220 - 8220 XTRA****Page010-0140**

Item	Part Number	Qty	Description	Comments
1	4224447M91	1	Kit, Joint	
2		1	Gasket	(1) Not serviced,order REF. 1
3		1	O Ring	(1) Not serviced,order REF. 1
4		1	O Ring	(1) Not serviced,order REF. 1
5		1	O Ring	(1) Not serviced,order REF. 1
6		1	Washer	(1) Not serviced,order REF. 1
7		1	Joint.	(1) Not serviced,order REF. 1
8		1	Gasket	(1) Not serviced,order REF. 1
9		1	Joint.	(1) Not serviced,order REF. 1
10		1	O Ring	(1) Not serviced,order REF. 1
11	4224449M91	1	Kit, Piston Ring	
12	4224448M91	1	Kit, Valve	
13	4224450M91	1	Kit, Cover	

MF 8210/8220 TRACTORS - 1637365
1-ZH14-013-C

1-ZH14-013-C

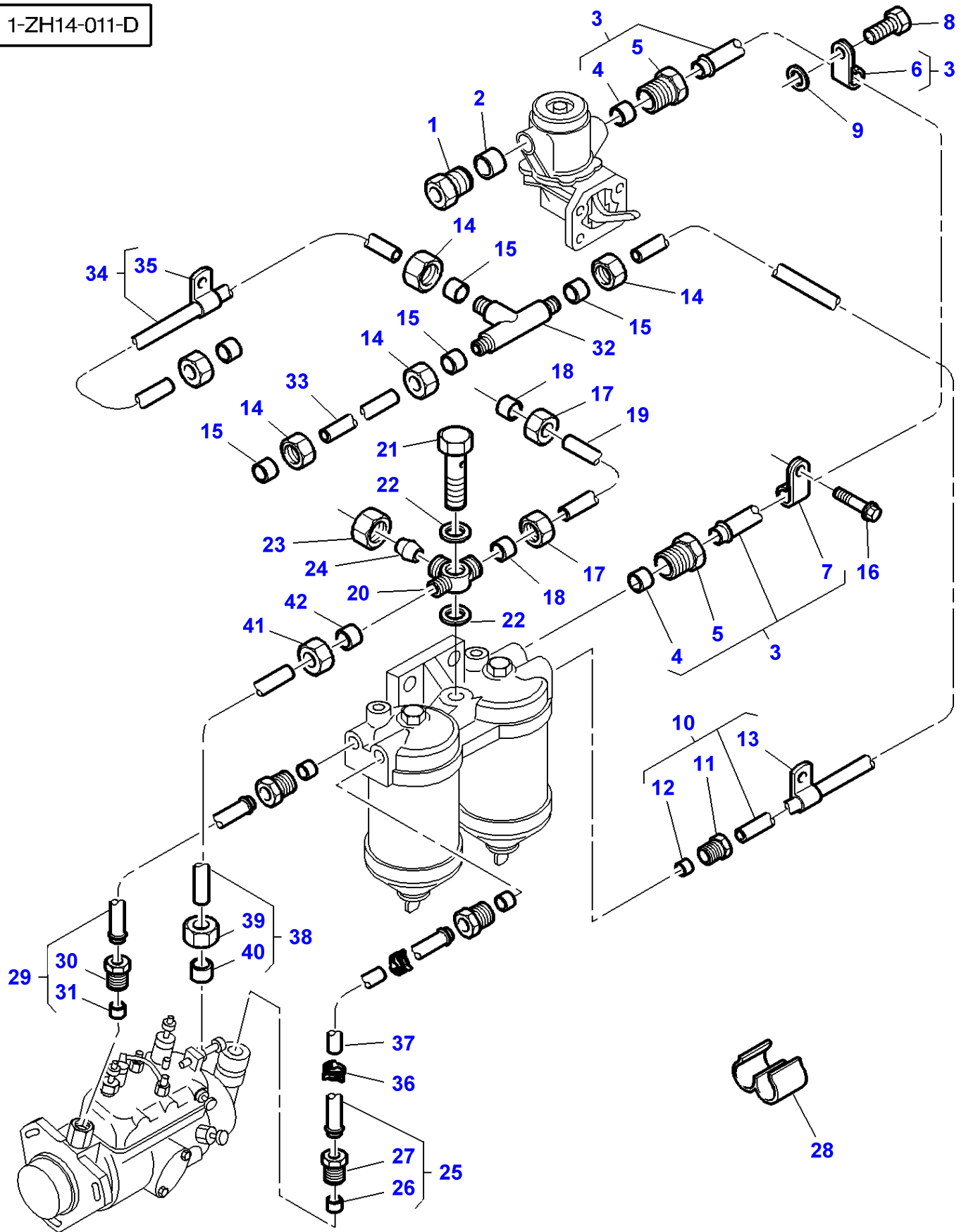


Low Pressure Fuel System - M.F 8210

Item	Part Number	Qty	Description	Comments
1	3637224M1	1	Nut	
2	731563M1	1	Sleeve	
3	4222213M1	1	Pipe,Fuel	
4	376526X1	2	Olive	(3)
5	3637224M1	2	Nut	(3)
6	747679M1	1	Strap	(3)
7	747680M1	1	Clip	(3)
8	3637008M1	1	Screw	
9	735111M1	1	Spacer	
10	4223769M91	1	Pipe,Fuel	
11	747673M1	2	Strap	(10)
12	3638444M1	1	Nut	(10)
13	3638445M1	1	Olive	(10)
14	376521X1	1	Union Nut	
15	376524X1	1	Olive	
16	3637102M1	1	Screw	
17	376521X1	2	Union Nut	
18	376524X1	1	Olive	
19	4222306M91	1	Fuel Pipe	
20	4222171M1	1	Connection	
21	731352M1	1	Bolt	Up to Serial or Engine Number 14-12-2000
	4222859M1	1	Banjo Bolt	From Serial or Engine Number 15-12-2000
22	1650388M1	2	Washer	Up to Serial or Engine Number 14-12-2000
	4222860M1	2	Washer	From Serial or Engine Number 15-12-2000
23	375750X1	1	Nut	
24	375751X1	1	Olive	
25	4223884M91	2	Pipe	
26	376526X1	1	Olive	(25)
27	3637224M1	1	Nut	(25)
28	4222217M1	1	Strap	
29	4223731M91	1	Fuel Pipe	Up to Serial or Engine Number
	4224435M1	1	Pipe,Fuel	From Serial or Engine Number
30	3637224M1	2	Nut	(29)
31	376526X1	2	Olive	(29)
32	4223886M1	2	Clip	
33	4223885M1	1	Hose	Length 450MM
34	3637139M1	2	Screw	
35	4223107M1	1	Pipe,Air	
36	3637157M1	1	Nut	(35)
37	376524X1	1	Olive	(35)
38	376521X1	1	Union Nut	
39	376524X1	1	Olive	

MF 8210/8220 TRACTORS - 1637365
1-ZH14-011-D

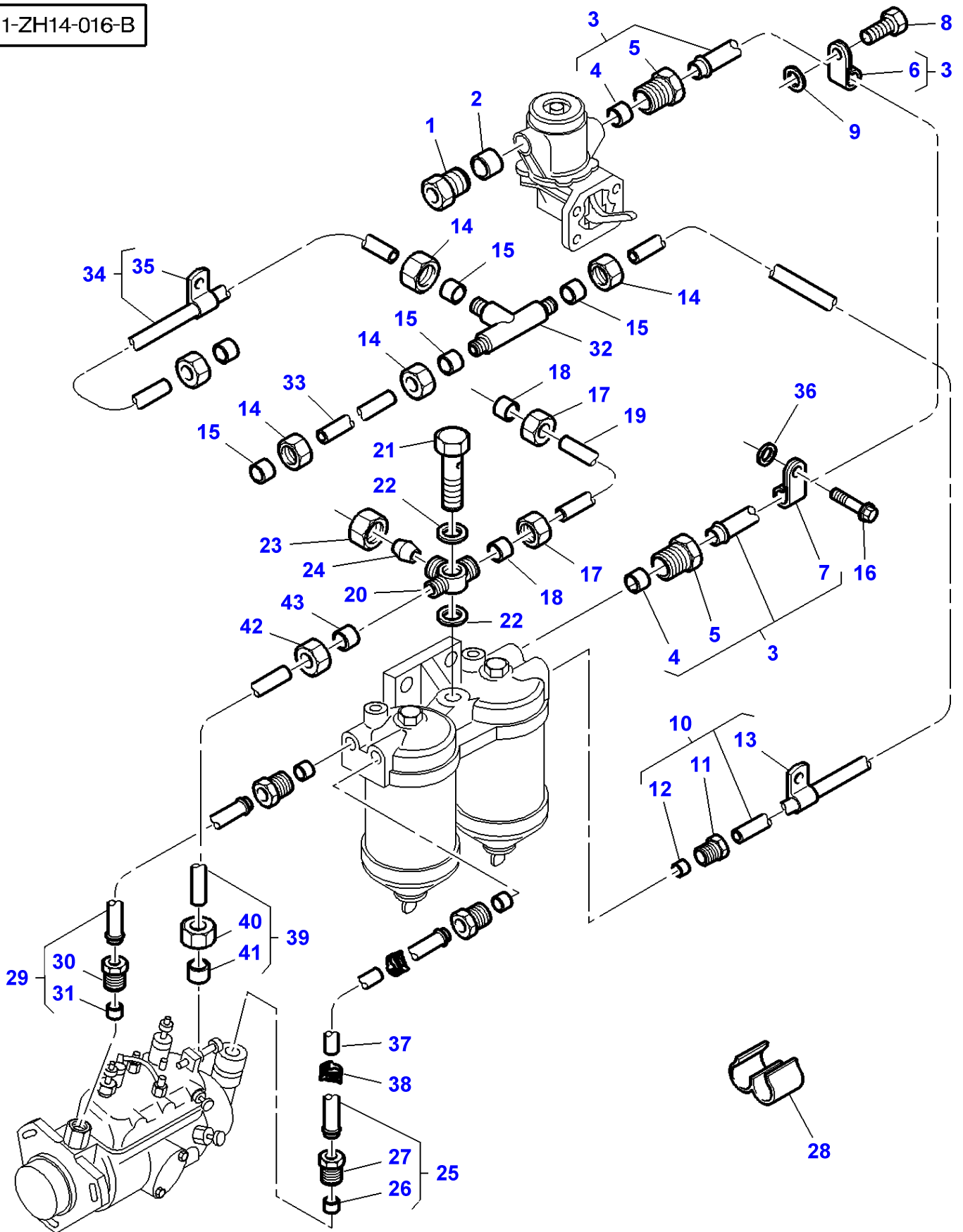
1-ZH14-011-D



Item	Part Number	Qty	Description	Comments
1	3637224M1	1	Nut	
2	731563M1	1	Sleeve	
3	4222213M1	1	Pipe,Fuel	
4	376526X1	2	Olive	(3)
5	3637224M1	2	Nut	(3)
6	747679M1	1	Strap	(3)
7	747680M1	1	Clip	(3)
8	3637008M1	1	Screw	
9	735111M1	1	Spacer	
10	4222260M1	1	Fuel Pipe	
11	3638444M1	1	Nut	(10)
12	3638445M1	1	Olive	(10)
13	3637171M1	1	Clip	(10)
14	376521X1	5	Union Nut	
15	376524X1	5	Olive	
16	3637102M1	1	Screw	
17	376521X1	2	Union Nut	
18	376524X1	1	Olive	
19	4222306M91	1	Fuel Pipe	
20	4222171M1	1	Connection	
21	731352M1	1	Bolt	Up to Serial or Engine Number 14-12-2000
	4222859M1	1	Banjo Bolt	From Serial or Engine Number 15-12-2000
22	1650388M1	2	Washer	Up to Serial or Engine Number 14-12-2000
	4222860M1	2	Washer	From Serial or Engine Number 15-12-2000
23	375750X1	1	Nut	
24	375751X1	1	Olive	
25	4223884M91	2	Pipe	
26	376526X1	1	Olive	(25)
27	3637224M1	1	Nut	(25)
28	4222217M1	1	Strap	
29	4223731M91	1	Fuel Pipe	Up to Serial or Engine Number
	4224435M1	1	Pipe,Fuel	From Serial or Engine Number
30	3637224M1	2	Nut	(29)
31	376526X1	2	Olive	(29)
32	737734M1	1	Teepiece	
33	4222262M1	1	Fuel Pipe	
34	4222261M1	1	Fuel Pipe	
35	3637171M1	1	Clip	(34)
36	4223886M1	2	Clip	
37	4223885M1	1	Hose	Length 450MM
38	4223107M1	1	Pipe,Air	
39	3637157M1	1	Nut	(38)
40	376524X1	1	Olive	(38)
41	376521X1	1	Union Nut	
42	376524X1	1	Olive	

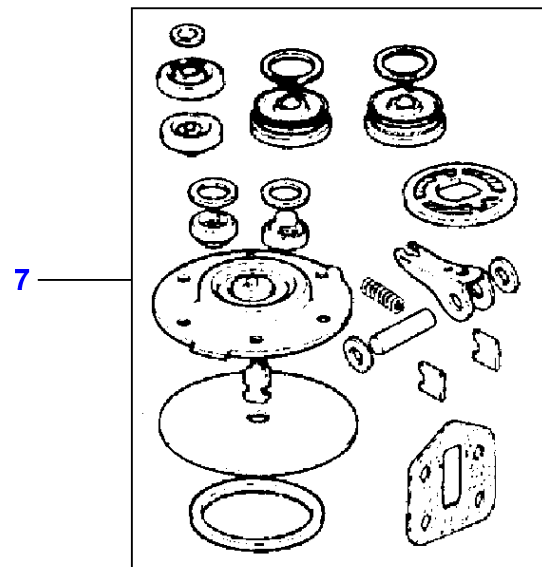
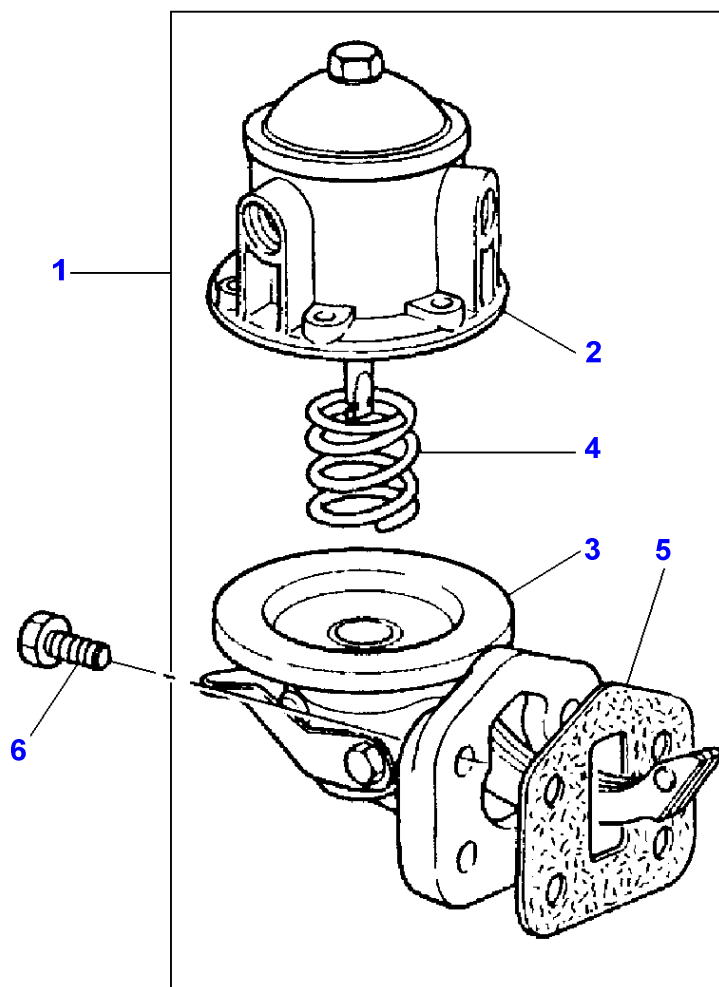
MF 8210/8220 TRACTORS - 1637365
1-ZH14-016-B

1-ZH14-016-B



Item	Part Number	Qty	Description	Comments
1	3637224M1	1	Nut	
2	731563M1	1	Sleeve	
3	4222213M1	1	Pipe,Fuel	
4	376526X1	2	Olive	(3)
5	3637224M1	2	Nut	(3)
6	747679M1	1	Strap	(3)
7	3640996M1	1	Clip	(3)
8	3637008M1	1	Screw	
9	735111M1	1	Spacer	
10	4222260M1	1	Fuel Pipe	
11	3638444M1	1	Nut	(10)
12	3638445M1	1	Olive	(10)
13	3637171M1	1	Clip	(10)
14	376521X1	5	Union Nut	
15	376524X1	5	Olive	
16	3637102M1	1	Screw	
17	376521X1	2	Union Nut	
18	376524X1	1	Olive	
19	4222306M91	1	Fuel Pipe	
20	4222171M1	1	Connection	
21	4222859M1	1	Banjo Bolt	
22	4222860M1	2	Washer	
23	375750X1	1	Nut	
24	375751X1	1	Olive	
25	4223884M91	2	Pipe	
26	376526X1	2	Olive	(25)
27	3637224M1	2	Nut	(25)
28	4222217M1	1	Strap	
29	4224435M1	1	Pipe,Fuel	
30	3637224M1	2	Nut	(29)
31	376526X1	2	Olive	(29)
32	737734M1	1	Teepiece	
33	4222262M1	1	Fuel Pipe	
34	4222261M1	1	Fuel Pipe	
35	3637171M1	1	Clip	(34)
36	735111M1	1	Spacer	
37	4223885M1	1	Hose	
38	4223886M1	2	Clip	
39	4223904M1	1	Fuel Pipe	
40	3637157M1	1	Nut	(39)
41	376524X1	1	Olive	(39)
42	376521X1	1	Union Nut	
43	376524X1	1	Olive	

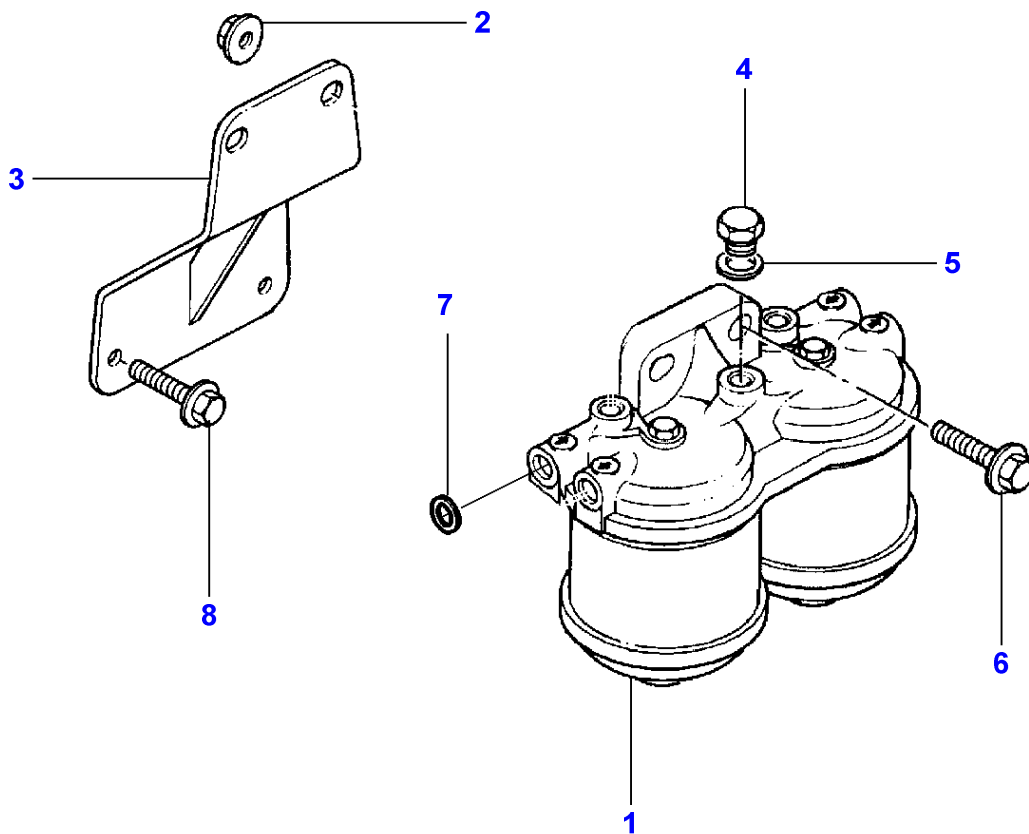
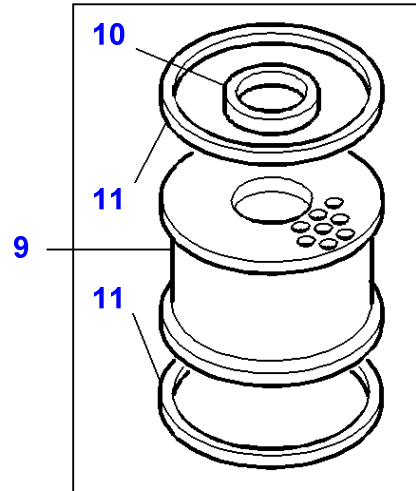
1-ZH14-006-A



Low Pressure Fuel System

Item	Part Number	Qty	Description	Comments
1	4222105M91	1	Fuel Pump	
2		1	Cover	(1) Not serviced,order REF NO 1
3		1	Body	(1) Not serviced,order REF NO 1
4		1	Spring	(1) Not serviced,order REF NO 1
5	3641401M1	1	Gasket	(1)
6	3637102M1	4	Screw	
7	4222219M91	1	Kit, Repair	

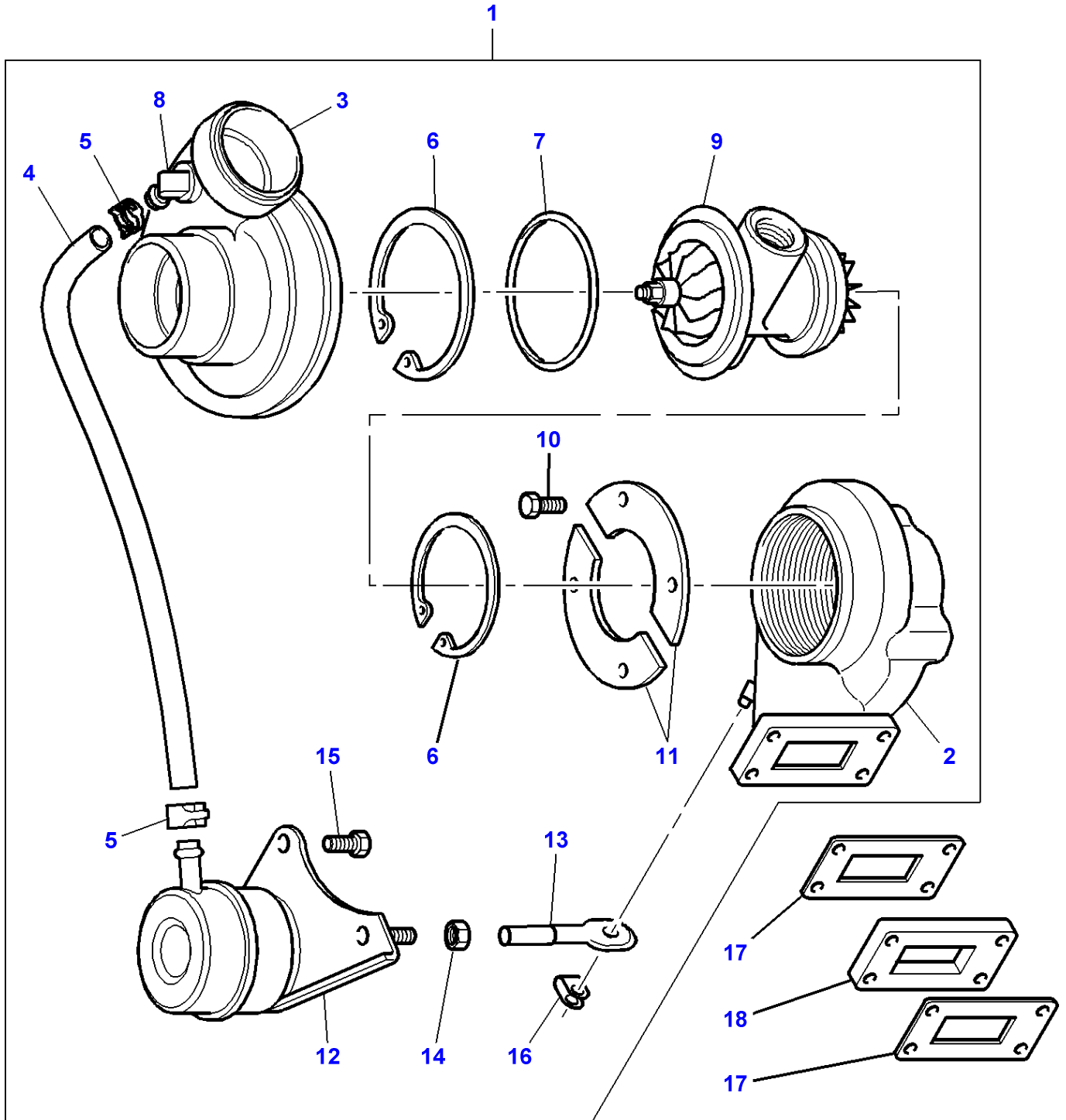
1-ZH14-005-A



Low Pressure Fuel System

Item	Part Number	Qty	Description	Comments
1	3637217M91	1	Fuel Filter	
2	3637221M1	2	Nut	
3	3637219M1	1	Bracket	
4	1446894M1	1	Plug	
5	194626M1	3	Washer	
6	3640340M1	2	Screw	
7	194626M1	2	Washer	
8	3637139M1	2	Screw	
9	836218M91	1	Fuel Element	(1)
10	831461M1	1	O Ring	(9)
11	1851891M1	2	Gasket	(9)

1-ZH05-003-B



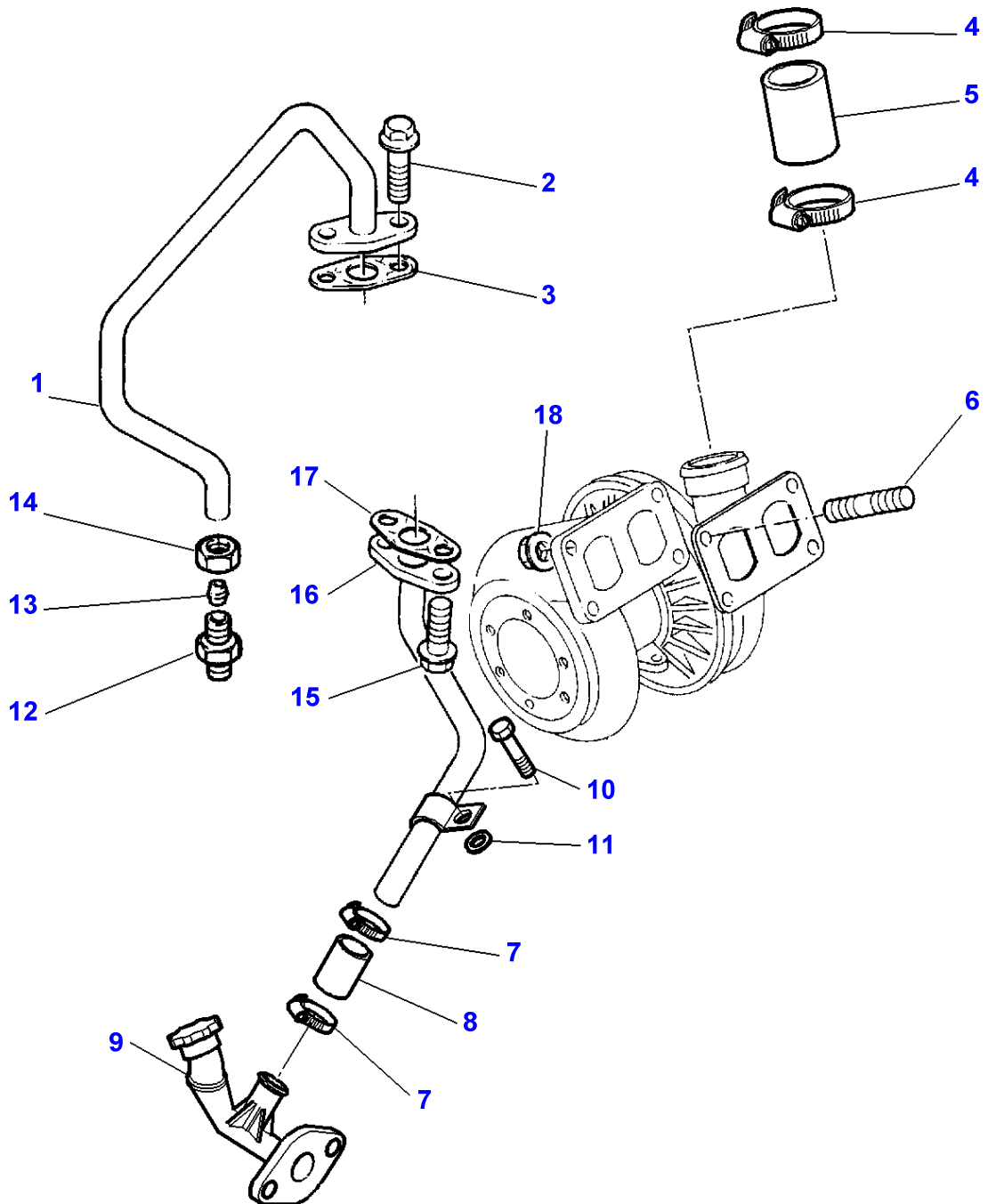
Turbocharger

Item	Part Number	Qty	Description	Comments
1	4223767M91	1	Turbocharger	[A] MF 8210
	4222246M91	1	Turbocharger	MF 8220 MF 8220 XTRA
2	4224468M1	1	Housing	(1)
3	4224469M1	1	Housing	(1)
4		1	Hose	(1)
5		2	Clamp	(1)
6		1	Spring Clip	(1)
7		1	Ring	(1)
8		1	Union	(1)
9	4224470M1	1	Body	(1)
10		4	Screw	(1)
11		2	Plate	(1)
12	4224471M1	1	Actuator	(1)
13		1	Rod	(1)
14		1	Nut	(1)
15		2	Screw	(1)
16		1	Ring	(1)
17	4222247M1	2	Joint.	
18	4222248M1	1	Spacer	
19	4223983M91	1	Kit, Repair	[B] ACTUATOR
20	4224224M91	1	Kit, Service	[B] TURBO

FOOTNOTE [A] DETAILS TO BE ADVISED

FOOTNOTE [B] NOT ILLUSTRATED

1-ZH07-001-A

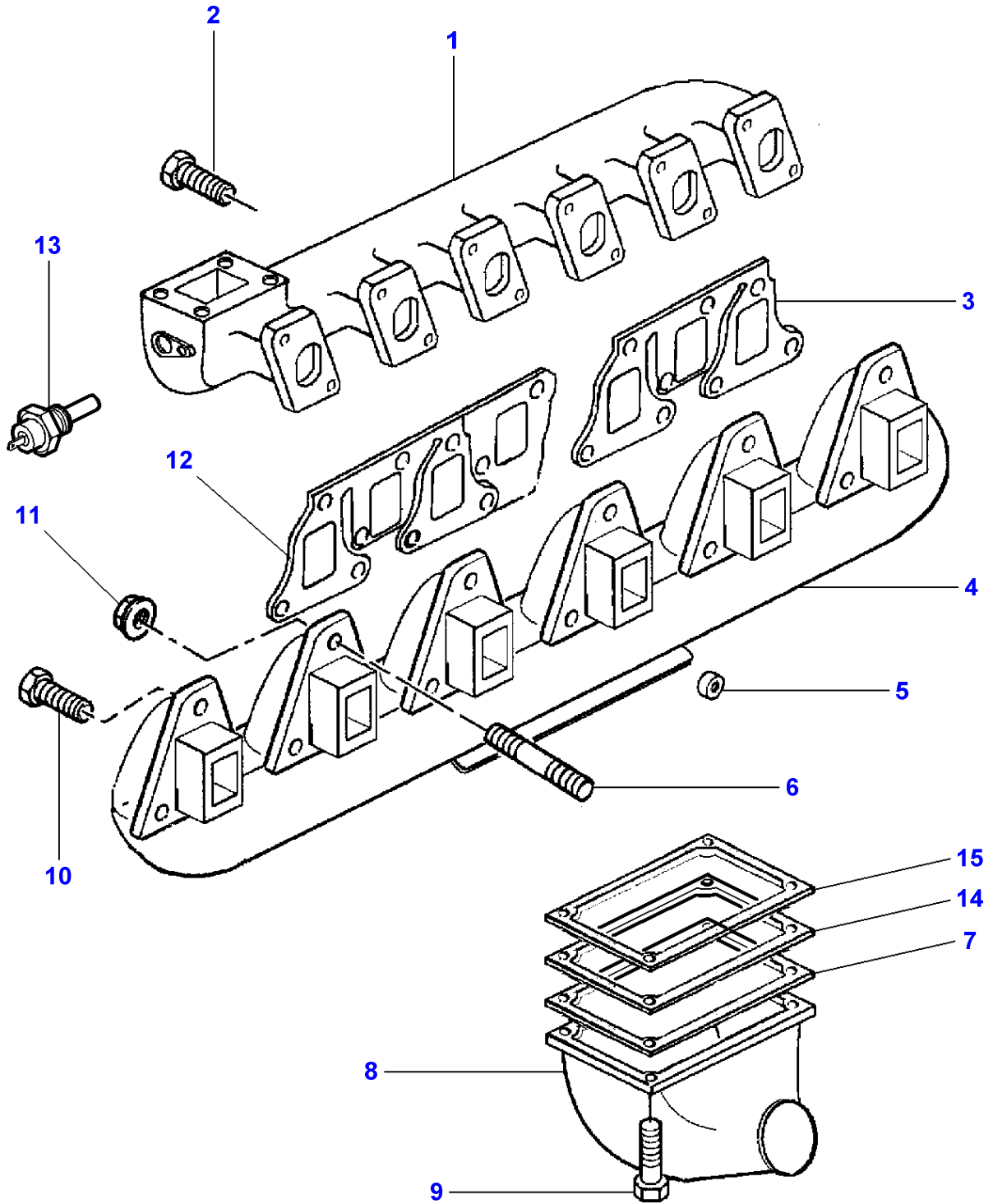


Turbocharger - Pipes And Heat Shields

Item	Part Number	Qty	Description	Comments
1	4222240M1	1	Pipe,Oil	
2	3637008M1	2	Screw	MF 8210
	3637011M1	2	Screw	MF 8220 MF 8220 XTRA
3	3638256M1	1	Joint.	
4	4224519M1	2	Hose	Replace and repair. Old not interchangeable with new 4223936M1
5	4223669M1	1	Hose	MF 8210
	4222200M1	1	Hose	MF 8220 MF 8220 XTRA
6	4223768M1	4	Stud	MF 8210
	3641787M1	4	Stud	MF 8220 MF 8220 XTRA
7	3641405M1	2	Hose Clip	
8	4222239M1	1	Hose	
9		1	Pipe	See Page - Reference Number 010-0085/11
10	3637048M1	1	Screw	
11	4223508M1	1	Spacer	
12	731654M1	1	Union	
13	375837X1	1	Sleeve	
14	375782X1	1	Nut	
15	3637008M1	2	Screw	
16	4222238M1	1	Pipe,Oil	
17	3638671M1	1	Joint.	MF 8210
	4222237M1	1	Joint.	MF 8220 MF 8220 XTRA
	4222318M1	1	Gasket	[A] MF 8220 MF 8220 XTRA
18	4222168M1	4	Nut	

FOOTNOTE [A] ENGINE WITH AIR COMPRESSOR

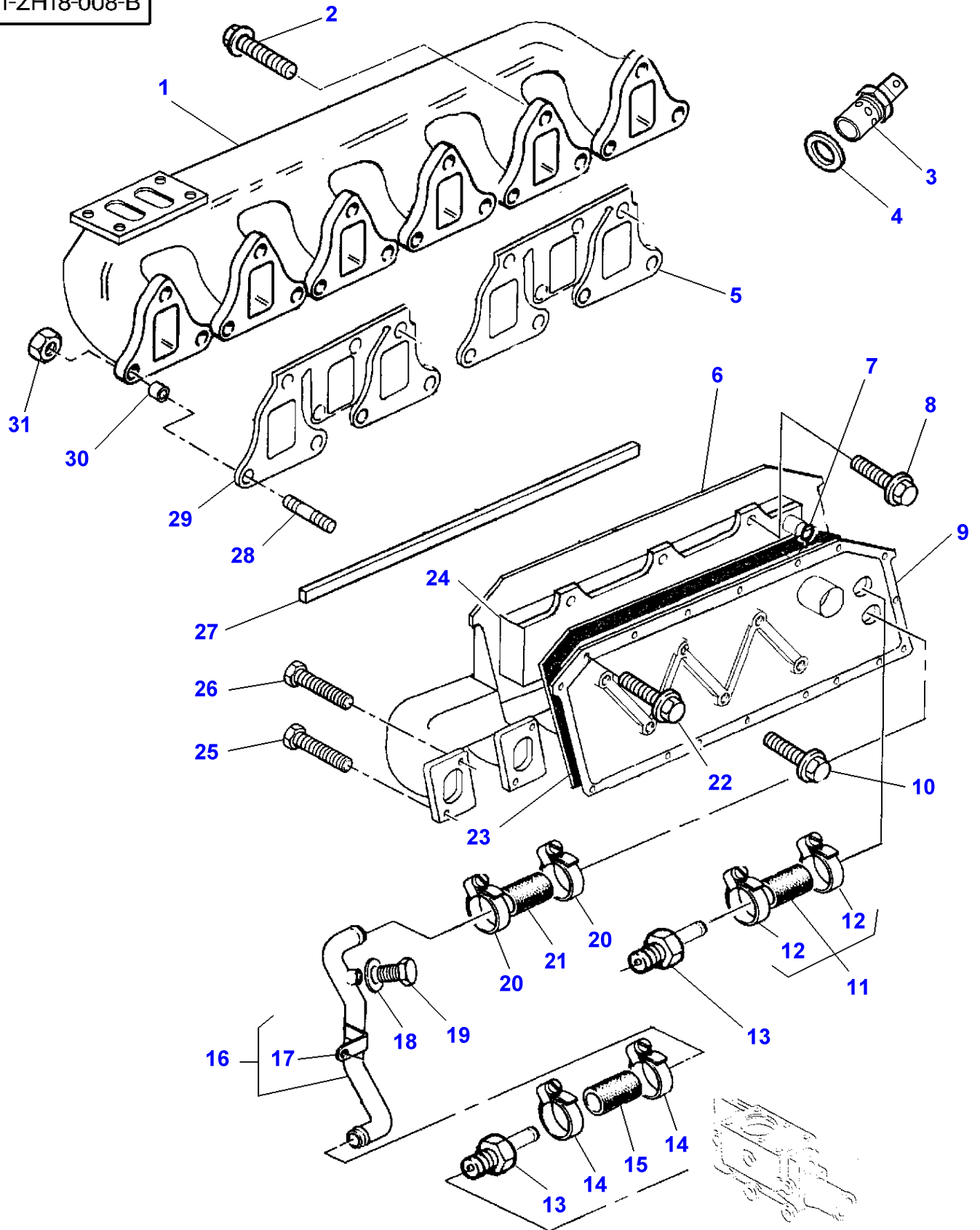
1-ZH18-010-A



Item	Part Number	Qty	Description	Comments
1	4222165M91	1	Ind.Manifold	
2	4222451M1	12	Screw	
3	4223728M1	1	Joint.	
4	4223966M1	1	Exhaust Manifold	
5	4222340M1	2	Ferrule	
6	4222341M1	12	Screw	Replace and repair. Old not interchangeable with new 4222874M1
7	4223766M1	1	Joint.	
8	4222198M1	1	Elbow	
9	3641336M1	4	Screw	
10	4223751M1	6	Screw	
11	4222338M1	12	Nut	
12	4223727M1	2	Joint.	
13	3583543M2	1	Intake Heater	
14	4223765M1	1	Spacer	
15	4223766M1	1	Joint.	

MF 8210/8220 TRACTORS - 1637365
1-ZH18-008-B

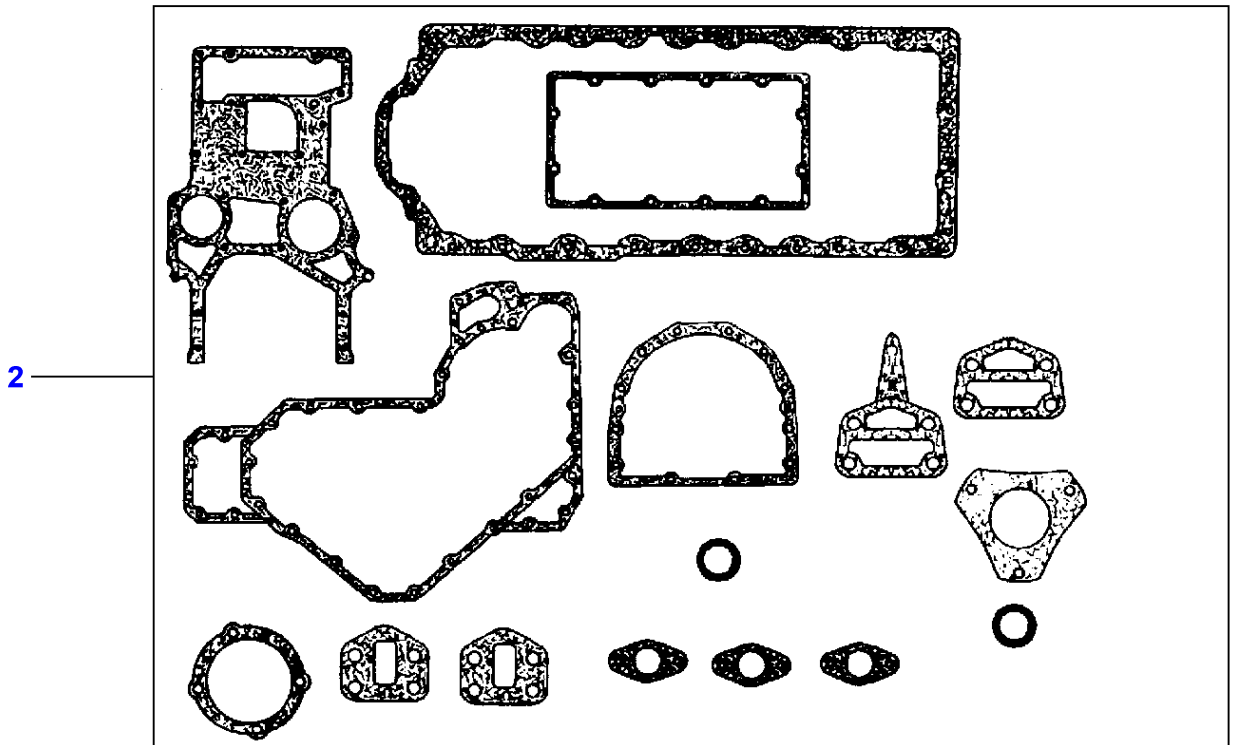
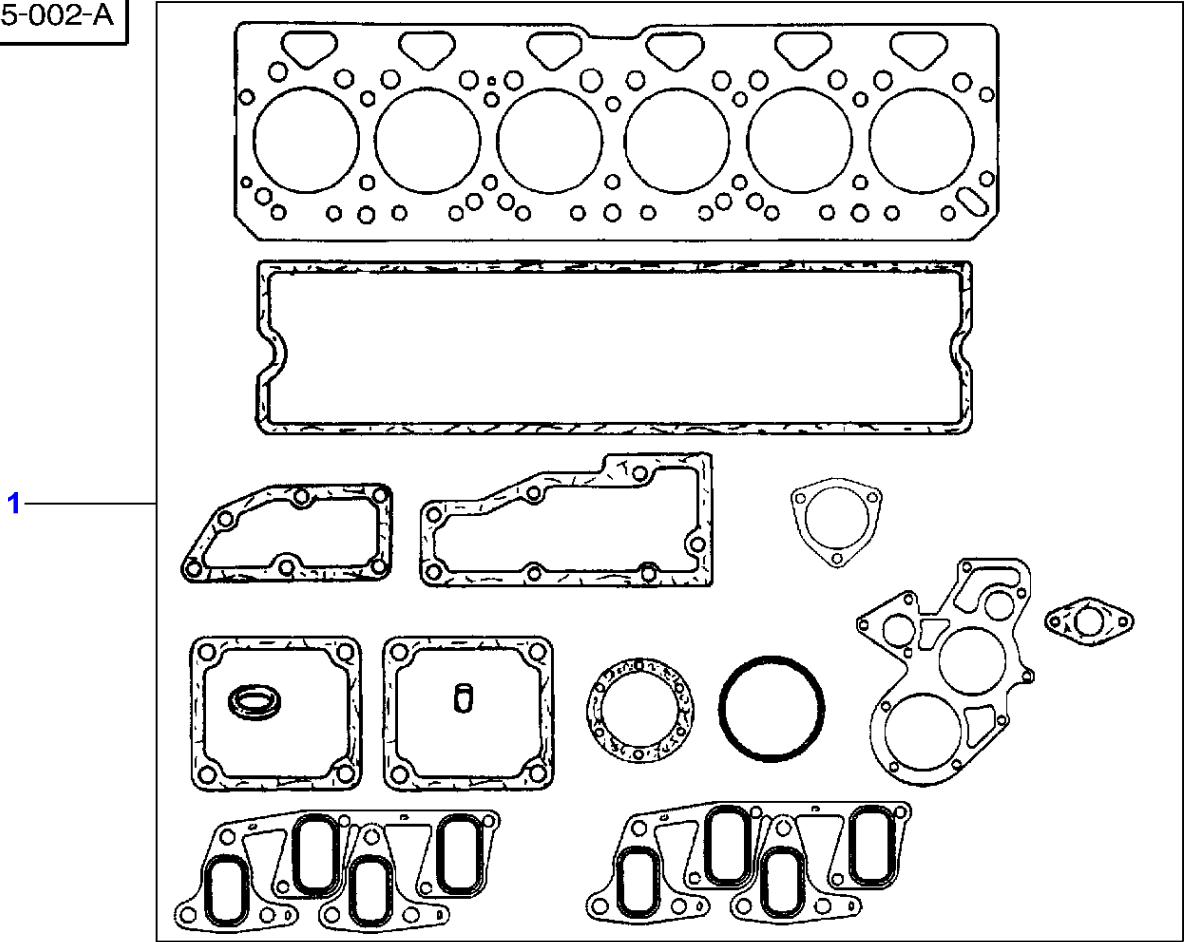
1-ZH18-008-B



Item	Part Number	Qty	Description	Comments
1	4223019M1	1	Exhaust Manifold	
2	4223751M1	6	Screw	
3	3583543M2	2	Intake Heater	
4	4223590M1	2	Washer	
5	4223728M1	2	Joint.	
6	4223782M1	1	Ind.Manifold	
7	3638532M1	8	O Ring	
8	3637008M1	8	Screw	
9	4223772M1	1	Cover	
10	4222245M1	6	Screw	
11	4223777M91	1	Kit, Hose	
12	338615X1	2	Clamp	(11)
13	4223977M1	2	Connection	
14	338615X1	2	Clamp	
	4224519M1	2	Hose	[A] Replace and repair. Old not interchangeable with new 4223936M1
15	4223969M1	1	Hose	[A]
	4223776M1	1	Hose	
16	4222460M1	1	Pipe,Water	
	4223970M1	1	Pipe,Water	[A]
17	4222322M1	1	Clip	(16)
18	376077X1	1	Washer	
19	3641648M1	1	Screw	
20	338615X1	2	Clamp	
21	747961M1	1	Hose	
22	4223010M1	10	Screw	
23	4223774M1	1	Joint.	
24	4223773M1	1	Intercooler	
25	4222241M1	6	Screw	
26	4222236M1	6	Screw	
27	4222499M1	2	Seal	
28	4222341M1	12	Screw	Replace and repair. Old not interchangeable with new 4222874M1
29	4223727M1	2	Joint.	
30	4222340M1	2	Ferrule	
31	4222338M1	12	Nut	

FOOTNOTE [A] ENGINE WITH AIR COMPRESSOR

1-ZH15-002-A



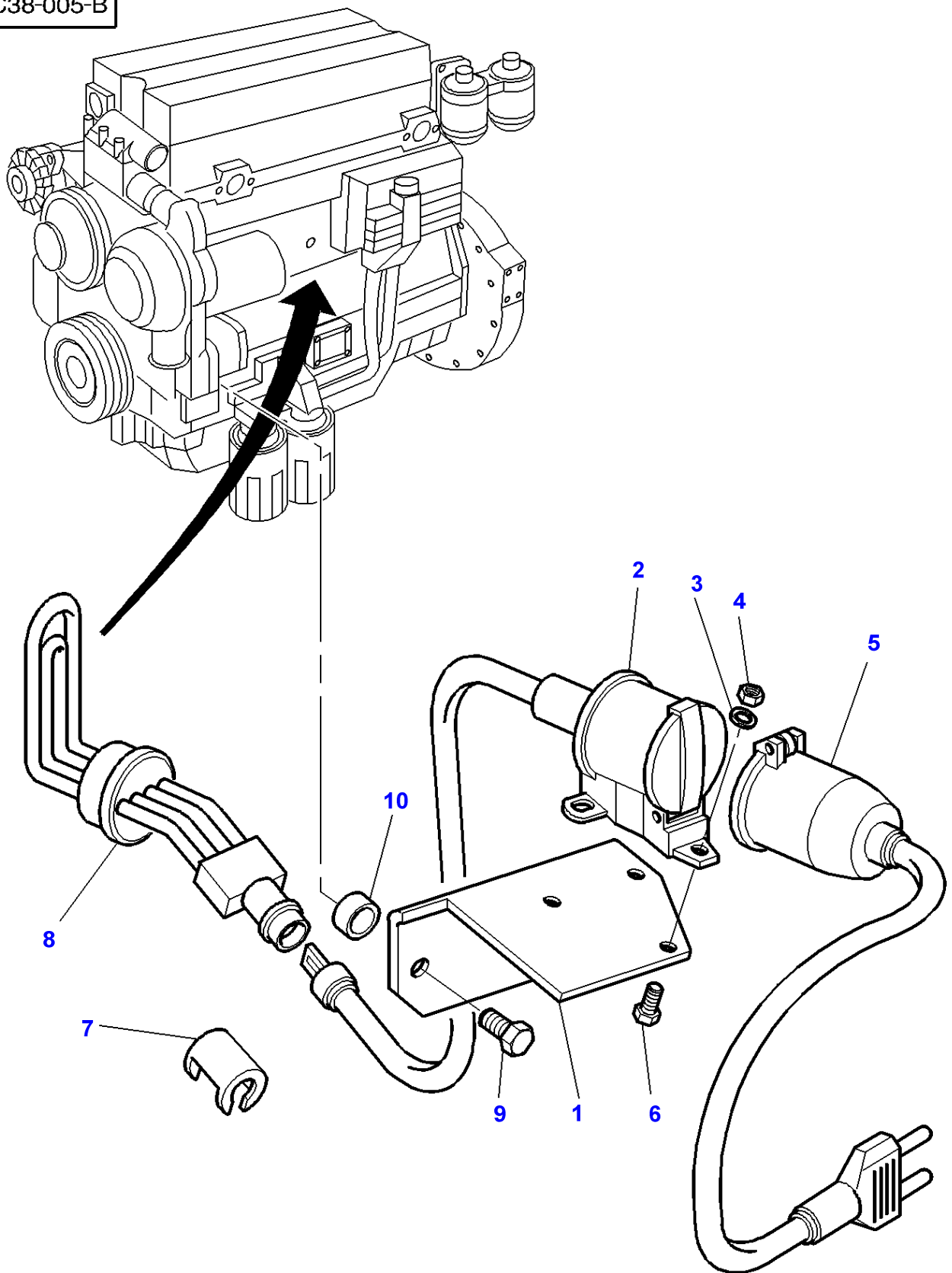
Item	Part Number	Qty	Description	Comments
1	4224667M91	1	Kit,Joint/Gasket	[A] Replace and repair. Old not interchangeable with new 4223732M91
	4224437M91	1	Kit,Joint/Gasket	[A,C] MF 8220 MF 8220 XTRA
2	4224674M91	1	Kit,Joint/Gasket	[B] Replace and repair. Old not interchangeable with new 4223733M91

FOOTNOTE [A] JOINTS AND GASKETS-TOP SERVICE KIT

FOOTNOTE [B] JOINTS AND GASKETS-BOTTOM SERVICE KIT

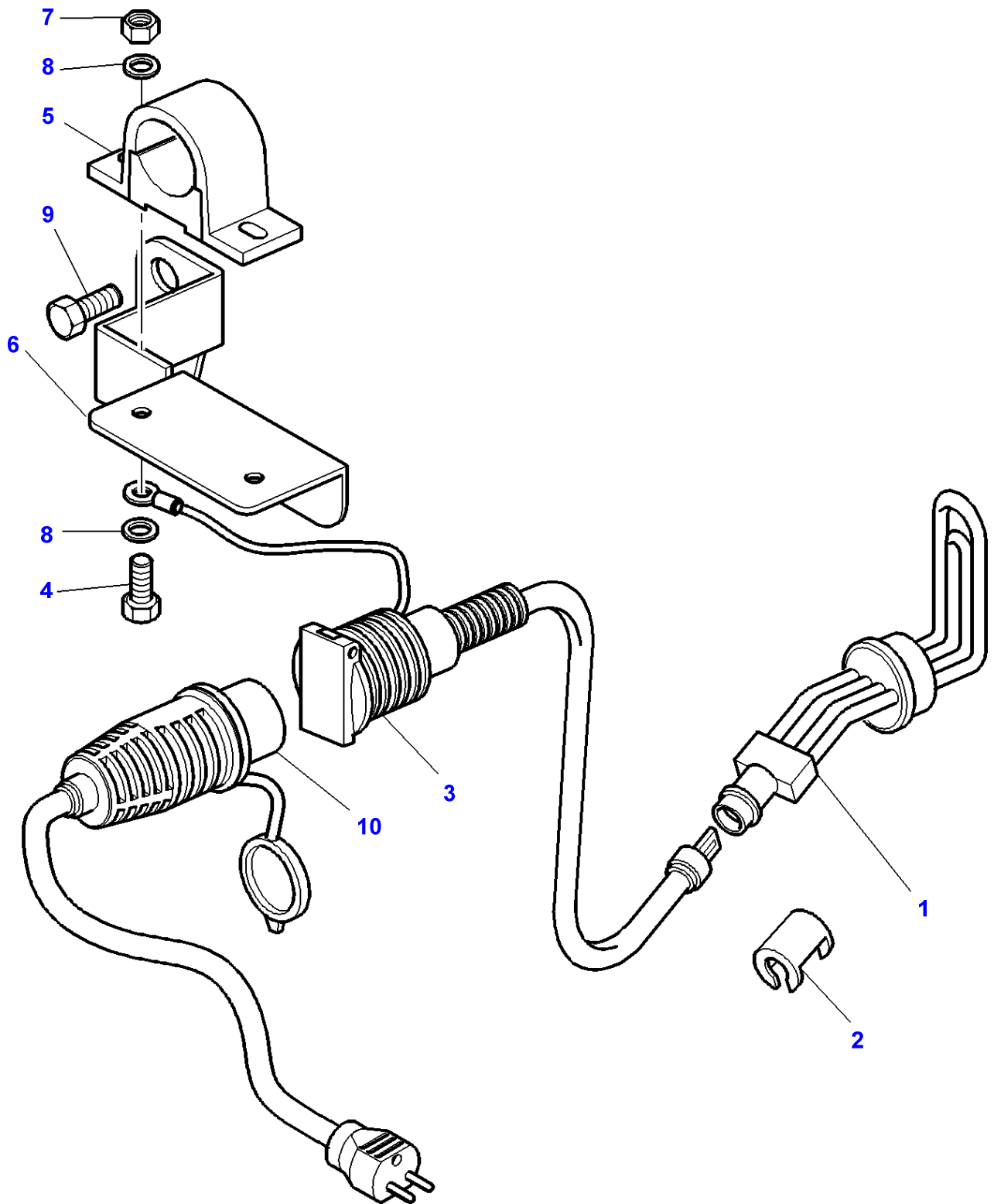
FOOTNOTE [C] ENGINE WITH AIR COMPRESSOR

1-ZC38-005-B



Item	Part Number	Qty	Description	Comments
1	3783253M1	1	Support	Replace and repair. Old not interchangeable with new 3616275m1
2	3611972M1	1	Lead	Length 560 MM
3	3006154X1	3	Washer	
4	1443615X1	3	Nut Metric	M4
5	3611973M1	1	Lead	Length 2500 MM
6	3009531X1	3	Screw Metric	M4 X 12
7	3611974M1	1	Clip	
8	3619931M1	1	Heater	
9	3009494X1	2	Screw Metric	M10 X 35
10	3384183M2	1	Bush	Diameter 10-16 X 16 MM
	3712546M1	1	Spacer	Diameter 10-20 X 12 MM

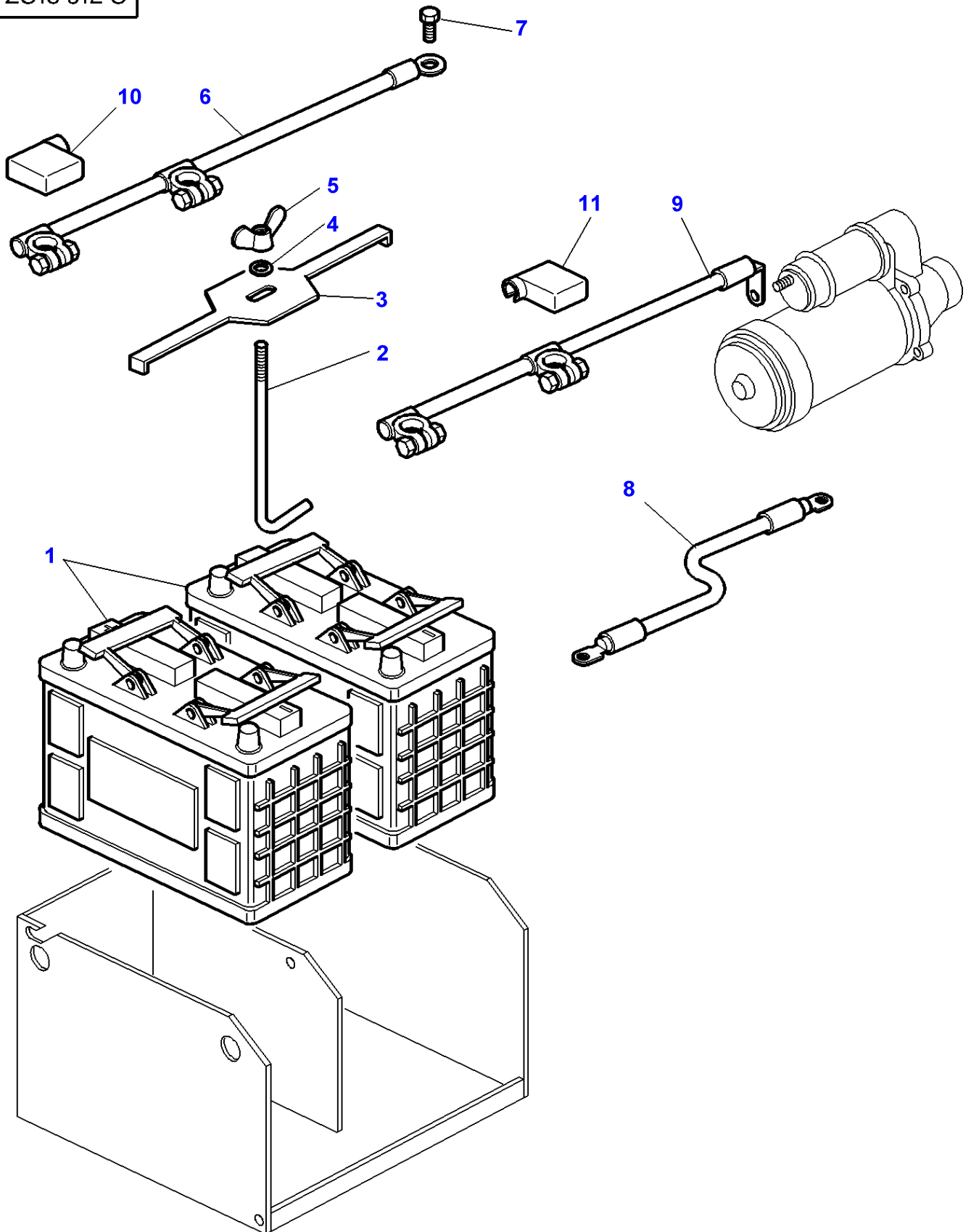
1-ZC38-007-A



Massey Ferguson**MF 8210/8220 TRACTORS - 1637365****1637365****Heater Engine Block - From Serial or Engine Number L155013****Page010-0200**

Item	Part Number	Qty	Description	Comments
1	3619931M1	1	Heater	
2	3611974M1	1	Clip	
3	4270172M1	1	Harness	
4	3010567X1	2	Screw Metric	M5 X 16
5	4270098M1	1	Clamp	
6	4270064M2	1	Support	
7	3010477X1	2	Nut Metric	M5
8	339381X1	1	Lock Washer	M5
9	339282X1	2	Screw Metric	M10 X 16
10	4270169M1	1	Lead	

1-ZC16-012-C



Item	Part Number	Qty	Description	Comments
1		2	Battery	[A,D] 420 AMP.
2	3782448M2	1	Strap	
3	3781110M2	1	Bridle	
4	390972X1	2	Washer Metric	
5	339106X1	1	Wing Nut	
6	3781198M3	1	Cable	Length 860MM - Up to Serial or Engine Number H280008
	3782436M2	1	Battery Cable	Length 1650MM - From Serial or Engine Number H280009
7	3808841M1	1	Bolt	M10X35 Up to Serial or Engine Number
	390738X1	1	Bolt Metric	M12X16 From Serial or Engine Number
8	3782435M2	1	Cable	Length 750MM
9	3786277M1	1	Battery Cable	Length 1450MM +
10	3782138M2	1	Protector	[B]
	3788468M1	1	Protector	[C]
11	3782139M2	1	Protector	[B]
	3788467M1	1	Protector	[C]

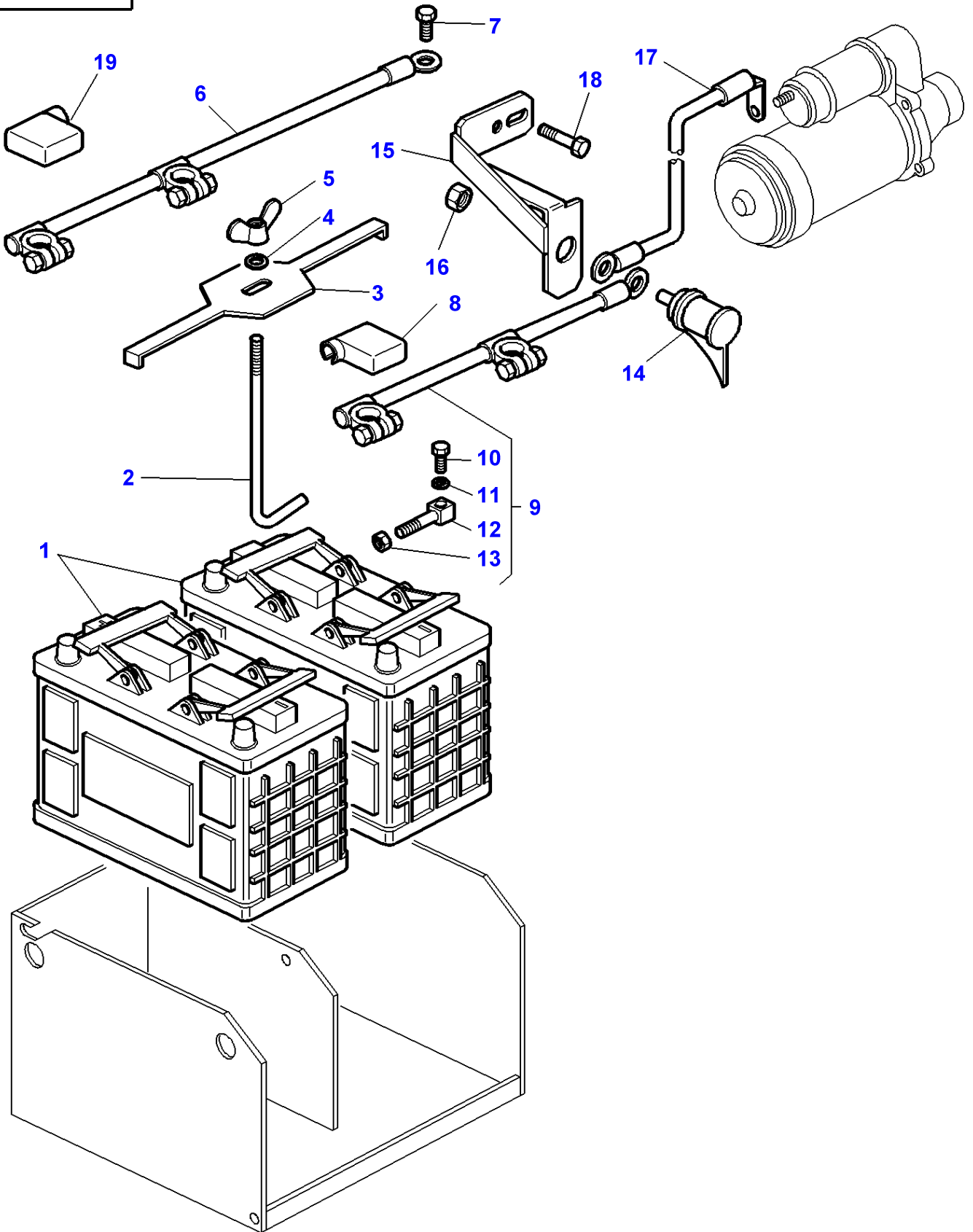
FOOTNOTE [A] PLEASE REFER TO MARKETING CATALOG

FOOTNOTE [B] RED

FOOTNOTE [C] BLACK

FOOTNOTE [D] THE APPROPRIATE SAFETY DECALS MUST BE ORDERED AND FITTED TO THIS PART

1-ZC16-011-C



Item	Part Number	Qty	Description	Comments
1		2	Battery	[A,D] 420 AMP.
2	3782448M2	1	Strap	
3	3781110M2	1	Bridle	
4	390972X1	2	Washer Metric	
5	339106X1	1	Wing Nut	
6	3781198M3	1	Cable	Length 860MM - Up to Serial or Engine Number H280008 Length 1650MM - From Serial or Engine Number H280009
	3782436M2	1	Battery Cable	
7	3808841M1	1	Bolt	
8	3782139M2	1	Protector	[B]
	3788467M1	1	Protector	[C]
9	3782429M1	1	Battery Cable	Length 1920MM +
10	3010859X1	1	Screw	(9)
11	3010860X1	1	Washer	(9)
12	3781143M1	1	Screw	(9)
13	339169X1	1	Nut	(9) M8
14	3714454M1	1	Connector	
15	3781283M1	1	Support	
16	355566X1	1	Nut Unc	(14)
17	3786275M1	1	Battery Cable	Length 450MM
18	339761X1	1	Hex. Sock. Screw	M8X25
19	3782138M2	1	Protector	[B]
	3788468M1	1	Protector	[C]

FOOTNOTE [A] PLEASE REFER TO MARKETING CATALOG

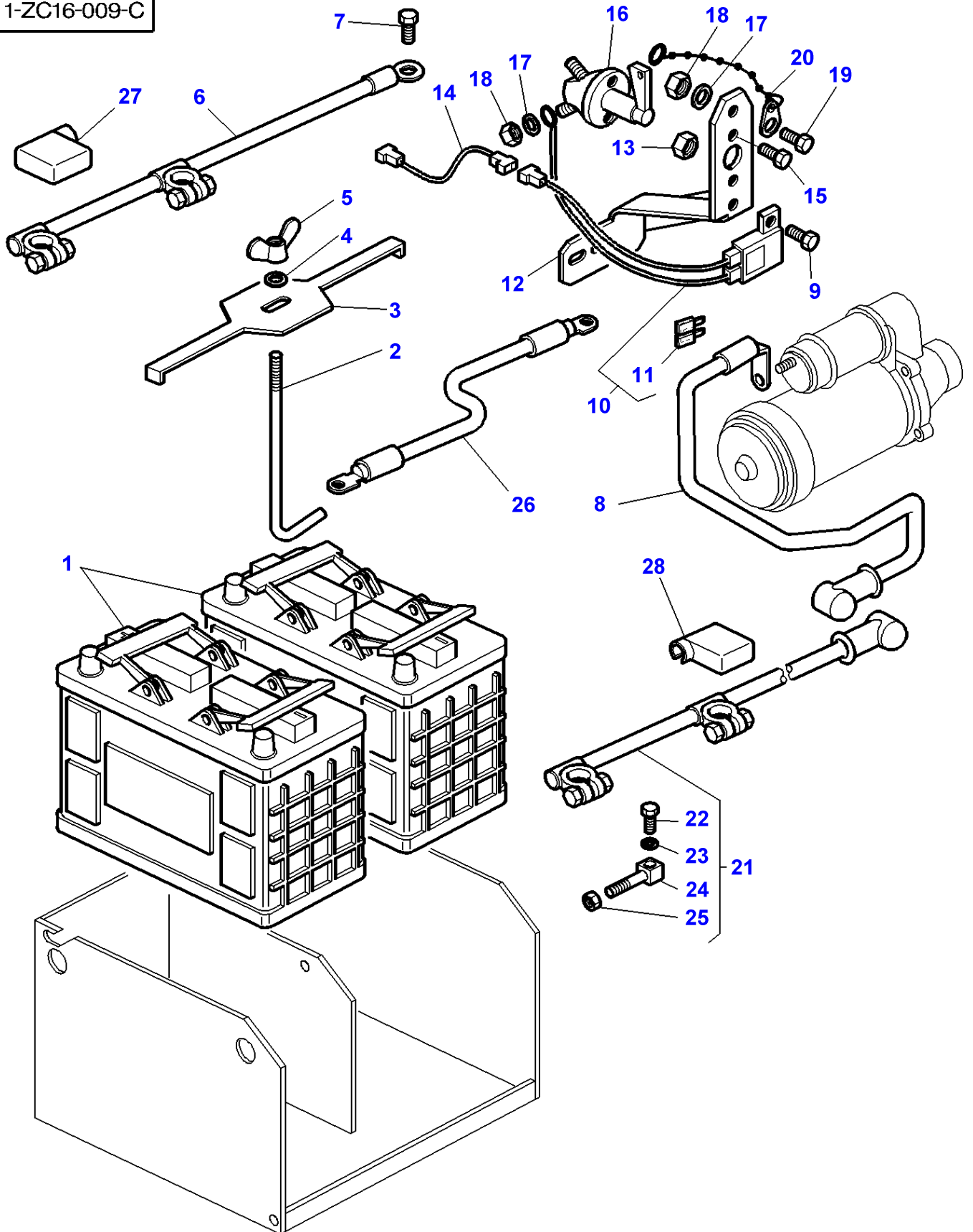
FOOTNOTE [B] RED

FOOTNOTE [C] BLACK

FOOTNOTE [D] THE APPROPRIATE SAFETY DECALS MUST BE ORDERED AND FITTED TO THIS PART

MF 8210/8220 TRACTORS - 1637365
1-ZC16-009-C

1-ZC16-009-C



Battery & Cables - With Battery Cut-Off

Item	Part Number	Qty	Description	Comments
1		2	Battery	[A,D] 420 AMP.
2	3782448M2	1	Strap	
3	3781110M2	1	Bridle	
4	390972X1	1	Washer Metric	
5	339106X1	1	Wing Nut	
6	3781198M3	1	Cable	Length 860MM - Up to Serial or Engine Number H280008 Length 1650MM - From Serial or Engine Number H280009
	3782436M2	1	Battery Cable	
7	3808841M1	1	Bolt	
8	3786272M1	1	Battery Cable	Length 650MM
9	390990X1	1	Screw Metric	M5X12
10	3783044M91	1	Harness	
11	3387318M1	1	Fuse	(10)
12	3779384M2	1	Support	
13	3010477X1	1	Nut Metric	M5
14	3616193M2	1	Wire	Up to Serial or Engine Number
15	339666X1	2	Hex. Sock. Screw	M6X20
16	3712201M2	1	Switch	
17	391038X1	2	Washer	
18	339030X1	3	Nut Metric	M6
19	339560X1	1	Hex. Sock. Screw	M6X16
20	3613599M91	1	Chain	
21	3787940M1	1	Cable	Length 2150MM +
22	3010859X1	1	Screw	(21)
23	3010860X1	1	Washer	(21)
24	3781143M1	1	Screw	(21)
25	339169X1	1	Nut	(21) M8
26	3782435M2	1	Cable	Length 750MM
27	3782138M2	1	Protector	[B]
	3788468M1	1	Protector	[C]
28	3782139M2	1	Protector	[B]
	3788467M1	1	Protector	[C]

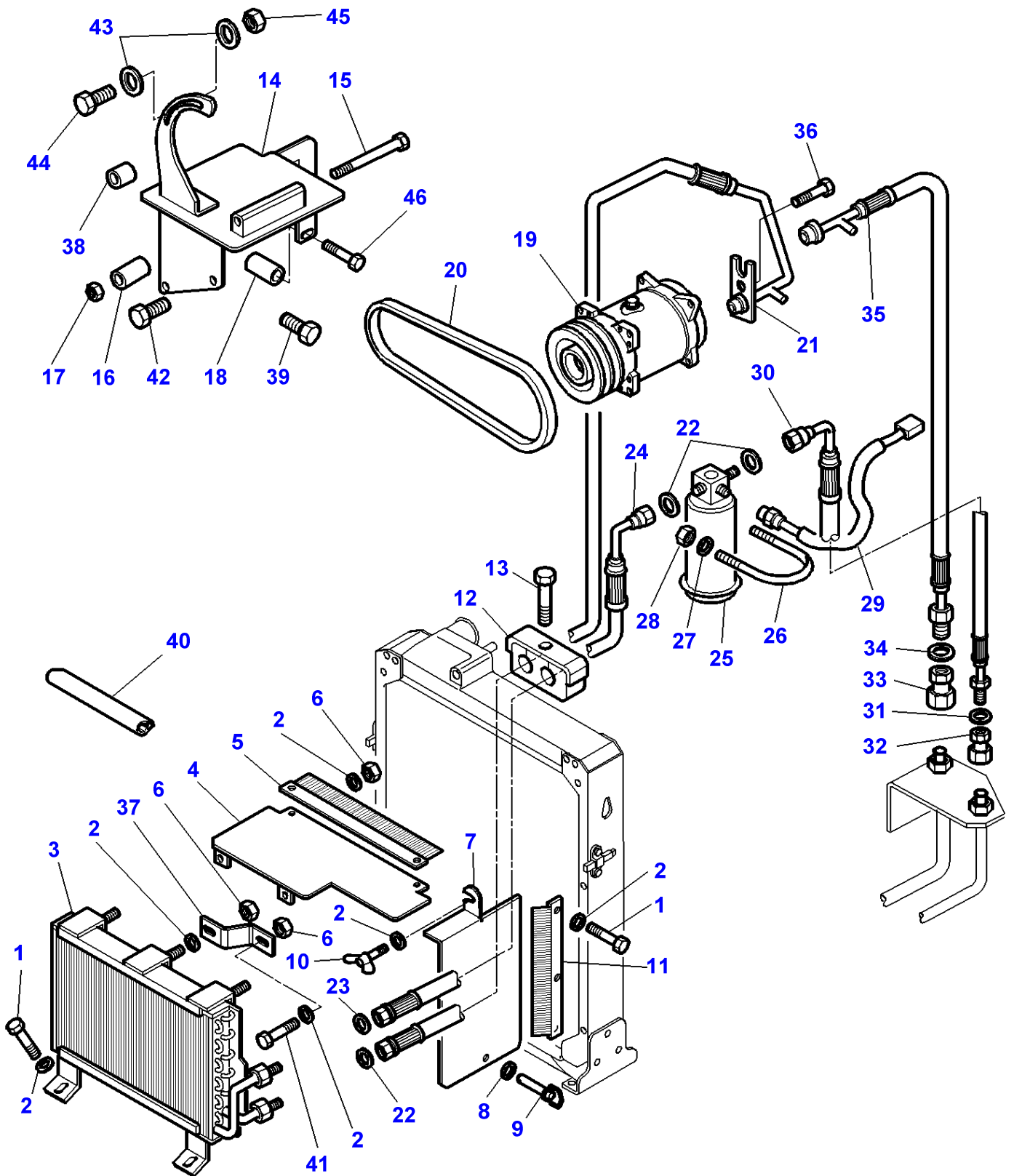
FOOTNOTE [A] PLEASE REFER TO MARKETING CATALOG

FOOTNOTE [B] RED

FOOTNOTE [C] BLACK

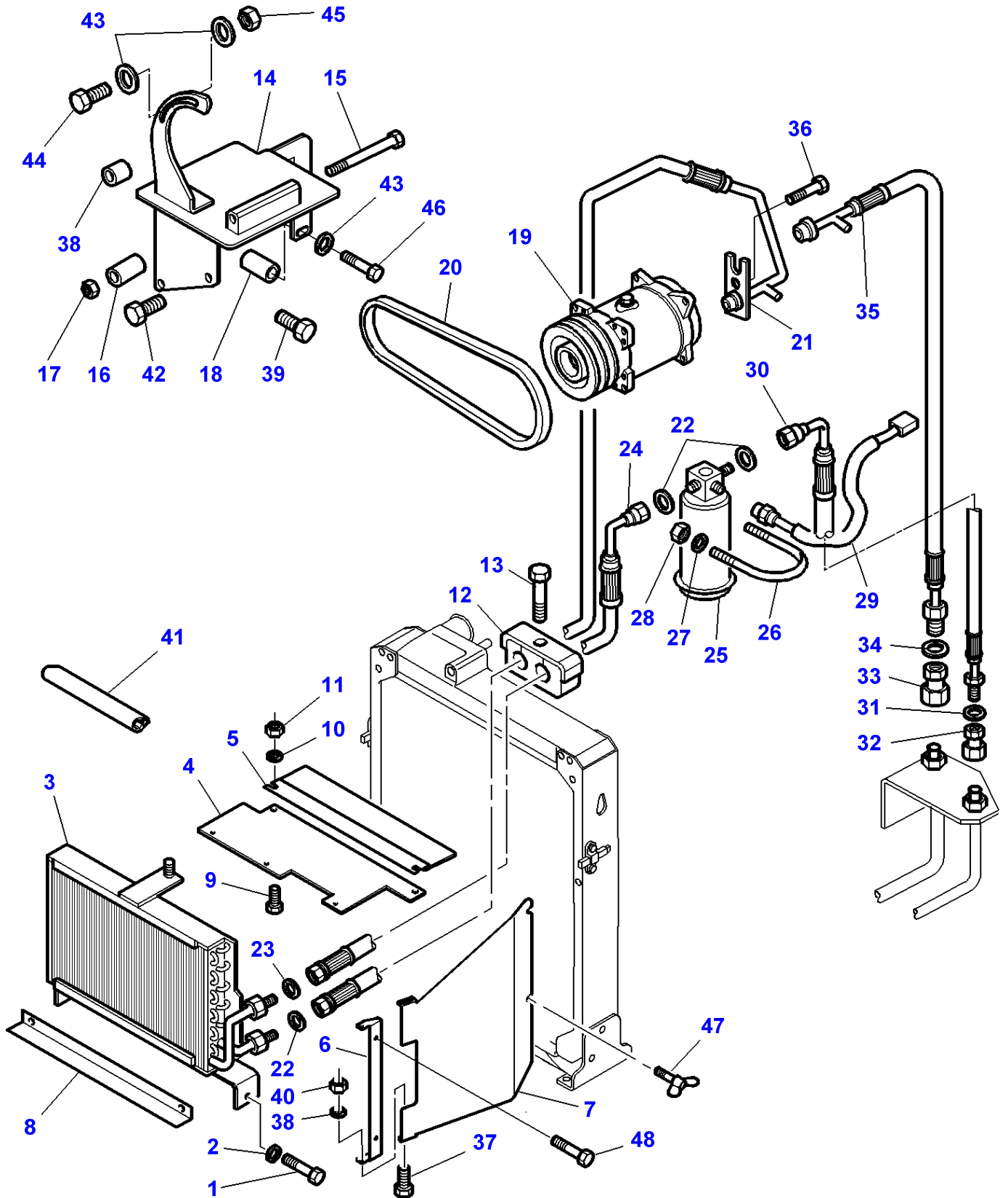
FOOTNOTE [D] THE APPROPRIATE SAFETY DECALS MUST BE ORDERED AND FITTED TO THIS PART

1-ZC08-004-C



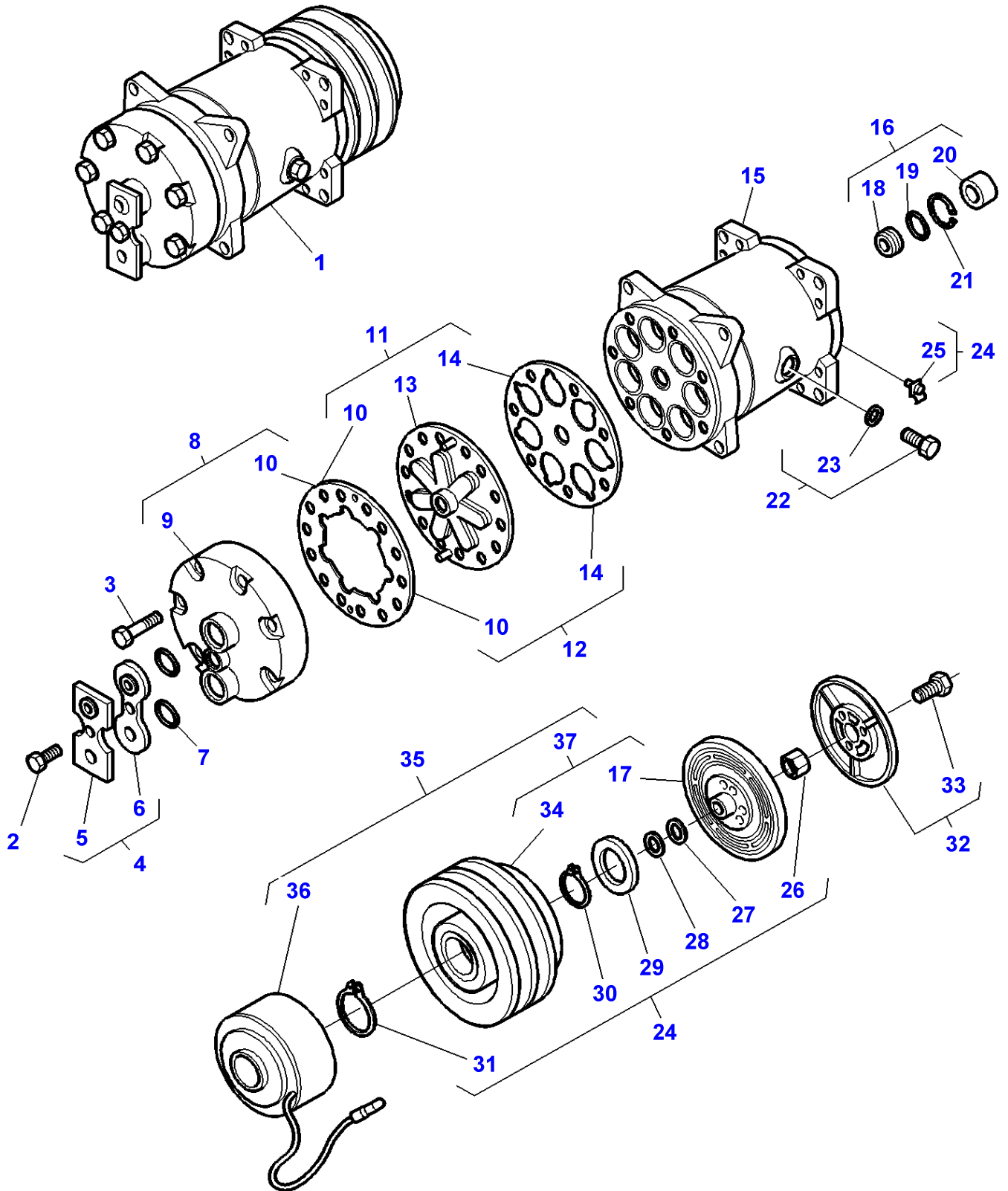
Item	Part Number	Qty	Description	Comments
1	339124X1	X	Hex. Sock. Screw	M8X16
2	390972X1	X	Washer Metric	
3	3782611M1	1	Condenser	
4	3782714M1	1	Plate	
5	3782717M1	1	Dust Shield	
6	339169X1	3	Nut	M8
7	3782712M2	1	Panel	Left Hand
	3782711M2	1	Panel	Right Hand
8	3782892M1	2	Washer	
9	3782893M2	2	Latch	
10	339107X1	2	Wingbolt	M8X16
11	3782716M1	1	Dust Shield	Left Hand
	3782715M1	1	Dust Shield	Right Hand
12	3781937M1	1	Bridle	
13	339009X1	1	Hex. Sock. Screw	M8X35
14	3780592M2	1	Support	
15	1442487X1	1	Bolt Metric	M10X130
16	3781316M1	1	Spacer	Diameter 20X9X40MM
17	1440329X1	1	Locknut	M10
18	3010856X1	1	Spacer	Diameter 20MM Length 55MM Up to Serial or Engine Number J193026
	3582445M1	1	Spacer	Diameter 20MM Length 30MM From Serial or Engine Number J193027
19	3782613M2	1	Compressor	
20	3386214M1	1	Belt	
21	3782106M3	1	Hydr Hose	
22	3010471X1	3	O Ring	
23	3010472X1	1	O Ring	
24	3782107M1	1	Hydr Hose	
25	3712495M1	1	Filter	
26	3383977M1	1	Stirrup	
27	390971X1	2	Washer	
28	339030X1	2	Nut Metric	M6
29	3712526M1	1	Pressure Switch	
30	3779607M2	1	Hydr Hose	
31	3010502X1	1	O Ring	
32	368524X1	1	Union	
33	368543X1	1	Union	
34	3010474X1	1	O Ring	
35	3777881M1	1	Hydr Hose	Length 820MM
36	358139X1	1	Screw	3/8-24 X 25
37	3781063M1	1	Strap	
38	3782135M1	2	Spacer	
39	3019908X1	2	Screw	M8X105
40	3778990M1	1	Gasket	Length 165MM
41	339123X1	1	Hex. Sock. Screw	M8X20
42	339761X1	1	Hex. Sock. Screw	M8X25
43	390734X1	1	Washer	Diameter 10X21X2
44	3009494X1	1	Screw Metric	M10X35
45	3009693X1	1	Nut Metric	
46	3009502X1	1	Bolt Metric	M10X80 Up to Serial or Engine Number J193026
	3009498X1	1	Bolt Metric	M10X55 From Serial or Engine Number J193027

1-ZC08-010-A



Item	Part Number	Qty	Description	Comments
1	339124X1	X	Hex. Sock. Screw	M8 X 16
2	390972X1	X	Washer Metric	Diameter 8-17 X 1,7 MM
3	3784061M1	1	Condenser	
4	3784063M1	1	Plate	
5	3782717M1	1	Dust Shield	
6	3784431M1	2	Hinge	
7	3784065M1	1	Panel	Left Hand
	3784064M1	1	Panel	Right Hand
8	3785717M1	1	Shield	
9	339560X1	3	Hex. Sock. Screw	M6 X 16
10	390971X1	3	Washer	Diameter 6-12 X 1,5 MM
11	339030X1	3	Nut Metric	M6
12	3781937M1	1	Bridle	
13	339009X1	1	Hex. Sock. Screw	M8 X 35
14	3780592M2	1	Support	
15	1442487X1	1	Bolt Metric	M10 X 130
16	3781316M1	1	Spacer	Diameter 20-9 X 40 MM
17	1440329X1	1	Locknut	M10
18	3582445M1	1	Spacer	Diameter 20 MM Length 30 MM
19	3782613M2	1	Compressor	
20	3386214M1	1	Belt	Length 1150 MM
21	3782106M3	1	Hydr Hose	
22	3010471X1	3	O Ring	
23	3010472X1	1	O Ring	
24	3782107M1	1	Hydr Hose	
25	3712495M1	1	Filter	
26	3383977M1	1	Stirrup	
27	390971X1	2	Washer	Length 6-12 X 1,5 MM
28	339030X1	2	Nut Metric	M6
29	3712526M1	1	Pressure Switch	
30	3779607M2	1	Hydr Hose	Length 681 MM
31	3010502X1	1	O Ring	
32	368524X1	1	Union	
33	368543X1	1	Union	
34	3010474X1	1	O Ring	
35	3777881M1	1	Hydr Hose	Length 820 MM
36	358139X1	1	Screw	3/8-24 X 25
37	339160X1	4	Screw	M5 X 10
38	390469X1	4	Washer Metric	
39	3019908X1	2	Screw	M8 X 105
40	1441494X1	4	Nut Metric	M5
41	3783129M1	1	Staple	Length 25 MM
	3782735M1	1	Gasket	Length 140 MM
42	339761X1	1	Hex. Sock. Screw	M8 X 25
43	390734X1	1	Washer	Diameter 10-21 X 2 MM
44	3009494X1	1	Screw Metric	M10 X 35
45	339402X1	1	Nut	M10
46	3009498X1	1	Bolt Metric	M10 X 55
47	390265X1	4	Wingbolt	M6 X 10
48	3000926X1	4	Screw	M5 X 10

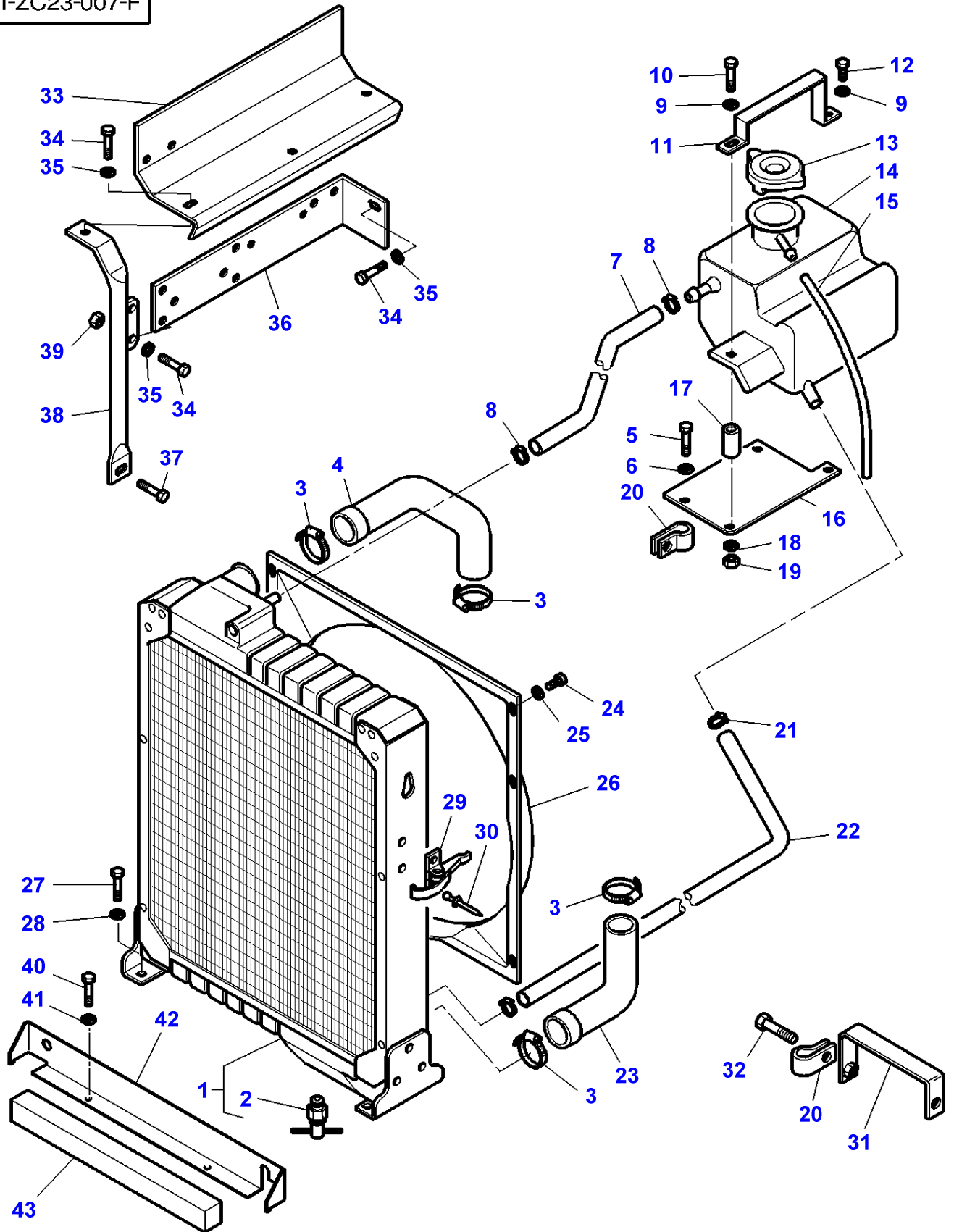
1-ZC49-001-A



Sanden Compressor

Item	Part Number	Qty	Description	Comments
1	3782613M2	1	Compressor	SD7H15QC8088
2	3901157M1	1	Screw	(1)
3	3901154M1	6	Screw	(1)
4	3903258M91	1	Kit	(1)
5		1	Plate	(4)
				Not serviced,order REF.4
6		1	Cover	(4)
				Not serviced,order REF.4
7	3901155M1	2	O Ring	(1)
8	3901147M91	1	Head	(1)
9		1	Cover	(8)
				Not serviced,order REF.8
10		1	Gasket	(8)
				Not serviced,order REF.8
11	3903255M91	1	Kit	(1)
12	3903256M91	1	Kit, Gasket	(1)
13		1	Plate	(11)
				Not serviced,order REF.11
14		1	Gasket	(11)
				Not serviced,order REF.11
15		1	Body	(1)
				Not serviced,order REF.1
16	3903257M91	1	Kit, Seal	(1)
17		1	Armature	(37)
				Not serviced,order REF.37
18		1	Seal	(16)
				Not serviced,order REF.16
19		1	O Ring	(16)
				Not serviced,order REF.16
20		1	Felt Ring	(16)
				Not serviced,order REF.16
21	3901150M1	1	Circlip	(1)
22	3901152M91	1	Plug	(1)
23	3901153M1	1	O Ring	(22)
24	3903263M91	1	Kit	(1)
25		1	Clip	(24)
				Not serviced,order REF.24
26		1	Nut	(24)
				Not serviced,order REF.24
27		1	Ring	(24)
				Not serviced,order REF.24
28		1	Ring	(24)
				Not serviced,order REF.24
29	3901162M1	1	Cover	(24)
30		1	Clip	(24)
				Not serviced,order REF.24
31		1	Clip	(24)
				Not serviced,order REF.24
32	3903259M91	1	Kit	
33		3	Screw	(32)
				Not serviced,order REF.32
34		1	Pulley	(37)
				Not serviced,order REF.37
35	3903260M92	1	Clutch	(1)
36	3903262M91	1	Coil	(35)
37	3903261M92	1	Rotor	(35)

1-ZC23-007-F



Cooling System - Engine

Item	Part Number	Qty	Description	Comments
1	3780221M4	1	Water Cooler	[B,C] MF 8220 Up to Serial or Engine Number J018006
	3780220M4	1	Water Cooler	[A,C] MF 8220 From Serial or Engine Number J018007 Up to Serial or Engine Number L287020
	3780221M4	1	Water Cooler	[B,C] MF 8220 From Serial or Engine Number L287021
	3780220M4	1	Water Cooler	[A,C] MF 8210
2	3902881M1	1	Plug	(1)
3	338618X1	4	Hose Clip	Diameter 50-70
4	3780508M3	1	Hose	
5	339337X1	4	Hex. Sock. Screw	M8 X 30
	339123X1	1	Hex. Sock. Screw	M8 X 20
6	391039X1	4	Washer Metric	Diameter 8-24 X 2 MM
7	3780557M1	1	Hose	Length 810 MM
8	3712465M1	2	Clamp	
9	390972X1	2	Washer Metric	Diameter 8-17 X 1,7 MM
10	339891X1	1	Screw	M8 X 80
11	3779400M2	1	Bridle	
12	339337X1	1	Hex. Sock. Screw	M8 X 30
13	180224M92	1	Radiator Cap	
14	3810567M3	1	Water Tank	
15	3808186M1	1	Hose	
16	3781204M2	1	Support	
17	3810570M1	1	Spacer	Diameter 10-20 X 43 MM
18	390972X1	2	Washer Metric	Diameter 8-17 X 1,7 MM
19	339169X1	2	Nut	M8
20	3581424M1	2	Clamp	
21	338614X1	2	Hose Clip	Diameter 20-32
22	3781304M2	1	Hose	Length 1200 MM
23	3780230M1	1	Hose	
24	339228X1	6	Screw Metric	M8 X 12
25	390972X1	6	Washer Metric	Diameter 8-17 X 1,7 MM
26	3781620M2	1	Shroud	MF 8210
	3781620M2	1	Shroud	MF 8220 Up to Serial or Engine Number H327030
	3780222M2	1	Shroud	MF 8220 From Serial or Engine Number H327031
	3780222M2	1	Shroud	MF 8220 XTRA
27	3009492X1	4	Hex. Sock. Screw	M10 X 25
28	390734X1	4	Washer	Diameter 10-21 X 2 MM
29	3783272M1	2	Latch	
30	3010021X1	4	Rivet	
31	3782045M1	1	Strap	
32	339124X1	1	Hex. Sock. Screw	M8 X 16
33	3782112M3	1	Deflector	
34	339123X1	5	Hex. Sock. Screw	M8 X 20
35	390972X1	5	Washer Metric	Diameter 8-17 X 1,7 MM
36	3782113M1	1	Ramp	
37	3009492X1	1	Hex. Sock. Screw	M10 X 25
38	3781203M1	1	Support	
39	339169X1	2	Nut	M8
40	339124X1	2	Hex. Sock. Screw	M8 X 16
41	390972X1	2	Washer Metric	Diameter 8-17 X 1,7 MM
42	3784357M2	1	Shield	
43	3785210M1	1	Gasket	Length 515 MM

FOOTNOTE [A] RADIATOR 4 ROW

FOOTNOTE [B] RADIATOR 5 ROW

Massey Ferguson

MF 8210/8220 TRACTORS - 1637365

1637365

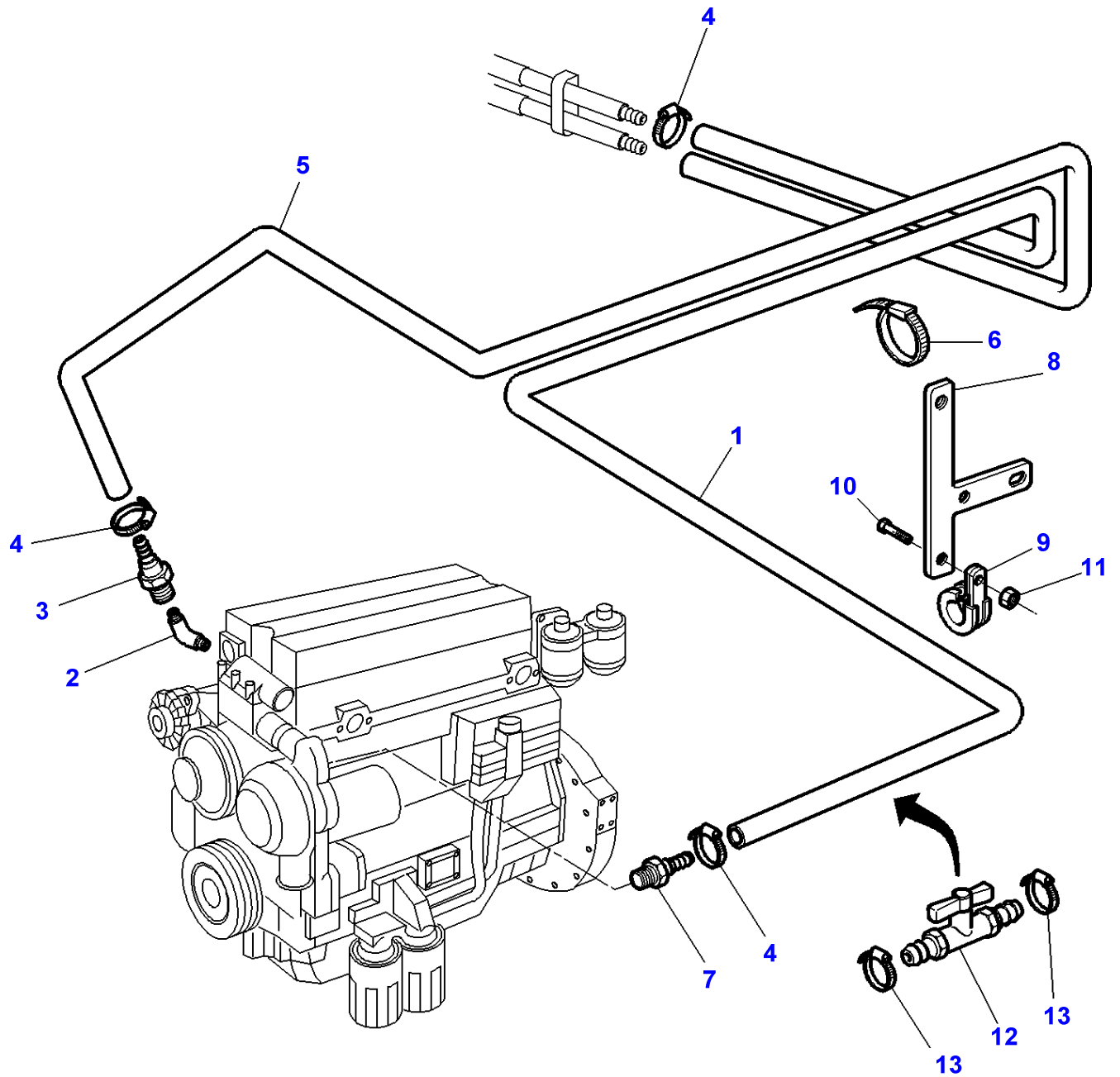
Cooling System - Engine

Page010-0235

Item	Part Number	Qty	Description	Comments
-------------	--------------------	------------	--------------------	-----------------

FOOTNOTE [C] THE APPROPRIATE SAFETY DECALS MUST BE ORDERED AND FITTED TO THIS PART

1-ZC28-001-D

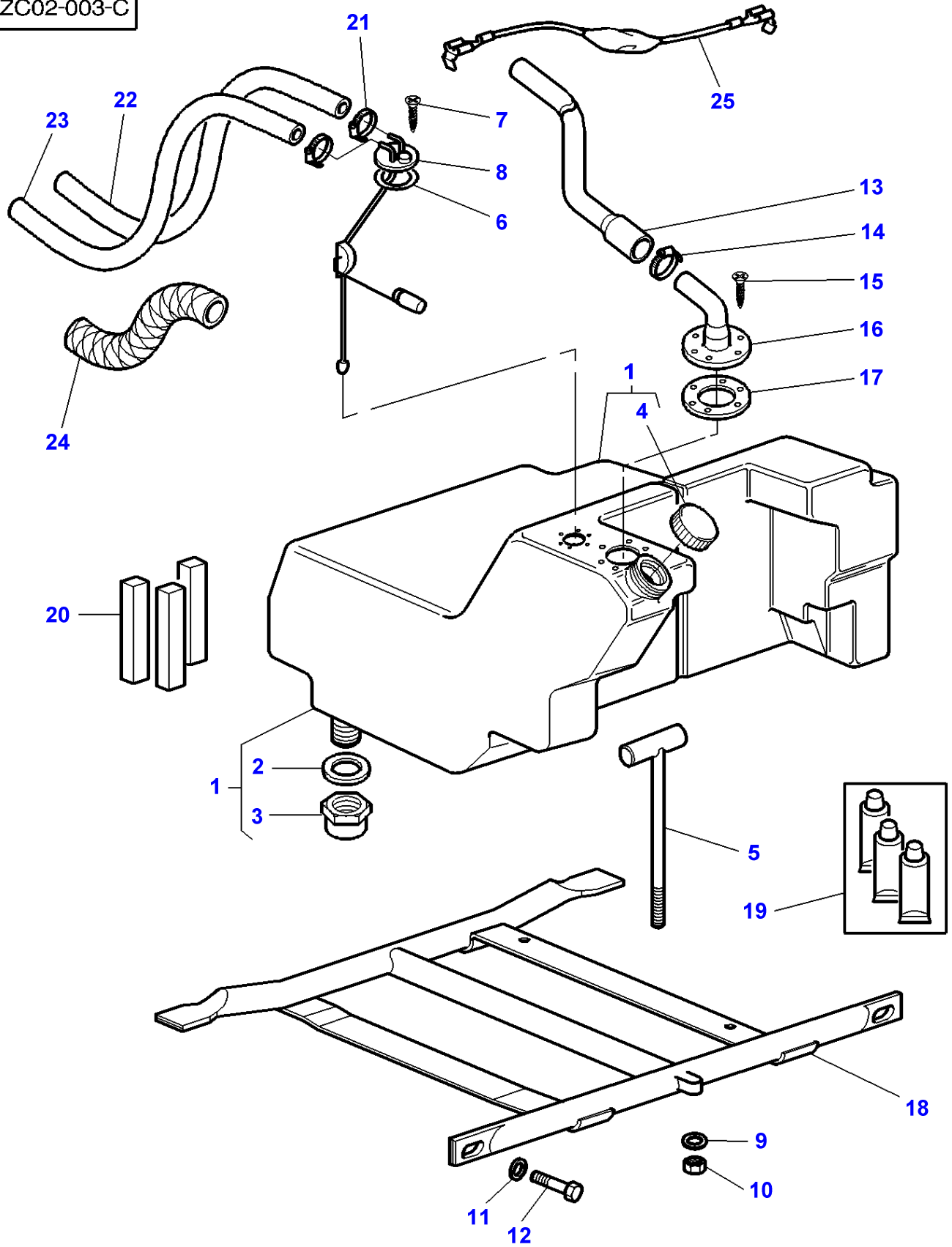


Cab Heating System - Engine Part

Item	Part Number	Qty	Description	Comments
1	3779976M1	1	Hose	Length 1500 MM
2	762548M1	1	Elbow	
3	3385676M1	1	Union	
4	3000483X1	4	Clamp	Diameter 13-19
5	3787687M1	1	Hose	Length 2550 MM
6	3619622M1	2	Cable Tie	Length 390 MM
7	518826M1	1	Union	
8	3782355M2	1	Angle.	
9	3783956M1	1	Strap	
10	339123X1	1	Hex. Sock. Screw	M8 X 20
11	339169X1	1	Nut	Up to Serial or Engine Number 10-07-2000 M8
12	3784680M1	1	Cock	For United States of America For Australia For South Africa
13	3019564X1	2	Hose Clip	Diameter 16-25

MF 8210/8220 TRACTORS - 1637365
1-ZC02-003-C

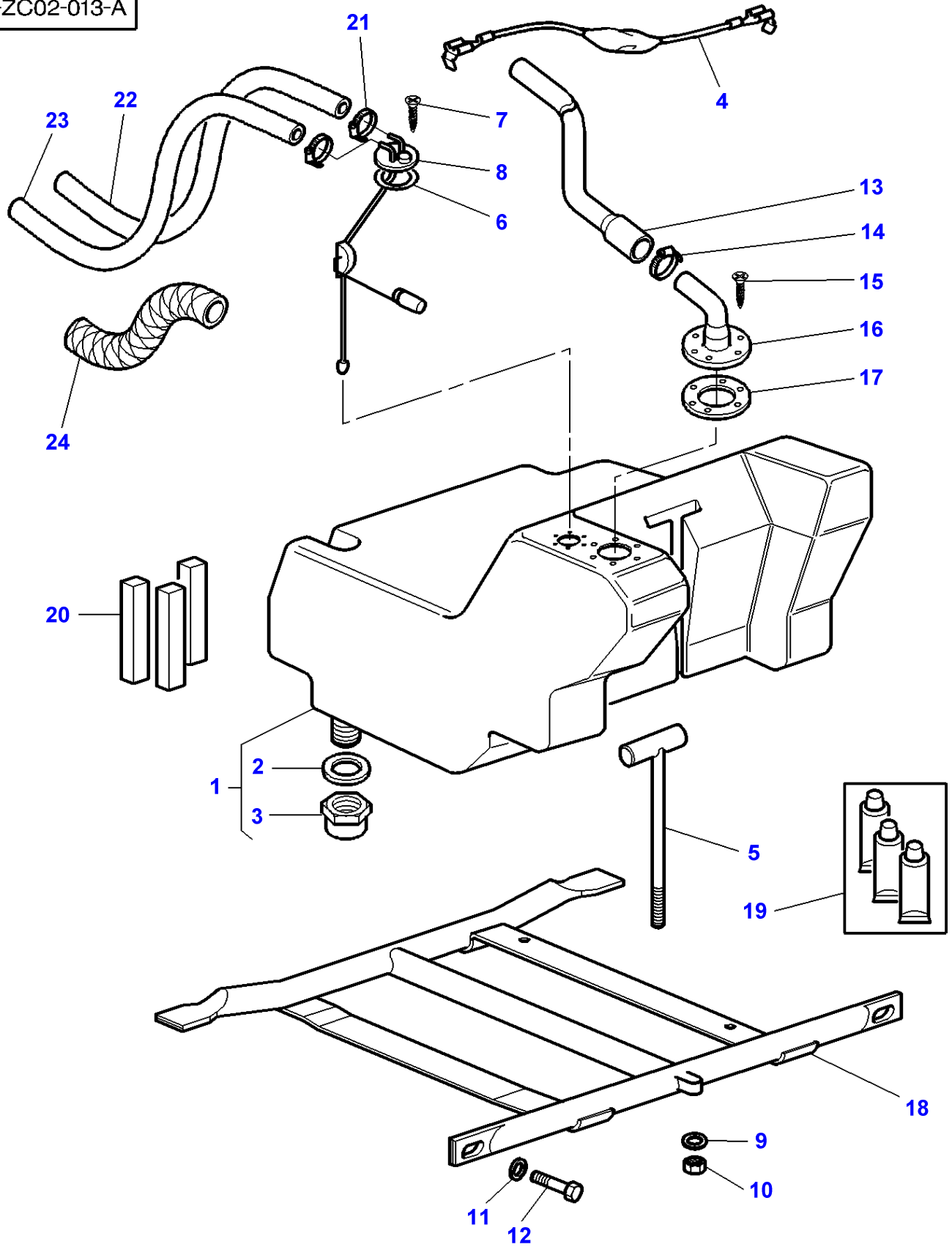
1-ZC02-003-C



Item	Part Number	Qty	Description	Comments
1	3782335M91	1	Fuel Tank	275L
2	3616911M1	1	Gasket	(1)
3	3616909M1	1	Plug	(1)
4	3782340M1	1	Tank Cap	(1)
5	3777391M1	1	Stem	
6	1617869M2	1	Gasket	
7	3005728X1	6	Screw	No 10X16
8	3777389M2	1	Fuel Gauge	
9	390734X1	1	Washer	
10	1440329X1	1	Locknut	
11	385363X1	2	Washer	
12	3009506X1	2	Screw Metric	M12 X 30
13	3778733M2	1	Tube	
14	338614X1	1	Hose Clip	Diameter 20-32
15	3005728X1	6	Screw	No 10X16
16	3782043M1	1	Non Return Valve	
17	1617869M2	1	Gasket	
18	3778874M2	1	Support	
19	3600444M91	1	Kit, Service	
20	3600195M91	1	Parts Pack	
21	3712464M1	4	Clamp	
22	3386990M1	1	Hydr Hose	Length 2900MM
23	3777801M1	1	Hydr Hose	Length 3040MM
24	3580974M2	2	Protective Strip	Length 380MM
				Up to Serial or Engine Number H169012
	3782421M1	7	Protective Strip	Length 500MM
				From Serial or Engine Number H169013
25	3783665M1	1	Harness	

MF 8210/8220 TRACTORS - 1637365
1-ZC02-013-A

1-ZC02-013-A

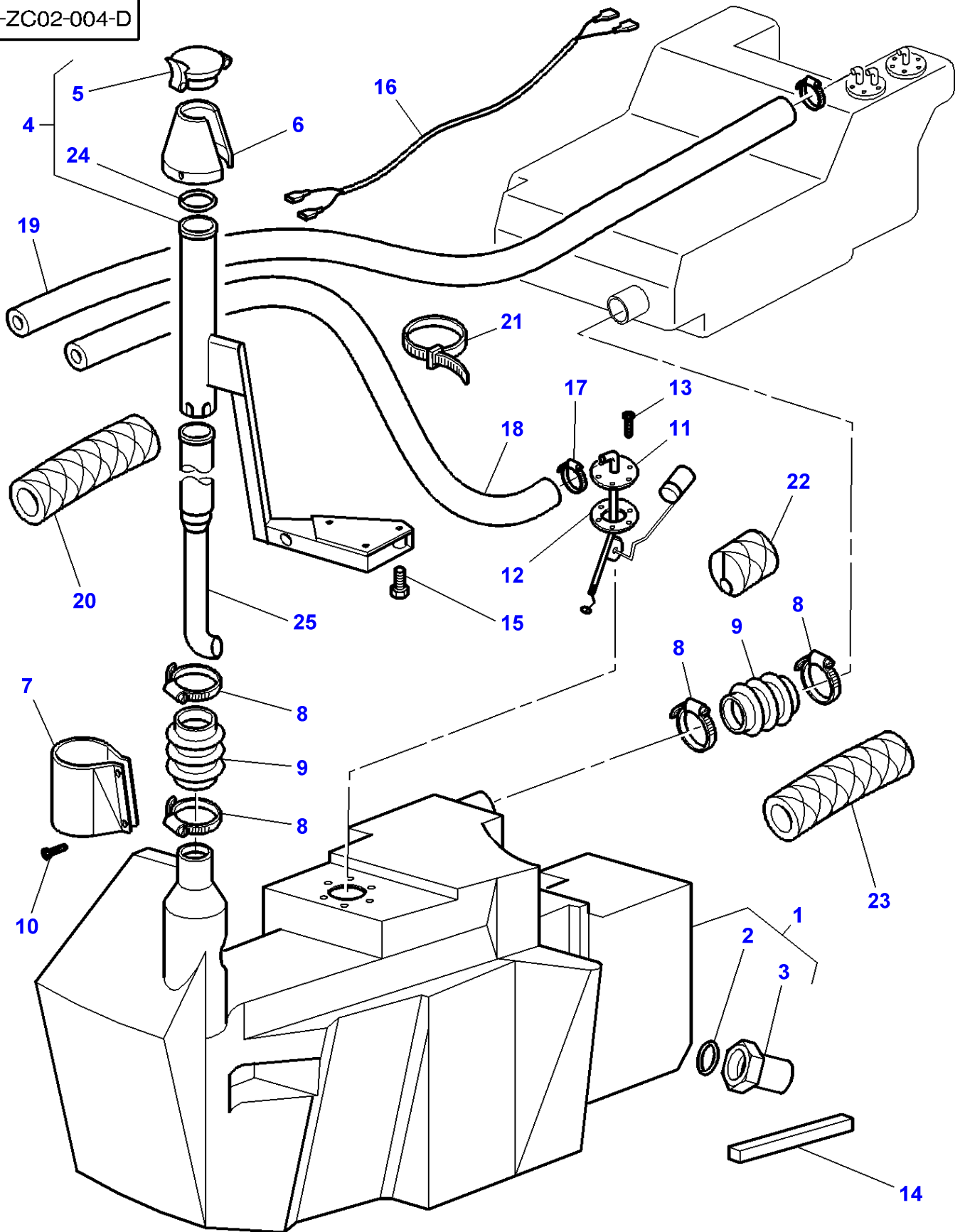


Item	Part Number	Qty	Description	Comments
1	3777384M94	1	Fuel Tank	[A] 275 L Up to Serial or Engine Number J334011
	3784419M92	1	Fuel Tank	[A] 275 L From Serial or Engine Number J334012
2	3616911M1	1	Gasket	(1)
3	3616910M1	1	Adaptor	(1)
4	3783665M1	1	Harness	
5	3777391M1	1	Stem	
6	1617869M2	1	Gasket	
7	3005728X1	6	Screw	No 10X16
8	3777389M2	1	Fuel Gauge	
9	390734X1	1	Washer	
10	1440329X1	1	Locknut	
11	385363X1	2	Washer	
12	3009506X1	2	Screw Metric	M12 X 30
13	3778733M2	1	Tube	
14	338614X1	1	Hose Clip	Diameter 20-32
15	3005728X1	6	Screw	No 10X16
16	3782043M1	1	Non Return Valve	
17	1617869M2	1	Gasket	
18	3778874M2	1	Support	
19	3600444M91	1	Kit, Service	
20	3600195M91	1	Parts Pack	
21	3712464M1	4	Clamp	
22	3386990M1	1	Hydr Hose	Length 2900MM
23	3777801M1	1	Hydr Hose	Length 3040MM
24	3580974M2	2	Protective Strip	Length 380MM
				Up to Serial or Engine Number H169012
	3782421M1	7	Protective Strip	Length 500MM
				From Serial or Engine Number H169013

FOOTNOTE [A] FOR UNITED STATES THE APPROPRIATE SAFETY DECALS MU ST BE ORDERED AND FITTED TO THIS PART

MF 8210/8220 TRACTORS - 1637365
1-ZC02-004-D

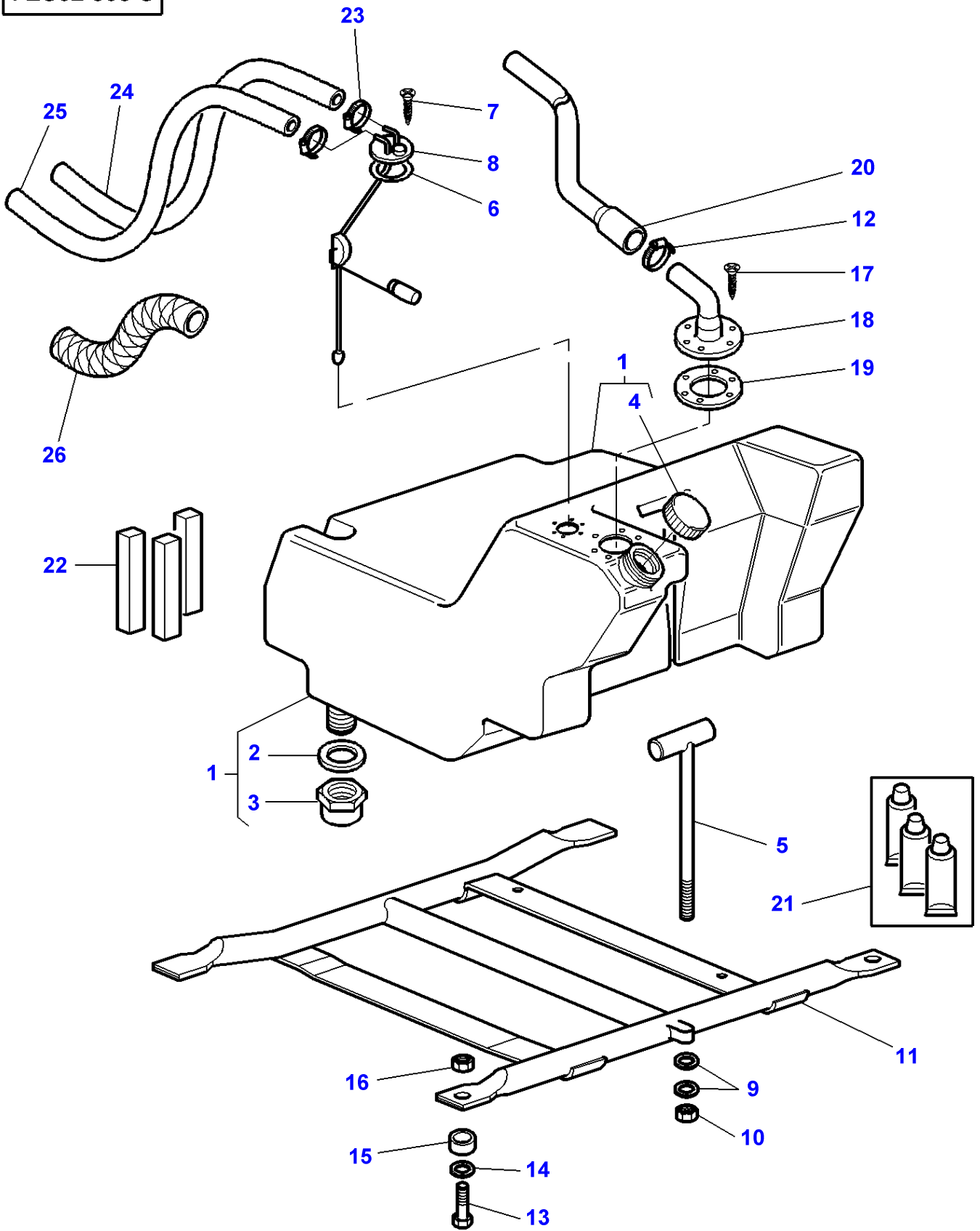
1-ZC02-004-D



Item	Part Number	Qty	Description	Comments
1	3777386M93	1	Tank	
2	3616911M1	1	Gasket	(1)
3	3616909M1	1	Plug	(1)
4	3778296M96	1	Spout	Up to Serial or Engine Number J055016
	3783921M91	1	Tube	From Serial or Engine Number J055017
5	3778761M1	1	Plug	(4)
6	3778531M1	1	Cowl	
7	3778781M1	1	Cowl	
8	1440860X1	2	Clamp	Diameter 60-80
9	3778297M1	2	Hose	Diameter 68MM
	3582877M2	1	Hose	Diameter 58MM
10	3005728X1	2	Screw	No 10X16
11	3777392M3	1	Dipstick	
12	1617869M2	1	Gasket	
13	3005728X1	6	Screw	No 10X16
14	3618690M1	2	Gasket	Length 30 X 13 X 545MM
15	339204X1	3	Screw	M10X65
	3009498X1	2	Bolt Metric	M10X55
16	3582936M1	1	Harness	
17	3712464M1	4	Clamp	Diameter 12MM
18	3582848M2	1	Tube	Length 650MM
19	3777801M1	1	Hydr Hose	Length 3040MM
20	3580974M2	X	Protective Strip	Length 380MM
				Up to Serial or Engine Number H169012
	3782421M1	X	Protective Strip	Length 500MM
				From Serial or Engine Number H169013
21	3619622M1	X	Cable Tie	
22	3783599M1	1	Protective Strip	[A]
23	3777884M1	2	Protective Strip	[A]
				Length 220MM
24	359187X1	1	O Ring	(4)
				From Serial or Engine Number J055017
25	3782142M93	1	Tube	From Serial or Engine Number J055017

FOOTNOTE [A] FOR JAPANESE MARKET ONLY

1-ZC02-006-C



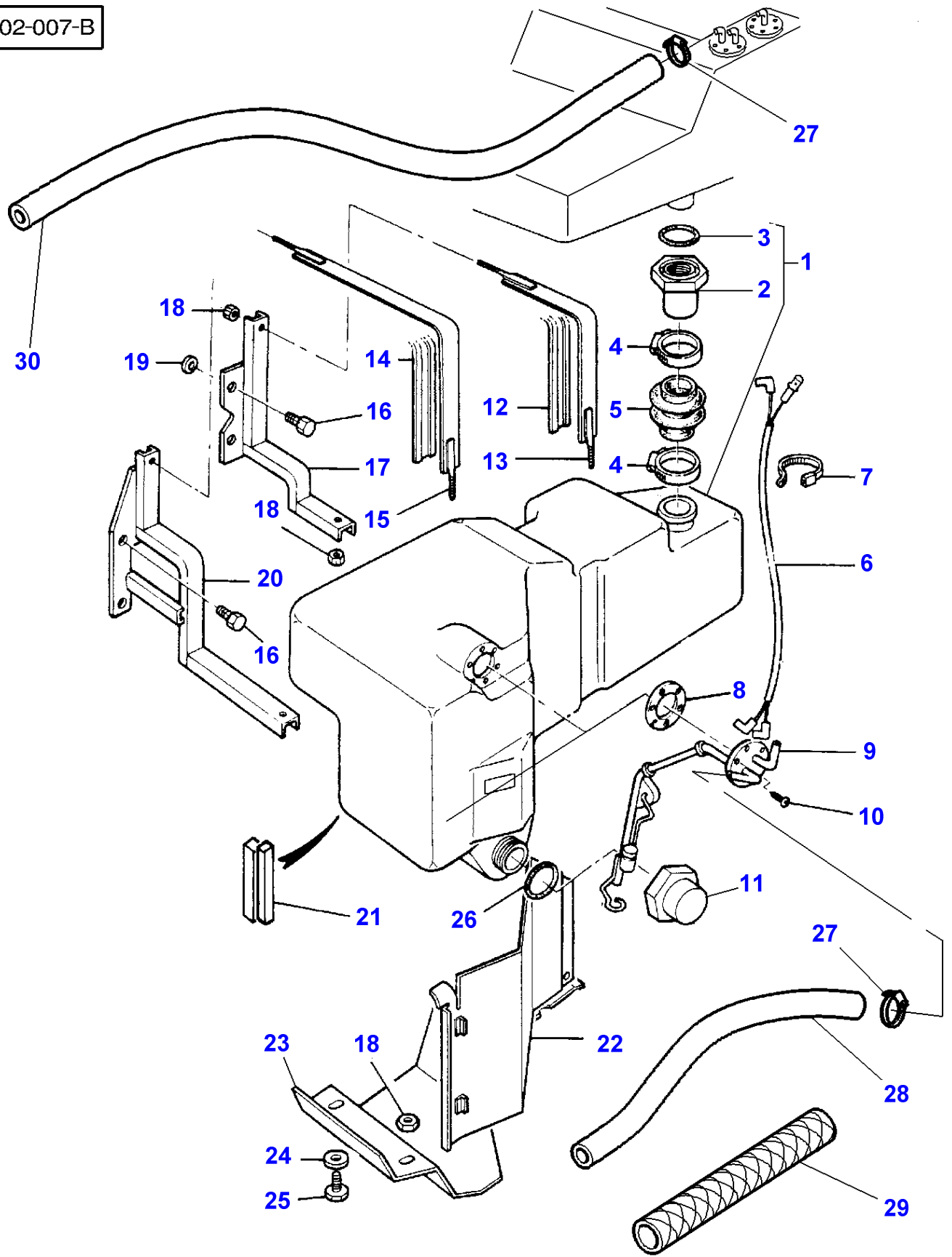
Item	Part Number	Qty	Description	Comments
1	3785269M92	1	Fuel Tank	[B] 275L Replace and repair. Old not interchangeable with new 3782335M91
2	3616911M1	1	Gasket	(1)
3	3616909M1	1	Plug	(1)
4	3782340M1	1	Tank Cap	(1)
5	3777391M1	1	Stem	
6	1617869M2	1	Gasket	
7	3005728X1	6	Screw	No 10X16
8	3782343M1	1	Dipstick	
	3782394M1	1	Fuel Gauge	[A]
9	390734X1	2	Washer	
10	1440329X1	1	Locknut	M10
11	3777390M2	1	Support	
12	338614X1	1	Hose Clip	Diameter 20-32
13	3009498X1	2	Bolt Metric	M10X55
14	385362X1	2	Washer	
15	3580856M1	2	Spacer	
16	3009693X1	2	Nut Metric	M10
17	3005728X1	6	Screw	No 10X16
18	3782043M1	1	Non Return Valve	
19	1617869M2	1	Gasket	
20	3782384M1	1	Tube	
21	3600444M91	1	Kit, Service	
22	3600195M91	1	Parts Pack	
23	3712464M1	4	Clamp	
24	3386990M1	1	Hydr Hose	Length 2900MM
25	3777801M1	1	Hydr Hose	Length 3040MM
26	3580974M2	2	Protective Strip	Length 380MM
				Up to Serial or Engine Number H169012
	3782421M1	4	Protective Strip	Length 500MM
				From Serial or Engine Number H169013

FOOTNOTE [A] USED WITH ADDITIONAL FUEL TANK

FOOTNOTE [B] FOR UNITED STATES THE APPROPRIATE SAFETY DECALS MUST BE ORDERED AND FITTED TO THIS PART

MF 8210/8220 TRACTORS - 1637365
1-ZC02-007-B

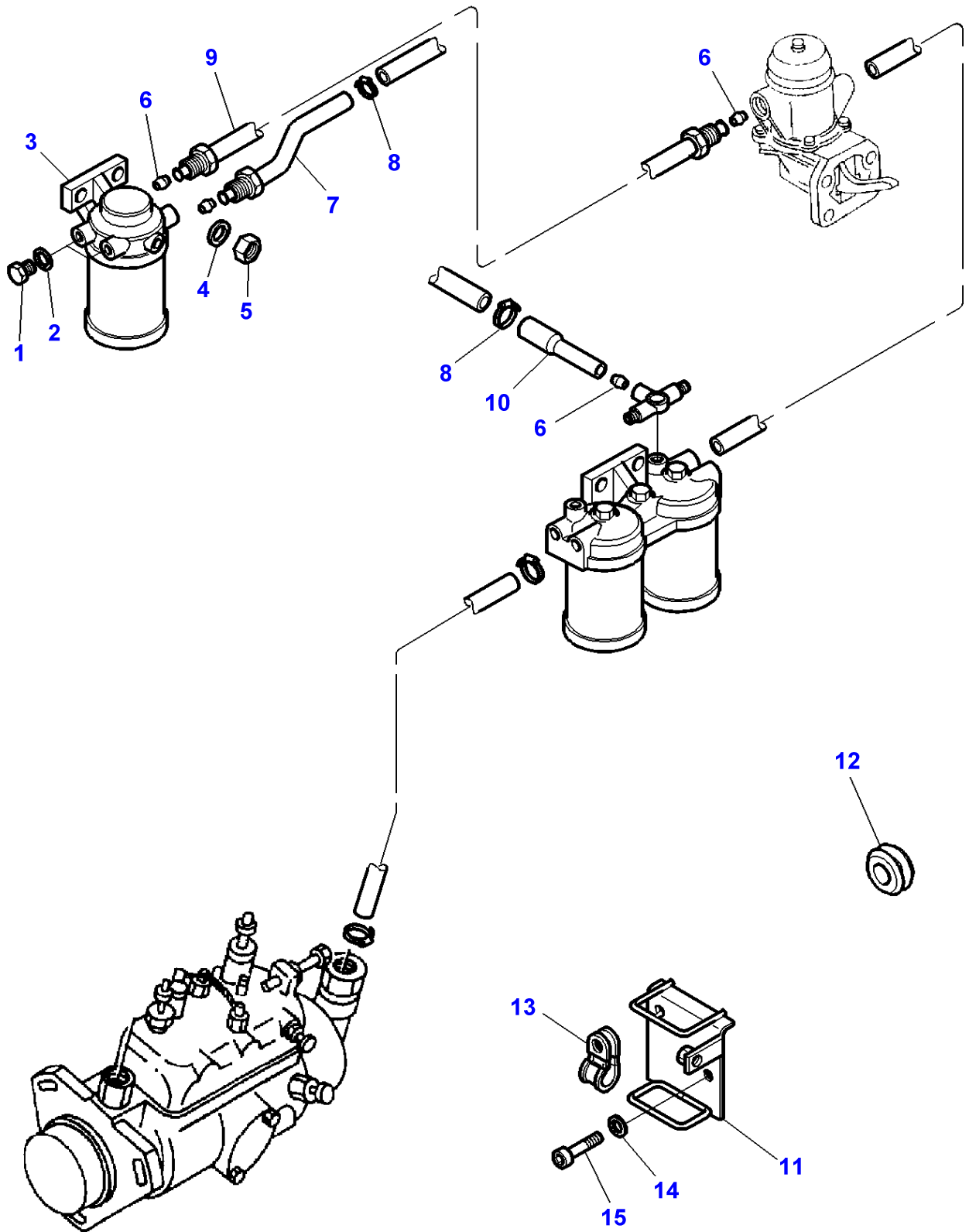
1-ZC02-007-B



Item	Part Number	Qty	Description	Comments
1	3583103M93	1	Fuel Tank	60 LITRES
2	3616910M1	1	Adaptor	(1)
3	3616911M1	1	Gasket	(1)
4	1440860X1	2	Clamp	
5	3714794M1	1	Hose	Length 102MM
6	3582936M1	1	Harness	
7	3619622M1	3	Cable Tie	
8	1617869M2	1	Gasket	
9	3582876M1	1	Dipstick	
10	3005728X1	6	Screw	
11	3616909M1	1	Plug	
12	3582887M1	1	Protector	
13	3582883M91	1	Bridle	
14	3582888M1	1	Protector	
15	3582885M91	1	Bridle	
16	354708X1	4	Bolt Unc	3/4-10X44
17	3582880M1	1	Support	
18	1441500X1	4	Locknut	
19	385365X1	4	Washer	
20	3582881M1	1	Support	
21	3600195M91	1	Parts Pack	[A]
22	3583524M1	1	Cowl	
23	3583105M1	1	Cowl	
24	390972X1	2	Washer Metric	
25	339228X1	2	Screw Metric	
26	3616911M1	1	Gasket	
27	3712464M1	X	Clamp	
28	3778875M1	1	Hose	Length 1100MM
29	3580974M2	1	Protective Strip	Length 380MM Up to Serial or Engine Number H169012
	3782421M1	4	Protective Strip	Length 500MM From Serial or Engine Number H169013
30	3785770M1	1	Hydr Hose	Length 1800/2250MM

FOOTNOTE [A] REPAIR KIT

1-ZC03-017-B

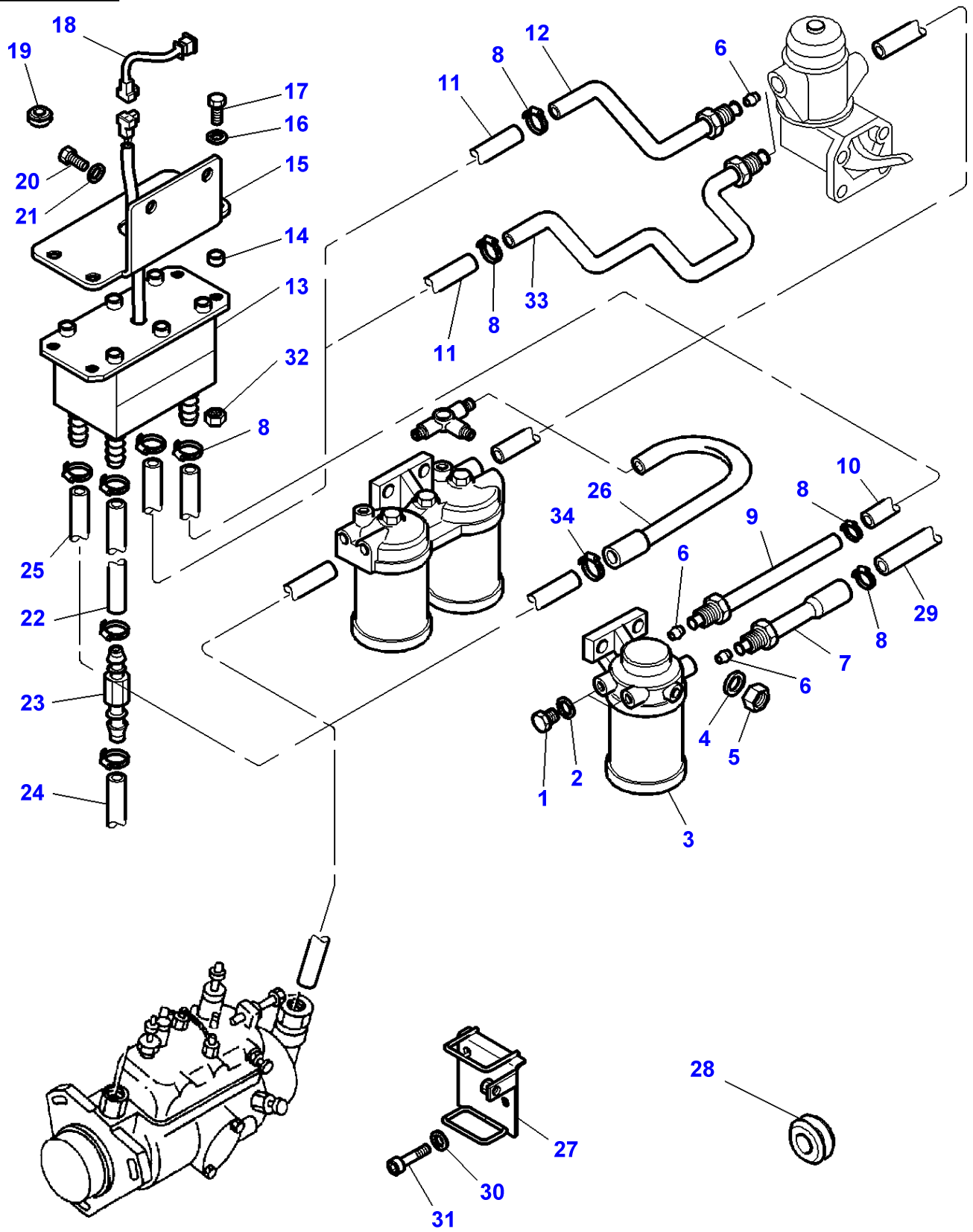


Massey Ferguson**MF 8210/8220 TRACTORS - 1637365****1637365****Fuel System - Fuel Filters And Pipes****Page010-0270**

Item	Part Number	Qty	Description	Comments
1	884748M1	2	Plug	1/2-20
2	731338M1	2	Washer	13.5-18.2X1.6
3	3781314M91	1	Sediment Bowl	150 MICRONS
4	391039X1	2	Washer Metric	
5	339169X1	2	Nut	M8
6	376526X1	3	Olive	
7	3615331M1	1	Union	
8	3712464M1	2	Clamp	
9	3779290M1	1	Tube	
10	3783397M1	1	Tube	
11	3780558M3	1	Guide	
12	3617983M1	2	Plug	
13	747679M1	2	Strap	
14	390972X1	2	Washer Metric	
15	3019908X1	2	Screw	M8X105

MF 8210/8220 TRACTORS - 1637365
1-ZC03-018-D

1-ZC03-018-D

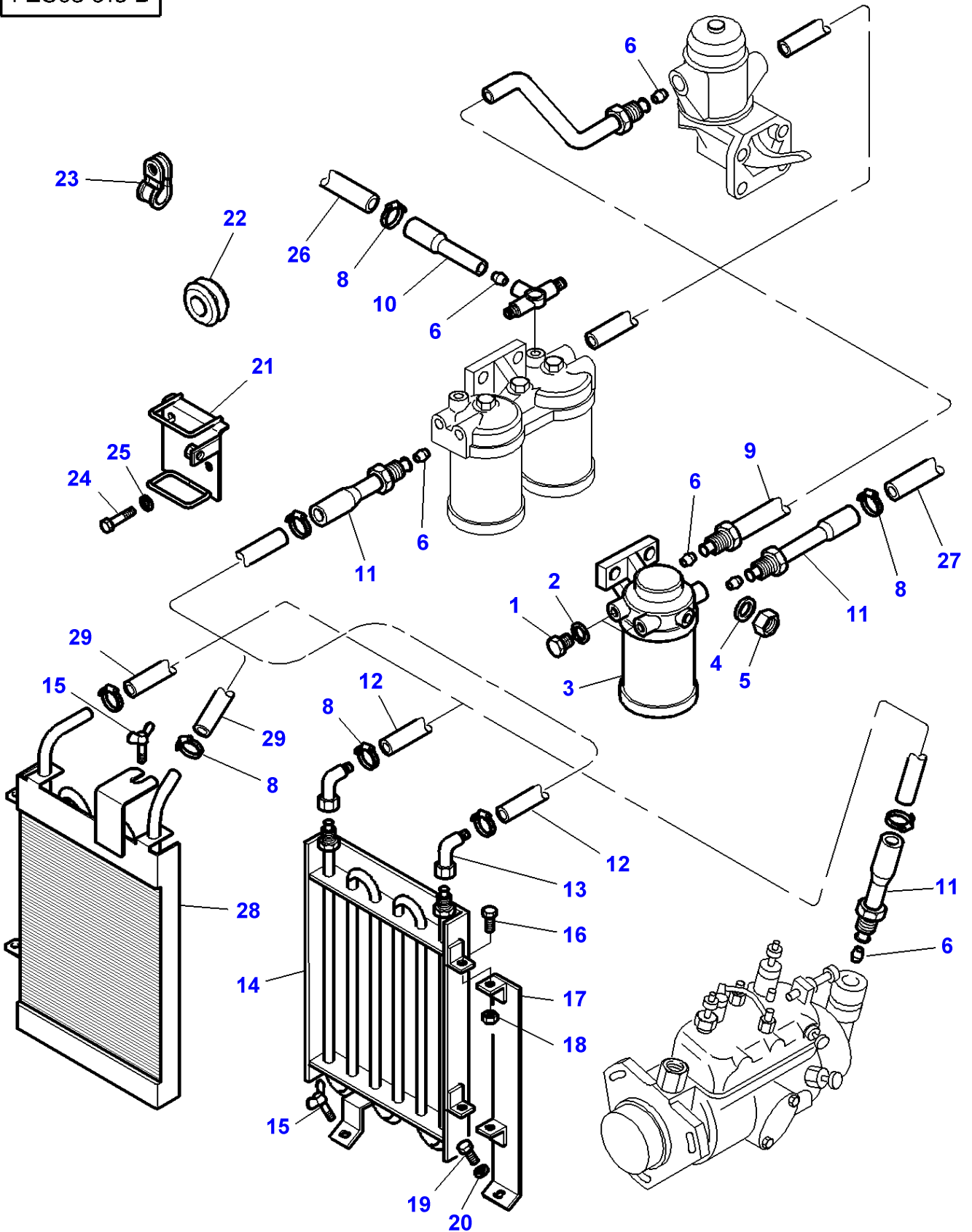


Fuel System - Fuel Filters And Pipes - With Flow Fuel

Item	Part Number	Qty	Description	Comments
1	884748M1	2	Plug	1/2-20
2	731338M1	2	Washer	13.5-18.2X1.6
3	3781977M91	1	Sediment Bowl	Up to Serial or Engine Number J249019 30 MICRONS
	3781314M91	1	Sediment Bowl	From Serial or Engine Number J249020 150 MICRONS
4	391039X1	2	Washer Metric	
5	339169X1	2	Nut	M8
6	376526X1	4	Olive	
7	3615331M1	1	Union	
8	3712464M1	11	Clamp	
9	3389423M91	1	Tubing	
10	3779452M1	1	Hydr Hose	Length 650MM
11	3583950M1	1	Hydr Hose	Up to Serial or Engine Number J048015 Length 1350MM
	3714828M1	1	Hydr Hose	From Serial or Engine Number J048016 Length 300MM
12	3781317M1	1	Tube	Replace and repair. Old interchangeable with new 3781268M1 Up to Serial or Engine Number J048015
13	3714330M2	1	Flowmeter	
14	3582832M1	4	Spacer	
15	3779396M1	1	Support	
16	3019560X1	4	Washer	
17	339563X1	4	Screw Metric	M5X20
18	3714288M1	1	Harness	
19	3389410M1	4	Grommet	Diameter 8-11
20	339124X1	2	Hex. Sock. Screw	M8X16
21	339024X1	2	Washer Metric	
22	3714828M1	1	Hydr Hose	Length 300MM
23	3781262M1	1	Junction	
24	3777801M1	1	Hydr Hose	Length 3040MM
25	3779450M1	1	Hydr Hose	Length 260MM
26	3782208M1	1	Tube	
27	3780558M3	1	Guide	
28	3617983M1	2	Plug	
29	3386990M1	1	Hydr Hose	Length 2900MM
	3582848M2	1	Tube	[A] Length 650MM
30	390972X1	2	Washer Metric	
31	3019908X1	2	Screw	M8X105
32	339169X1	4	Nut	M8
33	3783708M1	1	Tube	From Serial or Engine Number J048016
34	3783236M1	1	Clamp	

FOOTNOTE [A] WITH ADDITIONAL FUEL TANK

1-ZC03-019-D

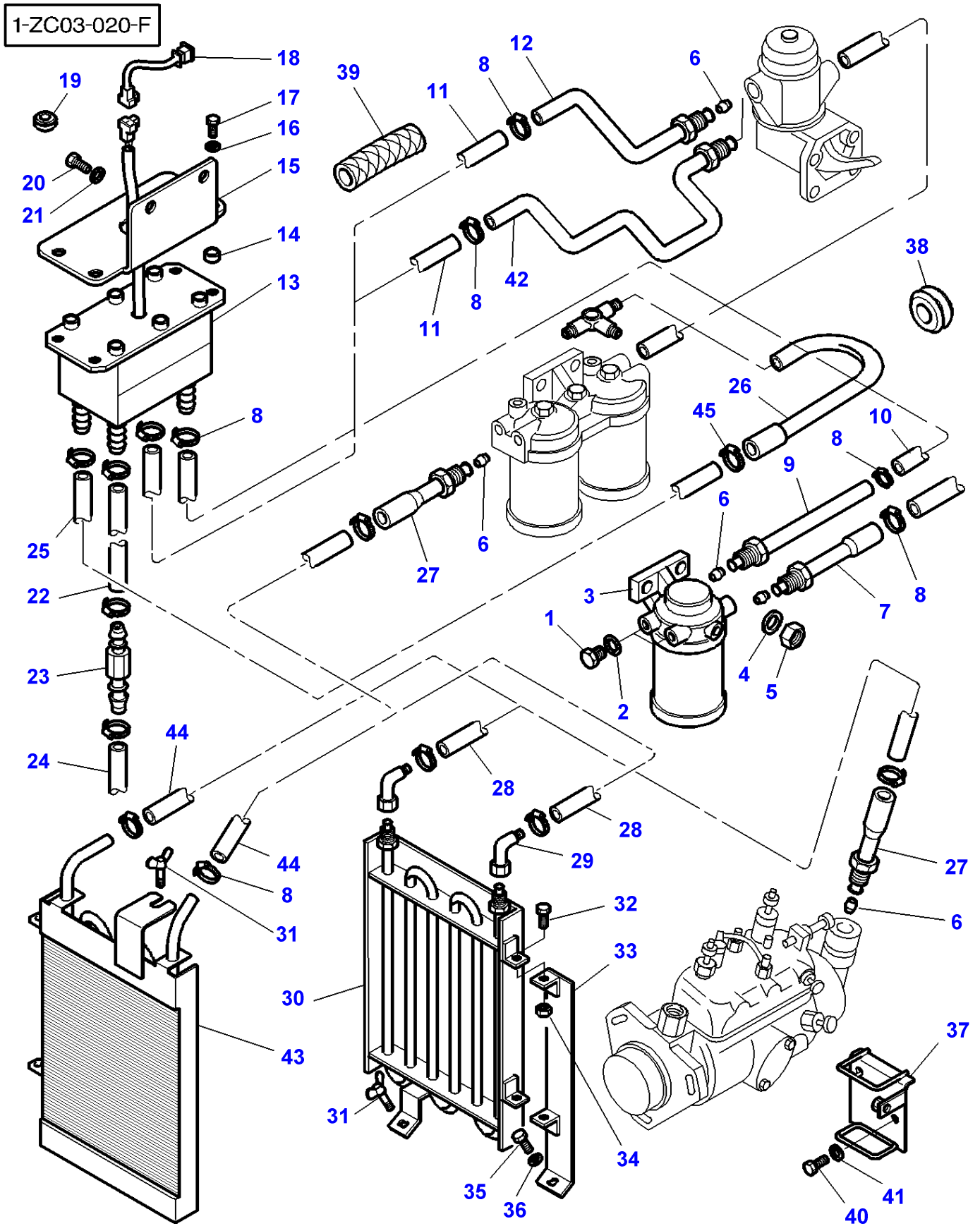


Fuel System - Fuel Filters And Pipes - WITH FUEL COOLER

Item	Part Number	Qty	Description	Comments
1	884748M1	2	Plug	1/2-20
2	731338M1	2	Washer	13.5-18.2X1.6
3	3781314M91	1	Sediment Bowl	150 MICRONS
4	391039X1	2	Washer Metric	
5	339169X1	2	Nut	M8
6	376526X1	4	Olive	
7	3615331M1	1	Union	
8	3712464M1	4	Clamp	
9	3779290M1	1	Tube	
10	3783397M1	1	Tube	
11	3615331M1	3	Union	
12	3580971M1	2	Hydr Hose	Length 2100MM Up to Serial or Engine Number 07-01-2001
13	380048X1	2	Union	Up to Serial or Engine Number 07-01-2001
14	3781199M2	1	Cooler	Up to Serial or Engine Number 07-01-2001
15	339107X1	1	Wingbolt	M8X16
	3783455M1	1	Screw	M6X60
16	390990X1	2	Screw Metric	M5X12
17	3781332M1	1	Support	Up to Serial or Engine Number 07-01-2001
18	1441494X1	2	Nut Metric	
19	339123X1	1	Hex. Sock. Screw	M8X20
20	339024X1	1	Washer Metric	
21	3780558M3	1	Guide	
22	367439X1	2	Grommet	Diameter 15-25 Up to Serial or Engine Number 07-01-2001
23	747679M1	2	Strap	
24	3019908X1	2	Screw	M8X105
25	390972X1	2	Washer Metric	
26	3777801M1	1	Hydr Hose	Length 3040MM
27	3386990M1	1	Hydr Hose	Length 2900MM
	3582848M2	1	Tube	[A] Length 650MM
28	3784060M1	1	Cooler	From Serial or Engine Number 08-01-2001
29	3785017M1	2	Hydr Hose	From Serial or Engine Number 08-01-2001 Length 2200MM

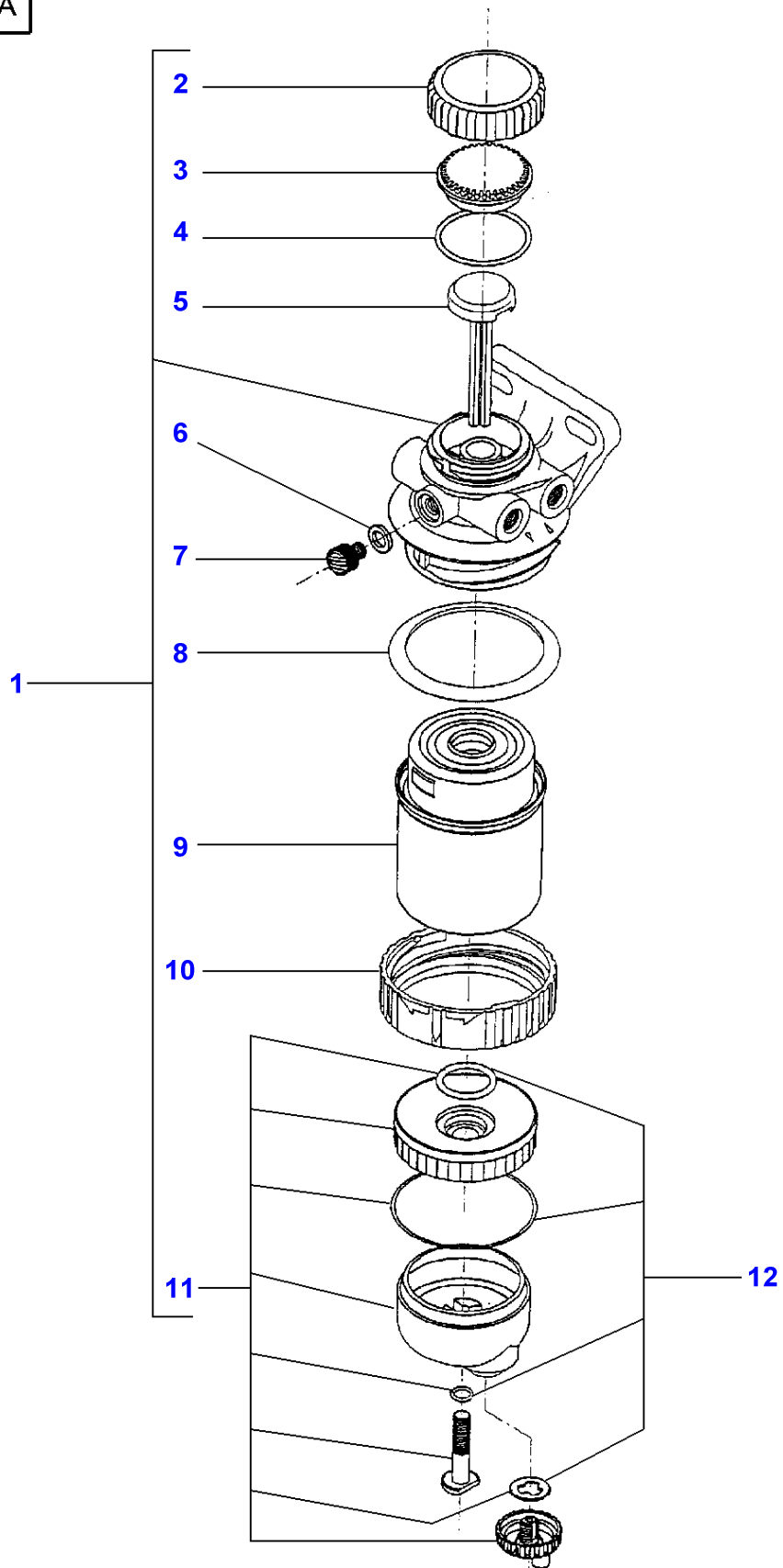
FOOTNOTE [A] WITH ADDITIONAL FUEL TANK

MF 8210/8220 TRACTORS - 1637365
1-ZC03-020-F



Item	Part Number	Qty	Description	Comments
1	884748M1	2	Plug	1/2-20
2	731338M1	2	Washer	13.5-18.2X1.6
3	3781977M91	1	Sediment Bowl	Up to Serial or Engine Number J249019 30 MICRONS
	3781314M91	1	Sediment Bowl	From Serial or Engine Number J249020 150 MICRONS
4	391039X1	2	Washer Metric	
5	339169X1	2	Nut	M8
6	376526X1	6	Olive	
7	3615331M1	1	Union	
8	3712464M1	11	Clamp	
9	3389423M91	1	Tubing	
10	3779452M1	1	Hydr Hose	Length 650MM
11	3583950M1	1	Hydr Hose	Up to Serial or Engine Number J048015 Length 1000MM
	3714828M1	1	Hydr Hose	From Serial or Engine Number J048016 Length 300MM
12	3781317M1	1	Tube	Replace and repair. Old interchangeable with new 3781268M1 Up to Serial or Engine Number J048015
13	3714330M2	1	Flowmeter	
14	3582832M1	4	Spacer	
15	3779396M1	1	Support	
16	3019560X1	4	Washer	
17	339563X1	4	Screw Metric	M5X20
18	3714288M1	1	Harness	
19	3389410M1	4	Grommet	Diameter 8-11
20	339123X1	2	Hex. Sock. Screw	M8X20
21	339024X1	2	Washer Metric	
22	3714828M1	1	Hydr Hose	Length 300MM
23	3781262M1	1	Junction	
24	3777801M1	1	Hydr Hose	Length 3040MM
25	3389452M1	1	Hydr Hose	
26	3782208M1	1	Tube	
27	3615331M1	2	Union	
28	3580971M1	2	Hydr Hose	Length 2100MM Up to Serial or Engine Number 07-01-2001
29	380048X1	2	Union	Up to Serial or Engine Number 07-01-2001
30	3781199M2	1	Cooler	Up to Serial or Engine Number 07-01-2001
31	339107X1	1	Wingbolt	M8X16
	3783455M1	1	Screw	M6X60
32	390990X1	2	Screw Metric	M5X12
33	3781332M1	1	Support	Up to Serial or Engine Number 07-01-2001
34	1441494X1	2	Nut Metric	M5
35	339124X1	1	Hex. Sock. Screw	M8X16
36	339024X1	1	Washer Metric	
37	3780558M3	1	Guide	
38	367439X1	2	Grommet	Diameter 15-25 Up to Serial or Engine Number 07-01-2001
39	3782421M1	3	Protective Strip	Length 500MM
40	3019908X1	2	Screw	M8X105
41	390972X1	2	Washer Metric	
42	3783708M1	1	Tube	From Serial or Engine Number J048016
43	3784060M1	1	Cooler	From Serial or Engine Number 08-01-2001
44	3785017M1	2	Hydr Hose	From Serial or Engine Number 08-01-2001 Length 2200MM
45	3783236M1	1	Clamp	

1-ZZ09-001-A



Sedimenter

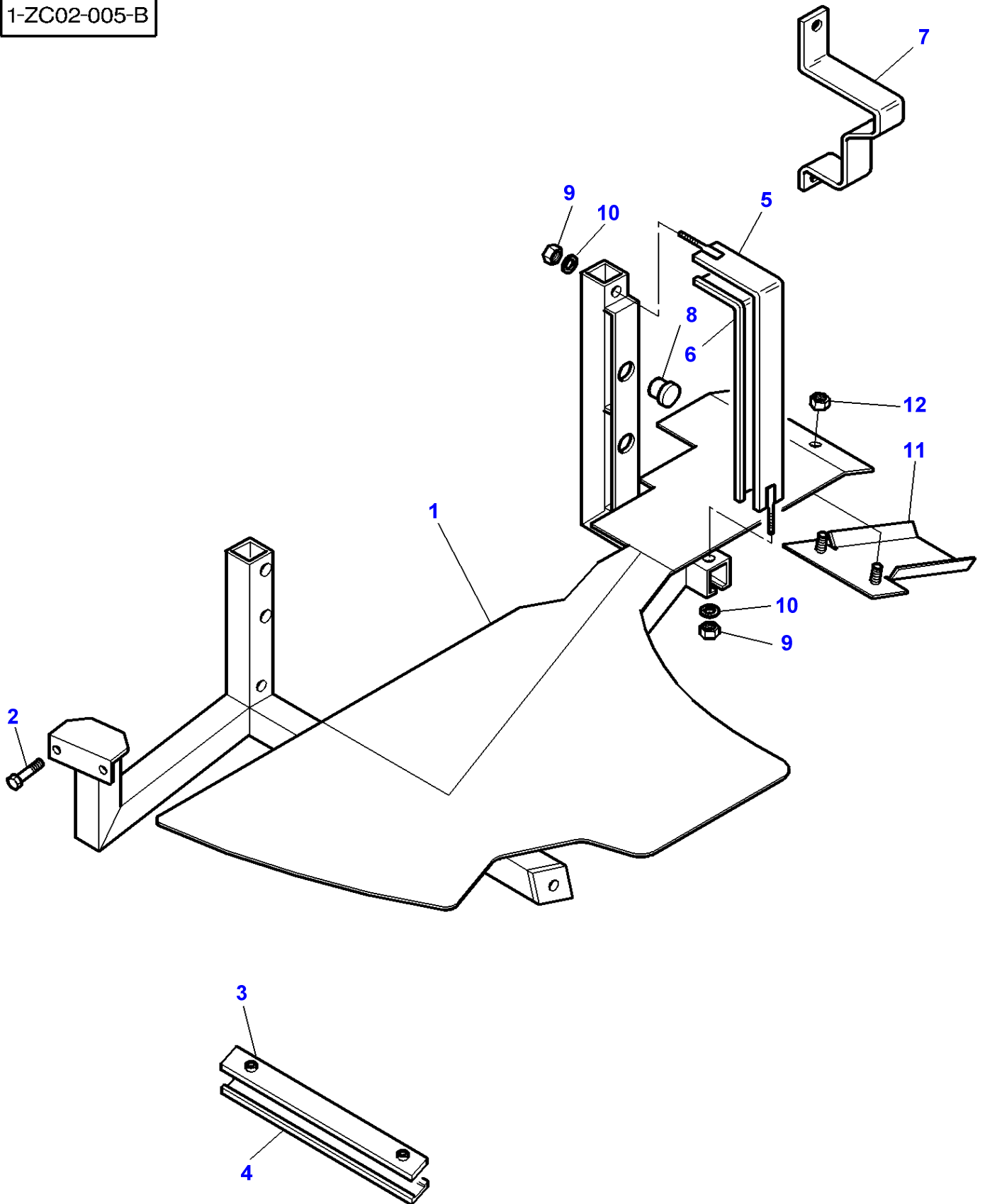
Item	Part Number	Qty	Description	Comments
1	3781314M91	1	Sediment Bowl	150 MICRONS
	3781977M91	1	Sediment Bowl	[A] 30 MICRONS
2	3903292M1	1	Nut	(1)
3	3903294M1	1	Capsule	(1)
4	3903293M1	1	O Ring	(1)
5	3903295M1	1	Plug	(1)
6	3903296M1	1	Gasket	(1)
7	3903297M1	1	Bleeder	(1)
8	3903298M1	1	Seal	(1)
9	3780299M1	1	Filter Insert	[C] (1) 150 MICRONS
	3780931M1	1	Filter Insert	[B] (1) 30 MICRONS
10	3903299M1	1	Ring	(1)
11	3903300M91	1	Container	(1)
12	3903301M91	1	Kit, Joint	

FOOTNOTE [A] WITH FUEL FLOWMETER

FOOTNOTE [B] USE WITH 3781977M91

FOOTNOTE [C] USE WITH 3781314M91

1-ZC02-005-B



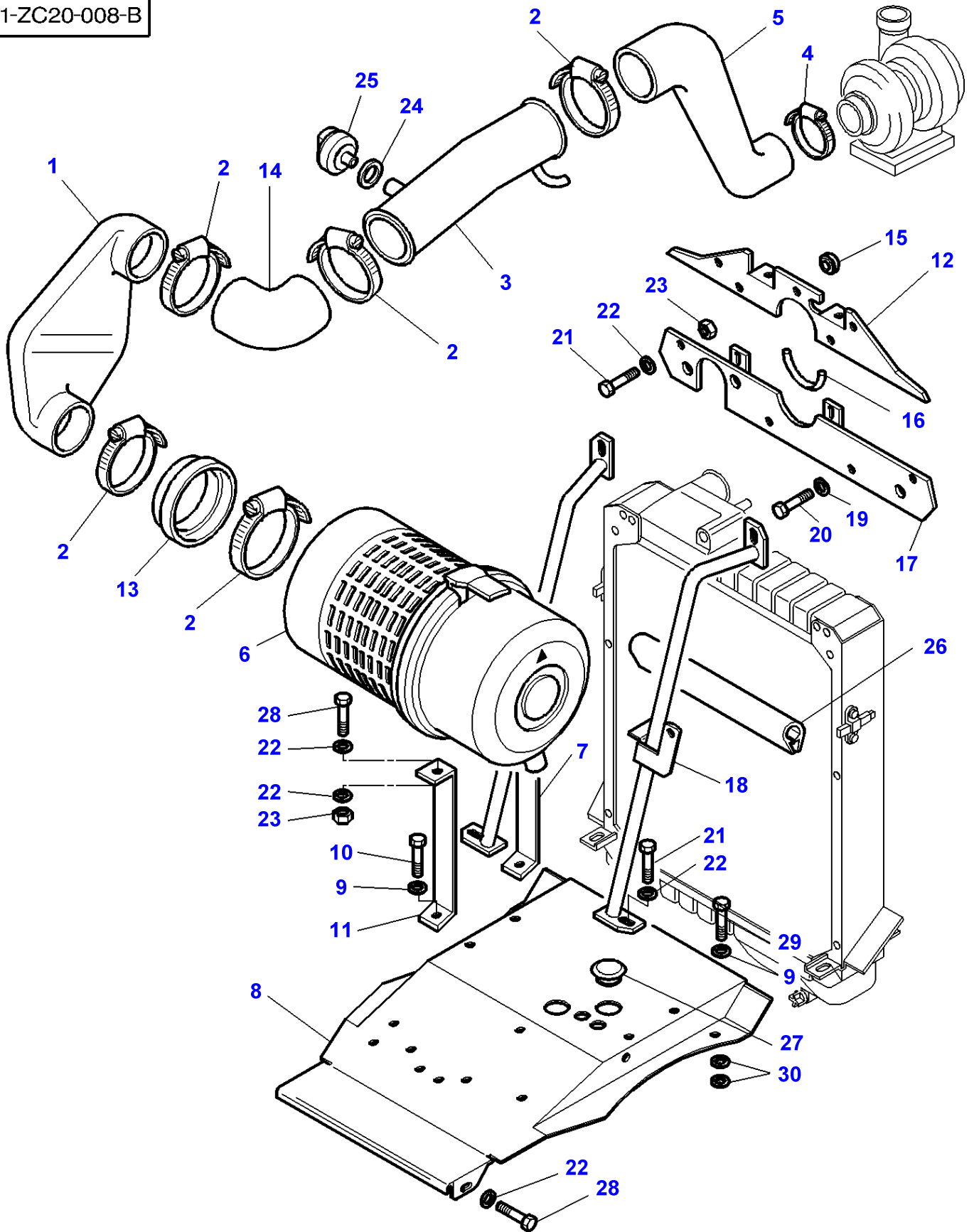
Fuel System - Fuel Tank And Attachments

Item	Part Number	Qty	Description	Comments
1	3781375M94	1	Support	
2	390830X1	2	Screw	M8X70
3	3780189M91	1	Support	Replace and repair. Old not interchangeable with new 3778300M2
4	3778385M1	1	Protector	
5	3778298M1	1	Bridle	
6	3778317M1	1	Protector	
7	3781377M2	1	Stop	
8	3580599M1	2	Plug	
9	1441500X1	2	Locknut	M6
10	391038X1	2	Washer	
11	3784015M1	1	Cowl	[A]
12	1441462X1	2	Locknut	

FOOTNOTE [A] FOR JAPANESE MARKET ONLY

MF 8210/8220 TRACTORS - 1637365
1-ZC20-008-B

1-ZC20-008-B



Air Filter - Dry - Dual Element - Up To ...

Item	Part Number	Qty	Description	Comments
1	3780243M2	1	Hose	
2	338622X1	5	Clamp	Diameter 100-125
3	3780252M2	1	Hose	[C,F]
	3780252M2	1	Hose	[E,D]
	3783567M1	1	Tube	[C,D]
	3783361M2	1	Tube	[E,F]
4	3780574M1	1	Clamp	
5	3780253M3	1	Hose	
6	3780025M1	1	Air Filter	See Page - Reference Number 010-0320/1
7	3783211M1	1	Support	
8	3782181M6	1	Shield	
9	391039X1	4	Washer Metric	Diameter 8-24 X 2 MM
10	339123X1	4	Hex. Sock. Screw	M8 X 20
11	3783210M1	1	Support	
12	3782160M3	1	Baffle	Top
13	3780728M1	1	Hose	
14	3780727M2	1	Hose	
15	3388889M1	1	Grommet	
16	3778990M1	2	Gasket	Length 165 MM
17	3782161M1	1	Baffle	Bottom
18	3782432M3	1	Reinforcement	Left Hand
	3782433M3	1	Reinforcement	Right Hand
19	391038X1	2	Washer	Diameter 6-18 X 1,5 MM
20	339560X1	2	Hex. Sock. Screw	M6 X 16
21	339124X1	6	Hex. Sock. Screw	M8 X 16
22	391039X1	10	Washer Metric	Diameter 8-24 X 2 MM
23	339169X1	2	Nut	M8
24	3808455M1	1	Washer	[A]
25	3808462M1	1	Pressure Switch	[A]
	3781297M1	1	Valvometer	[B]
26	3782344M1	1	Gasket	
27	3778376M2	1	Tap	Diameter 54 MM
28	339337X1	4	Hex. Sock. Screw	M8 X 30
29	339010X1	2	Bolt Metric	M8 X 40
30	1440264X1	4	Washer Metric	Up to Serial or Engine Number 23-01-2000

FOOTNOTE [A] WITH DYNASHIFT

FOOTNOTE [B] WITH FULL POWERSHIFT

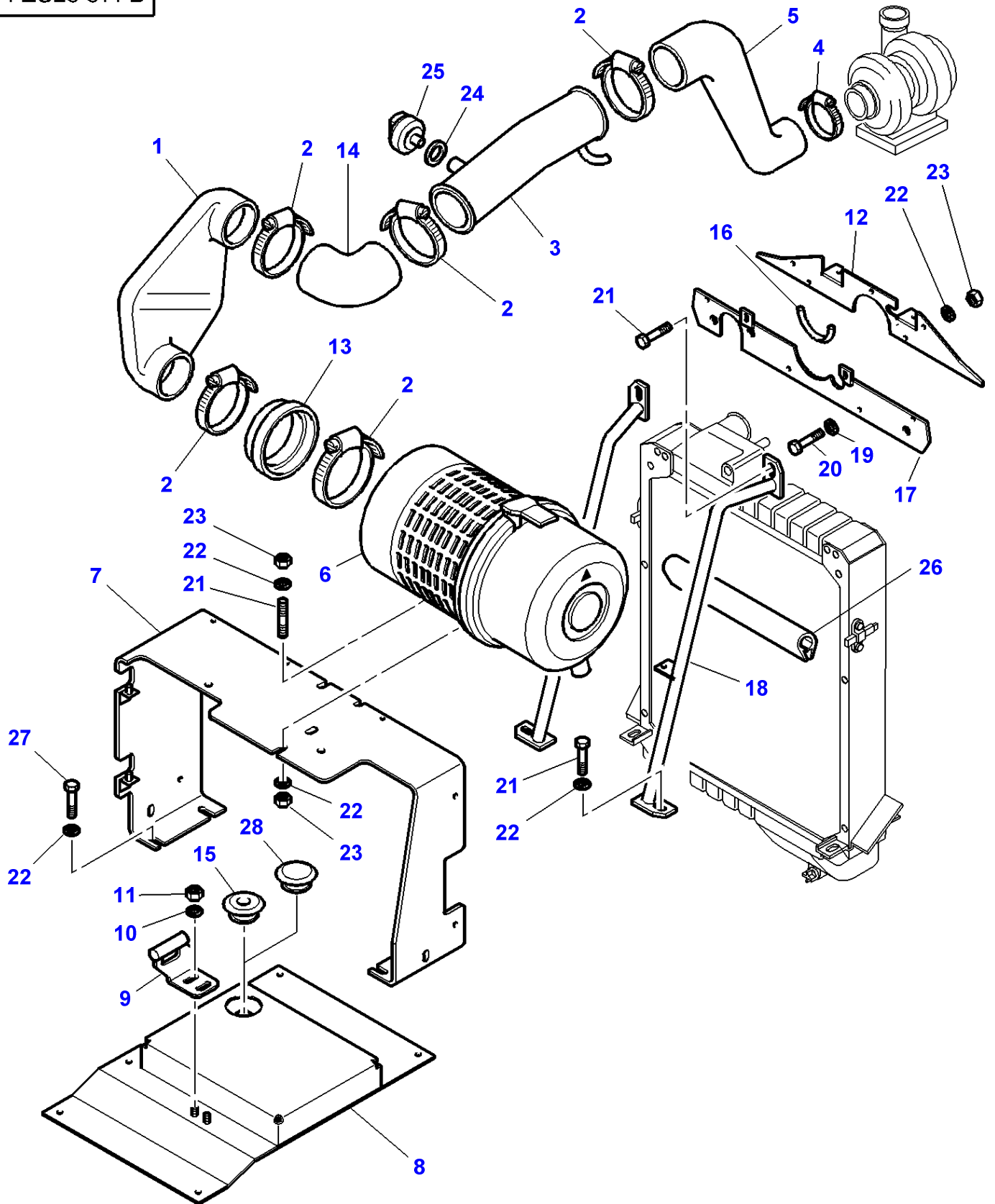
FOOTNOTE [C] WITHOUT OIL RECOVERY

FOOTNOTE [D] WITHOUT PNEUMATIC BRAKE

FOOTNOTE [E] WITH OIL RECOVERY

FOOTNOTE [F] WITH PNEUMATIC BRAKE

1-ZC20-014-B



Air Filter - Dry - Dual Element - From

Item	Part Number	Qty	Description	Comments
1	3780243M2	1	Hose	
2	338622X1	5	Clamp	
3	3780252M2	1	Hose	[C,F]
	3780252M2	1	Hose	[E,D]
	3783567M1	1	Tube	[C,D]
	3783361M2	1	Tube	[E,F]
4	3780574M1	1	Clamp	
5	3780253M3	1	Hose	
6	3780025M1	1	Air Filter	See Page - Reference Number 010-0320/1
7	3784062M3	1	Support	
8	3784170M2	1	Support	[C]
	3784059M2	1	Support	[D]
9	3785229M1	1	Bracket	
10	391039X1	2	Washer Metric	
11	339169X1	2	Nut	M8
12	3782160M3	1	Baffle	Top
13	3780728M1	1	Hose	
14	3780727M2	1	Hose	
15	3784457M1	1	Grommet	Diameter 54-11
16	3778990M1	2	Gasket	Length 165MM
17	3785209M1	1	Baffle	Bottom
18	3784070M1	1	Reinforcement	Left Hand
	3784066M1	1	Reinforcement	Right Hand
19	391038X1	2	Washer	
20	339560X1	2	Hex. Sock. Screw	M6X16
21	3019063X1	2	Stud	M8X30
22	391039X1	X	Washer Metric	
23	339169X1	X	Nut	
24	3808455M1	1	Washer	[A]
25	3808462M1	1	Pressure Switch	[A]
	3781297M1	1	Valvometer	[B]
26	3782344M1	1	Gasket	
27	339337X1	4	Hex. Sock. Screw	M8X30
28	3778376M2	1	Tap	Diameter 54MM

FOOTNOTE [A] WITH DYNASHIFT

FOOTNOTE [B] WITH FULL POWERSHIFT

FOOTNOTE [C] WITHOUT OIL RECOVERY

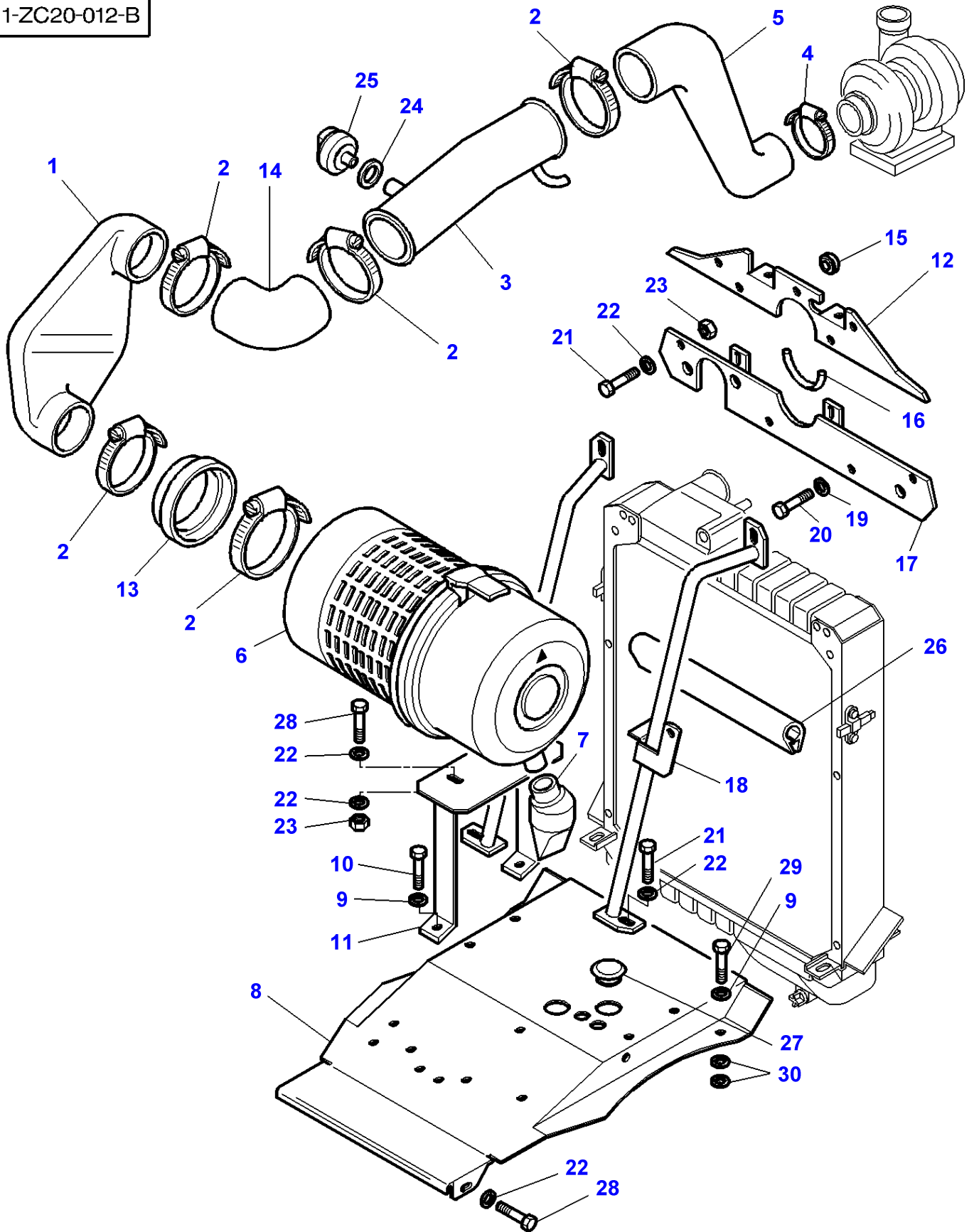
FOOTNOTE [D] WITHOUT PNEUMATIC BRAKE

FOOTNOTE [E] WITH OIL RECOVERY

FOOTNOTE [F] WITH PNEUMATIC BRAKE

MF 8210/8220 TRACTORS - 1637365
1-ZC20-012-B

1-ZC20-012-B



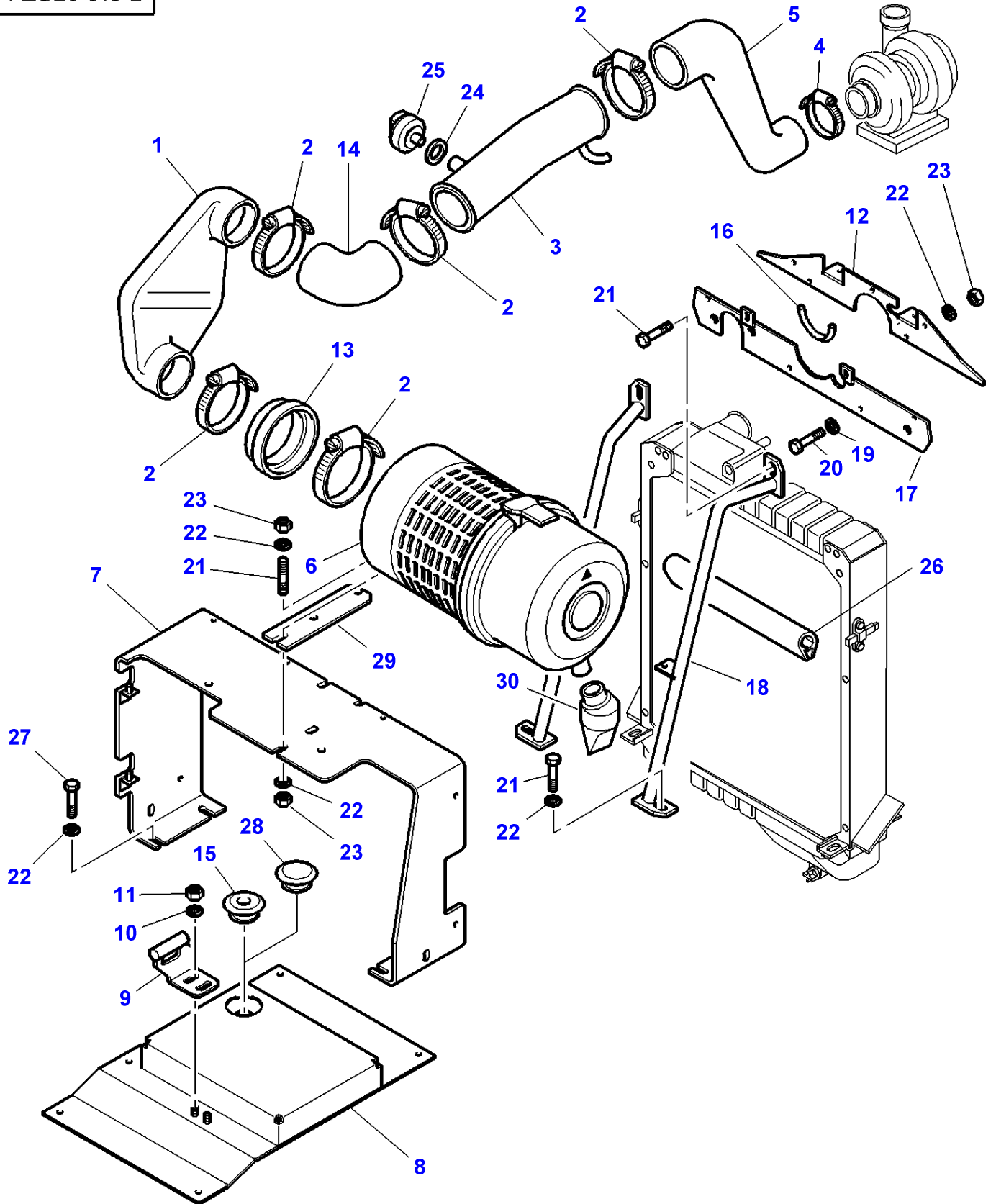
Item	Part Number	Qty	Description	Comments
1	3780243M2	1	Hose	
2	338622X1	5	Clamp	Diameter 100-125
3	3780252M2	1	Hose	
	3783567M1	1	Tube	[C]
4	3780574M1	1	Clamp	Diameter 6-18 X 1,5 MM
5	3780253M3	1	Hose	
6	3780025M1	1	Air Filter	See Page - Reference Number 010-0320/1
7	3783088M1	1	Pressure Valve	
8	3782181M6	1	Shield	
9	391039X1	4	Washer Metric	Diameter 8-24 X 2 MM
10	339337X1	2	Hex. Sock. Screw	M8 X 30
11	3783019M1	1	Support	
12	3782160M3	1	Baffle	Top
13	3780728M1	1	Hose	
14	3780727M2	1	Hose	
15	3388889M1	1	Grommet	
16	3778990M1	2	Gasket	Length 165 MM
17	3782161M1	1	Baffle	Bottom
18	3782432M3	1	Reinforcement	Left Hand
	3782433M3	1	Reinforcement	Right Hand
19	391038X1	2	Washer	
20	339560X1	2	Hex. Sock. Screw	M6 X 16
21	339124X1	6	Hex. Sock. Screw	M8 X 16
22	391039X1	12	Washer Metric	Diameter 8-24 X 2 MM
23	339169X1	4	Nut	M8
24	3808455M1	1	Washer	[A]
25	3808462M1	1	Pressure Switch	[A]
	3781297M1	1	Valvometer	[B]
26	3782344M1	1	Gasket	
27	3778376M2	1	Tap	Diameter 54 MM
28	339337X1	4	Hex. Sock. Screw	M8 X 30
29	339010X1	2	Bolt Metric	M8 X 40
30	1440264X1	4	Washer Metric	Up to Serial or Engine Number 23-01-2000

FOOTNOTE [A] WITH DYNASHIFT

FOOTNOTE [B] WITH FULL POWERSHIFT

FOOTNOTE [C] WITHOUT OIL RECOVERY

1-ZC20-015-B



Item	Part Number	Qty	Description	Comments
1	3780243M2	1	Hose	
2	338622X1	5	Clamp	
3	3780252M2	1	Hose	
	3783567M1	1	Tube	[C]
4	3780574M1	1	Clamp	
5	3780253M3	1	Hose	
6	3780025M1	1	Air Filter	See Page - Reference Number 010-0320/1
7	3784062M3	1	Support	
8	3784170M2	1	Support	[C]
	3784059M2	1	Support	[D]
9	3785229M1	1	Bracket	
10	391039X1	2	Washer Metric	
11	339169X1	2	Nut	M8
12	3782160M3	1	Baffle	Top
13	3780728M1	1	Hose	
14	3780727M2	1	Hose	
15	3784457M1	1	Grommet	Diameter 54-11
16	3778990M1	2	Gasket	Length 165MM
17	3785209M1	1	Baffle	Bottom
18	3784070M1	1	Reinforcement	Left Hand
	3784066M1	1	Reinforcement	Right Hand
19	391038X1	2	Washer	
20	339560X1	2	Hex. Sock. Screw	M6X16
21	3019063X1	2	Stud	M8X30
22	391039X1	X	Washer Metric	
23	339169X1	X	Nut	M8
24	3808455M1	1	Washer	[A]
25	3808462M1	1	Pressure Switch	[A]
	3781297M1	1	Valvometer	[B]
26	3782344M1	1	Gasket	
27	339337X1	4	Hex. Sock. Screw	M8X30
28	3778376M2	1	Tap	Diameter 54MM
29	3784552M1	1	Plate	
30	3783088M1	1	Pressure Valve	

FOOTNOTE [A] WITH DYNASHIFT

FOOTNOTE [B] WITH FULL POWERSHIFT

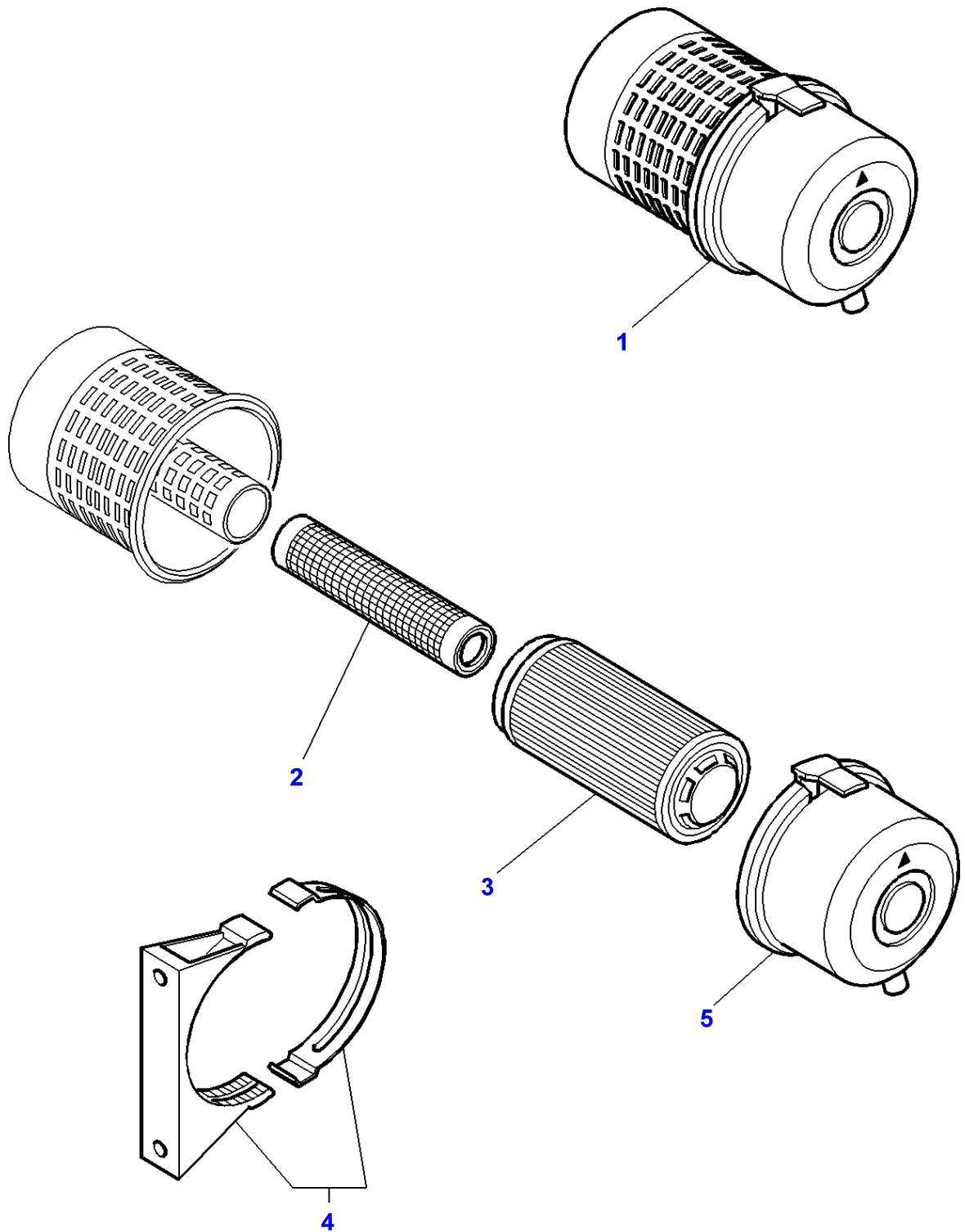
FOOTNOTE [C] WITHOUT OIL RECOVERY

FOOTNOTE [D] WITHOUT PNEUMATIC BRAKE

FOOTNOTE [E] WITH OIL RECOVERY

FOOTNOTE [F] WITH PNEUMATIC BRAKE

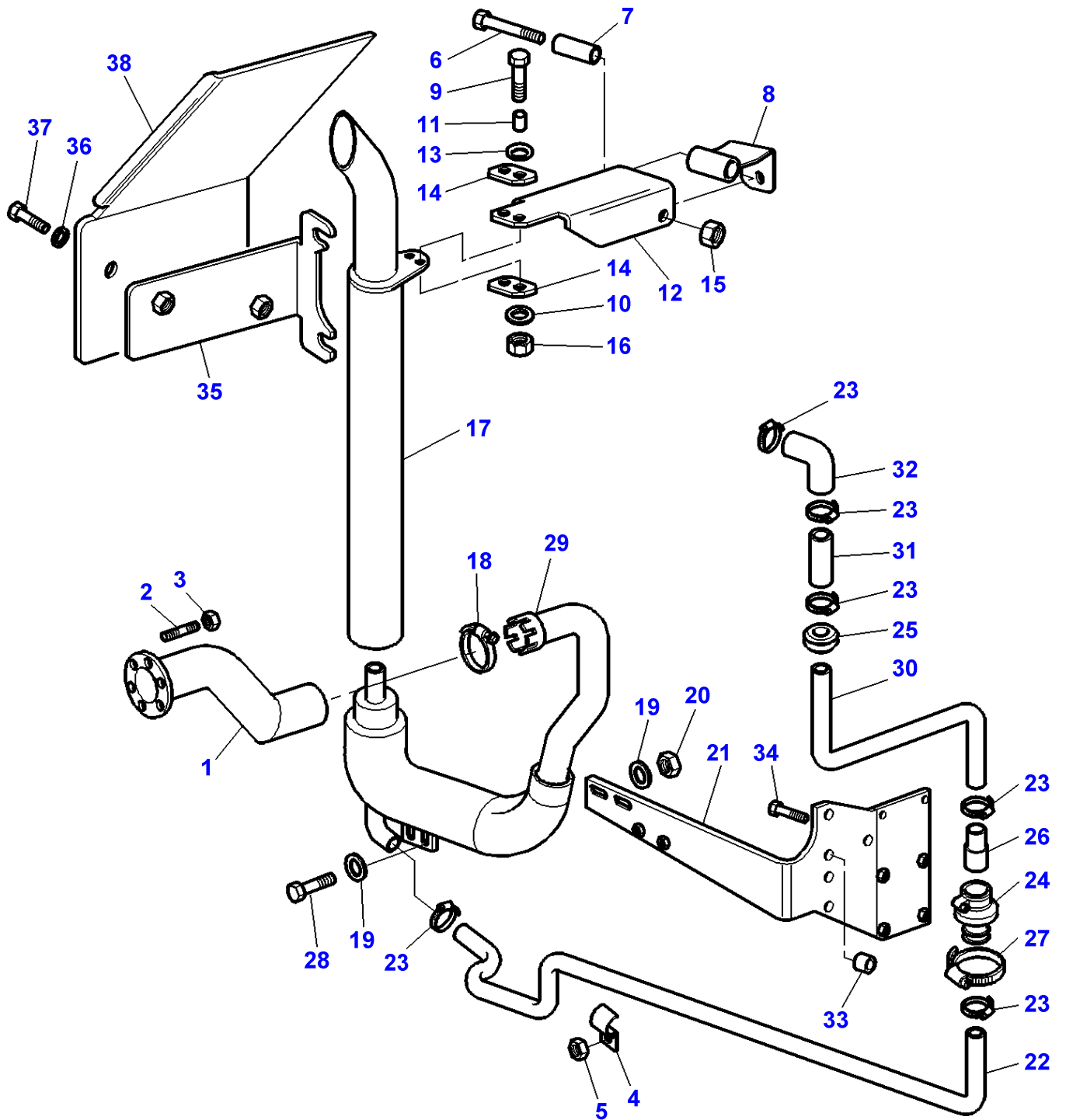
1-ZC20-005-A



Air Filter - Dry - Dual Element

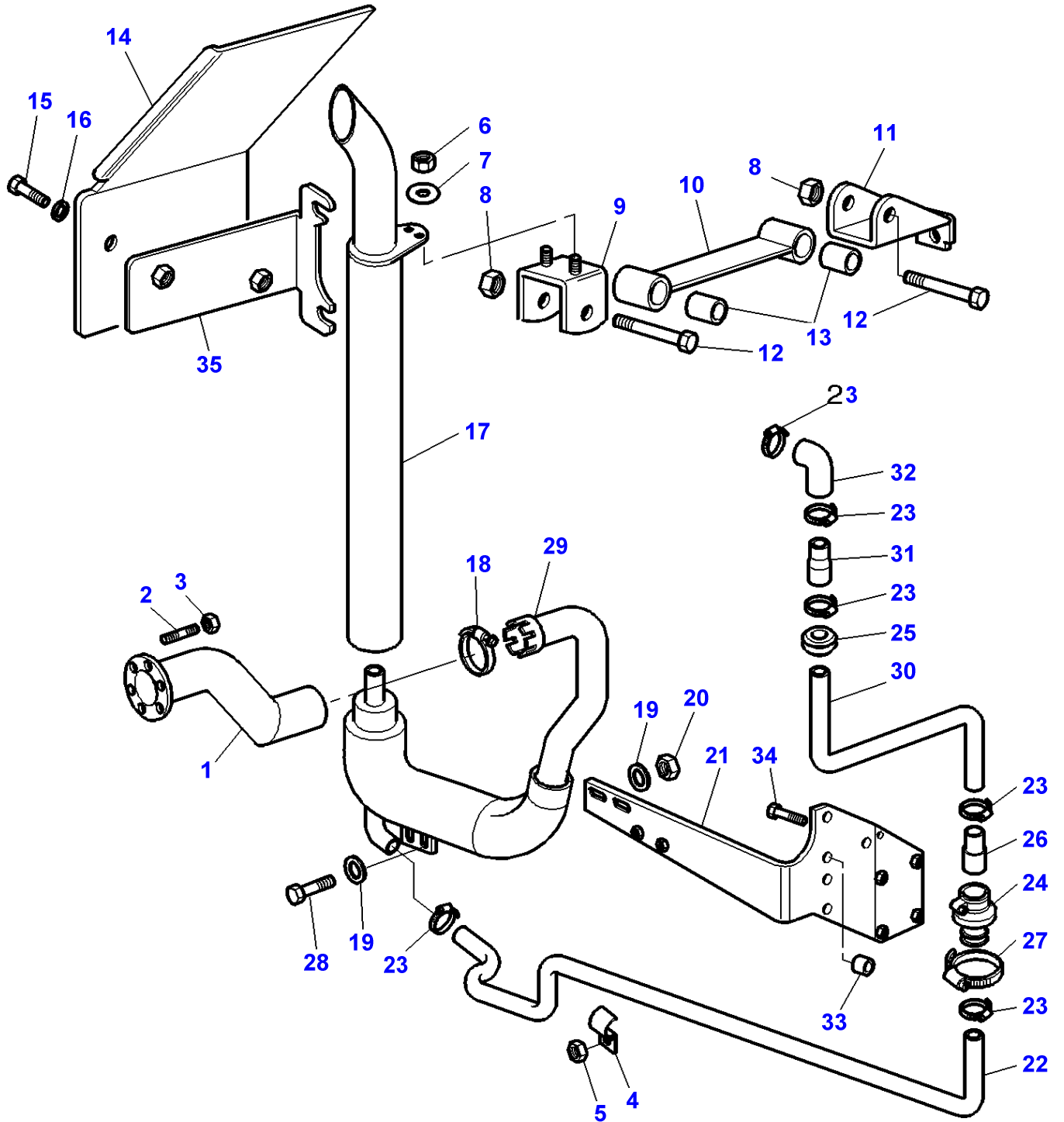
Item	Part Number	Qty	Description	Comments
1	3780025M1	1	Air Filter	
2	3901478M1	1	Element,Air Fitr	(1)
3	3901477M1	1	Element,Air Fitr	(1)
4	3903209M1	1	Clamp	(1)
5	3903210M1	1	Cover	(1)

1-ZC11-007-B



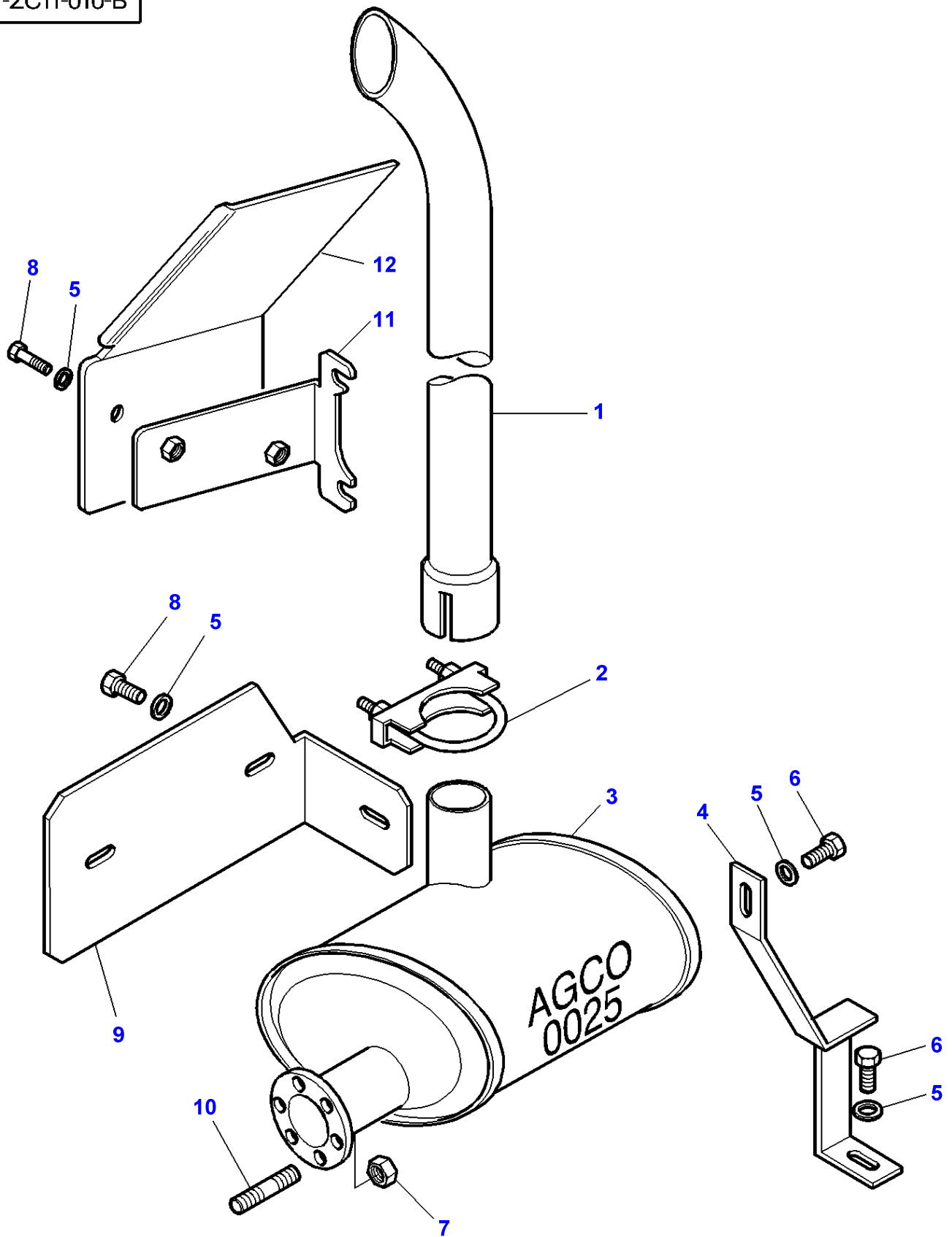
Item	Part Number	Qty	Description	Comments
1	3782896M2	1	Tube	
2	1440022X1	6	Stud	
3	3010572X1	6	Nut	
4	3713805M1	1	Bridle	
5	339169X1	1	Nut	
6	3009515X1	1	Bolt Metric	
7	3777839M1	1	Vibration Mount	
8	3782704M2	1	Support	
9	339337X1	2	Hex. Sock. Screw	
10	390972X1	2	Washer Metric	
11	3778809M1	2	Spacer	
12	3777837M1	1	Strap	
13	3714124M1	2	Washer	
14	3778063M2	2	Tappet Plate	
15	1442190X1	1	Locknut	
16	1441461X1	2	Locknut	
17	3782533M1	1	Tube	AGCO 0024
18	3780862M1	1	Clamp	
19	390972X1	4	Washer Metric	
20	339169X1	2	Nut	
21	3782882M2	1	Support	
22	3038134M1	1	Tube	Length 1270MM
23	338616X1	6	Hose Clip	
24	3780483M1	1	Non Return Valve	
25	3778369M2	1	Grommet	
26	3782356M1	1	Adaptor	
27	1440860X1	1	Clamp	
28	339761X1	2	Hex. Sock. Screw	M8X25
29	3781076M2	1	Tube	
30	1625198M1	1	Hose	Length 2185MM
31	3777309M1	1	Tube	
32	3777308M1	1	Hose	Up to Serial or Engine Number 12-04-01 Diameter 32-40
	3780490M1	1	Hose	From Serial or Engine Number 12-04-01 Diameter 40MM
33	3010942X1	1	Spacer	From Serial or Engine Number H200002
34	339018X1	4	Bolt Metric	
35	3781101M2	1	Support	
36	390972X1	2	Washer Metric	
37	339228X1	2	Screw Metric	M8X12
38	3781102M4	1	Cowl	

1-ZC11-020-B



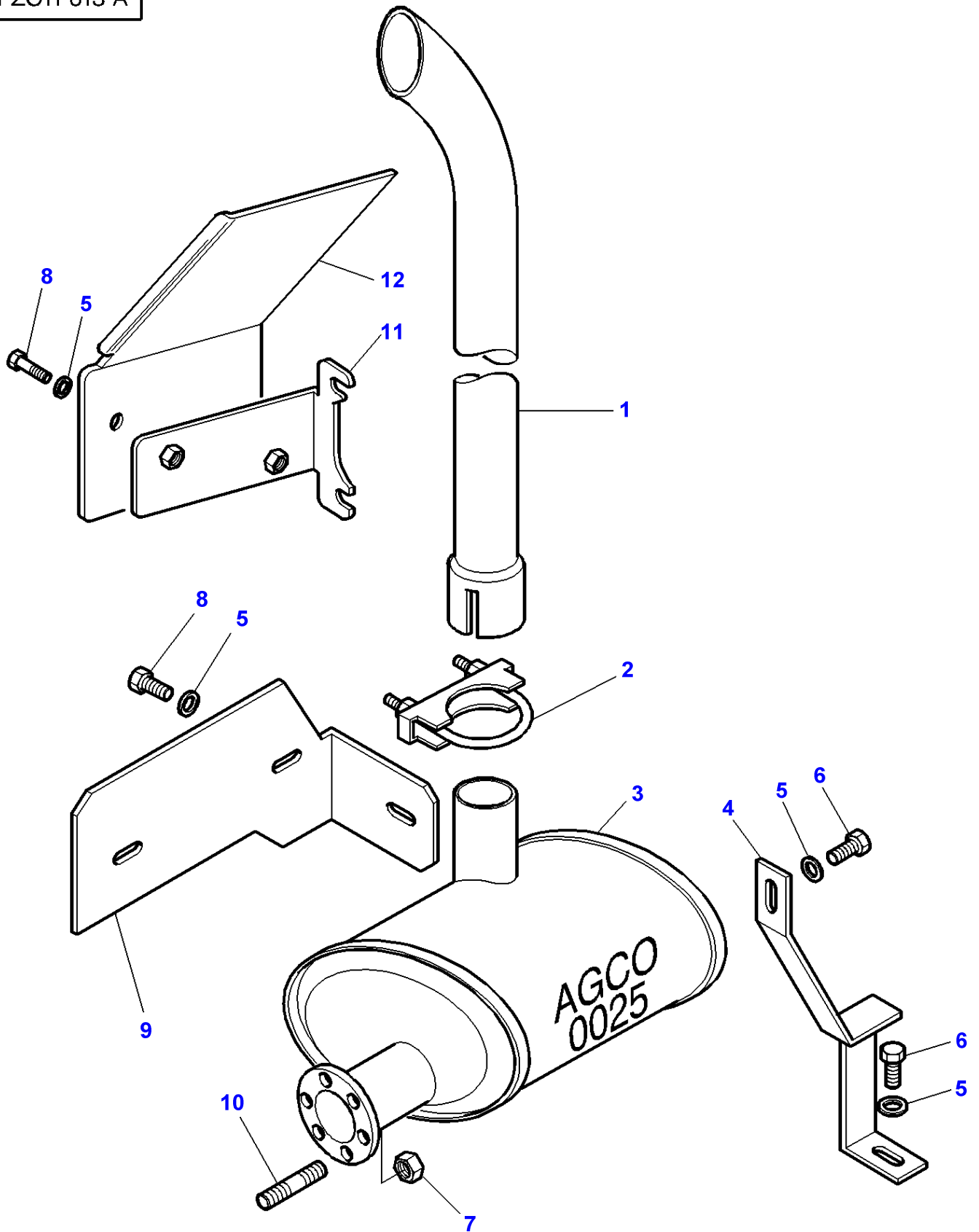
Item	Part Number	Qty	Description	Comments
1	3782896M2	1	Tube	
2	1440022X1	6	Stud	
3	3010572X1	6	Nut	
4	3713805M1	1	Bridle	
5	339169X1	1	Nut	
6	1441461X1	2	Locknut	
7	391039X1	2	Washer Metric	
8	1441932X1	2	Nut Metric	
9	3784049M1	1	Plate	
10	3784052M2	1	Strap	Up to Serial or Engine Number 12-DEC-2001 Length 146,6MM
	3784051M2	1	Strap	From Serial or Engine Number 13-DEC-2001 Length 100.8MM
11	3784206M1	1	Support	
12	3009498X1	2	Bolt Metric	M10X55
13	3784054M1	2	Vibration Mount	
14	3781102M4	1	Cowl	
15	339228X1	2	Screw Metric	M8X12
16	390972X1	2	Washer Metric	
17	3782533M1	1	Tube	AGCO 0024
18	3780862M1	1	Clamp	
19	390972X1	4	Washer Metric	
20	339169X1	2	Nut	
21	3782882M3	1	Support	
22	5015681M1	1	Exhaust Pipe	Length 925MM
23	338616X1	6	Hose Clip	
24	3780483M1	1	Non Return Valve	
25	3778369M2	1	Grommet	
26	3782356M1	1	Adaptor	
27	1440860X1	1	Clamp	
28	339761X1	2	Hex. Sock. Screw	M8X25
29	3781076M2	1	Tube	
30	3782490M1	1	Tube	Length 2600MM
31	3782356M1	1	Adaptor	
32	3780490M1	1	Hose	
33	3010942X1	1	Spacer	
34	339018X1	4	Bolt Metric	
35	3781101M2	1	Support	

1-ZC11-010-B



Item	Part Number	Qty	Description	Comments
1	3782988M1	1	Tube	
2	3619501M1	1	Clamp	Diameter 75 MM
3	3782987M1	1	Silencer	AGCO 0025
4	3783013M1	1	Reinforcement	
5	390972X1	6	Washer Metric	Diameter 8 MM
6	3010733X1	2	Screw Metric	M8x20
7	3010572X1	6	Nut	M8
8	339228X1	4	Screw Metric	M8x12
9	3778688M1	1	Cowl	
10	1440022X1	6	Stud	M8X20
11	3781101M2	1	Support	
12	3781102M4	1	Cowl	

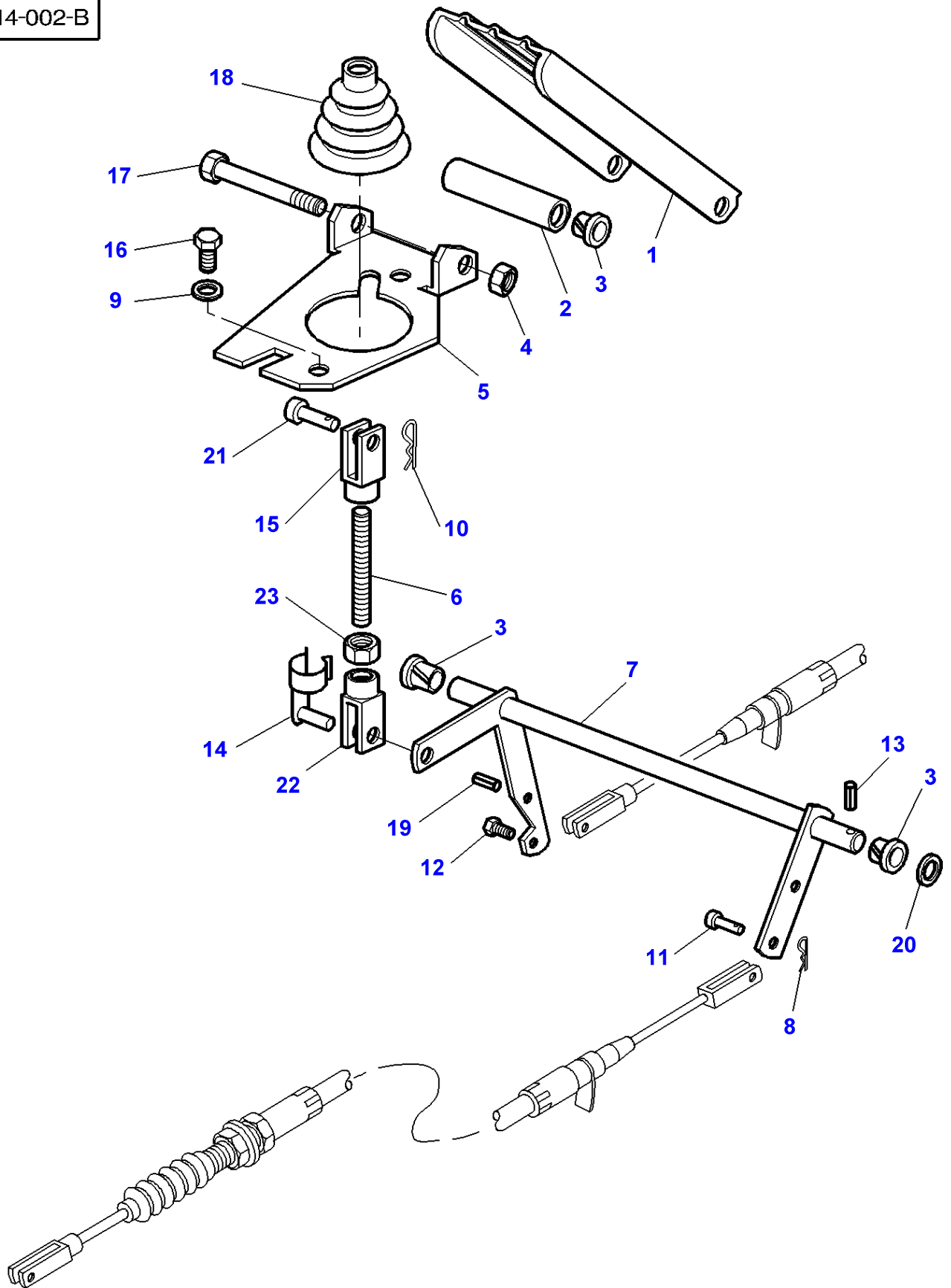
1-ZC11-013-A



Massey Ferguson**MF 8210/8220 TRACTORS - 1637365****1637365****Vertical Exhaust On The Side - M.F 8220 - 8220 XTRA - Platform****Page010-0340**

Item	Part Number	Qty	Description	Comments
1	3782988M1	1	Tube	
2	3619501M1	1	Clamp	Diameter 75 MM
3	3782987M1	1	Silencer	AGCO 0025
4	3783013M1	1	Reinforcement	
5	390972X1	6	Washer Metric	Diameter 8 MM
6	3010733X1	2	Screw Metric	M8x20
7	3010572X1	6	Nut	M8
8	339228X1	4	Screw Metric	M8x12
9	3783838M1	1	Cowl	
10	1440022X1	6	Stud	M8X20
11	3781101M2	1	Support	
12	3781102M4	1	Cowl	

1-ZC14-002-B

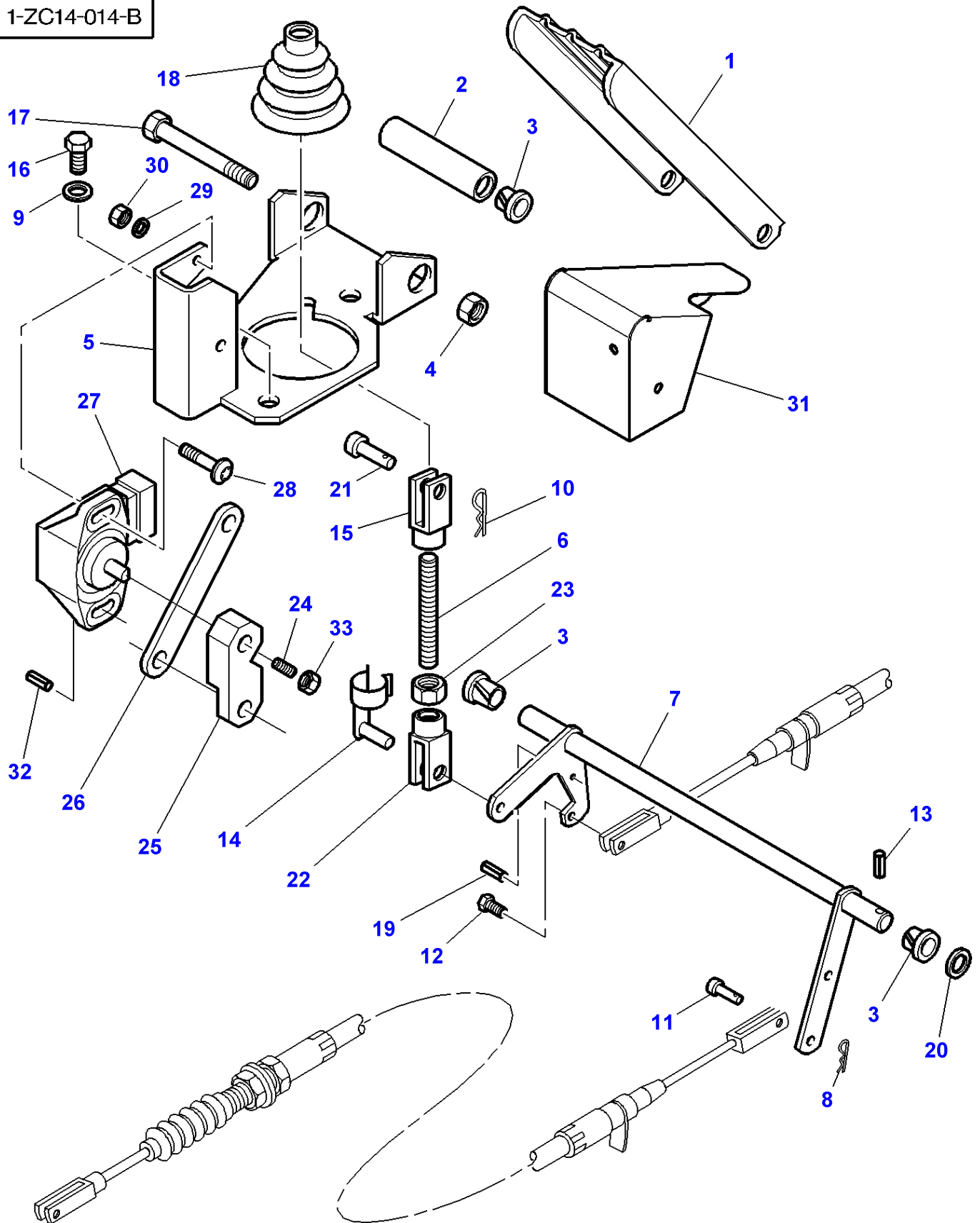


Throttle Controls

Item	Part Number	Qty	Description	Comments
1	3712851M91	1	Pedal	
2	3712867M1	1	Spacer	
3	3385913M2	4	Bush	
4	1441461X1	1	Locknut	
5	3712852M3	1	Support	
6	3712866M2	1	Stem	
7	3779453M91	1	Rod	Up to Serial or Engine Number 07-01-2001
	3784578M91	1	Rod	From Serial or Engine Number 08-01-2001
8	357145X1	1	Pin	
9	390972X1	2	Washer Metric	
10	357145X1	1	Pin	
11	3007850X1	1	Clevis Pin	
12	391883X1	1	Screw	M5X25
13	1442967X1	1	Pin	
14	3713042M1	1	Clevis Pin	
15	3009130X1	1	Clevis	Up to Serial or Engine Number 07-01-2001 Length 24MM
	392463X1	1	Clevis	From Serial or Engine Number 08-01-2001 Length 36MM
16	339124X1	2	Hex. Sock. Screw	M8X16
17	391286X1	1	Bolt Metric	M8X85
18	3712886M1	1	Bellows	
19	339548X1	1	Pin	
20	1444351X1	1	Washer	
21	392235X1	1	Clevis Pin	
22	392463X1	1	Clevis	
23	339030X1	1	Nut Metric	M6

MF 8210/8220 TRACTORS - 1637365
1-ZC14-014-B

1-ZC14-014-B

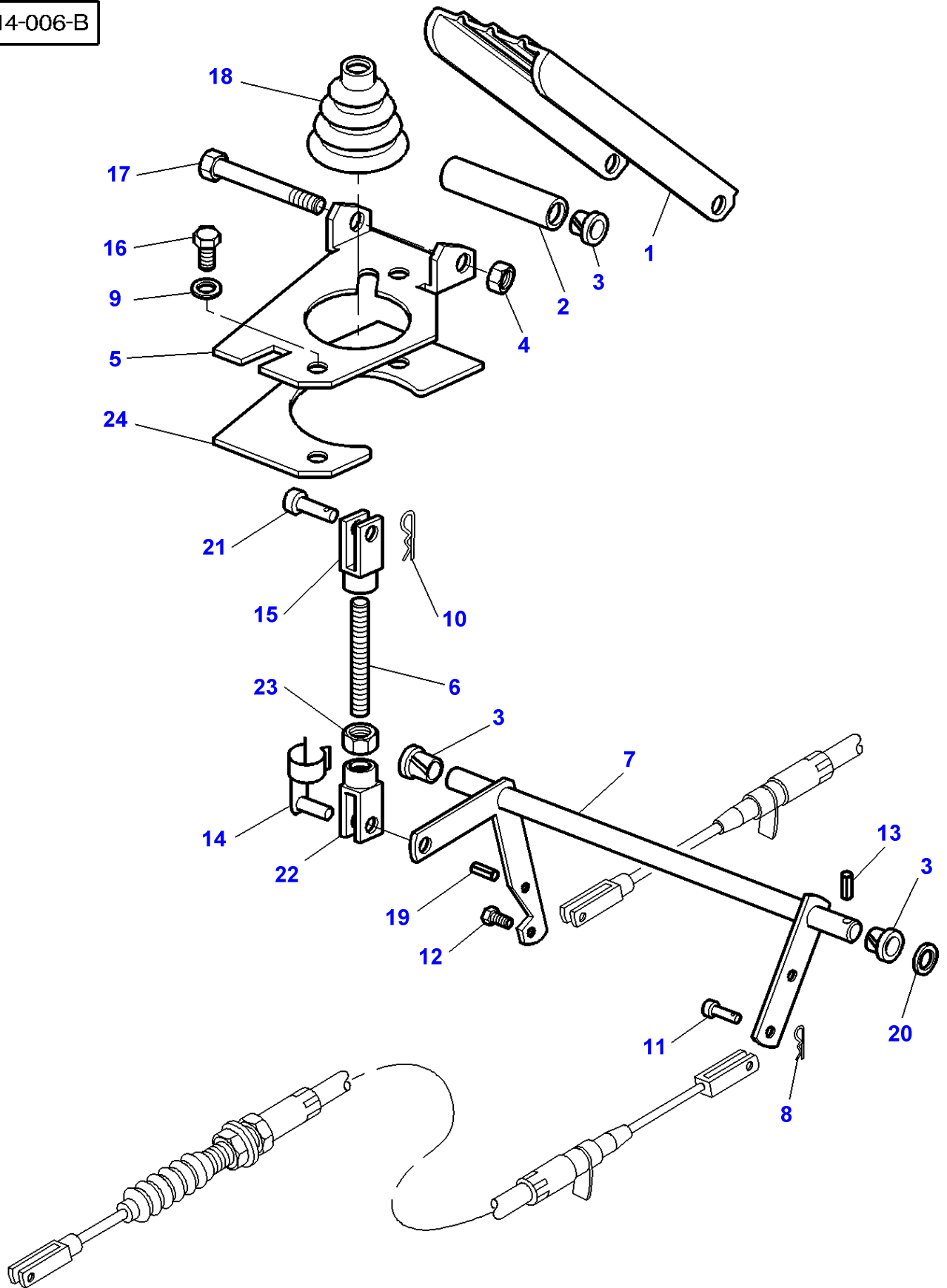


Throttle Controls - With AUTODRIVE

Item	Part Number	Qty	Description	Comments
1	3712851M91	1	Pedal	
2	3712867M1	1	Spacer	
3	3385913M2	4	Bush	
4	1441461X1	1	Locknut	
5	3784360M2	1	Support	
6	3712866M2	1	Stem	
7	3784578M91	1	Rod	
8	357145X1	1	Pin	
9	390972X1	2	Washer Metric	
10	357145X1	1	Pin	
11	3007850X1	1	Clevis Pin	
12	391883X1	1	Screw	M5X25
13	1442967X1	1	Pin	
14	3713042M1	1	Clevis Pin	
15	392463X1	1	Clevis	
16	339368X1	2	Bolt Metric	M8 X 60
17	391286X1	1	Bolt Metric	M8X85
18	3712886M1	1	Bellows	
19	339548X1	1	Pin	
20	1444351X1	1	Washer	
21	392235X1	1	Clevis Pin	
22	392463X1	1	Clevis	
23	339030X1	1	Nut Metric	M6
24	3010804X1	1	Screw	M4 X 16
25	3784342M1	1	Rod Link	
26	3784341M1	1	Rod	
27	3784361M1	1	Transducer	
28	3011003X1	2	Screw	M4 X 12
29	3001856X1	2	Washer Metric	
30	3019139X1	2	Nut	M4
31	3784343M2	1	Cowl	
32	1441728X1	1	Pin	Diameter 4 X 16
33	3019139X1	1	Nut	

MF 8210/8220 TRACTORS - 1637365
1-ZC14-006-B

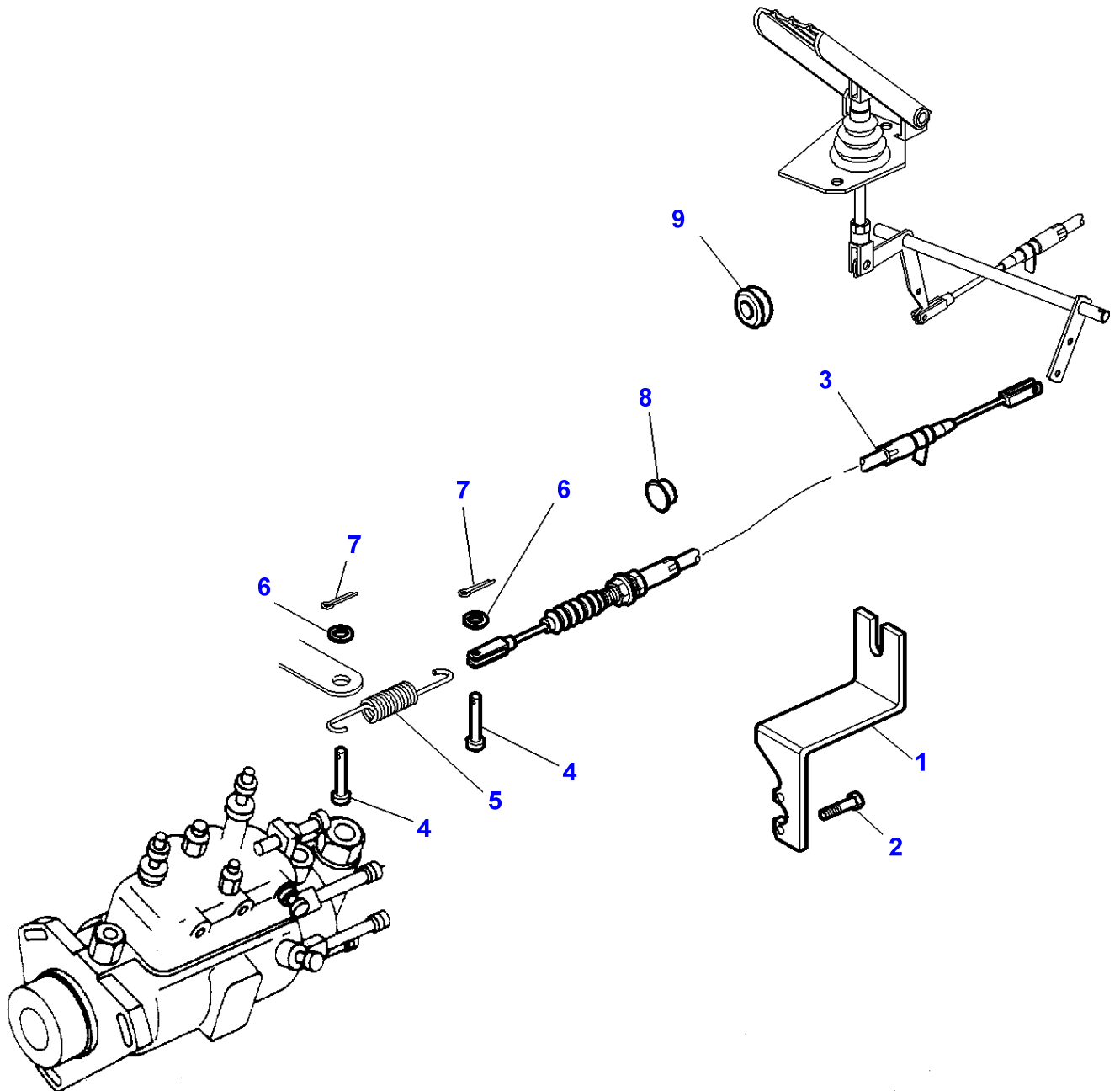
1-ZC14-006-B



Throttle Controls - Platform

Item	Part Number	Qty	Description	Comments
1	3712851M91	1	Pedal	
2	3712867M1	1	Spacer	
3	3385913M2	4	Bush	
4	1441461X1	1	Locknut	
5	3712852M3	1	Support	
6	3780098M1	1	Stem	M6X95
7	3779453M91	1	Rod	
8	357145X1	1	Pin	
9	390972X1	2	Washer Metric	
10	357145X1	1	Pin	
11	3007850X1	1	Clevis Pin	
12	391883X1	1	Screw	M5X25
13	1442967X1	1	Pin	
14	3713042M1	1	Clevis Pin	
15	3009130X1	1	Clevis	
16	339124X1	2	Hex. Sock. Screw	M8X16
17	391286X1	1	Bolt Metric	M8X85
18	3712886M1	1	Bellows	
19	339548X1	1	Pin	
20	1444351X1	1	Washer	
21	392235X1	1	Clevis Pin	
22	392463X1	1	Clevis	
23	339030X1	1	Nut Metric	M6
24	3781488M1	1	Chock	

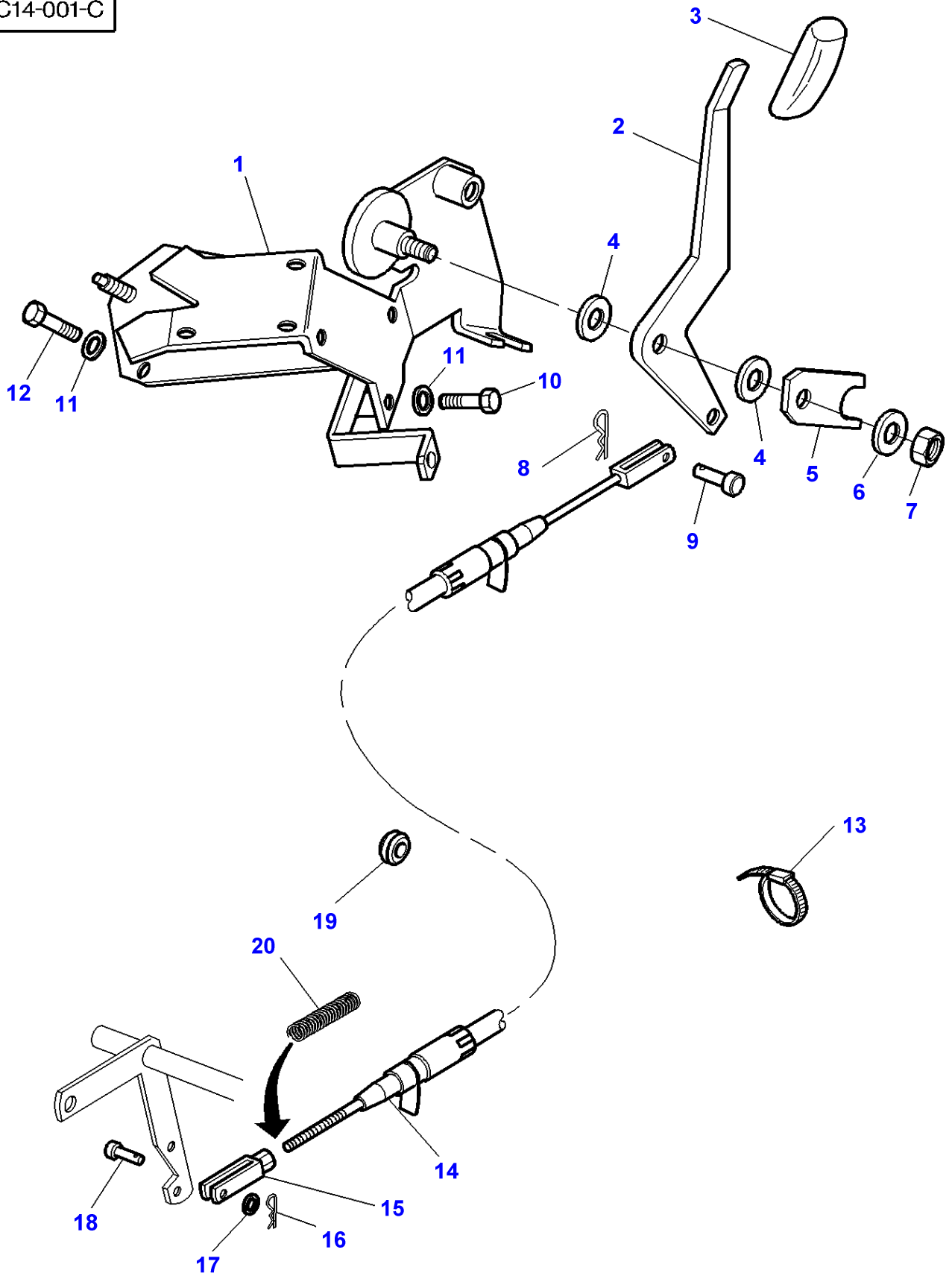
1-ZC14-008-A



Throttle Controls

Item	Part Number	Qty	Description	Comments
1	3782973M1	1	Thruster	
2	1440350X1	2	Screw Metric	M6X20
3	3713025M6	1	Cable	Length 945MM
4	832297M1	2	Clevis Pin	
5	3581900M1	1	Spring	
6	390972X1	2	Washer Metric	
7	357145X1	2	Pin	
8	1699748M1	2	Plug	Diameter 9,5MM
9	3042523M1	1	Plug	Diameter 15MM

1-ZC14-001-C

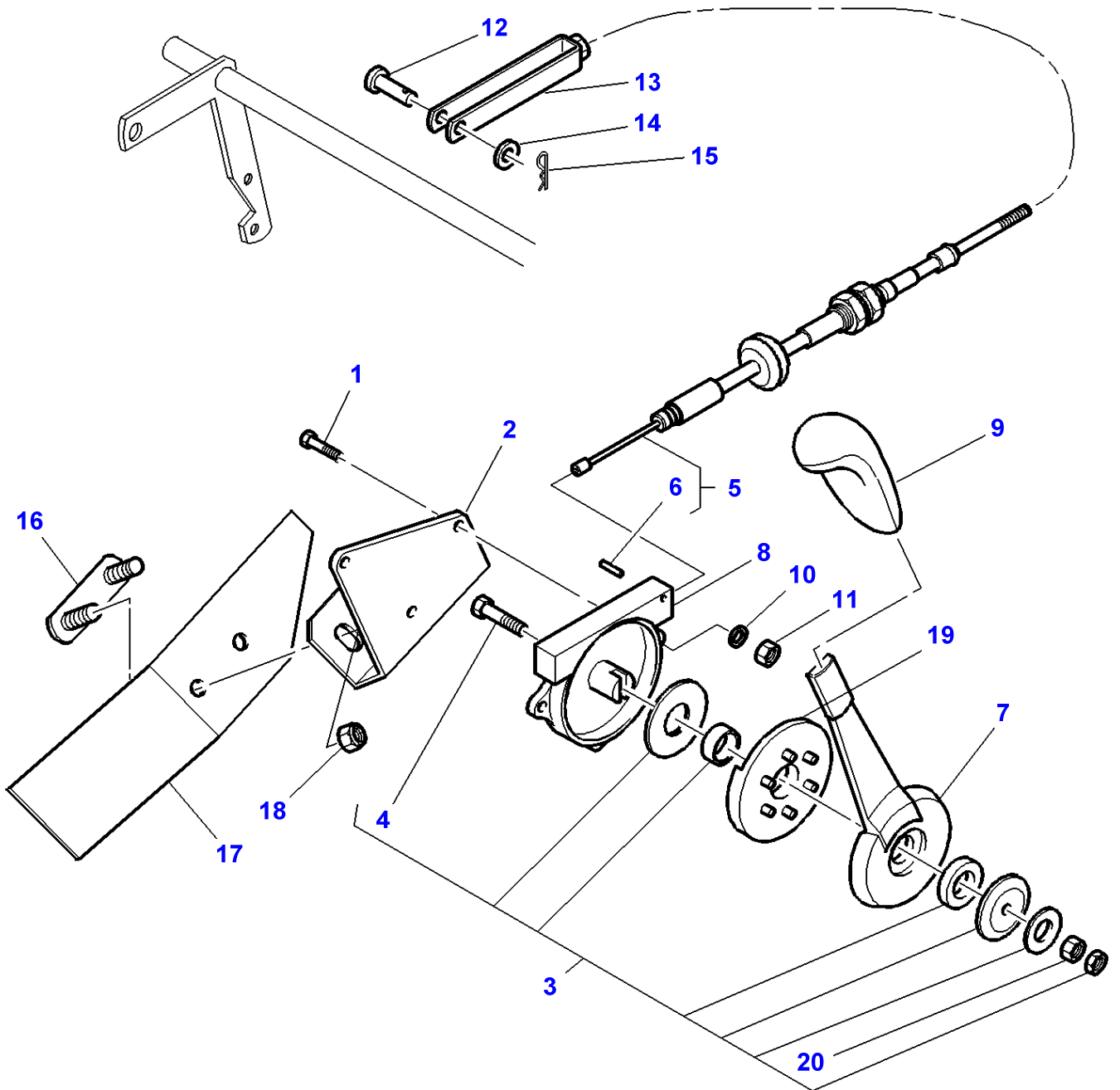


Throttle Controls - Up To 07-01-2001

Item	Part Number	Qty	Description	Comments
1	3778645M94	1	Support	
2	3778583M2	1	Lever	
3	3777015M1	1	Handle	
4	3042581M2	2	Washer	
5	3712271M1	1	Plate	
6	880712M1	1	Washer	
7	1440330X1	1	Locknut	M12
8	357145X1	1	Pin	
9	3007850X1	1	Clevis Pin	
10	339368X1	1	Bolt Metric	M8X60
11	390972X1	3	Washer Metric	
12	339368X1	1	Bolt Metric	M8X60
13	3619622M1	1	Cable Tie	
14	3778639M1	1	Cable	Length 855MM
15	3616399M1	1	Stirrup	
16	357145X1	1	Pin	
17	390971X1	1	Washer	
18	832297M1	1	Clevis Pin	
19	1699748M1	1	Plug	Diameter 9,5MM
20	3784906M1	1	Spring	From Serial or Engine Number J147003 Length 125MM

FOOTNOTE [B] INDUSTRIAL CAB

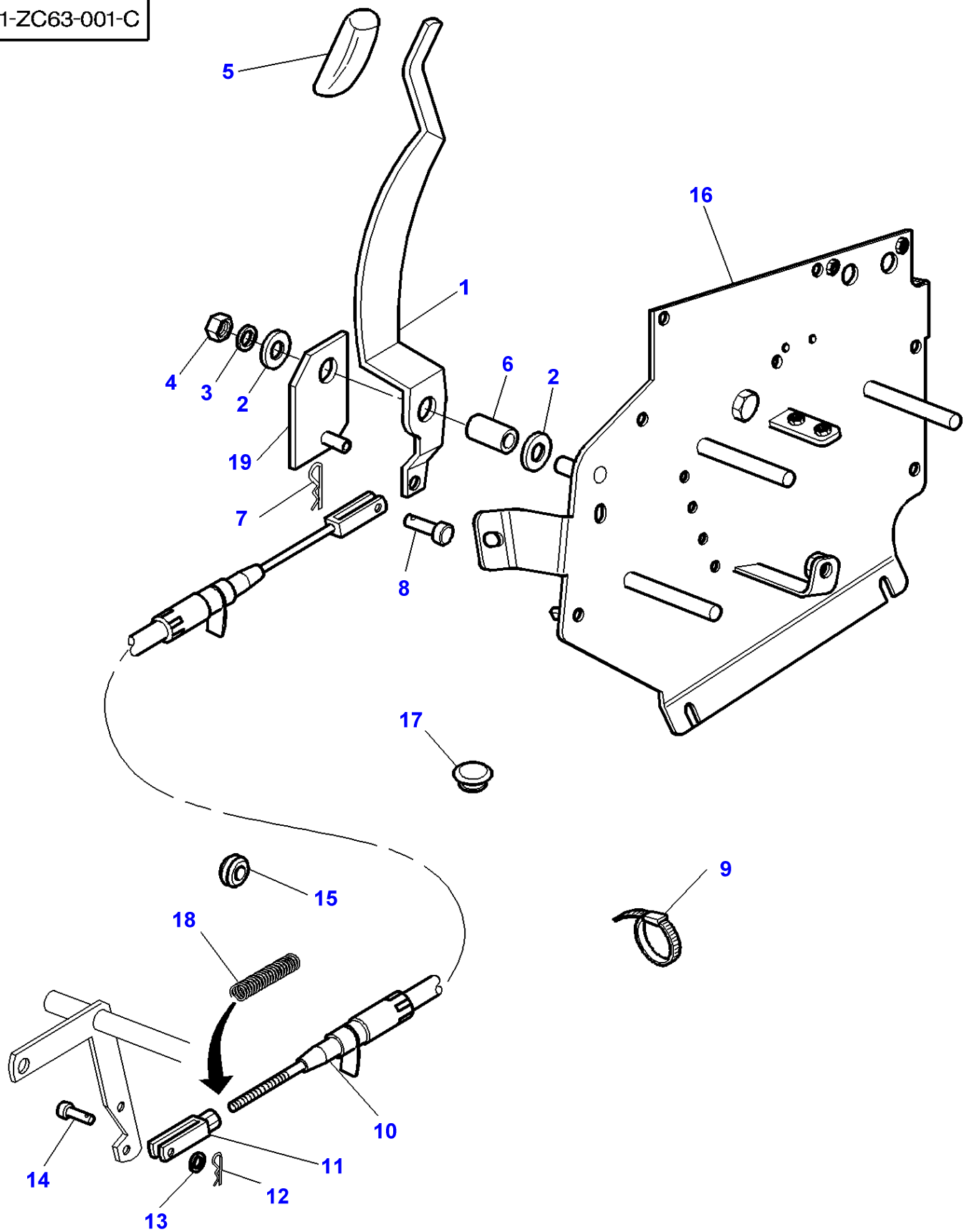
1-ZC14-015-E



Throttle Controls - From 08-01-2001

Item	Part Number	Qty	Description	Comments
1	339563X1	3	Screw Metric	M5 X 20
2	3784358M3	1	Support	
3	3785336M3	1	Parts Pack	
4	3011380X1	1	Screw	(3) M6 X 40
5	3785334M1	1	Cable	
6	339303X1	1	Dowel	(5)
7	3785335M3	1	Lever	
8	3786152M2	1	Case Assy	
9	3785000M1	1	Handle	
10	3019560X1	3	Washer	
11	1441494X1	3	Nut Metric	M5
12	832297M1	1	Clevis Pin	
13	3616399M1	1	Stirrup	
14	390971X1	1	Washer	
15	357145X1	1	Pin	
16	3785837M2	1	Staple	
17	3786226M1	1	Plate	Up to Serial or Engine Number 06-NOV-2001
18	1441461X1	2	Locknut	
19	3789513M1	1	Flange	
20	3019123X1	1	Nut	(3)

1-ZC63-001-C

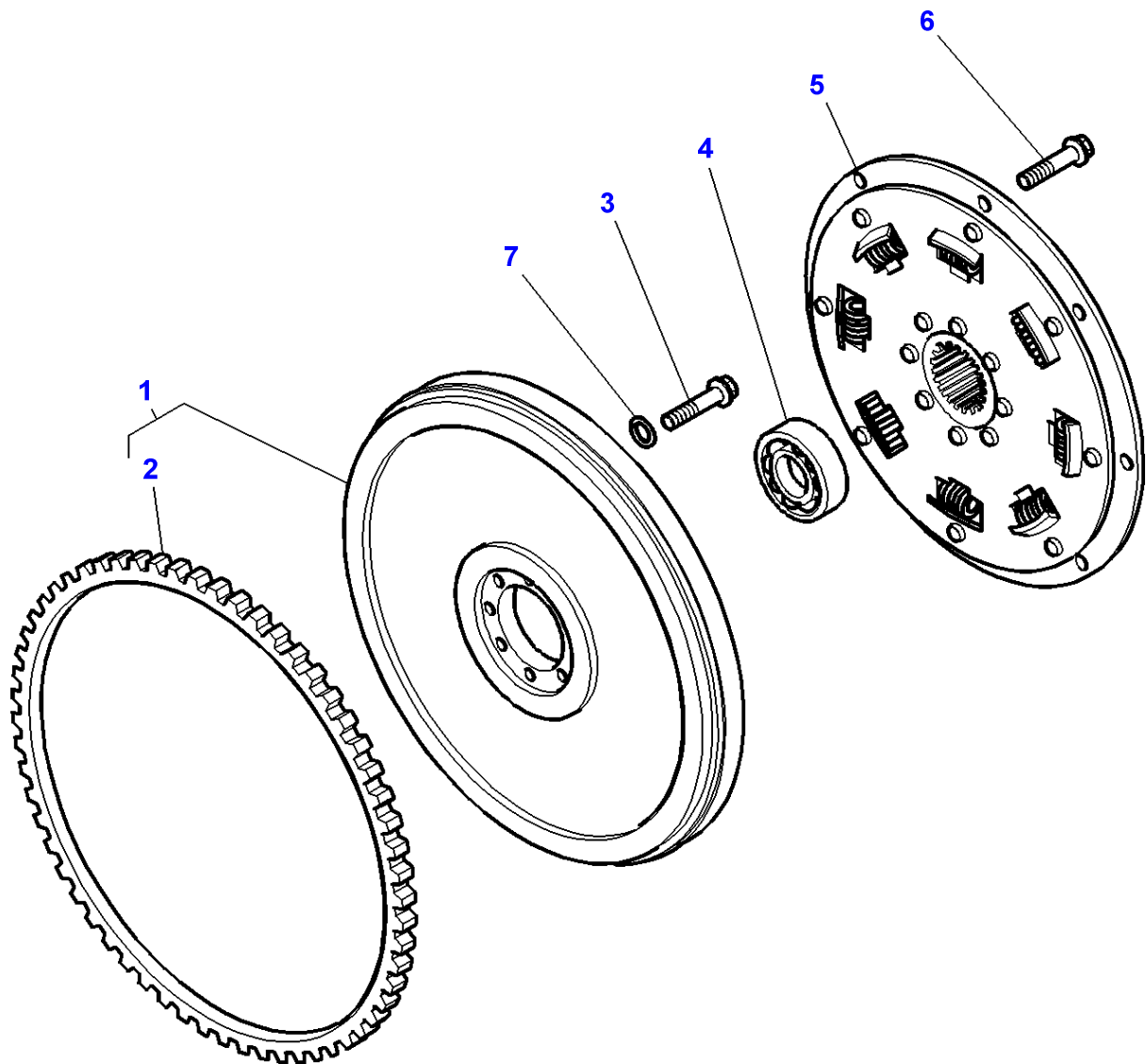


Hand Throttle Control - Platform

Item	Part Number	Qty	Description	Comments
1	3778399M2	1	Lever	
2	3042581M2	2	Washer	
3	880712M1	1	Washer	
4	1442190X1	1	Locknut	M12
5	3777015M1	1	Handle	
6	3778400M1	1	Spacer	
7	357145X1	1	Pin	
8	832297M1	1	Clevis Pin	
9	3619622M1	1	Cable Tie	
10	3778639M1	1	Cable	
11	3616399M1	1	Stirrup	
12	357145X1	1	Pin	
13	390971X1	1	Washer	
14	832297M1	1	Clevis Pin	
15	3580984M1	1	Grommet	Diameter 21MM
16	3778407M2	1	Shield	
17	1699748M1	1	Plug	Diameter 9,5MM
18	3784906M1	1	Spring	From Serial or Engine Number J147003 Length 125MM
19	3615015M1	1	Plate	

Page Title	Page Number
Flywheel - Dynashift	020-0005
Flywheel - With Full Powershift	020-0010
Front Spacer	020-0015
Wet Clutch	020-0020
Wet Clutch With Power Shuttle	020-0025
Power Shuttle	020-0030
Wet Clutch	020-0035
Front Spacer With Power Shuttle	020-0040
Wet Clutch - Dynashift	020-0045
Wet Clutch - Without Dual Control	020-0050
Wet Clutch With Power Shuttle	020-0055
Wet Clutch - With Dual Control	020-0060
Wet Clutch With Power Shuttle - Without Dual Control	020-0065
Wet Clutch With Power Shuttle - Up To M238025	020-0070
Wet Clutch With Power Shuttle - From M238026	020-0075
Wet Clutch - Valve	020-0080
Wet Clutch With Power Shuttle - Valve With Dynashift - Up To L289038	020-0085
Wet Clutch With Power Shuttle - Valve With Dynashift - From L289039	020-0090
Clutch Pedal And Linkage - With Dynashift - Up To 31-01-2002	020-0095
Clutch Pedal And Linkage - With Power Shuttle - Up To L270016	020-0100
Clutch Pedal And Linkage - With Full Powershift - Up To L270016	020-0105
Clutch Pedal And Linkage - From Serial or Engine Number - L270017	020-0110
Clutch Control - Master Cylinder	020-0115

1-ZA07-006-C

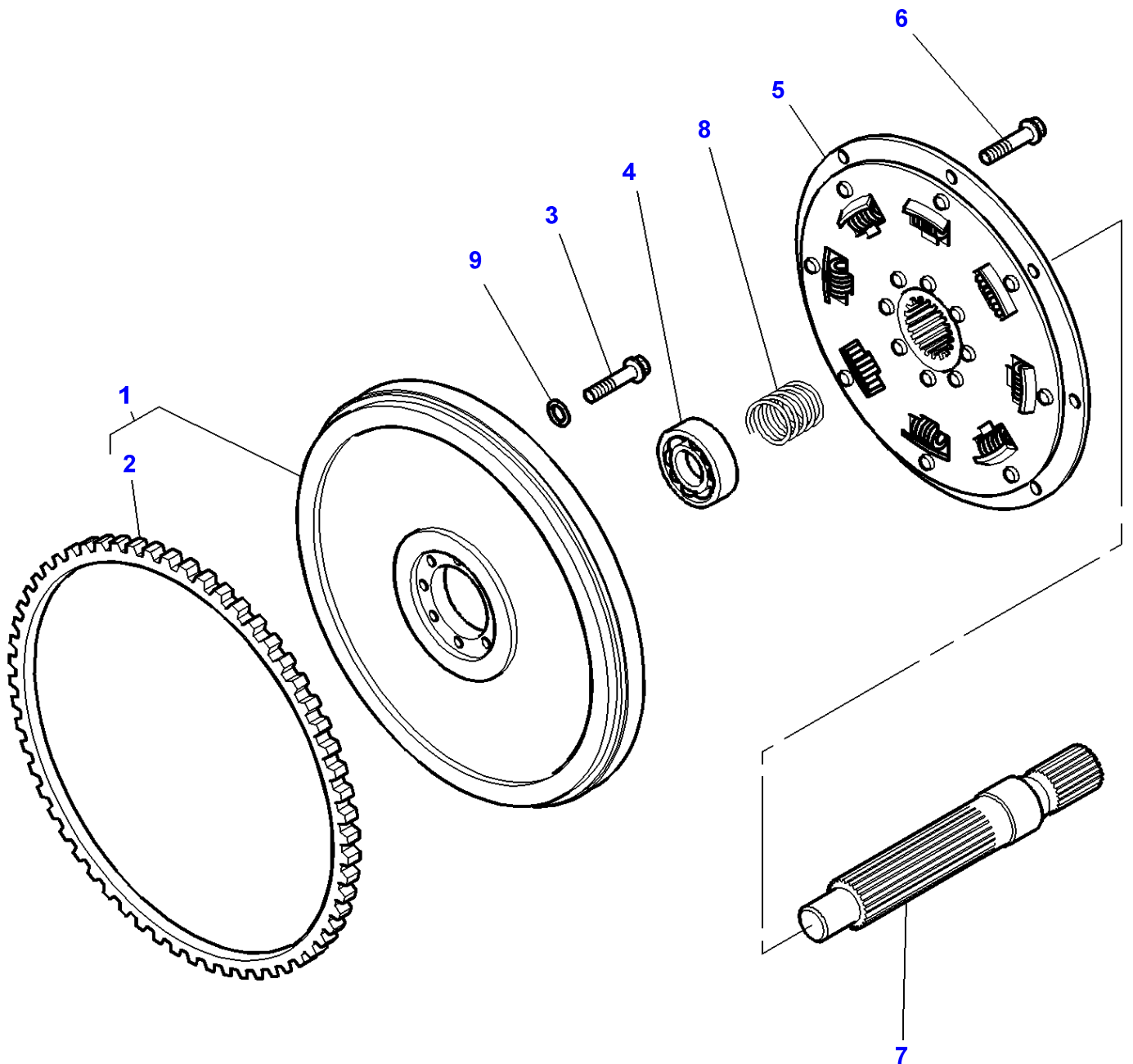


Massey Ferguson**MF 8210/8220 TRACTORS - 1637365****1637365****Page020-0005****Flywheel - Dynashift**

Item	Part Number	Qty	Description	Comments
1	3780440M91	1	Flywheel	
2	1619032M1	1	Crownwheel	(1)
3	3713984M1	6	Screw	1/2-20X37
4	339583X1	1	Bear. 6206 2rs	
5	3790735M2	1	Shock Absorber	
	3793648M1	1	Shock Absorber	[A]
6	3792268M1	8	Screw Metric	M12X45
7	70926191	6	Washer	Diameter 13-18,6X1,65

FOOTNOTE [A] WITH POWER SHUTTLE

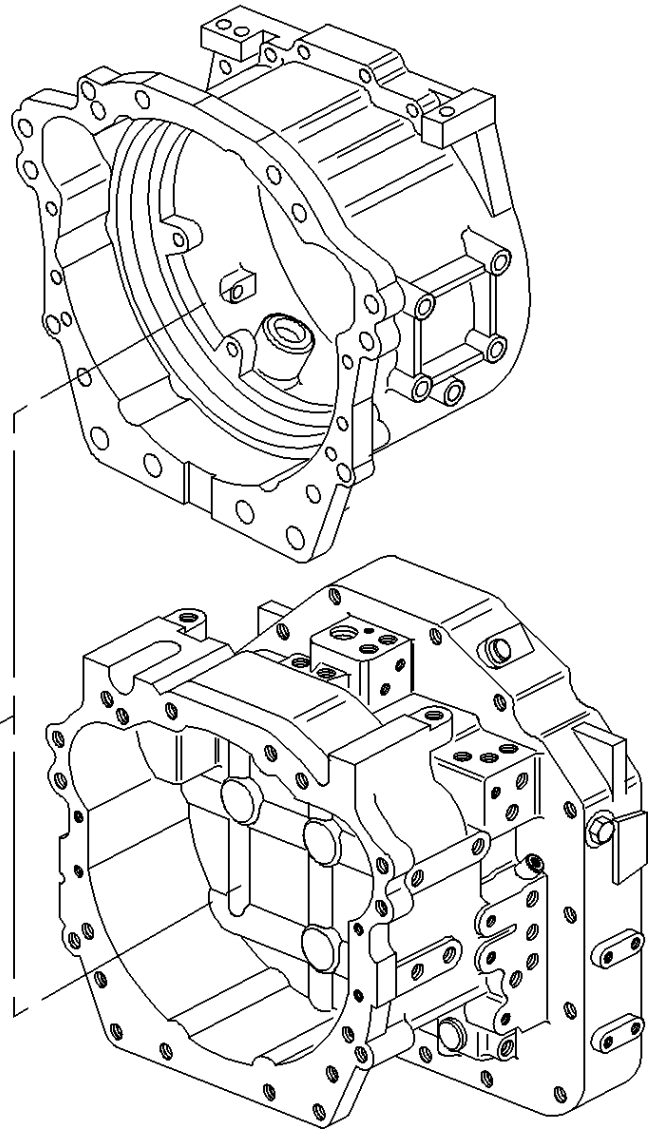
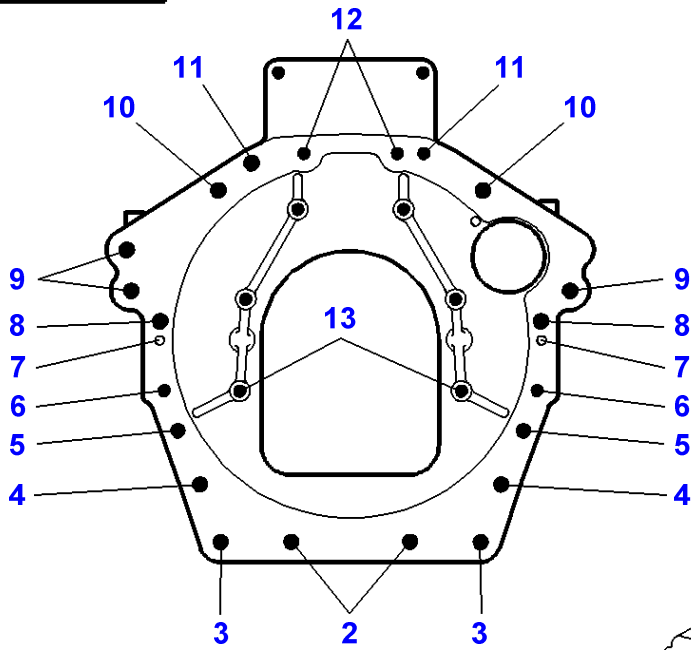
1-ZA07-007-C



Massey Ferguson**MF 8210/8220 TRACTORS - 1637365****1637365****Page020-0010****Flywheel - With Full Powershift**

Item	Part Number	Qty	Description	Comments
1	3781318M91	1	Flywheel	
2	1619032M1	1	Crownwheel	(1) Number of teeth/spines 132
3	3580396M1	6	Screw	1/2-20X48
4	339583X1	1	Bear. 6206 2rs	
5	3792346M1	1	Shock Absorber	
6	3010239X1	8	Screw Metric	M10X45
7	3792344M1	1	Shaft	
8	3792345M2	1	Spring	
9	70926191	6	Washer	Up to Serial or Engine Number 03-JAN-2000 Diameter 13-18,6X1,65

1-ZD02-004-A



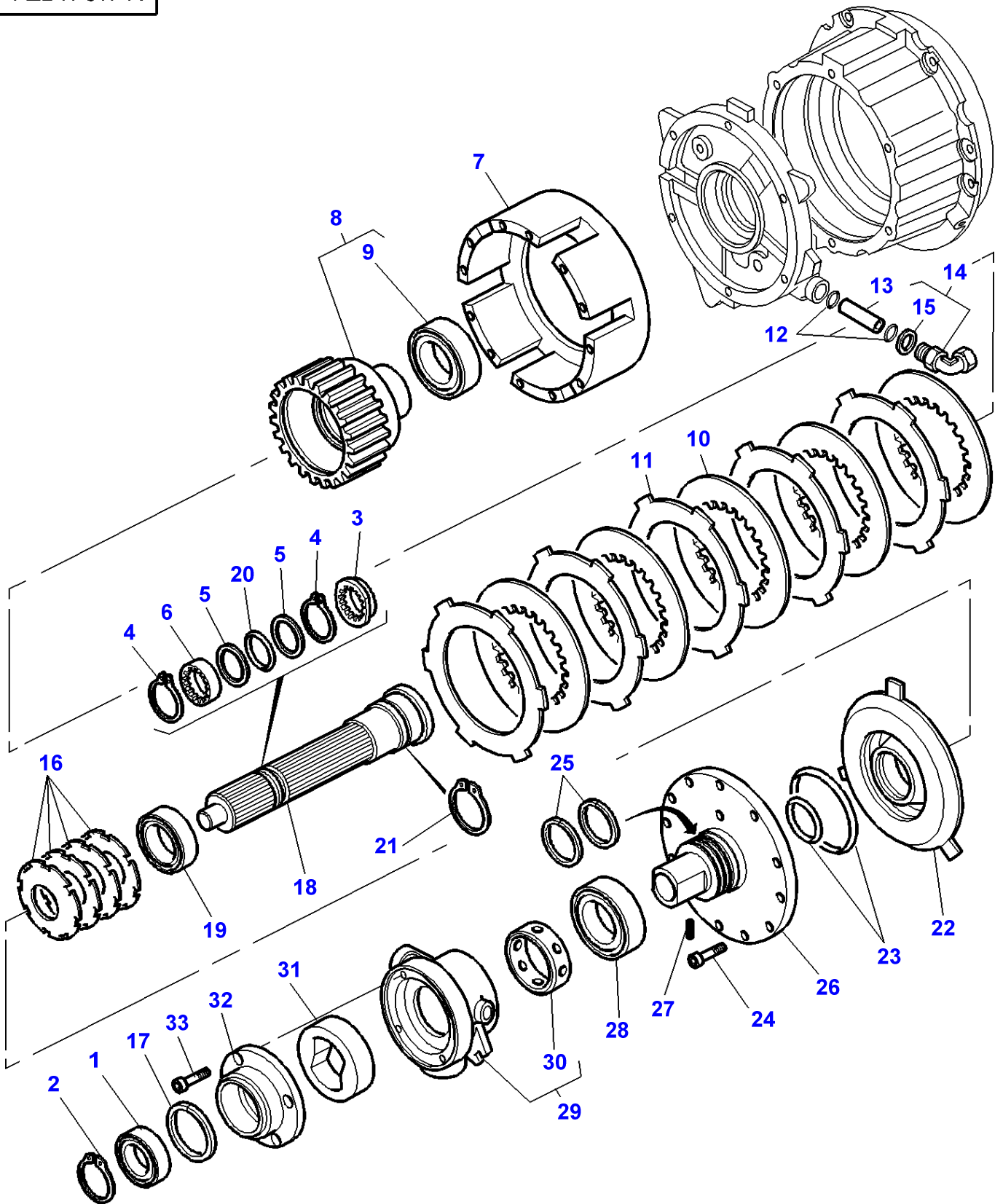
Front Spacer

Item	Part Number	Qty	Description	Comments
1	3780442M1	1	Spacer	
2	3010452X1	2	Screw Metric	M22 X 170
	3010470X1	2	Screw	[A] Up to Serial or Engine Number 09-07-2000 M22 X 160
	3010453X1	2	Screw	From Serial or Engine Number 10-07-2000 M22 X 140
	3010505X1	2	Washer	Up to Serial or Engine Number 03-01-2000 Diameter 22-40 X 6 MM
	3581642M1	2	Nut	M22
3	3580796M1	2	Screw	M22 X 100
	3010505X1	2	Washer	Diameter 22-40 X 6 MM
	3581642M1	2	Nut	M22
4	3580796M1	2	Screw	M22 X 100
5	3019901X1	2	Screw Metric	M16 X 140
6	3010010X1	2	Screw	M12 X 40
7	191314M1	2	Centraliser	
8	3019899X1	2	Bolt Metric	M12 X 50
9	3010833X1	3	Plough Bolt	M18 X 60
10	3384131M1	2	Bolt Metric	M16 X 55
11	3010008X1	2	Screw	M16 X 50
12	3010010X1	2	Screw	M12 X 40
13	3010143X1	6	Screw	M10 X 40
14	733680M1	2	Locator	

FOOTNOTE [A] WITH DYNASHIFT

MF 8210/8220 TRACTORS - 1637365
1-ZD11-017-A

1-ZD11-017-A



Wet Clutch

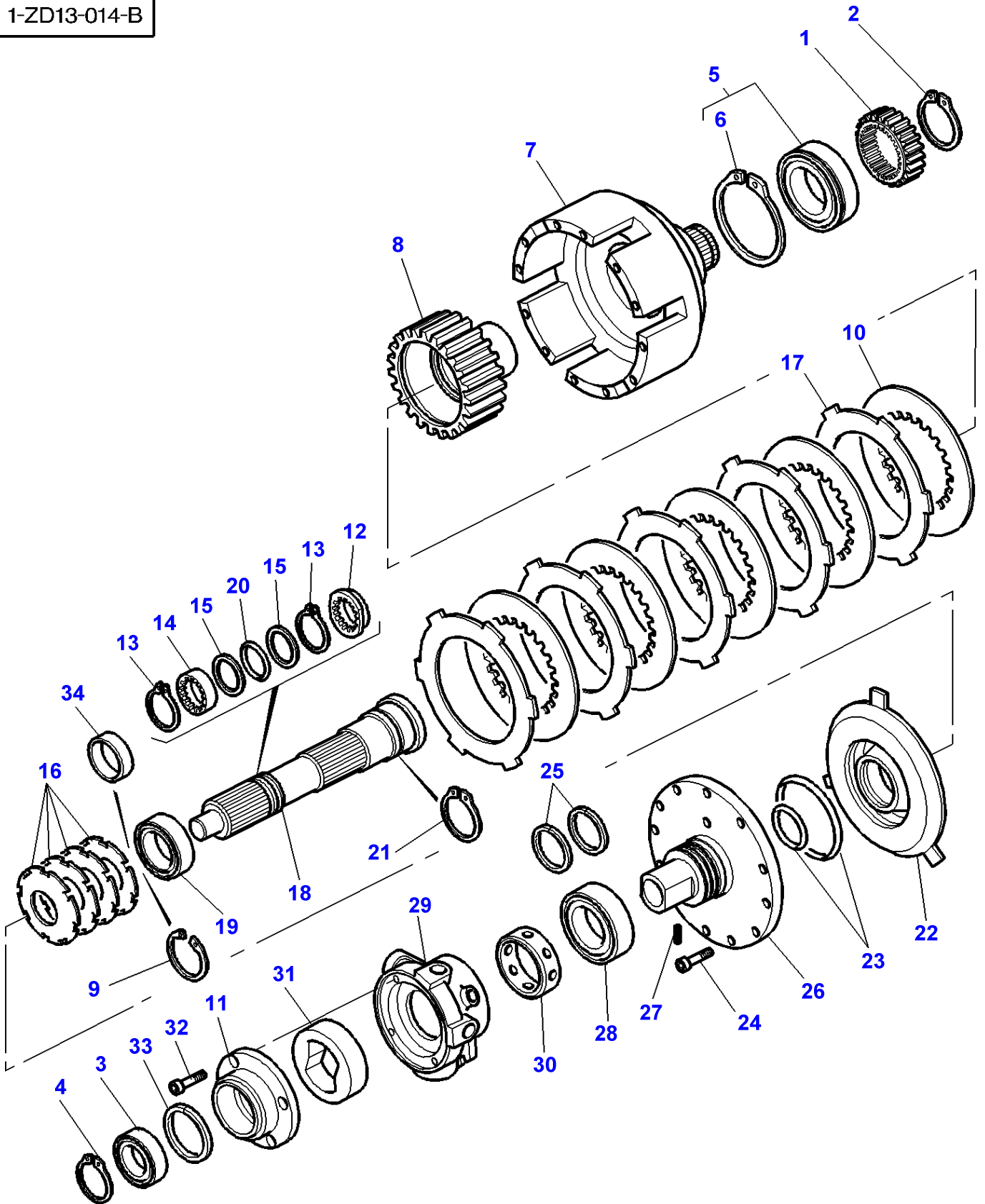
Item	Part Number	Qty	Description	Comments
1	3010463X1	1	Bearing Assy	
2	339470X1	1	Circlip	
3	3712719M1	1	Tray	
4	3010464X1	2	Clip	
5	3793128M1	2	Bush	
6	3712720M2	1	Sleeve	
7	3791563M1	1	Cover	[A]
8	3712815M11	1	Hub	[A]
9	3712297M1	1	Bearing Assy	(8)
10	3619155M1	6	Disc	[A]
11	3619156M1	6	Tray	[A]
12	377494X1	2	O Ring	
13	3619629M1	1	Tube	
14	3793447M91	1	Union	
15	1882958M1	1	O Ring	(14)
16	3791398M91	1	Kit, Washer	
17	3900913M91	1	Kit, Shims	Thickness 0,05MM Thickness 2MM
18	3791409M5	1	Shaft	
19	3712300M1	1	Bearing Assy	
20	3010501X1	1	Gasket	
21	391129X1	1	Circlip	
22	3791559M1	1	Piston	
23	3712819M11	1	Kit, Joint	
24	3010493X1	12	Screw	M8X55
25	3792463M1	2	Circlip	
26	3791558M1	1	Shaft	
27	3019274X1	1	Pin	
28	3010462X1	1	Bearing Assy	
29	3712820M12	1	Body Pump	
30	3619253M2	1	Bush	(29)
31	3619236M1	1	Pump	
32	3619666M1	1	Cover	
33	391989X1	4	Screw Metric	M8X20

FOOTNOTE [A] CLUTCH 6 DISCS

FOOTNOTE [B] CLUTCH 7 DISCS

FOOTNOTE [C] CLUTCH 8 DISCS

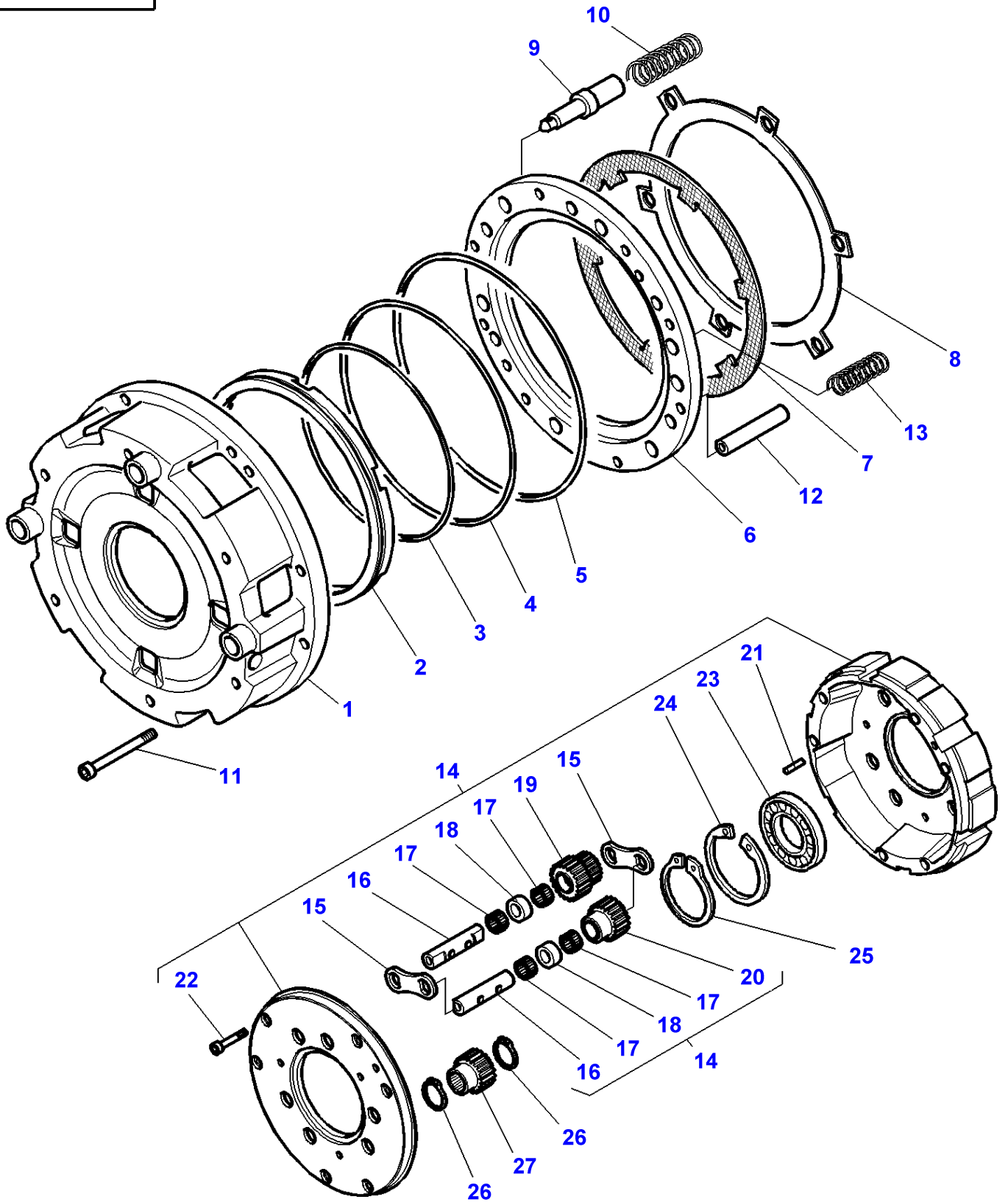
1-ZD13-014-B



Wet Clutch With Power Shuttle

Item	Part Number	Qty	Description	Comments
1	3793613M1	1	Planet	Number of teeth/spines 48
2	1444488X1	1	Ring	
3	3010463X1	1	Bearing Assy	6911
4	339470X1	1	Circlip	
5	3010839X91	1	Ball Bearing	
6		1	Circlip	(5) Not serviced,order REF 5
7	3793619M1	1	Cover	
8	3793617M1	1	Hub	
9	1441163X1	1	Circlip	
10	3619155M1	6	Disc	
11	3619666M1	1	Cover	
12	3712719M1	1	Tray	
13	3010464X1	2	Clip	
14	3712720M2	1	Sleeve	
15	3793128M1	2	Bush	
16	3791398M91	1	Kit, Washer	
17	3619156M1	7	Tray	
18	3793629M2	1	Input Shaft	
19	3712300M1	1	Bearing Assy	
20	3010501X1	1	Gasket	
21	391129X1	1	Circlip	
22	3791559M1	1	Piston	
23	3712819M11	1	Kit, Joint	
24	3010493X1	12	Screw	M8X55
25	3792463M1	2	Circlip	
26	3791558M1	1	Shaft	
27	3019274X1	1	Pin	
28	3010462X1	1	Bearing Assy	6817
29	3793631M1	1	Body Pump	
30	3619253M2	1	Bush	
31	3619236M1	1	Pump	
32	391989X1	4	Screw Metric	M8X20
33	3900913M91	1	Kit, Shims	Thickness 0,05 MM Thickness 2 MM
34	3797051M1	1	Bush	From Serial or Engine Number L287029

1-ZF79-002-A

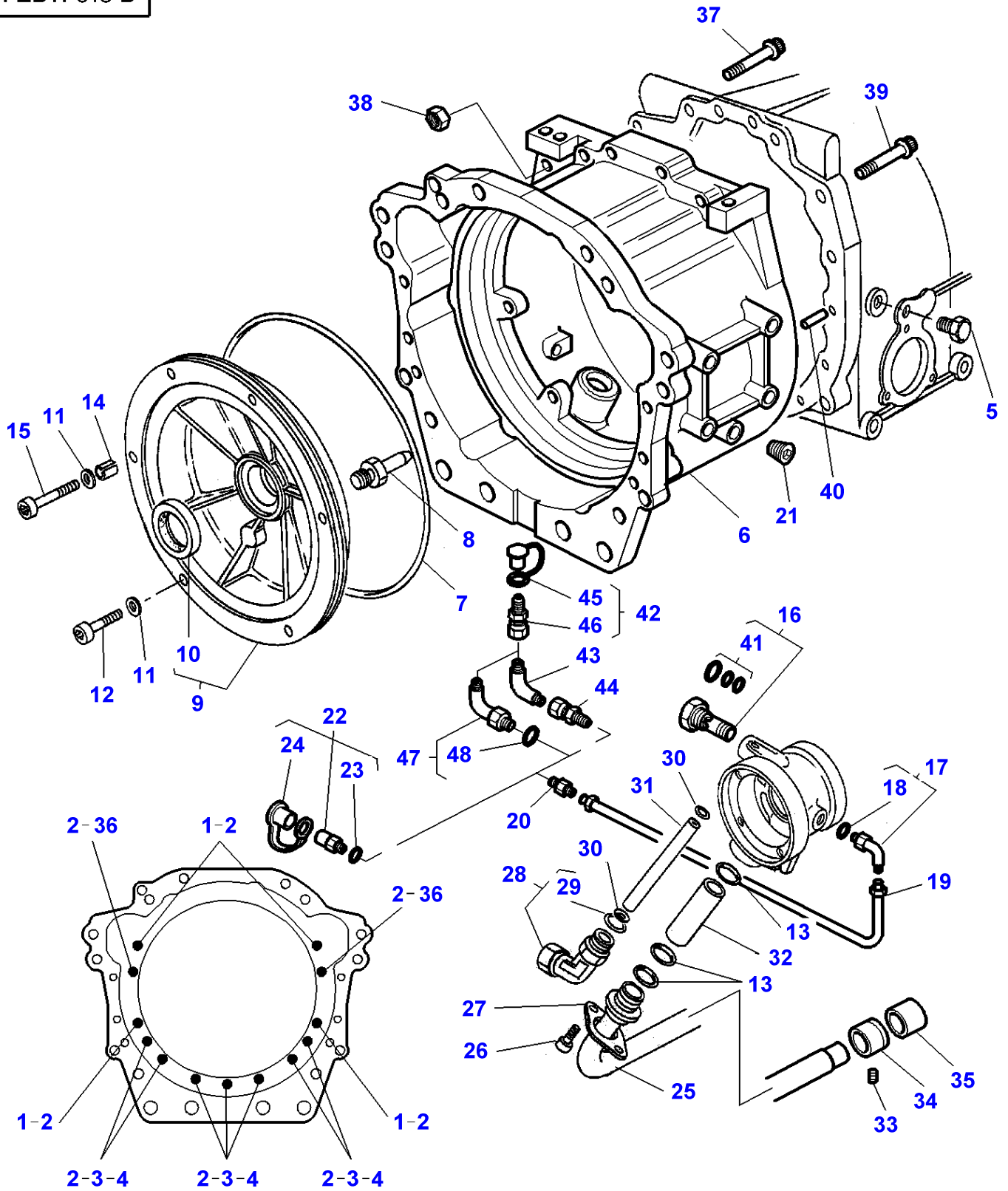


Power Shuttle

Item	Part Number	Qty	Description	Comments
1	3793627M11	1	Case Assy	
2	3793622M1	1	Piston	
3	3790324M1	1	Gasket	
4	3790323M1	1	Gasket	
5	3790325M1	1	O Ring	
6	3793624M1	1	Piston	
7	3790270M1	5	Disc	
8	3790271M1	4	Tray	
9	3793630M1	2	Poppet	
10	3790266M3	2	Spring	
11	3010989X1	2	Screw	M8X35
12	3793636M1	6	Clevis Pin	
13	3793632M1	6	Spring	
14	3793611M12	1	Carrier	
15	3790241M3	6	Wearplate	(14)
16	3793608M11	6	Clevis Pin	(14)
17	3010127X1	300	Needle	(14)
18	3793606M1	6	Spacer	(14)
19	3793610M1	3	Diff Pinion	(14)
20	3793609M1	3	Pinion	Number of teeth/spines 24/21 (14)
21	3010981X1	1	Pin	Number of teeth/spines 24 (14)
22	3010989X1	6	Screw	(14)
23	3010836X1	1	Bearing Assy	M8X35 (14) 55X72X9
24	1441163X1	1	Circlip	(14)
25	3010640X1	1	Ring	
26	3010138X1	2	Segment	
27	3793612M1	1	Planet	Number of teeth/spines 42

MF 8210/8220 TRACTORS - 1637365
1-ZD11-018-D

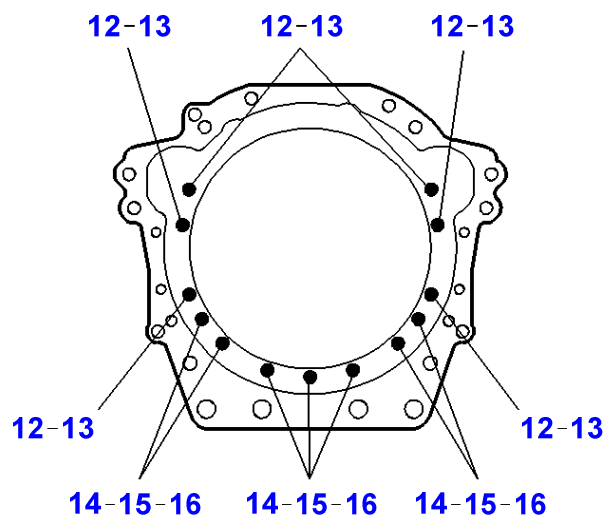
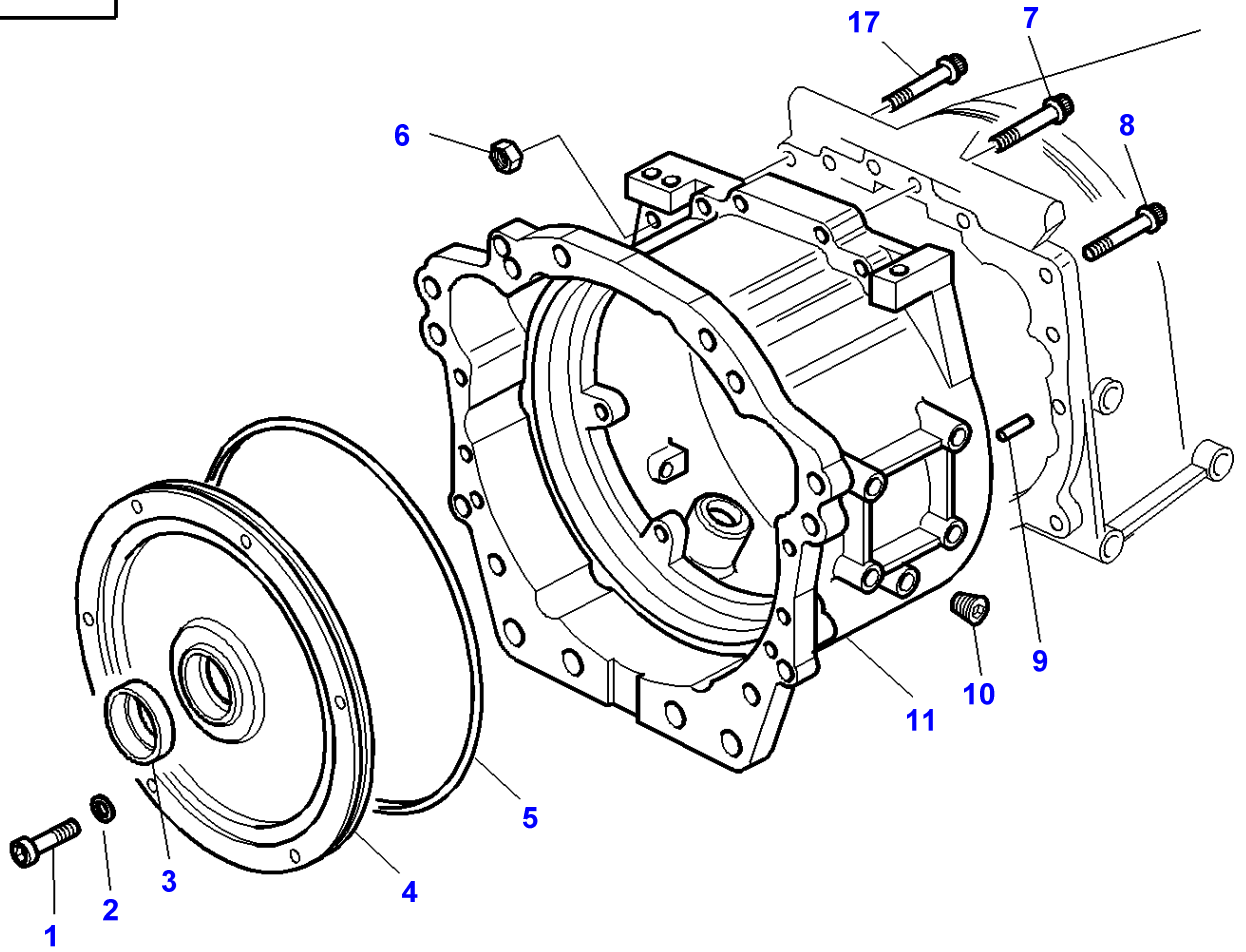
1-ZD11-018-D



Wet Clutch

Item	Part Number	Qty	Description	Comments
1	3010144X1	4	Screw	M12X45
2	3385525M2	13	Washer	
3	3019861X1	7	Stud	
4	3019862X1	7	Nut Metric	M12
5	354700X1	1	Bolt Unc	Diameter 3/4"-10 Length 19 MM
6	3716151M2	1	Spacer	
7	3010465X1	1	Gasket	
8	3619673M1	1	Clevis Pin	
9	3712813M11	1	Cover	
10	3712304M1	1	Seal	(9)
11	385361X1	6	Washer	Diameter 8MM
12	1440349X1	4	Screw Metric	M8X30
13	3010466X1	3	Gasket	
14	3008025X1	2	Pin	Diameter 10MM Length 18MM
15	3009287X1	2	Screw Metric	M8X40
16	3619243M2	1	Non Return Valve	1,5 BAR
17	3019408X91	1	Elbow	
18	3019393X1	1	O Ring	(17)
19	3790533M1	1	Tube	
20	3384958M2	1	Union	Up to Serial or Engine Number
	355654X1	1	Connector	From Serial or Engine Number
21	356040X1	1	Plug	Diameter 1/4"-18 Up to Serial or Engine Number
22	3384950M1	1	Pressure Intake	Up to Serial or Engine Number H342036
23	831452M1	1	O Ring	(22)
24	3467187M1	1	Cap	(22)
25	3716727M92	1	Tube	
26	391989X1	2	Screw Metric	M8X20
27	3619657M1	1	Bridle	
28	3385713M91	1	Union	
29	1852568M1	1	O Ring	(28)
30	377494X1	2	O Ring	
31	3712204M1	1	Tube	
32	3619630M1	1	Tube	
33	3009351X1	1	Screw	M6x8
34	3712665M1	1	Bush	
35	3712664M1	1	Bush	
36	3019851X1	2	Bolt Metric	M12x45
37	3010426X1	5	Screw	M14x55
38	3010349X1	1	Nut	M14
39	3010425X1	1	Screw	M14x45
40	191314M1	2	Centraliser	
41	3900995M91	1	Kit, Joint	(16)
42	3793689M2	1	Pressure Intake	From Serial or Engine Number H342037
43	356375X1	1	Elbow	From Serial or Engine Number H342037 Up to Serial or Engine Number
44	380006X1	1	Union	From Serial or Engine Number H342037 Up to Serial or Engine Number
45	3467187M1	1	Cap	(42)
46	3903585M1	1	Non Return Valve	(42)
47	3019412X91	1	Elbow	M14X1,5 -9/16-18 From Serial or Engine Number
48	3019395X1	1	O Ring	(47)

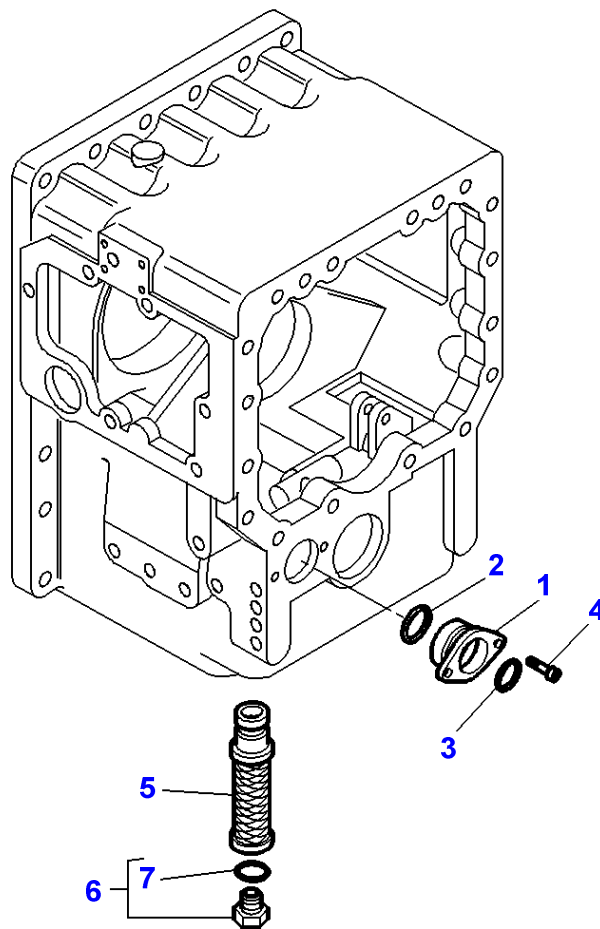
1-ZD14-002-B



Front Spacer With Power Shuttle

Item	Part Number	Qty	Description	Comments
1	3009287X1	2	Screw Metric	M8 X 40
	1440349X1	4	Screw Metric	M8 X 30
2	385361X1	6	Washer	
3	3712304M1	1	Seal	
4	3793633M1	1	Cover	
5	3010465X1	1	Gasket	
6	3010349X1	1	Nut	Up to Serial or Engine Number M013002
7	3010426X1	4	Screw	M14 X 55
8	3010425X1	1	Screw	M14 X 45
9	191314M1	2	Centraliser	
10	356040X1	1	Plug	
11	3793628M2	1	Spacer	
12	3010144X1	6	Screw	M12 X 45
13	3385525M2	6	Washer	
14	3019861X1	7	Stud	M12 X 35
15	3385525M2	7	Washer	
16	3019862X1	7	Nut Metric	
17	3010426X1	1	Screw	M14 X 55
				Up to Serial or Engine Number M013002
	3010821X1	1	Screw	M14 X 40
				From Serial or Engine Number M013003

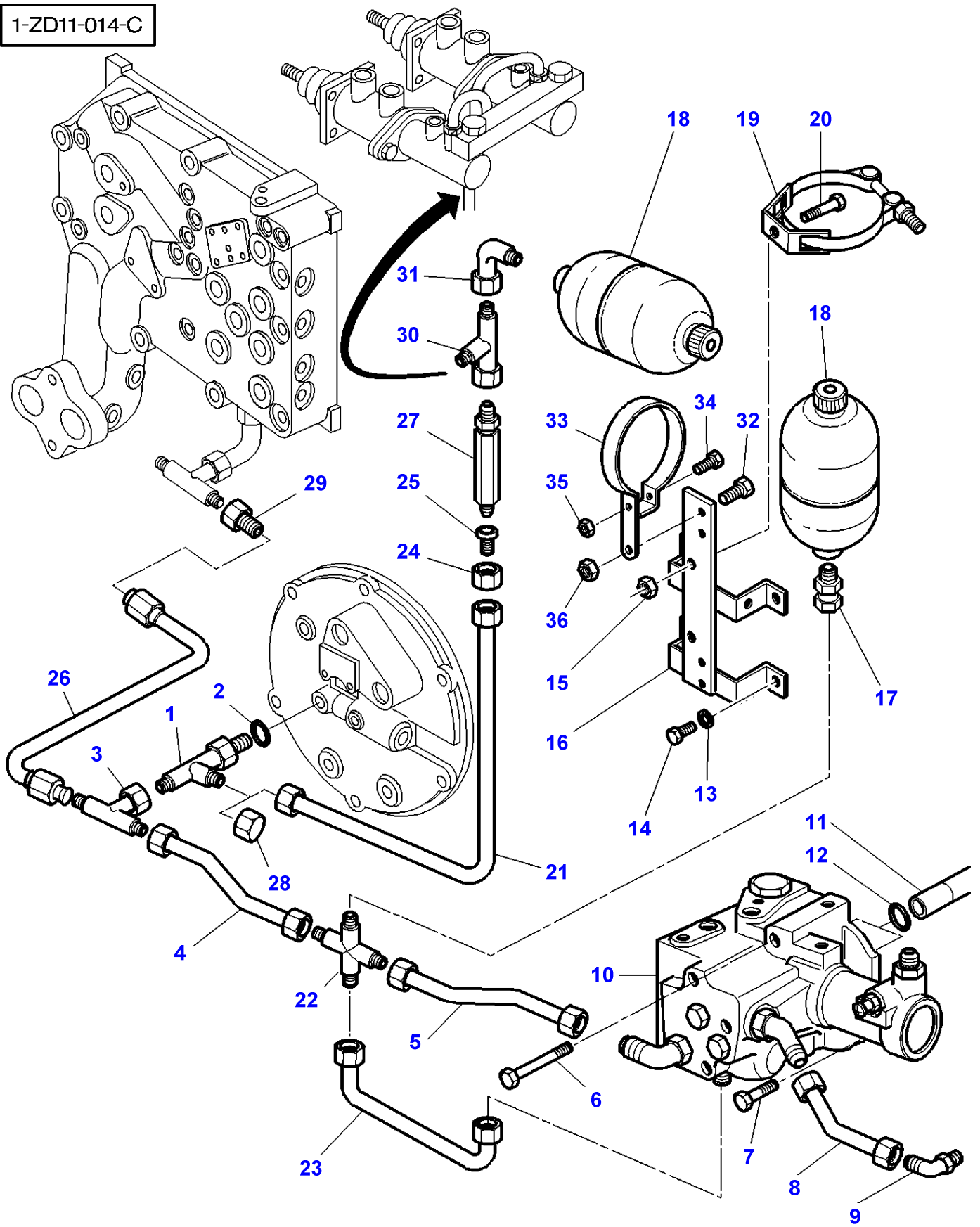
1-ZD11-013-A



Massey Ferguson**MF 8210/8220 TRACTORS - 1637365****1637365****Wet Clutch - Dynashift****Page020-0045**

Item	Part Number	Qty	Description	Comments
1	3716728M2	1	Block	
2	195654M1	1	O Ring	
3	3010466X1	1	Gasket	
4	1440350X1	2	Screw Metric	M6X20
5	3712404M1	1	Strainer	
6	380023X91	1	Plug	M42
7	380021X1	1	Gasket	(6)

1-ZD11-014-C



Wet Clutch - Without Dual Control

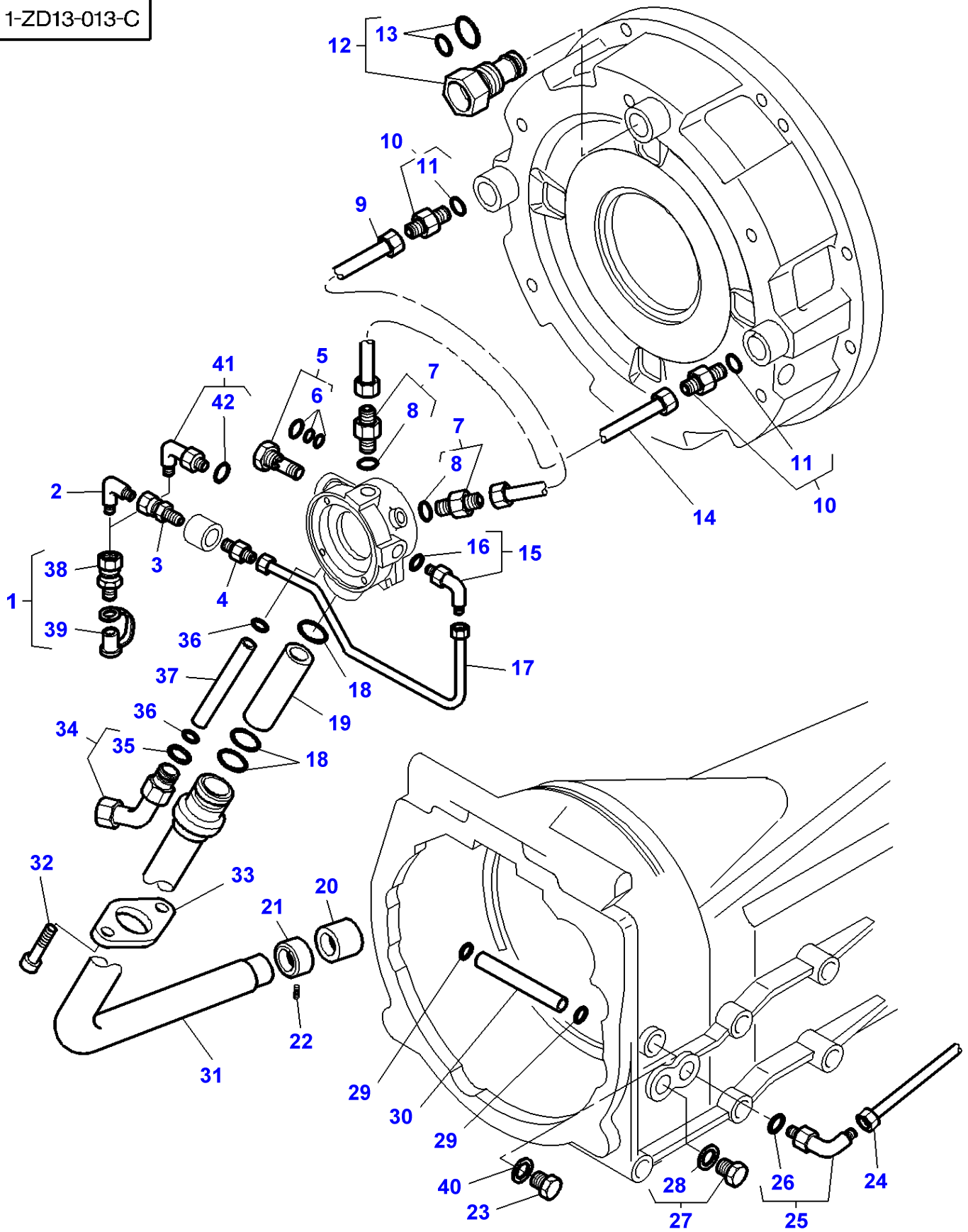
Item	Part Number	Qty	Description	Comments
1	3010498X1	1	Teepiece	
2	3019395X1	1	O Ring	
3	372543X1	1	Teepiece	
4	3712911M91	1	Tube	
5	3712909M91	1	Tube	
6	339159X1	1	Bolt Metric	M8X65
7	339123X1	2	Hex. Sock. Screw	M8X20
8	3712906M91	1	Tube	
9	3385713M91	1	Union	
10	3712685M18	1	Pressure Valve	Up to Serial or Engine Number H350012 See Page - Reference Number 020-0080/1
	3793690M11	1	Pressure Valve	From Serial or Engine Number H350013 See Page - Reference Number 020-0080/1
11	3712358M1	2	Tube	
12	377494X1	4	O Ring	
13	339328X1	4	Washer	Diameter 12MM
14	354702X1	4	Bolt Unc	Diameter 3/4"-10 Length 25 MM
15	339169X1	1	Nut	M8
16	3617708M7	1	Support	
17	380018X1	1	Connector	
18	3619551M1	2	Accumulator	[B]
19	3619807M1	1	Bridle	
20	339124X1	1	Hex. Sock. Screw	M8X16
21	3792926M1	1	Tube	[A]
22	3791468M91	1	Union	
23	3713633M1	1	Tube	
24	195960M1	1	Nut	
25	356627X1	1	Adaptor	
26	3716171M92	1	Tube	
27	3794676M1	1	Non Return Valve	Replace and repair. Old interchangeable with new 3790409M1
28	356579X1	1	Cap	
29	377651X1	1	Reducer	
30	364735X1	1	Teepiece	
31	380009X1	1	Union	
32	339123X1	1	Hex. Sock. Screw	M8X20
33	3790442M1	1	Collar	
34	339262X1	1	Bolt Metric	M6X30
35	1441462X1	1	Locknut	
36	1441461X1	1	Locknut	

FOOTNOTE [A] WITH ASSISTED BRAKE

FOOTNOTE [B] THE APPROPRIATE SAFETY DECALS MUST BE ORDERED AND FITTED TO THIS PART

MF 8210/8220 TRACTORS - 1637365
1-ZD13-013-C

1-ZD13-013-C

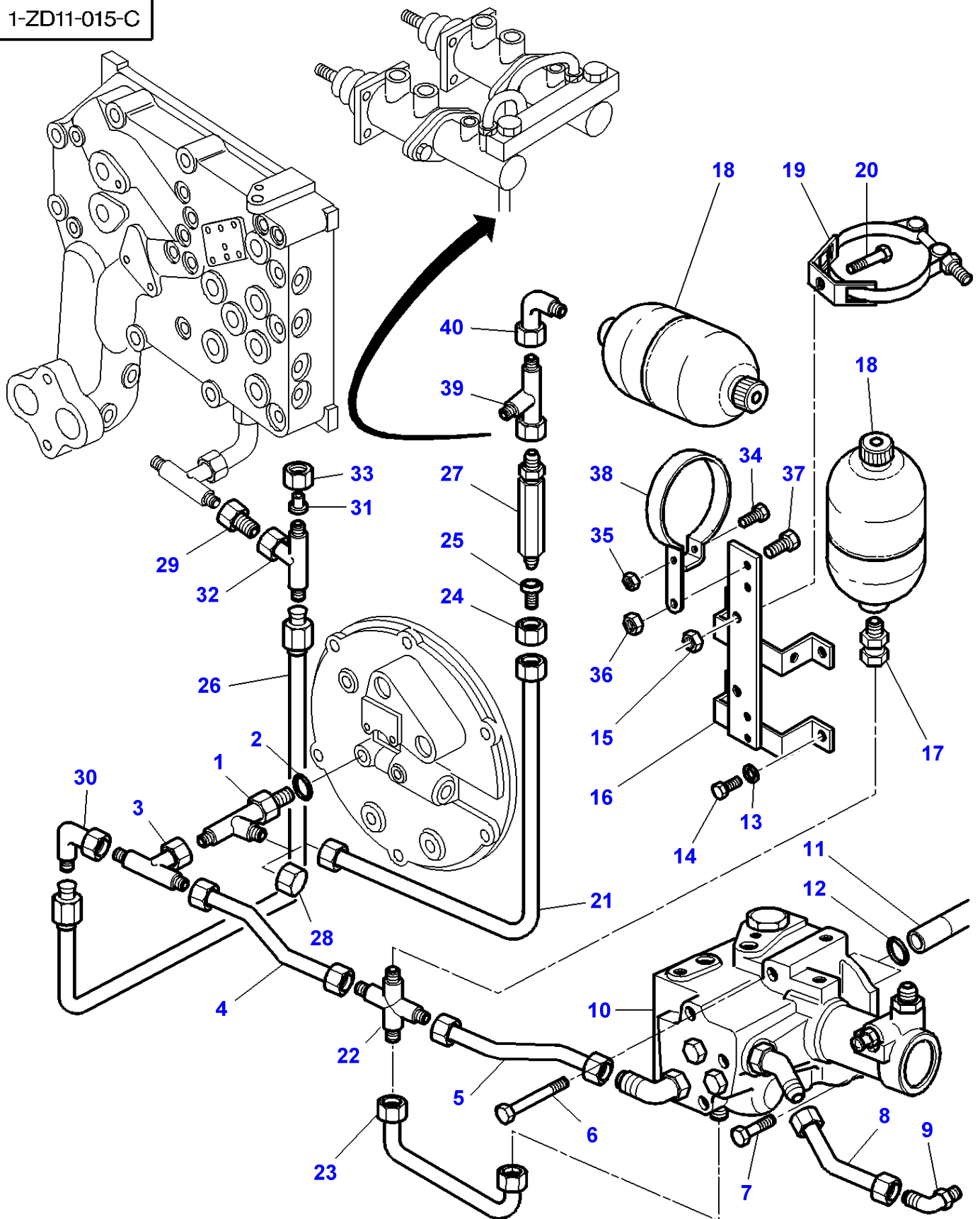


Wet Clutch With Power Shuttle

Item	Part Number	Qty	Description	Comments
1	3793689M2	1	Pressure Intake	
2	356375X1	1	Elbow	Up to Serial or Engine Number
3	380006X1	1	Union	Up to Serial or Engine Number
4	3384958M2	1	Union	Up to Serial or Engine Number
	355654X1	1	Connector	From Serial or Engine Number
5	3619243M2	1	Non Return Valve	
6	3900995M91	1	Kit, Joint	(5)
7	3019381X91	2	Union	
8	3019396X1	1	O Ring	(7)
9	3793739M1	1	Tube	
10	3019700X91	2	Union	
11	3019394X1	1	O Ring	(10)
12	3793264M1	1	Non Return Valve	
13	3903453M91	1	Kit, Joint	(12)
14	3793740M1	1	Tube	
15	3019408X91	1	Elbow	
16	3019393X1	1	O Ring	(15)
17	3793734M2	1	Tube	
18	3010466X1	3	Gasket	
19	3619630M1	1	Tube	
20	3712664M1	1	Bush	
21	3712665M1	1	Bush	
22	3009351X1	1	Screw	M6 X 8
23	354700X1	1	Bolt Unc	3/4"-10 X 19
24	3793738M1	1	Tube	
25	3793687M92	1	Elbow Nipple	
26	835024M1	1	O Ring	(25)
27	358724X91	1	Plug	
28	831497M1	1	O Ring	(27)
29	377494X1	2	O Ring	
30	3793644M1	1	Tube	Length 71 MM
31	3793635M92	1	Tube	
32	391989X1	2	Screw Metric	M8 X 20
33	3619657M1	1	Bridle	
34	3793686M91	1	Union	M22X1,5 - 7/8-14 Up to Serial or Engine Number
	3798307M91	1	Union	M22X1,5 - 7/8-14 From Serial or Engine Number
35	3019398X1	1	O Ring	(34) Up to Serial or Engine Number
	3011414X1	1	O Ring	(34) From Serial or Engine Number
36	70923561	2	O Ring	Up to Serial or Engine Number
37	3793646M1	1	Tube	Length 196,5 MM
38	3467187M1	1	Cap	(1)
39	3903585M1	1	Non Return Valve	(1)
40	353775X1	1	Washer	
41	3019412X91	1	Elbow	M14X1,5 -9/16-18 From Serial or Engine Number
42	3019395X1	1	O Ring	(41)

MF 8210/8220 TRACTORS - 1637365
1-ZD11-015-C

1-ZD11-015-C



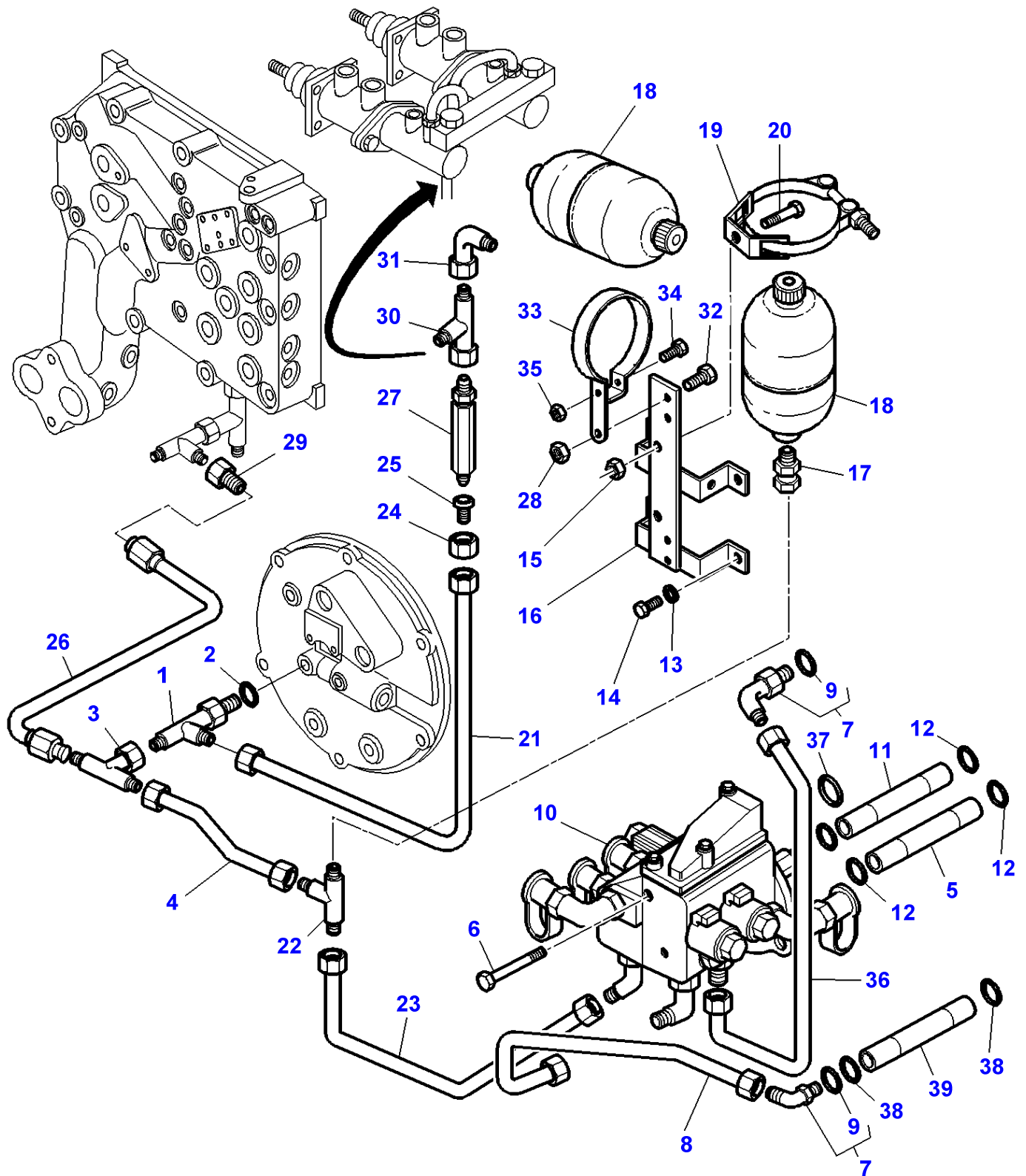
Wet Clutch - With Dual Control

Item	Part Number	Qty	Description	Comments
1	3010498X1	1	Teepiece	
2	3019395X1	1	O Ring	
3	372543X1	1	Teepiece	
4	3712911M91	1	Tube	
5	3712909M91	1	Tube	
6	339159X1	1	Bolt Metric	M8X65
7	339123X1	2	Hex. Sock. Screw	M8X20
8	3712906M91	1	Tube	
9	3385713M91	1	Union	
10	3712685M18	1	Pressure Valve	Up to Serial or Engine Number H350012 See Page - Reference Number 020-0080/1
	3793690M11	1	Pressure Valve	From Serial or Engine Number H350013 See Page - Reference Number 020-0080/1
11	3712358M1	2	Tube	
12	377494X1	4	O Ring	
13	339328X1	4	Washer	Diameter 12MM
14	354702X1	4	Bolt Unc	Diameter 3/4"-10 Length 25 MM
15	339169X1	1	Nut	M8
16	3617708M7	1	Support	
17	380018X1	1	Connector	
18	3619551M1	2	Accumulator	[B]
19	3619807M1	1	Bridle	
20	339124X1	1	Hex. Sock. Screw	M8X16
21	3792926M1	1	Tube	[A]
22	3791468M91	1	Union	
23	3713633M1	1	Tube	
24	195960M1	1	Nut	
25	356627X1	1	Adaptor	
26	3792364M1	1	Tube	
27	3794676M1	1	Non Return Valve	Replace and repair. Old interchangeable with new 3790409M1
28	356579X1	1	Cap	
29	377651X1	1	Reducer	
30	365233X1	1	Elbow	
31	356627X1	1	Adaptor	
32	372543X1	1	Teepiece	
33	195960M1	1	Nut	
34	339262X1	1	Bolt Metric	M6X30
35	1441462X1	1	Locknut	
36	1441461X1	1	Locknut	
37	339123X1	1	Hex. Sock. Screw	M8X20
38	3790442M1	1	Collar	
39	364735X1	1	Teepiece	
40	380009X1	1	Union	

FOOTNOTE [A] WITH ASSISTED BRAKE

FOOTNOTE [B] THE APPROPRIATE SAFETY DECALS MUST BE ORDERED AND FITTED TO THIS PART

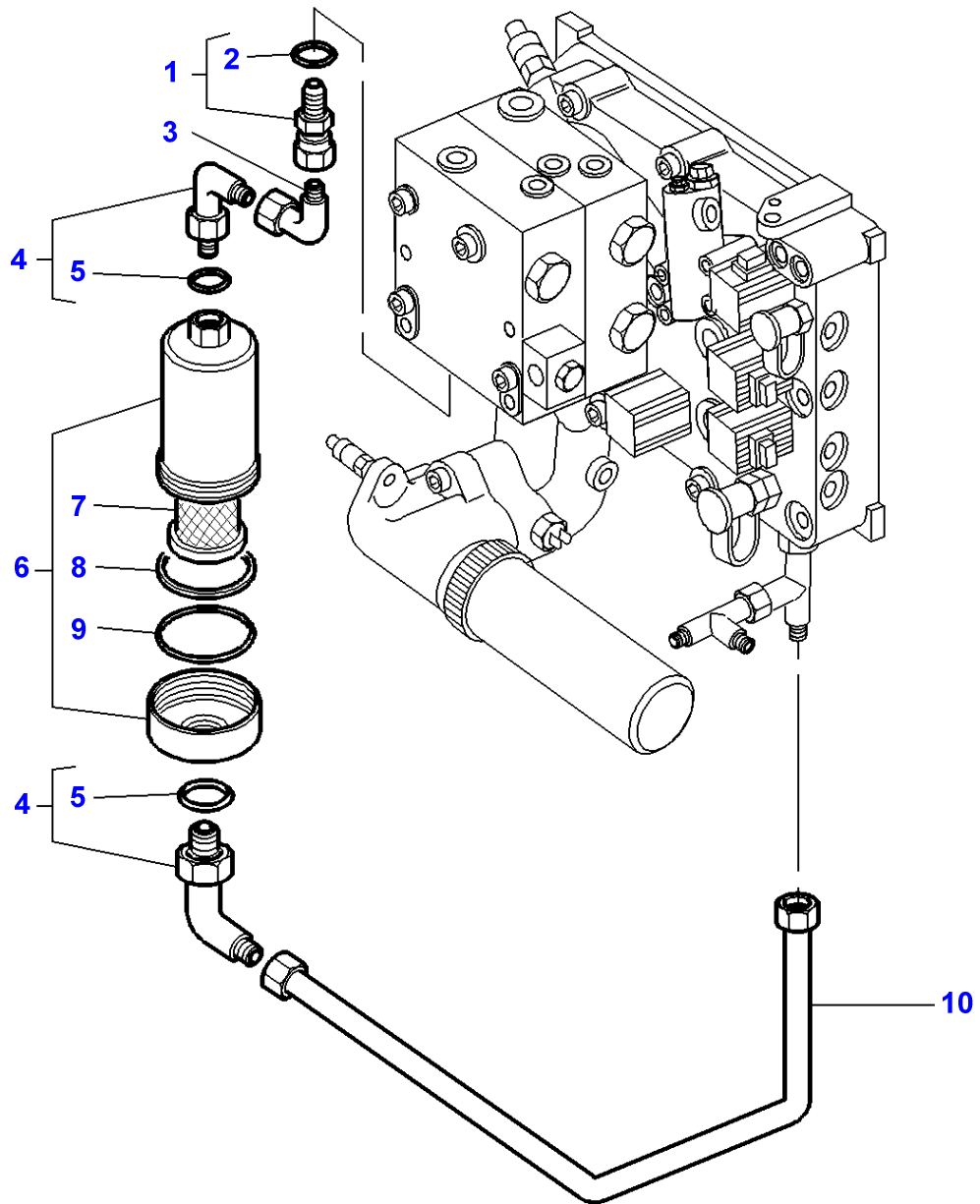
1-ZD13-011-B



Item	Part Number	Qty	Description	Comments
1	3010498X1	1	Teepiece	
2	3019395X1	1	O Ring	
3	372543X1	1	Teepiece	
4	3712911M91	1	Tube	
5	3793641M1	1	Tube	Length 211MM
6	391989X1	1	Screw Metric	M8X20
	3009289X1	1	Screw Metric	M8X70
	394842X1	1	Screw Metric	M8X130
7	3793686M91	2	Union	M22X1,5 - 7/8-14 Up to Serial or Engine Number
	3798307M91	2	Union	M22X1,5 - 7/8-14 From Serial or Engine Number
8	3793736M1	1	Tube	
9	3019398X1	1	O Ring	(7) Up to Serial or Engine Number
	3011414X1	1	O Ring	(7) From Serial or Engine Number
10	3793647M12	1	Pressure Valve	See Page - Reference Number 020-0085/1
11	3793643M1	1	Tube	Length 120MM
12	377494X1	4	O Ring	
13	339328X1	4	Washer	Diameter 12MM
14	354702X1	4	Bolt Unc	Diameter 3/4"-10 Length 25 MM
15	339169X1	1	Nut	M8
16	3617708M7	1	Support	
17	380018X1	1	Connector	
18	3619551M1	2	Accumulator	[A]
19	3619807M1	1	Bridle	
20	339124X1	1	Hex. Sock. Screw	M8X16
21	3792926M1	1	Tube	
22	356560X1	1	Teepiece	
23	3793735M2	1	Tube	
24	195960M1	1	Nut	
25	356627X1	1	Adaptor	
26	3716171M92	1	Tube	
27	3794676M1	1	Non Return Valve	Replace and repair. Old interchangeable with new 3790409M1
28	1441461X1	1	Locknut	
29	377651X1	1	Reducer	
30	364735X1	1	Teepiece	
31	380009X1	1	Union	
32	339123X1	1	Hex. Sock. Screw	M8X20
33	3790442M1	1	Collar	
34	339262X1	1	Bolt Metric	M6X30
35	1441462X1	1	Locknut	
36	3793737M2	1	Tube	
37	1001489M1	1	O Ring	
38	70923561	2	O Ring	Up to Serial or Engine Number
39	3793645M1	1	Tube	Length 77,50MM

FOOTNOTE [A] THE APPROPRIATE SAFETY DECALS MUST BE ORDERED AND FITTED TO THIS PART

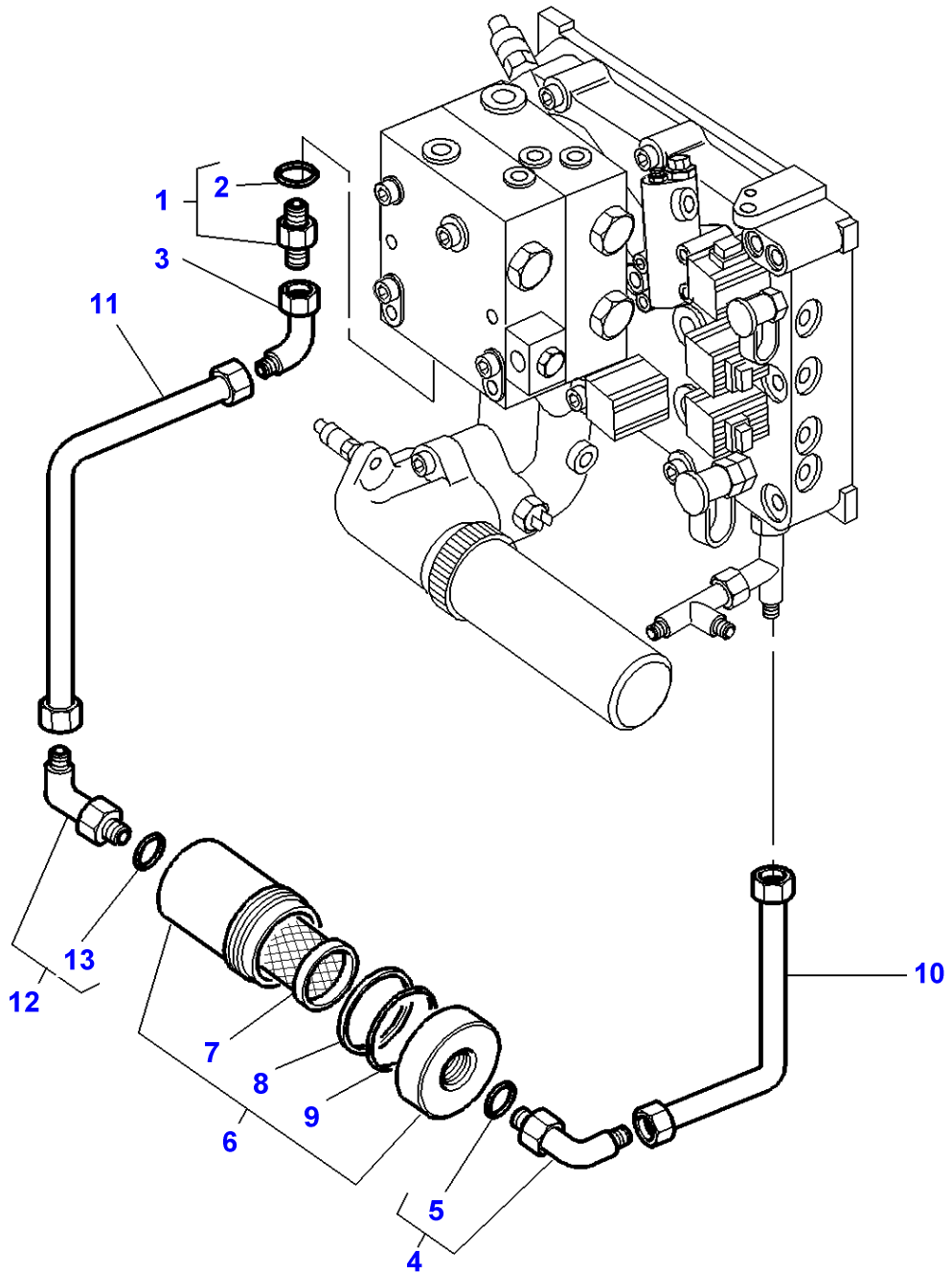
1-ZD13-012-A



Massey Ferguson**MF 8210/8220 TRACTORS - 1637365****1637365****Wet Clutch With Power Shuttle - Up To M238025****Page020-0070**

Item	Part Number	Qty	Description	Comments
1	3010948X91	1	Adaptor	
2	3019398X1	1	O Ring	(1)
3	367386X1	1	Elbow	
4	3019418X91	2	Elbow Nipple	
5	3019398X1	1	O Ring	(4)
6	3792285M92	1	Filter	
7	3792287M1	1	Filter Insert	(6)
8	3903195M1	1	Gasket	(6)
9	3903194M1	1	O Ring	(6)
10	3793732M1	1	Tube	

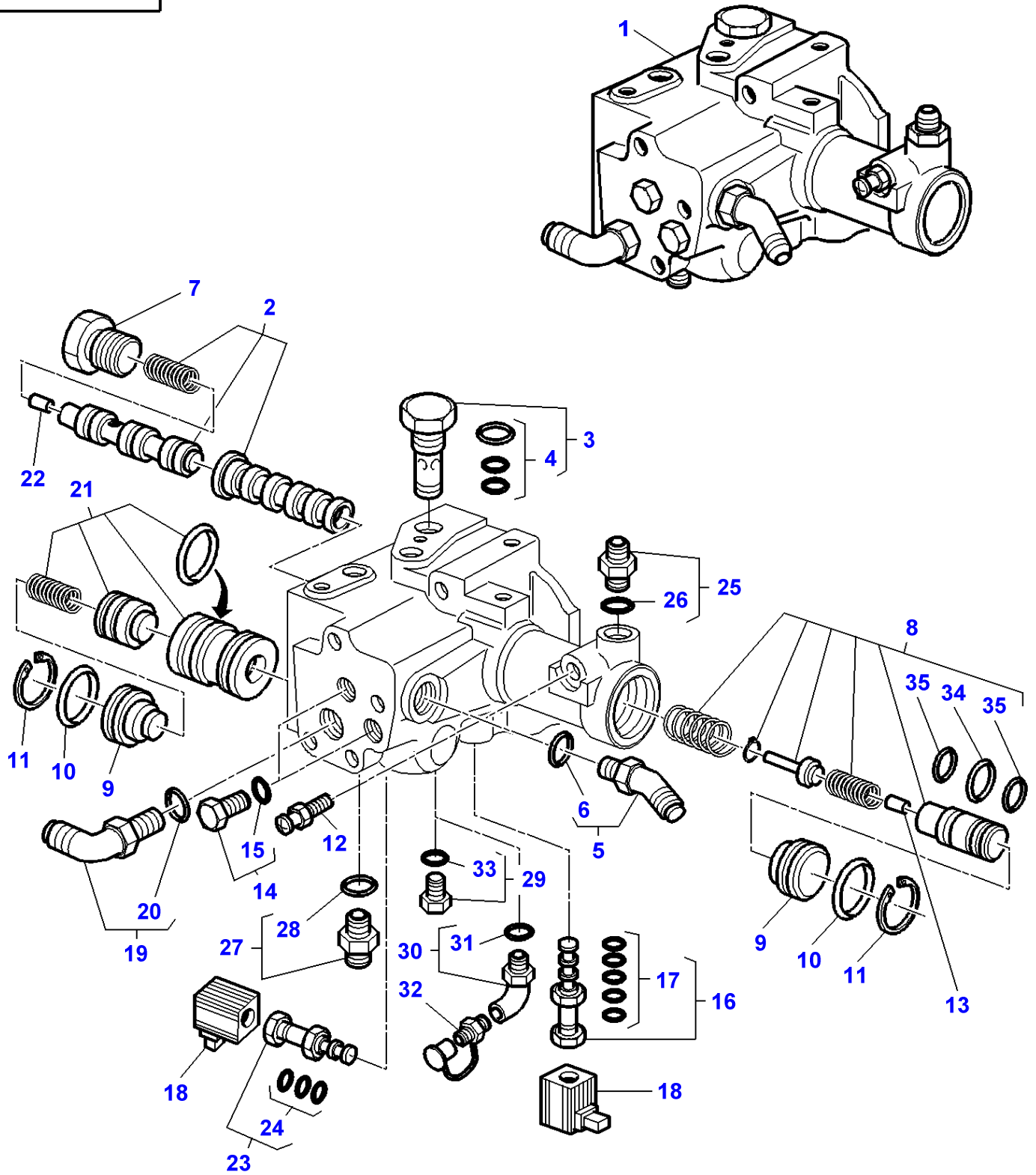
1-ZD13-020-A



Massey Ferguson**MF 8210/8220 TRACTORS - 1637365****1637365****Wet Clutch With Power Shuttle - From M238026****Page020-0075**

Item	Part Number	Qty	Description	Comments
1	3019387X91	1	Union	M22
2	3019398X1	1	O Ring	(1)
3	373784X1	1	Elbow	
4	3019418X91	1	Elbow Nipple	
5	3019398X1	1	O Ring	(4)
6	3792285M92	1	Filter	
7	3792287M1	1	Filter Insert	(6)
8	3903195M1	1	Gasket	(6)
9	3903194M1	1	O Ring	(6)
10	3798574M1	1	Tube	
11	3798575M1	1	Tube	
12	3019592X91	1	Union	M22
13	3019396X1	1	O Ring	(12)

1-ZD11-016-D

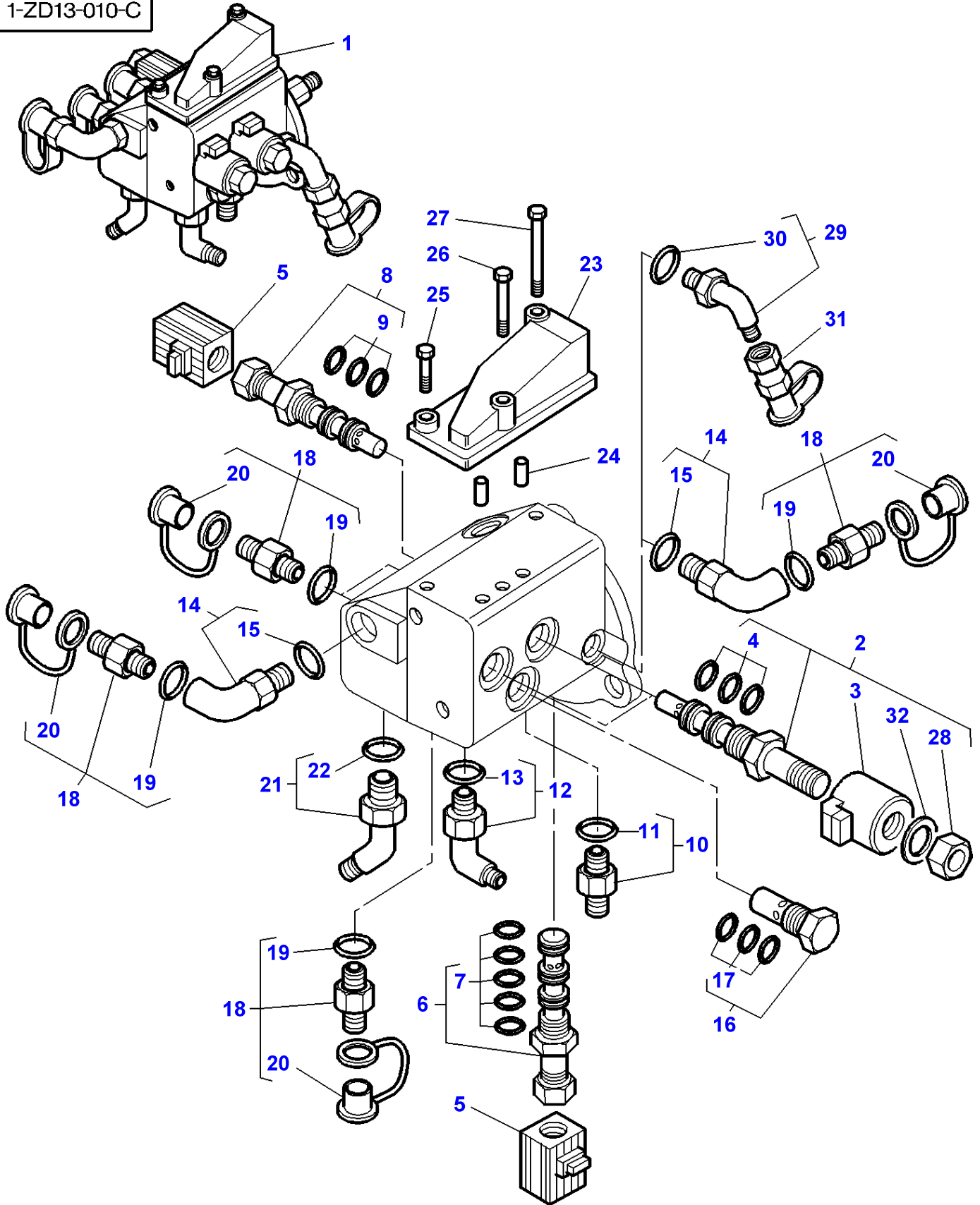


Wet Clutch - Valve

Item	Part Number	Qty	Description	Comments
1	3712685M18	1	Pressure Valve	Up to Serial or Engine Number H350012
	3793690M11	1	Pressure Valve	From Serial or Engine Number H350013
2	3713395M11	1	Parts Pack	(1)
3	3619243M2	1	Non Return Valve	(1)
4	3900995M91	1	Kit, Joint	(3)
5	3019586X91	1	Union	(1)
6	3019396X1	1	O Ring	(5)
7	3712307M1	1	Plug	(1)
8	3713396M12	1	Parts Pack	(1)
9	3712323M2	2	Plug	(1)
10	373215X1	2	Gasket	(1)
11	3010481X1	2	Clip	(1)
12	3052960M1	1	Banjo Bolt	(1)
13	3713473M1	1	Stop	(1)
14	3019639X91	2	Plug	(1)
15	3019395X1	1	O Ring	(14)
16	3619824M1	1	Spool	(1)
17	3900993M91	1	Kit, Joint	(16)
18	3619763M1	2	Solenoid	(1)
19	3019414X91	1	Union	(1)
20	3019396X1	1	O Ring	(19)
21	3713394M11	1	Parts Pack	(1)
22	3713557M1	1	Stop	(1)
23	3619762M1	1	Spool	(1)
24	3900994M91	1	Kit, Joint	(23)
25	3713388M91	1	Union	(1)
26	3019396X1	1	O Ring	(25)
27	3019700X91	1	Union	(1)
28	3019394X1	1	O Ring	(27)
29	3019639X91	1	Plug	(1)
				Up to Serial or Engine Number H350012
30	3793673M91	1	Elbow	(1)
				From Serial or Engine Number H350013
31	3019395X1	1	O Ring	(30)
32	3384387M1	1	Pressure Intake	(1)
				From Serial or Engine Number H350013
33	3019395X1	1	O Ring	(29)
34	3713177M1	1	Gasket	(8)
35	3712679M1	2	Segment	(8)

MF 8210/8220 TRACTORS - 1637365
1-ZD13-010-C

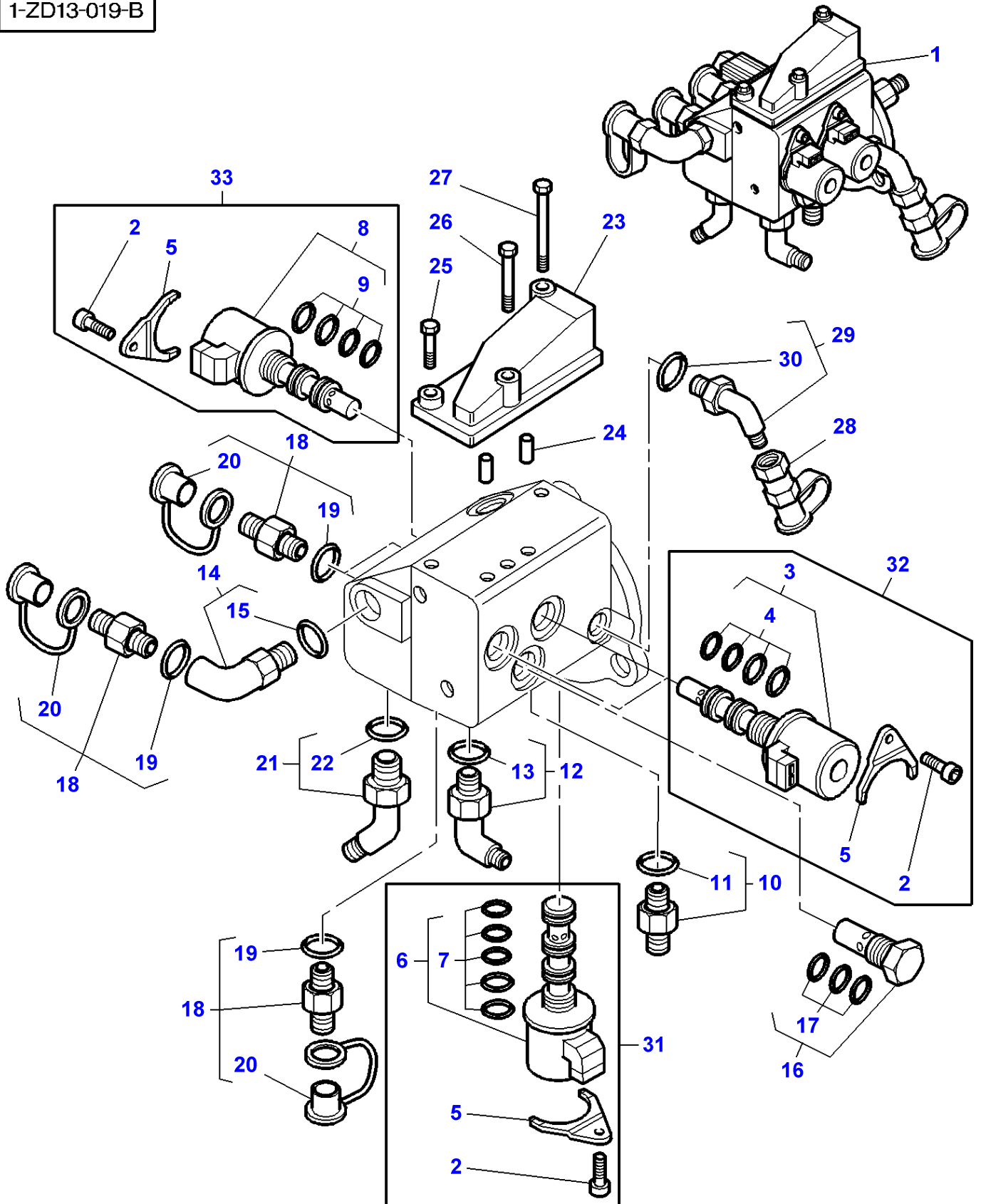
1-ZD13-010-C



Item	Part Number	Qty	Description	Comments
1	3793647M12	1	Pressure Valve	
2	3792468M2	2	Electrovalve	(1)
3	3791412M1	1	Solenoid	(2)
4	3902774M92	1	Kit, Joint	(2)
5	3619763M1	2	Solenoid	(1)
6	3619824M1	1	Spool	(1)
7	3900993M91	1	Kit, Joint	(6)
8	3619762M1	1	Spool	(1)
9	3900994M91	1	Kit, Joint	(8)
10	3019385X91	1	Union	(1)
11	3019397X1	1	O Ring	(10)
12	3019416X91	1	Elbow	(1)
13	3019397X1	1	O Ring	(12)
14	3793673M91	2	Elbow	(1)
15	3019395X1	1	O Ring	(14)
16	3619243M2	1	Non Return Valve	(1) 1,5 BAR Diameter 7/8"-14
17	3900995M91	1	Kit, Joint	(16)
18	3384387M1	5	Pressure Intake	(1) Diameter M14
19	831452M1	1	O Ring	(18)
20	3467187M1	1	Cap	(18)
21	3019586X91	1	Union	(1) Diameter 3/4"-16 / M16
22	3019396X1	1	O Ring	(21)
23	3793639M1	1	Cover	(1)
24	3716287M2	2	Pin	(1)
25	339262X1	1	Bolt Metric	(1) M6X30
26	391244X1	1	Bolt Metric	(1) M6X45
27	339244X1	1	Bolt Metric	(1) M6X55
28	3903671M1	1	Nut	(2)
29	3019584X91	1	Union	(1) From Serial or Engine Number 05-06-2002
30	3019395X1	1	O Ring	(29)
31	3793689M2	1	Pressure Intake	(1) From Serial or Engine Number 05-06-2002
32	3903988M1	1	Washer	(2)

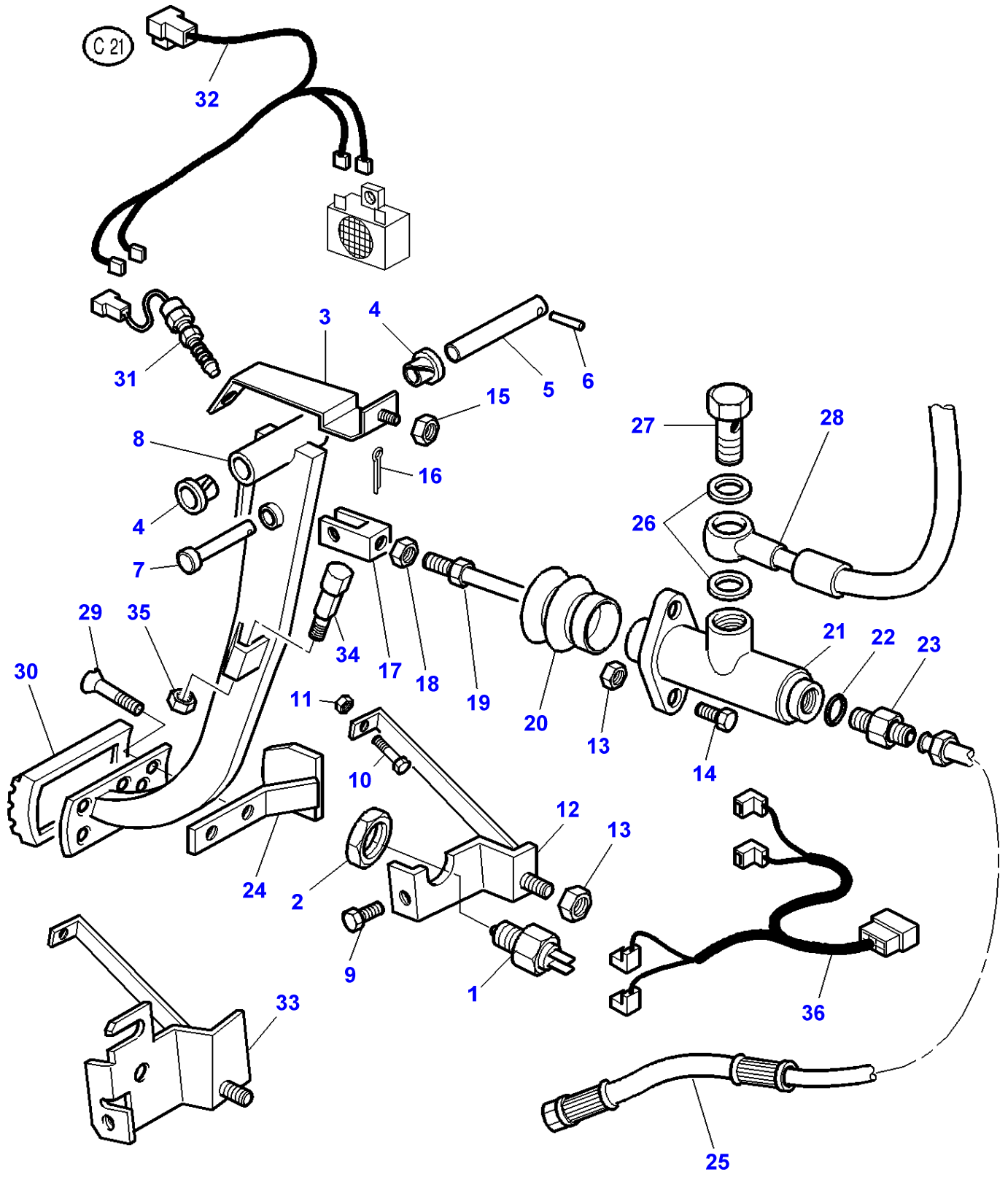
MF 8210/8220 TRACTORS - 1637365
1-ZD13-019-B

1-ZD13-019-B



Item	Part Number	Qty	Description	Comments
1	3795857M12	1	Pressure Valve	
2	3009281X1	4	Screw	(1) M6X16
3		2	Electrovalve	(32) Not serviced,order REF. 32
4	3903733M91	1	Kit,Joint/Gasket	(3)
5	3795003M2	4	Bridle	(1)
6		1	Electrovalve	(31) Not serviced,order REF. 31
7	3903775M91	1	Kit, Joint	(6)
8		1	Electrovalve	(33) Not serviced,order REF. 33
9	3903732M91	1	Kit,Joint/Gasket	(8)
10	3019385X91	1	Union	(1)
11	3019397X1	1	O Ring	(10)
12	3019416X91	1	Elbow	(1)
13	3019397X1	1	O Ring	(12)
14	3793673M91	1	Elbow	(1)
15	3019395X1	1	O Ring	(14)
16	3619243M2	1	Non Return Valve	(1) 1,5 BAR Diameter 7/8"-14
17	3900995M91	1	Kit, Joint	(16)
18	3384387M1	4	Pressure Intake	(1) Diameter M14
19	831452M1	1	O Ring	(18)
20	3467187M1	1	Cap	(18)
21	3019586X91	1	Union	(1) Diameter 3/4"-16 / M16
22	3019396X1	1	O Ring	(21)
23	3795706M1	1	Cover	(1)
24	3716287M2	2	Pin	(1)
25	339262X1	1	Bolt Metric	(1) M6X30
26	391884X1	1	Bolt Metric	(1) M6X50
27	339244X1	1	Bolt Metric	(1) M6X55
28	3793689M2	1	Pressure Intake	(1)
29	3019584X91	1	Union	(1) From Serial or Engine Number 05-06-2002
30	3019395X1	1	O Ring	(29)
31	3907184M91	1	Parts Pack	(1)
32	3907183M91	2	Parts Pack	(1)
33	3907182M91	1	Parts Pack	(1)

1-ZD06-006-C

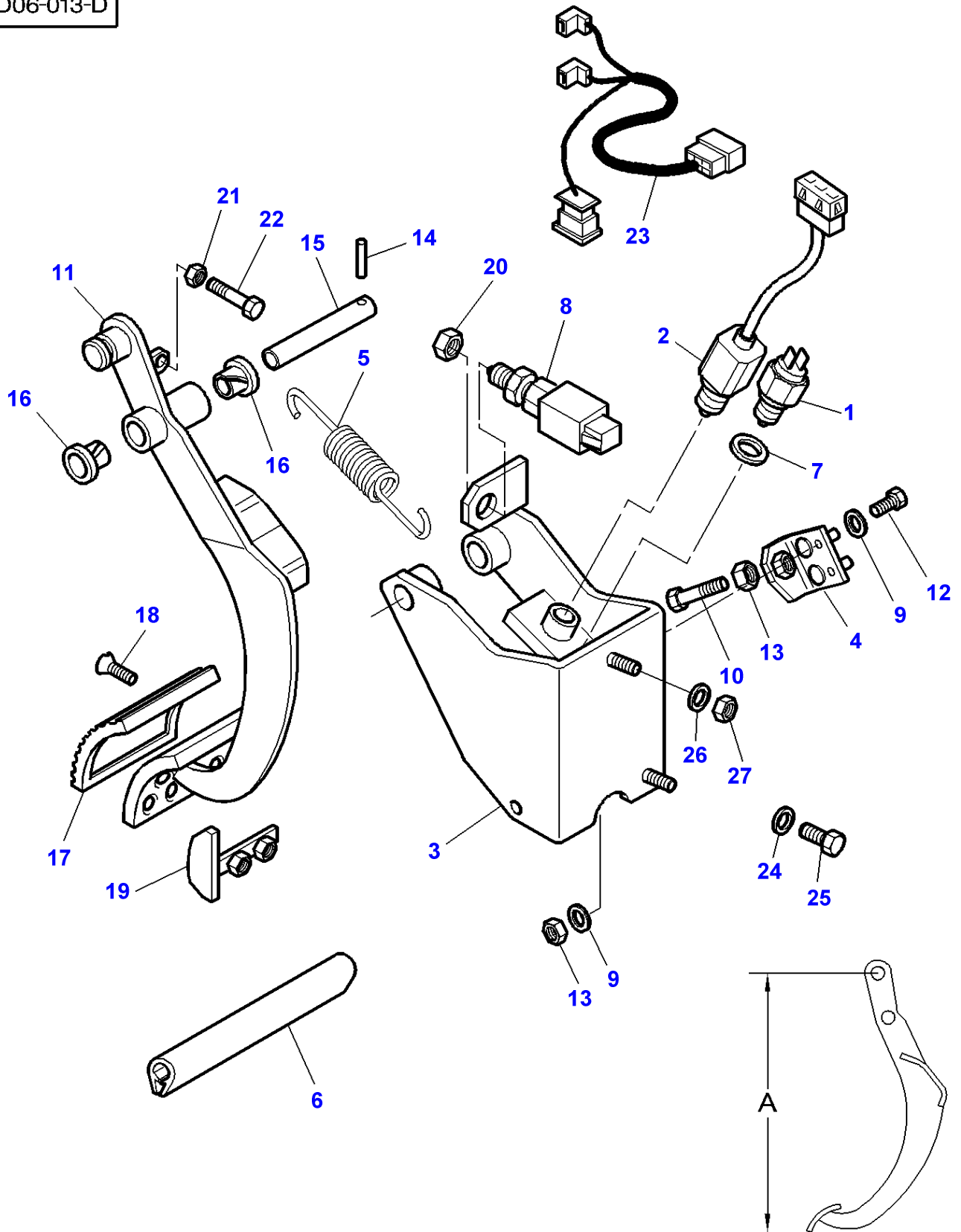


Item	Part Number	Qty	Description	Comments
1	3780580M1	1	Switch,Indirect	
2	339070X1	1	Nut	M14
3	3712543M93	1	Support	[A]
4	3385604M1	2	Bearing	
5	3384658M1	1	Clevis Pin	Diameter 15 MM
6	391290X1	1	Pin	Diameter 5X30
7	3019213X1	1	Clevis Pin	
8	3781384M1	1	Pedal	[B]
9	339228X1	1	Screw Metric	M8X12
10	339009X1	1	Hex. Sock. Screw	M8X35
11	339169X1	1	Nut	M8
12	3777739M91	1	Stop	Up to Serial or Engine Number 07/08/2001
13	394367X1	1	Locknut	M8
14	339123X1	2	Hex. Sock. Screw	M8X20
15	339030X1	1	Nut Metric	M6
16	1442994X1	1	Pin	Diameter 3X25
17	3385612M3	1	Clevis	
18	392310X1	1	Nut Metric	M10
19	3713409M1	1	Poppet	
20	1627465M1	1	Helmet	
21	1613986M4	1	Main Cylinder	
22	831496M1	1	O Ring	
23	330924X1	1	Union	
24	3714488M3	1	Stop	
25	3779435M1	1	Tube	
26	377378X1	2	Washer	
27	3581690M1	1	Banjo Bolt	
28	3781657M1	1	Hydr Hose	Up to Serial or Engine Number H321042 Length 380MM
	3783467M1	1	Hydr Hose	From Serial or Engine Number H321043 Length 305MM
29	392404X1	2	Screw	
30	1626321M2	1	Skate	
31	3780395M2	1	Switch,Indirect	[A]
32	3618557M1	1	Harness	[A]
33	3785309M93	1	Stop	From Serial or Engine Number 01/08/2001
34	3785307M1	1	Stop	[A]
35	339169X1	1	Nut	
36	3784238M1	1	Harness	From Serial or Engine Number 08/01/2001

FOOTNOTE [A] TRACTOR WITH PLATFORM

FOOTNOTE [B] TRACTOR WITH CAB

1-ZD06-013-D



Massey Ferguson**MF 8210/8220 TRACTORS - 1637365**

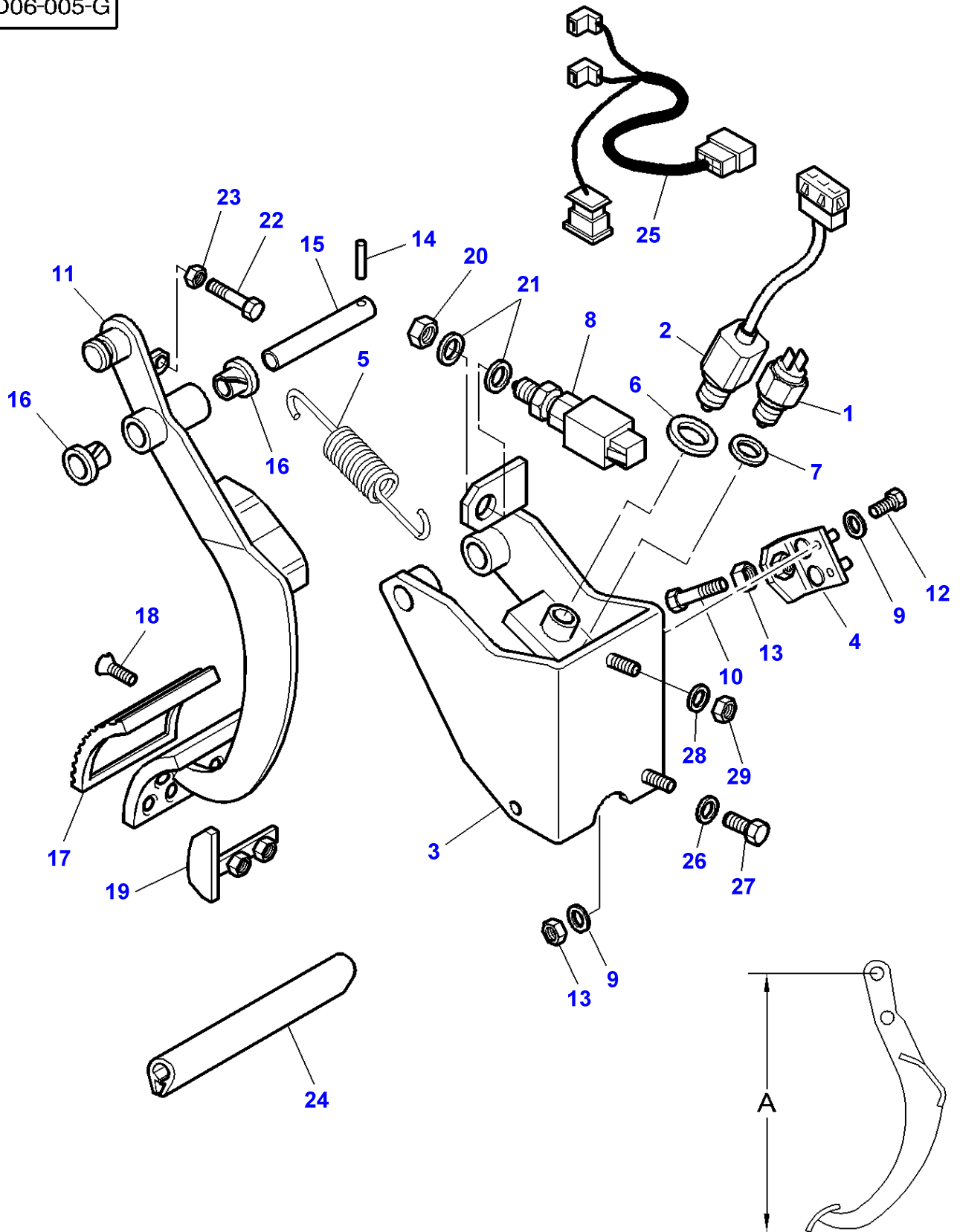
1637365

Clutch Pedal And Linkage - With Power Shuttle - Up To L270016

Page020-0100

Item	Part Number	Qty	Description	Comments
1	3780580M1	1	Switch,Indirect	
2	3783832M2	1	Switch,Indirect	
3	3783836M1	1	Support	Up to Serial or Engine Number L037027
	3788048M1	1	Support	From Serial or Engine Number L037028
4	3780942M3	1	Stop	
5	3786148M1	1	Spring	
6	1684844M1	1	Seal	Length 80MM
7	390973X1	1	Washer Metric	Diameter 15-28X2,5
8	3777157M2	1	Transmitter	
9	390972X1	4	Washer Metric	
10	3783659M1	1	Screw Special	M8X35
	4271907M1	1	Screw	M8X25
11	3782120M2	1	Pedal	A = 426,5MM
12	339123X1	2	Hex. Sock. Screw	M8X20
13	339169X1	3	Nut	
14	391290X1	1	Pin	Diameter 5X30
15	3780939M1	1	Clevis Pin	
16	3385604M1	2	Bearing	
17	1626321M2	1	Skate	
18	392404X1	2	Screw	M5X16
19	3714488M3	1	Stop	
20	339070X1	1	Nut	
21	339169X1	1	Nut	
22	3783659M1	1	Screw Special	M8X35
23	3783857M1	1	Harness	From Serial or Engine Number 03-04-2000
	390972X1	3	Washer Metric	Up to Serial or Engine Number 31-01-2002
25	339123X1	3	Hex. Sock. Screw	Up to Serial or Engine Number 31-01-2002
26	390972X1	2	Washer Metric	From Serial or Engine Number 01-02-2002
27	339169X1	2	Nut	From Serial or Engine Number 01-02-2002

1-ZD06-005-G

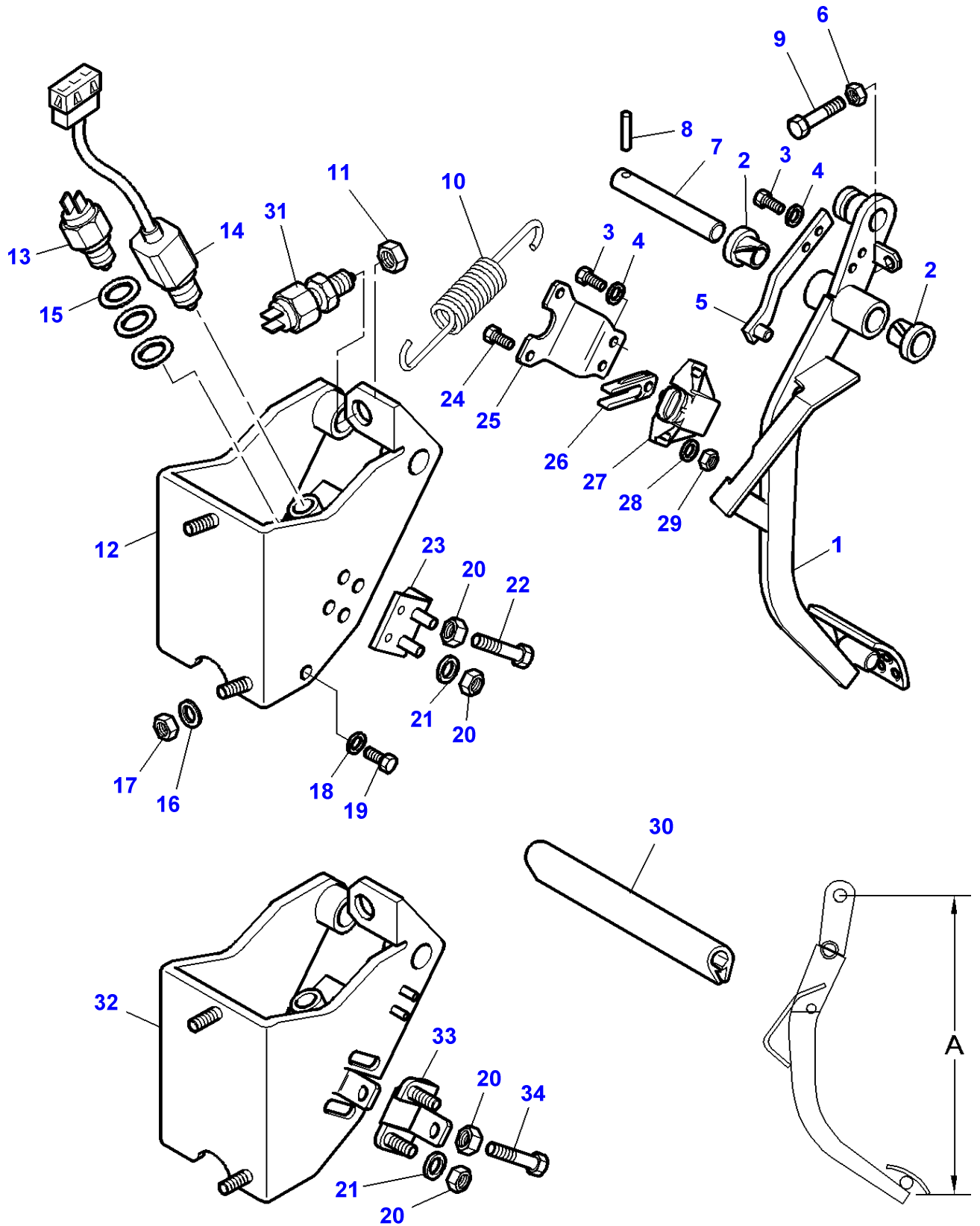


Item	Part Number	Qty	Description	Comments
1	3780580M1	1	Switch,Indirect	
2	3778375M2	1	Switch,Indirect	Up to Serial or Engine Number J032030
	3784055M1	1	Switch,Indirect	[B] Up to Serial or Engine Number J032030
	3783832M2	1	Switch,Indirect	M16x2 From Serial or Engine Number J032031
3	3780941M3	1	Support	M16x1 Up to Serial or Engine Number J032030
	3783836M1	1	Support	From Serial or Engine Number J032031
	3788048M1	1	Support	Up to Serial or Engine Number L037027
4	3780942M3	1	Stop	From Serial or Engine Number L037028
5	3786148M1	1	Spring	
6	3783413M1	1	Washer	Diameter 16,5X22,5X5 Up to Serial or Engine Number J032030
7	390973X1	1	Washer Metric	Diameter 15-28X2,5
8	3777157M2	1	Transmitter	
9	390972X1	4	Washer Metric	
10	3783659M1	1	Screw Special	M8X35
	4271907M1	1	Screw	M8X25
11	3782120M2	1	Pedal	[A] A = 426,5MM
12	339123X1	2	Hex. Sock. Screw	M8X20
13	339169X1	3	Nut	
14	391290X1	1	Pin	Diameter 5X30
15	3780939M1	1	Clevis Pin	
16	3385604M1	2	Bearing	
17	1626321M2	1	Skate	
18	392404X1	2	Screw	M5X16
19	3714488M3	1	Stop	
20	339070X1	1	Nut	
21	339794X1	2	Washer Metric	Diameter 14,5X27X1,5 Up to Serial or Engine Number J089008
22	3783659M1	1	Screw Special	M8X35 From Serial or Engine Number J089009
23	339169X1	1	Nut	From Serial or Engine Number J089009
24	1684844M1	1	Seal	Length 80MM
25	3783857M1	1	Harness	From Serial or Engine Number 08/01/2001
26	390972X1	3	Washer Metric	Up to Serial or Engine Number L037027
27	339123X1	3	Hex. Sock. Screw	Up to Serial or Engine Number L037027
28	390972X1	2	Washer Metric	From Serial or Engine Number L037028
29	339169X1	2	Nut	From Serial or Engine Number L037028

FOOTNOTE [A] TRACTOR WITH CAB

FOOTNOTE [B] SEE SERVICE BULLETIN TRAC 17/00 SECTION 10 ELECTRIC EQUIPMENT 16

1-ZD06-018-B



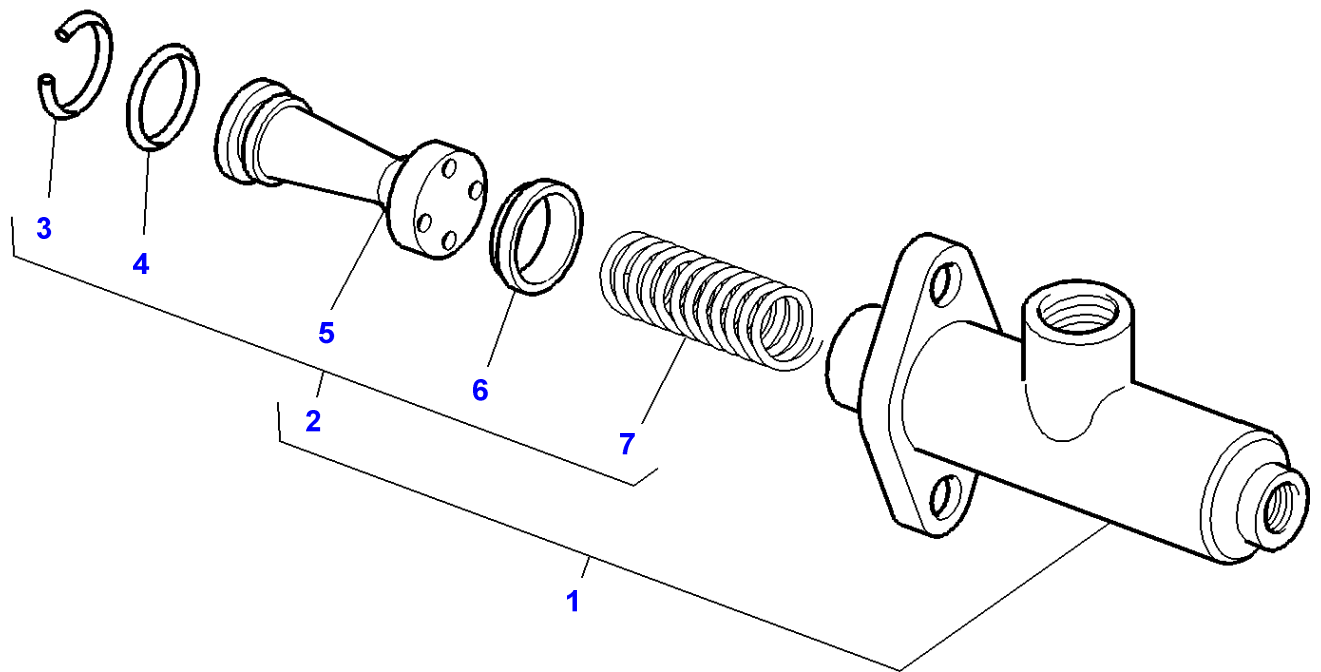
Clutch Pedal And Linkage - From Serial or Engine Number L270017

Item	Part Number	Qty	Description	Comments
1	3788010M4	1	Pedal	A=395,3MM
2	3385604M1	2	Bearing	
3	3009281X1	4	Screw	M6X16MM
4	390971X1	4	Washer	
5	4270193M1	1	Strap	
6	339169X1	1	Nut	
7	3780939M1	1	Clevis Pin	
8	391290X1	1	Pin	
9	3783659M1	1	Screw Special	M8X35
	4271907M1	1	Screw	M8X25
10	3786148M1	1	Spring	
11	339070X1	1	Nut	M14
12	3788048M2	1	Support	Up to Serial or Engine Number M083068
13	4271809M1	1	Switch,Indirect	Repairs and replaces 3780580M1
14	3783832M2	1	Switch,Indirect	
15	390973X1	1	Washer Metric	Diameter 15-28X2,5MM
16	390972X1	2	Washer Metric	
17	339169X1	2	Nut	
18	390972X1	1	Washer Metric	
19	339123X1	1	Hex. Sock. Screw	M8X20MM
20	339169X1	3	Nut	
21	390972X1	2	Washer Metric	
22	3783659M1	1	Screw Special	Up to Serial or Engine Number M083068 M8X35
23	3780942M3	1	Stop	Up to Serial or Engine Number M083068
24	3010818X1	2	Screw Metric	M4X20MM
25	4270192M1	1	Strap	
26	411301050040	1	Fork	
27	3784361M1	1	Transducer	
28	390468X1	4	Washer Metric	
29	3019139X1	2	Nut	
30	1684844M1	1	Seal	Length 80MM
31	4271809M1	1	Switch,Indirect	
32	4271926M1	1	Support	From Serial or Engine Number M083069
33	4271936M1	1	Stop	From Serial or Engine Number M083069
34	391176X1	1	Screw Metric	From Serial or Engine Number M083069 M8X40

FOOTNOTE [A] WITH DYNASHIFT

FOOTNOTE [B] WITH FULL POWERSHIFT

1-ZD07-001-A

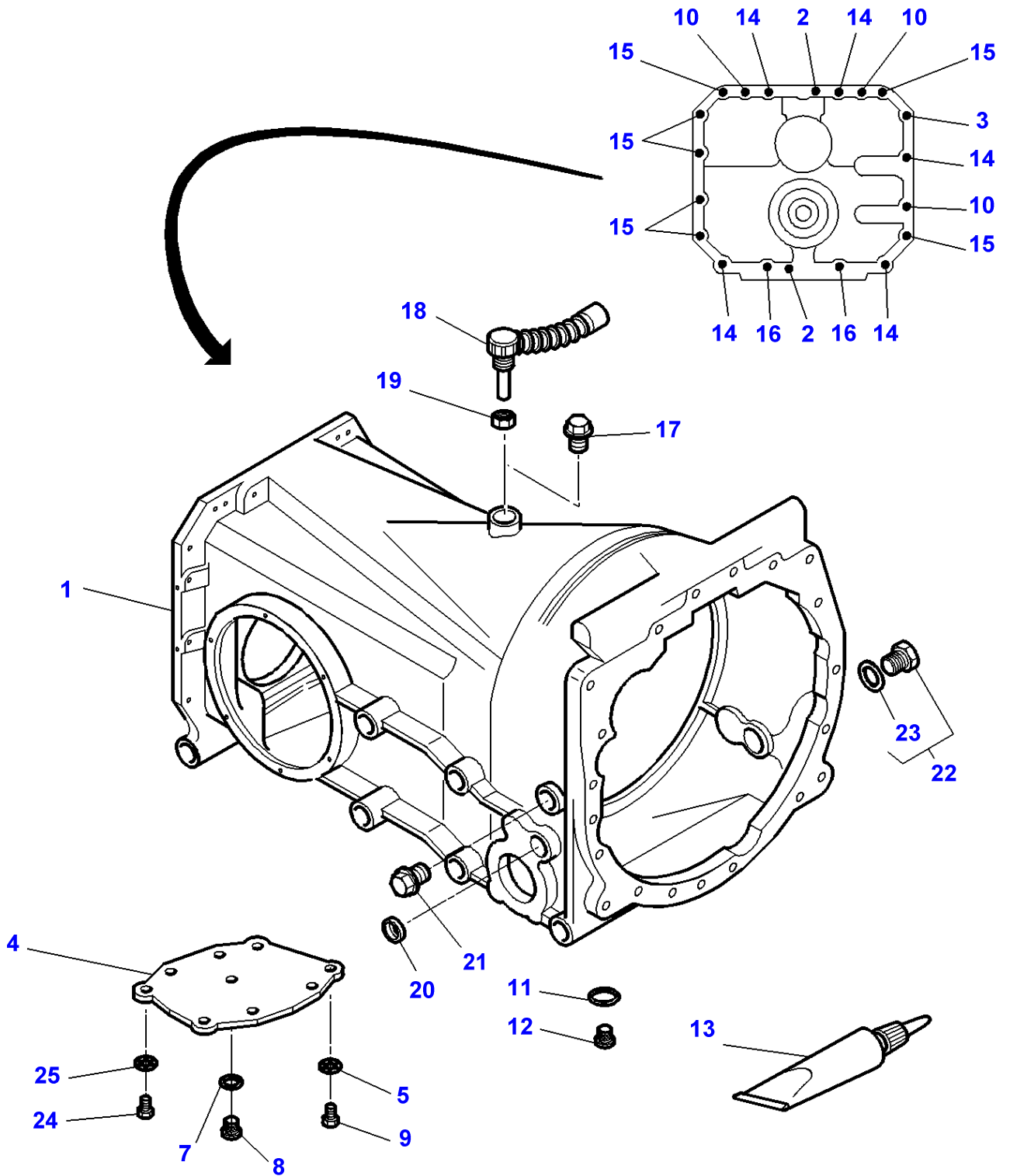


Clutch Control - Master Cylinder

Item	Part Number	Qty	Description	Comments
1	1613986M4	1	Main Cylinder	BENDIX
2	1642034M91	1	Parts Pack	(1)
3		1	Ring	(2) Not serviced,order REF NO 2
4		1	O Ring	(2) Not serviced,order REF NO 2
5		1	Piston	(2) Not serviced,order REF NO 2
6		1	Cup	(2) Not serviced,order REF NO 2
7		1	Spring	(2) Not serviced,order REF NO 2

Page Title	Page Number
Dynashift Transmission - Housing	025-0005
Dynashift	025-0010
Dynashift	025-0015
Dynashift With Power Shuttle	025-0020
Dynashift With Power Shuttle	025-0025
Dynashift Transmission - Input Gears	025-0030
Dynashift Transmission - Input Shaft With Synchromesh - With Double Cone	025-0035
Dynashift Transmission - Layshaft	025-0040
Dynashift Transmission - Mainshaft	025-0045
Heavy Duty Transmission Power Shuttle - Mainshaft	025-0050
Synchro Heavy Duty Transmission - With Power Shuttle	025-0055
Dynashift Transmission - Output Shaft	025-0060
Dynashift Transmission - Up to Serial or Engine Number - K309031	025-0065
Dynashift Transmission - With Power Shuttle From No K309032	025-0070
Dynashift Transmission - Platform - Up To K309031	025-0075
Dynashift Transmission - Platform - From K309032	025-0080
Dynashift Transmission - Up To K309031 For Power Shuttle Only	025-0085
Dynashift Transmission - From K309032 For Power Shuttle Only	025-0090
Dynashift Transmission - Platform - Up To K309031	025-0095
Dynashift Transmission - Platform - From K309032	025-0100
Epicyclic Unit - Creeper Gear Full Powershift Transmission	025-0105
Epicyclic Unit - Creeper Gear Dynashift Transmission	025-0110
Transmission - Output Shaft - With Full Powershift - Without Creeper Gear	025-0115
Transmission - Output Shaft - Dynashift - Without Creeper Gear	025-0120
Creeper Gearbox Control	025-0125
Creeper Gearbox Control - Dynashift	025-0130
Manual Shuttle Shift Levers - Left Hand Controls - Dynashift	025-0135
Shift Lever - WITH DYNASHIFT UP TO K309018	025-0140
Shift Lever - WITH DYNASHIFT FROM K309019	025-0145
Shift Lever - Platform - Up to Serial or Engine Number - 31-OCT-2001	025-0150
Shift Lever - Platform - From Serial or Engine Number - 01-NOV-2001	025-0155
Control Armrest - With Dynashift - Up To 07-01-2001	025-0160
Control Armrest - Up to Serial or Engine Number - 07-01-2001	025-0165
Control Armrest - With Dynashift - From 08-01-2001	025-0170
Control Armrest - With Full Powershift - Up To 07-01-2001	025-0175
Controle Full Powershift - Up to Serial or Engine Number - 07-01-2001	025-0180
Control Armrest - Without Electronic Lift - Full Powershift - Up To 07-JAN-2001	025-0185
Controle Full Powershift - Without Electronic Lift - Up To 07-01-2001	025-0190
Control Armrest - With Full Powershift - From 08-01-2001	025-0195
Controle Full Powershift - From Serial or Engine Number - 08-01-2001	025-0200
Joystick For Distributor With electrodynamique Control	025-0205
Gear Box Full Power Shift	025-0210
Gear Box Full Power Shift	025-0215
Gear Box Full Power Shift	025-0220
Gear Box Full Power Shift - Pump	025-0225
Gear Box Full Power Shift - Input Shaft	025-0230
Gear Box Full Power Shift - 2 nd Gears	025-0235
Gear Box Full Power Shift - 3 rd Gears	025-0240
Gear Box Full Power Shift - 4 th Gears	025-0245
Gear Box Full Power Shift - 5 th Gears	025-0250
Gear Box Full Power Shift - 6 th Gears	025-0255
Gear Box Full Power Shift - 7 th Gears	025-0260
Full Powershift - Electrovalves - Cowl	025-0265

1-ZF29-001-E



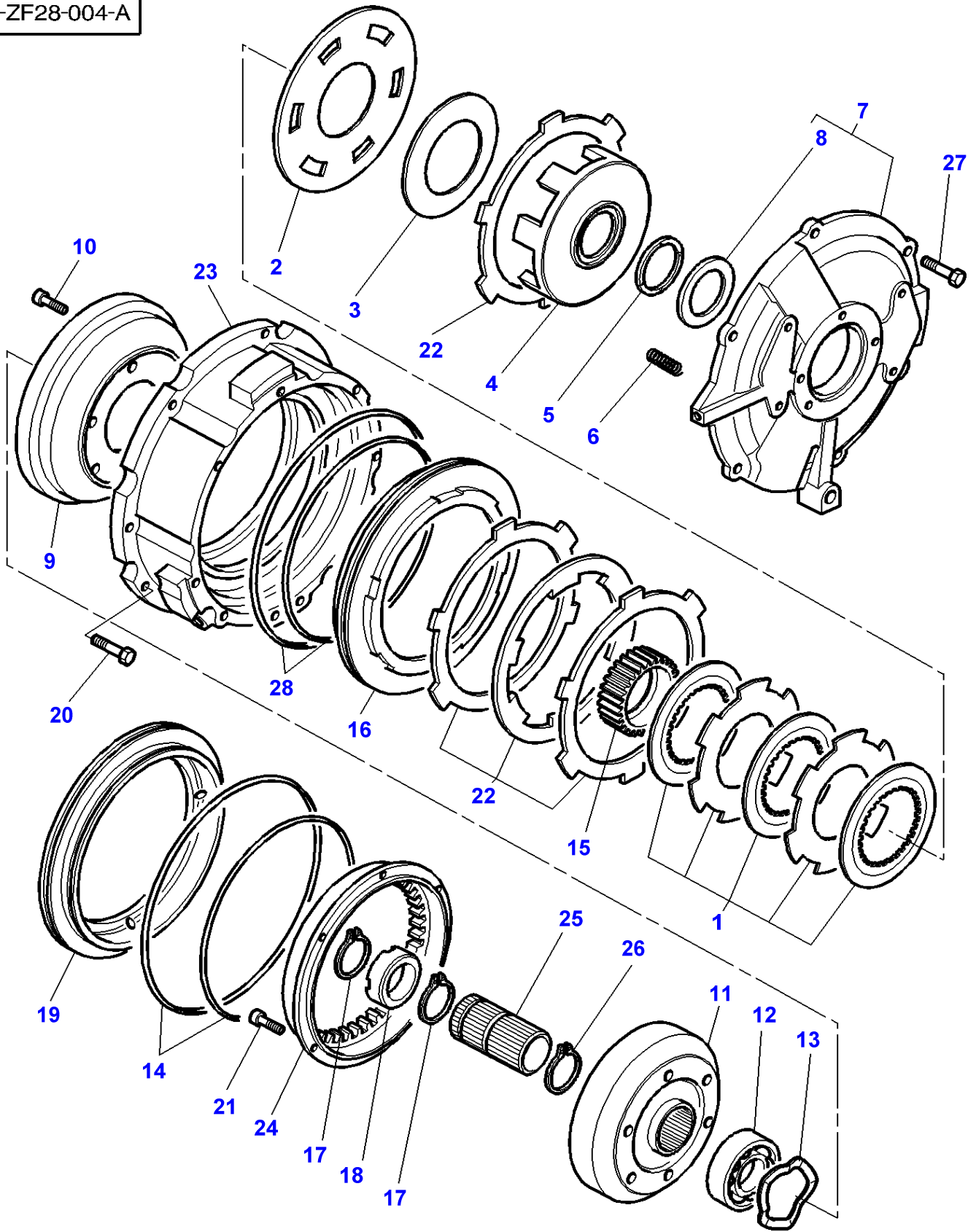
Dynashift Transmission - Housing

Item	Part Number	Qty	Description	Comments
1	3716182M5	1	Transm.Housing	
2	3716360M1	2	Locator	
3	3010630X1	1	Screw Metric	M16 X 35
4	1610870M4	1	Cover	
5	353439X1	7	Lock Washer	
6	354649X1	1	Bolt Unc	Diameter 1/2"-13 Length 57 MM
7	851258M1	1	O Ring	
8	884691M1	1	Plug	
9	354276X1	4	Bolt Unc	H 1/2"-13 Length 32 MM
	353724X1	1	Bolt Unc	H 1/2"-13 Length 38 MM
10	3009748X1	3	Nut	M16
	3716945M1	3	Stud	M16
11	851258M1	1	O Ring	
12	884691M1	1	Plug	
13	3900613M2	X	Loctite	
14	3010007X1	5	Screw Metric	M16 X 60
15	3010008X1	7	Screw	M16 X 50
16	3009311X1	2	Screw Metric	M16 X 70
17	339494X1	1	Plug	
18	3583287M2	1	Inductive Taker	[A]
19	339592X1	1	Nut Metric	[A] M20
20	3015390X1	1	Plug	Diameter 28 MM
21	1440007X1	1	Plug	M22
22	358724X91	1	Plug	3/4-16
23	831497M1	1	O Ring	(22)
24	357910X1	2	Screw Unc	CHC 1/2-13 Length 32 MM
25	390735X1	2	Washer	Diameter 12-24 X 2,5

FOOTNOTE [A] WITH POWER SHUTTLE

MF 8210/8220 TRACTORS - 1637365
1-ZF28-004-A

1-ZF28-004-A

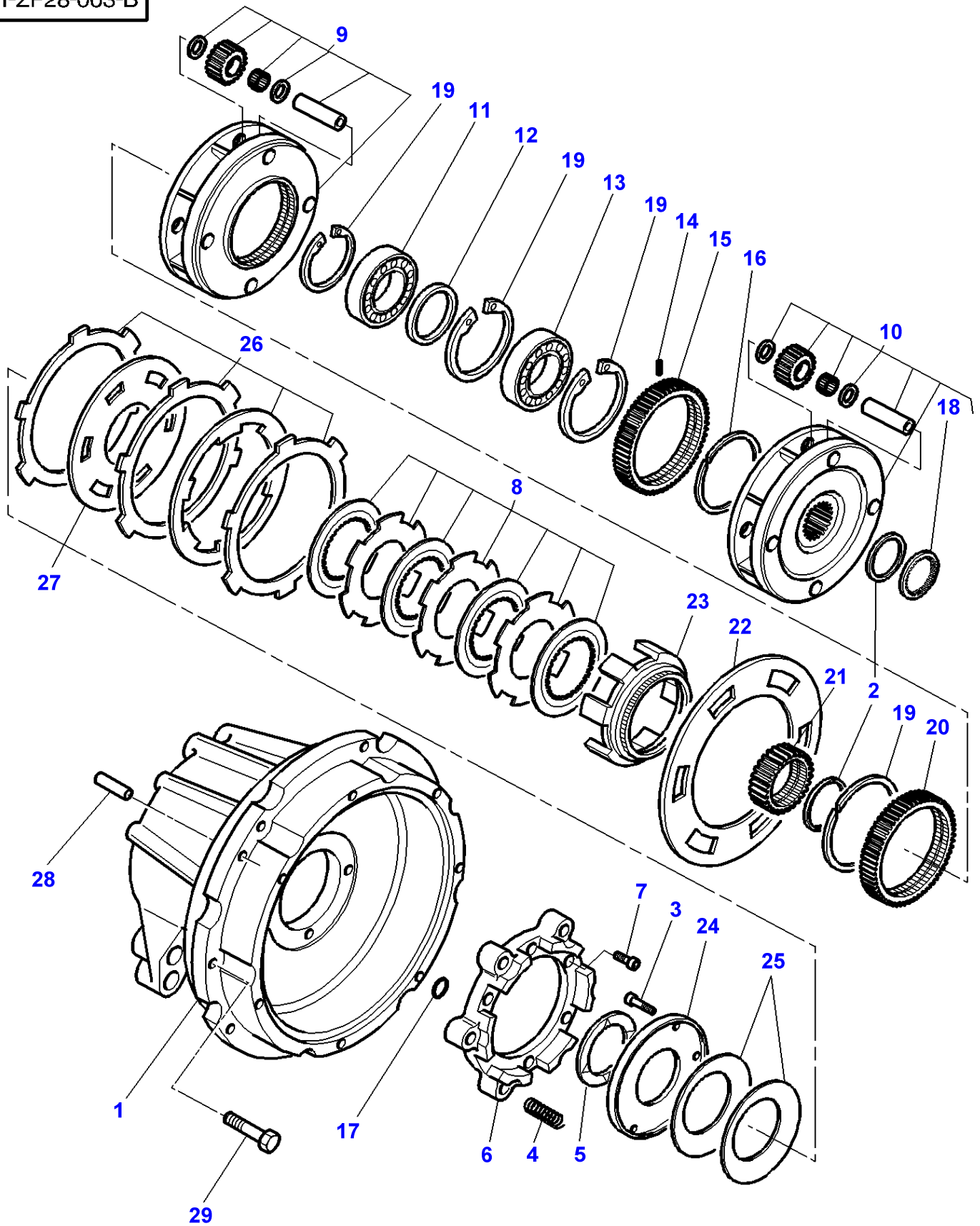


Dynashift

Item	Part Number	Qty	Description	Comments
1	3900259M91	1	Parts Pack	
2	3616749M1	1	Plate	
3	3619014M1	1	Cup Spring	
4	3617401M5	1	Housing	
5	3617352M3	1	Washer	
6	3615346M1	12	Spring	
7	3797847M11	1	Cover	Repairs and replaces 3713686M11
8	3619257M1	1	Washer	(7)
9	3712347M2	1	Housing	
10	3712479M1	6	Screw	M8X30
11	3615226M2	1	Annular Gear	
12	3010128X1	1	Bearing Assy	
13	3712430M1	1	Washer	
14	3900246M91	1	Kit, Joint	
15	3712431M1	1	Hub	
16	3615246M2	1	Piston	
17	3900255M91	1	Kit, Ring	
18	3616503M2	1	Stop	
19	3615247M1	1	Piston	
20	3010347X1	8	Screw	M10x30
21	3010479X1	6	Screw	M6X20
22	3900258M91	1	Parts Pack	
23	3619589M12	1	Spacer	
24	3615225M2	1	Annular Gear	
25	3619240M1	1	Sleeve	
26	1440528X1	1	Circlip	
27	3010482X1	6	Screw Metric	M8x55
28	3900245M91	1	Kit, Joint	

MF 8210/8220 TRACTORS - 1637365
1-ZF28-003-B

1-ZF28-003-B

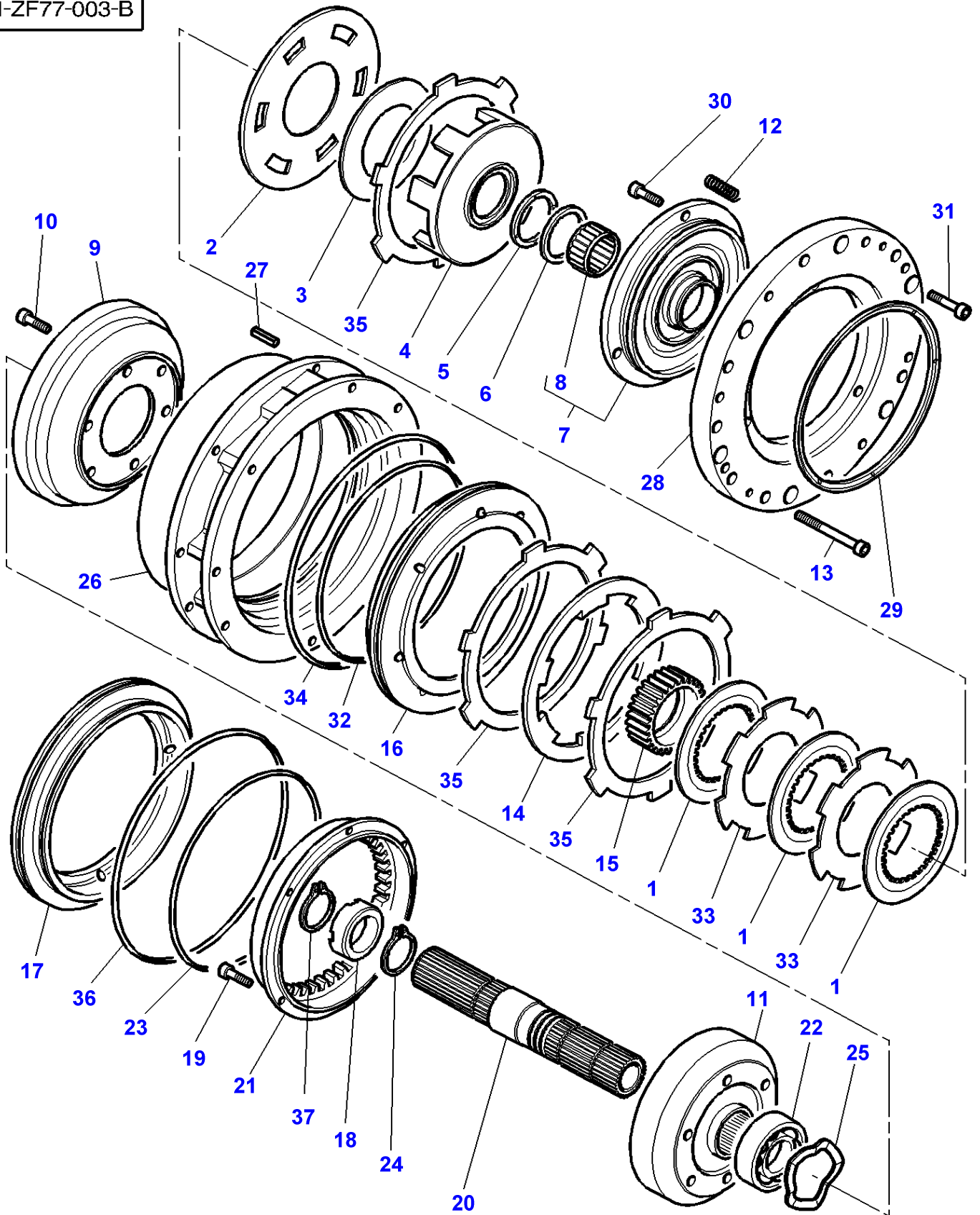


Dynashift

Item	Part Number	Qty	Description	Comments
1	3617677M12	1	Case Assy	
2	3615467M1	X	Chock	Thickness 1,2MM
	3615468M1	X	Chock	Thickness 0,4MM
	3619144M1	X	Chock	Thickness 0,2MM
	3712691M1	X	Chock	Thickness 0,3MM
3	3010479X1	6	Screw	M6X20
4	3616783M1	6	Spring	
5	3617352M3	1	Washer	
6	3617349M2	1	Housing	
7	3010346X1	6	Screw	M8X20
8	3900248M91	1	Kit, Clutch	
9	3618723M10	1	Carrier	
10	3618722M12	1	Carrier	
11	3010128X1	1	Bearing Assy	
12	3615444M1	1	Spacer	
13	3010128X1	1	Bearing Assy	
14	3010153X1	3	Pin	
15	3615232M3	1	Planet	
16	3617193M1	1	Ring	
17	1440011X1	2	O Ring	
18	3619913M1	1	Washer	(10)
19	3900256M91	1	Kit, Ring	
20	3615236M2	1	Planet	
21	3712354M1	1	Hub	
22	3617343M1	1	Plate	
23	3618911M2	1	Case Assy	
24	3791165M1	1	Cover	
25	3619015M1	2	Cup Spring	
26	3900247M91	1	Kit, Clutch	
27	3617345M1	1	Plate	
28	1611168M4	1	Centraliser	
29	353691X1	8	Bolt Unc	3/8X25

MF 8210/8220 TRACTORS - 1637365
1-ZF77-003-B

1-ZF77-003-B

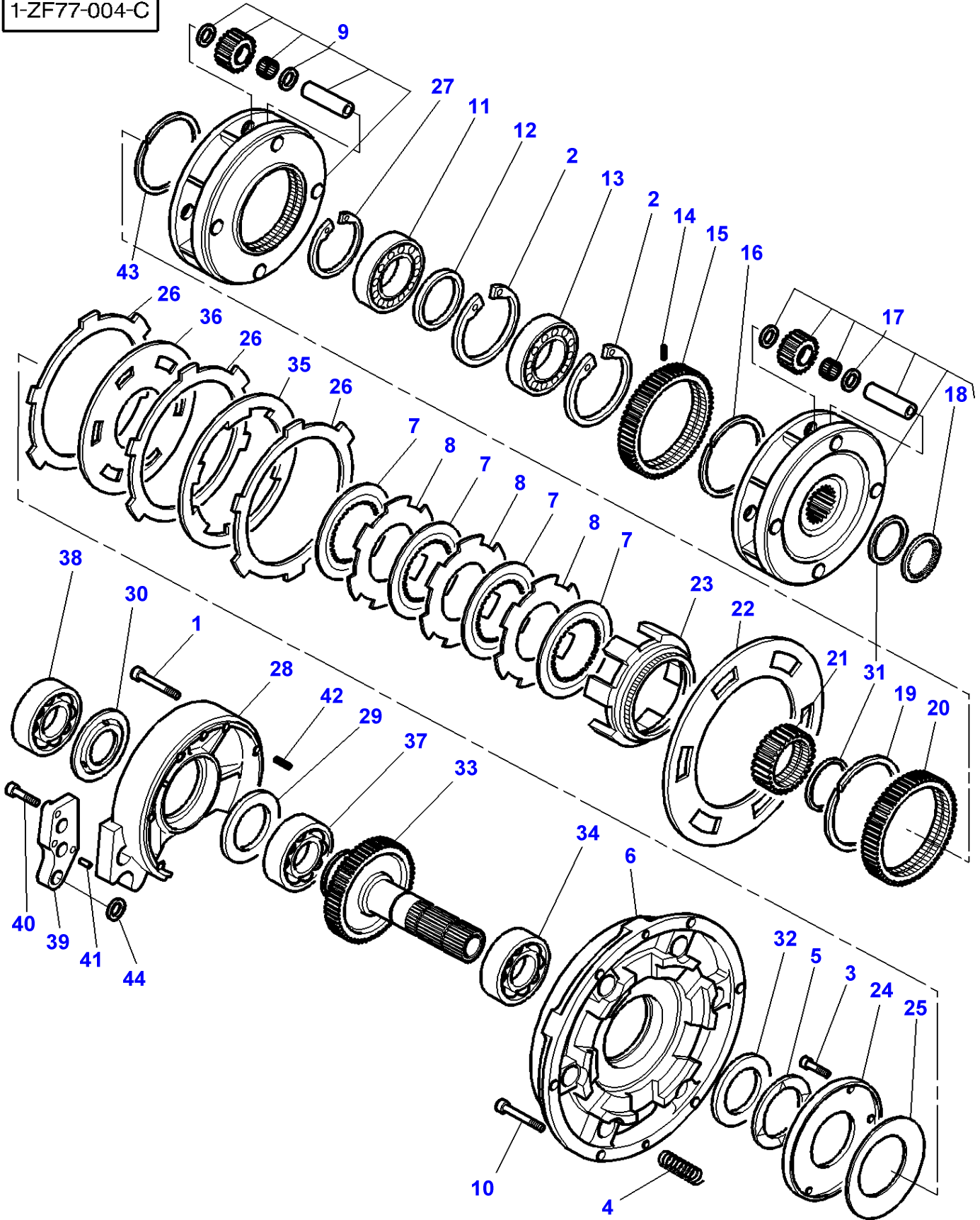


Dynashift With Power Shuttle

Item	Part Number	Qty	Description	Comments
1	3616745M1	3	Disc	
2	3616749M1	1	Plate	
3	3797507M1	1	Cup Spring	
4	3617401M5	1	Housing	
5	3617352M3	1	Washer	
6	3790353M1	1	Washer	
7	3797845M11	1	Bearing Carrier	Repairs and replaces 3793599M11
8	3382235M1	1	Needle Cage	(7)
9	3712347M2	1	Housing	
10	3712479M1	6	Screw	M8 X 30
11	3615226M2	1	Annular Gear	
12	3615346M1	12	Spring	
13	3794522M1	8	Screw	3/8" X 146
14	3616742M1	1	Counterplate	
15	3712431M1	1	Hub	
16	3615246M2	1	Piston	
17	3615247M1	1	Piston	
18	3616503M2	1	Stop	
19	3010479X1	6	Screw	M6 X 20
20	3793593M1	1	Input Shaft	
21	3615225M2	1	Annular Gear	
22	3010128X1	1	Bearing Assy	
23	359130X1	1	O Ring	Diameter 221,84 X 3,53 MM
24	1440528X1	1	Circlip	
25	3712430M1	1	Washer	
26	3793586M11	1	Case Assy	
27	1611168M4	1	Centraliser	
28	3793592M11	1	Cover	
29	3790354M1	1	Ring	
30	1444232X1	2	Screw	M8 X 16
	3010345X1	1	Screw	M6 X 16
31	3010509X1	3	Screw	M8 X 20
32	378287X1	1	O Ring	Diameter 234,54 X 3,53 MM
33	3616746M1	2	Plate	
34	378290X1	1	O Ring	Diameter 253,59 X 3,53 MM
35	3616741M1	3	Disc	
36	378289X1	1	O Ring	Diameter 247,24 X 3,53 MM
37	3010138X1	1	Segment	

MF 8210/8220 TRACTORS - 1637365
1-ZF77-004-C

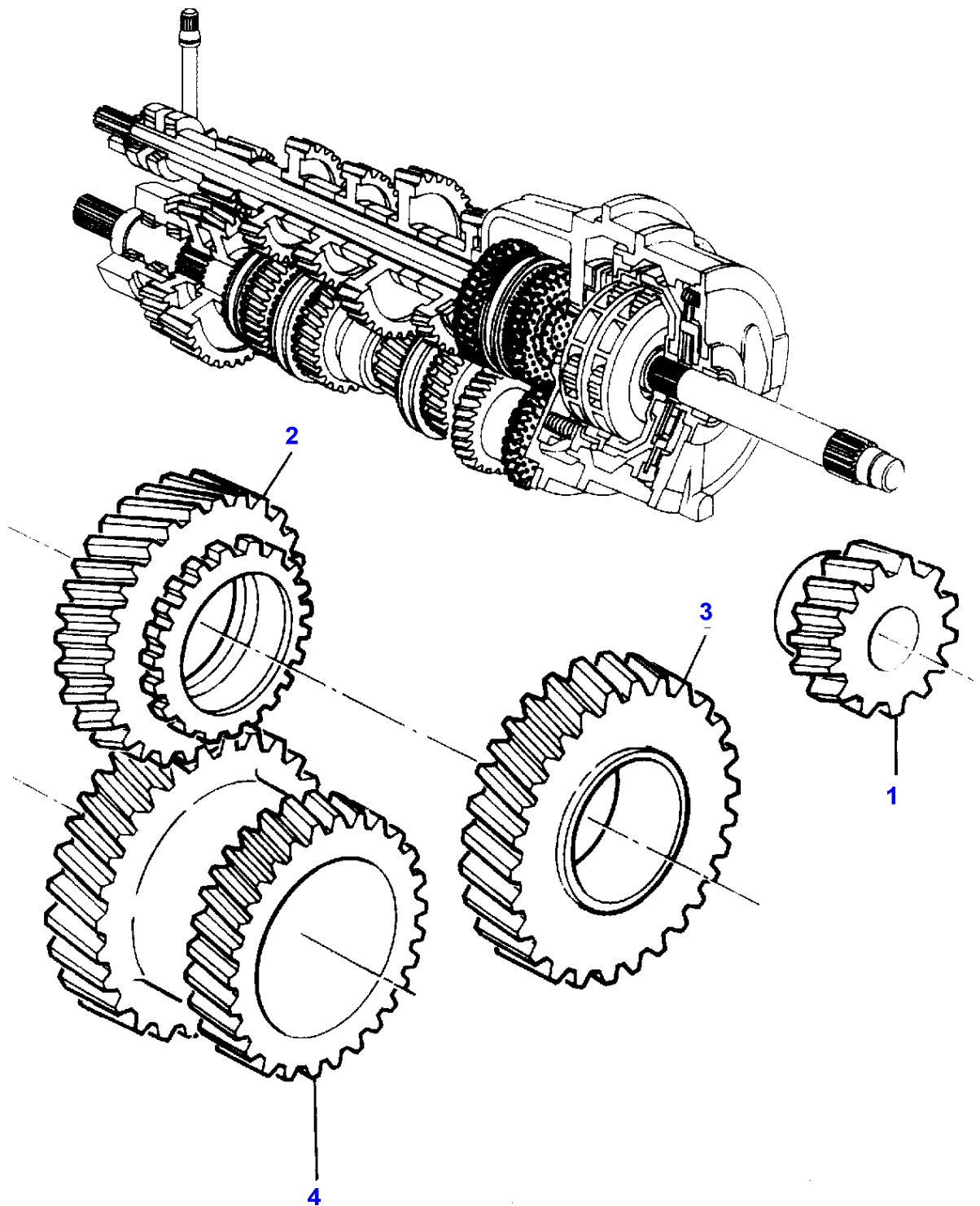
1-ZF77-004-C



Dynashift With Power Shuttle

Item	Part Number	Qty	Description	Comments
1	3010183X1	6	Screw	M8x70
2	3006587X1	2	Clip	
3	3010479X1	6	Screw	M6X20
4	3616783M1	6	Spring	
5	3617352M3	1	Washer	
6	3793588M12	1	Case Assy	
7	3617347M1	4	Disc	
8	3617348M1	3	Counterplate	
9	3618723M10	1	Carrier	
10	3010989X1	6	Screw	M8X35
11	3010128X1	1	Bearing Assy	
12	3615444M1	1	Spacer	
13	3010128X1	1	Bearing Assy	
14	3010153X1	3	Pin	
15	3615232M3	1	Planet	
16	3617193M1	1	Ring	
17	3618722M12	1	Carrier	
18	3619913M1	1	Washer	(17)
19	339605X1	1	Circlip	
20	3615236M2	1	Planet	
21	3712354M1	1	Hub	
22	3617343M1	1	Plate	
23	3618911M2	1	Case Assy	
24	3791165M1	1	Cover	
25	3619015M1	2	Cup Spring	
26	3617346M1	3	Disc	
27	3617345M1	1	Plate	
28	3793589M1	1	Case Assy	
29	3793601M1	X	Chock	Thickness 0,30 MM
	3793602M1	X	Chock	Thickness 0,40 MM
	3793603M1	X	Chock	Thickness 0,50 MM
30	3793604M1	1	Deflector	
31	3615467M1	X	Chock	Thickness 1,2MM
	3615468M1	X	Chock	Thickness 0,4MM
	3619144M1	X	Chock	Thickness 0,2MM
	3712691M1	X	Chock	Thickness 0,3MM
32	3790353M1	1	Washer	
33	3793595M2	1	Pinion	Number of teeth/spines 36
	3793597M2	1	Pinion	Number of teeth/spines 35
34	3010956X91	1	Bearing Assy	
35	3617344M1	1	Counterplate	
36	3617345M1	1	Plate	
37	3010950X91	1	Bearing Assy	
38	3712170M1	1	Bearing Assy	
39	3793590M2	1	Support	
40	1440349X1	1	Screw Metric	M8X30
41	3716287M2	2	Pin	
42	1611168M4	1	Centraliser	
43	3617195M1	1	Ring	
44	359298X1	1	Gasket	From Serial or Engine Number L015015

1-ZF30-001-A



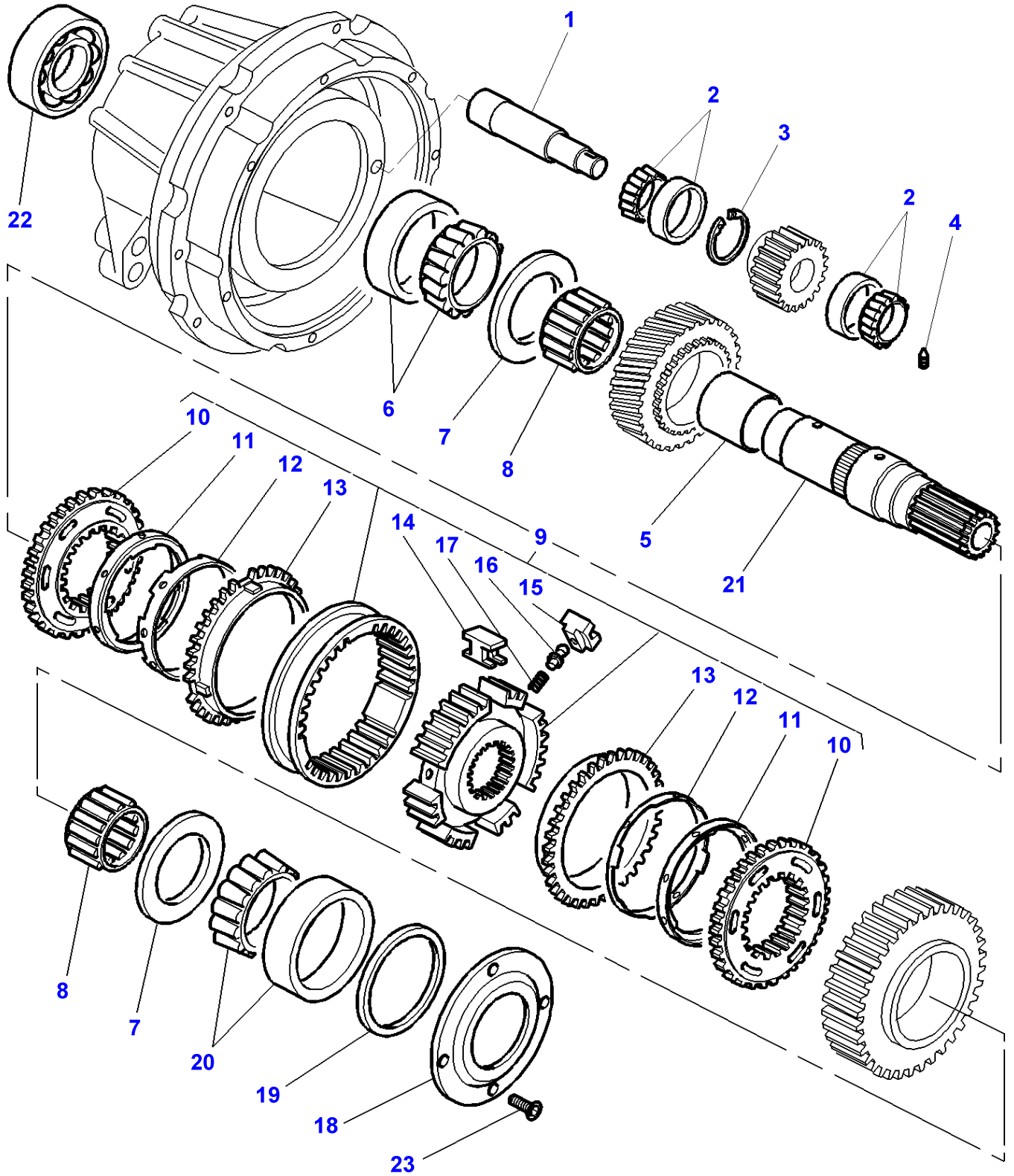
Dynashift Transmission - Input Gears

Item	Part Number	Qty	Description	Comments
1	3617737M5	1	Pinion	Number of teeth/spines 21 Replace and repair. Old interchangeable with new 3617737M4
2	3618974M3	1	Pinion	Number of teeth/spines 35
	3618996M3	1	Pinion	Number of teeth/spines 36
3	3616020M2	1	Pinion	Number of teeth/spines 32
4	3618976M5	1	Pinion	Number of teeth/spines 28/30
	3618975M5	1	Pinion	Number of teeth/spines 28/29

FOOTNOTE [A] OUTER FINAL DRIVE GEAR WITH COMPOSITE REDUCER

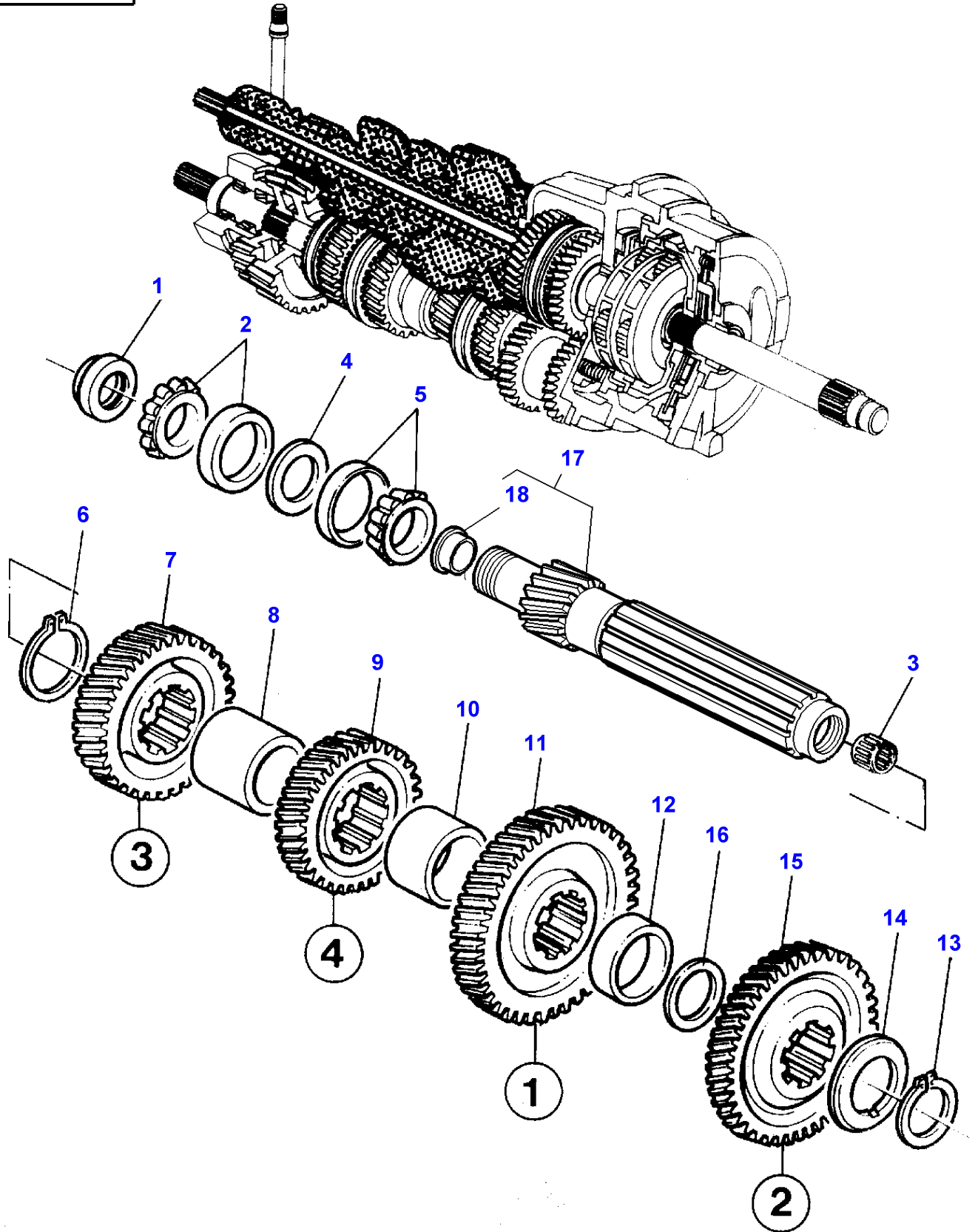
MF 8210/8220 TRACTORS - 1637365
1-ZF31-003-A

1-ZF31-003-A



Item	Part Number	Qty	Description	Comments
1	3618103M2	1	Clevis Pin	
2	3010151X91	2	Bearing Taper	
3	3792376M1	1	Segment	Thickness 2,22-2,27MM
	3618104M1	1	Segment	Thickness 2,28-2,33MM
	3618880M1	X	Segment	Thickness 2,36-2,41MM
	3617744M1	X	Segment	Thickness 2,50MM
4	3386683M1	1	Screw Special	
5	3617308M3	1	Bush	
6	3010115X91	1	Bearing Taper	
7	3616860M1	2	Washer	
8	3619780M1	2	Needle Cage	
9	3714238M95	1	Synchro Ring	
10	3902257M2	2	Annular Gear	(9)
11	3902633M1	2	Bush	(9)
				Up to Serial or Engine Number K190011
	3903558M1	2	Bush	(9)
				From Serial or Engine Number K190012
12	3902682M1	2	Cone	(9)
13	3900986M1	2	Ring	(9)
14	3900979M1	3	Skate	(9)
15	3771355M1	3	Poppet	(9)
16	3771353M1	3	Pin	(9)
17	3771354M1	3	Spring	(9)
18	3618912M2	1	Washer	
19	3383476M1	X	Shim	Thickness 0,5MM
	3383477M1	X	Shim	Thickness 0,6MM
	3383516M1	X	Shim	Thickness 0,7MM
	3383517M1	X	Shim	Thickness 0,8MM
	3617236M1	X	Shim	Thickness 0,1MM
	3617237M1	X	Shim	Thickness 0,2MM
	3617238M1	X	Shim	Thickness 0,4MM
	3617243M1	X	Shim	Thickness 0,05MM
20	3010115X91	1	Bearing Taper	
21	3619042M3	1	Shaft	
22	3712170M1	1	Bearing Assy	
23	3010348X1	4	Screw	M8x20

1-ZF32-001-B



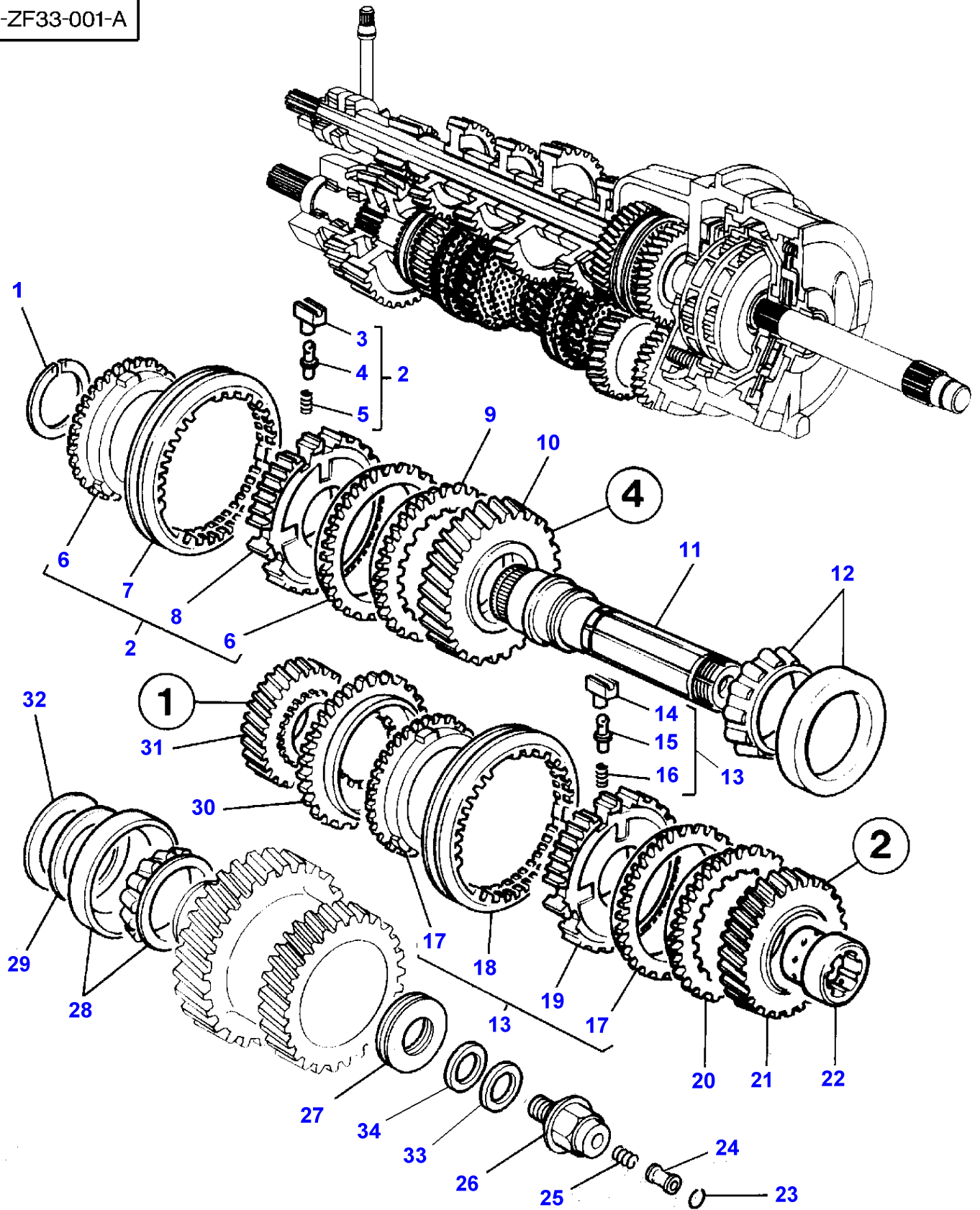
Dynashift Transmission - Layshaft

Item	Part Number	Qty	Description	Comments
1	1614882M3	1	Nut	Up to Serial or Engine Number
	3798284M1	1	Nut	From Serial or Engine Number
2	3010034X91	1	Bearing Assy	Replace and repair. Old interchangeable with new 3010040x91
3	1441835X1	1	Bearing Assy	
4	3791942M1		Chock	Thickness 4,22 MM
	3791941M1		Chock	Thickness 4,28 MM
	3791940M1		Chock	Thickness 4,34 MM
	3791939M1		Chock	Thickness 4,40 MM
	3791927M1		Chock	Thickness 4,46 MM
5	3010034X91	1	Bearing Assy	
6	355921X1	1	Ring	
7	3618934M6	1	Pinion	Number of teeth/spines 35 Replace and repair. Old interchangeable with new 3618934M5
8	3380192M2	1	Spacer	
9	3617272M4	1	Pinion	Number of teeth/spines 30
10	3583478M1	1	Spacer	
11	3618968M2	1	Pinion	Number of teeth/spines 43
12	3042898M2	1	Spacer	
13	831180M1	1	Ring	
14	3042866M1	1	Washer	
15	3618998M4	1	Pinion	Number of teeth/spines 40 Replace and repair. Old interchangeable with new 3618998M3
16	3042847M1	X	Shim	Thickness 0,40 MM
	3792470M1	X	Chock	Thickness 0,6MM
	3042848M2	X	Shim	Thickness 1MM
17	3791966M91	1	Shaft	Number of teeth/spines 17
	3793583M91	1	Shaft	[B] Number of teeth/spines 17
18	3791932M1	1	Spacer	(17)

FOOTNOTE [A] OUTER FINAL DRIVE GEAR WITH COMPOSITE REDUCER

FOOTNOTE [B] WITH POWER SHUTTLE

1-ZF33-001-A

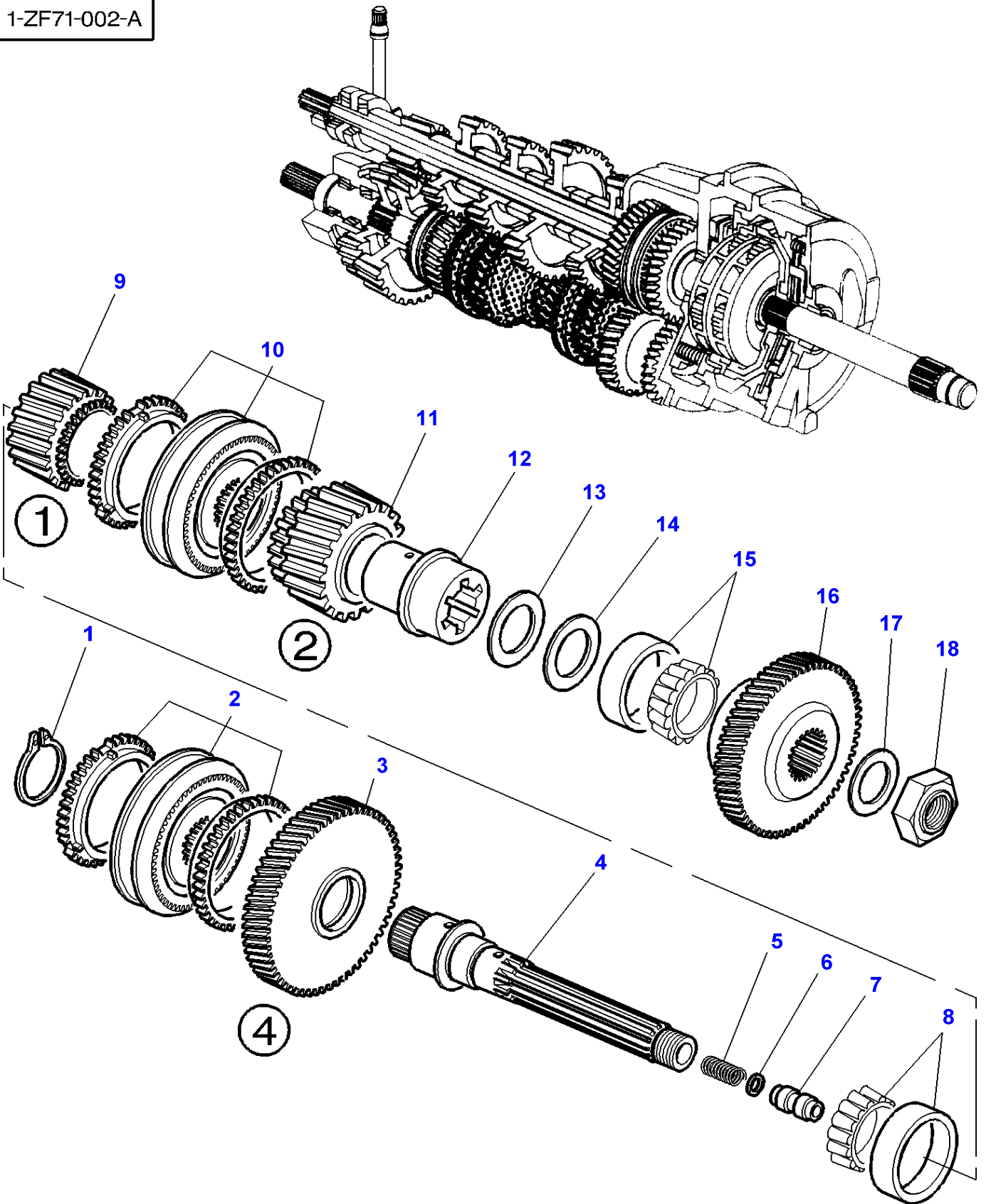


Dynashift Transmission - Mainshaft

Item	Part Number	Qty	Description	Comments
1	1444488X1	1	Ring	
2	3616410M91	1	Synchro Ring	
3	3618170M1	3	Poppet	(2)
4	3386520M1	3	Ball	(2)
5	3386519M1	3	Spring	(2)
6	3618168M1	2	Ring	(2)
7	3618169M1	1	Slider Bearing	(2)
8	3616324M1	1	Hub	(2)
9	3617219M1	1	Ring	
10	3617281M95	1	Pinion	Number of teeth/spines 35
11	3713477M4	1	Shaft	
12	968634M91	1	Bearing Assy	
13	3616592M91	1	Synchro Ring	
14	3618170M1	3	Poppet	(13)
15	3386520M1	3	Ball	(13)
16	3386519M1	3	Spring	(13)
17	3618168M1	2	Ring	(13)
18	3618169M1	1	Slider Bearing	(13)
19	3616516M1	1	Hub	(13)
20	3617219M1	1	Ring	
21	3619034M94	1	Pinion	Number of teeth/spines 24 Replace and repair. Old interchangeable with new 3619034M93
22	3619366M5	1	Bush	
23	3382831M1	1	Segment	
24	3385884M2	1	Tube	
25	3382828M1	1	Spring	
26	3713479M3	1	Screw	M20
27	3713478M1	3	Washer	
28	3010876X91	1	Bearing Assy	
29	3383171M1	X	Shim	Thickness 0,05MM
	3380040M1	X	Shim	Thickness 0,10MM
	3380041M1	X	Shim	Thickness 0,30MM
	3380042M1	X	Shim	Thickness 0,50MM
30	3616827M2	1	Ring	
31	3714109M1	1	Pinion	Number of teeth/spines 17
32	3383164M2	1	Washer	
33	3713480M1	X	Chock	Thickness 0,25MM
	3713481M1	X	Chock	Thickness 0,5MM
34	3713483M1	1	Washer	

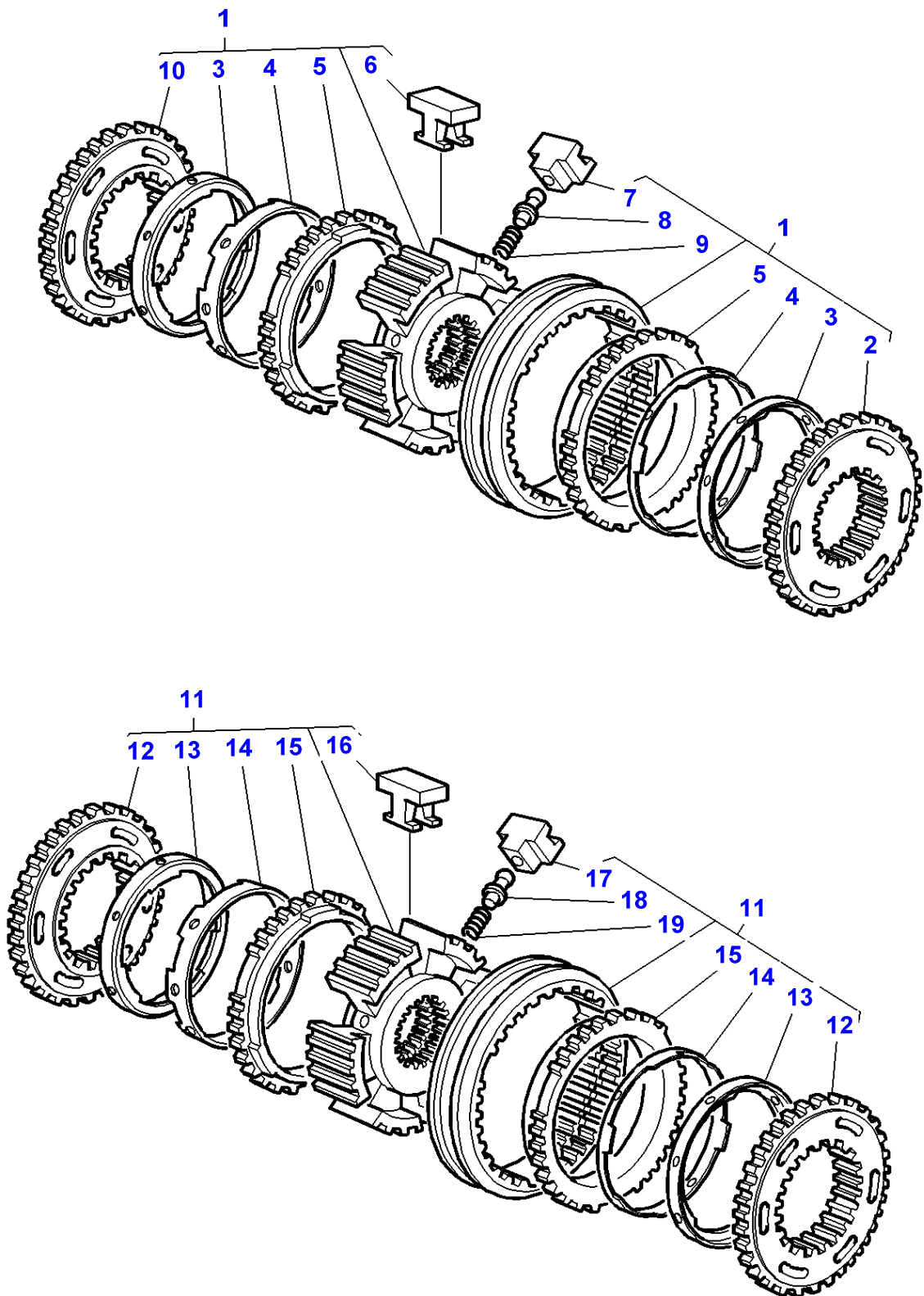
FOOTNOTE [A] OUTER FINAL DRIVE GEAR WITH COMPOSITE REDUCER

1-ZF71-002-A



Item	Part Number	Qty	Description	Comments
1	1444488X1	1	Ring	Up to Serial or Engine Number L136009
	3010554X1	1	Circlip	From Serial or Engine Number L136010
2	3793700M91	1	Synchro Ring	See Page - Reference Number 025-0055/11
3	3617281M95	1	Pinion	Number of teeth/spines 35
4	3793500M2	1	Shaft	Up to Serial or Engine Number L136009
	3797003M2	1	Countershaft	From Serial or Engine Number L136010
5	3382828M1	1	Spring	
6	3382831M1	1	Segment	
7	3790546M1	1	Tube	
8	968634M91	1	Bearing Assy	
9	3792383M2	1	Pinion	Number of teeth/spines 17 Replace and repair. Old interchangeable with new 3792383M1 Up to Serial or Engine Number L059021
	3796006M1	1	Pinion	Number of teeth/spines 25 From Serial or Engine Number L059022
10	3793699M91	1	Synchro Ring	See Page - Reference Number 025-0055/1
11	3619034M94	1	Pinion	Number of teeth/spines 24 Replace and repair. Old interchangeable with new 3619034M93
12	3619366M5	1	Bush	
13	3383164M2	1	Washer	
14	3383171M1	X	Shim	Thickness 0,05MM
	3380040M1	X	Shim	Thickness 0,10MM
	3380041M1	X	Shim	Thickness 0,30MM
	3380042M1	X	Shim	Thickness 0,50MM
15	3010876X91	1	Bearing Assy	
16	3793578M2	1	Pinion	Number of teeth/spines 29 Replace and repair. Old not interchangeable with new 3793579M1
	3795164M1	1	Pinion	Number of teeth/spines 30 Replace and repair. Old not interchangeable with new 3793580M1
17	3792379M1	1	Washer	
18	3791650M1	1	Nut	

1-ZF57-002-A

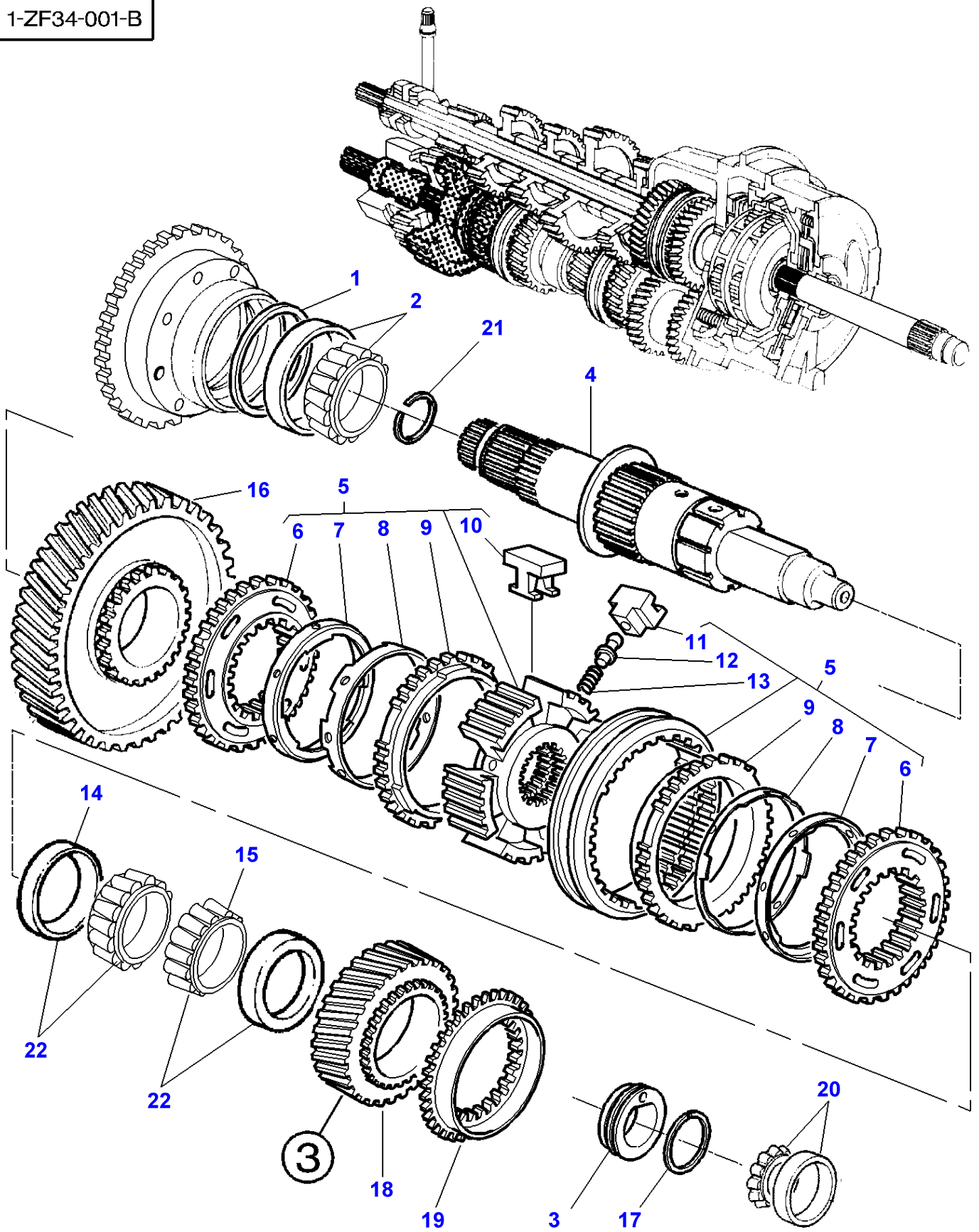


Massey Ferguson**MF 8210/8220 TRACTORS - 1637365****1637365****Synchro Heavy Duty Transmission - With Power Shuttle****Page025-0055**

Item	Part Number	Qty	Description	Comments
1	3793699M91	1	Synchro Ring	
2	3903559M1	1	Cone	(1)
3	3902682M1	2	Cone	(1)
4	3903558M1	2	Bush	(1)
5	3900986M1	2	Ring	(1)
6	3900979M1	3	Skate	(1)
7	3771355M1	3	Poppet	(1)
8	3771353M1	3	Pin	(1)
9	3771354M1	3	Spring	(1)
10	3900982M2	1	Cone	(1)
11	3793700M91	1	Synchro Ring	
12	3900982M2	2	Cone	(11)
13	3902682M1	2	Cone	(11)
14	3903558M1	2	Bush	(11)
15	3900986M1	2	Ring	(11)
16	3900979M1	3	Skate	(11)
17	3771355M1	3	Poppet	(11)
18	3771353M1	3	Pin	(11)
19	3771354M1	3	Spring	(11)

MF 8210/8220 TRACTORS - 1637365
1-ZF34-001-B

1-ZF34-001-B



Dynashift Transmission - Output Shaft

Item	Part Number	Qty	Description	Comments
1	3716281M1	X	Shim	Thickness 0,05 MM
	3716282M1	X	Shim	Thickness 0,1 MM
	3716283M1	X	Shim	Thickness 0,3 MM
	3716284M1	X	Shim	Thickness 0,4 MM
	3716285M1	X	Shim	Thickness 0,5 MM
	3716286M1	X	Shim	Thickness 1 MM
	3790885M1	X	Shim	Thickness 1,5 MM
2	3010691X91	1	Bearing Assy	
3	3790808M3	1	Washer	
4	3716237M4	1	Shaft	Replace and repair. Old interchangeable with new 3716237M3
5	3712847M95	1	Synchro Ring	
6	3900982M2	2	Cone	(5)
7	3902682M1	2	Cone	(5) Up to Serial or Engine Number K156029
	3900980M1	2	Cone	(5) From Serial or Engine Number K156030
8	3902633M1	2	Bush	(5) Up to Serial or Engine Number K156029
	3903558M1	2	Bush	(5) From Serial or Engine Number K156030
9	3900986M1	2	Ring	(5)
10	3900979M1	3	Skate	(5)
11	3771355M1	3	Poppet	(5)
12	3771353M1	3	Pin	(5)
13	3771354M1	3	Spring	(5)
14	3010059X1	1	Race	Up to Serial or Engine Number H173026
15	3010060X1	1	Cone	Up to Serial or Engine Number H173026
16	3619347M92	1	Pinion	Number of teeth/spines 48
17	3617884M1	1	Segment	
18	3618933M7	1	Pinion	Number of teeth/spines 30 Replace and repair. Old interchangeable with new 3618933M5
19	3617219M1	1	Ring	
20	3010118X91	1	Bearing Taper	Alternative 3011215X91
	3011215X91	1	Bearing Taper	Alternative 3010118X91
21	3010640X1	1	Ring	[A]
22	3010901X91	2	Bearing Assy	From Serial or Engine Number H173027

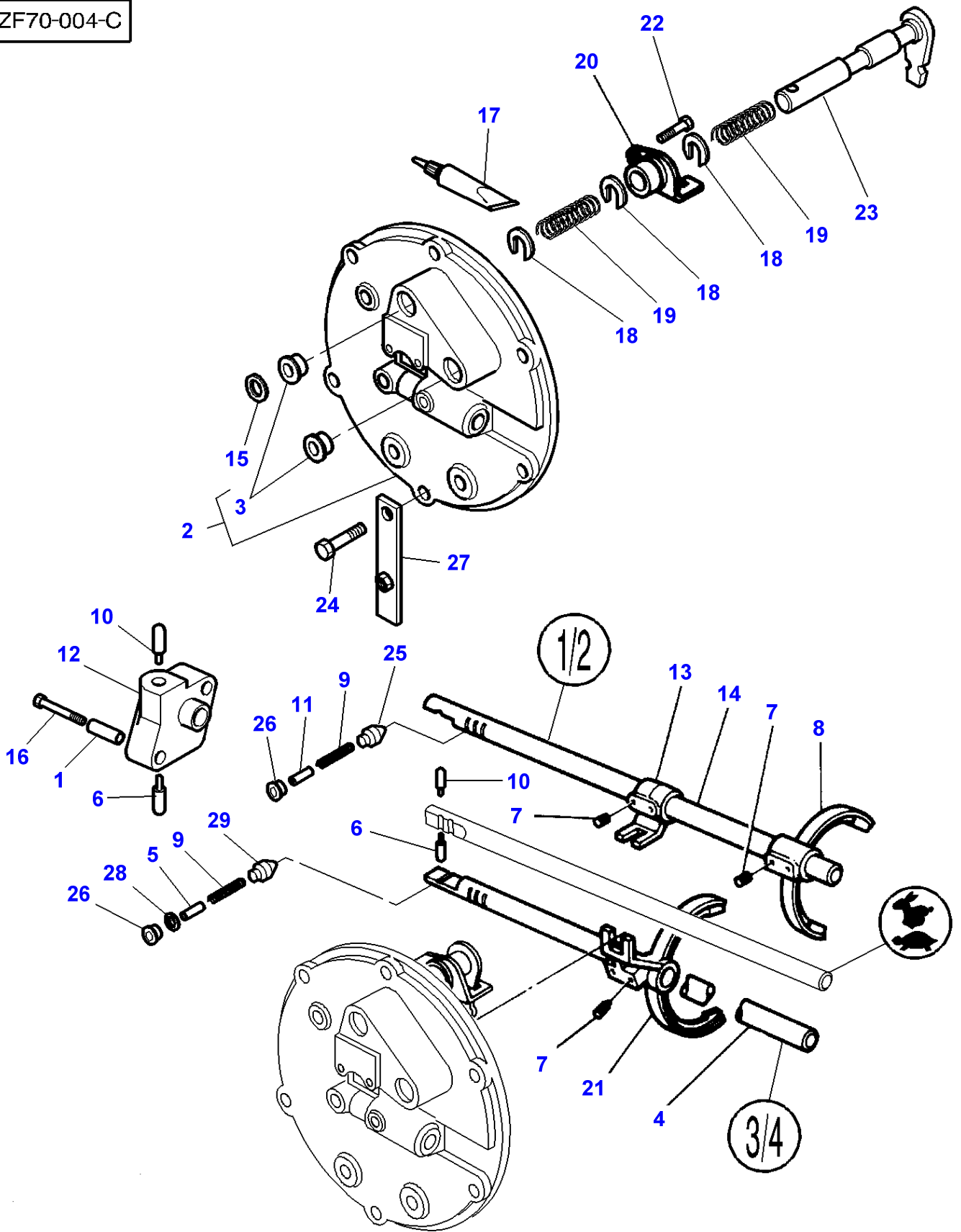
FOOTNOTE [A] WITH CREEPER GEAR

FOOTNOTE [B] OUTER FINAL DRIVE GEAR WITH COMPOSITE REDUCER

FOOTNOTE [C] WITH POWER SHUTTLE

MF 8210/8220 TRACTORS - 1637365
1-ZF70-004-C

1-ZF70-004-C



Item	Part Number	Qty	Description	Comments
1	3716287M2	2	Pin	
2	3715771M14	1	Cover	
	3793708M91	1	Cover	[C] Up to Serial or Engine Number K303031
3	3715785M2	2	Bush	(2)
	3715785M2	1	Bush	[C] (2)
	3007458X1	1	Plug	[C] (2)
4	3385621M2	1	Stem	
5	1611669M1	1	Spacer	
6	1610891M1	1	Latch	
7	3386683M1	6	Screw Special	
8	3045560M3	1	Fork	
9	191221M1	2	Spring	
10	1610890M1	1	Latch	
11	1611670M1	1	Spacer	
12	3716239M2	1	Support	[A]
13	3385643M2	1	Selector	
14	3385644M1	1	Stem	
15	3790170M1	1	Seal	
16	3008596X1	2	Bolt	[A] M6x60
17	1633270M3	1	Loctite	
18	3386414M1	3	Spring Pot	
19	3386416M1	2	Spring	
20	3386412M2	1	Fork	
21	3385620M4	1	Fork	
22	339337X1	1	Hex. Sock. Screw	M8X30
23	3386413M1	1	Stem	Up to Serial or Engine Number J021015
	3793559M1	1	Selector	From Serial or Engine Number J021016
24	354262X1	5	Bolt Unc	Diameter 3/8"UNC Length 38 MM
	354264X1	1	Bolt Unc	Diameter 3/8"UNC Length 44MM
25	3322463M2	1	Journal	
26	1441772X1	2	Plug	
27	3793694M1	1	Strap	From Serial or Engine Number 10/99
28	3001856X1	1	Washer Metric	Up to Serial or Engine Number K337013
29	3322463M2	1	Journal	Up to Serial or Engine Number K337013
	3796884M1	1	Plunger	From Serial or Engine Number K337014

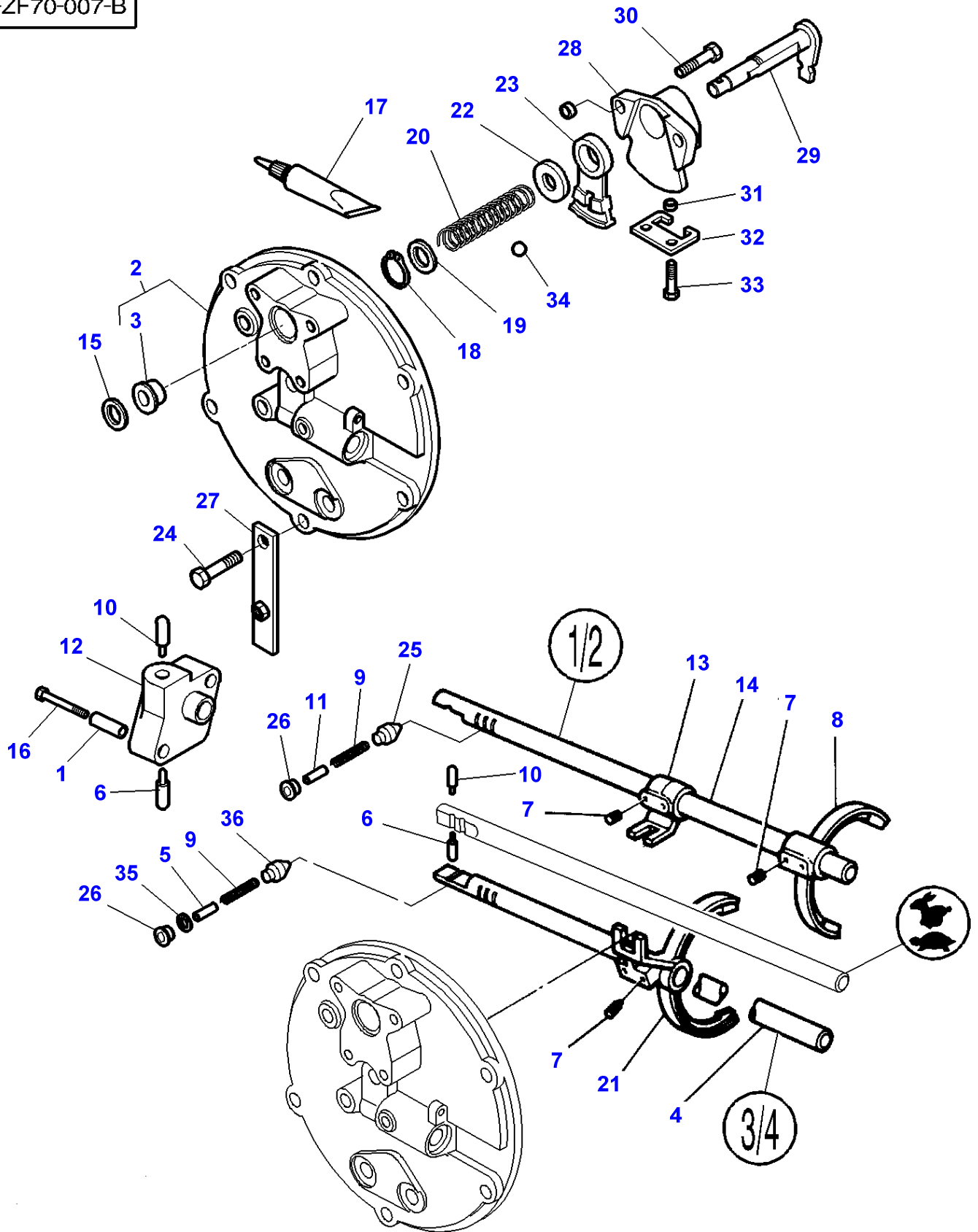
FOOTNOTE [A] WITH CREEPER GEAR

FOOTNOTE [B] WITHOUT CREEPER GEAR

FOOTNOTE [C] WITH POWER SHUTTLE

MF 8210/8220 TRACTORS - 1637365
1-ZF70-007-B

1-ZF70-007-B

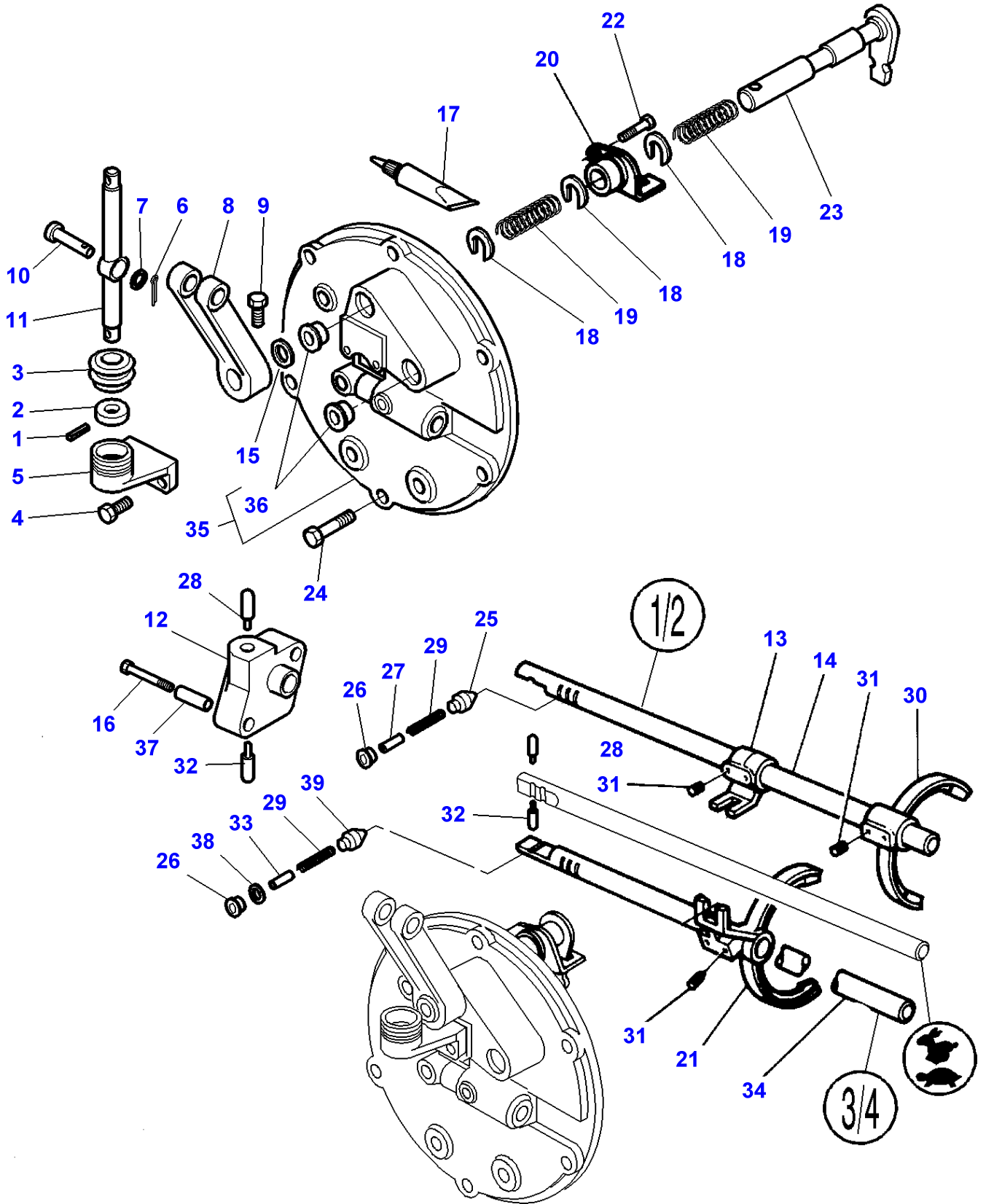


Item	Part Number	Qty	Description	Comments
1	3716287M2	2	Pin	
2	3796385M11	1	Cover	Up to Serial or Engine Number L207012
	3795207M12	1	Cover	From Serial or Engine Number L207013
3	3715785M2	1	Bush	(2)
4	3385621M2	1	Stem	
5	1611669M1	1	Spacer	
6	1610891M1	1	Latch	
7	3386683M1	6	Screw Special	
8	3045560M3	1	Fork	
9	191221M1	2	Spring	
10	1610890M1	1	Latch	
11	1611670M1	1	Spacer	
12	3716239M2	1	Support	[A]
13	3385643M2	1	Selector	
14	3385644M1	1	Stem	
15	3790170M1	1	Seal	
16	3008596X1	2	Bolt	[A] M6 X 60
17	1633270M3	1	Loctite	
18	1440476X1	1	Circlip	
19	3795275M1	1	Washer	
20	3795157M1	1	Spring	Up to Serial or Engine Number M051044
	3798114M1	1	Spring	From Serial or Engine Number M051045
21	3385620M4	1	Fork	
22	3795107M1	1	Stop	M8 X 30
23	3795097M1	1	Selector	
24	362443X1	4	Bolt Unc	[B] Diameter 3/8"UNC Length 38 MM
	354264X1	2	Bolt Unc	[A] Diameter 3/8"UNC Length 44 MM
	362443X1	2	Bolt Unc	Diameter 3/8"UNC Length 38 MM
25	3322463M2	1	Journal	
26	1441772X1	2	Plug	
27	3793694M1	1	Strap	
28	3795159M1	1	Support	
29	3795160M3	1	Stem	
30	3010576X1	2	Screw Metric	M8 X 40
31	3000052X1	4	Sleeve	
32	3795007M2	1	Grille	
33	339761X1	2	Hex. Sock. Screw	M8 X 25
34	1442085X1	1	Ball	
35	3001856X1	1	Washer Metric	Up to Serial or Engine Number K337013
36	3322463M2	1	Journal	Up to Serial or Engine Number K337013
	3796884M1	1	Plunger	From Serial or Engine Number K337014

FOOTNOTE [A] WITH CREEPER GEAR

FOOTNOTE [B] WITHOUT CREEPER GEAR

1-ZF70-003-B

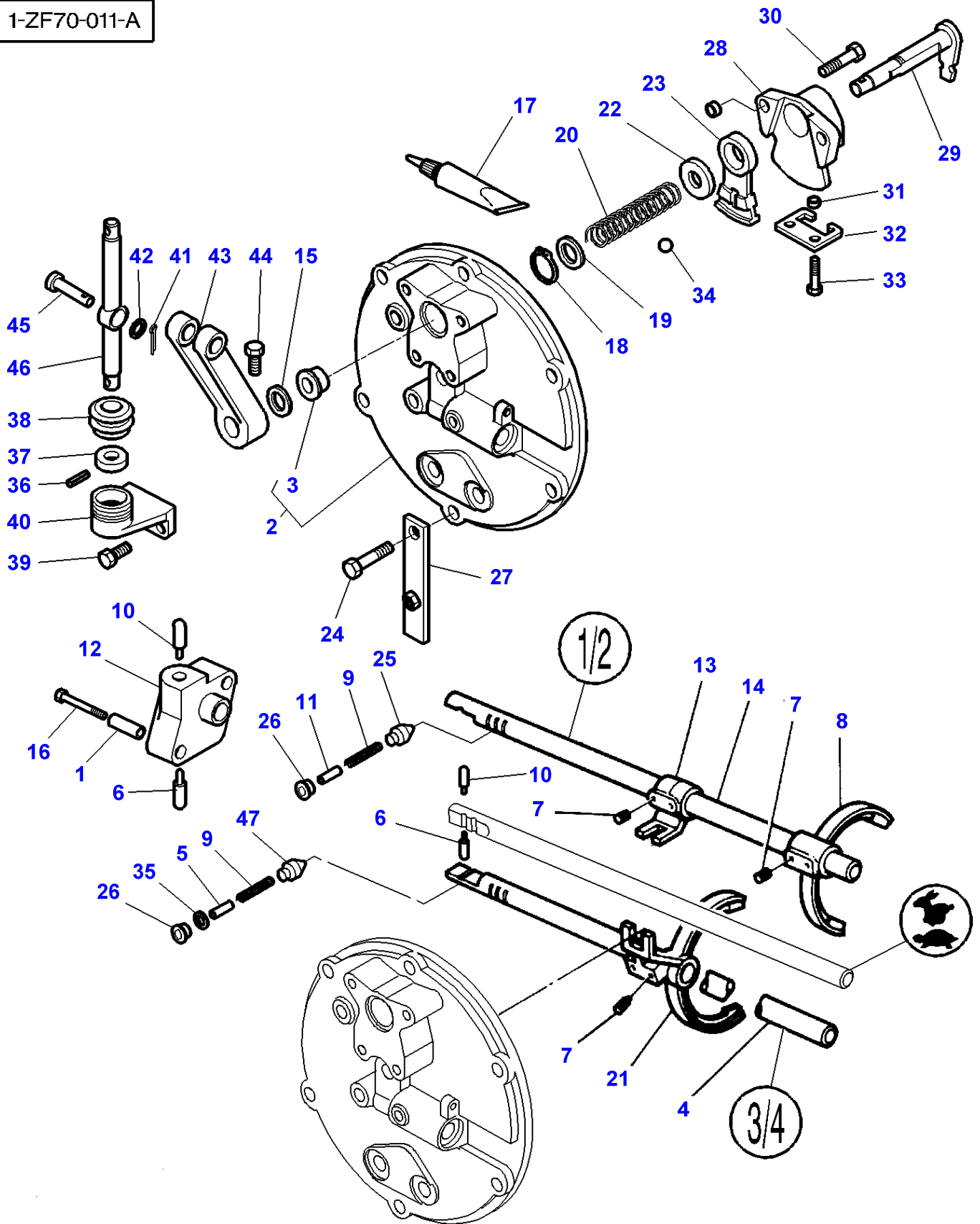


Item	Part Number	Qty	Description	Comments
1	1440389X1	1	Pin	
2	3383533M1	1	Toggle	
3	3385863M1	1	Bellows	
4	339123X1	2	Hex. Sock. Screw	M8X20
5	3383526M1	1	Support	
6	354066X1	1	Pin	
7	390735X1	1	Washer	
8	3385791M1	1	Conrod	
9	3771408M1	1	Screw	
10	3383531M1	1	Clevis Pin	
11	3385793M1	1	Lever	Length 217 MM
12	3716239M2	1	Support	[A]
13	3385643M2	1	Selector	
14	3385644M1	1	Stem	
15	3790170M1	1	Seal	
16	3008596X1	2	Bolt	[A] M6x60
17	1633270M3	1	Loctite	
18	3386414M1	3	Spring Pot	
19	3386416M1	2	Spring	
20	3386412M2	1	Fork	
21	3385620M4	1	Fork	
22	339337X1	1	Hex. Sock. Screw	M8X30
23	3386413M1	1	Stem	Up to Serial or Engine Number J021015
	3793559M1	1	Selector	From Serial or Engine Number J021016
24	354262X1	5	Bolt Unc	Diameter 3/8"UNC Length 38 MM
25	3322463M2	1	Journal	
26	1441772X1	2	Plug	
27	1611670M1	1	Spacer	
28	1610890M1	1	Latch	
29	191221M1	2	Spring	
30	3045560M3	1	Fork	
31	3386683M1	6	Screw Special	
32	1610891M1	1	Latch	
33	1611669M1	1	Spacer	
34	3385621M2	1	Stem	
35	3715771M14	1	Cover	
36	3715785M2	2	Bush	(35)
37	3716287M2	2	Pin	
38	3001856X1	1	Washer Metric	Up to Serial or Engine Number K337013
39	3322463M2	1	Journal	Up to Serial or Engine Number K337013
	3796884M1	1	Plunger	From Serial or Engine Number K337014

FOOTNOTE [A] WITH CREEPER GEAR

MF 8210/8220 TRACTORS - 1637365
1-ZF70-011-A

1-ZF70-011-A

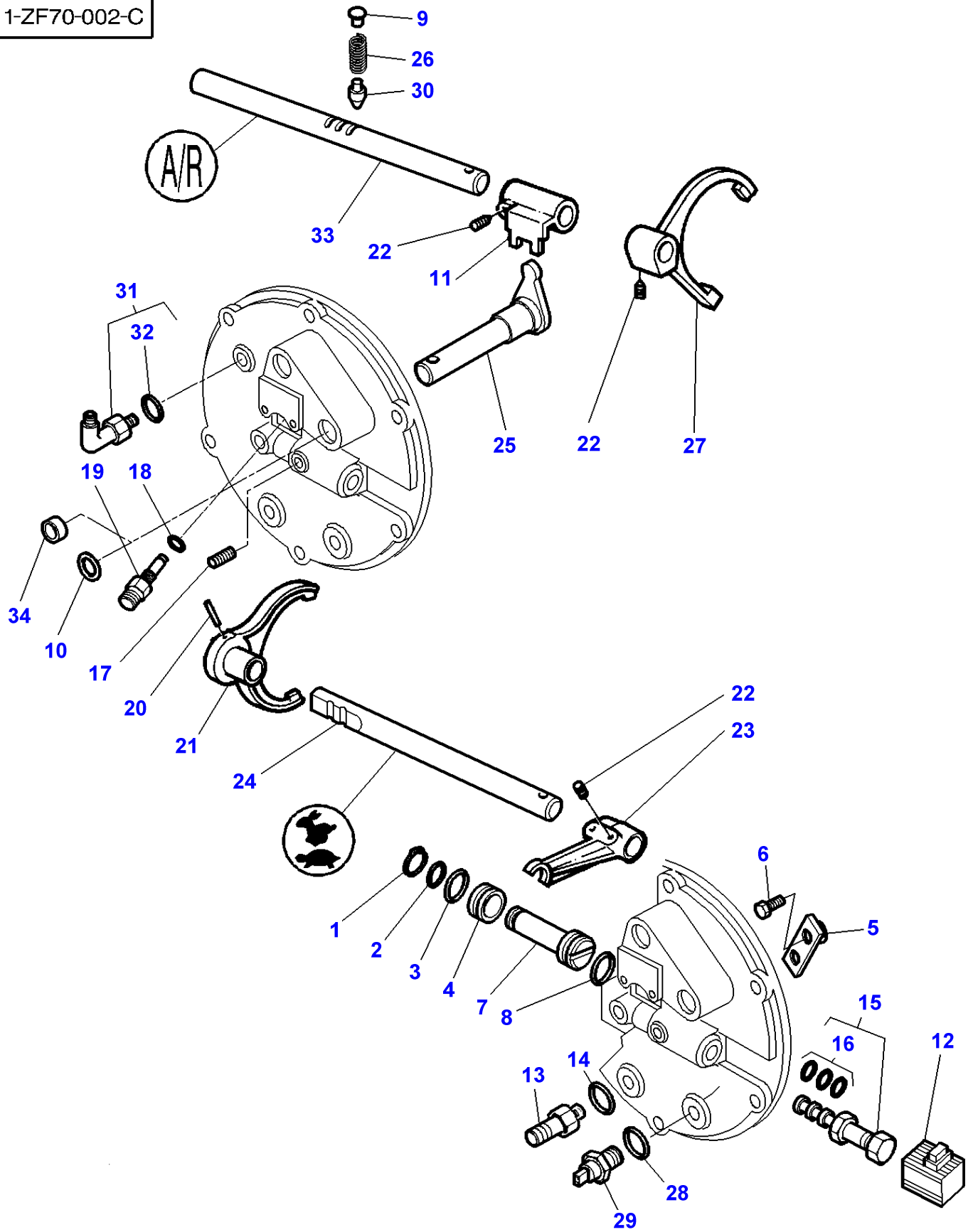


Item	Part Number	Qty	Description	Comments
1	3716287M2	2	Pin	
2	3796385M11	1	Cover	Up to Serial or Engine Number L207012
	3795207M12	1	Cover	From Serial or Engine Number L207013
3	3715785M2	1	Bush	(2)
4	3385621M2	1	Stem	
5	1611669M1	1	Spacer	
6	1610891M1	1	Latch	
7	3386683M1	6	Screw Special	
8	3045560M3	1	Fork	
9	191221M1	2	Spring	
10	1610890M1	1	Latch	
11	1611670M1	1	Spacer	
12	3716239M2	1	Support	[A]
13	3385643M2	1	Selector	
14	3385644M1	1	Stem	
15	3790170M1	1	Seal	
16	3008596X1	2	Bolt	[A] M6 X 60
17	1633270M3	1	Loctite	
18	1440476X1	1	Circlip	
19	3795275M1	1	Washer	
20	3795157M1	1	Spring	Up to Serial or Engine Number M051044
	3798114M1	1	Spring	From Serial or Engine Number M051045
21	3385620M4	1	Fork	
22	3795107M1	1	Stop	
23	3795097M1	1	Selector	
24	354264X1	2	Bolt Unc	[A] Diameter 3/8"UNC Length 44 MM
	362443X1	2	Bolt Unc	Diameter 3/8"UNC Length 38 MM
25	3322463M2	1	Journal	
26	1441772X1	2	Plug	
27	3793694M1	1	Strap	
28	3795159M1	1	Support	
29	3795268M3	1	Stem	
30	3010576X1	2	Screw Metric	M8 X 40
31	3000052X1	4	Sleeve	
32	3795007M2	1	Grille	
33	339761X1	2	Hex. Sock. Screw	M8 X 25
34	1442085X1	1	Ball	
35	3001856X1	1	Washer Metric	Up to Serial or Engine Number K337013
36	1440389X1	1	Pin	
37	3383533M1	1	Toggle	
38	3385863M1	1	Bellows	
39	339123X1	2	Hex. Sock. Screw	M8 X 20
40	3796962M1	1	Support	
41	354066X1	1	Pin	
42	390735X1	1	Washer	Diameter 12-24 X 2,5 MM
43	3385791M1	1	Conrod	
44	3771408M1	1	Screw	
45	3383531M1	1	Clevis Pin	
46	3385793M1	1	Lever	Length 217 MM
	3714146M1	1	Lever	Length 247 MM
47	3322463M2	1	Journal	Up to Serial or Engine Number K337013
	3796884M1	1	Plunger	From Serial or Engine Number K337014

FOOTNOTE [A] WITH CREEPER GEAR

MF 8210/8220 TRACTORS - 1637365
1-ZF70-002-C

1-ZF70-002-C

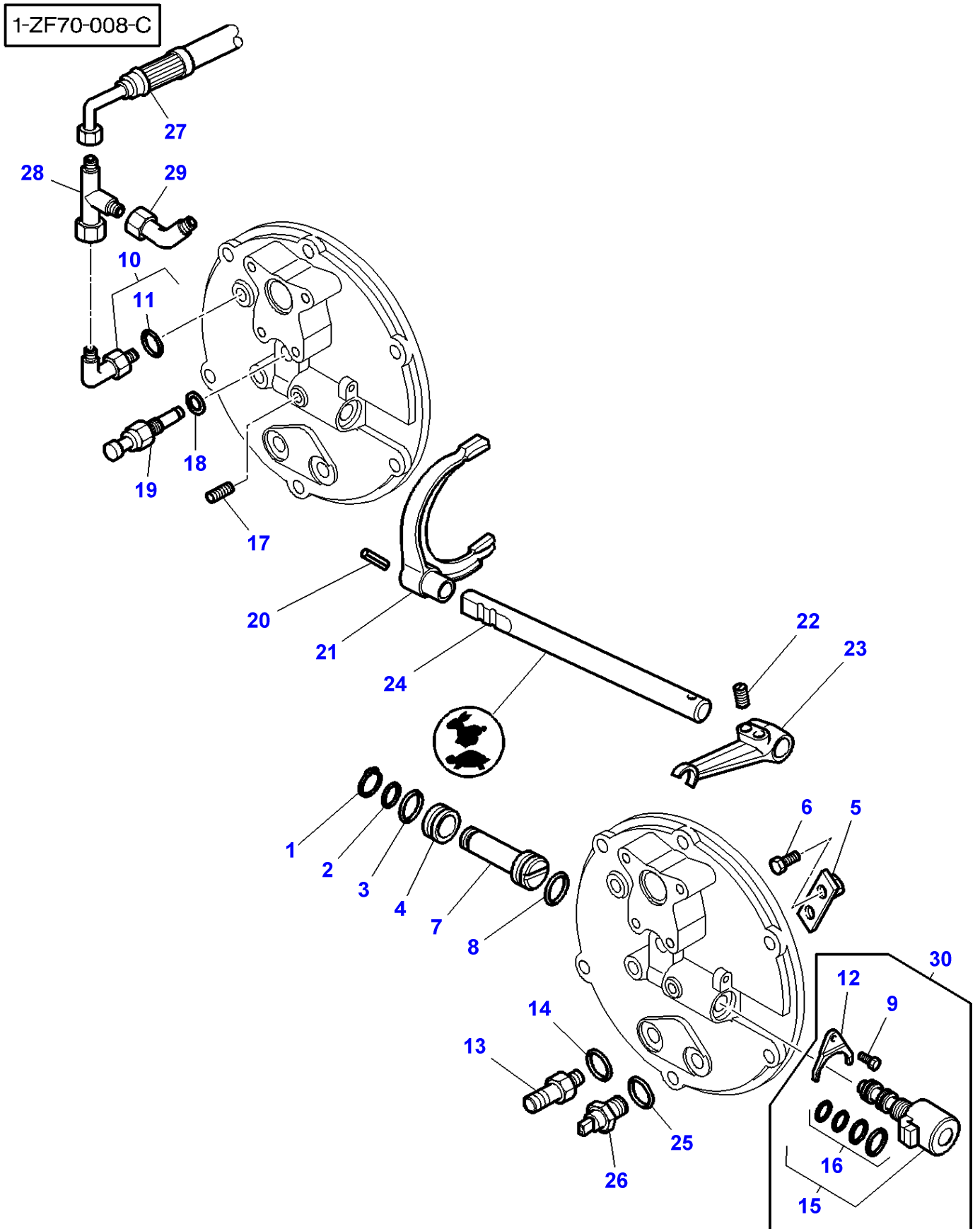


Item	Part Number	Qty	Description	Comments
1	390933X1	1	Circlip	
2	1006335M1	1	O Ring	
3	195876M1	1	O Ring	
4	3618872M1	1	Bush	
5	3583301M91	1	Strap	
6	391074X1	1	Hex. Sock. Screw	M6x12
7	3618871M1	1	Piston	
8	1001465M1	1	Ring	
9	1441772X1	1	Plug	
10	3790170M1	1	Seal	[B]
11	3385622M2	1	Selector	
12	3619763M1	1	Solenoid	
13	3010799X1	1	Union	
14	3019396X1	1	O Ring	
15	3619762M1	1	Spool	
16	3900994M91	1	Kit, Joint	(15)
17	356039X1	1	Plug	Replace and repair. Old not interchangeable with new 365332X1
18	3010890X1	1	Bush	
19	3792196M1	1	Switch, Indirect	
20	390950X1	1	Pin	5x70
21	3712862M1	1	Fork	
22	3386683M1	4	Screw Special	
23	3618865M1	1	Selector	
24	3714935M1	1	Stem	Length 493MM
25	3385769M2	1	Stem	[B]
26	191221M1	1	Spring	
27	3714925M1	1	Fork	
28	3010890X1	1	Bush	
29	3618249M1	1	Inductive Taker	
30	3322463M2	1	Journal	
31	3019418X91	1	Elbow Nipple	M22X1,5
32	3019398X1	1	O Ring	(31)
33	3792496M1	1	Stem	
34	3007458X1	1	Plug	[A]

FOOTNOTE [A] WITH POWER SHUTTLE

FOOTNOTE [B] WITHOUT POWER SHUTTLE

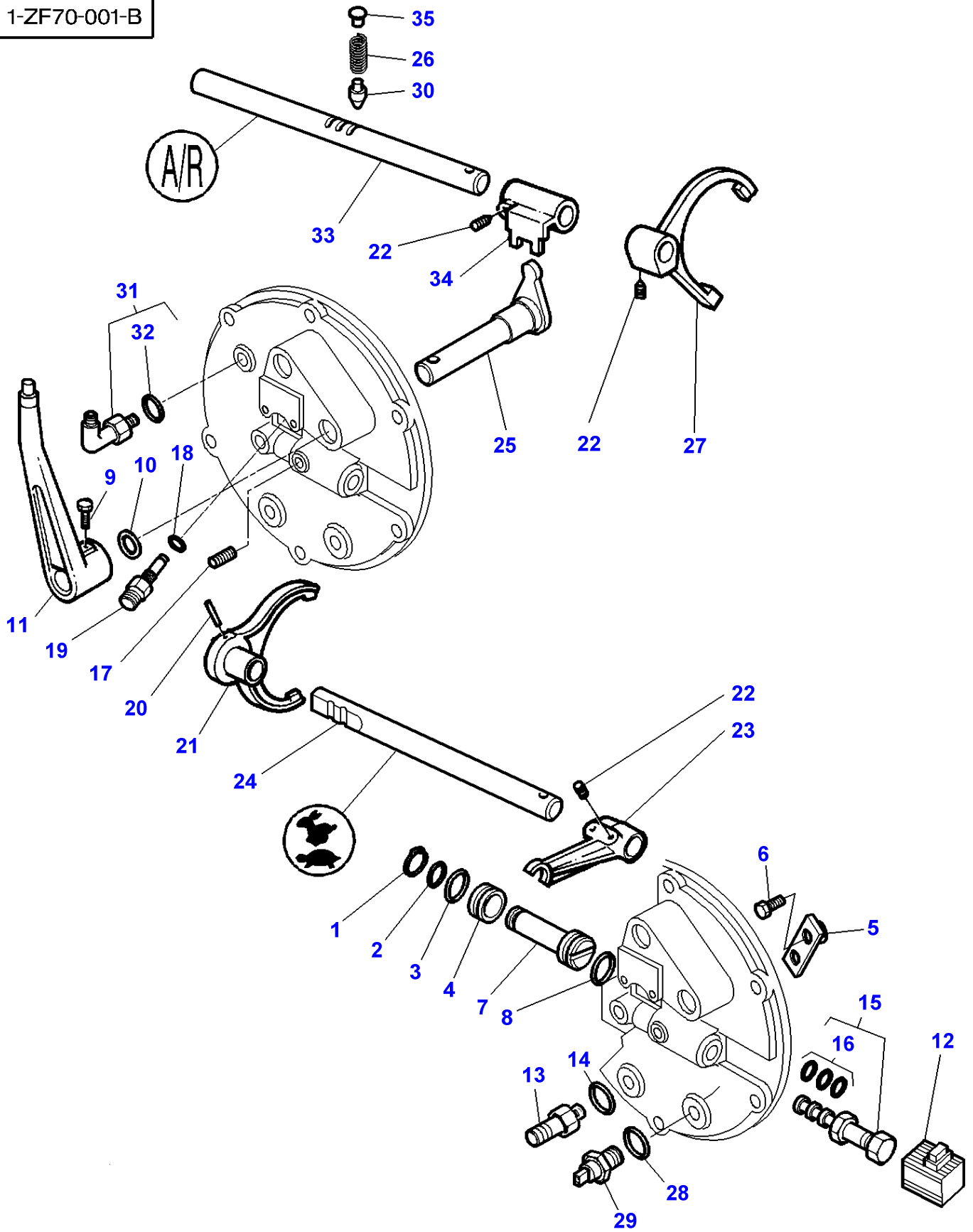
MF 8210/8220 TRACTORS - 1637365
1-ZF70-008-C



Item	Part Number	Qty	Description	Comments
1	390933X1	1	Circlip	
2	1006335M1	1	O Ring	
3	195876M1	1	O Ring	
4	3618872M1	1	Bush	
5	3583301M91	1	Strap	
6	391074X1	1	Hex. Sock. Screw	M6x12
7	3618871M1	1	Piston	
8	1001465M1	1	Ring	
9	3009281X1	1	Screw	(30) M6X16
10	3019418X91	1	Elbow Nipple	M22X1,5
11	3019398X1	1	O Ring	(10)
12	3795003M2	1	Bridle	(30)
13	3010799X1	1	Union	
14	3019396X1	1	O Ring	
15		1	Electrovalve	(30) Not serviced,order REF. 30
16	3903732M91	1	Kit,Joint/Gasket	(15)
17	356039X1	1	Plug	
18	3010890X1	1	Bush	
19	3795429M1	1	Switch,Indirect	
20	390950X1	1	Pin	5x70
21	3712862M1	1	Fork	
22	3386683M1	2	Screw Special	
23	3618865M1	1	Selector	
24	3714935M1	1	Stem	Length 493MM
25	3010890X1	1	Bush	
26	3618249M1	1	Inductive Taker	
27	3714956M1	1	Hydr Hose	From Serial or Engine Number L191016 Length 600MM
28	364704X1	1	Teepiece	From Serial or Engine Number L191016 Up to Serial or Engine Number M188047
29	373784X1	1	Elbow	From Serial or Engine Number L191016 Up to Serial or Engine Number M188047
30	3907182M91	1	Parts Pack	

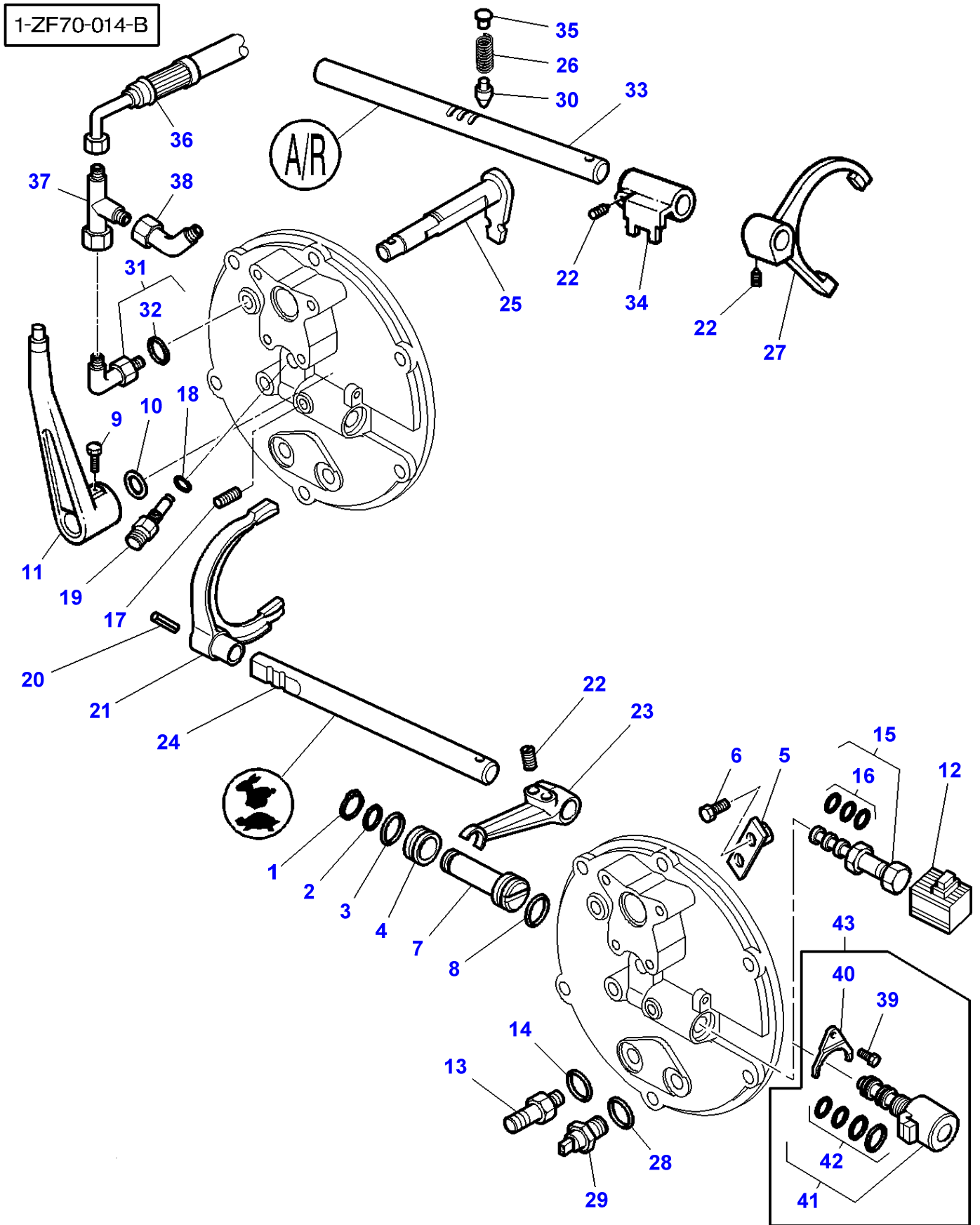
MF 8210/8220 TRACTORS - 1637365
1-ZF70-001-B

1-ZF70-001-B



Item	Part Number	Qty	Description	Comments
1	390933X1	1	Circlip	
2	1006335M1	1	O Ring	
3	195876M1	1	O Ring	
4	3618872M1	1	Bush	
5	3583301M91	1	Strap	
6	391074X1	1	Hex. Sock. Screw	M6x12
7	3618871M1	1	Piston	
8	1001465M1	1	Ring	
9	3771408M1	1	Screw	
10	3790170M1	1	Seal	
11	3714145M1	1	Lever	Length 246MM
12	3619763M1	1	Solenoid	
13	3010799X1	1	Union	
14	3019396X1	1	O Ring	
15	3619762M1	1	Spool	
16	3900994M91	1	Kit, Joint	(15)
17	356039X1	1	Plug	Replace and repair. Old not interchangeable with new 365332X1
18	3010890X1	1	Bush	
19	3792196M1	1	Switch, Indirect	
20	390950X1	1	Pin	5x70
21	3712862M1	1	Fork	
22	3386683M1	4	Screw Special	
23	3618865M1	1	Selector	
24	3714935M1	1	Stem	Length 493MM
25	3385769M2	1	Stem	
26	191221M1	1	Spring	
27	3714925M1	1	Fork	
28	3010890X1	1	Bush	
29	3618249M1	1	Inductive Taker	
30	3322463M2	1	Journal	
31	3019418X91	1	Elbow Nipple	M22X1,5
32	3019398X1	1	O Ring	(31)
33	3792496M1	1	Stem	
34	3385622M2	1	Selector	
35	1441772X1	1	Plug	

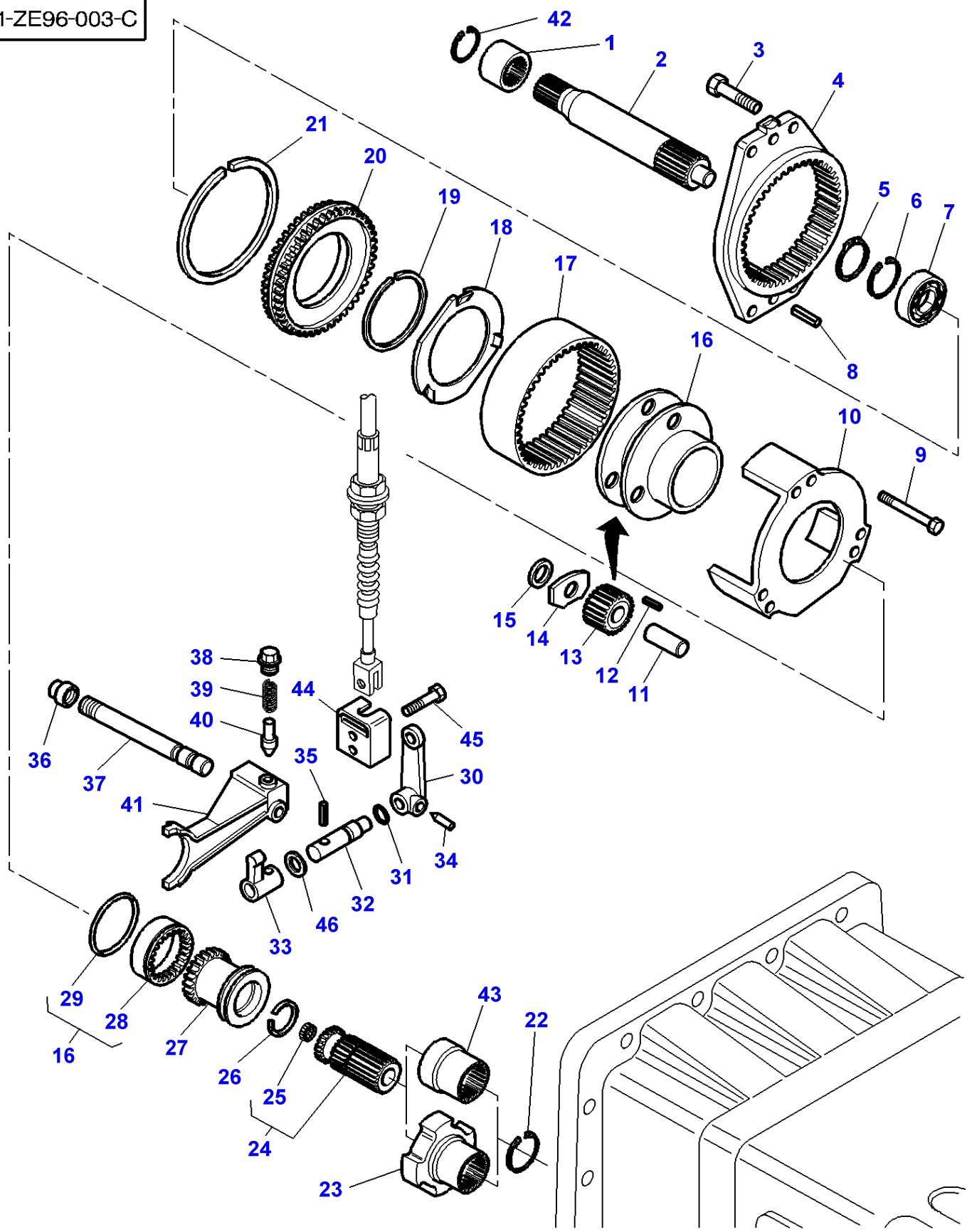
MF 8210/8220 TRACTORS - 1637365
1-ZF70-014-B



Item	Part Number	Qty	Description	Comments
1	390933X1	1	Circlip	
2	1006335M1	1	O Ring	
3	195876M1	1	O Ring	
4	3618872M1	1	Bush	
5	3583301M91	1	Strap	
6	391074X1	1	Hex. Sock. Screw	M6x12
7	3618871M1	1	Piston	
8	1001465M1	1	Ring	
9	3771408M1	1	Screw	
10	3790170M1	1	Seal	
11	3714145M1	1	Lever	Length 246MM
12	3619763M1	1	Solenoid	Up to Serial or Engine Number L207012
13	3010799X1	1	Union	
14	3019396X1	1	O Ring	
15	3619762M1	1	Spool	Up to Serial or Engine Number L207012
16	3900994M91	1	Kit, Joint	(15) Up to Serial or Engine Number L207012
17	356039X1	1	Plug	Replace and repair. Old not interchangeable with new 365332X1
18	3010890X1	1	Bush	
19	3792196M1	1	Switch,Indirect	
20	390950X1	1	Pin	5x70
21	3712862M1	1	Fork	
22	3386683M1	4	Screw Special	
23	3618865M1	1	Selector	
24	3714935M1	1	Stem	Length 493MM
25	3385769M2	1	Stem	
26	191221M1	1	Spring	
27	3714925M1	1	Fork	
28	3010890X1	1	Bush	
29	3618249M1	1	Inductive Taker	
30	3322463M2	1	Journal	
31	3019418X91	1	Elbow Nipple	M22X1,5
32	3019398X1	1	O Ring	(31)
33	3792496M1	1	Stem	
34	3385622M2	1	Selector	
35	1441772X1	1	Plug	
36	3714956M1	1	Hydr Hose	From Serial or Engine Number L191016 Length 600MM
37	364704X1	1	Teepiece	From Serial or Engine Number L191016 Up to Serial or Engine Number M188047
38	373784X1	1	Elbow	From Serial or Engine Number L191016 Up to Serial or Engine Number M188047
39	3009281X1	1	Screw	(43) M6X16 From Serial or Engine Number L207013
40	3795003M2	1	Bridle	(43) From Serial or Engine Number L207013
41		1	Electrovalve	(43) Not serviced,order REF. 43 From Serial or Engine Number L207013
42	3903732M91	1	Kit,Joint/Gasket	(41) From Serial or Engine Number L207013
43	3907182M91	1	Parts Pack	

MF 8210/8220 TRACTORS - 1637365
1-ZE96-003-C

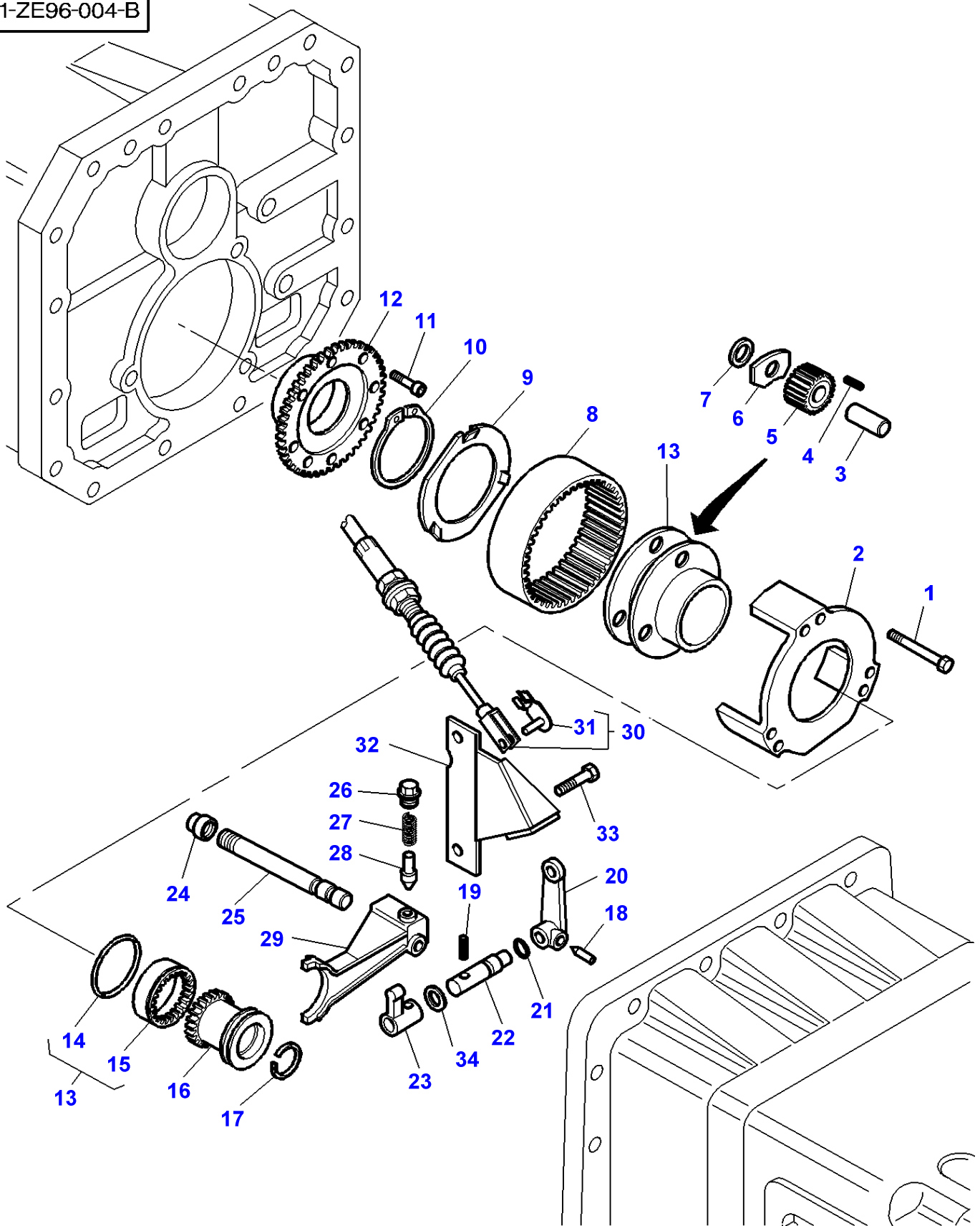
1-ZE96-003-C



Item	Part Number	Qty	Description	Comments
1	3716442M1	1	Sleeve	
2	3716838M2	1	Shaft	
3	3009507X1	4	Hex. Sock. Screw	M12X35MM
4	3716843M1	1	Support	
5	339605X1	1	Circlip	
6	339606X1	1	Circlip	
7	3010128X1	1	Bearing Assy	
8	3385839M2	2	Pin	
9	3015134X1	6	Screw	M6X65MM
10	3716862M4	1	Plate	
11	1866538M2	3	Shaft	
12	1866553M2	96	Roller	
13	1866552M1	3	Pinion	
14	1866543M1	3	Washer	
15	1866542M1	6	Thrust Washer	
16	1866558M93	1	Carrier	
17	3716821M2	1	Annular Gear	
18	1866545M2	2	Disc	
19	377424X1	1	Ring	
20	3716837M1	1	Pinion	
21	3010750X1	1	Segment	Diameter 180MM
22	1441247X1	1	Ring	
23	3791821M1	1	Sleeve	[A]
24	3716840M11	1	Shaft	
25	3010741X1	1	Insert	(24)
26	3010640X1	1	Ring	
27	3716845M2	1	Coupling	
28	1866544M2	1	Spacer	(16)
29	1866539M1	1	Ring	(16)
30	3386195M2	1	Rod Link	
31	851258M1	1	O Ring	
32	3716448M1	1	Clevis Pin	
33	3716449M1	1	Selector	
34	3382979M1	1	Screw Special	
35	3001293X1	1	Pin	
36	3716447M2	1	Nut	
37	3716847M2	1	Stem	
38	3382343M2	1	Plug	
39	3794220M1	1	Spring	
40	180418M2	1	Plunger	Up to Serial or Engine Number M248041
	3797573M1	1	Plunger	From Serial or Engine Number M248042
41	3716846M3	1	Fork	
42	392376X1	1	Circlip	
43	3716415M1	1	Sleeve	
44	3791565M2	1	Thruster	
45	1444232X1	2	Screw	M8x16
46	3792320M1	X	Chock	Thickness 0,50MM
	3792321M1	X	Chock	Thickness 1MM
	3792322M1	X	Chock	Thickness 3MM
	3792361M1	X	Chock	Thickness 5MM

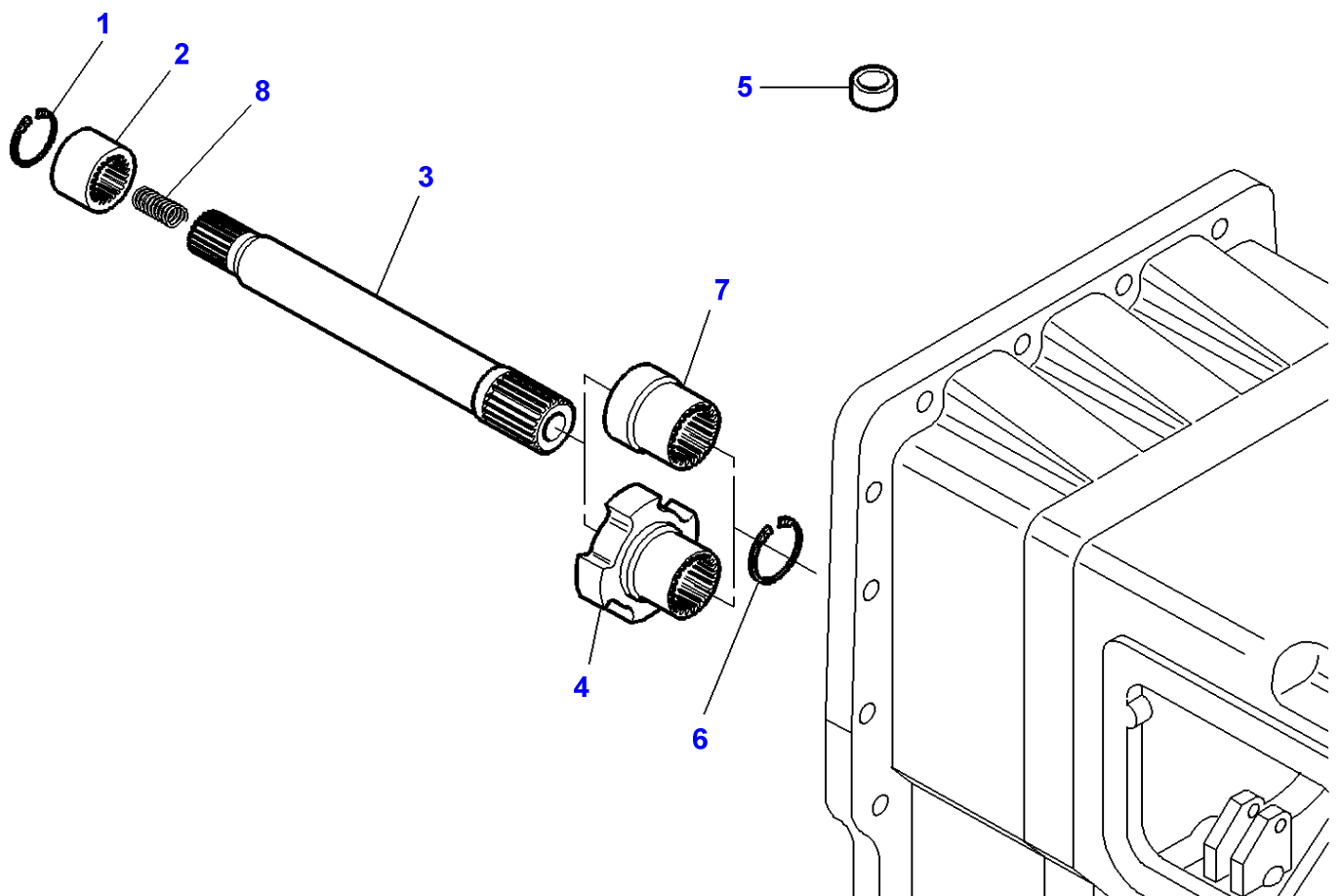
FOOTNOTE [A] WITH PARKING BRAKE

1-ZE96-004-B



Item	Part Number	Qty	Description	Comments
1	3015134X1	6	Screw	M6X65
2	3716862M4	1	Plate	
3	1866538M2	3	Shaft	
4	1866553M2	96	Roller	
5	1866552M1	3	Pinion	
6	1866543M1	3	Washer	
7	1866542M1	6	Thrust Washer	
8	3716821M2	1	Annular Gear	
9	1866545M2	2	Disc	
10	377424X1	1	Ring	
11	1442647X1	8	Screw	M10X25MM
12	3716835M4	1	Support	
13	1866558M93	1	Carrier	
14	1866539M1	1	Ring	(13)
15	1866544M2	1	Spacer	(13)
16	3716845M2	1	Coupling	
17	3010640X1	1	Ring	
18	3382979M1	1	Screw Special	M8X20
19	3001293X1	1	Pin	
20	3386195M2	1	Rod Link	
21	851258M1	1	O Ring	
22	3716448M1	1	Clevis Pin	
23	3716449M1	1	Selector	
24	3716447M2	1	Nut	
25	3716869M3	1	Stem	
26	3382343M2	1	Plug	
27	3794220M1	1	Spring	
28	180418M2	1	Plunger	Up to Serial or Engine Number M248041
	3797573M1	1	Plunger	From Serial or Engine Number M248042
29	3791158M1	1	Fork	
30	3712989M2	1	Cable	
31	3600191M1	1	Clevis Pin	(30)
32	3791839M1	1	Thruster	
33	354264X1	2	Bolt Unc	Diameter 3/8" Length 44,4 MM
34	3792320M1	X	Chock	Thickness 0,50MM
	3792321M1	X	Chock	Thickness 1,00MM
	3792322M1	X	Chock	Thickness 3,00MM
	3792361M1	X	Chock	Thickness 5,00MM

1-ZE99-002-A

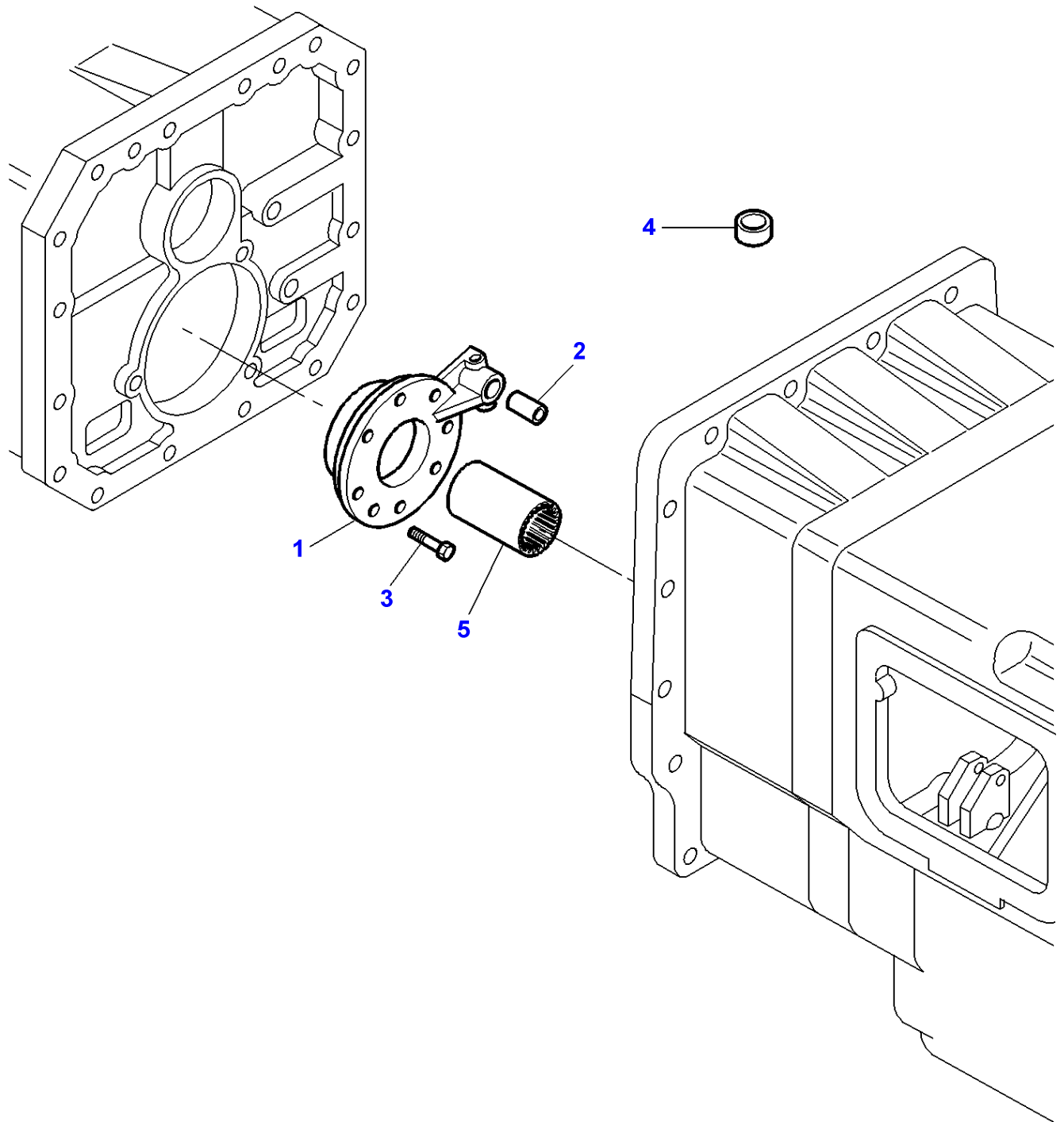


Massey Ferguson**MF 8210/8220 TRACTORS - 1637365****1637365****Transmission - Output Shaft - With Full Powershift - Without Creeper Gear****Page025-0115**

Item	Part Number	Qty	Description	Comments
1	392376X1	1	Circlip	
2	3716442M1	1	Sleeve	
3	3716459M3	1	Shaft	
4	3791821M1	1	Sleeve	[A]
5	3006020X1	1	Plug	Diameter 20MM
6	1441247X1	1	Ring	
7	3716415M1	1	Sleeve	
8	3715534M1	1	Spring	

FOOTNOTE [A] WITH PARKING BRAKE

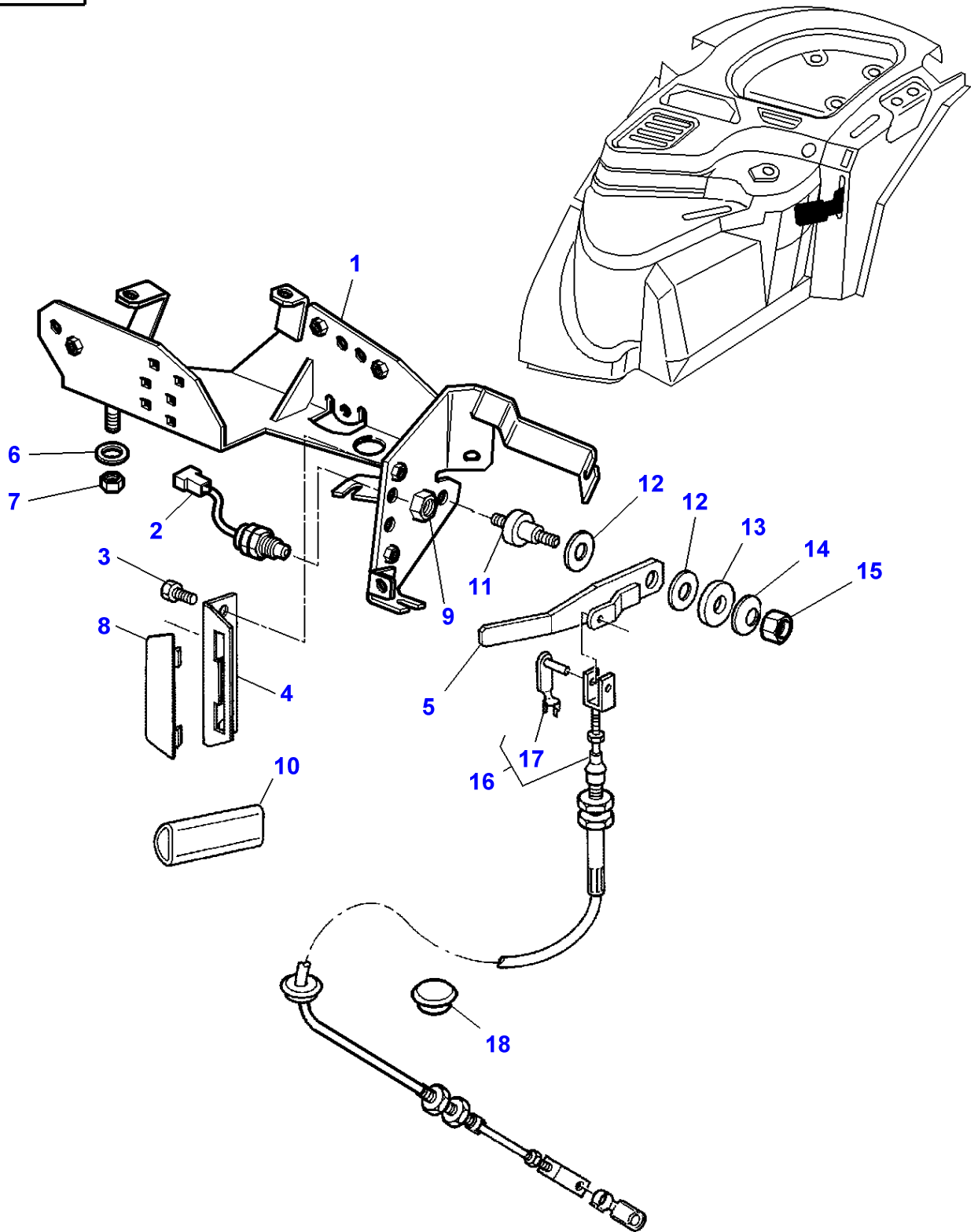
1-ZE99-003-A



Massey Ferguson**MF 8210/8220 TRACTORS - 1637365****1637365****Transmission - Output Shaft - Dynashift - Without Creeper Gear****Page025-0120**

Item	Part Number	Qty	Description	Comments
1	3716238M4	1	Support	
2	3716240M3	1	Pin	
3	3009293X1	8	Screw	
4	3006020X1	1	Plug	Diameter 20MM
5	3791822M1	1	Sleeve	

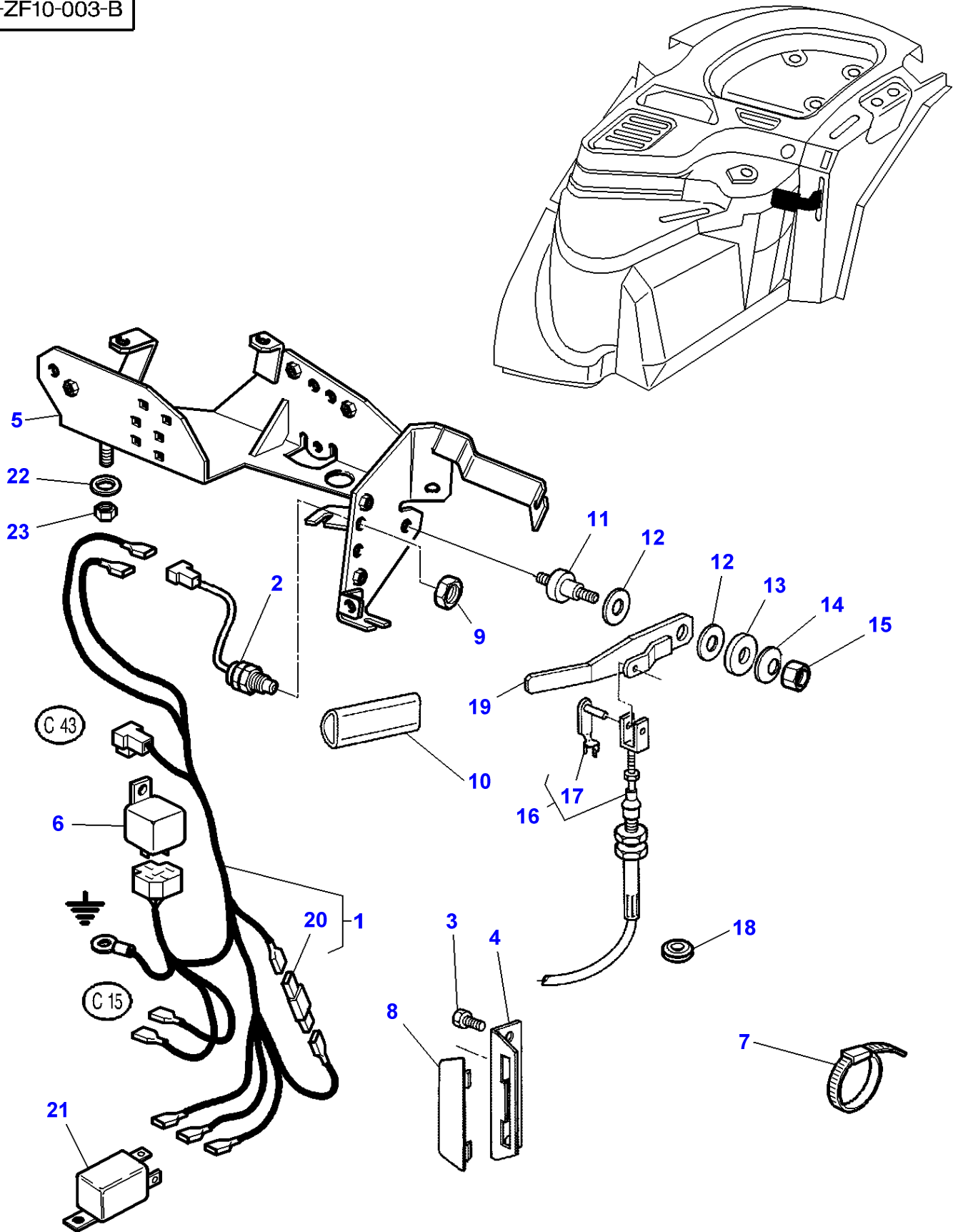
1-ZF10-004-A



Massey Ferguson**MF 8210/8220 TRACTORS - 1637365****1637365****Creeper Gearbox Control****Page025-0125**

Item	Part Number	Qty	Description	Comments
1	3778480M93	1	Support	
2	3780581M2	1	Switch,Indirect	
3	339228X1	2	Screw Metric	M8X12
4	3712275M1	1	Grille	
5	3712281M3	1	Lever	
6	385361X1	4	Washer	
7	1441461X1	4	Locknut	
8	3712984M1	X	Plate	
9	339070X1	1	Nut	
10	3712976M2	1	Handle	
11	3712277M1	1	Clevis Pin	
12	3386166M1	2	Washer	
13	1442174X1	1	Washer	
14	3386192M1	1	Washer	
15	1441461X1	1	Locknut	
16	3712989M2	1	Cable	
17	3600190M1	1	Clevis Pin	(16) Length 28MM
	3600191M1	1	Clevis Pin	(16) Length 40MM
18	3713587M1	1	Plug	Diameter 22MM

1-ZF10-003-B



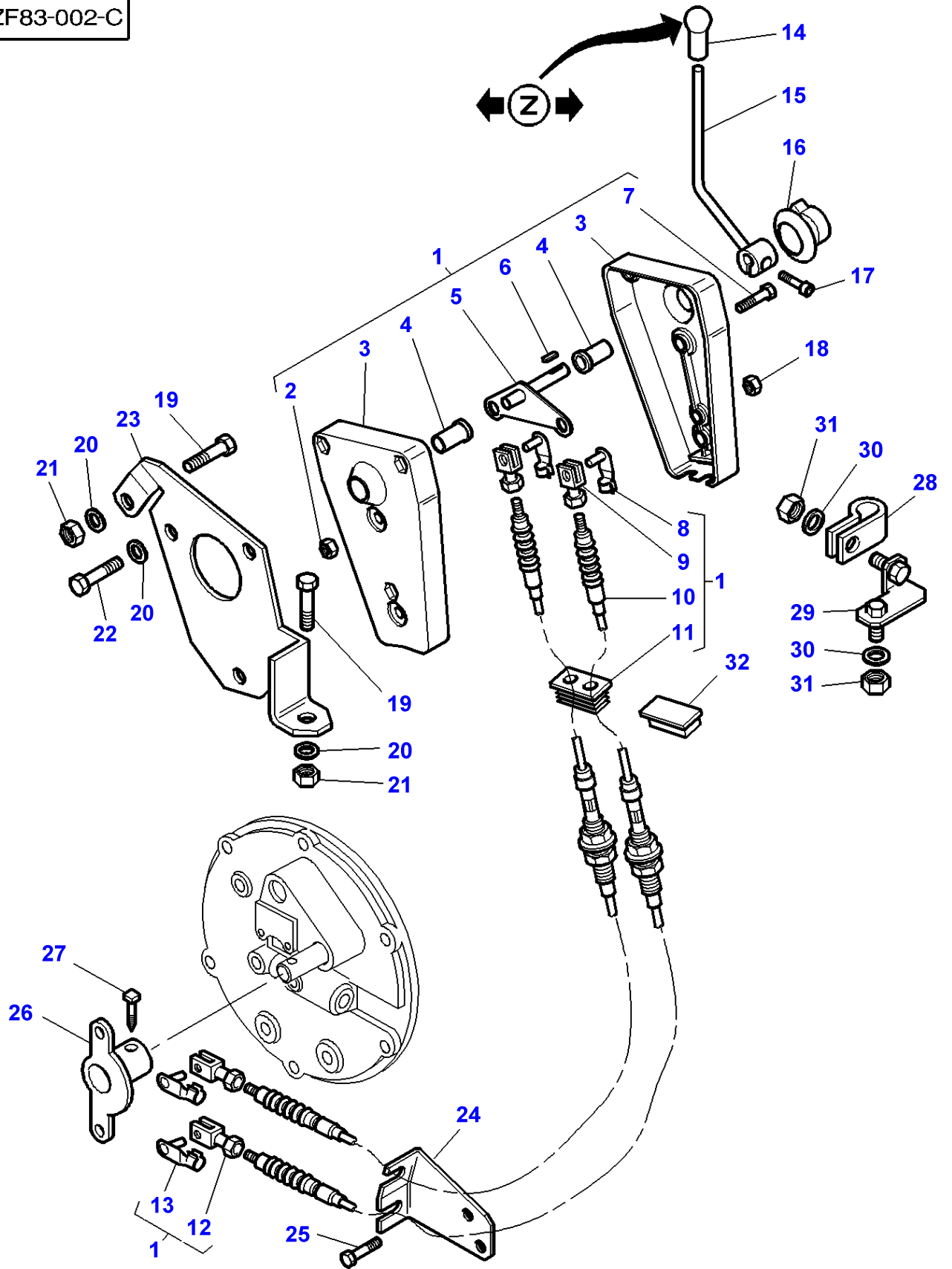
Creeper Gearbox Control - Dynashift

Item	Part Number	Qty	Description	Comments
1	3714539M92	1	Harness	Up to Serial or Engine Number 07-JAN-2001
2	3780581M2	1	Switch,Indirect	
3	339228X1	2	Screw Metric	M8X12
4	3712275M1	1	Grille	
5	3778480M93	1	Support	
6	3618239M1	1	Relay	Up to Serial or Engine Number 07-JAN-2001
7	3619622M1	5	Cable Tie	
8	3712984M1	1	Plate	[A]
9	339070X1	1	Nut	
10	3712976M2	1	Handle	
11	3712277M1	1	Clevis Pin	
12	3386166M1	2	Washer	
13	1442174X1	1	Washer	
14	3386192M1	1	Washer	
15	1441461X1	1	Locknut	
16	3712989M2	1	Cable	
17	3600190M1	1	Clevis Pin	(16) Length 28MM
	3600191M1	1	Clevis Pin	(16) Length 40MM
18	3713587M1	1	Plug	[A]
19	3712281M3	1	Lever	
20	1897312M1	1	Diode	(1) Replace and repair. Old interchangeable with new 3615548M1
21	3615652M1	1	Relay	Up to Serial or Engine Number 07-JAN-2001 12V - 25A
22	385361X1	4	Washer	
23	1441461X1	4	Locknut	

FOOTNOTE [A] WITHOUT CREEPER GEAR

MF 8210/8220 TRACTORS - 1637365
1-ZF83-002-C

1-ZF83-002-C

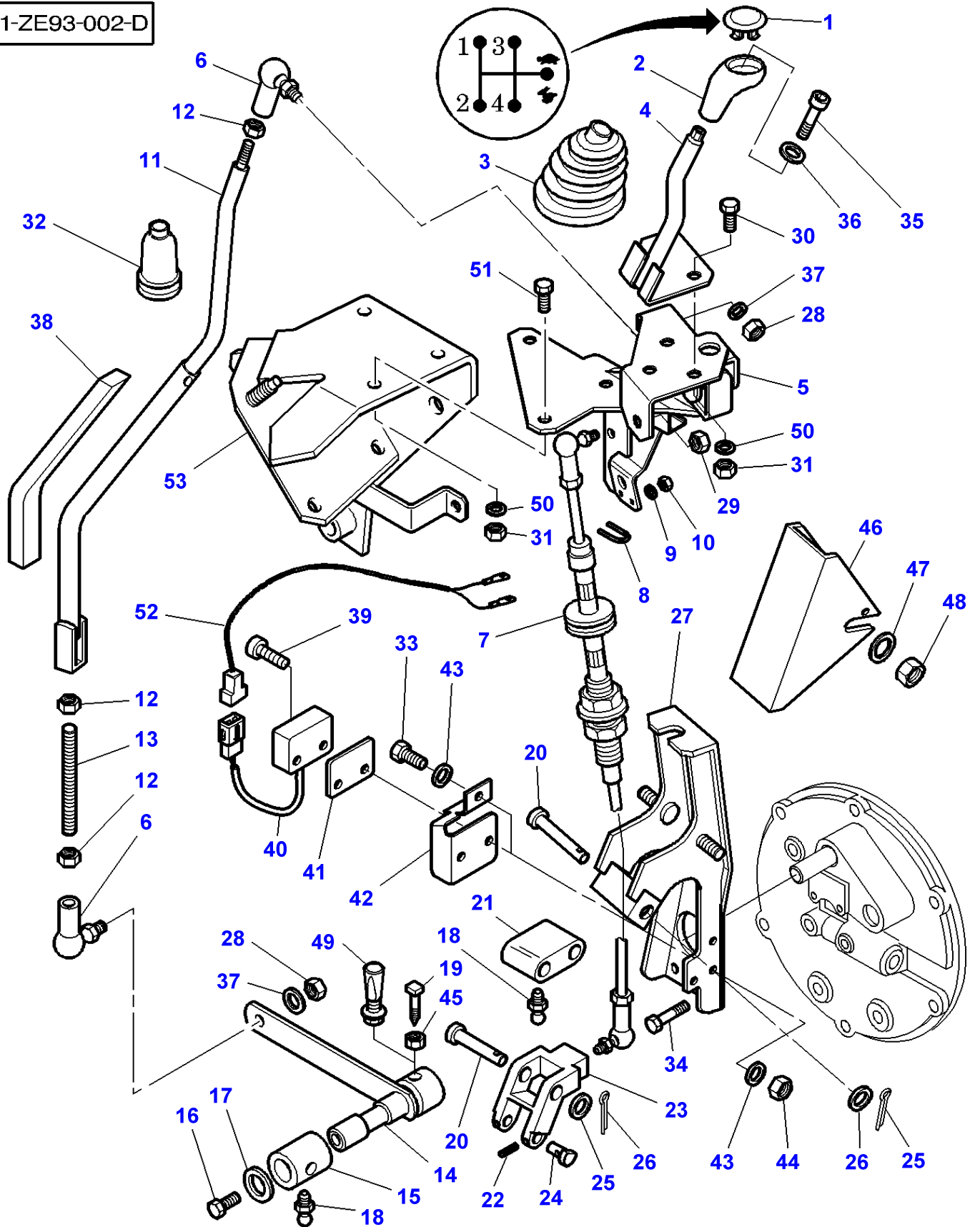


Item	Part Number	Qty	Description	Comments
1	3781242M92	1	Case Assy	
2	339030X1	2	Nut Metric	(1) M6
3	3782222M1	2	Case Assy	(1)
4	3385604M1	2	Bearing	(1)
5	3782223M1	1	Rockerarm	(1)
6	3782221M1	1	Key	(1) 5x5x25 MM
7	339666X1	2	Hex. Sock. Screw	(1) M6x20
8	3782220M1	1	Clevis Pin	(1) Length 12 MM
9	3009130X1	1	Clevis	(1) Length 12 MM
10	3782217M1	2	Cable	(1) Length 2370 MM
11	3782218M1	1	Plug	(1)
12	392463X1	1	Clevis	(1) Length 24 MM
13	3713042M1	1	Clevis Pin	(1) Length 24 MM
14	3613871M3	1	Knob	
15	3780365M1	1	Lever	
16	3780654M1	1	Bellows	
17	3009285X1	1	Screw	M8x16
18	1441461X1	3	Locknut	M8
19	339124X1	3	Hex. Sock. Screw	M8x16
20	390972X1	6	Washer Metric	M8
21	1441461X1	3	Locknut	M8
22	339009X1	3	Hex. Sock. Screw	M8x35
23	3780375M2	1	Support	
24	3783109M1	1	Support	
25	339123X1	2	Hex. Sock. Screw	M8x20
26	3783108M1	1	Selector	
27	3771408M1	1	Screw	Diameter 3/4"
28	360567X1	1	Clamp	Up to Serial or Engine Number 07-02-2002
29	3782598M1	1	Strap	Up to Serial or Engine Number 07-02-2002
30	390972X1	2	Washer Metric	Up to Serial or Engine Number 07-02-2002
31	1441461X1	2	Locknut	Up to Serial or Engine Number 07-02-2002
32	3780926M1	1	Stub	[A]

FOOTNOTE [A] WITHOUT MANUAL SHUTTLE SHIFT LEVERS LEFT HAND CONTROLS

MF 8210/8220 TRACTORS - 1637365
1-ZE93-002-D

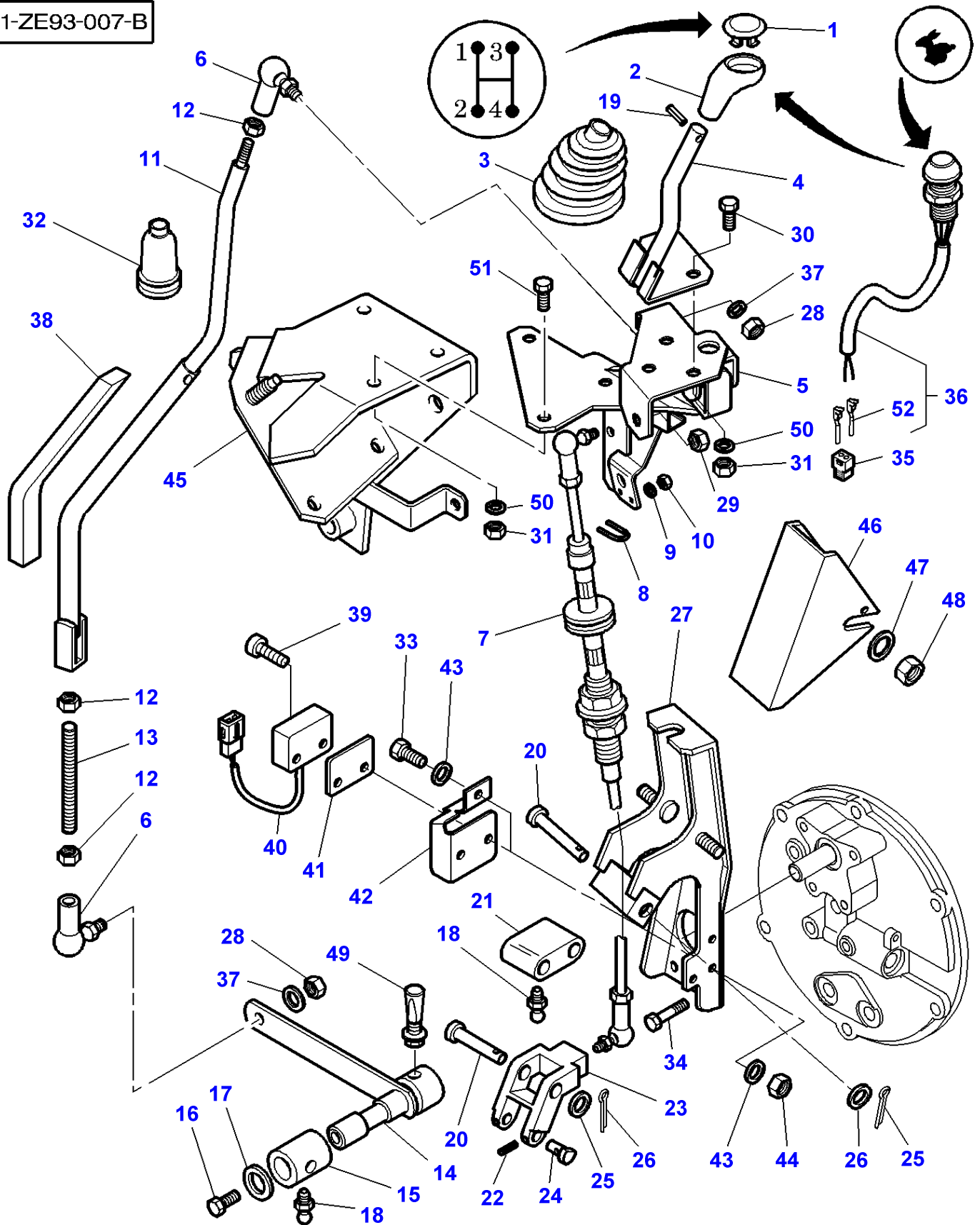
1-ZE93-002-D



Item	Part Number	Qty	Description	Comments
1	3782025M1	1	Helmet	
2	3781587M1	1	Handle	
3	3781060M1	1	Bellows	
4	3781979M2	1	Lever	Up to Serial or Engine Number H104014
	3781979M4	1	Lever	From Serial or Engine Number H104015
5	3781577M91	1	Support	Up to Serial or Engine Number H104014
	3781577M92	1	Support	From Serial or Engine Number H104015
6	3781935M1	2	Stub	
7	3781153M1	1	Cable	Length 819 MM
8	3781002M1	1	Stirrup	M6
9	390971X1	2	Washer	M6
10	1441462X1	2	Locknut	M6
11	3781582M1	1	Rod	
12	3009693X1	3	Nut Metric	M10
13	3781578M1	1	Stem	Diameter M10
14	3781561M3	1	Selector	Up to Serial or Engine Number J021015
	3783463M1	1	Selector	From Serial or Engine Number J021016
15	3781559M1	1	Bush	
16	339228X1	1	Screw Metric	M8x12
17	3010467X1	1	Washer	Diameter 9-30 MM Thickness 2 MM
18	1441858X1	2	Grease Nipple	M6
19	3771408M1	1	Screw	Diameter 3/8" Up to Serial or Engine Number J021015
20	3383531M1	2	Clevis Pin	
21	3781566M1	1	Angle Trans.	
22	70934582	2	Pin	Diameter 3 MM Length 26 MM
23	3781585M1	1	Cam	
24	3781586M1	2	Centraliser	
25	390735X1	2	Washer	Diameter 12-24 MM Thickness 2,5 MM
26	354066X1	2	Pin	Diameter 4 MM Length 25 MM
27	3781583M95	1	Support	
28	1440329X1	2	Locknut	M10
29	1441461X1	1	Locknut	M8
30	339123X1		Hex. Sock. Screw	M8x20
31	1441461X1		Locknut	M8
32	3782005M1	1	Bellows	Up to Serial or Engine Number H140028
	3783137M1	1	Bellows	From Serial or Engine Number H140029
33	3001162X1	1	Screw	M4X16
34	339123X1	2	Hex. Sock. Screw	M8x20
35	3009281X1	1	Screw	M6X16
36	390971X1	1	Washer	
37	390734X1	2	Washer	
38	3779389M1	1	Gasket	
39	3010933X1	2	Screw	M4X25
40	3782556M1	1	Sensor	
41	3782693M1	1	Chock	
42	3782555M3	1	Protector	
43	339102X1	2	Washer	
44	3019139X1	3	Nut	
45	353431X1	1	Nut Unf	Up to Serial or Engine Number J021015
46	3783135M1	1	Cowl	From Serial or Engine Number H285031
47	391039X1	2	Washer Metric	From Serial or Engine Number H285031
48	394367X1	2	Locknut	From Serial or Engine Number H285031
49	3783464M1	1	Key	From Serial or Engine Number J021016
50	390972X1	X	Washer Metric	
51	339761X1	3	Hex. Sock. Screw	M8X25
52	3782538M1	1	Harness	Length 2600MM Up to Serial or Engine Number 07/01/2001
53	3784362M91	1	Support	From Serial or Engine Number 08-JAN-2001

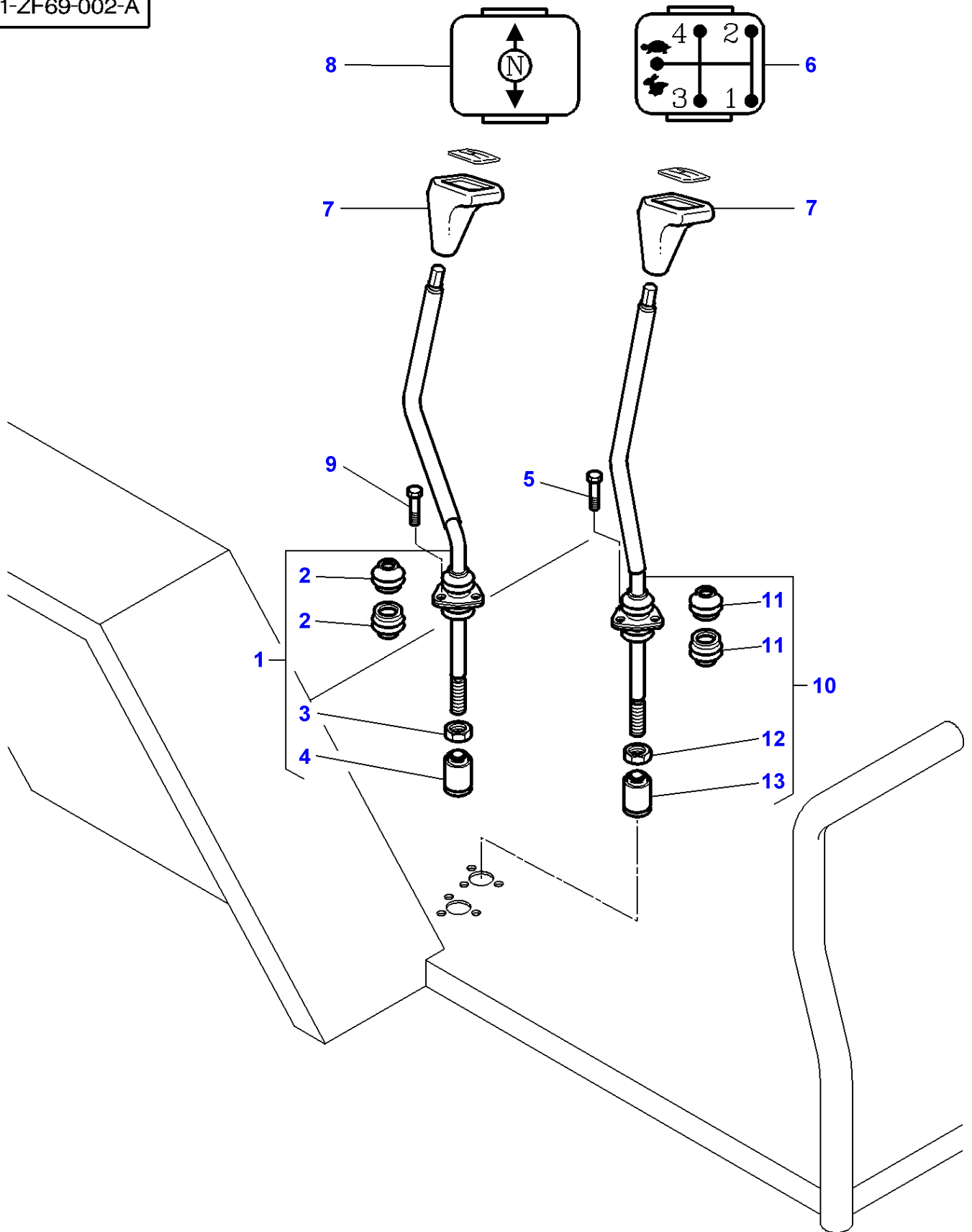
MF 8210/8220 TRACTORS - 1637365
1-ZE93-007-B

1-ZE93-007-B



Item	Part Number	Qty	Description	Comments
1	3786513M1	1	Helmet	
2	3787674M1	1	Knob	Up to Serial or Engine Number L077028
	3789474M1	1	Knob	From Serial or Engine Number L077029
3	3781060M1	1	Bellows	
4	3787673M1	1	Lever	Up to Serial or Engine Number L077028
	3789473M1	1	Lever	From Serial or Engine Number L077029
5	3781577M92	1	Support	
6	3781935M1	2	Stub	
7	3781153M1	1	Cable	Length 819 MM
8	3781002M1	1	Stirrup	M6
9	390971X1	2	Washer	M6
10	1441462X1	2	Locknut	M6
11	3781582M1	1	Rod	
12	3009693X1	3	Nut Metric	M10
13	3781578M1	1	Stem	Diameter M10
14	3783463M1	1	Selector	
15	3781559M1	1	Bush	
16	339228X1	1	Screw Metric	M8x12
17	3010467X1	1	Washer	Diameter 9-30 MM Thickness 2 MM
18	1441858X1	2	Grease Nipple	M6
19	3002151X1	1	Pin	Diameter 6X20MM Up to Serial or Engine Number L077028
20	3383531M1	2	Clevis Pin	
21	3781566M1	1	Angle Trans.	
22	70934582	2	Pin	Diameter 3 MM Length 26 MM
23	3781585M1	1	Cam	
24	3781586M1	2	Centraliser	
25	390735X1	2	Washer	Diameter 12-24 MM Thickness 2,5 MM
26	354066X1	2	Pin	Diameter 4 MM Length 25 MM
27	3781583M95	1	Support	
28	1440329X1	2	Locknut	M10
29	1441461X1	1	Locknut	M8
30	339123X1		Hex. Sock. Screw	M8x20
31	1441461X1		Locknut	M8
32	3783137M1	1	Bellows	
33	3001162X1	1	Screw	M4X16
34	339123X1	2	Hex. Sock. Screw	M8x20
35	3784375M1	1	Connectors	
36	3786097M2	1	Switch	
37	390734X1	2	Washer	
38	3779389M1	1	Gasket	
39	3010933X1	2	Screw	M4X25
40	3782556M1	1	Sensor	
41	3782693M1	1	Chock	
42	3782555M3	1	Protector	
43	339102X1	2	Washer	
44	3019139X1	3	Nut	
45	3784362M91	1	Support	
46	3783135M1	1	Cowl	
47	391039X1	2	Washer Metric	
48	394367X1	2	Locknut	
49	3783464M1	1	Key	
50	390972X1	X	Washer Metric	
51	339761X1	3	Hex. Sock. Screw	M8X25
52	3903650M1	2	Connectors	(36)

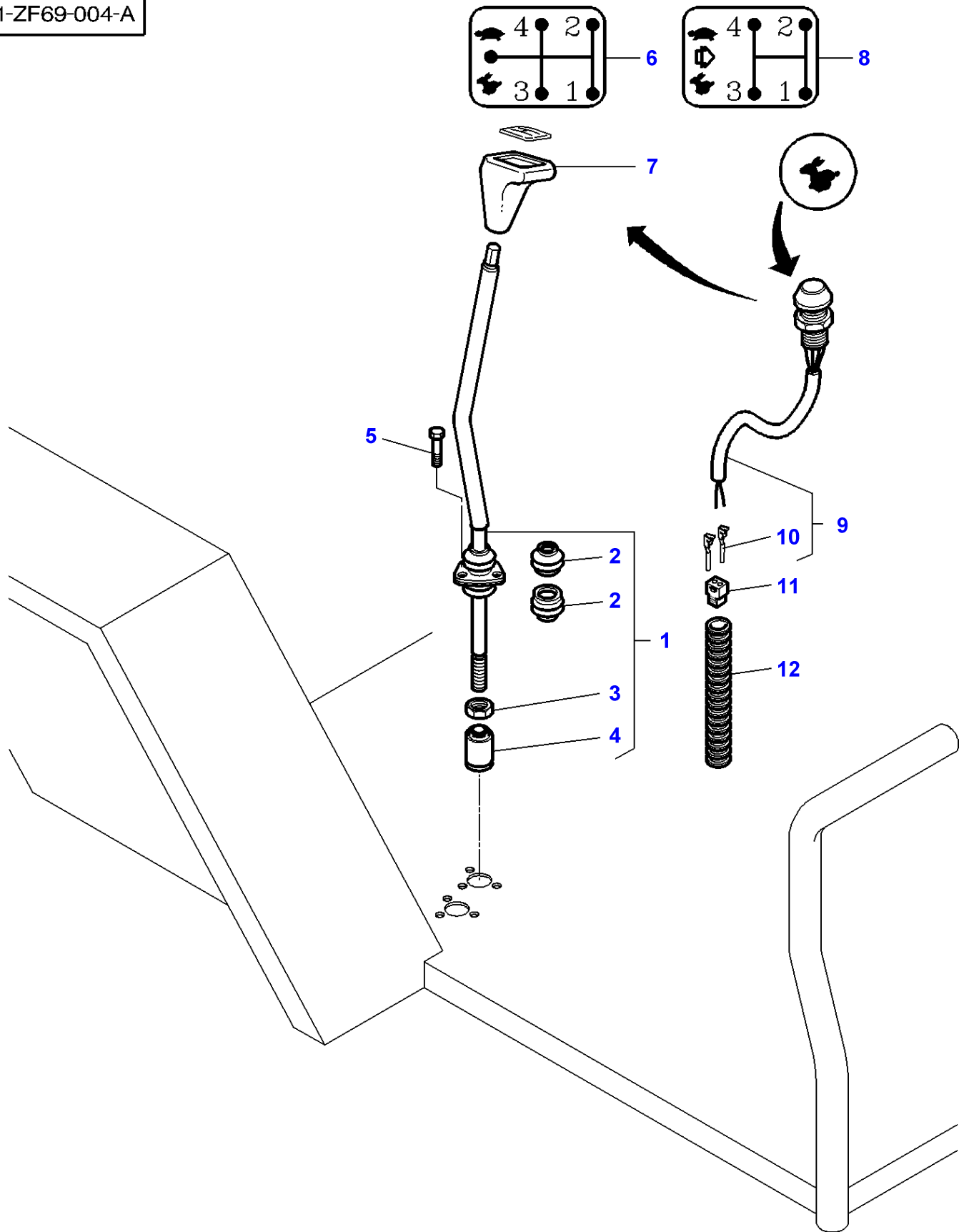
1-ZF69-002-A



Massey Ferguson**MF 8210/8220 TRACTORS - 1637365****1637365****Shift Lever - Platform - Up to Serial or Engine Number 31-OCT-2001****Page025-0150**

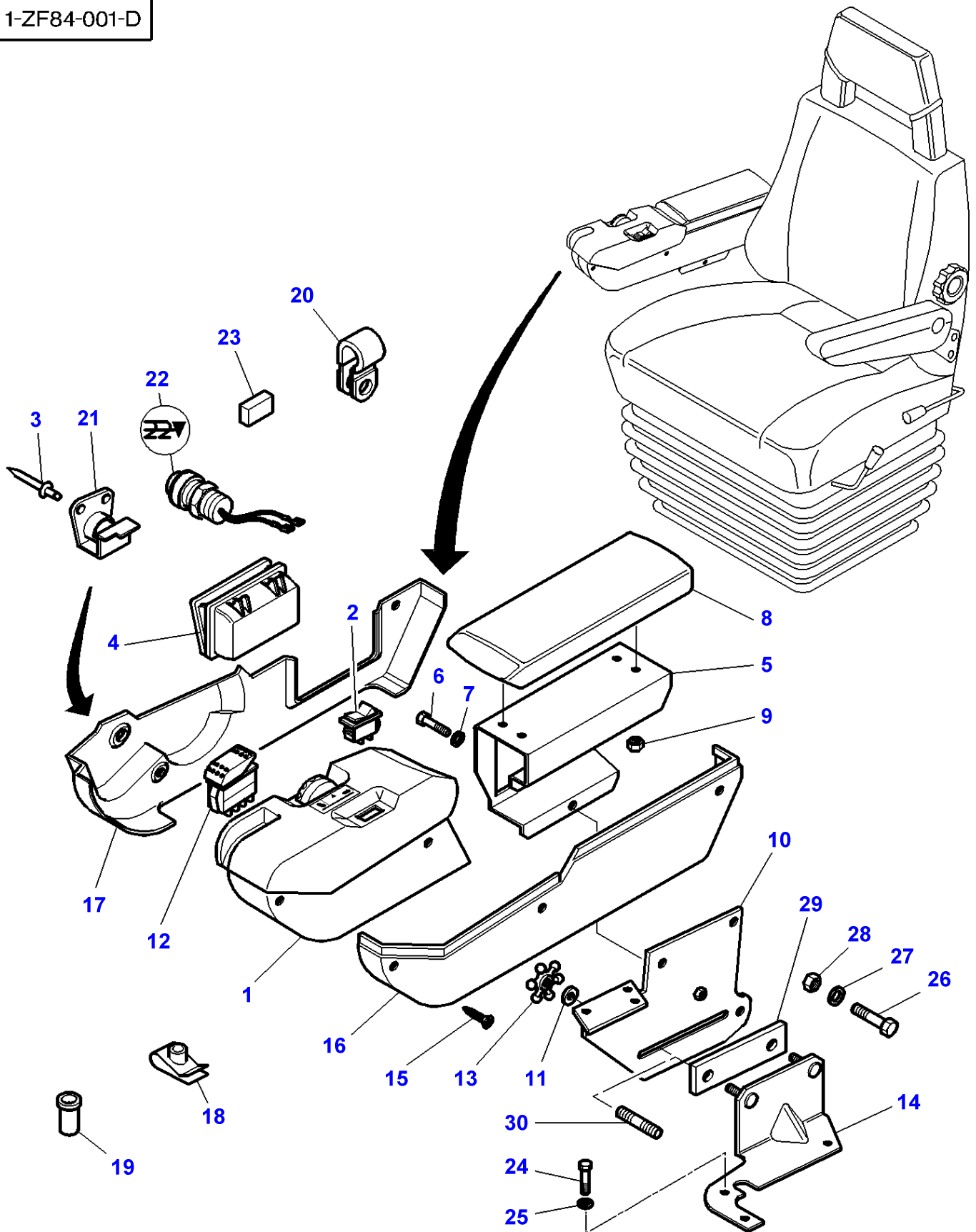
Item	Part Number	Qty	Description	Comments
1	3713807M91	1	Lever	
2	3389506M1	2	Bellows	(1)
3	339592X1	1	Nut Metric	(1)
4	3388603M1	1	Guide	(1)
5	339124X1	3	Hex. Sock. Screw	M8X16
6	3388837M1	1	Note Plate	NOIR/BLACK
	3779652M1	1	Note Plate	For United States of America ORANGE
7	3387626M2	2	Knob	
8	3778985M1	1	Note Plate	NOIR/BLACK
	3779651M1	1	Note Plate	For United States of America ORANGE
9	339124X1	3	Hex. Sock. Screw	M8X16
10	3783204M1	1	Lever	
11	3389506M1	2	Bellows	(10)
12	339592X1	1	Nut Metric	(10)
13	3388603M1	1	Guide	(10)

1-ZF69-004-A



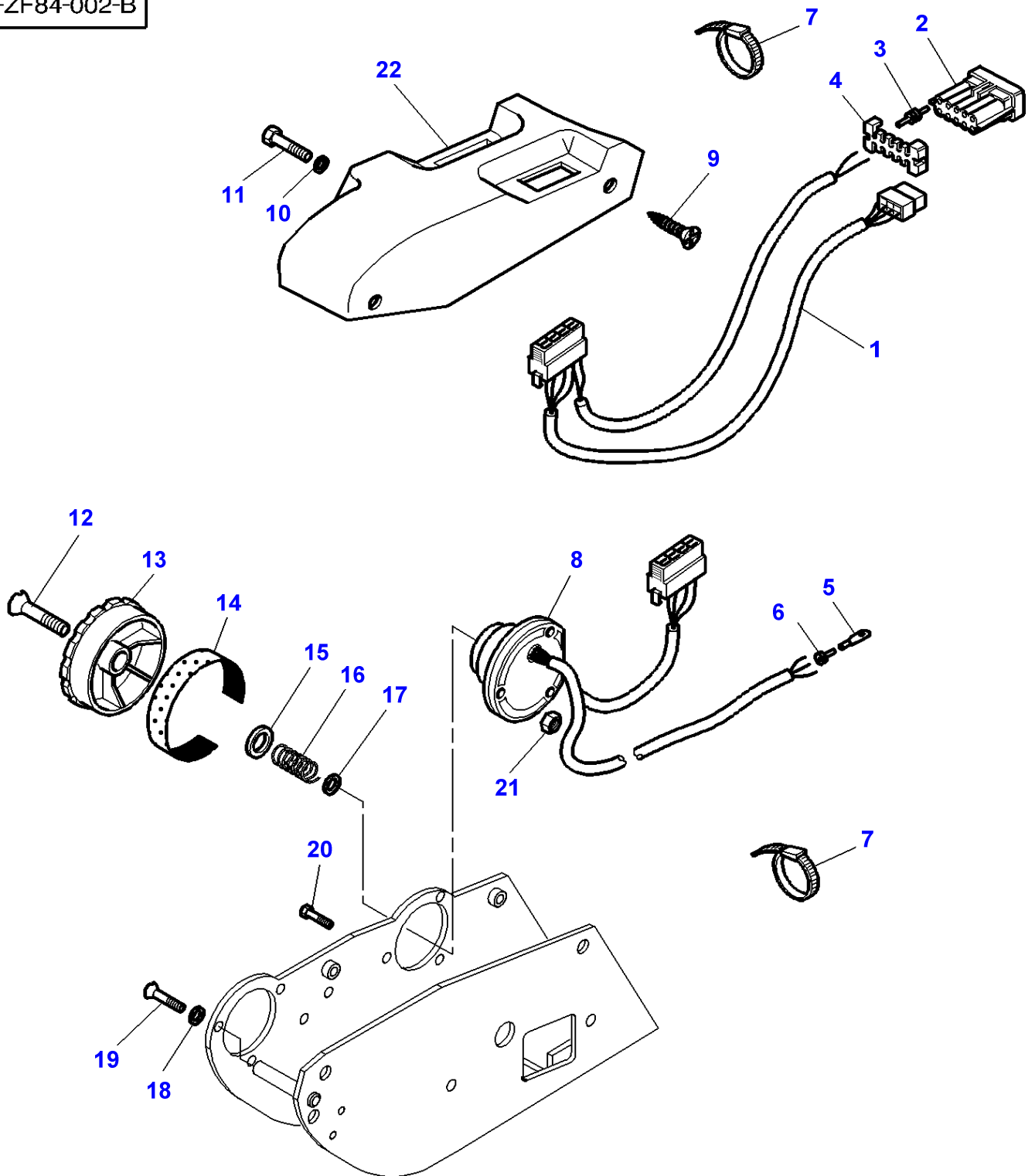
Item	Part Number	Qty	Description	Comments
1	3783204M1	1	Lever	
2	3389506M1	2	Bellows	(1)
3	339592X1	1	Nut Metric	(1)
4	3388603M1	1	Guide	(1)
5	339124X1	3	Hex. Sock. Screw	M8X16
6	3388837M1	1	Note Plate	Up to Serial or Engine Number NOIR/BLACK
	3779652M1	1	Note Plate	Up to Serial or Engine Number For United States of America ORANGE
7	3387626M2	1	Knob	Up to Serial or Engine Number
	3618764M1	1	Handle	From Serial or Engine Number
8	3787871M1	1	Note Plate	From Serial or Engine Number
9	3787872M1	1	Switch	From Serial or Engine Number
10	3903650M1	2	Connectors	(9)
11	3784375M1	1	Connectors	From Serial or Engine Number
12	3780088M1	1	Sheath	From Serial or Engine Number Diameter 6MM Length 500MM

1-ZF84-001-D



Item	Part Number	Qty	Description	Comments
1	3782015M92	1	Plate Control	See Page - Reference Number 025-0165
2	3785201M1	1	Switch,Indirect	Two Wheel Drive
	3785202M1	1	Switch,Indirect	Four Wheel Drive
3	3011214X1	2	Rivet	Diameter 3,2 X7,5MM Up to Serial or Engine Number J102023
4	3712912M1	1	Ashtray	
5	3778674M2	1	Support	
6	391074X1	3	Hex. Sock. Screw	M6x12
7	390971X1	3	Washer	
8	3778521M1	1	Armrest	
9	1441500X1	4	Locknut	M6
10	3778747M1	1	Plate	Up to Serial or Engine Number H340002
	3783660M1	1	Plate	From Serial or Engine Number H340003 Up to Serial or Engine Number J245007
	3783660M2	1	Plate	From Serial or Engine Number J245008 Up to Serial or Engine Number J291016
	3783660M3	1	Plate	From Serial or Engine Number J291017
11	3778519M1	2	Washer	
12	3782020M2	1	Switch,Indirect	
13	3778520M1	2	Button	Up to Serial or Engine Number
	3784102M1	2	Button	From Serial or Engine Number
				Up to Serial or Engine Number J291016 M10X30
	3778520M1	2	Button	From Serial or Engine Number J291017 M10
14	3778517M1	1	Angle.	Up to Serial or Engine Number
15	3010578X1	7	Screw	
16	3778528M2	1	Flange	Left Hand
17	3782019M2	1	Flange	Right Hand Up to Serial or Engine Number J102023
	3784095M1	1	Flange	Right Hand From Serial or Engine Number J102024
18	3715142M1	2	Nut	M5
19	3778672M1	3	Nut	M5
20	3779547M1	1	Clamp	Diameter 10-12 MM
21	3782022M3	1	Support	Up to Serial or Engine Number J102023
22	3783772M1	1	Switch,Indirect	From Serial or Engine Number J102024
23	3782023M1	1	Chock	Up to Serial or Engine Number J102023
24	339228X1	3	Screw Metric	M8X12
25	390972X1	3	Washer Metric	
26	3009494X1	1	Screw Metric	From Serial or Engine Number H340003 M10X35
27	3619096M1	2	Washer	From Serial or Engine Number H340003
28	3009693X1	1	Nut Metric	From Serial or Engine Number H340003
29	3784970M1	1	Plate	From Serial or Engine Number J245008 Up to Serial or Engine Number J291016
30	391005X1	2	Stud	From Serial or Engine Number J291017 M10X25

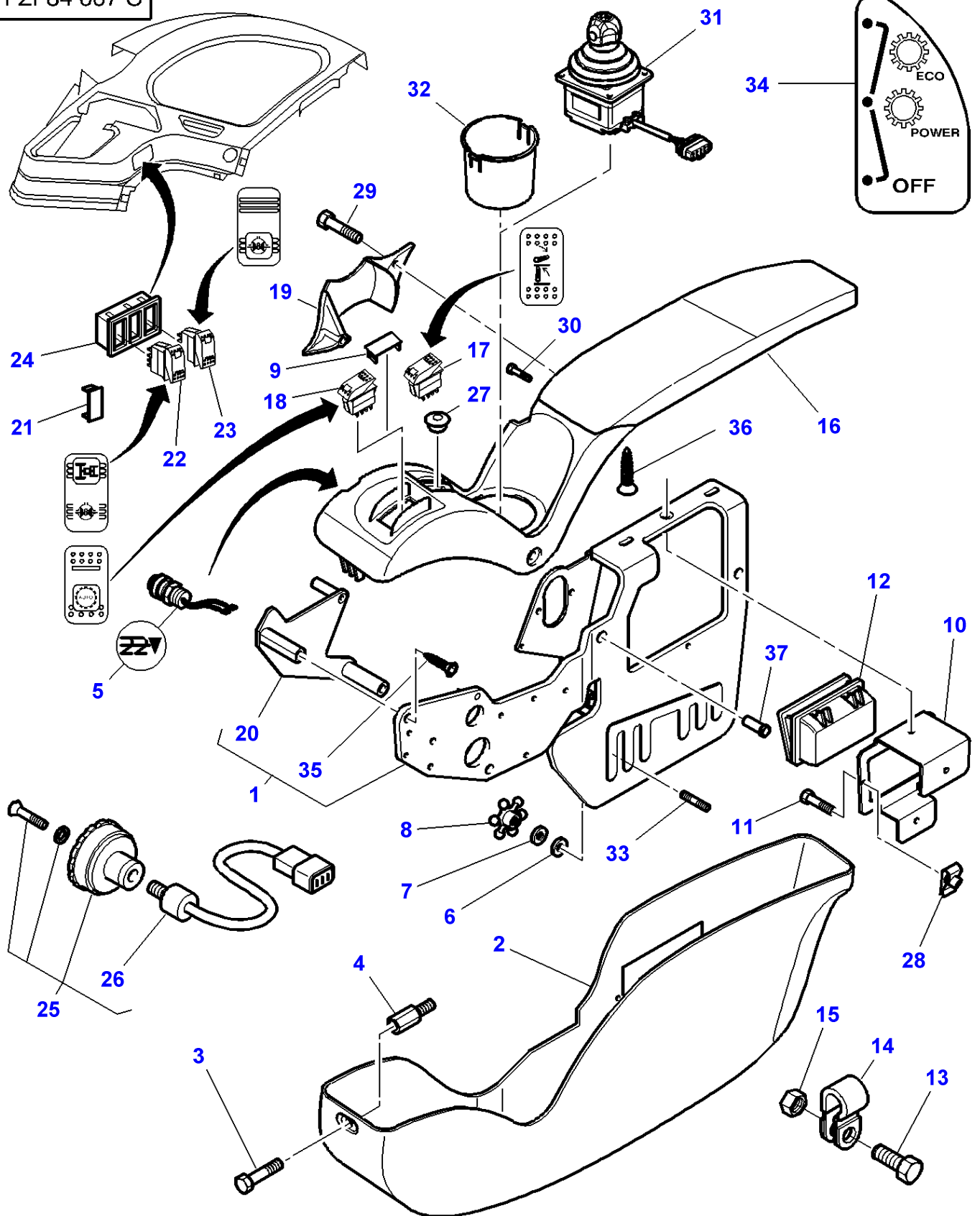
1-ZF84-002-B



Massey Ferguson**MF 8210/8220 TRACTORS - 1637365****1637365****Control Armrest - Up to Serial or Engine Number 07-01-2001****Page025-0165**

Item	Part Number	Qty	Description	Comments
1	3903311M91	1	Harness	
2	3902943M1	1	Connectors	NOIR - BLACK
3	3902940M1	4	Plastic Plug	
4	3902941M1	1	Connectors	
5	3902843M1	9	Connectors	
6	3902842M1	9	Grommet	ROUGE - RED
7	3902829M1	X	Tie	
8	3903312M91	1	Potentiometer	
9	3004566X1	2	Screw	M6x16
10	3902863M1	2	Washer	M6
11	339560X1	2	Hex. Sock. Screw	M6x16
12	3009674X1	1	Screw	M6x35
13	3902836M1	1	Button	
14	3902826M1	1	Decal	
15	3902830M1	1	Washer	
16	3902832M1	1	Spring	
17	3902833M1	1	Seal	
18	339102X1	2	Washer	
19	3008179X1	2	Screw Metric	M4X10
20	3009531X1	3	Screw Metric	M4X12
21	3019139X1	3	Nut	M4
22	3903477M1	1	Cover	

1-ZF84-007-C



Item	Part Number	Qty	Description	Comments
1	3783778M3	1	Support	[F] Up to Serial or Engine Number L148005
	4270775M91	1	Support	From Serial or Engine Number L148006
2	3783777M3	1	Envelope	
3	3011175X1	1	Screw	M5X8
4	3786164M1	1	Spacer	
5	3783772M1	1	Switch,Indirect	
6	3619096M1	2	Washer	Diameter 10,5-32X5
7	3778519M1	2	Washer	Diameter 10-27X1,8
8	3778520M1	2	Button	Up to Serial or Engine Number K347035
	3786216M1	2	Button	From Serial or Engine Number K347036
9	3713151M1	X	Tap	
10	3785295M2	1	Reinforcement	Up to Serial or Engine Number K309014
11	3010506X1	2	Screw	M5X16
12	3781512M1	1	Ashtray	
13	3779547M1	1	Clamp	
14	3009494X1	1	Screw Metric	M10X35
15	3009693X1	1	Nut Metric	
16	3785279M2	1	Envelope	
17	3782020M2	1	Switch,Indirect	Up to Serial or Engine Number L347041
	4270970M2	1	Switch,Indirect	From Serial or Engine Number L347042
18	3783775M1	1	Switch	[B]
	3784327M1	1	Switch	[C]
19	3784381M1	1	Muff	
20	3783773M1	1	Plate	(1)
21	3713151M1	X	Tap	
22	3785202M1	1	Switch,Indirect	[D] Four Wheel Drive
23	3785201M1	1	Switch,Indirect	[D] Two Wheel Drive
24	3809798M1	1	Housing	
25	3784868M3	1	Potentiometer	
26	3580997M1	1	Potentiometer	(25)
27	3784237M1	4	Plug	[E, G]
28	3715143M1	2	Nut	Up to Serial or Engine Number M5
29	3010818X1	2	Screw Metric	M4X20
30	3010578X1	2	Screw	M5X10
31	3785028M93	1	Joystick	See Page - Reference Number 025-0205/1
32	3784376M1	1	Support	[E]
33	391005X1	2	Stud	Up to Serial or Engine Number K347035 M10X25
	3008483X1	2	Stud	From Serial or Engine Number K347036 M10X35
34	3788814M1	1	Decal	[C] From Serial or Engine Number L077021
35	3009439X1	2	Screw	(1) M8X16
36	4270255M1	1	Screw	N 5X22
37	3580776M1	1	Nut	From Serial or Engine Number M5

FOOTNOTE [A] WITH DYNASHIFT

FOOTNOTE [B] WITH SPEED MATCHING

FOOTNOTE [C] WITH AUTODRIVE

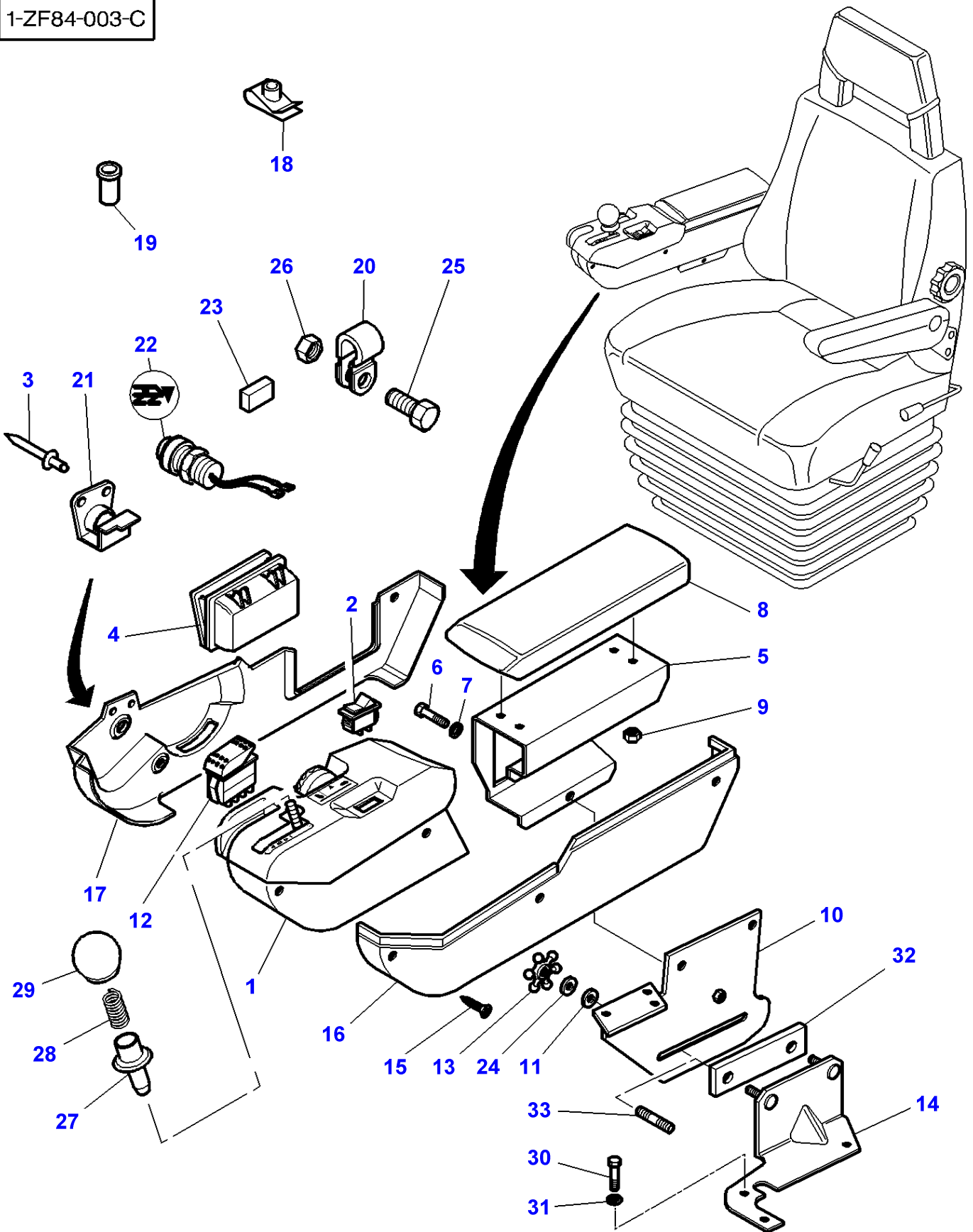
FOOTNOTE [D] DIFFERENTIAL LOCK

FOOTNOTE [E] WITHOUT JOYSTICK

FOOTNOTE [F] PLATE 3783773M1 IS NOT INCLUDED

FOOTNOTE [G] BLACK

1-ZF84-003-C



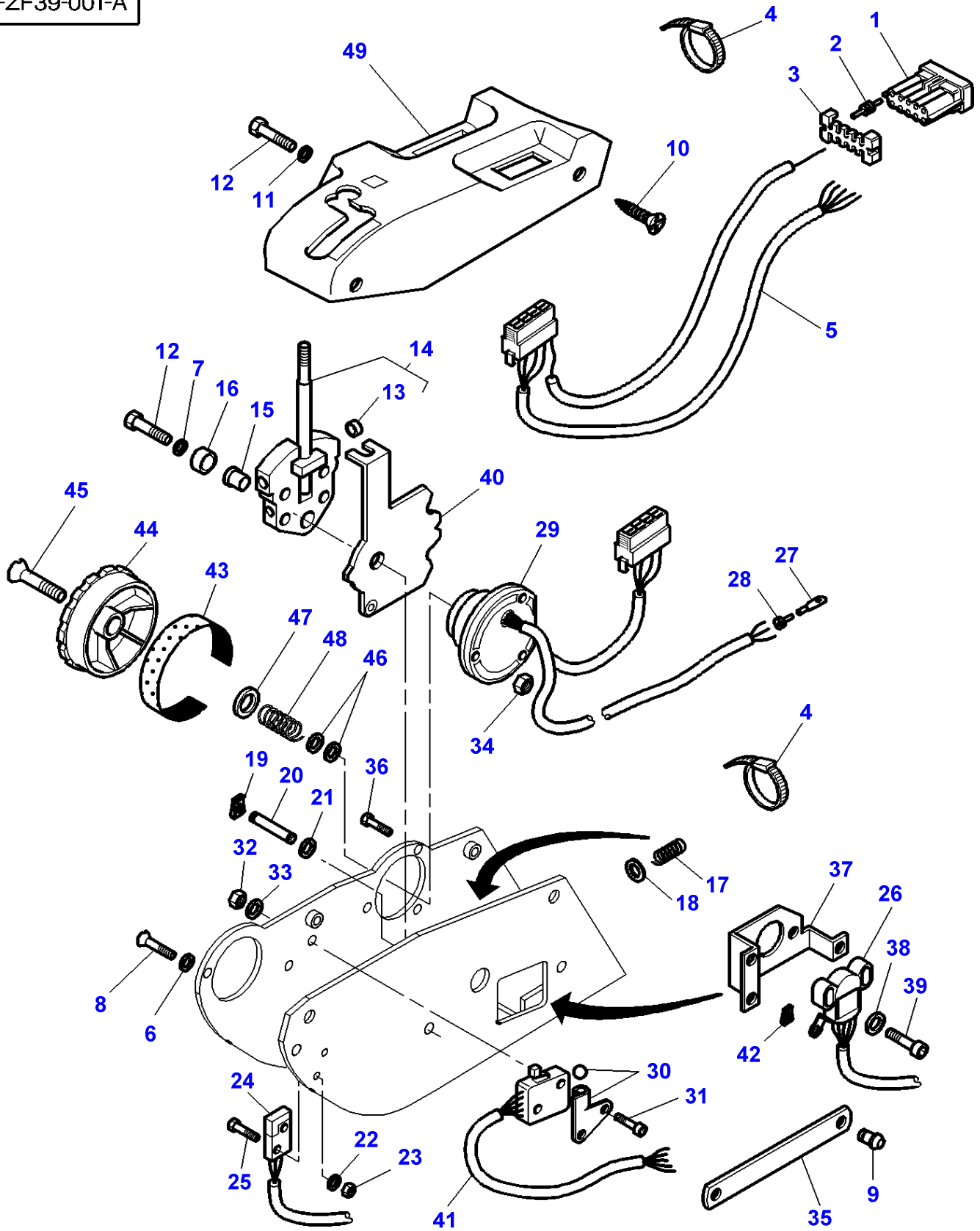
Item	Part Number	Qty	Description	Comments
1	3782014M93	1	Plate Control	See Page - Reference Number 025-0180
2	3785201M1	1	Switch, Indirect	Two Wheel Drive
	3785202M1	1	Switch, Indirect	Four Wheel Drive
3	3011214X1	2	Rivet	Diameter 3,2 X 7,5MM Up to Serial or Engine Number J102023
4	3712912M1	1	Ashtray	
5	3778674M2	1	Support	
6	391074X1	3	Hex. Sock. Screw	M6x12
7	390971X1	3	Washer	
8	3778521M1	1	Armrest	
9	1441500X1	4	Locknut	Diameter M6
10	3778518M2	1	Plate	Up to Serial or Engine Number J025011
	3783660M3	1	Plate	From Serial or Engine Number J025012
11	3778519M1	2	Washer	
12	3782020M2	1	Switch, Indirect	
13	3778520M1	2	Button	Up to Serial or Engine Number
	3784102M1	2	Button	From Serial or Engine Number
				Up to Serial or Engine Number J291016
				M10X30
	3778520M1	2	Button	From Serial or Engine Number J291017
				M10
14	3778517M1	1	Angle.	Up to Serial or Engine Number
15	3010578X1	7	Screw	
16	3778528M2	1	Flange	Left Hand
17	3782019M2	1	Flange	Right Hand
				Up to Serial or Engine Number J102023
	3784095M1	1	Flange	Right Hand
				From Serial or Engine Number J102024
18	3715142M1	2	Nut	Diameter M5
19	3778672M1	3	Nut	Diameter M5
20	3779547M1	1	Clamp	Diameter 10-12 MM
21	3782022M3	1	Support	Up to Serial or Engine Number J102023
22	3783772M1	1	Switch, Indirect	From Serial or Engine Number J102024
23	3782023M1	1	Chock	Up to Serial or Engine Number J102023
24	3619096M1	2	Washer	
25	3009494X1	1	Screw Metric	M10X35
26	3009693X1	1	Nut Metric	
27	3782951M3	1	Latch	
28	3783315M1	1	Spring	
29	3782952M2	1	Knob	[A]
30	339228X1	3	Screw Metric	M8X12
31	390972X1	3	Washer Metric	
32	3784970M1	1	Plate	From Serial or Engine Number J245008
33		2	Stud	[B] M10X35 From Serial or Engine Number

FOOTNOTE [A] ORANGE

FOOTNOTE [B] TO BE ADVISED

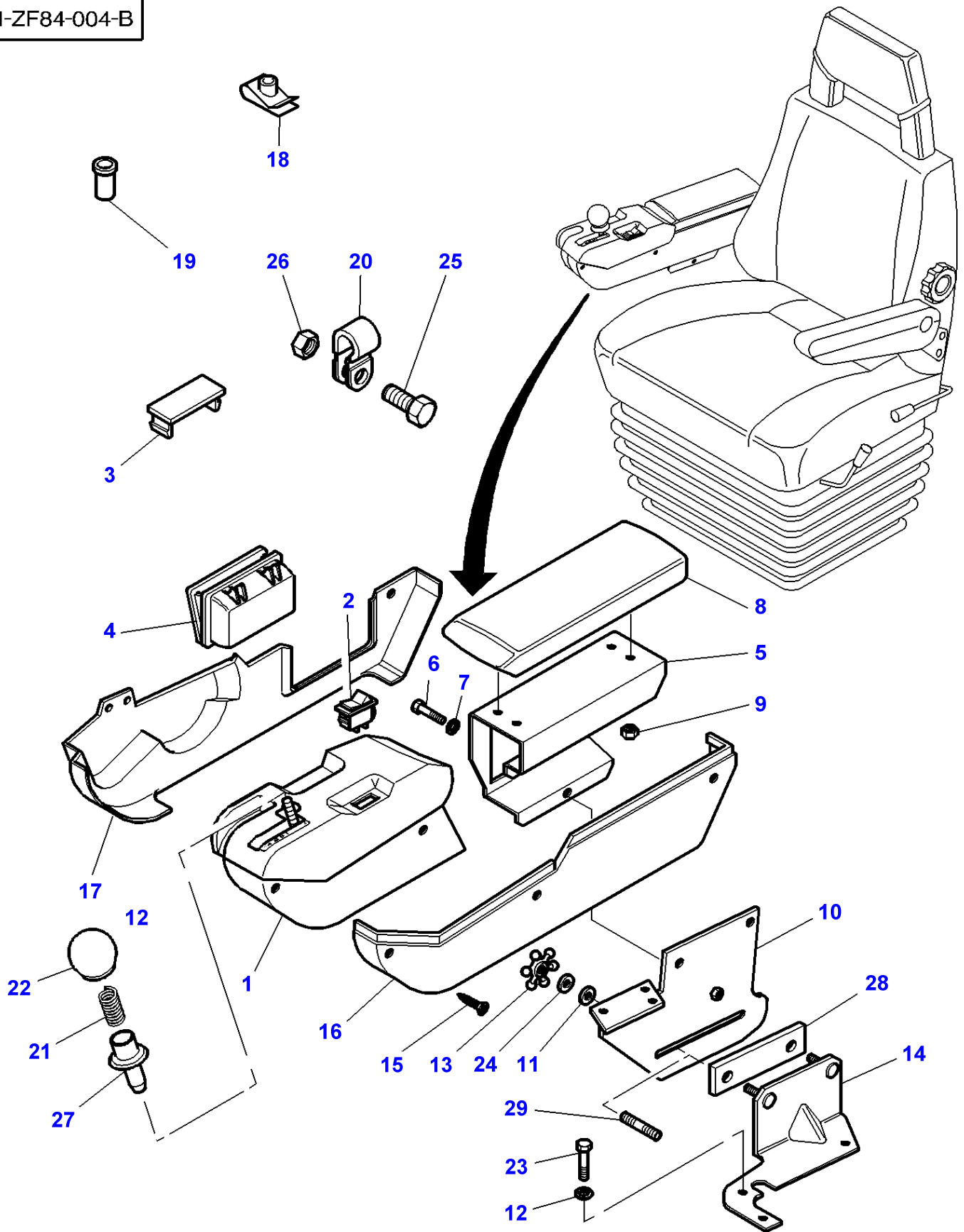
MF 8210/8220 TRACTORS - 1637365
1-ZF39-001-A

1-ZF39-001-A



Item	Part Number	Qty	Description	Comments
1	3902942M1	1	Connectors	GREY
	3902943M1	1	Connectors	BLACK
2	3902940M1	2	Plastic Plug	
3	3902941M1	2	Connectors	
4	3902829M1	X	Tie	
5	3903445M91	1	Cable	
6	339102X1	2	Washer	
7	1441206X1	1	Lock Washer	
8	3008179X1	2	Screw Metric	M4X10
9	3903447M1	1	Clevis Pin	
10	3004566X1	2	Screw	M6x16
11	3902863M1	2	Washer	M6
12	339560X1	3	Hex. Sock. Screw	M6x16
13	3902863M1	1	Washer	(14)
14	3903449M91	1	Lever	
15	3902838M1	1	Bearing	
16	3902850M1	1	Spacer	
17	3902859M1	1	Spring	
18	3902863M1	1	Washer	
19	3902944M1	2	Clip	Diameter 6 MM
20	3902945M2	1	Pin	
21	3902947M1	1	Roller	
22	3902866M1	2	Washer	M3
23	3010599X1	2	Nut Metric	M3
24	3902860M1	1	Switch,Indirect	
25	1442829X1	2	Screw	M3x16
26	3902946M91	1	Potentiometer	
27	3902843M1	4	Connectors	
28	3902842M1	4	Grommet	RED
29	3903312M91	1	Potentiometer	
30	3902862M1	1	Plate	
31	3903270M1	2	Screw	M3x16
32	3010599X1	2	Nut Metric	M3
33	3902866M1	2	Washer	M3
34	3019139X1	3	Nut	M4
35	3903448M1	1	Cam	
36	3009531X1	3	Screw Metric	M4x12
37	3903446M91	1	Support	
38	3903451M1	2	Washer	
39	3009534X1	2	Screw Metric	M4X25
40	3903450M91	1	Lever	
41	3903199M91	1	Harness	
42	3902955M1	2	Clip	Diameter 5 MM
43	3902826M1	1	Decal	
44	3902836M1	1	Button	
45	3009674X1	1	Screw	M6x35
46	3902833M1	1	Seal	
47	3902830M1	1	Washer	
48	3902832M1	1	Spring	
49	3903476M1	1	Cover	

1-ZF84-004-B

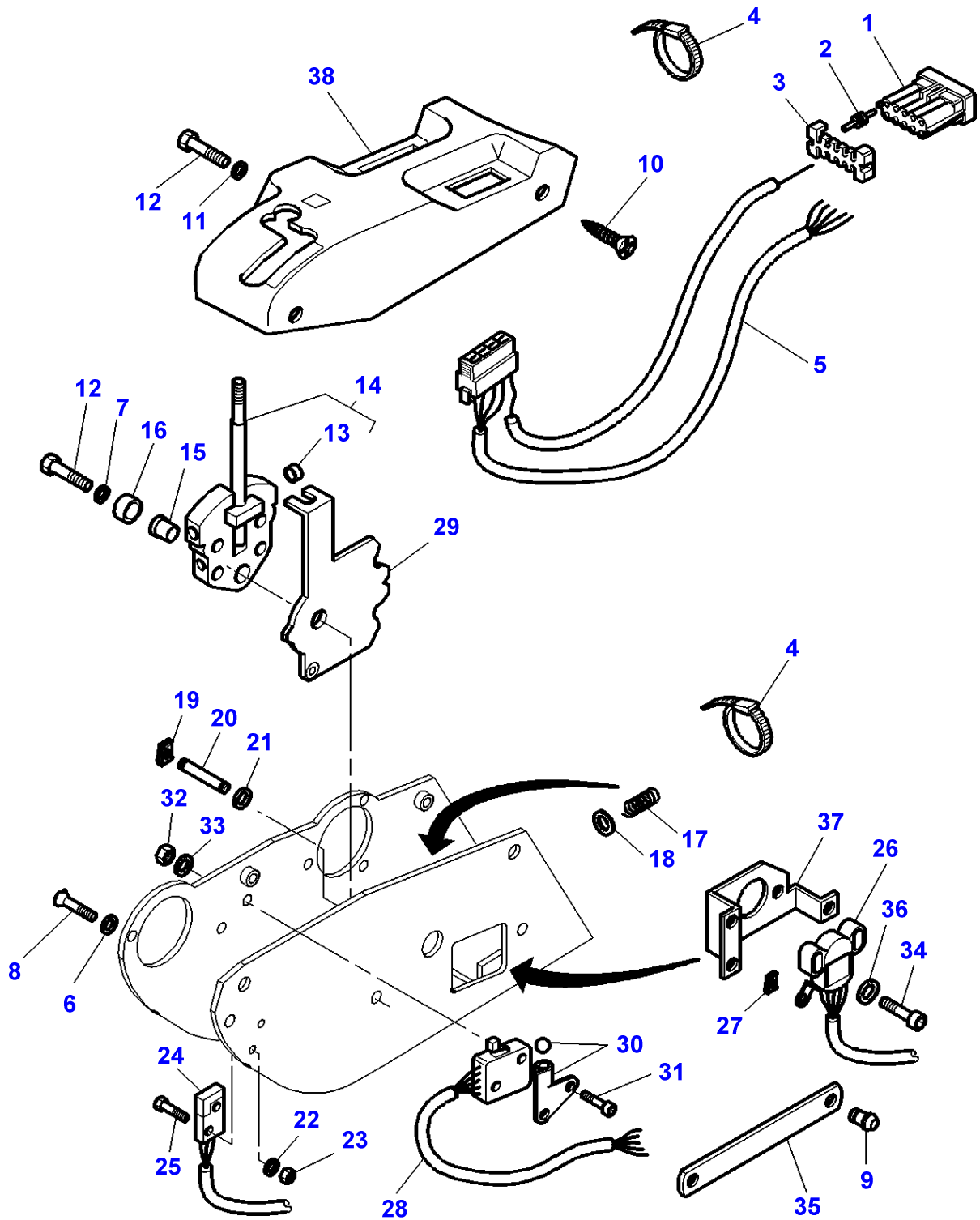


Item	Part Number	Qty	Description	Comments
1	3782018M92	1	Plate Control	See Page - Reference Number 025-0190
2	3785202M1	1	Switch, Indirect	
3	3713151M1	2	Tap	
4	3712912M1	1	Ashtray	
5	3778674M2	1	Support	
6	391074X1	3	Hex. Sock. Screw	M6x12
7	390971X1	3	Washer	
8	3778521M1	1	Armrest	
9	1441500X1	4	Locknut	M6
10	3778518M2	1	Plate	Up to Serial or Engine Number J025011
	3783660M3	1	Plate	From Serial or Engine Number J025012
11	3778519M1	2	Washer	
12	390972X1	3	Washer Metric	
13	3778520M1	2	Button	
14	3778517M1	1	Angle.	Up to Serial or Engine Number
15	3010578X1	7	Screw	
16	3778528M2	1	Flange	Left Hand
17	3783015M1	1	Flange	Right Hand
18	3715142M1	2	Nut	M5
19	3778672M1	3	Nut	M5
20	3779547M1	1	Clamp	Diameter 10-12 MM
21	3783315M1	1	Spring	
22	3782952M2	1	Knob	[A]
23	339228X1	3	Screw Metric	M8X12
24	3619096M1	2	Washer	
25	3009494X1	1	Screw Metric	M10X35
26	3009693X1	1	Nut Metric	
27	3782951M3	1	Latch	
28	3784970M1	1	Plate	From Serial or Engine Number J245008
29	391006X1	2	Stud	From Serial or Engine Number M10X30

FOOTNOTE [A] ORANGE

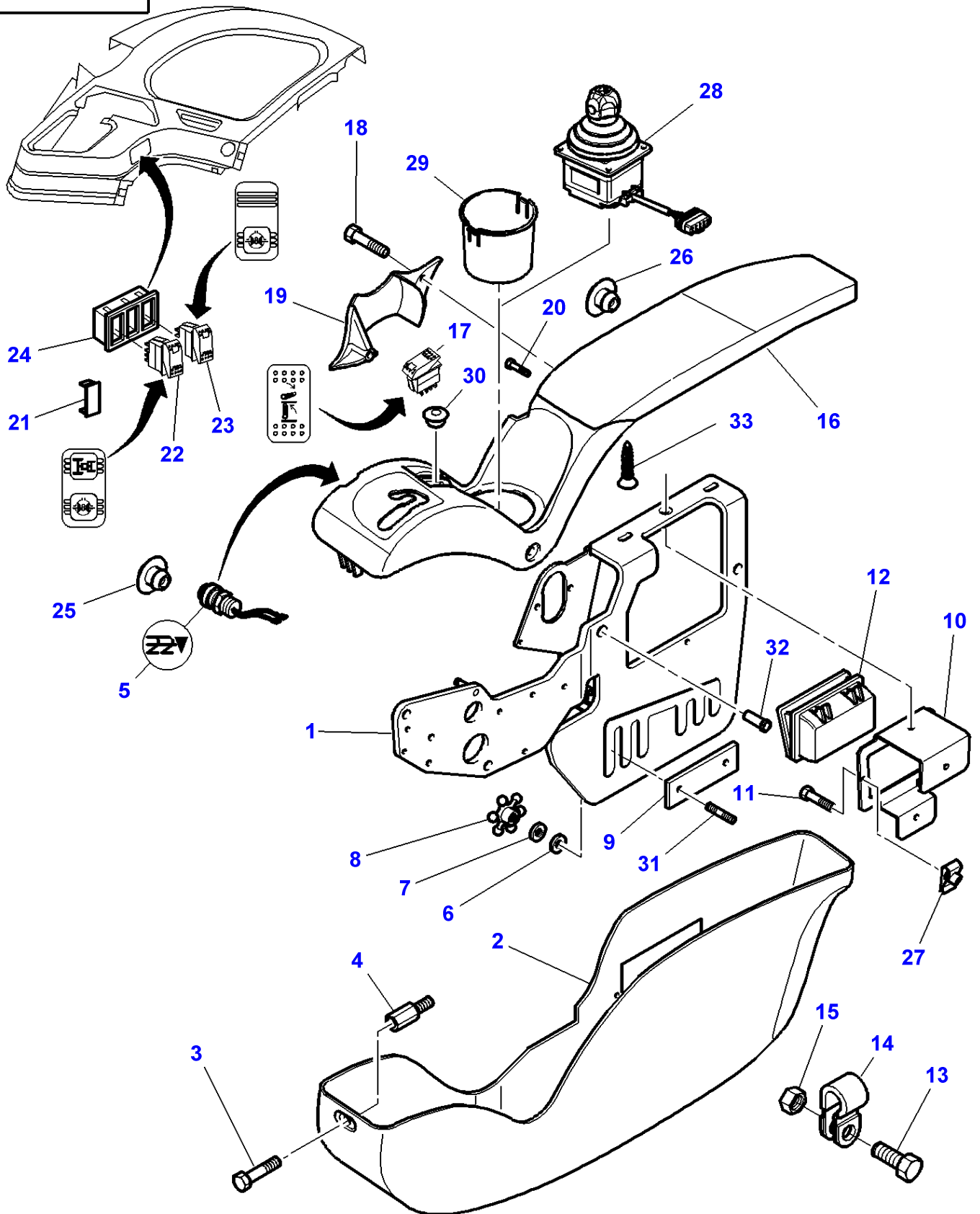
FOOTNOTE [B] TO BE ADVISED

1-ZF39-002-A



Item	Part Number	Qty	Description	Comments
1	3902942M1	1	Connectors	GREY
	3902943M1	1	Connectors	BLACK
2	3902940M1	X	Plastic Plug	
3	3902941M1	2	Connectors	
4	3902829M1	X	Tie	
5	3903445M91	1	Cable	
6	339102X1	2	Washer	
7	1441206X1	1	Lock Washer	
8	3008179X1	2	Screw Metric	M4X10
9	3903447M1	1	Clevis Pin	
10	3004566X1	2	Screw	M6x16
11	3902863M1	2	Washer	M6
12	339560X1	3	Hex. Sock. Screw	M6x16
13	3902863M1	1	Washer	(14)
14	3903449M91	1	Lever	
15	3902838M1	1	Bearing	
16	3902850M1	1	Spacer	
17	3902859M1	1	Spring	
18	3902863M1	1	Washer	
19	3902944M1	2	Clip	Diameter 6 MM
20	3902945M2	1	Pin	
21	3902947M1	1	Roller	
22	3902866M1	2	Washer	M3
23	3010599X1	2	Nut Metric	M3
24	3902860M1	1	Switch,Indirect	
25	1442829X1	2	Screw	M3x16
26	3902946M91	1	Potentiometer	
27	3902955M1	2	Clip	Diameter 5 MM
28	3903199M91	1	Harness	
29	3903450M91	1	Lever	
30	3902862M1	1	Plate	
31	3903270M1	2	Screw	M3x16
32	3010599X1	2	Nut Metric	M3
33	3902866M1	2	Washer	M3
34	3009534X1	2	Screw Metric	M4X25
35	3903448M1	1	Cam	
36	3903451M1	2	Washer	
37	3903446M91	1	Support	
38	3903475M1	1	Cover	

1-ZF84-006-C



Item	Part Number	Qty	Description	Comments
1	3783778M3	1	Support	
2	3783777M3	1	Envelope	
3	3011175X1	1	Screw	M5X8
4	3786164M1	1	Spacer	
5	3783772M1	1	Switch, Indirect	
6	3619096M1	2	Washer	Diameter 10,5-32X5
7	3778519M1	2	Washer	Diameter 10-27X1,8
8	3784102M1	2	Button	Up to Serial or Engine Number L276032
	3786216M1	2	Button	From Serial or Engine Number L276033
9	3784970M1	1	Plate	
10	3785295M2	1	Reinforcement	Up to Serial or Engine Number K309014
11	3010506X1	1	Screw	M5X16
12	3781512M1	1	Ashtray	
13	3779547M1	1	Clamp	
14	3009494X1	1	Screw Metric	M10X35
15	3009693X1	1	Nut Metric	
16	3785280M2	1	Envelope	
17	3782020M2	1	Switch, Indirect	Up to Serial or Engine Number L347041
	4270970M2	1	Switch, Indirect	From Serial or Engine Number L347042
18	3010818X1	2	Screw Metric	M4X20
19	3784381M1	1	Muff	
20	3010578X1	2	Screw	M5X10
21	3713151M1	X	Tap	
22	3785202M1	1	Switch, Indirect	[B] Four Wheel Drive
23	3785201M1	1	Switch, Indirect	[B] Two Wheel Drive
24	3809798M1	1	Housing	
25	3784237M1	1	Plug	[A] Diameter 13MM
26	3785802M1	1	Plug	[A]
27	3715143M1	1	Nut	Up to Serial or Engine Number M5
28	3785028M93	1	Joystick	See Page - Reference Number 025-0205/1
29	3784376M1	1	Support	[C]
30	3784237M1	4	Plug	[C,D]
31	391005X1	2	Stud	Up to Serial or Engine Number L276032 M10X25
	3008483X1	2	Stud	From Serial or Engine Number L276033 M10X35
32	3580776M1	1	Nut	From Serial or Engine Number M5
33	4270255M1	1	Screw	N 5X22

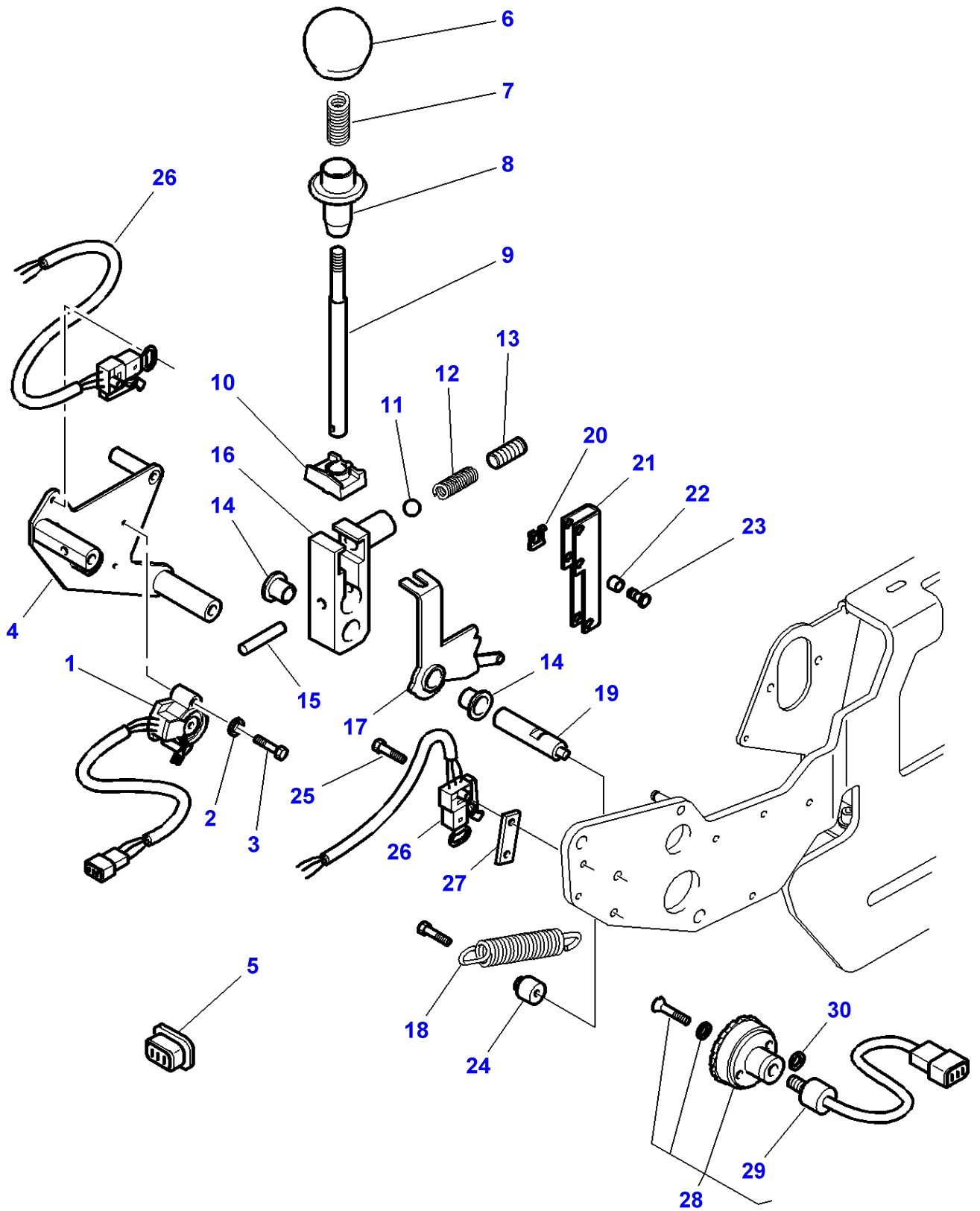
FOOTNOTE [A] WITHOUT HYDRAULIC LIFT

FOOTNOTE [B] DIFFERENTIAL LOCK

FOOTNOTE [C] WITHOUT JOYSTICK

FOOTNOTE [D] BLACK

1-ZF39-003-B



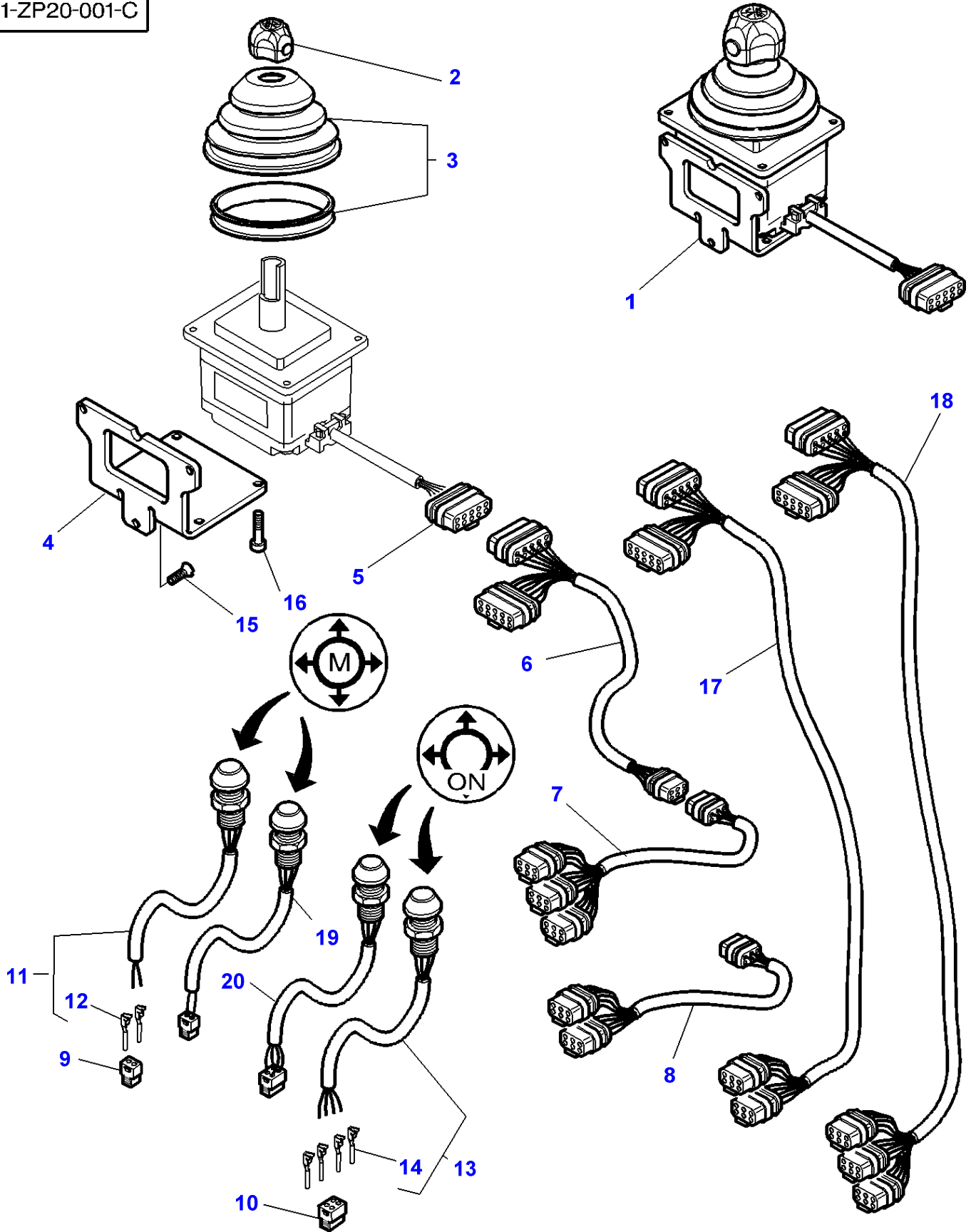
Item	Part Number	Qty	Description	Comments
1	3784099M1	1	Transducer	
2	339102X1	2	Washer	
3	3010354X1	2	Screw	M4X25
4	3784445M2	1	Plate	
5	3784687M1	1	Connectors	[A]
	3784686M1	1	Connectors	[B]
6	3782952M2	1	Knob	
7	3783315M1	1	Spring	
8	3782951M3	1	Latch	
9	3784121M1	1	Lever	
10	3784606M1	1	Selector	
11	3784122M1	1	Ball	
12	3784123M1	1	Spring	
13	3015185X1	1	Setscrew	M12
14	3784124M1	2	Bearing Carrier	
15	391290X1	1	Pin	Diameter 5X28
16	3784120M1	1	Support	
17	3784126M4	1	Cam	
18	3784187M3	1	Tension Spring	
19	3784446M1	1	Clevis Pin	
20	3784191M1	3	Thruster	
21	3784171M1	1	Support	
22	3784184M1	1	Roller	
23	3784185M1	2	Clevis Pin	
24	3784188M1	1	Spacer	
25	3010351X1	2	Screw	M4X12
26	3784192M1	2	Switch	
27	3784228M1	1	Chock	
28	3784868M3	1	Potentiometer	
29	3580997M1	1	Potentiometer	(28)
30	3001856X1	2	Washer Metric	

FOOTNOTE [A] BLACK

FOOTNOTE [B] BROWN

MF 8210/8220 TRACTORS - 1637365
1-ZP20-001-C

1-ZP20-001-C



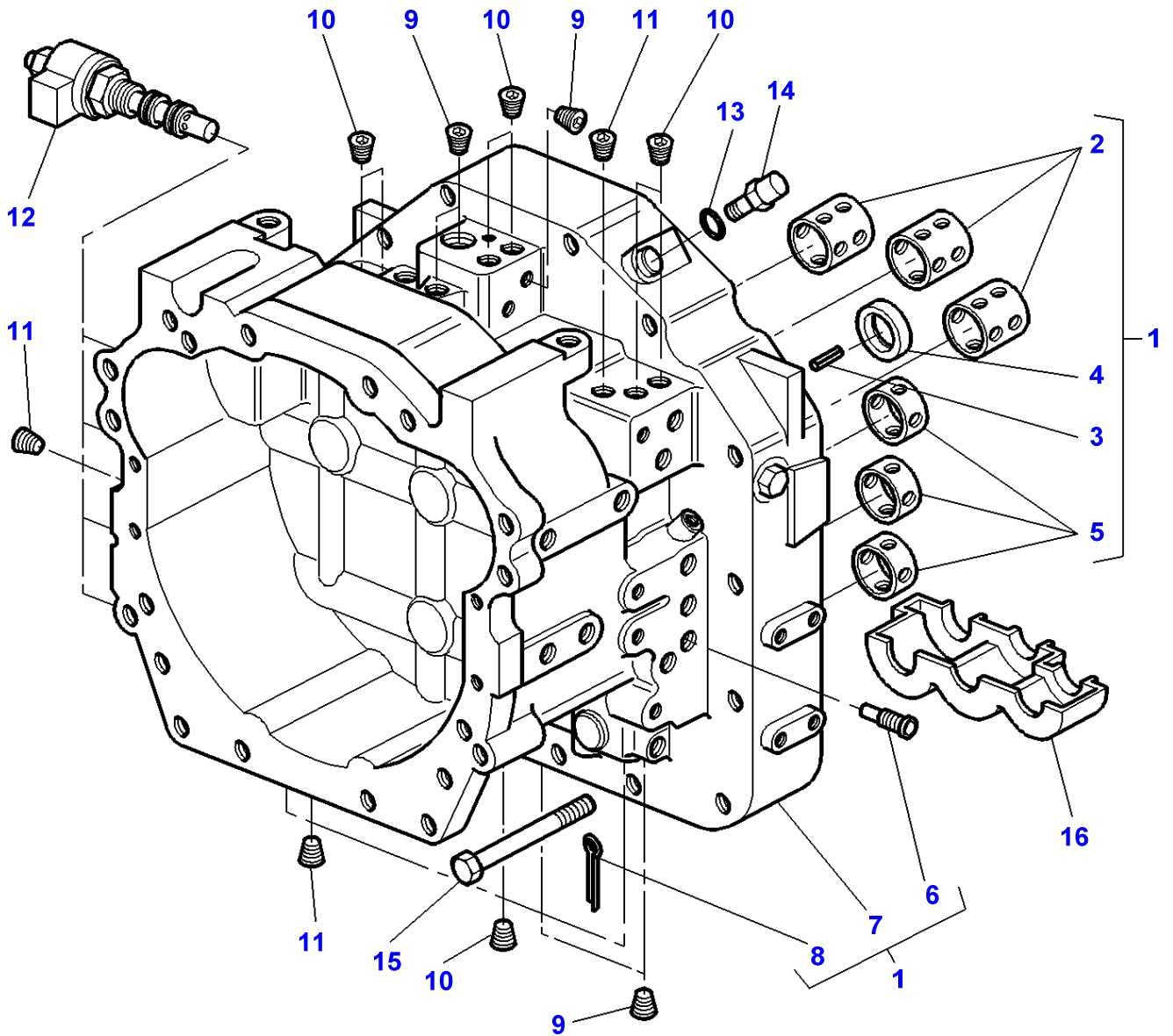
Joystick For Distributor With electrodynamique Control

Item	Part Number	Qty	Description	Comments
1	3785028M93	1	Joystick	
2	3903673M91	1	Shell	(1)
3	3903672M91	1	Bellows	(1)
4	3784658M1	1	Support	(1)
5	3902473M1	1	Connectors	(1)
6	3785970M1	1	Harness	Up to Serial or Engine Number K190010
7	3785973M1	1	Harness	[B] Up to Serial or Engine Number K190010
8	3785972M1	1	Harness	[A] Up to Serial or Engine Number K190010
9	3784375M1	1	Connectors	Up to Serial or Engine Number L347041
10	3784374M1	1	Connectors	Up to Serial or Engine Number L347041
11	3783782M1	1	Switch	Up to Serial or Engine Number L347041
12	3903650M1	2	Connectors	(11)
13	3783834M1	1	Switch	Up to Serial or Engine Number L347041
14	3903650M1	4	Connectors	(13)
15	3011000X1	3	Screw	M5X12
16	3010354X1	4	Screw	M4X25
17	3784340M1	1	Harness	[A] From Serial or Engine Number K190011
18	3787783M1	1	Harness	[B] From Serial or Engine Number K190011
19	4271759M1	1	Switch,Indirect	From Serial or Engine Number L347042
20	4271760M1	1	Switch,Indirect	From Serial or Engine Number L347042

FOOTNOTE [A] 2 DISTRIBUTORS WITH ELECTRIC CONTROL

FOOTNOTE [B] 3 DISTRIBUTORS WITH ELECTRIC CONTROL

1-ZF60-001-A

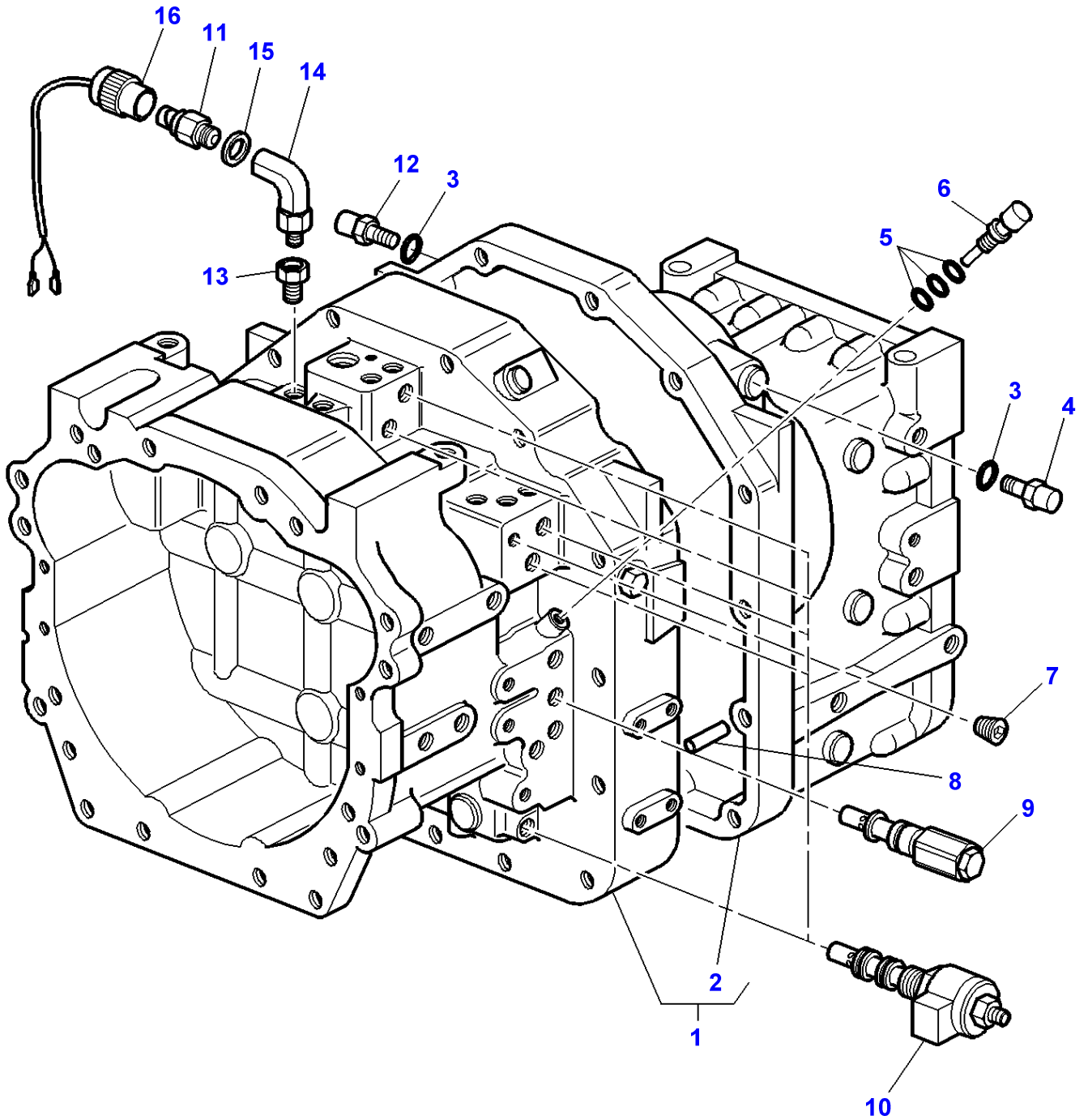


Gear Box Full Power Shift

Item	Part Number	Qty	Description	Comments
1	3779281M91	1	Housing	
2	3779206M1	3	Bush	(1)
3	3779215M1	1	Plug	(1)
4	3779208M1	1	Gasket	(1)
5	3779207M1	3	Bush	(1)
6	3903979M1	1	Pressure Valve	(1)
7	3779279M1	1	Housing	Replace and repair. Old not interchangeable with new 3779283M91 (1)
8	72503936	1	Pin	(1)
				Replace and repair. Old interchangeable with new 3779224M1
9	3779308M1	5	Plug	
10	3779242M1	10	Plug	Diameter 7/16"
11	3779234M1	3	Plug	Diameter 9/16"
12	3779284M92	4	Solenoid	
13	3779222M1	1	O Ring	
14	3779280M1	1	Eng.Speed Sensor	[A]
15	3779218M1	18	Screw	M16X140
16	3779265M1	1	Manifold	

FOOTNOTE [A] INTERMEDIARY SPEED

1-ZF60-003-B



Gear Box Full Power Shift

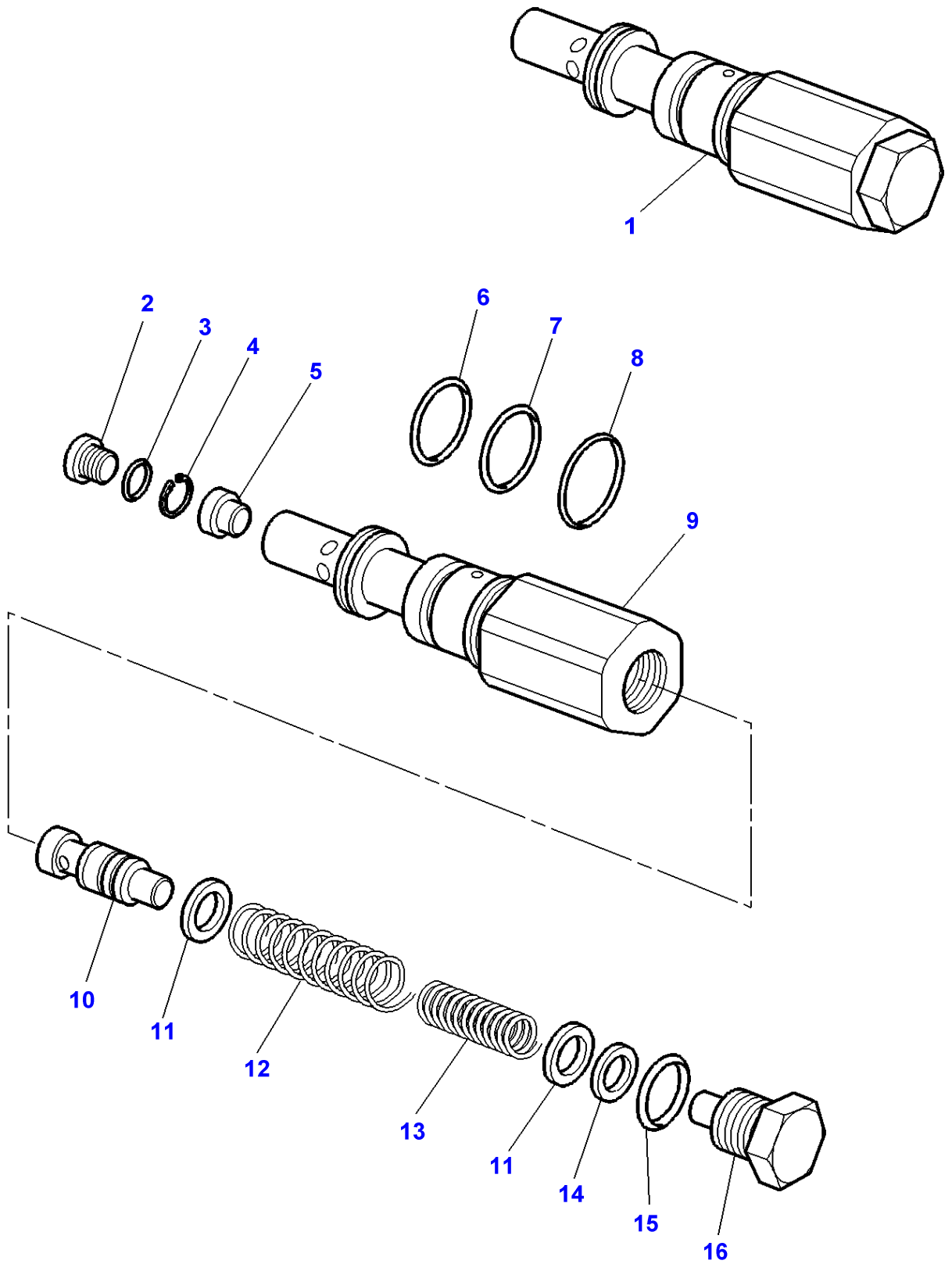
Item	Part Number	Qty	Description	Comments
1	3791897M91	1	Gearbox	
2	3779278M1	1	Housing	(1)
3	3779222M1	2	O Ring	
4	3779280M1	1	Eng.Speed Sensor	[A]
5	3779235M1	1	Kit, O Rings	
6	3779237M1	1	Transmitter	[B]
7	3779234M1	1	Plug	Diameter 9/16"
8	72503986	2	Pin	Replace and repair. Old interchangeable with new 3779225M1
9	3903986M91	1	Relief Valve	260 PSI Replace and repair. Old not interchangeable with new 3779244M91
10	3779284M92	5	Solenoid	
11	3795284M1	1	Low Pr.Oil Trmtr	
12	3779280M1	1	Eng.Speed Sensor	[C]
13	3795276M1	1	Adaptor	
14	3795742M1	1	Elbow Nipple	
15	1440012X1	1	Gasket	
16	3795285M1	1	Harness	Up to Serial or Engine Number

FOOTNOTE [A] MOTOR SPEED

FOOTNOTE [B] HEAT

FOOTNOTE [C] TRAVELLING SPEED

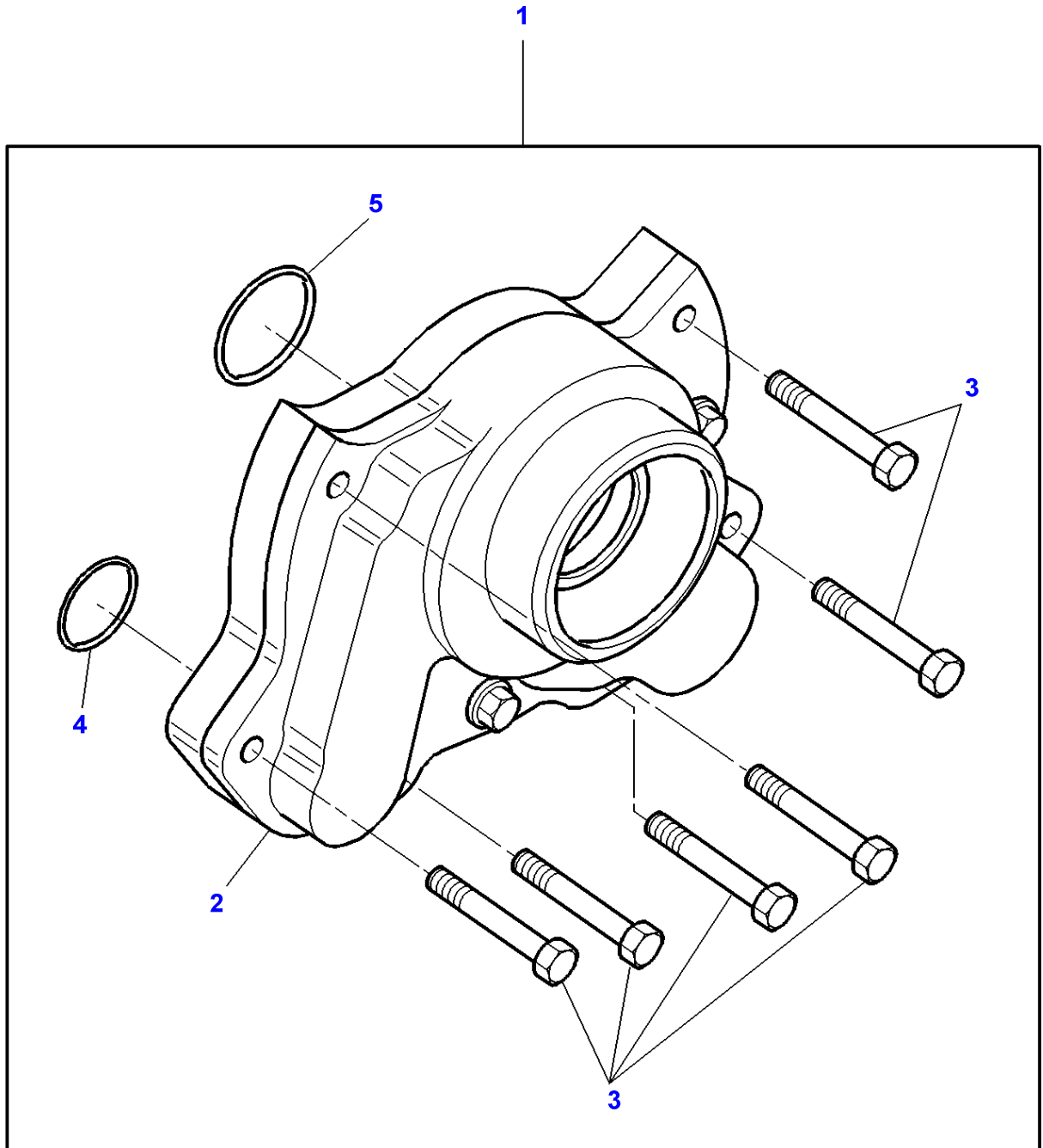
1-ZF60-005-A



Gear Box Full Power Shift

Item	Part Number	Qty	Description	Comments
1	3903986M91	1	Relief Valve	260 PSI Replace and repair. Old not interchangeable with new 3779244M91
2	3779308M1	1	Plug	(1)
3	72503971	1	O Ring	(1) Replace and repair. Old interchangeable with new 3779307M1
4	72503970	1	Snapping	(1) Replace and repair. Old interchangeable with new 3779306M1
5	3779305M1	1	Cover	(1)
6	3779315M1	1	O Ring	(1)
7	3779316M1	1	O Ring	(1)
8	3779317M1	1	O Ring	(1)
9	3779303M1	1	Cartridge	(1)
10	3779304M1	1	Distributor	(1)
11	72503968	2	Washer	(1) Replace and repair. Old interchangeable with new 3779309M1
12	3779311M1	1	Spring	(1)
13	3779310M1	1	Spring	(1)
14	3779312M1	3	Chock	(1)
15	72503969	1	O Ring	(1) Replace and repair. Old interchangeable with new 3779313M1
16	3779314M1	1	Plug	(1)

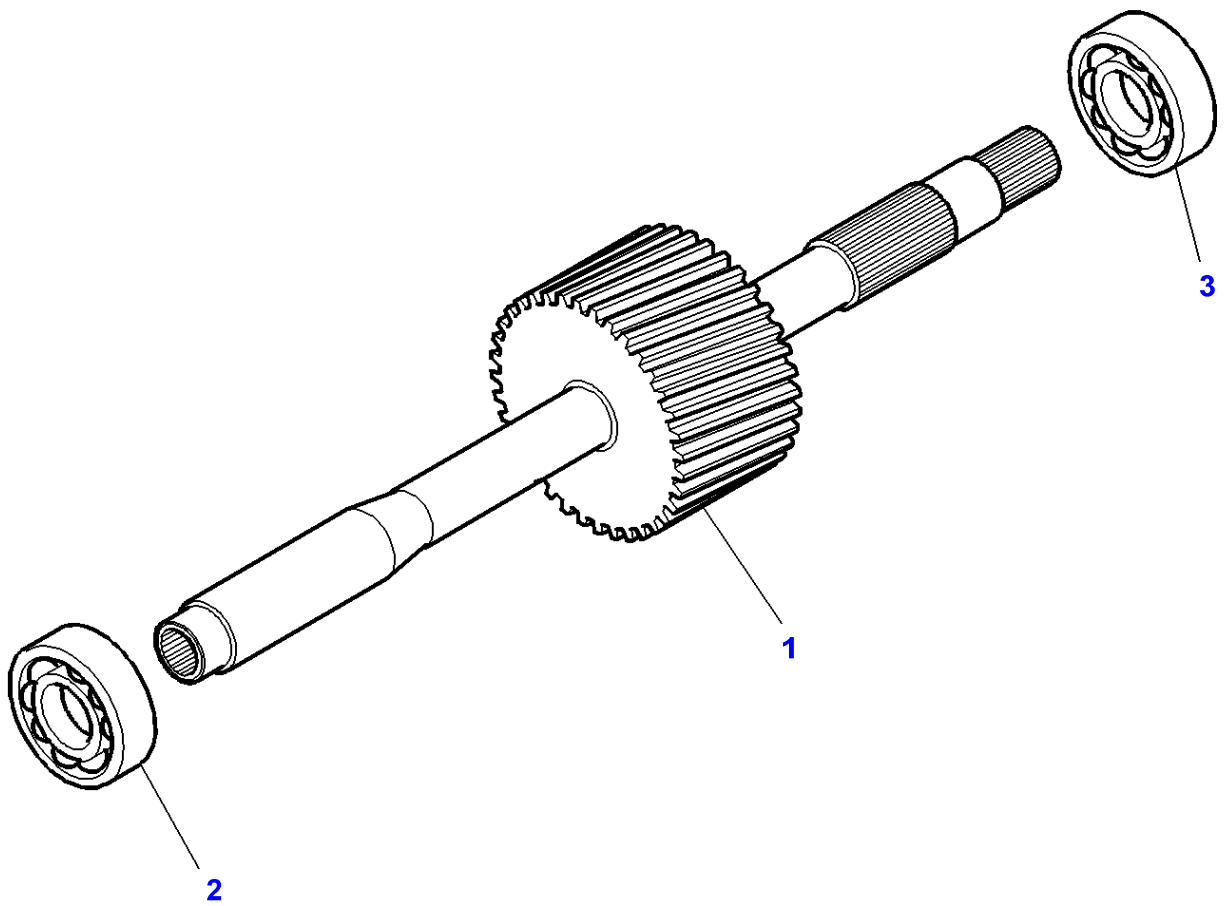
1-ZF68-001-A



Massey Ferguson**MF 8210/8220 TRACTORS - 1637365****1637365****Gear Box Full Power Shift - Pump****Page025-0225**

Item	Part Number	Qty	Description	Comments
1	72516601	1	Pump	Replace and repair. Old interchangeable with new 3779272M91
2	3903654M2	1	Pump	
3	3779217M1	6	Screw	(1)
4	72503984	1	O Ring	(1) Replace and repair. Old interchangeable with new 3779227M1
5	72503985	1	O Ring	(1) Replace and repair. Old interchangeable with new 3779228M1

1-ZF61-001-A

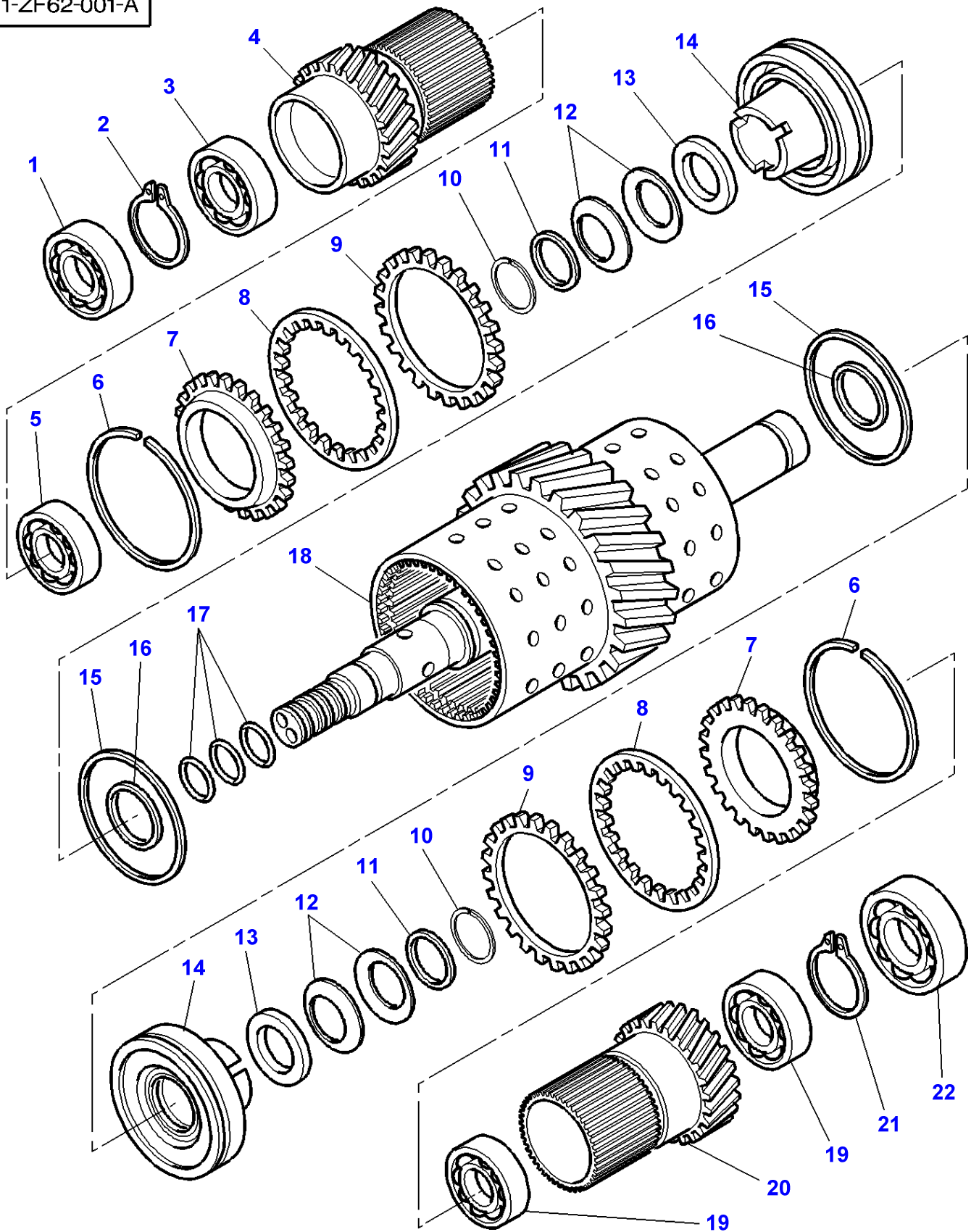


Massey Ferguson**MF 8210/8220 TRACTORS - 1637365****1637365****Gear Box Full Power Shift - Input Shaft****Page025-0230**

Item	Part Number	Qty	Description	Comments
1	3779276M1	1	Shaft	
2	1692601M1	1	Ball Bearing	Replace and repair. Old not interchangeable with new 3779212M1
3	72514364	1	Bearing	Replace and repair. Old interchangeable with new 3779262M1

MF 8210/8220 TRACTORS - 1637365
1-ZF62-001-A

1-ZF62-001-A

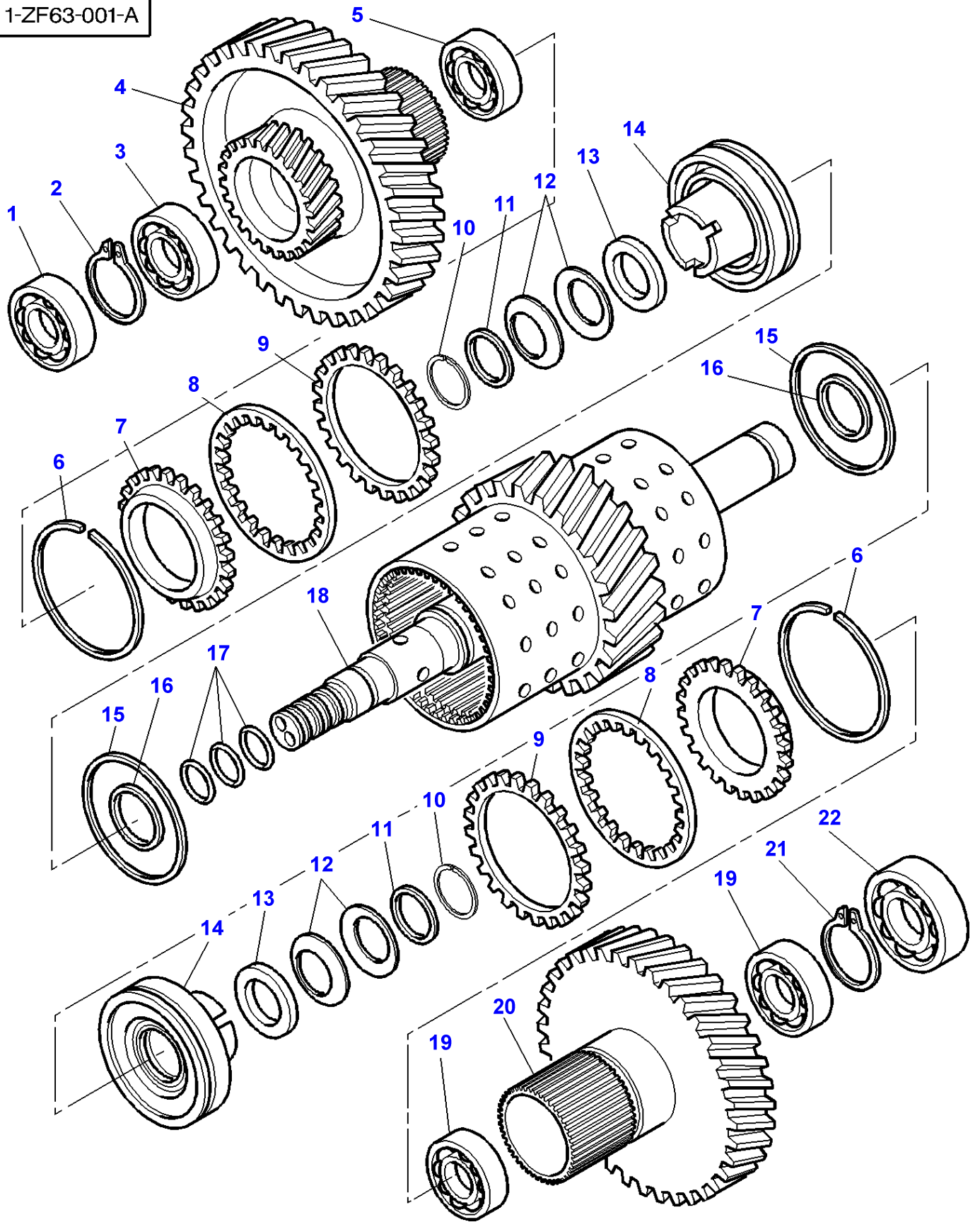


Gear Box Full Power Shift - 2 nd Gears

Item	Part Number	Qty	Description	Comments
	3779238M91	1	Kit, Sprocket	
1	72514364	1	Bearing	Replace and repair. Old interchangeable with new 3779262M1
2	3779233M1	1	Circlip	
3	3779271M1	1	Bearing Assy	
4	3779246M1	1	Pinion	Number of teeth/spines 42
5	3779263M1	1	Bearing Assy	
6	3779243M1	2	Circlip	
7	3779240M1	2	Crownwheel	
8	3779205M1	20	Disc	
9	3779216M1	20	Disc	
10	72503947	2	Ring	Replace and repair. Old interchangeable with new 3779232M1
11	3779214M1	2	Circlip	
12	3779204M1	12	Washer	
13	3779210M1	2	Washer	
14	3779209M1	2	Piston	
15	3779219M1	2	Gasket	
16	72503944	2	O Ring	Replace and repair. Old interchangeable with new 3779229M1
17	3779220M1	3	Oil Seal	
18	3779245M1	1	Shaft	
19	1109073	2	Bearing	Replace and repair. Old not interchangeable with new 3779211M1
20	3779247M1	1	Pinion	Number of teeth/spines 48
21	3779231M1	1	Circlip	
22	3779260M1	1	Bearing Assy	

MF 8210/8220 TRACTORS - 1637365
1-ZF63-001-A

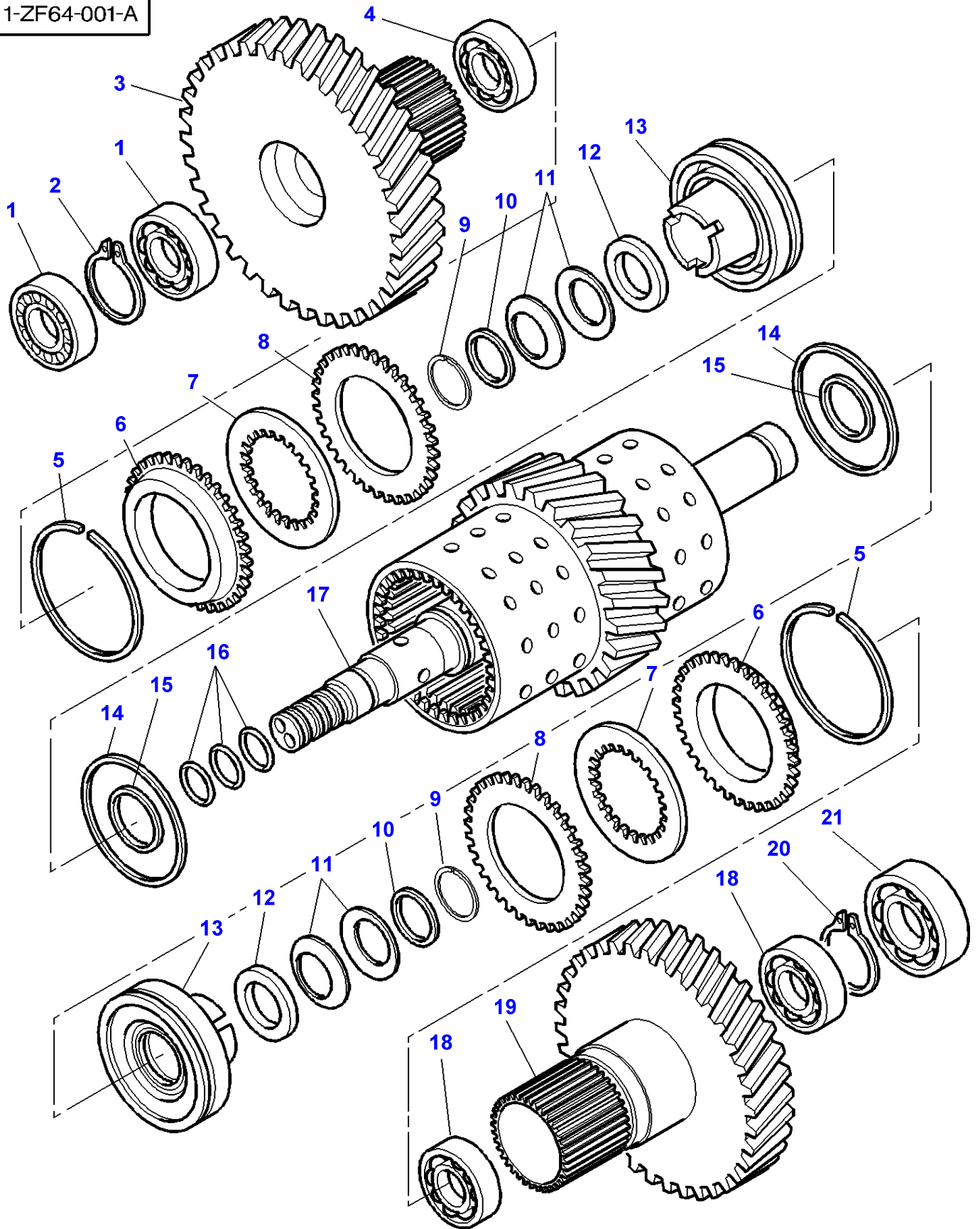
1-ZF63-001-A



Gear Box Full Power Shift - 3 rd Gears

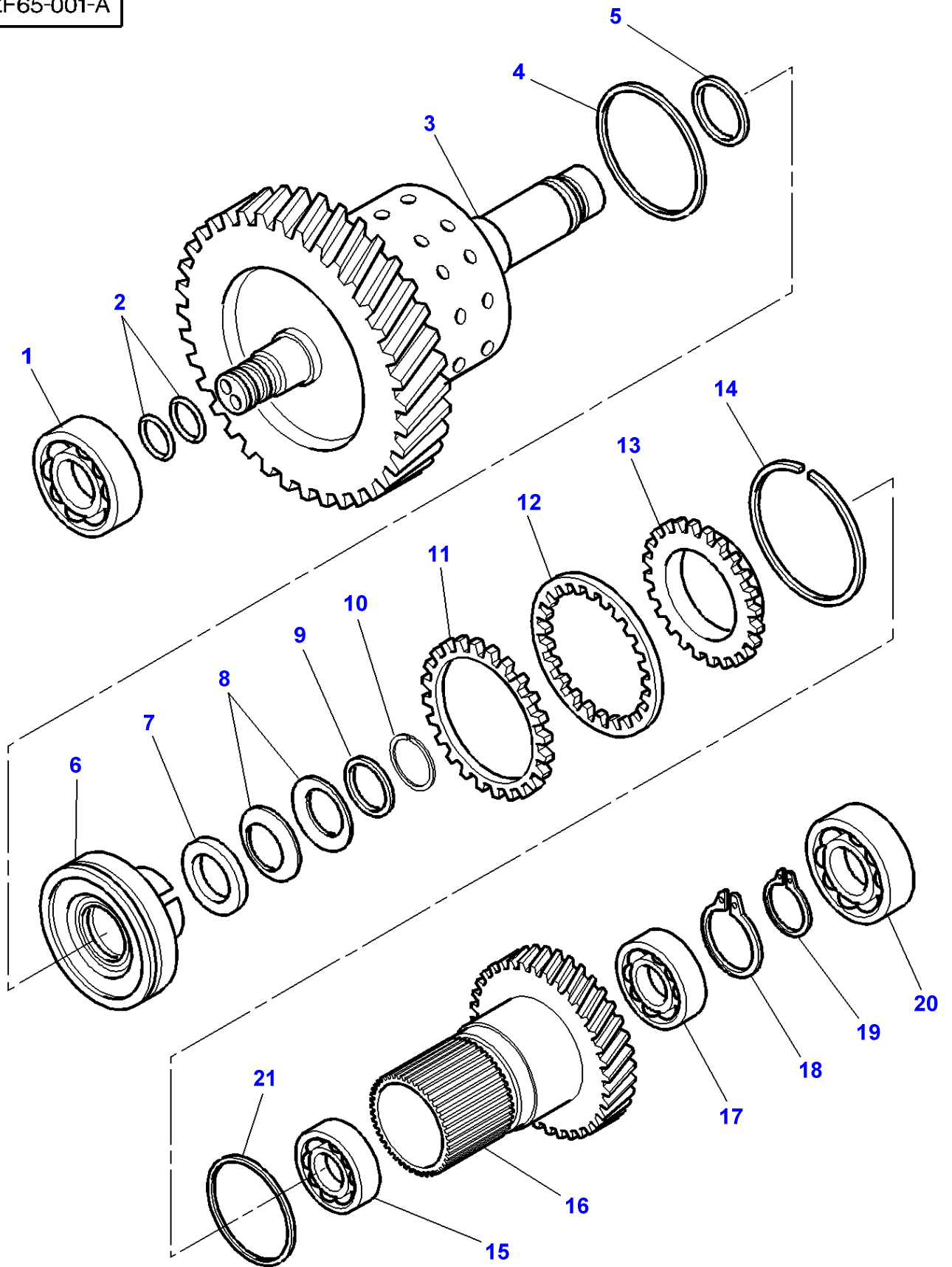
Item	Part Number	Qty	Description	Comments
	3779266M91	1	Kit, Sprocket	
1	72514364	1	Bearing	Replace and repair. Old interchangeable with new 3779262M1
2	3779233M1	1	Circlip	
3	3779261M1	1	Bearing Assy	
4	3779257M1	1	Pinion	
5	1692601M1	1	Ball Bearing	Replace and repair. Old not interchangeable with new 3779212M1
6	3779243M1	2	Circlip	
7	3779240M1	2	Crownwheel	
8	3779205M1	20	Disc	
9	3779216M1	20	Disc	
10	72503947	2	Ring	Replace and repair. Old interchangeable with new 3779232M1
11	3779214M1	2	Circlip	
12	3779204M1	12	Washer	
13	3779210M1	2	Washer	
14	3779209M1	2	Piston	
15	3779219M1	2	Gasket	
16	72503944	2	O Ring	Replace and repair. Old interchangeable with new 3779229M1
17	3779220M1	3	Oil Seal	
18	3779251M1	1	Shaft	
19	1109073	2	Bearing	Replace and repair. Old not interchangeable with new 3779211M1
20	3779248M1	1	Pinion	Number of teeth/spines 62
21	3779231M1	1	Circlip	
22	3907230M1	1	Bearing	Replace and repair. Old not interchangeable with new 3779259M1

1-ZF64-001-A



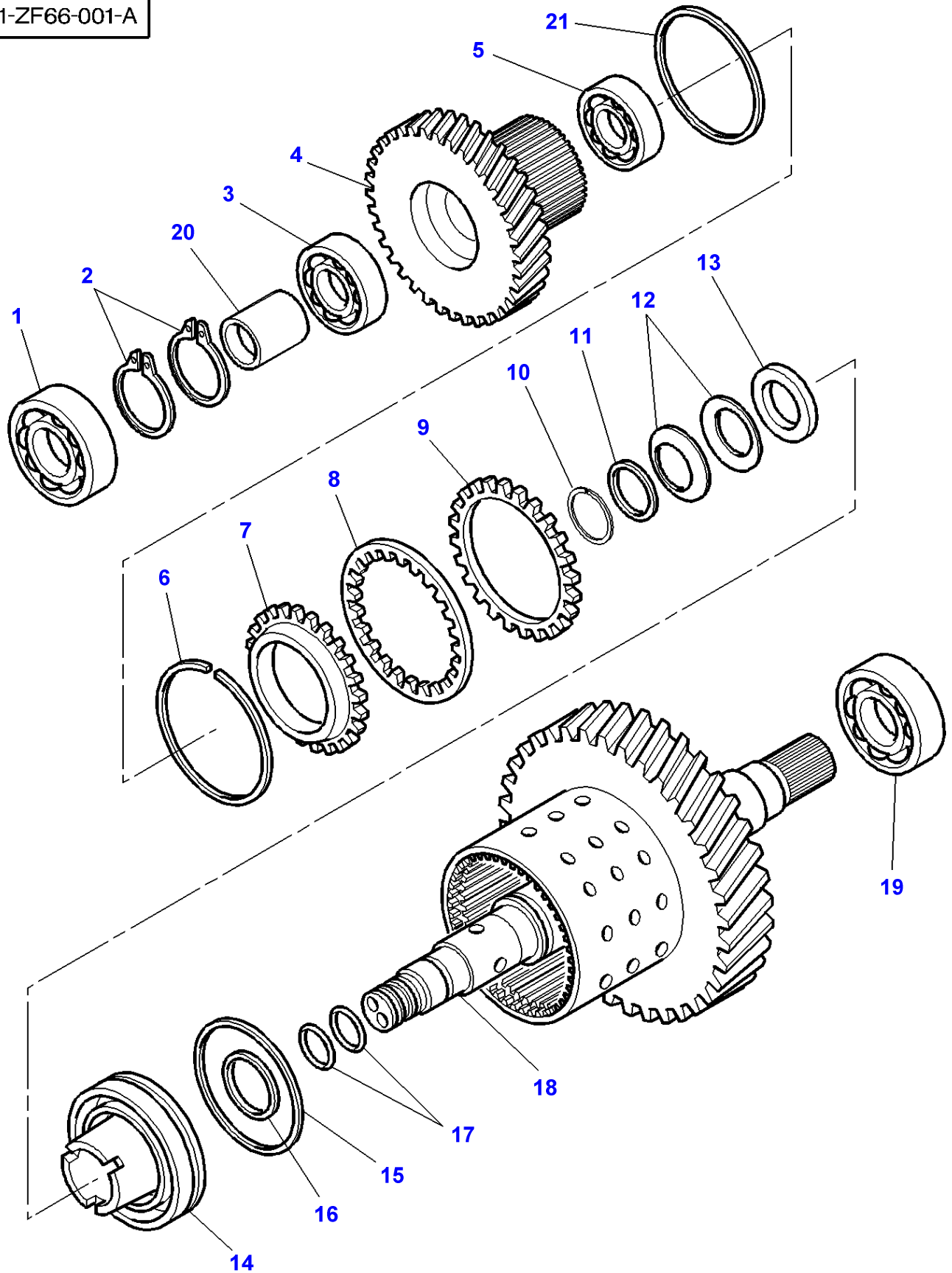
Item	Part Number	Qty	Description	Comments
	3779267M91	1	Kit, Pinion	
1	72514364	2	Bearing	Replace and repair. Old interchangeable with new 3779262M1
2	3779233M1	1	Circlip	
3	3779249M1	1	Pinion	Number of teeth/spines 70
4	3779263M1	1	Bearing Assy	
5	3779243M1	2	Circlip	
6	3779240M1	2	Crownwheel	
7	3779205M1	20	Disc	
8	3779216M1	20	Disc	
9	72503947	2	Ring	Replace and repair. Old interchangeable with new 3779232M1
10	3779214M1	2	Circlip	
11	3779204M1	12	Washer	
12	3779210M1	2	Washer	
13	3779209M1	2	Piston	
14	3779219M1	2	Gasket	
15	72503944	2	O Ring	Replace and repair. Old interchangeable with new 3779229M1
16	3779220M1	3	Oil Seal	
17	3779245M1	1	Shaft	
18	1109073	2	Bearing	Replace and repair. Old not interchangeable with new 3779211M1
19	3779250M1	1	Pinion	Number of teeth/spines 62
20	3779231M1	1	Circlip	
21	3907230M1	1	Bearing	Replace and repair. Old not interchangeable with new 3779259M1

1-ZF65-001-A



Item	Part Number	Qty	Description	Comments
	3779268M91	1	Kit, Sprocket	
1	3907230M1	1	Bearing	Replace and repair. Old not interchangeable with new 3779259M1
2	3779220M1	2	Oil Seal	
3	3779252M1	1	Shaft	
4	3779219M1	1	Gasket	
5	72503944	1	O Ring	Replace and repair. Old interchangeable with new 3779229M1
6	3779209M1	1	Piston	
7	3779210M1	1	Washer	
8	3779204M1	6	Washer	
9	3779214M1	1	Circlip	
10	72503947	1	Ring	Replace and repair. Old interchangeable with new 3779232M1
11	3779216M1	10	Disc	
12	3779205M1	10	Disc	
13	3779240M1	1	Crownwheel	
14	3779243M1	1	Circlip	
15	3779239M1	1	Bearing Assy	
16	3779258M1	1	Pinion	Number of teeth/spines 40
17	3779264M1	1	Bearing Assy	
18	3779231M1	1	Circlip	
19	3779233M1	1	Circlip	
20	72514364	1	Bearing	Replace and repair. Old interchangeable with new 3779262M1
21	3779230M1	1	O Ring	

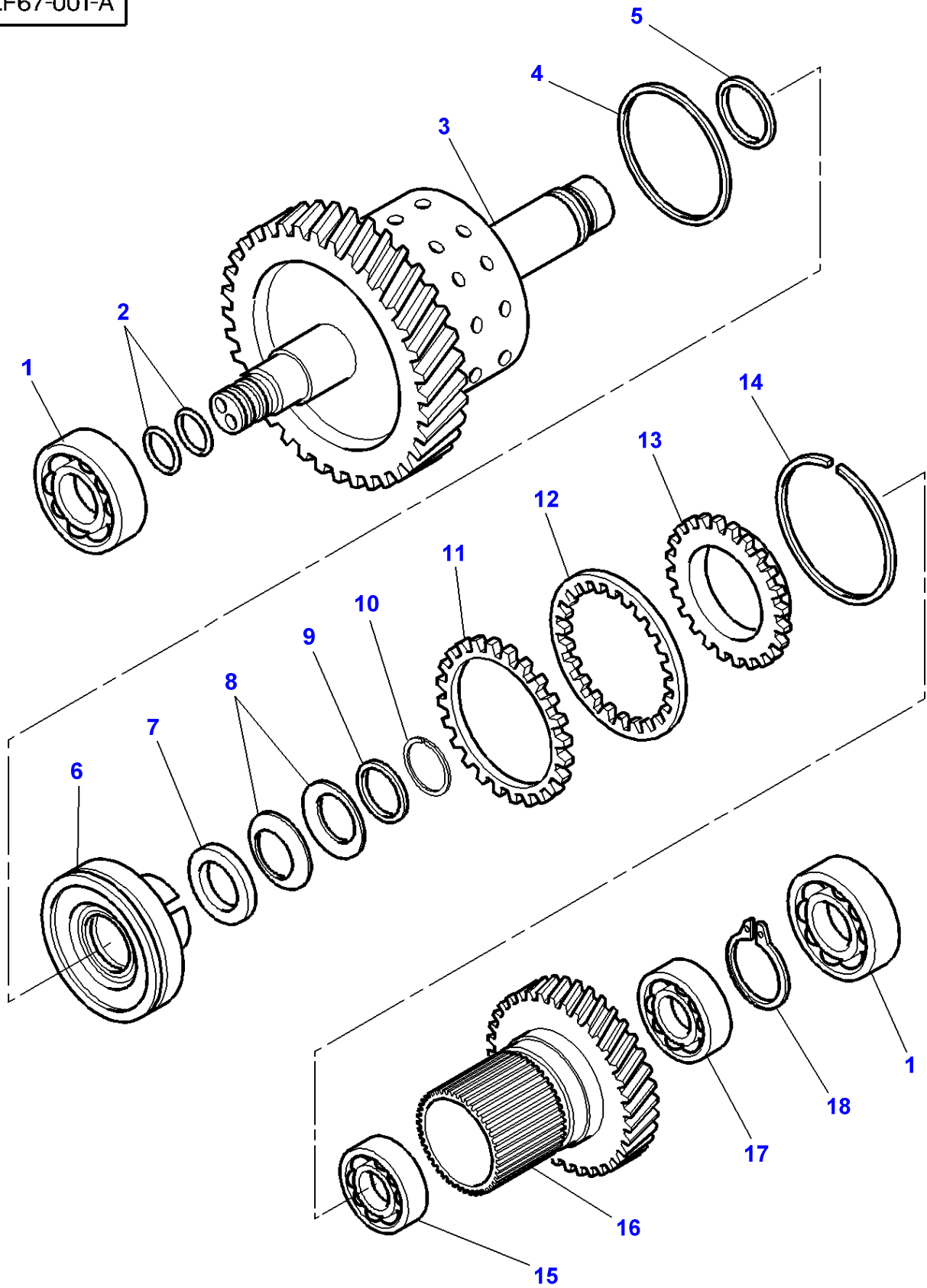
1-ZF66-001-A



Gear Box Full Power Shift - 6 th Gears

Item	Part Number	Qty	Description	Comments
	3779269M91	1	Kit, Sprocket	
1	3907230M1	1	Bearing	Replace and repair. Old not interchangeable with new 3779259M1
2	3779231M1	2	Circlip	
3	3779264M1	1	Bearing Assy	
4	3779254M1	1	Pinion	Number of teeth/spines 48
5	3779239M1	1	Bearing Assy	
6	3779243M1	1	Circlip	
7	3779240M1	1	Crownwheel	
8	3779205M1	10	Disc	
9	3779216M1	10	Disc	
10	72503947	1	Ring	Replace and repair. Old interchangeable with new 3779232M1
11	3779214M1	1	Circlip	
12	3779204M1	6	Washer	
13	3779210M1	1	Washer	
14	3779209M1	1	Piston	
15	3779219M1	1	Gasket	
16	72503944	1	O Ring	Replace and repair. Old interchangeable with new 3779229M1
17	3779220M1	2	Oil Seal	
18	3779253M1	1	Shaft	
19	72507595	1	Bearing	Replace and repair. Old interchangeable with new 3779213M1
20	3779274M1	1	Spacer	
21	3779230M1	1	O Ring	

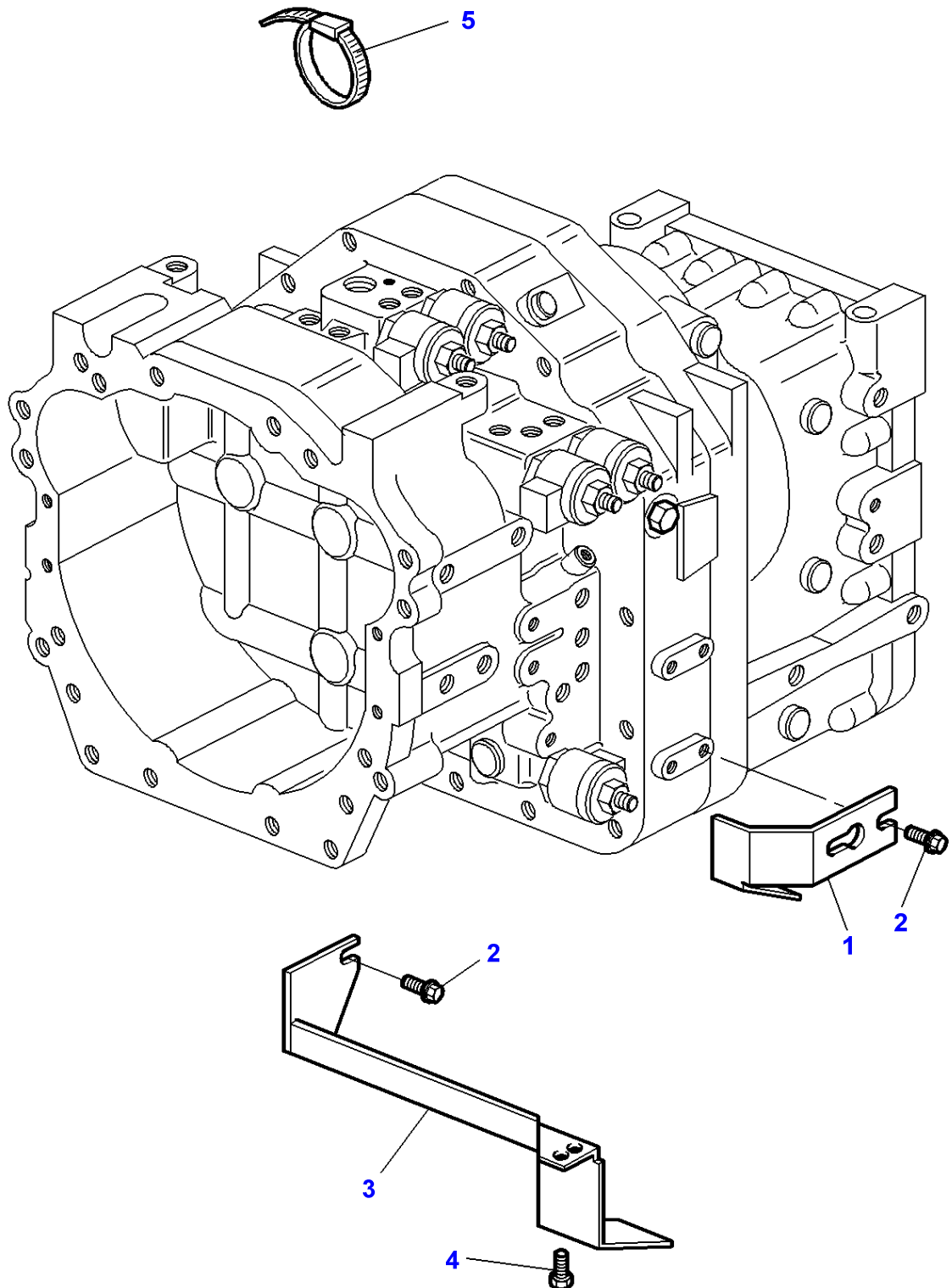
1-ZF67-001-A



Item	Part Number	Qty	Description	Comments
	3779270M91	1	Kit, Sprocket	
1	3779260M1	2	Bearing Assy	
2	3779220M1	2	Oil Seal	
3	3779255M1	1	Shaft	
4	3779219M1	1	Gasket	
5	72503944	1	O Ring	Replace and repair. Old interchangeable with new 3779229M1
6	3779209M1	1	Piston	
7	3779210M1	1	Washer	
8	3779204M1	6	Washer	
9	3779214M1	1	Circlip	
10	72503947	1	Ring	Replace and repair. Old interchangeable with new 3779232M1
11	3779216M1	10	Disc	
12	3779205M1	10	Disc	
13	3779240M1	1	Crownwheel	
14	3779243M1	1	Circlip	
15	3779239M1	1	Bearing Assy	
16	3779256M1	1	Pinion	Number of teeth/spines 40
17	3779264M1	1	Bearing Assy	
18	3779231M1	1	Circlip	
19	3779230M1	1	O Ring	[A]

FOOTNOTE [A] NOT ILLUSTRATED

1-ZW26-001-B

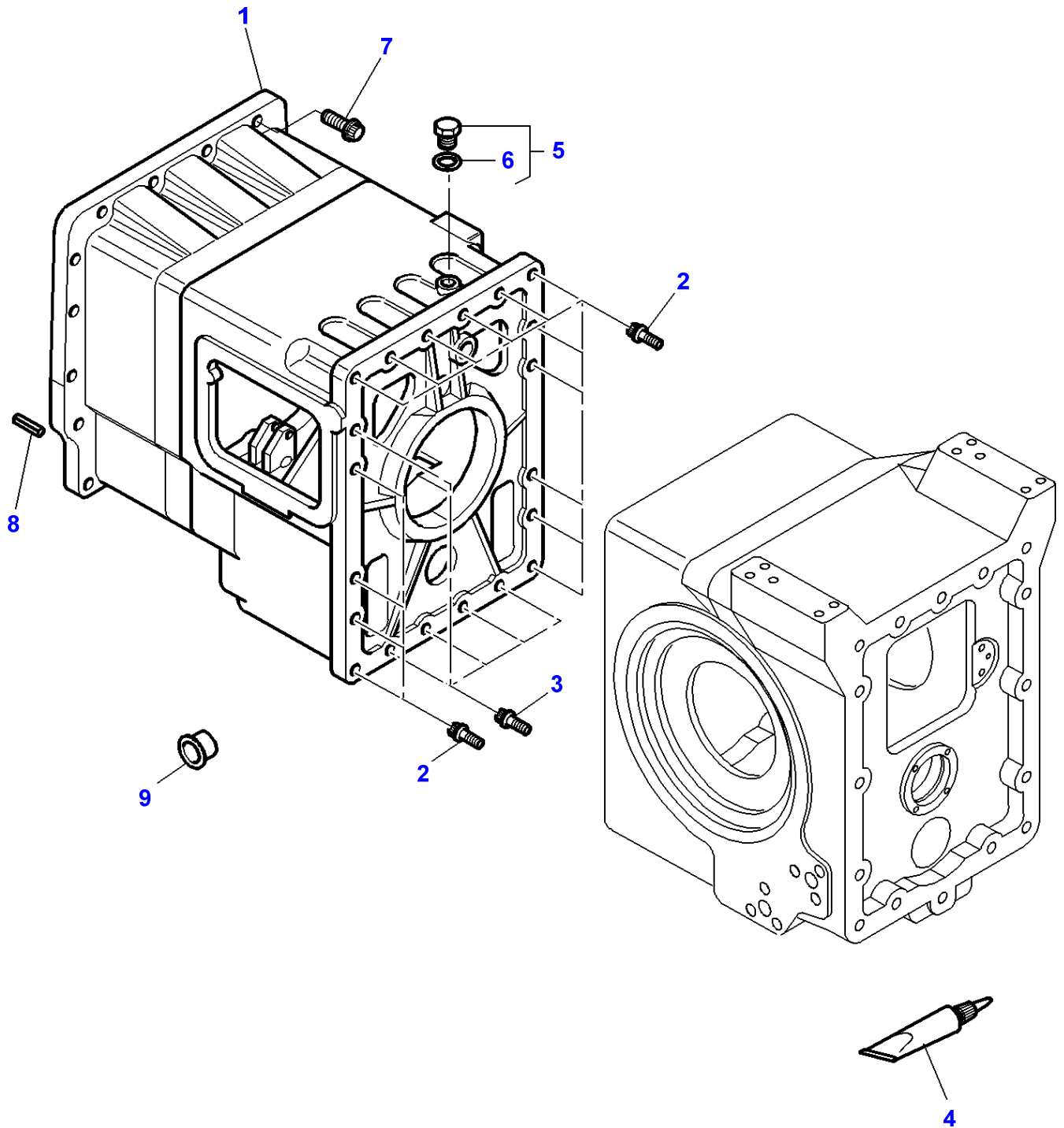


Massey Ferguson**MF 8210/8220 TRACTORS - 1637365****1637365****Full Powershift - Electrovalves - Cowl****Page025-0265**

Item	Part Number	Qty	Description	Comments
1	3791186M1	1	Cowl	Left Hand
2	3009920X1	1	Plough Bolt	M8X16
3	3791191M2	1	Cowl	Right Hand
4	339228X1	2	Screw Metric	M8X12
5	293854M1	3	Clamp	

Page Title	Page Number
Rear Axle - Intermediary Housing - With Full Powershift	030-0005
Rear Axle - Intermediary Housing - Dynashift	030-0010
Handbrake - Lower Control	030-0015
Parking Brake - With Powershift	030-0020
Brakes - Handbrake - Up To ... - Tractor With Cab Only	030-0025
Brakes - Handbrake - From ... - Tractor With Cab Only	030-0030
Rear Axle - Centre Housing	030-0035
Short Rear Axle Housings - Outer Final Drive Gear - M.F 8220	030-0040
Short Rear Axle Housings - Outer Final Drive Gear - Shaft Diameter 95 mm	030-0045
Short Rear Axle Housings - Outer Final Drive Gear	030-0050
Rear Axle - Differential - 5" Differential	030-0055
Rear Axle - Differential - 7" DIFFERENTIAL - UP TO L113019	030-0060
Rear Axle - Differential - 7" DIFFERENTIAL FROM L113020	030-0065
Rear Axle Differential Lock Mechanism - Hydromechanical	030-0070
Rear Axle Differential Lock Mecchanism - Multidiscs - 5" Differential	030-0075
Rear Axle Differential Lock Mecchanism - Multidiscs - 7" Differential	030-0080

1-ZG63-002-B

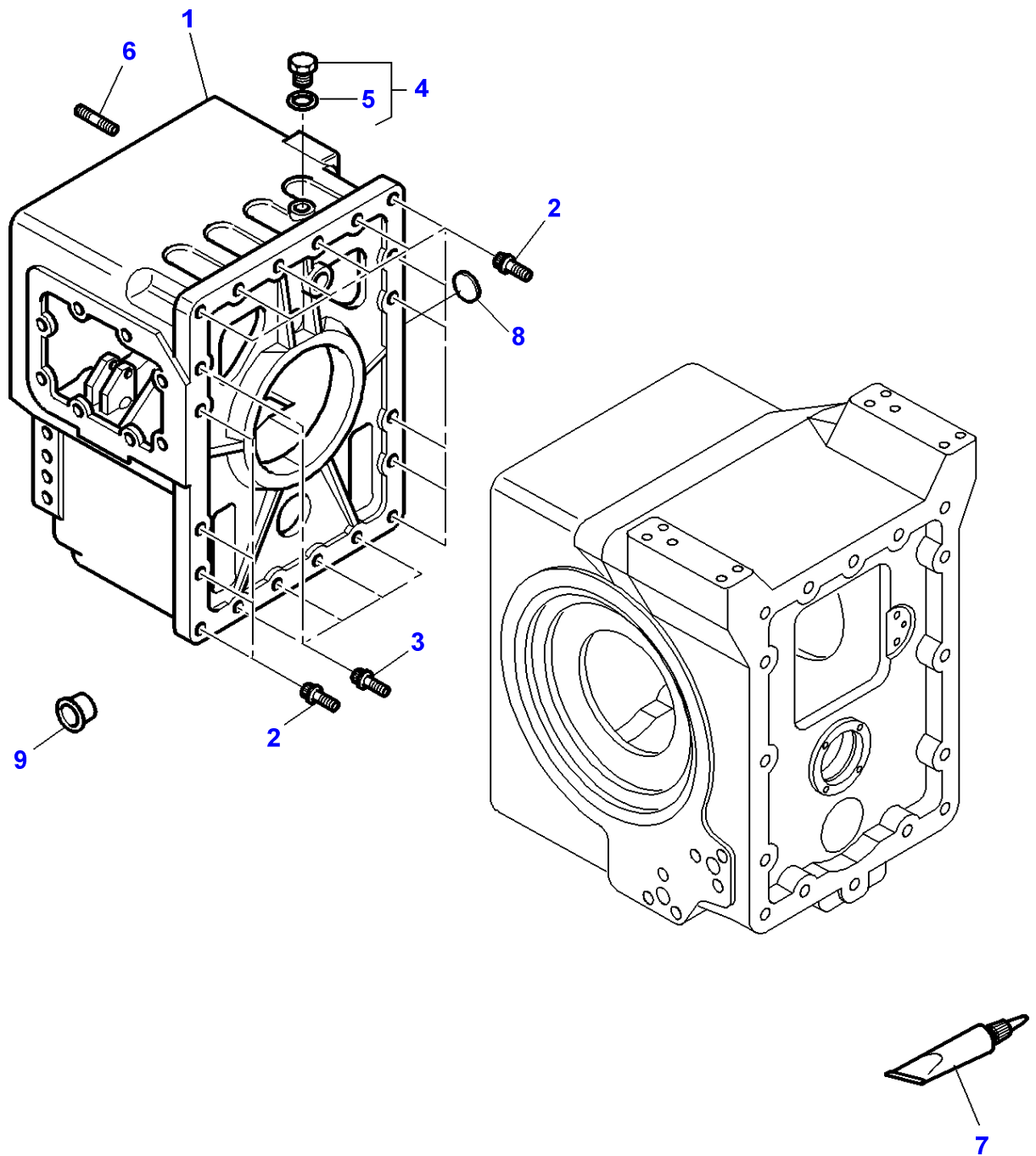


Massey Ferguson**MF 8210/8220 TRACTORS - 1637365****1637365****Rear Axle - Intermediary Housing - With Full Powershift****Page030-0005**

Item	Part Number	Qty	Description	Comments
1	3716413M4	1	Housing	
2	3009805X1	15	Screw Metric	M16X60
3	3009806X1	5	Plough Bolt	M16X70
4	3900613M2	X	Loctite	
5	3019649X91	1	Plug	M33
6	3019399X1	1	O Ring	(5)
7	3010007X1	18	Screw Metric	M16X60
8	3385839M2	2	Pin	
9	831564M1	2	Plug	[A] Diameter 20,9MM
				Replace and repair. Old interchangeable with new 3792315M1
	3792314M1	8	Plug	[A] Diameter 15MM
	3583240M1	2	Plug	[A] Diameter 6MM

FOOTNOTE [A] PLASTICS

1-ZG63-001-B

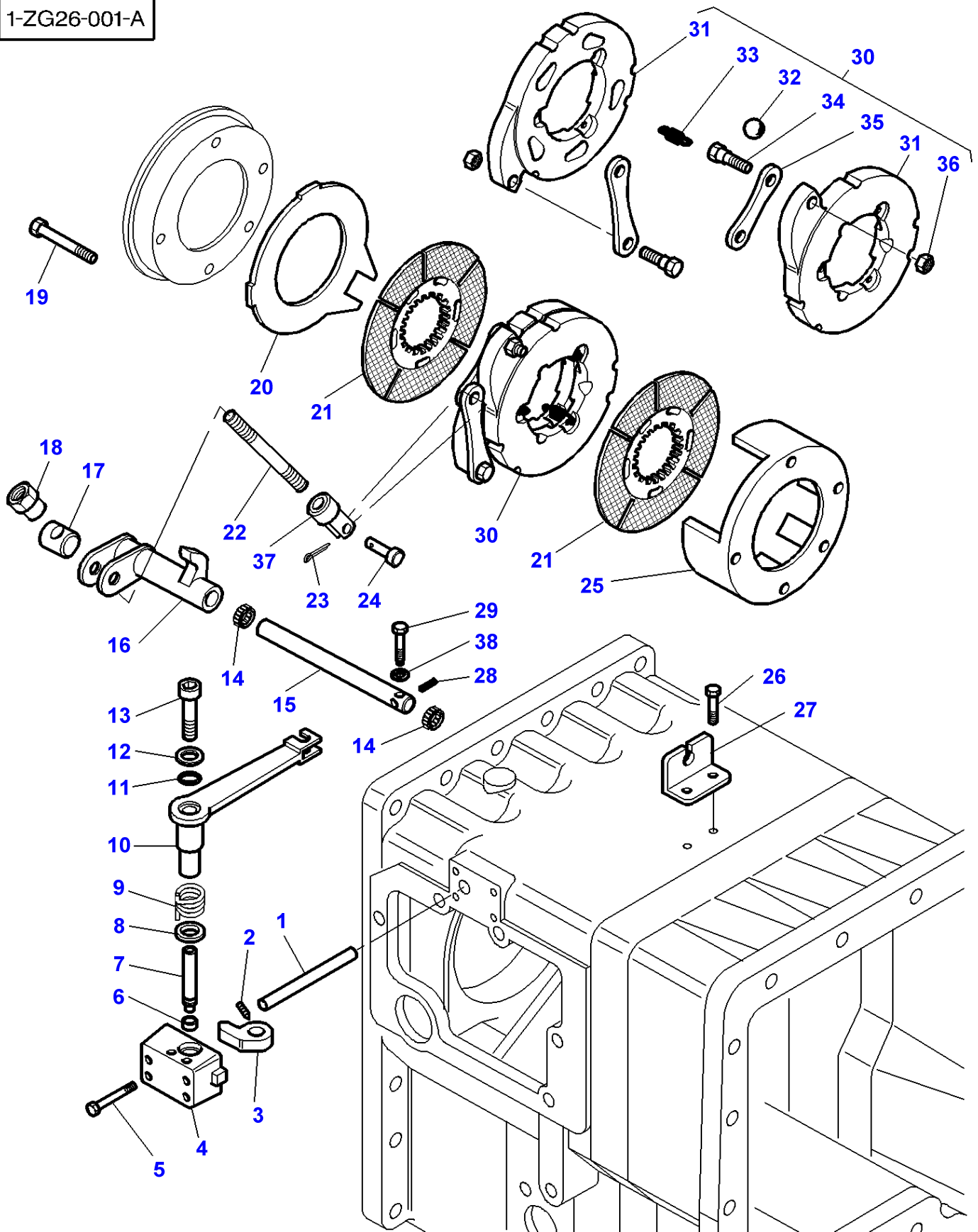


Item	Part Number	Qty	Description	Comments
1	3716414M4	1	Housing	
2	3009805X1	15	Screw Metric	M16X60
3	3009806X1	5	Plough Bolt	M16X70
4	3019649X91	1	Plug	M33
5	3019399X1	1	O Ring	(4)
6	3716945M1	3	Stud	M16
7	3900613M2	X	Loctite	
8	19466X	1	Plug	Diameter 49,3MM
9	831564M1	2	Plug	[A] Diameter 20,9MM
	3792314M1	8	Plug	Replace and repair. Old interchangeable with new 3792315M1 [A] Diameter 15MM
	3583240M1	4	Plug	[A] Diameter 6MM

FOOTNOTE [A] PLASTICS

MF 8210/8220 TRACTORS - 1637365
1-ZG26-001-A

1-ZG26-001-A

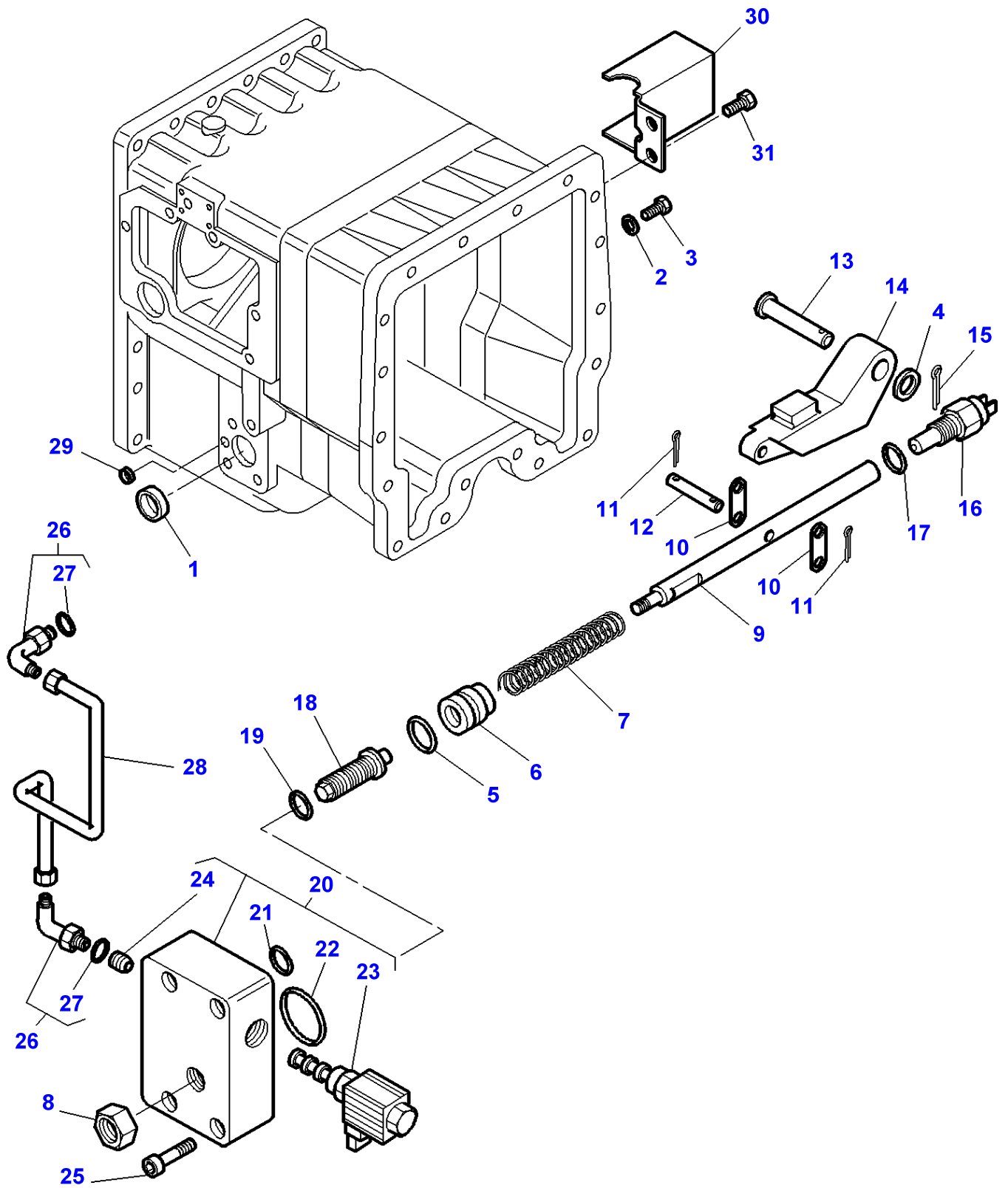


Handbrake - Lower Control

Item	Part Number	Qty	Description	Comments
1	3716540M1	1	Tappet Rod	
2	3009429X1	1	Screw	M6x10
3	3716544M1	1	Poppet	
4	3716501M1	1	Case Assy	
5	390246X1	4	Bolt	M8X70
6	3716560M1	1	Bush	
7	3716503M2	1	Clevis Pin	
8	3716310M1	1	Oil Seal	
9	3716554M3	1	Spring	
10	3716502M2	1	Shifter	
11	3010740X1	1	O Ring	
12	3716539M1	1	Washer	
13	1440350X1	1	Screw Metric	M6X20
14	3716561M1	2	Bush	Diameter 20 MM
15	3716542M1	1	Clevis Pin	
16	3716477M2	1	Angle Trans.	
17	3581305M1	1	Trunnion	
18	3791431M1	1	Nut Special	
19	3009301X1	5	Screw Metric	M12x80
20	3716932M1	4	Counterplate	Up to Serial or Engine Number K304025 Thickness 6MM
	3795094M1	4	Counterplate	From Serial or Engine Number K304026 Thickness 5MM
21	3716933M1	6	Disc	Up to Serial or Engine Number K304025 Thickness 3,6 MM
	3795093M1	6	Brake Disc	From Serial or Engine Number K304026 Thickness 4,3MM
22	3791669M1	1	Stud	M10X110
23	354048X1	1	Split Pin	Diameter 2,4 MM Length 19 MM
24	354190X1	1	Clevis Pin	Diameter 7/16"
25	3716411M2	1	Case Assy	[A]
26	339228X1	2	Screw Metric	M8x12
27	3716543M1	1	Support	From Serial or Engine Number H344001
28	1440394X1	1	Pin	Diameter 4 MM Length 30 MM
29	3791488M2	1	Screw Special	
30	3716920M91	1	Brake	
31		2	Disc	(30) Not serviced,order REF No30
32	3310764M1	5	Ball	(30)
33	3310765M1	3	Spring	(30)
34	3902669M1	2	Screw	(30)
35	3902668M1	2	Draglink	(30)
36	3902667M1	2	Nut	(30)
37	3790494M1	1	Draglink	
38	195561M1	1	O Ring	

FOOTNOTE [A] 6 PLATE WET BRAKES

1-ZG64-001-B



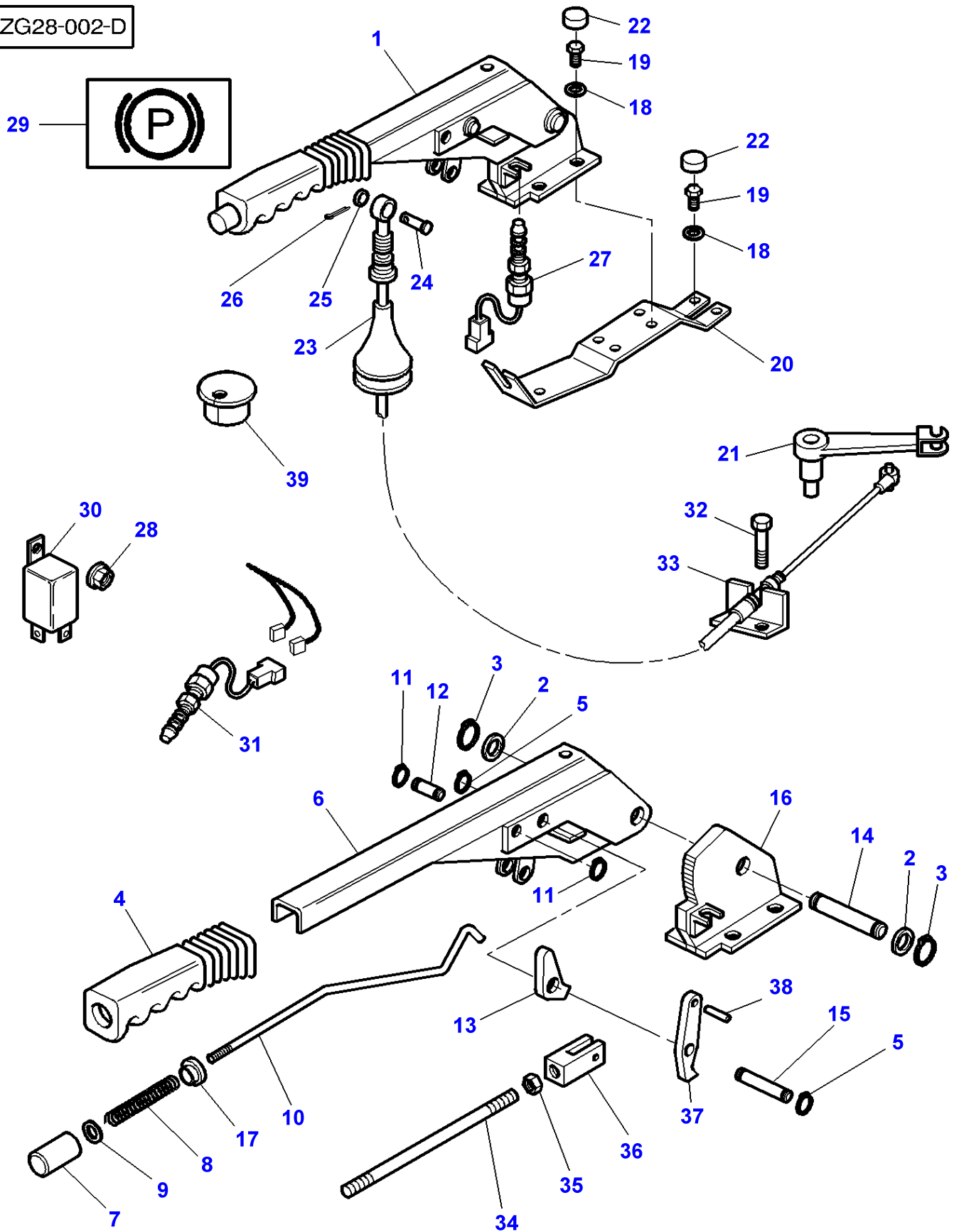
Parking Brake - With Powershift

Item	Part Number	Qty	Description	Comments
1	3011306X1	1	Plug	[A] Diameter 40 MM
2	3010890X1	1	Bush	[A]
3	3019424X1	1	Plug	[A] M14
4	3791380M1	1	Washer	Diameter 19 MM
5	366434X1	1	O Ring	Diameter 2,62 X 34,59 MM
6	3791570M1	1	Piston	
7	3716228M1	1	Spring	
8	3384600M2	1	Nut Special	Up to Serial or Engine Number J249006 M18 X 1,5
	390336X1	1	Nut Metric	From Serial or Engine Number J249007 M18 X 2,5
9	3791571M2	1	Stem	
10	3716548M1	2	Rod Link	
11	1442993X1	2	Pin	Diameter 3,2 MM
12	3791124M2	2	Clevis Pin	
13	3791125M4	1	Clevis Pin	
14	3716551M4	1	Ratchet	
15	339531X1	1	Pin	Diameter 4 MM
16	3792196M1	1	Switch, Indirect	
17	3010890X1	1	Bush	
18	3790951M1	1	Screw	Up to Serial or Engine Number J249006 M18 X 1,5
	3793504M1	1	Setscrew	From Serial or Engine Number J249007 M18 X 2,5
19	3007118X1	1	O Ring	Up to Serial or Engine Number J249006
	3010946X1	1	O Ring	From Serial or Engine Number J249007
20	3791141M91	1	Block	Up to Serial or Engine Number J249006
	3793505M91	1	Spacer	From Serial or Engine Number J249007
21	3019467X1	1	O Ring	(20) Diameter 10,1 X 1,6 MM
22	364281X1	1	O Ring	(20) Diameter 47,35 X 1,78 MM
23	3791106M1	1	Electrovalve	(20)
24	3791107M1	1	Non Return Valve	(20)
25	3001758X1	4	Screw Metric	M6 X 50
26	3019412X91	2	Elbow	
27	3019395X1	1	O Ring	(26)
28	3791286M1	1	Tube	
29	3010761X1	1	Plug	Diameter 8 MM
30	3795099M2	1	Cowl	
31	391074X1	2	Hex. Sock. Screw	M6 X 12

FOOTNOTE [A] WITHOUT PARKING BRAKE

MF 8210/8220 TRACTORS - 1637365
1-ZG28-002-D

1-ZG28-002-D



Brakes - Handbrake - Up To ... - Tractor With Cab Only

Item	Part Number	Qty	Description	Comments
1	3778478M92	1	Handbrake Assy	[A]
	3779132M92	1	Handbrake Assy	[B]
2	1693980M1	2	Washer	(1)
3	339356X1	2	Circlip	(1)
4	1693965M1	1	Handle	(1)
5	1440988X1	2	Circlip	(1)
6		1	Lever	[A] (1) Not serviced,order REF. No 1
	3715941M1	1	Lever	[B] (1)
7	3616904M1	1	Button	(1)
8	1693970M1	1	Spring	(1)
9	353754X1	1	Washer	(1)
10	3715943M1	1	Rod	[A] (1)
	3715943M1	1	Rod	[B] (1) Up to Serial or Engine Number H091014
11	1440988X1	2	Circlip	(1)
12	1693974M1	1	Clevis Pin	(1)
13	3715942M1	1	Ratchet	[B] (1) Up to Serial or Engine Number H091014
	3715942M1	1	Ratchet	[A] (1)
14	1693976M1	1	Clevis Pin	(1)
15	1693973M1	1	Clevis Pin	(1)
16	3779133M92	1	Sector	(1)
17	3616905M1	1	Washer	(1)
18	390972X1	8	Washer Metric	
19	339123X1	8	Hex. Sock. Screw	M8X20
20	3778452M1	1	Support	[A]
	3778453M2	1	Brake Carrier	[B]
21	3716502M2	1	Shifter	
22	3616277M1	8	Helmet	
23	3778741M1	1	Cable	[A] Length 1570MM Up to Serial or Engine Number
	3782575M3	1	Cable	[A] From Serial or Engine Number Length 1510MM
	3780289M1	1	Handbrake Cable	[B] Length 1010MM
24	195234M1	1	Clevis Pin	
25	390972X1	1	Washer Metric	
26	354057X1	1	Pin	
27	3780395M2	1	Switch,Indirect	
28	3010477X1	1	Nut Metric	M5
29	3580502M1	1	Decal	
30	3786958M1	1	Buzzer	Replace and repair. Old not interchangeable with new 3320197M1 12V 3SB 004 438-03
31	3780395M2	1	Switch,Indirect	
32	339228X1	2	Screw Metric	M8X12
33	3716543M1	1	Support	
34	3782646M1	1	Rod	[B] (1) From Serial or Engine Number H091015
35	3782647M1	1	Nut	[B] (1) From Serial or Engine Number H091015
36	3782648M1	1	Clevis	[B] (1) From Serial or Engine Number H091015
37	3782645M1	1	Hasp	[B] (1) From Serial or Engine Number H091015
38	3782649M1	1	Pin	[B] (1) From Serial or Engine Number H091015

Massey Ferguson

MF 8210/8220 TRACTORS - 1637365

1637365

Brakes - Handbrake - Up To ... - Tractor With Cab Only

Page030-0025

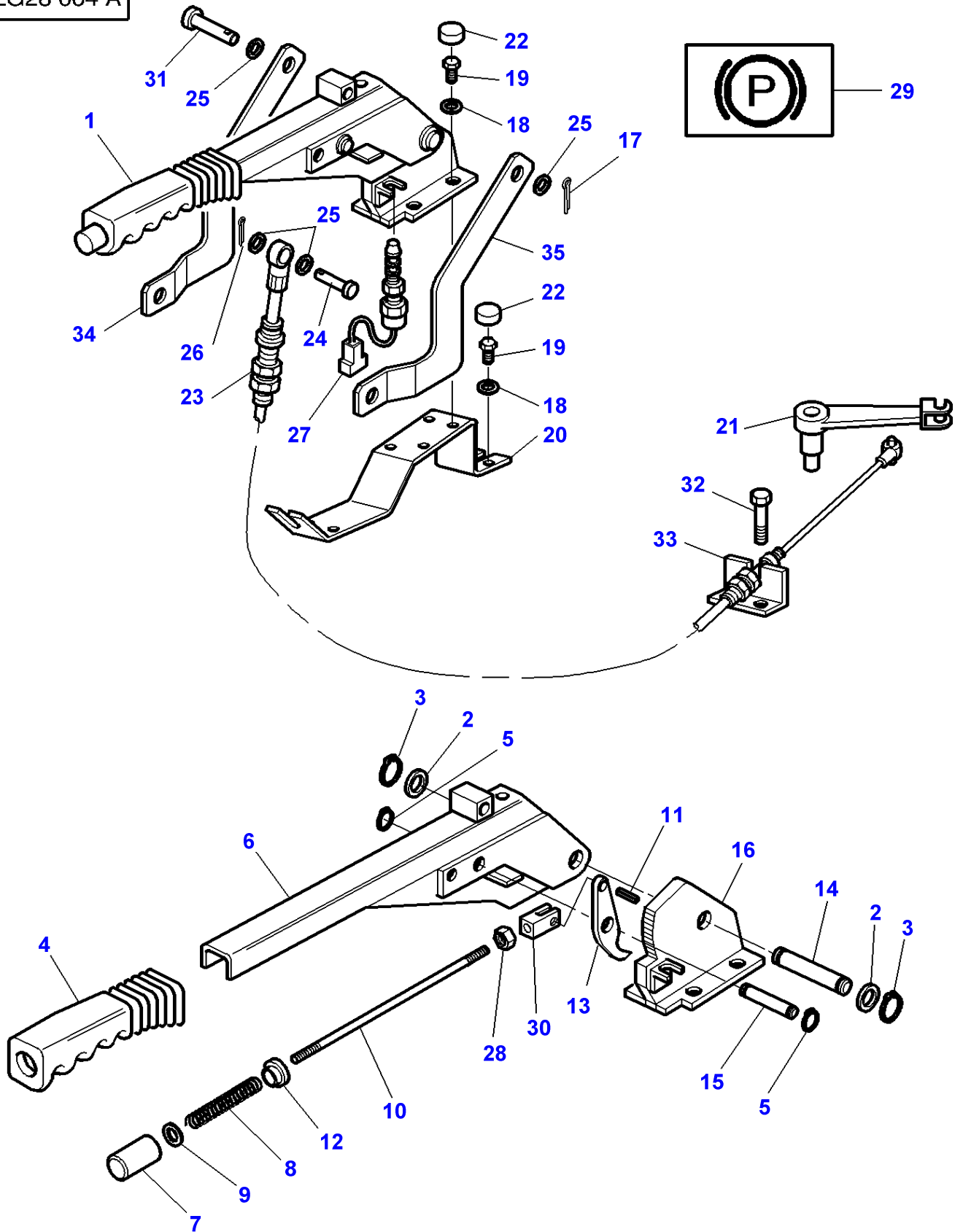
Item	Part Number	Qty	Description	Comments
39	3785200M1	1	Plug	Up to Serial or Engine Number J299034 Diameter 40MM

FOOTNOTE [A] WITH CAB

FOOTNOTE [B] TRACTOR WITH PLATFORM

MF 8210/8220 TRACTORS - 1637365
1-ZG28-004-A

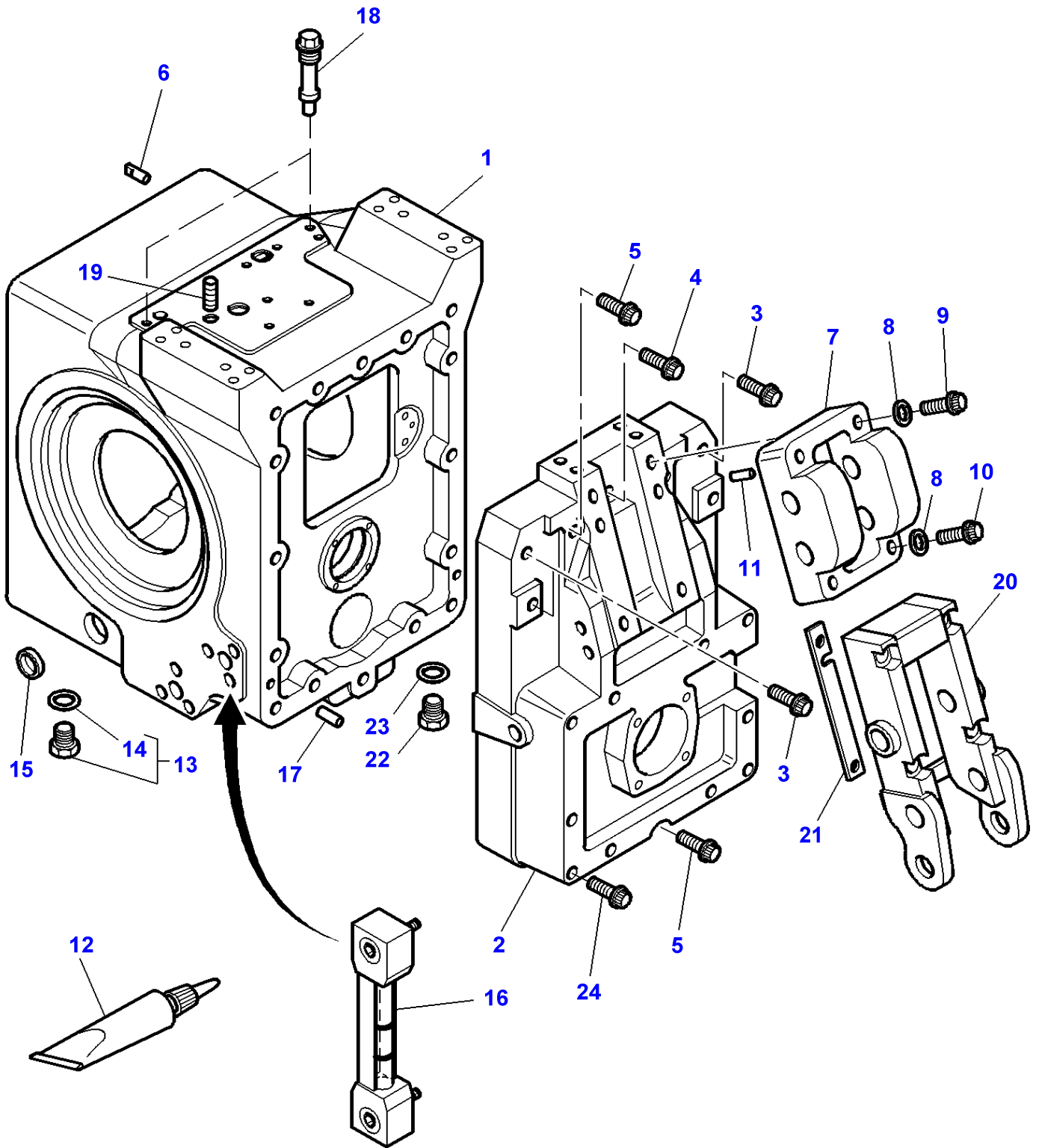
1-ZG28-004-A



Brakes - Handbrake - From ... - Tractor With Cab Only

Item	Part Number	Qty	Description	Comments
1	3782572M91	1	Handbrake Assy	
2	1693980M1	2	Washer	(1)
3	339356X1	2	Circlip	(1)
4	1693965M1	1	Handle	(1)
5	1440988X1	2	Circlip	(1)
6		1	Hand Brake Lever	(1)
				Not serviced,order REF. No 1
7	3616904M1	1	Button	(1)
8	1693970M1	1	Spring	(1)
9	353754X1	1	Washer	(1)
10	3782646M1	1	Rod	(1)
11	3782649M1	1	Pin	(1)
12	3616905M1	1	Washer	(1)
13	3782645M1	1	Hasp	(1)
14	1693976M1	1	Clevis Pin	(1)
15	1693974M1	1	Clevis Pin	(1)
16	3779133M92	1	Sector	(1)
17	354057X1	1	Pin	
18	390972X1	8	Washer Metric	
19	339123X1	8	Hex. Sock. Screw	M8X20
20	3782571M2	1	Support	
21	3716502M2	1	Shifter	
22	3616277M1	8	Helmet	
23	3782575M3	1	Cable	Length 1510MM
24	195235M1	1	Clevis Pin	Up to Serial or Engine Number L008018 Length 25,4MM
	195234M1	1	Clevis Pin	From Serial or Engine Number L008019 Length 22,2MM
25	390972X1	2	Washer Metric	Up to Serial or Engine Number L008018
	390972X1	1	Washer Metric	From Serial or Engine Number L008019
26	354057X1	1	Pin	
27	3780395M2	1	Switch,Indirect	
28	3782647M1	1	Nut	(1)
29	3580502M1	1	Decal	
30	3782648M1	1	Clevis	(1)
31	195237M1	1	Clevis Pin	
32	339228X1	2	Screw Metric	M8X12
33	3716543M1	1	Support	
34	3782574M1	1	Rod Link	Right Hand
35	3782573M1	1	Rod Link	Left Hand

1-ZG02-002-E



Rear Axle - Centre Housing

Item	Part Number	Qty	Description	Comments
1	3792105M5	1	Housing	
2	3716000M5	1	Housing	Up to Serial or Engine Number
	3797005M1	1	Housing	From Serial or Engine Number
3	3010556X1	4	Screw Metric	M20X70
4	3010557X1	1	Screw Metric	M20X100
5	3010558X1	3	Screw Metric	M20X120
6	3716496M2	1	Centraliser	
7	3716917M3	1	Lug	Up to Serial or Engine Number K029022 For United States of America
8	385365X1	4	Washer	Diameter 20 MM Diameter 37 MM Thickness 5 MM
9	3010575X1	2	Screw	M20X130
10	3010563X1	2	Screw	M20X90
11	3716918M2	2	Centraliser	
12	3900613M2	X	Loctite	
13	3583994M91	1	Plug	M18
14	3019397X1	1	O Ring	(13)
15	3010760X1	2	Plug	Up to Serial or Engine Number Diameter 46 MM
16	3790931M1	1	Oil Dipstick	
17	3385839M2	2	Pin	Length 22,2 MM
18	3791706M1	2	Plug	
19	3010990X1	1	Screw	M12X12
20	3795831M91	1	Support	From Serial or Engine Number K029023 For United States of America
21	3795839M1	X	Chock	From Serial or Engine Number K029023 For United States of America Thickness 0,2MM
	3795838M1	X	Chock	From Serial or Engine Number K029023 For United States of America Thickness 0,7MM
22	3019638X1	2	Plug	[C] From Serial or Engine Number K337036 M12
23	3019394X1	2	O Ring	From Serial or Engine Number K337036
24	3010777X1	8	Screw Metric	M20X210
	3010556X1	2	Screw Metric	M20X70

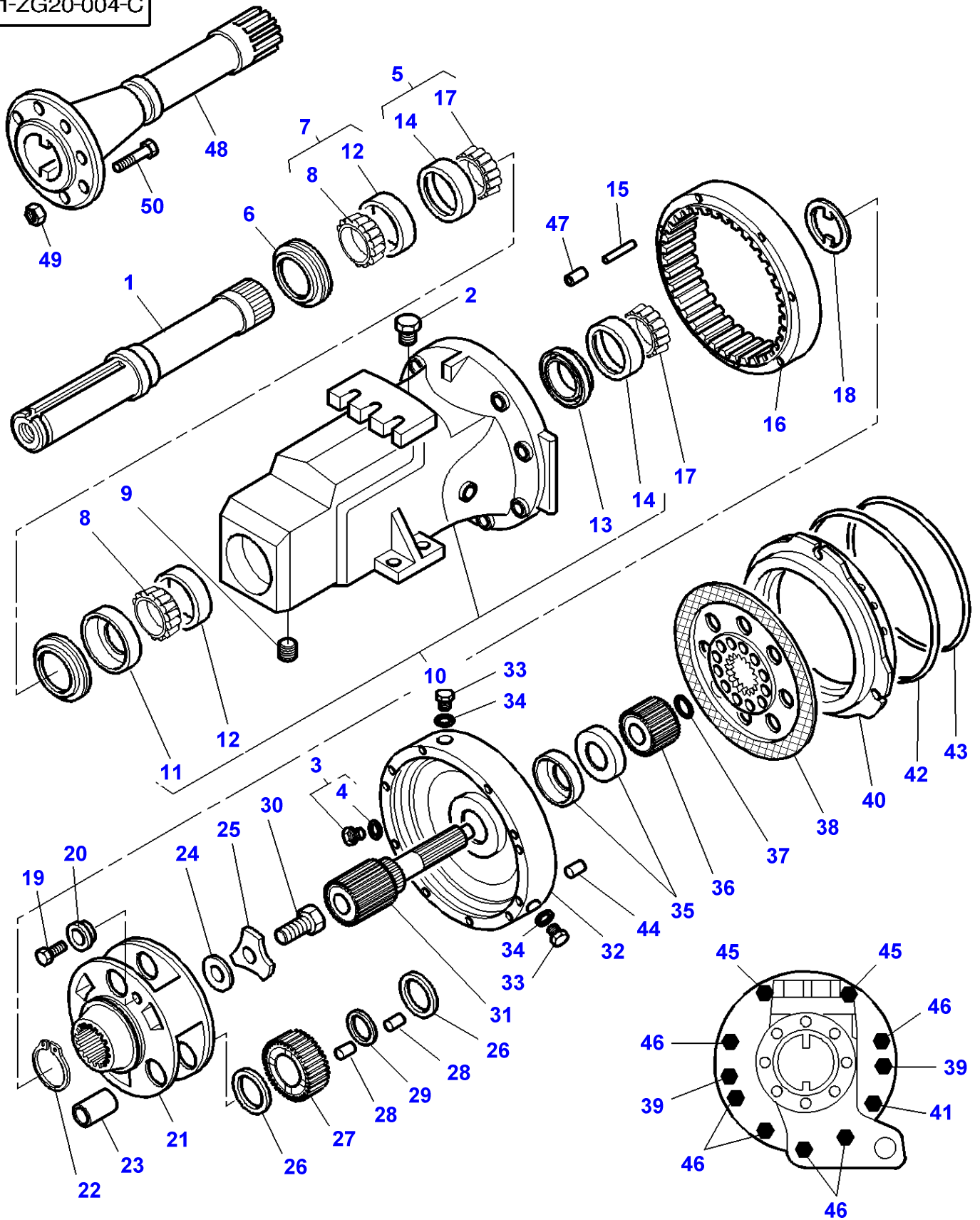
FOOTNOTE [A] WITH DYNASHIFT

FOOTNOTE [B] WITH FULL POWERSHIFT

FOOTNOTE [C] DRAIN PLUG FOR MAIN BRAKES HYDR.CIRCUIT

MF 8210/8220 TRACTORS - 1637365
1-ZG20-004-C

1-ZG20-004-C



Item	Part Number	Qty	Description	Comments
1	3581074M2	2	Shaft	[C] Up to Serial or Engine Number J321008 Number of teeth/spines 30 Length 828,5 MM
	3794041M1	2	Shaft	[D] From Serial or Engine Number J321009 Up to Serial or Engine Number M127036 Number of teeth/spines 30 Length 828,5 MM
	3797468M1	2	Shaft	[D] From Serial or Engine Number M127037 Number of teeth/spines 30 Length 828,5MM
	3581075M2	2	Shaft	[C] Up to Serial or Engine Number J343015 Number of teeth/spines 30 Length 1150 MM
	3794042M1	2	Shaft	[D] From Serial or Engine Number J343016 Up to Serial or Engine Number M127036 Number of teeth/spines 30 Length 1150 MM
	3797466M1	2	Shaft	[D] From Serial or Engine Number M127037 Number of teeth/spines 30 Length 1150MM
2	3619001M1	2	Breather	
3	3019635X91	2	Plug	
4	3019393X1	1	O Ring	(3)
5	3383709M1	2	Bearing Taper	
6	3583530M2	2	Seal	
7	3383709M1	2	Bearing Taper	
8		1	Cone	(7) Not serviced,order REF 7
9	355547X1	2	Plug	Up to Serial or Engine Number J159014
	3795042M1	2	Plug	From Serial or Engine Number J159015
10	3580617M13	1	Axle Housing	Left Hand
	3580618M13	1	Axle Housing	Right Hand
11	3580619M2	1	Dust Shield	(10)
12		1	Race	(10) Not serviced,order REF 7
13	3619346M1	1	Seal	(10)
14		1	Race	(10) Not serviced,order REF 5
15	3039014M1	2	Clevis Pin	Length 124 MM
16	3792924M2	2	Annular Gear	Number of teeth/spines 73 Replace and repair. Old not interchangeable with new 3383256M4
17		2	Cone	Not serviced,order REF 5
18	3580458M2	2	Washer	
19	353693X1	2	Screw Unc	Diameter 3/8"-16 Length 31,7 MM
20	3046114M1	2	Bush	
21	3581051M1	2	Carrier	Number of teeth/spines 30
22	3380713M2	2	Ring	
23	1610204M2	6	Clevis Pin	
24	519954M1	X	Shim	Thickness 0,05 MM Up to Serial or Engine Number
	519955M1	X	Shim	Thickness 0,13 MM Up to Serial or Engine Number
	519956M1	X	Shim	Thickness 0,25 MM Up to Serial or Engine Number
	519957M1	X	Shim	Thickness 0,46 MM Up to Serial or Engine Number
	3797270M1	X	Shim	Thickness 0,20 MM From Serial or Engine Number
	3798552M1	X	Shim	Thickness 0,25MM
	3797271M1	X	Shim	Thickness 0,30 MM From Serial or Engine Number
	3798553M1	X	Shim	Thickness 0,35MM

Short Rear Axle Housings - Outer Final Drive Gear - M.F 8220

Item	Part Number	Qty	Description	Comments
24	3797272M1	X	Shim	Thickness 0,40 MM From Serial or Engine Number
25	3580436M1	2	Washer	Up to Serial or Engine Number
25	3796983M2	2	Washer	Diameter 26-136 From Serial or Engine Number
26	3321291M1	12	Spacer	Diameter 22-136
27	3792923M1	6	Diff Pinion	Number of teeth/spines 29 Replace and repair. Old not interchangeable with new 3791386M1
28	1610191M1	336	Needle	
29	1626976M2	6	Ring	
30	3011004X1	2	Screw	M20X45 Up to Serial or Engine Number
30	3011320X1	2	Screw	M24X80 From Serial or Engine Number
31	3792922M1	2	Planet	[A] Number of teeth/spines 14 Up to Serial or Engine Number
31	3797454M1	2	Planet	Replace and repair. Old not interchangeable with new 3791384M2 Length 336MM [A] Number of teeth/spines 14 From Serial or Engine Number
31	3793082M1	1	Planet	Length 331MM [B] Number of teeth/spines 14 Up to Serial or Engine Number
31	3797455M1	1	Planet	Left Hand Length 341MM [B] Number of teeth/spines 14 From Serial or Engine Number
31	3793083M1	1	Planet	Left Hand Length 341MM [B] Number of teeth/spines 14 Up to Serial or Engine Number
31	3797456M1	1	Planet	Right Hand Length 266MM [B] Number of teeth/spines 14 From Serial or Engine Number
32	3716936M5	1	Spacer	Left Hand
32	3716937M5	1	Spacer	Right Hand
33	3583993M1	4	Plug	
34	3019397X1	4	O Ring	
35	3582195M1	4	Seal	
36	3582194M1	2	Hub	
37	380005X1	2	Clip	[A]
37	380005X1	3	Clip	[B]
38	3617649M91	2	Disc	
39	354663X1	4	Bolt Unc	Diameter 1/2"-13
40	3791208M2	2	Piston	
41	3791438M1	2	Screw	Up to Serial or Engine Number K151001 M16x150
41	3794395M1	2	Screw Metric	From Serial or Engine Number K151002 M16X145
42	3716252M1	2	O Ring	
43	3716335M1	2	O Ring	
44	3716770M2	6	Clevis Pin	
45	3791625M2	4	Stud	M16x229 Replace and repair. Old not interchangeable with new 3716515M1
45	3010875X1	4	Washer	Diameter 16 MM
45	3019871X1	4	Nut Metric	M16
46	3010565X1	12	Screw Metric	Up to Serial or Engine Number K151001 M16X175
46	3010985X1	12	Screw Metric	From Serial or Engine Number K151002 M16X170
47	1611422M1	2	Spacer	From Serial or Engine Number J251025

Item	Part Number	Qty	Description	Comments
48	3583538M2	2	Shaft	[E] Number of teeth/spines 30 Length 636 MM Up to Serial or Engine Number M076006
48	3797460M1	2	Shaft	[E] Number of teeth/spines 30 Length 636 MM From Serial or Engine Number M076007
48	3797650M1	2	Shaft	[F] Number of teeth/spines 30 Length 636MM Up to Serial or Engine Number M092061
48	3798188M1	2	Shaft	[F] Number of teeth/spines 30 Length 636 MM From Serial or Engine Number M092062
49	3384597M1	16	Nut	M18
49	3712611M2	16	Nut Special	M22
50	3384602M4	16	Stud	M18X1,5X72
50	3384601M4	16	Stud	M18X1,5X98
50	3794694M1	16	Stud	M18X1,5X113
50	3796151M1	16	Stud	M22X1,5X72
50	3796150M1	16	Stud	M22X1,5X98
50	3796152M1	16	Stud	M22X1,5X113

FOOTNOTE [A] FOR 5" DIFF ONLY

FOOTNOTE [B] FOR 7" DIFF ONLY

FOOTNOTE [C] RECTANGULAR KEY

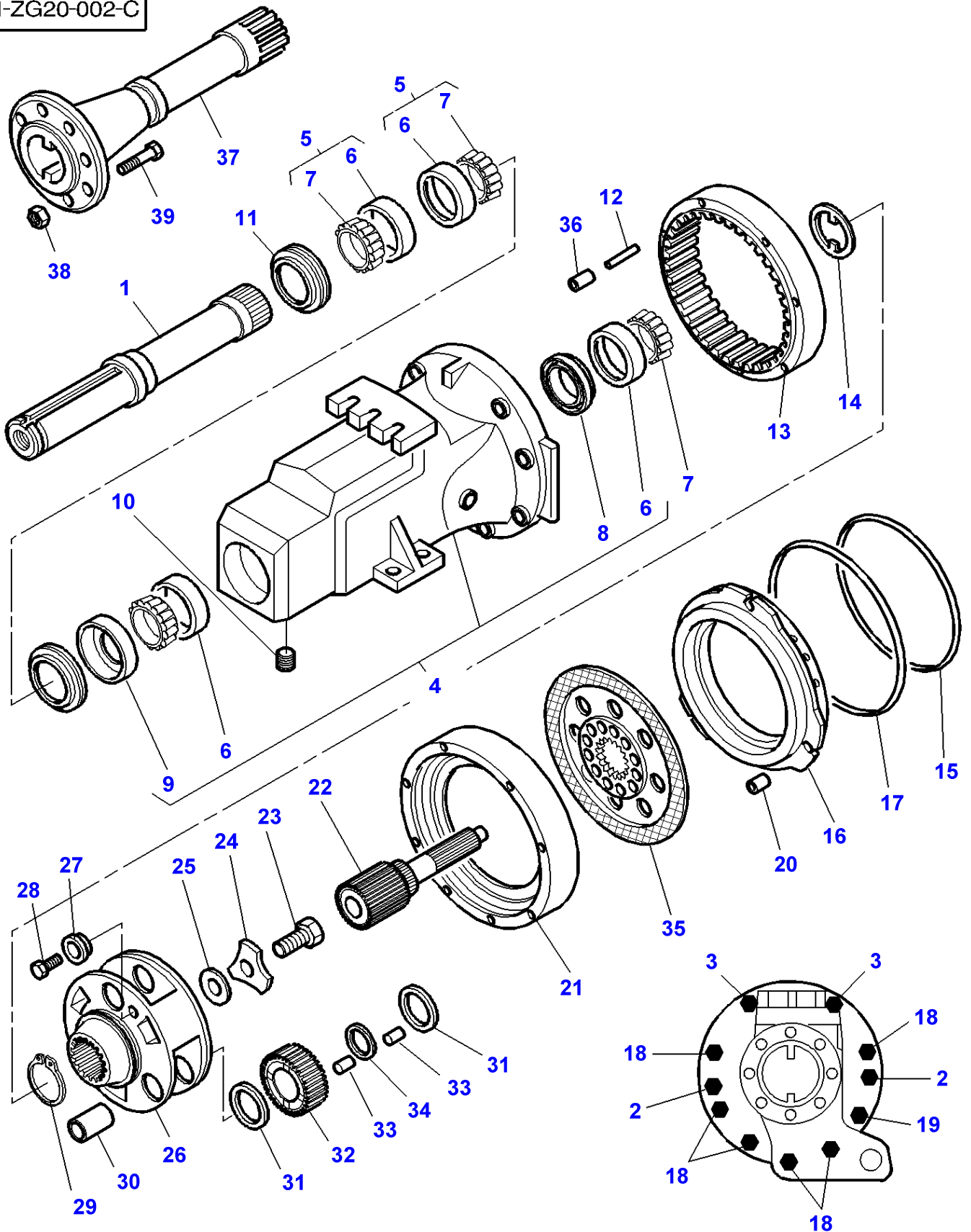
FOOTNOTE [D] HEXAGONAL KEY

FOOTNOTE [E] 8 STUDS M18

FOOTNOTE [F] 8 STUDS M22

MF 8210/8220 TRACTORS - 1637365
1-ZG20-002-C

1-ZG20-002-C



Item	Part Number	Qty	Description	Comments
1	3581074M2	2	Shaft	[A] Up to Serial or Engine Number J321008 Number of teeth/spines 30 Length 828,5 MM
	3794041M1	2	Shaft	[B] From Serial or Engine Number J321009 Up to Serial or Engine Number M127036 Number of teeth/spines 30 Length 828,5 MM
	3797468M1	2	Shaft	[B] From Serial or Engine Number M127037 Number of teeth/spines 30 Length 828,5 MM
	3581075M2	2	Shaft	[A] Up to Serial or Engine Number J343015 Number of teeth/spines 30 Length 1150 MM
	3794042M1	2	Shaft	[B] From Serial or Engine Number J343016 Up to Serial or Engine Number M127036 Number of teeth/spines 30 Length 1150 MM
	3797466M1	2	Shaft	[B] From Serial or Engine Number M127037 Number of teeth/spines 30 Length 1150 MM
2	354663X1	4	Bolt Unc	Diameter 1/2"-13 Length 101 MM
3	3791625M2	4	Stud	M16x229 Replace and repair. Old not interchangeable with new 3716514M1
	3010875X1	4	Washer	Diameter 16 MM
	3019871X1	4	Nut Metric	M16
4	3790048M13	1	Axle Housing	Left Hand
	3790049M13	1	Axle Housing	Right Hand
5	3383709M1	4	Bearing Taper	
6		1	Race	(5) Not serviced,order REF 5
7		2	Cone	(5) Not serviced,order REF 5
8	3619346M1	1	Seal	(4)
9	3580619M2	1	Dust Shield	(4)
10	355547X1	2	Plug	Up to Serial or Engine Number J159014
	3795042M1	2	Plug	From Serial or Engine Number J159015
11	3583530M2	2	Seal	
12	3380806M1	2	Clevis Pin	Length 113,5 MM
13	3792924M2	2	Annular Gear	Number of teeth/spines 73 Replace and repair. Old not interchangeable with new 3383256M4
14	3580458M2	2	Washer	
15	3716335M1	2	O Ring	
16	3716758M3	2	Piston	
17	3716252M1	2	O Ring	
18	3019905X1	12	Bolt Metric	Up to Serial or Engine Number K151001 M16x165
	3010985X1	12	Screw Metric	From Serial or Engine Number K151002 M16X170
19	3019901X1	2	Screw Metric	Up to Serial or Engine Number K151001 M16x140
	3794395M1	2	Screw Metric	From Serial or Engine Number K151002 M16X145
20	3716770M2	6	Clevis Pin	
21	3716082M5	1	Spacer	Left Hand
	3716083M5	1	Spacer	Right Hand
22	3052952M6	2	Planet	Number of teeth/spines 14 Length 325.55MM Up to Serial or Engine Number
	3797453M2	2	Planet	Number of teeth/spines 14 Length 320.55MM From Serial or Engine Number
23	3011004X1	2	Screw	M20x45 Up to Serial or Engine Number

Item	Part Number	Qty	Description	Comments
23	3011320X1	2	Screw	M24 X 80 From Serial or Engine Number
24	3580436M1	2	Washer	Up to Serial or Engine Number Diameter 26-136MM
24	3796983M2	2	Washer	From Serial or Engine Number Diameter 22-136MM
25	519954M1	X	Shim	Thickness 0,05 MM Up to Serial or Engine Number
25	519955M1	X	Shim	Thickness 0,13 MM Up to Serial or Engine Number
25	519956M1	X	Shim	Thickness 0,25 MM Up to Serial or Engine Number
25	519957M1	X	Shim	Thickness 0,46 MM Up to Serial or Engine Number
25	3797270M1	X	Shim	Thickness 0,20 MM From Serial or Engine Number
25	3798552M1	X	Shim	Thickness 0,25MM
25	3797271M1	X	Shim	Thickness 0,30 MM From Serial or Engine Number
25	3798553M1	X	Shim	Thickness 0,35MM
25	3797272M1	X	Shim	Thickness 0,40 MM From Serial or Engine Number
26	3581051M1	2	Carrier	Number of teeth/spines 30
27	3046114M1	2	Bush	
28	353693X1	2	Screw Unc	Diameter 3/8"-16 Length 31,7 MM
29	3380713M2	2	Ring	
30	1610204M2	6	Clevis Pin	
31	3321291M1	12	Spacer	
32	3792923M1	6	Diff Pinion	Number of teeth/spines 29 Replace and repair. Old not interchangeable with new 3791386M1
33	1610191M1	336	Needle	
34	1626976M2	6	Ring	
35	3617649M91	2	Disc	
36	1611422M1	2	Spacer	From Serial or Engine Number J251025
37	3583538M2	2	Shaft	[C] Number of teeth/spines 30 Length 636 MM Up to Serial or Engine Number M076006
37	3797460M1	2	Shaft	[C] Number of teeth/spines 30 Length 636 MM From Serial or Engine Number M076007
37	3797650M1	2	Shaft	[D] Number of teeth/spines 30 Length 636 MM Up to Serial or Engine Number M092061
37	3798188M1	2	Shaft	[D] Number of teeth/spines 30 Length 636 MM From Serial or Engine Number M092062
38	3384597M1	16	Nut	M18
38	3712611M2	16	Nut Special	M22
39	3384602M4	16	Stud	M18X1,5X72
39	3384601M4	16	Stud	M18X1,5X98
39	3794694M1	16	Stud	M18X1,5X113
39	3796151M1	16	Stud	M22X1,5X72
39	3796150M1	16	Stud	M22X1,5X98
39	3796152M1	16	Stud	M22X1,5X113

FOOTNOTE [A] RECTANGULAR KEY

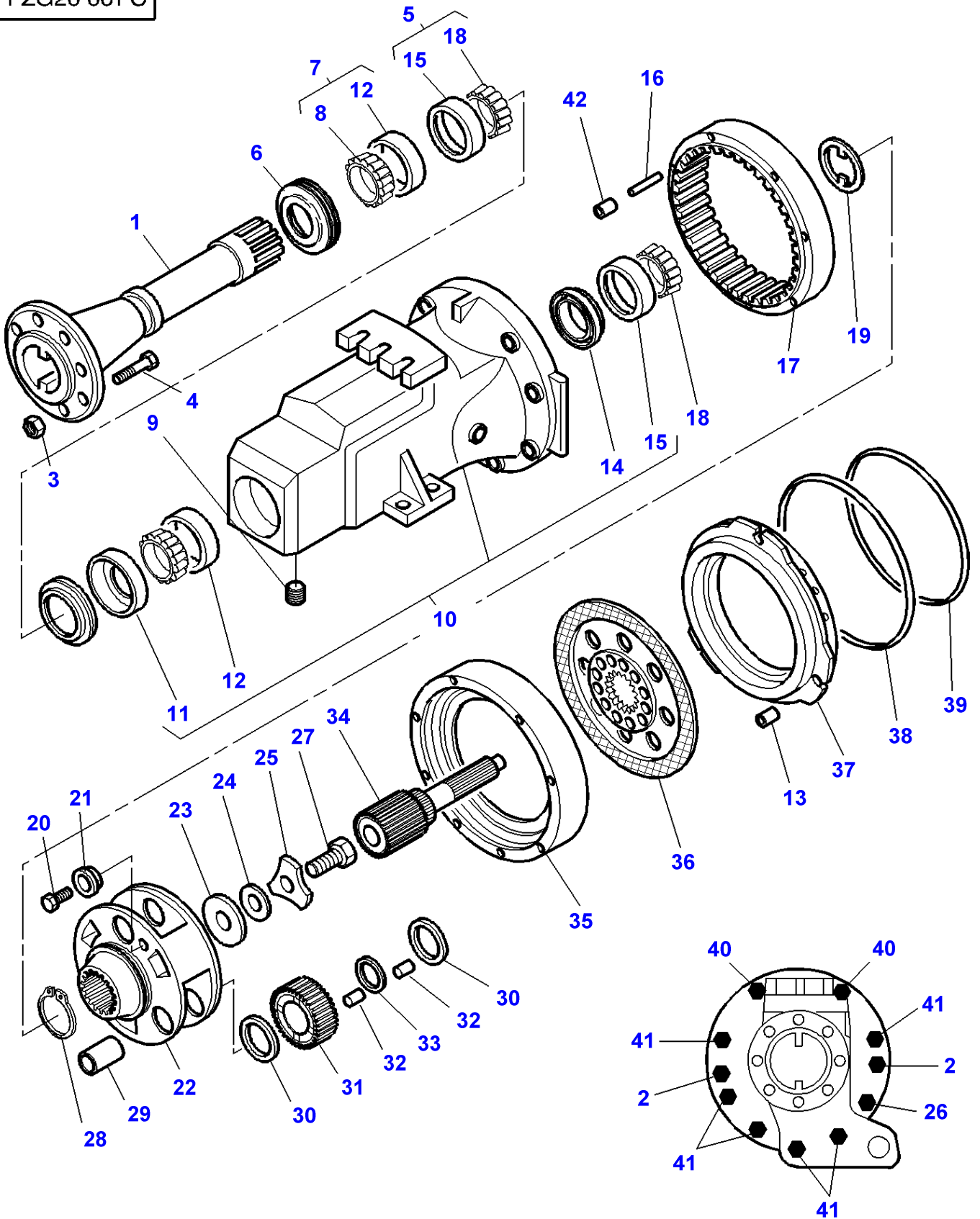
FOOTNOTE [B] HEXAGONAL KEY

FOOTNOTE [C] 8 STUDS M18

FOOTNOTE [D] 8 STUDS M22

MF 8210/8220 TRACTORS - 1637365
1-ZG20-001-C

1-ZG20-001-C



Short Rear Axle Housings - Outer Final Drive Gear

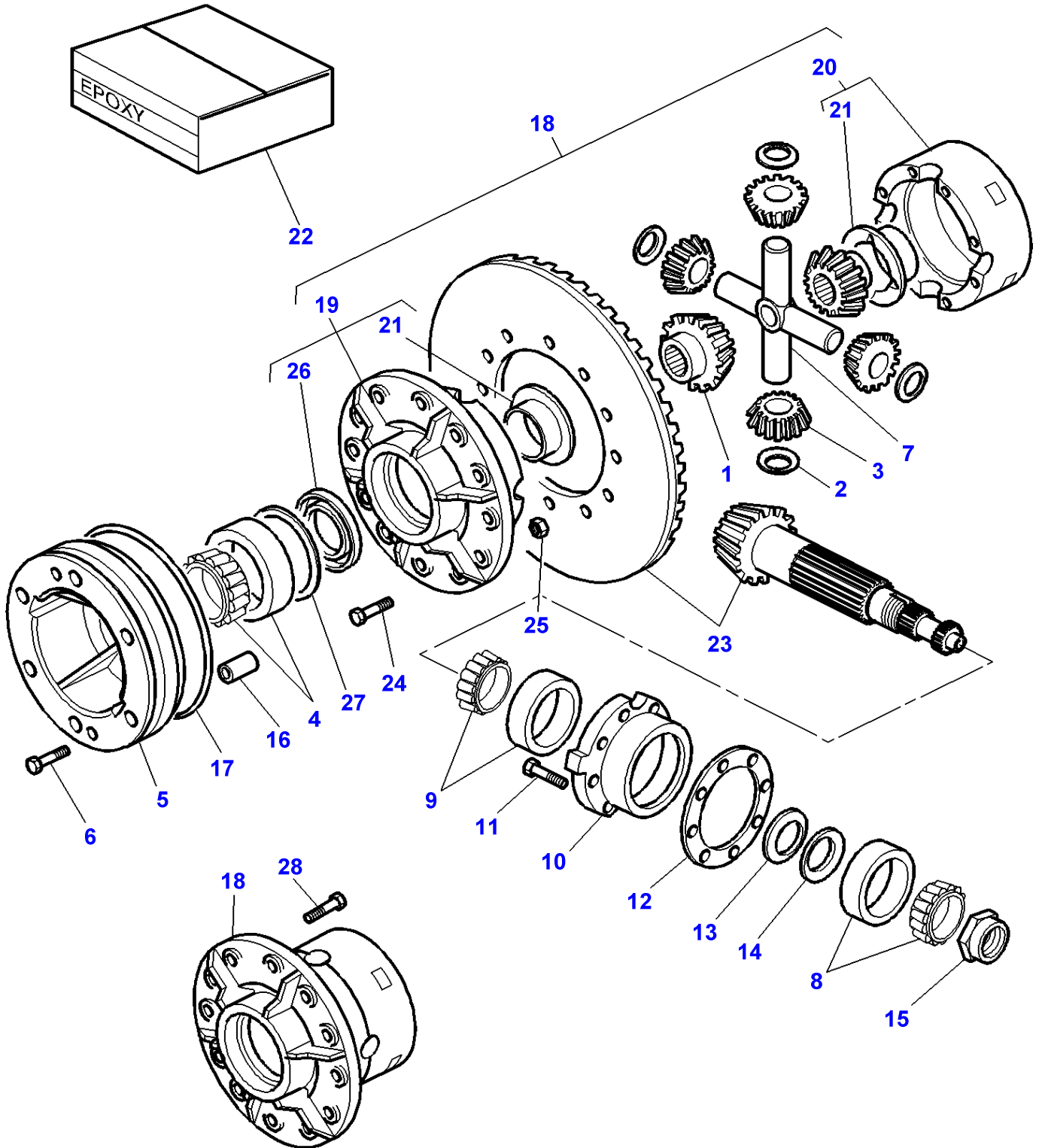
Item	Part Number	Qty	Description	Comments
1	3583727M3	2	Shaft	Number of teeth/spines 31 Diameter 82 MM Up to Serial or Engine Number 30-09-2003
	3797457M1	2	Shaft	Number of teeth/spines 31 Diameter 82MM From Serial or Engine Number 01-10-2003
2	354663X1	4	Bolt Unc	Diameter 1/2"-13 Length 101 MM
3	3384597M1	16	Nut	M18
	3712611M2	16	Nut Special	M22
4	3384602M4	16	Stud	M18X1,5X72
	3384601M4	16	Stud	M18X1,5X98
	3794694M1	16	Stud	M18X1,5X113
	3796151M1	16	Stud	M22X1,5X72
	3796150M1	16	Stud	M22X1,5X98
	3796152M1	16	Stud	M22X1,5X113
5	3383712M1	2	Bearing Taper	
6	3583530M2	2	Seal	
7	3383714M1	2	Bearing Taper	
8		1	Cone	(7) Not serviced,order REF 7
9	355547X1	2	Plug	Up to Serial or Engine Number J159014
	3795042M1	2	Plug	From Serial or Engine Number J159015
10	3583509M13	1	Axle Housing	Left Hand
	3583510M13	1	Axle Housing	Right Hand
11	3580619M2	1	Dust Shield	(10)
12		1	Race	(7) Not serviced,order REF 7
13	3716770M2	6	Clevis Pin	
14	3619345M1	1	Seal	(10)
15		1	Race	(5) Not serviced,order REF 5
16	3380806M1	2	Clevis Pin	Length 113,5 MM
17	3792924M2	2	Annular Gear	Number of teeth/spines 73 Replace and repair. Old not interchangeable with new 3383256M4
18		2	Cone	(5) Not serviced,order REF 5
19	3052650M1	2	Washer	
20	353693X1	2	Screw Unc	Diameter 3/8"-16 Length 31,7 MM
21	3046114M1	2	Bush	
22	3052926M5	2	Carrier	Number of teeth/spines 31
23	3381258M1	2	Washer	
24	519954M1	X	Shim	Thickness 0,05 MM Up to Serial or Engine Number 30-09-2003
	519955M1	X	Shim	Thickness 0,13 MM Up to Serial or Engine Number 30-09-2003
	519956M1	X	Shim	Thickness 0,25 MM Up to Serial or Engine Number 30-09-2003
	519957M1	X	Shim	Thickness 0,46 MM Up to Serial or Engine Number 30-09-2003
	3797276M1	X	Shim	Thickness 0,20MM From Serial or Engine Number 01-10-2003
	3798543M1	X	Shim	Thickness 0,25MM From Serial or Engine Number 01-10-2003
	3797277M1	X	Shim	Thickness 0,30MM From Serial or Engine Number 01-10-2003
	3798544M1	X	Shim	Thickness 0,35MM From Serial or Engine Number 01-10-2003
	3797278M1	X	Shim	Thickness 0,40MM
25	3580436M1	2	Washer	Up to Serial or Engine Number 30-09-2003
	3797985M2	2	Washer	From Serial or Engine Number 01-10-2003
26	3019901X1	2	Screw Metric	Up to Serial or Engine Number K151001 M16x140
	3794395M1	2	Screw Metric	From Serial or Engine Number K151002 M16X145
27	354708X1	2	Bolt Unc	Diameter 3/4"-10 Length 44,4 MM Up to Serial or Engine Number 30-09-2003
	3011383X1	2	Screw	M20 X 30 From Serial or Engine Number 01-10-2003
28	3380713M2	2	Ring	

Massey Ferguson**MF 8210/8220 TRACTORS - 1637365****1637365****Short Rear Axle Housings - Outer Final Drive Gear****Page030-0050**

Item	Part Number	Qty	Description	Comments
29	1610204M2	6	Clevis Pin	
30	3321291M1	12	Spacer	
31	3792923M1	6	Diff Pinion	Number of teeth/spines 29 Replace and repair. Old not interchangeable with new 3791386M1
32	1610191M1	336	Needle	
33	1626976M2	6	Ring	
34	3052952M6	2	Planet	Number of teeth/spines 14 Up to Serial or Engine Number 30-09-2003
34	3797453M2	2	Planet	Number of teeth/spines 14 From Serial or Engine Number 01-10-2003
35	3716082M5	1	Spacer	Left Hand
35	3716083M5	1	Spacer	Right Hand
36	3617649M91	2	Disc	
37	3716758M3	2	Piston	
38	3716252M1	2	O Ring	
39	3716335M1	2	O Ring	
40	3791625M2	4	Stud	M16x229 Replace and repair. Old not interchangeable with new 3716514M1
40	3010875X1	4	Washer	Diameter 16 MM
40	3019871X1	4	Nut Metric	M16
41	3019905X1	12	Bolt Metric	Up to Serial or Engine Number K151001 M16x165
41	3010985X1	12	Screw Metric	From Serial or Engine Number K151002 M16X170
42	1611422M1	2	Spacer	From Serial or Engine Number J251025

MF 8210/8220 TRACTORS - 1637365
1-ZG09-001-C

1-ZG09-001-C



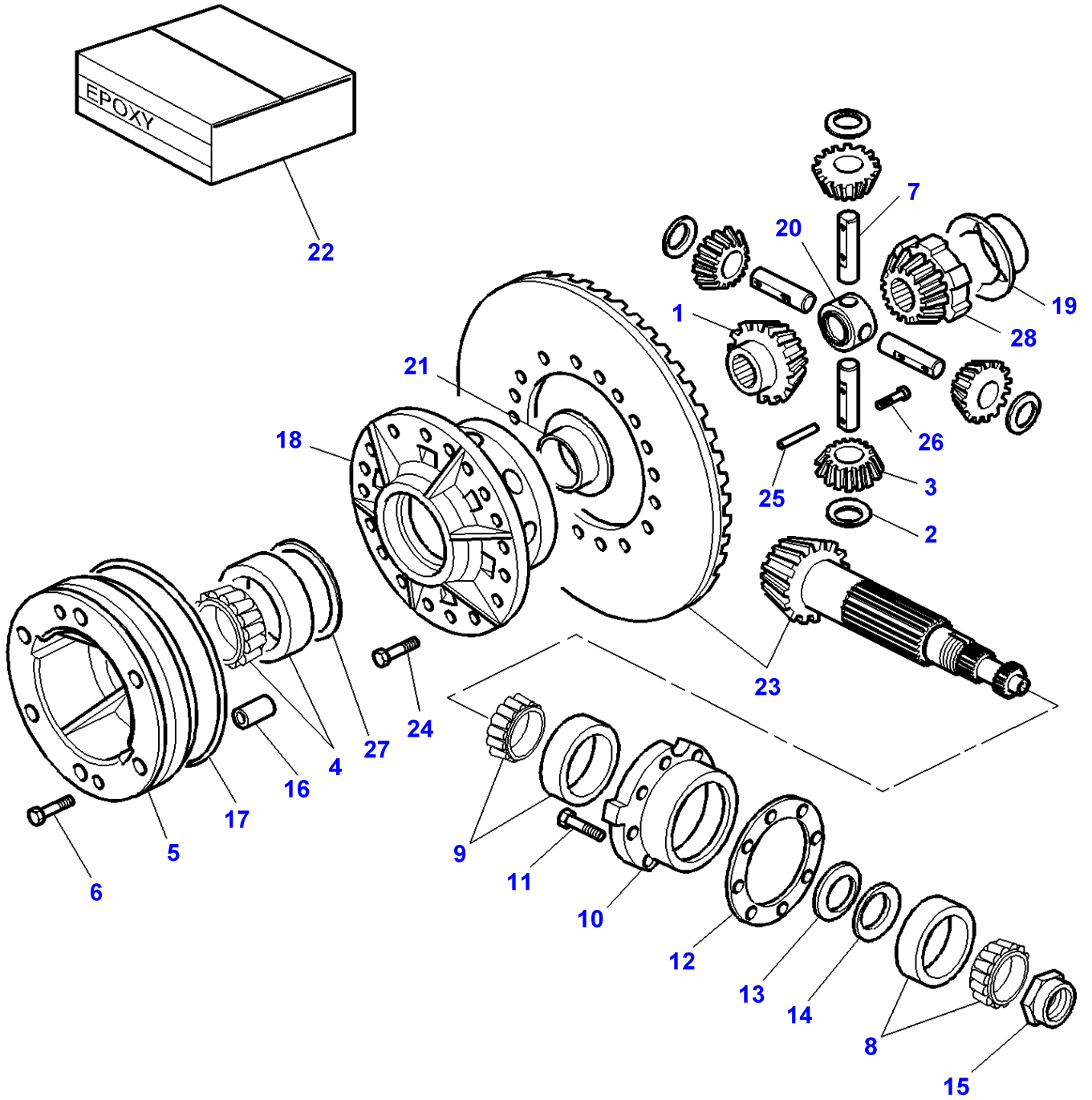
Rear Axle - Differential - 5" Differential

Item	Part Number	Qty	Description	Comments
1	885518M5	2	Gear	
2	3387281M1	4	Washer	
3	2746322M1	4	Pinion	
4	1851533M91	1	Bearing Assy	
5	3716332M4	1	Support	Up to Serial or Engine Number K092030
	3716332M5	1	Support	From Serial or Engine Number K092031
6	3019899X1	6	Bolt Metric	M12 X 50
7	2746135M2	1	Crosspiece	
8	3010720X91	1	Bearing Assy	
9	3010735X91	1	Bearing Assy	
10	3716430M2	1	Case Assy	
11	3010010X1	4	Screw	Up to Serial or Engine Number L156019 M12 X 40
	3010770X1	4	Screw Metric	From Serial or Engine Number L156020 M12 X 35
	3010770X1	4	Screw Metric	Up to Serial or Engine Number L156019 M12 X 35
	3010492X1	4	Screw	From Serial or Engine Number L156020 M12 X 30
12	3716566M1	X	Shim	Thickness 0,05 MM
	3716567M1	X	Shim	Thickness 0,10 MM
	3716568M1	X	Shim	Thickness 0,20 MM
	3716569M1	X	Shim	Thickness 0,30 MM
13	3716422M1	1	Washer	
14	3792328M2	X	Chock	Thickness 0,65 MM
	3716431M2	X	Chock	Thickness 0,70 MM
	3792329M2	X	Chock	Thickness 0,75 MM
	3716432M2	X	Chock	Thickness 0,80 MM
	3792330M2	X	Chock	Thickness 0,85 MM
	3716433M2	X	Chock	Thickness 0,90 MM
	3792331M2	X	Chock	Thickness 0,95 MM
	3716434M2	X	Chock	Thickness 1,00 MM
15	3716450M1	1	Nut Special	M60
16	1611277M1	1	Pin	Diameter 16 X 20
17	3716335M1	1	O Ring	
18	3714981M16	1	Kit Case	
19		1	Housing	(18) Not serviced,order REF. 18
20		1	Housing	(18) Not serviced,order REF. 18
21	3714982M4	2	Bush	(18)
22	3930274M92	1	Loctite	
23	3716406M95	1	Kit, Bevel Gear	9 X 44
24	825776M1	12	Screw Special	
25	891947M1	12	Nut Special	
26	3791415M1	1	Deflector	(19)
27	3791686M1	X	Chock	Up to Serial or Engine Number K092030 Thickness 0,10 MM
	3791687M1	X	Chock	Up to Serial or Engine Number K092030 Thickness 0,30 MM
	3791689M1	X	Chock	Up to Serial or Engine Number K092030 Thickness 0,05 MM
	3795176M1	X	Shim	From Serial or Engine Number K092031 Thickness 0,30 MM
	3795177M1	X	Shim	From Serial or Engine Number K092031 Thickness 0,35 MM
	3795178M1	X	Shim	From Serial or Engine Number K092031 Thickness 0,40 MM
	3795179M1	X	Shim	From Serial or Engine Number K092031 Thickness 0,45 MM
	3795180M1	X	Shim	From Serial or Engine Number K092031 Thickness 0,50 MM
	3795181M1	X	Shim	From Serial or Engine Number K092031 Thickness 0,55 MM
28	362782X1	8	Bolt Unc	

FOOTNOTE [A] OUTER FINAL DRIVE GEAR WITH COMPOSITE REDUCER

FOOTNOTE [B] WITH REAR AXLE HOUSINGS OUTER GEAR WITH SEALED HOUSING

1-ZG09-002-A



Rear Axle - Differential - 7" DIFFERENTIAL - UP TO L113019

Item	Part Number	Qty	Description	Comments
1	3716473M5	1	Pinion	
2	3791227M2	4	Washer	
3	3716463M1	4	Diff Pinion	
4	3010714X91	1	Bearing Taper	
5	3792791M1	1	Support	Up to Serial or Engine Number K043019
	3792791M2	1	Support	From Serial or Engine Number K043020
6	3019899X1	6	Bolt Metric	M12 X 50
7	3716470M3	4	Clevis Pin	
8	3010720X91	1	Bearing Assy	
9	3010735X91	1	Bearing Assy	
10	3716430M2	1	Case Assy	
11	3010010X1	4	Screw	M12 X 40
	3010770X1	4	Screw Metric	M12 X 35
12	3716566M1	X	Shim	Thickness 0,05 MM
	3716567M1	X	Shim	Thickness 0,10 MM
	3716568M1	X	Shim	Thickness 0,20 MM
	3716569M1	X	Shim	Thickness 0,30 MM
13	3716422M1	1	Washer	
14	3792328M2	X	Chock	Thickness 0,65 MM
	3716431M2	X	Chock	Thickness 0,70 MM
	3792329M2	X	Chock	Thickness 0,75 MM
	3716432M2	X	Chock	Thickness 0,80 MM
	3792330M2	X	Chock	Thickness 0,85 MM
	3716433M2	X	Chock	Thickness 0,90 MM
	3792331M2	X	Chock	Thickness 0,95 MM
	3716434M2	X	Chock	Thickness 1,00 MM
15	3716450M1	1	Nut Special	M60
16	1611277M1	1	Pin	Diameter 16 X 20
17	3716335M1	1	O Ring	
18	3716464M4	1	Case Assy	
19	3716472M3	1	Washer	
20	3716059M5	1	Crosspiece	
21	3716327M3	1	Bush	
22	3930274M92	1	Loctite	
23	3792781M91	1	Kit, Bevel Gear	9 X 44
24	3010783X1	18	Screw Metric	M16 X 40
25	3384279M1	4	Needle	
26	1441000X1	4	Screw Metric	M8 X 16
27	3791616M1	X	Chock	Up to Serial or Engine Number K043019 Thickness 0,05 MM
	3791617M1	X	Chock	Up to Serial or Engine Number K043019 Thickness 0,10 MM
	3791618M1	X	Chock	Up to Serial or Engine Number K043019 Thickness 0,30 MM
	3795187M1	X	Shim	From Serial or Engine Number K043020 Thickness 0,30 MM
	3795188M1	X	Shim	From Serial or Engine Number K043020 Thickness 0,35 MM
	3795189M1	X	Shim	From Serial or Engine Number K043020 Thickness 0,40 MM
	3795190M1	X	Shim	From Serial or Engine Number K043020 Thickness 0,45 MM
	3795191M1	X	Shim	From Serial or Engine Number K043020 Thickness 0,50 MM
	3795192M1	X	Shim	From Serial or Engine Number K043020 Thickness 0,55 MM
28	3716474M6	1	Planet	

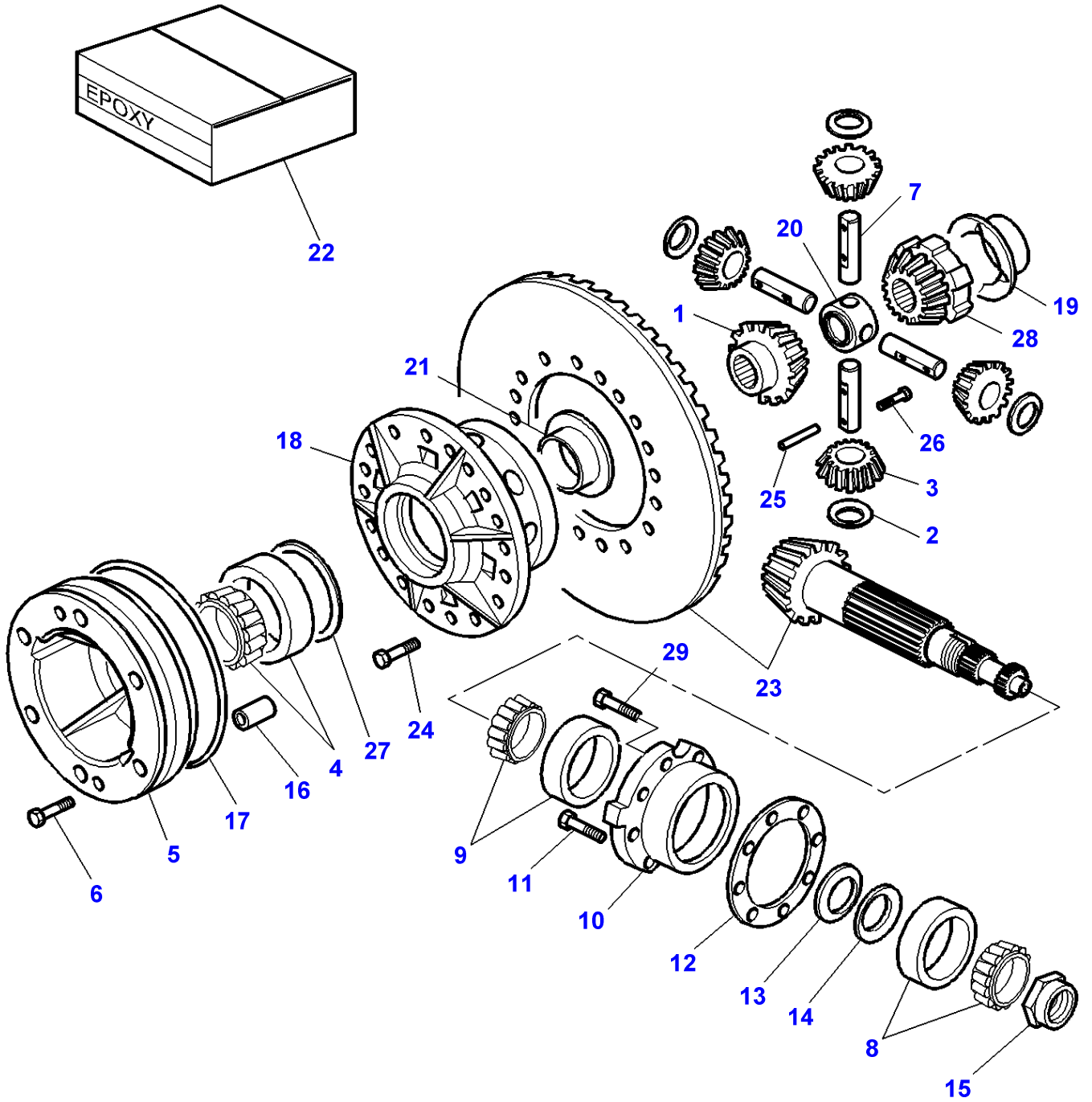
FOOTNOTE [A] WITH FULL POWERSHIFT

FOOTNOTE [B] WITH DYNASHIFT

FOOTNOTE [C] OUTER FINAL DRIVE GEAR WITH COMPOSITE REDUCER

FOOTNOTE [D] WITH REAR AXLE HOUSINGS OUTER GEAR WITH SEALED HOUSING

1-ZG09-004-B



Item	Part Number	Qty	Description	Comments
1	3716473M5	1	Pinion	
2	3791227M2	4	Washer	
3	3716463M1	4	Diff Pinion	
4	3010714X91	1	Bearing Taper	
5	3792791M2	1	Support	
6	3019899X1	6	Bolt Metric	M12 X 50
7	3716470M3	4	Clevis Pin	
8	3010720X91	1	Bearing Assy	
9	3010735X91	1	Bearing Assy	
10	3716430M2	1	Case Assy	
11	3010770X1	4	Screw Metric	Up to Serial or Engine Number L156019 M12 X 35
	3010492X1	4	Screw	From Serial or Engine Number L156020 M12 X 30
12	3716566M1	X	Shim	Thickness 0,05 MM
	3716567M1	X	Shim	Thickness 0,10 MM
	3716568M1	X	Shim	Thickness 0,20 MM
	3716569M1	X	Shim	Thickness 0,30 MM
13	3716422M1	1	Washer	
14	3792328M2	X	Chock	Thickness 0,65 MM
	3716431M2	X	Chock	Thickness 0,70 MM
	3792329M2	X	Chock	Thickness 0,75 MM
	3716432M2	X	Chock	Thickness 0,80 MM
	3792330M2	X	Chock	Thickness 0,85 MM
	3716433M2	X	Chock	Thickness 0,90 MM
	3792331M2	X	Chock	Thickness 0,95 MM
	3716434M2	X	Chock	Thickness 1,00 MM
15	3716450M1	1	Nut Special	M60
16	1611277M1	1	Pin	Diameter 16 X 20
17	3716335M1	1	O Ring	
18	3716464M4	1	Case Assy	
19	3716472M3	1	Washer	
20	3716059M5	1	Crosspiece	
21	3716327M3	1	Bush	
22	3930274M92	1	Loctite	
23	3792781M91	1	Kit, Bevel Gear	9 X 44
24	3010783X1	18	Screw Metric	M16 X 40
25	3384279M1	4	Needle	
26	1441000X1	4	Screw Metric	M8 X 16
27	3796205M1	X	Chock	Thickness 0,30 MM
	3796206M1	X	Chock	Thickness 0,35 MM
	3796207M1	X	Chock	Thickness 0,40 MM
	3796208M1	X	Chock	Thickness 0,45 MM
	3796209M1	X	Chock	Thickness 0,50 MM
	3796210M1	X	Chock	Thickness 0,55 MM
28	3716474M6	1	Planet	
29	3010010X1	4	Screw	Up to Serial or Engine Number L156019 M12 X 40
	3010770X1	4	Screw Metric	From Serial or Engine Number L156020 M12 X 35

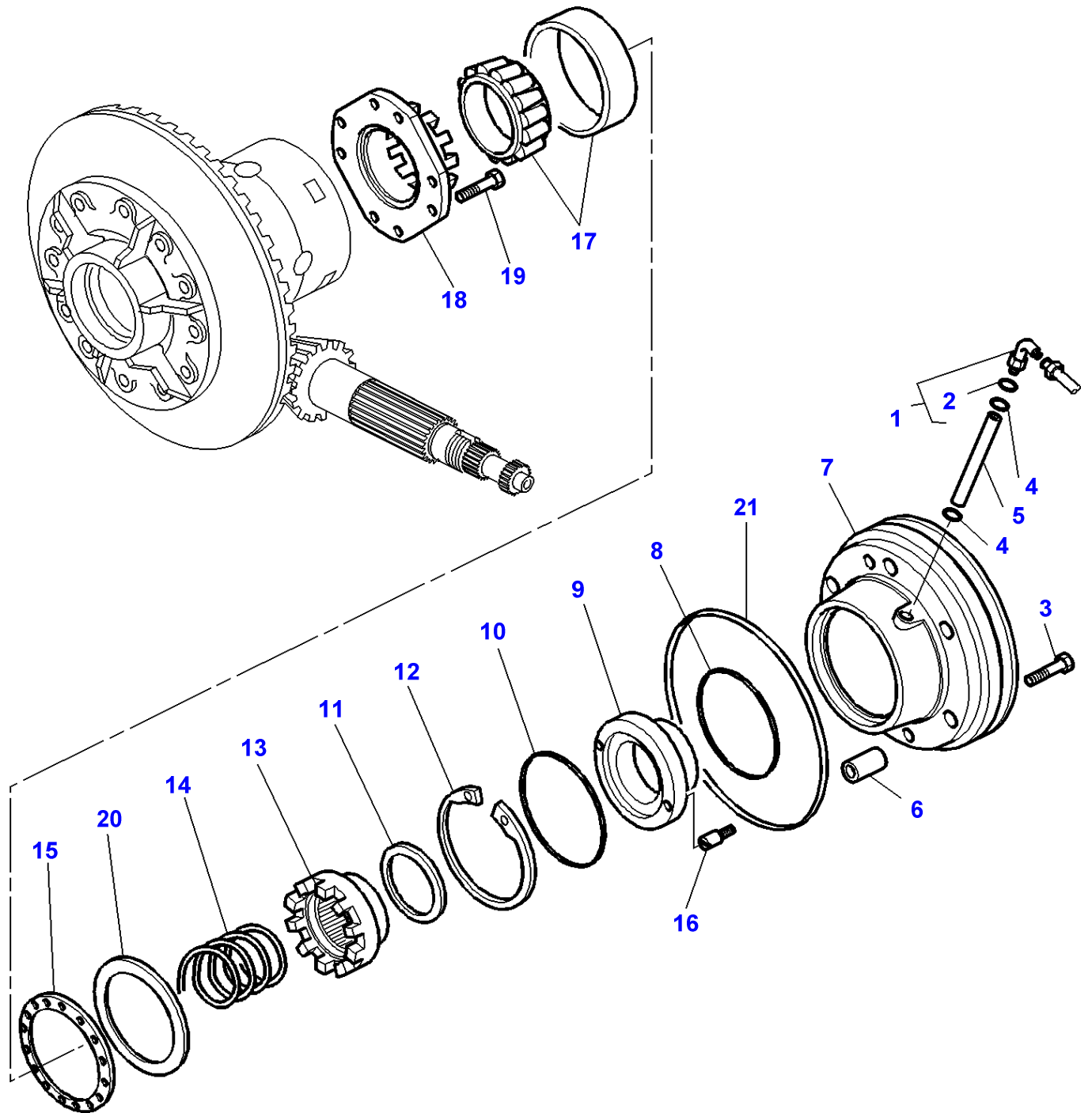
FOOTNOTE [A] WITH FULL POWERSHIFT

FOOTNOTE [B] WITH DYNASHIFT

FOOTNOTE [C] OUTER FINAL DRIVE GEAR WITH COMPOSITE REDUCER

FOOTNOTE [D] WITH REAR AXLE HOUSINGS OUTER GEAR WITH SEALED HOUSING

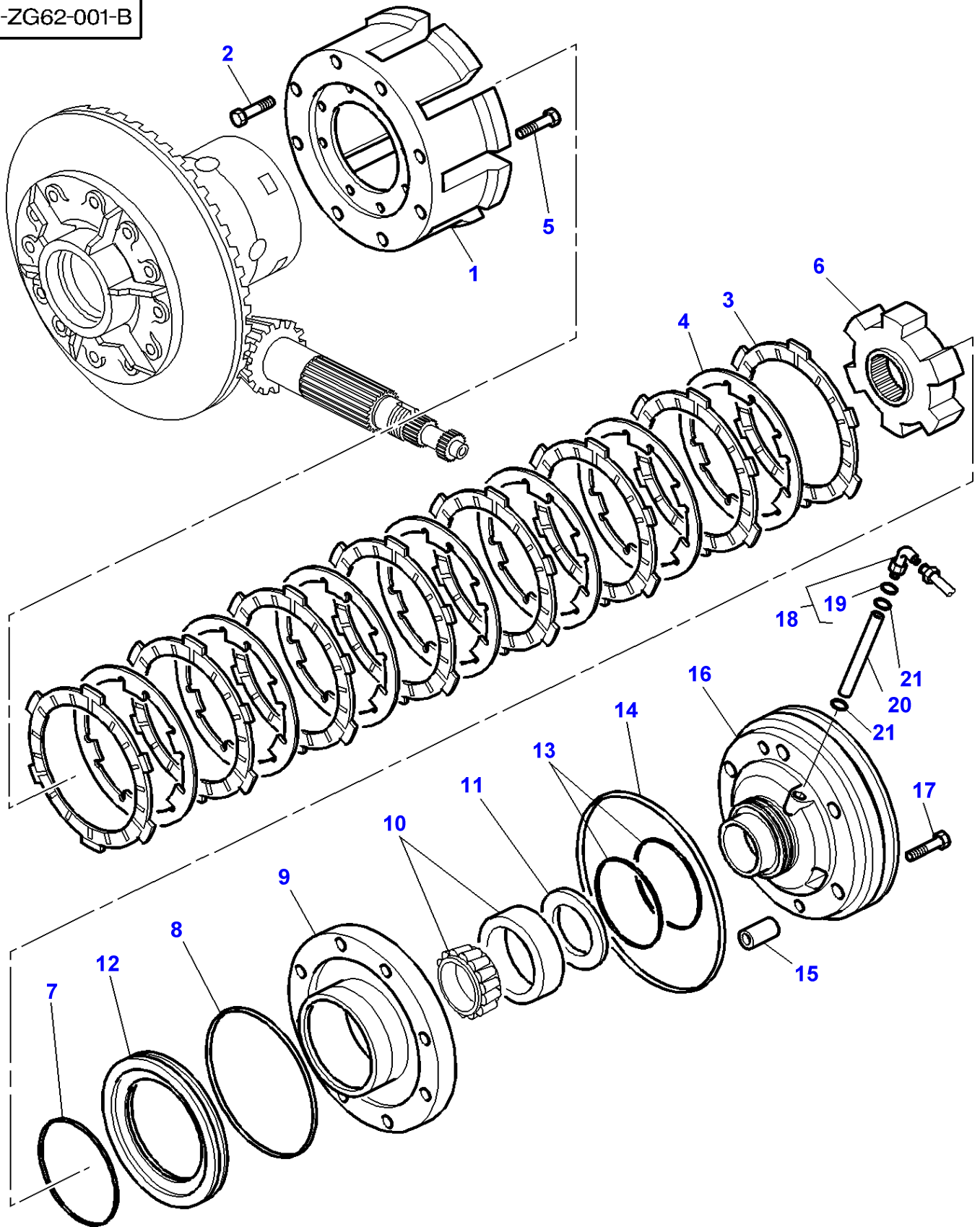
1-ZG21-002-C



Item	Part Number	Qty	Description	Comments
1	3385713M91	1	Union	
2	831497M1	1	O Ring	(1)
3	3019899X1	6	Bolt Metric	M12X50
4	377494X1	2	O Ring	
5	3716571M2	1	Tube	
6	1611277M1	1	Pin	Diameter 16X20
7	3716331M4	1	Support	
8	152613M1	1	O Ring	
9	3382480M1	1	Piston	Up to Serial or Engine Number H162000 For France only or any text in French only For UK only or any text in English only
	3792455M1	1	Piston	From Serial or Engine Number H162001 For France only or any text in French only For UK only or any text in English only
	3792455M1	1	Piston	Not for France Without or not for example : not United Kingdom
10	359118X1	1	O Ring	
11	3715419M1	1	Washer	Up to Serial or Engine Number H162000 For France only or any text in French only For UK only or any text in English only
	3792454M1	1	Washer	From Serial or Engine Number H162001 For France only or any text in French only For UK only or any text in English only
	3792454M1	1	Washer	Not for France Without or not for example : not United Kingdom
12	356005X1	1	Clip	
13	3382477M4	1	Coupling	Up to Serial or Engine Number H162000 For France only or any text in French only For UK only or any text in English only
	3792456M1	1	Coupling	From Serial or Engine Number H162001 For France only or any text in French only For UK only or any text in English only
	3792456M1	1	Coupling	Not for France Without or not for example : not United Kingdom
14	3382481M2	1	Spring	
15	1686054M2	X	Shim	Thickness 0,48-0,53MM From Serial or Engine Number 11/00
	521401M2	X	Shim	Thickness 0,61-0,66MM
	187689M2	X	Shim	Thickness 0,73-0,78MM
	892173M2	X	Shim	Thickness 0,864-0,914
	892172M2	X	Shim	Thickness 0,991-1,041
	892171M2	X	Shim	Thickness 1,118-1,168
	892170M2	X	Shim	Thickness 1,245-1,295
	191124M2	X	Shim	Thickness 1,37-1,42MM
	191125M2	X	Shim	Thickness 1,49-1,54MM
16	3382377M1	1	Centraliser	
17	1850909M91	1	Bearing Assy	
18	3382476M2	1	Coupling	Up to Serial or Engine Number K065018
	3794210M1	1	Coupling	From Serial or Engine Number K065019
19	362782X1	8	Bolt Unc	1/2"-13X105
20	3794031M1	X	Chock	Thickness 0,7MM From Serial or Engine Number 11/00
21	3716335M1	1	O Ring	

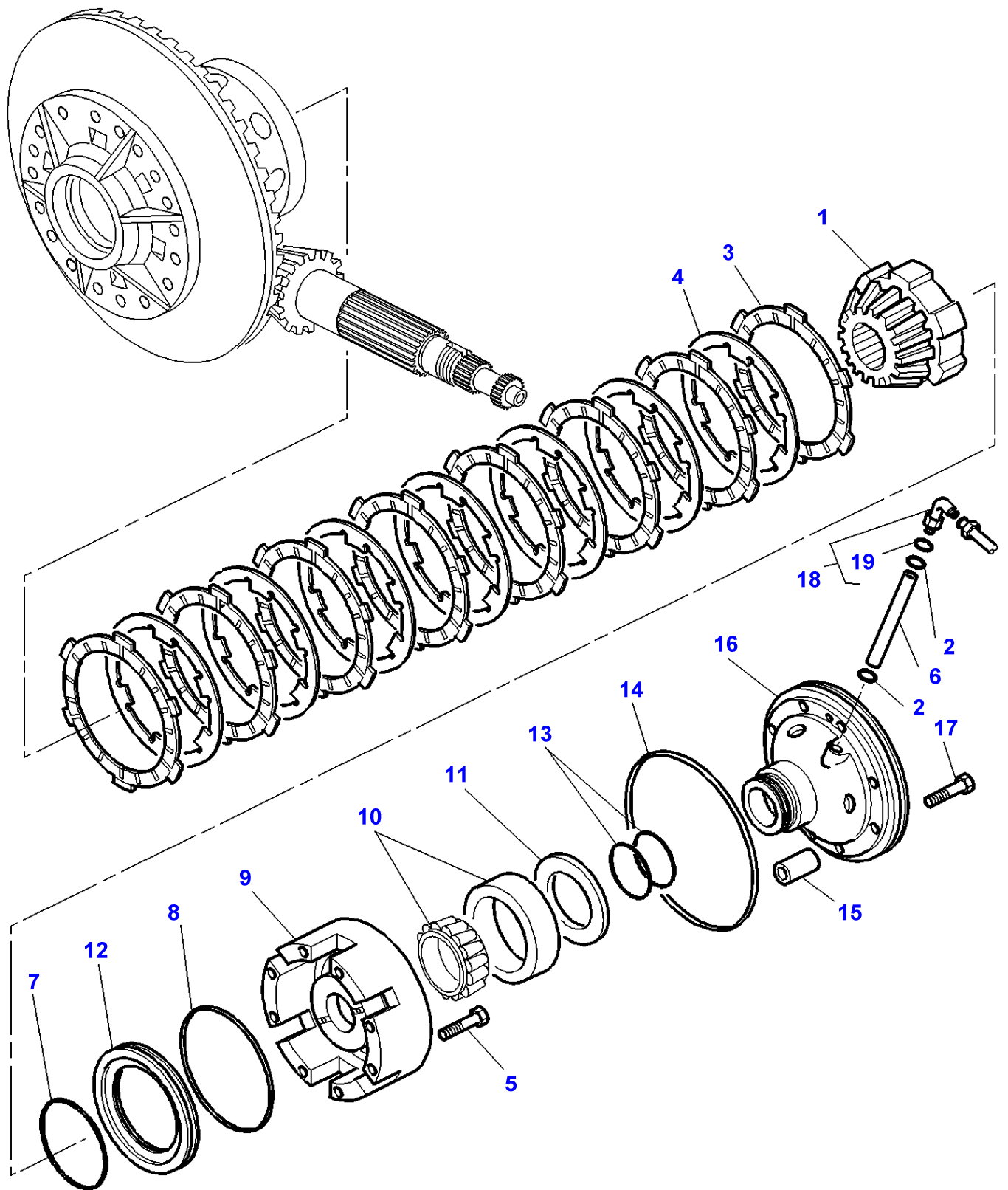
MF 8210/8220 TRACTORS - 1637365
1-ZG62-001-B

1-ZG62-001-B



Item	Part Number	Qty	Description	Comments
1	3716851M3	1	Case Assy	Diameter 262 MM
2	3009515X1	8	Bolt Metric	M12 X 80
3	3616741M1	8	Disc	
4	3616742M1	7	Counterplate	
5	362782X1	8	Bolt Unc	1/2"-13 X 102
6	3716855M3	1	Hub	
7	70923591	1	O Ring	
8	359008X1	1	O Ring	
9	3716309M13	1	Case Assy	
10	3010726X91	1	Bearing Taper	
11	3716857M1	X	Shim	Thickness 0,5 MM
	3716858M1	X	Shim	Thickness 0,6 MM
	3791784M1	X	Shim	Thickness 0,7 MM
	3716859M1	X	Shim	Thickness 0,8 MM
	3716860M1	X	Shim	Thickness 0,9 MM
12	3716854M1	1	Piston	
13	3716856M2	2	Segment	
14	3716335M1	1	O Ring	
15	1611277M1	1	Pin	Diameter 16 X 20
16	3716853M14	1	Support	
17	3019899X1	6	Bolt Metric	M12 X 50
18	3385713M91	1	Union	
19	831497M1	1	O Ring	(18)
20	3716571M2	1	Tube	
21	377494X1	2	O Ring	

1-ZG62-003-A



Item	Part Number	Qty	Description	Comments
1	3716474M6	1	Planet	
2	377494X1	2	O Ring	
3	3616741M1	8	Disc	
4	3616742M1	7	Counterplate	
5	3010784X1	8	Screw Metric	M12 X 110
6	3716571M2	1	Tube	
7	70923591	1	O Ring	
8	359008X1	1	O Ring	
9	3716562M12	1	Case Assy	Diameter 256 MM
10	1850909M91	1	Bearing Assy	
11	3716479M1	X	Chock	Thickness 0,5 MM
	3716480M1	X	Chock	Thickness 0,6 MM
	3791782M1		Chock	Thickness 0,7 MM
	3716486M1	X	Chock	Thickness 0,8 MM
	3791783M1		Chock	Thickness 0,9 MM
12	3716467M1	1	Piston	
13	3716580M3	2	Segment	
14	3716335M1	1	O Ring	
15	1611277M1	1	Pin	Diameter 16 X 20
16	3792800M11	1	Support	
17	3019899X1	6	Bolt Metric	M12 X 50
18	3385713M91	1	Union	
19	831497M1	1	O Ring	(18)

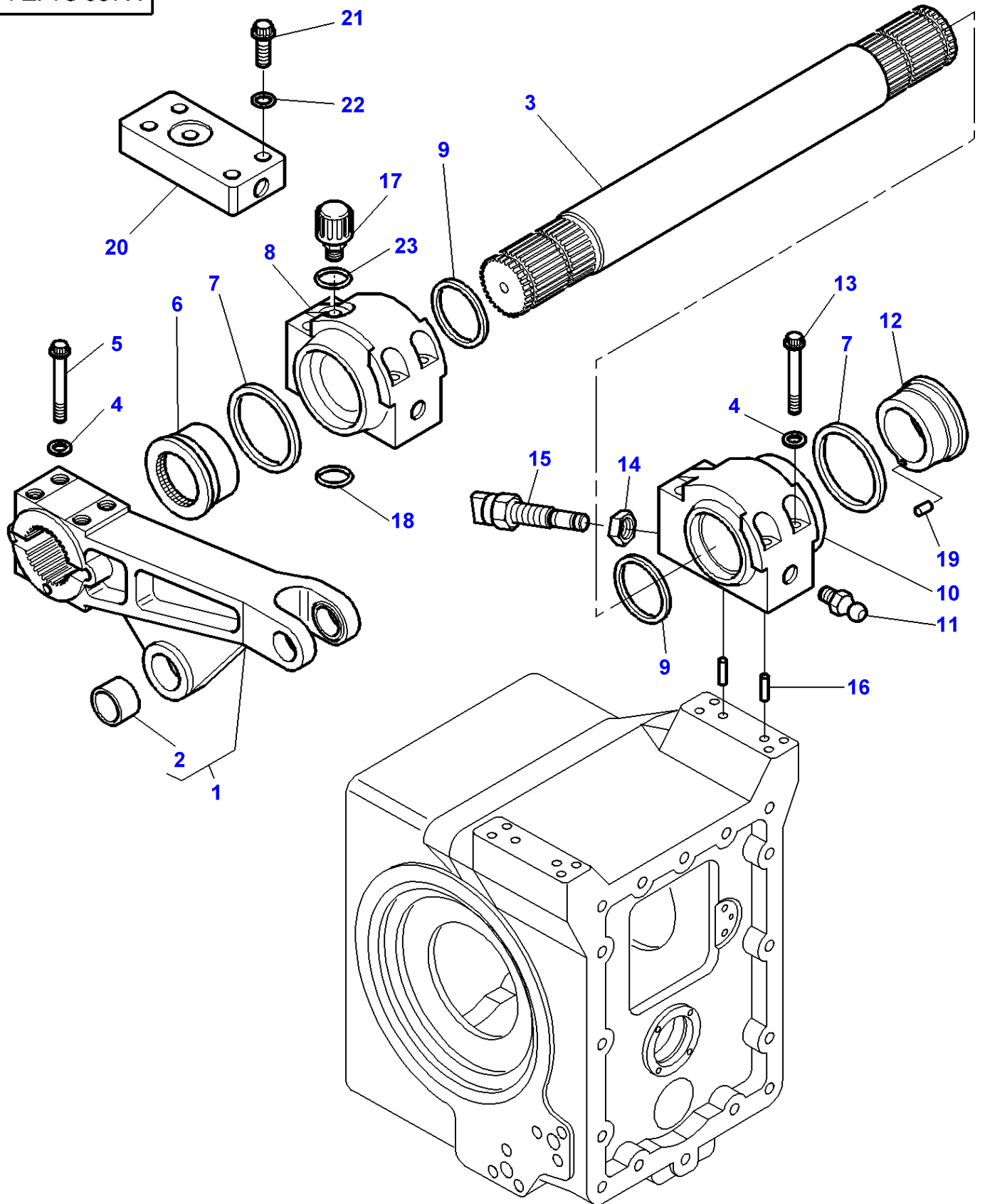
Page Title	Page Number
Electronic Lift - Lift Arms	040-0005
Linkage - Lift Cylinders	040-0010
Levelling box	040-0015
Linkage - Top Link With Ball End	040-0020
Linkage - Top Link With Hook End	040-0025
Top Link Lock	040-0030
Linkage - Lower Cat 2 And 3	040-0035
Linkage - Lower Cat 2 And 3 - UP TO H119030	040-0040
Linkage - Lower Cat 2 And 3 - FROM H119031	040-0045
Linkage - Swinging Drawbar Support	040-0050
Linkage - Swinging Drawbar Support	040-0055
Linkage - Swinging Drawbar Support	040-0060
Linkage - Swinging Drawbar Support	040-0065
Linkage - Swinging Drawbar Support	040-0070
Hitch	040-0075
Hitch	040-0080
Hitch - HAY LADDER SUPPORT FOR AUTOMATIC HOOK "DROMONE" - From 12-NOV-2001	040-0085
Hitch - Cramer	040-0090
Hitch	040-0095
Hitch - Cramer	040-0100
Linkage - Swinging Drawbar	040-0105
Linkage - Swinging Drawbar - SAE STANDARD	040-0110
Linkage - Swinging Drawbar - ISO STANDARD	040-0115
Linkage - Swinging Drawbar - SAE STANDARD	040-0120
Linkage - Swinging Drawbar - ISO STANDARD	040-0125
Linkage - Swinging Drawbar - With Trailed Implemmt Control	040-0130
Linkage - Swinging Drawbar - With Trailed Implemmt Control - Up To K110022	040-0135
Linkage - Swinging Drawbar - With Trailed Implemmt Control - From K110023	040-0140
Linkage - Swinging Drawbar - With Trailed Implemmt Control	040-0145
Linkage - Swinging Drawbar - With Trailed Implemmt Control - Up To K110022	040-0150
Linkage - Swinging Drawbar - With Trailed Implemmt Control - From K110023	040-0155
Tube Stabilizers	040-0160
Tube Stabilizers	040-0165
Linkage - Shoe Stabilizers	040-0170
Drawbar	040-0175
Automatic Hitch - With Remote Control - Automatic Hook "DROMONE"	040-0180
Autohitch - Dromone - Hydraulic Control - Up To No J293009	040-0185
Autohitch - Dromone - Hydraulic Control - From J293010	040-0190
Automatic Hitch - With Remote Control - Hitch Support - "DROMONE"	040-0195
Automatic Hitch - With Remote Control	040-0200
Platform Automatic Hitch - With Remote Control	040-0205
Front Linkage 35000N - WITH DANA FRONT AXLE	040-0210
Front Linkage 35000N - WITH DANA FRONT AXLE	040-0215
Front Linkage 35000N - WITH DYNASHIFT - WITH DANA FRONT AXLE	040-0220
Front Linkage 35000N - WITH FULL POWERSHIFT - WITH DANA FRONT AXLE	040-0225
Front Linkage 35000N - With CARRARO Front Axle - Up To M050024	040-0230
Front Linkage 35000N - With CARRARO Front Axle - Up To M050024	040-0235
Front Linkage 35000N - With CARRARO Front Axle - From M050025	040-0240
Front Linkage 35000N - With CARRARO Front Axle - From M050025	040-0245
Front Linkage 35000N - Hydraulic - With CARRARO Front Axle - Up To L337008	040-0250
Front Linkage 35000N - Hydraulic - With CARRARO Front Axle - From L337009	040-0255
Front Linkage 35000N - ACCUMULATOR - WITH NO SUSPENDED CARRARO FRONT AXLE	040-0260
Front Linkage 35000N - WITH FRONT DUAL CONTROL	040-0265

Massey Ferguson**MF 8210/8220 TRACTORS - 1637365****1637365****Linkage****Page 040-0000**

Front Linkage 35000N - With Front Dual Control	040-0270
Front Linkage 35000N - Without Front Dual Control - Lift External Control	040-0270
Front Linkage - HYDRAULIC - Single Acting-WITH ACCUMULATOR-WITH CARRARO FRONT AXLE NO SUSPENDED	040-0275
Front Linkage - HYDRAULIC - Two Way-WITH ACCUMULATOR-WITH CARRARO FRONT AXLE NO SUSPENDED	040-0280
Front Linkage - HYDRAULIC - Single Acting-WITHOUT ACCUMULATOR-WITH CARRARO FRONT AXLE	040-0285
Front Linkage - HYDRAULIC - Two Way-WITHOUT ACCUMULATOR-WITH CARRARO FRONT AXLE	040-0290

MF 8210/8220 TRACTORS - 1637365
1-ZP73-001-A

1-ZP73-001-A

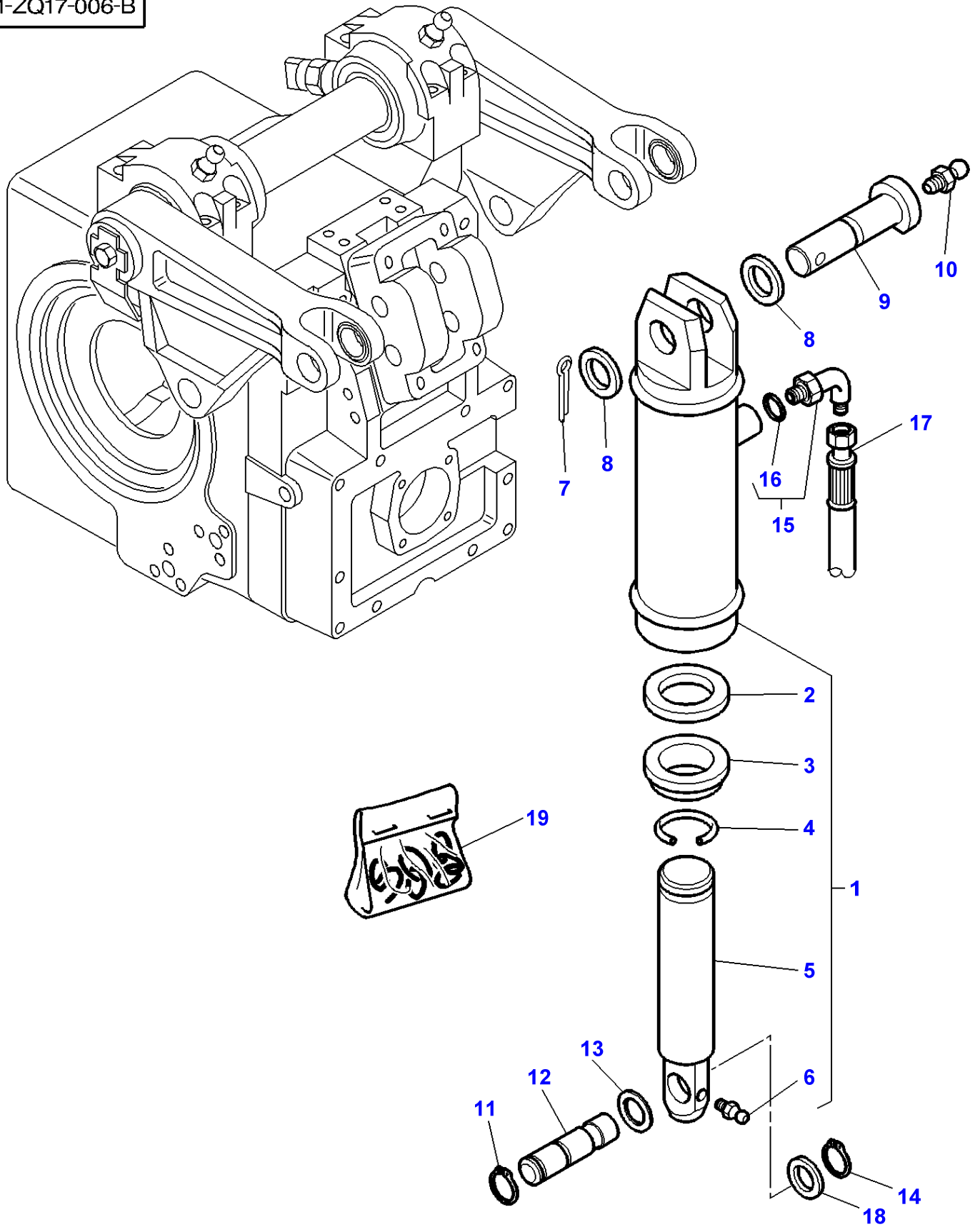


Electronic Lift - Lift Arms

Item	Part Number	Qty	Description	Comments
1	3716511M13	1	Arm	Left Hand
	3716527M13	1	Arm	Right Hand
2	3716510M2	1	Bush	(1)
3	3716538M2	1	Shaft	
4	3010875X1	16	Washer	Diameter 16 MM
5	3019874X1	8	Screw Metric	M16 X 115
6	3716522M2	1	Cam	Left Hand
7	3716689M1	2	Gasket	Diameter 120 MM
8	3716506M14	1	Bearing Carrier	Left Hand
9	3716616M1	2	Gasket	Diameter 85 MM
10	3716521M15	1	Bearing Carrier	Right Hand
11	1441858X1	2	Grease Nipple	
12	3716513M4	1	Cam	Right Hand
13	3010566X1	8	Screw Metric	M16 X 130
14	3385674M1	1	Nut	M24
15	3712728M3	1	Inductive Taker	
16	3385839M2	4	Pin	
17	3716934M1	1	Breather	
18	364105X1	1	O Ring	
19	3019304X1	1	Spirol Pin	
20	3791696M1	1	Bearing Carrier	[A]
21	3009806X1	4	Plough Bolt	[A] M16 X 70
22	3010875X1	4	Washer	[A]
23	3019396X1	1	O Ring	

FOOTNOTE [A] WITHOUT HYDRAULIC LIFT

1-ZQ17-006-B



Linkage - Lift Cylinders

Item	Part Number	Qty	Description	Comments
1	3716601M93	2	Lift Cylinder	[C] Up to Serial or Engine Number K113001 Diameter 95MM HYDROPRO
	3795032M1	2	Lift Cylinder	[C] From Serial or Engine Number K113002 Diameter 95MM SERTA
2	3902766M1	1	Gasket	(1) HYDROPRO
		1	Gasket	(1) SERTA Not serviced,order REF. 19
3	3902765M1	1	Wiper	(1) HYDROPRO
		1	Wiper	(1) SERTA Not serviced,order REF. 19
4	3902768M1	1	Ring	(1) HYDROPRO
	3903666M1	1	Ring	(1) SERTA
5	3902767M1	1	Cylinder Rod	(1) HYDROPRO
	3903667M1	1	Cylinder Rod	(1) SERTA
6	1441858X1	2	Grease Nipple	(1) HYDROPRO
	3903664M1	1	Greaser	(1) SERTA
7	1442981X1	2	Pin	
8	3716680M2	2	Washer	Diameter 41 MM Diameter 60 MM Thickness 10,5 MM
9	3716609M1	2	Clevis Pin	
10	1441858X1	2	Grease Nipple	
11	22608X	2	Circlip	
12	3716627M3	2	Clevis Pin	
13	3716682M2	2	Washer	Diameter 45 MM Diameter 60 MM Thickness 6 MM
14	3010066X1	2	Clip	
15	3019418X91	2	Elbow Nipple	
16	3019398X1	1	O Ring	(15)
17	3716385M1	1	Tube	Left Hand Up to Serial or Engine Number 31/12/2000
	3716383M1	1	Tube	Right Hand Up to Serial or Engine Number 31/12/2001
	3793420M1	1	Tube	Left Hand From Serial or Engine Number 01/01/2001
	3793422M1	1	Tube	Right Hand From Serial or Engine Number 01/01/2001
18		X	Not Used	
19	3903665M91	1	Kit, Joint	SERTA

FOOTNOTE [A] WITH HEAVY DUTY REAR AXLE HOUSING COMPOSITE REDUCE R

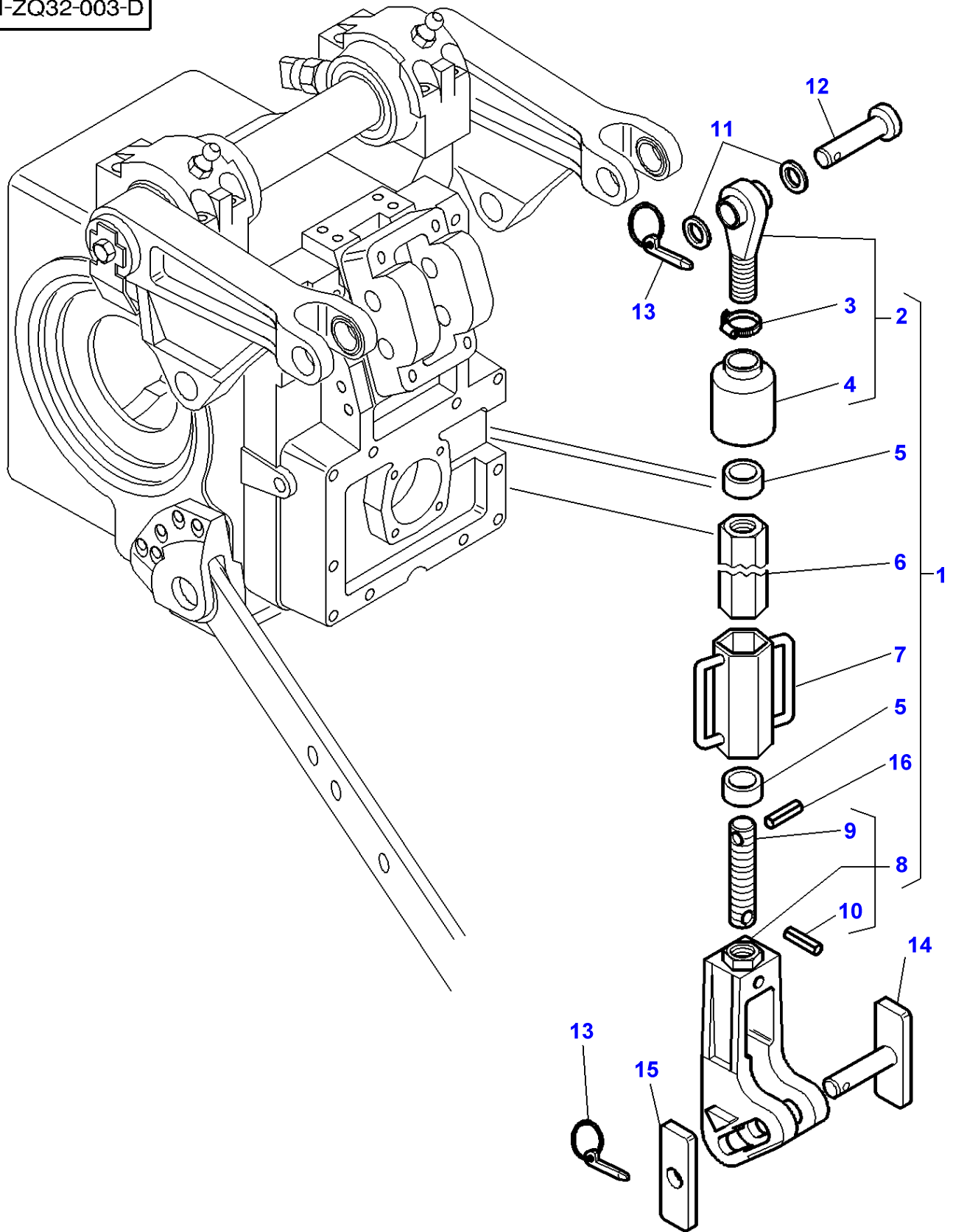
FOOTNOTE [B] WITH REAR AXLE HOUSINGS OUTER GEAR WITH SEALED HOUSING

FOOTNOTE [C] IDENTIFICATION ON CYLINDER CASING

FOOTNOTE [D] WITH VERTICAL POSITION DISTRIBUTOR

FOOTNOTE [E] WITH HORIZONTAL POSITION DISTRIBUTOR

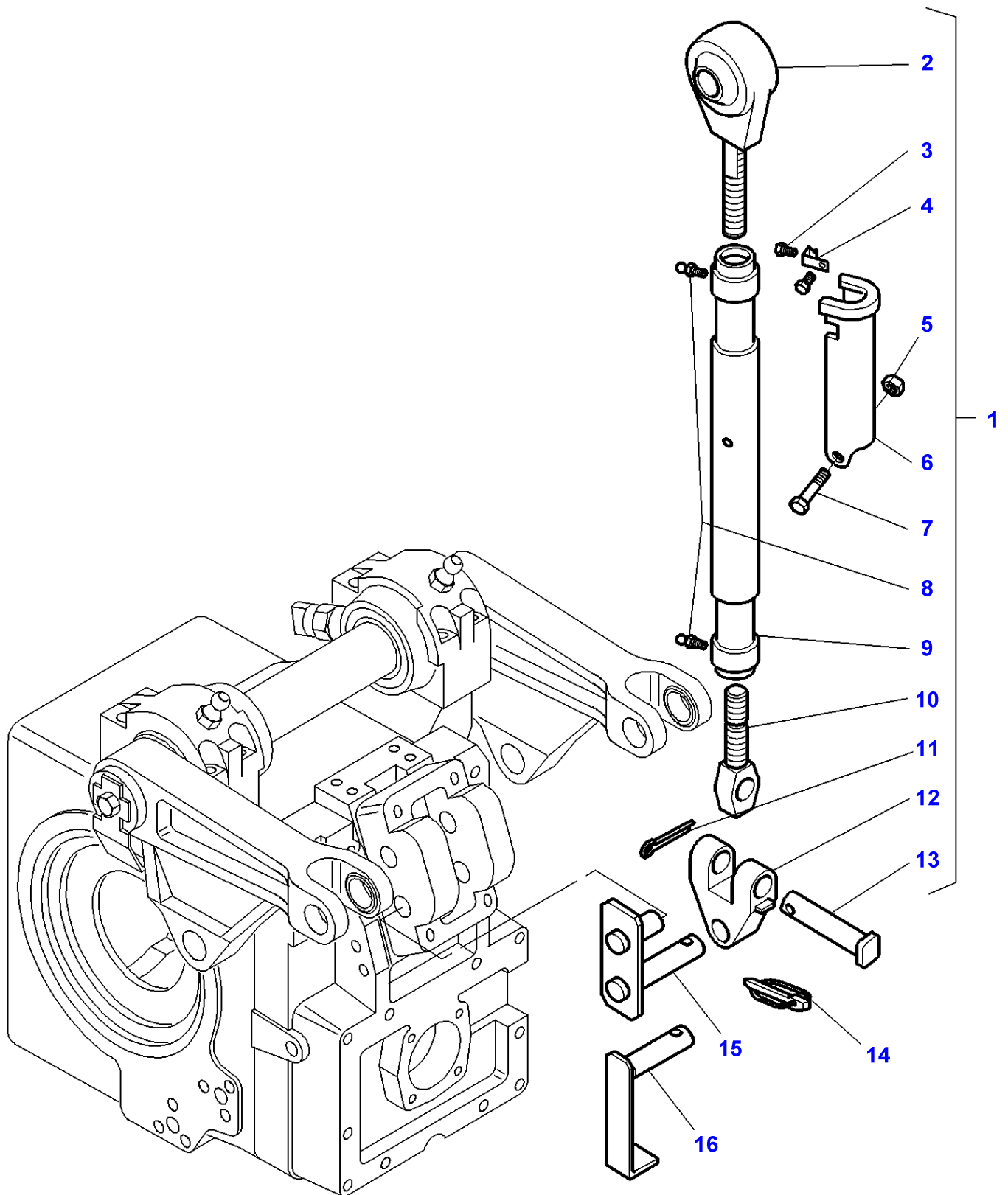
1-ZQ32-003-D



Levelling box

Item	Part Number	Qty	Description	Comments
1	3792628M92	2	Draglink	
2	3792629M91	1	Toggle	(1)
3	338615X1	1	Clamp	(2)
4	3580198M1	1	Helmet	(2)
5	3716978M1	2	Bush	(1)
6	3581997M2	1	Tube	(1)
7	3386457M2	1	Handle	(1)
8	3792637M92	1	Clevis	(1)
9	3716979M1	1	Clevis Pin	(8)
10	3819644M1	1	Spirol Pin	(8)
11	3716148M1	4	Washer	
12	3716661M2	2	Clevis Pin	
13	3387161M2	4	Pin	
14	3792015M91	2	Clevis Pin	
15	3580195M1	2	Tappet Plate	
16	3011358X1	1	Pin	(1) Diameter 5X36MM

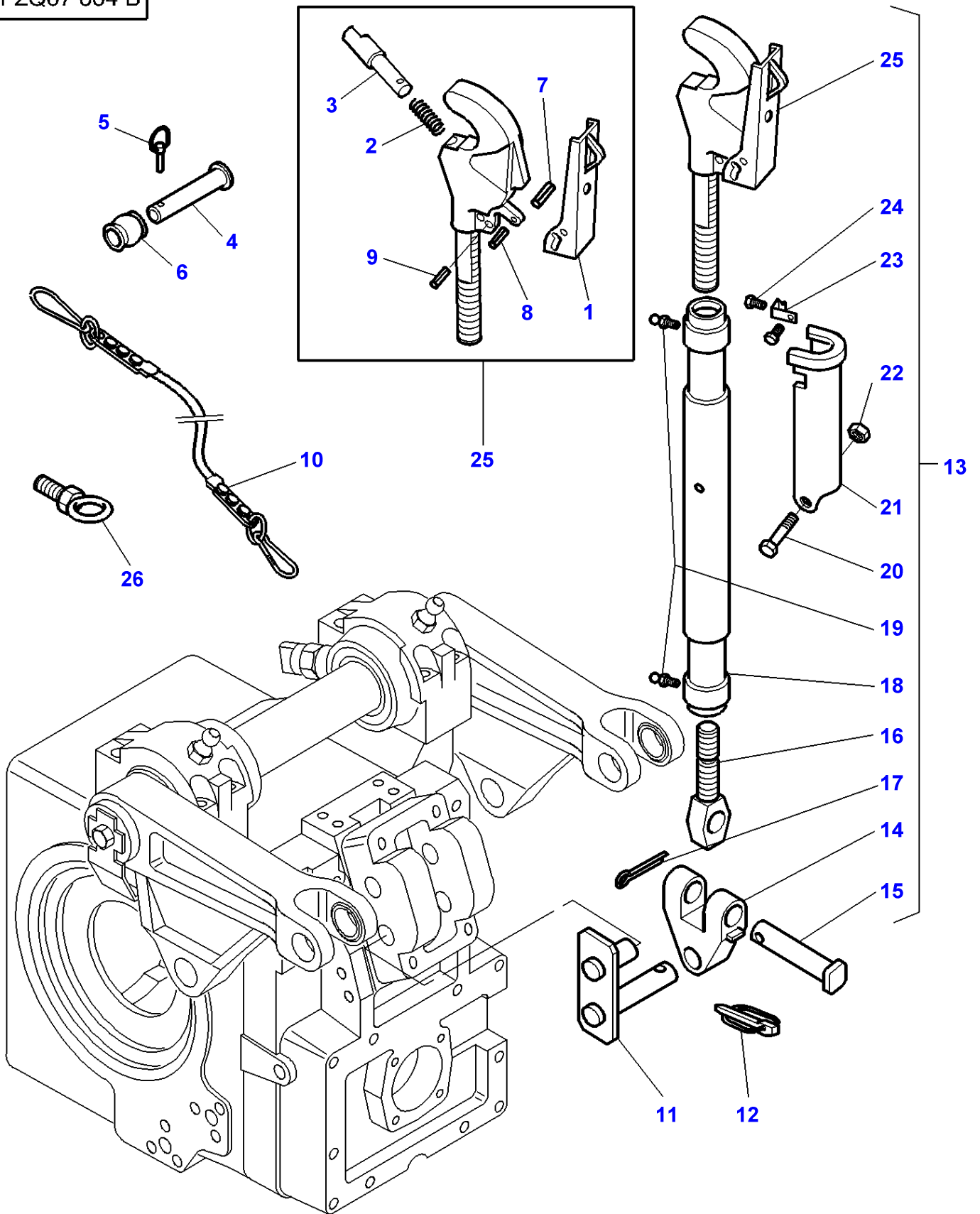
1-ZQ08-004-B



Massey Ferguson**MF 8210/8220 TRACTORS - 1637365****1637365****Linkage - Top Link With Ball End****Page040-0020**

Item	Part Number	Qty	Description	Comments
1	3791536M92	1	Bar	
2	3791537M1	1	Toggle	(1)
3	3008179X1	2	Screw Metric	(1) M4X10
4	3715691M1	1	Spring	(1)
5	394367X1	1	Locknut	(1)
6	3715828M91	1	Lever	(1)
7	390246X1	1	Bolt	(1) M8X70
8	3715689M1	2	Greaser	(1)
9	3791539M1	1	Tube	(1) Length 420MM
10	3791540M1	1	Draglink	(1)
11	354092X1	1	Pin	(1)
12	3791541M1	1	Clevis	(1)
13	3715690M1	1	Clevis Pin	(1)
14	3387161M2	1	Pin	
15	3716129M3	1	Clevis Pin	
	3716129M3	1	Clevis Pin	Up to Serial or Engine Number K029022 For United States of America
16	3795817M91	1	Clevis Pin	From Serial or Engine Number K029023 For United States of America

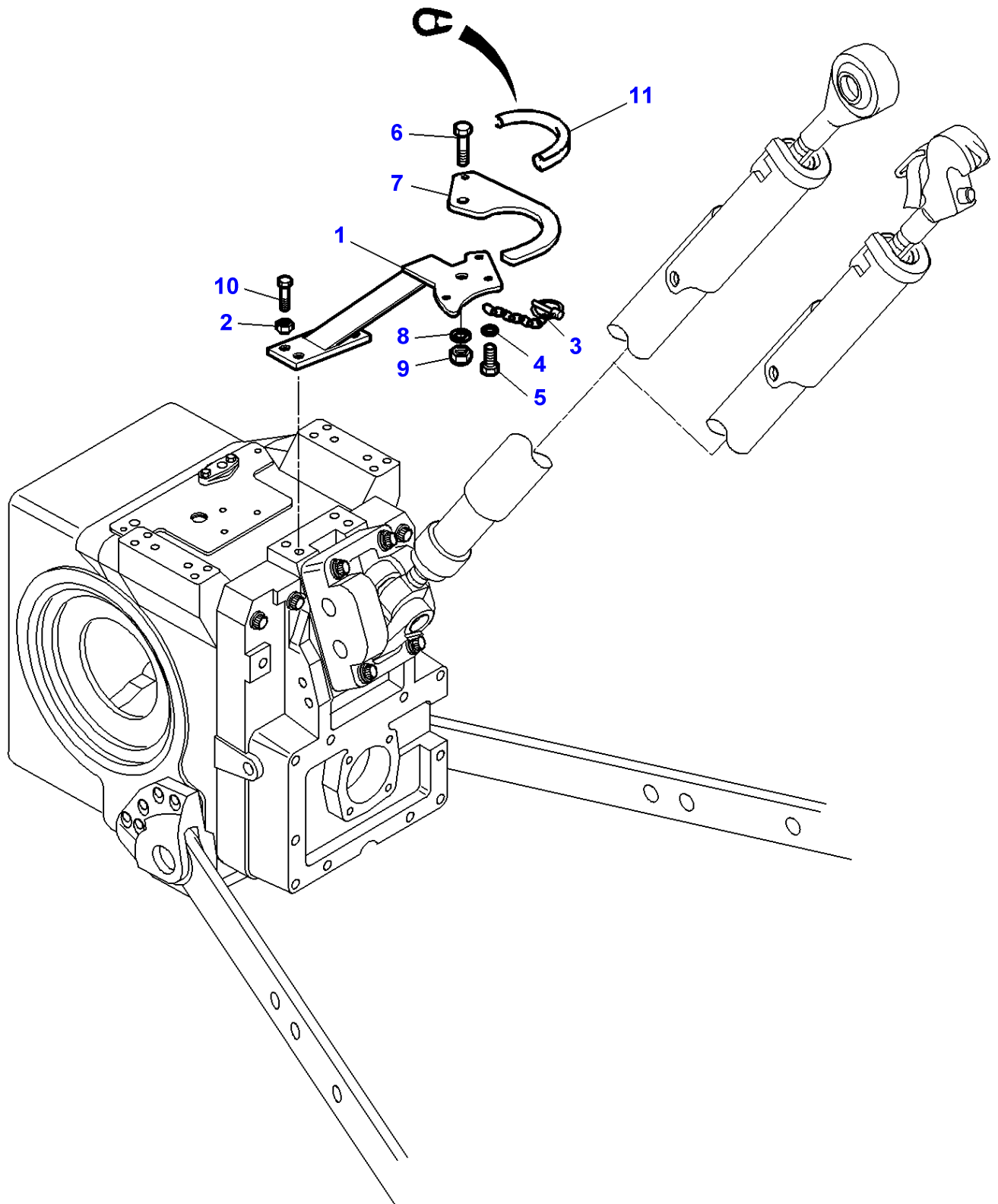
1-ZQ07-004-B



Linkage - Top Link With Hook End

Item	Part Number	Qty	Description	Comments
1	3900589M91	1	Lever	(25)
2	3900577M1	1	Spring	(25)
3	3715849M1	1	Clevis Pin	(25)
4	3582043M2	1	Clevis Pin	Diameter 25,40MM Length 124MM
	367073X1	1	Clevis Pin	Diameter 31,75MM Length 130,2MM
5	3387161M2	1	Pin	
6	3042433M1	1	Toggle	CAT 2/3
	3042434M1	1	Toggle	CAT 3
7	3900578M1	1	Pin	(25) 6X20MM
8	390538X1	1	Roll Pin	(25) 5X24MM
9	339080X1	1	Roll Pin	(25) 6X24MM
10	3903995M1	1	Chain	Replace and repair. Old interchangeable with new 3619220M1
11	3716129M3	1	Clevis Pin	
12	3387161M2	1	Pin	
13	3791535M92	1	Bar	Length 605/850MM
14	3791541M1	1	Clevis	(13)
15	3715690M1	1	Clevis Pin	(13)
16	3791540M1	1	Draglink	(13)
17	354092X1	1	Pin	(13)
18	3791538M1	1	Tube	(13) Length 370MM
19	3715689M1	2	Greaser	(13)
20	390246X1	1	Bolt	(13)
21	3715685M91	1	Lever	(13)
22	394367X1	1	Locknut	(13)
23	3715691M1	1	Spring	(13)
24	3008179X1	2	Screw Metric	(13)
25	3715681M3	1	Hook	(13) CAT 3
26	3580524M91	1	Ring	Up to Serial or Engine Number K101014

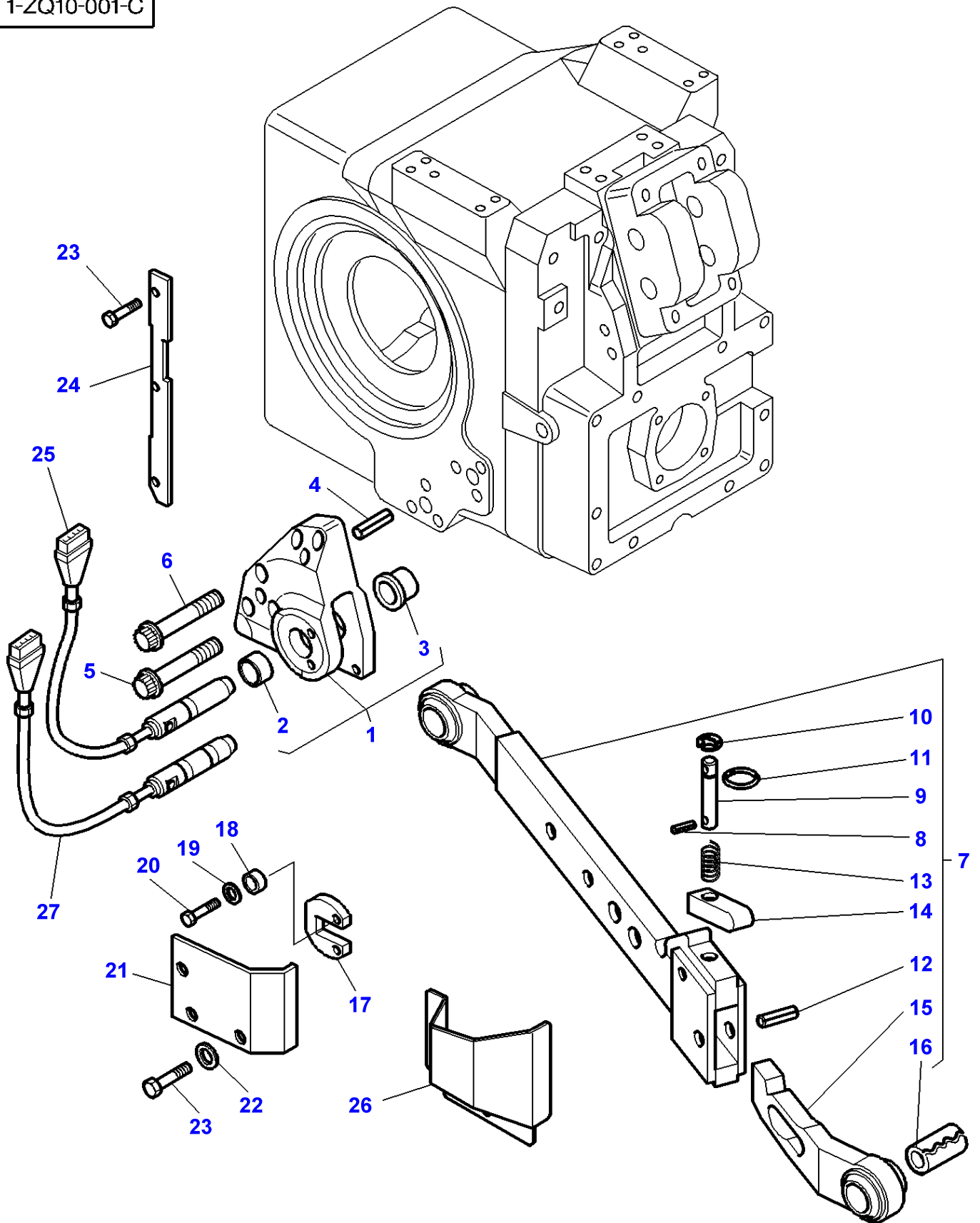
1-ZQ35-001-D



Top Link Lock

Item	Part Number	Qty	Description	Comments
1	3792183M1	1	Support	Up to Serial or Engine Number J027002
	3793433M1	1	Support	From Serial or Engine Number J027003
2	1440330X1	3	Locknut	Up to Serial or Engine Number J027002
3	3712199M91	1	Chain	
4	390971X1	1	Washer	
5	339560X1	1	Hex. Sock. Screw	M6X16MM
6	339009X1	1	Hex. Sock. Screw	M8X35MM
7	3793951M1	1	Latch	
8	390972X1	1	Washer Metric	
9	394367X1	1	Locknut	
10	3009495X1	2	Bolt Metric	From Serial or Engine Number J027003 M10X40
	3009493X1	2	Hex. Sock. Screw	From Serial or Engine Number J027003 M10X30
11	3615637M1	1	Gasket	Length 200MM

1-ZQ10-001-C



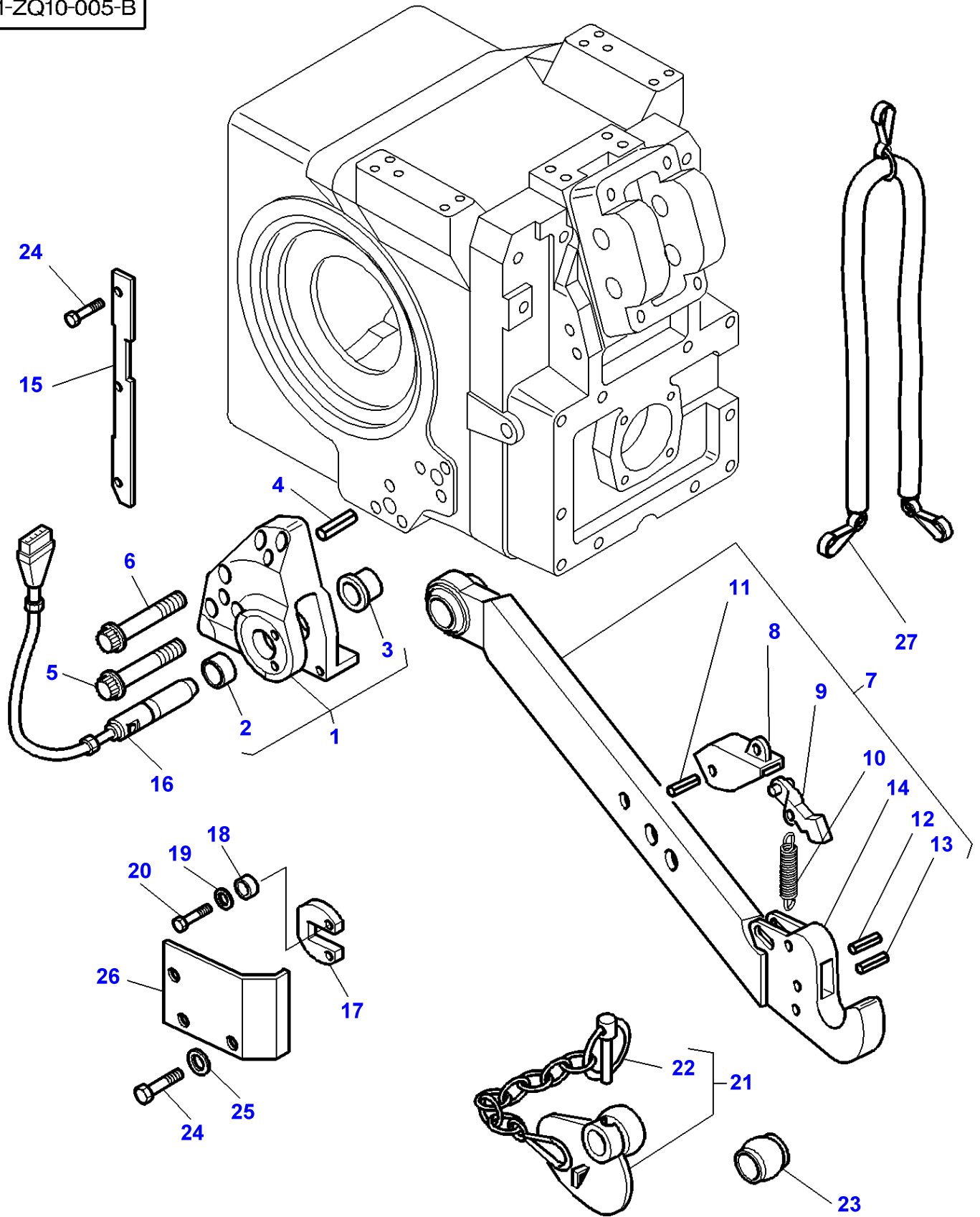
Linkage - Lower Cat 2 And 3

Item	Part Number	Qty	Description	Comments
1	3716998M14	1	Clevis	Right Hand Up to Serial or Engine Number H180022
	3791868M11	1	Clevis	Right Hand From Serial or Engine Number H180023
	3716997M14	1	Clevis	Left Hand Up to Serial or Engine Number H180022
	3791867M11	1	Clevis	Left Hand From Serial or Engine Number H180023
2	3716994M2	2	Bush	(1)
3	3716995M2	2	Bush	(1)
4	3716624M1	4	Centraliser	
5	3010434X1	10	Screw Metric	M20x80
6	3010558X1	2	Screw Metric	M20x120
7	3793226M92	1	Bar	Left Hand Replace and repair. Old interchangeable with new 3792052M1
	3793227M92	1	Bar	Right Hand Replace and repair. Old interchangeable with new 3792053M1
8	3792592M1	1	Pin	(7) Replace and repair. Old interchangeable with new 3902001M1
9	3792594M1	1	Clevis Pin	(7) Replace and repair. Old interchangeable with new 3902004M1
10	3792590M1	1	Washer	(7) Replace and repair. Old not interchangeable with new 3902006M1
11	3792595M1	1	Ring	(7) Replace and repair. Old interchangeable with new 3902791M1
12	3792589M1	1	Pin	(7) Replace and repair. Old interchangeable with new 3902005M1
13	3792591M1	1	Spring	(7) Replace and repair. Old interchangeable with new 3902007M1
14	3792593M2	1	Stop	(7) Replace and repair. Old interchangeable with new 3902002M1
15	3793230M92	1	Stub	(7) Left Hand
	3793231M92	1	Stub	(7) Right Hand
16	3793233M1	1	Bush	(7)
17	3716499M1	2	Plate	
18	3384183M2	4	Bush	
19	385362X1	4	Washer	
20	3001429X1	4	Screw	M10X35
21	3716983M3	1	Protector	Left Hand Up to Serial or Engine Number H181010
	3716984M3	1	Protector	Right Hand Up to Serial or Engine Number H181010
22	390972X1	6	Washer Metric	
23	339124X1	12	Hex. Sock. Screw	M8X16
24	3791193M1	2	Cowl	
25	3713764M1	2	Sensing Pin	BOSCH 60KN
26	3791630M1	1	Protector	Left Hand From Serial or Engine Number H181011
	3791631M1	1	Protector	Right Hand From Serial or Engine Number H181011
27	3796399M2	2	Sensing Pin	[A] TEDEA 60KN

FOOTNOTE [A] 2 GROOVE

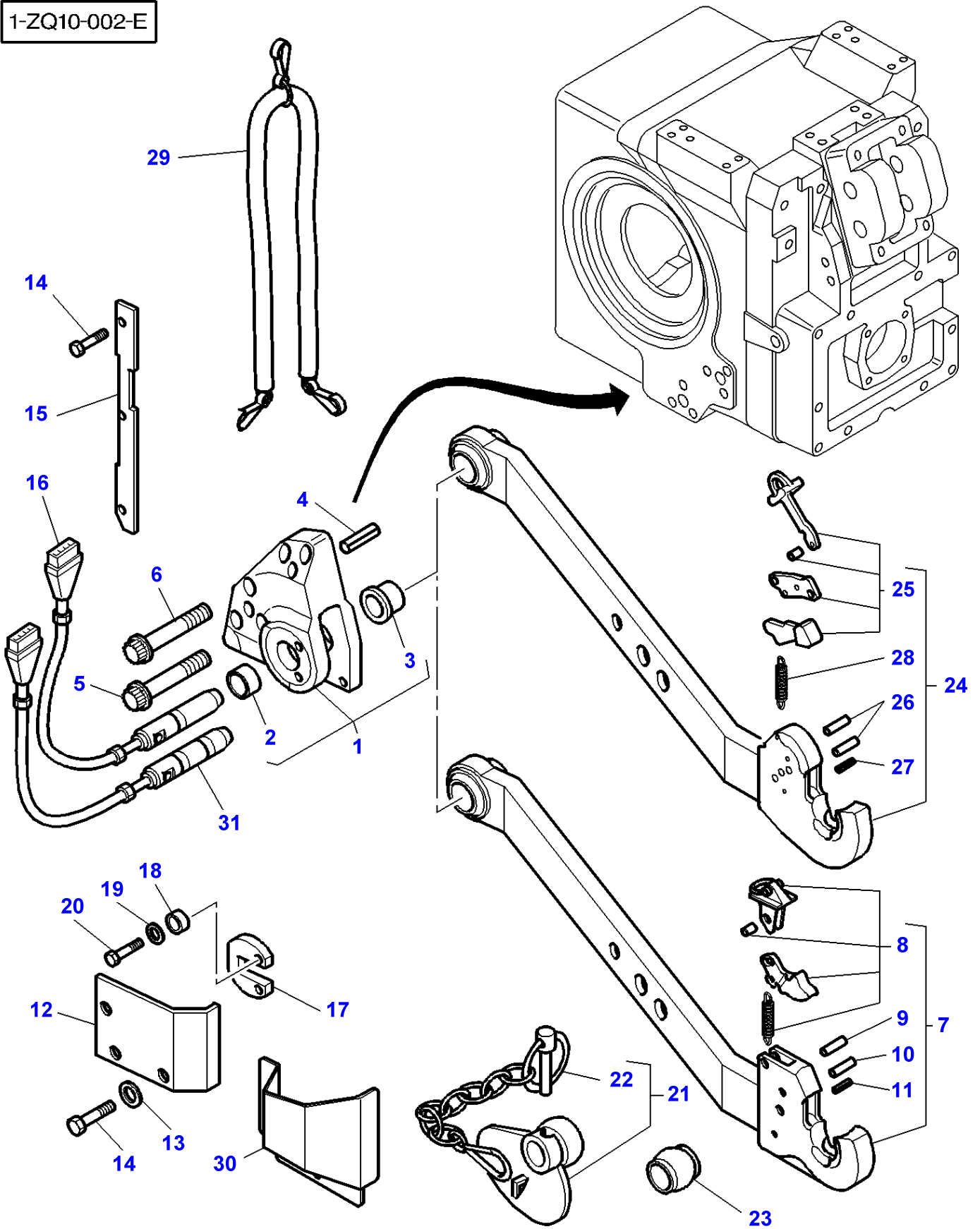
MF 8210/8220 TRACTORS - 1637365
1-ZQ10-005-B

1-ZQ10-005-B



Item	Part Number	Qty	Description	Comments
1	3716998M14	1	Clevis	Right Hand
	3716997M14	1	Clevis	Left Hand
2	3716994M2	1	Bush	(1)
3	3716995M2	1	Bush	(1)
4	3716624M1	4	Centraliser	
5	3010434X1	10	Screw Metric	M20x80
6	3010558X1	2	Screw Metric	M20x120
7	3616298M1	1	Bar	Left Hand
	3616299M1	1	Bar	Right Hand
8	3103830M1	1	Lever	(7)
9	3101932M1	1	Ratchet	(7)
				Replace and repair. Old interchangeable with new 3106461M1
10	3101934M1	1	Spring	(7)
11	339290X1	1	Pin	(7)
12	3008317X1	1	Pin	(7)
13	339783X1	1	Pin	(7)
14		1	Bar	(7)
				Not serviced,order REF. 7
15	3791193M1	2	Cowl	
16	3713764M1	2	Sensing Pin	6T
17	3716499M1	2	Plate	
18	3384183M2	4	Bush	
19	385362X1	4	Washer	
20	3001429X1	4	Screw	M10X35
21	3042427M1	2	Toggle	CAT 2/3
	3042428M1	2	Toggle	CAT 3
22	3102086M91	1	Linch Pin	(21)
23	3042430M1	2	Toggle	CAT 2/3
	3042431M1	2	Toggle	CAT 3
24	339124X1	12	Hex. Sock. Screw	M8X16
25	390972X1	6	Washer Metric	
26	3716983M3	1	Protector	Left Hand
	3716984M3	1	Protector	Right Hand
27	3619219M1	1	Chain	Length 3700MM

1-ZQ10-002-E



Item	Part Number	Qty	Description	Comments
1	3716998M14	1	Clevis	Right Hand Up to Serial or Engine Number H180022
	3791868M11	1	Clevis	Right Hand From Serial or Engine Number H180023
	3716997M14	1	Clevis	Left Hand Up to Serial or Engine Number H180022
	3791867M11	1	Clevis	Left Hand From Serial or Engine Number H180023
2	3716994M2	1	Bush	(1)
3	3716995M2	1	Bush	(1)
4	3716624M1	4	Centraliser	
5	3010434X1	10	Screw Metric	M20x80
6	3010558X1	2	Screw Metric	M20x120
7	3792539M1	1	Bar	[A,C] Left Hand CAT . 3 100X35X981MM
	3792538M1	1	Bar	[A,C] Right Hand CAT . 3 100X35X981MM
8	3903314M91	1	Kit, Repair	(7)
9	3006429X1	1	Pin	(7)
10	3008317X1	1	Pin	(7)
11	339783X1	1	Pin	(7)
12	3716983M3	1	Protector	Left Hand Up to Serial or Engine Number H180022
	3716984M3	1	Protector	Right Hand Up to Serial or Engine Number H180022
13	390972X1	6	Washer Metric	
14	339124X1	12	Hex. Sock. Screw	M8X16
15	3791193M1	2	Cowl	
16	3713764M1	2	Sensing Pin	BOSCH 60KN
17	3716499M1	2	Plate	
18	3384183M2	4	Bush	
19	385362X1	4	Washer	
20	3001429X1	4	Screw	M10X35
21	3042427M1	2	Toggle	CAT 2/3
	3042428M1	2	Toggle	CAT 3
22	3102086M91	1	Linch Pin	(21)
23	3042430M1	2	Toggle	CAT 2/3
	3042431M1	2	Toggle	CAT 3
24	3796875M1	1	Bar	[B,C] Left Hand CAT . 3 100X35X981MM
	3796874M1	1	Bar	[B,C] Right Hand CAT . 3 100X35X981MM
25	3903954M91	1	Kit, Lever	(24)
26	3903948M91	1	Kit, Roll Pins	(24)
27	3903955M91	1	Kit, Roll Pins	(24)
28	3903949M1	1	Spring	(24)
29	3619219M1	1	Chain	Length 3700MM
30	3791630M1	1	Protector	Left Hand From Serial or Engine Number H180023
	3791631M1	1	Protector	Right Hand From Serial or Engine Number H180023
31	3796399M2	2	Sensing Pin	[E] TEDEA 60KN
	3796400M2	2	Sensing Pin	[E] TEDEA 90KN

FOOTNOTE [A] WALTERSCHEID

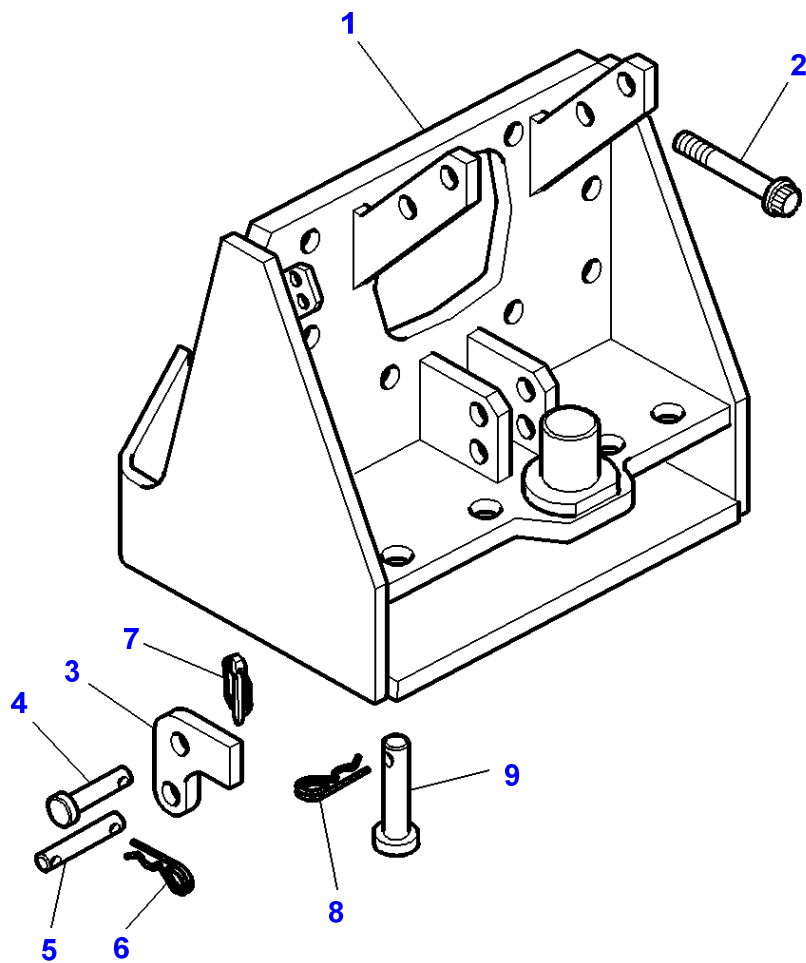
FOOTNOTE [B] CBM

FOOTNOTE [C] HEAVY DUTY

FOOTNOTE [D] SUPER HEAVY DUTY

FOOTNOTE [E] 2 GROOVE

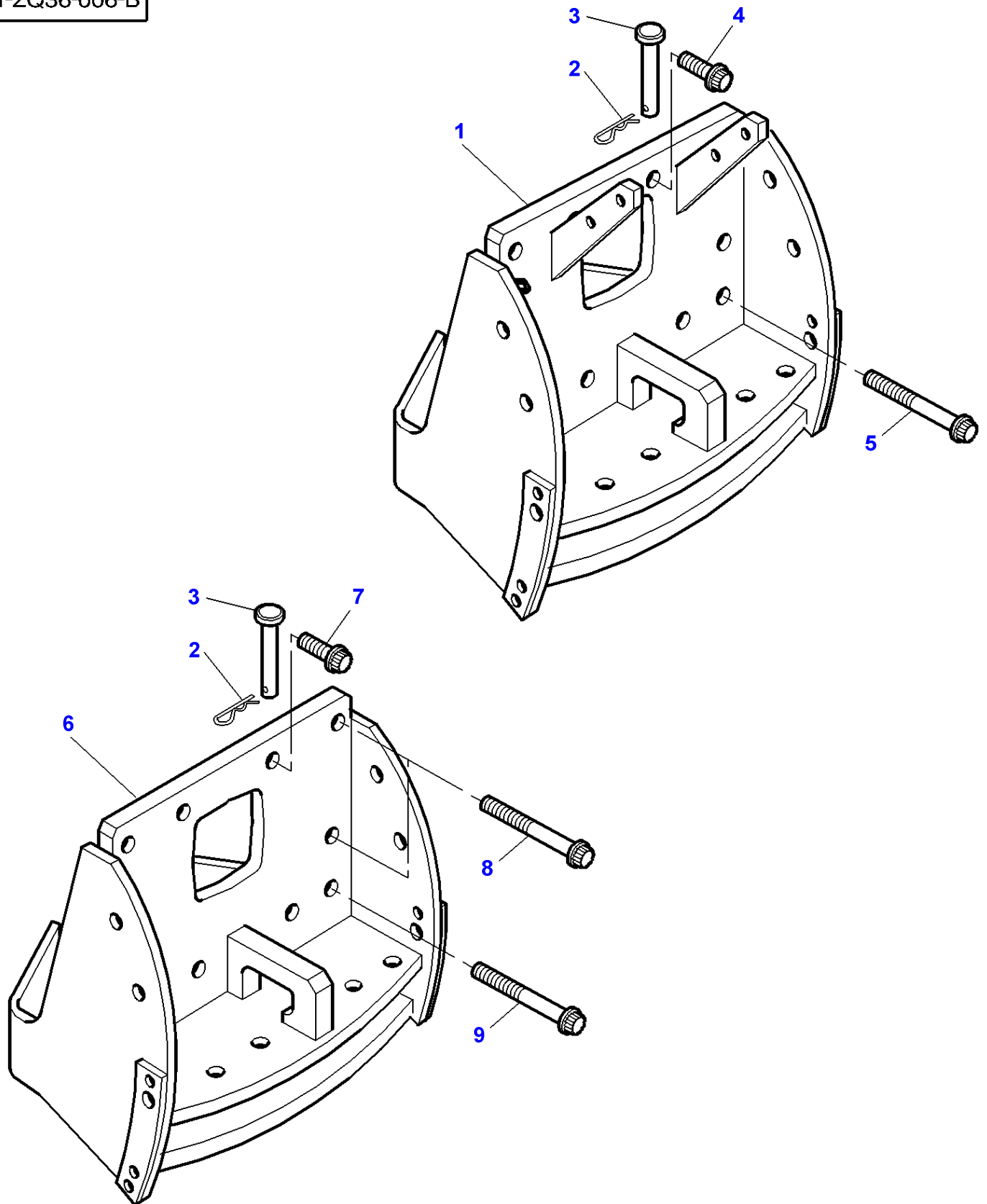
1-ZQ36-004-A



Massey Ferguson**MF 8210/8220 TRACTORS - 1637365****1637365****Linkage - Swinging Drawbar Support****Page040-0050**

Item	Part Number	Qty	Description	Comments
1	3716948M93	1	Support	
2	3010561X1	2	Screw	M20X50
	3010562X1	8	Screw	M20X230
3	3582213M3	1	Hook	
4	3582216M1	1	Clevis Pin	
5	3582197M1	1	Clevis Pin	
6	391403X1	1	Split Pin	
7	3382824M1	1	Pin	
8	3010932X1	2	Pin	Replace and repair. Old interchangeable with new 3010632X1
9	3010631X1	2	Clevis Pin	

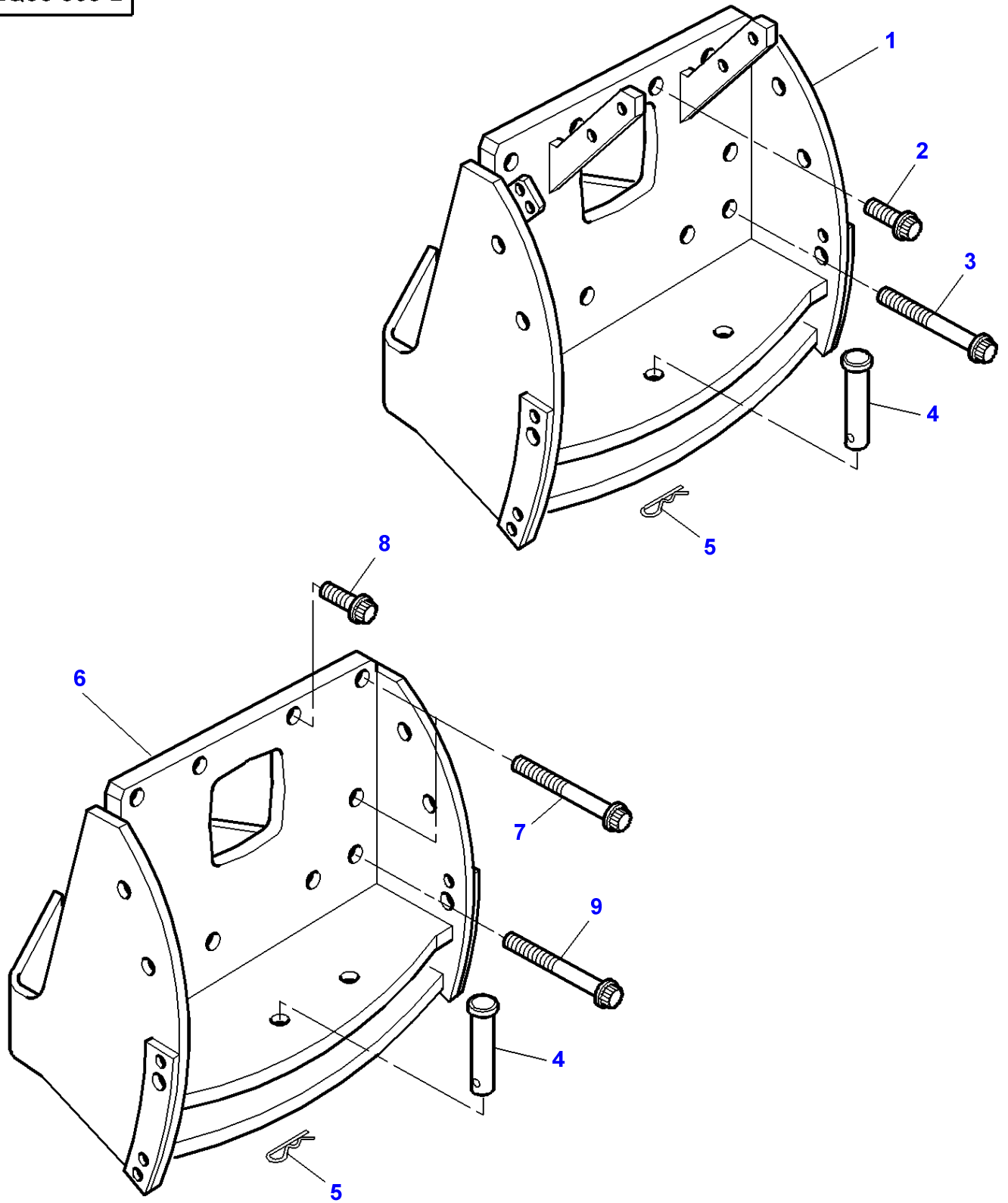
1-ZQ36-006-B



Linkage - Swinging Drawbar Support

Item	Part Number	Qty	Description	Comments
1	3716954M92	1	Support	
	3716954M92	1	Support	Up to Serial or Engine Number K029022 For United States of America
2	3010932X1	2	Pin	Replace and repair. Old interchangeable with new 3010632X1
3	3010631X1	2	Clevis Pin	
4	3010561X1	2	Screw	M20X50MM
	3010561X1	2	Screw	Up to Serial or Engine Number K029022 For United States of America
				M20X50MM
5	3010562X1	8	Screw	M20X230MM
	3010562X1	8	Screw	Up to Serial or Engine Number K029022 For United States of America
				M20X230MM
6	3795816M91	1	Support	From Serial or Engine Number K029023 For United States of America
7	3010556X1	2	Screw Metric	From Serial or Engine Number K029023 For United States of America
				M20X70MM
8	3010941X1	4	Screw Metric	From Serial or Engine Number K029023 For United States of America
				M20X250MM
9	3010562X1	4	Screw	From Serial or Engine Number K029023 For United States of America
				M20X230MM

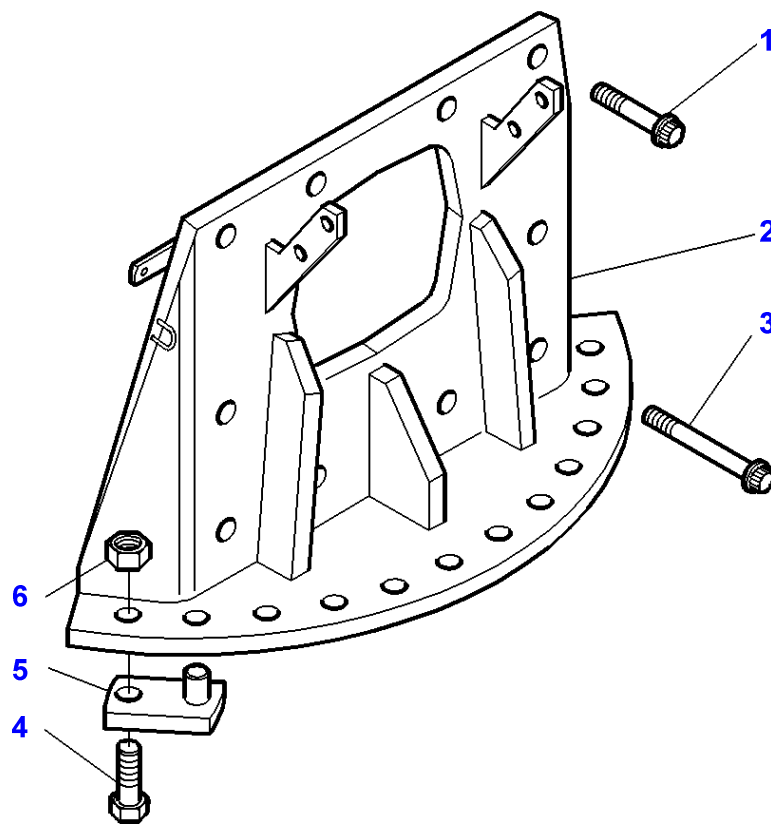
1-ZQ36-005-B



Linkage - Swinging Drawbar Support

Item	Part Number	Qty	Description	Comments
1	3791475M91	1	Support	
	3791475M91	1	Support	Up to Serial or Engine Number K029022 For United States of America
2	3010561X1	2	Screw	M20X50MM
	3010561X1	2	Screw	Up to Serial or Engine Number K029022 For United States of America M20X50MM
3	3010562X1	8	Screw	M20X230MM
	3010562X1	8	Screw	Up to Serial or Engine Number K029022 For United States of America M20X230MM
4	3010631X1	2	Clevis Pin	
5	3010932X1	2	Pin	Replace and repair. Old interchangeable with new 3010632X1
6	3795815M91	1	Support	From Serial or Engine Number K029023 For United States of America
7	3010941X1	4	Screw Metric	From Serial or Engine Number K029023 For United States of America M20X250MM
8	3010556X1	2	Screw Metric	From Serial or Engine Number K029023 For United States of America M20X70MM
9	3010562X1	4	Screw	From Serial or Engine Number K029023 For United States of America M20X230MM

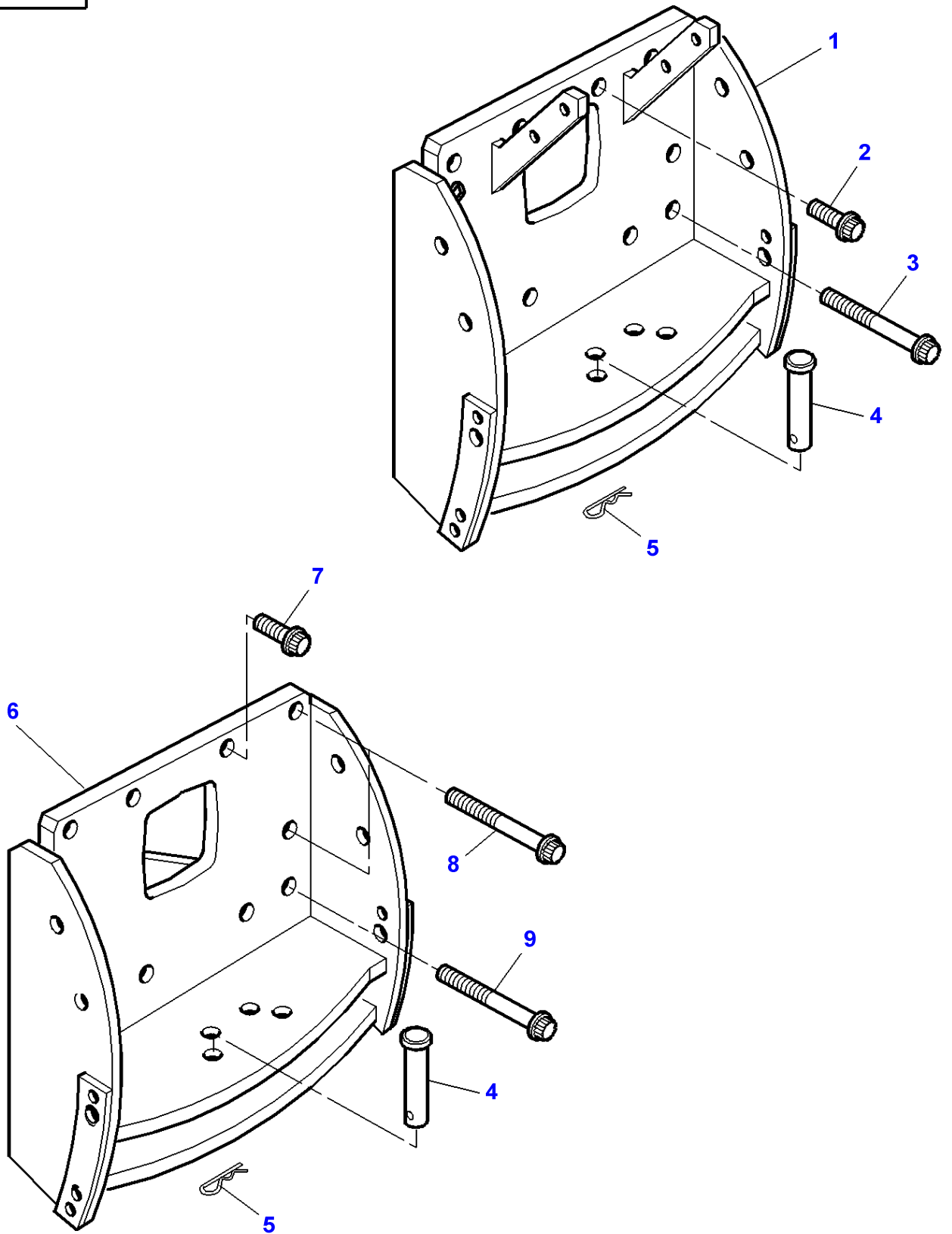
1-ZQ36-007-C



Massey Ferguson**MF 8210/8220 TRACTORS - 1637365****1637365****Linkage - Swinging Drawbar Support****Page040-0065**

Item	Part Number	Qty	Description	Comments
1	3010561X1	2	Screw	M20 X 50
2	3791542M94	1	Support	
3	3010562X1	8	Screw	M20 X 230
4	1442668X1	2	Screw	M20 X 80
5	3791677M92	2	Plate	
6	339035X1	2	Nut Metric	M20

1-ZQ36-010-B

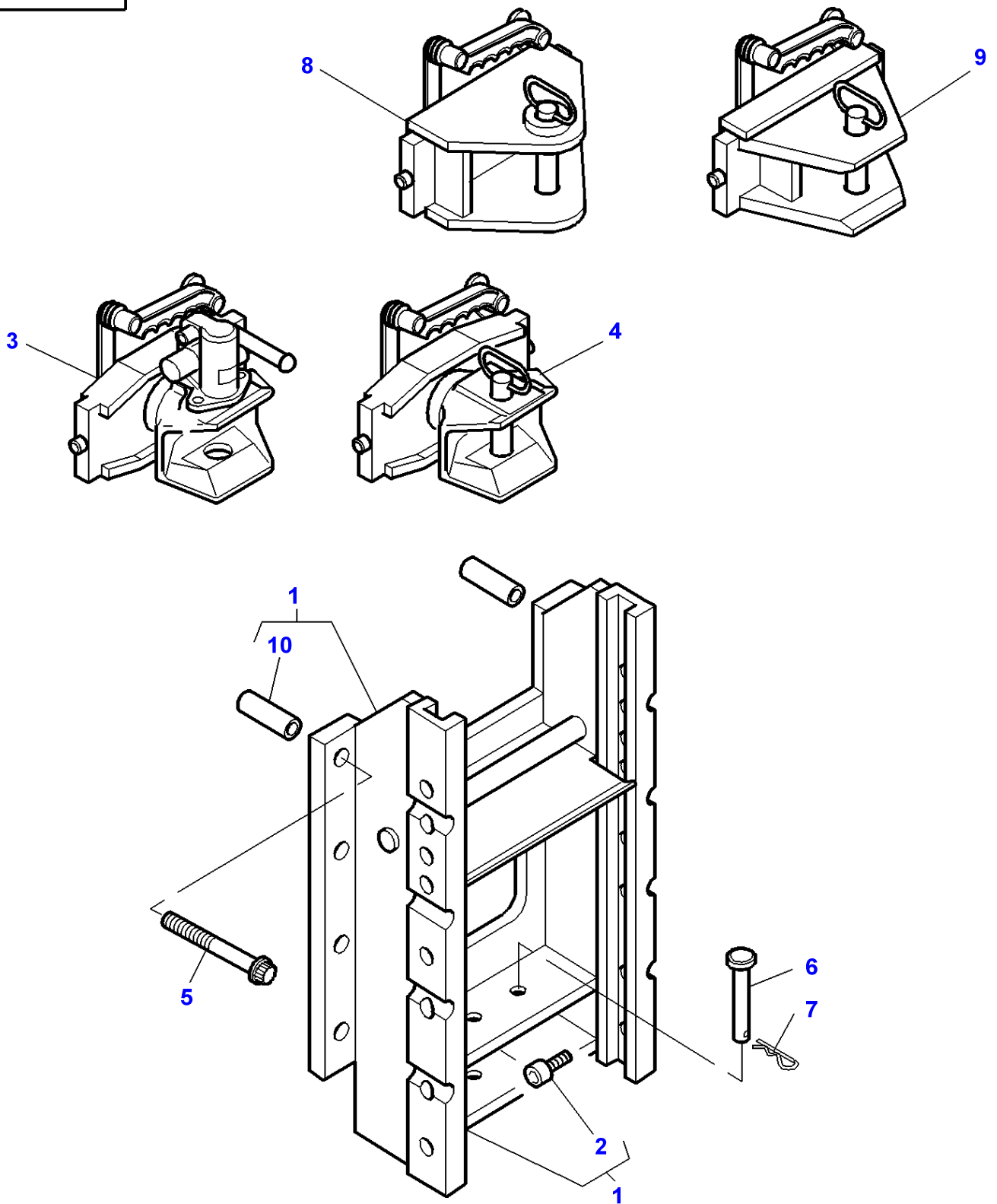


Linkage - Swinging Drawbar Support

Item	Part Number	Qty	Description	Comments
1	3792408M91	1	Support	[A]
	3792408M91	1	Support	[A] Up to Serial or Engine Number K029022 For United States of America
2	3010561X1	2	Screw	M20 X 50
	3010561X1	2	Screw	Up to Serial or Engine Number K029022 For United States of America M20 X 50
3	3010562X1	8	Screw	M20 X 230
	3010562X1	8	Screw	Up to Serial or Engine Number K029022 For United States of America M20 X 230
4	3010560X1	2	Clevis Pin	
5	365139X1	2	Hair Pin	Up to Serial or Engine Number
6	3795813M91	1	Support	[A] From Serial or Engine Number K029023 For United States of America
7	3010556X1	2	Screw Metric	From Serial or Engine Number K029023 For United States of America M20 X 70
8	3010941X1	4	Screw Metric	From Serial or Engine Number K029023 For United States of America M20 X 250
9	3010562X1	4	Screw	From Serial or Engine Number K029023 For United States of America M20 X 230

FOOTNOTE [A] WITH TRAILED IMPELEMNT CONTROL

1-ZQ18-005-C

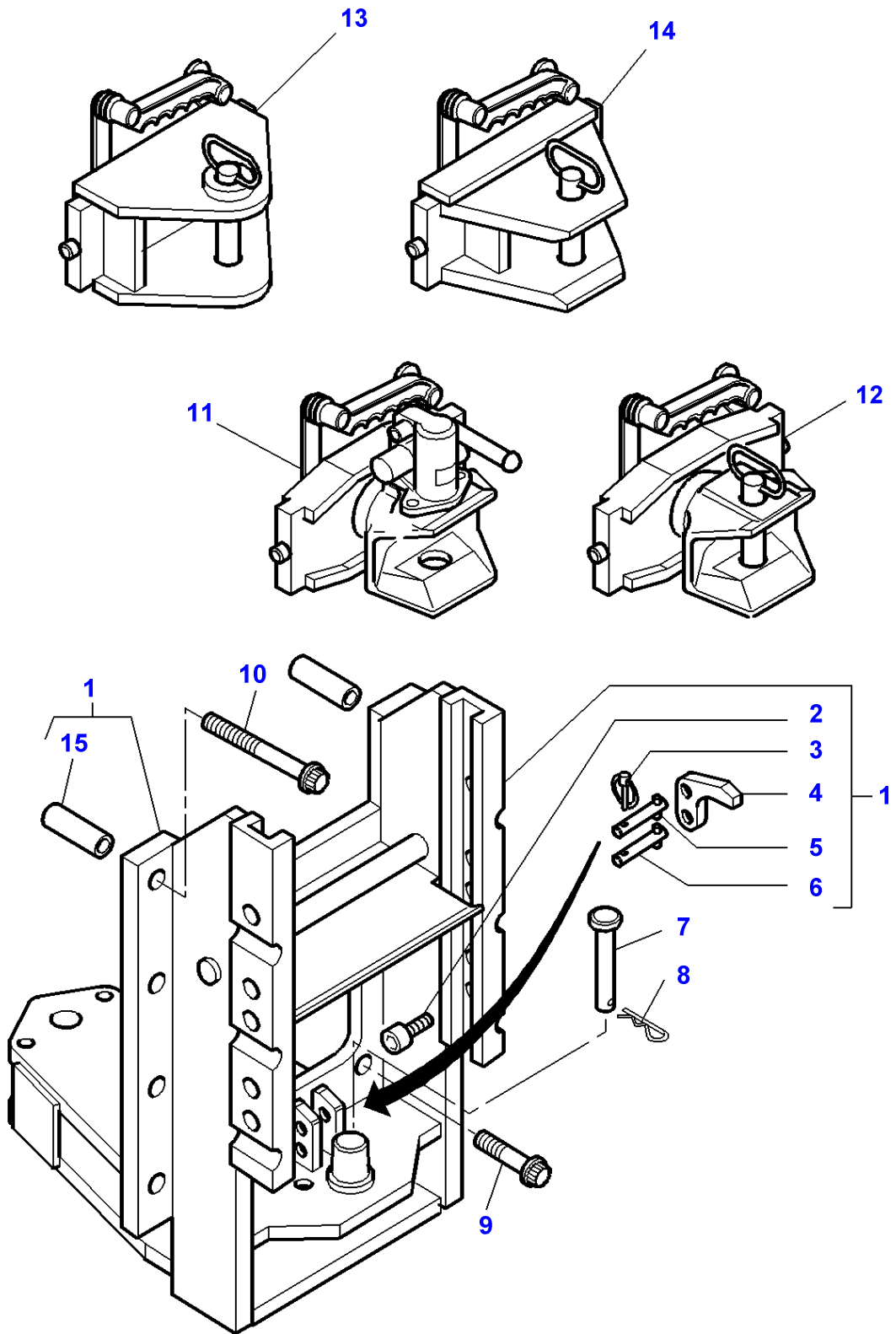


Hitch

Item	Part Number	Qty	Description	Comments
1	3791483M1	1	Support	
	3792574M1	1	Support	[A]
2	339114X1	1	Screw Metric	(1) M12X25
3	3791484M1	1	Clevis	For Germany only or any text in German only See Page - Reference Number 040-0095
	3792433M1	1	Clevis	For UK only or any text in English only See Page - Reference Number 040-0095
4	3791502M1	1	Clevis	
5	3010562X1	8	Screw	M20X230
	3010777X1	2	Screw Metric	M20X210
6	3010560X1	2	Clevis Pin	
7	3010932X1	2	Pin	Replace and repair. Old interchangeable with new 3010632X1
8	3792934M91	1	Clevis	For Italy only or any text in Italian only 20 T See Page - Reference Number 040-0090/5
9	3792932M91	1	Clevis	For Italy only or any text in Italian only 6 T See Page - Reference Number 040-0090/1
10	3902987M1	2	Spacer	(1) Diameter 44,5X140

FOOTNOTE [A] WITH TRAILED IMPELEMENT CONTROL

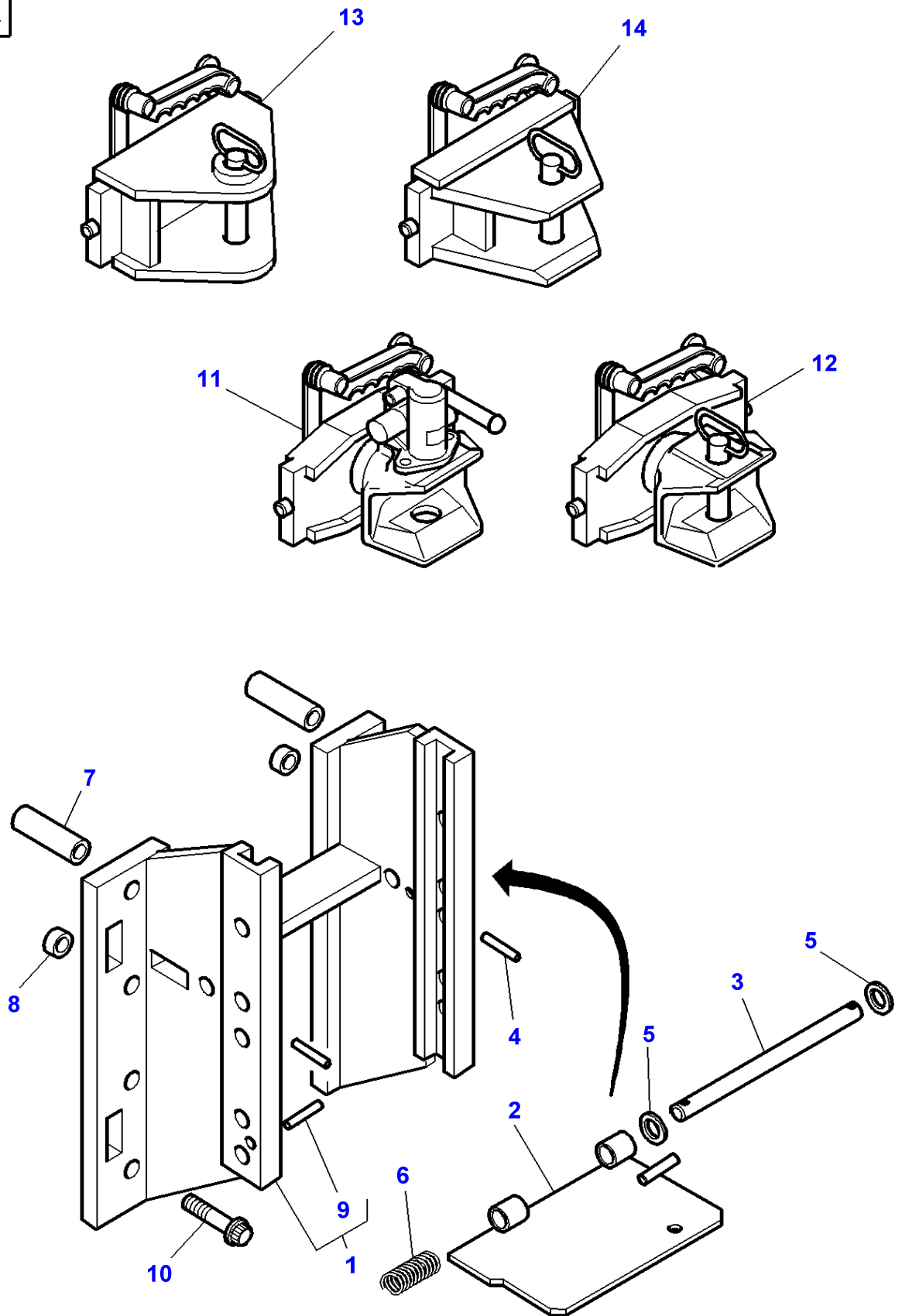
1-ZQ18-006-C



Hitch

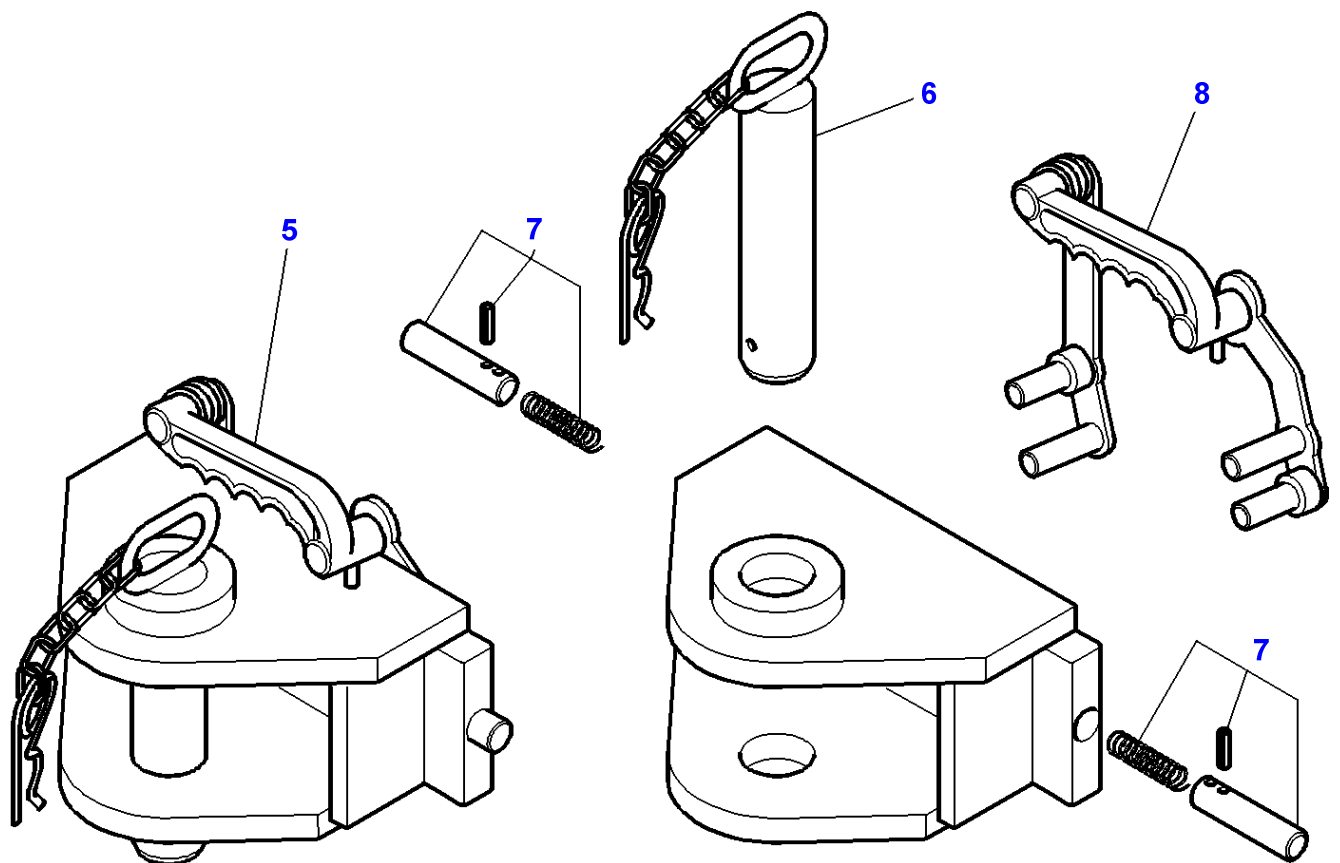
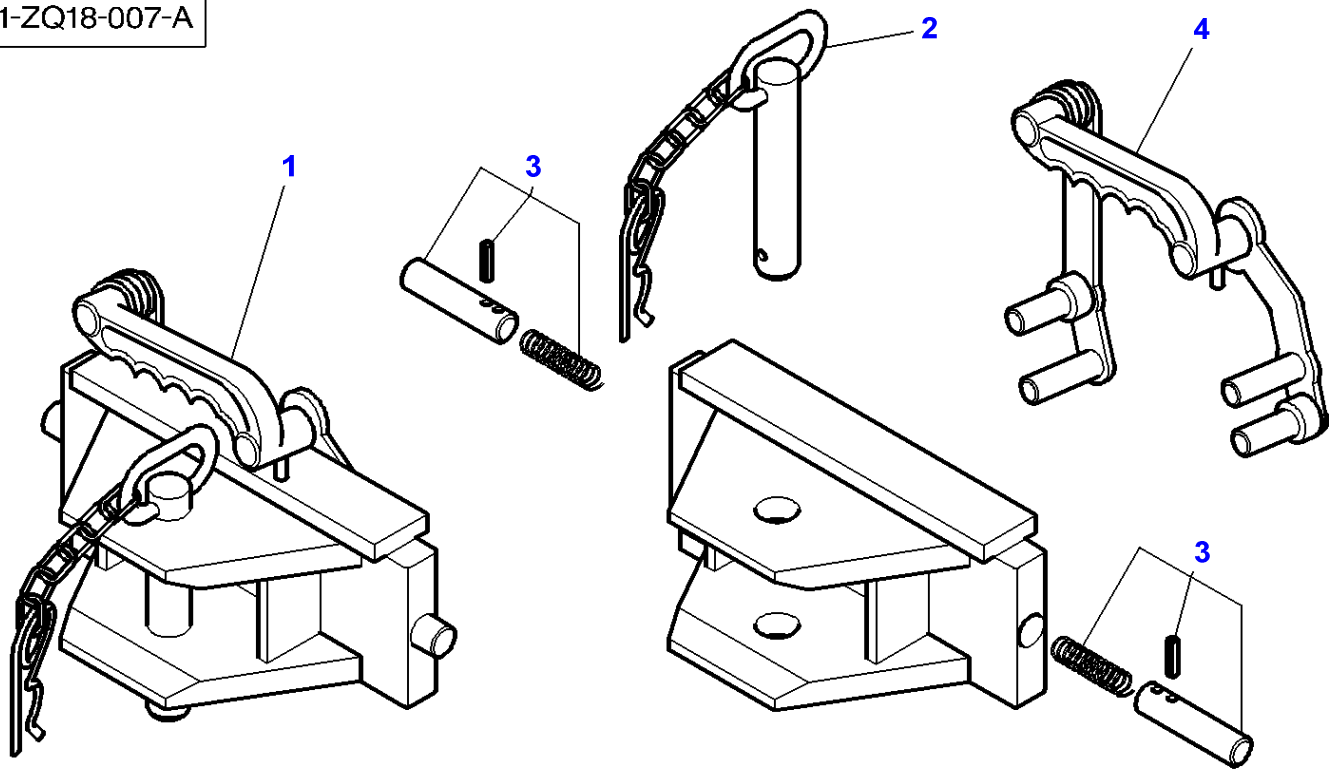
Item	Part Number	Qty	Description	Comments
1	3791835M1	1	Support	
2	339114X1	1	Screw Metric	(1) M12X25
3	3382825M1	1	Pin	(1)
4	3714803M1	1	Hook	(1)
5	3714805M1	1	Clevis Pin	(1)
6	3714804M1	1	Clevis Pin	(1)
7	3010560X1	2	Clevis Pin	
8	3010932X1	2	Pin	Replace and repair. Old interchangeable with new 3010632X1
9	3010777X1	2	Screw Metric	M20X210
10	3010562X1	8	Screw	M20X230
11	3791484M1	1	Clevis	For Germany only or any text in German only See Page - Reference Number 040-0095
	3792433M1	1	Clevis	See Page - Reference Number 040-0095
12	3791502M1	1	Clevis	See Page - Reference Number 040-0100
13	3792934M91	1	Clevis	For Italy only or any text in Italian only 20 T See Page - Reference Number 040-0090/5
14	3792932M91	1	Clevis	For Italy only or any text in Italian only 6 T See Page - Reference Number 040-0090/1
15	3902987M1	2	Spacer	(1) Diameter 44,5X140

1-ZQ18-009-A



Item	Part Number	Qty	Description	Comments
1	3794221M91	1	Support	
2	3794230M91	1	Cowl	
3	3794227M1	1	Clevis Pin	
4	391018X1	2	Pin	Diameter 5X35
5	390975X1	2	Washer Metric	
6	3794614M1	1	Spring	
7	3794663M1	2	Spacer	
8	3794662M1	2	Bush	
9	3794232M1	1	Thruster	(1)
10	3010997X1	8	Screw	M20X240
11	3791484M1	1	Clevis	For Germany only or any text in German only See Page - Reference Number 040-0095
	3792433M1	1	Clevis	See Page - Reference Number 040-0095
12	3791502M1	1	Clevis	See Page - Reference Number 040-0100
13	3792934M91	1	Clevis	For Italy only or any text in Italian only 20 T See Page - Reference Number 040-0090/5
14	3792932M91	1	Clevis	For Italy only or any text in Italian only 6 T See Page - Reference Number 040-0090/1

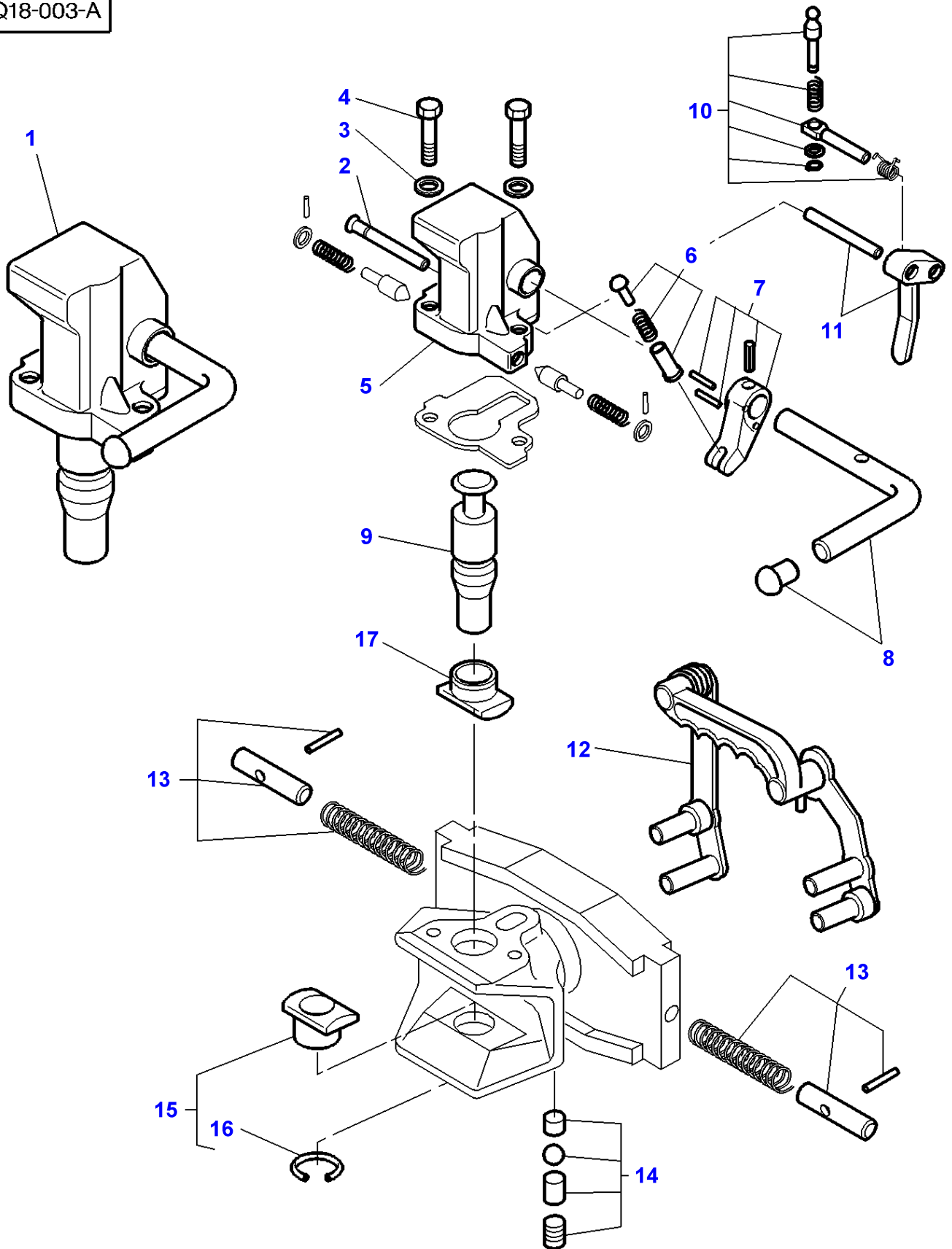
1-ZQ18-007-A



Hitch - Cramer

Item	Part Number	Qty	Description	Comments
1	3792932M91	1	Clevis	For Italy only or any text in Italian only 6 T
2	3903398M91	1	Pin	(1) Diameter 28MM
3	3903394M91	1	Kit, Rod	(1)
4	3903431M91	1	Linkage	(1)
5	3792934M91	1	Clevis	For Italy only or any text in Italian only 20 T
6	3903397M91	1	Pin	(5) Diameter 50MM
7	3903394M91	1	Kit, Rod	(5)
8	3107940M92	1	Linkage	(5)

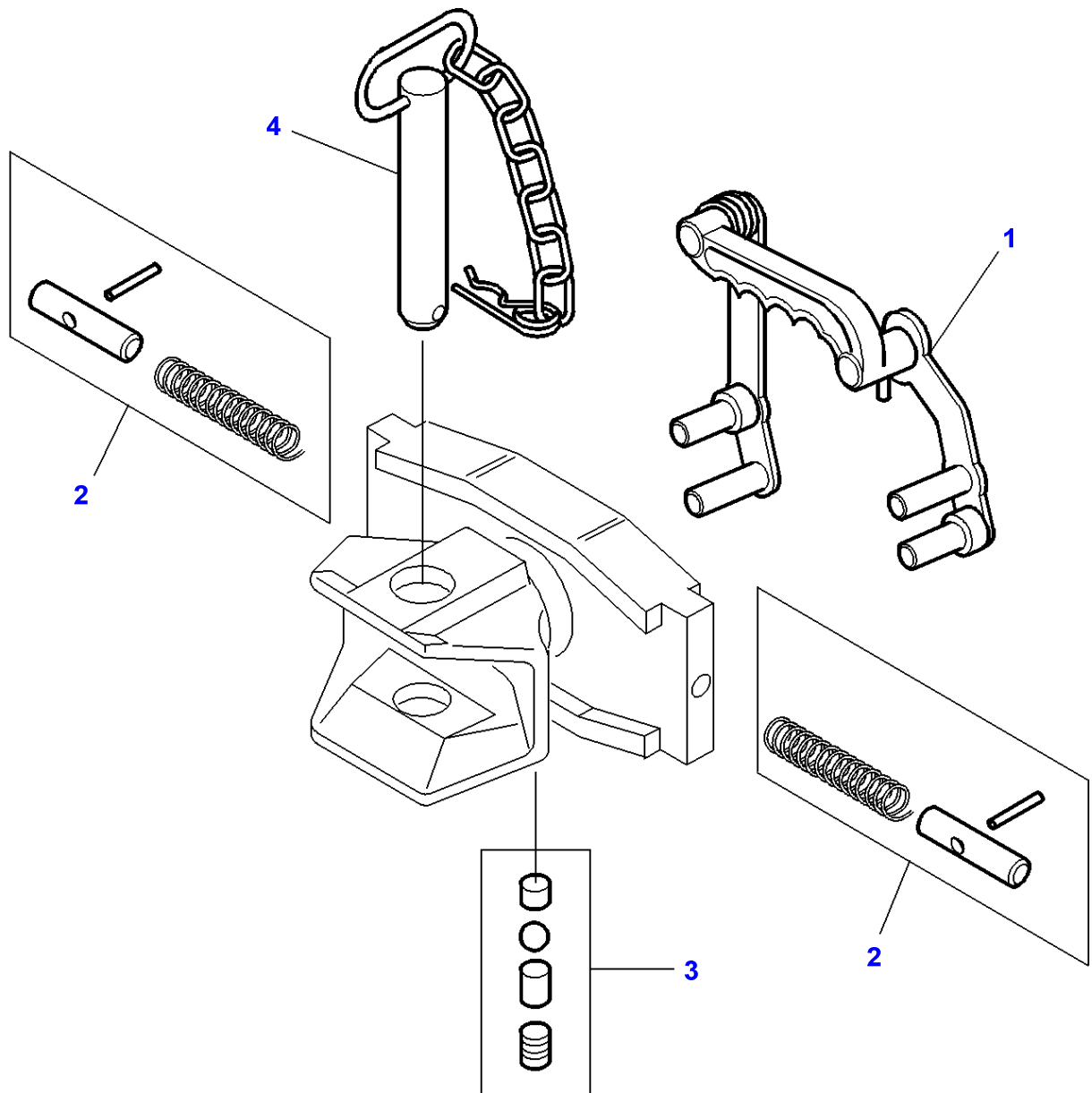
1-ZQ18-003-A



Hitch

Item	Part Number	Qty	Description	Comments
1	3902974M91	1	Head	For Germany only or any text in German only Diameter 37MM
2	3903268M91	1	Head	Diameter 32MM
	3902982M1	1	Clevis Pin	(1) For Germany only or any text in German only
3	3903269M1	1	Clevis Pin	(1)
	390734X1	2	Washer	(1)
4	339246X1	2	Bolt Metric	(1)
5		1	Head	(1) Not serviced,order REF. NO 1
6	3902979M91	1	Clevis Pin	(1)
7	3902978M91	1	Cam	(1)
8	3902977M91	1	Lever	(1)
9	3902981M91	1	Clevis Pin	(1) For Germany only or any text in German only Diameter 37MM
	3903267M91	1	Clevis Pin	(1) Diameter 32MM
10	3902976M91	1	Clevis Pin	(1)
11	3902975M91	1	Lever	(1)
12	3107940M92	1	Linkage	
13	3107941M91	2	Kit, Rod	For Germany only or any text in German only
	3903394M91	2	Kit, Rod	
14	3105953M91	1	Kit, Brake	
15	3902983M91	1	Sleeve	For Germany only or any text in German only
	3903264M91	1	Sleeve	
16	395520X1	1	Circlip	(15)
17	3902980M91	1	Sleeve	For Germany only or any text in German only
	3903266M91	1	Sleeve	

1-ZQ18-004-A

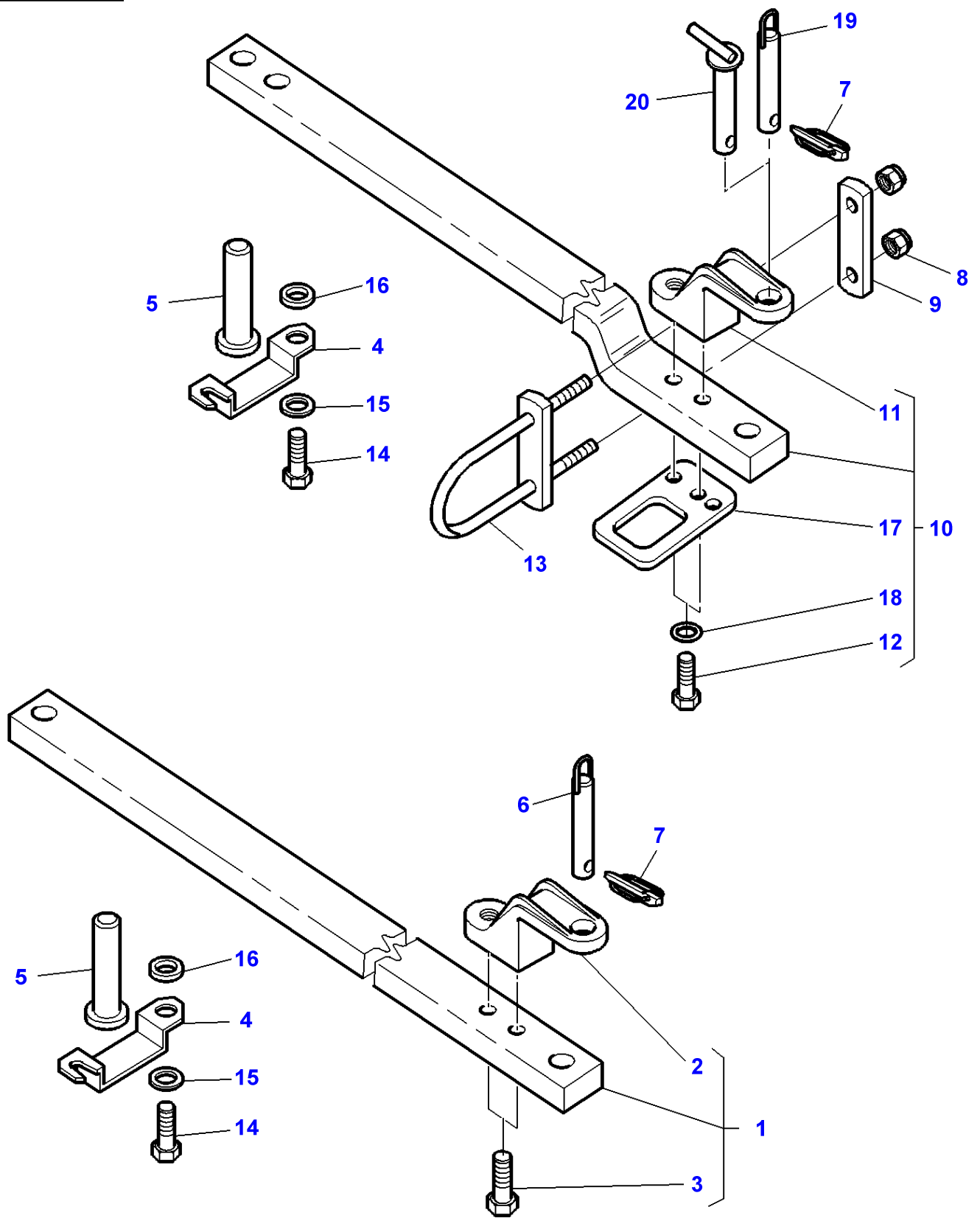


Massey Ferguson**MF 8210/8220 TRACTORS - 1637365****1637365****Hitch - Cramer****Page040-0100**

Item	Part Number	Qty	Description
1	3107940M92	1	Linkage
2	3107941M91	2	Kit, Rod
3	3105953M91	1	Kit, Brake
4	3902984M91	1	Pin Hitch

MF 8210/8220 TRACTORS - 1637365
 1-ZQ12-003-B

1-ZQ12-003-B

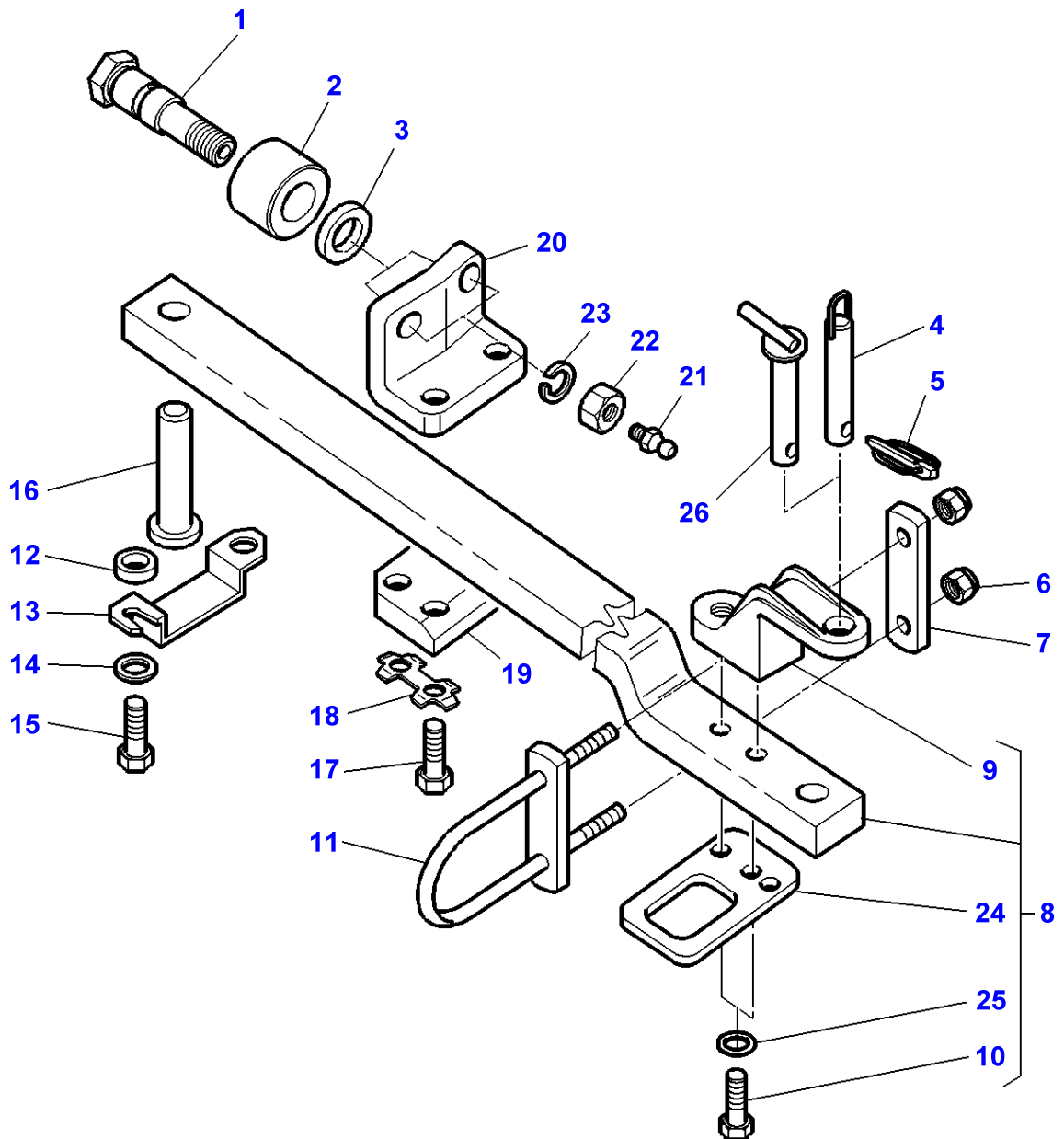


Linkage - Swinging Drawbar

Item	Part Number	Qty	Description	Comments
1	3716969M92	1	Bar	ISO
2	3790470M1	1	Clevis	(1)
3	1442668X1	2	Screw	(1) M20X70
4	3790751M91	1	Locking Plate	
	3791831M91	1	Plate	[A]
5	3790750M4	1	Pin Hitch	Length 115MM
	3791833M3	1	Pin Hitch	[A] Length 105MM
6	3790349M92	1	Pin Hitch	Diameter 30X231
7	3382826M1	1	Pin	
8	1442739X1	2	Locknut	Up to Serial or Engine Number J133009 For United States of America
9	3790094M1	1	Counterplate	Up to Serial or Engine Number J133009 For United States of America
10	3716970M92	1	Bar	Up to Serial or Engine Number J133009 SAE
	3793418M91	1	Drawbar	From Serial or Engine Number J133010 SAE
11	3790470M1	1	Clevis	(10) Up to Serial or Engine Number J133009
	3793414M1	1	Clevis	(10) From Serial or Engine Number J133010
12	1442668X1	2	Screw	(10) Up to Serial or Engine Number J133009 M20X70
	3010441X1	1	Screw	(10) From Serial or Engine Number J133010 M20X95
13	3790474M2	1	Shackle	Up to Serial or Engine Number J133009 For United States of America
14	3009492X1	2	Hex. Sock. Screw	M10X25
15	385362X1	2	Washer	
16	3790749M1	1	Bush	
17	3795530M1	1	Shackle	(10) From Serial or Engine Number J133010 For United States of America
18	385365X1	2	Washer	(10) From Serial or Engine Number J133010
19	3790349M92	1	Pin Hitch	Up to Serial or Engine Number J133009 Diameter 30X231MM
20	3793419M3	1	Pin Hitch	From Serial or Engine Number J133010 Diameter 30X184MM

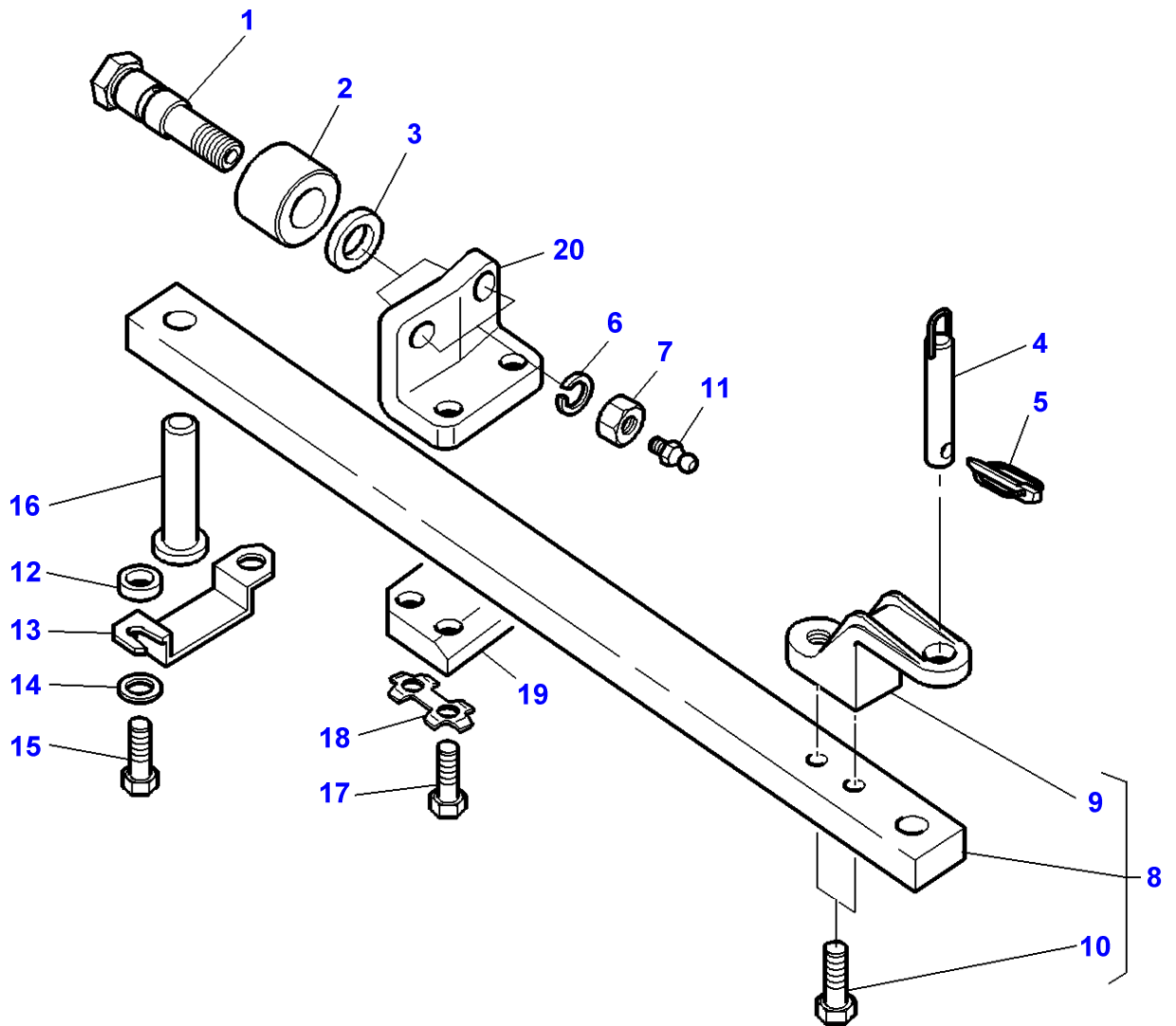
FOOTNOTE [A] WITH CLEVIS QUICK ADJUSTMENT

1-ZQ12-004-B



Item	Part Number	Qty	Description	Comments
1	3791469M1	2	Clevis Pin	
2	3581980M1	2	Roll	
3	3791823M1	2	Washer	
4	3790349M92	1	Pin Hitch	Up to Serial or Engine Number J133009 Diameter 30X231
5	3382826M1	1	Pin	
6	1442739X1	2	Locknut	Up to Serial or Engine Number J133009 For United States of America
7	3790094M1	1	Counterplate	Up to Serial or Engine Number J133009 For United States of America
8	3716970M92	1	Bar	Up to Serial or Engine Number J133009
	3793418M91	1	Drawbar	From Serial or Engine Number J133010
9	3790470M1	1	Clevis	(8) Up to Serial or Engine Number J133009
	3793414M1	1	Clevis	(8) From Serial or Engine Number J133010
10	1442668X1	2	Screw	(8) Up to Serial or Engine Number J133009 M20x70
	3010441X1	2	Screw	(8) From Serial or Engine Number J133010 M20X95
11	3790474M2	1	Shackle	Up to Serial or Engine Number J133009 For United States of America
12	3790749M1	1	Bush	
13	3790751M91	1	Locking Plate	
14	385362X1	2	Washer	Diameter M10
15	3009492X1	2	Hex. Sock. Screw	M10x25
16	3790750M4	1	Pin Hitch	
17	3010045X1	4	Screw	M20x90
18	3790457M1	2	Tongue	
19	3791470M1	1	Counterplate	
20	3791474M1	1	Angle.	
21	364461X1	2	Grease Nipple	
22	375102X1	2	Nut Unc	
23	353443X1	2	Lock Washer	
24	3795530M1	1	Shackle	(8) From Serial or Engine Number J133010 For United States of America
25	385365X1	2	Washer	(8) From Serial or Engine Number J133010
26	3793419M3	1	Pin Hitch	From Serial or Engine Number J133010 Diameter 30X184

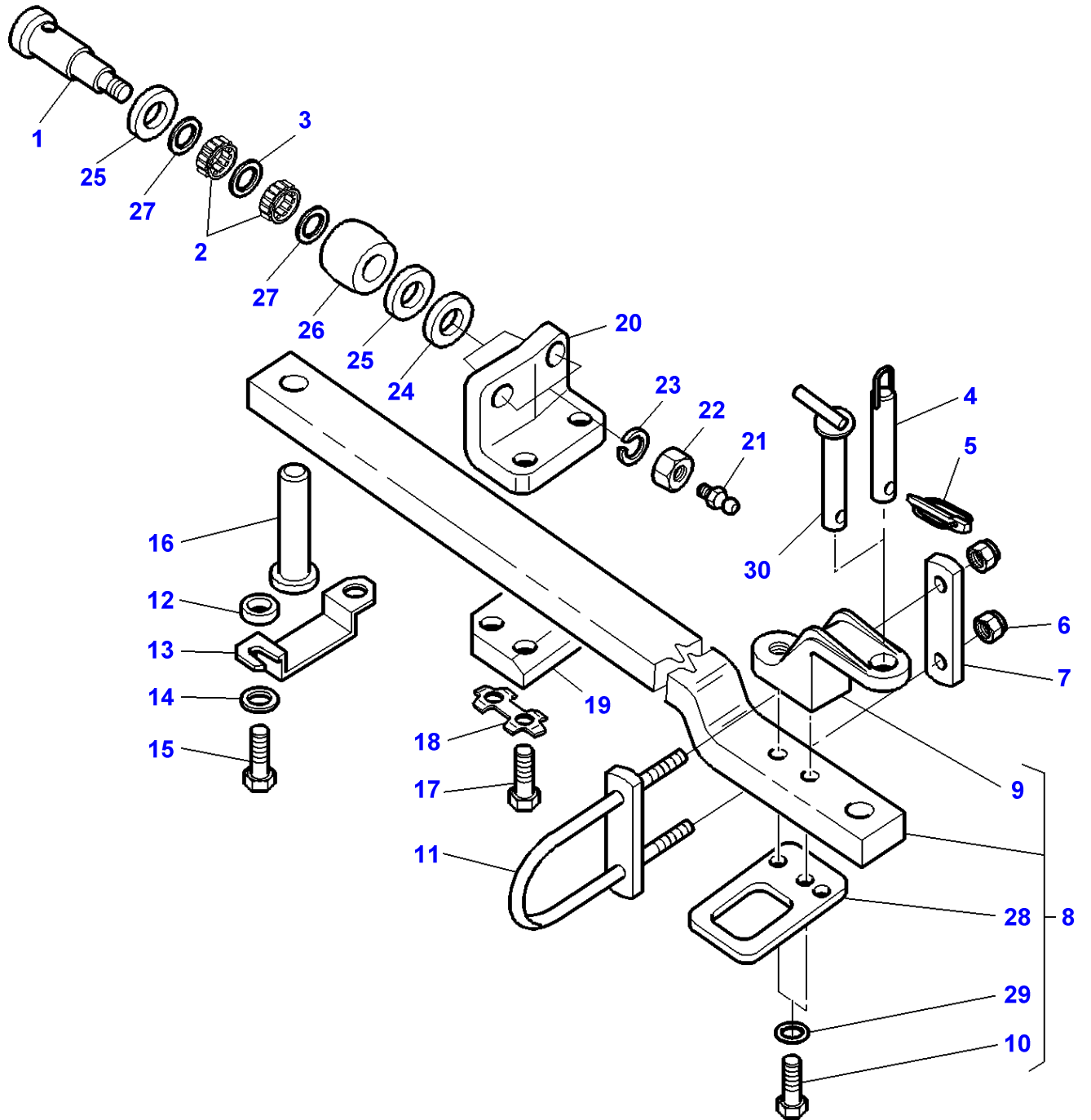
1-ZQ12-014-B



Massey Ferguson**MF 8210/8220 TRACTORS - 1637365****1637365****Linkage - Swinging Drawbar - ISO STANDARD****Page040-0115**

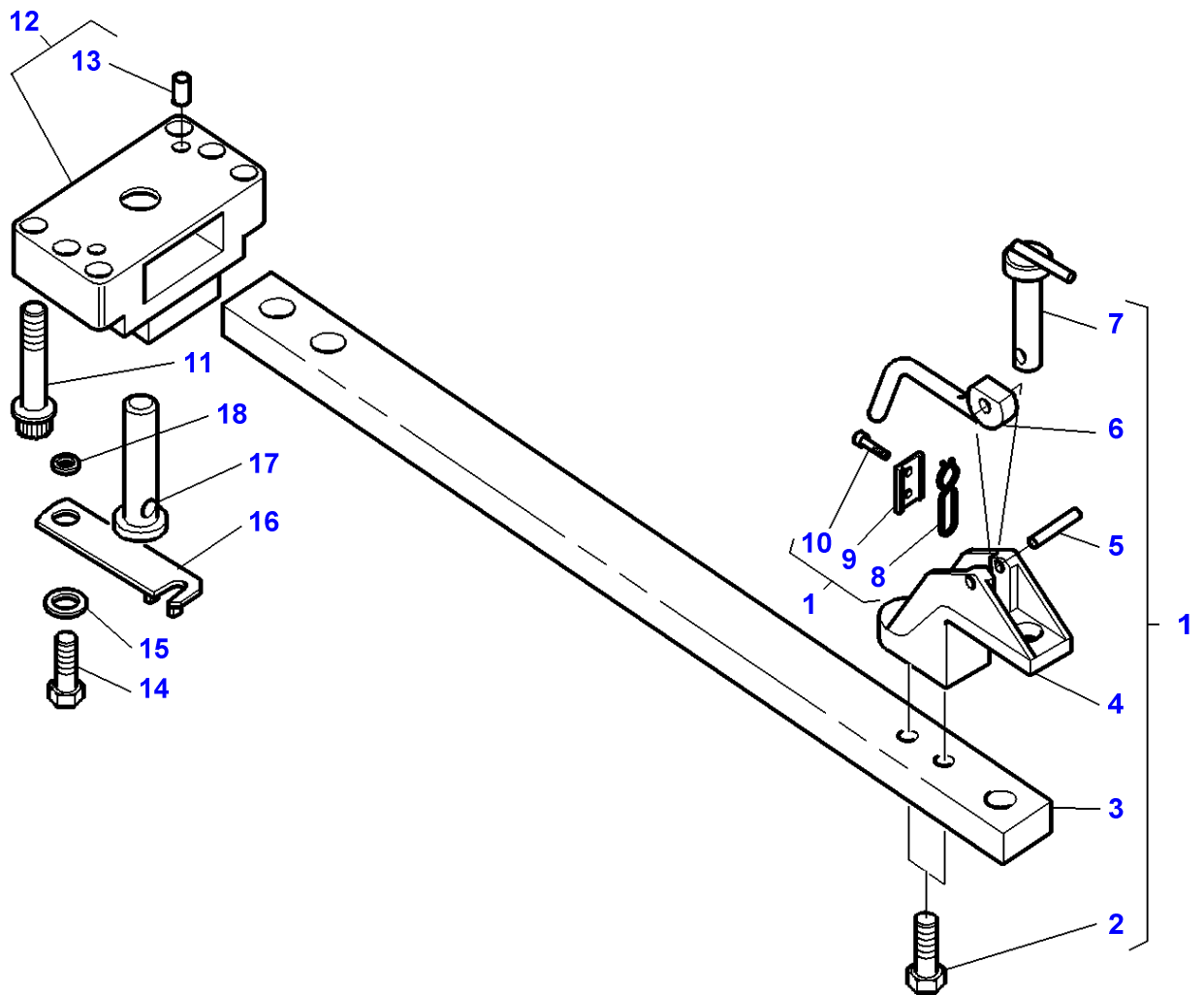
Item	Part Number	Qty	Description	Comments
1	3791469M1	2	Clevis Pin	
2	3581980M1	2	Roll	
3	3791823M1	2	Washer	
4	3790349M92	1	Pin Hitch	Diameter 30X231MM
5	3382826M1	1	Pin	
6	353443X1	2	Lock Washer	
7	375102X1	2	Nut Unc	
8	3716969M92	1	Bar	
9	3790470M1	1	Clevis	(8)
10	1442668X1	2	Screw	(8) M20x70
11	364461X1	2	Grease Nipple	
12	3790749M1	1	Bush	
13	3790751M91	1	Locking Plate	
14	385362X1	2	Washer	Diameter M10
15	3009492X1	2	Hex. Sock. Screw	M10x25
16	3790750M4	1	Pin Hitch	
17	3010045X1	4	Screw	M20x90
18	3790457M1	2	Tongue	
19	3791470M1	1	Counterplate	
20	3791474M1	1	Angle.	

1-ZQ12-005-B



Item	Part Number	Qty	Description	Comments
1	3791858M1	2	Roll Axle	
2	833083M1	4	Bearing Needle	
3	1618225M1	2	Spacer	
4	3790349M92	1	Pin Hitch	Up to Serial or Engine Number J133009 Diameter 30X231
5	3382826M1	1	Pin	
6	1442739X1	2	Locknut	Up to Serial or Engine Number J133009 For United States of America
7	3790094M1	1	Counterplate	Up to Serial or Engine Number J133009 For United States of America
8	3716970M92	1	Bar	Up to Serial or Engine Number J133009
	3793418M91	1	Drawbar	From Serial or Engine Number J133010
9	3790470M1	1	Clevis	(8) Up to Serial or Engine Number J133009
	3793414M1	1	Clevis	(8) From Serial or Engine Number J133010
10	1442668X1	2	Screw	(8) Up to Serial or Engine Number J133009 M20x70
	3010441X1	2	Screw	(8) From Serial or Engine Number J133010 M20X95
11	3790474M2	1	Shackle	Up to Serial or Engine Number J133009 For United States of America
12	3790749M1	1	Bush	
13	3790751M91	1	Locking Plate	
14	385362X1	2	Washer	Diameter M10
15	3009492X1	2	Hex. Sock. Screw	M10x25
16	3790750M4	1	Pin Hitch	
17	3010045X1	4	Screw	M20x90
18	3790457M1	2	Tongue	
19	3791470M1	1	Counterplate	
20	3791545M1	1	Angle.	
21	364461X1	2	Grease Nipple	
22	375102X1	2	Nut Unc	
23	353443X1	2	Lock Washer	
24	3791823M1	2	Washer	
25	1618290M1	4	Washer	
26	1618190M1	2	Roller	
27	831225M1	4	Seal	
28	3795530M1	1	Shackle	(8) From Serial or Engine Number J133010 For United States of America
29	385365X1	2	Washer	(8) From Serial or Engine Number J133010
30	3793419M3	1	Pin Hitch	From Serial or Engine Number J133010 Diameter 30X184

1-ZQ12-002-B

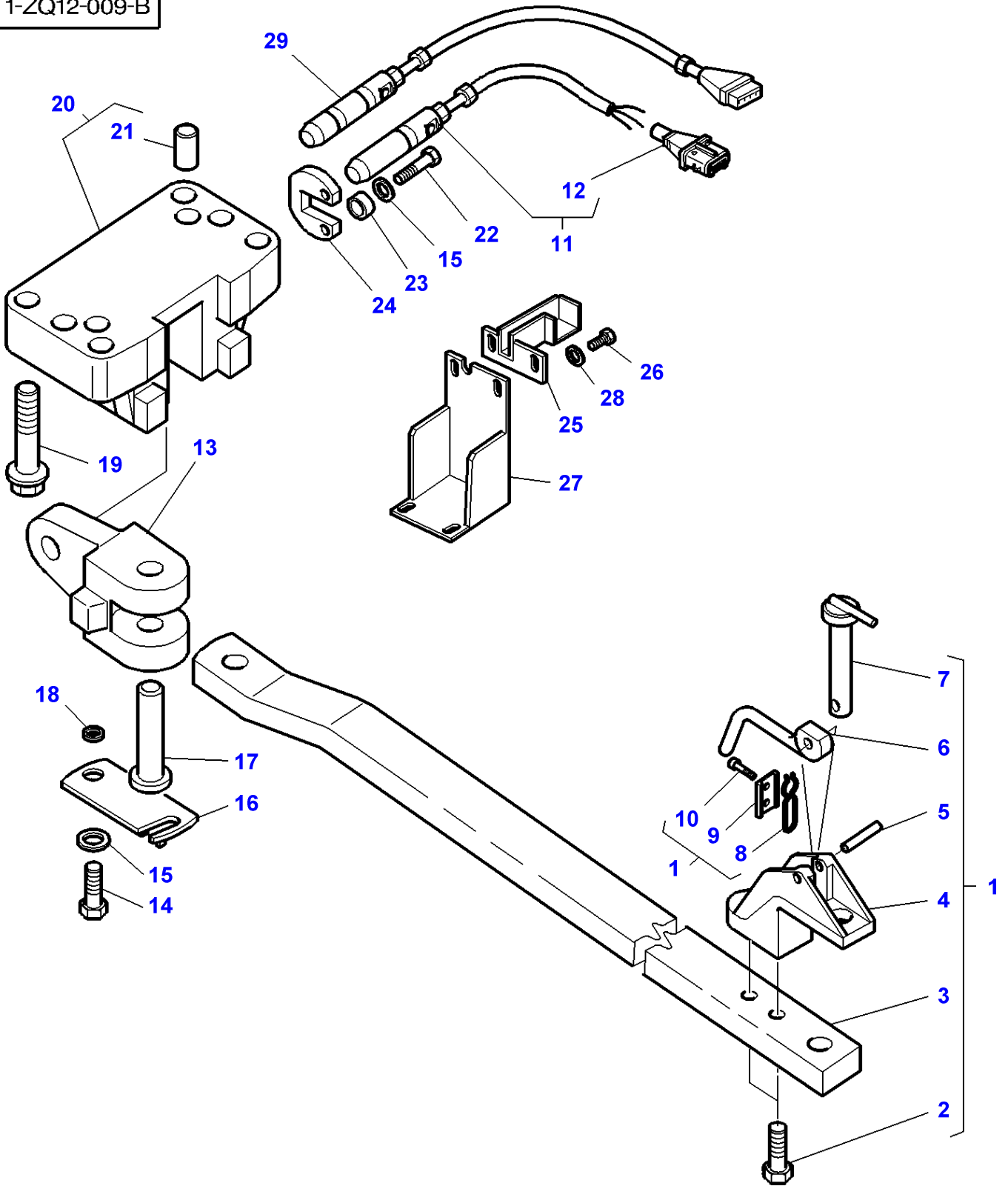


Massey Ferguson**MF 8210/8220 TRACTORS - 1637365****1637365****Linkage - Swinging Drawbar - ISO STANDARD****Page040-0125**

Item	Part Number	Qty	Description	Comments
1	3716631M95	1	Bar	
2	1442668X1	2	Screw	(1) M20X80
3		1	Bar	(1) Not serviced,order REF.1
4	3716619M3	1	Clevis	(1)
5	3010553X1	1	Pin	(1)
6	3791643M1	1	Lever	(1)
7	3716103M2	1	Pin Hitch	(1)
8	3716622M1	1	Thruster	(1)
9	3716621M2	1	Plate	(1)
10	339560X1	2	Hex. Sock. Screw	(1)
11	3010557X1	6	Screw Metric	M20X100
12	3793161M11	1	Bearing Carrier	
13	3716624M1	2	Centraliser	(12) Replace and repair. Old not interchangeable with new 3716623M3
14	3009492X1	2	Hex. Sock. Screw	M10X25
15	385362X1	2	Washer	
16	3716306M91	1	Plate	
17	3716121M3	1	Clevis Pin	
18	3790749M1	1	Bush	

MF 8210/8220 TRACTORS - 1637365
1-ZQ12-009-B

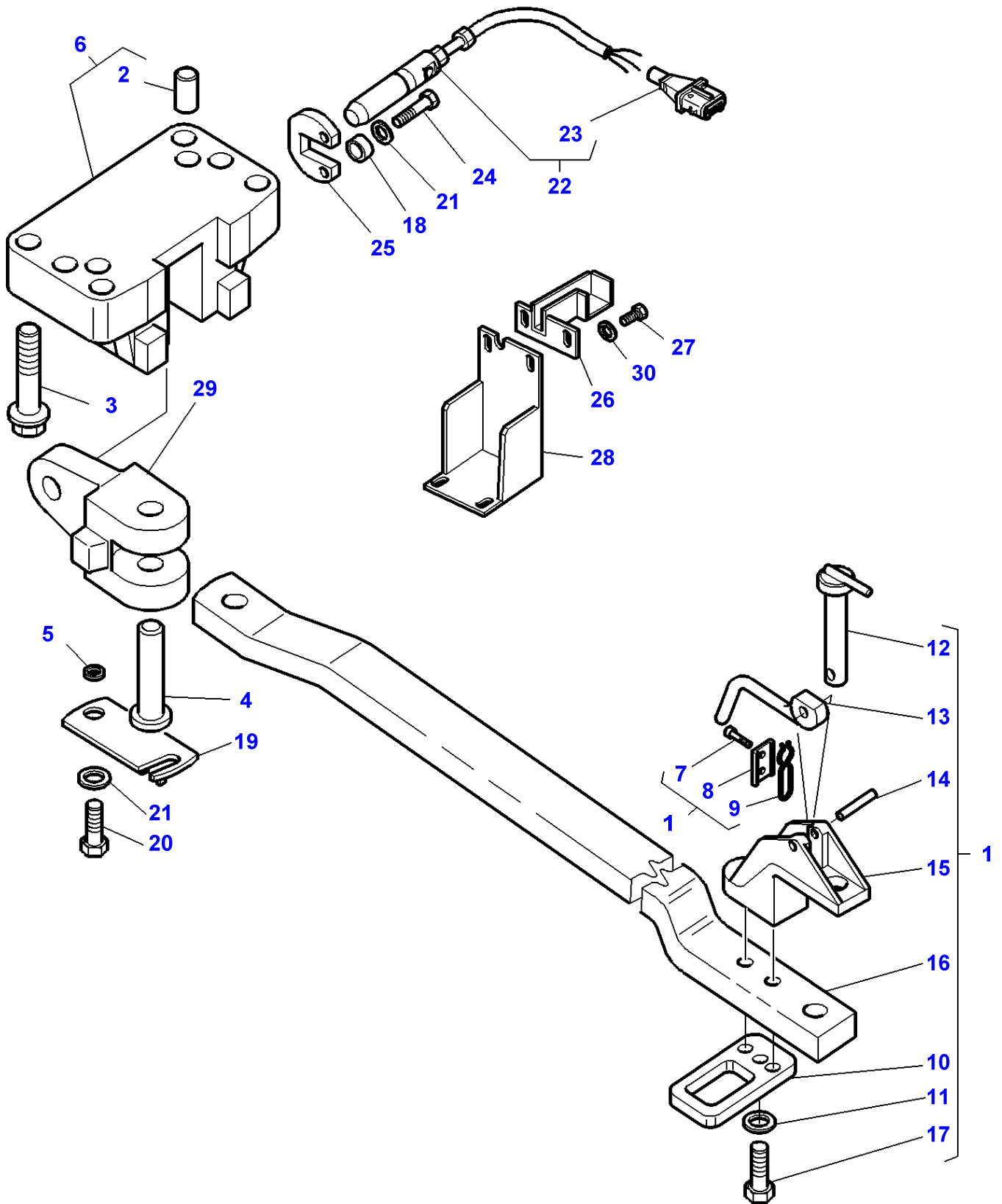
1-ZQ12-009-B



Item	Part Number	Qty	Description	Comments
1	3792397M93	1	Bar	
2	1442668X1	2	Screw	(1) M20X80
3		1	Bar	(1) Not serviced,order REF.1
4	3716619M3	1	Clevis	(1)
5	3010553X1	1	Pin	(1)
6	3791643M1	1	Lever	(1)
7	3716103M2	1	Pin Hitch	(1)
8	3716622M1	1	Thruster	(1)
9	3716621M2	1	Plate	(1)
10	339560X1	2	Hex. Sock. Screw	(1)
11	3792432M1	1	Switch,Indirect	BOSCH 150KN
12	3385534M1	1	Connectors	(11)
13	3790933M1	1	Clevis	
14	3009492X1	2	Hex. Sock. Screw	M10X25
15	385362X1	4	Washer	
16	3790936M91	1	Locking Plate	
17	3790937M2	1	Clevis Pin	
18	3790749M1	1	Bush	
19	3010557X1	5	Screw Metric	M20X100
	3010561X1	1	Screw	M20X50
20	3793160M11	1	Bearing Carrier	Replace and repair. Old not interchangeable with new 3790932M1
21	3716624M1	2	Centraliser	(20)
22	3001429X1	2	Screw	M10X35
23	3384183M1	2	Bush	
24	3716499M1	1	Plate	
25	3792577M2	1	Cowl	
26	339560X1	4	Hex. Sock. Screw	M6X16
27	3790940M2	1	Cowl	
28	390971X1	4	Washer	
29	3797803M1	1	Sensing Pin	[A] TEDEA 150KN

FOOTNOTE [A] 2 GROOVE

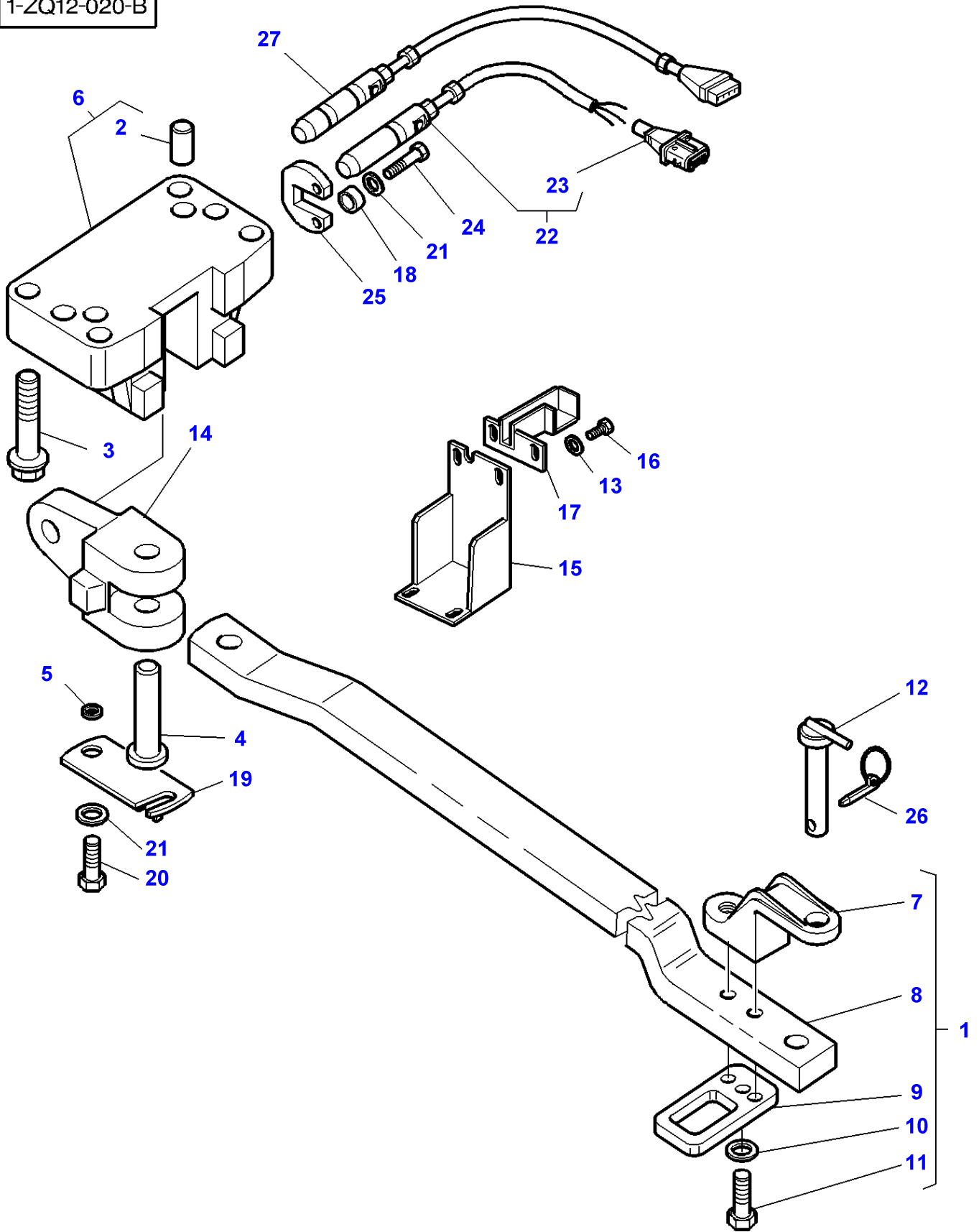
1-ZQ12-010-A



Item	Part Number	Qty	Description	Comments
1	3792398M92	1	Bar	For United States of America
2	3716624M1	2	Centraliser	(6)
3	3010557X1	5	Screw Metric	M20X100
	3010561X1	1	Screw	M20X50
4	3790937M2	1	Clevis Pin	
5	3790749M1	1	Bush	
6	3793160M11	1	Bearing Carrier	Replace and repair. Old not interchangeable with new 3790932M1
7	339560X1	2	Hex. Sock. Screw	(1)
8	3716621M2	1	Plate	(1)
9	3716622M1	1	Thruster	(1)
10	3793421M1	1	Shackle	(1)
11	385365X1	2	Washer	(1)
12	3716103M2	1	Pin Hitch	(1)
13	3791643M1	1	Lever	(1)
14	3010553X1	1	Pin	(1)
15	3716619M3	1	Clevis	(1)
16		1	Bar	(1)
				Not serviced,order REF. NO 1
17	3010945X1	2	Screw	(1) M20X105
18	3384183M1	2	Bush	
19	3790936M91	1	Locking Plate	
20	3009492X1	2	Hex. Sock. Screw	M10X25
21	385362X1	2	Washer	
22	3792432M1	1	Switch,Indirect	
23	3385534M1	1	Connectors	(22)
24	3001429X1	2	Screw	M10X35
25	3716499M1	1	Plate	
26	3792577M2	1	Cowl	
27	339560X1	4	Hex. Sock. Screw	M6X16
28	3790940M2	1	Cowl	
29	3790933M1	1	Clevis	
30	390971X1	4	Washer	

MF 8210/8220 TRACTORS - 1637365
1-ZQ12-020-B

1-ZQ12-020-B

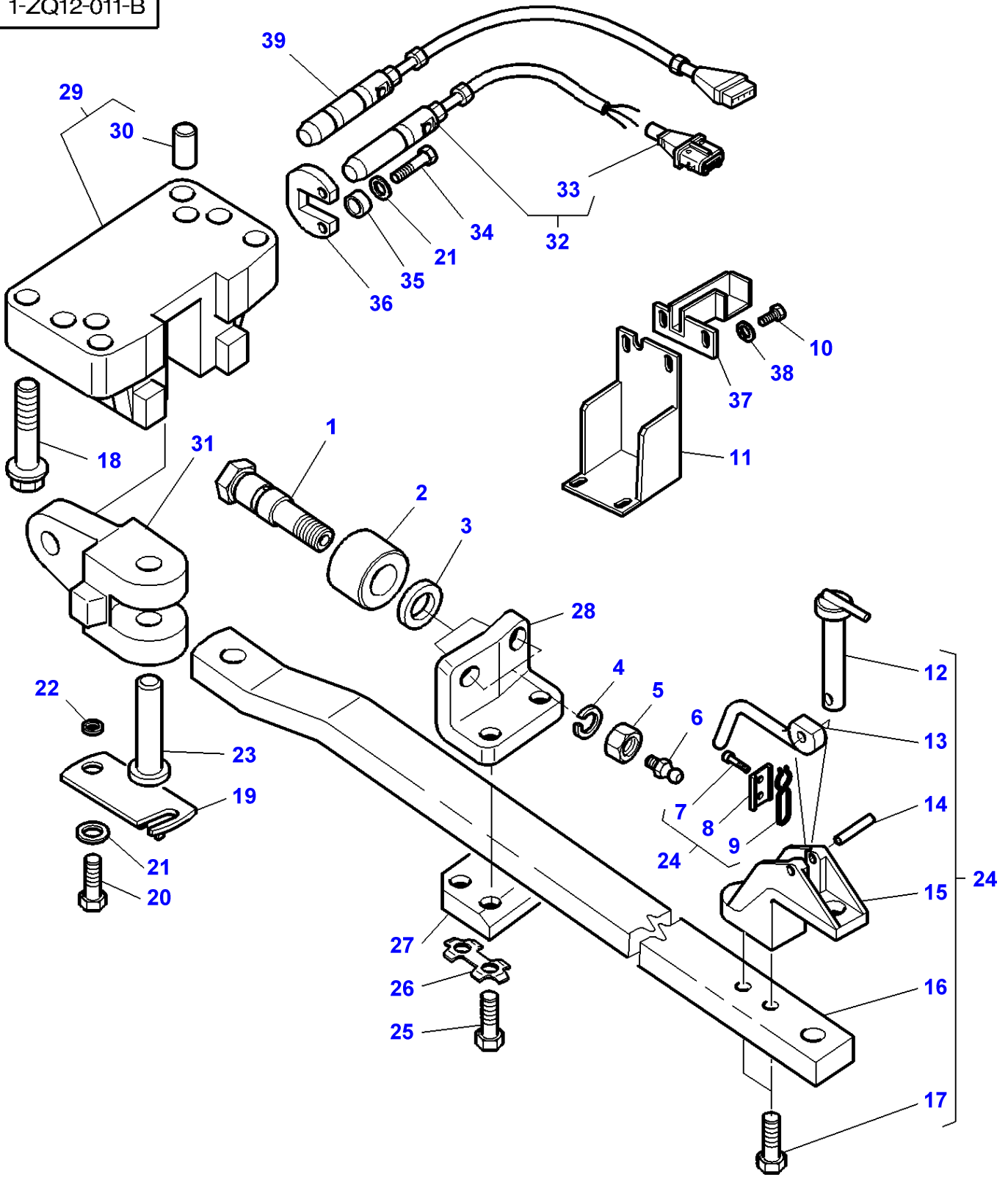


Item	Part Number	Qty	Description	Comments
1	3793668M91	1	Bar	
2	3716624M1	2	Centraliser	(6)
3	3010557X1	5	Screw Metric	M20X100
	3010561X1	1	Screw	M20X50
4	3790937M2	1	Clevis Pin	
5	3790749M1	1	Bush	
6	3793160M11	1	Bearing Carrier	Replace and repair. Old not interchangeable with new 3790932M1
7	3793664M1	1	Clevis	(1)
8		1	Bar	(1) Not serviced,order REF. NO1
9	3793421M1	1	Shackle	(1)
10	385365X1	2	Washer	(1)
11	3010945X1	2	Screw	(1) M20X105
12	3793419M3	1	Pin Hitch	
13	390971X1	4	Washer	
14	3790933M1	1	Clevis	
15	3790940M2	1	Cowl	
16	339560X1	4	Hex. Sock. Screw	M6X16
17	3792577M2	1	Cowl	
18	3384183M1	2	Bush	
19	3790936M91	1	Locking Plate	
20	3009492X1	2	Hex. Sock. Screw	M10X25
21	385362X1	4	Washer	
22	3792432M1	1	Switch,Indirect	BOSCH 150KN
23	3385534M1	1	Connectors	(22)
24	3001429X1	2	Screw	M10X35
25	3716499M1	1	Plate	
26	3382826M1	1	Pin	
27	3797803M1	1	Sensing Pin	[A] TEDEA 150KN

FOOTNOTE [A] 2 GROOVE

MF 8210/8220 TRACTORS - 1637365
1-ZQ12-011-B

1-ZQ12-011-B

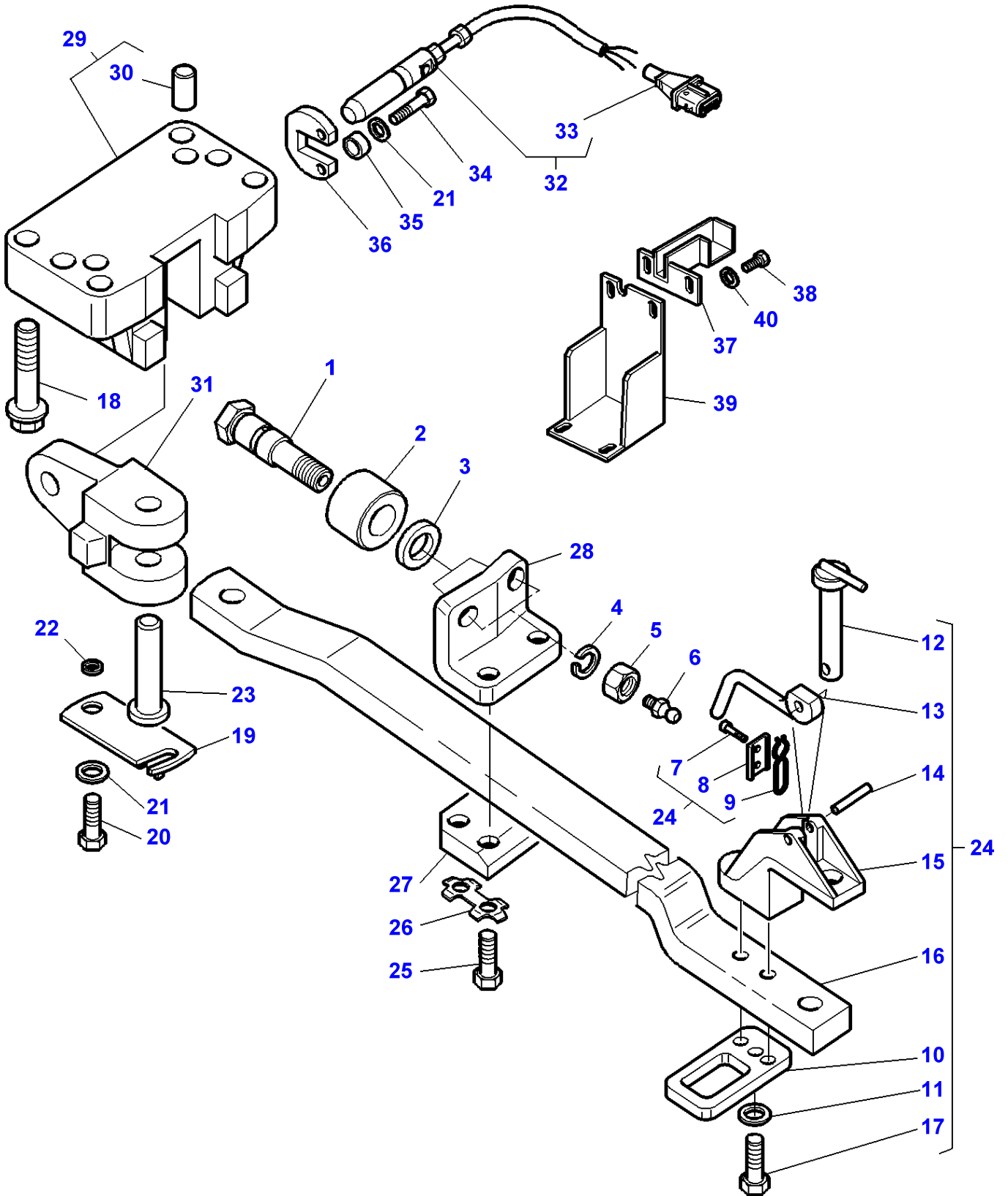


Item	Part Number	Qty	Description	Comments
1	3791469M1	2	Clevis Pin	
2	3581980M1	2	Roll	
3	3791823M1	2	Washer	
4	353443X1	2	Lock Washer	
5	375102X1	2	Nut Unc	
6	364461X1	2	Grease Nipple	
7	339560X1	2	Hex. Sock. Screw	(24)
8	3716621M2	1	Plate	(24)
9	3716622M1	1	Thruster	(24)
10	339560X1	4	Hex. Sock. Screw	M6X16
11	3790940M2	1	Cowl	
12	3716103M2	1	Pin Hitch	(24)
13	3791643M1	1	Lever	(24)
14	3010553X1	1	Pin	(24)
15	3716619M3	1	Clevis	(24)
16		1	Bar	(24)
				Not serviced,order REF. NO 24
17	1442668X1	2	Screw	(24) M20X80
18	3010557X1	5	Screw Metric	M20X100
	3010561X1	1	Screw	M20X50
19	3790936M91	1	Locking Plate	
20	3009492X1	2	Hex. Sock. Screw	M10X25
21	385362X1	4	Washer	
22	3790749M1	1	Bush	
23	3790937M2	1	Clevis Pin	
24	3792397M93	1	Bar	
25	391332X1	4	Screw	M20X100
26	3790457M1	2	Tongue	
27	3791470M1	1	Counterplate	
28	3791467M2	1	Angle.	
29	3793160M11	1	Bearing Carrier	Replace and repair. Old not interchangeable with new 3790932M1
30	3716624M1	2	Centraliser	(29)
31	3790933M1	1	Clevis	
32	3792432M1	1	Switch,Indirect	BOSCH 150KN
33	3385534M1	1	Connectors	(32)
34	3001429X1	2	Screw	M10X35
35	3384183M1	2	Bush	
36	3716499M1	1	Plate	
37	3792577M2	1	Cowl	
38	390971X1	4	Washer	
39	3797803M1	1	Sensing Pin	[A] TEDEA 150KN

FOOTNOTE [A] 2 GROOVE

MF 8210/8220 TRACTORS - 1637365
1-ZQ12-012-A

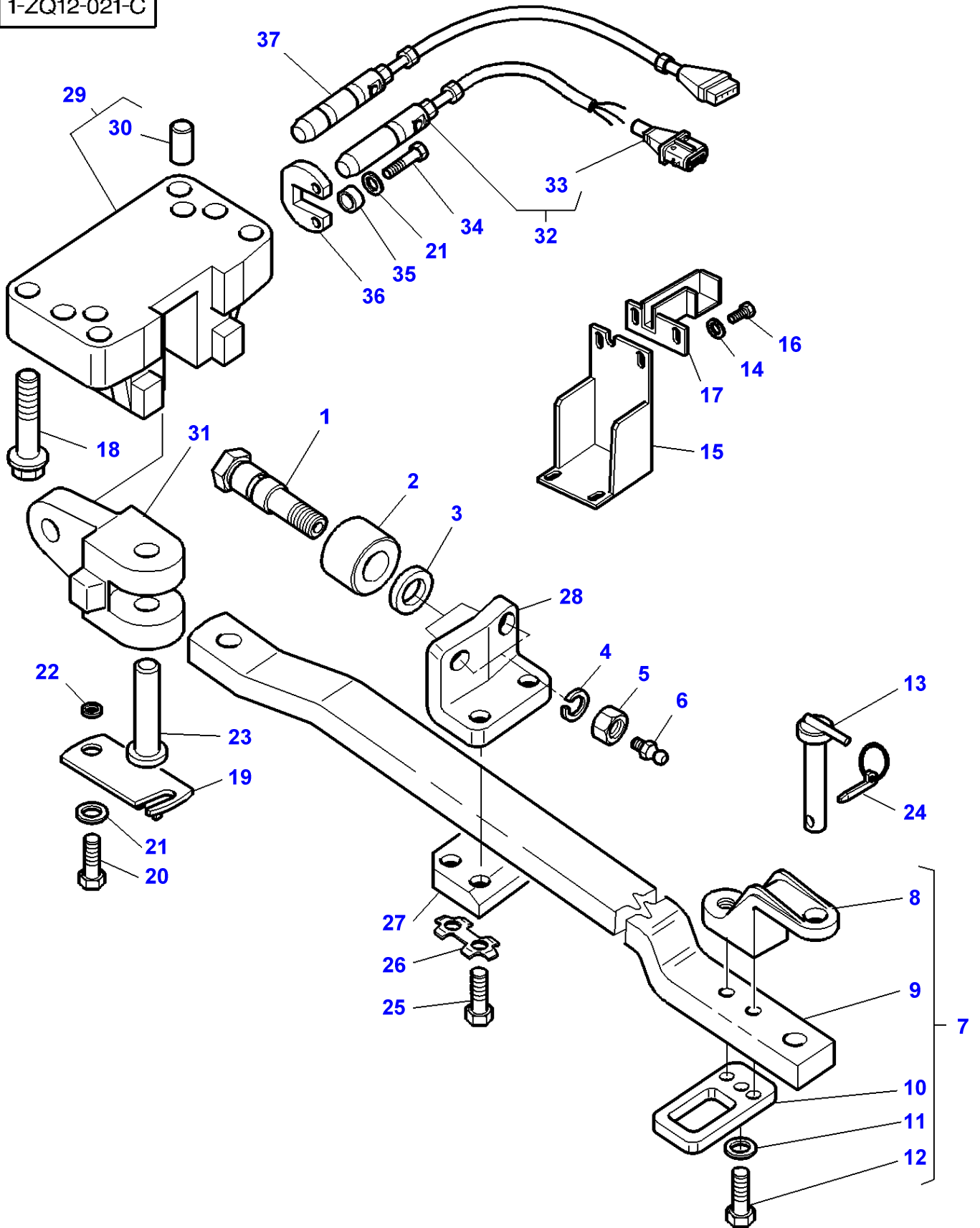
1-ZQ12-012-A



Item	Part Number	Qty	Description	Comments
1	3791469M1	2	Clevis Pin	
2	3581980M1	2	Roll	
3	3791823M1	2	Washer	
4	353443X1	2	Lock Washer	
5	375102X1	2	Nut Unc	
6	364461X1	2	Grease Nipple	
7	339560X1	2	Hex. Sock. Screw	(24)
8	3716621M2	1	Plate	(24)
9	3716622M1	1	Thruster	(24)
10	3793421M1	4	Shackle	(24)
				M6X16
11	385365X1	2	Washer	(24)
12	3716103M2	1	Pin Hitch	(24)
13	3791643M1	1	Lever	(24)
14	3010553X1	1	Pin	(24)
15	3716619M3	1	Clevis	(24)
16		1	Bar	(24)
				Not serviced,order REF. NO 24
17	3010945X1	2	Screw	(24)
				M20X105
18	3010557X1	5	Screw Metric	M20X100
	3010561X1	1	Screw	M20X50
19	3790936M91	1	Locking Plate	
20	3009492X1	2	Hex. Sock. Screw	M10X25
21	385362X1	4	Washer	
22	3790749M1	1	Bush	
23	3790937M2	1	Clevis Pin	
24	3792398M92	1	Bar	For United States of America
25	391332X1	4	Screw	M20X100
26	3790457M1	2	Tongue	
27	3791470M1	1	Counterplate	
28	3791467M2	1	Angle.	
29	3793160M11	1	Bearing Carrier	Replace and repair. Old not interchangeable with new 3790932M1
30	3716624M1	2	Centraliser	(29)
31	3790933M1	1	Clevis	
32	3792432M1	1	Switch,Indirect	
33	3385534M1	1	Connectors	(32)
34	3001429X1	2	Screw	M10X35
35	3384183M1	2	Bush	
36	3716499M1	1	Plate	
37	3792577M2	1	Cowl	
38	339560X1	4	Hex. Sock. Screw	M6X16
39	3790940M2	1	Cowl	
40	390971X1	4	Washer	

MF 8210/8220 TRACTORS - 1637365
1-ZQ12-021-C

1-ZQ12-021-C

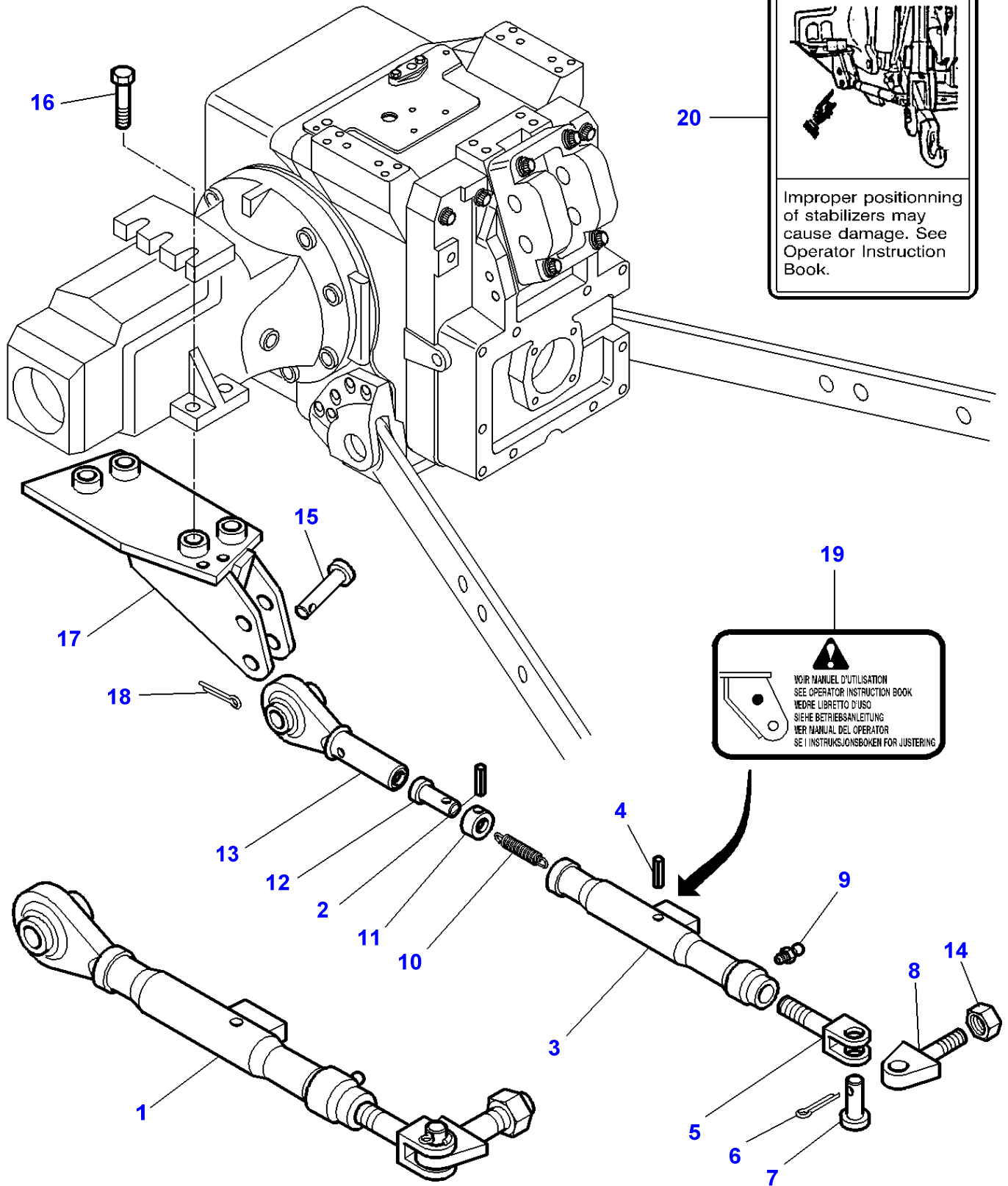


Item	Part Number	Qty	Description	Comments
1	3791469M1	2	Clevis Pin	
2	3581980M1	2	Roll	
3	3791823M1	2	Washer	
4	353443X1	2	Lock Washer	
5	375102X1	2	Nut Unc	
6	364461X1	2	Grease Nipple	
7	3793668M91	1	Bar	For United States of America
8	3793664M1	1	Clevis	(7)
9		1	Bar	(7) Not serviced,order REF. NO7
10	3793421M1	1	Shackle	(7)
11	385365X1	2	Washer	(7)
12	3010945X1	2	Screw	(7) M20X105
13	3793419M3	1	Pin Hitch	
14	390971X1	4	Washer	
15	3790940M2	1	Cowl	
16	339560X1	4	Hex. Sock. Screw	M6X16
17	3792577M2	1	Cowl	
18	3010557X1	5	Screw Metric	M20X100
	3010561X1	1	Screw	M20X50
19	3790936M91	1	Locking Plate	
20	3009492X1	2	Hex. Sock. Screw	M10X25
21	385362X1	4	Washer	
22	3790749M1	1	Bush	
23	3790937M2	1	Clevis Pin	
24	3382826M1	1	Pin	
25	391332X1	4	Screw	M20X100
26	3790457M1	2	Tongue	
27	3791470M1	1	Counterplate	
28	3791467M2	1	Angle.	
29	3793160M11	1	Bearing Carrier	Replace and repair. Old not interchangeable with new 3790932M1
30	3716624M1	2	Centraliser	(29)
31	3790933M1	1	Clevis	
32	3792432M1	1	Switch,Indirect	BOSCH 150KN
33	3385534M1	1	Connectors	(32)
34	3001429X1	2	Screw	M10X35
35	3384183M1	2	Bush	
36	3716499M1	1	Plate	
37	3797803M1	1	Sensing Pin	[A] TEDEA 150KN

FOOTNOTE [A] 2 GROOVE

MF 8210/8220 TRACTORS - 1637365
1-ZQ16-005-B

1-ZQ16-005-B

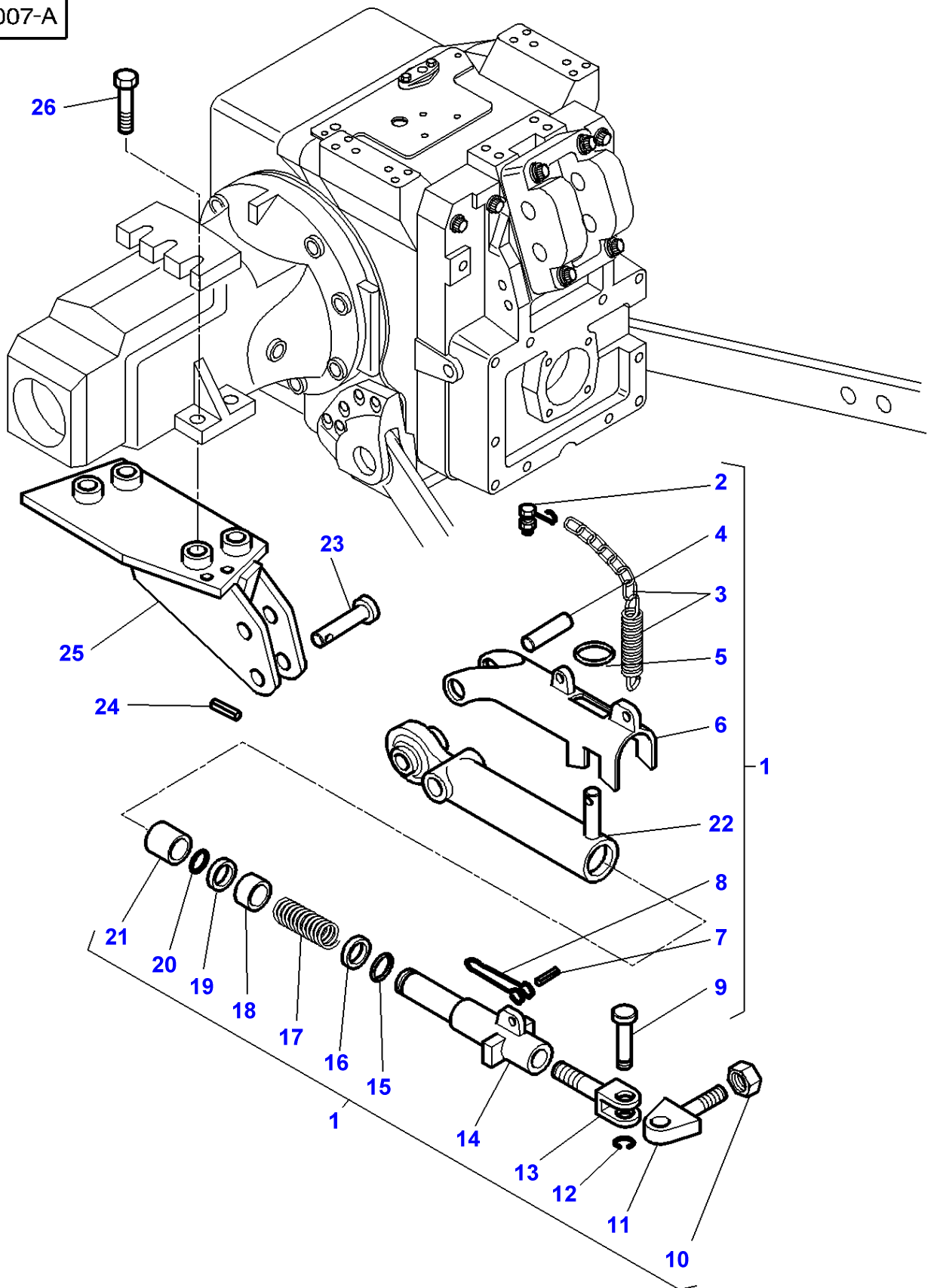


Tube Stabilizers

Item	Part Number	Qty	Description	Comments
1	3615707M93	2	Stabiliser	Up to Serial or Engine Number J279029
	3794474M91	2	Stabiliser	From Serial or Engine Number J279030
2	391290X1	1	Pin	(1)
3	3615712M2	1	Tube	(1)
				Up to Serial or Engine Number J279029
	3794472M91	1	Tube	(1)
				From Serial or Engine Number J279030
4	3819644M1	1	Spirol Pin	(1)
				Diameter 8X50
5	3790004M1	1	Clevis	(1)
6	391371X1	1	Split Pin	(1)
				Diameter 5X40
7	3019228X1	1	Clevis Pin	(1)
8	3790005M1	1	Journal	(1)
				M24
9	339608X1	1	Grease Nipple	(1)
10	3615711M1	1	Spring	(1)
11	3615709M1	1	Sleeve	(1)
12	3615710M1	1	Clevis Pin	(1)
13	3615708M1	1	Toggle	(1)
				Up to Serial or Engine Number J279029
	3794411M91	1	Toggle	(1)
				From Serial or Engine Number J279030
14	3001189X1	1	Nut	(1)
15	3615647M1	2	Clevis Pin	
16	3010556X1	8	Screw Metric	M20X70
17	3716773M2	1	Support	Left Hand
	3716774M2	1	Support	Right Hand
18	1442492X1	2	Pin	Diameter 6,3X36MM
19	3617574M3	2	Decal	Not for USA
				Not for Norway
20	3777022M1	2	Decal	For United States of America
				For Norway

MF 8210/8220 TRACTORS - 1637365
1-ZQ16-007-A

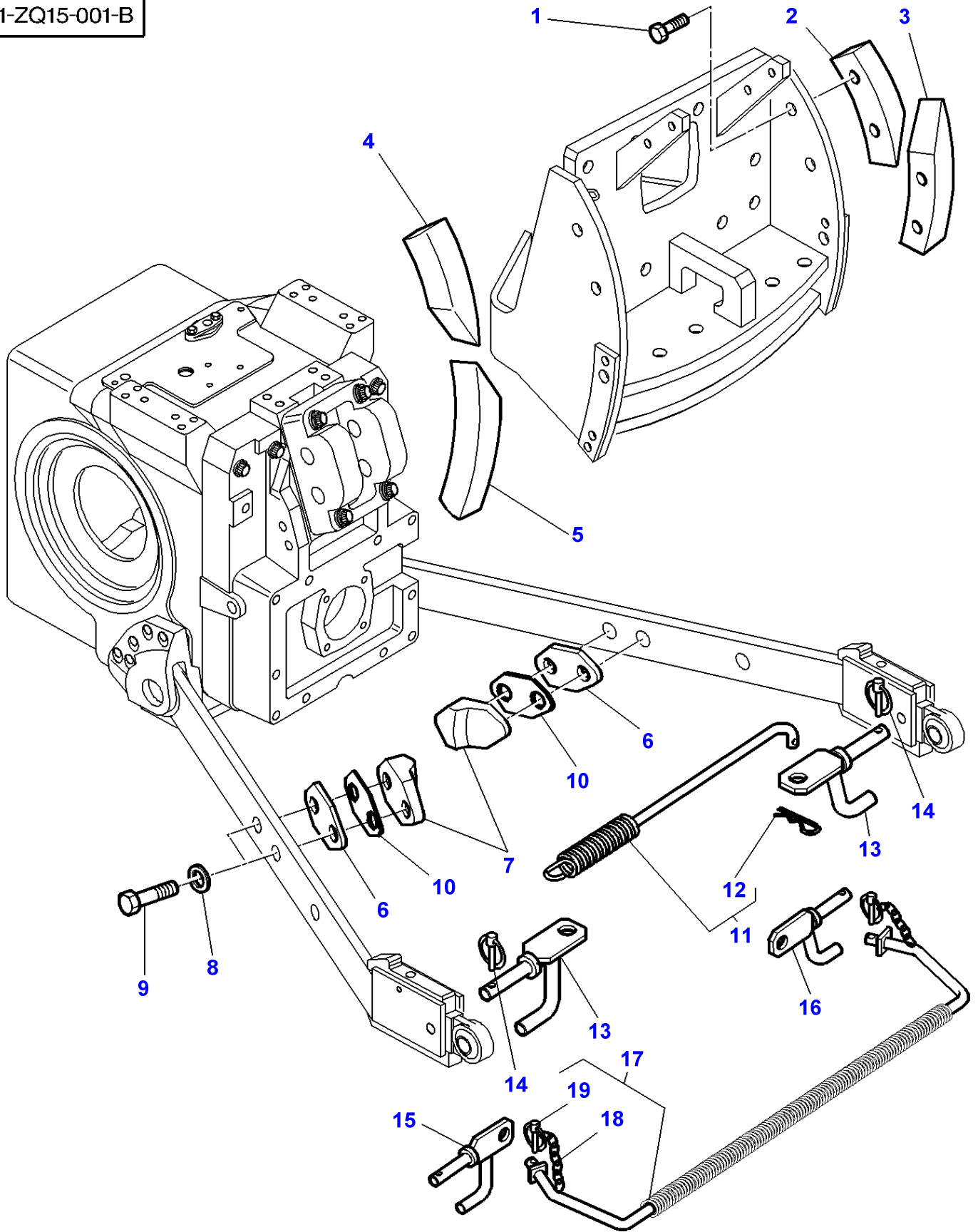
1-ZQ16-007-A



Tube Stabilizers

Item	Part Number	Qty	Description	Comments
1	3791642M1	2	Stabiliser	M24
2	3902906M1	1	Retainer	(1)
3	3903191M91	1	Chain	(1)
4	3902891M1	1	Pin	(1)
5	3902890M1	1	Ring	(1)
6	3902889M1	1	Latch	(1)
7	3000046X1	1	Pin	(1)
8	3902899M1	1	Handle	(1)
9	3902901M1	1	Screw	(1)
10	3903193M1	1	Nut	(1)
11	3903192M1	1	Stub	(1) M24
12	3902902M1	1	Clip	(1)
13	3902900M1	1	Clevis	(1)
14	3902898M1	1	Tube	(1)
15	3902897M1	1	Clip	(1)
16	3902894M1	1	Bush	(1)
17	3902896M1	1	Spring	(1)
18	3903190M1	1	Bush	(1) 42X48X39,5
19	3902894M1	1	Bush	(1)
20	3902893M1	1	Clip	(1)
21	3902892M1	1	Bush	(1) 42X48X47,5
22	3902888M1	1	Toggle	(1)
23	3615647M1	2	Clevis Pin	
24	1442492X1	2	Pin	
25	3716773M2	1	Support	Left Hand
	3716774M2	1	Support	Right Hand
26	3010556X1	8	Screw Metric	M20X70

1-ZQ15-001-B

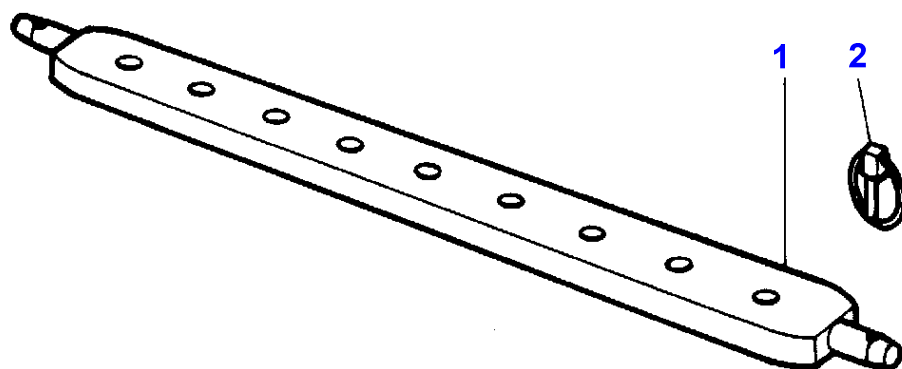
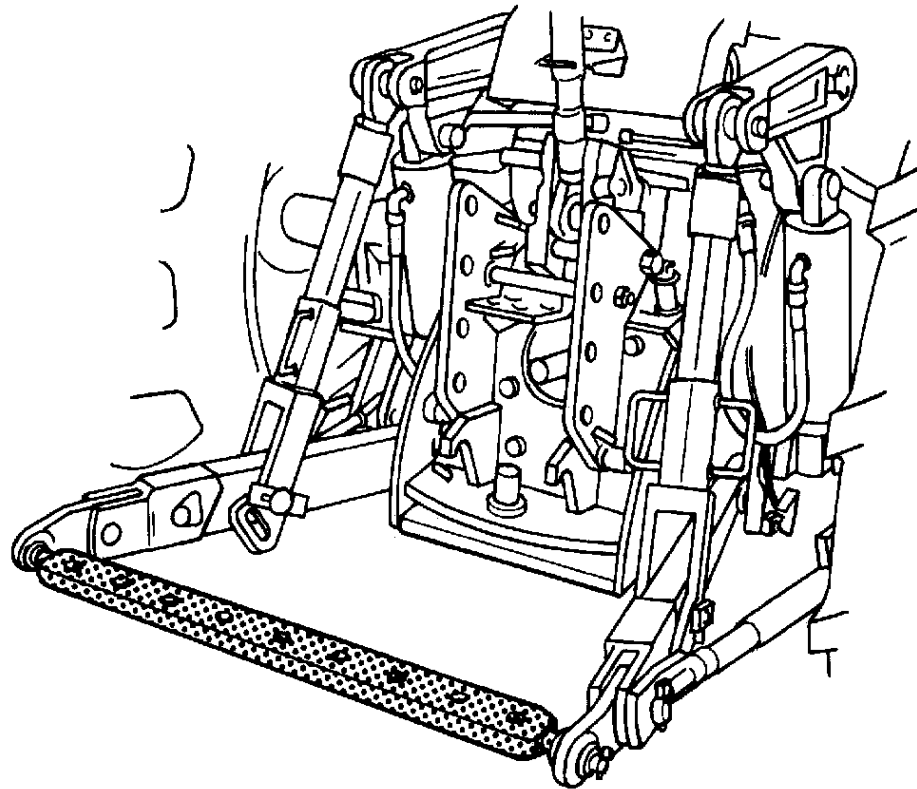


Linkage - Shoe Stabilizers

Item	Part Number	Qty	Description	Comments
1	391120X1	8	Hex. Sock. Screw	M16X45MM
2	3716138M1	1	Shoe	
3	3716141M1	1	Shoe	
4	3716137M1	1	Shoe	
5	3716140M1	1	Shoe	
6	3716144M1	2	Chock	Thickness 4MM
7	3716143M1	2	Stop	
8	3019575X1	4	Washer Metric	
9	339881X1	4	Hex. Sock. Screw	M16X60MM
10	3386369M1	2	Chock	Thickness 1,2MM
11	3617118M1	1	Spring	
12	1633899M1	1	Pin	(11)
13	3791602M1	2	Spring Carrier	
14	3382824M1	2	Pin	
15	3797646M1	1	Support	[A] Left Hand
16	3797673M1	1	Support	[A] Right Hand
17	3792237M1	1	Spring	[A]
18	3105772M1	2	Ring	(17)
19	3105774M1	2	Pin	(17)

FOOTNOTE [A] WITH TRAILED IMPEMEMENT CONTROL

1-ZQ14-001-A



Massey Ferguson

MF 8210/8220 TRACTORS - 1637365

1637365

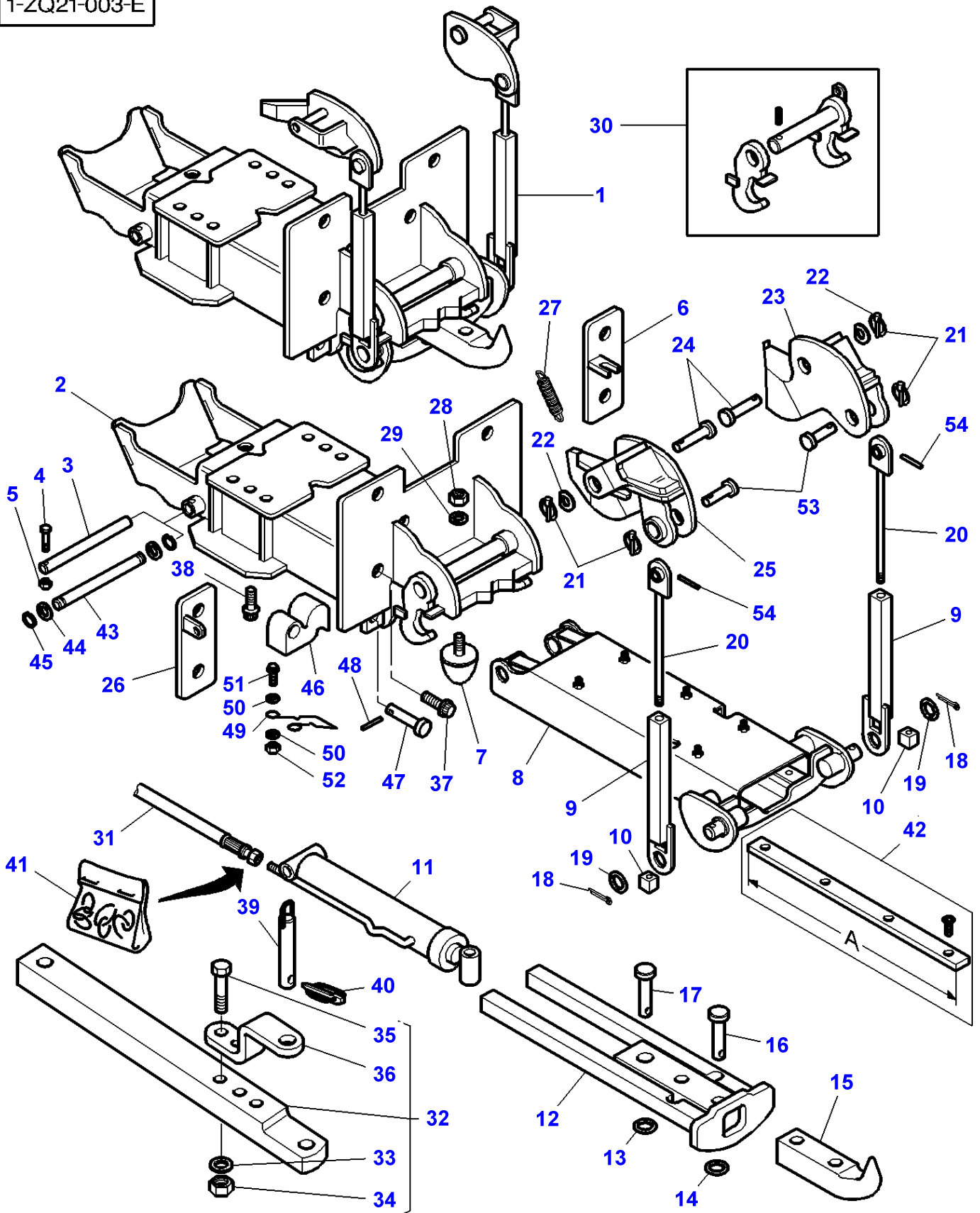
Drawbar

Page040-0175

Item	Part Number	Qty	Description	Comments
1	3387153M1	1	Bar	CAT 2
2	3581687M1	2	Pin	

MF 8210/8220 TRACTORS - 1637365
1-ZQ21-003-E

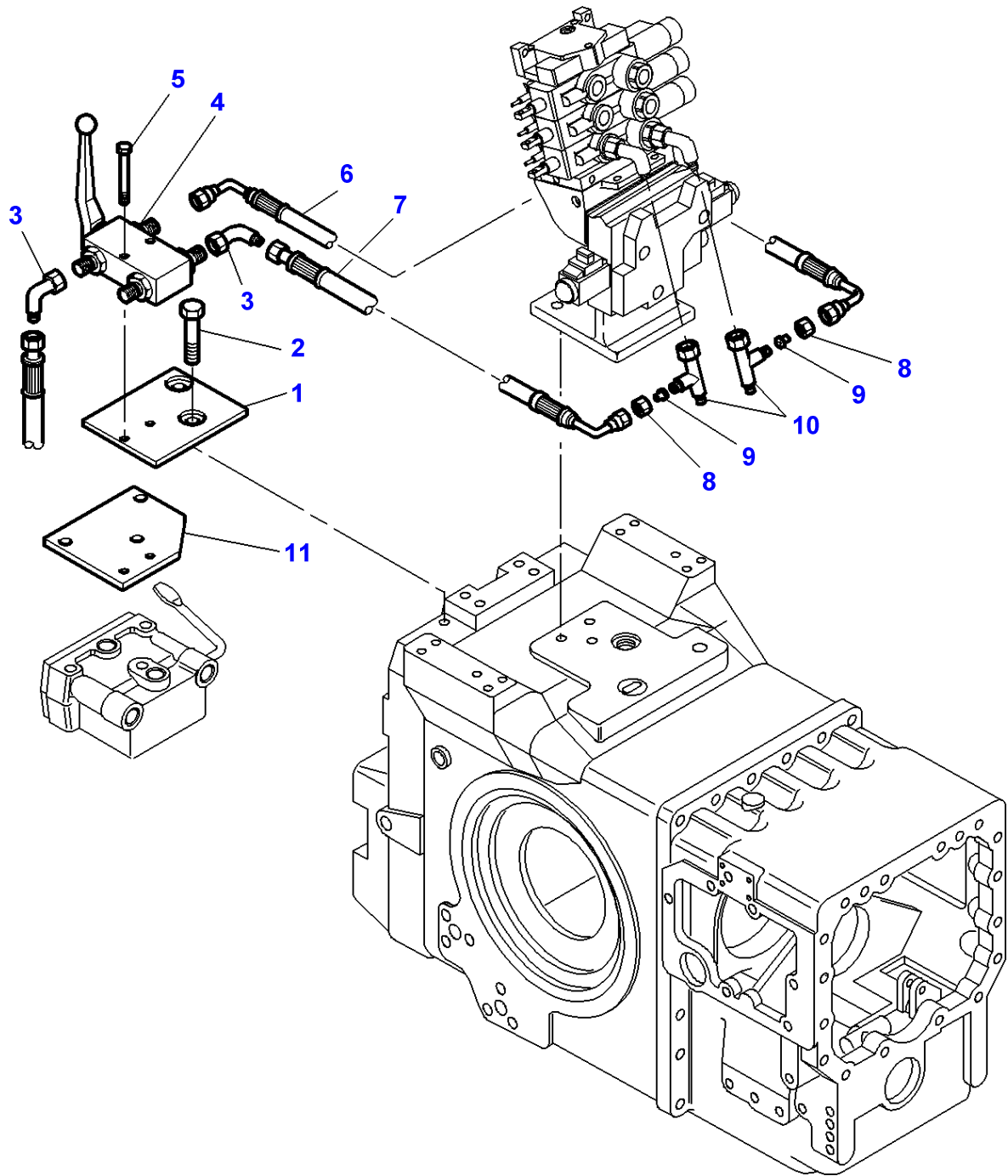
1-ZQ21-003-E



Item	Part Number	Qty	Description	Comments
1	3792667M95	1	Hook	
2		1	Frame	(1) Not serviced, order REF N0 1
3	3010904X1	1	Bolt	(1) Up to Serial or Engine Number K260013
4	3792645M1	1	Clevis Pin	(1) Up to Serial or Engine Number K260013
5	1441461X1	1	Locknut	(1) Up to Serial or Engine Number K260013
6	3792663M91	1	Support	(1)
7	3907051M91	1	Buffer	(1)
8	3792646M91	1	Housing	(1) Replace and repair. Old interchangeable with new 3792083M1
	3907081M91	1	Housing	(1) Up to Serial or Engine Number K260013
				(1) From Serial or Engine Number K260014
				(1) Replace and repair. Old interchangeable with new 3794178M91
9	3792658M92	2	Slider Bearing	(1)
10	3792081M1	2	Nut	(1)
11	3907046M91	1	Ram	(1)
				(1) Replace and repair. Old interchangeable with new 3792647M1
12	3907080M1	1	Pedestal	(1) Replace and repair. Old interchangeable with new 3792648M91
13	352438X1	1	Circlip	(1)
14	392758X1	1	Ring	(1)
15	3907048M91	1	Hook	(1)
				(1) Replace and repair. Old interchangeable with new 3792649M1
16	3907049M91	1	Clevis Pin	(1) Replace and repair. Old interchangeable with new 3792650M1
17	3907047M91	1	Clevis Pin	(1) Replace and repair. Old interchangeable with new 3792660M1
18	390721X1	2	Pin	(1)
19	3019558X1	2	Washer	(1)
20	3792654M91	2	Stem	(1)
21	3792091M1	4	Pin	(1) Up to Serial or Engine Number K260013
	3792091M1	2	Pin	(1) From Serial or Engine Number K260014
22	3792664M1	2	Washer	(1)
23	3792653M91	1	Extension	(1) Up to Serial or Engine Number K260013
				(1) Right Hand
	3795786M91	1	Extension	(1) From Serial or Engine Number K260014
				(1) Right Hand
24	3792651M1	2	Clevis Pin	(1)
25	3792652M91	1	Extension	(1) Up to Serial or Engine Number K260013
				(1) Left Hand
	3795780M91	1	Extension	(1) From Serial or Engine Number K260014
				(1) Left Hand
26	3792665M91	1	Support	(1) Up to Serial or Engine Number K260013
	3795847M91	1	Support	(1) From Serial or Engine Number K260014
27	3792666M1	1	Spring	(1) Up to Serial or Engine Number K260013
				(1) Diameter 25MM
	3795807M1	1	Spring	(1) From Serial or Engine Number K260014
				(1) Diameter 23,6MM
28	1440329X1	1	Locknut	(1)
29	390734X1	1	Washer	(1)
30	3792834M91	1	Latch	(1) Up to Serial or Engine Number M272052
	3798335M91	1	Latch	(1) From Serial or Engine Number M272053
31	3792727M1	2	Hydr Hose	
32	3792662M91	1	Bar	
33	1441664X1	2	Washer Metric	(32)
34	339034X1	2	Nut	(32)

Item	Part Number	Qty	Description	Comments
35	339616X1	2	Bolt Metric	(32) M16X120
36	3907058M91	1	Clevis	(32) Replace and repair. Old interchangeable with new 3792786M1
37	3010562X1	6	Screw	M20X230
37	3010777X1	2	Screw Metric	M20X210
38	3010561X1	6	Screw	M20X50
39	3790349M92	1	Pin Hitch	
40	3382826M1	1	Pin	
41	3903497M91	1	Kit, Joint	
42	3903572M91	2	Parts Pack	(8) Length A=600MM
42	3903573M91	2	Parts Pack	(8) Length A=250MM
42	3903571M91	2	Parts Pack	(8) Length A=148MM
43	3907093M91	1	Clevis Pin	(1) From Serial or Engine Number K260014 Replace and repair. Old interchangeable with new 3793999M1
44	3794000M1	2	Thrust Washer	(1) From Serial or Engine Number K260014
45	3795752M1	2	Ring	(1)
46	3907044M91	2	Latch	(1) Replace and repair. Old interchangeable with new 3795809M1
47	3794020M1	2	Clevis Pin	(1)
48	391018X1	2	Pin	(1) Diameter 5X36MM
49	3793389M1	2	Spring	(1)
50	390972X1	8	Washer Metric	(1)
51	339009X1	4	Hex. Sock. Screw	(1) M8X35
52	394367X1	4	Locknut	(1)
53	3795808M1	2	Clevis Pin	(1) From Serial or Engine Number K260014
54	339414X1	2	Pin	(1) From Serial or Engine Number K260014 Diameter 6X60MM

1-ZQ22-001-A

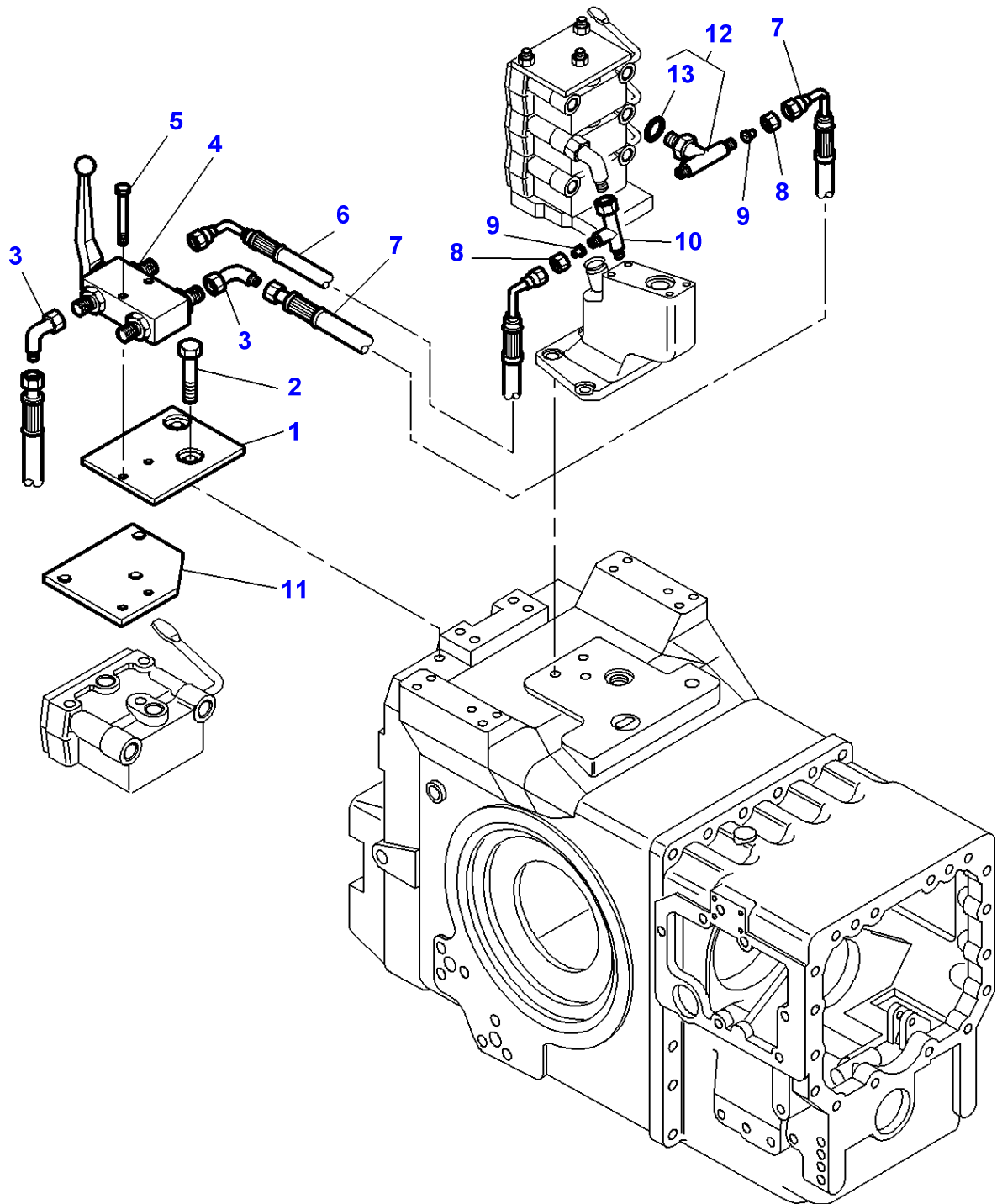


Massey Ferguson**MF 8210/8220 TRACTORS - 1637365****1637365****Autohitch - Dromone - Hydraulic Control - Up To No J293009****Page040-0185**

Item	Part Number	Qty	Description	Comments
1	3792872M1	1	Plate	[B]
2	339123X1	2	Hex. Sock. Screw	[B] M8X20
3	1442508X91	3	Union	
4	3792875M92	1	Vane	
5	339229X1	2	Hex. Sock. Screw	M6X40
6	3792777M2	1	Hydr Hose	Length 760MM
7	3792776M1	1	Hydr Hose	Length 570MM
8	22576X	2	Union Nut	
9	356629X1	2	Reducer	
10	364704X1	2	Teepiece	
11	3792787M1	1	Plate	[A]

FOOTNOTE [A] WITH 4 DISTRIBUTORS**FOOTNOTE [B] WITH 3 DISTRIBUTORS**

1-ZQ22-002-A



Massey Ferguson**MF 8210/8220 TRACTORS - 1637365**

1637365

Autohitch - Dromone - Hydraulic Control - From J293010

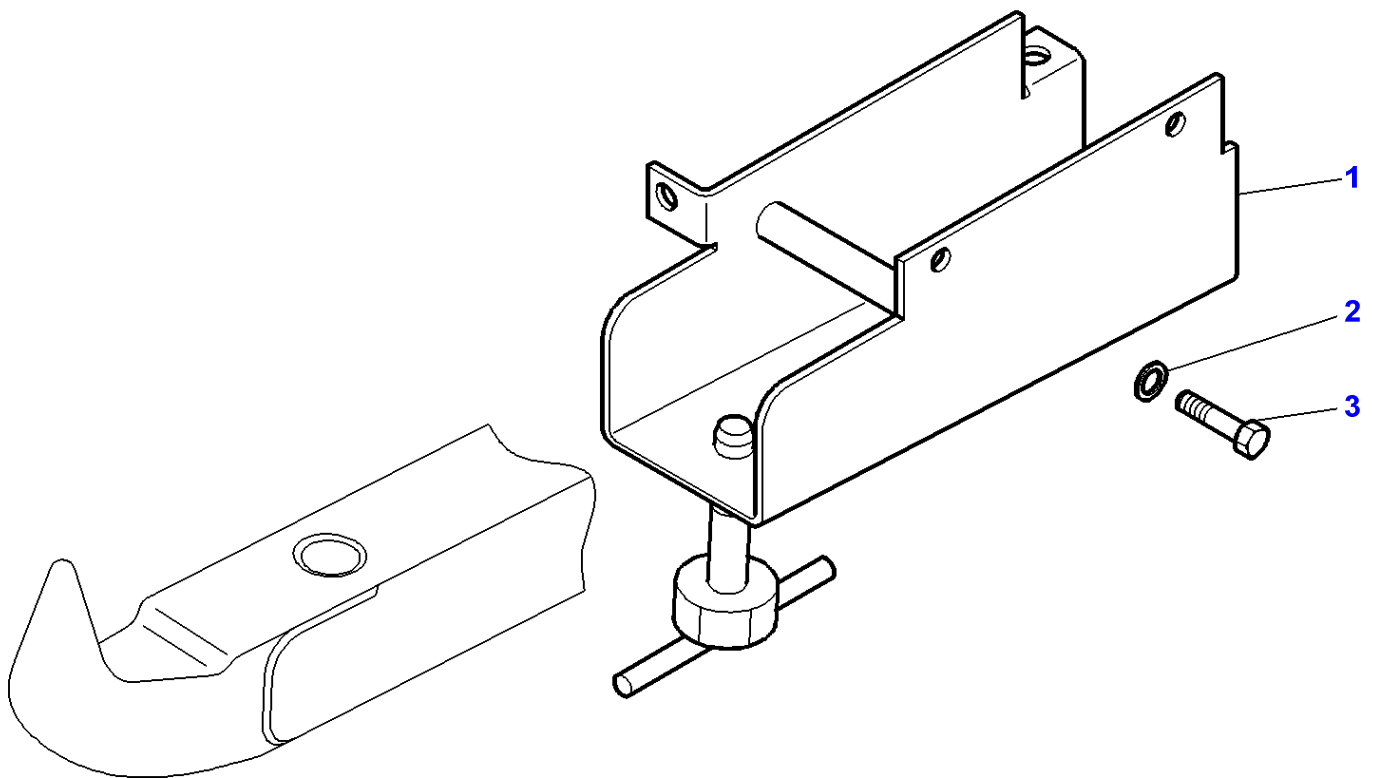
Page040-0190

Item	Part Number	Qty	Description	Comments
1	3792872M1	1	Plate	[B]
2	339123X1	2	Hex. Sock. Screw	[B] M8X20
3	1442508X91	3	Union	
4	3792875M92	1	Vane	
5	339229X1	2	Hex. Sock. Screw	M6X40
6	3793949M1	1	Hydr Hose	Length 550MM
7	3793948M1	1	Hydr Hose	Length 1175MM
8	22576X	2	Union Nut	
9	356629X1	2	Reducer	
10	364704X1	1	Teepiece	
11	3792787M1	1	Plate	[A]
12	3019613X91	1	Union	
13	3019398X1	1	O Ring	(12)

FOOTNOTE [A] WITH 4 DISTRIBUTORS

FOOTNOTE [B] WITH 2/3 DISTRIBUTORS

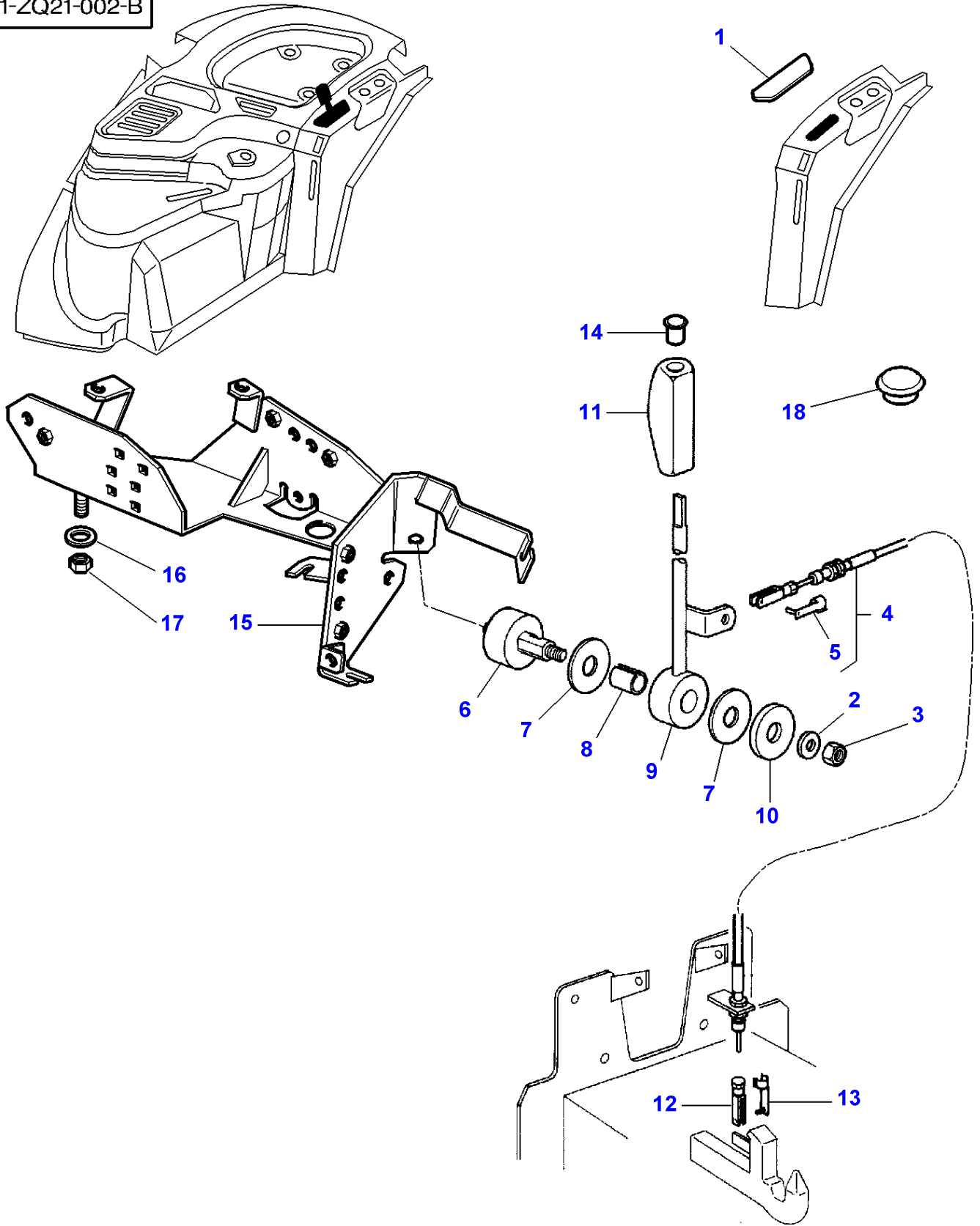
1-ZQ21-004-B



Massey Ferguson**MF 8210/8220 TRACTORS - 1637365****1637365****Automatic Hitch - With Remote Control - Hitch Support - "DROMONE"****Page040-0195**

Item	Part Number	Qty	Description	Comments
1	3783267M93	1	Support	
2	390972X1	4	Washer Metric	
3	339123X1	4	Hex. Sock. Screw	M8X20

1-ZQ21-002-B

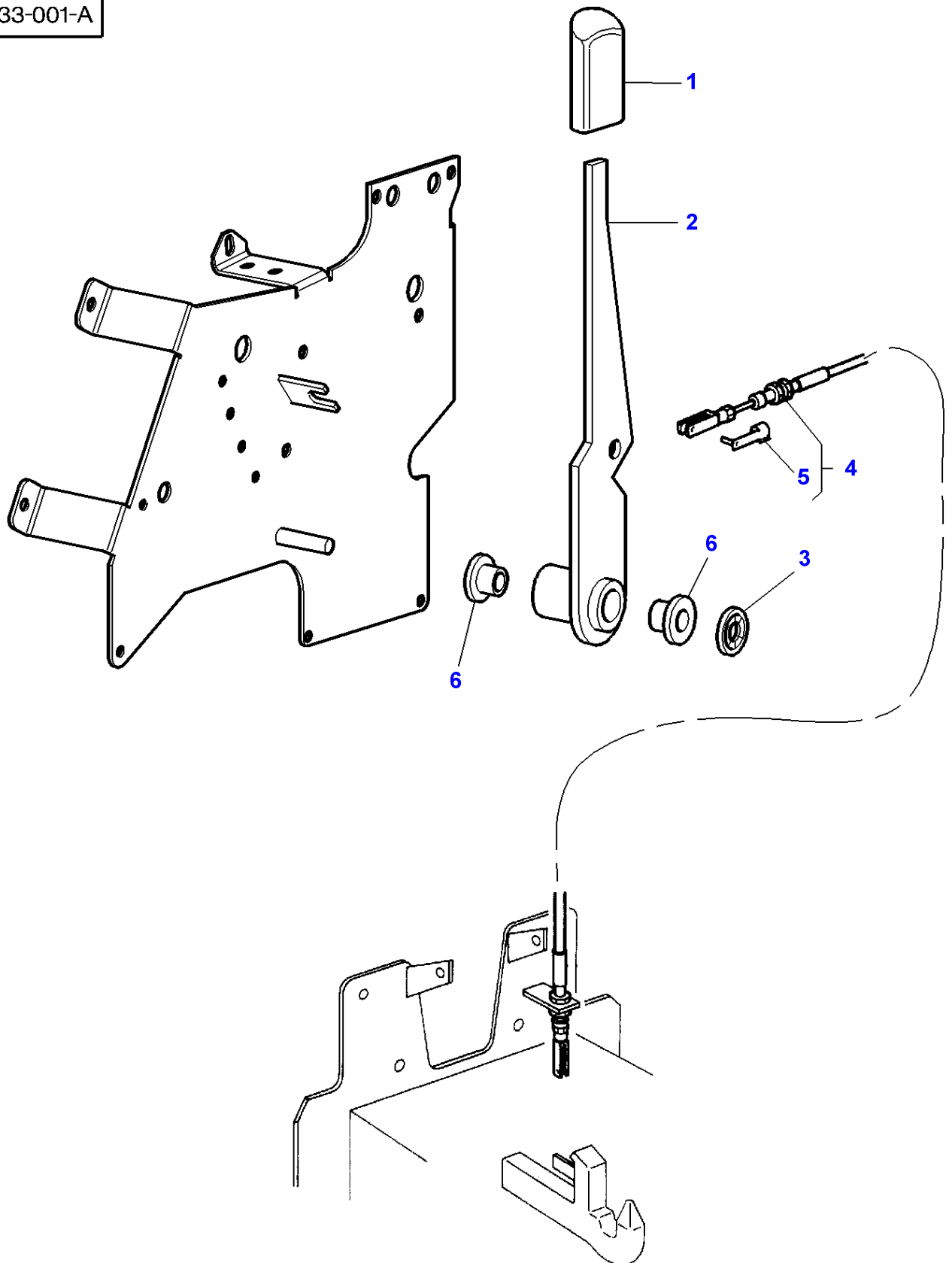


Automatic Hitch - With Remote Control

Item	Part Number	Qty	Description	Comments
1	3712984M1	1	Plate	[A]
2	390972X1	1	Washer Metric	
3	1441461X1	1	Locknut	
4	3715975M3	1	Hook Cable	
5	3600190M1	1	Clevis Pin	(4) Length 28MM
	3600191M1	1	Clevis Pin	(4) Length 40MM
6	3712276M1	1	Clevis Pin	
7	3386514M1	2	Friction Disc	
8	3386515M1	1	Bearing	
9	3712280M1	1	Lever	
10	3387447M1	1	Washer	
11	3715495M1	1	Handle	
12	392463X1	1	Clevis	
13	3713042M1	1	Clevis Pin	
14	3715496M1	1	Muff	
15	3778480M93	1	Support	
16	385361X1	4	Washer	
17	1441461X1	4	Locknut	
18	3713587M1	1	Plug	[A] Diameter 22MM

FOOTNOTE [A] WITHOUT AUTOMATIC HITCH

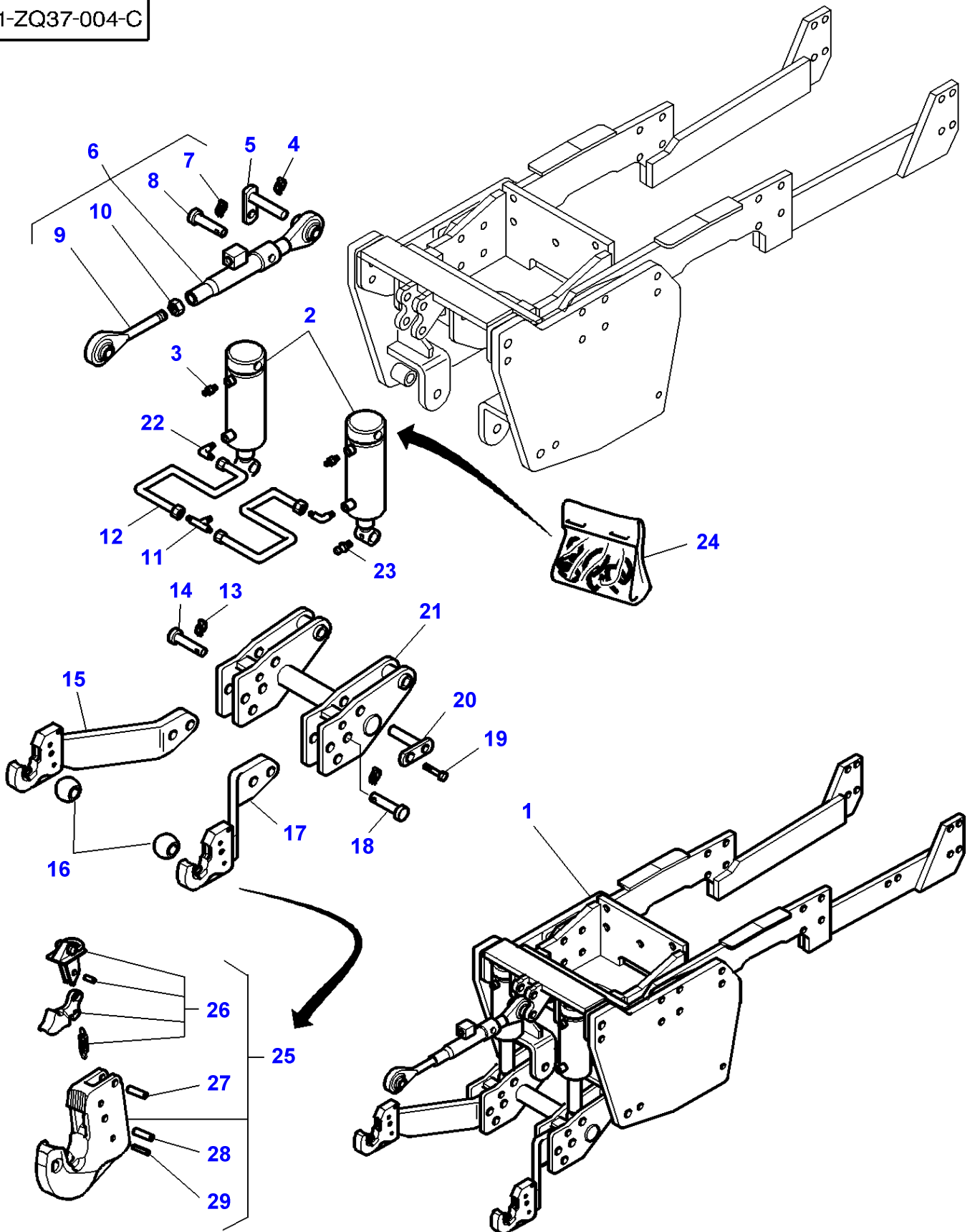
1-ZQ33-001-A



Massey Ferguson**MF 8210/8220 TRACTORS - 1637365****1637365****Platform Automatic Hitch - With Remote Control****Page040-0205**

Item	Part Number	Qty	Description	Comments
1	3712976M2	1	Handle	
2	3778401M1	1	Lever	
3	3778418M1	1	Washer	
4	3715975M3	1	Hook Cable	
5	3600190M1	1	Clevis Pin	(4) Length 28MM
	3600191M1	1	Clevis Pin	(4) Length 40MM
6	3778411M1	2	Bush	

1-ZQ37-004-C

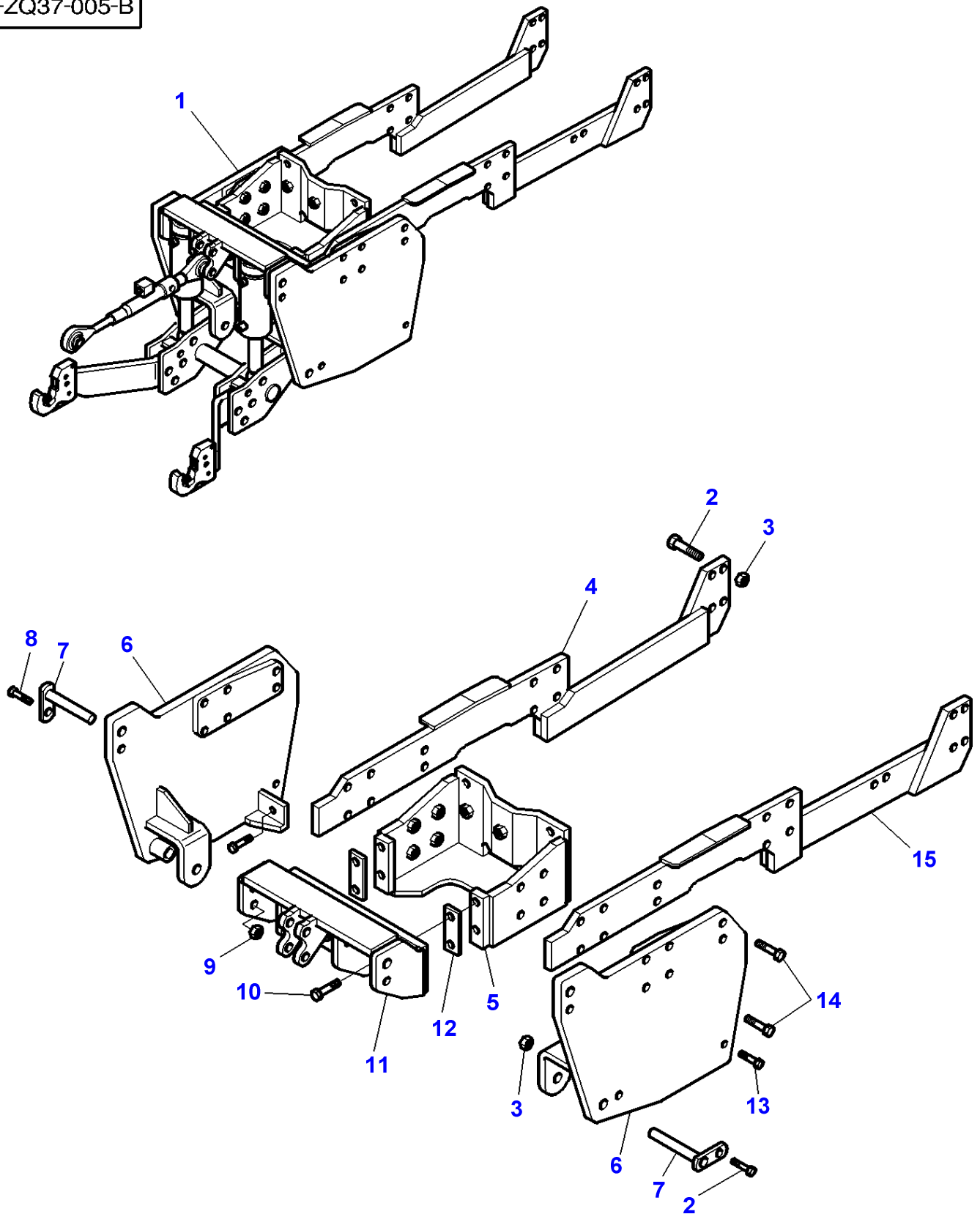


Item	Part Number	Qty	Description	Comments
1	3783036M92	1	Hitch	[A]
	3783038M93	1	Hitch	[B]
2	3782688M1	2	Ram	(1)
3	3784859M1	2	Breather	(1)
4	3782684M1	1	Clip	(1)
5	3782680M1	1	Clevis Pin	(1)
6	3782689M1	1	Bar	(1)
7	3782691M1	1	Clip	(6)
8	3782690M1	1	Clevis Pin	(6)
9	3900885M1	1	Toggle	(6)
10	3900887M1	1	Nut	(6)
11	3902227M1	1	Teepiece	(1)
12	3783011M1	2	Tube	(1)
13	3010460X1	2	Pin	(1)
14	3782678M1	2	Clevis Pin	(1)
15	3783839M1	1	Arm	(1) Right Hand
16	3782685M1	2	Toggle	(1) CAT 3
	3782686M1	2	Toggle	(1) CAT 2/3
17	3783840M1	1	Arm	(1) Left Hand
18	3782682M1	2	Clevis Pin	(1)
19	3009505X1	2	Screw Metric	(1)
20	3782679M1	2	Clevis Pin	(1)
21	3782675M2	1	Support	(1)
22	3900868M1	2	Elbow	(1)
23	3900862M1	6	Greaser	(1)
24	3903317M91	1	Kit, Joint	
25		1	Hook	CAT 3/2 Not serviced,order REF NO 15/17
26	3903314M91	1	Kit, Repair	(25)
27	3006429X1	1	Pin	(25) Diameter 10X36MM
28	3008317X1	1	Pin	(25) Diameter 13X36MM
29	339783X1	1	Pin	(25) Diameter 6X32MM

FOOTNOTE [A] WITH FULL POWERSHIFT

FOOTNOTE [B] WITH DYNASHIFT

1-ZQ37-005-B

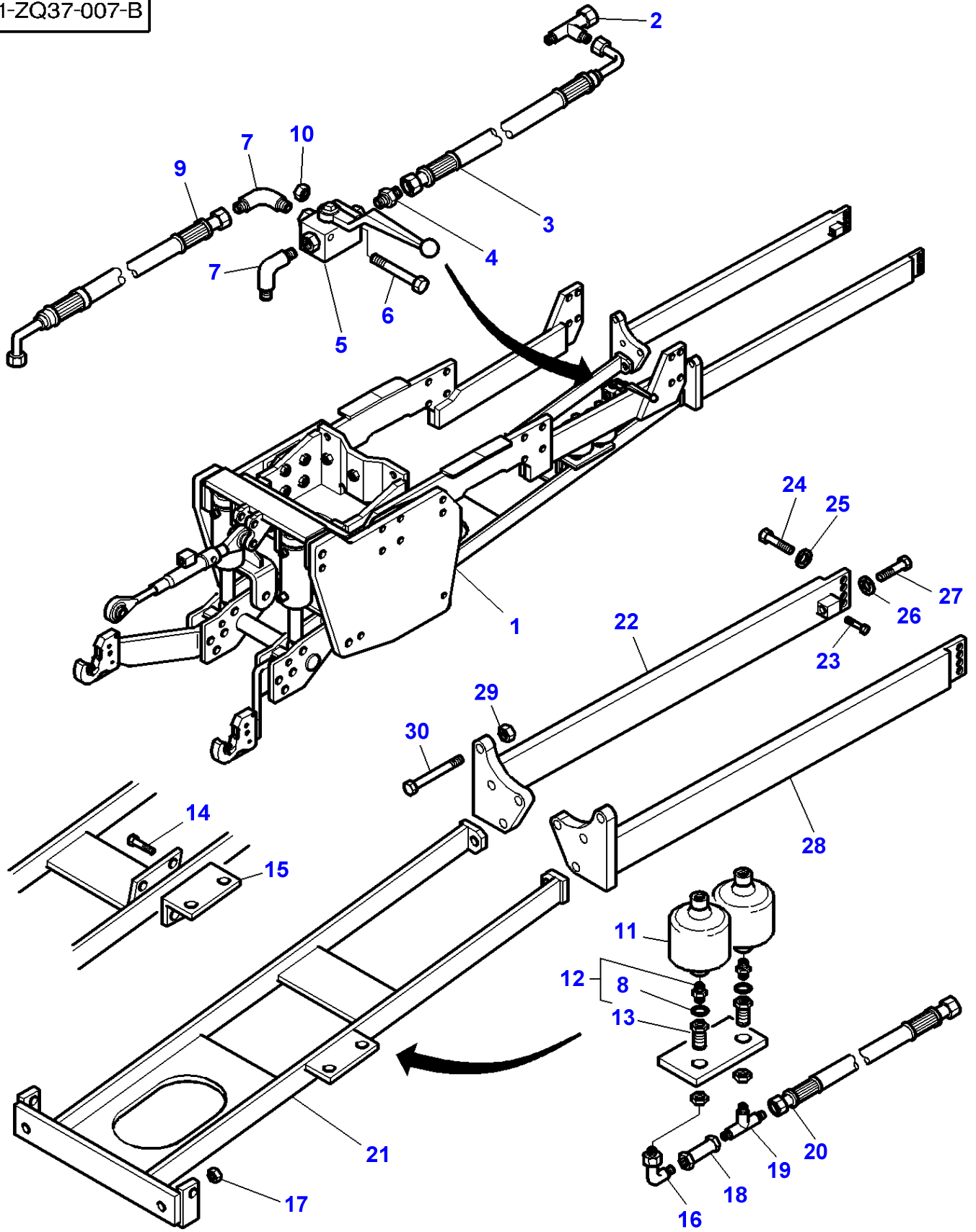


Front Linkage 35000N - WITH DANA FRONT AXLE

Item	Part Number	Qty	Description	Comments
1	3783036M92	1	Hitch	[A]
	3783038M93	1	Hitch	[B]
2	3001968X1	10	Screw	(1) M20X60
	1442668X1	2	Screw	(1) M20X80
3	3009747X1	4	Nut	(1) M20
4	3783367M1	1	Runner	(1) Right Hand
5	3783007M2	1	Spacer	(1)
6	3782991M1	1	Runner	(1)
7	3782681M1	4	Clevis Pin	(1)
8	1442668X1	2	Screw	(1) M20X80
9	3009747X1	4	Nut	(1)
10	1441590X1	6	Bolt Metric	(1) M20X50
11	3782989M1	1	Support	(1)
12	3782990M1	2	Chock	(1)
13	339881X1	4	Hex. Sock. Screw	(1) M16X60
14	391332X1	12	Screw	(1)
15	3783368M1	1	Runner	(1) Left Hand

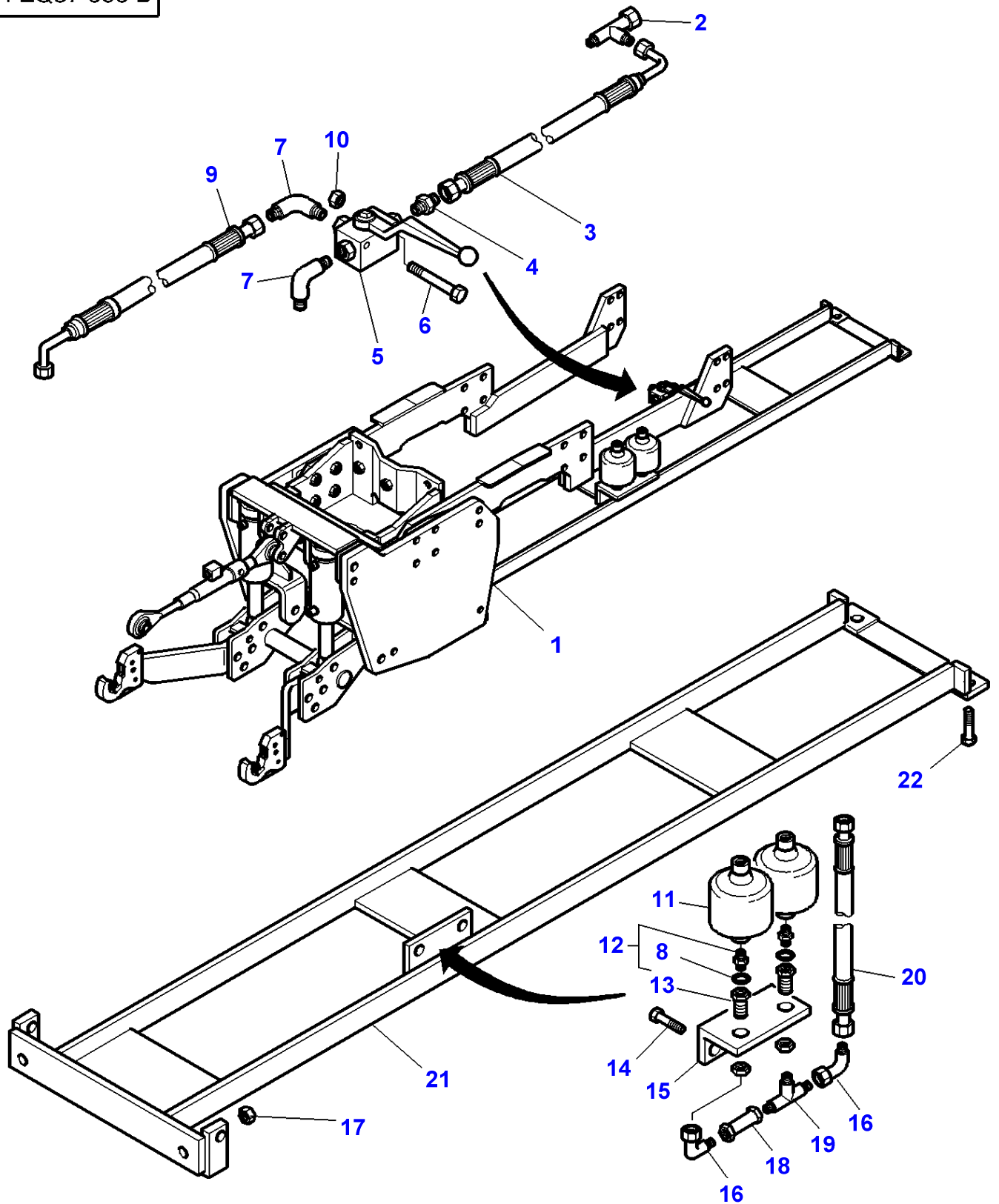
FOOTNOTE [A] WITH FULL POWERSHIFT**FOOTNOTE [B] WITH DYNASHIFT**

1-ZQ37-007-B



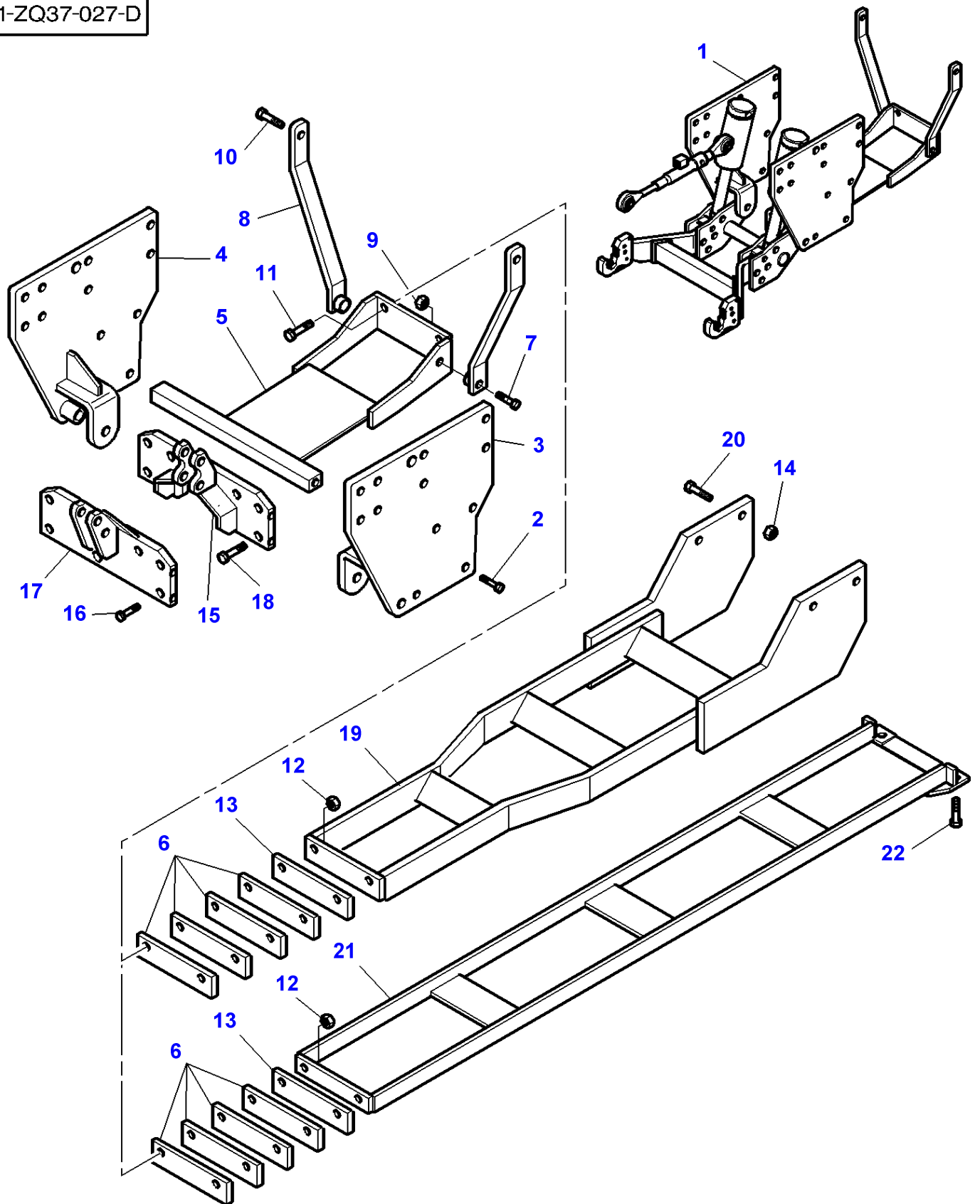
Item	Part Number	Qty	Description	Comments
1	3783038M93	1	Hitch	
2	3782998M1	1	Teepiece	(1)
3	3782997M1	1	Hydr Hose	(1)
4	3900869M1	1	Union	(1)
5	3900873M1	1	Vane	(1)
6	3010920X1	2	Screw	(1) M5X70
7	3900868M1	2	Elbow	(1)
8	3900865M1	1	Gasket	(12)
9	3783010M2	1	Hydr Hose	(1) Length 1840MM
10	3005823X1	2	Nut	(1)
11	3900877M1	2	Accumulator	(1)
12	3900878M1	2	Union	(1)
13	3900880M1	2	Union	(1)
14	3010922X1	2	Screw	(1) M14X30
15	3902225M1	1	Support	Up to Serial or Engine Number J087027 (1) Up to Serial or Engine Number J087027
16	3900883M1	1	Elbow	(1)
17	339034X1	4	Nut	(1)
18	3900882M1	1	Tube	(1)
19	3900914M1	1	Teepiece	(1)
20	3782999M1	1	Hydr Hose	(1) Length 250MM Up to Serial or Engine Number J087027
	3783837M1	1	Hydr Hose	(1) Length 450MM From Serial or Engine Number J087028
21	3783009M2	1	Reinforcement	(1)
22	3716943M2	1	Reinforcement	(1) Right Hand
23	1440349X1	2	Screw Metric	(1) M8X30
24	3010008X1	8	Screw	(1) M16X50
25	3010875X1	8	Washer	(1)
26	3619814M1	2	Washer	(1)
27	3619813M1	2	Screw	(1)
28	3716944M2	1	Reinforcement	(1) Left Hand
29	3581642M1	2	Nut	(1)
30	3010470X1	6	Screw	(1) M22X160

1-ZQ37-006-B



Item	Part Number	Qty	Description	Comments
1	3783036M92	1	Hitch	
2	3782998M1	1	Teepiece	(1)
3	3782997M1	1	Hydr Hose	(1)
4	3900869M1	1	Union	(1)
5	3900873M1	1	Vane	(1)
6	3010920X1	2	Screw	(1) M5X70
7	3900868M1	2	Elbow	(1)
8	3900865M1	1	Gasket	(12)
9	3783010M2	1	Hydr Hose	(1) Length 1840MM
10	3005823X1	2	Nut	(1)
11	3900877M1	2	Accumulator	(1) 50 Bars Up to Serial or Engine Number J067000
	3900877M1	1	Accumulator	(1) 50 Bars From Serial or Engine Number J067001
	3784036M1	1	Accumulator	(1) 26 Bars From Serial or Engine Number J067001
12	3900878M1	2	Union	(1)
13	3900880M1	2	Union	(1)
14	3010922X1	2	Screw	(1) M14X30
15	3902225M1	1	Support	(1)
16	3900883M1	2	Elbow	(1)
17	339034X1	4	Nut	(1)
18	3900882M1	1	Tube	(1)
19	3900914M1	1	Teepiece	(1)
20	3782999M1	1	Hydr Hose	(1) Length 250MM
21	3783008M1	1	Reinforcement	(1)
22	3010921X1	4	Screw	(1) M16X50

1-ZQ37-027-D



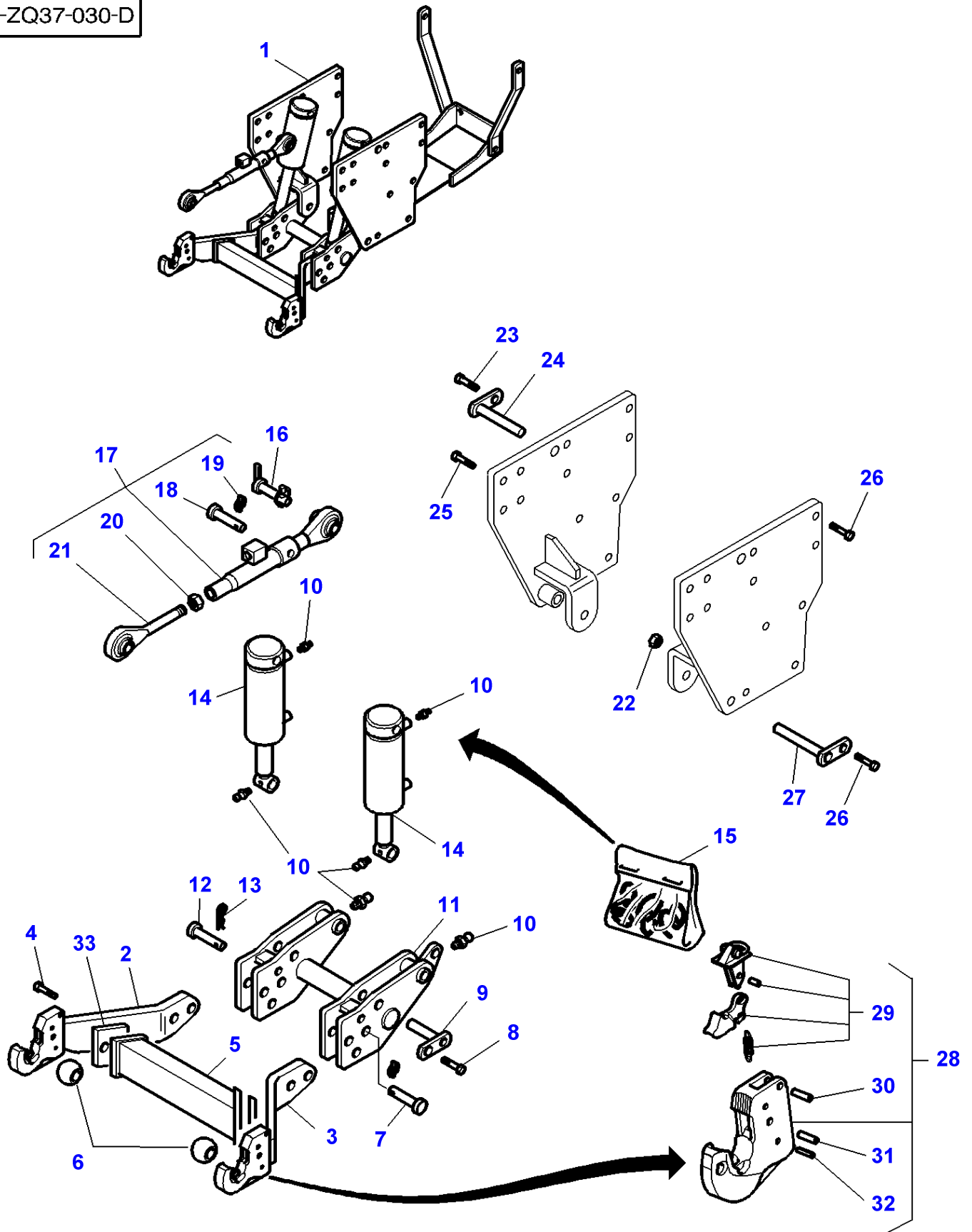
Item	Part Number	Qty	Description	Comments
1	3785134M95	1	Hitch	
2	3015535X1	2	Screw	(1) M20 X 60 Replace and repair. Old interchangeable with new 3785148M1
3	3785172M2	1	Runner	(1) Left Hand
4	3785171M2	1	Runner	(1) Right Hand
5	3786747M2	1	Transverse	(1)
6	3786109M1	1	Chock	(1) Thickness 3MM
7	391891X1	2	Bolt Metric	(1) M20 X 90
8	3786108M1	2	Stirrup	(1)
9	339035X1	2	Nut Metric	(1) M20
10	391329X1	2	Screw	(1) M20 X 70
11	3010164X1	2	Screw Metric	(1) M18 X 80
12	392335X1	2	Nut	(1) M18
13	3787759M1	1	Chock	(1) Thickness 8MM
14	339035X1	4	Nut Metric	[B] M20
15	3785142M1	1	Support	
16	3010047X1	6	Screw	[A] M20 X 60
17	3787507M1	1	Support	[A]
18	3384129M1	6	Screw	M20 X 55
	3010047X1	6	Screw	M20 X 60
19	3786748M1	1	Transverse	[B]
20	391329X1	4	Screw	[B] M20 X 70
21	3786749M1	1	Transverse	[C]
22	3009703X1	4	Screw	[C] M16 X 60

FOOTNOTE [A] WITHOUT FRONT PTO

FOOTNOTE [B] WITH DYNASHIFT

FOOTNOTE [C] WITH FULL POWERSHIFT

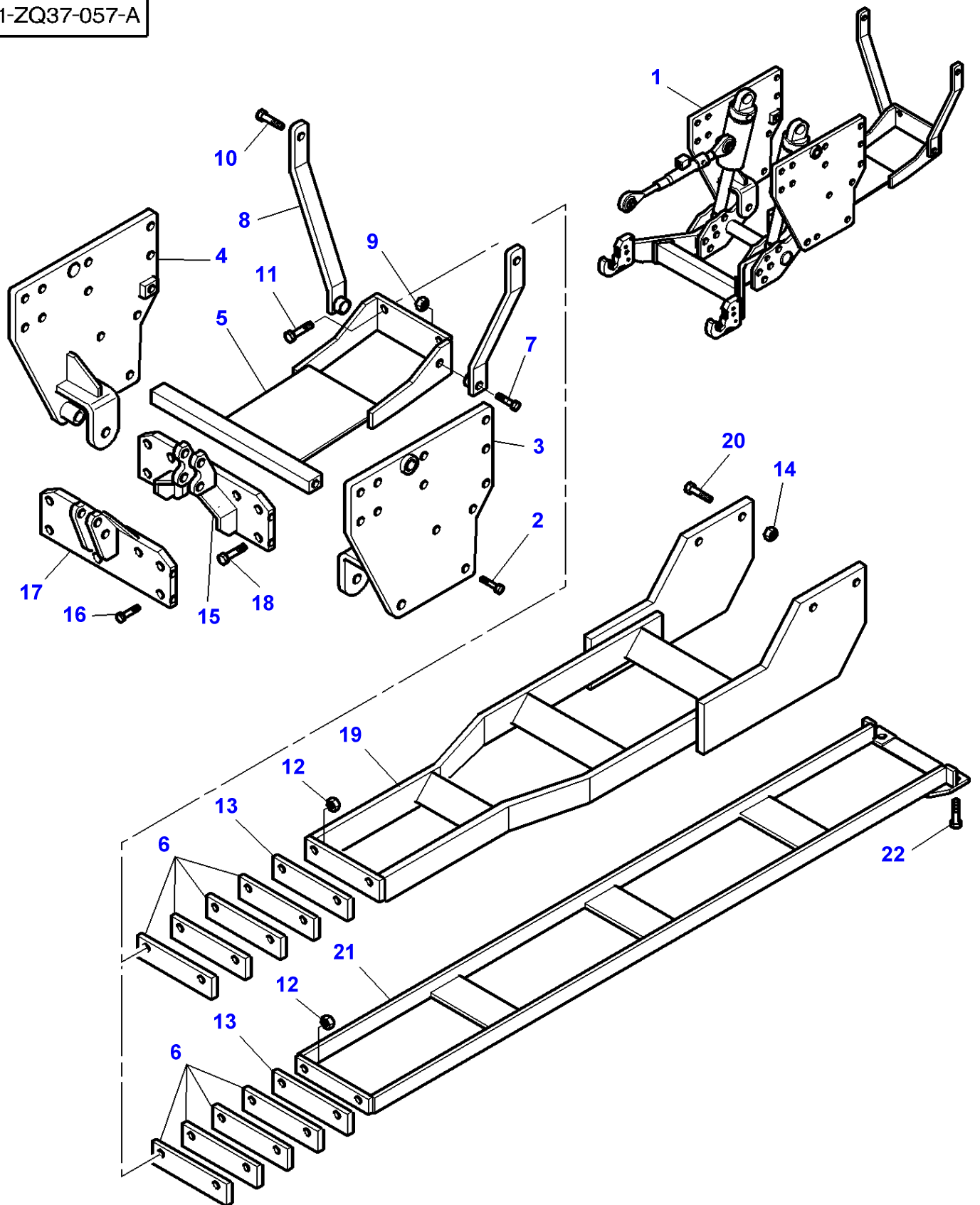
1-ZQ37-030-D



Item	Part Number	Qty	Description	Comments
1	3785134M95	1	Hitch	
2	3785144M2	1	Arm	(1) Right Hand
3	3785145M2	1	Arm	(1) Left Hand
4	1441590X1	4	Bolt Metric	(1)
5	3786746M1	1	Transverse	(1)
6	3782686M1	2	Toggle	(1) CAT 2/3
	3782685M1	2	Toggle	(1) CAT 3
7	3782682M1	2	Clevis Pin	(1)
8	3009505X1	2	Screw Metric	(1) M12 X 25
9	3782679M1	2	Clevis Pin	(1)
10	3900862M1	6	Greaser	(1) M6
11	3785143M2	1	Support	(1)
12	3782678M1	2	Clevis Pin	(1)
13	3010460X1	2	Pin	(1) Diameter 3X50
14	3782688M1	2	Ram	(1)
15	3903317M91	1	Kit, Joint	
16	3782512M1	1	Clevis Pin	(1)
17	3782689M1	1	Bar	(1)
18	3782690M1	1	Clevis Pin	(17)
19	3782691M1	1	Clip	(17) Diameter 6
20	3900887M1	1	Nut	(17) M30
21	3900885M1	1	Toggle	(17)
22	339035X1	2	Nut Metric	(1) M20
23	391329X1	2	Screw	(1) M20 X 70
24	3785150M1	2	Clevis Pin	(1)
25	391890X1	4	Screw	(1) M18 X 60
26	3015535X1	12	Screw	(1) M20 X 60
27	3782681M1	2	Clevis Pin	(1) Replace and repair. Old interchangeable with new 3785148M1
28		1	Hook	Not serviced,order REF. 2-3
29	3903314M91	1	Kit, Repair	(28)
30	3006429X1	1	Pin	(28) Diameter 10X36MM
31	3008317X1	1	Pin	(28) Diameter 13X36MM
32	339783X1	1	Pin	(28) Diameter 6X32MM
33	4271509M1	2	Chock	Thickness 1,5MM

FOOTNOTE [A] WITHOUT FRONT PTO

1-ZQ37-057-A



Item	Part Number	Qty	Description	Comments
1	3789044M92	1	Hitch	[D]
2	3015535X1	2	Screw	(1) M20 X 60
3	3789046M1	1	Runner	(1) Left Hand
4	3789047M1	1	Runner	(1) Right Hand
5	3786747M2	1	Transverse	(1)
6	3786109M1	4	Chock	(1) Thickness 3MM
7	391891X1	2	Bolt Metric	(1) M20 X 90
8	3786108M1	2	Stirrup	(1)
9	339035X1	2	Nut Metric	(1) M20
10	391329X1	2	Screw	(1) M20 X 70
11	3010164X1	2	Screw Metric	(1) M18 X 80
12	392335X1	2	Nut	(1) M18
13	3787759M1	1	Chock	(1) Thickness 8MM
14	339035X1	4	Nut Metric	[B] M20
15	3785142M1	1	Support	
16	3010047X1	6	Screw	[A] M20 X 60
17	3787507M1	1	Support	[A]
18	3384129M1	6	Screw	M20 X 55
	3010047X1	6	Screw	M20 X 60
19	3786748M1	1	Transverse	[B]
20	391329X1	4	Screw	[B] M20 X 70
21	3786749M1	1	Transverse	[C]
22	3009703X1	4	Screw	[C] M16 X 60

FOOTNOTE [A] WITHOUT FRONT PTO

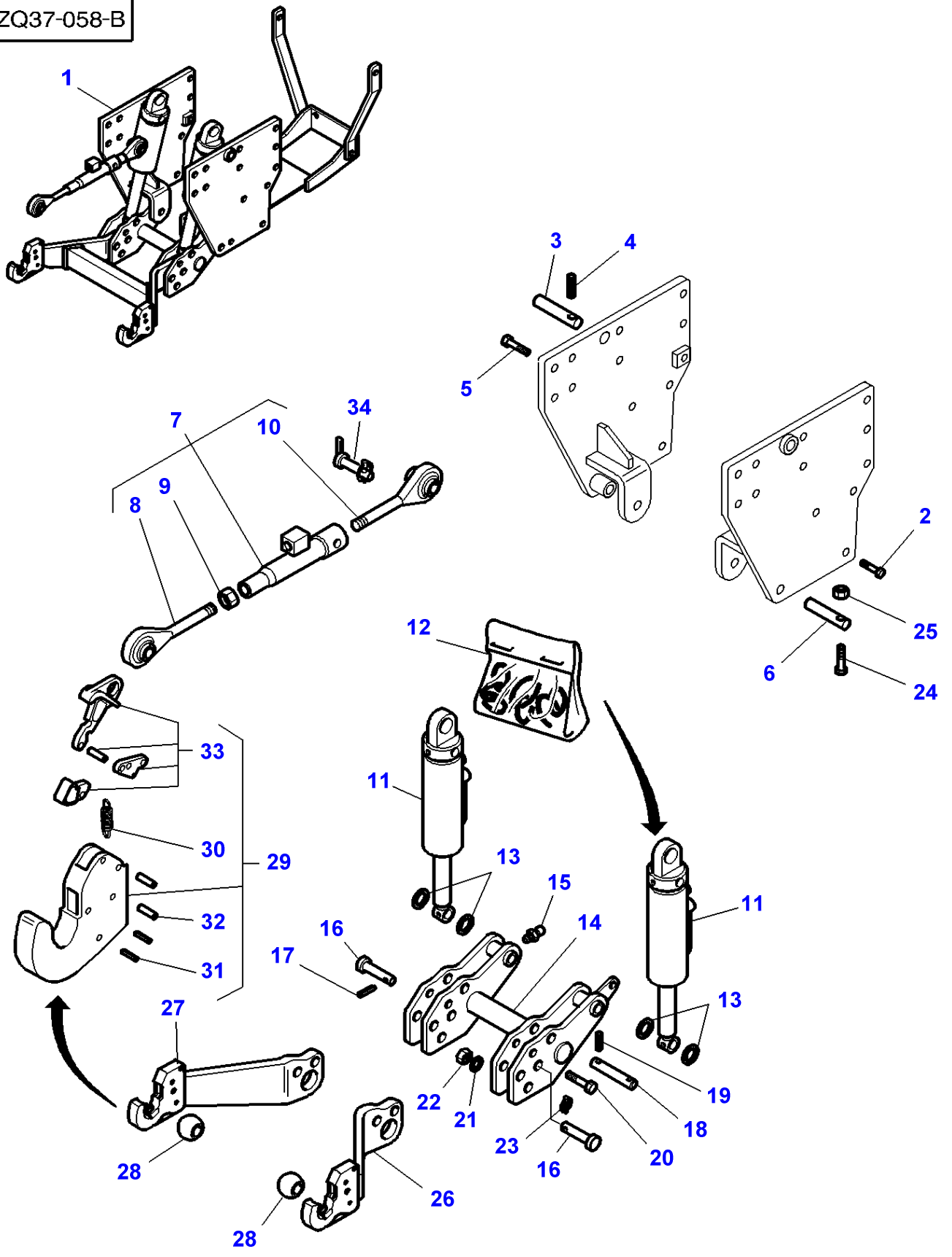
FOOTNOTE [B] WITH DYNASHIFT

FOOTNOTE [C] WITH FULL POWERSHIFT

FOOTNOTE [D] RAM WITH TOGGLE

MF 8210/8220 TRACTORS - 1637365
1-ZQ37-058-B

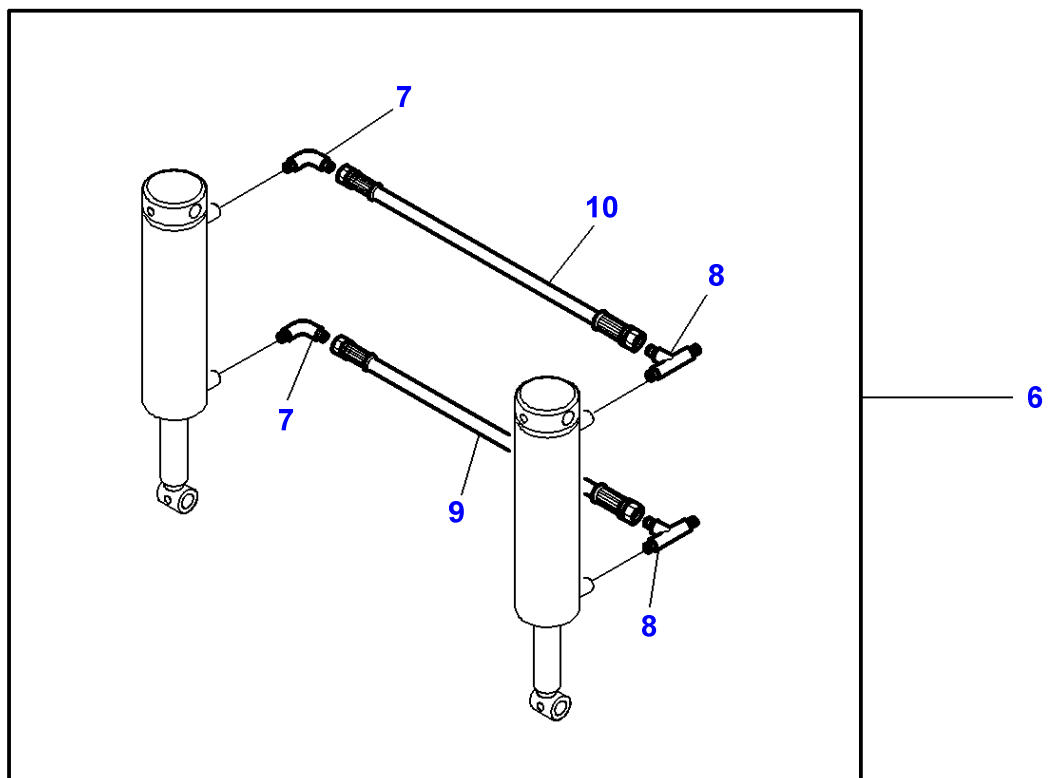
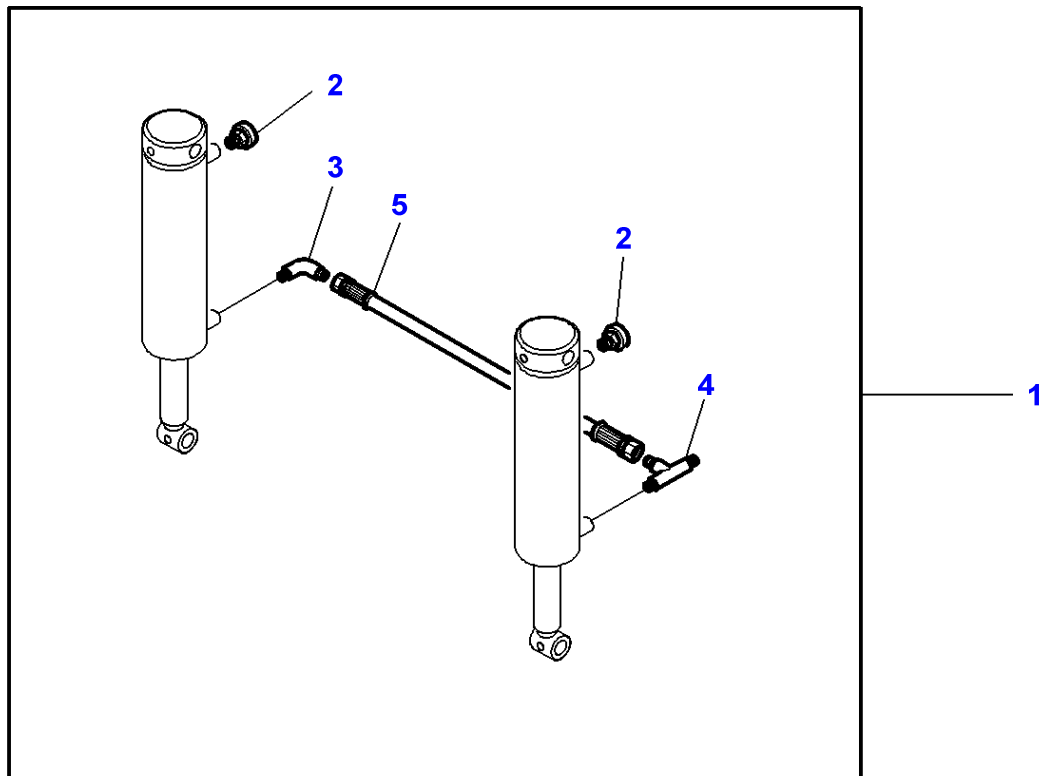
1-ZQ37-058-B



Item	Part Number	Qty	Description	Comments
1	3789044M92	1	Hitch	[A]
2	3015535X1	6	Screw	(1) M20X60
3	3789048M1	2	Clevis Pin	(1)
4	3788607M1	2	Pin	(1) Diameter 8MM
5	391890X1	4	Screw	(1) M18X60
6	3789049M1	2	Clevis Pin	(1)
7	3788609M1	1	Bar	(1)
8	3900885M1	1	Toggle	(7)
9	3900887M1	1	Nut	(7)
10	3903895M1	1	Toggle	(7)
11	4270295M1	2	Ram	(1)
12	3903317M91	1	Kit, Joint	
13	3788604M1	4	Washer	(1) Diameter 50-36 X 4
14	3788592M1	1	Support	(1)
15	3900862M1	2	Greaser	(1)
16	3788596M1	4	Clevis Pin	(1)
17	3788608M1	2	Pin	(1)
18	3788597M1	2	Clevis Pin	(1)
19	3788607M1	2	Pin	(1) Diameter 8MM
20	3788599M1	2	Clevis Pin	(1)
21	1443512X1	2	Washer	(1) Diameter 24MM
22	3788603M1	2	Locknut	(1) M24 X 2
23	3788605M1	2	Clip	(1)
24	1441764X1	2	Screw Metric	(1) M8X60
25	1441461X1	2	Locknut	(1) M8
26	3788601M1	1	Arm	(1) Left Hand
27	3788600M1	1	Arm	(1) Right Hand
28	3782685M1	2	Toggle	(1) CAT. 3
	3782686M1	2	Toggle	(1) CAT. 3/2
29		1	Hook	CAT 3/2 Not serviced,order REF NO 26/27
30	3903949M1	1	Spring	(29)
31	3903947M91	1	Kit, Roll Pins	(29)
32	3903948M91	1	Kit, Roll Pins	(29)
33	3903946M91	1	Kit, Lever	(29)
34	3782512M1	1	Clevis Pin	

FOOTNOTE [A] RAM WITH TOGGLE

1-ZQ37-035-A

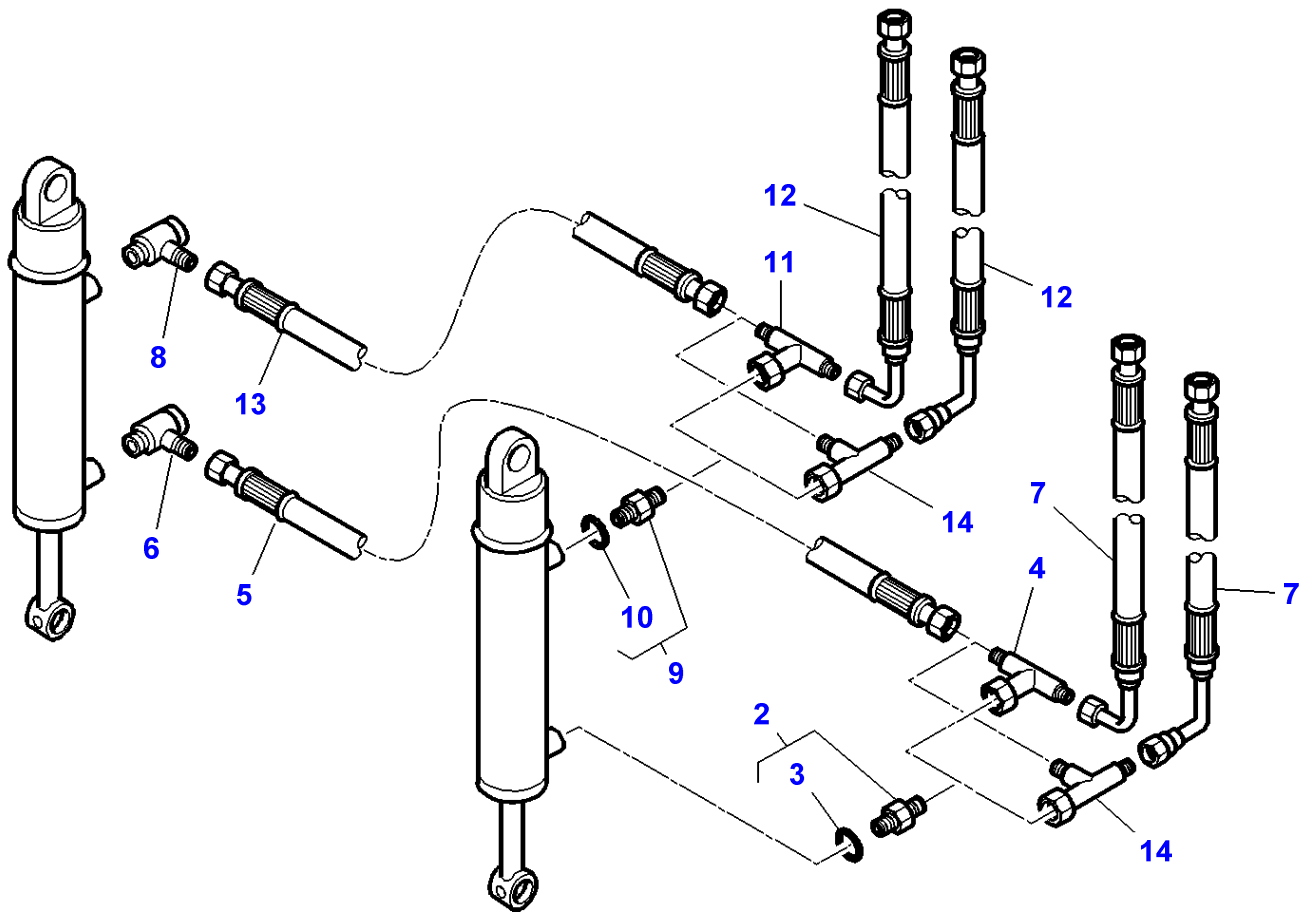
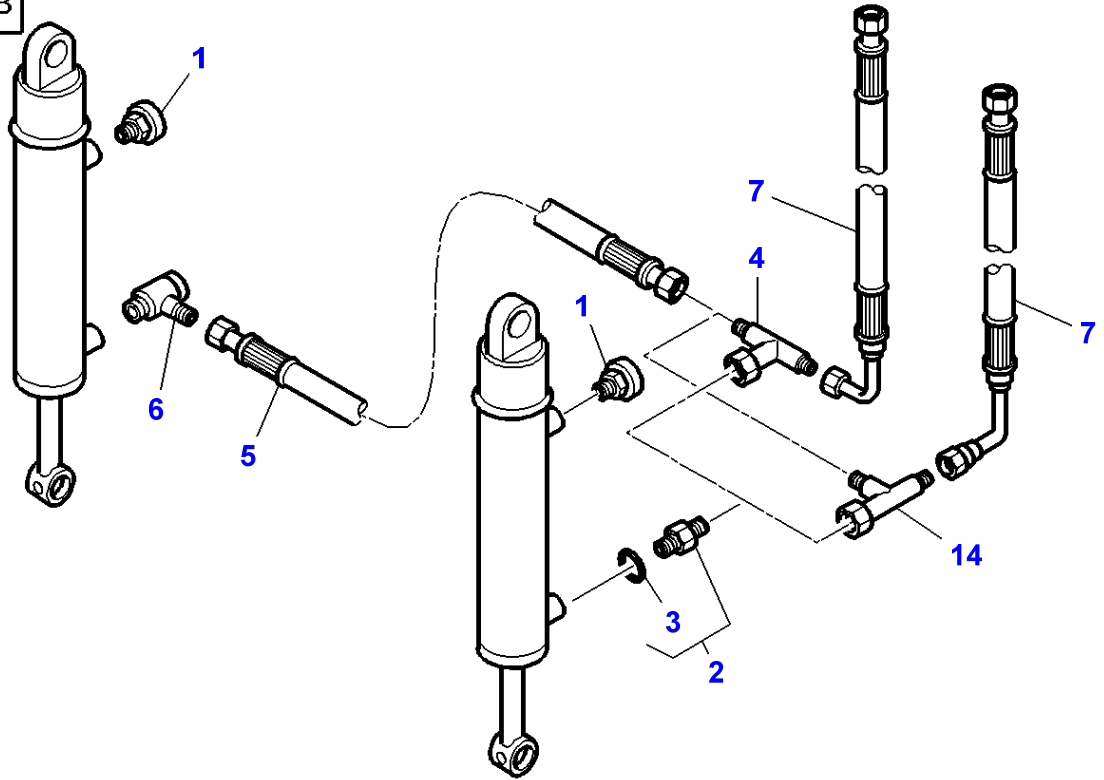


Item	Part Number	Qty	Description	Comments
1	3787764M91	1	Kit,Hose Fitting	[A]
2	3784859M1	2	Breather	(1)
3	3783164M1	1	Elbow	(1)
4	3785149M1	1	Teepiece	(1)
5	3785151M1	1	Hydr Hose	(1) Length 310MM
6	3787765M91	1	Kit,Hose Fitting	[B]
7	3783164M1	2	Elbow	(6)
8	3785149M1	2	Teepiece	(6)
9	3785151M1	1	Hydr Hose	(6) Length 310MM
10	3787771M1	1	Hydr Hose	(6) Length 500MM

FOOTNOTE [A] KIT SINGLE ACTING

FOOTNOTE [B] KIT DUAL ACTING

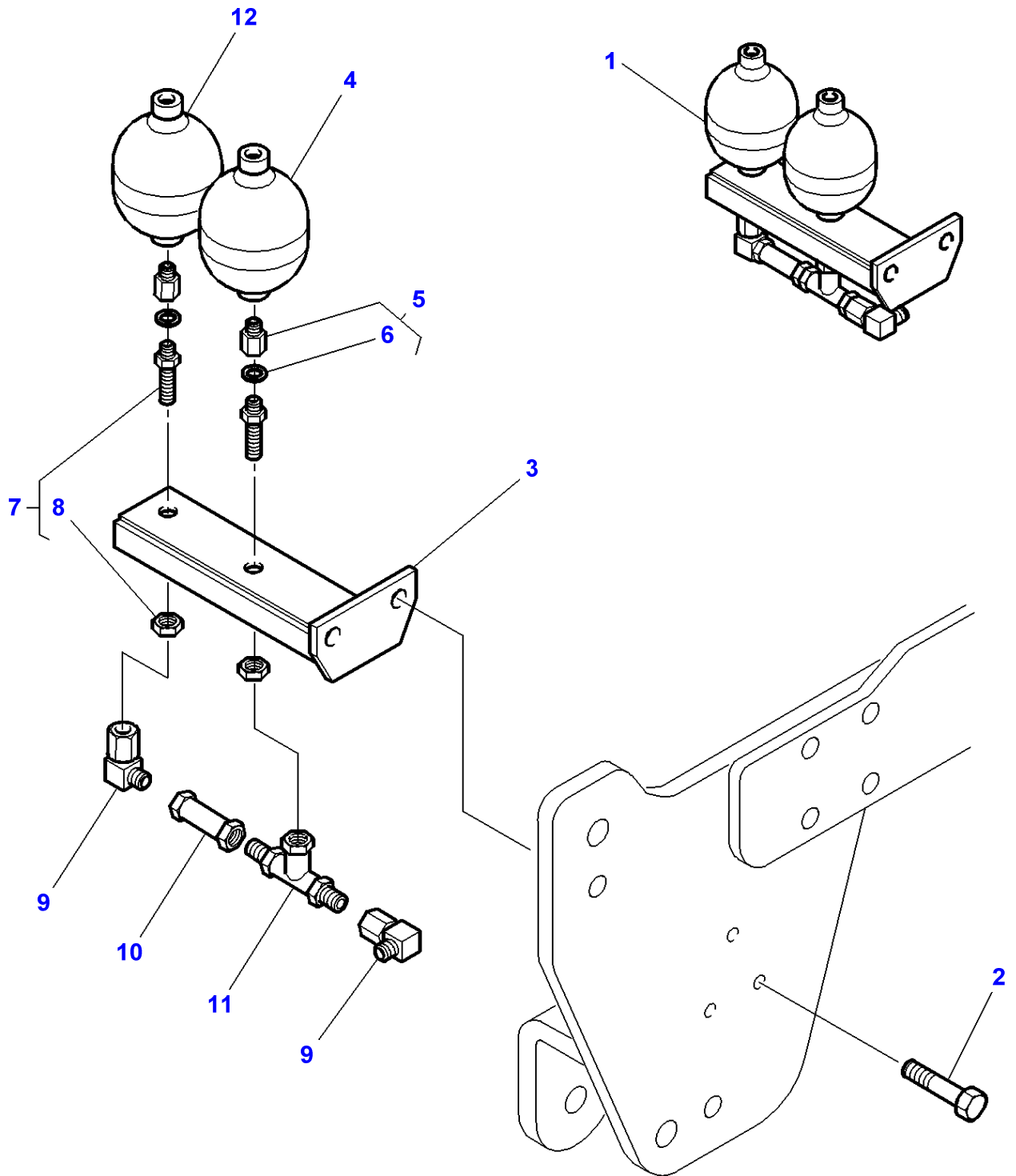
1-ZQ37-056-B



Massey Ferguson**MF 8210/8220 TRACTORS - 1637365****1637365****Front Linkage 3500N - Hydraulic - With CARRARO Front Axle - From L337009****Page040-0255**

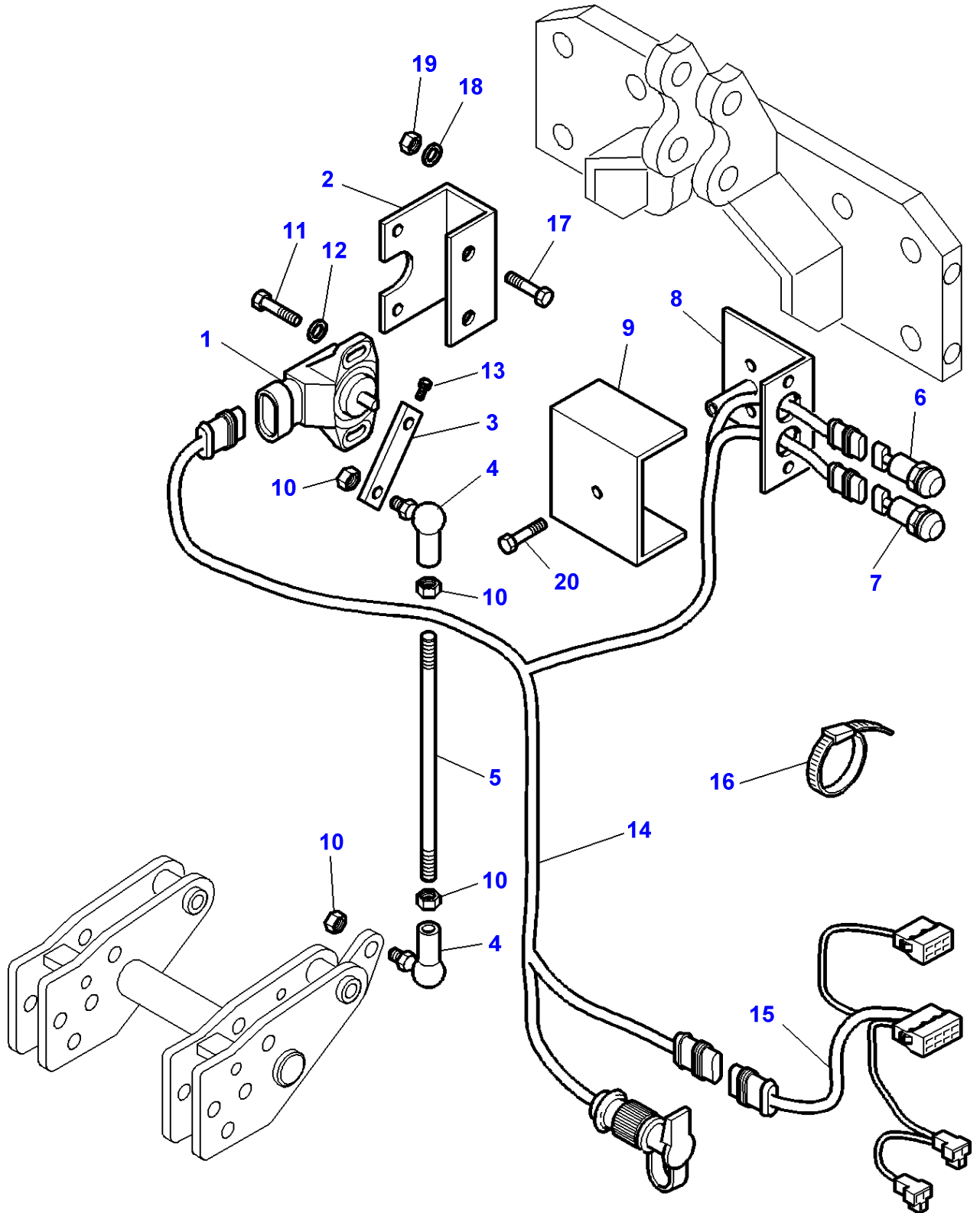
Item	Part Number	Qty	Description	Comments
1	3784859M1	2	Breather	
2	3011223X91	1	Union	
3	338923X1	1	Gasket	(2)
4	3011092X1	2	Union	Up to Serial or Engine Number M050024
5	4271469M1	1	Hydr Hose	Length 520MM
6	4271463M1	1	Union	
7	4271519M1	1	Hydr Hose	Length 450MM
8	4271463M1	1	Union	
9	3011223X91	1	Union	
10	338923X1	1	Gasket	(9)
11	3011092X91	1	Union	Up to Serial or Engine Number M050024
12	4271519M1	1	Hydr Hose	
13	4271470M1	1	Hydr Hose	Length 430MM
14	3011289X91	3	Teepiece	From Serial or Engine Number M050025

1-ZQ37-026-B



Item	Part Number	Qty	Description	Comments
1	3784883M92	1	Kit, Accumulator	
2	3009495X1	2	Bolt Metric	(1) M12 X 40
3	3784885M2	1	Support	(1)
4	3784036M1	1	Accumulator	(1) 26 Bars
5	3900878M1	2	Union	(1) 12-18X1,5
6	3900865M1	1	Gasket	(5)
7	3900880M1	2	Union	(1) M18X1,5
8		1	Nut	(7) Not serviced,order REF 7
9	3900883M1	2	Elbow	(1)
10	3900882M1	1	Tube	(1)
11	3900914M1	1	Teepiece	(1)
12	3900877M1	1	Accumulator	(1) 50 Bars

1-ZQ37-032-B

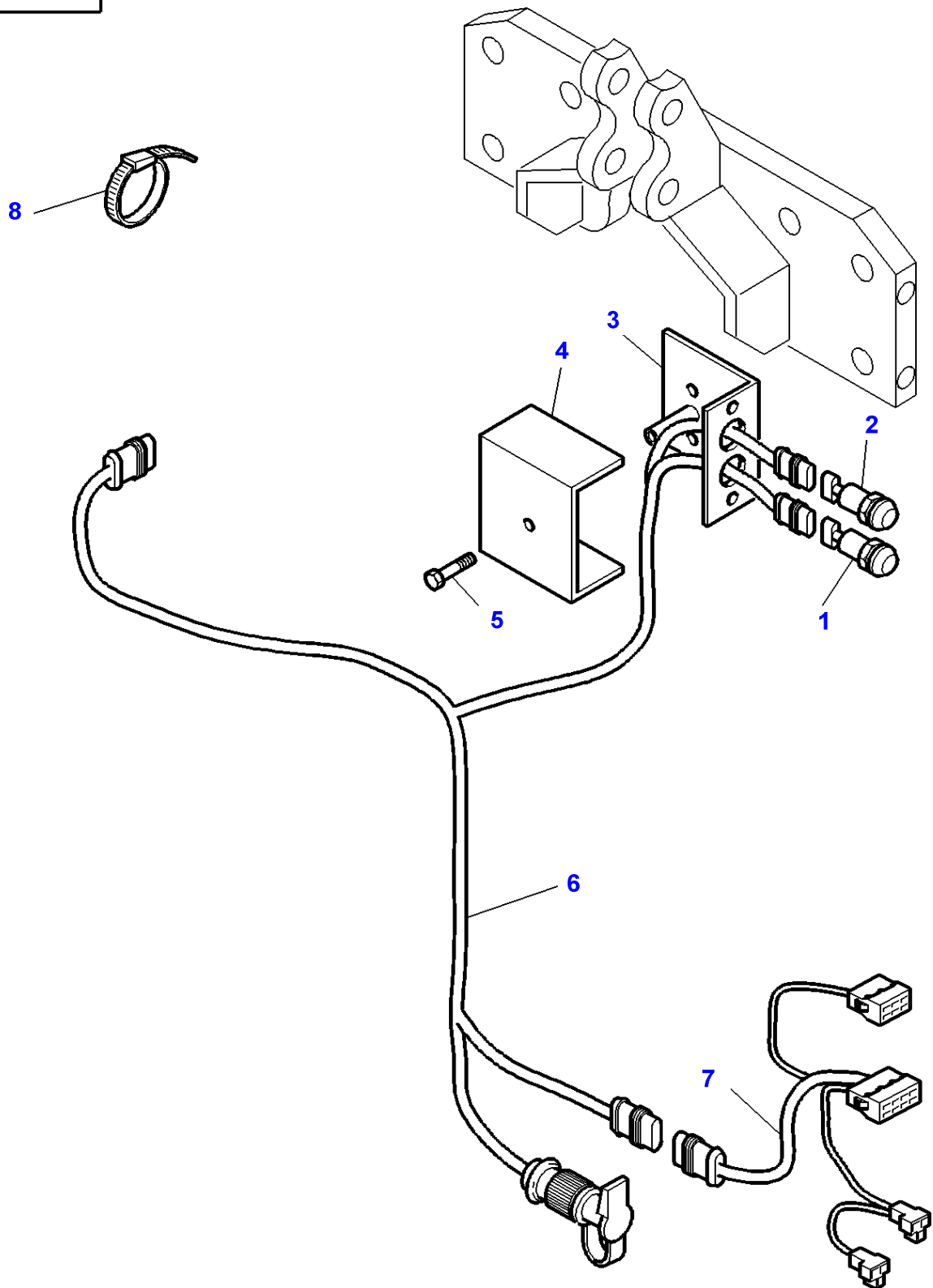


Item	Part Number	Qty	Description	Comments
1	3784361M1	1	Transducer	
2	3786081M1	1	Support	
3	3786080M2	1	Rod Link	Length 86MM
4	3778648M1	2	Stub	M8
5	3786083M1	1	Stem	Diameter M8X230MM
6	3714137M1	1	Switch,Indirect	[A]
7	3714138M1	1	Switch,Indirect	[B]
8	3786188M1	1	Support	
9	3786187M1	1	Cover	
10	3011202X1	4	Nut	M8
11	1442171X1	2	Screw	M4X10
12	339102X1	2	Washer	
13	3011203X1	1	Screw	M4X10
14	3786263M1	1	Harness	
15	3786264M2	1	Harness	
16	3619622M1	10	Cable Tie	
17	339011X1	2	Bolt Metric	M8X45
18	390972X1	2	Washer Metric	
19	339169X1	2	Nut	
20	391074X1	1	Hex. Sock. Screw	M6X12

FOOTNOTE [A] UP

FOOTNOTE [B] DOWN

1-ZQ37-049-A



Massey Ferguson**MF 8210/8220 TRACTORS - 1637365**

1637365

Front Linkage 35000N - Without Front Dual Control - Lift External Control

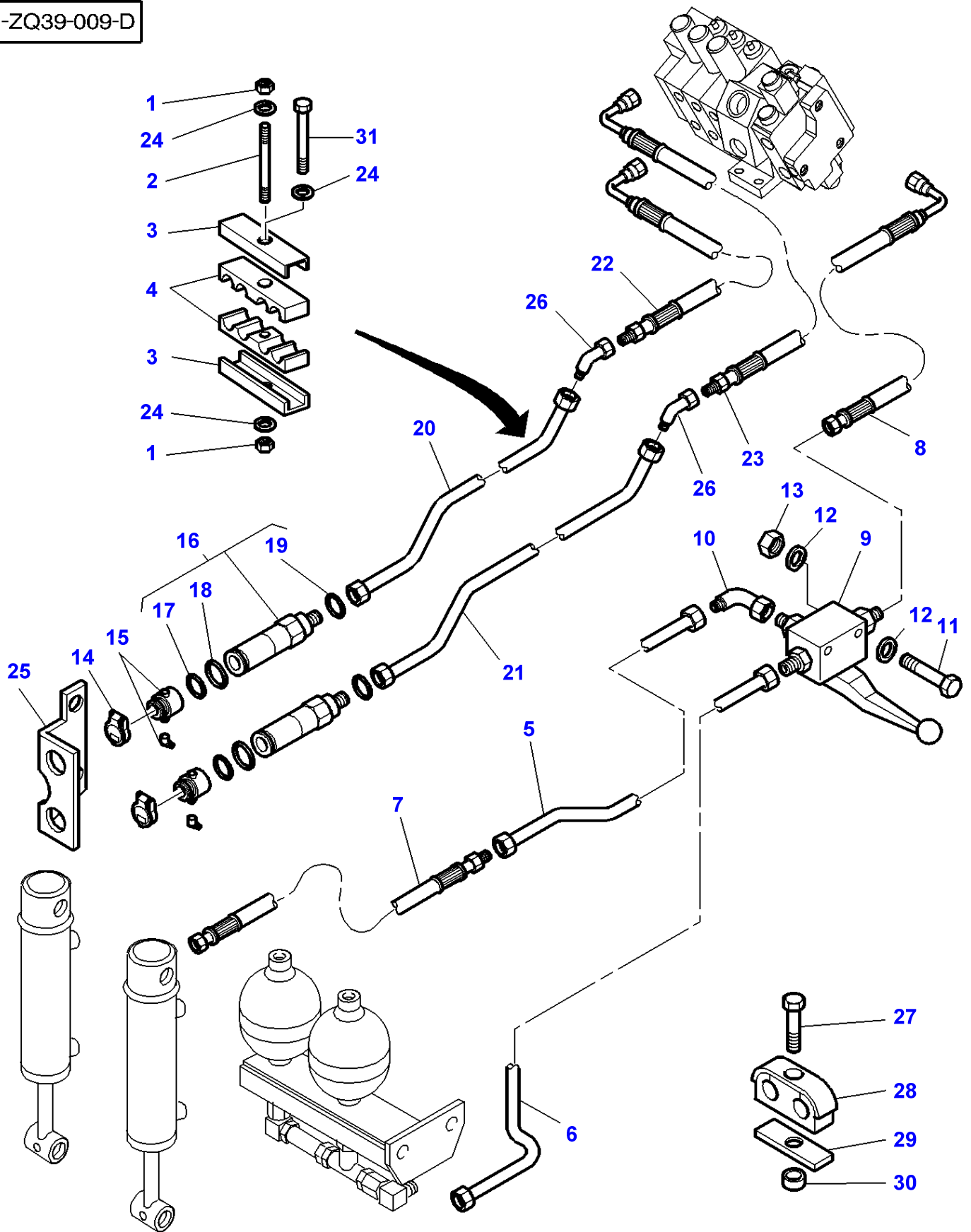
Page040-0270

Item	Part Number	Qty	Description	Comments
1	3714137M1	1	Switch,Indirect	[A]
2	3714138M1	1	Switch,Indirect	[B]
3	3786188M1	1	Support	
4	3786187M1	1	Cover	
5	391074X1	1	Hex. Sock. Screw	M6X12
6	3786263M1	1	Harness	
7	3786264M2	1	Harness	
8	3619622M1	X	Cable Tie	

FOOTNOTE [A] UP

FOOTNOTE [B] DOWN

1-ZQ39-009-D

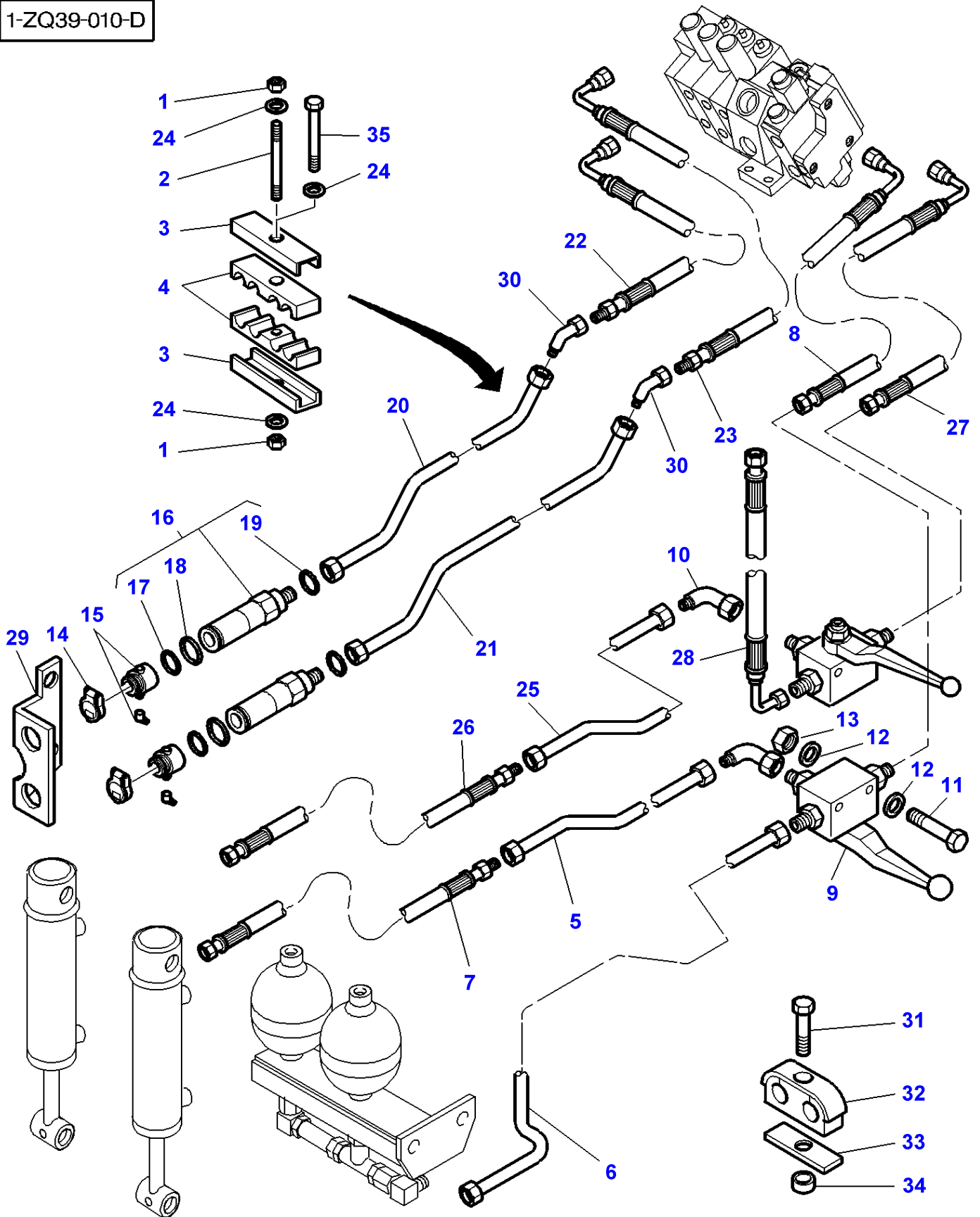


Item	Part Number	Qty	Description	Comments
1	1441500X1	4	Locknut	
2	3019058X1	4	Stud	M6X35
3	3784260M1	2	Plate	
4	3784258M1	2	Bridle	Diameter 12MM
	3784259M1	2	Bridle	Diameter 16MM
5	3784289M1	1	Tube	Length 1253MM
6	3784291M1	1	Tube	Length 1320MM
7	3784412M1	1	Hydr Hose	Length 420MM
	4271519M1	1	Hydr Hose	Up to Serial or Engine Number 03-NOV-2002 From Serial or Engine Number 04-NOV-2002 Length 450MM
8	3785125M1	1	Hydr Hose	Length 3000MM
9	3784417M2	1	Vane	
10	338739X1	1	Union	
11	3010920X1	2	Screw	M5X70
12	390469X1	4	Washer Metric	
13	1441494X1	2	Nut Metric	
14	3784927M1	2	Helmet	[B]
15	3785253M91	2	Breather	Up to Serial or Engine Number 06-2001
16	3794608M1	2	Female Coupler	
17	3903512M2	1	Snapping	(16) Replace and repair. Old interchangeable with new 3903512M1
18	368374X1	1	O Ring	(16)
19	3903520M1	1	Gasket	(16)
20	3784284M2	1	Tube	[A] Up to Serial or Engine Number K246029 Length 1602MM
	3787863M3	1	Tube	[A] From Serial or Engine Number K246030 Length 1660MM
21	3784283M2	1	Tube	[A] Up to Serial or Engine Number K246029 Length 1572MM
	3787862M3	1	Tube	[A] From Serial or Engine Number K246030 Length 1660MM
22	3785119M1	1	Hydr Hose	[A] Length 2800MM
23	3785120M1	1	Hydr Hose	[A] Length 3250MM
24	390971X1	4	Washer	
25	3788071M1	1	Support	Up to Serial or Engine Number K246029
	3787688M1	1	Bracket	From Serial or Engine Number K246030
26	373784X1	2	Elbow	Up to Serial or Engine Number K246029
27	339891X1	1	Screw	From Serial or Engine Number L079023 M8X80
28	3781907M1	1	Bridle	From Serial or Engine Number L079023
29	3788417M2	1	Plate	From Serial or Engine Number L079023
30	3714943M1	1	Spacer	From Serial or Engine Number L079023 Diameter 9-20X28
31	339096X1	2	Bolt Metric	M6 X 35

FOOTNOTE [A] WITH HYDRAULIC COUPLING

FOOTNOTE [B] RED

1-ZQ39-010-D

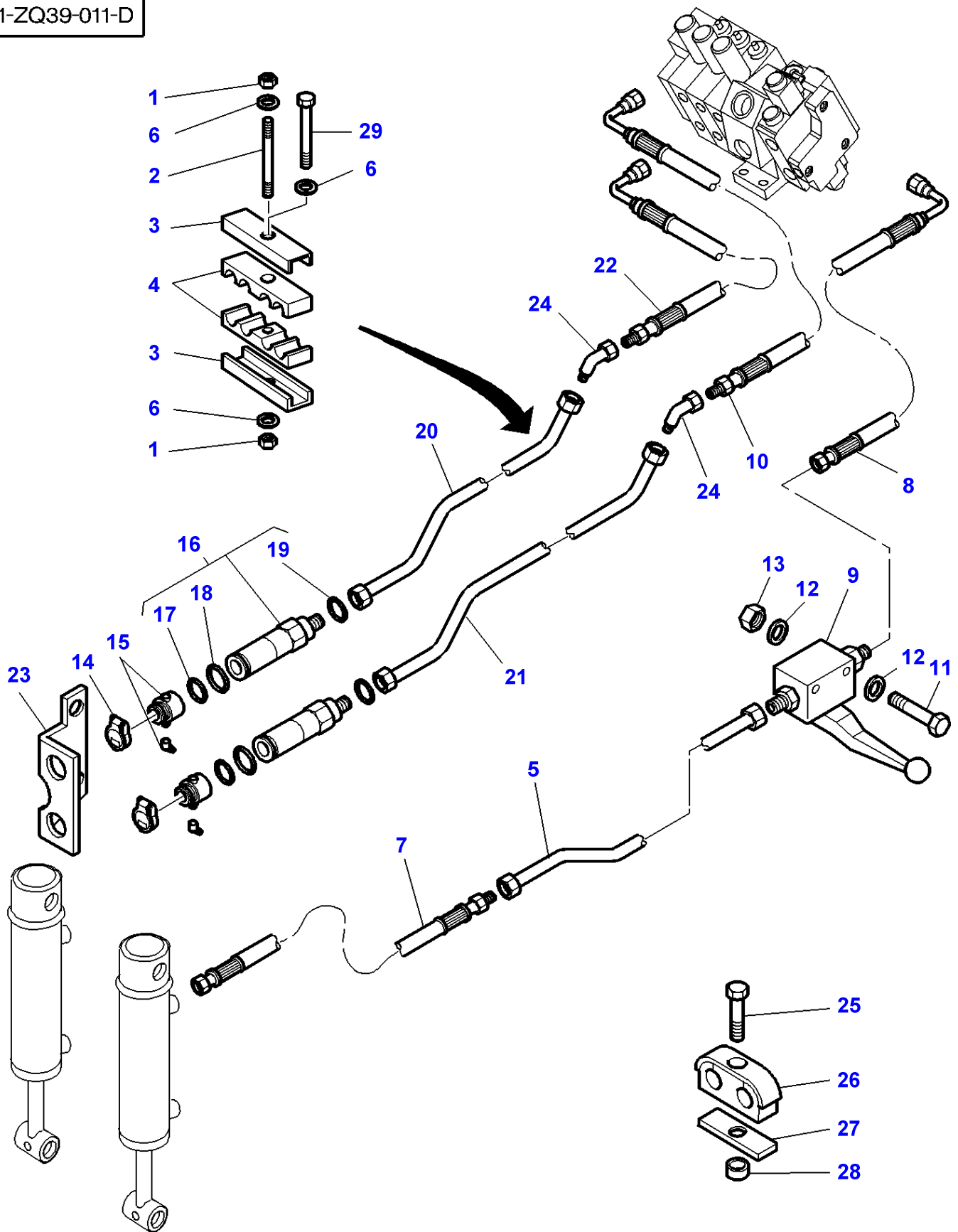


Item	Part Number	Qty	Description	Comments
1	1441500X1	4	Locknut	
2	3019058X1	4	Stud	M6X35
3	3784260M1	2	Plate	
4	3784258M1	2	Bridle	Diameter 12MM
	3784259M1	2	Bridle	Diameter 16MM
5	3784289M1	1	Tube	Length 1253MM
6	3784291M1	1	Tube	Length 1320MM
7	3784412M1	1	Hydr Hose	Length 420MM
	4271519M1	1	Hydr Hose	Up to Serial or Engine Number 03-NOV-2002 From Serial or Engine Number 04-NOV-2002 Length 450MM
8	3785125M1	1	Hydr Hose	Length 3000MM
9	3784417M2	2	Vane	
10	338739X1	2	Union	
11	3010920X1	4	Screw	M5X70
12	390469X1	8	Washer Metric	
13	1441494X1	4	Nut Metric	
14	3784927M1	2	Helmet	[B]
15	3785253M91	2	Breather	Up to Serial or Engine Number 06-2001
16	3794608M1	2	Female Coupler	
17	3903512M2	1	Snapping	(16) Replace and repair. Old interchangeable with new 3903512M1
18	368374X1	1	O Ring	(16)
19	3903520M1	1	Gasket	(16)
20	3784284M2	1	Tube	[A] Up to Serial or Engine Number K246029 Length 1602MM
	3787863M3	1	Tube	[A] From Serial or Engine Number K246030 Length 1660MM
21	3784283M2	1	Tube	[A] Up to Serial or Engine Number K246029 Length 1572MM
	3787862M3	1	Tube	[A] From Serial or Engine Number K246030 Length 1660MM
22	3785119M1	1	Hydr Hose	[A] Length 2800MM
23	3785120M1	1	Hydr Hose	[A] Length 3250MM
24	390971X1	4	Washer	
25	3784290M1	1	Tube	Length 1260MM
26	3784418M1	1	Hydr Hose	Length 640MM
	4271519M1	1	Hydr Hose	Up to Serial or Engine Number 03-NOV-2002 From Serial or Engine Number 04-NOV-2002 Length 450MM
27	3784688M1	1	Hydr Hose	Length 3400MM
28	3784298M1	1	Hydr Hose	Length 2500MM
29	3788071M1	1	Support	Up to Serial or Engine Number K246029
	3787688M1	1	Bracket	From Serial or Engine Number K246030
30	373784X1	2	Elbow	Up to Serial or Engine Number K246029
31	339891X1	1	Screw	From Serial or Engine Number L079023 M8X80
32	3781907M1	1	Bridle	From Serial or Engine Number L079023
33	3788417M2	1	Plate	From Serial or Engine Number L079023
34	3714943M1	1	Spacer	From Serial or Engine Number L079023 Diameter 9-20X28
35	339096X1	2	Bolt Metric	M6 X 35

FOOTNOTE [A] WITH HYDRAULIC COUPLING

FOOTNOTE [B] RED

1-ZQ39-011-D

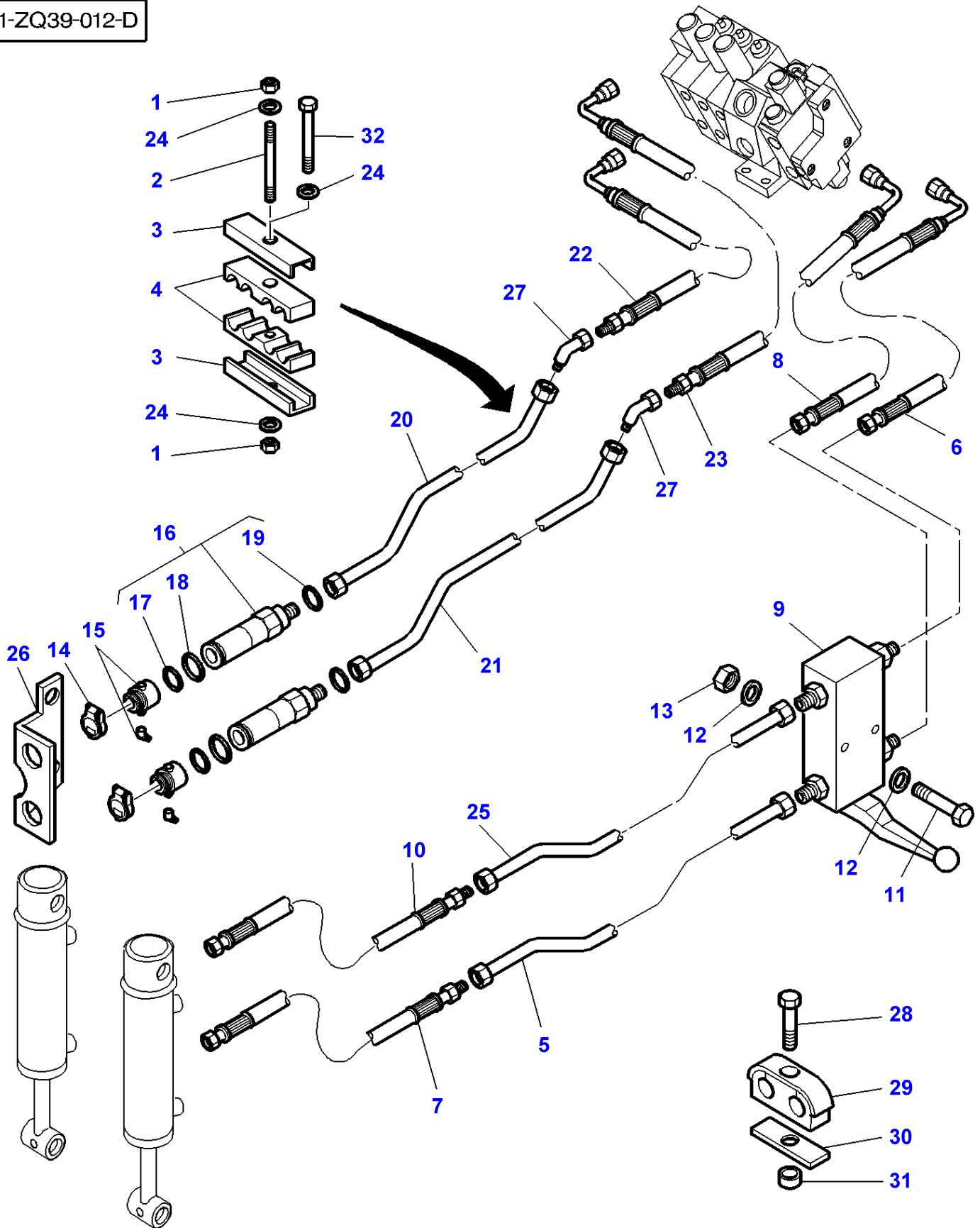


Item	Part Number	Qty	Description	Comments
1	1441500X1	4	Locknut	
2	3019058X1	4	Stud	M6X35
3	3784260M1	2	Plate	
4	3784258M1	2	Bridle	Diameter 12MM
	3784259M1	2	Bridle	Diameter 16MM
5	3784287M1	1	Tube	Length 1235MM
6	390971X1	4	Washer	
7	3784412M1	1	Hydr Hose	Length 420MM
	4271519M1	1	Hydr Hose	Up to Serial or Engine Number 03-NOV-2002 From Serial or Engine Number 04-NOV-2002 Length 450MM
8	3785125M1	1	Hydr Hose	Length 3000MM
9	3784416M1	1	Vane	
10	3785120M1	1	Hydr Hose	[A] Length 3250MM
11	3010920X1	2	Screw	M5X70
12	390469X1	4	Washer Metric	
13	1441494X1	2	Nut Metric	
14	3784927M1	2	Helmet	[B]
15	3785253M91	2	Breather	Up to Serial or Engine Number 06-2001
16	3794608M1	2	Female Coupler	
17	3903512M2	1	Snapping	(16) Replace and repair. Old interchangeable with new 3903512M1
18	368374X1	1	O Ring	(16)
19	3903520M1	1	Gasket	(16)
20	3784284M2	1	Tube	[A] Up to Serial or Engine Number K246029 Length 1602MM
	3787863M3	1	Tube	[A] From Serial or Engine Number K246030 Length 1660MM
21	3784283M2	1	Tube	[A] Up to Serial or Engine Number K246029 Length 1572MM
	3787862M3	1	Tube	[A] From Serial or Engine Number K246030 Length 1660MM
22	3785119M1	1	Hydr Hose	[A] Length 2800MM
23	3788071M1	1	Support	Up to Serial or Engine Number K246029
	3787688M1	1	Bracket	From Serial or Engine Number K246030
24	373784X1	2	Elbow	Up to Serial or Engine Number K246029
25	339891X1	1	Screw	From Serial or Engine Number L079023 M8X80
26	3781907M1	1	Bridle	From Serial or Engine Number L079023
27	3788417M2	1	Plate	From Serial or Engine Number L079023
28	3714943M1	1	Spacer	From Serial or Engine Number L079023 Diameter 9-20X28
29	339096X1	2	Bolt Metric	M6 X 35

FOOTNOTE [A] WITH HYDRAULIC COUPLING

FOOTNOTE [B] RED

1-ZQ39-012-D



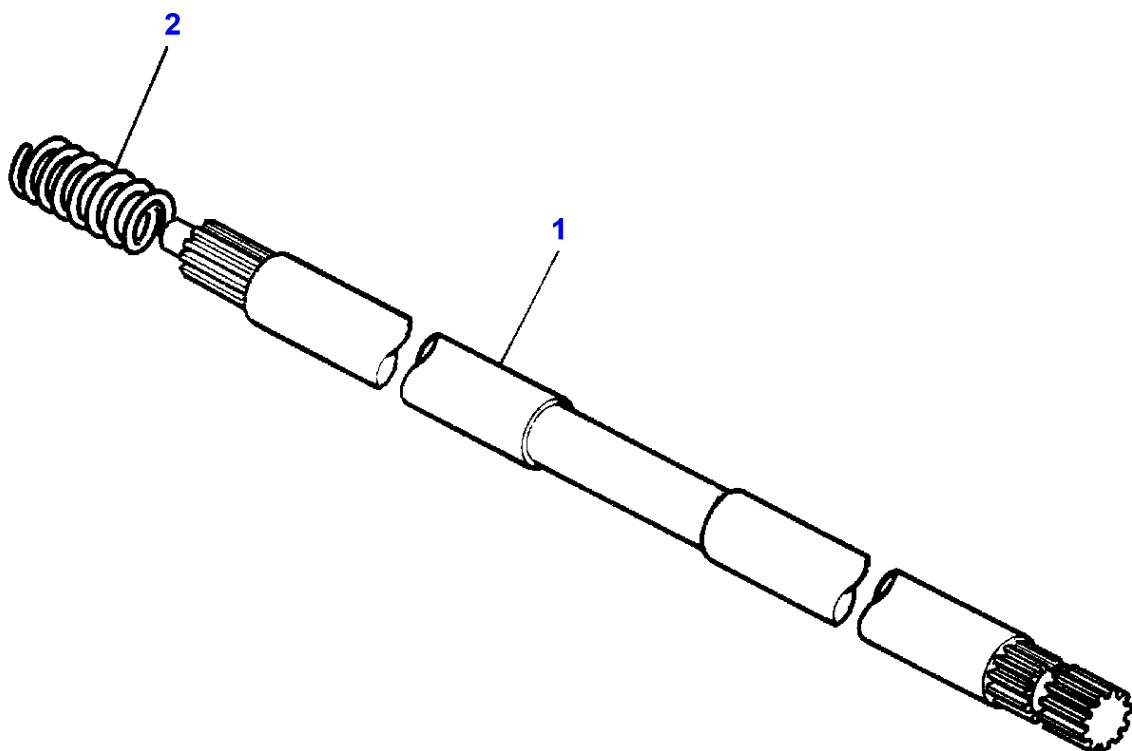
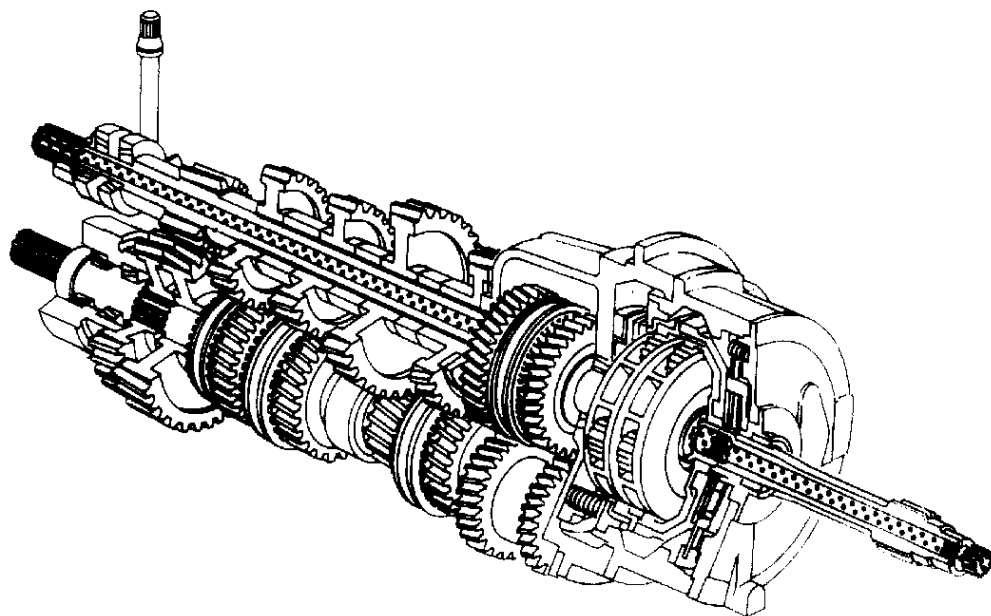
Item	Part Number	Qty	Description	Comments
1	1441500X1	4	Locknut	
2	3019058X1	4	Stud	M6X35
3	3784260M1	2	Plate	
4	3784258M1	2	Bridle	Diameter 12MM
	3784259M1	2	Bridle	Diameter 16MM
5	3784287M1	1	Tube	Length 1235MM
6	3784688M1	1	Hydr Hose	Length 3400MM
7	3784412M1	1	Hydr Hose	Length 420MM
	4271519M1	1	Hydr Hose	Up to Serial or Engine Number 03-NOV-2002 From Serial or Engine Number 04-NOV-2002 Length 450MM
8	3785125M1	1	Hydr Hose	Length 3000MM
9	3792875M92	1	Vane	
10	3784418M1	1	Hydr Hose	Length 640MM
	4271519M1	1	Hydr Hose	Up to Serial or Engine Number 03-NOV-2002 From Serial or Engine Number 04-NOV-2002 Length 450MM
11	3010920X1	2	Screw	M5X70
12	390469X1	4	Washer Metric	
13	1441494X1	2	Nut Metric	
14	3784927M1	2	Helmet	[B]
15	3785253M91	2	Breather	Up to Serial or Engine Number 06-2001
16	3794608M1	2	Female Coupler	
17	3903512M2	1	Snapping	(16) Replace and repair. Old interchangeable with new 3903512M1
18	368374X1	1	O Ring	(16)
19	3903520M1	1	Gasket	(16)
20	3784284M2	1	Tube	[A] Up to Serial or Engine Number K246029 Length 1602MM
	3787863M3	1	Tube	[A] From Serial or Engine Number K246030 Length 1660MM
21	3784283M2	1	Tube	[A] Up to Serial or Engine Number K246029 Length 1572MM
	3787862M3	1	Tube	[A] From Serial or Engine Number K246030 Length 1660MM
22	3785119M1	1	Hydr Hose	[A] Length 2800MM
23	3785120M1	1	Hydr Hose	[A] Length 3250MM
24	390971X1	4	Washer	
25	3784288M1	1	Tube	Length 1235MM
26	3788071M1	1	Support	Up to Serial or Engine Number K246029
	3787688M1	1	Bracket	From Serial or Engine Number K246030
27	373784X1	2	Elbow	Up to Serial or Engine Number K246029
28	339891X1	1	Screw	From Serial or Engine Number L079023 M8X80
29	3781907M1	1	Bridle	From Serial or Engine Number L079023
30	3788417M2	1	Plate	From Serial or Engine Number L079023
31	3714943M1	1	Spacer	From Serial or Engine Number L079023 Diameter 9-20X28
32	339096X1	2	Bolt Metric	M6 X 35

FOOTNOTE [A] WITH HYDRAULIC COUPLING

FOOTNOTE [B] RED

Page Title	Page Number
Pto Shaft - 8 Speed Transmission - Dynashift	050-0005
Pto Shaft - With Full Powershift	050-0010
Pto Shaft - Dynashift	050-0015
Independant Power Take Off Clutch - 5 Disc	050-0020
Independant Power Take Off Drive Mechanism - Two Speed - Brakes	050-0025
Independant Power Take Off Clutch	050-0030
Pto Shaft	050-0035
Pto Shaft - Throttle Control Right Side - Up To ...	050-0040
Pto Shaft - Throttle Control Left Side - From ...	050-0045
Pto Shaft - Cable Control	050-0050
Pto-Coupling Drive Mechanism - P.T.O Control 540/1000 TR/MN	050-0055
Pto-Proportional Drive Mechanism - Cable Control	050-0060
Pto-Drive Mechanism - Platform	050-0065
Pto Shaft	050-0070
Pto Shaft	050-0075
Pto Shaft - Cowl - From K029023 - United States only	050-0080
Front Pto - Housing - Reverse Drive Front Pto - Up To 07-01-2001	050-0085
Front Pto - Housing - Clockwise Drive Front Pto - Up To 07-01-2001	050-0090
Front Pto - Drive - Up To 07-01-2001	050-0095
Front Pto - IPTO Clutch - Up To 07-01-2001	050-0100
Front Pto - Drive - Up To 07-01-2001	050-0105
Front Pto - Drive - Up To 07-01-2001	050-0110
Front Pto - Drive - Up To 07-01-2001	050-0115
Front Pto - Lines - Reverse Drive Front Pto - Up To 07-01-2001	050-0120
Front Pto - Lines - Clockwise Drive Front Pto - Up To 07-01-2001	050-0125
Front Pto - Harness - Up To 07-01-2001	050-0130
Front Pto - Housing - Clock Wise Drive Front Pto - From 08-01-2001	050-0135
Front Pto - Housing - Counterclockwise Drive Front Pto - From 08-01-2001	050-0140
Front Pto - Drive - From 08-01-2001	050-0145
Front Pto - IPTO Clutch - From 08-01-2001	050-0150
Front Pto - Lines - From 08-01-2001	050-0155

1-ZX18-009-A



Massey Ferguson

MF 8210/8220 TRACTORS - 1637365

1637365

Pto Shaft - 8 Speed Transmission - Dynashift

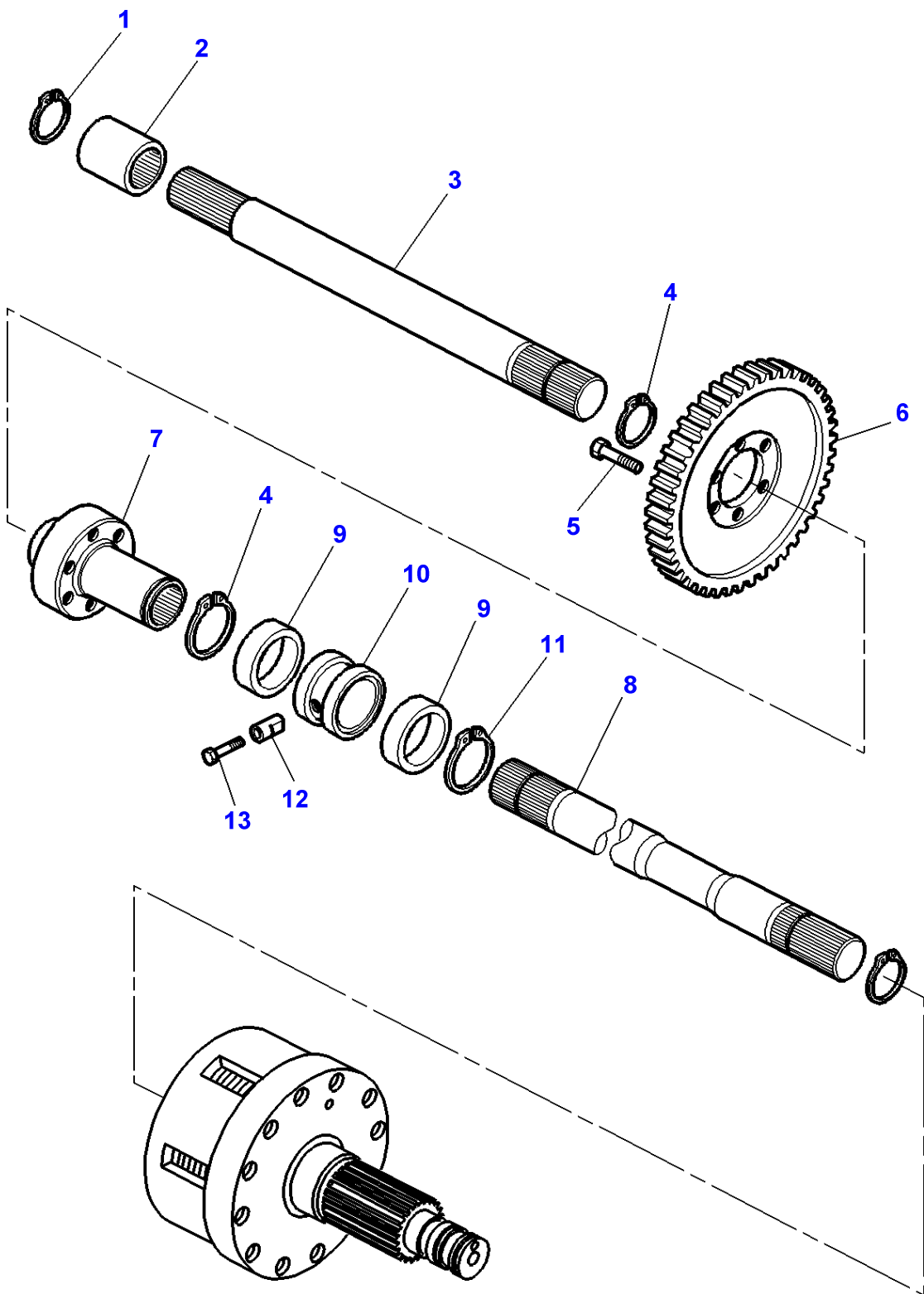
Page050-0005

Item	Part Number	Qty	Description	Comments
1	3716339M2	1	Shaft	
	3793584M1	1	Shaft	[A]
2	3716340M2	1	Spring	

FOOTNOTE [A] WITH POWER SHUTTLE

MF 8210/8220 TRACTORS - 1637365
1-ZX18-003-A

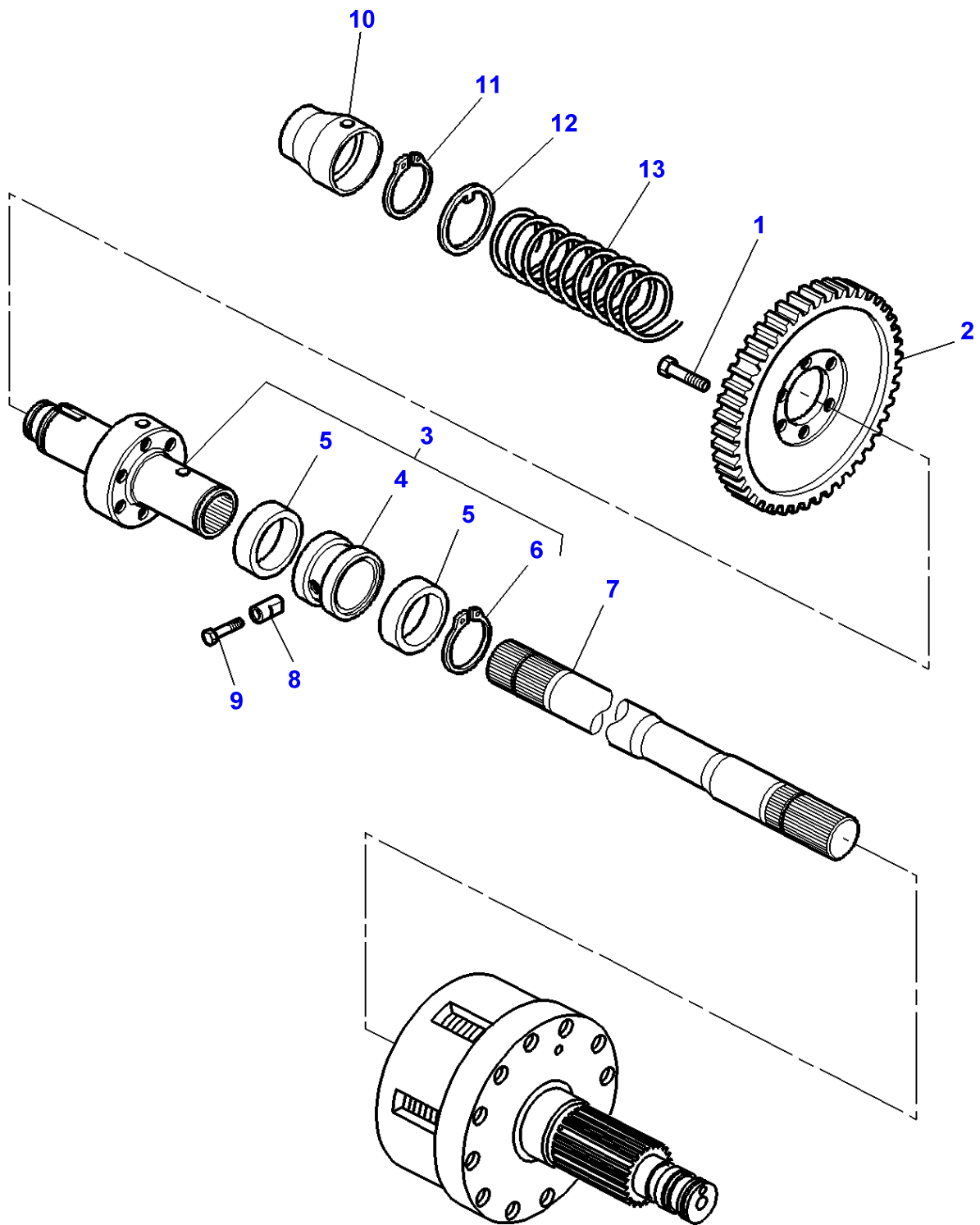
1-ZX18-003-A



Pto Shaft - With Full Powershift

Item	Part Number	Qty	Description	Comments
1	3019268X1	1	Circlip	
2	3716460M1	1	Sleeve	
3	3716418M1	1	Shaft	
4	339469X1	2	Circlip	
5	3010969X1	6	Screw Metric	M10X20
6	3716420M1	1	Pinion	Number of teeth/spines 87
7	3716489M1	1	Hub	
8	3716421M2	1	Shaft	
9	3003277X1	2	Bear. 6010	
10	3716564M2	1	Bush	
11	391129X1	1	Circlip	
12	3716807M1	1	Pin	
13	3019642X1	1	Plug	M16

1-ZX18-002-A

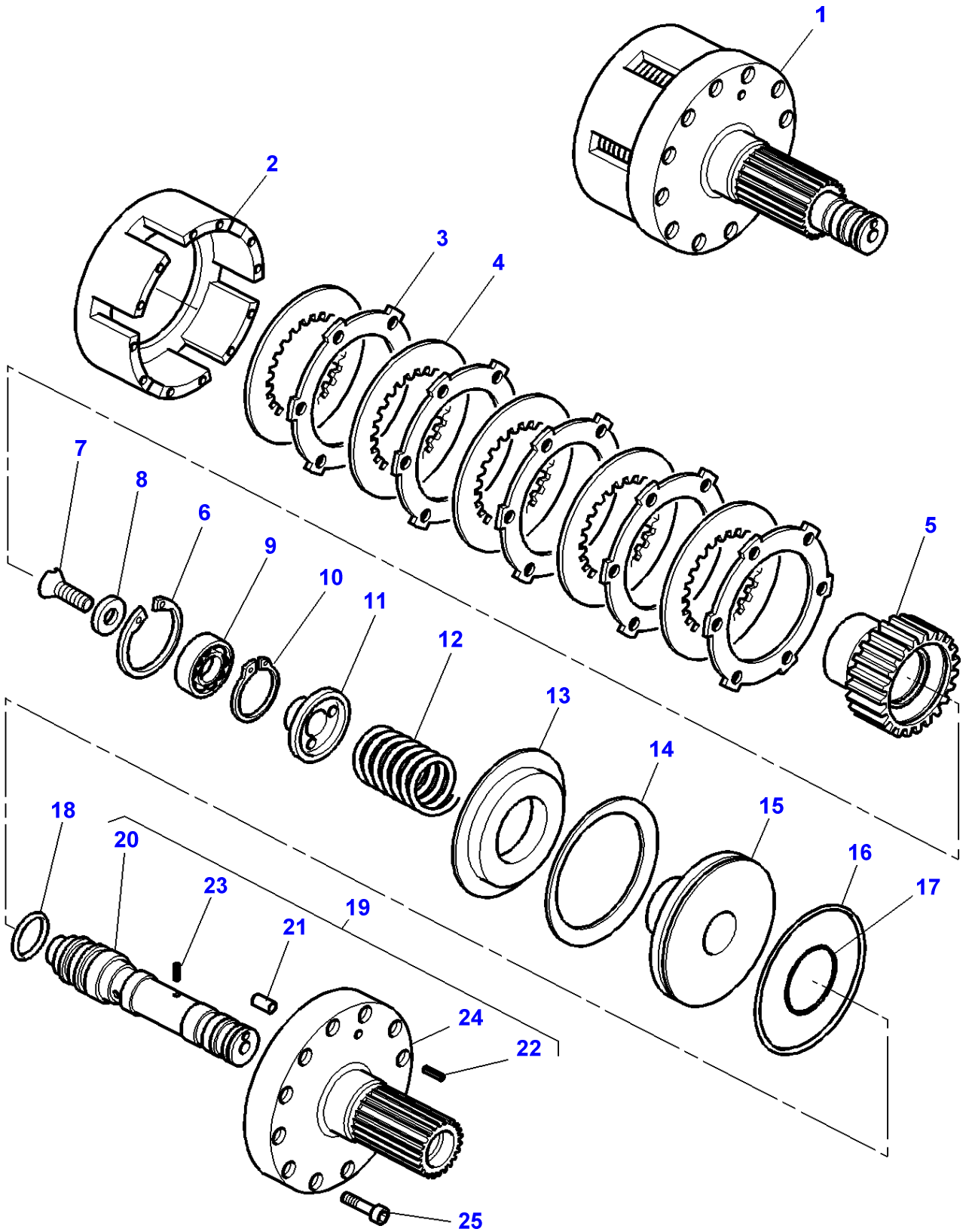


Pto Shaft - Dynashift

Item	Part Number	Qty	Description	Comments
1	3010969X1	6	Screw Metric	M10X20
2	3716420M1	1	Pinion	Number of teeth/spines 87
3	3791963M11	1	Hub	
4	3791929M1	1	Bush	(3)
5	3003277X1	2	Bear. 6010	(3)
6	391129X1	1	Circlip	(3)
7	3790868M1	1	Shaft	
8	3716807M1	1	Pin	
9	3019642X1	1	Plug	M16
10	3791925M1	1	Spacer	
11	1442697X1	1	Circlip	
12	3791928M1	1	Washer	
13	3791926M1	1	Spring	

MF 8210/8220 TRACTORS - 1637365
1-ZG23-005-A

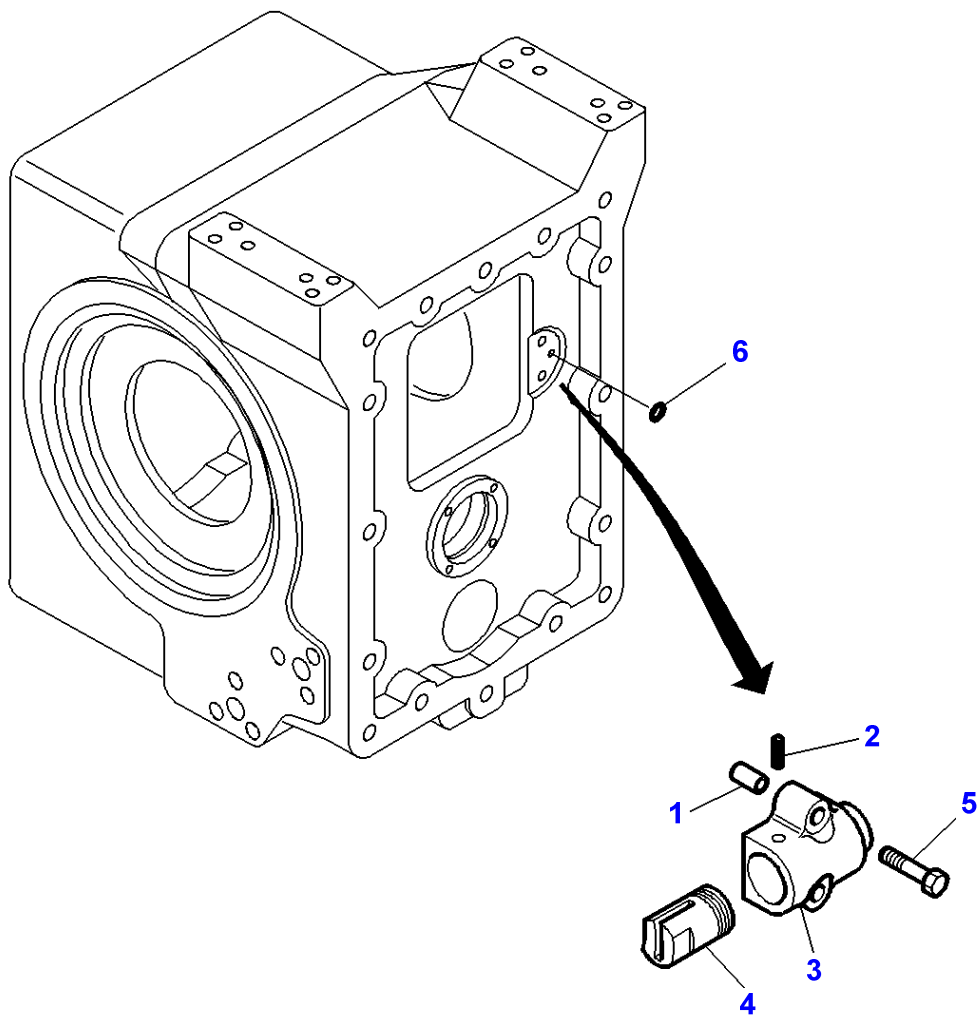
1-ZG23-005-A



Independent Power Take Off Clutch - 5 Disc

Item	Part Number	Qty	Description	Comments
1	3716063M15	1	Clutch	
2	3716064M1	1	Cover	(1)
3	3387347M1	5	Disc	(1)
4	3387346M1	5	Counterplate	(1)
5	3716033M1	1	Hub	(1)
6	3716080M1	1	Ring	(1)
7	3009450X1	1	Screw	(1)
				M10X20
8	3389211M1	1	Washer	(1)
9	3010767X1	1	Bear. 6004	(1)
10	391061X1	1	Circlip	(1)
11	3716034M1	1	Stop	(1)
12	3582893M1	1	Spring	(1)
13	3387198M1	1	Support	(1)
14	3619148M1	1	Cup Spring	(1)
15	3387193M1	1	Piston	(1)
16	3582933M1	1	O Ring	(1)
17	3582934M1	1	Gasket	(1)
				Diameter 29,74X3,53MM
18	367156X1	1	O Ring	(1)
				Diameter 26,64X2,62MM
19	3716061M12	1	Support	(1)
20	3716030M1	1	Clevis Pin	(19)
21	3009351X1	1	Screw	(19)
22	1872134M92	1	Valve Check	(19)
23	3006442X1	1	Pin	(19)
				Diameter 2 MM
				Length 12 MM
24		1	Hub Carrier	(19)
				Not serviced,order REF 19
25	3011311X1	12	Screw	(1)
				M8X50

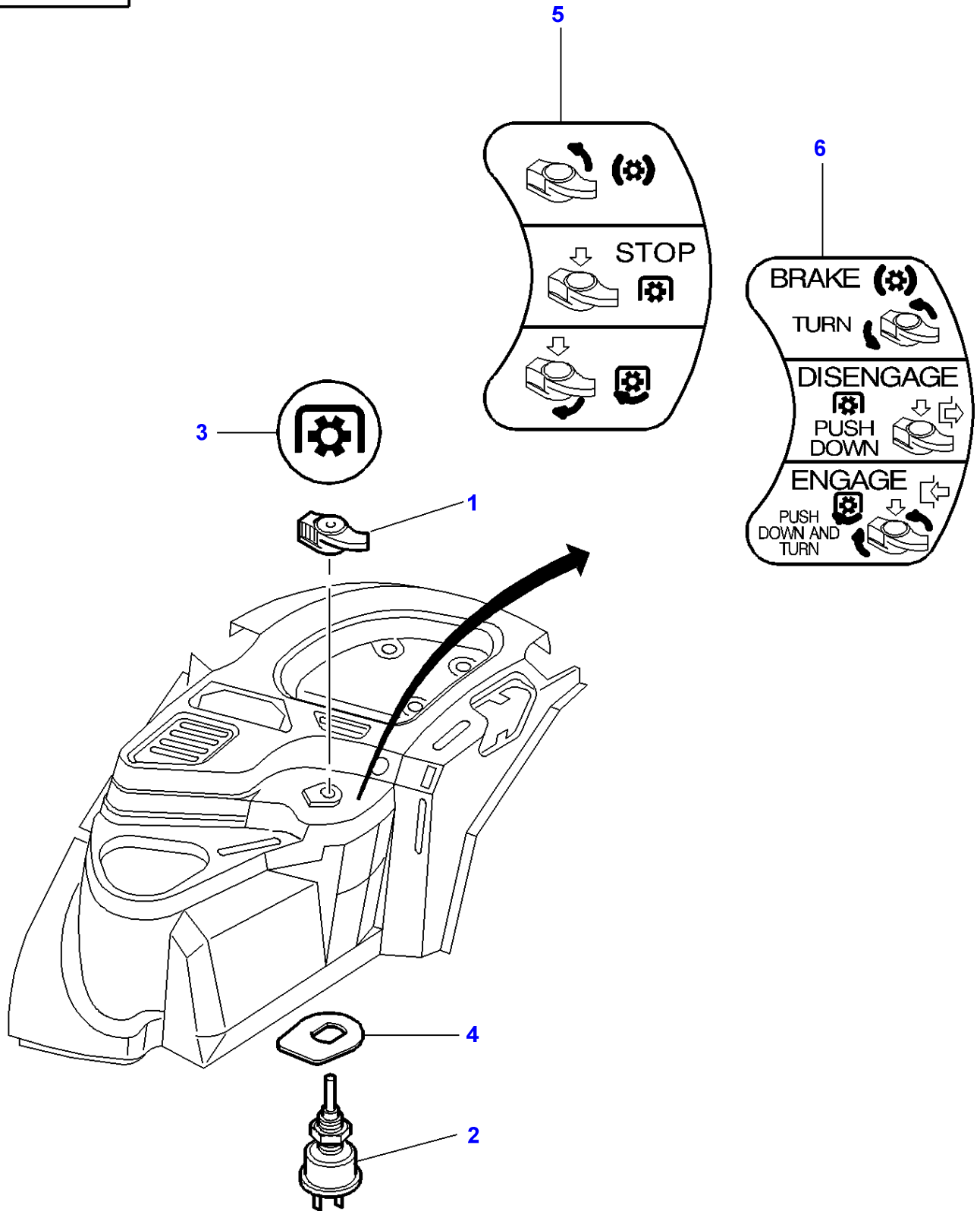
1-ZG24-001-A



Massey Ferguson**MF 8210/8220 TRACTORS - 1637365****1637365****Independent Power Take Off Drive Mechanism - Two Speed - Brakes****Page050-0025**

Item	Part Number	Qty	Description	Comments
1	3000052X1	2	Sleeve	
2	1440961X1	1	Pin	Diameter 4 MM Length 10 MM
3	3716181M1	1	Case Assy	Up to Serial or Engine Number J062012
	3793768M1	1	Case Assy	From Serial or Engine Number J062013
4	3716180M2	1	Piston	
5	3004715X1	2	Screw	M8X60
6	1440011X1	1	O Ring	

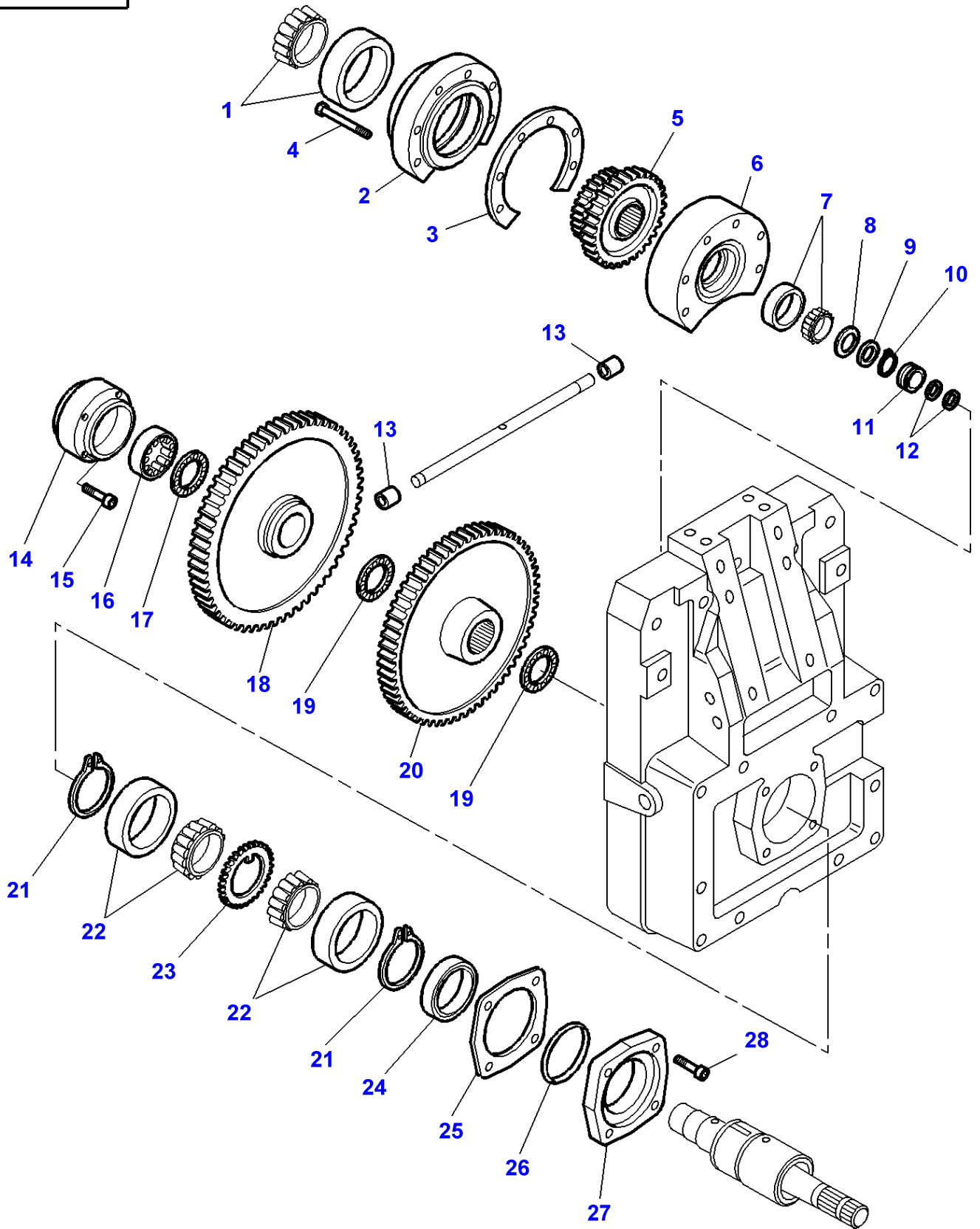
1-ZG23-003-A



Massey Ferguson**MF 8210/8220 TRACTORS - 1637365****1637365****Independent Power Take Off Clutch****Page050-0030**

Item	Part Number	Qty	Description	Comments
1	3778562M2	1	Button	
2	3619445M2	1	Switch,Indirect	
3	3781792M1	1	Decal	
4	3781924M1	1	Plate	
5	3782569M1	1	Decal	
6	3781649M2	1	Decal	For United States of America

1-ZX18-006-A

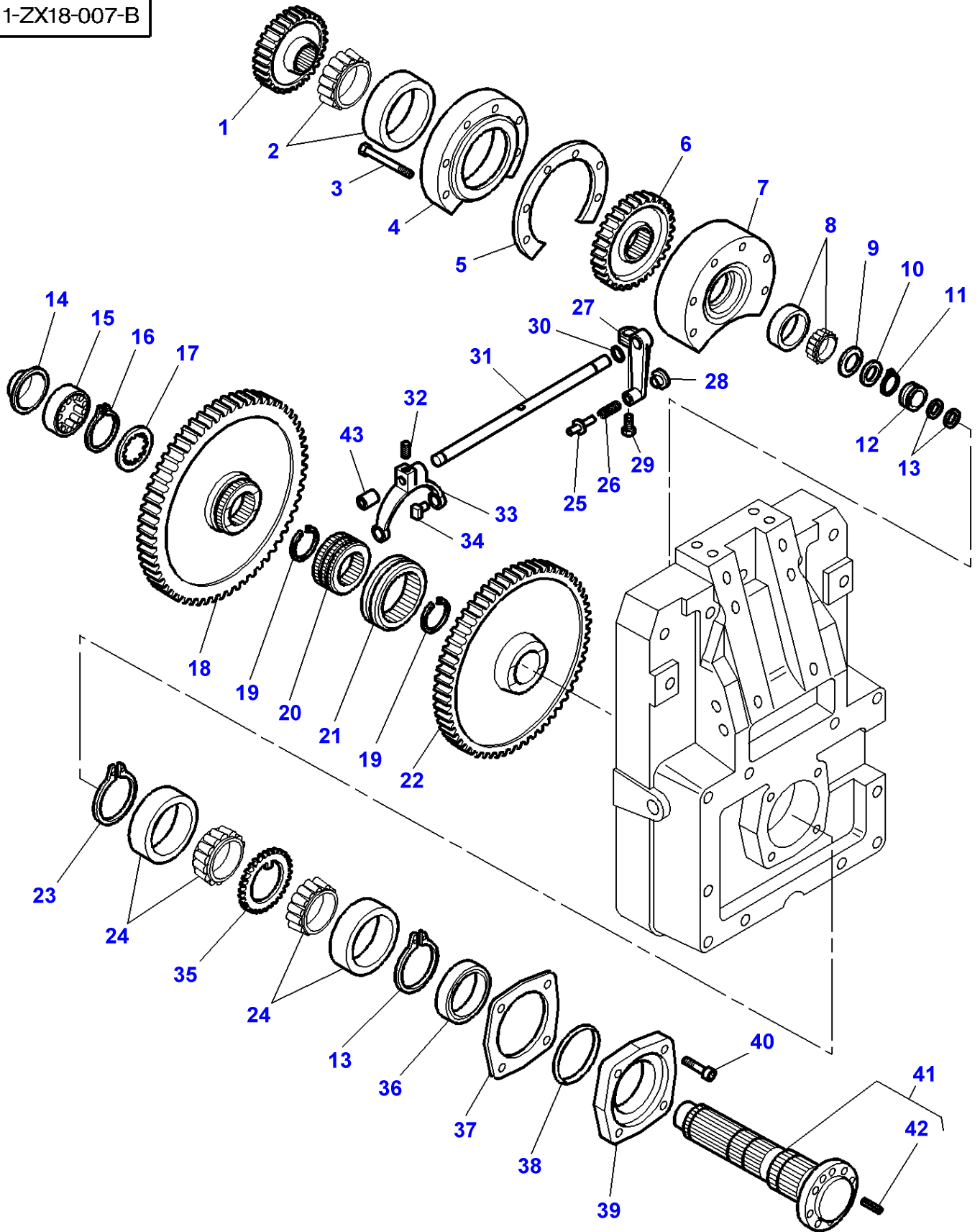


Pto Shaft

Item	Part Number	Qty	Description	Comments
1	3010034X91	1	Bearing Assy	
2	3716001M2	1	Bearing Carrier	
3	3716037M1	X	Chock	Thickness 0,1 MM
	3795175M1	X	Shim	Thickness 0,15MM
	3716038M1	X	Chock	Thickness 0,4 MM
4	339488X1	6	Bolt Metric	M10x85
5	3716004M2	1	Pinion	Number of teeth/spines 29/44 540/1000 RPM
	3716079M3	1	Pinion	Number of teeth/spines 37/44 750/1000 RPM
6	3716003M2	1	Case Assy	
7	3009853X1	1	Bearing Taper	
8	3716007M1	1	Washer	
9	3716028M1	1	Washer	
10	3010624X1	1	Ring	
11	3382868M1	1	Bush	
12	3382874M1	2	Segment	
13	390979X1	2	Plug	Diameter 20MM
14	3716023M2	1	Bearing Carrier	
15	3009286X1	4	Screw	M8x35
16	1612707M1	1	Bearing Assy	
17	1610244M1	1	Washer	
18	3387509M92	1	Pinion	Number of teeth/spines 107 540 RPM
	3712002M12	1	Pinion	Number of teeth/spines 99 750 RPM
19	1610243M2	2	Washer	
20	3052440M92	1	Pinion	Number of teeth/spines 92 1000 RPM
21	3010554X1	2	Circlip	
22	968634M91	2	Bearing Assy	
23	3716014M2	1	Spacer	
24	3716017M1	1	Gasket	
25	3716053M1	X	Chock	Thickness 0,1 MM
	3716054M1	X	Chock	Thickness 0,4 MM
26	152623M1	1	O Ring	
27	3716022M2	1	Hub	
28	3009292X1	4	Screw	M10x25

MF 8210/8220 TRACTORS - 1637365
1-ZX18-007-B

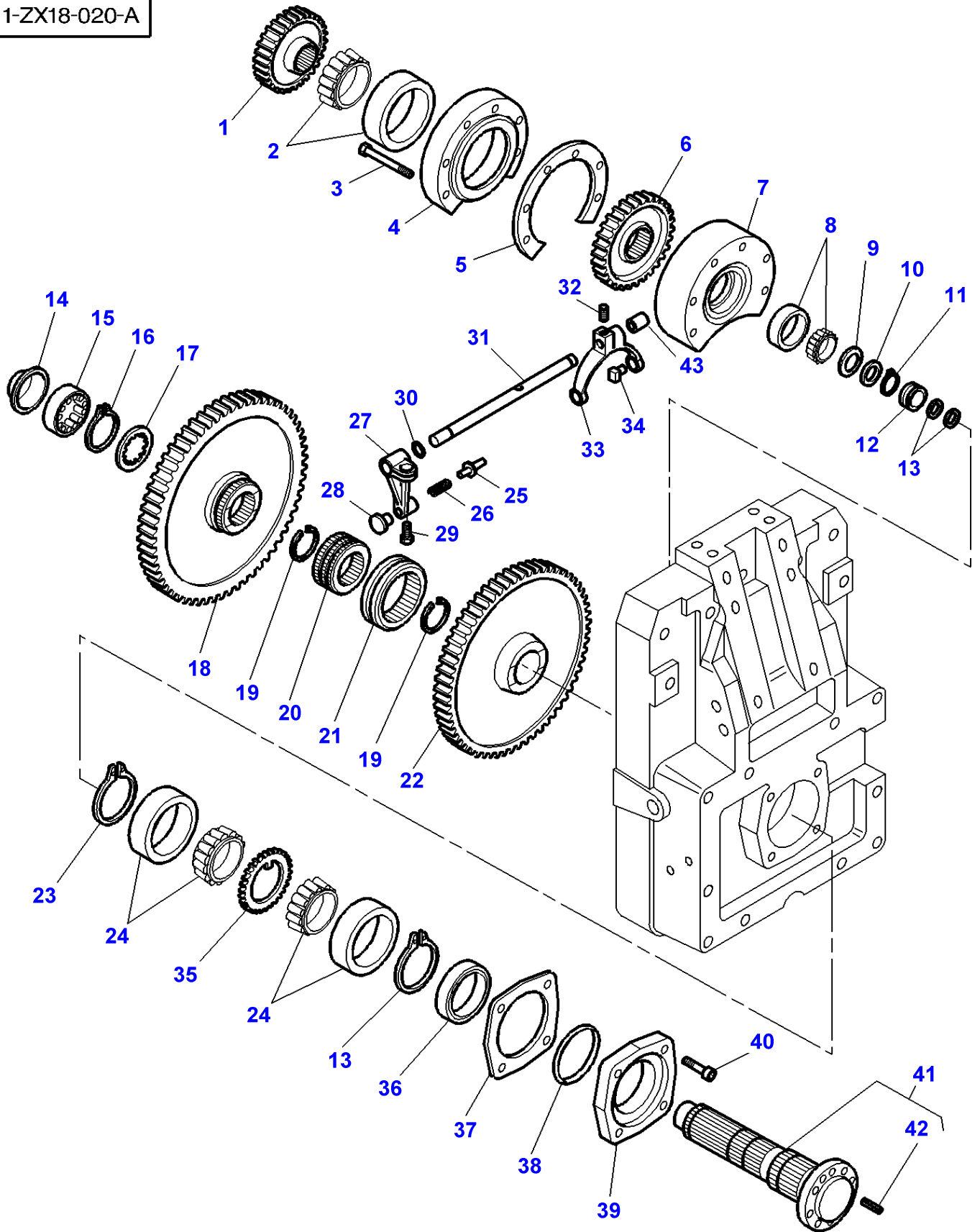
1-ZX18-007-B



Item	Part Number	Qty	Description	Comments
1	3716288M1	1	Pinion	Number of teeth/spines 29 540 RPM
	3716005M1	1	Pinion	Number of teeth/spines 37 750 RPM
2	968634M91	1	Bearing Assy	
3	339488X1	6	Bolt Metric	M10x85
4	3716002M2	1	Bearing Carrier	
5	3716037M1	X	Chock	Thickness 0,1 MM
	3795175M1	X	Shim	Thickness 0,15MM
	3716038M1	X	Chock	Thickness 0,4 MM
6	3716006M1	1	Pinion	Number of teeth/spines 44 1000 RPM
7	3716003M2	1	Case Assy	
8	3009853X1	1	Bearing Taper	
9	3716007M1	1	Washer	
10	3716028M1	1	Washer	
11	3010624X1	1	Ring	
12	3382868M1	1	Bush	
13	3382874M1	2	Segment	
14	3716024M1	1	Deflector	
15	1612707M1	1	Bearing Assy	
16	391129X1	1	Circlip	
17	3716027M2	1	Washer	
18	3716290M12	1	Pinion	Number of teeth/spines 107 540 RPM
	3716009M13	1	Pinion	Number of teeth/spines 99 750 RPM
19	3010555X1	2	Ring	
20	3716025M2	1	Hub	
21	3382069M3	1	Slider Bearing	
22	3716012M12	1	Pinion	Number of teeth/spines 92 1000 RPM
23	3010554X1	2	Circlip	
24	968634M91	2	Bearing Assy	
25	3383009M1	1	Clevis Pin	
26	1426515M1	1	Spring	
27	3581440M1	1	Lever	
28	973052M1	1	Knob	
29	1440350X1	1	Screw Metric	M6
30	195868M1	1	O Ring	
31	3792291M1	1	Stem	
32	3382979M1	1	Screw Special	M8x20
33	3382971M1	1	Fork	
34	3382972M2	2	Skate	
35	3716014M2	1	Spacer	
36	3716017M1	1	Gasket	
37	3716053M1	X	Chock	Thickness 0,1 MM
	3716054M1	X	Chock	Thickness 0,4 MM
38	152623M1	1	O Ring	
39	3716022M2	1	Hub	
40	3009292X1	4	Screw	M10x25
41	3716057M13	1	Shaft	
42	3006290X1	1	Centraliser	(41) Diameter 10 MM Length 30 MM Diameter 20MM
43	390979X1	1	Plug	

MF 8210/8220 TRACTORS - 1637365
1-ZX18-020-A

1-ZX18-020-A

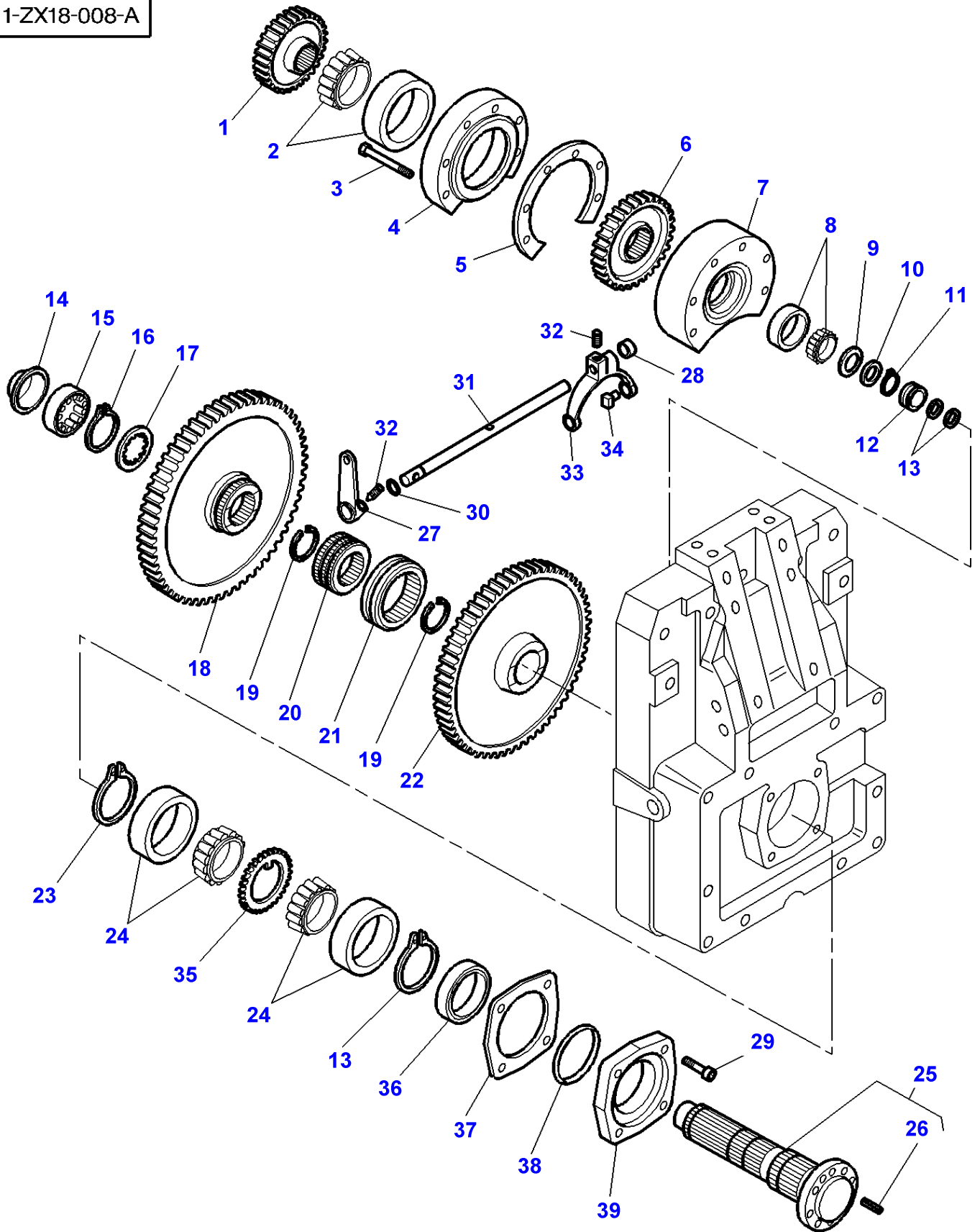


Pto Shaft - Throttle Control Left Side - From ...

Item	Part Number	Qty	Description	Comments
1	3716288M1	1	Pinion	Number of teeth/spines 29 540 RPM
	3716005M1	1	Pinion	Number of teeth/spines 37 750 RPM
2	968634M91	1	Bearing Assy	
3	339488X1	6	Bolt Metric	M10x85
4	3716002M2	1	Bearing Carrier	
5	3716037M1	X	Chock	Thickness 0,1 MM
	3795175M1	X	Shim	Thickness 0,15MM
	3716038M1	X	Chock	Thickness 0,4 MM
6	3716006M1	1	Pinion	Number of teeth/spines 44 1000 RPM
7	3716003M2	1	Case Assy	
8	3009853X1	1	Bearing Taper	
9	3716007M1	1	Washer	
10	3716028M1	1	Washer	
11	3010624X1	1	Ring	
12	3382868M1	1	Bush	
13	3382874M1	2	Segment	
14	3716024M1	1	Deflector	
15	1612707M1	1	Bearing Assy	
16	391129X1	1	Circlip	
17	3716027M2	1	Washer	
18	3716290M12	1	Pinion	Number of teeth/spines 107 540 RPM
	3716009M13	1	Pinion	Number of teeth/spines 99 750 RPM
19	3010555X1	2	Ring	
20	3716025M2	1	Hub	
21	3382069M3	1	Slider Bearing	
22	3716012M12	1	Pinion	Number of teeth/spines 92 1000 RPM
23	3010554X1	2	Circlip	
24	968634M91	2	Bearing Assy	
25	3383009M1	1	Clevis Pin	
26	1426515M1	1	Spring	
27	3581440M1	1	Lever	
28	973052M1	1	Knob	
29	1440350X1	1	Screw Metric	M6
30	195868M1	1	O Ring	
31	3791859M1	1	Stem	
32	3382979M1	1	Screw Special	M8x20
33	3382971M1	1	Fork	
34	3382972M2	2	Skate	
35	3716014M2	1	Spacer	
36	3716017M1	1	Gasket	
37	3716053M1	X	Chock	Thickness 0,1 MM
	3716054M1	X	Chock	Thickness 0,4 MM
38	152623M1	1	O Ring	
39	3716022M2	1	Hub	
40	3009292X1	4	Screw	M10x25
41	3716057M13	1	Shaft	
42	3006290X1	1	Centraliser	(41) Diameter 10 MM Length 30 MM Diameter 20MM
43	390979X1	1	Plug	

MF 8210/8220 TRACTORS - 1637365
1-ZX18-008-A

1-ZX18-008-A

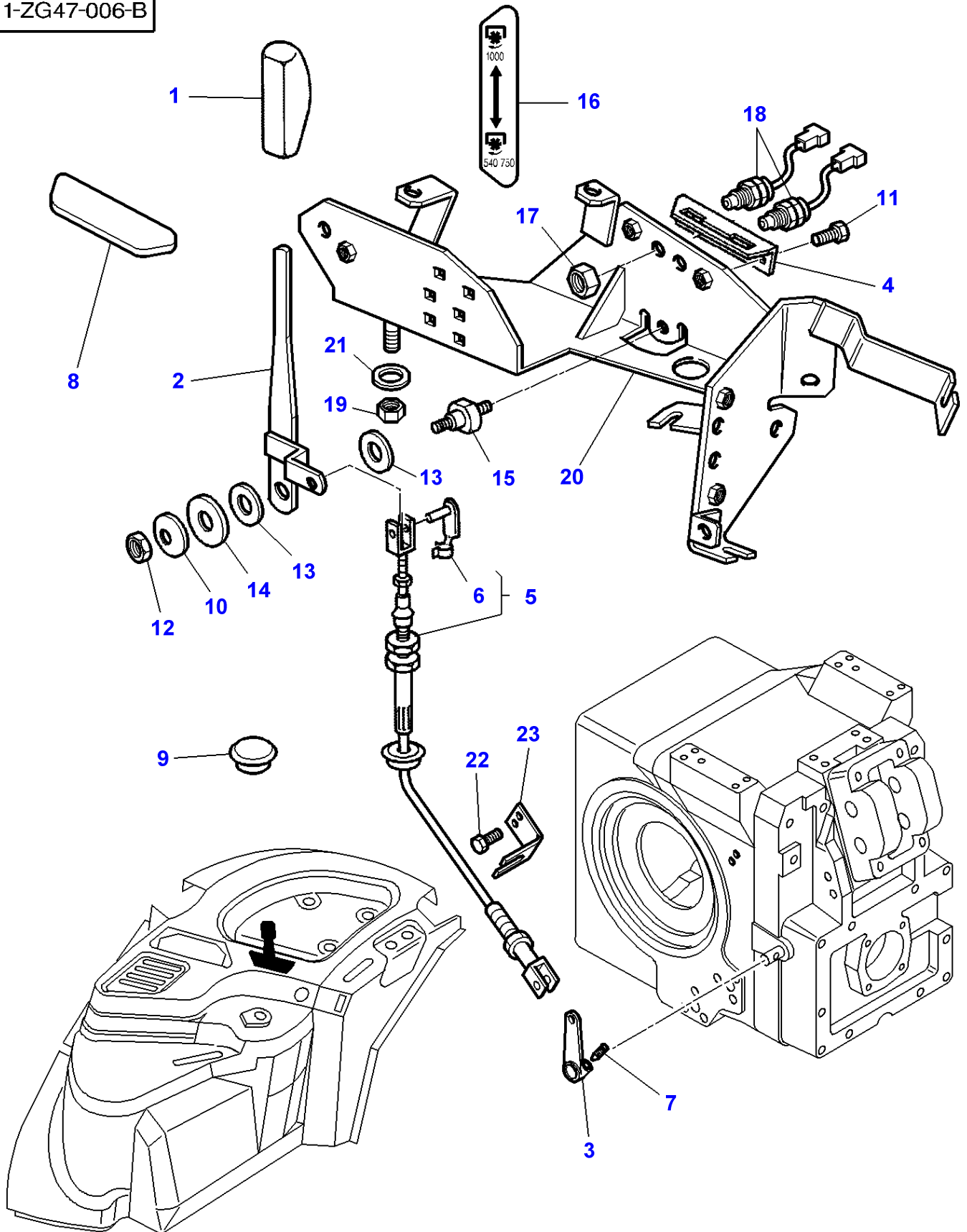


Pto Shaft - Cable Control

Item	Part Number	Qty	Description	Comments
1	3716288M1	1	Pinion	Number of teeth/spines 29 540 RPM
	3716005M1	1	Pinion	Number of teeth/spines 37 750 RPM
2	968634M91	1	Bearing Assy	
3	339488X1	6	Bolt Metric	M10x85
4	3716002M2	1	Bearing Carrier	
5	3716037M1	X	Chock	Thickness 0,1 MM
	3795175M1	X	Shim	Thickness 0,15MM
	3716038M1	X	Chock	Thickness 0,4 MM
6	3716006M1	1	Pinion	Number of teeth/spines 44 1000 RPM
7	3716003M2	1	Case Assy	
8	3009853X1	1	Bearing Taper	
9	3716007M1	1	Washer	
10	3716028M1	1	Washer	
11	3010624X1	1	Ring	
12	3382868M1	1	Bush	
13	3382874M1	2	Segment	
14	3716024M1	1	Deflector	
15	1612707M1	1	Bearing Assy	
16	391129X1	1	Circlip	
17	3716027M2	1	Washer	
18	3716290M12	1	Pinion	Number of teeth/spines 107 540 RPM
	3716009M13	1	Pinion	Number of teeth/spines 99 750 RPM
19	3010555X1	2	Ring	
20	3716025M2	1	Hub	
21	3382069M3	1	Slider Bearing	
22	3716012M12	1	Pinion	Number of teeth/spines 92 1000 RPM
23	3010554X1	2	Circlip	
24	968634M91	2	Bearing Assy	
25	3716057M13	1	Shaft	
26	3006290X1	1	Centraliser	(25) Diameter 10 MM Length 30 MM
27	3389580M2	1	Lever	
28	390979X1	1	Plug	Diameter 20MM
29	3009292X1	4	Screw	M10x25
30	195868M1	1	O Ring	
31	3791859M1	1	Stem	
32	3382979M1	2	Screw Special	M8x20
33	3382971M1	1	Fork	
34	3382972M2	2	Skate	
35	3716014M2	1	Spacer	
36	3716017M1	1	Gasket	
37	3716053M1	X	Chock	Thickness 0,1 MM
	3716054M1	X	Chock	Thickness 0,4 MM
38	152623M1	1	O Ring	
39	3716022M2	1	Hub	

MF 8210/8220 TRACTORS - 1637365
1-ZG47-006-B

1-ZG47-006-B



Massey Ferguson**MF 8210/8220 TRACTORS - 1637365**

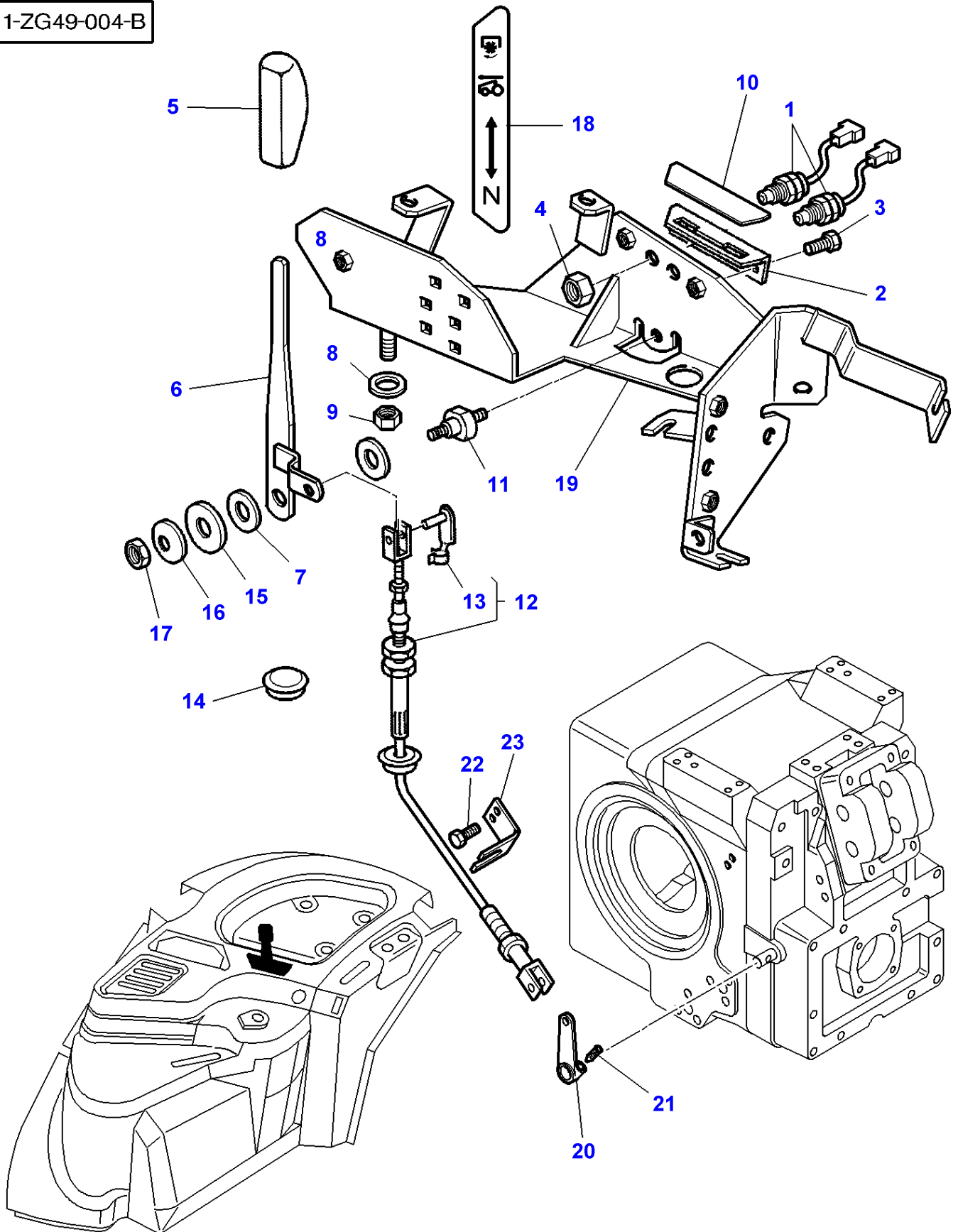
1637365

Pto-Coupling Drive Mechanism - P.T.O Control 540/1000 TR/MN

Page050-0055

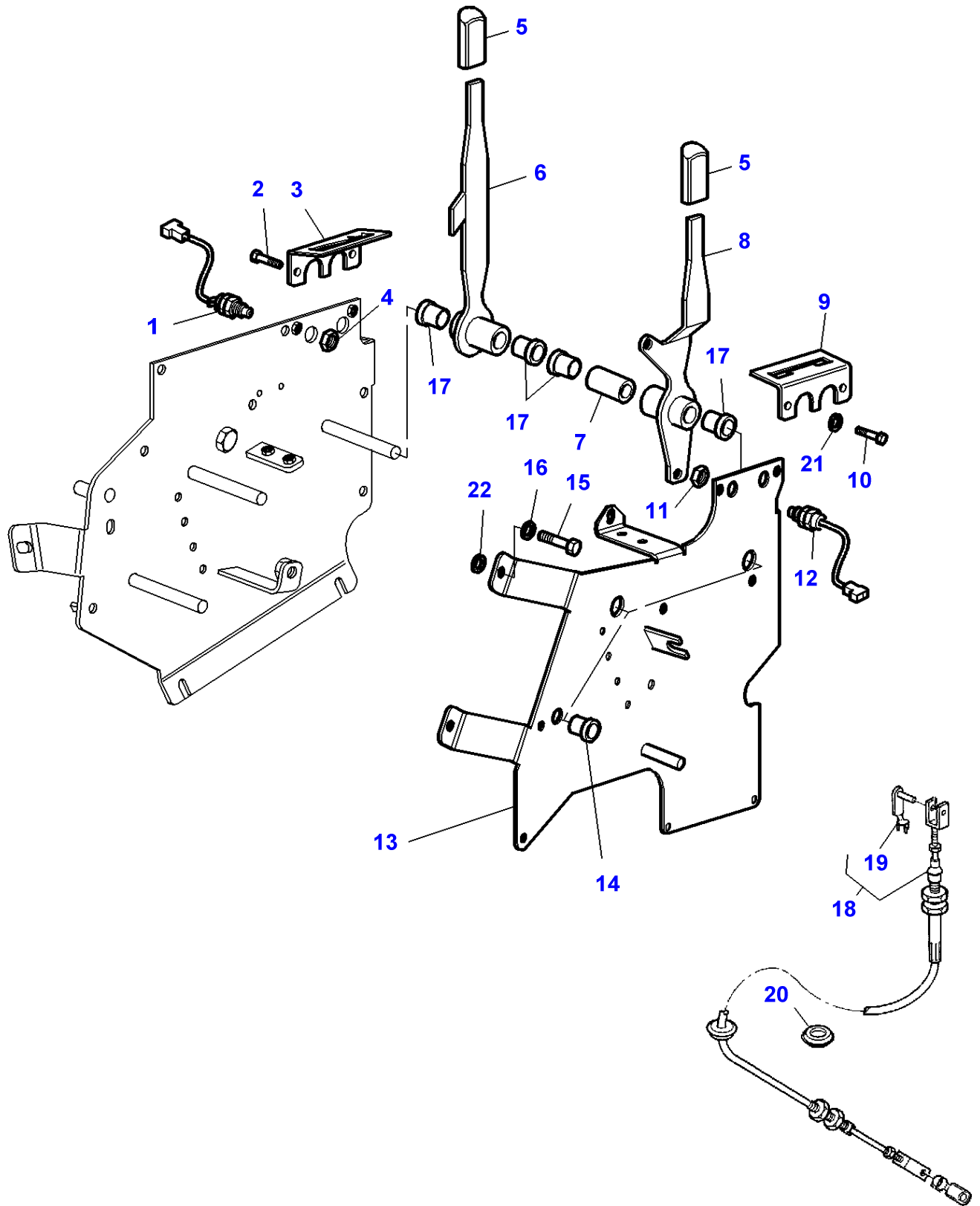
Item	Part Number	Qty	Description	Comments
1	3712976M2	1	Handle	
2	3712282M3	1	Lever	
3	3389580M2	1	Lever	M16X50
4	3715489M3	1	Grille	
5	3715483M1	1	Cable	
6	3600190M1	1	Clevis Pin	(5) Length 28MM
	3600191M1	1	Clevis Pin	(5) Length 40MM
7	3382979M1	1	Screw Special	
8	3712984M1	X	Plate	
9	3715587M1	1	Decal	Diameter 22MM
10	3386192M1	1	Washer	
11	339228X1	2	Screw Metric	M8X12
12	1441461X1	2	Locknut	
13	3386166M1	2	Washer	
14	1442174X1	1	Washer	
15	3712277M1	1	Clevis Pin	
16	3715185M2	1	Decal	
17	339070X1	2	Nut	
18	3780581M2	2	Switch,Indirect	
19	1441461X1	4	Locknut	
20	3778480M93	1	Support	
21	385361X1	4	Washer	
22	391989X1	2	Screw Metric	M8X20
23	3791860M1	1	Thruster	

1-ZG49-004-B



Item	Part Number	Qty	Description	Comments
1	3780581M2	2	Switch,Indirect	
2	3712275M1	1	Grille	
3	339228X1	2	Screw Metric	M8X12
4	339070X1	2	Nut	
5	3712976M2	1	Handle	
6	3712282M3	1	Lever	
7	3386166M1	2	Washer	
8	385361X1	4	Washer	
9	1441461X1	4	Locknut	
10	3712984M1	1	Plate	
11	3712277M1	1	Clevis Pin	
12	3715483M1	1	Cable	
13	3600190M1	1	Clevis Pin	(12) Length 28MM
	3600191M1	1	Clevis Pin	(12) Length 40MM
14	3713587M1	1	Plug	
15	1442174X1	1	Washer	
16	3386192M1	1	Washer	
17	1441461X1	1	Locknut	
18	3780175M1	1	Decal	
19	3778480M93	1	Support	
20	3389580M2	1	Lever	
21	3382979M1	1	Screw Special	
22	391989X1	2	Screw Metric	M8X20
23	3791860M1	1	Thruster	

1-ZG65-002-A



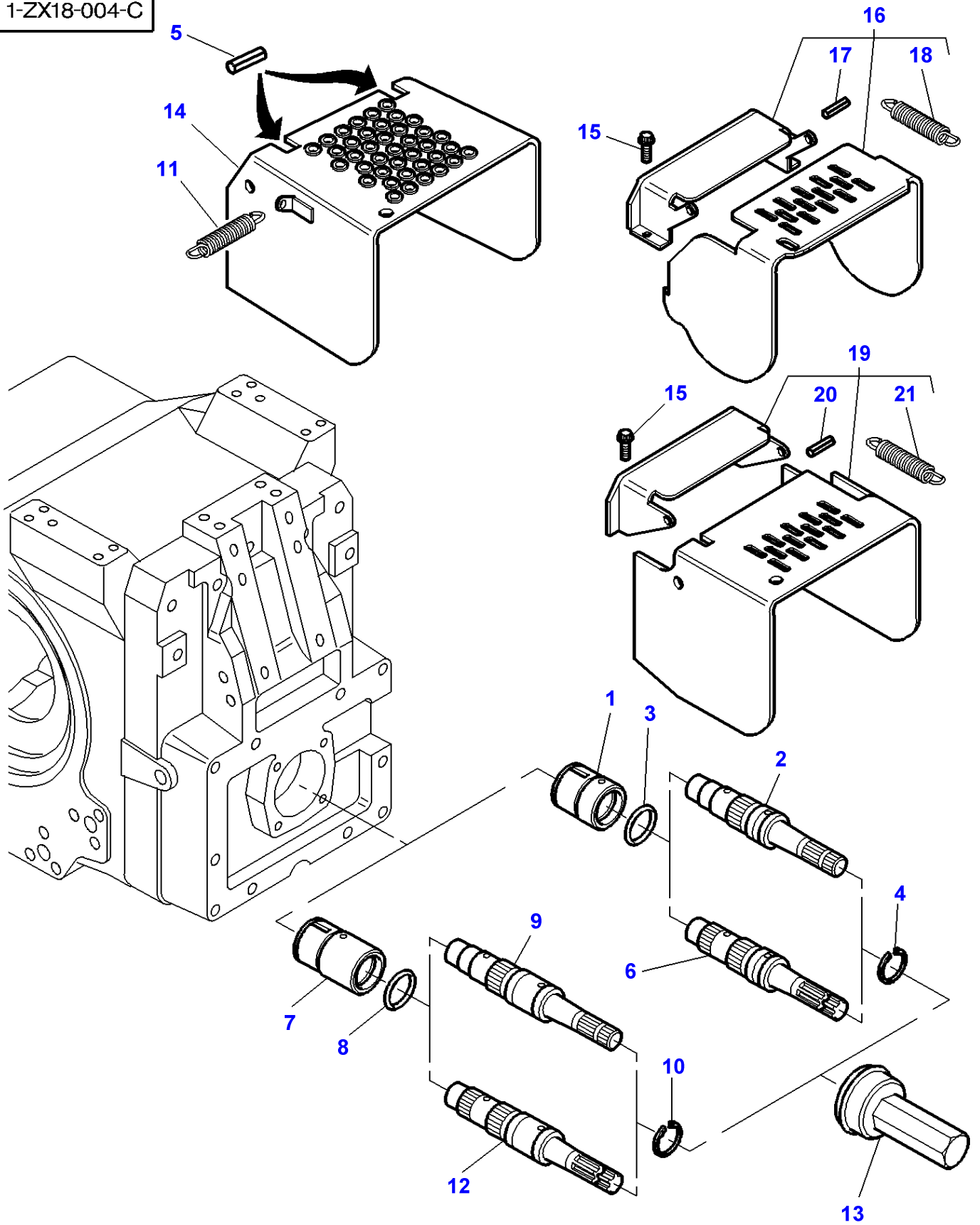
Pto-Drive Mechanism - Platform

Item	Part Number	Qty	Description	Comments
1	3780581M2	X	Switch, Indirect	
2	339560X1	2	Hex. Sock. Screw	M6X16MM
3	3778409M1	1	Grille	
4	339070X1	2	Nut	
5	3712976M2	2	Handle	
6	3778405M2	1	Lever	
7	3778412M1	1	Tube	[A]
8	3778406M2	1	Lever	
9	3778410M1	1	Grille	
10	339560X1	2	Hex. Sock. Screw	
11	3386198M1	1	Nut Special	
12	3780581M2	1	Switch, Indirect	Replace and repair. Old interchangeable with new 3386171M1
13	3778408M4	1	Shield	
14	3778415M1	3	Bearing	
15	339123X1	6	Hex. Sock. Screw	M8X20MM
16	390972X1	6	Washer Metric	
17	3778411M1	4	Bush	
18	3712989M2	1	Cable	
19	3600190M1	1	Clevis Pin	(18) Length 28MM
	3600191M1	1	Clevis Pin	(18) Length 40MM
20	3713587M1	1	Plug	Diameter 22MM
21	390971X1	2	Washer	
22	385361X1	4	Washer	

FOOTNOTE [A] WITHOUT CREEPER GEAR

MF 8210/8220 TRACTORS - 1637365
1-ZX18-004-C

1-ZX18-004-C



Pto Shaft

Item	Part Number	Qty	Description	Comments
1	3716029M2	1	Hub	[A]
2	3716043M3	1	Shaft	[A] Number of teeth/spines 21 / ISO Diameter 1"3/8-34,9 MM Length 368,8 MM 1000 RPM
3	1610254M1	1	O Ring	
4	3322250M3	1	Clip	
5	3019541X1	2	Roll Pin	Diameter 8 MM Length 22 MM
6	3716045M4	1	Shaft	Number of teeth/spines 6 / ISO Diameter 1"3/8-34,9MM Length 368,8MM 540 RPM
7	3716075M2	1	Hub	[B]
8	1610254M1	1	O Ring	
9	3716070M3	1	Shaft	[B] Number of teeth/spines 21 / SAE Diameter 1"3/8-34,9 MM Length 408,8 MM 1000 RPM
10	3322250M3	1	Clip	
11	3716643M1	1	Spring	Up to Serial or Engine Number K029022 For United States of America Length 85 MM
	3716643M1	1	Spring	[C]
	3618683M1	1	Spring	Length 118 MM
12	3716068M4	1	Shaft	[B] Number of teeth/spines 6 / SAE Diameter 1"3/8-34,9 MM Length 408,8 MM 540 RPM
13	3716071M1	1	Protector	Length 206MM
	3716021M1	1	Protector	Length 166MM
14	3716693M92	1	Protector	[B,E] CAT . 3
	3716696M91	1	Protector	[B,D,E]
	3716696M91	1	Protector	[B,D,E] Up to Serial or Engine Number K029022 For United States of America CAT . 2
	3716640M91	1	Protector	[A,E]
15	3010917X1	2	Screw Metric	M20X30
16	3792679M91	1	Protector	[A,E] Up to Serial or Engine Number H151014 CAT . 2/3
17	3792837M1	2	Pin	(16)
18	3792838M1	1	Spring	(16)
19	3793135M91	1	Protector	[A,E] From Serial or Engine Number H151015 CAT . 2/3
20	3002169X1	2	Pin	(19)
21	3793246M1	1	Spring	(19)

FOOTNOTE [A] ISO STANDARD

FOOTNOTE [B] SAE STANDARD

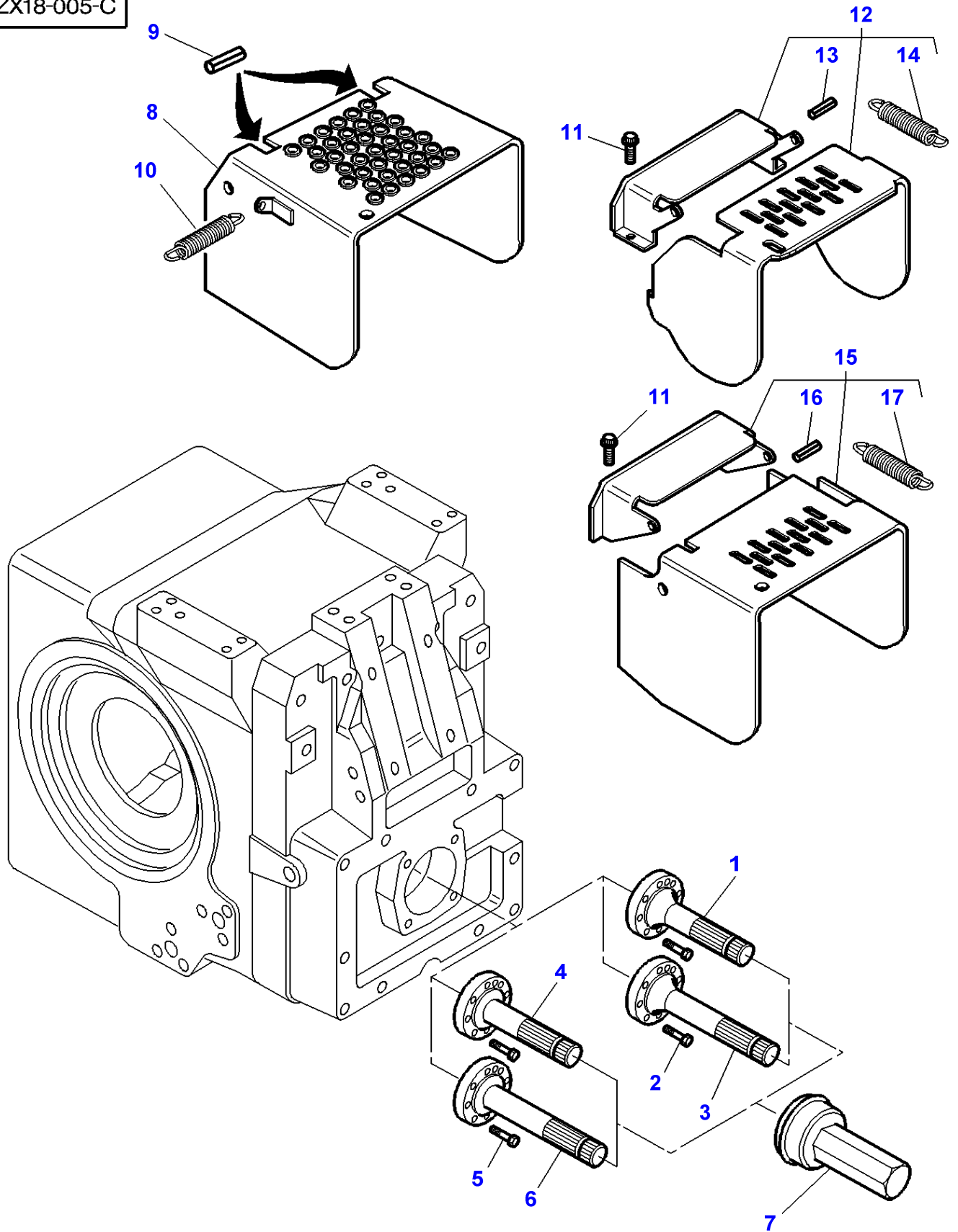
FOOTNOTE [C] LESS STABILISERS

FOOTNOTE [D] WITH SHOE STABILIZERS

FOOTNOTE [E] THE APPROPRIATE SAFETY DECALS MUST BE ORDERED AND FITTED TO THIS PART

MF 8210/8220 TRACTORS - 1637365
1-ZX18-005-C

1-ZX18-005-C



Pto Shaft

Item	Part Number	Qty	Description	Comments
1	3716016M2	1	Shaft	Number of teeth/spines 21 / ISO Diameter 1"3/8-34,9 MM Length 137,45 MM 1000 RPM
	3716018M2	1	Shaft	Number of teeth/spines 6 / ISO Diameter 1"3/8-34.9 MM Length 137.45MM 540 RPM
2	3010800X1	8	Screw	M12x35
3	3716074M2	1	Shaft	Number of teeth/spines 21 / SAE Diameter 1" 3/8-34,9MM Length 177,45 MM 1000 RPM
4	3716019M2	1	Shaft	Number of teeth/spines 20 / ISO 1"3/4-44,2MM Length 137,45MM 1000 RPM
5	3010800X1	8	Screw	M12x35
6	3716073M2	1	Shaft	Number of teeth/spines 20 / SAE Diameter 1"3/4-44,2 MM Length 177,45 MM 1000 RPM
7	3716071M1	1	Protector	Length 206MM
	3716021M1	1	Protector	Length 166MM
8	3716693M92	1	Protector	[D,E] CAT . 3
	3716696M91	1	Protector	[D,B,E] CAT . 2
	3716696M91	1	Protector	[D,B,E] Up to Serial or Engine Number K029022 For United States of America CAT . 2
	3716640M91	1	Protector	[C,E]
9	3019541X1	2	Roll Pin	Diameter 8 MM Length 22 MM
10	3716643M1	1	Spring	Length 85MM
	3716643M1	1	Spring	Up to Serial or Engine Number K029022 For United States of America
	3618683M1	1	Spring	[A] Length 118MM
11	3010917X1	2	Screw Metric	M20X30
12	3792679M91	1	Protector	[C,E] Up to Serial or Engine Number H151014 CAT . 2/3
13	3792837M1	2	Pin	(12)
14	3792838M1	1	Spring	(12)
15	3793135M91	1	Protector	[C,E] From Serial or Engine Number H151015 CAT . 2/3
16	3002169X1	2	Pin	(15)
17	3793246M1	1	Spring	(15)

FOOTNOTE [A] LESS STABILISERS

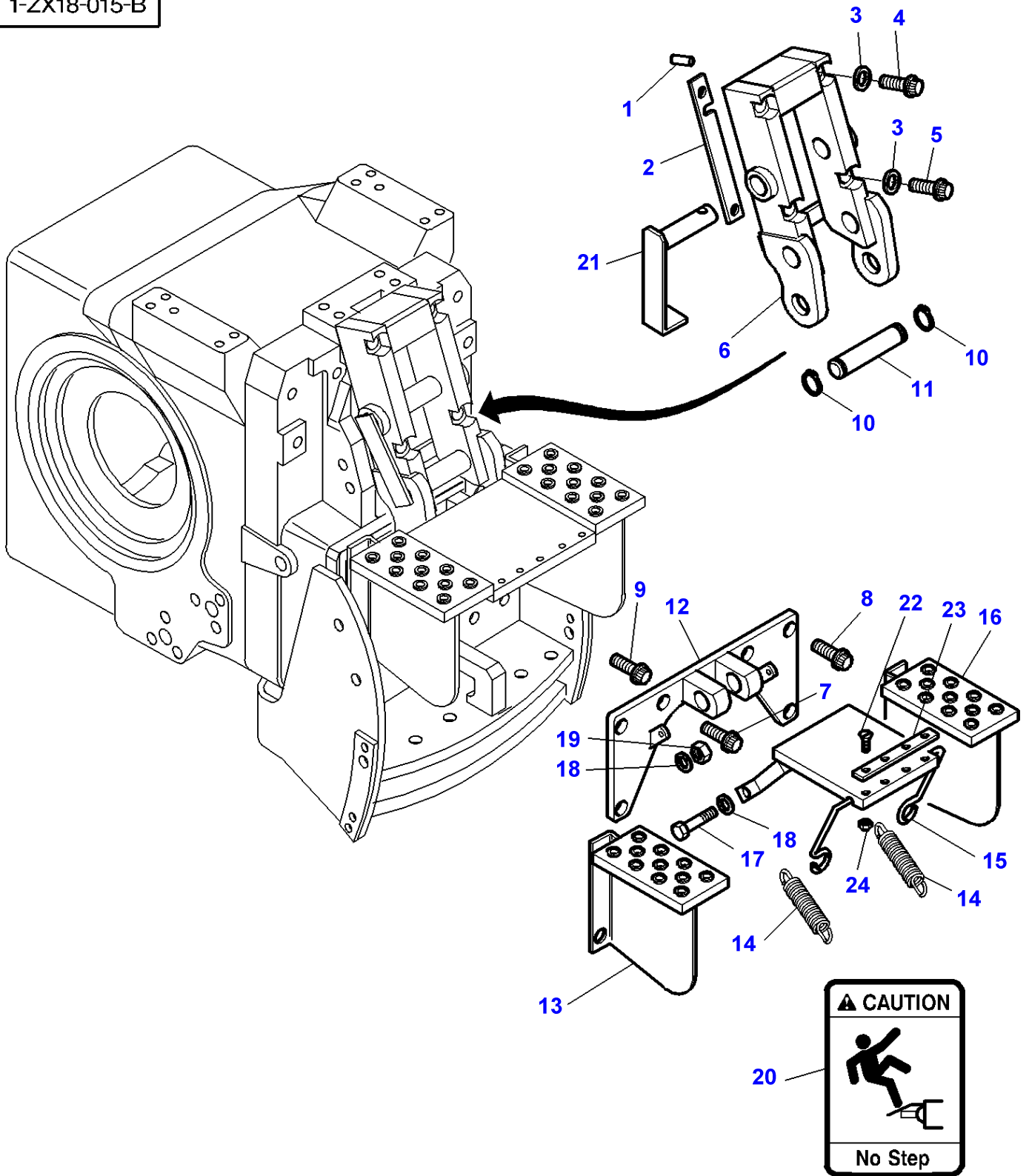
FOOTNOTE [B] WITH SHOE STABILIZERS

FOOTNOTE [C] ISO STANDARD

FOOTNOTE [D] SAE STANDARD

FOOTNOTE [E] THE APPROPRIATE SAFETY DECALS MUST BE ORDERED AND FITTED TO THIS PART

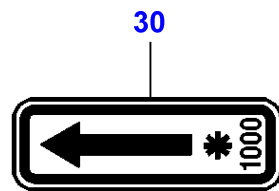
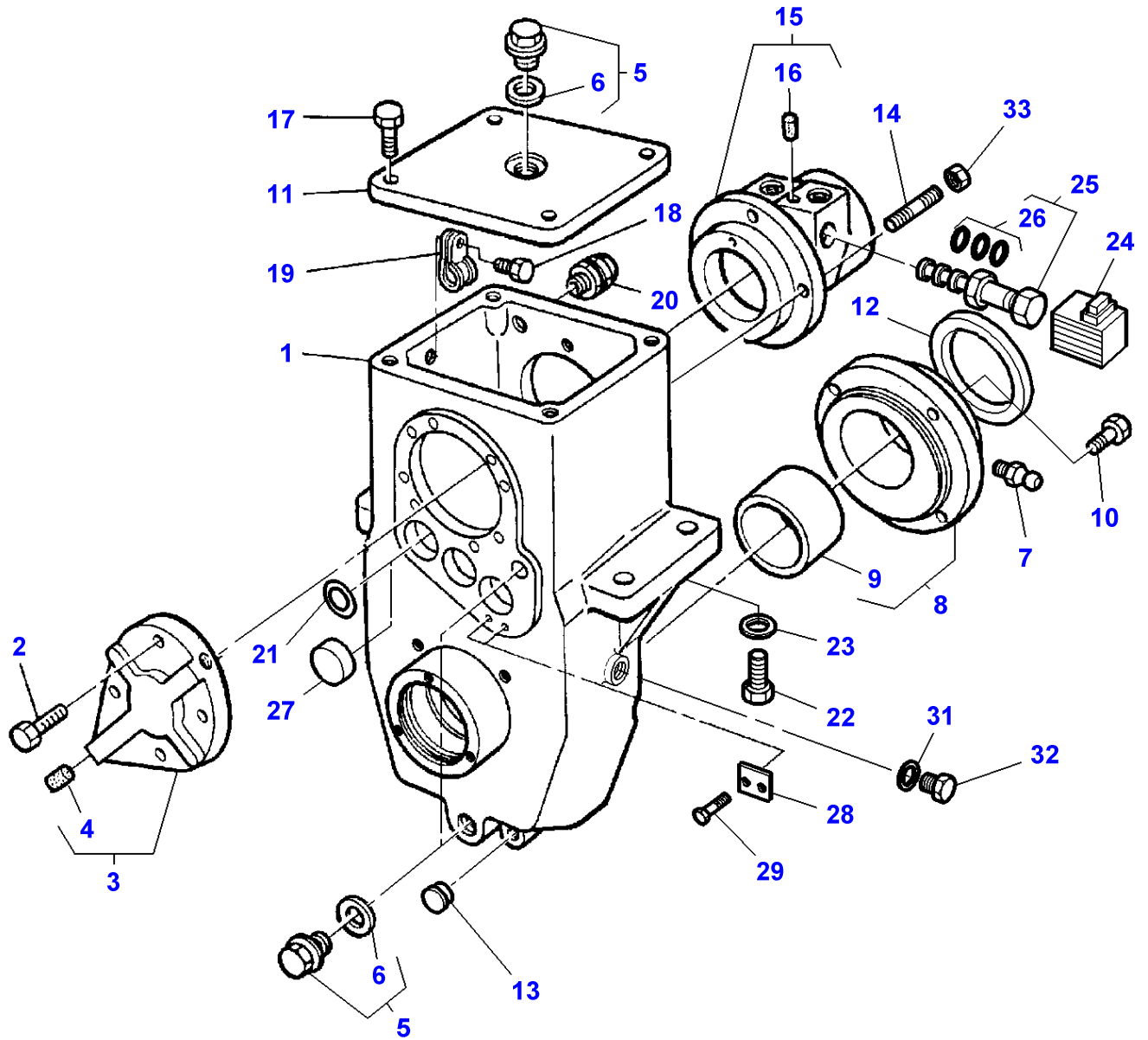
1-ZX18-015-B



Item	Part Number	Qty	Description	Comments
1	3716918M2	2	Centraliser	
2	3795839M1	X	Chock	Thickness 0,20 MM
	3795838M1	X	Chock	Thickness 0,70 MM
3	385365X1	4	Washer	Diameter 20-37 X 5
4	3010575X1	2	Screw	M20 X 130
5	3010563X1	2	Screw	M20 X 90
6	3795831M91	1	Support	
7	3010556X1	2	Screw Metric	M20 X 70
8	3010941X1	4	Screw Metric	M20 X 250
9	3010562X1	4	Screw	M20 X 230
10	339322X1	2	Segment	
11	3795830M1	1	Clevis Pin	
12	3795820M91	1	Plate	
13	3795845M91	1	Cowl	Left Hand
14	3798926M1	2	Spring	
15	3795824M91	1	Cowl	[A]
16	3795841M91	1	Cowl	Right Hand
17	339337X1	2	Hex. Sock. Screw	M8 X 30
18	385361X1	4	Washer	Diameter 9-17 X 3,2
19	394367X1	2	Locknut	M8
20	3795840M1	1	Decal	
21	3795817M91	1	Clevis Pin	
22	392404X1	4	Screw	M5 X 12
23	3796476M1	1	Band	
24	1441494X1	4	Nut Metric	M5

FOOTNOTE [A] THE APPROPRIATE SAFETY DECALS MUST BE ORDERED AND FITTED TO THIS PART

1-ZX39-005-B

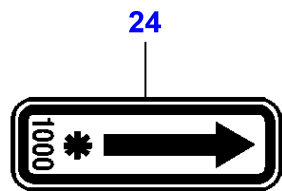
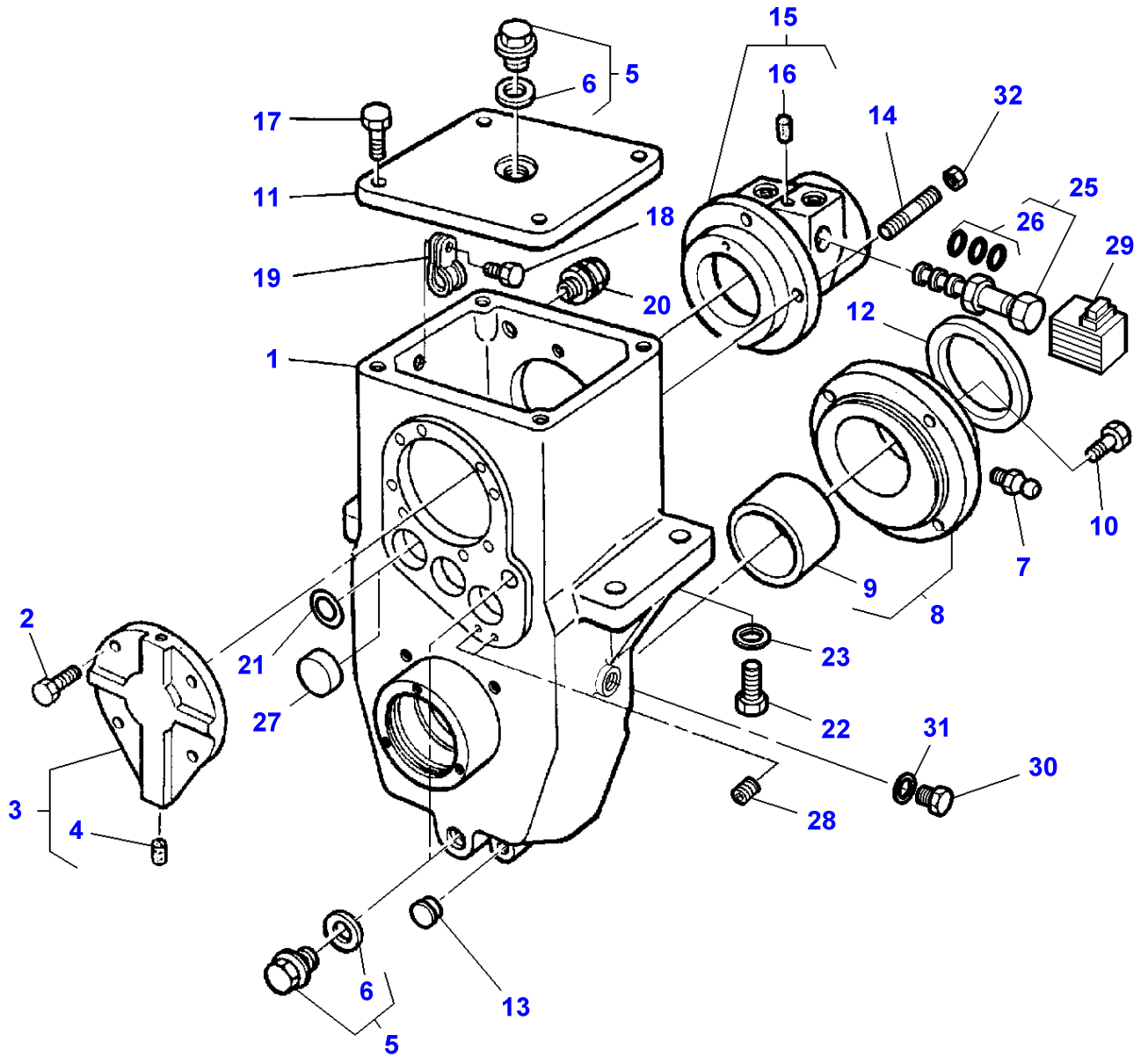


Item	Part Number	Qty	Description	Comments
1	3615609M2	1	Case Assy	
2	339761X1	4	Hex. Sock. Screw	M8X25
3	3581124M11	1	Cover	
4	3581130M1	1	Plug	(3)
5	3583994M91	3	Plug	M18
6	3019397X1	3	O Ring	(5)
7	339608X1	1	Grease Nipple	
8	3389342M93	1	Bearing Carrier	
9	3712078M1	1	Bearing	(8)
10	339299X1	4	Screw Metric	M12X30
11	3389345M3	1	Cover	
12	3712081M1	1	Cup	Diameter 134MM
13	3615257M1	1	Eyelet	Diameter 9,5MM
14	3386903M1	2	Stud	M8X32
15	3581116M11	1	Bearing Carrier	
16	3388063M1	1	Plug	(15) Diameter 6MM
17	339761X1	4	Hex. Sock. Screw	M8X25
18	391074X1	1	Hex. Sock. Screw	M6X12
19	3581132M1	1	Clamp	Diameter 15MM
20	3389615M1	1	Gland	
21	195562M1	2	O Ring	
22	3386216M1	4	Screw	M20X60
23	385365X1	4	Washer	
24	3619764M1	1	Solenoid	[A] (1)
25	3619762M1	1	Spool	
26	3900994M91	1	Kit, Joint	(25)
27	3713445M1	1	Plug	Diameter 36MM
28	3615604M1	1	Stop	
29	339123X1	2	Hex. Sock. Screw	M8X20
30	3618157M2	1	Decal	
31	390202X1	1	Seal	[B]
32	339494X1	1	Plug	[B] M20
33	339169X1	2	Nut	

FOOTNOTE [A] INCLUDING A DIODE

FOOTNOTE [B] WITHOUT SENSOR

1-ZX39-006-B

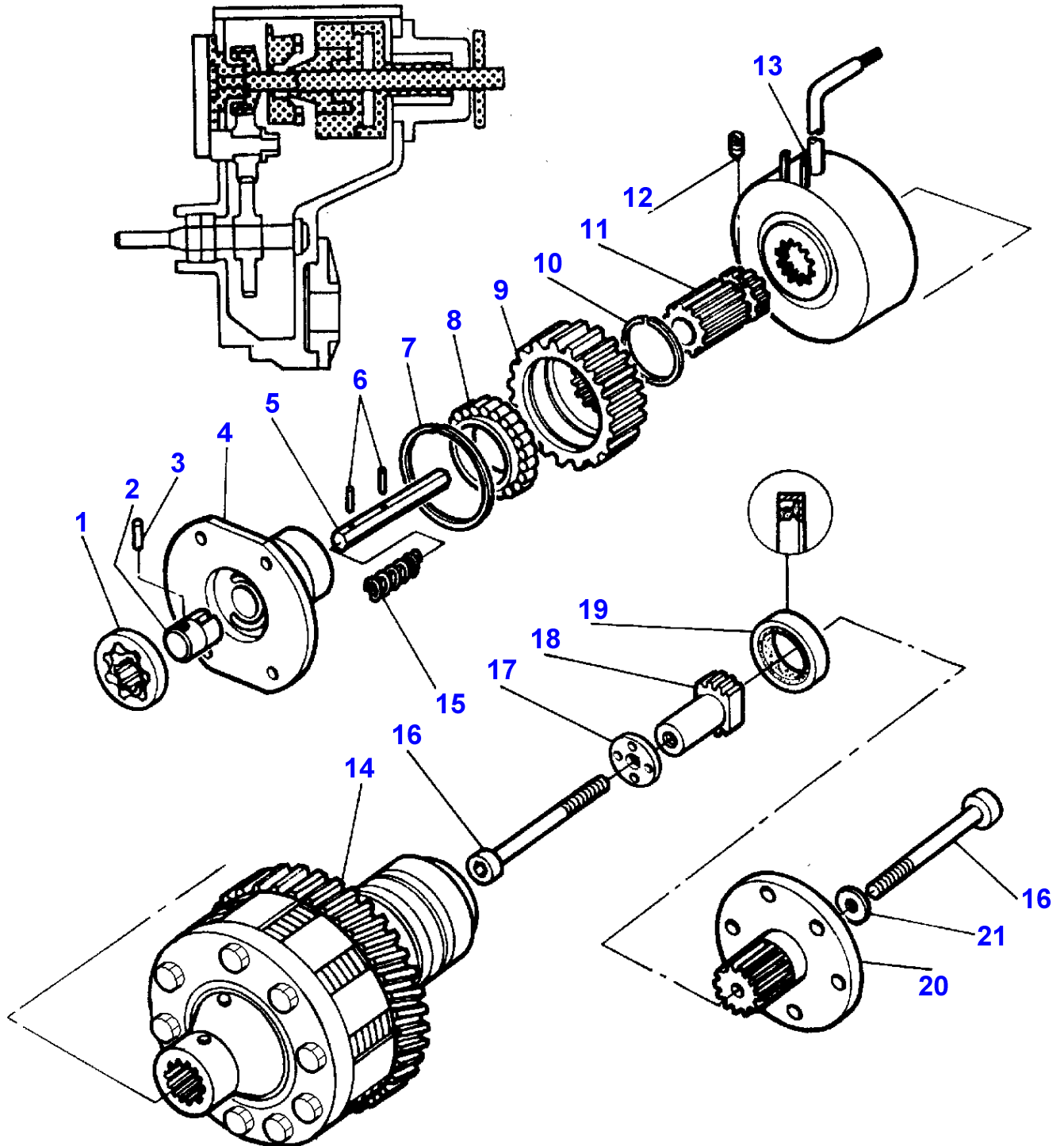


Item	Part Number	Qty	Description	Comments
1	3615609M2	1	Case Assy	
2	339761X1	4	Hex. Sock. Screw	M8X25
3	3581124M11	1	Cover	
4	3581130M1	1	Plug	(3)
5	3583994M91	3	Plug	M18
6	3019397X1	3	O Ring	(5)
7	339608X1	1	Grease Nipple	
8	3389342M93	1	Bearing Carrier	
9	3712078M1	1	Bearing	(8)
10	339299X1	4	Screw Metric	M12X30
11	3389345M3	1	Cover	
12	3712081M1	1	Cup	Diameter 134MM
13	3615257M1	1	Eyelet	Diameter 9,5MM
14	3386903M1	2	Stud	M8X32
15	3581116M11	1	Bearing Carrier	
16	3388063M1	1	Plug	(15) Diameter 6MM
17	339761X1	4	Hex. Sock. Screw	M8X25
18	391074X1	1	Hex. Sock. Screw	M6X12
19	3581132M1	1	Clamp	Diameter 15MM
20	3389615M1	1	Gland	
21	195562M1	1	O Ring	
22	3386216M1	4	Screw	M20X60
23	385365X1	4	Washer	
24	3618157M2	1	Decal	
25	3619762M1	1	Spool	
26	3900994M91	1	Kit, Joint	(25)
27	3713445M1	2	Plug	Diameter 36MM
28	3009711X1	2	Screw	
29	3619764M1	1	Solenoid	[A] (1)
30	339494X1	1	Plug	[B] M20
31	390202X1	1	Seal	[B]
32	339169X1	2	Nut	

FOOTNOTE [A] INCLUDING A DIODE

FOOTNOTE [B] WITHOUT SENSOR

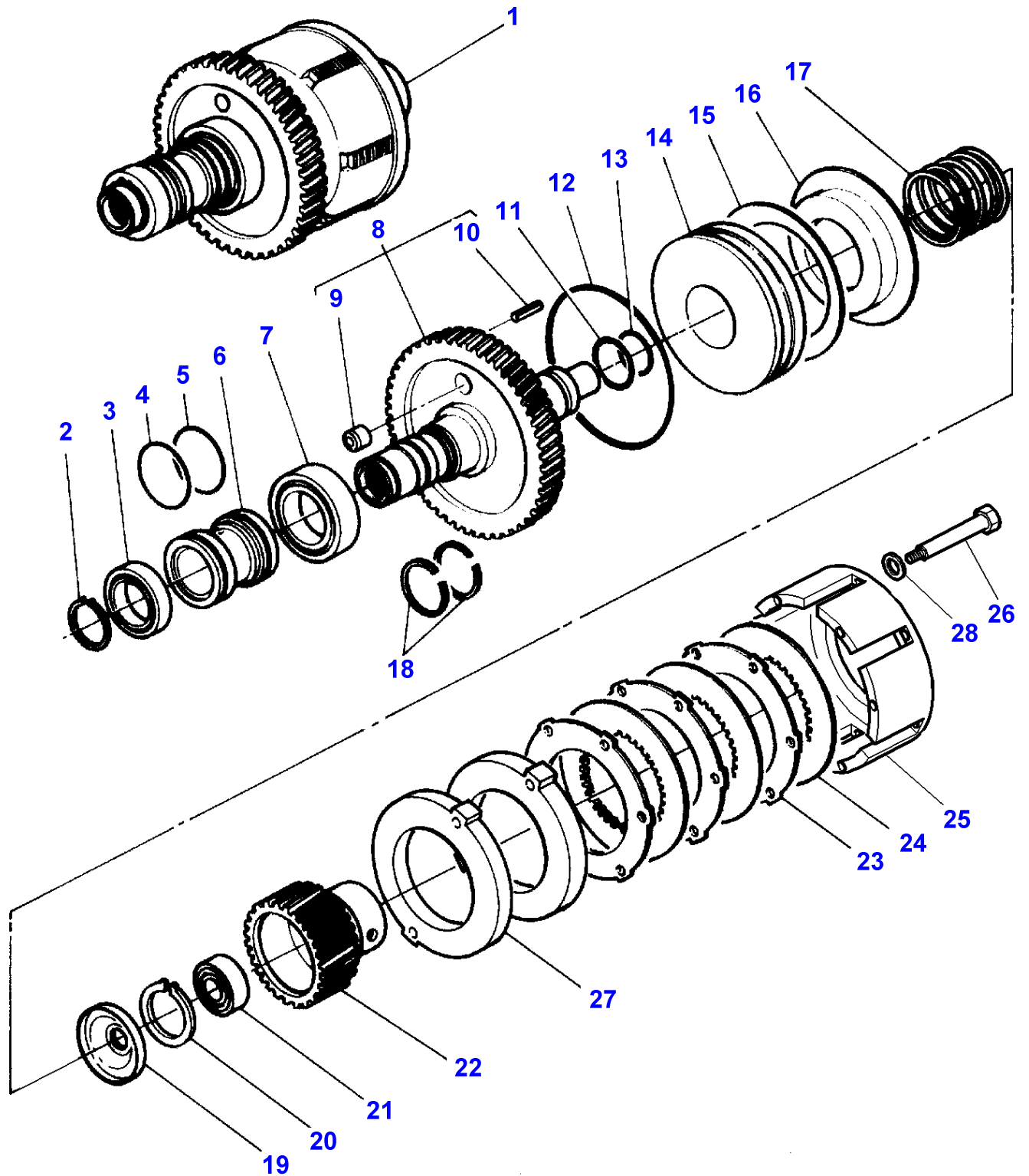
1-ZX38-002-A



Massey Ferguson**MF 8210/8220 TRACTORS - 1637365****1637365****Front Pto - Drive - Up To 07-01-2001****Page050-0095**

Item	Part Number	Qty	Description	Comments
1	274797M1	1	Rotor	
2	3389604M1	1	Hub	
3	338334X1	1	Pin	Diameter 3 X 20
4	3615601M1	1	Hub Carrier	
5	3617323M1	1	Clevis Pin	
6	3010612X1	2	Needle	
7	1442502X1	1	Circlip	
8	3580985M1	1	Bearing Assy	
9	3389332M2	1	Pinion	Number of teeth/spines 25
10	3389610M1	X	Chock	Thickness 0,25 MM
	3389611M1	X	Chock	Thickness 0,50 MM
	3389612M1	X	Chock	Thickness 1,00 MM
11	3389347M2	1	Shaft	
12	3009711X1	1	Screw	M8 X 12
13	3389631M91	1	Brake	
14	3714535M13	1	Clutch	
15	3389605M1	1	Spring	
16	3389349M1	2	Screw Special	M8 X 90
17	3389603M1	1	Washer	
18	3617321M1	1	Nut Special	
19	3389614M1	1	Gasket	
20	3389861M91	1	Shaft	
21	391376X1	1	Joint.	

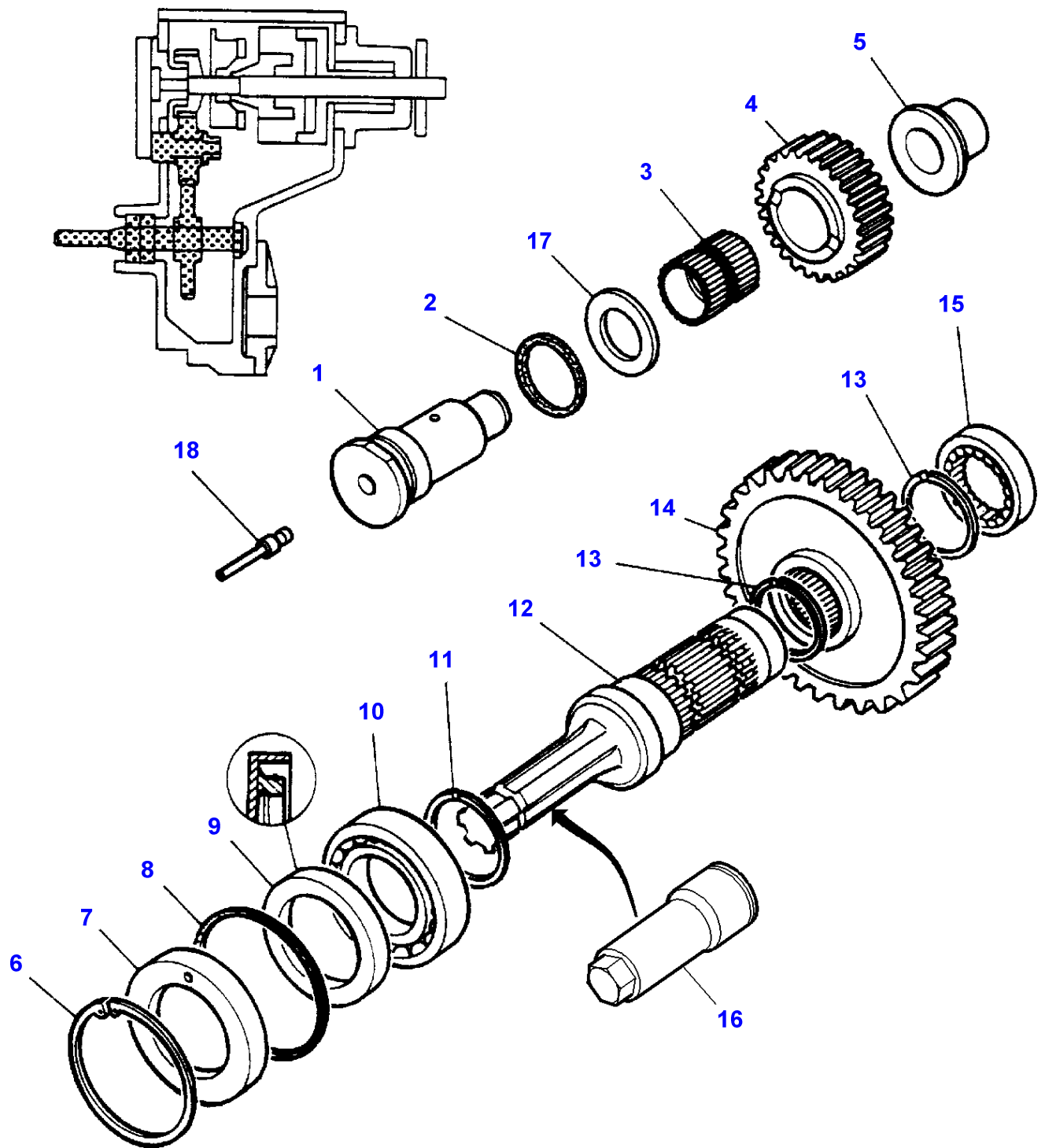
1-ZX50-001-A



Massey Ferguson**MF 8210/8220 TRACTORS - 1637365****1637365****Front Pto - IPTO Clutch - Up To 07-01-2001****Page050-0100**

Item	Part Number	Qty	Description	Comments
1	3714535M13	1	Clutch	
2	391832X1	1	Circlip	(1) Diameter 40 MM
3	834820M1	1	Bear. 6008	(1)
4	3007077X1	1	Gasket	(1)
5	365801X1	1	Ring	(1)
6	3384388M1	1	Hub	(1)
7	3002233X1	1	Bear. 6009	(1)
8	3715426M13	1	Housing	(1) Number of teeth/spines 76
9	1872134M92	1	Valve Check	(8)
10	3019306X1	2	Clevis Pin	(8) Diameter 6 X 20
11	3582934M1	1	Gasket	(1)
12	3582933M1	1	O Ring	(1)
13	832038M1	1	O Ring	(1)
14	3387193M1	1	Piston	(1)
15	3619148M1	1	Cup Spring	(1)
16	3387198M1	1	Support	(1)
17	3582893M1	1	Spring	(1)
18	3384502M1	2	Segment	(1)
19	3619555M1	1	Spring	(1)
20	391061X1	1	Circlip	(1) Diameter 42 MM
21	339073X1	1	Bear. 6004	(1)
22	3619553M1	1	Hub	(1)
23	3387346M1	3	Counterplate	(1)
24	3387347M1	3	Disc	(1)
25	3387192M2	1	Cover	(1)
26	3010805X1	10	Screw Metric	(1) M6 X 55
27	3616056M2	2	Spacer	(1)
28	3019571X1	10	Washer	(1) Diameter 6-12 X 2 MM

1-ZX38-001-A



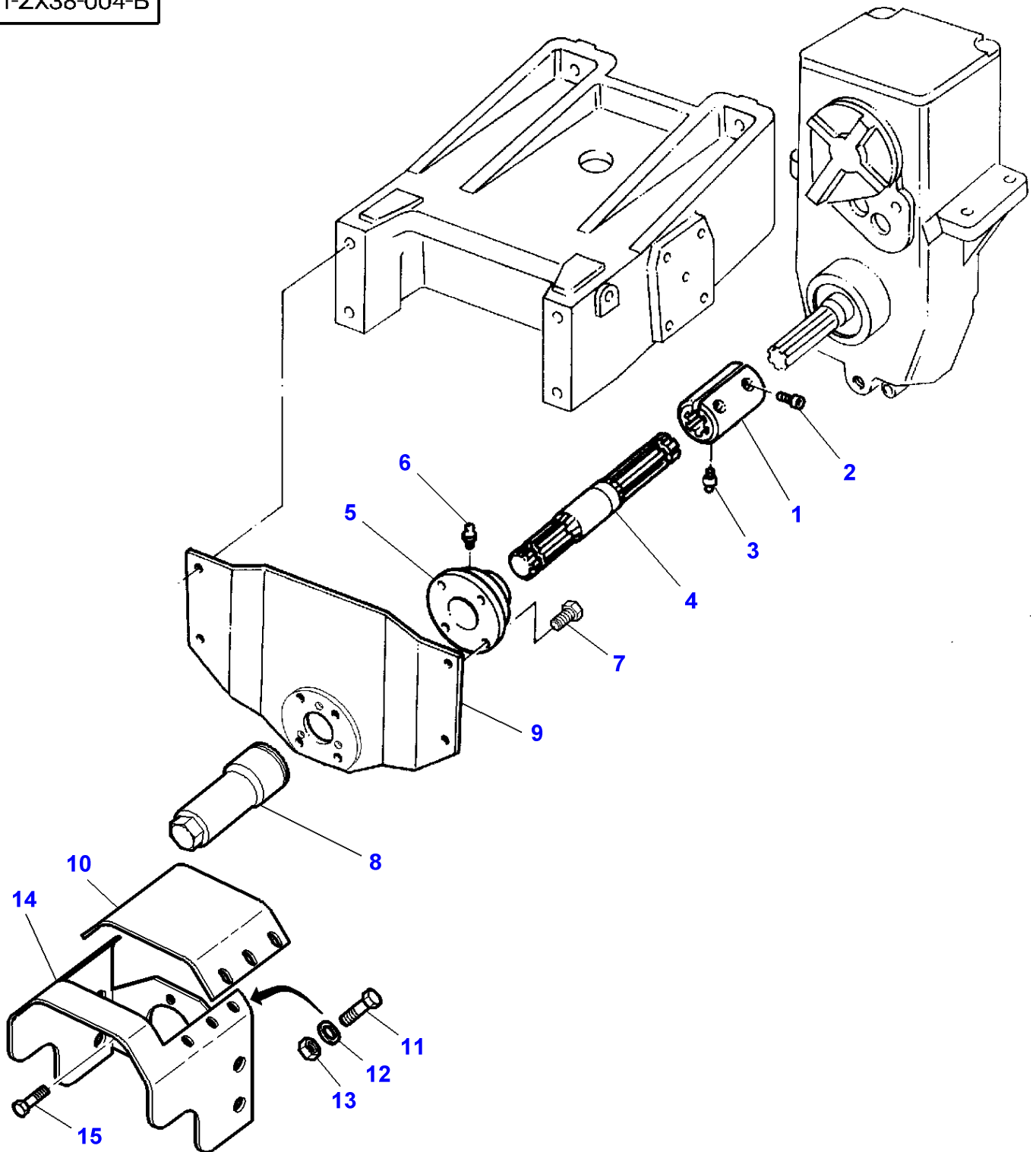
Front Pto - Drive - Up To 07-01-2001

Item	Part Number	Qty	Description	Comments
1	3615603M2	2	Clevis Pin	[B]
	3615603M2	1	Clevis Pin	[C]
2	378201X1	2	O Ring	[B]
	378201X1	1	O Ring	[C]
3	3389599M1	2	Needle Cage	[B]
	3389599M1	1	Needle Cage	[C]
4	3389333M1	2	Pinion	[B]
			Number of teeth/spines 25	
	3389333M1	1	Pinion	[C]
			Number of teeth/spines 25	
5	3389346M1	2	Bush	[B]
	3389346M1	1	Bush	[C]
6	1440516X1	1	Circlip	Diameter 90 MM
7	3389339M2	1	Sealing Holder	
8	842332M1	1	Gasket	
9	3389613M2	1	Seal	
10	391261X1	1	Bear. 6011	
11	377602X1	1	Circlip	
12	3617117M1	1	Shaft	Number of teeth/spines 6
	3389338M1	1	Shaft	Number of teeth/spines 21
13	3386987M1	2	Circlip	Diameter 50 MM
14	3389337M1	1	Pinion	Number of teeth/spines 51
15	3387381M1	1	Bearing Assy	
16	3715248M1	1	Protector	
17	3615602M1	2	Washer	[B]
	3615602M1	1	Washer	[C]
18	3581130M1	1	Plug	[B]

FOOTNOTE [B] REVERSE DRIVE FRONT PTO

FOOTNOTE [C] CLOCK WISE DRIVE FRONT PTO

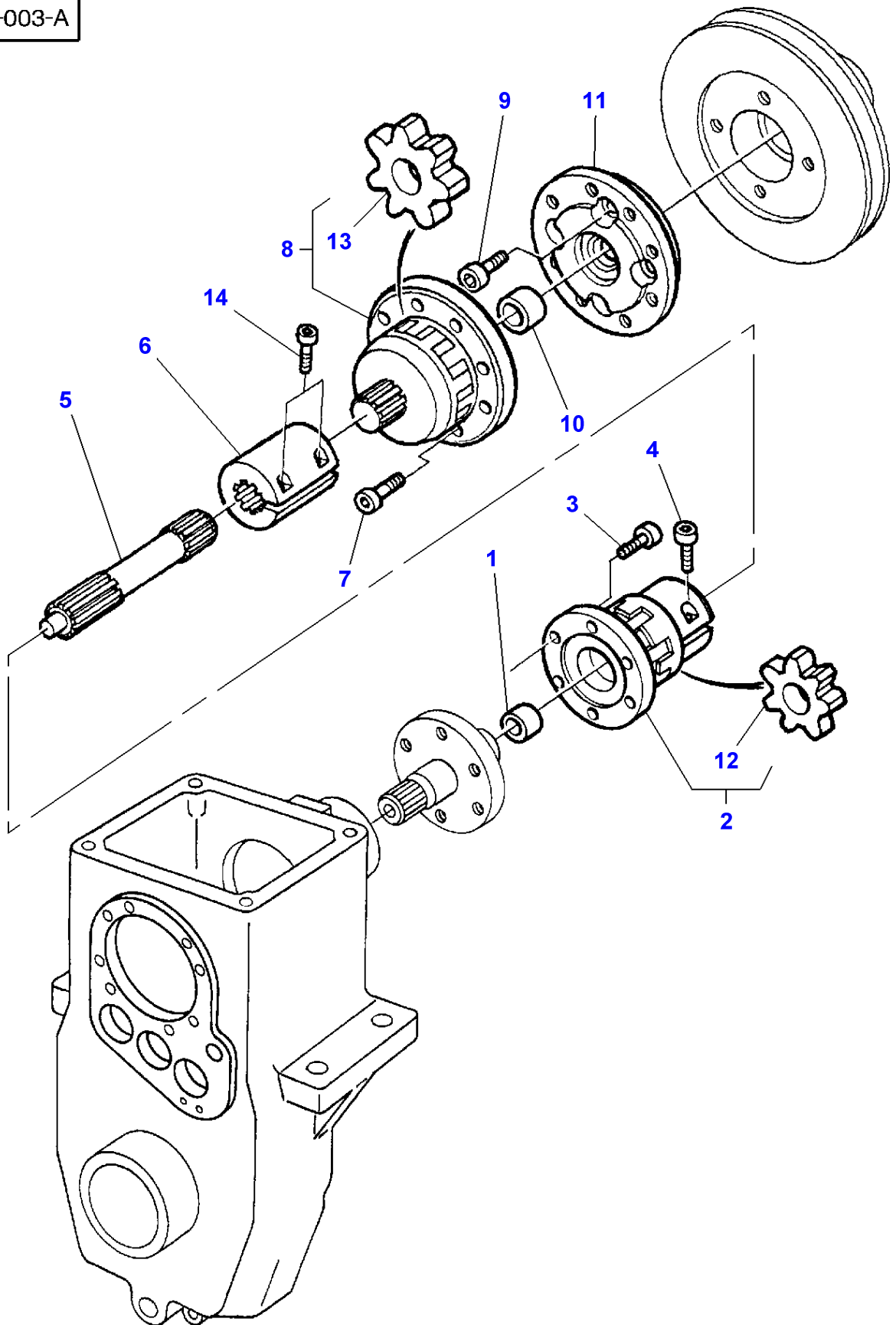
1-ZX38-004-B



Massey Ferguson**MF 8210/8220 TRACTORS - 1637365****1637365****Front Pto - Drive - Up To 07-01-2001****Page050-0110**

Item	Part Number	Qty	Description	Comments
1	3617368M1	1	Sleeve	
2	1441366X1	2	Bolt Metric	M12 X 40
3	339608X1	1	Grease Nipple	
4	3617364M1	1	Shaft	Number of teeth/spines 6
	3617365M1	1	Shaft	Number of teeth/spines 21
5	3617367M1	1	Bearing Carrier	
6	364461X1	1	Grease Nipple	
7	3009505X1	4	Screw Metric	M12 X 25
8	3715248M1	1	Protector	
9	3618167M1	1	Support	
10	3777563M2	1	Cover	
11	339666X1	4	Hex. Sock. Screw	M6 X 20
12	390971X1	4	Washer	Diameter 6-12 X 1,5 MM
13	339030X1	4	Nut Metric	M6
14	3777564M2	1	Cowl	
15	339123X1	3	Hex. Sock. Screw	M8 X 20

1-ZX38-003-A

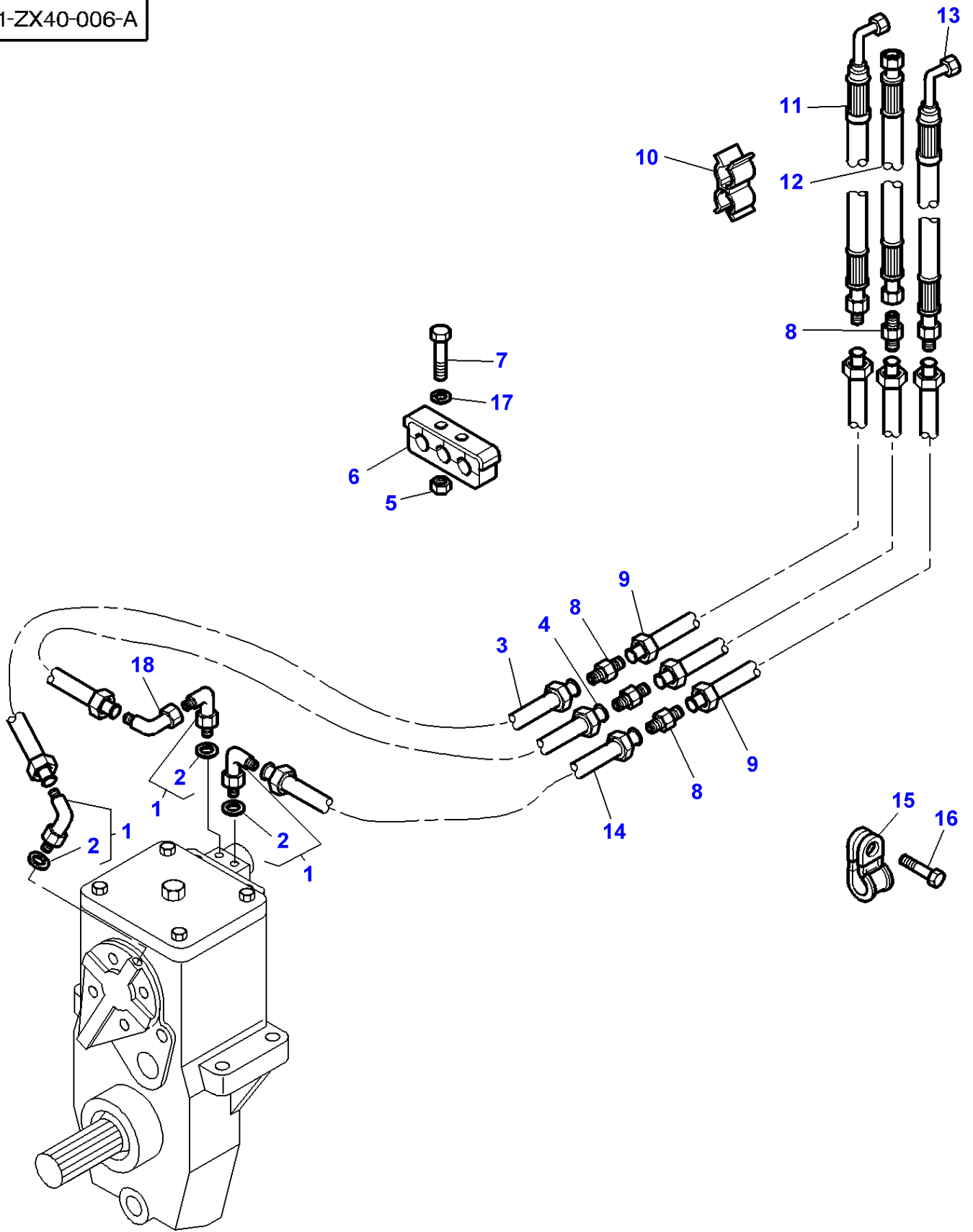


Massey Ferguson**MF 8210/8220 TRACTORS - 1637365****1637365****Front Pto - Drive - Up To 07-01-2001****Page050-0115**

Item	Part Number	Qty	Description	Comments
1	3389791M1	1	Bush	
2	3389825M1	1	Coupler	
3	1440350X1	6	Screw Metric	M6 X 20
4	1440349X1	1	Screw Metric	M8 X 30
5	3582456M1	1	Shaft	Length 117 MM
6	3619929M1	1	Sleeve	
7	391989X1	8	Screw Metric	M8 X 20
8	3580604M91	1	Coupler	
9	360955X1	4	Screw	7/16X1"
10	3389766M1	1	Bush	
11	3582455M2	1	Hub	
12	3467932M1	1	Shock Absorber	(2)
13	3467933M1	1	Shock Absorber	(8)
14	3010238X1	2	Screw	M10 X 40

FOOTNOTE [C] FOR HIGH VISIBILITY TRACTOR

1-ZX40-006-A



Massey Ferguson**MF 8210/8220 TRACTORS - 1637365**

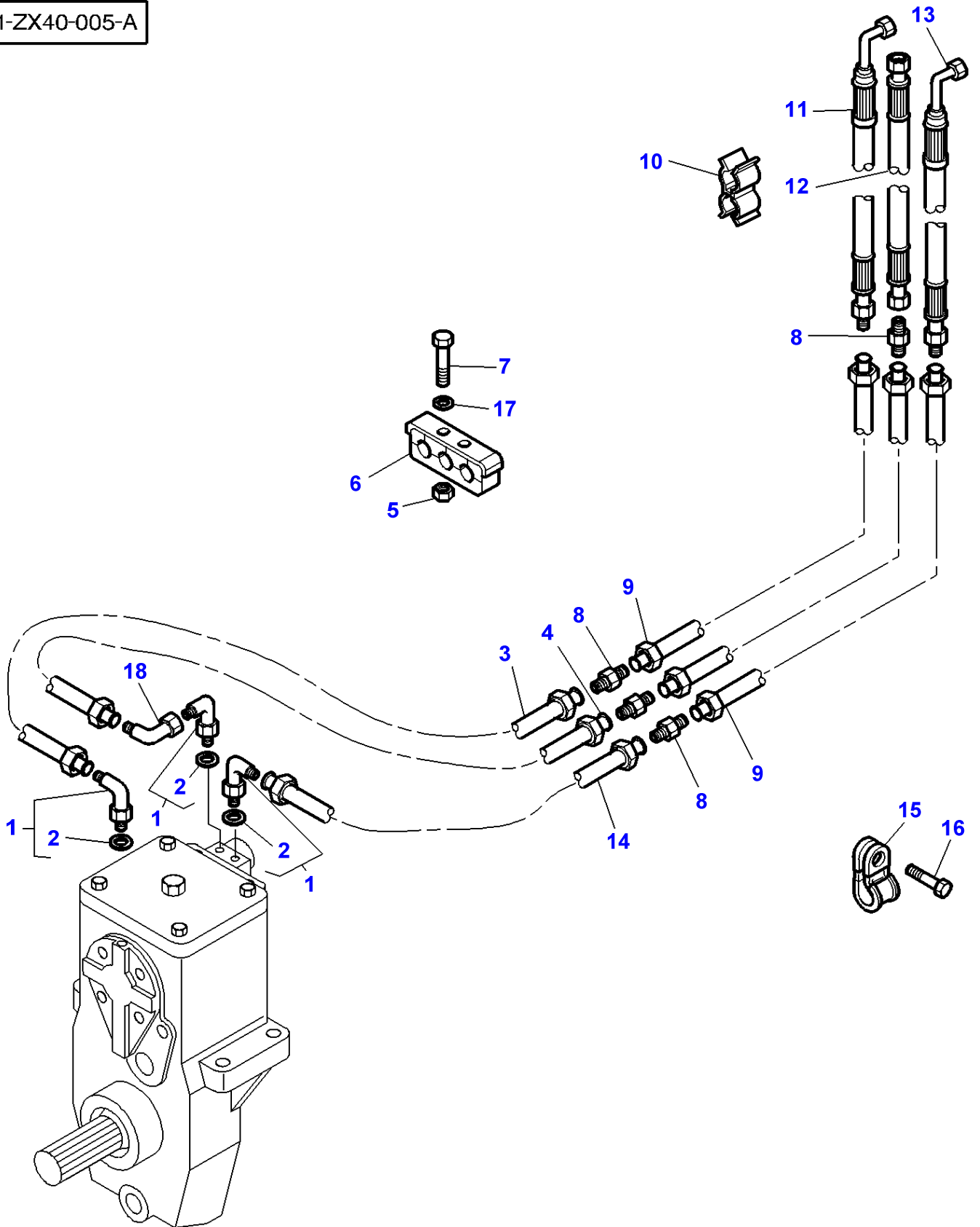
1637365

Front Pto - Lines - Reverse Drive Front Pto - Up To 07-01-2001

Page050-0120

Item	Part Number	Qty	Description	Comments
1	3019412X91	3	Elbow	
2	3019395X1	1	O Ring	(1)
3	3784011M1	1	Tube	
4	3784013M1	1	Tube	
5	339030X1	6	Nut Metric	
6	3784009M1	3	Clamp	
7	339096X1	6	Bolt Metric	M6X35
8	355529X1	4	Union	
9	3784010M1	3	Tube	
10	3581696M1	4	Clamp	
11	3783432M1	1	Hydr Hose	Length 1400MM
12	3781572M1	1	Hydr Hose	Length 2200MM
13	3783431M1	1	Hydr Hose	Length 2200MM
14	3784014M1	1	Tube	
15	3010808X1	1	Strap	
16	339123X1	1	Hex. Sock. Screw	M8X20
17	390971X1	6	Washer	
18	364603X1	1	Elbow	

1-ZX40-005-A



Massey Ferguson**MF 8210/8220 TRACTORS - 1637365**

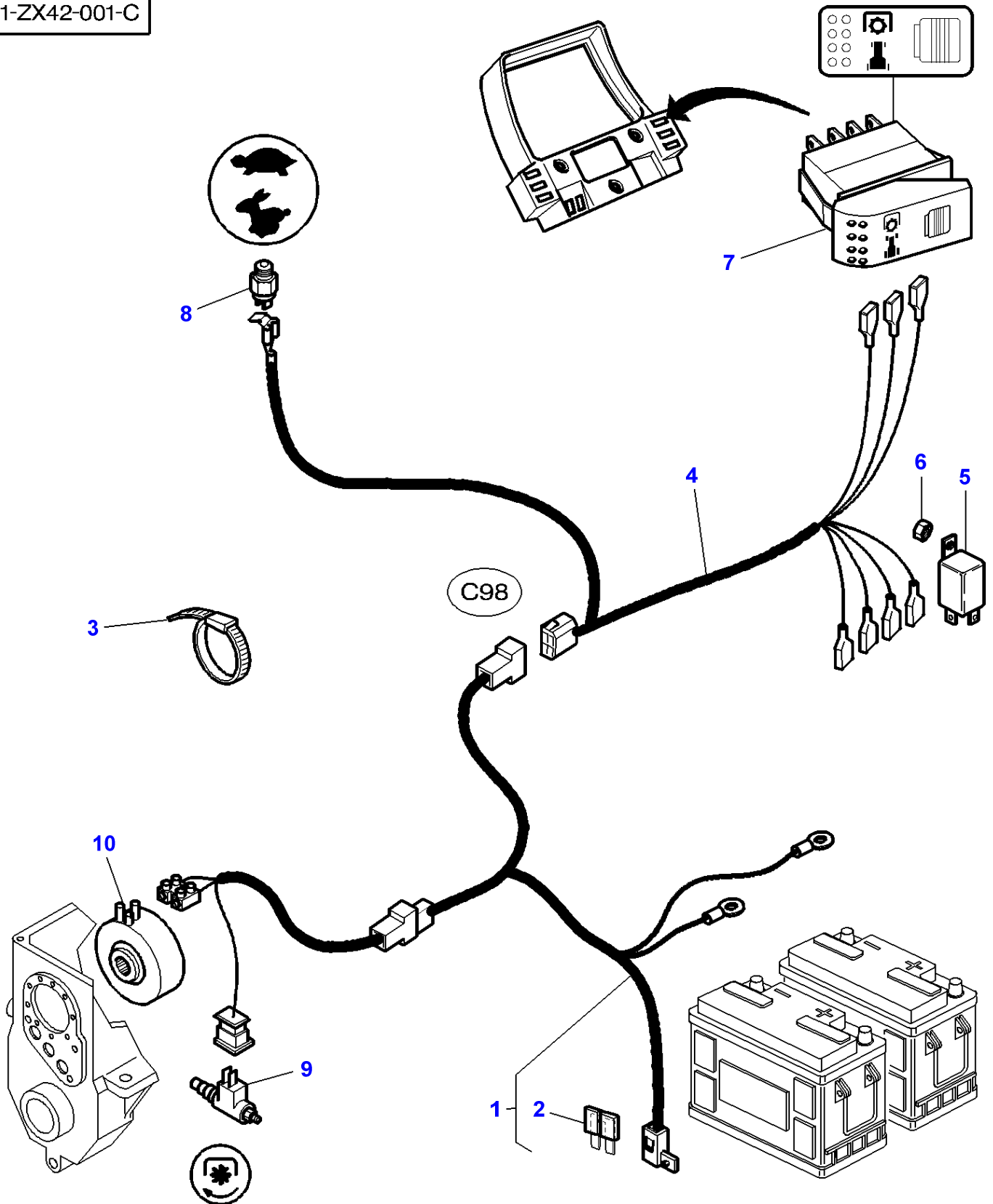
1637365

Front Pto - Lines - Clockwise Drive Front Pto - Up To 07-01-2001

Page050-0125

Item	Part Number	Qty	Description	Comments
1	3019412X91	3	Elbow	
2	3019395X1	1	O Ring	(1)
3	3784012M1	1	Tube	
4	3784013M1	1	Tube	
5	339030X1	6	Nut Metric	
6	3784009M1	3	Clamp	
7	339096X1	6	Bolt Metric	M6X35
8	355529X1	4	Union	
9	3784010M1	3	Tube	
10	3581696M1	4	Clamp	
11	3783432M1	1	Hydr Hose	Length 1400MM
12	3781572M1	1	Hydr Hose	Length 2200MM
13	3783431M1	1	Hydr Hose	Length 2200MM
14	3784014M1	1	Tube	
15	3010808X1	1	Strap	
16	339123X1	1	Hex. Sock. Screw	M8X20
17	390971X1	6	Washer	
18	364603X1	1	Elbow	

1-ZX42-001-C



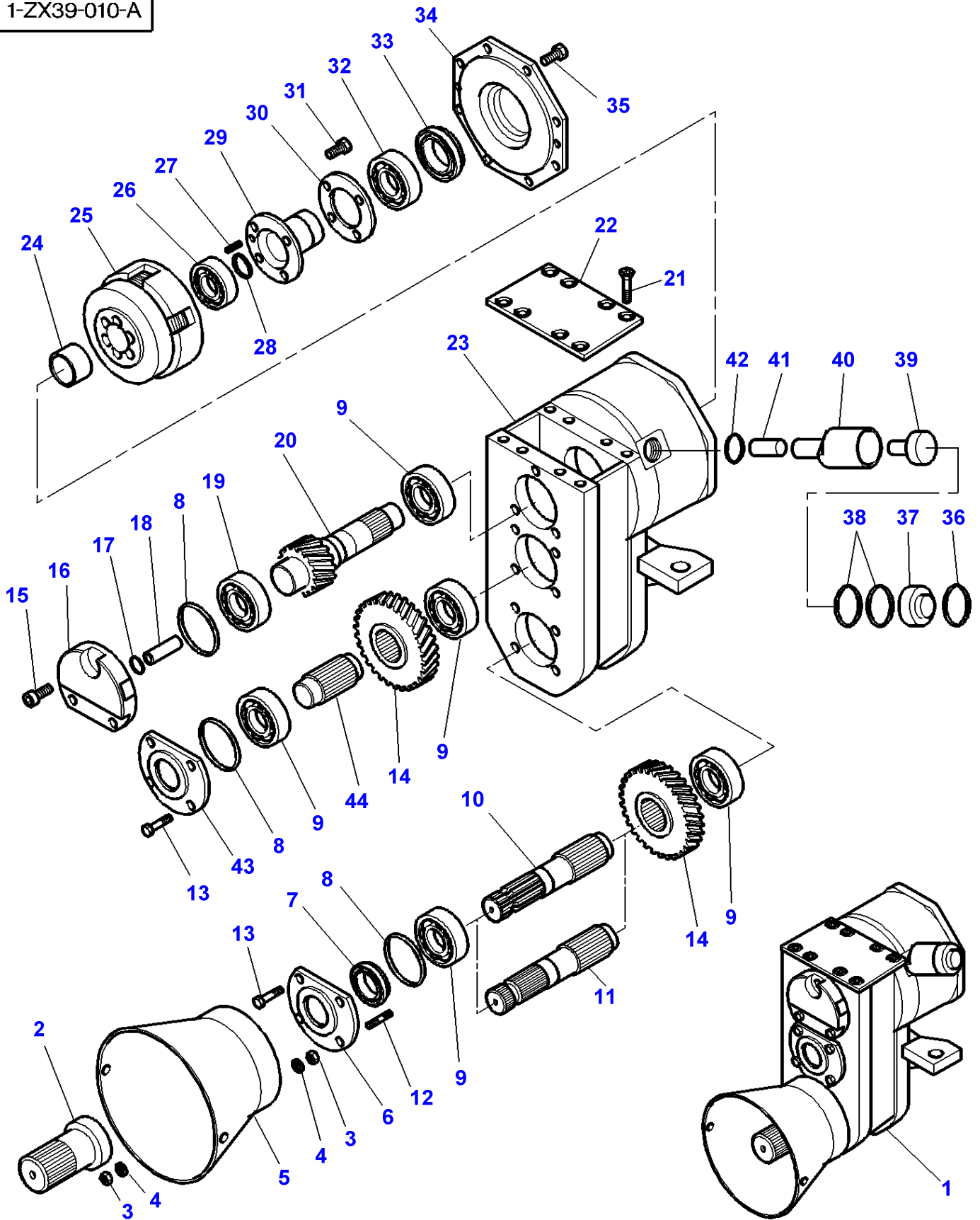
Massey Ferguson**MF 8210/8220 TRACTORS - 1637365****1637365****Front Pto - Harness - Up To 07-01-2001****Page050-0130**

Item	Part Number	Qty	Description	Comments
1	3784044M91	1	Harness	
2	3387318M1	1	Fuse	(1) 5 AMP
3	3619622M1	7	Cable Tie	
4	3783675M1	1	Harness	
5	3615652M1	1	Relay	12V-25A
6	3010477X1	1	Nut Metric	
7	3783086M1	1	Switch,Indirect	
8		1	Switch,Indirect	See Page - Reference Number 025-0085/19
9		1	Electrovalve	See Page - Reference Number 050-0085/25
10	3389631M91	1	Brake	

FOOTNOTE [B] TRACTOR STEEP NOSE ONLY

MF 8210/8220 TRACTORS - 1637365
1-ZX39-010-A

1-ZX39-010-A

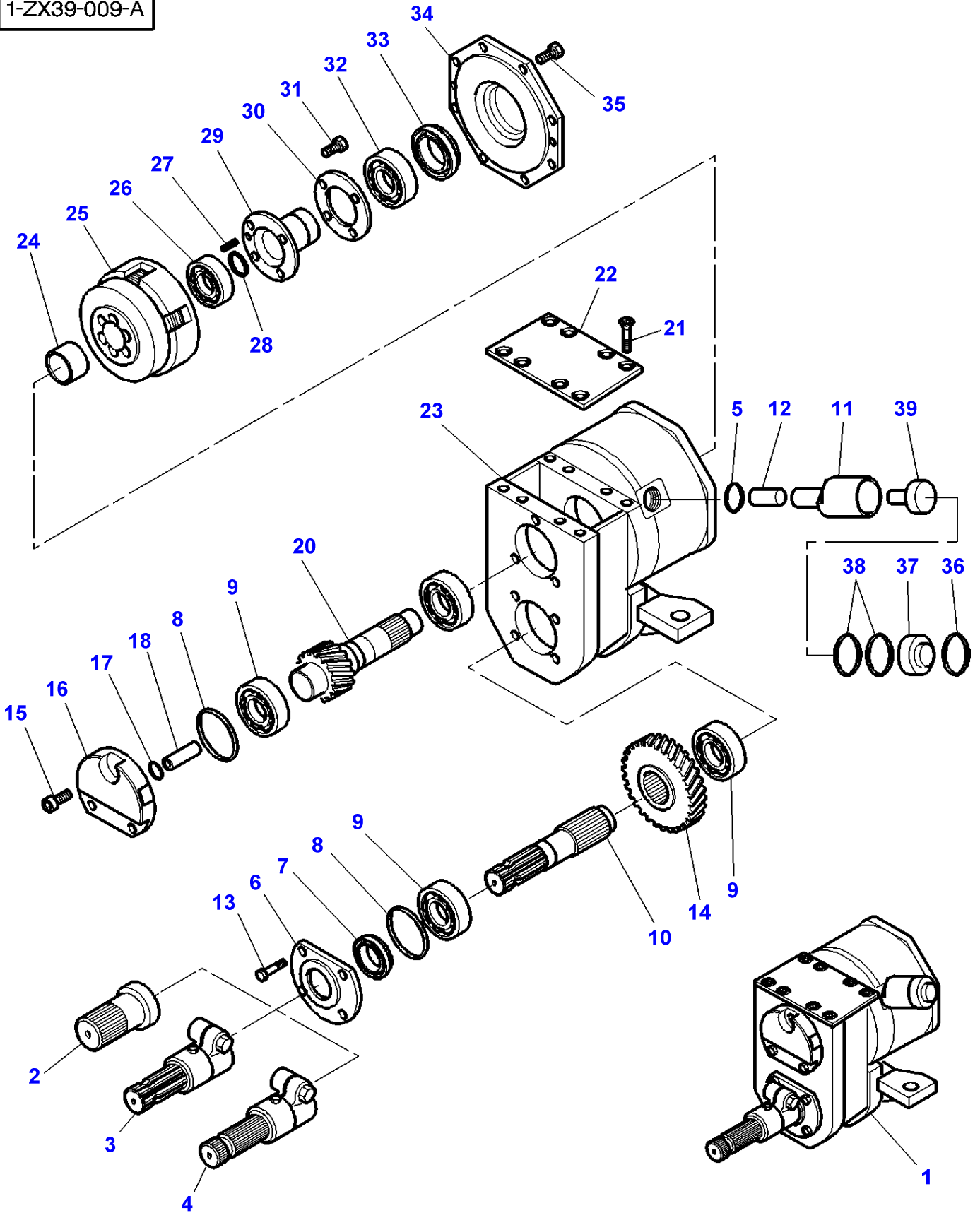


Item	Part Number	Qty	Description	Comments
1	3785130M91	1	Front Pto Case	Number of teeth/spines 6
	3785132M91	1	Front Pto Case	Number of teeth/spines 21
2	3785058M1	1	Helmet	(1)
3	339169X1	4	Nut	(1) M8
4	390972X1	4	Washer Metric	(1)
5	3784835M1	1	Bowl	(1)
6	3784814M1	1	Cover	(1)
7	3784840M1	1	Gasket	(1)
8	3784819M1	3	Washer	(1)
9	3784838M1	5	Bearing Assy	(1)
10	3784828M1	1	Shaft	(1) Number of teeth/spines 6
11	3784832M1	1	Shaft	(1) Number of teeth/spines 21
12	3784848M1	2	Stud	(1)
13	390739X1	6	Pin	(1) M8 X 18
14	3784827M1	2	Pinion	(1) Number of teeth/spines 29
15	3009292X1	3	Screw	(1) M10 X 25
16	3784813M1	1	Cover	(1)
17	3784825M1	1	Segment	(1)
18	3784816M1	1	Tube	(1)
19	3784839M1	1	Bearing Assy	(1)
20	3784826M1	1	Pinion	(1) Number of teeth/spines 14
21	3784846M1	8	Screw	(1) M8 X 16
22	3784815M1	1	Cover	(1)
23		1	Housing	(1) Not serviced,order REF. 1
24	3784818M1	1	Bush	(1)
25	3784833M1	1	Clutch	(1) See Page - Reference Number 050-0150/1
26	3784836M1	1	Bearing Assy	(1)
27	3784845M1	2	Pin	(1) Diameter 8 X 20
28	3784844M1	1	Ring	(1)
29	3784834M1	1	Hub	(1) Number of teeth/spines 6
30	3784817M1	1	Washer	(1)
31	3784847M1	4	Screw	(1) M8 X 30
32	3784837M1	1	Bearing Assy	(1)
33	3784841M1	1	Gasket	(1)
34	3784812M1	1	Plate	(1)
35	3010182X1	8	Screw	(1) M8 X 20
36	3784821M1	1	Ring	(1)
37	3784820M1	1	Plug	(1)
38	3784843M1	2	O Ring	(1)
39	3784822M1	1	Piston	(1)
40	3784823M1	1	Brake Cylinder	(1)
41	3784824M1	1	Brake	(1)
42	3784842M1	1	Gasket	(1)
43	3784829M1	1	Bonnet.	(1)
44	3784830M1	1	Shaft	(1)

FOOTNOTE [A] NOT USED

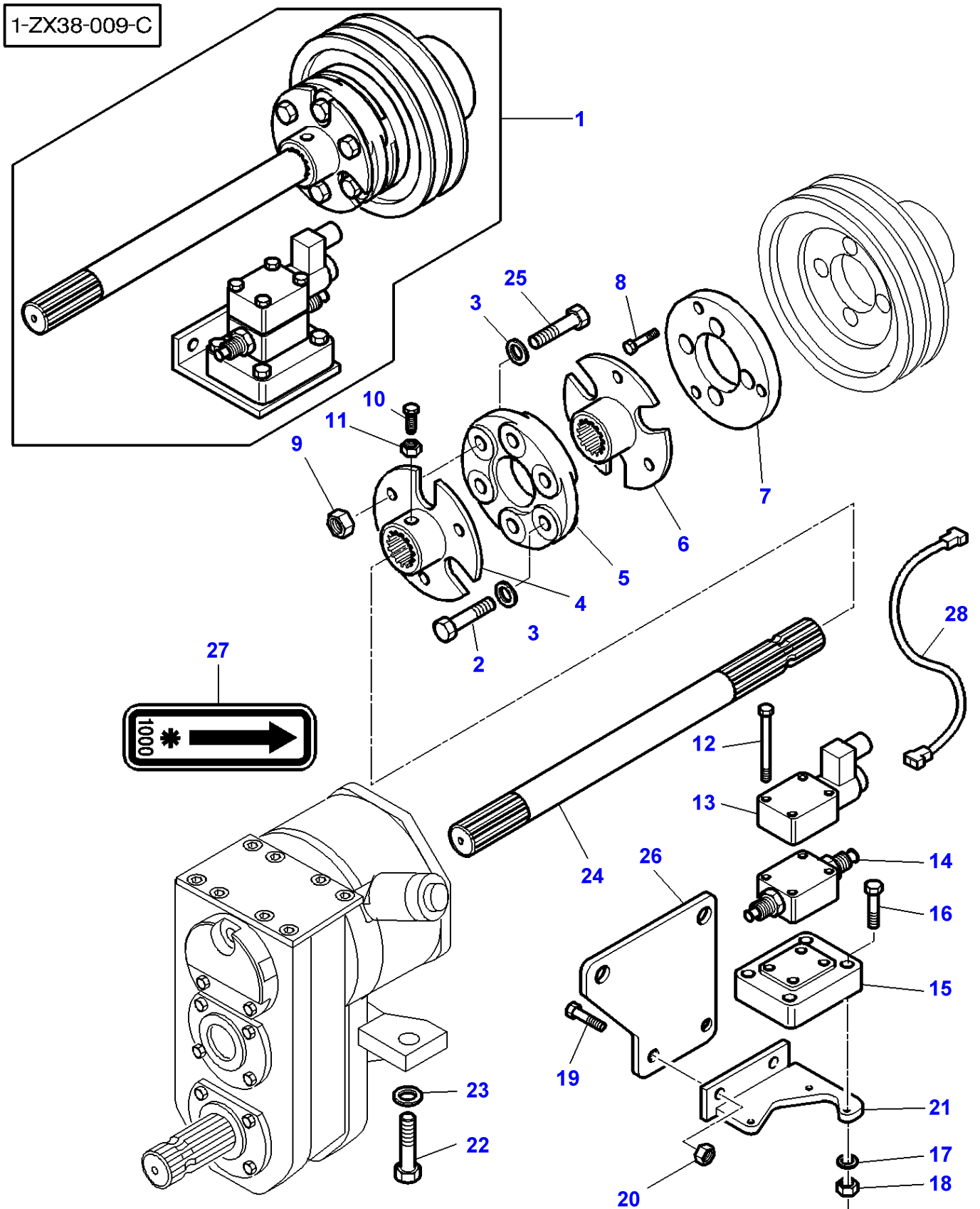
MF 8210/8220 TRACTORS - 1637365
1-ZX39-009-A

1-ZX39-009-A



Item	Part Number	Qty	Description	Comments
1	3785129M91	1	Front Pto Case	Number of teeth/spines 6
	3785131M91	1	Front Pto Case	Number of teeth/spines 21
2	3785058M1	1	Helmet	(1)
3	3785281M1	1	Shaft	(1)
				Number of teeth/spines 6/6
4	3785282M1	1	Shaft	(1)
				Number of teeth/spines 6/21
5	3784842M1	1	Gasket	(1)
6	3784814M1	1	Cover	(1)
7	3784840M1	1	Gasket	(1)
8	3784819M1	2	Washer	(1)
9	3784838M1	3	Bearing Assy	(1)
10	3784828M1	1	Shaft	(1)
				Number of teeth/spines 6
11	3784823M1	1	Brake Cylinder	(1)
12	3784824M1	1	Brake	(1)
13	390739X1	4	Pin	(1)
				M8 X 18
14	3784827M1	1	Pinion	(1)
				Number of teeth/spines 29
15	3009292X1	3	Screw	(1)
				M10 X 25
16	3784813M1	1	Cover	(1)
17	3784825M1	1	Segment	(1)
18	3784816M1	1	Tube	(1)
19	3784839M1	1	Bearing Assy	(1)
20	3784826M1	1	Pinion	(1)
				Number of teeth/spines 14
21	3784846M1	8	Screw	(1)
				M8 X 16
22	3784815M1	1	Cover	(1)
23		1	Housing	(1)
				Not serviced,order REF. 1
24	3784818M1	1	Bush	(1)
25	3784833M1	1	Clutch	(1)
				See Page - Reference Number 050-0150/1
26	3784836M1	1	Bearing Assy	(1)
27	3784845M1	2	Pin	(1)
				Diameter 8 X 20
28	3784844M1	1	Ring	(1)
29	3784834M1	1	Hub	(1)
				Number of teeth/spines 6
30	3784817M1	1	Washer	(1)
31	3784847M1	4	Screw	(1)
				M8 X 30
32	3784837M1	1	Bearing Assy	(1)
33	3784841M1	1	Gasket	(1)
34	3784812M1	1	Plate	(1)
35	3010182X1	8	Screw	(1)
				M8 X 20
36	3784821M1	1	Ring	(1)
37	3784820M1	1	Plug	(1)
38	3784843M1	2	O Ring	(1)
39	3784822M1	1	Piston	(1)

MF 8210/8220 TRACTORS - 1637365
1-ZX38-009-C



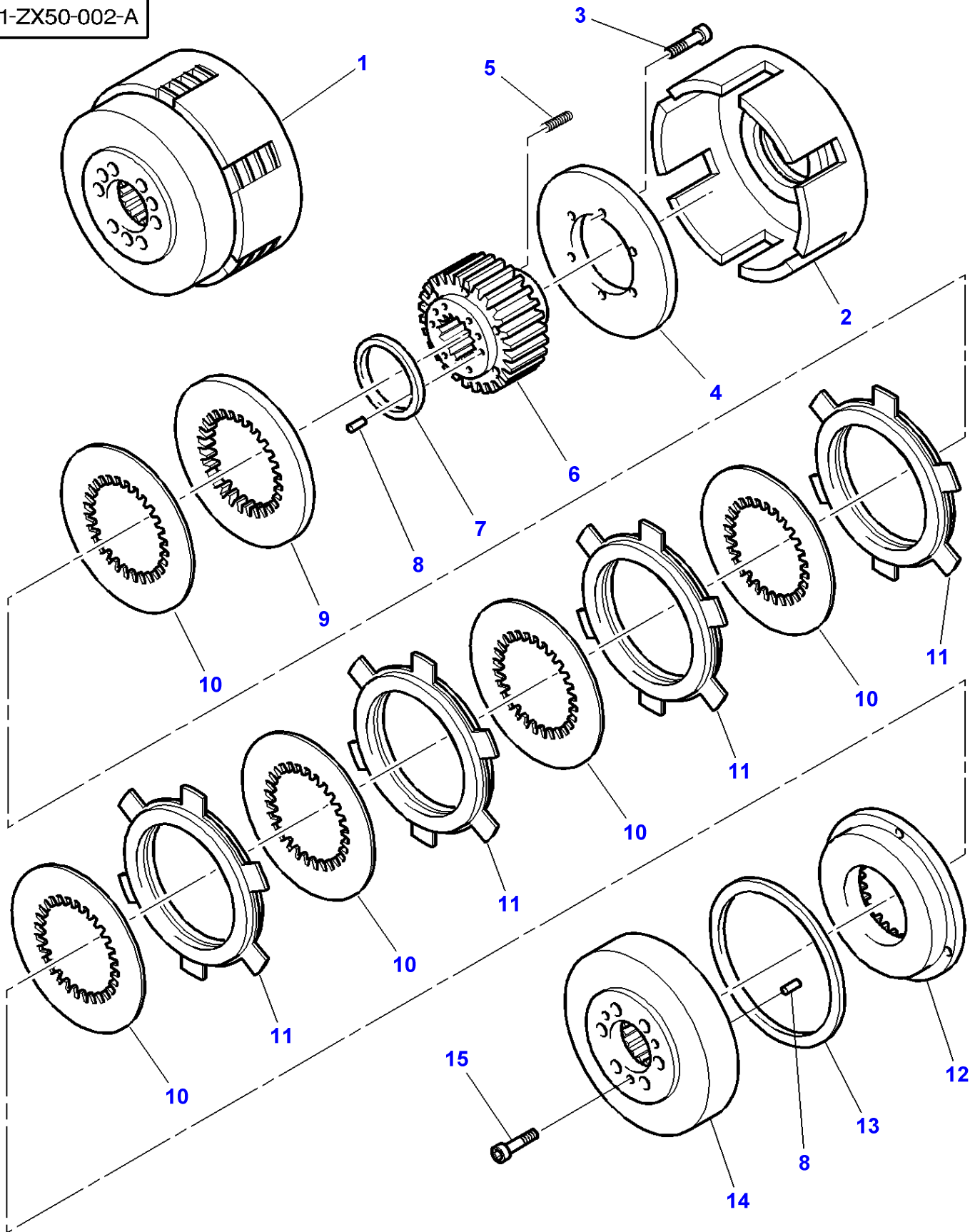
Front Pto - Drive - From 08-01-2001

Item	Part Number	Qty	Description	Comments
1	3785289M93	1	Parts Pack	
2	3784799M1	3	Screw	(1) M10 X 50
3	390734X1	6	Washer	(1) Diameter 10-21 X 2 MM
4	3784794M2	1	Hub	(1) Number of teeth/spines 6/6
5	3784795M1	1	Rotor	(1)
6	3784793M1	1	Flange	(1)
7	3784792M1	1	Flange	(1)
8	3784797M1	4	Screw	(1) 7/16-25 X 20
9	3784800M1	3	Nut	(1) Up to Serial or Engine Number M10
10	3784798M1	3	Screw	(1) Up to Serial or Engine Number M8 X 30
	3010144X1	1	Screw	(1) From Serial or Engine Number M12 X 45
11	339169X1	3	Nut	(1) Up to Serial or Engine Number M8
12	3784804M1	4	Screw	(1) M5 X 90
13	3784801M1	1	Distributor	(1)
14	3784802M1	1	Regulator	(1)
15	3784803M1	1	Support	(1)
16	3009277X1	4	Screw	(1) M5 X 40
17	339381X1	4	Lock Washer	(1)
18	390995X1	4	Nut Metric	(1) M5
19	3009497X1	2	Bolt Metric	(1) M10 X 50
20	3009693X1	2	Nut Metric	(1) M10
21	4272729M1	1	Support	(1)
22	3001968X1	2	Screw	(1) M20 X 60
23	339378X1	2	Lock Washer	(1)
24	3785139M1	1	Shaft	(1) Number of teeth/spines 6/6
25	3784799M1	3	Screw	(1) Up to Serial or Engine Number M10 X 50
	4274400M1	3	Screw	(1) From Serial or Engine Number M10 X 40
26	3787675M1	1	Support	[A,B] From Serial or Engine Number 23-MAI-2001
27	3618157M2	1	Decal	[A,B]
28	3785974M1	1	Harness	[A,B]

FOOTNOTE [A] ORDER SEPARATELY

FOOTNOTE [B] NOT INCLUDED IN KIT

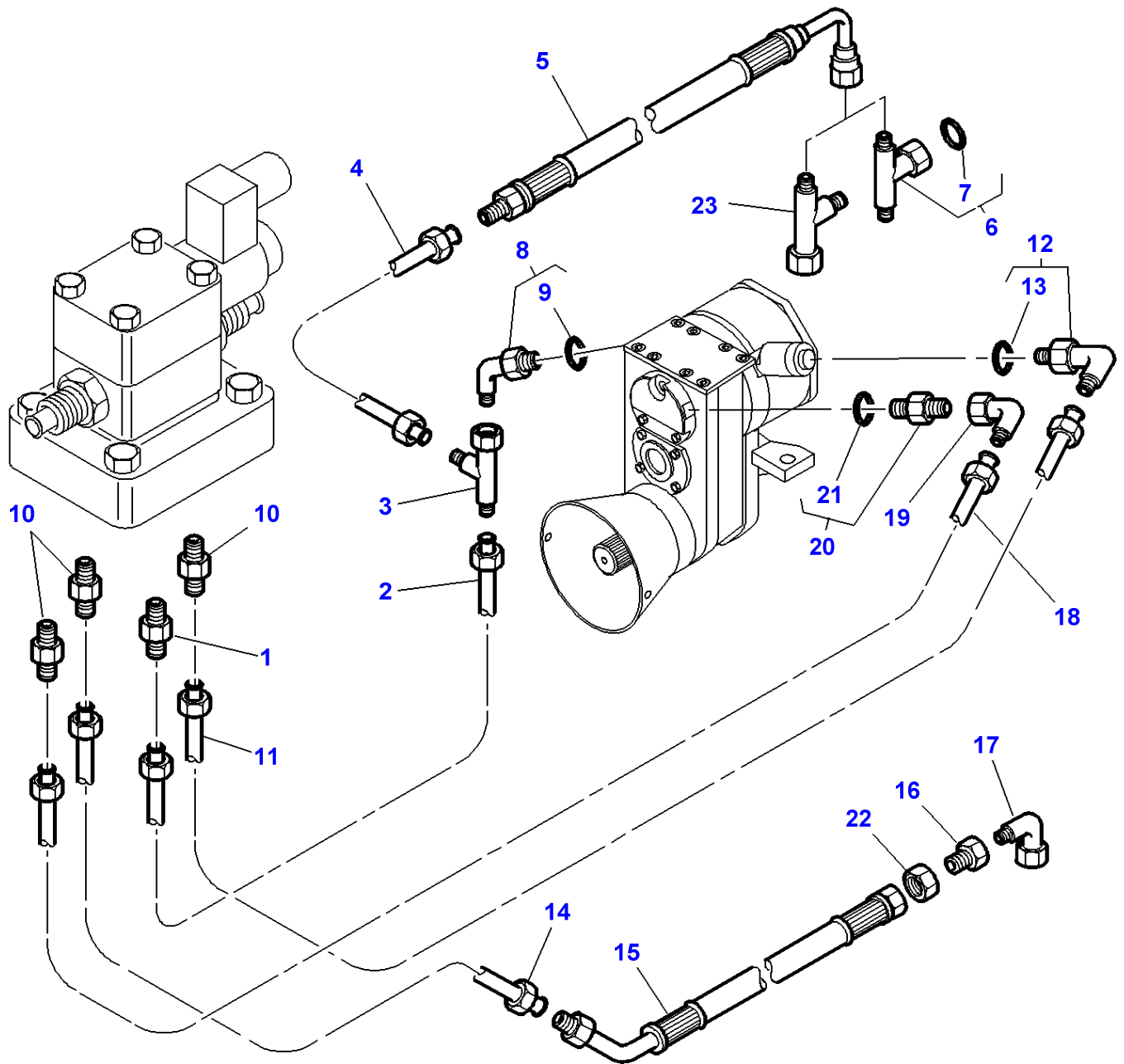
1-ZX50-002-A



Massey Ferguson**MF 8210/8220 TRACTORS - 1637365****1637365****Front Pto - IPTO Clutch - From 08-01-2001****Page050-0150**

Item	Part Number	Qty	Description	Comments
1	3784833M1	1	Clutch	
2		1	Cover	(1) Not serviced,order REF. 1
3		6	Screw	(1) Not serviced,order REF. 1
4		1	Plate	(1) Not serviced,order REF. 1
5	3903642M1	6	Spring	(1)
6		1	Pinion	(1) Not serviced,order REF. 1
7	3903644M1	1	Segment	(1)
8		X	Clevis Pin	(1) Not serviced,order REF. 1
9	3903645M1	1	Counterplate	(1)
10	3903641M1	5	Disc	(1)
11	3903640M1	4	Disc	(1)
12		1	Disc	(1) Not serviced,order REF. 1
13	3903643M1	1	Segment	(1)
14		1	Cover	(1) Not serviced,order REF. 1
15		X	Screw	(1) Not serviced,order REF. 1

1-ZX40-008-B



Item	Part Number	Qty	Description	Comments
1	3785070M1	1	Union	
2	3785208M1	1	Tube	
3	370576X1	1	Union	
4	3784299M2	1	Tube	
5	3785123M1	1	Hydr Hose	Length 1450MM
6	3019611X91	1	Union	[A]
7	3019397X1	1	O Ring	(6)
8	3019679X91	1	Union	
9	3019397X1	1	O Ring	(8)
10	3785069M1	3	Union	
11	3785207M2	1	Tube	
12	3019410X91	1	Elbow Nipple	
13	3019394X1	1	O Ring	(12)
14	3784300M1	1	Tube	
15	3785124M1	1	Hydr Hose	Length 1450MM
16	356629X1	1	Reducer	
17	367386X1	1	Elbow	
18	3785206M2	1	Tube	
19	373778X1	1	Union	
20	3019692X91	1	Union	
21	3019395X1	1	O Ring	(20)
22	22576X	1	Union Nut	
23	364704X1	1	Teepiece	[B]

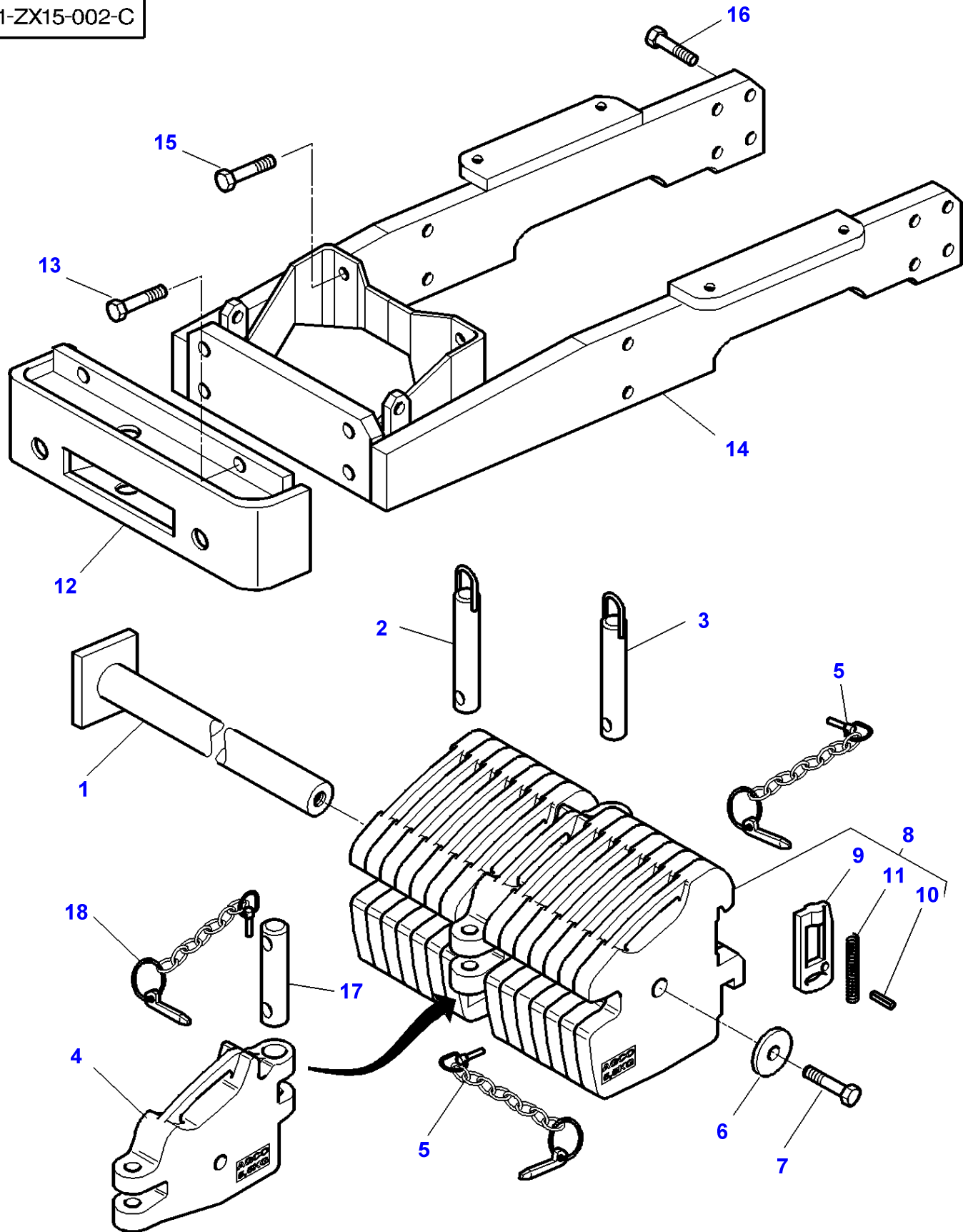
FOOTNOTE [A] WITH DYNASHIFT

FOOTNOTE [B] WITH FULL POWERSHIFT

Page Title	Page Number
Weight Frame And Tow Pin - WITH DANA FRONT AXLE UP TO K017003	060-0005
Weight Frame And Tow Pin - WITH FRONT LINKAGE - WITH DANA FRONT AXLE	060-0010
Weight Frame And Tow Pin - WITH CARRARO FRONT AXLE AND DANA FRONT AXLE FROM K017004	060-0015
Weight Frame And Tow Pin - With Front Lift	060-0020
Weight Frame And Tow Pin	060-0025
Chassis Structure - Dynashift	060-0030
Belly Weight	060-0035
Belly Weight - WITH CARRARO FRONT AXLE AND DANA FRONT AXLE FROM K017004	060-0040
Belly Weight - With Fixed Front Axle CARRARO-3T5 Front Linkage-Le ss Front PTO	060-0045
Front Axle - Bracket 2 Wheel Drive - Up To K017003	060-0050
Front Axle - Bracket 2 Wheel Drive - From K017004	060-0055
Front Axle - Bracket 4 Wheel Drive - Up To K017003	060-0060
Front Axle - Bracket 4 Wheel Drive - From K017004 - Up To K137012 - With Front Axle A.G 155	060-0065
Front Axle Fixed CARRARO - Bracket	060-0070
Front Axle Suspended CARRARO - Bracket	060-0075
Front Axle - 8 Holes - Heavy Duty	060-0080
Front Axle - 8 Holes - Heavy Duty	060-0085
Front Axle 2 Wheel Drive - Cylinders	060-0090
Front Axle 4 Wheel Drive - Clutch	060-0095
Rear Axle - Intermediary Housing - Two Wheel Drive	060-0100
Front Axle 4 Wheel Drive - Differential Lock Mechanism	060-0105
Front Axle CARRARO - Differential Lock Mechanism	060-0110
Guard And Transmission Shaft	060-0115
Front Axle Fixed CARRARO - Guard And Transmission Shaft	060-0120
Front Axle Suspended CARRARO - Guard And Transmission Shaft	060-0125
Front Axle 4 Wheel Drive	060-0130
Front Axle 4 Wheel Drive - Steering Cylinders	060-0135
Front Axle 4 Wheel Drive - Housing	060-0140
Front Axle 4 Wheel Drive - Differential	060-0145
Front Axle 4 Wheel Drive - Final Drive	060-0150
Front Axle Fixed CARRARO	060-0155
Front Axle Suspended CARRARO	060-0160
Front Axle Fixed CARRARO - Housing	060-0165
Front Axle Suspended CARRARO - Housing	060-0170
Front Axle CARRARO - Differential	060-0175
Front Axle CARRARO - Final Drive	060-0180
Front Axle Suspended CARRARO - Arms	060-0185
Front Axle Suspended CARRARO - Arms - Shock Absorber	060-0190
Front Axle Suspended CARRARO - Accumulator	060-0195

MF 8210/8220 TRACTORS - 1637365
1-ZX15-002-C

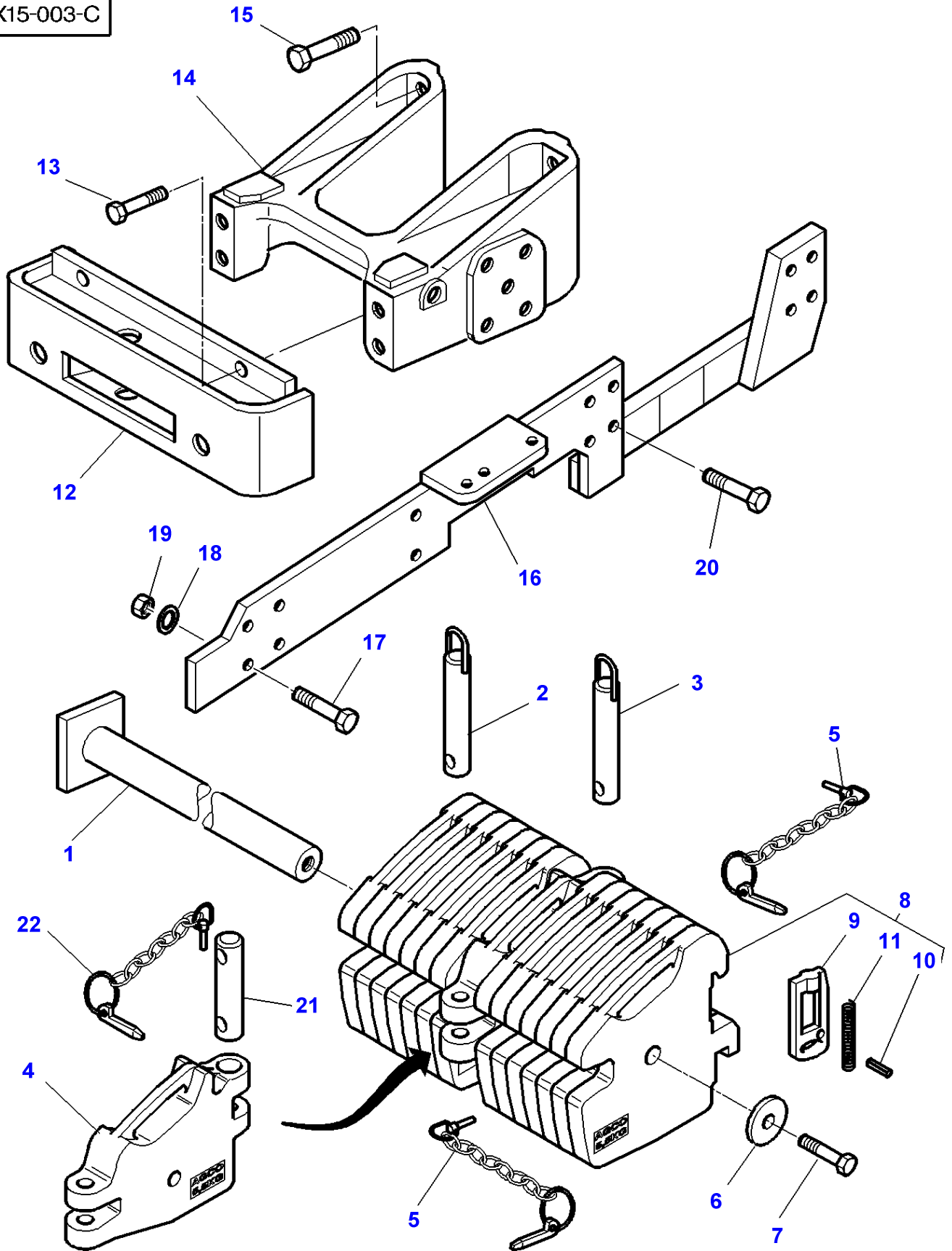
1-ZX15-002-C



Item	Part Number	Qty	Description	Comments
1	3619728M1	1	Bridle	Length 335MM
	3618713M1	1	Bridle	Length 470MM
2	3387270M92	1	Pin Hitch	Diameter 30X171,5MM
3	3382813M91	1	Pin Hitch	Diameter 30X215MM
4	3382789M4	1	Weight	Up to Serial or Engine Number J320040 51KG
	3784591M2	1	Weight	From Serial or Engine Number J320041 60KG
5	3382812M91	1	Pin	Diameter 1/4 X 32
6	3385963M1	1	Washer	
7	1441685X1	1	Screw Metric	Up to Serial or Engine Number J320040 M16X60
	3008823X1	1	Screw Metric	M16X80
	3000171X1	1	Screw Metric	From Serial or Engine Number J320041 M16X90
	339498X1	1	Screw	From Serial or Engine Number J320041 M16X110
	390190X1	1	Screw	From Serial or Engine Number J320041 M16X140
	391413X1	1	Bolt Metric	From Serial or Engine Number J320041 M16X160
8	3582867M92	X	Weight	Up to Serial or Engine Number J320040 Thickness 35MM 45KG
	3784628M12	X	Weight	From Serial or Engine Number J320041 Thickness 45MM 55KG
9	3581636M1	1	Hasp	(8)
10	339080X1	1	Roll Pin	(8)
11	1680172M1	1	Spring	(8)
12	3580888M5	1	Support	
13	3386216M1	4	Screw	M20X60
14	3782462M4	1	Frame	
15	391329X1	2	Screw	M20X70
16	1441590X1	14	Bolt Metric	M20X50
17	3782456M1	1	Pin Hitch	Diameter 30X245MM
18	3782461M92	1	Pin	Diameter 6.3 X 63

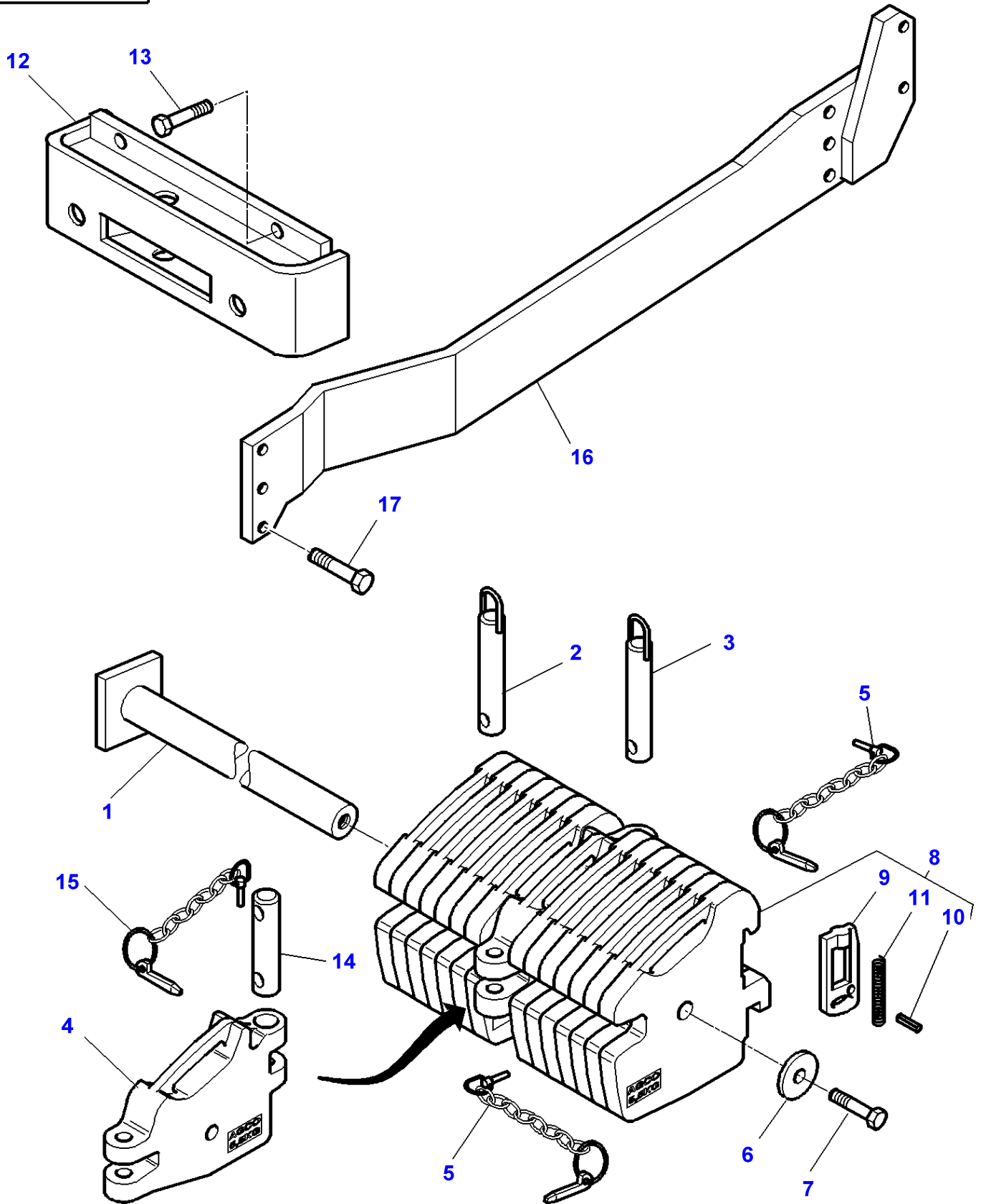
MF 8210/8220 TRACTORS - 1637365
1-ZX15-003-C

1-ZX15-003-C



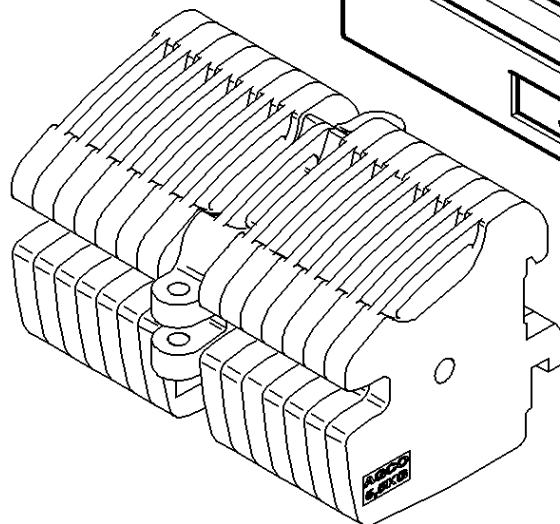
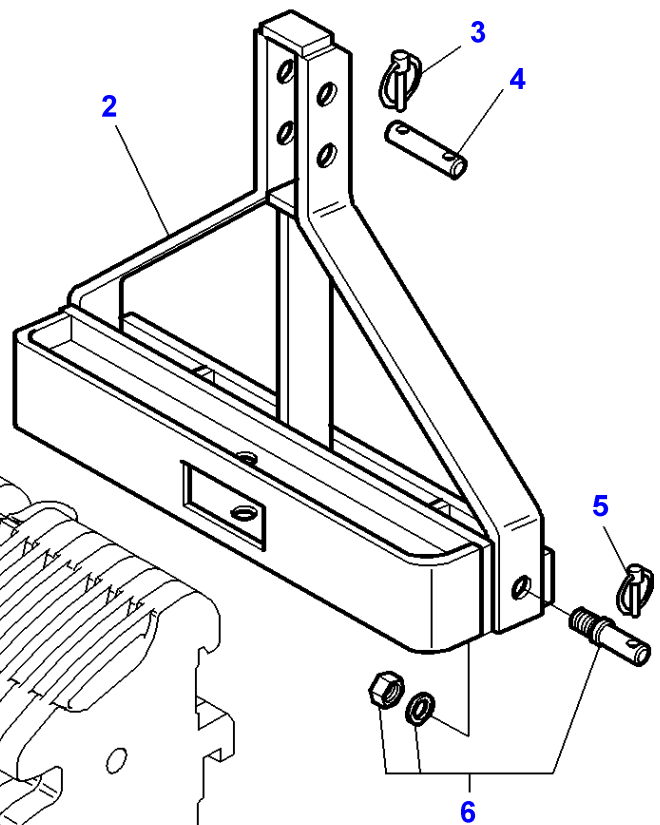
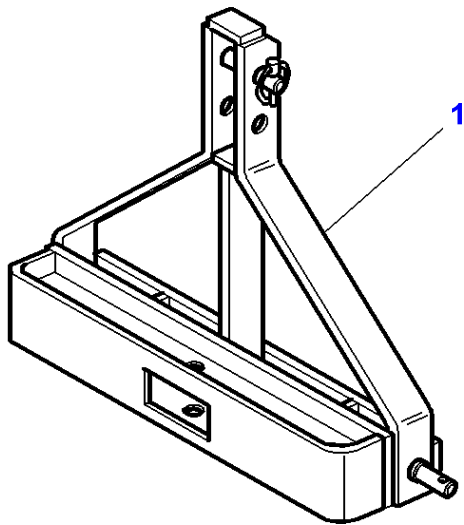
Item	Part Number	Qty	Description	Comments
1	3619728M1	1	Bridle	Length 335MM
	3618713M1	1	Bridle	Length 470MM
2	3387270M92	1	Pin Hitch	Up to Serial or Engine Number L144006 Diameter 30X171,5MM
	3790349M92	1	Pin Hitch	From Serial or Engine Number L144007 Diameter 30X191MM
3	3382813M91	1	Pin Hitch	Diameter 30X215MM
4	3382789M4	1	Weight	Up to Serial or Engine Number J320040 51KG
	3784591M2	1	Weight	From Serial or Engine Number J320041 60KG
5	3382812M91	2	Pin	Diameter 1/4 X 32
6	3385963M1	1	Washer	
7	1441685X1	1	Screw Metric	Up to Serial or Engine Number J320040 M16X60
	3008823X1	1	Screw Metric	M16X80
	3000171X1	1	Screw Metric	From Serial or Engine Number J320041 M16X90
	339498X1	1	Screw	From Serial or Engine Number J320041 M16X110
	390190X1	1	Screw	From Serial or Engine Number J320041 M16X140
	391413X1	1	Bolt Metric	From Serial or Engine Number J320041 M16X160
8	3582867M92	X	Weight	Up to Serial or Engine Number J320040 Thickness 35MM 45KG
	3784628M12	X	Weight	From Serial or Engine Number J320041 Thickness 45MM 55KG
9	3581636M1	1	Hasp	(8)
10	339080X1	1	Roll Pin	(8)
11	1680172M1	1	Spring	(8)
12	3580888M5	1	Support	
13	3010570X1	4	Screw	M20X45
14	3715537M1	1	Spacer	
15	3580231M1	4	Screw	M20X75
16	3783368M1	1	Runner	Left Hand
	3783367M1	1	Runner	Right Hand
17	3001968X1	8	Screw	M20X60
18	385365X1	8	Washer	
19	339035X1	8	Nut Metric	
20	391891X1	8	Bolt Metric	
21	3782456M1	1	Pin Hitch	Diameter 30X245MM
22	3782461M92	1	Pin	Diameter 6.3 X 63

1-ZX15-009-A



Item	Part Number	Qty	Description	Comments
1	3619728M1	1	Bridle	Length 335MM
	3618713M1	1	Bridle	Up to Serial or Engine Number L192005 Length 470MM
	3788795M1	1	Bridle	Length 510MM
	3618712M1	1	Bridle	Up to Serial or Engine Number L340020 Length 550MM
2	3387270M92	1	Pin Hitch	Up to Serial or Engine Number L144006 Diameter 30X171.5MM
	3790349M92	1	Pin Hitch	From Serial or Engine Number L144007 Diameter 30X191MM
3	3782456M1	1	Pin Hitch	Diameter 30X245MM
4	3784591M2	1	Weight	60KG
5	3382812M91	2	Pin	Diameter 1/4 X 32
6	3385963M1	1	Washer	
7	3008823X1	1	Screw Metric	Up to Serial or Engine Number L192005 M16X80
	3000171X1	1	Screw Metric	Up to Serial or Engine Number L340020 M16X90
	391334X1	1	Screw	From Serial or Engine Number L192006 M16X50
	339498X1	1	Screw	M16X110
	390190X1	1	Screw	M16X140
	391413X1	1	Bolt Metric	M16X160
	339805X1	1	Bolt Metric	M16 X 100
8	3784628M12	X	Weight	Thickness 45MM 55KG
9	3581636M1	1	Hasp	(8)
10	339080X1	1	Roll Pin	(8)
11	1680172M1	1	Spring	(8)
12	3580888M5	1	Support	
13	1441590X1	4	Bolt Metric	M20X50
14	3782456M1	1	Pin Hitch	Diameter 30X245MM
15	3782461M92	1	Pin	Diameter 6.3 X 63
16	3783731M2	1	Runner	Left Hand
	3783730M2	1	Runner	Right Hand
17	391328X1	6	Screw Metric	M20X65

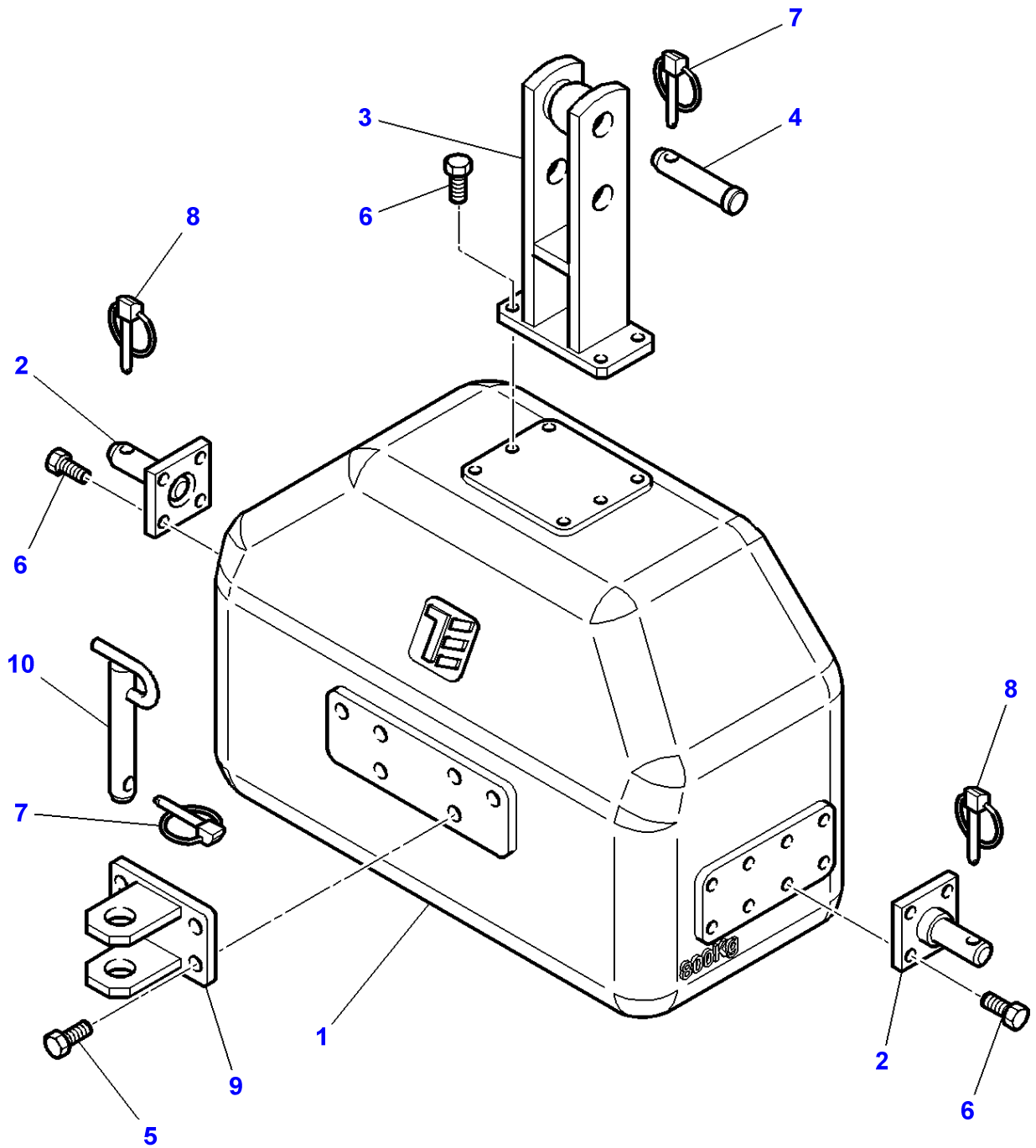
1-ZX15-014-A



Massey Ferguson**MF 8210/8220 TRACTORS - 1637365****1637365****Weight Frame And Tow Pin - With Front Lift****Page060-0020**

Item	Part Number	Qty	Description	Comments
1	3786462M91	1	Support	
2		1	Support	(1) Not serviced,order REF. 1
3	3782684M1	1	Clip	(1)
4	3903839M1	1	Clevis Pin	(1)
5	3903841M1	1	Clip	(1)
6	3903840M1	1	Piton	(1)

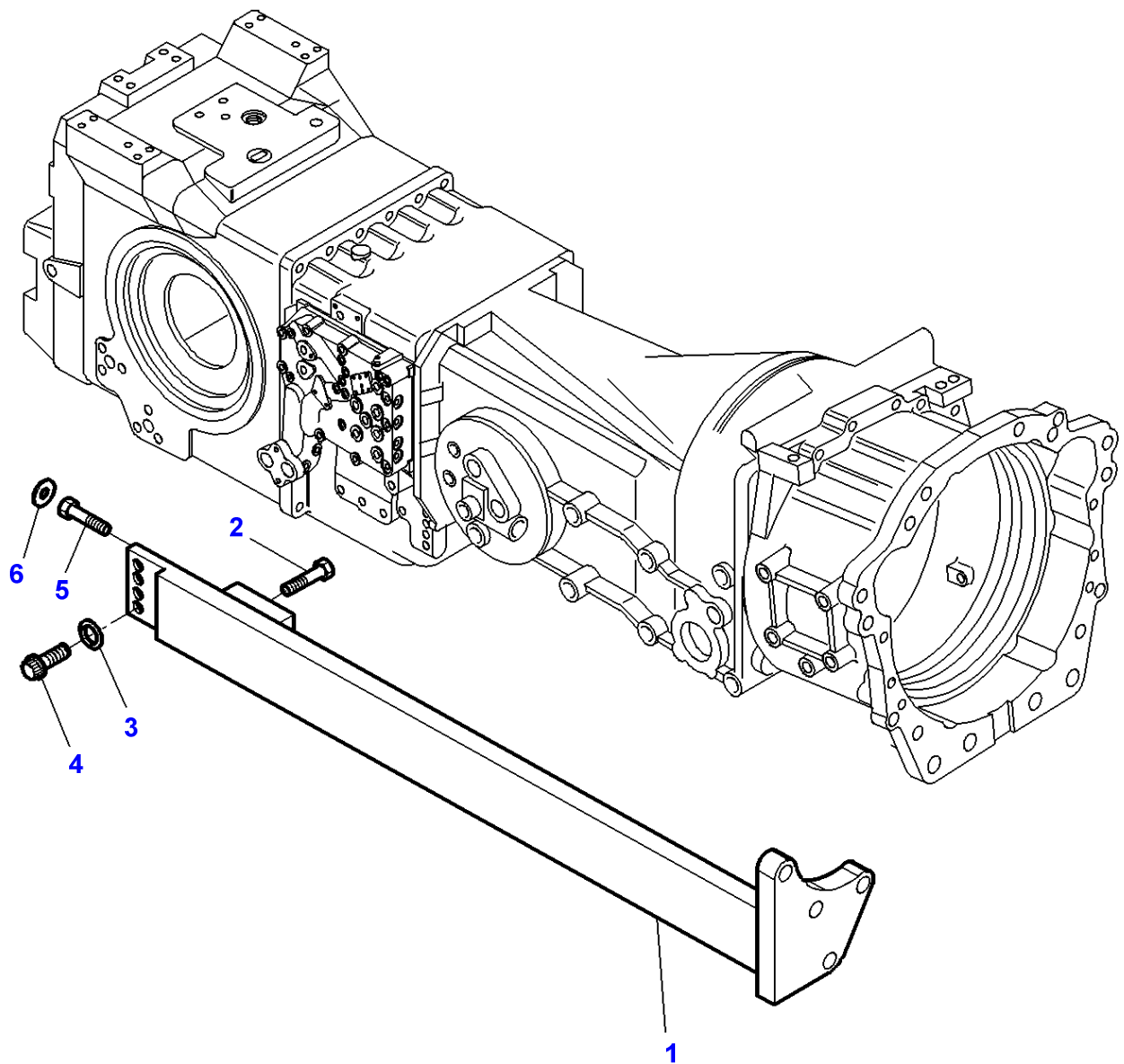
1-ZX15-020-A



Massey Ferguson**MF 8210/8220 TRACTORS - 1637365****1637365****Page060-0025****Weight Frame And Tow Pin**

Item	Part Number	Qty	Description	Comments
1	4271480M91	1	Weight	800KG
2	3907225M1	2	Piton	
3	3907226M1	1	Support	
4	3903839M1	1	Clevis Pin	
5	391269X1	4	Screw Metric	M16 X 30
6	3011611X1	12	Screw	M16 X 45
7	3782684M1	2	Clip	Diameter 8
8	3903841M1	2	Clip	Diameter 11
9	3907227M1	1	Clevis	
10	3900263M91	1	Pin	

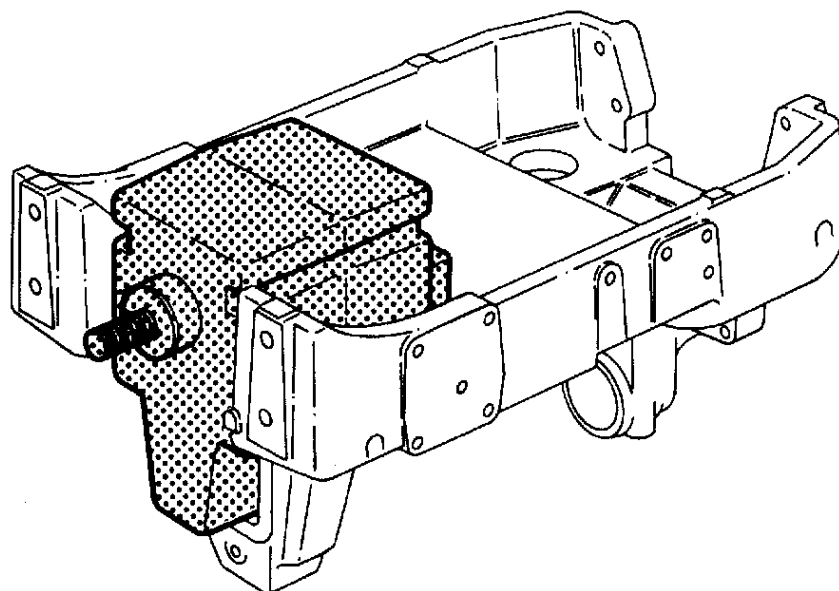
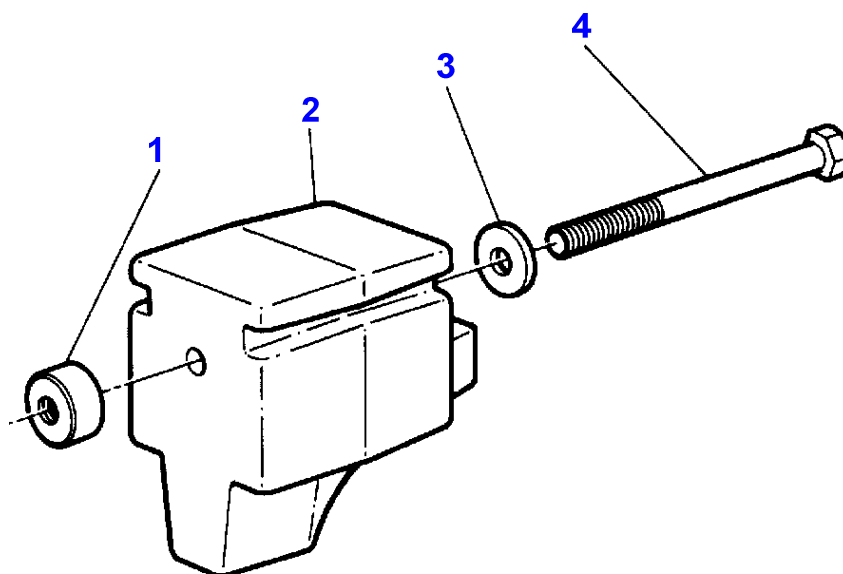
1-ZE10-001-A



Massey Ferguson**MF 8210/8220 TRACTORS - 1637365****1637365****Chassis Structure - Dynashift****Page060-0030**

Item	Part Number	Qty	Description	Comments
1	3716943M2	1	Reinforcement	Right Hand
	3716944M2	1	Reinforcement	Left Hand
2	391989X1	2	Screw Metric	M8X20
3	3010875X1	8	Washer	
4	3010008X1	8	Screw	M16X50
5	3619813M1	2	Screw	
6	3619814M1	2	Washer	

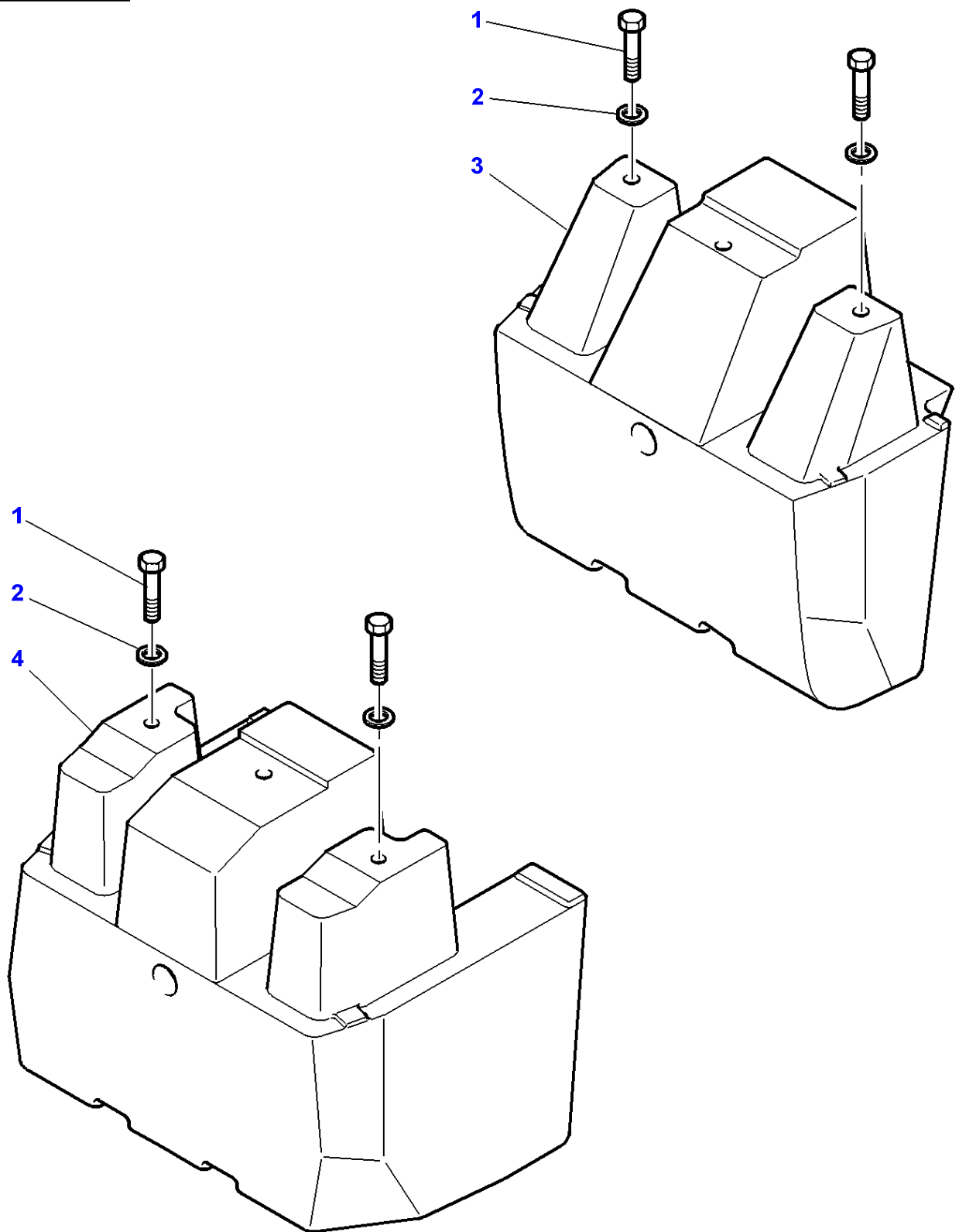
1-ZJ07-002-A



Massey Ferguson**MF 8210/8220 TRACTORS - 1637365****1637365****Belly Weight****Page060-0035**

Item	Part Number	Qty	Description	Comments
1	3386472M1	1	Spacer	
2	3384265M6	1	Weight	103KG
3	3384348M1	1	Washer	
4	3386471M1	1	Screw	M20X365

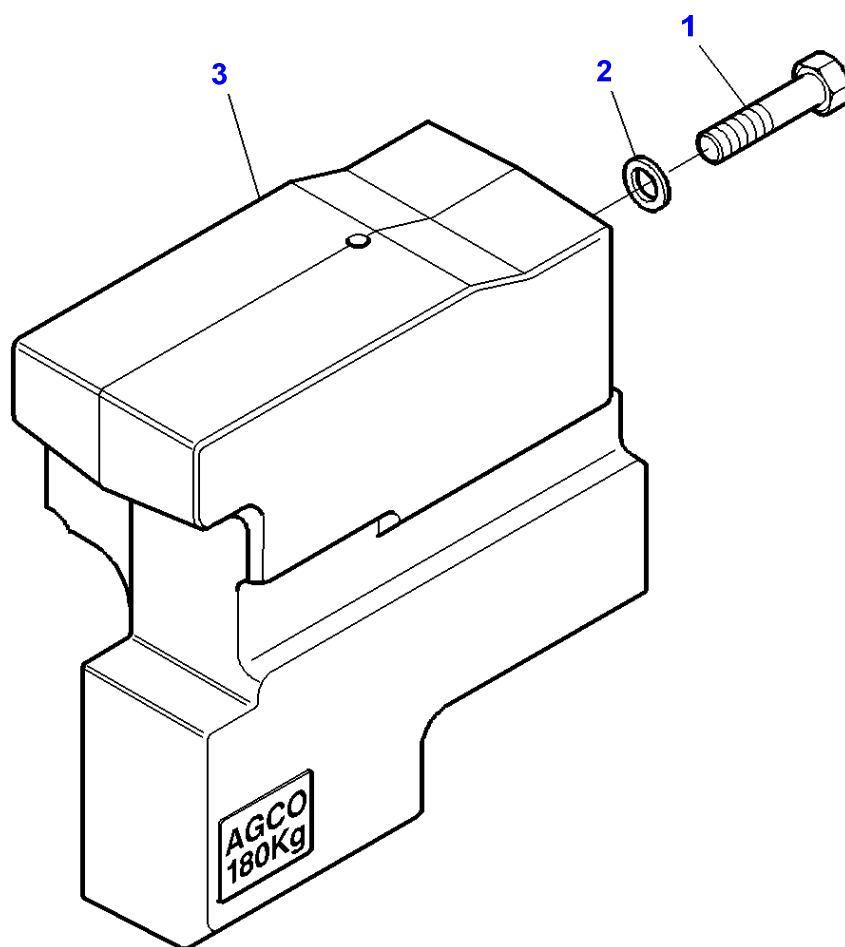
1-ZJ07-006-A



Massey Ferguson**MF 8210/8220 TRACTORS - 1637365****1637365****Belly Weight - WITH CARRARO FRONT AXLE AND DANA FRONT AXLE FROM K017004****Page060-0040**

Item	Part Number	Qty	Description	Comments
1	391891X1	2	Bolt Metric	Up to Serial or Engine Number L199039 M20 X 90
	1442668X1	2	Screw	From Serial or Engine Number L199040 Up to Serial or Engine Number 08-DEC-2002 M20X80
	3010435X1	2	Bolt	From Serial or Engine Number 09-DEC-2002 M20 X 165
2	385365X1	2	Washer	
3	3783807M4	1	Weight	285KG
4	3784633M4	1	Weight	405KG

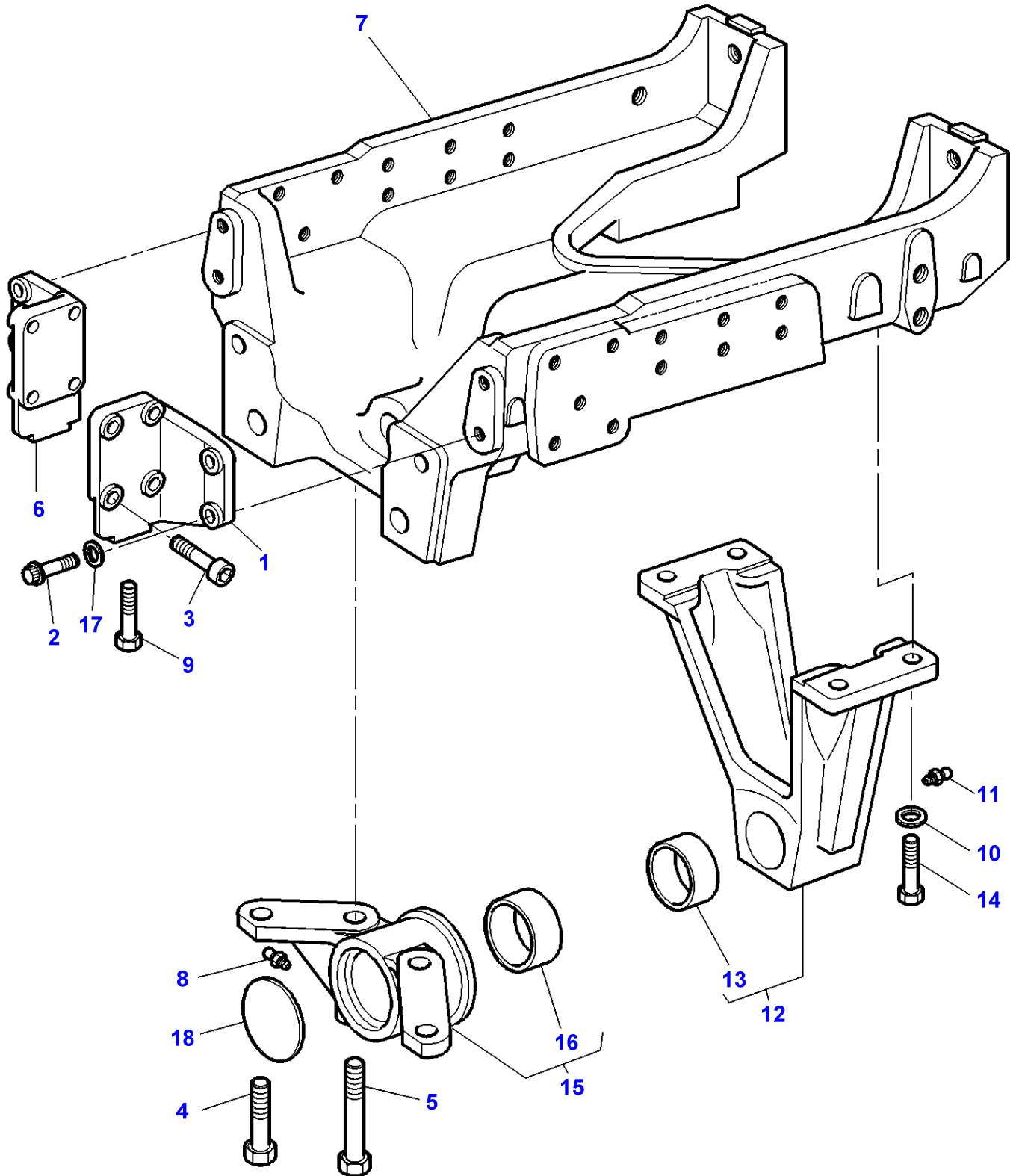
1-ZJ07-007-A



Massey Ferguson**MF 8210/8220 TRACTORS - 1637365****1637365****Belly Weight - With Fixed Front Axle CARRARO-3T5 Front Linkage-Le ss Front PTO****Page060-0045**

Item	Part Number	Qty	Description	Comments
1	3010556X1	2	Screw Metric	M20 X 62
2	385365X1	2	Washer	
3	3786461M2	1	Weight	180 KG

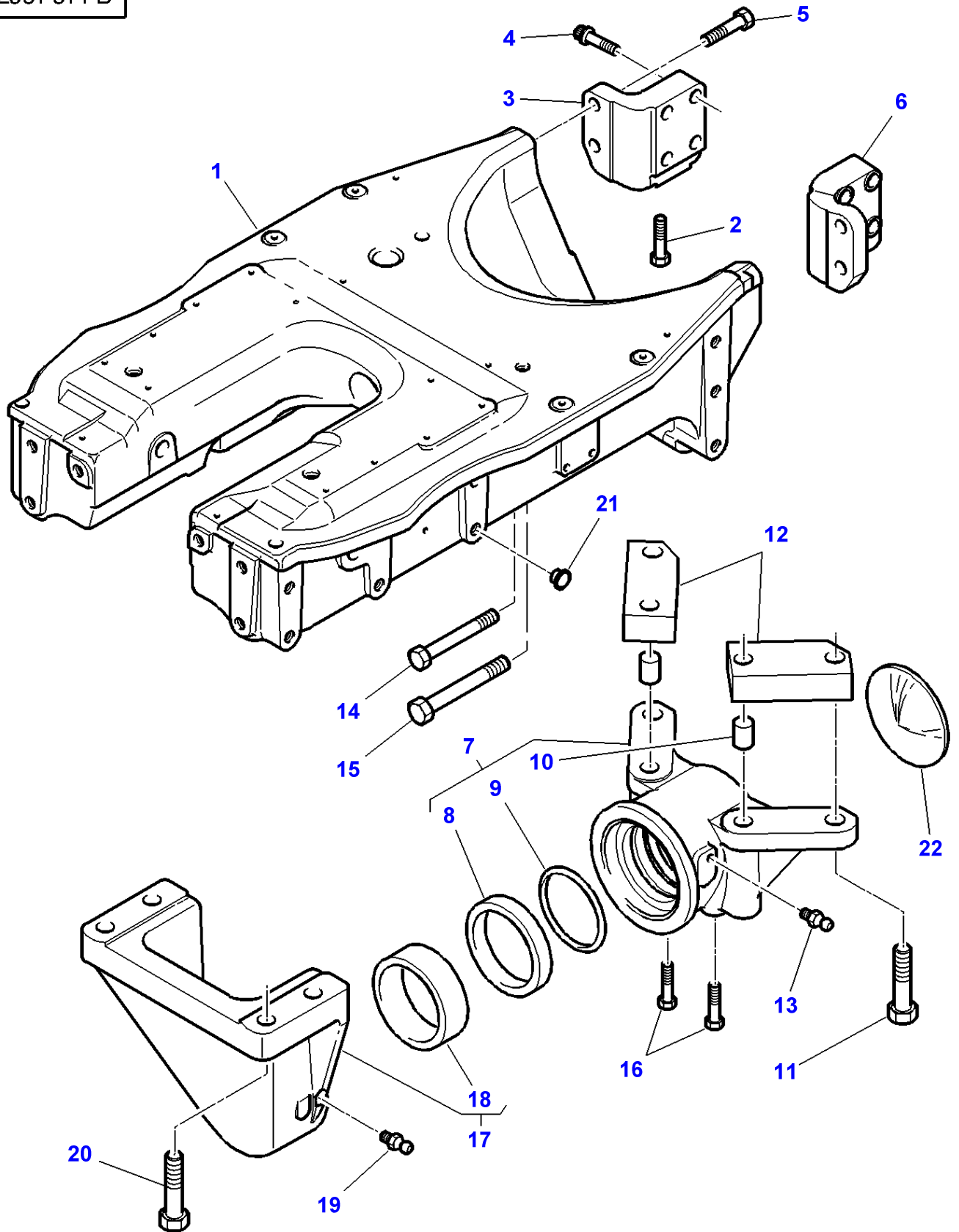
1-ZJ01-006-B



Massey Ferguson**MF 8210/8220 TRACTORS - 1637365****1637365****Front Axle - Bracket 2 Wheel Drive - Up To K017003****Page060-0050**

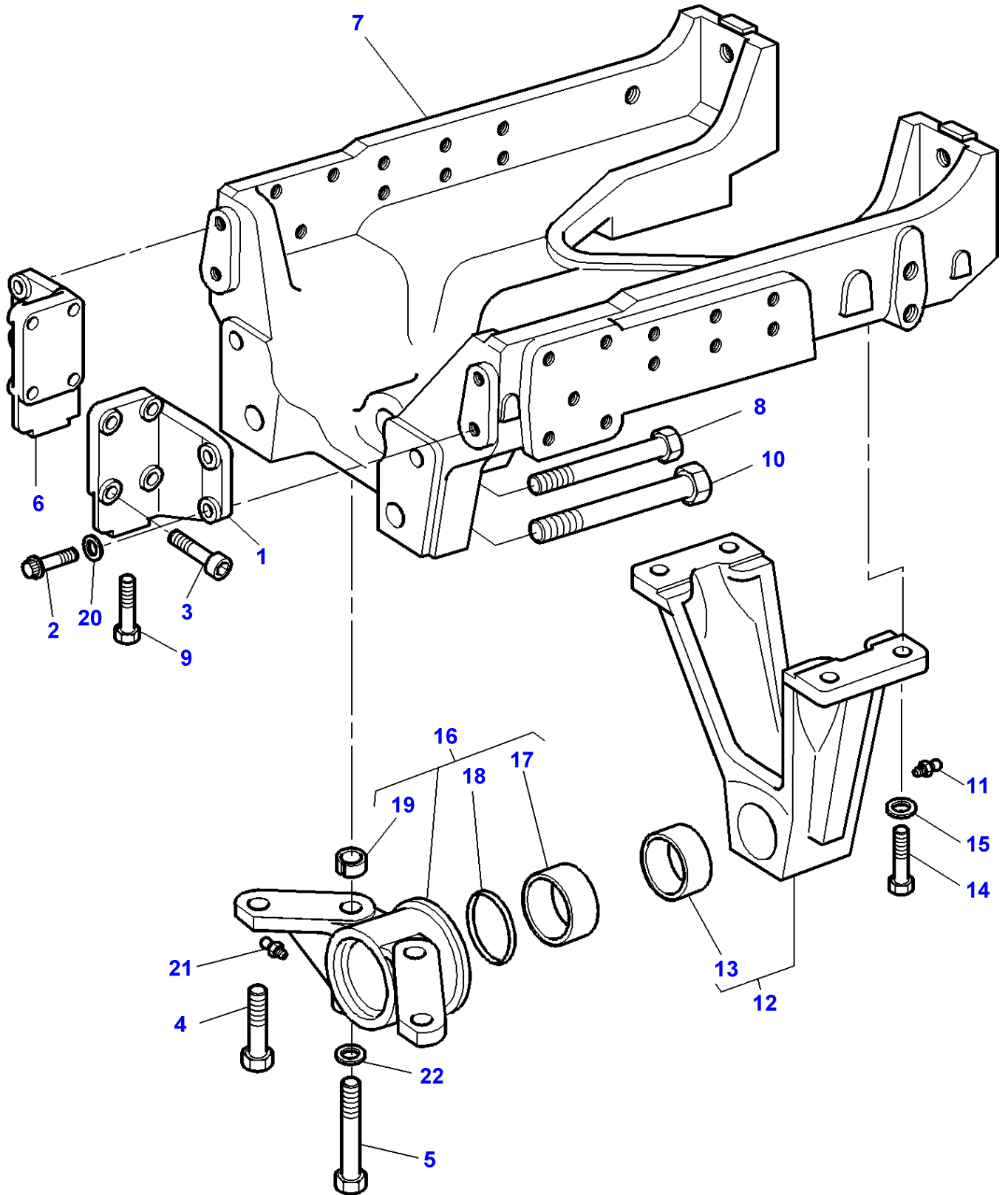
Item	Part Number	Qty	Description	Comments
1	3582201M1	1	Support	Right Hand
2	3384131M1	4	Bolt Metric	M16X55
3	3010007X1	8	Screw Metric	M16X60
4	3384129M1	2	Screw	M20X55
5	3010633X1	2	Screw	M16X160
6	3582200M1	1	Support	Left Hand
7	3715695M4	1	Axle Holder	
8	339608X1	1	Grease Nipple	
9	3019868X1	2	Bolt Metric	M16X115
10	385365X1	4	Washer	Diameter M20
11	339608X1	1	Grease Nipple	
12	3712093M11	1	Frame	
13	3712078M1	1	Bearing	(12)
14	3386216M1	4	Screw	M20X60
15	3778516M12	1	Axle Carrier	
16	3713930M1	1	Bush	(15)
17	3010875X1	4	Washer	
18	3011174X1	1	Plug	

1-ZJ01-014-B



Item	Part Number	Qty	Description	Comments
1	3783747M2	1	Axle Holder	Up to Serial or Engine Number M050024
	3789248M1	1	Axle Holder	From Serial or Engine Number M050025
2	3019868X1	2	Bolt Metric	M16 X 115
3	3783750M1	1	Angle.	Right Hand
4	3010007X1	8	Screw Metric	M16 X 60
5	3384131M1	4	Bolt Metric	M16 X 55
6	3783751M1	1	Angle.	Left Hand
7	3713956M13	1	Axle Carrier	
8	3713930M1	1	Bush	(7)
9	3713929M1	1	Gasket	(7)
10	3010867X1	2	Pin	(7)
11	3010045X1	2	Screw	M20 X 90
12	3783861M2	2	Spacer	
13	339608X1	1	Grease Nipple	
14	3389553M1	2	Screw	M24 X 165
15	3389552M1	2	Screw	M20 X 155
16	3019890X1	2	Bolt Metric	M16 X 200
17	3784072M11	1	Axle Carrier	
18	3712078M1	1	Bearing	(17)
19	339608X1	1	Grease Nipple	
20	3010556X1	4	Screw Metric	M20 X 80
21	3385835M1	X	Plug	
22	3011174X1	1	Plug	Diameter 106.89/107.11

1-ZJ01-004-B

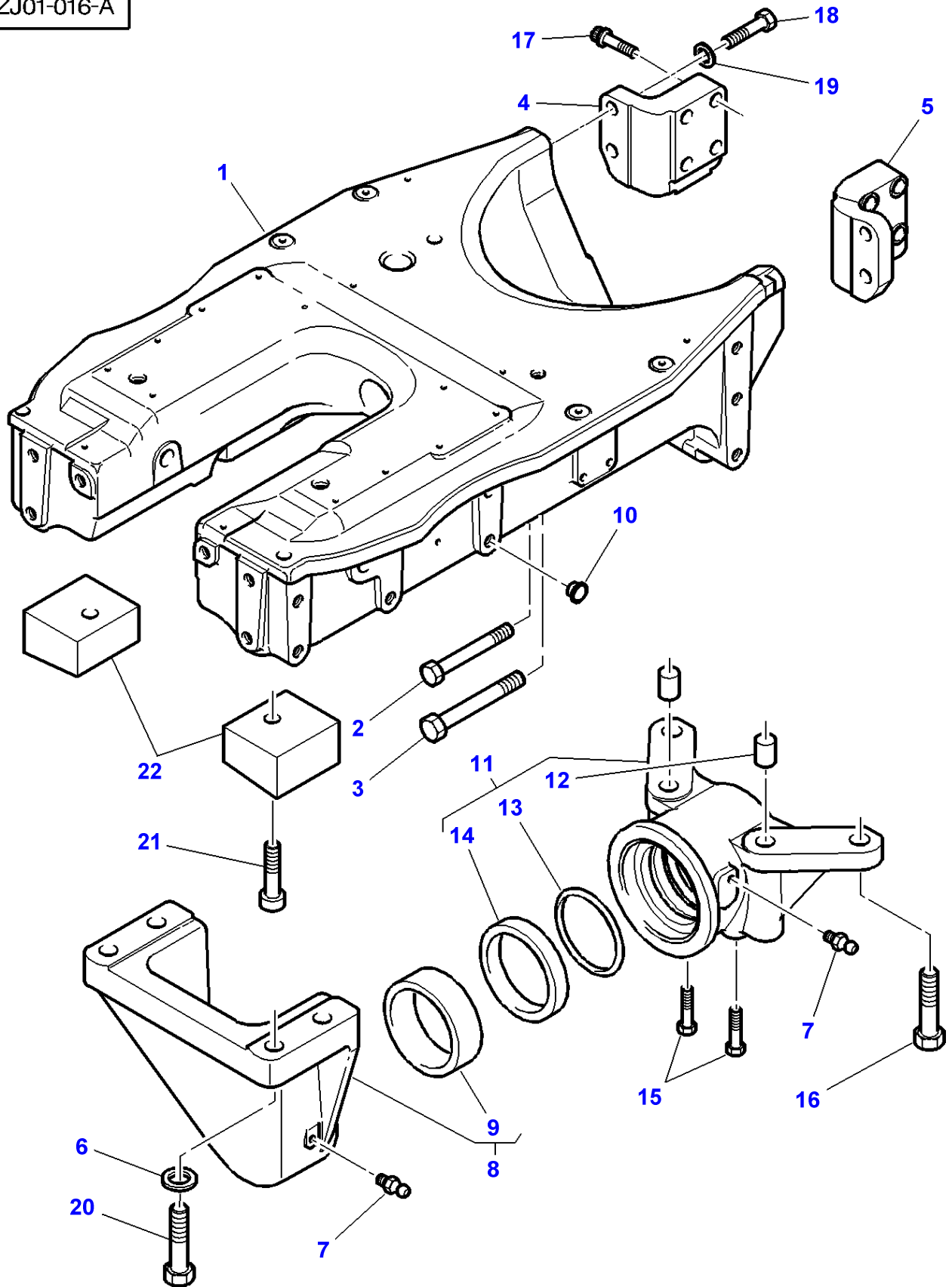


Front Axle - Bracket 4 Wheel Drive - Up To K017003

Item	Part Number	Qty	Description	Comments
1	3582201M1	1	Support	Right Hand
2	3384131M1	4	Bolt Metric	M16 X 55
3	3010007X1	8	Screw Metric	M16 X 60
4	3581527M1	2	Screw	M20 X 75
5	3019888X1	2	Bolt	Up to Serial or Engine Number J285019 M16 X 195
	3019890X1	2	Bolt Metric	From Serial or Engine Number J285020 M16 X 200
6	3582200M1	1	Support	Left Hand
7	3715695M4	1	Axle Holder	
8	3389552M1	2	Screw	M20 X 155
9	3019868X1	2	Bolt Metric	M16 X 115
10	3389553M1	2	Screw	M24 X 165
11	339608X1	1	Grease Nipple	
12	3386314M15	1	Bearing Carrier	
13	3782844M2	1	Bush	(12)
14	3386216M1	4	Screw	M20 X 60
15	385365X1	4	Washer	Diameter 20-37 X 5 MM
16	3712070M12	1	Bearing Carrier	
17	3712072M1	1	Bush	(16)
18	3010428X1	1	Gasket	(16)
19	3010867X1	2	Pin	(16)
20	3010875X1	4	Washer	
21	339608X1	1	Grease Nipple	
22	3019575X1	2	Washer Metric	From Serial or Engine Number J285020 Diameter 17-44 X 3 MM

MF 8210/8220 TRACTORS - 1637365
1-ZJ01-016-A

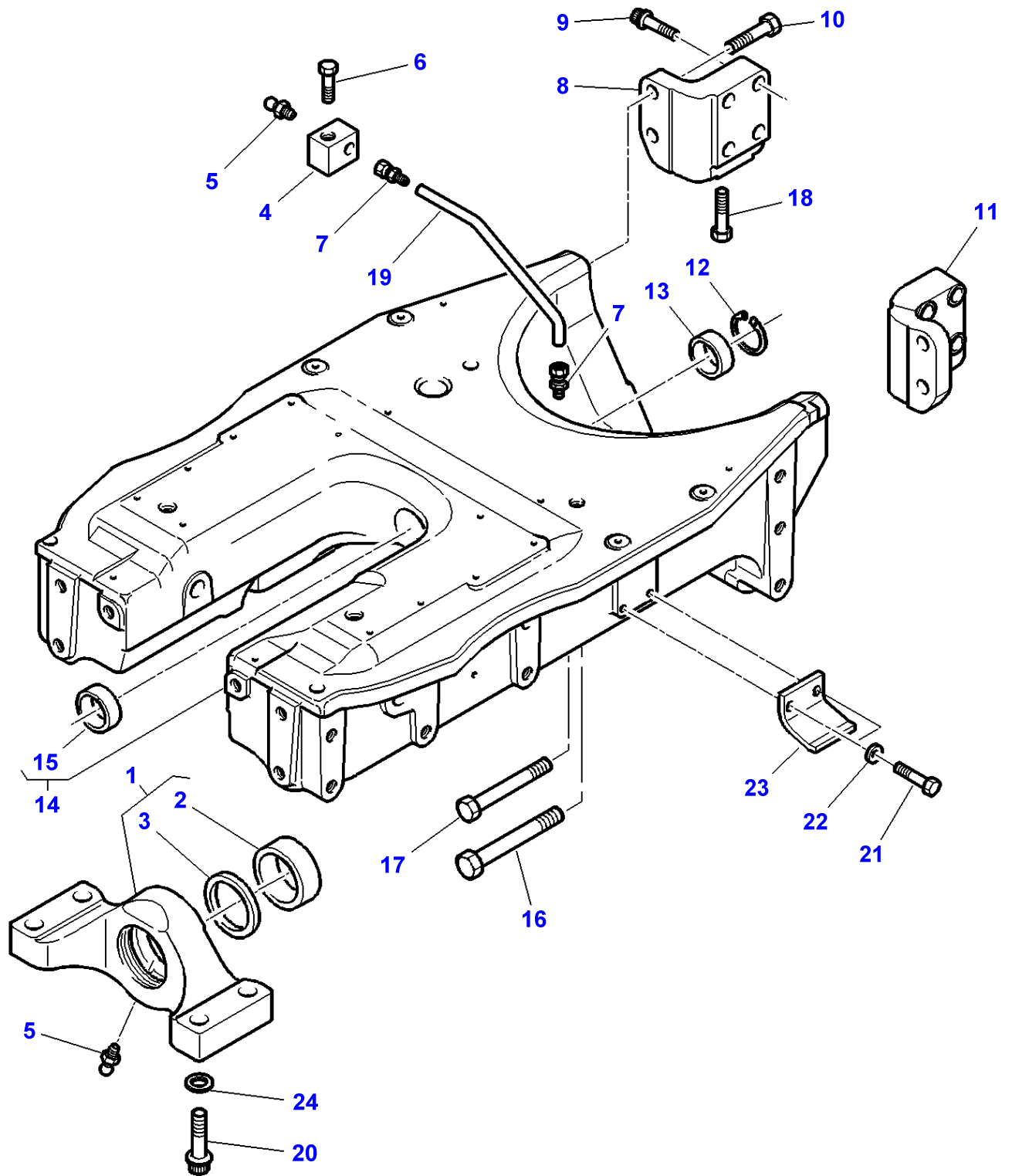
1-ZJ01-016-A



Massey Ferguson**MF 8210/8220 TRACTORS - 1637365****1637365****Front Axle - Bracket 4 Wheel Drive - From K017004 - Up To K137012 - With Front Axle A.G 155****Page060-0065**

Item	Part Number	Qty	Description	Comments
1	3783747M2	1	Axle Holder	
2	3011159X1	2	Screw	M20 X 130
3	3389553M1	2	Screw	M24 X 165
4	3783750M1	4	Angle.	Right Hand
5	3783751M1	4	Angle.	Left Hand
6	385365X1	4	Washer	
7	339608X1	2	Grease Nipple	
8	3785928M11	1	Bearing Carrier	
9	3782844M2	1	Bush	(8)
10	3385835M1	X	Plug	
11	3712070M12	1	Bearing Carrier	
12	3010867X1	2	Pin	(11)
13	3010428X1	1	Gasket	(11)
14	3712072M1	1	Bush	(11)
15	3019890X1	2	Bolt Metric	M16 X 200
16	3581527M1	2	Screw	M20 X 75
17	3010007X1	8	Screw Metric	M16 X 60
18	3580795M1	4	Screw	M16 X 80
19	3010875X1	4	Washer	
20	3581527M1	4	Screw	M20 X 75
21	3000258X1	2	Screw Metric	M10 X 40
22	3785938M1	2	Stop	

1-ZK22-002-B

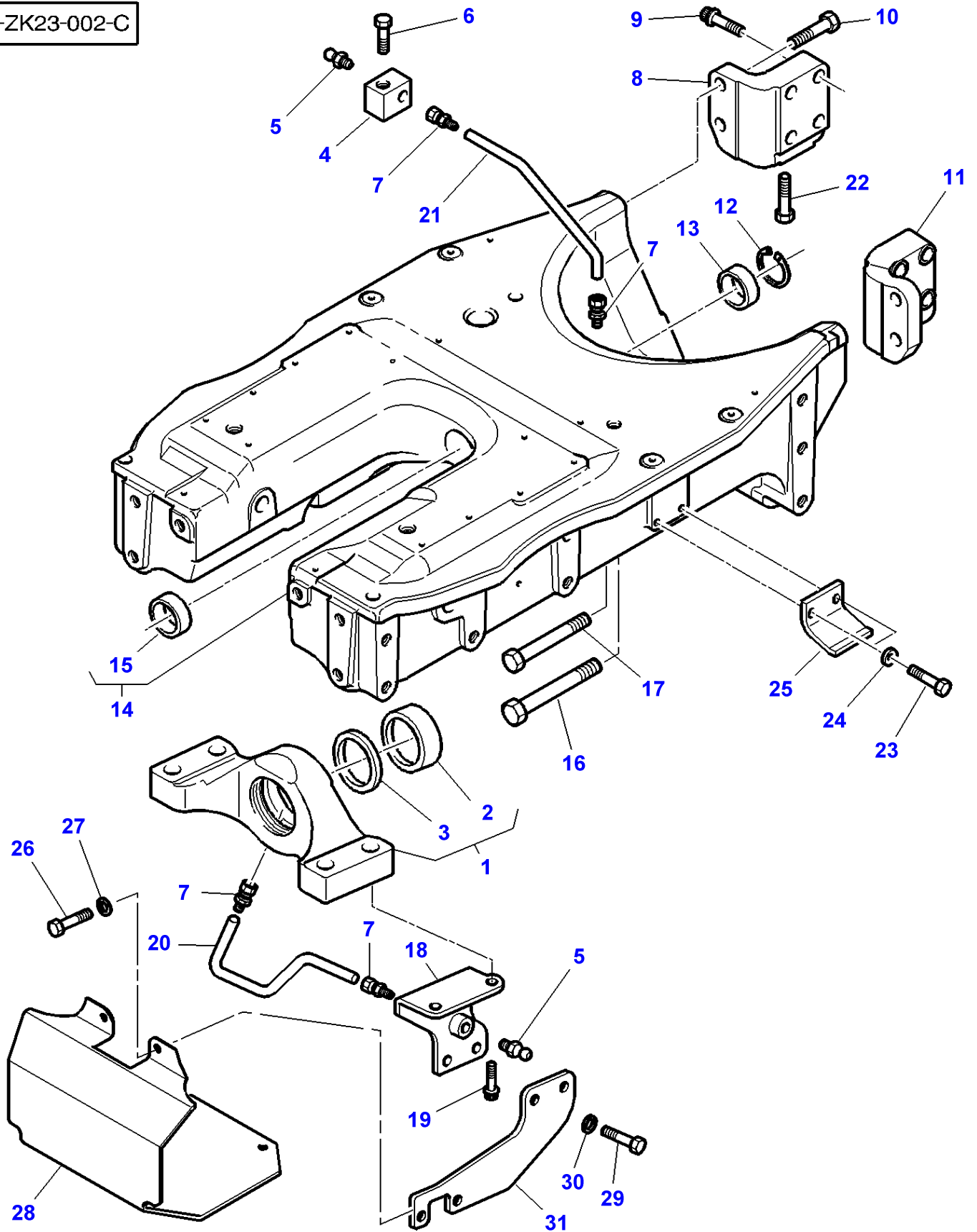


Front Axle Fixed CARRARO - Bracket

Item	Part Number	Qty	Description	Comments
1	3784713M13	1	Axle Carrier	Diameter 70 MM
2	3785203M4	1	Bush	(1)
3	3785153M1	1	Gasket	(1)
4	3784937M1	1	Support	
5	339608X1	2	Grease Nipple	
6	339010X1	1	Bolt Metric	M8 X 40
7	3002070X91	2	Connector	
8	3783750M1	1	Angle.	Right Hand
9	3010007X1	8	Screw Metric	M16 X 60
10	3580795M1	4	Screw	M16 X 80
11	3783751M1	1	Angle.	Left Hand
12	339437X1	1	Circlip	Up to Serial or Engine Number K082027
	1440480X1	1	Circlip	From Serial or Engine Number K082028
13	3384156M2	1	Plug	Up to Serial or Engine Number K082027
	390237X1	1	Plug	From Serial or Engine Number K082028
14	3784960M11	1	Axle Holder	Up to Serial or Engine Number M050024
	4272201M11	1	Axle Holder	From Serial or Engine Number M050025
15	3784615M2	1	Bush	(14) Diameter 60 MM
16	3389553M1	2	Screw	M24 X 165
17	3011159X1	2	Screw	M20 X 130
18	3019868X1	2	Bolt Metric	M16 X 115
19	3785176M1	1	Tube	
20	3010556X1	4	Screw Metric	M20 X 70
21	3009506X1	4	Screw Metric	M12 X 30
22	390734X1	4	Washer	
23	3783873M1	2	Spacer	
24	385365X1	4	Washer	

MF 8210/8220 TRACTORS - 1637365
1-ZK23-002-C

1-ZK23-002-C

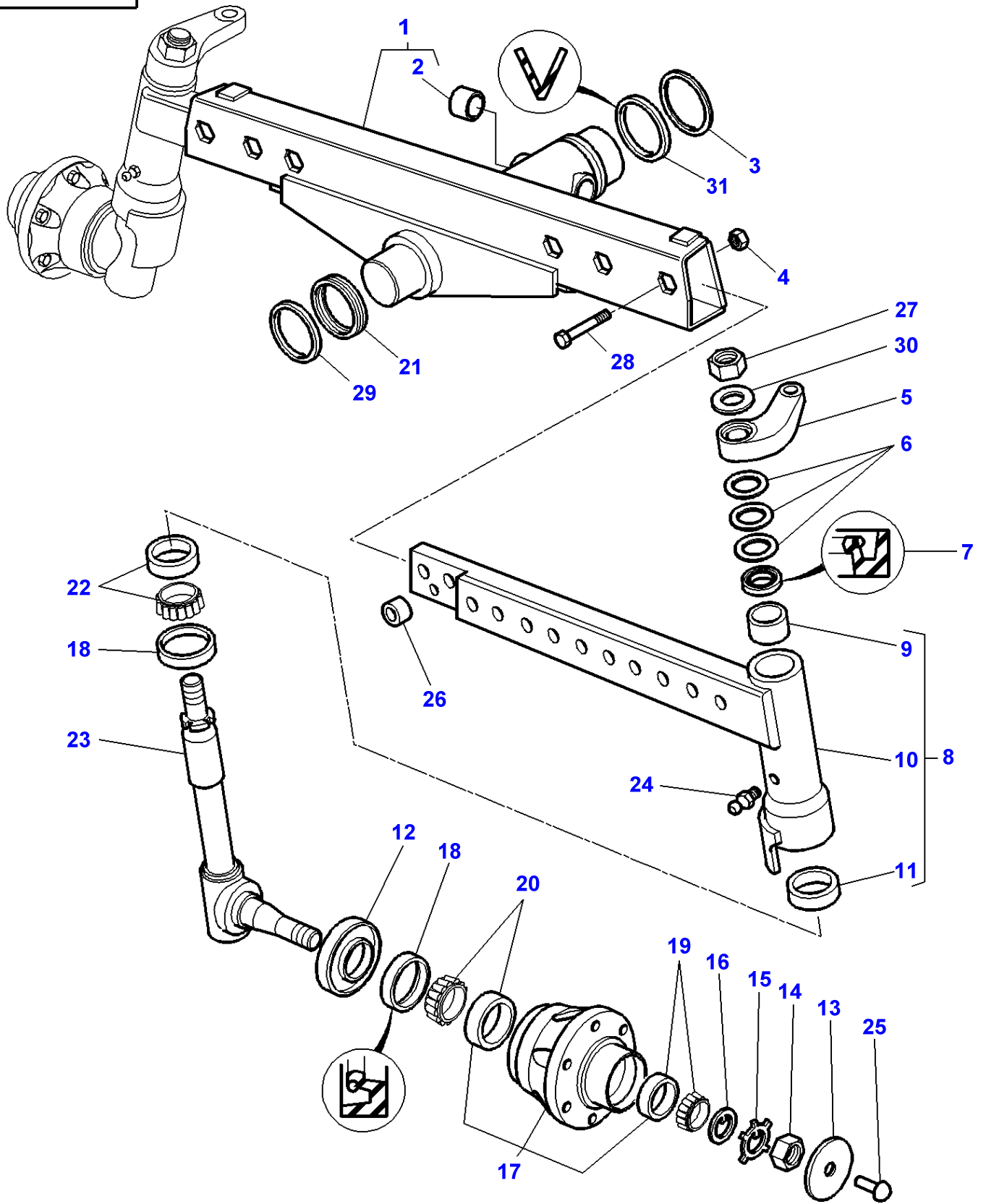


Front Axle Suspended CARRARO - Bracket

Item	Part Number	Qty	Description	Comments
1	3784714M13	1	Axle Carrier	
2	3785204M4	1	Bush	(1)
3	3785154M1	1	Gasket	(1)
4	3784937M1	1	Support	
5	339608X1	2	Grease Nipple	
6	339010X1	1	Bolt Metric	M8 X 40
7	3002070X91	4	Connector	
8	3783750M1	1	Angle.	Right Hand
9	3010007X1	8	Screw Metric	M16 X 60
10	3580795M1	4	Screw	M16 X 80
11	3783751M1	1	Angle.	Left Hand
12	339437X1	1	Circlip	Up to Serial or Engine Number K082027
	1440480X1	1	Circlip	From Serial or Engine Number K082028
13	3384156M2	1	Plug	Up to Serial or Engine Number K082027
	390237X1	1	Plug	From Serial or Engine Number K082028
14	3784959M11	1	Axle Holder	Up to Serial or Engine Number M050024
	4272200M11	1	Axle Holder	From Serial or Engine Number M050025
15	3784614M2	1	Bush	(14)
16	3389553M1	2	Screw	M24 X 165
17	3011159X1	2	Screw	M20 X 130
18	3784663M1	1	Support	Right Hand
	3784664M1	1	Support	Left Hand
19	3010434X1	4	Screw Metric	M20 X 80
20	3785303M1	1	Tube	
21	3785176M1	1	Tube	
22	3019868X1	2	Bolt Metric	M16 X 115
23	3009506X1	4	Screw Metric	M12 X 30
24	390735X1	4	Washer	
25	3783873M1	2	Spacer	
26	339560X1	2	Hex. Sock. Screw	M6 X 16
27	339375X1	2	Lock Washer	
28	3787896M1	1	Cowl	
29	3009492X1	2	Hex. Sock. Screw	M10 X 25
30	385362X1	2	Washer	
31	3784662M1	2	Plate	

MF 8210/8220 TRACTORS - 1637365
1-ZJ01-001-A

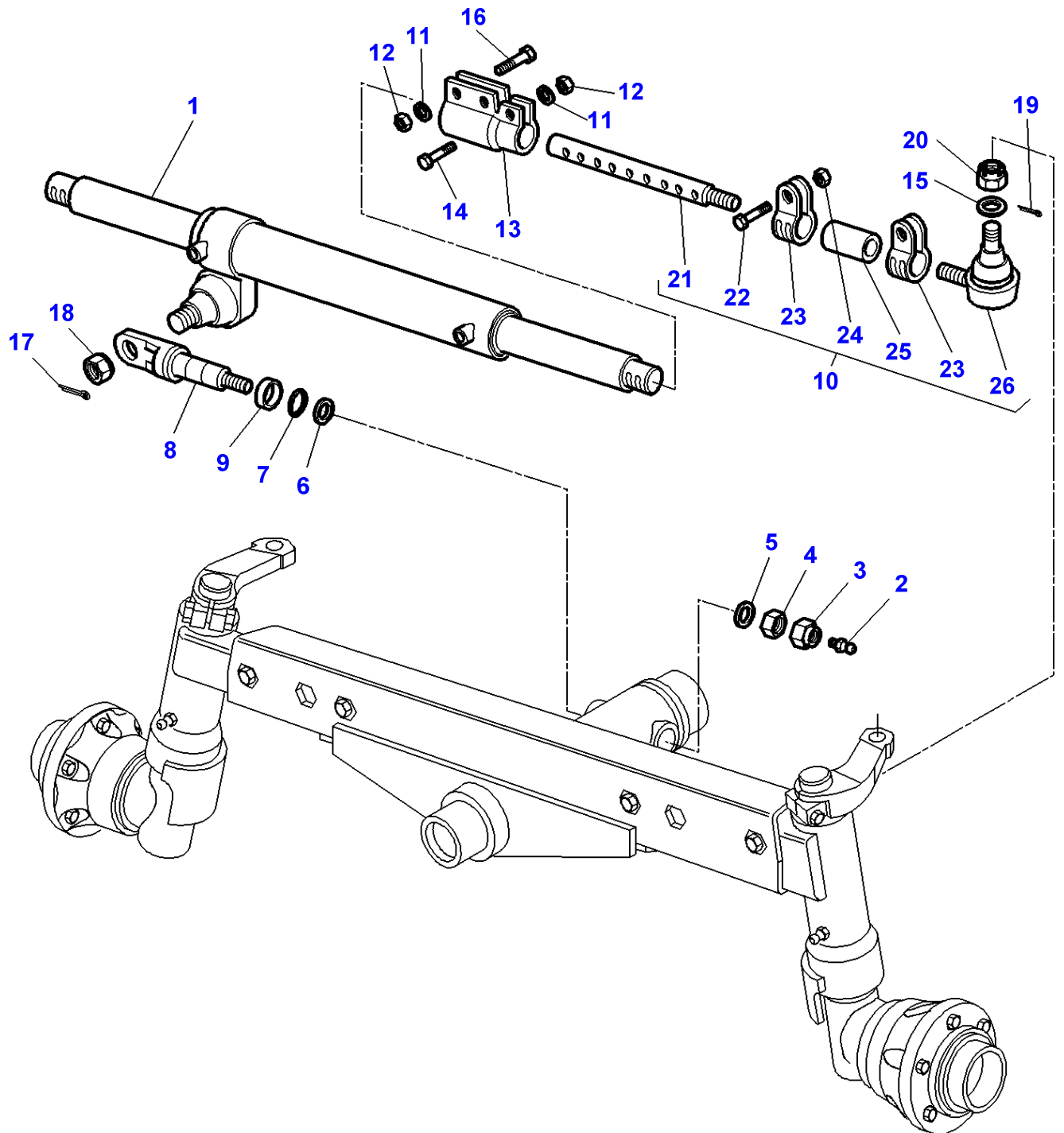
1-ZJ01-001-A



Front Axle - 8 Holes - Heavy Duty

Item	Part Number	Qty	Description	Comments
1	3809699M92	1	Frame	
2	3387842M1	2	Bush	(1)
3	3713939M1	1	Thrust Washer	
4	3010067X1	6	Locknut	M20
5	3383989M1	1	Steering Arm	Left Hand
	3383990M1	1	Steering Arm	Right Hand
6	3619151M1	6	Cup Spring	
7	3715539M1	2	Gasket	
8	3778018M11	1	Steering Arm	Left Hand
	3778020M11	1	Steering Arm	Right Hand
9	3387137M1	1	Bush	(8)
10		1	Arm	(8)
				Not serviced,order REF. 8
11		1	Race	(8)
				Not serviced,order REF. 22
12	3383996M1	2	Dust Shield	
13	3581721M1	2	Plug	
14	3384126M1	2	Nut	M33
15	3387135M1	2	Washer	
16	3383999M1	2	Washer	
17	3387838M11	2	Impeller Hub	
18	3384105M1	4	Gasket	
19	390876X1	1	Bearing Taper	
20	3000570X91	1	Bearing Assy	
21	3712074M1	1	Gasket	Diameter 103 MM
22	3010058X91	2	Bearing Taper	
23	3616003M91	2	Spindle	
24	339608X1	2	Grease Nipple	
25	3011214X1	2	Rivet	
26	3778813M1	2	Spacer	
27	3384133M1	2	Nut	M33
28	3010045X1	6	Screw	M20 X 90
29	3712077M1	1	Washer	
30	353766X1	2	Washer	
31	3713940M1	1	Gasket	

1-ZJ01-002-A

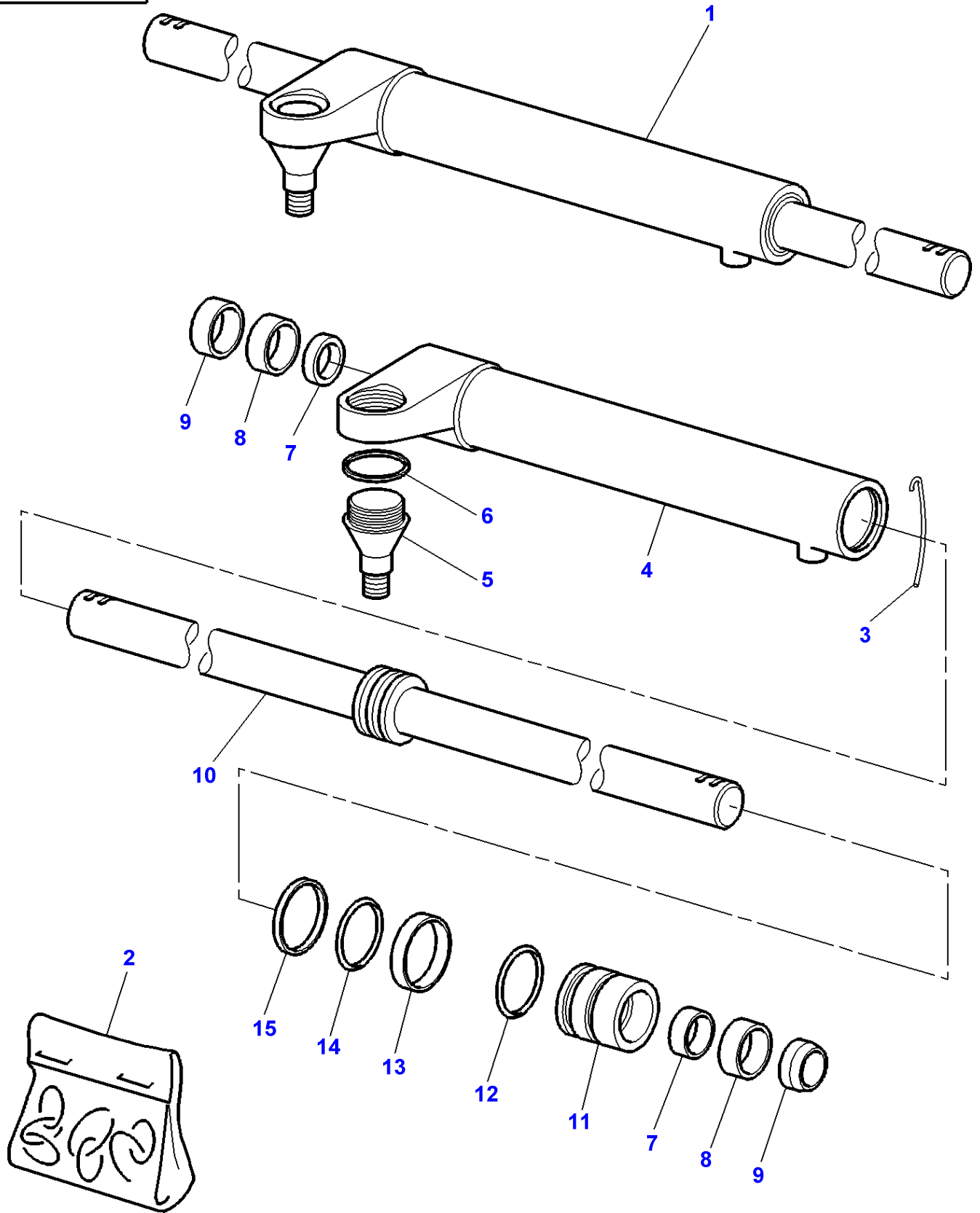


Front Axle - 8 Holes - Heavy Duty

Item	Part Number	Qty	Description	Comments
1	3483098M92	1	Steering Cyl	
2	339608X1	1	Grease Nipple	
3	3387937M1	1	Top Locknut	M30
4	3387938M1	1	Nut	M30
5	359135X1	1	O Ring	
6	3387233M1	1	Thrust Washer	41X53X3
7	1440848X1	1	O Ring	
8	3387843M2	1	Clevis Pin	
9	3388399M2	1	Dust Shield	
10	3780662M1	2	Steering Tie Rod	Length 591MM
11	339369X1	6	Lock Washer	
12	3009695X1	6	Nut	M12
13	3387939M2	2	Extension	
14	3009512X1	2	Bolt Metric	M12X60
15	390974X1	2	Washer Metric	(10)
16	3009515X1	4	Bolt Metric	M12X80
17	354071X1	1	Pin	
18	3008868X1	1	Castle Nut	
19	354068X1	1	Pin	(10)
20	3005888X1	1	Castle Nut	(10)
21	3104946M1	1	Stem	(10)
				Length 496MM
22	3104948M1	2	Screw	(10)
23	3104944M1	2	Clamp	(10)
24	1442921X1	2	Nut	(10)
25	3104947M1	1	Tube	(10)
26	3104945M1	1	Toggle	(10)

FOOTNOTE [A] DETAILS TO BE ADVISED

1-ZJ04-001-A

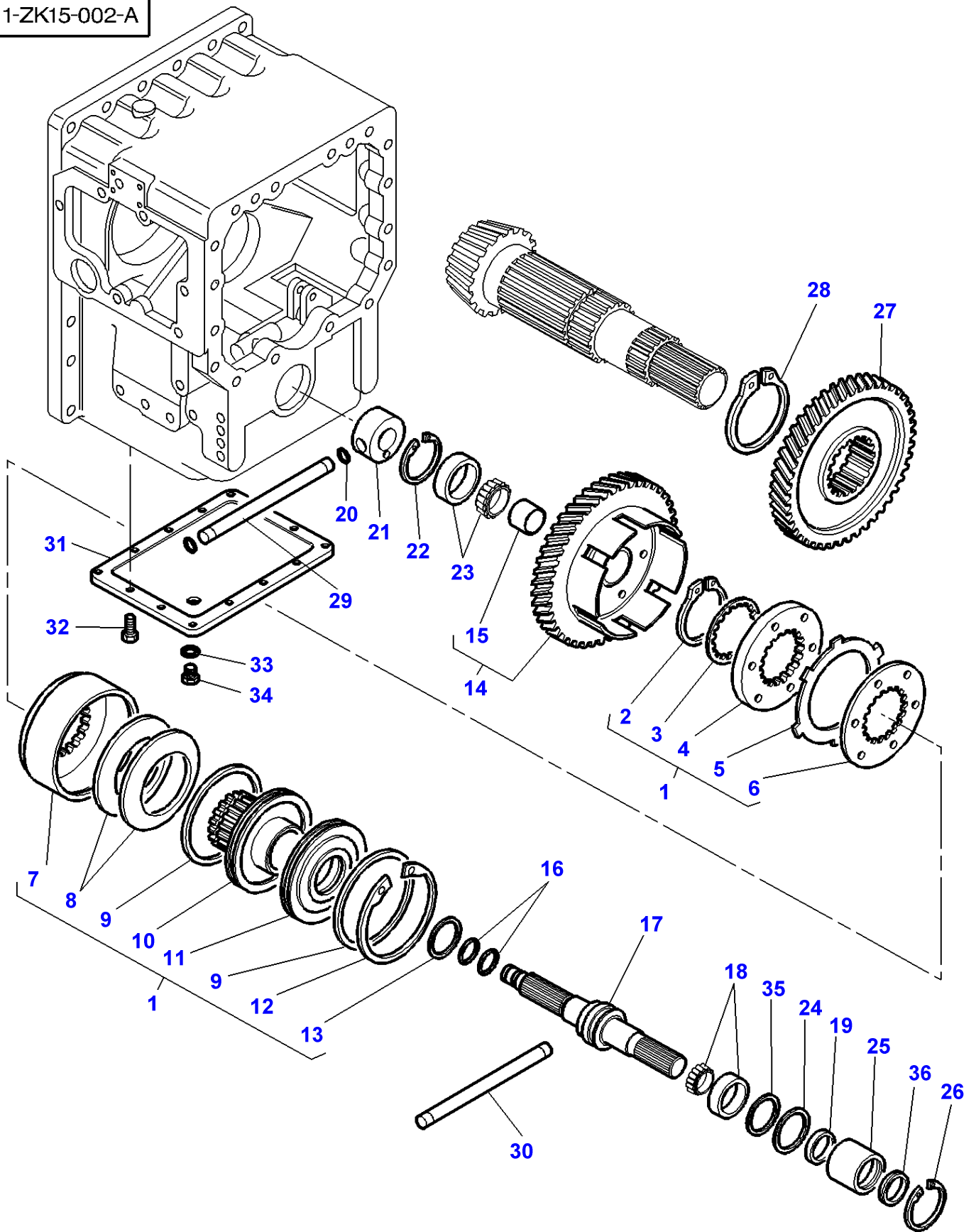


Front Axle 2 Wheel Drive - Cylinders

Item	Part Number	Qty	Description	Comments
1	3483098M92	1	Steering Cyl	Diameter 68MM
2	3443433M93	X	Kit, Seal	Up to Serial or Engine Number PACOMA
	3904124M91	1	Kit, Seal	From Serial or Engine Number KMF
3	3443432M1	1	Snapping	(1) Up to Serial or Engine Number PACOMA
4	3443703M92	1	Barrel	(1) Up to Serial or Engine Number PACOMA
5	3443896M1	1	Ball Joint	(1) Up to Serial or Engine Number PACOMA
6	3443901M1	1	Tab Washer	(1) Up to Serial or Engine Number PACOMA
7	3443429M1	2	Ring	(2) Up to Serial or Engine Number PACOMA
8	3443430M1	2	Seal	(2) Up to Serial or Engine Number PACOMA
9	1606575M1	2	Wiper	(2) Up to Serial or Engine Number PACOMA
10	3443707M91	1	Cylinder Rod	(1) Up to Serial or Engine Number PACOMA
11	3443413M1	1	Bearing	(1) Up to Serial or Engine Number PACOMA
12	1441521X1	1	Seal	(2) Up to Serial or Engine Number PACOMA
13	3443428M1	1	Ring	(2) Up to Serial or Engine Number PACOMA
14	338909X1	1	O Ring	(2) Up to Serial or Engine Number PACOMA
15	3484804M1	1	Seal	(2) Up to Serial or Engine Number PACOMA

MF 8210/8220 TRACTORS - 1637365
1-ZK15-002-A

1-ZK15-002-A



Front Axle 4 Wheel Drive - Clutch

Item	Part Number	Qty	Description	Comments
1	3713519M12	1	Clutch	[B]
2	1440533X1	1	Circlip	(1)
3	3387182M1	X	Shim	(1)
				Thickness 0,60 MM
	3033343M1	X	Shim	(1)
				Thickness 0,80 MM
	3713553M1	X	Shim	(1)
				Thickness 1,40 MM
	3713554M1	X	Shim	(1)
				Thickness 1,70 MM
4	3583586M2	1	Tray	[B]
				(1)
5	3616400M2	6	Friction Disc	[B]
				(1)
6	3384488M1	5	Tray	[B]
				(1)
7	3384414M3	1	Housing	(1)
8	3619473M1	2	Cup Spring	(1)
				Thickness 3.05/3.15 MM
9	3384524M1	2	O Ring	(1)
10	3583585M2	1	Hub	[B]
				(1)
11	3384427M1	1	Cover	(1)
12	1441403X1	1	Circlip	(1)
13	3384523M1	1	O Ring	(1)
14	3716453M15	1	Pinion	[B,D]
				Number of teeth/spines 49
	3791720M93	1	Pinion	[B,G]
				Number of teeth/spines 52
				MF 8220
15	3387727M1	1	Bush	(14)
16	3382874M1	2	Segment	
17	3716526M13	1	Shaft	[B]
18	3010697X91	1	Bearing Assy	
19	3716067M2	1	Oil Seal	
20	377494X1	2	O Ring	
21	3716441M2	1	Bush	
22	1440480X1	1	Circlip	
23	339481X1	1	Bearing Taper	
24	1441885X1	1	O Ring	
25	3716815M3	1	Sealing Holder	
26	1440819X1	1	Circlip	
27	3716452M4	1	Pinion	[B,D]
				Number of teeth/spines 45
	3716531M4	1	Pinion	[B,G]
				Number of teeth/spines 41
				MF 8220
28	1440533X1	1	Circlip	
29	3716573M1	1	Tube	Length 160 MM
30	3716572M1	1	Tube	[D]
				Length 95 MM
	3716810M1	1	Tube	[E]
				Length 72MM
31	3716553M2	1	Cover	
32	3009493X1	13	Hex. Sock. Screw	M10 X 30
33	831497M1	1	O Ring	
34	3716563M2	1	Plug	
35	3716801M1	X	Chock	Thickness 0,10 MM
	3716802M1	X	Chock	Thickness 0,20 MM
	3716803M1	X	Chock	Thickness 0,50 MM
	3716804M1	X	Chock	Thickness 0,80 MM
36	3791400M1	1	Gasket	

FOOTNOTE [A] CLUTCH 8 DISCS

FOOTNOTE [B] CLUTCH 6 DISCS

FOOTNOTE [C] CLUTCH 7 DISCS

FOOTNOTE [D] WITH FULL POWERSHIFT

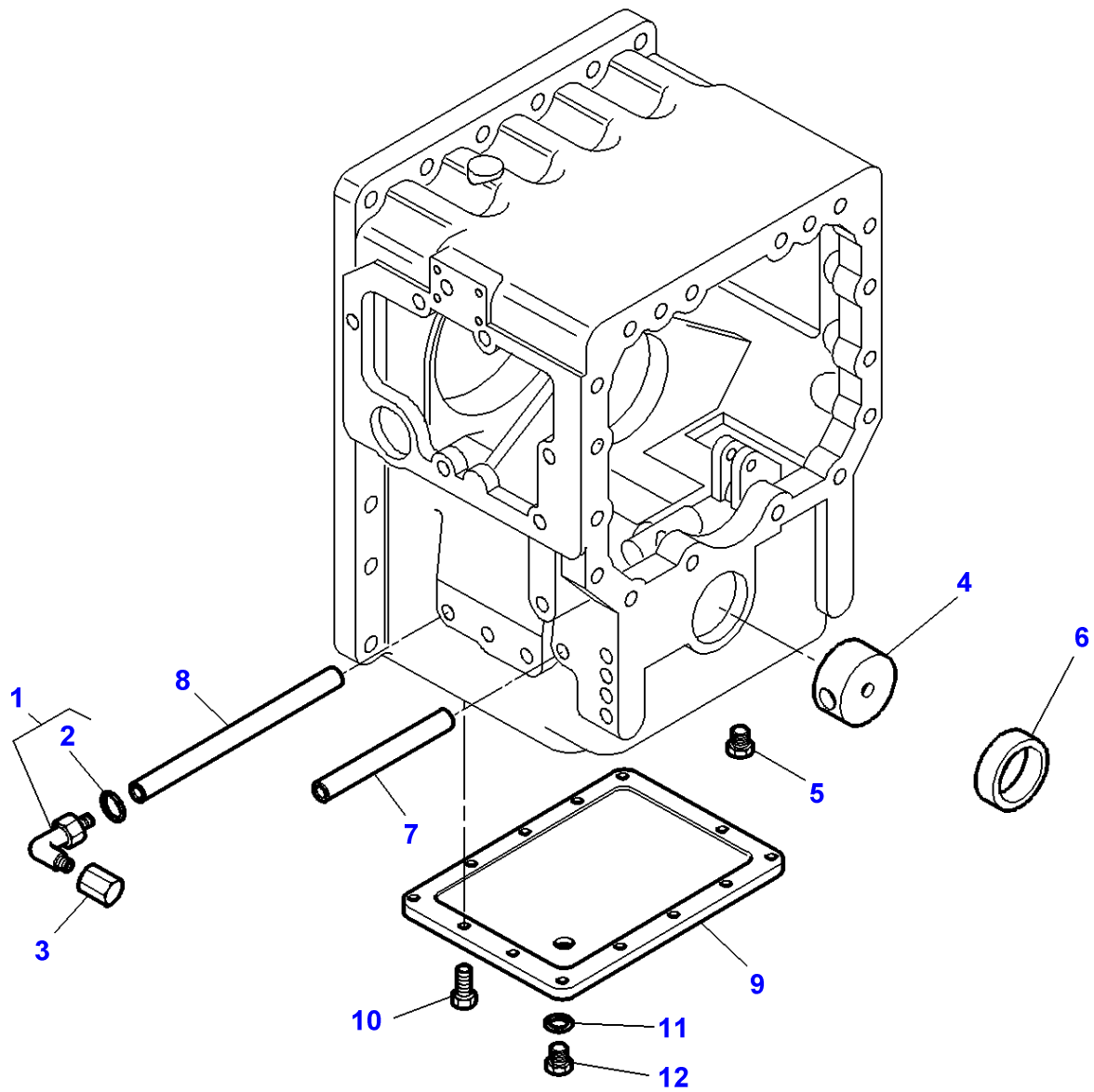
FOOTNOTE [E] WITH DYNASHIFT

FOOTNOTE [F] WITH DANA FRONT AXLE

FOOTNOTE [G] FOR HIGH-CLEARANCE TRACTOR

FOOTNOTE [H] WITH CARRARO FRONT AXLE

1-ZG63-003-A



Massey Ferguson**MF 8210/8220 TRACTORS - 1637365**

1637365

Rear Axle - Intermediary Housing - Two Wheel Drive

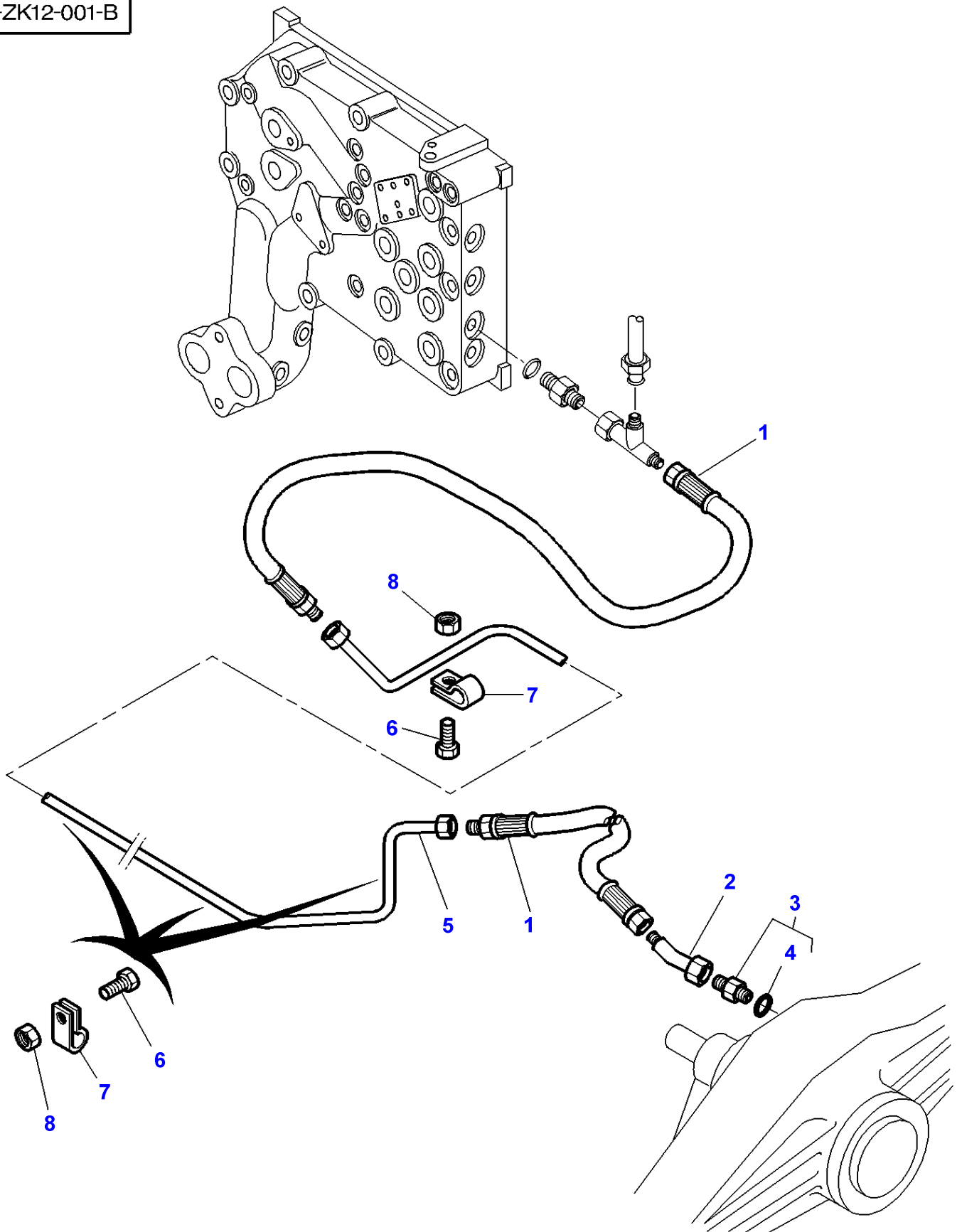
Page060-0100

Item	Part Number	Qty	Description	Comments
1	3385713M91	1	Union	
2	831497M1	1	O Ring	(1)
3	70923737	1	Plug	
4	3792324M1	1	Bush	
5	390738X1	1	Bolt Metric	M12x16
6	3010664X1	1	Plug	Diameter 68 MM
7	3716810M1	1	Tube	[A] Length 72 MM
	3716572M1	1	Tube	[B] Length 95 MM
8	3716573M1	1	Tube	Length 160 MM
9	3716553M2	1	Cover	
10	3009493X1	13	Hex. Sock. Screw	M10x30
11	831497M1	1	O Ring	
12	3716563M2	1	Plug	

FOOTNOTE [A] WITH DYNASHIFT

FOOTNOTE [B] WITH FULL POWERSHIFT

1-ZK12-001-B



Massey Ferguson**MF 8210/8220 TRACTORS - 1637365**

1637365

Front Axle 4 Wheel Drive - Differential Lock Mechanism

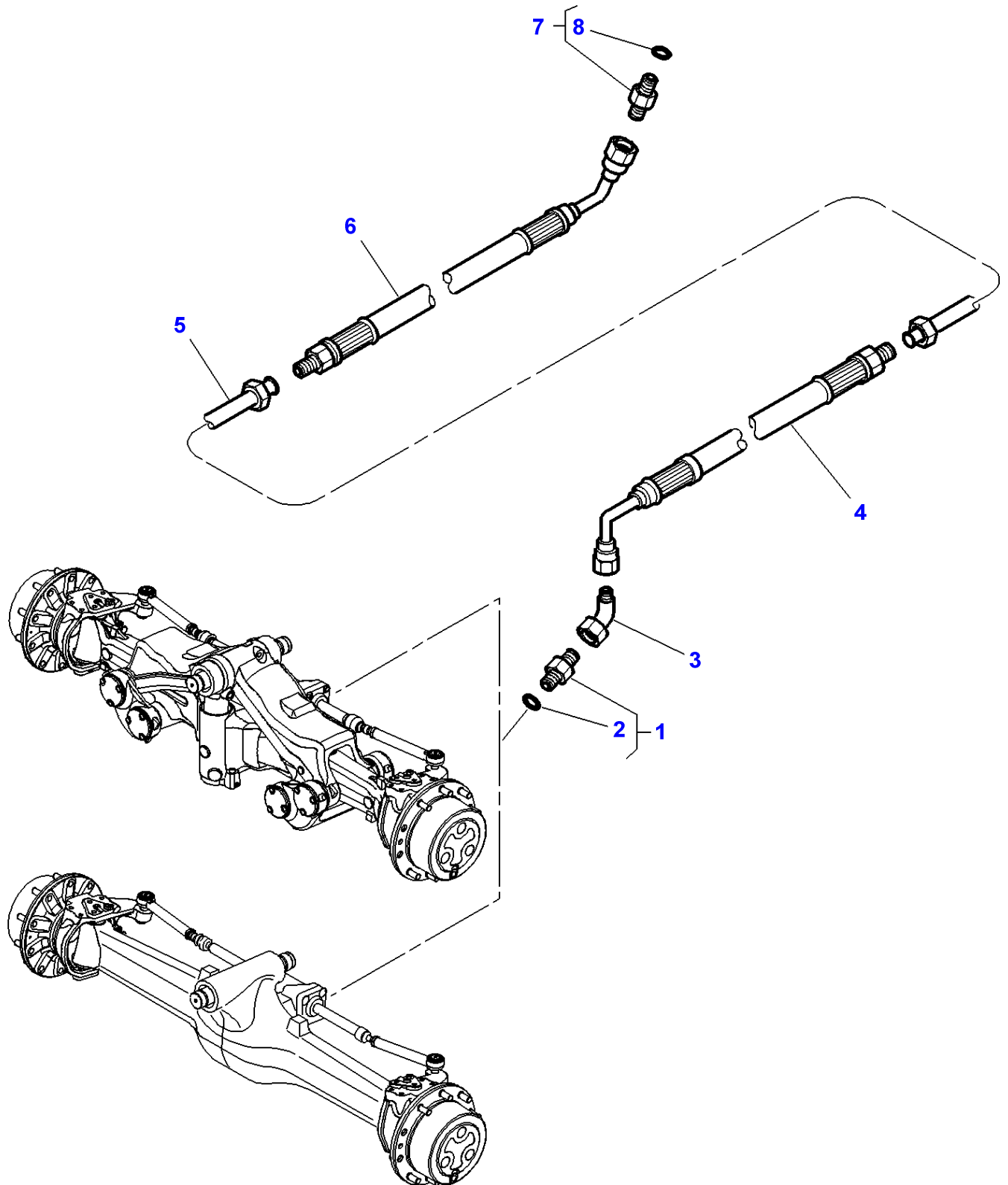
Page060-0105

Item	Part Number	Qty	Description	Comments
1	3389702M1	2	Hydr Hose	
2	366665X1	1	Elbow	
3	3019700X91	1	Union	
4	3019394X1	1	O Ring	(3)
5	3784899M1	1	Tubing	[A]
	3781983M91	1	Tubing	[B]
6	339560X1	4	Hex. Sock. Screw	M6X16
7	3389841M1	4	Clamp	
8	339030X1	4	Nut Metric	M6

FOOTNOTE [A] WITH DYNASHIFT

FOOTNOTE [B] WITH FULL POWERSHIFT

1-ZK16-002-A

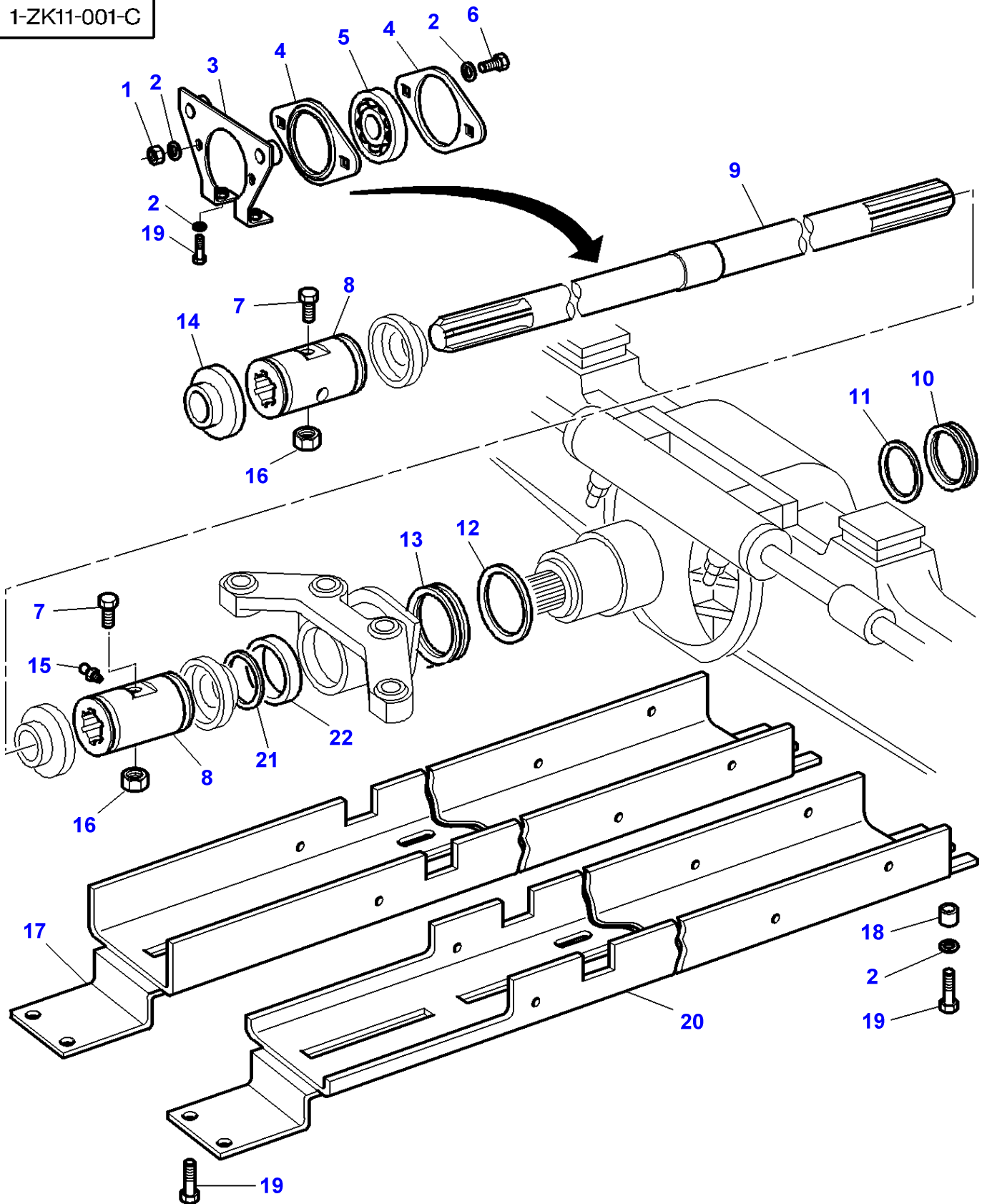


Massey Ferguson**MF 8210/8220 TRACTORS - 1637365****1637365****Front Axle CARRARO - Differential Lock Mechanism****Page060-0110**

Item	Part Number	Qty	Description	Comments
1	3019700X91	1	Union	
2	3019394X1	1	O Ring	(1)
3	366665X1	1	Elbow	
4	3785122M2	1	Hydr Hose	Length 740MM
5	3785046M2	1	Tube	Length 1338MM
6	3785115M1	1	Hydr Hose	Length 1300MM
7	3019383X91	1	Adaptor	
8	3019397X1	1	O Ring	(7)

MF 8210/8220 TRACTORS - 1637365
1-ZK11-001-C

1-ZK11-001-C



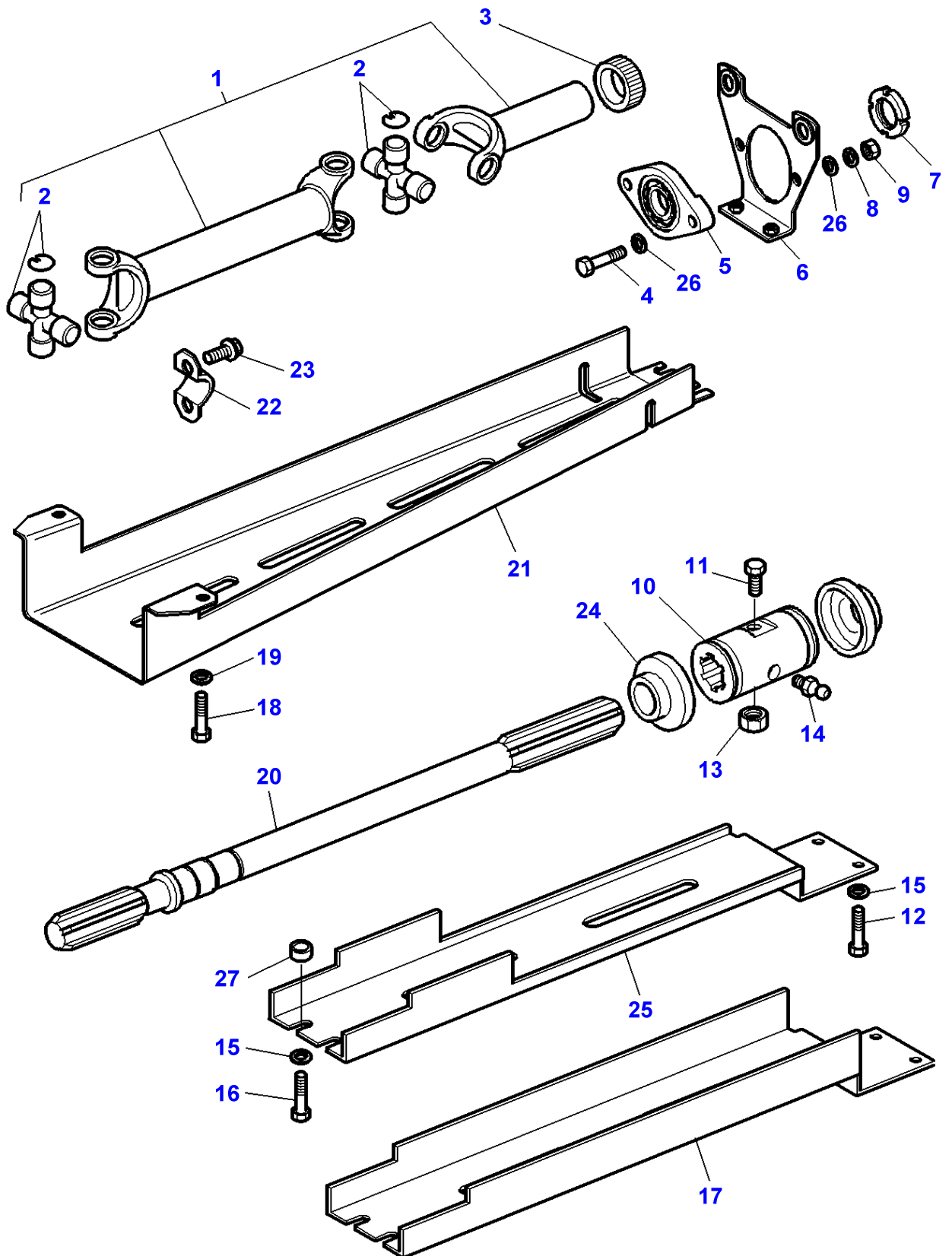
Guard And Transmission Shaft

Item	Part Number	Qty	Description	Comments
1	339402X1	2	Nut	
2	390597X1	8	Washer Metric	
3	3777216M1	1	Bearer	
4	3712872M1	2	Bearing Carrier	
5	3712873M1	1	Bearing Assy	
6	3009493X1	2	Hex. Sock. Screw	M10X30
7	1440922X1	2	Bolt	M6X60
8	3714416M2	2	Sleeve	
9	3777219M2	1	Shaft	Length 1779MM
10	3712074M1	1	Gasket	
11	3712077M1	1	Washer	
12	3712076M1	1	Bush	
13	3712073M1	1	Gasket	
14	3714575M1	4	Bellows	
15	1441858X1	2	Grease Nipple	
16	339030X1	2	Nut Metric	M6
17	3783841M1	1	Cowl	[A] Replace and repair. Old not interchangeable with new 3782591M3
18	3785836M1	2	Spacer	
19	392054X1	6	Screw	M10X22
20	3783842M1	1	Cowl	[B] Replace and repair. Old not interchangeable with new 3782592M2
21	3010868X1	1	O Ring	
22	3781307M2	1	Spacer	

FOOTNOTE [A] WITH DYNASHIFT

FOOTNOTE [B] WITH FULL POWERSHIFT

1-ZK17-002-B



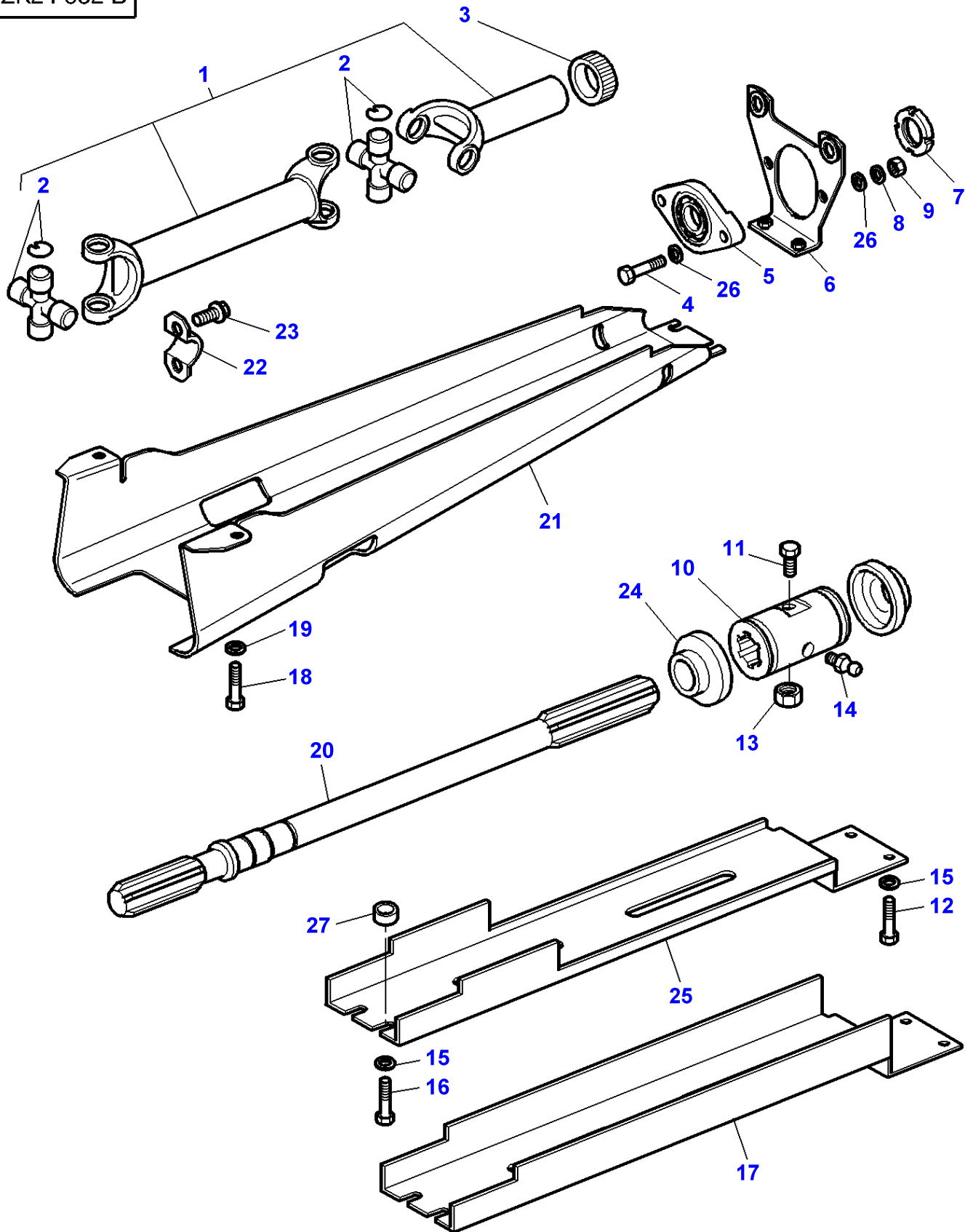
Item	Part Number	Qty	Description	Comments
1	3783752M1	1	Universal Joint	Length 665MM
2	3903646M1	2	Crosspiece	(1)
3	3788066M1	1	Dust Shield	
4	3019899X1	2	Bolt Metric	M12X50
5	3785179M91	1	Bearing Assy	
6	3783757M2	1	Bearer	
7	3015396X1	1	Top Locknut	M40
8	390735X1	2	Washer	Diameter 12-24 X 2.5 Up to Serial or Engine Number
9	339054X1	2	Nut Metric	
10	3714416M2	1	Sleeve	Up to Serial or Engine Number L031018
	3787798M1	1	Sleeve	From Serial or Engine Number L031019
11	1440922X1	1	Bolt	Up to Serial or Engine Number L031018 M6X60
	3009499X1	1	Screw	From Serial or Engine Number L031019 M10X60
12	392054X1	2	Screw	M10X22
13	339030X1	1	Nut Metric	Up to Serial or Engine Number L031018 M6
	1440329X1	1	Locknut	From Serial or Engine Number L031019 M10
14	1441858X1	1	Grease Nipple	M6
15	385362X1	4	Washer	
16	3009494X1	2	Screw Metric	M10X35
17	3783759M2	1	Cowl	[A]
18	1441704X1	2	Screw Metric	M20X40
19	385365X1	2	Washer	
20	3785190M2	1	Shaft	Up to Serial or Engine Number L031018 Length 1090MM
	3788130M1	1	Shaft	From Serial or Engine Number L031019 Length 1086MM
21	3785177M3	1	Cowl	
22	3783586M1	2	Bridle	
23	3783587M1	4	Plough Bolt	5/16 X 27
24	3714575M1	2	Bellows	
25	3783760M2	1	Cowl	[B]
26	385363X1	4	Washer	Diameter 12-24 X 4
27	3011220X1	2	Spacer	

FOOTNOTE [A] WITH DYNASHIFT

FOOTNOTE [B] WITH FULL POWERSHIFT

MF 8210/8220 TRACTORS - 1637365
1-ZK24-002-B

1-ZK24-002-B

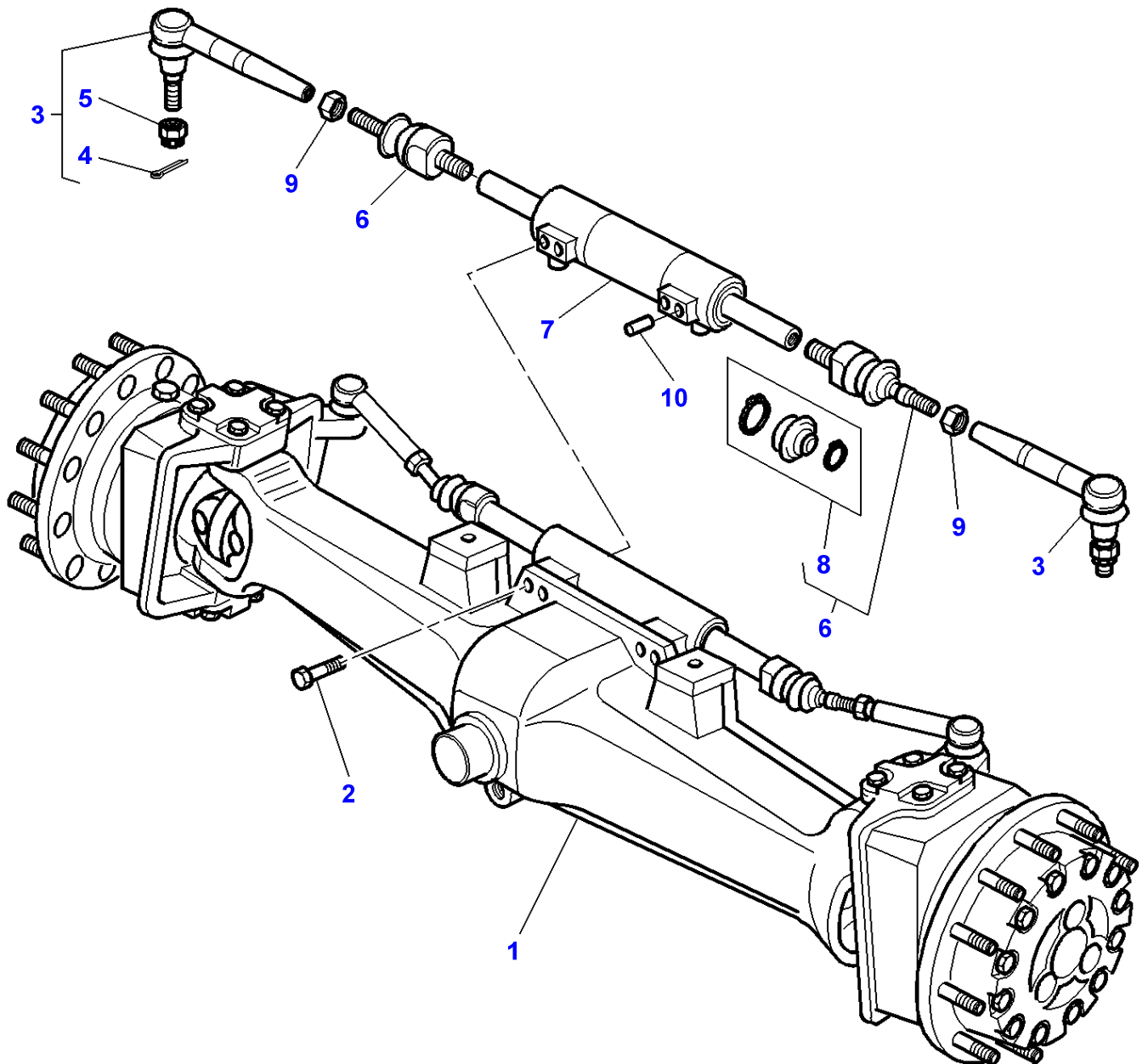


Item	Part Number	Qty	Description	Comments
1	3783752M1	1	Universal Joint	
2	3903646M1	2	Crosspiece	(1)
3	3788066M1	1	Dust Shield	
4	3019899X1	2	Bolt Metric	M12X50
5	3785179M91	1	Bearing Assy	
6	3783757M2	1	Bearer	
7	3015396X1	1	Top Locknut	M40
8	390735X1	2	Washer	Diameter 12-24 X 2.5 Up to Serial or Engine Number
9	339054X1	2	Nut Metric	
10	3714416M2	1	Sleeve	Up to Serial or Engine Number L031018
	3787798M1	1	Sleeve	From Serial or Engine Number L031019
11	1440922X1	1	Bolt	Up to Serial or Engine Number L031018 M6X60
	3009499X1	1	Screw	From Serial or Engine Number L031019 M10X60
12	392054X1	2	Screw	M10X22
13	339030X1	1	Nut Metric	Up to Serial or Engine Number L031018 M6
	1440329X1	1	Locknut	From Serial or Engine Number L031019 M10
14	1441858X1	1	Grease Nipple	M6
15	385362X1	4	Washer	
16	3009494X1	2	Screw Metric	M10X35
17	3783759M2	1	Cowl	[A]
18	1441704X1	2	Screw Metric	M20X40
19	385365X1	2	Washer	
20	3785190M2	1	Shaft	Up to Serial or Engine Number L031018 Length 1090MM
	3788130M1	1	Shaft	From Serial or Engine Number L031019 Length 1086MM
21	3783755M2	1	Cowl	
22	3783586M1	2	Bridle	
23	3783587M1	4	Plough Bolt	5/16 X 27
24	3714575M1	2	Bellows	
25	3783760M2	1	Cowl	[B]
26	385363X1	4	Washer	Diameter 12-24 X 4
27	3011220X1	2	Spacer	

FOOTNOTE [A] WITH DYNASHIFT

FOOTNOTE [B] WITH FULL POWERSHIFT

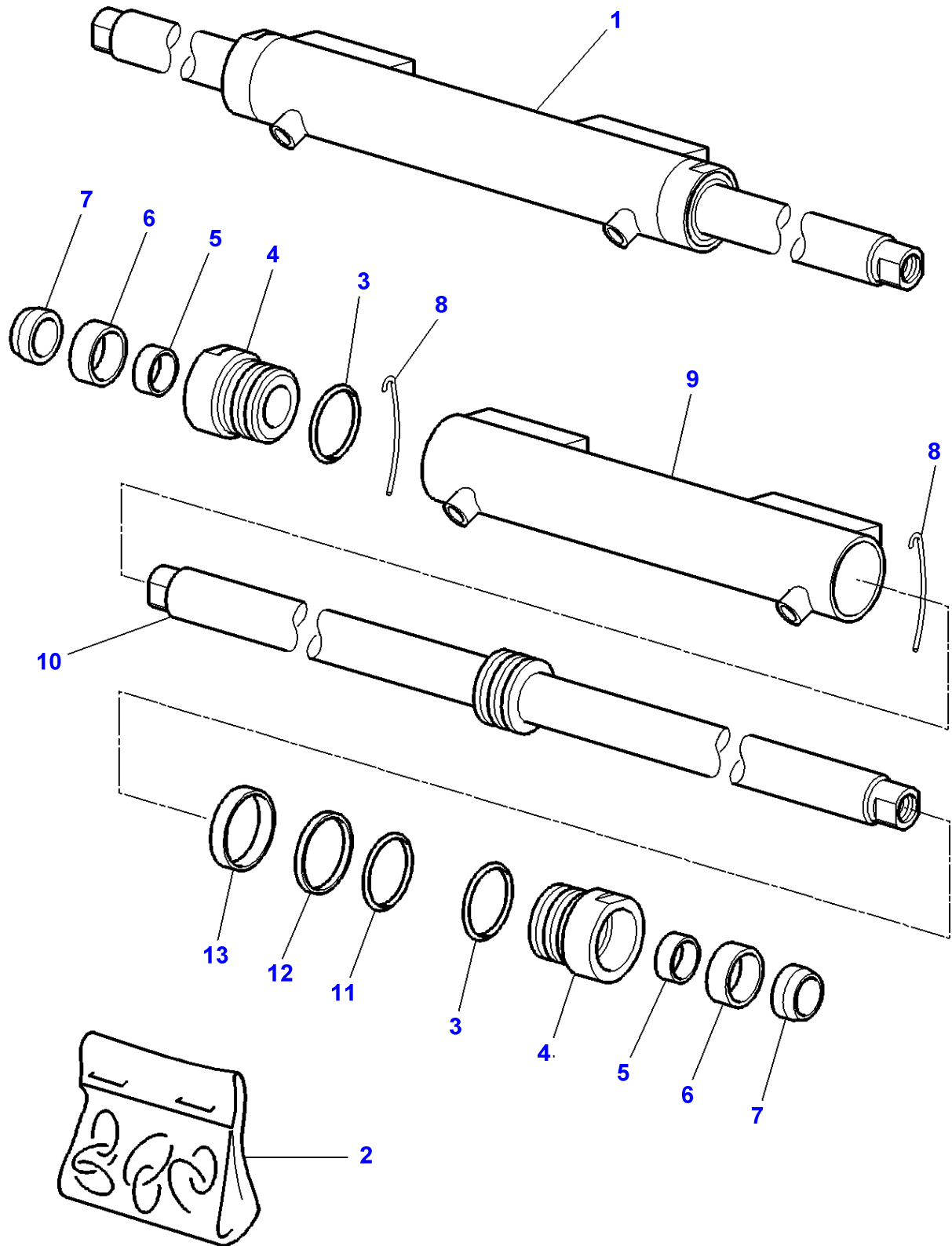
1-ZK01-001-A



Front Axle 4 Wheel Drive

Item	Part Number	Qty	Description	Comments
1	3764955M92	1	Front Live Axle	TYPE AG 155
2	3764202M1	4	Bolt	(1)
3	3764286M1	2	Toggle	(1)
4	354083X1	1	Pin	(3)
5	391233X1	1	Nut Metric	(3) M24
6	3426255M1	2	Ball Joint	(1)
7	3429759M93	1	Steering Cyl	(1)
8	3311603M91	1	Kit, Repair	(6)
9	392420X1	2	Nut	(1) M18X1,5
10	3764700M1	1	Dowel	(1)

1-ZK13-001-A

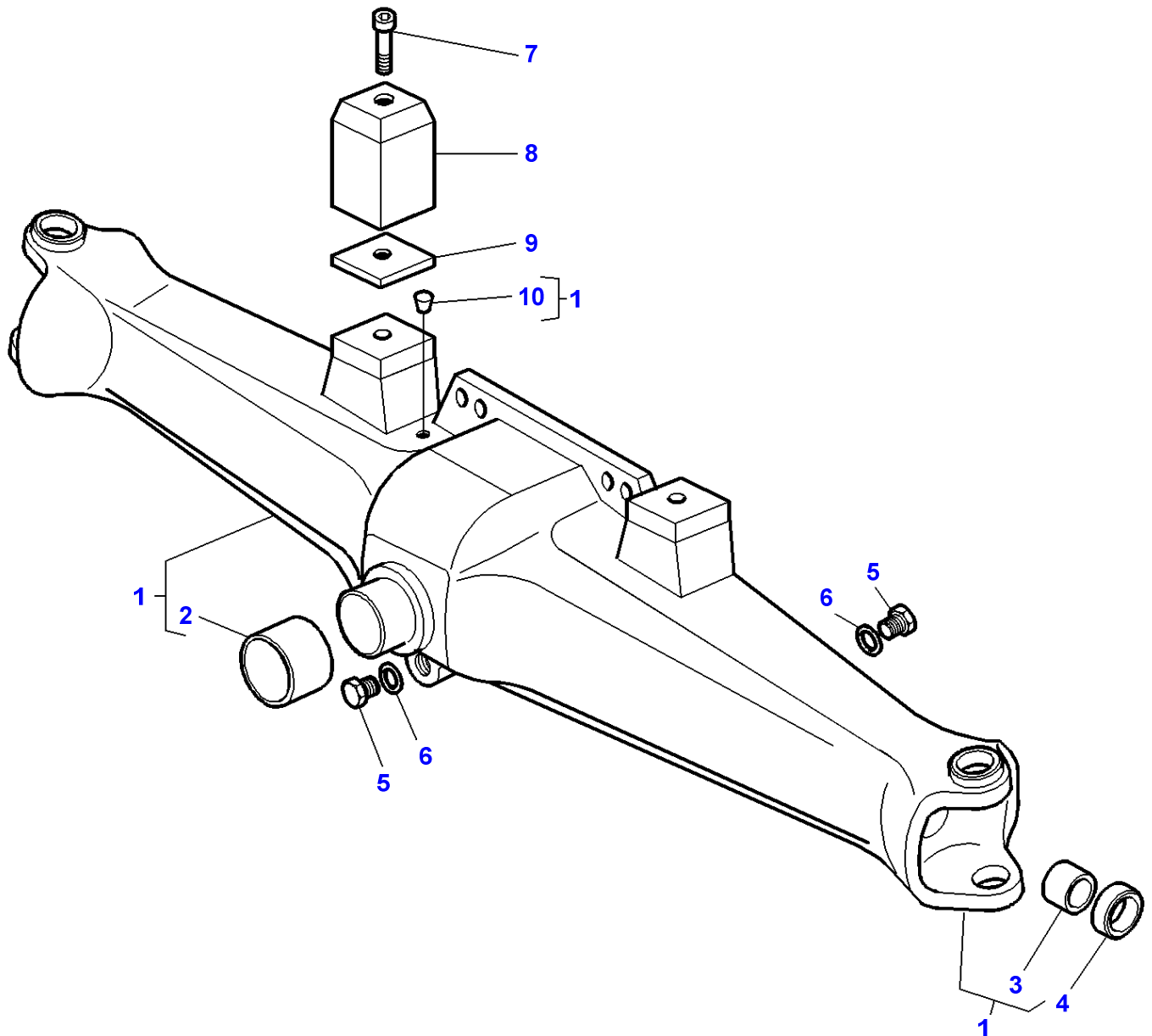


Front Axle 4 Wheel Drive - Steering Cylinders

Item	Part Number	Qty	Description	Comments
1	3429759M93	1	Steering Cyl	
2	3624903M91	X	Kit, Seal	
3		2	O Ring	(2) Not serviced,order REF.2
4	3624902M91	2	Guide Bush	(1)
5		2	Ring	(2) Not serviced,order REF.2
6		2	Seal	(2) Not serviced,order REF.2
7		2	Wiper	(2) Not serviced,order REF.2
8	1605415M1	2	Ring	(1)
9		1	Barrel	(1) Not serviced,order REF.1
10	3623923M91	1	Cylinder Rod	(1)
11		1	O Ring	(2) Not serviced,order REF.2
12		1	Seal	(2) Not serviced,order REF.2
13		1	Seal	(2) Not serviced,order REF.2

FOOTNOTE [A] COLD CLIMATE**FOOTNOTE [B]** FOR JAPANESE MARKET ONLY

1-ZK03-001-A



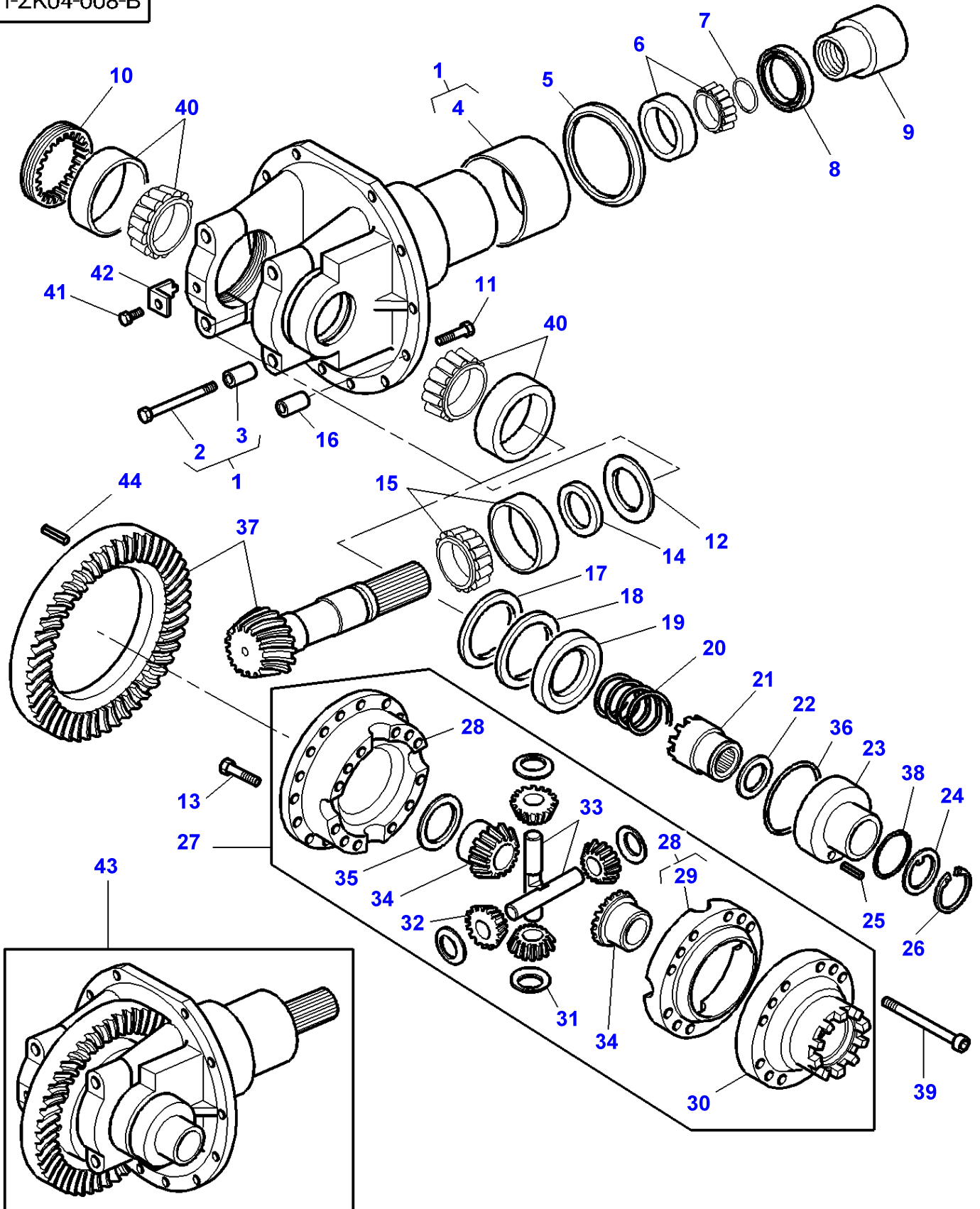
Front Axle 4 Wheel Drive - Housing

Item	Part Number	Qty	Description	Comments
1	3429948M95	1	Housing	
2	3428657M3	1	Bush	(1)
3	3426938M1	2	Bush	(1)
4	3428064M1	2	Seal	40X60X18,5
5	3429400M1	2	Plug	
6	3427185M1	2	Washer	
7	3009296X1	2	Screw	[A] M10X80
	3008120X1	2	Screw	M10X70
	3010046X1	2	Screw	M10X95
8	3616572M1	2	Spacer	Thickness 59MM
	3616573M1	2	Spacer	Thickness 76,5MM
9	3580720M1	2	Spacer	Thickness 12MM
10	1442560X1	1	Plug	(1)

FOOTNOTE [A] USED ONLY WITH 3580720M1

MF 8210/8220 TRACTORS - 1637365
1-ZK04-008-B

1-ZK04-008-B



Front Axle 4 Wheel Drive - Differential

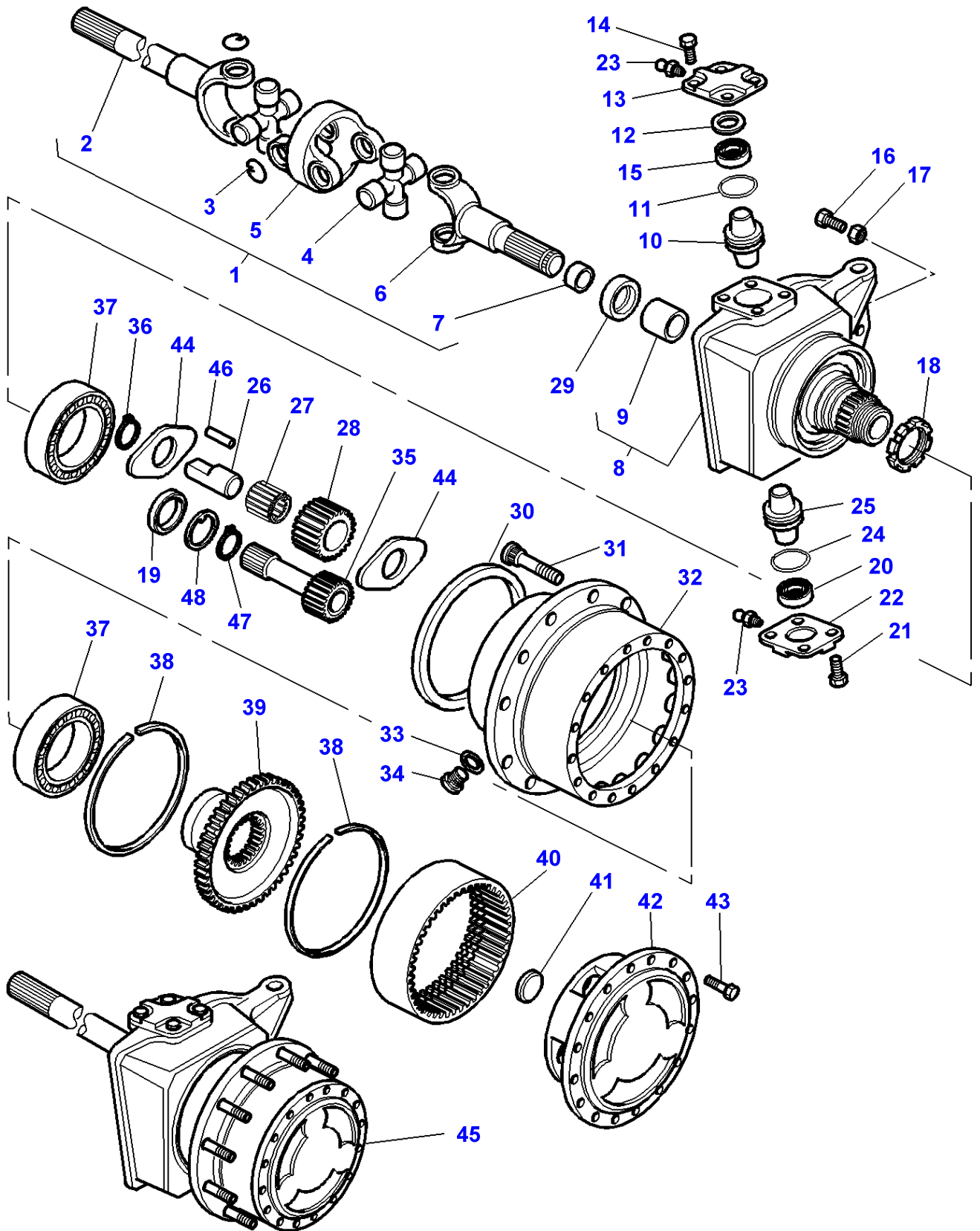
Item	Part Number	Qty	Description	Comments
1	3764967M91	1	Support	
2	3019856X1	4	Bolt Metric	(1) M12X80
3	3427445M1	4	Dowel	(1)
4	3429920M2	1	Bush	(1)
5	3429921M1	1	Flange	
6	3764160M1	1	Ball Bearing	
7	366434X1	1	O Ring	2,62X34,59
8	3428314M1	1	Seal	65X92X18
9	3764466M1	1	Nut	
10	3427462M1	1	Ferrule	
11	3764103M1	12	Screw	
12	3429678M1	X	Shim	Thickness 0,10MM
	3429679M1	X	Shim	Thickness 0,15MM
	3429680M1	X	Shim	Thickness 0,30MM
	3429681M1	X	Shim	Thickness 0,50MM
	3429682M1	X	Shim	Thickness 0,70MM
	3429683M1	X	Shim	Thickness 1MM
13	3764973M1	12	Screw	M12X35
14	3764216M1	X	Spacer	Thickness 6 MM
	3764217M1	X	Spacer	Thickness 6,03MM
	3764218M1	X	Spacer	Thickness 6,06MM
	3764219M1	X	Spacer	Thickness 6,09MM
	3764220M1	X	Spacer	Thickness 6,12MM
	3764221M1	X	Spacer	Thickness 6,15MM
	3764222M1	X	Spacer	Thickness 6,18MM
	3764223M1	X	Spacer	Thickness 6,21MM
	3764224M1	X	Spacer	Thickness 6,24MM
	3764225M1	X	Spacer	Thickness 6,27MM
	3764226M1	X	Spacer	Thickness 6,30MM
	3764227M1	X	Spacer	Thickness 6,33MM
	3764228M1	X	Spacer	Thickness 6,36MM
	3764229M1	X	Spacer	Thickness 6,39MM
	3764230M1	X	Spacer	Thickness 6,42MM
	3764231M1	X	Spacer	Thickness 6,45MM
	3764232M1	X	Spacer	Thickness 6,48MM
	3764233M1	X	Spacer	Thickness 6,51MM
	3764234M1	X	Spacer	Thickness 6,54MM
	3764235M1	X	Spacer	Thickness 6,57MM
	3764236M1	X	Spacer	Thickness 6,60MM
	3764237M1	X	Spacer	Thickness 6,63MM
	3764238M1	X	Spacer	Thickness 6,66MM
	3764239M1	X	Spacer	Thickness 6,69MM
	3764240M1	X	Spacer	Thickness 6,72MM
	3764241M1	X	Spacer	Thickness 6,75MM
	3764242M1	X	Spacer	Thickness 6,78MM
	3764243M1	X	Spacer	Thickness 7,03MM
15	3429676M1	1	Ball Bearing	
16	3426266M1	2	Spacer	
17	3427281M1	X	Shim	Thickness 0,10MM
	3427282M1	X	Shim	Thickness 0,15MM
	3427283M1	X	Shim	Thickness 0,30MM
	3427284M1	X	Shim	Thickness 0,50MM
	3427285M1	X	Shim	Thickness 0,70MM
	3427286M1	X	Shim	Thickness 1MM
18	3427079M1	1	Spacer	
19	3427839M1	1	Guide	
20	3427313M1	1	Spring	
21	3427838M1	1	Sleeve	
22	3427443M1	1	Washer	
23	3427460M1	1	Piston	
24	3427463M1	1	Washer	
25	3427444M1	1	Dowel	
26	1442697X1	1	Circlip	
27	3764970M92	1	Differential	
28	3764971M92	1	Housing	(27)
29		1	Housing	(28) Not serviced,order REF.28
30	3427837M2	1	Flange	(27)
31	3764851M1	4	Washer	(27)

Massey Ferguson**MF 8210/8220 TRACTORS - 1637365****1637365****Front Axle 4 Wheel Drive - Differential****Page060-0145**

Item	Part Number	Qty	Description	Comments
32		4	Diff Pinion	(27) Not serviced,order 3427815M92
33	3428408M1	2	Clevis Pin	(27)
34		2	Planet	(27) Not serviced,order 3427815M92
35	3764874M1	2	Washer	(27)
36	359236X1	1	O Ring	97,79X5,33
37	3764965M92	1	Kit, Bevel Gear	9X37
38	3019927X1	1	O Ring	60,33X3,53
39	3764974M1	12	Screw	M10X55
40	391339X1	2	Bearing Bush	
41	1444071X1	1	Screw	M8X8
42	3427466M1	1	Locking Plate	
43	3766150M91	1	Differential	Replace and repair. Old interchangeable with new 3765790M92
44	3764700M1	2	Dowel	

MF 8210/8220 TRACTORS - 1637365
1-ZK05-008-A

1-ZK05-008-A



Front Axle 4 Wheel Drive - Final Drive

Item	Part Number	Qty	Description	Comments
1	3764872M91	1	Universal Joint	Right Hand
	3764873M91	1	Universal Joint	Left Hand
2	3429957M1	1	Yoke	(1) Right Hand BTB
	3764886M1	1	Fork	(1) Right Hand DBM
	3429956M1	1	Yoke	(1) Left Hand BTB
	3764882M1	1	Fork	(1) Left Hand DBM
3	1442486X1	8	Circlip	(1)
4	3428155M91	2	Crosspiece	(1) BTB
	3764883M91	2	Crosspiece	(1) DBM
5	3428156M1	1	Body	(1) BTB
	3764885M1	1	Knuckle	(1) DBM
6	3764961M1	1	Fork	(1) BTB
	3764857M1	1	Fork	(1) DBM
7	3764962M1	1	Plug	(1) BTB
	3764878M1	1	Plug	(1) DBM
8	3764855M91	1	Housing	Left Hand
	3764853M91	1	Housing	Right Hand
9	3764875M1	1	Bush	(8)
10	3429864M1	2	Pivot	
11	3429318M1	2	Gasket	
12	3428723M1	X	Shim	Thickness 0,15MM
	3428722M1	X	Shim	Thickness 0,10MM
	3428724M1	X	Shim	Thickness 0,30MM
	3428725M1	X	Shim	Thickness 0,50MM
	3428726M1	X	Shim	Thickness 0,70MM
	3428727M1	X	Shim	Thickness 1MM
13	3429322M1	2	Cover	
14	3428397M1	8	Screw	
15	3426619M1	2	Bearing Assy	
16	3764203M2	2	Bolt	M18X150
17	3764828M1	2	Nut	
18	3429521M1	2	Nut	
19	3764859M1	2	Thrust Plate	
20	3426619M1	2	Bearing Assy	
21	3428397M1	8	Screw	
22	3429323M1	2	Cover	
23	339003X1	4	Greaser	
24	3429318M1	2	Gasket	
25	3429864M1	2	Pivot	
26	3764839M1	6	Clevis Pin	
27	3426855M3	150	Needle	
28	3426768M1	6	Gear	Number of teeth/spines 19
29	3428942M1	2	Oil Seal	55X82X16,5
30	3429815M3	2	Oil Seal	190X220X16/18
31	3428141M3	20	Screw	
32	3764963M1	2	Hub	
33	3427185M1	2	Washer	
34	3429400M1	2	Plug	
35	3764858M1	2	Pinion	Number of teeth/spines 13X26
36	3764822M1	6	Circlip	
37	3426851M2	4	Bearing Taper	
38	3428305M1	4	Segment	
39	3429520M1	2	Flange	
40	3428303M1	2	Annular Gear	Number of teeth/spines 53
41	3426771M1	2	Thrust Plate	

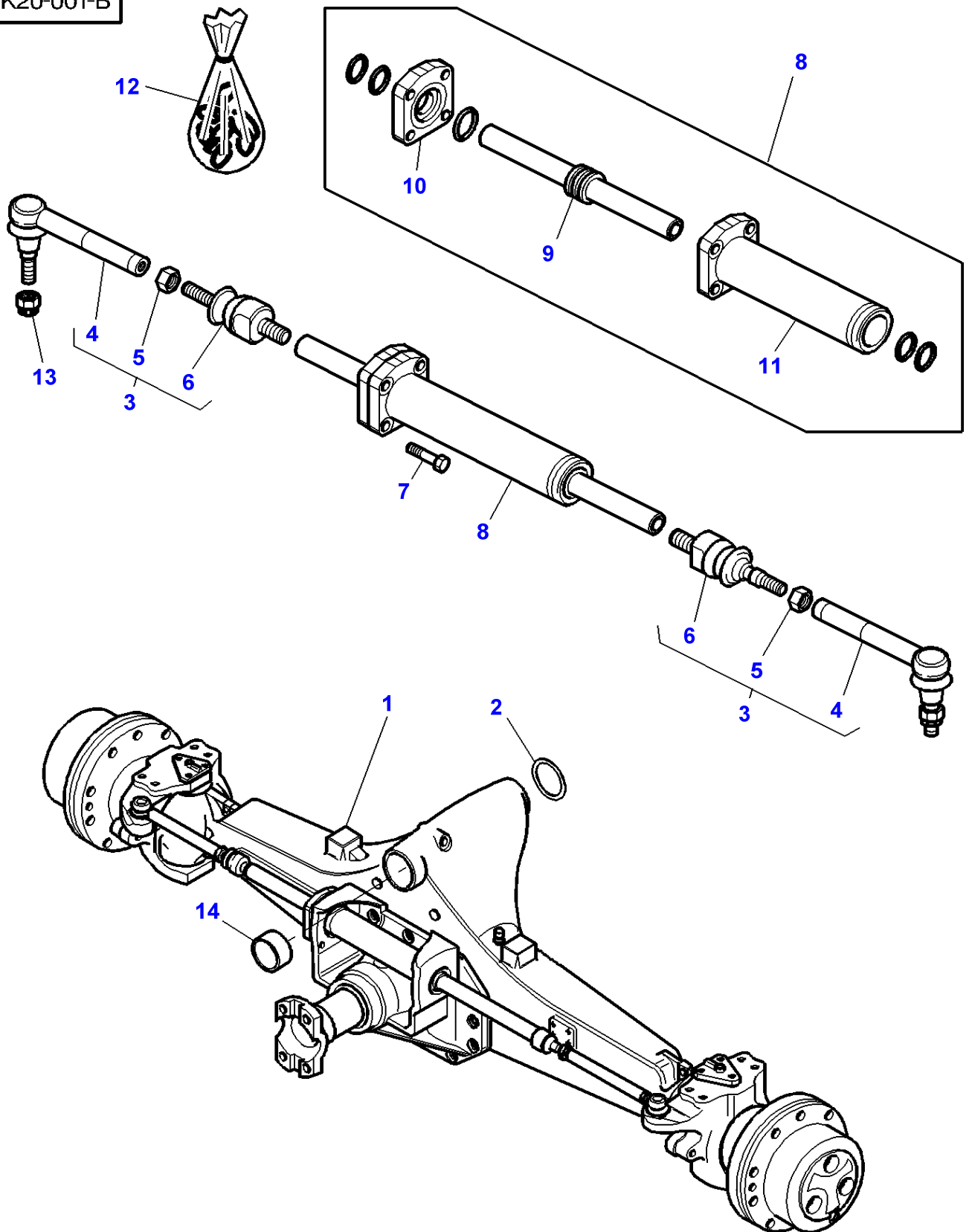
Massey Ferguson**MF 8210/8220 TRACTORS - 1637365****1637365****Page060-0150****Front Axle 4 Wheel Drive - Final Drive**

Item	Part Number	Qty	Description	Comments
42	3764840M1	2	Carrier	
43	3429943M1	32	Screw	M10X40
44	3427431M1	12	Thrust Plate	
45		1	Final Drive	[A] Left Hand
45		1	Final Drive	[A] Right Hand
46	3764823M1	6	Needle	
47	3764881M1	2	Circlip	
48	3764860M1	2	Plate	

FOOTNOTE [A] NUMBER TO BE ADVISED

MF 8210/8220 TRACTORS - 1637365
1-ZK20-001-B

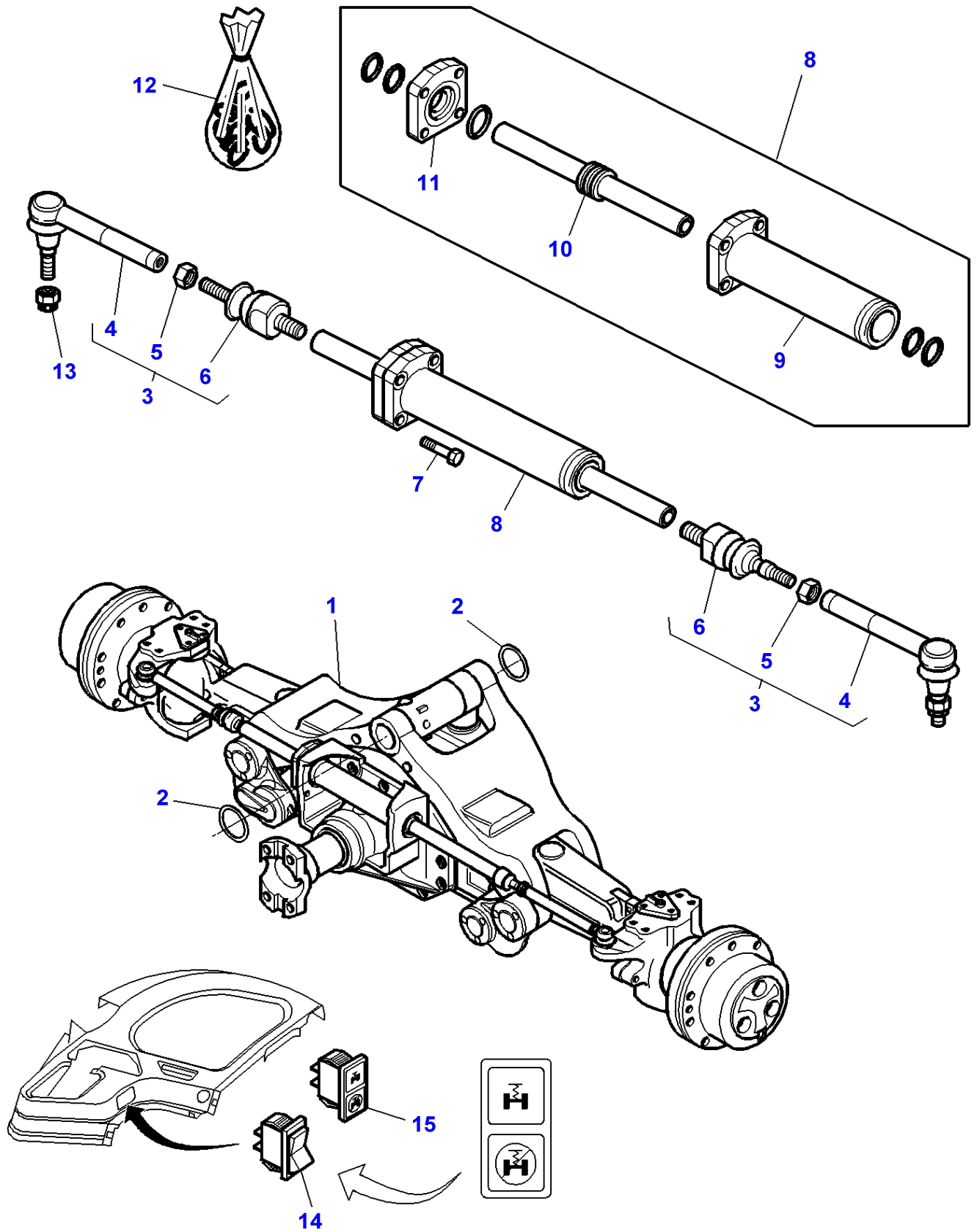
1-ZK20-001-B



Massey Ferguson**MF 8210/8220 TRACTORS - 1637365****1637365****Front Axle Fixed CARRARO****Page060-0155**

Item	Part Number	Qty	Description	Comments
1	3783321M91	1	Front Live Axle	TYPE 20,29
2	3785074M1	1	Thrust Washer	Thickness 4 MM
3	3785554M1	2	Toggle	
4	3903686M1	1	Toggle	(3)
5	3903685M1	1	Nut	(3) M24
6	3903684M1	1	Ball Joint	(3)
7	3785485M1	4	Bolt	M12 X 45
8	3785504M1	1	Steering Cyl	
9	3903687M1	1	Cylinder Rod	(8)
10	3903688M1	1	Head	(8)
11	3903719M1	1	Cylinder	(8)
12	3903689M91	1	Kit,Joint/Gasket	
13	3785409M1	2	Locknut	M20
14	3785924M1	2	Thrust Washer	Thickness 8 MM

1-ZK21-001-C

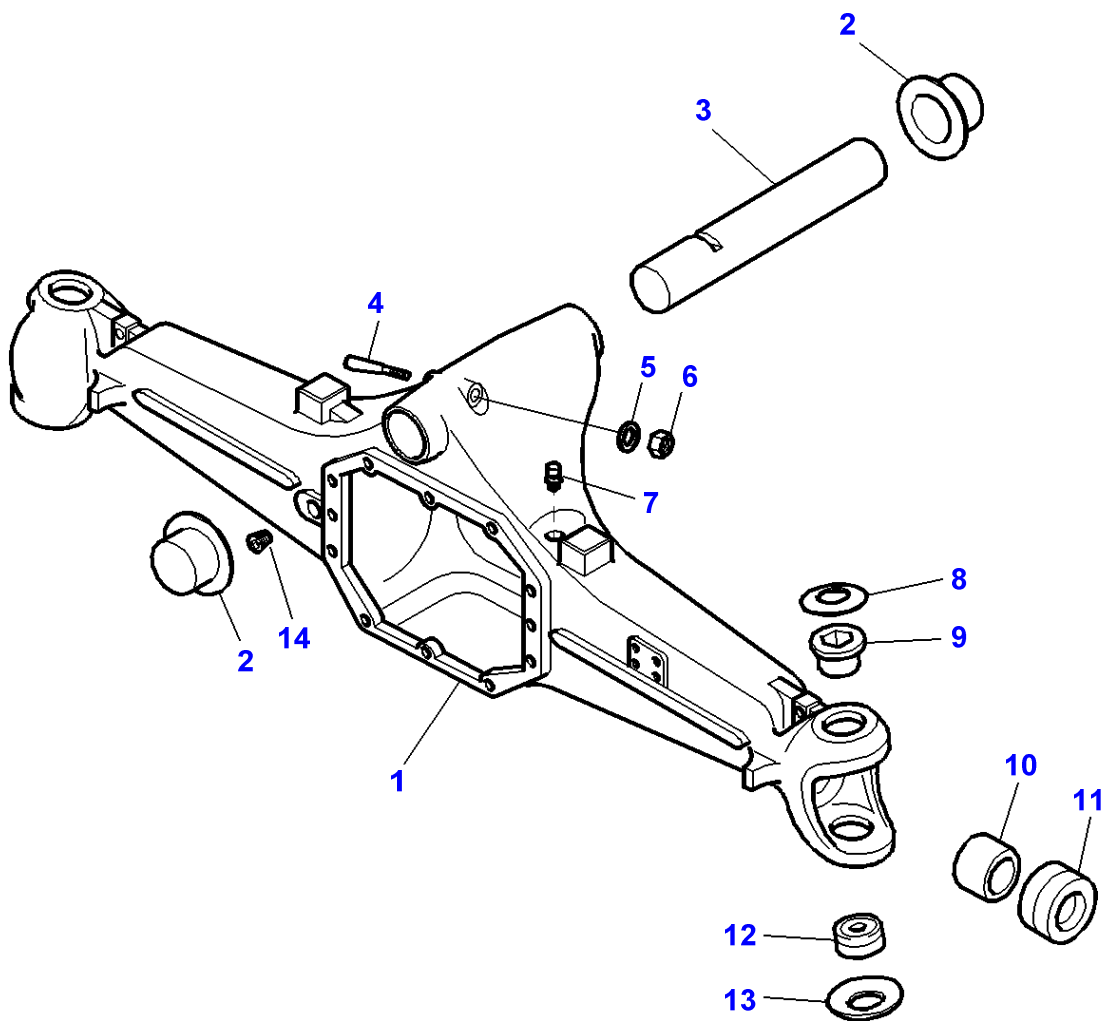


Front Axle Suspended CARRARO

Item	Part Number	Qty	Description	Comments
1	3784689M92	1	Front Live Axle	
2	3785075M1	2	Thrust Washer	Diameter 115 MM
3	3785554M1	2	Toggle	
4	3903686M1	1	Toggle	(3)
5	3903685M1	1	Nut	(3) M24
6	3903684M1	1	Ball Joint	(3)
7	3785485M1	4	Bolt	M12 X 45
8	3785504M1	1	Steering Cyl	
9	3903719M1	1	Cylinder	(8)
10	3903687M1	1	Cylinder Rod	(8)
11	3903688M1	1	Head	(8)
12	3903689M91	1	Kit,Joint/Gasket	
13	3785409M1	2	Locknut	M20
14	3784234M1	1	Switch,Indirect	
15	3784235M1	1	Indicator	[A]

FOOTNOTE [A] WITH BULB

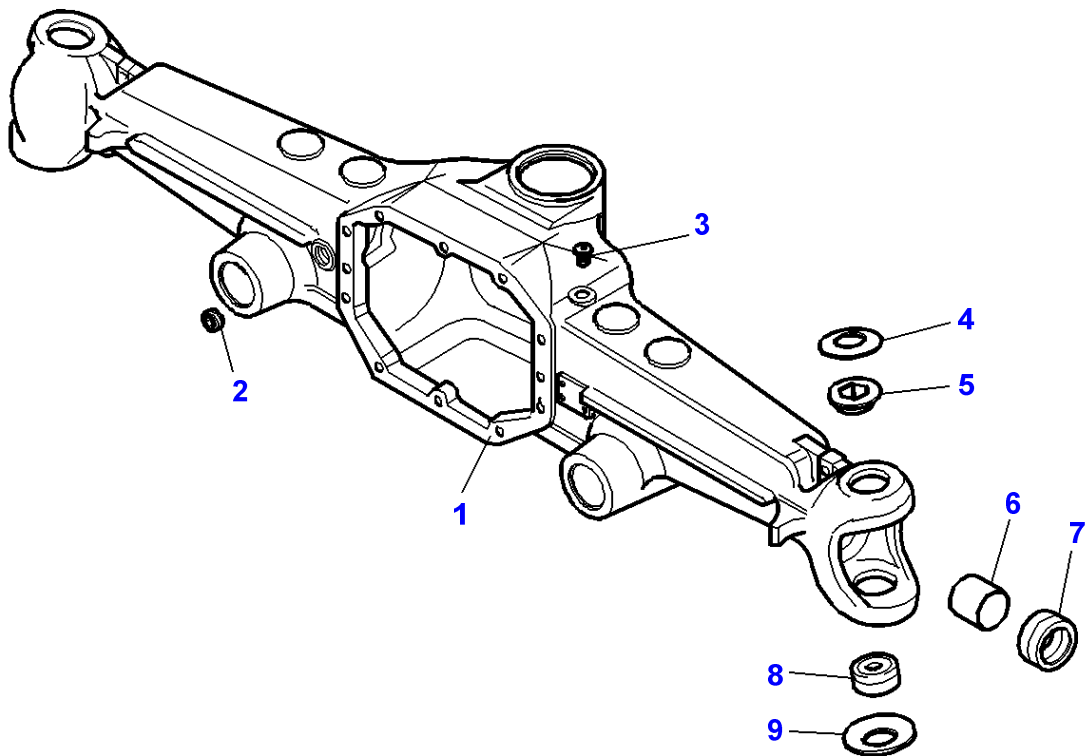
1-ZK31-001-A



Massey Ferguson**MF 8210/8220 TRACTORS - 1637365****1637365****Front Axle Fixed CARRARO - Housing****Page060-0165**

Item	Part Number	Qty	Description	Comments
1	3785586M1	1	Housing	
2	3785609M1	2	Protector	Diameter 60
3	3785618M1	1	Clevis Pin	Diameter 60
4	3785606M1	1	Clevis Pin	
5	390597X1	1	Washer Metric	
6	3785407M1	1	Locknut	M10
7	3785448M1	1	Breather	M10
8	3785487M1	2	Cup Spring	
9	3785508M1	2	Bush	
10	3785457M1	2	Bush	
11	3785543M1	2	Seal	
12	3785465M1	2	Bearing Assy	
13	3785486M1	2	Cup Spring	
14	3785483M1	1	Plug	M24

1-ZK26-001-A

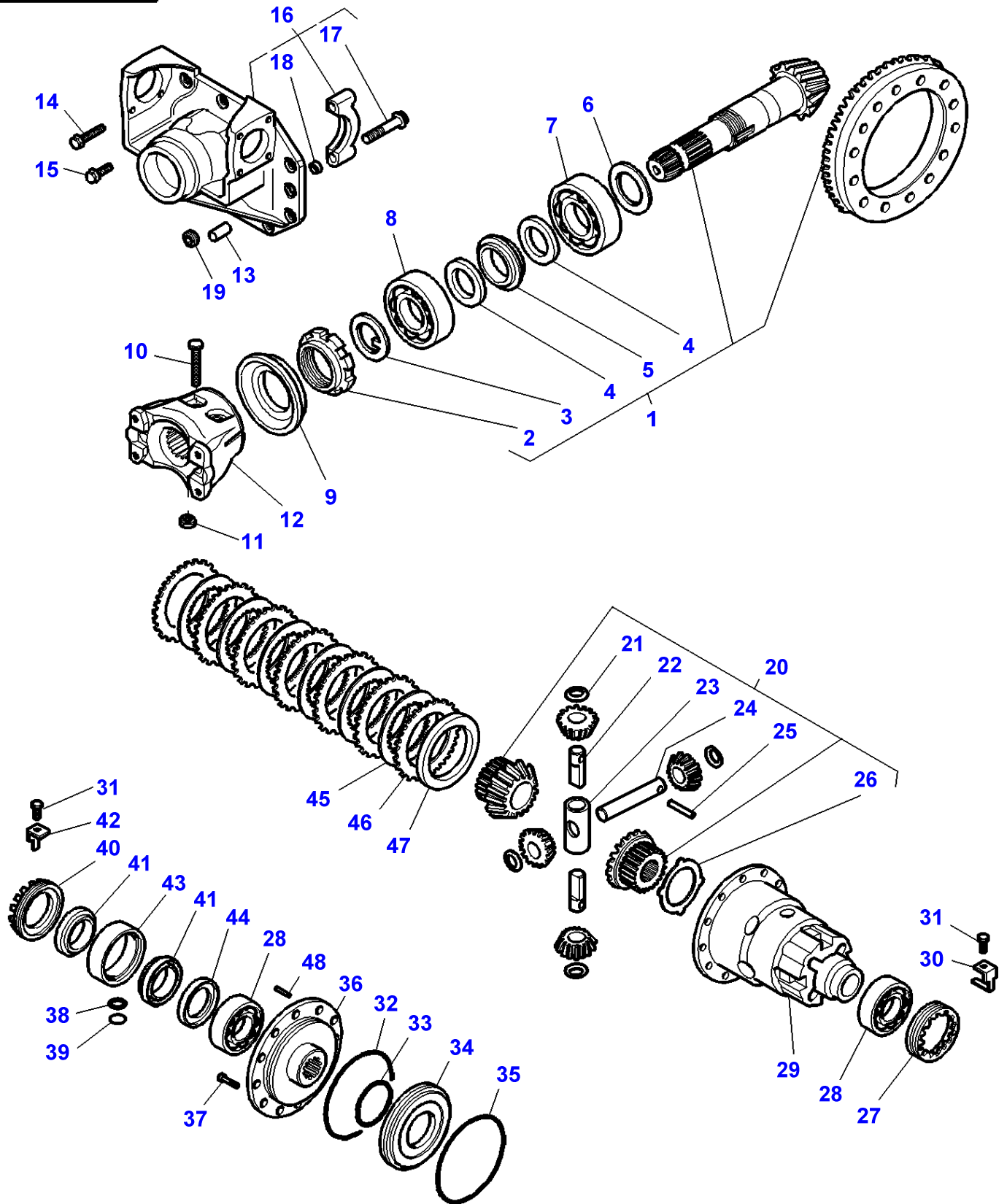


Massey Ferguson**MF 8210/8220 TRACTORS - 1637365****1637365****Front Axle Suspended CARRARO - Housing****Page060-0170**

Item	Part Number	Qty	Description	Comments
1	3785621M2	1	Housing	
2	3785483M1	1	Plug	M24
3	3785441M1	1	Plug	M10
4	3785487M1	2	Cup Spring	
5	3785508M1	2	Bush	
6	3785457M1	2	Bush	
7	3785543M1	2	Seal	
8	3785465M1	2	Bearing Assy	
9	3785486M1	2	Cup Spring	

MF 8210/8220 TRACTORS - 1637365
1-ZK29-001-A

1-ZK29-001-A



Front Axle CARRARO - Differential

Item	Part Number	Qty	Description	Comments
1	3903697M91	1	Kit, Bevel Gear	[C] 11/33
2	3785451M1	1	Nut Special	[C] (1) M40
3	3785450M1	1	Washer	[C] (1)
4	3785477M1	2	Washer	[C] (1)
5	3785479M1	1	Spacer	[C] (1)
6	3785527M1	X	Chock	[C] Thickness 2,50 MM
	3785528M1	X	Chock	[C] Thickness 2,60 MM
	3785529M1	X	Chock	[C] Thickness 2,70 MM
	3785530M1	X	Chock	[C] Thickness 2,80 MM
	3785531M1	X	Chock	[C] Thickness 2,90 MM
	3785532M1	X	Chock	[C] Thickness 3,00 MM
	3785533M1	X	Chock	[C] Thickness 3,10 MM
	3785534M1	X	Chock	[C] Thickness 3,20 MM
	3785535M1	X	Chock	[C] Thickness 3,30 MM
	3785536M1	X	Chock	[C] Thickness 3,40 MM
7	3785420M1	1	Bearing Assy	[C]
8	3785419M1	1	Bearing Assy	[C]
9	3785540M1	1	Seal	[C]
10	339679X1	2	Bolt Metric	M10 X 60
11	3785408M1	2	Locknut	
12	3785499M1	1	Coupling	
13	3785447M1	2	Pin	Diameter 15 X 35
14	3785476M1	10	Bolt	[B] M12 X 33
	3785476M1	8	Bolt	[A,C] M12 X 33
15	3009511X1	2	Bolt Metric	[A] M12 X 55
16	3785590M2	1	Support	[C]
17	3785478M1	4	Bolt	[C] (16)
18	3788736M1	4	Bush	[C] (16)
19	3785483M1	1	Plug	M24
20	3903682M91	1	Kit,Differential	[C]
21	3785453M1	4	Washer	[C] (20)
22	3785510M1	2	Shaft	[C] Replace and repair. Old interchangeable with new 3475579M1 (20)
23	3785546M1	1	Spider	[C] (20)
24	3785454M1	1	Clevis Pin	[C] (20)
25	3785455M1	3	Pin	[C] (20) Diameter 7 X 40
26	3785506M1	1	Plate	[C] (20)
27	3785449M1	1	Protector	[C]
28	3785418M1	2	Bearing Assy	[C]
29	3785513M1	1	Diff Housing	[C]
30	3785545M1	1	Thruster	[C]
31	3785484M1	2	Bolt	[C] M6 X 10
32	3785433M1	1	O Ring	[C]

Front Axle CARRARO - Differential

Item	Part Number	Qty	Description	Comments
33	3785422M1	1	O Ring	[C]
34	3785518M1	1	Piston	[C]
35	3785432M1	1	O Ring	[C]
36	3785514M1	1	Cover	[C]
37	3785482M1	12	Bolt	[C] M10 X 30
38	3785526M1	1	Washer	[C]
39	3785430M1	1	O Ring	[C]
40	3785521M2	1	Castle Nut	[C] M94 X 2
41	3785525M1	2	Seal	[C]
42	3785522M1	1	Thruster	[C]
43	3785520M2	1	Spacer	[C]
44	3785519M1	1	Washer	[C]
45	3785523M1	7	Friction Disc	[C]
46	3785524M1	8	Counterplate	[C]
47	3785517M1	1	Washer	[C]
48	3785412M1	1	Rivet	[A]
49	3907268M11	1	Kit,Differential	[A,D]

FOOTNOTE [A] FRONT AXLE SUSPENDED CARRARO

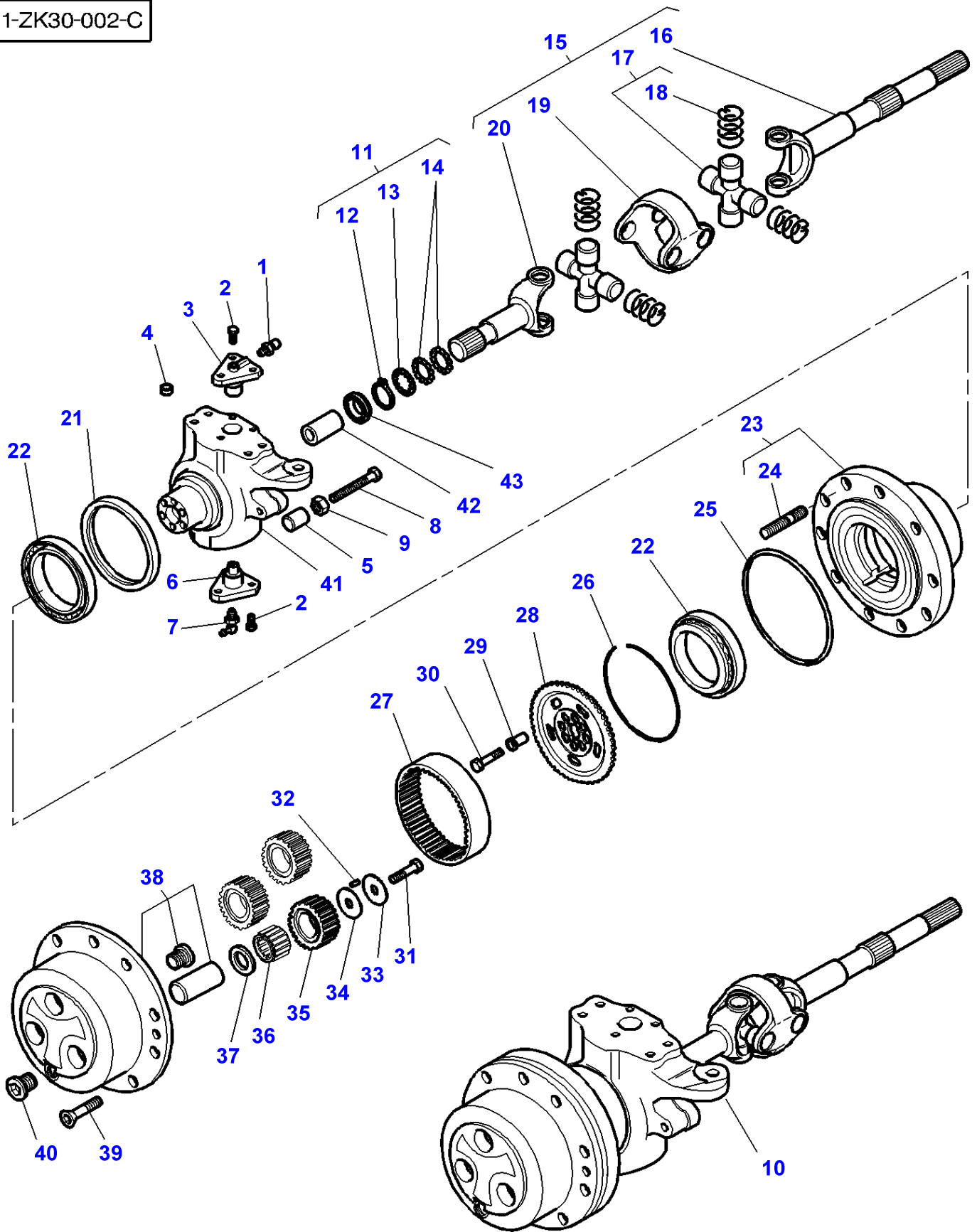
FOOTNOTE [B] FRONT AXLE FIXED CARRARO

FOOTNOTE [C] INCLUDED IN KIT DIFFERENTIAL 3907268M11

FOOTNOTE [D] NOT ILLUSTRATED

MF 8210/8220 TRACTORS - 1637365
1-ZK30-002-C

1-ZK30-002-C



Front Axle CARRARO - Final Drive

Item	Part Number	Qty	Description	Comments
1	1441858X1	2	Grease Nipple	M16
2	3785481M1	12	Bolt	M14 X 35
3	3785507M1	2	Cover	
4	3785440M1	8	Plug	Diameter 14,5 MM
5	3787942M1	1	Stop	
6	3785490M1	2	Pivot	
7	3008923X1	2	Nipple	M6
8	3785466M1	2	Bolt	M16 X 100
9	339034X1	2	Nut	M16
10	3903809M11	1	Final Drive	Left Hand
	3903810M11	1	Final Drive	Right Hand
11	3903813M11	1	Kit, Service	(10)
12	3786426M1	2	Ring	(11)
13	3786425M1	2	Washer	(11)
14	3785505M1	2	Thrust Washer	(11)
15	3785547M1	2	Universal Joint	(10)
16	3903715M1	1	Fork	(15)
17	3903710M1	2	Crosspiece	(15)
18	3787943M1	8	Circlip	(17)
	3903711M1	8	Circlip	Thickness 1,15 MM (17)
	3903712M1	8	Circlip	Thickness 1,20 MM (17)
	3903713M1	8	Circlip	Thickness 1,25 MM (17)
				Thickness 1,30 MM
19	3903709M1	1	Knuckle	(15)
20	3903716M1	1	Fork	(15)
21	3907166M1	2	Seal	(10)
				Replace and repair. Old interchangeable with new 3785511M1
22	3785458M1	4	Bearing Assy	(10)
23	3903680M91	2	Impeller Hub	(10)
24	3785456M1	10	Stud	(23)
25	3785429M1	2	O Ring	(10)
26	3785472M1	2	Ring	(10)
27	3785469M1	2	Crownwheel	(10)
				Number of teeth/spines 77
28	3785557M1	2	Flange	(10)
29	3785470M1	16	Bush	(10)
30	3785461M1	16	Bolt	(10)
				M14 X 60
31	3785471M1	6	Bolt	(10)
				M10 X 50
32	3785425M1	6	Needle	(10)
33	3785498M1	6	Thrust Washer	(10)
34	3785467M1	6	Thrust Washer	(10)
35	3785488M1	6	Gear	(10)
				Number of teeth/spines 31
36	3785423M1	168	Needle Bag Of 10	[A] (10)
37	3785489M1	6	Thrust Washer	(10)
38	3903717M91	2	Kit, Carrier	(10)
39	3009440X1	4	Screw Special	(10)
				M8 X 20
40	3785473M1	2	Plug	(10)
				M30 X 2
41	3785573M1	1	Housing	(10)
				Left Hand
	3785574M1	1	Housing	(10)
				Right Hand
42	3785468M1	2	Bush	(10)
43	3785501M1	2	Seal	(10)

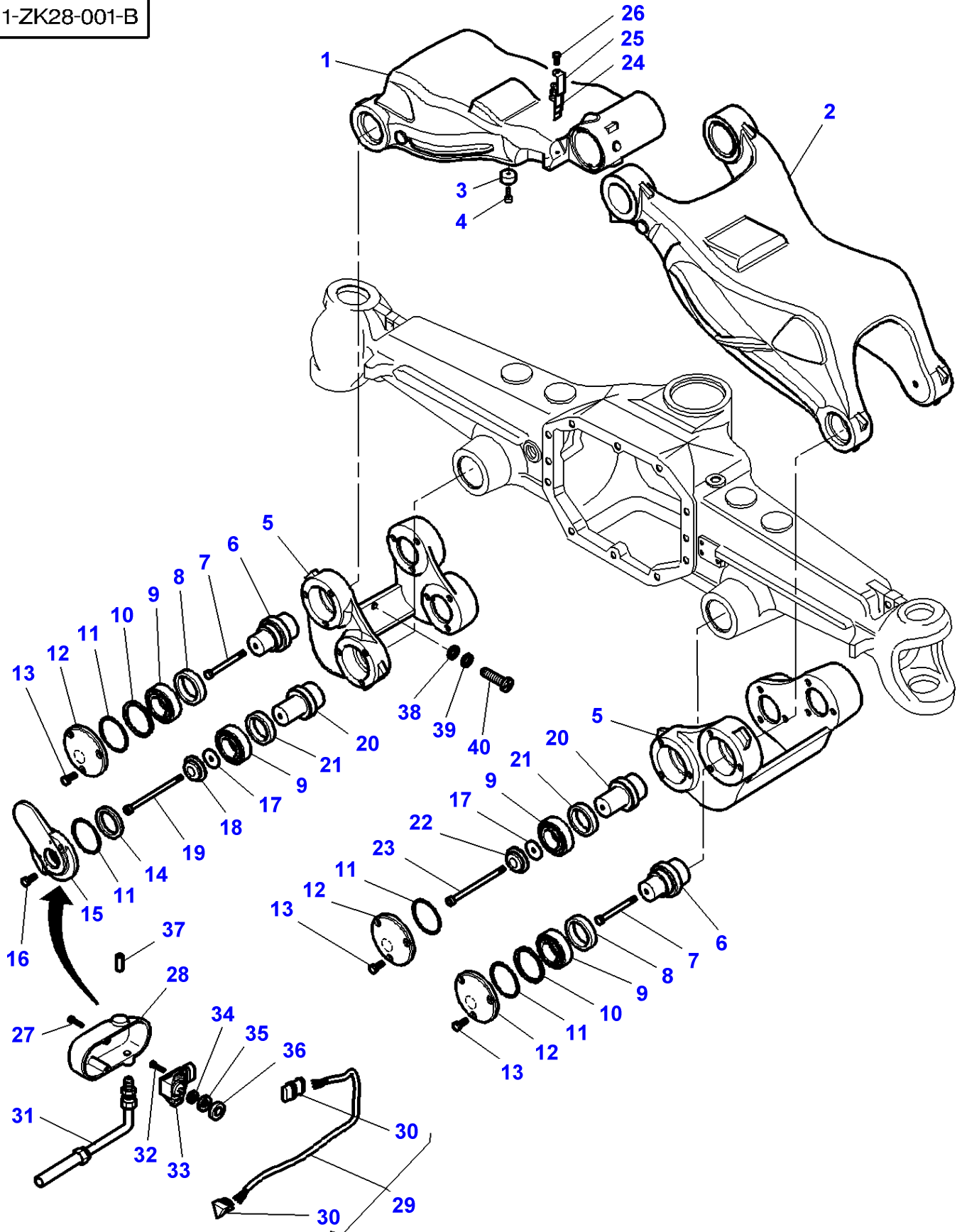
FOOTNOTE [A] SERVICED IN 10 PARTS

FOOTNOTE [B] FRONT AXLE FIXED CARRARO

FOOTNOTE [C] FRONT AXLE SUSPENDED CARRARO

MF 8210/8220 TRACTORS - 1637365
1-ZK28-001-B

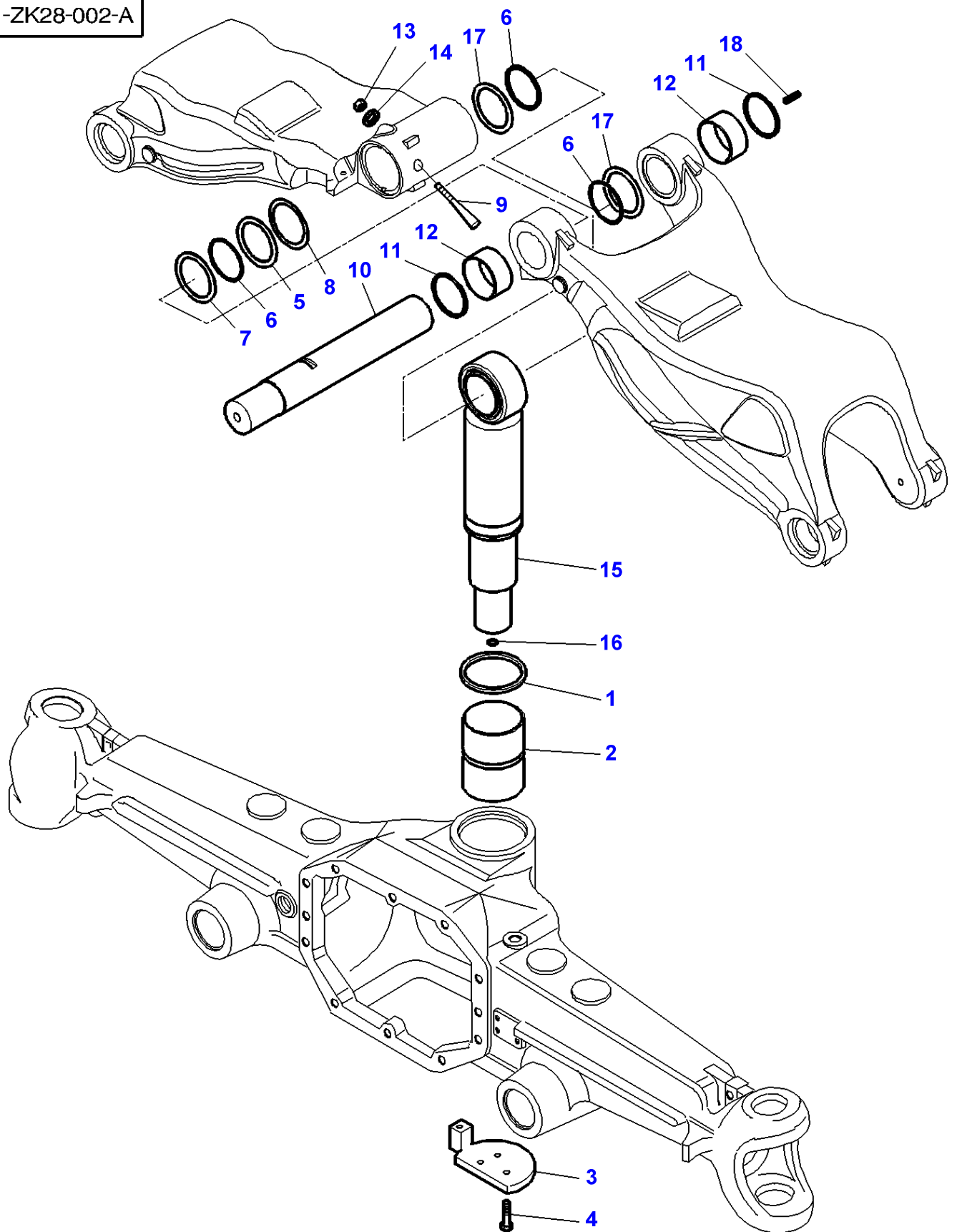
1-ZK28-001-B



Item	Part Number	Qty	Description	Comments
1	3785622M2	1	Arm	
2	3785623M2	1	Arm	
3	3785591M1	2	Pad	
4	3009292X1	2	Screw	M10 X 25
5	3786315M1	2	Arm	
6	3785564M1	4	Clevis Pin	
7	3785400M1	4	Screw	M14 X 100
8	3785443M1	4	Ring	
9	3785567M1	8	Bearing Assy	
10	3785491M1	X	Shim	Thickness 0,50 MM
	3785492M1	X	Shim	Thickness 0,20 MM
	3785493M1	X	Shim	Thickness 0,10 MM
11	3785426M1	8	O Ring	
12	3785587M1	7	Cover	
13	3015452X1	21	Bolt	M10 X 30
14	3785417M1	1	Bearing	
15	3785565M1	1	Sensor	
16	391990X1	2	Screw	M8 X 25
17	3785569M1	4	Chock	Thickness 0,50 MM
	3785570M1	4	Chock	Thickness 0,20 MM
18	3785568M1	1	Thrust Washer	
19	3785405M1	1	Screw	M14 X 120
20	3785566M1	4	Clevis Pin	
21	3785442M1	4	Ring	
22	3785588M1	3	Thrust Washer	
23	3785401M1	3	Screw	M14 X 120
24	3786416M1	X	Shim	Thickness 0,05 MM
	3786417M1	X	Shim	Thickness 0,10 MM
	3786418M1	X	Shim	Thickness 0,20 MM
25	3786419M1	1	Plate	
26	339228X1	1	Screw Metric	M8 X 12
27	3009283X1	2	Screw	M6 X 30
28	3788141M1	1	Cover	
29	3788144M1	1	Harness	
30	3788145M1	1	Connection	(29)
31	3788142M1	1	Tube	
32	3785395M1	2	Bolt	M8 X 25
33	3785555M2	1	Sensor	
34	3785562M1	1	Washer	
35	3785556M1	1	Rubber Part	
36	3785584M1	1	Ring	
37	1442967X1	1	Pin	Replace and repair. Old not interchangeable with new 1442961X1
38	3788642M1	2	Washer	Diameter 26 X 16,25 X 8
39	3788630M1	2	Spacer	Diameter 26 X 16,5 X 1
40	3788629M1	2	Screw	M16 X 2 X 30

MF 8210/8220 TRACTORS - 1637365
1-ZK28-002-A

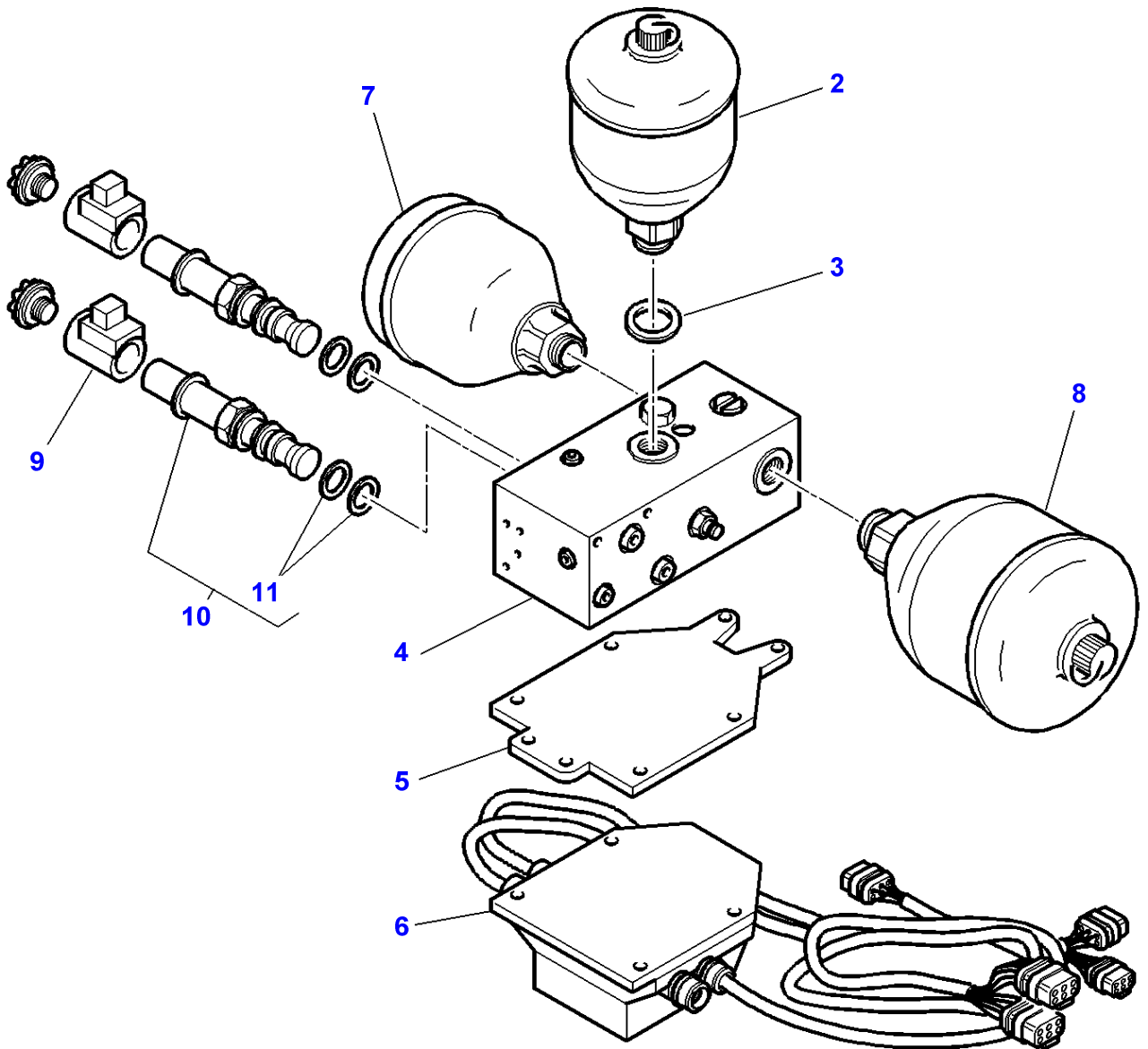
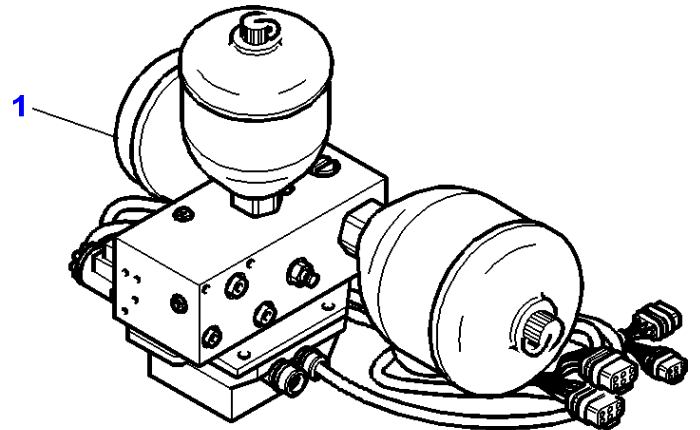
1-ZK28-002-A



Item	Part Number	Qty	Description	Comments
1	3786421M2	1	Seal	Diameter 85X98X7,6 MM
2	3785434M1	1	Bush	
3	3785589M1	1	Cover	
4	1443667X1	3	Bolt	Up to Serial or Engine Number No 169 M10X35
	3015452X1	3	Bolt	From Serial or Engine Number No 170 M10X30
5	3785612M1	1	Spacer	
6	3785427M1	3	O Ring	
7	3785608M1	1	Spacer	
8	3785615M1	1	Chock	Thickness 0,10 MM
	3785616M1	1	Chock	Thickness 0,30 MM
9	3785606M1	1	Clevis Pin	
10	3785602M1	1	Clevis Pin	
11	3785154M1	2	Gasket	
12	3785605M1	2	Bush	
13	3785407M1	1	Locknut	
14	390597X1	1	Washer Metric	
15	3785599M2	1	Shock Absorber	Up to Serial or Engine Number No 127
	3786422M3	1	Shock Absorber	From Serial or Engine Number No 128
16	3788149M1	1	Gasket	
17	3786423M1	2	Spacer	
18	3786424M1	1	Plug	

FOOTNOTE [A] NOT USED

1-ZK27-001-B



Item	Part Number	Qty	Description	Comments
1	3784071M91	1	Valve Block	[A]
2	3786058M1	1	Accumulator	[A] (1)
3	3786061M1	1	Gasket	(1)
4	3788146M1	1	Block	(1)
5	3788148M1	1	Plate	(1)
6	3788147M2	1	Electronic Box	(1)
7	3786063M1	1	Accumulator	[A] (1)
8	3786063M1	1	Accumulator	[A] (1)
9	3786064M1	2	Solenoid	(1)
10	3786065M1	2	Pressure Valve	(1)
11	3903731M91	1	Kit,Joint/Gasket	(10)
12	3777021M3	X	Decal	

FOOTNOTE [A] THE APPROPRIATE SAFETY DECALS MUST BE ORDERED AND FITTED TO THIS PART

Page Title	Page Number
Steering Wheel And Steady Column	070-0005
Steering Wheel And Telescopic Column	070-0010
Steering Wheel And Telescopic Column	070-0015
Lighting Dynashift Drive	070-0020
Lighting Power Shuttle	070-0025
Steering Pump	070-0030
Steering Hydraulic Lines - 2 Wheel Drive - Up To ...	070-0035
Steering Hydraulic Lines - 2 Wheel Drive - From ...	070-0040
Steering Hydraulic Lines - 2 Wheel Drive - With Platform - From ...	070-0045
Steering Hydraulic Lines - WITH DANA FRONT AXLE - UP TO 16-11-2000	070-0050
Steering Hydraulic Lines - With DANA Front Axle With Platform From 17-11-2000 Up To	070-0055
Steering Hydraulic Lines - WITH DANA FRONT AXLE - FROM 17-11-2000 UP TO	070-0060
Steering Hydraulic Lines - With CARRARO Front Axle - Platform	070-0065
Steering Hydraulic Lines - WITH CARRARO FRONT AXLE	070-0070
Front Suspension Hydraulic Lines - Dynashift	070-0075
Front Suspension Hydraulic Lines - With Full Powershift	070-0080
Load Sensing - Cover Lh-Pump / Filter	070-0085
Load Sensing - Cover Rh - With Pump 45cc	070-0090
Load Sensing - Cover Rh - Pump 45cc / With Trailer Braking	070-0095
Load Sensing - Cover Rh - With Pump 110 L/mm - Without Trailer Braking	070-0100
Hydraulics - Hydraulic Cover Rh - With Pump 45cc / Electrovalves - Up To L207014	070-0105
Hydraulics - Hydraulic Cover Rh - With Pump 45cc / Electrovalves - From L207015	070-0110
Hydraulics - Hydraulic Cover Rh - Pump 45cc / Hydr. Lines	070-0115
Hydraulics - Hydraulic Cover Rh - Pump 60cc / Electrovalves	070-0120
Load Sensing - Cover Rh - Pump 45cc / Hydr. Lines / With Trailor Braking	070-0125
Load Sensing With Power Shuttle - Cover Rh - Pump 45cc / Hydr. Lines / With Trailor Braking	070-0130
Load Sensing - Cover Rh - Pump 45cc / Hydr. Lines / Without Trailor Braking	070-0135
Load Sensing With Power Shuttle - Cover Rh - Pump 45cc / Hydr. Lines / Without Trailor Braking	070-0140
Load Sensing - Cover Rh - With Hydraulic Pump 110 L/mn / DUAL CONTROL DISTRIBUTOR FEEDING	070-0145
Hydraulics - Hydraulic Cover Rh - Pump 60cc / Hydr. Lines	070-0150
Load Sensing - Cover Rh - With Pump 150 L/mm	070-0155
Load Sensing - Cover Rh - With Pump 150 L/mm - Without Trailor Braking	070-0160
Load Sensing - Cover Rh - With Pump 150 L/mm - With Trailor Braking	070-0165
Load Sensing - Cover Rh - Pump 60cc / Hydr. Lines - With Trailor Braking	070-0170
Load Sensing - Cover Rh - WITH PUMP 60CC / HYDR. LINES / WITH OR WITHOUT TRAILOR BRAKING	070-0175
Load Sensing - Cover Rh - With Hydraulic Pump 150 L/mn / DUAL CONTROL DISTRIBUTOR FEEDING	070-0180
Hydraulic Circuit Lube Systeme - With Full Powershift	070-0185
Hydraulic Circuit Lube Systeme - With Pump 45cc	070-0190
Hydraulic Circuit Lube Systeme - Pump 60cc - 2 & 4 Wheels Drive - Full Powershift	070-0195
Oil Cooler - Dynashift	070-0200
Oil Cooler - With Full Powershift	070-0205
Oil Cooler	070-0210
Hydraulic Valve - With Full Powershift	070-0215
Brakes - Pedals - Up to Serial or Engine Number - L038021	070-0220
Brakes - Pedals - With Cab And Power Brakes - From L038022	070-0225
Brakes - Pedals - With Platform	070-0230
Brakes - Master Cylinder - Assisted - Without Trailor Braking - Up To 07-01-2001	070-0235
Brakes - Master Cylinder - Assisted - Without Trailor Braking - From 08-01-2001 Up To L038021	070-0240
Brakes - Master Cylinder - Assisted - With Trailor Brakes - Up To 07-01-2001	070-0245

Hydraulics

Brakes - Master Cylinder - Assisted - With Tractor Brakes - From 08-01-2001 & Up To L038021	070-0250
Brakes - Master Cylinder - With Platform - Up To 07-01-2001	070-0255
Brakes - Master Cylinder - With Platform - From 08-01-2001 - Up To 31-01-2002	070-0260
Brakes - Master Cylinder - With Power Brakes - From L038022	070-0265
Brakes - Brake Pipes And Master Cylinder - ASSISTED-WITHOUT TRAILER BRAKING UP TO L038021	070-0270
Brakes - Assisted- Pipes And Fitting - ASSISTED-WITHOUT TRAILER BRAKING UP TO L038021	070-0275
Brakes - Brake Pipes And Master Cylinder - Assisted - With Tractor Brakes - Up To L038021	070-0280
Brakes - Assisted- Pipes And Fitting - Assisted - With Tractor Brakes - Up To L038021	070-0285
Brakes - Brake Pipes And Master Cylinder - With Tractor Braking - Platform - Up To M077051	070-0290
Brakes - Brake Pipes And Master Cylinder - With Tractor Braking - Platform - From M077052	070-0295
Brakes - Assisted- Pipes And Fitting - Without Tractor Braking Dynashift - Up To L038021	070-0300
Brakes - Assisted- Pipes And Fitting - With Tractor Braking Dynashift - Up To L038021	070-0305
Brakes - Mechanical - Pipes And Fitting - Platform	070-0310
Brakes - Assisted- Pipes And Fitting - With Full Powershift - Without Tractor Braking	070-0315
Brakes - Assisted- Pipes And Fitting - With Full Powershift - With Tractor Braking - Up To L038021	070-0320
Brakes - Assisted- Pipes And Fitting - ASSISTED - WITHOUT TRAILER BRAKING - FROM L038022	070-0325
Brakes - Assisted- Pipes And Fitting - ASSISTED - WITH TRAILER BRAKING - FROM L038022	070-0330
Braking Assistance Accumulator - With Hydraulic Pump 110 L/mn - Full Powershift	070-0335
Braking Assistance Accumulator - With Pump 60cc - Full Powershift	070-0340
Brakes - Hydraulic Pipes	070-0345
Brakes - Hydraulic Pipes - M.F 8210	070-0350
Brakes - Hydraulic Pipes - M.F 8220 - With Sealed Rear Axle Housings	070-0355
Brakes - Hydraulic Pipes - M.F 8220 - With Sealed Rear Axle Housings	070-0360
Hydraulic Lift Distributor - Up to Serial or Engine Number - 31-12-2000	070-0365
Hydraulic Lift Distributor - From 01-01-2001	070-0370
Hydraulic Lift Distributor	070-0375
Auxiliary Distributor - 2 Distributors With Load Sensing -Up To No J293009	070-0380
Load Sensing - Auxiliary Distributors Installati - 2 Distributors With Load Sensing - Up To No J293009	070-0385
Auxiliary Distributor - 2 Distributors With Load Sensing - From No J293010	070-0390
Load Sensing - Auxiliary Distributors Installati - 2 Distributors With Load Sensing - From No J293010	070-0395
Auxiliary Distributor - 3 Distributors With Load Sensing-Up To No J293009	070-0400
Load Sensing - Auxiliary Distributors Installati - 3 Distributors With Load Sensing-Up To No J293009	070-0405
Auxiliary Distributor - 3 DISTRIBUTORS - FOR HYDRAULIC MOTOR - Up To No J293009	070-0410
Load Sensing - Auxiliary Distributors Installati - 3 DISTRIBUTORS - FOR HYDRAULIC MOTOR - Up To No J293009	070-0415
Auxiliary Distributor - 3 Distributors With Load Sensing-Up To No J293009	070-0420
Load Sensing - Auxiliary Distributors Installati - 3 Distributors With Load Sensing-Up To No J293009	070-0425
Auxiliary Distributor - 3 DISTRIBUTORS - DUAL CONTROL - Up To No J293009	070-0430
Load Sensing - Auxiliary Distributors Installati - 3 DISTRIBUTORS - DUAL CONTROL - Up To No J293009	070-0435
Auxiliary Distributor - 3 Distributors With Load Sensing - From No J293010	070-0440
Auxiliary Distributor - 3 Distributors With Load Sensing - USA	070-0445
Auxiliary Distributor - 3 Distributors With Load Sensing - From No J293010	070-0450
Auxiliary Distributor - 3 DISTRIBUTORS WITH 2 ELECTRIC CONTROL - From No	070-0455

Hydraulics

J293010

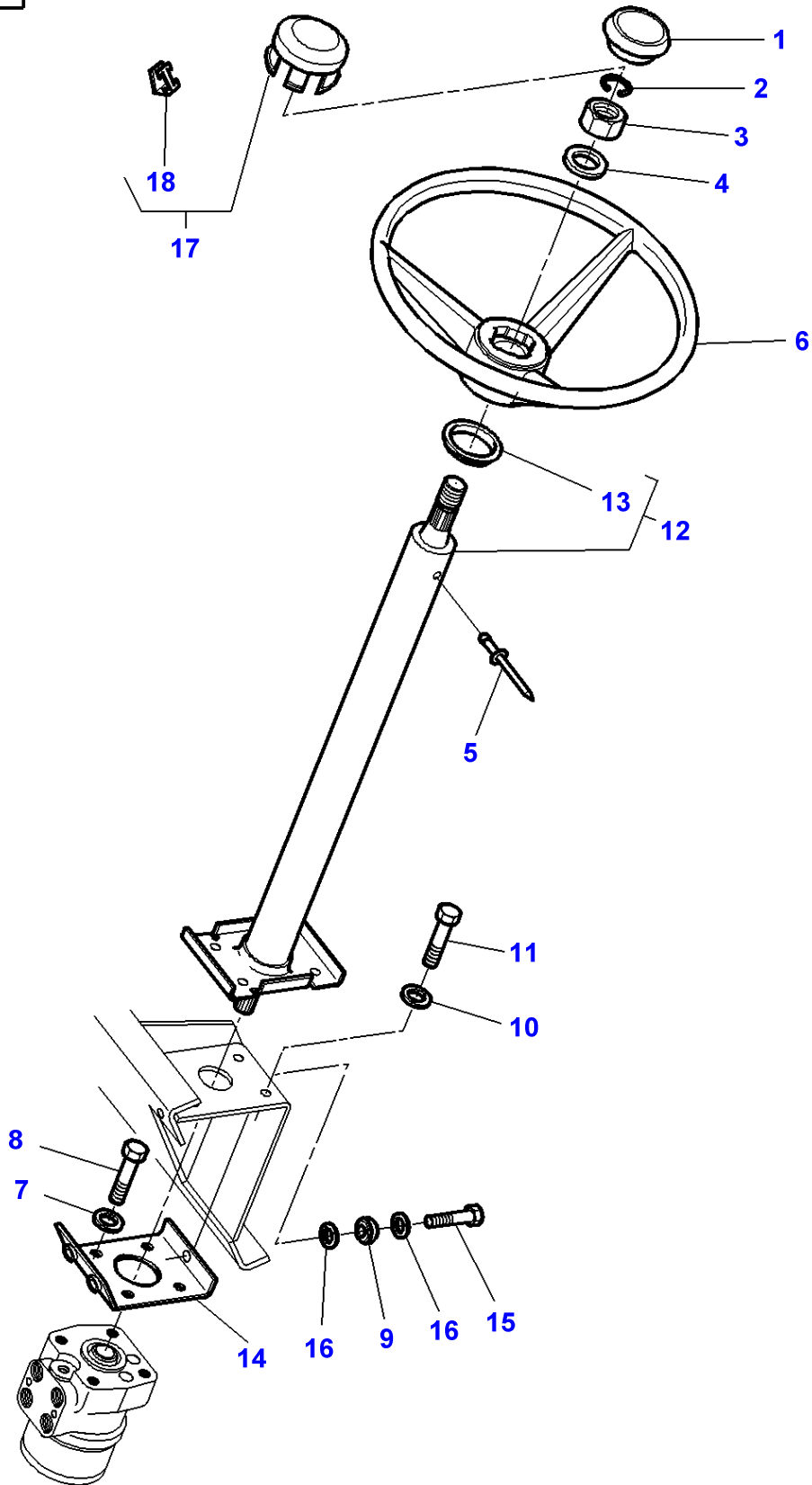
Load Sensing - Auxiliary Distributors Installati - 3 Distributors With Load Sensing - From No J293010	070-0460
Auxiliary Distributor - 4 Distributors With Load Sensing-Up To No J293009	070-0465
Load Sensing - Auxiliary Distributors Installati - 4 Distributors With Load Sensing-Up To No J293009	070-0470
Auxiliary Distributor - 4 DISTRIBUTORS - FOR HYDRAULIC MOTOR - Up To No J293009	070-0475
Load Sensing - Auxiliary Distributors Installati - 4 DISTRIBUTORS - FOR HYDRAULIC MOTOR - Up To No J293009	070-0480
Auxiliary Distributor - 4 Distributors With Load Sensing-Up To No J293009	070-0485
Load Sensing - Auxiliary Distributors Installati - 4 Distributors With Load Sensing-Up To No J293009	070-0490
Auxiliary Distributor - 4 DISTRIBUTORS - DUAL CONTROL - Up To No J293009	070-0495
Load Sensing - Auxiliary Distributors Installati - 4 DISTRIBUTORS - DUAL CONTROL - Up To No J293009	070-0500
Auxiliary Distributor - 4 DISTRIBUTORS-FOR HYDRAULIC MOTOR-DUAL CONTROL - Up To No J293009	070-0505
Load Sensing - Auxiliary Distributors Installati - 4 DISTRIBUTORS-FOR HYDRAULIC MOTOR-DUAL CONTROL - Up To No J293009	070-0510
Auxiliary Distributor - 4 Distributors With Load Sensing - From No J293010	070-0515
Auxiliary Distributor - 4 Distributors With Load Sensing - USA	070-0520
Auxiliary Distributor - 2 DISTRIBUTORS ELECTRODYNAMIQUE AND 2 MECHANICAL CONTROL - FROM No J293010	070-0525
Auxiliary Distributor - 2 DISTRIBUTORS ELECTRODYNAMIQUE 1 MECHANICAL AND 1 DUAL CONTROL - FROM No J293010	070-0530
Auxiliary Distributor	070-0535
Load Sensing - Auxiliary Distributors Installati - 4 Distributors With Load Sensing - From No J293010	070-0540
Auxiliary Distributor	070-0545
Hydraulic Lift Distributor	070-0550
Auxiliary Distributor	070-0555
Auxiliary Distributor	070-0560
Auxiliary Distributor	070-0565
Load Sensing - Auxiliary Distributors Installati - 3 Distributors	070-0570
Load Sensing - Auxiliary Distributors Installati - 4 Distributors	070-0575
Hydraulic Coupling - 2 Distributors With Load Sensing -Up To No J293009	070-0580
Hydraulic Coupling - 2 Distributors With Load Sensing - From No J293010	070-0585
Hydraulic Coupling - 3 Distributors With Load Sensing-Up To No J293009	070-0590
Hydraulic Coupling - 3 Distributors With Load Sensing - From No J293010	070-0595
Hydraulic Coupling - 4 Distributors With Load Sensing-Up To No J293009	070-0600
Hydraulic Coupling - 4 Distributors With Load Sensing - From No J293010	070-0605
Hydraulic Coupling	070-0610
DIPSTICK / CENTRE HOUSING - Up to Serial or Engine Number - 31-12-2000	070-0615
DIPSTICK / CENTRE HOUSING - From 01-01-2001	070-0620
2 DISTRIBUTORS CONTROL - Up to Serial or Engine Number - H351014	070-0625
2 DISTRIBUTORS CONTROL - From H351015 - Up To No J293009	070-0630
2 DISTRIBUTORS CONTROL - From Serial or Engine Number - 01-JAN-2001	070-0635
3 DISTRIBUTORS CONTROL - Up to Serial or Engine Number - H351014	070-0640
3 DISTRIBUTORS CONTROL - With Dual Control - From Serial or Engine Number - H351015	070-0645
3 DISTRIBUTORS CONTROL - From H351015 - Up To No J293009	070-0650
3 DISTRIBUTORS CONTROL - From Serial or Engine Number - 01-JAN-2001	070-0655
3 DISTRIBUTORS CONTROL - With Dual Control - Up to Serial or Engine Number - H351014	070-0660
4 DISTRIBUTORS CONTROL - Up to Serial or Engine Number - H351014	070-0665
4 DISTRIBUTORS CONTROL - From H351015 - Up To No J293009	070-0670
4 DISTRIBUTORS CONTROL - From Serial or Engine Number - 01-JAN-2001	070-0675
4 DISTRIBUTORS CONTROL - With Dual Control - Up to Serial or Engine Number - H351014	070-0680

Hydraulics

4 DISTRIBUTORS CONTROL - With Dual Control - From Serial or Engine Number - H351015	070-0685
CONTROL WITH 2 DISTRIBUTORS ELECTRODYNAMIQUE - AND 1 MECHANICAL CONTROL - From Serial or Engine Number - 01-JAN-2001	070-0690
CONTROL WITH 2 DISTRIBUTORS ELECTRODYNAMIQUE - AND 1 DUAL CONTROL - From Serial or Engine Number - 01-JAN-2001	070-0695
CONTROL WITH 2 DISTRIBUTORS ELECTRODYNAMIQUE - AND 2 MECHANICAL CONTROL - From Serial or Engine Number - 01-JAN-2001	070-0700
CONTROL WITH 2 DISTRIBUTORS ELECTRODYNAMIQUE - +1 MECHANICAL CONTROL+ 1 DUAL - From Serial or Engine Number - 01-JAN-2001	070-0705
Auxiliary Hydraulics - Platform - Control With 2 Distributor	070-0710
Auxiliary Hydraulics - Platform - Control Third Distributor	070-0715

MF 8210/8220 TRACTORS - 1637365
1-ZN03-001-B

1-ZN03-001-B

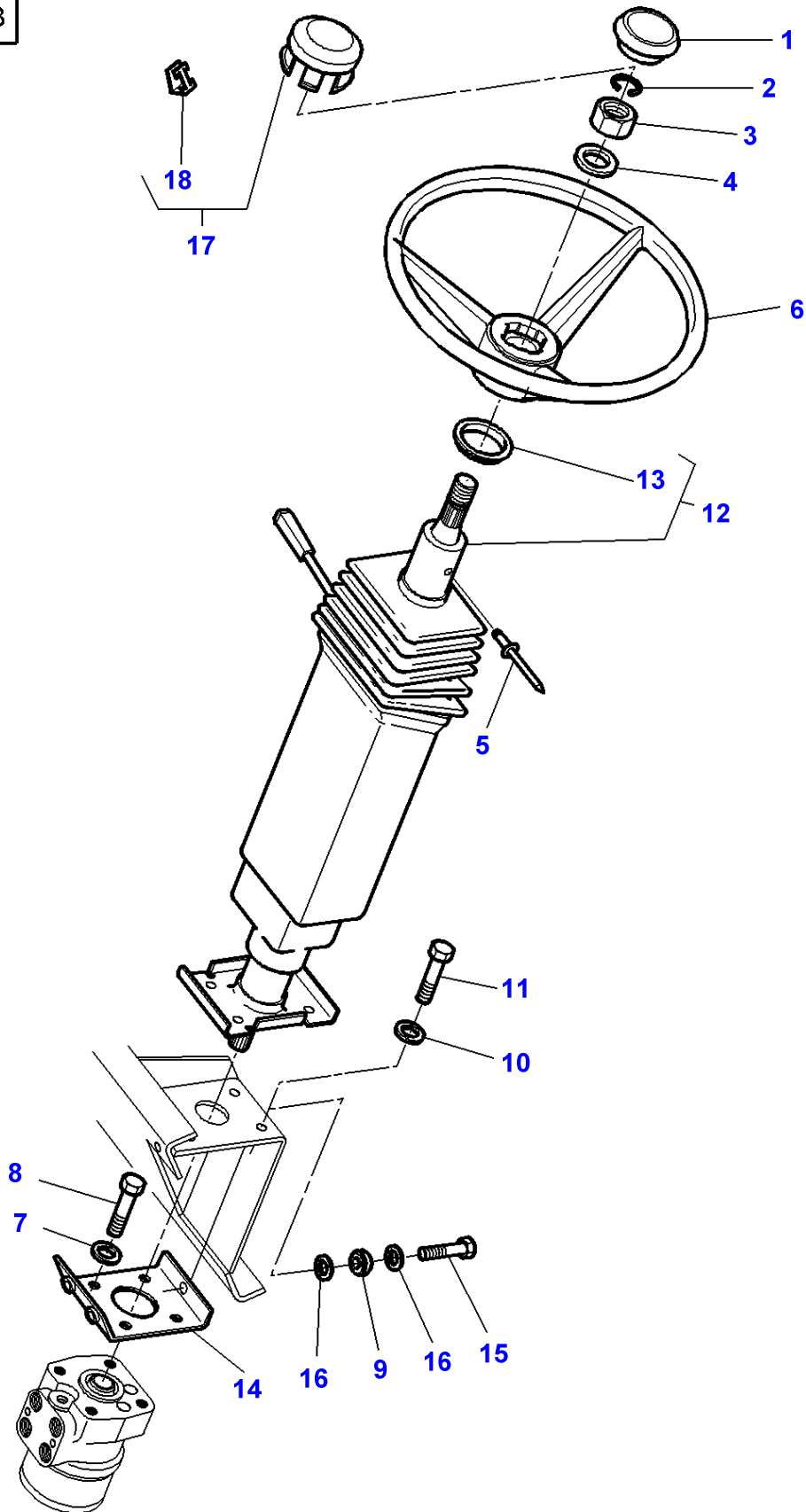


Steering Wheel And Steady Column

Item	Part Number	Qty	Description	Comments
1	3618970M91	1	Helmet	Up to Serial or Engine Number H176010
2		1	Ring	[A]
3	339070X1	1	Nut	M14
4	390973X1	1	Washer Metric	Diameter 15-28X2,5MM
5	3011268X1	1	Rivet	Diameter 4 X 7,5MM
6	3385796M2	1	Steering Wheel	Replace and repair. Old interchangeable with new 338941X1
	3809661M1	1	Steering Wheel	Up to Serial or Engine Number J168017
				From Serial or Engine Number J168018
7	390734X1	4	Washer	
8	339282X1	4	Screw Metric	M10X16
9	1619912M1	3	Vibration Mount	
10	1440921X1	4	Washer Metric	Diameter 8-22X2MM
11	339124X1	4	Hex. Sock. Screw	M8
12	3714650M94	1	Column	
13	3902578M1	1	Gasket	(12)
14	3388920M93	1	Support	
15	3009494X1	3	Screw Metric	M10X35
16	3389958M1	3	Washer	
17	3759758M92	1	Cap	From Serial or Engine Number H176011
18	3817055M1	2	Clip	(17)

FOOTNOTE [A] NOT USED**FOOTNOTE [B]** FOR JAPANESE MARKET ONLY

1-ZN04-001-B



Steering Wheel And Telescopic Column

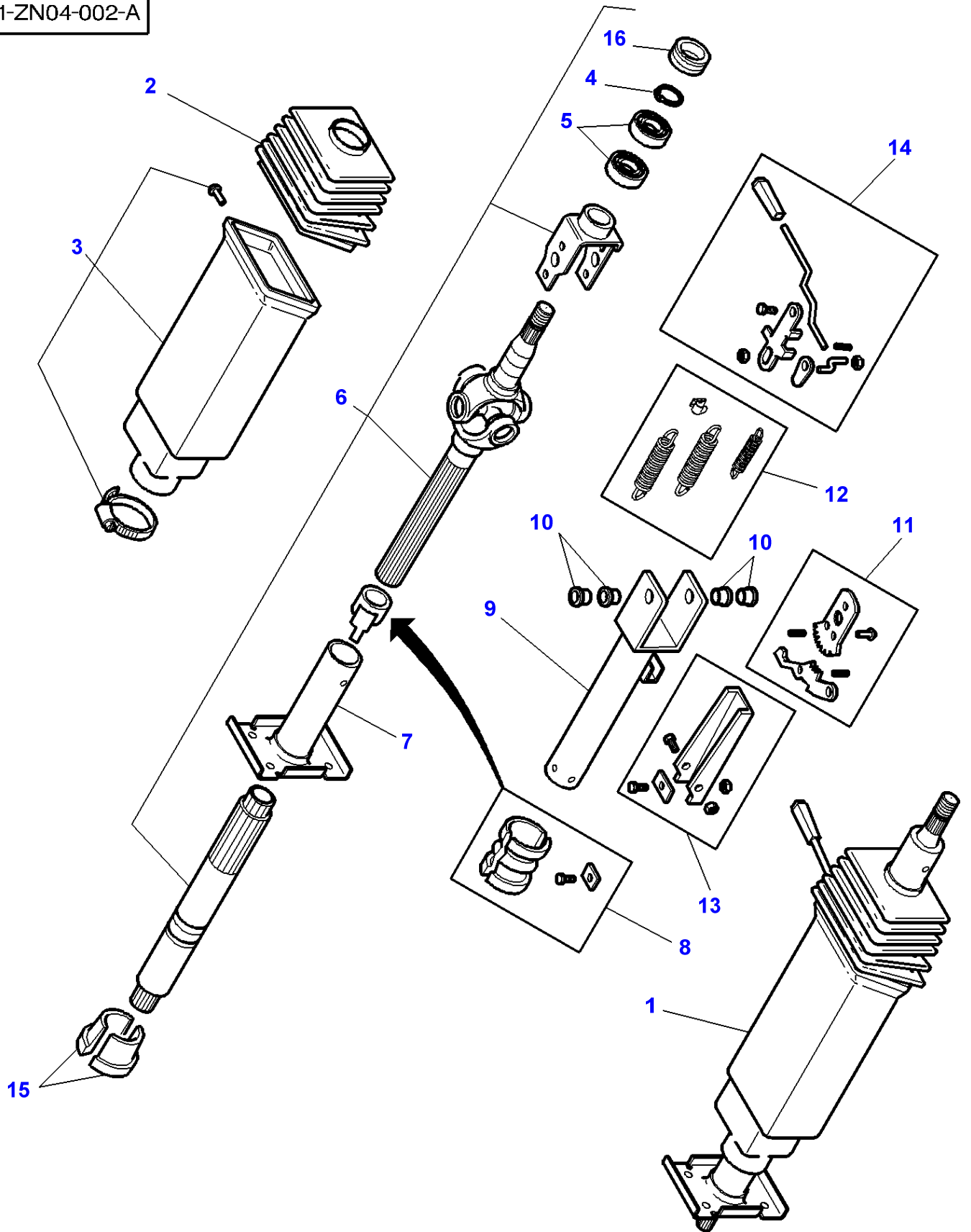
Item	Part Number	Qty	Description	Comments
1	3618970M91	1	Helmet	Up to Serial or Engine Number H176010
2		1	Ring	[A]
3	339070X1	1	Nut	M14
4	390973X1	1	Washer Metric	Diameter 15-28x2,5MM
5	3011268X1	1	Rivet	Diameter 4X7,5MM
				Replace and repair. Old interchangeable with new 338941X1
6	3809661M1	1	Steering Wheel	
7	390734X1	4	Washer	
8	339282X1	4	Screw Metric	M10X16
9	1619912M1	3	Vibration Mount	
10	1440921X1	4	Washer Metric	Diameter 8-22X2MM
11	339124X1	4	Hex. Sock. Screw	M8x16
12	3713868M2	1	Column	See Page - Reference Number 070-0015/1
13		1	Gasket	(12) See Page - Reference Number 070-0015/16
14	3388920M93	1	Support	
15	3009494X1	3	Screw Metric	M10X35
16	3389958M1	3	Washer	
17	3759758M92	1	Cap	From Serial or Engine Number H176011
18	3817055M1	2	Clip	(17)

FOOTNOTE [A] NOT USED

FOOTNOTE [B] FOR JAPANESE MARKET ONLY

MF 8210/8220 TRACTORS - 1637365
1-ZN04-002-A

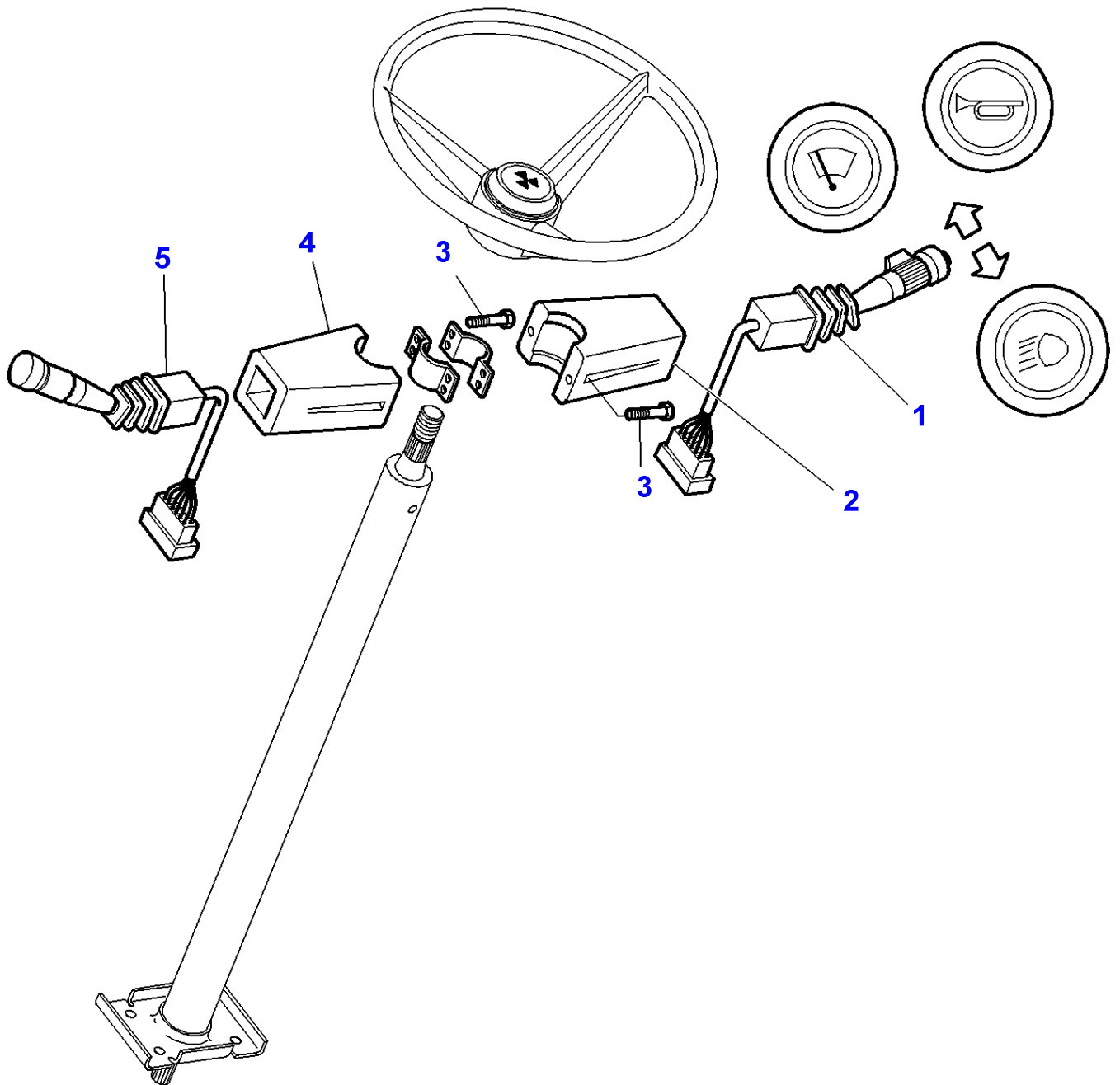
1-ZN04-002-A



Steering Wheel And Telescopic Column

Item	Part Number	Qty	Description	Comments
1	3713868M2	1	Column	
2	3902566M91	1	Bellows	(1)
3	3902568M91	1	Case Assy	(1)
4	1440475X1	1	Circlip	(6)
5	1440872X1	2	Bear. 6004 Rs	(6)
6	3902564M1	1	Shaft	(1)
7	3902565M1	1	Column	(1)
8	3900242M91	1	Parts Pack	(1)
9	3900241M91	1	Column	(1)
10	3900164M91	1	Clevis Pin	(1)
11	3900146M91	1	Kit, Lever	(1)
12	3900167M91	1	Kit, Spring	(1)
13	3900166M91	1	Kit, Brake	(1)
14	3902567M91	1	Kit, Lever	(1)
15	3900145M1	1	Bearing	(1)
16	3902578M1	1	Gasket	(6)

1-ZN16-001-A



Massey Ferguson

MF 8210/8220 TRACTORS - 1637365

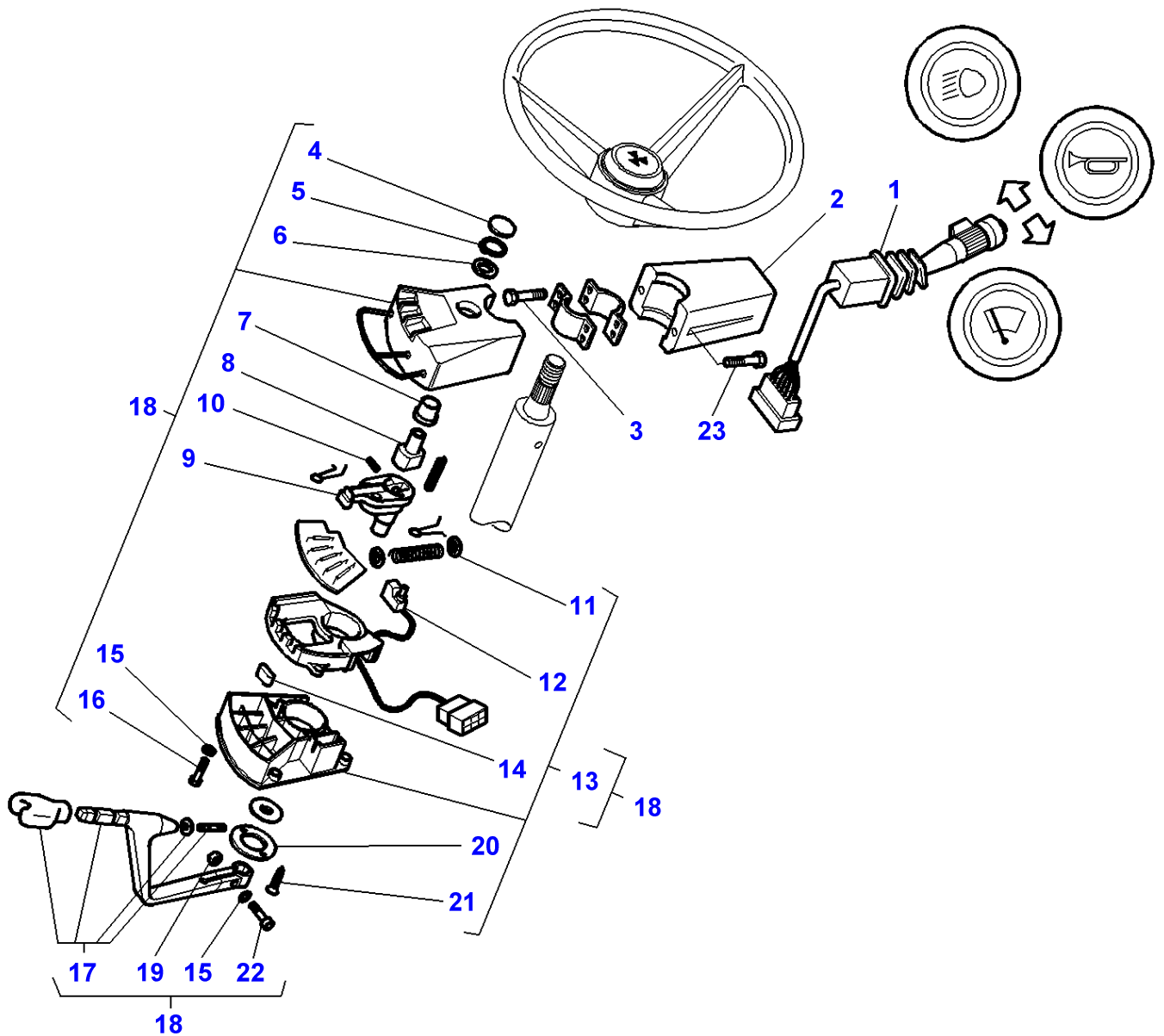
1637365

Lighting Dynashift Drive

Page070-0020

Item	Part Number	Qty	Description	Comments
1	3713669M3	1	Switch,Indirect	
2	3713680M1	1	Case Assy	
3	3713785M1	6	Screw	M4
4	3713670M1	1	Case Assy	
5	3715822M4	1	Switch,Indirect	

1-ZN15-001-C



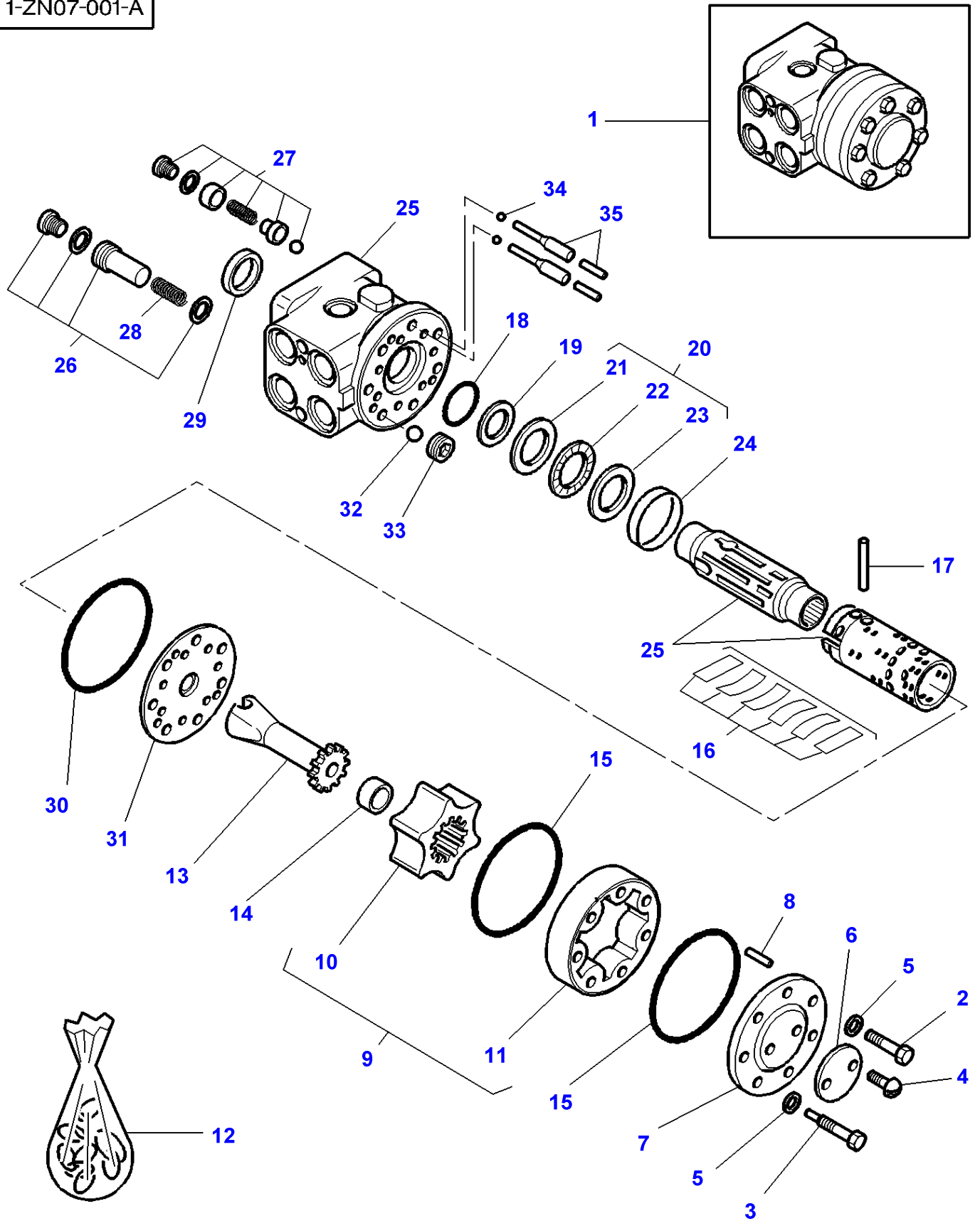
Lighting Power Shuttle

Item	Part Number	Qty	Description	Comments
1	3713669M3	1	Switch,Indirect	
2	3779042M1	1	Case Assy	
3	3713785M1	4	Screw	M4 X 16
4	3903223M1	1	Helmet	(18)
5	3903224M1	1	Circlip	(18)
6	3903225M1	1	Washer	(18)
7	3903226M1	1	Guide Bush	(18)
8	3903227M1	1	Flanged Pin	(18)
9	3903507M1	1	Shifter	(18)
10	3903228M1	1	Roll Pin	(18) Diameter 4 X 28
11	3903243M1	2	Plug	(13)
12	3903230M1	1	Micro Switch	(13)
13	3903302M91	1	Module	(18)
14	3903232M1	1	Rubber	(13)
15	3903234M1	5	Tab Washer	(18)
16	3903233M1	4	Screw	(18) M4 X 14
17	3903303M91	1	Lever	(18)
18	3780596M94	1	Combi Switch	Not for USA
	3789736M91	1	Combi Switch	For United States of America
19	3903238M1	1	Nut	(18) M4
20	3903235M1	1	Pivot Plate	(13)
21	3903236M1	2	Screw	(13)
22	3903239M1	1	Screw	(18) M4 X 18
23	3010818X1	1	Screw Metric	M4 X 20
	3010895X1	1	Screw Metric	M4 X 35

FOOTNOTE [A] NOT ILLUSTRATED

MF 8210/8220 TRACTORS - 1637365
1-ZN07-001-A

1-ZN07-001-A



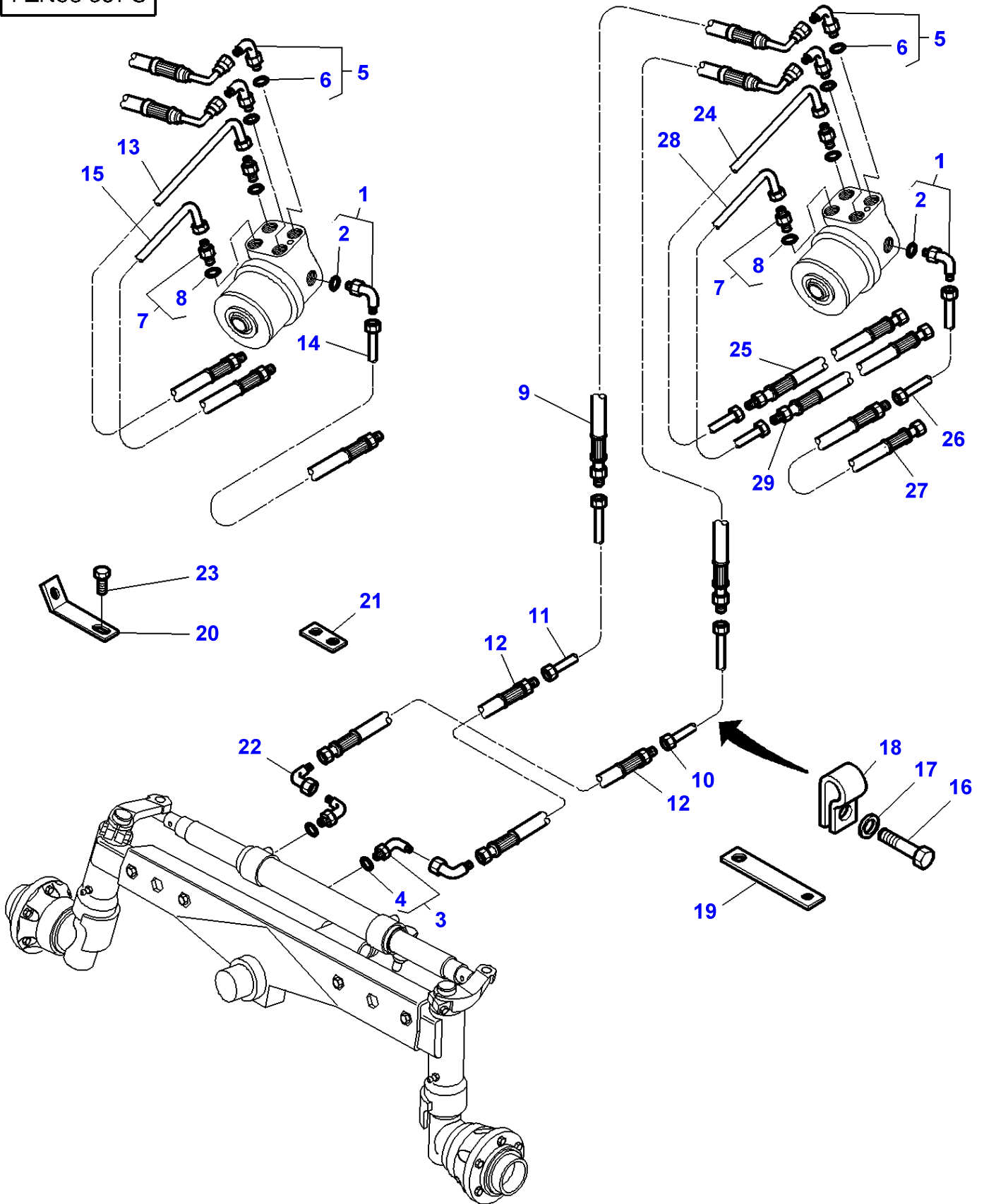
Steering Pump

Item	Part Number	Qty	Description	Comments
1	3712399M2	1	Distributor	Two Wheel Drive 125 CM3 Up to Serial or Engine Number L288012
	3712399M3	1	Distributor	[A] From Serial or Engine Number L288013 Two Wheel Drive 125 CM3
	4270976M2	1	Distributor	[A] From Serial or Engine Number 03-2003 160 CM3
	3712250M2	1	Distributor	Four Wheel Drive 200 CM3 Up to Serial or Engine Number L346018
	3712250M3	1	Distributor	[A] Four Wheel Drive 200 CM3 From Serial or Engine Number L346019
2	1887730M1	6	Screw	(1) Two Wheel Drive
	1429154M1	6	Screw	(1) Four Wheel Drive
3	1887727M1	1	Screw	(1) Two Wheel Drive
	1429153M1	1	Screw	(1) Four Wheel Drive
4	1806318M1	2	Screw	(1)
5	1806317M1	7	Washer	(1)
6	1890402M1	1	Plate	(1)
7	1806316M1	1	Cap	(1)
8	1806312M1	1	Pin	(1)
9	1635884M91	1	Kit, Gear	(1) Two Wheel Drive
	1429157M91	1	Kit, Gear	(1) Four Wheel Drive
10		1	Gear	(9) Not serviced,order REF.9
11		1	Stator	(9) Not serviced,order REF.9
12	1810503M92	1	Parts Pack	
13	1806416M1	1	Shaft	(1)
14	1635883M1	1	Spacer	(1) Two Wheel Drive
	1429155M1	1	Spacer	(1) Four Wheel Drive
15	1806315M1	2	Seal	(1)
16	1894415M1	1	Kit, Spring	(1)
17	1806310M1	1	Pin	(1)
18		1	Seal	(12) Not serviced,order REF.12
19		1	Seal	(12) Not serviced,order REF.12
20	1894414M91	1	Bearing Assy	(1)
21		1	Bearing Assy	(20) Not serviced,order REF.20
22		1	Bearing Assy	(20) Not serviced,order REF.20
23		1	Bearing Assy	(20) Not serviced,order REF.20
24	1806303M1	1	Bush	(1)
25		1	Pump	(1) Not serviced,order REF. 1
26	3902076M91	1	Pressure Valve	(1) Two Wheel Drive
	3476502M91	1	Pressure Valve	(1) Four Wheel Drive
27	1897432M91	2	Parts Pack	(1)
28		1	Spring	(26) Not serviced,order REF.26
29	1887719M1	1	Seal	(1)
30	1806314M1	1	Seal	(1)
31	1806319M1	1	Plate	(1)
32	1806311M1	1	Ball	(1)
33	1806313M1	1	Seat	(1)
34	1897434M1	2	Ball	(1)
35	1897608M91	2	Roll Pin	(1)

Steering Pump

Item	Part Number	Qty	Description	Comments
FOOTNOTE [A]			NOT DETAILED	
FOOTNOTE [B]			FRONT AXLE FIXED	
FOOTNOTE [C]			WITH FRONT AXLE SUSPENDED	

1-ZN06-001-C



Steering Hydraulic Lines - 2 Wheel Drive - Up To ...

Item	Part Number	Qty	Description	Comments
1	3019410X91	1	Elbow Nipple	M12
2	3019394X1	1	O Ring	(1)
3	3010546X91	2	Elbow Nipple	M14
4	3019395X1	1	O Ring	(3)
				M14
5	3019588X91	2	Union	M18
6	3019394X1	1	O Ring	(5)
7	3019383X91	2	Adaptor	M18
8	3019397X1	1	O Ring	(7)
9	5015903M2	2	Hydr Hose	Length 555MM
10	3781089M1	1	Tube	
11	3781088M1	1	Tube	
12	5015330M3	2	Hydr Hose	Length 880MM
13	3778588M1	1	Tube	[C] Up to Serial or Engine Number J182026
	3779448M2	1	Tube	[B] Up to Serial or Engine Number J185016
	3782425M1	1	Tube	[A] Up to Serial or Engine Number J258010
14	3778589M1	1	Tube	Up to Serial or Engine Number J150027
	3782424M1	1	Tube	[A]
15	3778590M2	1	Tube	Up to Serial or Engine Number J070009
	3782423M1	1	Tube	[A] Up to Serial or Engine Number J258010
16	339123X1	4	Hex. Sock. Screw	M8X20
	339124X1	1	Hex. Sock. Screw	M8X16
17	390972X1	5	Washer Metric	
18	70925617	5	Clamp	
19	3781238M1	1	Strap	[B] Length 175MM
20	3781239M2	1	Strap	[B]
	3781239M2	2	Strap	[C]
21	3781240M1	1	Strap	Length 45MM
22	365233X1	2	Elbow	
23	353691X1	2	Bolt Unc	[C]
24	3783528M1	1	Tube	[C] From Serial or Engine Number J182027
	3783528M1	1	Tube	[B] From Serial or Engine Number J185017
	3783529M1	1	Tube	[A] From Serial or Engine Number J258011
25	3783517M1	1	Hydr Hose	[C] Length 900MM From Serial or Engine Number J182027
	3783516M1	1	Hydr Hose	[B] Length 1300MM From Serial or Engine Number J185017
	3783516M1	1	Hydr Hose	[A] Length 1300MM From Serial or Engine Number J258011
26	3783525M2	1	Tube	From Serial or Engine Number J150028
		1	Hydr Hose	[A] Not serviced,order REF. 14
27	3783512M1	1	Hydr Hose	Length 1250MM From Serial or Engine Number J150028
		1	Hydr Hose	[A] Not serviced,order REF. 14
28	3783523M3	1	Tube	From Serial or Engine Number J070010
	3783524M2	1	Tube	[A] From Serial or Engine Number J258011
29	3783514M1	1	Hydr Hose	Length 1350MM From Serial or Engine Number J070010
	3783514M1	1	Hydr Hose	[A] Length 1350MM From Serial or Engine Number J258011

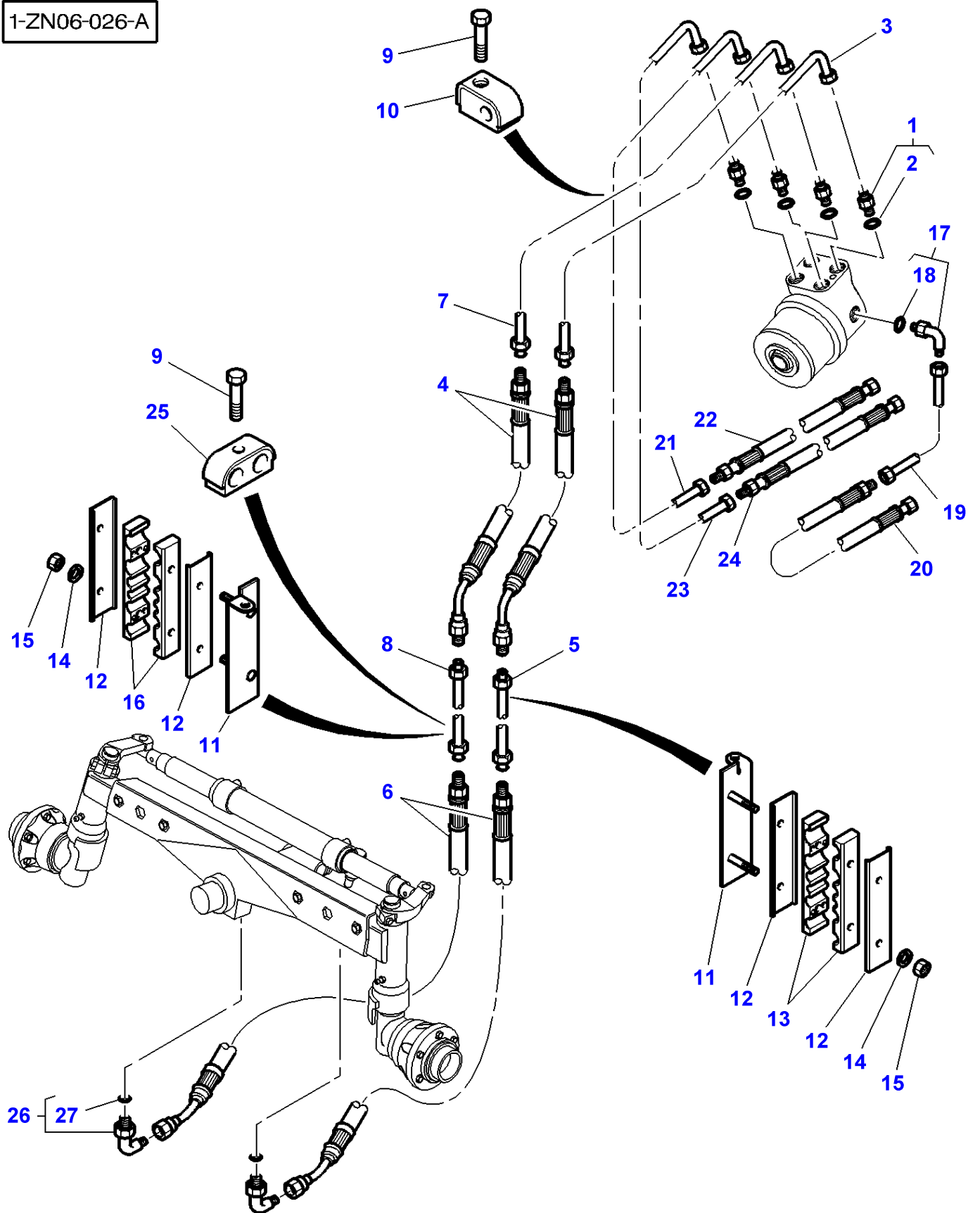
FOOTNOTE [A] TRACTOR WITH PLATFORM

FOOTNOTE [B] WITH DYNASHIFT

FOOTNOTE [C] WITH FULL POWERSHIFT

MF 8210/8220 TRACTORS - 1637365
1-ZN06-026-A

1-ZN06-026-A



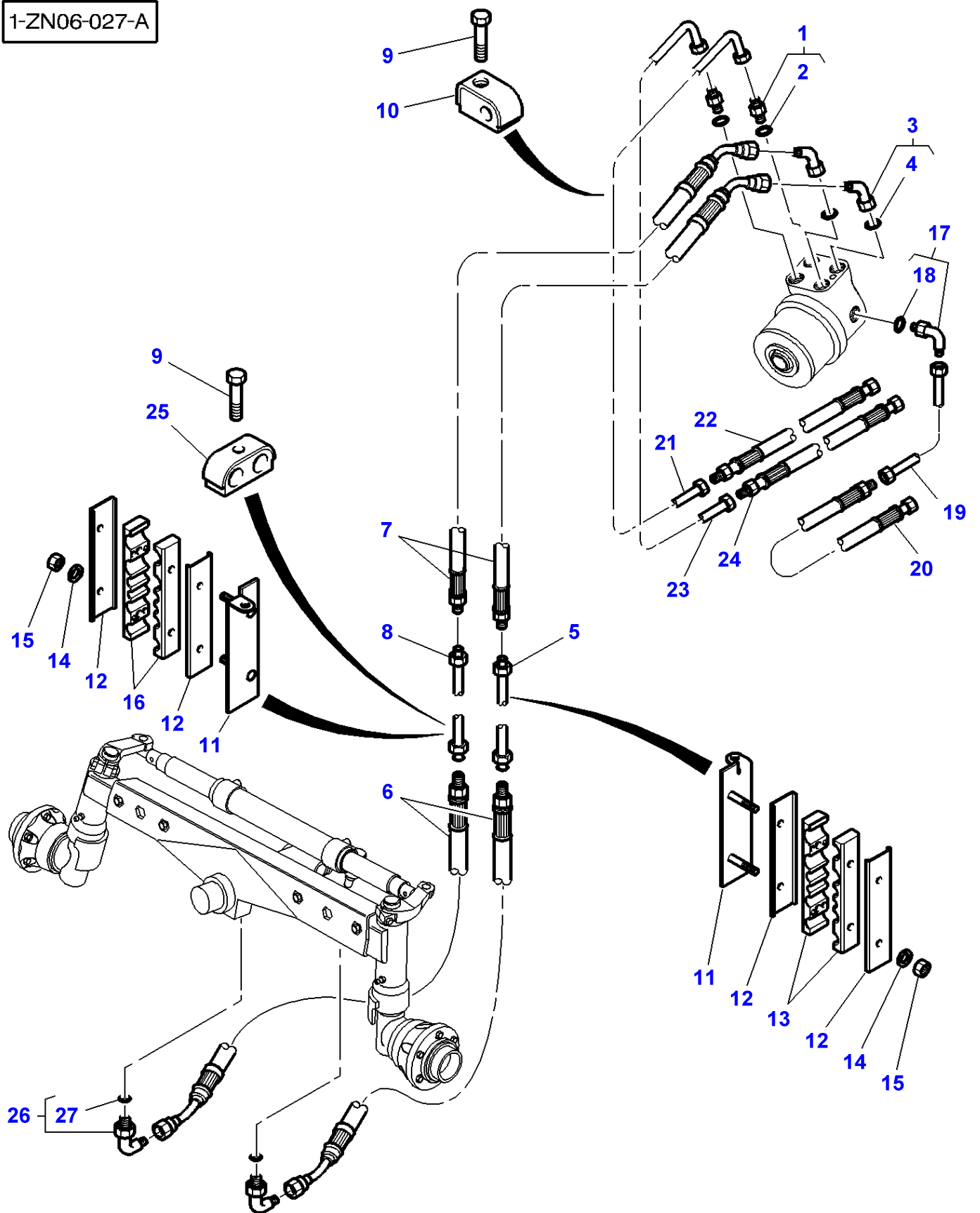
Item	Part Number	Qty	Description	Comments
1	3019383X91	4	Adaptor	
2	3019397X1	4	O Ring	(1)
3	3785862M2	1	Tube	
4	3785114M1	2	Hydr Hose	Length 1200MM
5	3785037M1	1	Tube	Left Hand
6	3785716M2	2	Hydr Hose	Length 580MM
7	3784424M3	1	Tube	
8	3785045M1	1	Tube	Right Hand
9	339010X1	X	Bolt Metric	M8 X 40
10	3784423M1	X	Bridle	
11	3784201M1	1	Support	
12	3784208M1	2	Plate	
13	3784204M1	2	Bridle	
14	390971X1	2	Washer	
15	1441500X1	2	Locknut	M6
16	3784203M1	2	Bridle	
17	3019410X91	1	Elbow Nipple	
18	3019394X1	1	O Ring	(17)
19	3783525M2	1	Tube	
20	3783512M1	1	Hydr Hose	Length 1250MM
21	3783528M1	1	Tube	
22	3783516M1	1	Hydr Hose	[A] Length 1300MM
	3783517M1	1	Hydr Hose	[B] Length 900MM
23	3783523M3	1	Tube	
24	3783514M1	1	Hydr Hose	Length 1350MM
25	3783121M1	1	Bridle	
26	3010546X91	2	Elbow Nipple	
27	3019395X1	2	O Ring	(26)

FOOTNOTE [A] WITH DYNASHIFT

FOOTNOTE [B] WITH FULL POWERSHIFT

MF 8210/8220 TRACTORS - 1637365
1-ZN06-027-A

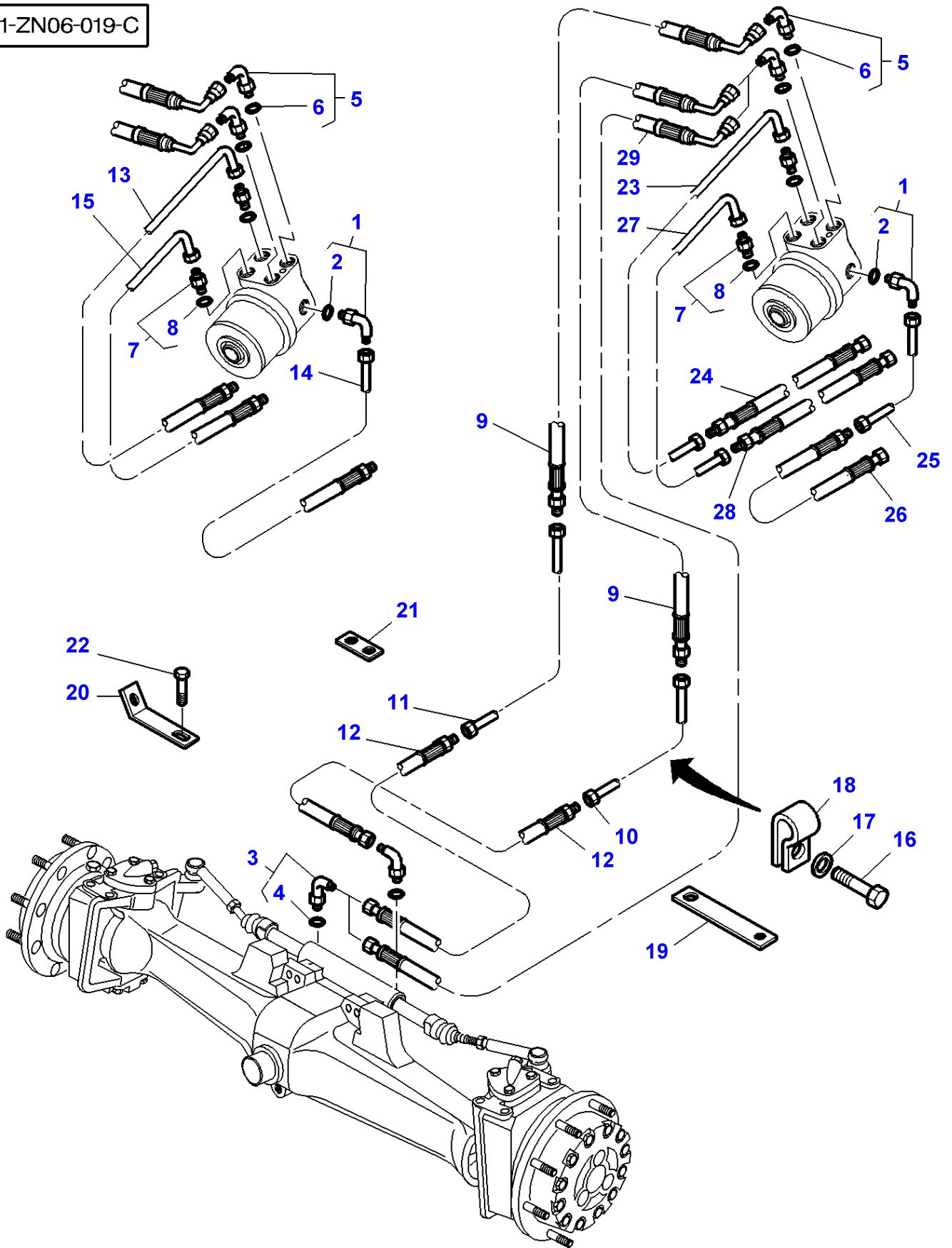
1-ZN06-027-A



Item	Part Number	Qty	Description	Comments
1	3019383X91	2	Adaptor	
2	3019397X1	2	O Ring	(1)
3	3019588X91	2	Union	
4	3019394X1	2	O Ring	(3)
5	3785037M1	1	Tube	Left Hand
6	3785716M2	2	Hydr Hose	Length 580MM
7	3784269M1	2	Hydr Hose	Length 1900MM
8	3785045M1	1	Tube	Right Hand
9	339010X1	X	Bolt Metric	M8 X 40
10	3784423M1	X	Bridle	
11	3784201M1	1	Support	
12	3784208M1	2	Plate	
13	3784204M1	2	Bridle	
14	390971X1	2	Washer	
15	1441500X1	2	Locknut	M6
16	3784203M1	2	Bridle	
17	3019410X91	1	Elbow Nipple	
18	3019394X1	1	O Ring	(17)
19	3783526M2	1	Tube	
20	3783512M1	1	Hydr Hose	Length 1250MM
21	3783529M1	1	Tube	
22	3783516M1	1	Hydr Hose	Length 1300MM
23	3783524M2	1	Tube	
24	3783514M1	1	Hydr Hose	Length 1350MM
25	3783121M1	1	Bridle	
26	3010546X91	2	Elbow Nipple	
27	3019395X1	2	O Ring	(26)

MF 8210/8220 TRACTORS - 1637365
1-ZN06-019-C

1-ZN06-019-C



Item	Part Number	Qty	Description	Comments
1	3019410X91	1	Elbow Nipple	M12
2	3019394X1	1	O Ring	(1)
3	3019414X91	2	Union	M16
4	3019396X1	1	O Ring	(3)
5	3019588X91	2	Union	M18
6	3019394X1	1	O Ring	(5)
7	3019383X91	2	Adaptor	M18
8	3019397X1	1	O Ring	(7)
9	5015903M2	2	Hydr Hose	Length 555MM
10	3781089M1	1	Tube	
11	3781088M1	1	Tube	
12	5015330M3	2	Hydr Hose	Length 880MM
13	3778588M1	1	Tube	[C] Up to Serial or Engine Number J182026
	3779448M2	1	Tube	[B] Up to Serial or Engine Number J185016
	3782425M1	1	Tube	[A] Up to Serial or Engine Number J258010
14	3778589M1	1	Tube	Up to Serial or Engine Number J150027
	3782424M1	1	Tube	[A]
15	3778590M2	1	Tube	Up to Serial or Engine Number J070009
	3782423M1	1	Tube	[A] Up to Serial or Engine Number J258010
16	339123X1	4	Hex. Sock. Screw	M8X20
	339124X1	1	Hex. Sock. Screw	M8X16
17	390972X1	5	Washer Metric	
18	70925617	5	Clamp	
19	3781238M1	1	Strap	[B] Length 175MM
20	3781239M2	1	Strap	[B]
	3781239M2	2	Strap	[C]
21	3781240M1	1	Strap	Length 45MM
22	353691X1	2	Bolt Unc	[C]
23	3783528M1	1	Tube	[C] From Serial or Engine Number J182027
	3783528M1	1	Tube	[B] From Serial or Engine Number J185017
	3783529M1	1	Tube	[A] From Serial or Engine Number J258011
24	3783517M1	1	Hydr Hose	[C] Length 900MM From Serial or Engine Number J182027
	3783516M1	1	Hydr Hose	[B] Length 1300MM From Serial or Engine Number J185017
	3783516M1	1	Hydr Hose	[A] Length 1300MM From Serial or Engine Number J258011
25	3783525M2	1	Tube	From Serial or Engine Number J150028
		1	Hydr Hose	[A] Not serviced,order REF. 14
26	3783512M1	1	Hydr Hose	Length 1250MM From Serial or Engine Number J150028
		1	Hydr Hose	[A] Not serviced,order REF. 14
27	3783523M3	1	Tube	From Serial or Engine Number J070010
	3783524M2	1	Tube	[A] From Serial or Engine Number J258011
28	3783514M1	1	Hydr Hose	Length 1350MM From Serial or Engine Number J070010
	3783514M1	1	Hydr Hose	[A] Length 1350MM From Serial or Engine Number J258011
29	3785818M1	1	Hydr Hose	[D] Length 2600MM

FOOTNOTE [A] TRACTOR WITH PLATFORM

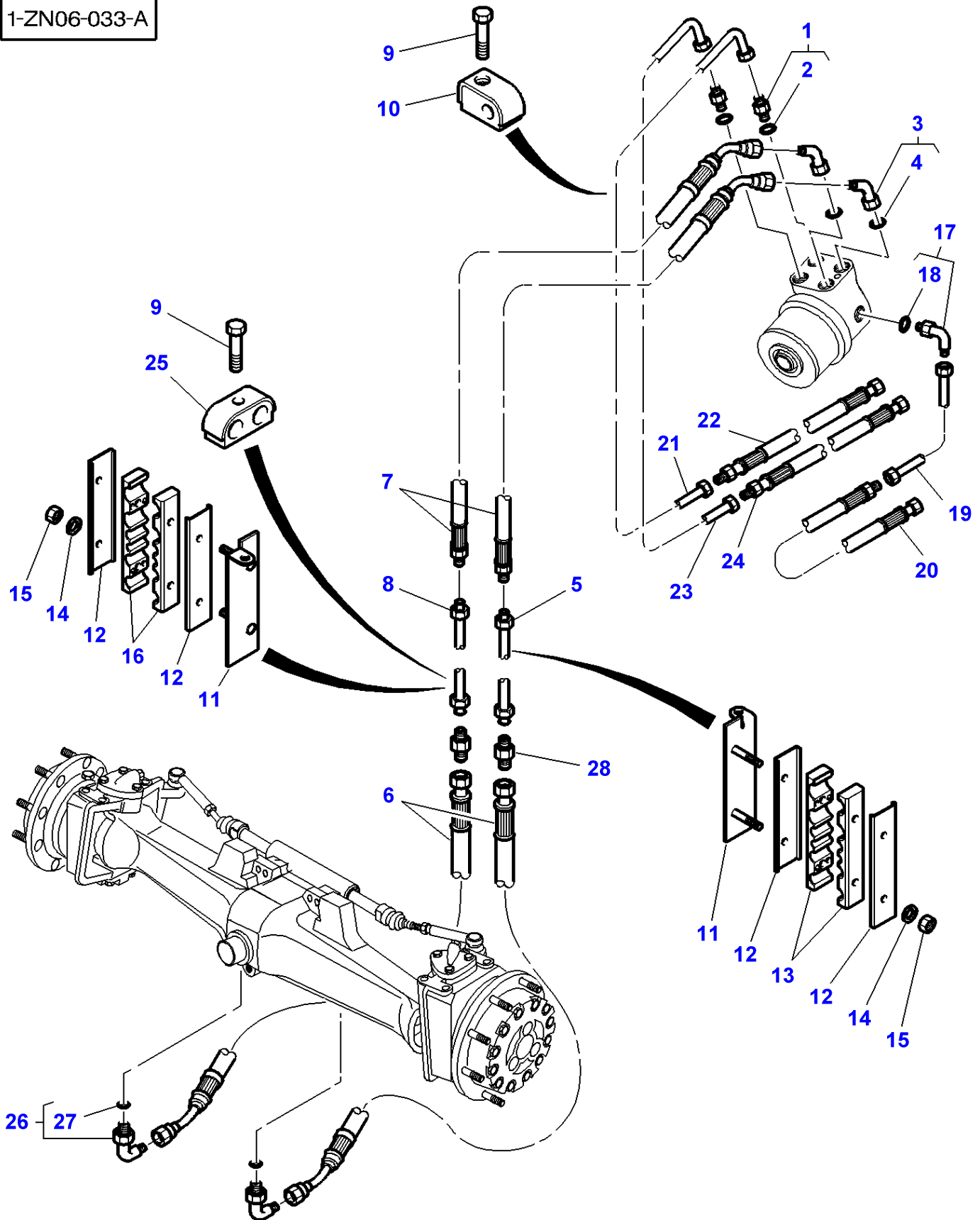
FOOTNOTE [B] WITH DYNASHIFT

FOOTNOTE [C] WITH FULL POWERSHIFT

FOOTNOTE [D] WITH PNEUMATIC BRAKE

MF 8210/8220 TRACTORS - 1637365
1-ZN06-033-A

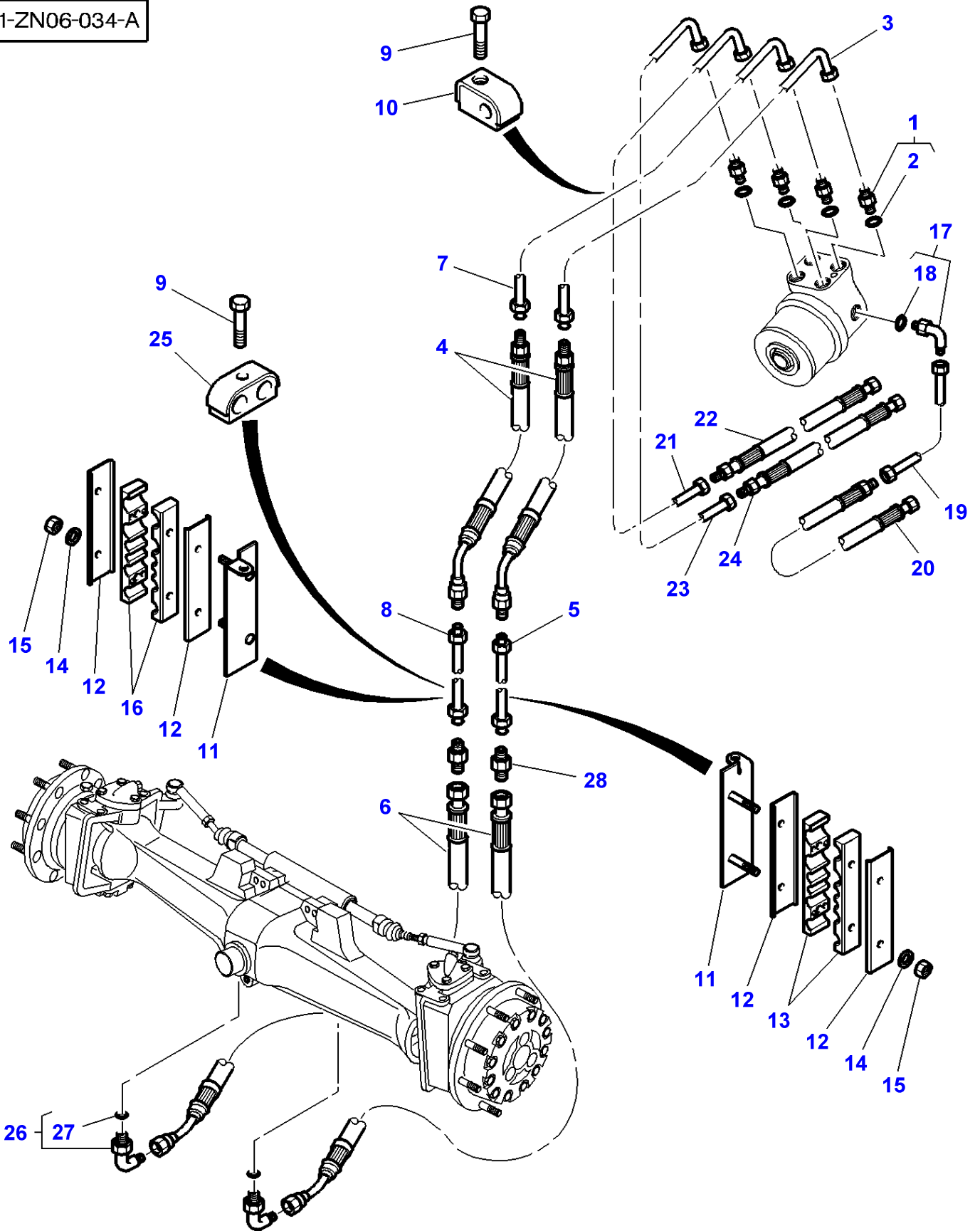
1-ZN06-033-A



Item	Part Number	Qty	Description	Comments
1	3019383X91	2	Adaptor	
2	3019397X1	2	O Ring	(1)
3	3019588X91	2	Union	
4	3019394X1	2	O Ring	(3)
5	3785037M1	1	Tube	Left Hand
6	3786079M1	2	Hydr Hose	Length 460MM
7	3784269M1	2	Hydr Hose	Length 1900MM
8	3785045M1	1	Tube	Right Hand
9	339010X1	X	Bolt Metric	M8 X 40
10	3784423M1	X	Bridle	
11	3784201M1	1	Support	
12	3784208M1	2	Plate	
13	3784204M1	2	Bridle	
14	390971X1	2	Washer	
15	1441500X1	2	Locknut	M6
16	3784203M1	2	Bridle	
17	3019410X91	1	Elbow Nipple	
18	3019394X1	1	O Ring	(17)
19	3783526M2	1	Tube	
20	3783512M1	1	Hydr Hose	Length 1250MM
21	3783529M1	1	Tube	
22	3783516M1	1	Hydr Hose	Length 1300MM
23	3783524M2	1	Tube	
24	3783514M1	1	Hydr Hose	Length 1350MM
25	3783121M1	1	Bridle	
26	3019414X91	2	Union	
27	3019396X1	2	O Ring	(26)
28	355528X1	2	Union	

MF 8210/8220 TRACTORS - 1637365
1-ZN06-034-A

1-ZN06-034-A



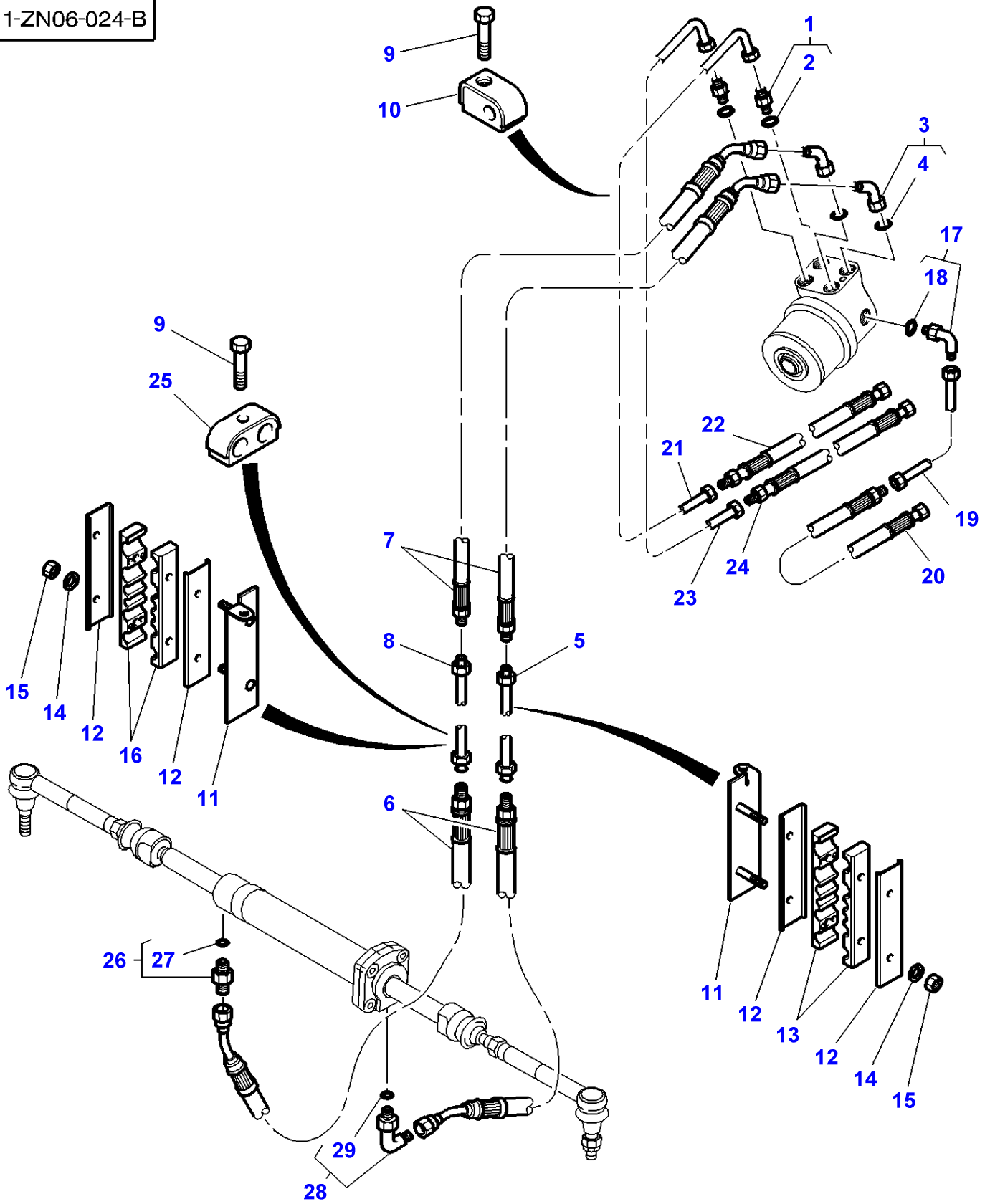
Item	Part Number	Qty	Description	Comments
1	3019383X91	4	Adaptor	
2	3019397X1	4	O Ring	(1)
3	3785862M2	1	Tube	
4	3785114M1	2	Hydr Hose	Length 1200MM
5	3785037M1	1	Tube	Left Hand
6	3786079M1	2	Hydr Hose	Length 460MM
7	3784424M3	1	Tube	
8	3785045M1	1	Tube	Right Hand
9	339010X1	X	Bolt Metric	M8 X 40
10	3784423M1	X	Bridle	
11	3784201M1	1	Support	
12	3784208M1	2	Plate	
13	3784204M1	2	Bridle	
14	390971X1	2	Washer	
15	1441500X1	2	Locknut	M6
16	3784203M1	2	Bridle	
17	3019410X91	1	Elbow Nipple	
18	3019394X1	1	O Ring	(17)
19	3783525M2	1	Tube	
20	3783512M1	1	Hydr Hose	Length 1250MM
21	3783528M1	1	Tube	
22	3783516M1	1	Hydr Hose	[A] Length 1300MM
	3783517M1	1	Hydr Hose	[B] Length 900MM
23	3783523M3	1	Tube	
24	3783514M1	1	Hydr Hose	Length 1350MM
25	3783121M1	1	Bridle	
26	3019414X91	2	Union	
27	3019396X1	2	O Ring	(26)
28	355528X1	2	Union	

FOOTNOTE [A] WITH DYNASHIFT

FOOTNOTE [B] WITH FULL POWERSHIFT

MF 8210/8220 TRACTORS - 1637365
1-ZN06-024-B

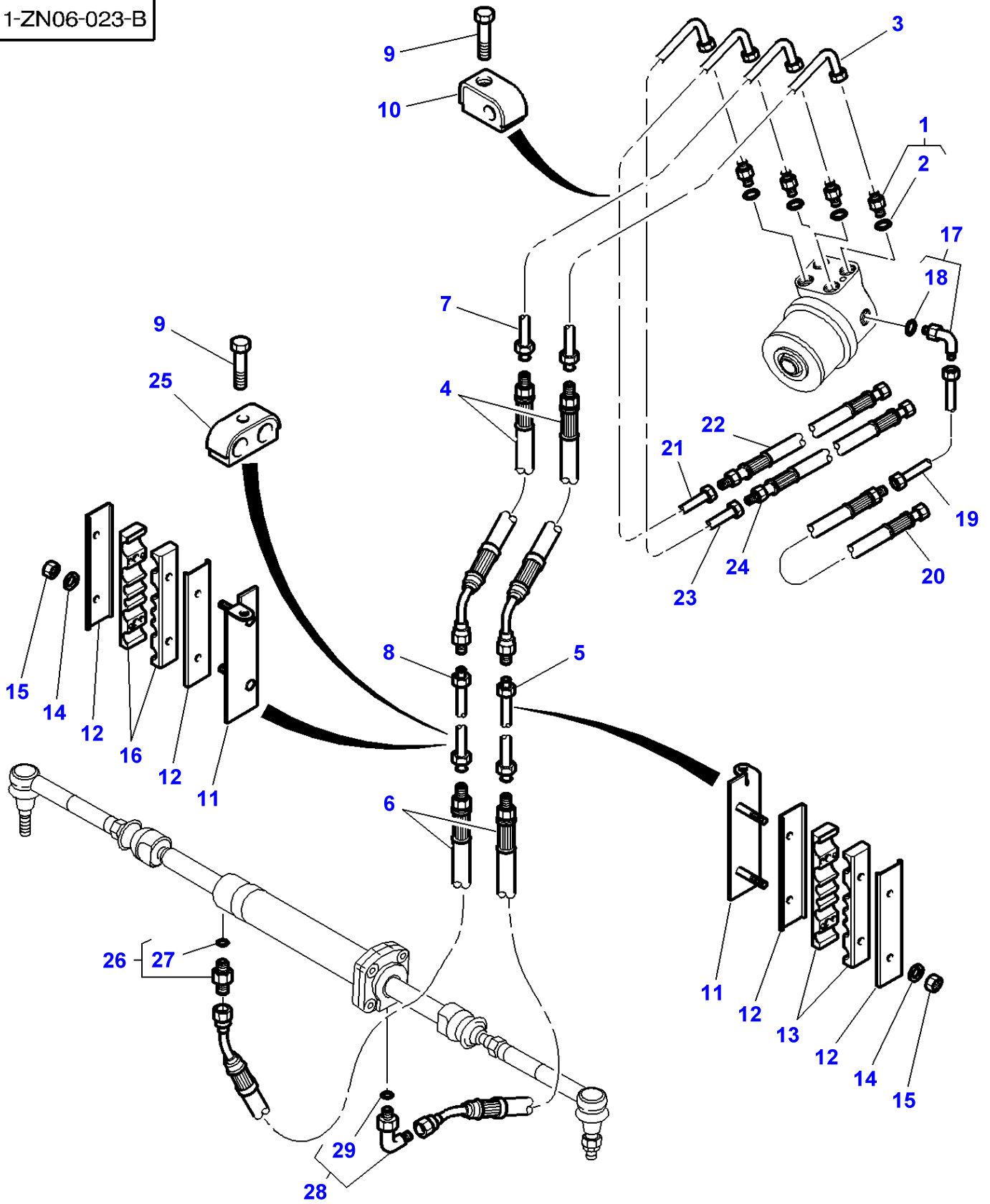
1-ZN06-024-B



Item	Part Number	Qty	Description	Comments
1	3019383X91	2	Adaptor	
2	3019397X1	2	O Ring	(1)
3	3019588X91	2	Union	
4	3019394X1	2	O Ring	(3)
5	3785037M1	1	Tube	Left Hand
6	3785121M2	2	Hydr Hose	Length 500MM
7	3784269M1	2	Hydr Hose	Length 1900MM
8	3785045M1	1	Tube	Right Hand
9	339010X1	X	Bolt Metric	M8 X 40
10	3784423M1	X	Bridle	
11	3784201M1	1	Support	
12	3784208M1	2	Plate	
13	3784204M1	2	Bridle	
14	390971X1	2	Washer	
15	1441500X1	2	Locknut	M6
16	3784203M1	2	Bridle	
17	3019410X91	1	Elbow Nipple	
18	3019394X1	1	O Ring	(17)
19	3783526M2	1	Tube	
20	3783512M1	1	Hydr Hose	Length 1250MM
21	3783529M1	1	Tube	
22	3783516M1	1	Hydr Hose	Length 1300MM
23	3783524M2	1	Tube	
24	3783514M1	1	Hydr Hose	Length 1350MM
25	3783121M1	1	Bridle	
26	3019383X91	1	Adaptor	
27	3019397X1	1	O Ring	(26)
28	3019690X91	1	Elbow	
29	3019397X1	1	O Ring	(28)

MF 8210/8220 TRACTORS - 1637365
1-ZN06-023-B

1-ZN06-023-B



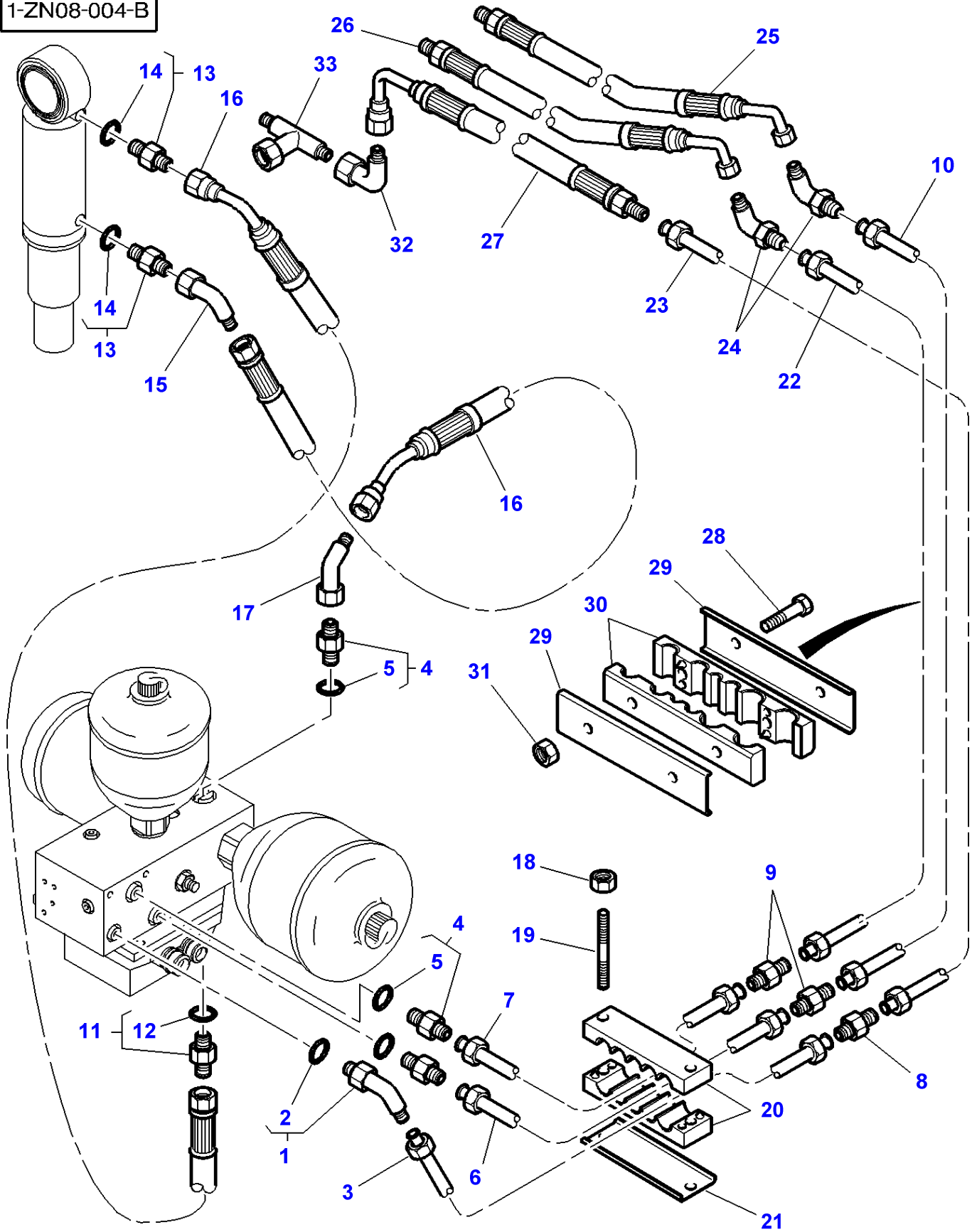
Item	Part Number	Qty	Description	Comments
1	3019383X91	4	Adaptor	
2	3019397X1	4	O Ring	(1)
3	3785862M2	1	Tube	
4	3785114M1	2	Hydr Hose	Length 1200MM
5	3785037M1	1	Tube	Left Hand
6	3785121M2	2	Hydr Hose	Length 500MM
7	3784424M3	1	Tube	
8	3785045M1	1	Tube	Right Hand
9	339010X1	X	Bolt Metric	M8 X 40
10	3784423M1	X	Bridle	
11	3784201M1	1	Support	
12	3784208M1	2	Plate	
13	3784204M1	2	Bridle	
14	390971X1	2	Washer	
15	1441500X1	2	Locknut	M6
16	3784203M1	2	Bridle	
17	3019410X91	1	Elbow Nipple	
18	3019394X1	1	O Ring	(17)
19	3783525M2	1	Tube	
20	3783512M1	1	Hydr Hose	Length 1250MM
21	3783528M1	1	Tube	
22	3783516M1	1	Hydr Hose	[A] Length 1300MM
	3783517M1	1	Hydr Hose	[B] Length 900MM
23	3783523M3	1	Tube	
24	3783514M1	1	Hydr Hose	Length 1350MM
25	3783121M1	1	Bridle	
26	3019383X91	1	Adaptor	
27	3019397X1	1	O Ring	(26)
28	3019690X91	1	Elbow	
29	3019397X1	1	O Ring	(28)

FOOTNOTE [A] WITH DYNASHIFT

FOOTNOTE [B] WITH FULL POWERSHIFT

MF 8210/8220 TRACTORS - 1637365
1-ZN08-004-B

1-ZN08-004-B

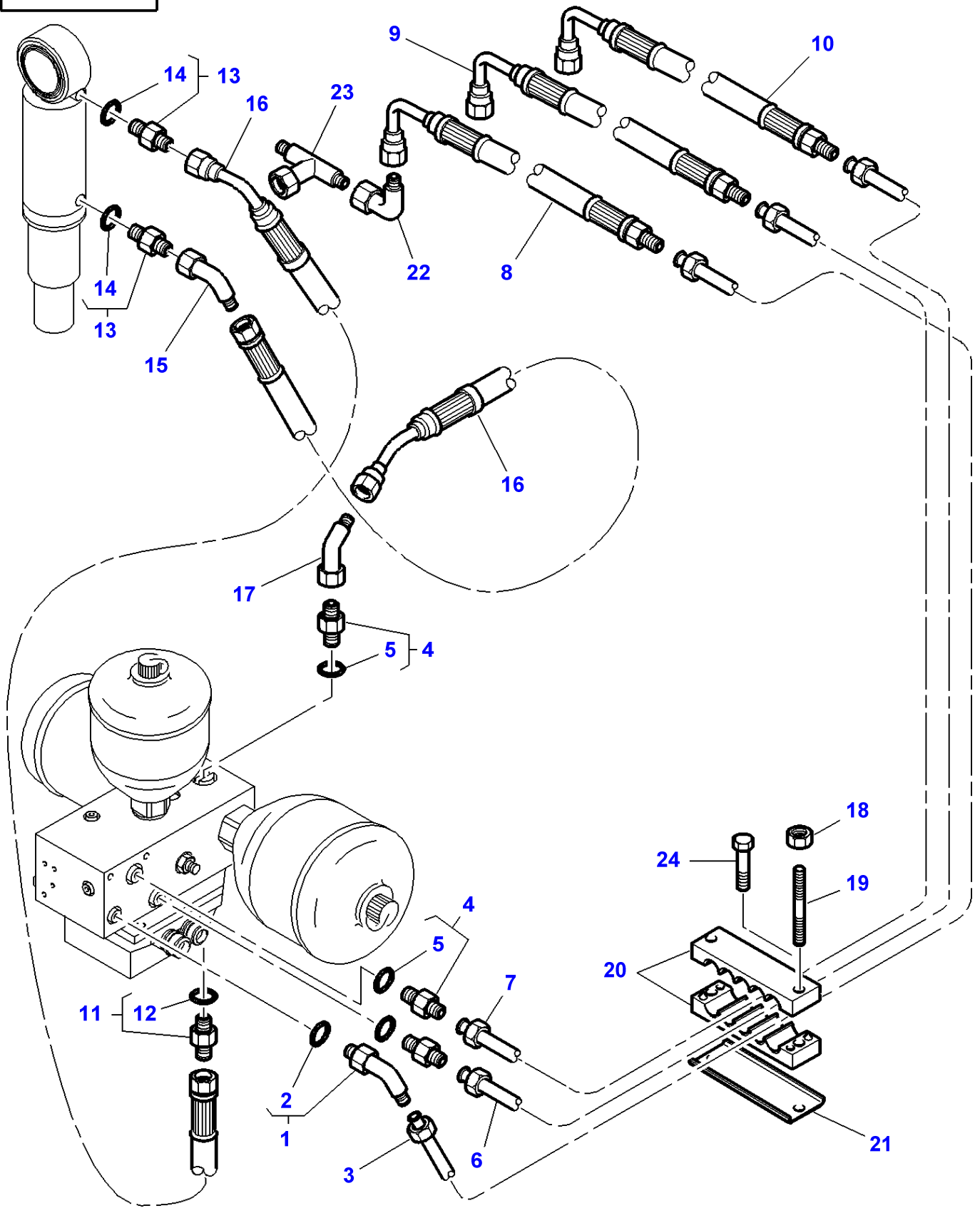


Item	Part Number	Qty	Description	Comments
1	3019584X91	1	Union	
2	3019395X1	1	O Ring	(1)
3	3784262M6	1	Tube	
4	3019383X91	3	Adaptor	
5	3019397X1	1	O Ring	(4)
6	3784264M4	1	Tube	
7	3784263M4	1	Tube	
8	355529X1	1	Union	
9	355528X1	2	Union	
10	3784267M4	1	Tube	
11	3019383X91	1	Adaptor	
12	3019397X1	1	O Ring	(11)
13	3019658X91	2	Union	
14	3019398X1	1	O Ring	(13)
15	366665X1	1	Elbow	
16	3784304M2	2	Hydr Hose	Length 550MM
17	366665X1	1	Elbow	
18	1441500X1	2	Locknut	M6
19	3019058X1	2	Stud	
20	3784258M1	2	Bridle	
21	3784260M1	1	Plate	
22	3784271M4	1	Tube	
23	3784265M4	1	Tube	
24	366665X1	2	Elbow	
25	3785116M1	1	Hydr Hose	Length 700MM
26	3785117M1	1	Hydr Hose	Length 700MM
27	3785118M1	1	Hydr Hose	Length 1150MM
	3786143M1	1	Hydr Hose	[A] Length 2800MM
28	339096X1	2	Bolt Metric	M6 X 35
29	3784208M1	2	Plate	
30	3784203M1	2	Bridle	
31	1441500X1	2	Locknut	M6
32	364603X1	1	Elbow	
33	3794665M3	1	Union	

FOOTNOTE [A] DISTRIBUTOR WITH MECHANICAL CONTROL

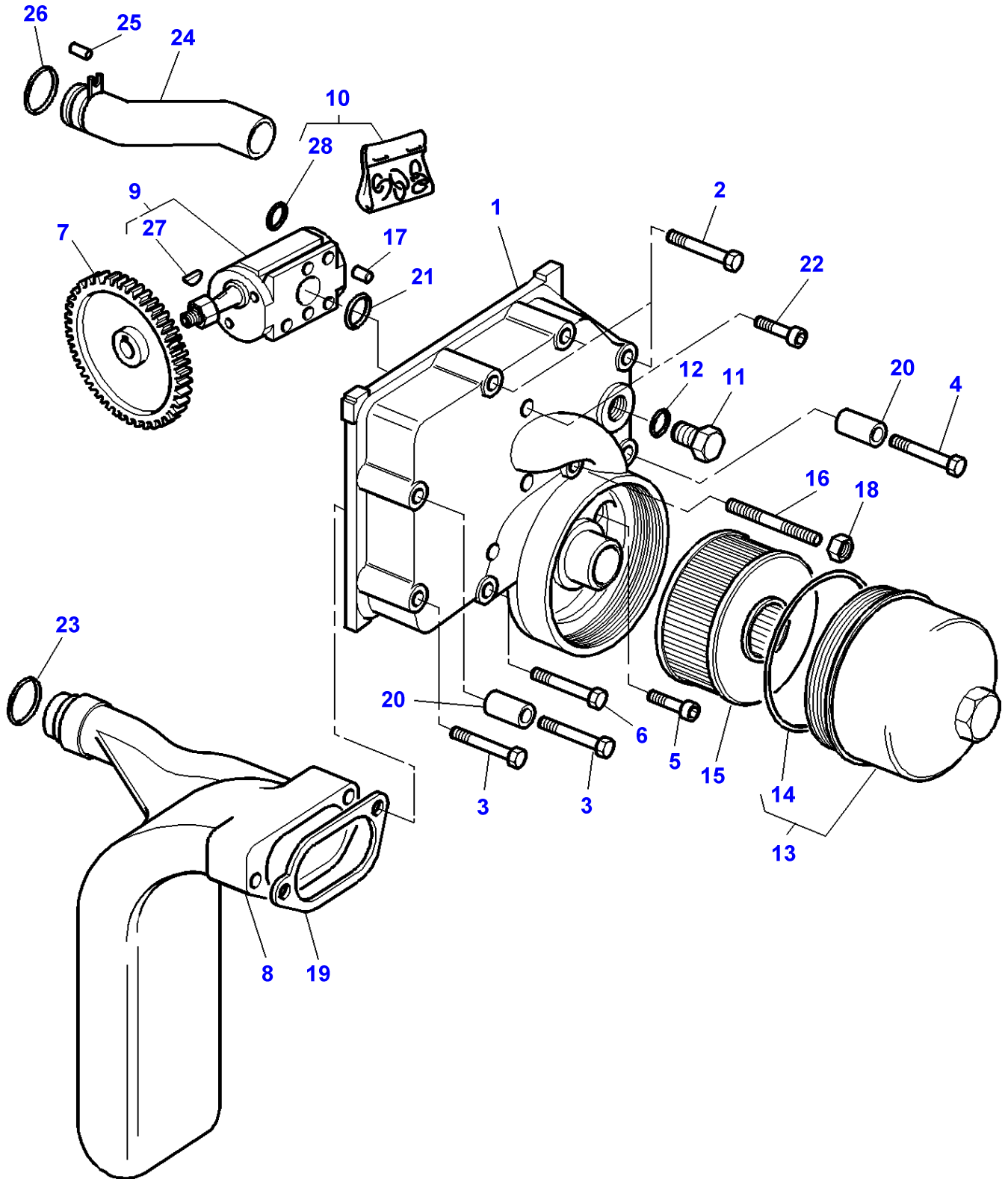
MF 8210/8220 TRACTORS - 1637365
1-ZN08-003-C

1-ZN08-003-C



Item	Part Number	Qty	Description	Comments
1	3019584X91	1	Union	
2	3019395X1	1	O Ring	(1)
3	3785964M3	1	Tube	
4	3019383X91	3	Adaptor	
5	3019397X1	1	O Ring	(4)
6	3785966M3	1	Tube	
7	3785965M3	1	Tube	
8	3784282M1	1	Hydr Hose	Length 2500MM
9	3784272M1	1	Hydr Hose	Length 1900MM
10	3784269M1	1	Hydr Hose	Length 1900MM
11	3019383X91	1	Adaptor	
12	3019397X1	1	O Ring	(11)
13	3019658X91	2	Union	
14	3019398X1	1	O Ring	(13)
15	366665X1	1	Elbow	
16	3784304M2	2	Hydr Hose	Length 550MM
17	366665X1	1	Elbow	
18	1441500X1	2	Locknut	M6
19	3019058X1	2	Stud	
20	3784258M1	2	Bridle	
21	3784260M1	1	Plate	
22	364603X1	1	Elbow	
23	3794665M3	1	Union	
24	339096X1	2	Bolt Metric	M6 X 35

1-ZP60-002-C



Load Sensing - Cover Lh-Pump / Filter

Item	Part Number	Qty	Description	Comments
1	3791328M4	1	Cover	
2	3009518X1	3	Screw	M12 X 110
3	3009517X1	2	Bolt Metric	M12 X 100
4	1444034X1	1	Screw	M12 X 125
5	3009300X1	1	Screw	M12 X 70
6	3009518X1	1	Screw	M12 X 110
7	3716351M1	1	Pinion	Number of teeth/spines 70
8	3716938M3	1	Manifold	
9	3618001M3	1	Pump	[A] Up to Serial or Engine Number M253009
	3799411M1	1	Pump	[A] From Serial or Engine Number M253010
	3791900M1	1	Pump	[B]
10	3903020M91	1	Kit, Joint	
11	3019438X1	1	Plug	M30
12	391265X1	1	Gasket	
13	3715772M91	1	Cover	[A]
	3790001M91	1	Cover	[B]
14	3715773M1	1	O Ring	(13)
15	3714453M1	1	Strainer	[A] Length 98 MM
	3790002M1	1	Strainer	[B] Length 139 MM
16	392531X1	2	Stud	M8 X 105
17	1442522X1	2	Dowel	Diameter 6 X 12
18	339169X1	2	Nut	M8
19	3791530M1	1	Gasket	
20	3000705X1	2	Pin	Diameter 16 X 18
21	851150M1	1	Ring	
22	3009297X1	2	Screw Metric	M10 X 90
23	1001489M1	1	O Ring	
24	3716375M91	1	Tube	Up to Serial or Engine Number M253009
	3799422M91	1	Tube	From Serial or Engine Number M253010
25	1441722X1	1	Pin	Diameter 3 X 16
26	364777X1	1	O Ring	
27	1440360X1	1	Key	(9)
28	1441708X1	1	O Ring	(10)

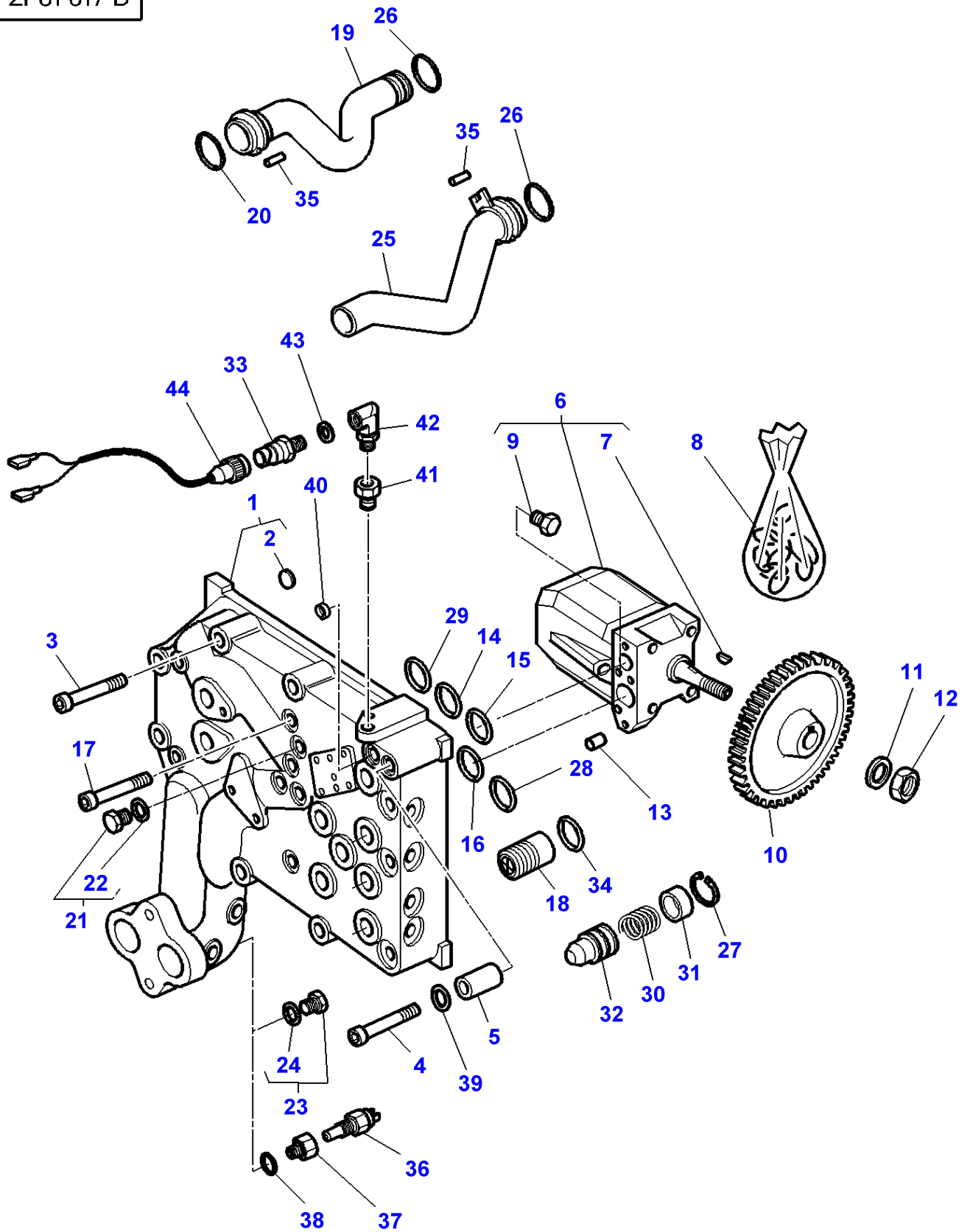
FOOTNOTE [A] WITH PUMP 45CC

FOOTNOTE [B] WITH PUMP 60CC

FOOTNOTE [C] WITH DYNASHIFT

FOOTNOTE [D] WITH FULL POWERSHIFT

1-ZP61-017-D



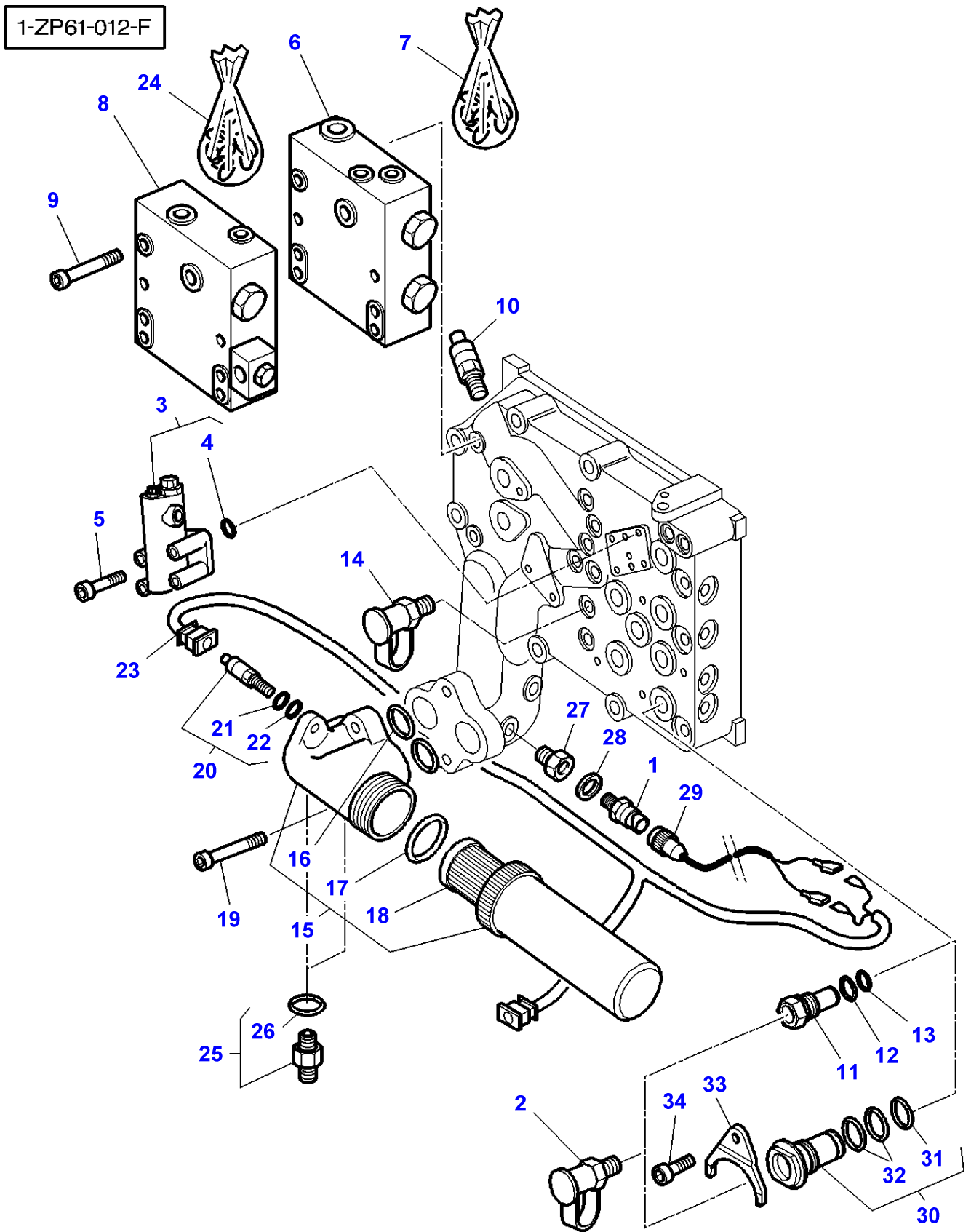
Load Sensing - Cover Rh - With Pump 45cc

Item	Part Number	Qty	Description	Comments
1	3716703M15	1	Cover	Up to Serial or Engine Number L207014
	3795398M12	1	Cover	From Serial or Engine Number L207015
2	3712249M1	1	Plug	(1) Diameter 10MM
3	3009302X1	7	Screw Metric	M12X90
4	3009303X1	3	Screw	M12X100
5	3000705X1	2	Pin	Diameter 16X18MM
6	3716370M3	1	Pump	45CM3/RPM
7	22277X	1	Key	(6)
8	3902614M91	1	Kit,Joint/Gasket	
9	3902662M1	1	Plug	(6)
10	3716365M1	1	Pinion	Number of teeth/spines 73
11	353775X1	1	Washer	
12	353436X1	1	Nut Unf	
13	1442522X1	2	Dowel	Diameter 6X12MM
14	1001833M1	1	O Ring	Diameter 6,07X1,78MM
15	359299X1	1	O Ring	Diameter 23,4X3,53MM
16	378251X1	1	O Ring	Diameter 36,17X2,62MM
17	1440354X1	4	Screw Metric	M12X50
18	3792040M91	1	Non Return Valve	5BARS Replace and repair. Old not interchangeable with new 3715621M92
19	3716376M93	1	Tube	
20	3793346M1	1	Seal	
21	3019639X91	1	Plug	M14
22	3019395X1	1	O Ring	(21)
23	3019645X91	1	Plug	[B] M22
24	3019398X1	2	O Ring	(23)
25	3716377M91	1	Tube	
26	364777X1	2	O Ring	
27	1441785X1	1	Clip	
28	1007240M1	2	O Ring	Diameter 9,2X2,62MM Up to Serial or Engine Number H277003
29	195562M1	1	O Ring	Diameter 10,77X2,62MM Up to Serial or Engine Number H277003
30	3715619M1	1	Spring	
31	3715618M1	1	Cup	
32	3715616M1	1	Non Return Valve	22BARS
33	3795284M1	1	Low Pr.Oil Trmtr	8 BAR
34	359300X1	1	O Ring	
35	1441722X1	2	Pin	Diameter 3X16MM
36	3790121M1	1	Thermocontact	[A]
37	3790193M1	1	Adaptor	[A]
38	3019398X1	1	O Ring	[A]
39	3792365M1	1	Washer	Up to Serial or Engine Number H277003
40	3006020X1	1	Plug	Diameter 20MM
41	3795276M1	1	Adaptor	Up to Serial or Engine Number L207014
42	3795742M1	1	Elbow Nipple	Up to Serial or Engine Number L164019
43	1440012X1	1	Gasket	
44	3795285M1	1	Harness	Up to Serial or Engine Number

FOOTNOTE [A] WITH DYNASHIFT

FOOTNOTE [B] WITH FULL POWERSHIFT

MF 8210/8220 TRACTORS - 1637365
1-ZP61-012-F



Load Sensing - Cover Rh - Pump 45cc / With Trailer Braking

Item	Part Number	Qty	Description	Comments
1	3795283M1	1	Low Pr.Oil Trmtr	[E]
2	3384387M1	1	Pressure Intake	
3	3716371M1	1	Adjuster	
4	359291X1	3	O Ring	(3)
5	3009283X1	4	Screw	M6X30
6	3790025M1	1	Safety Valve	[A]
7	3790027M1	1	Kit, Joint	
8	3790036M2	1	Safety Valve	[B]
				Up to Serial or Engine Number L191015
	3797004M1	1	Safety Valve	[B]
				From Serial or Engine Number L191016
9	3015017X1	4	Screw	M8X135
10	3716357M1	1	Restrictor	
11	3716195M1	1	Plug	Up to Serial or Engine Number L207014
12	831497M1	1	O Ring	Diameter 16,36X2,21MM
				Up to Serial or Engine Number L207014
13	70923841	1	O Ring	Diameter 12,42X1,78MM
				Up to Serial or Engine Number L207014
14	3384387M1	2	Pressure Intake	
15	3791109M2	1	Filter	[C]
	3792618M1	1	Filter	[D]
16	831196M1	2	O Ring	(15)
17	842332M1	1	Gasket	(15)
18	3618662M1	1	Filter Insert	(15)
19	3000258X1	2	Screw Metric	[C]
				M10X40
				Up to Serial or Engine Number L042026
	1440351X1	2	Screw Metric	[C]
				M10X35
				From Serial or Engine Number L042027
	1440351X1	2	Screw Metric	[D]
				M10X35
20	3618663M4	1	Indicator	
21	831497M1	1	O Ring	(20)
				Diameter 16,4X2,2
22	70923841	1	O Ring	(20)
				Diameter 12,4X1,8
23	3715994M2	1	Harness	[D]
24	3902094M91	1	Kit, Joint	
25	3019389X91	2	Union	[D]
26	3019398X1	1	O Ring	[D]
				(25)
27	3795276M1	1	Adaptor	Up to Serial or Engine Number L207014
28	3010890X1	1	Bush	
29	3795285M1	1	Harness	Up to Serial or Engine Number
30	3795432M92	1	Plug	From Serial or Engine Number L207015
31	394923X1	1	O Ring	(30)
				12,42X1,78MM
				From Serial or Engine Number L207015
32	3015311X1	2	O Ring	(30)
				18,77X1,78MM
				From Serial or Engine Number L207015
33	3795003M2	1	Bridle	From Serial or Engine Number L207015
34	3009281X1	1	Screw	M6X16

FOOTNOTE [A] STEERING

FOOTNOTE [B] BRAKING

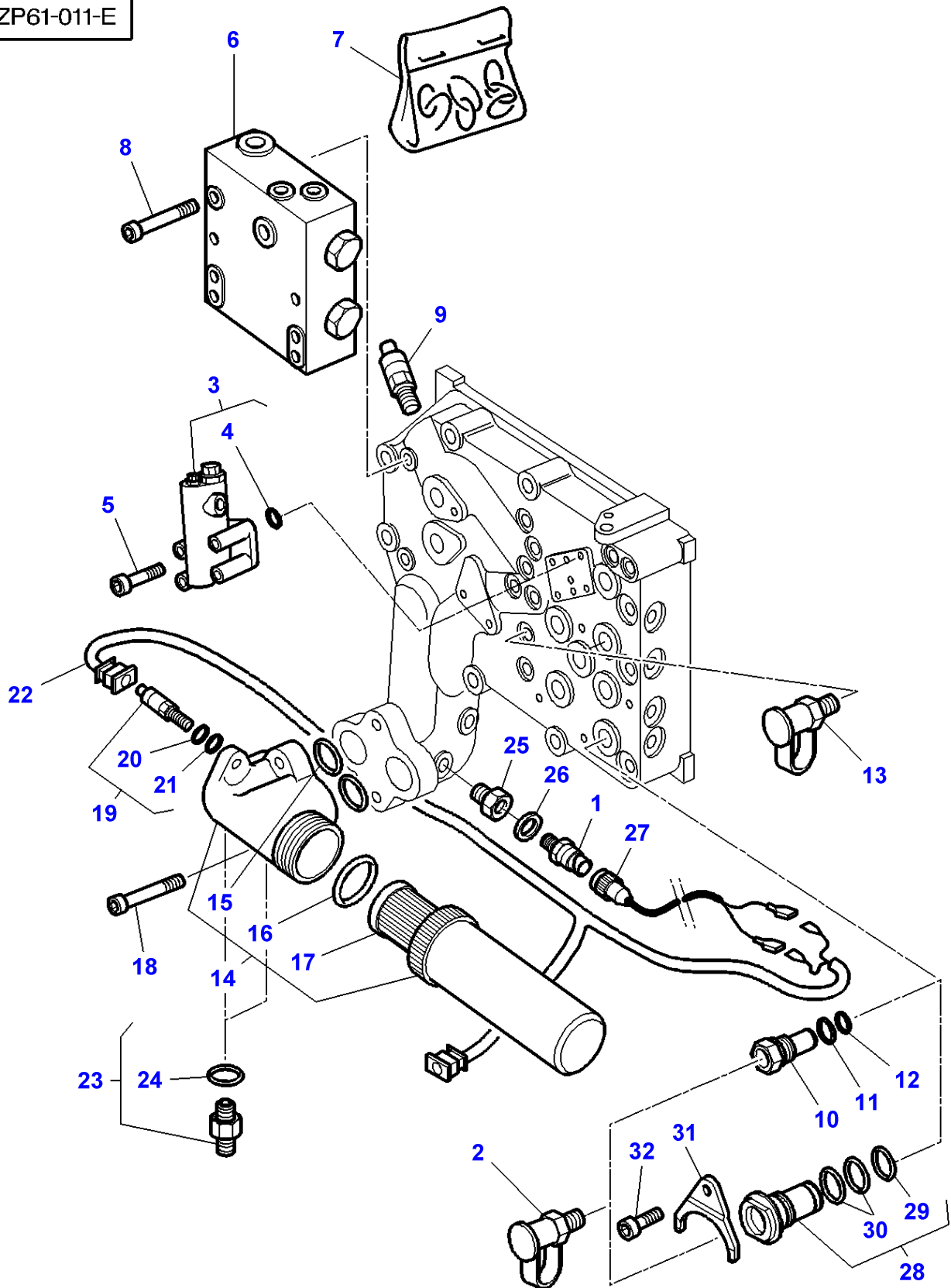
FOOTNOTE [C] WITH FULL POWERSHIFT

FOOTNOTE [D] WITH DYNASHIFT

FOOTNOTE [E] GREEN

MF 8210/8220 TRACTORS - 1637365
1-ZP61-011-E

1-ZP61-011-E



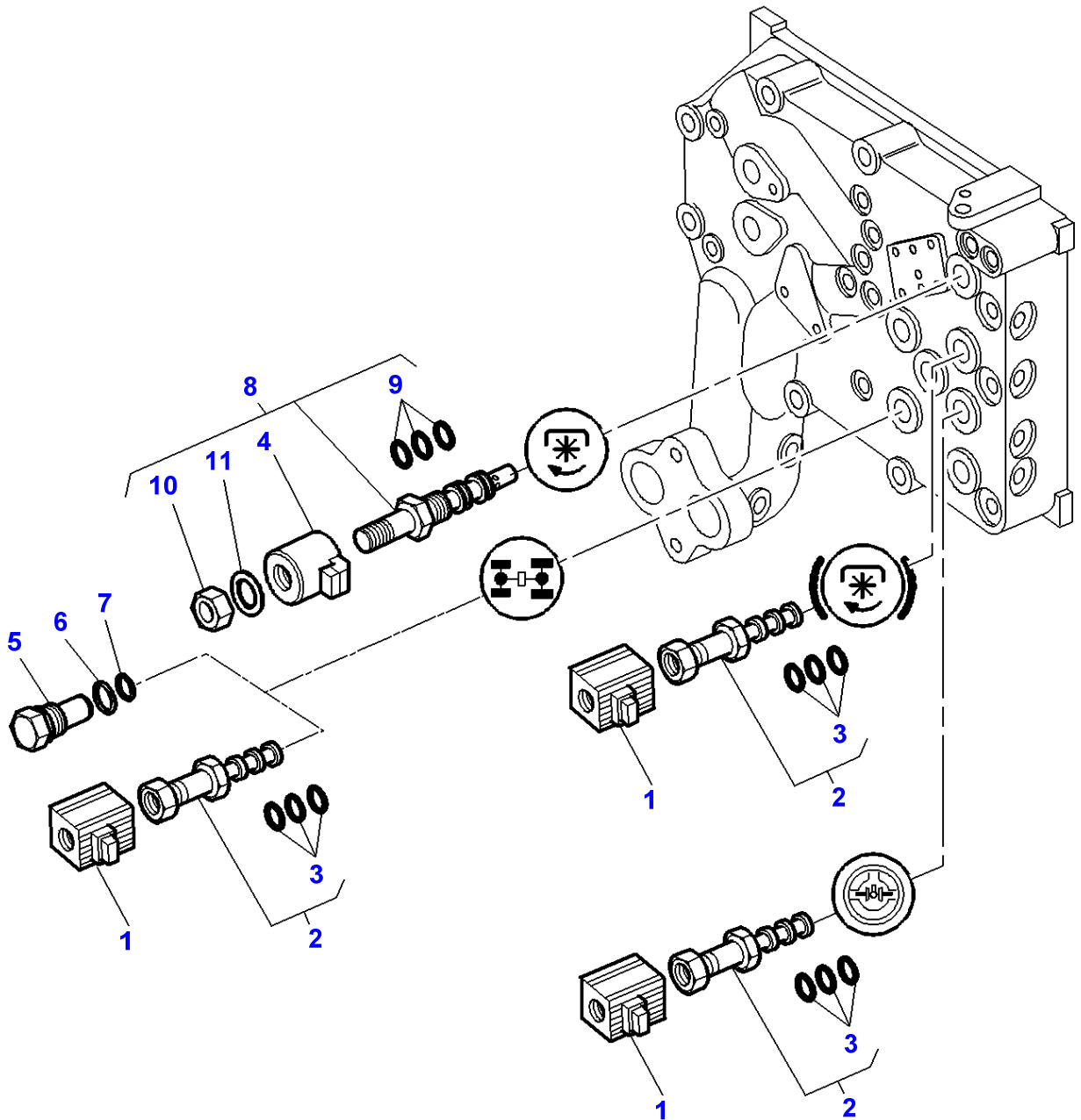
Item	Part Number	Qty	Description	Comments
1	3795283M1	1	Low Pr.Oil Trmtr	[C]
2	3384387M1	1	Pressure Intake	
3	3716371M1	1	Adjuster	
4	359291X1	3	O Ring	(3)
5	3009283X1	4	Screw	M6X30
6	3716355M1	1	Safety Valve	
7	3790027M11	1	Kit, Joint	
8	1441946X1	4	Screw	M8X75
9	3716357M1	1	Restrictor	
10	3716195M1	1	Plug	Up to Serial or Engine Number L207014
11	831497M1	1	O Ring	Diameter 16,36X2,21MM
				Up to Serial or Engine Number L207014
12	70923841	1	O Ring	Diameter 12,42X1,78MM
				Up to Serial or Engine Number L207014
13	3384387M1	2	Pressure Intake	
14	3791109M2	1	Filter	[A]
	3792618M1	1	Filter	[B]
15	831196M1	2	O Ring	(14)
16	842332M1	1	Gasket	(14)
17	3618662M1	1	Filter Insert	(14)
18	3000258X1	2	Screw Metric	[A]
				M10X40
				Up to Serial or Engine Number L042026
	1440351X1	2	Screw Metric	[A]
				M10X35
				From Serial or Engine Number L042027
	1440351X1	2	Screw Metric	[B]
				M10X35
19	3618663M4	1	Indicator	
20	831497M1	1	O Ring	(19)
				Diameter 16,4X2,2
21	70923841	1	O Ring	(19)
				Diameter 12,4X1,8
22	3715994M2	1	Harness	[B]
23	3019389X91	2	Union	[B]
24	3019398X1	1	O Ring	(23)
25	3795276M1	1	Adaptor	Up to Serial or Engine Number L207014
26	3010890X1	1	Bush	
27	3795285M1	1	Harness	Up to Serial or Engine Number
28	3795432M92	1	Plug	From Serial or Engine Number L207015
29	394923X1	1	O Ring	(28)
				12,42X1,78MM
				From Serial or Engine Number L207015
30	3015311X1	2	O Ring	(28)
				18,77X1,78MM
				From Serial or Engine Number L207015
31	3795003M2	1	Bridle	From Serial or Engine Number L207015
32	3009281X1	1	Screw	From Serial or Engine Number L207015
				M6x16

FOOTNOTE [A] WITH FULL POWERSHIFT

FOOTNOTE [B] WITH DYNASHIFT

FOOTNOTE [C] GREEN

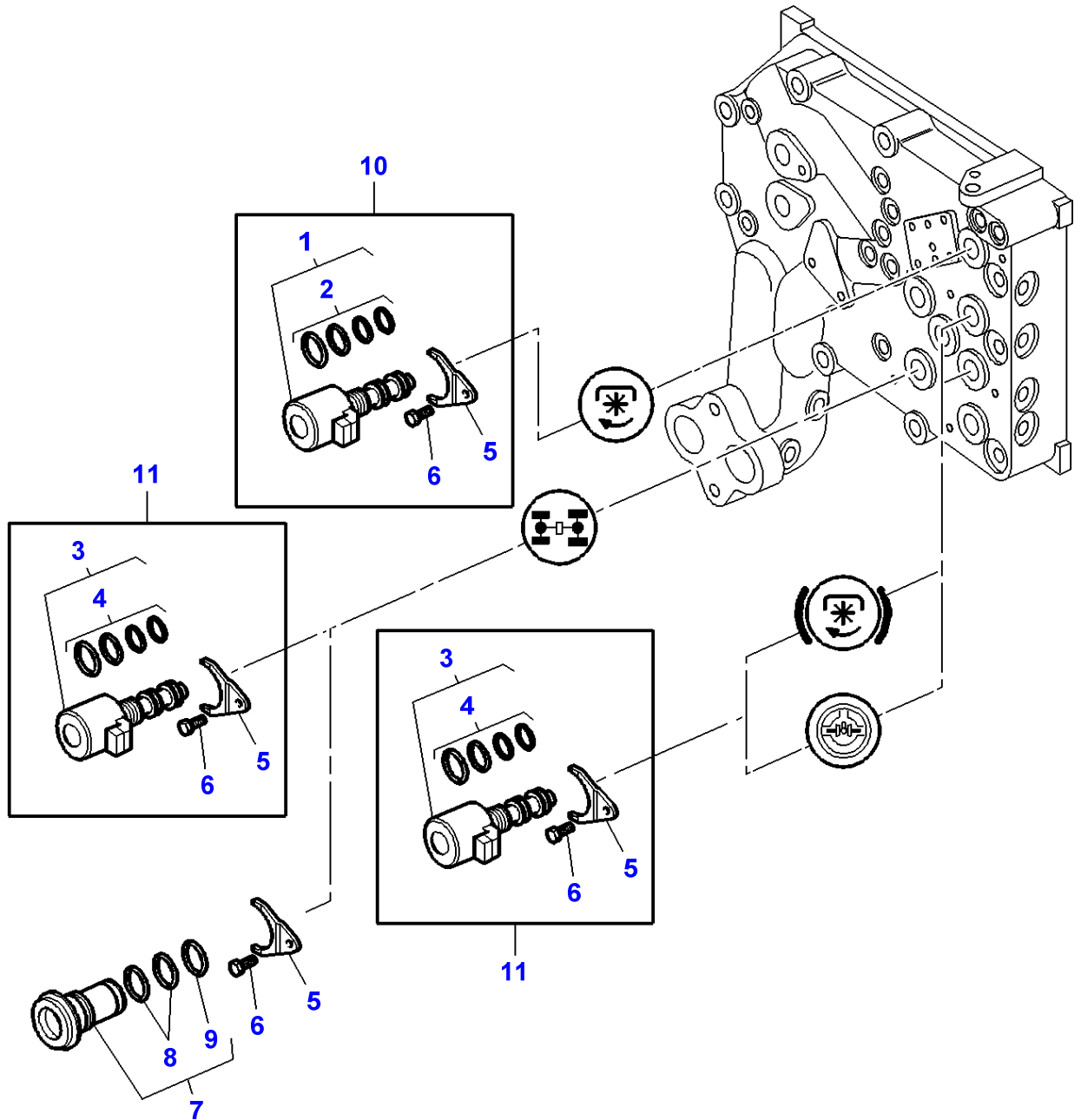
1-ZP31-002-C



Massey Ferguson**MF 8210/8220 TRACTORS - 1637365****1637365****Hydraulics - Hydraulic Cover Rh - With Pump 45cc / Electrovalves - Up To L207014****Page070-0105**

Item	Part Number	Qty	Description	Comments
1	3619763M1	3	Solenoid	
2	3619762M1	3	Spool	
3	3900994M91	X	Kit, Joint	(2)
4	3791412M1	1	Solenoid	(8)
5	3381874M1	1	Plug	Two Wheel Drive
6	831497M1	1	O Ring	Two Wheel Drive
7	363510X1	1	O Ring	Two Wheel Drive
8	3793575M1	1	Electrovalve	Replace and repair. Old not interchangeable with new 3791399m91
9	3902774M92	1	Kit, Joint	(8)
10	3903671M1	1	Nut	(8)
11	3903988M1	1	Washer	(8)

1-ZP31-010-B



Massey Ferguson**MF 8210/8220 TRACTORS - 1637365**

1637365

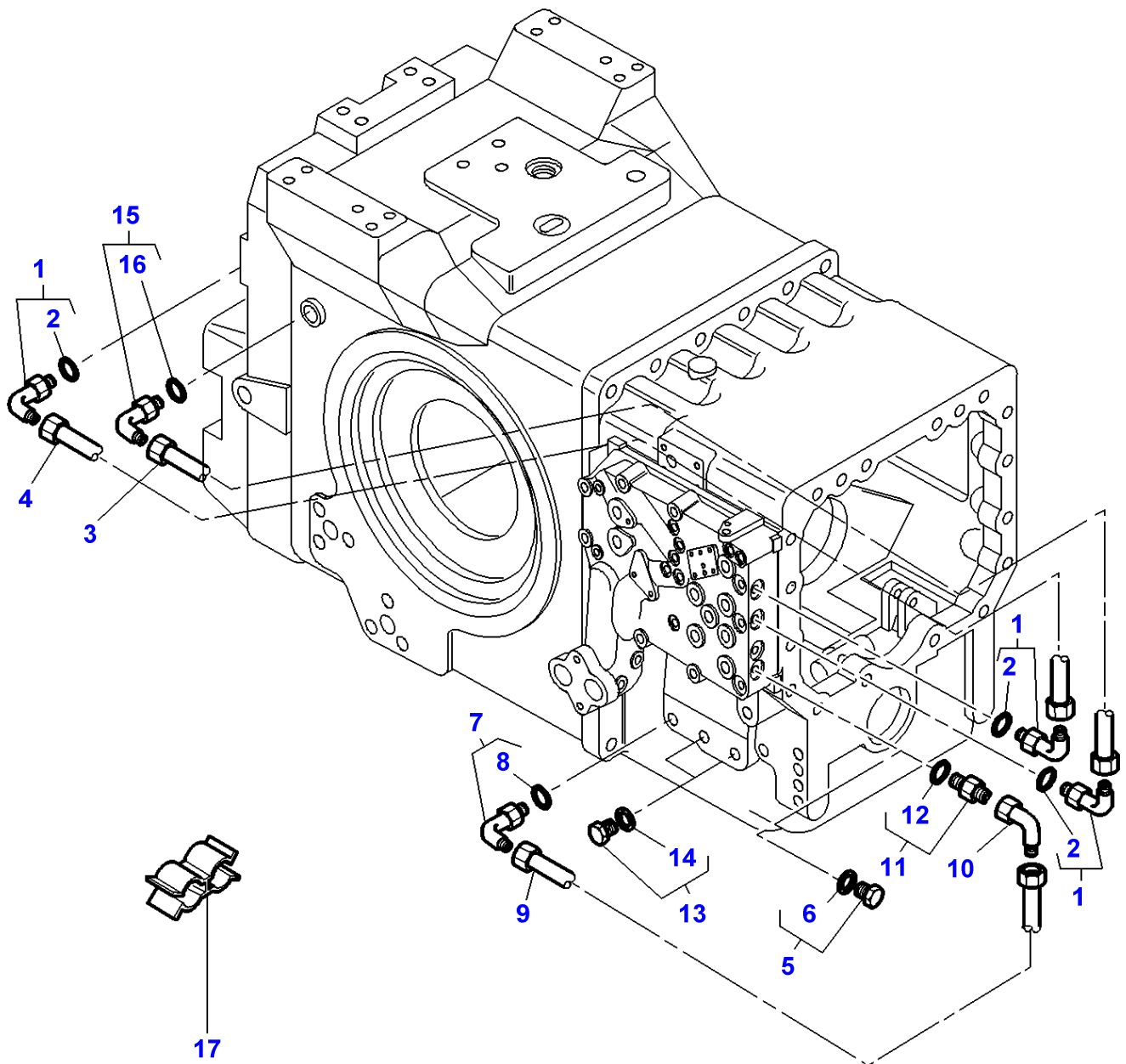
Hydraulics - Hydraulic Cover Rh - With Pump 45cc / Electrovalves - From L207015

Page070-0110

Item	Part Number	Qty	Description	Comments
1		1	Electrovalve	[A] (10) Not serviced,order REF. 10
2	3903733M91	1	Kit,Joint/Gasket	(2)
3		3	Electrovalve	(11) Not serviced,order REF. 11
4	3903732M91	1	Kit,Joint/Gasket	(3)
5	3795003M2	5	Bridle	
6	3009281X1	5	Screw	M6X16
7	3795259M92	1	Plug	Two Wheel Drive
8	3015311X1	2	O Ring	(7) Diameter 18,77X1,78MM
9	1850747M2	1	O Ring	(7) Diameter 12,42X1,78MM
10	3907183M91	1	Parts Pack	
11	3907182M91	3	Parts Pack	

FOOTNOTE [A] PROPORTIONAL ELECTROVALVE

1-ZP31-003-D

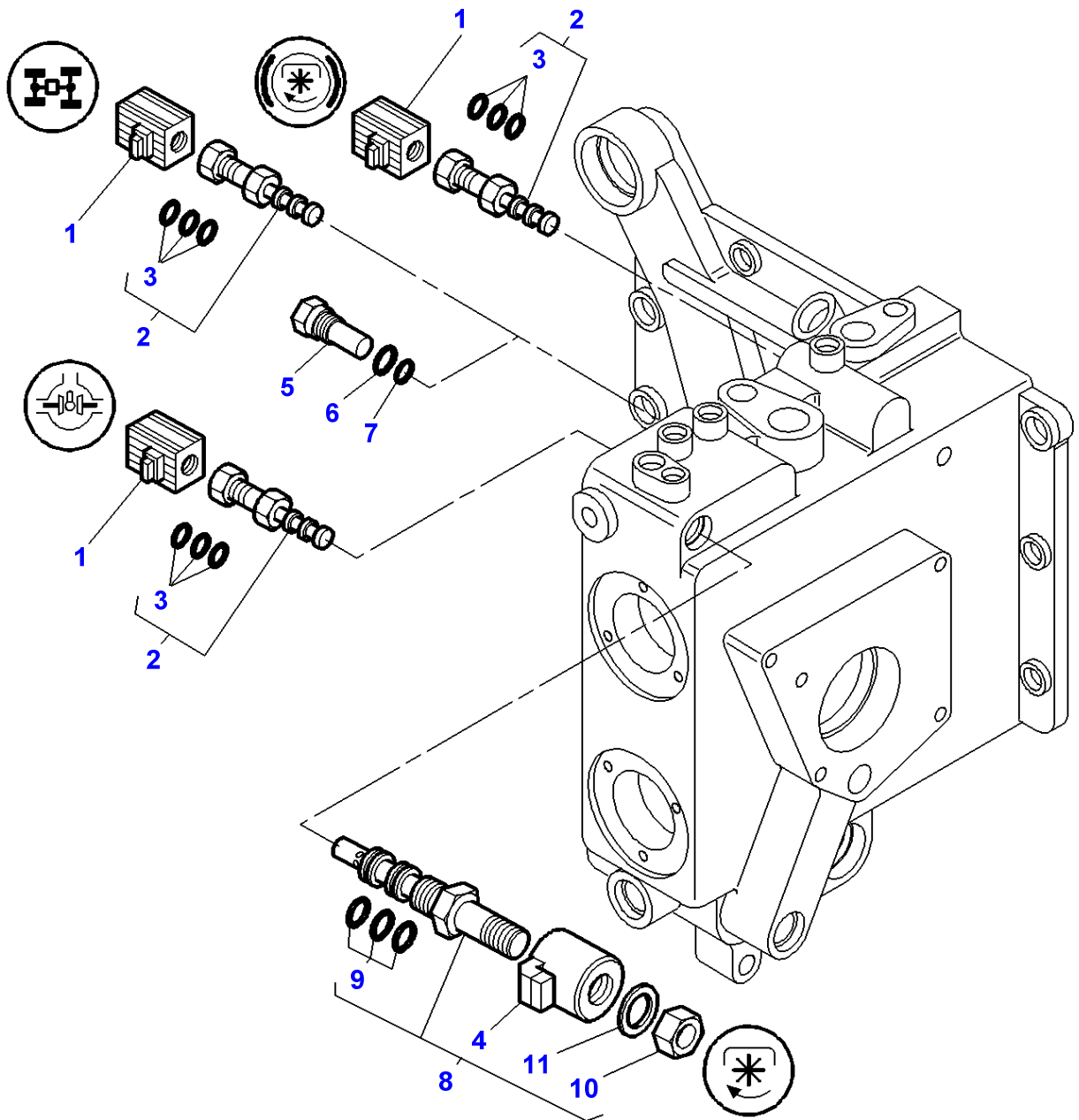


Item	Part Number	Qty	Description	Comments
1	3019412X91	3	Elbow	
2	3019395X1	1	O Ring	(1)
3	3791375M91	1	Tube	
4	3791376M91	1	Tube	
5	3019639X91	1	Plug	Two Wheel Drive
6	3019395X1	1	O Ring	(5)
7	3385713M91	1	Union	Four Wheel Drive
8	3019395X1	1	O Ring	(7)
9	3791419M92	1	Tube	[A] Four Wheel Drive
	3798787M1	1	Tube	[B] Four Wheel Drive
10	365233X1	1	Elbow	Four Wheel Drive
11	3019700X91	1	Union	Four Wheel Drive
12	3019394X1	1	O Ring	(11)
13	3019645X91	2	Plug	M22X1,5
14	3019398X1	1	O Ring	(13)
15	3019412X91	1	Elbow	Up to Serial or Engine Number J062012
	3793772M91	1	Jet	From Serial or Engine Number J062013
	3796324M91	1	Jet	Up to Serial or Engine Number L085033
				From Serial or Engine Number L085034
16	3019395X1	1	O Ring	(15)
17	3581696M1	2	Clamp	

FOOTNOTE [A] WITH DYNASHIFT

FOOTNOTE [B] WITH FULL POWERSHIFT

1-ZP31-001-C

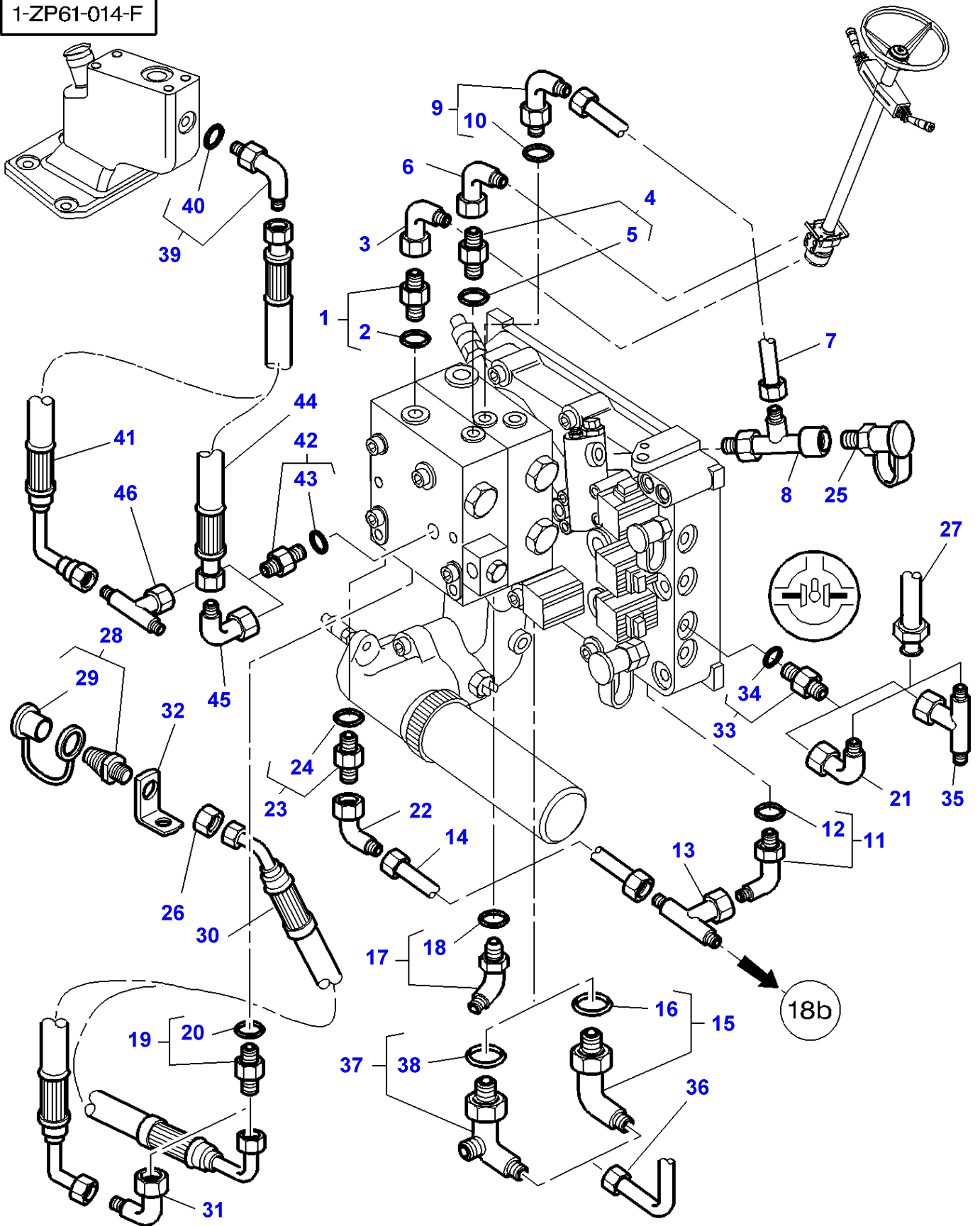


Massey Ferguson**MF 8210/8220 TRACTORS - 1637365****1637365****Hydraulics - Hydraulic Cover Rh - Pump 60cc / Electrovalves****Page070-0120**

Item	Part Number	Qty	Description	Comments
1	3619763M1	3	Solenoid	
2	3619762M1	3	Spool	
3	3900994M91	X	Kit, Joint	(2)
4	3791412M1	1	Solenoid	(8)
5	3381874M1	1	Plug	Two Wheel Drive
6	831497M1	1	O Ring	Two Wheel Drive
7	363510X1	1	O Ring	Two Wheel Drive
8	3793575M1	1	Electrovalve	Replace and repair. Old not interchangeable with new 3791399m91
9	3902774M92	1	Kit, Joint	(8)
10	3903671M1	1	Nut	(8)
11	3903988M1	1	Washer	(8)

MF 8210/8220 TRACTORS - 1637365
1-ZP61-014-F

1-ZP61-014-F



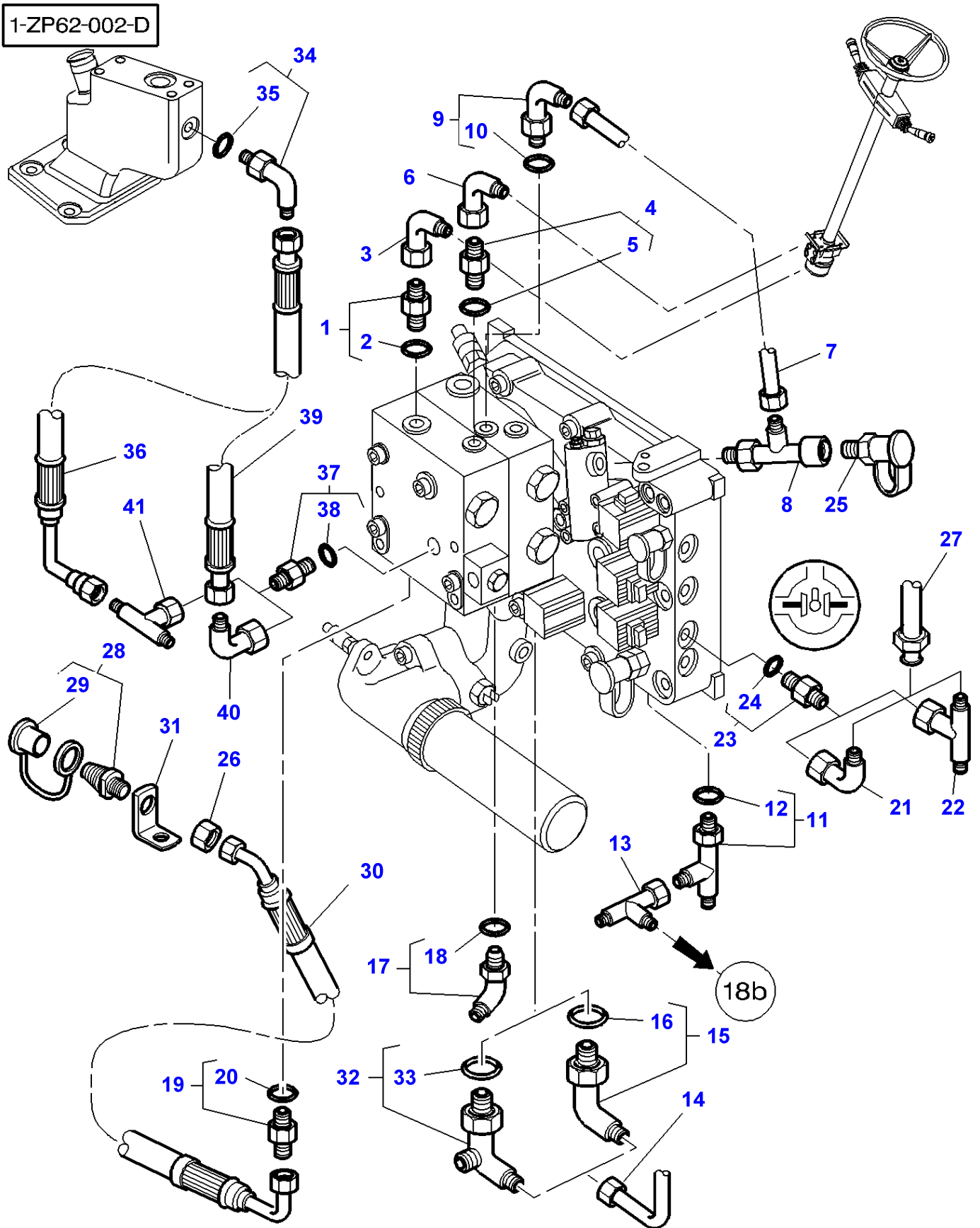
Item	Part Number	Qty	Description	Comments
1	3019658X91	1	Union	M22
2	3019398X1	1	O Ring	(1)
3	365233X1	1	Elbow	
4	3019379X91	1	Union	M14
5	3019395X1	1	O Ring	(4)
6	364603X1	1	Elbow	9/16"
7	3790074M92	1	Tube	
8	3712689M1	1	Union	
9	3019694X91	1	Union	M14
10	3019395X1	1	O Ring	(9)
11	3019416X91	1	Elbow	M18
12	3019397X1	1	O Ring	(11)
13	367261X1	1	Teepiece	7/8"
14	3716780M92	1	Tube	
15	3019422X91	1	Union	M33
16	3019399X1	1	O Ring	(15)
17	3019584X91	1	Union	M14
18	3019395X1	1	O Ring	(17)
19	3019658X91	1	Union	M22
20	3019398X1	1	O Ring	(19)
21	365233X1	1	Elbow	Two Wheel Drive 3/4"
22	70921325	1	Elbow Nipple	7/8"
23	3019387X91	1	Union	M22
24	3019398X1	1	O Ring	(23)
25	3712707M1	1	Intake	
26	1442336X1	1	Nut	
27	3791202M91	1	Tube	
28	3581307M3	1	Pressure Valve	
29	3616259M1	1	Plug	(28)
30	3791611M1	1	Hydr Hose	Length 1480MM
31	365233X1	1	Elbow	Up to Serial or Engine Number 26/08/1999
32	3792736M1	1	Support	
33	3019700X91	1	Union	3/4"-M14
34	3019394X1	1	O Ring	(33)
35	364735X1	1	Teepiece	Four Wheel Drive 3/4"
36	3716397M1	1	Tube	Up to Serial or Engine Number 31-12-2000
	3793424M1	1	Tube	From Serial or Engine Number 01-01-2001
37	3794315M1	1	Union	[A]
38	3019399X1	1	O Ring	(37)
39	3019418X91	1	Elbow Nipple	[B] From Serial or Engine Number L191016
40	3019398X1	1	O Ring	[B] (39)
41	3792164M1	1	Hydr Hose	[B] From Serial or Engine Number L191016 Length 900MM
42	3019696X91	1	Union	From Serial or Engine Number L191016
43	3019395X1	1	O Ring	(42)
44	3714956M1	1	Hydr Hose	[C] From Serial or Engine Number L191016 Length 600MM
45	367386X1	1	Elbow	[C] From Serial or Engine Number L191016
46	3780180M1	1	Teepiece	[B] From Serial or Engine Number L191016 Up to Serial or Engine Number M188052
	367261X1	1	Teepiece	[B] From Serial or Engine Number M188053

FOOTNOTE [A] WITH FRONT AXLE SUSPENDED CARRARO

FOOTNOTE [B] WITH FULL POWERSHIFT

FOOTNOTE [C] WITH DYNASHIFT

MF 8210/8220 TRACTORS - 1637365
1-ZP62-002-D



Item	Part Number	Qty	Description	Comments
1	3019658X91	1	Union	M22
2	3019398X1	1	O Ring	(1)
3	365233X1	1	Elbow	
4	3019379X91	1	Union	M14
5	3019395X1	1	O Ring	(4)
6	364603X1	1	Elbow	9/16"
7	3790074M92	1	Tube	
8	3712689M1	1	Union	
9	3019694X91	1	Union	M14
10	3019395X1	1	O Ring	(9)
11	3019627X91	1	Teepiece	
12	3019397X1	1	O Ring	(11)
13	364704X1	1	Teepiece	
14	3716397M1	1	Tube	Up to Serial or Engine Number 31-12-2000
	3793424M1	1	Tube	From Serial or Engine Number 01-01-2001
15	3019422X91	1	Union	
16	3019399X1	1	O Ring	(15) M33
17	3019584X91	1	Union	M14
18	3019395X1	1	O Ring	(17)
19	3019658X91	1	Union	M22
20	3019398X1	1	O Ring	(19)
21	365233X1	1	Elbow	Two Wheel Drive 3/4"
22	364735X1	1	Teepiece	Four Wheel Drive 3/4"
23	3019700X91	1	Union	3/4"-M14
24	3019394X1	1	O Ring	(33)
25	3712707M1	1	Intake	
26	1442336X1	1	Nut	
27	3791202M91	1	Tube	
28	3581307M3	1	Pressure Valve	
29	3616259M1	1	Plug	(28)
30	3791611M1	1	Hydr Hose	Length 1480MM
31	3792736M1	1	Support	
32	3794315M1	1	Union	[A]
33	3019399X1	1	O Ring	(32)
34	3019418X91	1	Elbow Nipple	[B] From Serial or Engine Number L191016
35	3019398X1	1	O Ring	[B] (34)
36	3792164M1	1	Hydr Hose	[B] From Serial or Engine Number L191016 Length 900MM
37	3019696X91	1	Union	From Serial or Engine Number L191016
38	3019395X1	1	O Ring	(37)
39	3714956M1	1	Hydr Hose	[C] From Serial or Engine Number L191016 Length 600MM
40	367386X1	1	Elbow	[C] From Serial or Engine Number L191016
41	3780180M1	1	Teepiece	[B] From Serial or Engine Number L191016 Up to Serial or Engine Number M188052
	367261X1	1	Teepiece	[B] From Serial or Engine Number M188053

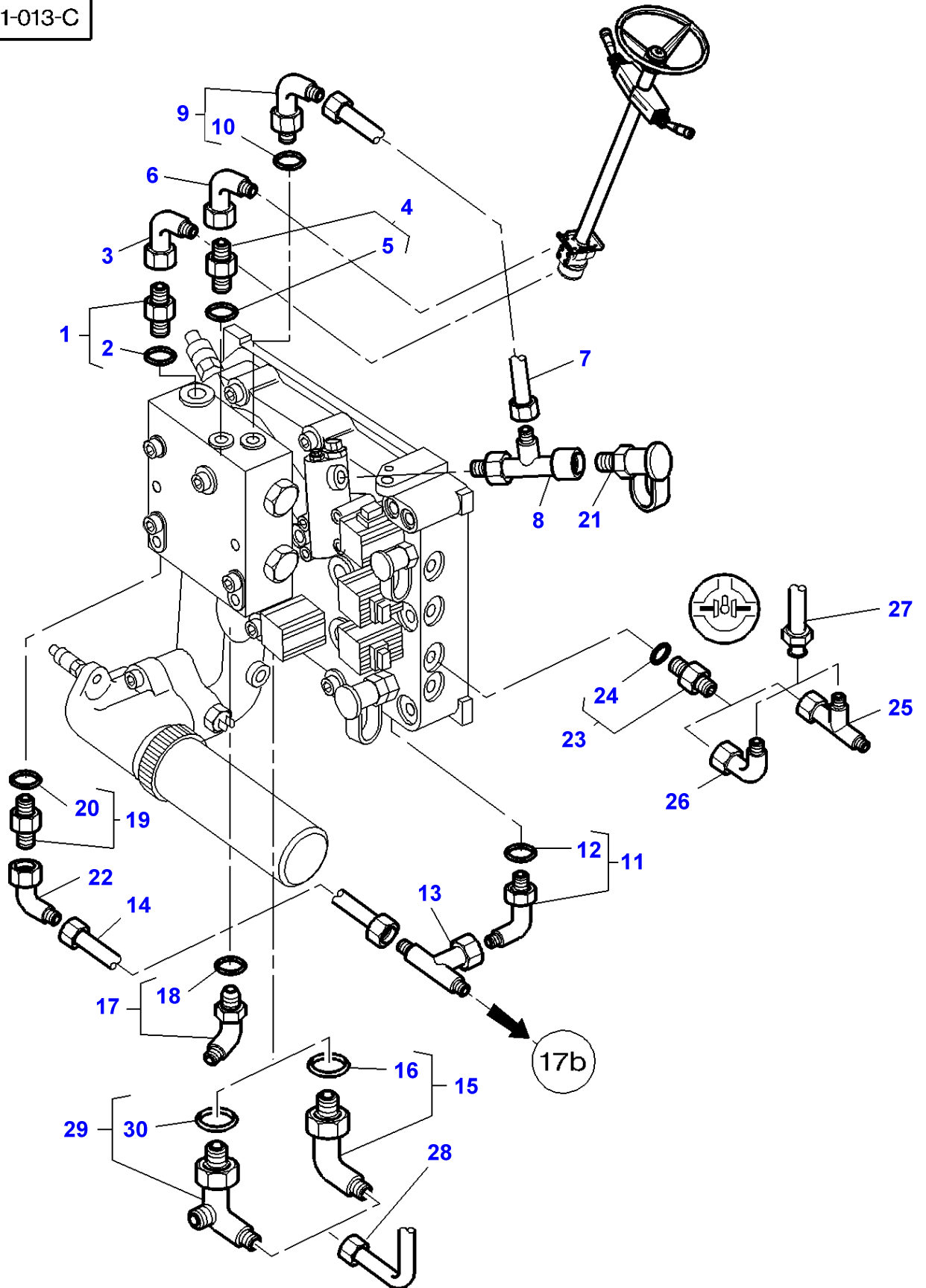
FOOTNOTE [A] WITH FRONT AXLE SUSPENDED CARRARO

FOOTNOTE [B] WITH FULL POWERSHIFT

FOOTNOTE [C] WITH DYNASHIFT

MF 8210/8220 TRACTORS - 1637365
1-ZP61-013-C

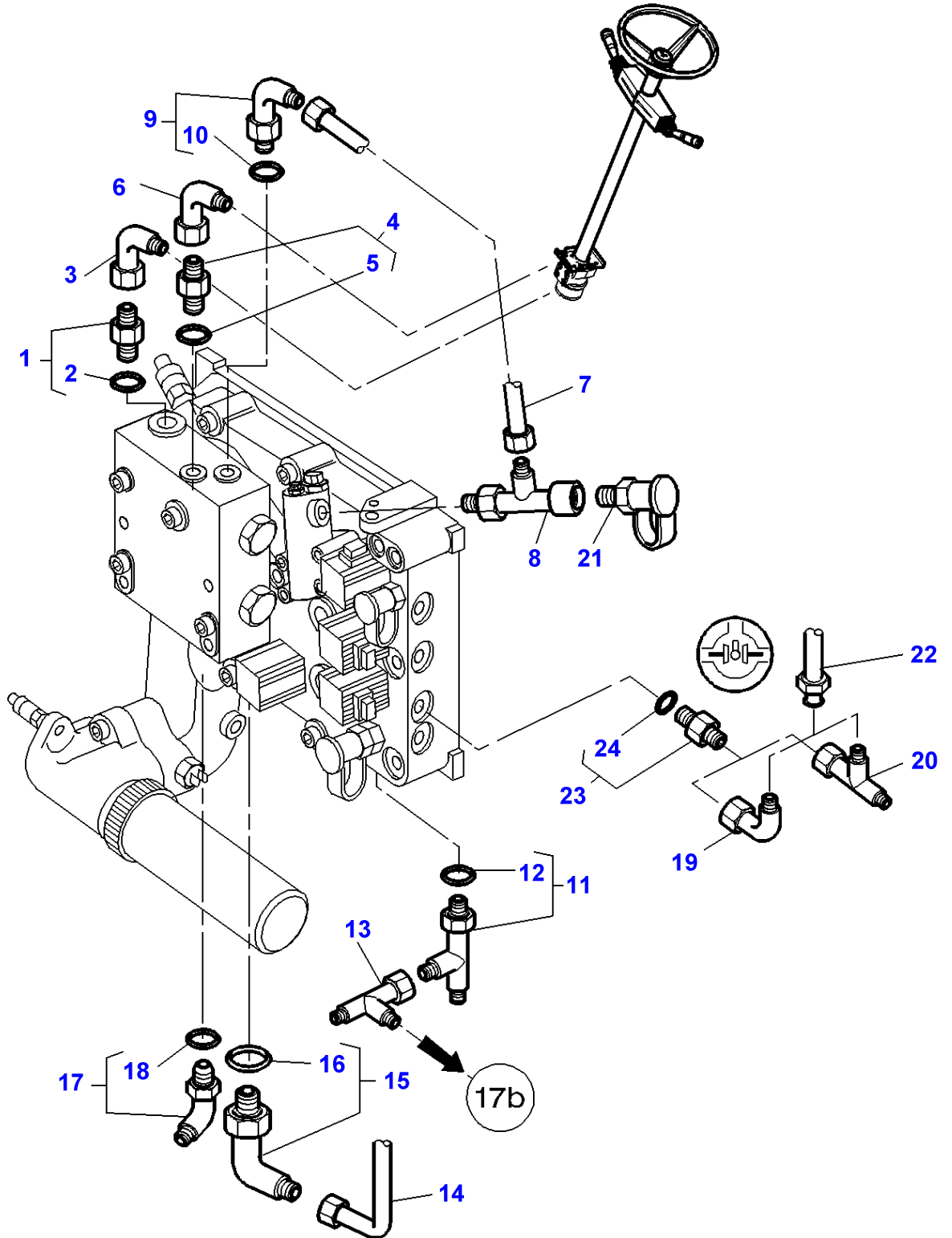
1-ZP61-013-C



Item	Part Number	Qty	Description	Comments
1	3019658X91	1	Union	M22
2	3019398X1	1	O Ring	(1)
3	365233X1	1	Elbow	
4	3019379X91	1	Union	M14
5	3019395X1	1	O Ring	(4)
6	364603X1	1	Elbow	9/16"
7	3790074M92	1	Tube	
8	3712689M1	1	Union	
9	3019694X91	1	Union	M14
10	3019395X1	1	O Ring	(9)
11	3019416X91	1	Elbow	M18
12	3019397X1	1	O Ring	(11)
13	367261X1	1	Teepiece	7/8"
14	3716780M92	1	Tube	
15	3019422X91	1	Union	M33
16	3019399X1	1	O Ring	(15)
17	3019584X91	1	Union	M14
18	3019395X1	1	O Ring	(17)
19	3019387X91	1	Union	M22
20	3019398X1	1	O Ring	(19)
21	3712707M1	1	Intake	
22	70921325	1	Elbow Nipple	7/8"
23	3019700X91	1	Union	3/4"/M14
24	3019394X1	1	O Ring	(23)
25	364735X1	1	Teepiece	Four Wheel Drive 3:4"
26	365233X1	1	Elbow	Two Wheel Drive 3/4"
27	3791202M91	1	Tube	
28	3716397M1	1	Tube	Up to Serial or Engine Number 31-12-2000
	3793424M1	1	Tube	From Serial or Engine Number 01-01-2001
29	3794315M1	1	Union	[A]
30	3019399X1	1	O Ring	(29)

FOOTNOTE [A] WITH FRONT AXLE SUSPENDED CARRARO

1-ZP62-001-A



Massey Ferguson**MF 8210/8220 TRACTORS - 1637365**

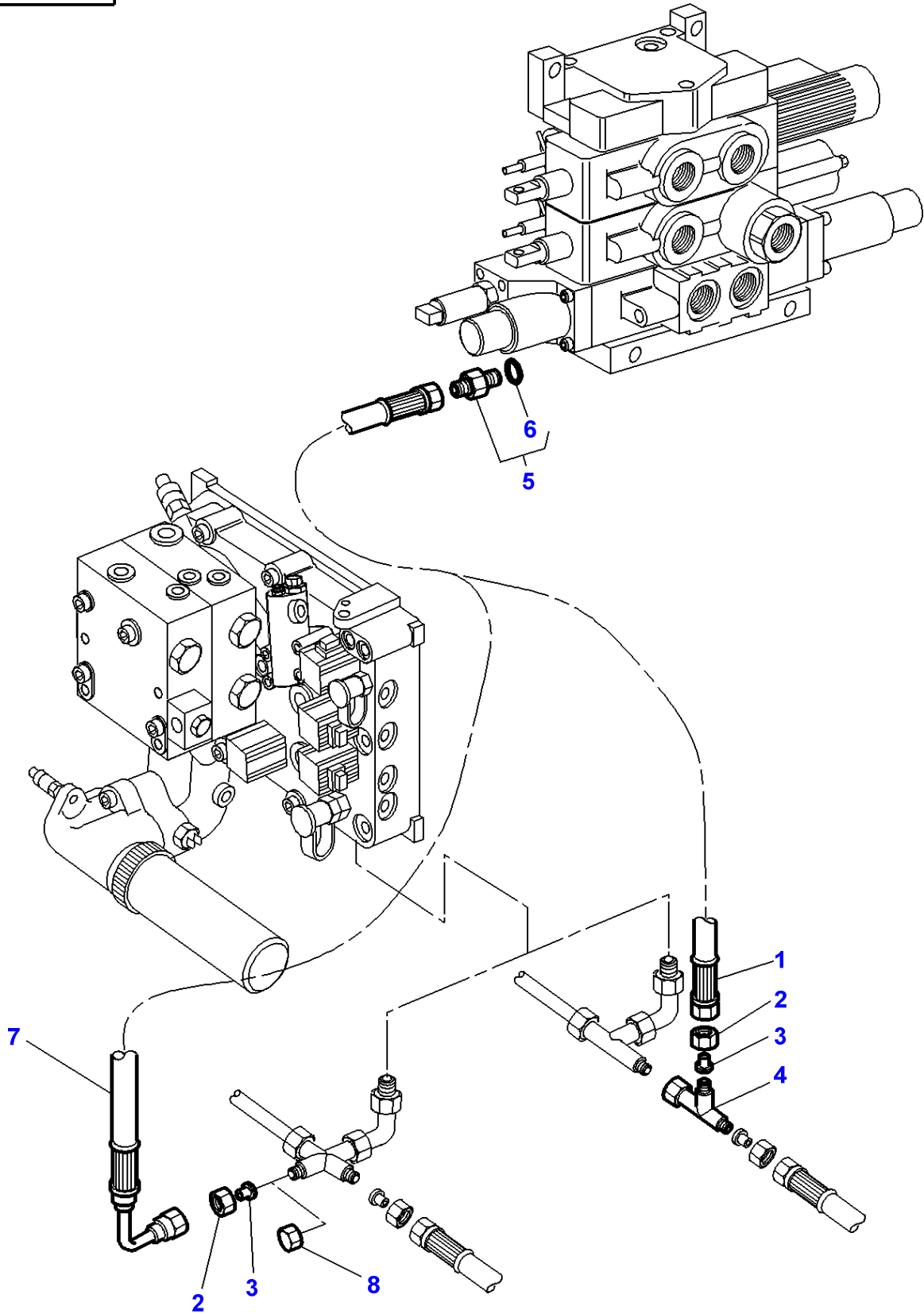
1637365

Load Sensing With Power Shuttle - Cover Rh - Pump 45cc / Hydr. Lines / Without Trailer Braking

Page070-0140

Item	Part Number	Qty	Description	Comments
1	3019658X91	1	Union	M22
2	3019398X1	1	O Ring	(1)
3	365233X1	1	Elbow	
4	3019379X91	1	Union	M14
5	3019395X1	1	O Ring	(4)
6	364603X1	1	Elbow	9/16"
7	3790074M92	1	Tube	
8	3712689M1	1	Union	
9	3019694X91	1	Union	M14
10	3019395X1	1	O Ring	(9)
11	3019627X91	1	Teepiece	
12	3019397X1	1	O Ring	(11)
13	364704X1	1	Teepiece	
14	3716397M1	1	Tube	Up to Serial or Engine Number 31-12-2001
	3793424M1	1	Tube	From Serial or Engine Number 01-01-2001
15	3019422X91	1	Union	M33
16	3019399X1	1	O Ring	(15)
17	3019584X91	1	Union	M14
18	3019395X1	1	O Ring	(17)
19	365233X1	1	Elbow	Two Wheel Drive 3/4"
20	364735X1	1	Teepiece	Four Wheel Drive 3:4"
21	3712707M1	1	Intake	
22	3791202M91	1	Tube	
23	3019700X91	1	Union	3/4"/M14
24	3019394X1	1	O Ring	(23)

1-ZP61-021-B

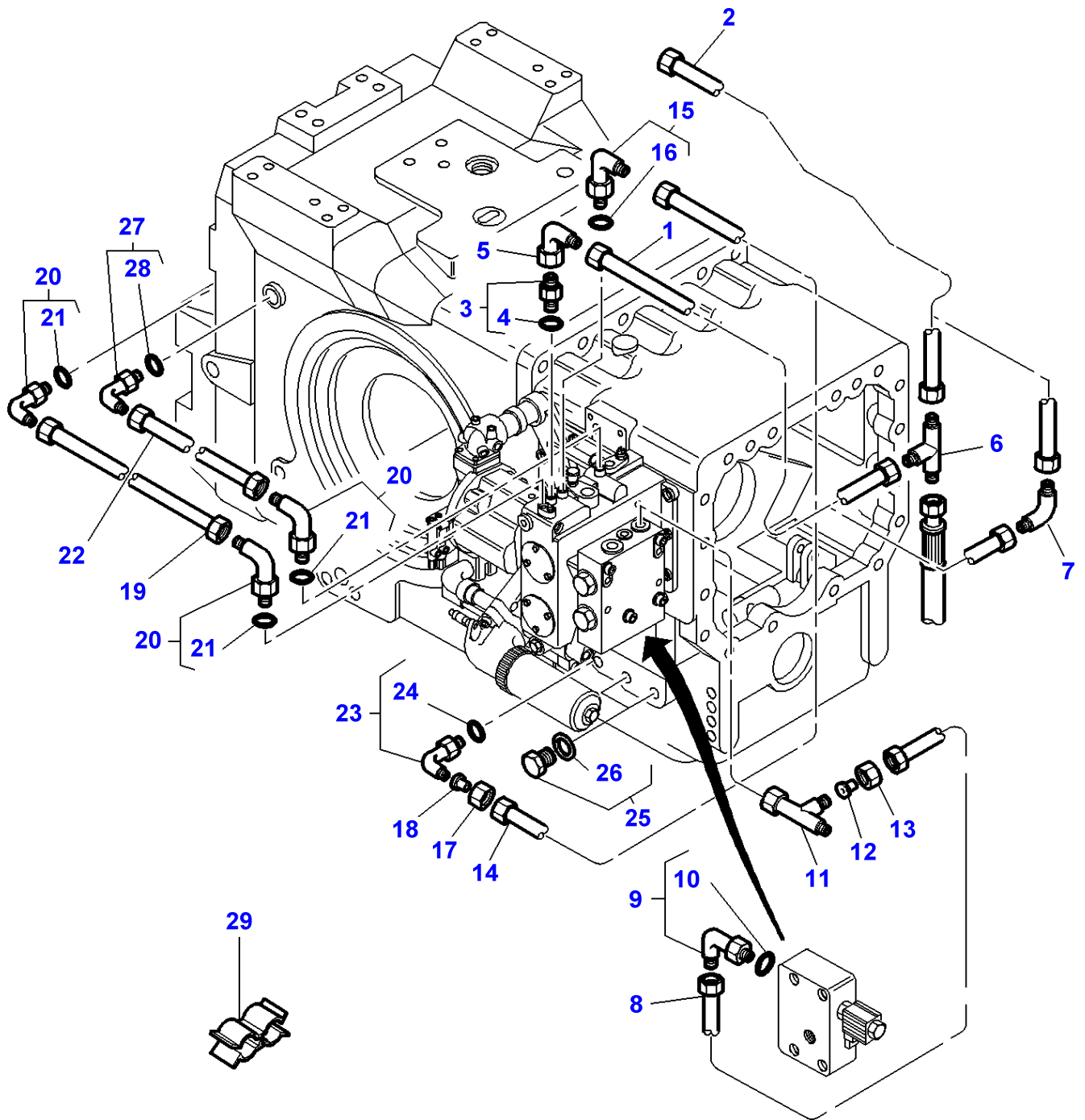


Massey Ferguson**MF 8210/8220 TRACTORS - 1637365****1637365****Load Sensing - Cover Rh - With Hydraulic Pump 110 L/mn / DUAL CONTROL DISTRIBUTOR FEEDING****Page070-0145**

Item	Part Number	Qty	Description	Comments
1	3716399M1	1	Hydr Hose	Up to Serial or Engine Number H309009
2	22576X	1	Union Nut	
3	356629X1	1	Reducer	
4	377218X1	1	Teepiece	Up to Serial or Engine Number H309009
5	3019660X91	1	Union	
6	3019393X1	1	O Ring	(5)
7	3793445M1	1	Hydr Hose	From Serial or Engine Number H309010
8	22833X	1	Cap	[A]

FOOTNOTE [A] WITHOUT DUAL CONTROL

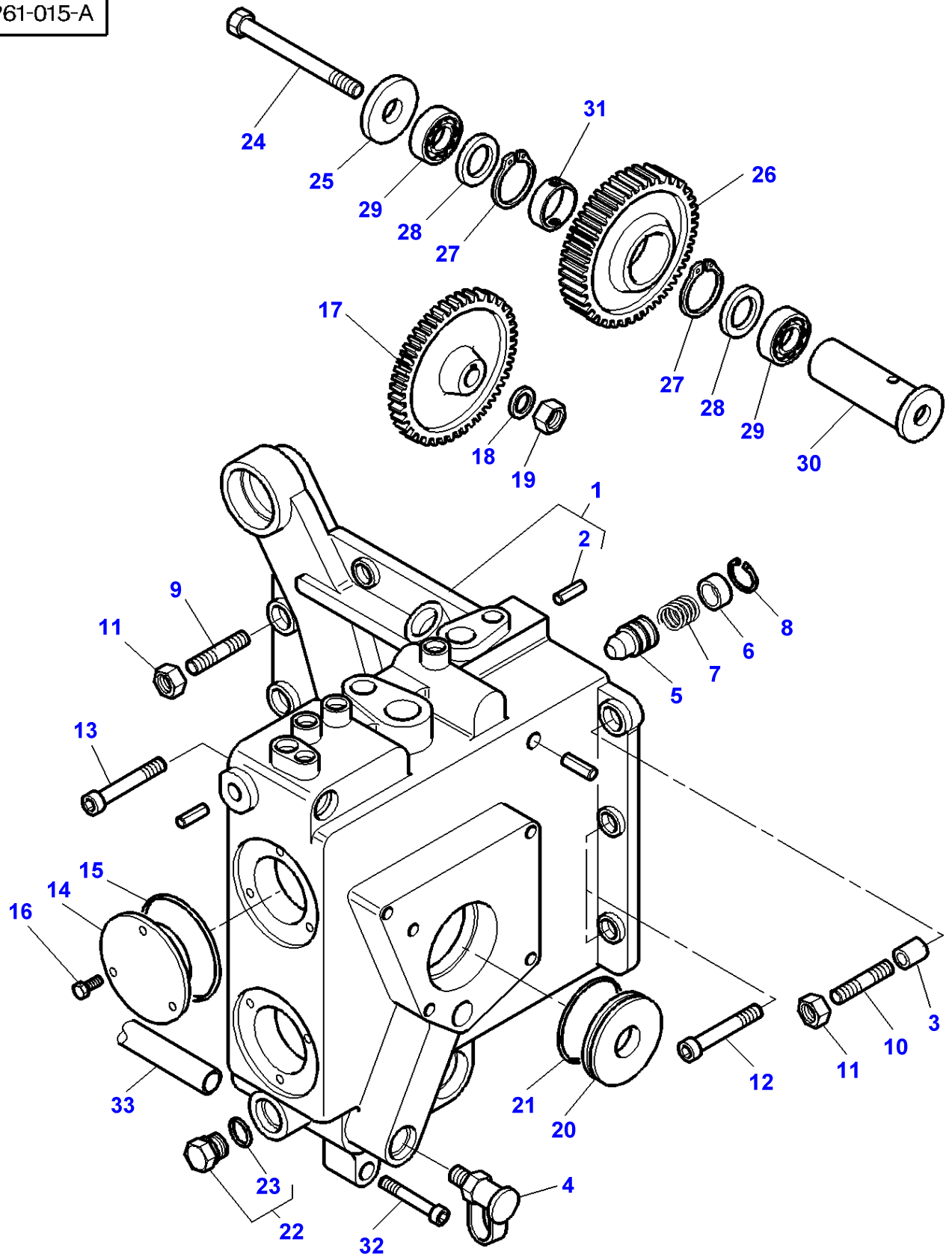
1-ZP31-004-D



Item	Part Number	Qty	Description	Comments
1	3791713M1	1	Tube	
2	3791714M1	1	Tube	
3	3019381X91	1	Union	Diameter M16X3/4
4	3019396X1	1	O Ring	(3)
5	365233X1	1	Elbow	Diameter 3/4-16
6	356560X1	1	Teepiece	Four Wheel Drive Diameter 3/4-16
7	356376X1	1	Elbow	Two Wheel Drive Diameter 3/4-16
8	3792033M1	1	Tube	
9	3019412X91	1	Elbow	Diameter M14
10	3019395X1	1	O Ring	(9)
11	364735X1	1	Teepiece	Diameter 3/4-16
12	380003X1	1	Union	Diameter 1/2-20 /12X8
13	338773X1	1	Olive	
14	3791717M1	1	Tube	
15	3019412X91	1	Elbow	Diameter M14
16	3019395X1	1	O Ring	(15)
17	195960M1	1	Nut	Diameter 3/4
18	356627X1	1	Adaptor	Diameter 9/16-18 /12X10
19	3791715M1	1	Tube	
20	3019412X91	3	Elbow	
21	3019395X1	1	O Ring	(20)
22	3791712M1	1	Tube	
23	3385713M91	1	Union	
24	3019395X1	1	O Ring	(23)
25	3019645X91	2	Plug	M22X1,5
26	3019398X1	1	O Ring	(25)
27	3019412X91	1	Elbow	Up to Serial or Engine Number J062012
	3793772M91	1	Jet	From Serial or Engine Number J062013
				Up to Serial or Engine Number L085033
	3796324M91	1	Jet	From Serial or Engine Number L085034
28	3019395X1	1	O Ring	(27)
29	3581696M1	2	Clamp	

MF 8210/8220 TRACTORS - 1637365
1-ZP61-015-A

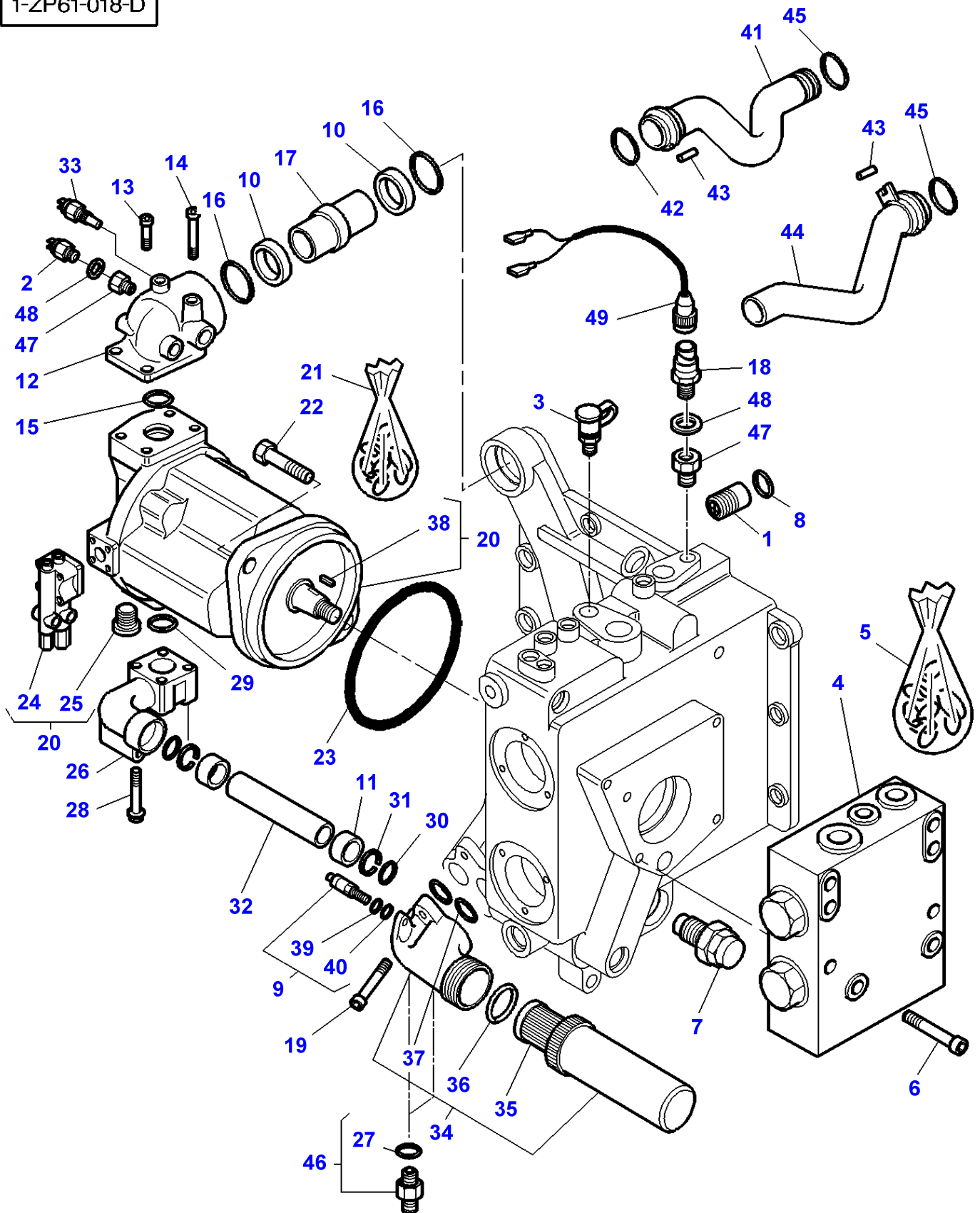
1-ZP61-015-A



Item	Part Number	Qty	Description	Comments
1	3716732M11	1	Cover	
2	3712249M1	3	Plug	(1)
3	3000705X1	2	Pin	Diameter 16 X 18
4	3384387M1	1	Pressure Intake	
5	3715616M1	1	Non Return Valve	22 Bars
6	3715618M1	1	Cup	
7	3715619M1	1	Spring	
8	1441785X1	1	Clip	
9	3019897X1	2	Stud	M12 X 32
10	1440029X1	2	Stud	M12 X 38
11	339054X1	4	Nut Metric	M12
12	1440356X1	3	Screw Metric	M12 X 30
13	3009301X1	1	Screw Metric	M12 X 80
14	3716746M1	2	Cover	
15	3019920X1	2	O Ring	
16	339560X1	6	Hex. Sock. Screw	M6 X 16
17	3791889M1	1	Pinion	Number of teeth/spines 77
18	11298X	1	Washer	
19	355647X1	1	Nut Unf	M12
20	3716747M1	1	Cover	
21	3580247M1	1	O Ring	
22	3019645X91	1	Plug	M22
23	3019398X1	1	O Ring	(22)
24	3010448X1	1	Screw	M12 X 140
25	3618971M2	1	Washer	
26	3716735M1	1	Pinion	Number of teeth/spines 80
27	1440480X1	2	Circlip	
28	3716741M1	X	Chock	Thickness 0,10 MM
	3716742M1	X	Chock	Thickness 0,20 MM
	3716743M1	X	Chock	Thickness 0,50 MM
29	339481X1	2	Bearing Taper	
30	3716738M1	1	Clevis Pin	
31	3716739M1	1	Spacer	
32	1440352X1	2	Bolt	M10 X 60
33	3791844M1	1	Draglink	

MF 8210/8220 TRACTORS - 1637365
1-ZP61-018-D

1-ZP61-018-D



Item	Part Number	Qty	Description	Comments
1	3792040M91	1	Non Return Valve	5 BARS
2	3795283M1	1	Low Pr.Oil Trmtr	[C]
3	3384387M1	1	Pressure Intake	
4	3716355M1	1	Safety Valve	
5	3790027M11	1	Kit, Joint	
6	1441946X1	4	Screw	M8X75
7	3716357M1	1	Restrictor	
8	359300X1	1	O Ring	
9	3618663M4	1	Indicator	
10	3716748M1	2	Gasket	
11	3790863M1	2	Gasket	
12	3716737M2	1	Manifold	
13	3009299X1	2	Screw Metric	M12X25
14	3009300X1	2	Screw	M12X70
15	835130M1	1	O Ring	
16	370087X1	2	O Ring	
17	3716744M1	1	Tube	
18	3795284M1	1	Low Pr.Oil Trmtr	8 BAR
19	3000258X1	2	Screw Metric	[A] M10X40 Up to Serial or Engine Number L042026
	1440351X1	2	Screw Metric	[B] M10X35
	1440351X1	2	Screw Metric	[A] M10X35 From Serial or Engine Number L042027
20	3790900M1	1	Pump	60CM3/RPM
21	3903018M91	1	Kit, Joint	
22	390419X1	2	Hex. Sock. Screw	M16X40
23	70923591	1	O Ring	
24	3903022M1	1	Adjuster	(20)
25	3903019M1	1	Plug	(20)
26	3791912M1	1	Manifold	
27	3019398X1	1	O Ring	(46)
28	3811722M1	4	Bolt	M10X70
29	359306X1	1	O Ring	
30	3010827X1	2	O Ring	
31	3010709X1	2	Bush	
32	3716745M1	1	Tube	
33	3790121M1	1	Thermocontact	Up to Serial or Engine Number J102006
34	3791109M2	1	Filter	[A]
	3792618M1	1	Filter	[B]
35	3618662M1	1	Filter Insert	(34)
36	842332M1	1	Gasket	(34)
37	831196M1	2	O Ring	(34)
38	3903021M1	1	Key	(20)
39	831497M1	1	O Ring	(9) Diameter 16,4X2,2
40	70923841	1	O Ring	(9) Diameter 12,4X1,8
41	3716376M93	1	Tube	
42	3793346M1	1	Seal	
43	1441722X1	2	Pin	Diameter 3X16MM
44	3716377M91	1	Tube	
45	364777X1	2	O Ring	
46	3019389X91	2	Union	[B]
47	3795276M1	2	Adaptor	
48	3010890X1	2	Bush	
49	3795285M1	1	Harness	Up to Serial or Engine Number

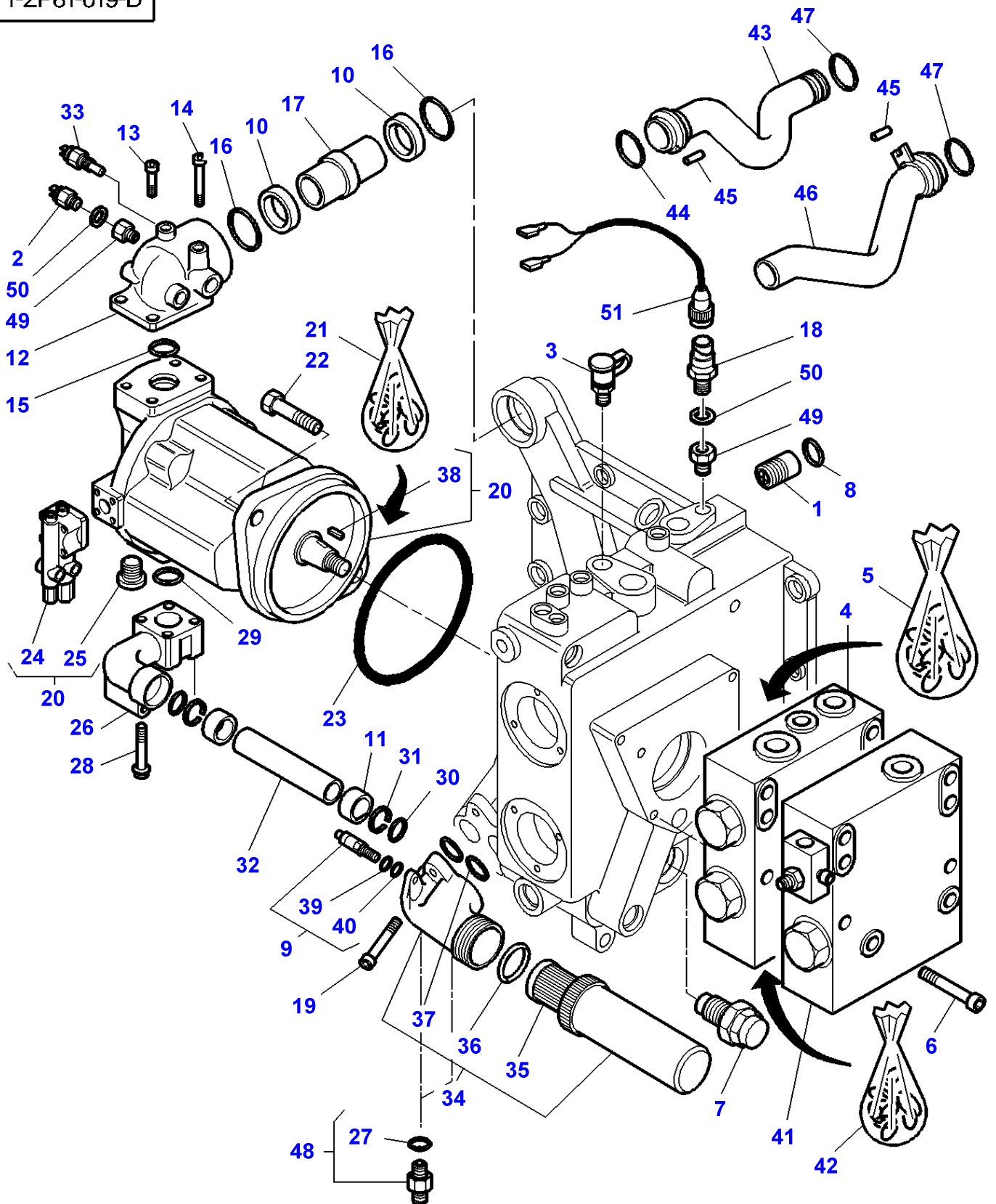
FOOTNOTE [A] WITH FULL POWERSHIFT

FOOTNOTE [B] WITH DYNASHIFT

FOOTNOTE [C] GREEN

MF 8210/8220 TRACTORS - 1637365
1-ZP61-019-D

1-ZP61-019-D



Item	Part Number	Qty	Description	Comments
1	3792040M91	1	Non Return Valve	5 BARS
2	3795283M1	1	Low Pr.Oil Trmtr	[E]
3	3384387M1	1	Pressure Intake	
4	3790025M1	1	Safety Valve	[B]
5	3790027M11	1	Kit, Joint	
6	3015017X1	4	Screw	M8X135
7	3716357M1	1	Restrictor	
8	359300X1	1	O Ring	
9	3618663M4	1	Indicator	
10	3716748M1	2	Gasket	
11	3790863M1	2	Gasket	
12	3716737M2	1	Manifold	
13	3009299X1	2	Screw Metric	M12X25
14	3009300X1	2	Screw	M12X70
15	835130M1	1	O Ring	
16	370087X1	2	O Ring	
17	3716744M1	1	Tube	
18	3795284M1	1	Low Pr.Oil Trmtr	8 BAR
19	3000258X1	2	Screw Metric	[A] M10X40 Up to Serial or Engine Number L042026
	1440351X1	2	Screw Metric	[A] M10X35 From Serial or Engine Number L042027
	1440351X1	2	Screw Metric	[D] M10X35
20	3790900M1	1	Pump	60CM3/RPM
21	3903018M91	1	Kit, Joint	
22	390419X1	2	Hex. Sock. Screw	M16X40
23	70923591	1	O Ring	
24	3903022M1	1	Adjuster	(20)
25	3903019M1	1	Plug	(20)
26	3791912M1	1	Manifold	
27	3019398X1	1	O Ring	(48)
28	3811722M1	4	Bolt	M10X70
29	359306X1	1	O Ring	
30	3010827X1	2	O Ring	
31	3010709X1	2	Bush	
32	3716745M1	1	Tube	
33	3790121M1	1	Thermocontact	Up to Serial or Engine Number J102006
34	3791109M2	1	Filter	[A]
	3792618M1	1	Filter	[D]
35	3618662M1	1	Filter Insert	(34)
36	842332M1	1	Gasket	(34)
37	831196M1	2	O Ring	(34)
38	3903021M1	1	Key	(20)
39	831497M1	1	O Ring	(9) Diameter 16,4X2,2
40	70923841	1	O Ring	(9) Diameter 12,4X1,8
41	3790036M2	1	Safety Valve	[C] Up to Serial or Engine Number L191015
	3797004M1	1	Safety Valve	[C] From Serial or Engine Number L191016
42	3902094M91	1	Kit, Joint	
43	3716376M93	1	Tube	
44	3793346M1	1	Seal	
45	1441722X1	2	Pin	Diameter 3X16MM
46	3716377M91	1	Tube	
47	364777X1	2	O Ring	
48	3019389X91	2	Union	[D]
49	3795276M1	2	Adaptor	
50	3010890X1	2	Bush	
51	3795285M1	1	Harness	Up to Serial or Engine Number

FOOTNOTE [A] WITH FULL POWERSHIFT

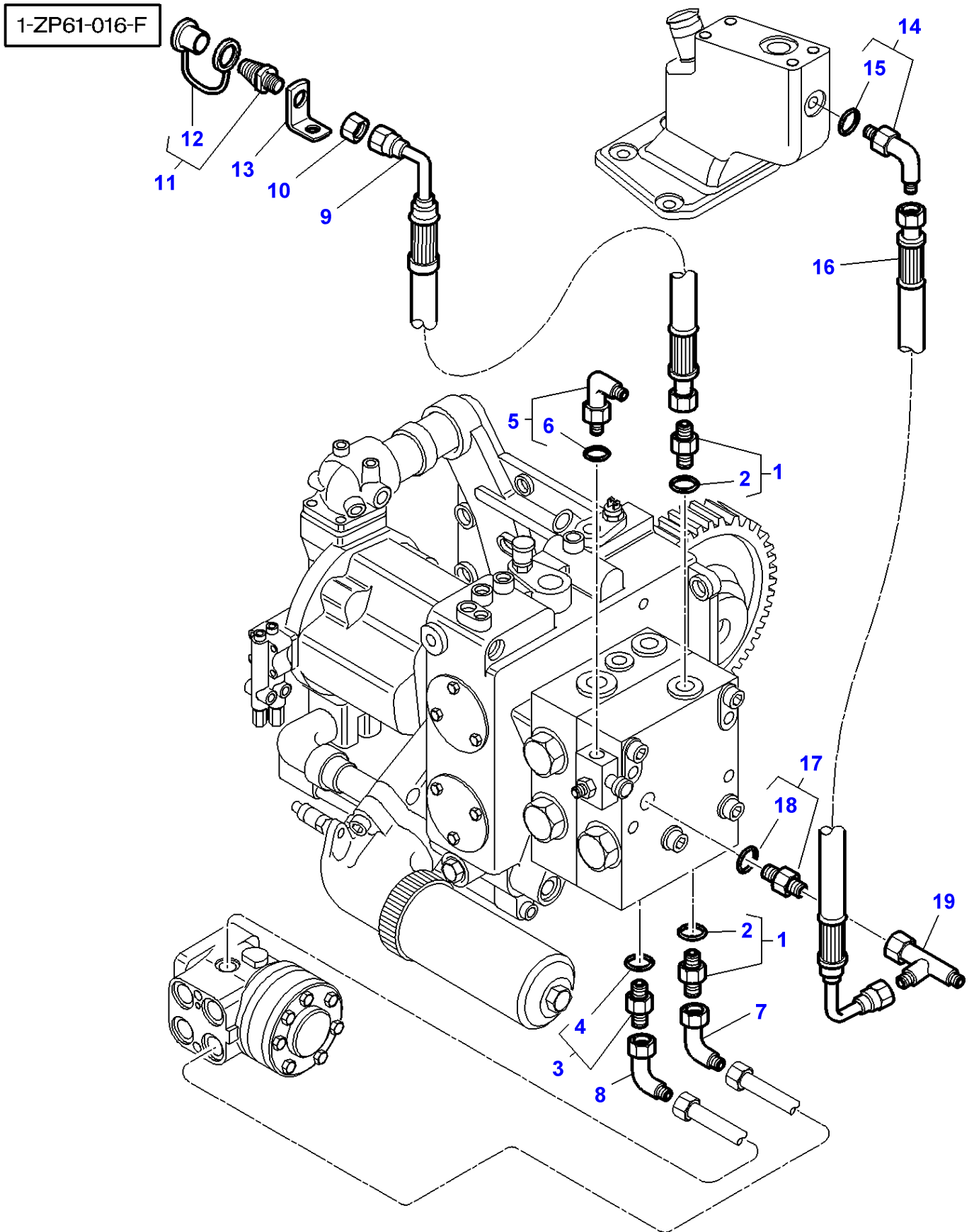
FOOTNOTE [B] STEERING

FOOTNOTE [C] BRAKING

FOOTNOTE [D] WITH DYNASHIFT

FOOTNOTE [E] GREEN

MF 8210/8220 TRACTORS - 1637365
1-ZP61-016-F

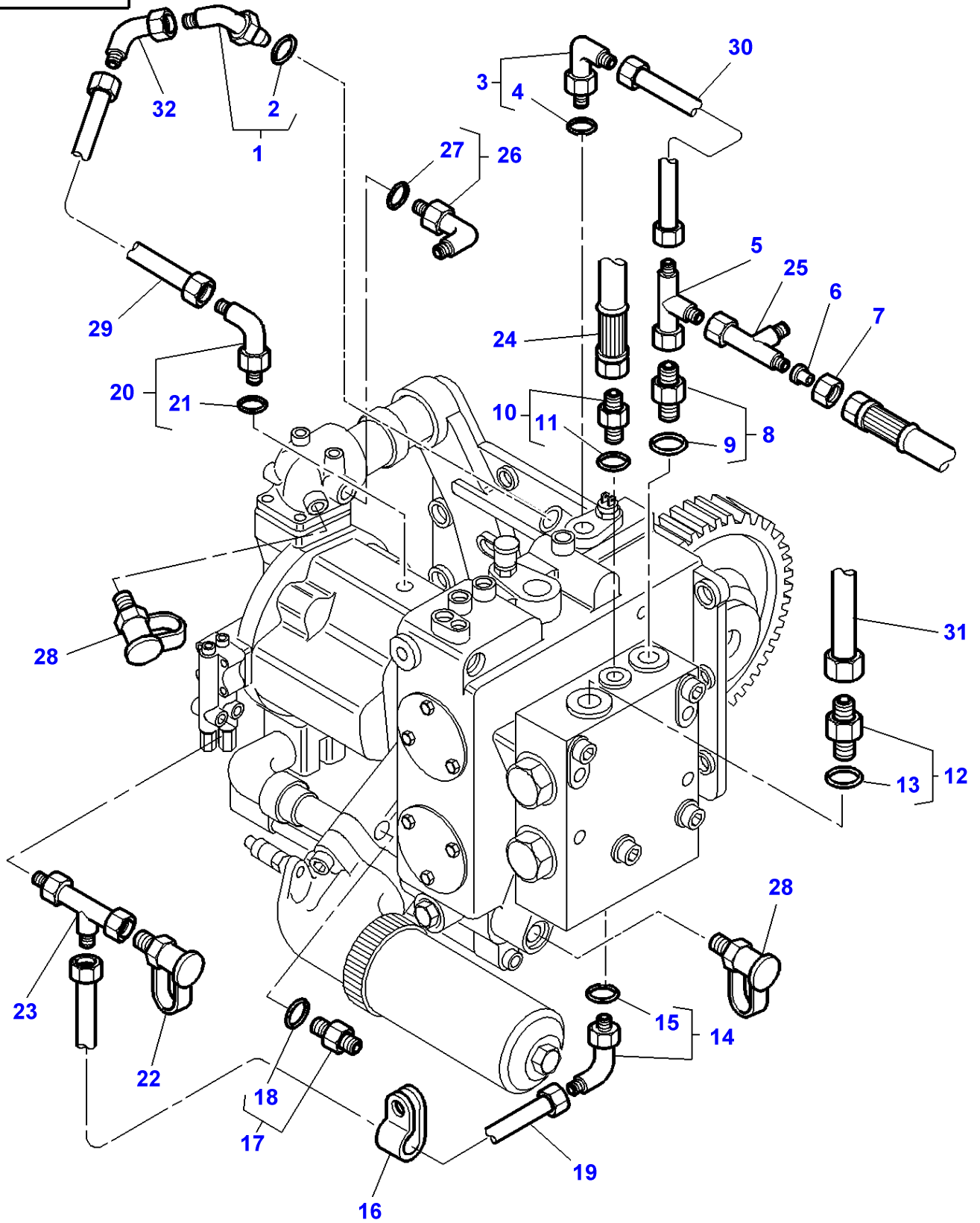


Massey Ferguson**MF 8210/8220 TRACTORS - 1637365****1637365****Load Sensing - Cover Rh - Pump 60cc / Hydr. Lines - With Tractor Braking****Page070-0170**

Item	Part Number	Qty	Description	Comments
1	3019658X91	2	Union	Diameter M22-3/4
2	3019398X1	1	O Ring	(1)
3	3019379X91	1	Union	Diameter M14 X 9/16
4	3019395X1	1	O Ring	(3)
5	3019694X91	1	Union	Diameter M14 X 1/2
6	3019395X1	1	O Ring	(5)
7	365233X1	1	Elbow	
8	364603X1	1	Elbow	
9	3792041M1	1	Hydr Hose	
10	1442336X1	1	Nut	
11	3581307M3	1	Pressure Valve	
12	3616259M1	1	Plug	(11)
13	3792736M1	1	Support	
14	3019418X91	1	Elbow Nipple	From Serial or Engine Number L191016
15	3019398X1	1	O Ring	(14)
16	3798503M1	1	Hydr Hose	Length 1200 MM
17	3019696X91	1	Union	From Serial or Engine Number L191016
18	3019395X1	1	O Ring	(17)
19	3780180M1	1	Teepiece	From Serial or Engine Number L191016
				Up to Serial or Engine Number M188052
	364704X1	1	Teepiece	From Serial or Engine Number M188053

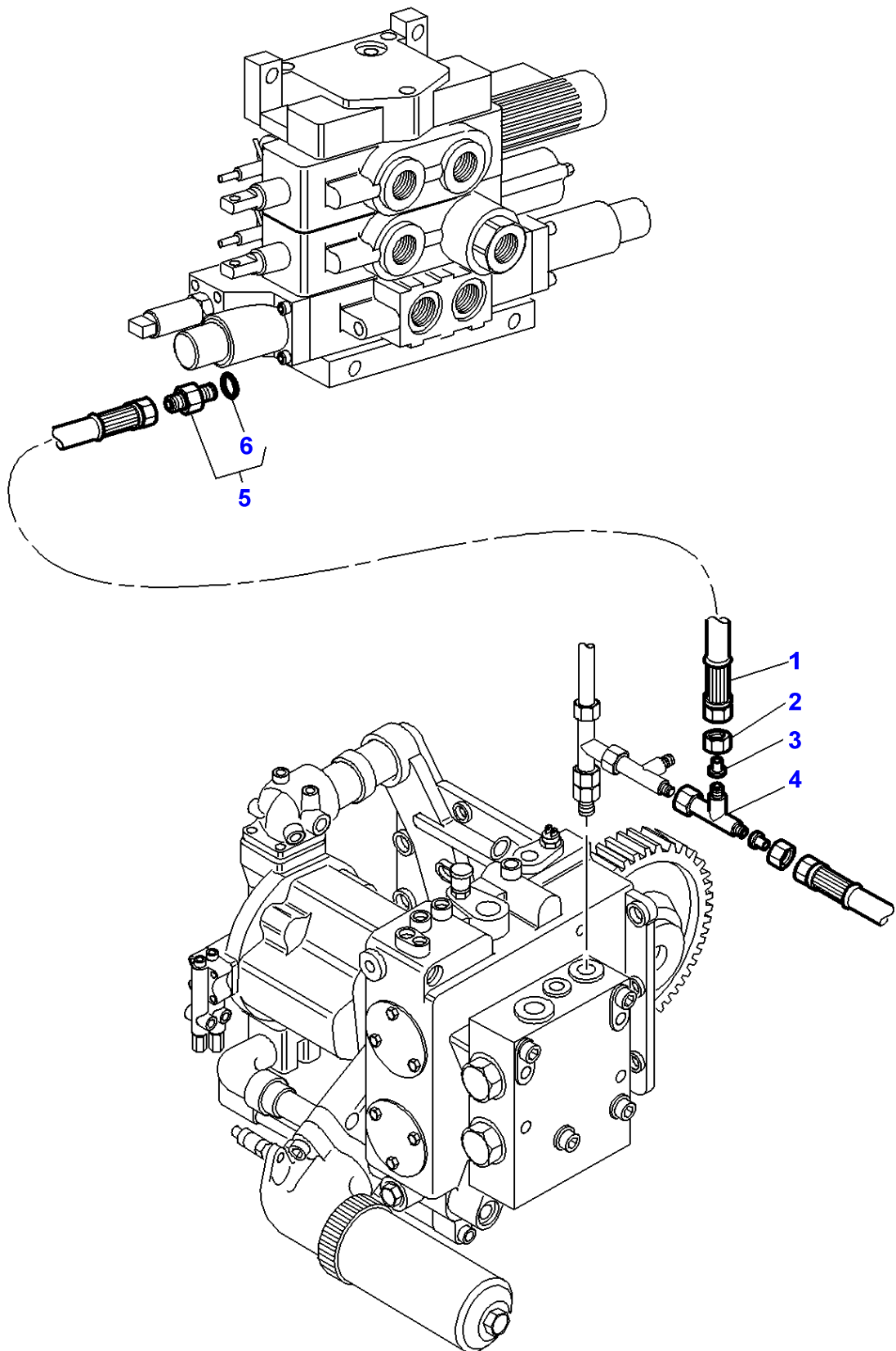
MF 8210/8220 TRACTORS - 1637365
1-ZP61-020-B

1-ZP61-020-B



Item	Part Number	Qty	Description	Comments
1	3019418X91	1	Elbow Nipple	Diameter M22X7/8
2	3019398X1	1	O Ring	(1)
3	3019414X91	1	Union	Diameter M16X3/4
4	3019396X1	1	O Ring	(3)
5	364735X1	1	Teepiece	
6	356627X1	1	Adaptor	Diameter 3/4X9/16
7	195960M1	1	Nut	Diameter 3/4
8	3019658X91	1	Union	Diameter M22-3/4
9	3019398X1	1	O Ring	(8)
10	3019379X91	1	Union	Diameter M14X9/16
11	3019395X1	1	O Ring	(10)
12	3019391X91	1	Union	Diameter M33X1"5/16
13	3019399X1	1	O Ring	(12)
14	3019694X91	1	Union	Diameter M14X1/2
15	3019395X1	1	O Ring	(14)
16	3581132M1	1	Clamp	
17	3019381X91	1	Union	Diameter M16X3/4
18	3019399X1	1	O Ring	(17)
19	3791710M2	1	Tube	
20	835007M91	1	Elbow	Diameter 7/8X7/8
21	1882958M1	1	O Ring	(20)
22	3712707M1	1	Intake	
23	3712689M1	1	Union	
24	3716398M1	1	Hydr Hose	
25	364735X1	1	Teepiece	Diameter 3/4-16
26	3019416X91	1	Elbow	Diameter M18X7/8
27	3019397X1	1	O Ring	(26)
28	3384387M1	2	Pressure Intake	
29	3792313M2	1	Tube	
30	3791711M2	1	Tube	
31	3797956M91	1	Tube	
32	367386X1	1	Elbow	

1-ZP61-022-A

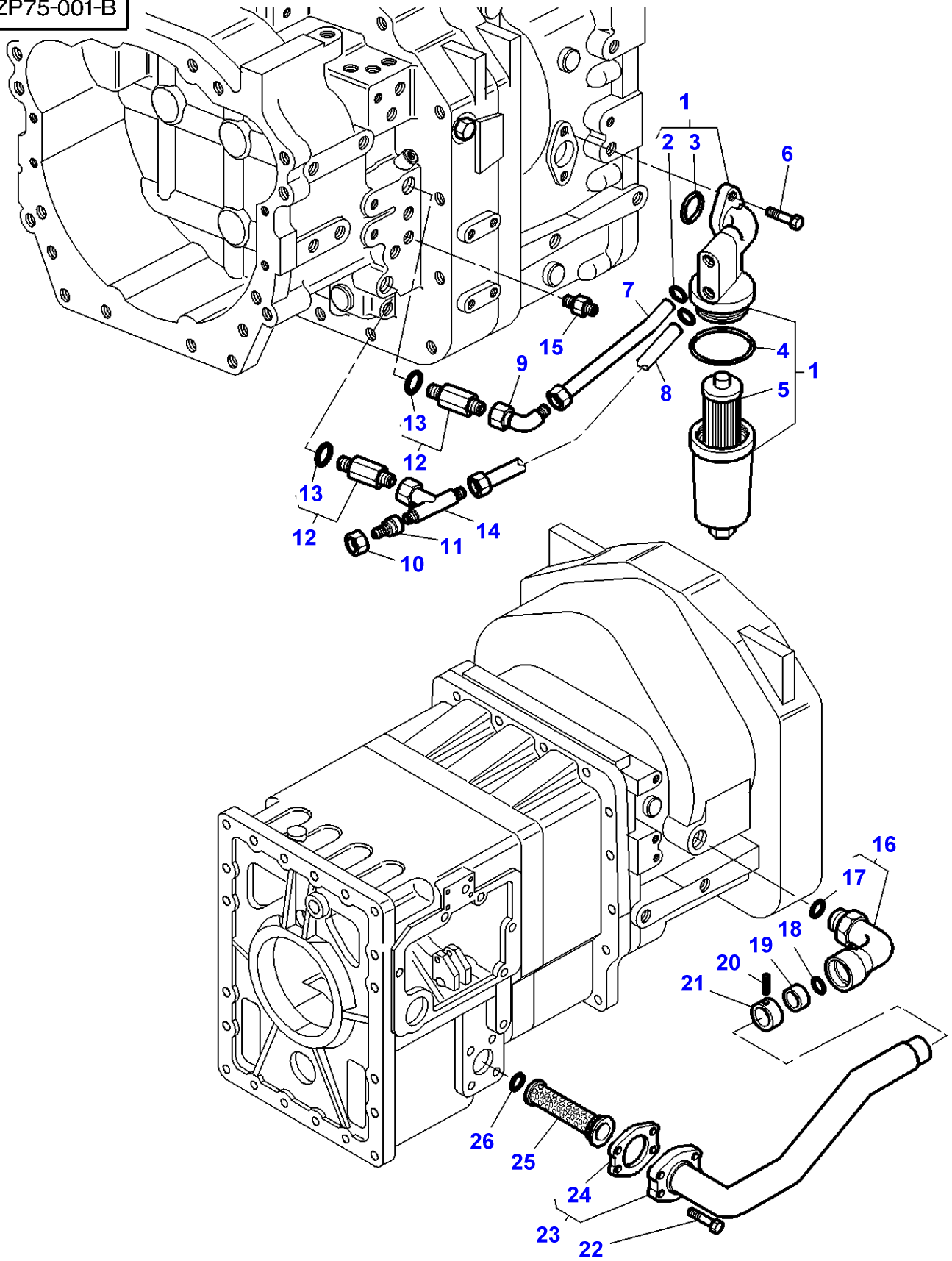


Massey Ferguson**MF 8210/8220 TRACTORS - 1637365****1637365****Load Sensing - Cover Rh - With Hydraulic Pump 150 L/mn / DUAL CONTROL DISTRIBUTOR FEEDING****Page070-0180**

Item	Part Number	Qty	Description	Comments
1	3716399M1	1	Hydr Hose	Length 1360MM
2	338773X1	1	Olive	
3	356627X1	1	Adaptor	
4	364735X1	1	Teepiece	
5	3019660X91	1	Union	
6	3019393X1	1	O Ring	(5)

MF 8210/8220 TRACTORS - 1637365
1-ZP75-001-B

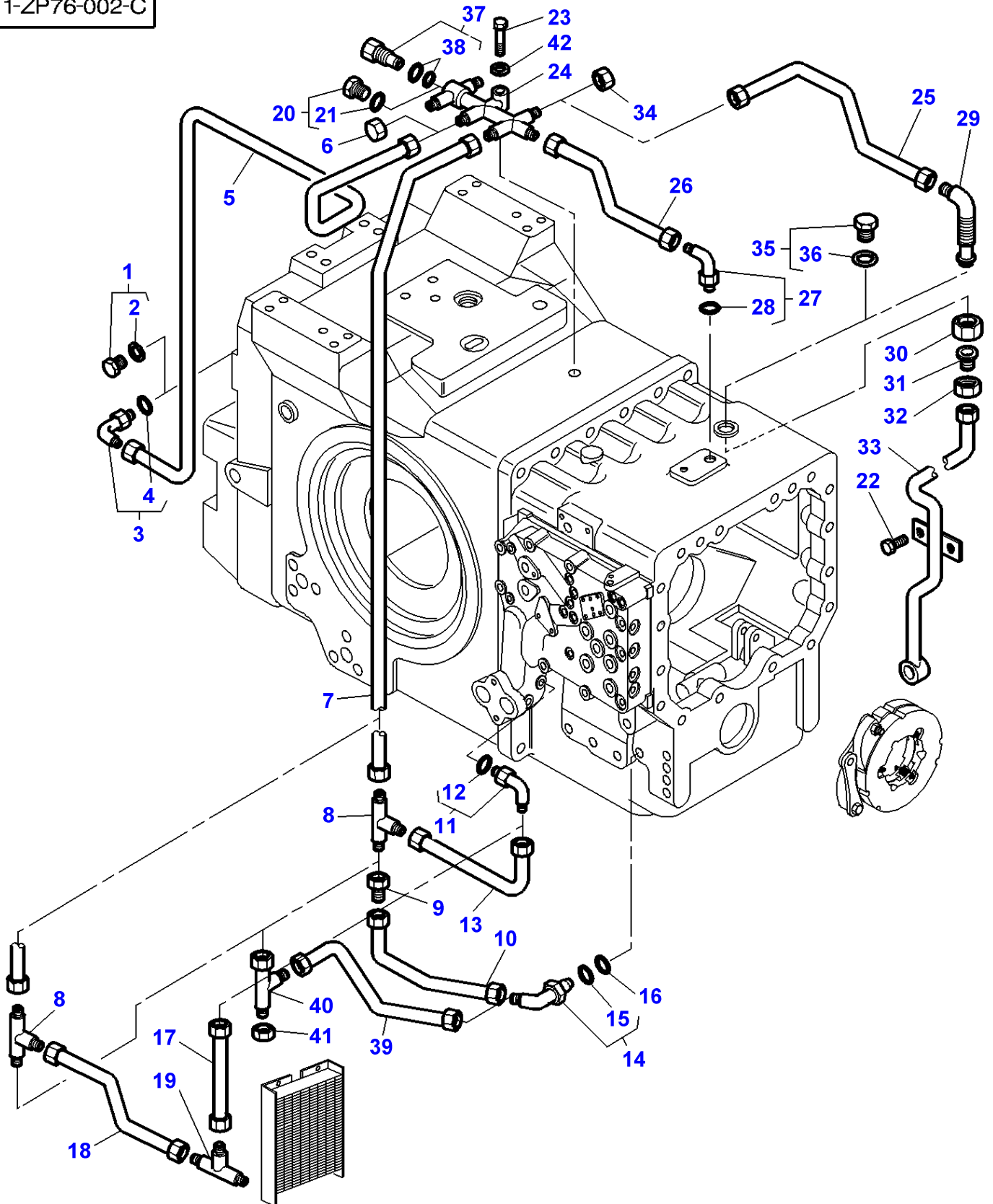
1-ZP75-001-B



Item	Part Number	Qty	Description	Comments
1	3791110M2	1	Filter	
2	70924776	2	O Ring	(1)
3	377353X1	1	O Ring	(1)
4	842332M1	1	Gasket	(1)
5	3618662M1	1	Filter Insert	(1)
6	1440356X1	2	Screw Metric	M12x30
7	3791873M2	1	Tube	
8	3791874M2	1	Tube	
9	367277X1	1	Elbow	Diameter 1"5/16-12
10	375048X1	1	Nut	
11	356633X1	1	Adaptor	
12	3791393M91	2	Union	Diameter 1"5/16-12
13	835026M1	1	O Ring	(12)
14	373793X1	1	Teepiece	Diameter 1"5/16-12
15	3790887M1	1	Union	Diameter 1"5/16 Diameter 1"1/16-18
16	3716901M1	1	Bridle	
17	70921887	1	O Ring	(16) Replace and repair. Old interchangeable with new 831504M1
18	852140M1	1	O Ring	
19	3716902M1	1	Gasket	
20	3009351X1	1	Screw	M6X8
21	3716903M1	1	Bush	
22	1440356X1	4	Screw Metric	M12X30
23	3716907M92	1	Tube	
24	3716358M1	1	Seal	(23)
25	3716334M1	1	Strainer	
26	1006234M1	1	O Ring	

MF 8210/8220 TRACTORS - 1637365
1-ZP76-002-C

1-ZP76-002-C



Item	Part Number	Qty	Description	Comments
1	3019639X91	1	Plug	[C]
2	3019395X1	1	O Ring	[C] (1)
3	3716879M91	1	Union	
4	3019395X1	1	O Ring	(3)
5	3790898M91	1	Tube	
6	356578X1	1	Plug	[C]
7	3790896M91	1	Tube	
8	356561X1	1	Union	
9	377651X1	1	Reducer	Up to Serial or Engine Number J049024
10	3790894M91	1	Tube	Up to Serial or Engine Number J049024
11	3019416X91	1	Elbow	
12	3019397X1	1	O Ring	(11)
13	3790892M91	1	Tube	[B]
14	3716884M91	1	Union	Up to Serial or Engine Number J049024
	3385713M91	1	Union	From Serial or Engine Number J049025
15	3019395X1	1	O Ring	(14)
16	3019395X1	1	O Ring	
17	3790922M91	1	Tube	[A]
18	3790920M91	1	Tube	[A]
19	356561X1	1	Union	[A]
20	358724X91	1	Plug	[B]
21	831497M1	1	O Ring	[B] (20)
22	391989X1	2	Screw Metric	M8x20
23	339010X1	1	Bolt Metric	M8x40
24	3790871M3	1	Bar	
25	3790924M91	1	Tube	
26	3796898M1	1	Tube	
27	3716772M91	1	Union	[B]
	3791953M91	1	Union	[A]
28	831497M1	1	O Ring	(27)
29	3791274M91	1	Union	[B]
30	353436X1	1	Nut Unf	[B] Diameter 3/4"-16
31	380003X1	1	Union	[B]
32	195960M1	1	Nut	[B] Diameter 3/4"
33	3790928M93	1	Tube	[B]
34	70923737	1	Plug	[E]
35	358724X91	1	Plug	[E]
36	831497M1	1	O Ring	(35)
37	3793452M2	1	Non Return Valve	[A] 2,8 BARS
38	3903493M91	1	Kit, Joint	[A] (37)
39	3793517M1	1	Tube	From Serial or Engine Number J049025
40	3793518M91	1	Union	From Serial or Engine Number J049025
41	356580X1	1	Plug	From Serial or Engine Number J049025
42	390972X1	1	Washer Metric	

FOOTNOTE [A] WITH DYNASHIFT

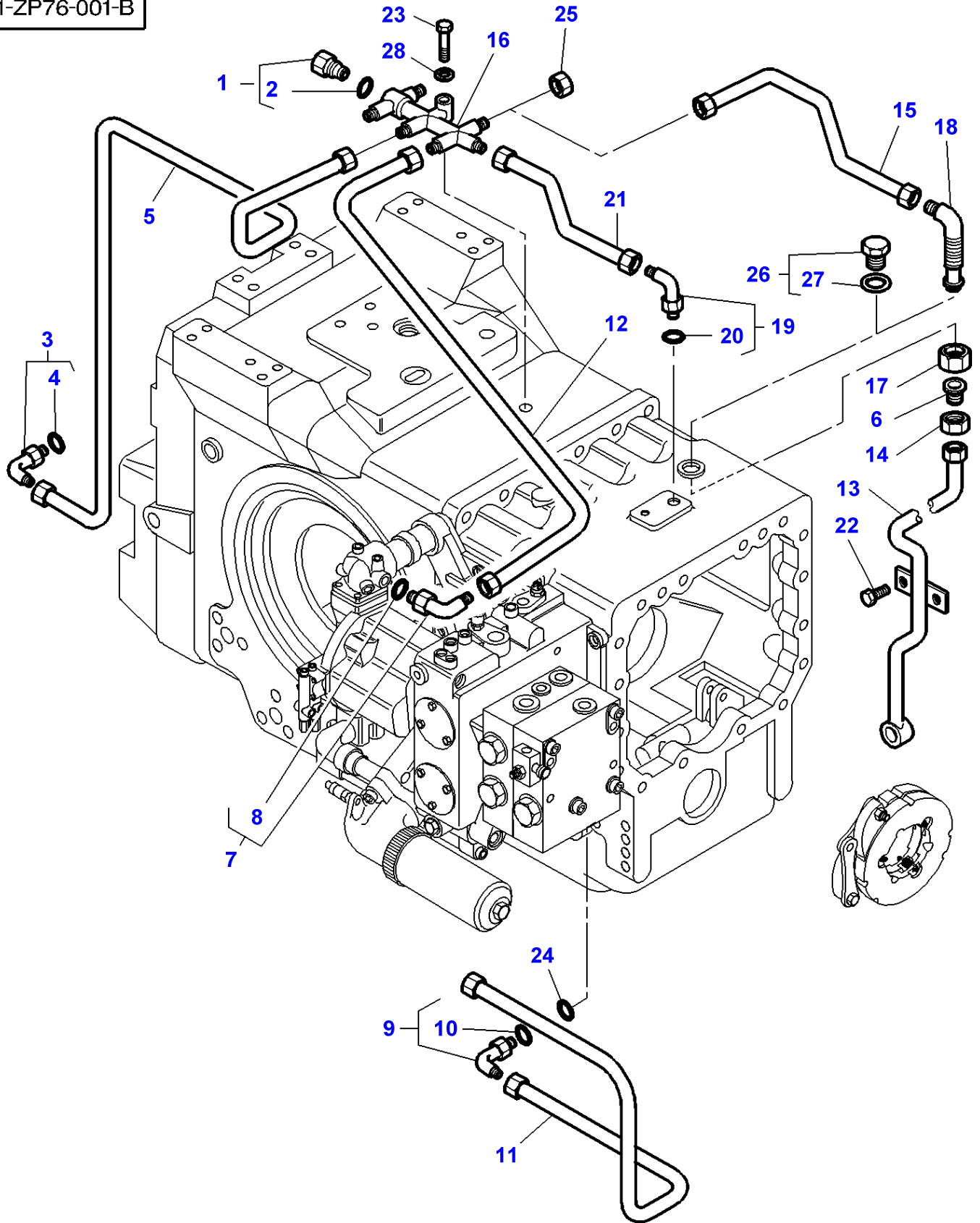
FOOTNOTE [B] WITH FULL POWERSHIFT

FOOTNOTE [C] WITHOUT INDEPENDANT P.T.O.

FOOTNOTE [E] WITHOUT CREEPER GEAR

MF 8210/8220 TRACTORS - 1637365
1-ZP76-001-B

1-ZP76-001-B



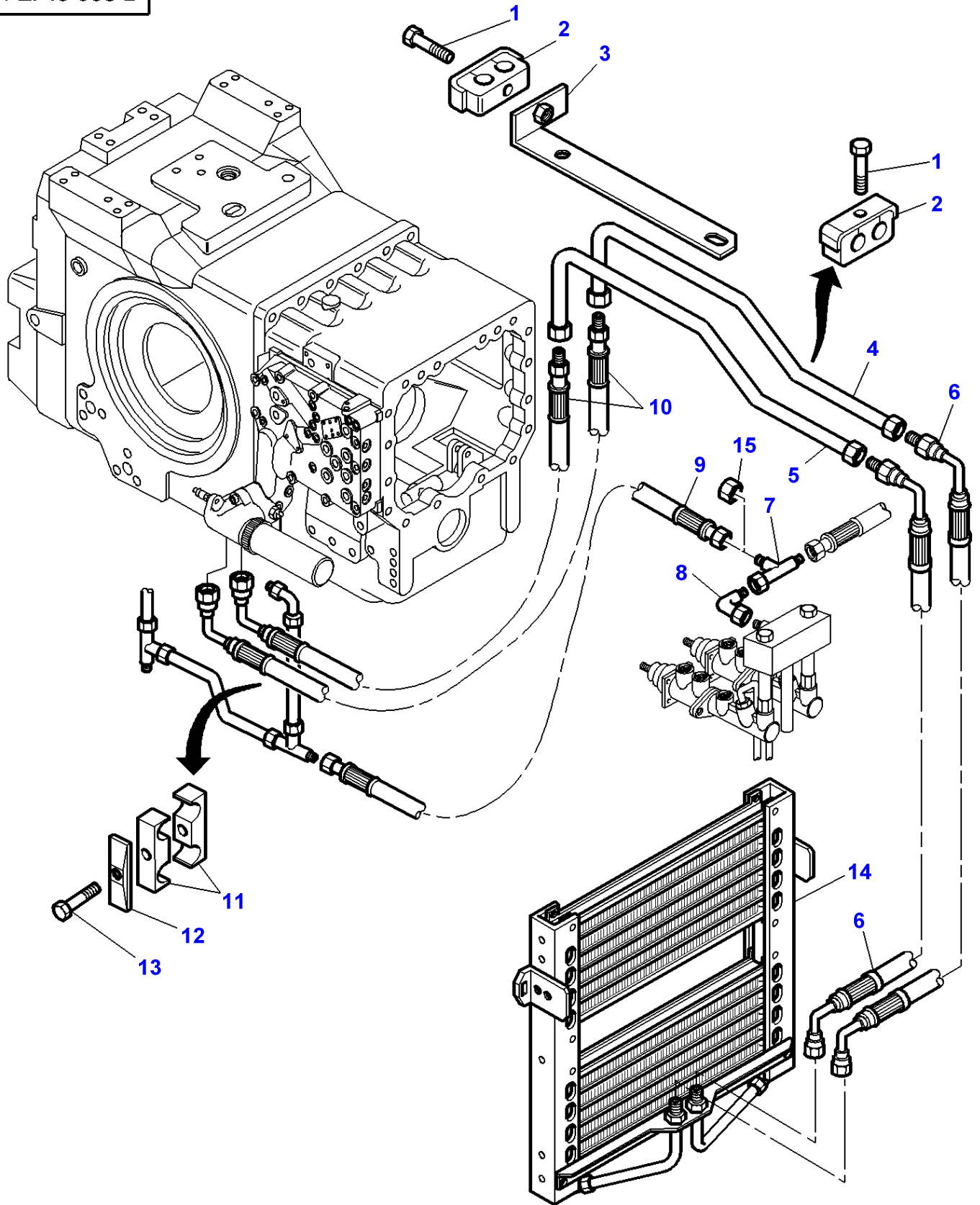
Item	Part Number	Qty	Description	Comments
1	358724X91	1	Plug	
2	831497M1	1	O Ring	(1)
3	3716879M91	1	Union	
4	3019395X1	1	O Ring	(3)
5	3790898M91	1	Tube	
6	380003X1	1	Union	[B]
7	3019416X91	1	Elbow	Diameter M18
8	3019397X1	1	O Ring	(7)
9	3716884M91	1	Union	
10	831497M1	1	O Ring	(9)
11	3792019M1	1	Tube	
12	3791716M1	1	Tube	
13	3790928M93	1	Tube	[B]
14	195960M1	1	Nut	[B]
15	3790924M91	1	Tube	[B]
16	3790871M3	1	Bar	
17	353436X1	1	Nut Unf	[B]
18	3791274M91	1	Union	[B]
19	3791953M91	1	Union	Up to Serial or Engine Number H174011
	3716772M91	1	Union	From Serial or Engine Number H174012
20	831497M1	1	O Ring	(19)
21	3796898M1	1	Tube	
22	391989X1	2	Screw Metric	[B] M8X20
23	339010X1	1	Bolt Metric	M8X40
24	3019395X1	1	O Ring	
25	70923737	1	Plug	[C]
26	358724X91	1	Plug	[C]
27	831497M1	1	O Ring	[C] (26)
28	390972X1	1	Washer Metric	

FOOTNOTE [B] WITH CREEPER GEAR

FOOTNOTE [C] WITHOUT CREEPER GEAR

MF 8210/8220 TRACTORS - 1637365
1-ZP19-008-B

1-ZP19-008-B



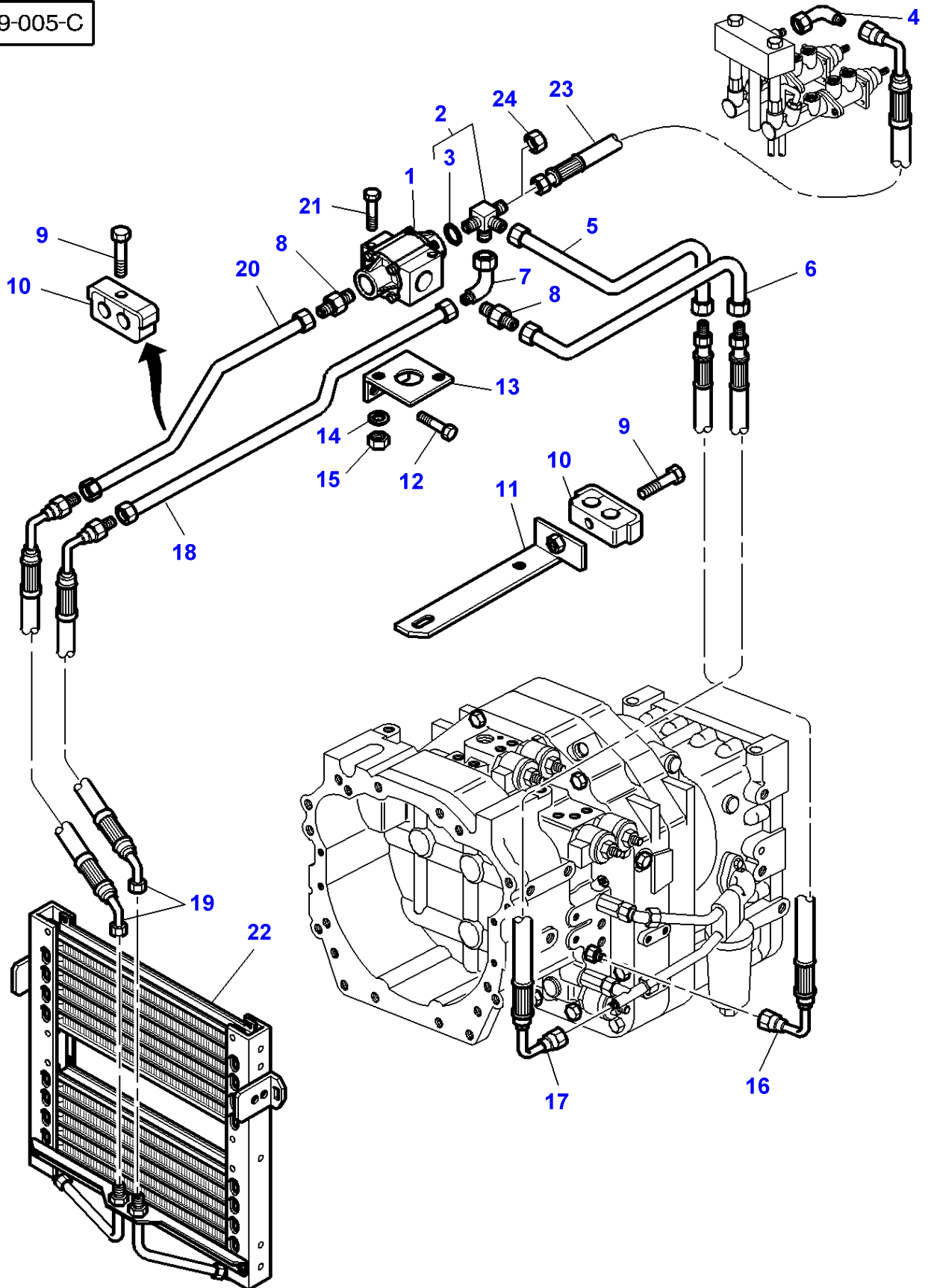
Oil Cooler - Dynashift

Item	Part Number	Qty	Description	Comments
1	339011X1	2	Bolt Metric	M8X45
2	3781936M1	2	Bridle	
3	3781921M2	1	Support	
4	3782603M1	1	Tube	
5	3782604M1	1	Tube	
6	3781918M2	2	Hydr Hose	Length 950MM
7	3791175M92	1	Union	
8	364603X1	1	Elbow	
9	3781572M1	1	Hydr Hose	Length 2200MM Up to Serial or Engine Number L038021
10	3782869M1	2	Hydr Hose	Length 2300MM
11	3780682M1	2	Bridle	
12	3780683M1	1	Plate	
13	339011X1	1	Bolt Metric	M8X45
14	3780275M2	1	Oil Cooler	[A] See Page - Reference Number 070-0210/1
15	22833X	1	Cap	From Serial or Engine Number L038022

FOOTNOTE [A] THE APPROPRIATE SAFETY DECALS MUST BE ORDERED AND FITTED TO THIS PART

MF 8210/8220 TRACTORS - 1637365
1-ZP19-005-C

1-ZP19-005-C

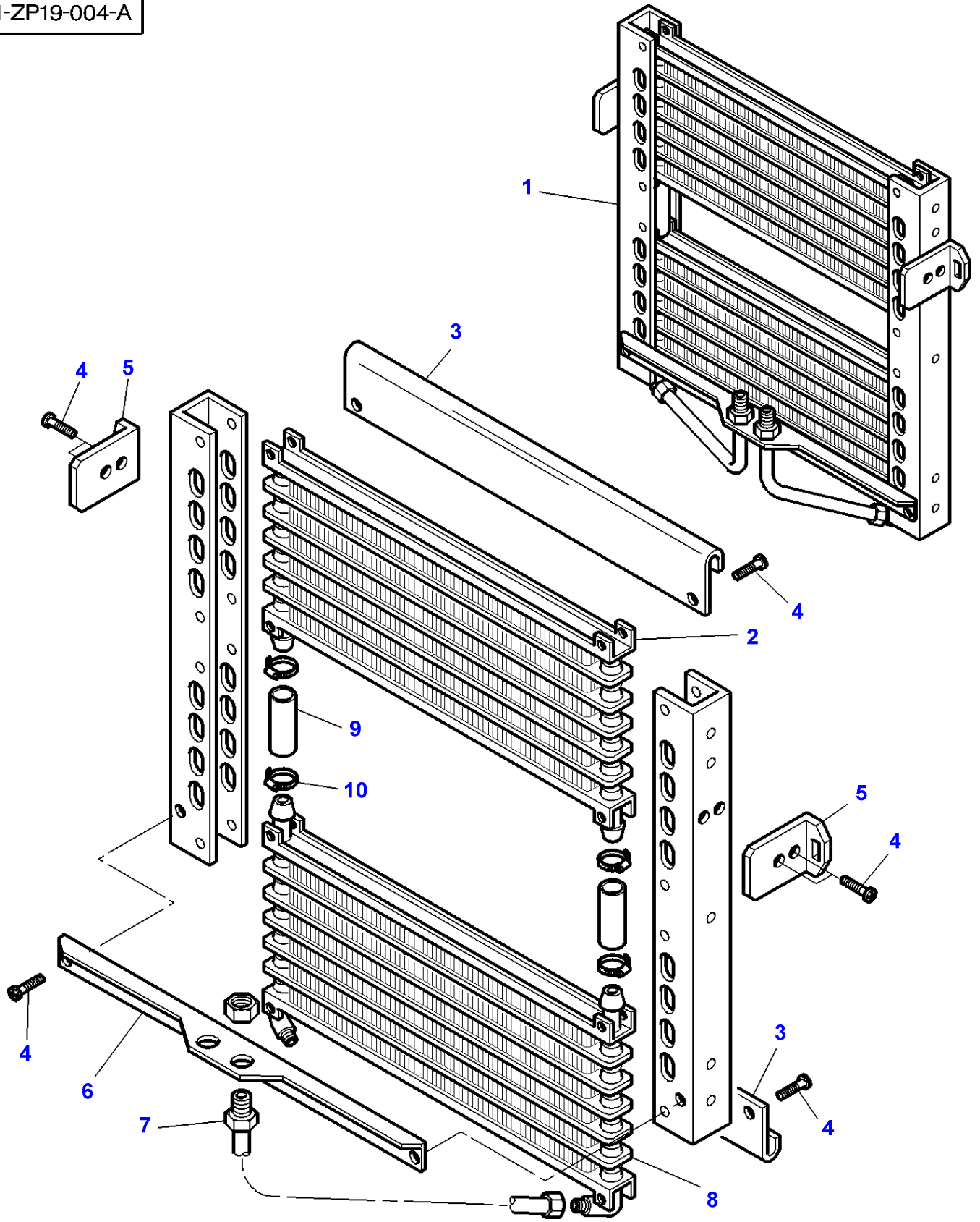


Oil Cooler - With Full Powershift

Item	Part Number	Qty	Description	Comments
1	3790883M1	1	Pressure Valve	See Page - Reference Number 070-0215/1
2	5016401M91	1	Pressure Valve	
3	835026M1	1	O Ring	(2)
4	3791382M92	1	Union	Up to Serial or Engine Number L038021
5	3781915M1	1	Tube	
6	3781914M1	1	Tube	
7	366462X1	1	Elbow	
8	70935768	2	Connector	
9	339011X1	2	Bolt Metric	M8X45
10	3781936M1	2	Bridle	
11	3781921M2	1	Support	
12	339124X1	2	Hex. Sock. Screw	M8X16
13	3781953M1	1	Support	
14	390734X1	2	Washer	
15	3009693X1	2	Nut Metric	
16	3781919M1	1	Hydr Hose	Length 950MM
17	3781920M1	1	Hydr Hose	Length 1050MM
18	3781913M1	1	Tube	
19	3781918M2	2	Hydr Hose	
20	3781912M1	1	Tube	
21	3009502X1	2	Bolt Metric	M10X80
22	3780275M2	1	Oil Cooler	[A] See Page - Reference Number 070-0210/1
23	3781174M1	1	Hydr Hose	Length 600MM Up to Serial or Engine Number L038021
24	356579X1	1	Cap	From Serial or Engine Number L038022

FOOTNOTE [A] THE APPROPRIATE SAFETY DECALS MUST BE ORDERED AND FITTED TO THIS PART

1-ZP19-004-A



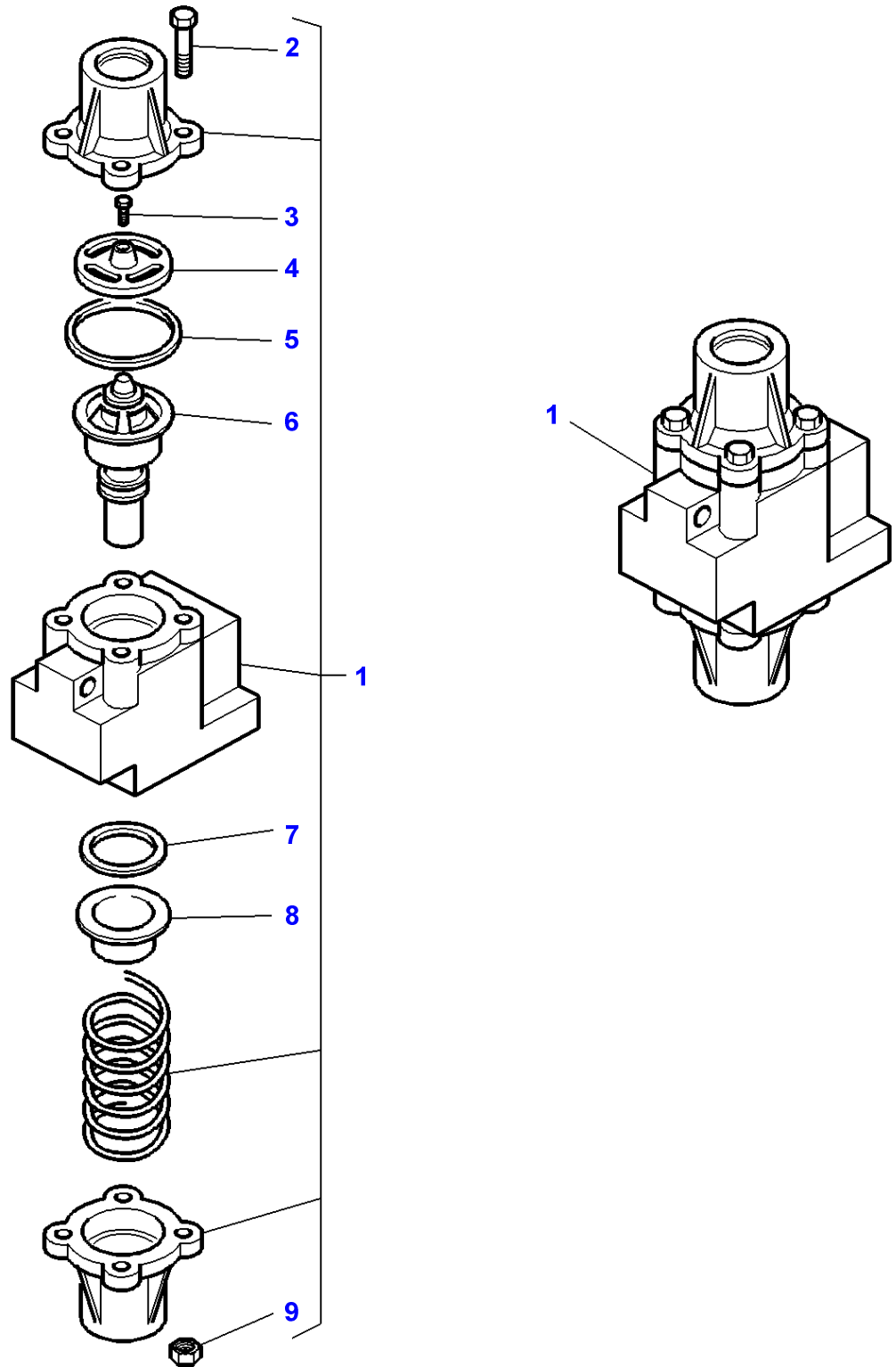
Oil Cooler

Item	Part Number	Qty	Description	Comments
1	3780275M2	1	Oil Cooler	[B]
2	3903406M1	1	Oil Cooler	(1)
3	3903404M1	2	Guide	(1)
4	3007920X1	10	Screw Metric	(1) M6X12
5	3903403M1	2	Support	(1)
6	3903402M1	1	Support	(1)
7	3903401M91	2	Tube	(1)
8	3903407M1	1	Oil Cooler	(1)
9	3903405M1	2	Hose	(1)
10	3019566X1	4	Clamp	(1)

FOOTNOTE [A] NOT DETAILED

FOOTNOTE [B] THE APPROPRIATE SAFETY DECALS MUST BE ORDERED AND FITTED TO THIS PART

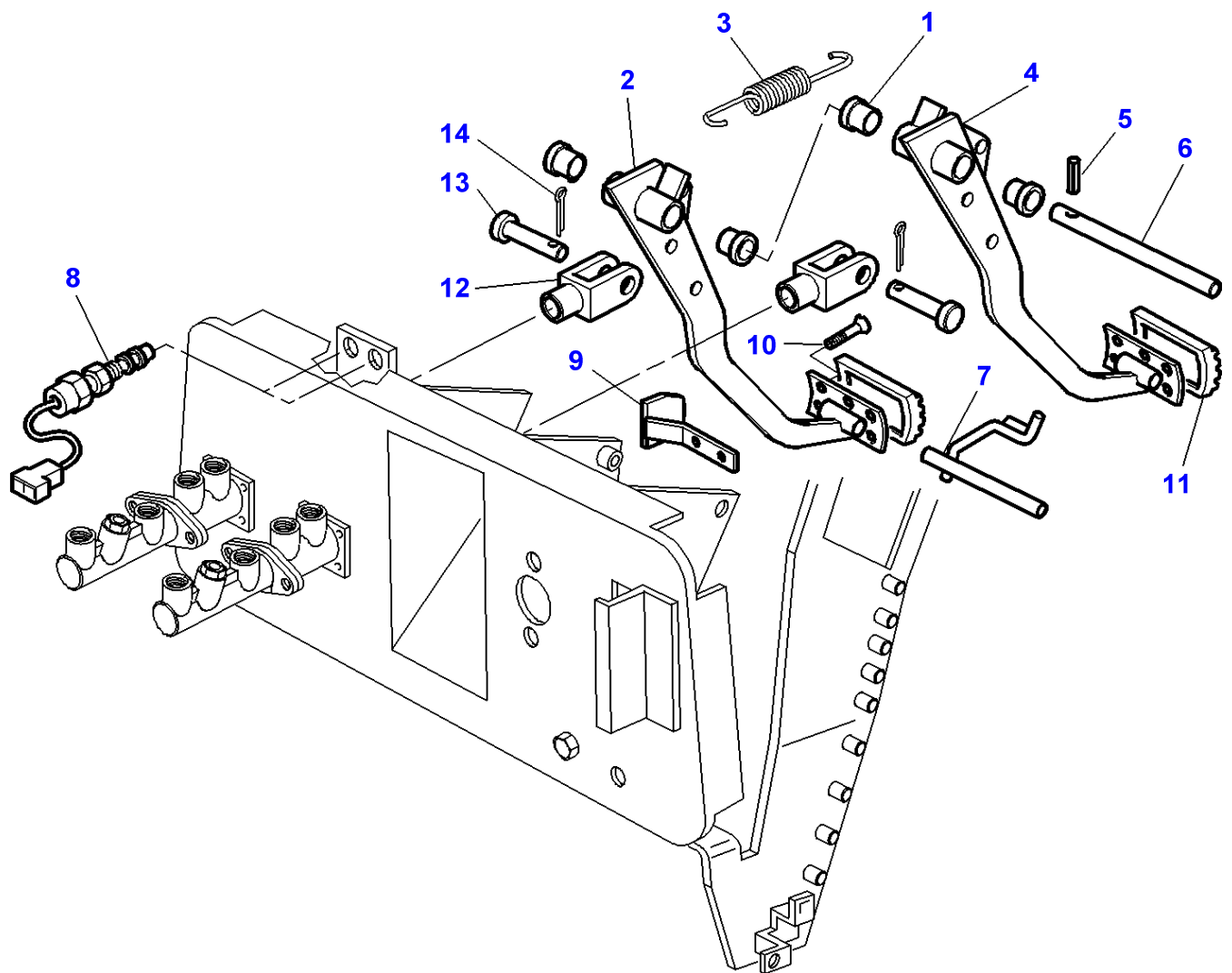
1-ZP01-001-A



Massey Ferguson**MF 8210/8220 TRACTORS - 1637365****1637365****Hydraulic Valve - With Full Powershift****Page070-0215**

Item	Part Number	Qty	Description	Comments
1	3790883M1	1	Pressure Valve	
2	70934293	4	Bolt	(1)
3	72514302	1	Screw	(1)
4	72514301	1	Washer	(1)
5	72511856	1	Seal	(1)
6	72514303	1	Pressure Valve	(1)
7	72511856	1	Seal	(1)
8	72511858	1	Seal	(1)
9	70923358	4	Nut	(1)

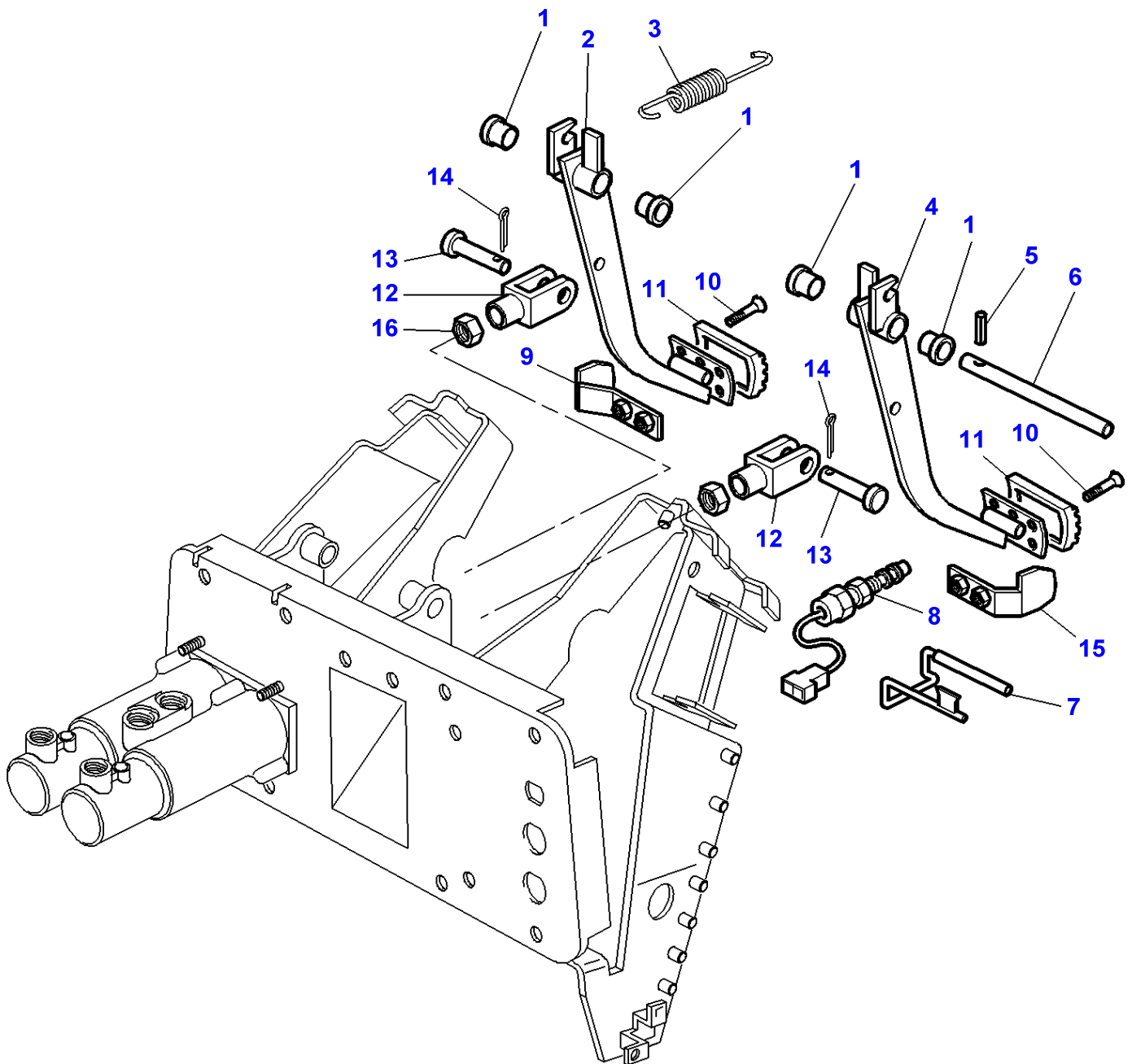
1-ZG16-003-C



Item	Part Number	Qty	Description	Comments
1	3385604M1	4	Bearing	
2	3782118M1	1	Brake Pad	Right Hand
3	3781689M1	2	Spring	
4	3782117M1	1	Brake Pad	Left Hand
5	391290X1	1	Pin	Diameter 5 X 30
6	3713576M1	1	Clevis Pin	
7	3583930M3	1	Latch	
8	3780395M2	2	Switch,Indirect	
9	3714488M3	1	Stop	
10	392404X1	2	Screw	M5 X 12
11	1626321M2	2	Skate	
12	3385612M3	2	Clevis	[A] Length 51 MM
	3384656M1	2	Clevis	Length 61 MM
13	3019213X1	2	Clevis Pin	
14	357146X1	2	Pin	Diameter 2,8 X 25

FOOTNOTE [A] WITH ASSISTED BRAKE

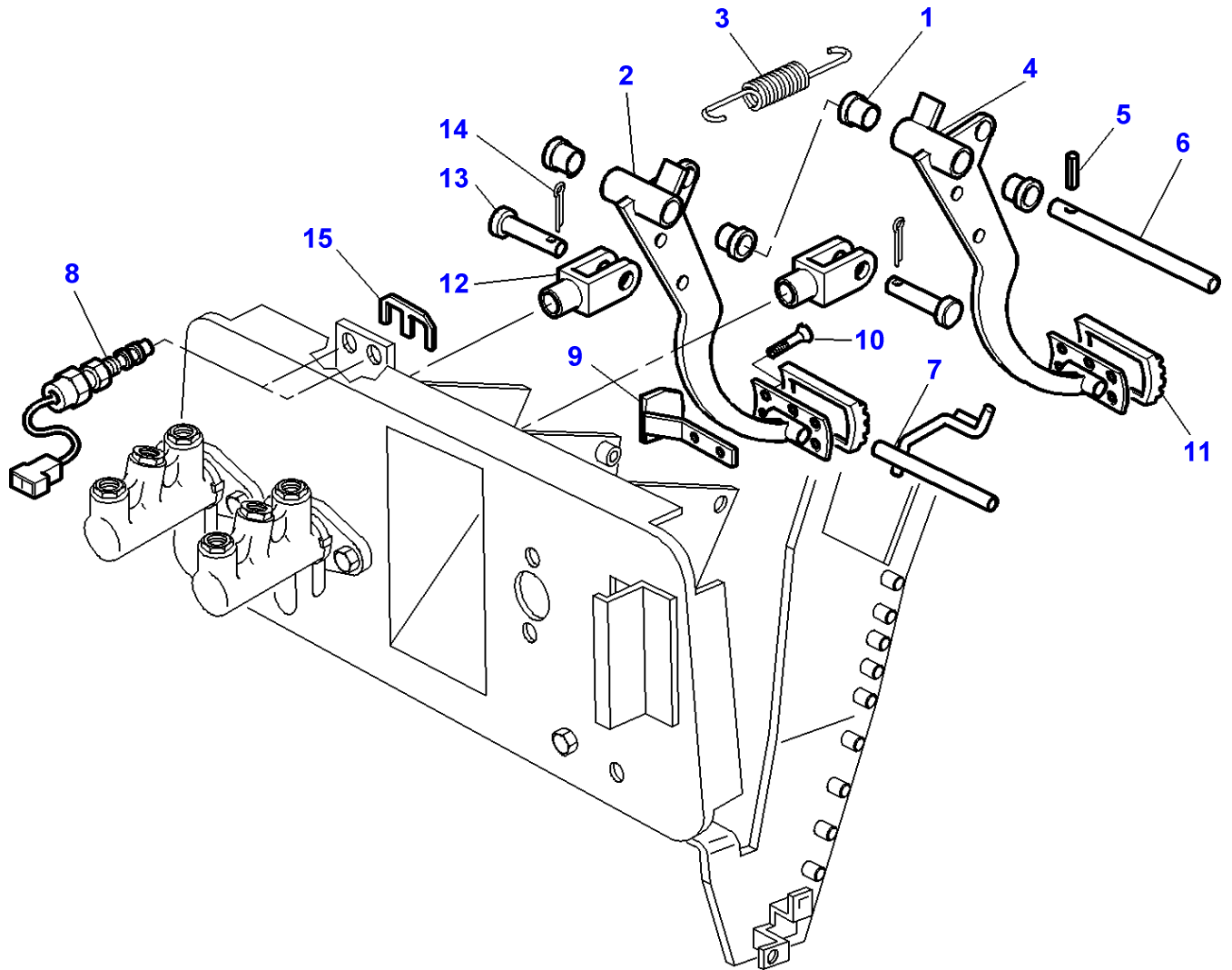
1-ZG16-006-B



Massey Ferguson**MF 8210/8220 TRACTORS - 1637365****1637365****Brakes - Pedals - With Cab And Power Brakes - From L038022****Page070-0225**

Item	Part Number	Qty	Description	Comments
1	3385604M1	4	Bearing	
2	3785647M1	1	Brake Pad	Right Hand
3	3785651M1	2	Spring	
4	3785646M1	1	Brake Pad	Left Hand
5	391290X1	1	Pin	5X30
6	3785652M2	1	Clevis Pin	
7	3785648M1	1	Latch	
8	3780395M2	2	Switch,Indirect	
9	3714488M3	1	Stop	
10	392404X1	4	Screw	
11	1626321M2	2	Skate	
12	3384656M1	2	Clevis	Length 61MM
13	3019213X1	2	Clevis Pin	
14	357146X1	2	Pin	2,8X25MM
15	3785649M1	1	Stop	
16	392310X1	2	Nut Metric	M10

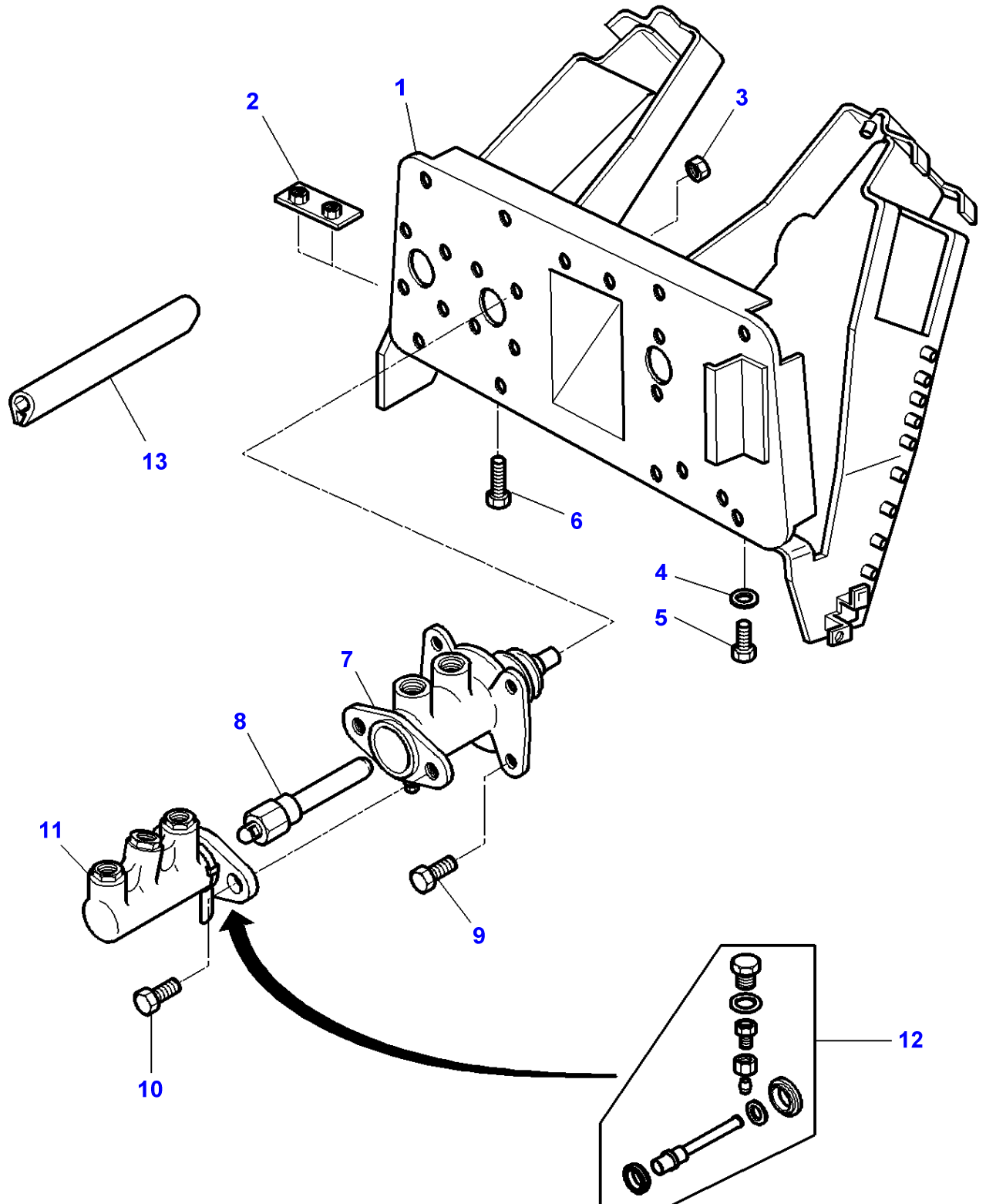
1-ZG16-004-B



Massey Ferguson**MF 8210/8220 TRACTORS - 1637365****1637365****Brakes - Pedals - With Platform****Page070-0230**

Item	Part Number	Qty	Description	Comments
1	3385604M1	4	Bearing	
2	3583924M2	1	Pedal	Right Hand
3	3384657M1	2	Spring	
4	3583925M1	1	Pedal	Left Hand
5	391290X1	1	Pin	5X30
6	3713576M1	1	Clevis Pin	
7	3583930M3	1	Latch	
8	3780395M2	2	Switch,Indirect	
9	3714488M3	1	Stop	
10	392404X1	2	Screw	
11	1626321M2	2	Skate	
12	3384656M1	2	Clevis	Length 61MM
13	3019213X1	2	Clevis Pin	
14	357146X1	2	Pin	2,8X25MM
15	4270523M1	1	Plate	

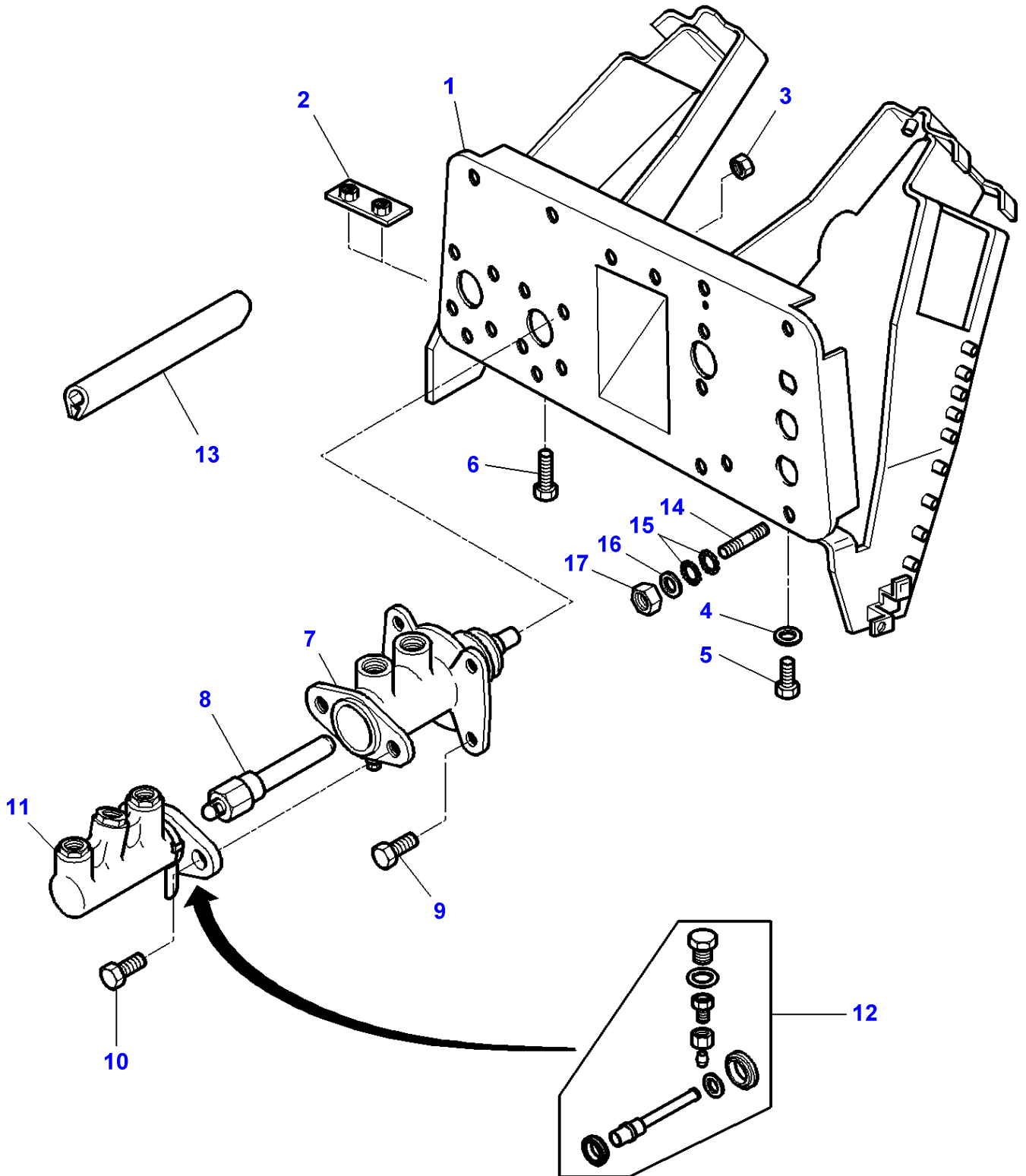
1-ZG18-001-B



Massey Ferguson**MF 8210/8220 TRACTORS - 1637365****1637365****Brakes - Master Cylinder - Assisted - Without Trailer Braking - Up To 07-01-2001****Page070-0235**

Item	Part Number	Qty	Description	Comments
1	3713562M96	1	Support	
2	3714445M1	1	Stop	
3	339169X1	4	Nut	M8
4	390972X1	8	Washer Metric	Diameter 8-17 X 1,7
5	339123X1	8	Hex. Sock. Screw	M8 X 20
	339761X1	1	Hex. Sock. Screw	M8 X 25
6	339666X1	2	Hex. Sock. Screw	M6 X 20
7	3617596M1	2	Brake Cylinder	
8	3617594M93	2	Stem	
9	339761X1	8	Hex. Sock. Screw	M8 X 25
10	339761X1	4	Hex. Sock. Screw	M8 X 25
11	3384685M3	2	Main Cylinder	
12	1810832M91	1	Kit, Repair	(11)
13	3580695M1	1	Gasket	Length 1600 MM

1-ZG18-008-C



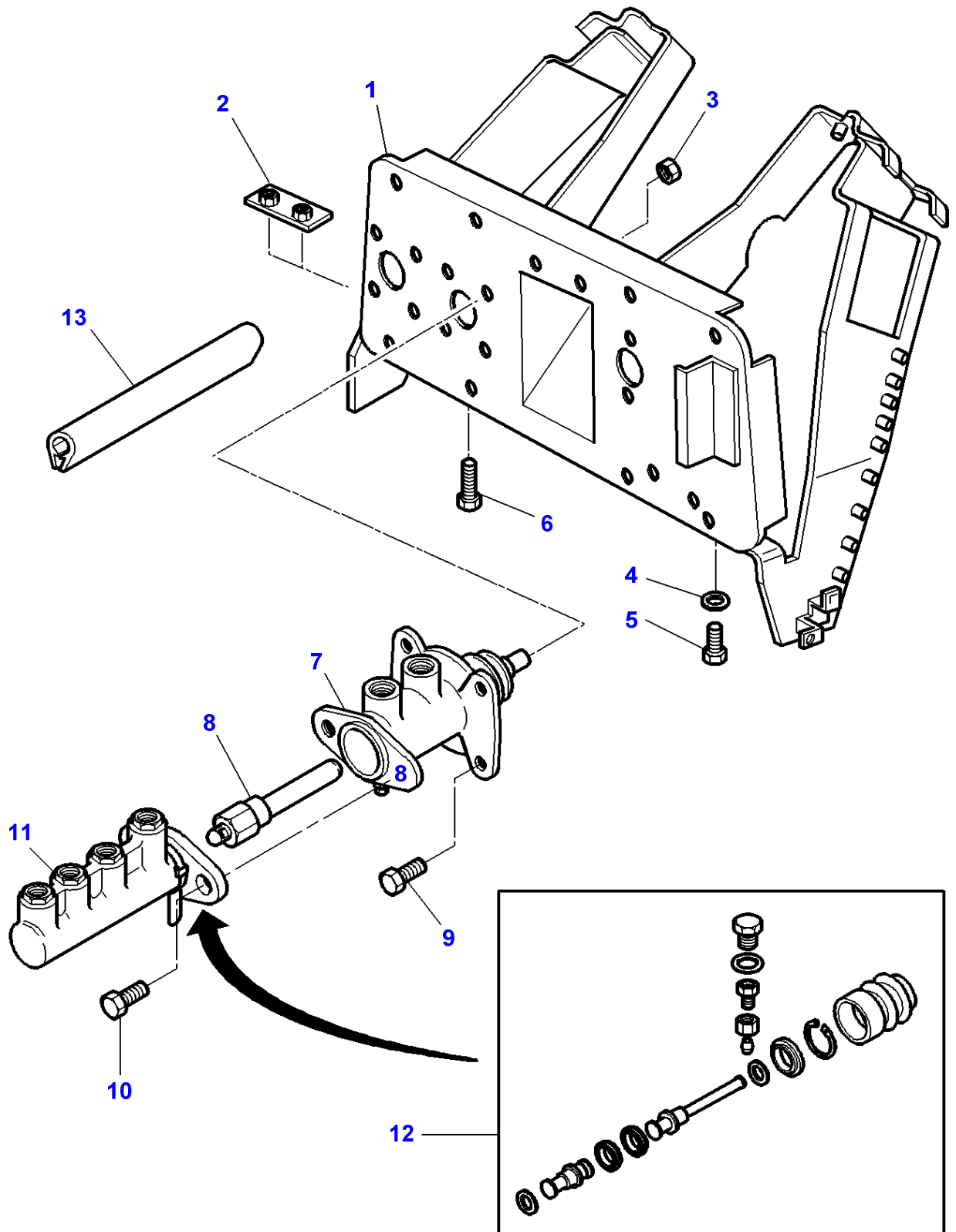
Massey Ferguson**MF 8210/8220 TRACTORS - 1637365**

1637365

Brakes - Master Cylinder - Assisted - Without Trailer Braking - From 08-01-2001 Up To L038021**Page070-0240**

Item	Part Number	Qty	Description	Comments
1	3784217M91	1	Support	
2	3714445M1	1	Stop	
3	339169X1	4	Nut	M8
4	390972X1	8	Washer Metric	Diameter 8-17 X 1,7
5	339123X1	8	Hex. Sock. Screw	M8 X 20
	339761X1	1	Hex. Sock. Screw	M8 X 25
6	339666X1	2	Hex. Sock. Screw	M6 X 20
7	3617596M1	2	Brake Cylinder	
8	3617594M93	2	Stem	
9	339761X1	8	Hex. Sock. Screw	M8 X 25
10	339761X1	4	Hex. Sock. Screw	M8 X 25
11	3384685M3	2	Main Cylinder	
12	1810832M91	1	Kit, Repair	(11)
13	3580695M1	1	Gasket	Length 1600 MM
14	3011204X1	1	Stud	M8 X 40
15	22428X	2	Lock Washer	
16	390972X1	1	Washer Metric	Diameter 8-17 X 1,7
17	339169X1	1	Nut	M8

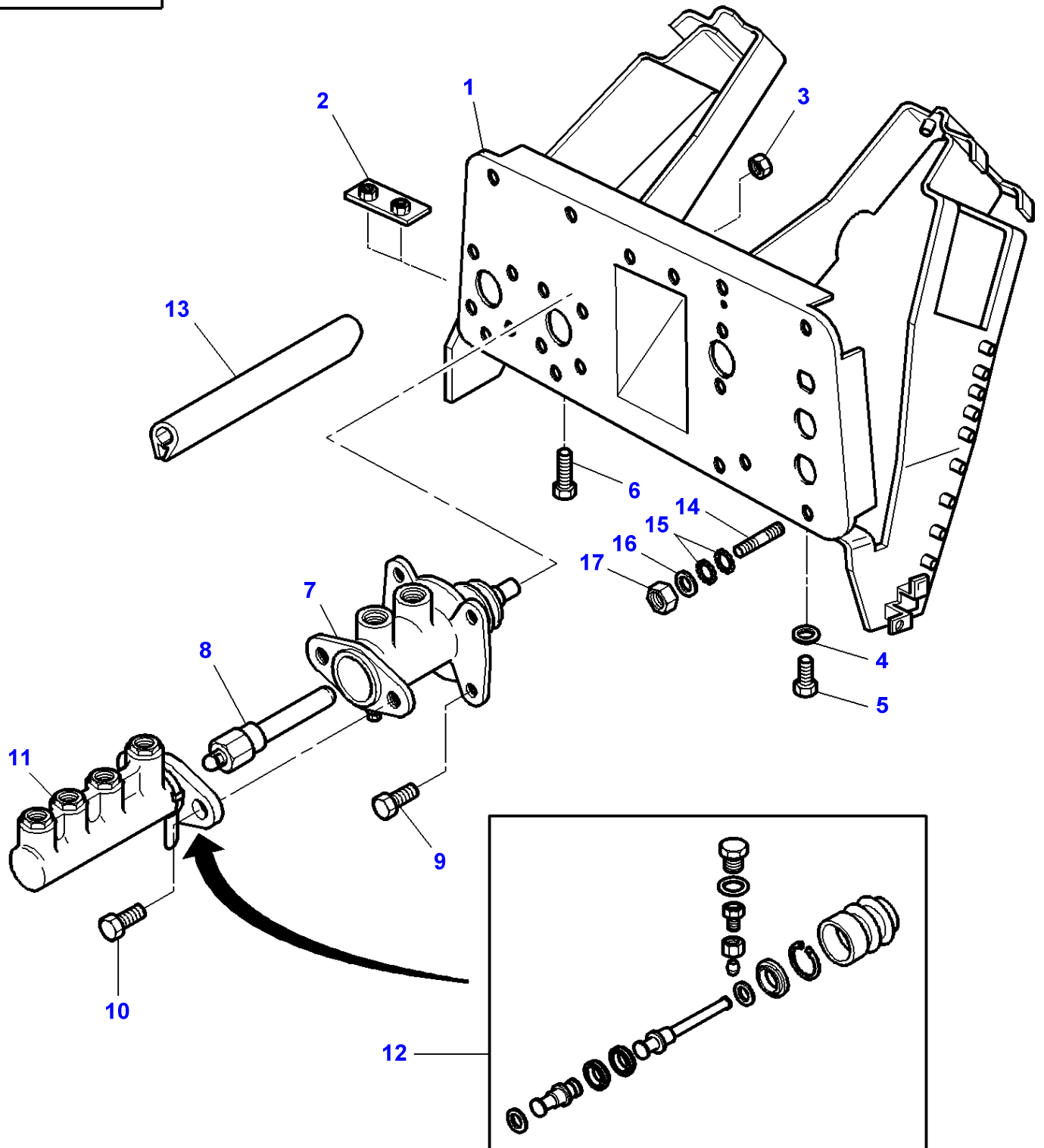
1-ZG18-004-A



Massey Ferguson**MF 8210/8220 TRACTORS - 1637365****1637365****Brakes - Master Cylinder - Assisted - With Tractor Brakes - Up To 07-01-2001****Page070-0245**

Item	Part Number	Qty	Description	Comments
1	3713562M96	1	Support	
2	3714445M1	1	Stop	
3	339169X1	4	Nut	M8
4	390972X1	8	Washer Metric	Diameter 8-17 X 1,7
5	339123X1	8	Hex. Sock. Screw	M8 X 20
6	339666X1	2	Hex. Sock. Screw	M6 X 20
7	3617596M1	2	Brake Cylinder	
8	3617594M93	2	Stem	
9	339761X1	8	Hex. Sock. Screw	M8 X 25
10	339761X1	4	Hex. Sock. Screw	M8 X 25
11	3383079M5	2	Main Cylinder	
12	1810833M91	1	Kit, Repair	
13	3580695M1	1	Gasket	Length 1600 MM

1-ZG18-010-C



Massey Ferguson**MF 8210/8220 TRACTORS - 1637365**

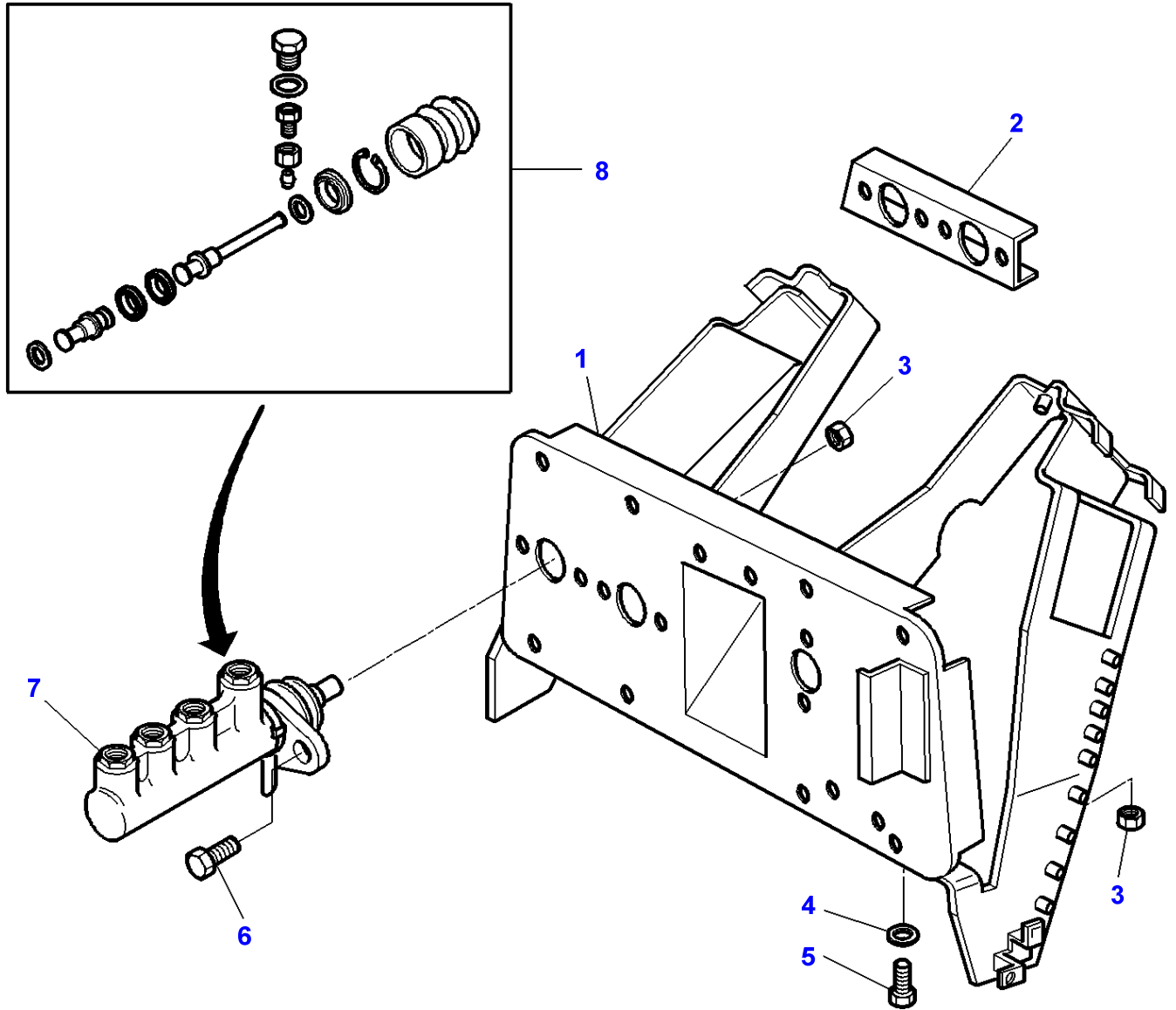
1637365

Brakes - Master Cylinder - Assisted - With Tractor Brakes - From 08-01-2001 & Up To L038021

Page070-0250

Item	Part Number	Qty	Description	Comments
1	3784217M91	1	Support	
2	3714445M1	1	Stop	
3	339169X1	4	Nut	M8
4	390972X1	8	Washer Metric	Diameter 8-17 X 1,7
5	339123X1	8	Hex. Sock. Screw	M8 X 20
	339761X1	1	Hex. Sock. Screw	M8 X 25
6	339666X1	2	Hex. Sock. Screw	M6 X 20
7	3617596M1	2	Brake Cylinder	
8	3617594M93	2	Stem	
9	339761X1	8	Hex. Sock. Screw	M8 X 25
10	339761X1	4	Hex. Sock. Screw	M8 X 25
11	3383079M5	2	Main Cylinder	
12	1810833M91	1	Kit, Repair	
13	3580695M1	1	Gasket	Length 1600 MM
14	3011204X1	1	Stud	M8 X 40
15	22428X	2	Lock Washer	
16	390972X1	1	Washer Metric	Diameter 8-17 X 1,7
17	339169X1	1	Nut	M8

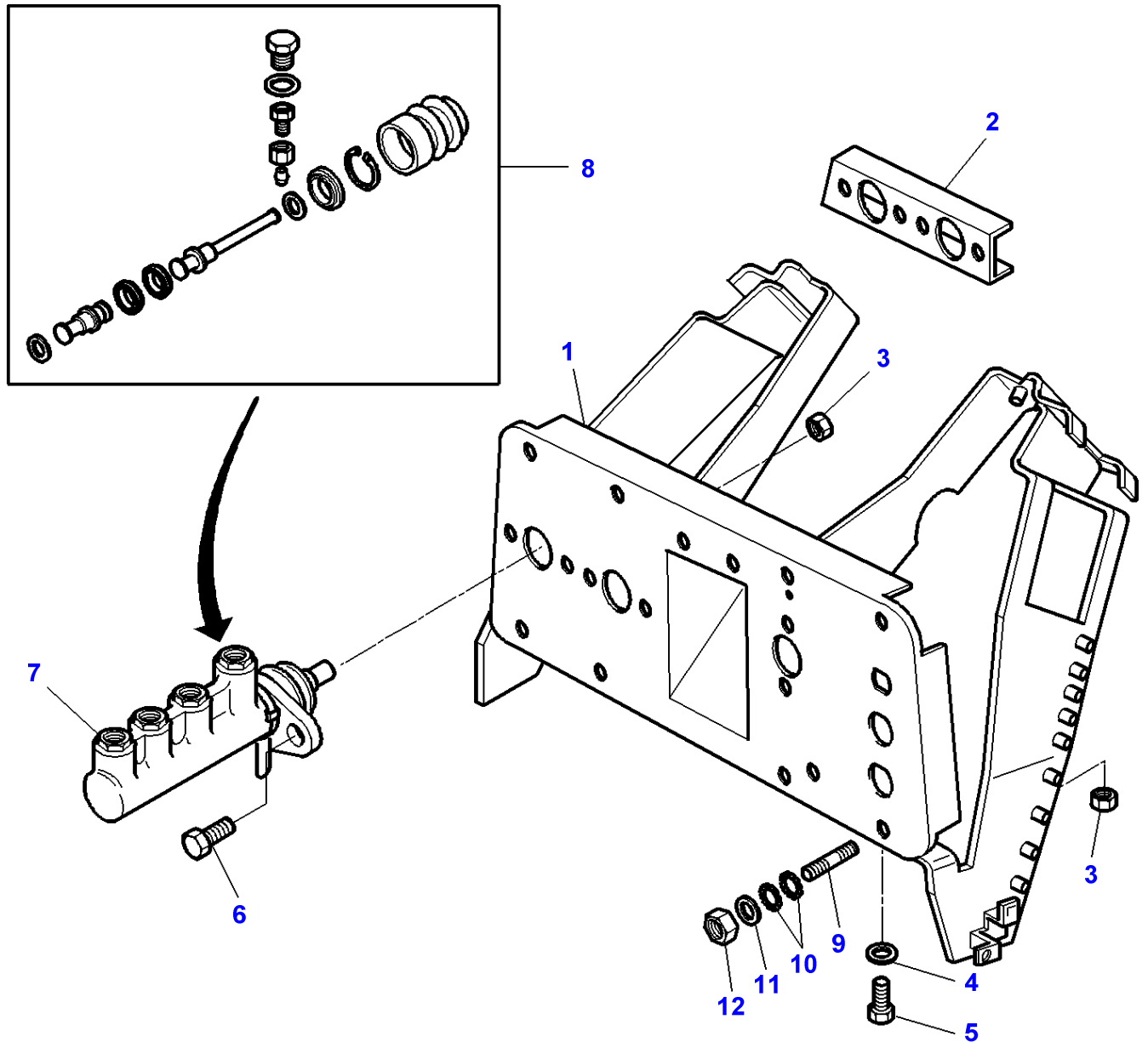
1-ZG18-005-A



Massey Ferguson**MF 8210/8220 TRACTORS - 1637365****1637365****Brakes - Master Cylinder - With Platform - Up To 07-01-2001****Page070-0255**

Item	Part Number	Qty	Description	Comments
1	3713561M96	1	Support	
2	3617305M92	1	Reinforcement	
3	339169X1	2	Nut	
4	390972X1	8	Washer Metric	
5	339123X1	8	Hex. Sock. Screw	M8X20
6	339761X1	4	Hex. Sock. Screw	
7	3383079M5	2	Main Cylinder	
8	1810833M91	1	Kit, Repair	(7)

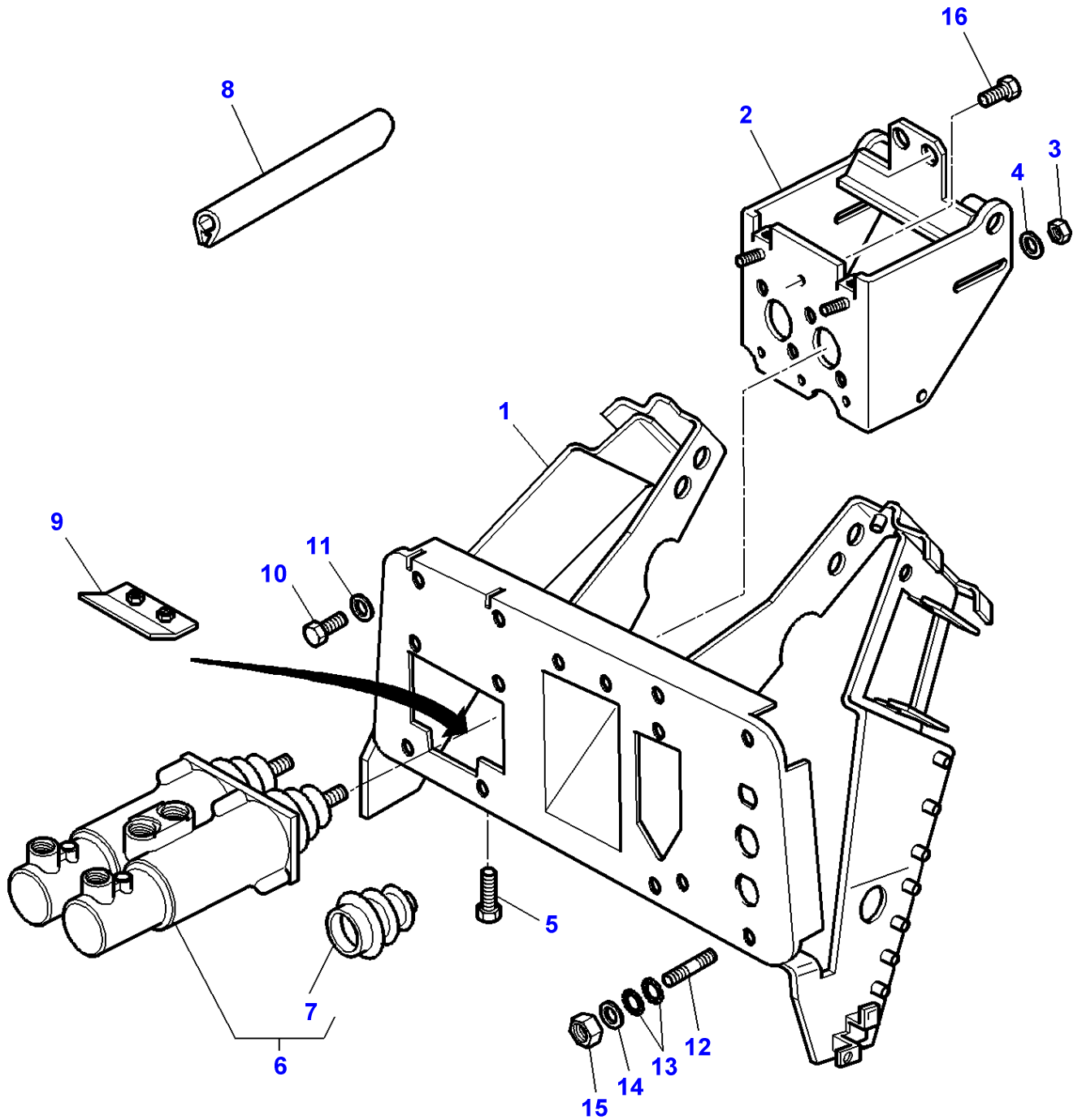
1-ZG18-014-C



Massey Ferguson**MF 8210/8220 TRACTORS - 1637365****1637365****Brakes - Master Cylinder - With Platform - From 08-01-2001 - Up To 31-01-2002****Page070-0260**

Item	Part Number	Qty	Description	Comments
1	3784216M91	1	Support	
2	3617305M92	1	Reinforcement	
3	339169X1	2	Nut	
4	390972X1	8	Washer Metric	
5	339123X1	8	Hex. Sock. Screw	M8X20
	339761X1	1	Hex. Sock. Screw	M8X25
6	339761X1	4	Hex. Sock. Screw	
7	3383079M5	2	Main Cylinder	
8	1810833M91	1	Kit, Repair	(7)
9	3011204X1	1	Stud	M8X40
10	22428X	2	Lock Washer	
11	390972X1	1	Washer Metric	
12	339169X1	1	Nut	

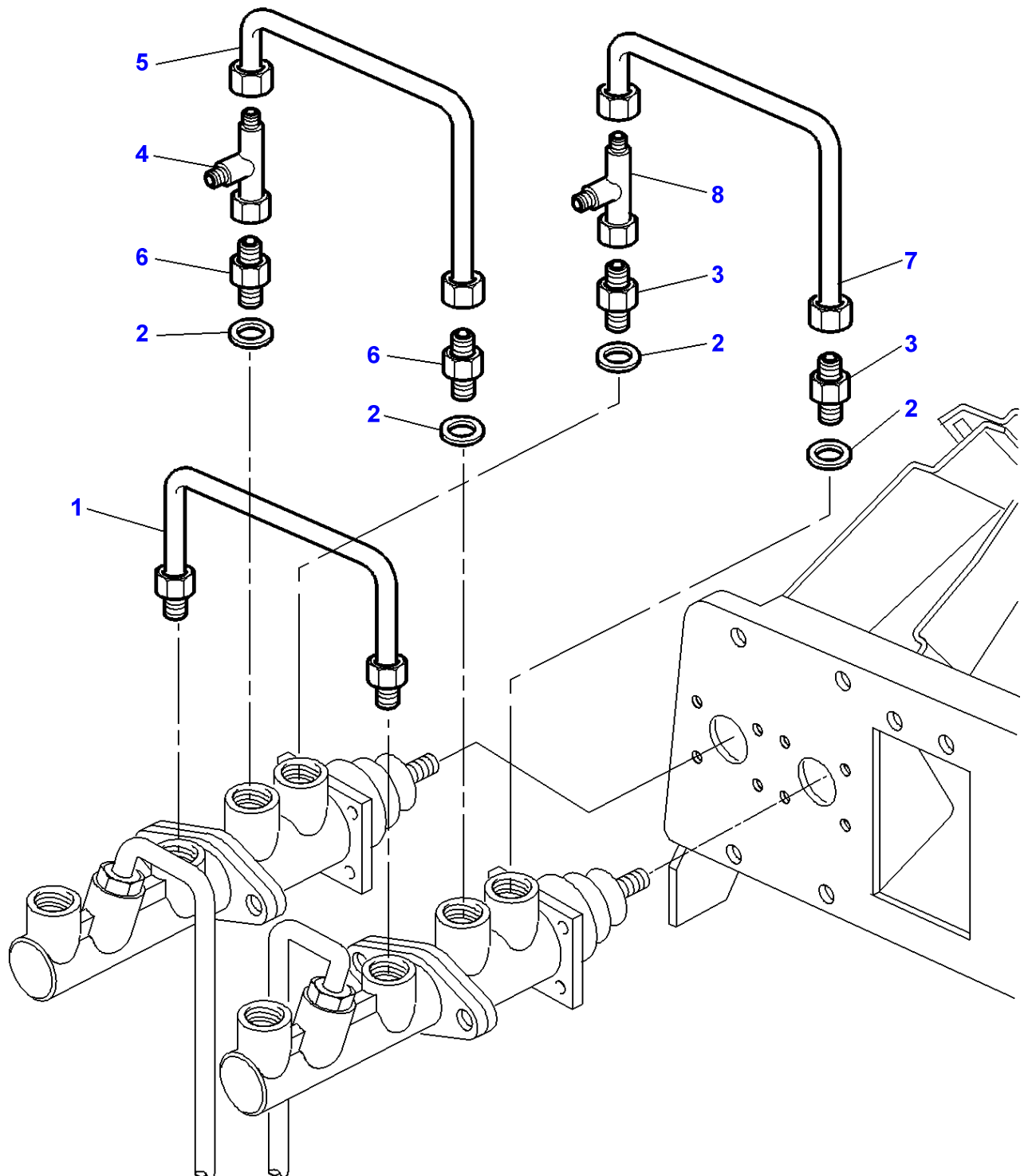
1-ZG18-018-D



Massey Ferguson**MF 8210/8220 TRACTORS - 1637365****1637365****Brakes - Master Cylinder - With Power Brakes - From L038022****Page070-0265**

Item	Part Number	Qty	Description	Comments
1	3787864M93	1	Support	
2	3785637M5	1	Support	
3	339169X1	4	Nut	Up to Serial or Engine Number M183044 M8
4	390972X1	4	Washer Metric	Up to Serial or Engine Number M183044 Diameter 8-17 X 1,7
5	339666X1	2	Hex. Sock. Screw	M6 X 20
6	3786100M2	1	Brake Cylinder	
7	3903845M1	1	Bellows	(6)
8	3580695M1	1	Gasket	
9	3785650M1	1	Stop	
10	339123X1	8	Hex. Sock. Screw	M8 X 20
11	390972X1	8	Washer Metric	Diameter 8-17 X 1,7
12	3011204X1	1	Stud	M8 X 40
13	22428X	2	Lock Washer	
14	390972X1	1	Washer Metric	Diameter 8-17 X 1,7
15	339169X1	1	Nut	M8
16	339230X1	2	Hex. Sock. Screw	From Serial or Engine Number M183045 M6 X 10

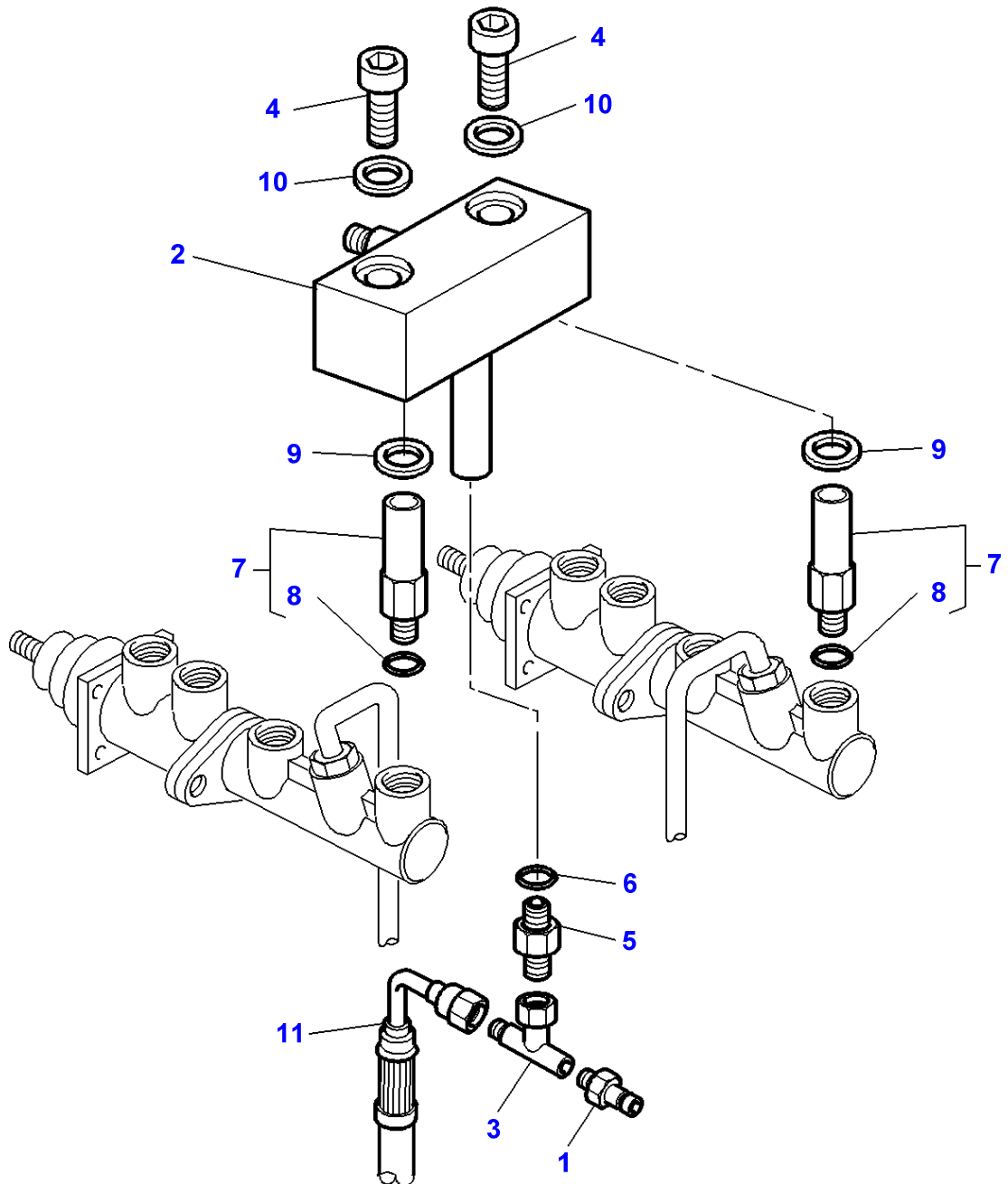
1-ZG32-001-A



Massey Ferguson**MF 8210/8220 TRACTORS - 1637365****1637365****Brakes - Brake Pipes And Master Cylinder - ASSISTED-WITHOUT TRAILER BRAKING UP TO L038021****Page070-0270**

Item	Part Number	Qty	Description	Comments
1	3386681M92	1	Tube	
2	3004861X1	4	Washer	
3	3019574X1	2	Union	
4	364735X1	1	Teepiece	3/4"-16
5	3387574M91	1	Tube	
6	3019382X1	2	Union	
7	3386678M91	1	Tube	
8	377218X1	1	Teepiece	9/16"-18

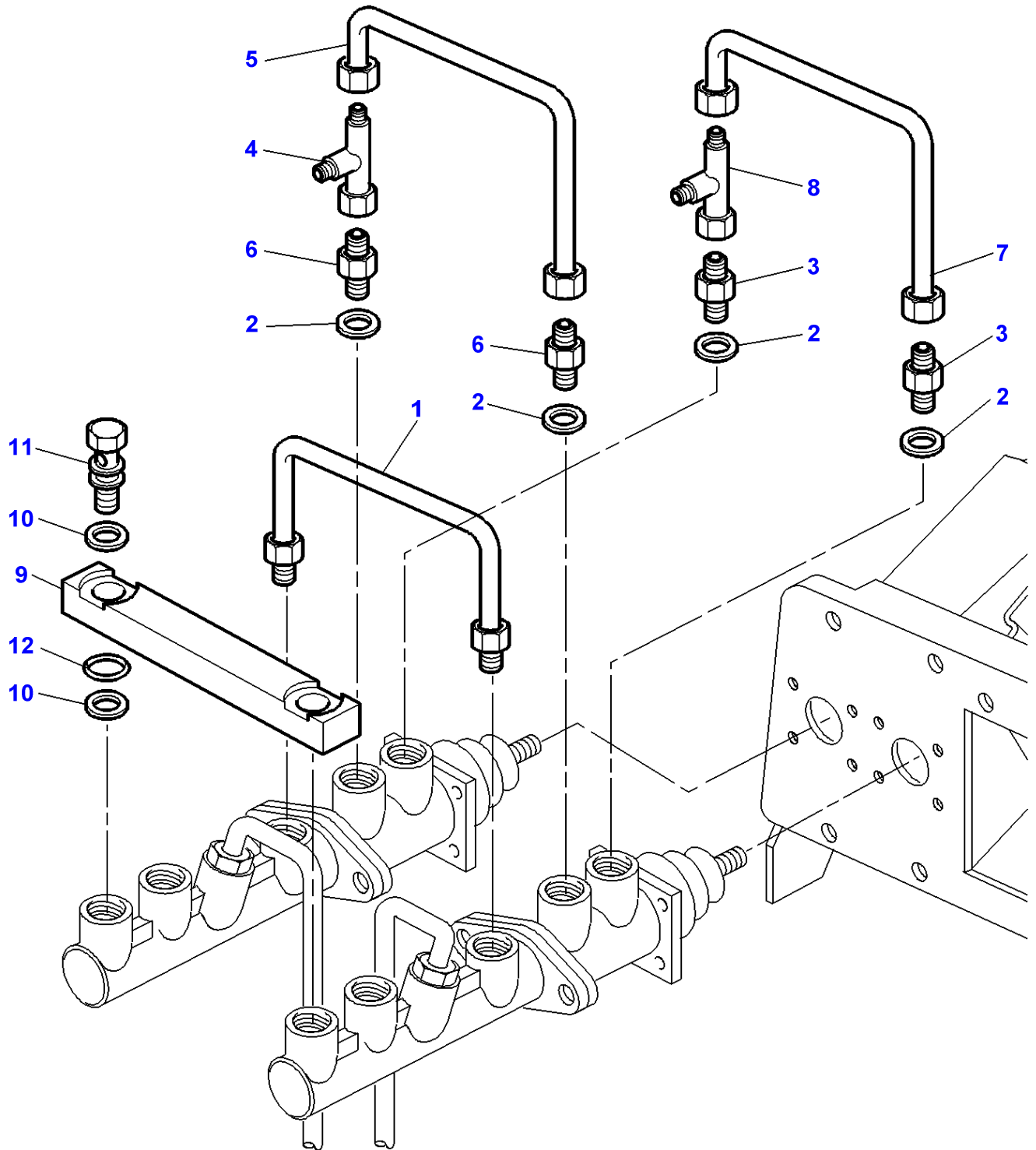
1-ZP78-010-B



Massey Ferguson**MF 8210/8220 TRACTORS - 1637365****1637365****Brakes - Assisted- Pipes And Fitting - ASSISTED-WITHOUT TRAILER BRAKING UP TO L038021****Page070-0275**

Item	Part Number	Qty	Description	Comments
1	3384387M1	1	Pressure Intake	
2	3778712M94	1	Tank	
3	3780180M1	1	Teepiece	
4	1441000X1	2	Screw Metric	M8 X 16
5	3617226M1	1	Jet	
6	3019395X1	1	O Ring	
7	3778718M92	2	Union	
8	3019395X1	1	O Ring	(7)
9	3778767M1	2	Bush	Diameter 14 MM
10	3778766M1	2	Bush	Diameter 8 MM
11	3782337M2	1	Hydr Hose	Length 1650 MM

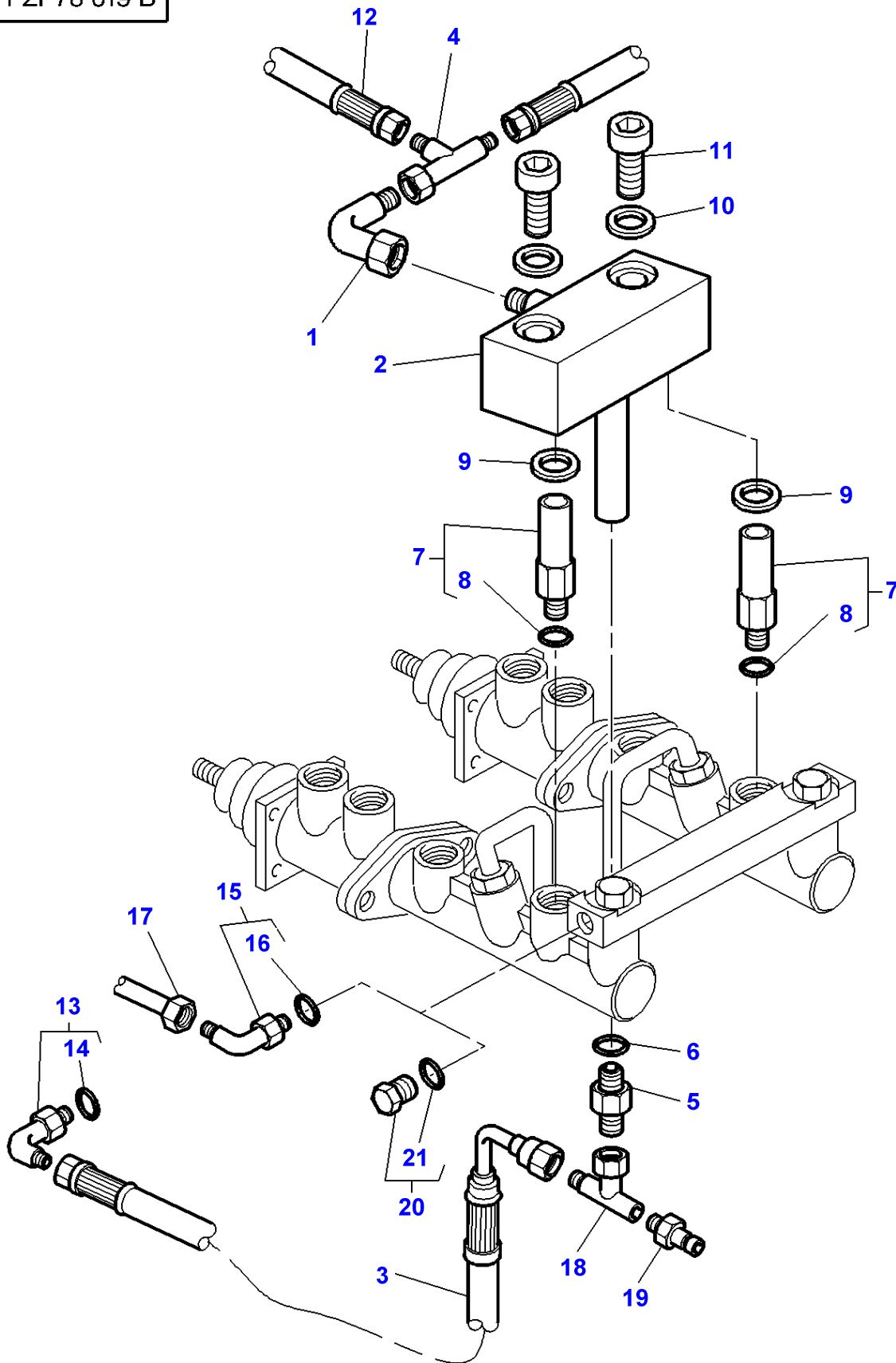
1-ZG32-006-A



Massey Ferguson**MF 8210/8220 TRACTORS - 1637365****1637365****Brakes - Brake Pipes And Master Cylinder - Assisted - With Traylor Brakes - Up To L038021****Page070-0280**

Item	Part Number	Qty	Description
1	3386681M92	1	Tube
2	3004861X1	4	Washer
3	3019574X1	2	Union
4	364735X1	1	Teepiece
5	3387574M91	1	Tube
6	3019382X1	2	Union
7	3386678M91	1	Tube
8	377218X1	1	Teepiece
9	3581463M2	1	Bar
10	3581464M1	4	Bush
11	3581491M1	2	Banjo Bolt
12	3019395X1	2	O Ring

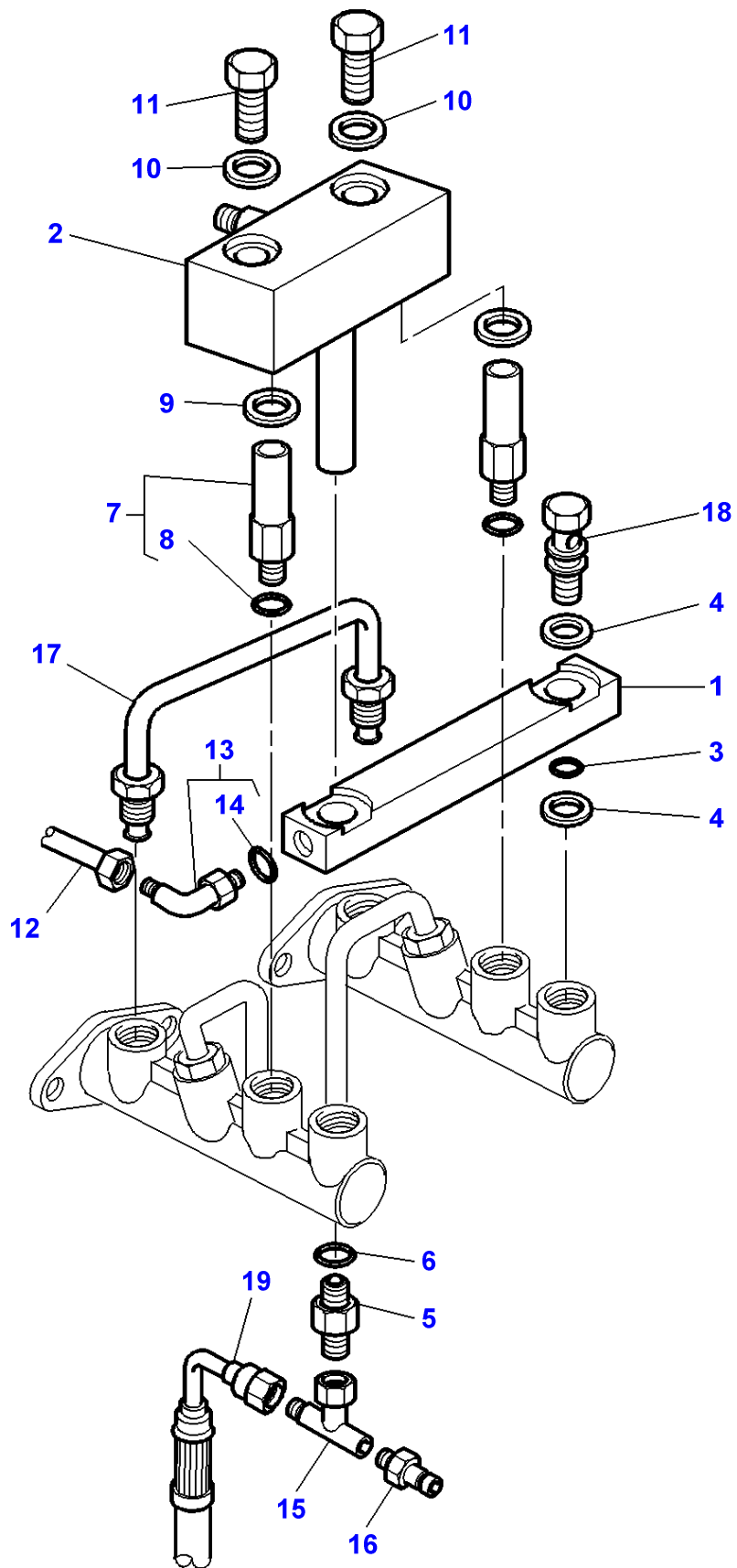
1-ZP78-019-B



Item	Part Number	Qty	Description	Comments
1	364603X1	1	Elbow	
2	3778712M94	1	Tank	
3	3782337M2	1	Hydr Hose	Length 1650MM
4	3791175M92	1	Union	
5	3617226M1	1	Jet	
6	3019395X1	1	O Ring	
7	3778718M92	2	Union	
8	3019395X1	1	O Ring	(7)
9	3778767M1	2	Bush	Diameter 14MM
10	3778766M1	2	Bush	Diameter 8MM
11	1441000X1	2	Screw Metric	M8X16
12	3781572M1	1	Hydr Hose	
13	3019418X91	1	Elbow Nipple	M18
14	3019398X1	1	O Ring	(13)
15	3019694X91	1	Union	
16	3019395X1	1	O Ring	(15)
17	3778045M2	1	Tubing	
18	3780180M1	1	Teepiece	
19	3384387M1	1	Pressure Intake	
20	3019639X91	1	Plug	[A]
21	3019395X1	1	O Ring	(20)

FOOTNOTE [A] WITH PNEUMATIC BRAKE

1-ZG32-007-A



Massey Ferguson**MF 8210/8220 TRACTORS - 1637365**

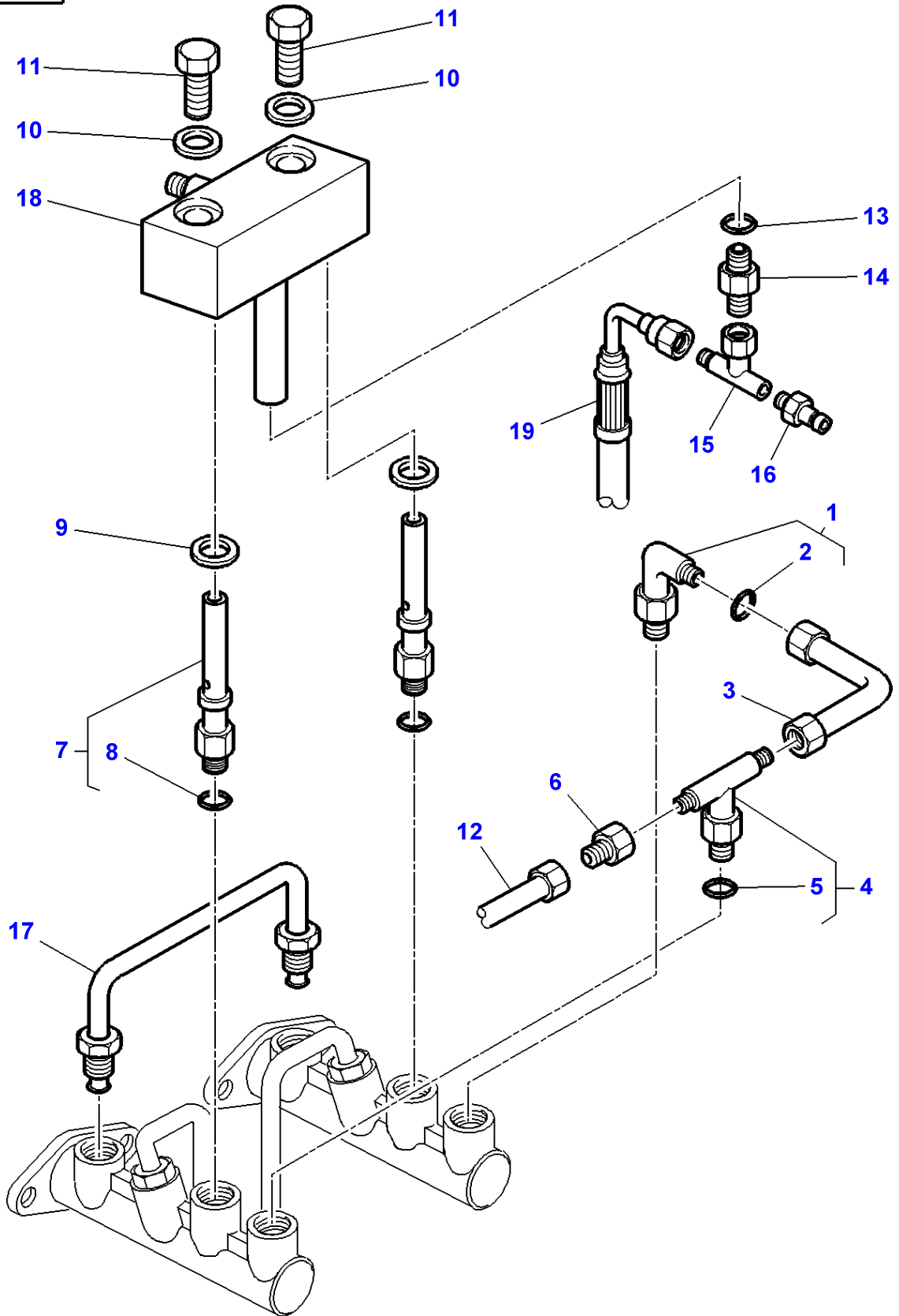
1637365

Brakes - Brake Pipes And Master Cylinder - With Trailer Braking - Platforme - Up To M077051

Page070-0290

Item	Part Number	Qty	Description	Comments
1	3581463M2	1	Bar	
2	3778712M94	1	Tank	
3	3019395X1	2	O Ring	
4	3581464M1	4	Bush	
5	3617226M1	1	Jet	
6	3019395X1	1	O Ring	
7	3778718M92	2	Union	
8	3019395X1	1	O Ring	(7)
9	3778767M1	2	Bush	Diameter 14MM
10	3778766M1	2	Bush	Diameter 8MM
11	339123X1	2	Hex. Sock. Screw	M8X20
12	3778034M3	1	Tubing	
13	3019694X91	1	Union	M14
14	3019395X1	1	O Ring	(13)
15	3780180M1	1	Teepiece	
16	3384387M1	1	Pressure Intake	
17	3386681M92	1	Tube	
18	3581491M1	2	Banjo Bolt	
19	3778665M1	1	Hydr Hose	

1-ZG32-011-A



Massey Ferguson**MF 8210/8220 TRACTORS - 1637365**

1637365

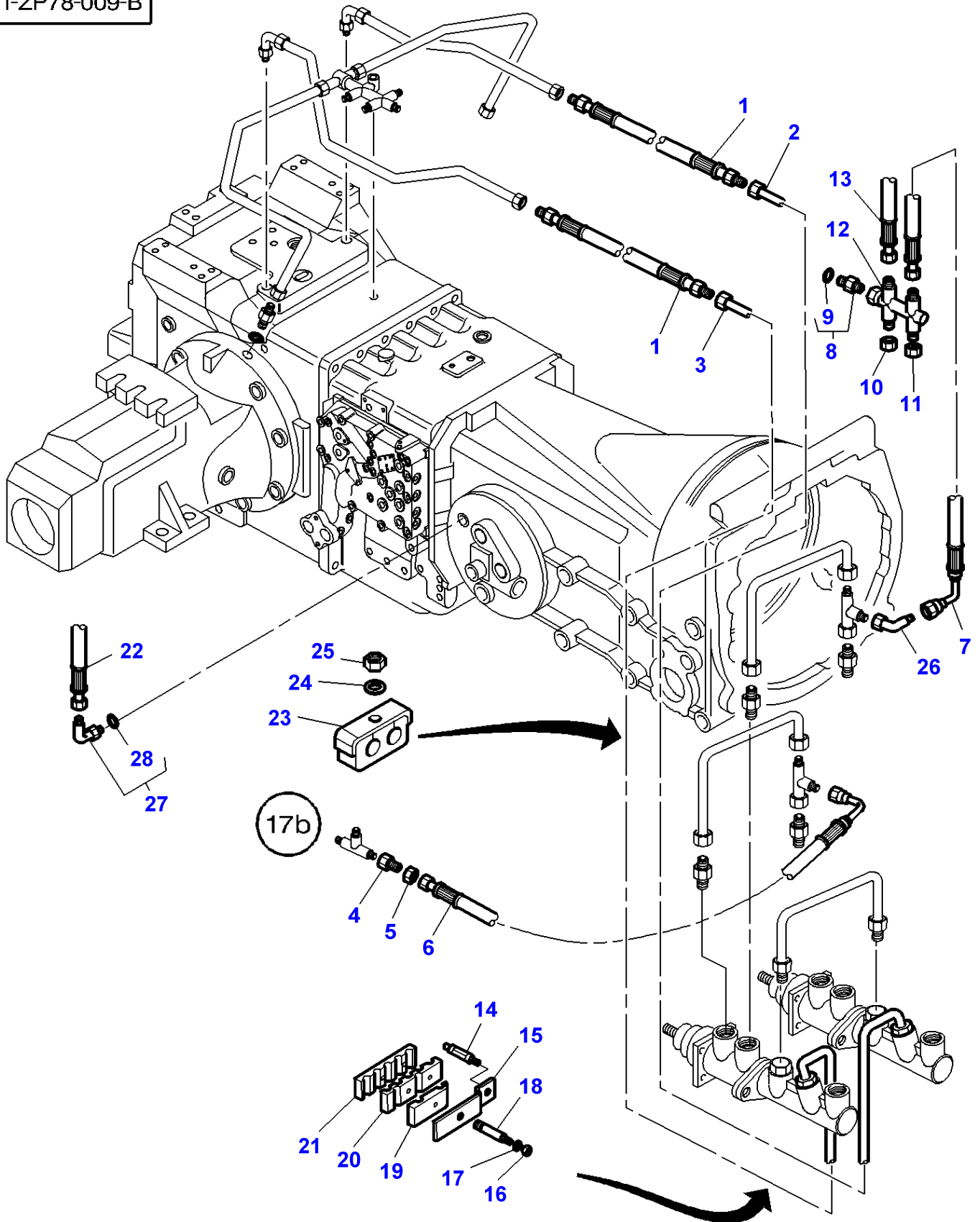
Brakes - Brake Pipes And Master Cylinder - With Trailer Braking - Platforme - From M077052

Page070-0295

Item	Part Number	Qty	Description	Comments
1	3019412X91	1	Elbow	
2	3019395X1	1	O Ring	(1)
3	4270772M1	1	Tube	
4	3019607X91	1	Teepiece	
5	3019395X1	1	O Ring	(4)
6	4270795M1	1	Reducer	
7	4270801M91	2	Union	
8	3019395X1	1	O Ring	(7)
9	3778767M1	2	Bush	Diameter 14MM
10	3778766M1	2	Bush	Diameter 8MM
11	339123X1	2	Hex. Sock. Screw	M8X20
12	4270797M1	1	Tube	
13	3019395X1	1	O Ring	
14	3617226M1	1	Jet	
15	3780180M1	1	Teepiece	
16	3384387M1	1	Pressure Intake	
17	3386681M92	1	Tube	
18	3778712M94	1	Tank	
19	3778665M1	1	Hydr Hose	

MF 8210/8220 TRACTORS - 1637365
1-ZP78-009-B

1-ZP78-009-B

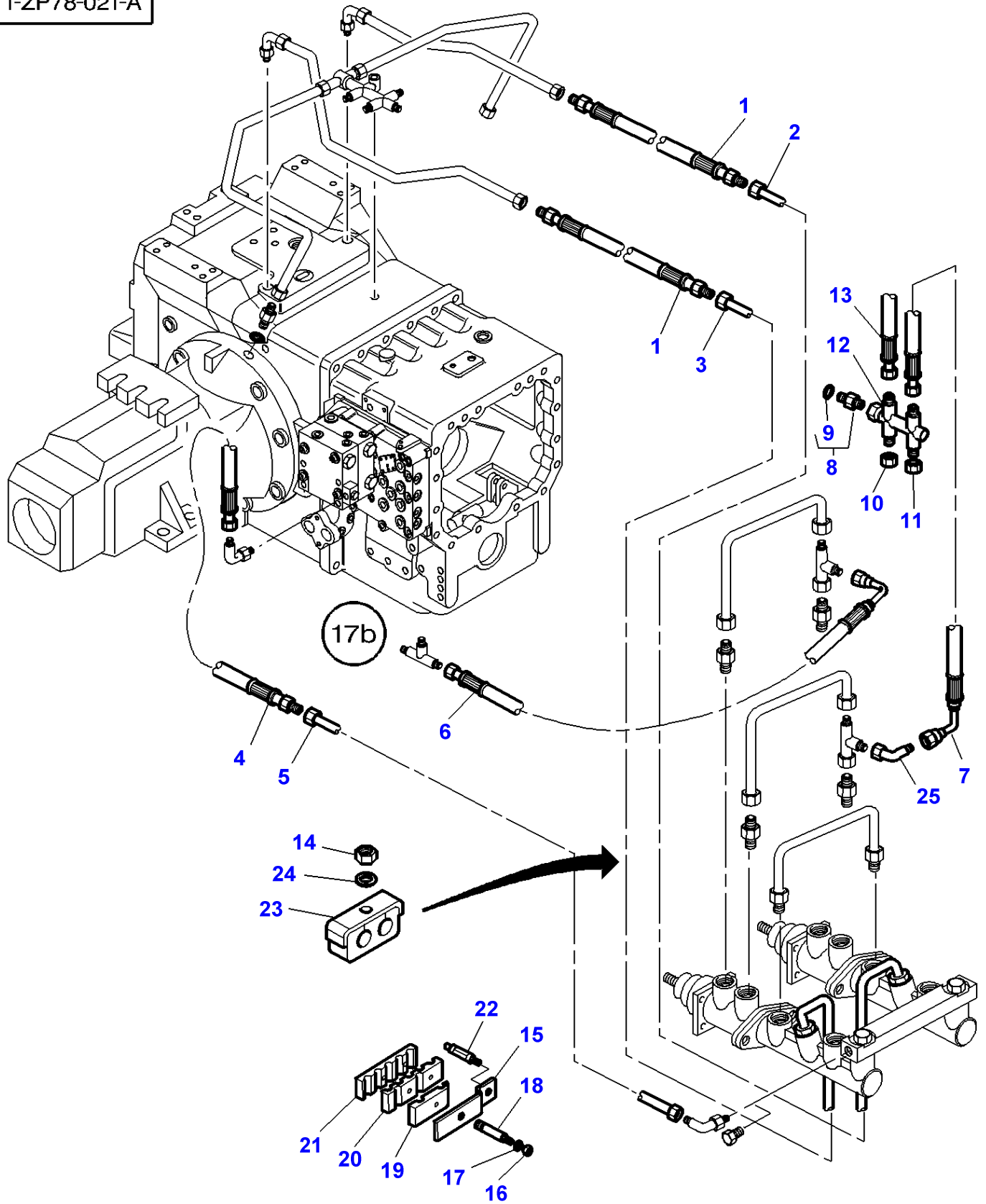


Item	Part Number	Qty	Description	Comments
1	3778585M1	2	Hydr Hose	
2	3778041M3	1	Tube	Left Hand
	3778031M2	1	Tubing	[A] Left Hand
3	3778040M2	1	Tube	Right Hand
	3778030M2	1	Tubing	[A] Right Hand
4	22576X	1	Union Nut	
5	356629X1	1	Reducer	
6	3386947M2	1	Hydr Hose	
7	3779446M1	1	Hydr Hose	
8	3019387X91	1	Union	
9	3019398X1	1	O Ring	(8)
10	356580X1	1	Plug	
11	356579X1	1	Cap	
12	3777412M1	1	Union	
13	3783516M1	1	Hydr Hose	
14	3778279M1	1	Stud	
15	3778280M1	1	Plate	
16	1441500X1	1	Locknut	M6
17	391038X1	3	Washer	
18	3715878M3	1	Stud	Diameter M8/M6
19	3715882M1	1	Bridle	
20	3715881M1	1	Bridle	
21	3715880M1	1	Bridle	
22	3782337M2	1	Hydr Hose	Length 1650MM
23	3780550M1	2	Bridle	
24	391038X1	2	Washer	
25	339030X1	2	Nut Metric	
26	365233X1	1	Elbow	
27	3019418X91	1	Elbow Nipple	M22
28	3019398X1	1	O Ring	(27)

FOOTNOTE [A] TRACTOR WITH PLATFORM

MF 8210/8220 TRACTORS - 1637365
1-ZP78-021-A

1-ZP78-021-A



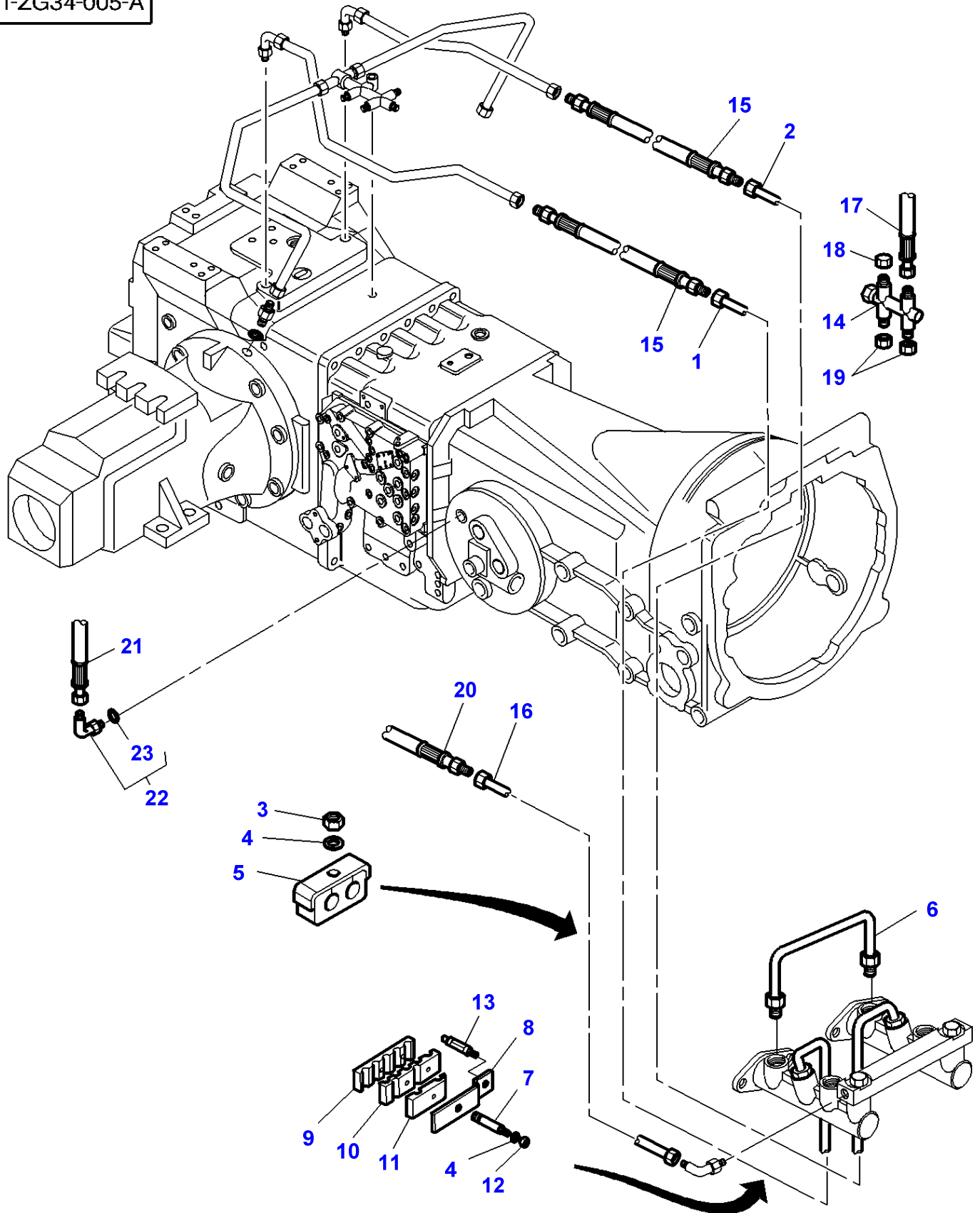
Item	Part Number	Qty	Description	Comments
1	3778585M1	2	Hydr Hose	
2	3778043M3	1	Tube	Left Hand
	3778033M2	1	Tubing	[A] Left Hand
3	3778042M2	1	Tube	Right Hand
	3778032M2	1	Tubing	[A] Right Hand
4	3778586M2	1	Hydr Hose	[B] Length 950MM
5	3778045M2	1	Tubing	[B]
	3778035M2	1	Tubing	[A]
6	3386947M2	1	Hydr Hose	
7	3779446M1	1	Hydr Hose	
8	3019387X91	1	Union	
9	3019398X1	1	O Ring	(8)
10	356580X1	1	Plug	
11	356579X1	1	Cap	
12	3777412M1	1	Union	
13	3779448M2	1	Tube	
14	339030X1	2	Nut Metric	
15	3778280M1	1	Plate	
16	1441500X1	1	Locknut	M6
17	391038X1	3	Washer	
18	3715878M3	1	Stud	Diameter M8/M6
19	3715882M1	1	Bridle	
20	3715881M1	1	Bridle	
21	3715880M1	1	Bridle	
22	3778279M1	1	Stud	
23	3780550M1	2	Bridle	
24	391038X1	2	Washer	
25	365233X1	1	Elbow	

FOOTNOTE [A] TRACTOR WITH PLATFORM

FOOTNOTE [B] WITHOUT PNEUMATIC BRAKE

MF 8210/8220 TRACTORS - 1637365
1-ZG34-005-A

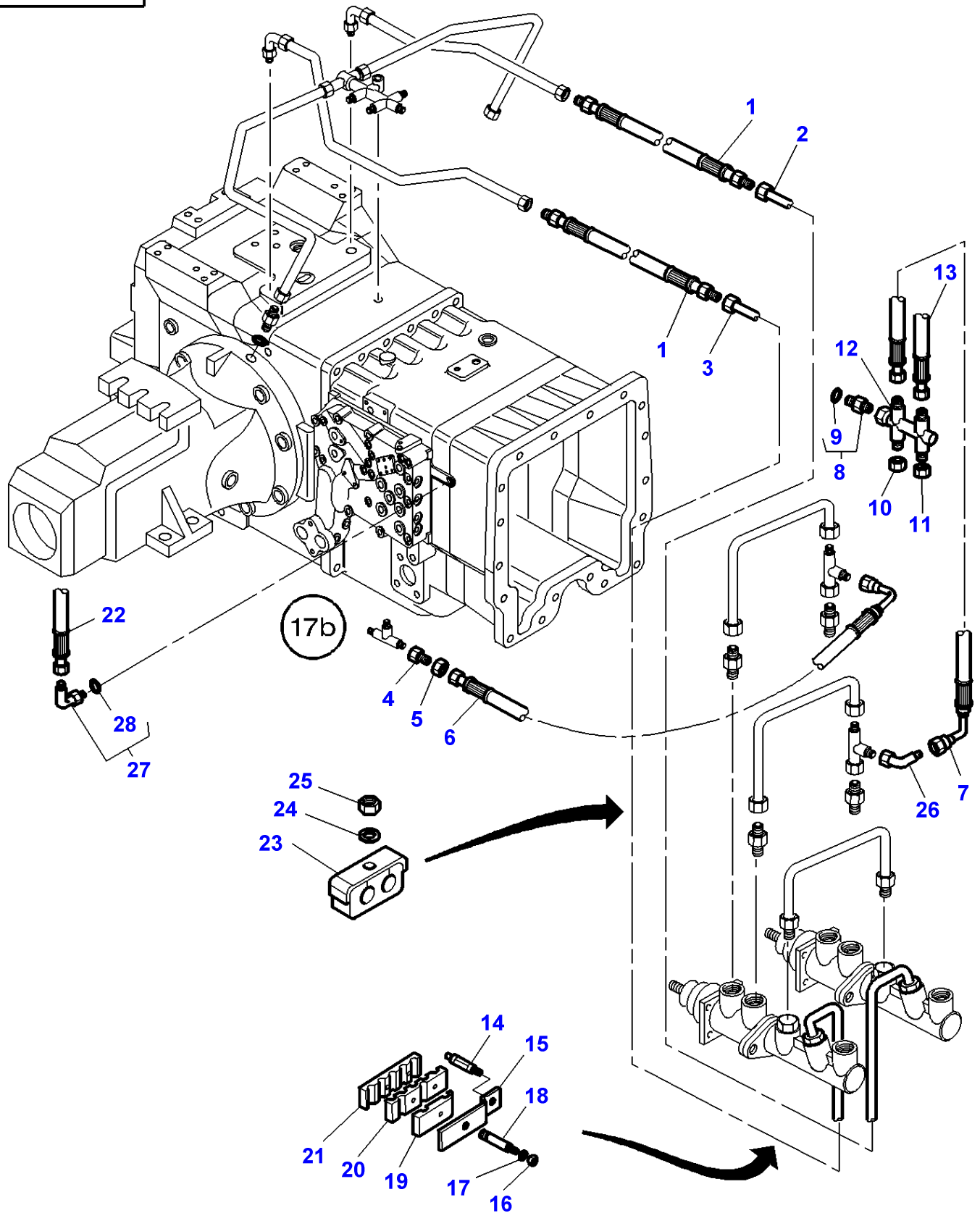
1-ZG34-005-A



Item	Part Number	Qty	Description	Comments
1	3778028M2	1	Tubing	Right Hand
2	3778029M2	1	Tubing	Left Hand
3	339030X1	2	Nut Metric	
4	391038X1	3	Washer	
5	3780550M1	2	Bridle	
6	3386681M92	1	Tube	
7	3715878M3	1	Stud	Diameter M8/M6
8	3778280M1	1	Plate	
9	3715880M1	1	Bridle	
10	3715881M1	1	Bridle	
11	3715882M1	1	Bridle	
12	1441500X1	1	Locknut	M6
13	3778279M1	1	Stud	M8
14	3777412M1	1	Union	
15	3778585M1	2	Hydr Hose	
16	4270797M1	1	Tube	From Serial or Engine Number M077052
	3778034M3	1	Tubing	Up to Serial or Engine Number M077051
17	3782425M1	1	Tube	
18	22833X	1	Cap	
19	70923737	2	Plug	
20	3778586M2	1	Hydr Hose	Length 950MM
21	3778665M1	1	Hydr Hose	
22	3019418X91	1	Elbow Nipple	
23	3019398X1	1	O Ring	(22)

MF 8210/8220 TRACTORS - 1637365
1-ZP78-013-B

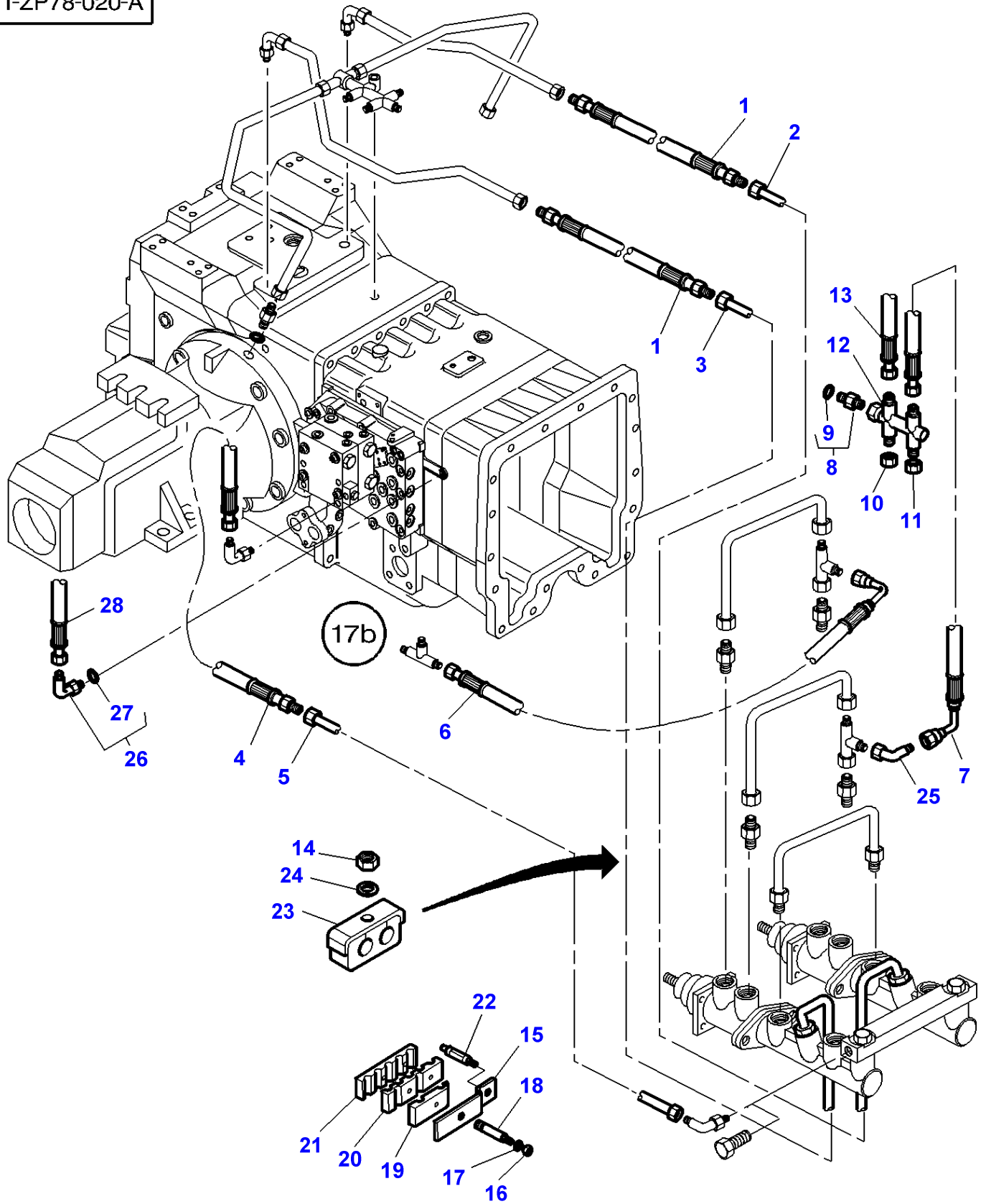
1-ZP78-013-B



Item	Part Number	Qty	Description	Comments
1	3778585M1	2	Hydr Hose	
2	3778041M3	1	Tube	Left Hand
3	3778040M2	1	Tube	Right Hand
4	22576X	1	Union Nut	
5	356629X1	1	Reducer	
6	3778664M2	1	Hydr Hose	Length 1800MM
7	3778663M1	1	Hydr Hose	Length 1600MM
8	3019387X91	1	Union	
9	3019398X1	1	O Ring	(8)
10	356580X1	1	Plug	
11	356579X1	1	Cap	
12	3777412M1	1	Union	
13	3783517M1	1	Hydr Hose	
14	3778279M1	1	Stud	
15	3778280M1	1	Plate	
16	1441500X1	1	Locknut	M6
17	391038X1	3	Washer	
18	3715878M3	1	Stud	Diameter M8/M6
19	3715882M1	1	Bridle	
20	3715881M1	1	Bridle	
21	3715880M1	1	Bridle	
22	3782337M2	1	Hydr Hose	Length 1650MM
23	3780550M1	2	Bridle	
24	391038X1	2	Washer	
25	339030X1	2	Nut Metric	
26	365233X1	1	Elbow	
27	3019416X91	1	Elbow	M18
28	3019397X1	1	O Ring	(27)

MF 8210/8220 TRACTORS - 1637365
1-ZP78-020-A

1-ZP78-020-A

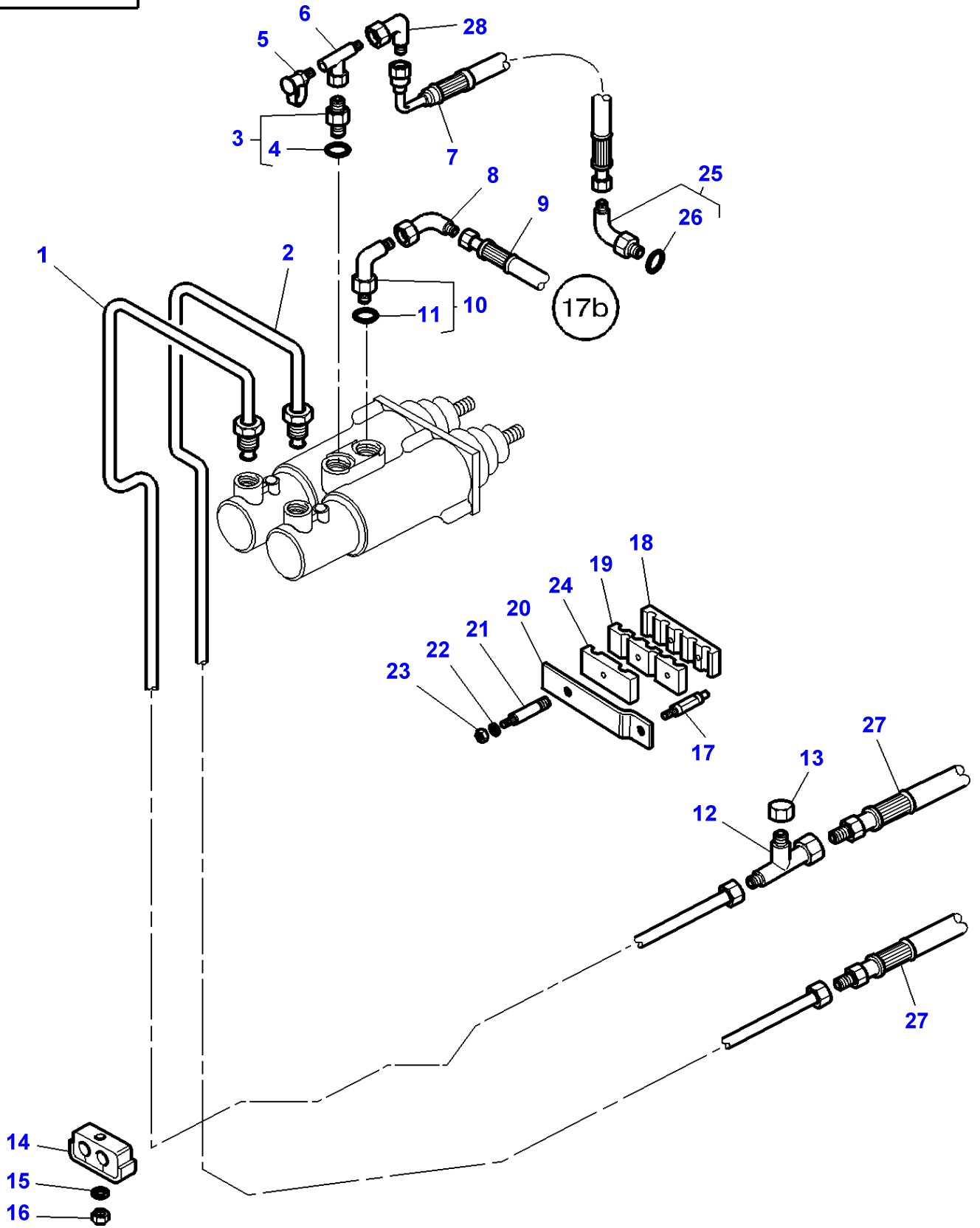


Item	Part Number	Qty	Description	Comments
1	3778585M1	2	Hydr Hose	
2	3778043M3	1	Tube	Left Hand
3	3778042M2	1	Tube	Right Hand
4	3778586M2	1	Hydr Hose	[A] Length 950MM
5	3778045M2	1	Tubing	[A]
6	3778664M2	1	Hydr Hose	Length 1800MM
7	3778663M1	1	Hydr Hose	Length 1600MM
8	3019387X91	1	Union	
9	3019398X1	1	O Ring	(8)
10	356580X1	1	Plug	
11	356579X1	1	Cap	
12	3777412M1	1	Union	
13	3779448M2	1	Tube	
14	339030X1	2	Nut Metric	
15	3778280M1	1	Plate	
16	1441500X1	1	Locknut	M6
17	391038X1	3	Washer	
18	3715878M3	1	Stud	Diameter M8/M6
19	3715882M1	1	Bridle	
20	3715881M1	1	Bridle	
21	3715880M1	1	Bridle	
22	3778279M1	1	Stud	
23	3780550M1	2	Bridle	
24	391038X1	2	Washer	
25	365233X1	1	Elbow	
26	3019416X91	1	Elbow	
27	3019397X1	1	O Ring	(26)
28	3782337M2	1	Hydr Hose	Length 1650MM

FOOTNOTE [A] WITHOUT PNEUMATIC BRAKE

MF 8210/8220 TRACTORS - 1637365
1-ZP78-022-B

1-ZP78-022-B



Item	Part Number	Qty	Description	Comments
1	3786343M1	1	Tube	
	3786345M1	1	Tube	[A]
2	3786342M1	1	Tube	
	3786344M1	1	Tube	[A]
3	3019385X91	1	Union	Up to Serial or Engine Number L067030
	3789776M2	1	Union	From Serial or Engine Number L067031
4	3019397X1	1	O Ring	(3)
5	3384387M1	1	Pressure Intake	
6	3780180M1	1	Teepiece	
7	3780832M5	1	Hydr Hose	Length 800MM
8	364603X1	1	Elbow	
9	3782787M1	1	Hydr Hose	Length 1400MM
10	3019412X91	1	Elbow	
11	3019395X1	1	O Ring	(10)
12	373796X1	1	Teepiece	
13	356578X1	1	Plug	
14	3780550M1	2	Bridle	
15	391038X1	2	Washer	
16	339030X1	2	Nut Metric	
17	3778279M1	1	Stud	
18	3715880M1	1	Bridle	
19	3715881M1	1	Bridle	
20	3778280M1	1	Plate	
21	3715878M3	1	Stud	
22	391038X1	1	Washer	
23	1441500X1	1	Locknut	
24	3715882M1	1	Bridle	
25	3019418X91	1	Elbow Nipple	[B]
	3019416X91	1	Elbow	[C]
26	3019398X1	1	O Ring	[B]
				(25)
	3019397X1	1	O Ring	[C]
				(25)
27	3778585M1	2	Hydr Hose	Length 500MM
28	367386X1	1	Elbow	From Serial or Engine Number L042005

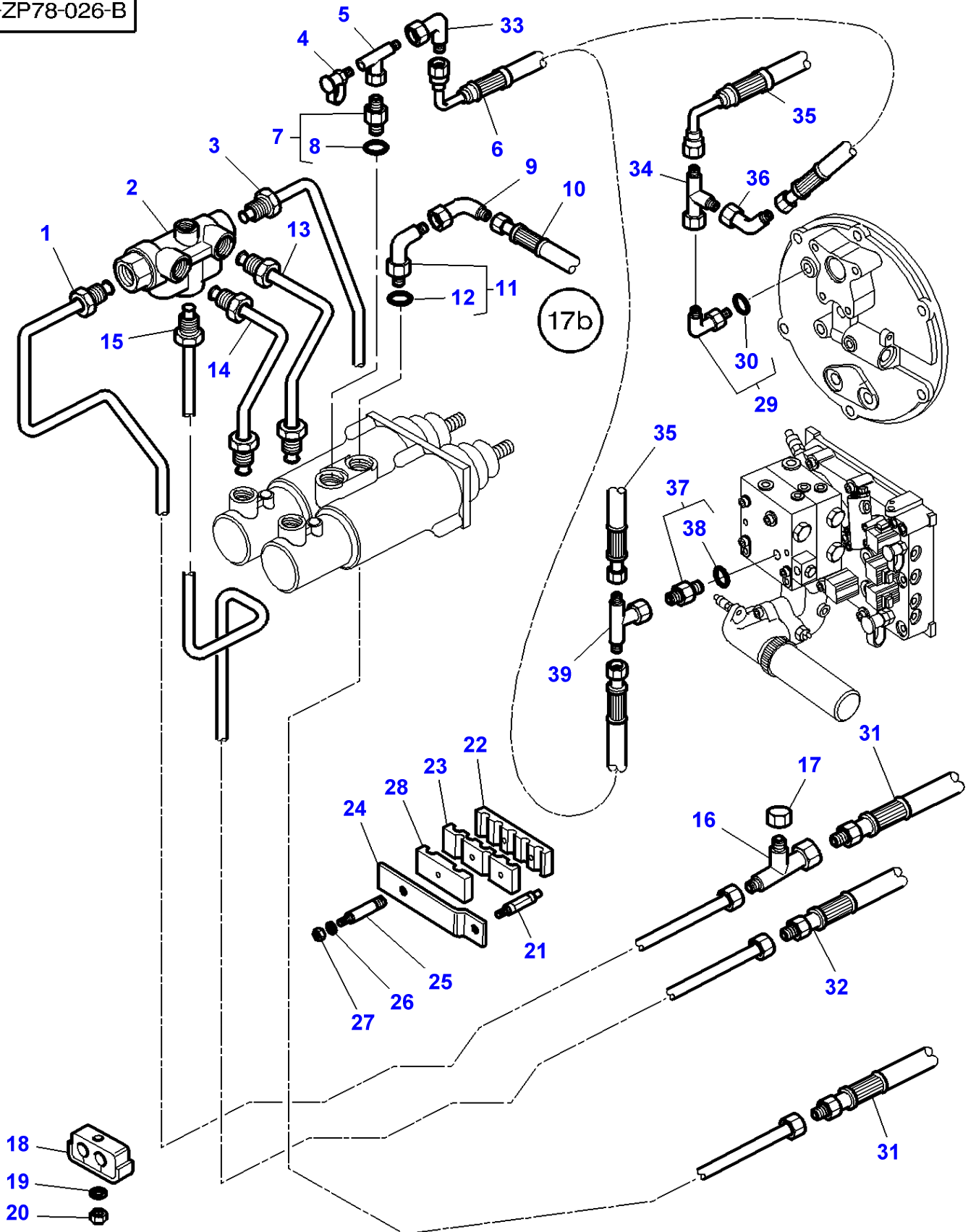
FOOTNOTE [A] TRACTOR WITH PLATFORM

FOOTNOTE [B] WITH DYNASHIFT

FOOTNOTE [C] WITH FULL POWERSHIFT

MF 8210/8220 TRACTORS - 1637365
1-ZP78-026-B

1-ZP78-026-B



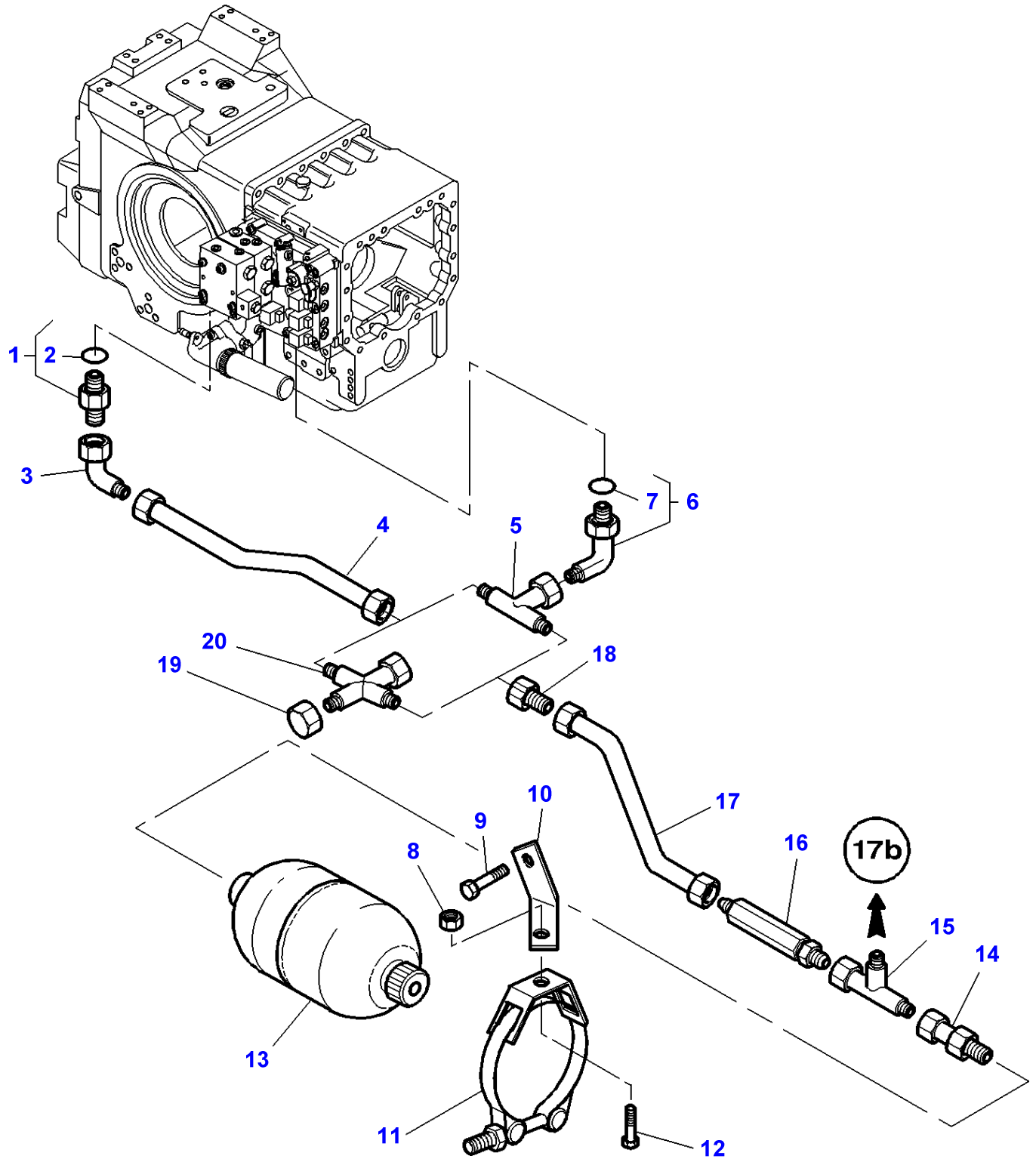
Item	Part Number	Qty	Description	Comments
1	3788083M1	1	Tube	
	3788139M1	1	Tube	[A]
2	3788151M1	1	Pressure Valve	
3	3788082M1	1	Tube	
	3788138M1	1	Tube	[A]
4	3384387M1	1	Pressure Intake	
5	3780180M1	1	Teepiece	
6	3780832M5	1	Hydr Hose	Length 800MM
7	3019385X91	1	Union	Up to Serial or Engine Number L067030
	3789776M2	1	Union	From Serial or Engine Number L067031
8	3019397X1	1	O Ring	(7)
9	364603X1	1	Elbow	
10	3782787M1	1	Hydr Hose	Length 1400MM
11	3019412X91	1	Elbow	
12	3019395X1	1	O Ring	(11)
13	3788080M1	1	Tube	
14	3788081M1	1	Tube	
15	3788084M1	1	Tube	
	3788140M1	1	Tube	[A]
16	373796X1	1	Teepiece	
17	356578X1	1	Plug	
18	3780550M1	2	Bridle	
19	391038X1	2	Washer	
20	339030X1	2	Nut Metric	
21	3778279M1	1	Stud	
22	3715880M1	1	Bridle	
23	3715881M1	1	Bridle	
24	3778280M1	1	Plate	
25	3715878M3	1	Stud	
26	391038X1	1	Washer	
27	1441500X1	1	Locknut	
28	3715882M1	1	Bridle	
29	3019418X91	1	Elbow Nipple	[B]
	3019416X91	1	Elbow	[C]
30	3019398X1	1	O Ring	[B] (29)
	3019397X1	1	O Ring	[C] (29)
31	3778585M1	2	Hydr Hose	Length 500MM
32	3778586M2	1	Hydr Hose	Length 950MM
33	367386X1	1	Elbow	From Serial or Engine Number L042005
34	364704X1	1	Teepiece	[B] From Serial or Engine Number L192034 Up to Serial or Engine Number M188047
35	3714956M1	1	Hydr Hose	[B] From Serial or Engine Number L192034 Length 600MM
36	373784X1	1	Elbow	[B] From Serial or Engine Number L192034 Up to Serial or Engine Number M188047
37	3019696X91	1	Union	From Serial or Engine Number M188048
38	3019395X1	1	O Ring	(37)
39	367261X1	1	Teepiece	From Serial or Engine Number M188048

FOOTNOTE [A] TRACTOR WITH PLATFORM

FOOTNOTE [B] WITH DYNASHIFT

FOOTNOTE [C] WITH FULL POWERSHIFT

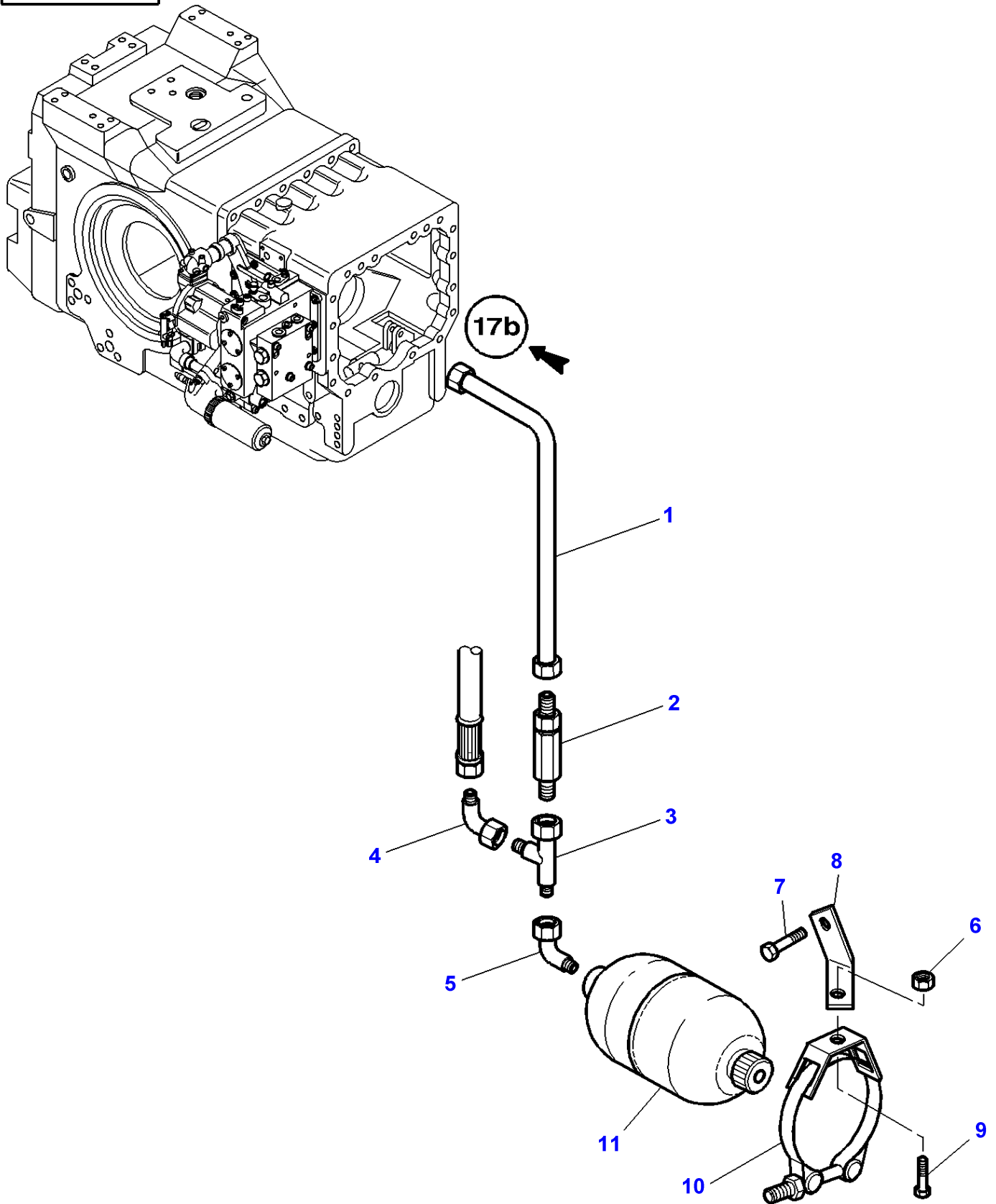
1-ZP02-001-C



Item	Part Number	Qty	Description	Comments
1	3019387X91	1	Union	
2	3019398X1	1	O Ring	(1)
3	367386X1	1	Elbow	
4	3716780M92	1	Tube	
5	367261X1	1	Teepiece	Up to Serial or Engine Number H322040
6	3019416X91	1	Elbow	
7	3019397X1	1	O Ring	(6)
8	393764X1	1	Screw	M16X20
9	339169X1	1	Nut	
10	3794196M1	1	Bracket	
11	3619807M1	1	Bridle	
12	339124X1	1	Hex. Sock. Screw	M8X16
13	3619551M1	1	Accumulator	[A]
14	380018X1	1	Connector	
15	364735X1	1	Teepiece	
16	3794676M1	1	Non Return Valve	Replace and repair. Old interchangeable with new 3790409M1
17	3792936M1	1	Tube	
18	377651X1	1	Reducer	
19	22833X	1	Cap	From Serial or Engine Number H322041
20	380059X1	1	Union	From Serial or Engine Number H322041

FOOTNOTE [A] THE APPROPRIATE SAFETY DECALS MUST BE ORDERED AND FITTED TO THIS PART

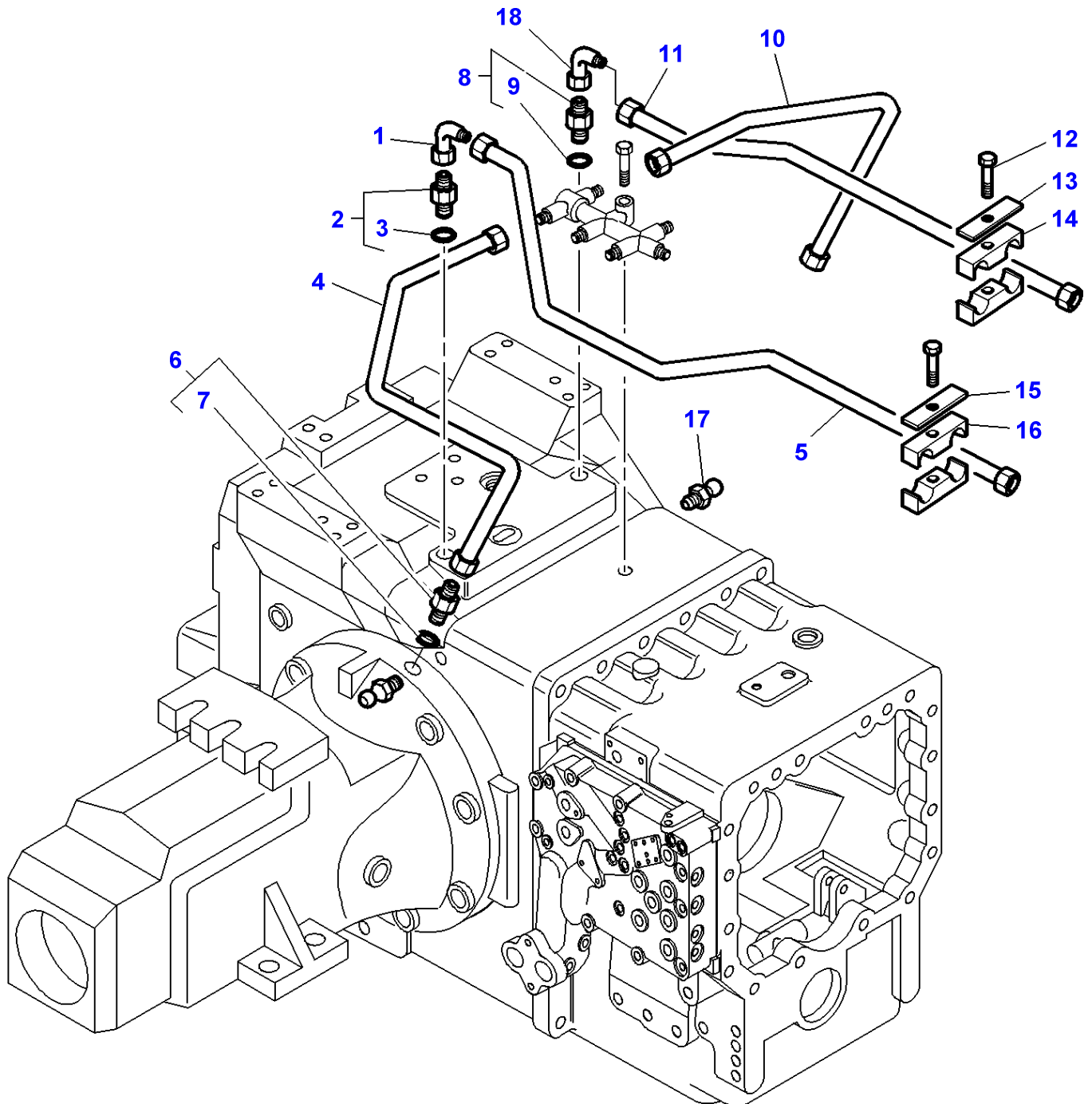
1-ZP02-005-A



Item	Part Number	Qty	Description	Comments
1	3793760M1	1	Tube	
2	3794676M1	1	Non Return Valve	Replace and repair. Old interchangeable with new 3790409M1
3	364735X1	1	Teepiece	
4	365233X1	1	Elbow	
5	380009X1	1	Union	
6	339169X1	1	Nut	
7	393764X1	1	Screw	M16X20
8	3793263M1	1	Bracket	
9	339124X1	1	Hex. Sock. Screw	M8X16
10	3619807M1	1	Bridle	
11	3619551M1	1	Accumulator	[A]

FOOTNOTE [A] THE APPROPRIATE SAFETY DECALS MUST BE ORDERED AND FITTED TO THIS PART

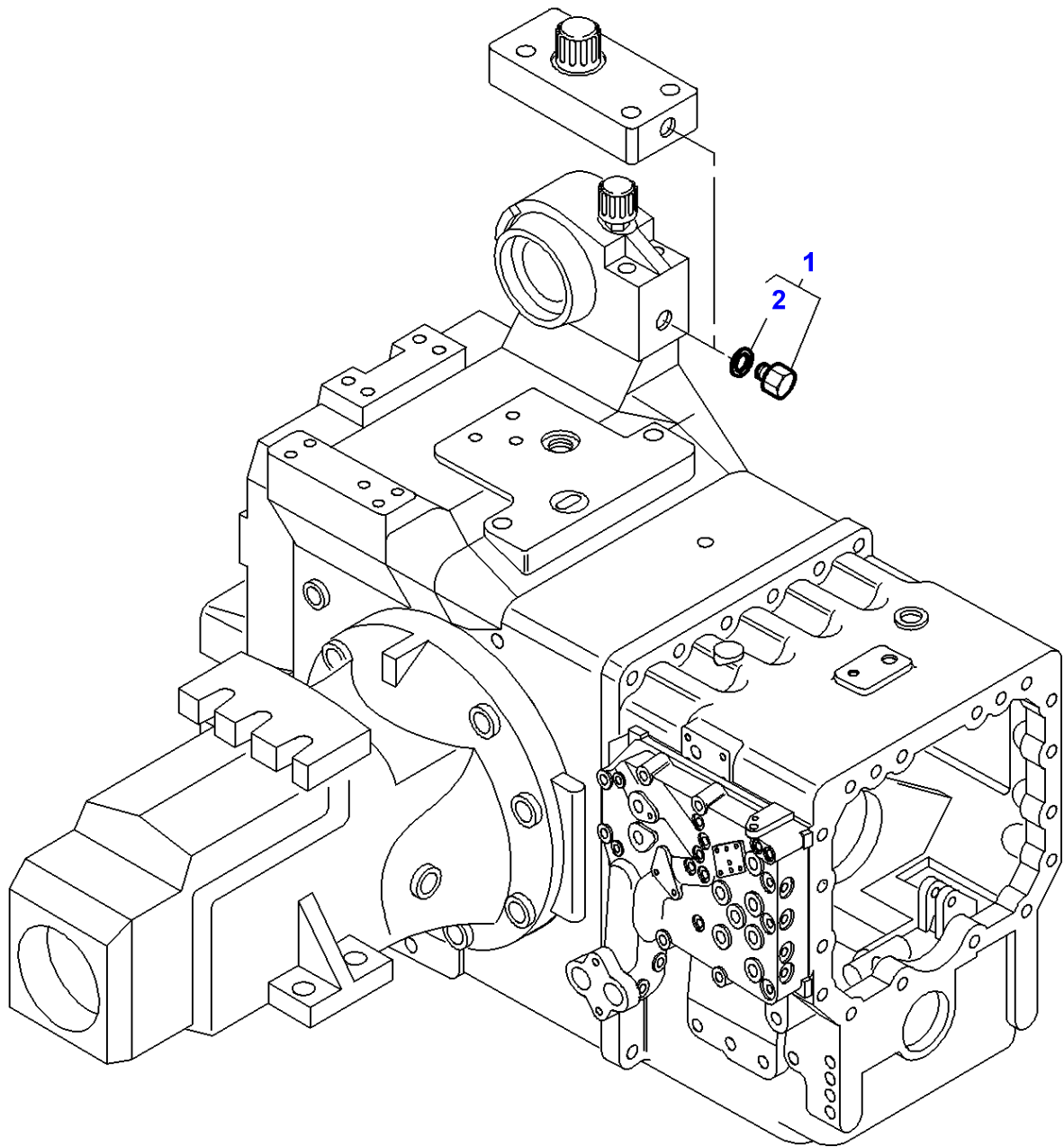
1-ZG17-007-A



Brakes - Hydraulic Pipes

Item	Part Number	Qty	Description	Comments
1	373778X1	1	Union	
2	3019377X91	1	Union	
3	3019394X1	1	O Ring	(2)
4	3791200M91	1	Tube	Right Hand
5	3791194M91	1	Tube	Right Hand
6	3791486M91	2	Union	
7	3019394X1	1	O Ring	(6)
8	3019377X91	1	Union	
9	3019394X1	1	O Ring	(8)
10	3791198M91	1	Tube	Left Hand
11	3791196M91	1	Tube	Left Hand
12	339337X1	2	Hex. Sock. Screw	M8x30
13	3716911M1	1	Plate	
14	3716910M1	2	Bridle	
15	3716913M1	1	Plate	
16	3716912M1	2	Bridle	
17	3052960M1	2	Banjo Bolt	
18	373778X1	1	Union	

1-ZG17-005-A



Massey Ferguson

MF 8210/8220 TRACTORS - 1637365

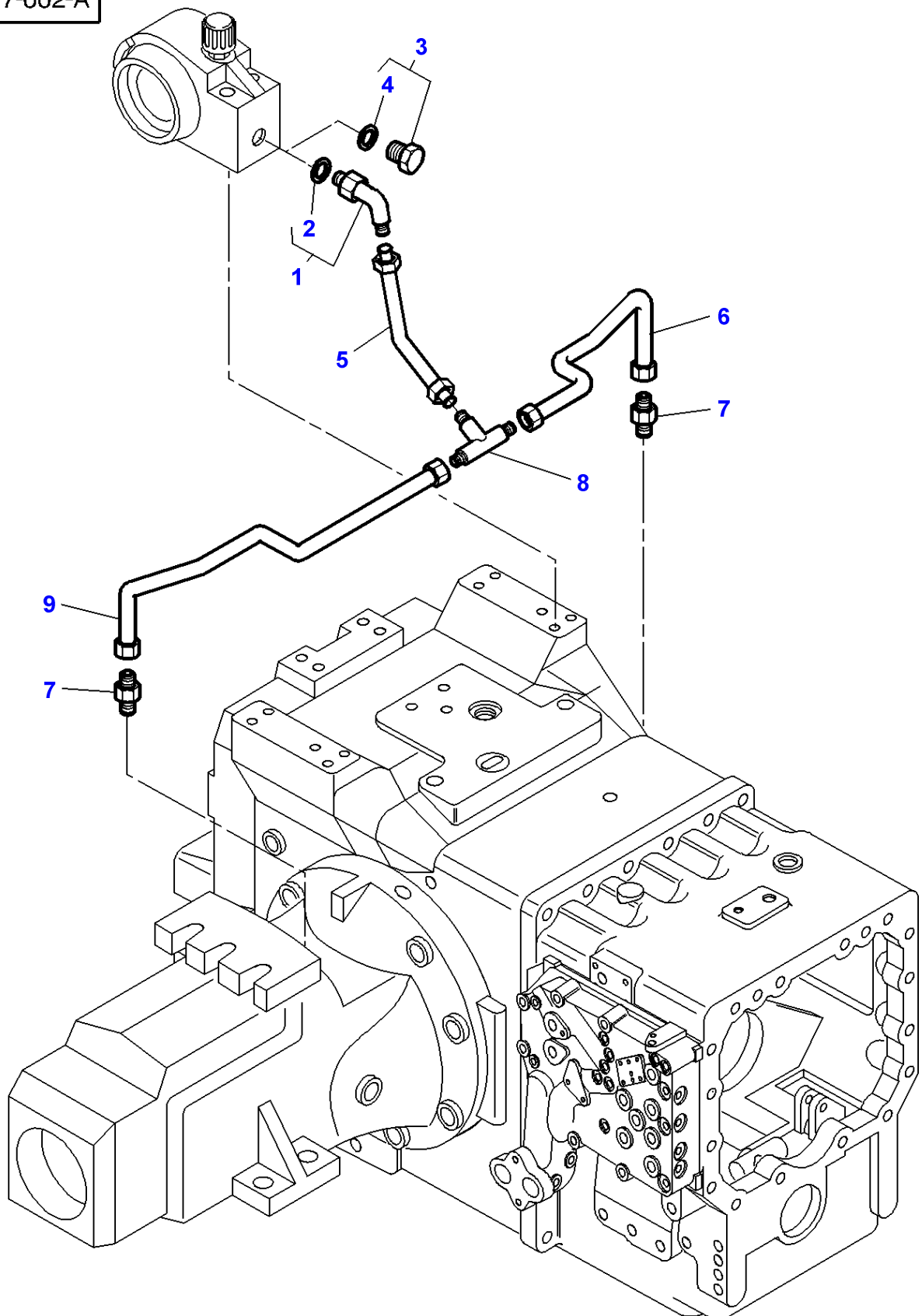
1637365

Brakes - Hydraulic Pipes - M.F 8210

Page070-0350

Item	Part Number	Qty	Description	Comments
1	3019639X91	1	Plug	
2	3019395X1	1	O Ring	(1)

1-ZG17-002-A

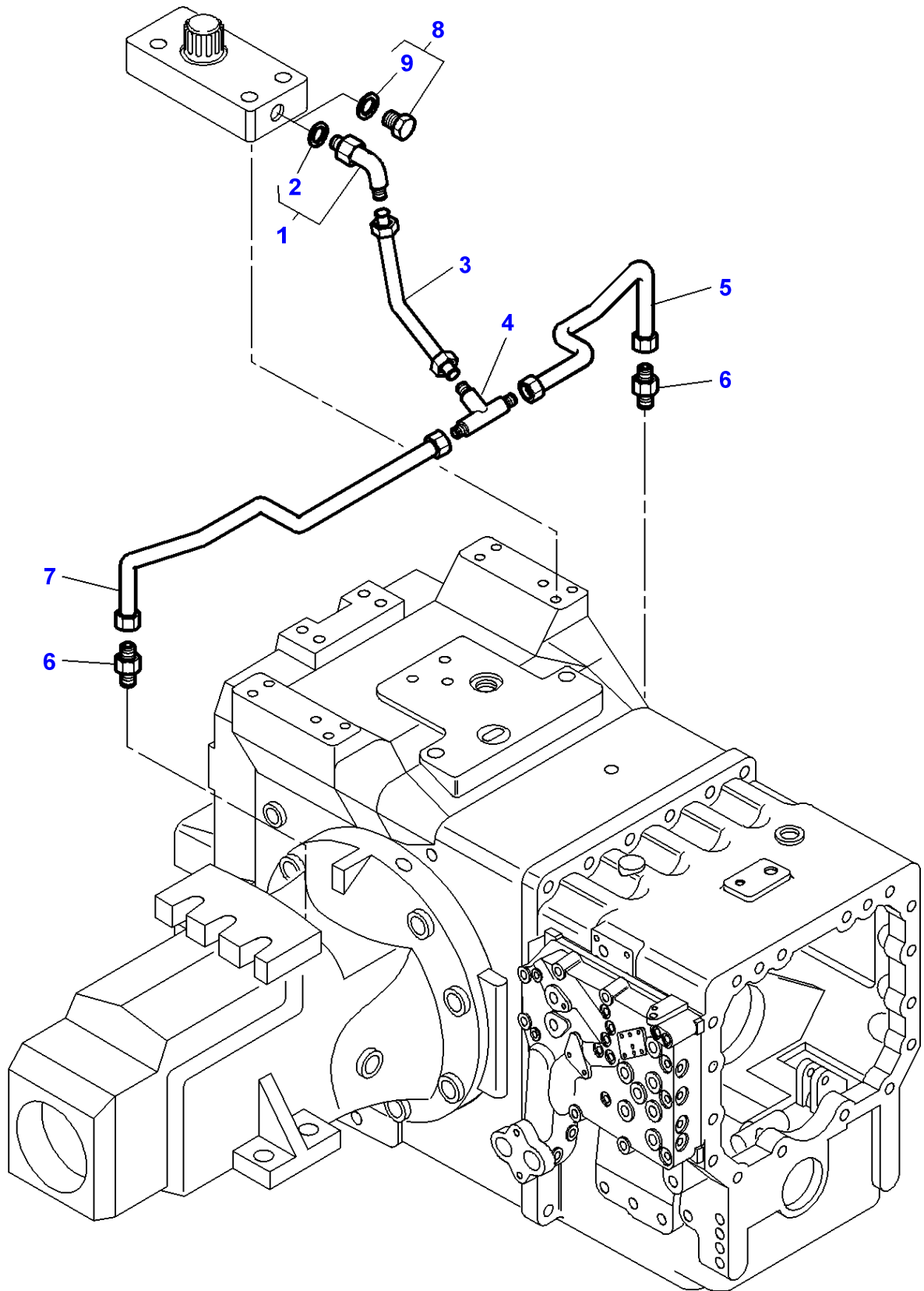


Massey Ferguson**MF 8210/8220 TRACTORS - 1637365****1637365****Brakes - Hydraulic Pipes - M.F 8220 - With Sealed Rear Axle Housings****Page070-0355**

Item	Part Number	Qty	Description	Comments
1	3019584X91	1	Union	
2	3019395X1	1	O Ring	(1)
3	3019639X91	1	Plug	[A]
4	3019395X1	1	O Ring	(3)
5	3791845M91	1	Tube	
6	3791847M91	1	Tube	Left Hand
7	354469X1	2	Union	
8	355829X1	1	Teepiece	
9	3792107M1	1	Tube	Right Hand

FOOTNOTE [A] WITHOUT HYDRAULIC LIFT

1-ZG17-003-B

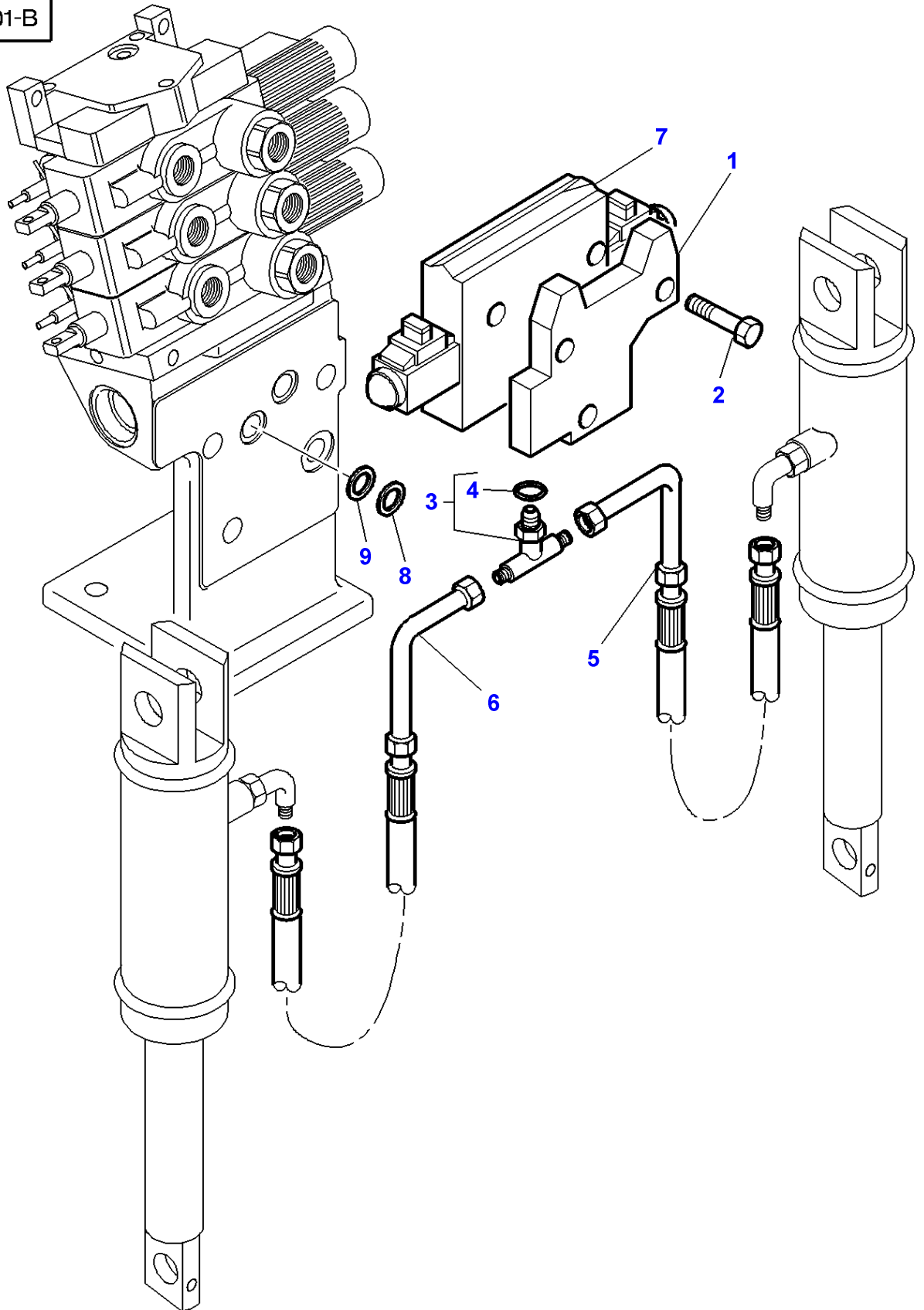


Massey Ferguson**MF 8210/8220 TRACTORS - 1637365****1637365****Brakes - Hydraulic Pipes - M.F 8220 - With Sealed Rear Axle Housings****Page070-0360**

Item	Part Number	Qty	Description	Comments
1	3019584X91	1	Union	
2	3019395X1	1	O Ring	(1)
3	3791697M91	1	Tube	
4	355829X1	1	Teepiece	Diameter 9/16"-18
5	3791847M91	1	Tube	Left Hand
6	354469X1	2	Union	
7	3792107M1	1	Tube	Right Hand
8	3019639X91	1	Plug	[A]
9	3019395X1	1	O Ring	(8)

FOOTNOTE [A] WITHOUT HYDRAULIC LIFT

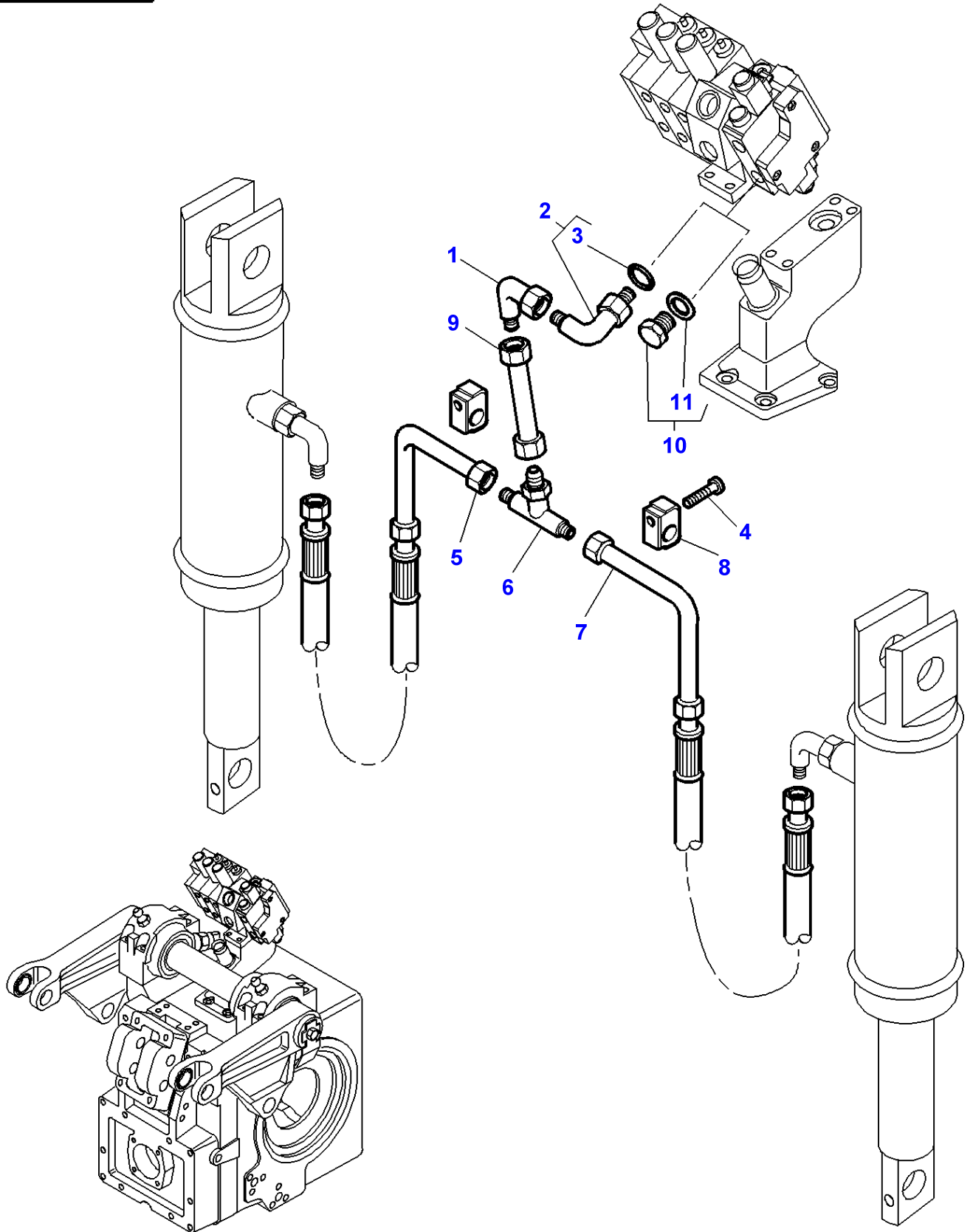
1-ZP18-001-B



Massey Ferguson**MF 8210/8220 TRACTORS - 1637365****1637365****Hydraulic Lift Distributor - Up to Serial or Engine Number 31-12-2000****Page070-0365**

Item	Part Number	Qty	Description	Comments
1	3716382M1	1	Plate	
2	390246X1	3	Bolt	M8X70
3	3019613X91	1	Union	M22
4	3019398X1	1	O Ring	(3)
5	3716383M1	1	Tube	Right Hand
6	3716385M1	1	Tube	Left Hand
7	3791418M1	1	Pressure Valve	90L/MN See Page - Reference Number 070-0375/1
8	1442477X1	1	Gasket	
9	3791884M2	1	Bush	

1-ZP18-004-B



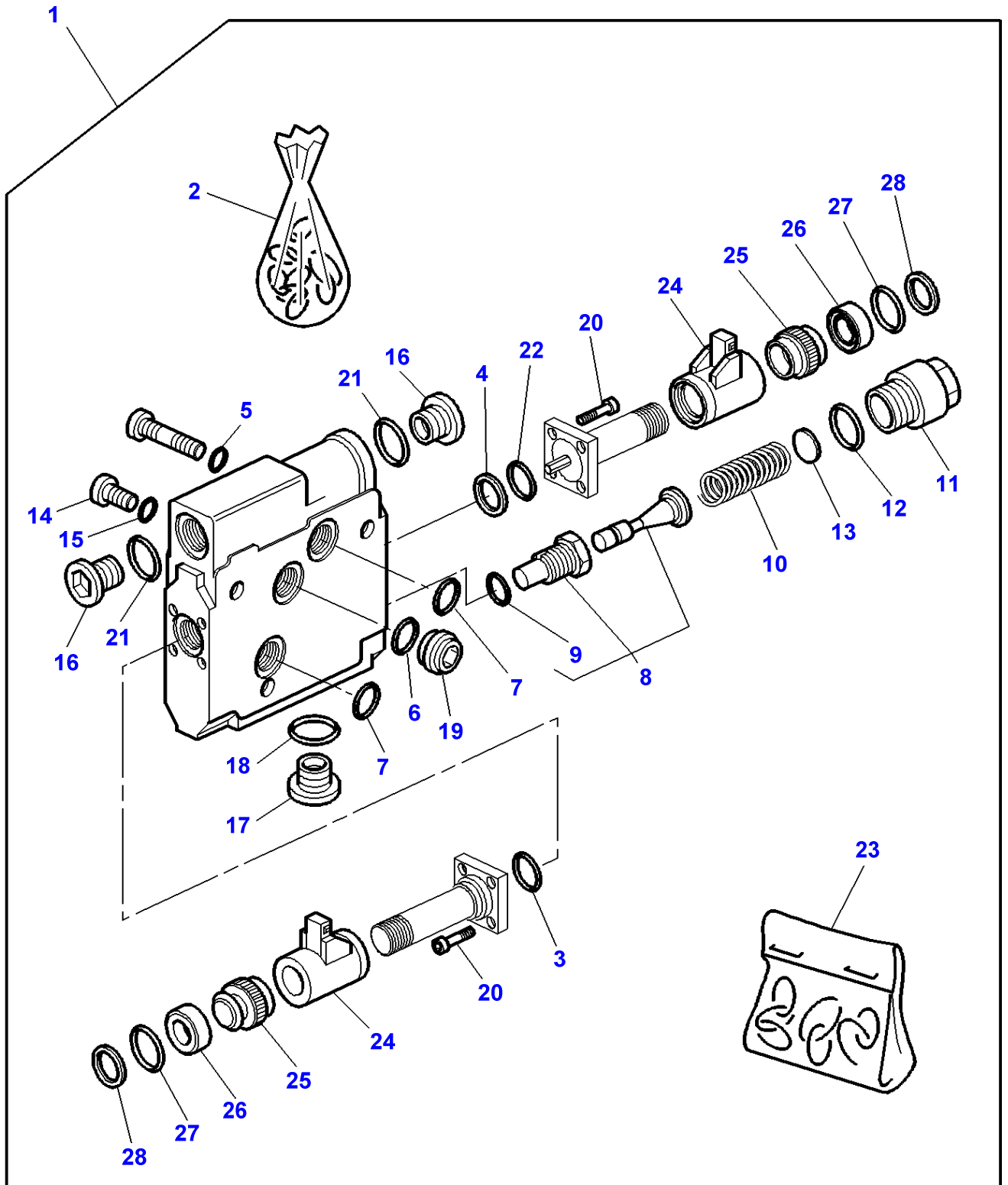
Massey Ferguson**MF 8210/8220 TRACTORS - 1637365****1637365****Hydraulic Lift Distributor - From 01-01-2001****Page070-0370**

Item	Part Number	Qty	Description	Comments
1	367386X1	1	Elbow	
2	3019418X91	1	Elbow Nipple	
3	3019398X1	1	O Ring	(2)
4	339229X1	2	Hex. Sock. Screw	M6X40
5	3793420M1	1	Tube	Left Hand
6	356561X1	1	Union	
7	3793422M1	1	Tube	Right Hand
8	3793671M1	2	Bridle	
9	3793423M1	1	Tube	
10	3019645X91	1	Plug	[A]
11	3019398X1	1	O Ring	(10)

FOOTNOTE [A] WITHOUT HYDRAULIC LIFT

MF 8210/8220 TRACTORS - 1637365
1-ZP18-002-A

1-ZP18-002-A

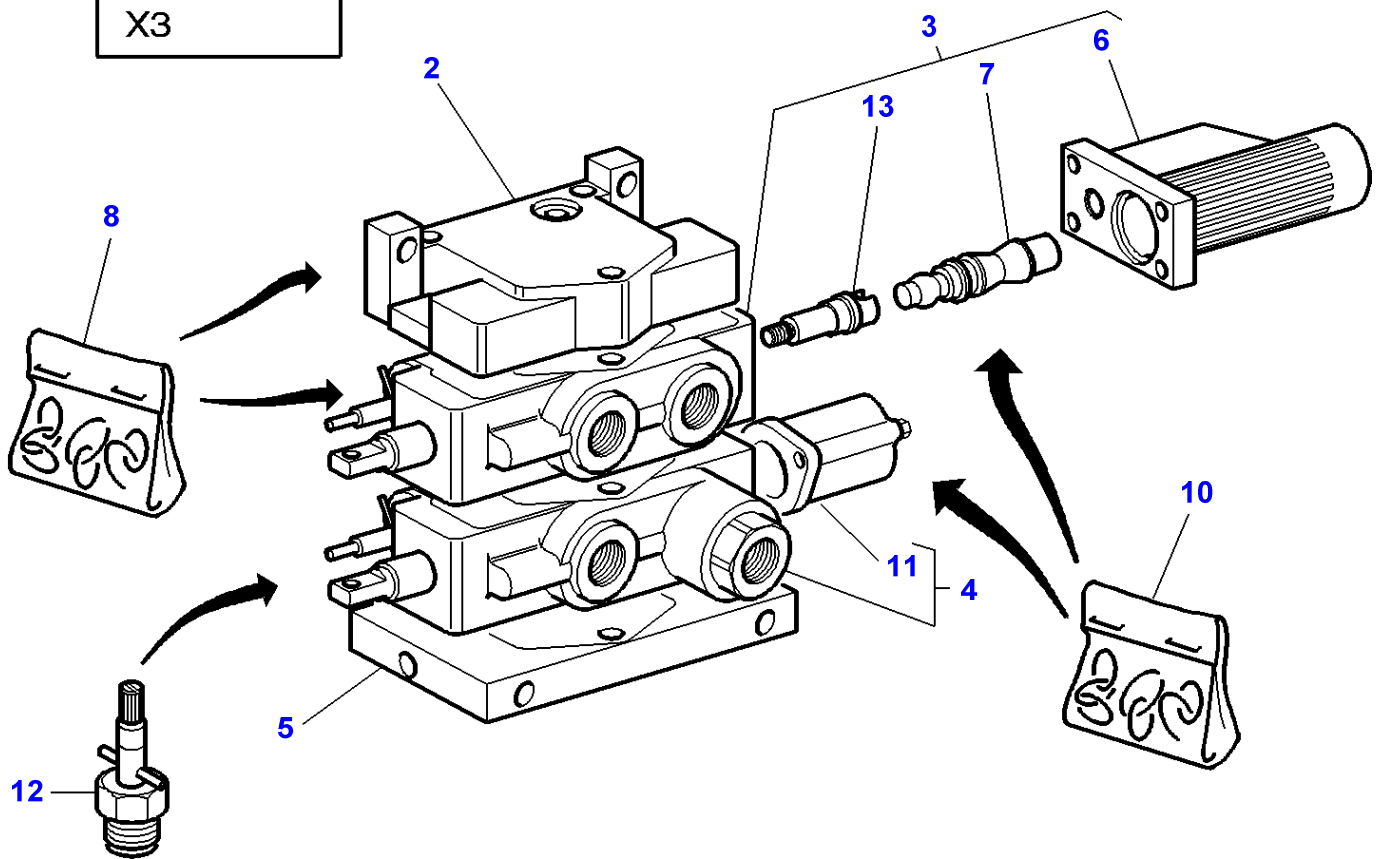
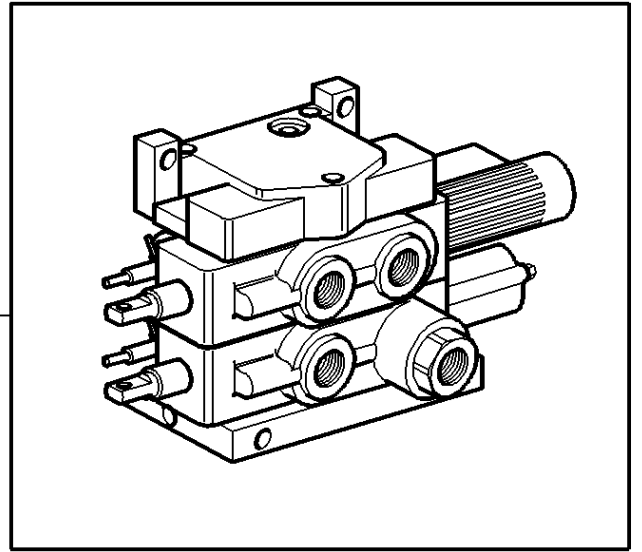
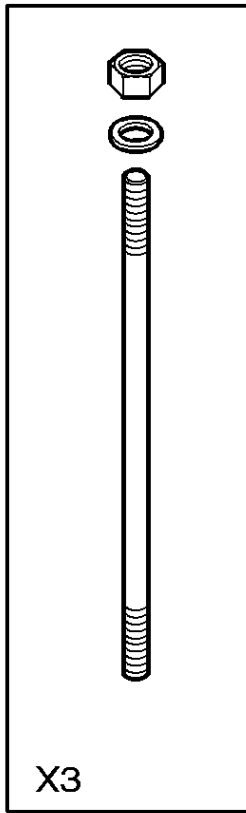


Hydraulic Lift Distributor

Item	Part Number	Qty	Description	Comments
1	3791418M1	1	Pressure Valve	[A] BOSCH 90L/MN
2	3902938M91	1	Kit, Joint	(1)
3	3902933M1	1	O Ring	(2) Diameter 19X1,5MM
4	3902934M1	1	Gasket	(2)
5	3108257M1	2	O Ring	(2) Diameter 5X1,5MM
6	3796223M1	1	O Ring	(2) Diameter 18X2,5MM
7	3796222M1	2	O Ring	Replace and repair. Old interchangeable with new 3108233M1 (2) Diameter 20X2,5MM
8	3108258M1	1	Valve.	(1)
9	3902935M1	1	O Ring	(2) Diameter 10,82X1,78MM
10	3104936M1	1	Comp.Spring	(1)
11	3902936M1	1	Plug	(1)
12		1	O Ring	(2) Not serviced,order REF 2 Diameter 22X2,5MM
13	3104724M1	X	Shim	(1) Thickness 0,8MM
	1806184M1	X	Shim	(1) Thickness 0,5MM
	3102069M1	X	Shim	(1) Thickness 0,4MM
	3102068M1	X	Shim	(1) Thickness 0,3MM
14	3102240M1	1	Plug	(1)
15	3108259M1	1	O Ring	(2) Diameter 8X2MM
16	3902932M1	2	Plug	(1)
17	3108244M1	1	Plug	(1)
18	3108238M1	1	O Ring	(1)
19	3797262M1	1	Non Return Valve	(1) Replace and repair. Old not interchangeable with new 3108248M1
20	3902937M1	8	Screw	(1) M4X8
21		2	O Ring	(2) Not serviced,order REF 2 Diameter 17X2,5MM
22		1	O Ring	(2) Not serviced,order REF 2 Diameter 28X2MM
23	3902961M91	2	Parts Pack	Replace and repair. Old interchangeable with new 3901801M91
24		1	Solenoid	(23) Not serviced,order REF 23
25		1	Union Nut	(23) Not serviced,order REF 23
26		1	Helmet	(23) Not serviced,order REF 23
27		1	O Ring	(23) Not serviced,order REF 23 Diameter 21X1,5MM
28		1	O Ring	(23) Not serviced,order REF 23 Diameter 20X2,5MM

FOOTNOTE [A] ONLY P/NS WITH ITEMS ARE SUPPLIED IN SPARE PARTS

1-ZP34-025-B



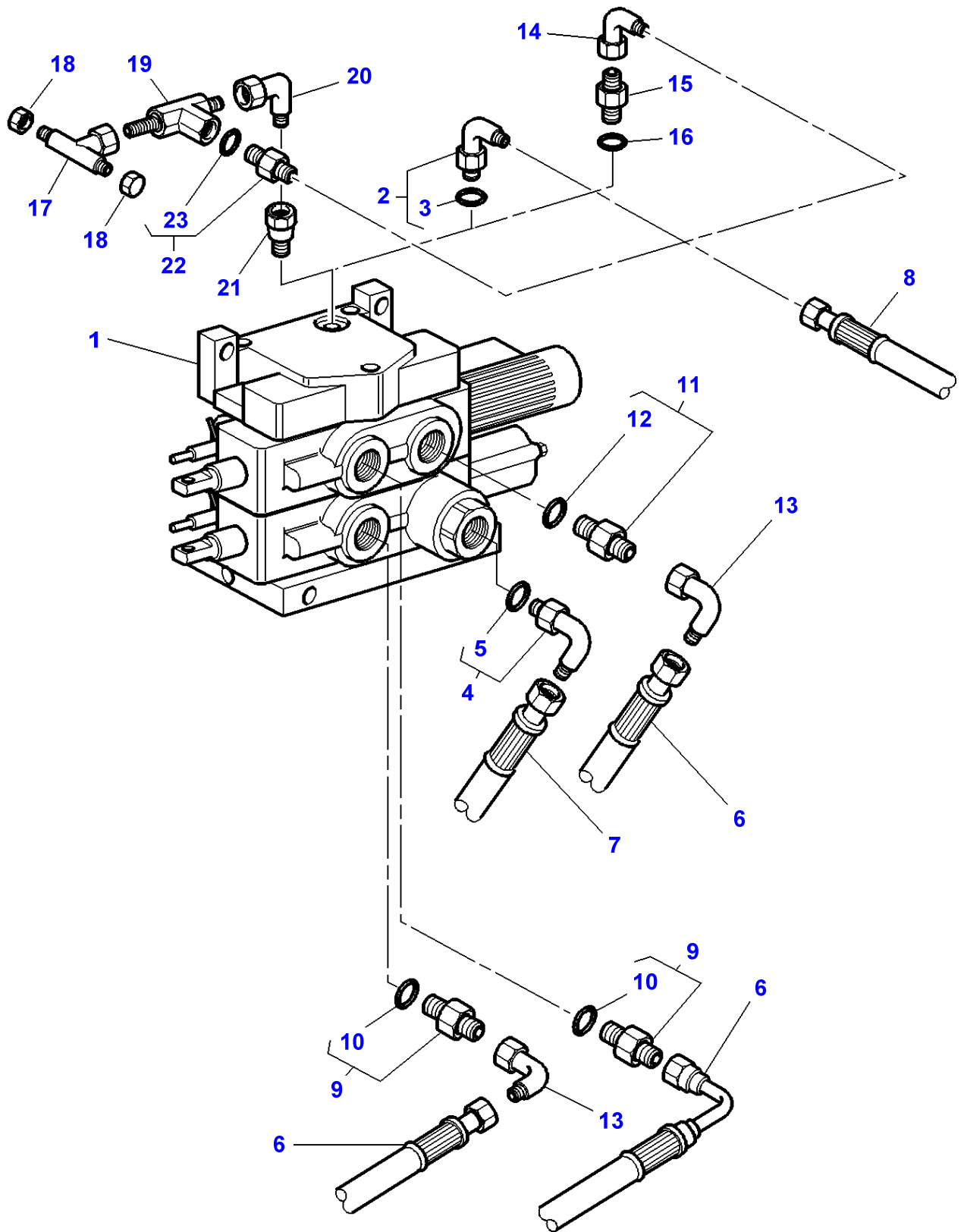
Item	Part Number	Qty	Description	Comments
1	3716317M93	1	Distributor	
2	3716316M1	1	Element	(1)
3	3792803M3	1	Distributor	[A] (1) Replace and repair. Old interchangeable with new 3902062M92
4	3792802M1	1	Distributor	[B] (1) Replace and repair. Old interchangeable with new 3902063M91
5	3716314M1	1	Element	(1)
6	3902797M91	1	Protector	(3)
7	3790773M11	1	Kit, Service	(3)
8	3792640M1	1	Kit, Joint	(1) Replace and repair. Old interchangeable with new 3902067M91
9	3902732M91	1	Parts Pack	(1)
10	3902066M91	1	Kit, Joint	(1)
11	3902813M91	1	Protector	(4)
12	3790797M11	1	Kit, Service	(1)
13	3903893M1	1	Pivot	(3)

FOOTNOTE [A] DIST 4 FLOATING POSITIONS ,FLOW ADJUST,KICK-OUT,W/ O, ZERO LEAK

FOOTNOTE [B] DIST 3 FLOATING POSITIONS,RETURN BY SPRING,FLOW AD JUST,ZERO LEAK

MF 8210/8220 TRACTORS - 1637365
1-ZP36-014-C

1-ZP36-014-C



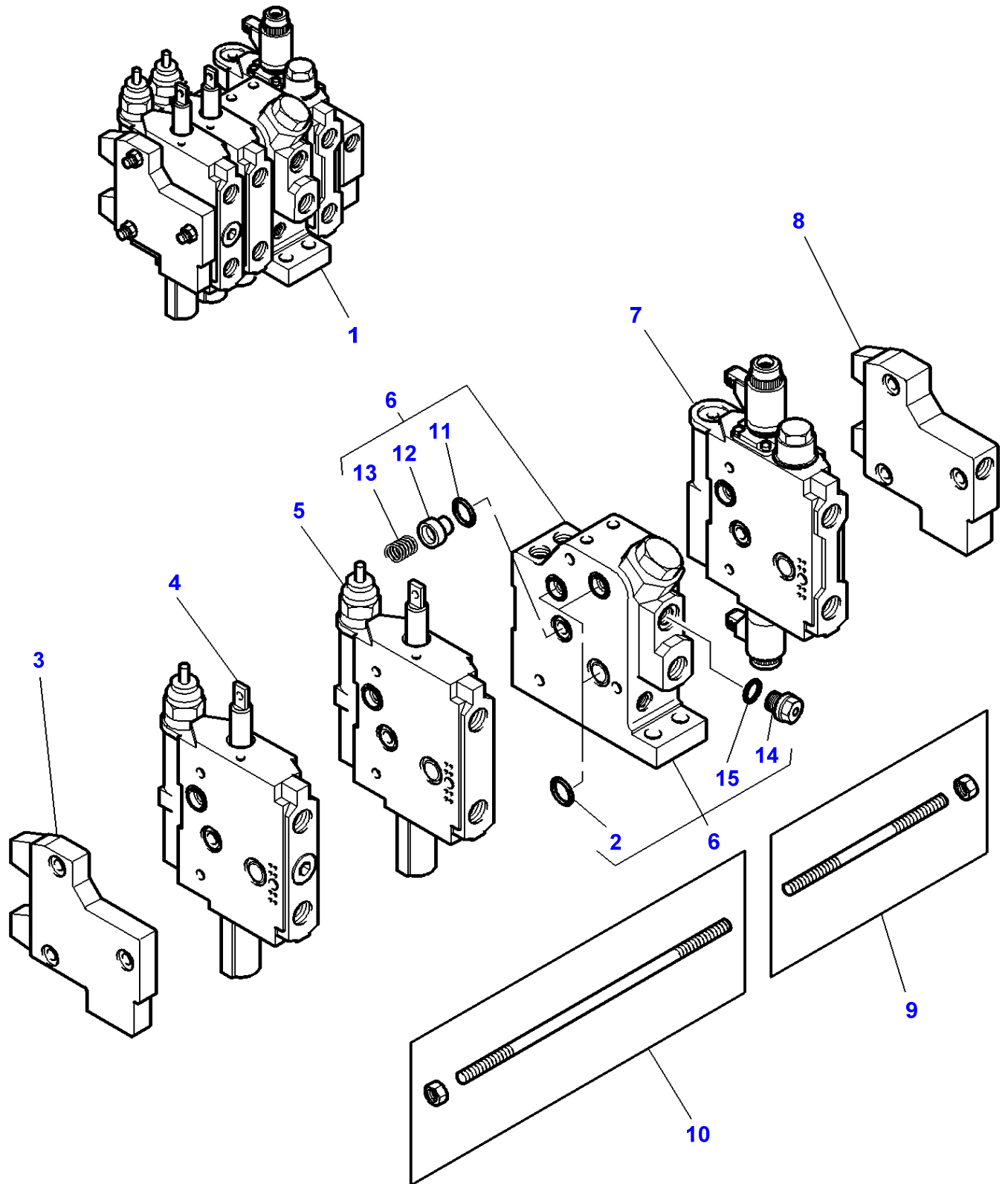
Item	Part Number	Qty	Description	Comments
1	3716317M93	1	Distributor	
2	357197X91	1	Elbow	Up to Serial or Engine Number H321001
3	831452M1	1	O Ring	(2)
4	380031X91	1	Union	
5	1882958M1	1	O Ring	(4)
6	3712540M1	3	Hydr Hose	Length 650MM
7	3714956M1	1	Hydr Hose	Length 600MM
8	3716398M1	1	Hydr Hose	[A]
	3792042M1	1	Hydr Hose	[B] Length 1400MM
9	835013M91	2	Union	
10	1882958M1	1	O Ring	(9)
11	380055X91	1	Union	
12	835024M1	1	O Ring	(11)
13	367386X1	2	Elbow	
14	364603X1	1	Elbow	From Serial or Engine Number H321002
15	358733X1	1	Union	From Serial or Engine Number H321002
16	831452M1	1	O Ring	
17	3794665M3	1	Union	[C]
18	356579X1	2	Cap	[C]
19	3793574M3	1	Selector	[C]
20	364603X1	1	Elbow	[C]
21	3795674M1	1	Union	[C]
22	3010626X91	1	Union	[C]
23	3019394X1	1	O Ring	(22)

FOOTNOTE [A] WITH PUMP 45CC

FOOTNOTE [B] WITH PUMP 60CC

FOOTNOTE [C] WITH FRONT AXLE SUSPENDED CARRARO

1-ZP34-034-D



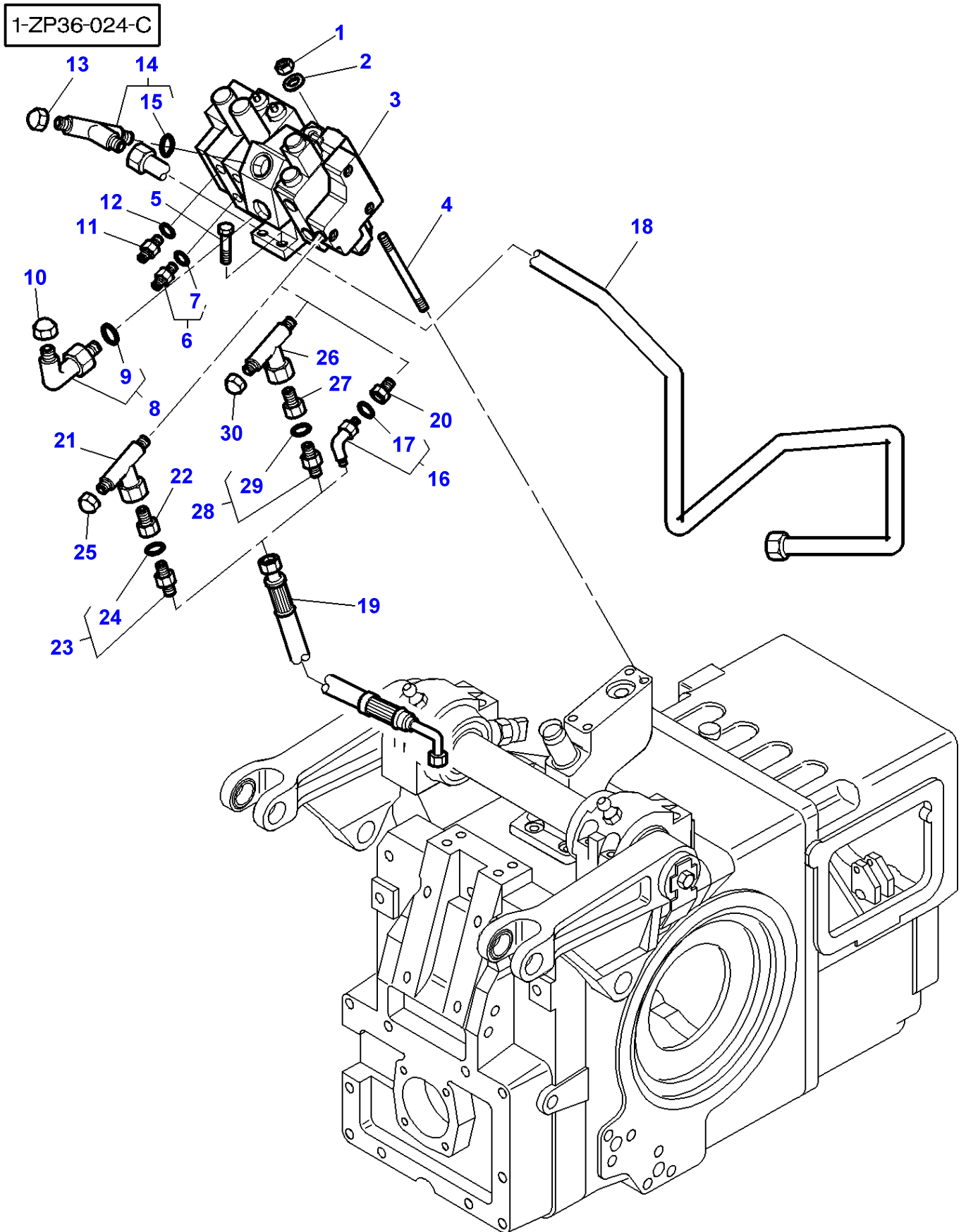
Item	Part Number	Qty	Description	Comments
1	3794725M14	1	Distributor	
2	3796222M1	3	O Ring	(6) 20 X 1,5
3	3796108M1	1	Element	(1)
4	3796090M3	1	Distributor	[B] (1) See Page - Reference Number 070-0565/1
5	3796091M3	1	Distributor	[A] (1) See Page - Reference Number 070-0560/1
6	3796109M1	1	Element	(1)
7	3796103M2	1	Pressure Valve	[C] (1) See Page - Reference Number 070-0550/1
8	3796107M1	1	Element	(1)
9	3796231M1	3	Stud	(1) Length 91MM
10	3796232M1	3	Stud	(1) Length 131MM
11	3796223M1	1	O Ring	(6) 18 X 1,5
12	3796224M1	1	Non Return Valve	(6)
13	3796225M1	1	Spring	(6)
14	3108244M1	1	Plug	(6)
15	3108238M1	1	O Ring	(6)

FOOTNOTE [A] DIST 4 FLOATING POSITIONS, FLOW ADJUST, DOUBLE ACTION, KICK OUT

FOOTNOTE [B] DIST 3 POSITIONS, FLOW ADJUST, DOUBLE ACTION, ZERO LEAK

FOOTNOTE [C] HYDRAULIC LIFT VALVE

MF 8210/8220 TRACTORS - 1637365
1-ZP36-024-C



Item	Part Number	Qty	Description	Comments
1	339054X1	2	Nut Metric	
2	390735X1	2	Washer	
3	3794725M14	1	Distributor	[A,B] See Page - Reference Number 070-0390/1
4	3010449X1	2	Stud	
5	3009494X1	2	Screw Metric	M10 X 35
6	3019387X91	2	Union	
7	3019398X1	1	O Ring	(6)
8	3019596X91	1	Union	
9	3019455X1	1	O Ring	(8)
10	70921244	1	Cap	Replace and repair. Old not interchangeable with new 355782X1
11	3793544M1	2	Union	
12	3019398X1	2	O Ring	
13	356582X1	1	Cap	
14	3019633X91	1	Union	
15	3019399X1	1	O Ring	(14)
16	3010642X91	1	Union	[D] Up to Serial or Engine Number K197000
	3010667X91	1	Union	[C] Up to Serial or Engine Number K197000
17	3019394X1	1	O Ring	(16)
18	3793424M1	1	Tube	[C]
	3797956M91	1	Tube	[D]
19	3790086M1	1	Hydr Hose	[C] Length 930 MM
	3792042M2	1	Hydr Hose	[D] Length 1100 MM
20	3793729M1	1	Reducer	Up to Serial or Engine Number K197000
21	3794885M3	1	Selector	[E]
22	3793729M1	1	Reducer	[E]
23	3010626X91	1	Union	[E]
24	3019394X1	1	O Ring	[E] (23)
25	356579X1	1	Cap	[E]
26	3794885M3	1	Selector	From Serial or Engine Number K197001
27	3793729M1	1	Reducer	From Serial or Engine Number K197001
28	3010626X91	1	Union	From Serial or Engine Number K197001
29	3019394X1	1	O Ring	(28) From Serial or Engine Number K197001
30	356579X1	1	Cap	From Serial or Engine Number K197001

FOOTNOTE [A] DIST 3 POSITIONS, FLOW ADJUST, DOUBLE ACTION, ZERO LEAK

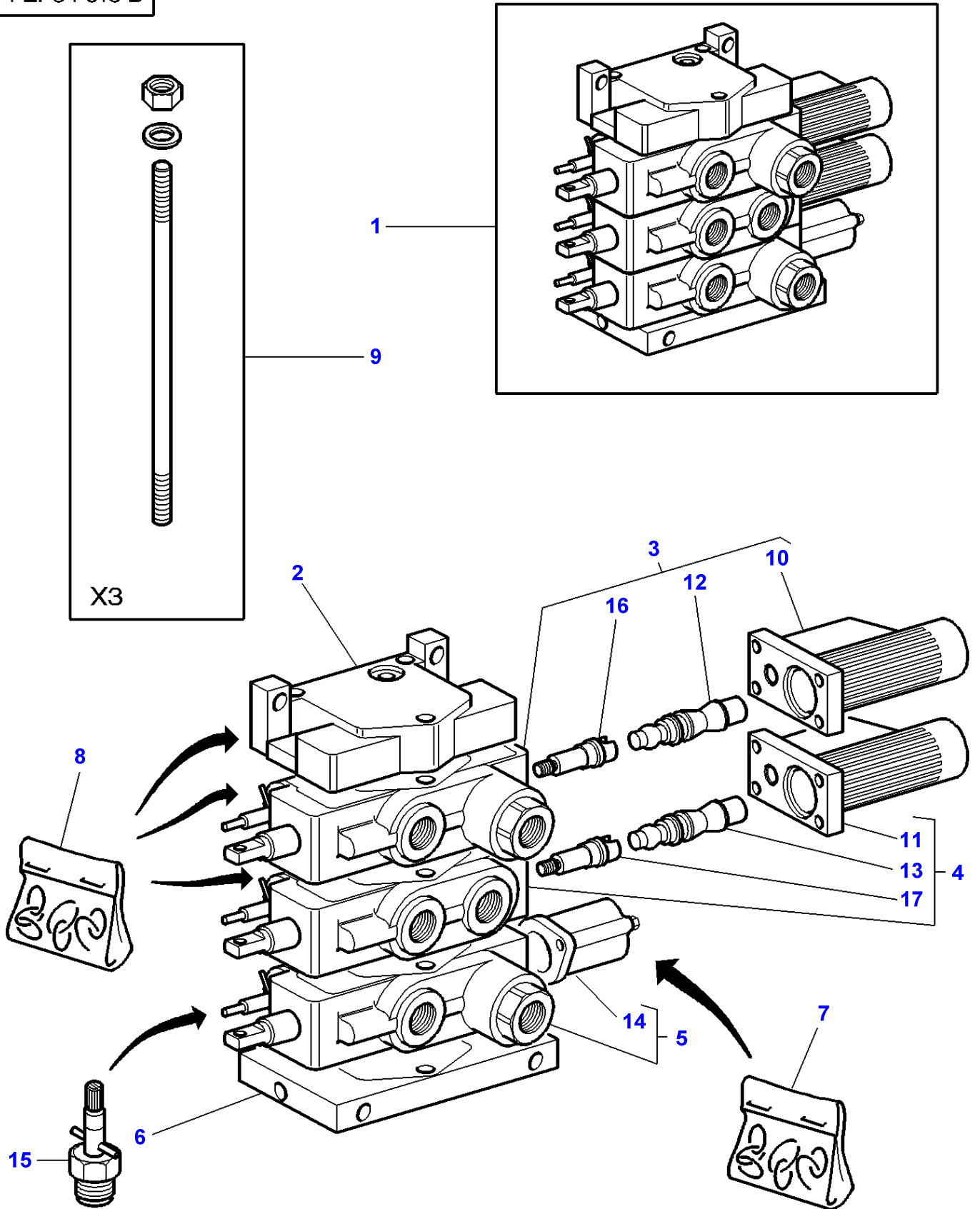
FOOTNOTE [B] DIST 4 FLOATING POSITIONS, FLOW ADJUST, DOUBLE ACTION, KICK OUT

FOOTNOTE [C] WITH PUMP 45CC

FOOTNOTE [D] WITH PUMP 60CC

FOOTNOTE [E] WITH FRONT AXLE SUSPENDED CARRARO

1-ZP34-016-B



Item	Part Number	Qty	Description	Comments
1	3716318M93	1	Distributor	
2	3716316M1	1	Element	(1)
3	3713928M5	1	Distributor	[C] (1)
4	3792803M3	1	Distributor	[A] (1) Replace and repair. Old interchangeable with new 3902062M9
5	3792802M1	1	Distributor	[B] (1) Replace and repair. Old interchangeable with new 3902063M91
6	3716314M1	1	Element	(1)
7	3902066M91	1	Kit, Joint	(1)
8	3792640M1	1	Kit, Joint	(1) Replace and repair. Old interchangeable with new 3902067M91
9	3716366M1	1	Parts Pack	(1)
10	3902797M91	1	Protector	(3)
11	3902797M91	1	Protector	(4)
12	3790773M11	1	Kit, Service	(3)
13	3790773M11	1	Kit, Service	(4)
14	3902813M91	1	Protector	(5)
15	3790797M11	1	Kit, Service	(1)
16	3903893M1	1	Pivot	(3)
17	3903893M1	1	Pivot	(4)

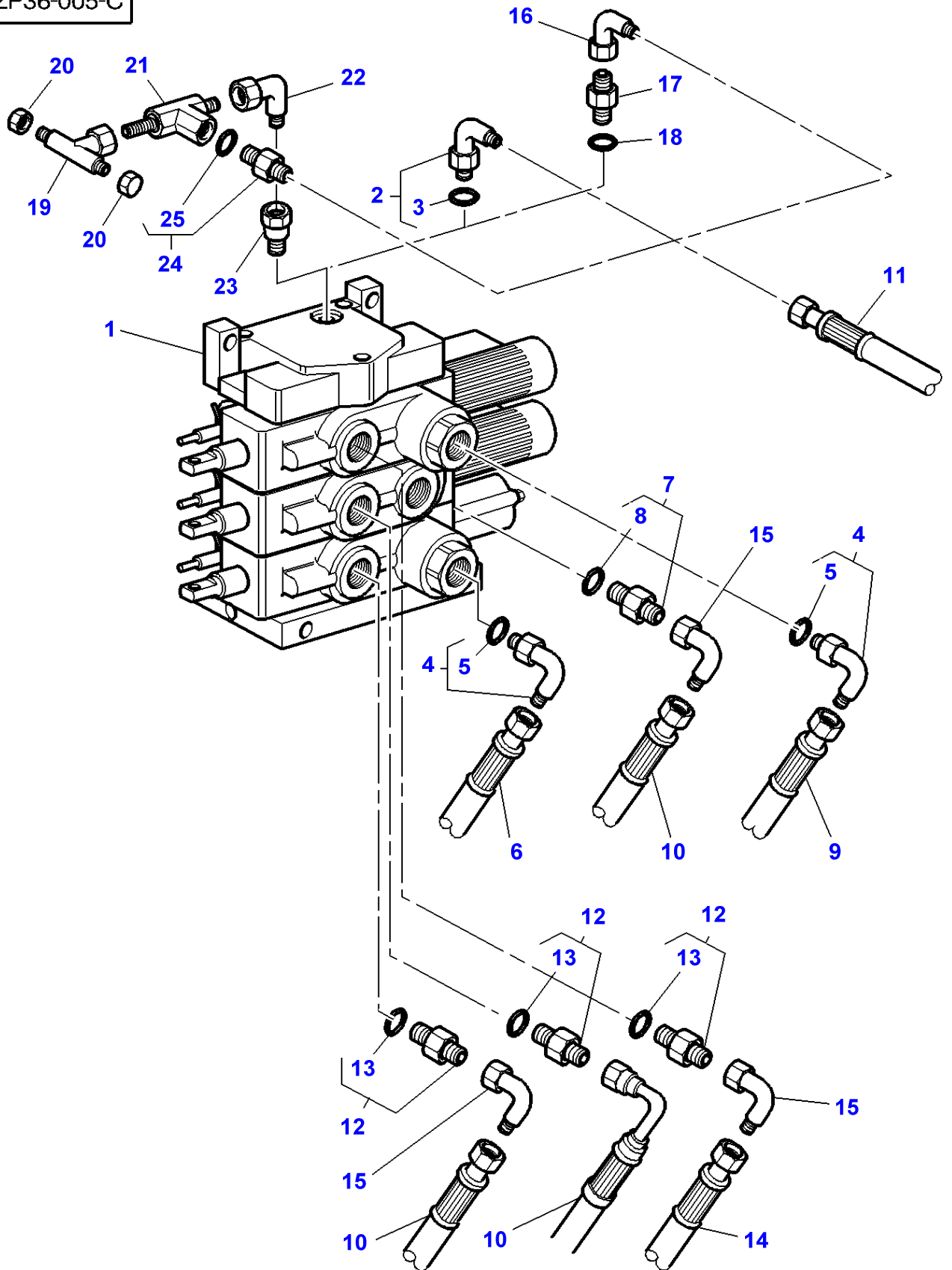
FOOTNOTE [A] DIST 4 FLOATING POSITIONS ,FLOW ADJUST,KICK-OUT,W/ O, ZERO LEAK

FOOTNOTE [B] DIST 3 FLOATING POSITIONS,RETURN BY SPRING,FLOW AD JUST,ZERO LEAK

FOOTNOTE [C] 4 FLOATING POSITIONS DIST,FLOW ADJUST,KICK-OUT,ZER O LEAK

MF 8210/8220 TRACTORS - 1637365
1-ZP36-005-C

1-ZP36-005-C



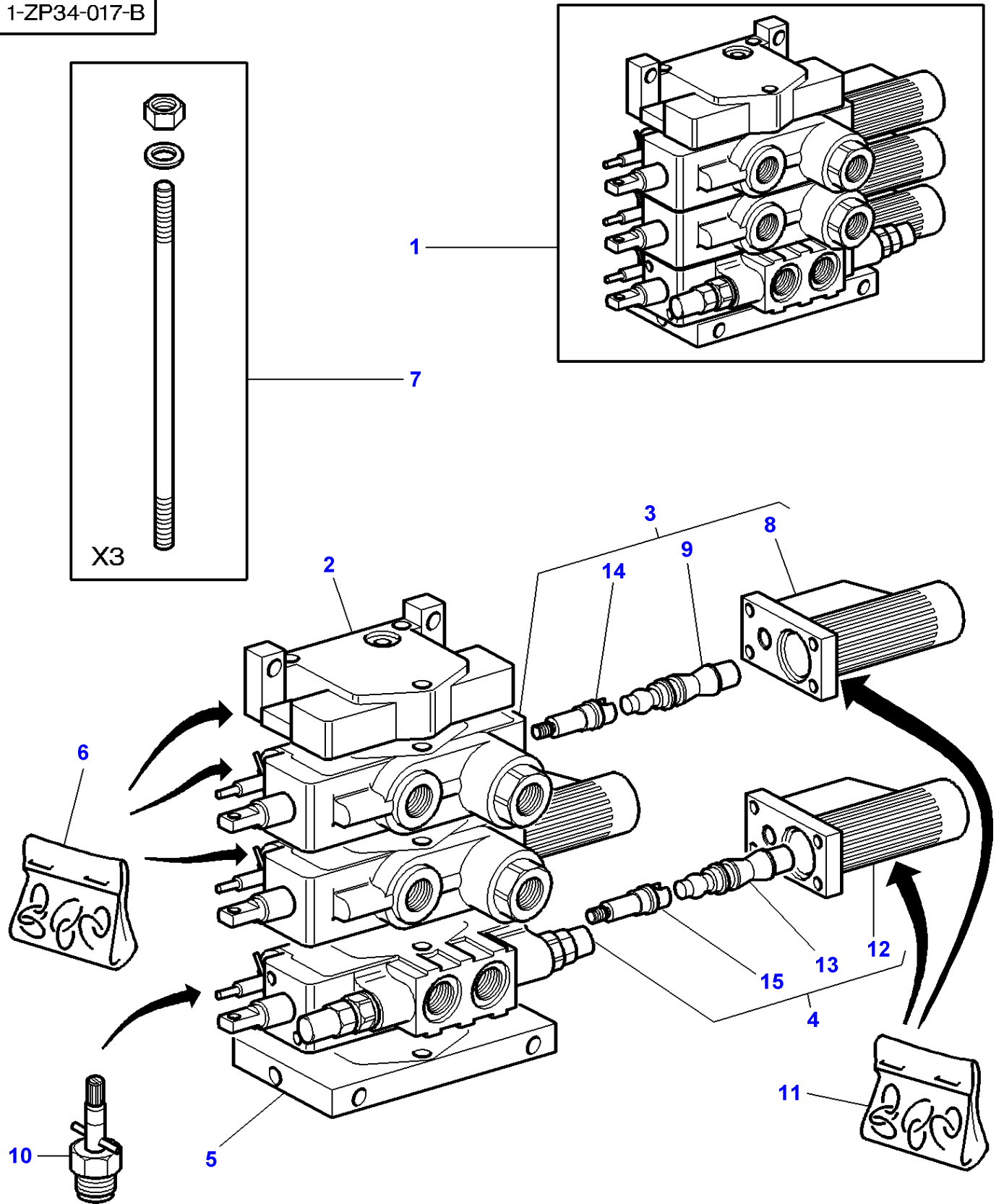
Item	Part Number	Qty	Description	Comments
1	3716318M93	1	Distributor	
2	357197X91	1	Elbow	Up to Serial or Engine Number H321001
3	831452M1	1	O Ring	(2)
4	380031X91	2	Union	
5	1882958M1	1	O Ring	(4)
6	3714956M1	1	Hydr Hose	Length 600MM
7	380055X91	1	Union	
8	835024M1	1	O Ring	(7)
9	3583591M1	1	Hydr Hose	Length 690MM
10	3712540M1	3	Hydr Hose	Length 650MM
11	3716398M1	1	Hydr Hose	[A]
	3792042M1	1	Hydr Hose	[B] Length 1400MM
12	835013M91	3	Union	
13	1882958M1	1	O Ring	(12)
14	3792164M1	1	Hydr Hose	Length 900MM
15	367386X1	3	Elbow	
16	364603X1	1	Elbow	From Serial or Engine Number H321002
17	358733X1	1	Union	From Serial or Engine Number H321002
18	831452M1	1	O Ring	
19	3794665M3	1	Union	[C]
20	356579X1	2	Cap	[C]
21	3793574M3	1	Selector	[C]
22	364603X1	1	Elbow	[C]
23	3795674M1	1	Union	[C]
24	3010626X91	1	Union	[C]
25	3019394X1	1	O Ring	(24)

FOOTNOTE [A] WITH PUMP 45CC

FOOTNOTE [B] WITH PUMP 60CC

FOOTNOTE [C] WITH FRONT AXLE SUSPENDED CARRARO

1-ZP34-017-B

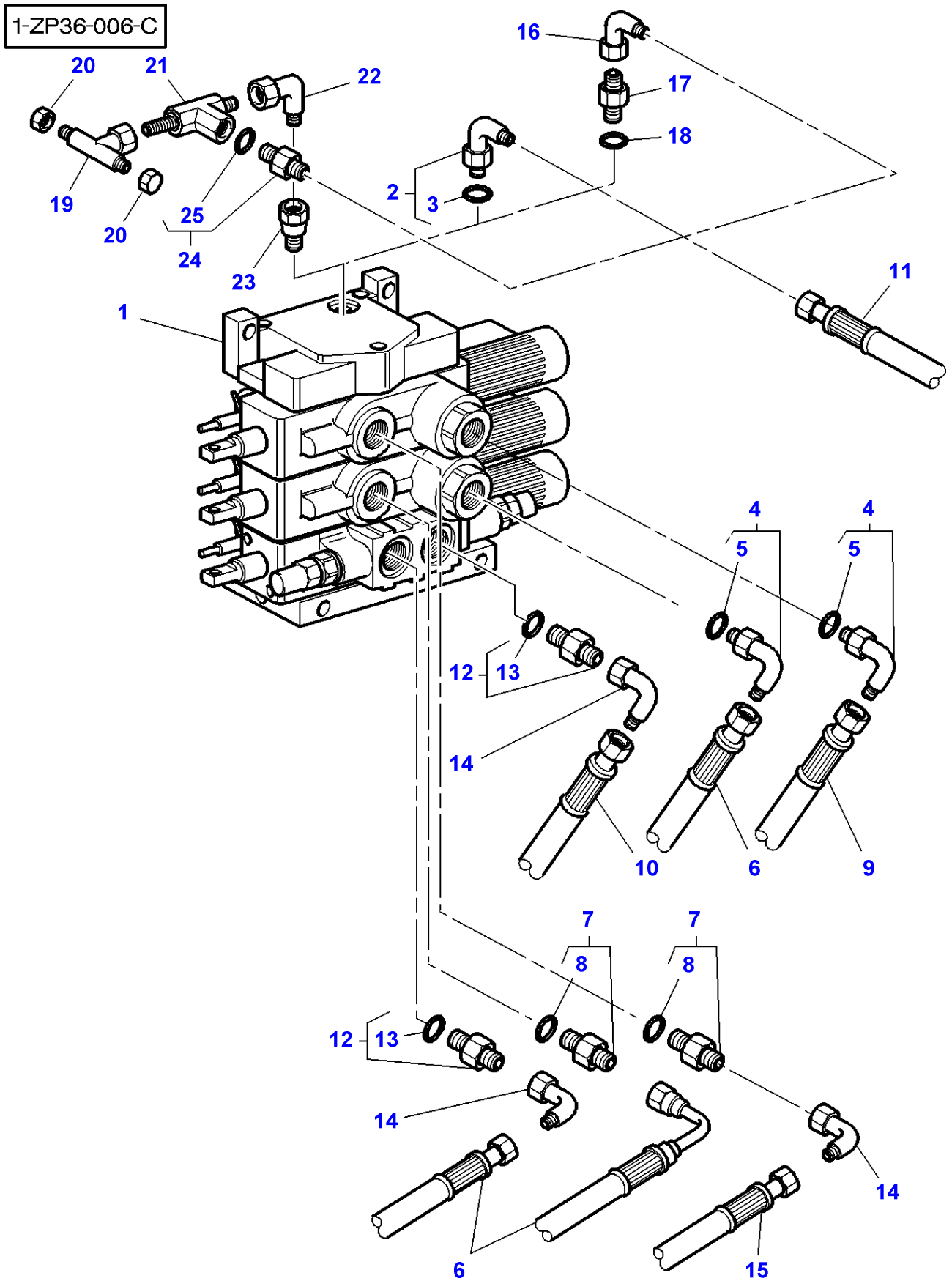


Item	Part Number	Qty	Description	Comments
1	3716319M93	1	Distributor	
2	3716316M1	1	Element	(1)
3	3713928M5	2	Distributor	[A] (1)
4	3713927M4	1	Distributor	[B] (1)
5	3716314M1	1	Element	(1)
6	3792640M1	1	Kit, Joint	(1) Replace and repair. Old interchangeable with new 3902067M91
7	3716366M1	1	Parts Pack	(1)
8	3902797M91	1	Protector	(3)
9	3790773M11	1	Kit, Service	(3)
10	3790797M11	1	Kit, Service	(1)
11	3902066M91	1	Kit, Joint	(1)
12	3902797M91	1	Protector	(4)
13	3790773M11	1	Kit, Service	(4)
14	3903893M1	1	Pivot	(3)
15	3903893M1	1	Pivot	(4)

FOOTNOTE [A] 4 FLOATING POSITIONS DIST,FLOW ADJUST,KICK-OUT,ZER O LEAK

FOOTNOTE [B] 4 FLOAT POSIT DIST,FLOW ADJUST,KICK-OUT W 2 OVERP RES.VALVE AND RESUPPLYING FOR HYDRAULIC MOTOR

MF 8210/8220 TRACTORS - 1637365
1-ZP36-006-C



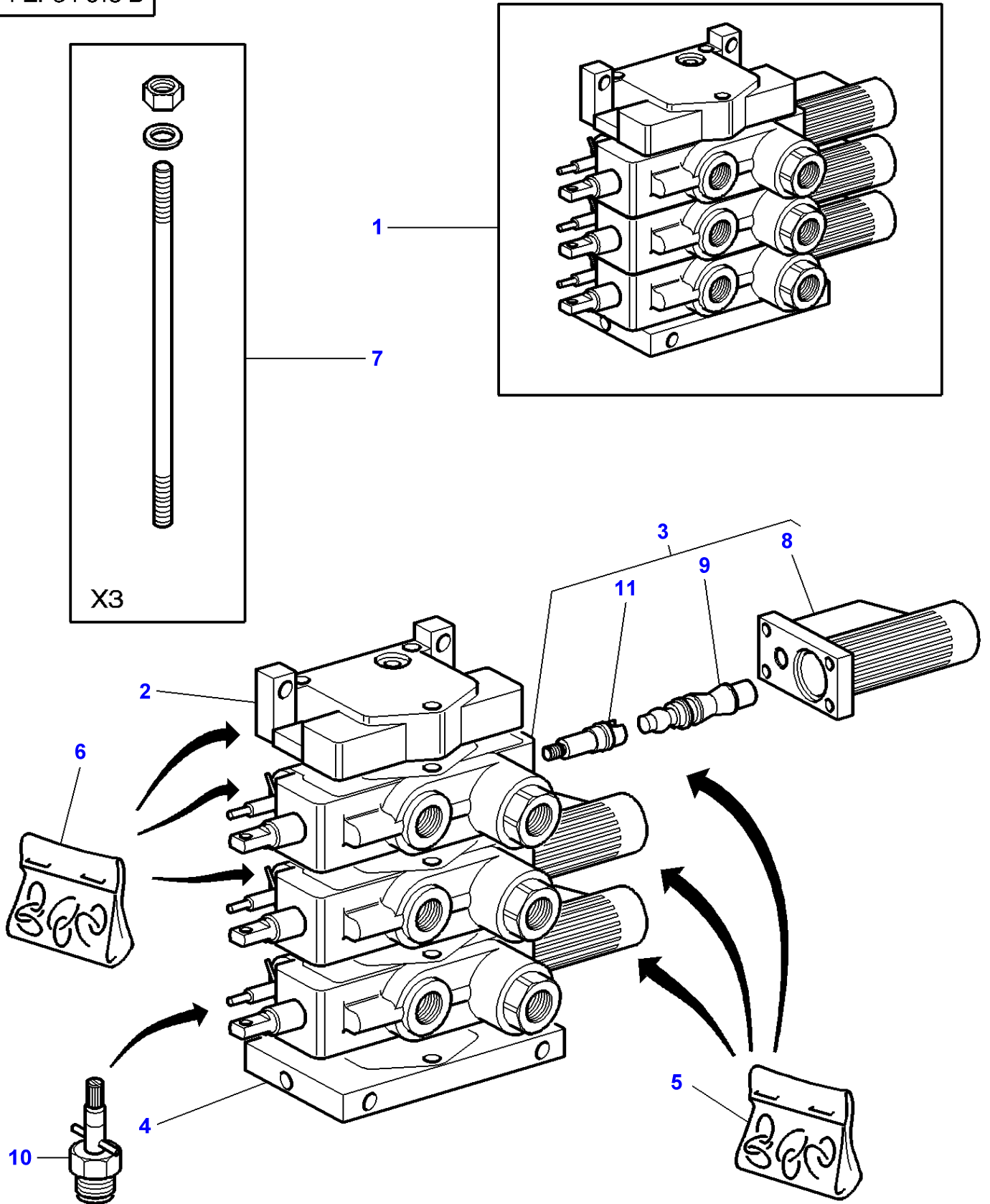
Item	Part Number	Qty	Description	Comments
1	3716319M93	1	Distributor	
2	357197X91	1	Elbow	Up to Serial or Engine Number H321001
3	831452M1	1	O Ring	(2)
4	380031X91	2	Union	
5	1882958M1	1	O Ring	(4)
6	3712540M1	3	Hydr Hose	Length 650MM
7	380055X91	1	Union	
8	835024M1	1	O Ring	(7)
9	3583591M1	1	Hydr Hose	Length 690MM
10	3714956M1	1	Hydr Hose	Length 600MM
11	3716398M1	1	Hydr Hose	[A]
	3792042M1	1	Hydr Hose	[B] Length 1400MM
12	835013M91	2	Union	
13	1882958M1	1	O Ring	(12)
14	367386X1	3	Elbow	
15	3792164M1	1	Hydr Hose	Length 900MM
16	364603X1	1	Elbow	From Serial or Engine Number H321002
17	358733X1	1	Union	From Serial or Engine Number H321002
18	831452M1	1	O Ring	
19	3794665M3	1	Union	[C]
20	356579X1	2	Cap	[C]
21	3793574M3	1	Selector	[C]
22	364603X1	1	Elbow	[C]
23	3795674M1	1	Union	[C]
24	3010626X91	1	Union	[C]
25	3019394X1	1	O Ring	(24)

FOOTNOTE [A] WITH PUMP 45CC

FOOTNOTE [B] WITH PUMP 60CC

FOOTNOTE [C] WITH FRONT AXLE SUSPENDED CARRARO

1-ZP34-018-B

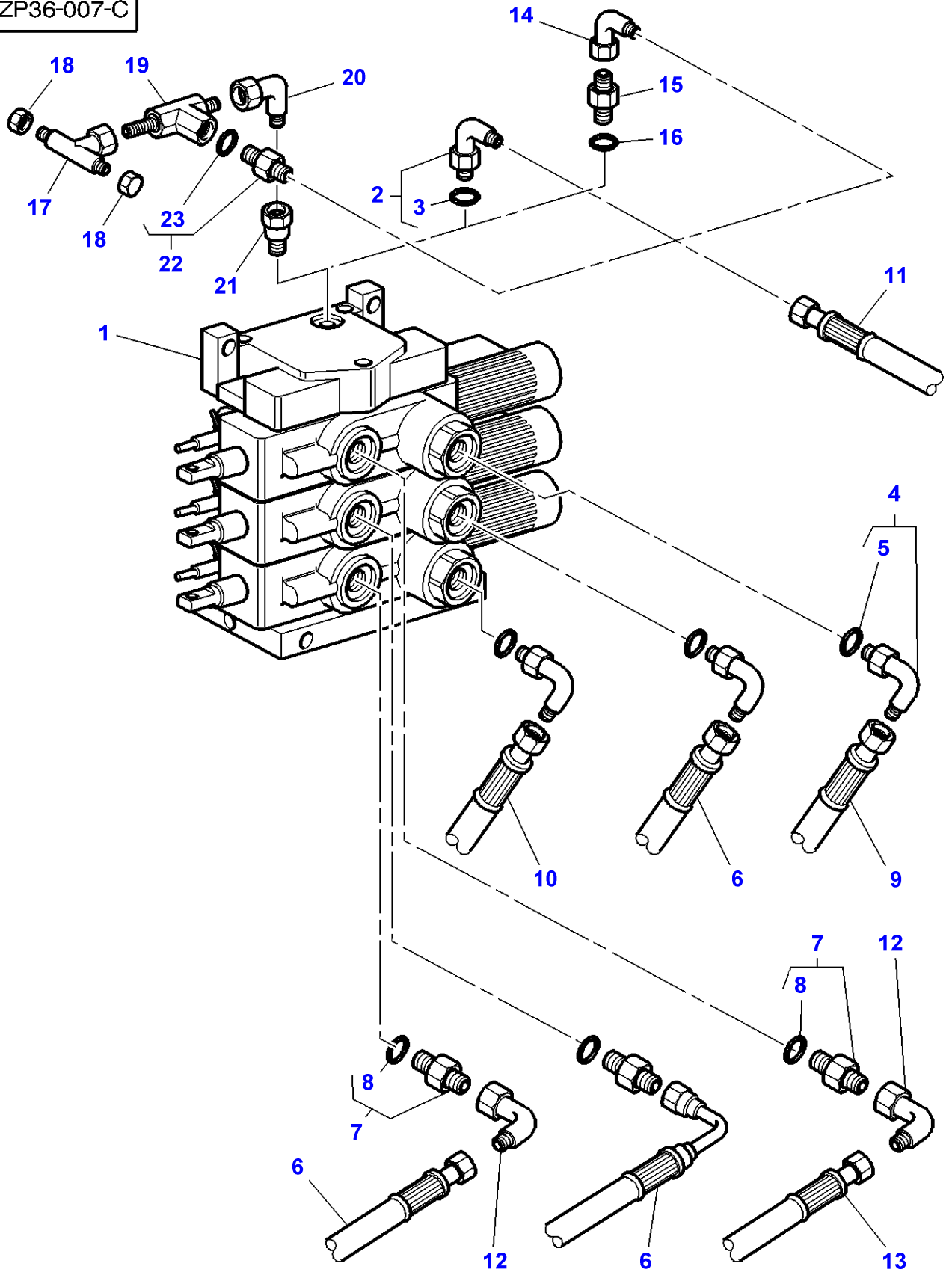


Item	Part Number	Qty	Description	Comments
1	3716320M93	1	Distributor	
2	3716316M1	1	Element	(1)
3	3713928M5	3	Distributor	[A] (1)
4	3716314M1	1	Element	(1)
5	3902066M91	1	Kit, Joint	(1)
6	3792640M1	1	Kit, Joint	(1) Replace and repair. Old interchangeable with new 3902067M91
7	3716366M1	1	Parts Pack	(1)
8	3902797M91	1	Protector	(3)
9	3790773M11	1	Kit, Service	(3)
10	3790797M11	1	Kit, Service	(3)
11	3903893M1	1	Pivot	(3)

FOOTNOTE [A] 4 FLOATING POSITIONS DIST,FLOW ADJUST,KICK-OUT,ZER O LEAK

MF 8210/8220 TRACTORS - 1637365
1-ZP36-007-C

1-ZP36-007-C



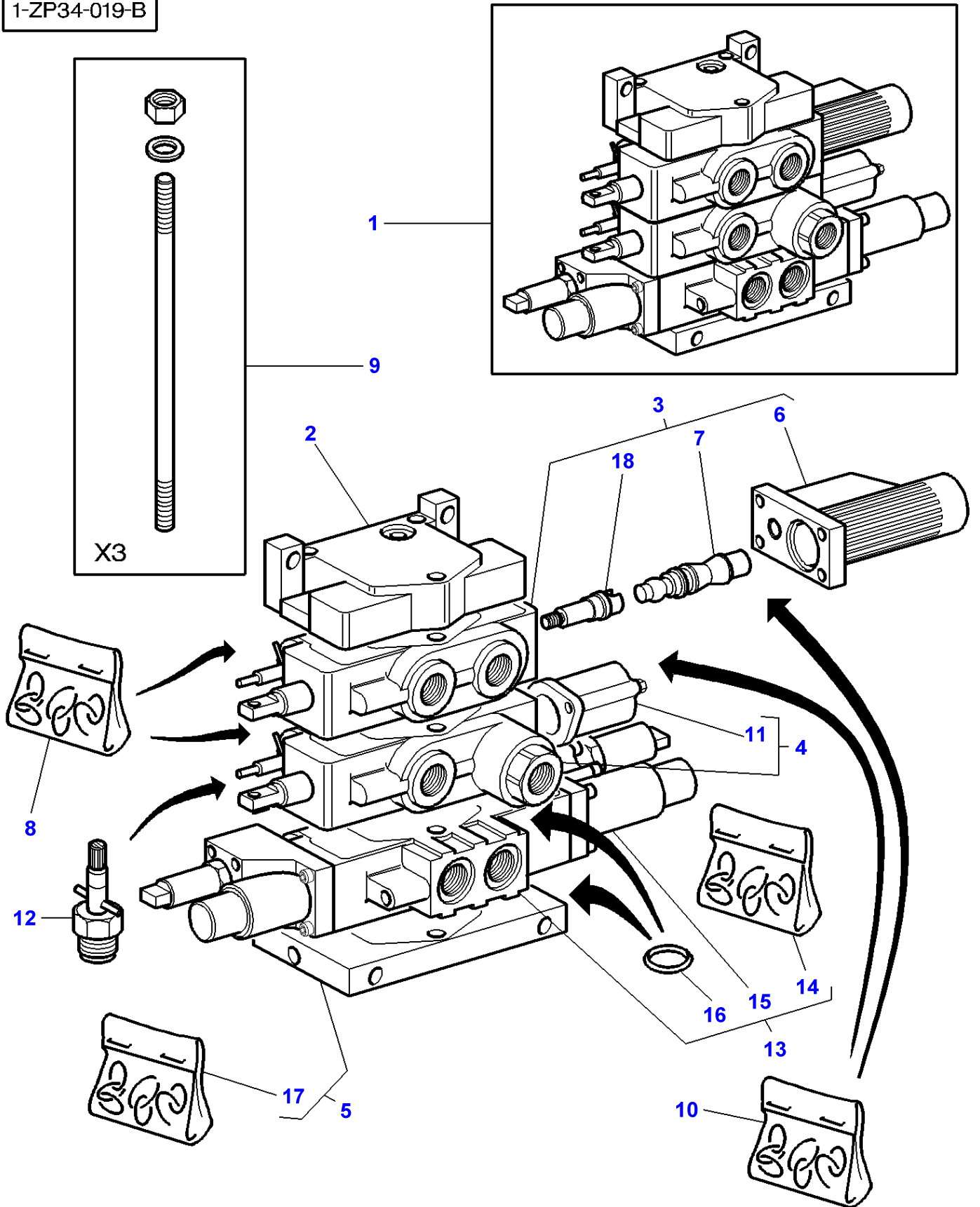
Item	Part Number	Qty	Description	Comments
1	3716320M93	1	Distributor	
2	357197X91	1	Elbow	Up to Serial or Engine Number H321001
3	831452M1	1	O Ring	(2)
4	380031X91	3	Union	7/88-14
5	1882958M1	1	O Ring	(4)
6	3712540M1	3	Hydr Hose	Length 650MM
7	835013M91	3	Union	
8	1882958M1	1	O Ring	(7)
9	3583591M1	1	Hydr Hose	Length 690MM
10	3714956M1	1	Hydr Hose	Length 600MM
11	3716398M1	1	Hydr Hose	[A]
	3792042M1	1	Hydr Hose	[B]
				Length 1400MM
12	367386X1	2	Elbow	
13	3792164M1	1	Hydr Hose	Length 900MM
14	364603X1	1	Elbow	From Serial or Engine Number H321002
15	358733X1	1	Union	From Serial or Engine Number H321002
16	831452M1	1	O Ring	
17	3794665M3	1	Union	[C]
18	356579X1	2	Cap	[C]
19	3793574M3	1	Selector	[C]
20	364603X1	1	Elbow	[C]
21	3795674M1	1	Union	[C]
22	3010626X91	1	Union	[C]
23	3019394X1	1	O Ring	(22)

FOOTNOTE [A] WITH PUMP 45CC

FOOTNOTE [B] WITH PUMP 60CC

FOOTNOTE [C] WITH FRONT AXLE SUSPENDED CARRARO

1-ZP34-019-B



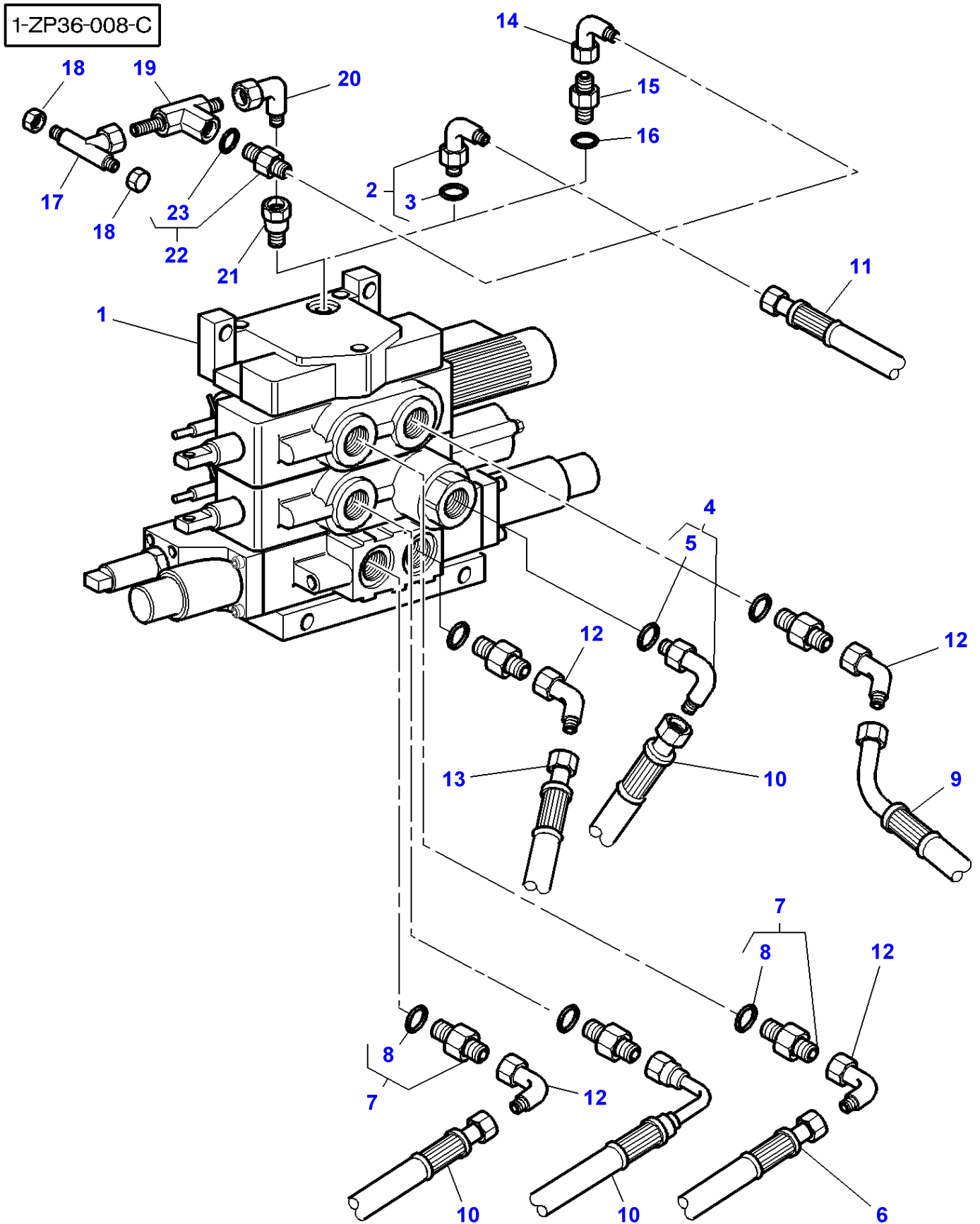
Item	Part Number	Qty	Description	Comments
1	3716321M93	1	Distributor	
2	3716316M1	1	Element	(1)
3	3792803M3	1	Distributor	[A] (1)
4	3792802M1	1	Distributor	Replace and repair. Old interchangeable with new 3902062M92 [B] (1)
5	3716315M1	1	Element	(1)
6	3902797M91	1	Protector	(3)
7	3790773M11	1	Kit, Service	(3)
8	3792640M1	1	Kit, Joint	(1)
9	3716366M1	1	Parts Pack	Replace and repair. Old interchangeable with new 3902067M91 (1)
10	3902066M91	1	Kit, Joint	(1)
11	3902813M91	1	Protector	(4)
12	3790797M11	2	Kit, Service	(1)
13	3715122M2	1	Pressure Valve	[C] (1)
14	3902734M91	1	Kit, Joint	(13)
15	3900512M92	2	Pressure Valve	(13)
16	359288X1	4	Seal	(13)
17	3792639M1	1	Kit, Joint	(5)
18	3903893M1	1	Pivot	Replace and repair. Old interchangeable with new 3902733M91 (3)

FOOTNOTE [A] DIST 4 FLOATING POSITIONS ,FLOW ADJUST,KICK-OUT,W/ O, ZERO LEAK

FOOTNOTE [B] DIST 3 FLOATING POSITIONS,RETURN BY SPRING,FLOW AD JUST,ZERO LEAK

FOOTNOTE [C] DIST 3 FLOATING POSITIONS,AUTOMATIC KICK-OUT(BY SP RING),FLOW ADJUST,ELECTRIC CONTROL

MF 8210/8220 TRACTORS - 1637365
1-ZP36-008-C



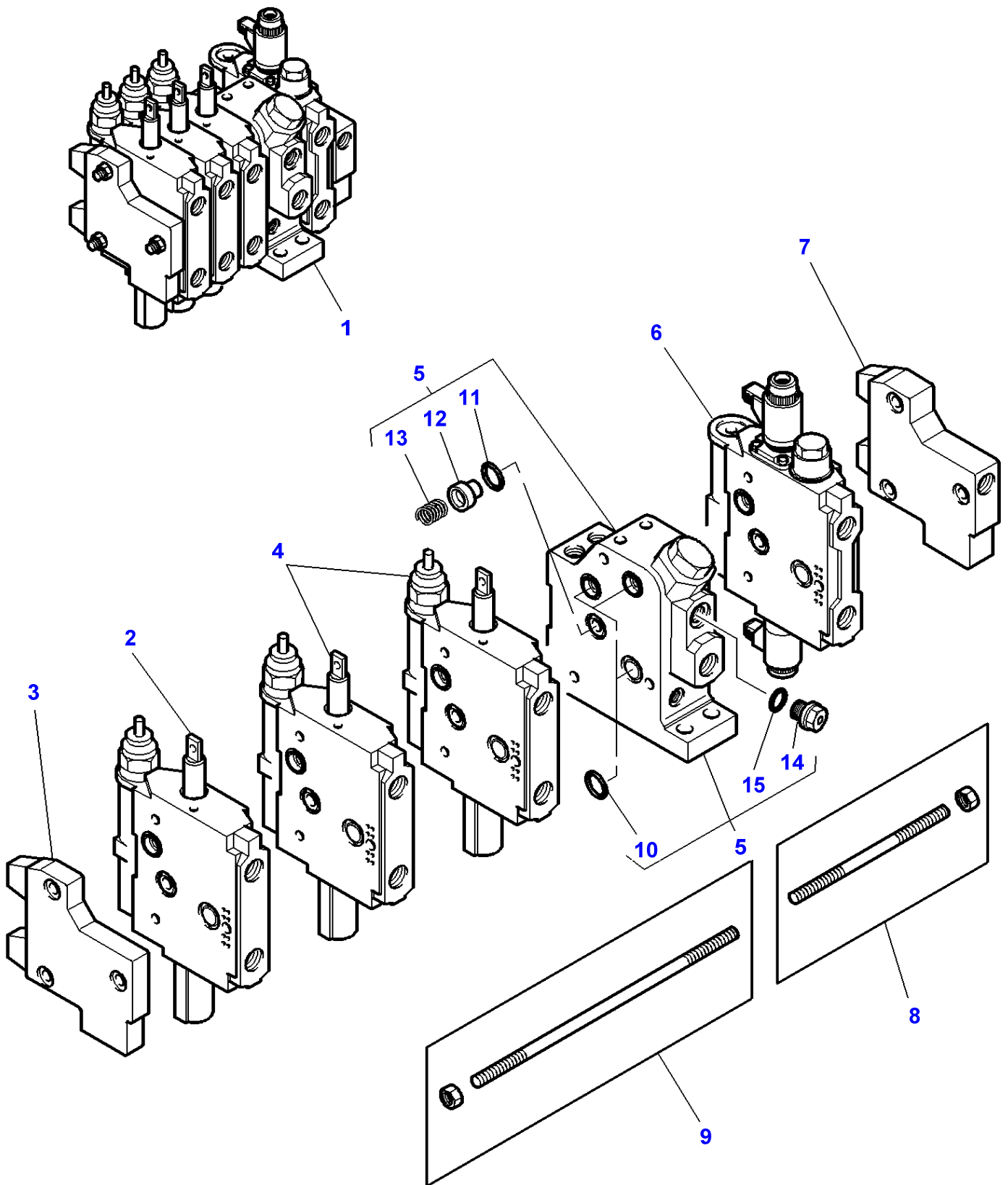
Item	Part Number	Qty	Description	Comments
1	3716321M93	1	Distributor	
2	357197X91	1	Elbow	Up to Serial or Engine Number H321001
3	831452M1	1	O Ring	(2)
4	380031X91	1	Union	
5	1882958M1	1	O Ring	(4)
6	3792164M1	1	Hydr Hose	Length 900MM
7	835013M91	5	Union	
8	1882958M1	1	O Ring	(7)
9	3792167M1	1	Hydr Hose	Length 780MM
10	3712540M1	3	Hydr Hose	Length 650MM
11	3716398M1	1	Hydr Hose	[A]
	3792042M1	1	Hydr Hose	[B] Length 1400MM
12	367386X1	4	Elbow	
13	3714956M1	1	Hydr Hose	Length 600MM
14	364603X1	1	Elbow	From Serial or Engine Number H321002
15	358733X1	1	Union	From Serial or Engine Number H321002
16	831452M1	1	O Ring	
17	3794665M3	1	Union	[C]
18	356579X1	2	Cap	[C]
19	3793574M3	1	Selector	[C]
20	364603X1	1	Elbow	[C]
21	3795674M1	1	Union	[C]
22	3010626X91	1	Union	[C]
23	3019394X1	1	O Ring	(22)

FOOTNOTE [A] WITH PUMP 45CC

FOOTNOTE [B] WITH PUMP 60CC

FOOTNOTE [C] WITH FRONT AXLE SUSPENDED CARRARO

1-ZP34-043-D



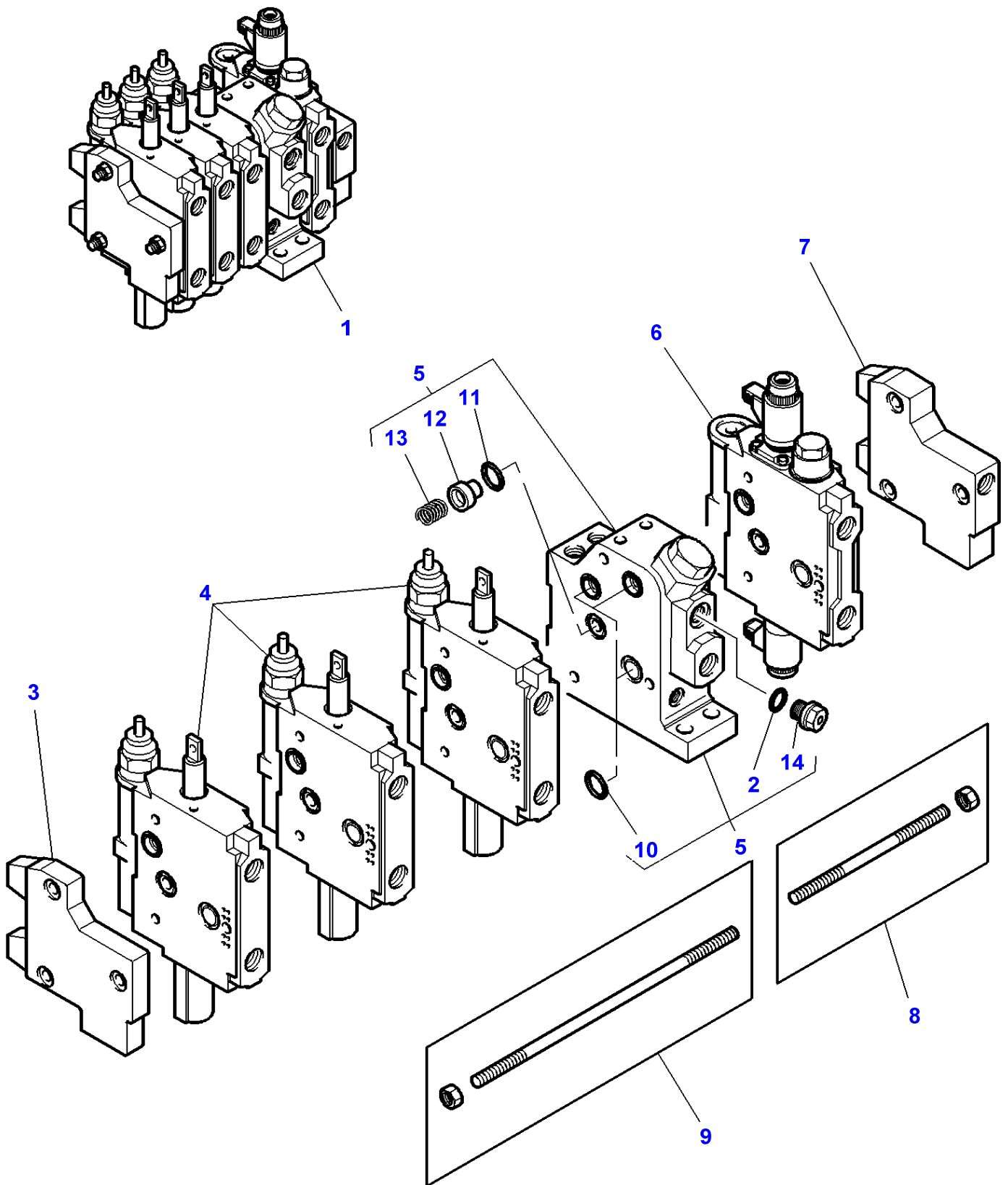
Item	Part Number	Qty	Description	Comments
1	3794727M14	1	Distributor	
2	3796128M3	1	Distributor	[C] (1) See Page - Reference Number 070-0555/1
3	3796108M1	1	Element	(1)
4	3795751M3	2	Distributor	[B] (1) See Page - Reference Number 070-0545/1
5	3796109M1	1	Element	(1)
6	3796103M2	1	Pressure Valve	[A] (1) See Page - Reference Number 070-0550/1
7	3796107M1	1	Element	(1)
8	3796231M1	3	Stud	(1)
9	3796233M1	3	Stud	(1)
10	3796222M1	3	O Ring	(5) 20 X 1,5
11	3796223M1	1	O Ring	(5) 18 X 1,5
12	3796224M1	1	Non Return Valve	(5)
13	3796225M1	1	Spring	(5)
14	3108244M1	1	Plug	(5)
15	3108238M1	1	O Ring	(5)

FOOTNOTE [A] HYDRAULIC LIFT VALVE

FOOTNOTE [B] DIST 4 FLOATING POSITIONS ,FLOW ADJUST,DOUBLE ACTI ON,KICK OUT,ZERO LEAK

FOOTNOTE [C] DIST 3 POSITIONS,FLOW ADJUST,DOUBLE ACTION,KICK OU T,FOR HYDRAULIC MOTOR

1-ZP34-063-A

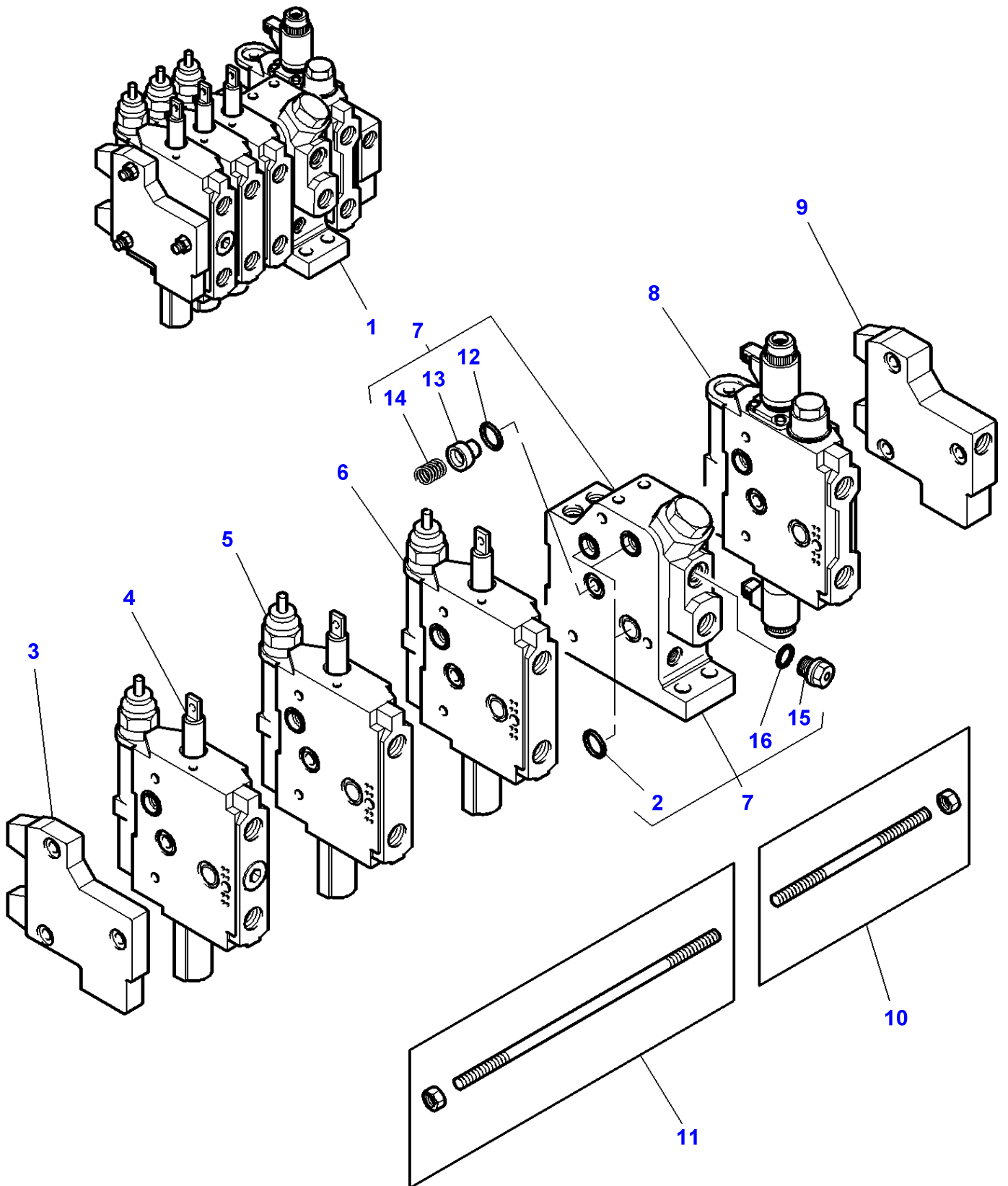


Massey Ferguson**MF 8210/8220 TRACTORS - 1637365****1637365****Auxiliary Distributor - 3 Distributors With Load Sensing - USA****Page070-0445**

Item	Part Number	Qty	Description	Comments
1	3797437M12	1	Distributor	
2	3108238M1	1	O Ring	(5)
3	3796108M1	1	Element	(1)
4	3795751M3	3	Distributor	[B] (1) See Page - Reference Number 070-0545/1
5	3796109M1	1	Element	(1)
6	3796103M2	1	Pressure Valve	[A] (1) See Page - Reference Number 070-0550/1
7	3796107M1	1	Element	(1)
8	3796231M1	3	Stud	(1)
9	3796233M1	3	Stud	(1)
10	3796222M1	3	O Ring	(5) 20 X 1,5
11	3796223M1	1	O Ring	(5) 18 X 1,5
12	3796224M1	1	Non Return Valve	(5)
13	3796225M1	1	Spring	(5)
14	3108244M1	1	Plug	(5)

FOOTNOTE [A] HYDRAULIC LIFT VALVE**FOOTNOTE [B]** DIST 4 FLOATING POSITIONS ,FLOW ADJUST,DOUBLE ACTI ON,KICK OUT,ZERO LEAK

1-ZP34-044-D



Item	Part Number	Qty	Description	Comments
1	3794726M14	1	Distributor	
2	3796222M1	3	O Ring	(7) 20 X 1,5
3	3796108M1	1	Element	(1)
4	3796090M3	1	Distributor	[A] (1) See Page - Reference Number 070-0565/1
5	3796091M3	1	Distributor	[B] (1) See Page - Reference Number 070-0560/1
6	3795751M3	1	Distributor	[C] (1) See Page - Reference Number 070-0545/1
7	3796109M1	1	Element	(1)
8	3796103M2	1	Pressure Valve	[D] (1) See Page - Reference Number 070-0550/1
9	3796107M1	1	Element	(1)
10	3796231M1	3	Stud	(1)
11	3796233M1	3	Stud	(1)
12	3796223M1	1	O Ring	(7) 18 X 1,5
13	3796224M1	1	Non Return Valve	(7)
14	3796225M1	1	Spring	(7)
15	3108244M1	1	Plug	(7)
16	3108238M1	1	O Ring	(7)

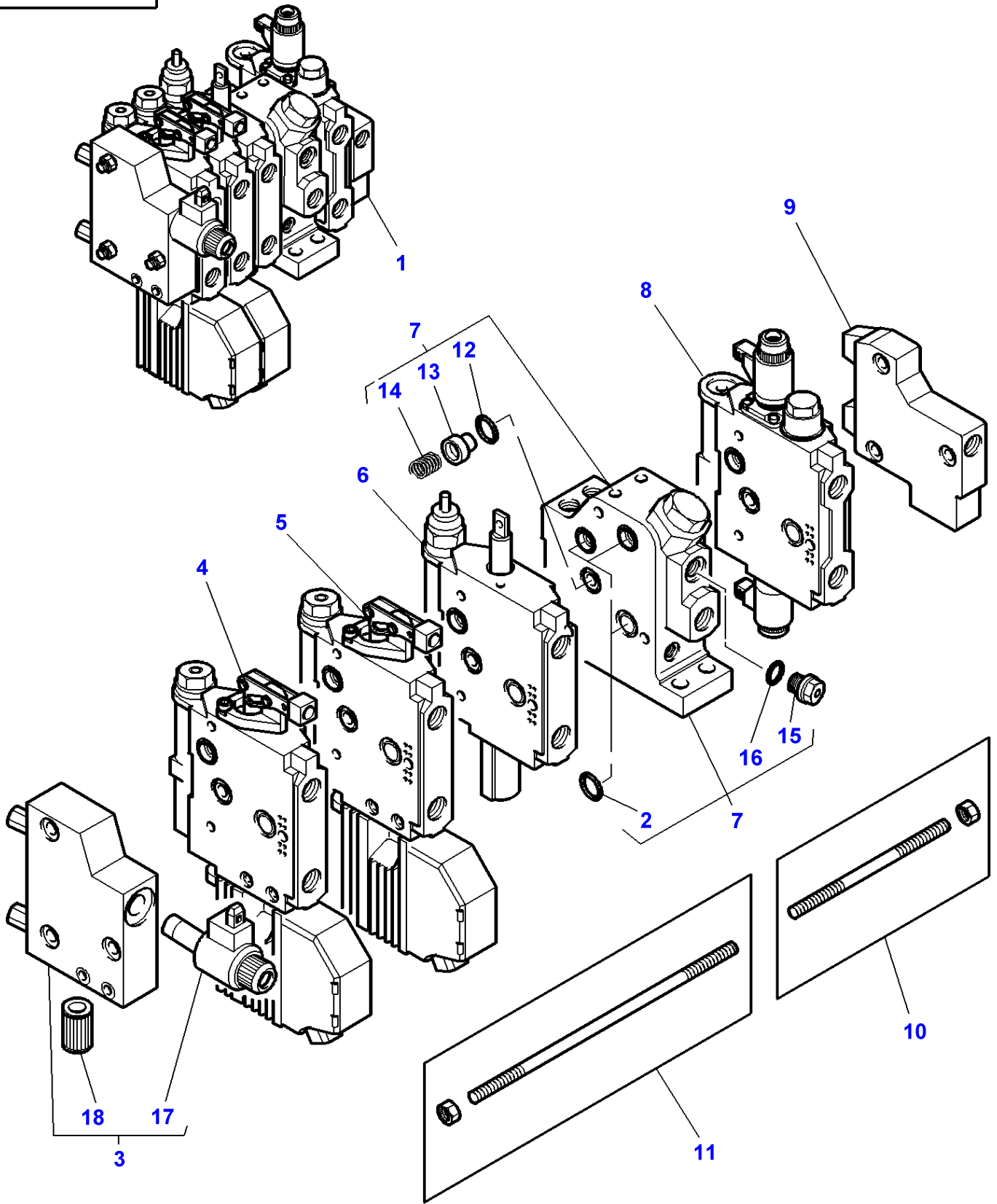
FOOTNOTE [A] DIST 3 POSITIONS, FLOW ADJUST, DOUBLE ACTION, ZERO LEAK

FOOTNOTE [B] DIST 4 FLOATING POSITIONS, FLOW ADJUST, DOUBLE ACTION, KICK OUT

FOOTNOTE [C] DIST 4 FLOATING POSITIONS, FLOW ADJUST, DOUBLE ACTION, KICK OUT, ZERO LEAK

FOOTNOTE [D] HYDRAULIC LIFT VALVE

1-ZP34-045-E



Item	Part Number	Qty	Description	Comments
1	3794728M15	1	Distributor	[C]
2	3796222M1	3	O Ring	(7) 20X1,5
3	3796111M2	1	Element	(1)
4	3796027M5	1	Distributor	[B] (1) See Page - Reference Number 070-0535/1
5	3796026M5	1	Distributor	[B,E] (1) See Page - Reference Number 070-0535/1
6	3795751M3	1	Distributor	[A] (1) See Page - Reference Number 070-0545/1
7	3796109M1	1	Element	(1)
8	3796103M2	1	Pressure Valve	[D] (1) See Page - Reference Number 070-0550/1
9	3796107M1	1	Element	(1)
10	3796231M1	3	Stud	(1)
11	3796389M1	3	Stud	(1)
12	3796223M1	1	O Ring	(7) 18 X 1,5
13	3796224M1	1	Non Return Valve	(7)
14	3796225M1	1	Spring	(7)
15	3108244M1	1	Plug	(7)
16	3108238M1	1	O Ring	(7)
17	3903997M1	1	Electrovalve	(3)
18	3907069M1	1	Filter	(3) 25 MICRONS

FOOTNOTE [A] DIST 4 FLOATING POSITIONS ,FLOW ADJUST,DOUBLE ACTION,KICK OUT,ZERO LEAK

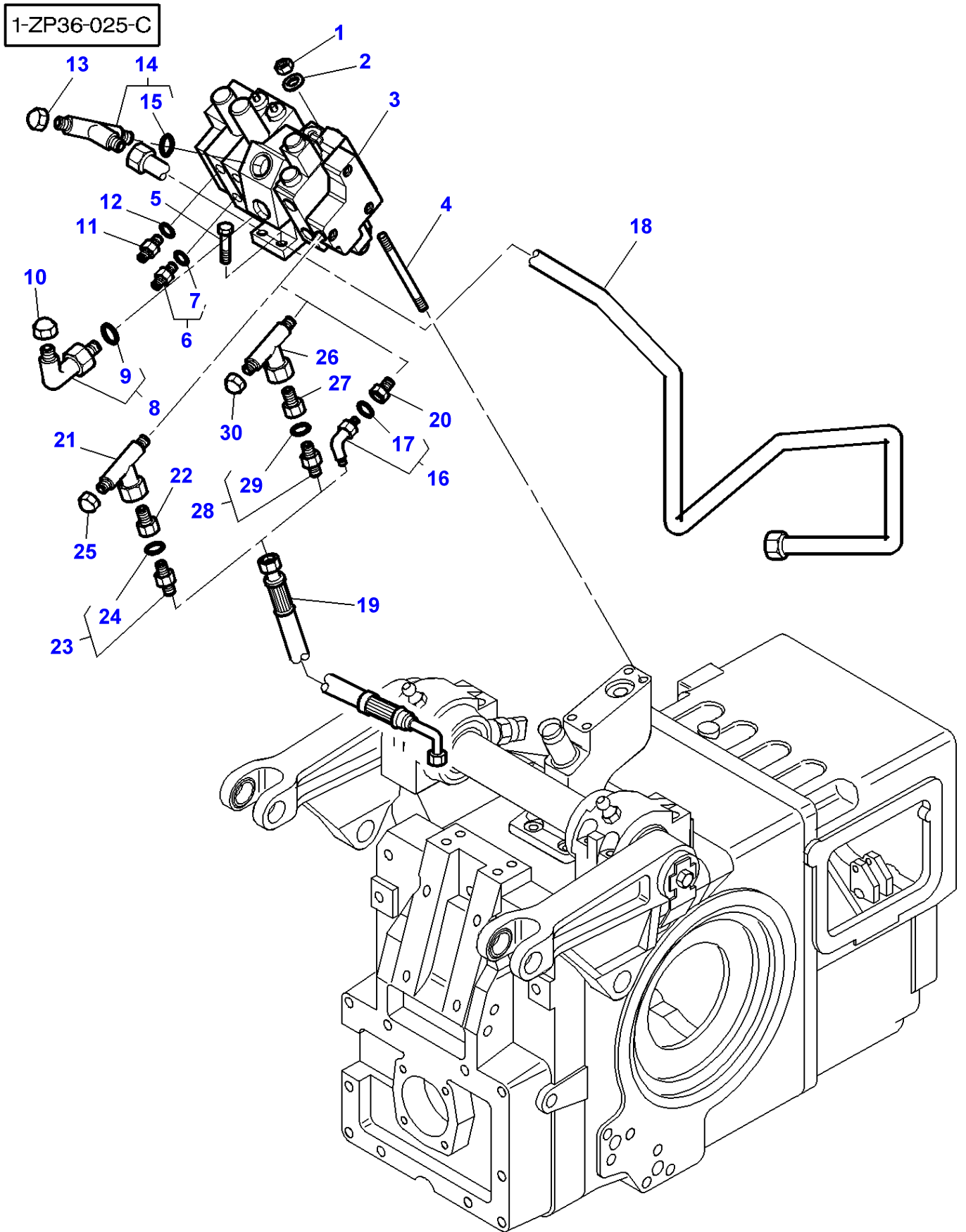
FOOTNOTE [B] DIST 4 POSITIONS,FLOW ADJUST,DOUBLE ACTION,ZERO LEAK

FOOTNOTE [C] 2 DISTRIBUTORS WITH ELECTRIC CONTROL-1 DISTRIBUTOR WITH MECHANICAL CONTROL

FOOTNOTE [D] HYDRAULIC LIFT VALVE

FOOTNOTE [E] WITH TIGHTNESS BALLS

MF 8210/8220 TRACTORS - 1637365
1-ZP36-025-C



Item	Part Number	Qty	Description	Comments
1	339054X1	2	Nut Metric	
2	390735X1	2	Washer	
3	3794726M14	1	Distributor	[A,B,C] See Page - Reference Number 070-0450/1
	3794727M14	1	Distributor	[B,C,D] See Page - Reference Number 070-0440/1
	3794728M15	1	Distributor	[C,E,F] See Page - Reference Number 070-0455/1
	3797437M12	1	Distributor	[C] For United States of America See Page - Reference Number 070-0445/1
4	3010449X1	2	Stud	
5	3009494X1	2	Screw Metric	M10 X 35
6	3019387X91	3	Union	
7	3019398X1	1	O Ring	(6)
8	3019596X91	1	Union	
9	3019455X1	1	O Ring	(8)
10	70921244	1	Cap	Replace and repair. Old not interchangeable with new 355782X1
11	3793544M1	3	Union	
12	3019398X1	3	O Ring	
13	356582X1	1	Cap	
14	3019633X91	1	Union	
15	3019399X1	1	O Ring	(14)
16	3010642X91	1	Union	[H] Up to Serial or Engine Number K197000
	3010667X91	1	Union	[G] Up to Serial or Engine Number K197000
17	3019394X1	1	O Ring	(16)
18	3793424M1	1	Tube	[G]
	3797956M91	1	Tube	[H]
19	3790086M1	1	Hydr Hose	[G] Length 930 MM
	3792042M2	1	Hydr Hose	[H] Length 1100 MM
20	3793729M1	1	Reducer	Up to Serial or Engine Number K197000
21	3794885M3	1	Selector	[I]
22	3793729M1	1	Reducer	[I]
23	3010626X91	1	Union	[I]
24	3019394X1	1	O Ring	[I] (23)
25	356579X1	1	Cap	[I]
26	3794885M3	1	Selector	From Serial or Engine Number K197001
27	3793729M1	1	Reducer	From Serial or Engine Number K197001
28	3010626X91	1	Union	From Serial or Engine Number K197001
29	3019394X1	1	O Ring	(28) From Serial or Engine Number K197001
30	356579X1	1	Cap	From Serial or Engine Number K197001

FOOTNOTE [A] DIST 3 POSITIONS, FLOW ADJUST, DOUBLE ACTION, ZERO LEAK

FOOTNOTE [B] DIST 4 FLOATING POSITIONS, FLOW ADJUST, DOUBLE ACTION, KICK OUT

FOOTNOTE [C] DIST 4 FLOATING POSITIONS, FLOW ADJUST, DOUBLE ACTION, KICK OUT, ZERO LEAK

FOOTNOTE [D] 3 DISTRIBUTORS - FOR HYDRAULIC MOTOR

FOOTNOTE [E] DIST 4 POSITIONS, FLOW ADJUST, DOUBLE ACTION, ZERO LEAK

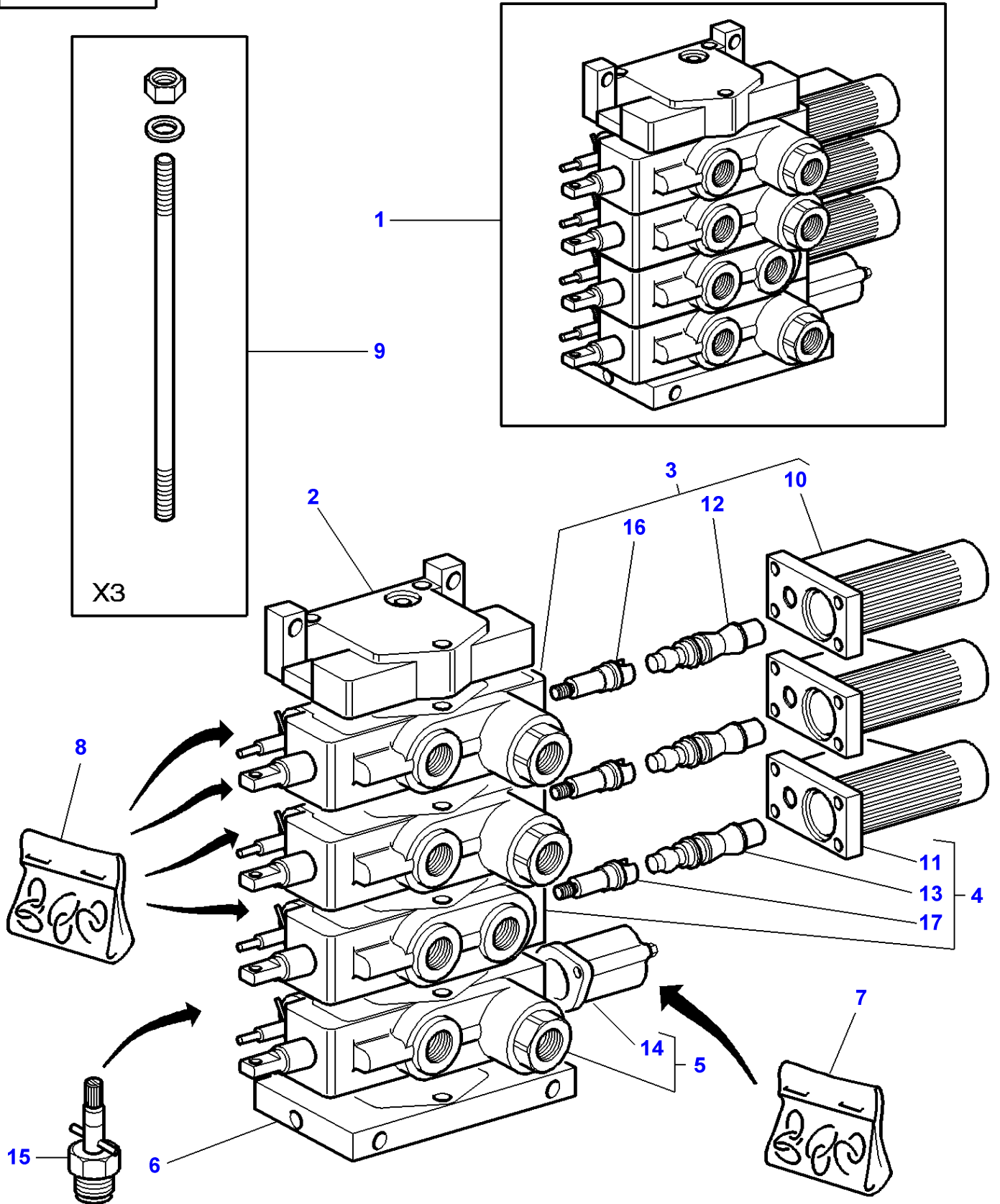
FOOTNOTE [F] 2 DISTRIBUTORS WITH ELECTRIC CONTROL-1 DISTRIBUTOR WITH MECHANICAL CONTROL

FOOTNOTE [G] WITH PUMP 45CC

FOOTNOTE [H] WITH PUMP 60CC

FOOTNOTE [I] WITH FRONT AXLE SUSPENDED CARRARO

1-ZP34-020-B



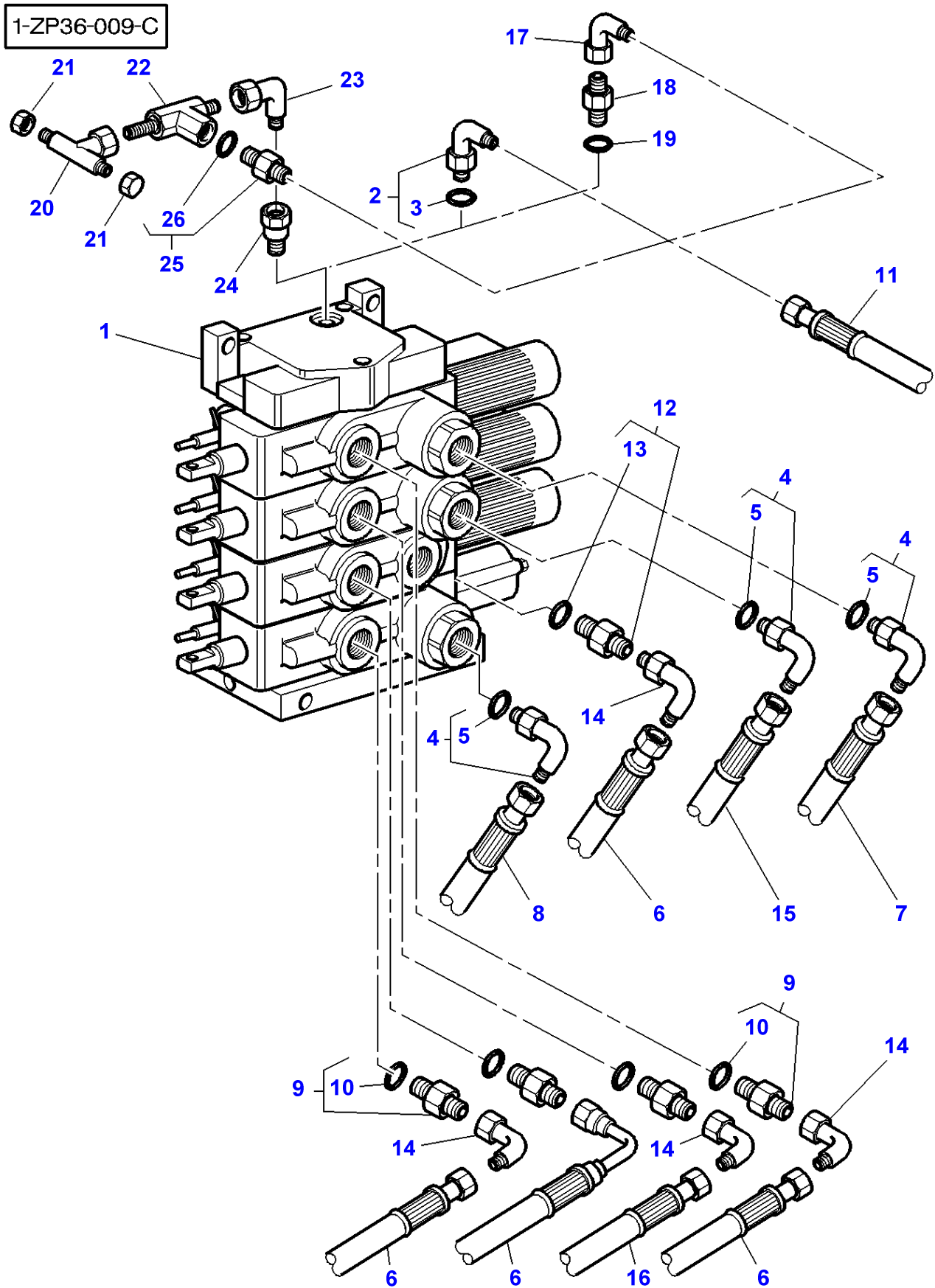
Item	Part Number	Qty	Description	Comments
1	3716322M93	1	Distributor	
2	3716316M1	1	Element	(1)
3	3713928M5	2	Distributor	[C] (1)
4	3792803M3	1	Distributor	[A] (1) Replace and repair. Old interchangeable with new 3902062M92
5	3792802M1	1	Distributor	[B] (1) Replace and repair. Old interchangeable with new 3902063M91
6	3716314M1	1	Element	(1)
7	3902066M91	1	Kit, Joint	(1)
8	3792640M1	1	Kit, Joint	(1) Replace and repair. Old interchangeable with new 3902067M91
9	3716367M1	1	Parts Pack	(1)
10	3902797M91	1	Protector	(3)
11	3902797M91	1	Protector	(4)
12	3790773M11	1	Kit, Service	(3)
13	3790773M11	1	Kit, Service	(4)
14	3902813M91	1	Protector	(5)
15	3790797M11	4	Kit, Service	(1)
16	3903893M1	2	Pivot	(3)
17	3903893M1	1	Pivot	(4)

FOOTNOTE [A] DIST 4 FLOATING POSITIONS ,FLOW ADJUST,KICK-OUT,W/ O, ZERO LEAK

FOOTNOTE [B] DIST 3 FLOATING POSITIONS,RETURN BY SPRING,FLOW AD JUST,ZERO LEAK

FOOTNOTE [C] 4 FLOATING POSITIONS DIST,FLOW ADJUST,KICK-OUT,ZER O LEAK

MF 8210/8220 TRACTORS - 1637365
1-ZP36-009-C



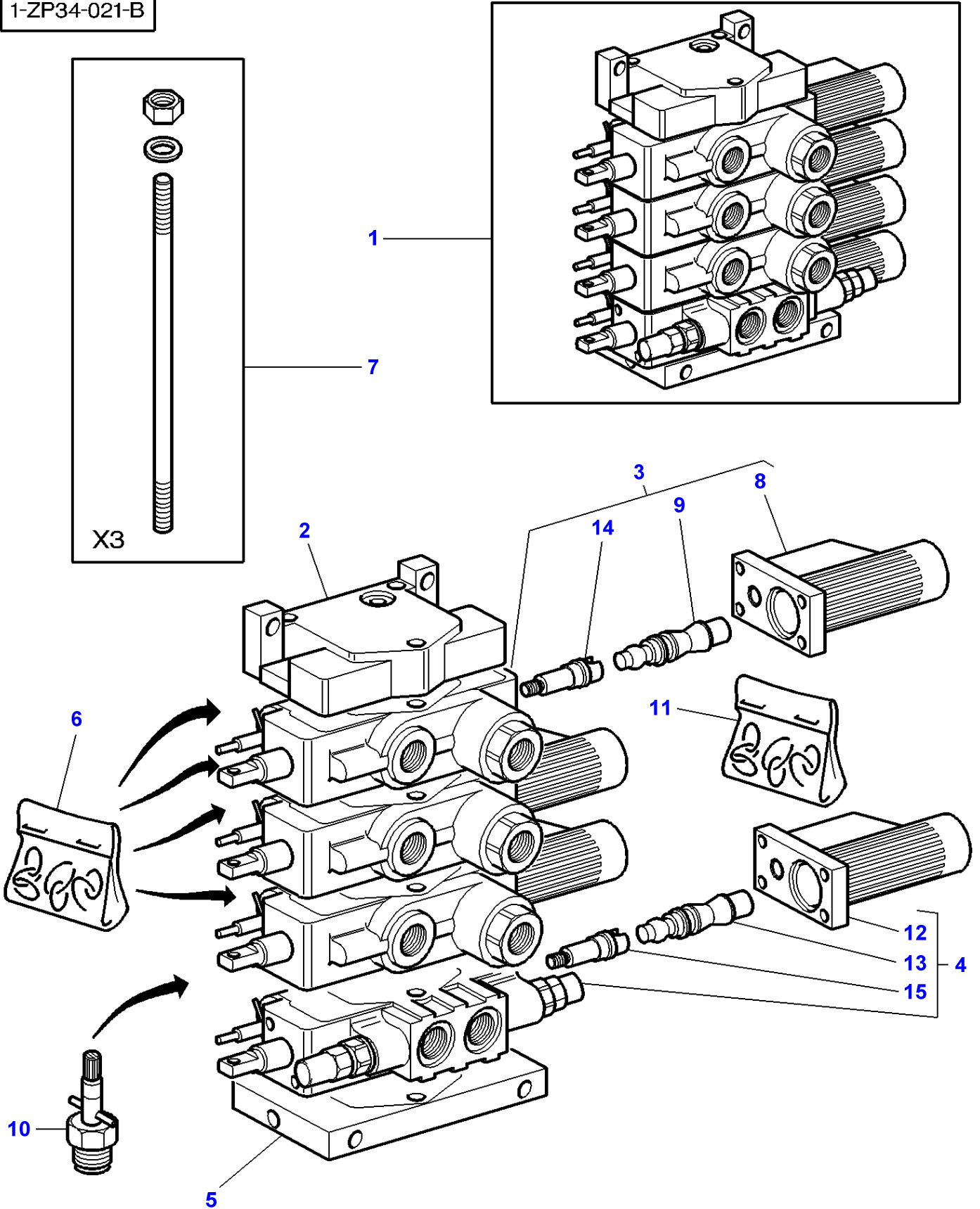
Item	Part Number	Qty	Description	Comments
1	3716322M93	1	Distributor	
2	357197X91	1	Elbow	Up to Serial or Engine Number H321001
3	831452M1	1	O Ring	(2)
4	380031X91	3	Union	7/88-14
5	1882958M1	1	O Ring	(4)
6	3712540M1	4	Hydr Hose	Length 650MM
7	3714953M1	1	Hydr Hose	Length 600MM
8	3714956M1	1	Hydr Hose	Length 600MM
9	835013M91	4	Union	
10	1882958M1	1	O Ring	(9)
11	3716398M1	1	Hydr Hose	[A]
	3792042M1	1	Hydr Hose	[B] Length 1400MM
12	380055X91	1	Union	
13	835024M1	1	O Ring	(12)
14	367386X1	4	Elbow	
15	3583591M1	1	Hydr Hose	Length 690MM
16	3792164M1	1	Hydr Hose	Length 900MM
17	364603X1	1	Elbow	From Serial or Engine Number H321002
18	358733X1	1	Union	From Serial or Engine Number H321002
19	831452M1	1	O Ring	
20	3794665M3	1	Union	[C]
21	356579X1	2	Cap	[C]
22	3793574M3	1	Selector	[C]
23	364603X1	1	Elbow	[C]
24	3795674M1	1	Union	[C]
25	3010626X91	1	Union	[C]
26	3019394X1	1	O Ring	(25)

FOOTNOTE [A] WITH PUMP 45CC

FOOTNOTE [B] WITH PUMP 60CC

FOOTNOTE [C] WITH FRONT AXLE SUSPENDED CARRARO

1-ZP34-021-B

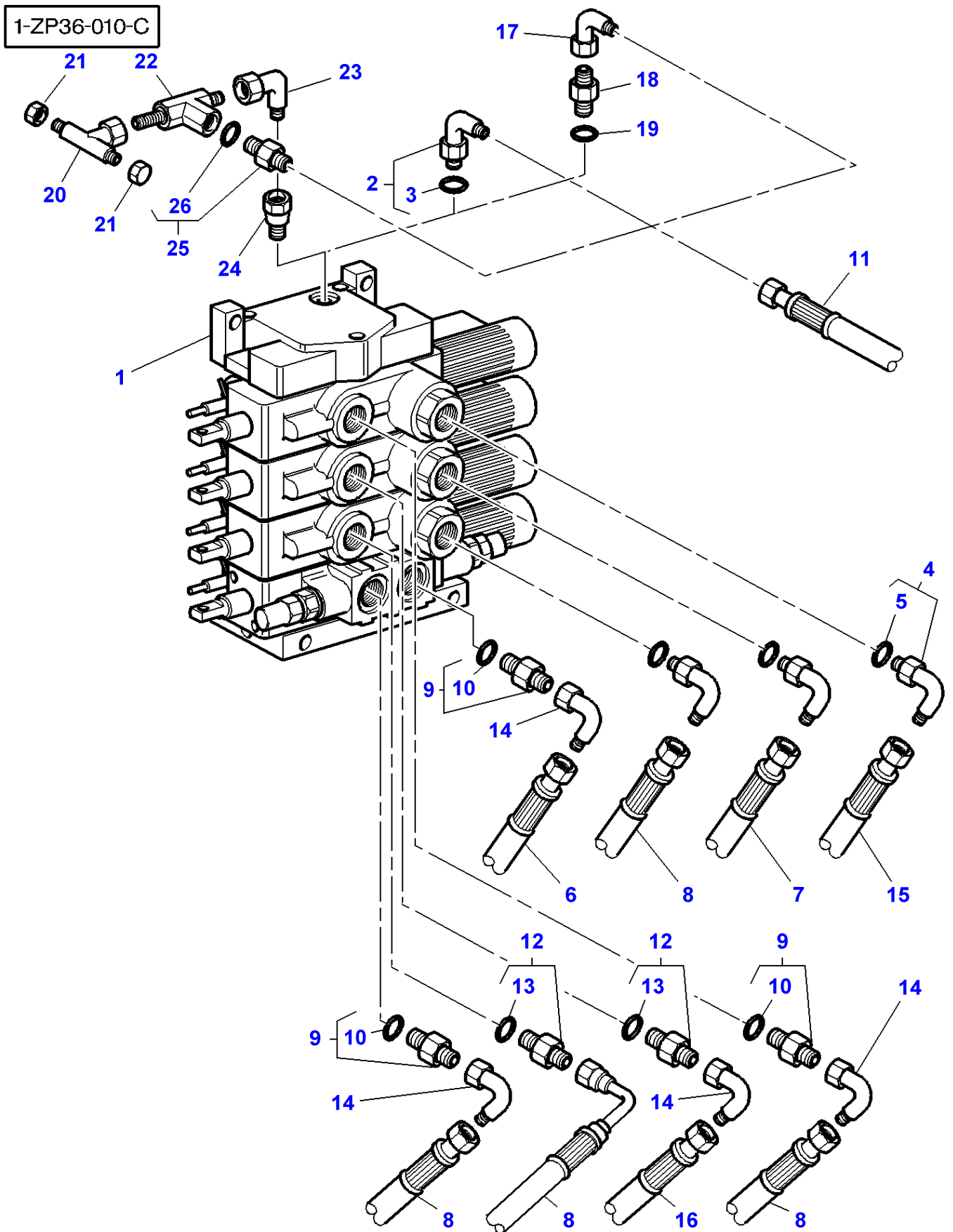


Item	Part Number	Qty	Description	Comments
1	3716323M93	1	Distributor	
2	3716316M1	1	Element	(1)
3	3713928M5	3	Distributor	[A] (1)
4	3713927M4	1	Distributor	[B] (1)
5	3716314M1	1	Element	(1)
6	3792640M1	1	Kit, Joint	(1) Replace and repair. Old interchangeable with new 3902067M91
7	3716367M1	1	Parts Pack	(1)
8	3902797M91	1	Protector	(3)
9	3790773M11	1	Kit, Service	(3)
10	3790797M11	1	Kit, Service	(1)
11	3902066M91	1	Kit, Joint	(1)
12	3902797M91	1	Protector	(4)
13	3790773M11	1	Kit, Service	(4)
14	3903893M1	1	Pivot	(3)
15	3903893M1	1	Pivot	(4)

FOOTNOTE [A] 4 FLOATING POSITIONS DIST,FLOW ADJUST,KICK-OUT,ZER O LEAK

FOOTNOTE [B] 4 FLOAT POSIT DIST,FLOW ADJUST,KICK-OUT W 2 OVERP RES.VALVE AND RESUPPLYING FOR HYDRAULIC MOTOR

MF 8210/8220 TRACTORS - 1637365
1-ZP36-010-C



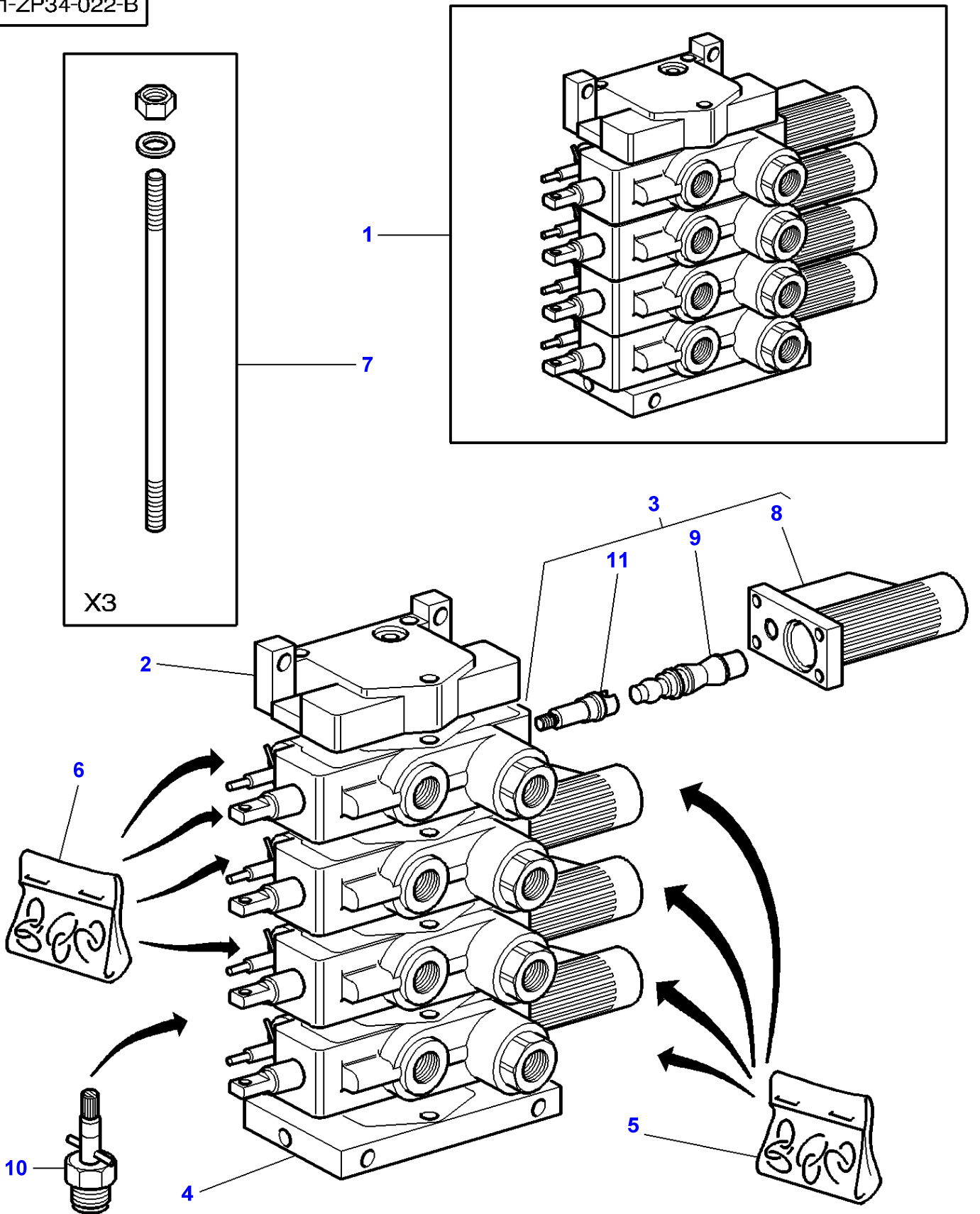
Item	Part Number	Qty	Description	Comments
1	3716323M93	1	Distributor	
2	357197X91	1	Elbow	Up to Serial or Engine Number H321001
3	831452M1	1	O Ring	(2)
4	380031X91	3	Union	7/88-14
5	1882958M1	1	O Ring	(4)
6	3714956M1	1	Hydr Hose	Length 600MM
7	3583591M1	1	Hydr Hose	Length 690MM
8	3712540M1	4	Hydr Hose	Length 650MM
9	835013M91	3	Union	
10	1882958M1	1	O Ring	(9)
11	3716398M1	1	Hydr Hose	[A]
	3792042M1	1	Hydr Hose	[B] Length 1400MM
12	380055X91	2	Union	
13	835024M1	1	O Ring	(12)
14	367386X1	4	Elbow	
15	3714953M1	1	Hydr Hose	Length 600MM
16	3792164M1	1	Hydr Hose	Length 900MM
17	364603X1	1	Elbow	From Serial or Engine Number H321002
18	358733X1	1	Union	From Serial or Engine Number H321002
19	831452M1	1	O Ring	
20	3794665M3	1	Union	[C]
21	356579X1	2	Cap	[C]
22	3793574M3	1	Selector	[C]
23	364603X1	1	Elbow	[C]
24	3795674M1	1	Union	[C]
25	3010626X91	1	Union	[C]
26	3019394X1	1	O Ring	(25)

FOOTNOTE [A] WITH PUMP 45CC

FOOTNOTE [B] WITH PUMP 60CC

FOOTNOTE [C] WITH FRONT AXLE SUSPENDED CARRARO

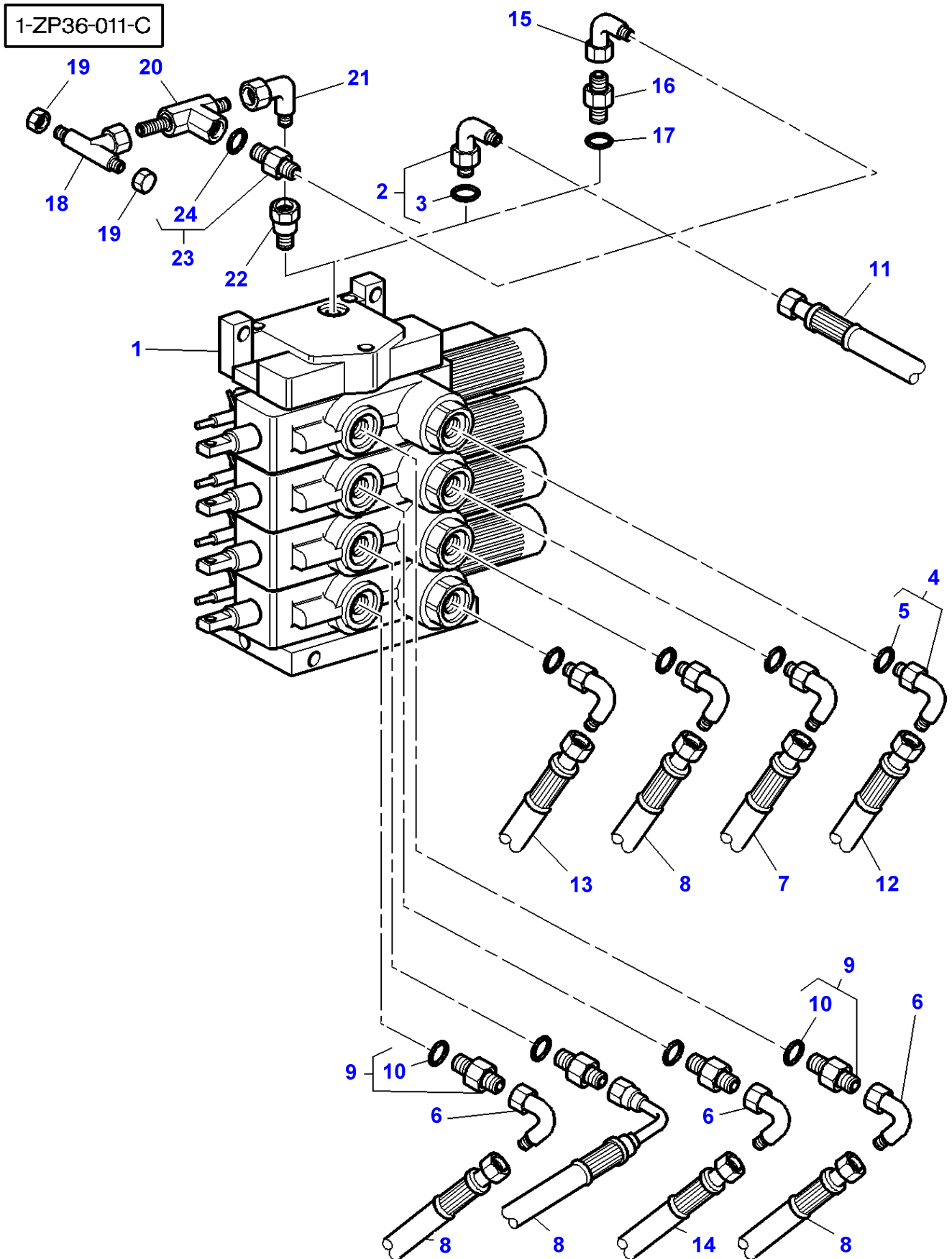
1-ZP34-022-B



Item	Part Number	Qty	Description	Comments
1	3716324M93	1	Distributor	
2	3716316M1	1	Element	(1)
3	3713928M5	4	Distributor	[A] (1)
4	3716314M1	1	Element	(1)
5	3902066M91	1	Kit, Joint	(1)
6	3792640M1	1	Kit, Joint	(1) Replace and repair. Old interchangeable with new 3902067M91
7	3716367M1	1	Parts Pack	(1)
8	3902797M91	1	Protector	(3)
9	3790773M11	1	Kit, Service	(3)
10	3790797M11	1	Kit, Service	(3)
11	3903893M1	1	Pivot	(3)

FOOTNOTE [A] 4 FLOATING POSITIONS DIST, FLOW ADJUST, KICK-OUT, ZERO LEAK

MF 8210/8220 TRACTORS - 1637365
1-ZP36-011-C



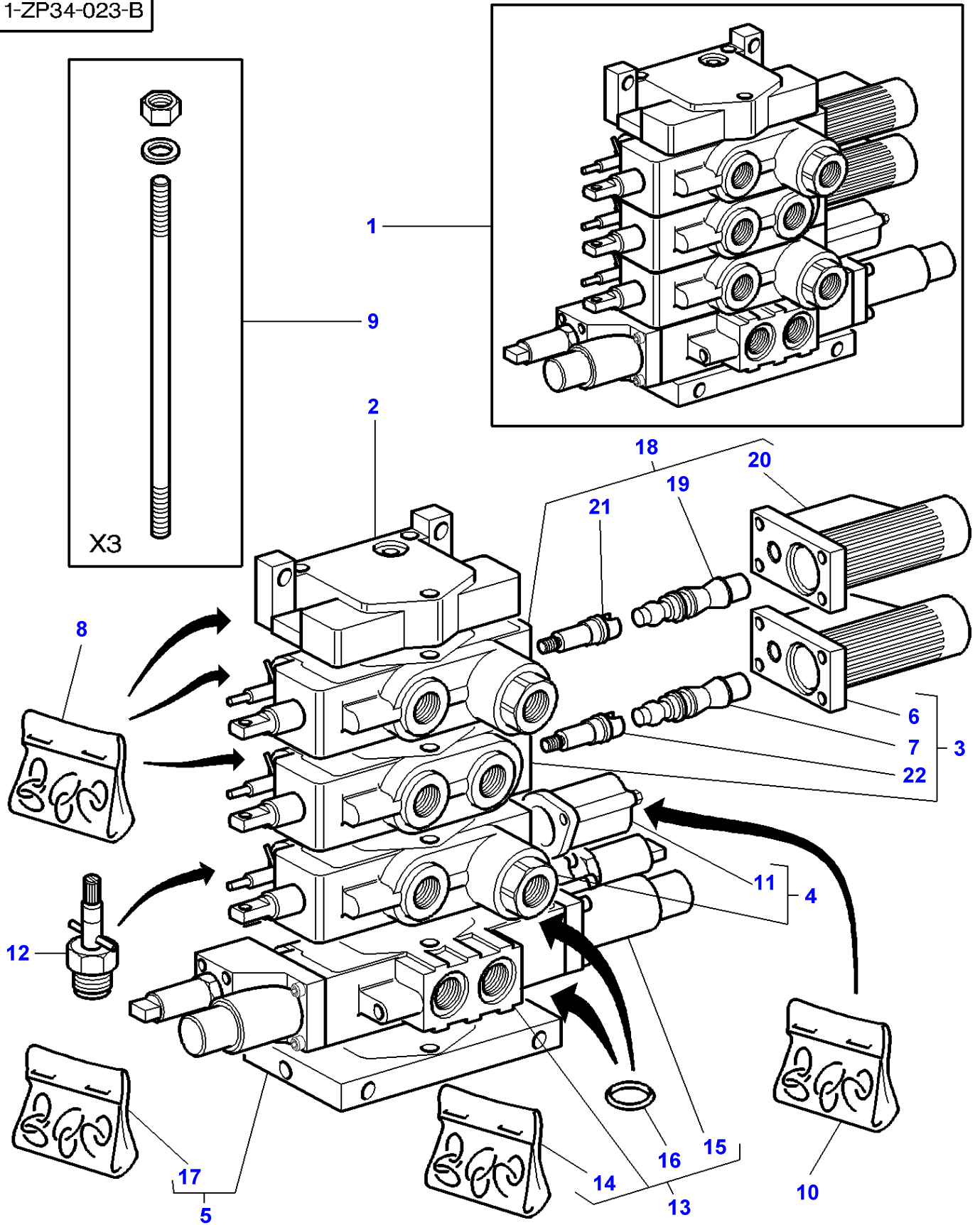
Item	Part Number	Qty	Description	Comments
1	3716324M93	1	Distributor	
2	357197X91	1	Elbow	Up to Serial or Engine Number H321001
3	831452M1	1	O Ring	(2)
4	380031X91	4	Union	7/88-14
5	1882958M1	1	O Ring	(4)
6	367386X1	3	Elbow	
7	3583591M1	1	Hydr Hose	Length 690MM
8	3712540M1	4	Hydr Hose	Length 650MM
9	835013M91	4	Union	
10	1882958M1	1	O Ring	(9)
11	3716398M1	1	Hydr Hose	[A]
	3792042M1	1	Hydr Hose	[B] Length 1400MM
12	3714953M1	1	Hydr Hose	Length 600MM
13	3714956M1	1	Hydr Hose	Length 600MM
14	3792164M1	1	Hydr Hose	Length 900MM
15	364603X1	1	Elbow	From Serial or Engine Number H321002
16	358733X1	1	Union	From Serial or Engine Number H321002
17	831452M1	1	O Ring	
18	3794665M3	1	Union	[C]
19	356579X1	2	Cap	[C]
20	3793574M3	1	Selector	[C]
21	364603X1	1	Elbow	[C]
22	3795674M1	1	Union	[C]
23	3010626X91	1	Union	[C]
24	3019394X1	1	O Ring	(23)

FOOTNOTE [A] WITH PUMP 45CC

FOOTNOTE [B] WITH PUMP 60CC

FOOTNOTE [C] WITH FRONT AXLE SUSPENDED CARRARO

1-ZP34-023-B



Item	Part Number	Qty	Description	Comments
1	3716393M93	1	Distributor	
2	3716316M1	1	Element	(1)
3	3792803M3	1	Distributor	[A] (1) Replace and repair. Old interchangeable with new 3902062M92
4	3792802M1	1	Distributor	[B] (1) Replace and repair. Old interchangeable with new 3902063M91
5	3716315M1	1	Element	(1)
6	3902797M91	1	Protector	(3)
7	3790773M11	1	Kit, Service	(3)
8	3792640M1	1	Kit, Joint	(1) Replace and repair. Old interchangeable with new 3902067M91
9	3716367M1	1	Parts Pack	(1)
10	3902066M91	1	Kit, Joint	(1)
11	3902813M91	1	Protector	(4)
12	3790797M11	3	Kit, Service	(1)
13	3715122M2	1	Pressure Valve	[C] (1)
14	3902734M91	1	Kit, Joint	(13)
15	3900512M92	2	Pressure Valve	(13)
16	359288X1	4	Seal	(13)
17	3792639M1	1	Kit, Joint	(5) Replace and repair. Old interchangeable with new 3902733M91
18	3713928M5	1	Distributor	[D] (1)
19	3790773M11	1	Kit, Service	(18)
20	3902797M91	1	Protector	(18)
21	3903893M1	1	Pivot	(18)
22	3903893M1	1	Pivot	(3)

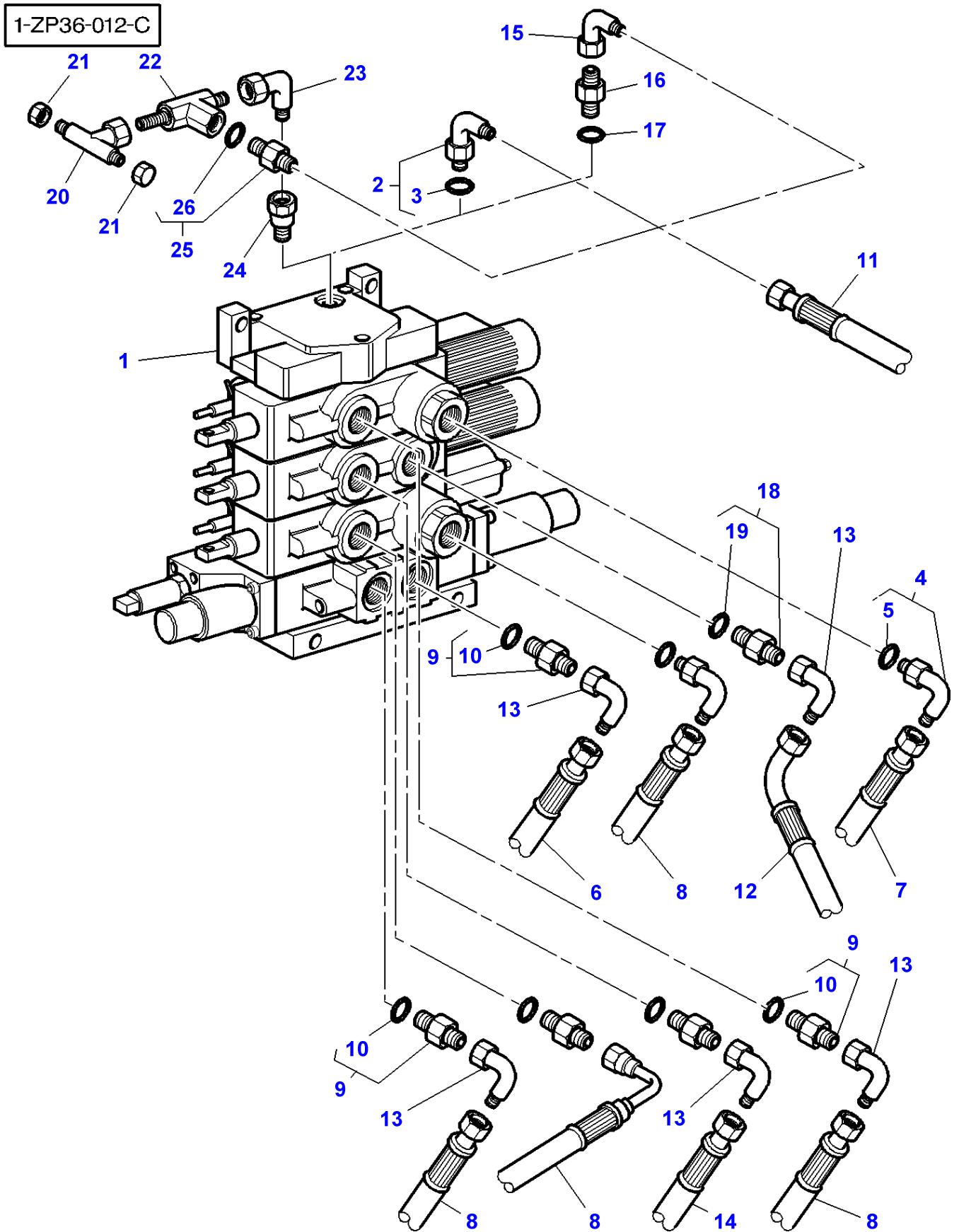
FOOTNOTE [A] DIST 4 FLOATING POSITIONS ,FLOW ADJUST,KICK-OUT,W/ O, ZERO LEAK

FOOTNOTE [B] DIST 3 FLOATING POSITIONS,RETURN BY SPRING,FLOW AD JUST,ZERO LEAK

FOOTNOTE [C] DIST 3 FLOATING POSITIONS,AUTOMATIC KICK-OUT(BY SP RING),FLOW ADJUST,ELECTRIC CONTROL

FOOTNOTE [D] 4 FLOATING POSITIONS DIST,FLOW ADJUST,KICK-OUT,ZER O LEAK

MF 8210/8220 TRACTORS - 1637365
1-ZP36-012-C



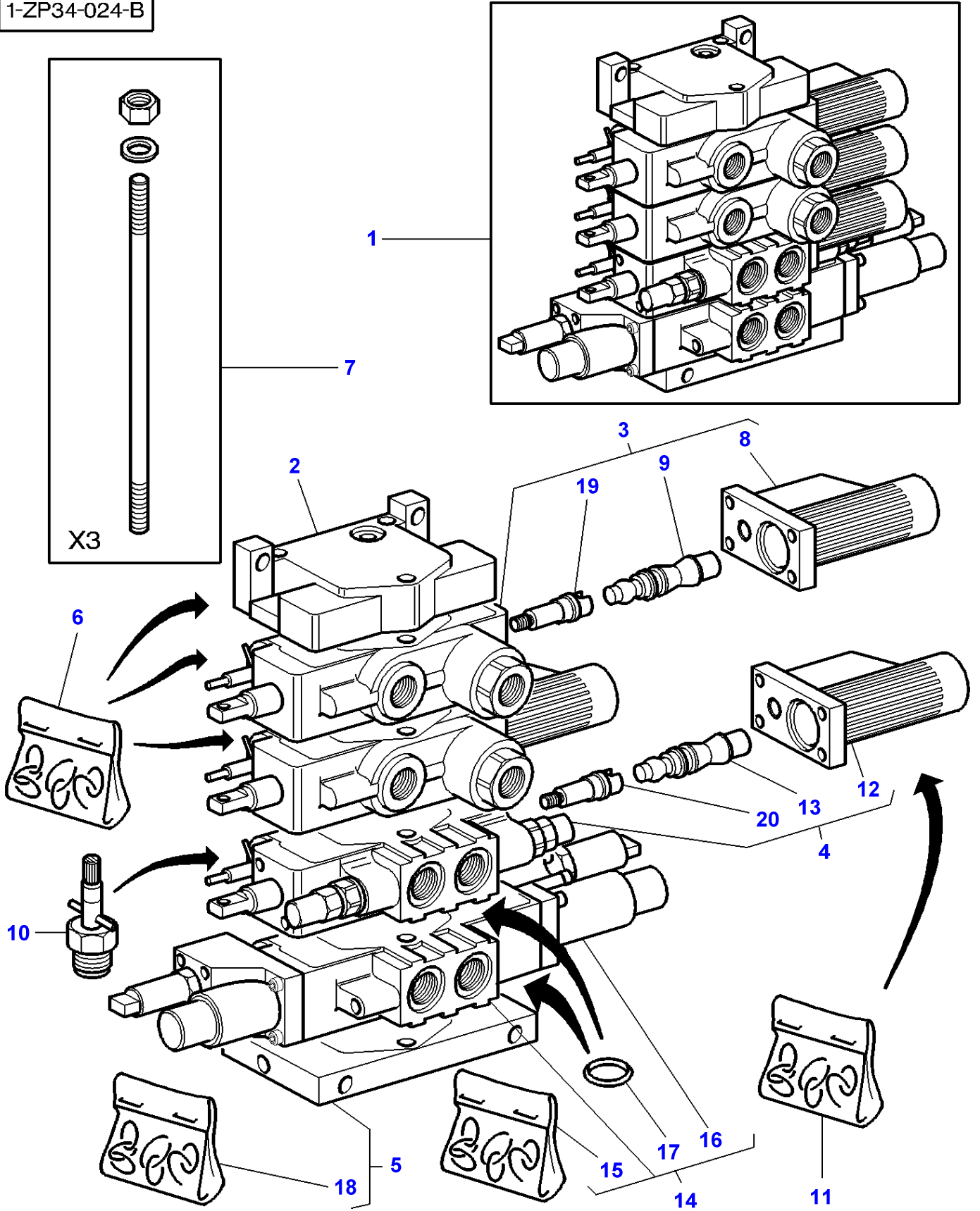
Item	Part Number	Qty	Description	Comments
1	3716393M93	1	Distributor	
2	357197X91	1	Elbow	Up to Serial or Engine Number H321001
3	831452M1	1	O Ring	(2)
4	380031X91	2	Union	7/88-14
5	1882958M1	1	O Ring	(4)
6	3714956M1	1	Hydr Hose	Length 600MM
7	3714953M1	1	Hydr Hose	Length 600MM
8	3712540M1	4	Hydr Hose	Length 650MM
9	835013M91	5	Union	
10	1882958M1	1	O Ring	(9)
11	3716398M1	1	Hydr Hose	[A]
	3792042M1	1	Hydr Hose	[B] Length 1400MM
12	3792167M1	1	Hydr Hose	Length 780MM
13	367386X1	5	Elbow	
14	3792164M1	1	Hydr Hose	Length 900MM
15	364603X1	1	Elbow	From Serial or Engine Number H321002
16	358733X1	1	Union	From Serial or Engine Number H321002
17	831452M1	1	O Ring	
18	380055X91	1	Union	
19	835024M1	1	O Ring	(18)
20	3794665M3	1	Union	[C]
21	356579X1	2	Cap	[C]
22	3793574M3	1	Selector	[C]
23	364603X1	1	Elbow	[C]
24	3795674M1	1	Union	[C]
25	3010626X91	1	Union	[C]
26	3019394X1	1	O Ring	(25)

FOOTNOTE [A] WITH PUMP 45CC

FOOTNOTE [B] WITH PUMP 60CC

FOOTNOTE [C] WITH FRONT AXLE SUSPENDED CARRARO

1-ZP34-024-B



Item	Part Number	Qty	Description	Comments
1	3716394M93	1	Distributor	
2	3716316M1	1	Element	(1)
3	3713928M5	2	Distributor	[A] (1)
4	3713927M4	1	Distributor	[B] (1)
5	3716315M1	1	Element	(1)
6	3792640M1	1	Kit, Joint	(1) Replace and repair. Old interchangeable with new 3902067M91
7	3716367M1	1	Parts Pack	(1)
8	3902797M91	1	Protector	(3)
9	3790773M11	1	Kit, Service	(3)
10	3790797M11	2	Kit, Service	(1)
11	3902066M91	1	Kit, Joint	(1)
12	3902797M91	1	Protector	(4)
13	3790773M11	1	Kit, Service	(4)
14	3715122M2	1	Pressure Valve	[C] (1)
15	3902734M91	1	Kit, Joint	(14)
16	3900512M92	2	Pressure Valve	(14)
17	359288X1	4	Seal	(14)
18	3792639M1	1	Kit, Joint	(5) Replace and repair. Old interchangeable with new 3902733M91
19	3903893M1	1	Pivot	(3)
20	3903893M1	1	Pivot	(4)

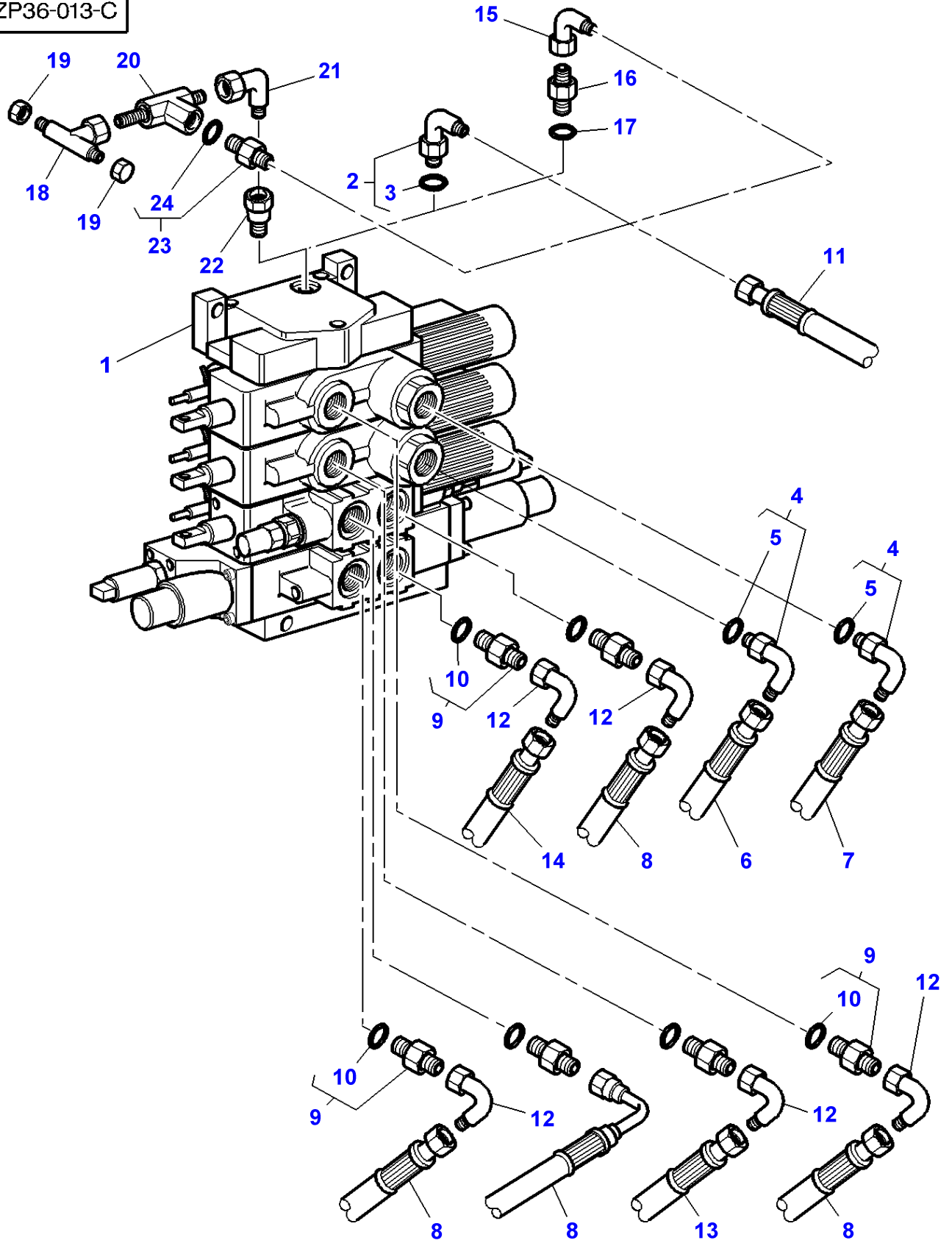
FOOTNOTE [A] 4 FLOATING POSITIONS DIST, FLOW ADJUST, KICK-OUT, ZERO LEAK

FOOTNOTE [B] 4 FLOAT POSIT DIST, FLOW ADJUST, KICK-OUT W 2 OVERP RES. VALVE AND RESUPPLYING FOR HYDRAULIC MOTOR

FOOTNOTE [C] DIST 3 FLOATING POSITIONS, AUTOMATIC KICK-OUT (BY SP RING), FLOW ADJUST, ELECTRIC CONTROL

MF 8210/8220 TRACTORS - 1637365
1-ZP36-013-C

1-ZP36-013-C



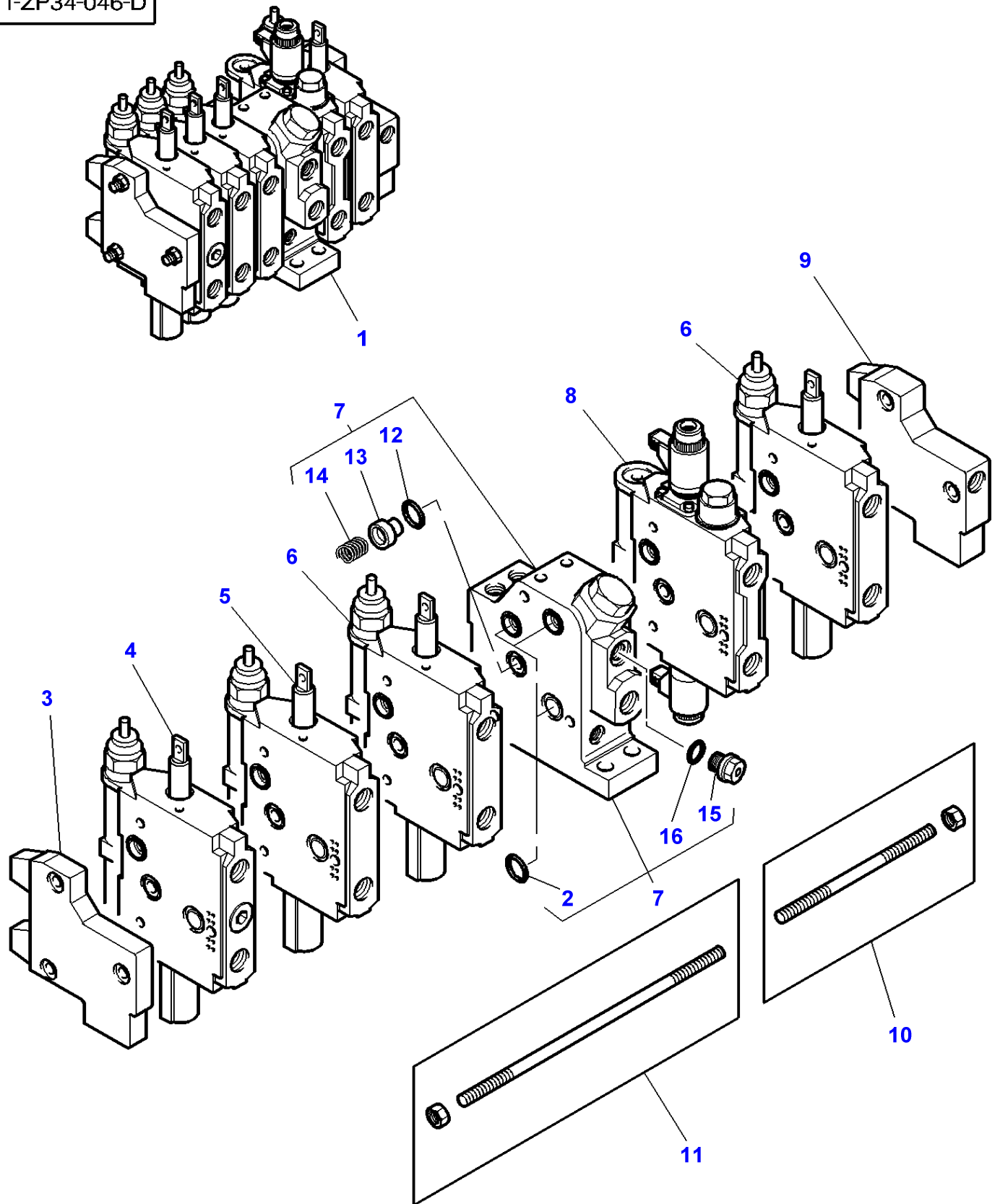
Item	Part Number	Qty	Description	Comments
1	3716394M93	1	Distributor	
2	357197X91	1	Elbow	Up to Serial or Engine Number H321001
3	831452M1	1	O Ring	(2)
4	380031X91	2	Union	7/88-14
5	1882958M1	1	O Ring	(4)
6	3583591M1	1	Hydr Hose	Length 690MM
7	3714953M1	1	Hydr Hose	Length 600MM
8	3712540M1	4	Hydr Hose	Length 650MM
9	835013M91	6	Union	
10	1882958M1	1	O Ring	(9)
11	3716398M1	1	Hydr Hose	[A]
	3792042M1	1	Hydr Hose	[B] Length 1400MM
12	367386X1	5	Elbow	
13	3792164M1	1	Hydr Hose	Length 900MM
14	3714956M1	1	Hydr Hose	Length 600MM
15	364603X1	1	Elbow	From Serial or Engine Number H321002
16	358733X1	1	Union	From Serial or Engine Number H321002
17	831452M1	1	O Ring	
18	3794665M3	1	Union	[C]
19	356579X1	2	Cap	[C]
20	3793574M3	1	Selector	[C]
21	364603X1	1	Elbow	[C]
22	3795674M1	1	Union	[C]
23	3010626X91	1	Union	[C]
24	3019394X1	1	O Ring	(23)

FOOTNOTE [A] WITH PUMP 45CC

FOOTNOTE [B] WITH PUMP 60CC

FOOTNOTE [C] WITH FRONT AXLE SUSPENDED CARRARO

1-ZP34-046-D



Item	Part Number	Qty	Description	Comments
1	3794729M14	1	Distributor	
2	3796222M1	3	O Ring	(7) Diameter 20X1,5
3	3796108M1	1	Element	(1)
4	3796090M3	1	Distributor	[A] (1) See Page - Reference Number 070-0565/1
5	3796091M3	1	Distributor	[B] (1) See Page - Reference Number 070-0560/1
6	3795751M3	2	Distributor	[C] (10) See Page - Reference Number 070-0545/1
7	3796109M1	1	Element	(1)
8	3796103M2	1	Pressure Valve	[D] (1) See Page - Reference Number 070-0550/1
9	3796107M1	1	Element	(1)
10	3796232M1	3	Stud	(1) M8 X 131
11	3796233M1	3	Stud	(1) M8 X 171
12	3796223M1	1	O Ring	(7) 18 X 1,5
13	3796224M1	1	Non Return Valve	(7)
14	3796225M1	1	Spring	(7)
15	3108244M1	1	Plug	(7)
16	3108238M1	1	O Ring	(7)

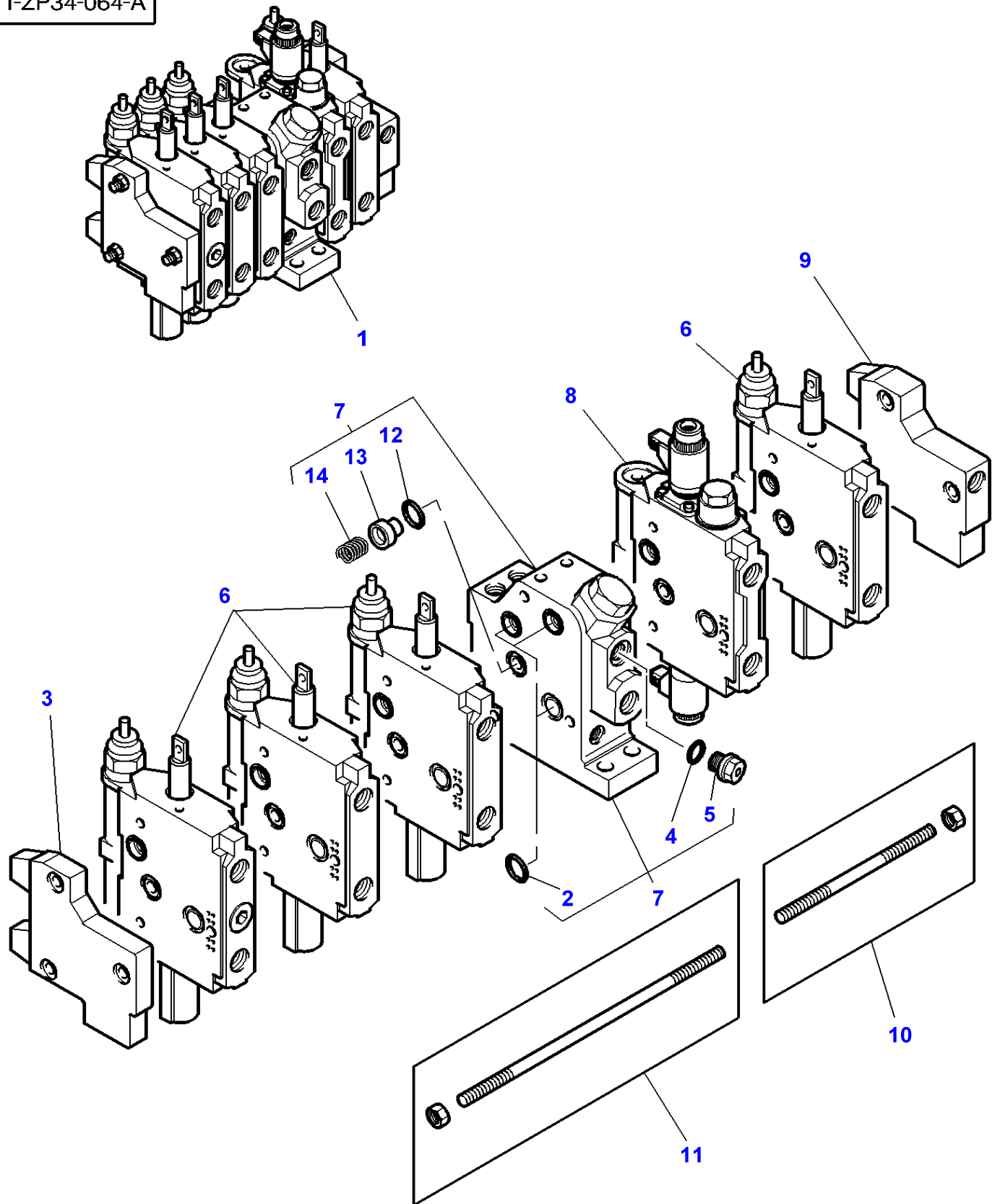
FOOTNOTE [A] DIST 3 POSITIONS, FLOW ADJUST, DOUBLE ACTION, ZERO LEAK

FOOTNOTE [B] DIST 4 FLOATING POSITIONS, FLOW ADJUST, DOUBLE ACTION, KICK OUT

FOOTNOTE [C] DIST 4 FLOATING POSITIONS, FLOW ADJUST, DOUBLE ACTION, KICK OUT, ZERO LEAK

FOOTNOTE [D] HYDRAULIC LIFT VALVE

1-ZP34-064-A

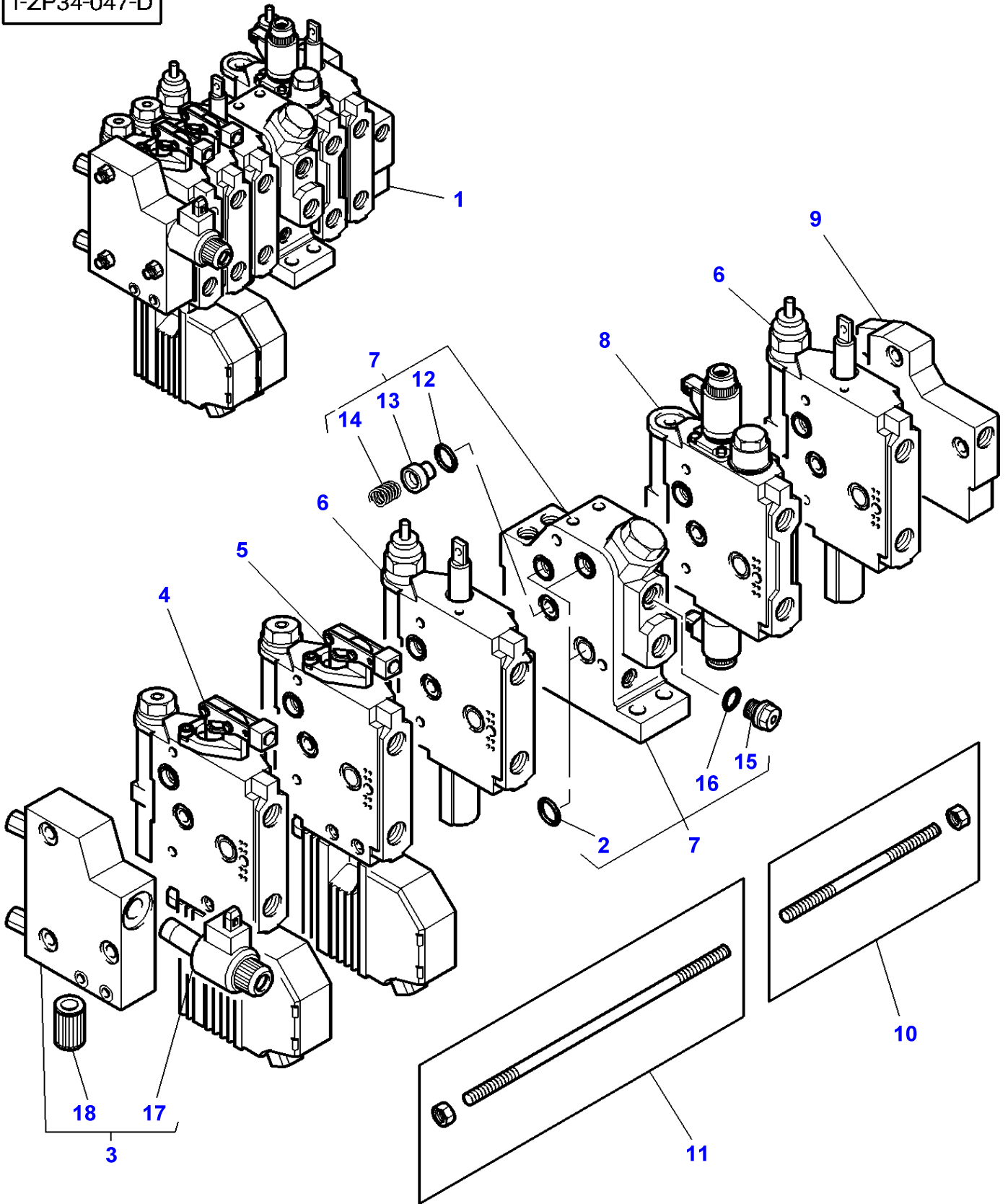


Item	Part Number	Qty	Description	Comments
1	3797438M12	1	Distributor	
2	3796222M1	3	O Ring	(7) Diameter 20 X 1,5
3	3796108M1	1	Element	(1)
4	3108238M1	1	O Ring	(7)
5	3108244M1	1	Plug	(7)
6	3795751M3	4	Distributor	[C] (1) See Page - Reference Number 070-0545/1
7	3796109M1	1	Element	(1)
8	3796103M2	1	Pressure Valve	[D] (1) See Page - Reference Number 070-0550/1
9	3796107M1	1	Element	(1)
10	3796232M1	3	Stud	(1) M8 X 131
11	3796233M1	3	Stud	(1) M8 X 171
12	3796223M1	1	O Ring	(7) Diameter 18 X 1,5
13	3796224M1	1	Non Return Valve	(7)
14	3796225M1	1	Spring	(7)

FOOTNOTE [C] DIST 4 FLOATING POSITIONS ,FLOW ADJUST,DOUBLE ACTI ON,KICK OUT,ZERO LEAK

FOOTNOTE [D] HYDRAULIC LIFT VALVE

1-ZP34-047-D



Item	Part Number	Qty	Description	Comments
1	3794730M15	1	Distributor	
2	3796222M1	3	O Ring	(7) Diameter 20X1,5
3	3796111M2	1	Element	(1)
4	3796027M5	1	Distributor	[A,B] (1) See Page - Reference Number 070-0535/1
5	3796026M5	1	Distributor	[A,B,C] (1) See Page - Reference Number 070-0535/1
6	3795751M3	2	Distributor	[E] (1) See Page - Reference Number 070-0545/1
7	3796109M1	1	Element	(1)
8	3796103M2	1	Pressure Valve	[D] (1) See Page - Reference Number 070-0550/1
9	3796107M1	1	Element	(1)
10	3796232M1	3	Stud	(1) M8 X 131
11	3796389M1	3	Stud	(1)
12	3796223M1	1	O Ring	(7) Diameter 18 X 1,5
13	3796224M1	1	Non Return Valve	(7)
14	3796225M1	1	Spring	(7)
15	3108244M1	1	Plug	(7)
16	3108238M1	1	O Ring	(7)
17	3903997M1	1	Electrovalve	(3)
18	3907069M1	1	Filter	(3) 25 MICRONS

FOOTNOTE [A] DISTRIBUTOR WITH ELECTRIC CONTROL

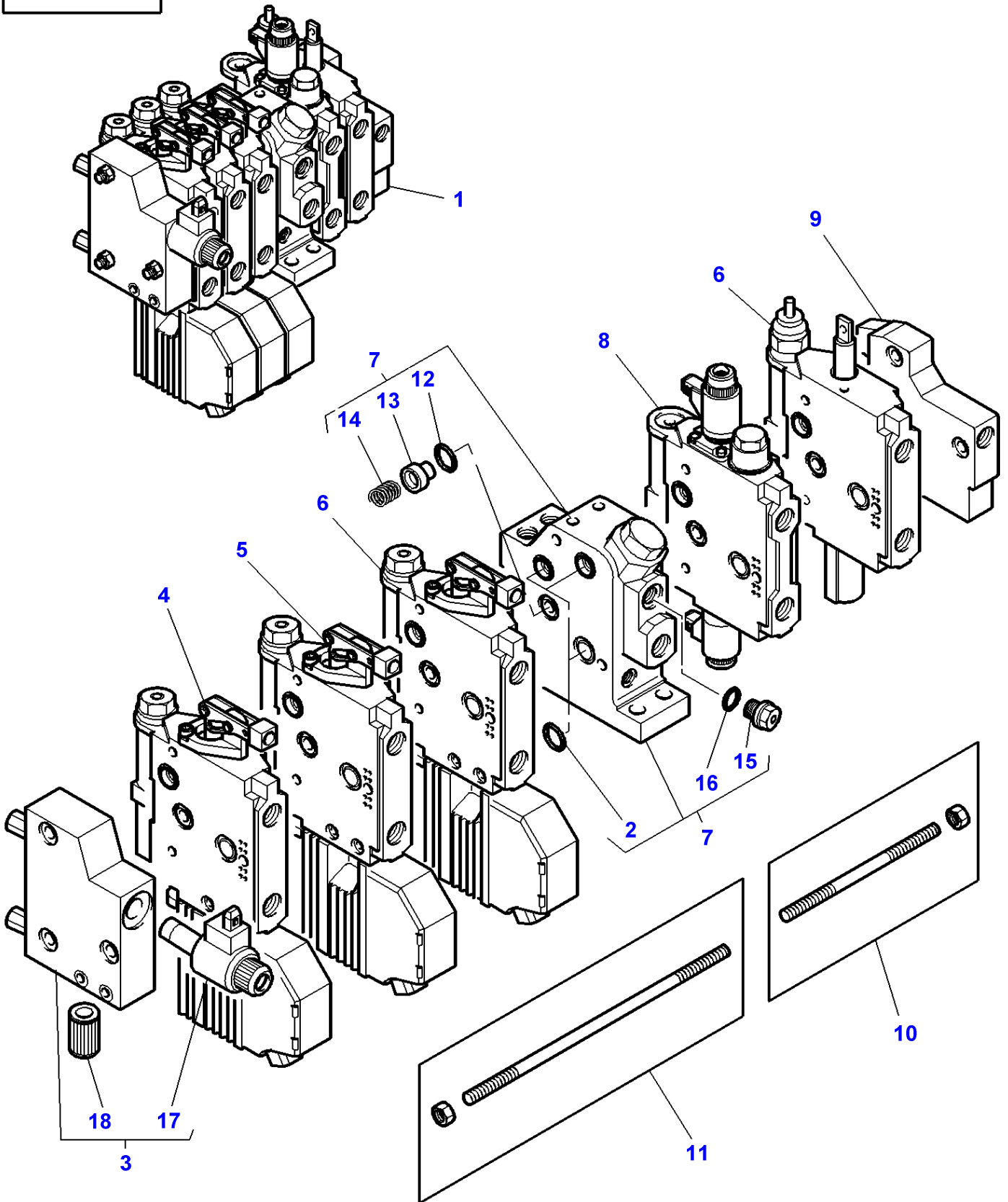
FOOTNOTE [B] DIST 4 POSITIONS, FLOW ADJUST, DOUBLE ACTION, ZERO LEAK

FOOTNOTE [C] WITH TIGHTNESS BALLS

FOOTNOTE [D] HYDRAULIC LIFT VALVE

FOOTNOTE [E] DIST 4 FLOATING POSITIONS, FLOW ADJUST, DOUBLE ACTION, KICK OUT, ZERO LEAK

1-ZP34-048-D



Item	Part Number	Qty	Description	Comments
1	3794731M15	1	Distributor	
2	3796222M1	3	O Ring	(7) Diameter 20X1,5
3	3796111M2	1	Element	(1)
4	3796027M5	2	Distributor	[A,B,C] (1) See Page - Reference Number 070-0535/1
5	3796026M5	1	Distributor	[B,C,E] (1) See Page - Reference Number 070-0535/1
6	3795751M3	1	Distributor	[F] (1) See Page - Reference Number 070-0545/1
7	3796109M1	1	Element	(1)
8	3796103M2	1	Pressure Valve	[D] (1) See Page - Reference Number 070-0550/1
9	3796107M1	1	Element	(1)
10	3796232M1	3	Stud	(1)
11	3796389M1	3	Stud	(1)
12	3796223M1	1	O Ring	(7) 18 X 1,5
13	3796224M1	1	Non Return Valve	(7)
14	3796225M1	1	Spring	(7)
15	3108244M1	1	Plug	(7)
16	3108238M1	1	O Ring	(7)
17	3903997M1	1	Electrovalve	(3)
18	3907069M1	1	Filter	(3) 25 MICRONS

FOOTNOTE [A] WITH DUAL CONTROL

FOOTNOTE [B] DIST 4 POSITIONS, FLOW ADJUST, DOUBLE ACTION, ZERO LEAK

FOOTNOTE [C] DISTRIBUTOR WITH ELECTRIC CONTROL

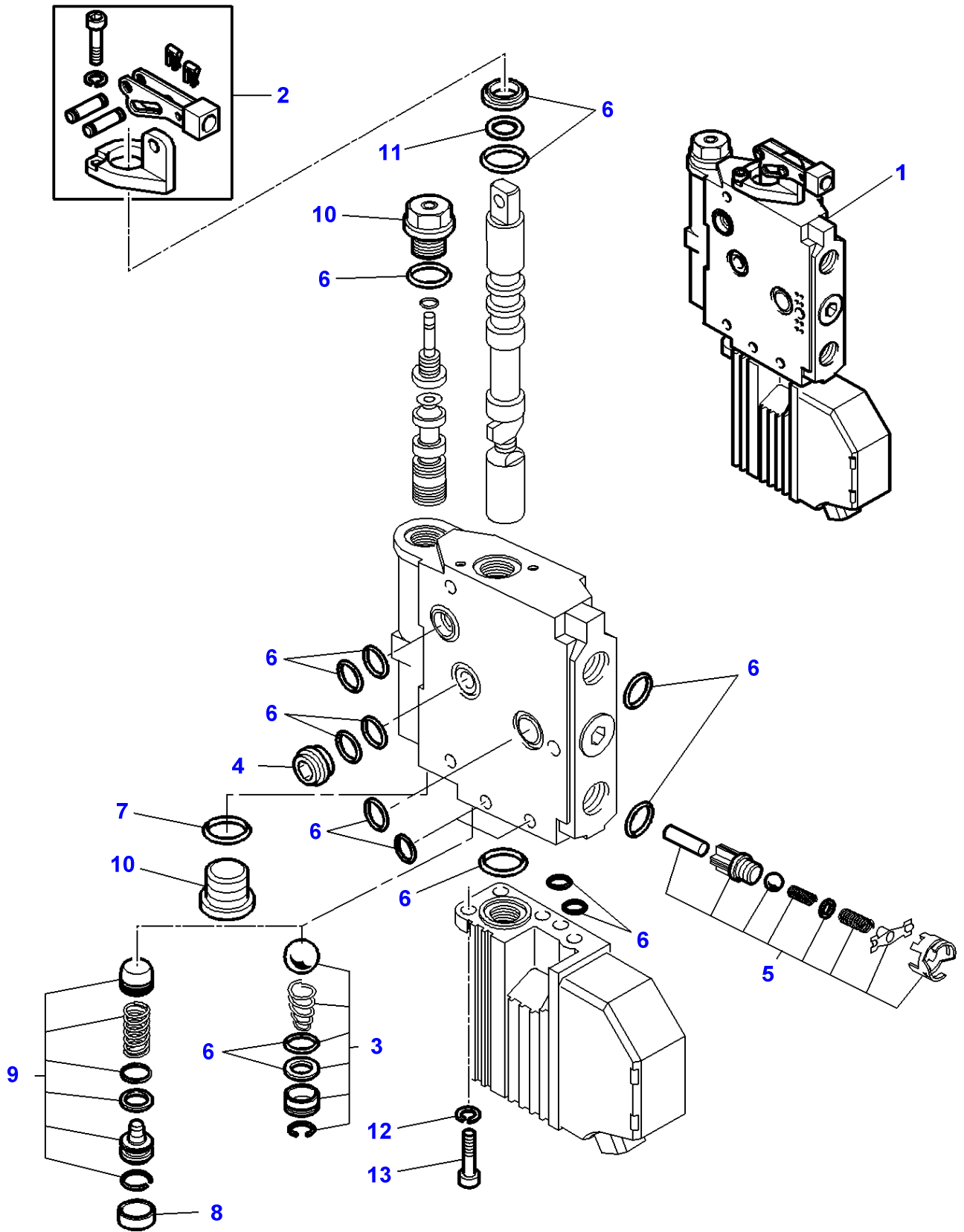
FOOTNOTE [D] HYDRAULIC LIFT VALVE

FOOTNOTE [E] WITH TIGHTNESS BALLS

FOOTNOTE [F] DIST 4 FLOATING POSITIONS, FLOW ADJUST, DOUBLE ACTION, KICK OUT, ZERO LEAK

MF 8210/8220 TRACTORS - 1637365
1-ZP34-057-C

1-ZP34-057-C



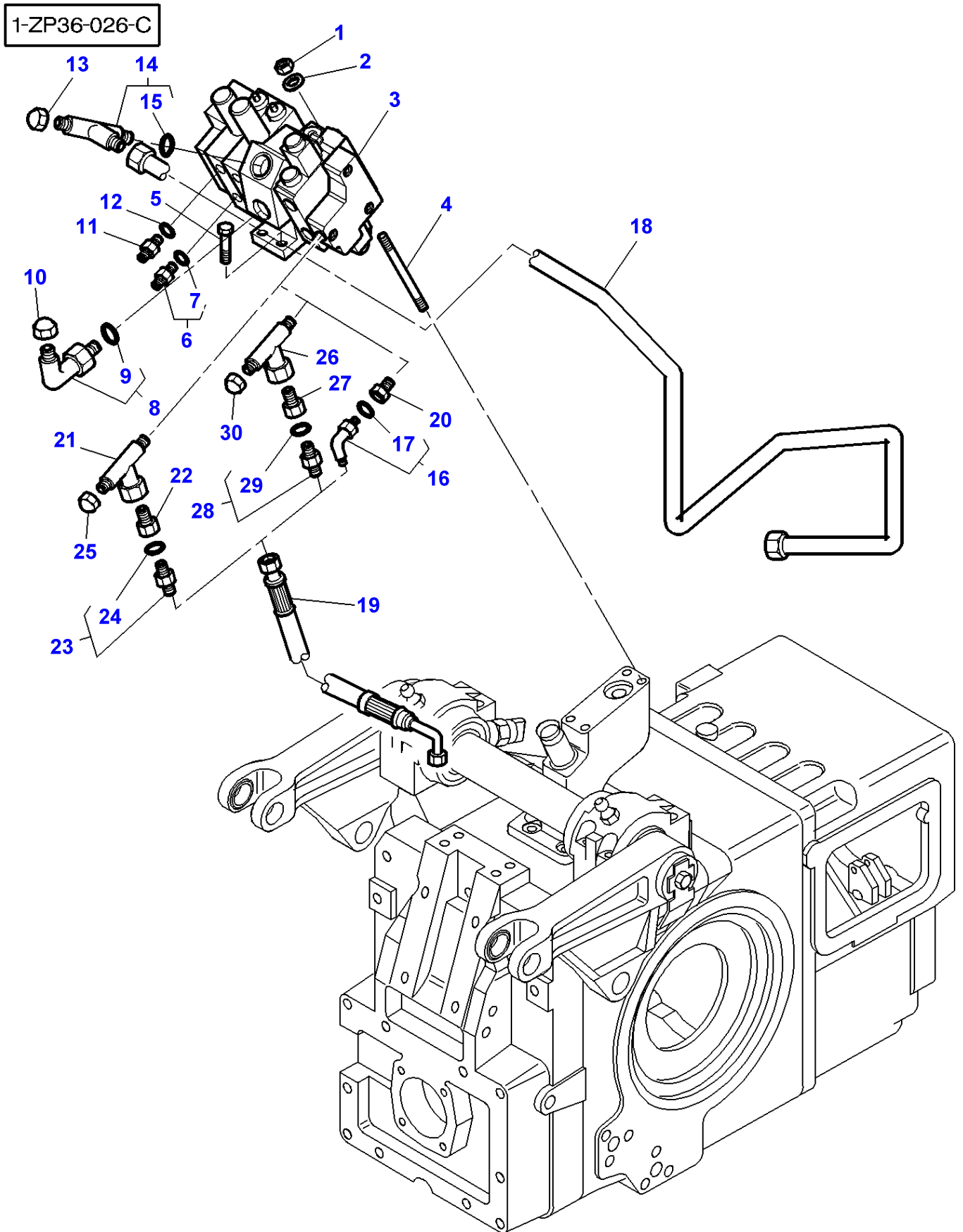
Auxiliary Distributor

Item	Part Number	Qty	Description	Comments
1	3796026M5	1	Distributor	[A,B]
	3796027M5	1	Distributor	[A]
2	3797284M1	1	Drive	(1)
3	3105331M91	1	Parts Pack	(1)
				Up to Serial or Engine Number M022034
4	3108248M1	1	Bypass	(1)
5	3903864M91	1	Parts Pack	(1)
6	3903869M92	1	Kit,Joint/Gasket	(1)
7	3108243M1	1	Washer	(1)
8	3903856M1	1	Plug	(1)
9	3904676M91	1	Parts Pack	(1)
				From Serial or Engine Number M022035
10	3108244M1	2	Plug	(1)
11	3904668M1	1	Washer	(1)
12	391130X1	3	Lock Washer	(1)
13	3009281X1	3	Screw	(1)
				M6 X 16

FOOTNOTE [A] DIST 4 POSITIONS, FLOW ADJUST, DOUBLE ACTION, ZERO LEAK

FOOTNOTE [B] WITH TIGHTNESS BALLS

MF 8210/8220 TRACTORS - 1637365
1-ZP36-026-C



Item	Part Number	Qty	Description	Comments
1	339054X1	2	Nut Metric	
2	390735X1	2	Washer	
3	3794729M14	1	Distributor	[A,B,C] See Page - Reference Number 070-0515/1
	3794730M15	1	Distributor	[C,D,E] See Page - Reference Number 070-0525/1
	3794731M15	1	Distributor	[C,D,F,G] See Page - Reference Number 070-0530/1
	3797438M12	1	Distributor	[C] For United States of America See Page - Reference Number 070-0520/1
4	3010449X1	2	Stud	
5	3009494X1	2	Screw Metric	M10 X 35
6	3019387X91	4	Union	
7	3019398X1	1	O Ring	(6)
8	3019596X91	1	Union	
9	3019455X1	1	O Ring	(8)
10	70921244	1	Cap	Replace and repair. Old not interchangeable with new 355782X1
11	3793544M1	4	Union	
12	3019398X1	4	O Ring	
13	356582X1	1	Cap	
14	3019633X91	1	Union	
15	3019399X1	1	O Ring	(14)
16	3010642X91	1	Union	[I] Up to Serial or Engine Number K197000
	3010667X91	1	Union	[H] Up to Serial or Engine Number K197000
17	3019394X1	1	O Ring	(16)
18	3793424M1	1	Tube	[H]
	3797956M91	1	Tube	[I]
19	3790086M1	1	Hydr Hose	[H] Length 930 MM
	3792042M2	1	Hydr Hose	[I] Length 1100 MM
20	3793729M1	1	Reducer	Up to Serial or Engine Number K197000
21	3794885M3	1	Selector	[J]
22	3793729M1	1	Reducer	[J]
23	3010626X91	1	Union	[J]
24	3019394X1	1	O Ring	[J] (23)
25	356579X1	1	Cap	[J]
26	3794885M3	1	Selector	From Serial or Engine Number K197001
27	3793729M1	1	Reducer	From Serial or Engine Number K197001
28	3010626X91	1	Union	From Serial or Engine Number K197001
29	3019394X1	1	O Ring	(28) From Serial or Engine Number K197001
30	356579X1	1	Cap	From Serial or Engine Number K197001

FOOTNOTE [A] DIST 3 POSITIONS, FLOW ADJUST, DOUBLE ACTION, ZERO LEAK

FOOTNOTE [B] DIST 4 FLOATING POSITIONS, FLOW ADJUST, DOUBLE ACTION, KICK OUT

FOOTNOTE [C] DIST 4 FLOATING POSITIONS, FLOW ADJUST, DOUBLE ACTION, KICK OUT, ZERO LEAK

FOOTNOTE [D] DIST 4 POSITIONS, FLOW ADJUST, DOUBLE ACTION, ZERO LEAK

FOOTNOTE [E] 2 DISTRIBUTORS WITH ELECTRIC CONTROL-2 DISTRIBUTOR WITH MECHANICAL CONTROL

FOOTNOTE [F] 3 DISTRIBUTORS WITH ELECTRIC CONTROL-1 DISTRIBUTOR WITH MECHANICAL CONTROL

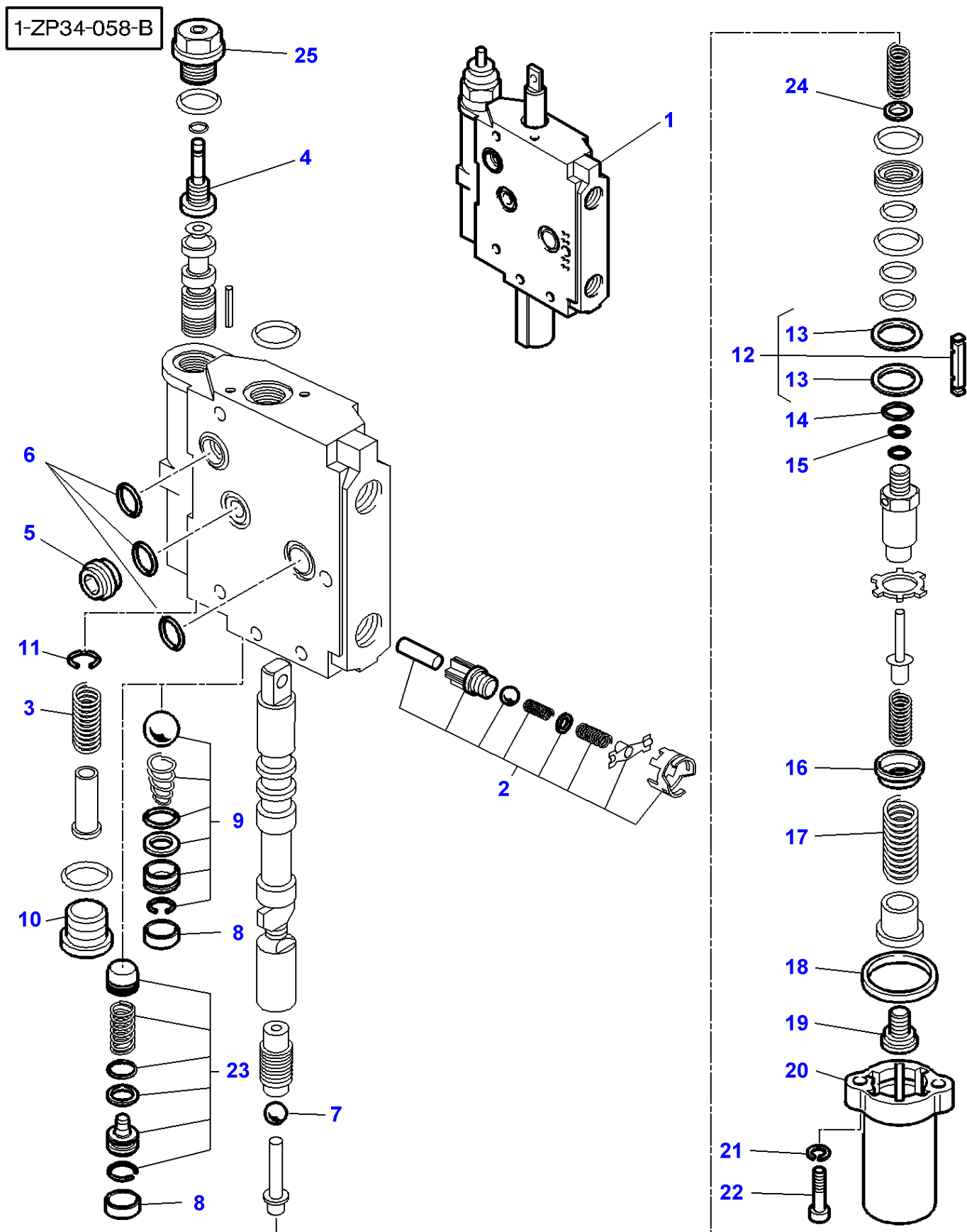
FOOTNOTE [G] WITH DUAL CONTROL

FOOTNOTE [H] WITH PUMP 45CC

FOOTNOTE [I] WITH PUMP 60CC

FOOTNOTE [J] WITH FRONT AXLE SUSPENDED CARRARO

MF 8210/8220 TRACTORS - 1637365
1-ZP34-058-B



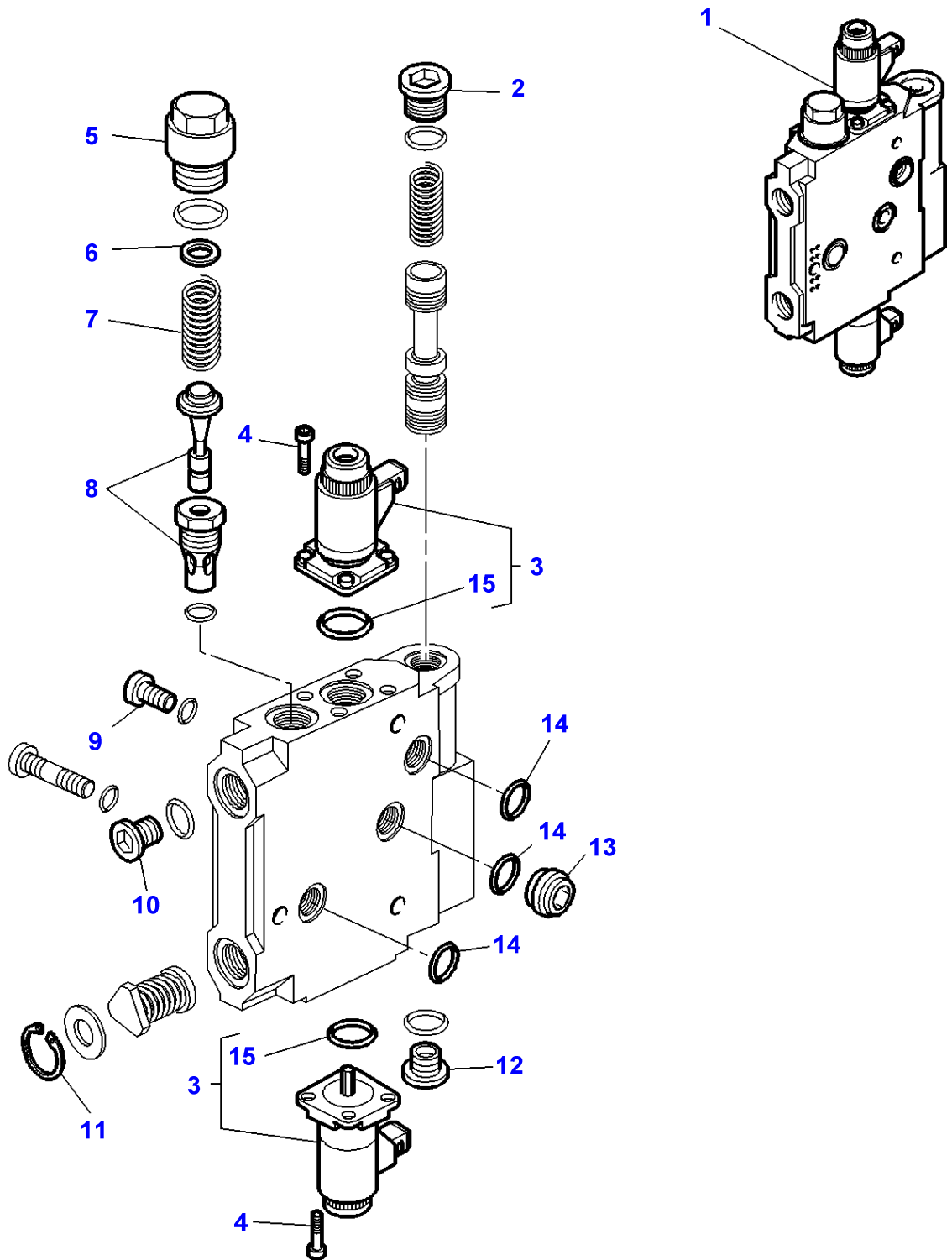
Auxiliary Distributor

Item	Part Number	Qty	Description	Comments
1	3795751M3	1	Distributor	[A]
2	3903864M91	1	Parts Pack	(1)
3	3903862M1	1	Comp.Spring	(1)
4	3903863M1	1	Screw	(1)
5	3797262M1	1	Non Return Valve	(1)
6	3104876M91	1	Kit, Seal	(1)
7	1442737X1	1	Ball	(1)
				Replace and repair. Old not interchangeable with new 3903855M1
8	3903856M1	1	Plug	(1)
9	3105331M91	1	Parts Pack	(1)
				Up to Serial or Engine Number M022034
10	3108244M1	1	Plug	(1)
11	1807113M1	1	Ring	(1)
12	3903984M91	1	Latch	(1)
13	3903865M1	2	Ring	(12)
14	3903853M1	1	O Ring	(1)
15	3902822M1	1	O Ring	(1)
16	3902820M1	1	Cup	(1)
17	3903852M1	1	Comp.Spring	(1)
18	1717452M1	X	Shim	(1)
				Thickness 0,20MM
19	3903851M1	1	Plug	(1)
20	3108251M1	1	Muff	(1)
21	3903850M1	2	Washer	(1)
22	391980X1	2	Screw Metric	(1)
				M6 X 28
23	3904676M91	1	Parts Pack	(1)
				From Serial or Engine Number M022035
24	3904670M1	X	Washer	(1)
				Thickness 0,30MM
	3904671M1	X	Washer	(1)
				Thickness 0,40MM
	3904672M1	X	Washer	(1)
				Thickness 0,50MM
	3904673M1	X	Washer	(1)
				Thickness 1MM
25	3108246M1	1	Plug	(1)

FOOTNOTE [A] DIST 4 FLOATING POSITIONS ,FLOW ADJUST,DOUBLE ACTI ON,KICK OUT,ZERO LEAK

MF 8210/8220 TRACTORS - 1637365
1-ZP18-006-B

1-ZP18-006-B

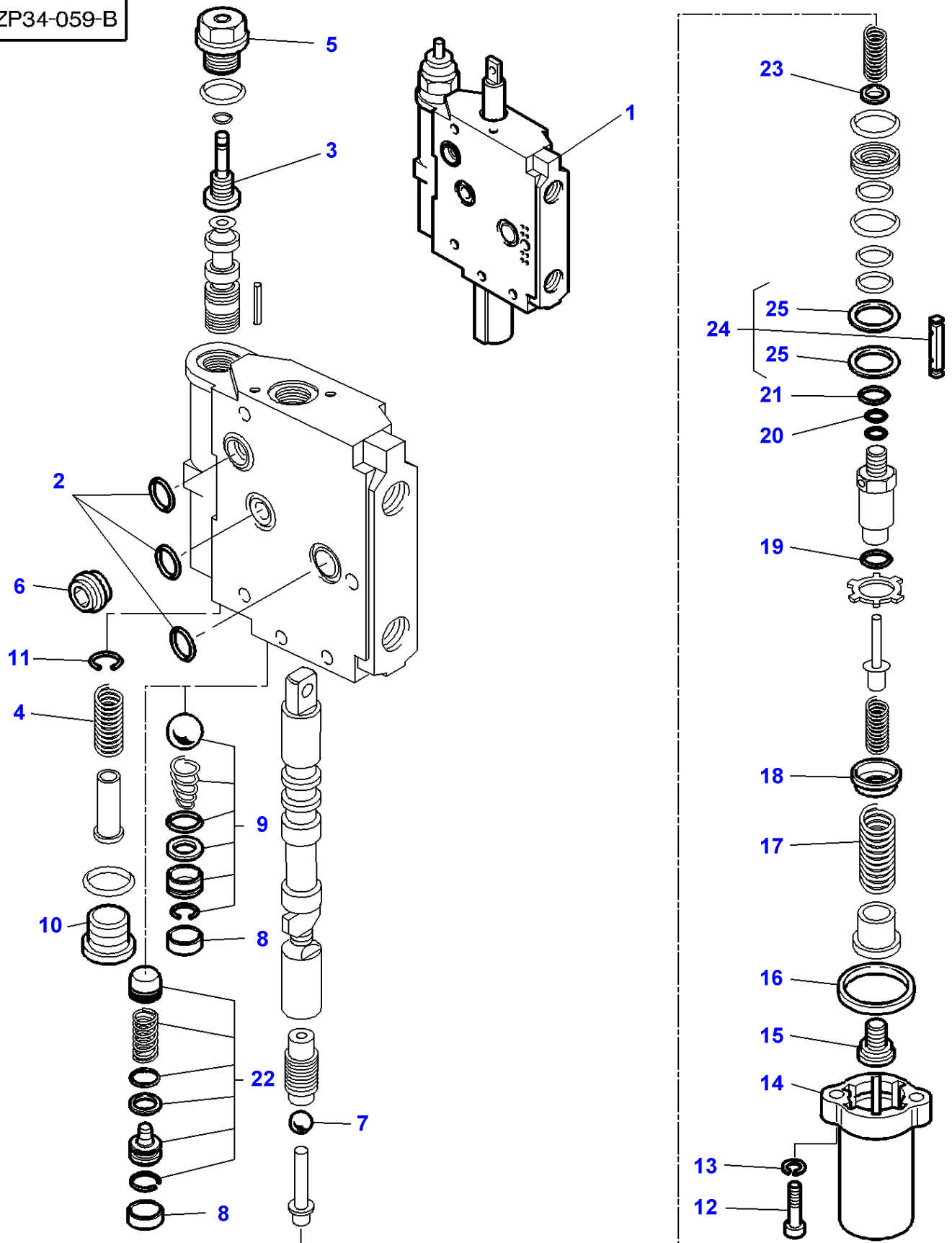


Hydraulic Lift Distributor

Item	Part Number	Qty	Description	Comments
1	3796103M2	1	Pressure Valve	
2	3902932M1	1	Plug	(1)
3	3903198M91	2	Parts Pack	(1)
4	3902937M1	8	Screw	(1) M4 X 8
5	3902936M1	1	Plug	(1)
6	3102068M1	X	Shim	(1) Thickness 0,30 MM
	3102069M1	X	Shim	(1) Thickness 0,40 MM
	1806184M1	X	Shim	(1) Thickness 0,50 MM
	3104724M1	X	Shim	(1) Thickness 0,80 MM
7	3104936M1	1	Comp.Spring	(1)
8	3108258M1	1	Valve.	(1)
9	3102240M1	1	Plug	(1)
10	3108244M1	1	Plug	(1)
11	3902959M1	1	Ring	(1)
12	3902932M1	1	Plug	(1)
13	3797262M1	1	Non Return Valve	(1) Replace and repair. Old not interchangeable with new 3108248M1
14	3903848M91	1	Kit, Joint	(1)
15	3901768M1	1	O Ring	(3) Diameter 21 X 1,5
	3796222M1	1	O Ring	(3)

MF 8210/8220 TRACTORS - 1637365
1-ZP34-059-B

1-ZP34-059-B

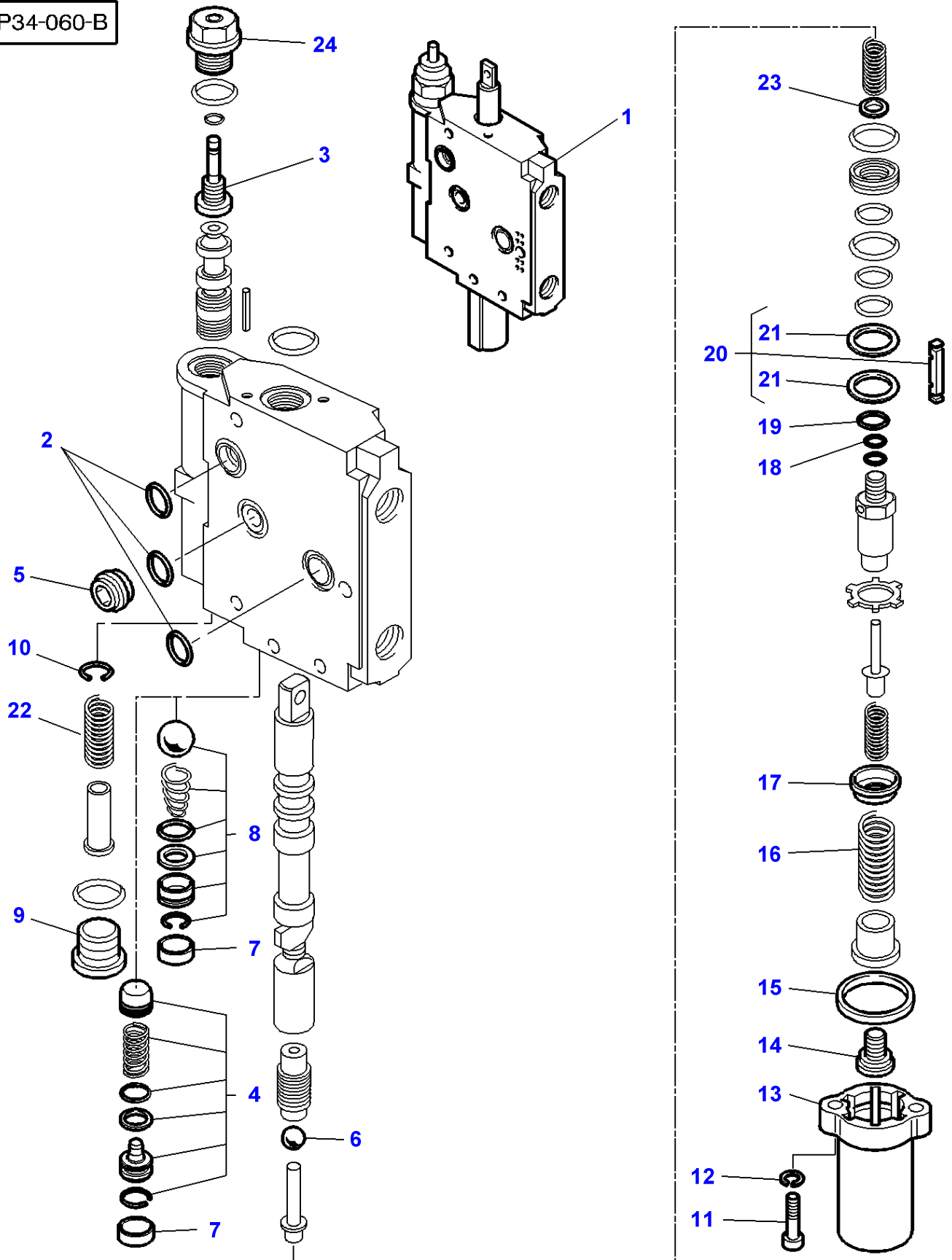


Auxiliary Distributor

Item	Part Number	Qty	Description	Comments
1	3796128M3	1	Distributor	
2	3104876M91	1	Kit, Seal	(1)
3	3903863M1	1	Screw	(1)
4	3903862M1	1	Comp.Spring	(1)
5	3108246M1	1	Plug	(1)
6	3797262M1	1	Non Return Valve	(1)
7	1442737X1	1	Ball	(1)
				Replace and repair. Old not interchangeable with new 3903855M1
8	3903856M1	1	Plug	(1)
9	3105331M91	1	Parts Pack	(1)
				Up to Serial or Engine Number M022034
10	3108244M1	1	Plug	(1)
11	1807113M1	1	Ring	(1)
12	391980X1	2	Screw Metric	(1)
				M6 X 28
13	3903850M1	2	Washer	(1)
14	3108251M1	1	Muff	(1)
15	3903851M1	1	Plug	(1)
16	1717452M1	X	Shim	(1)
				Thickness 0,20 MM
17	3903852M1	1	Comp.Spring	(1)
18	3902820M1	1	Cup	(1)
19	3903880M1	1	Washer	(1)
20	3902822M1	1	O Ring	(1)
				2,5 X 1,5
21	3903853M1	1	O Ring	(1)
				10 X 2
22	3904676M91	1	Parts Pack	(1)
				From Serial or Engine Number M022035
23	3904670M1	X	Washer	(1)
				Thickness 0,30MM
	3904671M1	X	Washer	(1)
				Thickness 0,40MM
	3904672M1	X	Washer	(1)
				Thickness 0,50MM
	3904673M1	X	Washer	(1)
				Thickness 1MM
24	3903984M91	1	Latch	(1)
25	3903865M1	2	Ring	(24)

MF 8210/8220 TRACTORS - 1637365
1-ZP34-060-B

1-ZP34-060-B

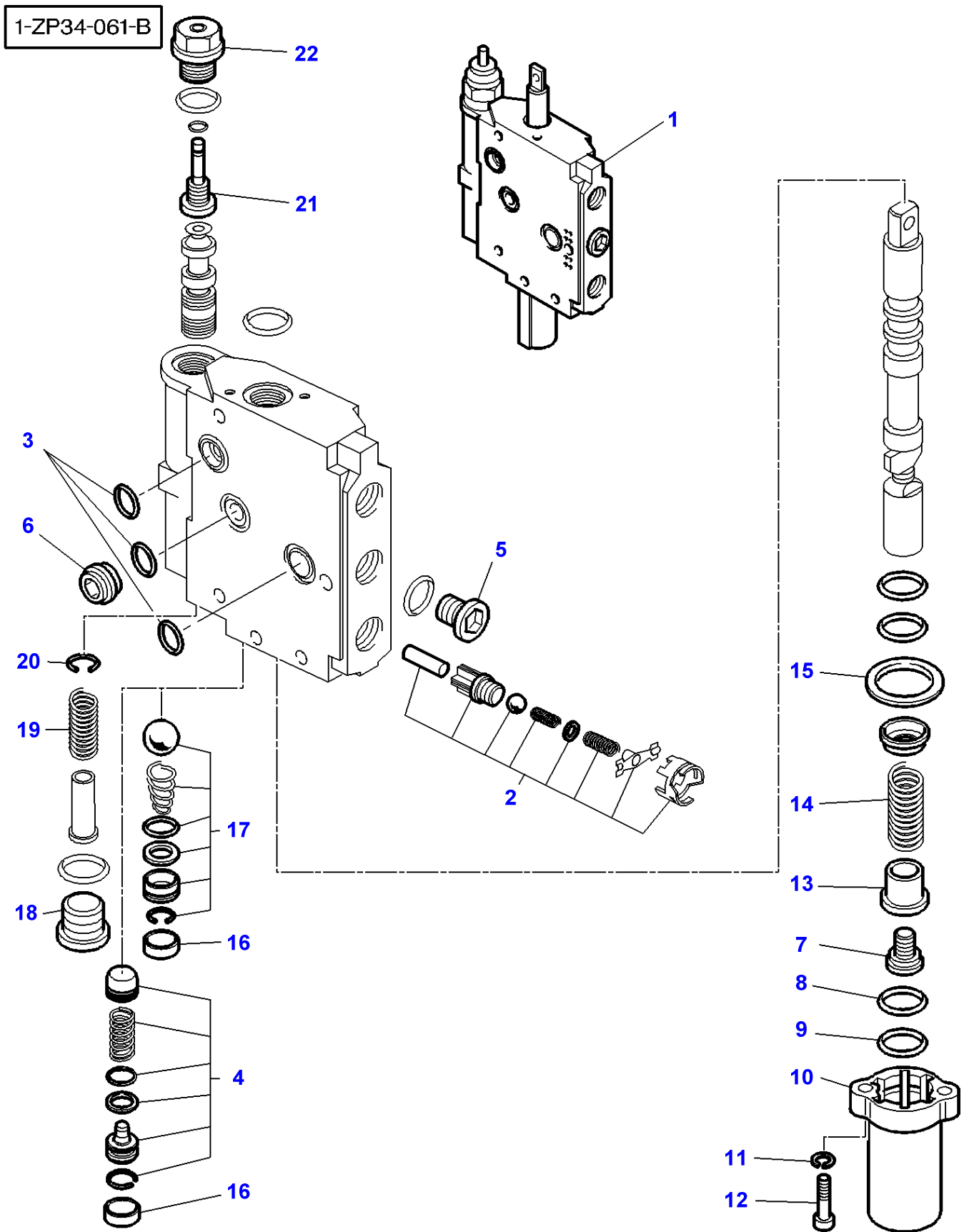


Auxiliary Distributor

Item	Part Number	Qty	Description	Comments
1	3796091M3	1	Distributor	[A]
2	3104876M91	1	Kit, Seal	(1)
3	3903863M1	1	Screw	(1)
4	3904676M91	1	Parts Pack	(1) From Serial or Engine Number M022035
5	3797262M1	1	Non Return Valve	(1)
6	1442737X1	1	Ball	(1) Replace and repair. Old not interchangeable with new 3903855M1
7	3903856M1	1	Plug	(1)
8	3105331M91	1	Parts Pack	(1) Up to Serial or Engine Number M022034
9	3108244M1	1	Plug	(1)
10	1807113M1	1	Ring	(1)
11	391980X1	2	Screw Metric	(1) M6 X 28
12	3903850M1	2	Washer	(1)
13	3108251M1	1	Muff	(1)
14	3903851M1	1	Plug	(1)
15	1717452M1	X	Shim	(1) Thickness 0,20 MM
16	3903852M1	1	Comp.Spring	(1)
17	3902820M1	1	Cup	(1)
18	3902822M1	1	O Ring	(1) Diameter 2,5 X 1,5
19	3903853M1	1	O Ring	(1) Diameter 10 X 2
20	3903984M91	1	Latch	(1)
21	3903865M1	2	Ring	(20)
22	3903862M1	1	Comp.Spring	(1)
23	3904670M1	X	Washer	(1) Thickness 0,30MM
	3904671M1	X	Washer	(1) Thickness 0,40MM
	3904672M1	X	Washer	(1) Thickness 0,50MM
	3904673M1	X	Washer	(1) Thickness 1MM
24	3108246M1	1	Plug	(1)

FOOTNOTE [A] DIST 4 FLOATING POSITIONS, FLOW ADJUST, DOUBLE ACTION, KICK OUT

MF 8210/8220 TRACTORS - 1637365
1-ZP34-061-B



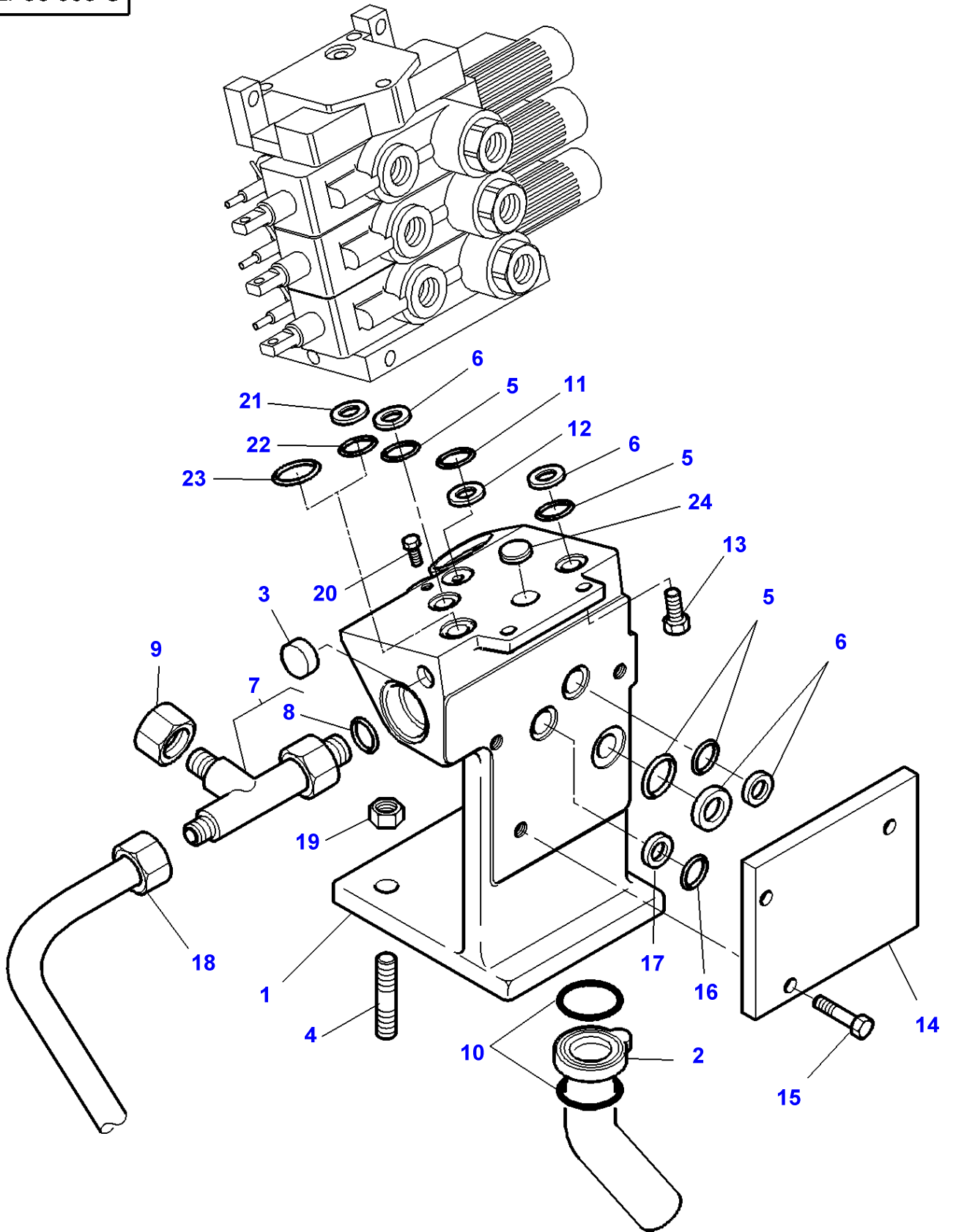
Auxiliary Distributor

Item	Part Number	Qty	Description	Comments
1	3796090M3	1	Distributor	[A]
2	3903864M91	1	Parts Pack	(1)
3	3104876M91	1	Kit, Seal	(1)
4	3904676M91	1	Parts Pack	(1)
From Serial or Engine Number M022035				
5	3108241M1	1	Plug	(1)
6	3797262M1	1	Non Return Valve	(1)
7	3903860M1	1	Screw	(1)
8	1717452M1	X	Shim	(1)
9	3108237M1	1	Shim	(1)
10	3108236M1	1	Muff	(1)
11	391130X1	2	Lock Washer	(1)
12	3009281X1	2	Screw	(1)
M6 X 16				
13	3903859M1	2	Cup	(1)
14	3903861M1	1	Comp.Spring	(1)
15	3903858M1	1	Washer	(1)
16	3903856M1	1	Plug	(1)
17	3105331M91	1	Parts Pack	(1)
Up to Serial or Engine Number M022034				
18	3108244M1	1	Plug	(1)
19	3903862M1	1	Comp.Spring	(1)
20	1807113M1	1	Ring	(1)
21	3903863M1	1	Screw	(1)
22	3108246M1	1	Plug	(1)

FOOTNOTE [A] DIST 3 POSITIONS, FLOW ADJUST, DOUBLE ACTION, ZERO LEAK

MF 8210/8220 TRACTORS - 1637365
1-ZP36-003-C

1-ZP36-003-C



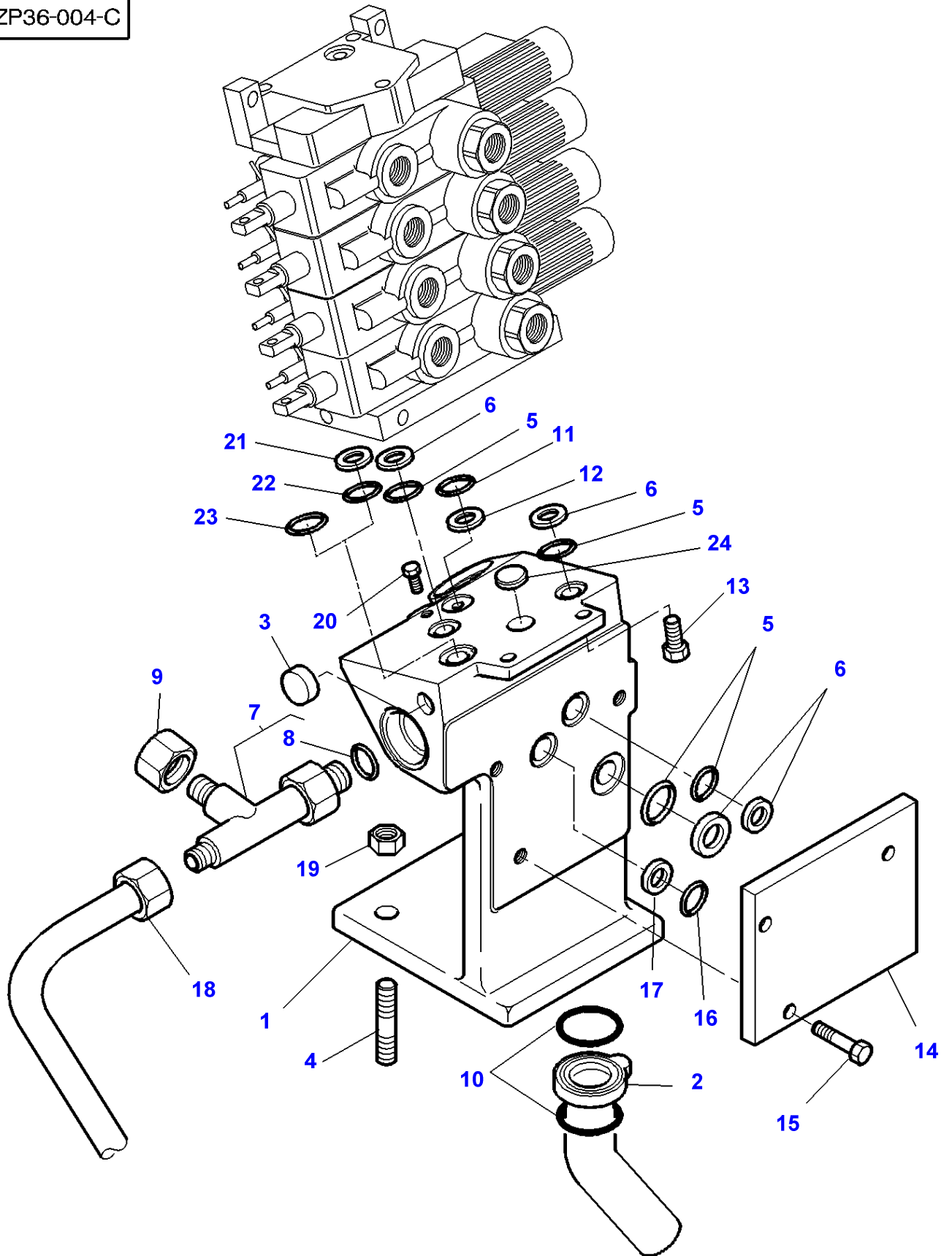
Item	Part Number	Qty	Description	Comments
1	3716900M5	1	Angle.	
2	3716914M92	1	Tube	
3	3015150X1	2	Plug	Diameter 24MM
4	3791655M1	3	Stud	
5	392224X1	4	O Ring	
6	3791880M1	4	Bush	Diameter 22,3 MM
7	3019633X91	1	Union	
8	3019399X1	1	O Ring	(7)
9	70922195	1	Cap	
10	366617X1	2	O Ring	Diameter 47MM
11	3791879M1	1	Bush	
12	1441133X1	1	Gasket	
13	3009292X1	2	Screw	M10X25
14	3716325M1	1	Plate	[B]
15	339123X1	3	Hex. Sock. Screw	M8X20
16	1442477X1	1	Gasket	
17	3791884M2	1	Bush	
18	3716397M1	1	Tube	[A]
	3791709M1	1	Tube	[C]
19	3019862X1	3	Nut Metric	M12
20	3010812X1	1	Screw	M8X30
21	3791880M1	1	Bush	Up to Serial or Engine Number H328037
22	392224X1	1	O Ring	Up to Serial or Engine Number H328037
23	3010980X1	1	O Ring	From Serial or Engine Number H328038
				Diameter 25,07MM
24	391563X1	1	Plug	Diameter 16MM

FOOTNOTE [A] WITH PUMP 45CC

FOOTNOTE [B] WITHOUT HYDRAULIC LIFT

FOOTNOTE [C] WITH PUMP 60CC

1-ZP36-004-C



Item	Part Number	Qty	Description	Comments
1	3716900M5	1	Angle.	
2	3716914M92	1	Tube	
3	3015150X1	2	Plug	Diameter 24MM
4	3791655M1	3	Stud	
5	392224X1	4	O Ring	
6	3791880M1	4	Bush	Diameter 22,3 MM
7	3019633X91	1	Union	
8	3019399X1	1	O Ring	(7)
9	70922195	1	Cap	
10	366617X1	2	O Ring	Diameter 47MM
11	3791879M1	1	Bush	
12	1441133X1	1	Gasket	
13	3009292X1	2	Screw	M10X25
14	3716325M1	1	Plate	[B]
15	339123X1	3	Hex. Sock. Screw	M8X20
16	1442477X1	1	Gasket	
17	3791884M2	1	Bush	
18	3716397M1	1	Tube	[A]
	3791709M1	1	Tube	[C]
19	3019862X1	3	Nut Metric	M12
20	3010812X1	1	Screw	M8X30
21	3791880M1	1	Bush	Up to Serial or Engine Number H328037
22	392224X1	1	O Ring	Up to Serial or Engine Number H328037
23	3010980X1	1	O Ring	From Serial or Engine Number H328038
				Diameter 25,07MM
24	391563X1	1	Plug	Diameter 16MM

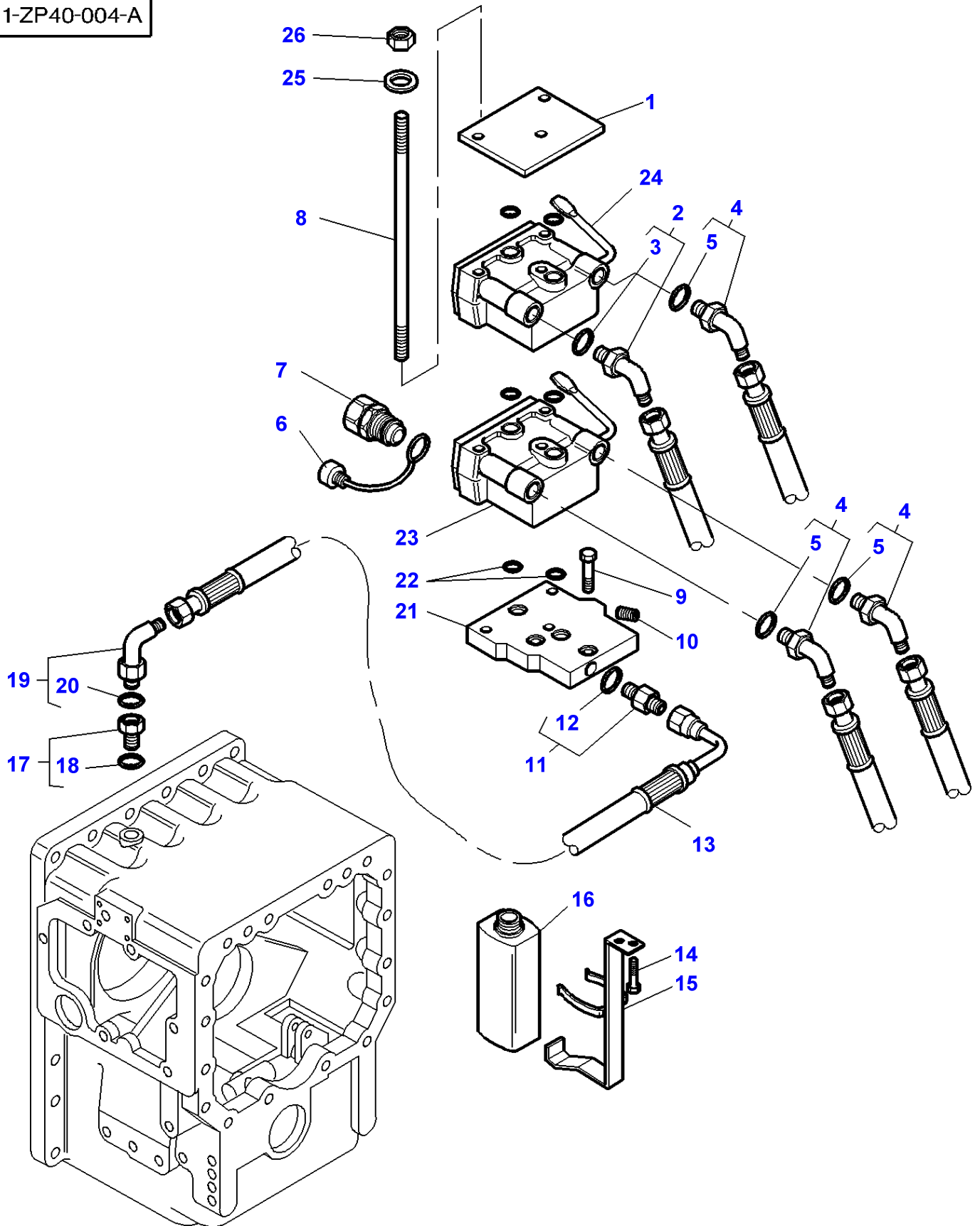
FOOTNOTE [A] WITH PUMP 45CC

FOOTNOTE [B] WITHOUT HYDRAULIC LIFT

FOOTNOTE [C] WITH PUMP 60CC

MF 8210/8220 TRACTORS - 1637365
1-ZP40-004-A

1-ZP40-004-A



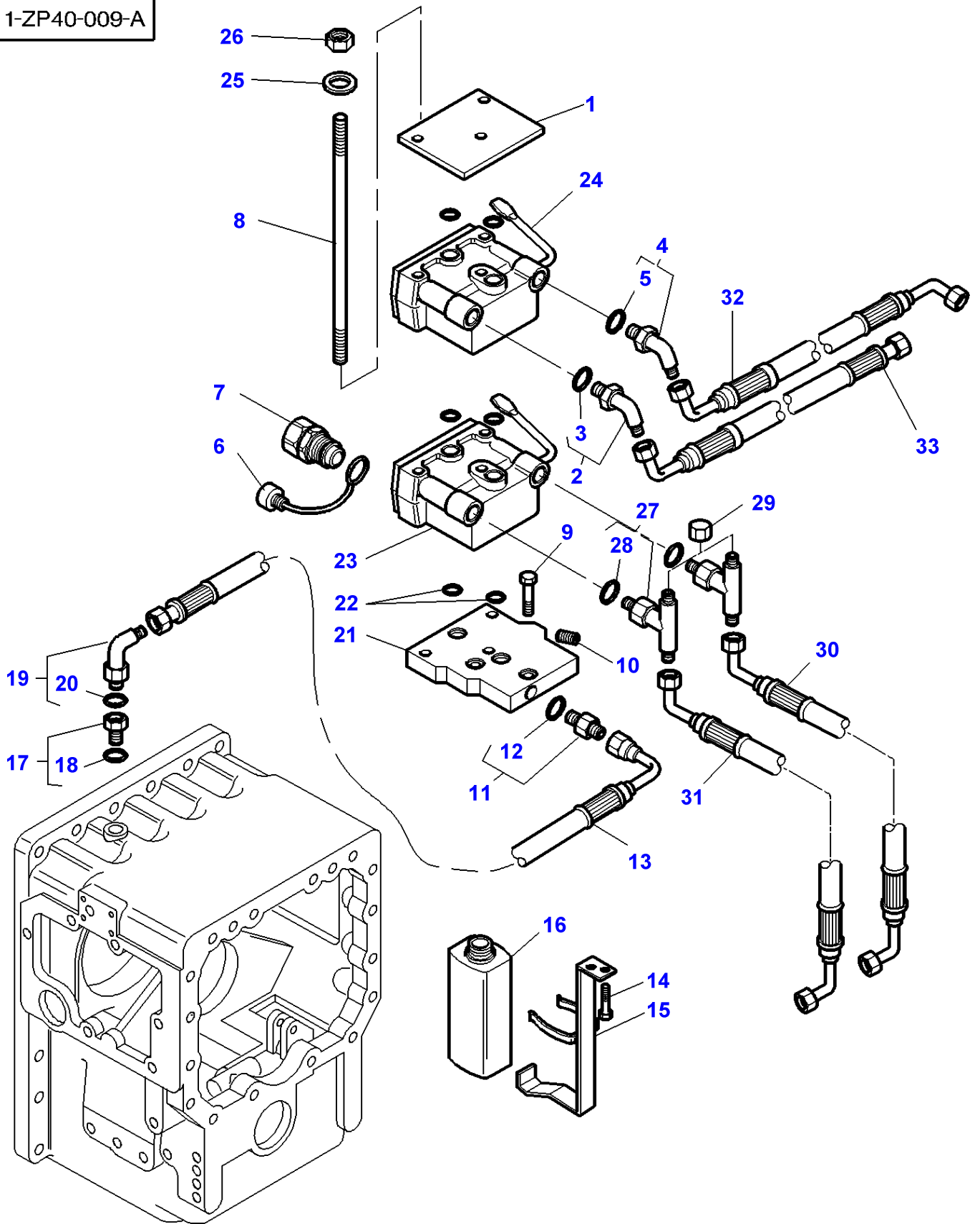
Item	Part Number	Qty	Description	Comments
1	3792734M1	1	Plate	
2	3019592X91	1	Union	
3	3019396X1	1	O Ring	(2)
4	3019418X91	3	Elbow Nipple	
5	3019398X1	1	O Ring	(4)
6	3615822M1	4	Cap	
7	1026700M91	4	Male Coupler	3/4-16
	3583932M1	4	Male Coupler	M18
8	3793410M3	3	Stud	M8 X 173
9	339123X1	2	Hex. Sock. Screw	M8 X 20
10	3791352M1	1	Plug	
11	3019660X91	1	Union	
12	3019393X1	1	O Ring	(11)
13	3792750M1	1	Hydr Hose	
14	3009270X1	2	Screw Metric	M5 X 10
15	3792769M91	1	Support	
16	3792741M1	1	Can	
17	3792739M1	1	Plug	
18	3019399X1	1	O Ring	(17)
19	3019302X91	1	Union	
20	3019393X1	1	O Ring	(19)
21	3792745M1	1	Support	
22	3007432X1	6	O Ring	
23	3792559M1	1	Female Coupler	[A] See Page - Reference Number 070-0610/1
24	3792561M1	1	Female Coupler	[B] See Page - Reference Number 070-0610/1
25	390972X1	3	Washer Metric	
26	339169X1	3	Nut	

FOOTNOTE [A] BLACK

FOOTNOTE [B] RED

MF 8210/8220 TRACTORS - 1637365
1-ZP40-009-A

1-ZP40-009-A



Item	Part Number	Qty	Description	Comments
1	3792734M1	1	Plate	
2	3019592X91	1	Union	
3	3019396X1	1	O Ring	(2)
4	3019418X91	1	Elbow Nipple	
5	3019398X1	1	O Ring	(4)
6	3615822M1	4	Cap	
7	1026700M91	4	Male Coupler	3/4-16
	3583932M1	4	Male Coupler	M18
8	3793410M3	3	Stud	M8X173
9	339123X1	2	Hex. Sock. Screw	M8X20
10	3791352M1	1	Plug	
11	3019660X91	1	Union	
12	3019393X1	1	O Ring	(11)
13	3792750M1	1	Hydr Hose	
14	3009270X1	2	Screw Metric	M5X10
15	3792769M91	1	Support	
16	3792741M1	1	Can	
17	3792739M1	1	Plug	
18	3019399X1	1	O Ring	(17)
19	3019302X91	1	Union	
20	3019393X1	1	O Ring	(19)
21	3792745M1	1	Support	
22	3007432X1	6	O Ring	
23	3792559M1	1	Female Coupler	[A] See Page - Reference Number 070-0610/1
24	3792561M1	1	Female Coupler	[B] See Page - Reference Number 070-0610/1
25	390972X1	3	Washer Metric	
26	339169X1	3	Nut	
27	3019613X91	2	Union	
28	3019398X1	1	O Ring	(27)
29	22833X	2	Cap	
30	3793524M1	1	Hydr Hose	Length 400MM
31	3793523M1	1	Hydr Hose	Length 410MM
32	3793522M1	1	Hydr Hose	Length 435MM
33	3793521M1	1	Hydr Hose	Length 475MM
	3794428M1	1	Hydr Hose	[C] Length 350MM

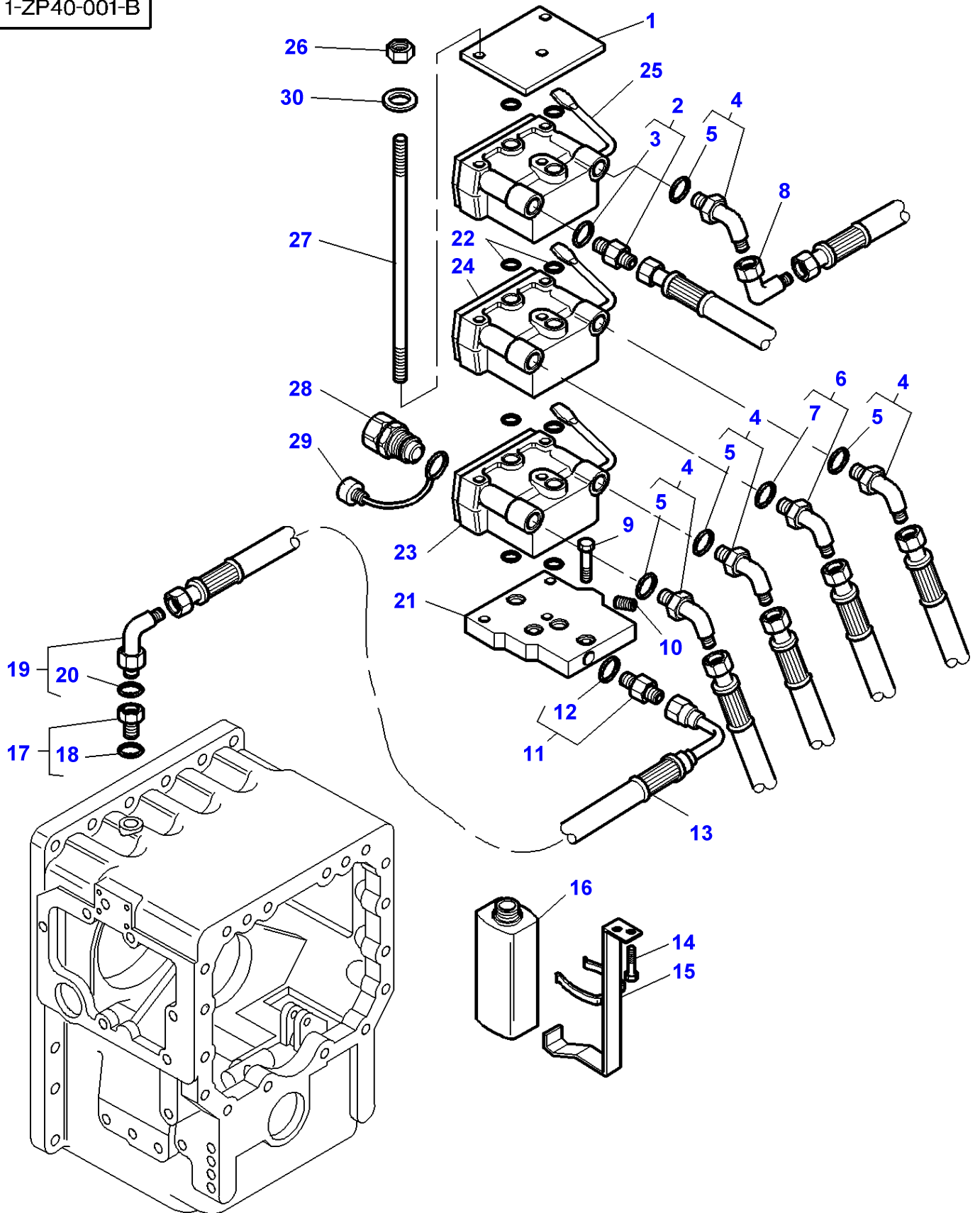
FOOTNOTE [A] BLACK

FOOTNOTE [B] RED

FOOTNOTE [C] WITH AUTOMATIC HITCH "DROMONE"

MF 8210/8220 TRACTORS - 1637365
1-ZP40-001-B

1-ZP40-001-B



Item	Part Number	Qty	Description	Comments
1	3792734M1	1	Plate	
2	3019387X91	1	Union	
3	3019398X1	1	O Ring	(2)
4	3019418X91	4	Elbow Nipple	
5	3019398X1	1	O Ring	(4)
6	3019592X91	1	Union	
7	3019396X1	1	O Ring	(6)
8	367386X1	1	Elbow	
9	339123X1	2	Hex. Sock. Screw	M8X20
10	3791352M1	1	Plug	
11	3019660X91	1	Union	
12	3019393X1	1	O Ring	(11)
13	3792750M1	1	Hydr Hose	
14	3009270X1	2	Screw Metric	M5X10
15	3792769M91	1	Support	
16	3792741M1	1	Can	
17	3792739M1	1	Plug	
18	3019399X1	1	O Ring	(17)
19	3019302X91	1	Union	
20	3019393X1	1	O Ring	(19)
21	3792745M1	1	Support	
22	3007432X1	8	O Ring	
23	3792559M1	1	Female Coupler	[A] See Page - Reference Number 070-0610/1
24	3792561M1	1	Female Coupler	[B] See Page - Reference Number 070-0610/1
25	3792562M1	1	Female Coupler	[C] See Page - Reference Number 070-0610/1
26	339169X1	3	Nut	
27	3792751M3	3	Stud	M8X243
28	1026700M91	6	Male Coupler	3/4-16
	3583932M1	6	Male Coupler	M18
29	3615822M1	6	Cap	
30	390972X1	3	Washer Metric	

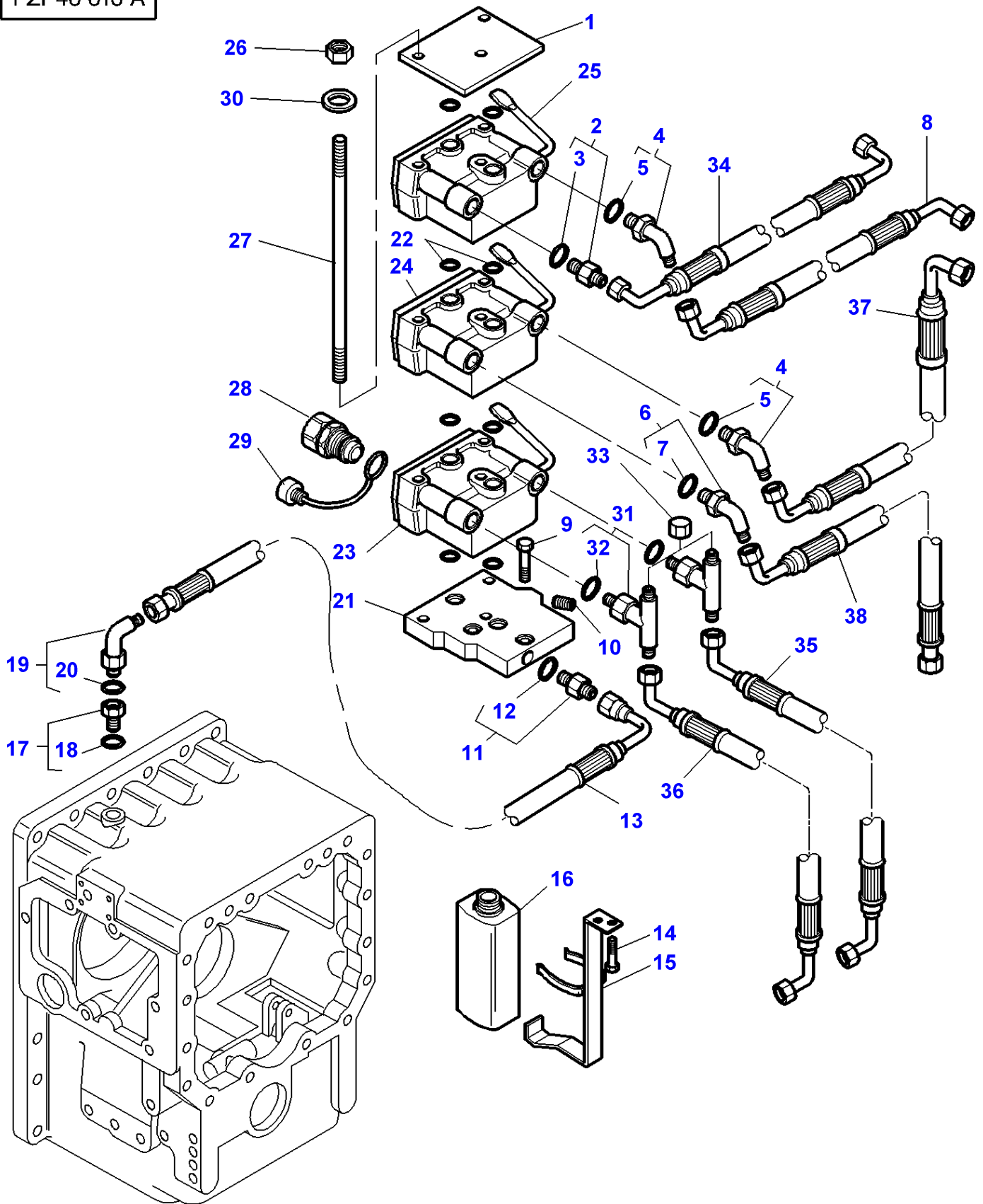
FOOTNOTE [A] BLACK

FOOTNOTE [B] RED

FOOTNOTE [C] GREEN

MF 8210/8220 TRACTORS - 1637365
1-ZP40-010-A

1-ZP40-010-A



Item	Part Number	Qty	Description	Comments
1	3792734M1	1	Plate	
2	3019387X91	1	Union	
3	3019398X1	1	O Ring	(2)
4	3019418X91	2	Elbow Nipple	
5	3019398X1	1	O Ring	(4)
6	3019592X91	1	Union	
7	3019396X1	1	O Ring	(6)
8	3793520M1	1	Hydr Hose	Length 475MM
9	339123X1	2	Hex. Sock. Screw	M8X20
10	3791352M1	1	Plug	
11	3019660X91	1	Union	
12	3019393X1	1	O Ring	(11)
13	3792750M1	1	Hydr Hose	
14	3009270X1	2	Screw Metric	M5X10
15	3792769M91	1	Support	
16	3792741M1	1	Can	
17	3792739M1	1	Plug	
18	3019399X1	1	O Ring	(17)
19	3019302X91	1	Union	
20	3019393X1	1	O Ring	(19)
21	3792745M1	1	Support	
22	3007432X1	8	O Ring	
23	3792559M1	1	Female Coupler	[A] See Page - Reference Number 070-0610/1
24	3792561M1	1	Female Coupler	[B] See Page - Reference Number 070-0610/1
25	3792562M1	1	Female Coupler	[C] See Page - Reference Number 070-0610/1
26	339169X1	3	Nut	
27	3792751M3	3	Stud	M8X243
28	1026700M91	6	Male Coupler	3/4-16
	3583932M1	6	Male Coupler	M18
29	3615822M1	6	Cap	
30	390972X1	3	Washer Metric	
31	3019613X91	2	Union	
32	3019398X1	1	O Ring	(31)
33	22833X	2	Cap	
34	3793521M1	1	Hydr Hose	Length 475MM
35	3793524M1	1	Hydr Hose	Length 400MM
36	3793523M1	1	Hydr Hose	Length 410MM
37	3793522M1	1	Hydr Hose	Length 435MM
38	3793521M1	1	Hydr Hose	Length 475MM
	3794428M1	1	Hydr Hose	[D] Length 350MM

FOOTNOTE [A] BLACK

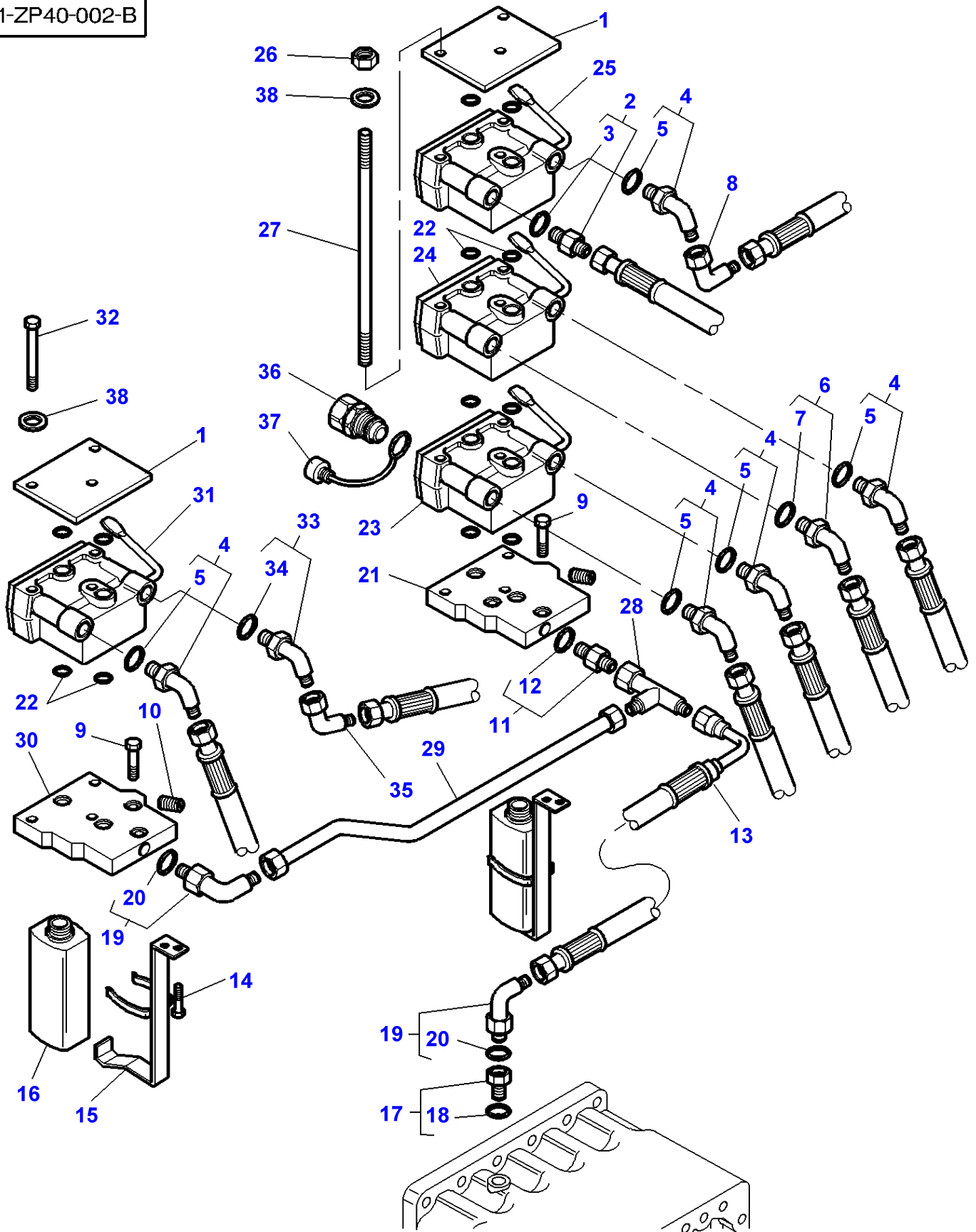
FOOTNOTE [B] RED

FOOTNOTE [C] GREEN

FOOTNOTE [D] WITH AUTOMATIC HITCH "DROMONE"

MF 8210/8220 TRACTORS - 1637365
1-ZP40-002-B

1-ZP40-002-B



Item	Part Number	Qty	Description	Comments
1	3792734M1	2	Plate	
2	3019387X91	1	Union	
3	3019398X1	1	O Ring	(2)
4	3019418X91	5	Elbow Nipple	
5	3019398X1	1	O Ring	(4)
6	3019592X91	1	Union	
7	3019396X1	1	O Ring	(6)
8	367386X1	1	Elbow	
9	339123X1	4	Hex. Sock. Screw	M8X20
10	3791352M1	2	Plug	
11	3019660X91	1	Union	
12	3019393X1	1	O Ring	(11)
13	3792750M1	1	Hydr Hose	
14	3009270X1	4	Screw Metric	M5X10
15	3792769M91	2	Support	
16	3792741M1	2	Can	
17	3792739M1	1	Plug	
18	3019399X1	1	O Ring	(17)
19	3019302X91	2	Union	
20	3019393X1	1	O Ring	(19)
21	3792745M1	1	Support	
22	3007432X1	12	O Ring	
23	3792559M1	1	Female Coupler	[A] See Page - Reference Number 070-0610/1
24	3792561M1	1	Female Coupler	[B] See Page - Reference Number 070-0610/1
25	3792562M1	1	Female Coupler	[C] See Page - Reference Number 070-0610/1
26	339169X1	3	Nut	
27	3792751M3	3	Stud	M8X243
28	373796X1	1	Teepiece	
29	3792720M91	1	Tube	
30	3792747M1	1	Support	
31	3792563M1	1	Female Coupler	[D] See Page - Reference Number 070-0610/1
32	339136X1	3	Hex. Sock. Screw	M8X90
33	3019592X91	1	Union	
34	3019396X1	1	O Ring	(33)
35	373784X1	1	Elbow	
36	1026700M91	8	Male Coupler	3/4-16
	3583932M1	8	Male Coupler	M18
37	3615822M1	8	Cap	
38	390972X1	6	Washer Metric	

FOOTNOTE [A] BLACK

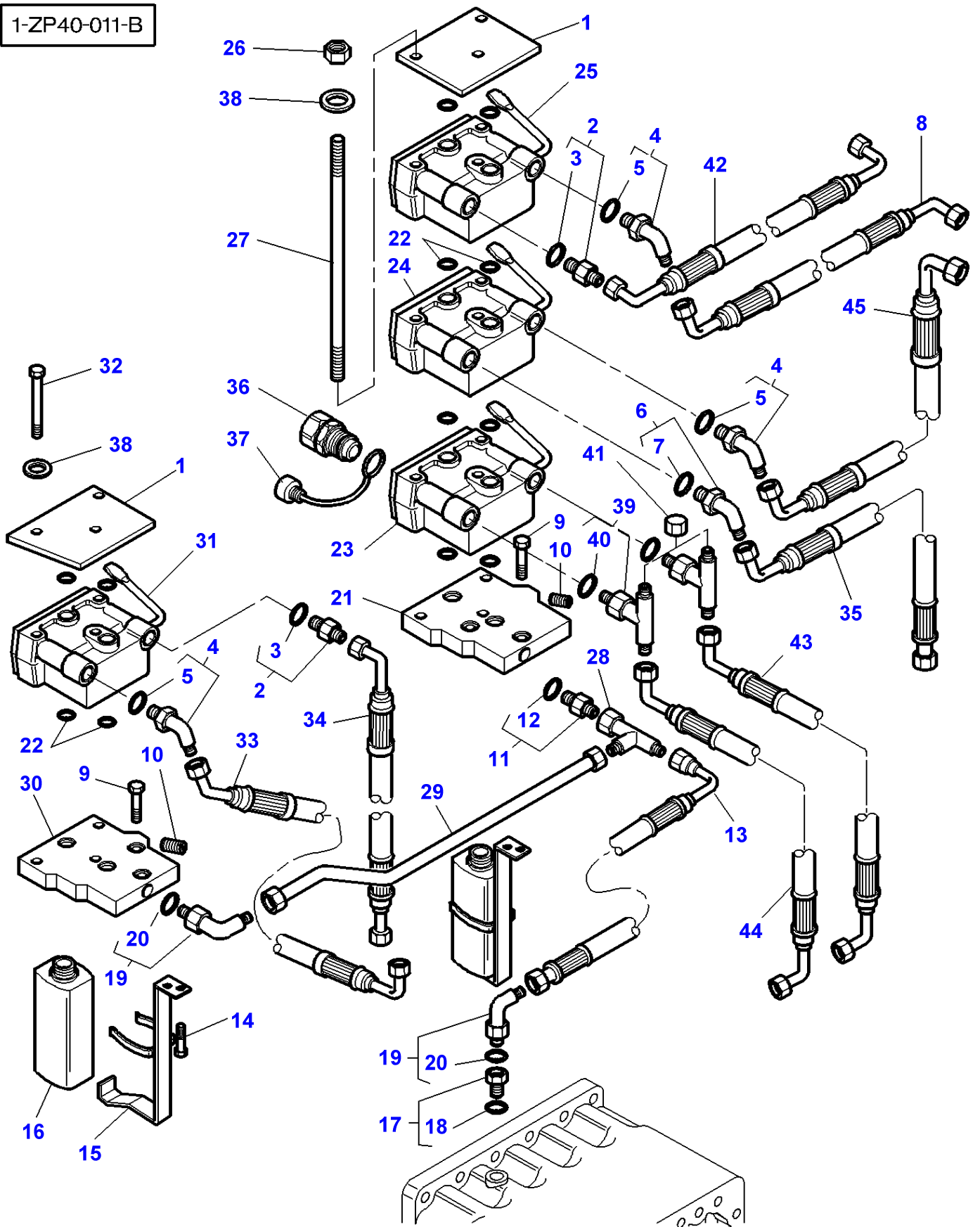
FOOTNOTE [B] RED

FOOTNOTE [C] GREEN

FOOTNOTE [D] YELLOW

MF 8210/8220 TRACTORS - 1637365
1-ZP40-011-B

1-ZP40-011-B



Item	Part Number	Qty	Description	Comments
1	3792734M1	2	Plate	
2	3019387X91	2	Union	
3	3019398X1	1	O Ring	(2)
4	3019418X91	3	Elbow Nipple	
5	3019398X1	1	O Ring	(4)
6	3019592X91	1	Union	
7	3019398X1	1	O Ring	(6)
8	3793520M1	1	Hydr Hose	Length 475MM
9	339123X1	4	Hex. Sock. Screw	M8X20
10	3791352M1	2	Plug	
11	3019660X91	1	Union	
12	3019393X1	1	O Ring	(11)
13	3792750M1	1	Hydr Hose	
14	3009270X1	4	Screw Metric	M5X10
15	3792769M91	2	Support	
16	3792741M1	2	Can	
17	3792739M1	1	Plug	
18	3019399X1	1	O Ring	(17)
19	3019302X91	2	Union	
20	3019393X1	1	O Ring	(19)
21	3792745M1	1	Support	
22	3007432X1	12	O Ring	
23	3792559M1	1	Female Coupler	[A] See Page - Reference Number 070-0610/1
24	3792561M1	1	Female Coupler	[B] See Page - Reference Number 070-0610/1
25	3792562M1	1	Female Coupler	[C] See Page - Reference Number 070-0610/1
26	339169X1	3	Nut	
27	3792751M3	3	Stud	M8X243
28	373796X1	1	Teepiece	
29	3792720M91	1	Tube	
30	3792747M1	1	Support	
31	3792563M1	1	Female Coupler	[D] See Page - Reference Number 070-0610/1
32	339136X1	3	Hex. Sock. Screw	M8X90
33	3793523M1	1	Hydr Hose	Length 410MM
34	3793521M1	1	Hydr Hose	Length 475MM
35	3794428M1	1	Hydr Hose	Length 350MM
36	1026700M91	8	Male Coupler	3/4-16
	3583932M1	8	Male Coupler	M18
37	3615822M1	8	Cap	
38	390972X1	6	Washer Metric	
39	3019613X91	2	Union	
40	3019398X1	1	O Ring	(31)
41	22833X	2	Cap	
42	3793521M1	1	Hydr Hose	Length 475MM
43	3793524M1	1	Hydr Hose	Length 400MM
44	3793523M1	1	Hydr Hose	Length 410MM
45	3793522M1	1	Hydr Hose	Length 435MM

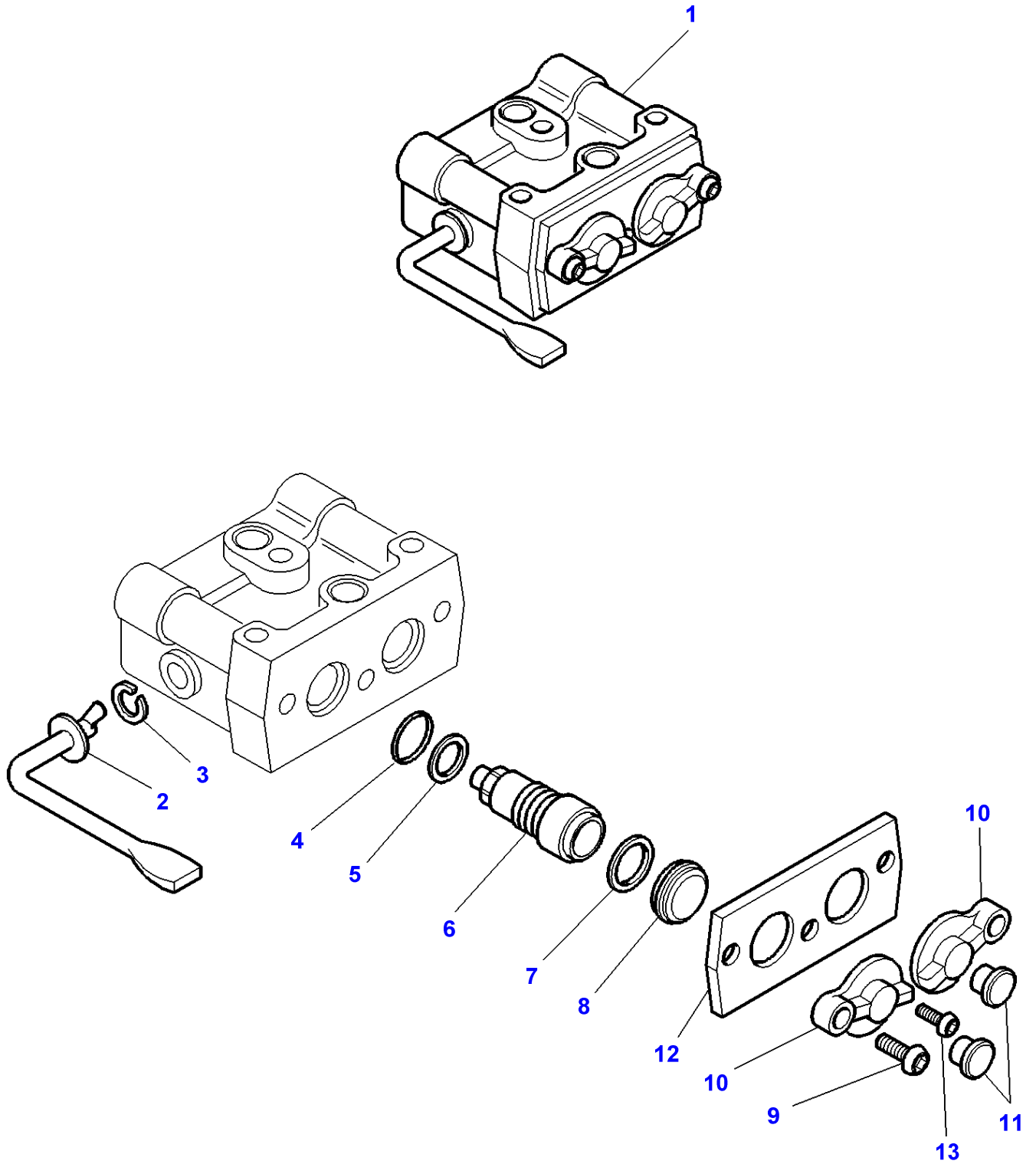
FOOTNOTE [A] BLACK

FOOTNOTE [B] RED

FOOTNOTE [C] GREEN

FOOTNOTE [D] YELLOW

1-ZP40-003-A



Hydraulic Coupling

Item	Part Number	Qty	Description	Comments
1	3796260M1	1	Female Coupler	
2	3903463M91	1	Lever	(1)
3	3903462M1	1	Circlip	(1)
4	3903465M1	2	Gasket	(1)
5	3903464M1	2	Gasket	(1)
6	3903972M91	2	Kit, Cartridge	(1) Replace and repair. Old not interchangeable with new 3903461M91
7	3903460M1	2	Clip	(1)
8	3903459M1	2	Seal	(1)
9	3903455M1	2	Screw	(1)
10	3903456M1	2	Tap	(1)
11	3796263M1	2	Plug	[A]
	3796264M1	2	Plug	[B]
	3796262M1	2	Plug	[C]
	3796261M1	2	Plug	[D]
12	3903458M1	1	Plate	(1)
13	3903457M1	1	Screw	(1)

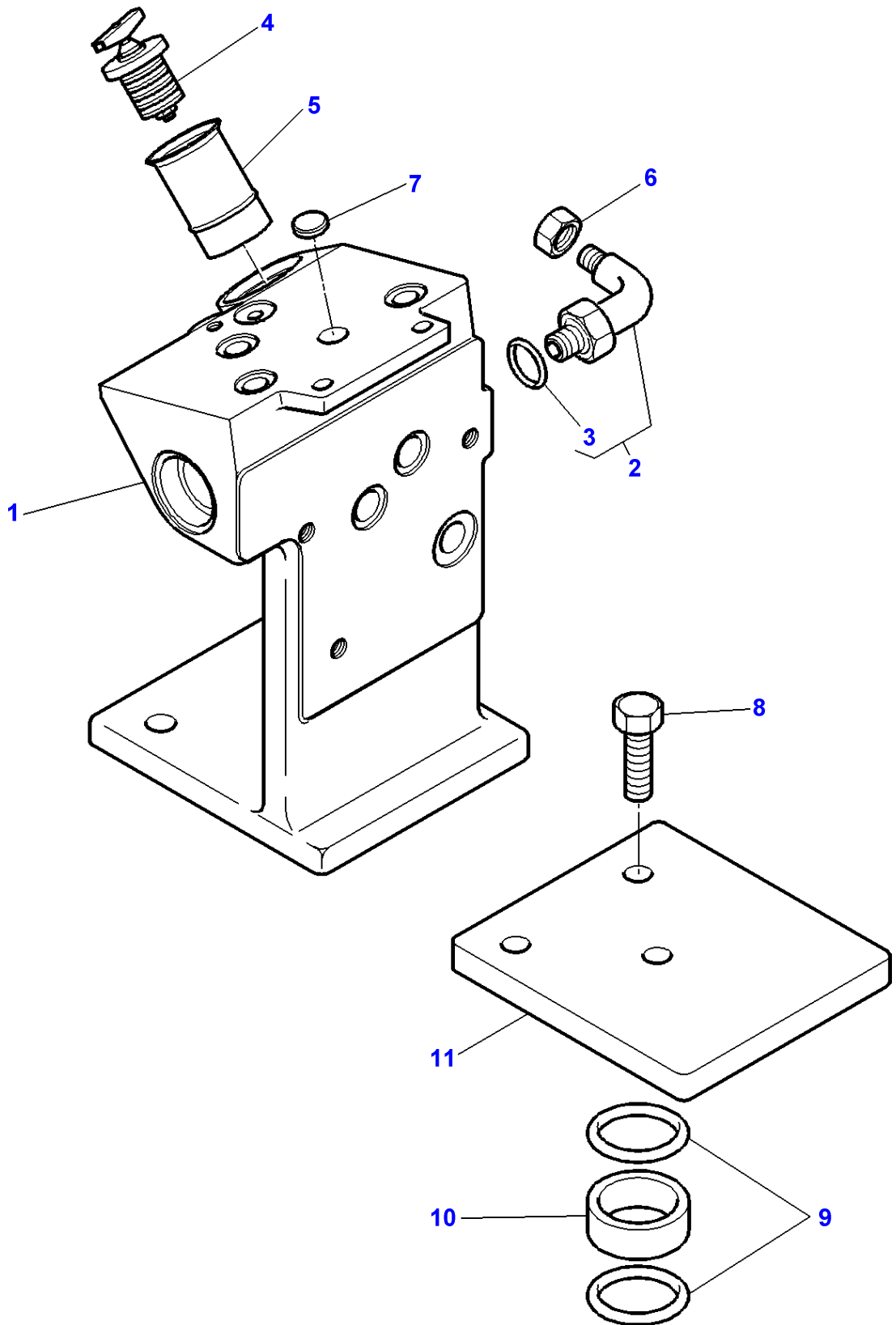
FOOTNOTE [A] BLACK

FOOTNOTE [B] RED

FOOTNOTE [C] GREEN

FOOTNOTE [D] YELLOW

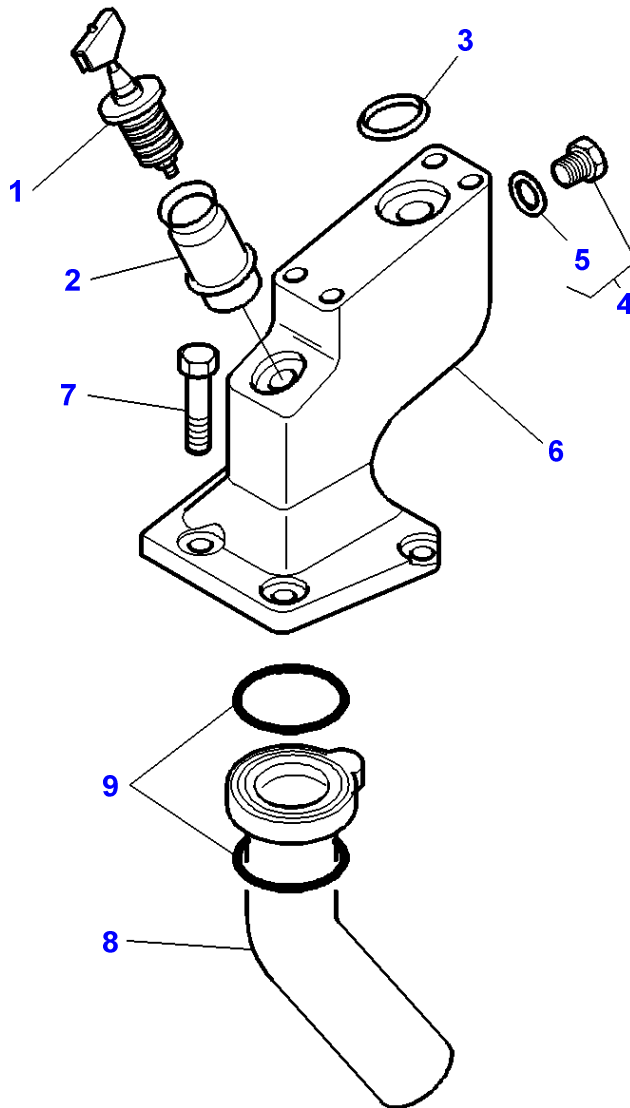
1-ZP77-001-C



Item	Part Number	Qty	Description	Comments
1	3716900M5	1	Angle.	
2	3019420X91	1	Union	
3	3019398X1	1	O Ring	(2)
4	3791288M1	1	Plug	
5	3791466M2	1	Tube	
6	70921244	1	Cap	Replace and repair. Old not interchangeable with new 355782X1
7	391563X1	1	Plug	Diameter 16MM
8	3009507X1	3	Hex. Sock. Screw	[A] M12X35
9	366617X1	2	O Ring	[A] Diameter 47MM
10	3792280M1	1	Collar	[A]
11	3716396M1	1	Plate	[A]

FOOTNOTE [A] WITHOUT DISTRIBUTOR

1-ZP77-003-A

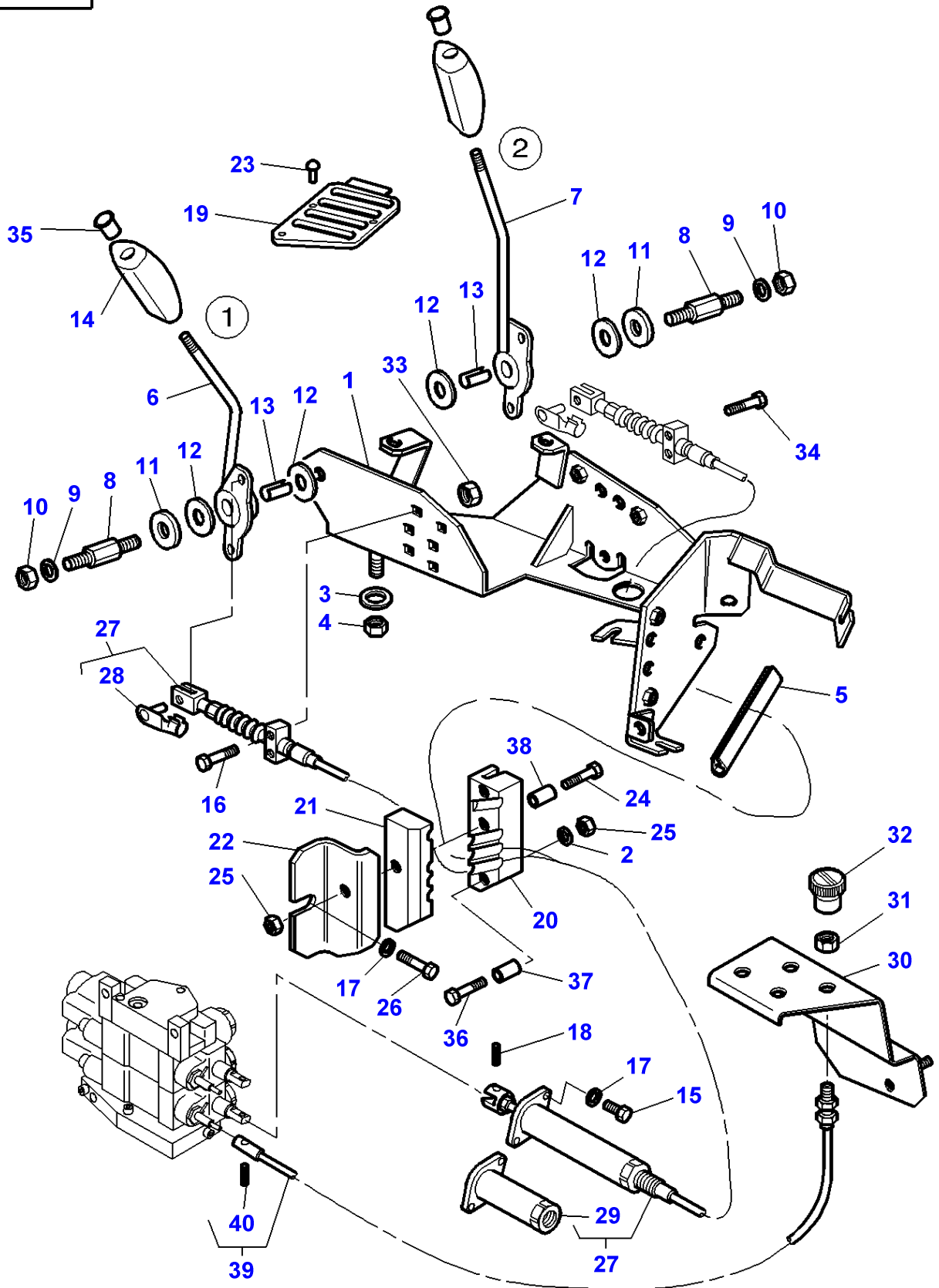


Massey Ferguson**MF 8210/8220 TRACTORS - 1637365****1637365****DIPSTICK / CENTRE HOUSING - From 01-01-2001****Page070-0620**

Item	Part Number	Qty	Description	Comments
1	3791288M1	1	Plug	
2	3791466M2	1	Tube	
3	3015077X1	1	O Ring	
4	3019645X91	1	Plug	
5	3019398X1	1	O Ring	(4)
6	3793411M3	1	Angle.	
7	3009507X1	4	Hex. Sock. Screw	M12X35
8	3716914M92	1	Tube	
9	366617X1	2	O Ring	

MF 8210/8220 TRACTORS - 1637365
1-ZP39-002-A

1-ZP39-002-A

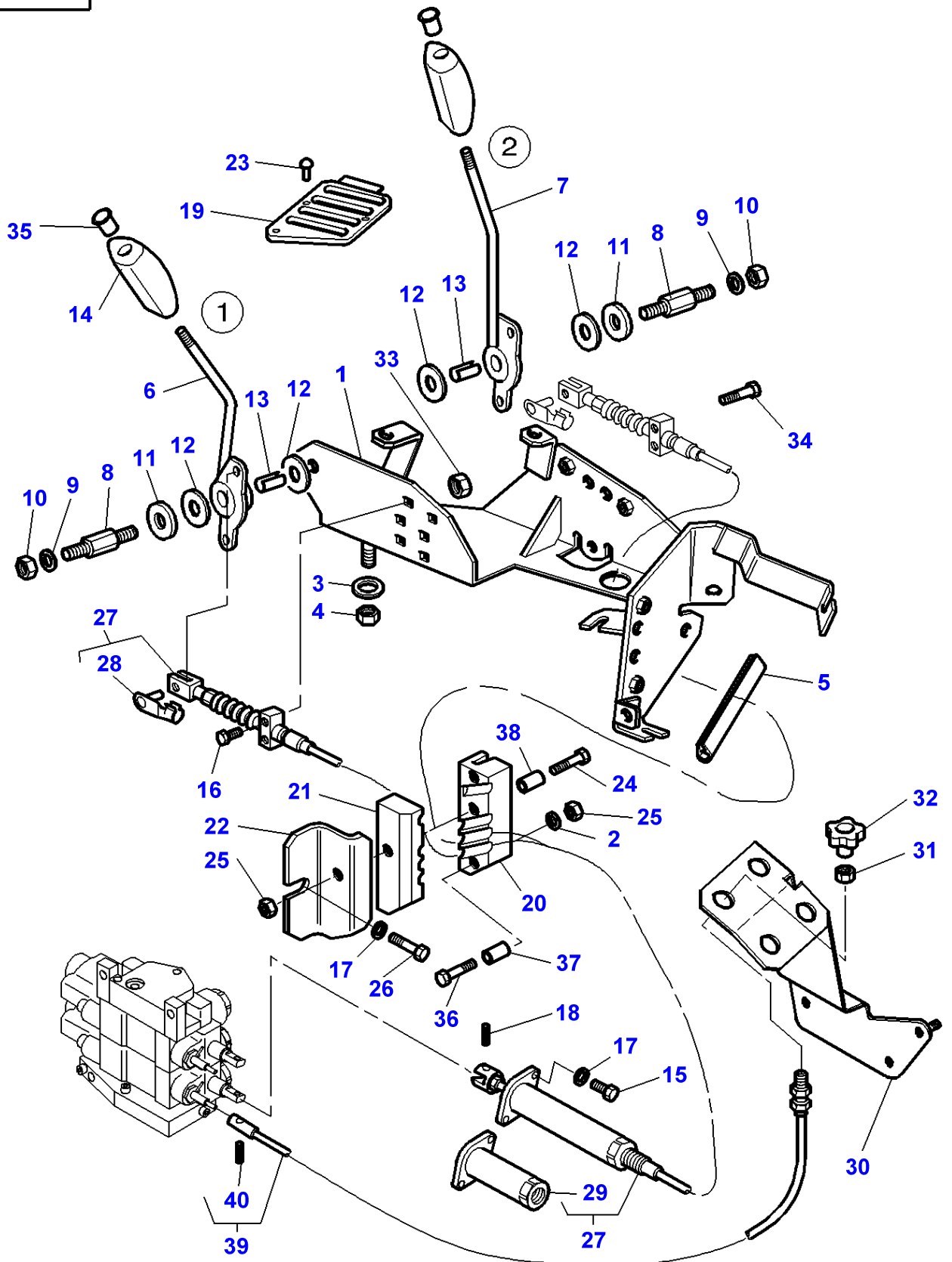


Item	Part Number	Qty	Description	Comments
1	3778480M93	1	Support	
2	390971X1	2	Washer	
3	385361X1	4	Washer	
4	1441461X1	4	Locknut	M8
5	1684844M1	1	Seal	Length 80MM
6	3778481M2	1	Lever	
7	3778482M2	1	Lever	
8	3712956M3	2	Clevis Pin	
9	390972X1	2	Washer Metric	
10	1441461X1	2	Locknut	M8
11	3387447M1	2	Washer	
12	3386514M1	4	Friction Disc	
13	3713905M1	2	Bearing	
14	3715495M1	2	Handle	
15	357831X1	4	Screw	1/4"-20X16
16	3009332X1	2	Screw	M6X30
17	390971X1	7	Washer	
18	3714223M1	2	Clevis Pin	
19	3778486M1	1	Grille	
20	3712979M2	1	Bridle	
21	3712980M2	1	Bridle	
22	3712981M2	1	Angle.	
23	3010506X1	7	Screw	M5X16
24	339096X1	2	Bolt Metric	M6X35
25	339030X1	3	Nut Metric	
26	339560X1	1	Hex. Sock. Screw	M6X16
27	3778566M2	2	Hydraulic Cable	Length 1310MM
28	3600190M1	1	Clevis Pin	(27) Length 28MM
29	3902200M91	1	Parts Pack	(27)
30	3779479M1	1	Support	
31	3009693X1	2	Nut Metric	
32	3715367M1	1	Button	[B]
	3715365M1	1	Button	[C]
33	1441500X1	4	Locknut	M6
34	3009332X1	2	Screw	M6X30
35	3715496M1	1	Muff	[B]
	3715497M1	1	Muff	[C]
36	1440922X1	1	Bolt	M6X60
37	3714645M1	2	Spacer	Diameter 8X26,5
38	3714646M1	1	Spacer	Diameter 8X50
39	3779469M1	2	Cable	Length 593MM
40	3010003X1	1	Screw	(39)

FOOTNOTE [B] BLACK

FOOTNOTE [C] RED

1-ZP39-003-A

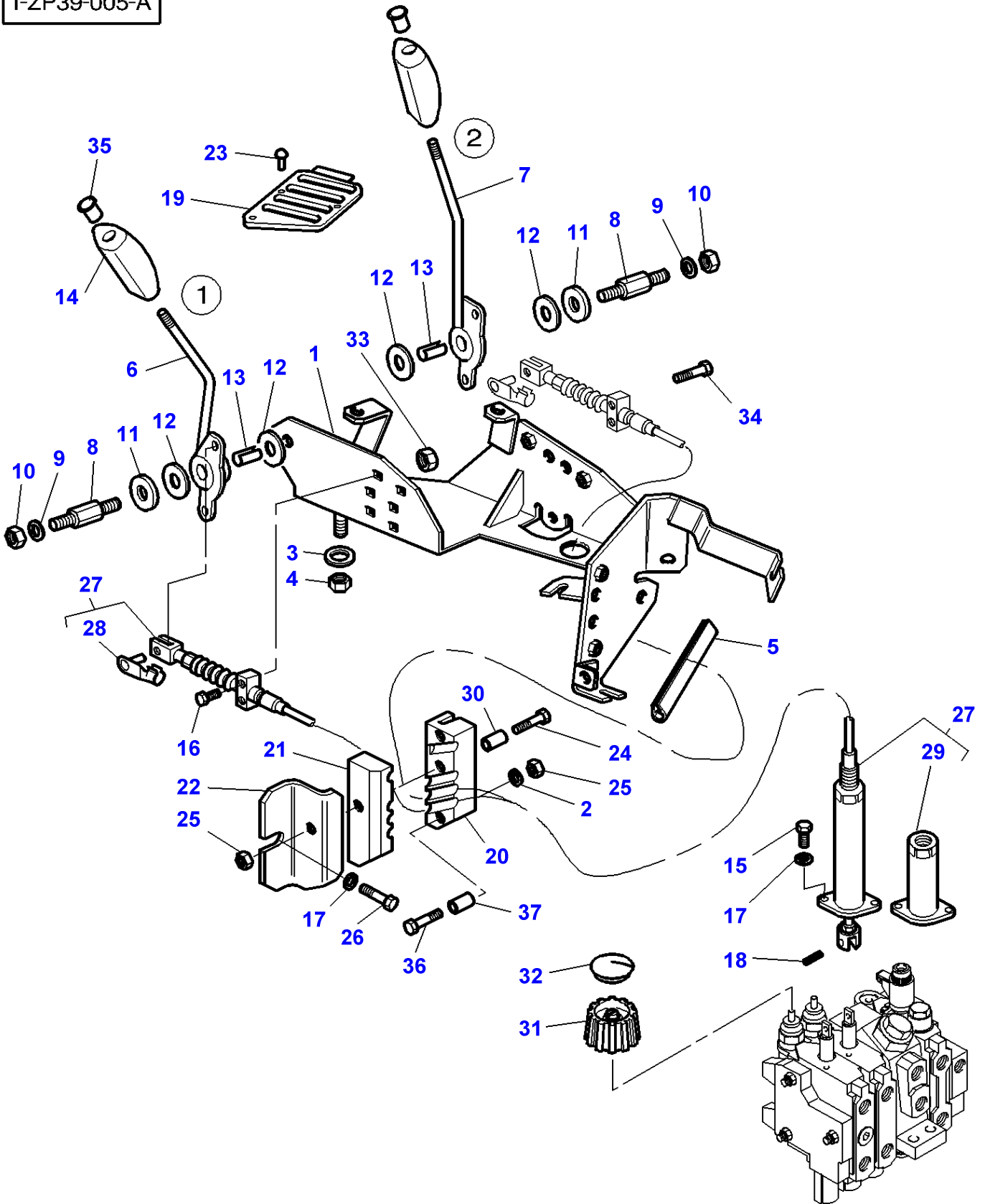


Item	Part Number	Qty	Description	Comments
1	3778480M93	1	Support	
2	390971X1	2	Washer	
3	385361X1	4	Washer	
4	1441461X1	4	Locknut	M8
5	1684844M1	1	Seal	Length 80MM
6	3778481M2	1	Lever	
7	3778482M2	1	Lever	
8	3712956M3	2	Clevis Pin	
9	390972X1	2	Washer Metric	
10	1441461X1	2	Locknut	M8
11	3387447M1	2	Washer	
12	3386514M1	4	Friction Disc	
13	3713905M1	2	Bearing	
14	3715495M1	2	Handle	
15	357831X1	4	Screw	1/4"-20X16
16	3009332X1	2	Screw	M6X30
17	390971X1	7	Washer	
18	3714223M1	2	Clevis Pin	
19	3778486M1	1	Grille	
20	3712979M2	1	Bridle	
21	3712980M2	1	Bridle	
22	3712981M2	1	Angle.	
23	3010506X1	7	Screw	M5X16
24	339096X1	2	Bolt Metric	M6X35
25	339030X1	3	Nut Metric	
26	339560X1	1	Hex. Sock. Screw	M6X16
27	3778566M2	2	Hydraulic Cable	Length 1310MM
28	3600190M1	1	Clevis Pin	(27) Length 28MM
29	3902200M91	1	Parts Pack	(27)
30	3783151M1	1	Plate	
31	3009693X1	2	Nut Metric	
32	3783400M1	1	Button	[B]
	3783401M1	1	Button	[C]
33	1441500X1	4	Locknut	M6
34	3009332X1	2	Screw	M6X30
35	3715496M1	1	Muff	[B]
	3715497M1	1	Muff	[C]
36	1440922X1	1	Bolt	M6X60
37	3714645M1	2	Spacer	Diameter 8X26,5
38	3714646M1	1	Spacer	Diameter 8X50
39	3783230M1	2	Cable	Length 605,5MM
40	3010003X1	1	Screw	(39)

FOOTNOTE [B] BLACK

FOOTNOTE [C] RED

1-ZP39-005-A



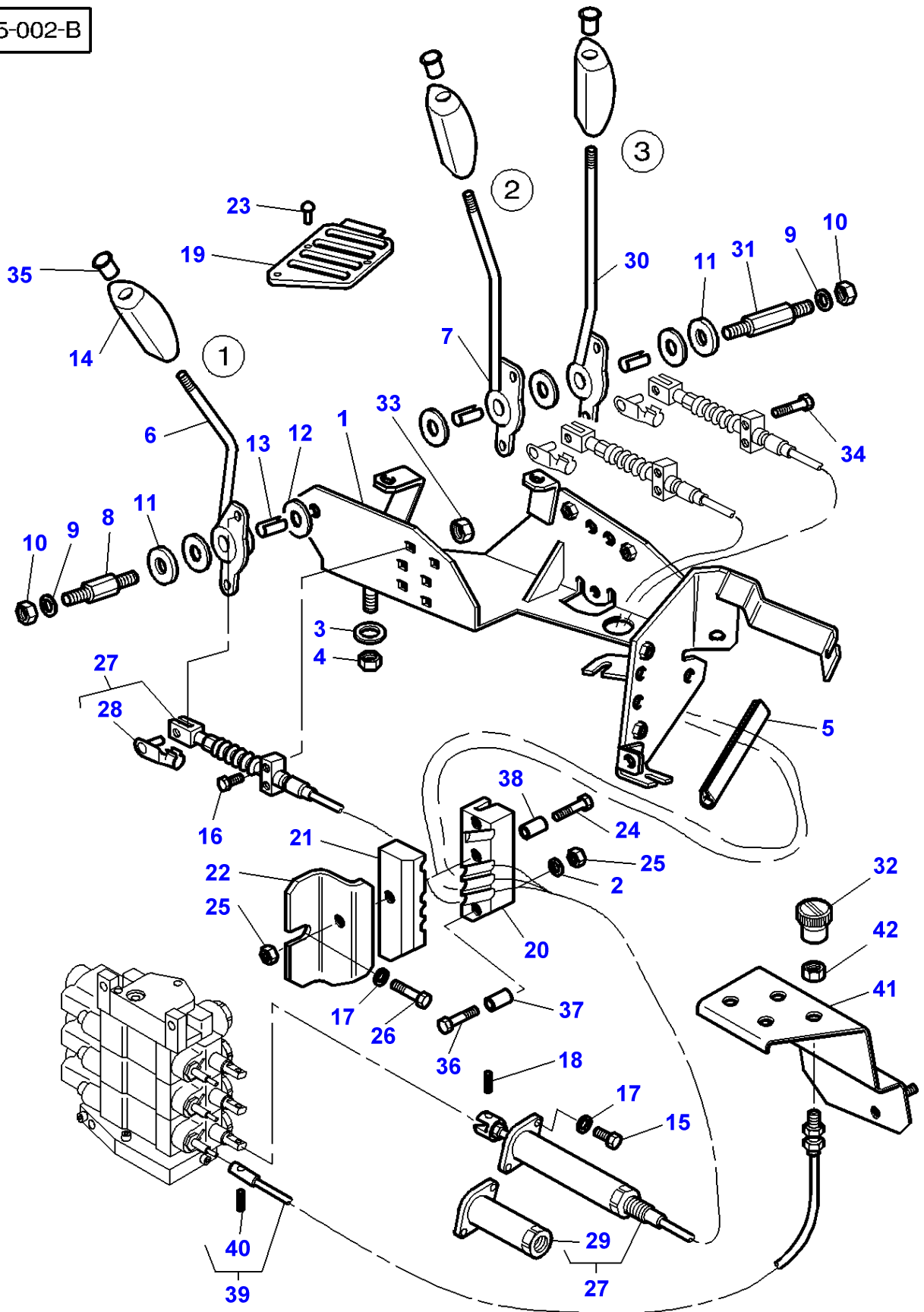
Item	Part Number	Qty	Description	Comments
1	3778480M93	1	Support	
2	390971X1	2	Washer	
3	385361X1	4	Washer	
4	1441461X1	4	Locknut	M8
5	1684844M1	2	Seal	Length 80MM
6	3778481M2	1	Lever	
7	3778482M2	1	Lever	
8	3712956M3	2	Clevis Pin	
9	390972X1	2	Washer Metric	
10	1441461X1	2	Locknut	M8
11	3387447M1	2	Washer	
12	3386514M1	4	Friction Disc	
13	3713905M1	2	Bearing	
14	3715495M1	2	Handle	
15	339560X1	4	Hex. Sock. Screw	M6X16
16	3009332X1	2	Screw	M6X30
17	390971X1	7	Washer	
18	3387566M2	2	Clevis Pin	
19	3778486M1	1	Grille	
20	3712979M2	1	Bridle	
21	3712980M2	1	Bridle	
22	3712981M2	1	Angle.	
23	3010506X1	3	Screw	M5X16
24	339096X1	2	Bolt Metric	M6X35
25	339030X1	3	Nut Metric	
26	339560X1	1	Hex. Sock. Screw	M6X16
27	3715989M1	2	Hydraulic Cable	Length 1600MM
28	3600190M1	1	Clevis Pin	(27) Length 28MM
29	3902200M91	1	Parts Pack	(27)
30	3714646M1	1	Spacer	Diameter 8X50
31	3784369M1	2	Button	
32	3784402M1	1	Muff	[B]
	3784403M1	1	Muff	[C]
33	1441462X1	4	Locknut	M6
34	3009332X1	2	Screw	M6X30
35	3715496M1	1	Muff	[B]
	3715497M1	1	Muff	[C]
36	1440922X1	1	Bolt	M6X60
37	3714645M1	2	Spacer	Diameter 8X26,5

FOOTNOTE [B] BLACK

FOOTNOTE [C] RED

MF 8210/8220 TRACTORS - 1637365
1-ZP35-002-B

1-ZP35-002-B



Item	Part Number	Qty	Description	Comments
1	3778480M93	1	Support	
2	390971X1	2	Washer	
3	385361X1	4	Washer	
4	1441461X1	4	Locknut	M8
5	1684844M1	1	Seal	Length 80MM
6	3778481M2	1	Lever	
7	3778482M2	1	Lever	
8	3712956M3	1	Clevis Pin	
9	390972X1	2	Washer Metric	
10	1441461X1	2	Locknut	M8
11	3387447M1	2	Washer	
12	3386514M1	5	Friction Disc	
13	3713905M1	3	Bearing	
14	3715495M1	3	Handle	
15	357831X1	6	Screw	1/4"-20X16
16	3009332X1	2	Screw	M6X30
17	390971X1	7	Washer	
18	3714223M1	3	Clevis Pin	
19	3778487M1	1	Grille	
20	3712979M2	1	Bridle	
21	3712980M2	1	Bridle	
22	3712981M2	1	Angle.	
23	3010506X1	7	Screw	M5X16
24	339096X1	2	Bolt Metric	M6X35
25	339030X1	3	Nut Metric	
26	339560X1	1	Hex. Sock. Screw	M6X16
27	3778566M2	3	Hydraulic Cable	Length 1310MM
28	3600190M1	1	Clevis Pin	(27) Length 28MM
29	3902200M91	1	Parts Pack	(27)
30	3778483M2	1	Lever	
31	3712279M3	1	Clevis Pin	Length 78MM
32	3715367M1	1	Button	[B]
	3715365M1	1	Button	[C]
	3715364M1	1	Button	[D]
33	1441500X1	4	Locknut	M6
34	3009336X1	2	Screw	M6X55
35	3715496M1	1	Muff	[B]
	3715497M1	1	Muff	[C]
	3715498M1	1	Muff	[D]
36	1440922X1	1	Bolt	M6X60
37	3714645M1	2	Spacer	Diameter 8X26,5
38	3714646M1	1	Spacer	Diameter 8X50
39	3778560M2	1	Cable	Length 563MM
	3779469M1	2	Cable	Length 593MM
40	3010003X1	1	Screw	(39)
41	3779479M1	1	Support	
42	3009693X1	3	Nut Metric	

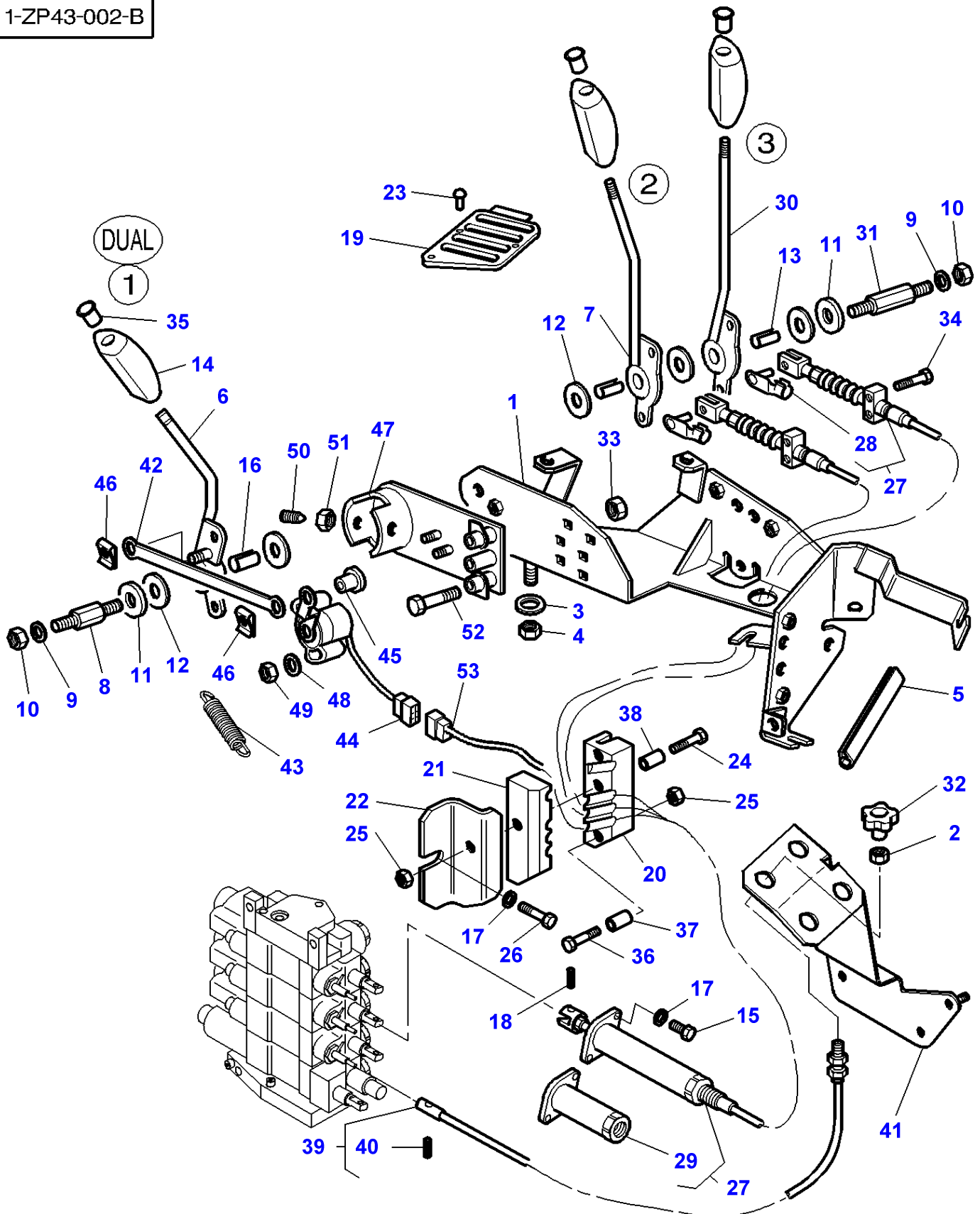
FOOTNOTE [B] BLACK

FOOTNOTE [C] RED

FOOTNOTE [D] GREEN

MF 8210/8220 TRACTORS - 1637365
1-ZP43-002-B

1-ZP43-002-B



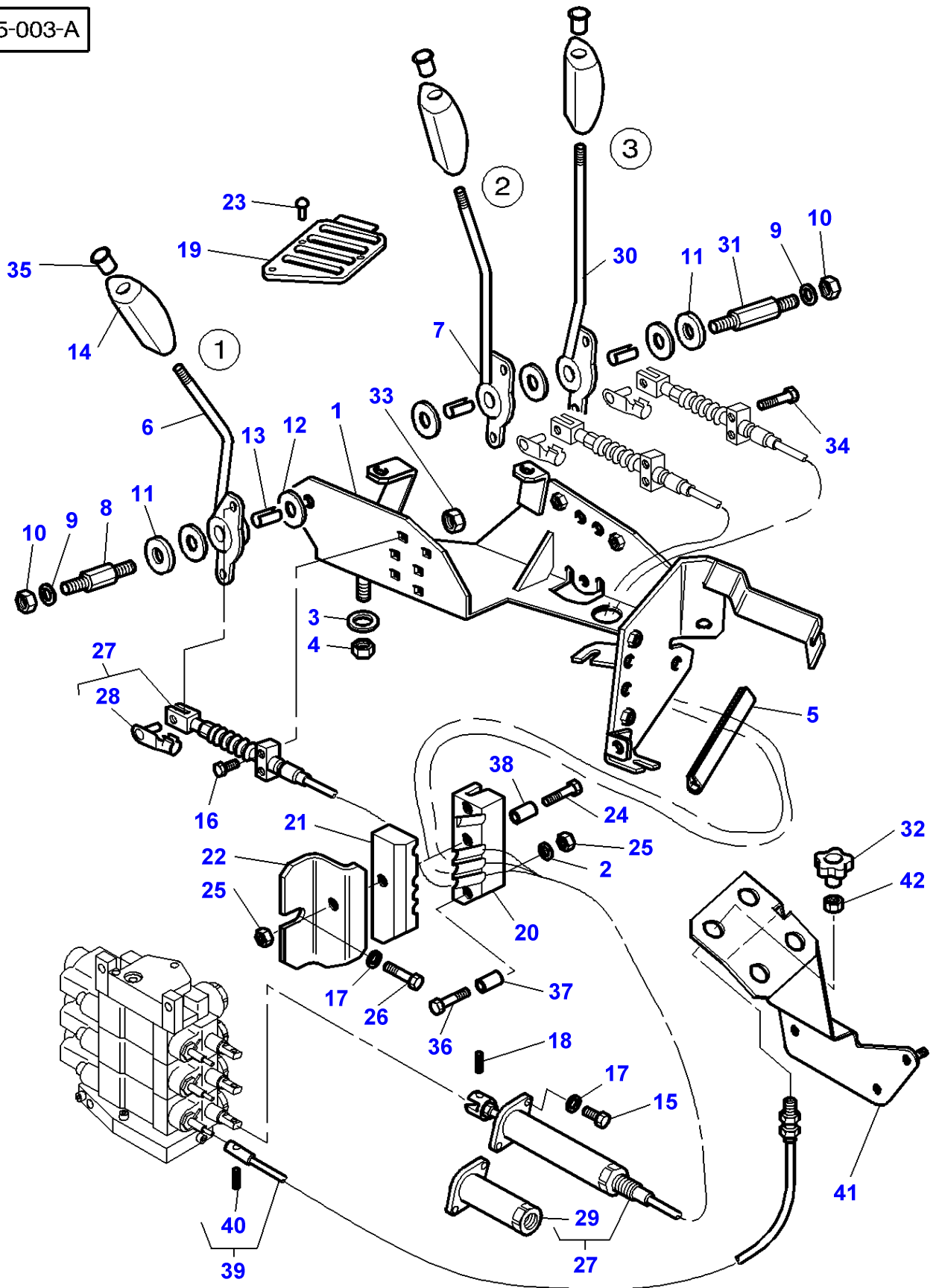
Item	Part Number	Qty	Description	Comments
1	3778480M93	1	Support	
2	3009693X1	3	Nut Metric	
3	385361X1	4	Washer	
4	1441461X1	4	Locknut	M8
5	1684844M1	1	Seal	Length 80MM
6	3783143M1	1	Lever	
7	3778482M2	1	Lever	
8	3712956M3	1	Clevis Pin	
9	390972X1	2	Washer Metric	
10	1441461X1	2	Locknut	M8
11	3387447M1	2	Washer	
12	3386514M1	5	Friction Disc	
13	3713905M1	2	Bearing	
14	3715495M1	3	Handle	
15	357831X1	6	Screw	1/4"-20X16
16	3386515M1	1	Bearing	
17	390971X1	7	Washer	
18	3714223M1	2	Clevis Pin	
19	3778487M1	1	Grille	
20	3712979M2	1	Bridle	
21	3712980M2	1	Bridle	
22	3712981M2	1	Angle.	
23	3010506X1	7	Screw	M5X16
24	339096X1	2	Bolt Metric	M6X35
25	1441500X1	3	Locknut	
26	339560X1	1	Hex. Sock. Screw	M6X16
27	3778566M2	2	Hydraulic Cable	Length 1310MM
28	3600190M1	1	Clevis Pin	(27) Length 28MM
29	3902200M91	1	Parts Pack	(27)
30	3778483M2	1	Lever	
31	3712279M3	1	Clevis Pin	Length 78MM
32	3783400M1	1	Button	[B]
	3783401M1	1	Button	[C]
	3783402M1	1	Button	[D]
33	1441500X1	4	Locknut	M6
34	3009336X1	2	Screw	M6X55
35	3715496M1	1	Muff	[B]
	3715497M1	1	Muff	[C]
	3715498M1	1	Muff	[D]
36	1440922X1	1	Bolt	M6X60
37	3714645M1	2	Spacer	Diameter 8X26,5
38	3714646M1	1	Spacer	Diameter 8X50
39	3783229M1	1	Cable	Length 515,5MM
	3783230M1	2	Cable	Length 605,5MM
40	3010003X1	1	Screw	(39)
41	3783151M1	1	Plate	
42	3715466M1	1	Rod Link	
43	3616740M2	2	Spring	
44	3715459M1	1	Inductive Taker	
45	3783144M1	1	Clevis Pin	
46	3783145M1	2	Thruster	
47	3783142M1	1	Support	
48	390469X1	2	Washer Metric	
49	3010477X1	2	Nut Metric	
50	3618127M2	2	Poppet	
51	3009696X1	2	Nut	
52	3010974X1	2	Screw	M6X40
53		1	Harness	See Page - Reference Number 090-0025/2

FOOTNOTE [B] BLACK

FOOTNOTE [C] RED

FOOTNOTE [D] GREEN

1-ZP35-003-A



Item	Part Number	Qty	Description	Comments
1	3778480M93	1	Support	
2	390971X1	2	Washer	
3	385361X1	4	Washer	
4	1441461X1	4	Locknut	M8
5	1684844M1	1	Seal	Length 80MM
6	3778481M2	1	Lever	
7	3778482M2	1	Lever	
8	3712956M3	1	Clevis Pin	
9	390972X1	2	Washer Metric	
10	1441461X1	2	Locknut	M8
11	3387447M1	2	Washer	
12	3386514M1	5	Friction Disc	
13	3713905M1	3	Bearing	
14	3715495M1	3	Handle	
15	357831X1	6	Screw	1/4"-20X16
16	3009332X1	2	Screw	M6X30
17	390971X1	7	Washer	
18	3714223M1	3	Clevis Pin	
19	3778487M1	1	Grille	
20	3712979M2	1	Bridle	
21	3712980M2	1	Bridle	
22	3712981M2	1	Angle.	
23	3010506X1	7	Screw	M5X16
24	339096X1	2	Bolt Metric	M6X35
25	339030X1	3	Nut Metric	
26	339560X1	1	Hex. Sock. Screw	M6X16
27	3778566M2	3	Hydraulic Cable	Length 1310MM
28	3600190M1	1	Clevis Pin	(27) Length 28MM
29	3902200M91	1	Parts Pack	(27)
30	3778483M2	1	Lever	
31	3712279M3	1	Clevis Pin	Length 78MM
32	3783400M1	1	Button	[B]
	3783401M1	1	Button	[C]
	3783402M1	1	Button	[D]
33	1441500X1	4	Locknut	M6
34	3009336X1	2	Screw	M6X55
35	3715496M1	1	Muff	[B]
	3715497M1	1	Muff	[C]
	3715498M1	1	Muff	[D]
36	1440922X1	1	Bolt	M6X60
37	3714645M1	2	Spacer	Diameter 8X26,5
38	3714646M1	1	Spacer	Diameter 8X50
39	3783229M1	1	Cable	Length 515,5MM
	3783230M1	2	Cable	Length 605,5MM
40	3010003X1	1	Screw	(39)
41	3783151M1	1	Plate	
42	3009693X1	3	Nut Metric	

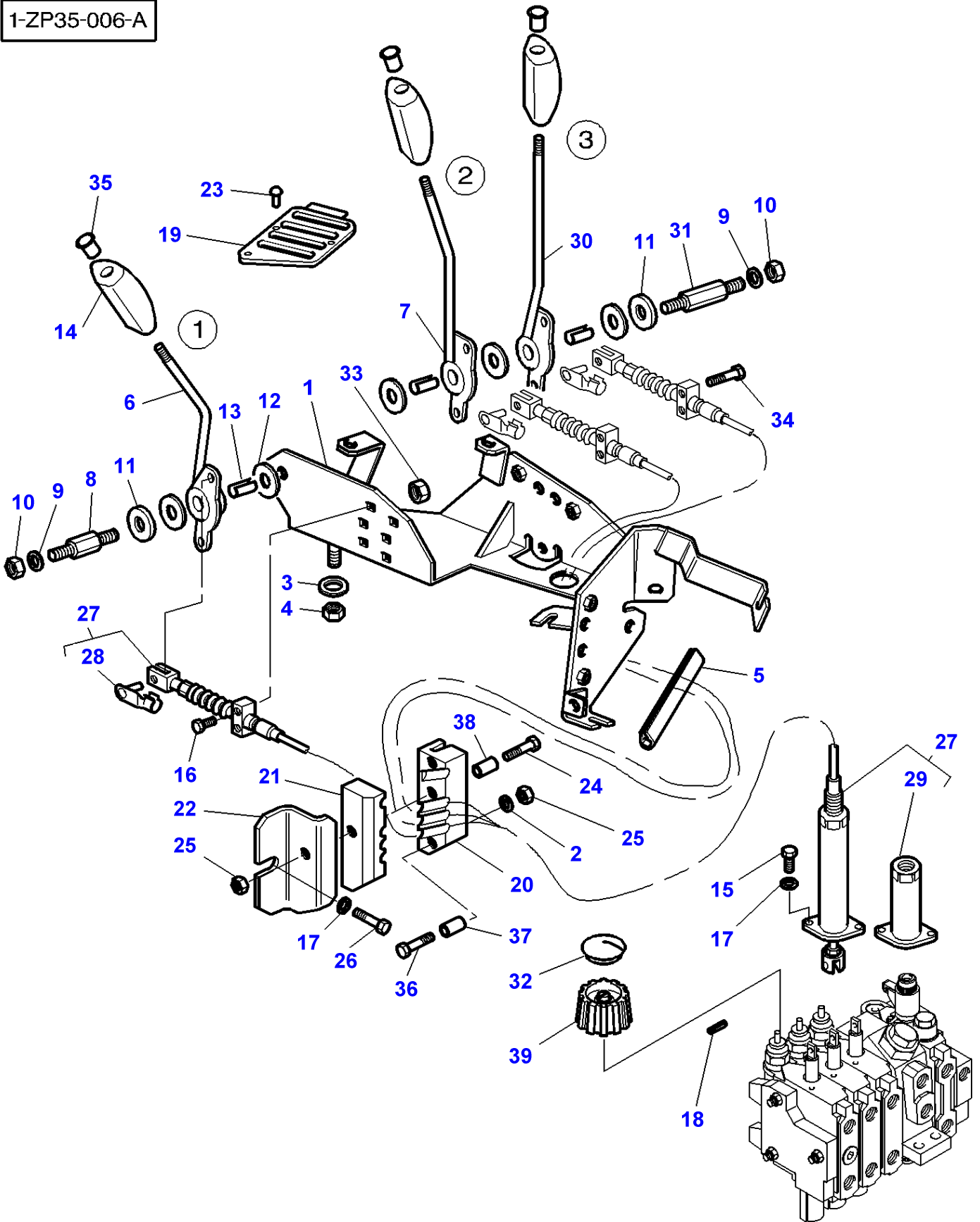
FOOTNOTE [B] BLACK

FOOTNOTE [C] RED

FOOTNOTE [D] GREEN

MF 8210/8220 TRACTORS - 1637365
1-ZP35-006-A

1-ZP35-006-A



Item	Part Number	Qty	Description	Comments
1	3778480M93	1	Support	
2	390971X1	2	Washer	
3	385361X1	4	Washer	
4	1441461X1	4	Locknut	M8
5	1684844M1	2	Seal	Length 80MM
6	3778481M2	1	Lever	
7	3778482M2	1	Lever	
8	3712956M3	1	Clevis Pin	
9	390972X1	2	Washer Metric	
10	1441461X1	2	Locknut	M8
11	3387447M1	2	Washer	
12	3386514M1	5	Friction Disc	
13	3713905M1	3	Bearing	
14	3715495M1	3	Handle	
15	339560X1	6	Hex. Sock. Screw	M6X16
16	3009332X1	2	Screw	M6X30
17	390971X1	9	Washer	
18	3387566M2	3	Clevis Pin	
19	3778487M1	1	Grille	
20	3712979M2	1	Bridle	
21	3712980M2	1	Bridle	
22	3712981M2	1	Angle.	
23	3010506X1	7	Screw	M5X16
24	339096X1	2	Bolt Metric	M6X35
25	339030X1	3	Nut Metric	
26	339560X1	1	Hex. Sock. Screw	M6X16
27	3715989M1	2	Hydraulic Cable	Length 1600MM
	3784368M1	1	Hydraulic Cable	Length 1700MM
28	3600190M1	1	Clevis Pin	(27) Length 28MM
29	3902200M91	1	Parts Pack	(27)
30	3778483M2	1	Lever	
31	3712279M3	1	Clevis Pin	Length 78MM
32	3784402M1	1	Muff	[B]
	3784403M1	1	Muff	[C]
	3784404M1	1	Muff	[D]
33	1441462X1	4	Locknut	M6
34	3009336X1	2	Screw	M6X55
35	3715496M1	1	Muff	[B]
	3715497M1	1	Muff	[C]
	3715498M1	1	Muff	[D]
36	1440922X1	1	Bolt	M6X60
37	3714645M1	2	Spacer	Diameter 8X26,5
38	3714646M1	1	Spacer	Diameter 8X50
39	3784369M1	3	Button	

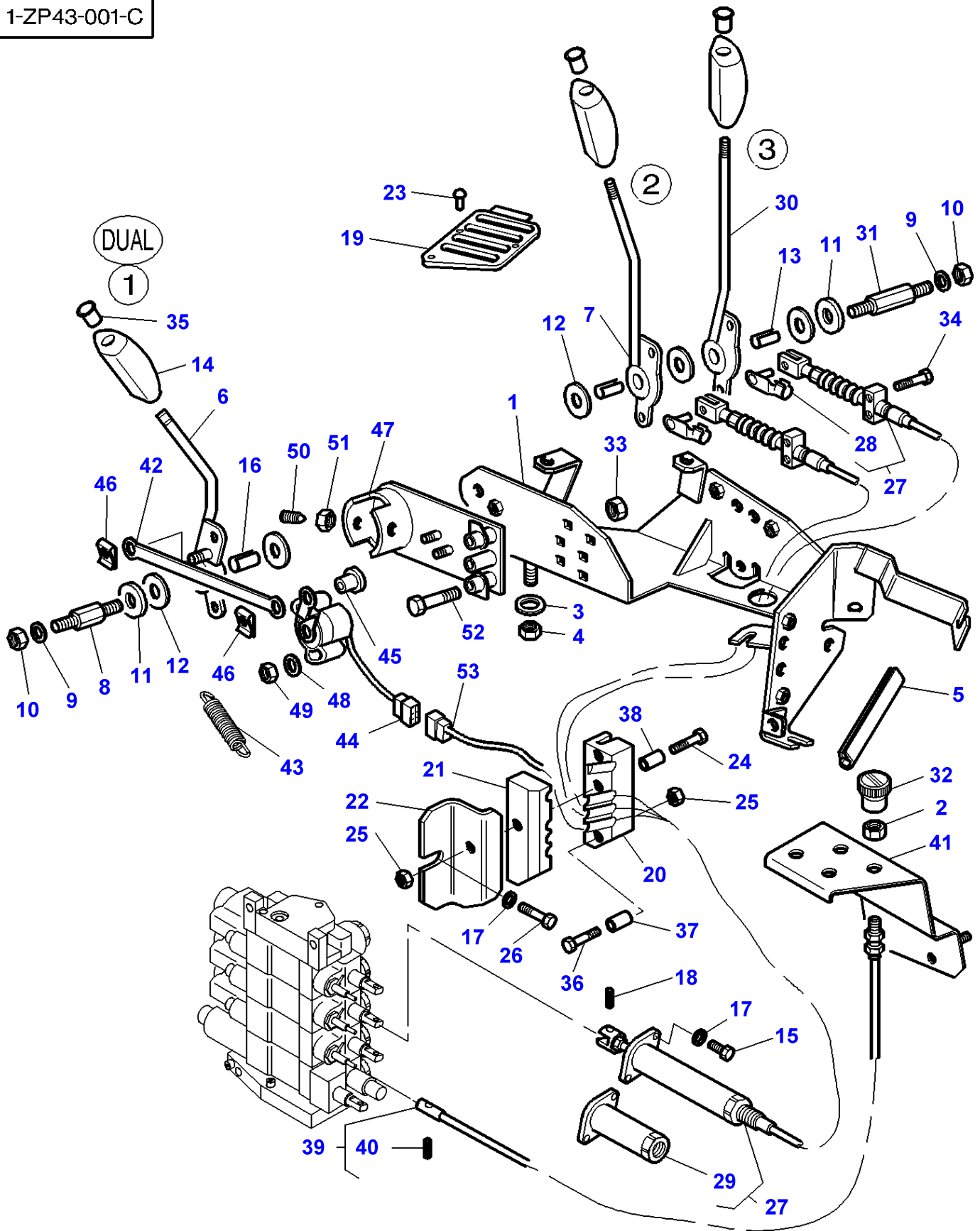
FOOTNOTE [B] BLACK

FOOTNOTE [C] RED

FOOTNOTE [D] GREEN

MF 8210/8220 TRACTORS - 1637365
1-ZP43-001-C

1-ZP43-001-C



Item	Part Number	Qty	Description	Comments
1	3778480M93	1	Support	
2	3009693X1	3	Nut Metric	
3	385361X1	4	Washer	
4	1441461X1	4	Locknut	M8
5	1684844M1	1	Seal	Length 80MM
6	3783143M1	1	Lever	
7	3778482M2	1	Lever	
8	3712956M3	1	Clevis Pin	
9	390972X1	2	Washer Metric	
10	1441461X1	2	Locknut	M8
11	3387447M1	2	Washer	
12	3386514M1	5	Friction Disc	
13	3713905M1	2	Bearing	
14	3715495M1	3	Handle	
15	357831X1	6	Screw	1/4"-20X16
16	3386515M1	1	Bearing	
17	390971X1	7	Washer	
18	3714223M1	2	Clevis Pin	
19	3778487M1	1	Grille	
20	3712979M2	1	Bridle	
21	3712980M2	1	Bridle	
22	3712981M2	1	Angle.	
23	3010506X1	7	Screw	M5X16
24	339096X1	2	Bolt Metric	M6X35
25	1441500X1	3	Locknut	
26	339560X1	1	Hex. Sock. Screw	M6X16
27	3778566M2	2	Hydraulic Cable	Length 1310MM
28	3600190M1	1	Clevis Pin	(27) Length 28MM
29	3902200M91	1	Parts Pack	(27)
30	3778483M2	1	Lever	
31	3712279M3	1	Clevis Pin	Length 78MM
32	3715367M1	1	Button	[B]
	3715365M1	1	Button	[C]
	3715364M1	1	Button	[D]
33	1441500X1	4	Locknut	M6
34	3009336X1	2	Screw	M6X55
35	3715496M1	1	Muff	[B]
	3715497M1	1	Muff	[C]
	3715498M1	1	Muff	[D]
36	1440922X1	1	Bolt	M6X60
37	3714645M1	2	Spacer	Diameter 8X26,5
38	3714646M1	1	Spacer	Diameter 8X50
39	3778560M2	1	Cable	Length 563MM
	3779469M1	2	Cable	Length 593MM
40	3010003X1	1	Screw	(39)
41	3779479M1	1	Support	
42	3715466M1	1	Rod Link	
43	3616740M2	2	Spring	
44	3715459M1	1	Inductive Taker	
45	3783144M1	1	Clevis Pin	
46	3783145M1	2	Thruster	
47	3783142M1	1	Support	
48	390469X1	2	Washer Metric	
49	3010477X1	2	Nut Metric	
50	3618127M2	2	Poppet	
51	3009696X1	2	Nut	
52	3010974X1	2	Screw	M6X40
53		1	Harness	See Page - Reference Number 090-0025/2

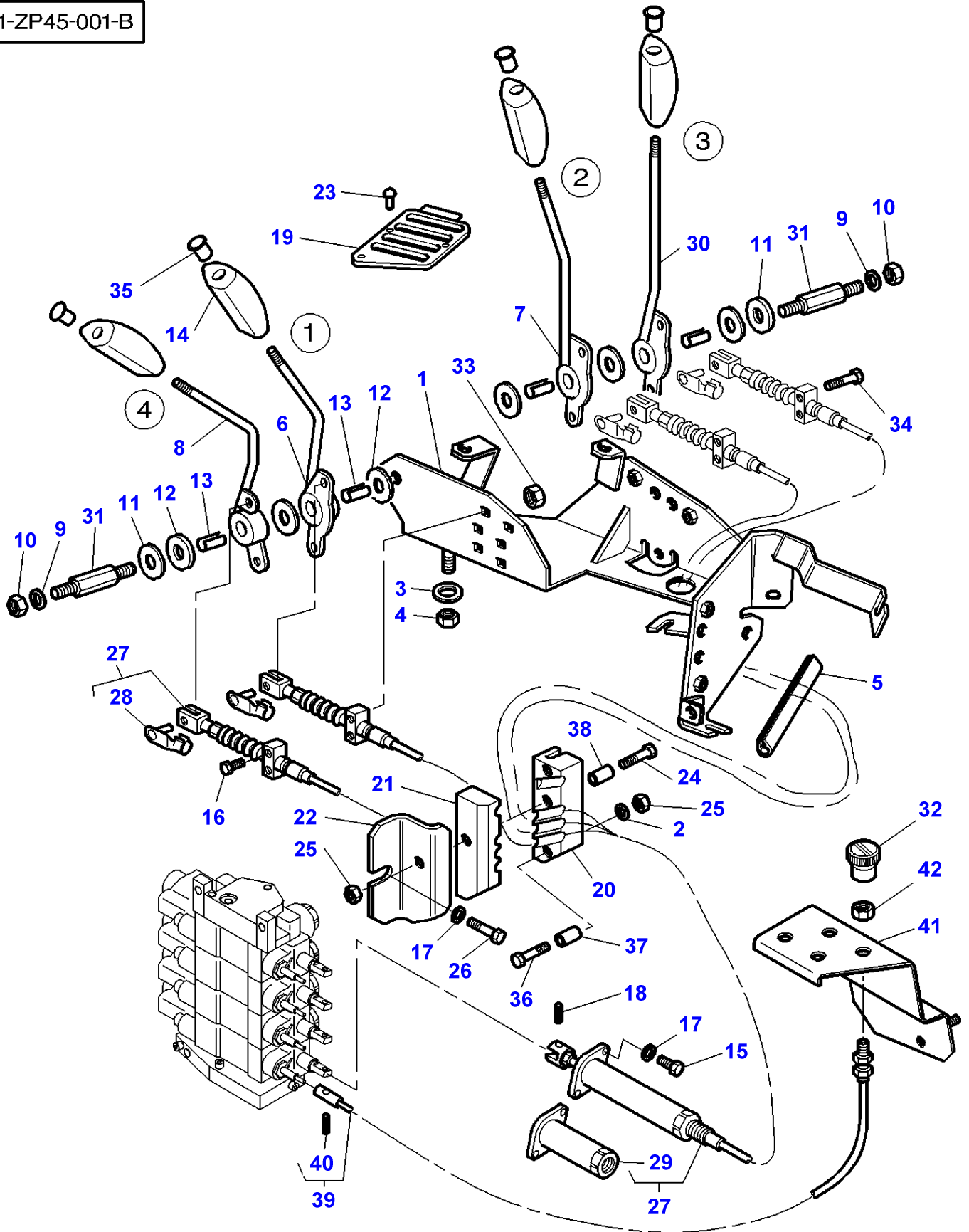
FOOTNOTE [B] BLACK

FOOTNOTE [C] RED

FOOTNOTE [D] GREEN

MF 8210/8220 TRACTORS - 1637365
1-ZP45-001-B

1-ZP45-001-B



Item	Part Number	Qty	Description	Comments
1	3778480M93	1	Support	
2	390971X1	2	Washer	
3	385361X1	4	Washer	
4	1441461X1	4	Locknut	M8
5	1684844M1	1	Seal	Length 80MM
6	3778481M2	1	Lever	
7	3778482M2	1	Lever	
8	3778484M3	1	Lever	
9	390972X1	2	Washer Metric	
10	1441461X1	2	Locknut	M8
11	3387447M1	2	Washer	
12	3386514M1	6	Friction Disc	
13	3713905M1	4	Bearing	
14	3715495M1	4	Handle	
15	357831X1	8	Screw	1/4"-20X16
16	3009336X1	2	Screw	M6X55
17	390971X1	9	Washer	
18	3714223M1	4	Clevis Pin	
19	3778488M1	1	Grille	
20	3712979M2	1	Bridle	
21	3712980M2	1	Bridle	
22	3712981M2	1	Angle.	
23	3010506X1	7	Screw	M5X16
24	339096X1	2	Bolt Metric	M6X35
25	339030X1	3	Nut Metric	
26	339560X1	1	Hex. Sock. Screw	M6X16
27	3778566M2	4	Hydraulic Cable	Length 1310MM
28	3600190M1	1	Clevis Pin	(27) Length 28MM
29	3902200M91	1	Parts Pack	(27)
30	3778483M2	1	Lever	
31	3712279M3	2	Clevis Pin	Length 78MM
32	3715366M1	1	Button	[A]
	3715367M1	1	Button	[B]
	3715365M1	1	Button	[C]
	3715364M1	1	Button	[D]
33	1441500X1	4	Locknut	M6
34	3009336X1	2	Screw	M6X55
35	3715496M1	1	Muff	[B]
	3715497M1	1	Muff	[C]
	3715498M1	1	Muff	[D]
	3715499M1	1	Muff	[A]
36	1440922X1	1	Bolt	M6X60
37	3714645M1	2	Spacer	Diameter 8X26,5
38	3714646M1	1	Spacer	Diameter 8X50
39	3778560M2	2	Cable	Length 563MM
	3779469M1	2	Cable	Length 593MM
40	3010003X1	1	Screw	(39)
41	3779479M1	1	Support	
42	3009693X1	4	Nut Metric	

FOOTNOTE [A] YELLOW

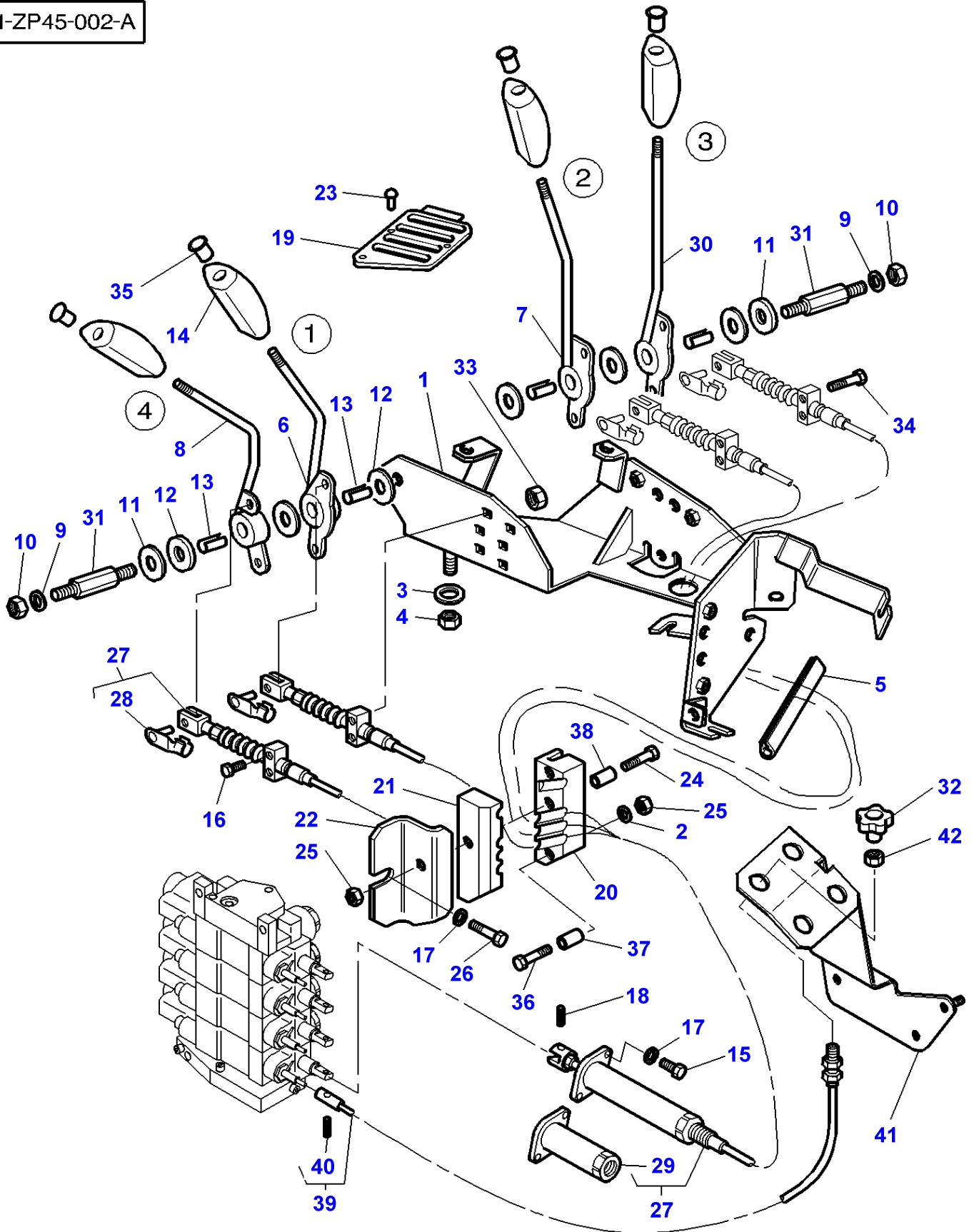
FOOTNOTE [B] BLACK

FOOTNOTE [C] RED

FOOTNOTE [D] GREEN

MF 8210/8220 TRACTORS - 1637365
1-ZP45-002-A

1-ZP45-002-A



Item	Part Number	Qty	Description	Comments
1	3778480M93	1	Support	
2	390971X1	2	Washer	
3	385361X1	4	Washer	
4	1441461X1	4	Locknut	M8
5	1684844M1	1	Seal	Length 80MM
6	3778481M2	1	Lever	
7	3778482M2	1	Lever	
8	3778484M3	1	Lever	
9	390972X1	2	Washer Metric	
10	1441461X1	2	Locknut	M8
11	3387447M1	2	Washer	
12	3386514M1	6	Friction Disc	
13	3713905M1	4	Bearing	
14	3715495M1	4	Handle	
15	357831X1	8	Screw	1/4"-20X16
16	3009336X1	2	Screw	M6X55
17	390971X1	9	Washer	
18	3714223M1	4	Clevis Pin	
19	3778488M1	1	Grille	
20	3712979M2	1	Bridle	
21	3712980M2	1	Bridle	
22	3712981M2	1	Angle.	
23	3010506X1	7	Screw	M5X16
24	339096X1	2	Bolt Metric	M6X35
25	339030X1	3	Nut Metric	
26	339560X1	1	Hex. Sock. Screw	M6X16
27	3778566M2	4	Hydraulic Cable	Length 1310MM
28	3600190M1	1	Clevis Pin	(27) Length 28MM
29	3902200M91	1	Parts Pack	(27)
30	3778483M2	1	Lever	
31	3712279M3	2	Clevis Pin	Length 78MM
32	3783403M1	1	Button	[A]
	3783400M1	1	Button	[B]
	3783401M1	1	Button	[C]
	3783402M1	1	Button	[D]
33	1441500X1	4	Locknut	M6
34	3009336X1	2	Screw	M6X55
35	3715496M1	1	Muff	[B]
	3715497M1	1	Muff	[C]
	3715498M1	1	Muff	[D]
	3715499M1	1	Muff	[A]
36	1440922X1	1	Bolt	M6X60
37	3714645M1	2	Spacer	Diameter 8X26,5
38	3714646M1	1	Spacer	Diameter 8X50
39	3783229M1	2	Cable	Length 515,5MM
	3783230M1	2	Cable	Length 605,5MM
40	3010003X1	1	Screw	(39)
41	3783151M1	1	Plate	
42	3009693X1	4	Nut Metric	

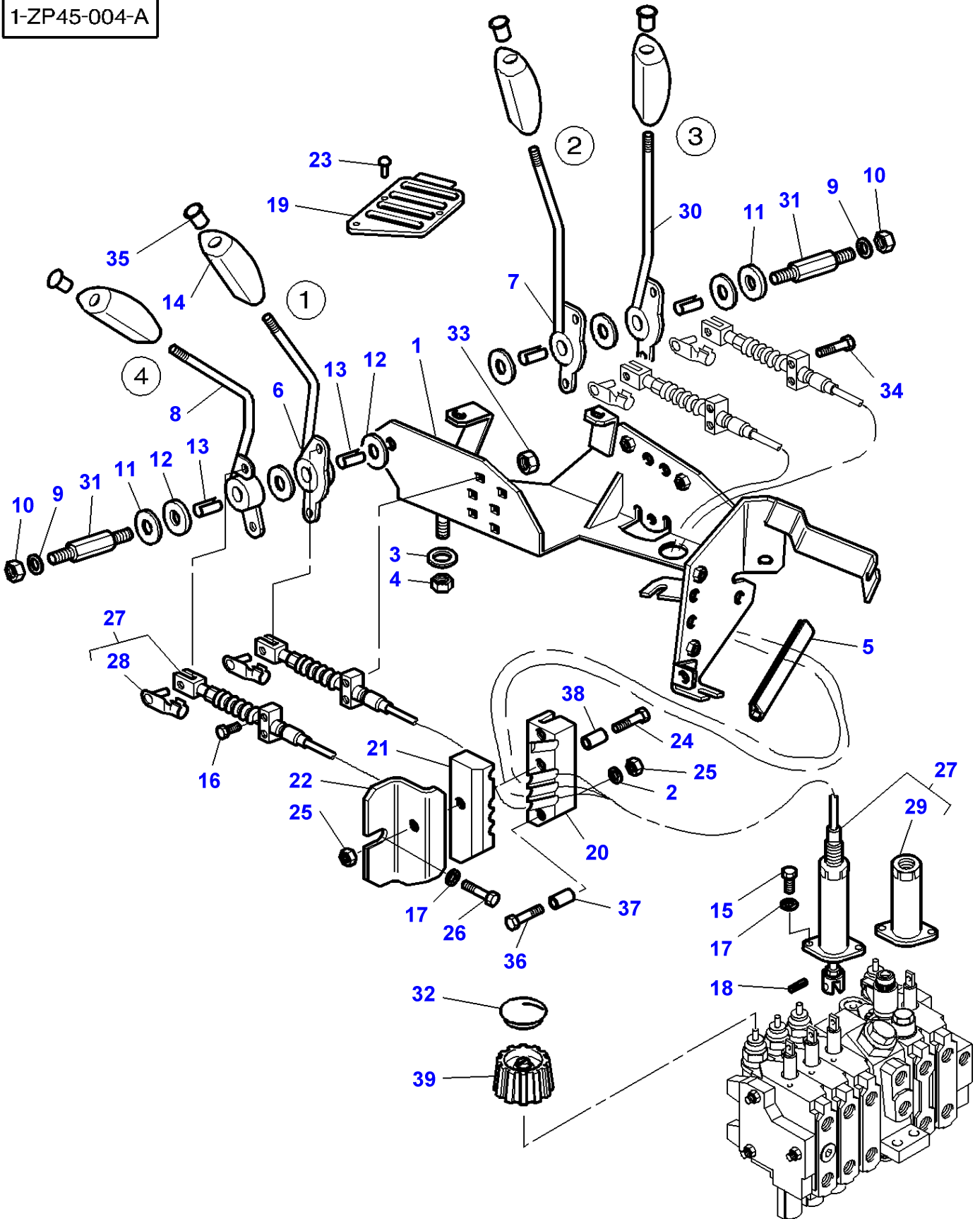
FOOTNOTE [A] YELLOW

FOOTNOTE [B] BLACK

FOOTNOTE [C] RED

FOOTNOTE [D] GREEN

1-ZP45-004-A



Item	Part Number	Qty	Description	Comments
1	3778480M93	1	Support	
2	390971X1	2	Washer	
3	385361X1	4	Washer	
4	1441461X1	4	Locknut	M8
5	1684844M1	2	Seal	Length 80MM
6	3778481M2	1	Lever	
7	3778482M2	1	Lever	
8	3778484M3	1	Lever	
9	390972X1	2	Washer Metric	
10	1441461X1	2	Locknut	M8
11	3387447M1	2	Washer	
12	3386514M1	6	Friction Disc	
13	3713905M1	4	Bearing	
14	3715495M1	4	Handle	
15	339560X1	8	Hex. Sock. Screw	M6X16
16	3009336X1	2	Screw	M6X55
17	390971X1	8	Washer	
18	3387566M2	4	Clevis Pin	
19	3778488M1	1	Grille	
20	3712979M2	1	Bridle	
21	3712980M2	1	Bridle	
22	3712981M2	1	Angle.	
23	3010506X1	3	Screw	M5X16
24	339096X1	2	Bolt Metric	M6X35
25	339030X1	3	Nut Metric	
26	339560X1	1	Hex. Sock. Screw	M6X16
27	3715989M1	2	Hydraulic Cable	Length 1600MM
	3784368M1	1	Hydraulic Cable	Length 1700MM
	3715988M1	1	Hydraulic Cable	Length 1480MM
28	3600190M1	1	Clevis Pin	(27) Length 28MM
29	3902200M91	1	Parts Pack	(27)
30	3778483M2	1	Lever	
31	3712279M3	2	Clevis Pin	Length 78MM
32	3784405M1	1	Muff	[A]
	3784402M1	1	Muff	[B]
	3784403M1	1	Muff	[C]
	3784404M1	1	Muff	[D]
33	1441462X1	4	Locknut	M6
34	3009336X1	2	Screw	M6X55
35	3715496M1	1	Muff	[B]
	3715497M1	1	Muff	[C]
	3715498M1	1	Muff	[D]
	3715499M1	1	Muff	[A]
36	1440922X1	1	Bolt	M6X60
37	3714645M1	2	Spacer	Diameter 8X26,5
38	3714646M1	1	Spacer	Diameter 8X50
39	3784369M1	4	Button	

FOOTNOTE [A] YELLOW

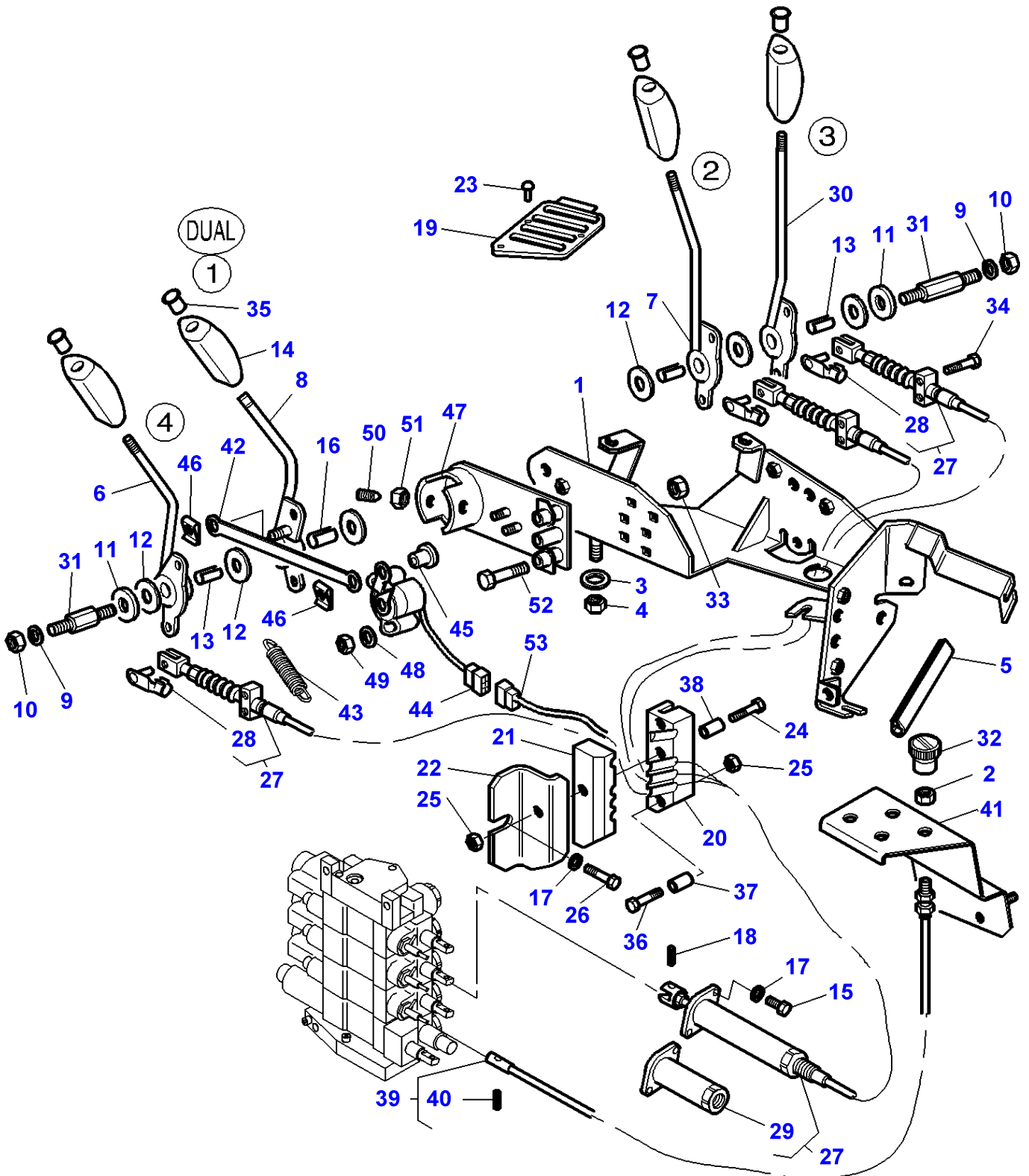
FOOTNOTE [B] BLACK

FOOTNOTE [C] RED

FOOTNOTE [D] GREEN

MF 8210/8220 TRACTORS - 1637365
1-ZP44-001-C

1-ZP44-001-C



Item	Part Number	Qty	Description	Comments
1	3778480M93	1	Support	
2	3009693X1	4	Nut Metric	
3	385361X1	4	Washer	
4	1441461X1	4	Locknut	M8
5	1684844M1	1	Seal	Length 80MM
6	3783146M1	1	Lever	
7	3778482M2	1	Lever	
8	3783143M1	1	Lever	
9	390972X1	2	Washer Metric	
10	1441461X1	2	Locknut	M8
11	3387447M1	2	Washer	
12	3386514M1	6	Friction Disc	
13	3713905M1	3	Bearing	
14	3715495M1	4	Handle	
15	357831X1	8	Screw	1/4"-20X16
16	3386515M1	1	Bearing	
17	390971X1	9	Washer	
18	3714223M1	3	Clevis Pin	
19	3778488M1	1	Grille	
20	3712979M2	1	Bridle	
21	3712980M2	1	Bridle	
22	3712981M2	1	Angle.	
23	3010506X1	7	Screw	M5X16
24	339096X1	2	Bolt Metric	M6X35
25	1441500X1	3	Locknut	
26	339560X1	1	Hex. Sock. Screw	M6X16
27	3778566M2	3	Hydraulic Cable	Length 1310MM
28	3600190M1	1	Clevis Pin	(27) Length 28MM
29	3902200M91	1	Parts Pack	(27)
30	3778483M2	1	Lever	
31	3712279M3	2	Clevis Pin	Length 78MM
32	3715366M1	1	Button	[A]
	3715367M1	1	Button	[B]
	3715365M1	1	Button	[C]
	3715364M1	1	Button	[D]
33	1441500X1	4	Locknut	M6
34	3009336X1	2	Screw	M6X55
35	3715496M1	1	Muff	[B]
	3715497M1	1	Muff	[C]
	3715498M1	1	Muff	[D]
	3715499M1	1	Muff	[A]
36	1440922X1	1	Bolt	M6X60
37	3714645M1	2	Spacer	Diameter 8X26,5
38	3714646M1	1	Spacer	Diameter 8X50
39	3778560M2	2	Cable	Length 563MM
	3779469M1	2	Cable	Length 593MM
40	3010003X1	1	Screw	(39)
41	3779479M1	1	Support	
42	3715466M1	1	Rod Link	
43	3616740M2	2	Spring	
44	3715459M1	1	Inductive Taker	
45	3783144M1	1	Clevis Pin	
46	3783145M1	2	Thruster	
47	3783142M1	1	Support	
48	390469X1	2	Washer Metric	
49	3010477X1	2	Nut Metric	
50	3618127M2	2	Poppet	
51	3009696X1	2	Nut	
52	3010975X1	2	Screw	M6X60
53		1	Harness	See Page - Reference Number 090-0025/2

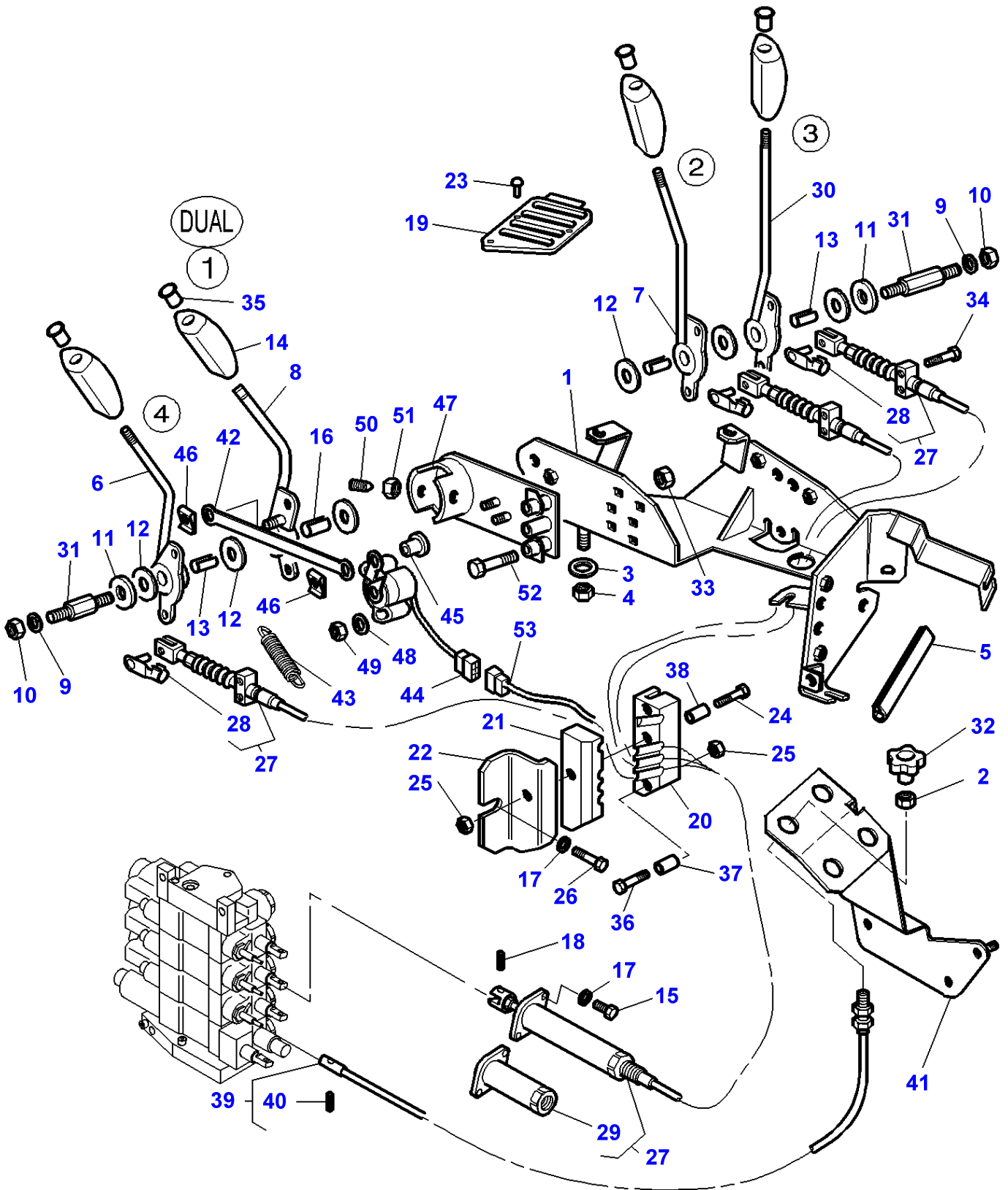
FOOTNOTE [A] YELLOW

FOOTNOTE [B] BLACK

FOOTNOTE [C] RED

FOOTNOTE [D] GREEN

1-ZP44-002-B



Item	Part Number	Qty	Description	Comments
1	3778480M93	1	Support	
2	3009693X1	4	Nut Metric	
3	385361X1	4	Washer	
4	1441461X1	4	Locknut	M8
5	1684844M1	1	Seal	Length 80MM
6	3783146M1	1	Lever	
7	3778482M2	1	Lever	
8	3783143M1	1	Lever	
9	390972X1	2	Washer Metric	
10	1441461X1	2	Locknut	M8
11	3387447M1	2	Washer	
12	3386514M1	6	Friction Disc	
13	3713905M1	3	Bearing	
14	3715495M1	4	Handle	
15	357831X1	8	Screw	1/4"-20X16
16	3386515M1	1	Bearing	M6X55
17	390971X1	9	Washer	
18	3714223M1	3	Clevis Pin	
19	3778488M1	1	Grille	
20	3712979M2	1	Bridle	
21	3712980M2	1	Bridle	
22	3712981M2	1	Angle.	
23	3010506X1	7	Screw	M5X16
24	339096X1	2	Bolt Metric	M6X35
25	1441500X1	3	Locknut	
26	339560X1	1	Hex. Sock. Screw	M6X16
27	3778566M2	3	Hydraulic Cable	Length 1310MM
28	3600190M1	1	Clevis Pin	(27) Length 28MM
29	3902200M91	1	Parts Pack	(27)
30	3778483M2	1	Lever	
31	3712279M3	2	Clevis Pin	Length 78MM
32	3783403M1	1	Button	[A]
	3783400M1	1	Button	[B]
	3783401M1	1	Button	[C]
	3783402M1	1	Button	[D]
33	1441500X1	4	Locknut	M6
34	3009336X1	2	Screw	M6X55
35	3715496M1	1	Muff	[B]
	3715497M1	1	Muff	[C]
	3715498M1	1	Muff	[D]
	3715499M1	1	Muff	[A]
36	1440922X1	1	Bolt	M6X60
37	3714645M1	2	Spacer	Diameter 8X26,5
38	3714646M1	1	Spacer	Diameter 8X50
39	3783229M1	2	Cable	Length 515,5MM
	3783230M1	2	Cable	Length 605,5MM
40	3010003X1	1	Screw	(39)
41	3783151M1	1	Plate	
42	3715466M1	1	Rod Link	
43	3616740M2	2	Spring	
44	3715459M1	1	Inductive Taker	
45	3783144M1	1	Clevis Pin	
46	3783145M1	2	Thruster	
47	3783142M1	1	Support	
48	390469X1	2	Washer Metric	
49	3010477X1	2	Nut Metric	
50	3618127M2	2	Poppet	
51	3009696X1	2	Nut	
52	3010975X1	2	Screw	M6X60
53		1	Harness	See Page - Reference Number 090-0025/2

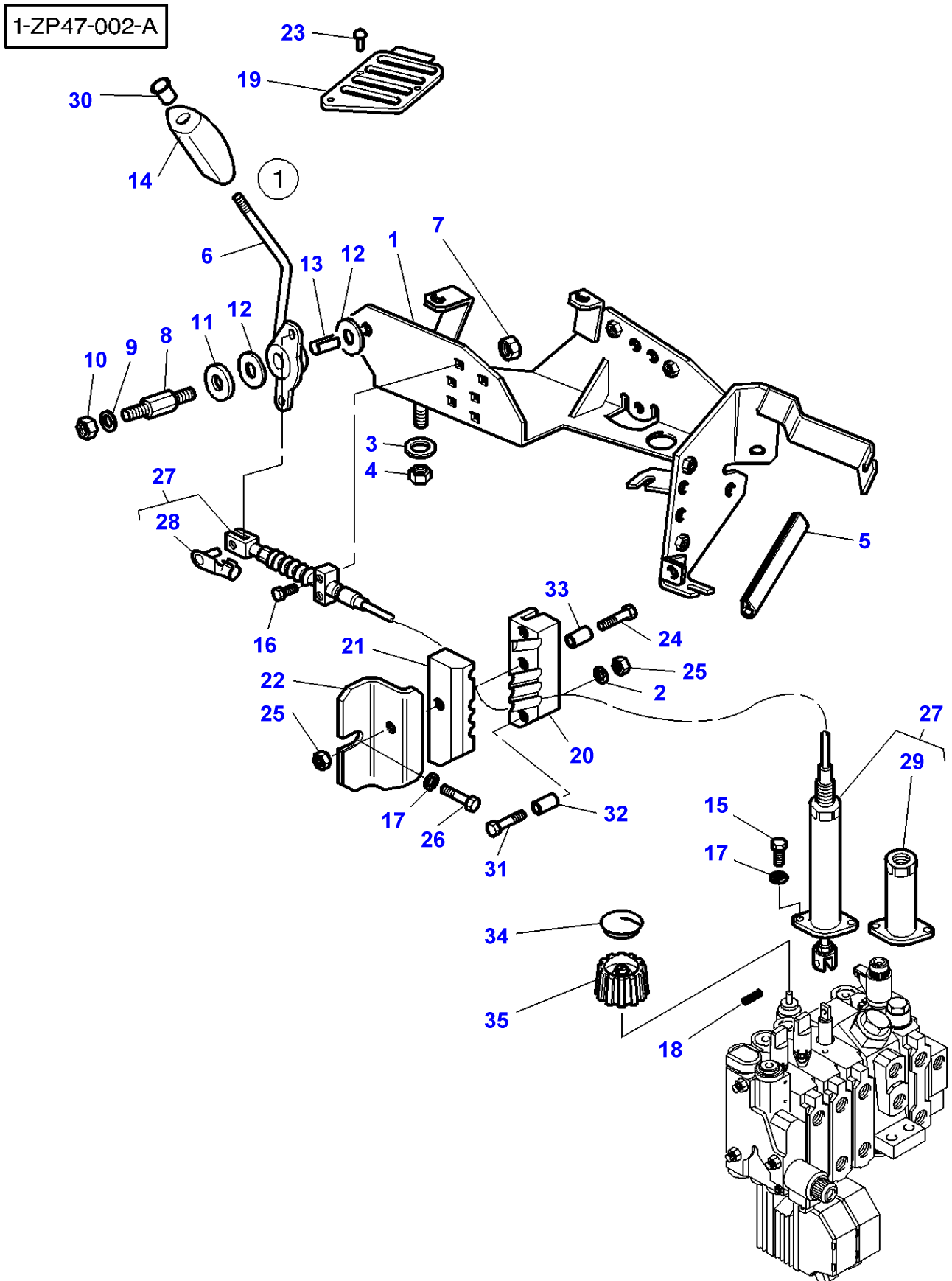
FOOTNOTE [A] YELLOW

FOOTNOTE [B] BLACK

FOOTNOTE [C] RED

FOOTNOTE [D] GREEN

MF 8210/8220 TRACTORS - 1637365
1-ZP47-002-A



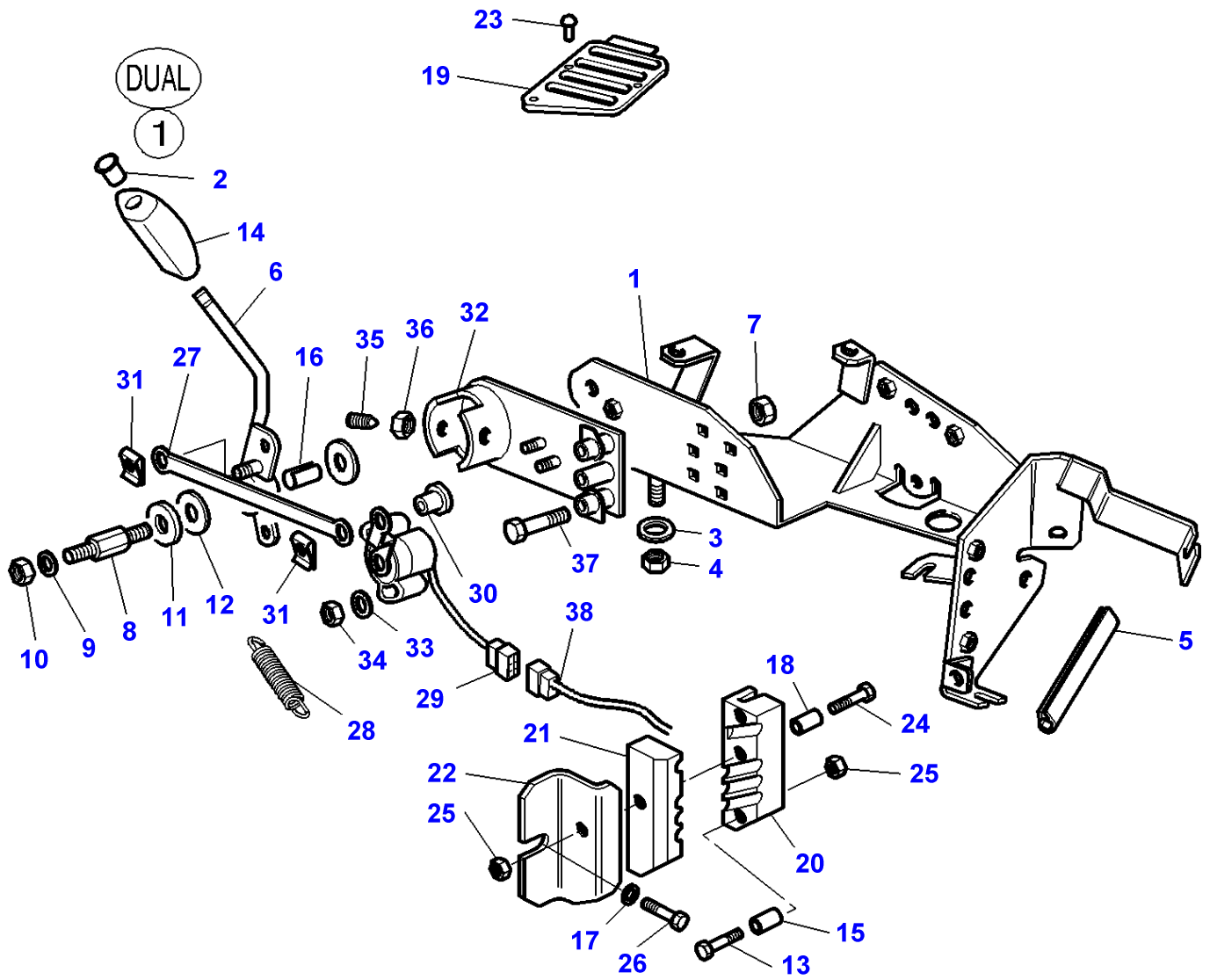
Serial or Engine Number 01-JAN-2001

Item	Part Number	Qty	Description	Comments
1	3778480M93	1	Support	
2	390971X1	2	Washer	
3	385361X1	4	Washer	
4	1441461X1	4	Locknut	M8
5	1684844M1	2	Seal	Length 80MM
6	3778481M2	1	Lever	
7	1441462X1	2	Locknut	M6
8	3712956M3	1	Clevis Pin	
9	390972X1	1	Washer Metric	
10	1441461X1	1	Locknut	M8
11	3387447M1	1	Washer	
12	3386514M1	2	Friction Disc	
13	3713905M1	1	Bearing	
14	3715495M1	1	Handle	
15	339560X1	2	Hex. Sock. Screw	
16	3009332X1	2	Screw	M6X30
17	390971X1	3	Washer	
18	3387566M2	1	Clevis Pin	
19	3784401M1	1	Grille	
20	3712979M2	1	Bridle	
21	3712980M2	1	Bridle	
22	3712981M2	1	Angle.	
23	3010506X1	3	Screw	M5X16
24	339096X1	2	Bolt Metric	M6X35
25	339030X1	3	Nut Metric	
26	339560X1	1	Hex. Sock. Screw	M6X16
27	3715989M1	2	Hydraulic Cable	Length 1600MM
28	3600190M1	1	Clevis Pin	(27) Length 28MM
29	3902200M91	1	Parts Pack	(27)
30	3715496M1	1	Muff	[B]
31	1440922X1	1	Bolt	M6X60
32	3714645M1	2	Spacer	Diameter 8X26,5
33	3714646M1	1	Spacer	Diameter 8X50
34	3784402M1	1	Muff	[B]
35	3784369M1	1	Button	

FOOTNOTE [B] BLACK

MF 8210/8220 TRACTORS - 1637365
1-ZP46-002-A

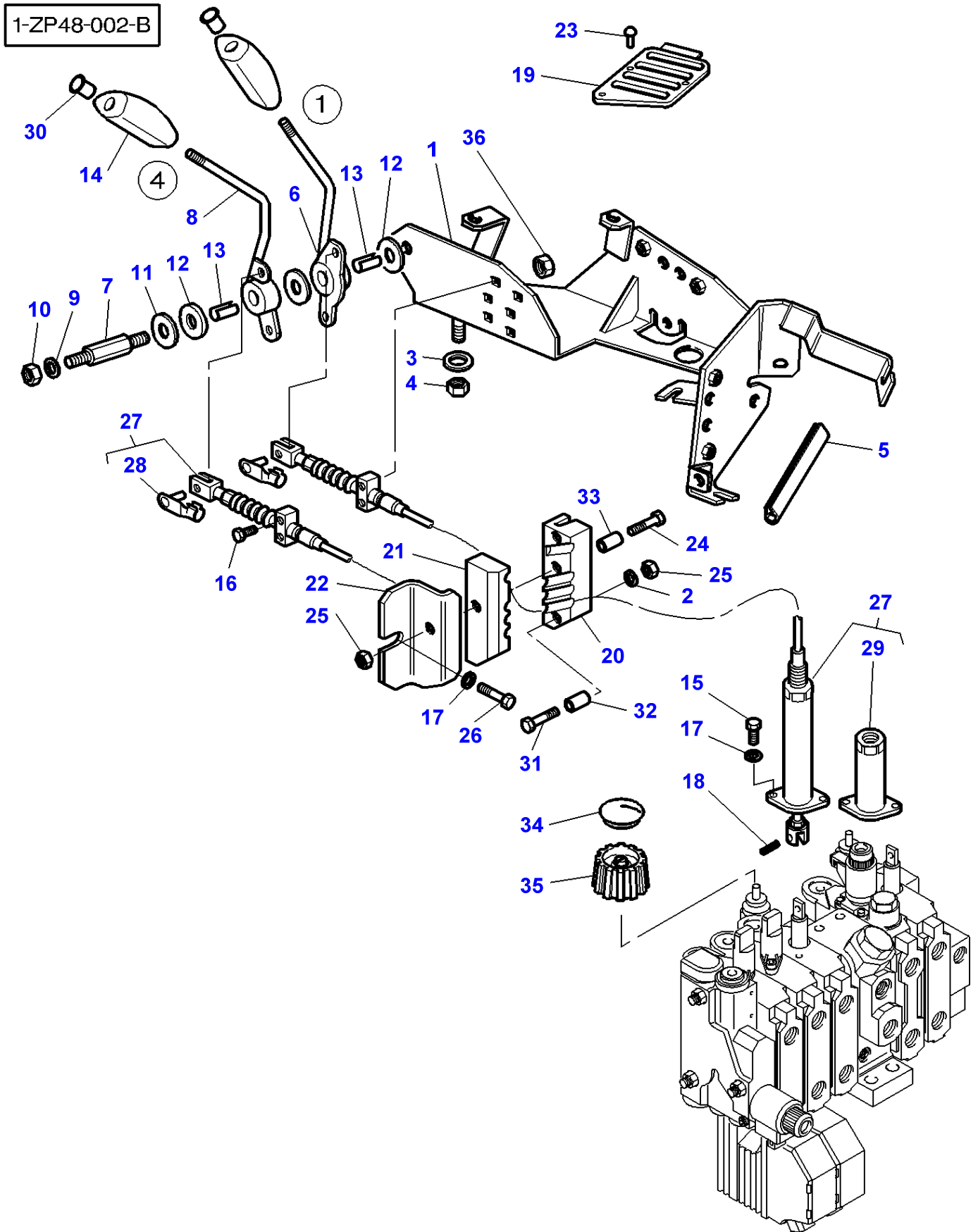
1-ZP46-002-A



Item	Part Number	Qty	Description	Comments
1	3778480M93	1	Support	
2	3715496M1	1	Muff	[A]
3	385361X1	4	Washer	
4	1441461X1	4	Locknut	M8
5	1684844M1	2	Seal	Length 80MM
6	3783143M1	1	Lever	
7	1441462X1	4	Locknut	M6
8	3712956M3	1	Clevis Pin	
9	390972X1	1	Washer Metric	
10	1441461X1	1	Locknut	M8
11	3387447M1	1	Washer	
12	3386514M1	2	Friction Disc	
13	1440922X1	1	Bolt	M6X60
14	3715495M1	1	Handle	
15	3714645M1	2	Spacer	Diameter 8X26,5
16	3386515M1	1	Bearing	
17	390971X1	2	Washer	
18	3714646M1	1	Spacer	Diameter 8X50
19	3784401M1	1	Grille	
20	3712979M2	1	Bridle	
21	3712980M2	1	Bridle	
22	3712981M2	1	Angle.	
23	3010506X1	3	Screw	M5X16
24	339096X1	2	Bolt Metric	M6X35
25	1441500X1	2	Locknut	
26	339560X1	1	Hex. Sock. Screw	M6X16
27	3715466M1	1	Rod Link	
28	3616740M2	2	Spring	
29	3715459M1	1	Inductive Taker	
30	3783144M1	1	Clevis Pin	
31	3783145M1	2	Thruster	
32	3783142M1	1	Support	
33	390469X1	2	Washer Metric	
34	3010477X1	2	Nut Metric	
35	3618127M2	2	Poppet	
36	3009696X1	2	Nut	
37	3010974X1	2	Screw	M6X40
38		1	Harness	See Page - Reference Number 090-0035/2

FOOTNOTE [A] BLACK

MF 8210/8220 TRACTORS - 1637365
1-ZP48-002-B



Serial or Engine Number 01-JAN-2001

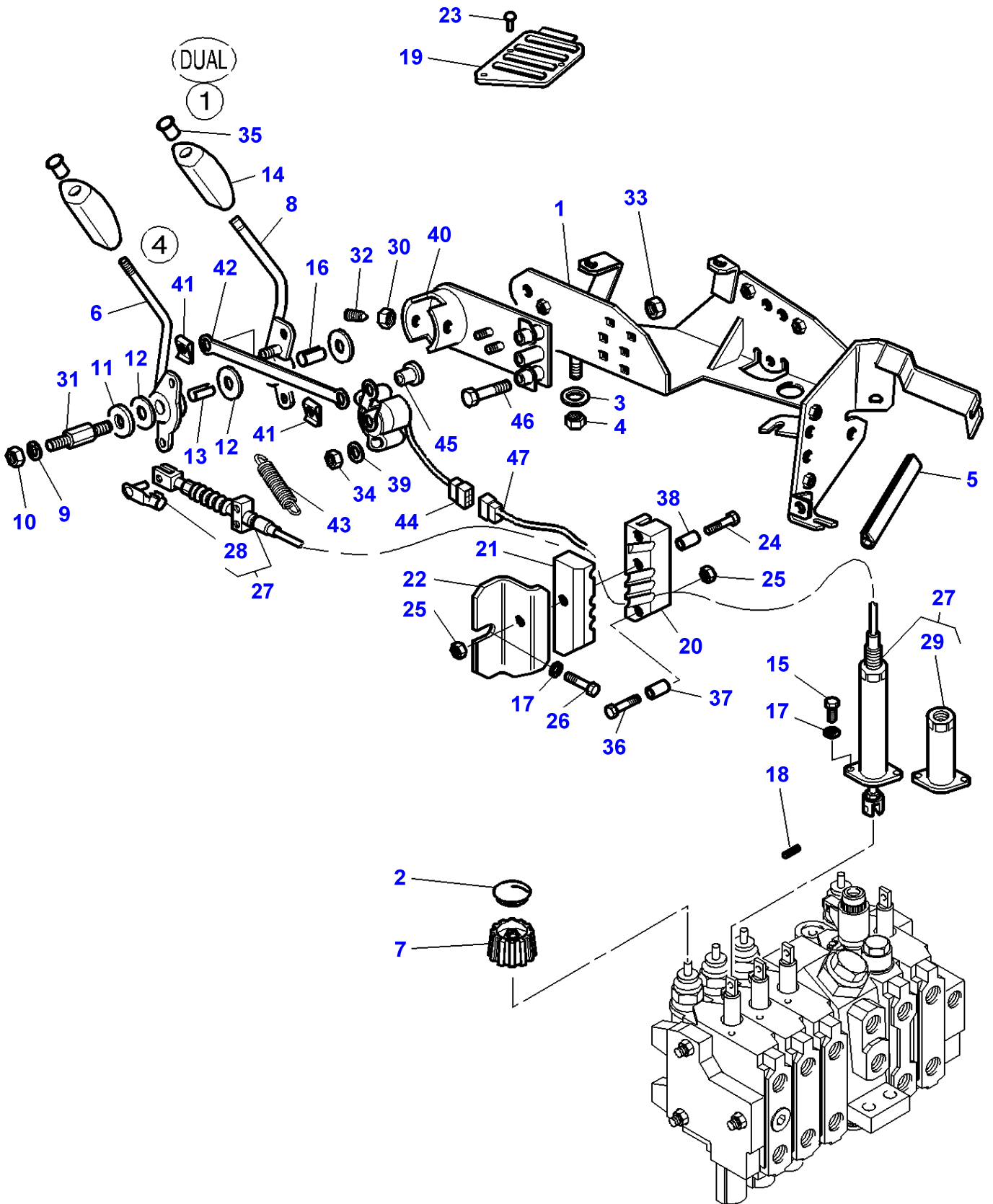
Item	Part Number	Qty	Description	Comments
1	3778480M93	1	Support	
2	390971X1	2	Washer	
3	385361X1	4	Washer	
4	1441461X1	4	Locknut	M8
5	1684844M1	2	Seal	Length 80MM
6	3778481M2	1	Lever	
7	3712279M3	1	Clevis Pin	Length 78MM
8	3778484M3	1	Lever	
9	390972X1	1	Washer Metric	
10	1441461X1	1	Locknut	M8
11	3387447M1	1	Washer	
12	3386514M1	3	Friction Disc	
13	3713905M1	2	Bearing	
14	3715495M1	2	Handle	
15	339560X1	4	Hex. Sock. Screw	
16	3009336X1	2	Screw	M6X55
17	390971X1	5	Washer	
18	3387566M2	2	Clevis Pin	
19	3784411M1	1	Grille	
20	3712979M2	1	Bridle	
21	3712980M2	1	Bridle	
22	3712981M2	1	Angle.	
23	3010506X1	3	Screw	M5X16
24	339096X1	2	Bolt Metric	M6X35
25	339030X1	3	Nut Metric	
26	339560X1	1	Hex. Sock. Screw	M6X16
27	3715989M1	1	Hydraulic Cable	Length 1600MM
	3715988M1	1	Hydraulic Cable	Length 1480MM
28	3600190M1	1	Clevis Pin	(27) Length 28MM
29	3902200M91	1	Parts Pack	(27)
30	3715496M1	1	Muff	[B]
	3715499M1	1	Muff	[A]
31	1440922X1	1	Bolt	M6X60
32	3714645M1	2	Spacer	Diameter 8X26,5
33	3714646M1	1	Spacer	Diameter 8X50
34	3784402M1	1	Muff	[B]
	3784405M1	1	Muff	[A]
35	3784369M1	2	Button	
36	1441462X1	2	Locknut	M6

FOOTNOTE [A] YELLOW

FOOTNOTE [B] BLACK

MF 8210/8220 TRACTORS - 1637365
1-ZP42-002-A

1-ZP42-002-A



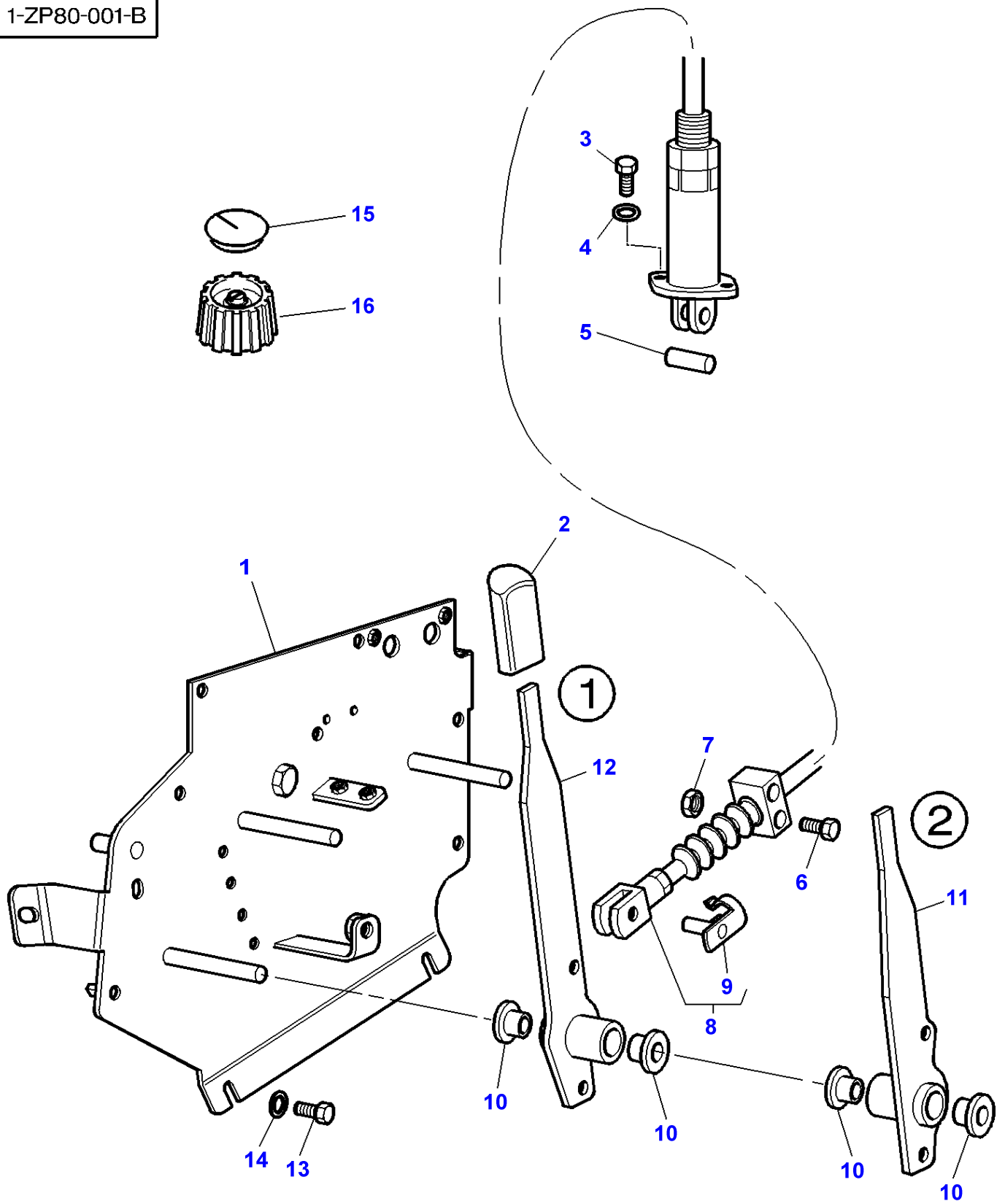
From Serial or Engine Number 01-JAN-2001

Item	Part Number	Qty	Description	Comments
1	3778480M93	1	Support	
2	3784405M1	1	Muff	[A]
3	385361X1	4	Washer	
4	1441461X1	4	Locknut	M8
5	1684844M1	2	Seal	Length 80MM
6	3783146M1	1	Lever	
7	3784369M1	1	Button	
8	3783143M1	1	Lever	
9	390972X1	1	Washer Metric	
10	1441461X1	1	Locknut	M8
11	3387447M1	1	Washer	
12	3386514M1	3	Friction Disc	
13	3713905M1	1	Bearing	
14	3715495M1	2	Handle	
15	339560X1	2	Hex. Sock. Screw	
16	3386515M1	1	Bearing	
17	390971X1	5	Washer	
18	3387566M2	1	Clevis Pin	
19	3784411M1	1	Grille	
20	3712979M2	1	Bridle	
21	3712980M2	1	Bridle	
22	3712981M2	1	Angle.	
23	3010506X1	3	Screw	M5X16
24	339096X1	2	Bolt Metric	M6X35
25	1441500X1	2	Locknut	
26	339560X1	1	Hex. Sock. Screw	M6X16
27	3715988M1	1	Hydraulic Cable	Length 1480MM
28	3600190M1	1	Clevis Pin	(27) Length 28MM
29	3902200M91	1	Parts Pack	(27)
30	3009696X1	2	Nut	
31	3712279M3	1	Clevis Pin	Length 78MM
32	3618127M2	2	Poppet	
33	1441462X1	2	Locknut	M6
34	3010477X1	2	Nut Metric	
35	3715496M1	1	Muff	[B]
	3715499M1	1	Muff	[A]
36	1440922X1	1	Bolt	M6X60
37	3714645M1	2	Spacer	Diameter 8X26,5
38	3714646M1	1	Spacer	Diameter 8X50
39	390469X1	2	Washer Metric	
40	3783142M1	1	Support	
41	3783145M1	2	Thruster	
42	3715466M1	1	Rod Link	
43	3616740M2	2	Spring	
44	3715459M1	1	Inductive Taker	
45	3783144M1	1	Clevis Pin	
46	3010975X1	2	Screw	M6X60
47		1	Harness	See Page - Reference Number 090-0035/2

FOOTNOTE [A] YELLOW

FOOTNOTE [B] BLACK

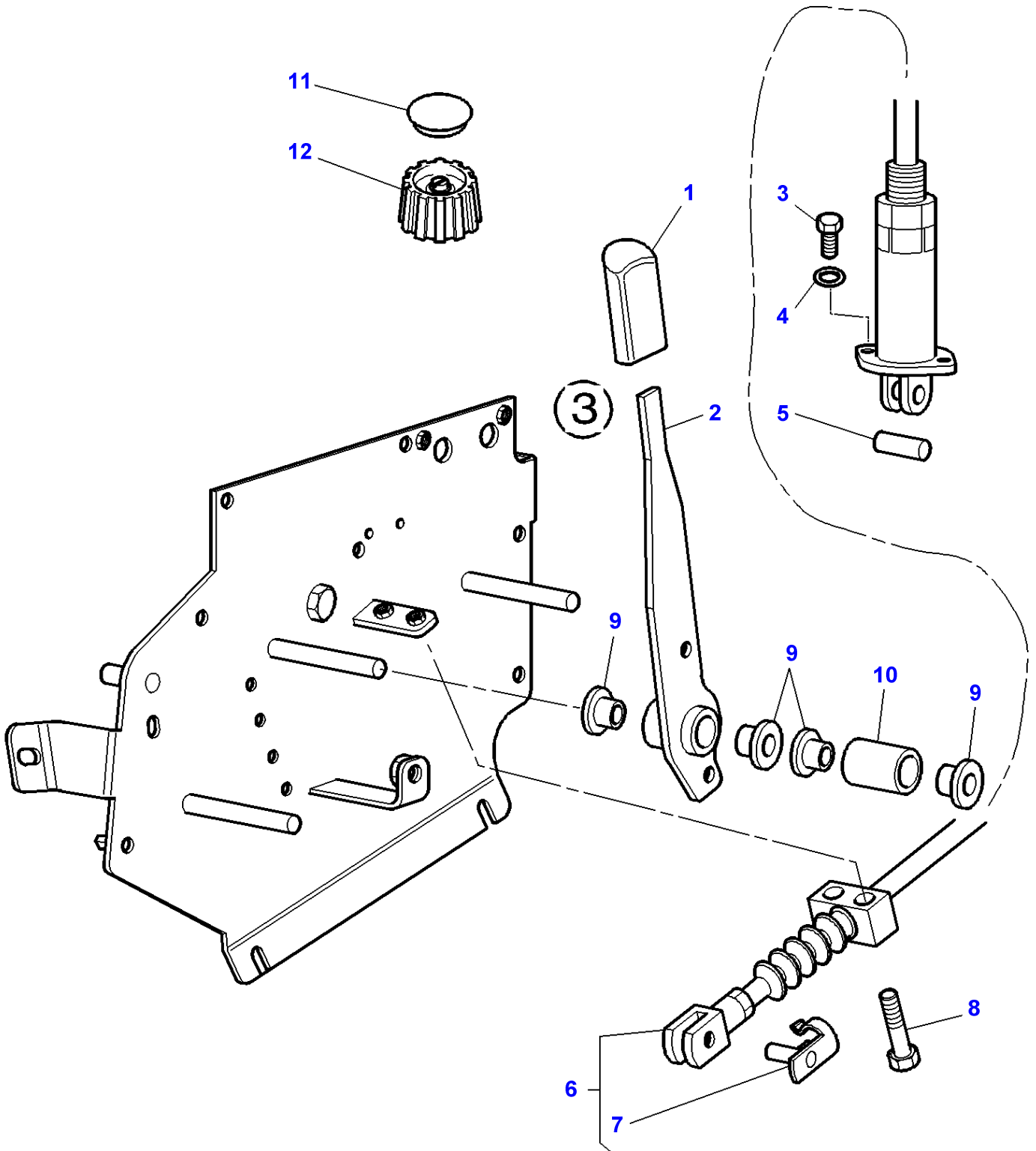
1-ZP80-001-B



Item	Part Number	Qty	Description	Comments
1	3778407M2	1	Shield	
2	3712976M2	2	Handle	
3	357831X1	4	Screw	1/4-20X16
4	390971X1	4	Washer	
5	3714223M1	2	Clevis Pin	
6	339262X1	4	Bolt Metric	
7	339030X1	4	Nut Metric	
8	3779009M1	2	Cable	Up to Serial or Engine Number 31/12/2000
	3785844M1	2	Hydraulic Cable	From Serial or Engine Number 01/01/2001 Length 1525MM
9	3600190M1	1	Clevis Pin	(8) Length 28MM
10	3778411M1	4	Bush	
11	3778403M3	1	Lever	
12	3778402M3	1	Lever	
13	339123X1	4	Hex. Sock. Screw	M8X20
14	390972X1	4	Washer Metric	
15	3784402M1	2	Muff	From Serial or Engine Number 01/01/2001
16	3784369M1	2	Button	From Serial or Engine Number 01/01/2001

FOOTNOTE [A] WITH LOAD SENSING

1-ZP80-002-B



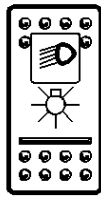
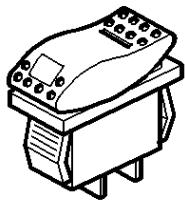
Massey Ferguson**MF 8210/8220 TRACTORS - 1637365****1637365****Auxiliary Hydraulics - Platform - Control Third Distributor****Page070-0715**

Item	Part Number	Qty	Description	Comments
1	3712976M2	1	Handle	
2	3778404M3	1	Lever	
3	357831X1	2	Screw	1/4-20X16
4	390971X1	2	Washer	
5	3714223M1	1	Clevis Pin	
6	3779009M1	1	Cable	Up to Serial or Engine Number 31/12/2000
	3785844M1	1	Hydraulic Cable	From Serial or Engine Number 01/01/2001 Length 1525MM
7	3600190M1	1	Clevis Pin	(6) Length 28MM
8	339262X1	2	Bolt Metric	
9	3778411M1	4	Bush	
10	3778412M1	1	Tube	
11	3784402M1	1	Muff	From Serial or Engine Number 01/01/2001
12	3784369M1	1	Button	From Serial or Engine Number 01/01/2001

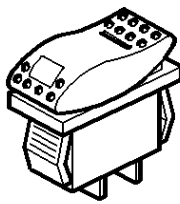
FOOTNOTE [A] WITH LOAD SENSING

Page Title	Page Number
Switches	080-0005
Instrument Panel And Instruments - With Dynashift	080-0010
Instrument Panel And Instruments - With Speedometer With Power Shuttle	080-0015
Instrument Panel And Instruments - With Dynashift - Without Speedometer	080-0020
Instrument Panel And Instruments - Without Speedometer With Power Shuttle	080-0025
Instrument Panel And Instruments - With Full Powershift	080-0030
Electric Equipment & Instrument Panel	080-0035
ENGINE HARNESS - Up to Serial or Engine Number - 07-01-2001	080-0040
ENGINE HARNESS - From Serial or Engine Number - 08-01-2001	080-0045
Electrical Wiring - With Electronic Lift	080-0050
Tractor Cab - Electrical Wiring - Without Electronic Lift - Up To 07-01-2001	080-0055
INSTRUMENT PANEL HARNESS - With Dynashift - Up To 07-01-2001	080-0060
INSTRUMENT PANEL HARNESS - With Power Shuttle - Up To 07-01-20001	080-0065
INSTRUMENT PANEL HARNESS - From Serial or Engine Number - 08-01-2001	080-0070
INSTRUMENT PANEL HARNESS - United States - With Dynashift - Up To 07-01-2001	080-0075
INSTRUMENT PANEL HARNESS - United States - From 08-01-2001	080-0080
INSTRUMENT PANEL HARNESS - With Full Powershift - Up To 07-01-2001	080-0085
INSTRUMENT PANEL HARNESS - With Full Powershift - From 08-01-2001	080-0090
INSTRUMENT PANEL HARNESS - United States - With Full Powershift - Up To 07-01-2001	080-0095
INSTRUMENT PANEL HARNESS - United States - With Full Powershift - From 08-01-2001	080-0100
INSTRUMENT PANEL HARNESS - DECALS - With Dynashift - From 08-01-2001	080-0105
INSTRUMENT PANEL HARNESS - DECALS - With Full Powershift - From 08-01-2001	080-0110
INSTRUMENT PANEL HARNESS - ARMREST - Up to Serial or Engine Number - 07-01-2001	080-0115
INSTRUMENT PANEL HARNESS - ARMREST - With Dynashift - From 08-01-2001	080-0120
FULL POWERSHIFT CONTROL HARNESS - ARMREST - Up to Serial or Engine Number - 07-01-2001	080-0125
FULL POWERSHIFT CONTROL HARNESS - ARMREST - From Serial or Engine Number - 08-01-2001	080-0130
Harness Console - With Dynashift - Up To 07-01-2001	080-0135
Harness Console - With Dynashift - From 08-01-2001	080-0140
Harness Console - With High Visibility Roof-Dyna-Way Lights Fitted O n The Cab Roof Up To 07-JAN-2001	080-0145
Harness Console - With Full Powershift - Up To 07-01-2001	080-0150
Harness Console - With Full Powershift - From 08-01-2001	080-0155
HARNESS CONSOLE - Platform - Up to Serial or Engine Number - 07-01-2001	080-0160
HARNESS CONSOLE - Platform - From Serial or Engine Number - 08-01-2001	080-0165
ROOF HARNESS	080-0170
ROOF HARNESS - United States Only	080-0175
ROOF HARNESS - With High Visibility Roof	080-0180
ROOF HARNESS - WITH HIGH VISIBILITY ROOF / WAY LIGHTS FITTED ON T HE CAB ROOF	080-0185
ROOF HARNESS - Platform	080-0190
LIGHTING HARNESS - ROOF	080-0195
LIGHTING HARNESS - ROOF - For United States of America	080-0200
FIELD LIGHTS HARNESS - GUIDEWAY / FOOTSTEPS / FENDERS - Up To ...	080-0205
FIELD LIGHTS HARNESS - GUIDEWAY / FOOTSTEPS / FENDERS - From ...	080-0210
FIELD LIGHTS HARNESS - GUIDEWAY / FOOTSTEPS / FENDERS - Up To ...	080-0215
FIELD LIGHTS HARNESS - GUIDEWAY / FOOTSTEPS / FENDERS - From ...	080-0220
PLATFORM - Electrical Wiring - Up To ...	080-0225
PLATFORM - Electrical Wiring - From ...	080-0230
PLATFORM - Electrical Wiring - Up To ... - United States only	080-0235
PLATFORM - Electrical Wiring - From ... - United States only	080-0240
LIGHTING HARNESS ROOF - Platform	080-0245

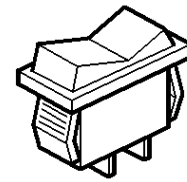
1-ZC90-010-A



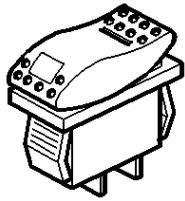
1



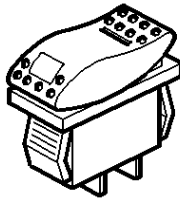
7



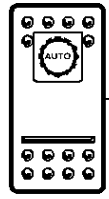
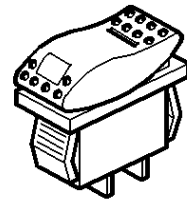
13



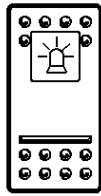
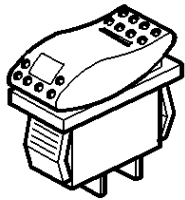
2



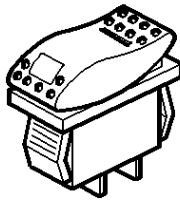
8



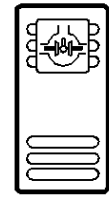
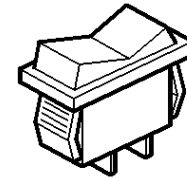
14



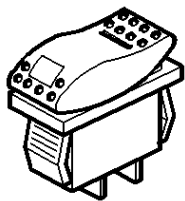
3



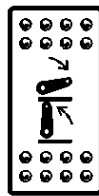
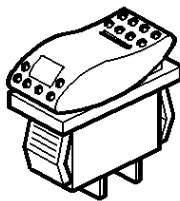
9



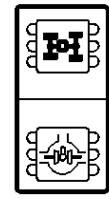
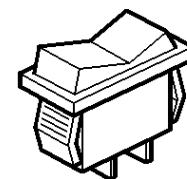
15



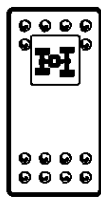
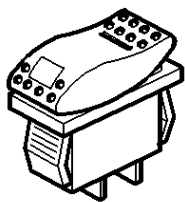
4



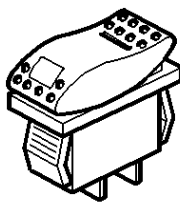
10



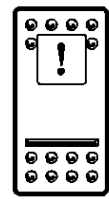
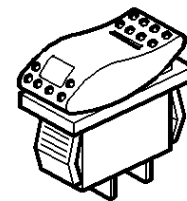
16



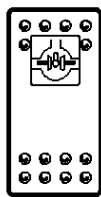
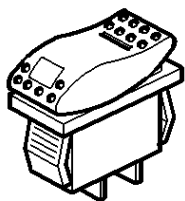
5



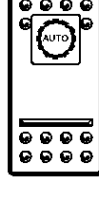
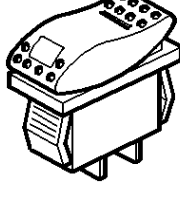
11



17



6



12

Switches

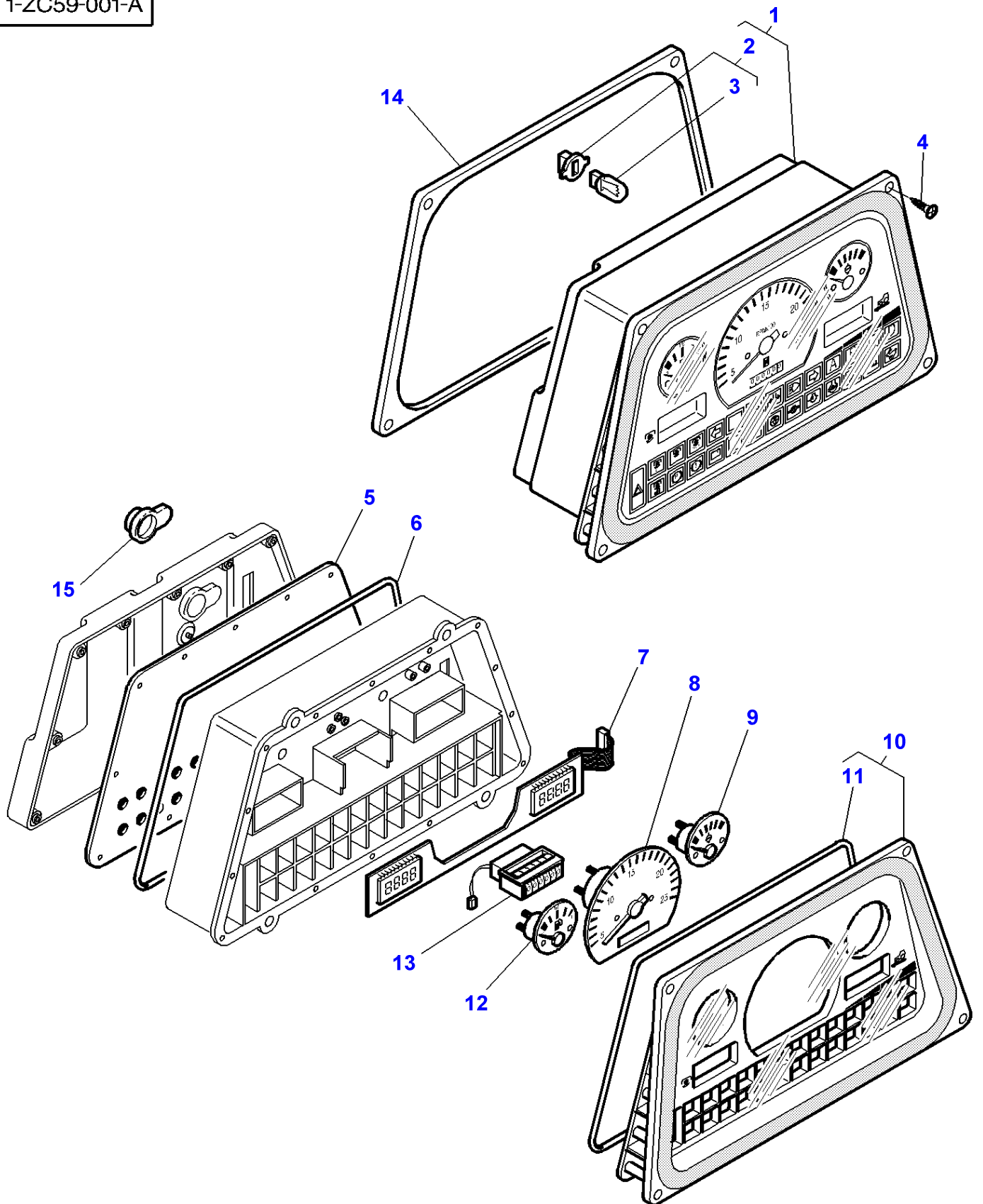
Item	Part Number	Qty	Description	Comments
1	3713142M2	1	Switch,Indirect	
2	3713145M1	1	Switch,Indirect	
3	3713146M1	1	Switch,Indirect	
4	3713147M1	1	Switch,Indirect	
5	3713148M2	1	Switch,Indirect	
6	3713149M2	1	Switch,Indirect	
7	3778391M1	1	Switch,Indirect	
8	3780552M1	1	Switch,Indirect	[A]
9	3780553M1	1	Switch,Indirect	
10	3782020M2	1	Switch,Indirect	Up to Serial or Engine Number L347041
	4270970M2	1	Switch,Indirect	From Serial or Engine Number L347042
11	3783086M1	1	Switch,Indirect	
12	3783775M1	1	Switch	[B]
13	3784234M1	1	Switch,Indirect	
14	3784327M1	1	Switch	[C]
15	3785201M1	1	Switch,Indirect	
16	3785202M1	1	Switch,Indirect	
17	3812633M1	1	Switch	

FOOTNOTE [A] REAR WORKING LIGHT

FOOTNOTE [B] WITH SPEED MATCHING

FOOTNOTE [C] WITH AUTODRIVE

1-ZC59-001-A

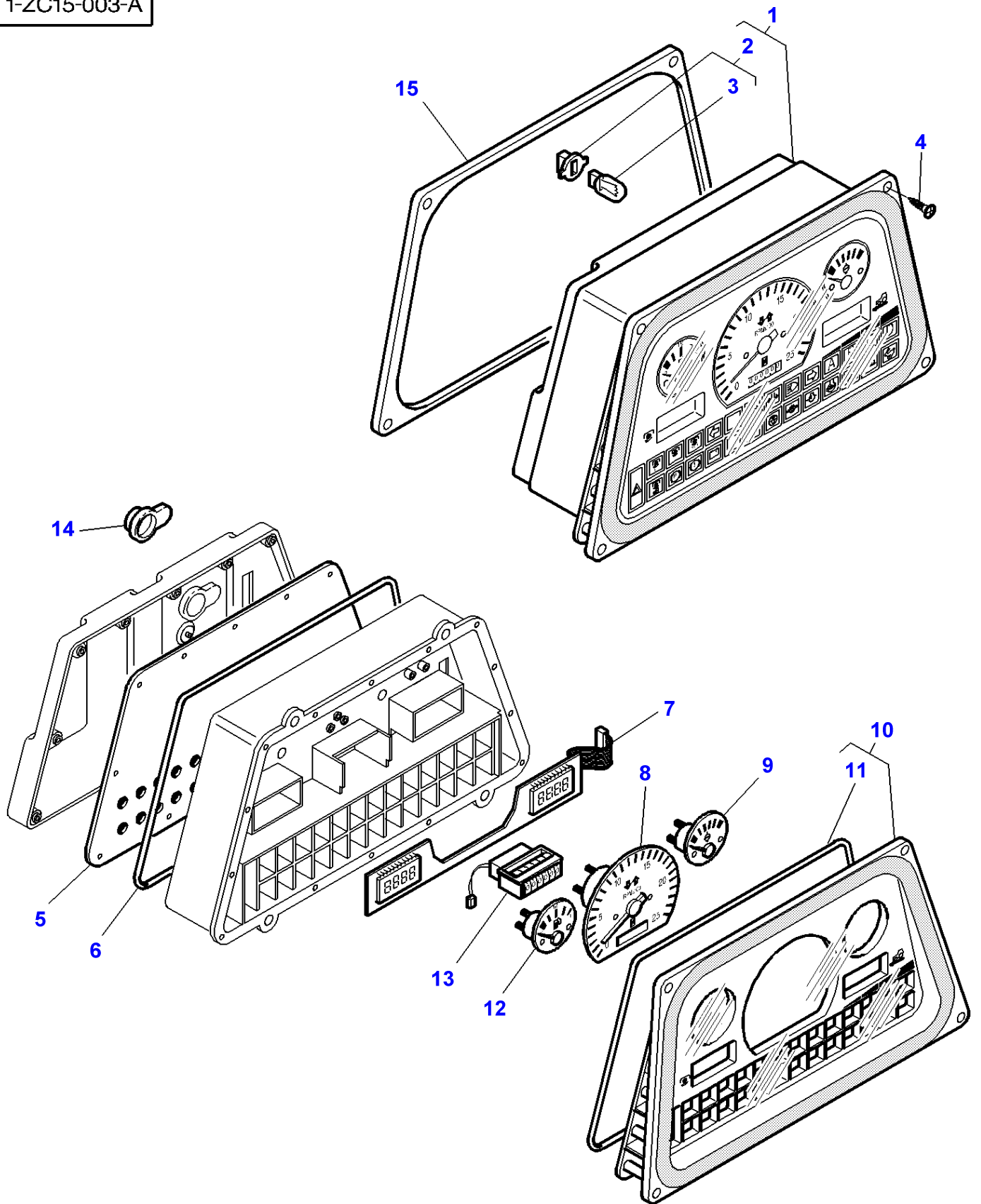


Instrument Panel And Instruments - With Dynashift

Item	Part Number	Qty	Description	Comments
1	3783469M95	1	Instrument Panel	Replace and repair. Old not interchangeable with new 3778683M94
2	3713385M1	33	Lamp Socket	(1)
3	3405185M1	1	Bulb 12v 1.2w	(2)
4	3010499X1	4	Screw Metric	M4X16
5	3903494M92	1	Printed Circuit	(1)
6	3902345M1	1	Gasket	(1)
7	3902346M91	1	Printed Circuit	(1)
8	3902347M91	1	Rev Indicator	(1)
9	3902348M91	1	Thermometer	(1)
10	3902349M92	1	Panel	(1)
11	3902376M1	1	Gasket	(10)
12	3902377M91	1	Fuel Indicator	(1)
13	3902378M92	1	Tractormeter	(1)
14	3902577M1	1	Gasket	(1)
15	3715927M1	1	Tap	(1)

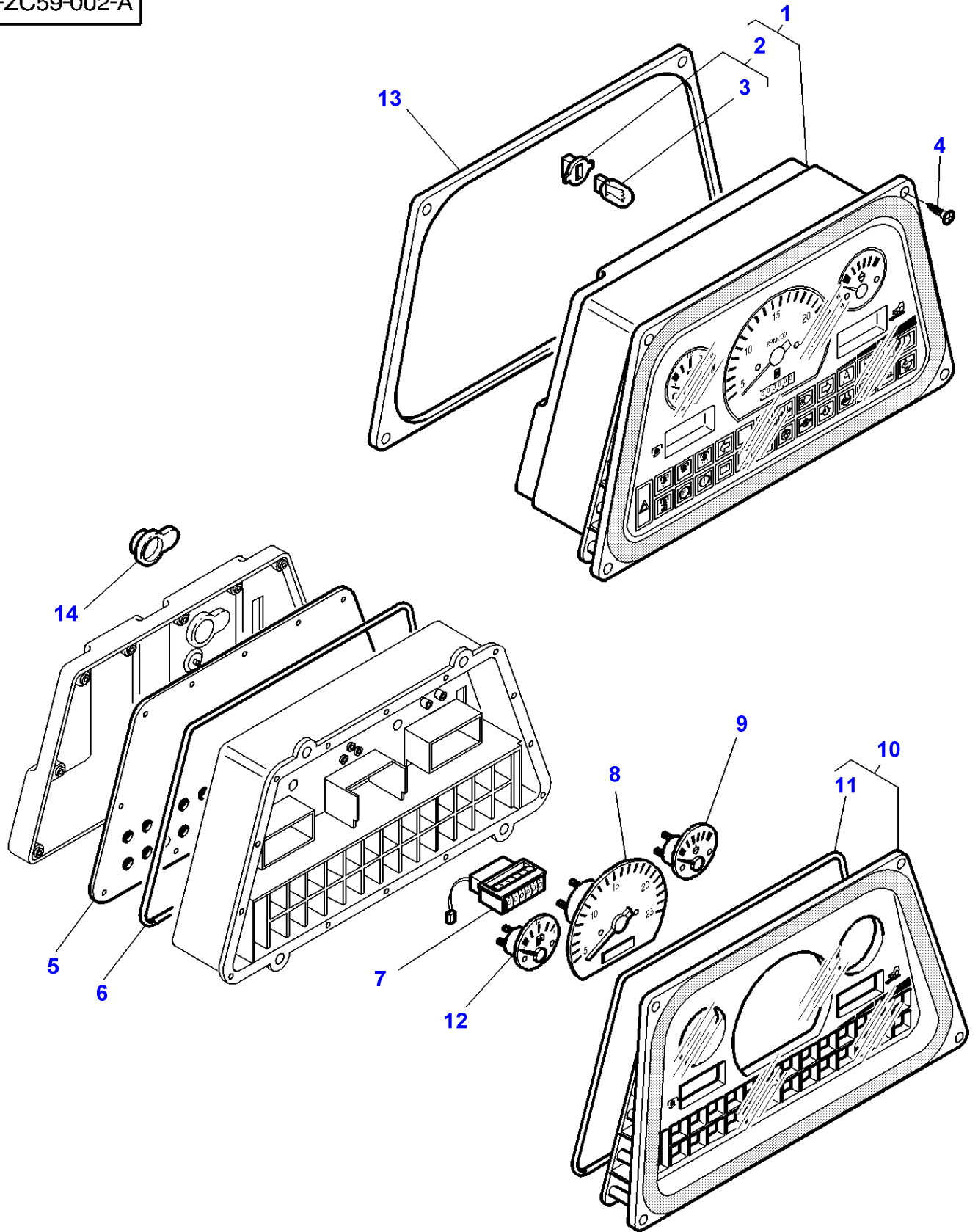
MF 8210/8220 TRACTORS - 1637365
1-ZC15-003-A

1-ZC15-003-A



Item	Part Number	Qty	Description	Comments
1	3783470M95	1	Instrument Panel	
2	3713385M1	33	Lamp Socket	(1)
3	3405185M1	33	Bulb 12v 1.2w	(2)
4	3010499X1	4	Screw Metric	
5	3903495M92	1	Printed Circuit	(1)
6	3902345M1	1	Gasket	(1)
7	3902346M91	1	Printed Circuit	(1)
8	3902380M91	1	Rev Indicator	(1)
9	3902348M91	1	Thermometer	(1)
10	3902349M92	1	Panel	(1)
11	3902376M1	1	Gasket	(10)
12	3902377M91	1	Fuel Indicator	(1)
13	3902378M92	1	Tractormeter	(1)
14	3715927M1	1	Tap	(1)
15	3902577M1	1	Gasket	(1)

1-ZC59-002-A



Massey Ferguson**MF 8210/8220 TRACTORS - 1637365**

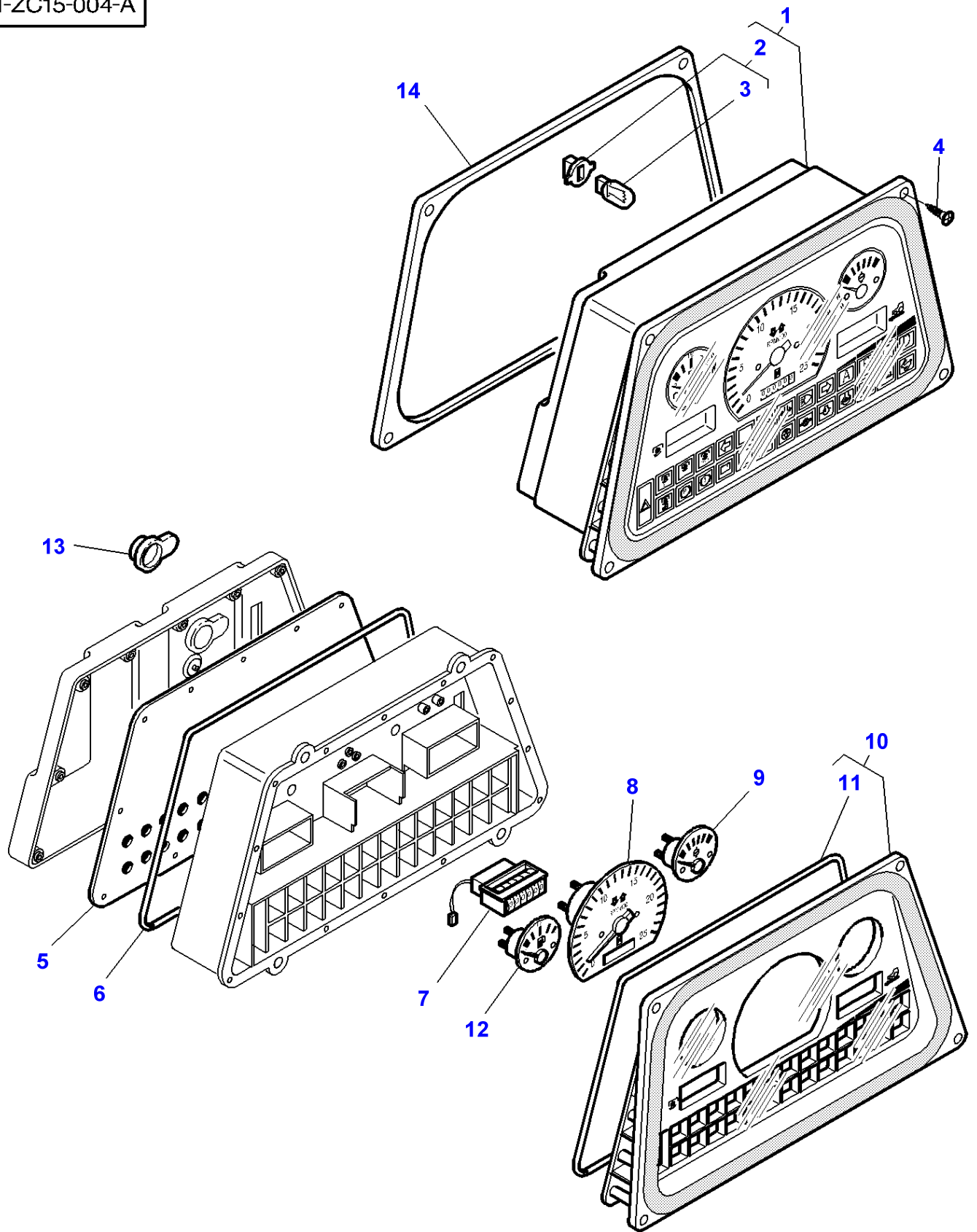
1637365

Instrument Panel And Instruments - With Dynashift - Without Speedometer

Page080-0020

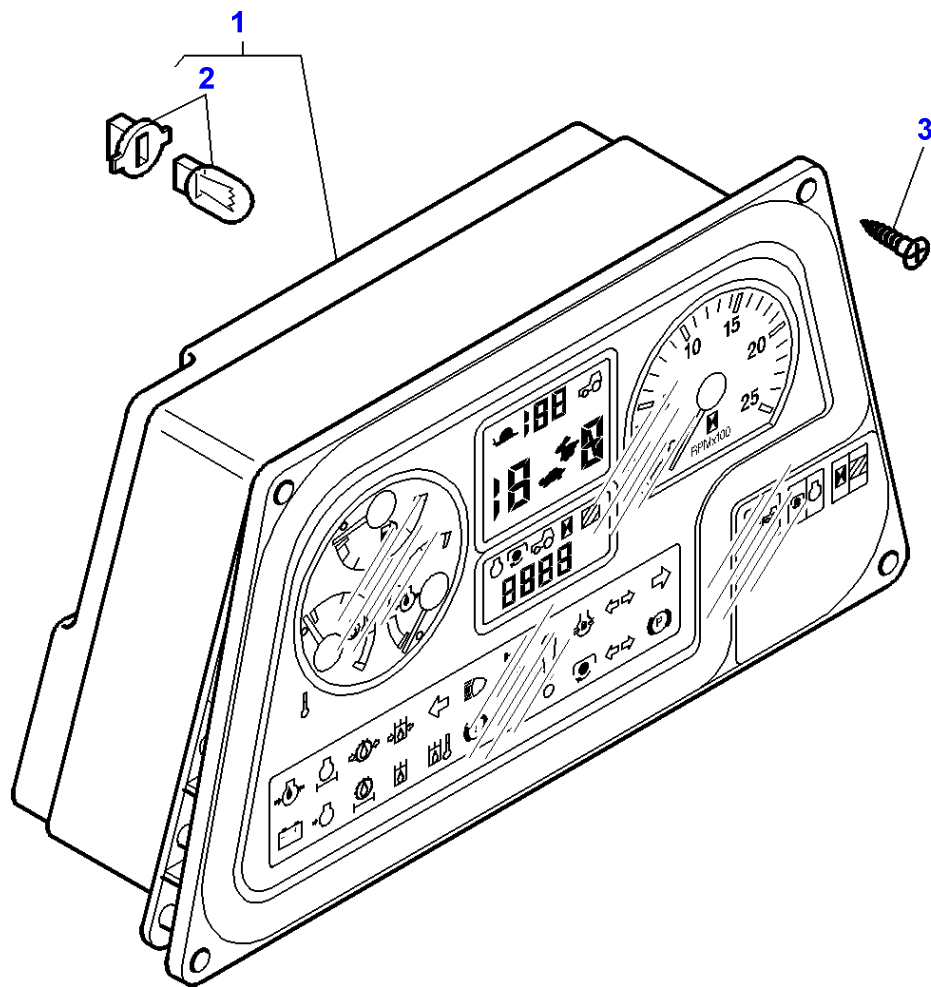
Item	Part Number	Qty	Description	Comments
1	3778685M95	1	Instrument Panel	
2	3713385M1	33	Lamp Socket	(1)
3	3405185M1	33	Bulb 12v 1.2w	(2)
4	3010499X1	4	Screw Metric	
5	3902796M91	1	Printed Circuit	(1)
6	3902345M1	1	Gasket	(1)
7	3902378M92	1	Tractormeter	(1)
8	3902347M91	1	Rev Indicator	(1)
9	3902383M93	1	Thermometer	(1)
10	3902385M92	1	Panel	(1)
11	3902376M1	1	Gasket	(10)
12	3902384M91	1	Fuel Indicator	(1)
13	3902577M1	1	Gasket	(1)
14	3715927M1	1	Tap	(1)

1-ZC15-004-A



Item	Part Number	Qty	Description	Comments
1	3780579M95	1	Instrument Panel	
2	3713385M1	33	Lamp Socket	(1)
3	3405185M1	33	Bulb 12v 1.2w	(2)
4	3010499X1	4	Screw Metric	(1)
5	3903214M91	1	Printed Circuit	(1)
6	3902345M1	1	Gasket	(1)
7	3902378M92	1	Tractormeter	(1)
8	3902380M91	1	Rev Indicator	(1)
9	3902383M93	1	Thermometer	(1)
10	3902385M92	1	Panel	(1)
11	3902376M1	1	Gasket	(10)
12	3902384M91	1	Fuel Indicator	(1)
13	3715927M1	1	Tap	(1)
14	3902577M1	1	Gasket	(1)

1-ZC60-001-A

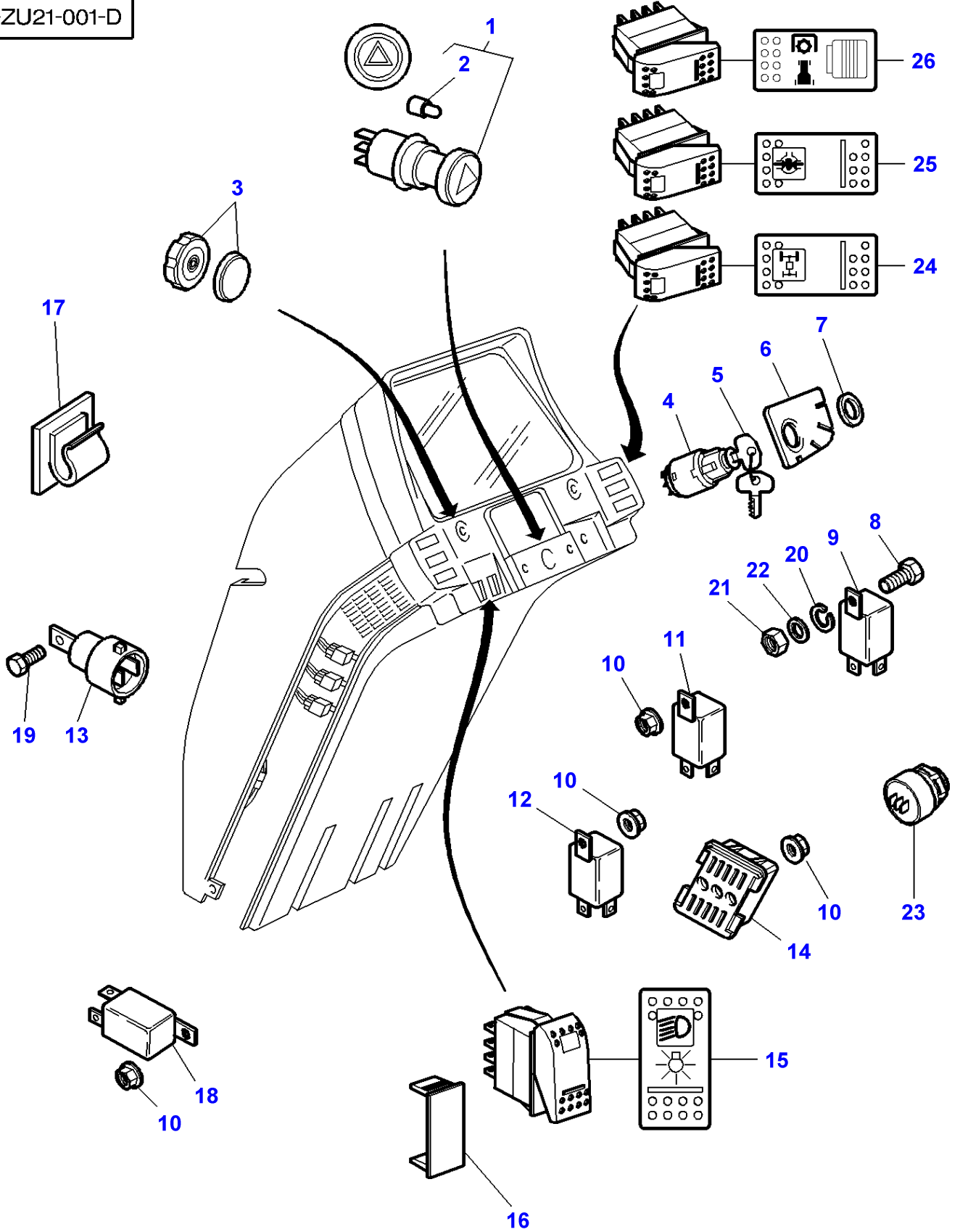


Massey Ferguson**MF 8210/8220 TRACTORS - 1637365****1637365****Instrument Panel And Instruments - With Full Powershift****Page080-0030**

Item	Part Number	Qty	Description	Comments
1	3783591M2	1	Instrument Panel	
2	72505208	26	Bulb	(1)
3	3010791X1	4	Screw	M4 X 20

MF 8210/8220 TRACTORS - 1637365
1-ZU21-001-D

1-ZU21-001-D



Electric Equipment & Instrument Panel

Item	Part Number	Qty	Description	Comments
1	3370427M91	1	Switch	
2	3405185M1	1	Bulb 12v 1.2w	(1)
3	2191950K91	1	Button	
4	1874535M3	1	Switch, Ignition	[A] Up to Serial or Engine Number 10-JAN-2000
	3779699M1	1	Switch,Indirect	[A] From Serial or Engine Number 11-JAN-2000
	3779699M1	1	Switch,Indirect	[B]
5	3813361M1	1	Ignition Key	
6	3780466M1	1	Plate	[B]
	3779720M1	1	Plate	For United States of America
7	1694534M1	1	Nut	
8	339560X1	1	Hex. Sock. Screw	M6X16
9	3617865M1	1	Blinker Unit	
	3715413M1	1	Blinker	For United States of America 12V 2X21W+1+1(8)
10	3010477X1	X	Nut Metric	
11	3387326M2	1	Relay	12V-50A
12	3615652M1	1	Relay	4RD 003 520-31 4RD 007 794-03
	3615652M1	2	Relay	For United States of America 4RD 003 520-31 4RD 007 794-03
13	3779879M1	1	Relay	12V-50A
14	3713103M1	1	Connector	Up to Serial or Engine Number
15	3713142M2	1	Switch,Indirect	
16	3713151M1	X	Tap	
17	3582094M1	2	Tie	
18	3713403M3	1	Relay	[C]
19	339560X1	1	Hex. Sock. Screw	M5X16
20	1441206X1	1	Lock Washer	
21	339030X1	1	Nut Metric	
22	339375X1	1	Lock Washer	
23	3713367M1	1	Horn	Replace and repair. Old not interchangeable with new 3777567M1
24	3713148M2	1	Switch,Indirect	
25	3713149M2	1	Switch,Indirect	
26	3783086M1	1	Switch,Indirect	

FOOTNOTE [A] TRACTOR WITH PLATFORM

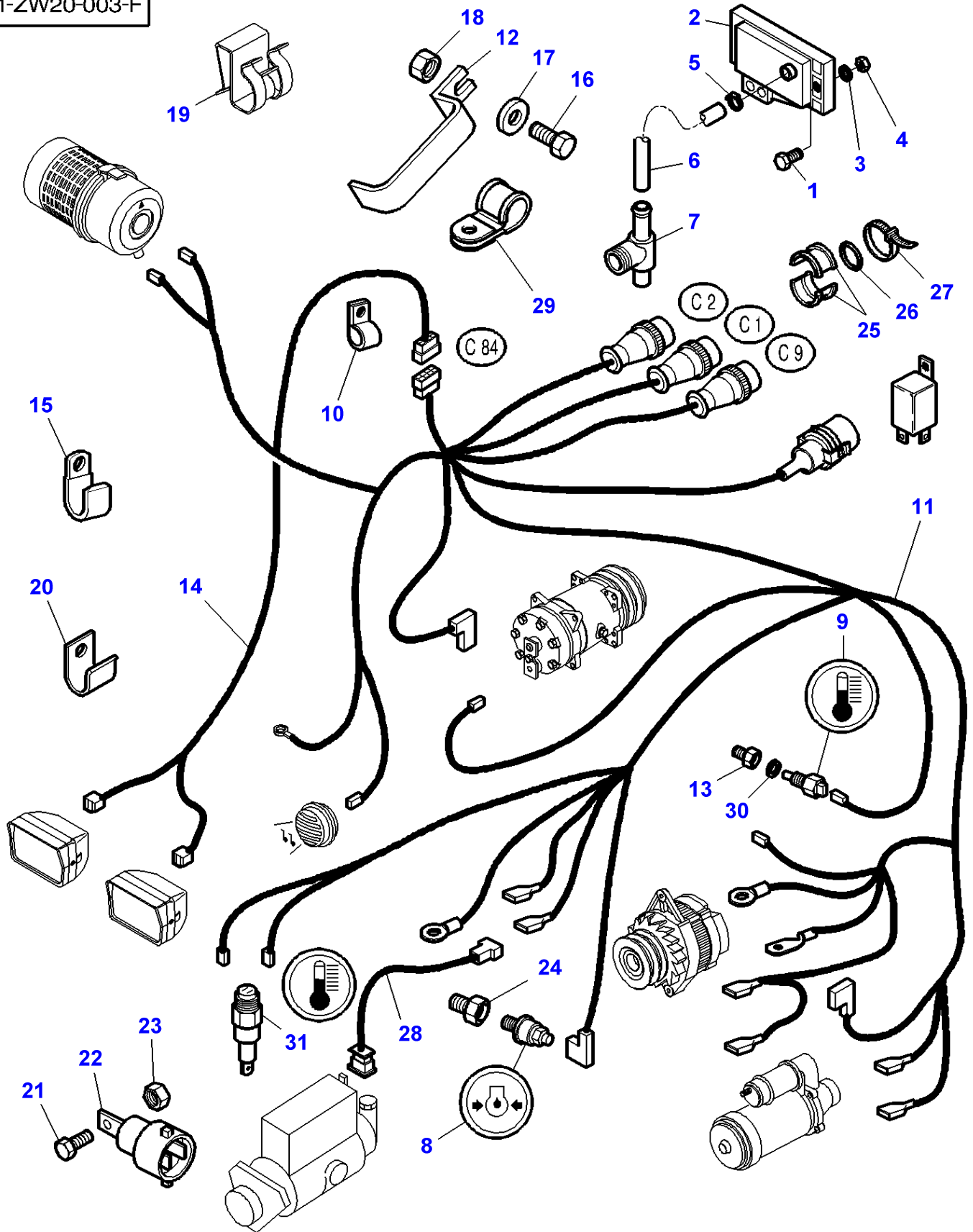
FOOTNOTE [B] TRACTOR WITH CAB

FOOTNOTE [C] TEMPORIZER

FOOTNOTE [D] FOR JAPANESE MARKET ONLY

MF 8210/8220 TRACTORS - 1637365
1-ZW20-003-F

1-ZW20-003-F



Item	Part Number	Qty	Description	Comments
1	391883X1	2	Screw	M5X25
2	72502305	1	Transmitter	[C]
3	390469X1	2	Washer Metric	
4	1441494X1	2	Nut Metric	M5
5	338612X1	2	Hose Clip	Diameter 6-12
6	3781363M1	1	Hydr Hose	Length 800MM
7	3781290M2	1	Union	
8	72512518	1	Sender	[B]
	1877721M92	1	Pressure Switch	[A]
9	5015257M1	1	Sender	[B]
				1/2-20
	1877731M92	1	Sender	[A,F]
				5/8-18
10	3387756M1	X	Strap	
11	3781078M3	1	Harness	[B]
	3781079M3	1	Harness	[B]
				For Sweden
	3779560M2	1	Harness	[A]
	3779561M2	1	Harness	[A]
				For Sweden
	3785298M91	1	Harness	[B]
				For United States of America
	3785300M91	1	Harness	[A]
				For United States of America
	3785300M91	1	Harness	[A,D]
				For United States of America
12	3715996M1	1	Bridle	Up to Serial or Engine Number 10-09-2000
13	5015255M1	1	Bush	[B]
14	5015264M2	1	Harness	
15	3777938M1	1	Strap	Diameter 21MM
	3783859M1	1	Strap	Diameter 28MM
16	339123X1	1	Hex. Sock. Screw	M8X20
17	385361X1	1	Washer	
18	339169X1	1	Nut	M8
19	3618680M1	4	Fastener	
20	3583344M1	2	Strap	
21	390990X1	1	Screw Metric	M5X12
22	3779879M1	1	Relay	12V-50A
23	3010477X1	1	Nut Metric	M5
24	70917032	1	Union	[B]
				Up to Serial or Engine Number 04-JAN-2000
25	3785087M1	6	Bridle	
26	3785088M1	3	O Ring	Diameter 22,5X2
27	3619622M1	3	Cable Tie	
28	3784682M1	1	Harness	MF 8210
				From Serial or Engine Number J168024
	3784682M1	1	Harness	MF 8220
				From Serial or Engine Number J165021
29	3581424M1	1	Clamp	From Serial or Engine Number 11-09-2000
30	195561M1	1	O Ring	[B]
31	4223862M1	1	Sender	[E]
				3/8

FOOTNOTE [A] WITH DYNASHIFT

FOOTNOTE [B] WITH FULL POWERSHIFT

FOOTNOTE [C] TURBO PRESSURE TRANSDUCER

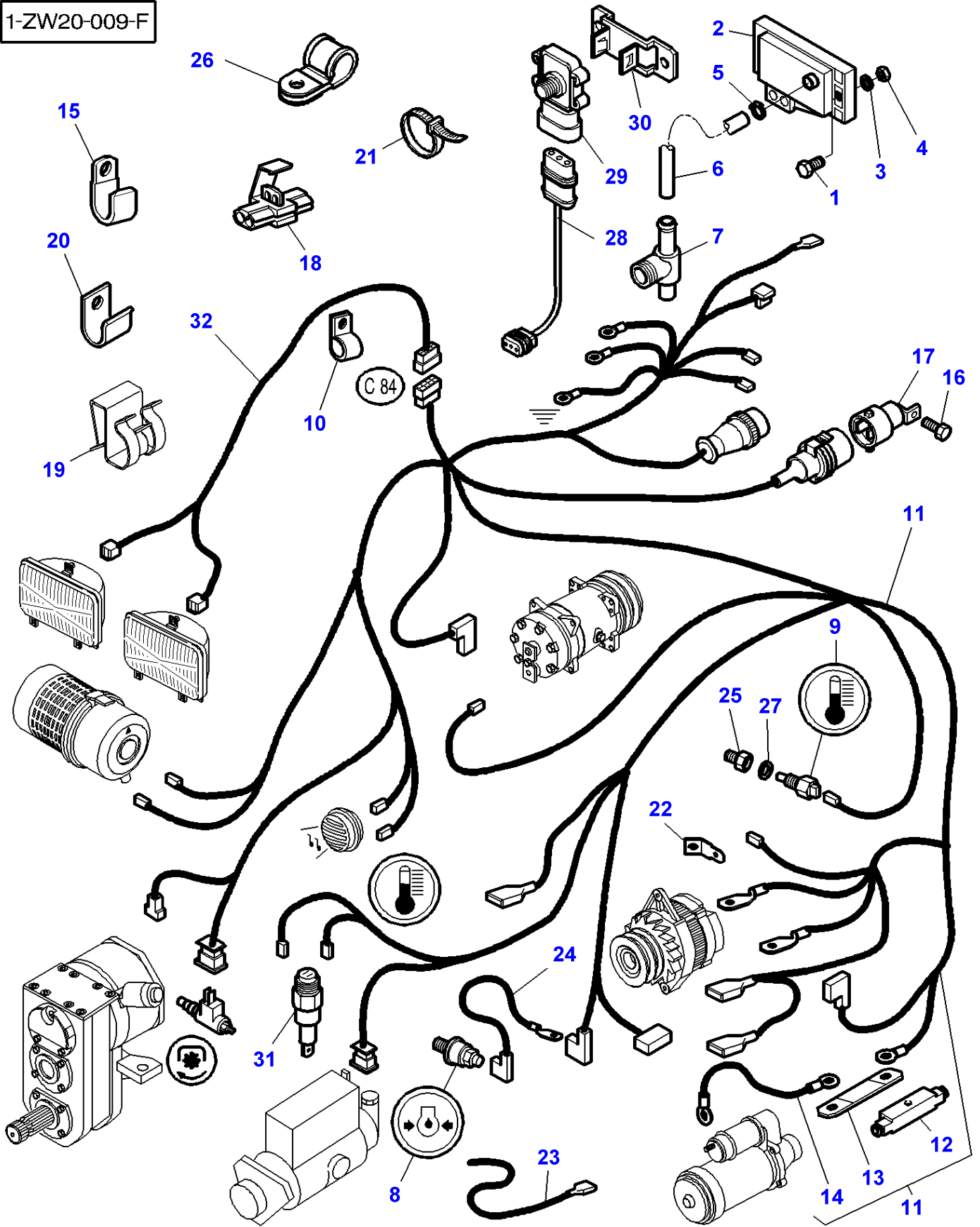
FOOTNOTE [D] TRACTOR WITH PLATFORM

FOOTNOTE [E] TEMPERATURE SWITCH WITH 2 BLADE TERMINAL

FOOTNOTE [F] TEMPERATURE SWITCH WITH 1BLADE TERMINAL

MF 8210/8220 TRACTORS - 1637365
1-ZW20-009-F

1-ZW20-009-F



Item	Part Number	Qty	Description	Comments
1	391883X1	2	Screw	M5X25
2	72502305	1	Transmitter	[C] Up to Serial or Engine Number JUIL-2002
3	390469X1	2	Washer Metric	
4	1441494X1	2	Nut Metric	M5
5	338612X1	2	Hose Clip	Diameter 6-12
6	3781363M1	1	Hydr Hose	Length 800MM
7	3781290M2	1	Union	
8	72512518	1	Sender	[B]
	1877721M92	1	Pressure Switch	[A]
9	5015257M1	1	Sender	[B] 1/2-20
	1877731M92	1	Sender	[A,G] 5/8-18
10	3387756M1	X	Strap	
11	3784180M3	1	Harness	[A]
	3784182M2	1	Harness	[B] Up to Serial or Engine Number SEPT-2003
	4270821M1	1	Harness	[B] From Serial or Engine Number OCT-2003
12	3789733M1		Case Assy	(11)
13	3789731M1	1	Fuse	(11) 175 AMP
14	3789734M1	1	Wire	(11) Length 300MM
15	3777938M1	1	Strap	Diameter 21MM
	3783859M1	1	Strap	Diameter 28MM
16	339560X1	1	Hex. Sock. Screw	M6X16
17	3779879M1	1	Relay	12V-50A
18	3042464M1	1	Union	[B] Up to Serial or Engine Number K200022
19	3618680M1	4	Fastener	
20	3583344M1	2	Strap	
21	3619622M1	X	Cable Tie	
22	3781500M1	1	Adaptor	[D]
23	3715702M2	1	Wire	[B] Up to Serial or Engine Number K200022
24	3788012M1	1	Harness	[E]
25	5015255M1	1	Bush	[B]
26	3581424M1	1	Clamp	Diameter 30MM
	3389841M1	1	Clamp	Diameter 12MM
27	195561M1	1	O Ring	[B]
28	4270802M1	1	Harness	[B] From Serial or Engine Number JUIL-2002 Up to Serial or Engine Number SEPT-2003
29	4270729M1	1	Transmitter	[B] From Serial or Engine Number JUIL-2002
30	4270740M1	1	Support	[B] From Serial or Engine Number JUIL-2002
31	4223862M1	1	Sender	[F] 3/8
32	5015264M2	1	Harness	

FOOTNOTE [A] WITH DYNASHIFT

FOOTNOTE [B] WITH FULL POWERSHIFT

FOOTNOTE [C] TURBO PRESSURE TRANSDUCER

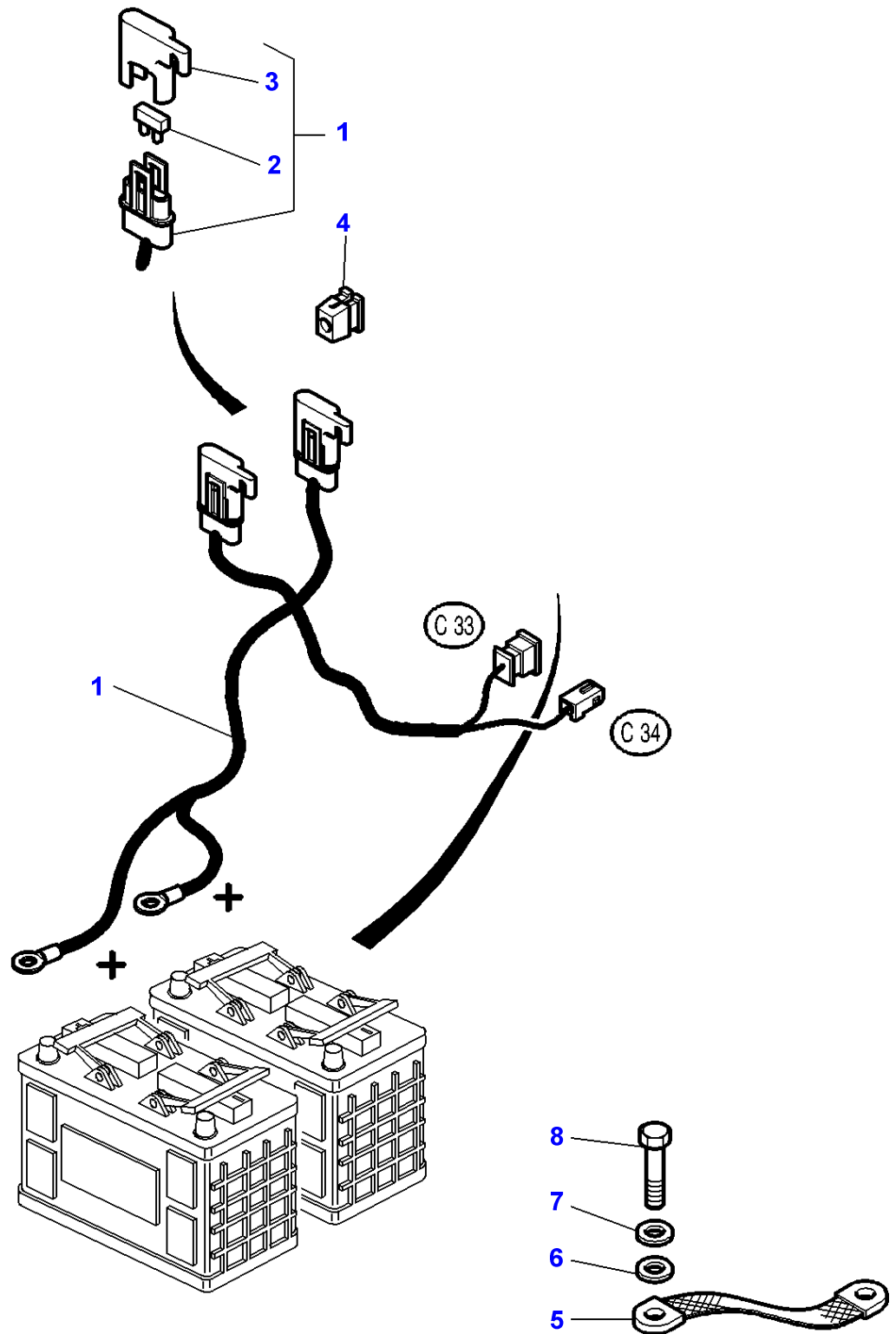
FOOTNOTE [D] WITH ALTERNATOR 120 AMP

FOOTNOTE [E] WITH PNEUMATIC BRAKE

FOOTNOTE [F] TEMPERATURE SWITCH WITH 2 BLADE TERMINAL

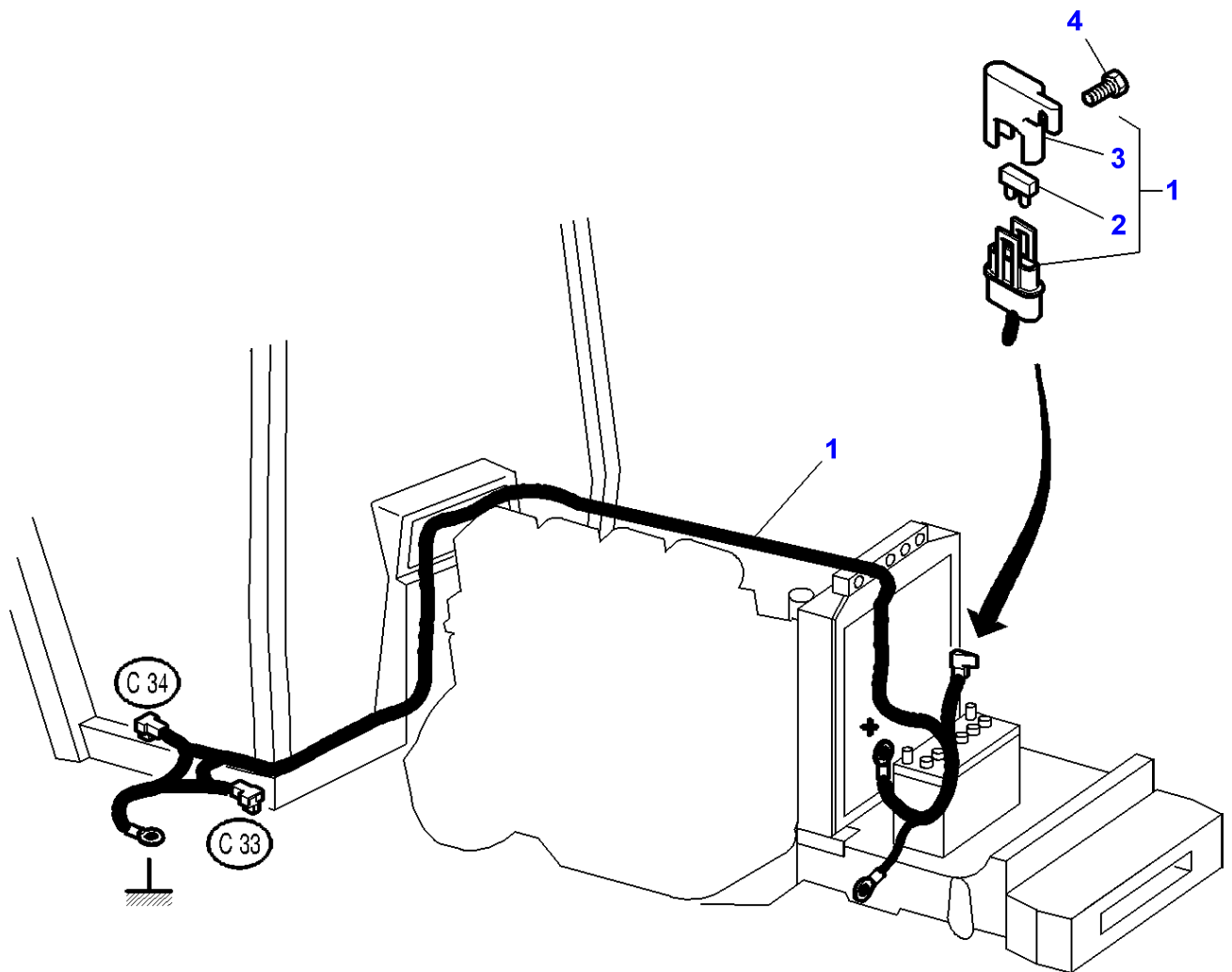
FOOTNOTE [G] TEMPERATURE SWITCH WITH 1BLADE TERMINAL

1-ZW04-002-A



Item	Part Number	Qty	Description	Comments
1	3779043M91	1	Harness	Up to Serial or Engine Number 08-JAN-2001
2	3620026M1	1	Fuse	(1) 15 AMP
	3387319M1	1	Fuse	(1) 7,5 AMP
3	3600224M1	2	Cover	(1)
4	3809347M1	2	Nut	Up to Serial or Engine Number 04-JAN-2000
5	1625401M2	1	Cable	
6	385362X1	1	Washer	
7	339374X1	1	Lock Washer	
8	339761X1	1	Hex. Sock. Screw	M8X25

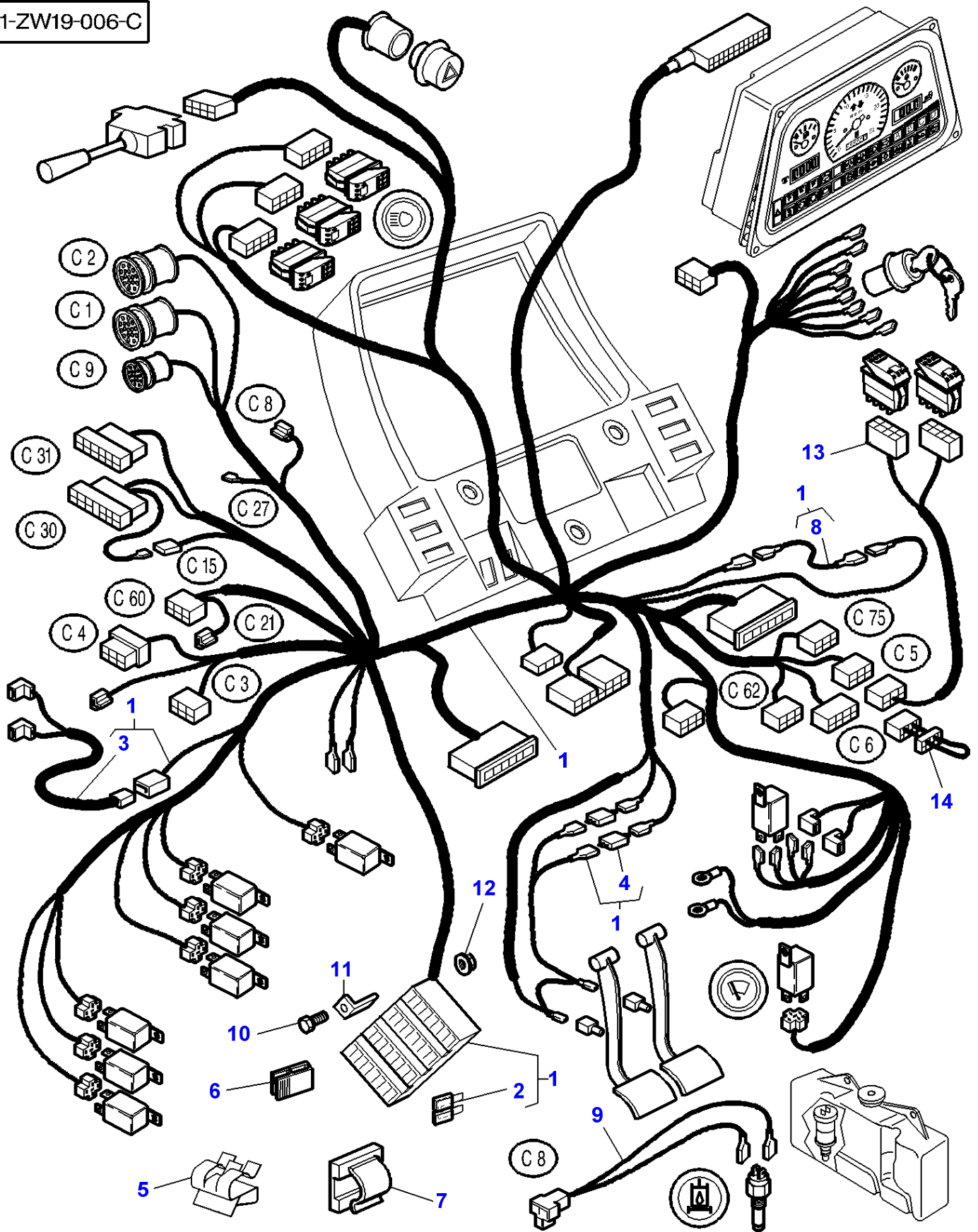
1-ZU16-003-B



Massey Ferguson**MF 8210/8220 TRACTORS - 1637365****1637365****Tractor Cab - Electrical Wiring - Without Electronic Lift - Up To 07-01-2001****Page080-0055**

Item	Part Number	Qty	Description	Comments
1	3779048M91	1	Harness	
2	3620026M1	1	Fuse	(1) 15 AMP
3	3600224M1	1	Cover	(1)
4	3010506X1	1	Screw	M5X16

1-ZW19-006-C



Item	Part Number	Qty	Description	Comments
1	3779753M94	1	Harness	Not for USA Not for Sweden
	3779755M93	1	Harness	Up to Serial or Engine Number J257011 For Sweden
	3779753M94	1	Harness	From Serial or Engine Number J257012 For Sweden
	3779757M93	1	Harness	[A] Up to Serial or Engine Number J265021 Not for USA Not for Sweden
	3779753M94	1	Harness	[A] From Serial or Engine Number J265022 Not for USA Not for Sweden
2	3580868M1	1	Fuse	(1) 3 AMP
	3387318M1	X	Fuse	(1) 5 AMP
	3387319M1	X	Fuse	(1) 7,5 AMP
	3620025M1	X	Fuse	(1) 10 AMP
	3620026M1	X	Fuse	(1) 15 AMP
	3387322M1	X	Fuse	(1) 25 AMP
	3712661M1	X	Fuse	(1) 30 AMP
3	3713090M1	1	Harness	(1)
4	3777531M1	2	Diode	(1) 2X6AMP
5	3618680M1	1	Fastener	
6	3389401M1	1	Fastener	
7	3760697M1	X	Tie	
8	3781003M1	1	Wire	[B] (1)
9	3713812M1	1	Harness	
10	339160X1	4	Screw	M5X10
11	3782186M1	4	Support	
	3387325M1	4	Support	[C]
12	3010477X1	4	Nut Metric	
13	3782986M1	1	Harness	[C] Up to Serial or Engine Number 07-NOV-2000
14	3785807M1	1	Harness	[C] From Serial or Engine Number 08-NOV-2000

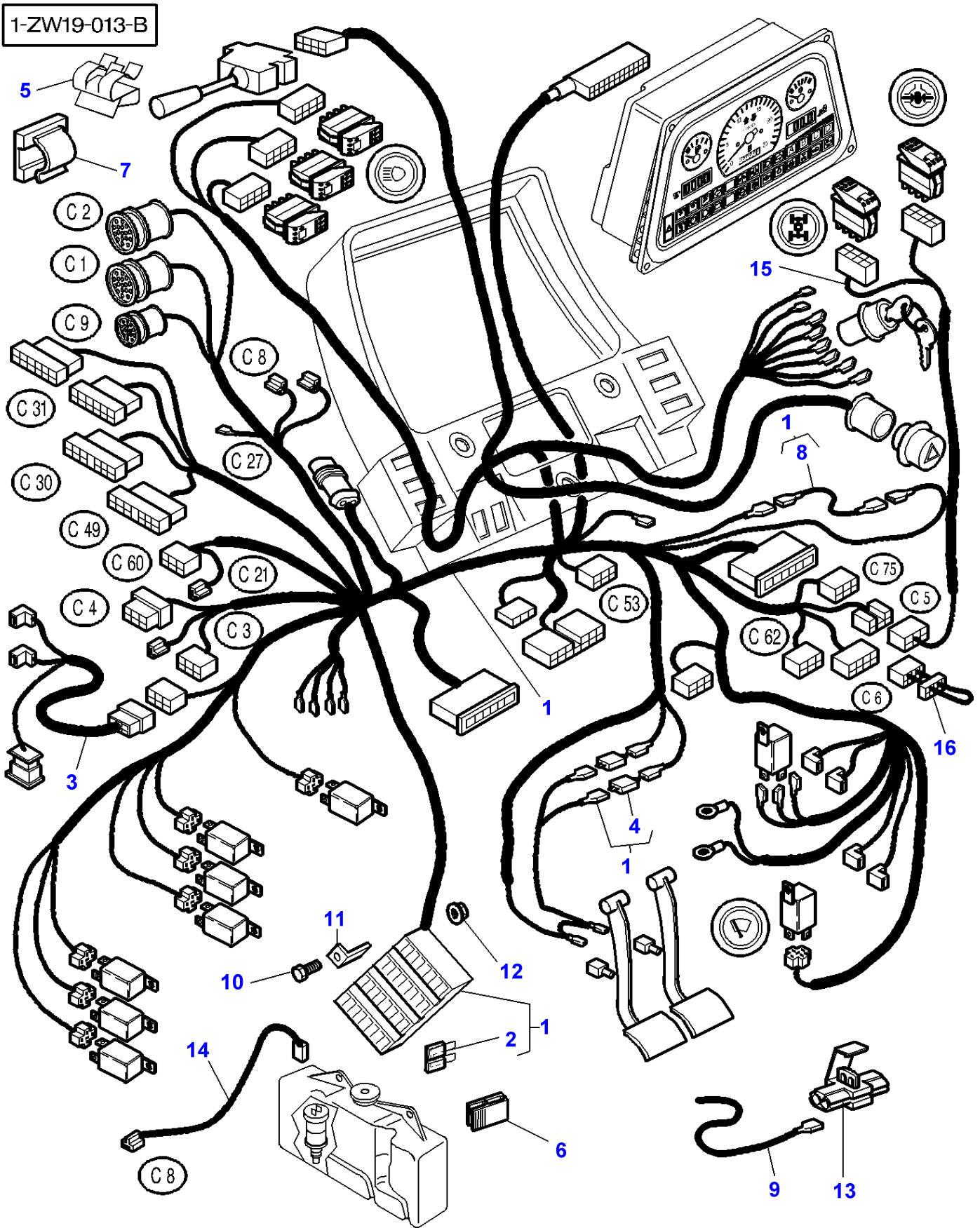
FOOTNOTE [A] WITH WAY LIGHTS FITTED ON THE CAB ROOF

FOOTNOTE [B] EXCEPT WAY LIGHTS FITTED ON THE CAB ROOF

FOOTNOTE [C] TRACTOR WITH PLATFORM

FOOTNOTE [D] NOT USED

MF 8210/8220 TRACTORS - 1637365
1-ZW19-013-B



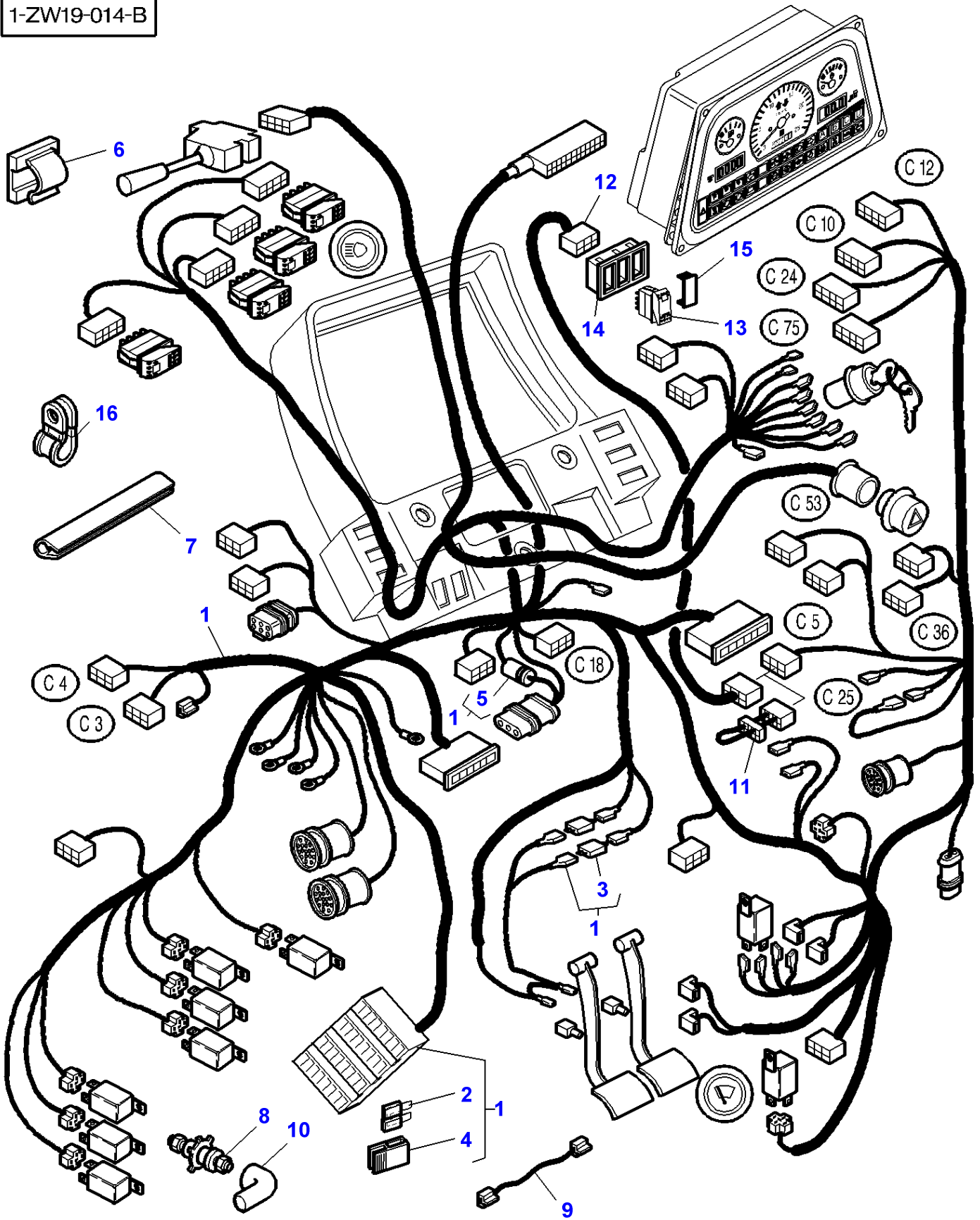
Item	Part Number	Qty	Description	Comments
1	3779744M97	1	Harness	
2	3580868M1	1	Fuse	(1) 3 AMP
	3387319M1	X	Fuse	(1) 7,5 AMP
	3620025M1	X	Fuse	(1) 10 AMP
	3620026M1	X	Fuse	(1) 15 AMP
	3387322M1	X	Fuse	(1) 25 AMP
	3712661M1	X	Fuse	(1) 30 AMP
3	3783857M1	1	Harness	
4	3777531M1	2	Diode	(1) 2X6AMP
5	3618680M1	1	Fastener	
6	3389401M1	1	Fastener	
7	3760697M1	X	Tie	
8	3781003M1	1	Wire	[B] (1)
9	3715702M2	1	Wire	
10	339160X1	4	Screw	M5X10
11	3782186M1	4	Support	
12	3010477X1	4	Nut Metric	
13	3042464M1	1	Union	
14	3777527M1	1	Wire	
15	3782986M1	1	Harness	[C] Up to Serial or Engine Number 07-NOV-2000
16	3785807M1	1	Harness	[C] From Serial or Engine Number 08-NOV-2000

FOOTNOTE [B] EXCEPT WAY LIGHTS FITTED ON THE CAB ROOF

FOOTNOTE [C] TRACTOR WITH PLATFORM

FOOTNOTE [D] NOT USED

1-ZW19-014-B



Item	Part Number	Qty	Description	Comments
1	3785038M93	1	Harness	Up to Serial or Engine Number L270016
	4270792M93	1	Harness	From Serial or Engine Number L270017
2	3580868M1	1	Fuse	(1) 3 AMP
	3387318M1	3	Fuse	(1) 5 AMP
	3387319M1	4	Fuse	(1) 7,5 AMP
	1695939M1	7	Fuse	(1) 10 AMP
	1695966M1	5	Fuse	(1) 15 AMP
	3780003M1	1	Fuse	(1) 20 AMP
	3387322M1	5	Fuse	(1) 25 AMP
	3712661M1	4	Fuse	(1) 30 AMP
3	3777531M1	2	Diode	(1)
4	3389401M1	1	Fastener	(1)
5	4271180M1	1	Resistor	(1) 5K
6	3760697M1	1	Tie	
7	3381232M1	1	Gasket	Length 140 MM
8	72500822	1	Terminal	
9	3781003M1	1	Wire	[A] Not for USA
10	3784666M1	1	Helmet	[B]
11	3785807M1	1	Harness	
12	3785797M1	1	Harness	[E,G,H] From Serial or Engine Number L114005
13	3785201M1	1	Switch,Indirect	[F] Two Wheel Drive
	3785202M1	1	Switch,Indirect	[F] Four Wheel Drive
14	3809798M1	1	Housing	
15	3713151M1	X	Tap	
16	3582289M1	2	Clamp	Diameter 25MM

FOOTNOTE [A] WITH WAY LIGHTS FITTED ON THE CAB ROOF

FOOTNOTE [B] RED

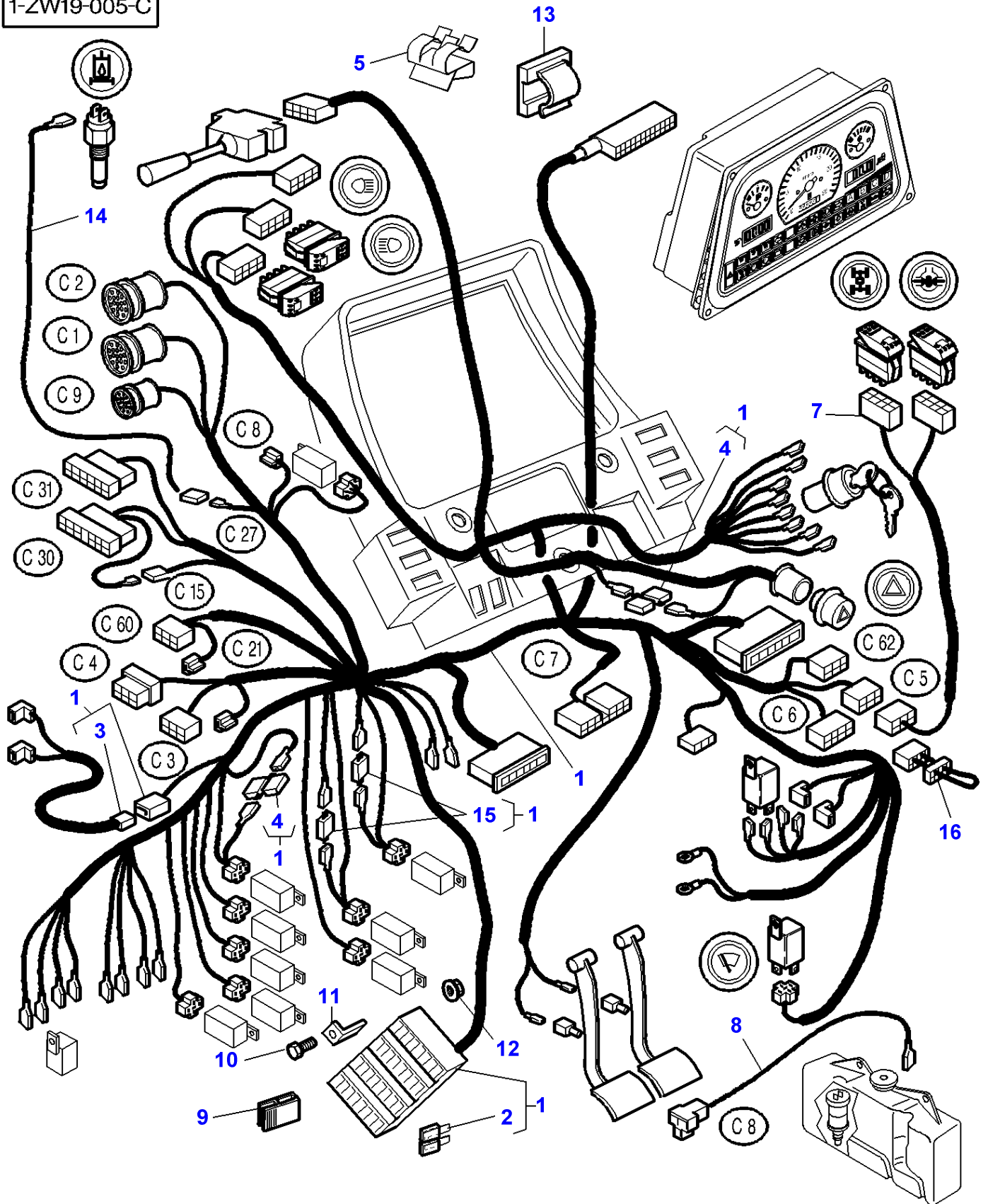
FOOTNOTE [E] WITHOUT CONTROL ARMREST

FOOTNOTE [F] DIFFERENTIAL LOCK

FOOTNOTE [G] WITH AUTODRIVE

FOOTNOTE [H] WITH SPEED MATCHING

1-ZW19-005-C



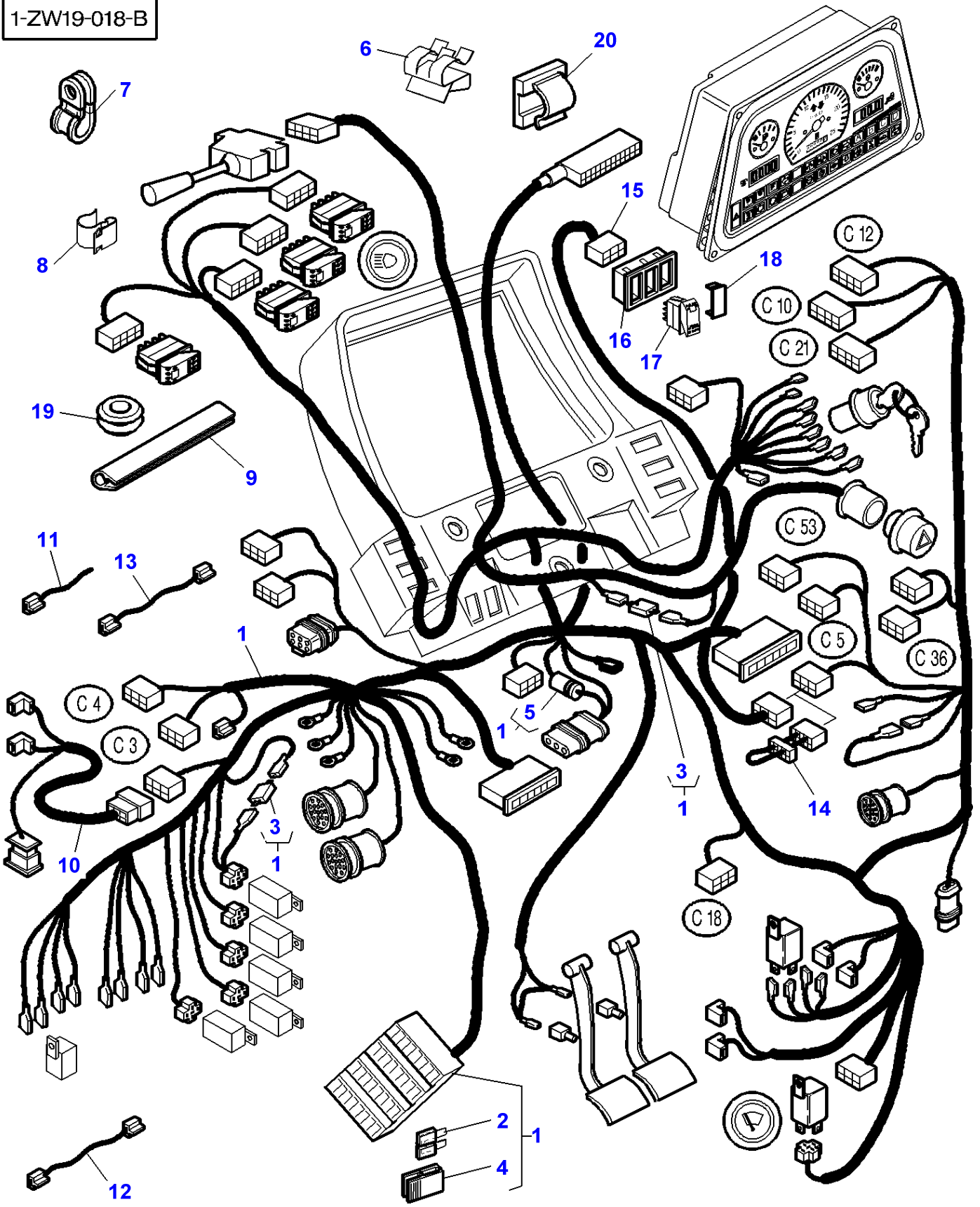
Item	Part Number	Qty	Description	Comments
1	3780445M95	1	Harness	Replace and repair. Old not interchangeable with new 3778522M92 Up to Serial or Engine Number J209023
2	3785297M91	1	Harness	From Serial or Engine Number J209024
	3580868M1	2	Fuse	(1) 3 AMP
	3387318M1	1	Fuse	(1) 5 AMP
	3387319M1	4	Fuse	(1) 7,5 AMP
	3620025M1	4	Fuse	(1) 10 AMP
	3620026M1	15	Fuse	(1) 15 AMP
	3780003M1	1	Fuse	(1) 20 AMP
	3387322M1	4	Fuse	(1) 25 AMP
	3712661M1	4	Fuse	(1) 30 AMP
3	3713090M1	1	Harness	(1)
4	3777531M1	2	Diode	(1) 2X6AMP
5	3618680M1	1	Fastener	
6	3782986M1	1	Harness	[A]
7	3782986M1	1	Harness	[A] Up to Serial or Engine Number 07-NOV-2000
8	3777527M1	1	Wire	
9	3389401M1	1	Fastener	
10	339160X1	4	Screw	M5X10
11	3782186M1	4	Support	
	3387325M1	4	Support	[A]
12	3010477X1	4	Nut Metric	
13	3760697M1	X	Tie	
14	3778737M1	1	Harness	
15	3779377M1	1	Diode	(1) 6AMP
16	3785807M1	1	Harness	[A] From Serial or Engine Number 08-NOV-2000

FOOTNOTE [A] TRACTOR WITH PLATFORM

FOOTNOTE [B] NOT USED

MF 8210/8220 TRACTORS - 1637365
1-ZW19-018-B

1-ZW19-018-B



Item	Part Number	Qty	Description	Comments
1	3784707M95	1	Harness	Up to Serial or Engine Number L270016
	4270794M93	1	Harness	From Serial or Engine Number L270017
2	3580868M1	2	Fuse	(1) 3 AMP
	3387318M1	1	Fuse	(1) 5 AMP
	3387319M1	5	Fuse	(1) 7,5 AMP
	1695939M1	6	Fuse	(1) 10 AMP
	1695966M1	8	Fuse	(1) 15 AMP
	3387322M1	3	Fuse	(1) 25 AMP
	3712661M1	5	Fuse	(1) 30 AMP
3	3777531M1	1	Diode	(1) 2X6 AMP
4	3389401M1	1	Fastener	(1)
5	4271180M1	1	Resistor	(1) 5K
6	3618680M1	1	Fastener	
7	3581424M1	2	Clamp	Diameter 30 MM
8	3582525M1	1	Tie	
9	3381232M1	1	Gasket	Length 140MM
10	3783857M1	1	Harness	
11	3785348M1	1	Harness	[A]
12	3785346M1	1	Harness	[A]
	3785347M1	1	Harness	[B]
13	3785349M1	1	Harness	[B]
14	3785807M1	1	Harness	
15	3785797M1	1	Harness	[E,F,G] From Serial or Engine Number L114005
16	3809798M1	1	Housing	
17	3785201M1	1	Switch,Indirect	[D] Two Wheel Drive
	3785202M1	1	Switch,Indirect	[D] Four Wheel Drive
18	3713151M1	X	Tap	
19	3784390M1	1	Grommet	Diameter 54-16
	3778369M2	1	Grommet	[A] Diameter 54-40
20	3760697M1	1	Tie	

FOOTNOTE [A] TRACTOR WITH PLATFORM

FOOTNOTE [B] TRACTOR WITH CAB

FOOTNOTE [C] NOT USED

FOOTNOTE [D] DIFFERENTIAL LOCK

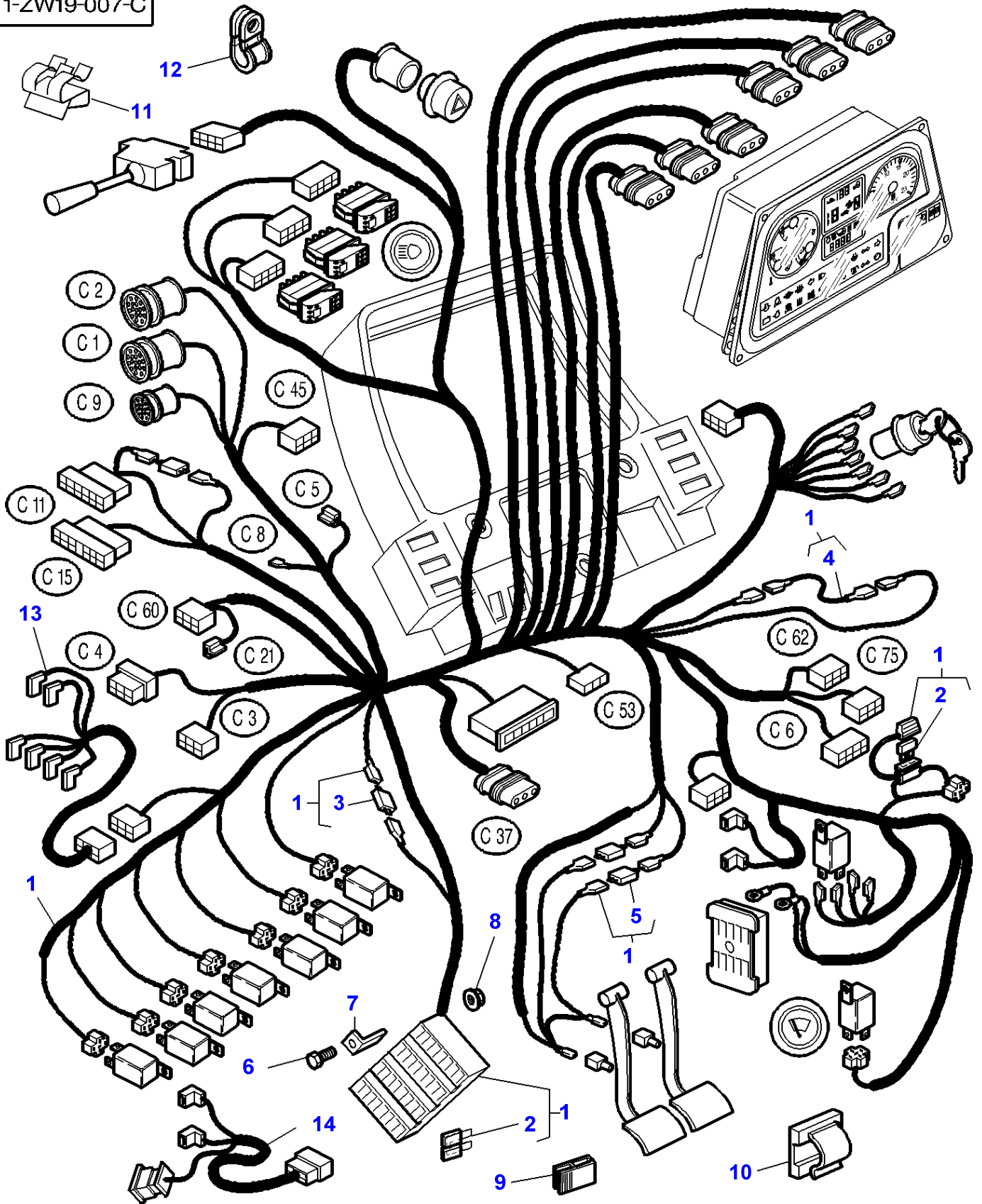
FOOTNOTE [E] WITHOUT CONTROL ARMREST

FOOTNOTE [F] WITH AUTODRIVE

FOOTNOTE [G] WITH SPEED MATCHING

MF 8210/8220 TRACTORS - 1637365
1-ZW19-007-C

1-ZW19-007-C



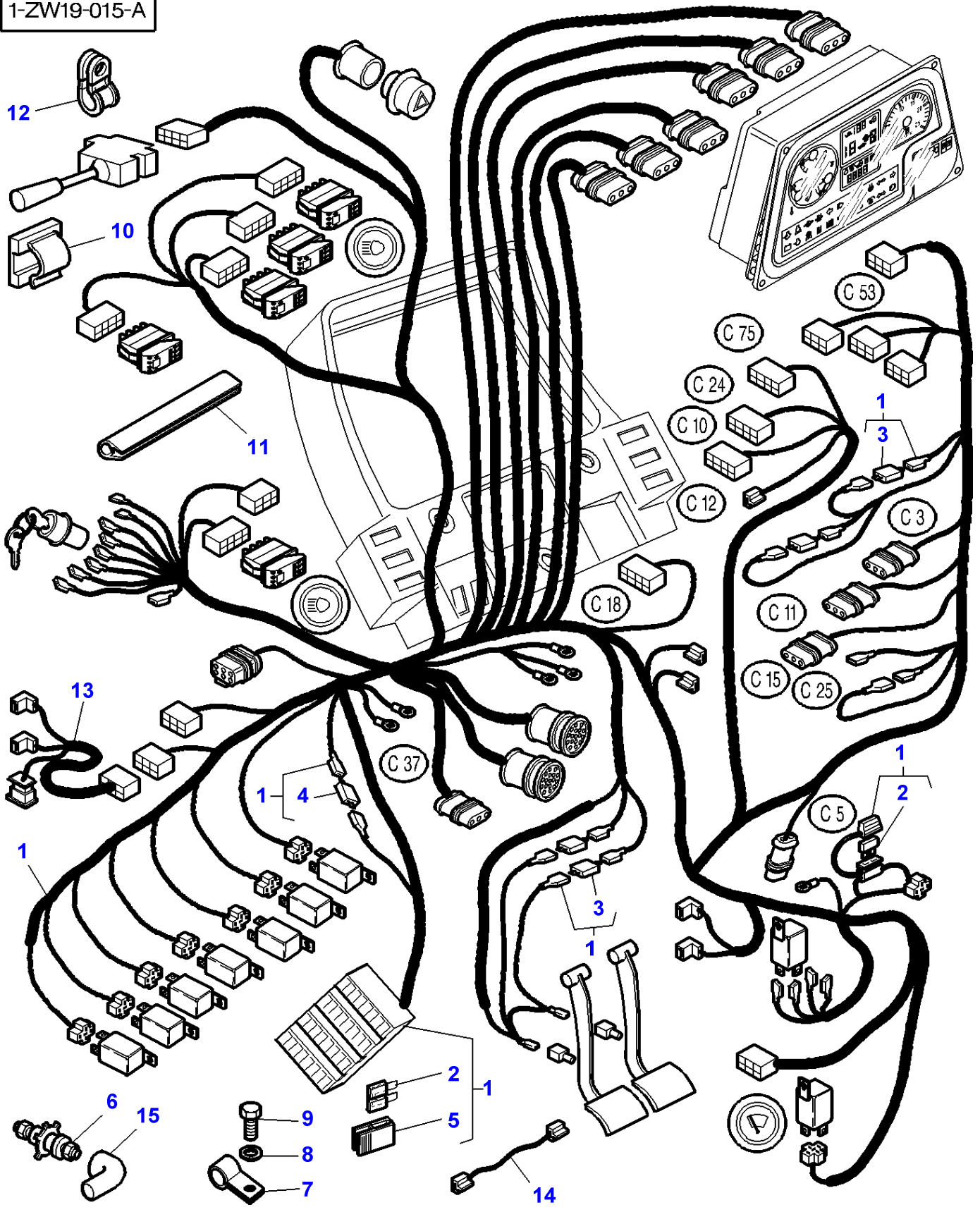
Item	Part Number	Qty	Description	Comments
1	3780154M96	1	Harness	Not for USA Not for Sweden
	3780156M96	1	Harness	For Sweden Up to Serial or Engine Number 25-09-2000
	3780154M96	1	Harness	For Sweden From Serial or Engine Number 26-09-2000
	3780159M96	1	Harness	[A] Not for USA Not for Sweden Up to Serial or Engine Number J207017
	3780154M96	1	Harness	[A] Not for USA Not for Sweden From Serial or Engine Number J207018
2	3580868M1	2	Fuse	(1) 3 AMP.
	3387319M1	3	Fuse	(1) 7.5 AMP.
	1695939M1	3	Fuse	(1) 10 AMP.
	1695966M1	6	Fuse	(1) 15 AMP.
	3387322M1	3	Fuse	(1) 25 AMP.
	3712661M1	6	Fuse	(1) 30 AMP.
3	3783014M1	1	Diode	(1)
4	3781003M1	1	Wire	[B] (1)
5	3777531M1	2	Diode	(1)
6	339160X1	4	Screw	M5X10
7	3387325M1	4	Support	
8	3010477X1	4	Nut Metric	M5
9	3389401M1	1	Fastener	
10	3760697M1	X	Tie	
11	3618680M1	1	Fastener	
12	3581424M1	2	Clamp	
13	3780415M1	1	Harness	Up to Serial or Engine Number J032030
14	3783857M1	1	Harness	From Serial or Engine Number J032031

FOOTNOTE [A] WITH WAY LIGHTS FITTED ON THE CAB ROOF

FOOTNOTE [B] EXCEPT WAY LIGHTS FITTED ON THE CAB ROOF

MF 8210/8220 TRACTORS - 1637365
1-ZW19-015-A

1-ZW19-015-A

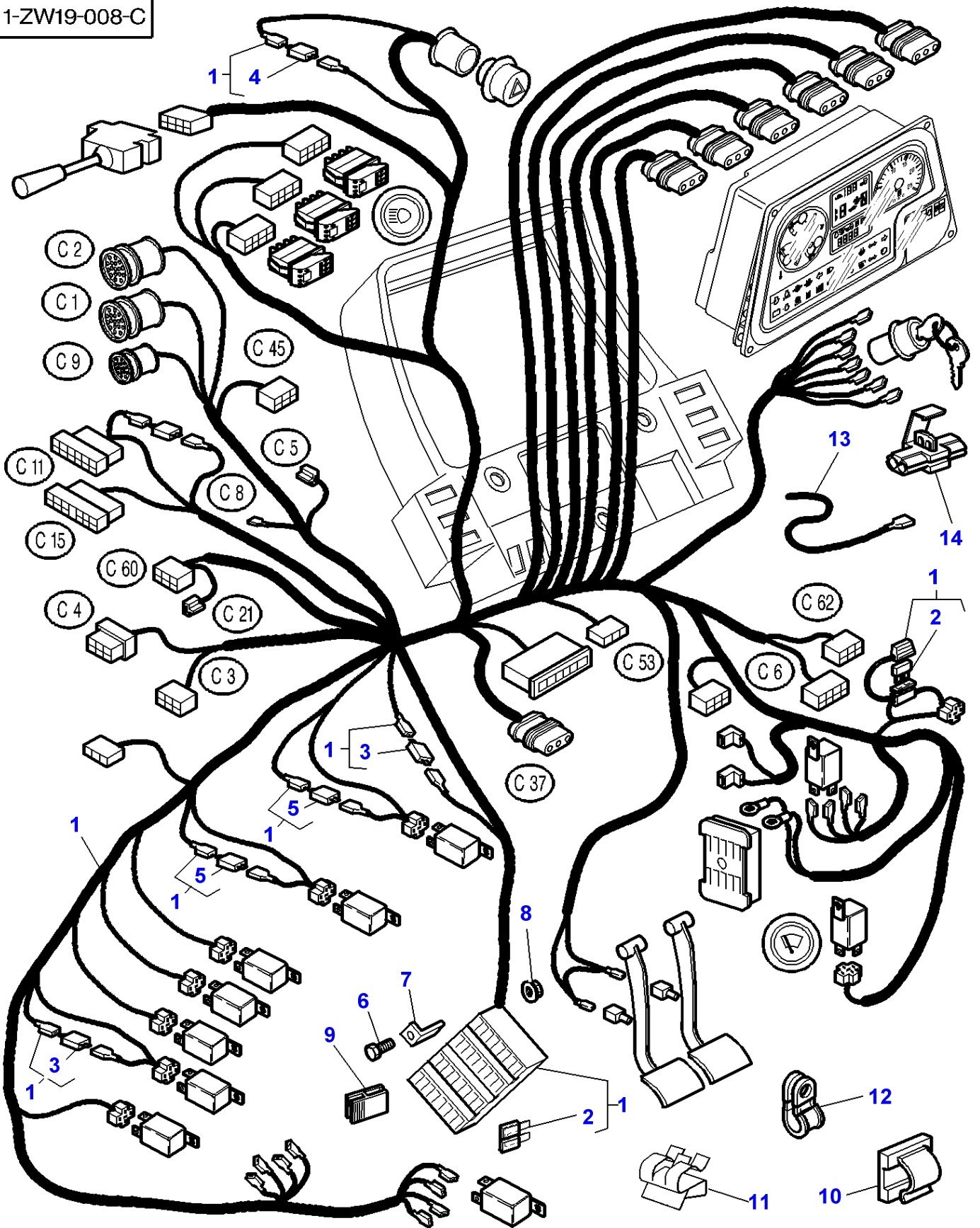


Item	Part Number	Qty	Description	Comments
1	3784579M93	1	Harness	Up to Serial or Engine Number L270016
	4270793M92	1	Harness	From Serial or Engine Number L270017
2	3580868M1	1	Fuse	(1) 3 AMP
	3387318M1	1	Fuse	(1) 5 AMP
	3387319M1	5	Fuse	(1) 7,5 AMP
	1695939M1	7	Fuse	(1) 10 AMP
	1695966M1	7	Fuse	(1) 15 AMP
	3780003M1	1	Fuse	(1) 20 AMP
	3387322M1	5	Fuse	(1) 25 AMP
	3712661M1	4	Fuse	(1) 30 AMP
3	3777531M1	4	Diode	(1) 2X6 AMP
4	3783014M1	1	Diode	(1)
5	3389401M1	1	Fastener	(1)
6	72500822	1	Terminal	
7	3581507M1	1	Clamp	Diameter 18MM
8	390972X1	1	Washer Metric	
9	339123X1	1	Hex. Sock. Screw	M8X20
10	3760697M1	1	Tie	
11	3580695M1	1	Gasket	Length 140MM
12	3581424M1	2	Clamp	Diameter 30MM
13	3783857M1	1	Harness	
14	3781003M1	1	Wire	[A] Not for USA
15	3784666M1	1	Helmet	[B]

FOOTNOTE [A] WITH WAY LIGHTS FITTED ON THE CAB ROOF

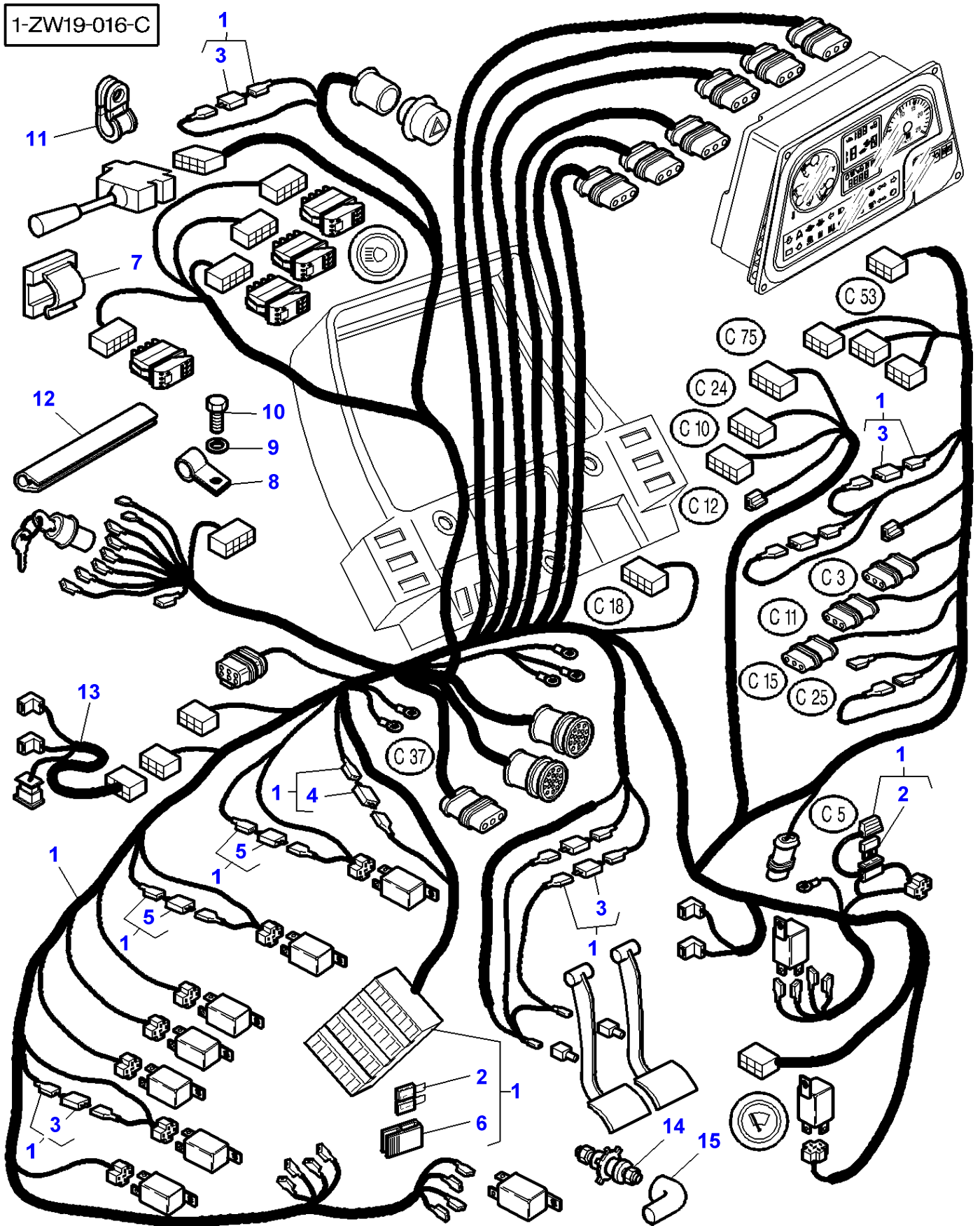
FOOTNOTE [B] RED

1-ZW19-008-C



Item	Part Number	Qty	Description	Comments
1	3780161M96	1	Harness	Up to Serial or Engine Number J208015
	3785296M91	1	Harness	From Serial or Engine Number J208016
2	3580868M1	3	Fuse	(1) 3 AMP.
	3387319M1	3	Fuse	(1) 7.5 AMP.
	1695939M1	3	Fuse	(1) 10 AMP.
	1695966M1	7	Fuse	(1) 15 AMP.
	3387322M1	3	Fuse	(1) 25 AMP.
	3712661M1	4	Fuse	(1) 30 AMP.
	3780003M1	1	Fuse	(1) 20 AMP.
3	3783014M1	1	Diode	(1)
4	3777531M1	2	Diode	(1)
5	3779377M1	2	Diode	(1)
6	339160X1	4	Screw	M5X10
7	3387325M1	4	Support	
8	3010477X1	4	Nut Metric	M5
9	3389401M1	1	Fastener	
10	3760697M1	X	Tie	
11	3618680M1	1	Fastener	
12	3581424M1	2	Clamp	
13	3715702M2	1	Wire	Up to Serial or Engine Number
14	3042464M1	1	Union	

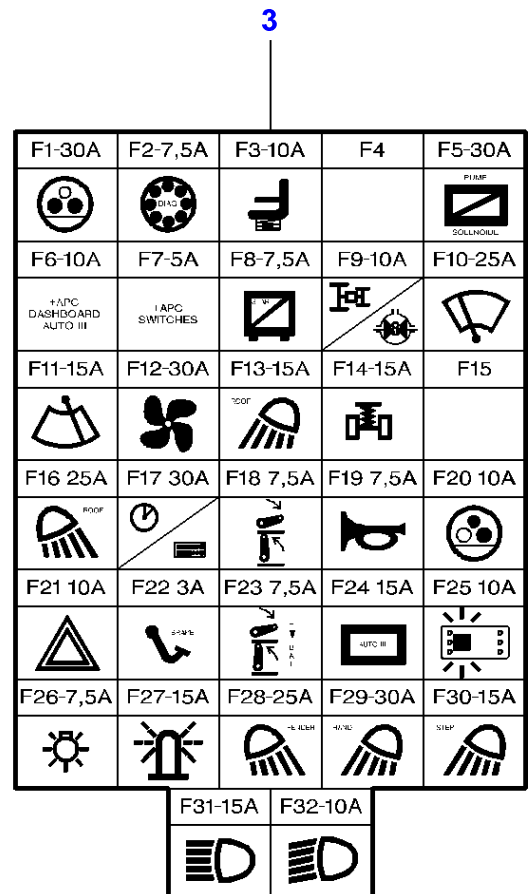
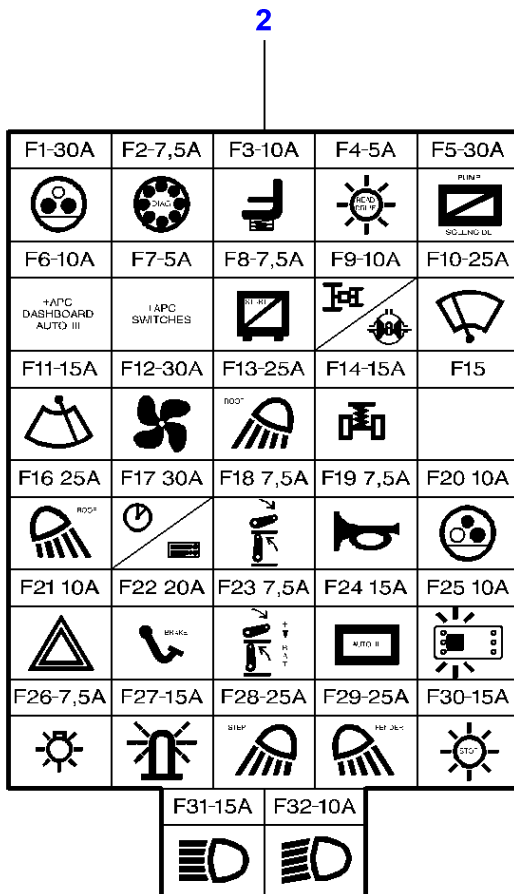
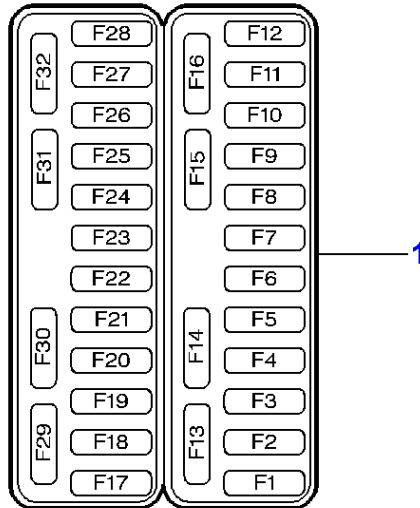
MF 8210/8220 TRACTORS - 1637365
1-ZW19-016-C



Item	Part Number	Qty	Description	Comments
1	3784709M94	1	Harness	Up to Serial or Engine Number L270016
	4271171M92	1	Harness	From Serial or Engine Number L270017
2	3580868M1	1	Fuse	(1) 3 AMP
	3387318M1	1	Fuse	(1) 5 AMP
	3387319M1	5	Fuse	(1) 7,5 AMP
	1695939M1	7	Fuse	(1) 10 AMP
	1695966M1	8	Fuse	(1) 15 AMP
	3780003M1	1	Fuse	(1) 20 AMP
	3387322M1	2	Fuse	(1) 25 AMP
	3712661M1	6	Fuse	(1) 30 AMP
3	3777531M1	4	Diode	(1) 2X6 AMP
4	3783014M1	1	Diode	(1)
5	3779377M1	2	Diode	(1) 6 AMP
6	3389401M1	1	Fastener	(1)
7	3760697M1	1	Tie	
8	3581507M1	1	Clamp	Diameter 18MM
9	390972X1	1	Washer Metric	
10	339123X1	1	Hex. Sock. Screw	M8X20
11	3581424M1	2	Clamp	Diameter 30MM
12	3580695M1	1	Gasket	Length 140MM
13	3783857M1	1	Harness	
14	72500822	1	Terminal	
15	3784666M1	1	Helmet	

MF 8210/8220 TRACTORS - 1637365
1-ZW41-002-B

1-ZW41-002-B



Massey Ferguson

MF 8210/8220 TRACTORS - 1637365

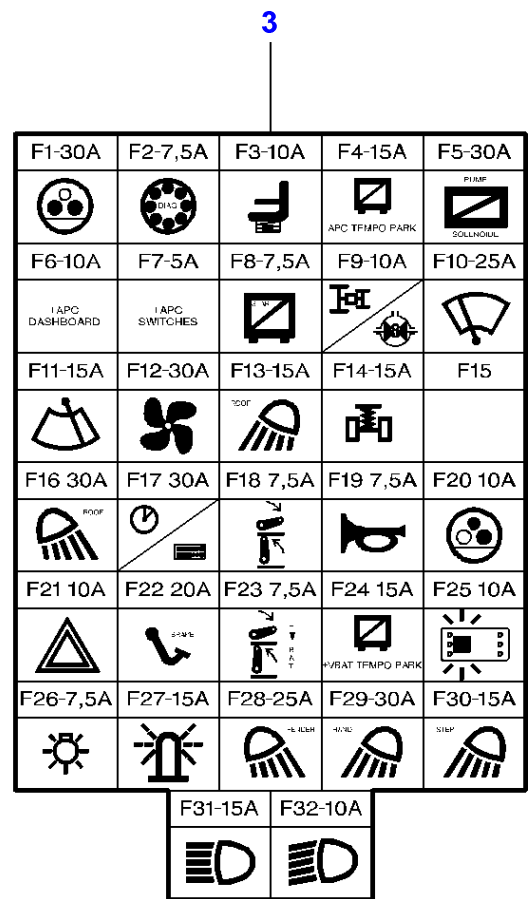
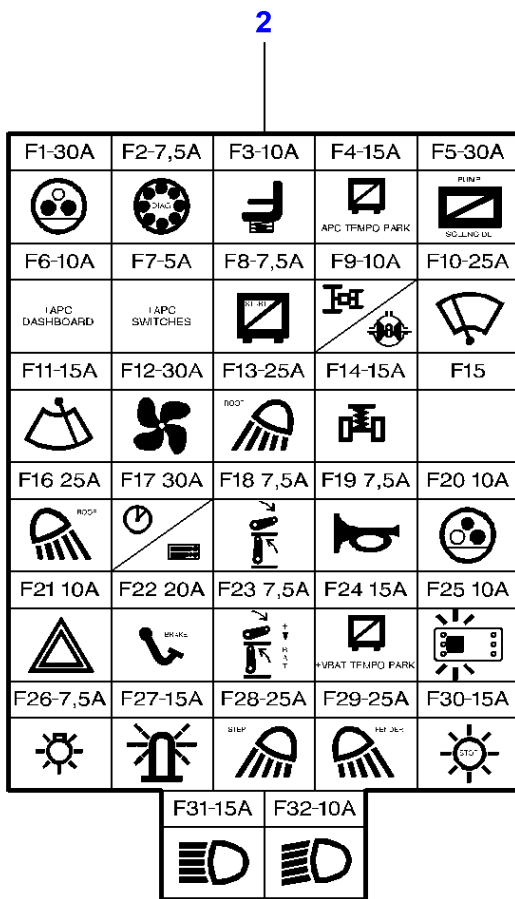
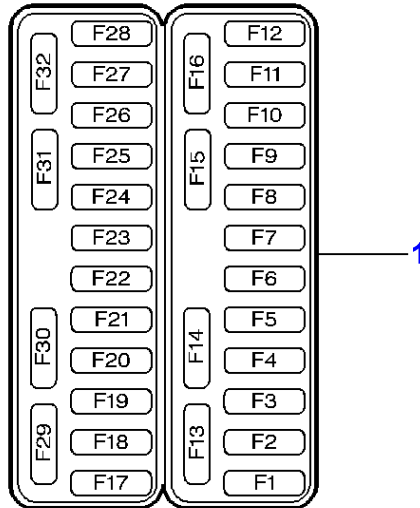
1637365

INSTRUMENT PANEL HARNESS - DECALS - With Dynashift - From 08-01-2001

Page080-0105

Item	Part Number	Qty	Description	Comments
1	3785764M1	1	Decal	
2	3785765M2	1	Decal	Not for USA
3	3785917M2	1	Decal	For United States of America

1-ZW41-003-B



Massey Ferguson

MF 8210/8220 TRACTORS - 1637365

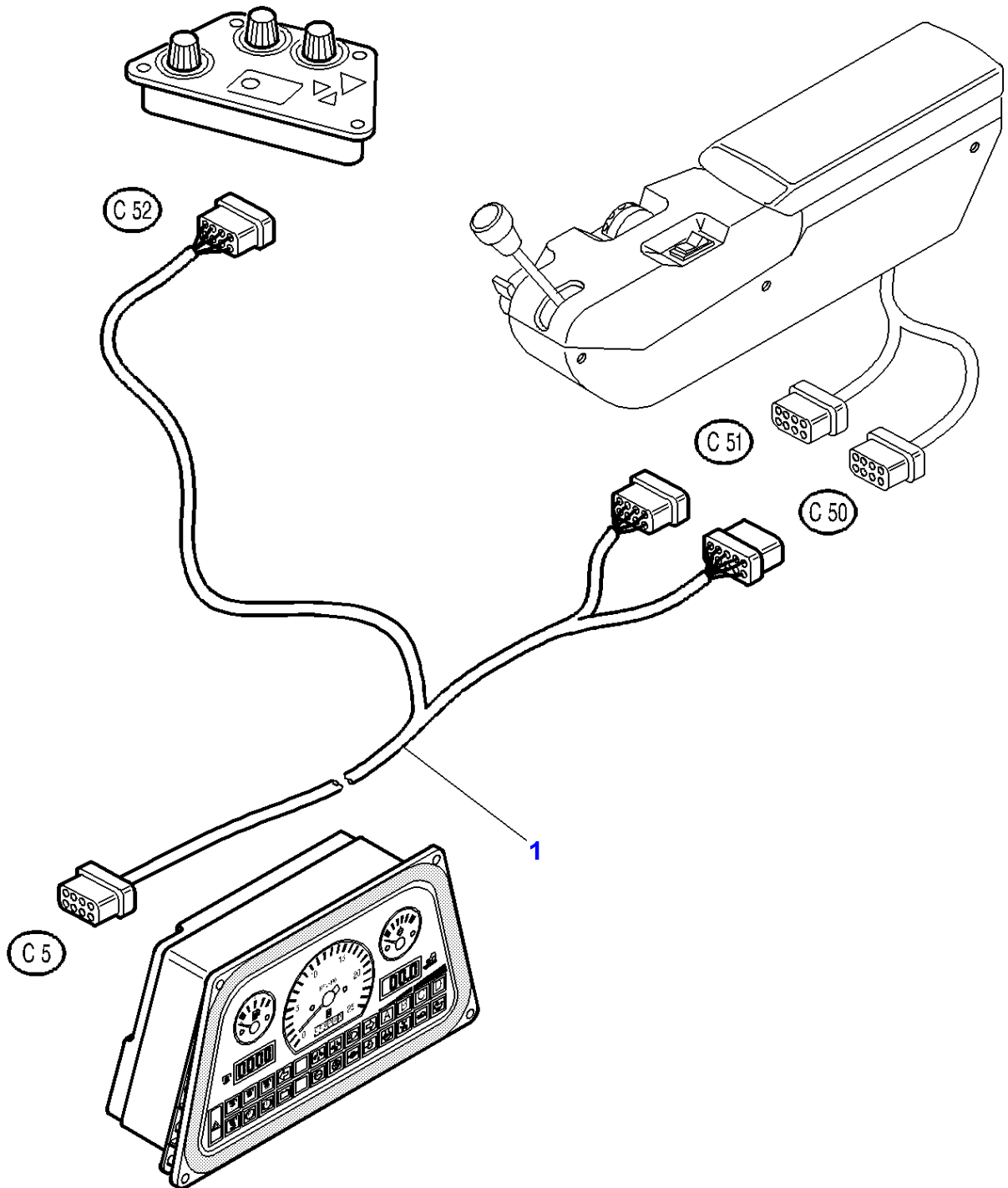
1637365

INSTRUMENT PANEL HARNESS - DECALS - With Full Powershift - From 08-01-2001

Page080-0110

Item	Part Number	Qty	Description	Comments
1	3785764M1	1	Decal	
2	3785918M2	1	Decal	Not for USA
3	3785919M2	1	Decal	For United States of America

1-ZW18-001-A



Massey Ferguson

MF 8210/8220 TRACTORS - 1637365

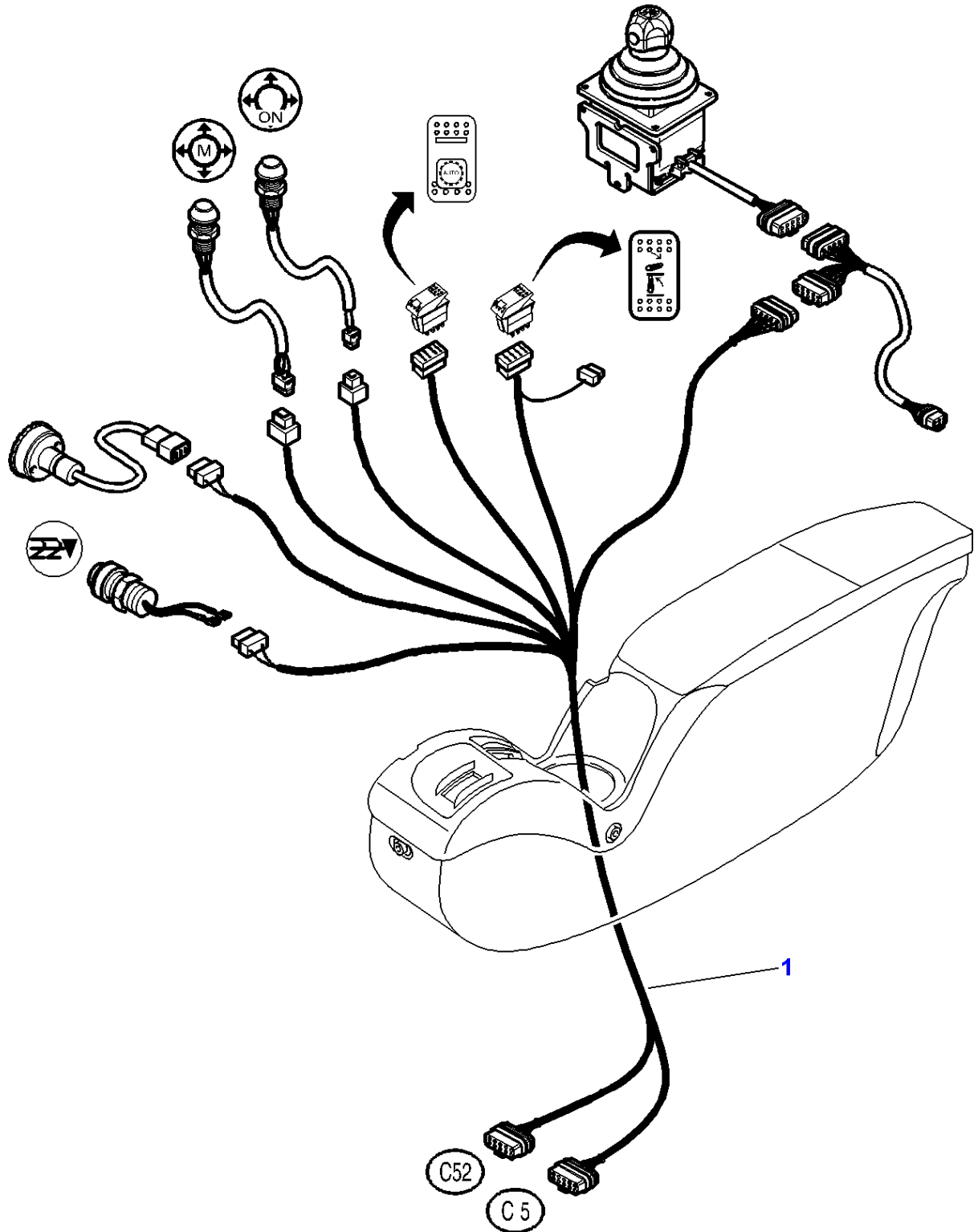
1637365

INSTRUMENT PANEL HARNESS - ARMREST - Up to Serial or Engine Number 07-01-2001

Page080-0115

Item	Part Number	Qty	Description
1	3778514M1	1	Harness

1-ZW18-002-B



Massey Ferguson

MF 8210/8220 TRACTORS - 1637365

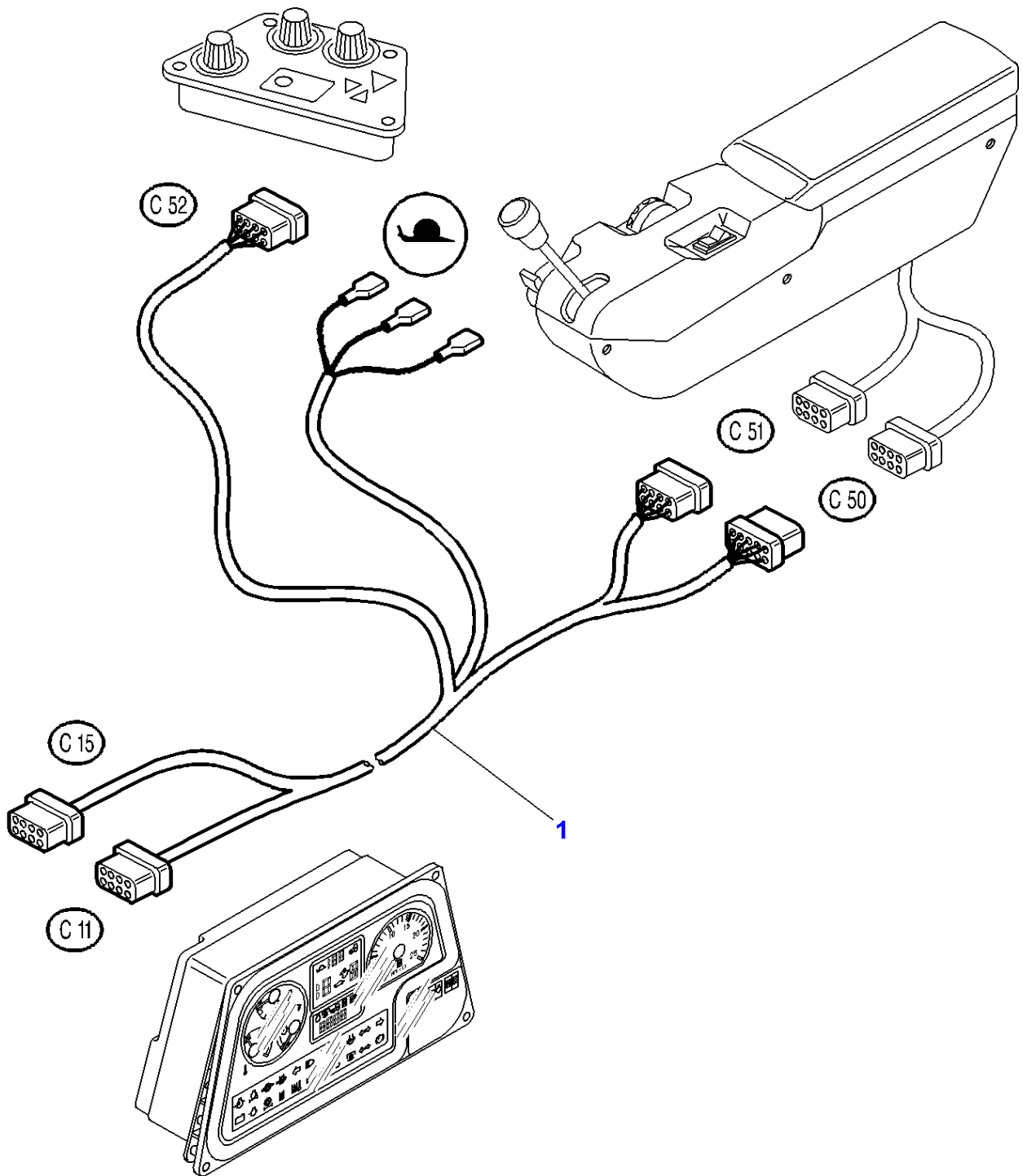
1637365

INSTRUMENT PANEL HARNESS - ARMREST - With Dynashift - From 08-01-2001

Page080-0120

Item	Part Number	Qty	Description	Comments
1	3783779M1	1	Harness	Up to Serial or Engine Number L347041
	4271666M1	1	Harness	From Serial or Engine Number L347042

1-ZW24-001-A



Massey Ferguson

MF 8210/8220 TRACTORS - 1637365

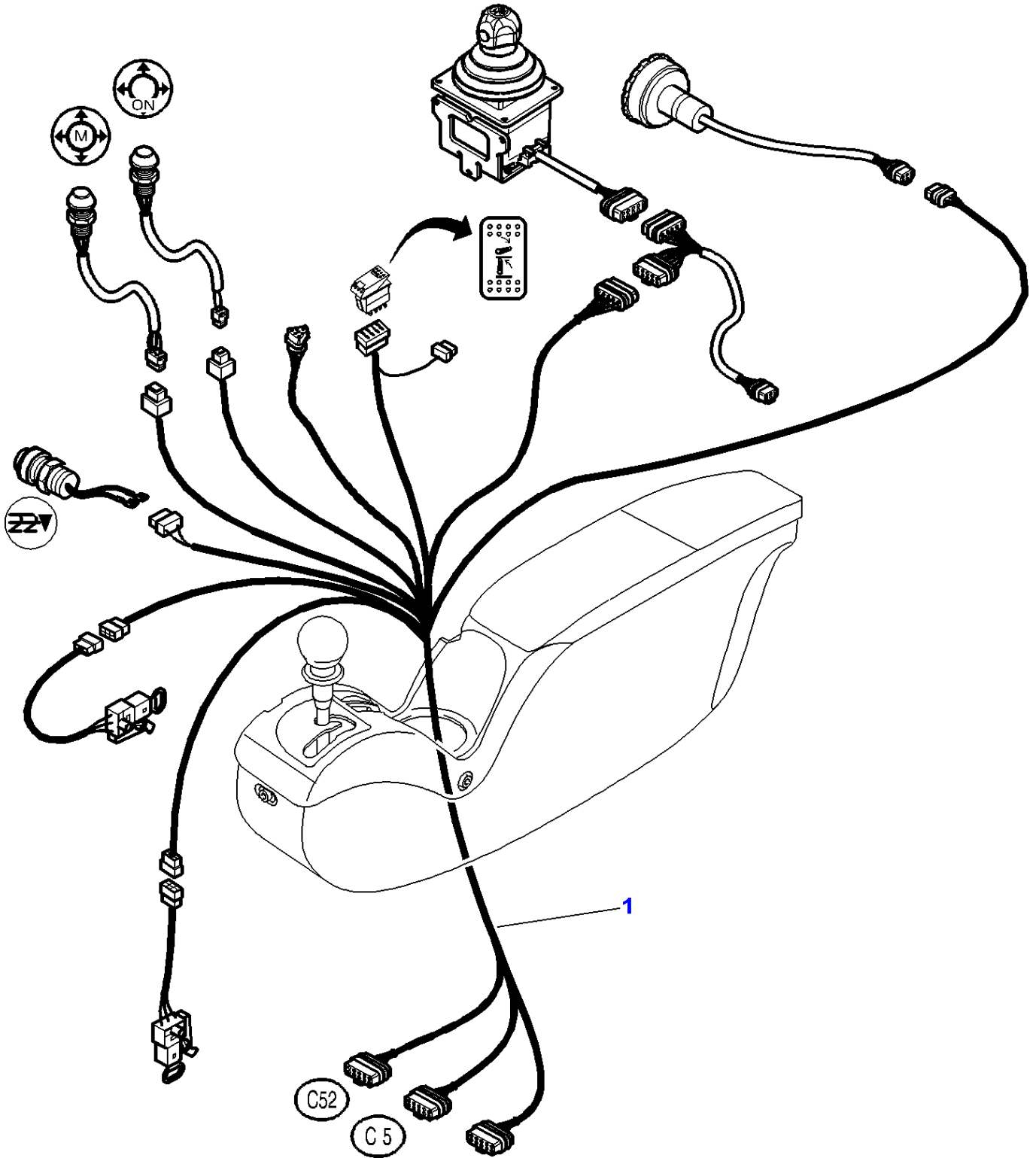
1637365

FULL POWERSHIFT CONTROL HARNESS - ARMREST - Up to Serial or Engine Number 07-01-2001

Page080-0125

Item	Part Number	Description
1	3777521M1	Harness

1-ZW24-002-B



Massey Ferguson

MF 8210/8220 TRACTORS - 1637365

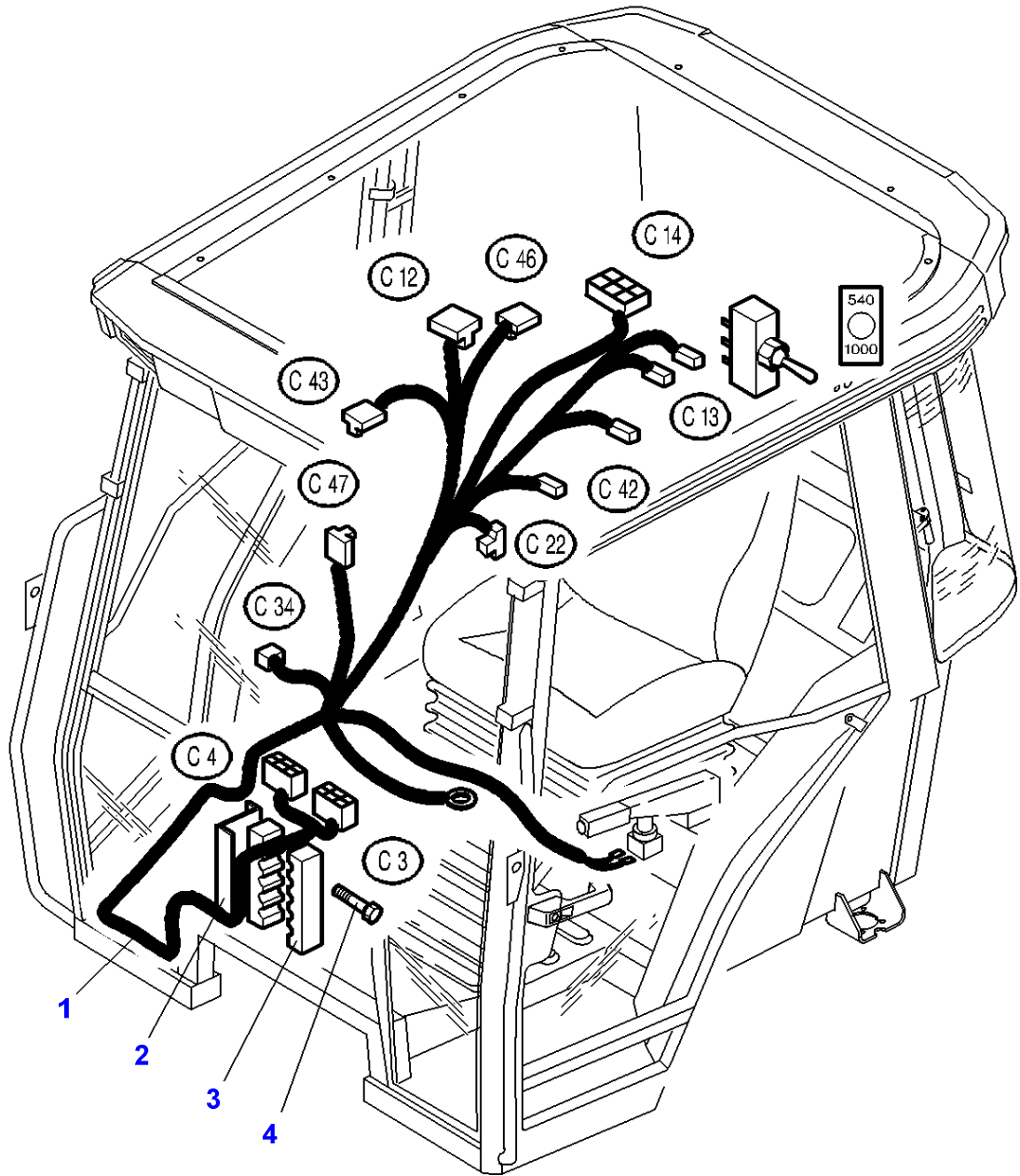
1637365

FULL POWERSHIFT CONTROL HARNESS - ARMREST - From Serial or Engine Number 08-01-2001

Page080-0130

Item	Part Number	Qty	Description	Comments
1	3784426M1	1	Harness	Up to Serial or Engine Number L347041
	4271666M1	1	Harness	From Serial or Engine Number L347042

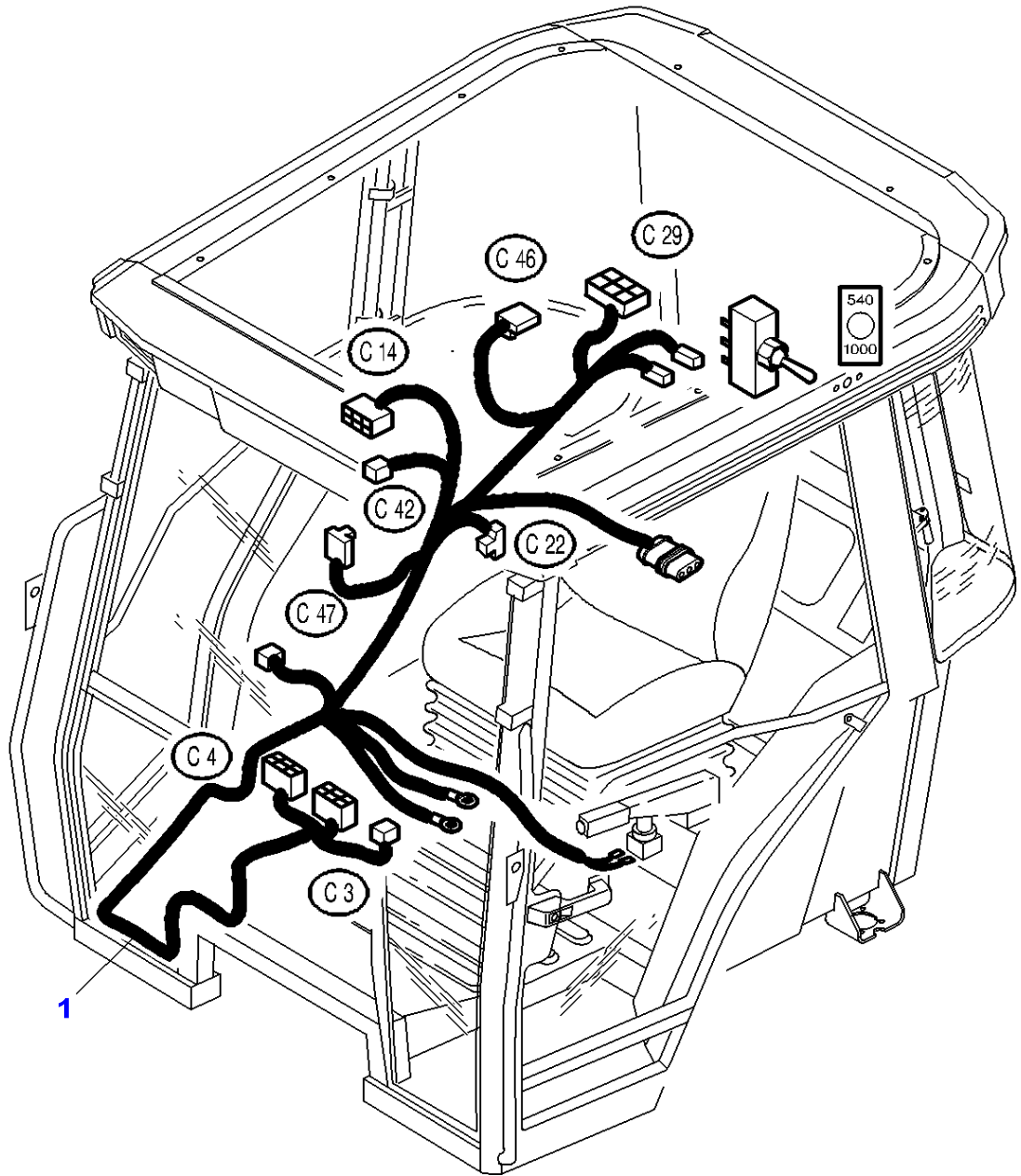
1-ZW23-003-B



Massey Ferguson**MF 8210/8220 TRACTORS - 1637365****1637365****Harness Console - With Dynashift - Up To 07-01-2001****Page080-0135**

Item	Part Number	Qty	Description	Comments
1	3782541M3	1	Harness	
2	3583308M92	1	Bridle	
3	3713556M3	2	Bridle	
4	391074X1	1	Hex. Sock. Screw	M6 X 12
	391884X1	1	Bolt Metric	M6 X 50

1-ZW23-005-A



Massey Ferguson

MF 8210/8220 TRACTORS - 1637365

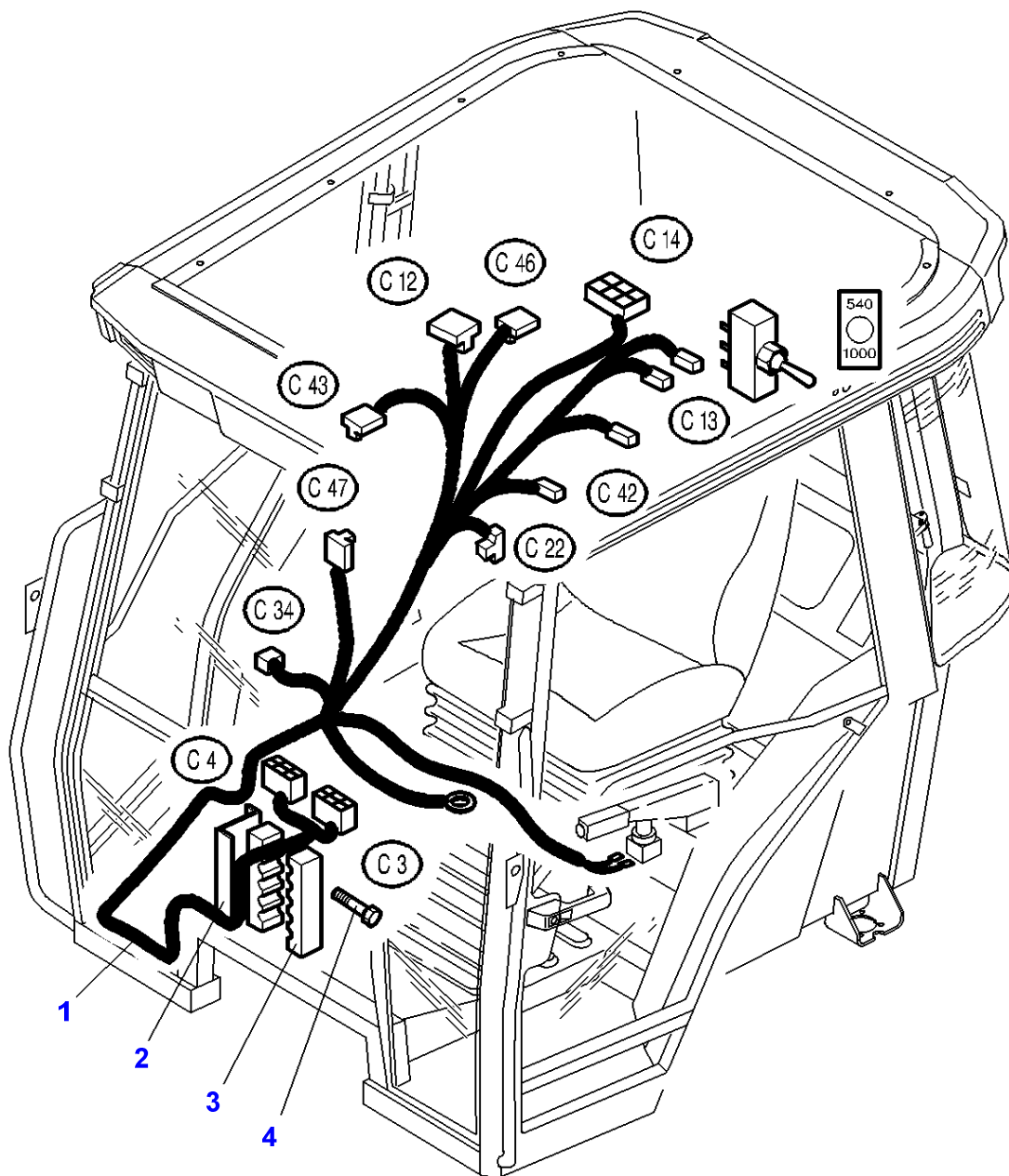
1637365

Harness Console - With Dynashift - From 08-01-2001

Page080-0140

Item	Part Number	Qty	Description
1	3783770M1	1	Harness

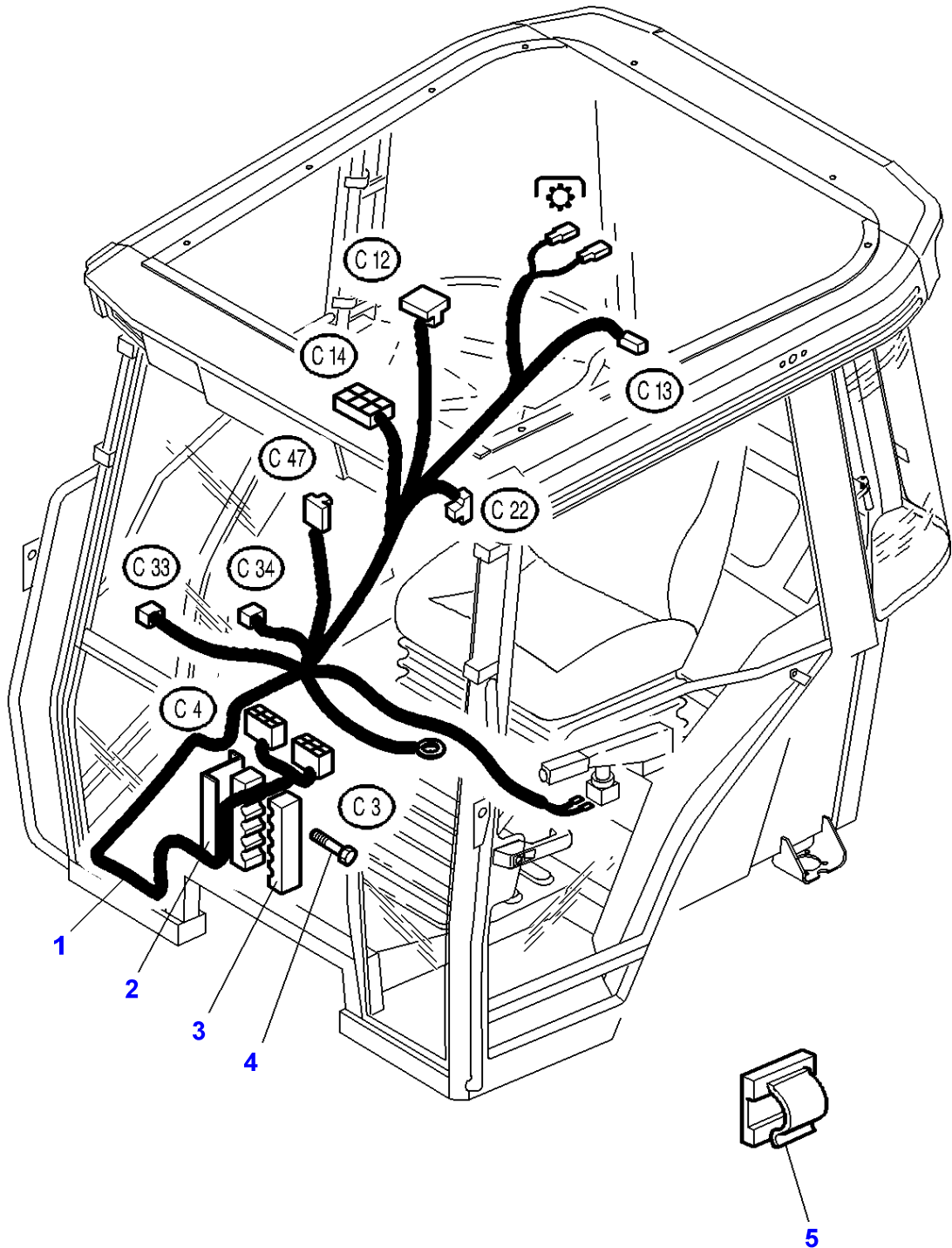
1-ZW23-001-A



Massey Ferguson**MF 8210/8220 TRACTORS - 1637365****1637365****Harness Console - With High Visibility Roof-Dyna-Way Lights Fitted O n The Cab Roof Up To 07-JAN-2001****Page080-0145**

Item	Part Number	Qty	Description	Comments
1	3778515M1	1	Harness	
2	3583308M92	1	Bridle	
3	3713556M3	2	Bridle	
4	391074X1	1	Hex. Sock. Screw	M6 X 12
	391884X1	1	Bolt Metric	M6 X 50

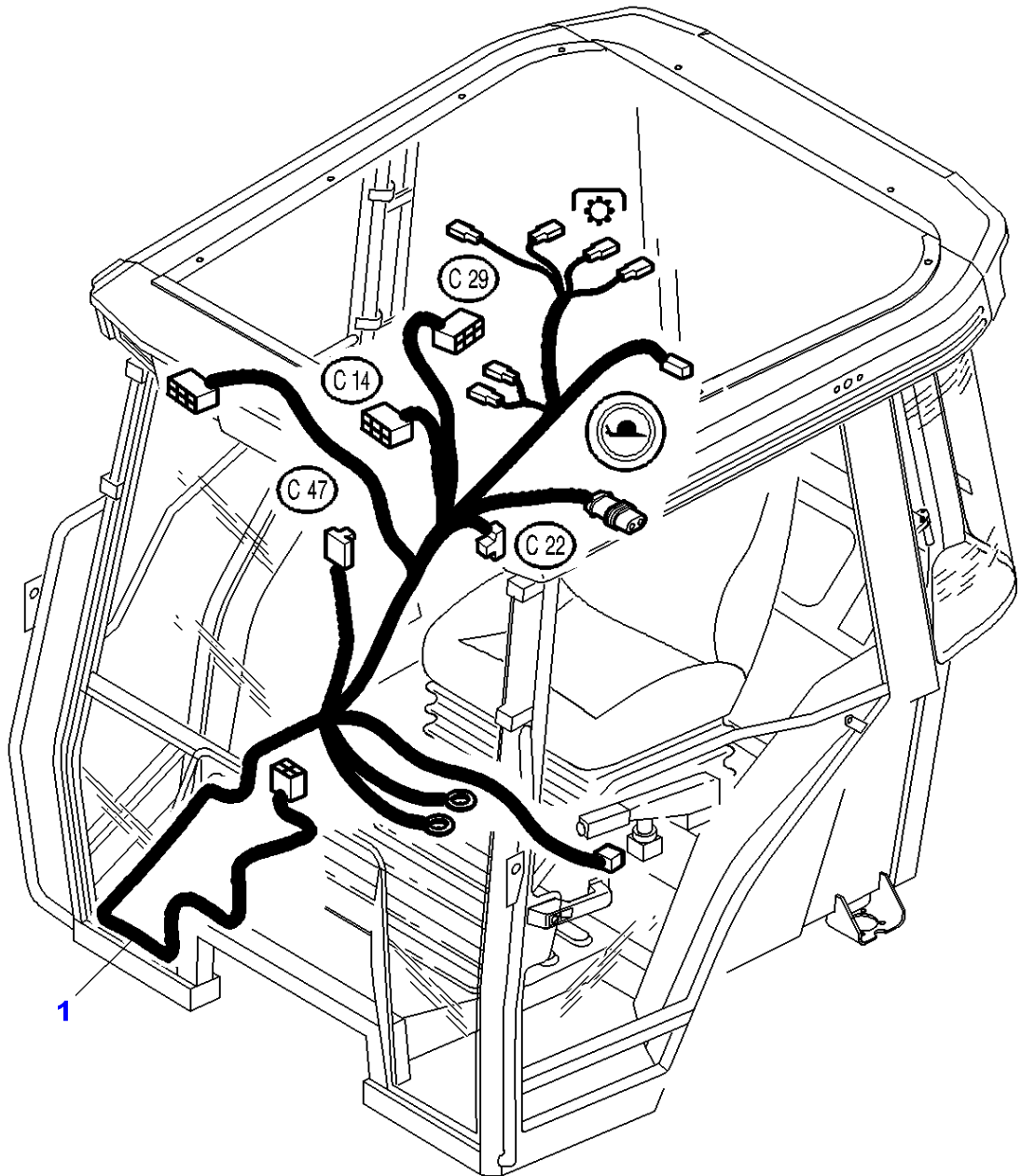
1-ZW23-004-A



Massey Ferguson**MF 8210/8220 TRACTORS - 1637365****1637365****Harness Console - With Full Powershift - Up To 07-01-2001****Page080-0150**

Item	Part Number	Qty	Description	Comments
1	3777520M1	1	Harness	
2	3583308M92	1	Bridle	
3	3713556M3	2	Bridle	
4	391074X1	1	Hex. Sock. Screw	M6 X 12
	391884X1	1	Bolt Metric	M6 X 50
5	3760697M1	X	Tie	

1-ZW23-006-A



Massey Ferguson

MF 8210/8220 TRACTORS - 1637365

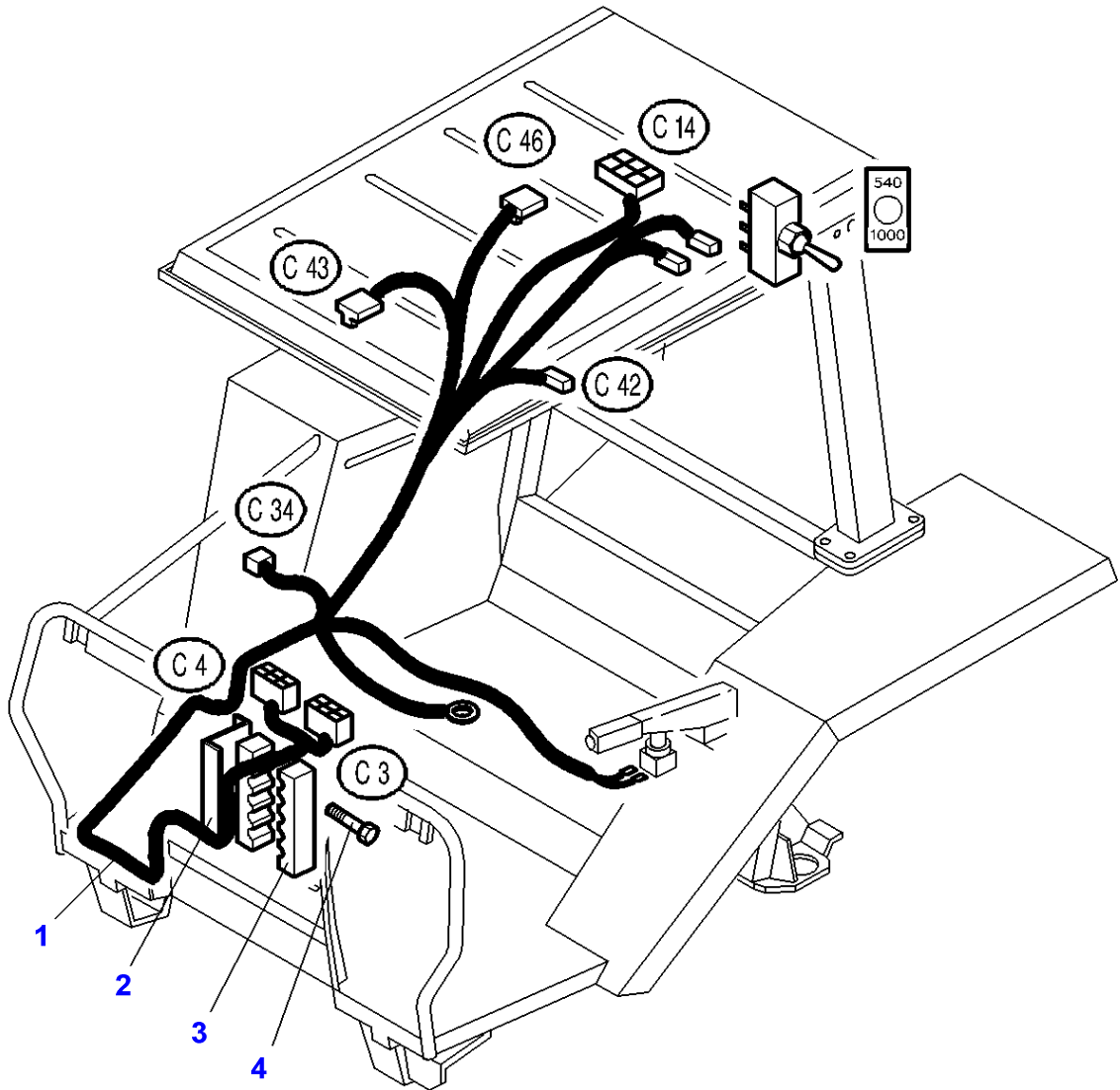
1637365

Harness Console - With Full Powershift - From 08-01-2001

Page080-0155

Item	Part Number	Qty	Description
1	3784581M1	1	Harness

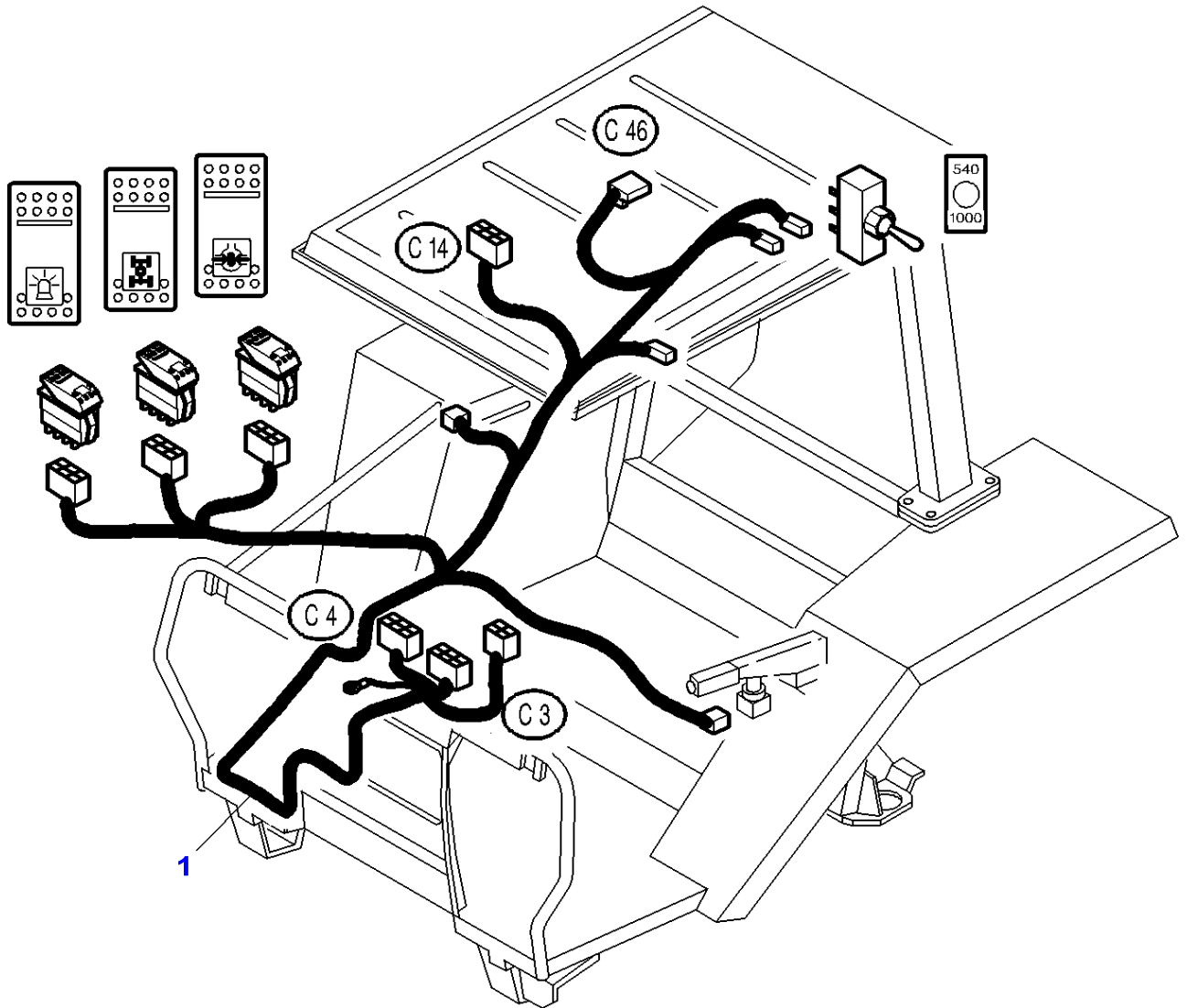
1-ZW30-001-A



Massey Ferguson**MF 8210/8220 TRACTORS - 1637365****1637365****HARNESS CONSOLE - Platform - Up to Serial or Engine Number 07-01-2001****Page080-0160**

Item	Part Number	Qty	Description	Comments
1	3778806M1	1	Harness	
2	3583308M92	1	Bridle	
3	3713556M3	2	Bridle	
4	391074X1	1	Hex. Sock. Screw	M6X12
	391884X1	1	Bolt Metric	M6X50

1-ZW30-002-A



Massey Ferguson

MF 8210/8220 TRACTORS - 1637365

1637365

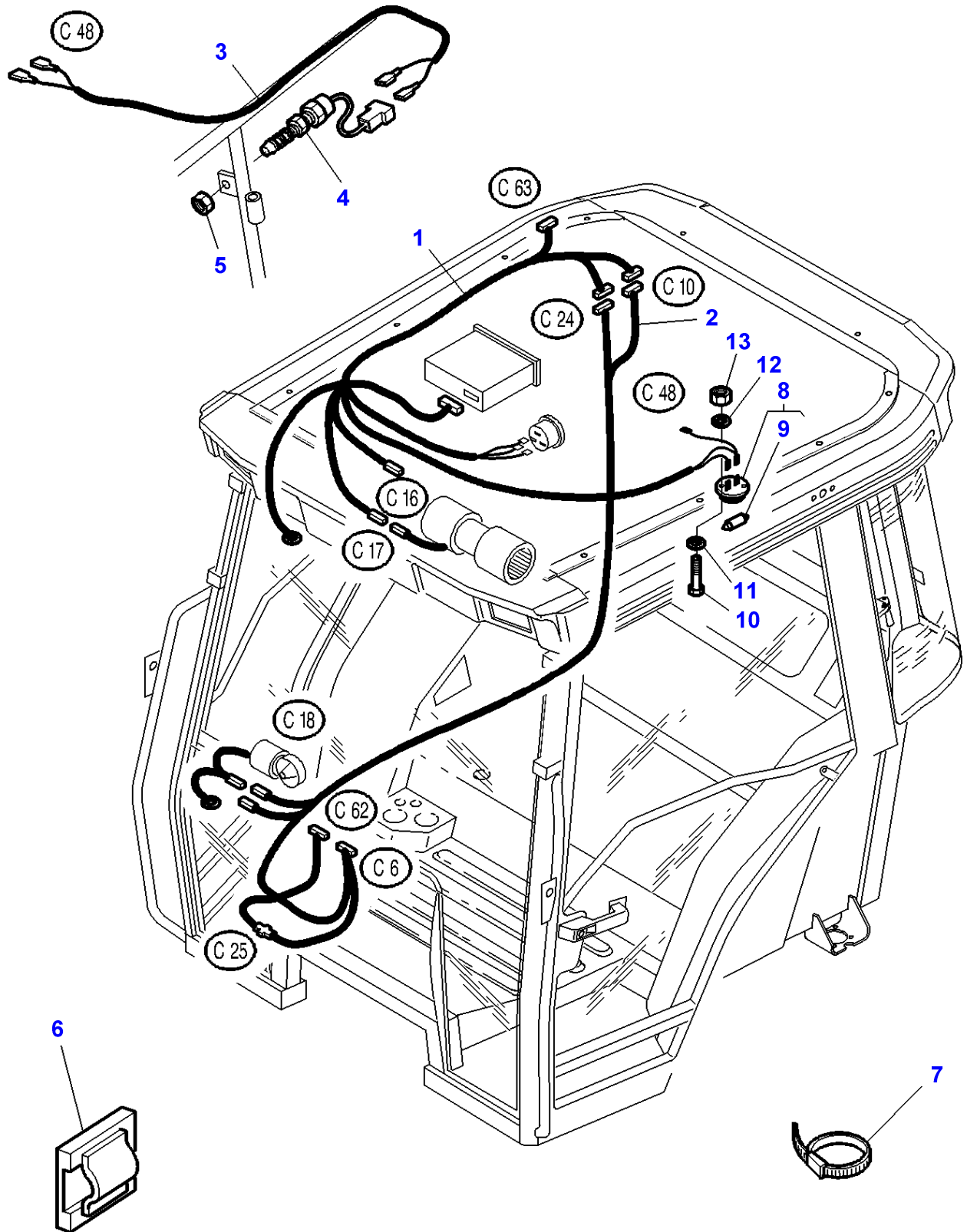
HARNESS CONSOLE - Platform - From Serial or Engine Number 08-01-2001

Page080-0165

Item	Part Number	Qty	Description
1	3786035M1	1	Harness

MF 8210/8220 TRACTORS - 1637365
1-ZW22-002-B

1-ZW22-002-B

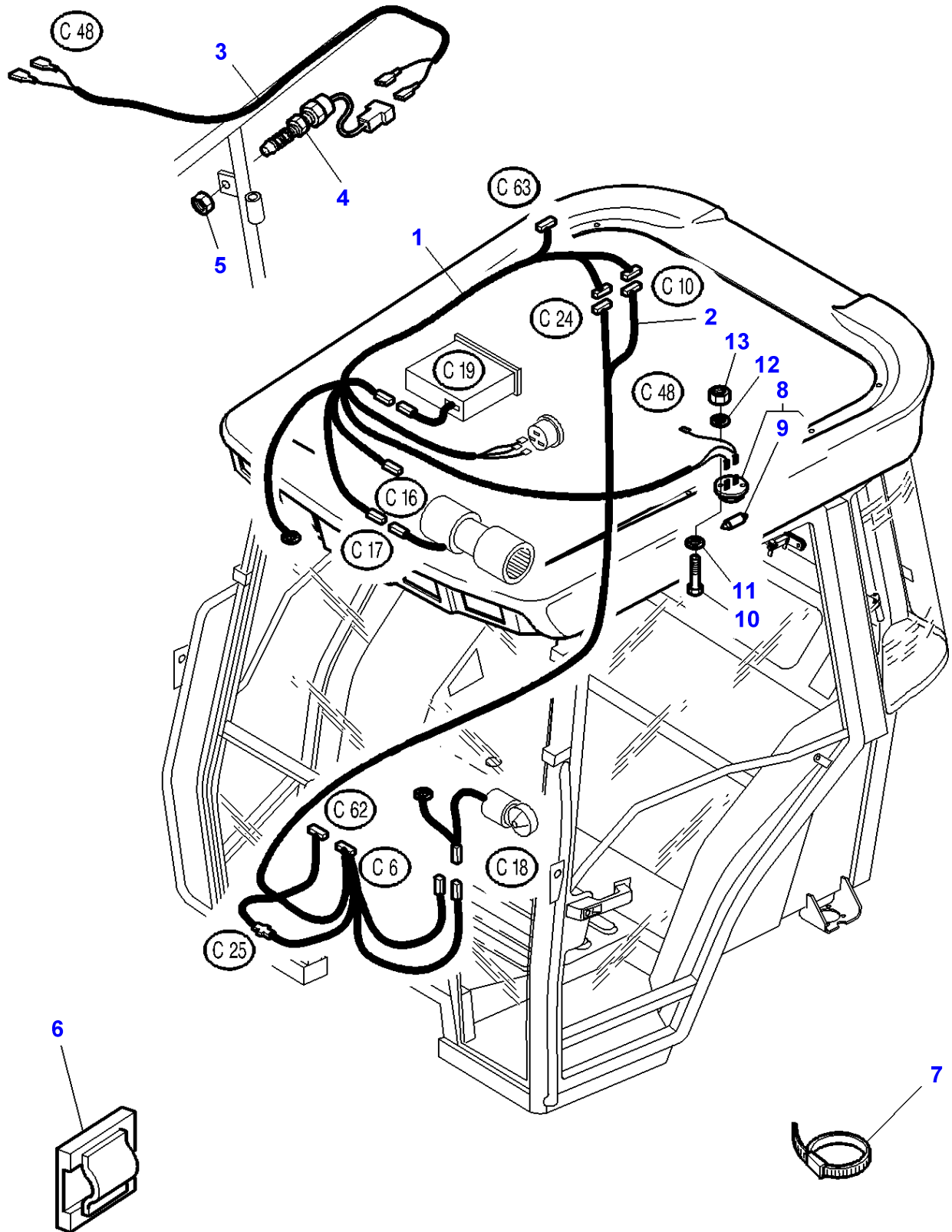


ROOF HARNESS

Item	Part Number	Qty	Description	Comments
1	3780373M1	1	Harness	
2	3780372M2	1	Harness	Up to Serial or Engine Number 07-JAN-2001
3	3714845M1	1	Harness	
4	3780395M2	1	Switch,Indirect	
5	390333X1	1	Nut Metric	M10
6	3760697M1	X	Tie	
7	3619622M1	X	Cable Tie	
8	3713129M1	1	Roof Light	
9	3385821M1	2	Bulb 12v 10w	(8)
10	3001162X1	2	Screw	M4X16
11	339102X1	2	Washer	Diameter 9MM
12	3001856X1	2	Washer Metric	Diameter 4-12MM
13	3019139X1	2	Nut	M4

MF 8210/8220 TRACTORS - 1637365
1-ZW22-004-B

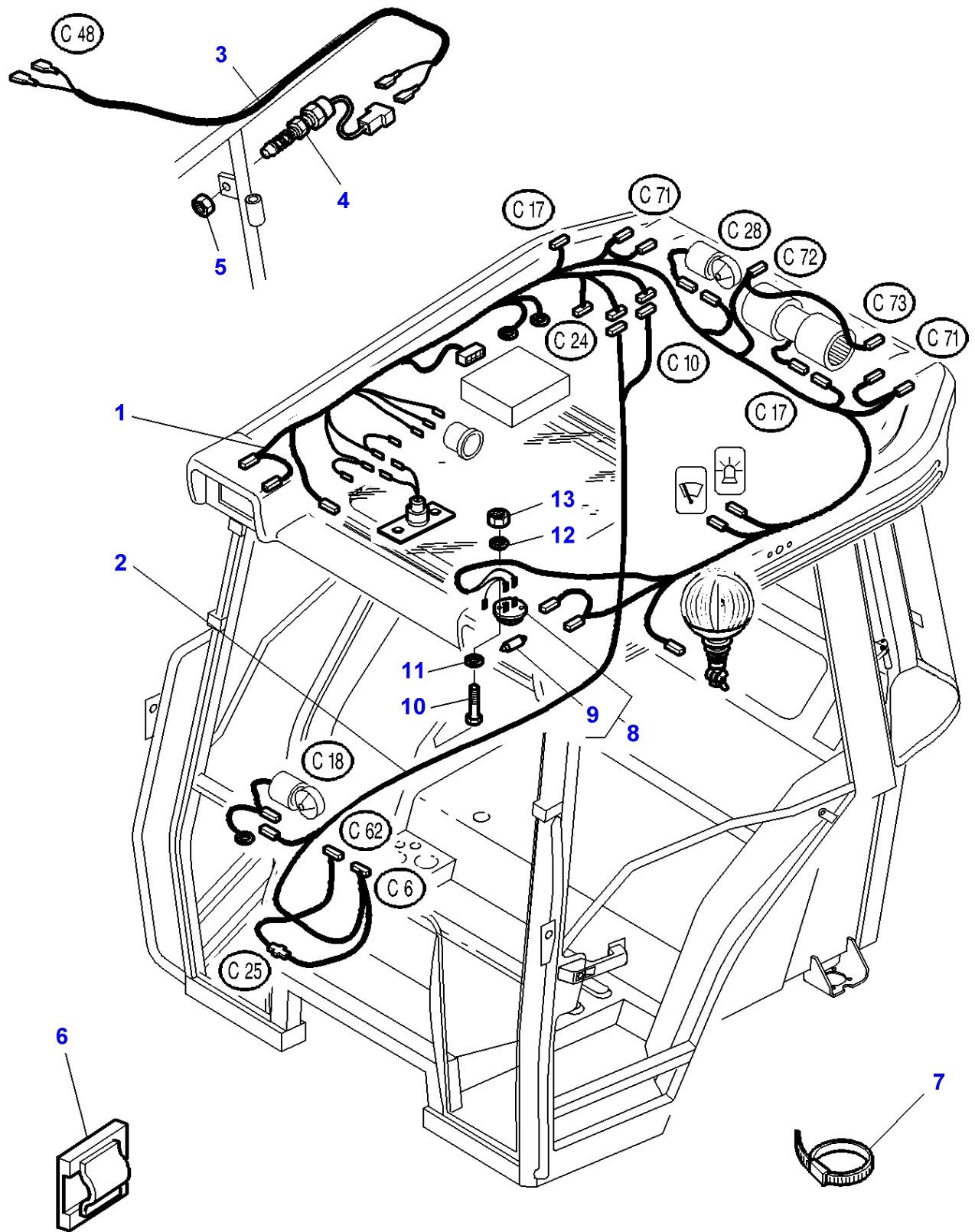
1-ZW22-004-B



Item	Part Number	Qty	Description	Comments
1	3780457M1	1	Harness	
2	3780456M2	1	Harness	Up to Serial or Engine Number 07-JAN-2001
3	3714845M1	1	Harness	
4	3780395M2	1	Switch,Indirect	
5	390333X1	1	Nut Metric	M10
6	3760697M1	X	Tie	
7	3619622M1	X	Cable Tie	
8	3713129M1	1	Roof Light	
9	3385821M1	2	Bulb 12v 10w	(8)
10	3001162X1	2	Screw	M4X16
11	339102X1	2	Washer	Diameter 9MM
12	3001856X1	2	Washer Metric	Diameter 12MM
13	3019139X1	2	Nut	M4

MF 8210/8220 TRACTORS - 1637365
1-ZW22-001-B

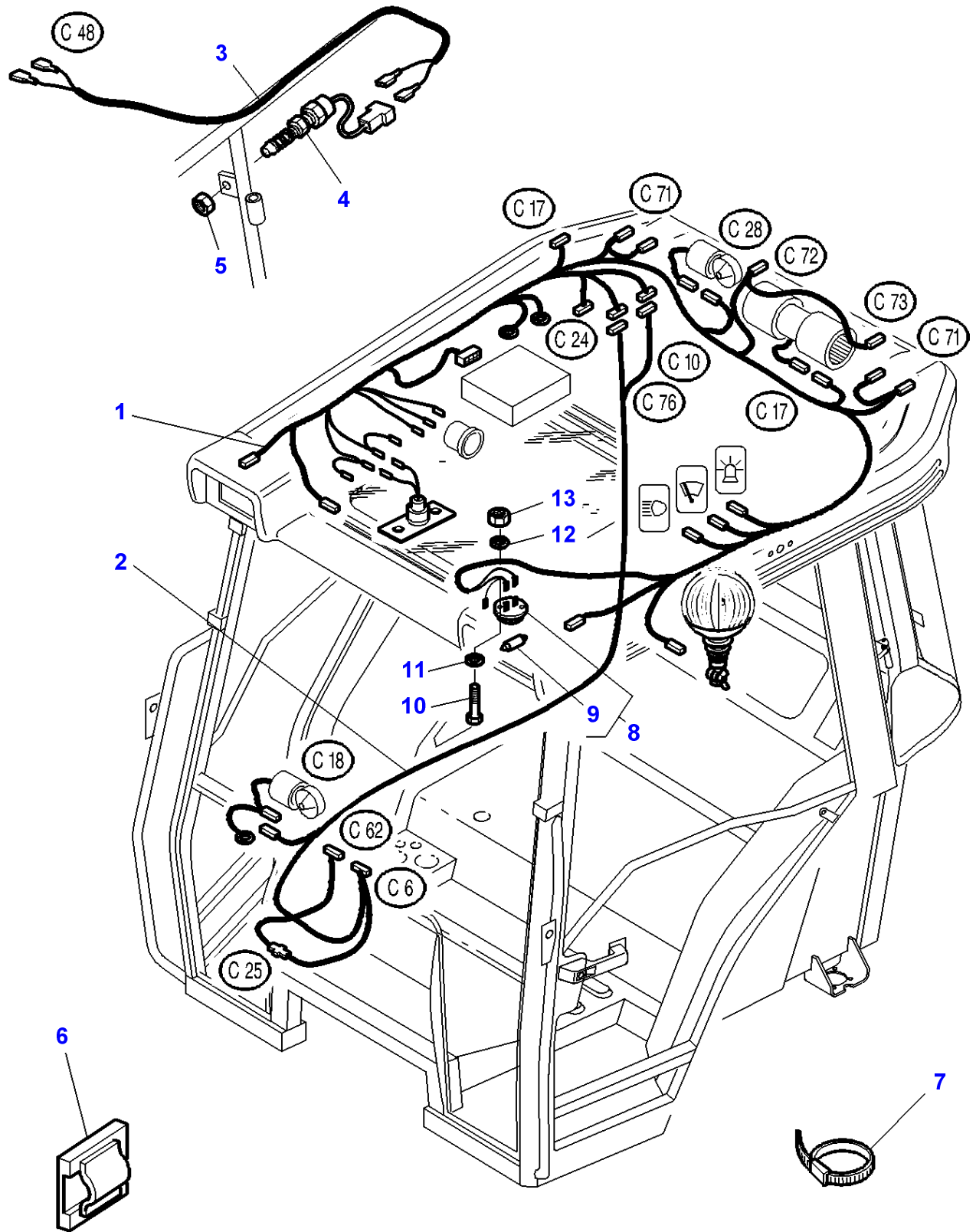
1-ZW22-001-B



ROOF HARNESS - With High Visibility Roof

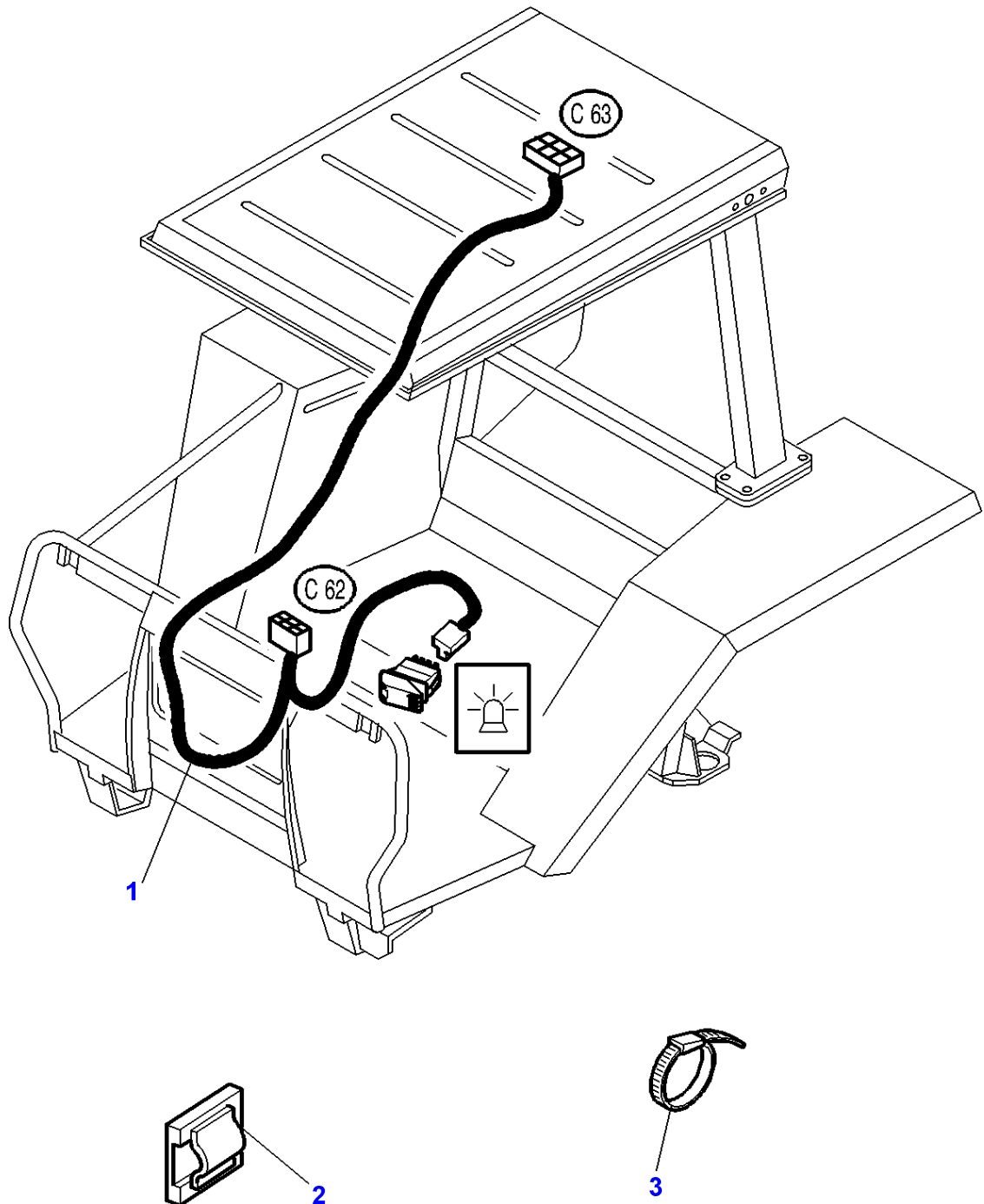
Item	Part Number	Qty	Description	Comments
1	3779762M1	1	Harness	
2	3777696M3	1	Harness	Up to Serial or Engine Number 07-JAN-2001
3	3714845M1	1	Harness	
4	3780395M2	1	Switch,Indirect	
5	390333X1	1	Nut Metric	M10
6	3760697M1	X	Tie	
7	3619622M1	X	Cable Tie	
8	3713129M1	1	Roof Light	
9	3385821M1	2	Bulb 12v 10w	(8)
10	3001162X1	2	Screw	M4X16
11	339102X1	2	Washer	Diameter 9MM
12	3001856X1	2	Washer Metric	Diameter 12MM
13	3019139X1	2	Nut	M4

1-ZW22-003-B



Item	Part Number	Qty	Description	Comments
1	3780481M1	1	Harness	
2	3777696M3	1	Harness	Up to Serial or Engine Number 07-JAN-2001
3	3714845M1	1	Harness	
4	3780395M2	1	Switch,Indirect	
5	390333X1	1	Nut Metric	M10
6	3760697M1	X	Tie	
7	3619622M1	X	Cable Tie	
8	3713129M1	1	Roof Light	
9	3385821M1	2	Bulb 12v 10w	(8)
10	3001162X1	2	Screw	M4X16
11	339102X1	2	Washer	Diameter 9MM
12	3001856X1	2	Washer Metric	Diameter 12MM
13	3019139X1	2	Nut	M4

1-ZW32-001-B

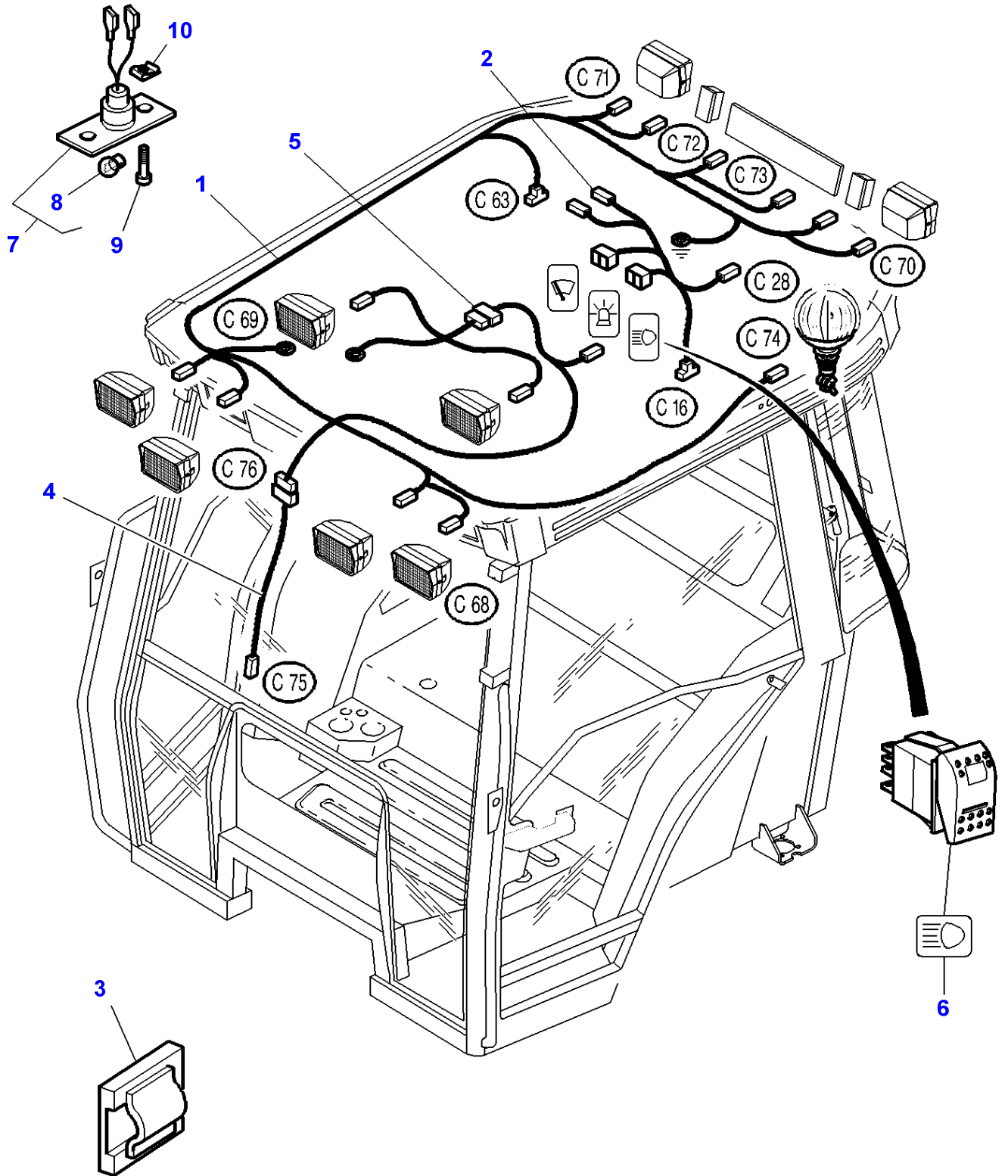


ROOF HARNESS - Platform

Item	Part Number	Qty	Description	Comments
1	3777629M2	1	Harness	Up to Serial or Engine Number 07-JAN-2001
	3786034M1	1	Harness	From Serial or Engine Number 08-JAN-2001
2	3760697M1	X	Tie	
3	3619622M1	X	Cable Tie	

MF 8210/8220 TRACTORS - 1637365
1-ZW21-001-A

1-ZW21-001-A



LIGHTING HARNESS - ROOF

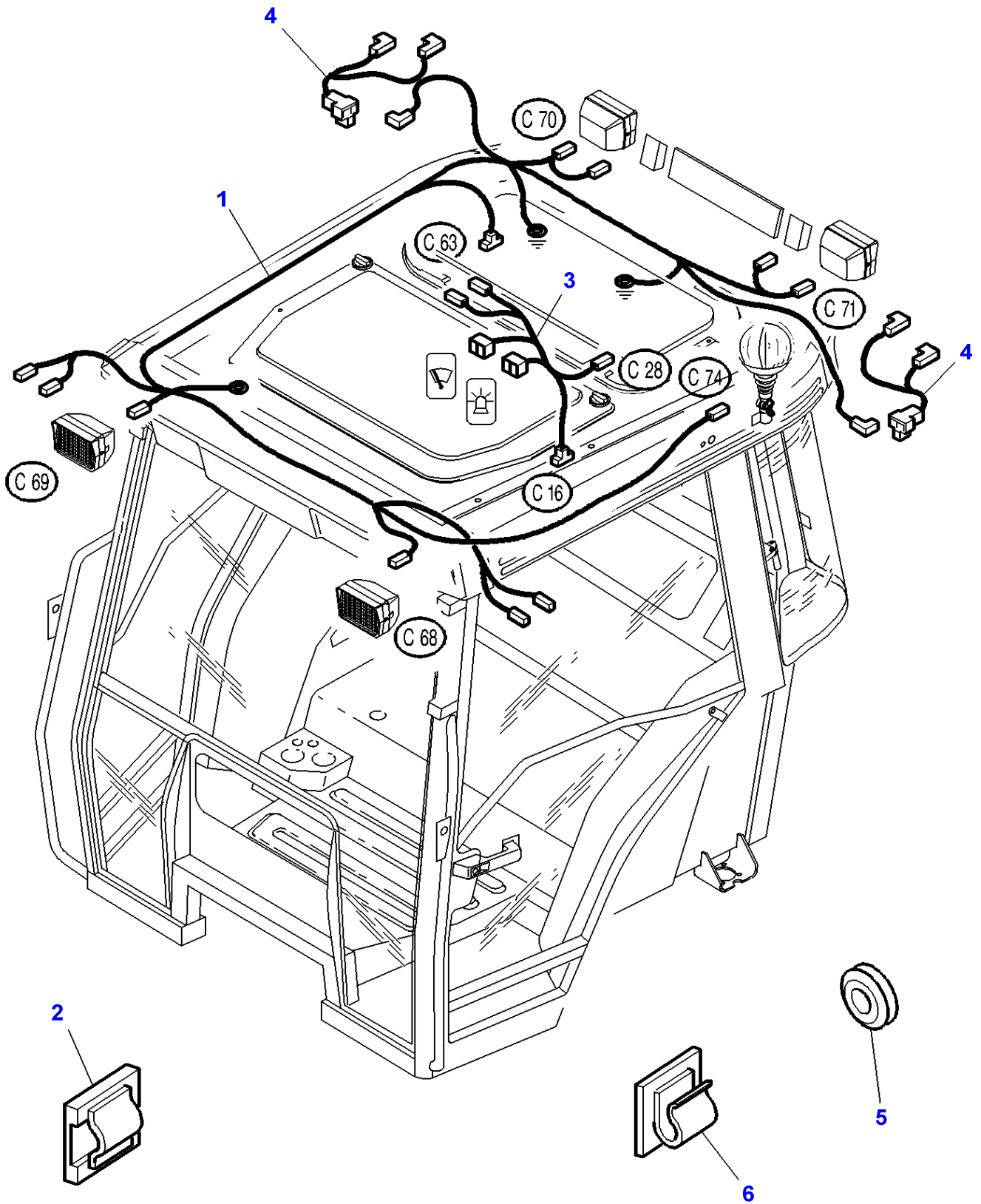
Item	Part Number	Qty	Description	Comments
1	3778212M1	1	Harness	
2	3780127M1	1	Harness	
3	3760697M1	X	Tie	Diameter 8MM
4	3713331M1	1	Harness	[A,B] Not for USA
5	3714887M92	1	Harness	[A]
6	3713145M1	1	Switch,Indirect	[A]
7	72502614	1	Roof Light	
8	71129920	1	Bulb	(7)
9	3009532X1	2	Screw	CBZ M4X16
10	3010819X1	2	Nut	M4

FOOTNOTE [A] WITH WAY LIGHTS FITTED ON THE CAB ROOF

FOOTNOTE [B] WITH FULL POWERSHIFT

MF 8210/8220 TRACTORS - 1637365
1-ZW21-002-A

1-ZW21-002-A



Massey Ferguson

MF 8210/8220 TRACTORS - 1637365

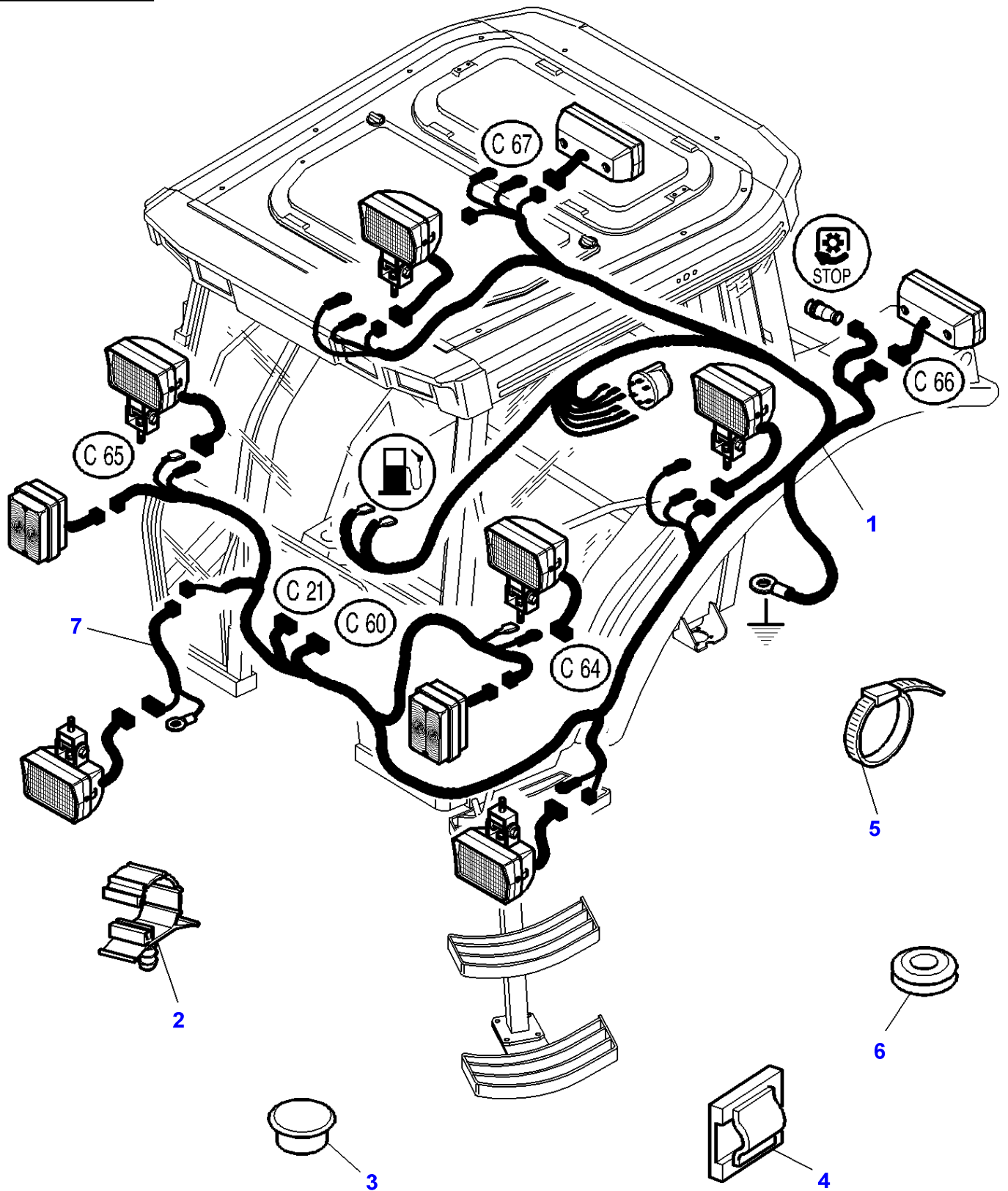
1637365

LIGHTING HARNESS - ROOF - For United States of America

Page080-0200

Item	Part Number	Qty	Description
1	3778213M2	1	Harness
2	3760697M1	X	Tie
3	3780127M1	1	Harness
4	3779599M1	2	Harness
5	367439X1	1	Grommet
6	3583514M1	4	Strap

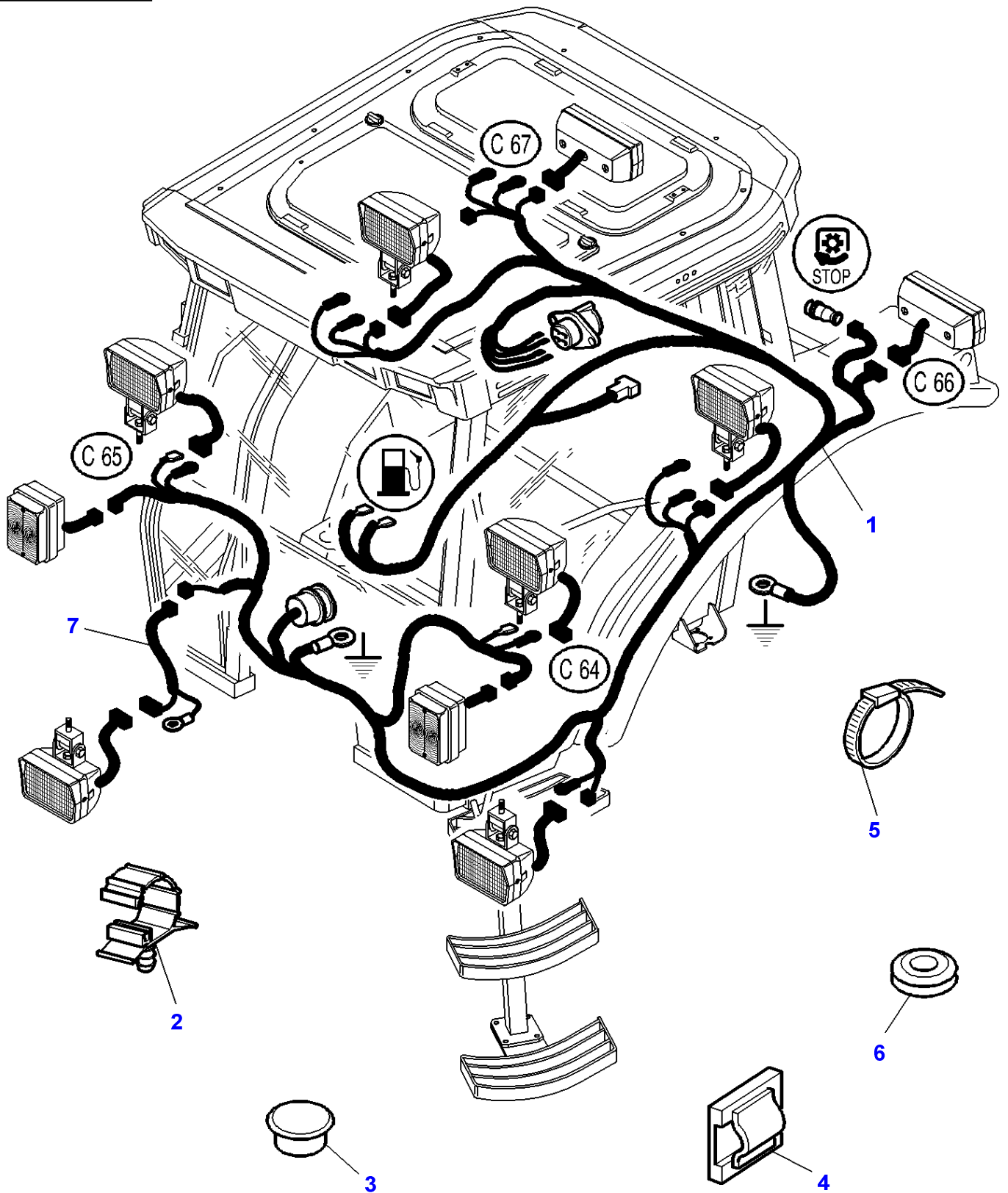
1-ZW28-002-B



Massey Ferguson**MF 8210/8220 TRACTORS - 1637365****1637365****FIELD LIGHTS HARNESS - GUIDEWAY / FOOTSTEPS / FENDERS - Up To ...****Page080-0205**

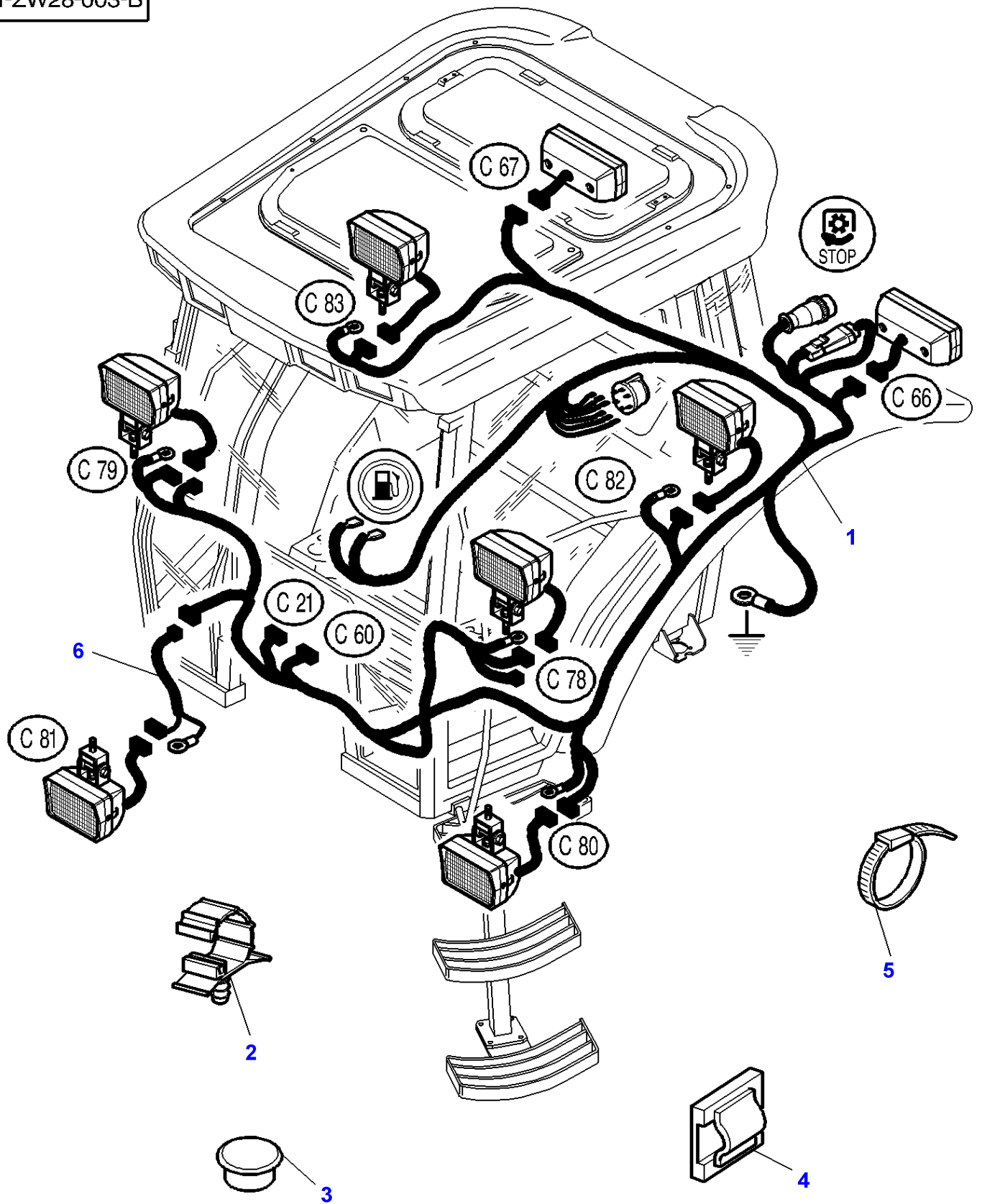
Item	Part Number	Qty	Description	Comments
1	3779683M4	1	Harness	Not for USA
2	3715130M1	4	Clamp	Diameter 10 MM
	3715129M1	5	Clamp	Diameter 20MM
3	3580599M1	1	Plug	Diameter 22X3
4	3760697M1	2	Tie	
5	3619622M1	X	Cable Tie	
6	3010670X1	1	Grommet	
7	3783465M3	1	Harness	From Serial or Engine Number H250034 Length 1550MM

1-ZW28-005-B



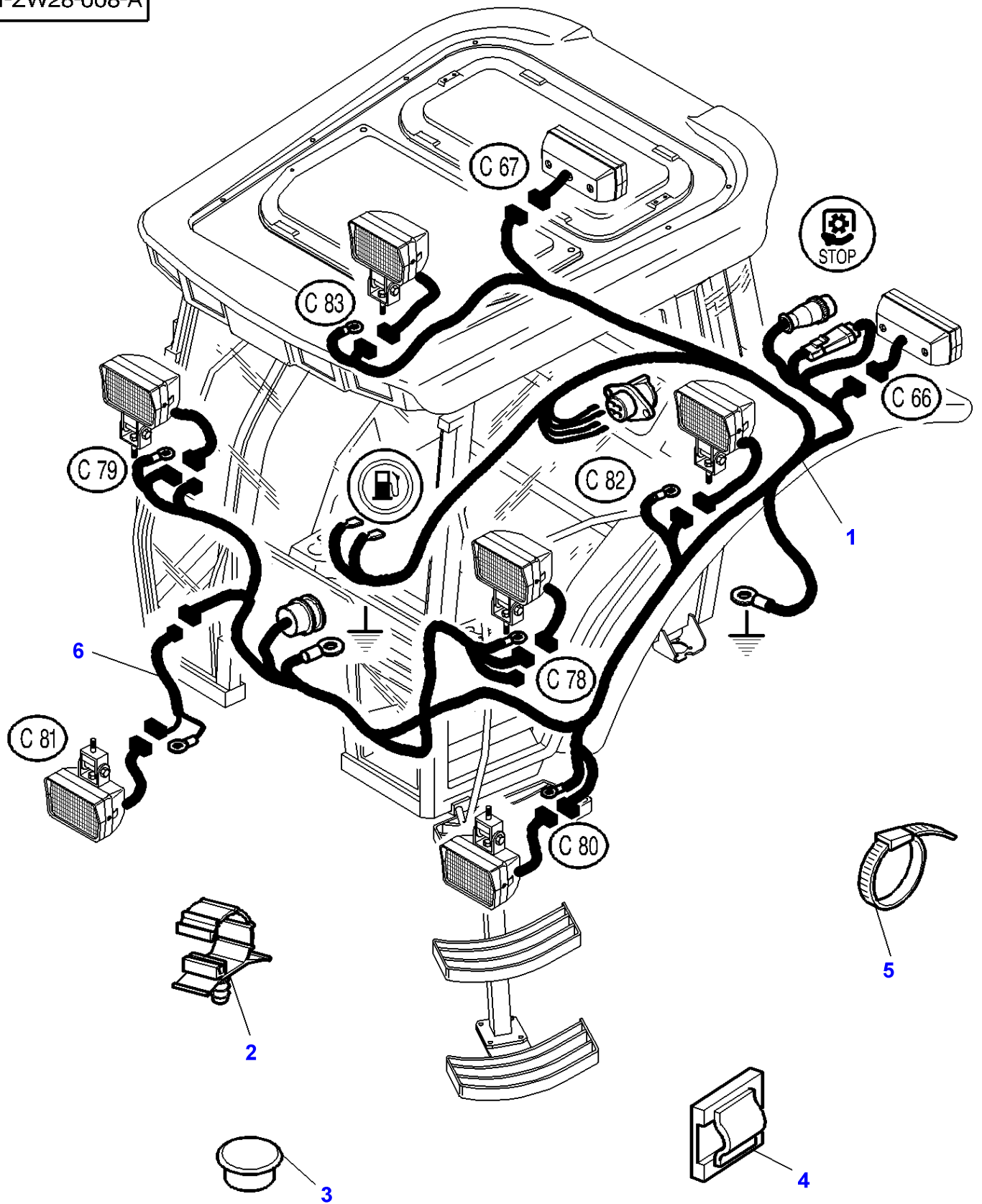
Item	Part Number	Qty	Description	Comments
1	3783768M1	1	Harness	Not for USA
2	3715130M1	4	Clamp	Diameter 10 MM
	3715129M1	5	Clamp	Diameter 20MM
3	3580599M1	1	Plug	Diameter 22X3
4	3760697M1	2	Tie	
5	3619622M1	X	Cable Tie	
6	3010670X1	1	Grommet	
7	3783465M3	1	Harness	Length 1550MM

1-ZW28-003-B



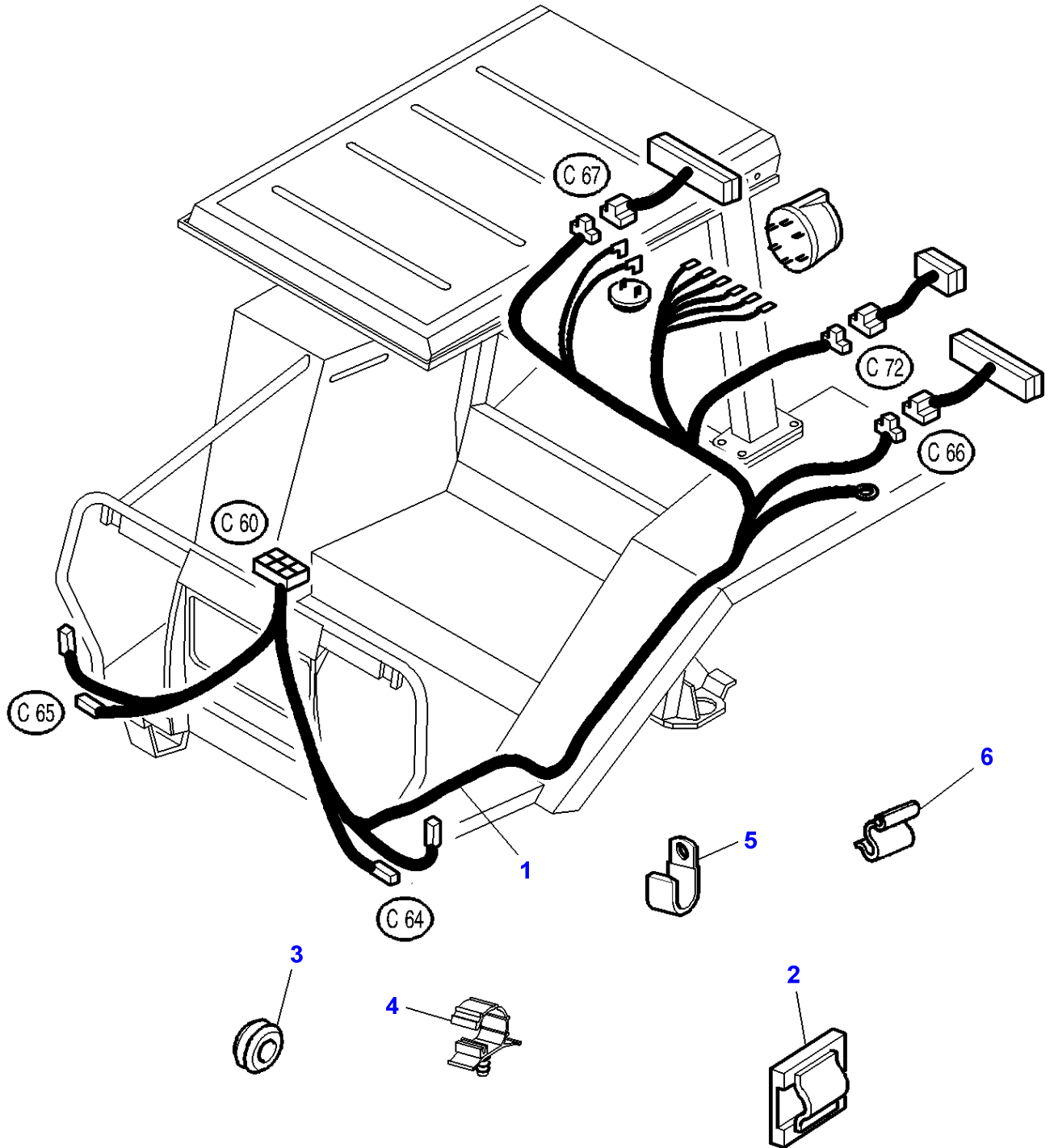
Item	Part Number	Qty	Description	Comments
1	3777529M5	1	Harness	For United States of America
2	3715130M1	3	Clamp	Diameter 10 MM
	3715129M1	5	Clamp	Diameter 20MM
3	3580599M1	1	Plug	Diameter 22X3
4	3760697M1	2	Tie	
5	3619622M1	X	Cable Tie	
6	3783465M3	1	Harness	From Serial or Engine Number Length 1550MM

1-ZW28-008-A



Item	Part Number	Qty	Description	Comments
1	3784699M1	1	Harness	For United States of America
2	3715130M1	3	Clamp	Diameter 10 MM
	3715129M1	5	Clamp	Diameter 20MM
3	3580599M1	1	Plug	Diameter 22X3
4	3760697M1	2	Tie	
5	3619622M1	X	Cable Tie	
6	3783465M3	1	Harness	Length 1550MM

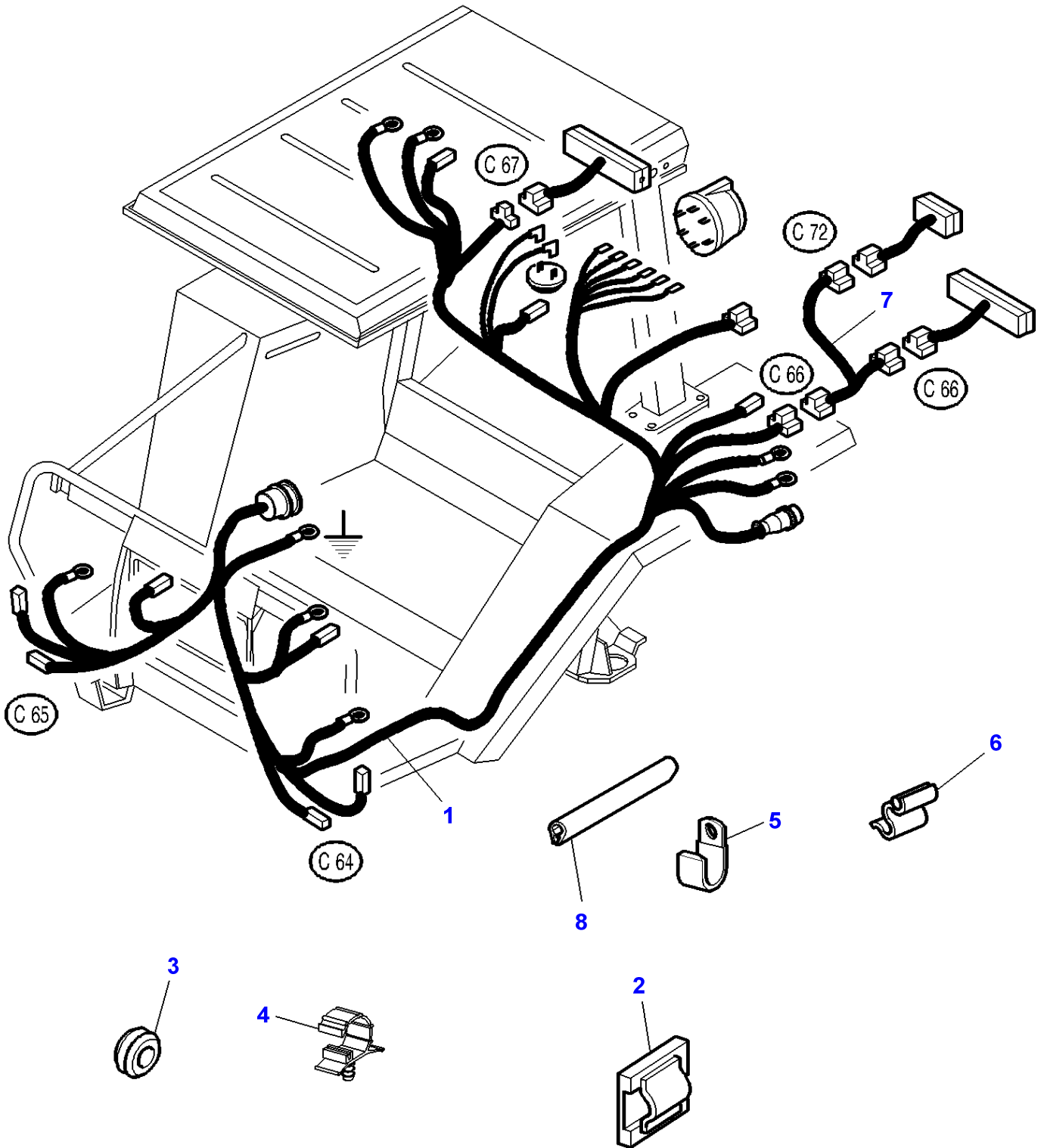
1-ZS29-001-A



Massey Ferguson**MF 8210/8220 TRACTORS - 1637365****1637365****PLATFORM - Electrical Wiring - Up To ...****Page080-0225**

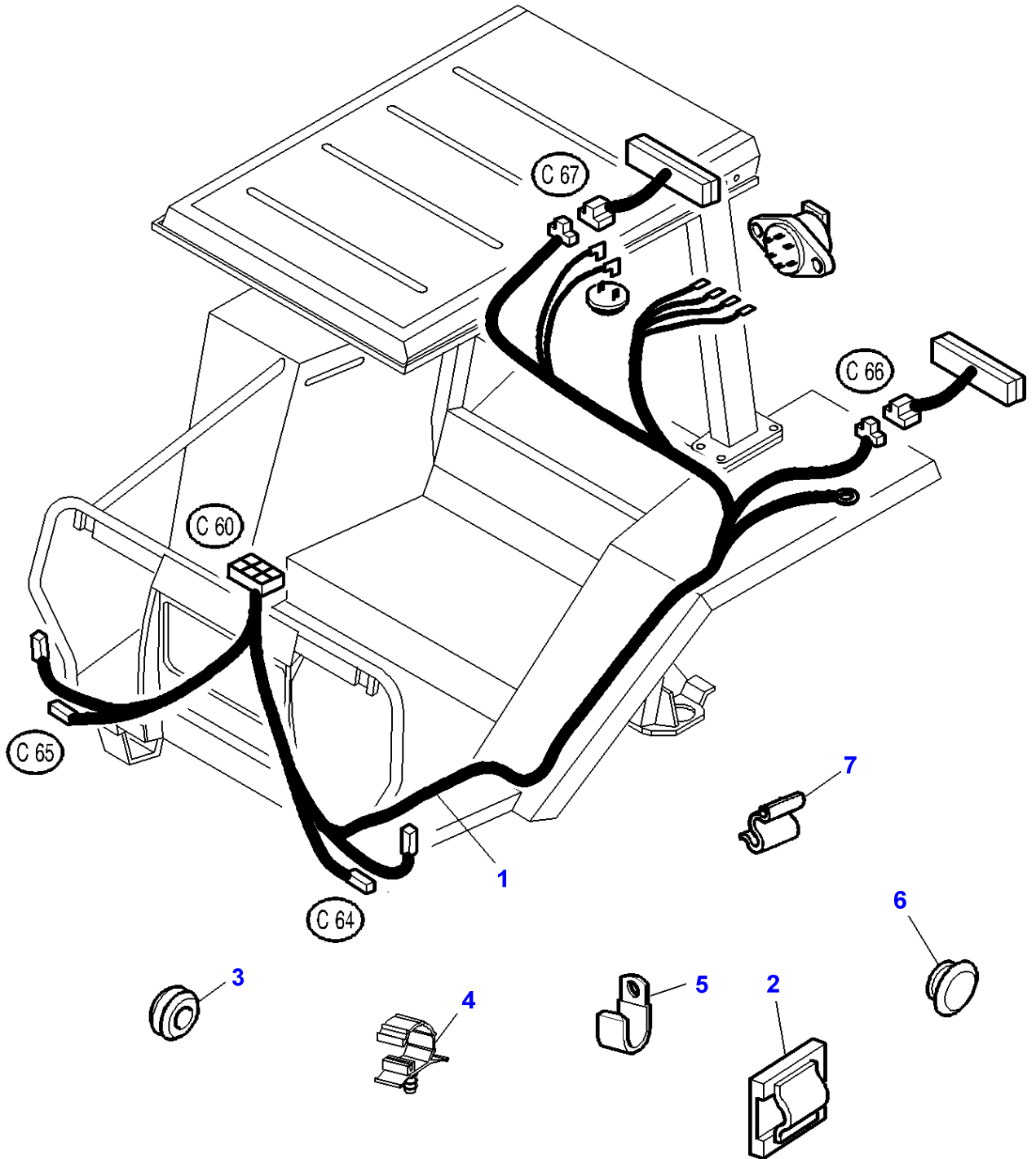
Item	Part Number	Qty	Description	Comments
1	3783102M1	1	Harness	
2	3760697M1	2	Tie	
3	367439X1	1	Grommet	Diameter 15-25
4	3715130M1	1	Clamp	Diameter 10MM
5	3583344M1	2	Strap	
6	3598904M1	1	Clip	

1-ZS29-003-B



Item	Part Number	Qty	Description	Comments
1	3783768M1	1	Harness	
2	3760697M1	2	Tie	
3	367439X1	1	Grommet	Diameter 15-25
4	3715130M1	1	Clamp	Diameter 10MM
5	3583344M1	2	Strap	
6	3598904M1	1	Clip	
7	3786033M1	1	Harness	
8	3581330M1	1	Gasket	From Serial or Engine Number K151005 Length 250MM

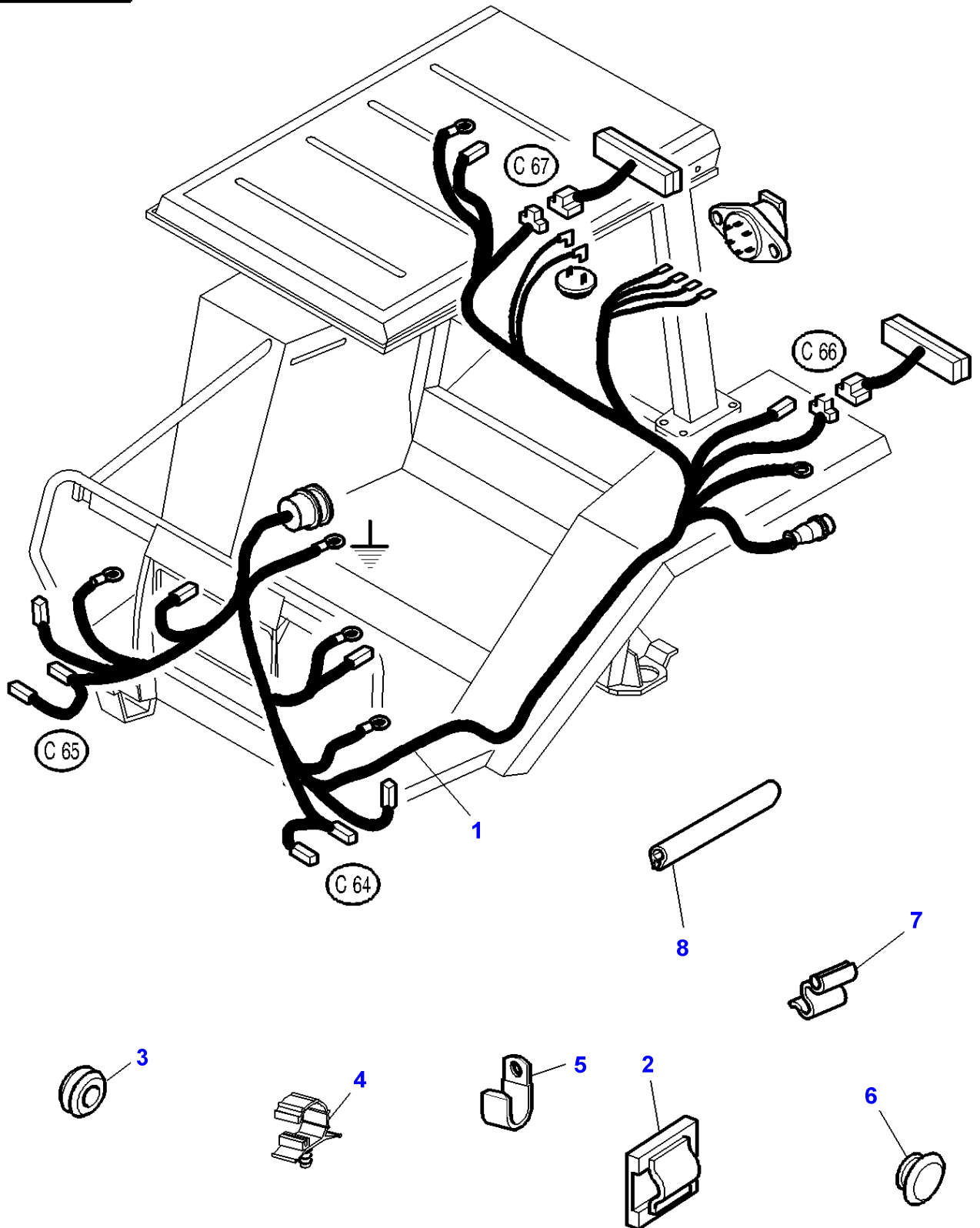
1-ZS29-002-A



Item	Part Number	Qty	Description	Comments
1	3783103M1	1	Harness	
2	3760697M1	2	Tie	
3	367439X1	1	Grommet	Diameter 15-25
4	3715130M1	1	Clamp	Diameter 10MM
5	3583344M1	2	Strap	
6	3713742M1	1	Plug	[A] Diameter 9,5MM
	3580599M1	1	Plug	[A]
7	3598904M1	1	Clip	

FOOTNOTE [A] WITHOUT LICENCE PLATE

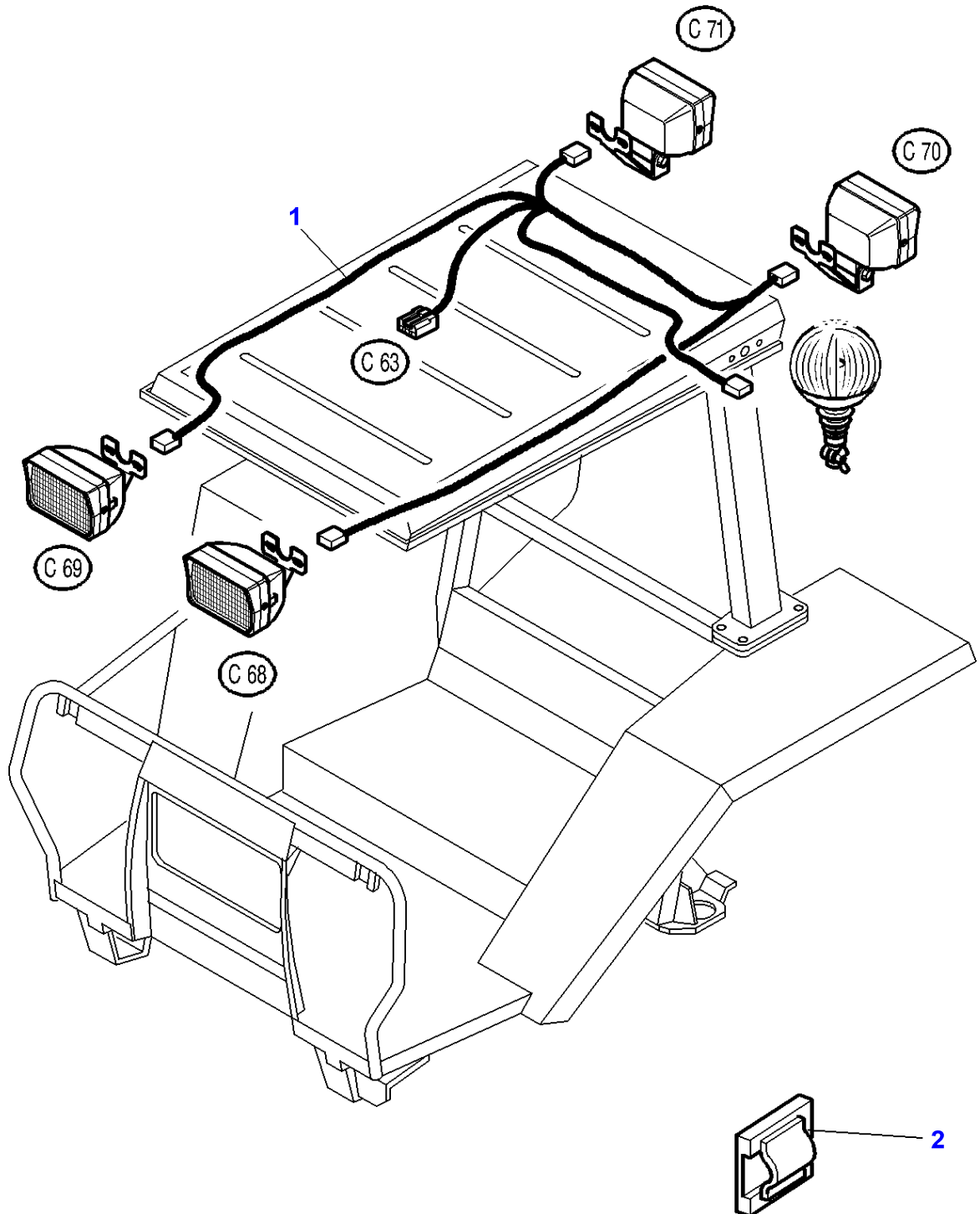
1-ZS29-004-B



Item	Part Number	Qty	Description	Comments
1	3784679M1	1	Harness	
2	3760697M1	2	Tie	
3	367439X1	1	Grommet	Diameter 15-25
4	3715130M1	1	Clamp	Diameter 10MM
5	3583344M1	2	Strap	
6	3713742M1	1	Plug	[A] Diameter 9,5MM
	3580599M1	1	Plug	[A]
7	3598904M1	1	Clip	
8	3581330M1	1	Gasket	From Serial or Engine Number K151005 Length 250MM

FOOTNOTE [A] WITHOUT LICENCE PLATE

1-ZW31-001-A



Massey Ferguson

MF 8210/8220 TRACTORS - 1637365

1637365

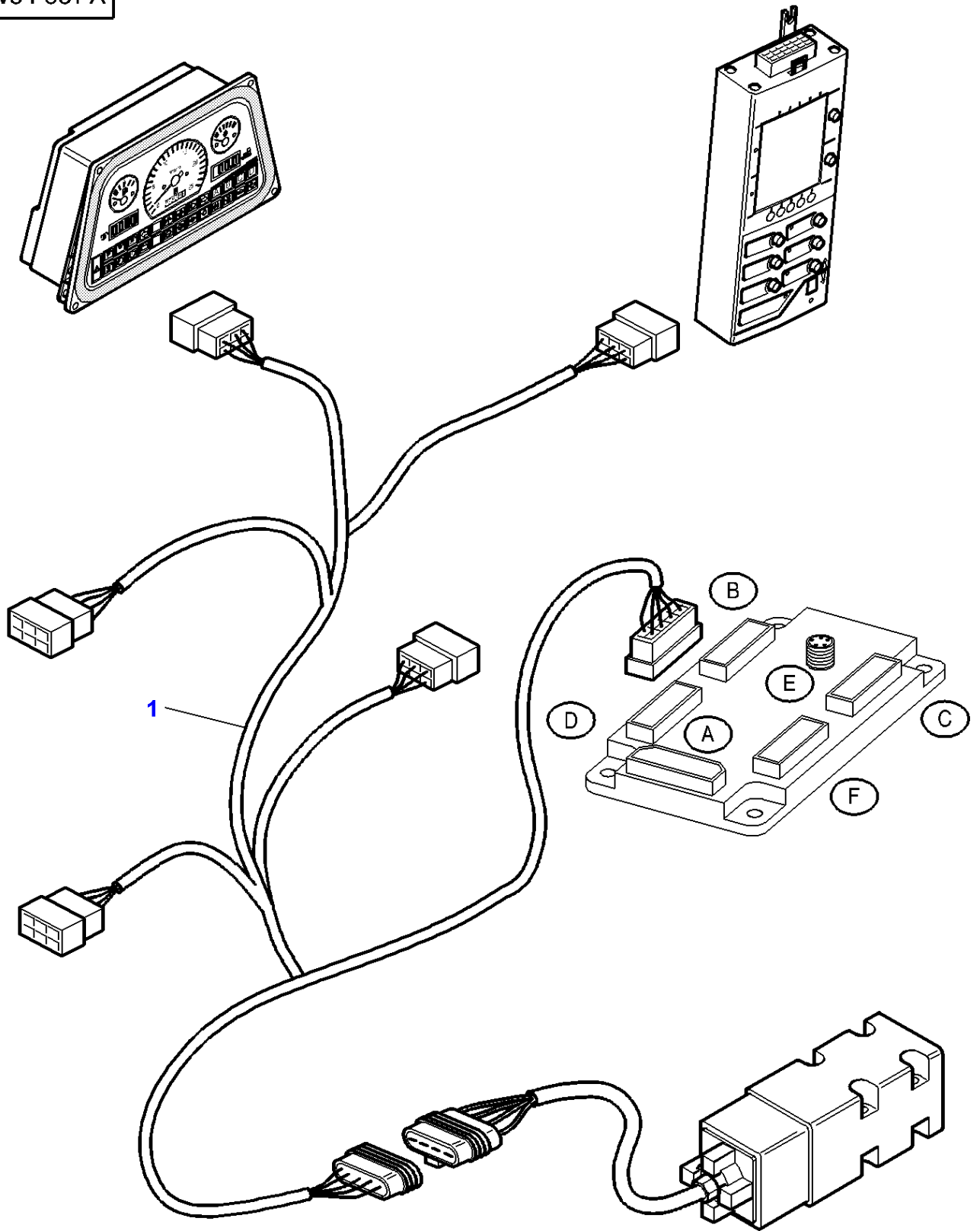
LIGHTING HARNESS ROOF - Platform

Page080-0245

Item	Part Number	Qty	Description
1	3777630M1	1	Harness
2	3760697M1	X	Tie

Page Title	Page Number
Electrical Wiring - Without Electronic Lift	090-0005
Electronic Lift - Main Harness - Up to Serial or Engine Number - 07-01-2001	090-0010
Electronic Lift - Main Harness - With Power Shuttle - Up To 07-01-20001	090-0015
Electronic Lift - Main Harness - From Serial or Engine Number - 08-01-2001	090-0020
Electronic Lift - Main Harness - Dual Control - Up To H277037	090-0025
Electronic Lift - Main Harness - Dual Control - From H277038 - Up To 07-01-2001	090-0030
Electronic Lift - Main Harness - Dual Control - From 08-01-2001	090-0035
Electronic Lift - Console	090-0040
Hydraulic Lift - Platform	090-0045
Electronic Equipment - Sensors	090-0050
Platform Electronic Lift - Main Harness	090-0055
Aboard Computer	090-0060
Aboard Computer - Transfers	090-0065
Aboard Computer - Wiring	090-0070
Radar - Dynashift	090-0075
Radar - With Full Powershift	090-0080
Fieldstar	090-0085
Control Box - Cab - Dynashift	090-0090
Control Box - Cab - With Power Shuttle	090-0095
Control Box - Platform - Dynashift	090-0100
Control Box - Cab - With Full Powershift	090-0105
Electrovanes Harness / ETCU Harness-Instrument Panel - Cab - Dynashift	090-0110
Electrovanes Harness / ETCU Harness-Instrument Panel - Cab - With Power Shuttle - Load Sensing	090-0115
Electrovanes Harness / ETCU Harness-Instrument Panel - Cab - With Power Shuttle - Up To 07-01-20001	090-0120
Electrovanes Harness / ETCU Harness-Instrument Panel - Cab - With Power Shuttle - From 08-01-2001	090-0125
Electrovanes Harness / ETCU Harness-Instrument Panel - Platform - Dynashift	090-0130
Electrovanes Harness / ETCU Harness-Instrument Panel - Platform - With Power Shuttle - Up To 07-01-20001	090-0135
Electrovanes Harness / ETCU Harness-Instrument Panel - Platform - With Power Shuttle - From 08-01-2001	090-0140
DYNASHIFT HARNESS - Cab	090-0145
DYNASHIFT HARNESS - PLATFORM - Dynashift	090-0150
CONTROL BOX HARNESS / CONSOLE - Cab - Dynashift	090-0155
CONTROL BOX HARNESS / CONSOLE - Platform	090-0160
Sensors Harness - Cab - Dynashift	090-0165
Sensors Harness - Platform - Dynashift	090-0170
Full Powershift - TRANSMISSION MAIN HARNESS - Up to Serial or Engine Number - ...	090-0175
Full Powershift - TRANSMISSION MAIN HARNESS - From ...	090-0180
Full Powershift - EMERGENCY HARNESS	090-0185
Temporised relay park-lock - Full Powershift - From Serial or Engine Number - H343026	090-0190

1-ZW04-001-A



Massey Ferguson

MF 8210/8220 TRACTORS - 1637365

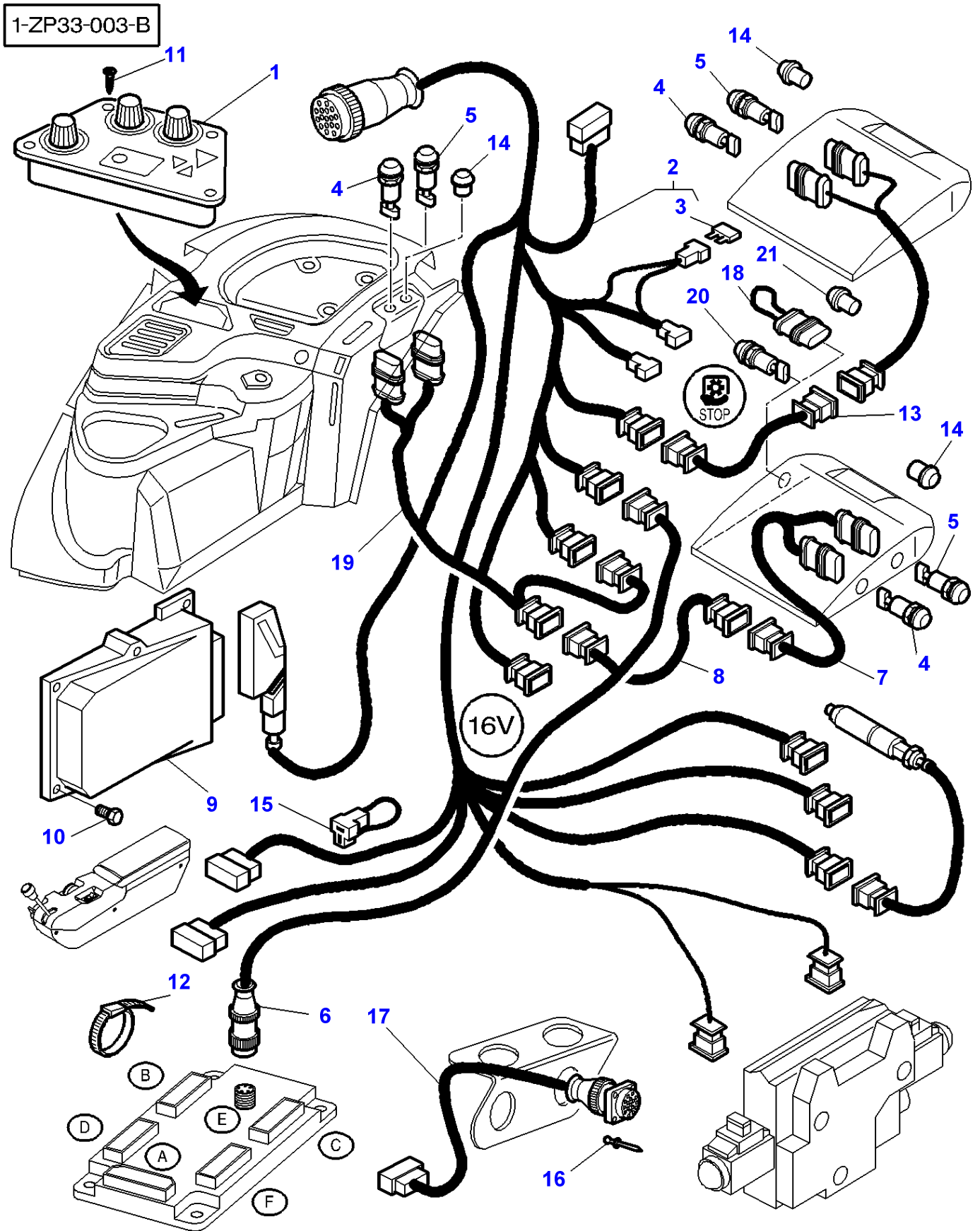
1637365

Electrical Wiring - Without Electronic Lift

Page090-0005

Item	Part Number	Qty	Description
1	3780090M3	1	Harness

MF 8210/8220 TRACTORS - 1637365
1-ZP33-003-B



Item	Part Number	Qty	Description	Comments
1	3778510M94	1	Electron Console	
2	3778505M92	1	Elect.Lift Cable	
3	3580868M1	1	Fuse	(2) 3 Amp
4	3714137M1	3	Switch,Indirect	[A]
5	3714138M1	3	Switch,Indirect	[B]
6	3778702M1	1	Harness	[C]
	3778707M1	1	Harness	[D]
7	3714135M1	2	Harness	
8	3712725M1	1	Harness	Left Hand Length 3500 MM
9	3778504M94	1	Calculator	[C]
	3779194M94	1	Calculator	[D]
10	3010506X1	2	Screw	M5 X 16
11	3010559X1	4	Screw	M4 X 12
12	3619622M1	20	Cable Tie	
13	3712726M1	1	Harness	Right Hand
14	3380422M1	X	Plug	
15	3715934M1	1	Harness	[C]
16	3011214X1	4	Rivet	
17	3778708M1	1	Harness	
18	3782172M1	1	Wire	
19	3712724M1	1	Harness	
20	3777568M2	1	Switch,Indirect	
21	3778808M1	1	Plug	

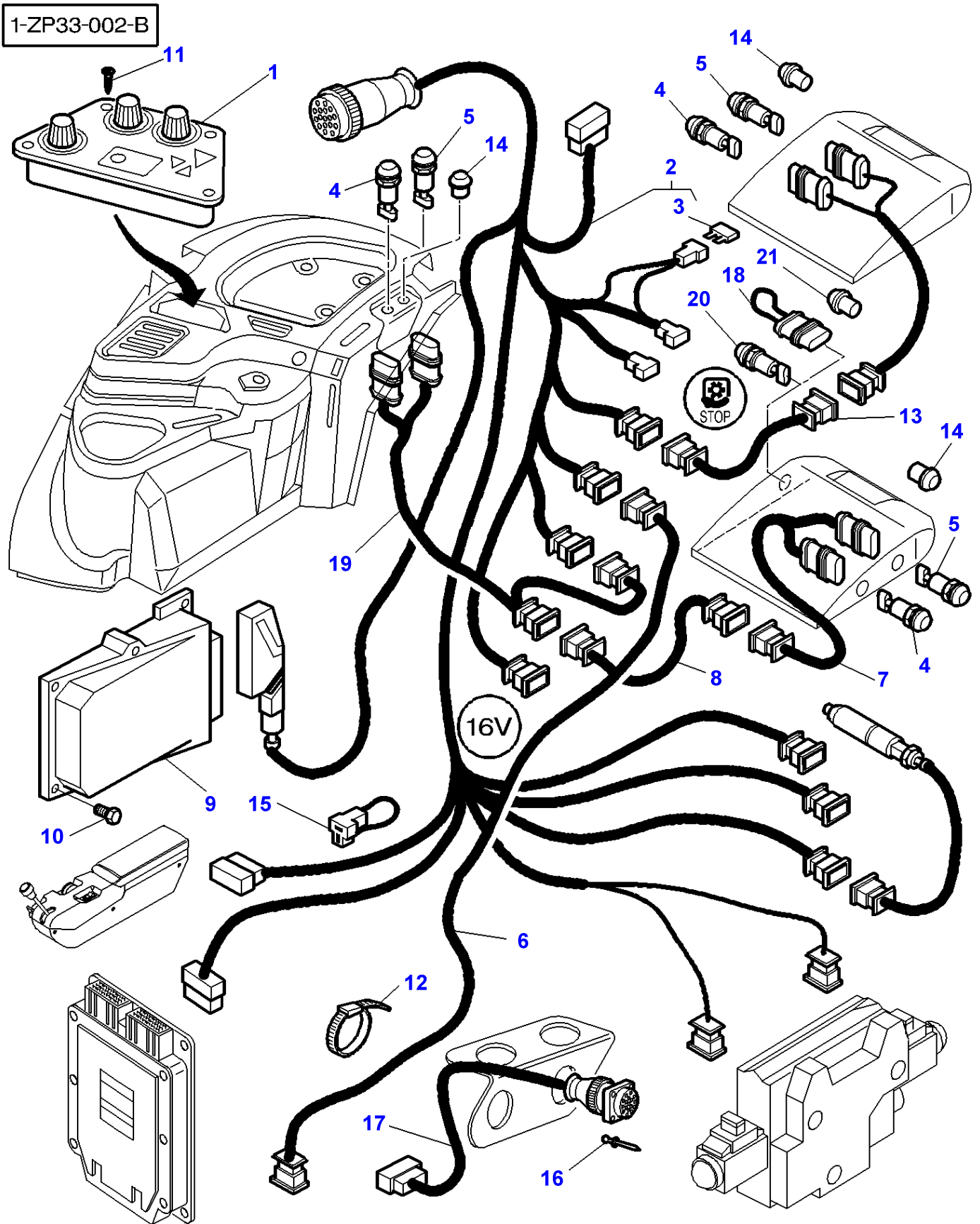
FOOTNOTE [A] UP

FOOTNOTE [B] DOWN

FOOTNOTE [C] WITH DYNASHIFT

FOOTNOTE [D] WITH FULL POWERSHIFT

MF 8210/8220 TRACTORS - 1637365
1-ZP33-002-B

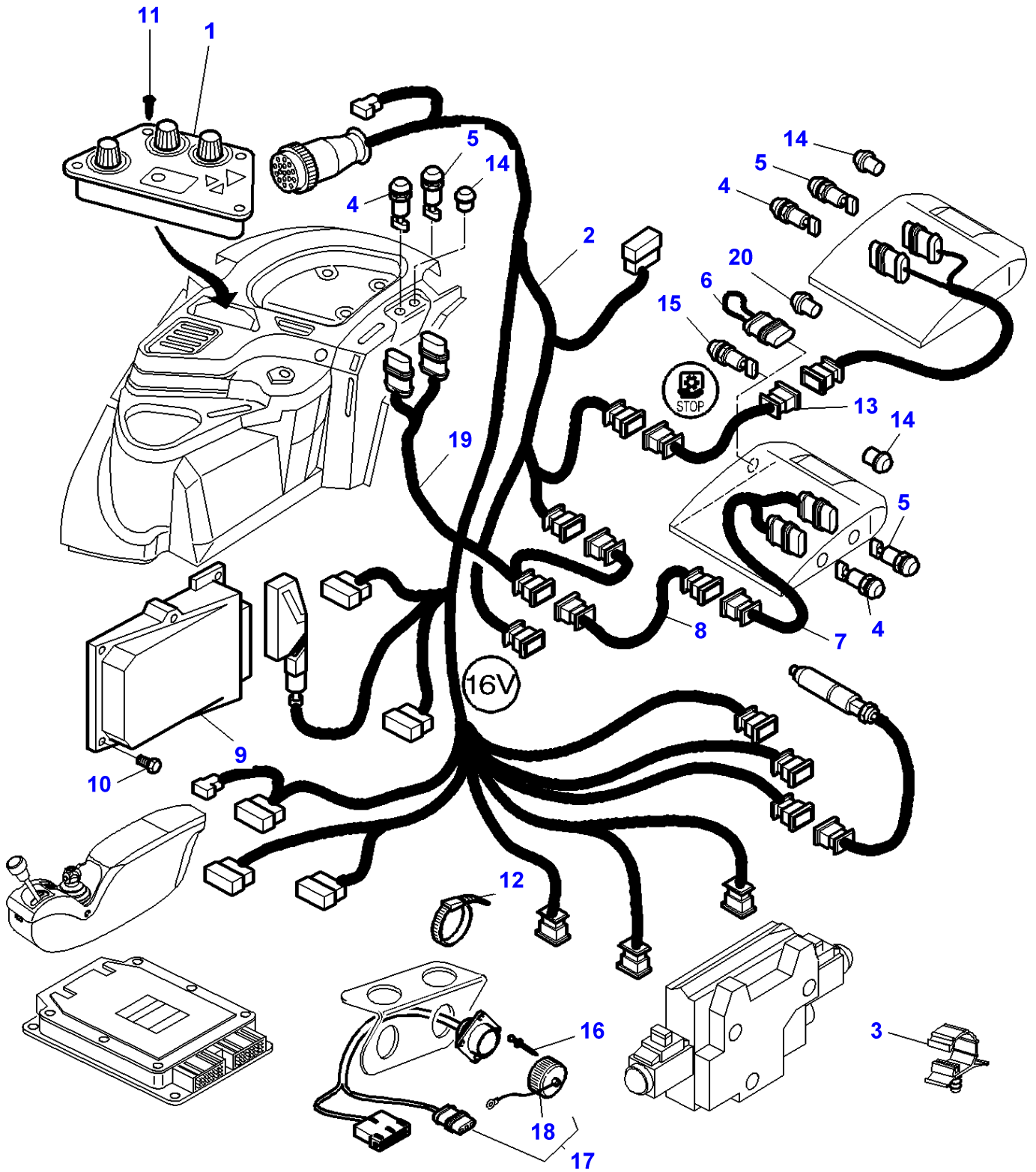


Item	Part Number	Qty	Description	Comments
1	3778510M94	1	Electron Console	
2	3778505M92	1	Elect.Lift Cable	
3	3580868M1	1	Fuse	(2) 3 AMP
4	3714137M1	3	Switch,Indirect	[A]
5	3714138M1	3	Switch,Indirect	[B]
6	3778707M1	1	Harness	
7	3714135M1	2	Harness	
8	3712725M1	1	Harness	Left Hand Length 3500 MM
9	3782615M92	1	Calculator	
10	3010506X1	2	Screw	M5X16
11	3010559X1	4	Screw	M4X12
12	3619622M1	20	Cable Tie	
13	3712726M1	1	Harness	Right Hand
14	3380422M1	X	Plug	
15	3715934M1	1	Harness	
16	3011214X1	4	Rivet	
17	3778708M1	1	Harness	
18	3782172M1	1	Wire	For United States of America
19	3712724M1	1	Harness	
20	3777568M2	1	Switch,Indirect	Not for USA
21	3778808M1	1	Plug	

FOOTNOTE [A] UP

FOOTNOTE [B] DOWN

1-ZP33-008-D

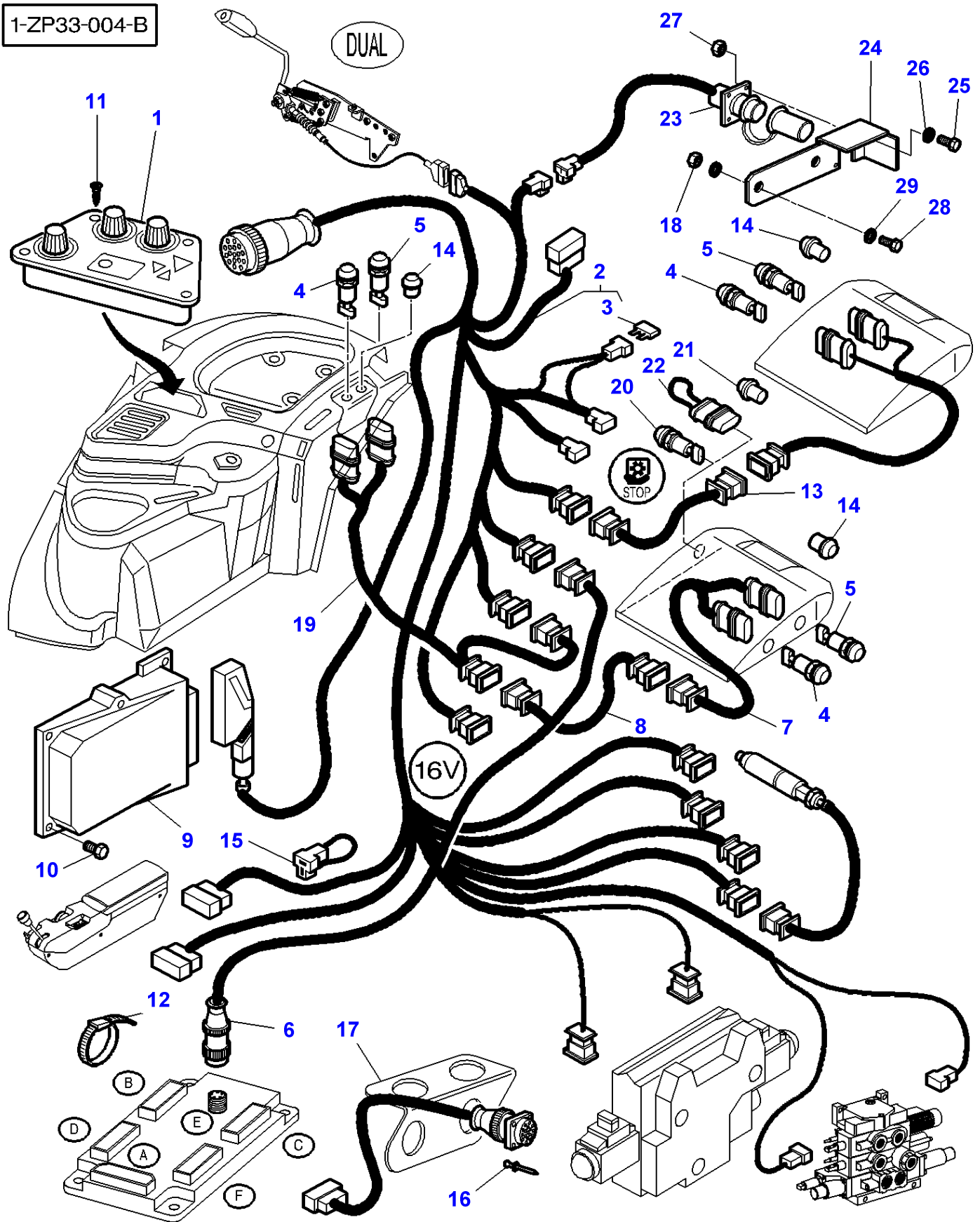


Item	Part Number	Qty	Description	Comments
1	3784084M91	1	Electron Console	
2	3783833M3	1	Elect.Lift Cable	
3	3715130M1	X	Clamp	Diameter 10 MM
	3715129M1	X	Clamp	Diameter 30 MM
4	3714137M1	X	Switch,Indirect	[A]
5	3714138M1	X	Switch,Indirect	[B]
6	3782172M1	1	Wire	
7	3714135M1	X	Harness	
8	3712725M1	X	Harness	Left Hand Length 3500 MM
9	3784319M97	1	Calculator	
10	3010506X1	2	Screw	M5 X 16
11	3010804X1	4	Screw	M4 X 16
12	3619622M1	X	Cable Tie	
13	3712726M1	X	Harness	Right Hand
14	3380422M1	X	Plug	Diameter 30 MM
15	377568M2	1	Switch,Indirect	
16	3011214X1	4	Rivet	
17	3778708M2	1	Harness	
18	3900383M1	1	Plug	(17)
19	3712724M1	X	Harness	
20	3778808M1	X	Plug	Diameter 33,5 MM

FOOTNOTE [A] UP

FOOTNOTE [B] DOWN

MF 8210/8220 TRACTORS - 1637365
1-ZP33-004-B



Item	Part Number	Qty	Description	Comments
1	3778510M94	1	Electron Console	
2	3783148M92	1	Harness	
3	3580868M1	1	Fuse	(2) 3 AMP
4	3714137M1	3	Switch,Indirect	[A]
5	3714138M1	3	Switch,Indirect	[B]
6	3778702M1	1	Harness	[C]
	3778707M1	1	Harness	[D]
7	3714135M1	2	Harness	
8	3712725M1	1	Harness	Left Hand Length 3500 MM
9	3783217M91	1	Calculator	[C] 100KB
	3783218M91	1	Calculator	[D] 250KB
10	3010506X1	2	Screw	M5X16
11	3010559X1	4	Screw	M4X12
12	3619622M1	20	Cable Tie	
13	3712726M1	1	Harness	Right Hand
14	3380422M1	X	Plug	
15	3715934M1	1	Harness	
16	3011214X1	4	Rivet	
17	3778708M1	1	Harness	
18	3009693X1	2	Nut Metric	
19	3712724M1	1	Harness	
20	3777568M2	1	Switch,Indirect	
21	3778808M1	1	Plug	
22	3782172M1	1	Wire	
23	3617813M1	1	Harness	
24	3783205M1	1	Support	
25	3001162X1	4	Screw	
26	339102X1	4	Washer	
27	1443615X1	4	Nut Metric	
28	3009494X1	2	Screw Metric	M10X35
29	390734X1	4	Washer	

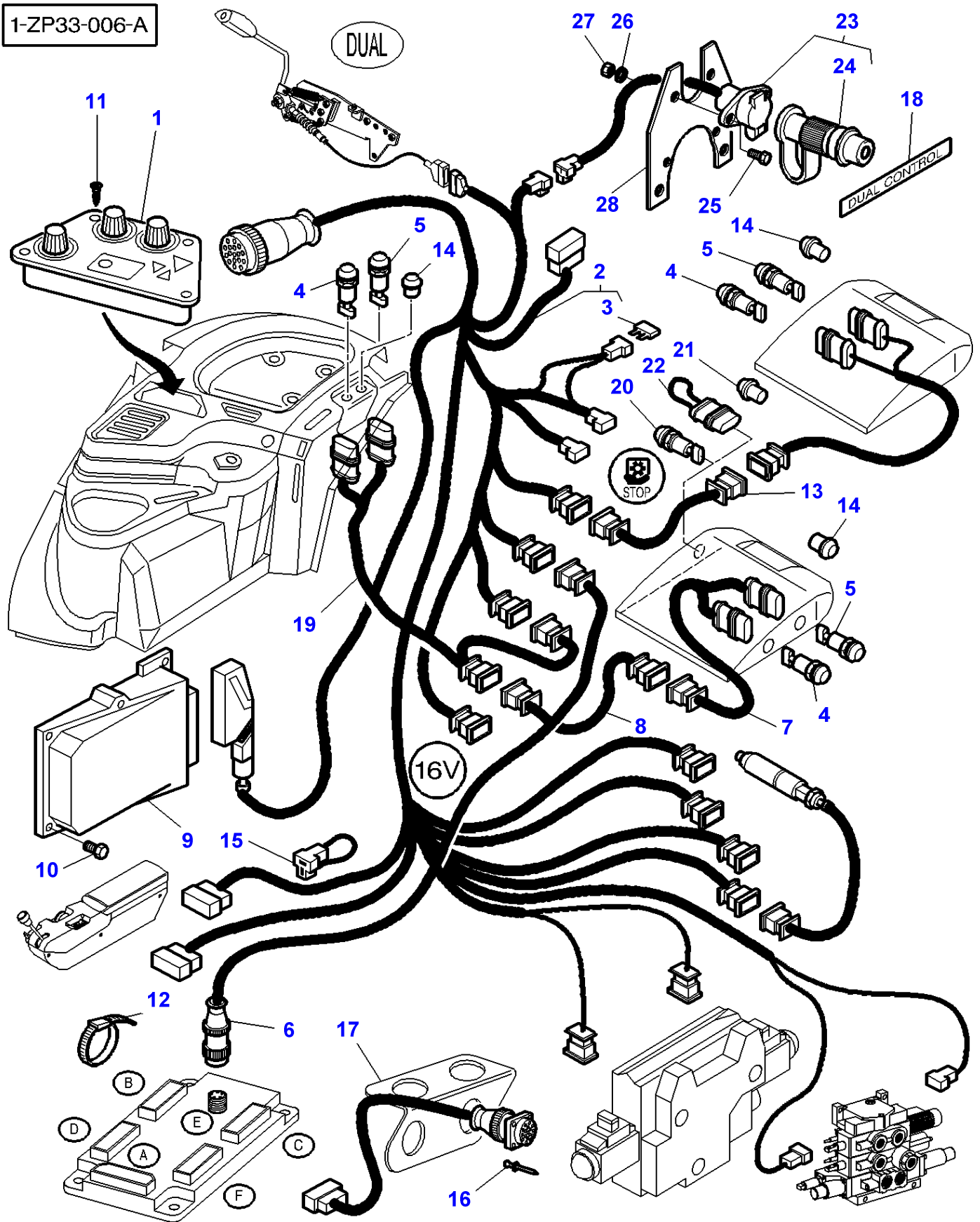
FOOTNOTE [A] UP

FOOTNOTE [B] DOWN

FOOTNOTE [C] WITH DYNASHIFT

FOOTNOTE [D] WITH FULL POWERSHIFT

MF 8210/8220 TRACTORS - 1637365
1-ZP33-006-A



Item	Part Number	Qty	Description	Comments
1	3778510M94	1	Electron Console	
2	3783148M92	1	Harness	
3	3580868M1	1	Fuse	(2) 3 AMP
4	3714137M1	3	Switch,Indirect	[A]
5	3714138M1	3	Switch,Indirect	[B]
6	3778702M1	1	Harness	[C]
	3778707M1	1	Harness	[D]
7	3714135M1	2	Harness	
8	3712725M1	1	Harness	Left Hand Length 3500 MM
9	3783217M91	1	Calculator	[C] 100KB
	3783218M91	1	Calculator	[D] 250KB
10	3010506X1	2	Screw	M5X16
11	3010559X1	4	Screw	M4X12
12	3619622M1	20	Cable Tie	
13	3712726M1	1	Harness	Right Hand
14	3380422M1	X	Plug	
15	3715934M1	1	Harness	
16	3011214X1	4	Rivet	
17	3778708M1	1	Harness	
18	3783975M1	1	Decal	
19	3712724M1	1	Harness	
20	3777568M2	1	Switch,Indirect	
21	3778808M1	1	Plug	
22	3782172M1	1	Wire	
23	3783970M91	1	Harness	
24		1	Plug 7 Pin Male	(23) Not serviced,order REF NO 23
25	390990X1	2	Screw Metric	M5X12
26	390469X1	2	Washer Metric	
27	3010477X1	2	Nut Metric	
28	3783962M2	1	Support	

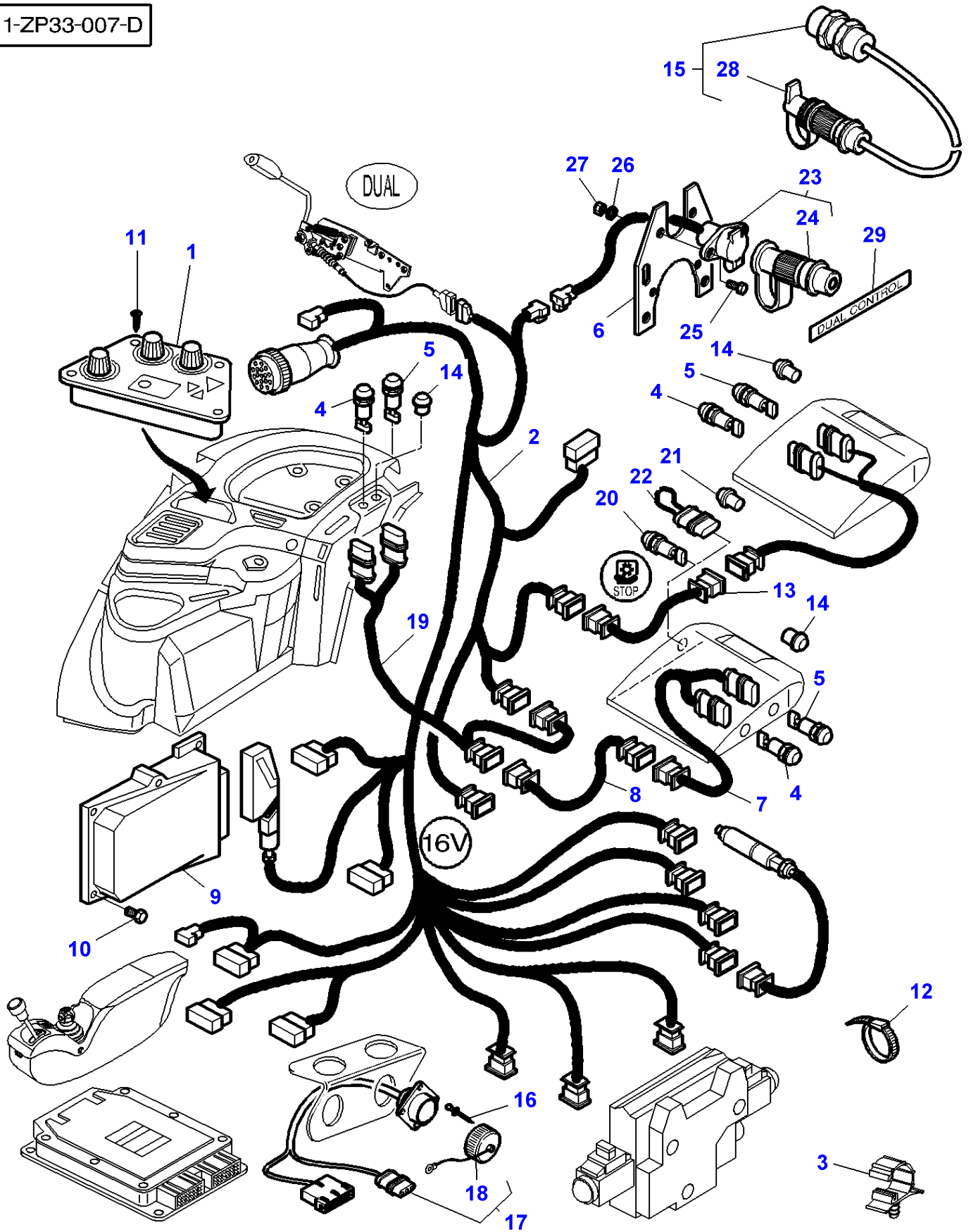
FOOTNOTE [A] UP

FOOTNOTE [B] DOWN

FOOTNOTE [C] WITH DYNASHIFT

FOOTNOTE [D] WITH FULL POWERSHIFT

1-ZP33-007-D



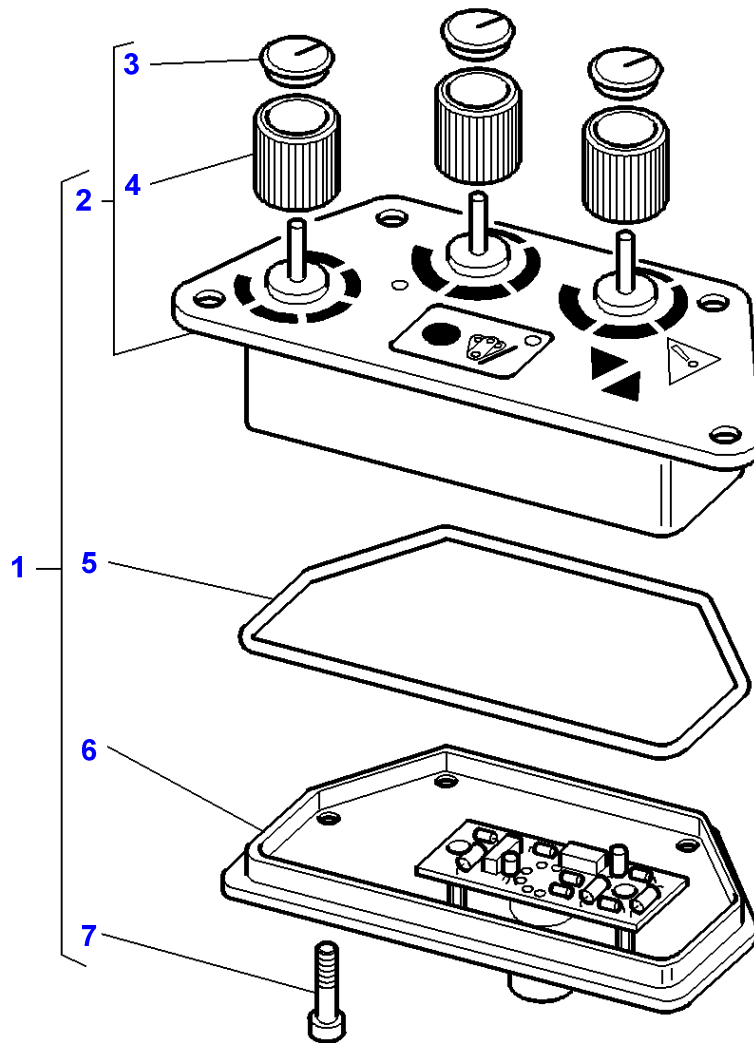
Item	Part Number	Qty	Description	Comments
1	3784084M91	1	Electron Console	
2	3784313M3	1	Elect.Lift Cable	
3	3715130M1	X	Clamp	Diameter 10MM
	3715129M1	X	Clamp	Diameter 30MM
4	3714137M1	X	Switch,Indirect	[A]
5	3714138M1	X	Switch,Indirect	[B]
6	3783962M2	1	Support	
7	3714135M1	X	Harness	
8	3712725M1	X	Harness	Left Hand Length 3500 MM
9	3784319M97	1	Calculator	
10	3010506X1	2	Screw	M5X16
11	3010804X1	4	Screw	M4X16
12	3619622M1	X	Cable Tie	
13	3712726M1	X	Harness	Right Hand
14	3380422M1	X	Plug	Diameter 30MM
15	3784995M91	1	Harness	[C]
16	3011214X1	4	Rivet	
17	3778708M2	1	Harness	
18	3900383M1	1	Plug	(17)
19	3712724M1	X	Harness	
20	3777568M2	1	Switch,Indirect	
21	3778808M1	X	Plug	Diameter 33,5MM
22	3782172M1	1	Wire	
23	3783970M91	1	Harness	
24		1	Plug 7 Pin Male	(23) Not serviced,order REF NO 23
25	390990X1	2	Screw Metric	M5X12
26	390469X1	2	Washer Metric	
27	3010477X1	2	Nut Metric	
28		1	Plug 7 Pin Male	(15) Not serviced,order REF NO 15
29	3783975M1	1	Decal	

FOOTNOTE [A] UP

FOOTNOTE [B] DOWN

FOOTNOTE [C] PLOUGH HARNESS

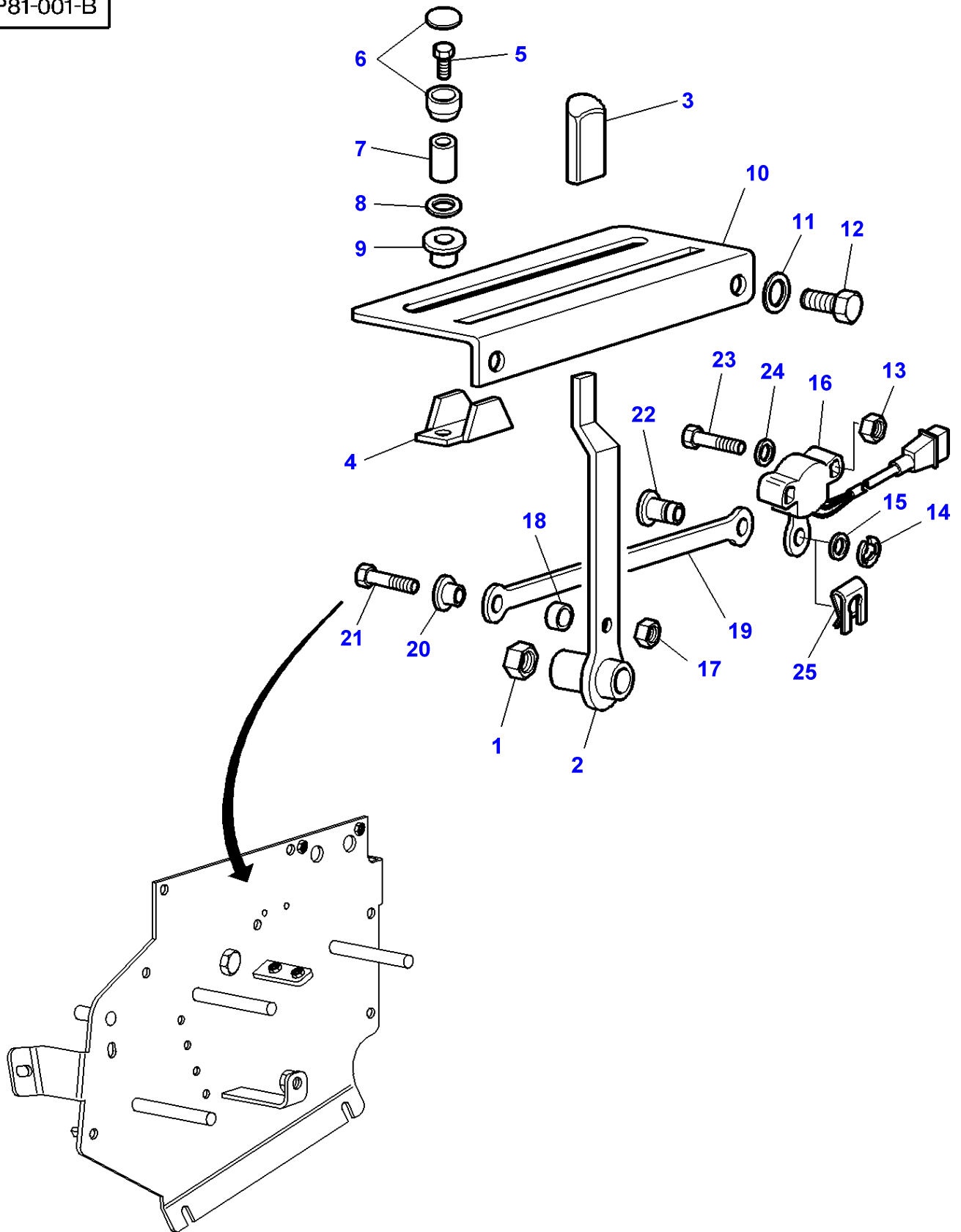
1-ZP37-001-B



Electronic Lift - Console

Item	Part Number	Qty	Description	Comments
1	3778510M94	1	Electron Console	Up to Serial or Engine Number 07-JAN-2001
	3784084M91	1	Electron Console	From Serial or Engine Number 08-JAN-2001
2	3902809M94	1	Cover	(1) Up to Serial or Engine Number 07-JAN-2001
	3903652M91	1	Cover	(1) From Serial or Engine Number 08-JAN-2001
3	3902440M1	3	Helmet	(2)
4	3902808M1	3	Button	(2) Up to Serial or Engine Number H140013
	3903452M1	3	Button	(2) From Serial or Engine Number H140014
5	3902452M1	1	O Ring	(1)
6	3902810M91	1	Printed Circuit	(1) Up to Serial or Engine Number 07-JAN-2001
	3903651M91	1	Printed Circuit	(1) From Serial or Engine Number 08-JAN-2001
7	3902811M1	4	Screw	(1)

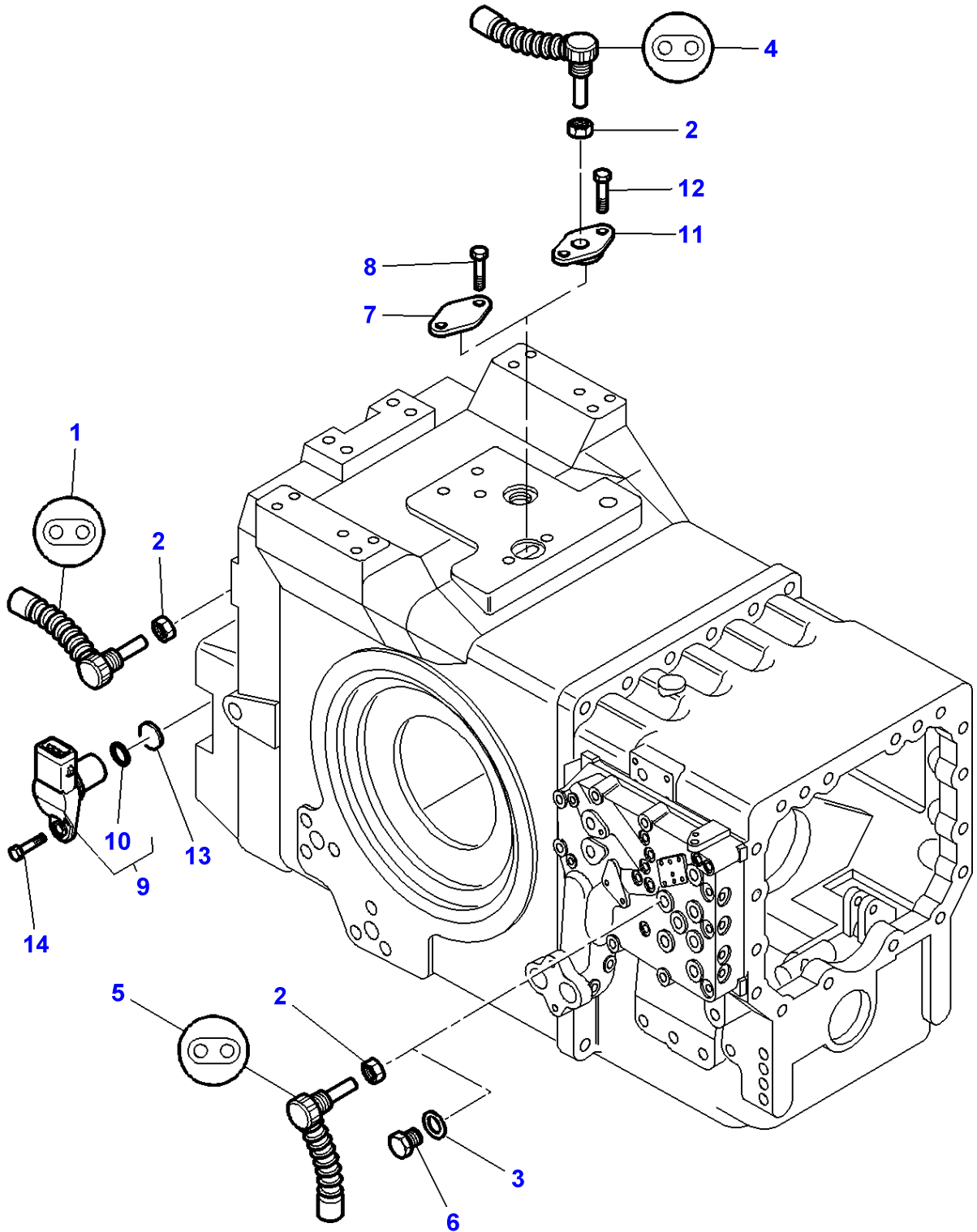
1-ZP81-001-B



Hydraulic Lift - Platform

Item	Part Number	Qty	Description	Comments
1	1442190X1	1	Locknut	
2	3778396M1	1	Lever	
3	3712976M2	1	Handle	
4	3778397M1	2	Stop	
5	392536X1	2	Screw	M6X35MM
6	3778414M1	2	Nut Special	
7	3580767M1	2	Nut	
8	339026X1	2	Washer Metric	
9	3778416M1	2	Bush	
10	3778398M1	1	Slipper	
11	390971X1	2	Washer	
12	339560X1	2	Hex. Sock. Screw	M6X16MM
13	3010477X1	2	Nut Metric	M5
14	3715469M1	1	Thruster	Up to Serial or Engine Number 07-JAN-2001
15	3715467M1	1	Washer	Up to Serial or Engine Number 07-JAN-2001
16	3715459M1	1	Inductive Taker	
17	3010599X1	1	Nut Metric	
18	3715471M1	1	Spacer	
19	3715466M1	1	Rod Link	
20	3715470M1	1	Bearing Carrier	
21	3010600X1	1	Screw Metric	M3X16MM
22	3715463M1	1	Clevis Pin	Up to Serial or Engine Number 07-JAN-2001 Diameter 4.90X7
	3783144M1	1	Clevis Pin	From Serial or Engine Number 08-JAN-2001 Diameter 5X5.8
23	391883X1	2	Screw	M5X25MM
24	390469X1	2	Washer Metric	
25	3783145M1	1	Thruster	From Serial or Engine Number 08-JAN-2001

1-ZU37-001-D



Electronic Equipment - Sensors

Item	Part Number	Qty	Description	Comments
1	3790881M1	1	Inductive Taker	[F] Length 75MM
2	339592X1	3	Nut Metric	[B]
	339592X1	2	Nut Metric	[A]
	339592X1	1	Nut Metric	[G]
3	390202X1	1	Seal	[A]
4	3583287M2	1	Inductive Taker	[E] Length 150MM
5	3712058M1	1	Inductive Taker	[B,D] Length 70MM
6	339494X1	1	Plug	[A,G]
7	3792054M1	1	Plate	[C]
8	339761X1	2	Hex. Sock. Screw	M8x25
9	3716042M1	1	Pto Speed Sensor	[A]
10	3009597X1	1	O Ring	(9)
11	3716581M3	1	Support	
12	339761X1	2	Hex. Sock. Screw	M8X25
13	3011014X1	1	Plug	[B] Diameter 20,5MM
14	3009280X1	1	Screw	[A] M6X12

FOOTNOTE [A] WITH FULL POWERSHIFT

FOOTNOTE [B] WITH DYNASHIFT

FOOTNOTE [C] WITHOUT DATATRONIC

FOOTNOTE [D] MOTOR SPEED

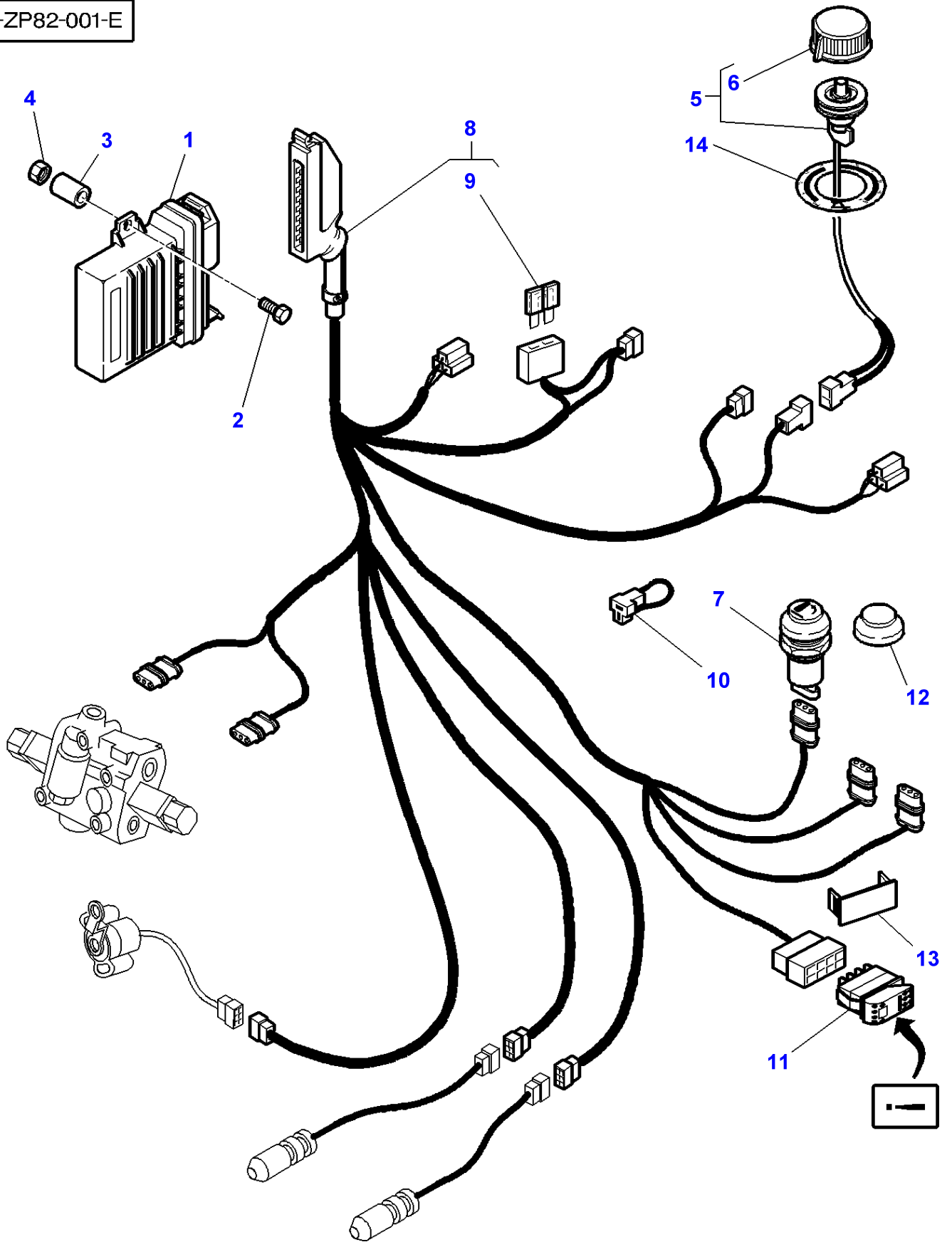
FOOTNOTE [E] TRAVELLING SPEED

FOOTNOTE [F] PTO SPEED

FOOTNOTE [G] WITH KIT,BEVEL GEAR 8X43

MF 8210/8220 TRACTORS - 1637365
1-ZP82-001-E

1-ZP82-001-E



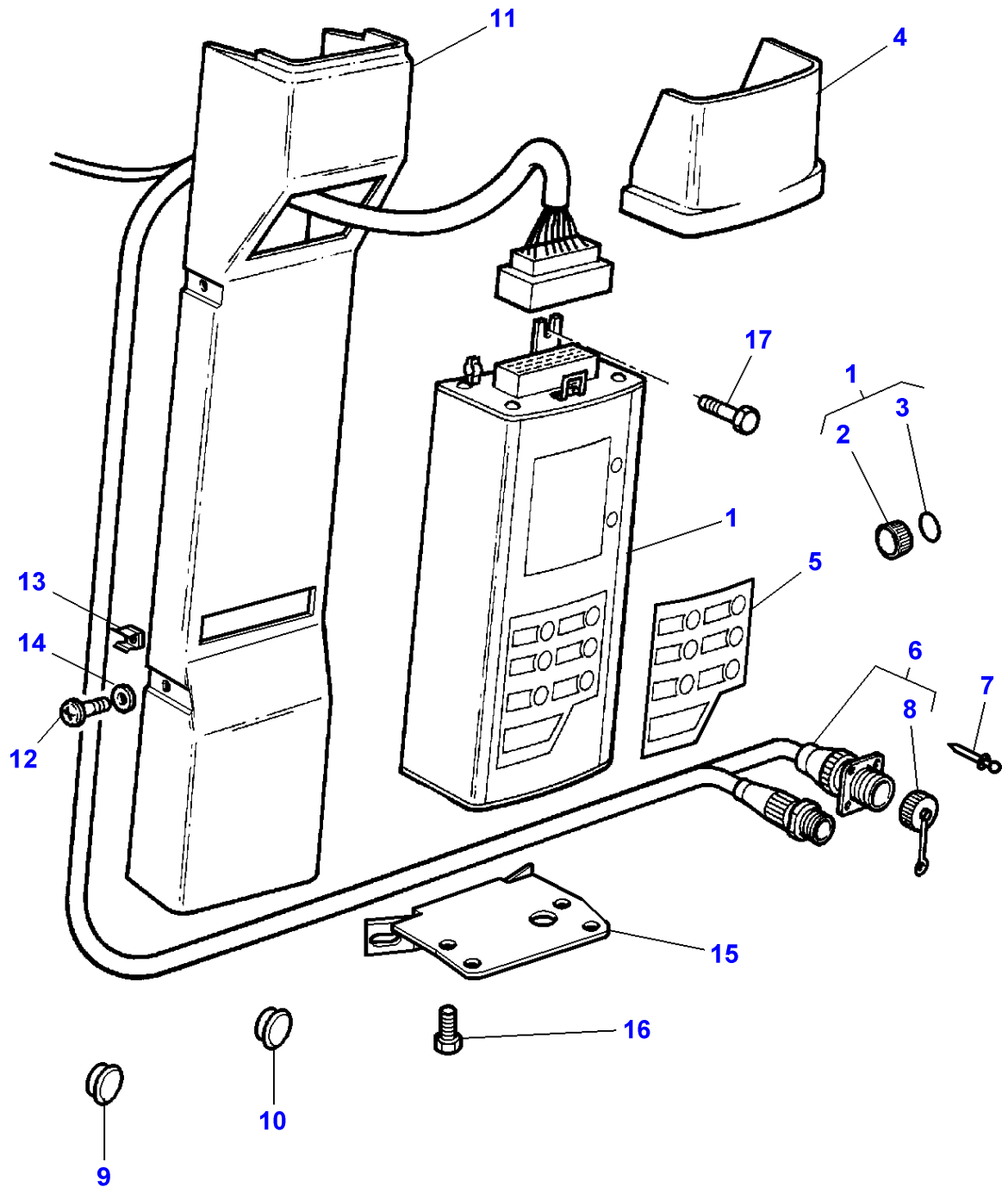
Platform Electronic Lift - Main Harness

Item	Part Number	Qty	Description	Comments
1	3779141M93	1	Calculator	
2	339244X1	2	Bolt Metric	M6X55
3	3582836M1	2	Spacer	
4	1441500X1	2	Locknut	M6
5	3779478M1	1	Button	
6	3902816M1	1	Button	(5)
7	3714137M1	1	Switch,Indirect	
8	3779460M93	1	Harness	
9	3387318M1	1	Fuse	(8) 5A
10	3715934M1	1	Harness	
	3779572M1	1	Connectors	[A]
11	3812633M1	1	Switch	
12	3380422M1	1	Plug	[B]
13	3713151M1	1	Tap	[B]
14	3779123M1	1	Decal	

FOOTNOTE [A] WITH POWER SHUTTLE

FOOTNOTE [B] WITHOUT HYDRAULIC LIFT

1-ZU31-001-B



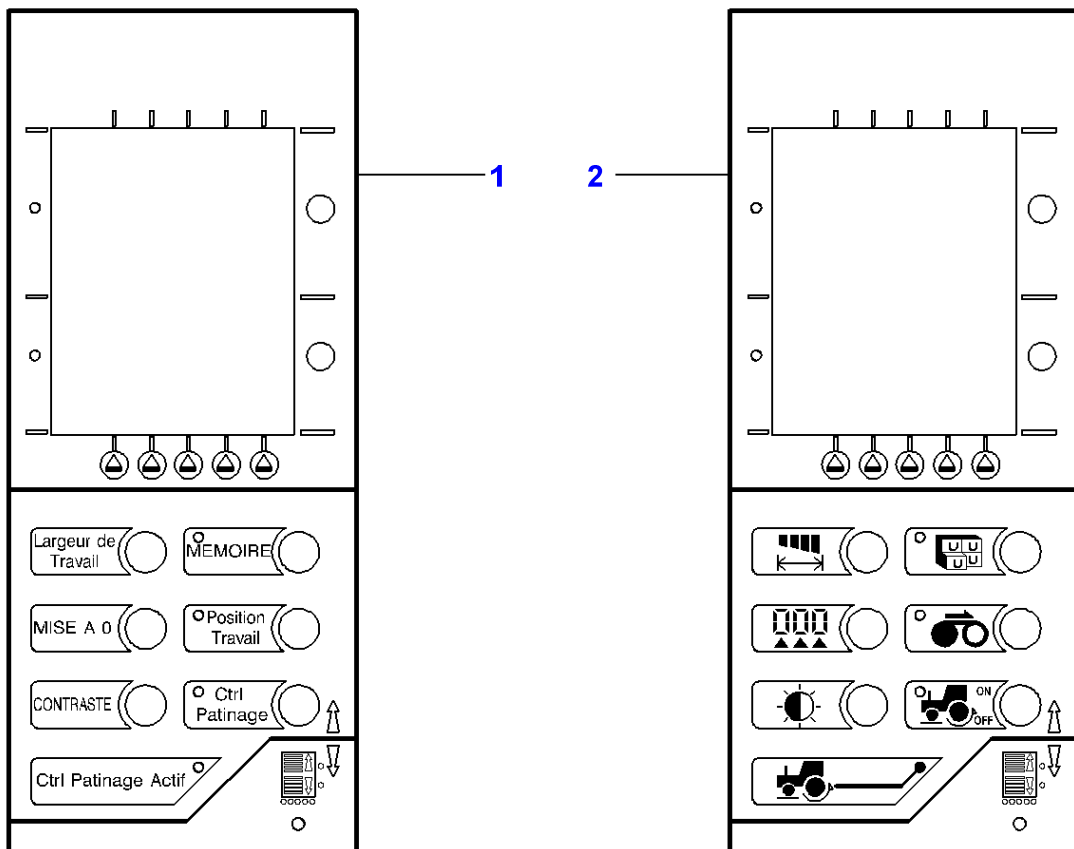
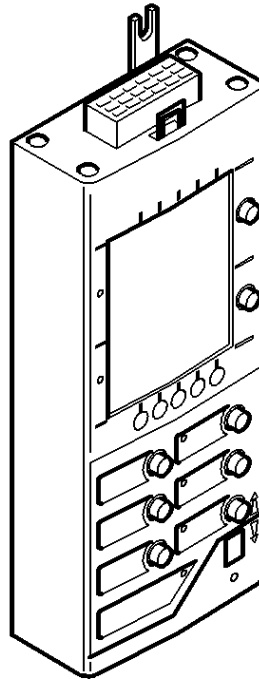
Aboard Computer

Item	Part Number	Qty	Description	Comments
1	3792434M1	1	Onboard Computer	
2	3907170M1	1	Button	[B] (1)
3	3907171M1	1	Helmet	[B] (1)
4	3714916M1	1	Moulding	
5		1	Decal	See Page - Reference Number 090-0065/1
6	3778701M3	1	Harness	
7	3011214X1	4	Rivet	
8	3900383M1	1	Plug	(6) [A]
9	3380422M1	1	Plug	[A]
10	3042671M1	1	Plug	[A] Diameter 12,7MM Up to Serial or Engine Number H043028
	3042523M1	1	Plug	[A] Diameter 10MM From Serial or Engine Number H043029
11	3714919M1	1	Mounting	
	3713072M4	1	Mounting	[A]
12	3010506X1	4	Screw	M5X16
13	3615557M1	7	Boxnut	
14	1427000M1	4	Washer	
15	3714918M2	1	Support	
16	3010578X1	2	Screw	M5X10
17	3010506X1	5	Screw	M5X16

FOOTNOTE [A] WITHOUT DATATRONIC

FOOTNOTE [B] GREY

1-ZU32-001-A

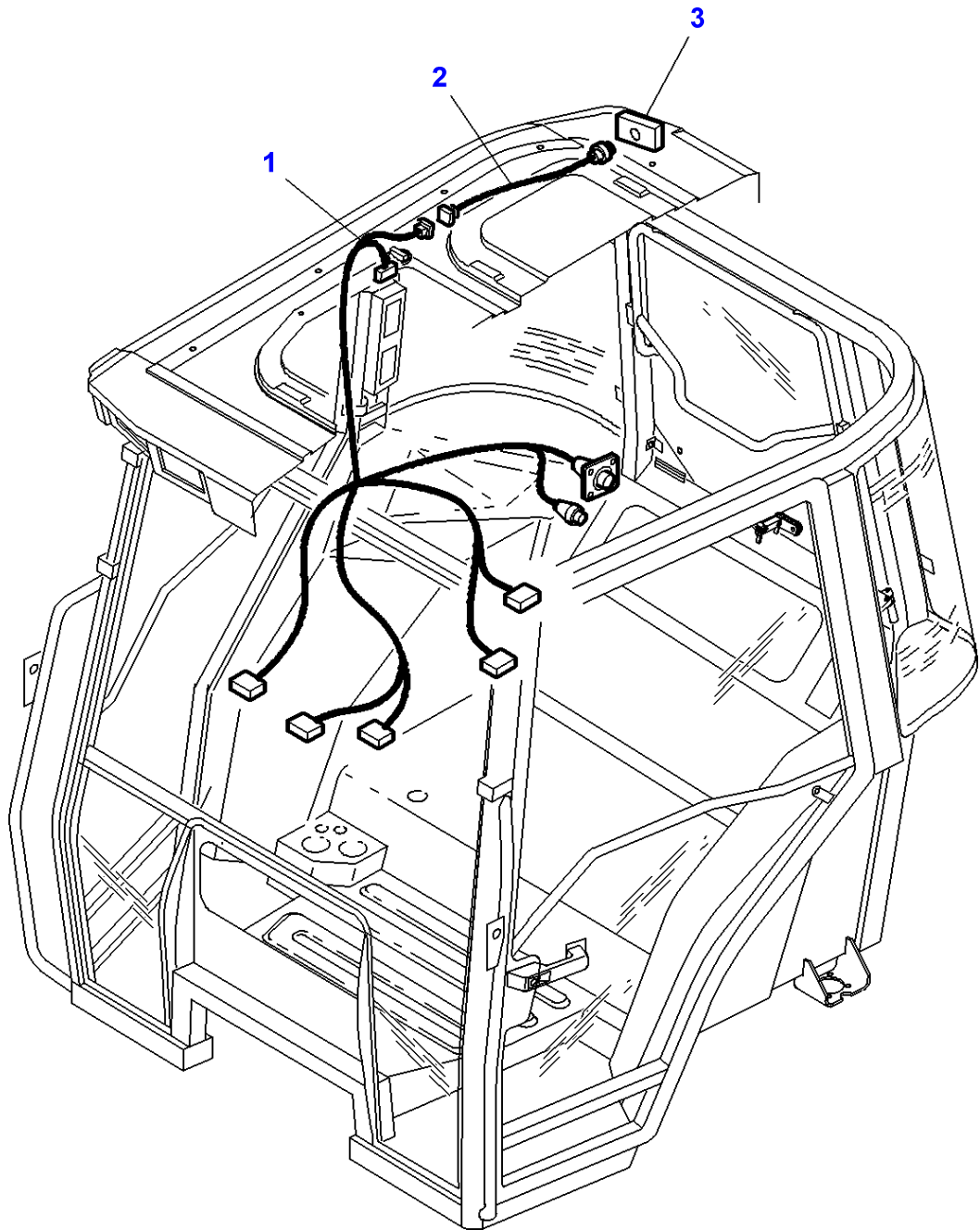


Aboard Computer - Transfers

Item	Part Number	Qty	Description	Comments
1	3714660M1	1	Decal	For France only or any text in French only
	3714661M1	1	Decal	For UK only or any text in English only
	3714662M1	1	Decal	For Germany only or any text in German only
	3714663M1	1	Decal	For Italy only or any text in Italian only
	3714664M1	1	Decal	[A]
2	3714665M1	1	Decal	

FOOTNOTE [A] SPAIN

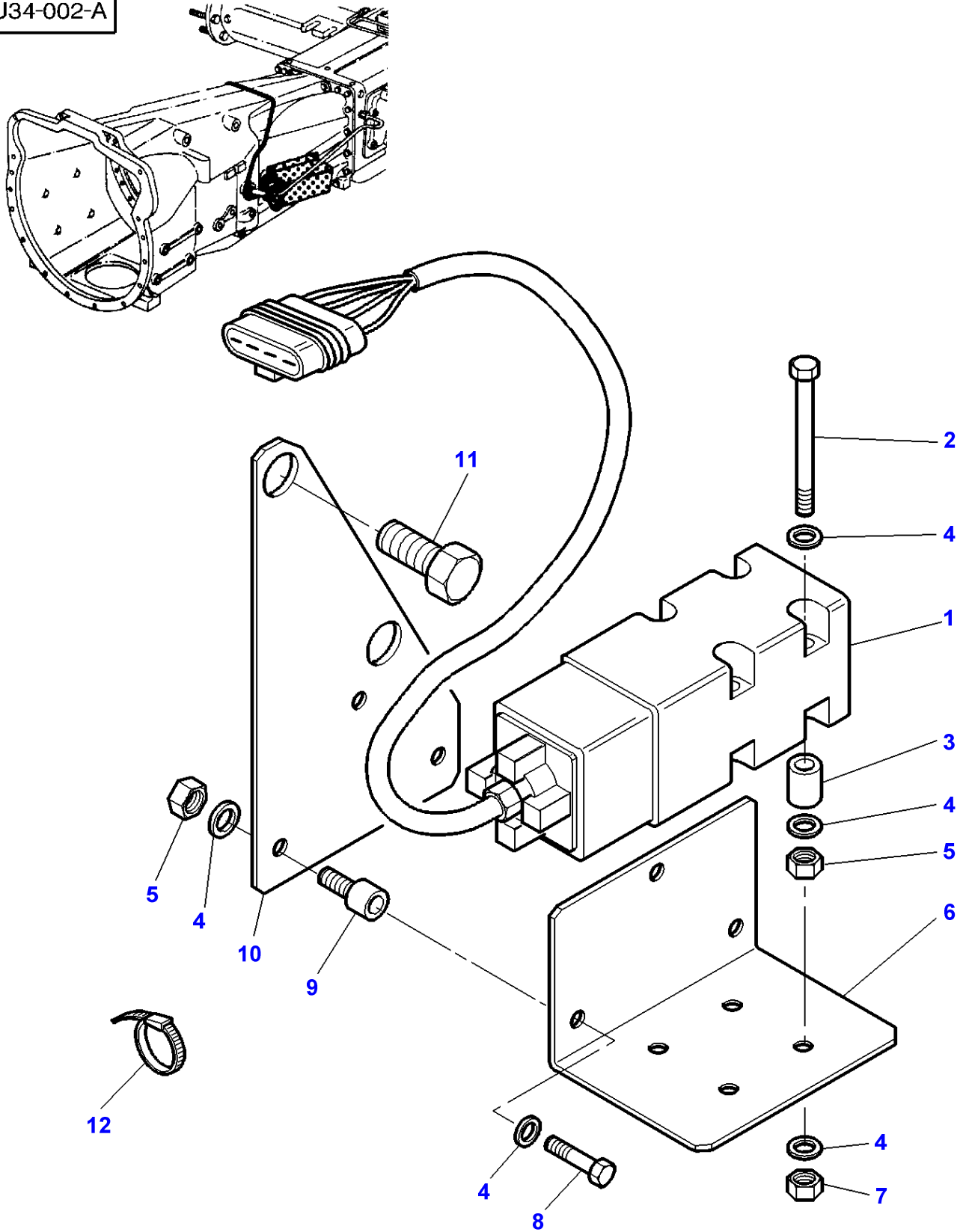
1-ZU35-001-A



Aboard Computer - Wiring

Item	Part Number	Qty	Description
1	3778701M3	1	Harness
2	3714262M1	1	Harness
3	3714264M1	1	Transmitter

1-ZU34-002-A

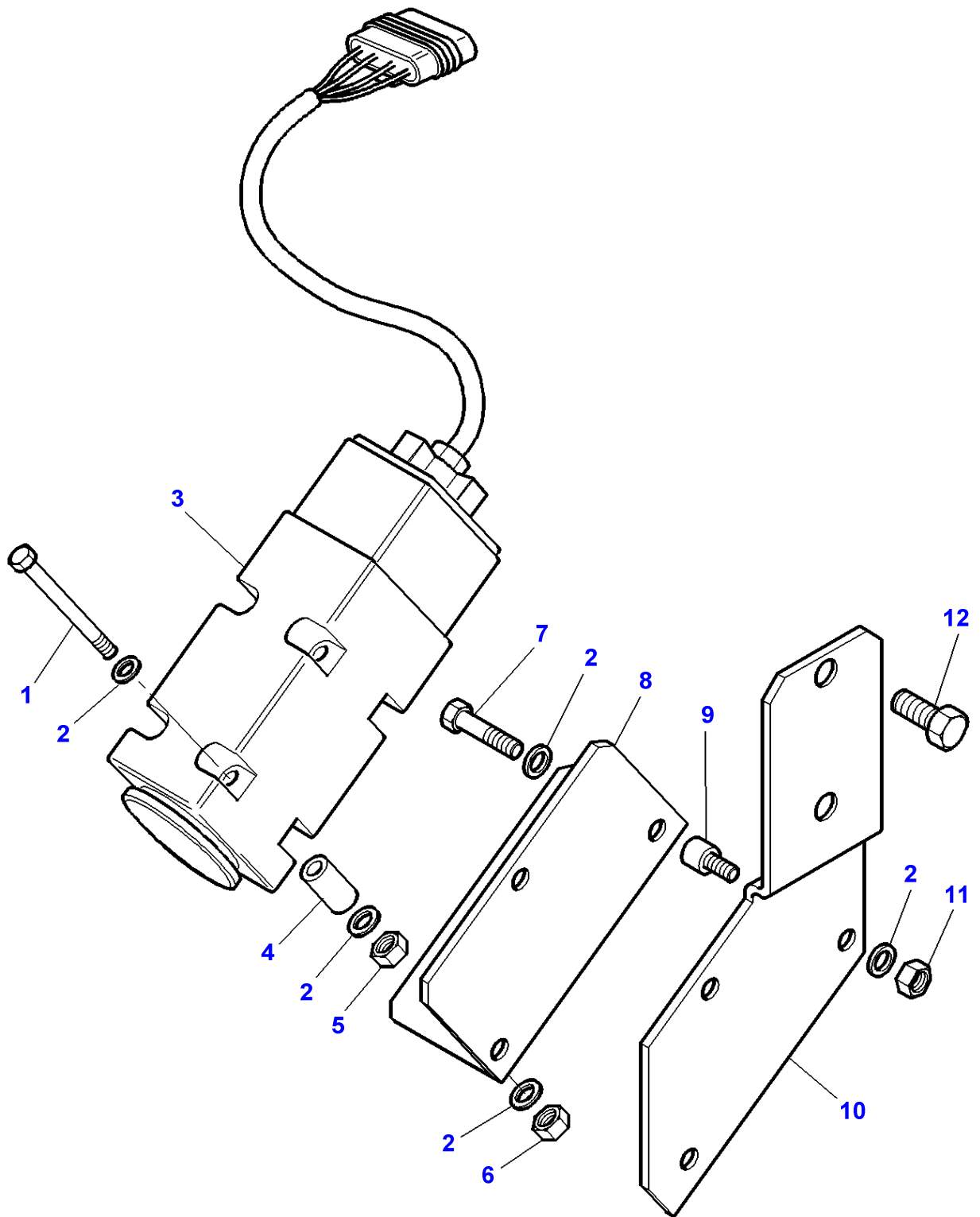


Radar - Dynashift

Item	Part Number	Qty	Description	Comments
1	3714291M2	1	Speed Detector	GHZ 24.125
	3714290M2	1	Speed Detector	For UK only or any text in English only GHZ 24.300
	4270037M1	1	Speed Detector	[A] GHZ 24.200
2	3019894X1	4	Screw	M6X100
3	3582802M1	4	Spacer	
4	390971X1	X	Washer	
5	1440207X1	4	Nut Metric	M6
6	3781310M1	1	Support	
7	339030X1	4	Nut Metric	
8	339230X1	3	Hex. Sock. Screw	M6X10
9	3583548M1	3	Dowel	
10	3781309M1	1	Support	
11	354704X1	2	Bolt Unc	3/4-10X32
12	3619622M1	X	Cable Tie	

FOOTNOTE [A] JAPAN ONLY

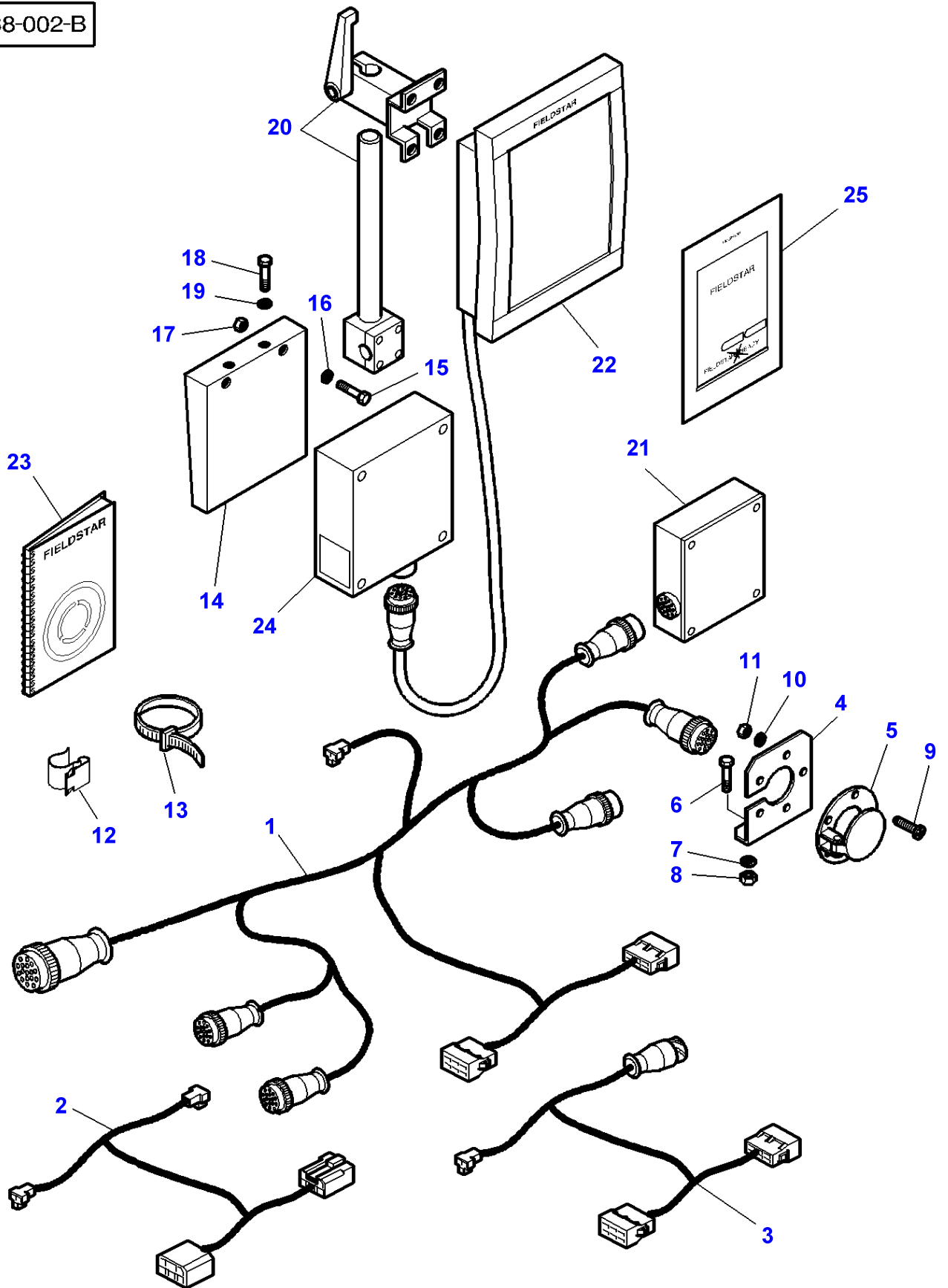
1-ZU34-003-B



Item	Part Number	Qty	Description	Comments
1	3019894X1	4	Screw	M6X100
2	390971X1	X	Washer	
3	3714290M2	1	Speed Detector	For UK only or any text in English only GHZ 24.300
	3714291M2	1	Speed Detector	GHZ 24.125
	4270037M1	1	Speed Detector	[A] GHZ 24.200
4	3582802M1	4	Spacer	
5	1440207X1	4	Nut Metric	
6	339030X1	4	Nut Metric	
7	339230X1	3	Hex. Sock. Screw	M6X10
8	3781310M1	1	Support	
9	3583548M1	3	Dowel	
10	3784630M2	1	Support	
11	339030X1	3	Nut Metric	
12	339613X1	2	Screw	M16X25

FOOTNOTE [A] JAPAN ONLY

1-ZU38-002-B



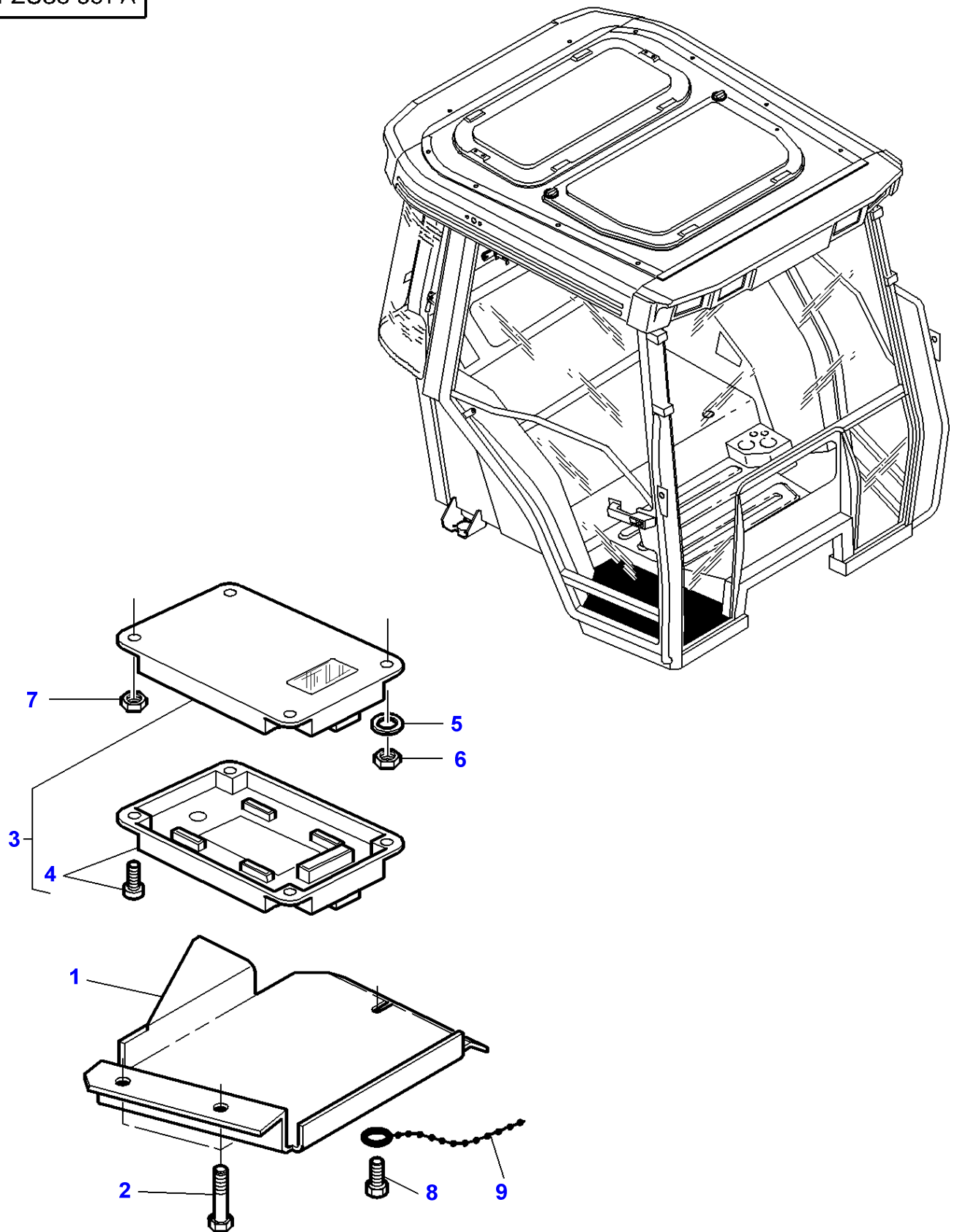
Item	Part Number	Qty	Description	Comments
1	3788428M91	1	Harness	
2	3788429M91	1	Harness	[A]
3	3788430M92	1	Harness	[B]
4	3820452M1	1	Bracket	
5	3822490M1	1	Cap	
6	391074X1	2	Hex. Sock. Screw	M6 X 12
7	390971X1	2	Washer	Diameter 6-12 X 1,5
8	339030X1	2	Nut Metric	M6
9	390958X1	5	Screw	M5 X 16
10	390469X1	5	Washer Metric	Diameter 5-10 X 1,5
11	1441917X1	5	Locknut	
12	3598904M1	2	Clip	
13	3619622M1	5	Cable Tie	
14	3820451M1	1	Bracket	
15	3010818X1	4	Screw Metric	M4 X 20
16	339102X1	4	Washer	Diameter 4-9 X 1
17	3019139X1	4	Nut	M4
18	391883X1	4	Screw	M5 X 25
19	390469X1	4	Washer Metric	Diameter 5-10 X 1,5
20	D28789001	1	Bracket	
21	G716.972.170.010	1	Electronic Box	
22	D28989054	1	Monitor	
23	D63001805	1	O.I.B.	[C]
	D63001806	1	O.I.B.	For UK only or any text in English only
	D63001807	1	O.I.B.	For Germany only or any text in German only
	D63001808	1	O.I.B.	For France only or any text in French only
	D63001809	1	O.I.B.	For Sweden
24	D28789378	1	Intake	
25	4271993M1	1	Decal	

FOOTNOTE [A] FEEDER HARNESS

FOOTNOTE [B] DATATRONIC SIGNAL HARNESS

FOOTNOTE [C] DENMARK

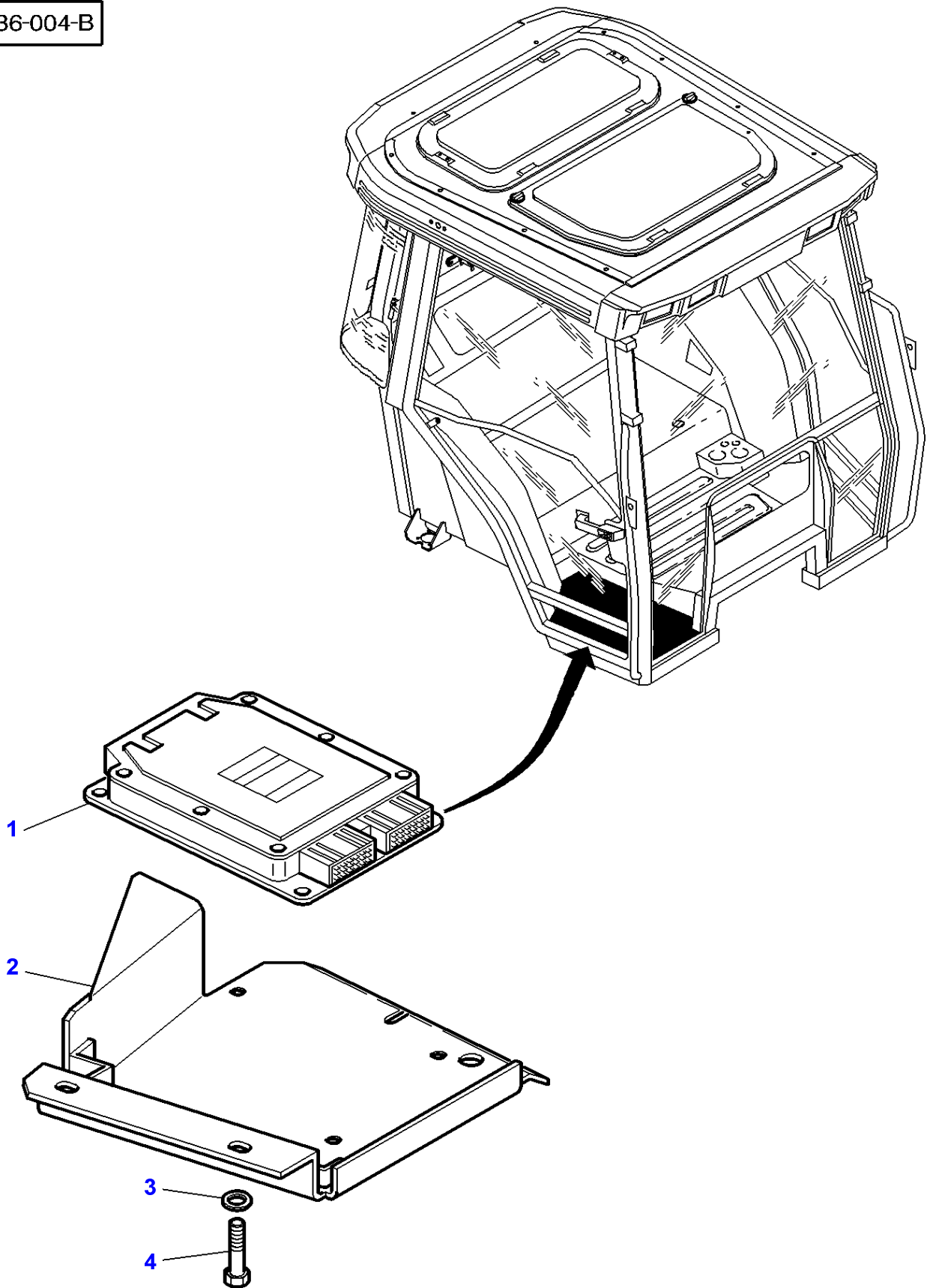
1-ZU36-001-A



Item	Part Number	Qty	Description	Comments
1	3782614M3	1	Cover	
2	391074X1	3	Hex. Sock. Screw	M6X12
	391074X1	2	Hex. Sock. Screw	[A] For Germany only or any text in German only
3	3792094M1	1	Switch Box	
4	3903181M91	1	Case Assy	(3)
5	391038X1	1	Washer	Diameter 6-18X1,5
	339375X1	1	Lock Washer	
6	339030X1	1	Nut Metric	M6 Thickness 5MM
	1440207X1	1	Nut Metric	M6
7	3010477X1	3	Nut Metric	M5
8	1442674X1	1	Screw	For Germany only or any text in German only
9	3618653M1	1	Wire	For Germany only or any text in German only

FOOTNOTE [A] WITH SAFETY WIRE BLOKING

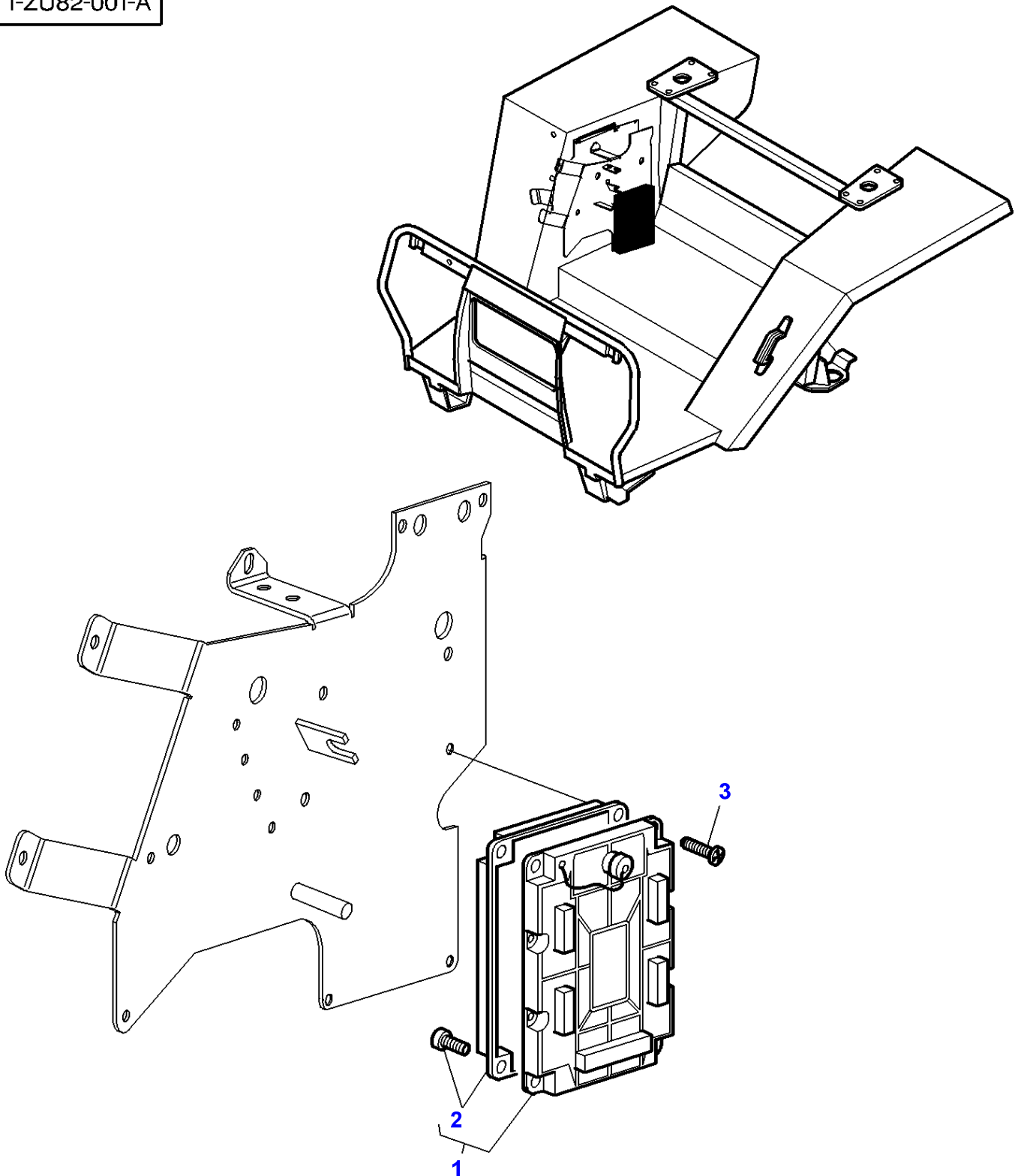
1-ZU36-004-B



Massey Ferguson**MF 8210/8220 TRACTORS - 1637365****1637365****Control Box - Cab - With Power Shuttle****Page090-0095**

Item	Part Number	Qty	Description	Comments
1	3791700M6	1	Switch Box	
2	3782614M3	1	Cover	
3	391038X1	3	Washer	
4	339560X1	2	Hex. Sock. Screw	M6X16
	339666X1	1	Hex. Sock. Screw	M6X20

1-ZU82-001-A

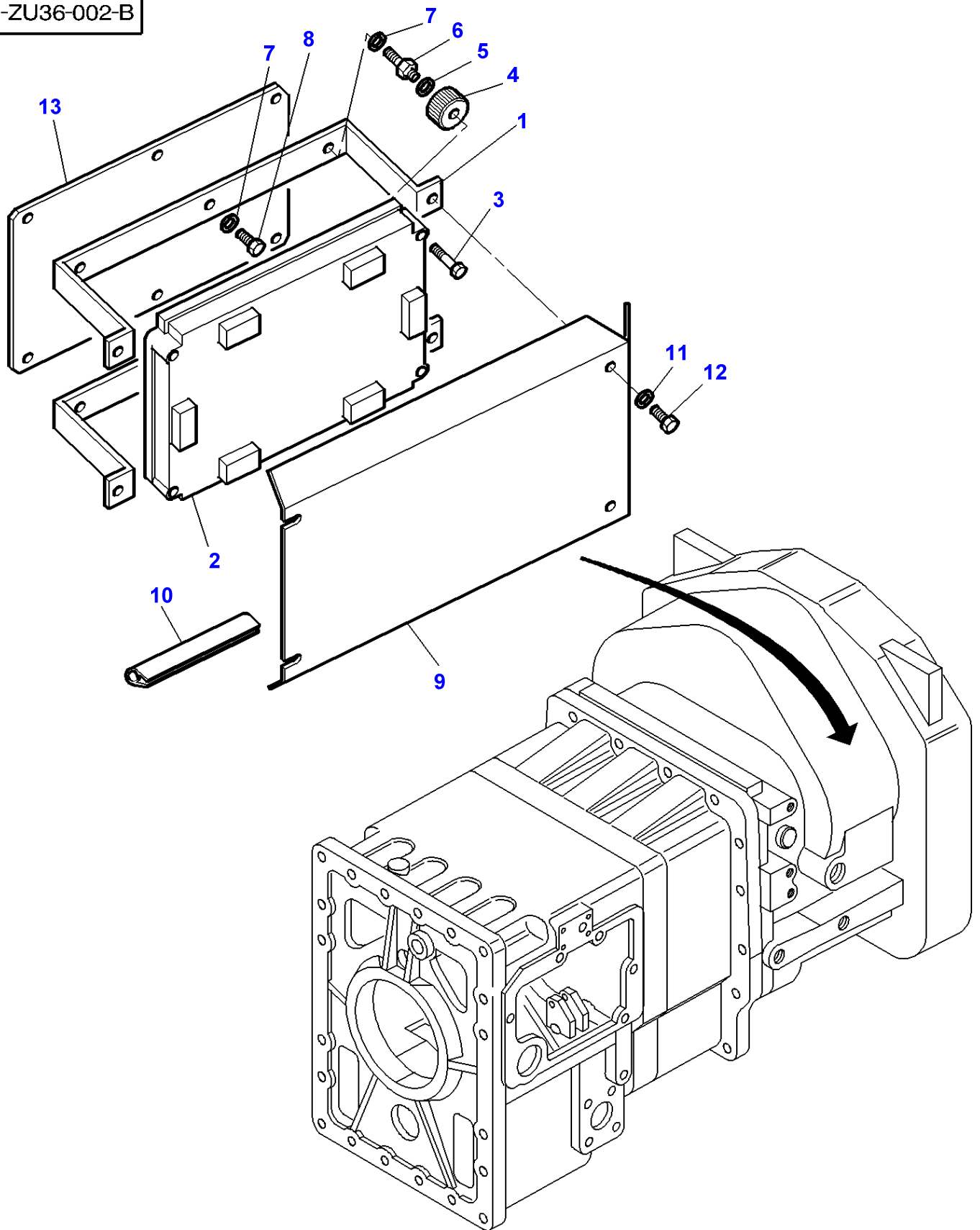


Massey Ferguson**MF 8210/8220 TRACTORS - 1637365****1637365****Control Box - Platform - Dynashift****Page090-0100**

Item	Part Number	Qty	Description	Comments
1	3792094M1	1	Switch Box	
2	3903181M91	1	Case Assy	(1)
3	3009538X1	4	Screw	TCY M5X35

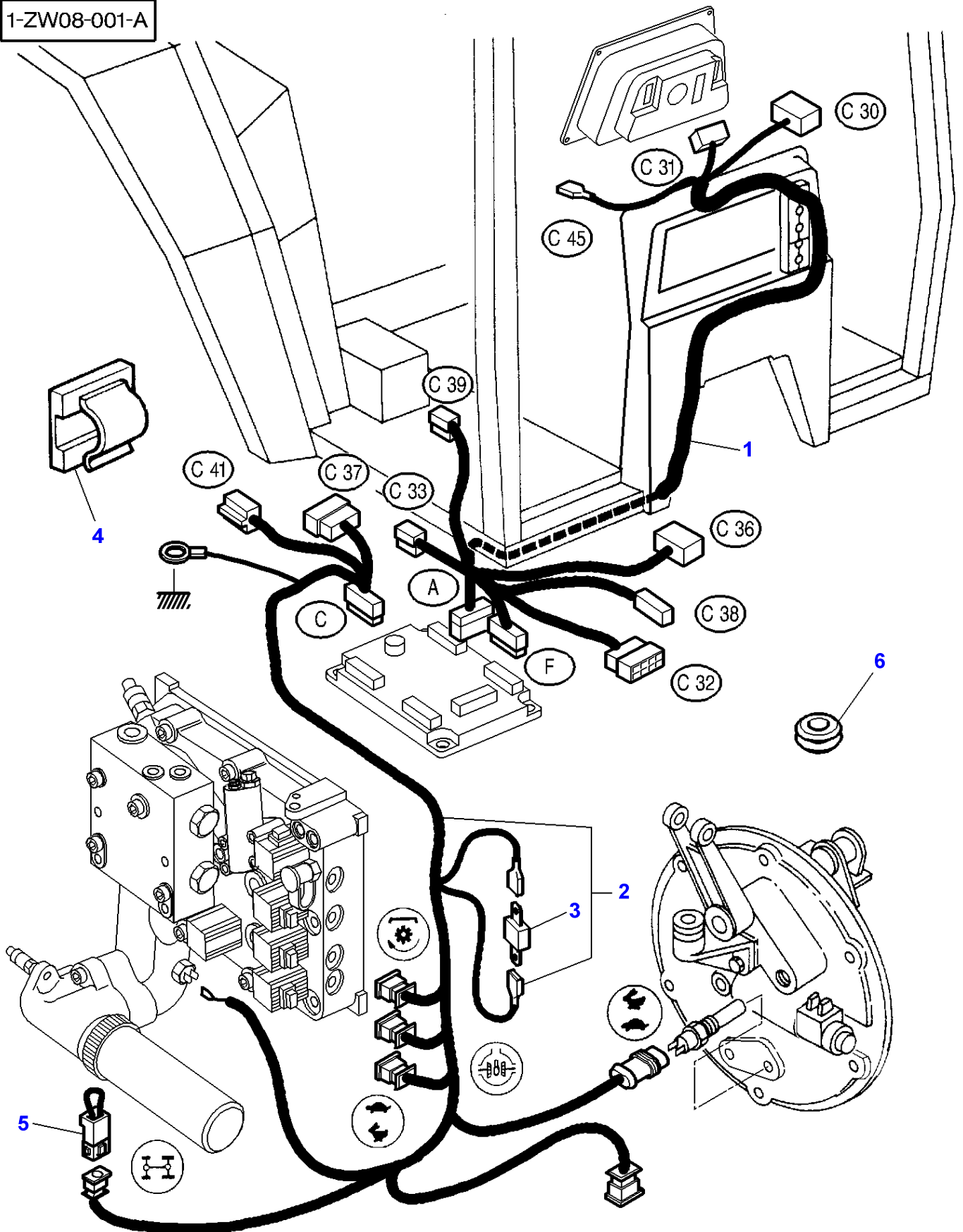
MF 8210/8220 TRACTORS - 1637365
1-ZU36-002-B

1-ZU36-002-B



Item	Part Number	Qty	Description	Comments
1	3790912M1	2	Support	
2	3790842M1	1	Switch Box	
3	339096X1	4	Bolt Metric	M6 X 35
4	3790853M1	4	Support	
5	391289X1	4	Lock Washer	
6	3791098M1	4	Screw	M6/M8
7	22428X	5	Lock Washer	
8	339228X1	1	Screw Metric	M8 X 12
9	3790910M2	1	Cowl	
10	1684844M1	1	Seal	Length 80MM
11	390972X1	2	Washer Metric	Diameter 8-17 X 1,7
12	339228X1	4	Screw Metric	M8 X 12
13	3783453M1	1	Cowl	

1-ZW08-001-A

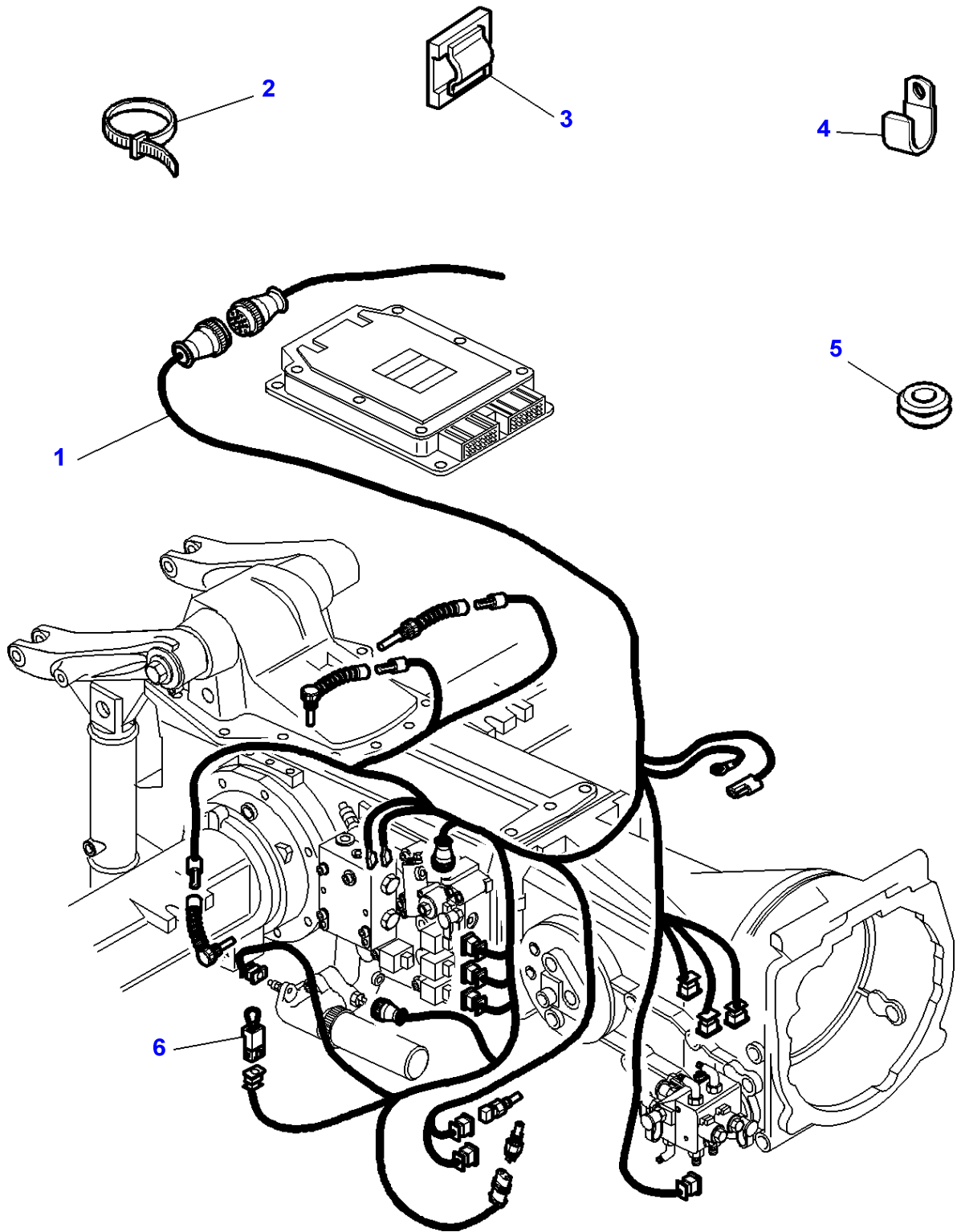


Massey Ferguson**MF 8210/8220 TRACTORS - 1637365****1637365****Electrovanes Harness / ETCU Harness-Instrument Panel - Cab - Dynashift****Page090-0110**

Item	Part Number	Qty	Description	Comments
1	3778652M2	1	Harness	
2	3778722M93	1	Harness	
3	1897312M1	1	Diode	(2) Diameter 21/10-28 Replace and repair. Old interchangeable with new 3615548M1
4	3582094M1	2	Tie	
5	3779572M1	1	Connectors	[A]
6	3580984M1	3	Grommet	Diameter 21/10-28

FOOTNOTE [A] 2 WHEEL DRIVE ONLY

1-ZW08-007-B



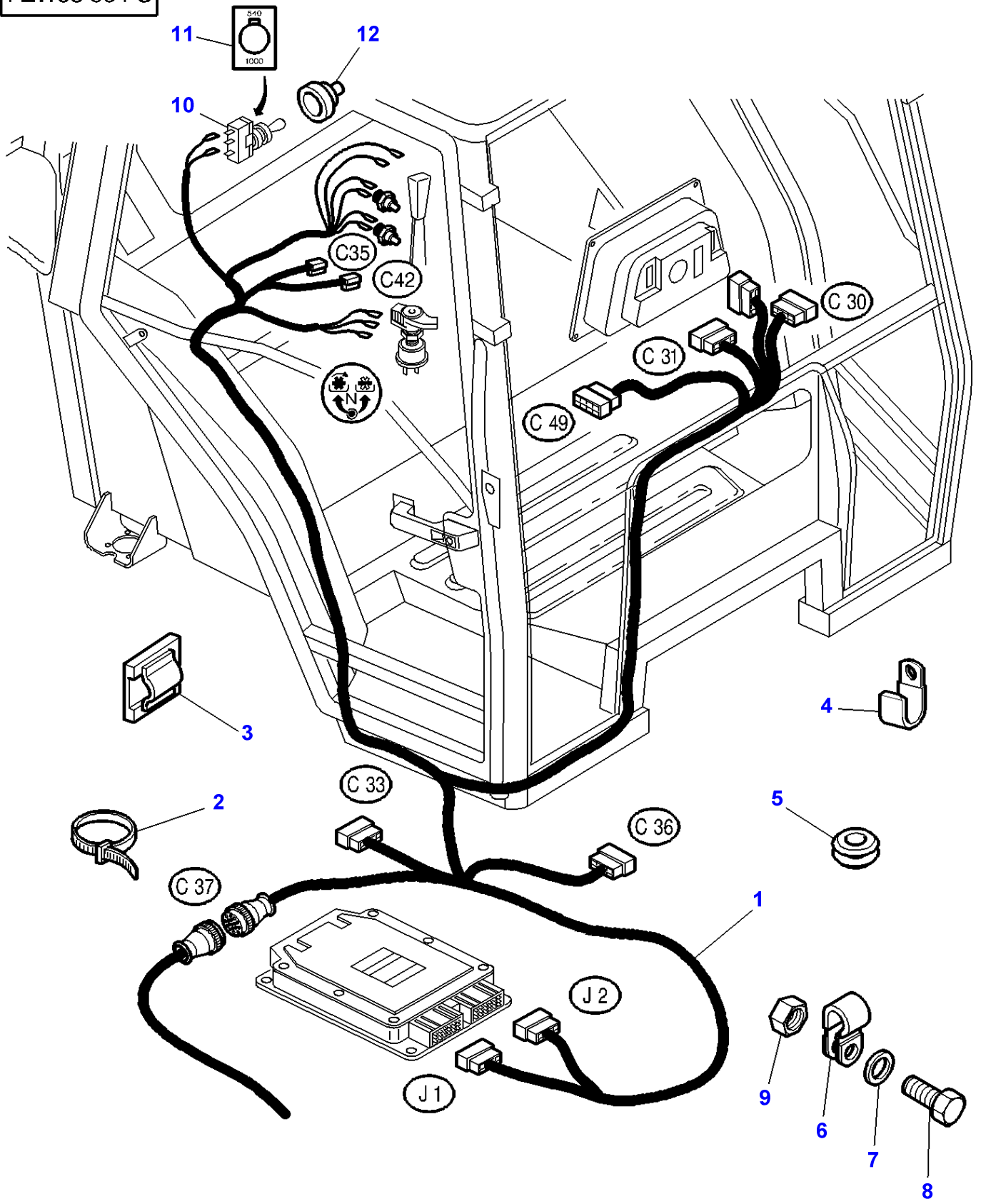
Massey Ferguson**MF 8210/8220 TRACTORS - 1637365****1637365****Electrovanes Harness / ETCU Harness-Instrument Panel - Cab - With Power Shuttle - Load Sensing****Page090-0115**

Item	Part Number	Qty	Description	Comments
1	3793785M1	1	Harness	Up to Serial or Engine Number K240025
	3795566M1	1	Harness	From Serial or Engine Number K240026
2	3619622M1	4	Cable Tie	
3	3582094M1	2	Tie	
4	3583344M1	1	Strap	
5	3580984M1	3	Grommet	
6	3779572M1	1	Connectors	Two Wheel Drive

FOOTNOTE [A] 2 WHEEL DRIVE ONLY

MF 8210/8220 TRACTORS - 1637365
1-ZW08-004-C

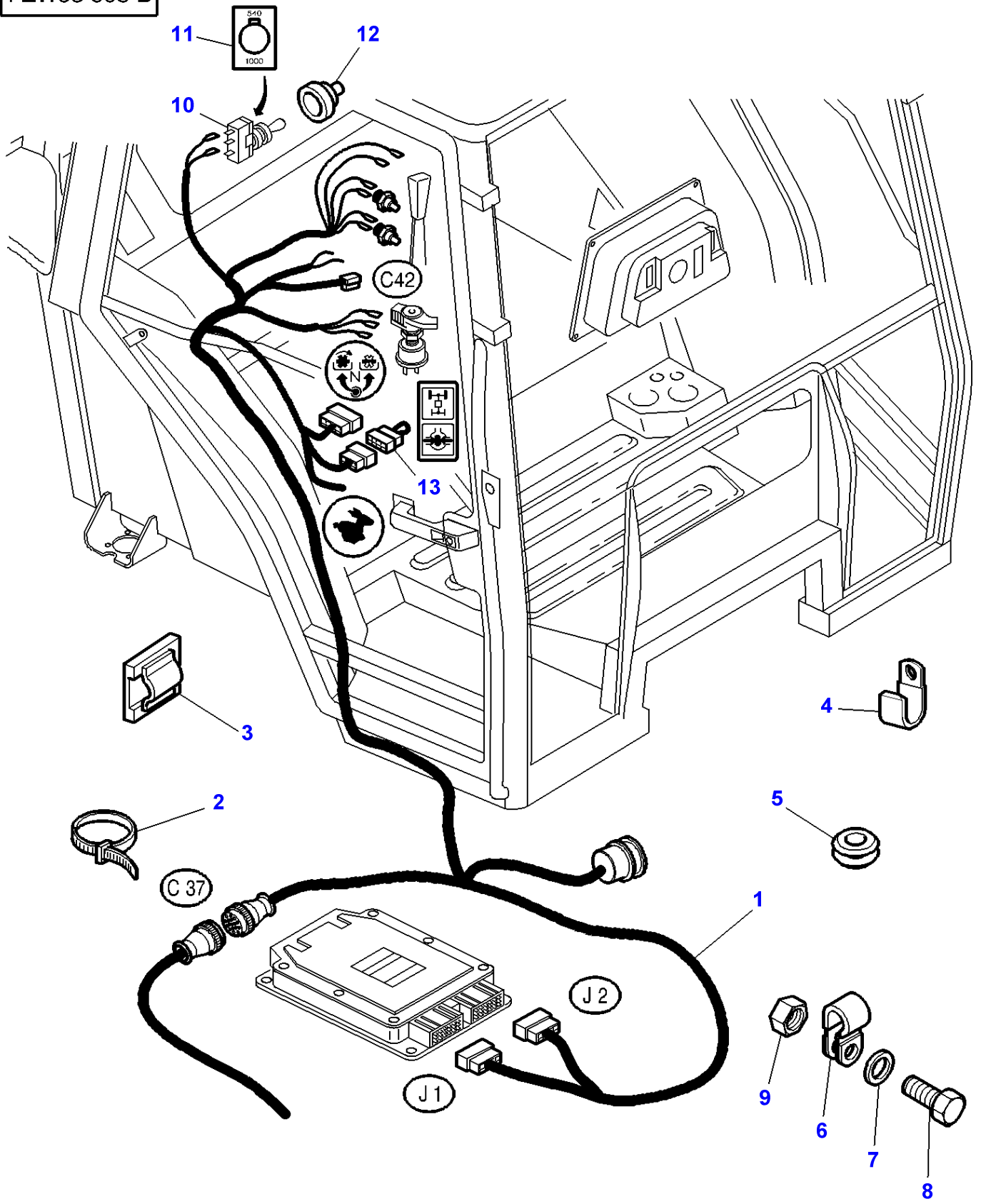
1-ZW08-004-C



Massey Ferguson**MF 8210/8220 TRACTORS - 1637365****1637365****Electrovanes Harness / ETCU Harness-Instrument Panel - Cab - With Power Shuttle - Up To 07-01-20001****Page090-0120**

Item	Part Number	Qty	Description	Comments
1	3779849M4	1	Harness	
2	3619622M1	4	Cable Tie	
3	3582094M1	2	Tie	
4	3583344M1	1	Strap	
5	3580984M1	3	Grommet	
6	3779547M1	1	Clamp	
7	390972X1	1	Washer Metric	
8	339337X1	1	Hex. Sock. Screw	
9	339169X1	1	Nut	
10	3713348M1	1	Switch,Indirect	
11	3714886M1	1	Decal	540/1000 RPM
	3713782M2	1	Decal	750/1000 RPM
12	3713349M1	1	Helmet	

1-ZW08-008-B

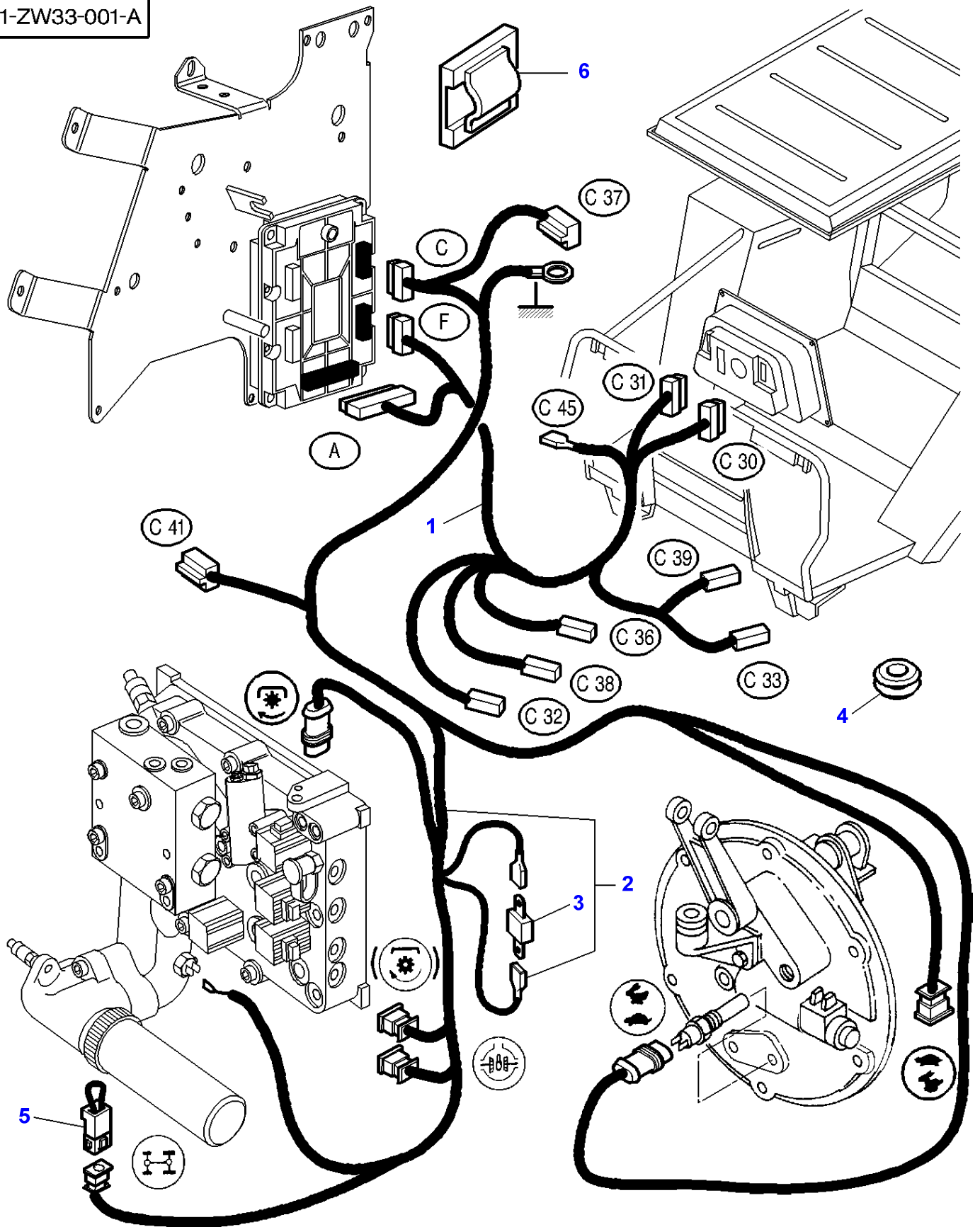


Massey Ferguson**MF 8210/8220 TRACTORS - 1637365****1637365****Electrovanes Harness / ETCU Harness-Instrument Panel - Cab - With Power Shuttle - From 08-01-2001****Page090-0125**

Item	Part Number	Qty	Description	Comments
1	3783769M2	1	Harness	
2	3619622M1	4	Cable Tie	
3	3582094M1	2	Tie	
4	3583344M1	1	Strap	
5	3580984M1	2	Grommet	
6	3389841M1	1	Clamp	Diameter 12MM
7	390971X1	1	Washer	
8	339560X1	1	Hex. Sock. Screw	M6X16
9	339030X1	1	Nut Metric	M6
10	3713348M1	1	Switch,Indirect	
11	3713782M2	1	Decal	750/1000 RPM
12	3713349M1	1	Helmet	
13	3787633M1	1	Wire	From Serial or Engine Number K185027 Up to Serial or Engine Number K309018

MF 8210/8220 TRACTORS - 1637365
1-ZW33-001-A

1-ZW33-001-A



Massey Ferguson**MF 8210/8220 TRACTORS - 1637365****1637365****Electrovanes Harness / ETCU Harness-Instrument Panel - Platform - Dynashift****Page090-0130**

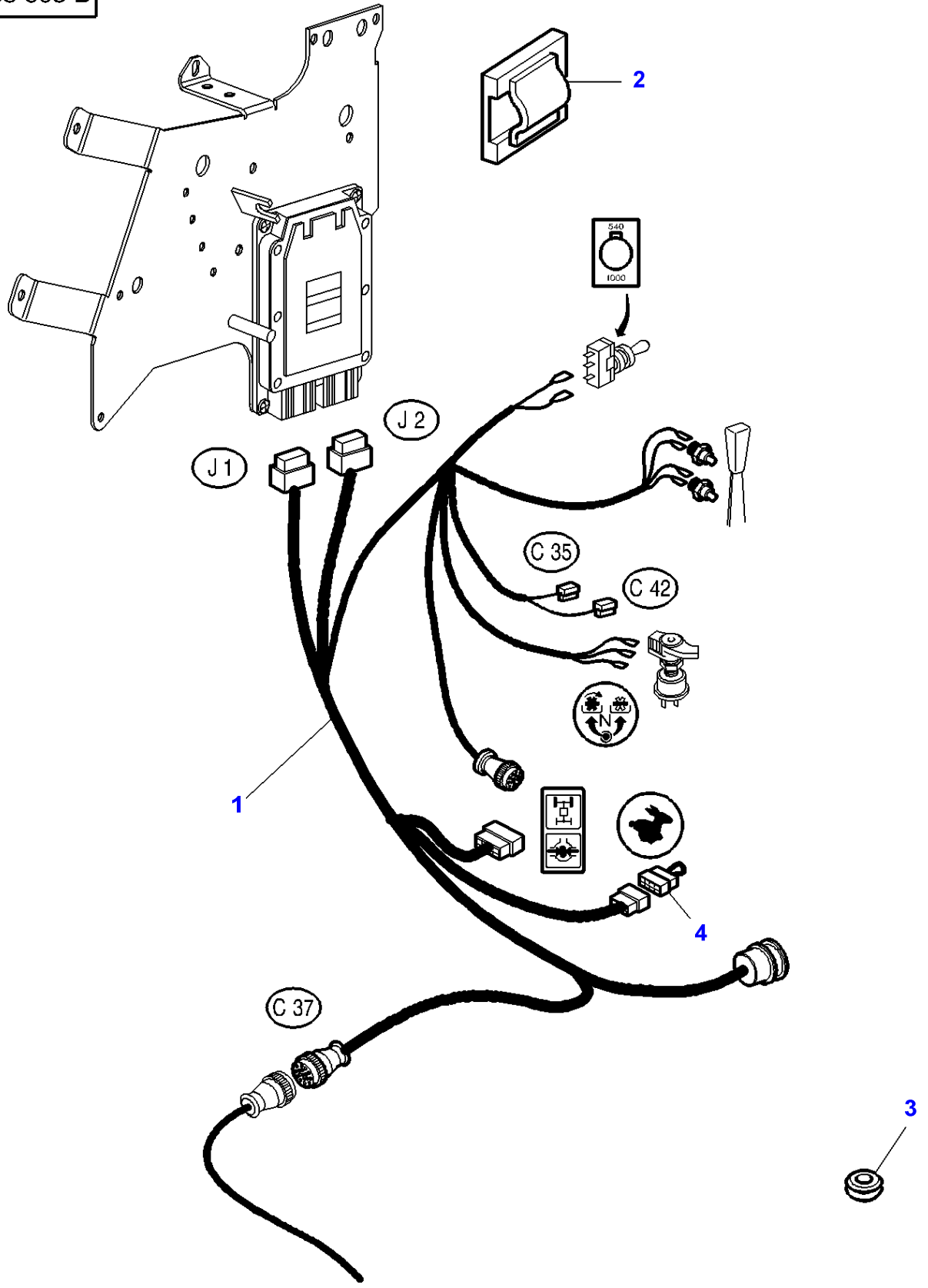
Item	Part Number	Qty	Description	Comments
1	3777618M3	1	Harness	
2	3782620M91	1	Harness	
3	1897312M1	1	Diode	(2) Replace and repair. Old interchangeable with new 3615548M1
4	3580984M1	3	Grommet	Diameter 21/10-28
5	3779572M1	1	Connectors	[A]
6	3582094M1	2	Tie	

FOOTNOTE [A] 2 WHEEL DRIVE ONLY

Item	Part Number	Qty	Description
1	3783104M2	1	Harness
2	3582094M1	2	Tie
3	3580984M1	3	Grommet

MF 8210/8220 TRACTORS - 1637365
1-ZW33-005-B

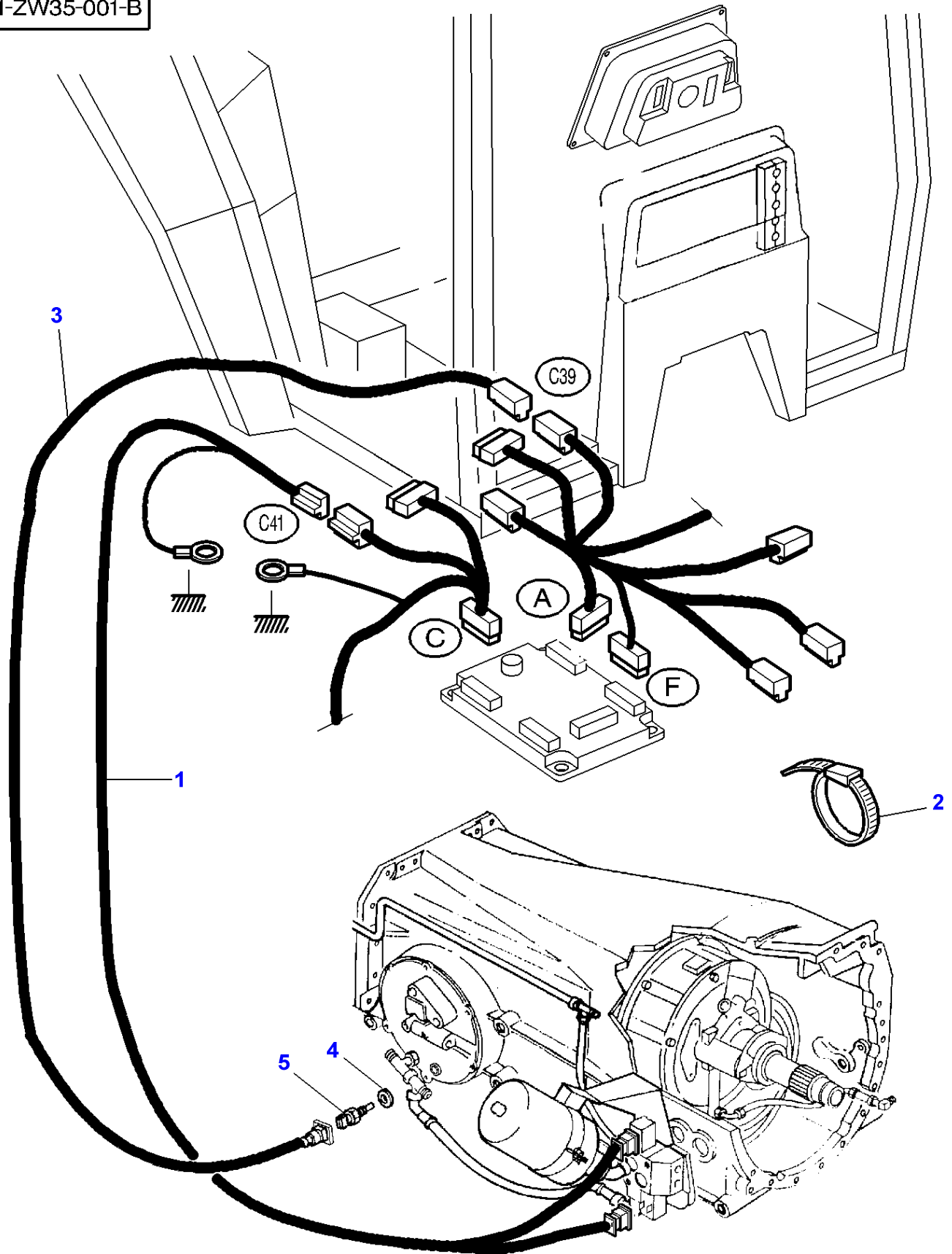
1-ZW33-005-B



Massey Ferguson**MF 8210/8220 TRACTORS - 1637365****1637365****Electrovanes Harness / ETCU Harness-Instrument Panel - Platform - With Power Shuttle - From 08-01-2001****Page090-0140**

Item	Part Number	Qty	Description	Comments
1	3786036M2	1	Harness	
2	3582094M1	2	Tie	
3	3580984M1	3	Grommet	
4	3787633M1	1	Wire	From Serial or Engine Number K268031 Up to Serial or Engine Number 10/2001

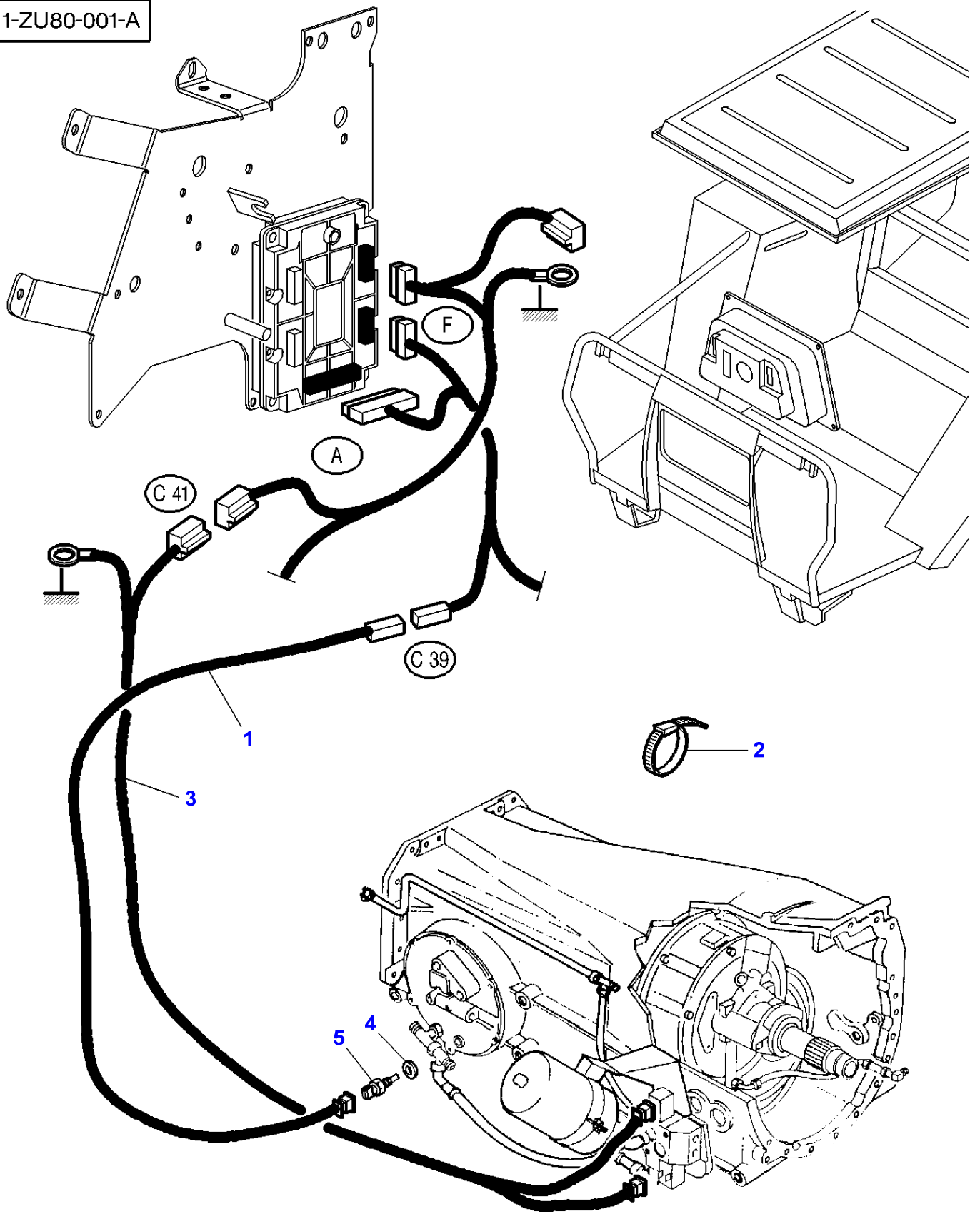
1-ZW35-001-B



Item	Part Number	Qty	Description	Comments
1	3713121M1	1	Harness	
2	3619622M1	X	Cable Tie	
3	3618603M1	1	Harness	[A]
4	1440012X1	1	Gasket	
5	3618249M1	1	Inductive Taker	

FOOTNOTE [A] HEAT SENSOR HARNESS

1-ZU80-001-A



Massey Ferguson

MF 8210/8220 TRACTORS - 1637365

1637365

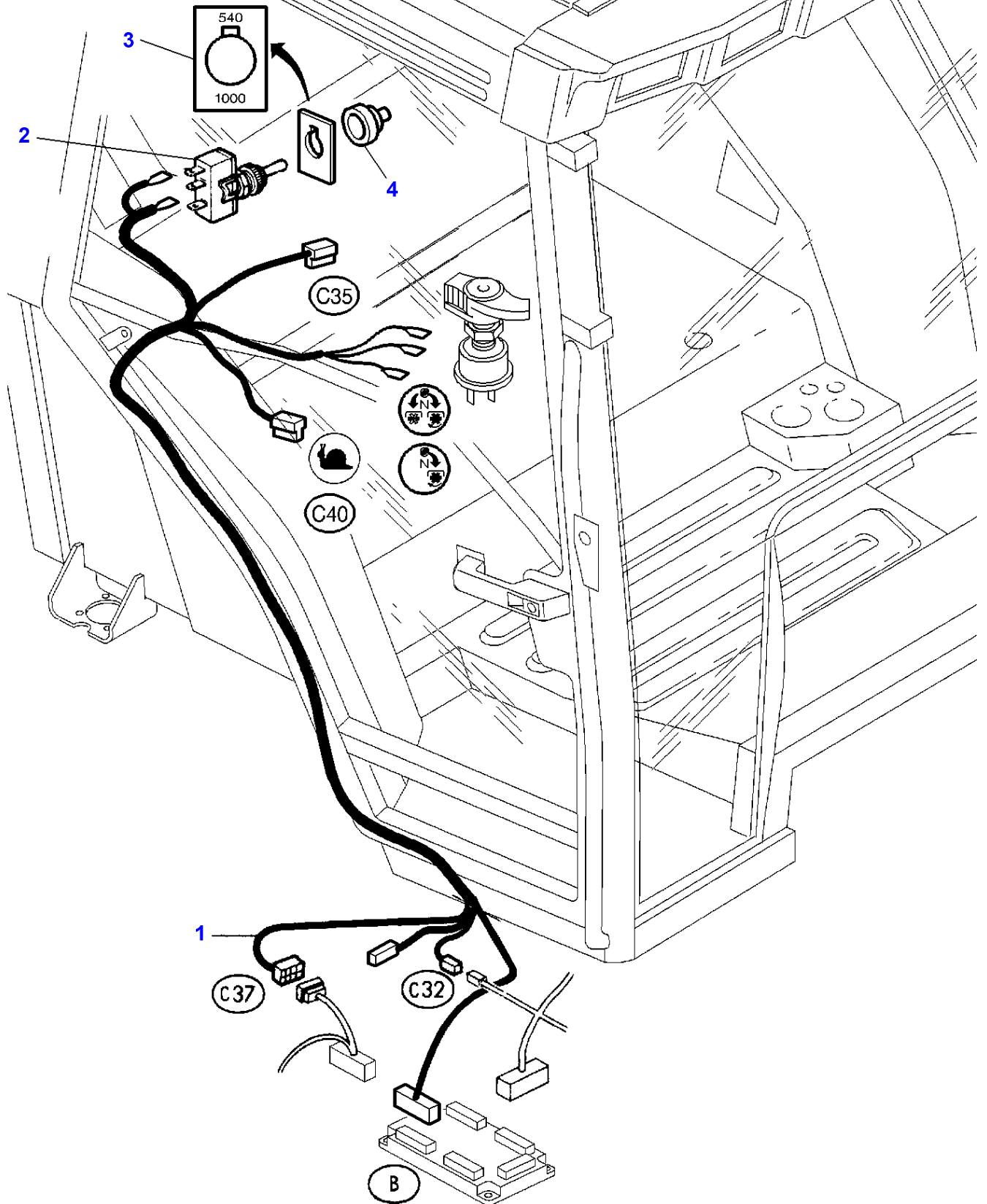
DYNASHIFT HARNESS - PLATFORM - Dynashift

Page090-0150

Item	Part Number	Qty	Description	Comments
1	3618603M1	1	Harness	[A]
2	3619622M1	X	Cable Tie	
3	3779128M1	1	Harness	
4	1440012X1	1	Gasket	
5	3618249M1	1	Inductive Taker	

FOOTNOTE [A] HEAT SENSOR HARNESS

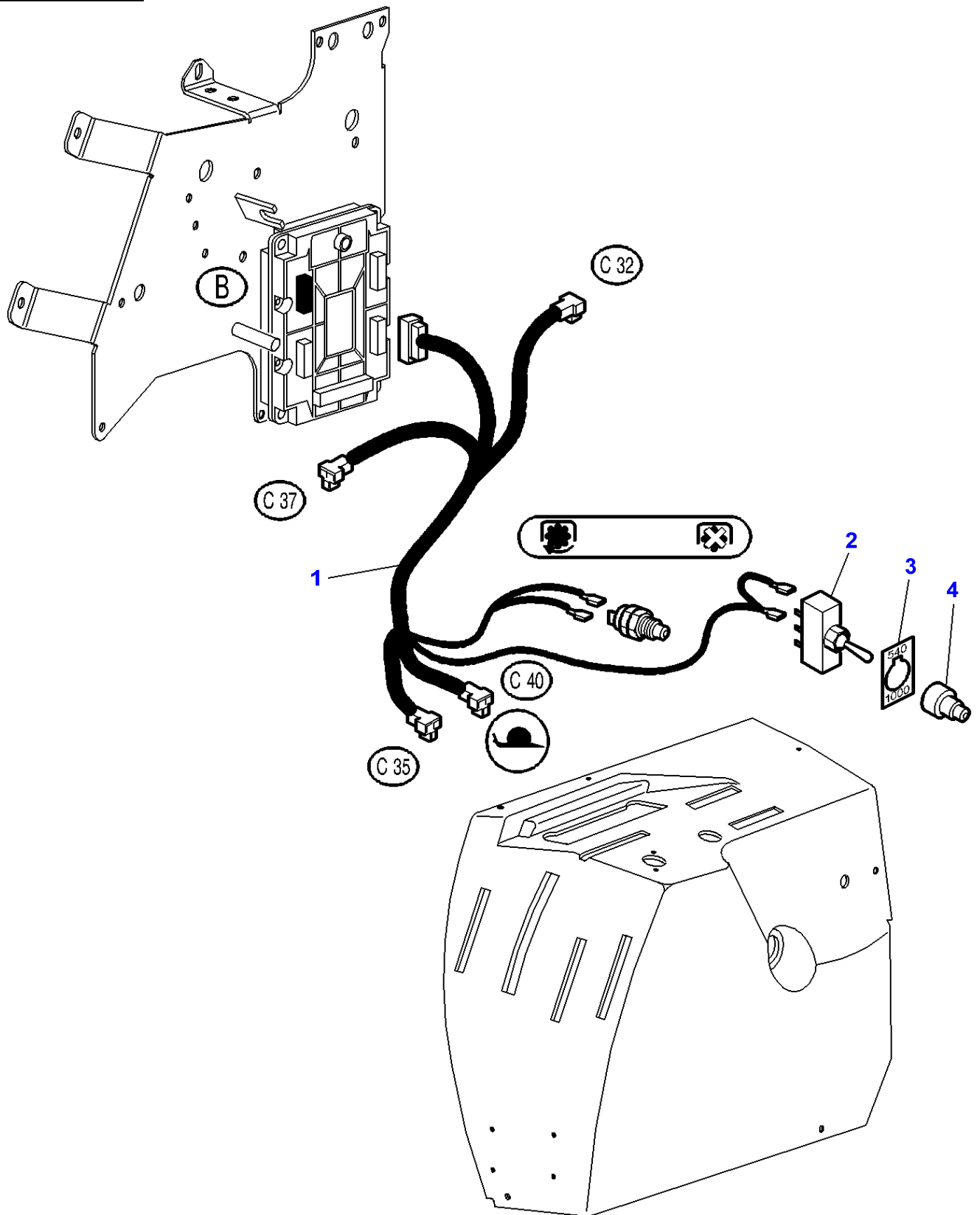
1-ZW36-001-C



Massey Ferguson**MF 8210/8220 TRACTORS - 1637365****1637365****CONTROL BOX HARNESS / CONSOLE - Cab - Dynashift****Page090-0155**

Item	Part Number	Qty	Description	Comments
1	3779500M4	1	Harness	
2	3713348M1	1	Switch,Indirect	
3	3714886M1	1	Decal	540/1000RPM
	3713782M2	1	Decal	750/1000RPM
4	3713349M1	1	Helmet	

1-ZU81-001-B



Massey Ferguson

MF 8210/8220 TRACTORS - 1637365

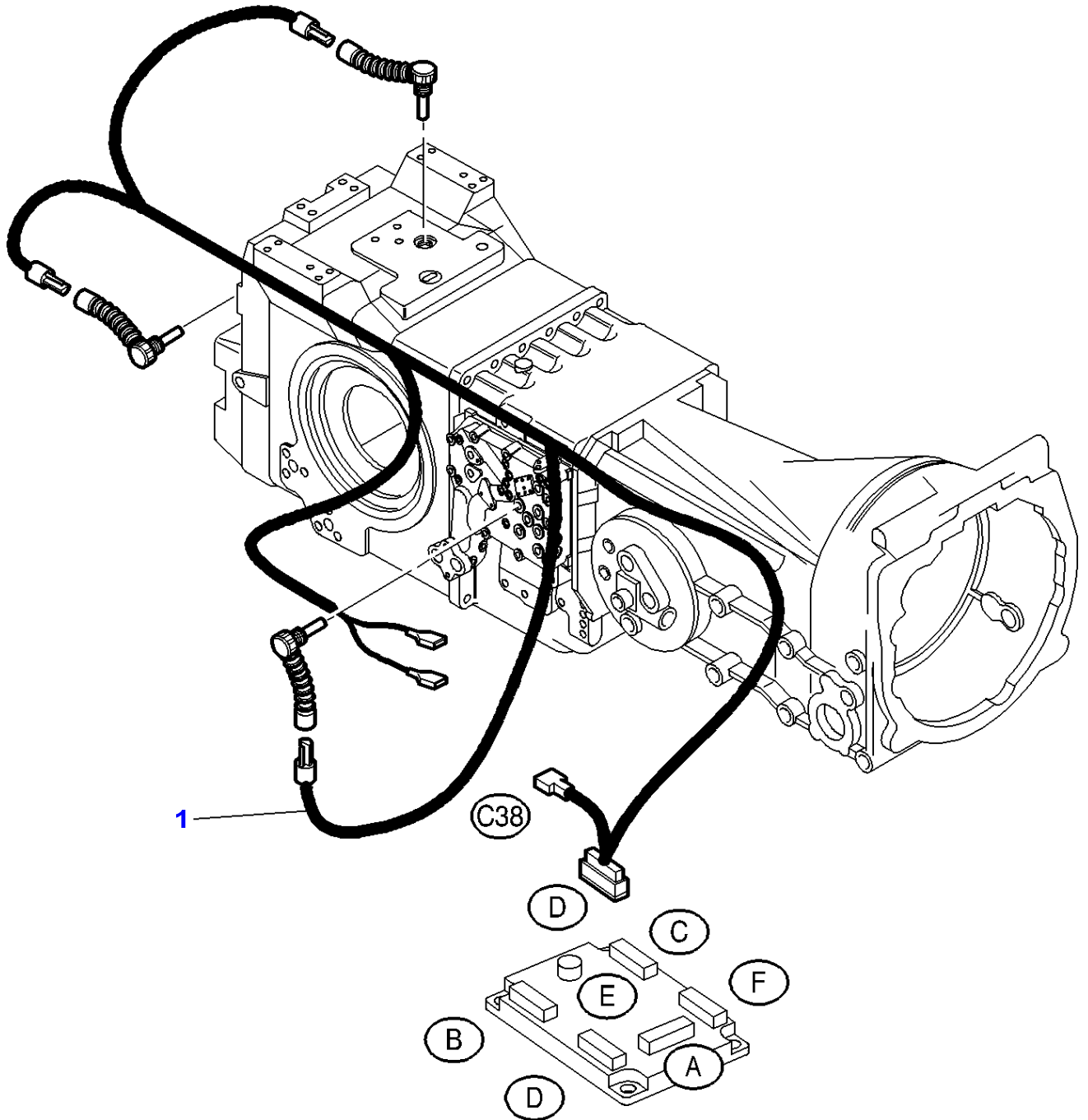
1637365

CONTROL BOX HARNESS / CONSOLE - Platform

Page090-0160

Item	Part Number	Qty	Description
1	3713113M2	1	Harness
2	3713348M1	1	Switch,Indirect
3	3714886M1	1	Decal
4	3713349M1	1	Helmet

1-ZW07-001-A



Massey Ferguson

MF 8210/8220 TRACTORS - 1637365

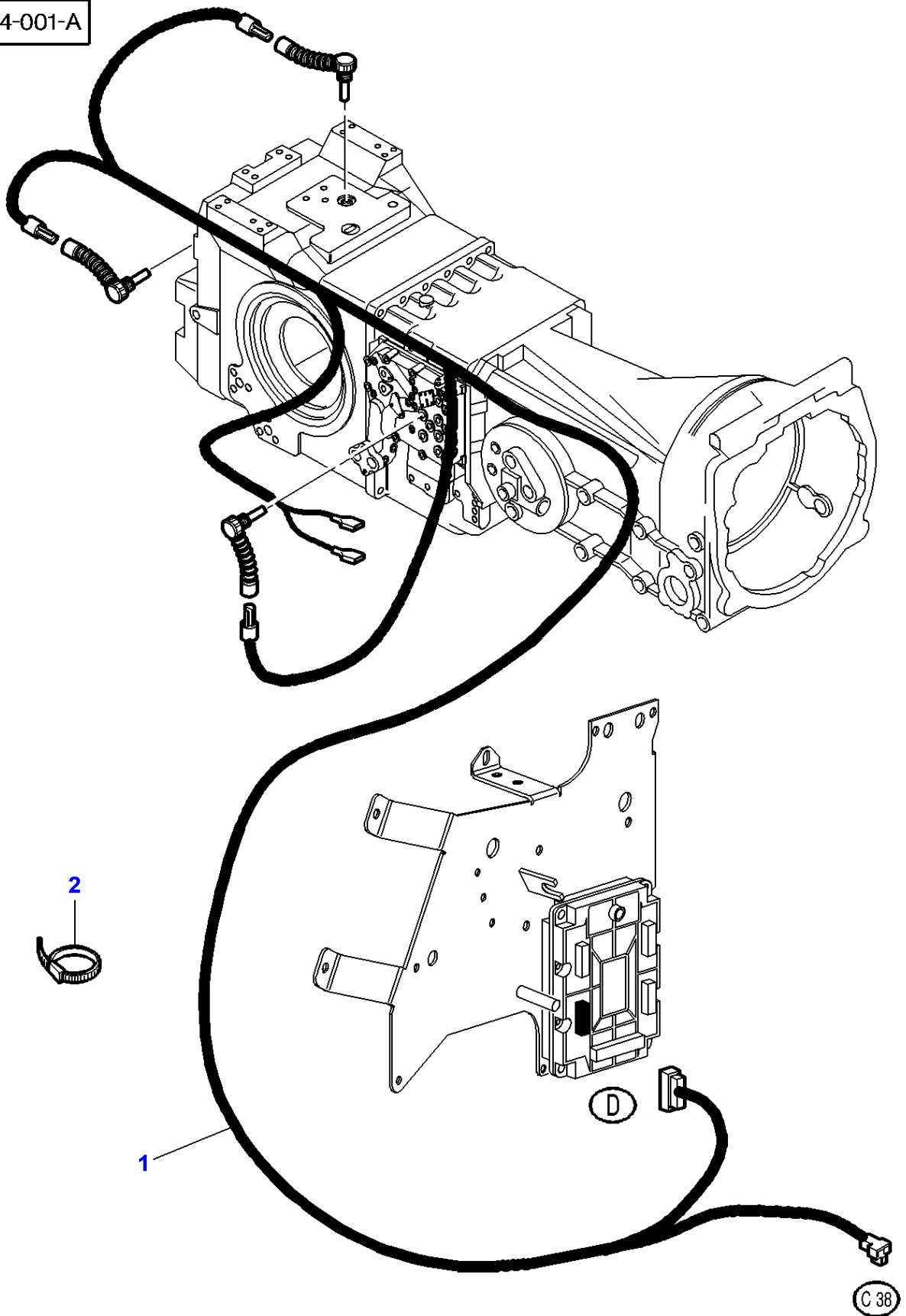
1637365

Sensors Harness - Cab - Dynashift

Page090-0165

Item	Part Number	Qty	Description
1	3618346M1	1	Harness

1-ZW34-001-A



Massey Ferguson

MF 8210/8220 TRACTORS - 1637365

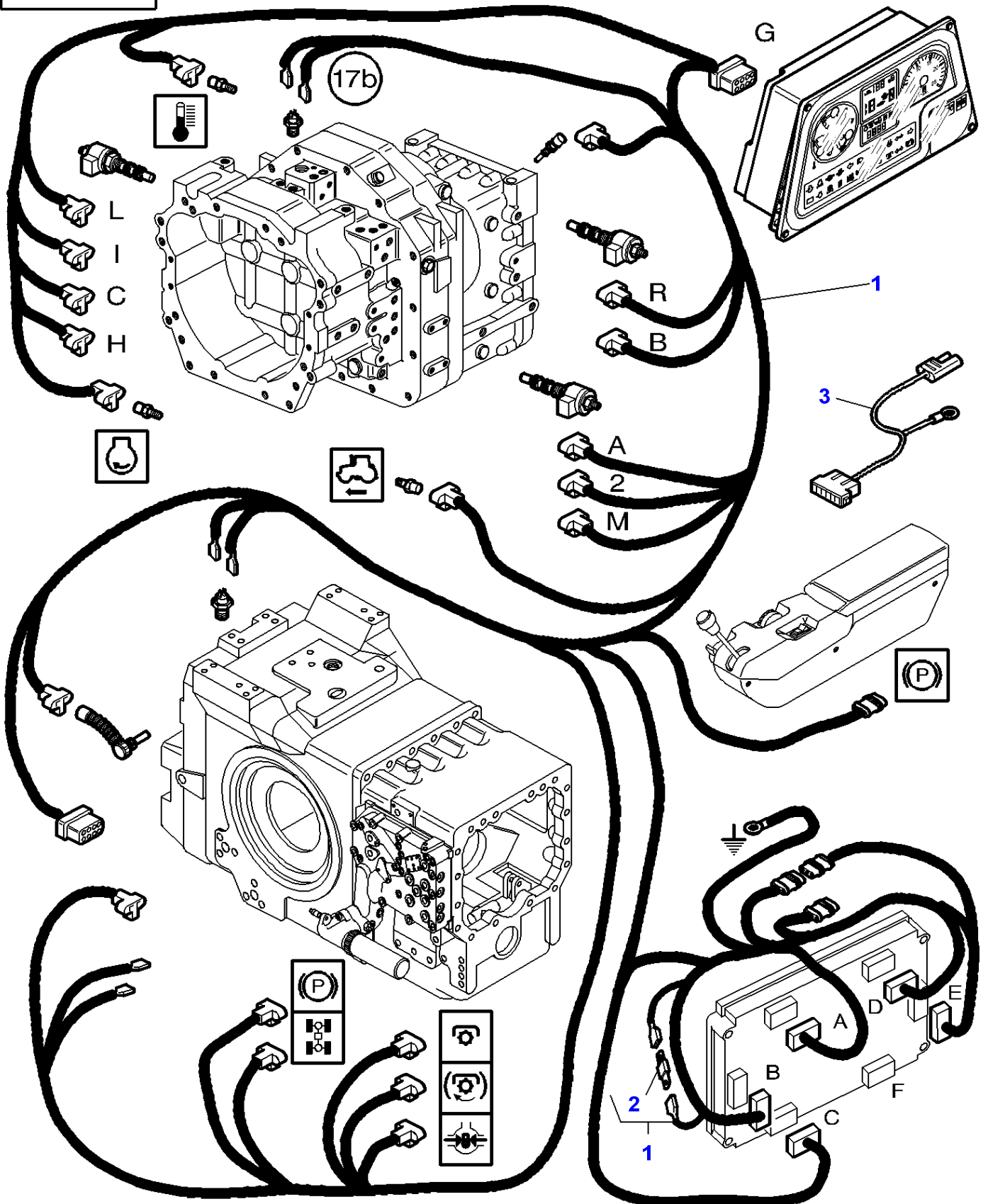
1637365

Sensors Harness - Platform - Dynashift

Page090-0170

Item	Part Number	Qty	Description
1	3777628M1	1	Harness
2	3619622M1	X	Cable Tie

1-ZW25-001-C



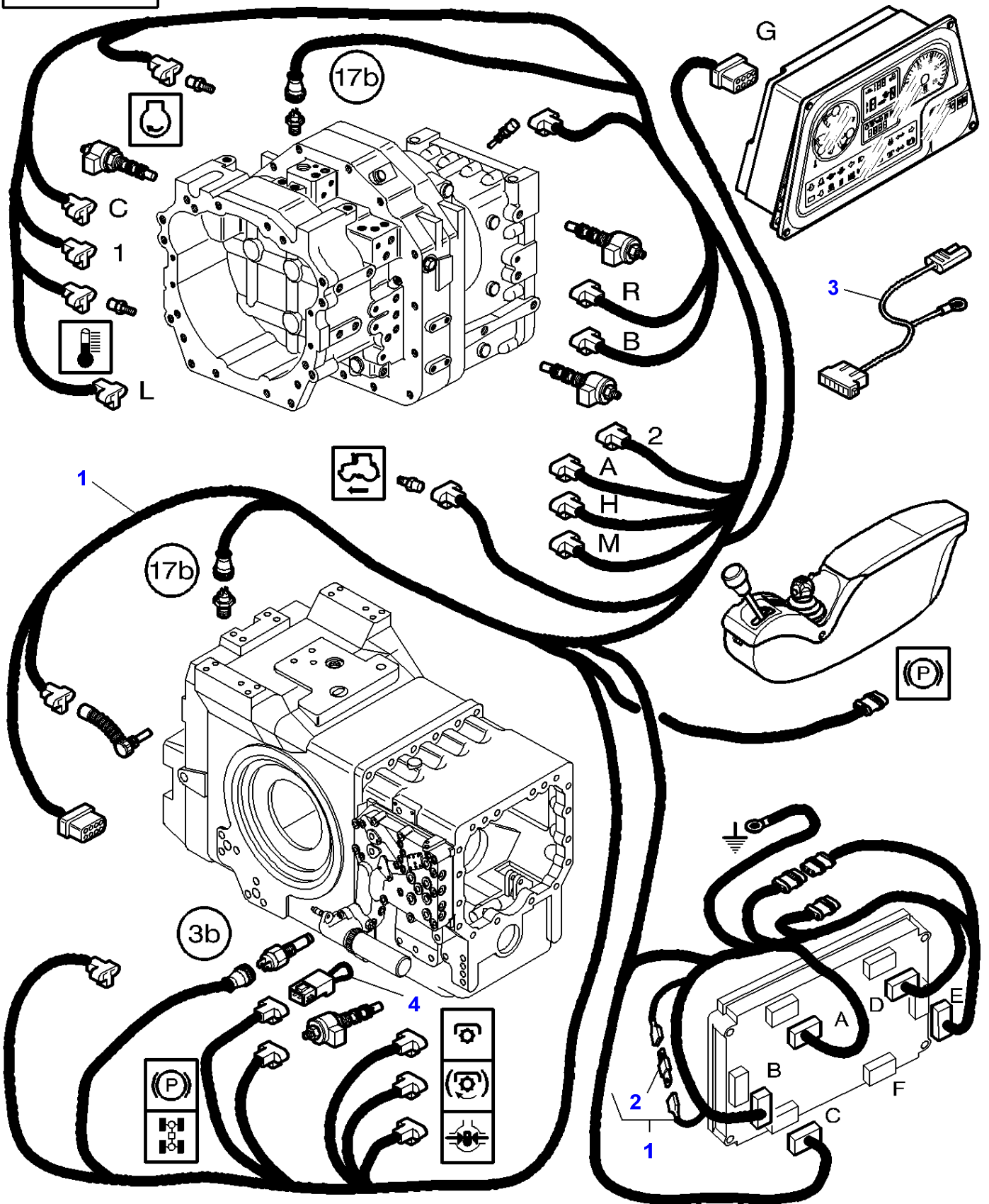
Item	Part Number	Qty	Description	Comments
1	3790908M5	1	Harness	[A]
	3792504M1	1	Harness	[B]
2	3779377M1	1	Diode	[A] (1)
3	3779558M2	1	Harness	[C]

FOOTNOTE [A] WITH PUMP 45CC

FOOTNOTE [B] WITH PUMP 60CC

FOOTNOTE [C] DATATRONIC HARNESS : THEORETICAL SPEED

1-ZW25-004-A

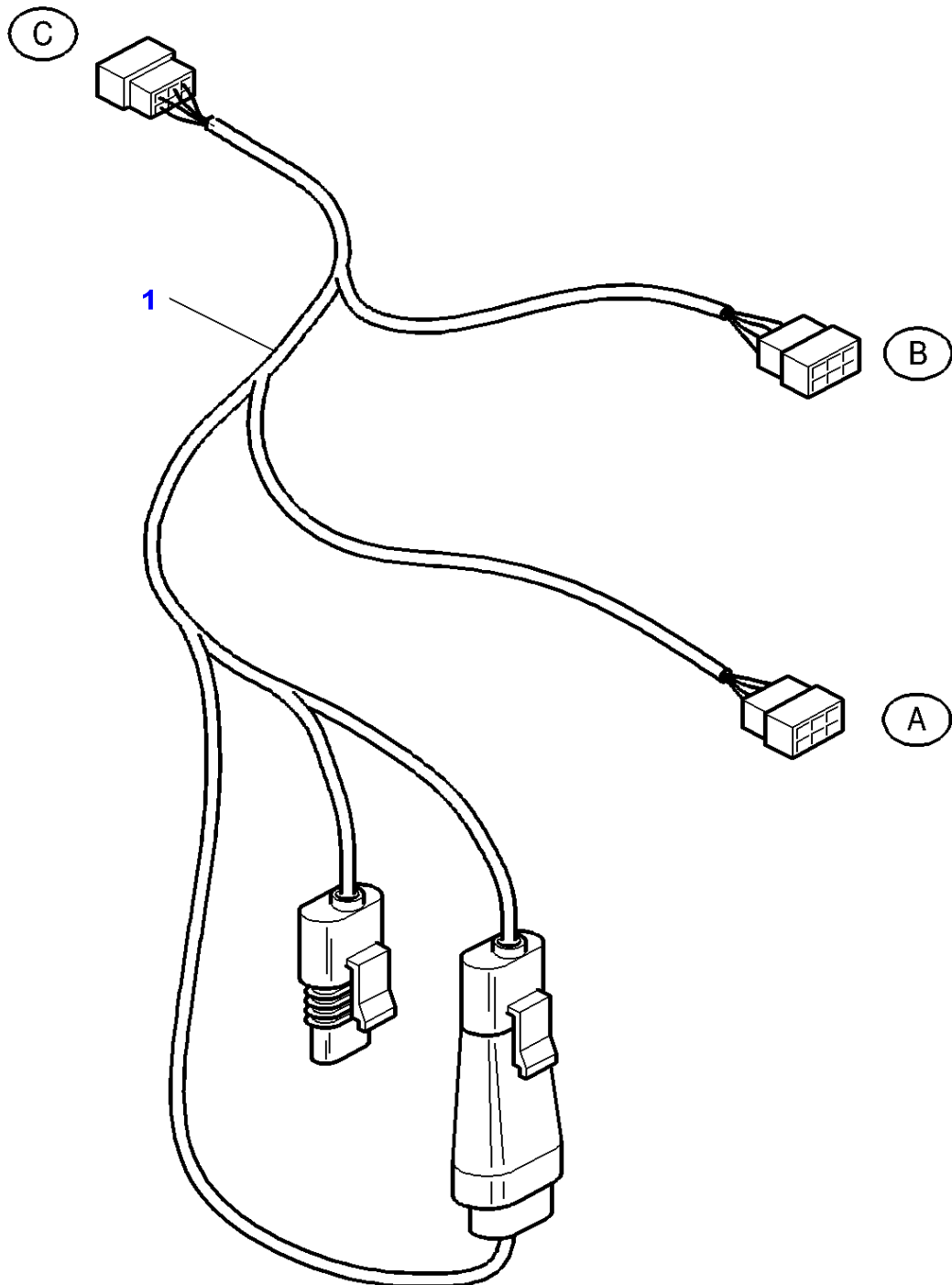


Massey Ferguson**MF 8210/8220 TRACTORS - 1637365****1637365****Full Powershift - TRANSMISSION MAIN HARNESS - From ...****Page090-0180**

Item	Part Number	Qty	Description	Comments
1	3792698M1	1	Harness	[A] Up to Serial or Engine Number K264030
	3795567M1	1	Harness	[A] From Serial or Engine Number K264031
	3794756M1	1	Harness	[B]
2	3779377M1	1	Diode	(1)
3	3779558M2	1	Harness	[C]
4	3779572M1	1	Connectors	[D]

FOOTNOTE [A] WITH PUMP 45CC**FOOTNOTE [B]** WITH PUMP 60CC**FOOTNOTE [C]** DATATRONIC HARNESS : THEORETICAL SPEED**FOOTNOTE [D]** 2 WHEEL DRIVE ONLY

1-ZW37-001-A



Massey Ferguson

MF 8210/8220 TRACTORS - 1637365

1637365

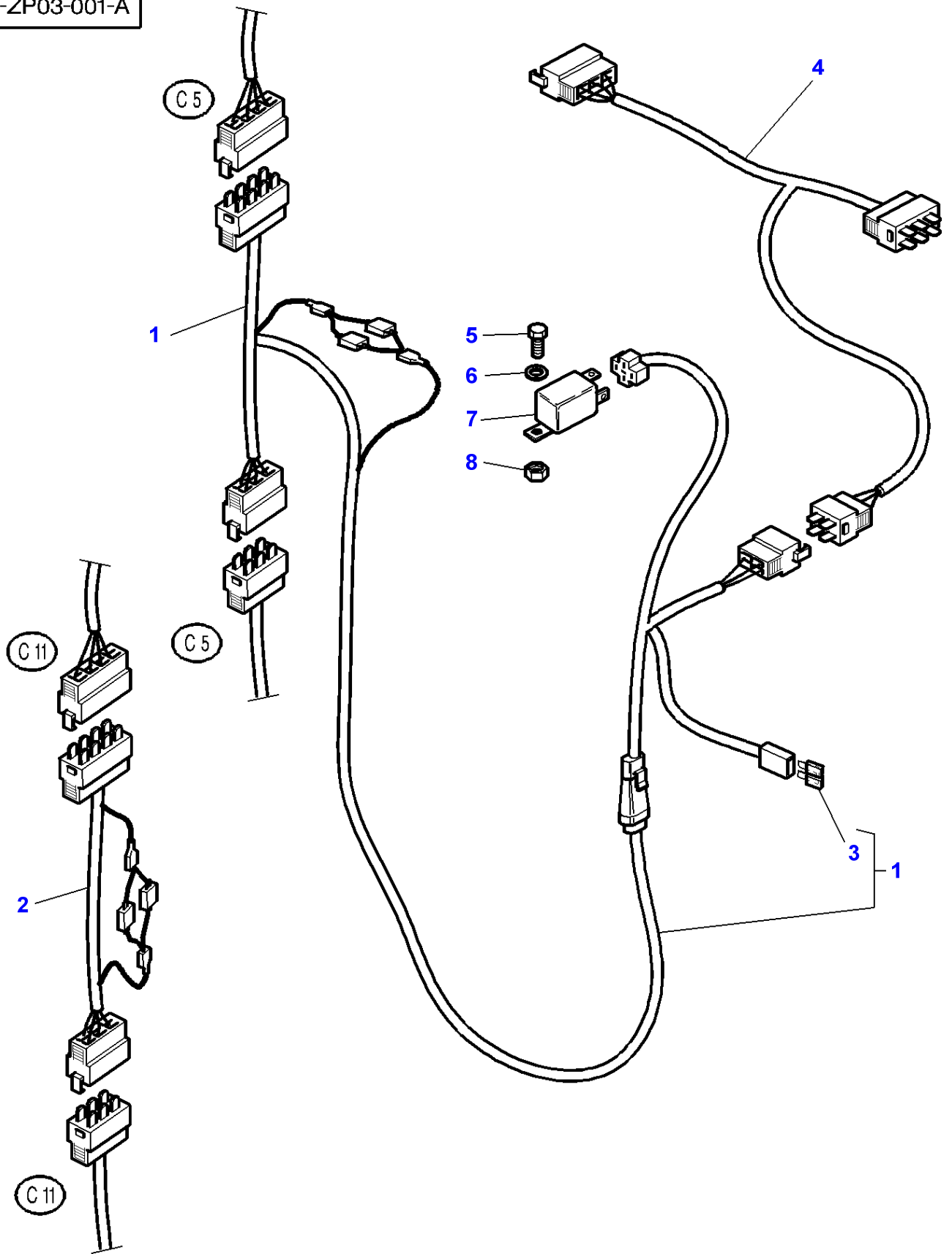
Full Powershift - EMERGENCY HARNESS

Page090-0185

Item	Part Number	Qty	Description
1	3791105M2	1	Harness

MF 8210/8220 TRACTORS - 1637365
1-ZP03-001-A

1-ZP03-001-A



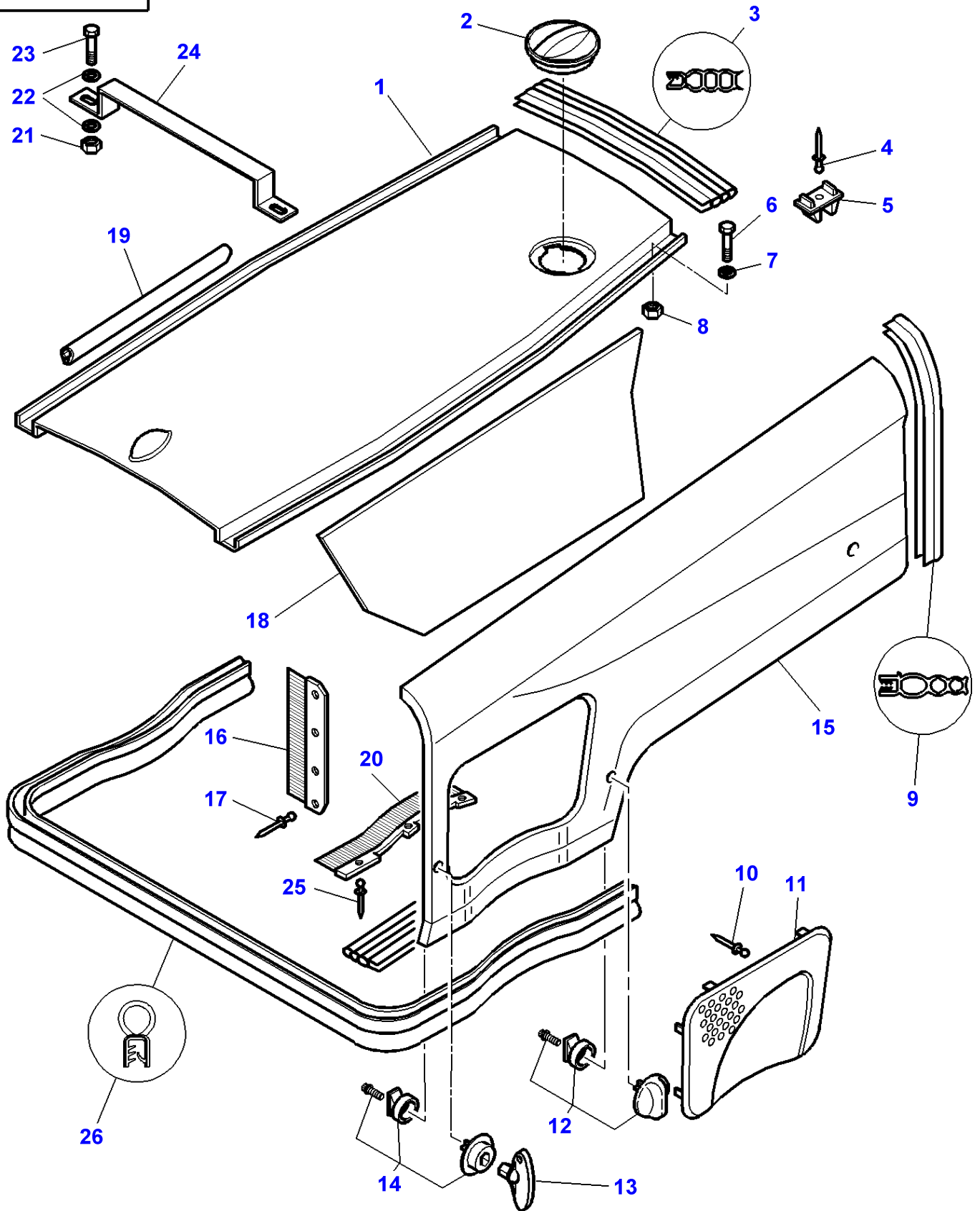
Massey Ferguson**MF 8210/8220 TRACTORS - 1637365****1637365****Temporised relay park-lock - Full Powershift - From Serial or Engine Number H343026****Page090-0190**

Item	Part Number	Qty	Description	Comments
1	3783154M2	1	Harness	
2	3783662M1	1	Harness	
3	1695966M1	1	Fuse	(1) 15 Amp
4	3783153M1	1	Harness	
5	339666X1	1	Hex. Sock. Screw	M6 X 20
6	391038X1	2	Washer	Diameter 6-18 X 1,5
7	3783425M2	1	Relay	AST TIMER 48.04.06
8	1441500X1	1	Locknut	M6

Page Title	Page Number
Sheet Metal - Hood	100-0005
Sheet Metal - Hood handle	100-0010
Sheet Metal - Screen Frame	100-0015
Sheet Metal - Screen Frame - Platform	100-0020
Sheet Metal - Hood Frame	100-0025
Cab Mountings And Step / Stairs	100-0030
Cab Mountings And Step / Stairs - United States Only	100-0035
Cab Mountings And Step / Stairs - Without Additional Tank	100-0040
Footstep And Battery Box	100-0045
Mountings And Step / Stairs - Platform	100-0050
Tool Box	100-0055
Emblems	100-0060
Speed Charts - Dynashift	100-0065
Speed Charts - With Full Powershift	100-0070
Decals - Safety - For UK only or any text in English only	100-0075
Decals - Safety - For United States of America	100-0080
Decals - Safety - For United States of America	100-0085
Decals - Safety - Platform - U.S.A.	100-0090
Decals - Safety - For France only or any text in French only	100-0095
Decals - Safety - For Germany only or any text in German only	100-0100
Decals - Safety - For Italy only or any text in Italian only	100-0105
Decals - Safety - For Spanish	100-0110
Decals - Safety - For Norway	100-0115
Decals - Safety - For Sweden	100-0120
Decals - Safety - Denmark	100-0125
Decals - Safety - FOR RUSSIAN MARKET ONLY	100-0130
Literature - M.F 8210-8220 - Up To 07-01-2001	100-0135
Literature - M.F 8210-8220 - From 08-01-2001	100-0140
Literature - M.F 8220 XTRA	100-0145

MF 8210/8220 TRACTORS - 1637365
1-ZR03-004-D

1-ZR03-004-C



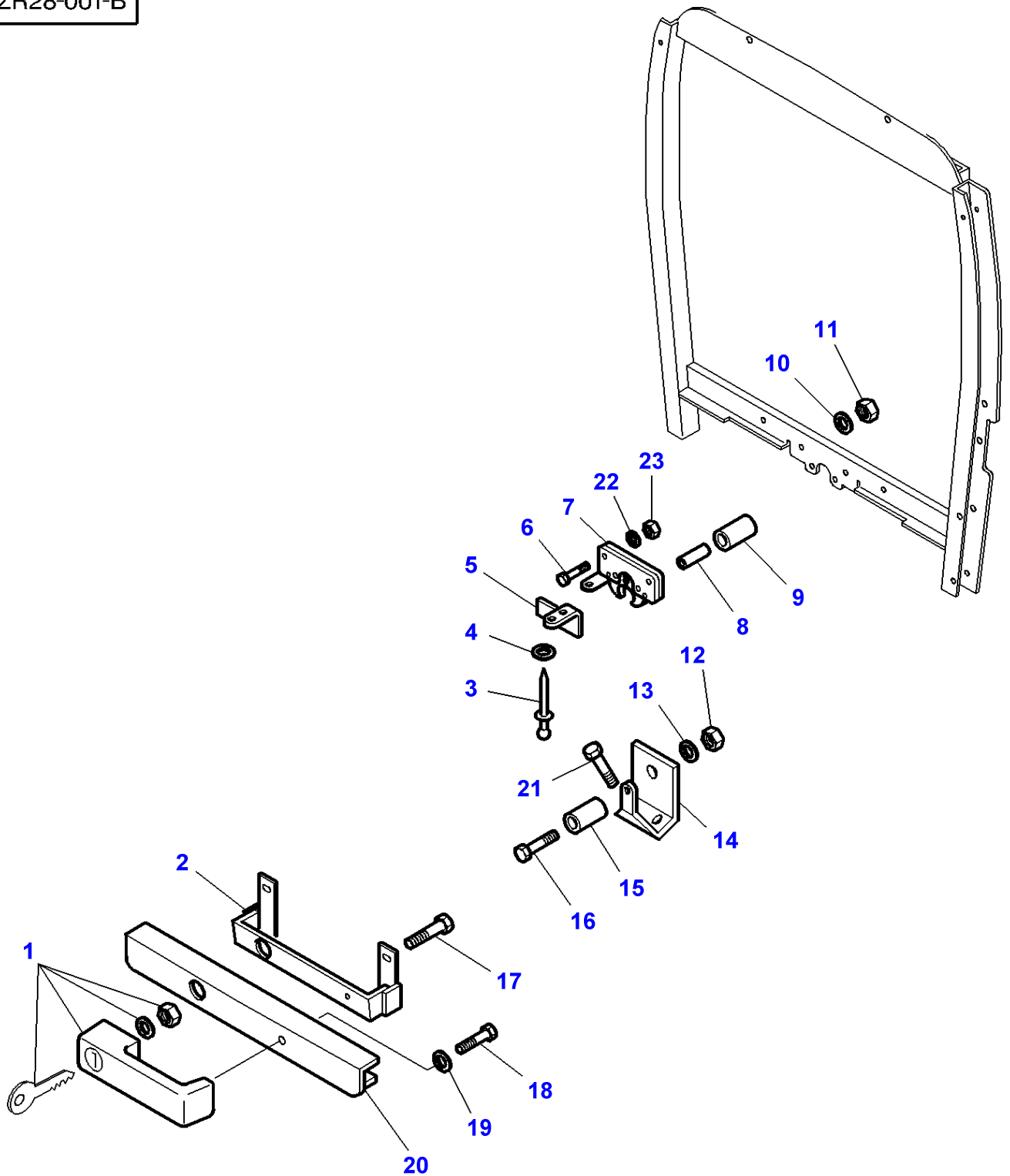
Sheet Metal - Hood

Item	Part Number	Qty	Description	Comments
1	3780303M1	1	Bonnet.	
	3782972M1	1	Bonnet.	[A]
2	3800373M1	1	Cover	
3	3782773M1	1	Gasket	Length 305MM
4	3010935X1	6	Rivet	
5	3800376M1	6	Buffer	
6	339129X1	8	Split Pin	M8X20
7	385361X1	8	Washer	
8	339169X1	8	Nut	
9	3782772M1	2	Gasket	Length 630MM
10	3819546M1	18	Rivet	
11	3780859M2	1	Grille	Right Hand
	3780860M2	1	Grille	Left Hand
12	3903344M91	6	Latch	Alternative 3903345M91
13	3813582M1	1	Tool	
14	3903345M91	6	Latch	Alternative 3903344M91
15	3780388M1	1	Panel	Left Hand Up to Serial or Engine Number 07-01-2001
	3780387M1	1	Panel	Right Hand Up to Serial or Engine Number 07-01-2001
	3784563M1	1	Panel	Left Hand From Serial or Engine Number 08-01-2001
	3784562M1	1	Panel	Right Hand From Serial or Engine Number 08-01-2001
16	3782002M2	1	Seal Plate	Left Hand
	3782003M2	1	Seal Plate	Right Hand
17	391354X1	8	Rivet	Diameter 3.2 X 10
	3010934X1	8	Rivet	
18	3782122M1	1	Fence	
19	3782493M1	2	Gasket	Length 700MM
20	3782000M2	1	Seal	Left Hand Up to Serial or Engine Number 07-01-2001
	3782001M2	1	Seal	Right Hand Up to Serial or Engine Number 07-01-2001
	3780382M1	2	Seal	From Serial or Engine Number 08-01-2001 Length 510MM
21	339169X1	2	Nut	
22	385361X1	4	Washer	
23	339228X1	2	Screw Metric	M8X12
24	3781252M2	1	Sealing Holder	
25	3010935X1	6	Rivet	
26	3785231M1	1	Gasket	From Serial or Engine Number 08-01-2001 Length 1970MM

FOOTNOTE [A] TRACTOR WITH PLATFORM

FOOTNOTE [B] NUMBER TO BE ADVISED

1-ZR28-001-B

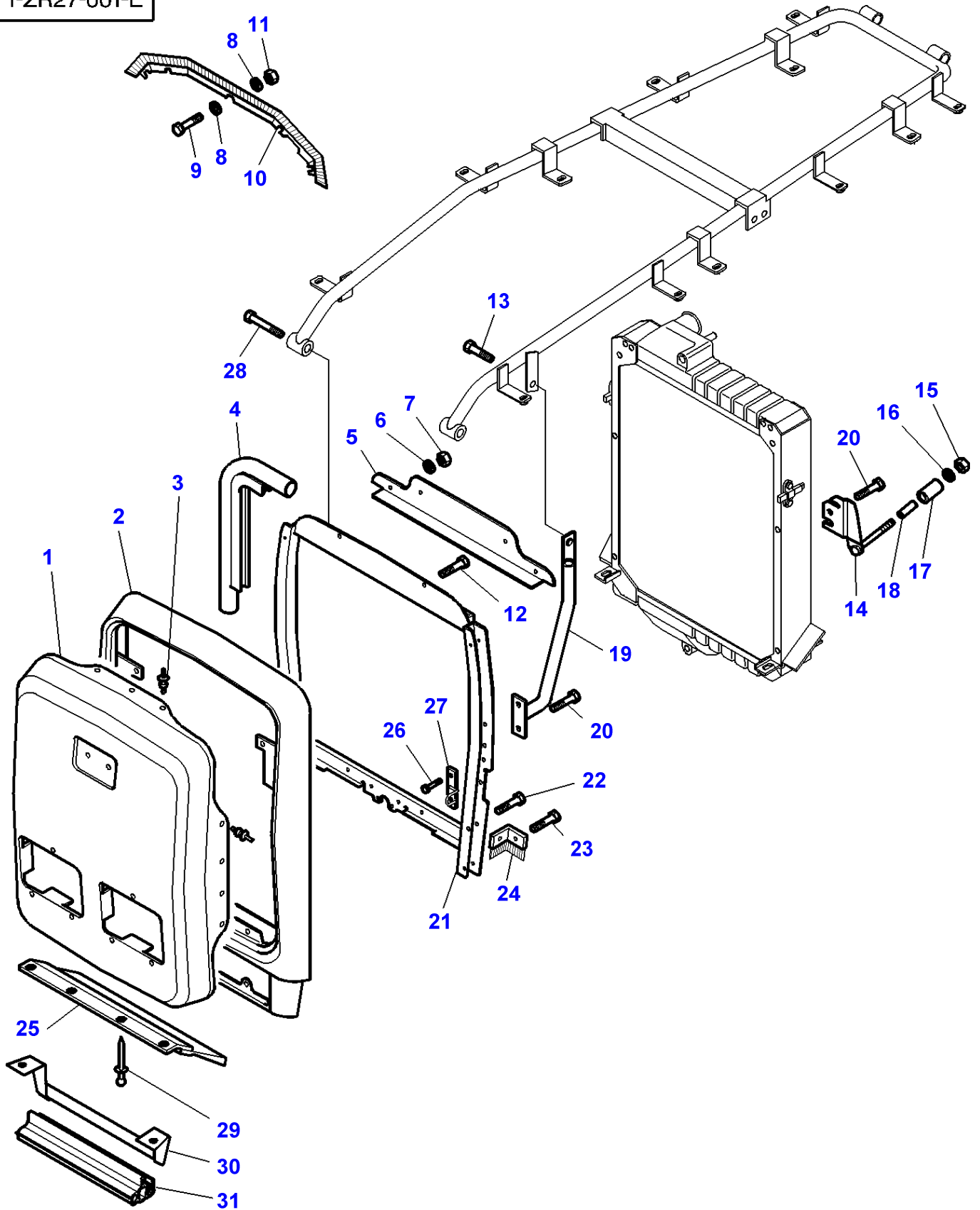


Sheet Metal - Hood handle

Item	Part Number	Qty	Description	Comments
1	3902356M91	1	Handle	
2	3780988M3	1	Bracket	
3	391354X1	2	Rivet	
4	390468X1	2	Washer Metric	
5	3780990M2	1	Strap	
6	339262X1	2	Bolt Metric	M6X30
	3015036X1	2	Screw	M6X70
				Up to Serial or Engine Number H186024
7	72161441	1	Latch	
8	3781976M1	2	Spacer	Up to Serial or Engine Number H186024
9	3781233M1	2	Roll	Up to Serial or Engine Number H186024
10	390971X1	4	Washer	Up to Serial or Engine Number H186024
	390971X1	2	Washer	From Serial or Engine Number H186025
11	339030X1	4	Nut Metric	Up to Serial or Engine Number H186024
	339030X1	2	Nut Metric	From Serial or Engine Number H186025
12	339030X1	1	Nut Metric	
13	390971X1	1	Washer	
14	3780699M4	1	Bracket	Up to Serial or Engine Number
		1	Bracket	From Serial or Engine Number
				See Page - Reference Number 010-0305/9
				See Page - Reference Number 010-0315/9
15	3782811M2	1	Spacer	Diameter 6-17 X 59
				Up to Serial or Engine Number
16	390246X1	1	Bolt	M6X70
				Up to Serial or Engine Number
17	339124X1	2	Hex. Sock. Screw	M8X16
18	339560X1	1	Hex. Sock. Screw	M6X16
19	390971X1	1	Washer	
20	3780998M92	1	Grille	
21	339124X1	2	Hex. Sock. Screw	M8X16
22	390971X1	2	Washer	
23	1441500X1	2	Locknut	

MF 8210/8220 TRACTORS - 1637365
1-ZR27-001-E

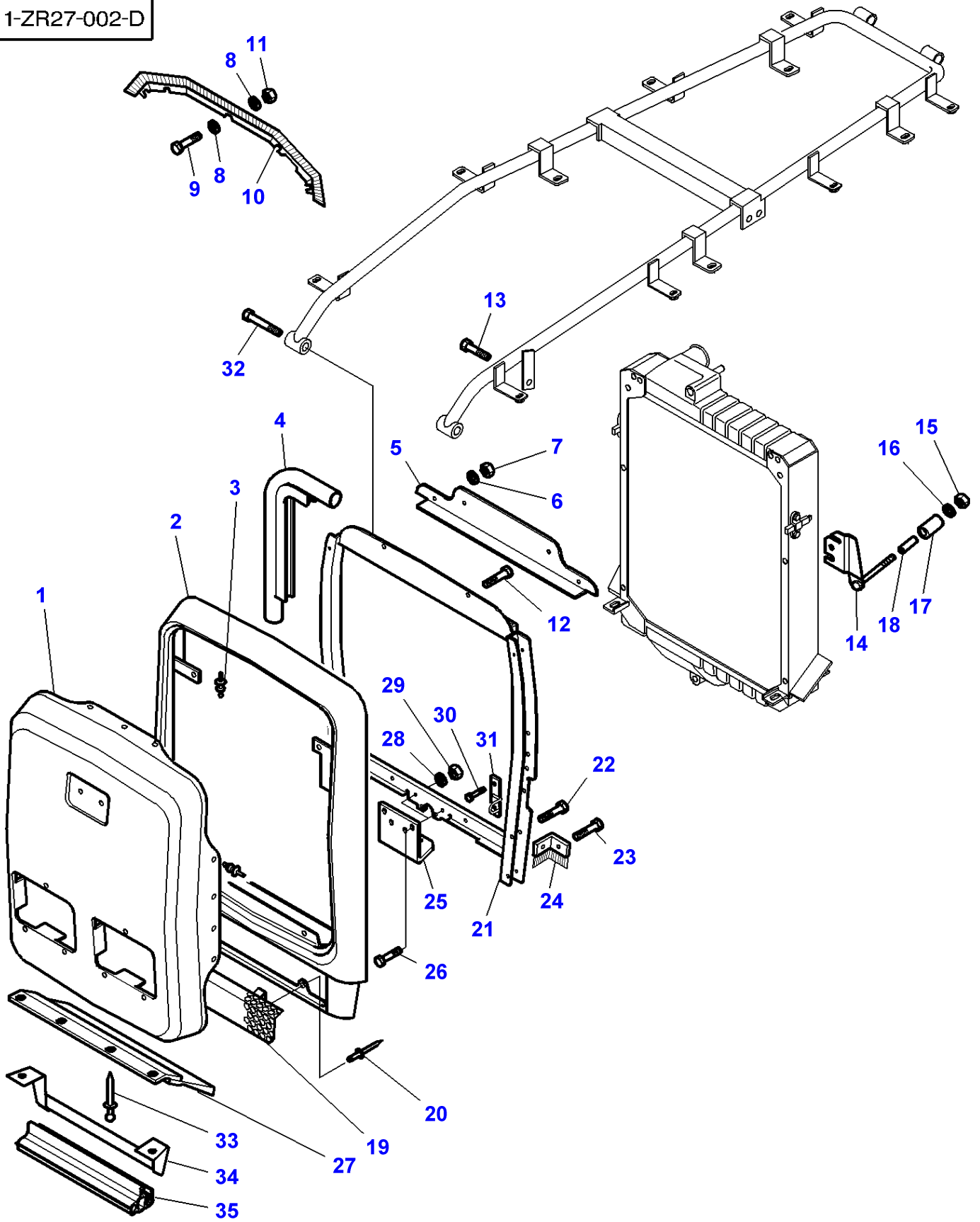
1-ZR27-001-E



Sheet Metal - Screen Frame

Item	Part Number	Qty	Description	Comments
1	3805876M91	1	Grille	
2	3779302M2	1	Screen	
3	3010935X1	18	Rivet	
4	3783199M1	1	Gasket	Length 2060MM Up to Serial or Engine Number 26-JUIL-2001
	3785231M1	1	Gasket	Length 1970MM From Serial or Engine Number 27-JUIL-2001
5	3782763M1	1	Seal Plate	
6	385361X1	2	Washer	
7	339169X1	2	Nut	
8	390971X1	10	Washer	
9	339666X1	5	Hex. Sock. Screw	M6X20
10	3782004M1	1	Gasket	
11	339030X1	5	Nut Metric	
12	391074X1	2	Hex. Sock. Screw	M6X25
13	339123X1	2	Hex. Sock. Screw	M8X20
14	3782075M3	1	Support	Right Hand
	3782076M3	1	Support	Left Hand
15	339169X1	2	Nut	
16	385361X1	2	Washer	
17	3782073M1	2	Roll	
18	3782072M1	2	Spacer	
19	3781166M3	1	Strut	Left Hand
	3781194M3	1	Strut	Right Hand
20	339123X1	6	Hex. Sock. Screw	M8X20
21	3782630M2	1	Support	
22	1440922X1	4	Bolt	M6X60
23	391074X1	4	Hex. Sock. Screw	M6X12
24	3782726M3	1	Seal	Left Hand Up to Serial or Engine Number 07-JAN-2001
	3782727M3	1	Seal	Right Hand Up to Serial or Engine Number 07-JAN-2001
25	3782722M2	1	Gasket	Length 535MM Up to Serial or Engine Number H285006
	3781999M2	1	Gasket	Length 450MM From Serial or Engine Number H285007 Up to Serial or Engine Number 07-01-2001
26	339228X1	4	Screw Metric	M8X12
27	3780693M2	1	Bracket	Left Hand
	3780694M2	1	Bracket	Right Hand
28	3009497X1	2	Bolt Metric	M10X50
29	3010934X1	4	Rivet	
30	3784567M1	1	Support	From Serial or Engine Number 08-01-2001
31	3784568M1	1	Seal	Length 520MM From Serial or Engine Number 08-JUIN-2001

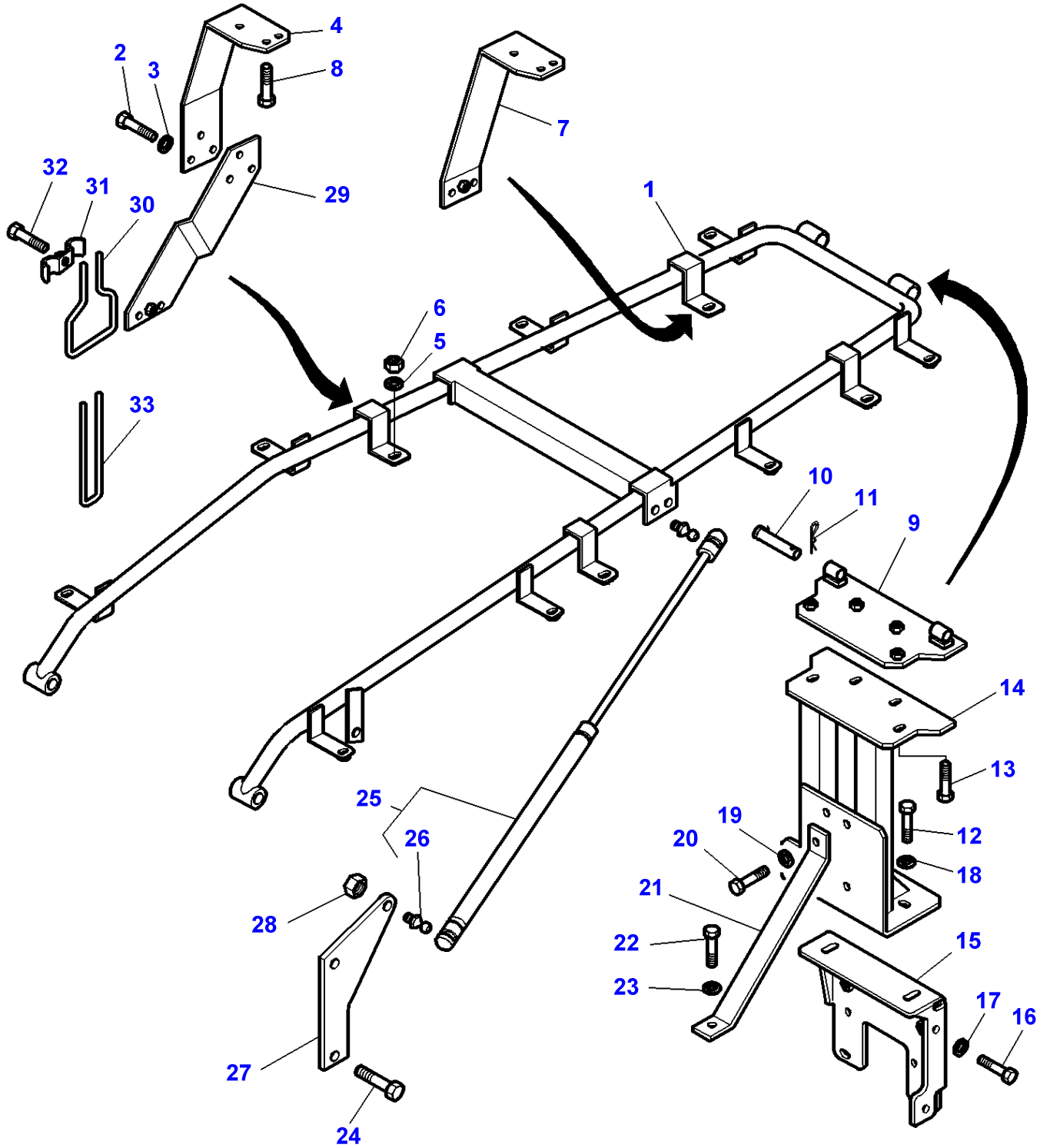
1-ZR27-002-D



Sheet Metal - Screen Frame - Platform

Item	Part Number	Qty	Description	Comments
1	3805876M91	1	Grille	
2	3779302M2	1	Screen	
3	3010935X1	34	Rivet	
4	3783199M1	1	Gasket	Length 2060mm Up to Serial or Engine Number 26-JUIL-2001
	3785231M1	1	Gasket	Length 1970MM From Serial or Engine Number 27-JUIL-2001
5	3782763M1	1	Seal Plate	
6	385361X1	2	Washer	
7	339169X1	2	Nut	
8	390971X1	10	Washer	
9	339666X1	5	Hex. Sock. Screw	M6X20
10	3782004M1	1	Gasket	
11	339030X1	5	Nut Metric	
12	391074X1	2	Hex. Sock. Screw	M6X12
13	339228X1	2	Screw Metric	M8X12
14	3782075M3	1	Support	Right Hand
	3782076M3	1	Support	Left Hand
15	339169X1	2	Nut	
16	385361X1	2	Washer	
17	3782073M1	2	Roll	
18	3782072M1	2	Spacer	
19	3783045M1	1	Grille	
20	391354X1	2	Rivet	M8X16
21	3782630M2	1	Support	
22	1440922X1	4	Bolt	M6X60
23	391074X1	4	Hex. Sock. Screw	M6X12
24	3782726M3	1	Seal	Left Hand Up to Serial or Engine Number 07-JAN-2001
	3782727M3	1	Seal	Right Hand Up to Serial or Engine Number 07-JAN-2001
25	3783043M1	1	Angle.	Up to Serial or Engine Number 27-JUIN-2002
	3788643M1	1	Angle.	From Serial or Engine Number 28-JUIN-2002
26	339560X1	4	Hex. Sock. Screw	M6X16
27	3782722M2	1	Gasket	Length 535MM Up to Serial or Engine Number H285006
	3781999M2	1	Gasket	Length 450MM From Serial or Engine Number H285007 Up to Serial or Engine Number 07-01-2001
28	390971X1	4	Washer	
29	339030X1	4	Nut Metric	
30	339228X1	4	Screw Metric	M8X12
31	3780693M2	1	Bracket	Left Hand
	3780694M2	1	Bracket	Right Hand
32	3009497X1	2	Bolt Metric	M10X50
33	3010934X1	4	Rivet	
34	3784567M1	1	Support	From Serial or Engine Number 08-01-2001
35	3784568M1	1	Seal	Length 520MM From Serial or Engine Number 08-JAN-2001

1-ZR25-002-D

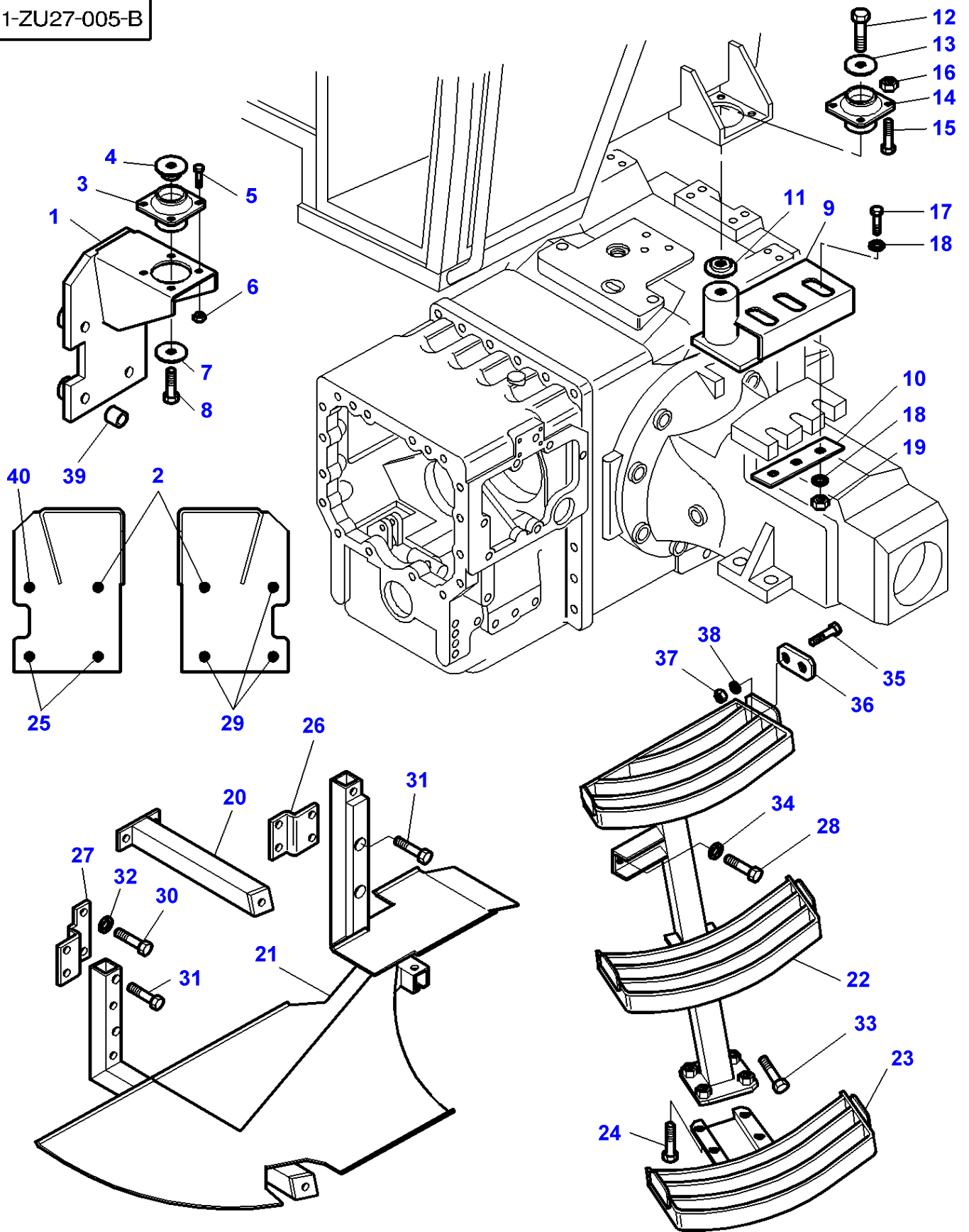


Sheet Metal - Hood Frame

Item	Part Number	Qty	Description	Comments
1	3782629M2	1	Chassis	
2	339123X1	6	Hex. Sock. Screw	M8X20
3	385361X1	6	Washer	
4	3782728M1	1	Support	Left Hand
	3782729M1	1	Support	Right Hand
5	385361X1	12	Washer	
6	339169X1	12	Nut	
7	3782730M1	1	Support	Left Hand
	3782731M1	1	Support	Right Hand
8	339123X1	12	Hex. Sock. Screw	M8X20
9	3781237M5	1	Plate	
10	3779399M1	2	Clevis Pin	
11	354066X1	2	Pin	
12	339337X1	2	Hex. Sock. Screw	M8X30
13	339337X1	2	Hex. Sock. Screw	M8X30
14	3781226M5	1	Support	Up to Serial or Engine Number L035007
	3787934M2	1	Support	From Serial or Engine Number L035008
15	3782545M3	1	Support	Replace and repair. Old not interchangeable with new 3781225M4
16	3009492X1	3	Hex. Sock. Screw	M10X25
17	385362X1	3	Washer	
18	385361X1	2	Washer	
19	390972X1	1	Washer Metric	
20	339761X1	1	Hex. Sock. Screw	M8X25
21	3781557M1	1	Reinforcement	
22	3009492X1	1	Hex. Sock. Screw	M10X25
23	390734X1	1	Washer	
24	339123X1	4	Hex. Sock. Screw	M8X20
25	3782975M1	2	Ram	
26	3903200M1	2	Toggle	(25)
27	3783149M1	2	Support	
28	339169X1	4	Nut	
29	3782732M1	1	Support	Left Hand
	3782733M1	1	Support	Right Hand
30	3808671M1	4	Wire	
31	3597673M1	4	Catch	
32	339124X1	4	Hex. Sock. Screw	M8X16
33	3780301M1	2	Tie	

MF 8210/8220 TRACTORS - 1637365
1-ZU27-005-B

1-ZU27-005-B



Cab Mountings And Step / Stairs

Item	Part Number	Qty	Description	Comments
1	3777369M2	1	Support	Left Hand
	3777370M2	1	Support	Right Hand
2	3001915X1	2	Screw	M16 X 85
3	3712693M1	2	Vibration Mount	
4	3388272M1	2	Washer	
5	3009492X1	7	Hex. Sock. Screw	M10 X 25
	3009493X1	1	Hex. Sock. Screw	M10 X 30
6	339402X1	8	Nut	M10
7	3712809M2	2	Spacer	
8	339805X1	2	Bolt Metric	M16 X 100
9	3779767M1	1	Support	Left Hand
	3779768M1	1	Support	Right Hand
10	3777417M1	2	Plate	
11	3388272M1	2	Washer	
12	339805X1	2	Bolt Metric	M16 X 100
13	3712809M2	2	Spacer	
14	3715926M1	2	Buffer	
15	3009492X1	8	Hex. Sock. Screw	M10 X 25
16	339402X1	8	Nut	M10
17	339805X1	6	Bolt Metric	M16 X 100
18	3019575X1	12	Washer Metric	Diameter 17-44 X 3 MM
19	339034X1	6	Nut	M16
20	3778242M2	1	Support	Up to Serial or Engine Number H257029 Replace and repair. Old not interchangeable with new 3778242M1
	3783408M3	1	Support	From Serial or Engine Number H257030
21	3781374M94	1	Frame	
22	3778240M92	1	Step	
23	3778337M91	1	Stair	
24	3009491X1	4	Hex. Sock. Screw	M10 X 20
25	339616X1	2	Bolt Metric	M16 X 120
26	3778294M2	1	Plate	[A]
27	3778295M2	1	Plate	[A]
28	339275X1	1	Hex. Sock. Screw	M16 X 35
29	3019575X1	3	Washer Metric	Diameter 17-44 X 3 MM
	339616X1	3	Bolt Metric	M16 X 120
30	354710X1	4	Bolt Unc	[A] 3/4-10 X 50
31	390864X1	4	Bolt Metric	M16 X 80
32	353775X1	4	Washer	[A]
33	390864X1	1	Bolt Metric	[B] M16 X 80
34	3019575X1	1	Washer Metric	Diameter 17-44 X 3 MM
35	339123X1	2	Hex. Sock. Screw	M8 X 20 Up to Serial or Engine Number H259009
36	3781189M1	1	Stop	Up to Serial or Engine Number H259009
37	339169X1	2	Nut	M8 Up to Serial or Engine Number H259009
38	390972X1	2	Washer Metric	Up to Serial or Engine Number H259009
39	3010942X1	5	Spacer	Length 25 MM
	3010942X1	2	Spacer	[C] Length 25 MM
40	3001915X1	1	Screw	M16 X 85
	339498X1	1	Screw	[C] M16 X 110

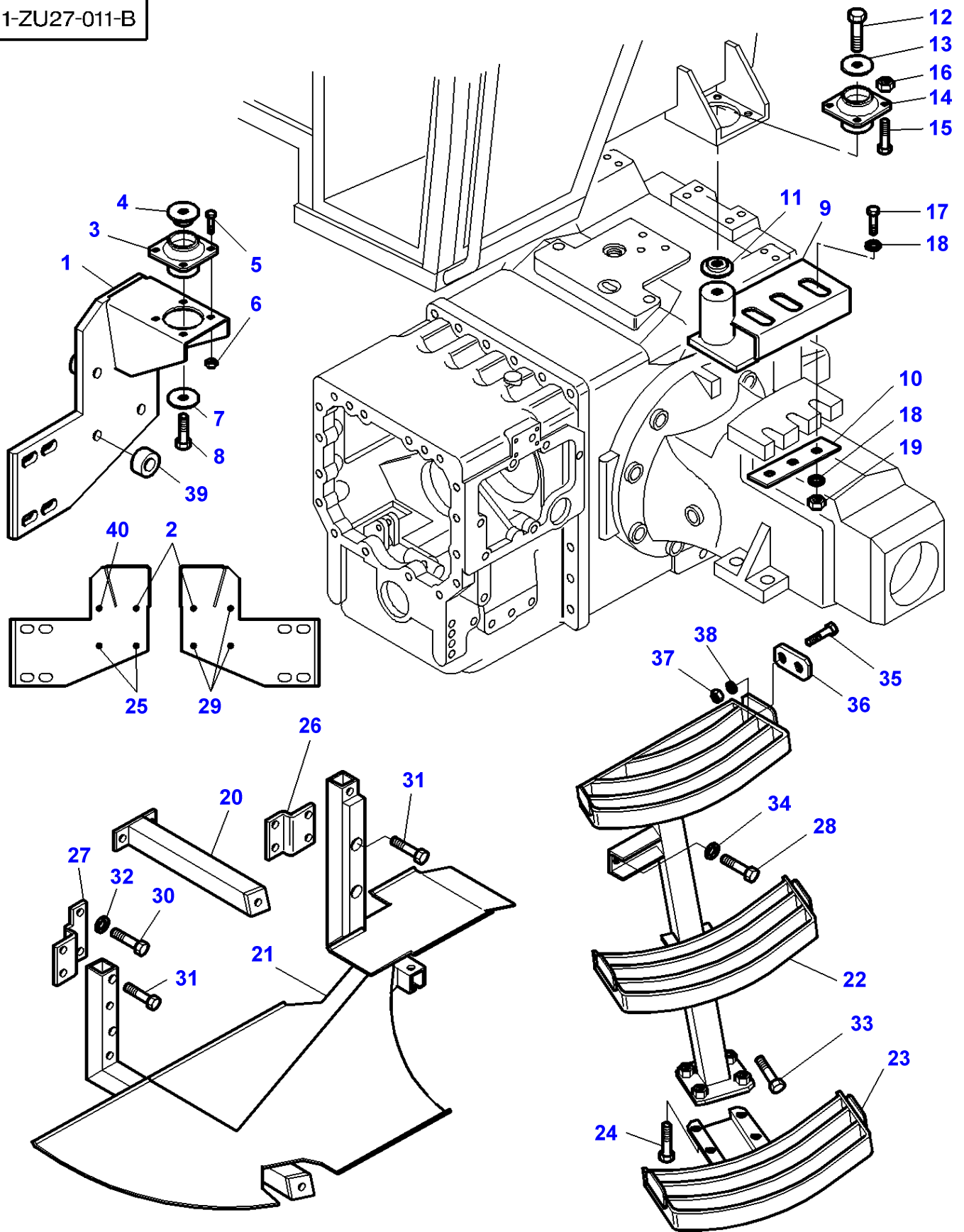
FOOTNOTE [A] WITH DYNASHIFT

FOOTNOTE [B] WITH FULL POWERSHIFT

FOOTNOTE [C] WITH FRONT LINKAGE

MF 8210/8220 TRACTORS - 1637365
1-ZU27-011-B

1-ZU27-011-B



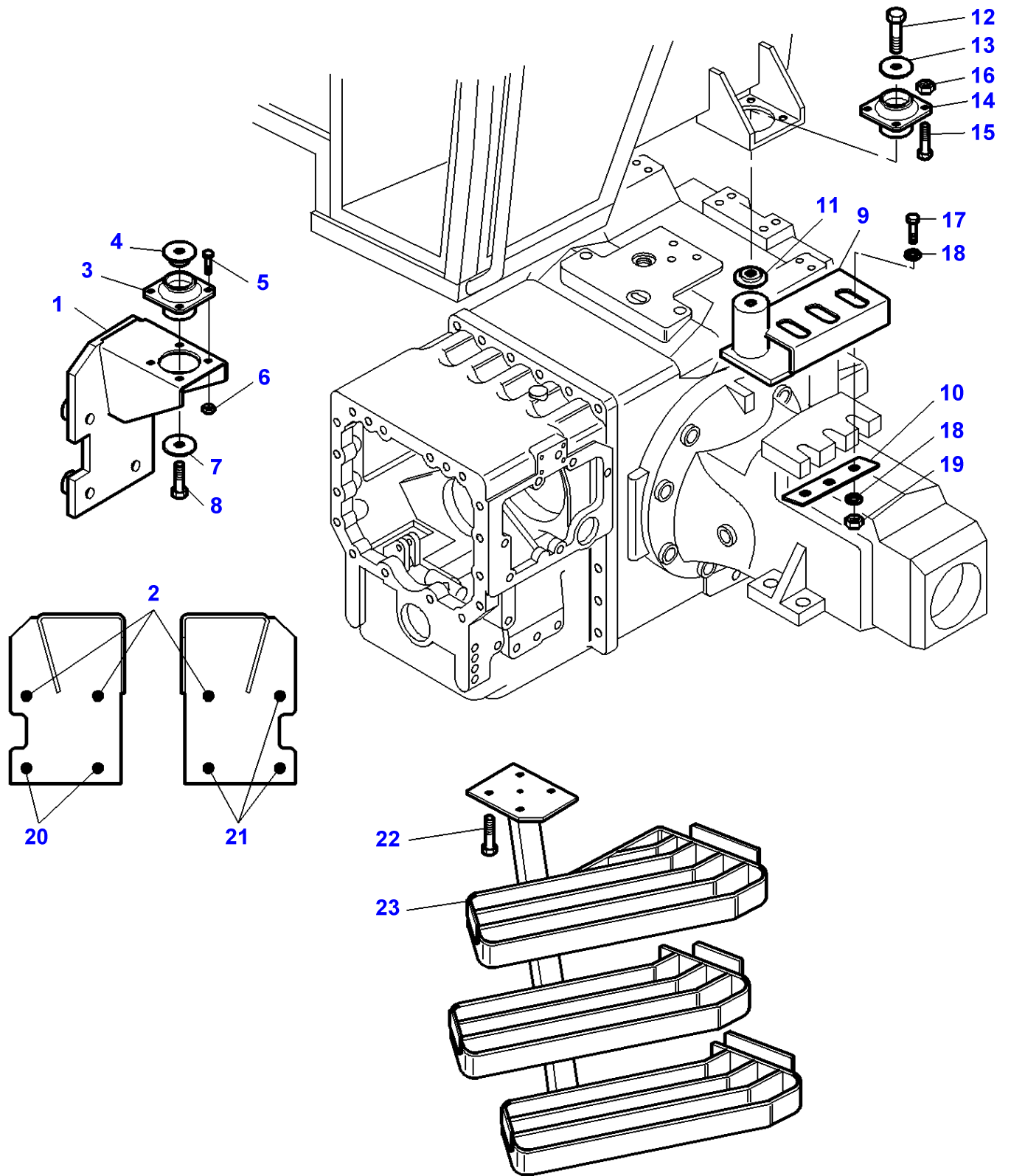
Cab Mountings And Step / Stairs - United States Only

Item	Part Number	Qty	Description	Comments
1	3715435M2	1	Support	Left Hand
	3715436M2	1	Support	Right Hand
2	3001915X1	2	Screw	M16 X 85
3	3712693M1	2	Vibration Mount	Up to Serial or Engine Number L050018
	3789027M1	2	Vibration Mount	From Serial or Engine Number L050019
4	3388272M1	2	Washer	
5	3009492X1	7	Hex. Sock. Screw	M10 X 25
	3009493X1	1	Hex. Sock. Screw	M10 X 30
6	339402X1	8	Nut	M10
7	3712809M2	2	Spacer	
8	339805X1	2	Bolt Metric	M16 X 100
9	3779767M1	1	Support	Left Hand
	3779768M1	1	Support	Right Hand
10	3777417M1	2	Plate	
11	3388272M1	2	Washer	
12	339805X1	2	Bolt Metric	M16 X 100
13	3712809M2	2	Spacer	
14	3715926M1	2	Buffer	
15	3009492X1	8	Hex. Sock. Screw	M10 X 25
16	339402X1	8	Nut	M10
17	339805X1	6	Bolt Metric	M16 X 100
18	3019575X1	12	Washer Metric	Diameter 17-44 X 3 MM
19	339034X1	6	Nut	M16
20	3783408M3	1	Support	
21	3781374M94	1	Frame	
22	3778240M92	1	Step	
23	3778337M91	1	Stair	
24	3009491X1	4	Hex. Sock. Screw	M10 X 20
25	339616X1	2	Bolt Metric	M16 X 120
26	3778294M2	1	Plate	[A]
27	3778295M2	1	Plate	[A]
28	339275X1	1	Hex. Sock. Screw	M16 X 35
29	3019575X1	3	Washer Metric	Diameter 17-44 X 3 MM
	339616X1	3	Bolt Metric	M16 X 120
30	354710X1	4	Bolt Unc	[A] 3/4-10 X 50
31	390864X1	4	Bolt Metric	M16 X 80
32	353775X1	4	Washer	[A]
33	390864X1	1	Bolt Metric	[B] M16 X 80
34	3019575X1	1	Washer Metric	Diameter 17-44 X 3 MM
35	339123X1	2	Hex. Sock. Screw	M8 X 20 Up to Serial or Engine Number H259009
36	3781189M1	1	Stop	Up to Serial or Engine Number H259009
37	339169X1	2	Nut	M8 Up to Serial or Engine Number H259009
38	390972X1	2	Washer Metric	Up to Serial or Engine Number H259009
39	3010942X1	5	Spacer	
40	3001915X1	1	Screw	M16 X 85

FOOTNOTE [A] WITH DYNASHIFT

FOOTNOTE [B] WITH FULL POWERSHIFT

1-ZU27-006-A



Massey Ferguson**MF 8210/8220 TRACTORS - 1637365**

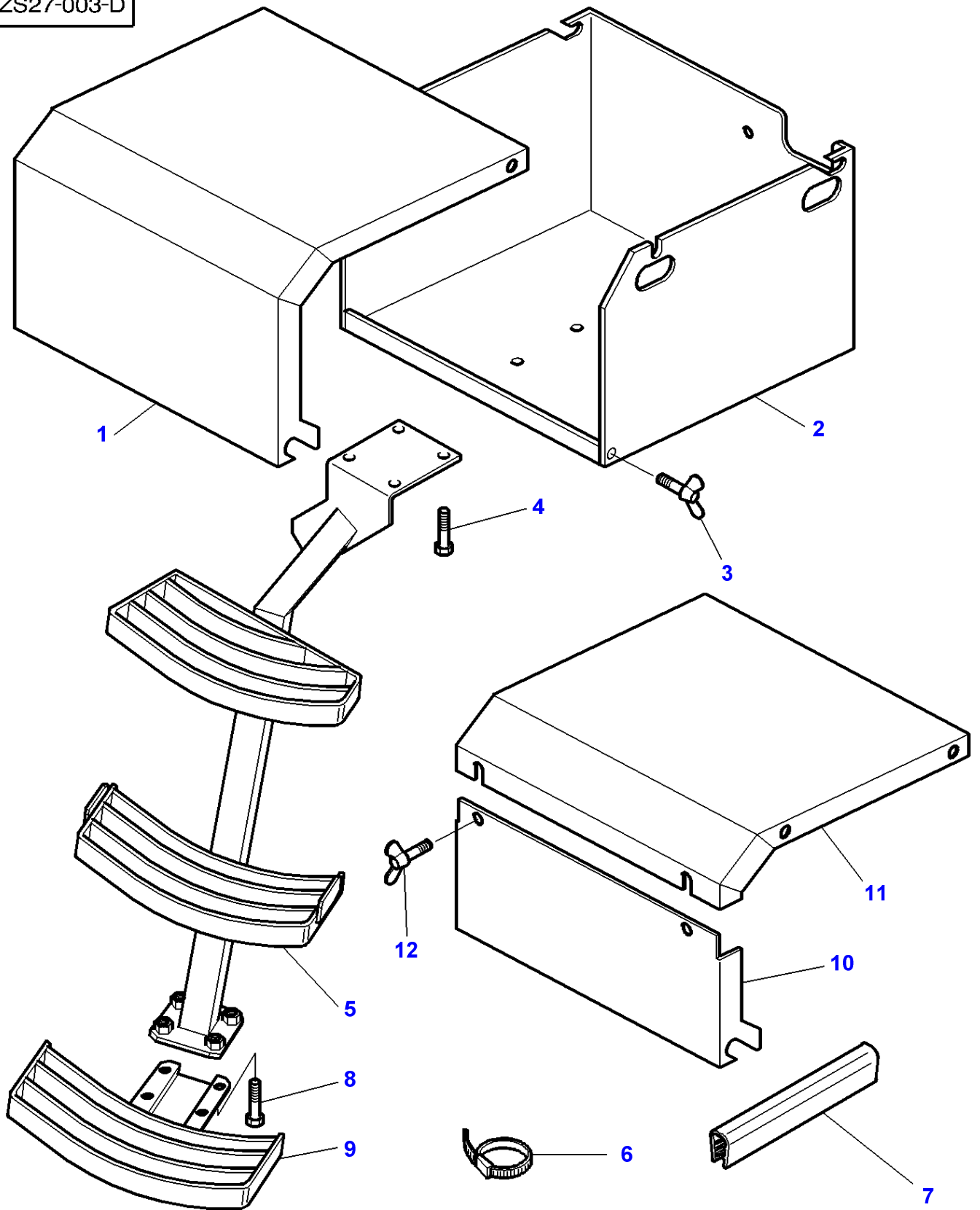
1637365

Cab Mountings And Step / Stairs - Without Additional Tank

Page 100-0040

Item	Part Number	Qty	Description	Comments
1	3777369M2	1	Support	Left Hand
	3777370M2	1	Support	Right Hand
2	3001915X1	3	Screw	M16 X 85
3	3712693M1	2	Vibration Mount	
4	3388272M1	2	Washer	
5	3009492X1	7	Hex. Sock. Screw	M10 X 25
	3009493X1	1	Hex. Sock. Screw	M10 X 30
6	339402X1	8	Nut	M10
7	3712809M2	2	Spacer	
8	339805X1	2	Bolt Metric	M16 X 100
9	3779767M1	1	Support	Left Hand
	3779768M1	1	Support	Right Hand
10	3777417M1	2	Plate	
11	3388272M1	2	Washer	
12	339805X1	2	Bolt Metric	M16 X 100
13	3712809M2	2	Spacer	
14	3715926M1	2	Buffer	
15	3009492X1	8	Hex. Sock. Screw	M10 X 25
16	339402X1	8	Nut	M10
17	339805X1	6	Bolt Metric	M16 X 100
18	3019575X1	12	Washer Metric	Diameter 17-44 X 3 MM
19	339034X1	6	Nut	M16
20	339805X1	2	Bolt Metric	M16 X 100
21	3019575X1	3	Washer Metric	Diameter 17-44 X 3 MM
	339805X1	3	Bolt Metric	M16 X 100
22	3009493X1	4	Hex. Sock. Screw	M10 X 30
23	3714029M94	1	Step	

1-ZS27-003-D



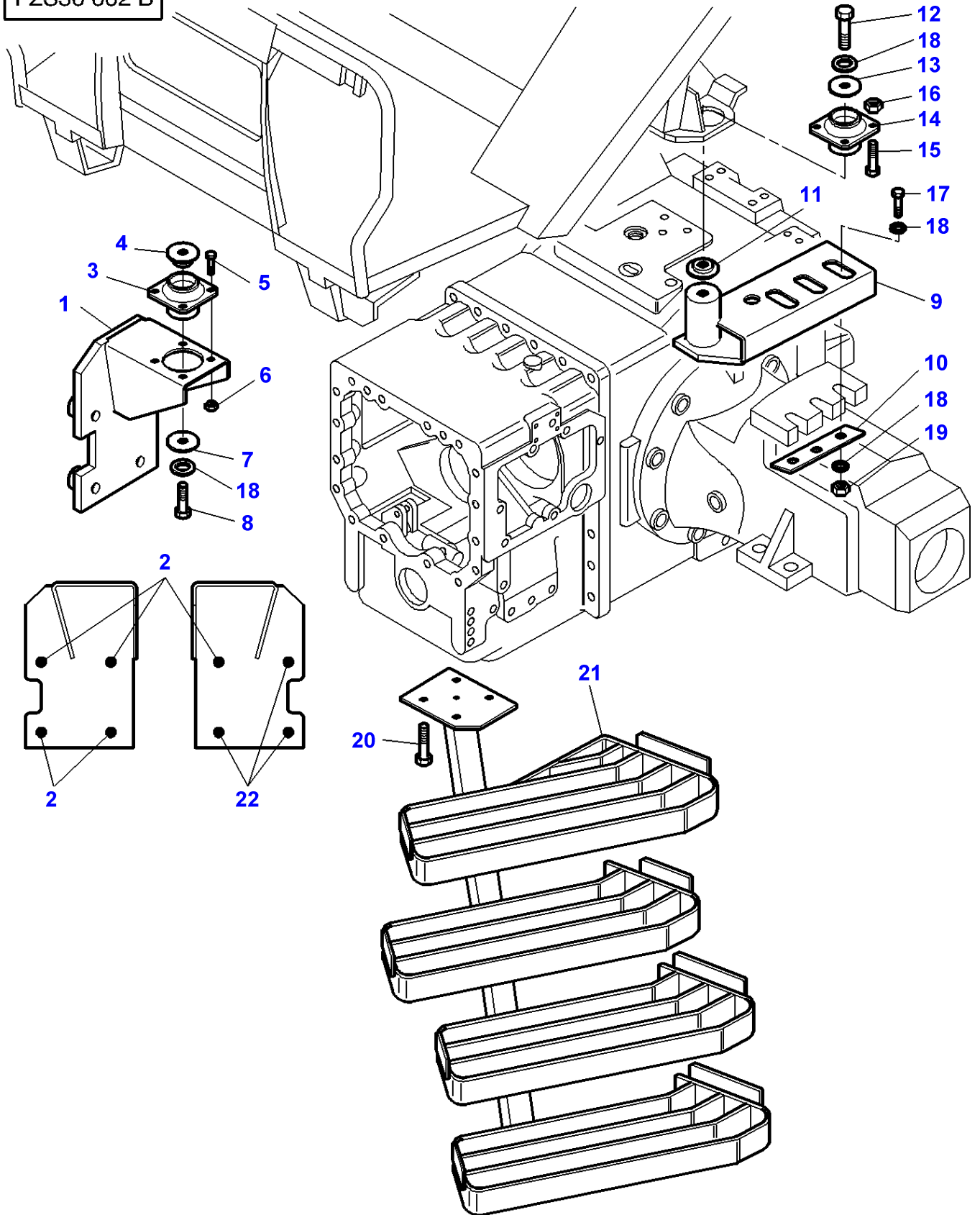
Footstep And Battery Box

Item	Part Number	Qty	Description	Comments
1	3782889M1	1	Cover	[A] Up to Serial or Engine Number J137015
2	3782884M93	1	Battery Box	
3	339107X1	2	Wingbolt	M8X16
4	3009491X1	4	Hex. Sock. Screw	M10X20
5	3786332M92	1	Step	Right Hand
6	3619622M1	X	Cable Tie	
7	1684844M1	2	Seal	Length 80MM
8	3009491X1	4	Hex. Sock. Screw	M10X20
9	3778630M91	1	Stair	Right Hand
10	3784564M1	1	Cover	From Serial or Engine Number J137016
11	3784565M1	1	Cover	[A] From Serial or Engine Number J137016
12	339107X1	2	Wingbolt	From Serial or Engine Number J137016 M8X16
	3011304X1	2	Screw	M8X10

FOOTNOTE [A] THE APPROPRIATE SAFETY DECALS MUST BE ORDERED AND FITTED TO THIS PART

MF 8210/8220 TRACTORS - 1637365
1-ZS30-002-B

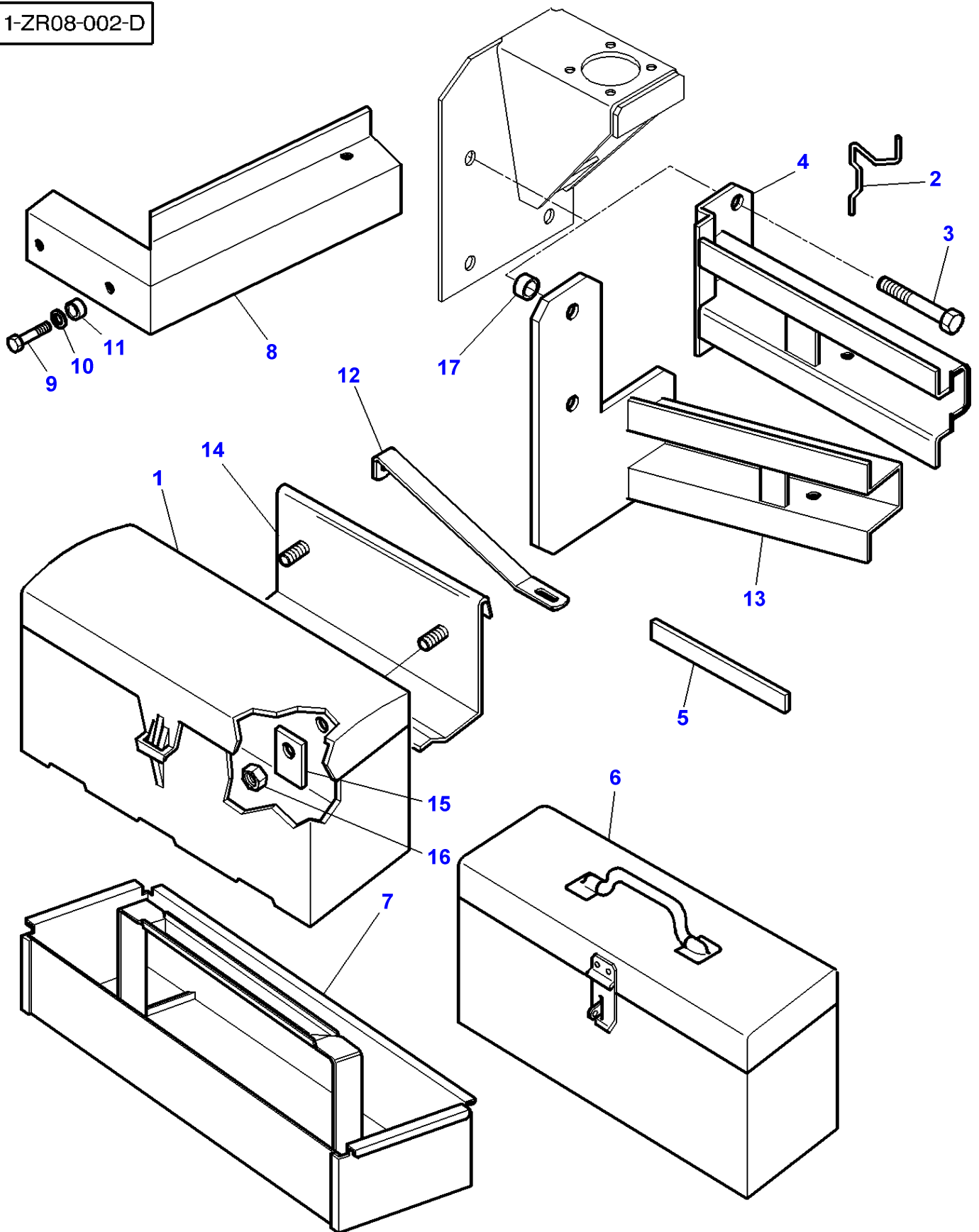
1-ZS30-002-B



Mountings And Step / Stairs - Platform

Item	Part Number	Qty	Description	Comments
1	3777369M2	1	Support	Left Hand
	3777370M2	1	Support	Right Hand
2	3001915X1	5	Screw	M16X85
3	3712693M1	2	Vibration Mount	
4	3388272M1	2	Washer	
5	3009492X1	8	Hex. Sock. Screw	M10X25
6	3009693X1	8	Nut Metric	
7	3712809M2	2	Spacer	
8	339182X1	2	Bolt Metric	M16X90
9	3782494M1	1	Support	Left Hand
	3782495M1	1	Support	Right Hand
10	3777417M1	2	Plate	
11	3388272M1	2	Washer	
12	339805X1	2	Bolt Metric	M16X100
13	3712809M2	2	Spacer	
14	3715926M1	2	Buffer	
15	3009493X1	8	Hex. Sock. Screw	M10X30
16	3009693X1	8	Nut Metric	
17	339805X1	6	Bolt Metric	M16X100
18	3019575X1	16	Washer Metric	
19	339034X1	6	Nut	
20	3009493X1	4	Hex. Sock. Screw	M10X30
21	3783084M91	1	Step	Left Hand
22	339616X1	3	Bolt Metric	M16 X 120

1-ZR08-002-D



Tool Box

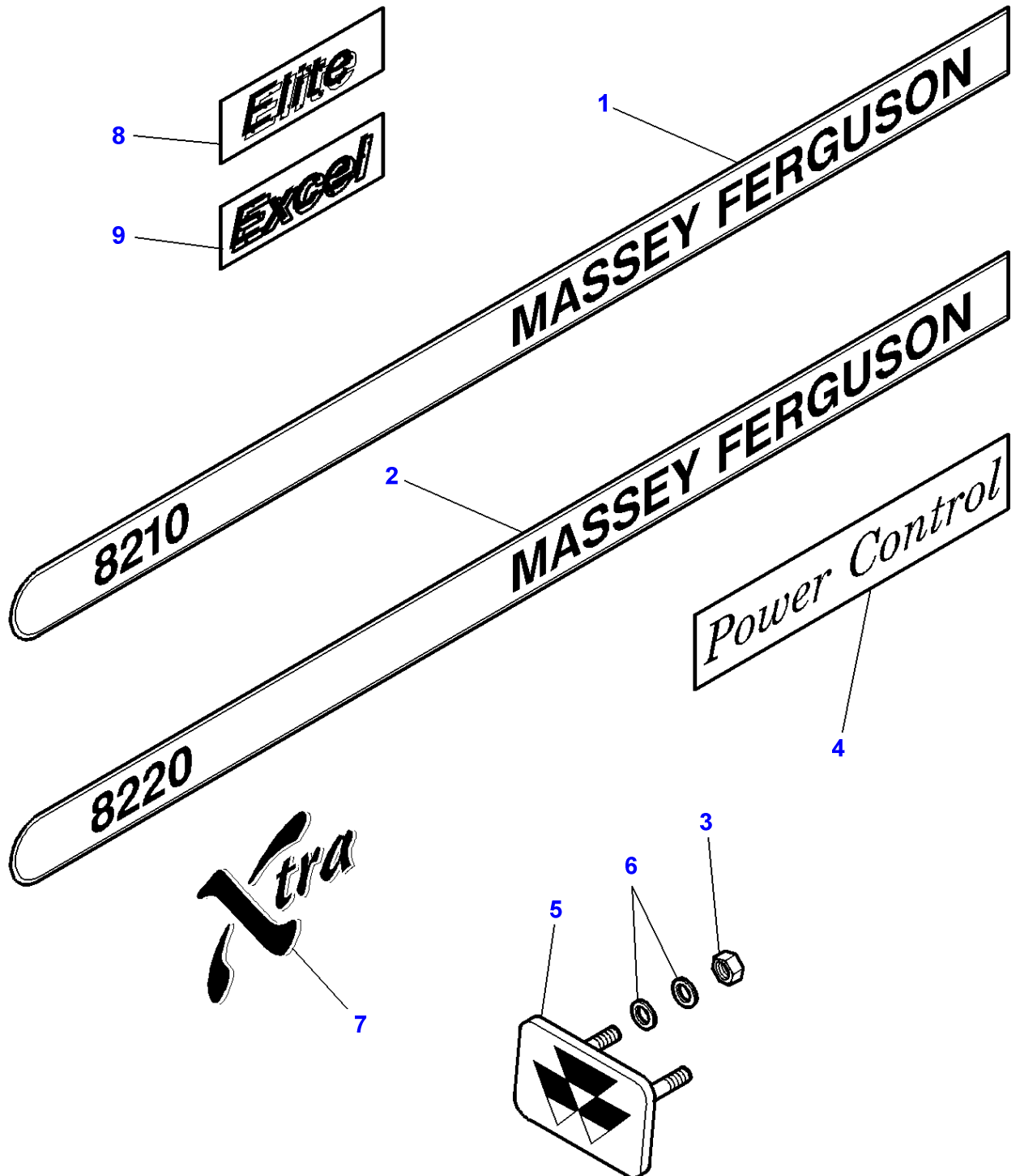
Item	Part Number	Qty	Description	Comments
1	1696186M93	1	Tool Box	[B]
2	3580564M1	1	Eccentric	
3	391269X1	X	Screw Metric	M16 X 30
4	3580565M97	1	Support	
5	3580639M1	1	Gasket	
6	3616340M1	1	Tool Box	[A]
7	3778994M1	1	Boot	
8	3782364M4	1	Support	Up to Serial or Engine Number 08-01-2001
9	339761X1	2	Hex. Sock. Screw	M8 X 25
	339010X1	1	Bolt Metric	M8 X 40
	339337X1	1	Hex. Sock. Screw	M8 X 30
10	390972X1	2	Washer Metric	
11	3580856M1	1	Spacer	Thickness 6,10 MM
	3045014M2	1	Spacer	Thickness 14,29 MM
12	3783070M1	1	Reinforcement	Up to Serial or Engine Number 08-JAN-2001
13	3783678M1	1	Support	[C] From Serial or Engine Number 08-JAN-2001
14	3580560M93	1	Stiffener	
15	3580162M1	2	Counterplate	
16	339402X1	2	Nut	M10
17	3714081M1	2	Spacer	Up to Serial or Engine Number K053027
	3784631M1	2	Spacer	Diameter 16,8-30 X 7 MM From Serial or Engine Number K053028

FOOTNOTE [A] METAL

FOOTNOTE [B] PLASTICS

FOOTNOTE [C] WITH FRONT LINKAGE

1-ZR05-005-D

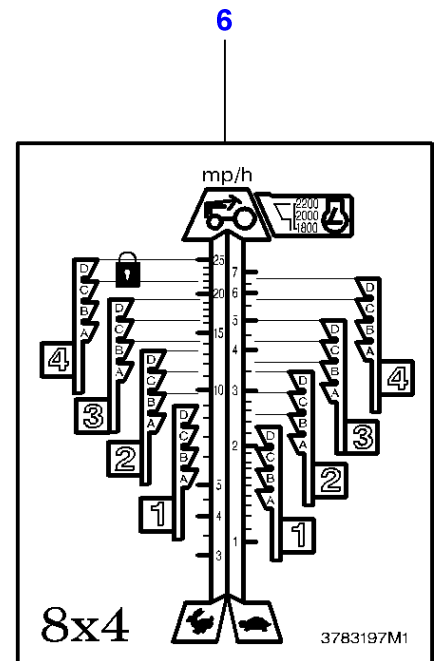
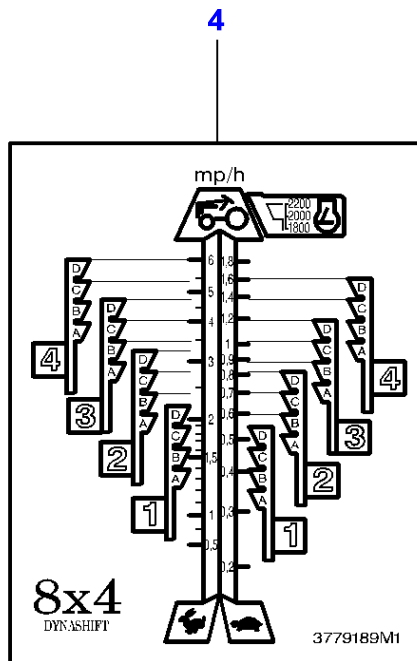
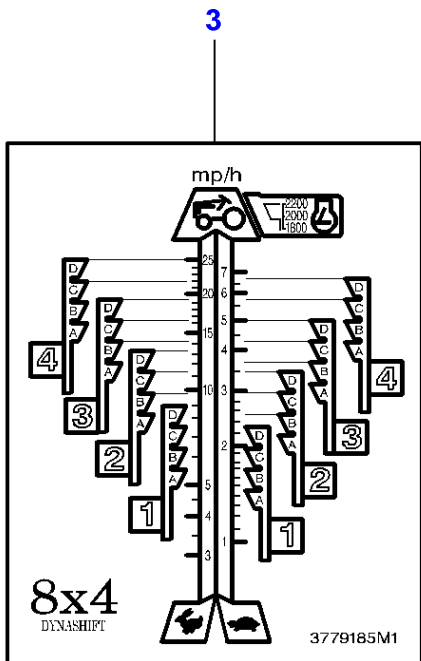
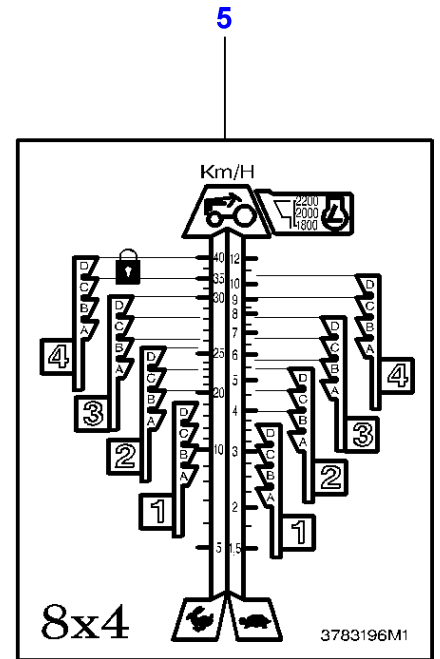
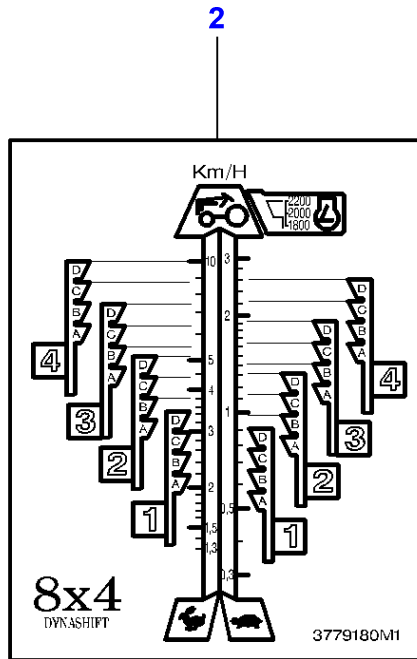
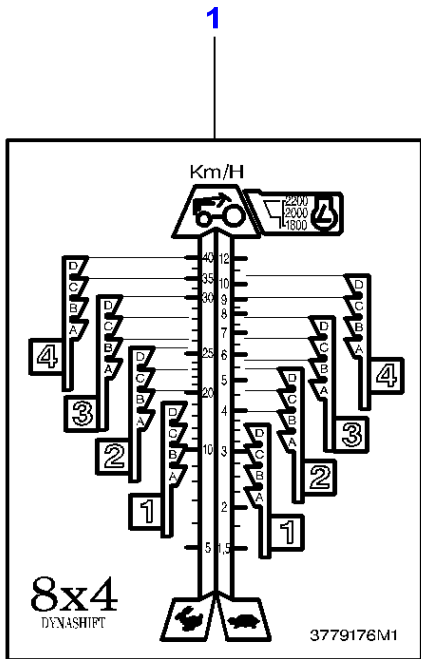


Emblems

Item	Part Number	Qty	Description	Comments
1	3781422M1	1	Emblem	Left Hand M.F 8210
	3781427M1	1	Emblem	Right Hand M.F 8210
2	3781423M1	1	Emblem	Left Hand M.F 8220
	3781428M1	1	Emblem	Right Hand M.F 8220
3	1441500X1	2	Locknut	M6
4	3783415M1	2	Decal	[A] Not for USA
5	3808163M91	1	Badge	
6	390971X1	2	Washer	
7	3789532M1	2	Decal	MF 8220
8	3789729M1	1	Decal	
9	3789728M1	1	Decal	

FOOTNOTE [A] WITH FULL POWERSHIFT

1-ZR12-005-A

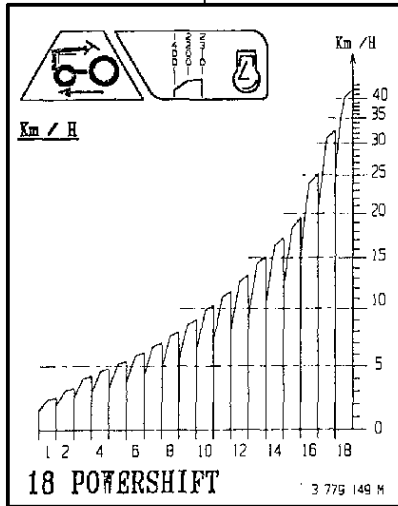


Speed Charts - Dynashift

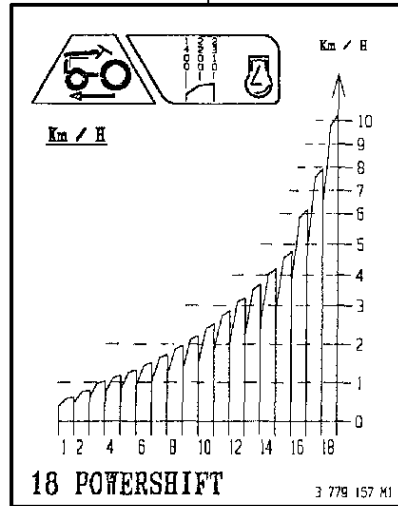
Item	Part Number	Qty	Description	Comments
1	3779176M1	1	Decal	Km/H
2	3779180M1	1	Decal	Km/H
3	3779185M1	1	Decal	mp/h
4	3779189M1	1	Decal	mp/h
5	3783196M1	1	Decal	Km/H
6	3783197M1	1	Decal	mp/h

1-ZR12-003-A

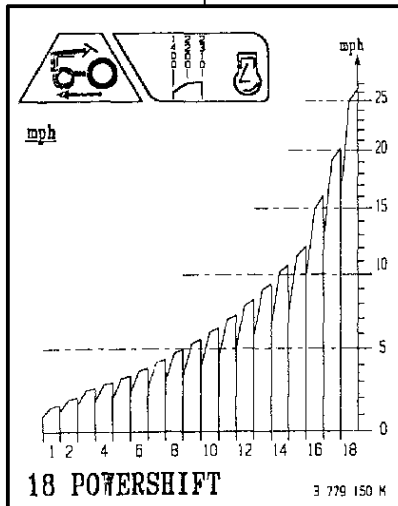
1



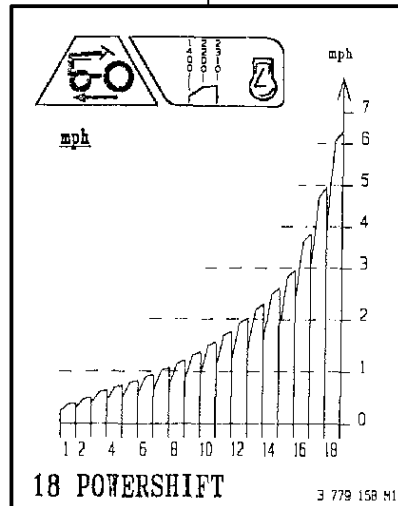
2



4



3




Massey Ferguson**MF 8210/8220 TRACTORS - 1637365****1637365****Speed Charts - With Full Powershift****Page 100-0070**

Item	Part Number	Qty	Description	Comments
1	3779149M1	1	Decal	Km/H
2	3779157M1	1	Decal	Km/H
3	3779158M1	1	Decal	mp/h
4	3779150M1	1	Decal	mp/h

MF 8210/8220 TRACTORS - 1637365 1-ZR13-011-B

1-ZR13-011-B

CAUTION



Thoroughly read operator's instruction book before operating the tractor.

Make sure everyone is clear of equipment before starting the engine.

Keep all shields, covers and guards in place while engine is running.

Keep hands, feet and clothing away from power driven or moving parts.

Always drive with due care and attention.

If differential lock does not disengage automatically, depress clutch pedal.

Brake pedals must always be coupled together when independent brakes are not being used.

Engage "park lock" apply parking brake, lower equipment, stop engine and remove key before leaving the tractor unattended.

When attaching equipment check operator's instruction book for front and rear axle load limits.


Place transmission shift lever in neutral, engage "park lock" apply parking brake before using external lift controls.

Ensure that all wheel and rim nuts are tightened as specified in operator's instruction book.

On public roads, use SMV emblem and flashing warning lights where required by law.

DO NOT REMOVE OR OBSCURE DECAL 3 792 718 M1

CAUTION



Before operating, read operators instruction book thoroughly.

do not start engine until everyone is a safe distance from tractor and equipment.

Keep all shields, covers and guards in place while engine is running.

Keep hands, feet and clothing away from power driven or moving parts.

Always drive with due care and attention.

If differential lock does not disengage automatically, depress clutch pedal brake pedals must always be coupled together when independent brakes are not being used.

Before leaving tractor, apply parking brake, lower equipment, stop engine and remove key from starter switch.

When attaching equipment check operator's instruction book for front and rear axle load limits.

Put the gears lever (1, 2, 3, 4) and the reverse/forward level in neutral position in order to use the external lift controls.

Ensure that all wheel and rim nuts are tightened as specified in operator's instruction book.

On public roads, use SMV emblem and flashing warning lights where required by law.

DO NOT REMOVE OR OBSCURE DECAL 3 880 121 M5


Do not stop the engine before the vehicle has completely stopped.

3763366M1

Always declutch to change gear range.

3763364M1

WARNING




Engage the parking brake to prevent tractor movement with the engine off.

Clutch **WILL NOT** hold tractor in place, even though transmission is in gear.


Unexpected tractor movement may cause serious injury.

WARNING



PLEASE ENSURE PICKUP HITCH IS LATCHED AND FULLY RETRACTED BEFORE TRANSPORT


WARNING



Gears lever (1,2,3,4), and the reverse/forward level must be in his neutral position:

- in order to use the external lift controls.
- When the driver is not in his seat.

WARNING





When the tractor is stationary, it is imperative to fully apply the handbrake because leaving the tractor in gear will not prevent movement.

When attempting to start the engine using a slave battery, ensure that the gear lever (1,2,3,4) is in neutral.

Never connect a slave battery directly to the starter motor.


DO NOT REMOVE OR OBSCURE DECAL 3 713 705 M3

DO NOT REMOVE OR OBSCURE DECAL




3596680 M1

WARNING




High pressure steam and hot water. Remove filler cap with extreme care.

DO NOT REMOVE OR OBSCURE DECAL 3595685 M1






WARNING



Before working on the tractor or removing this cover, disconnect negative leads to all Battery.

CAUTION



Do not short across starter terminals to start engine. Never start engine while standing on the ground. Start engine only with start key from operator's seat, ensuring that gearbox and PTO are in neutral with parking brake applied.

DO NOT REMOVE OR OBSCURE DECAL 3596432 M1


WARNING



IT IS OPERATIVE TO USE THE TRANSMISSION OIL RECOMMENDED IN THE OPERATING MANUAL.

3713699 M1


CAUTION



TO AVOID POSSIBLE TRACTOR OVERTURN, PULL ONLY FROM DRAWBAR OR LOWER LINKS OF THREE POINT HITCH.


2752579 M1

WARNING



Before working on the tractor, disconnect negative leads to all batteries.


WARNING



Before removing any battery, disconnect all negative leads before positive leads.


DO NOT REMOVE OR OBSCURE DECAL 3595679 M1

CAUTION



Keep all shields, covers and guards fastened in place while engine is running.


WARNING




Beware hot parts

DO NOT REMOVE OR OBSCURE DECAL 3596578 M1

CAUTION




If tractor is overturning, hold onto steering wheel. Do not leave seat.



3582315 M1


WARNING



Always disengage PTO and stop engine before attaching or detaching PTO shafts or working on PTO driven equipment.

Always fit PTO cover when PTO is not in use.

CAUTION



Do not stand between tractor and equipment when operating controls.

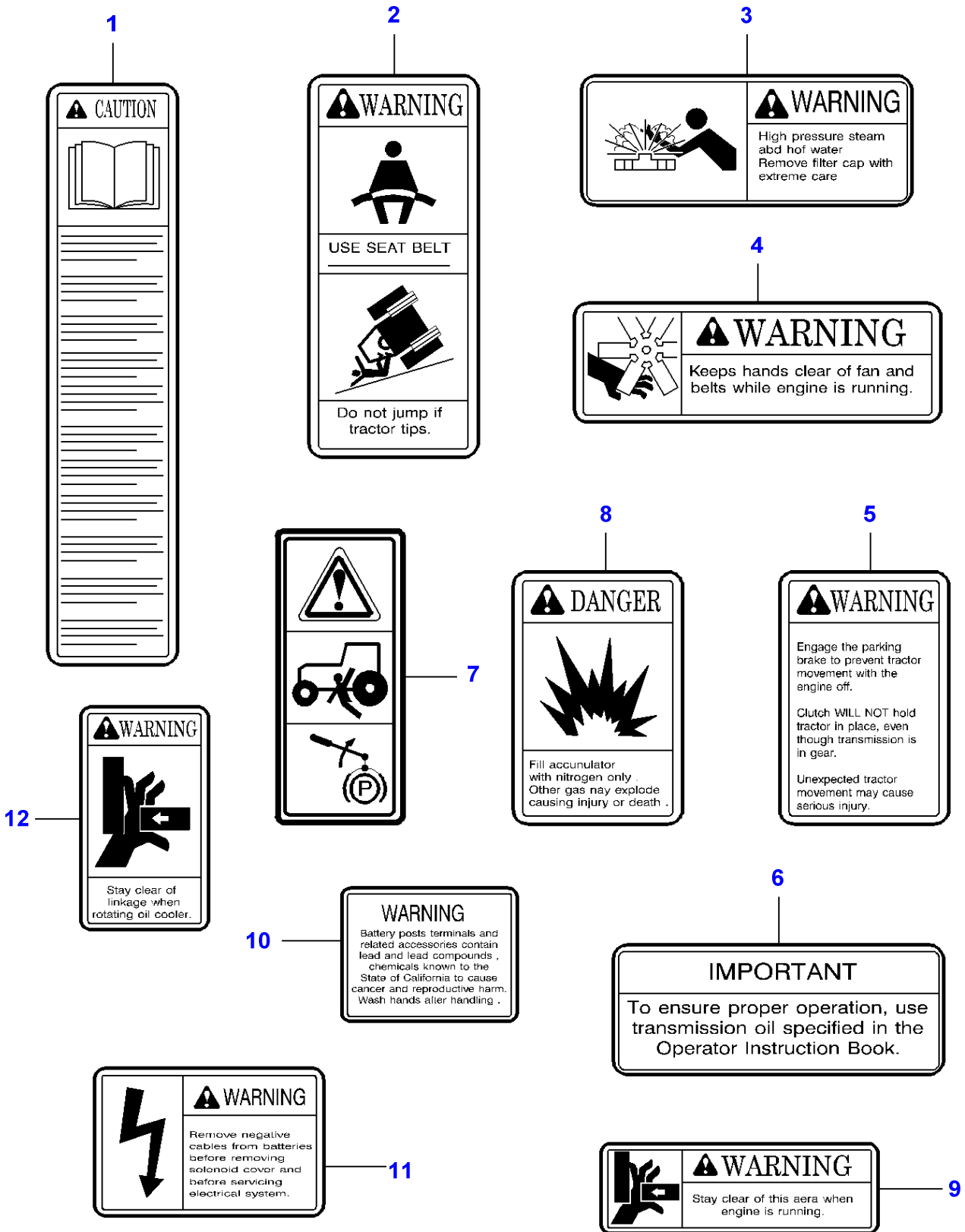
Tow only with MF approved tractor drawbar or hitch

DO NOT REMOVE OR OBSCURE DECAL 3581563 M1

Item	Part Number	Qty	Description	Comments
1	3780718M1	1	Decal	POWERSHIFT
2	3580321M5	1	Decal	DYNASHIFT
3	3783396M2	1	Decal	
4	3713705M3	1	Decal	
5	3595680M1	1	Decal	
6	3595685M1	1	Decal	
7	3782489M1	1	Decal	
8	2752579M1	1	Decal	
9	3713699M1	1	Decal	
10	3595679M1	1	Decal	
11	3595678M1	1	Decal	
12	3581563M1	1	Decal	
13	3580315M1	1	Decal	
14	3596432M1	1	Decal	
15	3777017M2	1	Decal	
16	3781401M1	1	Decal	
17	3783394M1	1	Decal	[A]

FOOTNOTE [A] WITH POWER SHUTTLE

1-ZR13-005-C



Massey Ferguson

MF 8210/8220 TRACTORS - 1637365

1637365

Decals - Safety - For United States of America

Page 100-0080

Item	Part Number	Qty	Description	Comments
1	3808550M3	1	Decal	
2	3808567M2	1	Decal	
3	3808561M3	1	Decal	
4	3777018M1	2	Decal	
5	3777017M2	1	Decal	
6	3777020M1	2	Decal	
7	3782489M1	1	Decal	
8	3777021M3	1	Decal	
9	3786314M1	1	Decal	[A]
10	3786812M1	1	Decal	
11	5016204M1	1	Decal	
12	5016744M1	1	Decal	

FOOTNOTE [A] WITH FRONT AXLE SUSPENDED CARRARO

1-ZR13-006-B

DANGER

Shield eyes Explosive gas Avoid sparks and flame Sulphuric acid

EXPLOSIVE GASES

Always shield eyes and face from battery. Cigarettes, flames or sparks could cause battery to explode. Do not charge or use booster cables or adjust post connections without proper instruction or training.

POISON causes severe burns

Contains sulphuric acid. Avoid contact with skin, eyes or clothing. In event of accident flush with water and call a physician immediately.

Keep out of reach of children

3810054 M1

1

WARNING

Personal injury could result from PTO driveline separation

1. Drawbar supplied provides standard distance "A". Do not change.

PTO RPM	SHAFT SIZE	DISTANCE "A"
540	35 mm (1.38 in)	355
mm (14.0 in)	1000	35
mm (4.72 in)	105	116.0

2. Three-point link distance "C" and mounted implement distance "D" may not be standard.

Measure distance "B" over complete lift range for tractor and implement combination. Select driveline length to ensure that driveline will not bottom out at minimum distance "B" and will have sufficient overlap at maximum distance

3808479 M1

5

DANGER

Start only from seat with transmission and PTO in neutral. Starting in gear kills.

WARNING

Remove negative cables from batteries before removing solenoid cover and before servicing the electrical system.

3808564 M1

2

DANGER **DANGER** **WARNING**

Pull only from approved drawbar or lower links of 3 points linkage at horizontal position or below.

Rotating driveline contact may cause serious injury or death. Keep all driveline, tractor and equipment shields in place during operation.

Stand clear when using controls to move 3 points hitch.

3

6

DANGER

Start only from seat with transmission and PTO in neutral. Starting in gear kills.

WARNING

To avoid personal injury, keep all shields, covers and guards in place while engine is running. Beware of hot parts.

4

Massey Ferguson**MF 8210/8220 TRACTORS - 1637365****1637365****Decals - Safety - For United States of America****Page 100-0085**

Item	Part Number	Qty	Description	Comments
1	3810054M1	2	Decal	
2	3808564M4	1	Decal	Up to Serial or Engine Number L017002
3	3808558M3	1	Decal	
4	3777019M1	2	Decal	
5	3808479M1	2	Decal	
6	5016264M1	1	Decal	From Serial or Engine Number L017003

1-ZR13-014-C

15

Always declutch to change gear range.

1

WARNING

Engage the parking brake to prevent tractor movement with the engine off.

Clutch WILL NOT hold tractor in place, even though transmission is in gear.

Unexpected tractor movement may cause serious injury.

2

DANGER

Fill accumulator with nitrogen only . Other gas may explode causing injury or death .

3

3

19

WARNING

Stay clear of linkage when rotating oil cooler.

4

CAUTION

8

WARNING

To avoid personal injury, keep all shields, covers and guards in place while engine is running. Beware of hot parts.

20

DANGER DANGER WARNING

Pull only from approved drawbar or lower links of 3 points linkage at horizontal position or below.

Rotating driveline contact may cause serious injury or death.

Stand clear when using controls to move 3 points hitch.

Keep all driveline, tractor and equipment shields in place during operation.

12

WARNING

High pressure steam and hot water. Remove filter cap with extreme care.

7

IMPORTANT

To ensure proper operation, use transmission oil specified in the Operator Instruction Book.

11

WARNING

USE SEAT BELT

Do not jump if tractor tips.

5

DANGER

Start only from seat with transmission and PTO in neutral. Starting in gear kills.

14

WARNING

NO RIDERS

21

DANGER

Start only from seat with transmission and PTO in neutral. Starting in gear kills.

13

DANGER DANGER

Pull only from approved drawbar or lower links of 3 points linkage at horizontal position or below.

Rotating driveline contact may cause serious injury or death.

Keep all driveline, tractor and equipment shields in place during operation.

10

WARNING

Keeps hands clear of fan and belts while engine is running.

17

WARNING

Battery posts terminals and related accessories contain lead and lead compounds , chemicals known to the State of California to cause cancer and reproductive harm. Wash hands after handling .

16

WARNING

Stay clear of this area when engine is running.

18

WARNING

Remove negative cables from batteries before removing solenoid cover and before servicing electrical system.

9

DANGER explosive gases

Always shield eyes and face from battery. Cigarettes, flames or sparks could cause battery to explode. Do not charge or use booster cables or adjust post connections without proper instruction or training.

POISON causes severe burns

Contains sulphuric acid. Avoid contact with skin, eyes or clothing in event of accident flush with water and call a physician immediately.

Keep out of reach of children

Shield eyes

Explosive gas

Avoid sparks and flame

Sulphuric acid

DO NOT REMOVE OR OBSCURE DECAL

6

WARNING

Personal injury could result from PTO driveline separation

Drawbar support provides standard distance "A". Do not change

PTO Size	SHAFT SIZE	DISTANCE "A"
S&D	55 mm (2.18 in)	156 mm (6.14 in)
1000	55 mm (2.18 in)	406 mm (16.0 in)

2. Interpoint and Astoria 20 and mounted implement distance "B" may not be used

Maximum distance "B" over complete drawbar for limited and implement connection. See also distance "A" to ensure that tractor and implement are not in maximum distance "B" and are not in contact.

Item	Part Number	Qty	Description	Comments
1	3777017M2	1	Decal	
2	3777021M3	1	Decal	
3	3782489M1	1	Decal	
4	3808550M3	2	Decal	
5	3808564M4	1	Decal	Up to Serial or Engine Number L017002
6	3808479M1	2	Decal	
7	3777020M1	2	Decal	
8	3777019M1	2	Decal	
9	3810054M1	2	Decal	
10	3777018M1	2	Decal	
11	3808567M2	1	Decal	
12	3808561M3	1	Decal	
13	3779407M1	1	Decal	Up to Serial or Engine Number 01-JAN-2001
14	3814929M2	2	Decal	
15	3783394M1	1	Decal	
16	3786314M1	1	Decal	[A]
17	3786812M1	1	Decal	
18	5016204M1	1	Decal	
19	5016744M1	1	Decal	
20	3808558M3	1	Decal	
21	5016264M1	1	Decal	From Serial or Engine Number L017003

FOOTNOTE [A] WITH FRONT AXLE SUSPENDED CARRARO

1-ZR13-003-B



1	<p>ATTENTION Vapeur sous haute pression et eau chaude. Retirez le bouchon avec précaution. NE PAS ENLEVER OU COUVRIR CETTE DÉCAL 3596029 M1</p>	11	<p>ATTENTION NE PAS ENLEVER OU COUVRIR CETTE DÉCAL</p>	9	<p>AVERTISSEMENT</p>	<p>AVERTISSEMENT</p> <p>Avant d'utiliser, lire attentivement le livret d'utilisation.</p> <p>Avant de mettre le moteur en marche, s'assurer qu'il n'y ait personne à proximité de l'appareil.</p> <p>Toujours maintenir les garants et protecteurs en place pendant que le moteur tourne.</p> <p>Eloigner les mains, les pieds et les vêtements de toutes pièces entraînées ou en mouvement.</p> <p>Toujours conduire avec attention.</p> <p>Si le blocage de différentiel ne se désengage pas automatiquement enfoncer la pédale d'embrayage.</p> <p>Les pédales de frein doivent toujours être jumelées lorsque les freins indépendants ne sont pas utilisés.</p> <p>Avant de quitter le tracteur, serrer le frein à main, abaisser l'instrument, arrêter le moteur et retirer la clé.</p> <p>Avant d'atteler un instrument voir le livret d'utilisation pour vérifier les charges maximales d'essieux avant et arrière.</p> <p>Mettre le levier de vitesses (1,2,3,4), et le levier d'inverseur au neutre pour pouvoir utiliser les commandes extérieures de relevage.</p> <p>Vérifier que tous les écrous de roue et de jante sont serrés au couple indiqué dans le livret.</p> <p>Sur voie publique, utiliser l'emblème véhicule lent et les feux de warning lorsque la loi l'exige.</p> <p>NE PAS ENLEVER OU COUVRIR CETTE DÉCAL COMMANNE 3 580 320 M5</p>
10	<p>ATTENTION</p> <p>POUR ÉVITER LE CAPOTAGE DU TRACTEUR, NE REMORQUER QU'AVEC LA BARRE DE TIRAGE OU AVEC LES BRAS INFÉRIEURS DE L'ATTELAGE EN TROIS POINTS.</p> <p>539013 M1</p>	14	<p>Toujours débrayer lors du changement de gamme.</p> <p>3783393M1</p>	3		
5	<p>AVERTISSEMENT</p> <p>Si le tracteur se renverse, tenir le volant. Ne pas quitter le siège.</p> <p>NE PAS ENLEVER OU COUVRIR CETTE DÉCAL 3580313 M1</p>	2	<p>Ne pas stopper le moteur véhicule roulant.</p> <p>3780396M1</p>	7	<p>AVERTISSEMENT</p> <p>UTILISER IMPÉRATIVEMENT L'HUILE DE TRANSMISSION PRÉCONISÉE PAR LE LIVRET D'UTILISATION.</p> <p>3713698M1</p>	
6	<p>ATTENTION</p> <p>Débrancher les câbles négatifs des batteries avant de retirer ce couvercle ou d'intervenir sur le tracteur</p>	4	<p>ATTENTION</p> <p>Avant de déposer une batterie, débrancher les câbles négatifs avant les câbles positifs.</p> <p>NE PAS ENLEVER OU COUVRIR CETTE DÉCAL 3596045M1</p>	8	<p>ATTENTION</p> <p>Pour immobiliser le tracteur, serrer impérativement le frein à main.</p> <p>Une vitesse engagée ne permet pas de maintenir le tracteur à l'arrêt.</p> <p>S'assurer que le levier de vitesse est au point mort avant tout démarrage du moteur avec une batterie extérieure.</p> <p>Ne jamais connecter une batterie extérieure au démarreur.</p> <p>NE PAS ENLEVER OU COUVRIR CETTE DÉCAL COMMANNE 3 713 704 M3</p>	
13	<p>ATTENTION</p> <p>Débrancher les câbles négatifs de toutes les batteries avant d'intervenir sur le tracteur.</p>	12	<p>ATTENTION</p> <p>Pièces chaudes</p> <p>NE PAS ENLEVER OU COUVRIR CETTE DÉCAL 3596037 M1</p>	8	<p>ATTENTION</p> <p>Toujours désenclencher la PTO et arrêter le moteur avant d'accoupler ou de désaccoupler un arbre de PTO ou avant d'intervenir sur un instrument entraîné par PTO.</p> <p>Toujours monter le garant de PTO lorsque la PTO n'est pas utilisée.</p> <p>NE PAS ENLEVER OU COUVRIR CETTE DÉCAL 3581564 M1</p>	
12	<p>AVERTISSEMENT</p> <p>Toujours maintenir les garants et protecteurs en place pendant que le moteur tourne</p>	8	<p>AVERTISSEMENT</p> <p>Ne jamais se tenir entre le tracteur et l'instrument lorsqu'on actionne les commandes.</p> <p>N'utiliser qu'une barre de traction ou un attelage agréés par MF.</p> <p>NE PAS ENLEVER OU COUVRIR CETTE DÉCAL 3581564 M1</p>	4	<p>ATTENTION</p> <p>Pour immobiliser le tracteur, serrer impérativement le frein à main.</p> <p>Une vitesse engagée ne permet pas de maintenir le tracteur à l'arrêt.</p> <p>S'assurer que le levier de vitesse est au point mort avant tout démarrage du moteur avec une batterie extérieure.</p> <p>Ne jamais connecter une batterie extérieure au démarreur.</p> <p>NE PAS ENLEVER OU COUVRIR CETTE DÉCAL COMMANNE 3 713 704 M3</p>	
8	<p>ATTENTION</p> <p>Toujours désenclencher la PTO et arrêter le moteur avant d'accoupler ou de désaccoupler un arbre de PTO ou avant d'intervenir sur un instrument entraîné par PTO.</p> <p>Toujours monter le garant de PTO lorsque la PTO n'est pas utilisée.</p> <p>NE PAS ENLEVER OU COUVRIR CETTE DÉCAL 3581564 M1</p>	8	<p>AVERTISSEMENT</p> <p>Ne jamais se tenir entre le tracteur et l'instrument lorsqu'on actionne les commandes.</p> <p>N'utiliser qu'une barre de traction ou un attelage agréés par MF.</p> <p>NE PAS ENLEVER OU COUVRIR CETTE DÉCAL 3581564 M1</p>	4	<p>ATTENTION</p> <p>Pour immobiliser le tracteur, serrer impérativement le frein à main.</p> <p>Une vitesse engagée ne permet pas de maintenir le tracteur à l'arrêt.</p> <p>S'assurer que le levier de vitesse est au point mort avant tout démarrage du moteur avec une batterie extérieure.</p> <p>Ne jamais connecter une batterie extérieure au démarreur.</p> <p>NE PAS ENLEVER OU COUVRIR CETTE DÉCAL COMMANNE 3 713 704 M3</p>	

Item	Part Number	Qty	Description	Comments
1	3596029M1	1	Decal	
2	3783395M1	1	Decal	
3	3580320M5	1	Decal	
4	3713704M3	1	Decal	
5	3580313M1	1	Decal	
6	3596467M2	1	Decal	
7	3713698M1	1	Decal	
8	3581564M1	1	Decal	
9	3782489M1	1	Decal	
10	539613M1	1	Decal	
11	3596459M1	1	Decal	
12	3596037M1	1	Decal	
13	3596045M1	1	Decal	
14	3783393M1	1	Decal	[A]

FOOTNOTE [A] WITH POWER SHUTTLE

1-ZR13-010-C

ACHTUNG!

Vor der Inbetriebnahme bitte die Bedienungsanleitung genau durchlesen.

Vergewissern Sie sich, bevor sie den Motor in Gang setzen, ob sich niemand in nächster Nähe des Gerätes aufhält.

Schutzbleche und Sicherheitsvorrichtungen bei laufendem Motor nicht abnehmen.

Hände, Füße und Kleidungsstücke von allen angetriebenen und bewegten Teilen fernhalten.

Fahren Sie stets vorsichtig.

Wenn sich die Ausgleichsperre nicht automatisch löst, Kupplungspedale treten. Die Bremspedale müssen stets gekoppelt sein, wenn die voneinander unabhängigen Bremsen nicht verwendet werden.

Vor dem Absteigen vom Traktor Handbremse anziehen, Vorrichtung herunterlassen, Motor abstellen und Schlüssel abziehen.

Bevor Sie ein Gerät anhängen, prüfen Sie in der Bedienungsanleitung die höchstzulässige Belastung für Vorder- und Hinterachse.


Zur Bedienung der aussenliegenden Hubvorrichtungen Ganghebel (1, 2, 3, 4) auf Leerlauf und Kippschalter auf Vor- oder Rückwärtsgang stellen.

Prüfen Sie, ob alle Rad- und Felgenmutter so angezogen sind, dass sie dem in der Bedienungsanleitung angegebenen Kraftpaar entsprechen.

Auf öffentlichen Wegen ist das Zeichen "langsameres Fahrzeug" anzubringen und, soweit gesetzlich vorgeschrieben, die Warnblinkanlage einzuschalten.


ABZIEHBILD NICHT ENTFERNEN ORDER VERDECKEN 3581524 M4

ACHTUNG!



Bei bestehendem Schlepper mit laufendem Motor: -Gangschalthebel (1, 2, 3, 4) in Neutralstellung stellen und den Reversierhebel in Vorwärts- oder Rückwärtsposition bringen. Feststellbremse anziehen.


ACHTUNG!



Bei Abstellen und vor verlassen des Schleppers, muß unbedingt die Feststellbremse angezogen werden. Ein eingeleger Fahrtrieb begang verhindert nicht das Wegrollen des Schleppers. Beim Starten des Motors mit einer Starthilfebatterie, sicherstellen, daß der Getriebebegangschalthebel (1, 2, 3, 4) in Neutralstellung steht. Niemals eine Starthilfebatterie direkt an die Anschlußklemmen des Anlassers anschließen.

AUFKLEBER NICHT ENTFERNEN ODER ÜBERKLEBEN 3713700M1

ACHTUNG!



Vor jedem Eingriff in Schlepper stets Minuspol-Leiter von Batterien losklemmen.

ACHTUNG!



Vor dem Batterieausbaus stets Minusleiter vor den Pluspolleitern losklemmen.

KLEBESCHILD NICHT ABNEHMEN NOCH ÜBERKLEBEN 3507463M1

WARNUNG!



Sicherungshauben und Schutzvorrichtungen bei laufendem Motor aufgesetzt lassen.


ACHTUNG!



Heisstellen!

KLEBESCHILD NICHT ABNEHMEN NOCH ÜBERKLEBEN 3587428M1

UNBEDINGT DAS IN DER BETRIEBSANLEITUNG EMPFOHLENE ÖL VERWENDEN



3713700M1

Always declutch to change gear range.



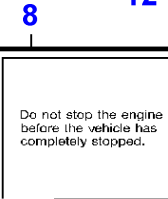
3713700M1

Beim Bereichswechsel immer auskuppeln.



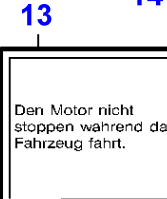
3713700M1

Do not stop the engine before the vehicle has completely stopped.




3783399M1

Den Motor nicht stoppen während das Fahrzeug fährt.



4274426M1


ACHTUNG!



Vor dem Öffnen des Motorschaltgehäuses unbedingt den Motor abstellen und den Schlüssel abziehen. Vor dem Anlassen des Motors sicherstellen, daß sich keine Person in der Nähe der Maschine befindet. Die Schutzvorrichtungen und Sicherungsvorrichtungen bei laufendem Motor anziehen. Handschellen, Fäden und Kleidungsstücke von allen angetriebenen und bewegten Teilen fernhalten. Niemals eine Starthilfebatterie direkt an die Anschlußklemmen des Anlassers anschließen. Bei Abstellen und vor verlassen des Schleppers, muß unbedingt die Feststellbremse angezogen werden. Ein eingeleger Fahrtrieb begang verhindert nicht das Wegrollen des Schleppers. Beim Starten des Motors mit einer Starthilfebatterie, sicherstellen, daß der Getriebebegangschalthebel (1, 2, 3, 4) in Neutralstellung steht. Niemals eine Starthilfebatterie direkt an die Anschlußklemmen des Anlassers anschließen. Auf öffentlichen Wegen ist das Zeichen "langsameres Fahrzeug" anzubringen und, soweit gesetzlich vorgeschrieben, die Warnblinkanlage einzuschalten.

AUFKLEBER NICHT ENTFERNEN ODER ÜBERKLEBEN 3713700M1

VORSICHT!




Bei Zugarbeiten nur die dafür vorgesehenen Vorrichtungen verwenden (Zugmaul, Zugpendel 3-Pkt. - Gerstange/Ackerschleife), damit sich der Schlepper nicht überschlagt.

Haftschild nicht abnehmen oder überkleben bei Unleserlichkeit Haftschild erneuern!


3581570 M2

ACHTUNG!



Bevor dieser Deckel abgenommen oder im Schlepper Eingriffe vorgenommen werden sind Minuspol-Leiter von den Batterien loszuklemmen.

WARNUNG!



Klemmen zum Anlassen des Motors nie kurzschließen. Motor nie anlassen, ohne schon auf dem Fahrersitz zu sitzen. Motor nur mit zugehörigem Kontaktschlüssel bei neutralgeschalteten Getriebe und PTO-Zapfwelle und bei abgezogener Handbremse anlassen.

KLEBESCHILD NICHT ABNEHMEN NOCH ÜBERKLEBEN 3597449 M1


ACHTUNG!





3581570 M2

ACHTUNG!

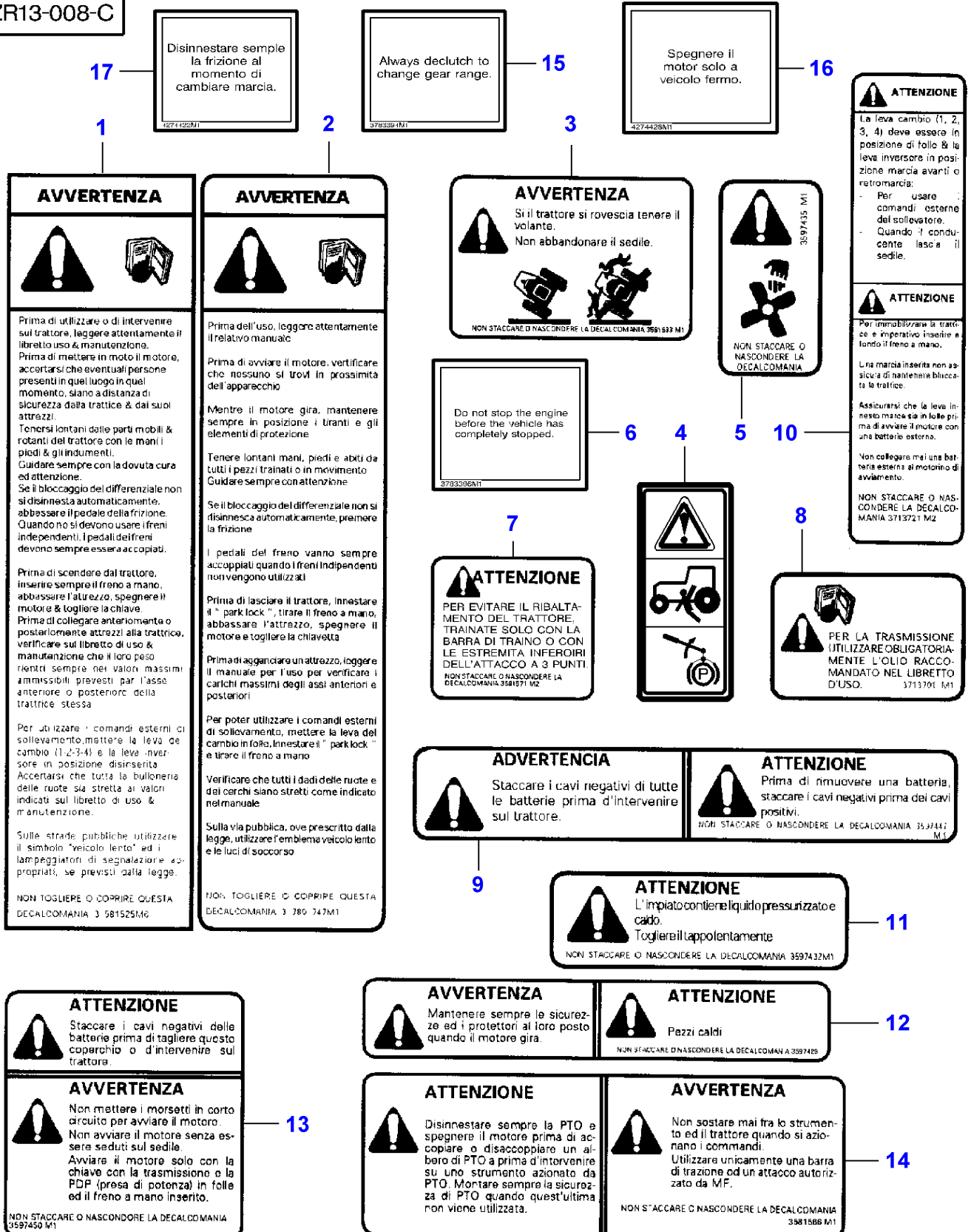


Die Stabi.-Straben der Unterenker schleppersseitig in der oberen Bohrung befestigen für im Boden arbeitende Anbaugeräte, die während der Arbeit seitliche Beweglichkeit erfordern. Bei diesen Geräten die beiden Stabi.-Straben im ausgehobenen Zustand einstellen damit das Gerät starrgestellt ist. Die Stabi.-Straben schleppersseitig der unteren Bohrung befestigen für Anbaugeräte, die während der Arbeit starr geführt werden müssen (z.B. Schieuderdüngestreuer). Siehe auch Betriebsanleitung.

3583497 M1

Item	Part Number	Qty	Description	Comments
1	3581524M5	1	Decal	
2	3597446M1	1	Decal	
3	3597428M1	1	Decal	
4	3713706M3	1	Decal	
5	3780746M1	1	Decal	
6	3713700M1	1	Decal	
7	3581570M2	1	Decal	
8	3783396M2	1	Decal	Up to Serial or Engine Number
9	3583497M1	1	Decal	
10	3782489M1	1	Decal	
11	3597449M2	1	Decal	
12	3783394M1	1	Decal	Up to Serial or Engine Number
13	4274426M1	1	Decal	From Serial or Engine Number
14	4274419M1	1	Decal	From Serial or Engine Number

1-ZR13-008-C





Item	Part Number	Qty	Description	Comments
1	3581525M6	1	Decal	DYNASHIFT
2	3780747M1	1	Decal	POWERSHIFT
3	3581533M2	1	Decal	
4	3782489M1	1	Decal	
5	3597435M1	1	Decal	
6	3783396M2	1	Decal	Up to Serial or Engine Number
7	3581571M2	1	Decal	
8	3713701M1	1	Decal	
9	3597447M1	1	Decal	
10	3713721M3	1	Decal	
11	3597432M1	1	Decal	
12	3597429M1	1	Decal	
13	3597450M2	1	Decal	
14	3581566M1	1	Decal	
15	3783394M1	1	Decal	[A] Up to Serial or Engine Number
16	4274428M1	1	Decal	From Serial or Engine Number
17	4274422M1	1	Decal	[A] From Serial or Engine Number

FOOTNOTE [A] WITH POWER SHUTTLE

1-ZR13-009-D

ADVERTENCIA

Antes de operar, lea el libro de instrucciones detenidamente.

No ponga en marcha el motor hasta que todos estén a una distancia segura del tractor y equipo.

Se prohíbe llevar a pasajeros en el tractor o equipo salvo en un puesto aprobado.

Aleje las manos, los pies y la ropa de las piezas móviles.

Conduzca siempre con cuidado. Si el bloqueo de diferencial no se desengrana automáticamente, apriete el pedal del embrague. Los pedales de freno deben siempre juntarse cuando no se usan los frenos independientes. Antes de abandonar el tractor, apriete el freno de estacionamiento, baje el implemento, pare el motor y quite la llave del interruptor de arranque.

Antes de acoplar el equipo consulte el libro de instrucciones para las cargas máximas sobre los ejes frontal y trasero.

Poner la palanca de velocidades (1, 2, 3, 4) y la palanca de inversor en posición neutra para utilizar los mandos exteriores de levantamiento.

Compruebe que todas las tuercas y rines de rueda están apretadas según lo especificado en el libro de instrucciones.

En carreteras use un emblema de vehículo lento y luces destellantes si se exigen por la ley.

NO RETIRAR NI CUBRIR ESTA CALCOMANIA 3581 526 M4


ADVERTENCIA



La palanca de velocidades (1-2-3-4) debe estar al neutro y la palanca de inversor en posición adelante o atrás.

- Para utilizar los mandos exteriores de levantamiento.
- Cuando el conductor deja su asiento.

ADVERTENCIA



Para inmobilizar el tractor es imprescindible poner el freno de mano.

Una velocidad enganchada no permite mantener el tractor detenido.

Cerciorarse que la palanca de cambios está en neutro antes de arrancar el motor con una batería exterior.

Nunca conectar una batería exterior al arrancador.

NO QUITAR O CUBRIR ESTA CALCOMANIA 371372M2

ADVERTENCIA



Desconectar los cables negativos de todas las baterías antes de intervenir en el tractor.

ADVERTENCIA



Piezas calientes

NO RETIRAR NI CUBRIR ESTA CALCOMANIA 3597430 M1

ADVERTENCIA



Mantener siempre protecciones y protectores en su sitio mientras el motor esté en marcha.



ADVERTENCIA



Antes de retirar una batería, desconectar los cables negativos antes que los cables positivos.

NO RETIRAR NI CUBRIR ESTA CALCOMANIA 3597448M1

ADVERTENCIA

Antes de usar, leer cuidadosamente el manual de utilización.

Antes de poner el motor en funcionamiento, asegure que no haya nadie a proximidad del operador.

Mantener siempre los parantes y protecciones instaladas, revisar el motor y funciones.

Ajustar las marcas, los pies y las reglas de todas las piezas accionadas y en movimiento.

Conducir siempre atentamente.

Si el bloque del diferencial no se libera automáticamente, hacer el pedal de embrague.

Las pedales de freno siempre deben estar herméticos cuando no se utilizan los frenos independientes.

Antes de abandonar el tractor, bajar el "park lock", apriete el freno de mano, bajar el instrumento, parar el motor y retirar la llave.

Antes de enganchar un instrumento, ver el cuadro de utilización para verificar las cargas máximas de los ejes delantero y trasero.

Por la palanca de velocidad en neutro, poner el "park lock" y apriete el freno de mano, para poder utilizar los mandos exteriores de levantamiento.

Verificar que todas las tuercas de rueda y de llanta están apretadas al par indicado en el cuadro.




En la vía pública, utilizar el emblema vehículo lento y las luces de peligro cuando la ley lo exige.

NO RETIRAR NI CUBRIR ESTA CALCOMANIA 3790762 M1

ADVERTENCIA




UTILIZAR IMPERATIVAMENTE EL ACEITE DE TURBODIESEL RECOMENDADO EN EL MANUAL DE USUARIO.

13

ADVERTENCIA



Vapor de alta presión y agua caliente. Quite el tapon con sumo cuidado.

NO RETIRAR NI CUBRIR ESTA CALCOMANIA 3597 433 M1

ADVERTENCIA



NO RETIRAR NI CUBRIR ESTA CALCOMANIA 3597438M1


ADVERTENCIA



PARA EVITAR EL VOLTEO DEL TRACTOR, REMOLCAR SOLAMENTE CON LA BARRA TRACCIÓN O CON LOS BRAZOS INFERIORES DEL ENGANCHE DE TRES PUNTOS.


3581573 M2

ADVERTENCIA



Siempre desengrane la TDF y pare el motor antes de acoplar o de desacoplar los ejes de TDF o ajustar el equipo mandado por TDF. Siempre coloque la defensa de TDF cuando no se emplea la TDF. Siempre lape la TDF cuando no se usa.

ADVERTENCIA



No se ponga entre el tractor y el equipo cuando se accionen los mandos. Remolque solamente con una barra o enganche aprobado MF.

NO RETIRAR NI CUBRIR ESTA CALCOMANIA 3581558 M1

Always declutch to change gear range.

3783394M1

Desembragar siempre durante el cambio de gama.

4874480M1

Nunca parar el vehículo estando.

4270129M1

ADVERTENCIA




Si el tractor vuelca, sujetar el volante. No abandonar el asiento.




NO RETIRAR NI CUBRIR ESTA CALCOMANIA 3581532 M1

ADVERTENCIA



Antes de trabajar en el tractor o quitar esta tapa, desconecte los cables negativos en todas las baterías

ADVERTENCIA



No ponga en cortocircuito los terminales del arrancador para poner en marcha el motor. No ponga en marcha el motor estando de pie. Arranque el motor con la llave desde el asiento comprobando que la caja de cambios y la TDF estén en neutro y el freno de estacionamiento este apretado.

NO RETIRAR NI CUBRIR ESTA CALCOMANIA 3597451 M1


Decals - Safety - For Spanish

Item	Part Number	Qty	Description	Comments
1	3581526M4	1	Decal	DYNASHIFT
2	3597430M1	1	Decal	
3	3597448M1	1	Decal	
4	3597433M1	1	Decal	
5	3581573M2	1	Decal	
6	3581568M1	1	Decal	
7	3597451M2	1	Decal	
8	3581532M1	1	Decal	
9	3713702M1	1	Decal	
10	3713722M3	1	Decal	
11	4270122M1	1	Decal	
12	3597436M1	1	Decal	
13	3782489M1	1	Decal	
14	3780742M1	1	Decal	
15	3783394M1	1	Decal	[A] Up to Serial or Engine Number
16	4274420M1	1	Decal	[A] From Serial or Engine Number

FOOTNOTE [A] WITH POWER SHUTTLE

1-ZR13-012-C

ADVARSEL



Les instruksjonsboken for traktoren tas i bruk eller vedlikehold foretas på traktoren.

Førvis deg om at alle er i trygg avstand fra traktor og redskap før start.

Passasjerer er ikke tillatt dersom traktoren ikke er utstyrt med godkjent passasjersele og er registrert for to.

Hold hender, føtter og klær i trygg avstand fra alle roterende og bevegelige deler.

Bruk traktoren med årvåkenhet og varsomhet.

Dersom differensialsperrene ikke koples ut umiddelbart.

Trå inn kløtsjen.

Øg sving om nødvendig motsatt veg for å avlaste sperrene.

Differensialsperrene må ikke brukes på vei.

Bremsepedalene skal alltid være sammenkoplet når svingbremsen ikke skal benyttes.

Trekk til parkeringsbremsen, senk redskapene til bakken.

Stopp motoren og ta ut startnøkkelen for traktoren forlastes.

Før tilkopling av tunge redskaper.

Sjekk instruksjonsboken for maks tillatt front- og bakakselbelastning.


Sørg for å ettertrekke hjulmutterne som beskrevet i instruksjonsboken.

Ved kjøring på vei.

Bruk varseltrekant for saktegående kjøretøy og roterende varselampe der det er påbudt.

IKKE FJERN ELLER DEKK DETTE MERKET 3715581 M4

ADVARSEL



Før du bruker traktoren bør du lese instruksjonsboken grundig.

Før du starter motoren må du kontrollere at det ikke står noen i nærheten av apparatet. Merker og beskyttelsesdeksler må alltid være på mens motoren går.

Hold hender, føtter og klær unna alle deler som trekker med eller er i bevegelse. Kjør alltid forsiktig.

Dersom differensialsperrene ikke kobler seg automatisk ut, trykker du inn kløtsjpedalen. Bremspepedalene må alltid være sammenkoplet når de motoruavhengige bremsene ikke brukes.

Før du går av traktoren må du kople inn parkeringsbremsen ("park lock"), trekke til håndbremsen, senke redskapet, stanse motoren og trekke ut nøkkelen.

Før du kople til et redskap, bør du slå opp i instruksjonsboken og sjekke maksimal belastning på for og bakaksel.

For å bruke de eksterne bryterne for trepunktkoplingen må du sette gearspaken i fri, kople inn parkeringsbremsen ("park lock") og trekke til håndbremsen.

Kontroller at alle hjul- og felgbolter er trukket til med tiltrekningsmomentet som er angitt i instruksjonsboken. Ved kjøring på offentlig vei må du bruke skiltet for langsomme kjøretøy og nødis dersom noe av dette er lovbestemt.

IKKE FJERN ELLER DEKK DETTE KLEBEMERKET 3 78Q 744 M1


FORSIKTIG



Sett girspaken (1-2-3-4) i nøytral og vendegirspaken i stillingen forover eller bakover når:

- du vil bruke utvendige brytere for hydraulikken.
- føreren ikke er i setet.

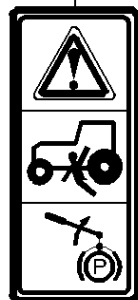
FORSIKTIG



Når traktoren står stille, er det alltid påkrevet å trekke til håndbrekket, fordi det ikke vil hindre traktoren å komme i bevegelse selv om den er i gir.

Når du forsøker å starte motoren med et slavebatteri, må du passe på at girspaken (1, 2, 3, 4) er i fristilling. Du må aldri kople et slavebatteri direkte til startmotoren.

IKKE FJERN ELLER TILDEKK DETTE MERKET 3715582 M2



Do not stop the engine before the vehicle has completely stopped.

3763396 M1

Ikke stopp motoren når kjøretøyet kjører.

4974429 M1

Always declutch to change gear range.

3738399 M1

Trykk alltid inn clutchen ved hastighetsveksling.

427423 M1



ADVARSEL



DET ER HELT NØDVENDIG Å BRUKE DEN TRANSMISJONSOLJEN SOM ER BESKREVET I INSTRUKSJONSBOKEN. 3715591 M1

FORSIKTIG



TREKK BARE FRA TREKKBOM ELLER TREKKSTENGER SLIK AT TRAKTOREN IKKE KAN TIPPE RUNDT. IKKE FJERN ELLER TILDEKK DETTE MERKET 3715588 M1

ADVARSEL



Hvis traktoren velter, hold fast i rattet og forsøk ikke å hoppe av.




IKKE FJERN ELLER TILDEKK DETTE MERKET 3715589 M1

FORSIKTIG



Varmt vann og damp under trykk. Påfyllingslokket må fjernes med den aller største forsiktighet. IKKE FJERN ELLER TILDEKK DETTE MERKET 3715 583 M1

ADVARSEL




Fjern minusledningene til alle batteriene før dette dekslet fjernes, eller arbeid igangsettes på traktoren.

FORSIKTIG




Start aldri motoren ved å kortslutte starteren. Start aldri motoren fra utsiden av førerhuset. Sitt alltid i setet, bruk startnøkkelen, sørg for at gir og kraftuttak er i nøytral og parkeringsbremsen tiltrukket når traktoren startes. IKKE FJERN ELLER TILDEKK DETTE MERKET 3715 590 M1

FORSIKTIG




Ta av den negative ledningen på alle batteriene, før du utfører arbeide på traktoren.

FORSIKTIG



Når du skal ta av et batteri, ta først av alle negative ledninger før de positive. IKKE FJERN ELLER TILDEKK DETTE MERKET 3715584 M1

FORSIKTIG



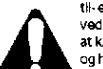
Ha alle verne deksler i orden og på plass når motoren er igang.

ADVARSEL




Varmt! IKKE FJERN ELLER TILDEKK DETTE MERKET 3715585 M1

ADVARSEL



Kople alltid fra kraftuttaket og stopp motoren ved til- eller frakopling av kraftoverføringsaksel, eller ved arbeid på kraftuttagsdrevet redskap. Sørg for at kraftoverføringsakselen er skikkelig tilkoplet og har tilstrekkelig overlappning. Skru på beskyttelseshylen når kraftuttak ikke er i bruk.

FORSIKTIG



Stå ikke mellom traktor og redskap når hydraulikken betjenes. Tauing/sleping må kun gjøres i trekkraken. IKKE FJERN ELLER TILDEKK DETTE MERKET 3715587 M1

Decals - Safety - For Norway

Item	Part Number	Qty	Description	Comments
1	3715581M3	1	Decal	DYNASHIFT
2	3780744M1	1	Decal	POWERSHIFT
3	3783396M2	1	Decal	Up to Serial or Engine Number
4	3715583M1	1	Decal	
5	3715588M1	1	Decal	
6	3715586M1	1	Decal	
7	3715589M1	1	Decal	
8	3782489M1	1	Decal	
9	3715591M1	1	Decal	
10	3715590M1	1	Decal	
11	3715584M1	1	Decal	
12	3715582M3	1	Decal	
13	3715585M1	1	Decal	
14	3715587M1	1	Decal	
15	3783394M1	1	Decal	[A] Up to Serial or Engine Number
16	4274429M1	1	Decal	From Serial or Engine Number
17	4274423M1	1	Decal	[A] From Serial or Engine Number

FOOTNOTE [A] WITH POWER SHUTTLE

1-ZR13-007-B

1

VARNING

Urkoppla alltid kraftluftaget och stanna motorn före till- och frånkoppling av kraftöverföringsaxlar eller vid arbete på kraftuttagsdriven maskin.

Montera alltid skyddskåpan över kraftluftagets axeltapp, så kraftluftaget inte används.

VARNING

Stå aldrig mellan traktor och utrustning vid manövrering av manövrerorganen.

Använd endast av M.F. godkänd dragstång eller lyftdragkrok vid bogsering.

16

VARNING

Koppla loss batteriernas jordkablar (-) innan något arbete påbörjas på traktorn eller detta skydd las bort.

16

VARNING

Starta aldrig motorn genom att kortsluta startmotorns poler.

Stå inte vid sidan av traktorn och starta motorn.

Sitt alltid på sätet vid start av motorn och använd startnyckeln. Se till att parkeringsbromsen är åtdragen och att växellådan och kraftluftaget är i neutralläge.

14

IT IS IMPERATIVE TO USE THE TRANSMISSION OIL RECOMMENDED IN THE OPERATING MANUAL

2

Do not stop the engine before the vehicle has completely stopped.

15

WARNING

Engage the parking brake to prevent tractor movement with the engine off.

Clutch WILL NOT hold tractor in place, even though transmission is in gear.

Unexpected tractor movement may cause serious injury.

3

HITCH

5

WARNING

Gears lever (1, 2, 3, 4), and the reverse/forward level must be in his neutral position.

- In order to use the external lift controls.
- When the driver is not in his seat.

WARNING

When the tractor is stationary, it is imperative to fully apply the handbrake because leaving the tractor in gear will not prevent movement.

When attempting to start the engine using a slave battery, ensure that the gear lever (1, 2, 3, 4) is in neutral.

Never connect a slave battery directly to the starter motor.

DO NOT REMOVE OR OBSCURE DECAL

4

DO NOT REMOVE OR OBSCURE DECAL

6

WARNING

High pressure steam and hot water. Remove filler cap with extreme care.

DO NOT REMOVE OR OBSCURE DECAL 3595685 M1

13

VARNING

Läs noggrant medföljande bruksanvisningen före användning av traktorn. Skjut in stoppreglaget. Ge full gas vid alla starter. Stopp gasreglaget efter start.

Varmt väder eller varm motor. Vid till läge S.

Kallt väder eller kall motor. Vid till läge H. Håll kvar i 15-20 sek. vid sedan till läge H+S. Om motorn inte startar inom 15 sek. vrid tillbaka till läge H. Håll kvar i 10 sek. vid sedan till läge H+S. När motorn startat, vrid tillbaka till läge H. Håll kvar i max 15 sek. tills motorn går jämnt.

VIKTIGT

Om motorn inte startar, vänta tills startmotorn stannat före nästa startförsök.

OMRÅNS DECAL FÄR INTE TAS BORT ELLER ÖVERTACKAS

12

STARTINSTRUKTION

Skjut in stoppreglaget. Ge full gas vid alla starter. Stopp gasreglaget efter start.

Varmt väder eller varm motor. Vid till läge S.

Kallt väder eller kall motor. Vid till läge H. Håll kvar i 15-20 sek. vid sedan till läge H+S. Om motorn inte startar inom 15 sek. vrid tillbaka till läge H. Håll kvar i 10 sek. vid sedan till läge H+S. När motorn startat, vrid tillbaka till läge H. Håll kvar i max 15 sek. tills motorn går jämnt.

VIKTIGT

Om motorn inte startar, vänta tills startmotorn stannat före nästa startförsök.

10

DO NOT REMOVE OR OBSCURE DECAL

11

VARNING

Håll fast i ratten (handtaget) om traktorn stjälpes. HOPPA EJ!

TA INTE BORT ELLER FÖRSTÖR DEKALEN

7

CAUTION

TO AVOID POSSIBLE TRACTOR OVERTURN, PULL ONLY FROM DRAWBAR OR LOWER LINKS OF THREE POINT HITCH

3752579 M1

8

WARNING

Before working on the tractor, disconnect negative leads to all batteries.

WARNING

Before removing any battery, disconnect all negative leads before positive leads.

DO NOT REMOVE OR OBSCURE DECAL 3595679 M1

9

CAUTION

Keep all shields, covers and guards fastened in place while engine is running.

WARNING

Beware hot parts

DO NOT REMOVE OR OBSCURE DECAL 3595678 M1

Always declutch to change gear range.

3783394M1

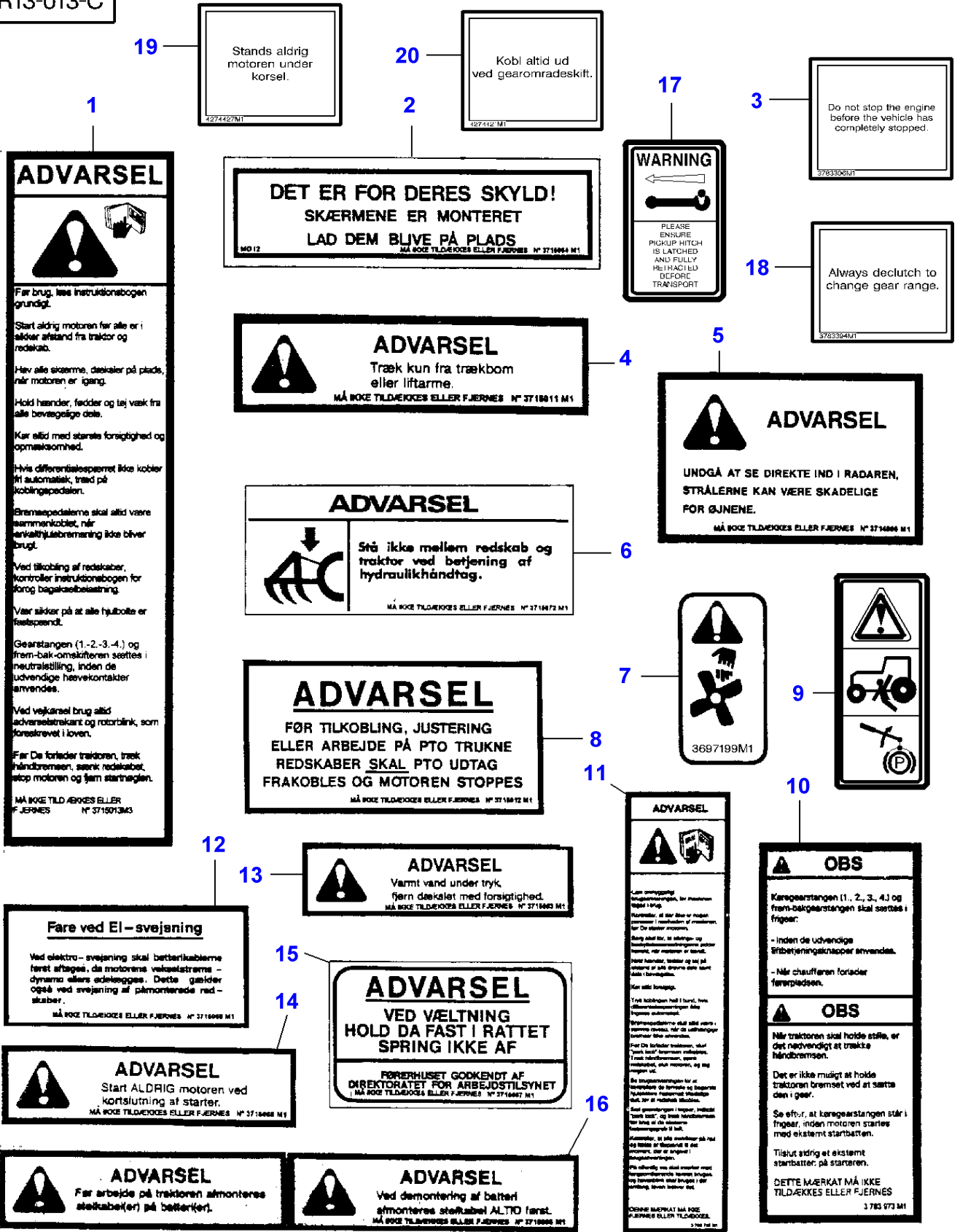
Decals - Safety - For Sweden

Item	Part Number	Qty	Description	Comments
1	3618264M1	1	Decal	
2	3783396M2	1	Decal	
3	3618263M1	1	Decal	
4	3595680M1	1	Decal	
5	3713705M3	1	Decal	
6	3595685M1	1	Decal	
7	2752579M1	1	Decal	
8	3595679M1	1	Decal	
9	3595678M1	1	Decal	
10	3782489M1	1	Decal	
11	3618260M1	1	Decal	
12	3618261M1	1	Decal	
13	3780743M1	1	Decal	
14	3713699M1	1	Decal	
15	3777017M2	1	Decal	
16	3618262M1	1	Decal	
17	3783394M1	1	Decal	[A]

FOOTNOTE [A] WITH POWER SHUTTLE

MF 8210/8220 TRACTORS - 1637365
1-ZR13-013-C

1-ZR13-013-C



Decals - Safety - Denmark

Item	Part Number	Qty	Description	Comments
1	3715013M3	1	Decal	
2	3715064M1	1	Decal	
3	3783396M2	1	Decal	Up to Serial or Engine Number
4	3715011M1	1	Decal	
5	3714996M1	1	Decal	
6	3715072M1	1	Decal	
7	3697199M1	1	Decal	
8	3715012M1	1	Decal	
9	3782489M1	1	Decal	
10	3783973M1	1	Decal	
11	3780745M1	1	Decal	
12	3715068M1	1	Decal	
13	3715063M1	1	Decal	
14	3715069M1	1	Decal	
15	3715067M1	1	Decal	
16	3715065M1	1	Decal	
17	3781401M1	1	Decal	
18	3783394M1	1	Decal	[A] Up to Serial or Engine Number
19	4274427M1	1	Decal	From Serial or Engine Number
20	4274421M1	1	Decal	[A] From Serial or Engine Number

FOOTNOTE [A] WITH POWER SHUTTLE

1-ZR13-004-A

ВНИМАНИЕ
Перед работой убедитесь, что пар под высоким давлением и горячая вода.
Открывать пробку с осторожностью.
Не следует снимать или закрывать предупреждающую наклейку. 1779 69 M1

ВНИМАНИЕ
Перед тем, как начать работу, убедитесь, что все органы управления исправны.

ВНИМАНИЕ
Перед работой убедитесь, что все органы управления исправны.
Не следует снимать или закрывать предупреждающую наклейку. 1779 69 M1

ПРЕДУПРЕЖДЕНИЕ!
Не снимать колес и защитные приспособления при работающем двигателе.

ВНИМАНИЕ
Горячие детали!
Не следует снимать или закрывать предупреждающую наклейку. 1779 69 M1

ВНИМАНИЕ
НЕ СНИМАТЬ И НЕ ЗАКРЫВАТЬ ЭТО УКАЗАНИЕ

ВНИМАНИЕ
ВО ИЗБЕЖАНИЕ ОПОКИДЫВАНИЯ ТРАКТОРА БУКСИРОВАТЬ ТОЛЬКО ЗА БУКСИРНОЕ ДЫШЛО ИЛИ ЗАНИЖЕННЫЕ РЫЧАГИ ТРЕХТОЧЕЧНОЙ СВЯЗКИ
3779672 M1

ВНИМАНИЕ
Парковка на наклонной поверхности.
Парковка на наклонной поверхности.
Парковка на наклонной поверхности.

ВНИМАНИЕ
Всегда отключать PTO и отцеплять двигатель прежде чем присоединять или отцеплять механизм PTO, или прежде чем производить какие-либо действия с устройством, присоединенным к движению с помощью PTO.
Всегда устанавливать предохранитель на PTO, когда PTO не используется.

ПРЕДУПРЕЖДЕНИЕ
Никогда не находитесь между трактором и устройством во время выключения коммолки. Никогда не находите между трактором и устройством, установленным на тракторе.
Не следует снимать или закрывать предупреждающую наклейку. 1779 69 M1

ВНИМАНИЕ
Перед началом обслуживания трактора или перед снятием данной крышки снять отрядительные провода всех батарей.

ВНИМАНИЕ
В ОБЯЗАТЕЛЬНОМ ПОРЯДКЕ ИСПОЛЬЗОВАТЬ СМАЗОЧНОЕ МАСЛО ДЛЯ СИСТЕМЫ ПЕРЕДАЧ, РЕГУЛИРОВАНИЕ ИЛИ ИНСТРУКЦИИ ПОЛЬЗОВАНИЯ.
1779 678 M1

ПРЕДУПРЕЖДЕНИЕ!
Никогда не заезжайте на тракторе на обратную сторону для запуска двигателя.
Перед запуском двигателя занять место водителя.
Производить запуск двигателя только соответствующим ключом при включенной нейтральной передаче и ДОМ и при снятом ручном тормозе.
Не следует снимать или закрывать предупреждающую наклейку. 1779 69 M1

ПРЕДУПРЕЖДЕНИЕ
При опускании трактора держаться за руль. Не покидать своего сиденья.
Не следует снимать или закрывать предупреждающую наклейку. 1779 625 M1

ВНИМАНИЕ!

Перед применением внимательно ознакомиться с руководством по эксплуатации.

Прежде чем запустить двигатель, убедитесь в том, что рядом с машиной никого нет.

Во время работы двигателя все предохранительные устройства и защитные кожухи всегда должны быть установлены на предназначенные для них места.

Следите за тем, чтобы Ваши руки, ноги и одежда находились на безопасном расстоянии от рабочих зон: все детали привода и частей машины, находясь в движении.

Всегда всегда правильно выключать при остановке машины.

Если блокировка дифференциала не снимается автоматически, нажмите на педаль сцепления.

Педаль тормоза должны быть всегда открыты, если не используются автоматические тормоза.

Прежде чем покинуть машину, выключите блокировку «Стоянка» и затворите ручной тормоз, отпустите рабочий орган машины, выключите двигатель и выньте ключ из замка зажигания.

Перед установкой наклонного рабочего органа ознакомьтесь с руководством по эксплуатации, чтобы проверить максимальную допустимую нагрузку и переднюю и заднюю ось машины.

Поставьте рычаг переключения скорости в нейтральное положение, выключите блокировку «Стоянка» и затворите ручной тормоз, чтобы предотвратить ненужные органы управления для полнотранспортных операций.

Проверьте, все ли гайки колеса и обода затянуты с моментом затяжки, указанным в руководстве по эксплуатации машины.

Находясь на дороге общего пользования, следует размещать на машине эмблему транспортного средства, а также использовать световые сигналы, предусмотренные дорожным законодательством.

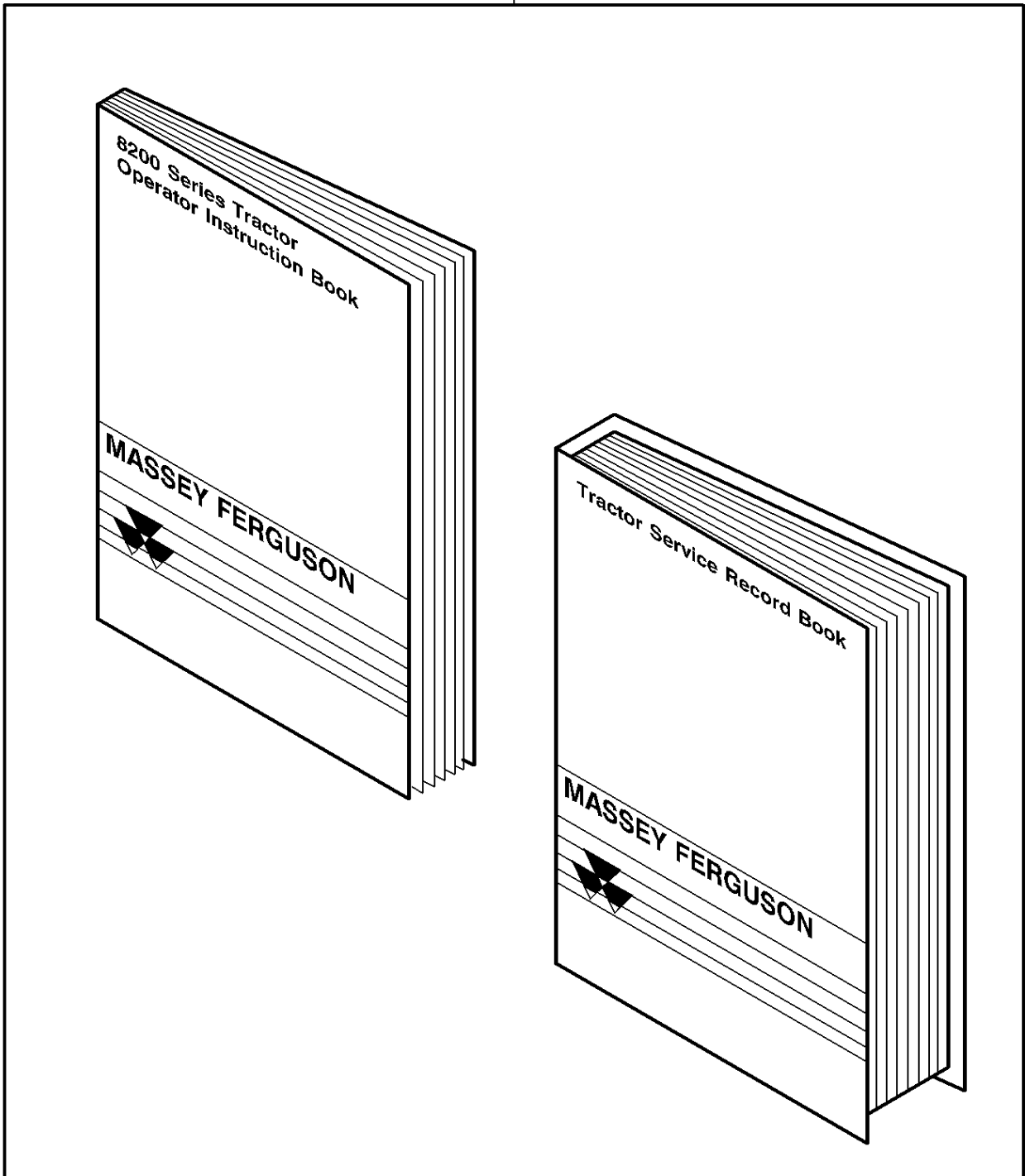
НЕ СНИМАТЬ И НИЧЕМ НЕ ЗАКРЫВАТЬ ДАННЫЕ СРЕДСТВА СИГНАЛИЗАЦИИ!
1781 730 M1

Massey Ferguson**MF 8210/8220 TRACTORS - 1637365****1637365****Decals - Safety - FOR RUSSIAN MARKET ONLY****Page 100-0130**

Item	Part Number	Qty	Description
1	3779667M1	1	Decal
2	3779668M1	1	Decal
3	3779669M1	1	Decal
4	3781230M1	1	Decal
5	3779670M1	1	Decal
6	3779672M1	1	Decal
7	3782489M1	1	Decal
8	3779671M1	1	Decal
9	3779678M1	1	Decal
10	3779675M1	1	Decal
11	3779676M1	1	Decal

1-ZR06-002-B

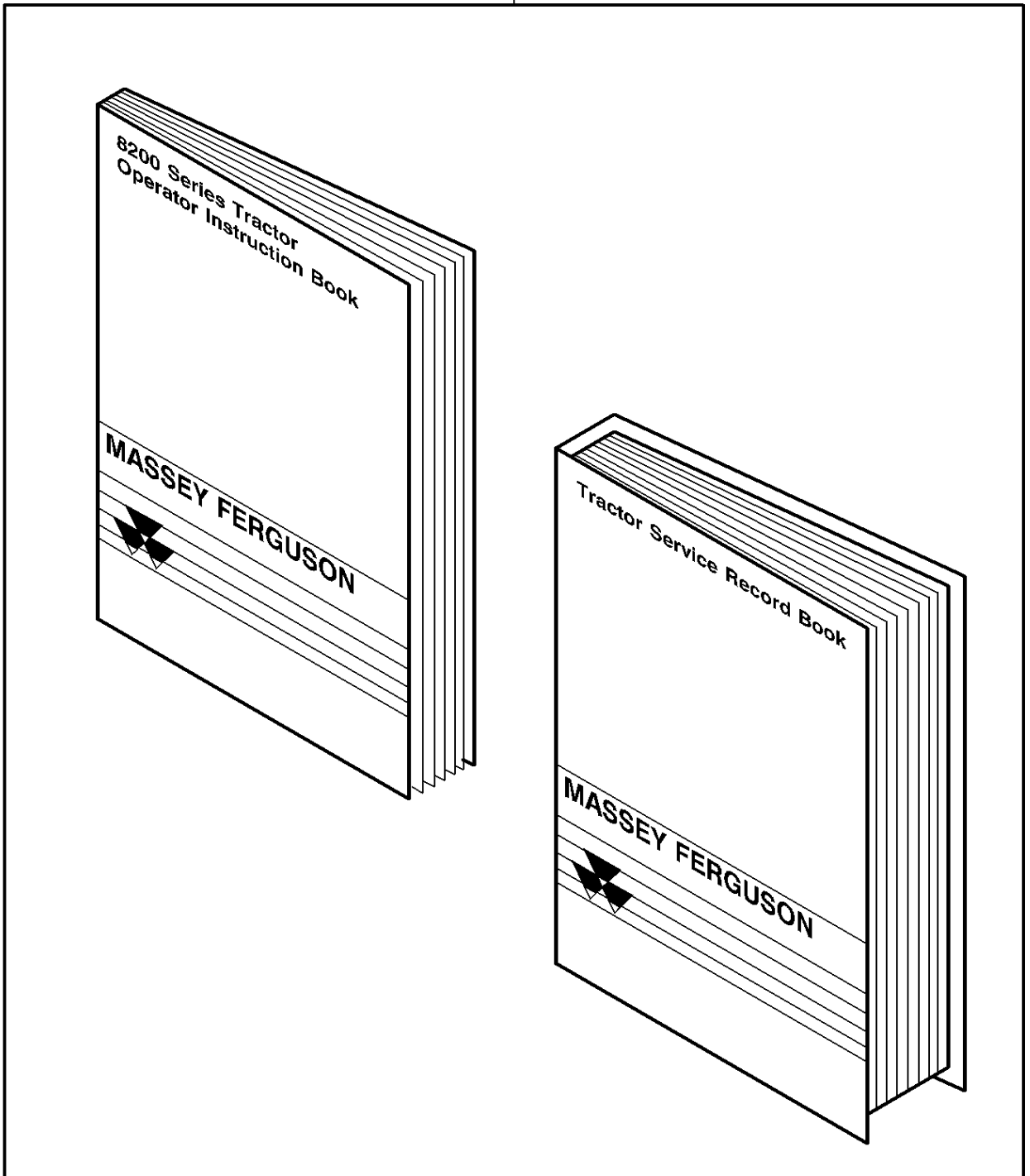
1



Item	Part Number	Qty	Description	Comments
1	3784145M91	1	Instruction Book	FRENCH
	3784146M91	1	Instruction Book	ENGLISH
	3784147M91	1	Instruction Book	For United States of America ENGLISH
	3784148M91	1	Instruction Book	GERMAN
	3784150M91	1	Instruction Book	ITALIAN
	3784149M91	1	Instruction Book	SPANISH
	3784151M91	1	Instruction Book	DANISH
	3784152M91	1	Instruction Book	NORWEGIAN
	3784153M91	1	Instruction Book	SWEDISH
	3784154M91	1	Instruction Book	RUSSIAN

1-ZR06-014-A

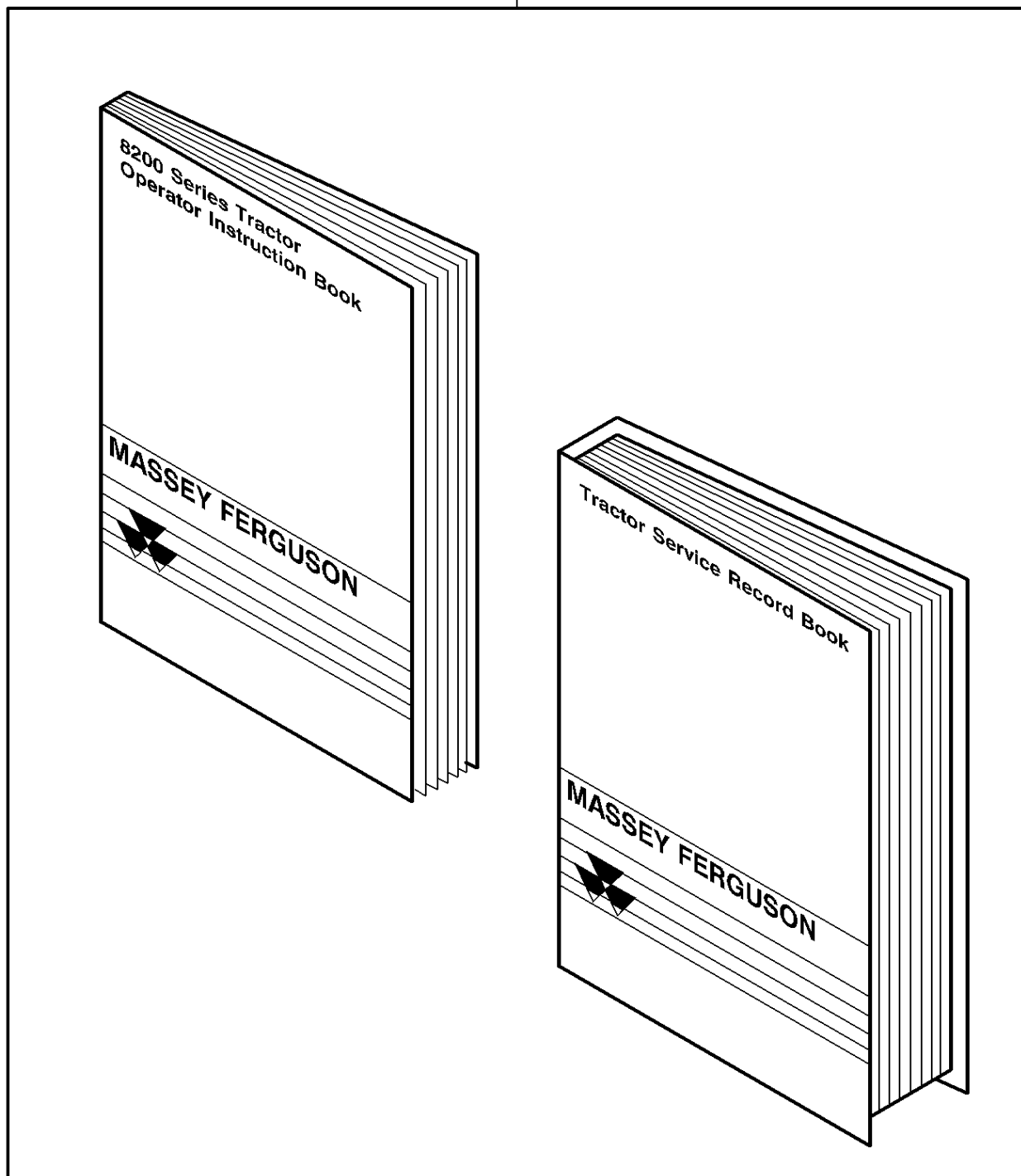
1



Item	Part Number	Qty	Description	Comments
1	3789524M92	1	Instruction Book	FRENCH
	3789525M92	1	Instruction Book	ENGLISH
	3789951M91	1	Instruction Book	For United States of America ENGLISH
	3789526M91	1	Instruction Book	GERMAN
	3789528M91	1	Instruction Book	ITALIAN
	3789527M91	1	Instruction Book	SPANISH
	3789529M91	1	Instruction Book	DANISH
	3784154M91	1	Instruction Book	RUSSIAN

1-ZR06-011-A

1



Item	Part Number	Qty	Description	Comments
1	4270234M91	1	Instruction Book	FRENCH
	4270235M91	1	Instruction Book	For United States of America ENGLISH
	4270236M91	1	Instruction Book	GERMAN
	4270237M91	1	Instruction Book	SPANISH
	4270238M91	1	Instruction Book	ITALIAN
	4270239M91	1	Instruction Book	DANISH
	4270240M91	1	Instruction Book	NORWEGIAN
	4270241M91	1	Instruction Book	SWEDISH

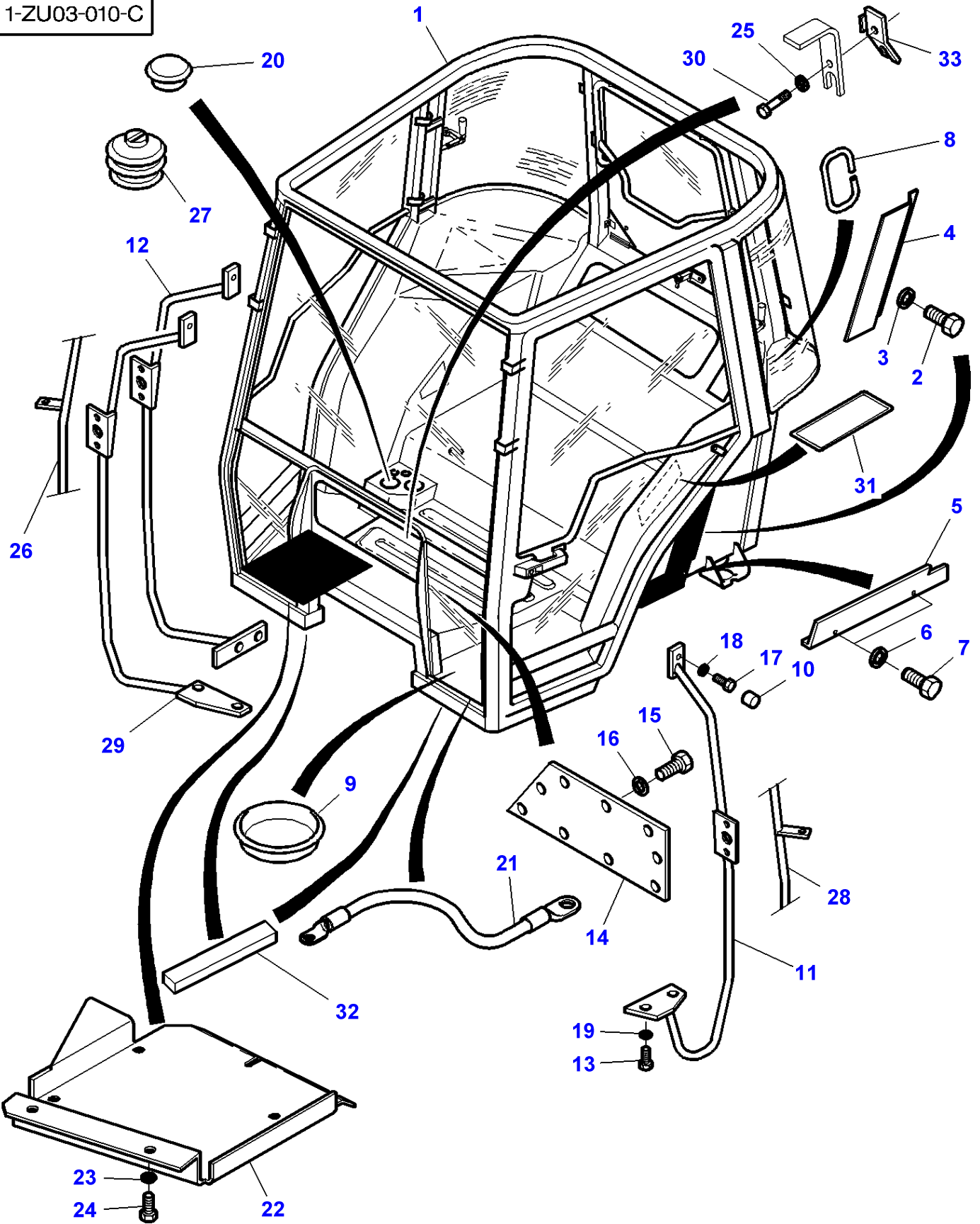
Page Title	Page Number
Tractor Cab	110-0005
Doors	110-0010
Glass	110-0015
Side Window Mechanism	110-0020
Rear Window Mechanism	110-0025
Roof	110-0030
Heating Hatchway	110-0035
Air Hatchway	110-0040
High Visibility Roof	110-0045
High Visibility Roof - Window	110-0050
Tractor Cab - Cladding	110-0055
High Visibility Roof - Cladding	110-0060
Tractor Cab - Cladding	110-0065
Tractor Cab - Cladding - United States Only	110-0070
High Visibility Roof - Cladding	110-0075
Tractor Cab - Cladding - With Dynashift - Up To J326005	110-0080
Tractor Cab - Cladding - With Dynashift - From J326006	110-0085
Tractor Cab - Cladding - With Full Powershift - Up To J326005	110-0090
Tractor Cab - Cladding - With Full Powershift - From J326006	110-0095
Instrument Panel Cladding	110-0100
Tractor Cab - Cab Insulation - Up to Serial or Engine Number - L037028	110-0105
Tractor Cab - Cab Insulation - From Serial or Engine Number - L037029	110-0110
Tractor Cab - Cab Insulation	110-0115
Tractor Cab - Fenders	110-0120
Tractor Cab - Fenders - FENDERS EXTENSION	110-0125
Air Conditioner - Hose	110-0130
Air Conditioner - Hose - With High Visibility Roof - Up To J348039	110-0135
Air Conditioner - Hose - With High Visibility Roof - From J348040	110-0140
Tractor Cab - Heater Hoses	110-0145
Tractor Cab - Heater Hoses - With High Visibility Roof	110-0150
Tractor Cab - Heater	110-0155
Tractor Cab - Heater	110-0160
Tractor Cab - Heater - With High Visibility Roof - Up To K015006	110-0165
Tractor Cab - Heater - With High Visibility Roof - From K015007	110-0170
Air Conditioner	110-0175
Air Conditioner	110-0180
Air Conditioner - With High Visibility Roof - Up To J348039	110-0185
Air Conditioner - With High Visibility Roof - From J348040	110-0190
Tractor Cab - Heater	110-0195
Tractor Cab - Heater - With High Visibility Roof	110-0200
Tractor Cab - Heater - HIGH COLD	110-0205
Tractor Cab - Heater - HIGH COLD - WITH HIGH VISIBILITY ROOF	110-0210
Windscreen Washer	110-0215
Front Windscreen Wiper	110-0220
Rear Window Wiper	110-0225
Tractor Cab - Canopy	110-0230
Tractor Cab - Canopy - With High Visibility Roof	110-0235
Radio Installation	110-0240
Radio Installation - United States Only	110-0245
Watch	110-0250
Electrical Plug And Cigar Lighter - Up To ...	110-0255
Electrical Plug And Cigar Lighter - From ...	110-0260
Electrical Plug And Cigar Lighter - Up To ... - United States only	110-0265
Electrical Plug And Cigar Lighter - From ... - United States only	110-0270

Tractor Cab

Tractor Cab - External Mirrors	110-0275
Tractor Cab - External Mirrors	110-0280
Tractor Cab - Internal Mirrors	110-0285
Seat - Grammer	110-0290
Seat - Grammer - AIR PRESSURE SEAT WITH AUTOMATIC ADJUSTMENT - LUXUY	110-0295
Seat - Grammer - MECHANICAL SEAT - UP TO J245007	110-0300
Seat - Grammer - MECHANICAL SEAT	110-0305
Seat - Grammer - Air Ride Seat & Suspension - Up To ...	110-0310
Seat - Grammer - Air Ride Seat & Suspension - From ...	110-0315
Seat - Grammer - Air Ride Seat & Suspension	110-0320
Seat - Grammer - AIR PRESSURE SEAT WITH AUTOMATIC ADJUSTMENT - LUXUY	110-0325
Seat - Grammer - AIR PRESSURE SEAT WITH AUTOMATIC ADJUSTMENT	110-0330
Seat - Grammer - AIR PRESSURE SEAT WITH MANUAL ADJUSTMENT	110-0335
Seat - Grammer - AIR PRESSURE SEAT WITH AUTOMATIC ADJUSTMENT - LUXUY	110-0340
Main Seat - Platform	110-0345
Main Seat - Platform	110-0350
Seat Belt	110-0355
Main Seat - Platform	110-0360
Main Seat - Platform	110-0365
SECONDARY SEAT	110-0370

MF 8210/8220 TRACTORS - 1637365
1-ZU03-010-C

1-ZU03-010-C



Tractor Cab

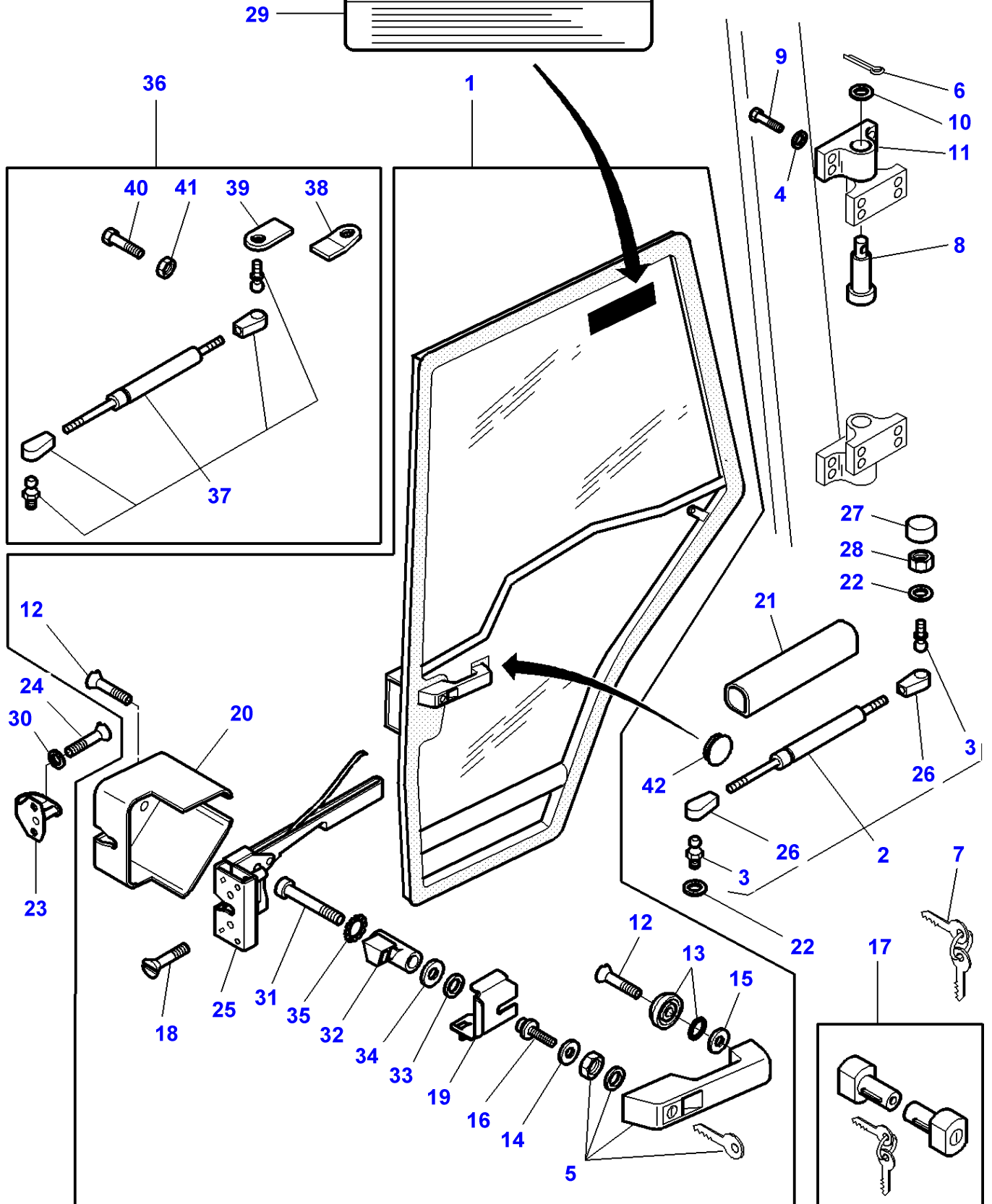
Item	Part Number	Qty	Description	Comments
1	3779192M93	1	Cab	Up to Serial or Engine Number J326005
	3784333M92	1	Cab	From Serial or Engine Number J326006
2	339123X1	4	Hex. Sock. Screw	M8X20
3	390972X1	4	Washer Metric	Diameter 9MM
4	3713290M1	1	Cowl	Right Hand Top
	3713289M1	1	Cowl	Left Hand Top
5	3713292M1	1	Cowl	Right Hand Bottom
	3713291M1	1	Cowl	Left Hand Bottom
6	390971X1	4	Washer	M6
7	391074X1	4	Hex. Sock. Screw	M6X12
8	3714681M1	1	Profile	Length 150MM
9	3902363M1	1	Plug	Diameter 20MM
10	3616277M1	2	Helmet	
11	3780049M91	1	Guideway	[A] Left Hand
12	3780653M91	1	Guideway	Right Hand Up to Serial or Engine Number J004003
13	3009495X1	2	Bolt Metric	M10X40
14	3778052M1	1	Inspection Cover	(1)
15	3010775X1	9	Screw	(1) CBLX M6X25 Replace and repair. Old interchangeable with new 3903188M1
16	390971X1	9	Washer	(1)
17	339228X1	2	Screw Metric	M8X12
18	22428X	2	Lock Washer	
19	385362X1	2	Washer	
20	3782487M1	1	Plug	Diameter 29MM
	3782486M1	1	Plug	Up to Serial or Engine Number H140028 Diameter 50MM
21	3779046M2	1	Wire	[A] Length 550MM
22	3782614M3	1	Cover	
23	391038X1	3	Washer	
24	339560X1	3	Hex. Sock. Screw	M6X16
25	390971X1	1	Washer	
26	3780692M92	1	Guideway	[A]
27	3783232M1	1	Plug	From Serial or Engine Number H140029 50X55MM
28	3780040M91	1	Guideway	[A] Left Hand
29	3780048M92	1	Guideway	Right Hand From Serial or Engine Number J004004
30	339666X1	1	Hex. Sock. Screw	M6X20
31	3785180M1	1	Plate	
32	3785101M1	2	Foam	Up to Serial or Engine Number 10-DEC-2001 15x13x450
33	3785310M1	1	Strap	From Serial or Engine Number J326006 Up to Serial or Engine Number

FOOTNOTE [A] NORTH AMERICA ONLY

MF 8210/8220 TRACTORS - 1637365
1-ZU05-001-E

1-ZU05-001-E

CABINE CLIMATISEE - AIR CONDITIONED CAB - KLIMATISIERIE F'ABINE
CABINA CLIMATIZZATA CABINA CLIMATIZADA



Doors

Item	Part Number	Qty	Description	Comments
1	3902120M91	1	Gate	[C] Right Hand Up to Serial or Engine Number L192045
	3902120M92	1	Gate	[D] Right Hand From Serial or Engine Number L192046
	3902119M91	1	Gate	[C] Left Hand Up to Serial or Engine Number L192045
	3902119M92	1	Gate	[D] Left Hand From Serial or Engine Number L192046
2	3902121M4	2	Ram	
3	3902773M1	2	Toggle	(2)
4	385361X1	16	Washer	
5	3902356M91	2	Handle	[A] (1) No610 Diameter 2,5X32
6	1442963X1	4	Split Pin	
7	3902584M91	1	Kit, Spanner	
8	3903186M1	4	Clevis Pin	
9	3902414M1	16	Screw	M8X20
10	3903187M1	4	Washer	Diameter 22X12X1,2
11	3902116M1	4	Hinge	
12	3902411M1	4	Screw	(1) M6X16
13	3902145M1	2	Skate	(1)
14	3902366M1	2	Washer	(1) 28X42X2
15	3902367M1	2	Washer	(1) 5X18X1
16	3902368M1	2	Screw Special	(1) Up to Serial or Engine Number
17	3902370M91	1	Parts Pack	No 610
18	3902412M1	4	Screw	(1) M6X25
19	3902369M1	1	Rod Link	(1) Left Hand Up to Serial or Engine Number
	3902371M1	1	Rod Link	(1) Right Hand Up to Serial or Engine Number
20	3804660M1	1	Cover	(1) Right Hand
	3804661M1	1	Cover	(1) Left Hand
21	3902415M1	2	Protector	
22	391025X1	4	Lock Washer	
23	3902372M1	2	Latch	
24	3010775X1	4	Screw	CBLX M6X25 Replace and repair. Old interchangeable with new 3903188M1
25	3804663M1	1	Latch	(1) Left Hand
	3804662M1	1	Latch	(1) Right Hand
26		2	Toggle	(2) Not serviced,order REFNo2
27	3616277M1	2	Helmet	
28	339169X1	2	Nut	
29	3619471M1	1	Decal	
30	391038X1	4	Washer	
31	3001757X1	2	Bolt	(1) M6X40
32	3903504M1	2	Latch	(1) From Serial or Engine Number
33	3011035X1	2	Washer	(1) M6
34	391038X1	2	Washer	(1) M6LL
35	391289X1	2	Lock Washer	
36	3789764M11	1	Kit, Repair	[B]
37	3902121M4	1	Ram	(36)

Doors

Item	Part Number	Qty	Description	Comments
38	4270074M1	1	Reinforcement	(36)
39	3789763M1	1	Support	(36)
40	339291X1	1	Hex. Sock. Screw	(36) M8X55
41	339169X1	1	Nut	(36)
42	3821964M1	1	Plug	Diameter 12 MM

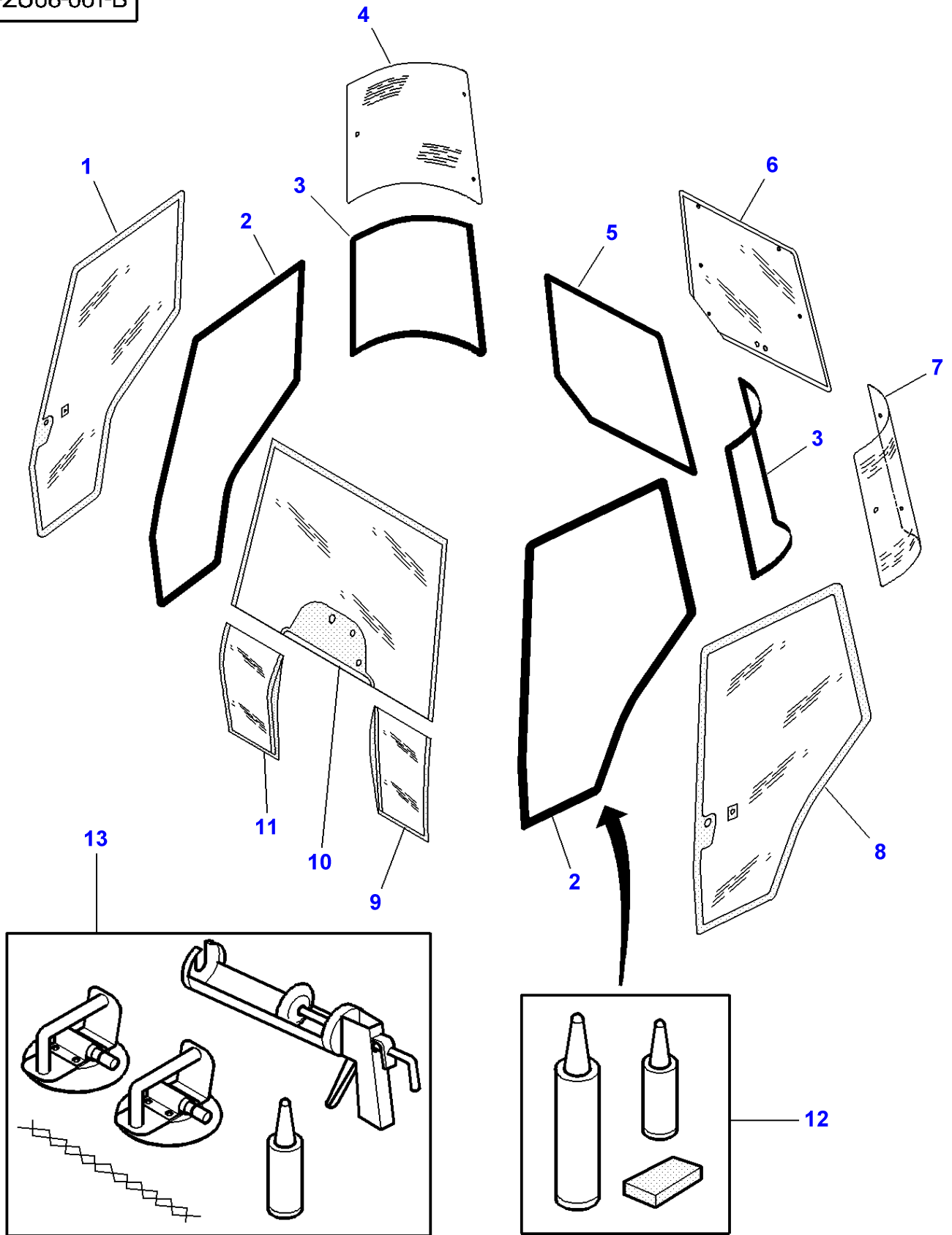
FOOTNOTE [A] NUMBER STAMPED ON THE LOCK

FOOTNOTE [B] TRUSSING KIT OF DOOR RAM

FOOTNOTE [C] HORIZONTAL HANDLE

FOOTNOTE [D] VERTICAL HANDLE

1-ZU06-001-B



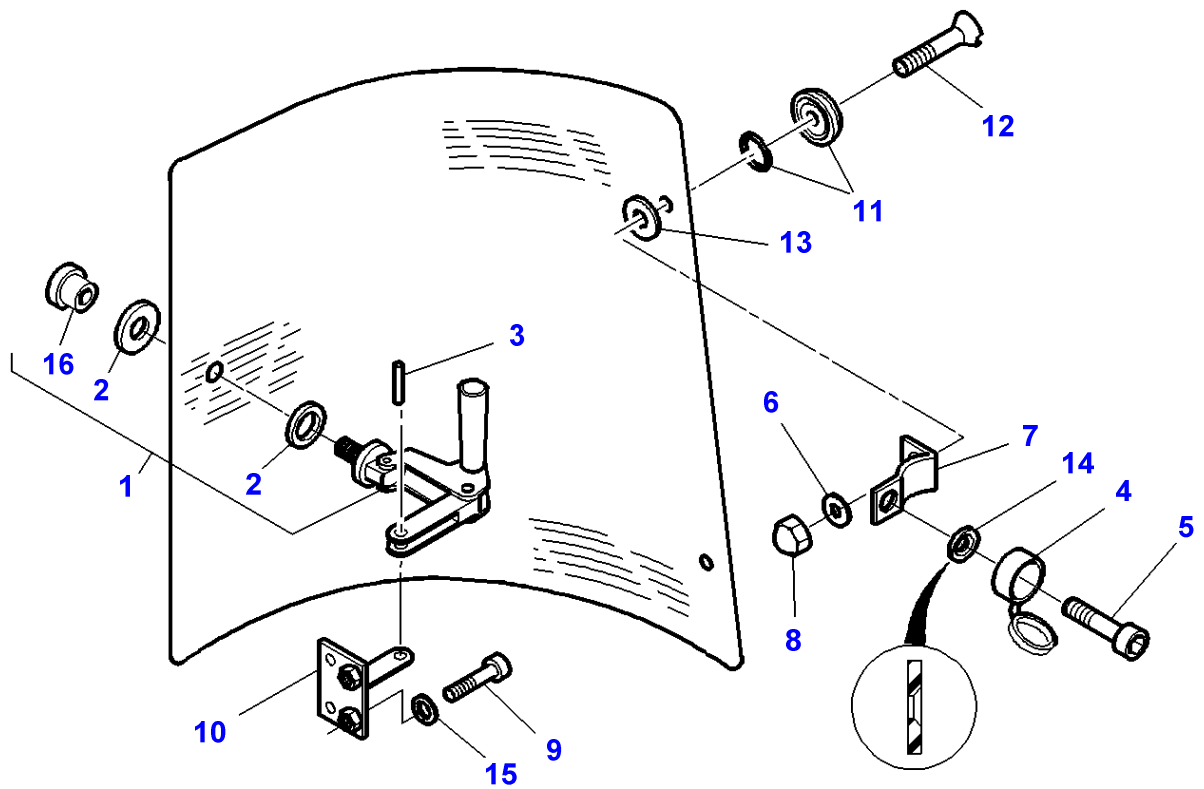
Glass

Item	Part Number	Qty	Description	Comments
1	3902124M1	1	Window	[A] Right Hand Up to Serial or Engine Number L192045
	3902124M2	1	Window	[B] Right Hand From Serial or Engine Number L192046
2	3902122M1	2	Seal	
3	3902133M1	2	Seal	
4	3902131M1	1	Window	Right Hand
5	3902144M1	1	Seal	
6	3715438M1	1	Window	
7	3902130M1	1	Window	Left Hand
8	3902123M1	1	Window	[A] Left Hand Up to Serial or Engine Number L192045
	3902123M2	1	Window	[B] Left Hand From Serial or Engine Number L192046
9	3902149M1	1	Window	Left Hand
10	3777602M2	1	Windscreen	
11	3902150M1	1	Window	Right Hand
12	3902373M91	1	Parts Pack	
13	3902503M91	1	Parts Pack	

FOOTNOTE [A] HORIZONTAL HANDLE

FOOTNOTE [B] VERTICAL HANDLE

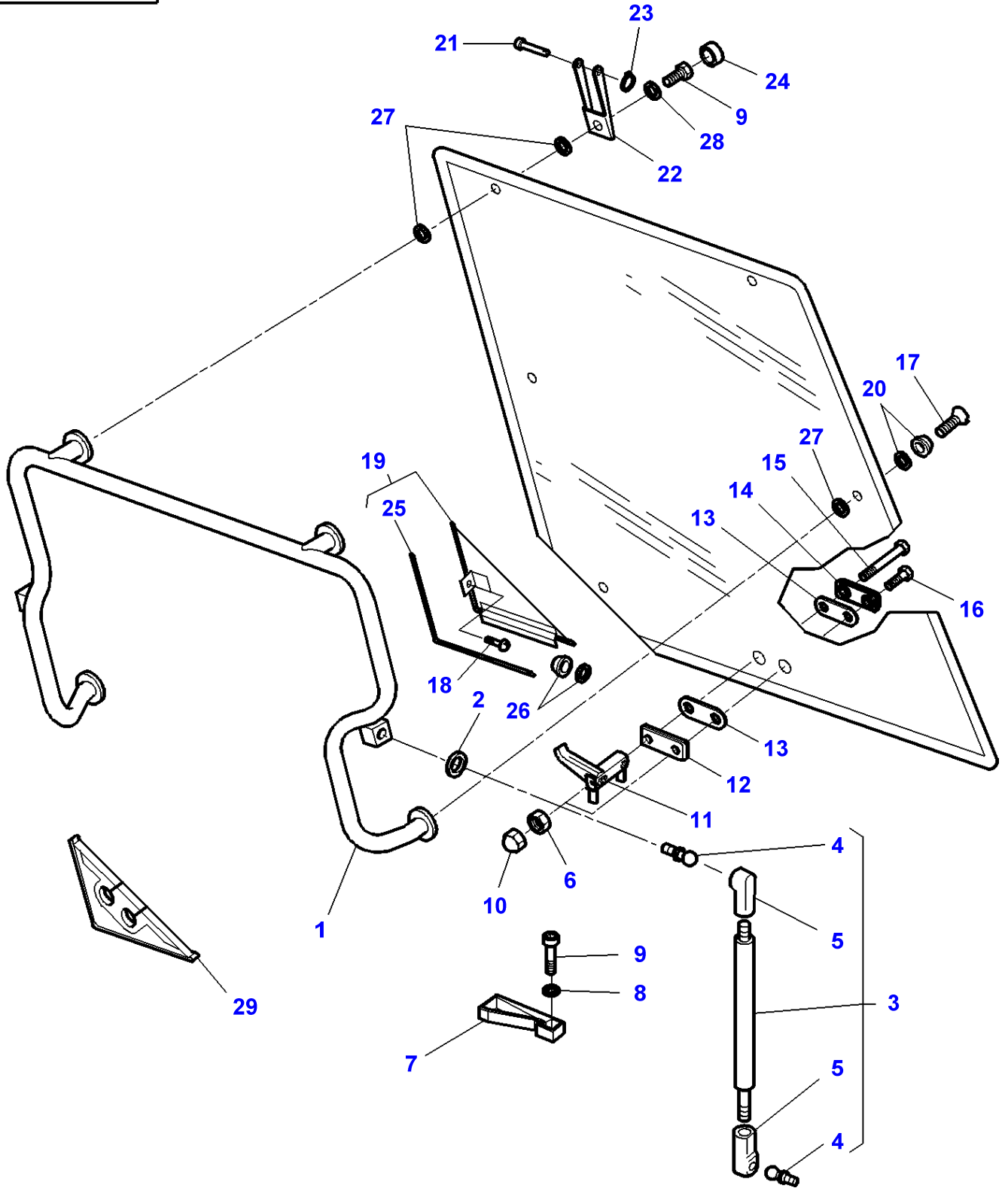
1-ZU85-001-A



Side Window Mechanism

Item	Part Number	Qty	Description	Comments
1	3476132M91	1	Stay	Right Hand
	3476133M91	1	Stay	Left Hand
2	3478052M1	2	Washer	(1)
3	1440396X1	2	Dowel	5X12
4	3902129M1	4	Muff	
5	3010775X1	4	Screw	CBLX M6X25 Replace and repair. Old interchangeable with new 3903188M1
6	390971X1	4	Washer	
7	3902128M1	4	Hinge	
8	3902455M1	4	Nut	M6
9	3010775X1	8	Screw	CBLX M6X25 Replace and repair. Old interchangeable with new 3903188M1
10	3902134M1	2	Support	Up to Serial or Engine Number H110015
11	3902145M1	4	Skate	
12	3010775X1	4	Screw	CBLX M6X25 Replace and repair. Old interchangeable with new 3903188M1
13	3902365M1	4	Washer	Diameter 8X30X3
14		4	Muff	Not serviced,order REF 5+4
15	391289X1	8	Lock Washer	
16	3478051M1	1	Nut	(1)

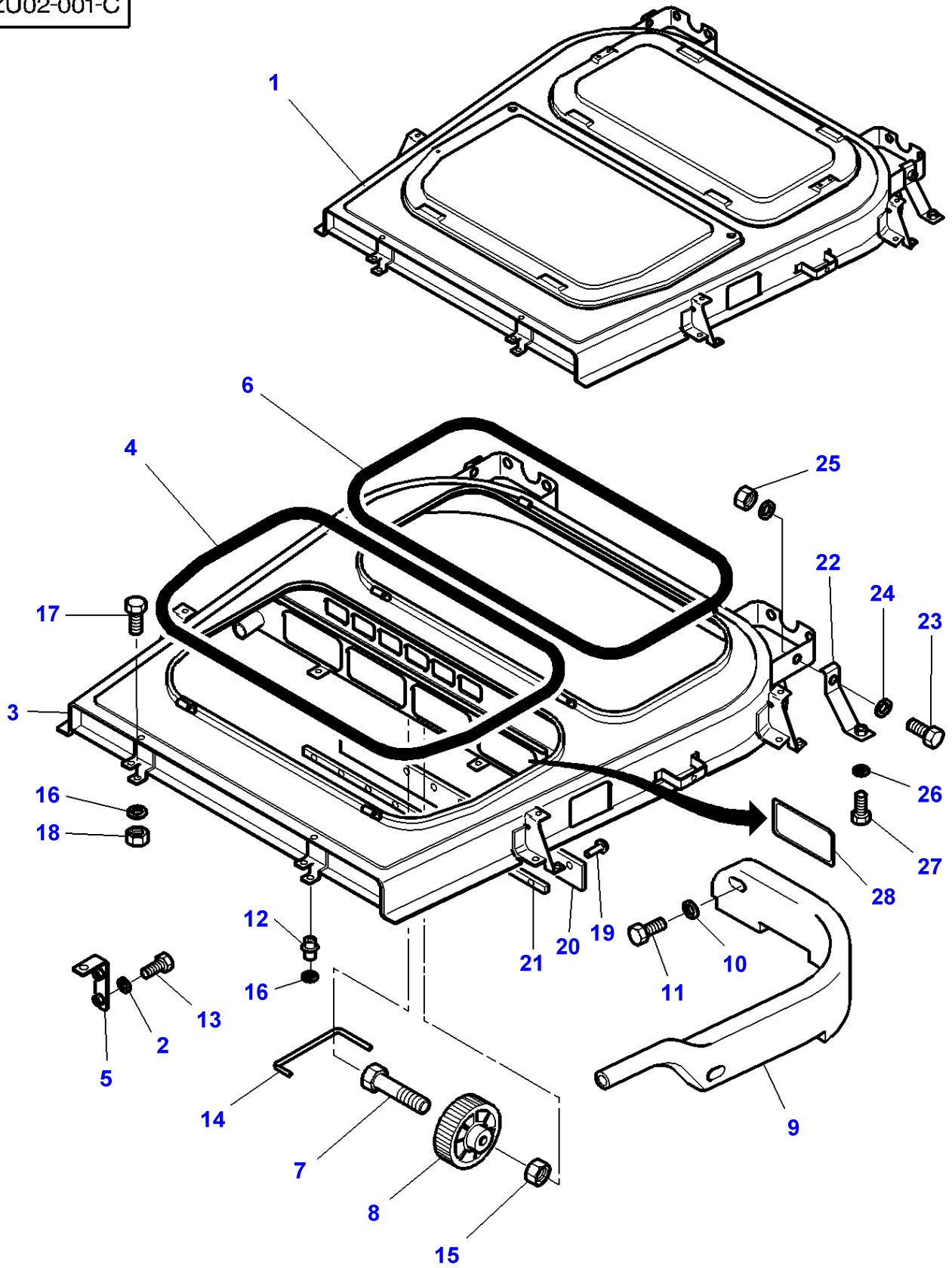
1-ZU84-001-B



Rear Window Mechanism

Item	Part Number	Qty	Description	Comments
1	3902135M92	1	Support	
2	391025X1	4	Lock Washer	
3	3902140M1	2	Ram	
4		2	Toggle	(3) Not serviced,order REFNo3
5		2	Toggle	(3) Not serviced,order REFNo3
6	1440329X1	2	Locknut	M10
7	3619610M1	1	Thruster	
8	391289X1	2	Lock Washer	
9	3010775X1	4	Screw	CBLX M6X25 Replace and repair. Old interchangeable with new 3903188M1
10	3619609M1	2	Helmet	M10
11	3619605M1	1	Handle	
12	3619604M1	1	Plate	
13	3619906M1	2	Gasket	
14	3619603M1	1	Plate	
15	3619907M1	1	Screw	M10X130
16	3619908M1	1	Screw	M10X35
17	3010775X1	2	Screw	M6X25 Replace and repair. Old interchangeable with new 3903188M1
18	339228X1	1	Screw Metric	Up to Serial or Engine Number 12/09/99 M8X12
19	3902386M91	1	Plate	Up to Serial or Engine Number 12/09/99
20	3902145M1	2	Skate	
21	3902137M1	2	Clevis Pin	
22	3902136M2	2	Clevis	
23	1440988X1	2	Circlip	
24	3902129M1	2	Muff	
25	3902417M1	1	Gasket	(19) Up to Serial or Engine Number 12/09/99
26	3619241M1	1	Button	Up to Serial or Engine Number 12/09/99
27	3902365M1	6	Washer	Diameter 8X30X3
28	385361X1	2	Washer	
29	3806376M1	1	Seal	From Serial or Engine Number 13/09/99

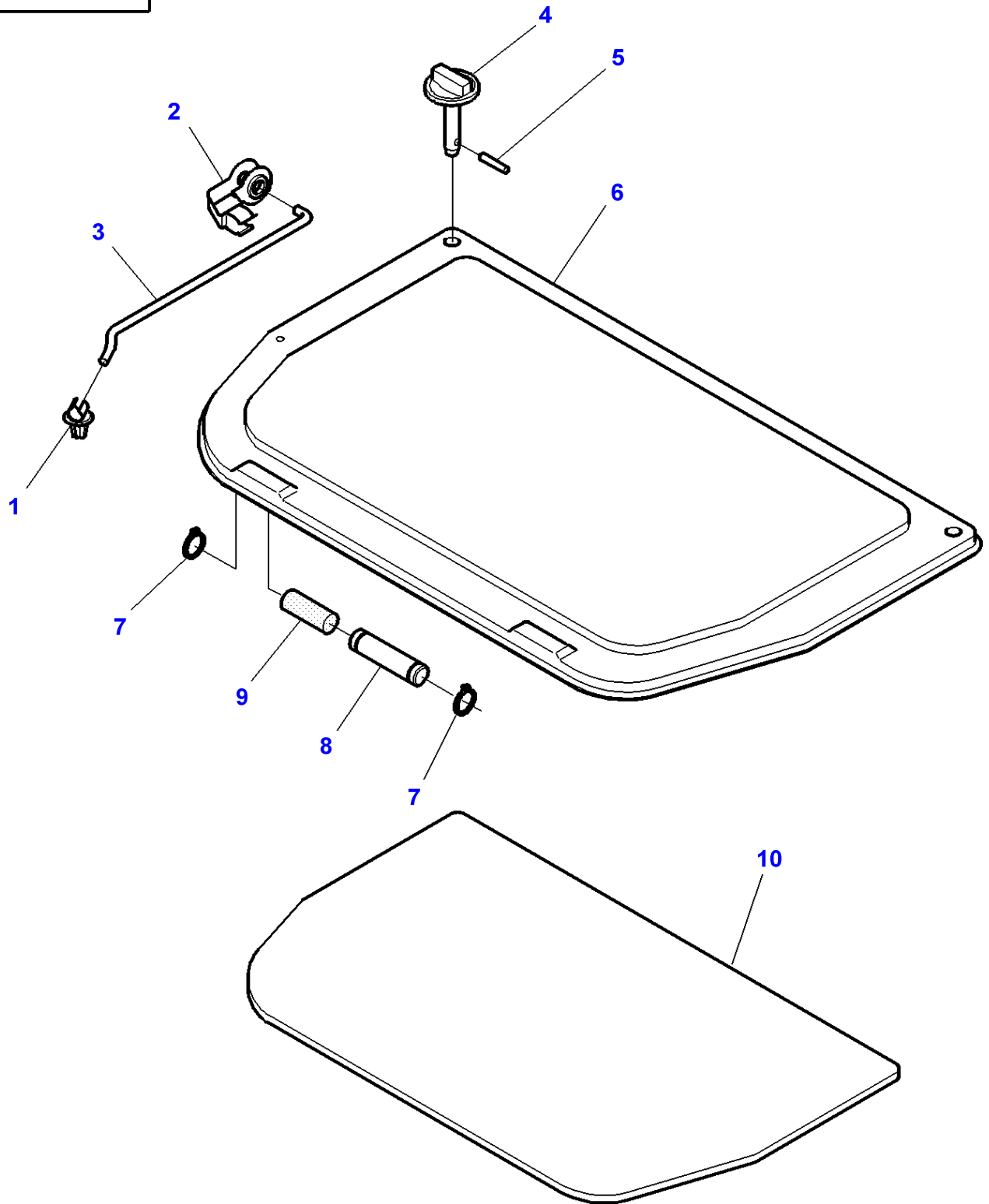
1-ZU02-001-C



Roof

Item	Part Number	Qty	Description	Comments
1	3714088M94	1	Roof	
	5016001M92	1	Roof	For United States of America
2	339102X1	2	Washer	(1) M5
3		1	Roof	(1) Not serviced,order REF NO 1
4	3713158M1	1	Gasket	(1) Length 2858MM
5	3713802M1	1	Strap	(1)
6	3713159M1	1	Gasket	Length 2740MM
7	339229X1	1	Hex. Sock. Screw	(1) M6
8	3713167M1	1	Button	(1)
9	3713163M1	1	Manifold	(1) Right Hand
	3713164M1	1	Manifold	(1) Left Hand
10	390971X1	4	Washer	(1) M6
11	3008342X1	4	Screw Metric	(1) M6X25
12	3901206M1	8	Nut	(1) M6
	3778304M1	8	Nut	(1) M8
13	390990X1	2	Screw Metric	(1) M5X12
14	3714090M1	1	Draglink	(1)
15	1441500X1	1	Locknut	(1) M6
16	3010597X1	16	Tab Washer	Diameter 8-22MM
17	339123X1	8	Hex. Sock. Screw	M8X20MM
18	339169X1	8	Nut	M8
19	338980X1	9	Rivet	(1)
20	3713165M1	1	Band	(1)
21	3713166M2	1	Plate	(1)
22	3782969M1	2	Bracket	Not for USA
23	339123X1	2	Hex. Sock. Screw	Not for USA M8X20
24	390972X1	4	Washer Metric	Not for USA
25	394367X1	2	Locknut	Not for USA
26	391038X1	2	Washer	Not for USA
27	339560X1	2	Hex. Sock. Screw	Not for USA M6X16
28	3784593M1	1	Plate	130X216X0,8 Up to Serial or Engine Number 14-04-2001

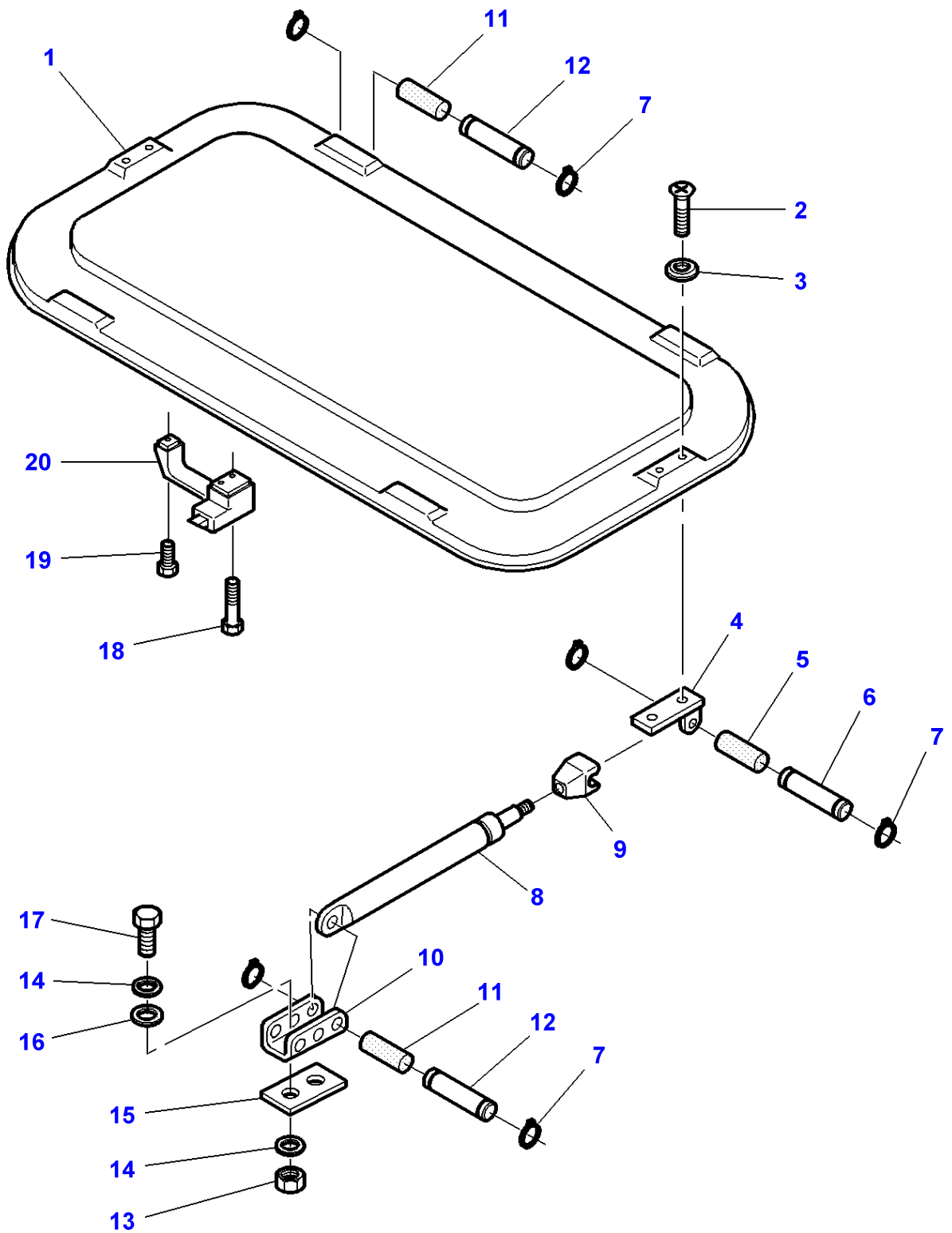
1-ZU42-001-B



Heating Hatchway

Item	Part Number	Qty	Description	Comments
1	3385465M1	1	Pliers	
2	894225M1	1	Clip	
3	3713161M1	1	Stem	
4	3713160M91	2	Stem	
5	3006465X1	2	Roll Pin	
6	3712959M1	1	Trap	
7	3000261X1	4	Clip	
8	3303074M1	2	Clevis Pin	
9	3303077M1	2	Bush	
10	3784700M1	1	Foam	Thickness 5MM

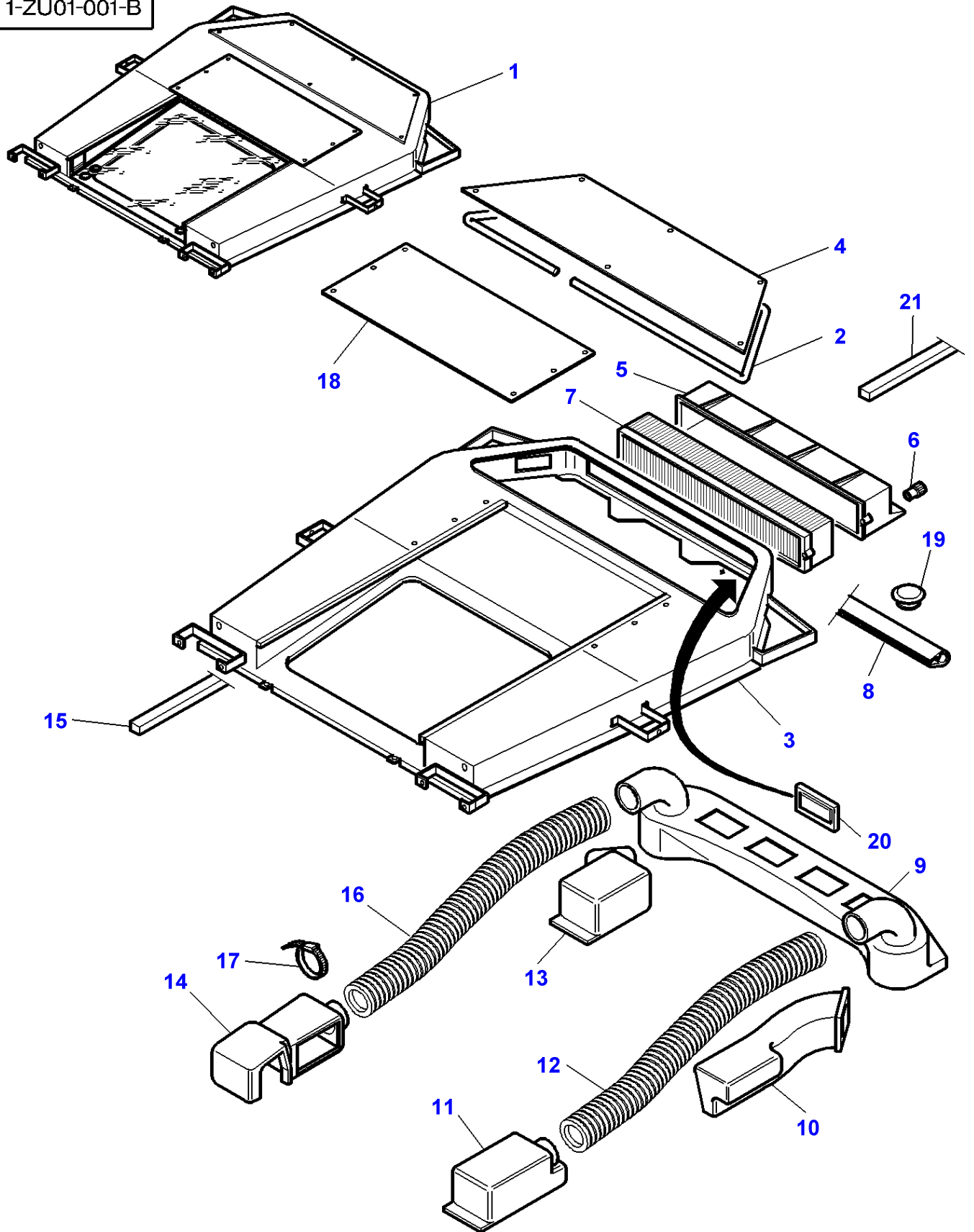
1-ZU43-001-A



Air Hatchway

Item	Part Number	Qty	Description	Comments
1	3712960M1	1	Trap	
2	3009439X1	4	Screw	M8 X 16
3	3530168M1	4	Washer	
4	3580934M91	1	Support	Right Hand
	3580933M91	1	Support	Left Hand
5	3303076M1	2	Bush	
6	3303075M1	2	Clevis Pin	Diameter 6 X 33
7	3000261X1	8	Clip	
8	3303021M91	2	Gas Strut	
9	3303019M3	1	Head	
10	3301743M1	2	Lock	
11	3303077M1	4	Bush	
12	3303074M1	4	Clevis Pin	6X38
13	339169X1	4	Nut	M8
14	390972X1	8	Washer Metric	Diameter 8-17 X 1,7
15	3385446M1	2	Gasket	
16	3301742M1	4	Washer	
17	339123X1	4	Hex. Sock. Screw	M8 X 20
18	1441967X1	2	Screw Metric	M6 X 45
19	395579X1	1	Screw Metric	M6 X 16
20	3388511M91	1	Handle	

1-ZU01-001-B

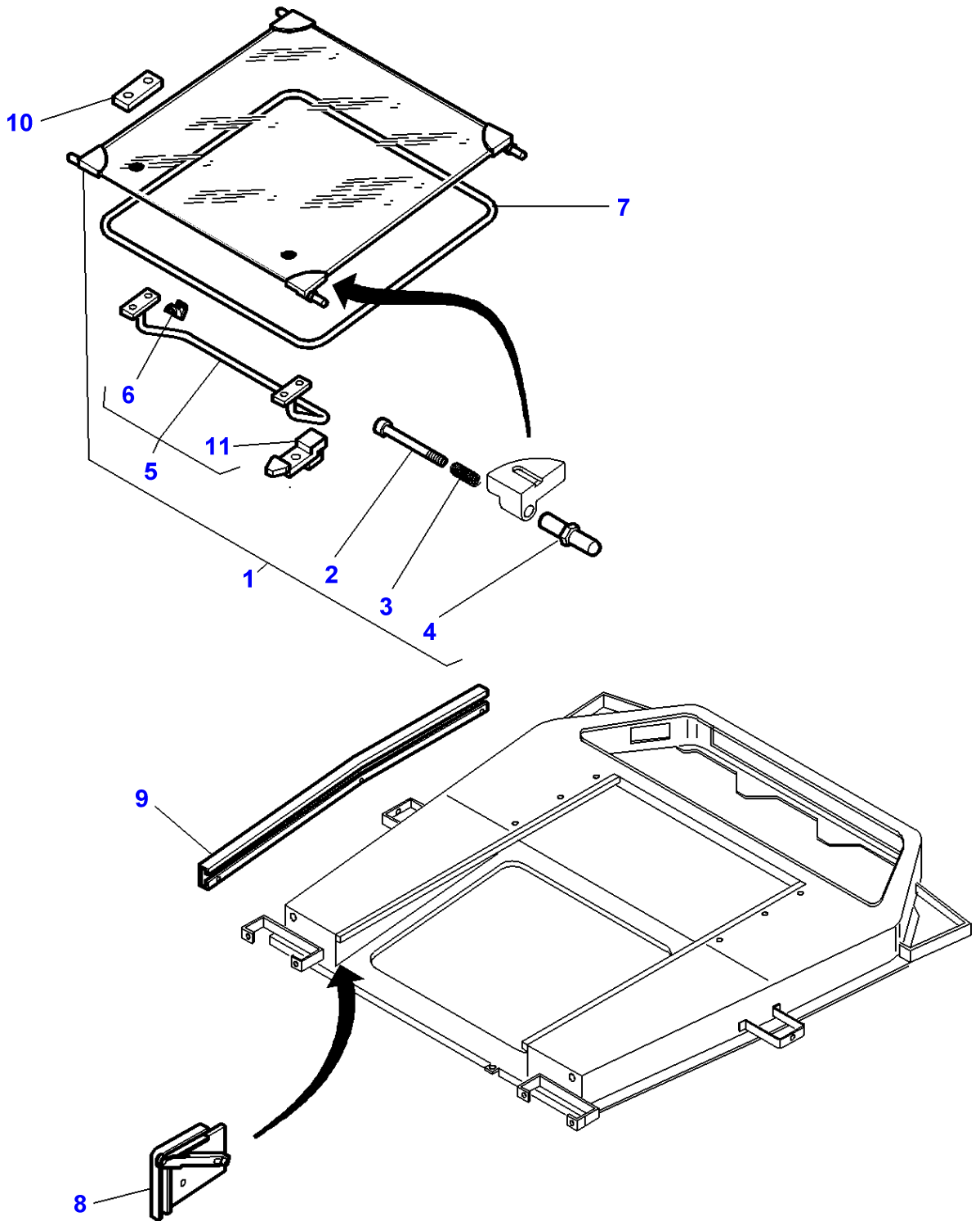


High Visibility Roof

Item	Part Number	Qty	Description	Comments
1	3780714M91	1	Roof	
2	3778710M1	1	Gasket	(1)
3		1	Roof	(1) Not serviced,order REF NO 1
4	3777396M1	1	Trap	(1)
5	3388743M1	1	Frame Assy	
6	3778322M1	2	Button	(1)
7	3388840M2	1	Cab Filter	
	3389746M1	1	Cab Filter	[A]
8	3778711M1	2	Gasket	
	3783129M1	1	Staple	Length 25
	3580695M1	1	Gasket	
9	3778070M1	1	Locker	(1)
10	3778072M2	1	Locker	(1) Left Hand
11	3778069M1	1	Locker	(1) Left Hand
12	3777709M1	1	Warm Air Ducting	(1) Length 780MM
13	3778071M1	1	Locker	(1) Right Hand
14	3778068M1	1	Locker	(1) Right Hand
15	3778289M1	4	Gasket	10X15X580MM
	3778290M1	2	Gasket	10X15X370MM
16	3777710M1	1	Warm Air Ducting	(1) Length 670MM
17	3619622M1	4	Cable Tie	(1)
18	3778704M1	1	Cover	(1)
19	3713587M1	4	Plug	Diameter 22
20	3784593M1	1	Plate	130X216MM
21	3713635M1	1	Gasket	Up to Serial or Engine Number 14-04-2001 25X10X200

FOOTNOTE [A] CARBON FILTER

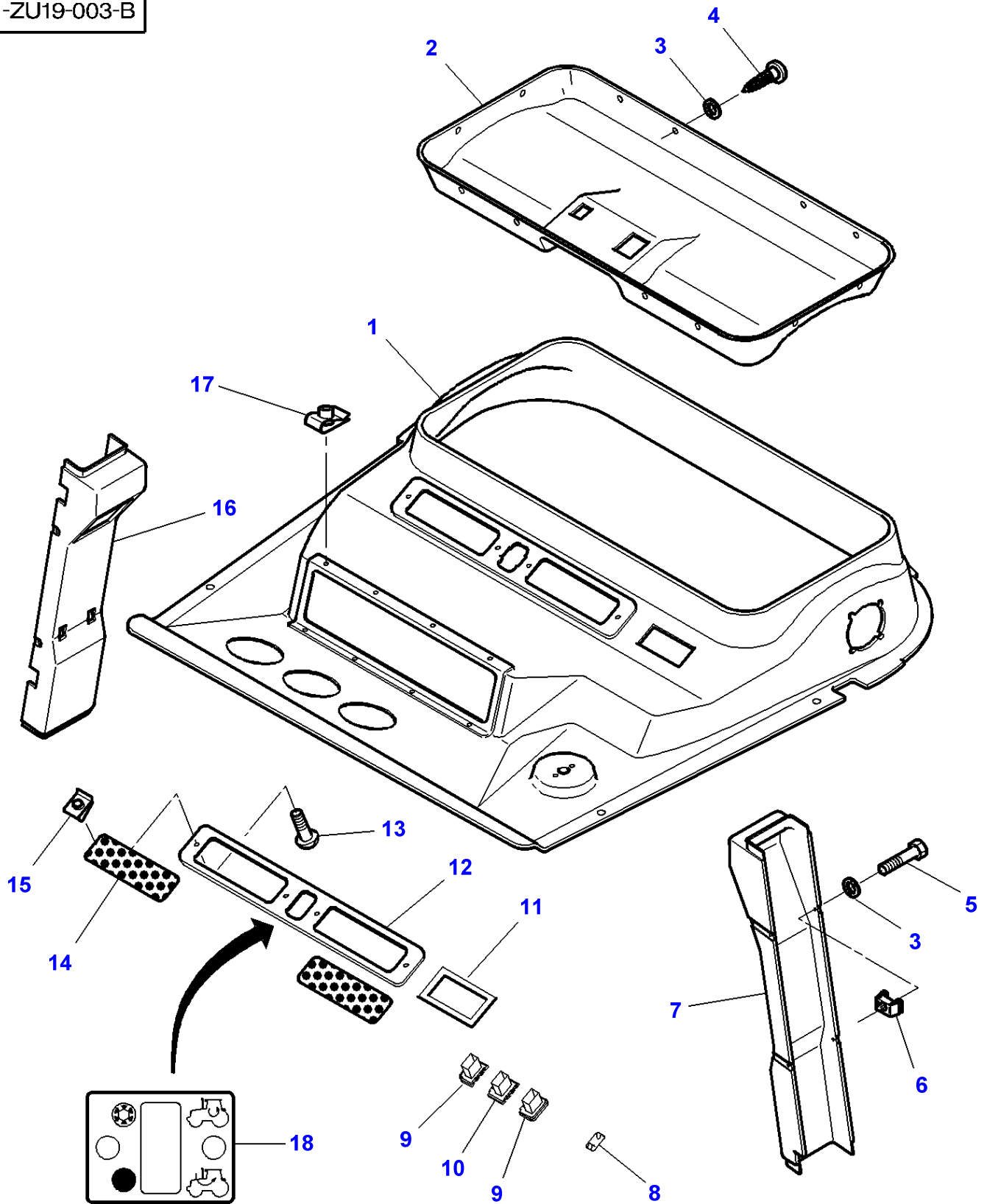
1-ZU14-001-A



High Visibility Roof - Window

Item	Part Number	Qty	Description	Comments
1	3780538M91	1	Window	
2	3780474M1	4	Screw	(1)
3	3780473M1	4	Spring	(1)
4	3780472M1	4	Roller	(1)
5	3780540M91	1	Handle	(1)
6	3780544M1	2	Strap	(5)
7	3902869M91	1	Frame Assy	
8	3780529M91	1	Thruster	Left Hand
	3780523M91	1	Thruster	Right Hand
9	3904102M91	1	Guide	Left Hand
	3780532M91	1	Guide	Right Hand
10	3904103M1	2	Plate	
11	3904104M1	2	Lever	(5)

1-ZU19-003-B

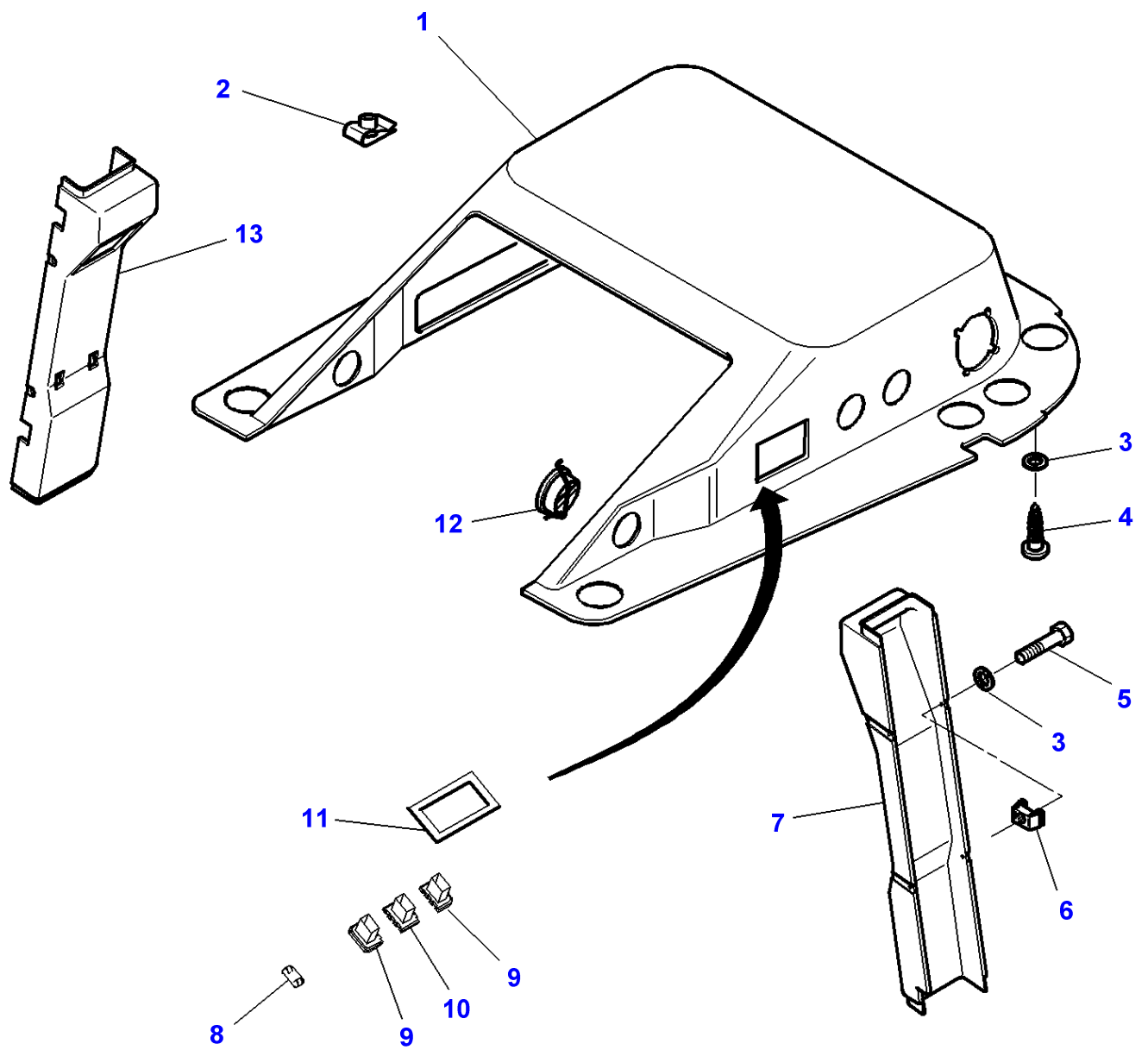


Tractor Cab - Cladding

Item	Part Number	Qty	Description	Comments
1	3780279M2	1	Facing	
2	3712606M1	1	Facing	
3	1427000M1	23	Washer	
4	3389854M1	X	Self Tap Screws	CBZ NO10X19
	3010506X1	X	Screw	M5X16
5	3580257M1	8	Screw	M5 X 20
6	3615557M1	8	Boxnut	M5
7	3712752M5	1	Mounting	Left Hand
8	3713151M1	1	Tap	
9	3713153M1	2	Support	
10	3713152M1	1	Support	
11	3713621M1	1	Plate	
12	3712608M1	1	Cover	
13	3010506X1	4	Screw	
14	3712607M2	2	Grille	
15	3715142M1	4	Nut	Thickness 3/5MM
16	3713072M4	1	Mounting	[A] Right Hand
	3714919M1	1	Mounting	Right Hand
17	3715142M1	8	Nut	Thickness 3/5MM
18	3784594M1	1	Decal	

FOOTNOTE [A] WITHOUT DATATRONIC

1-ZU54-002-A

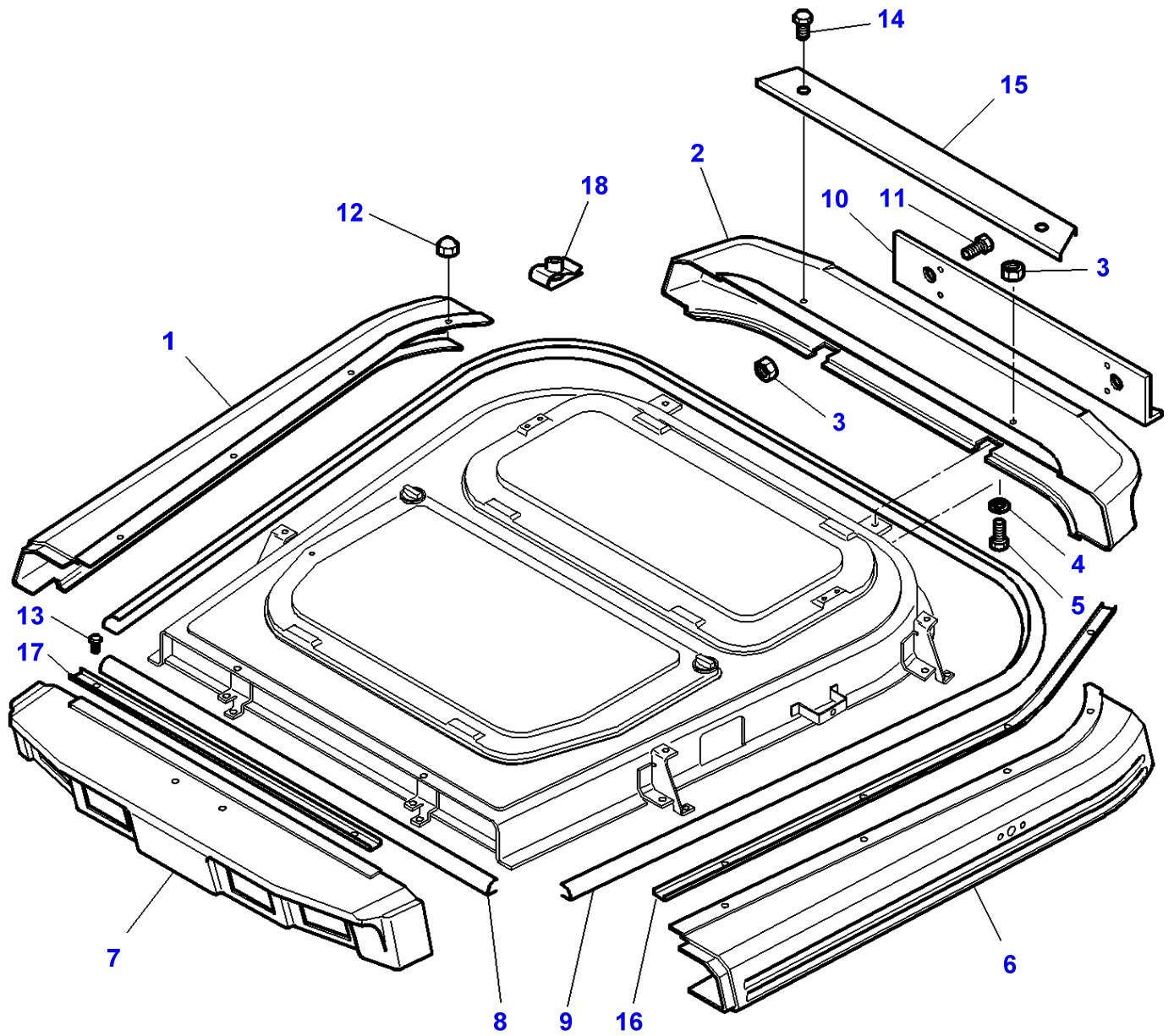


High Visibility Roof - Cladding

Item	Part Number	Qty	Description	Comments
1	3777402M2	1	Facing	
2	3715142M1	8	Nut	Thickness 3/5MM
3	1427000M1	X	Washer	
4	365924X1	X	Screw	CBZ NO10X16
	3010506X1	X	Screw	M5X16
5	3010506X1	4	Screw	M5X16
6	3615557M1	4	Boxnut	M5
7	3712752M5	1	Mounting	Left Hand
8	3713151M1	1	Tap	
9	3713153M1	2	Support	
10	3713152M1	1	Support	
11	3778011M1	1	Support	
12	3807934M1	12	Vent	Up to Serial or Engine Number M295061 Diameter 102MM
	3786678M1	12	Vent	From Serial or Engine Number M295062 Diameter 98MM
13	3713072M4	1	Mounting	[A] Right Hand
	3714919M1	1	Mounting	Right Hand

FOOTNOTE [A] WITHOUT DATATRONIC

1-ZU19-001-B



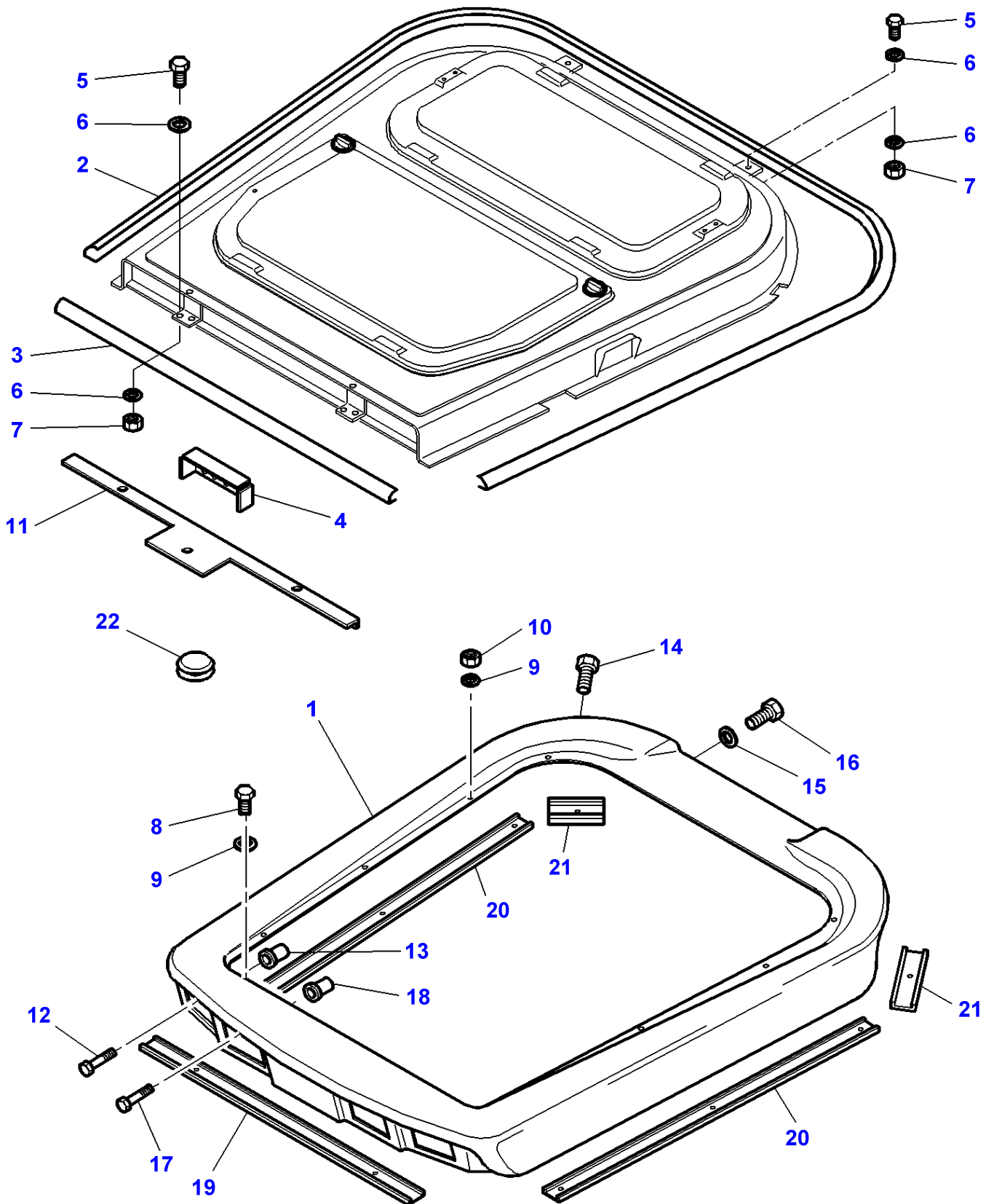
Tractor Cab - Cladding

Item	Part Number	Qty	Description	Comments
1	3712833M2	1	Trim	Right Hand
2	3712831M2	1	Visor	
3	339030X1	12	Nut Metric	M6
4	391038X1	14	Washer	Diameter 6-18 X 1,5
5	339666X1	2	Hex. Sock. Screw	M6 X 20
6	3712832M1	1	Trim	Left Hand
7	3780676M1	1	Visor	[A]
	3780675M1	1	Visor	[B]
8	3714885M1	1	Gasket	Length 1050 MM
9	3714884M1	1	Gasket	Length 3700 MM
10	3715422M1	1	Deflector	
11	391074X1	4	Hex. Sock. Screw	M6 X 12
12	3010594X1	8	Nut Metric	M6
13	339804X1	2	Hex. Sock. Screw	M6 X 25
14	339262X1	2	Bolt Metric	M6 X 30
15	3715679M1	1	Profile	
16	3715676M1	1	Profile	Right Hand
	3715677M1	1	Profile	Left Hand
17	3715678M1	1	Profile	
18	3010070X1	X	Nut	M6

FOOTNOTE [A] WITH 2 HEADLAMPS

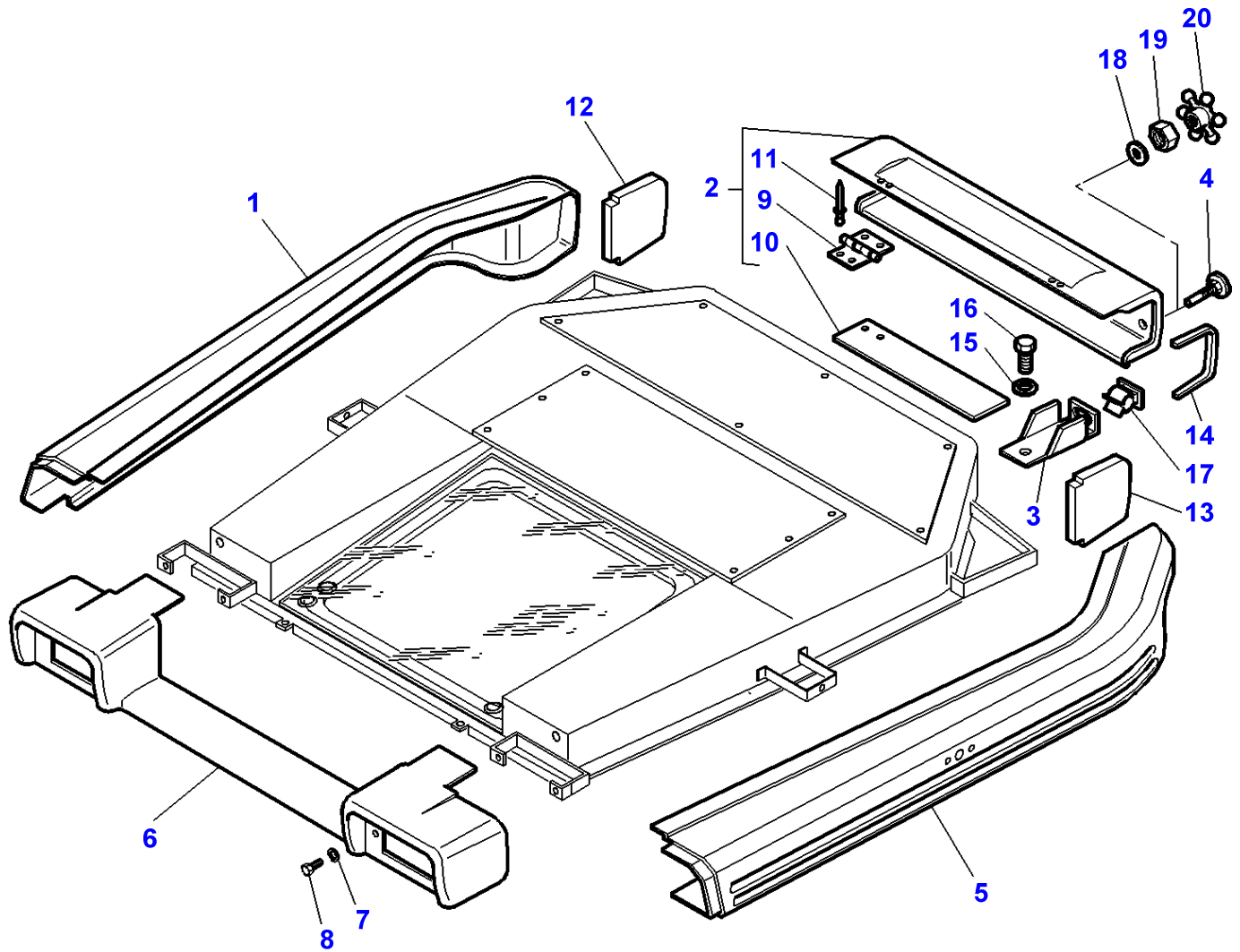
FOOTNOTE [B] WITH 4 HEADLAMPS

1-ZU19-005-B



Item	Part Number	Qty	Description	Comments
1	5015727M94	1	Trim	
2	3714884M1	1	Gasket	Length 3700 MM
3	3714885M1	11	Gasket	Length 1050 MM
4	5015730M3	1	Cover	Up to Serial or Engine Number
5	339123X1	4	Hex. Sock. Screw	M8x20
6	3010597X1	8	Tab Washer	Diameter 8 MM Diameter 22 MM
7	339169X1	4	Nut	M8
8	339804X1	2	Hex. Sock. Screw	M6x25
9	391038X1	10	Washer	Diameter 6 MM Diameter 18 MM Thickness 1,5 MM
10	3010594X1	8	Nut Metric	M6
11	3780888M2	1	Plate	
12	3010754X1	4	Screw	M5x60
13	3580776M1	4	Nut	M5
14	3019950X1	4	Screw	M5x50
15	390972X1	4	Washer Metric	Diameter 8 MM Diameter 17 MM Thickness 1,7 MM
16	339123X1	4	Hex. Sock. Screw	M8x20
17	3009535X1	4	Screw	M4x30
18	3713803M1	4	Nut	M4
19	3715678M1	1	Profile	
20	3789442M1	2	Profile	
21	3789443M1	2	Profile	
22	3713587M1	2	Plug	Diameter 22MM

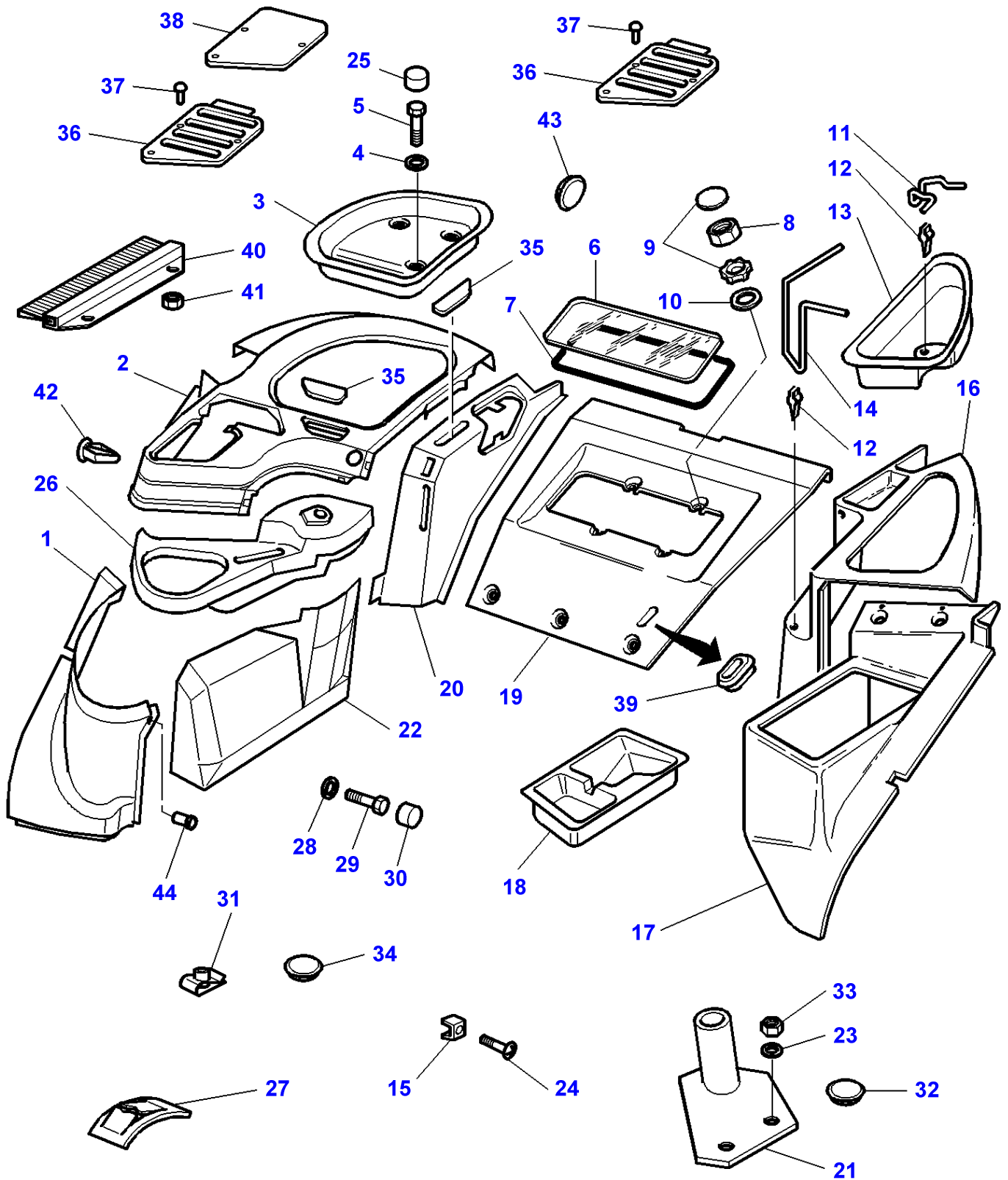
1-ZU54-001-C



High Visibility Roof - Cladding

Item	Part Number	Qty	Description	Comments
1	3777399M1	1	Visor	Right Hand
2	3778744M91	1	Visor	
3	3778313M1	1	Support	Left Hand
	3778314M1	1	Support	Right Hand
4	3778784M1	2	Latch	Up to Serial or Engine Number K323028
	3778784M1	2	Latch	From Serial or Engine Number K351002
5	3777398M1	1	Visor	Left Hand
6	3777397M1	1	Visor	
7	391038X1	4	Washer	Diameter 6-18 X 1,5
8	339666X1	4	Hex. Sock. Screw	M6 X 20
9	3778703M1	2	Hinge	(2)
10	3778745M1	1	Reinforcement	(2)
11	3778746M1	4	Rivet	(2)
12	3778705M1	1	Pad	Right Hand
13	3778706M1	1	Pad	Left Hand
14	3778785M1	2	Gasket	25 X 20 X 230
15	339123X1	2	Hex. Sock. Screw	M8 X 20
16	3010597X1	2	Tab Washer	
17	3713226M1	2	Bridle	
18	390597X1	2	Washer Metric	From Serial or Engine Number K323029 Up to Serial or Engine Number K351001 Diameter 10-30 X 2,5
19	339402X1	2	Nut	From Serial or Engine Number K323029 Up to Serial or Engine Number K351001 M10
20	3784102M1	2	Button	From Serial or Engine Number K323029 Up to Serial or Engine Number K351001 M10 X 40

1-ZU19-007-C



Tractor Cab - Cladding - With Dynashift - Up To J326005

Item	Part Number	Qty	Description	Comments
1	3780666M1	1	Plate Clamping	Right Hand
2	3778055M1	1	Plate Clamping	
3	3712410M1	1	Pocket	Right Hand
4	390597X1	4	Washer Metric	Diameter 10MM
5	339282X1	4	Screw Metric	M10 X 16
6	3714482M1	1	Window	
7	3714481M1	1	Gasket	
8	339169X1	4	Nut	
9	3619241M1	4	Button	
10	390972X1	4	Washer Metric	
11	3713500M2	1	Stem	
12	3713616M1	2	Clip	
13	3712414M1	1	Pocket	Left Hand
14	3713501M1	1	Stem	
15	3714235M1	8	Nut	M5
16	3712412M1	1	Panel	
17	3712413M2	1	Panel	[I]
	3715179M2	1	Panel	[B]
18	3712925M1	1	Pocket	
19	3712421M2	1	Breech Plate	
20	3712408M1	1	Panel	
21	3714666M1	1	Support	
22	3780667M1	1	Plate	
	3782666M1	1	Plate Clamping	[H]
23	22428X	2	Lock Washer	
24	3010506X1	21	Screw	M5X16
	3010578X1	3	Screw	M5X10
25	3619609M1	4	Helmet	
26	3780665M1	1	Plate Clamping	[D]
27	3714529M1	4	Nut Special	
28	3715991M1	1	Spacer	
29	339123X1	1	Hex. Sock. Screw	
30	3616277M1	1	Helmet	
31	3715142M1	17	Nut	Thickness 3/5MM
	3715143M1	3	Nut	Thickness 0,5/4MM
32	3580982M1	1	Plug	[A]
33	339169X1	2	Nut	M8
34	3713587M1	X	Plug	[F,G] Diameter 22MM
35	3712984M1	X	Plate	[F,G]
36	3778479M1	1	Plug	[C]
37	3010506X1	7	Screw	[C] Diameter 13/19MM
38	3778506M1	1	Plate	[H]
39	3715170M1	1	Tap	
40	3778790M1	1	Profile	
41	1441917X1	2	Locknut	
42	3780626M1	2	Tie	
43	3041932M1	1	Plug	
44	3580776M1	1	Nut	M5 Up to Serial or Engine Number

FOOTNOTE [A] WITHOUT ROTATING LIGHT

FOOTNOTE [B] WITHOUT SECONDARY SEAT

FOOTNOTE [C] WITHOUT DISTRIBUTOR

FOOTNOTE [D] WITHOUT REVERSING GEAR MANUAL

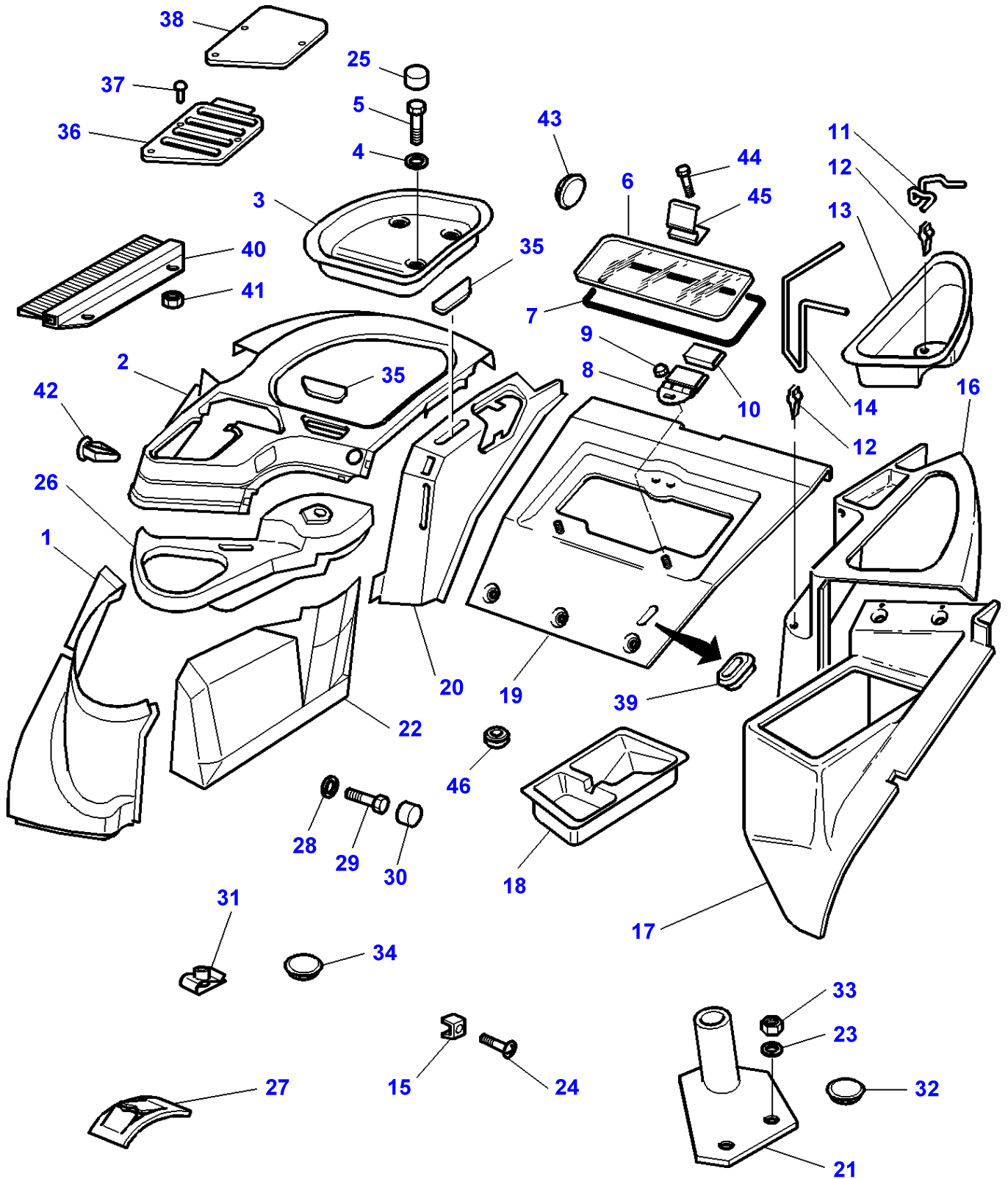
FOOTNOTE [F] WITHOUT AUTOMATIC HITCH

FOOTNOTE [G] LESS PTO

FOOTNOTE [H] WITHOUT HYDRAULIC LIFT

FOOTNOTE [I] THE APPROPRIATE SAFETY DECALS MUST BE ORDERED AND FITTED TO THIS PART

1-ZU19-013-B



Tractor Cab - Cladding - With Dynashift - From J326006

Item	Part Number	Qty	Description	Comments
1	3780666M1	1	Plate Clamping	Right Hand
2	3778055M1	1	Plate Clamping	Up to Serial or Engine Number 07-JAN-2001
	3784344M1	1	Plate Clamping	From Serial or Engine Number 08-JAN-2001
3	3712410M1	1	Pocket	Right Hand
4	390597X1	4	Washer Metric	Diameter 10MM
5	339282X1	4	Screw Metric	M10 X 16
6	3714482M1	1	Window	
7	3786411M1	1	Gasket	Length 1385MM
8	3784336M1	2	Hinge	
9	3902455M1	2	Nut	M6
10	3784894M1	2	Gasket	
11	3713500M2	1	Stem	
12	3713616M1	2	Clip	
13	3712414M1	1	Pocket	Left Hand
14	3713501M1	1	Stem	
15	3714235M1	8	Nut	M5
16	3712412M1	1	Panel	
17	3712413M2	1	Panel	[I]
	3715179M2	1	Panel	[B]
18	3712925M1	1	Pocket	
19	3784347M1	1	Rear Window	
20	3712408M1	1	Panel	
21	3714666M1	1	Support	
22	3780667M1	1	Plate	
	3782666M1	1	Plate Clamping	[H]
23	22428X	2	Lock Washer	
24	3010506X1	21	Screw	M5X16
	3010578X1	3	Screw	M5X10
25	3619609M1	4	Helmet	
26	3780665M1	1	Plate Clamping	[D]
				Up to Serial or Engine Number 07-JAN-2001
	3784345M1	1	Plate Clamping	[D]
				From Serial or Engine Number 08-JAN-2001
27	3714529M1	4	Nut Special	
28	3715991M1	1	Spacer	
29	339123X1	1	Hex. Sock. Screw	
30	3616277M1	1	Helmet	
31	3715142M1	17	Nut	Thickness 3/5MM
	3715143M1	3	Nut	Thickness 0,5/4MM
32	3580982M1	1	Plug	[A]
33	339169X1	2	Nut	M8
34	3713587M1	X	Plug	[F,G] Diameter 22MM
35	3712984M1	X	Plate	[F,G]
36	3778479M1	1	Plug	[C]
37	3010506X1	7	Screw	[C] Diameter 13/19MM
38	3778506M1	1	Plate	[H]
39	3715170M1	1	Tap	
40	3778790M1	1	Profile	
41	1441917X1	2	Locknut	
42	3780626M1	2	Tie	
43	3041932M1	1	Plug	
44	3010506X1	2	Screw	M5X16
45	3784337M1	1	Latch	
46	3786228M1	2	Grommet	Diameter 25MM

FOOTNOTE [A] WITHOUT ROTATING LIGHT

FOOTNOTE [B] WITHOUT SECONDARY SEAT

FOOTNOTE [C] WITHOUT DISTRIBUTOR

FOOTNOTE [D] WITHOUT REVERSING GEAR MANUAL

FOOTNOTE [F] WITHOUT AUTOMATIC HITCH

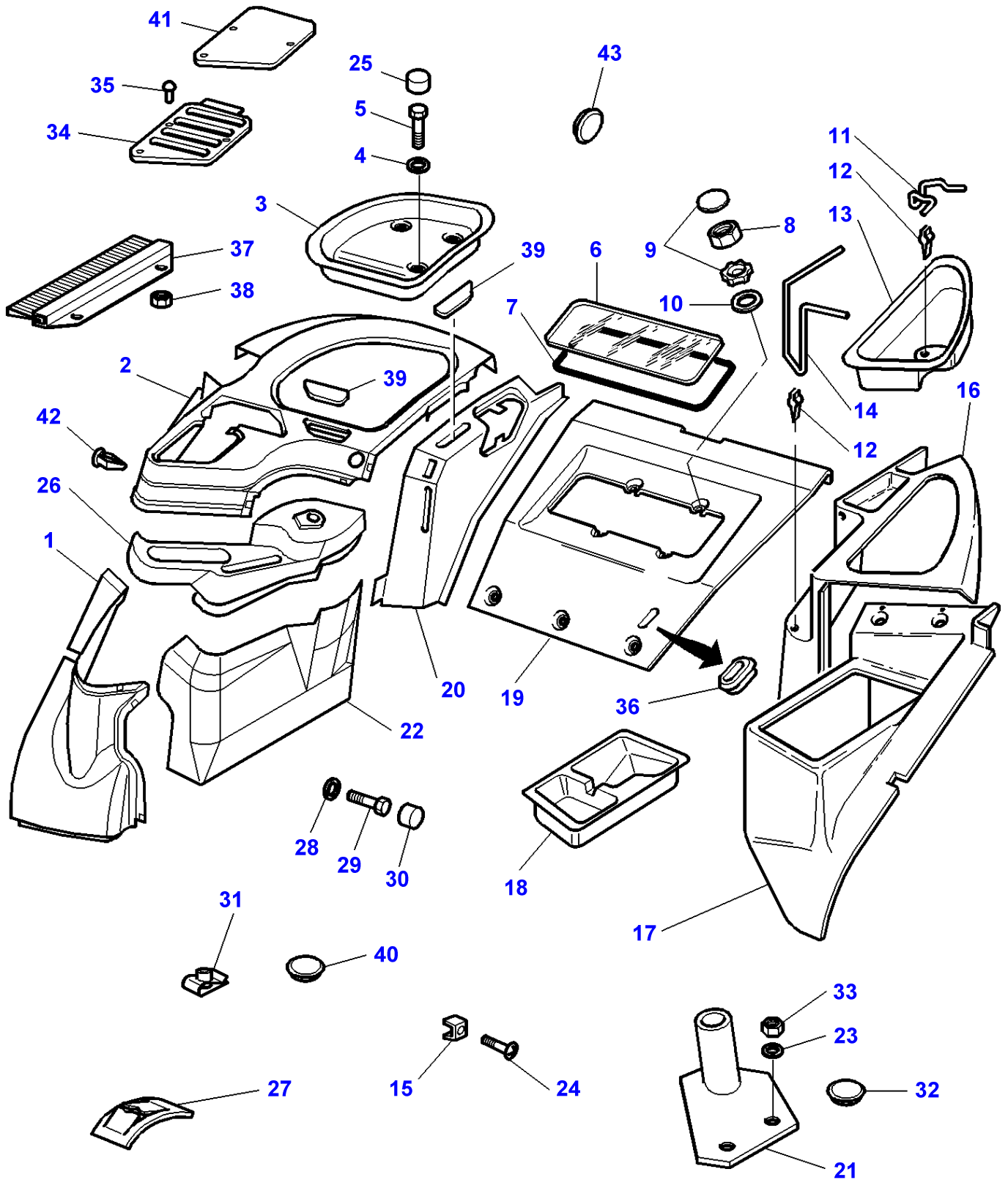
FOOTNOTE [G] LESS PTO

FOOTNOTE [H] WITHOUT HYDRAULIC LIFT

FOOTNOTE [I] THE APPROPRIATE SAFETY DECALS MUST BE ORDERED AND FITTED TO THIS PART

MF 8210/8220 TRACTORS - 1637365
1-ZU19-006-B

1-ZU19-006-B



Tractor Cab - Cladding - With Full Powershift - Up To J326005

Item	Part Number	Qty	Description	Comments
1	3778252M2	1	Plate Clamping	Right Hand
2	3778055M1	1	Plate Clamping	
3	3712410M1	1	Pocket	Right Hand
4	390597X1	4	Washer Metric	Diameter 10MM
5	339282X1	4	Screw Metric	M10 X 16
6	3714482M1	1	Window	
7	3714481M1	1	Gasket	
8	339169X1	4	Nut	
9	3619241M1	4	Button	
10	390972X1	4	Washer Metric	
11	3713500M2	1	Stem	
12	3713616M1	2	Clip	
13	3712414M1	1	Pocket	Left Hand
14	3713501M1	1	Stem	
15	3714235M1	8	Nut	M5
16	3712412M1	1	Panel	
17	3712413M2	1	Panel	[I]
	3715179M2	1	Panel	[E]
18	3712925M1	1	Pocket	
19	3712421M2	1	Breech Plate	
20	3712408M1	1	Panel	
21	3714666M1	1	Support	
22	3778253M2	1	Panel	
23	339024X1	2	Washer Metric	
24	3010506X1	21	Screw	M5X16
	3010578X1	2	Screw	M5X10
25	3619609M1	4	Helmet	
26	3778251M1	1	Plate Clamping	[C]
	3778426M1	1	Plate Clamping	[D]
27	3714529M1	4	Nut Special	
28	3715991M1	1	Spacer	
29	339123X1	1	Hex. Sock. Screw	
30	3616277M1	1	Helmet	
31	3715142M1	11	Nut	Thickness 3/5MM
	3715143M1	3	Nut	Thickness 0,5/4MM
32	3580982M1	1	Plug	[A]
33	339169X1	2	Nut	M8
34	3778479M1	1	Plug	[B]
35	3010506X1	7	Screw	
36	3715170M1	1	Tap	Replace and repair. Old not interchangeable with new 3715169M1
37	3778790M1	1	Profile	
38	1441917X1	2	Locknut	
39	3712984M1	X	Plate	[F,G]
40	3713587M1	X	Plug	[F,G] Diameter 22MM
41	3778506M1	1	Plate	[H]
42	3780626M1	4	Tie	
43	3041932M1	1	Plug	Diameter 13/19MM

FOOTNOTE [A] WITHOUT ROTATING LIGHT

FOOTNOTE [B] WITHOUT DISTRIBUTOR

FOOTNOTE [C] WITH REVERSING GEAR MANUAL

FOOTNOTE [D] WITHOUT REVERSING GEAR MANUAL

FOOTNOTE [E] WITHOUT SECONDARY SEAT

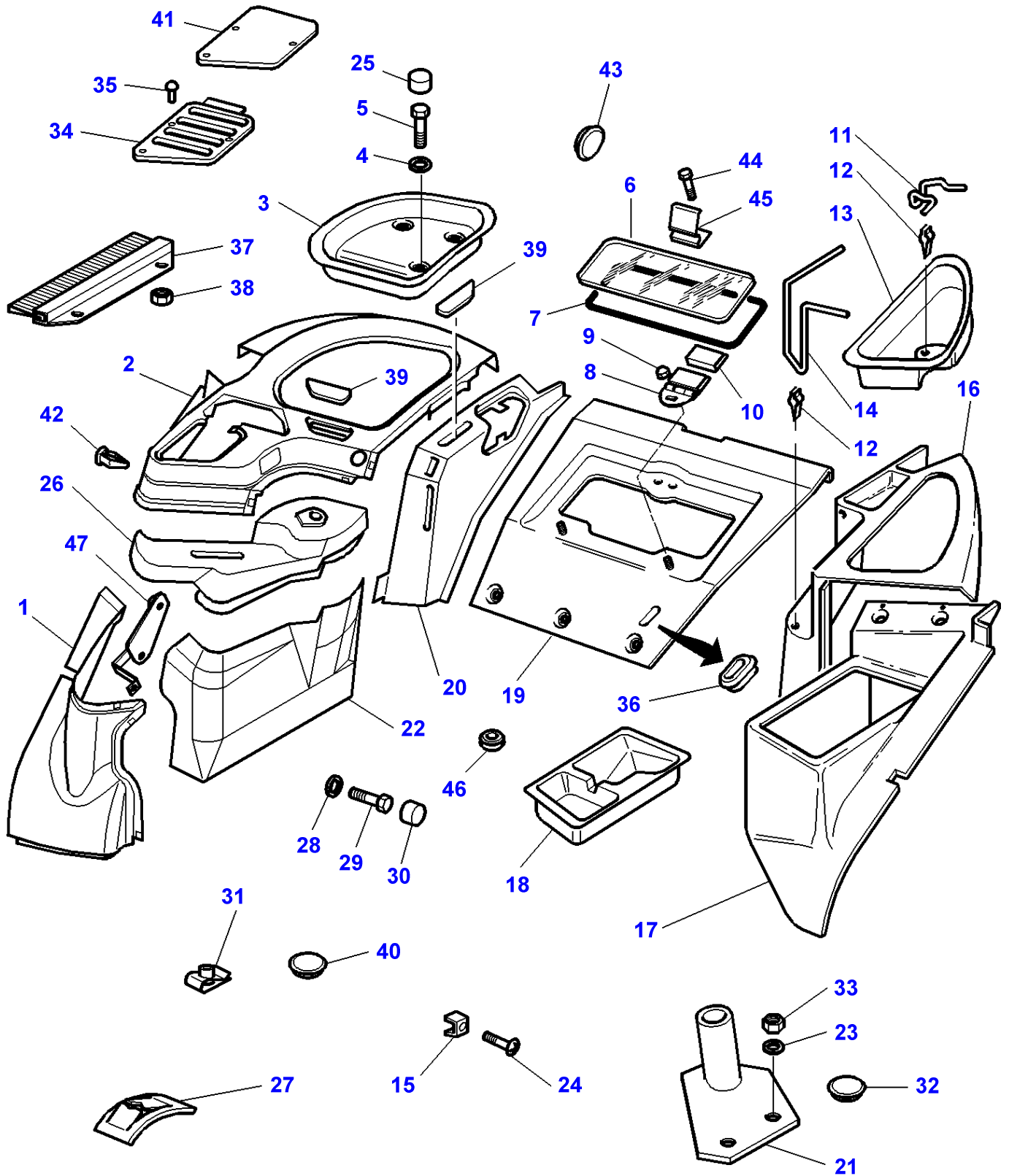
FOOTNOTE [F] WITHOUT AUTOMATIC HITCH

FOOTNOTE [G] LESS PTO

FOOTNOTE [H] WITHOUT HYDRAULIC LIFT

FOOTNOTE [I] THE APPROPRIATE SAFETY DECALS MUST BE ORDERED AND FITTED TO THIS PART

1-ZU19-012-B



Item	Part Number	Qty	Description	Comments
1	3778252M2	1	Plate Clamping	Right Hand
2	3778055M1	1	Plate Clamping	Up to Serial or Engine Number 07-JAN-2001
	3784344M1	1	Plate Clamping	From Serial or Engine Number 08-JAN-2001
3	3712410M1	1	Pocket	Right Hand
4	390597X1	4	Washer Metric	Diameter 10MM
5	339282X1	4	Screw Metric	M10 X 16
6	3714482M1	1	Window	
7	3786411M1	1	Gasket	Length 1385MM
8	3784336M1	2	Hinge	
9	3902455M1	2	Nut	M6
10	3784894M1	2	Gasket	
11	3713500M2	1	Stem	
12	3713616M1	2	Clip	
13	3712414M1	1	Pocket	Left Hand
14	3713501M1	1	Stem	
15	3714235M1	8	Nut	M5
16	3712412M1	1	Panel	
17	3712413M2	1	Panel	[I]
	3715179M2	1	Panel	[E]
18	3712925M1	1	Pocket	
19	3784347M1	1	Rear Window	
20	3712408M1	1	Panel	
21	3714666M1	1	Support	
22	3778253M2	1	Panel	
23	339024X1	2	Washer Metric	
24	3010506X1	21	Screw	M5X16
	3010578X1	2	Screw	M5X10
25	3619609M1	4	Helmet	
26	3778426M1	1	Plate Clamping	[D]
				Up to Serial or Engine Number 07-JAN-2001
	3784346M1	1	Plate Clamping	[D]
				From Serial or Engine Number 08-JAN-2001
27	3714529M1	4	Nut Special	
28	3715991M1	1	Spacer	
29	339123X1	1	Hex. Sock. Screw	
30	3616277M1	1	Helmet	
31	3715142M1	11	Nut	Thickness 3/5MM
	3715143M1	3	Nut	Thickness 0,5/4MM
32	3580982M1	1	Plug	[A]
33	339169X1	2	Nut	M8
34	3778479M1	1	Plug	[B]
35	3010506X1	7	Screw	
36	3715170M1	1	Tap	Replace and repair. Old not interchangeable with new 3715169M1
37	3778790M1	1	Profile	
38	1441917X1	2	Locknut	
39	3712984M1	X	Plate	[F,G]
40	3713587M1	X	Plug	[F,G] Diameter 22MM
41	3778506M1	1	Plate	[H]
42	3780626M1	4	Tie	
43	3041932M1	1	Plug	Diameter 13/19MM
44	3010506X1	2	Screw	M5X16
45	3784337M1	2	Latch	
46	3786228M1	2	Grommet	Diameter 25MM
47	3784364M91	1	Bracket	

FOOTNOTE [A] WITHOUT ROTATING LIGHT

FOOTNOTE [B] WITHOUT DISTRIBUTOR

FOOTNOTE [D] WITHOUT REVERSING GEAR MANUAL

FOOTNOTE [E] WITHOUT SECONDARY SEAT

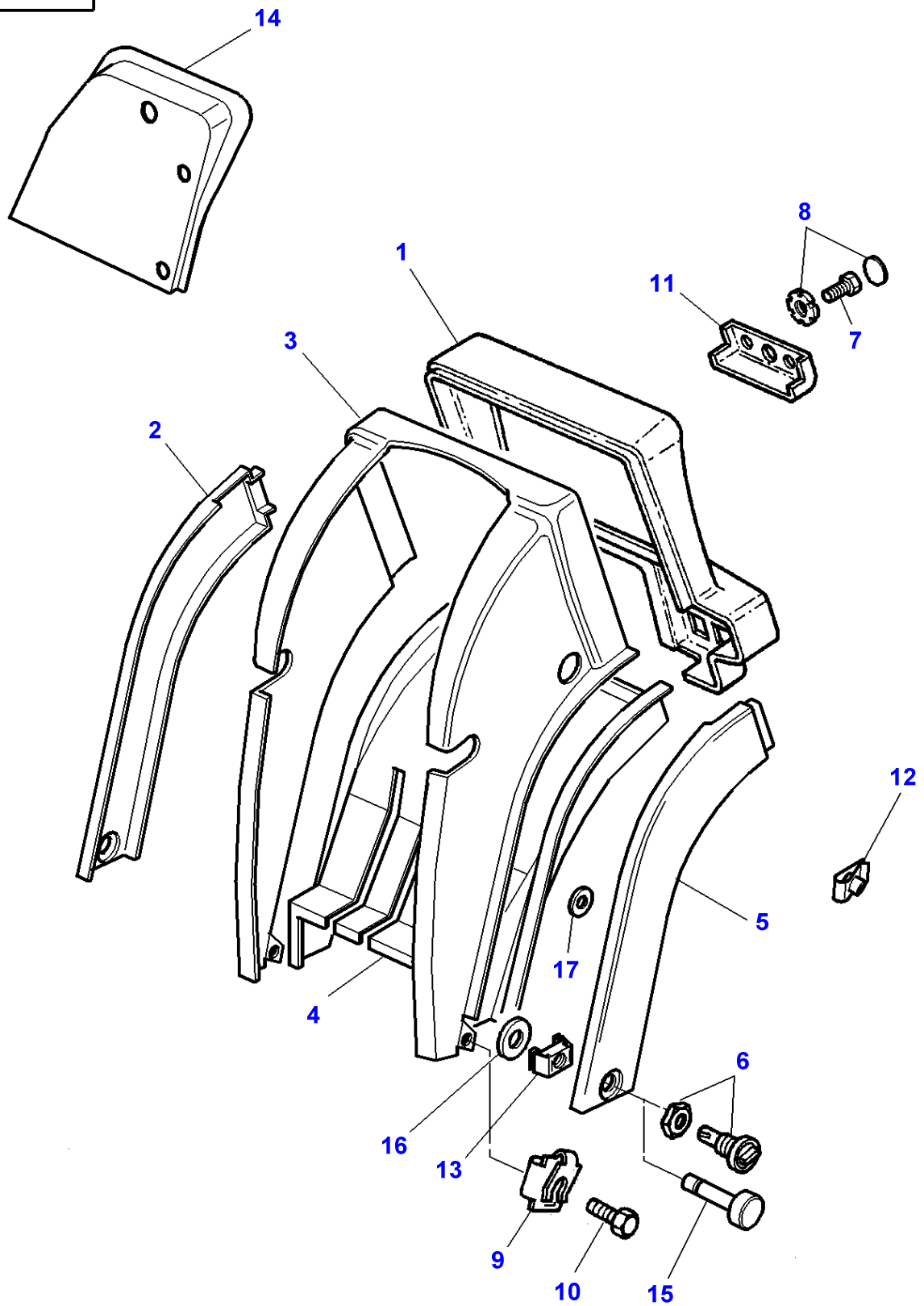
FOOTNOTE [F] WITHOUT AUTOMATIC HITCH

FOOTNOTE [G] LESS PTO

FOOTNOTE [H] WITHOUT HYDRAULIC LIFT

FOOTNOTE [I] THE APPROPRIATE SAFETY DECALS MUST BE ORDERED AND FITTED TO THIS PART

1-ZU20-001-C



Instrument Panel Cladding

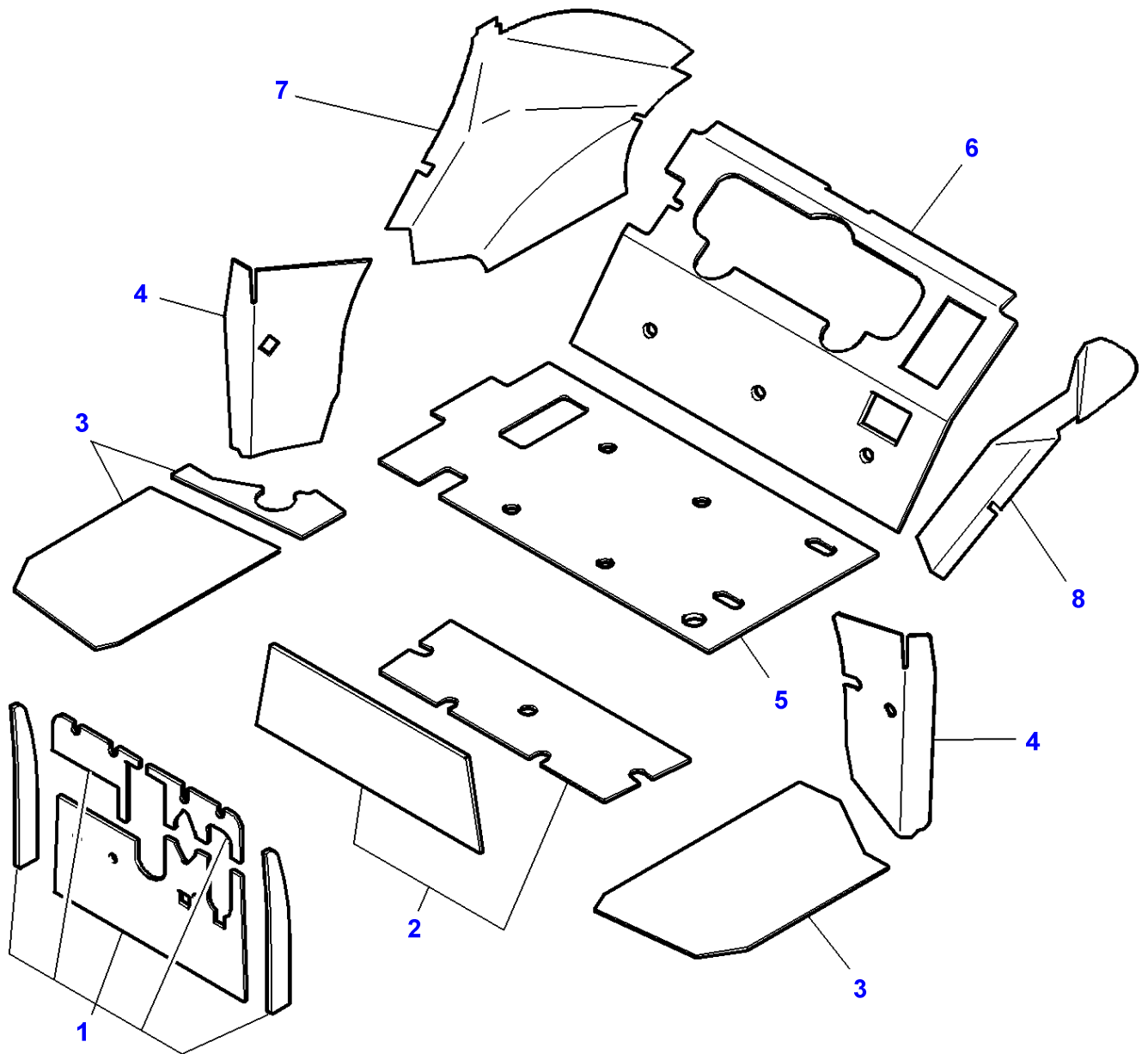
Item	Part Number	Qty	Description	Comments
1	3777603M1	1	Plate Clamping	
2	3712420M1	1	Facing	Up to Serial or Engine Number H259015 Right Hand
	4272597M92	1	Envelope	From Serial or Engine Number H259016 Right Hand
3	4272586M92	1	Envelope	
	4272582M92	1	Envelope	[A]
4	3712417M1	1	Envelope	[B]
	4274762M91	1	Envelope	Up to Serial or Engine Number L038021 [B]
				From Serial or Engine Number L038022
5	3712419M1	1	Facing	Up to Serial or Engine Number H259015 Left Hand
	4272595M92	1	Envelope	From Serial or Engine Number H259016 Left Hand
6	3618739M1	2	Button	Up to Serial or Engine Number H259015
7	339560X1	2	Hex. Sock. Screw	M6 X 16
8	3713550M1	2	Latch	
9	3388231M1	1	Nut	M5
10	3010506X1	7	Screw	M5 X 16
	3010578X1	2	Screw	M5 X 10
11	3714209M1	1	Plate	
12	3715142M1	2	Nut	Thickness 3/5 MM
	3715143M1	1	Nut	Thickness 0,5/4MM
13	3618738M1	2	Clip	Up to Serial or Engine Number H259015
	3782697M1	2	Clamp	From Serial or Engine Number H259016
14	4272590M92	1	Envelope	
15	3782696M1	2	Button	From Serial or Engine Number H259016
16	3782892M1	2	Washer	From Serial or Engine Number H259016
17	1427000M1	2	Washer	

FOOTNOTE [A] WITH MANUAL SHUTTLE SHIFT LEVERS LEFT HAND CONTROLS

FOOTNOTE [B] WITH POWER BRAKES

FOOTNOTE [C] WITHOUT POWER BRAKES

1-ZU11-002-C

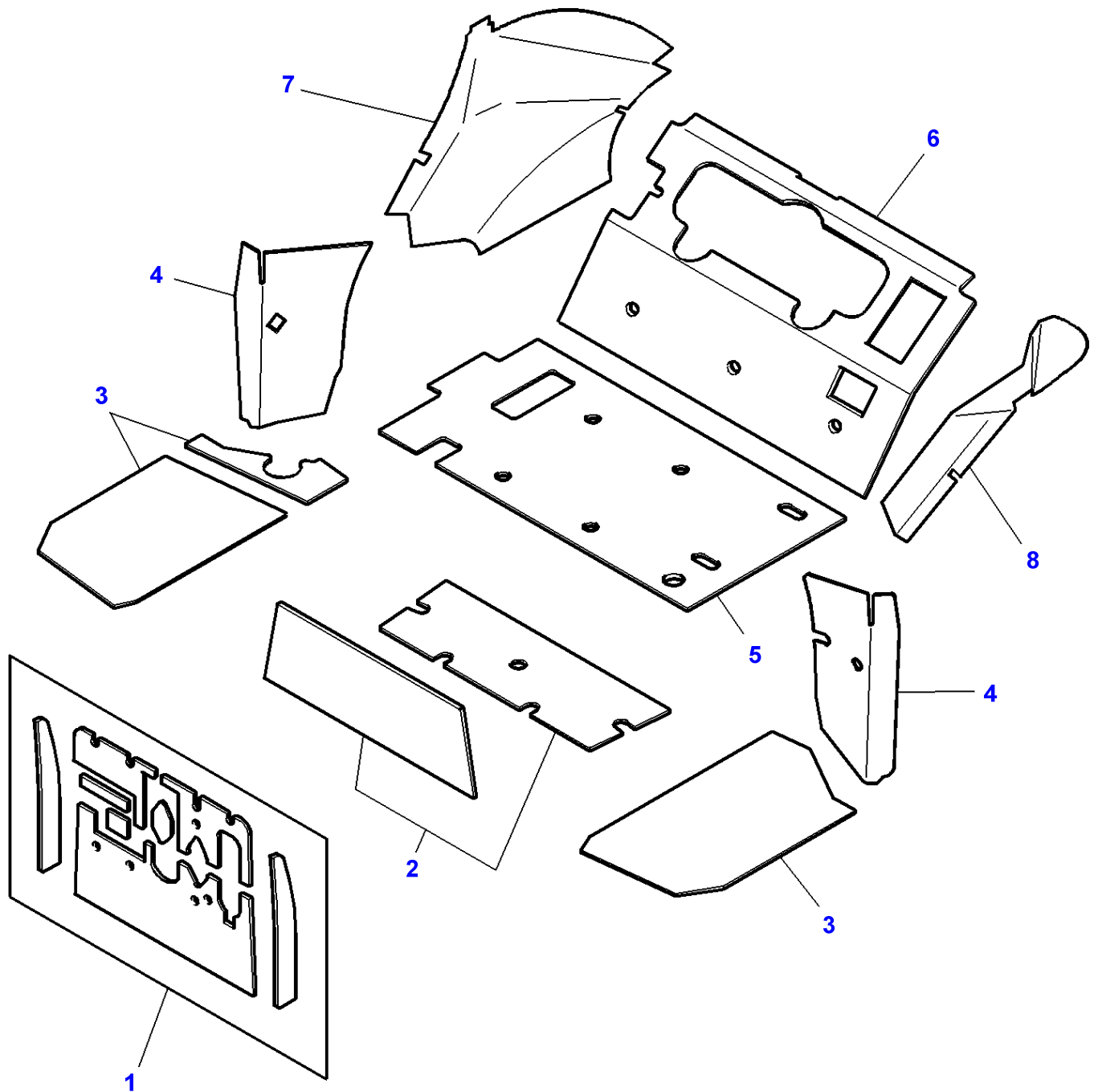


Item	Part Number	Qty	Description	Comments
1	3714448M94	1	Sound Reduction	[B] Up to Serial or Engine Number J312014
	3784349M91	1	Sound Reduction	[B] From Serial or Engine Number J312015
	3713870M93	1	Sound Reduction	[A] Up to Serial or Engine Number J334014
	3784387M91	1	Sound Reduction	[A] From Serial or Engine Number J334015
2	3778445M91	1	Sound Reduction	
3	3713881M93	1	Sound Reduction	
4	3713884M93	1	Sound Reduction	
5	3713899M3	1	Sound Reduction	
6	3713898M5	1	Sound Reduction	Up to Serial or Engine Number J334014
	3784348M1	1	Sound Reduction	From Serial or Engine Number J334015
7	3713897M6	1	Sound Reduction	Right Hand
8	3713896M5	1	Sound Reduction	Left Hand

FOOTNOTE [A] WITH ASSISTED BRAKE

FOOTNOTE [B] WITH MECHANICAL BRAKES

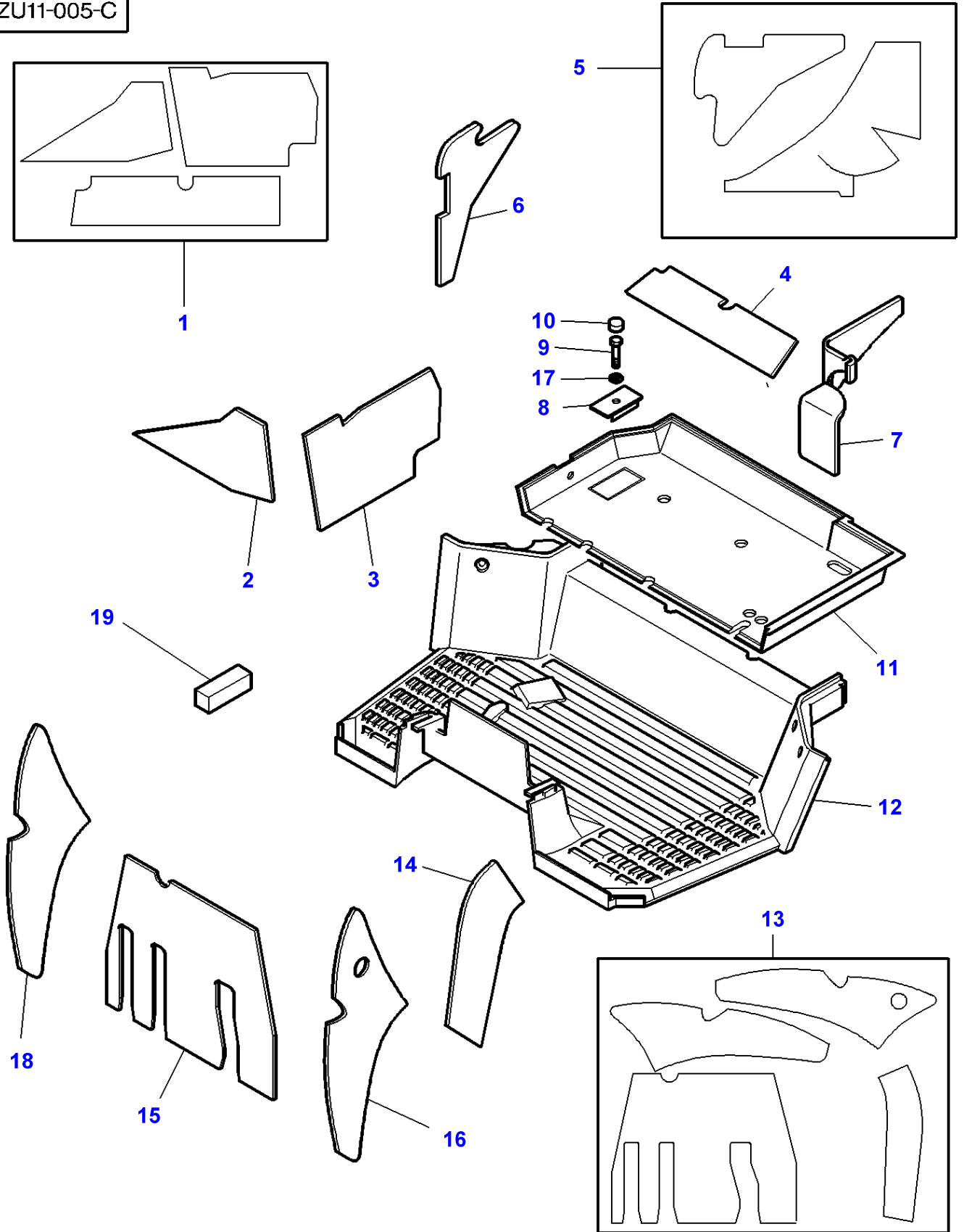
1-ZU11-009-A



Massey Ferguson**MF 8210/8220 TRACTORS - 1637365****1637365****Tractor Cab - Cab Insulation - From Serial or Engine Number L037029****Page 110-0110**

Item	Part Number	Qty	Description	Comments
1	3786453M91	1	Sound Reduction	
2	3778445M91	1	Sound Reduction	
3	3713881M93	1	Sound Reduction	
4	3713884M93	1	Sound Reduction	
5	3713899M3	1	Sound Reduction	
6	3784348M1	1	Sound Reduction	
7	3713897M6	1	Sound Reduction	Right Hand
8	3713896M5	1	Sound Reduction	Left Hand

1-ZU11-005-C



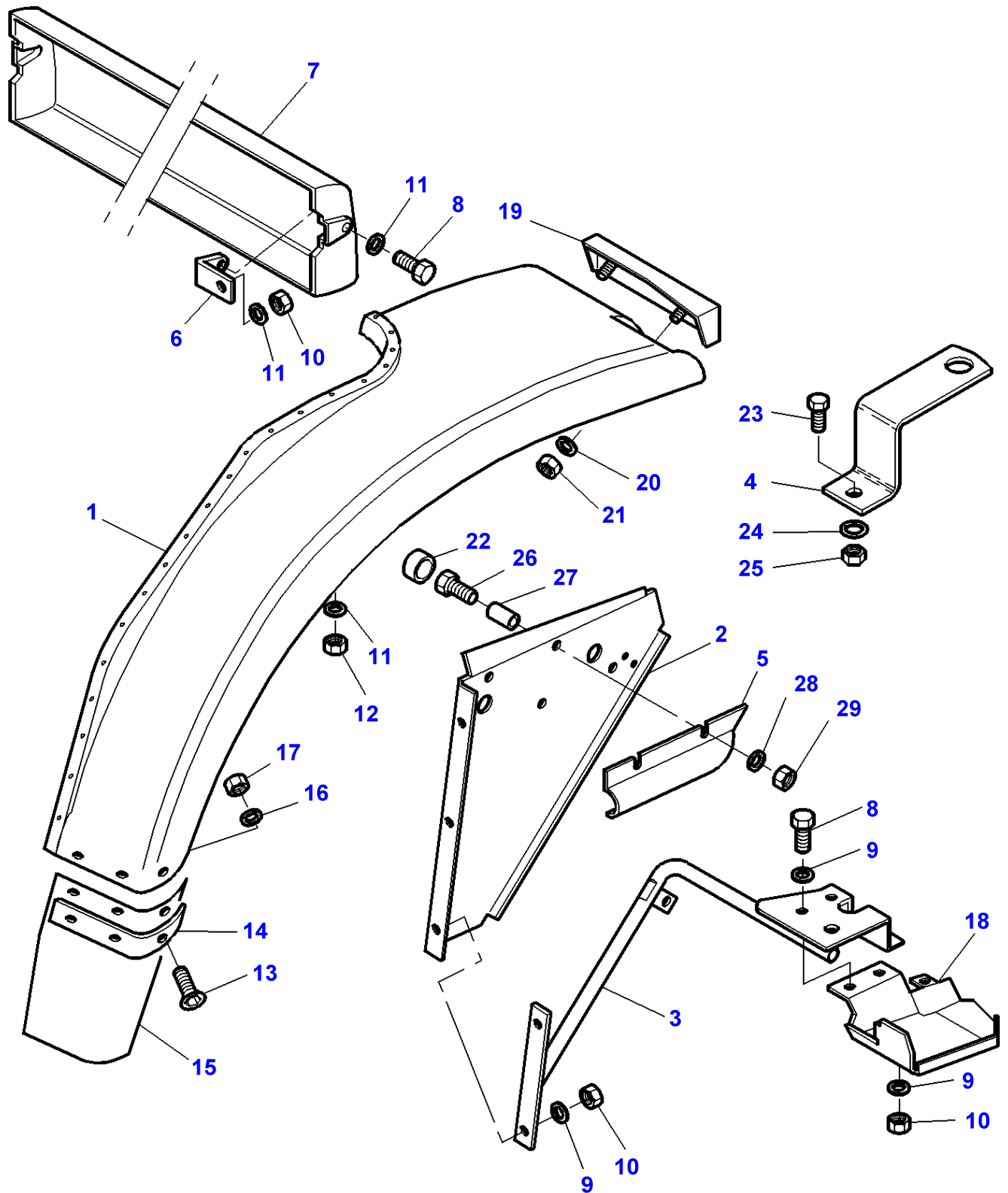
Tractor Cab - Cab Insulation

Item	Part Number	Qty	Description	Comments
1	3782534M92	1	Sound Reduction	[A]
	3778448M93	1	Sound Reduction	[B]
2		1	Sound Reduction	(1) Not serviced,order REF.1
3		1	Sound Reduction	(1) Not serviced,order REF.1
4		1	Sound Reduction	(1) Not serviced,order REF.1
5	3778447M91	1	Sound Reduction	
6		1	Sound Reduction	(5) Not serviced,order REF.5
7		1	Sound Reduction	(5) Not serviced,order REF.5
8	3778789M1	1	Helmet	Up to Serial or Engine Number J271000
9	339124X1	1	Hex. Sock. Screw	M8X16 Up to Serial or Engine Number J271000
10	3616277M1	1	Helmet	Up to Serial or Engine Number J271000
11	3777378M4	1	Mat	
12	3777377M2	1	Mat	
13	3778449M93	1	Sound Reduction	
14		1	Sound Reduction	(13) Not serviced,order REF.13
15		1	Sound Reduction	(13) Not serviced,order REF.13
16		1	Sound Reduction	(13) Not serviced,order REF.13
17	390972X1	1	Washer Metric	Up to Serial or Engine Number J271000
18		1	Sound Reduction	(13) Not serviced,order REF.13
19	3779389M1	1	Gasket	30X13X160MM

FOOTNOTE [A] FOR DYNASHIFT

FOOTNOTE [B] WITH FULL POWERSHIFT

1-ZU07-003-F

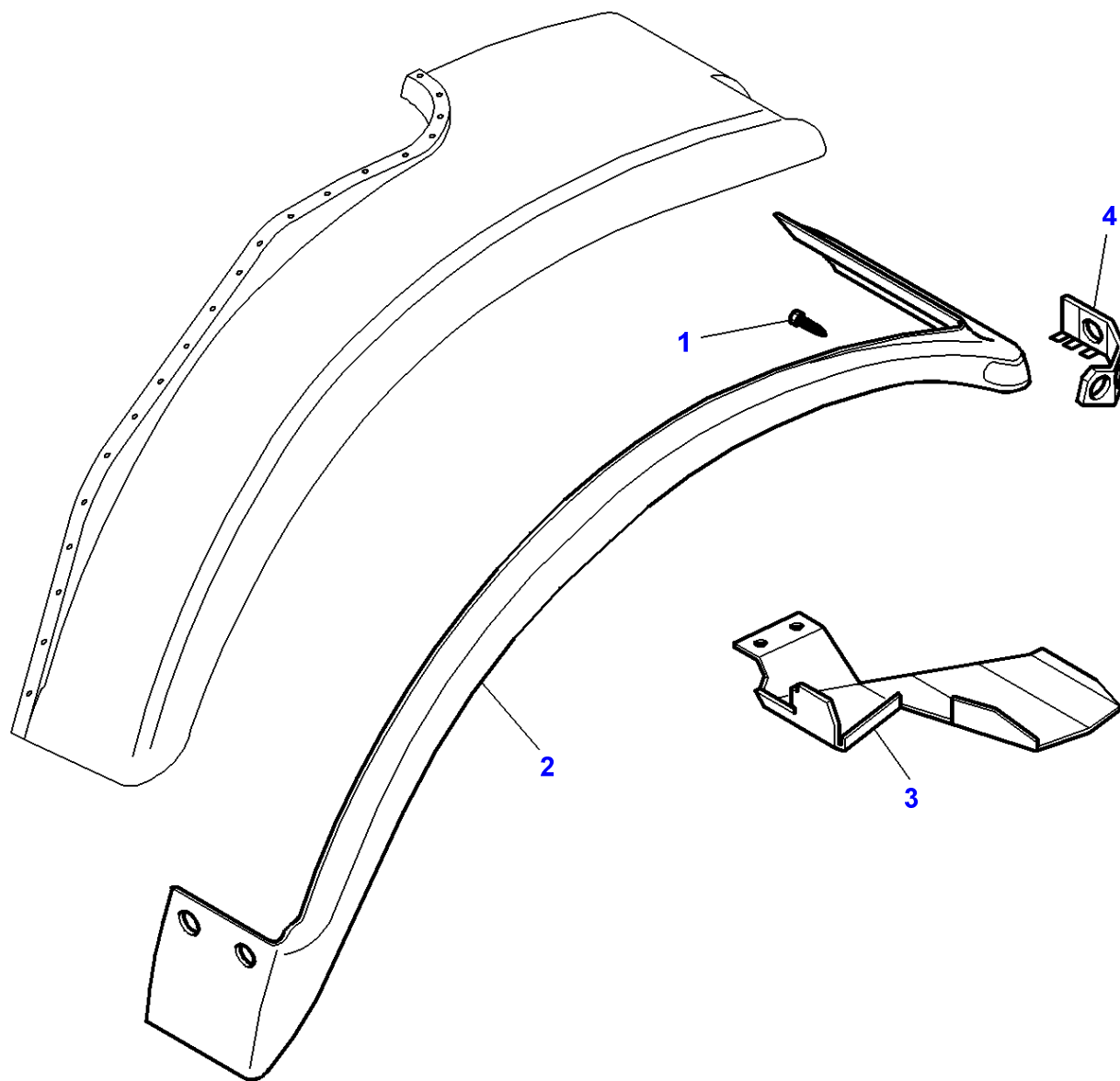


Tractor Cab - Fenders

Item	Part Number	Qty	Description	Comments
1	5015465M2	1	Fender	[A] Left Hand
	5015466M2	1	Fender	[A] Right Hand
2	5015292M6	1	Skirt	Left Hand
	5015293M5	1	Skirt	Right Hand
3	5015287M94	1	Support	Left Hand
	5015288M94	1	Support	Right Hand
4	3783012M2	1	Support	
5	3778897M1	1	Protector	Left Hand
	3778898M1	1	Protector	Right Hand
6	5015298M93	2	Strap	
7	5015296M2	1	Panel	[A]
8	339123X1	14	Hex. Sock. Screw	M8x20
9	385361X1	22	Washer	Diameter 9 MM Diameter 17 MM Thickness 3,2 MM
10	339169X1	26	Nut	M8
11	3010467X1	18	Washer	
12	394367X1	20	Locknut	M8
13	3010909X1	6	Screw	M8X20
14	3782599M2	2	Plate	
15	3781117M2	1	Extension	Left Hand
	3781118M2	1	Extension	Right Hand
16	390972X1	6	Washer Metric	
17	1441461X1	6	Locknut	M8
18	3781881M2	1	Cowl	Left Hand
	3781882M2	1	Cowl	Right Hand
19	3781889M1	1	Support	Left Hand
	3781890M1	1	Support	Right Hand
20	390469X1	4	Washer Metric	
21	1441494X1	4	Nut Metric	
22	3616277M1	2	Helmet	
23	339123X1	1	Hex. Sock. Screw	M8x20
24	390972X1	1	Washer Metric	Diameter 8-17X1,7
25	339169X1	1	Nut	M8
26	339291X1	2	Hex. Sock. Screw	M8X55
27	3781233M1	1	Roll	
28	390972X1	2	Washer Metric	
29	394367X1	2	Locknut	M8

FOOTNOTE [A] THE APPROPRIATE SAFETY DECALS MUST BE ORDERED AND FITTED TO THIS PART

1-ZU07-004-B

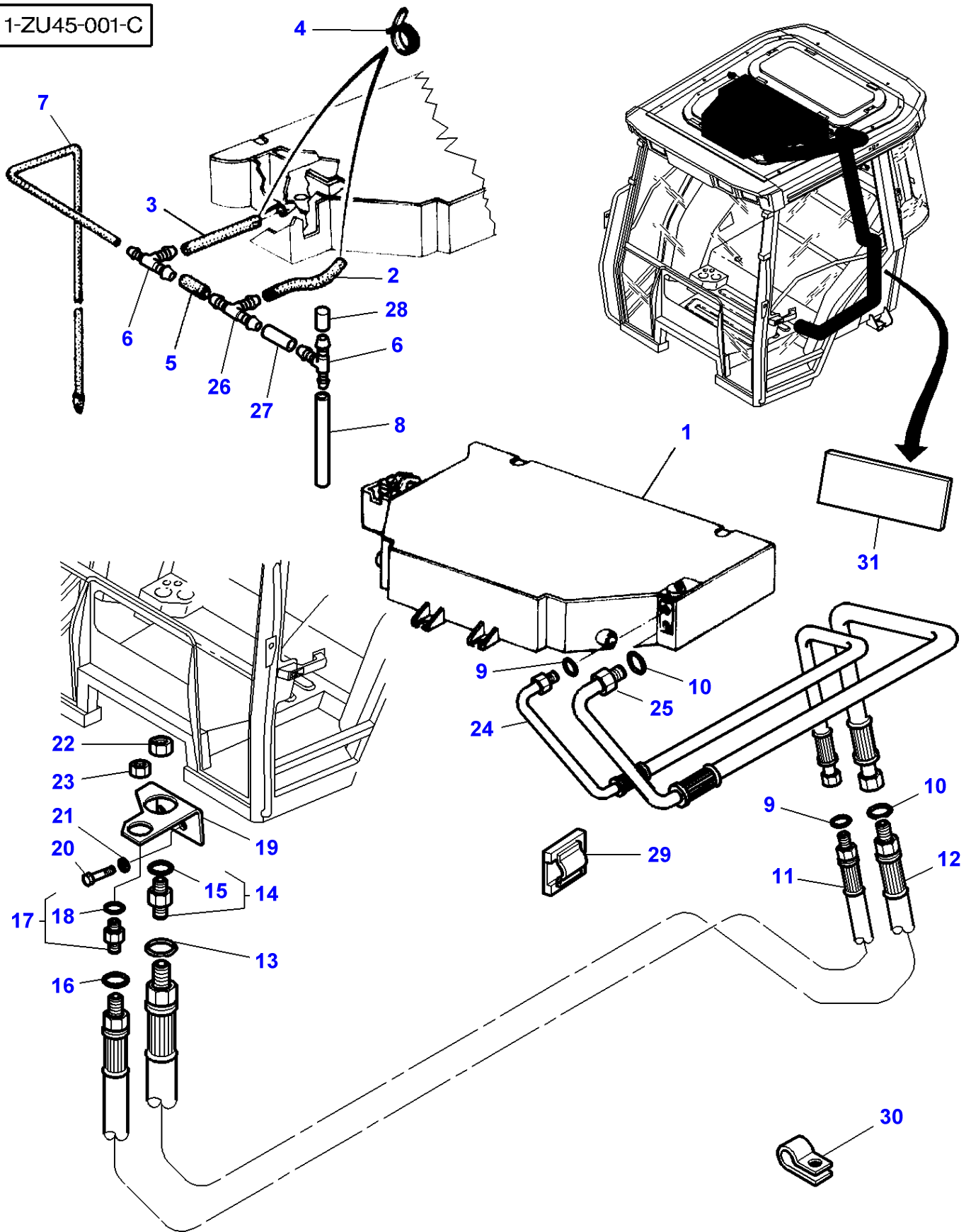


Item	Part Number	Qty	Description	Comments
1	3782092M1	X	Screw	
2	3781447M2	1	Extension	Left Hand Width 115MM
	3781446M2	1	Extension	Right Hand Width 115MM
	3781449M2	1	Extension	Left Hand Width 205MM
	3781448M2	1	Extension	Right Hand Width 205MM
3	3781883M4	1	Cowl	[A] Left Hand
	3781884M4	1	Cowl	[A] Right Hand
	3781885M4	1	Cowl	[B] Left Hand
	3781886M4	1	Cowl	[B] Right Hand
4	3781891M2	1	Support	Left Hand
	3781892M2	1	Support	Right Hand

FOOTNOTE [A] USED WITH 115MM EXTENSION FENDERS

FOOTNOTE [B] USED WITH 205MM EXTENSION FENDERS

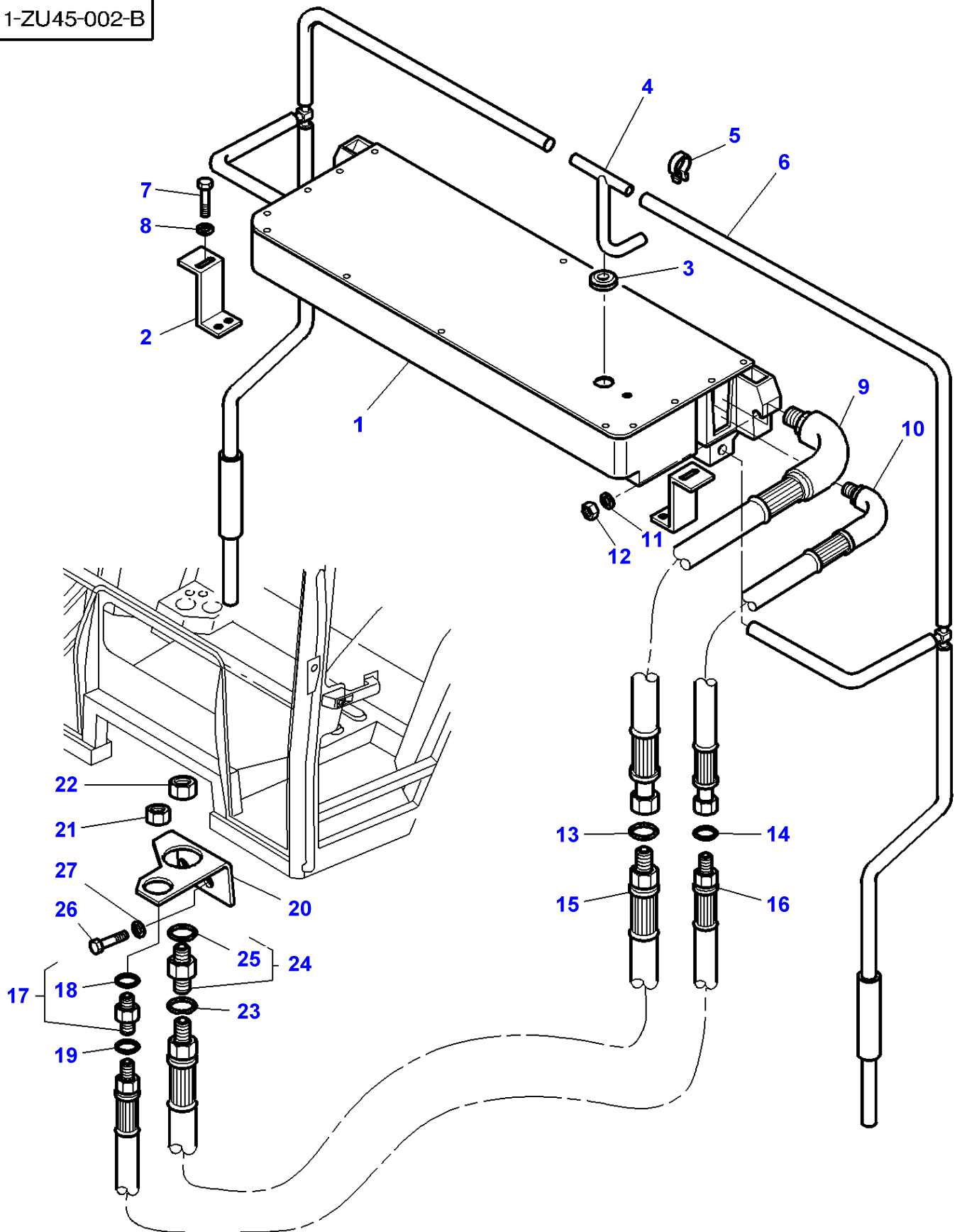
1-ZU45-001-C



Air Conditioner - Hose

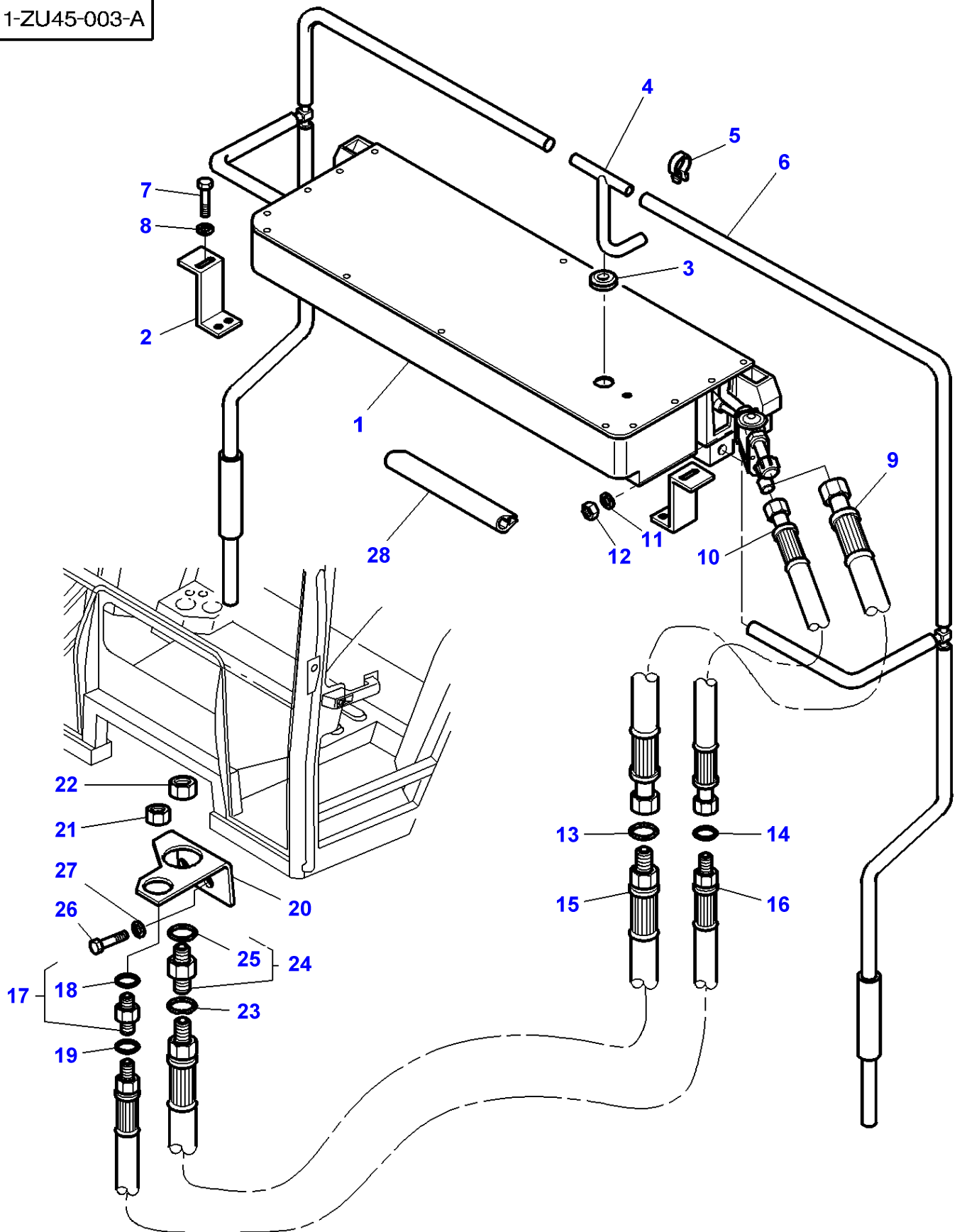
Item	Part Number	Qty	Description	Comments
1	3713375M2	1	Air Conditioner	
2	3777614M1	2	Tube	Diameter 15,9-23MM Length 150MM
3	3777616M1	2	Hose	Diameter 15,9-23MM Length 195MM
4	3000483X1	4	Clamp	Diameter 12-22MM
5	3777613M1	2	Hose	Diameter 15,9-23MM Length 60MM
6	3388779M1	2	Union	Diameter 16-16-08MM
7	3713470M1	2	Hose	Diameter 08-12 Length 165MM
8	3777744M1	2	Tube	Diameter 8MM Length 1500MM
9	3010473X1	2	O Ring	
10	3010471X1	2	O Ring	
11	3714143M1	1	Hydr Hose	
12	3714246M1	1	Hydr Hose	
13	3010502X1	1	O Ring	
14	368544X1	1	Union	
15	3600218M1	1	Joint.	(14)
16	3010474X1	1	O Ring	
17	368523X1	1	Union	
18	3600219M1	1	Joint.	(17)
19	3713615M1	1	Support	
20	339124X1	2	Hex. Sock. Screw	M8X16
21	390972X1	2	Washer Metric	
22	1691973M1	1	Nut	
23	1691972M1	1	Nut	
24	3713462M1	1	Hydr Hose	
25	3714144M1	1	Hydr Hose	
26	3010683X1	2	Teepiece	Diameter 16-16-16MM
27	3777741M1	2	Hose	Diameter 16MM Length 490MM
28	3777737M1	2	Plug	
29	3582094M1	1	Tie	
30	3581507M1	1	Clamp	
31	3784596M1	1	Gasket	55x165x19

1-ZU45-002-B



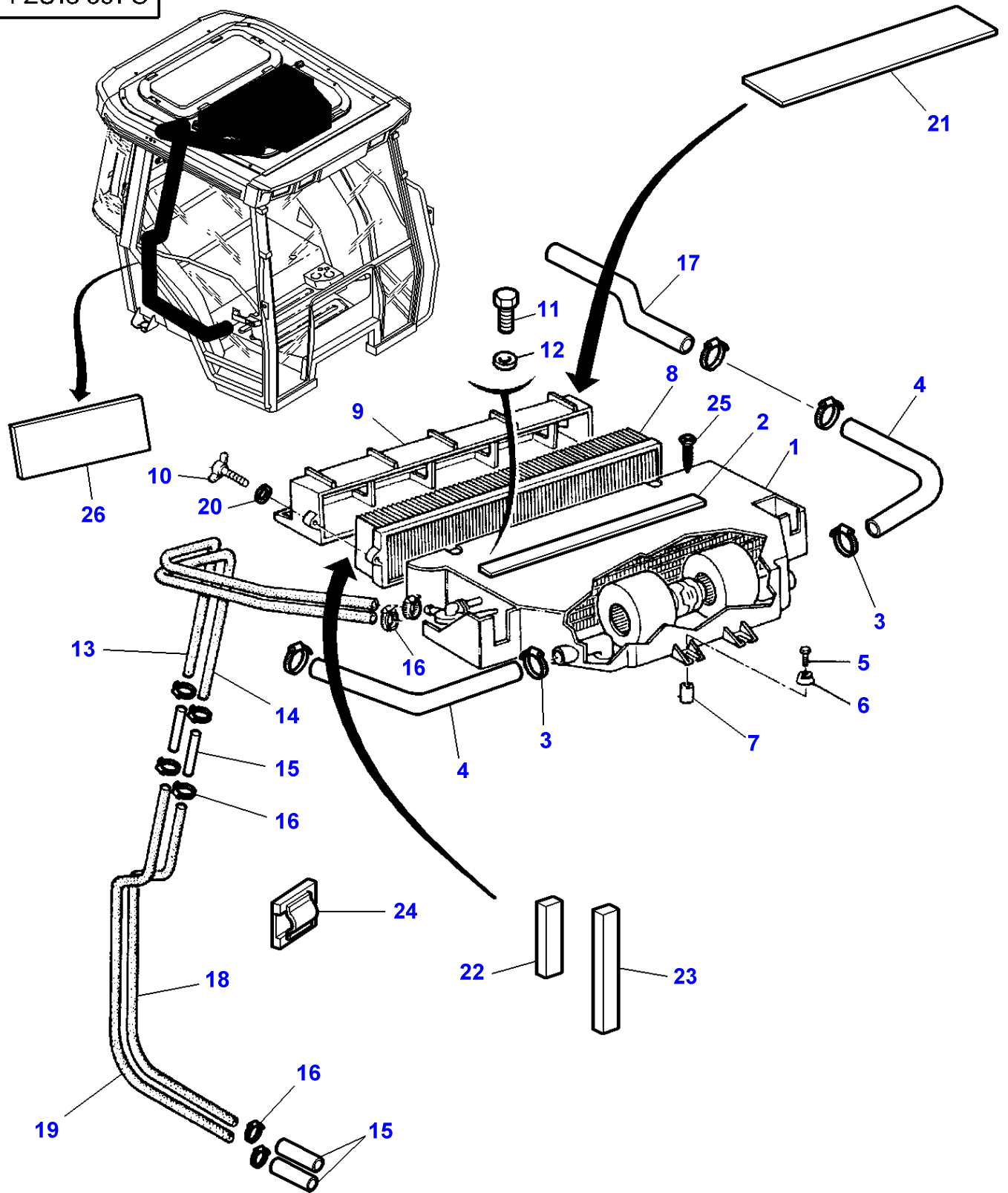
Item	Part Number	Qty	Description	Comments
1	3778116M4	1	Air Conditioner	See Page - Reference Number 110-0185/1
2	3778321M1	2	Strap	
3	3714694M1	1	Grommet	
4	3779905M2	1	Teepiece	
5	3779906M1	1	Clamp	
6	3779892M91	1	Tube	Left Hand
	3779893M91	1	Tube	Right Hand
7	339124X1	2	Hex. Sock. Screw	
8	391039X1	2	Washer Metric	
9	3777707M1	1	Hydr Hose	
10	3777708M1	1	Hydr Hose	
11	391039X1	2	Washer Metric	
12	390345X1	2	Nut Metric	
13	3010471X1	1	O Ring	
14	3010473X1	1	O Ring	
15	3714246M1	1	Hydr Hose	
16	3714143M1	1	Hydr Hose	
17	368523X1	1	Union	
18	3600219M1	1	Joint.	(17)
19	3010474X1	1	O Ring	
20	3713373M4	1	Support	
21	1691972M1	1	Nut	
22	1691973M1	1	Nut	
23	3010502X1	1	O Ring	
24	368544X1	1	Union	
25	3600218M1	1	Joint.	(24)
26	339124X1	2	Hex. Sock. Screw	M8X16
27	339374X1	2	Lock Washer	

1-ZU45-003-A



Item	Part Number	Qty	Description	Comments
1	3784656M1	1	Air Conditioner	See Page - Reference Number 110-0190/1 MAGNETI MARELLI
2	3778321M1	2	Strap	
3	3714694M1	1	Grommet	
4	3779905M2	1	Teepiece	
5	3779906M1	1	Clamp	
6	3785719M91	1	Tube	Left Hand
	3785720M91	1	Tube	Right Hand
7	339124X1	2	Hex. Sock. Screw	
8	391039X1	2	Washer Metric	
9	3784604M3	1	Hydr Hose	
10	3784605M1	1	Hydr Hose	
11	391039X1	2	Washer Metric	
12	390345X1	2	Nut Metric	
13	3010471X1	1	O Ring	
14	3010473X1	1	O Ring	
15	3714246M1	1	Hydr Hose	
16	3714143M1	1	Hydr Hose	
17	368523X1	1	Union	
18	3600219M1	1	Joint.	(17)
19	3010474X1	1	O Ring	
20	3713373M4	1	Support	
21	1691972M1	1	Nut	
22	1691973M1	1	Nut	
23	3010502X1	1	O Ring	
24	368544X1	1	Union	
25	3600218M1	1	Joint.	(24)
26	339124X1	2	Hex. Sock. Screw	M8X16
27	339374X1	2	Lock Washer	
28	3580695M1	1	Gasket	Length 1600MM

1-ZU13-001-C



Tractor Cab - Heater Hoses

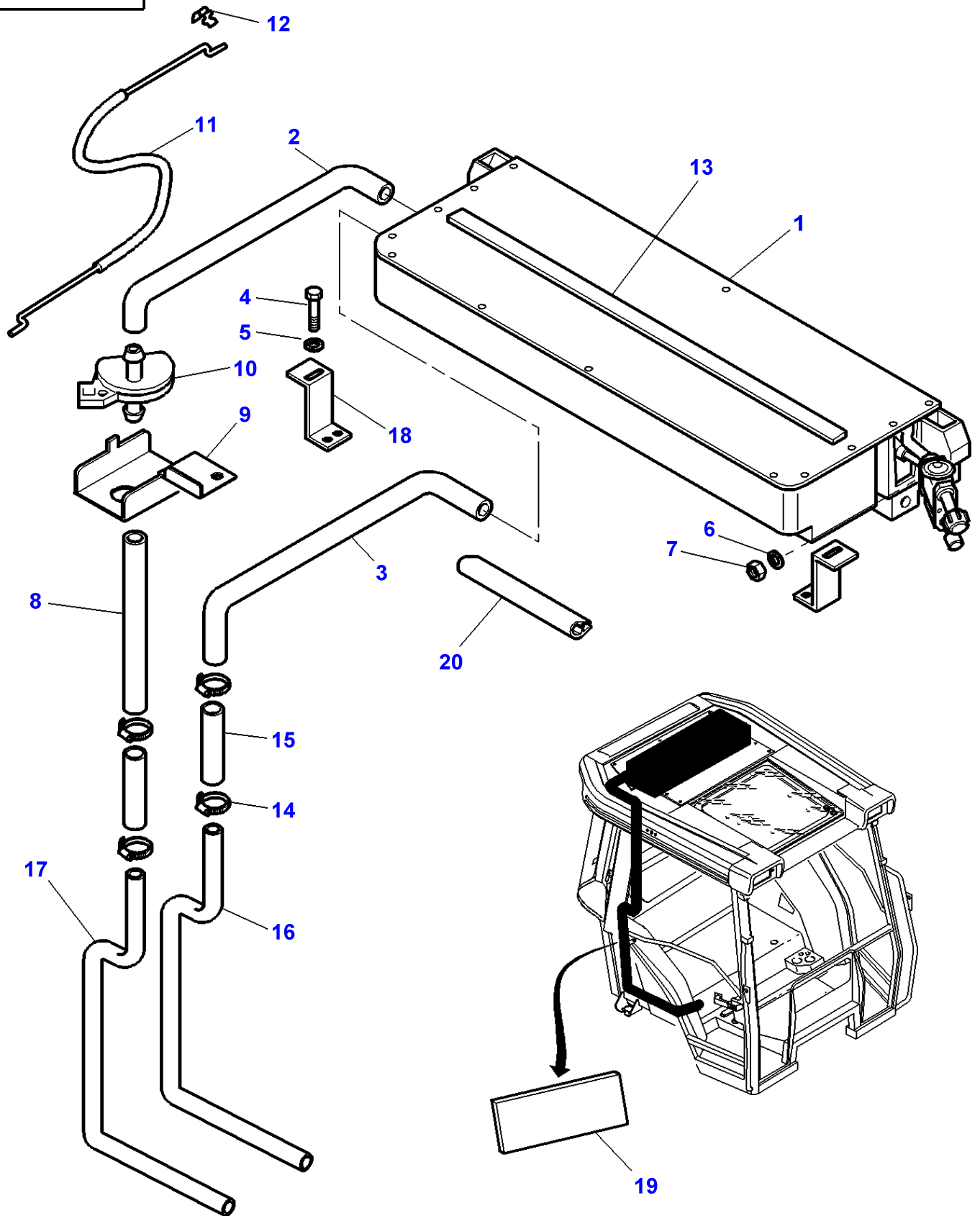
Item	Part Number	Qty	Description	Comments
1	3713375M2	1	Air Conditioner	[A]
	3713374M1	1	Boot	[B]
2	3713745M1	1	Gasket	15X05X1950
3	338616X1	8	Hose Clip	Diameter 32X50
4	3387515M1	2	Hose	
5	339009X1	4	Hex. Sock. Screw	M8X35
6	3387512M1	8	Buffer	
7	3387513M1	4	Spacer	
8	3388840M2	1	Cab Filter	
	3389746M1	1	Cab Filter	[C]
9	3388743M1	1	Frame Assy	
10	3388758M2	2	Wingbolt	M6X60
				Up to Serial or Engine Number J265017
	3783455M1	2	Screw	M6X60
				From Serial or Engine Number J265018
11	339160X1	1	Screw	M5X10
12	390469X1	1	Washer Metric	
13	3714872M1	1	Hose	Length 1000MM
14	3714871M1	1	Hose	Length 900MM
15	3713469M1	4	Tube	
16	3019564X1	8	Hose Clip	Diameter 16-27
17	3713461M1	2	Hose	
18	3779739M1	1	Hose	Length 1670MM
19	3787686M1	1	Hose	Length 2450MM
20	391038X1	2	Washer	Up to Serial or Engine Number J265017
21	3778497M2	1	Foam	915X150X12MM
22	3778658M1	1	Gasket	38X13X60MM
23	3778659M1	1	Gasket	38X13X80MM
24	3582094M1	1	Tie	
25	380026X1	9	Screw	16X3,5
26	3784596M1	4	Gasket	165X55X19MM

FOOTNOTE [A] WITH CONDITIONED AIR

FOOTNOTE [B] WITHOUT CONDITIONED AIR

FOOTNOTE [C] CARBON FILTER

1-ZU13-002-C



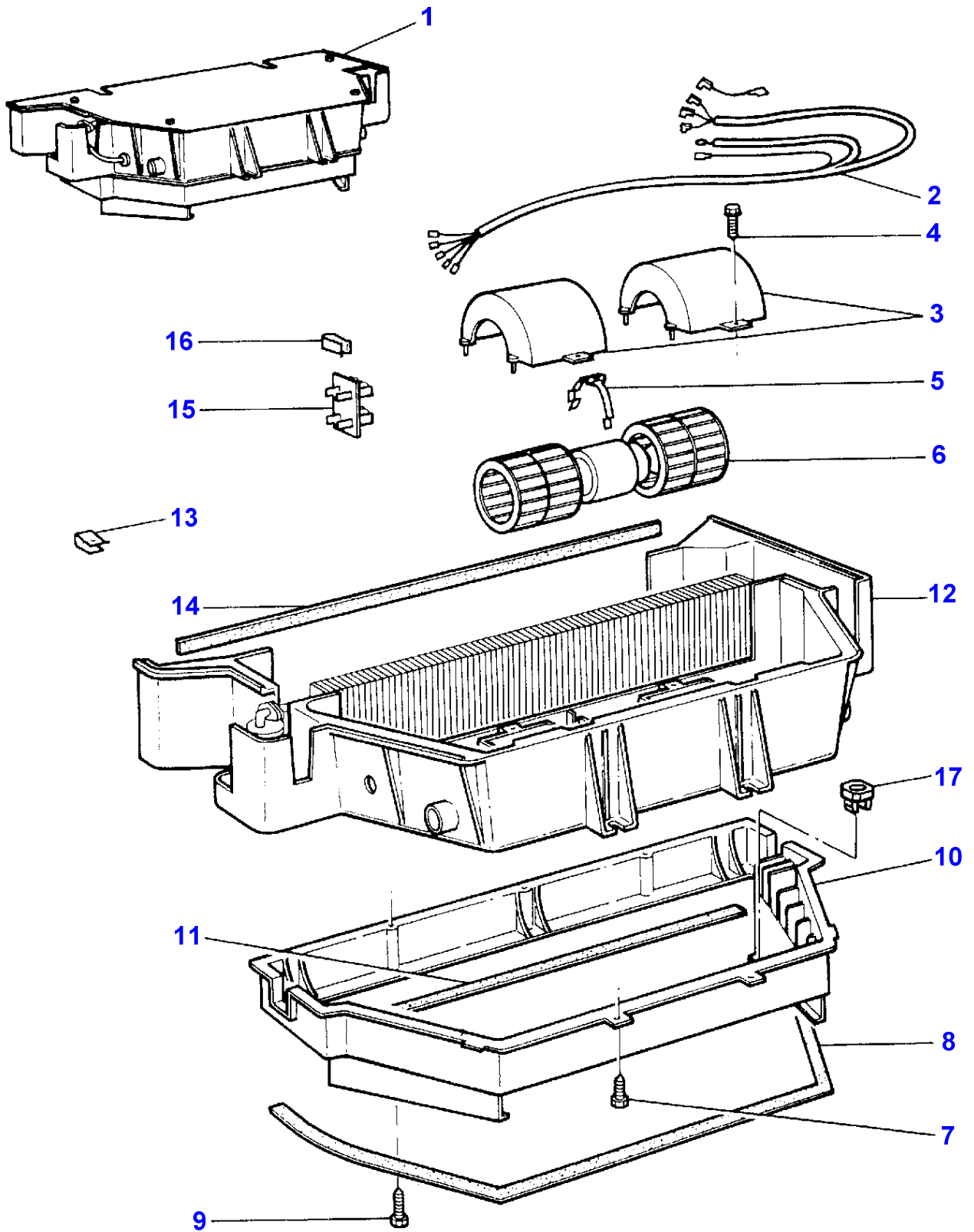
Tractor Cab - Heater Hoses - With High Visibility Roof

Item	Part Number	Qty	Description	Comments
1	3778116M4	1	Air Conditioner	[A] See Page - Reference Number 110-0185/1 Up to Serial or Engine Number J348039
	3784656M1	1	Air Conditioner	[A] See Page - Reference Number 110-0190/1 From Serial or Engine Number J348040
	3778115M2	1	Heater	[B] See Page - Reference Number 110-0165/1 Up to Serial or Engine Number K015006
	3784655M1	1	Heater	[B] See Page - Reference Number 110-0170/1 From Serial or Engine Number K015007
2	3777712M1	1	Hose	[A] Up to Serial or Engine Number J348039
	3777712M1	1	Hose	[B] Up to Serial or Engine Number K015006
	3784602M1	1	Hose	[A] From Serial or Engine Number J348040
	3784602M1	1	Hose	[B] From Serial or Engine Number K015007
3	3777711M1	1	Hose	[B] Up to Serial or Engine Number K015006
	3784603M1	1	Hose	[A] From Serial or Engine Number J348040
	3784603M1	1	Hose	[B] From Serial or Engine Number K015007
4	339124X1	2	Hex. Sock. Screw	M8X16
5	391039X1	2	Washer Metric	
6	391039X1	2	Washer Metric	
7	390345X1	2	Nut Metric	
8	3778361M1	1	Water Hose	Length 500MM
9	3778366M2	1	Support	
10	1694047M1	1	Cock	
11	3902700M2	1	Cable	
12	1696477M1	1	Clip	
13	3713745M1	1	Gasket	15X05X1950
14	3000483X1	4	Clamp	
15	3713469M1	2	Tube	
16	3779739M1	1	Hose	Length 1670MM
17	3714873M1	1	Hose	Length 2350MM
18	3778321M1	2	Strap	
19	3784596M1	4	Gasket	165X55X19MM
20	3580695M1	1	Gasket	Length 1600MM

FOOTNOTE [A] WITH CONDITIONED AIR

FOOTNOTE [B] WITHOUT CONDITIONED AIR

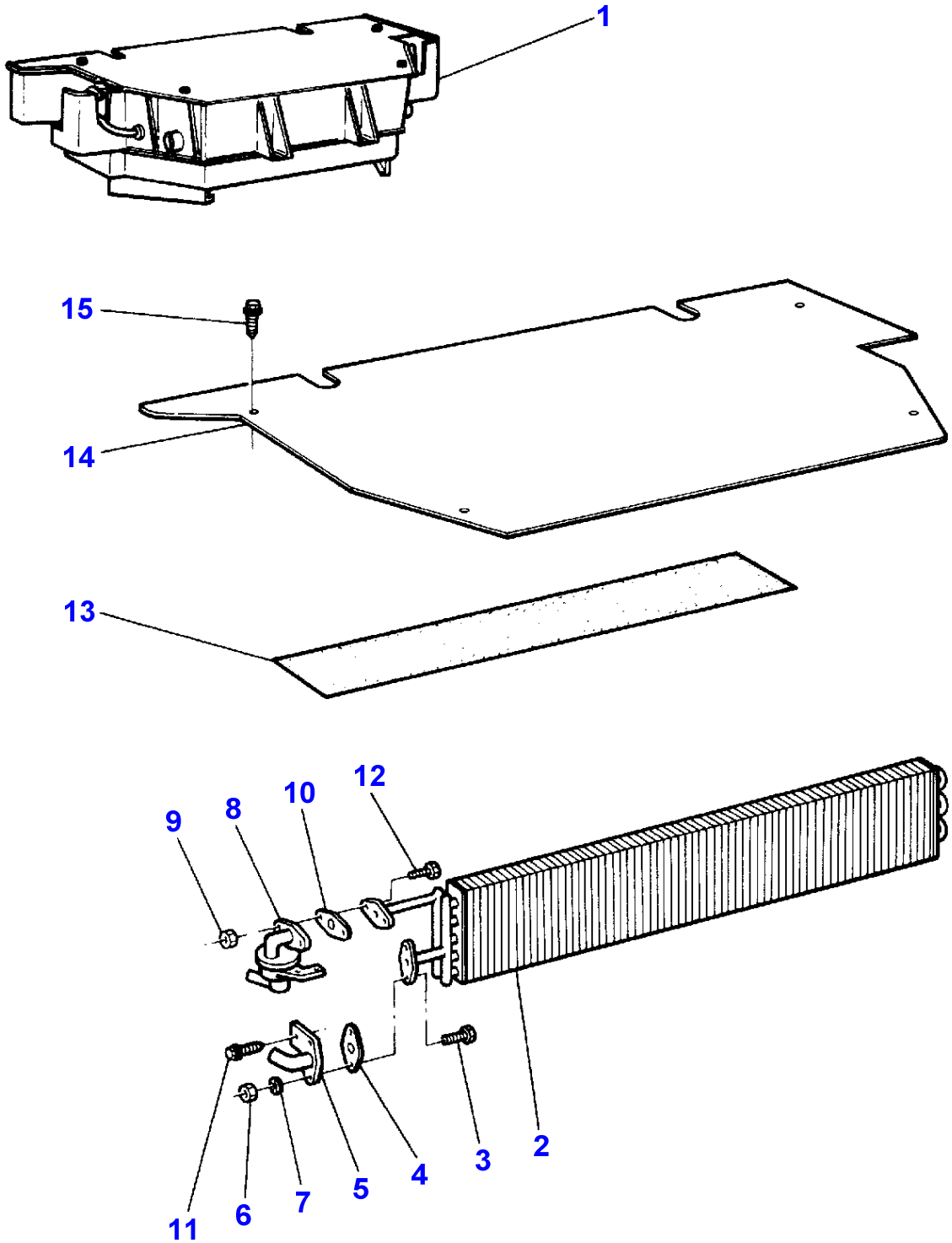
1-ZU12-002-A



Tractor Cab - Heater

Item	Part Number	Qty	Description	Comments
1	3713374M1	1	Boot	
2	3310850M1	1	Harness	(1)
3	3310833M1	2	Cover	(1)
4	3310837M1	4	Screw	(1)
5	3902320M1	1	Strap	(1)
6	3310831M91	1	Motor	(1)
7	3310837M1	6	Screw	(1)
8	3902322M1	1	Foam	(1)
9	3310841M1	3	Screw	(1)
10	3310840M1	1	Housing	(1)
11	3310843M1	1	Foam	(1)
12	3310848M1	1	Housing	(1)
13	3310842M1	9	Strap	(1)
14	3310849M1	1	Foam	(1)
15	3304510M92	1	Resistor	(1)
16	3310834M1	1	Strap	(1)
17	3583649M1	1	Nut Special	

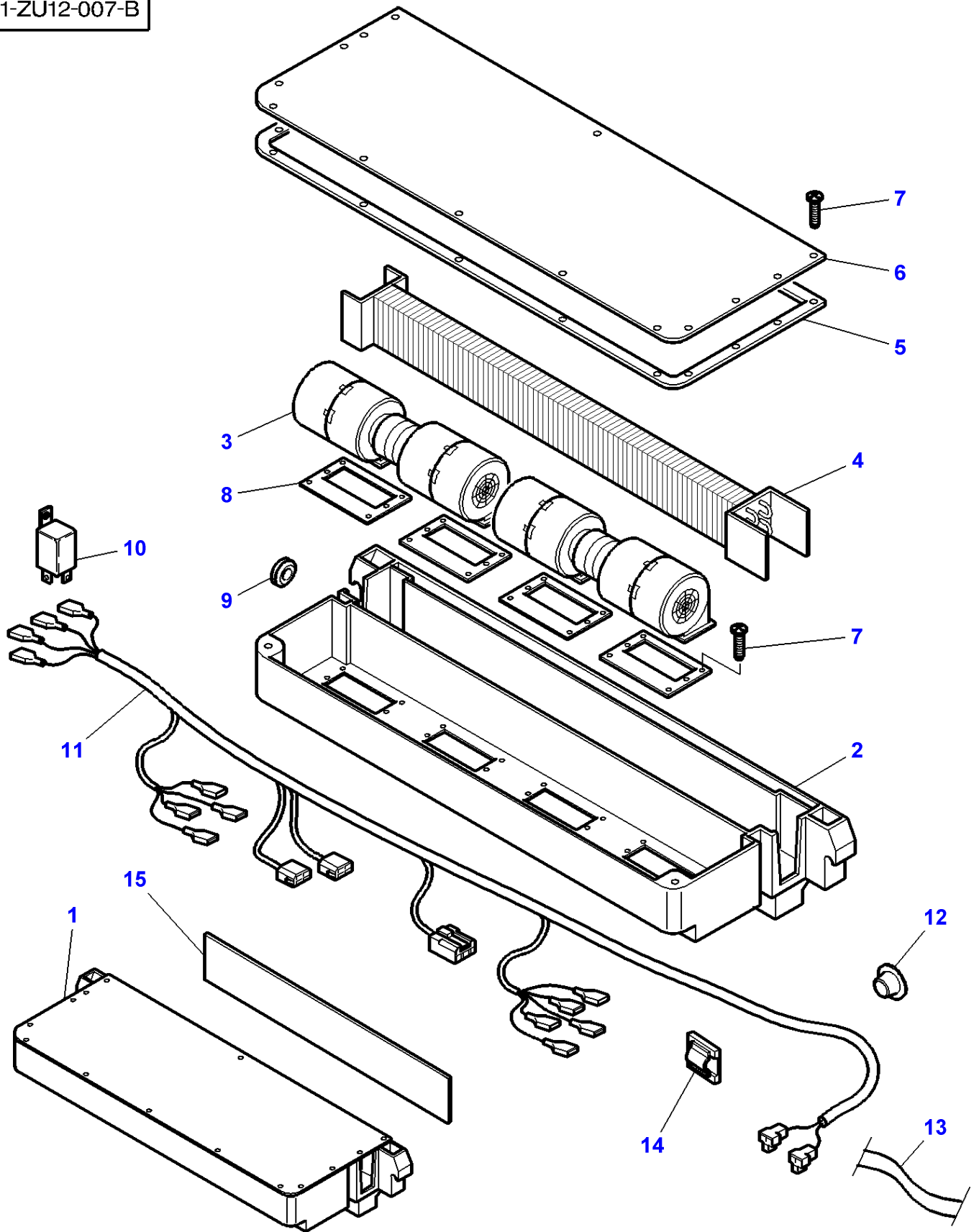
1-ZU12-003-A



Tractor Cab - Heater

Item	Part Number	Qty	Description	Comments
1	3713374M1	1	Boot	
2	3310827M92	1	Radiator	(1)
3	3902089M1	2	Screw	(1)
4	3902327M1	1	Gasket	(1)
5	3310946M1	1	Elbow	(1)
6	3902090M1	2	Nut	(1)
7	3902090M1	2	Nut	(1)
8	3310945M1	1	Cock	(1)
9	3902090M1	2	Nut	(1)
10	3902327M1	1	Gasket	(1)
11	3902089M1	1	Screw	(1)
12	3902089M1	2	Screw	(1)
13	3902332M1	1	Foam	(1)
14	3310839M1	1	Plate	(1)
15	3310837M1	5	Screw	(1)

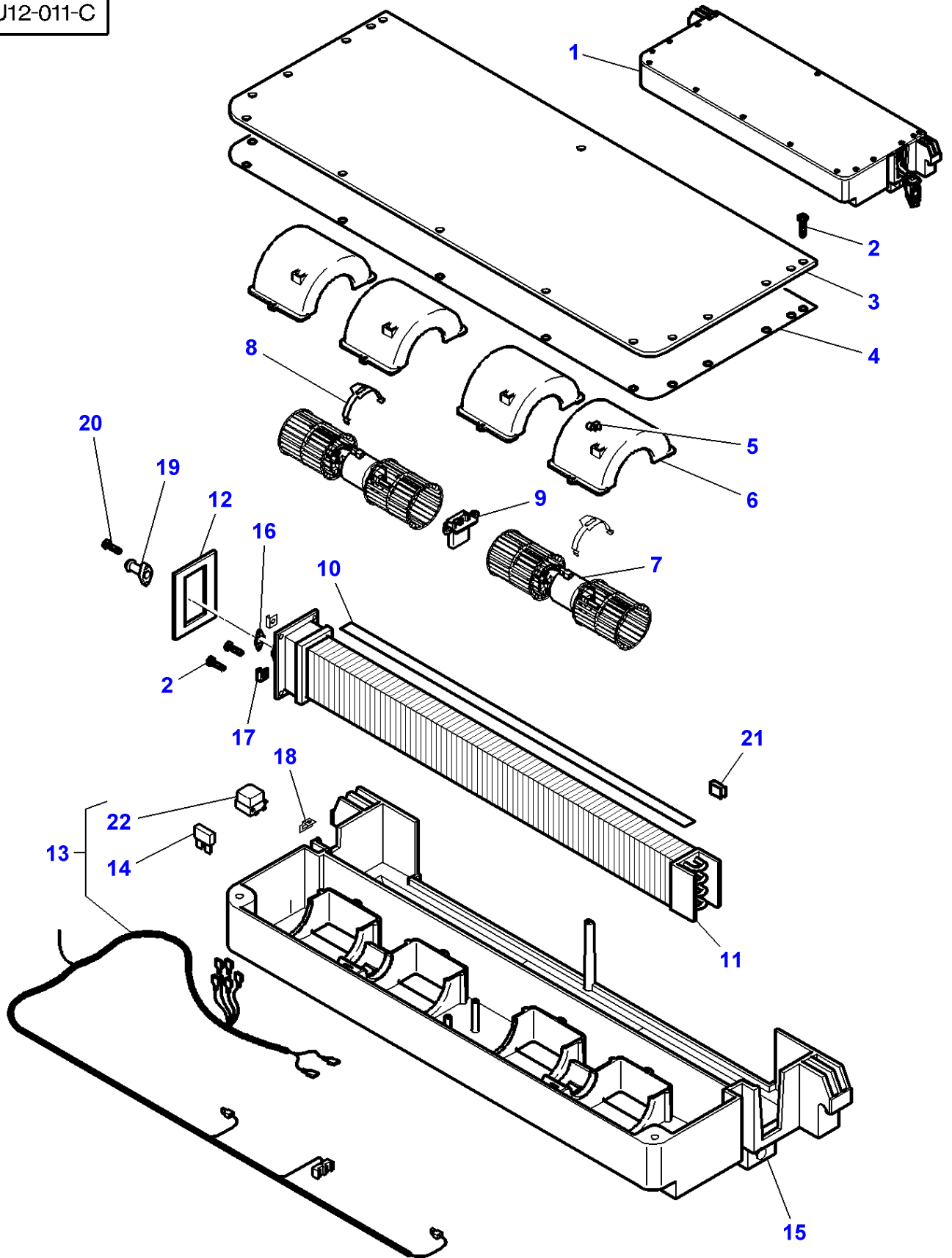
1-ZU12-007-B



Item	Part Number	Qty	Description	Comments
1	3778115M2	1	Heater	
2	3901499M1	1	Housing	(1)
3	3901501M91	2	Blower	(1) Up to Serial or Engine Number J207026
	3904158M91	2	Blower	[A] (1) From Serial or Engine Number J207027
4	3901502M1	1	Radiator	(1)
5	3901506M1	1	Seal	(1)
6	3901500M1	1	Plate	(1)
7	3902719M1	26	Screw	(1)
8	3901505M1	4	Seal	(1) Up to Serial or Engine Number J207026
	3901980M1	4	Gasket	(1) From Serial or Engine Number J207027
9	3901503M1	1	Grommet	(1)
10	3611893M1	1	Relay	(1)
11	3902720M91	1	Harness	(1) Up to Serial or Engine Number J207026
	3904163M91	1	Harness	(1) From Serial or Engine Number J207027
12	3901512M1	2	Cap	(1)
13	3901504M1	1	Tape	(1) Length 0.10M
14	3582094M1	4	Tie	
15	3901983M1	1	Seal	(1) From Serial or Engine Number J207027 670 X 50 X 3MM

FOOTNOTE [A] WITH RESISTOR

1-ZU12-011-C



Massey Ferguson**MF 8210/8220 TRACTORS - 1637365**

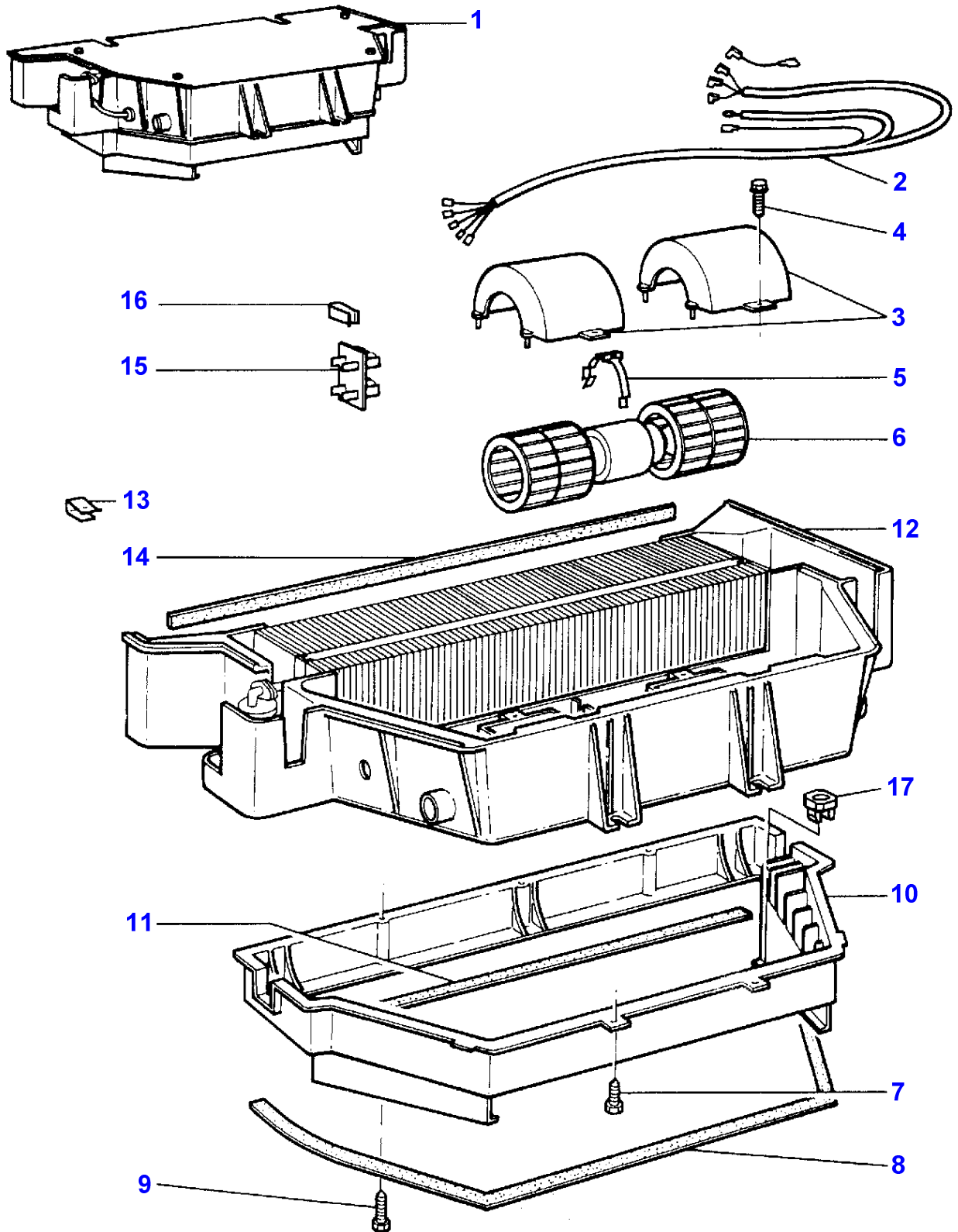
1637365

Tractor Cab - Heater - With High Visibility Roof - From K015007

Page 110-0170

Item	Part Number	Qty	Description	Comments
1	3784655M1	1	Heater	MAGNETI MARELLI
2	3810819M1	29	Screw	(1) 3.5 X 16
3	3904291M1	1	Cover	(1)
4	3904293M1	1	Seal	(1)
5	3904307M1	2	Clip	(1)
6	3904294M1	4	Cover	(1)
7	3904296M1	2	Blower	(1)
8	3904297M1	2	Spring Clip	(1)
9	3904295M1	1	Resistor	(1)
10	3904318M1	1	Gasket	(1)
11	3904324M1	1	Radiator	(1)
12	3904317M1	1	Gasket	(1)
13	3904312M1	1	Harness	(1)
14	3904334M1	1	Fuse	(13) 50A
15	3904290M1	1	Housing	(1)
16	3902327M1	1	Gasket	(1)
17	3902090M1	2	Nut	(1)
18	3904304M1	1	Bracket	(1)
19	3904314M1	1	Union	(1)
20	3904319M1	2	Screw	(1)
21	3310834M1	1	Strap	(1)
22	3611893M1	1	Relay	(13) 12v - 40Amp Replace and repair. Old not interchangeable with new 3904552M1

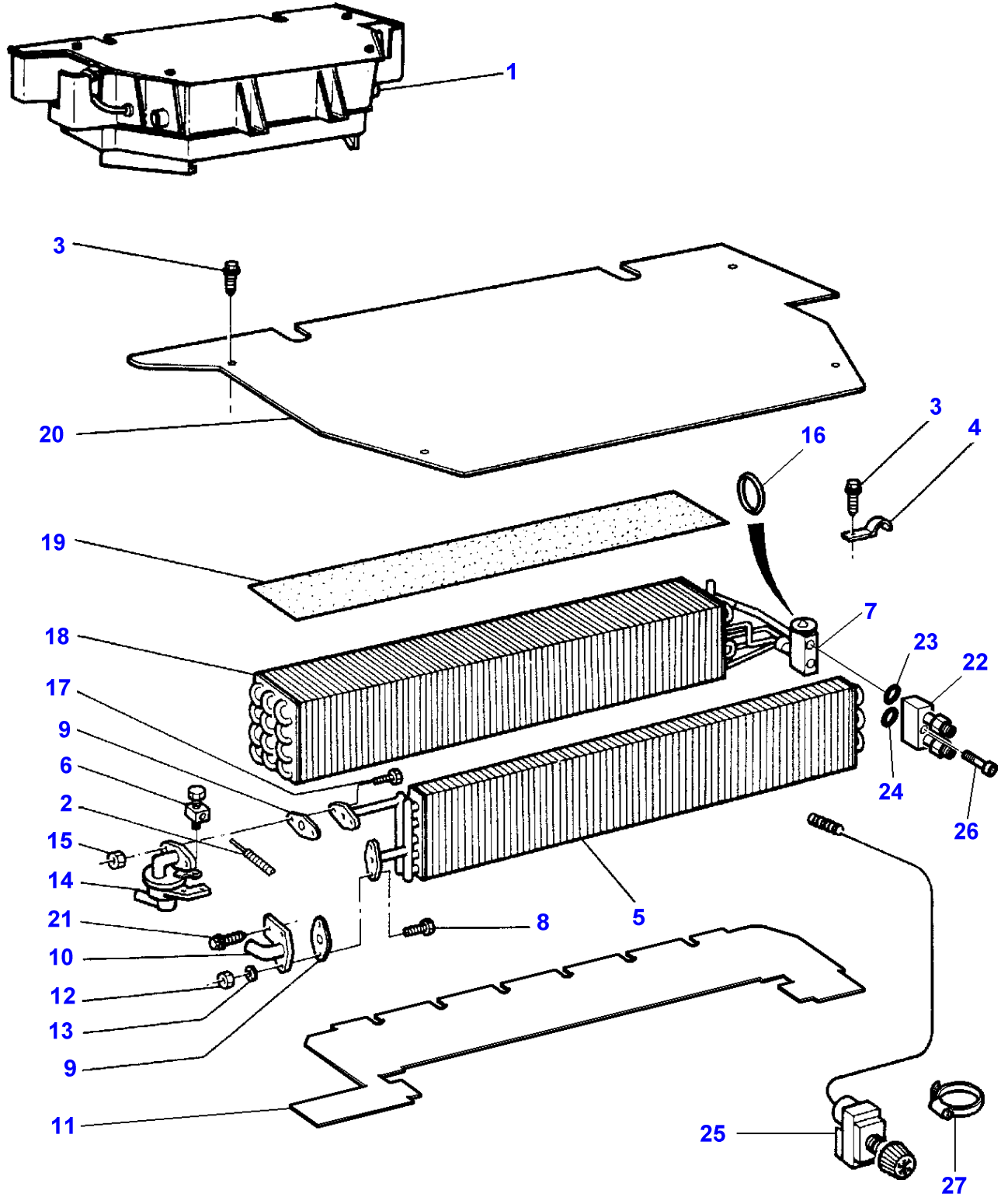
1-ZU44-001-A



Air Conditioner

Item	Part Number	Qty	Description	Comments
1	3713375M2	1	Air Conditioner	
2	3902318M91	1	Harness	(1)
3	3310833M1	2	Cover	(1)
4	3310837M1	4	Screw	(1)
5	3902320M1	1	Strap	(1)
6	3310831M91	1	Motor	(1)
7	3310837M1	6	Screw	(1)
8	3902322M1	1	Foam	(1)
9	3310841M1	3	Screw	(1)
10	3310840M1	1	Housing	(1)
11	3310843M1	1	Foam	(1)
12	3310825M1	1	Housing	(1)
13	3310842M1	9	Strap	(1)
14	3310849M1	1	Foam	(1)
15	3304510M92	1	Resistor	(1)
16	3310834M1	1	Strap	(1)
17	3583649M1	1	Nut Special	(1)

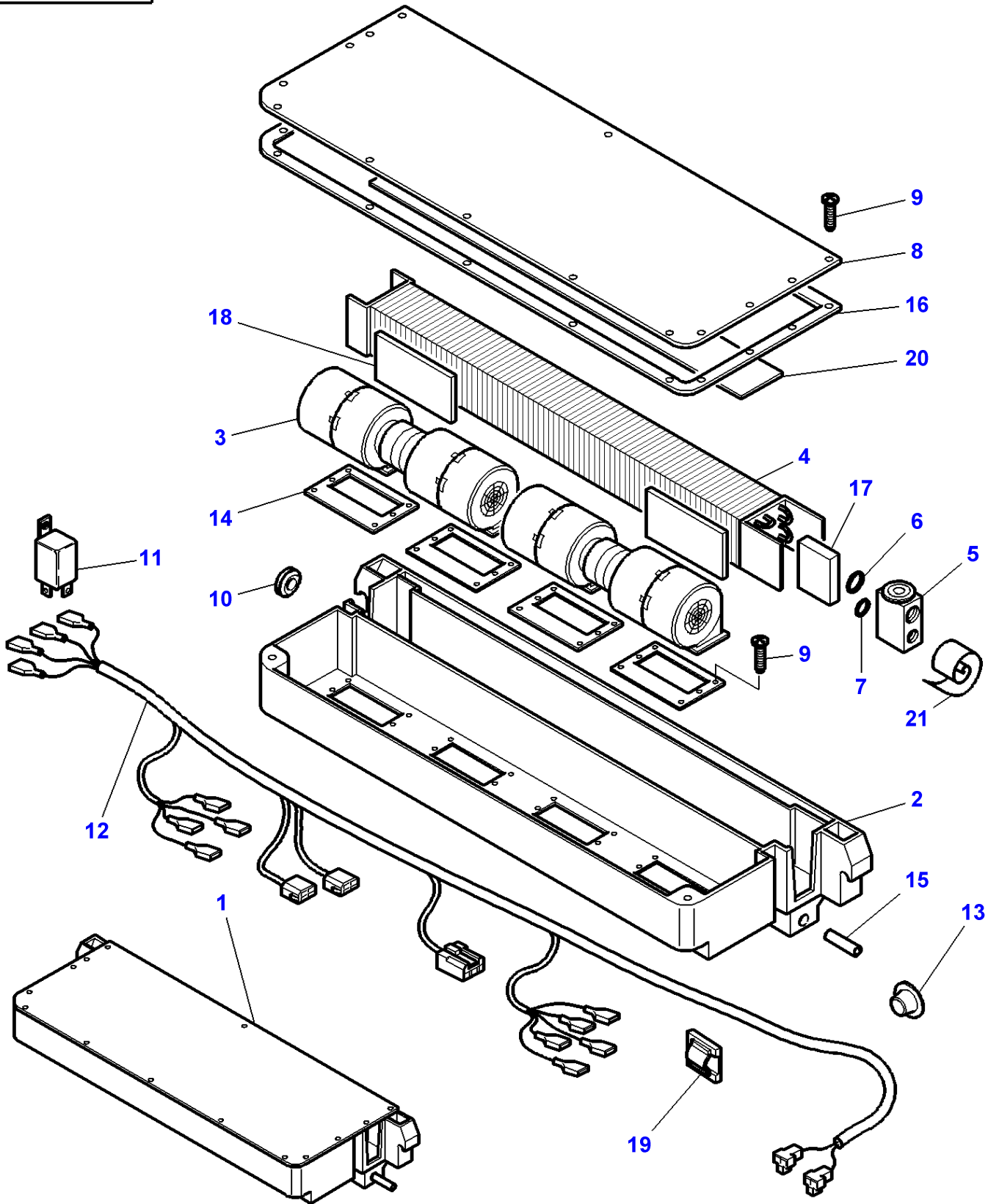
1-ZU44-002-A



Air Conditioner

Item	Part Number	Qty	Description	Comments
1	3713375M2	1	Air Conditioner	
2	3902212M2	1	Cable	
3	3310837M1	6	Screw	(1)
4	3310836M1	1	Strap	(1)
5	3310827M92	1	Radiator	(1)
6	3311579M91	1	Union	(1)
7	3902334M91	1	Regulator	(1)
8	3902089M1	2	Screw	(1)
9	3902327M1	2	Gasket	(1)
10	3310946M1	1	Elbow	(1)
11	3902329M2	1	Plate	(1)
12	3902090M1	2	Nut	(1)
13	3902090M1	2	Nut	(1)
14	3310945M1	1	Cock	(1)
15	3902090M1	2	Nut	(1)
16	3902499M1	1	Gasket	(1)
				Diameter 6,7MM
	3902500M1	3	Gasket	(1)
				Diameter 13,4MM
17	3902089M1	2	Screw	(1)
18	3902331M91	1	Evaporator	(1)
19	3902332M1	1	Foam	(1)
20	3310839M1	1	Plate	(1)
21	3902089M1	2	Screw	(1)
22	3902549M91	1	Connection	(1)
23	3902550M1	1	O Ring	(1)
				Diameter 6,7X1,8MM
24	3902551M1	1	O Ring	(1)
				Diameter 13,4X2,4MM
25	3310669M92	1	Thermostat	(1)
26	3015257X1	2	Screw Metric	(1)
				M6X55
27	3000483X1	2	Clamp	

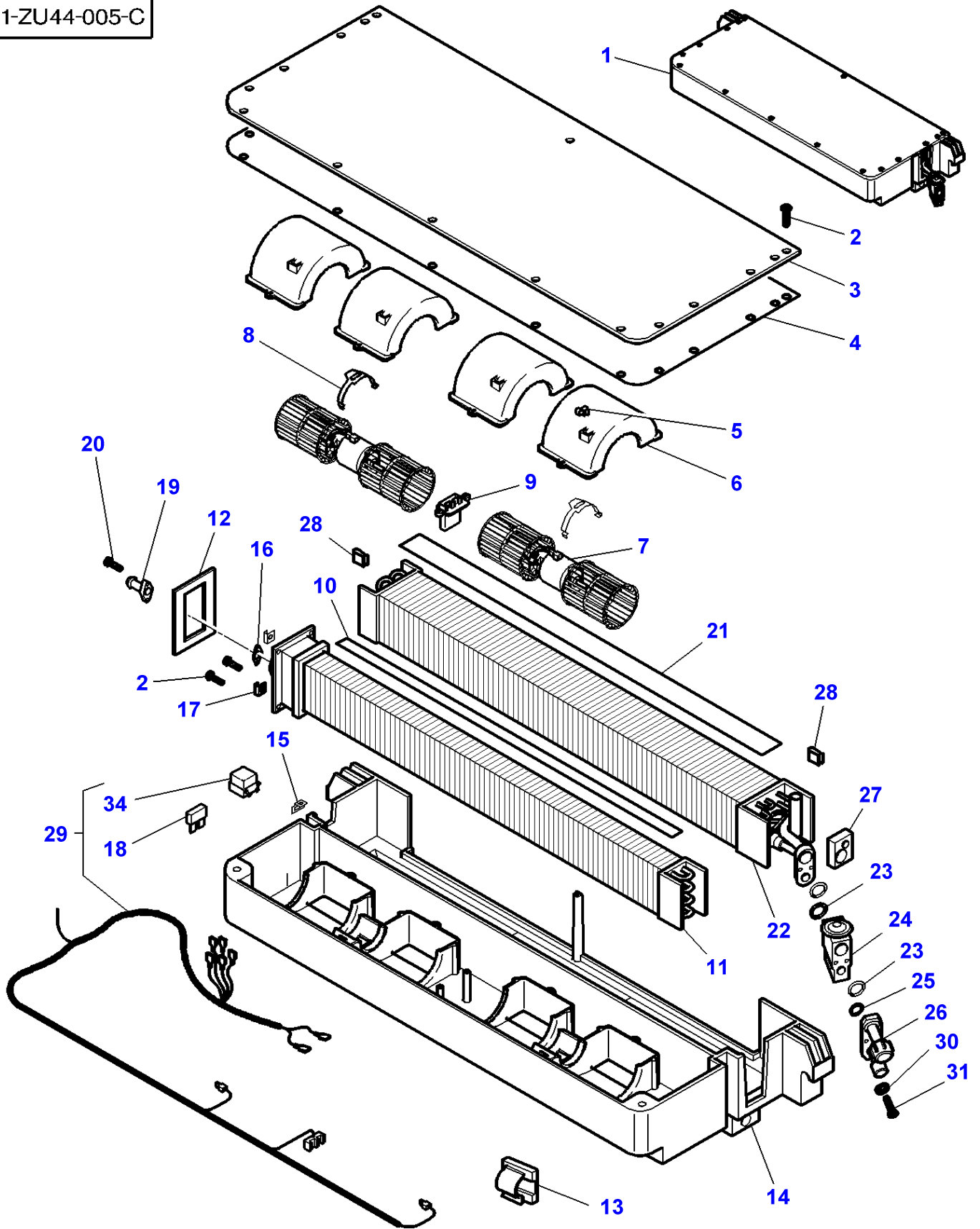
1-ZU44-003-B



Item	Part Number	Qty	Description	Comments
1	3778116M4	1	Air Conditioner	
2	3901499M1	1	Housing	(1)
3	3901501M91	2	Blower	(1) Up to Serial or Engine Number J150022
	3904158M91	2	Blower	[A] (1) From Serial or Engine Number J150023
4	3901516M1	1	Evaporator	(1) Up to Serial or Engine Number J150022
	3904159M1	1	Evaporator	(1) From Serial or Engine Number J150023
5	3901517M1	1	Pressure Valve	(1)
6	3901518M1	1	O Ring	(1)
7	3901519M1	1	O Ring	(1)
8	3901500M1	1	Plate	(1) Up to Serial or Engine Number G135016
	3903196M1	1	Plate	(1) From Serial or Engine Number G135017
9	3902719M1	26	Screw	(1)
10	3901503M1	1	Grommet	(1)
11	3611893M1	1	Relay	(1)
12	3902720M91	1	Harness	(1) Up to Serial or Engine Number J150022
	3904163M91	1	Harness	(1) From Serial or Engine Number J150023
13	3901512M1	2	Cap	(1)
14	3901505M1	4	Seal	(1) Up to Serial or Engine Number J150022
	3901980M1	4	Gasket	(1) From Serial or Engine Number J150023
15	3901515M2	2	Tube	(1)
16	3901513M1	1	Seal	(1)
17	3901822M1	1	Seal	(1)
18	3901823M1	2	Pad	(1) Up to Serial or Engine Number J150022
	3904161M1	2	Pad	(1) From Serial or Engine Number J150023
19	3582094M1	4	Tie	(1)
20	3904164M1	1	Insulation	(1) Length 1M
21	3904160M1	1	Seal	(1)

FOOTNOTE [A] WITH RESISTOR

1-ZU44-005-C

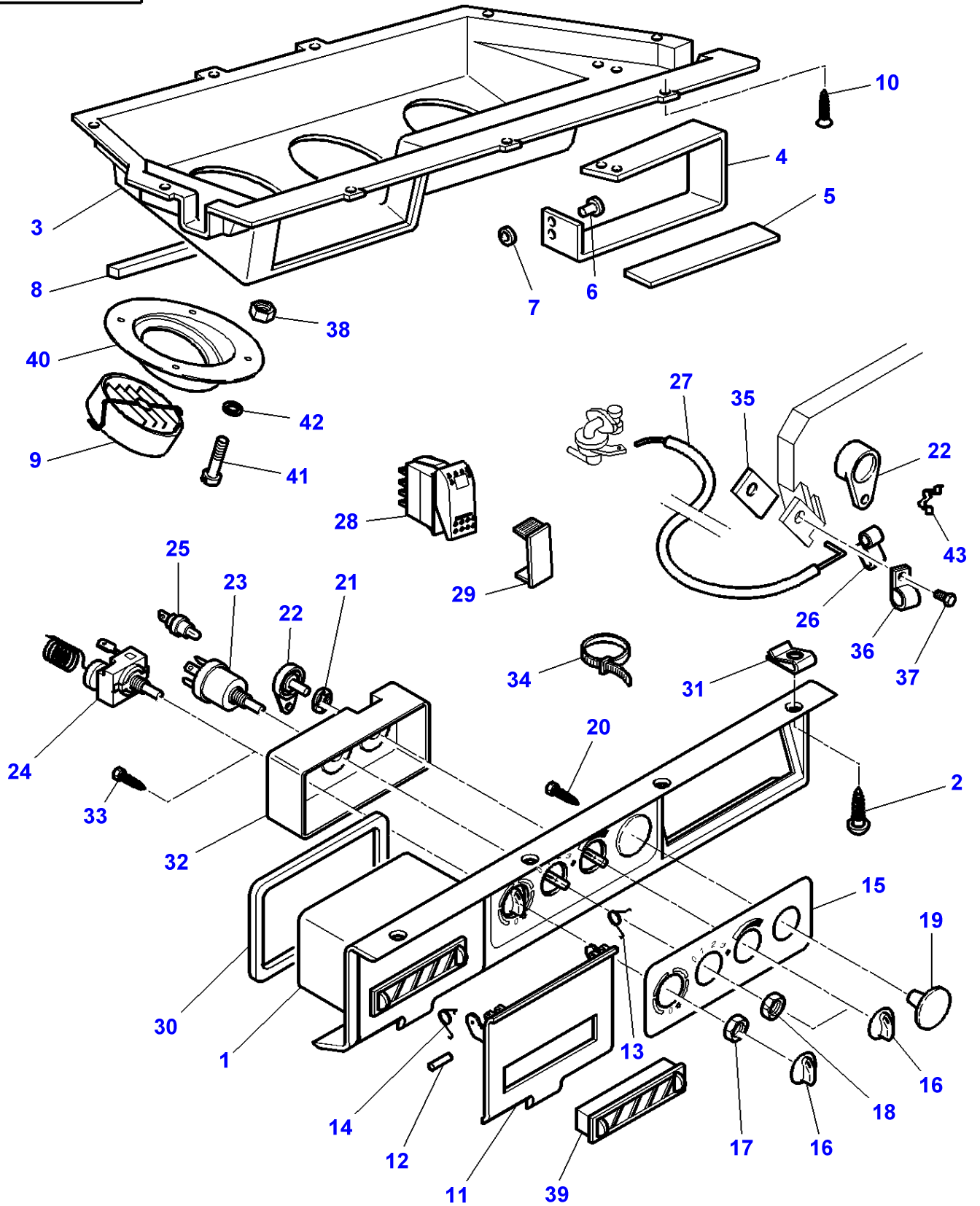


Air Conditioner - With High Visibility Roof - From J348040

Item	Part Number	Qty	Description	Comments
1	3784656M1	1	Air Conditioner	MAGNETI MARELLI
2	3810819M1	29	Screw	(1) 3.5 X 16
3	3904292M1	1	Cover	(1)
4	3904293M1	1	Seal	(1)
5	3904307M1	2	Clip	(1)
6	3904294M1	4	Cover	(1)
7	3904296M1	2	Blower	(1)
8	3904297M1	2	Spring Clip	(1)
9	3904295M1	1	Resistor	(1)
10	3904318M1	1	Gasket	(1)
11	3904324M1	1	Radiator	(1)
12	3904317M1	1	Gasket	(1)
13	3582094M1	4	Tie	
14	3904289M1	1	Housing	(1)
15	3904304M1	1	Bracket	(1)
16	3902327M1	1	Gasket	(1)
17	3902090M1	2	Nut	(1)
18	3904334M1	1	Fuse	(29) 50A
19	3904314M1	1	Union	(1)
20	3904319M1	2	Screw	(1)
21	3904321M1	1	Gasket	(1)
22	3904325M1	1	Evaporator	(1)
23	3902551M1	3	O Ring	(1) Diameter 13.4MM
24	3902334M91	1	Regulator	(1) 2 TONS
25	3902550M1	1	O Ring	(1) Diameter 6,7MM
26	3902549M91	1	Connection	(1)
27	3904303M1	1	Seal	(1) 12v - 40Amp
28	3310834M1	2	Strap	(1)
29	3904306M1	1	Harness	(1)
30	390971X1	2	Washer	(1) M6
31	3904328M1	2	Screw	(1) M6X50
32	3904326M1	1	Screw	[A] (1)
33	3904327M1	1	Nut	[A] (1)
34	3611893M1	1	Relay	(29) Replace and repair. Old not interchangeable with new 3904552M1

FOOTNOTE [A] NOT ILLUSTRATED

1-ZU12-001-D



Tractor Cab - Heater

Item	Part Number	Qty	Description	Comments
1	3712609M3	1	Control Panel	[A] Up to Serial or Engine Number M192016
	3712609M5	1	Control Panel	[A] From Serial or Engine Number M192017
	3713532M3	1	Control Panel	[B] Up to Serial or Engine Number M239010
	3713532M5	1	Control Panel	[B] From Serial or Engine Number M239011
2	3389854M1	6	Self Tap Screws	N 10X19
	3010506X1	8	Screw	M5X16
3	3714076M2	1	Boot	
4	3714077M1	1	Support	
5	3713635M1	1	Gasket	
6	3714846M1	4	Rivet	
7	339102X1	4	Washer	
8	3713744M1	1	Gasket	10X15X1080MM
9	3388030M1	3	Louvre	
10	380026X1	9	Screw	Diameter 3.5X16
11	3902214M1	1	Gate	[A] (1) Up to Serial or Engine Number J032033
	3902214M1	1	Gate	[B] (1) Up to Serial or Engine Number J040028
	3902214M2	1	Gate	[A] (1) From Serial or Engine Number J032034
	3902214M2	1	Gate	[B] (1) From Serial or Engine Number J040029
12	3902204M1	2	Clevis Pin	(1)
13	3902203M1	1	Spring	(1)
14	3902202M1	1	Spring	(1)
15	3902215M1	1	Diffusing Lens	[B] (1)
	3902299M1	1	Diffusing Lens	[A] (1)
16	3902213M2	3	Knob	(1)
17	3902217M1	1	Nut	[A] (1) Up to Serial or Engine Number M192016
	3904310M1	1	Nut	[A] (1) From Serial or Engine Number M192017
18	3902208M1	1	Nut	[A] (1) Up to Serial or Engine Number M192016
	3904309M1	1	Nut	[A] (1) From Serial or Engine Number M192017
	3902208M1	1	Nut	[B] (1) Up to Serial or Engine Number M239010
	3904309M1	1	Nut	[B] (1) From Serial or Engine Number M239011
19	3902205M1	1	Plug	[A] (1)
	3902205M1	2	Plug	[B] (1)
20	3902218M1	1	Screw	[A] (1) M5X14
	3902218M1	2	Screw	[B] (1) M5X14
21	3902210M1	1	Washer	(1)
22	3902211M1	1	Lever	(1)
23	3310871M1	1	Commutator	(1)
24	3310669M92	1	Thermostat	[A] (1)
25	1427873M1	1	Bulb	(1)

Tractor Cab - Heater

Item	Part Number	Qty	Description	Comments
26	3902206M1	1	Spring	[A] (1) Up to Serial or Engine Number M192016
26	3902206M1	1	Spring	[B] (1) Up to Serial or Engine Number M239010
27	3902212M2	1	Cable	[A,C] (1)
27	3902212M2	1	Cable	[B,D] (1)
28	3713146M1	1	Switch,Indirect	
29	3713151M1	1	Tap	
30	3713746M1	1	Gasket	15X10X480MM
31	3389351M1	6	Nut	No 10
31	3389250M1	3	Nut	M5
32	3902591M3	1	Cover	(1)
33	365916X1	4	Self Tap Screws	(1)
34	3000483X1	2	Clamp	
35	3782904M1	1	Plate	Up to Serial or Engine Number H125001
36	3782903M1	1	Clip	Up to Serial or Engine Number H125001
37	3008179X1	1	Screw Metric	M4X10 Up to Serial or Engine Number H125001
38	3010477X1	8	Nut Metric	Up to Serial or Engine Number J349023
39	3783537M1	1	Diffuser	[A] (1) From Serial or Engine Number J032034
39	3783537M1	1	Diffuser	[B] (1) From Serial or Engine Number J040029
40	3784566M1	2	Support	Up to Serial or Engine Number J349023
41	3010506X1	8	Screw	Up to Serial or Engine Number J349023 M5X16
42	3019560X1	8	Washer	Up to Serial or Engine Number J349023
43	1696477M1	1	Clip	[A] From Serial or Engine Number M192017
43	1696477M1	1	Clip	[B] From Serial or Engine Number M239011

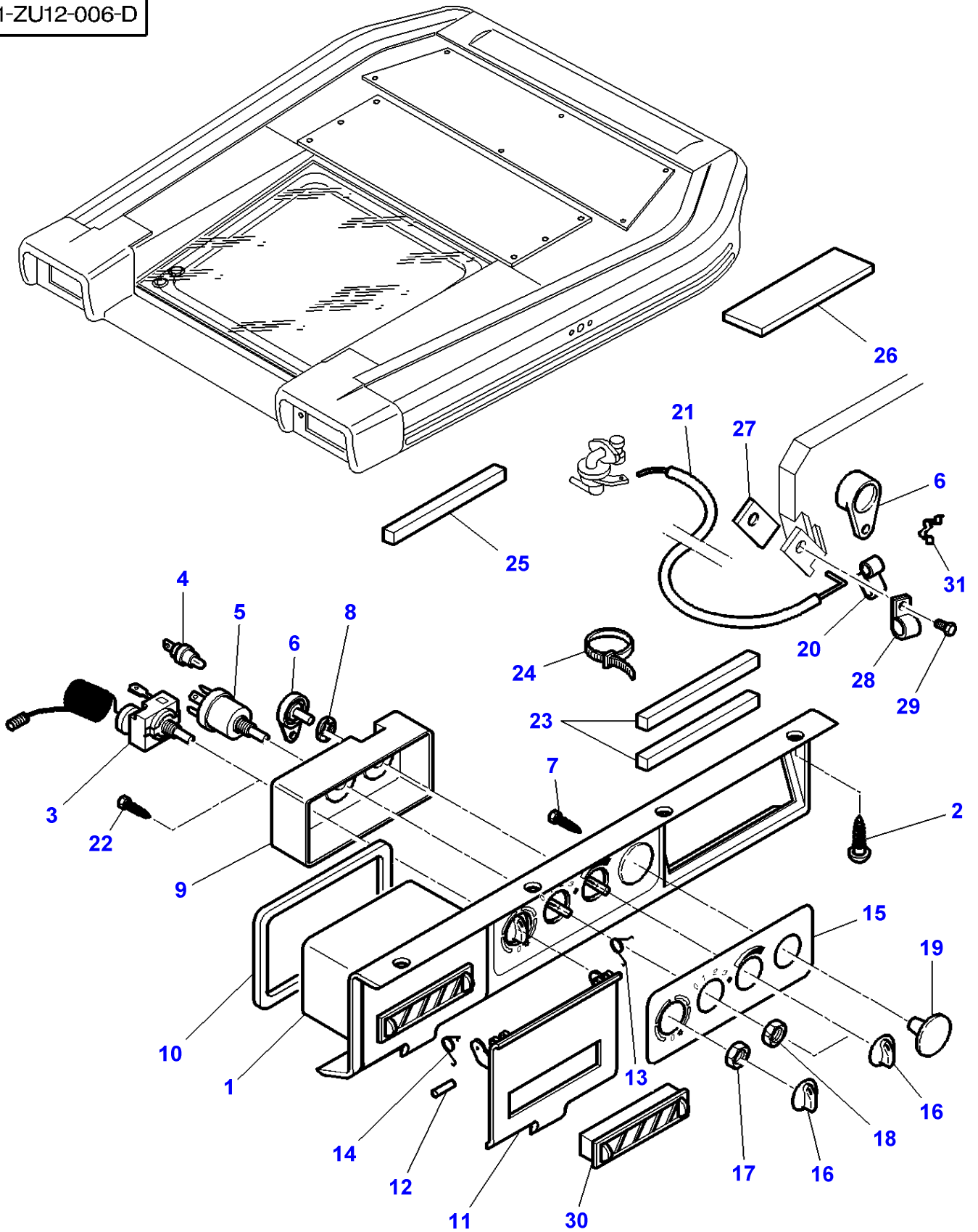
FOOTNOTE [A] WITH CONDITIONED AIR

FOOTNOTE [B] WITHOUT CONDITIONED AIR

FOOTNOTE [C] FROM M192017 PART NOT INCLUDED IN ASSEMBLY

FOOTNOTE [D] FROM M239011 PART NOT INCLUDED IN ASSEMBLY

1-ZU12-006-D



Tractor Cab - Heater - With High Visibility Roof

Item	Part Number	Qty	Description	Comments
1	3778013M3	1	Control Panel	[A] Up to Serial or Engine Number M101028
	3778013M5	1	Control Panel	[A] From Serial or Engine Number M101029
	3778073M3	1	Control Panel	[B] Up to Serial or Engine Number M134054
	3778073M5	1	Control Panel	[B] From Serial or Engine Number M134055
2	3010506X1	8	Screw	M5X16
	365925X1	8	Self Tap Screws	No 10X13
3	3902701M92	1	Thermostat	[A] (1)
4	1427873M1	2	Bulb	(1)
5	3310871M1	1	Commutator	(1)
6	3902211M1	1	Lever	(1)
7	3902218M1	1	Screw	[A] (1) M5X14
	3902218M1	2	Screw	[B] (1) M5X14
8	3902210M1	1	Washer	(1)
9	3902591M3	1	Cover	(1)
10	3713746M1	1	Gasket	15X10X480MM
11	3902214M1	1	Gate	[A] (1) Up to Serial or Engine Number J041011
	3902214M1	1	Gate	[B] (1) Up to Serial or Engine Number J081004
	3902214M2	1	Gate	[A] (1) From Serial or Engine Number J041012
	3902214M2	1	Gate	[B] (1) From Serial or Engine Number J081005
12	3902204M1	2	Clevis Pin	(1)
13	3902203M1	1	Spring	(1)
14	3902202M1	1	Spring	(1)
15	3902299M1	1	Diffusing Lens	[A] (1)
	3902215M1	1	Diffusing Lens	[B] (1)
16	3902213M2	3	Knob	[A] (1)
	3902213M2	2	Knob	[B] (1)
17	3902217M1	1	Nut	[A] (1) Up to Serial or Engine Number M101028
	3904310M1	1	Nut	[A] (1) From Serial or Engine Number M101029
18	3902208M1	1	Nut	[A] (1) Up to Serial or Engine Number M101028
	3904309M1	1	Nut	[A] (1) From Serial or Engine Number M101029
	3902208M1	1	Nut	[B] (1) Up to Serial or Engine Number M134054
	3904309M1	1	Nut	[B] (1) From Serial or Engine Number M134055
19	3902205M1	1	Plug	[A] (1)
	3902205M1	2	Plug	[B] (1)
20	3902206M1	1	Spring	[A] (1) Up to Serial or Engine Number M101028

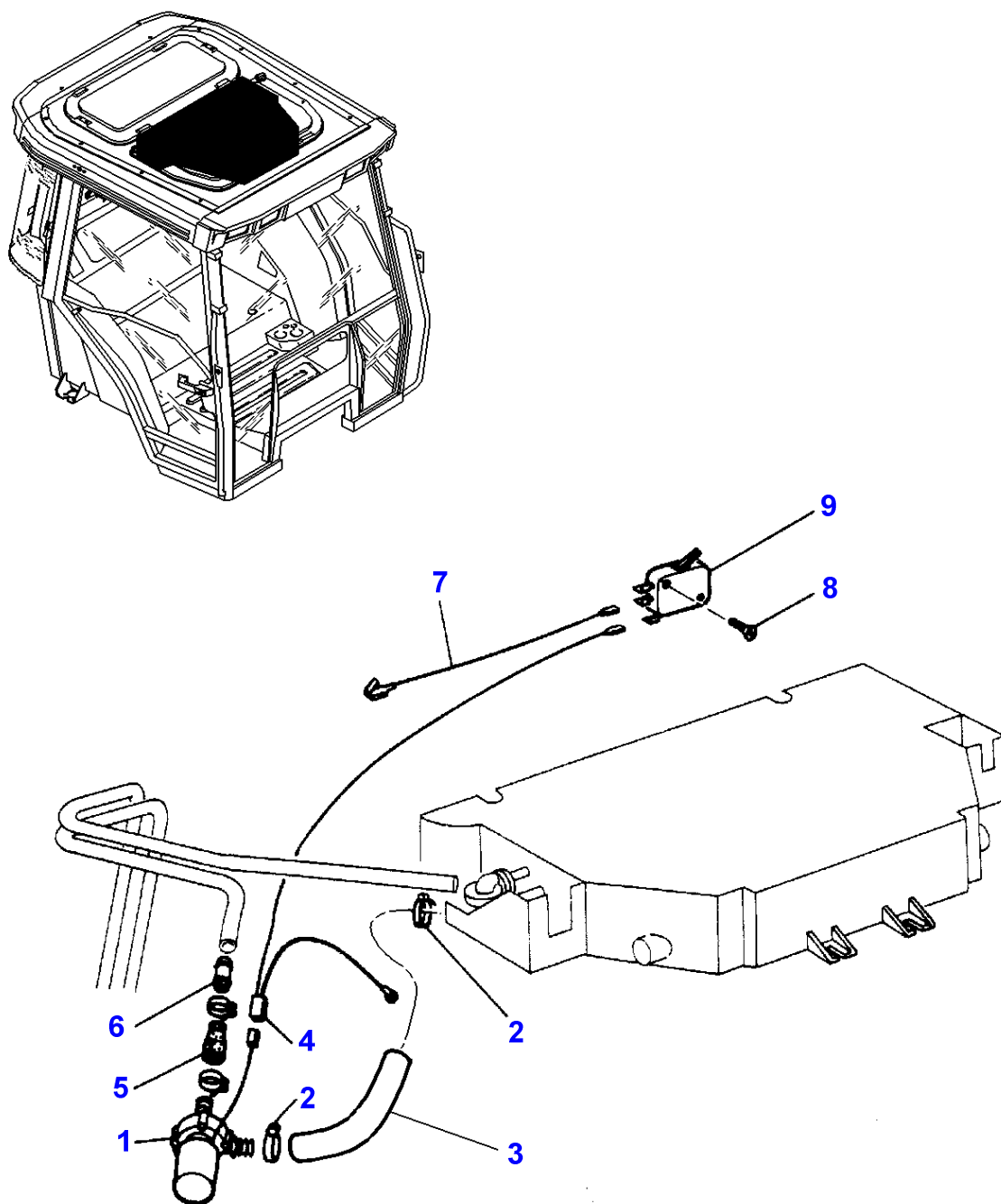
Tractor Cab - Heater - With High Visibility Roof

Item	Part Number	Qty	Description	Comments
20	3902206M1	1	Spring	[B] (1) Up to Serial or Engine Number M134054
21	3902700M2	1	Cable	
22	365916X1	4	Self Tap Screws	(1)
23	3778749M1	1	Foam	25X15X80MM
24	3000483X1	2	Clamp	
25	3713635M1	1	Gasket	25X10X200
26	3713744M1	1	Gasket	10X15X1080
27	3782904M1	1	Plate	Up to Serial or Engine Number H141023
28	3782903M1	1	Clip	Up to Serial or Engine Number H141023
29	3008179X1	1	Screw Metric	Up to Serial or Engine Number H141023 M4X10
30	3783537M1	1	Diffuser	[A] (1) From Serial or Engine Number J041012
30	3783537M1	1	Diffuser	[B] (1) From Serial or Engine Number J081005
31	1696477M1	1	Clip	[A] From Serial or Engine Number M101029
31	1696477M1	1	Clip	[B] From Serial or Engine Number M134055

FOOTNOTE [A] WITH CONDITIONED AIR

FOOTNOTE [B] WITHOUT CONDITIONED AIR

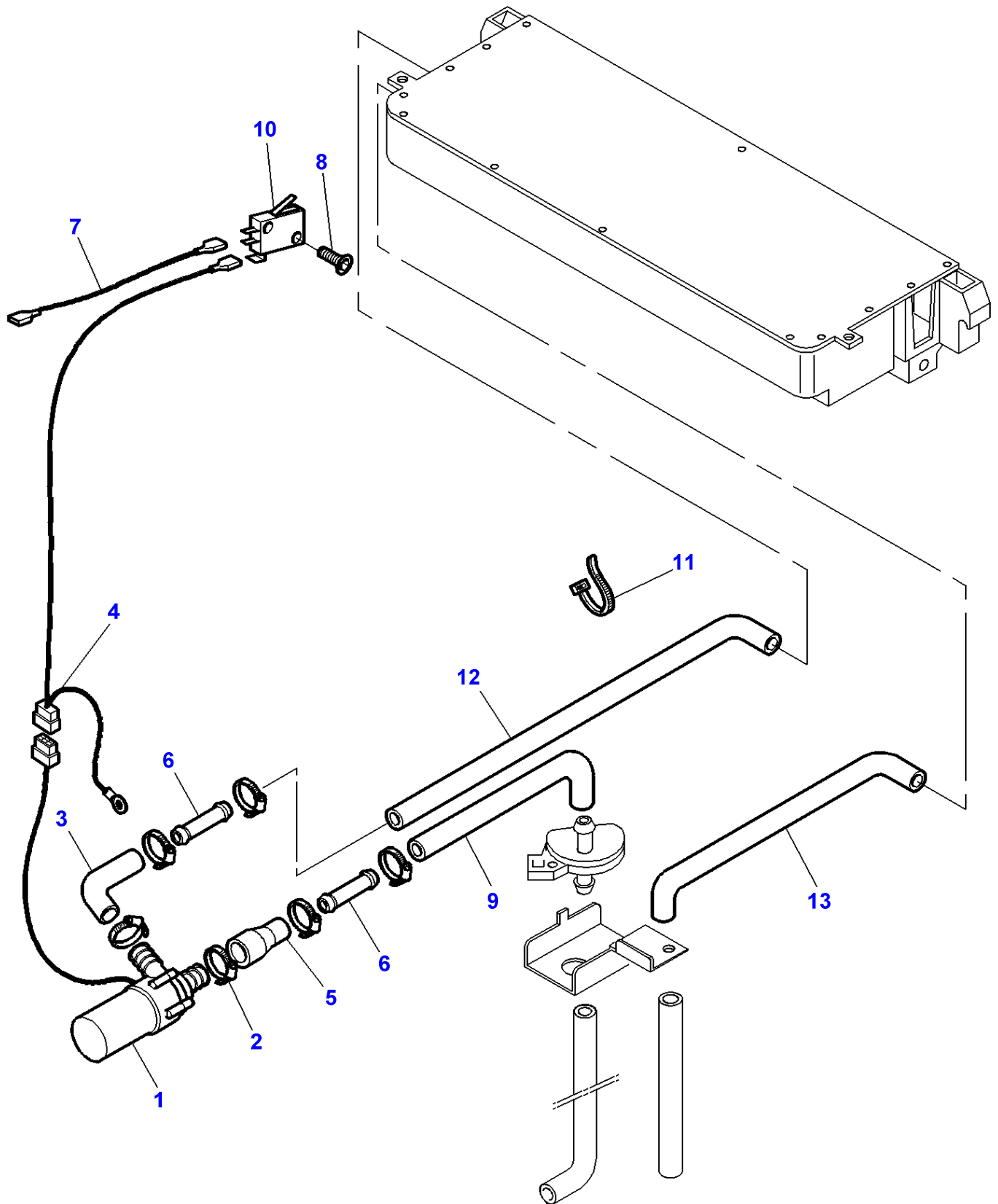
1-ZU12-004-A



Massey Ferguson**MF 8210/8220 TRACTORS - 1637365****1637365****Tractor Cab - Heater - HIGH COLD****Page 110-0205**

Item	Part Number	Qty	Description	Comments
1	3712744M1	1	Water Pump	
2	3019564X1	4	Hose Clip	
3	3714538M1	1	Hose	
4	3778017M1	1	Harness	Replace and repair. Old not interchangeable with new 3712734M1
5	3616062M1	1	Hose	
6	3616064M1	1	Tube	
7	3583973M2	1	Wire	
8	3010065X1	2	Self Tap Screws	
9	3616429M1	1	Switch,Indirect	

1-ZU12-005-A

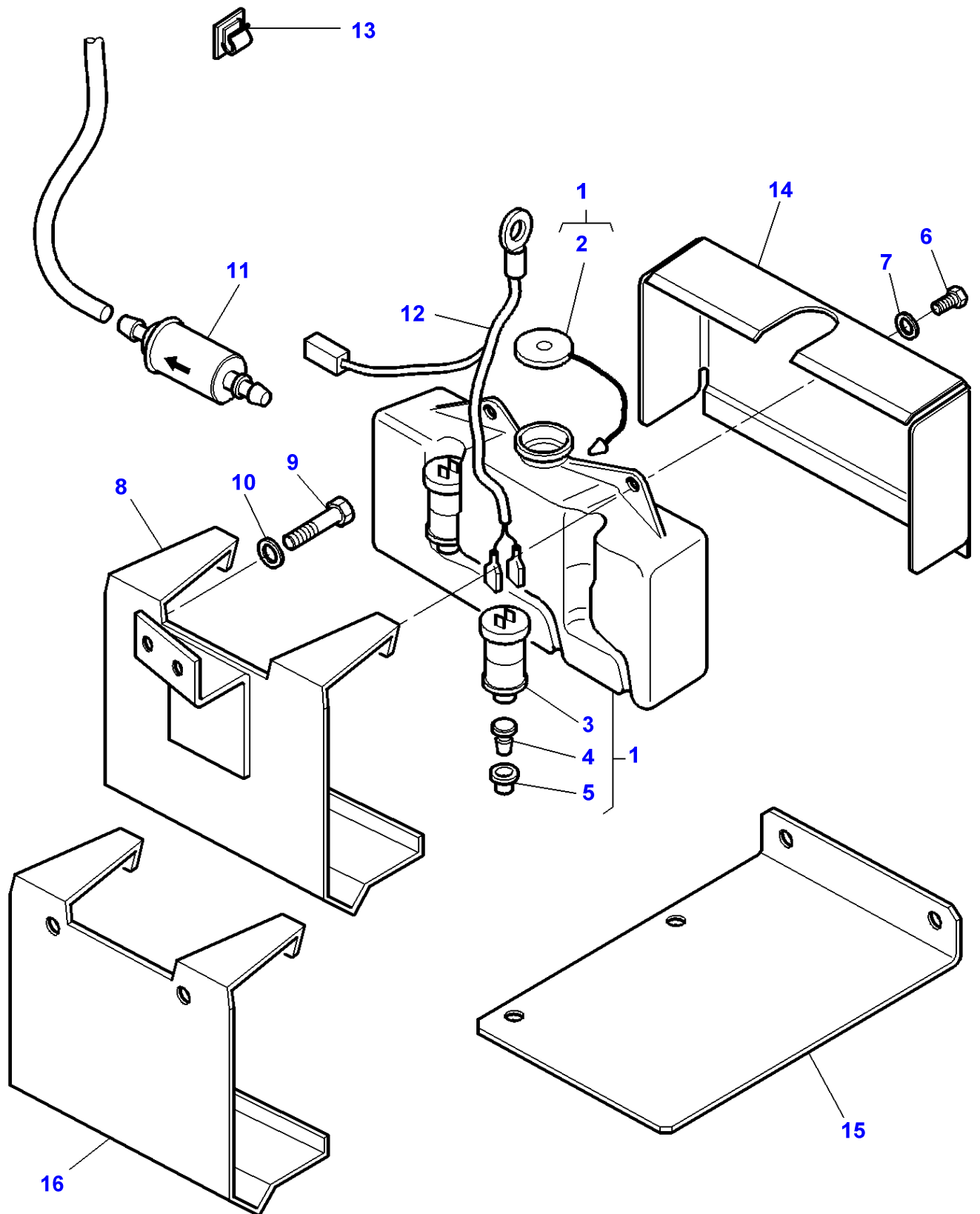


Item	Part Number	Qty	Description	Comments
1	3712744M1	1	Water Pump	
2	3019564X1	4	Hose Clip	
3	3714538M1	1	Hose	
4	3778017M1	1	Harness	
5	3616062M1	1	Hose	
6	3616064M1	2	Tube	
7	3583973M2	1	Wire	
8	3010065X1	2	Self Tap Screws	
9	3778359M1	1	Water Hose	Length 520MM
10	3616429M1	1	Switch,Indirect	
11	3619622M1	2	Cable Tie	
12	3778335M1	1	Water Hose	[B] Up to Serial or Engine Number K015006
	3778335M1	1	Water Hose	[A] Up to Serial or Engine Number J348039
	3785723M1	1	Hose	[B] From Serial or Engine Number K015007
	3785723M1	1	Hose	[A] From Serial or Engine Number J348040
13	3777711M1	1	Hose	[A] Up to Serial or Engine Number J348039
	3777711M1	1	Hose	[B] Up to Serial or Engine Number K015006
	3784602M1	1	Hose	[A] From Serial or Engine Number J348040
	3784602M1	1	Hose	[B] From Serial or Engine Number K015007

FOOTNOTE [A] WITH CONDITIONED AIR

FOOTNOTE [B] WITHOUT CONDITIONED AIR

1-ZU24-005-B

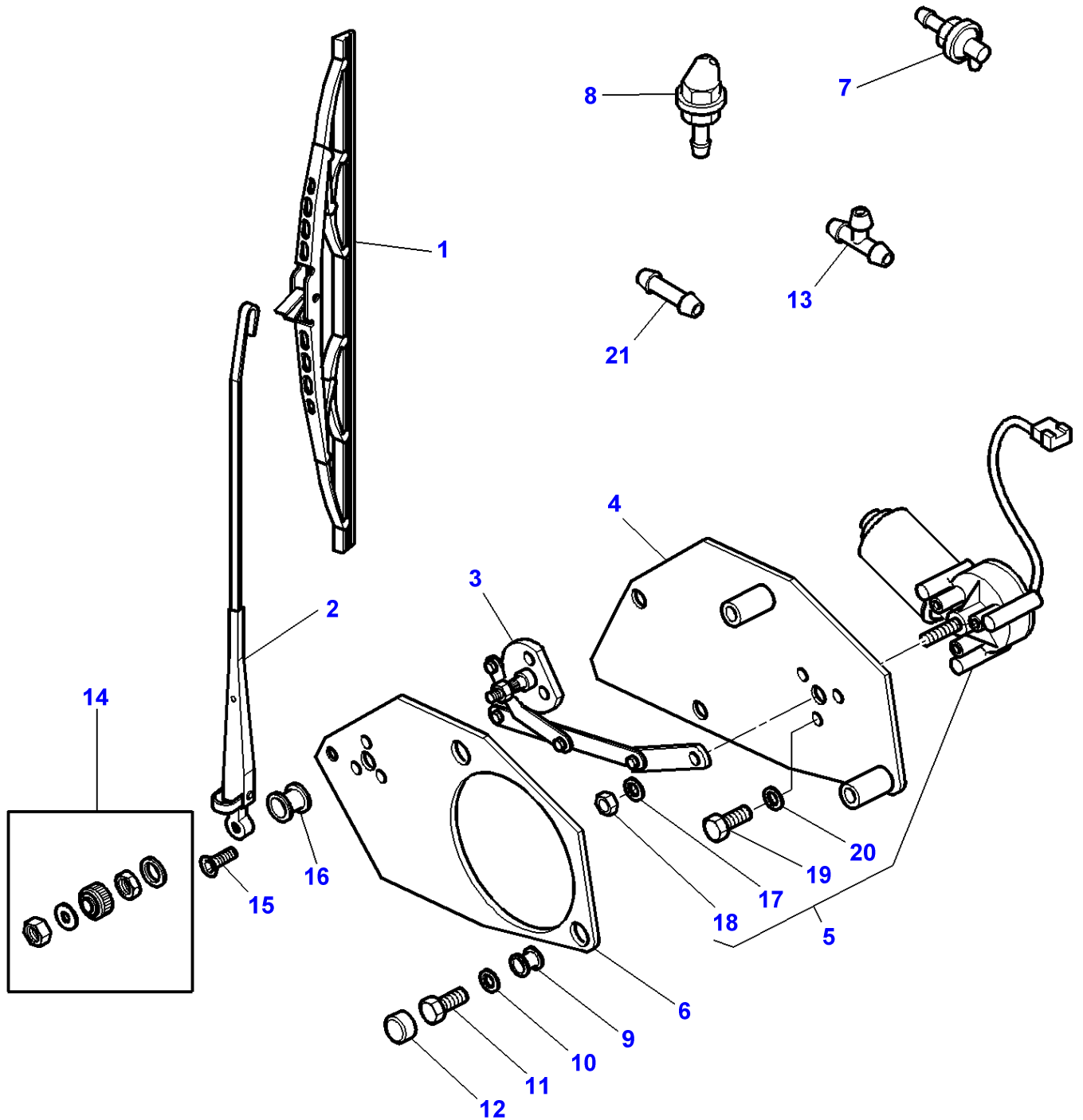


Windscreen Washer

Item	Part Number	Qty	Description	Comments
1	3582444M91	1	Tank	
2	3106496M1	1	Plug	(1)
3	3582441M1	1	Water Pump	(1)
4	3582442M1	1	Plug	(1)
5	3582443M1	1	Gasket	(1)
6	339123X1	2	Hex. Sock. Screw	
7	391039X1	2	Washer Metric	
8	3714080M92	1	Support	
9	339123X1	2	Hex. Sock. Screw	M8X20
10	390972X1	2	Washer Metric	
11	3583086M1	1	Pressure Valve	
12	3618017M1	1	Harness	
13	1677803M1	2	Clip	
14	3780314M91	1	Cowl	Up to Serial or Engine Number
15	3782342M2	1	Support	
16	3778973M3	1	Support	[A]

FOOTNOTE [A] WITH FRONT LINKAGE

1-ZU23-001-B

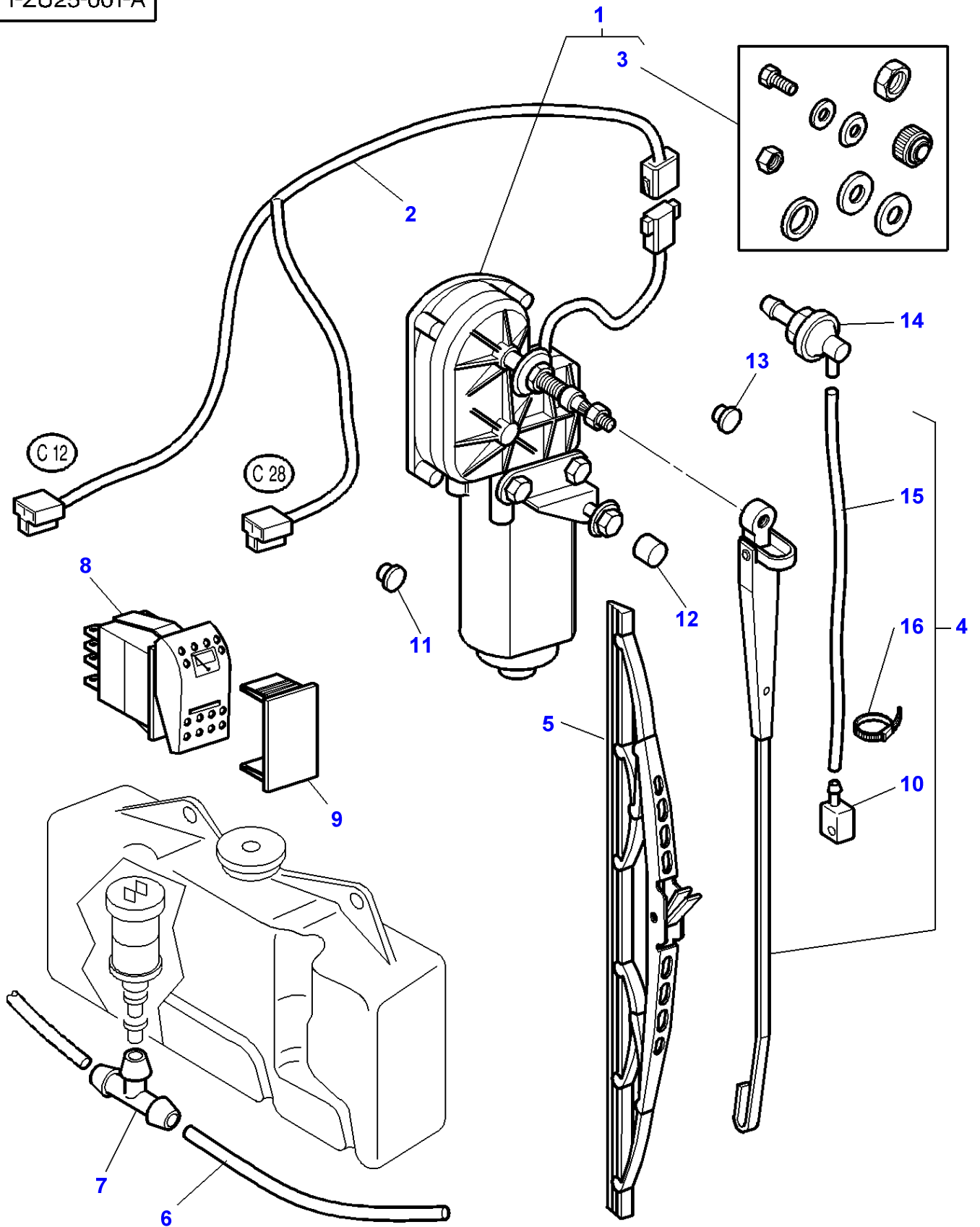


Front Windscreen Wiper

Item	Part Number	Qty	Description	Comments
1	3777648M1	1	Wiper Blade	
2	3777649M1	1	Wiper Arm	
3	3778259M1	1	Tie Rod	
4	3777699M2	1	Support	
5	3777698M92	1	Wiper Motor	
6	3777700M2	1	Support	
7	3902342M1	1	Union	
8	3389664M1	2	Jet	
9	3777608M1	2	Grommet	
10	391039X1	2	Washer Metric	
11	339123X1	2	Hex. Sock. Screw	M8X20MM
12	3616277M1	2	Helmet	
13	3583069M1	2	Teepiece	
14	3778258M1	1	Parts Pack	
15	3010762X1	3	Screw	
16	3777607M1	1	Grommet	
17	3008914X1	1	Tab Washer	(5)
18	339169X1	1	Nut	(5)
19	339560X1	3	Hex. Sock. Screw	(5) M8 M6
20	391289X1	3	Lock Washer	(5)
21	3715074M1	1	Union	

FOOTNOTE [A] INDUSTRIAL CAB

1-ZU25-001-A

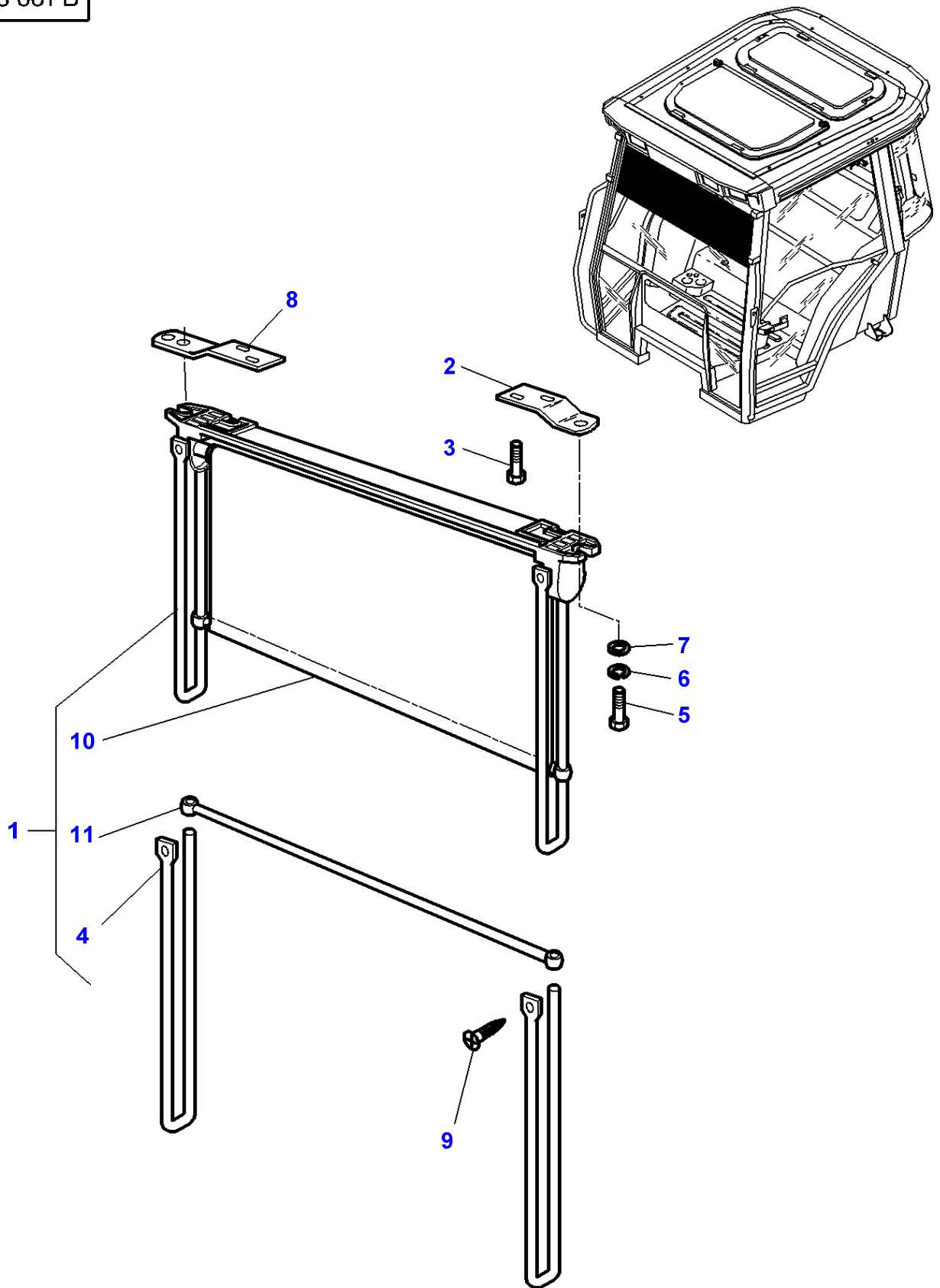


Rear Window Wiper

Item	Part Number	Qty	Description	Comments
1	3715610M2	1	Wiper Motor	
2	3713738M2	1	Harness	
3	3902580M91	1	Parts Pack	(1)
4	3713196M2	1	Wiper Arm	
5	3713195M1	1	Wiper Blade	
6	3781312M1	1	Hydr Hose	Length 250MM
	3714118M1	1	Tube	Length 200MM
	3714119M1	1	Tube	Length 1300MM
	3714120M2	1	Tube	Length 2800MM
	3580902M1	1	Hose	Length 1400MM
	3778372M1	1	Tube	Length 370MM
7	3583069M1	1	Teepiece	
8	3713147M1	1	Switch,Indirect	
9	3713151M1	1	Tap	[A]
10	3902461M1	1	Jet	(4)
11	3713742M1	1	Plug	[A] Diameter 9,5MM
12	3616277M1	X	Helmet	
13	3713741M1	1	Plug	[A] Diameter 17,5MM
14	3902342M1	1	Union	
15	3902462M1	1	Tube	(4)
16	3902463M1	1	Clamp	(4)

FOOTNOTE [A] WITHOUT REAR WIPER AND WASHER WINDSCREEN

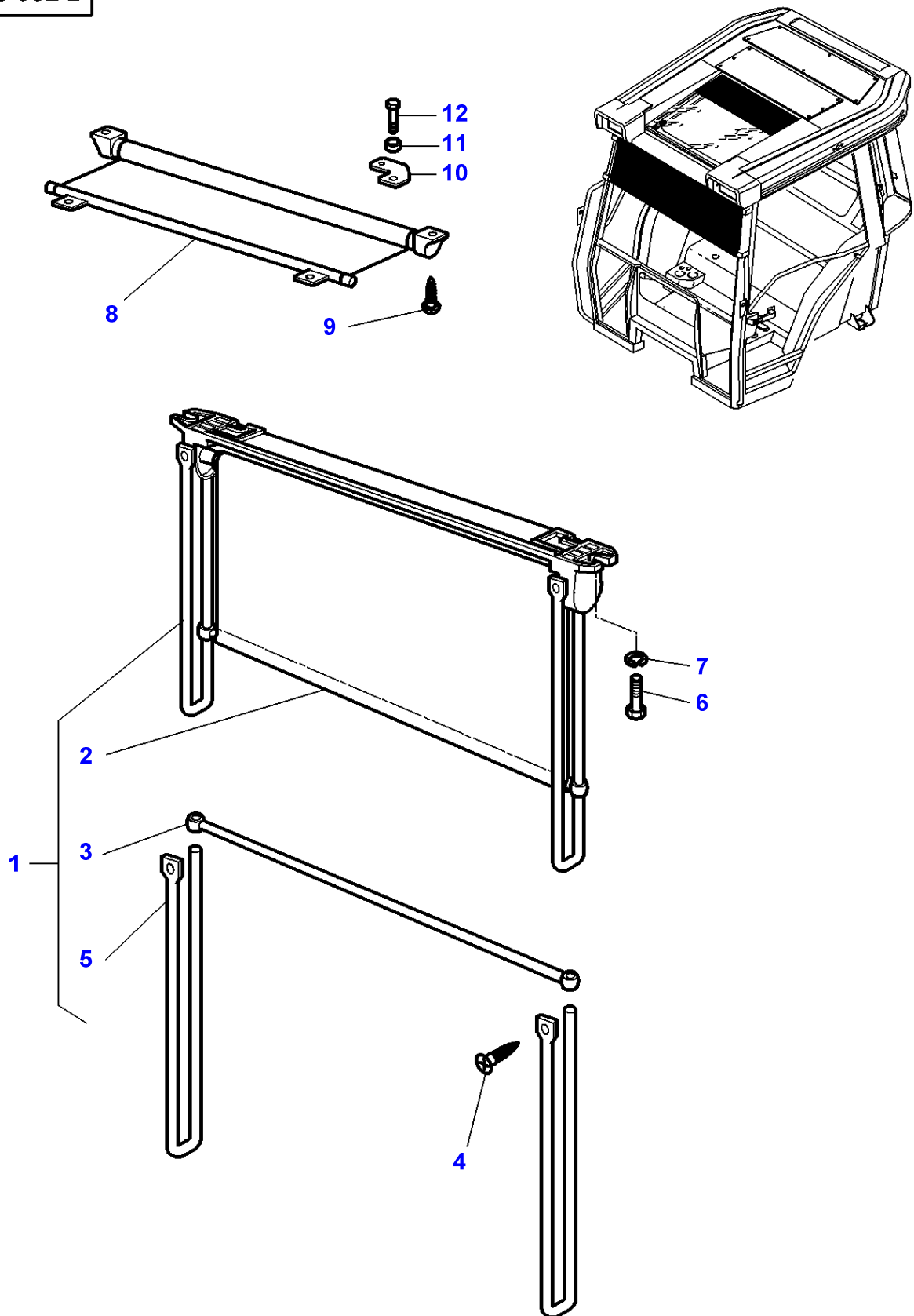
1-ZU28-001-B



Massey Ferguson**MF 8210/8220 TRACTORS - 1637365****1637365****Page 110-0230****Tractor Cab - Canopy**

Item	Part Number	Qty	Description	Comments
1	3714072M91	1	Canopy	
2	3389750M1	1	Support	Left Hand
3	339666X1	4	Hex. Sock. Screw	M6X20
4	3902174M91	2	Rod	(1)
5	339560X1	2	Hex. Sock. Screw	M16X16
6	339375X1	2	Lock Washer	
7	390971X1	2	Washer	
8	3389749M1	1	Support	Right Hand
9	365924X1	2	Screw	CBZ N10X16
10	3902176M91	1	Panel	(1)
11	3902175M91	1	Bar	(1)

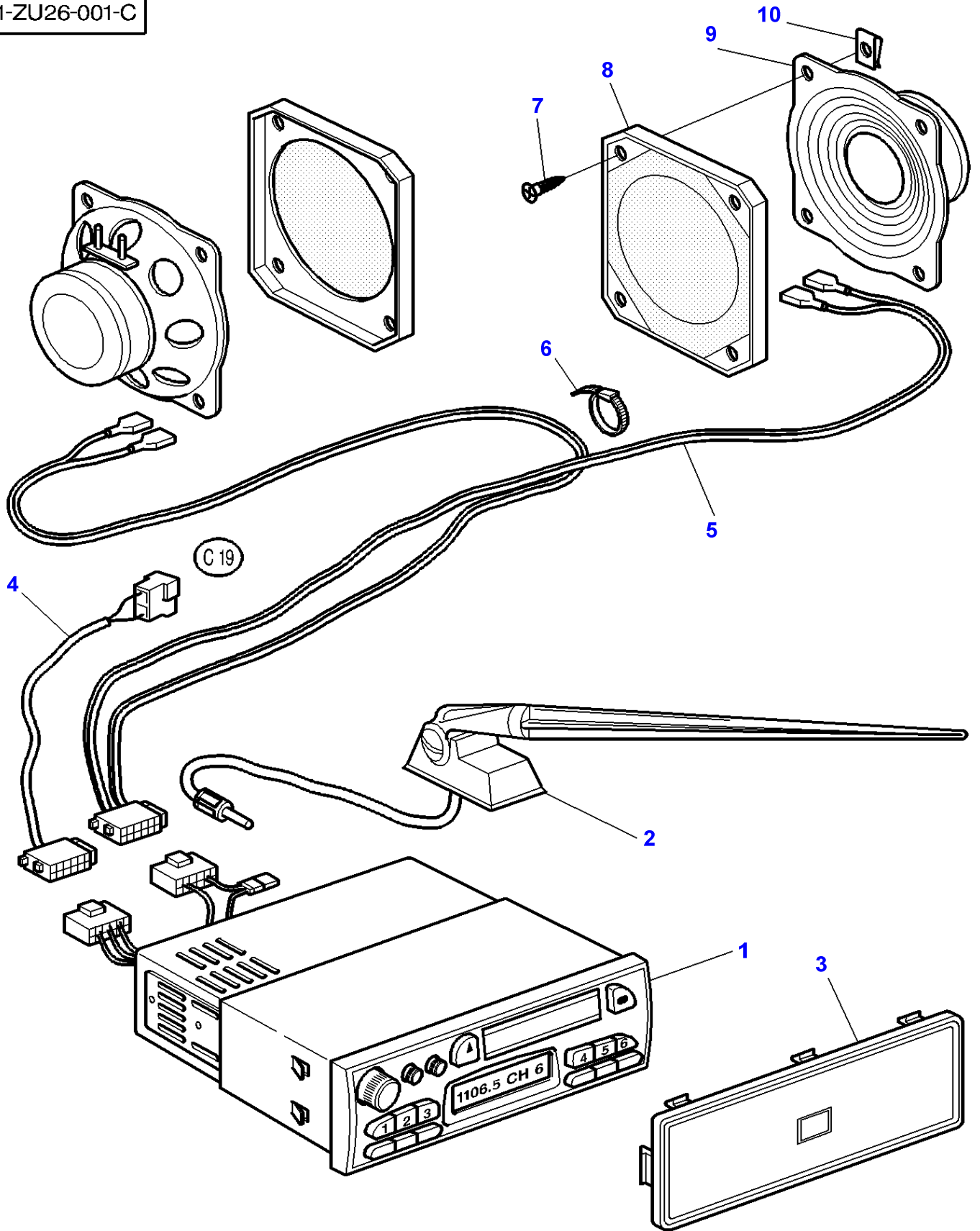
1-ZU28-002-B



Massey Ferguson**MF 8210/8220 TRACTORS - 1637365****1637365****Tractor Cab - Canopy - With High Visibility Roof****Page 110-0235**

Item	Part Number	Qty	Description	Comments
1	3714072M91	1	Canopy	
2	3902176M91	1	Panel	(1)
3	3902175M91	1	Bar	(1)
4	3005728X1	2	Screw	CBZ N10X16
5	3902174M91	2	Rod	(1)
6	339666X1	2	Hex. Sock. Screw	M6X20
7	339375X1	2	Lock Washer	
8	3777706M1	1	Canopy	
9	360367X1	2	Screw	
10	3778315M1	1	Support	
11	3045014M2	2	Spacer	
12	391244X1	2	Bolt Metric	M6X45

1-ZU26-001-C

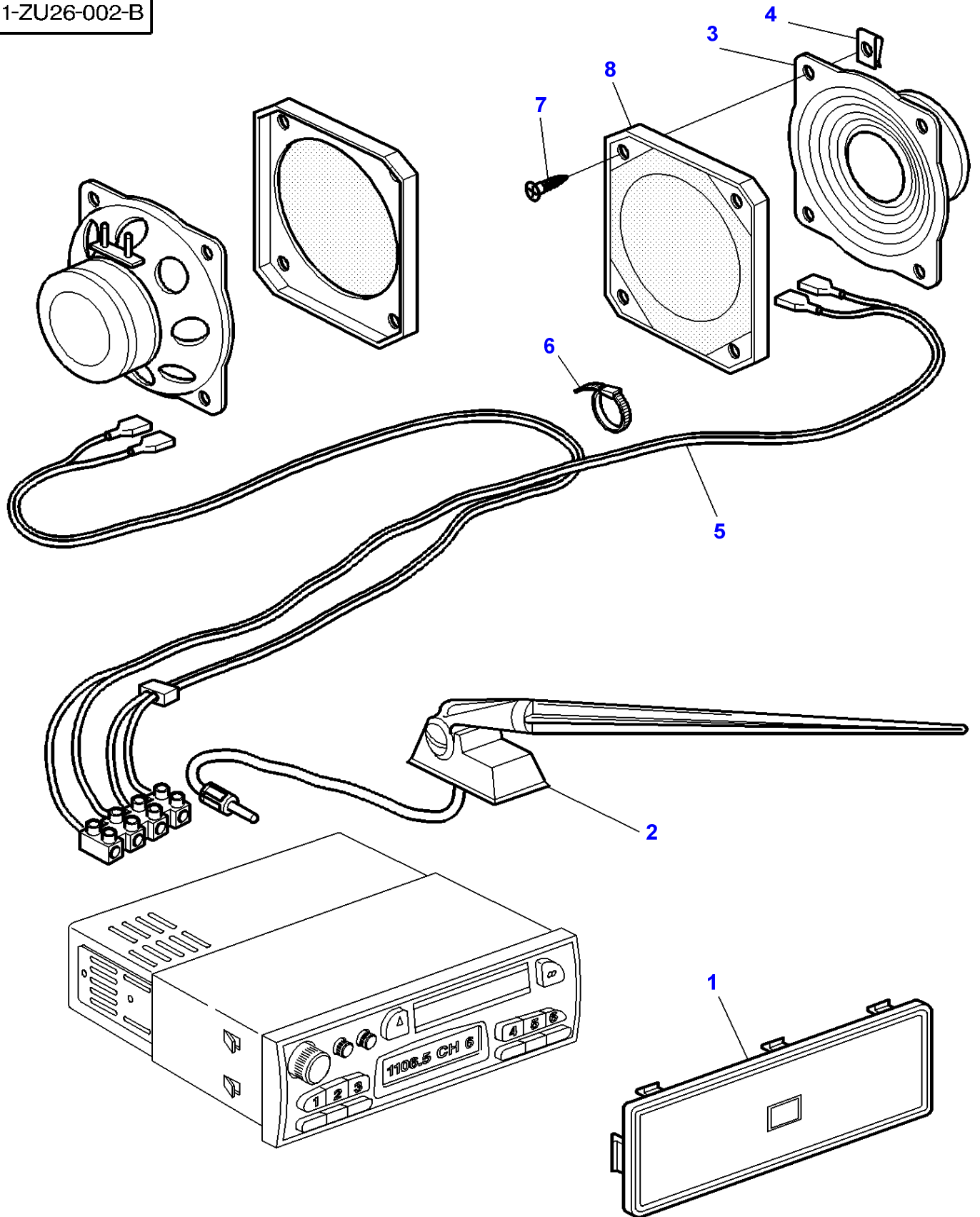


Radio Installation

Item	Part Number	Qty	Description	Comments
1	3816384M91	1	Radio Push Butt.	
2	3617629M92	1	Top Aerial	
3	3580173M1	1	Plate	[A]
4	3715099M1	1	Harness	Up to Serial or Engine Number J105016
	3715099M1	1	Harness	[B] Up to Serial or Engine Number J252017
5	3715100M1	1	Harness	
	3778108M1	1	Harness	[B]
6	3619622M1	1	Cable Tie	
7	3580257M1	8	Screw	
8	3617395M1	2	Grille	
9	3617394M1	2	Speaker	
10	3715142M1	8	Nut	

FOOTNOTE [A] WITHOUT RADIO**FOOTNOTE [B]** WITH HIGH VISIBILITY ROOF**FOOTNOTE [C]** INDUSTRIAL CAB

1-ZU26-002-B

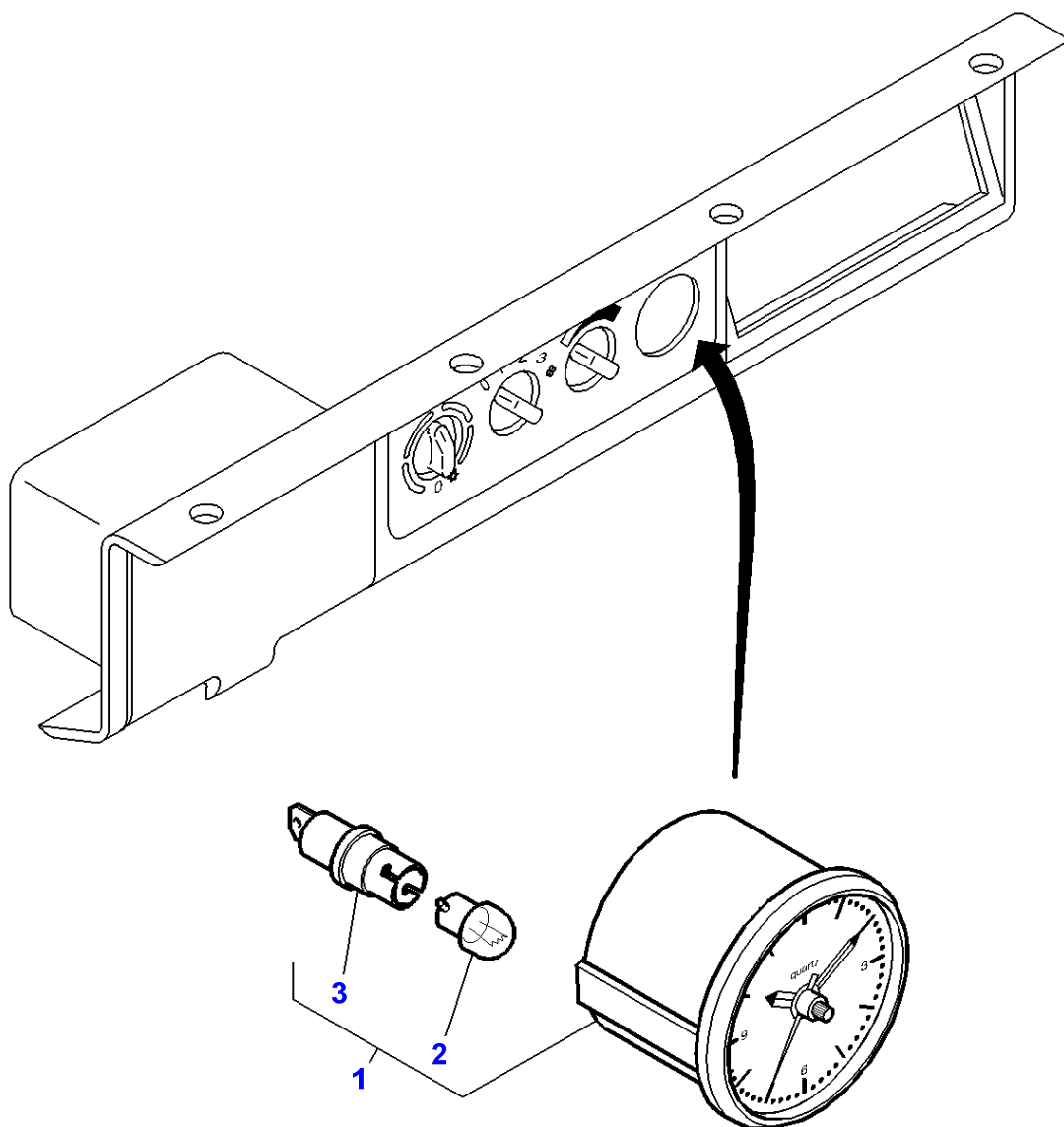


Massey Ferguson**MF 8210/8220 TRACTORS - 1637365****1637365****Radio Installation - United States Only****Page 110-0245**

Item	Part Number	Qty	Description	Comments
1	3580173M1	1	Plate	[A]
2	3617629M92	1	Top Aerial	
3	3617394M1	2	Speaker	
4	3715142M1	8	Nut	
5	3388458M4	1	Harness	
	3780928M1	1	Harness	[B]
6	3619622M1	1	Cable Tie	
7	3580257M1	8	Screw	
8	3617395M1	2	Grille	

FOOTNOTE [A] WITHOUT RADIO**FOOTNOTE [B]** WITH HIGH VISIBILITY ROOF

1-ZU18-001-B

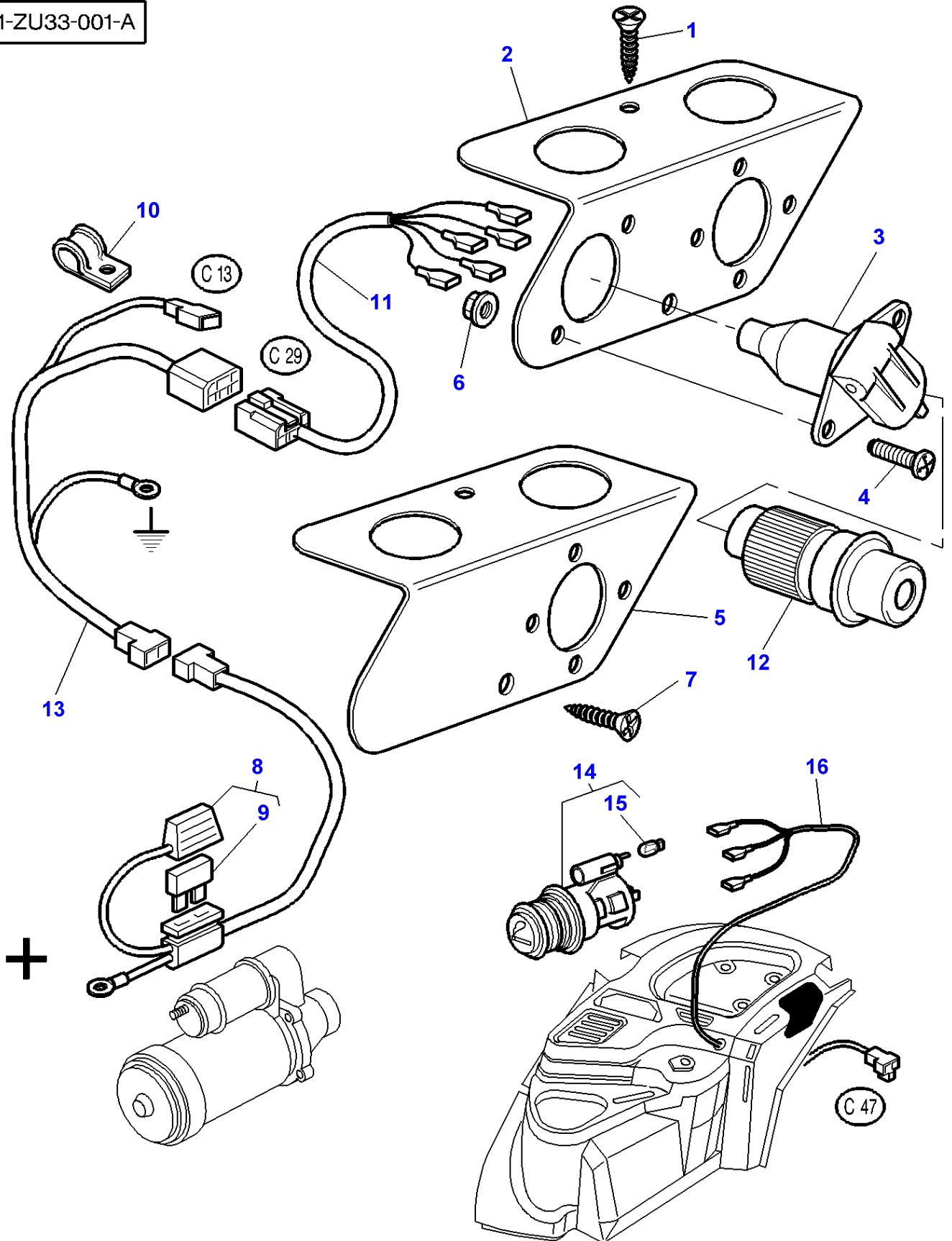


Watch

Item	Part Number	Qty	Description	Comments
1	3713364M1	1	Watch	
2	963333M1	1	Bulb 12v 5w	(1) VEGLIA
		1	Bulb	[A] (1) IPCO
3	3902191M1	1	Lamp Socket	(1) VEGLIA
		1	Lamp Socket	[A] (1) IPCO

FOOTNOTE [A] NOT DETAILED

1-ZU33-001-A

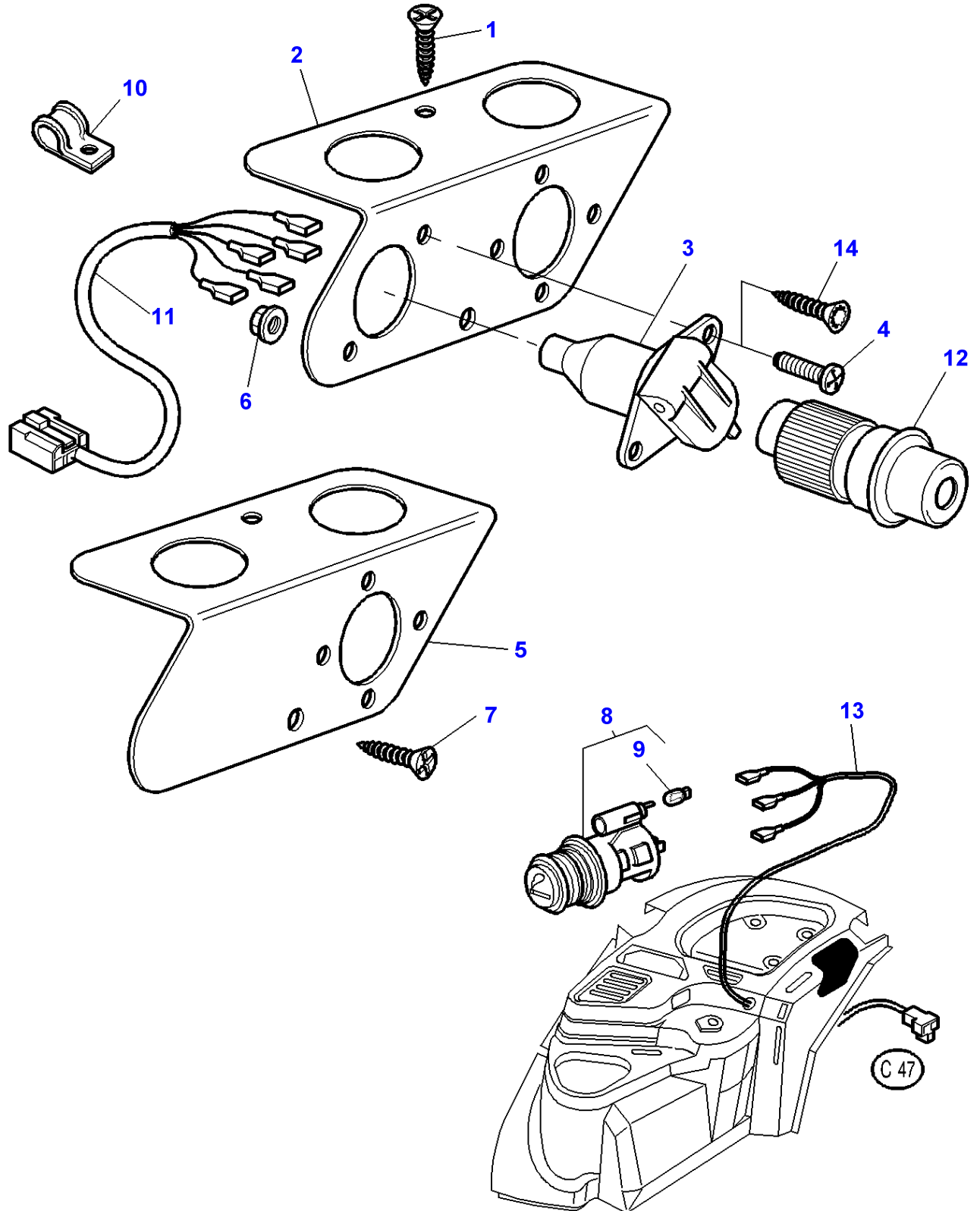


Massey Ferguson**MF 8210/8220 TRACTORS - 1637365****1637365****Electrical Plug And Cigar Lighter - Up To ...****Page 110-0255**

Item	Part Number	Qty	Description	Comments
1	3010506X1	1	Screw	M5X16
	3010578X1	1	Screw	M5X10
2	3713356M1	1	Support	
3	3760033M1	1	Electric Socket	
4	3000926X1	2	Screw	
5	3713357M1	1	Support	[A]
6	3010477X1	2	Nut Metric	
7	3010506X1	2	Screw	
8	3715073M91	1	Harness	
9	3712661M1	1	Fuse	(8) 30 AMP
10	3387578M1	1	Clamp	
11	3714516M1	1	Harness	
12	3760032M1	1	Electrical Plug	
13	3714515M1	1	Harness	
14	3617848M91	1	Lighter	
15	3302213M1	1	Bulb 12v 1.2w	(14)
16	3714566M1	1	Harness	

FOOTNOTE [A] WITHOUT ELECTRICAL PLUG

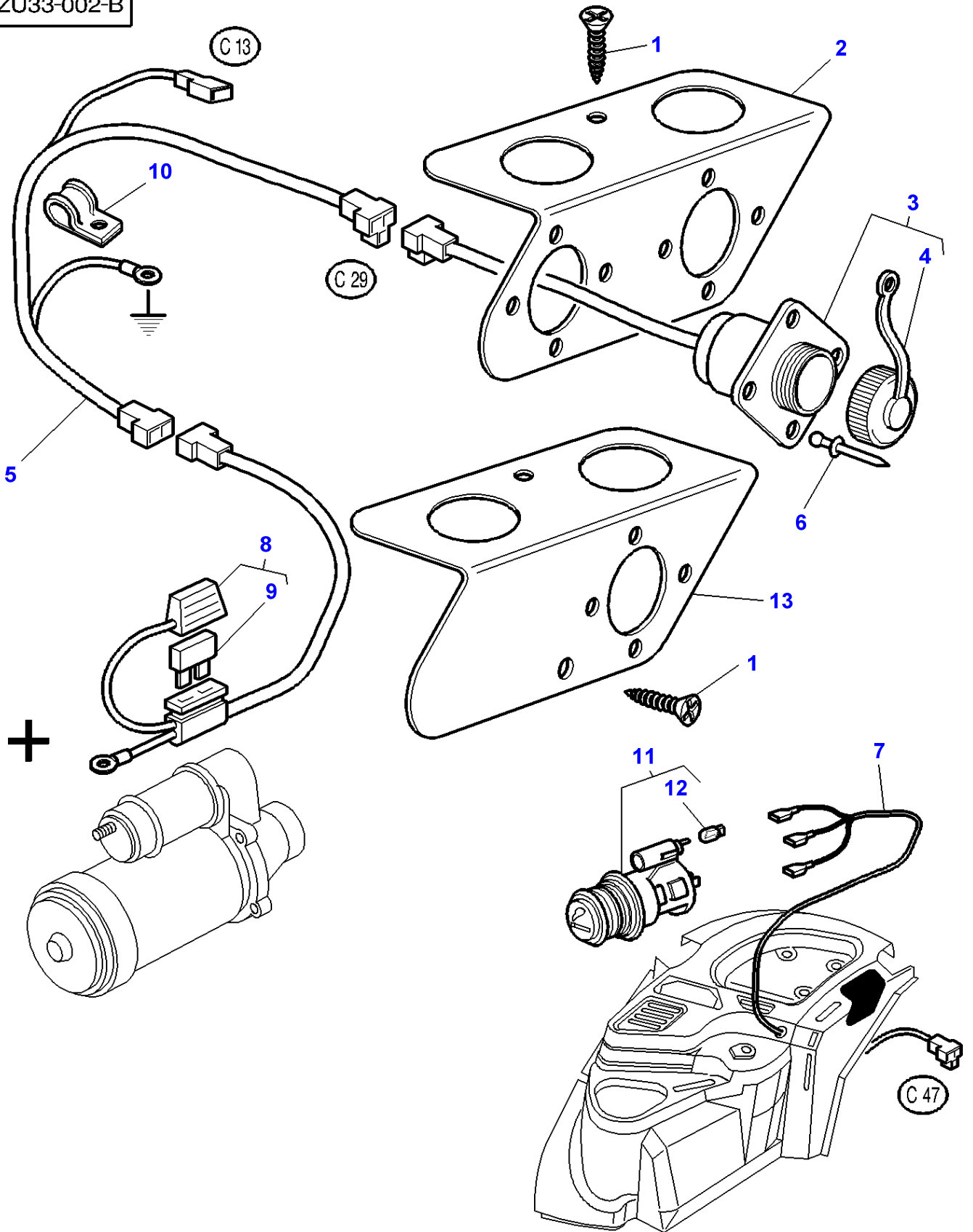
1-ZU33-004-B



Item	Part Number	Qty	Description	Comments
1	3010506X1	1	Screw	M5X16
	3010578X1	1	Screw	M5X10
2	3713356M1	1	Support	
3	3760033M1	1	Electric Socket	
4	3000926X1	2	Screw	Up to Serial or Engine Number L031000
5	3713357M1	1	Support	[A]
6	3010477X1	2	Nut Metric	
7	3010506X1	2	Screw	
8	3617848M91	1	Lighter	
9	3302213M1	1	Bulb 12v 1.2w	(8)
10	3387578M1	1	Clamp	
11	3714516M1	1	Harness	
12	3760032M1	1	Electrical Plug	
13	3714566M1	1	Harness	
14	3010578X1	2	Screw	From Serial or Engine Number L031001

FOOTNOTE [A] WITHOUT ELECTRICAL PLUG

1-ZU33-002-B

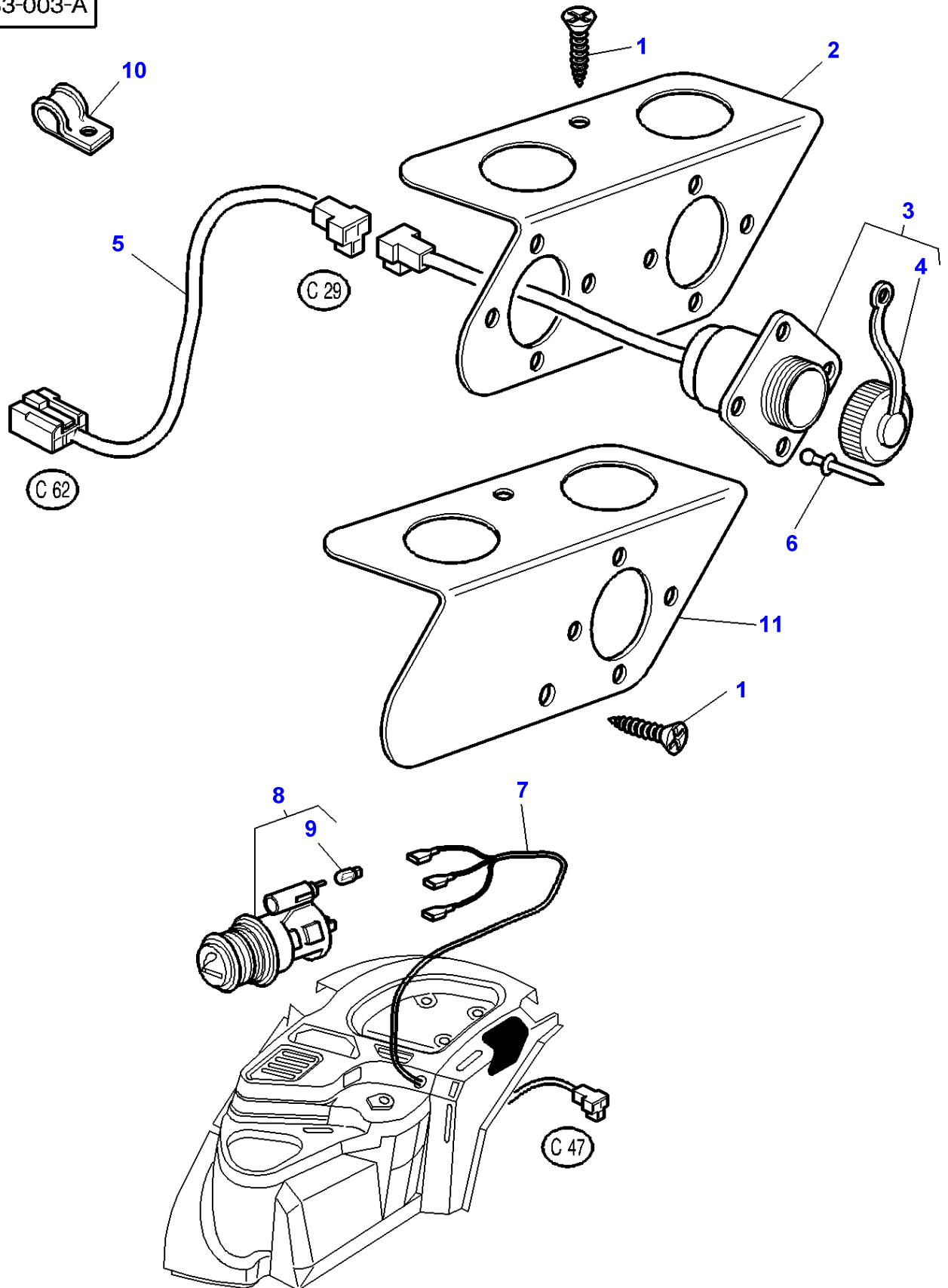


Massey Ferguson**MF 8210/8220 TRACTORS - 1637365****1637365****Electrical Plug And Cigar Lighter - Up To ... - United States only****Page 110-0265**

Item	Part Number	Qty	Description	Comments
1	3010506X1	4	Screw	M5X16
2	3779807M1	1	Support	
3	3779785M2	1	Intake	
4	3900383M1	1	Plug	(3)
5	3779784M1	1	Harness	
6	3011214X1	4	Rivet	
7	3714566M1	1	Harness	
8	3715073M91	1	Harness	
9	3712661M1	1	Fuse	(8) 30 AMP
10	3387578M1	1	Clamp	
11	3617848M91	1	Lighter	
12	3405185M1	1	Bulb 12v 1.2w	(11)
13	3713357M1	1	Support	[A]

FOOTNOTE [A] WITHOUT ELECTRICAL PLUG

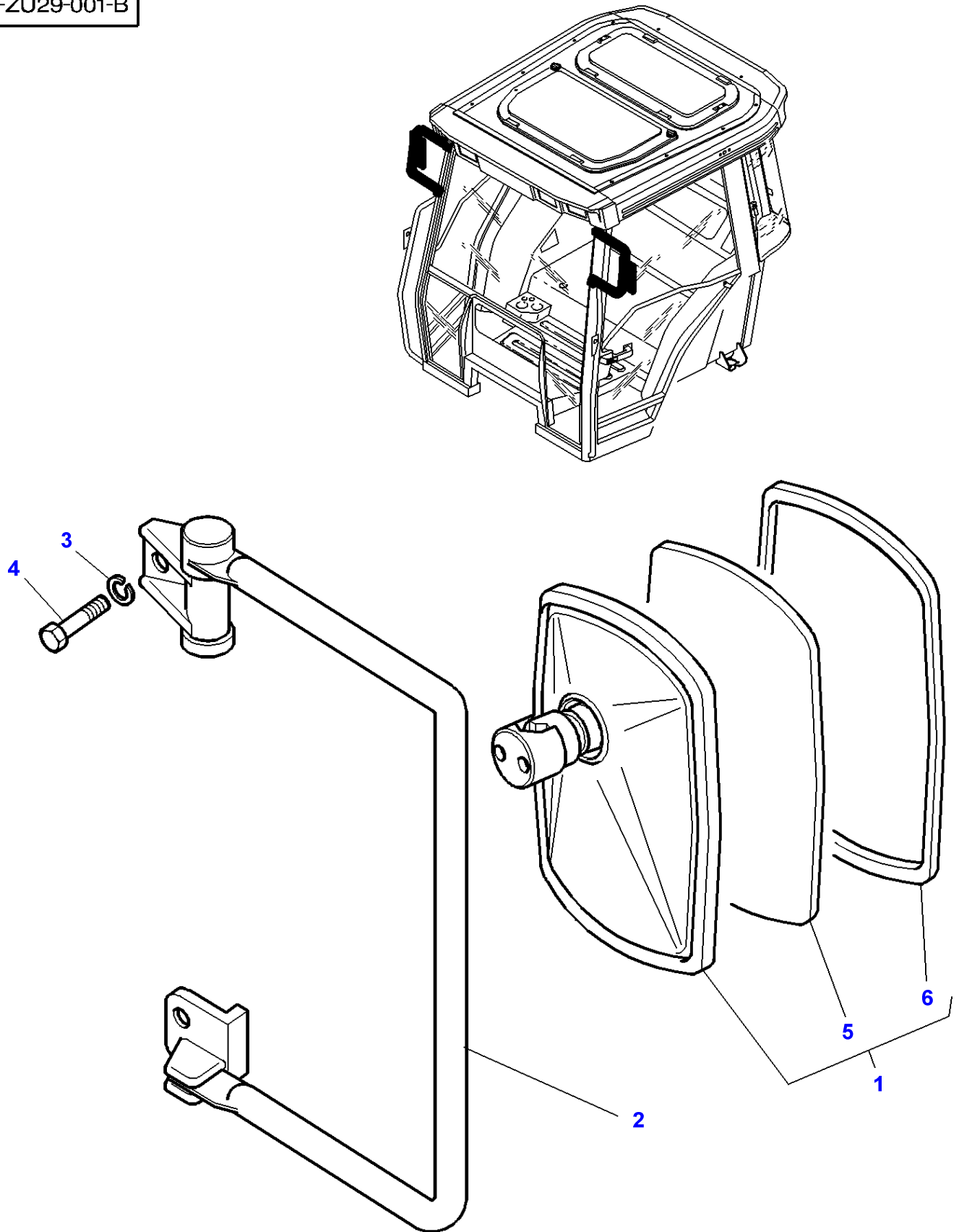
1-ZU33-003-A



Item	Part Number	Qty	Description	Comments
1	3010506X1	1	Screw	M5X16
2	3779807M1	1	Support	
3	3779785M2	1	Intake	Up to Serial or Engine Number K137032
	3786495M1	1	Intake	From Serial or Engine Number K137033
4	3900383M1	1	Plug	(3)
5	3786005M1	1	Harness	Up to Serial or Engine Number K137032
6	3011214X1	4	Rivet	
7	3714566M1	1	Harness	
8	3617848M91	1	Lighter	
9	3405185M1	1	Bulb 12v 1.2w	(8)
10	3387578M1	1	Clamp	
11	3713357M1	1	Support	[A]

FOOTNOTE [A] WITHOUT ELECTRICAL PLUG

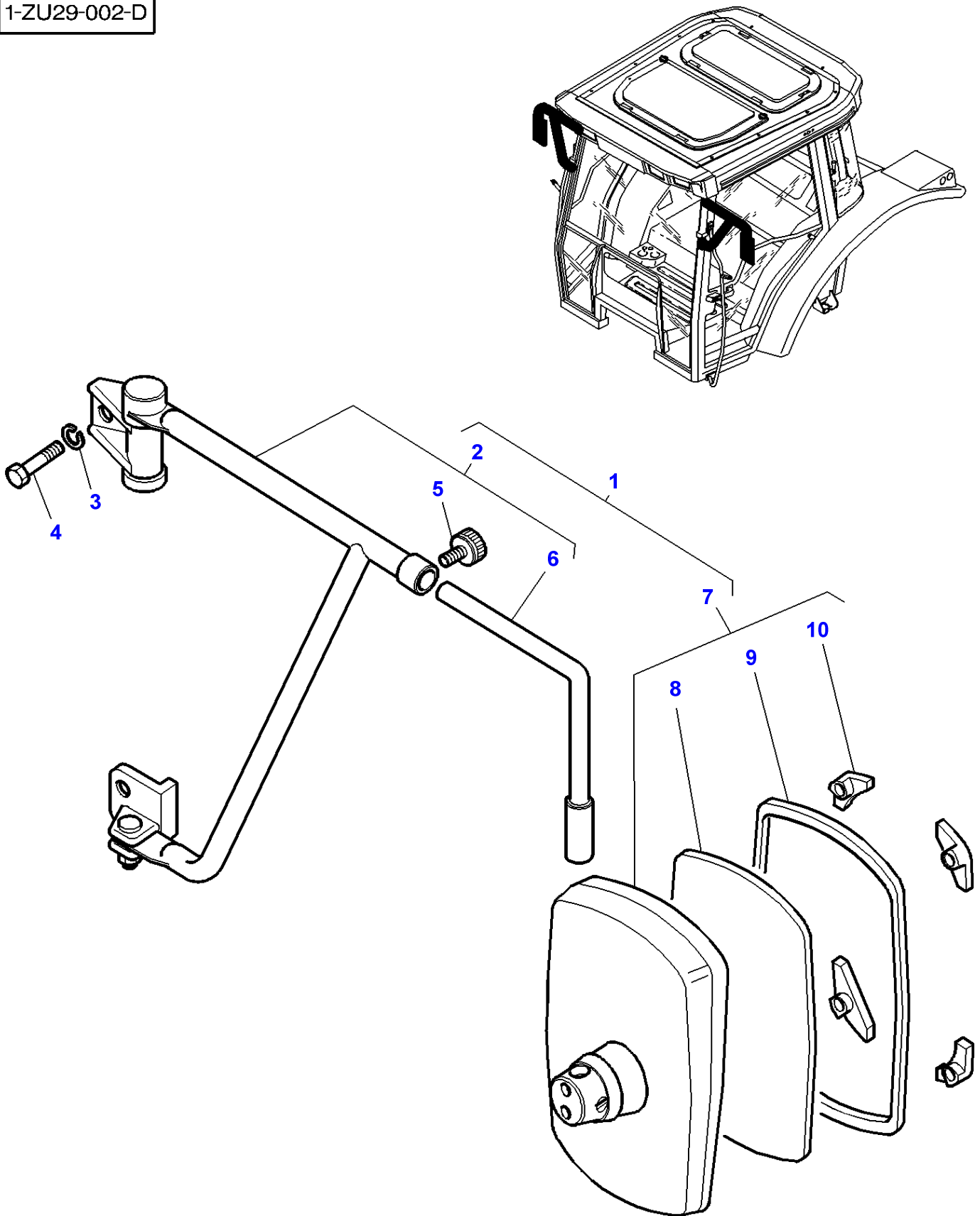
1-ZU29-001-B



Tractor Cab - External Mirrors

Item	Part Number	Qty	Description	Comments
1	3806614M91	2	Mirror	
2	3806610M92	1	Arm	Left Hand
	3806611M92	1	Arm	Right Hand
3	385361X1	4	Washer	
4	339123X1	4	Hex. Sock. Screw	M8X20
5	1894397M1	1	Mirror Glass	(1)
6	3904489M1	1	Gasket	(1)

1-ZU29-002-D

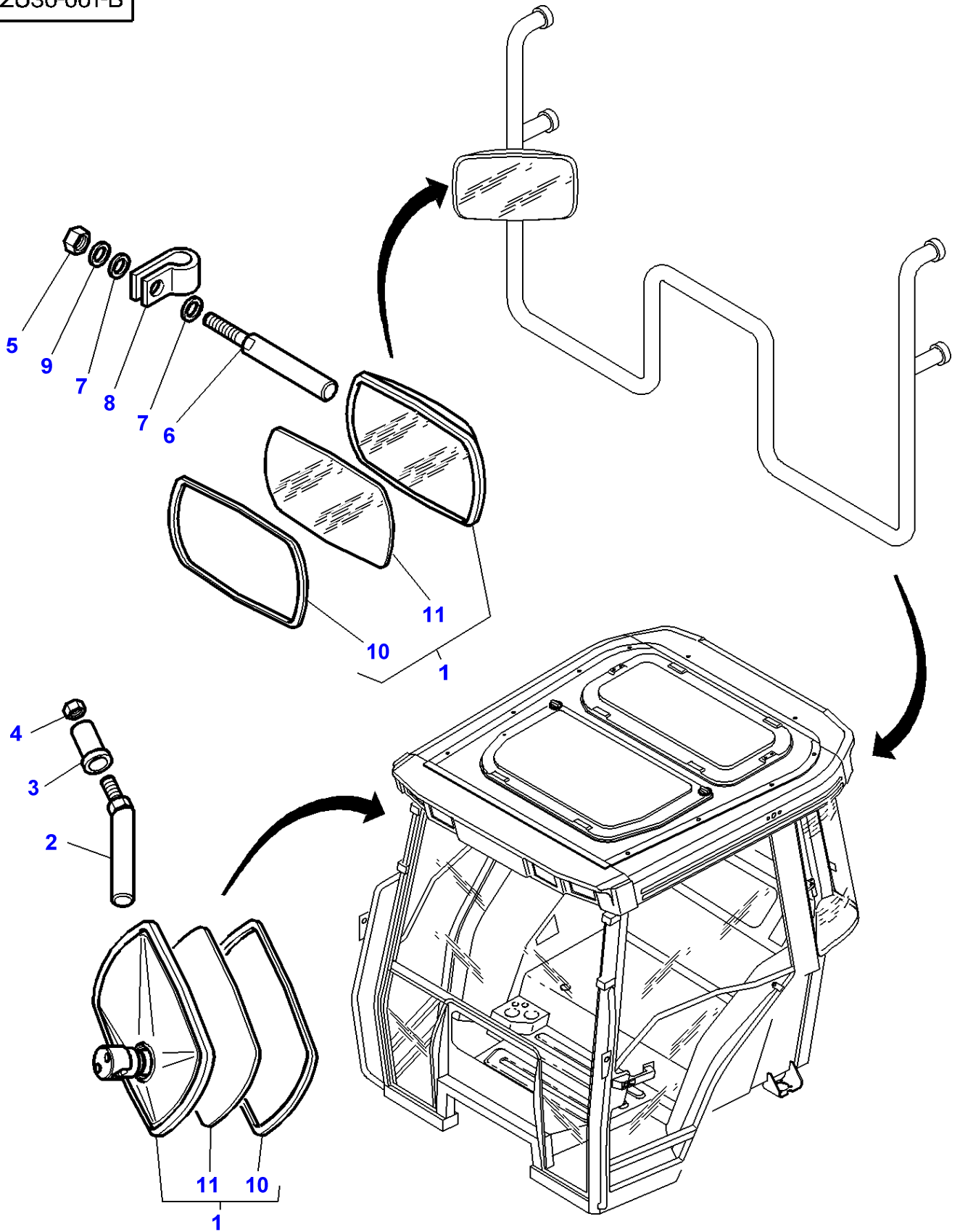


Tractor Cab - External Mirrors

Item	Part Number	Qty	Description	Comments
1	3777056M92	1	Mirror	Left Hand
	3777057M92	1	Mirror	Right Hand
2	3818647M92	1	Arm	(1) Left Hand
	3818648M92	1	Arm	(1) Right Hand
3	385361X1	4	Washer	
4	339123X1	4	Hex. Sock. Screw	
5	3903400M91	1	Setscrew	(2)
6	3903399M91	1	Stem	(2)
7	3787152M1	1	Mirror	(1) Replace and repair. Old not interchangeable with new 3818552M1
	3806617M91	1	Mirror	[A]
8	3904488M1	1	Mirror Glass	(7) 224X304MM
	3904486M1	1	Mirror Glass	[A] (7) 172X280MM
9	3907107M1	1	Gasket	(7)
10	3904493M1	4	Gusset	(7)

FOOTNOTE [A] FOR JAPANESE MARKET ONLY

1-ZU30-001-B

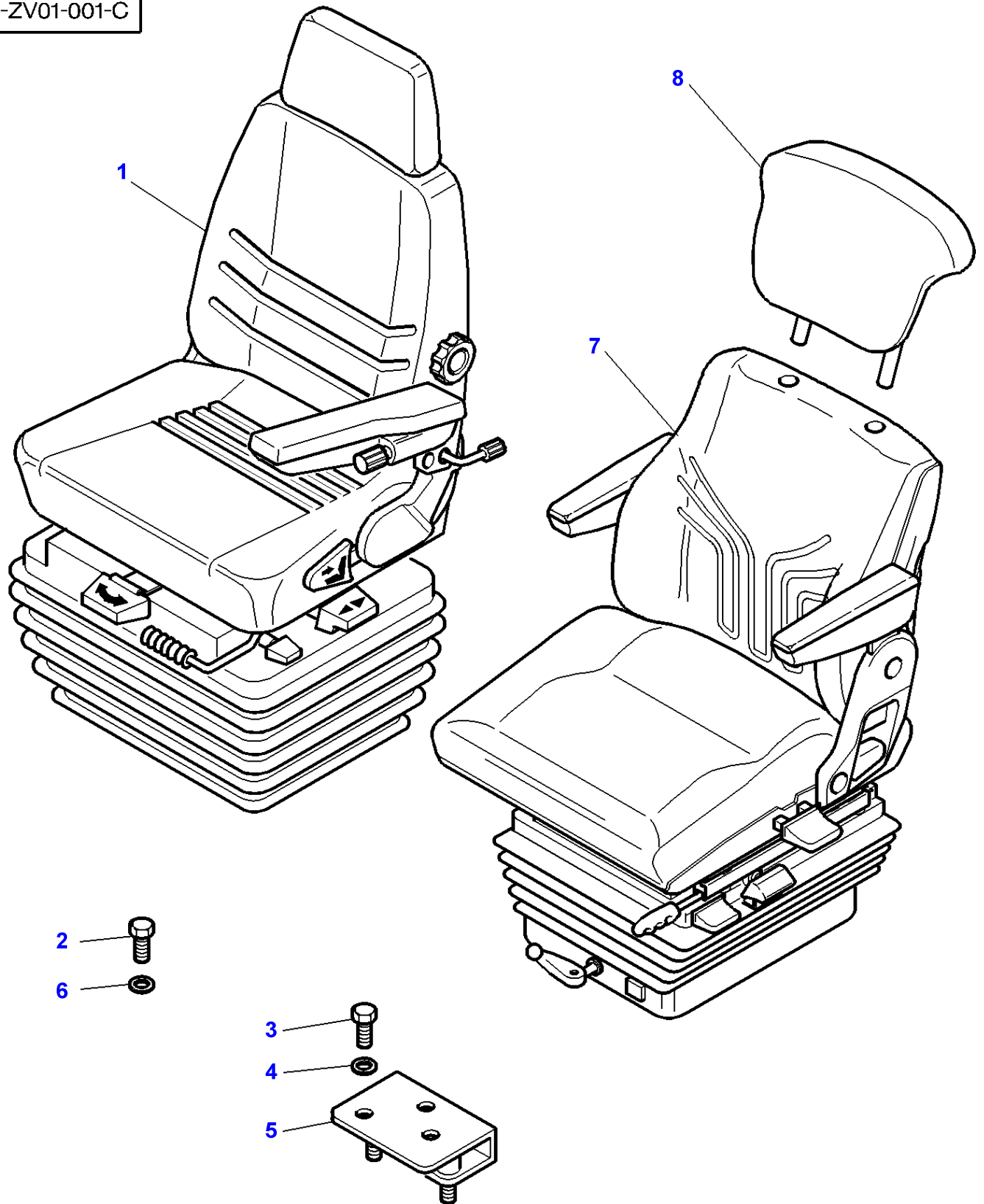


Tractor Cab - Internal Mirrors

Item	Part Number	Qty	Description	Comments
1	3806618M91	2	Mirror	
2	3778091M1	1	Clevis Pin	
3	3778092M1	1	Spacer	[A]
4	3009693X1	1	Nut Metric	M10
5	3009693X1	1	Nut Metric	M10
6	3581239M1	1	Clevis Pin	
7	385362X1	2	Washer	
8	3581507M1	1	Clamp	
9	391026X1	1	Lock Washer	
10	3904487M1	1	Mirror Glass	(1)
11	3904491M1	1	Gasket	(1)

FOOTNOTE [A] WITH HIGH VISIBILITY ROOF

1-ZV01-001-C



Seat - Grammer

Item	Part Number	Qty	Description	Comments
1	3780646M91	1	Seat	[A] Up to Serial or Engine Number J245007 See Page - Reference Number 110-0300/1 See Page - Reference Number 110-0305/1
	3779611M91	1	Seat	[B] Up to Serial or Engine Number J248028 See Page - Reference Number 110-0310 See Page - Reference Number 110-0330
	3779611M91	1	Seat	[B,D] Up to Serial or Engine Number J263012 See Page - Reference Number 110-0310 See Page - Reference Number 110-0330
	3780629M91	1	Seat	[C] Up to Serial or Engine Number 04-09-2000 See Page - Reference Number 110-0310 See Page - Reference Number 110-0335
2	391989X1	4	Screw Metric	M8x20
	1441000X1	4	Screw Metric	M8x16
3	339124X1	3	Hex. Sock.	M8x16
			Screw	Up to Serial or Engine Number
4	390972X1	4	Washer Metric	M8 Up to Serial or Engine Number
5	3780410M1	1	Plate	Up to Serial or Engine Number
6	390972X1	4	Washer Metric	M8
7	3784092M92	1	Seat	[A] From Serial or Engine Number J245008 See Page - Reference Number 110-0315 See Page - Reference Number 110-0305 See Page - Reference Number 110-0320
	3784092M92	1	Seat	[A,D] From Serial or Engine Number
				See Page - Reference Number 110-0315 See Page - Reference Number 110-0305 See Page - Reference Number 110-0320
	3784088M92	1	Seat	[B] From Serial or Engine Number J248029 See Page - Reference Number 110-0315 See Page - Reference Number 110-0330 See Page - Reference Number 110-0320
	3784088M92	1	Seat	[B,D] From Serial or Engine Number J263013 See Page - Reference Number 110-0315 See Page - Reference Number 110-0330 See Page - Reference Number 110-0320
	3784089M92	1	Seat	[C] From Serial or Engine Number 05-09-2000 See Page - Reference Number 110-0315 See Page - Reference Number 110-0335 See Page - Reference Number 110-0320
	3784089M92	1	Seat	[C,D] From Serial or Engine Number
				See Page - Reference Number 110-0315 See Page - Reference Number 110-0335 See Page - Reference Number 110-0320
8	3784097M1	1	Back Rest	From Serial or Engine Number

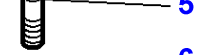
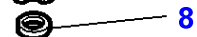
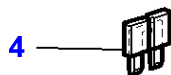
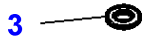
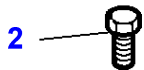
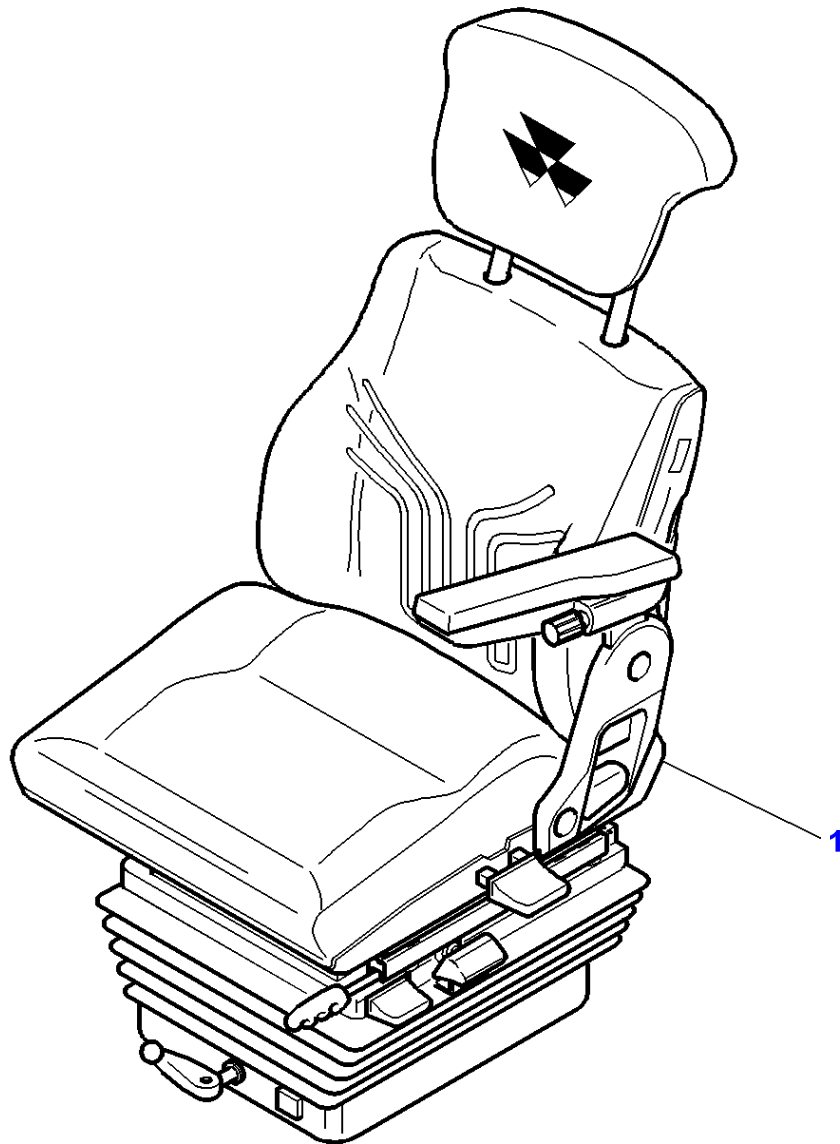
FOOTNOTE [A] MECHANICAL SEAT

FOOTNOTE [B] AIR PRESSURE SEAT WITH AUTOMATIC ADJUSTMENT

FOOTNOTE [C] AIR PRESSURE SEAT WITH MANUAL ADJUSTMENT

FOOTNOTE [D] WITHOUT HYDRAULIC LIFT

1-ZV01-014-A

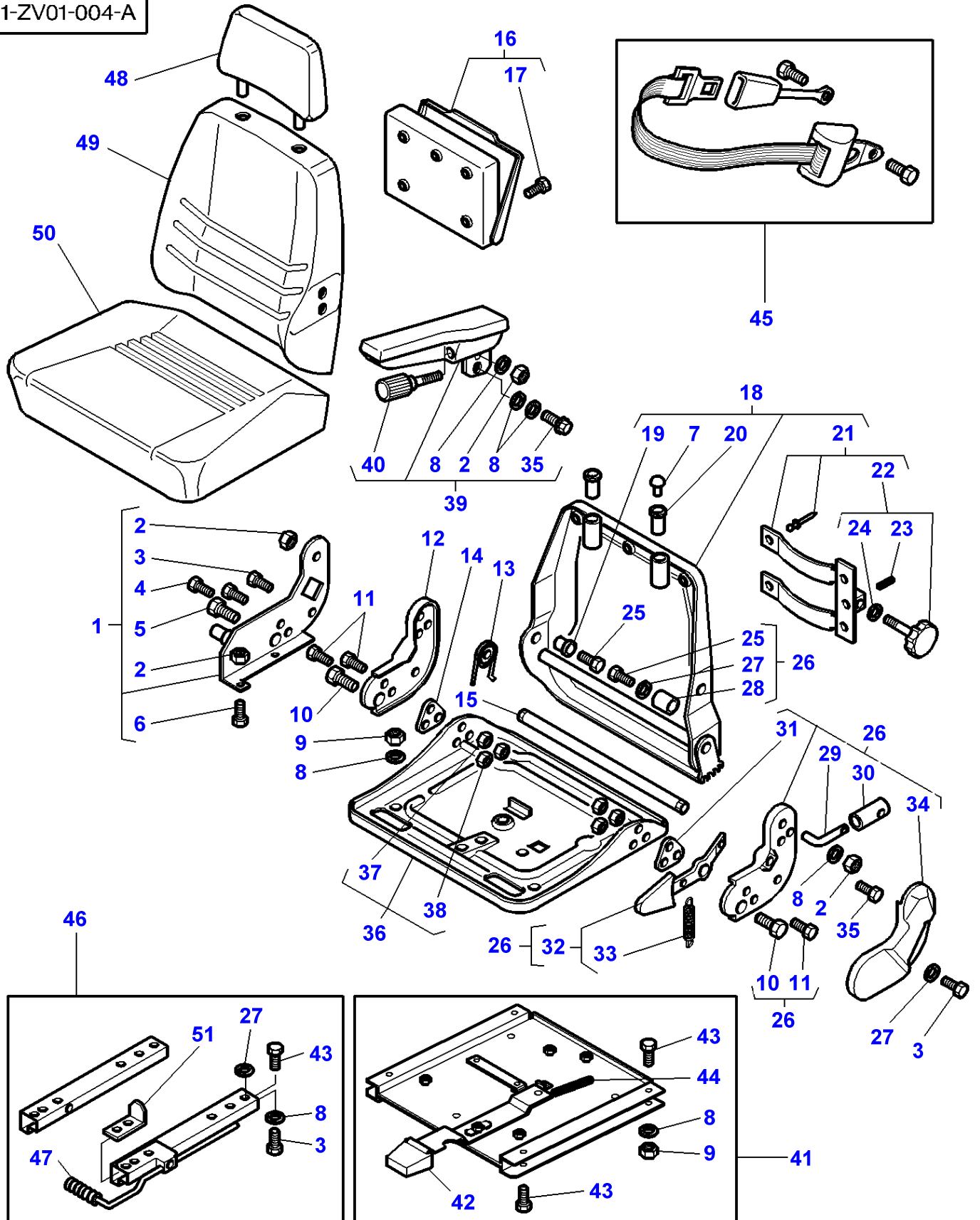


Massey Ferguson**MF 8210/8220 TRACTORS - 1637365****1637365****Seat - Grammer - AIR PRESSURE SEAT WITH AUTOMATIC ADJUSTMENT - LUXUY****Page 110-0295**

Item	Part Number	Qty	Description	Comments
1	3786166M92	1	Seat	See Page - Reference Number 110-0340/1 See Page - Reference Number 110-0325/1
2	1441000X1	4	Screw Metric	M8X16
3	390972X1	4	Washer Metric	
4	3387322M1	1	Fuse	25 AMP.
5	391005X1	2	Stud	M10X25
	3008483X1	2	Stud	M10X35
6	3778519M1	2	Washer	Diameter 10-27x1.8
7	3786216M1	2	Button	M10
8	3619096M1	2	Washer	Diameter 10.5-32x5

MF 8210/8220 TRACTORS - 1637365
1-ZV01-004-A

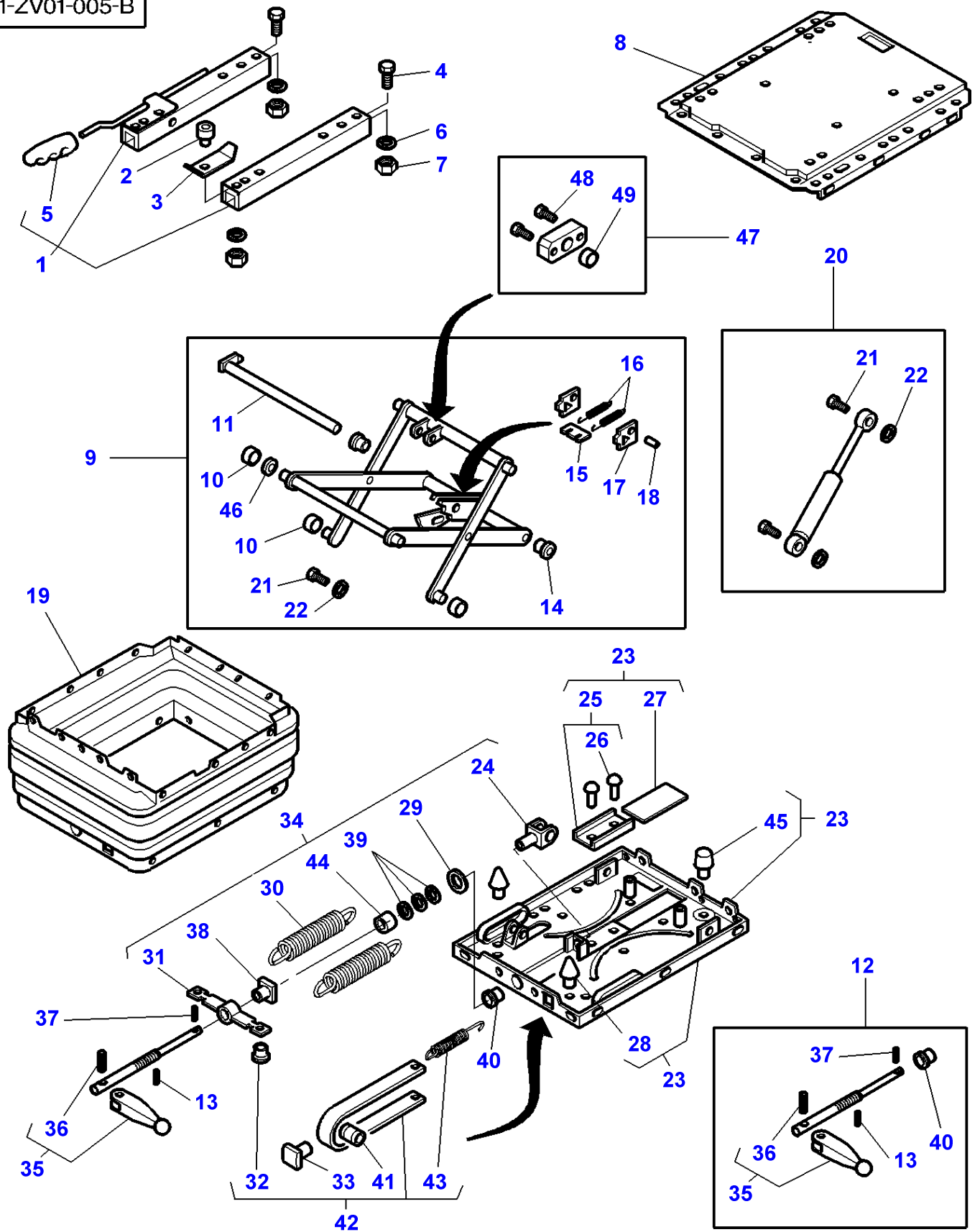
1-ZV01-004-A



Item	Part Number	Qty	Description	Comments
	3780646M91	1	Seat	
1	3903086M91	1	Support	
2	1441461X1	3	Locknut	M8
3	391148X1	3	Screw	M8x20
4	1440349X1	2	Screw Metric	M8x30
5	353562X1	1	Bolt Unf	Diameter 7/16"-20 Length 35 MM
6	3009439X1	1	Screw	M8x16
7	3101653M1	2	Cap	
8	391565X1	11	Washer Metric	Diameter 8 MM
9	339169X1	8	Nut	Diameter M8
10	353561X1	2	Bolt Unf	Diameter 7/16"-20 Length 30 MM
11	391990X1	4	Screw	M8x25
12	3105795M1	1	Support	
13	3105793M1	1	Spring	
14	3903073M1	1	Plate	
15	3903074M1	1	Tube	
16	3903085M91	1	Pocket	
17	3903093M1	4	Screw	Diameter 4 MM
18	3903070M91	1	Frame	
19	3903075M1	1	Insert	
20	3101494M1	2	Bush	
21	3903071M91	1	Support	
22	3903072M91	1	Stem	
23	3009322X1	1	Spirol Pin	Diameter 3 MM Length 18 MM
24	1444351X1	1	Washer	Diameter 13 MM
25	339287X1	2	Screw Metric	M8x35
26	3903079M91	1	Driven Plate	
27	391039X1	5	Washer Metric	Diameter 8 MM
28	3903076M1	1	Tube	
29	3903080M1	1	Lever	
30	3903081M1	1	Handle	
31	3903077M1	1	Plate	
32	3903078M91	1	Lever	
33	3105797M1	1	Spring	
34	3903082M1	1	Housing	
35	3101996M1	1	Screw Special	M8x16
36	3903083M91	1	Frame	
37	339169X1	4	Nut	Diameter M8
38	353428X1	2	Nut Unf	Diameter 7/16"-20
39	3903099M91	1	Armrest	
40	3903098M1	1	Stem	
41	3903100M91	1	Plate	
42	3903102M1	1	Handle	
43	1441000X1	12	Screw Metric	M8x16
44	3903101M1	1	Spring	
45	3903092M1	1	Safety Belt	
46	3903088M91	1	Kit, Guide	
47	3903087M1	1	Handle	
48	3779612M1	1	Head Rest	
49	3903118M1	1	Cushion	
50	3903117M1	1	Cushion	
51	3903142M1	1	Strap	

MF 8210/8220 TRACTORS - 1637365
1-ZV01-005-B

1-ZV01-005-B



Seat - Grammer - MECHANICAL SEAT

Item	Part Number	Qty	Description	Comments
	3780646M91	1	Seat	
	3784092M92	1	Seat	
1	3903286M91	1	Kit, Guide	
	3903286M91	1	Kit, Guide	[B]
				Up to Serial or Engine Number L197035
	3903621M91	1	Kit, Slider	[B]
				From Serial or Engine Number L197036
2	3903291M1	1	Roller	
3	3903142M1	1	Strap	
	3903636M1	1	Stop	[B]
4	1441000X1	3	Screw Metric	M8x16
5	3903087M1	1	Handle	
6	391039X1	4	Washer Metric	Diameter 8,4 MM
7	339169X1	4	Nut	Diameter M8
8	3903274M91	1	Fit Plate Seat	
9	3903290M91	1	Suspension	
10	1719914M1	4	Roller	
11	3103597M1	1	Stem	
12	3903287M91	1	Stem	
	3903287M91	1	Stem	[B]
				Up to Serial or Engine Number L197035
	3904440M91	1	Kit, Rod	[B]
				From Serial or Engine Number L197036
13	3903277M1	1	Pin	Diameter 3 MM Length 18 MM
14	3103596M1	2	Bush	
15	1719910M1	1	Plate	
16	3903148M1	2	Spring	
17	3903275M1	2	Shield	
18	1719923M1	1	Pin	
19	3903145M1	1	Bellows	
20	3903276M91	1	Shock Absorber	
21	1719935M1	2	Pin	
22	1442783X1	2	Circlip	
23	3903281M91	1	Fit Plate Seat	
24	3103605M1	1	Fork	
25	3103612M91	1	Plate	
26	338627X1	2	Rivet	Diameter 4 MM Length 10 MM
27	1719917M1	1	Plate	
28	3903282M1	2	Buffer	
29	1719902M1	1	Washer	
30	3903278M1	2	Tension Spring	
31	1719900M1	1	Support	
32	1719918M1	1	Plug	
33	1719891M1	1	Guide	
34	3903280M91	1	Parts Pack	
35	3903133M91	1	Toggle	
36	3903153M1	1	Pin	Diameter 4 MM Length 28 MM
37	3903152M1	1	Pin	Diameter 3 MM Length 16 MM
38	1719920M1	1	Nut Special	Diameter M12
39	1719921M1	1	Bearing	
40	3103608M1	1	Bush	
41	1719903M1	1	Roller	
42	3903285M91	1	Parts Pack	
	3903285M91	1	Parts Pack	[B]
				Up to Serial or Engine Number L197035
	3904439M91	1	Kit, Repair	[B]
				From Serial or Engine Number L197036
43	1719932M1	1	Spring	
44	3903279M1	1	Tube	
45	3903283M1	1	Buffer	
46	3903284M1	2	Insert	
47	3903288M91	1	Bearing Carrier	
48	339560X1	4	Hex. Sock. Screw	(47) M6x16
49	3903289M1	2	Insert	(47)

Massey Ferguson

MF 8210/8220 TRACTORS - 1637365

1637365

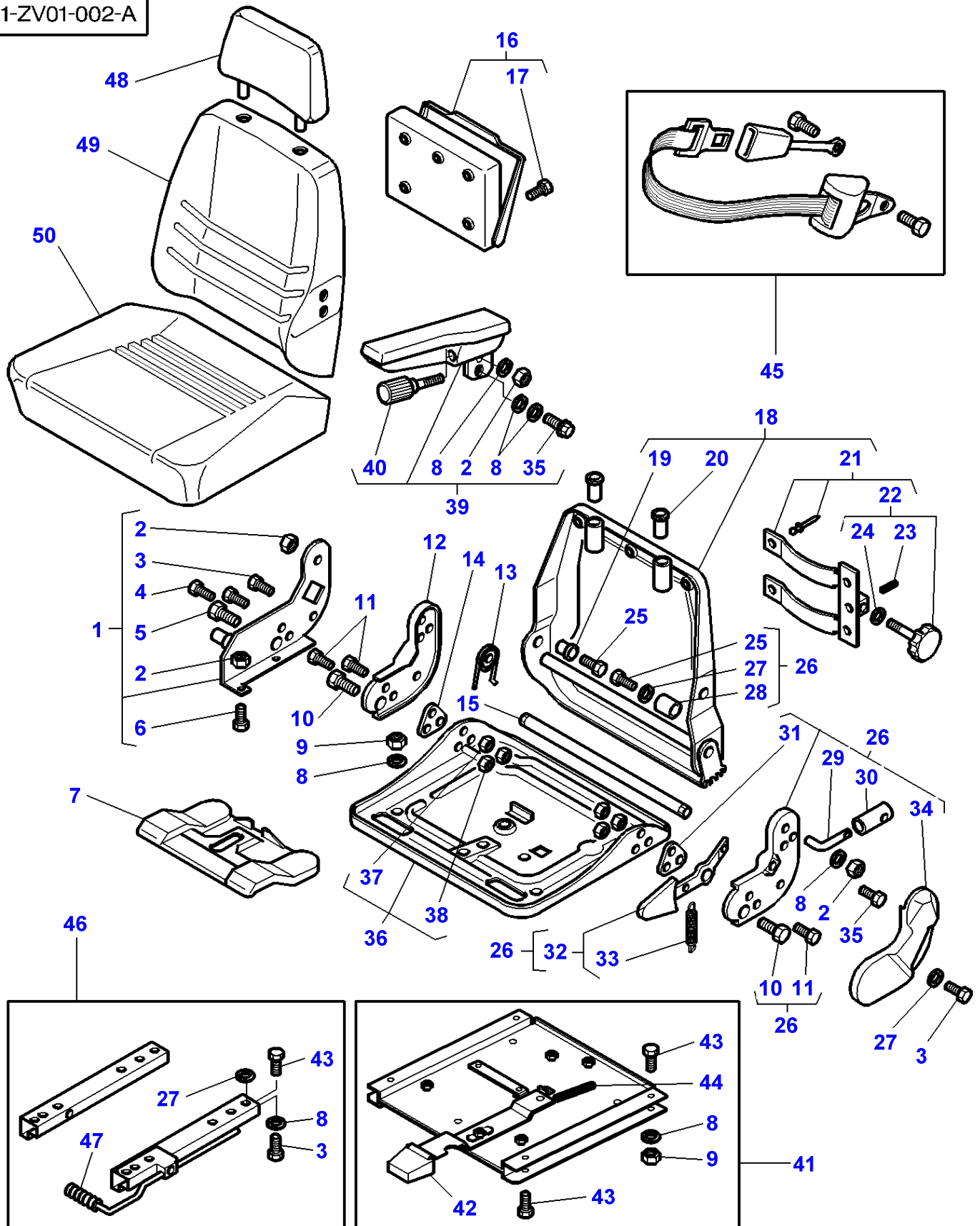
Seat - Grammer - MECHANICAL SEAT

Page 110-0305

Item	Part Number	Qty	Description	Comments
FOOTNOTE	[B]		USED WITH SEAT 3784092M92	

MF 8210/8220 TRACTORS - 1637365
1-ZV01-002-A

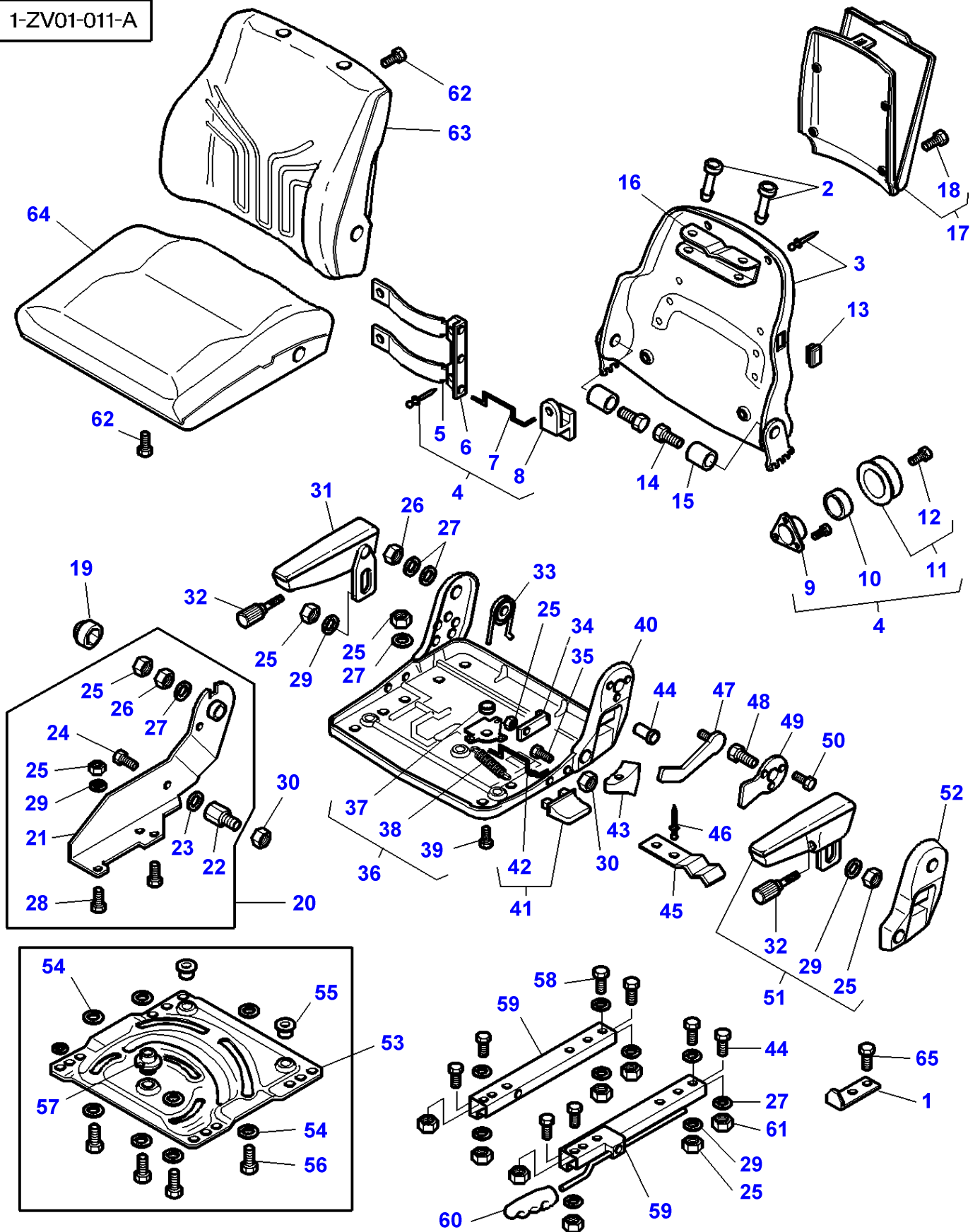
1-ZV01-002-A



Item	Part Number	Qty	Description	Comments
	3779611M91	1	Seat	
	3780629M91	1	Seat	
1	3903086M91	1	Support	
2	1441461X1	3	Locknut	M8
3	391148X1	3	Screw	M8x20
4	1440349X1	2	Screw Metric	M8x30
5	353562X1	1	Bolt Unf	Diameter 7/16"-20 Length 35 MM
6	3009439X1	1	Screw	M8x16
7	3903084M91	1	Driven Plate	
8	390972X1	11	Washer Metric	Diameter 8 MM
9	339169X1	4	Nut	M8
10	353561X1	2	Bolt Unf	Diameter 7/16"-20 Length 30 MM
11	391990X1	4	Screw	M8x25
12	3105795M1	1	Support	
13	3105793M1	1	Spring	
14	3903073M1	1	Plate	
15	3903074M1	1	Tube	
16	3903085M91	1	Pocket	
17	3903093M1	4	Screw	Diameter 4 MM
18	3903070M91	1	Frame	
19	3903075M1	1	Insert	
20	3101494M1	2	Bush	
21	3903071M91	1	Support	
22	3903072M91	1	Stem	
23	3009322X1	1	Spirol Pin	Diameter 3 MM Length 18 MM
24	1444351X1	1	Washer	Diameter 13 MM
25	339287X1	2	Screw Metric	M8x35
26	3903079M91	1	Driven Plate	
27	391039X1	5	Washer Metric	Diameter 8 MM
28	3903076M1	1	Tube	
29	3903080M1	1	Lever	
30	3903081M1	1	Handle	
31	3903077M1	1	Plate	
32	3903078M91	1	Lever	
33	3105797M1	1	Spring	
34	3903082M1	1	Housing	
35	3101996M1	1	Screw Special	M8x16
36	3903083M91	1	Frame	
37	339169X1	4	Nut	M8
38	353428X1	2	Nut Unf	Diameter 7/16"-20
39	3903099M91	1	Armrest	
40	3903098M1	1	Stem	
41	3903100M91	1	Plate	
42	3903102M1	1	Handle	
43	1441000X1	12	Screw Metric	M8x16
44	3903101M1	1	Spring	
45	3903092M1	1	Safety Belt	
46	3903088M91	1	Kit, Guide	
47	3903087M1	1	Handle	
48	3779612M1	1	Head Rest	
49	3903118M1	1	Cushion	
50	3903117M1	1	Cushion	

MF 8210/8220 TRACTORS - 1637365
1-ZV01-011-A

1-ZV01-011-A



Seat - Grammer - Air Ride Seat & Suspension - From ...

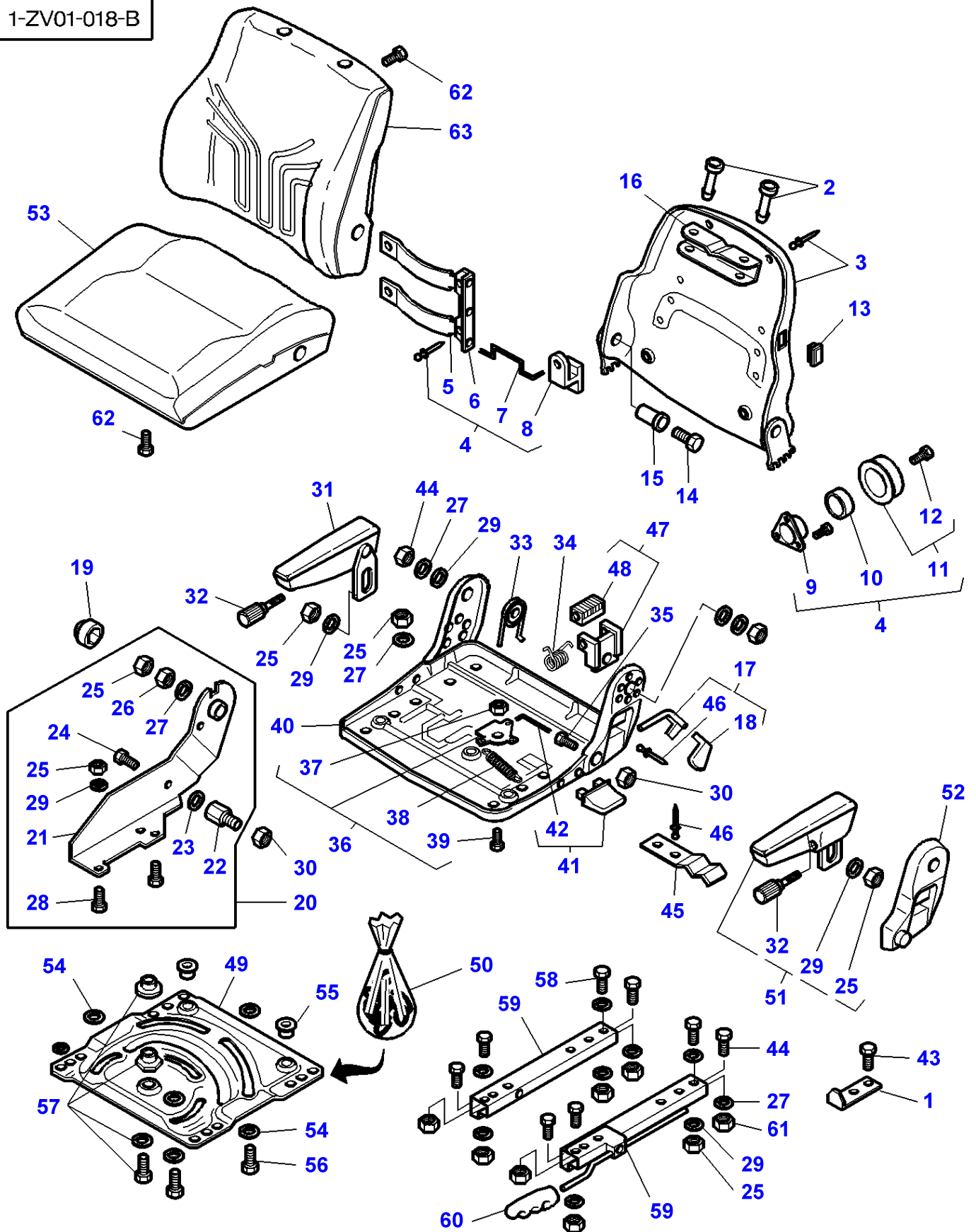
Item	Part Number	Qty	Description	Comments
	3784088M92	1	Seat	Up to Serial or Engine Number L191010
	3784089M92	1	Seat	Up to Serial or Engine Number L189012
	3784092M92	1	Seat	Up to Serial or Engine Number L197035
1	3903636M1	1	Stop	[F]
2	3903626M1	2	Insert	
3	3903625M91	1	Back Rest	
4	3903628M91	1	Support	
5	3903601M1	2	Plate	
6	3903602M1	1	Plate	
7	3903600M1	1	Rod	
8	3903633M1	1	Driving	
9	3903632M1	1	Holder	
10	3903631M1	1	Cam	
11	3903630M91	1	Handle	
12	392831X1	1	Screw	M6 X 10
13	3903598M1	1	Tap	
14	339168X1	1	Screw	M8 X 50
15	3903634M1	1	Tube	
16	3903627M1	1	Support	
17	3903603M1	1	Pocket	[D,E]
18	3903599M1	3	Screw	[D,E] M4 X 8
19	3903607M1	1	Clevis	
20	3903609M1	1	Support	
21		1	Support	Not serviced,order REF. 20
22	3903606M1	1	Bolt	
23	3903605M1	1	Insert	
24	353557X1	1	Bolt Unf	7/16-20 X 20
25	339169X1	X	Nut	M8
26	1441461X1	1	Locknut	M8
27	391565X1	X	Washer Metric	M8
28	3009439X1	2	Screw	M8 X 16
29	391039X1	X	Washer Metric	M8
30	353428X1	2	Nut Unf	7/16-20
31	3784393M1	1	Armrest	[B,C] Right Hand
32	3903098M1	2	Stem	
33	3903615M1	1	Spring	
34	3903608M1	1	Shank	
35	353562X1	1	Bolt Unf	7/16-20 X 35
36	3903635M91	1	Lever	
37	3903623M1	1	Insert	
38	3104902M1	1	Spring	
39	339228X1	1	Screw Metric	M8 X 12
40	3903617M1	1	Frame	
41	3903611M91	1	Handle	
42	3903612M1	1	Rod	
43	3903619M1	1	Handle	
44	1441000X1	5	Screw Metric	M8 X 16
45	3903604M1	1	Shield	
46		X	Rivet	[A]
47	3903618M1	1	Lever	
48	3903629M1	1	Screw	M8 X 18
49	3903620M1	1	Plate	
50	1440947X1	3	Screw	M6 X 10
51	3903597M91	1	Armrest	Left Hand
52	3903614M1	1	Housing	
53	3903622M91	1	Plate	
54	3102265M1	8	Washer	Diameter 13 X 2.5-0.12
55	3903616M1	2	Bearing	
56	3903610M1	4	Bolt	
57	3903613M1	1	Insert	
58	339124X1	4	Hex. Sock. Screw	M8 X 16
59	3903621M91	1	Kit, Slider	
60	3903595M1	1	Handle	
61	3904089M1	4	Nut	M8
62	3904087M1	7	Bolt	M5 X 16
63	3903593M1	1	Cushion	
64	3903594M1	1	Cushion	
65	391148X1	1	Screw	[F] M8X20

Item	Part Number	Qty	Description	Comments
------	-------------	-----	-------------	----------

- FOOTNOTE [A] NOT SERVICED
- FOOTNOTE [B] NOT SERVICED WITH THE SEAT
- FOOTNOTE [C] WITHOUT HYDRAULIC LIFT
- FOOTNOTE [D] USED WITH SEAT 3784088M91
- FOOTNOTE [E] USED WITH SEAT 3784089M92
- FOOTNOTE [F] USED WITH SEAT 3784092M92

MF 8210/8220 TRACTORS - 1637365
1-ZV01-018-B

1-ZV01-018-B



Item	Part Number	Qty	Description	Comments
	3784088M92	1	Seat	From Serial or Engine Number L191011
	3784089M92	1	Seat	From Serial or Engine Number L189013
	3784092M92	1	Seat	From Serial or Engine Number L197036
1	3903636M1	1	Stop	[E,F]
2	3903626M1	2	Insert	
3	3903625M91	1	Back Rest	
4	3903628M91	1	Support	
5	3903601M1	2	Plate	
6	3903602M1	1	Plate	
7	3903600M1	1	Rod	
8	3903633M1	1	Driving	
9	3903632M1	1	Holder	
10	3903631M1	1	Cam	
11	3903630M91	1	Handle	
12	392831X1	1	Screw	M6 X 10
13	3903598M1	1	Tap	
14	339168X1	1	Screw	M8 X 50
15	3903634M1	1	Tube	
16	3903627M1	1	Support	
17	3904264M1	1	Lever	
18	3904265M1	1	Handle	
19	3903607M1	1	Clevis	
20	3903609M1	1	Support	
21		1	Support	Not serviced,order REF. 20
22	3903606M1	1	Bolt	
23	3903605M1	1	Insert	
24	353557X1	1	Bolt Unf	7/16-20 X 20
25	339169X1	X	Nut	M8
26	1441461X1	1	Locknut	M8
27	391565X1	X	Washer Metric	M8
28	3009439X1	2	Screw	M8 X 16
29	391039X1	X	Washer Metric	M8
30	353428X1	2	Nut Unf	7/16-20
31	3784393M1	1	Armrest	[B,C] Right Hand
32	3903098M1	2	Stem	
33	3903615M1	1	Spring	
34	3903788M1	1	Spring	
35	353562X1	1	Bolt Unf	7/16-20 X 35
36	3903635M91	1	Lever	
37	3903623M1	1	Insert	
38	3104902M1	1	Spring	
39	339228X1	1	Screw Metric	M8 X 12
40	3903969M1	1	Frame	
41	3903611M91	1	Handle	
42	3903612M1	1	Rod	
43	391148X1	1	Screw	[E,F] M8X20
44	1441000X1	5	Screw Metric	M8 X 16
45	3903604M1	1	Shield	
46		X	Rivet	[A]
47	3904270M1	1	Support	
48	3904269M1	1	Stop	
49	3903622M91	1	Plate	
50	3904275M1	1	Parts Pack	
51	3903597M91	1	Armrest	Left Hand
52	3903971M1	1	Frame	
53	3903594M1	1	Cushion	
54	3102265M1	8	Washer	Diameter 13 X 2.5-0.12
55	3903616M1	2	Bearing	
56	3903610M1	4	Bolt	
57	3903967M91	1	Parts Pack	
58	339124X1	4	Hex. Sock. Screw	M8 X 16
59	3903621M91	1	Kit, Slider	
60	3903595M1	1	Handle	
61	3904089M1	4	Nut	M8
62	3903965M1	7	Screw	M5 X 25
63	3903593M1	1	Cushion	

FOOTNOTE [A] NOT SERVICED

FOOTNOTE [B] NOT SERVICED WITH THE SEAT

Massey Ferguson

MF 8210/8220 TRACTORS - 1637365

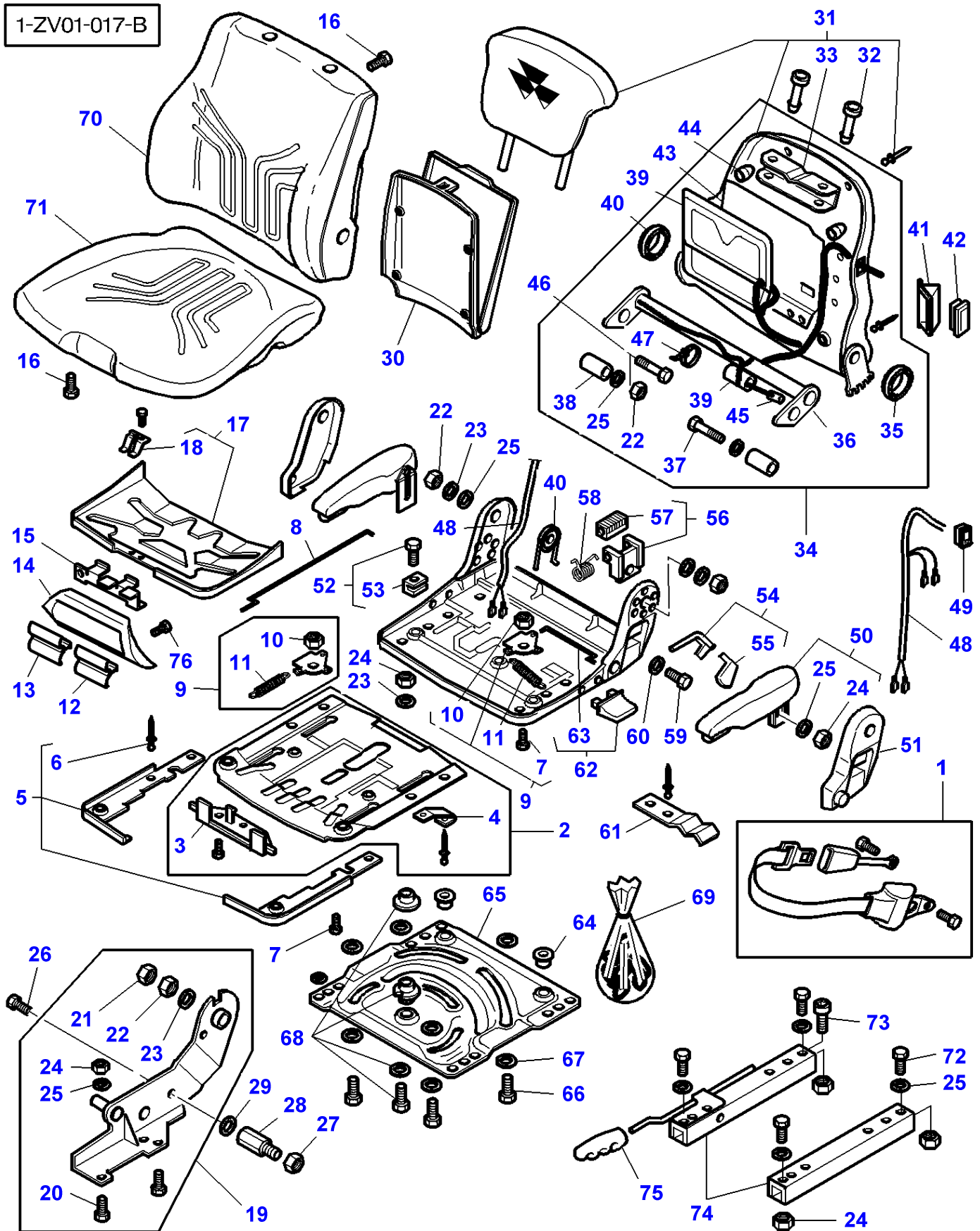
1637365

Seat - Grammer - Air Ride Seat & Suspension

Page 110-0320

Item	Part Number	Qty	Description	Comments
FOOTNOTE	[C]		WITHOUT HYDRAULIC LIFT	
FOOTNOTE	[E]		USED WITH SEAT 3784089M92	
FOOTNOTE	[F]		USED WITH SEAT 3784092M92	

MF 8210/8220 TRACTORS - 1637365
1-ZV01-017-B



Item	Part Number	Qty	Description	Comments
	3786166M92	1	Seat	
1	3903805M1	1	Safety Belt	
2	3903780M91	1	Frame	
3	3903785M91	1	Adjuster	
4	3903781M1	2	Shield	
5	3903784M91	1	Housing	
6	339362X1	2	Washer	
7	339228X1	2	Screw Metric	M8x12
8	3903783M1	1	Rod	
9	3903635M91	2	Lever	
10	3903623M1	2	Insert	
11	3104902M1	2	Spring	
12	3903794M1	1	Muff	
13	3903793M91	1	Handle	
14	3903792M91	1	Housing	
15	3903791M1	1	Lever	
16	3904087M1	10	Bolt	M5x16
	3903965M1	10	Screw	Up to Serial or Engine Number M002057 From Serial or Engine Number M002058 M5x16
17	3903789M91	1	Positioner	
18	3903790M91	1	Shield	
19	3903808M91	1	Support	
20	3009439X1	2	Screw	M8x16
21	3903607M1	1	Clevis	
22	1441461X1	1	Locknut	M8
23	391565X1	9	Washer Metric	
24	339169X1	7	Nut	M8
25	391039X1	9	Washer Metric	
26	353557X1	1	Bolt Unf	7/16-20x20
27	353428X1	1	Nut Unf	7/16-20
28	3903807M1	1	Bolt	
29	3903605M1	1	Insert	
30	3903603M1	1	Pocket	
31	3903782M91	1	Head Rest	
32	3903626M1	2	Insert	
33	3903627M1	1	Support	Up to Serial or Engine Number M002057
34	3903795M91	1	Back Rest	
35	3903802M1	1	Washer	Up to Serial or Engine Number M002057
	3907136M1	1	Washer	From Serial or Engine Number M002058
36	3903803M1	1	Tube	
37	339168X1	2	Screw	M8x50
38	3903796M1	2	Tube	
39	3903800M1	1	Support	
40	3903779M1	1	Spring	
41	3903798M1	1	Cover	
42	3903843M1	1	Switch	
43	3903799M91	1	Plate	
44	1719867M1	2	Protector	
45	3903797M1	3	Spring	Up to Serial or Engine Number M002057
	3903970M1	3	Spring	From Serial or Engine Number M002058
46	3903806M1	1	Screw	M8x60
47	3105397M1	8	Cable Clamp	
48	3903801M1	1	Harness	
49	3903804M1	1	Switch	[A]
50	3903597M91	1	Armrest	Left Hand
	3784393M1	1	Armrest	Right Hand
51	3904266M1	1	Protector	
52	3903787M91	1	Frame	
53	3903786M1	1	Skate	
54	3904264M1	1	Lever	
55	3904265M1	1	Handle	
56	3904270M1	1	Support	
57	3904269M1	1	Stop	
58	3903788M1	1	Spring	
59	353562X1	1	Bolt Unf	7/16-20X35
60	353428X1	1	Nut Unf	7/16-20
61	3903604M1	1	Shield	
62	3903611M91	1	Handle	
63	3903612M1	1	Rod	(62)
64	3903616M1	2	Bearing	

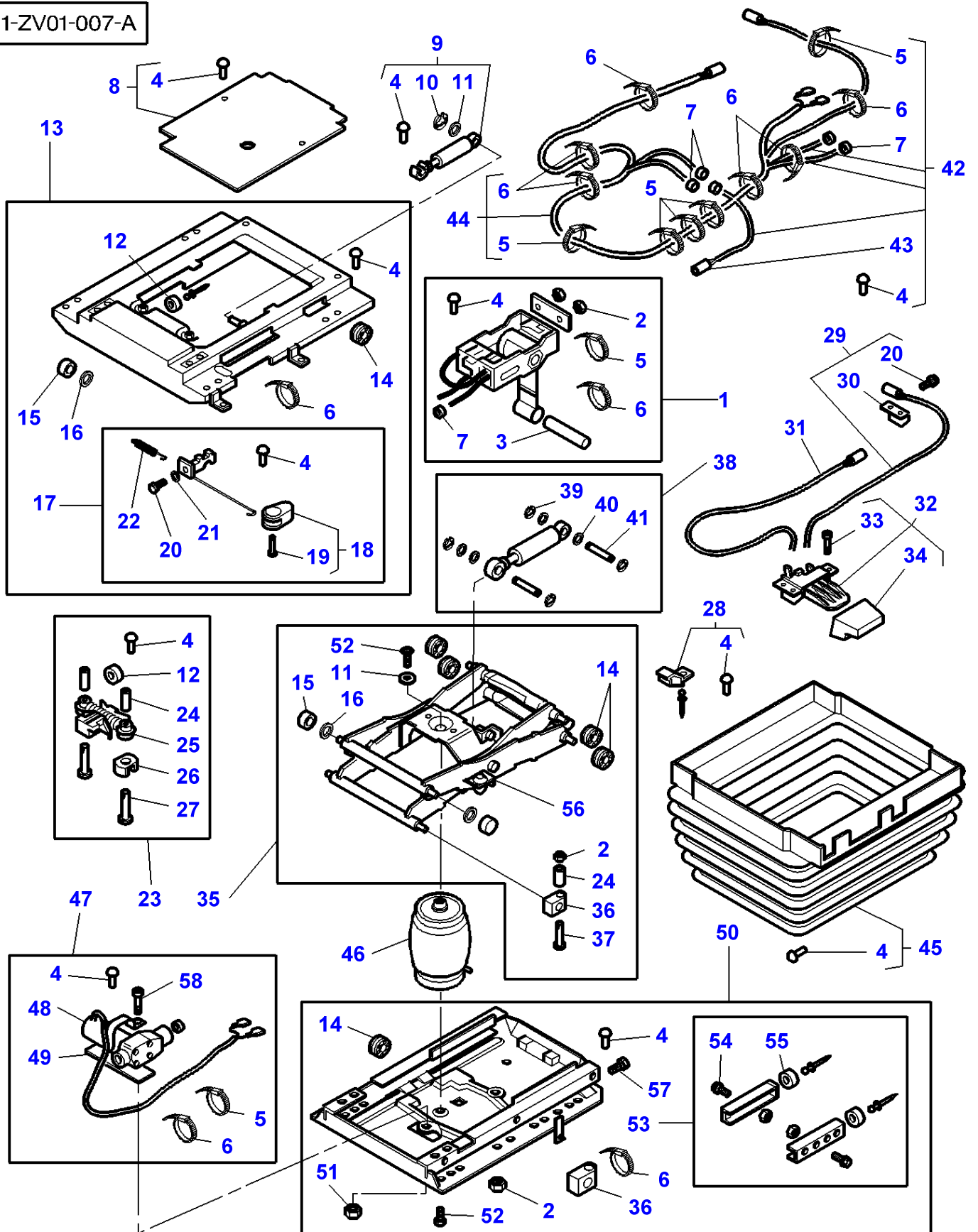
Massey Ferguson**MF 8210/8220 TRACTORS - 1637365****1637365****Seat - Grammer - AIR PRESSURE SEAT WITH AUTOMATIC ADJUSTMENT - LUXUY****Page 110-0325**

Item	Part Number	Qty	Description	Comments
65	3903622M91	1	Plate	
66	3903610M1	4	Bolt	
67	390735X1	8	Washer	
68	3903613M1	1	Insert	Up to Serial or Engine Number M002057
68	3903967M91	1	Parts Pack	From Serial or Engine Number M002058
69	3904275M1	1	Parts Pack	
70	3903777M1	1	Cushion	
71	3903778M1	1	Cushion	
72	339124X1	4	Hex. Sock. Screw	M8x16
73	1441000X1	4	Screw Metric	M8x16
74	3903621M91	1	Kit, Slider	
75	3903595M1	1	Handle	
76	3904087M1	2	Bolt	M5x16

FOOTNOTE [A] HEATER

MF 8210/8220 TRACTORS - 1637365
1-ZV01-007-A

1-ZV01-007-A



Item	Part Number	Qty	Description	Comments
	3779611M91	1	Seat	
	3784088M92	1	Seat	
1	3903129M91	1	Lever	
2	1441461X1	4	Locknut	M8
3	3903130M1	1	Clevis Pin	
4	1719896M1	24	Plug	
5	3903068M1	4	Tie	4,7x204 MM
6	3105397M1	5	Cable Clamp	2,5x102 MM
7	3903052M1	4	Olive	
8	3903037M91	1	Housing	
9	3903039M91	1	Shock Absorber	
10	1441206X1	1	Lock Washer	Diameter 6 MM
11	390972X1	2	Washer Metric	[C] Diameter 8,4 MM
	391565X1	2	Washer Metric	Diameter 8.4 MM
12	3903040M1	1	Buffer	
13	3903132M91	1	Suspension	
14	3903050M1	4	Roller	
15	3105382M1	2	Bearing Needle	[C]
	3105382M1	2	Bearing Needle	[D]
	3903815M1	2	Pulley	Up to Serial or Engine Number L191010 [D] From Serial or Engine Number L191011
16	3903048M1	2	Ring	[C]
	3903048M1	2	Ring	[D] Up to Serial or Engine Number L191010
17	3903045M91	1	Rod Link	
18	3903180M91	1	Handle	
19	3903065M1	1	Screw	4x14
20	3903064M1	2	Screw	3,5x12 MM
21	339362X1	1	Washer	Diameter 4,3 MM
22	3903044M1	2	Spring	
23	3903032M91	1	Shock Absorber	(1)
24	3105404M1	4	Tube	(1)
25	3903033M1	2	Insert	
26	3903034M1	2	Buffer	
27	339287X1	2	Screw Metric	M8x35
28	3903036M1	2	Stop	
29	3903138M91	1	Cable	
30	3903136M1	1	Support	
31	3903137M91	1	Cable	
32	3903164M91	1	Selector	Replace and repair. Old interchangeable with new 3903043M91
33	3903063M1	3	Screw	M5x16
	3904087M1	3	Bolt	[D] M5X16
34	3903042M1	1	Handle	
35	3903047M91	1	Suspension	
36	3903049M1	2	Bearing Carrier	
37	3903066M1	2	Screw	
38	3903058M91	1	Shock Absorber	
39	390287X1	4	Lock Washer	
40	3101663M1	4	Washer	
41	3903035M1	2	Clevis Pin	
42	3903141M91	1	Hydr Hose	
43	3105395M1	2	Hose Clip	
44	3904448M1	1	Harness	
45	3903139M91	1	Bellows	
46	3903051M91	1	Accumulator	
47	3903057M91	1	Compressor	
48	3903053M1	1	Clamp	
49	3903054M1	1	Plate	
50	3903059M91	1	Fit Plate Seat	
51	339169X1	1	Nut	[C] M8
	1441461X1	1	Locknut	M8
52	3903067M1	2	Screw	M8x20
53	3903062M1	1	Stop	
54	3101996M1	2	Screw Special	M8x16
55	3102401M1	2	Buffer	
56	1719867M1	2	Protector	
57	3000926X1	1	Screw	M5x10

Item	Part Number	Qty	Description	Comments
58	3001414X1	1	Screw Metric	M8x12
59	3903135M91	1	Kit, Repair	[A,B]

FOOTNOTE [A] INCLUDE ITEM 2/4/5/6/11/12/14/15/16/24/25/ 26/36/51/52/53/56/58

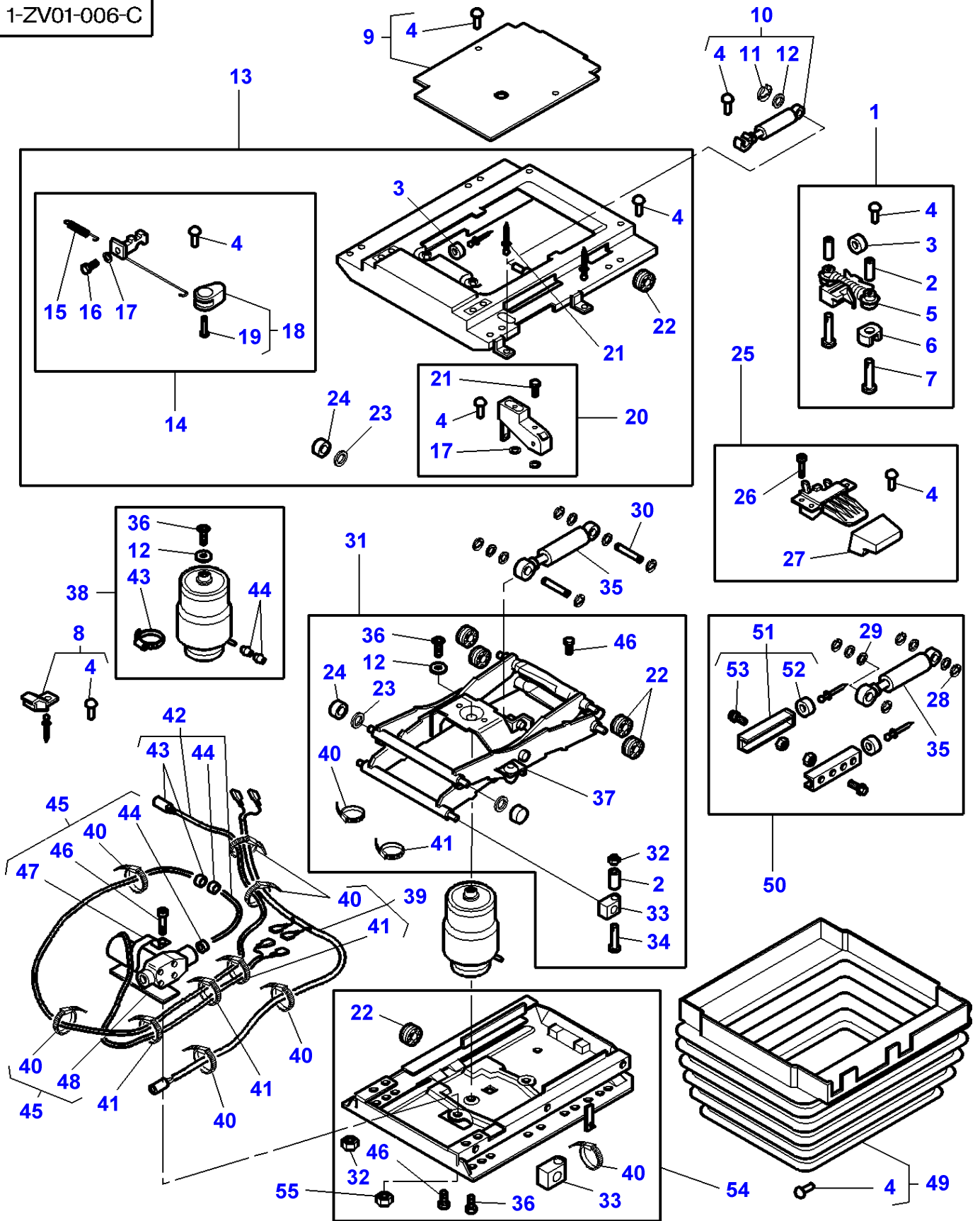
FOOTNOTE [B] NOT ILLUSTRATED

FOOTNOTE [C] USED WITH SEAT 3779611M91

FOOTNOTE [D] USED WITH SEAT 3784088M91

MF 8210/8220 TRACTORS - 1637365
1-ZV01-006-C

1-ZV01-006-C



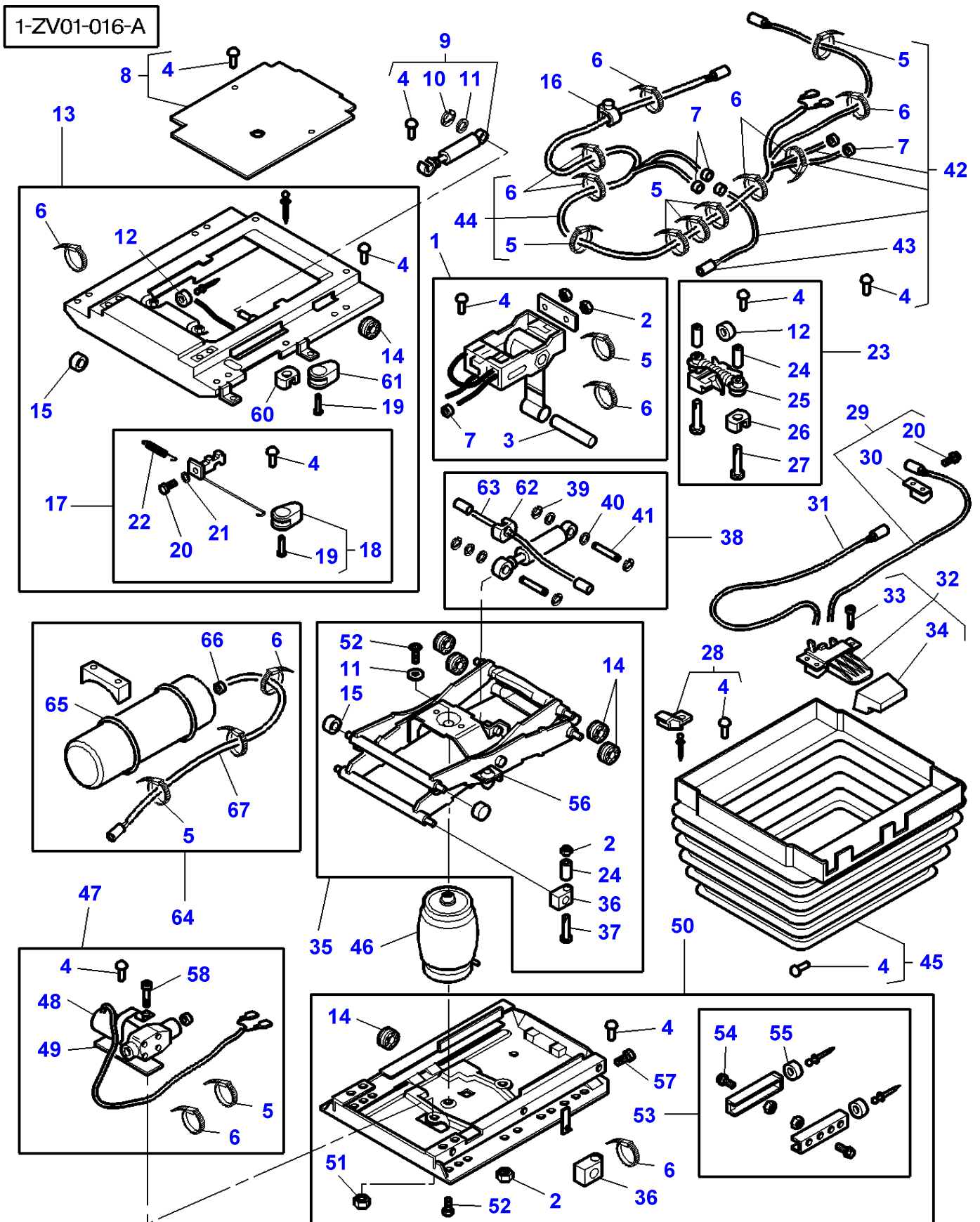
Item	Part Number	Qty	Description	Comments
	3780629M91		Seat	
	3784089M92		Seat	
1	3903032M91	1	Shock Absorber	
2	3105404M1	4	Tube	
3	3903040M1	1	Buffer	
4	1719896M1	24	Plug	
5	3903033M1	2	Insert	
6	3903034M1	1	Buffer	
7	339287X1	2	Screw Metric	M8x35
8	3903036M1	2	Stop	
9	3903037M91	1	Housing	
10	3903039M91	1	Shock Absorber	M8
11	1441206X1	1	Lock Washer	Diameter 6 MM
12	391565X1	2	Washer Metric	Diameter 8,4 MM
13	3903038M91	1	Fit Plate Seat	
14	3903045M91	1	Rod Link	
15	3903044M1	2	Spring	
16	3903064M1	1	Screw	Diameter 3,5 X 12
	3903064M1	1	Screw	[C] Up to Serial or Engine Number L189012
	3904444M1	1	Screw	[C] From Serial or Engine Number L189013
17	339362X1	3	Washer	Diameter 4 MM
18	3903046M91	1	Handle	
	3903046M91	1	Handle	[C] Up to Serial or Engine Number L189012
	3903180M91	1	Handle	[C] From Serial or Engine Number L189013
19	3903065M1	1	Screw	4x14
20	3903041M91	1	Parts Pack	
21	3103289M1	2	Rivet	4x12
22	3903050M1	4	Roller	
23	3903048M1	2	Ring	
	3903048M1	2	Ring	[C] Up to Serial or Engine Number L189012
24	3105382M1	2	Bearing Needle	
	3105382M1	2	Bearing Needle	[C] Up to Serial or Engine Number L189012
	3903815M1	2	Pulley	[C] From Serial or Engine Number L189013
25	3903313M91	1	Drive	
26	3903063M1	3	Screw	5x16
	3904087M1	3	Bolt	[C] M5X16
27	3903042M1	1	Handle	
28	390287X1	4	Lock Washer	Diameter 10 MM
29	3101663M1	4	Washer	Diameter 13 MM
30	3903035M1	2	Clevis Pin	
31	3903047M91	1	Suspension	
32	1441461X1	2	Locknut	M8
33	3903049M1	2	Bearing Carrier	
34	3903066M1	2	Screw	
35		1	Ram	Not serviced,order REF 50
36	3903067M1	2	Screw	8x20
37	1719867M1	2	Protector	
38	3903051M91	1	Accumulator	
39	3903056M91	1	Cable	
40	3105397M1	7	Cable Clamp	
41	3903068M1	4	Tie	
42	3904445M91	1	Kit, Repair	
43	3903052M1	2	Olive	
44	3105395M1	2	Hose Clip	
45	3903057M91	1	Compressor	
46	3001414X1	1	Screw Metric	M8x12
47	3903053M1	1	Clamp	
48	3903054M1	1	Plate	
49	3903060M91	1	Bellows	
50	3903058M91	1	Shock Absorber	
51	3903062M1	1	Stop	
52	3102401M1	2	Buffer	
53	3101996M1	2	Screw Special	M8x16

Massey Ferguson**MF 8210/8220 TRACTORS - 1637365****1637365****Seat - Grammer - AIR PRESSURE SEAT WITH MANUAL ADJUSTMENT****Page 110-0335**

Item	Part Number	Qty	Description	Comments
54	3903059M91	1	Fit Plate Seat	
55	339169X1	2	Nut	M8
56	3903061M91	1	Kit, Repair	[A,B]
56	3903061M91	1	Kit, Repair	[A,B,C]
				Up to Serial or Engine Number L189012
56	3903135M91	1	Kit, Repair	[A,B,C]
				From Serial or Engine Number L189013

FOOTNOTE [A] INCLUDE ITEM 2/3/4/6/22/23/24/33/35/36/37/ 40/41/44/46/51**FOOTNOTE [B]** NOT ILLUSTRATED**FOOTNOTE [C]** USED WITH SEAT 3784089M92

MF 8210/8220 TRACTORS - 1637365
1-ZV01-016-A



Item	Part Number	Qty	Description	Comments
	3786166M92	1	Seat	
1	3903129M91	1	Lever	
2	1441461X1	4	Locknut	M8
3	3903130M1	1	Clevis Pin	
4	1719896M1	24	Plug	
5	3903068M1	4	Tie	4,7x204 MM
6	3105397M1	5	Cable Clamp	2,5x102 MM
7	3903052M1	4	Olive	
8	3903037M91	1	Housing	
9	3903039M91	1	Shock Absorber	
10	1441206X1	1	Lock Washer	Diameter 6 MM
11	391565X1	2	Washer Metric	Diameter 8.4 MM
12	3903040M1	1	Buffer	
13	3903814M91	1	Fit Plate Seat	
14	3903816M1	4	Roller	
15	3903815M1	2	Pulley	
16	3903823M1	1	Cable Clamp	
17	3903045M91	1	Rod Link	
18	3903180M91	1	Handle	
19	3903065M1	1	Screw	4x14
20	3904444M1	2	Screw	3.5x12MM
21	339362X1	1	Washer	Diameter 4,3 MM
22	3903044M1	2	Spring	
23	3903032M91	1	Shock Absorber	(1)
24	3105404M1	4	Tube	(1)
25	3903033M1	2	Insert	
26	3903034M1	2	Buffer	
27	339287X1	2	Screw Metric	M8x35
28	3903036M1	2	Stop	
29	3903138M91	1	Cable	
30	3903136M1	1	Support	
31	3903137M91	1	Cable	
32	3903164M91	1	Selector	Replace and repair. Old interchangeable with new 3903043M91
33	3904087M1	3	Bolt	M5X16
34	3903042M1	1	Handle	
35	3903047M91	1	Suspension	
36	3903049M1	2	Bearing Carrier	
37	3903066M1	2	Screw	
38	3903822M91	1	Shock Absorber	
39	390287X1	4	Lock Washer	
40	3101663M1	4	Washer	
41	3903035M1	2	Clevis Pin	
42	3903141M91	1	Hydr Hose	
43	3105395M1	2	Hose Clip	
44	3903817M91	1	Cable	
45	3903172M91	1	Bellows	Up to Serial or Engine Number M002057
	3903139M91	1	Bellows	From Serial or Engine Number M002058
46	3903051M91	1	Accumulator	
47	3903057M91	1	Compressor	
48	3903053M1	1	Clamp	
49	3903054M1	1	Plate	
50	3903059M91	1	Fit Plate Seat	
51	1441461X1	1	Locknut	M8
52	3903067M1	2	Screw	M8x20
53	3903062M1	1	Stop	
54	3101996M1	2	Screw Special	M8x16
55	3102401M1	2	Buffer	
56	1719867M1	2	Protector	
57	3000926X1	1	Screw	M5x10
58	3001414X1	1	Screw Metric	M8x12
59	3903135M91	1	Kit, Repair	[A,B]
60	3903819M91	1	Guide	
61	3903818M91	1	Handle	
62	3903820M91	1	Bearing Carrier	
63	3903821M91	1	Cable	
64	3903827M91	1	Accumulator	
65	3903826M1	2	Tie	7.6x387
66	3903824M1	2	Clamp	
67	3903825M1	1	Facing	

Massey Ferguson

MF 8210/8220 TRACTORS - 1637365

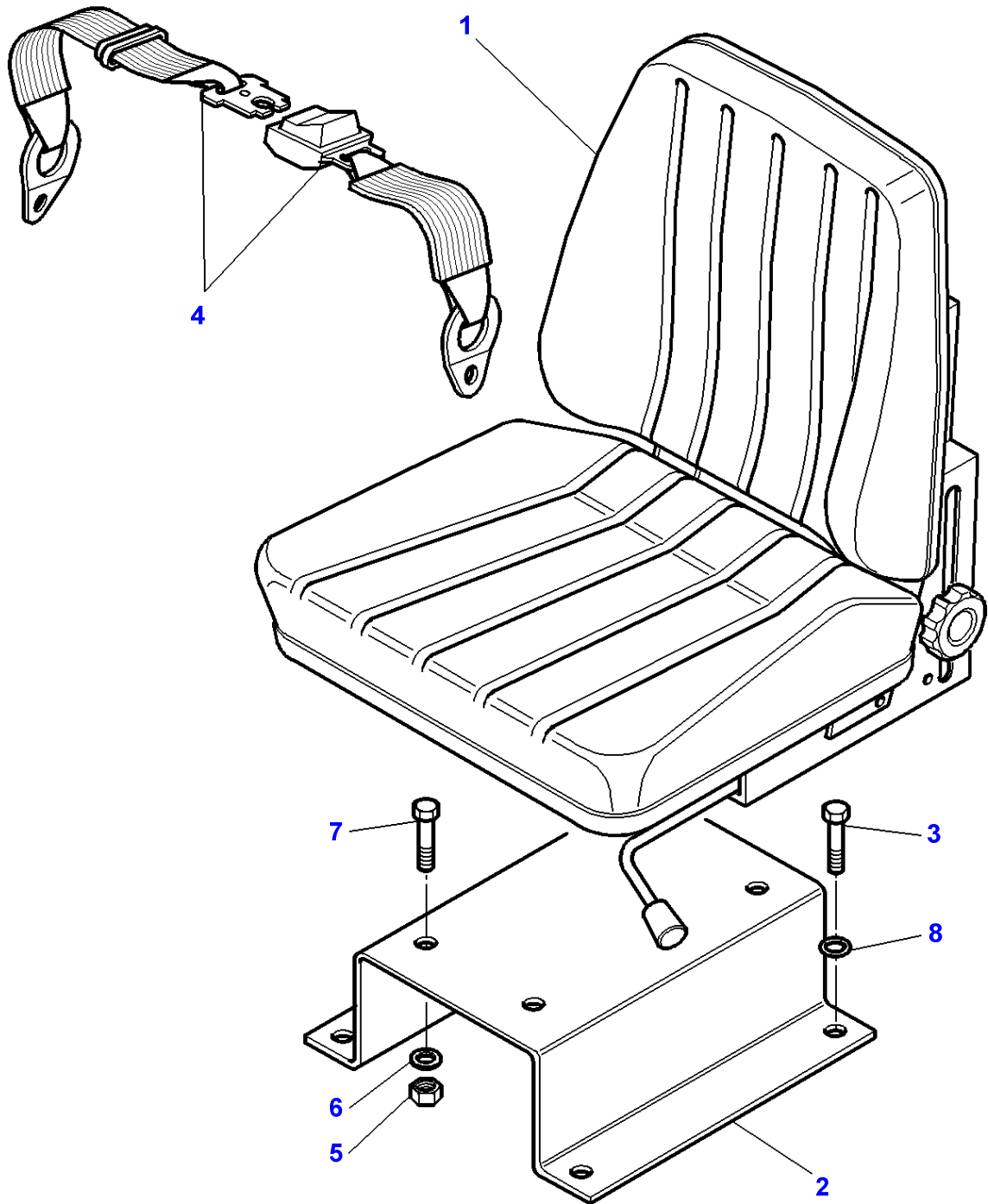
1637365

Seat - Grammer - AIR PRESSURE SEAT WITH AUTOMATIC ADJUSTMENT - LUXUY

Page 110-0340

Item	Part Number	Qty	Description	Comments
			FOOTNOTE [B] NOT ILLUSTRATED	

1-ZV08-001-A

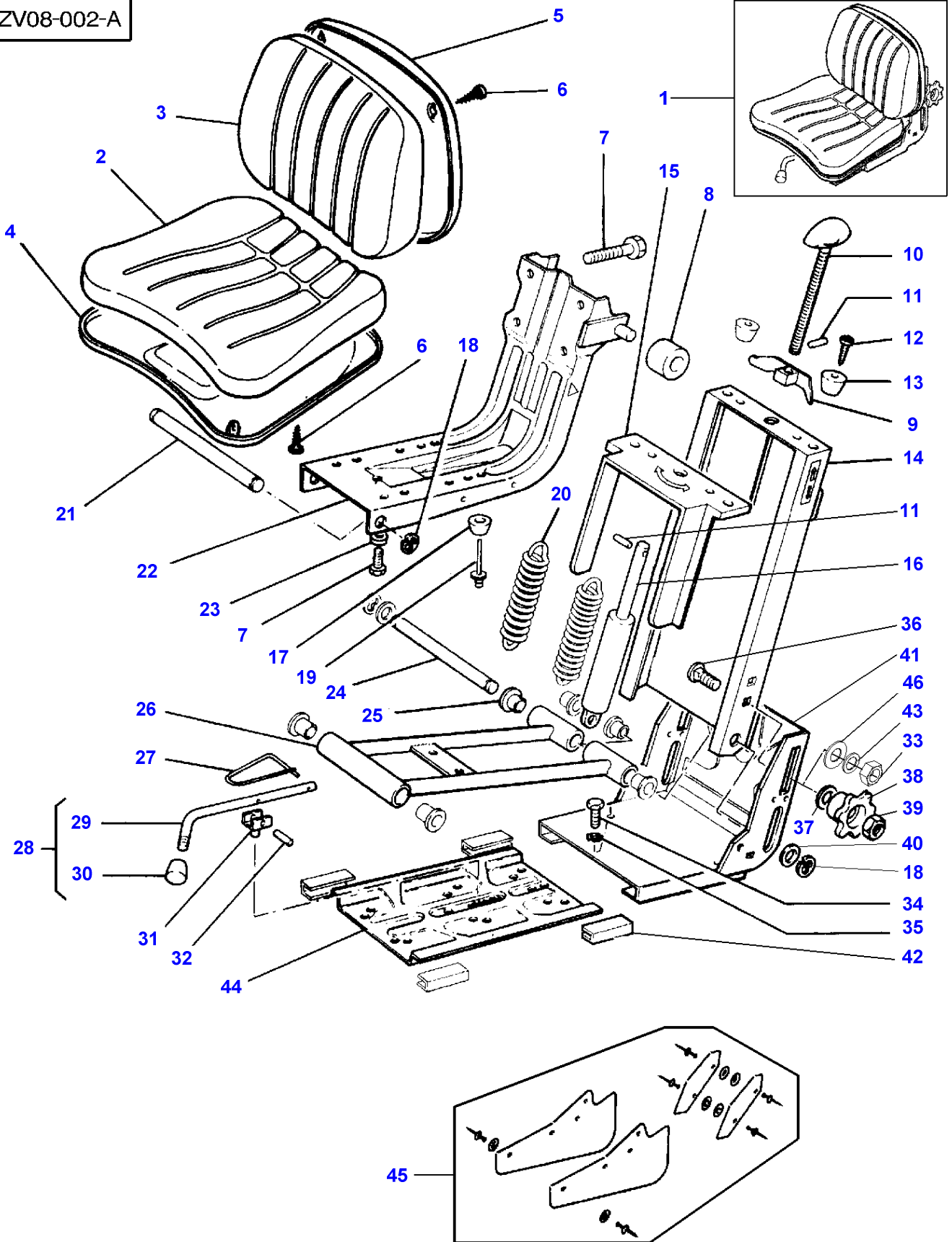


Massey Ferguson**MF 8210/8220 TRACTORS - 1637365****1637365****Main Seat - Platform****Page 110-0345**

Item	Part Number	Qty	Description	Comments
1	3698067M91	1	Seat	
2	3778390M2	1	Support	
3	1441000X1	4	Screw Metric	M8X16MM
4	3772121M91	1	Safety Belt	Up to Serial or Engine Number K009007
	3785693M91	1	Safety Belt	From Serial or Engine Number K009008
5	3009693X1	4	Nut Metric	
6	385362X1	4	Washer	
7	339081X1	4	Screw Metric	M10X20MM
8	390972X1	4	Washer Metric	

MF 8210/8220 TRACTORS - 1637365
1-ZV08-002-A

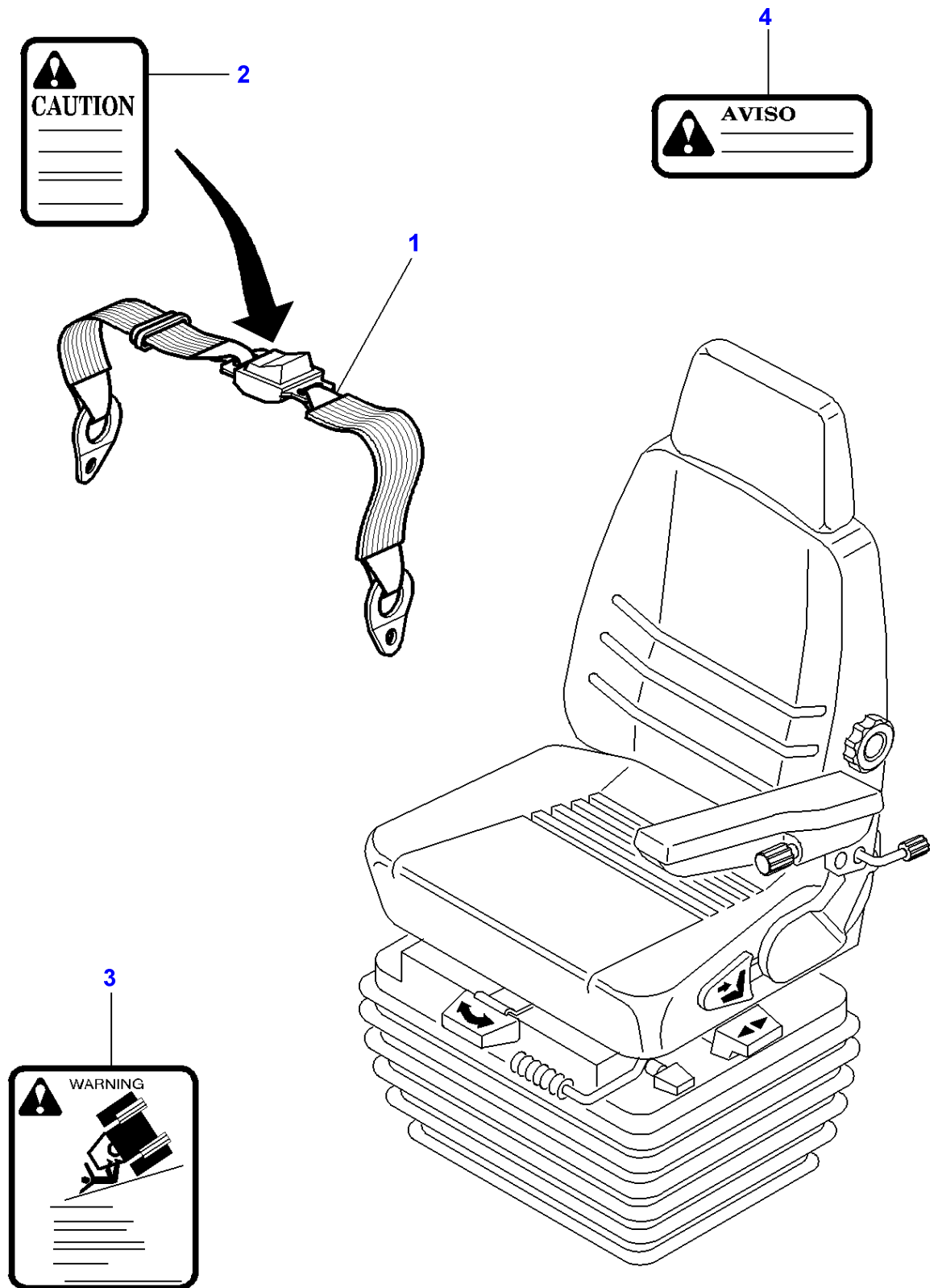
1-ZV08-002-A



Main Seat - Platform

Item	Part Number	Qty	Description	Comments
1	3698067M91	1	Seat	
2	3107224M1	1	Cushion	(1)
3	3107223M1	1	Cushion	(1)
4	3107226M1	1	Seat Pan	(1)
5	3107225M1	1	Bracket	(1)
6	3107227M1	8	Screw	(1)
7	339228X1	8	Screw Metric	(1)
8	3102150M1	2	Roller	(1)
9	3105100M1	1	Holder	(1)
10	3102390M1	1	Adjuster	(1)
11	3009052X1	1	Rivet	(1)
12	3001254X1	2	Self Tap Screws	(1)
13	3102394M1	2	Bumper	(1)
14	3102794M1	1	Housing	(1)
15	3102137M1	1	Cover	(1)
16	3102391M1	1	Shock Absorber	(1)
17	3102401M1	2	Buffer	(1)
18	391415X1	4	Circlip	(1)
19	3102396M1	2	Rivet	(1)
20	3102393M1	2	Spring	(1)
21	3102133M1	1	Pin	(1)
22	3102399M1	1	Support	(1)
23	390972X1	2	Washer Metric	(1)
24	3102131M1	1	Pin	(1)
25	1719857M1	6	Bush	(1)
26	3102397M1	1	Frame	(1)
27	3102387M1	1	Spring	(1)
28	3102400M91	1	Lever	(1)
29	3107228M1	1	Lever	(28)
30	3102139M1	1	Knob	(28)
31	3102141M1	1	Strap	(1)
32	338334X1	1	Pin	(1)
33	353431X1	2	Nut Unf	(1)
34	339124X1	1	Hex. Sock. Screw	(1)
35	339374X1	1	Lock Washer	(1)
36	353807X1	2	Screw Unf	(1)
				3/8 24X22
37	390597X1	2	Washer Metric	(1)
38	3102130M1	2	Button	(1)
39	390881X1	2	Nut Metric	(1)
40	390735X1	2	Washer	(1)
41	3102389M1	1	Adjuster	(1)
42	3102136M1	4	Strap	(1)
43	390734X1	2	Washer	(1)
44	3102292M2	1	Plate	(1)
45	3900295M91	1	Kit, Fingerguard	(1)
46	339376X1	2	Lock Washer	(1)

1-ZZ02-001-B

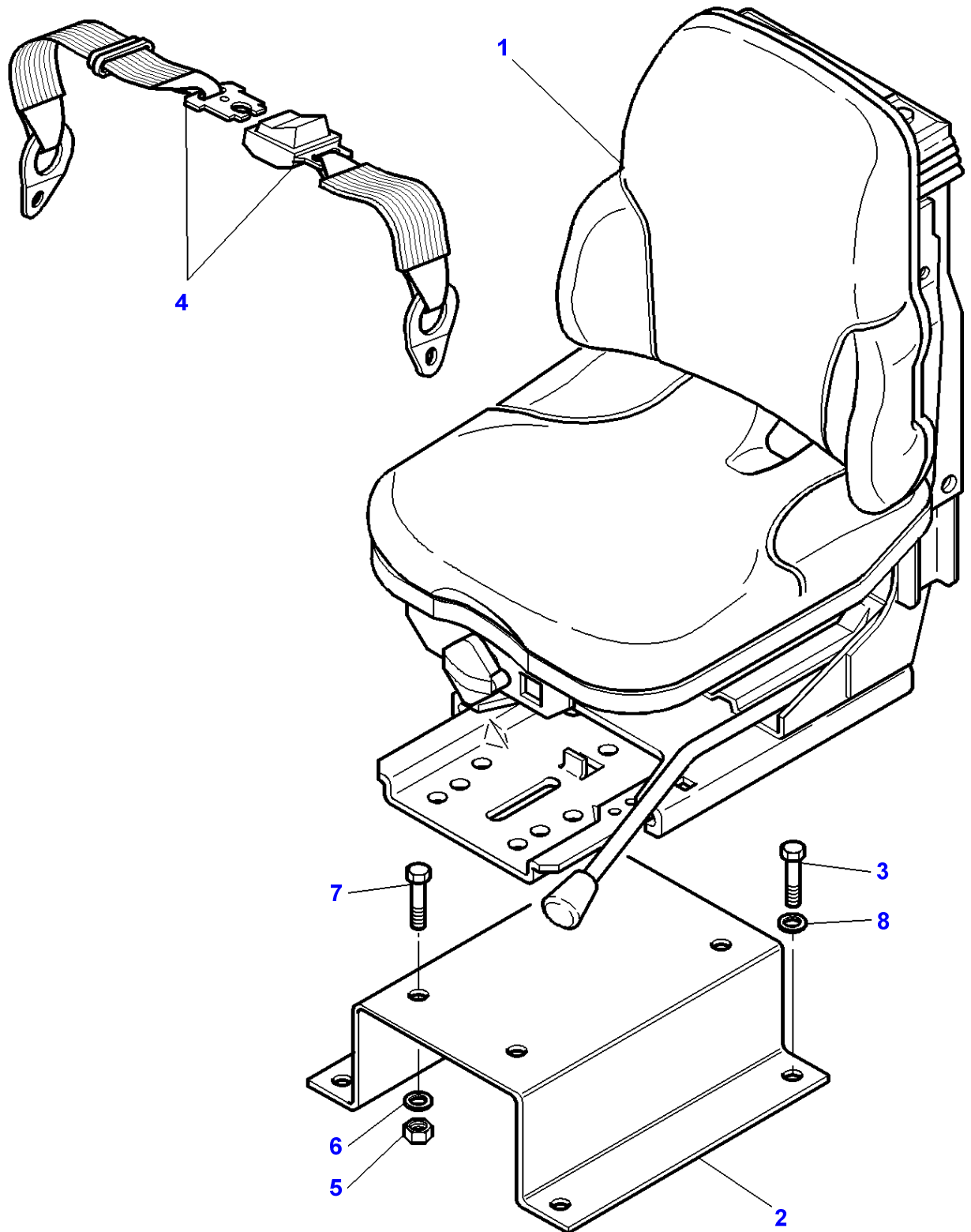


Seat Belt

Item	Part Number	Qty	Description	Comments
1	3772121M91	1	Safety Belt	Up to Serial or Engine Number K009007
	3785693M91	1	Safety Belt	From Serial or Engine Number K009008
2	523784M3	1	Decal	For UK only or any text in English only
	3597443M1	1	Decal	For Germany only or any text in German only
	3597445M1	1	Decal	[A]
3	3760678M1	1	Decal	For UK only or any text in English only
4	3597454M1	1	Decal	[A]

FOOTNOTE [A] SPANISH

1-ZV08-003-A

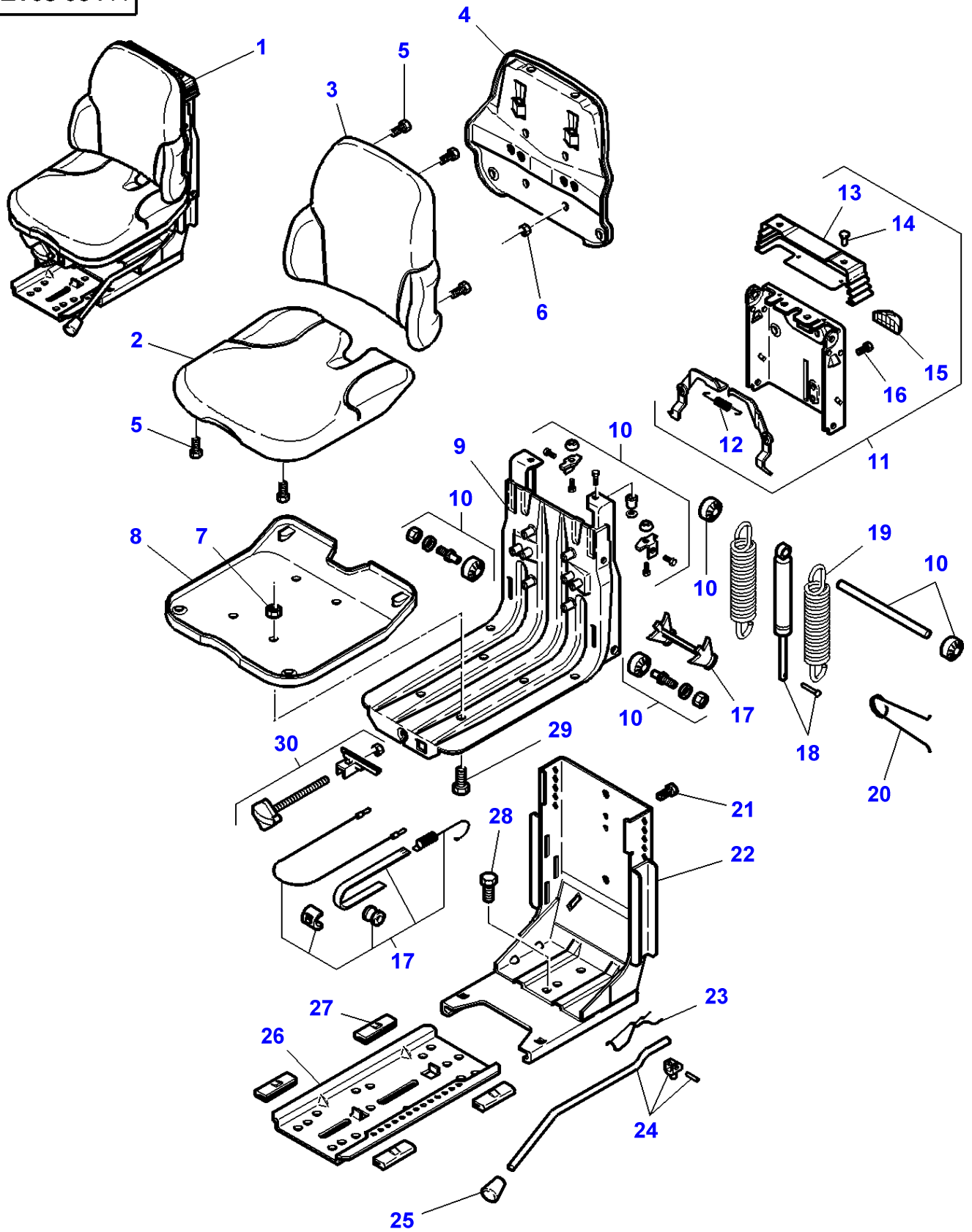


Massey Ferguson**MF 8210/8220 TRACTORS - 1637365****1637365****Main Seat - Platform****Page 110-0360**

Item	Part Number	Qty	Description	Comments
1	3817644M91	1	Seat	GRAMMER
2	3778390M2	1	Support	
3	1441000X1	4	Screw Metric	M8X16MM
4	3772121M91	1	Safety Belt	Up to Serial or Engine Number K009007
	3785693M91	1	Safety Belt	From Serial or Engine Number K009008
5	3009693X1	4	Nut Metric	
6	385362X1	4	Washer	
7	339081X1	4	Screw Metric	M10X20MM
8	390972X1	4	Washer Metric	Diameter 8 MM

MF 8210/8220 TRACTORS - 1637365
1-ZV08-004-A

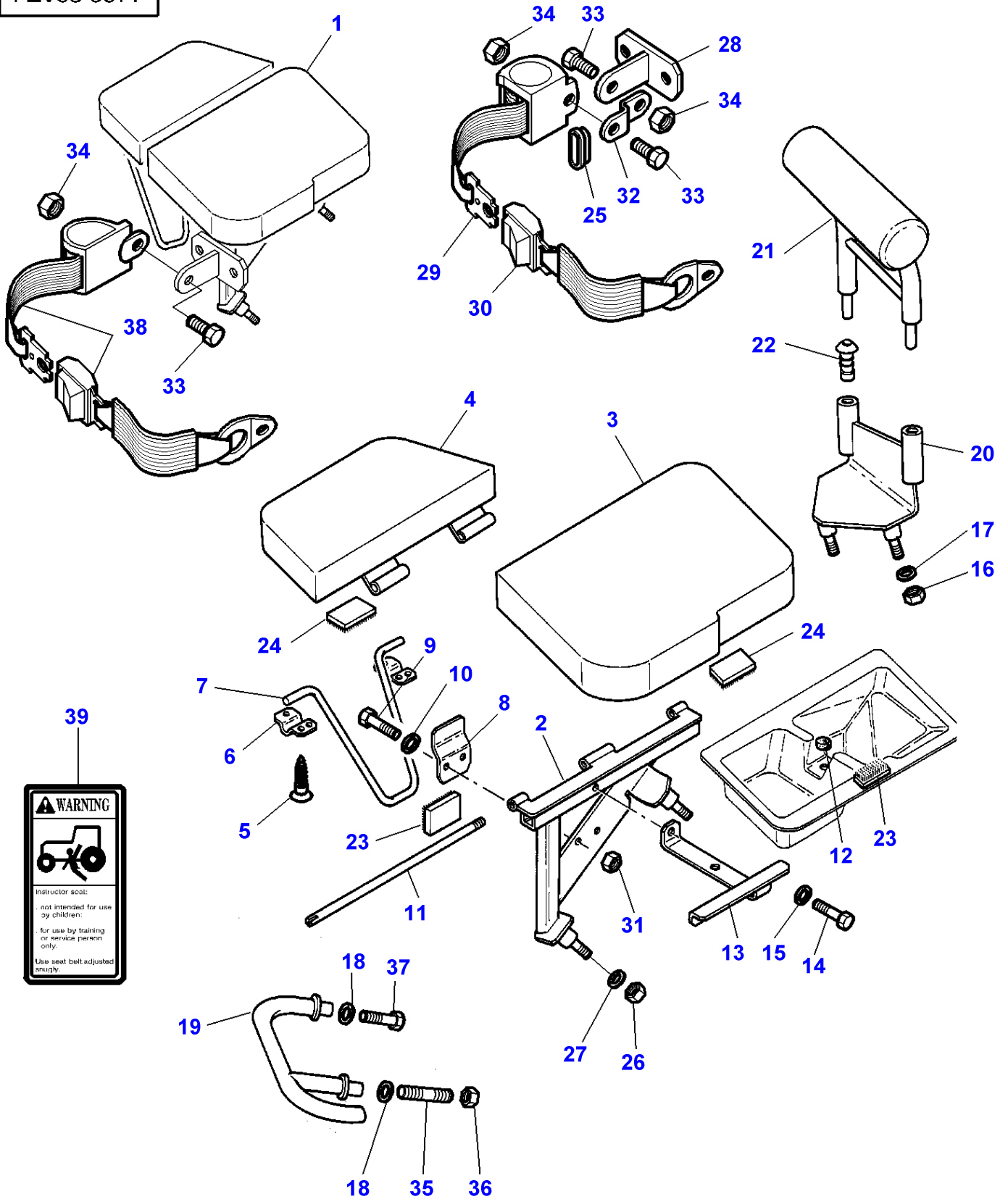
1-ZV08-004-A



Main Seat - Platform

Item	Part Number	Qty	Description	Comments
1	3817644M91	1	Seat	GRAMMER
2	3904066M1	1	Seat Pan	(1)
3	3904065M1	1	Back Cushion	(1)
4	3904067M1	1	Plate	(1)
5	3904087M1	6	Bolt	(1)
6	3904089M1	4	Nut	(1)
7	339169X1	4	Nut	(1)
8	3904072M1	1	Plate	(1)
9	3904075M91	1	Frame	(1)
10	3904074M91	1	Kit, Repair	(1)
11	3904071M91	1	Kit, Repair	(1)
12	3904070M1	1	Spring	(11)
13	3904068M1	1	Bellows	(11)
14	1719896M1	4	Plug	(11)
15	3904069M1	1	Handle	(11)
16		2	Rivet	(11)
				Not serviced,order REF.11
17	3904076M1	1	Cable	(1)
18	3904073M1	1	Shock Absorber	(1)
19	1426811M1	2	Spring	(1)
20	3904085M1	1	Spring	(1)
21	3000926X1	1	Screw	(1)
22	3904078M91	1	Frame	(1)
23	3904082M1	1	Stop	(1)
24	3904084M1	1	Lever	(1)
25	3904083M1	1	Knob	(1)
26	3904080M1	1	Plate	(1)
27	3102136M1	4	Strap	(1)
28	3904088M1	1	Screw	(1)
29	1441000X1	4	Screw Metric	(1)
30	3904077M91	1	Kit, Rod	(1)

1-ZV03-001-F



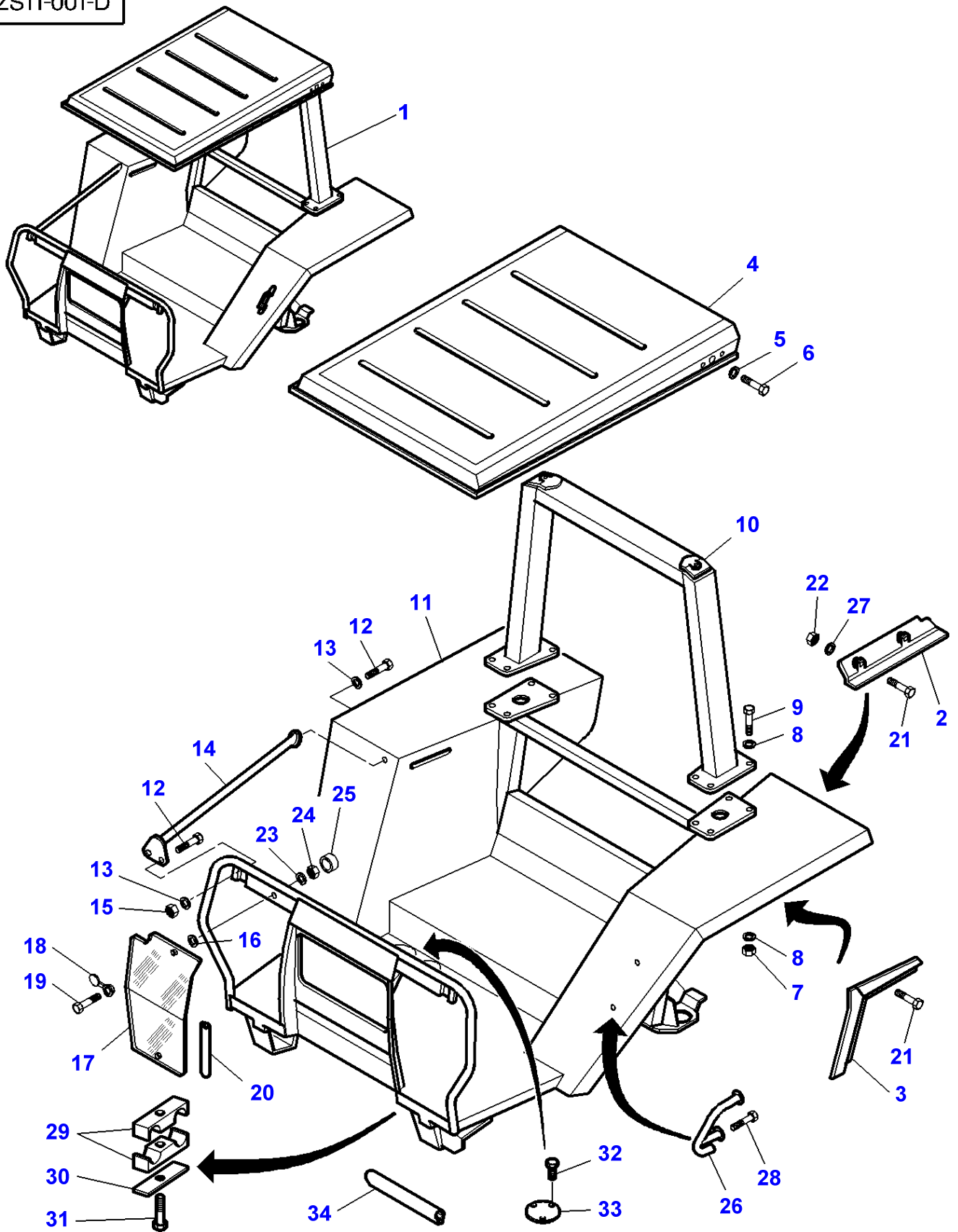
SECONDARY SEAT

Item	Part Number	Qty	Description	Comments
1	3779641M93	1	Seat	GREY
2	3712855M4	1	Support	(1)
3	3779636M1	1	Cushion	(1) GREY
4	3779634M1	1	Cushion	(1) GREY
5	3713140M1	6	Screw	(1)
6	3712859M1	2	Bridle	(1)
7	3712861M1	1	Stand	(1)
8	3712856M1	1	Hook	
9	339666X1	2	Hex. Sock. Screw	M6X20
10	390971X1	2	Washer	
11	3712899M1	1	Stem	(1)
12	3616277M1	1	Helmet	
13	3712860M1	1	Angle.	(1)
14	339124X1	2	Hex. Sock. Screw	M8X16
15	390972X1	1	Washer Metric	
16	394367X1	3	Locknut	M8X35
17	390972X1	3	Washer Metric	Diameter 8MM
18	3010467X1	2	Washer	
19	3713139M1	1	Foot Rest	
20	3712857M2	1	Support	
21	3779638M1	1	Back Rest	GREY
22	3713138M1	2	Guide Bush	
23	3714101M1	2	Band	
24	3714102M1	2	Band	
25	3715170M1	1	Tap	Up to Serial or Engine Number L036007
26	394367X1	2	Locknut	
27	390972X1	2	Washer Metric	
28	3715118M1	1	Support	
29	3715151M2	1	Safety Belt	Up to Serial or Engine Number L036007
30	3715149M2	1	Safety Belt	Up to Serial or Engine Number L036007
31	1441500X1	2	Locknut	[A] M6
	339030X1	2	Nut Metric	
32	3781090M1	1	Plate	From Serial or Engine Number H130001 Up to Serial or Engine Number L036007
33	353558X1	2	Bolt Unf	From Serial or Engine Number H130001 7/16X16 Up to Serial or Engine Number L036007
	353558X1	1	Bolt Unf	From Serial or Engine Number L036008 Length 7/16X16
34	360201X1	2	Nut Unf	From Serial or Engine Number H130001 Up to Serial or Engine Number L036007
	360201X1	1	Nut Unf	From Serial or Engine Number L036008
35	1440022X1	2	Stud	From Serial or Engine Number H308002 M8X20
36	339169X1	2	Nut	From Serial or Engine Number H308002
37	339124X1	2	Hex. Sock. Screw	Up to Serial or Engine Number H308001 M8 X 16
38	3789236M1	1	Safety Belt	From Serial or Engine Number L036008
39	3787683M1	1	Decal	For United States of America

FOOTNOTE [A] CHECK NUT

Page Title	Page Number
Platform With Pillars - Roof	115-0005
Platform - Instrument Panel Cladding	115-0010
Platform - Cladding	115-0015
Decals - Platform	115-0020

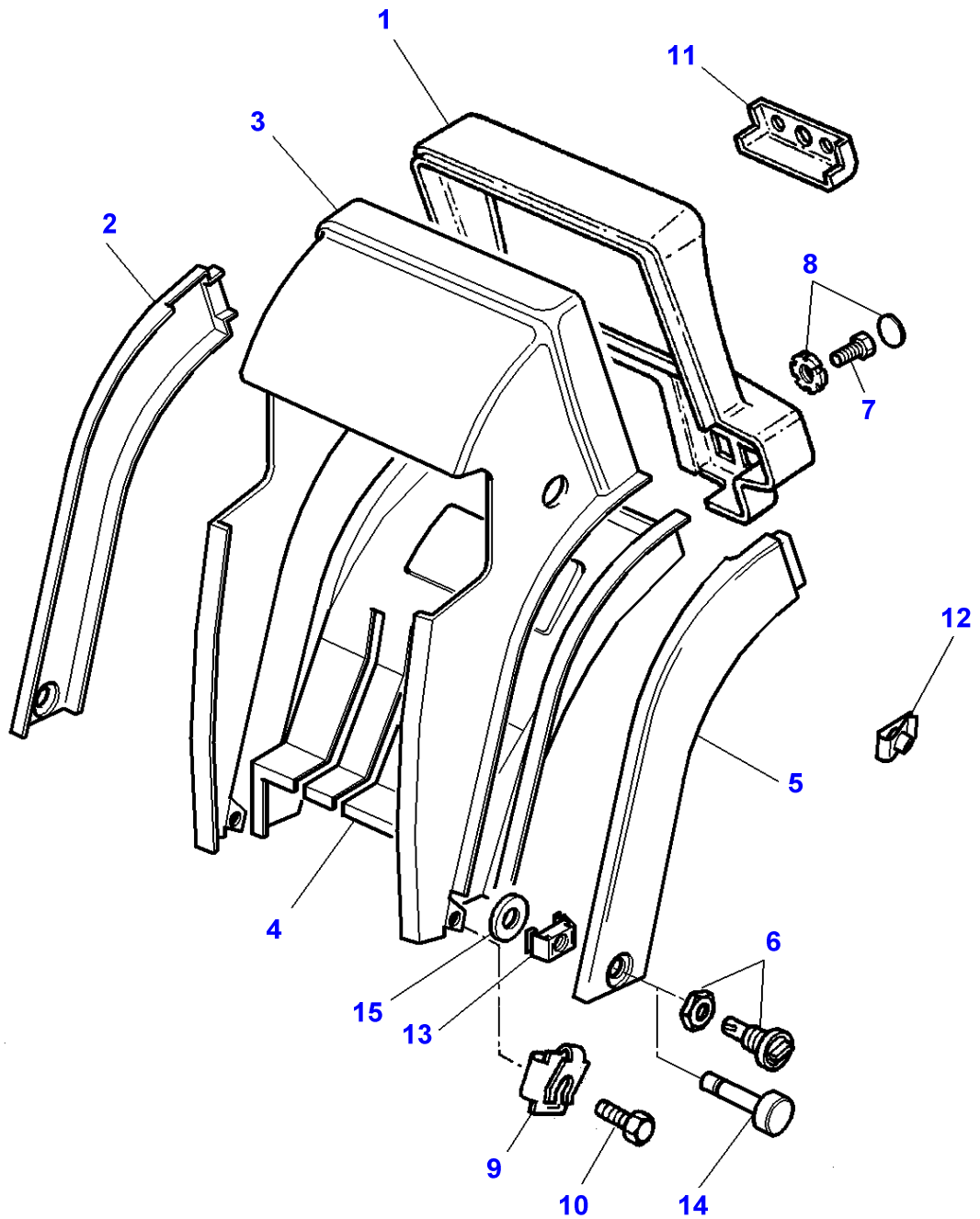
1-ZS11-001-D



Platform With Pillars - Roof

Item	Part Number	Qty	Description	Comments
1	3778857M94	1	Platform	Replace and repair. Old not interchangeable with new 3778859M94
2	3780317M1	1	Protector	Left Hand
	3780318M1	1	Protector	Right Hand
3	3777982M2	1	Protector	Left Hand
	3777983M2	1	Protector	Right Hand
4	3777574M1	1	Roof	(1)
5	385362X1	5	Washer	(1)
	391026X1	1	Lock Washer	(1)
6	3009493X1	6	Hex. Sock. Screw	(1) M10X30MM
7	339034X1	8	Nut	(1)
8	3019575X1	16	Washer Metric	(1)
9	391889X1	8	Screw	(1) M16X70MM
10	3777572M1	1	Safety Frame	(1)
11		1	Platform	(1) Not serviced,order REF. 1
12	3010182X1	3	Screw	(1) M8X20MM
13	385361X1	3	Washer	(1)
14	3778886M1	1	Guideway	(1)
15	339030X1	2	Nut Metric	(1)
16	3902365M1	4	Washer	
17	3777577M1	1	Window	Left Hand
	3777578M1	1	Window	Right Hand
18	3778855M1	4	Stud-Nail	
19	3010769X1	4	Screw	M8X30MM
20	3777579M1	2	Gasket	Length 2080MM
21	391074X1	4	Hex. Sock. Screw	M6X12MM
	339560X1	6	Hex. Sock. Screw	M6X16
22	339030X1	10	Nut Metric	
23	390972X1	2	Washer Metric	
24	1441461X1	2	Locknut	
25	3616277M1	2	Helmet	
26	3788388M1	1	Handle	Replace and repair. Old not interchangeable with new 3778931M1
27	391038X1	6	Washer	
28	3009281X1	2	Screw	M6X16
29	3778877M1	2	Bridle	
30	3778876M1	1	Bridle	
31	339804X1	1	Hex. Sock. Screw	
32	339124X1	3	Hex. Sock. Screw	From Serial or Engine Number M8X16
33	3786002M1	1	Blanking Plate	From Serial or Engine Number
34	3777486M1	1	Profile	Length 200MM

1-ZS08-001-C



Platform - Instrument Panel Cladding

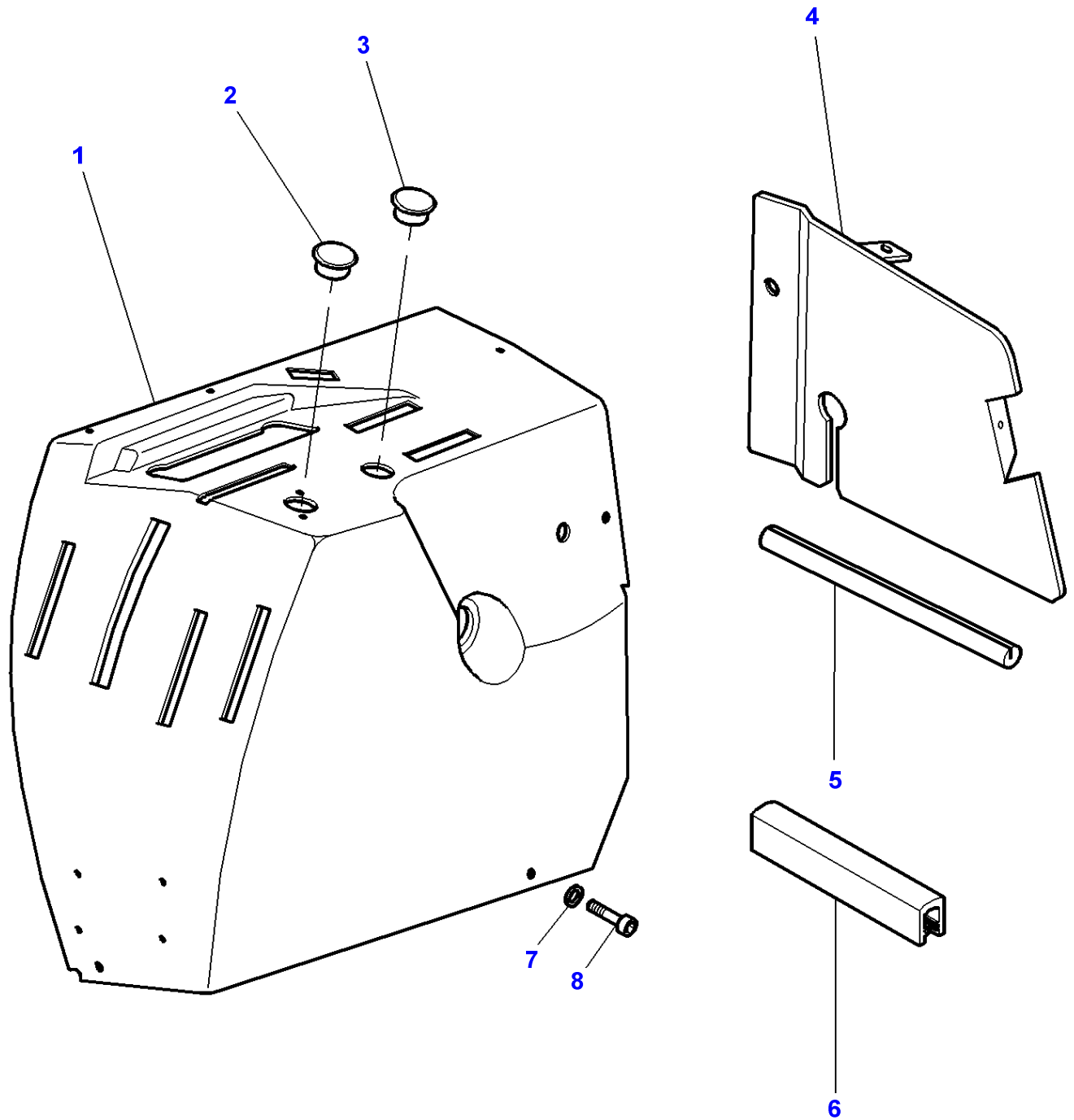
Item	Part Number	Qty	Description	Comments
1	3778930M1	1	Envelope	
2	3778928M1	1	Facing	Up to Serial or Engine Number H330030 Right Hand
	3778928M2	1	Facing	From Serial or Engine Number H330031 Right Hand
3	3778927M1	1	Envelope	
	3785274M1	1	Envelope	[A]
4	3778926M1	1	Envelope	[B]
	4274762M91	1	Envelope	Up to Serial or Engine Number L038021 [B]
				From Serial or Engine Number L038022
5	3778929M1	1	Facing	Up to Serial or Engine Number H330030 Left Hand
	3778929M2	1	Facing	From Serial or Engine Number H330031 Left Hand
6	3618739M1	2	Button	Up to Serial or Engine Number H259015
7	339560X1	2	Hex. Sock. Screw	M6X16MM
8	3713550M1	2	Latch	
9	3388231M1	1	Nut	M5
10	3010506X1	7	Screw	M5X16MM
	3010578X1	2	Screw	M5X10MM
11	3714209M1	1	Plate	
12	3715142M1	2	Nut	Thickness 3/5MM
	3715143M1	1	Nut	Thickness 0,5/4MM
13	3618738M1	2	Clip	Up to Serial or Engine Number H259015
	3782697M1	2	Clamp	From Serial or Engine Number H259016
14	3782696M1	2	Button	From Serial or Engine Number H259016
15	3782892M1	2	Washer	From Serial or Engine Number H259016

FOOTNOTE [A] WITH MANUAL SHUTTLE SHIFT LEVERS LEFT HAND CONTROLS

FOOTNOTE [B] WITH POWER BRAKES

FOOTNOTE [C] WITHOUT POWER BRAKES

1-ZS07-001-B

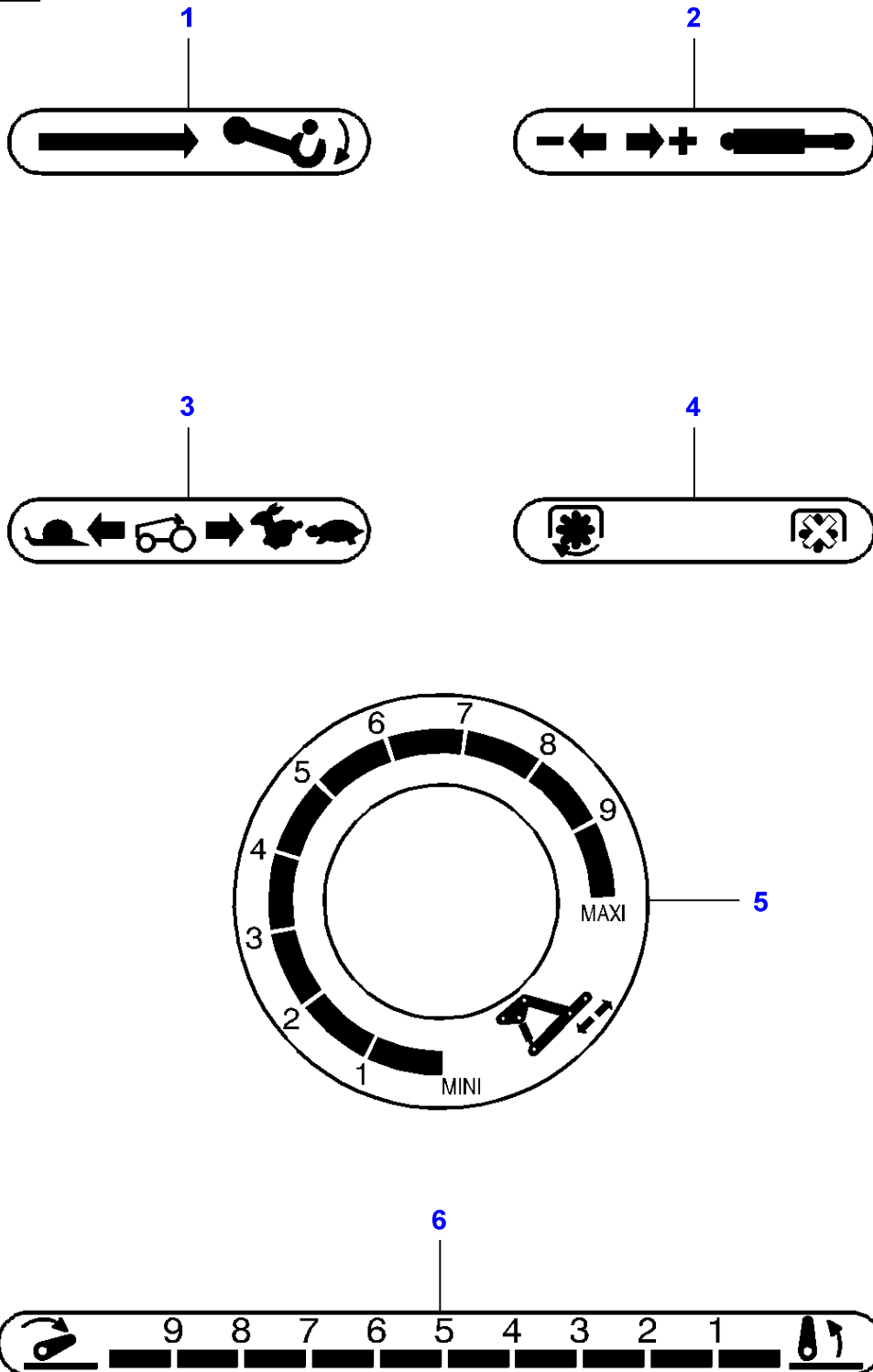


Platform - Cladding

Item	Part Number	Qty	Description	Comments
1	3778413M6	1	Plate Clamping	
2	3778808M1	1	Plug	[A]
3	3380422M1	1	Plug	[A]
4	3778868M3	1	Plate	
5	3777486M1	1	Profile	Length 195MM
6	3715482M1	1	Gasket	Length 110MM
7	1427000M1	6	Washer	
8	3010506X1	6	Screw	

FOOTNOTE [A] WITHOUT POSITION CONTROL

1-ZR24-002-A



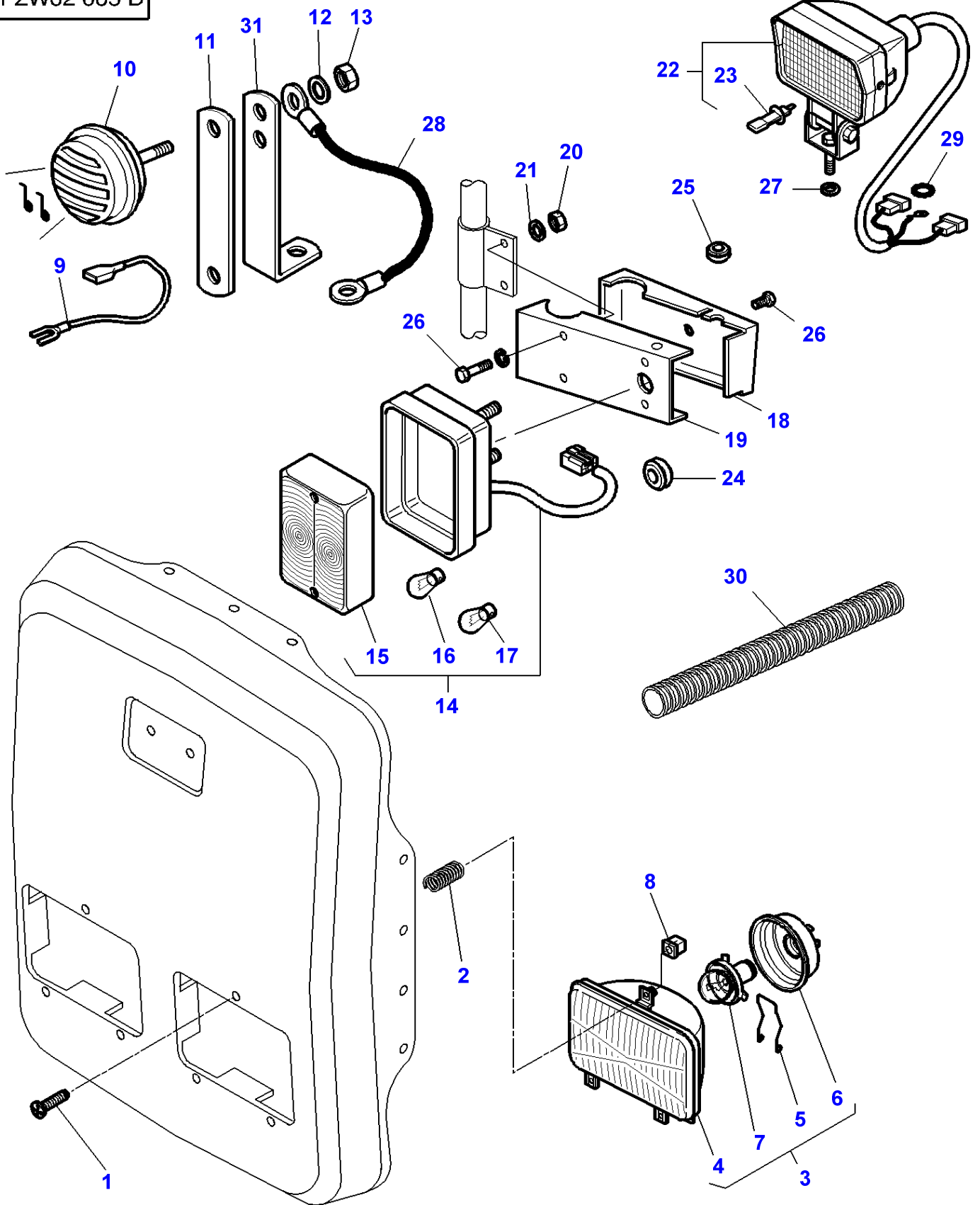
Decals - Platform

Item	Part Number	Qty	Description
1	3779119M1	1	Decal
2	3779120M1	X	Decal
3	3779125M1	1	Decal
4	3779121M1	1	Decal
5	3779123M1	1	Decal
6	3779124M2	1	Decal

Page Title	Page Number
Lighting Equipment - Front - Cab	120-0005
Lighting Equipment - Front - Platform	120-0010
Lighting Equipment - Rear	120-0015
Lighting Equipment - Rear - North America Only	120-0020
Lighting Equipment - Rear - For United States of America	120-0025
Lighting Equipment - Rear - Platform	120-0030
TRAFFIC WARNING	120-0035
TRAFFIC WARNING - Distributors With Vertical Position	120-0040
TRAILOR ELECTRIC SOCKET	120-0045
Field Lights	120-0050
Field Lights - With High Visibility Roof	120-0055
Field Lights	120-0060
Working Light - Platform With Pillars	120-0065
Field Lights - GUIDEWAY / FOOTSTEPS / FENDERS	120-0070
ROTATING LIGHT	120-0075
ROTATING LIGHT - For United States of America	120-0080

MF 8210/8220 TRACTORS - 1637365
1-ZW02-005-D

1-ZW02-005-D



Lighting Equipment - Front - Cab

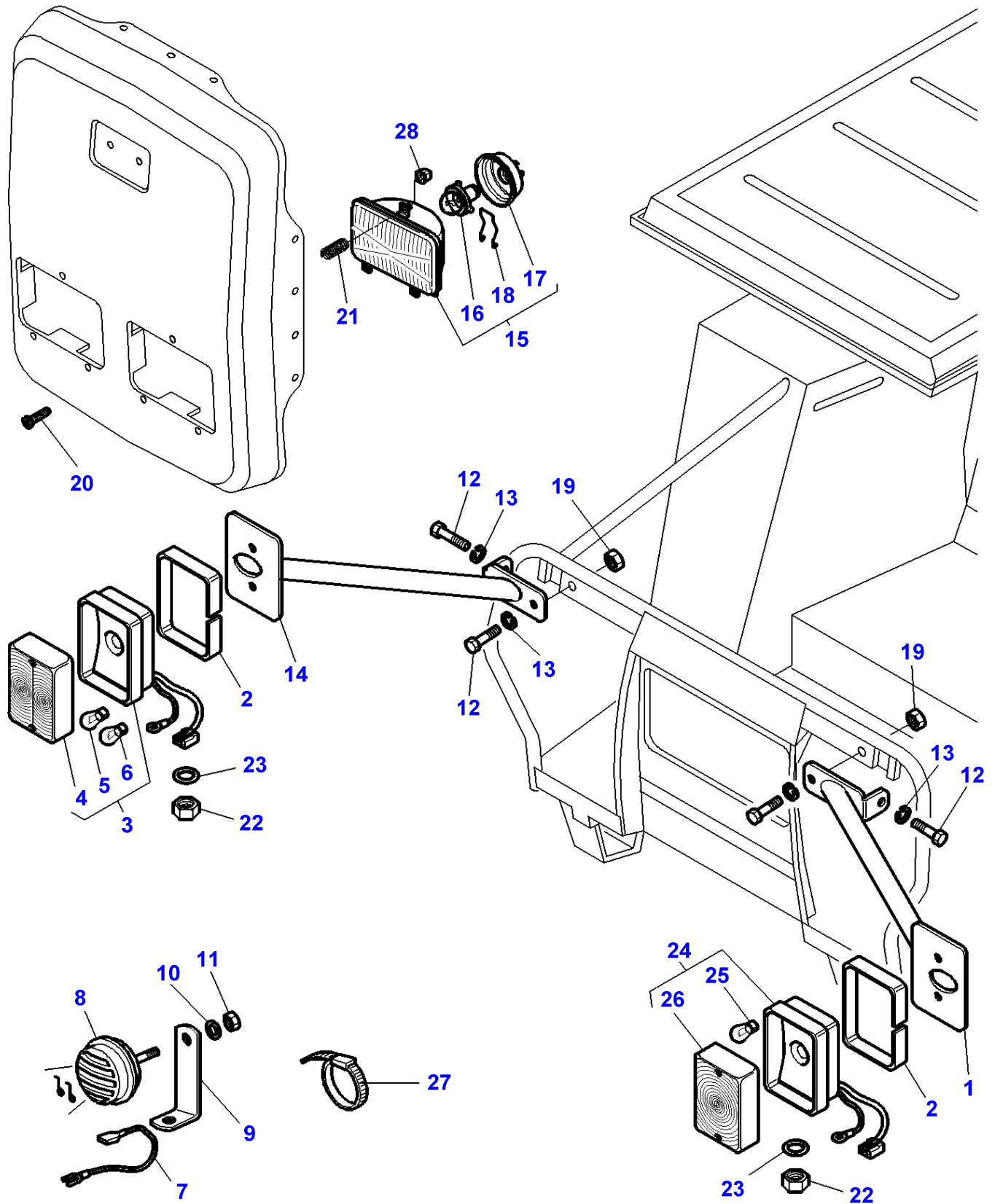
Item	Part Number	Qty	Description	Comments
1	3771996M1	6	Screw	
2	3771550M1	6	Spring	
3	3809345M91	2	Headlamp	[A]
	3809346M91	2	Headlamp	[B]
4		1	Housing	(3) Not serviced,order REP. NO 4
5	3901522M1	1	Clip	(3)
6	3901521M1	1	Cap	(3)
7	961866M1	1	Bulb H/L 45/40w	(3)
8	3809347M1	6	Nut	
9	3042257M1	1	Earth Strap	
10	1678404M1	1	Horn	
11	3778841M2	1	Strap	
12	339374X1	1	Lock Washer	
13	339169X1	1	Nut	M8
14	3714184M92	2	Light	Not for USA
15	3105505M1	1	Lens	(14)
16	1420037M1	1	Bulb 12v 5w	(14)
17	621235M1	1	Bulb 12v 21w Sbc	(14)
18	3714858M1	1	Case Assy	Left Hand
	3714857M1	1	Case Assy	Right Hand
19	3714316M2	1	Extension	Left Hand
	3714317M2	1	Extension	Right Hand
20	3010477X1	4	Nut Metric	
21	1441100X1	4	Washer	
	390469X1	4	Washer Metric	
22	3714399M92	2	Lamp	
23	1628494M1	1	Bulb H3	(22)
24	3042523M1	2	Plug	Diameter 10-15
25	338977X1	2	Grommet	Diameter 8-16
26	3010578X1	6	Screw	M5X10
27	385362X1	2	Washer	
28	3782897M1	1	Earth Strap	
29	22428X	2	Lock Washer	
30	5016845M1	1	Sheath	
31	656632M4	1	Bracket	

FOOTNOTE [A] WHITE BULB.FOR LH DRIVING

FOOTNOTE [B] WHITE BULB.FOR RH DRIVING

MF 8210/8220 TRACTORS - 1637365
1-ZW02-004-A

1-ZW02-004-A



Lighting Equipment - Front - Platform

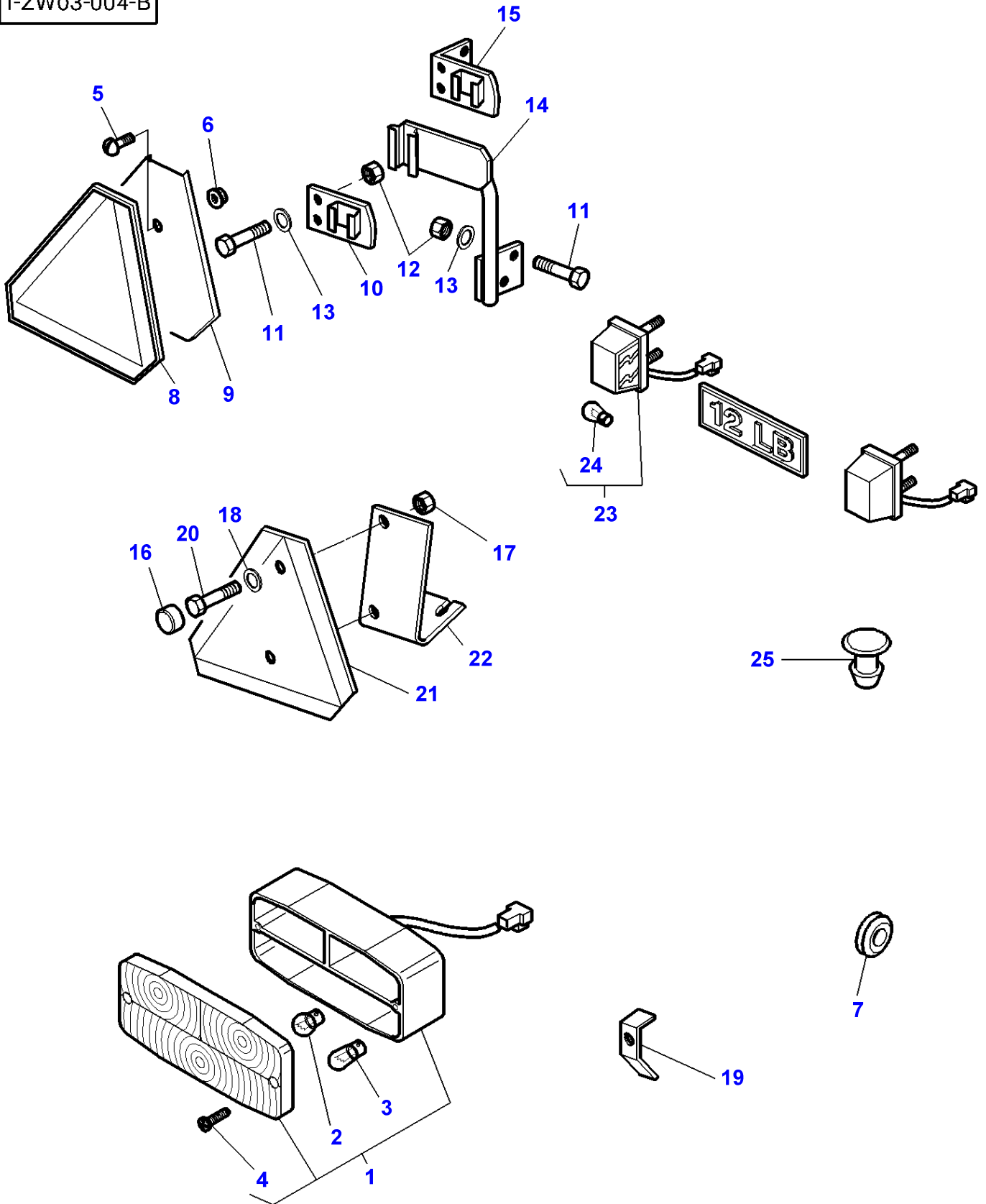
Item	Part Number	Qty	Description	Comments
1	3777575M2	1	Support	Left Hand
2	3777576M1	2	Trim	
3	3714184M92	2	Light	
4	3105505M1	1	Lens	(3)
5	1420037M1	1	Bulb 12v 5w	(3)
6	621235M1	1	Bulb 12v 21w Sbc	(3)
7	3042257M1	1	Earth Strap	
8	1678404M1	1	Horn	
9	656632M4	1	Bracket	
10	339374X1	1	Lock Washer	Diameter 8MM
	22428X	1	Lock Washer	
11	339169X1	1	Nut	
12	339124X1	4	Hex. Sock. Screw	M8X16
13	390972X1	4	Washer Metric	
14	3778881M2	1	Support	Right Hand
15	3809346M91	2	Headlamp	[A]
	3809345M91	2	Headlamp	[B]
16	961866M1	1	Bulb H/L 45/40w	(15)
17	3901521M1	1	Cap	(15)
18	3901522M1	1	Clip	(15)
19	339169X1	2	Nut	M8
20	3771996M1	6	Screw	
21	3771550M1	6	Spring	
22	1441961X1	2	Nut Metric	M5
23	1441100X1	2	Washer	
24	3714185M91	2	Light	For United States of America
25	3105506M1	1	Lens	(24)
26	621235M1	1	Bulb 12v 21w Sbc	(24)
27	3619622M1	X	Cable Tie	
28	3809347M1	6	Nut	

FOOTNOTE [A] WHITE BULB.FOR RH DRIVING

FOOTNOTE [B] WHITE BULB.FOR LH DRIVING

MF 8210/8220 TRACTORS - 1637365
1-ZW03-004-B

1-ZW03-004-B



Lighting Equipment - Rear

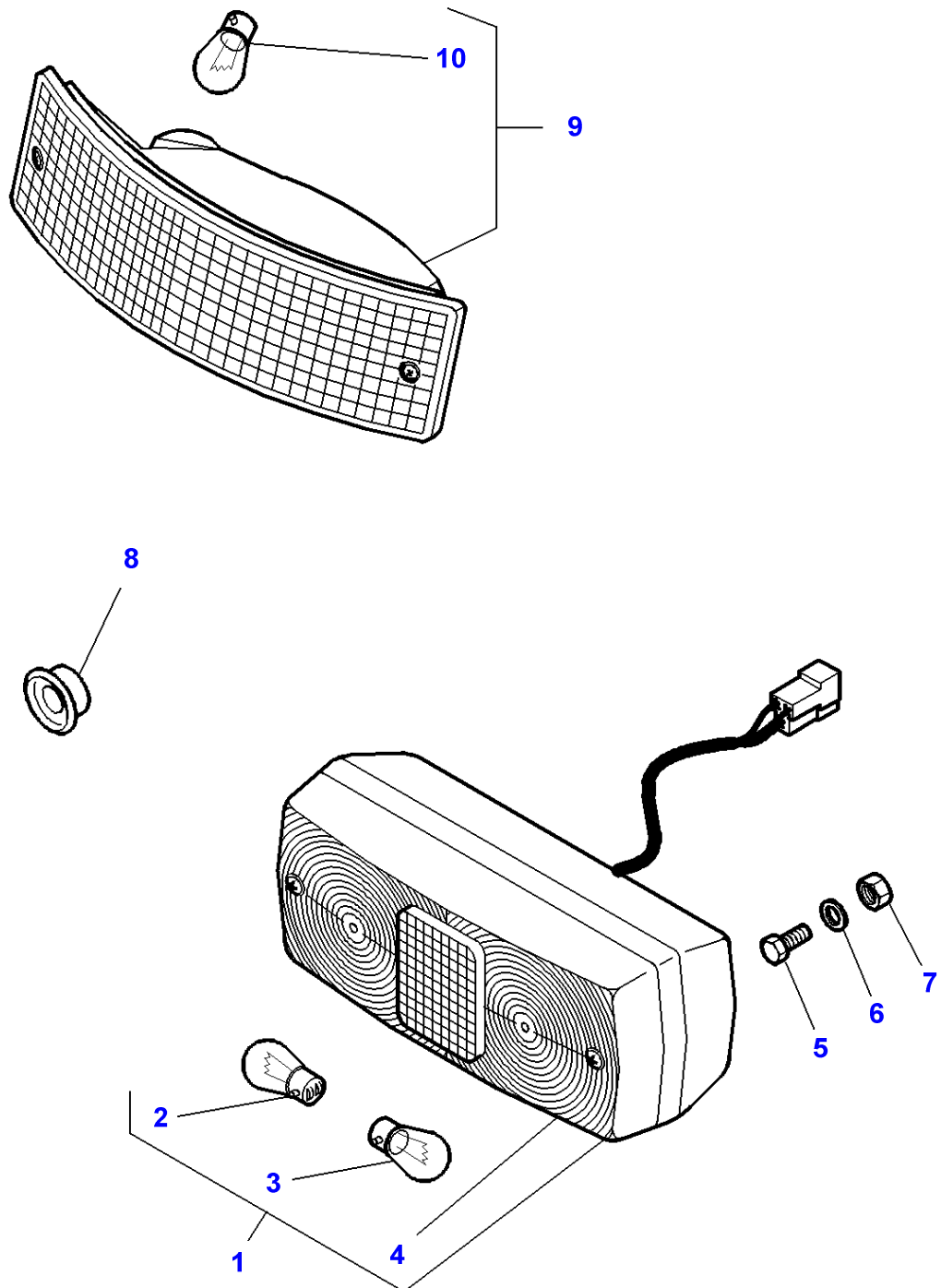
Item	Part Number	Qty	Description	Comments
1	3781445M92	1	Rear Light	Left Hand
	3781444M92	1	Rear Light	Right Hand
2	621235M1	2	Bulb 12v 21w Sbc	(1)
3	3002706X1	1	Bulb 12v 10w	(1)
4	1440827X1	2	Screw	(1) M5X30
5	3580257M1	2	Screw	M5X20
6	3010477X1	2	Nut Metric	
7	3580984M1	2	Grommet	Diameter 21/10-28
	3777000M1	2	Grommet	Diameter 21-25MM
8	3040758M1	1	Emblem	[A]
	3712185M1	1	Triangle	[B]
9	3389910M92	1	Plate	Up to Serial or Engine Number
10	3714371M91	1	Support	
11	339123X1	4	Hex. Sock. Screw	M8X20
12	339169X1	4	Nut	
13	339374X1	4	Lock Washer	
14	3715817M91	1	Support	
15	3389907M92	1	Reflector Mtg.	
16	3714113M1	2	Plug	
17	339030X1	2	Nut Metric	
18	339375X1	2	Lock Washer	
19	3713696M2	4	Bridle	
20	339560X1	2	Hex. Sock. Screw	M6X16
21	3789701M1	1	Triangle	[C]
22	3778811M1	1	Support	
23	3619018M91	2	N/Plate Lamp	
24	3042087M1	1	Bulb 12v 10w	(23)
25	3713404M1	1	Plug	Diameter 15MM

FOOTNOTE [A] ADHESIVE

FOOTNOTE [B] REFLECTOR

FOOTNOTE [C] RETROREFLECTIVE

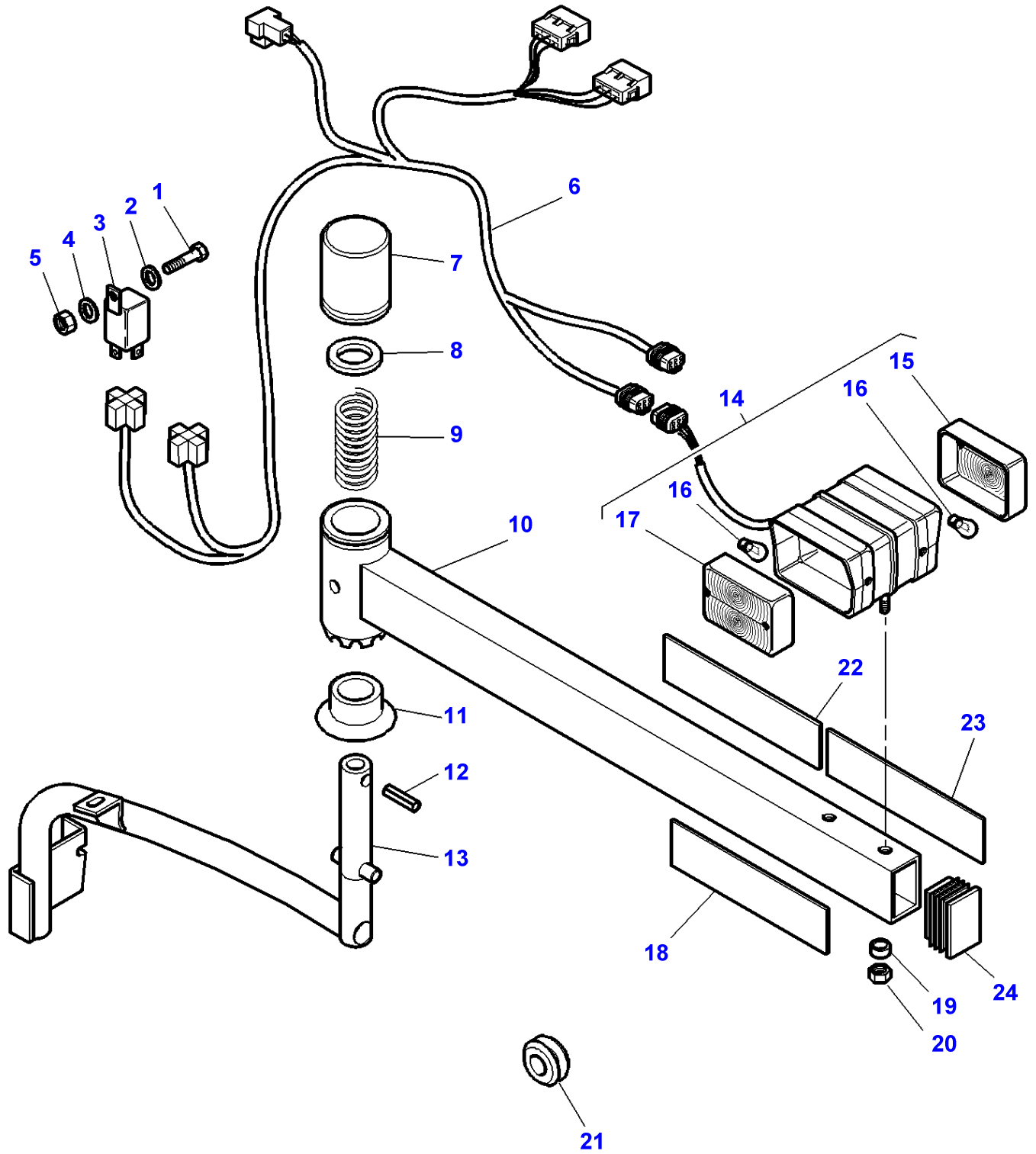
1-ZW03-003-A



Massey Ferguson**MF 8210/8220 TRACTORS - 1637365****1637365****Lighting Equipment - Rear - North America Only****Page 120-0020**

Item	Part Number	Qty	Description	Comments
1	3778660M92	1	Rear Light	Right Hand
	3778428M92	1	Rear Light	Left Hand
2	621235M1	1	Bulb 12v 21w Sbc	(1)
3	908543M1	1	Bulb S/L 21/5w	(1)
4	3310307M91	1	Lens	(1)
5	339666X1	4	Hex. Sock. Screw	M6X20
6	391038X1	4	Washer	
7	339030X1	4	Nut Metric	
8	3580984M1	2	Grommet	Diameter 21/10-28 MM
	3777000M1	X	Grommet	Diameter 21-25 MM
9	5015731M91	2	Rear Light	
10	621235M1	1	Bulb 12v 21w Sbc	(9)

1-ZW03-013-C



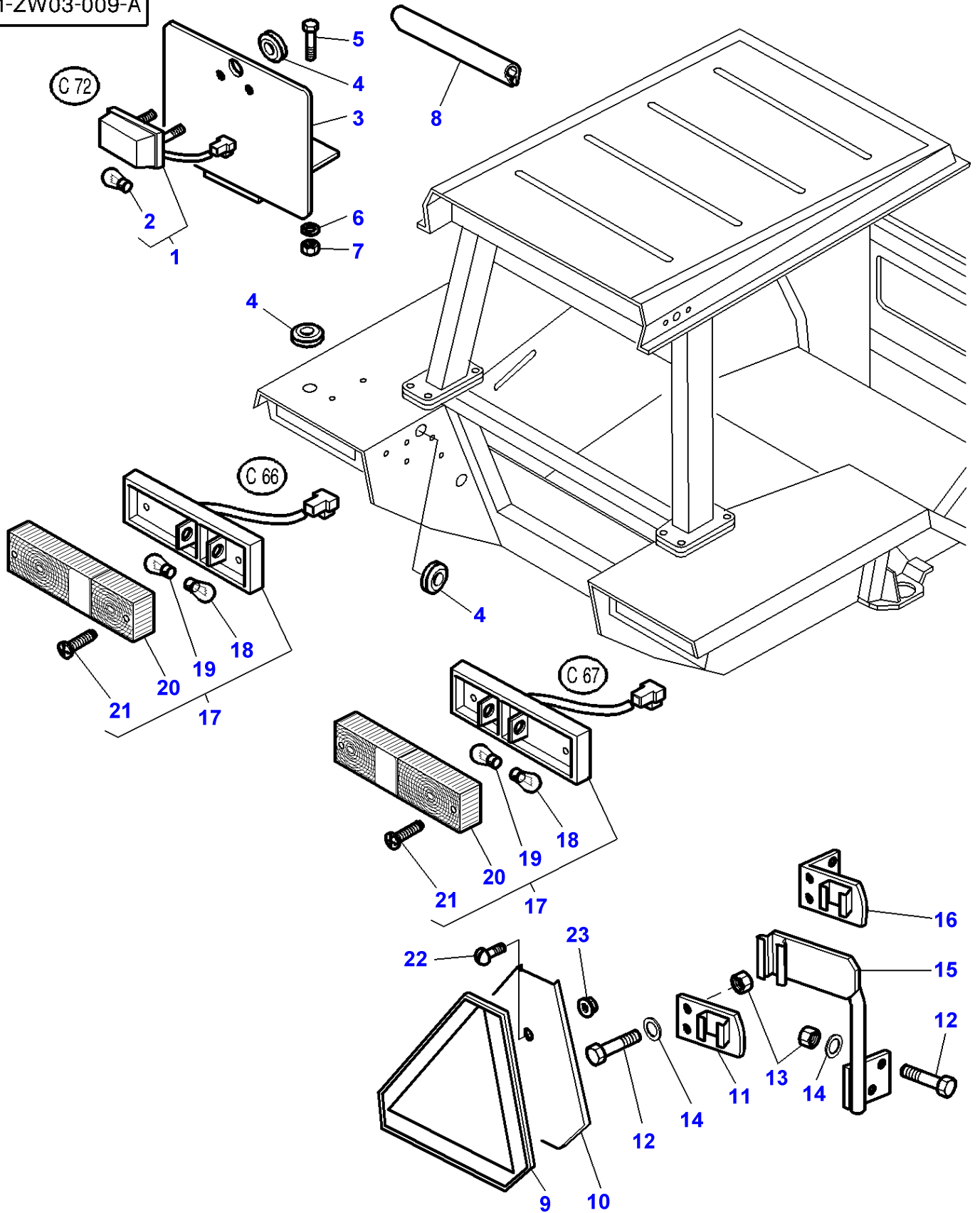
Massey Ferguson**MF 8210/8220 TRACTORS - 1637365****1637365****Lighting Equipment - Rear - For United States of America****Page 120-0025**

Item	Part Number	Qty	Description	Comments
1	339560X1	1	Hex. Sock. Screw	M6 X 16
2	339375X1	1	Lock Washer	
3	3615652M1	2	Relay	4RD 003 520-31 4RD 007 794-03
4	390971X1	1	Washer	
5	339030X1	1	Nut Metric	M6
6	3788523M2	1	Harness	
7	3788369M1	1	Plug	
8	3788365M2	1	Washer	
9	3788364M2	1	Spring	
10	3788385M93	1	Support	Left Hand
	3788386M93	1	Support	Right Hand
11	3788367M2	2	Gasket	
12	3019546X1	2	Pin	
13	3788375M95	1	Extension	Left Hand
	3788376M95	1	Extension	Right Hand
14	3788465M2	2	Light	
15	3907168M91	1	Lens	(14)
16	621235M1	2	Bulb 12v 21w Sbc	(14)
17	3310902M91		Lens	(14)
18	3788462M1	2	Reflectingmirror	[C]
19	3580848M1	4	Spacer	Diameter 11-20 X 14.5
20	339169X1	4	Nut	M8
21	3714694M1	2	Grommet	Diameter 7-21
22	3788460M1	2	Reflectingmirror	[B]
23	3788461M1	2	Reflectingmirror	[A]
24	3788368M1	2	Tap	

FOOTNOTE [A] ORANGE**FOOTNOTE [B]** RED**FOOTNOTE [C]** YELLOW

MF 8210/8220 TRACTORS - 1637365
1-ZW03-009-A

1-ZW03-009-A



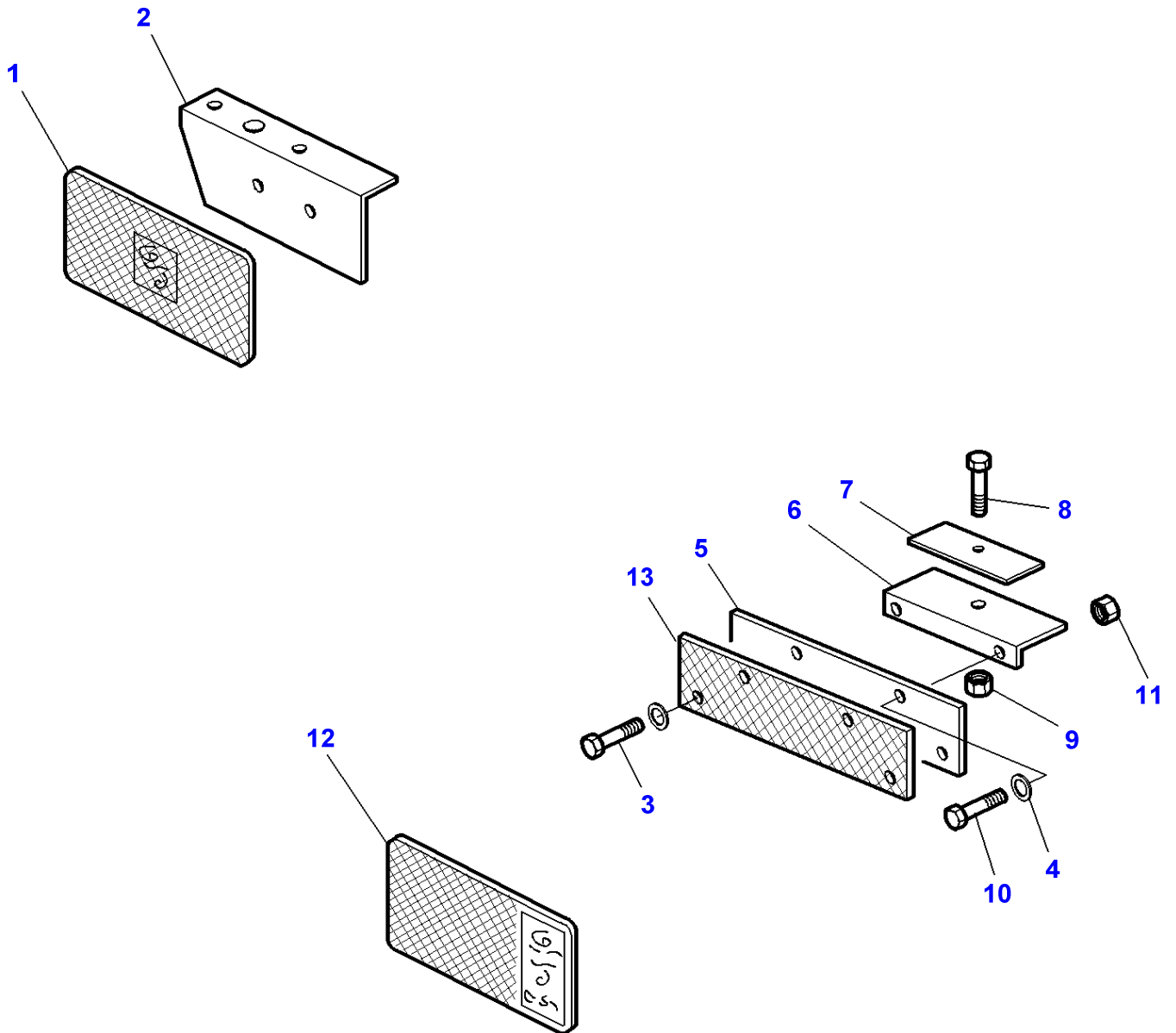
Lighting Equipment - Rear - Platform

Item	Part Number	Qty	Description	Comments
1	3713952M91	1	N/Plate Lamp	
2	3002706X1	1	Bulb 12v 10w	(1)
3	3713954M1	1	Support	
4	367439X1	4	Grommet	Diameter 15-25
	3580984M1	2	Grommet	Diameter 21/10-28
	338977X1	1	Grommet	Diameter 8-16
5	339123X1	2	Hex. Sock. Screw	M8X20
6	339374X1	2	Lock Washer	
7	339169X1	2	Nut	M8
8	3777486M1	1	Profile	Length 200MM
	3715482M1	1	Gasket	Length 110MM
9	3040758M1	1	Emblem	[A]
	3712185M1	1	Triangle	[B]
10	3389910M92	1	Plate	Up to Serial or Engine Number
11	3714371M91	1	Support	
12	339123X1	4	Hex. Sock. Screw	M8X20
13	339169X1	4	Nut	
14	339374X1	4	Lock Washer	
15	3715817M91	1	Support	
16	3389907M92	1	Reflector Mtg.	
17	3713911M92	2	Light	Not for USA
	3713912M91	2	Light	For United States of America
18	908543M1	1	Bulb S/L 21/5w	(17)
19	621235M1	1	Bulb 12v 21w Sbc	(17)
20	3105050M1	1	Reflector	(17)
21	3001725X1	2	Screw	(17)
22	3580257M1	2	Screw	M5X20
23	3010477X1	2	Nut Metric	

FOOTNOTE [A] ADHESIVE

FOOTNOTE [B] REFLECTOR

1-ZW27-004-B



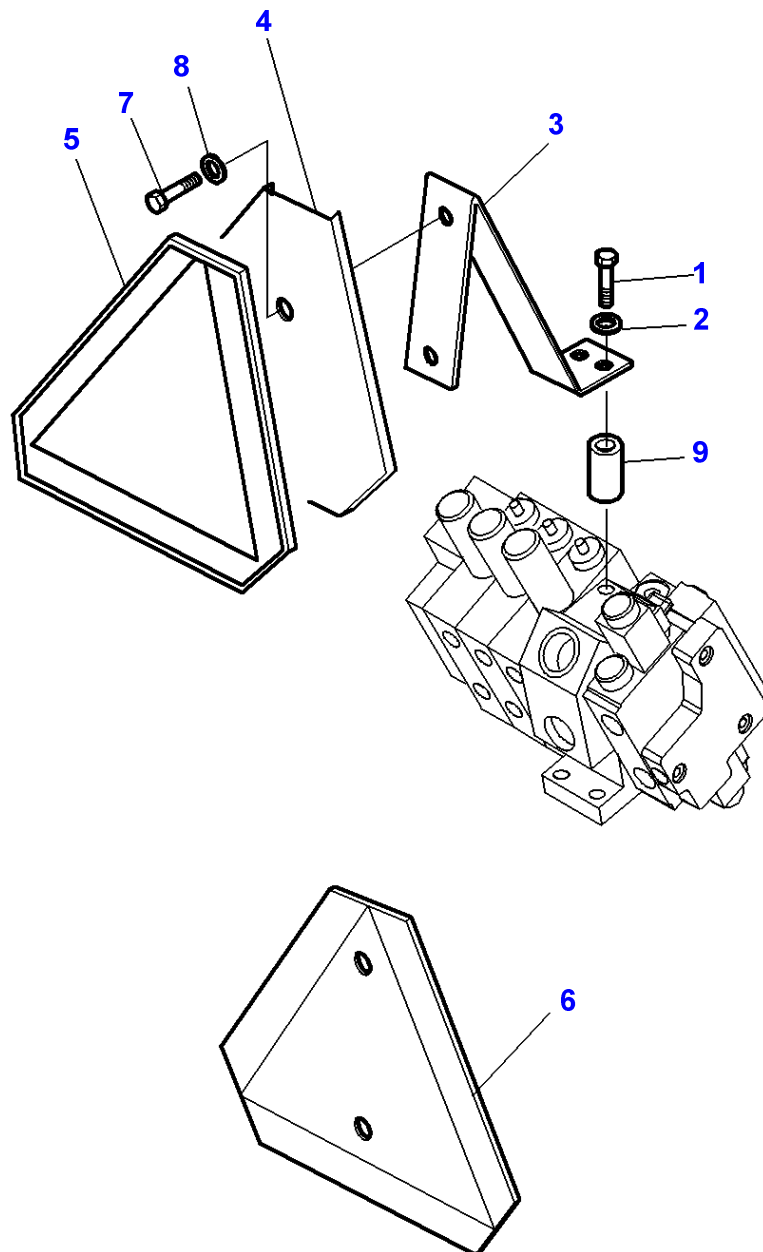
TRAFFIC WARNING

Item	Part Number	Qty	Description	Comments
1	3618951M1	2	Reflector	[A]
2	3052943M2	1	Bearer	Left Hand
	3052944M2	1	Bearer	Right Hand
	3783372M1	1	Support	[B]
				Left Hand
	3783373M1	1	Support	[B]
				Right Hand
3	390990X1	4	Screw Metric	Up to Serial or Engine Number 13/09/1999 M5X12
4	3019560X1	8	Washer	Up to Serial or Engine Number 13/09/1999
5	3615903M1	2	Rubber	Up to Serial or Engine Number 13/09/1999
6	3615912M91	2	Support	Up to Serial or Engine Number 13/09/1999
7	3615904M1	2	Bridle	Up to Serial or Engine Number 13/09/1999
8	339010X1	2	Bolt Metric	Up to Serial or Engine Number 13/09/1999 M8X40
9	394367X1	2	Locknut	Up to Serial or Engine Number 13/09/1999
10	3000926X1	4	Screw	Up to Serial or Engine Number 13/09/1999 M5X10
11	390995X1	4	Nut Metric	Up to Serial or Engine Number 13/09/1999
12	3389596M1	X	Reflector	31,5X70
13	3713522M1	2	Reflector	[A]
				Up to Serial or Engine Number 13/09/1999

FOOTNOTE [A] WITH ADHESIVE

FOOTNOTE [B] FOR REAR AXLE HOUSING WITH COMPOSITE REDUCER

1-ZW27-006-B



TRAFFIC WARNING - Distributors With Vertical Position

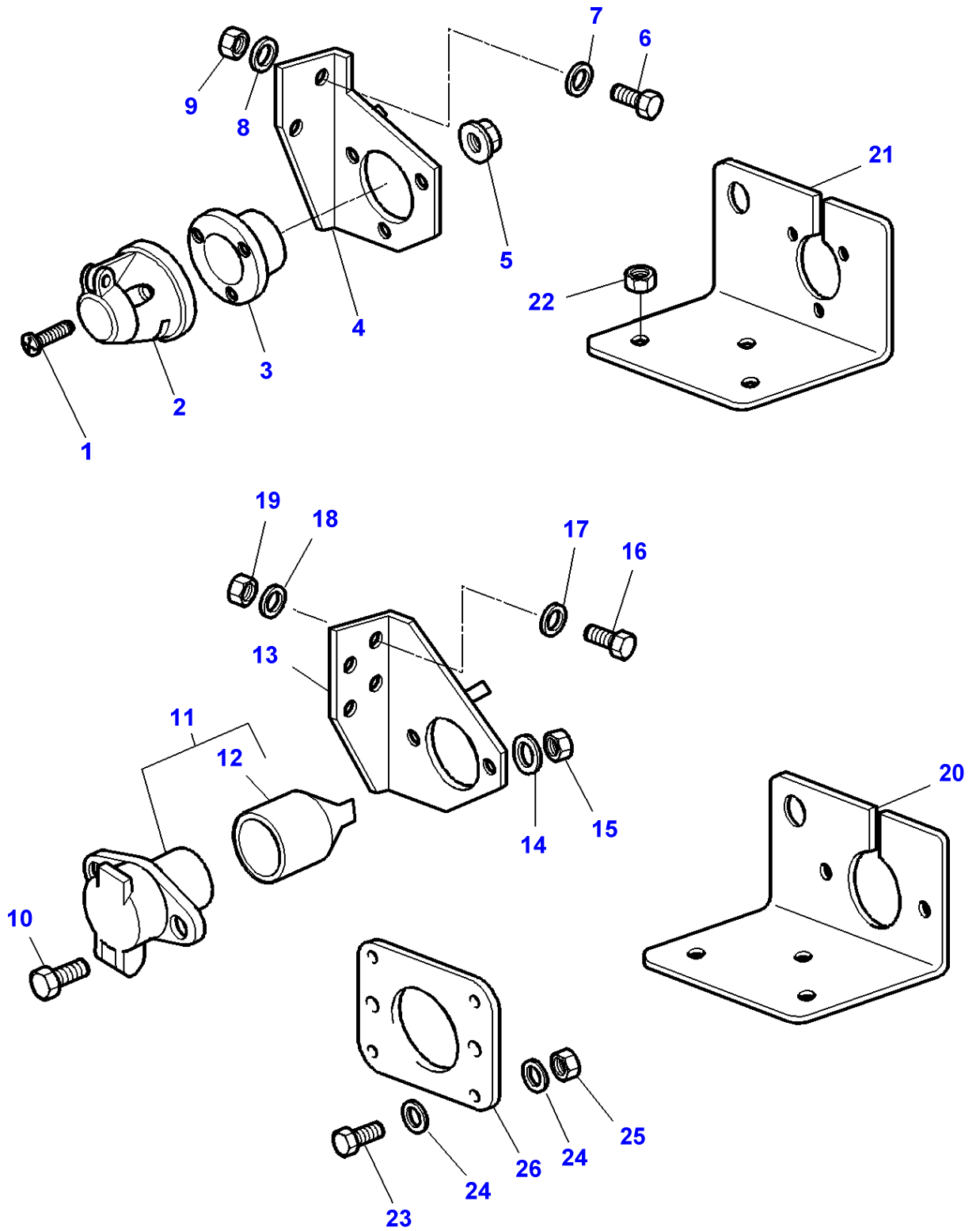
Item	Part Number	Qty	Description	Comments
1	3009491X1	2	Hex. Sock. Screw	M10 X 20
2	390734X1	2	Washer	Diameter 10-21 X 2
3	3785113M1	1	Support	
4	3389910M92	1	Plate	Up to Serial or Engine Number
5	3712185M1	1	Triangle	[A,C]
6	3789701M1	1	Triangle	[B]
7	339560X1	2	Hex. Sock. Screw	M6 X 16
8	390971X1	2	Washer	Diameter 6-12 X 1,5
9	3582076M1	2	Spacer	Diameter 10-20 X 6

FOOTNOTE [A] NORM C.E.E

FOOTNOTE [B] SAE STANDARD

FOOTNOTE [C] REFLECTOR

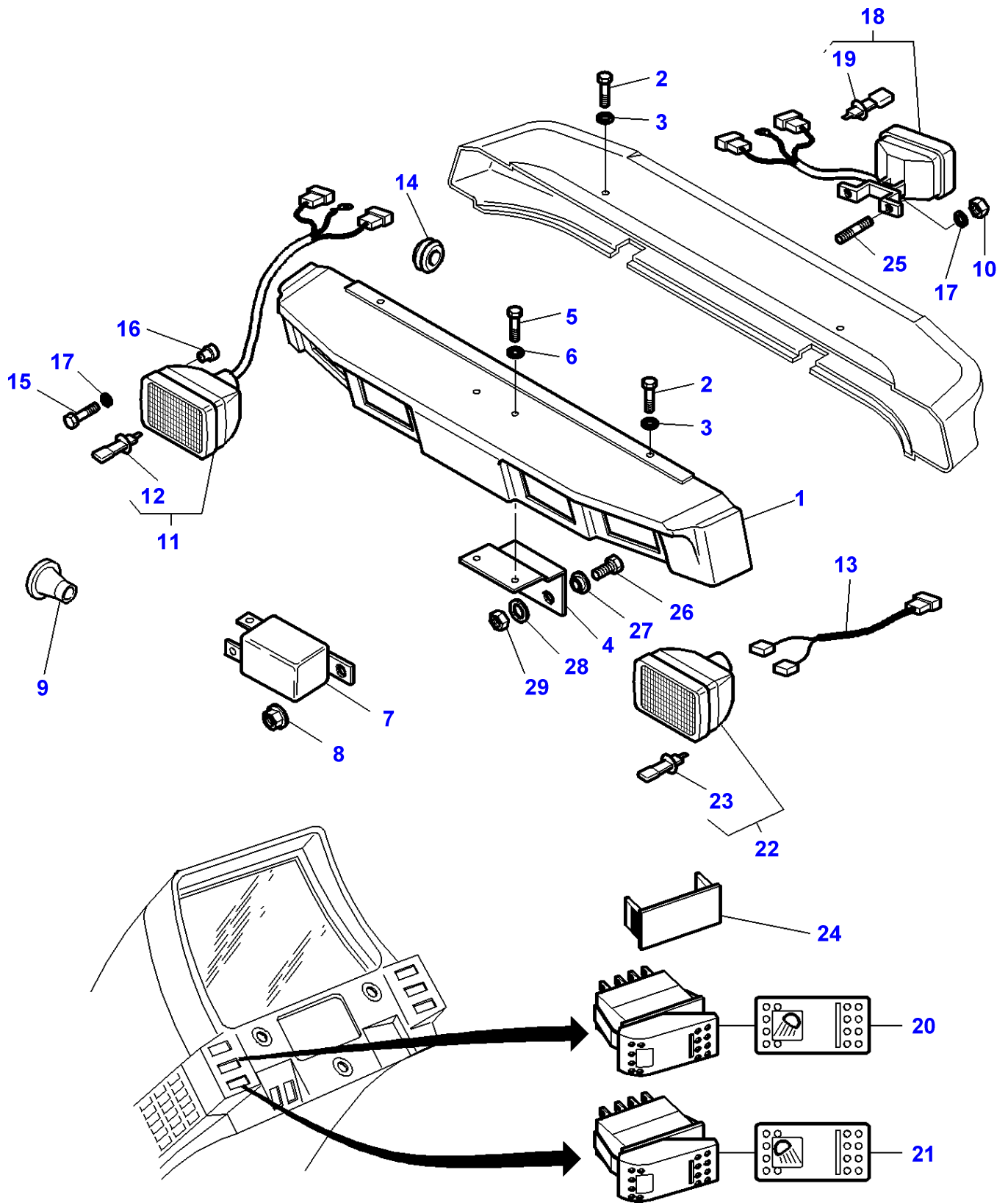
1-ZW39-002-F



TRAILOR ELECTRIC SOCKET

Item	Part Number	Qty	Description	Comments
1	3009538X1	3	Screw	M5X35
2	409965M1	1	Socket 7 Pin Sup	Not for USA
3	3041656M2	1	Plate	
4	3779126M2	1	Support	Up to Serial or Engine Number 30-JUN-2000
5	3010477X1	3	Nut Metric	
6	339123X1	2	Hex. Sock. Screw	Up to Serial or Engine Number 30-JUN-2000 M8X20
7	22428X	2	Lock Washer	Up to Serial or Engine Number 30-JUN-2000
8	390972X1	X	Washer Metric	
9	339169X1	X	Nut	
10	339123X1	2	Hex. Sock. Screw	M8X20
11	3715923M91	1	Intake	
12	3715925M1	1	Helmet	(11)
13	3779127M1	1	Support	For United States of America
14	339374X1	2	Lock Washer	
15	339169X1	2	Nut	
16	339123X1	2	Hex. Sock. Screw	M8X20
17	22428X	2	Lock Washer	
18	390972X1	2	Washer Metric	
19	339169X1	2	Nut	
20	3783416M1	1	Support	Up to Serial or Engine Number L298002 For United States of America
21	3783417M1	1	Support	From Serial or Engine Number 01-JUL-2000 Up to Serial or Engine Number 06-JAN-2002
22	339169X1	3	Nut	M8
23	339666X1	4	Hex. Sock. Screw	From Serial or Engine Number L298003 For United States of America M6X20
24	390971X1	8	Washer	From Serial or Engine Number L298003 For United States of America
25	339030X1	4	Nut Metric	From Serial or Engine Number L298003 For United States of America
26	3785914M1	1	Support	From Serial or Engine Number L298003 For United States of America

1-ZW05-001-C



Field Lights

Item	Part Number	Qty	Description	Comments
1	3780675M1	1	Visor	[A]
	3780676M1	1	Visor	[B]
2	339666X1	4	Hex. Sock. Screw	M6X20
3	391038X1	4	Washer	
4	3714426M1	1	Support	
5	339666X1	2	Hex. Sock. Screw	M6X20
6	391038X1	2	Washer	
7	3615652M1	X	Relay	12V-25AMP 4RD 007 794-03 4RD 003 520-31 12V-50AMP
	3387326M2	X	Relay	
8	3010477X1	X	Nut Metric	
9	833062M1	2	Grommet	
10	339169X1	4	Nut	
11	3713132M91	2	Headlamp	[C] Up to Serial or Engine Number M016023
	4271030M91	2	Headlamp	[C] From Serial or Engine Number M016024 (11)
12	1628494M1	2	Bulb H3	
13	3713339M1	4	Harness	
14	3714694M1	X	Grommet	Diameter 7/21
15	3009535X1	8	Screw	M4X30
16	3713803M1	8	Nut	M4
17	390972X1	4	Washer Metric	
18	3713130M91	2	Lamp	[C]
19	1628494M1	2	Bulb H3	(18)
20	3778391M1	1	Switch, Indirect	
21	3780552M1	1	Switch, Indirect	
22	3713134M91	4	Headlamp	[E,F] Up to Serial or Engine Number M126039
	4271029M91	4	Headlamp	[E,F] From Serial or Engine Number M126040
	3713137M1	1	Lamp	[G]
23	1628494M1	1	Bulb H3	[I] (22)
	3713341M1	2	Bulb 12v 60/55w	[H] (22) H4
24	3713151M1	X	Tap	
25	1440022X1	4	Stud	M8X20
26	1441704X1	2	Screw Metric	Up to Serial or Engine Number H274030 M20X40
	339124X1	2	Hex. Sock. Screw	From Serial or Engine Number H274031 M8X20
27	3783380M1	2	Washer	From Serial or Engine Number H274031
28	3010467X1	2	Washer	From Serial or Engine Number H274031
29	3009746X1	2	Nut	Up to Serial or Engine Number H274030
	339169X1	2	Nut	From Serial or Engine Number H274031 M8

FOOTNOTE [A] WITH 4 HEADLAMPS

FOOTNOTE [B] WITH 2 HEADLAMPS

FOOTNOTE [C] WITH 2 BULB WORKLIGHT

FOOTNOTE [E] WITH 1 BULB WORKLIGHT

FOOTNOTE [F] INCLUDE ITEM 13

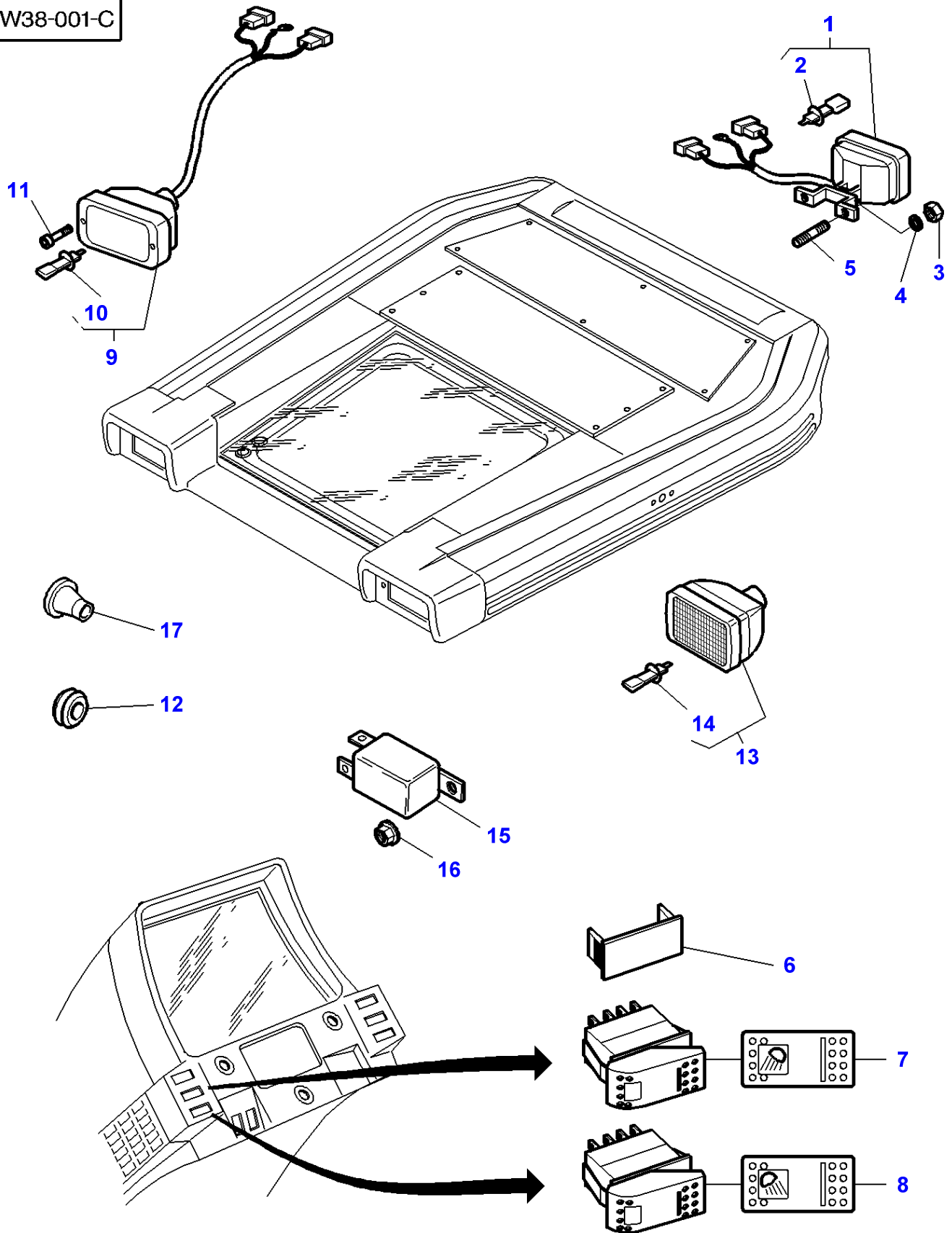
FOOTNOTE [G] WITH WAY LIGHTS FITTED ON THE CAB ROOF

FOOTNOTE [H] USE WITH 3713137M1

FOOTNOTE [I] USE WITH 3713134M91

MF 8210/8220 TRACTORS - 1637365
1-ZW38-001-C

1-ZW38-001-C



Field Lights - With High Visibility Roof

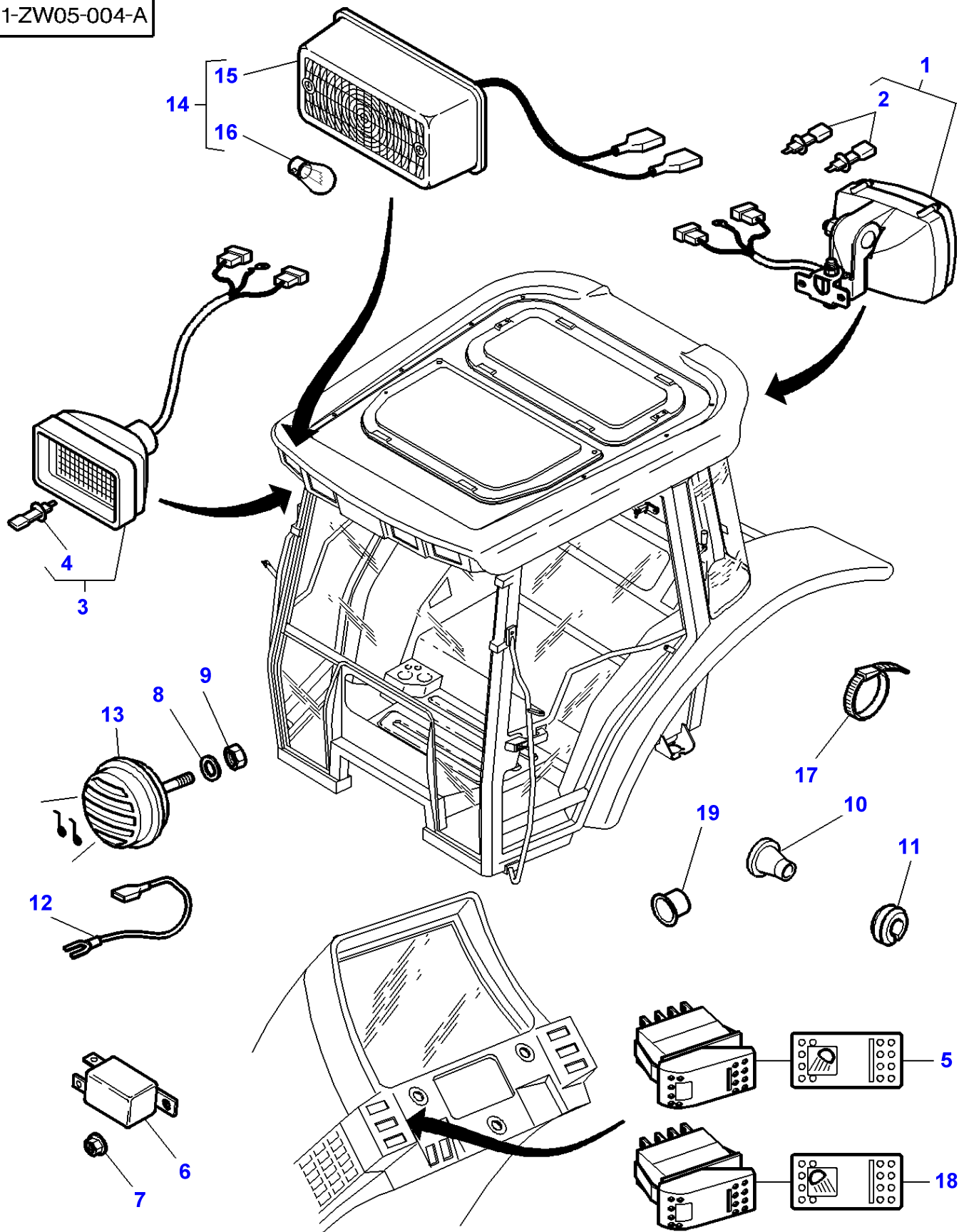
Item	Part Number	Qty	Description	Comments
1	3713130M91	2	Lamp	[A]
2	1628494M1	2	Bulb H3	(1) 12V. 55W.
3	339169X1	4	Nut	
4	390972X1	4	Washer Metric	
5	1440022X1	4	Stud	
6	3713151M1	1	Tap	
7	3778391M1	1	Switch,Indirect	
8	3780552M1	1	Switch,Indirect	
9	3713132M91	2	Headlamp	[A] Up to Serial or Engine Number M016023
	4271030M91	2	Headlamp	[A] From Serial or Engine Number M016024
10	1628494M1	2	Bulb H3	(9) 12V. 55W.
11	3010742X1	4	Screw Metric	M4X40
12	3714694M1	X	Grommet	
13	3713137M1	2	Lamp	[B]
14	3713341M1	2	Bulb 12v 60/55w	(13) H4-12V. 55W.
15	3615652M1	X	Relay	12V-25Amp. 4RD 003 520-31 4RD 007 794-03
16	3010477X1	X	Nut Metric	M5
17	833062M1	2	Grommet	

FOOTNOTE [A] WITH 2 BULB WORKLIGHT

FOOTNOTE [B] WITH WAY LIGHTS FITTED ON THE CAB ROOF

FOOTNOTE [C] WITH 1 BULB WORKLIGHT

1-ZW05-004-A



Field Lights

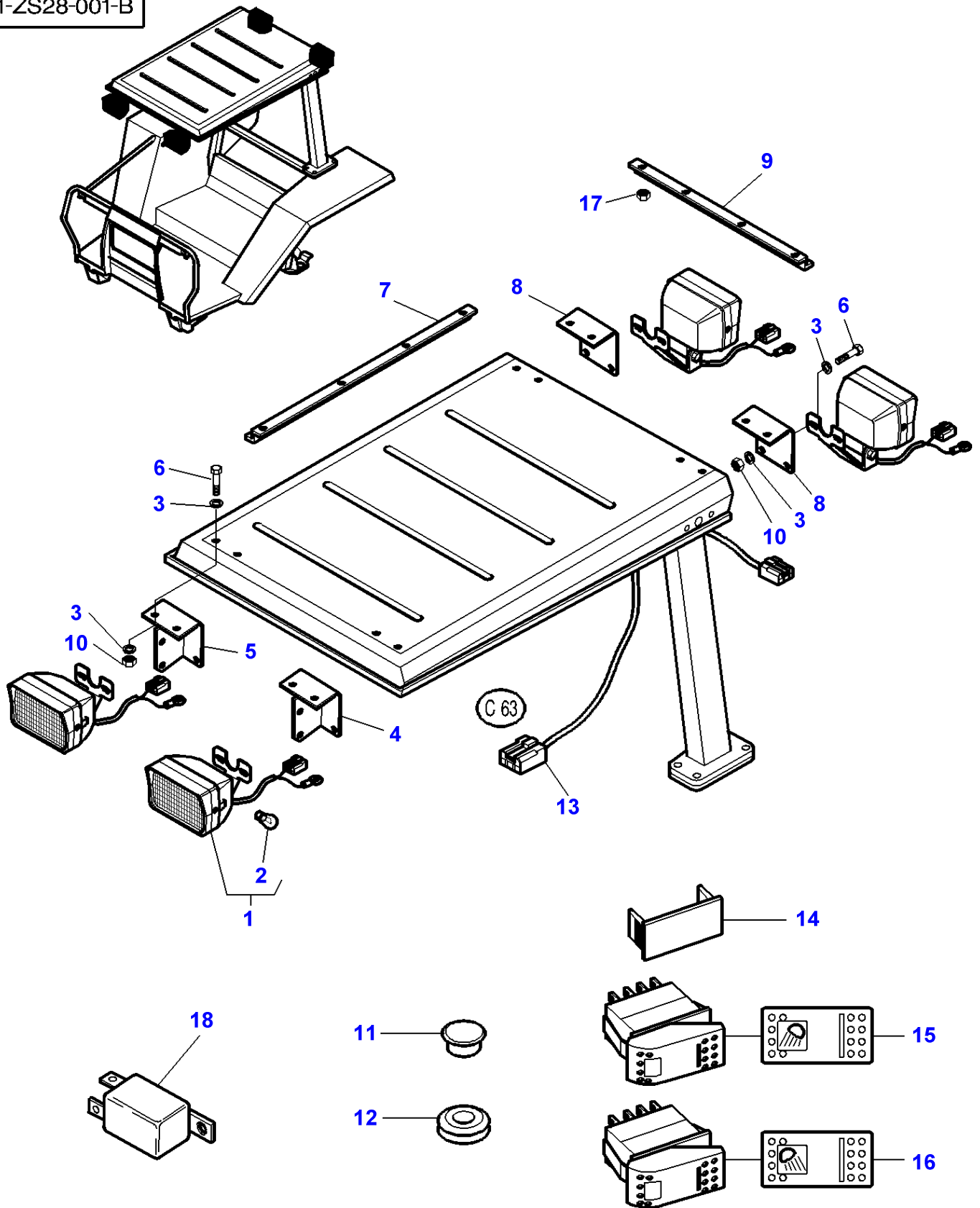
Item	Part Number	Qty	Description	Comments
1	3713130M91	2	Lamp	[A]
2	1628494M1	2	Bulb H3	(1) 12V - 55W
3	3713134M91	2	Headlamp	[B]
	4271029M91	2	Headlamp	[B] Up to Serial or Engine Number M126039
4	1628494M1	1	Bulb H3	(3) 12V - 55W From Serial or Engine Number M126040
5	3778391M1	1	Switch,Indirect	
6	3387326M2	2	Relay	12V-50A
7	3010477X1	2	Nut Metric	M5
8	1441206X1	1	Lock Washer	
9	339030X1	1	Nut Metric	
10	833062M1	2	Grommet	Diameter 13/21
11	3714694M1	3	Grommet	Diameter 7/21
12	3042257M1	1	Earth Strap	
13	1678404M1	1	Horn	
14	5015739M91	2	Blinker Light	
15	72501110	1	Lens	(14)
16	70928348	1	Bulb P/Lamp	(14) 21W
17	3619622M1	X	Cable Tie	
18	3780552M1	1	Switch,Indirect	
19	3713587M1	2	Plug	Diameter 22

FOOTNOTE [A] WITH 2 BULB WORKLIGHT

FOOTNOTE [B] WITH 1 BULB WORKLIGHT

MF 8210/8220 TRACTORS - 1637365
1-ZS28-001-B

1-ZS28-001-B



Working Light - Platform With Pillars

Item	Part Number	Qty	Description	Comments
1	3617494M91	4	Lamp	
2	1628494M1	1	Bulb H3	(1) 12V-55W
3	390972X1	16	Washer Metric	
	3010597X1	16	Tab Washer	
4	3779516M1	1	Support	Left Hand
5	3779517M1	1	Support	Right Hand
6	339123X1	16	Hex. Sock. Screw	M8X20
7	3777984M1	2	Anglepiece	
8	3778627M1	2	Support	
9	3777985M2	1	Anglepiece	
10	3010572X1	16	Nut	M8
11	3042523M1	8	Plug	[A] Diameter 10MM
12	3388889M1	4	Grommet	
13	3779530M1	1	Harness	[A,B]
14	3713151M1	2	Tap	[A]
15	3778391M1	1	Switch,Indirect	[C]
16	3780552M1	1	Switch,Indirect	[D]
17	3010477X1	12	Nut Metric	M5
18	3387326M2	1	Relay	12V-50Amp
	3615652M1	3	Relay	12V-25Amp 4RD 003 520-31 4RD 007 794-03

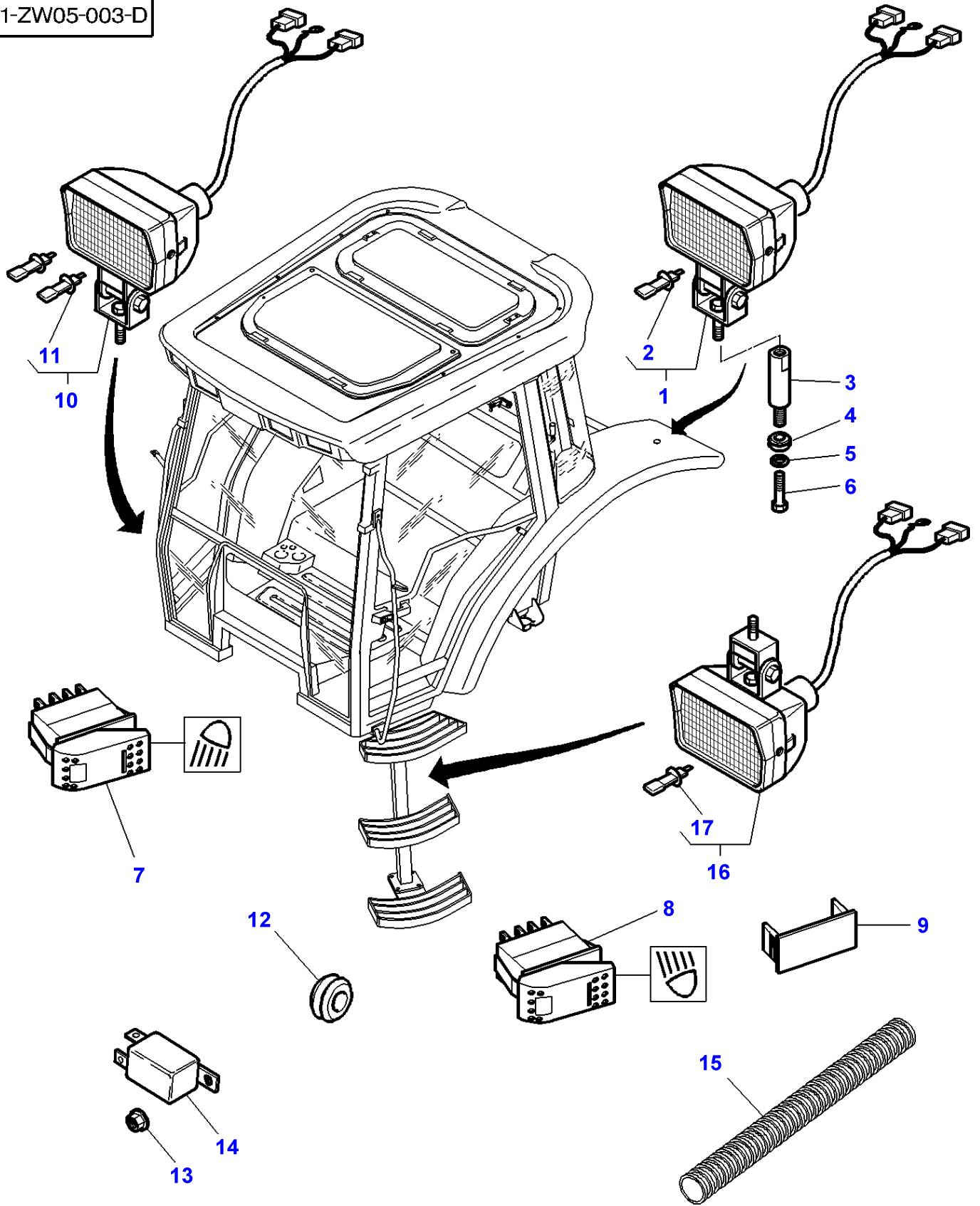
FOOTNOTE [A] WITHOUT WORKLIGHT

FOOTNOTE [B] ROTATING LIGHT

FOOTNOTE [C] FRONT

FOOTNOTE [D] REAR

1-ZW05-003-D



Field Lights - GUIDEWAY / FOOTSTEPS / FENDERS

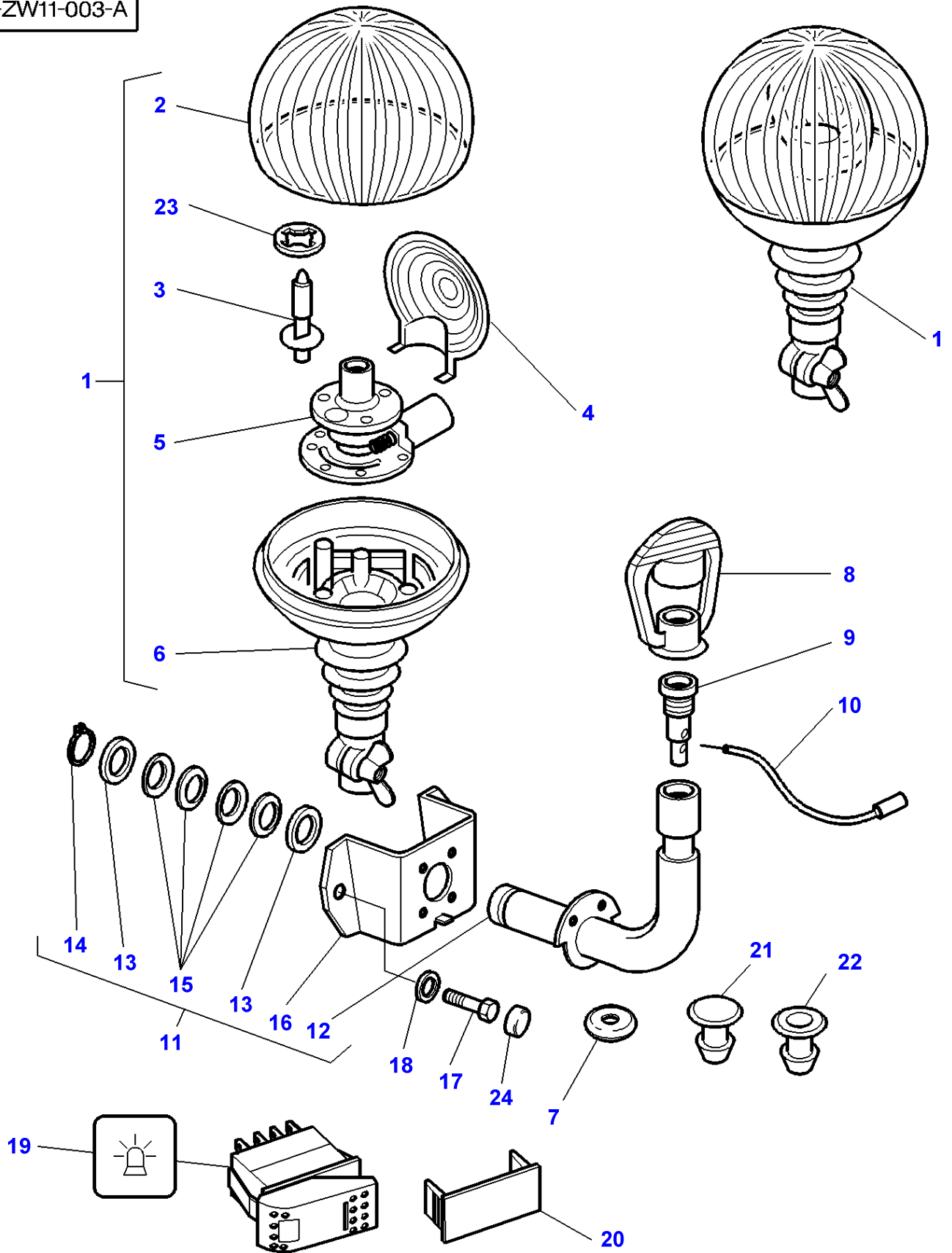
Item	Part Number	Qty	Description	Comments
1	3714399M92	2	Lamp	[C]
2	1628494M1	1	Bulb H3	(1) 12V - 55W
3	5016887M2	2	Spacer	From Serial or Engine Number H279035
4	70921230	2	Grommet	Diameter 25-35
5	390734X1	2	Washer	Up to Serial or Engine Number H279034
6	3009491X1	2	Hex. Sock. Screw	Up to Serial or Engine Number H279034 M10X20
7	3778391M1	1	Switch,Indirect	
8	3780553M1	1	Switch,Indirect	
9	3713151M1	X	Tap	
10	3778456M92	2	Light	[A]
11	1628494M1	2	Bulb H3	(10) 12V - 55W
12	367439X1	2	Grommet	Diameter 15-25
13	339030X1	2	Nut Metric	M6
14	3615652M1	1	Relay	12V - 25AMP 4RD 003 520-31 4RD 007 794-03
15	5016845M1	1	Sheath	From Serial or Engine Number J168024
16	3788157M91	4	Worklamp	[C]
17	1628494M1	1	Bulb H3	(16)

FOOTNOTE [A] WITH 2 BULB WORKLIGHT

FOOTNOTE [B] WITH FIELD LIGHTS ON THE FENDERS

FOOTNOTE [C] WITH 1 BULB WORKLIGHT

1-ZW11-003-A



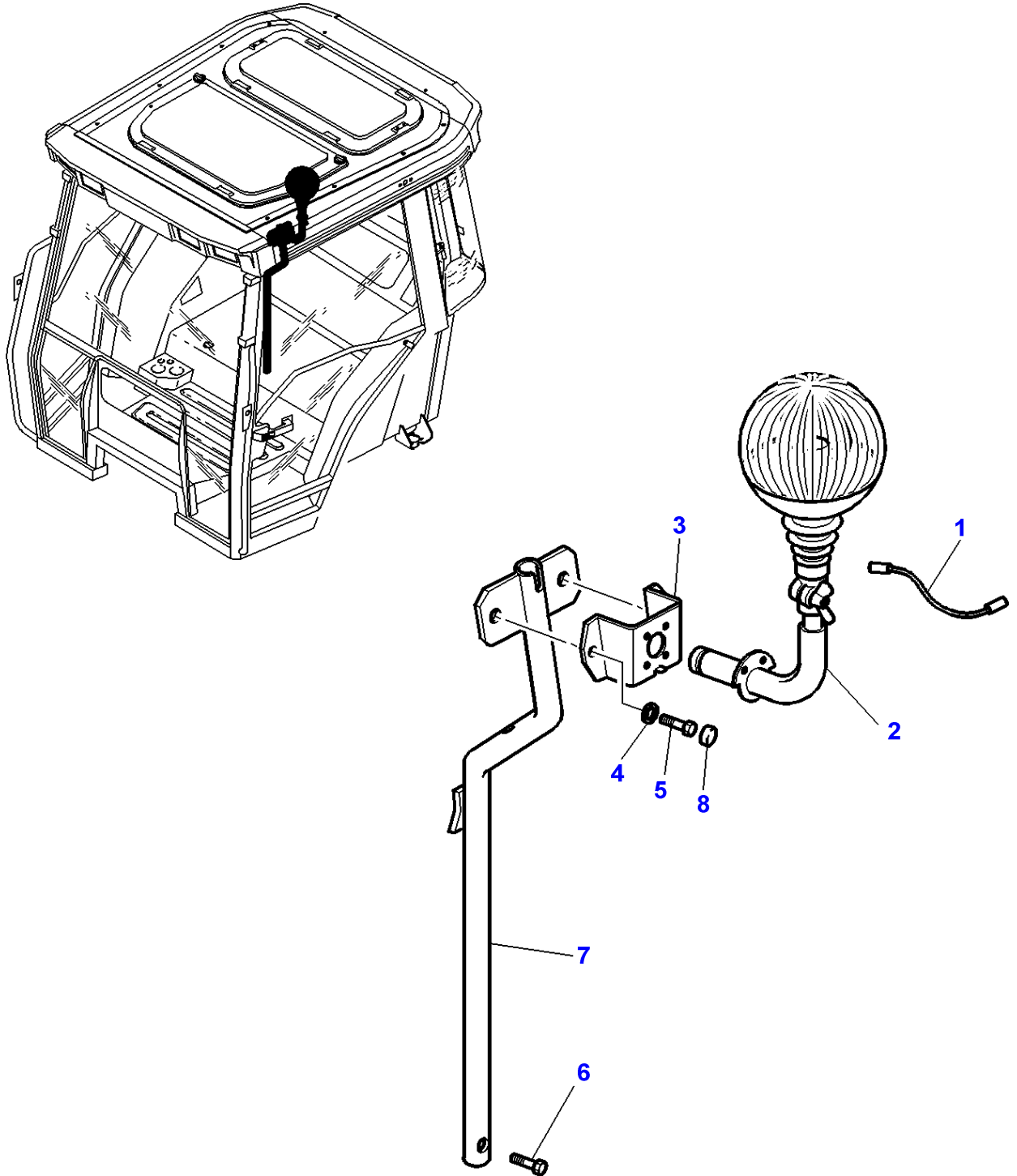
ROTATING LIGHT

Item	Part Number	Qty	Description	Comments
1	3715144M92	1	Turning Light	
2	3902469M1	1	Lens	(1)
3	3405180M1	1	Bulb 12v	(1)
4	3900282M1	1	Reflectingmirror	(1)
5	3900285M1	1	Engine	(1)
6		1	Support	(1)
				Not serviced,order REF. NO1
7	3714694M1	2	Grommet	
8	3617859M1	1	Helmet	
9	3617860M1	1	Intake	
10	3713260M1	1	Wire	
11	3778093M91	1	Support	
12	3778023M1	1	Tube	(11)
13	3778025M1	2	Washer	(11)
				Diameter 45MM
14	3006699X1	1	Clip	(11)
15	3778094M1	4	Washer	(11)
16	3778024M1	2	Support	(11)
17	339123X1	4	Hex. Sock. Screw	M8X20
18	390972X1	4	Washer Metric	
19	3713146M1	1	Switch,Indirect	
20	3713151M1	1	Tap	[A]
21	3713404M1	1	Plug	
22	3713405M2	1	Grommet	
23	3900281M1	1	Bush	(1)
24	3616277M1	4	Helmet	

FOOTNOTE [A] WITHOUT ROTATING LIGHT

FOOTNOTE [B] INDUSTRIAL CAB

1-ZW11-004-A

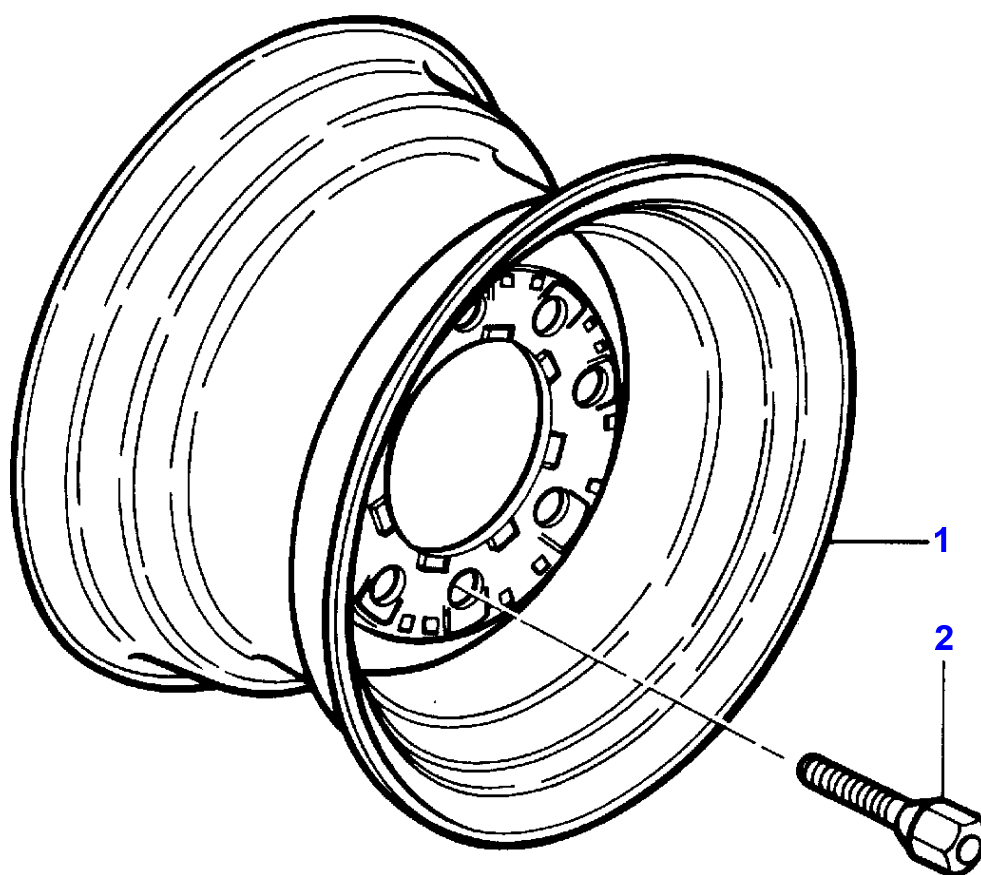


Massey Ferguson**MF 8210/8220 TRACTORS - 1637365****1637365****ROTATING LIGHT - For United States of America****Page 120-0080**

Item	Part Number	Qty	Description	Comments
1	3788078M1	1	Harness	Length 1480 MM
2		1	Rotating Light	See Page - Reference Number 120-0075/1
3	3778093M91	1	Support	
4	390972X1	2	Washer Metric	Diameter 8-17 X 1,7
5	339123X1	2	Hex. Sock. Screw	M8 X 20
6	339010X1	1	Bolt Metric	M8 X 40
7	3788069M1	1	Support	
8	3616277M1	2	Helmet	

Page Title	Page Number
Front Wheels - 2 Wheel Drive - Fitting 8 Screws	130-0005
Front Wheels - 4 Wheel Drive	130-0010
Front Wheels - 4 Wheel Drive - Sirmac	130-0015
Front Wheels - 4 Wheel Drive - Wheel Hub 10 Holes Assembling	130-0020
Front Wheels - 4 Wheel Drive	130-0025
Front Wheels - 4 Wheel Drive - Wheel Hub 12 Holes Assembling	130-0030
Front Wheels - 4 Wheel Drive - Wheel Hub 10 Holes Assembling	130-0035
Front Axle 4 Wheel Drive - Mudguards And Supports	130-0040
Front Axle 4 Wheel Drive - Mudguards And Supports - WITH CARRARO FRONT AXLE	130-0045
Front Axle 4 Wheel Drive - Mudguards And Supports - Pivoting - With DANA Front Axle	130-0050
Front Axle 4 Wheel Drive - Mudguards And Supports - Pivoting - With CARRARO Front Axle	130-0055
Front Axle 4 Wheel Drive - Mudguards And Supports - Pivoting	130-0060
Rear Wheels - Sirmac	130-0065
Rear Wheels	130-0070
Rear Wheels	130-0075
Rear Wheels	130-0080
Rear Wheels	130-0085
Rear Wheels	130-0090
Rear Wheels - Fixing By Cone - Shaft Diameter 95 mm / Cone/Wheel Hub Standard	130-0095
Rear Wheels - Fixing By Cone - Shaft Diameter 95MM From K248042 / Cone/Wheel Hub Reversed	130-0100
Rear Wheels - Fixing By Cone - Short Shaft Diameter 95 mm With Spacers For Dual Wheels Cone/Wheel Hub Reversed	130-0105
Rear Wheels - Distance Spacer For Wide Tread	130-0110
Wheel Weights	130-0115
Wheel Wedges	130-0120

1-ZL02-001-A



Massey Ferguson

MF 8210/8220 TRACTORS - 1637365

1637365

Front Wheels - 2 Wheel Drive - Fitting 8 Screws

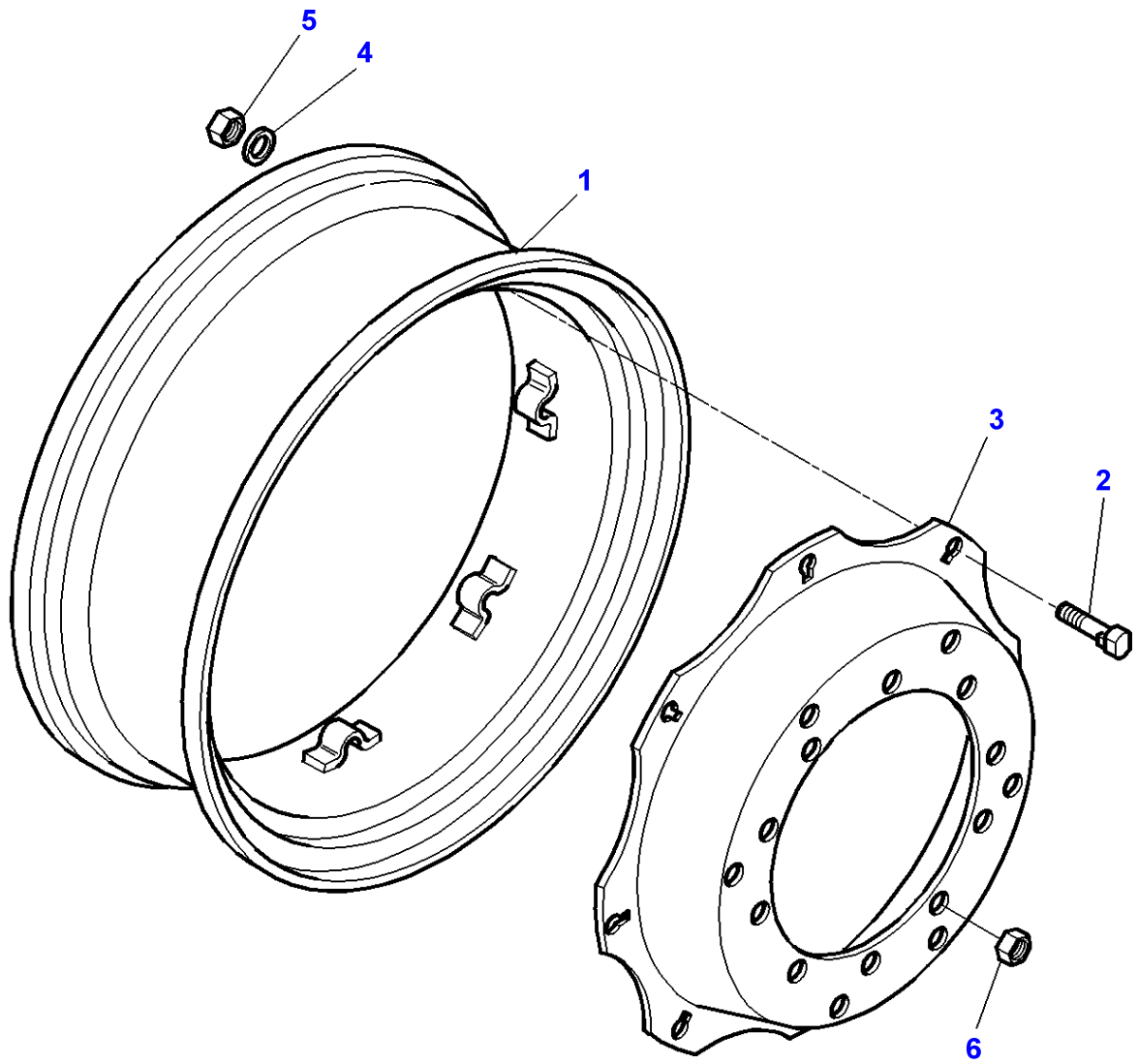
Page 130-0005

Item	Part Number	Qty	Description	Comments
1	1614384M1	2	Wheel	[A,B] W8 X 16"
	1614385M1	2	Rim	W11X16"
2	1823598M1	16	Screw Metric	M16

FOOTNOTE [A] USED WITH 11.00" X 16" TYRES

FOOTNOTE [B] USED WITH 10.00" X 16" TYRES

1-ZL03-006-A

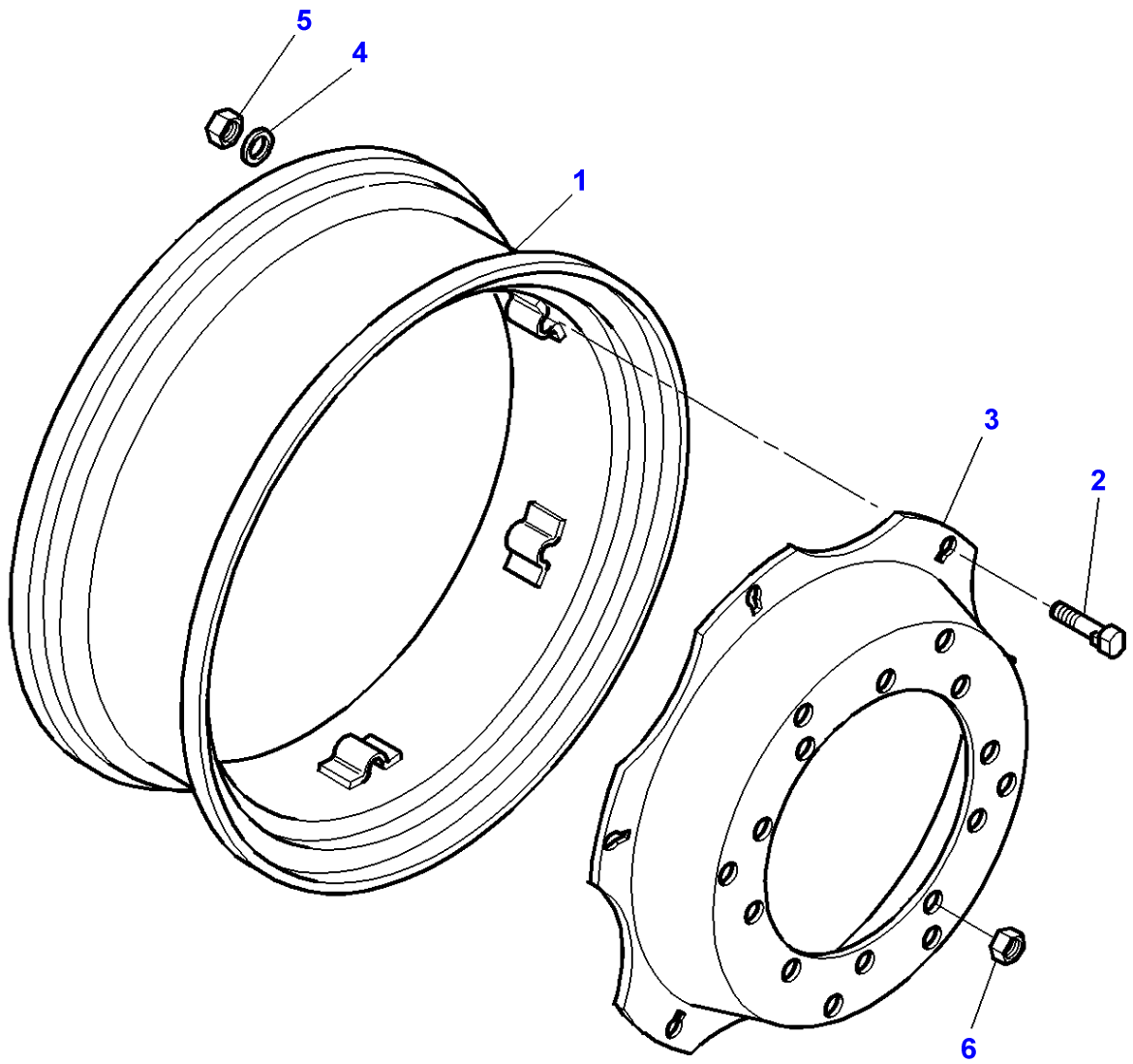


Front Wheels - 4 Wheel Drive

Item	Part Number	Qty	Description	Comments
1	3714786M1	2	Rim	[A] 15x30
2	3384620M1	16	Screw Special	M16X80
3	3712590M1	2	Disc	30"
4	338577X1	16	Washer	
5	1440231X1	16	Nut Metric	M16X1,5
6	3712611M2	20	Nut Special	M22X1,5

FOOTNOTE [A] USED WITH 16.90" X 30" TYRES

1-ZL03-005-A



Front Wheels - 4 Wheel Drive - Sirmac

Item	Part Number	Qty	Description	Comments
1	3583099M2	2	Rim	[E,C] W12 X 28"
	3581857M2	2	Rim	[A,C] W12 X 28"
	3583347M2	2	Rim	[E,G] W14 X 28"
	3581859M2	2	Rim	[A,G] W 14 X 28"
	3714784M1	2	Rim	[A,H] W15L X 28"
2	3384620M1	X	Screw Special	M16X80
3	3712578M1	2	Disc	[A] 28"
	3712587M1	2	Disc	[E] 28"
4	338577X1	X	Washer	
5	1440231X1	X	Nut Metric	
6	3712611M2	20	Nut Special	M22

FOOTNOTE [A] 6 BRIDGE PIECES

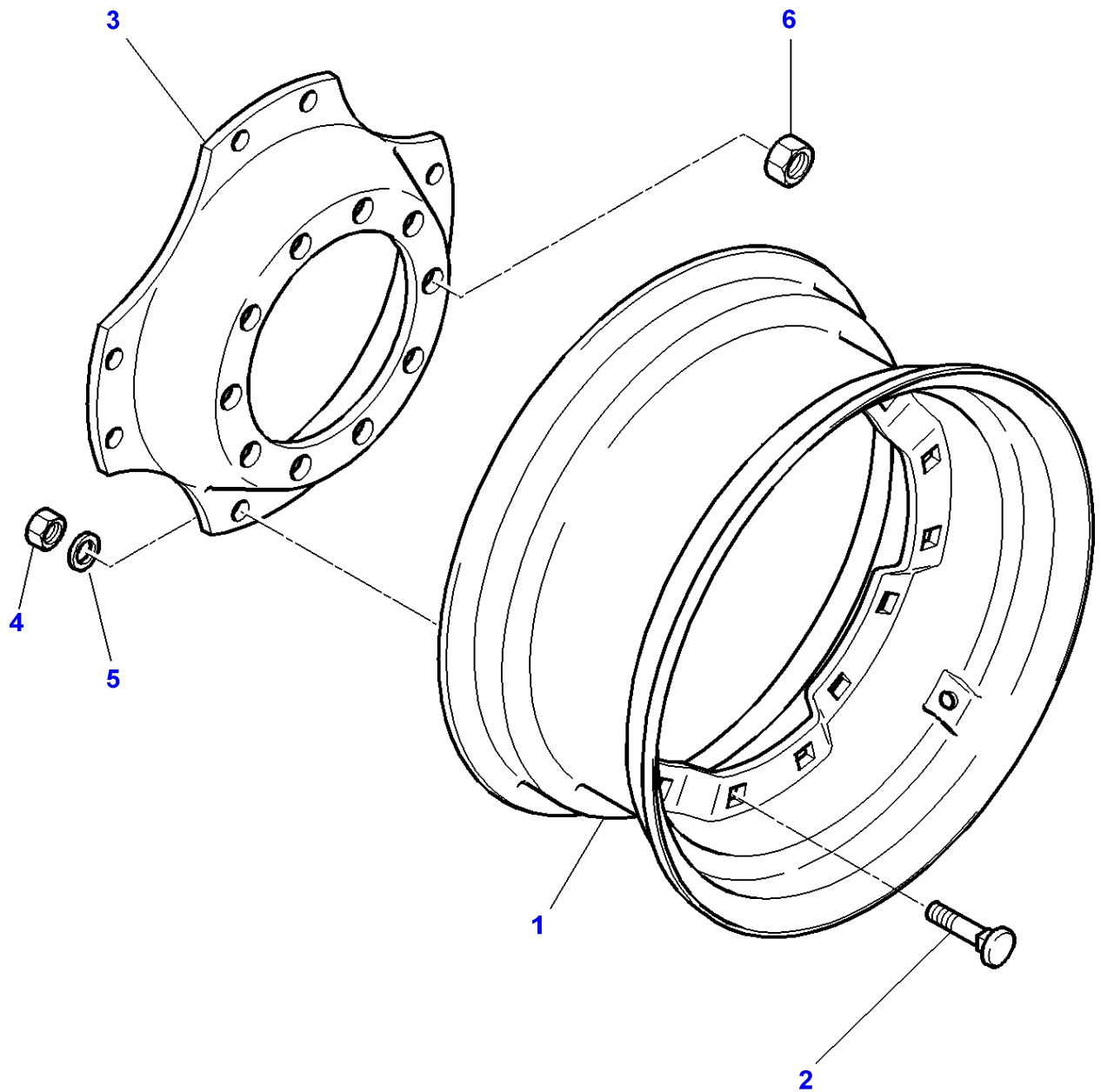
FOOTNOTE [C] USED WITH 13.6-14.9-340/85-380/70-380/85-420/70-44 0/65-480/65 X 28" TYRES

FOOTNOTE [E] 8 BRIDGE PIECES

FOOTNOTE [G] USED WITH-16.9-420/70-440/65-480/65-480/70-540/65 X 28" TYRES

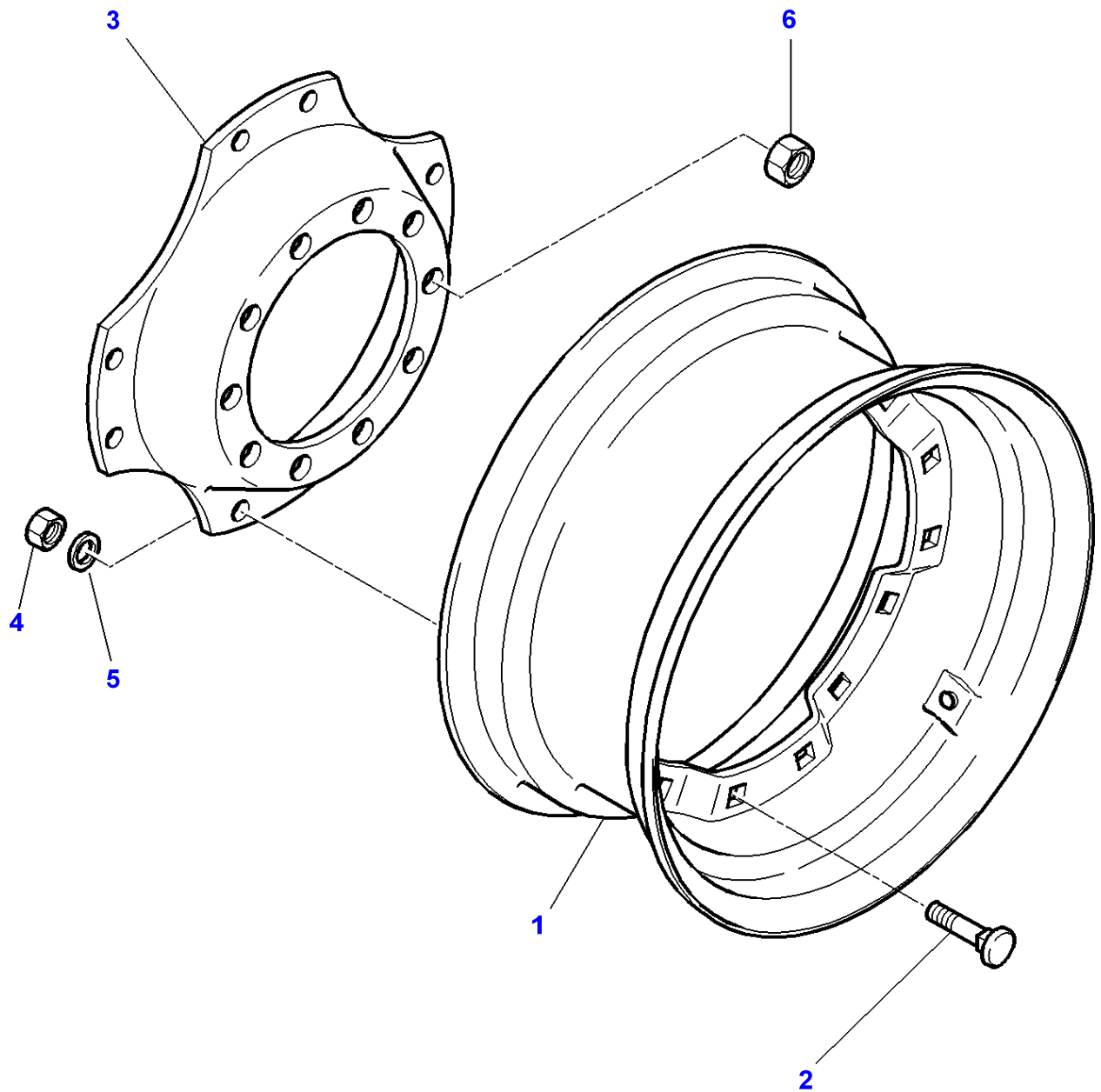
FOOTNOTE [H] USED WITH 480/65-480/70-540/65 X 28" TYRES

1-ZL03-004-A



Item	Part Number	Qty	Description	Comments
1	3786607M1	1	Rim	18'X28'
	3786509M1	2	Rim	12'X28'
	3786510M1	2	Rim	15'X28'
	3785240M1	2	Rim	15'X30'
	3785786M1	2	Rim	13'X34'
				Replace and repair. Old not interchangeable with new 72508983
				Replace and repair. Old not interchangeable with new 72508984
				Replace and repair. Old not interchangeable with new 72508987
				Replace and repair. Old not interchangeable with new 72506345
2	72506938	8	Bolt	M16X2X50
	3785847M1	8	Screw	M16X1,5X40
3	3785241M1	2	Disc	12'X28'-15'X28'
				13'X30'-15'X30'
				Replace and repair. Old not interchangeable with new 72508990
	3786088M1	2	Disc	13'X34'
	3786088M1	2	Disc	10'X34'-13'X34'
4	70950947	8	Nut	M16X2
	3785846M1	8	Nut	M16X1,5
5	338577X1	8	Washer	Diameter 16,6/17,1X34X4
	3785848M1	8	Washer	Diameter 16.3X31.5
6	3712611M2	20	Nut Special	

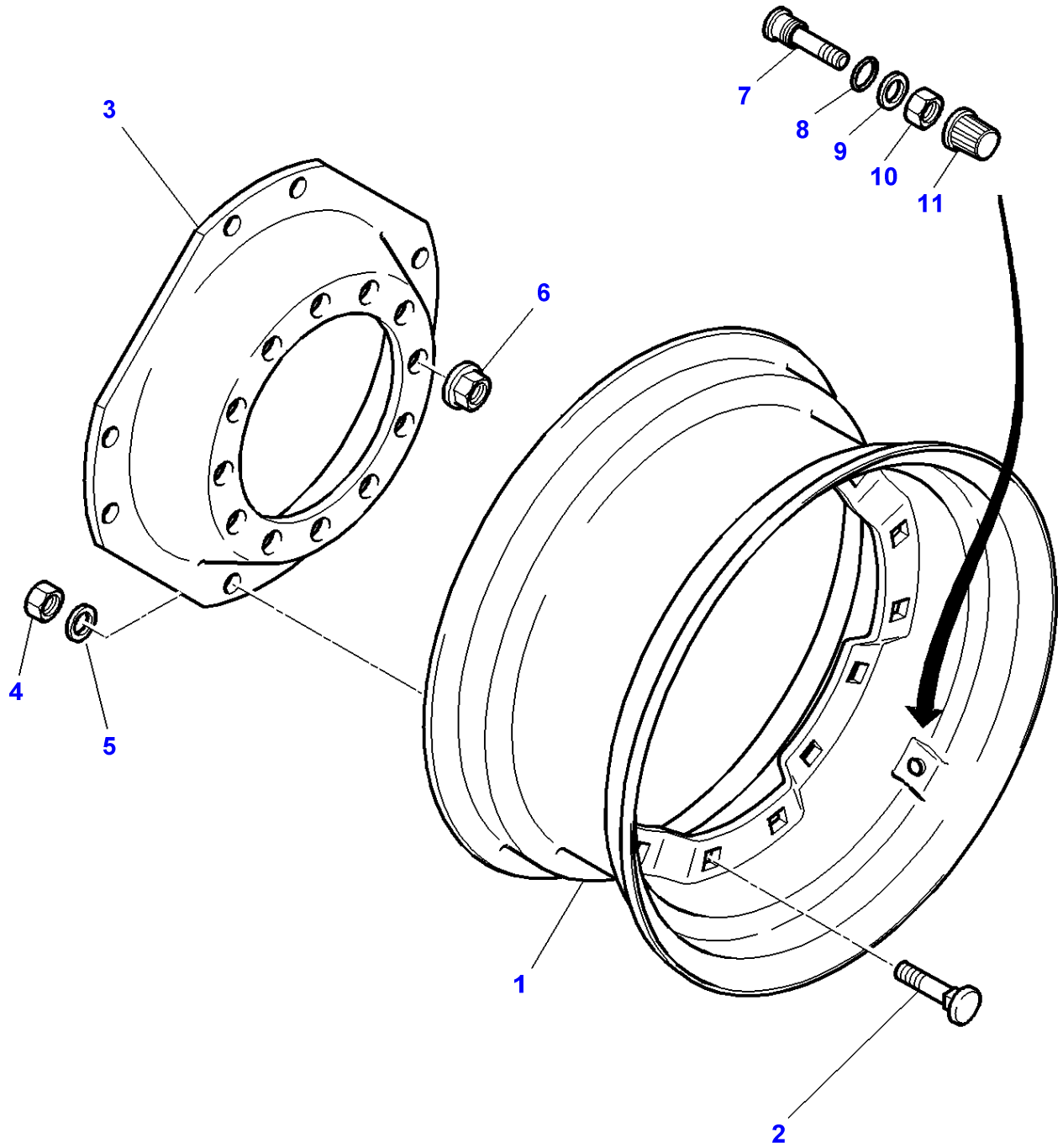
1-ZL03-007-A



Massey Ferguson**MF 8210/8220 TRACTORS - 1637365****1637365****Front Wheels - 4 Wheel Drive****Page 130-0025**

Item	Part Number	Qty	Description	Comments
1	3785174M1	2	Rim	WD18LX28" Replace and repair. Old interchangeable with new 3903222M1
2	3903220M1	16	Screw	
3	3903221M1	2	Flange	
4	3903218M1	16	Nut Special	
5	3903219M1	16	Washer	
6	3712611M2	20	Nut Special	

1-ZL03-008-A



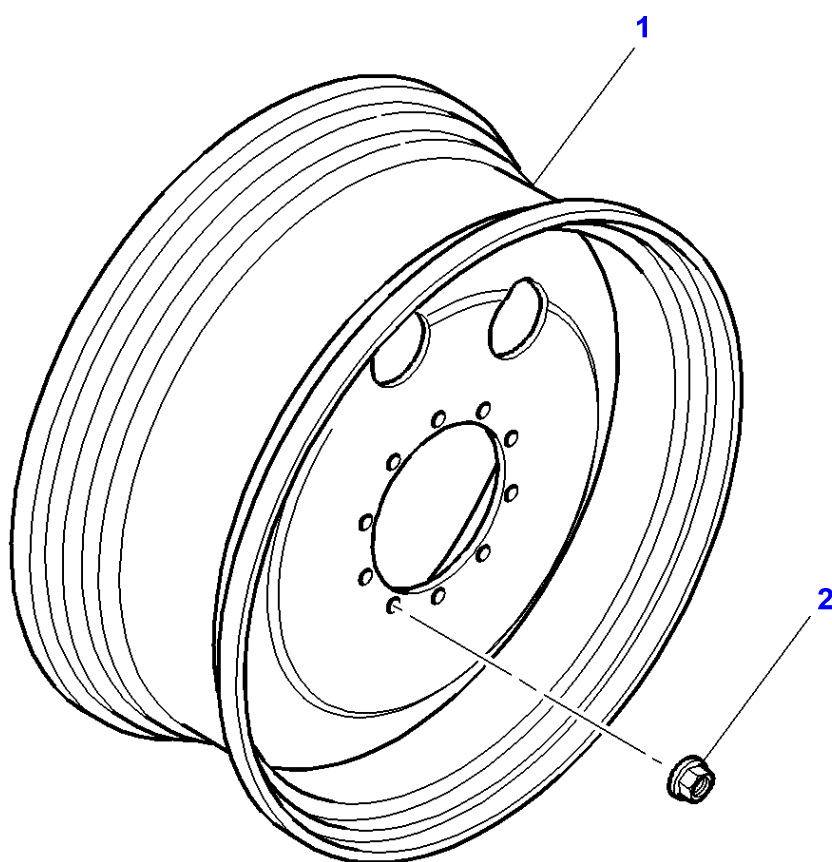
Item	Part Number	Qty	Description	Comments
1	3785778M1	2	Rim	[B] W 13" X 30"
2	72506938	8	Bolt	M16 X 2 X 50
	3785847M1	8	Screw	M16 X 1,5 X 40
3	3785095M1	2	Disc	Replace and repair. Old interchangeable with new 72512677 Up to Serial or Engine Number M..... 28'X18'-30'X13' 30'X15'
	4270526M1	2	Disc	From Serial or Engine Number M..... 13"X30"-15"X30" 18"X28"
4	70950947	8	Nut	M16 X 2
	3785846M1	8	Nut	M16 X 1,5
5	338577X1	8	Washer	Diameter 16,6/17,1X34X4
	3785848M1	8	Washer	Diameter 16,3X31,5
6	3712611M2	24	Nut Special	M22 X 1,5
7	72514013	1	Adaptor	
8	71170390	1	Grommet	
9	71175919	1	Washer	
10	71175918	1	Nut	
11	71169204	1	Plug	

FOOTNOTE [A] USE WITH TYRES 600/70R28

FOOTNOTE [B] USED WITH 16.90" X 30" TYRES

FOOTNOTE [C] USED WITH 480/70R34 TYRES

1-ZL03-015-A

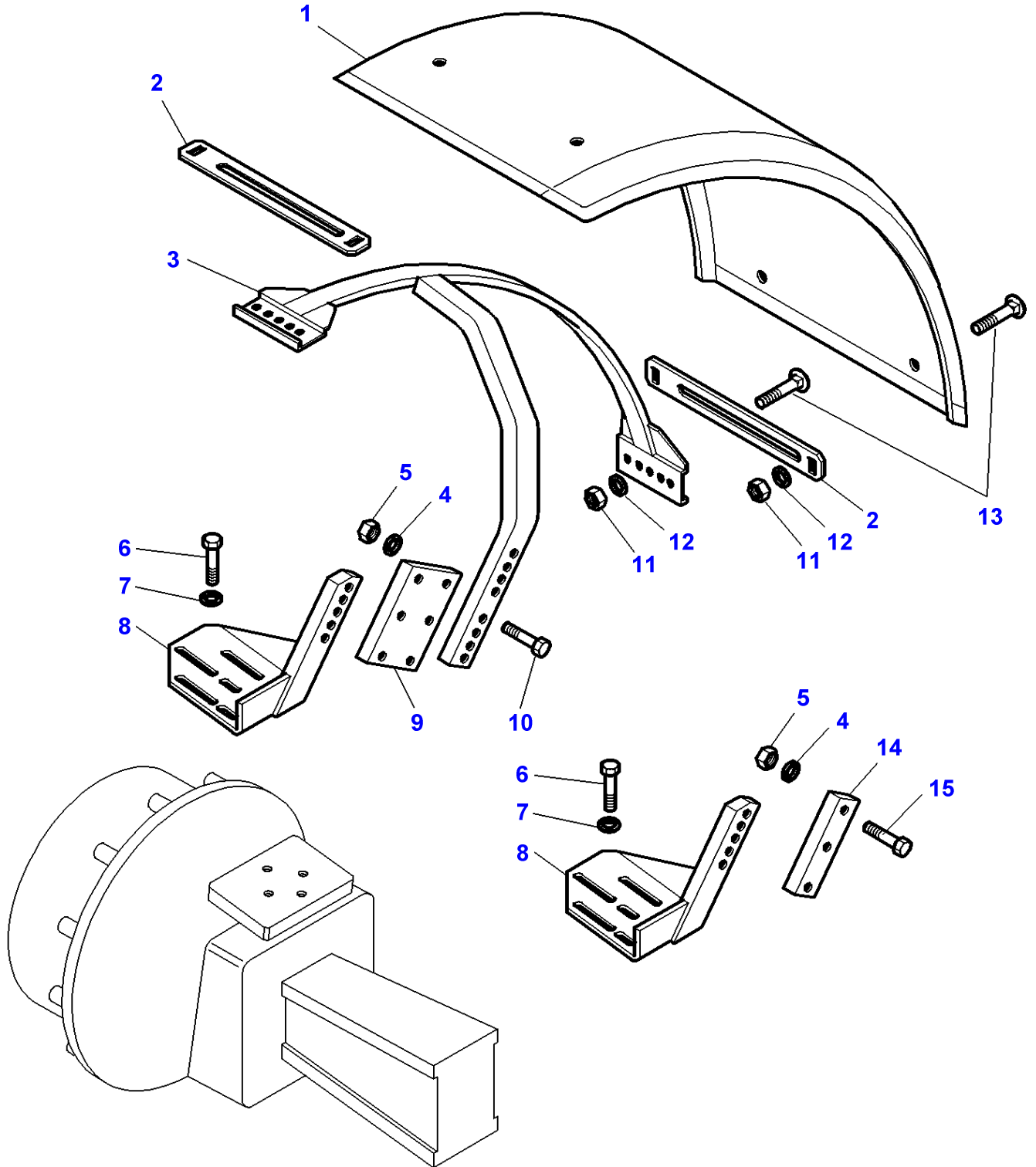


Massey Ferguson**MF 8210/8220 TRACTORS - 1637365****1637365****Front Wheels - 4 Wheel Drive - Wheel Hub 10 Holes Assembling****Page 130-0035**

Item	Part Number	Qty	Description	Comments
1	3787689M1	2	Rim	W14LX28"
	3786703M1	2	Rim	W15LX28"
2	3712611M2	20	Nut Special	M22X1,5

FOOTNOTE [A] USED WITH 600/65-600/70 R28 TL-710/55-420/90 R30 T L TYRES

1-ZK14-003-C



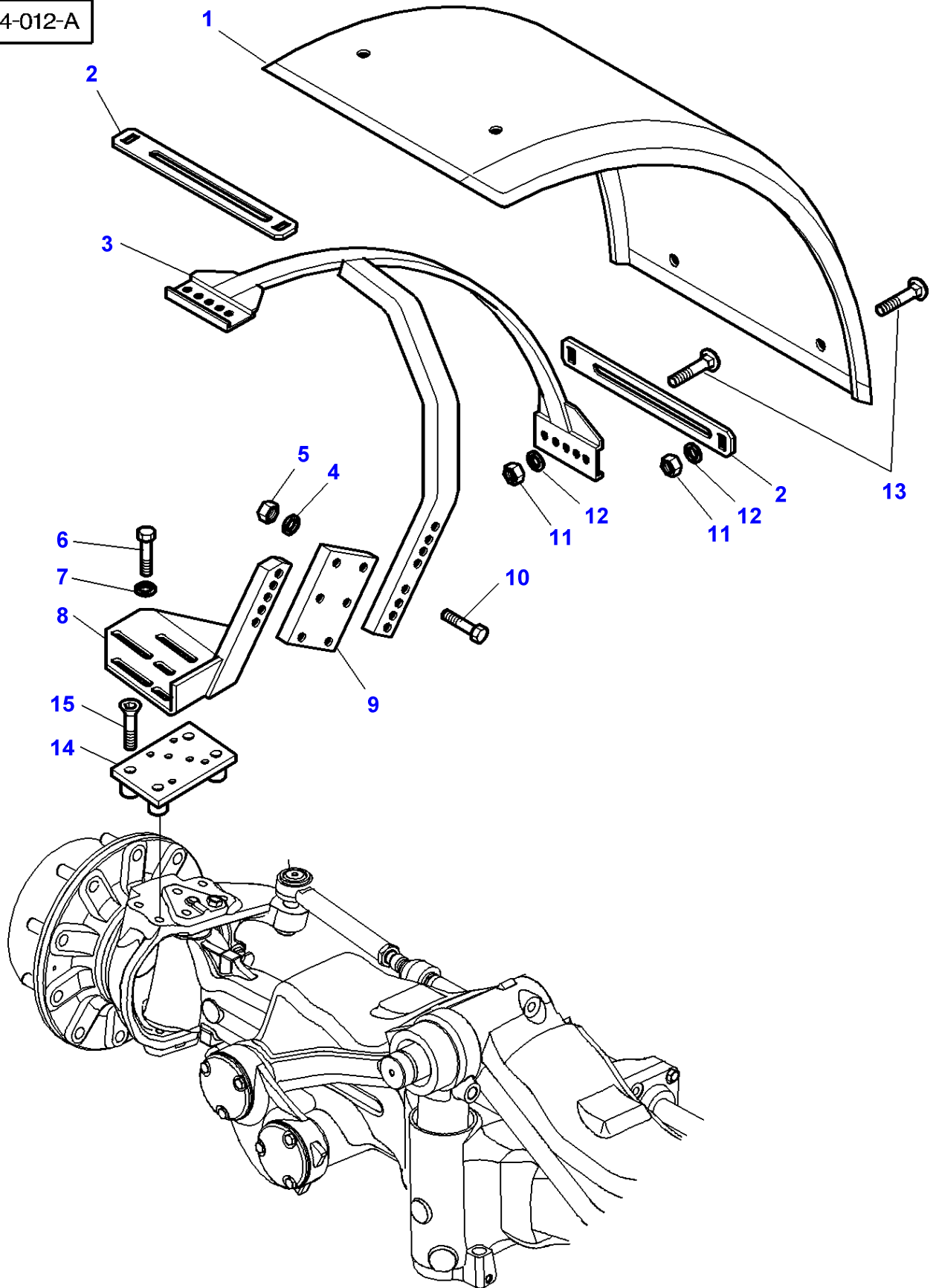
Front Axle 4 Wheel Drive - Mudguards And Supports

Item	Part Number	Qty	Description	Comments
1	3619229M2	2	Fender	Width 470 MM
	3779567M1	2	Fender	Width 520 MM
2	3777586M2	4	Plate	Length 340 MM
	3777587M2	4	Plate	Length 400 MM
3	3777588M1	1	Support	Left Hand
	3777590M1	1	Support	Right Hand
4	390735X1	8	Washer	Up to Serial or Engine Number J012003 Diameter 12-24 X 2,5 MM
	390735X1	6	Washer	From Serial or Engine Number J012004 Diameter 12-24 X 2,5 MM
5	3009695X1	8	Nut	Up to Serial or Engine Number J012003 M12
	3009695X1	6	Nut	From Serial or Engine Number J012004 M12
6	3009493X1	6	Hex. Sock. Screw	M10 X 30
7	3619096M1	6	Washer	Diameter 10,5-32 X 5 MM
8	3777589M1	1	Support	Left Hand
	3777591M1	1	Support	Right Hand
9	3779565M2	2	Spacer	Up to Serial or Engine Number J012003
10	3009513X1	8	Bolt Metric	Up to Serial or Engine Number J012003 M12 X 65
	3009513X1	2	Bolt Metric	From Serial or Engine Number J012004 M12 X 65
11	339402X1	12	Nut	M10
12	390734X1	12	Washer	Diameter 10-21 X 2 MM
13	390809X1	12	Bolt Metric	M10 X 25
14	3777716M1	2	Spacer	From Serial or Engine Number J012004
15	3009516X1	2	Screw Metric	From Serial or Engine Number J012004 M12 X 90

FOOTNOTE [A] WITH DANA FRONT AXLE AG155

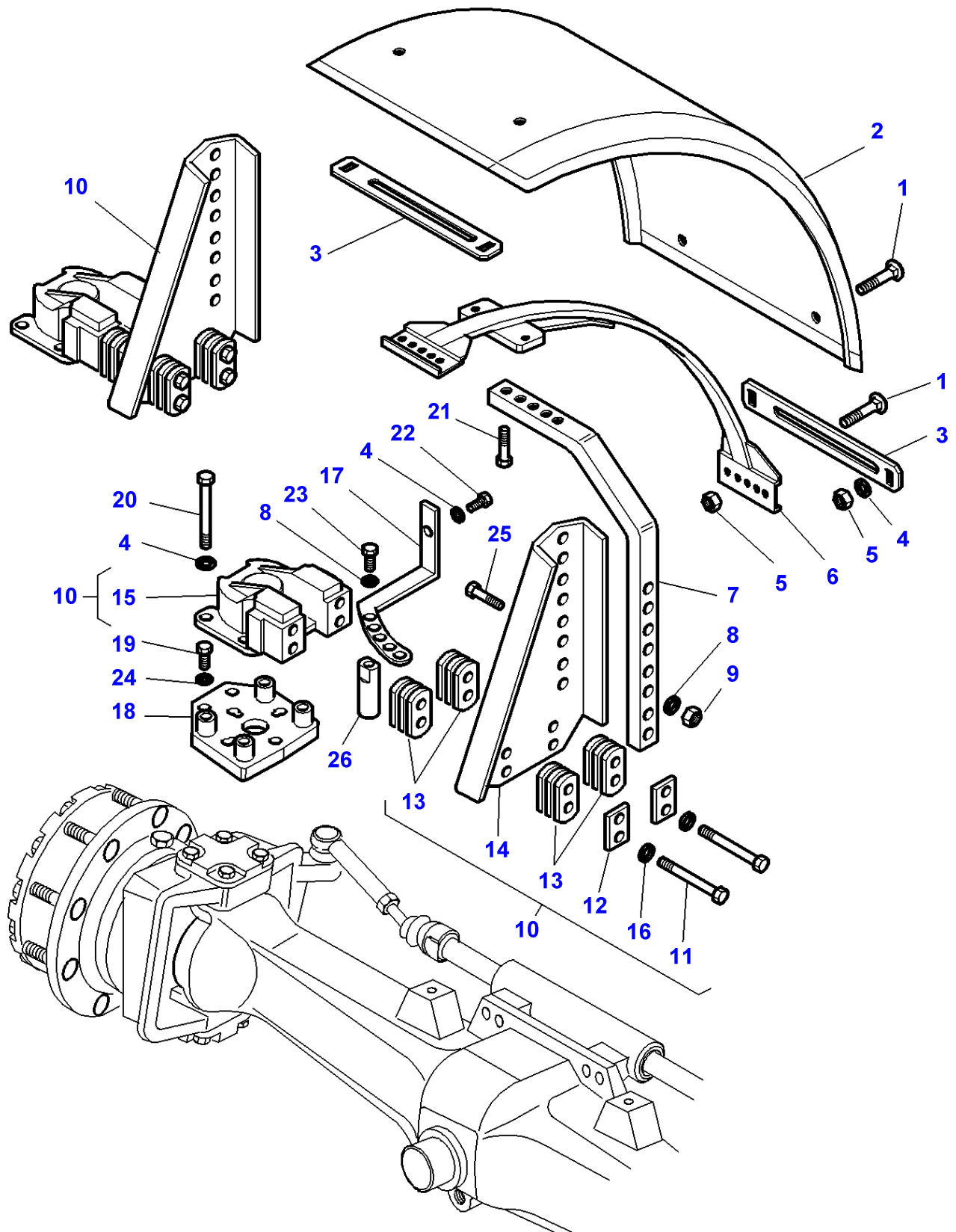
FOOTNOTE [B] WITH DANA FRONT AXLE AG200

1-ZK14-012-A



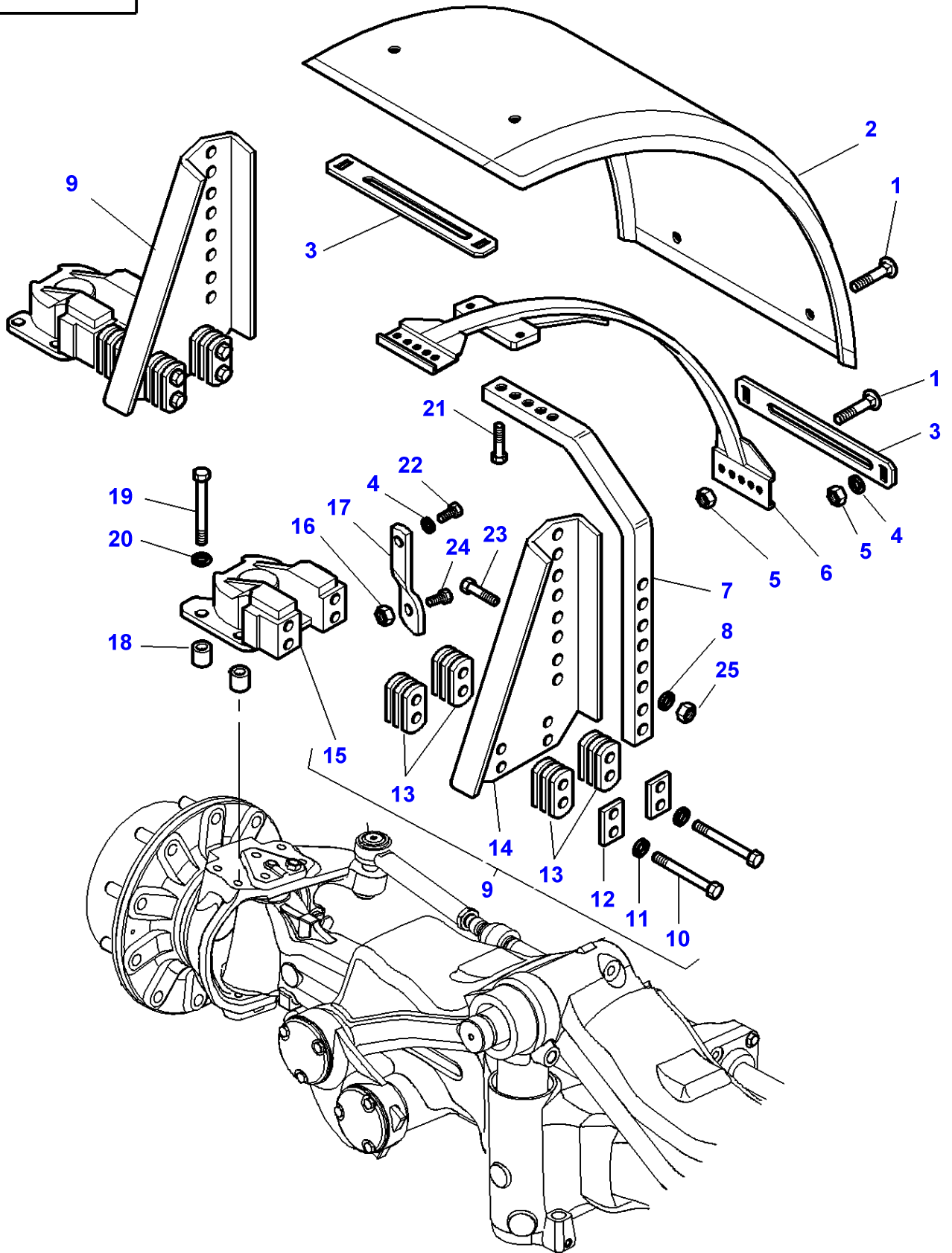
Item	Part Number	Qty	Description	Comments
1	3619229M2	2	Fender	Width 470 MM
	3779567M1	2	Fender	Width 520 MM
	3780467M1	2	Fender	Width 620 MM
2	3777586M2	4	Plate	Length 340 MM
	3777587M2	4	Plate	Length 400 MM
	3780468M2	4	Plate	Length 448 MM
3	3777588M1	1	Support	Left Hand
	3777590M1	1	Support	Right Hand
4	390735X1	8	Washer	Diameter 12-24 X 2,5 MM
5	3009695X1	8	Nut	M12
6	3009492X1	6	Hex. Sock. Screw	M10 X 25
7	390597X1	6	Washer Metric	Diameter 10-30 X 2,5 MM
8	3784571M1	1	Support	Left Hand
	3784572M1	1	Support	Right Hand
9	3779565M2	2	Spacer	
10	3009513X1	8	Bolt Metric	M12 X 65
11	339402X1	12	Nut	M10
12	390734X1	12	Washer	Diameter 10-21 X 2 MM
13	390809X1	12	Bolt Metric	M10 X 25
14	3784569M1	2	Support	
15	3009480X1	8	Screw	M16 X 60

1-ZK14-010-C



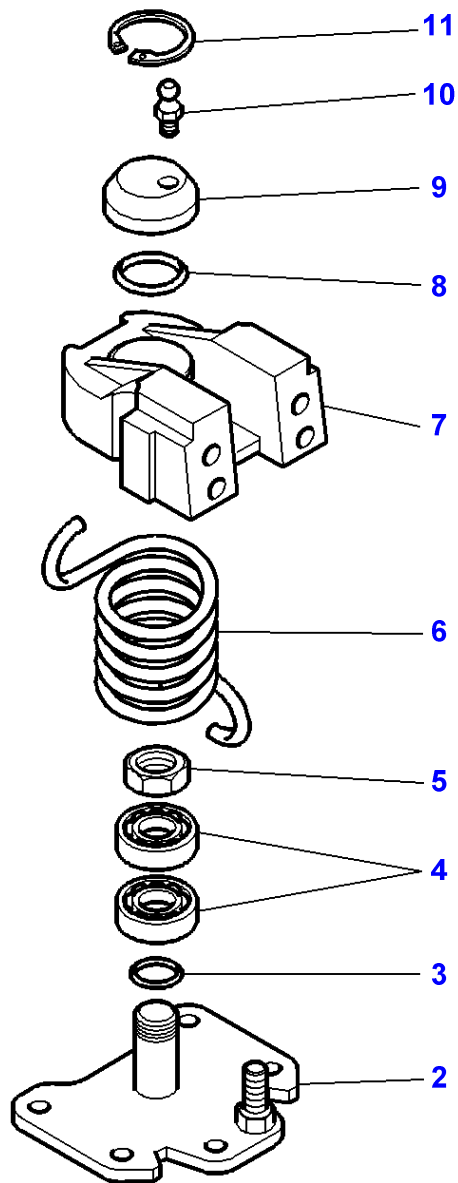
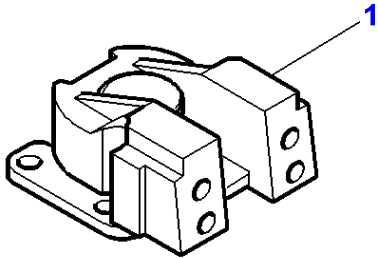
Item	Part Number	Qty	Description	Comments
1	390809X1	12	Bolt Metric	M10 X 25
2	3619229M2	2	Fender	Width 470 MM
	3779567M1	2	Fender	Width 520 MM
	3780467M1	2	Fender	Width 620 MM
3	3777586M2	4	Plate	Length 340 MM
	3777587M2	4	Plate	Length 400 MM
	3780468M2	4	Plate	Length 448 MM
4	390734X1	18	Washer	Diameter 10-21 X 2 MM
5	339402X1	12	Nut	M10
6	3784948M1	2	Safety Frame	
7	3784947M2	2	Arm	
8	390735X1	8	Washer	Diameter 12-24 X 2,5 MM
9	1442190X1	4	Locknut	M12
10	3784943M92	1	Pivot	Right Hand
	3784944M92	1	Pivot	Left Hand
11	1442602X1	4	Screw Metric	(10) M10 X 100
12	3785052M1	2	Bridle	(10)
13	3785051M1	26	Spacer	(10)
14	3785050M1	1	Plate	(10) Left Hand
	3785049M1	1	Plate	(10) Right Hand
15	3785053M2	1	Pivot	(10) Right Hand See Page - Reference Number 130-0060/1
	3785271M2	1	Pivot	(10) Left Hand See Page - Reference Number 130-0060/1
16	390734X1	4	Washer	(10) Diameter 10-21 X 2 MM
17	3785266M1	1	Strap	Left Hand
	3785267M1	1	Strap	Right Hand
18	3785027M1	2	Plate	
19	3009493X1	6	Hex. Sock. Screw	M10 X 30
20	3009496X1	8	Bolt Metric	M10 X 45
21	1441226X1	4	Screw	M12 X 40
22	3011002X1	2	Screw	M10 X 35
23	3009509X1	2	Bolt Metric	M12 X 45
24	390734X1	6	Washer	Diameter 10-21 X 2 MM
25	3009510X1	4	Bolt Metric	M12 X 50
26	3784976M2	2	Clevis Pin	

1-ZK14-013-A



Item	Part Number	Qty	Description	Comments
1	390809X1	12	Bolt Metric	M10 X 25
2	3619229M2	2	Fender	Width 470 MM
	3779567M1	2	Fender	Width 520 MM
	3780467M1	2	Fender	Width 620 MM
3	3777586M2	4	Plate	Length 340 MM
	3777587M2	4	Plate	Length 400 MM
	3780468M2	4	Plate	Length 448 MM
4	390734X1	14	Washer	Diameter 10-21 X 2 MM
5	339402X1	12	Nut	M10
6	3784948M1	2	Safety Frame	
7	3784947M2	2	Arm	
8	390735X1	4	Washer	Diameter 12-24 X 2,5 MM
9	3784945M92	1	Pivot	Right Hand
	3784946M92	1	Pivot	Left Hand
10	1442602X1	4	Screw Metric	(9) M10 X 100
11	390734X1	4	Washer	(9) Diameter 10-21 X 2 MM
12	3785052M1	2	Bridle	(9)
13	3785051M1	26	Spacer	(9)
14	3785050M1	1	Plate	(9) Left Hand
	3785049M1	1	Plate	(9) Right Hand
15	3785109M2	1	Pivot	(9) Right Hand
	3785306M2	1	Pivot	(9) See Page - Reference Number 130-0060/1 Left Hand See Page - Reference Number 130-0060/1
16	3009695X1	2	Nut	M12
17	3785090M2	1	Strap	Left Hand
	3785082M2	1	Strap	Right Hand
18	3010942X1	8	Spacer	Up to Serial or Engine Number L198014 Length 25 MM
	3011172X1	8	Spacer	From Serial or Engine Number L198015 Diameter 17-32 X 30 MM
19	339881X1	8	Hex. Sock. Screw	Up to Serial or Engine Number L198014 M16 X 60
	391889X1	8	Screw	From Serial or Engine Number L198015 M16 X 70
20	1441664X1	8	Washer Metric	Up to Serial or Engine Number L198014
21	1441226X1	4	Screw	M12 X 40
22	3011002X1	2	Screw	M10 X 35
23	3009510X1	4	Bolt Metric	M12 X 50
24	1440716X1	2	Hex. Sock. Screw	M12 X 30
25	1442190X1	4	Locknut	M12

1-ZK14-024-A

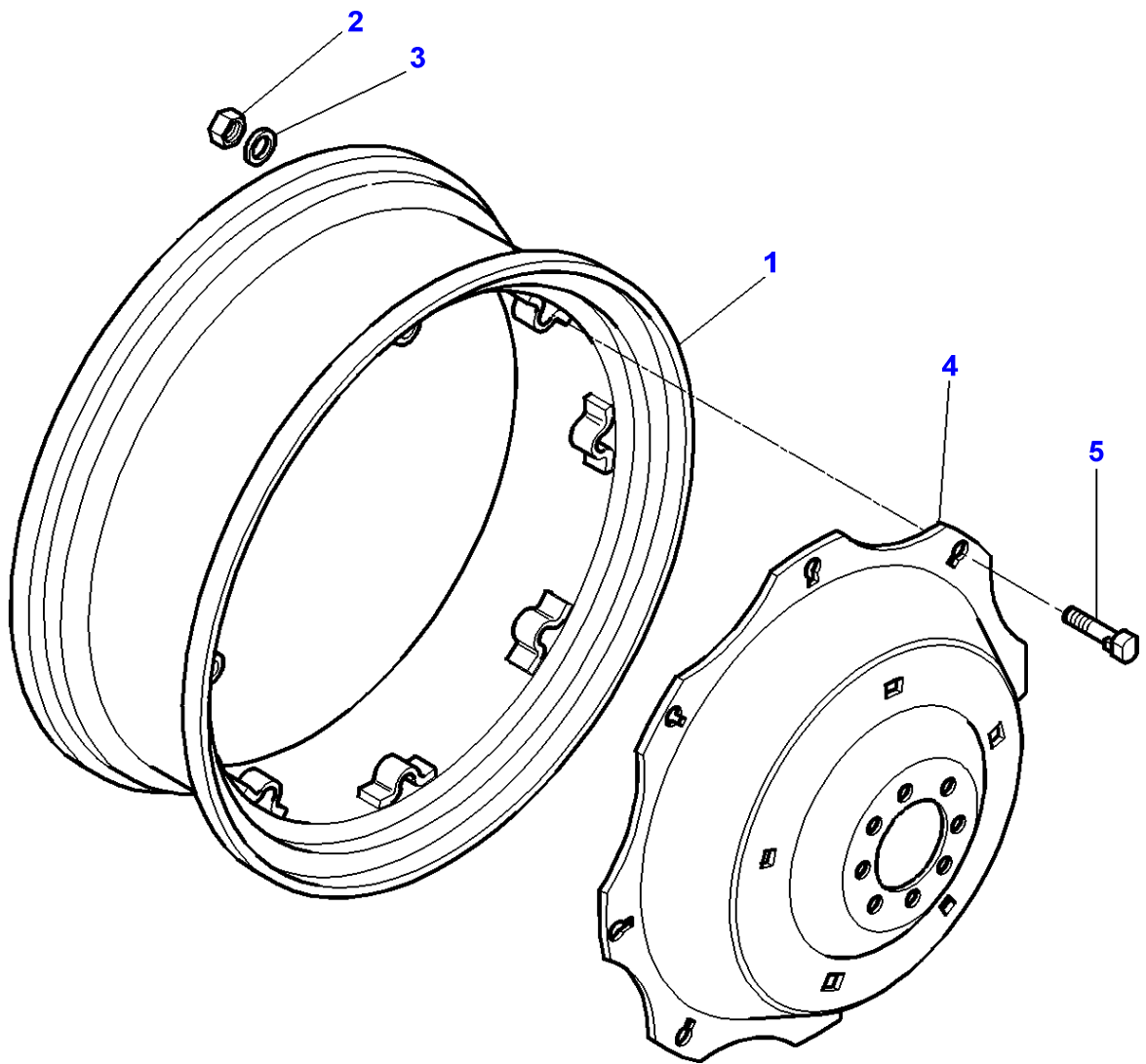


Item	Part Number	Qty	Description	Comments
1	3785306M2	1	Pivot	[A] Left Hand
	3785109M2	1	Pivot	[A] Right Hand
	3785271M2	1	Pivot	[B] Left Hand
	3785053M2	1	Pivot	[B] Right Hand
2		1	Pedestal	(1) Not serviced,order REF. 1
3	3903902M1	1	Gasket	(1)
4	3903897M1	2	Bearing Assy	(1)
5	3000845X1	1	Top Locknut	(1) M25
6	3903899M1	1	Spring	(1) Left Hand
	3903898M1	1	Spring	(1) Right Hand
7		1	Cover	(1) Not serviced,order REF. 1
8	3903903M1	1	Gasket	(1)
9	3903896M1	1	Cover	(1)
10	3903900M1	1	Greaser	(1)
11	3903901M1	1	Segment	(1)

FOOTNOTE [A] WITH CARRARO FRONT AXLE

FOOTNOTE [B] WITH DANA FRONT AXLE

1-ZM01-001-A



Rear Wheels - Sirmac

Item	Part Number	Qty	Description	Comments
1	3581789M3	2	Rim	[A,D] DWW 15 X 38"
	3618937M3	2	Rim	[A,F] DWL18 X 38"
2	1440231X1	8	Nut Metric	
3	338577X1	8	Washer	
4	3581788M1	2	Disc	38"
5	3384624M1	8	Screw Special	M16X125

FOOTNOTE [A] 8 BRIDGE PIECES

FOOTNOTE [B] USED WITH 13.6-340/85 X 38" TYRES

FOOTNOTE [C] USED WITH 16.9-18.4-480/70-520/70-540/65-600/65 X 34" TYRES

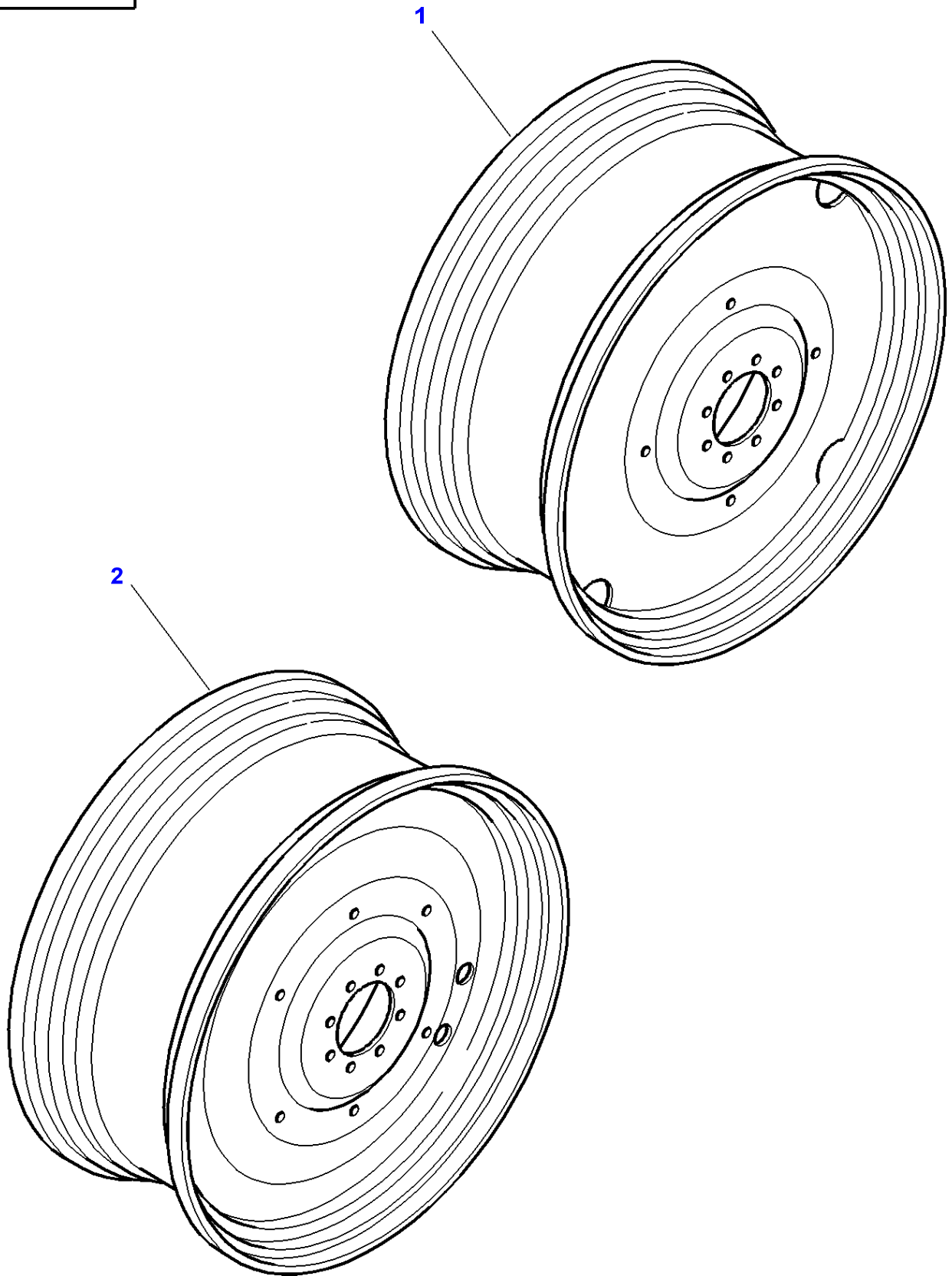
FOOTNOTE [D] USED WITH 16.9-18.4-420/85-460/85-480/70-520/70-540/65-600/65 X 38" TYRES

FOOTNOTE [E] USED WITH 18.4-480/70-520/70-540/65-600/65 X 34" TYRES

FOOTNOTE [F] USED WITH 20.8-520/70-580/70-600/65-650/65 X 38" TYRES

FOOTNOTE [G] USED WITH 18.40" X 30" TYRES

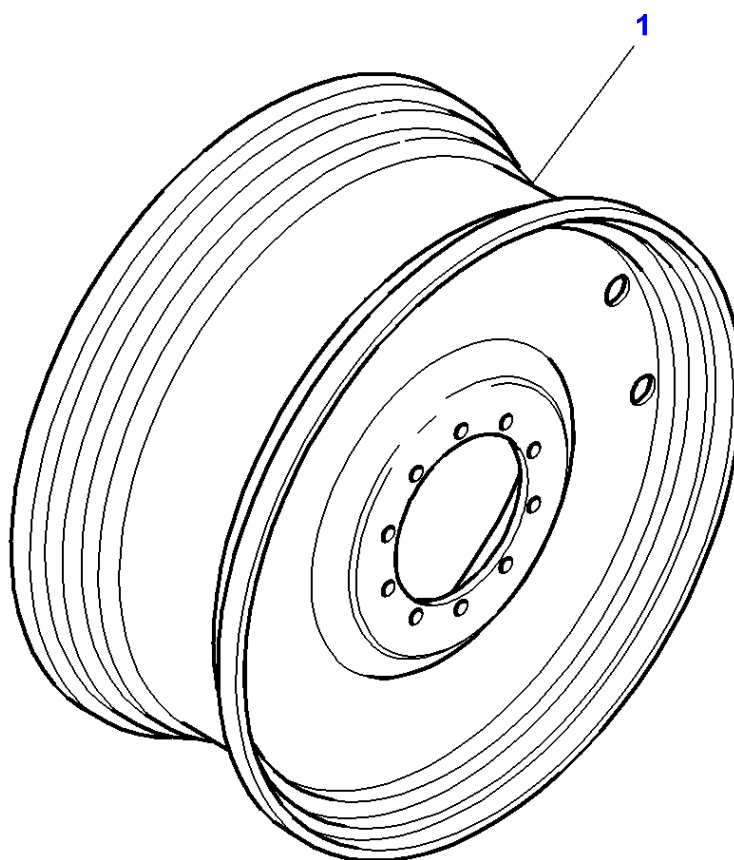
1-ZM01-014-A



Massey Ferguson**MF 8210/8220 TRACTORS - 1637365****1637365****Page 130-0070****Rear Wheels**

Item	Part Number	Qty	Description	Comments
1	3782641M1	2	Rim	Up to Serial or Engine Number J313019 WL15X38
	3782868M1	2	Rim	Up to Serial or Engine Number J333002 WL18X38
2	3784175M2	2	Rim	From Serial or Engine Number J313020 WL15X38
	3784174M2	2	Rim	From Serial or Engine Number J333003 WL18X38

1-ZM01-004-A



Rear Wheels

Item	Part Number	Qty	Description	Comments
1	3781970M2	2	Rim	[A] DWW 16 X 38" (Single Wheels)
	3781971M2	2	Rim	[B] DWW 18 X 38" (Single Wheels)
	3781972M2	2	Rim	[C] DWW 23 X 38" (Single Wheels)
	3781968M2	2	Rim	[D] DWW 16 X 42" (Single Wheels)
	3781969M2	2	Rim	[E] DWW 18 X 42" (Single Wheels)
	3781969M2	2	Rim	[E] DWW 18 X 42" (Dual Wheels)
	3787712M1	2	Rim	[K] W 13 X 46" Replace and repair. Old not interchangeable with new 3781981M1 (Single Wheels)
	3787712M1	2	Rim	[K] W 13 X 46" Replace and repair. Old not interchangeable with new 3781981M1 (Dual Wheels)
	3781982M2	2	Rim	[F] W 16 X 46" (Single Wheels)
	3781982M2	2	Rim	[F] W 16 X 46" (Dual Wheels)

FOOTNOTE [A] USED WITH 16.9-18.4-20.8-420/85-460/85-480/70 -520/70-540/65 X 38" TYRES

FOOTNOTE [B] USED WITH 20.8-520/70-520/85-580/70-600/65 -650/65 X 38" TYRES

FOOTNOTE [C] USED WITH 650/85-710/70 X 38" TYRES

FOOTNOTE [D] USED WITH 18.4 X 42" TYRES

FOOTNOTE [E] USED WITH 20.8-620/70-350/65-520/85 X 42" TYRES

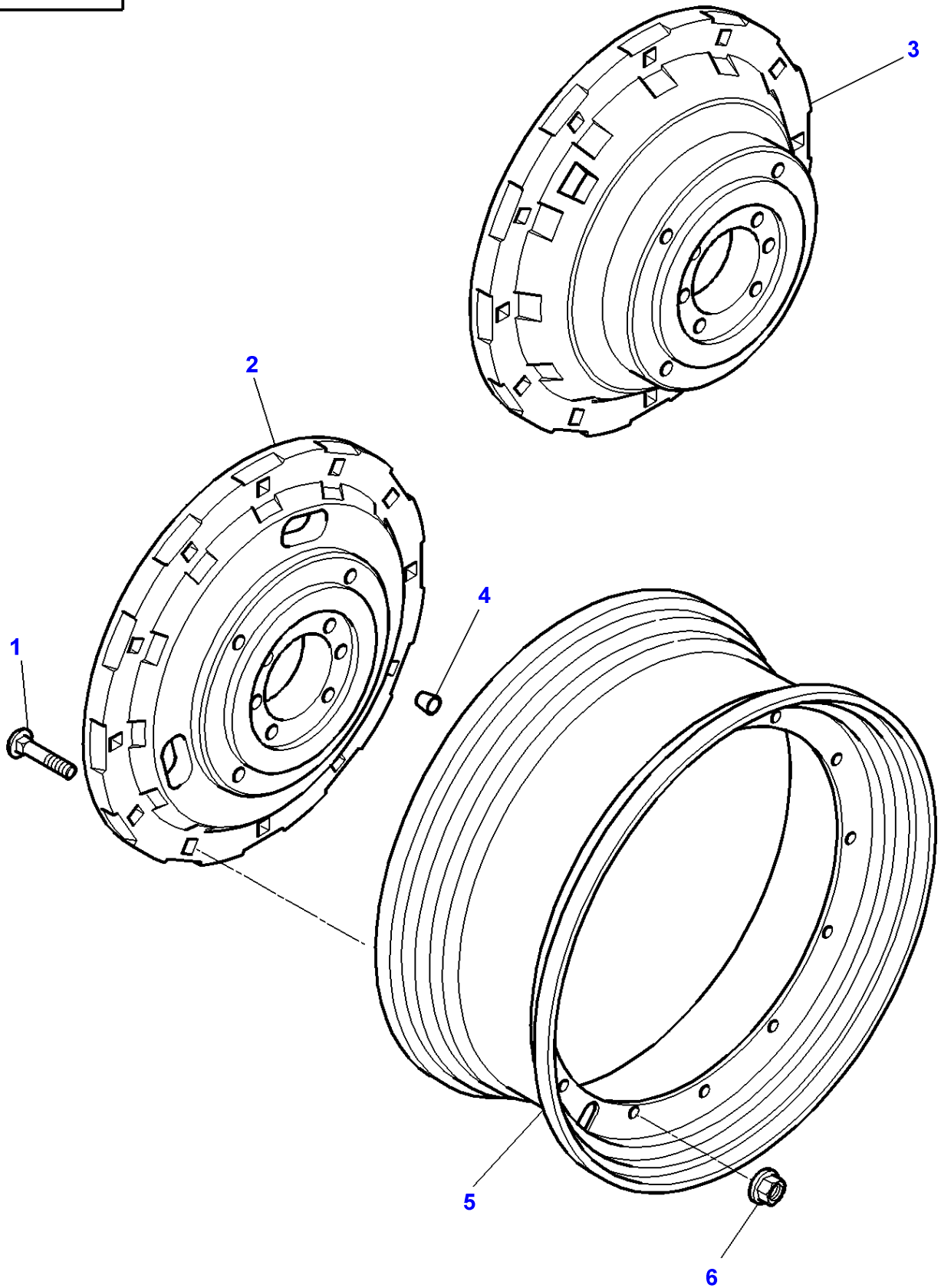
FOOTNOTE [F] USED WITH 18.4 - 520/85 X 46" TYRES

FOOTNOTE [H] USED WITH 16,9 - 420/85 X 38" TYRES

FOOTNOTE [J] WITH SHAFT DIAMETER 82 MM

FOOTNOTE [K] USED WITH 19.90" X 46" TYRES

1-ZM01-006-A



Rear Wheels

Item	Part Number	Qty	Description	Comments
1	3384603M1	24	Screw	M18X95
2	3582139M4	2	Flange	38" 195 KG
3	3615370M3	2	Flange	38" 260 KG
4	3780302M1	8	Dowel	
5	3781929M1	2	Rim	[A,D] DWW 16 X 38"
	3781930M1	2	Rim	[B,E] DWW 18 X 38"
	3782154M1	2	Rim	[C] DWW 23 X 38"
6	3384600M2	24	Nut Special	M18

FOOTNOTE [A] USED WITH 16.9-18.4-20.8-420/85-460/85-480/70 -520/70-540/65 X 38" TYRES

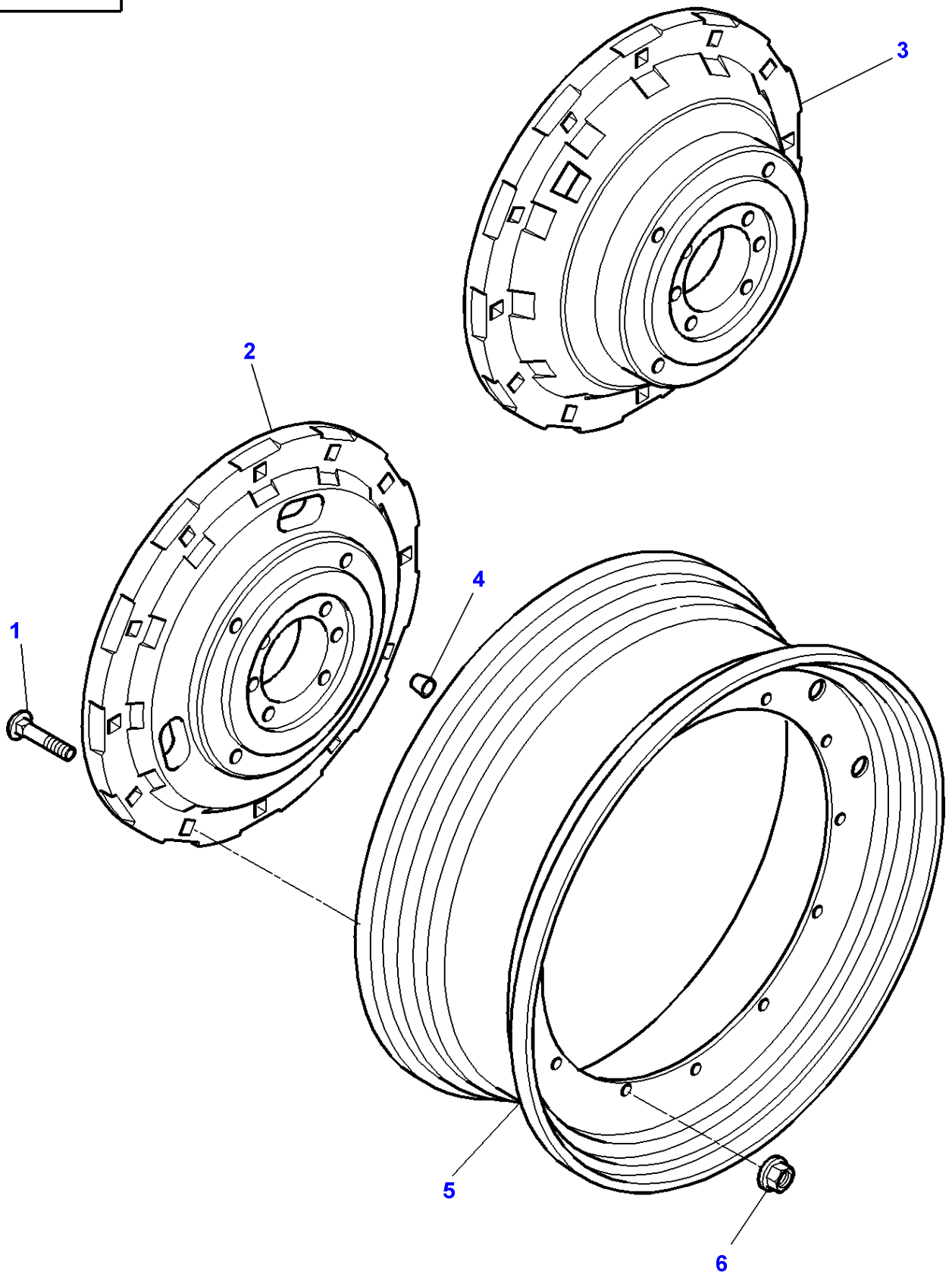
FOOTNOTE [B] USED WITH 20.8-520/70-520/85-580/70-600/65 -650/65 X 38" TYRES

FOOTNOTE [C] USED WITH 650/85-710/70 X 38" TYRES

FOOTNOTE [D] WITH RIM 3615370M3 CAN BE TWINED FITTED WITH WHEEL 3781970M2

FOOTNOTE [E] WITH RIM 3615370M3 CAN BE TWINED FITTED WITH WHEEL 3781971M1

1-ZM01-008-A



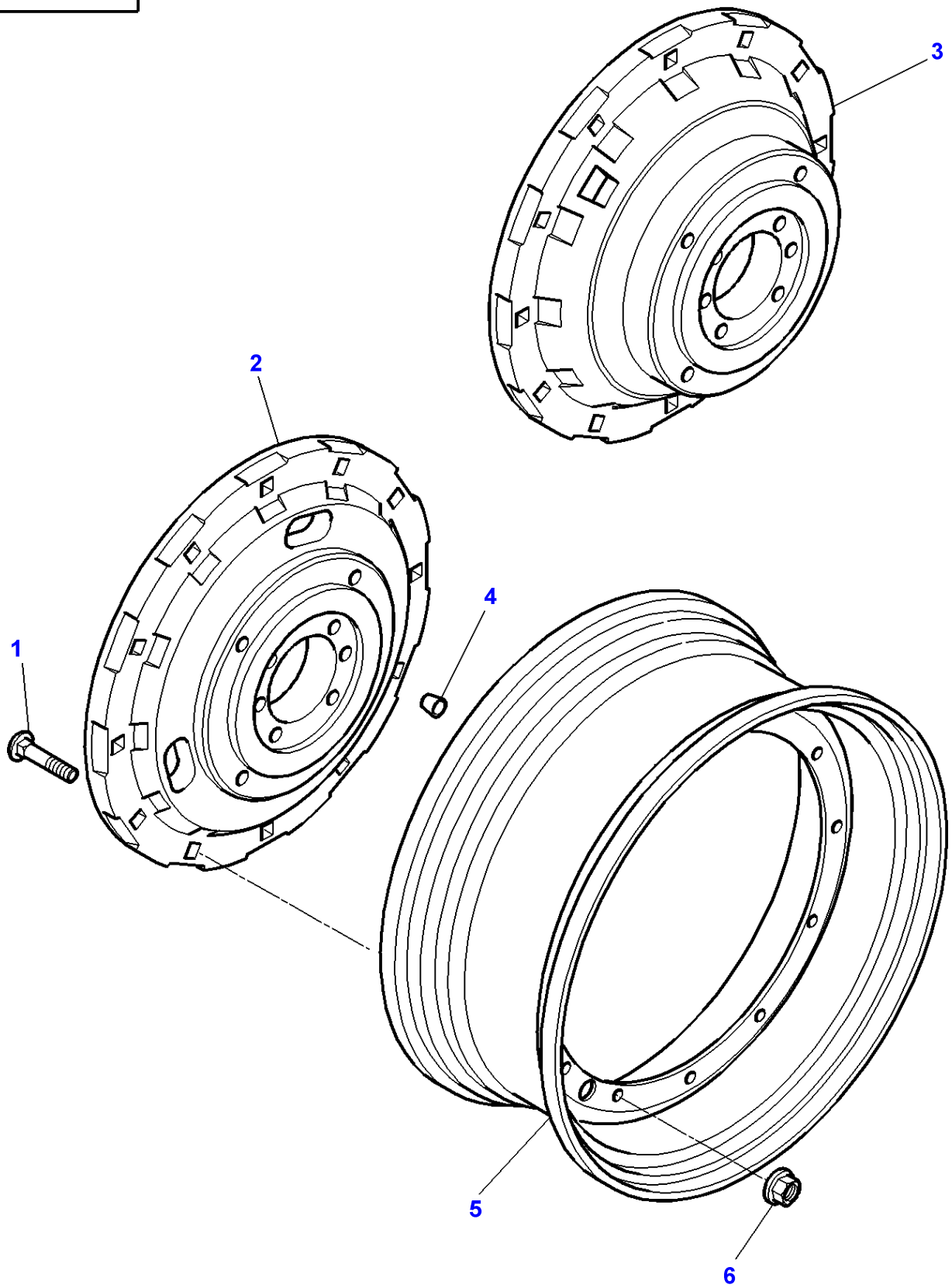
Rear Wheels

Item	Part Number	Qty	Description	Comments
1	3384603M1	24	Screw	M18X95
2	3582139M4	2	Flange	38" 195 KG
3	3615370M3	2	Flange	38" 260 KG
4	3780302M1	8	Dowel	
5	3787713M1	2	Rim	[B] W 13 X 46"
	3782157M2	2	Rim	[A] W 16 X 46"
6	3384600M2	24	Nut Special	M18

FOOTNOTE [A] USED WITH 18.4 - 520/85 X 46" TYRES

FOOTNOTE [B] USED WITH 19.90" X 46" TYRES

1-ZM01-010-A



Rear Wheels

Item	Part Number	Qty	Description	Comments
1	3384603M1	24	Screw	M18X95
2	3582139M4	2	Flange	38" 195 KG
3	3615370M3	2	Flange	38" 260 KG
4	3780302M1	8	Dowel	
5	3781926M1	2	Rim	[A,C] DWW 16 X 42"
	3782155M1	2	Rim	[B,D] DWW 18 X 42"
6	3384600M2	24	Nut Special	M18

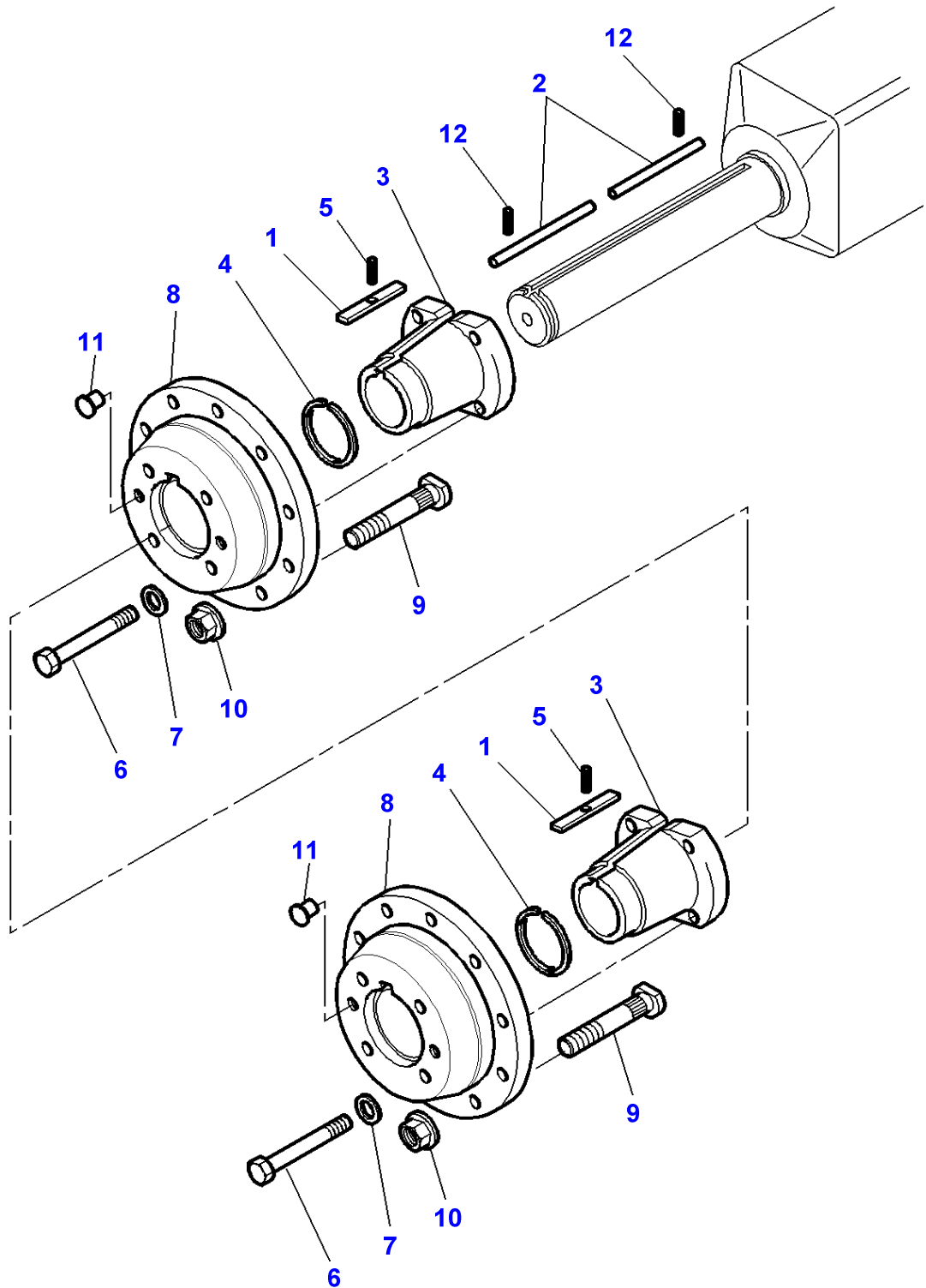
FOOTNOTE [A] USED WITH 18.4 X 42" TYRES

FOOTNOTE [B] USED WITH 20.8-620/70-350/65-520/85 X 42" TYRES

FOOTNOTE [C] WITH RIM 3615370M3 CAN BE TWINED FITTED WITH WHEEL 3781968M2

FOOTNOTE [D] WITH RIM 3615370M3 CAN BE TWINED FITTED WITH WHEEL 3781969M2

1-ZM05-002-D

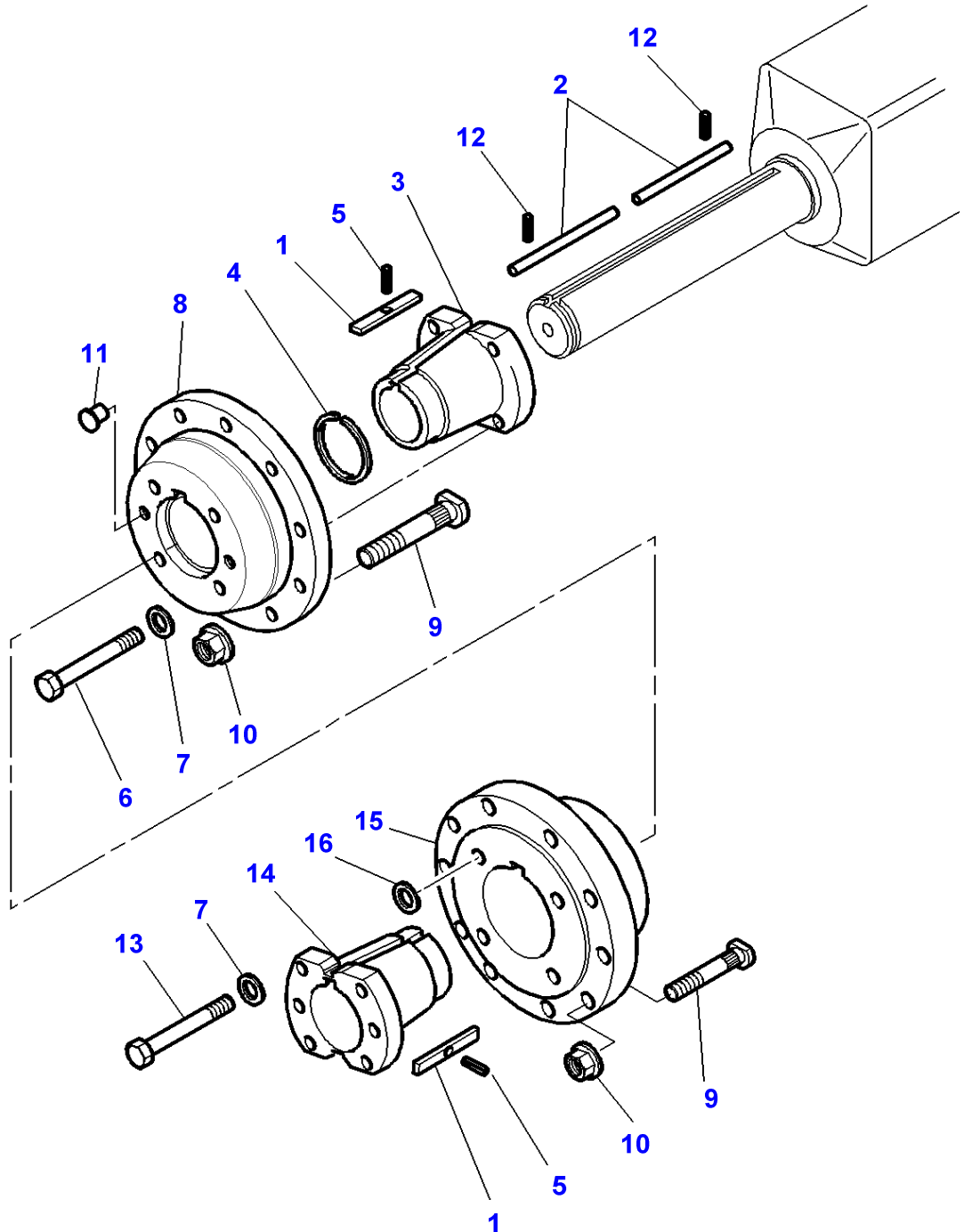


Item	Part Number	Qty	Description	Comments
1	509816M3	2	Key	(Single Wheels)
	509816M3	2	Key	(Dual Wheels)
2	1612098M2	2	Key	Up to Serial or Engine Number J325039 (Single Wheels)
	1612098M2	2	Key	Up to Serial or Engine Number J325039 (Dual Wheels)
	3716106M4	2	Key	[C] From Serial or Engine Number J325040 (Single Wheels)
	3716106M4	2	Key	[C] From Serial or Engine Number J325040 (Dual Wheels)
3	1612096M1	1	Hub	Up to Serial or Engine Number J325039 Left Hand (Single Wheels)
	1612096M1	1	Hub	Up to Serial or Engine Number J325039 Left Hand (Dual Wheels)
	3793048M1	1	Cone	From Serial or Engine Number J325040 Left Hand (Single Wheels)
	3793048M1	1	Cone	From Serial or Engine Number J325040 Left Hand (Dual Wheels)
	1612097M1	1	Hub	Up to Serial or Engine Number J325039 Right Hand (Single Wheels)
	1612097M1	1	Hub	Up to Serial or Engine Number J325039 Right Hand (Dual Wheels)
	3793049M1	1	Cone	From Serial or Engine Number J325040 Right Hand (Single Wheels)
	3793049M1	1	Cone	From Serial or Engine Number J325040 Right Hand (Dual Wheels)
4	358882X1	2	Ring	(Single Wheels)
	358882X1	2	Ring	(Dual Wheels)
5	763786M1	2	Pin	Diameter 3X19 (Single Wheels)
	763786M1	2	Pin	Diameter 3X19 (Dual Wheels)
6	511411M3	8	Screw	Diameter 3/4-10X165 (Single Wheels)
	511411M3	8	Screw	Diameter 3/4-10X165 (Dual Wheels)
7	353775X1	8	Washer	(Single Wheels)
	353775X1	8	Washer	(Dual Wheels)
8	3792619M2	2	Impeller Hub	[A] (Single Wheels)
	3792619M2	2	Impeller Hub	[A] (Dual Wheels)
9	3792488M2	20	Stud	M22X78 (Single Wheels)
	3792488M2	20	Stud	M22X78 (Dual Wheels)
10	3712611M2	20	Nut Special	(Single Wheels)
	3712611M2	20	Nut Special	(Dual Wheels)
11	831564M1	4	Plug	(Single Wheels)
	831564M1	4	Plug	(Dual Wheels)
12	3006431X1	2	Pin	From Serial or Engine Number J325040 Diameter 5X18MM (Single Wheels)
	3006431X1	2	Pin	From Serial or Engine Number J325040 Diameter 5X18MM (Dual Wheels)

FOOTNOTE [A] WITH RIM STEEL

FOOTNOTE [C] HEXAGONAL KEY

1-ZM05-011-B

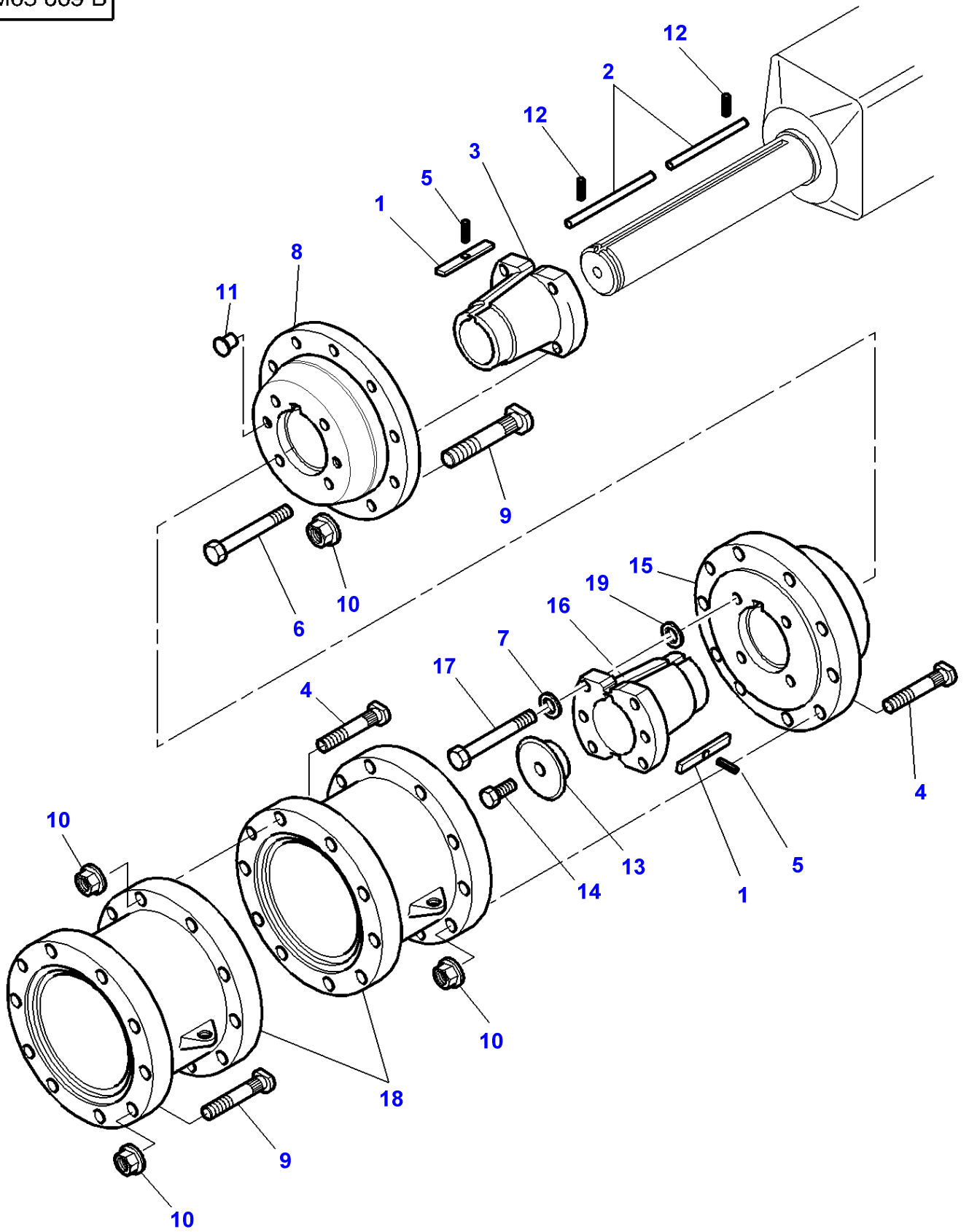


Item	Part Number	Qty	Description	Comments
1	509816M3	2	Key	(Single Wheels)
	509816M3	2	Key	(Dual Wheels)
2	3716106M4	2	Key	[A] (Single Wheels)
	3716106M4	2	Key	[A] (Dual Wheels)
3	3793049M1	1	Cone	Right Hand (Single Wheels)
	3793049M1	1	Cone	Right Hand (Dual Wheels)
	3793048M1	1	Cone	Left Hand (Single Wheels)
	3793048M1	1	Cone	Left Hand (Dual Wheels)
4	358882X1	2	Ring	(Single Wheels)
	358882X1	2	Ring	(Dual Wheels)
5	763786M1	2	Pin	Diameter 3X19 (Single Wheels)
	763786M1	2	Pin	Diameter 3X19 (Dual Wheels)
6	511411M3	8	Screw	Diameter 3/4-10X165 (Single Wheels)
	511411M3	8	Screw	Diameter 3/4-10X165 (Dual Wheels)
7	353775X1	8	Washer	(Single Wheels)
	353775X1	8	Washer	(Dual Wheels)
8	3792619M2	2	Impeller Hub	[B] (Single Wheels)
	3792619M2	2	Impeller Hub	[B] (Dual Wheels)
9	3792488M2	20	Stud	M22X78 (Single Wheels)
	3792488M2	20	Stud	M22X78 (Dual Wheels)
	3792488M2		Stud	[B] (Dual Wheels)
10	3712611M2	20	Nut Special	(Single Wheels)
	3712611M2	20	Nut Special	(Dual Wheels)
	3712611M2		Nut Special	[B] (Dual Wheels)
11	831564M1	4	Plug	Diameter 19-21 (Single Wheels)
	831564M1	4	Plug	Diameter 19-21 (Dual Wheels)
12	3006431X1	2	Pin	Diameter 5X18 (Single Wheels)
	3006431X1	2	Pin	Diameter 5X18 (Dual Wheels)
13	3010945X1		Screw	M20X105 (Dual Wheels)
14	3786497M1		Cone	Right Hand (Dual Wheels)
	3786579M1		Cone	Left Hand (Dual Wheels)
15	3786491M1		Hub	(Dual Wheels)
16	353775X1		Washer	From Serial or Engine Number L051013 (Dual Wheels)

FOOTNOTE [A] HEXAGONAL KEY

FOOTNOTE [B] WITH RIM STEEL

1-ZM05-009-B



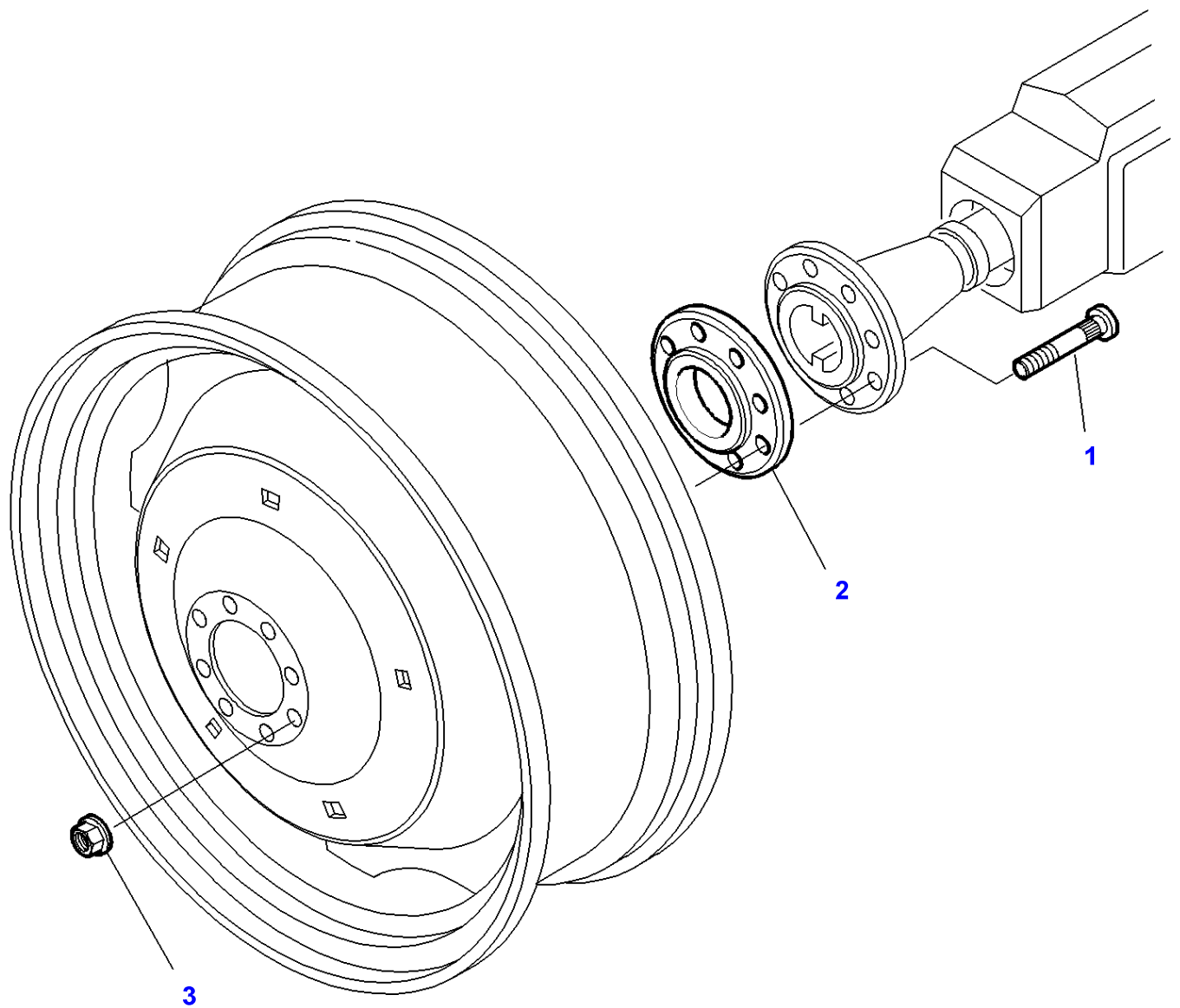
Rear Wheels - Fixing By Cone - Short Shaft Diameter 95 mm With Spacers For Dual Wheels Cone/Wheel Hub Reversed

Item	Part Number	Description	Comments
1	509816M3	Key	(Dual Wheels)
2	3716106M4	Key	[A] (Dual Wheels)
3	3793049M1	Cone	Right Hand (Dual Wheels)
	3793048M1	Cone	Left Hand (Dual Wheels)
4	3716105M2	Stud	M22X100 (Dual Wheels)
5	763786M1	Pin	Diameter 3X19 (Dual Wheels)
6	511411M3	Screw	Diameter 3/4-10X165 (Dual Wheels)
7	353775X1	Washer	(Dual Wheels)
8	3792619M2	Impeller Hub	[B] (Dual Wheels)
9	3792488M2	Stud	M22X78 (Dual Wheels)
10	3712611M2	Nut Special	(Dual Wheels)
11	831564M1	Plug	Diameter 19-21 (Dual Wheels)
	3791968M1	Plug	Diameter 17,8-24 (Dual Wheels)
12	3006431X1	Pin	Diameter 5X18 (Dual Wheels)
13	3787333M1	Thrust Washer	(Dual Wheels)
14	3001462X1	Screw Metric	M24X60 (Dual Wheels)
15	3786491M1	Hub	(Dual Wheels)
16	3786497M1	Cone	Right Hand (Dual Wheels)
	3786579M1	Cone	Left Hand (Dual Wheels)
17	3010945X1	Screw	M20X105 (Dual Wheels)
18	3786577M2	Spacer	(Dual Wheels)
19	353775X1	Washer	From Serial or Engine Number L051013 (Dual Wheels)

FOOTNOTE [A] HEXAGONAL KEY

FOOTNOTE [B] WITH RIM STEEL

1-ZM01-013-A



Massey Ferguson

MF 8210/8220 TRACTORS - 1637365

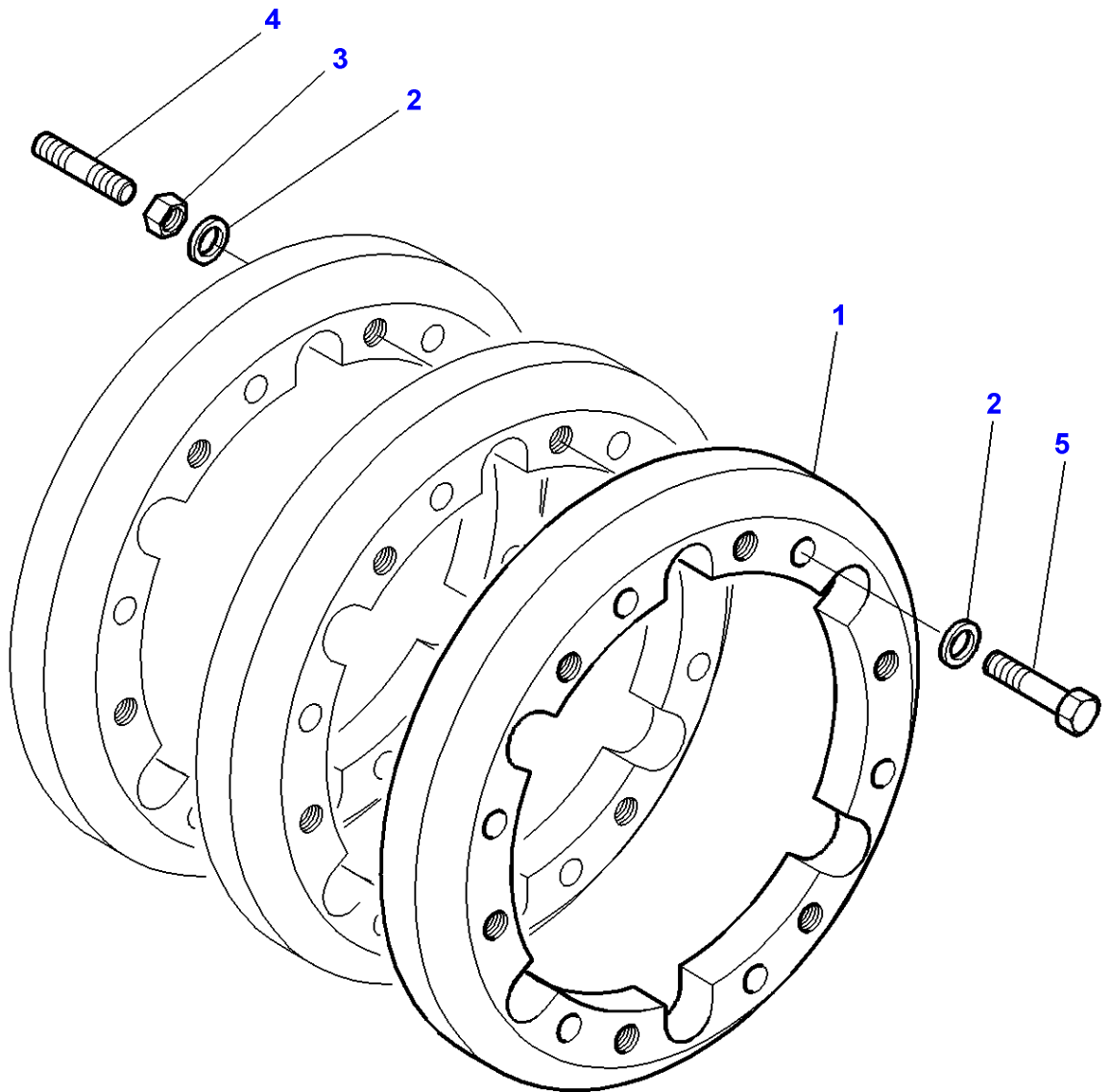
1637365

Rear Wheels - Distance Spacer For Wide Tread

Page 130-0110

Item	Part Number	Qty	Description	Comments
1	3794694M1	16	Stud	M18X1,5X113
2	3784133M1	2	Spacer	
3	3384600M2	16	Nut Special	M18

1-ZX17-001-B



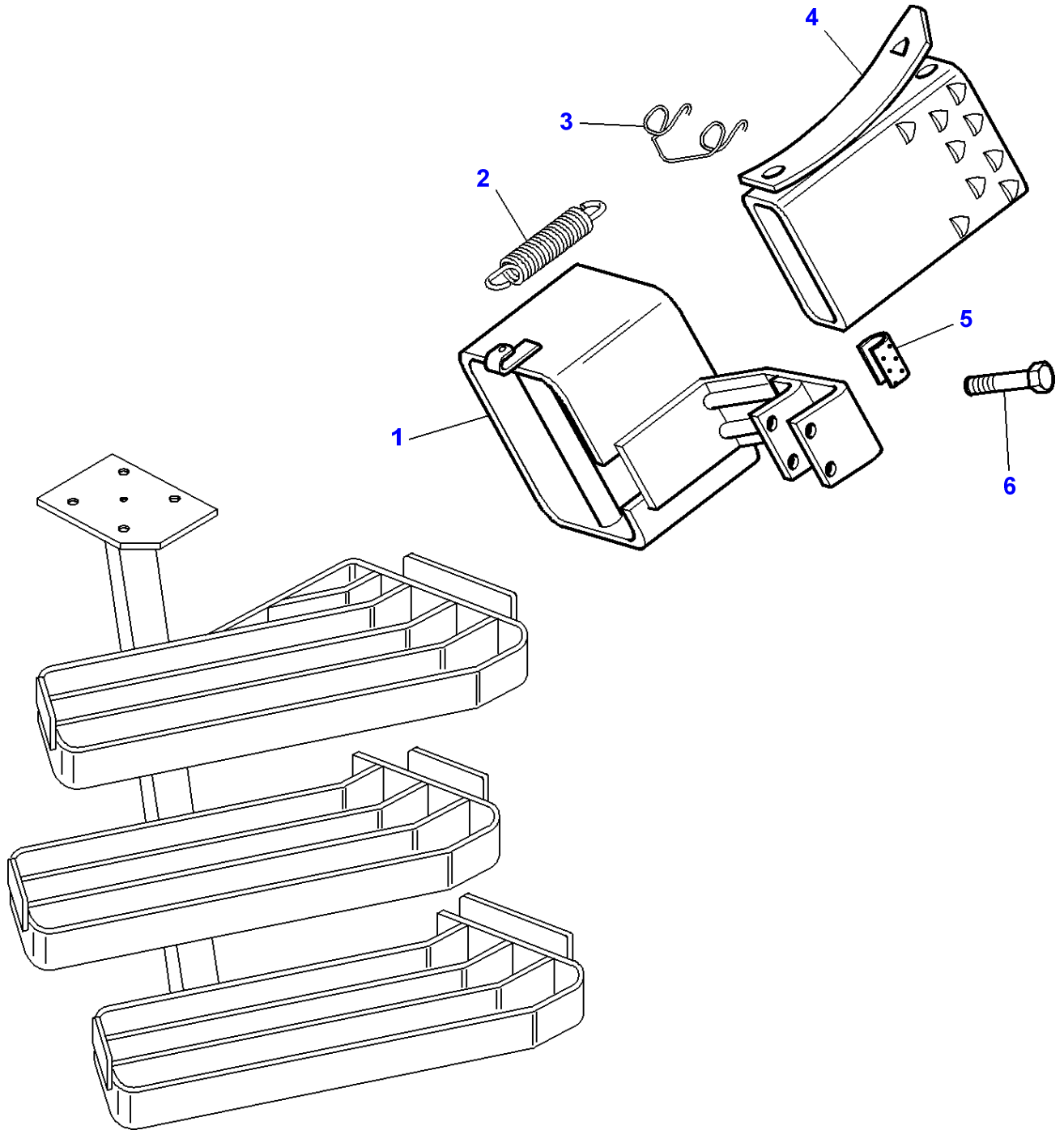
Wheel Weights

Item	Part Number	Qty	Description	Comments
1	3712626M1	X	Weight	53KG
2	3019575X1	X	Washer Metric	Diameter 17-44 X 3
3	339034X1	12	Nut	M16
4	3386466M1	12	Stud	M16 X 65
5	339805X1	X	Bolt Metric	M16 X 100

FOOTNOTE [A] INDUSTRIAL CAB

FOOTNOTE [B] LEFT, REAR

1-ZX37-001-A



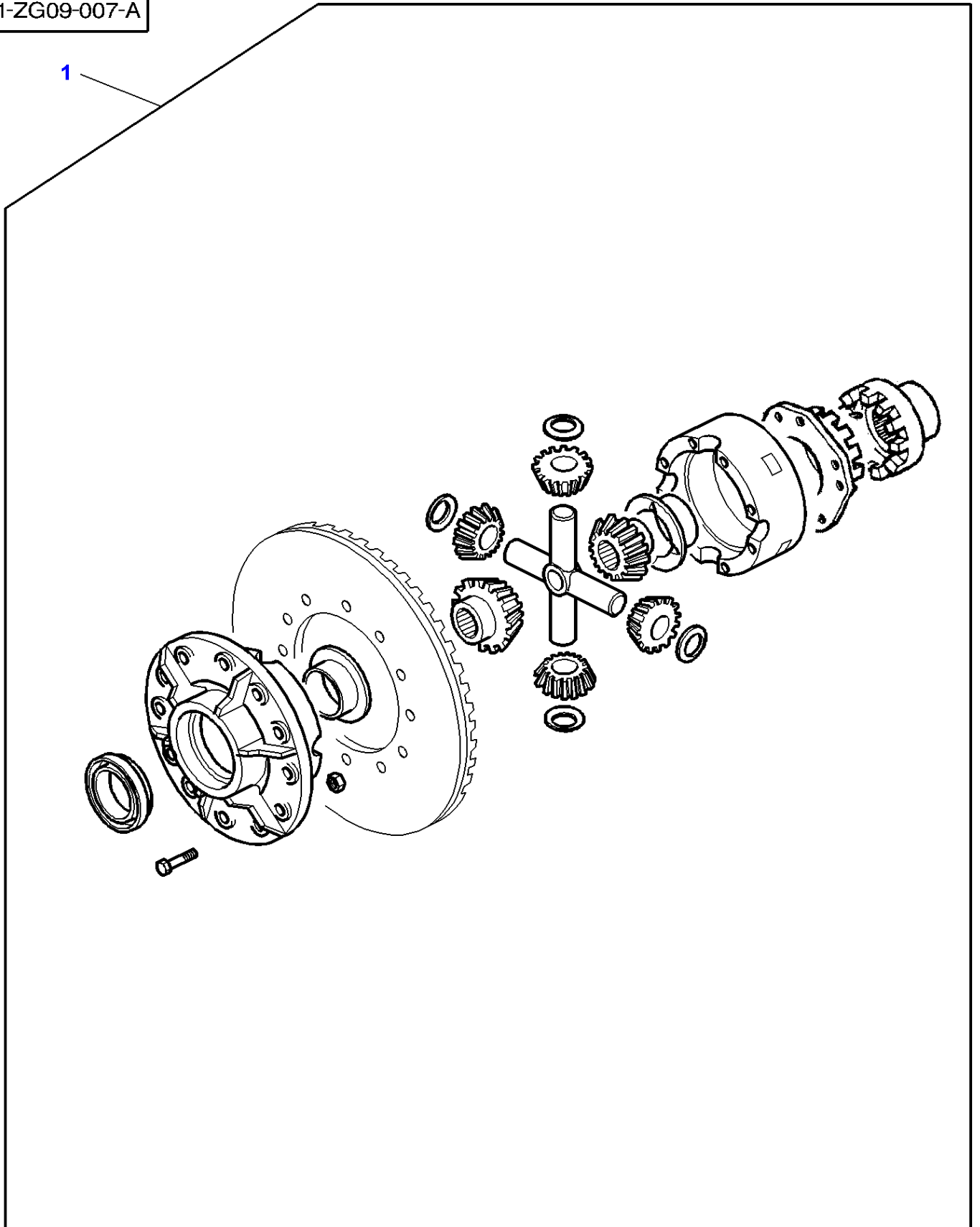
Wheel Wedges

Item	Part Number	Qty	Description	Comments
1	3715111M91	1	Support	
2	3616740M2	1	Spring	
3	3715112M1	1	Stem	
4	3042422M1	2	Chock	
5	3619191M1	2	Gasket	Length 42 MM
6	3015134X1	2	Screw	M6 X 65

Page Title	Page Number
Rear Axle - Differential - 5" COUPLING DIFFERENTIAL - REPAIR KIT	145-0005
Rear Axle - Differential - 5" MULTI DISCS DIFFERENTIAL - REPAIR KIT	145-0010
Rear Axle - Differential - 7" DIFFERENTIAL - REPAIR KIT	145-0015

1-ZG09-007-A

1



Massey Ferguson

MF 8210/8220 TRACTORS - 1637365

1637365

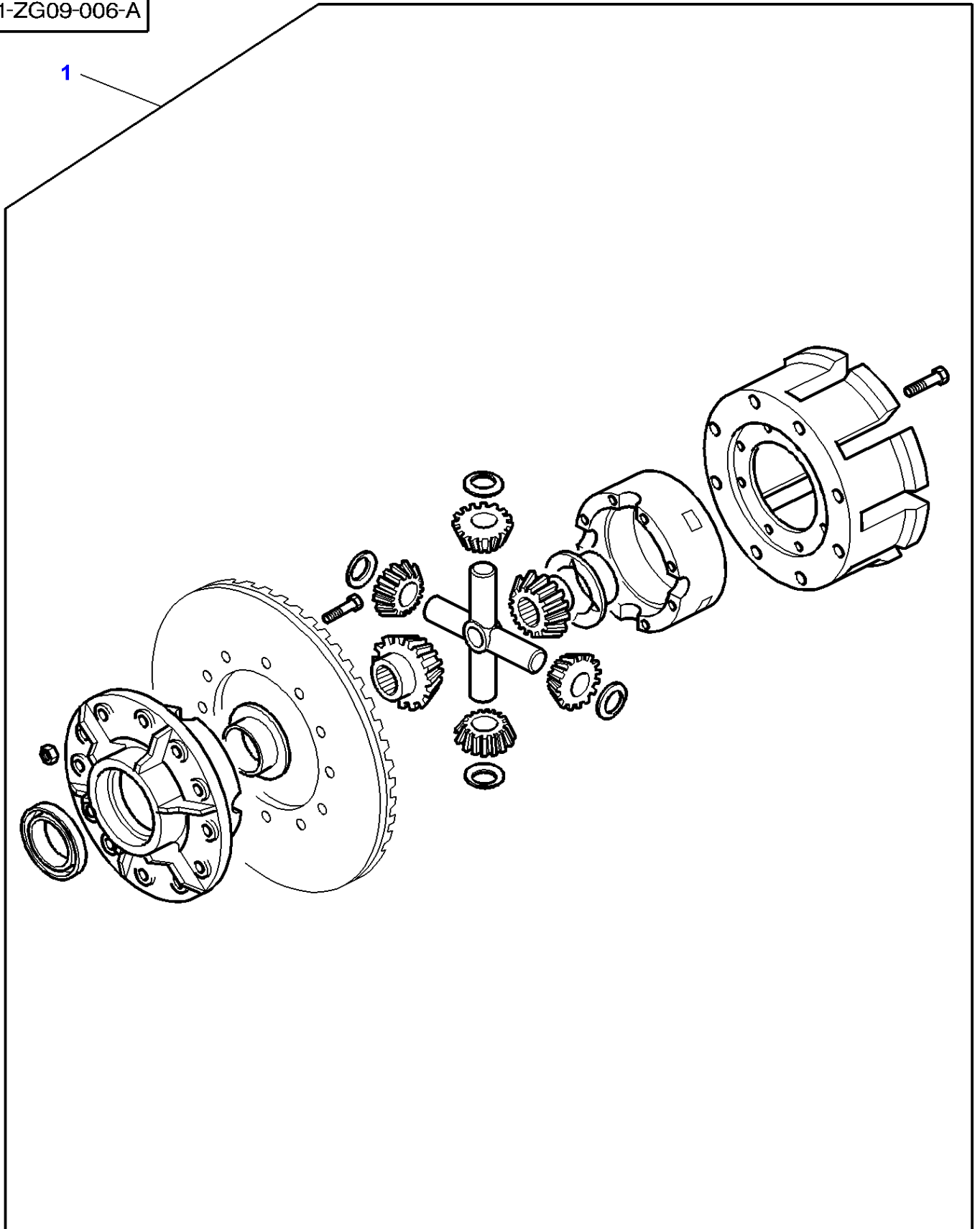
Rear Axle - Differential - 5" COUPLING DIFFERENTIAL - REPAIR KIT

Page 145-0005

Item	Part Number	Qty	Description
1	3797449M11	1	Kit,Differential

1-ZG09-006-A

1



Massey Ferguson

MF 8210/8220 TRACTORS - 1637365

1637365

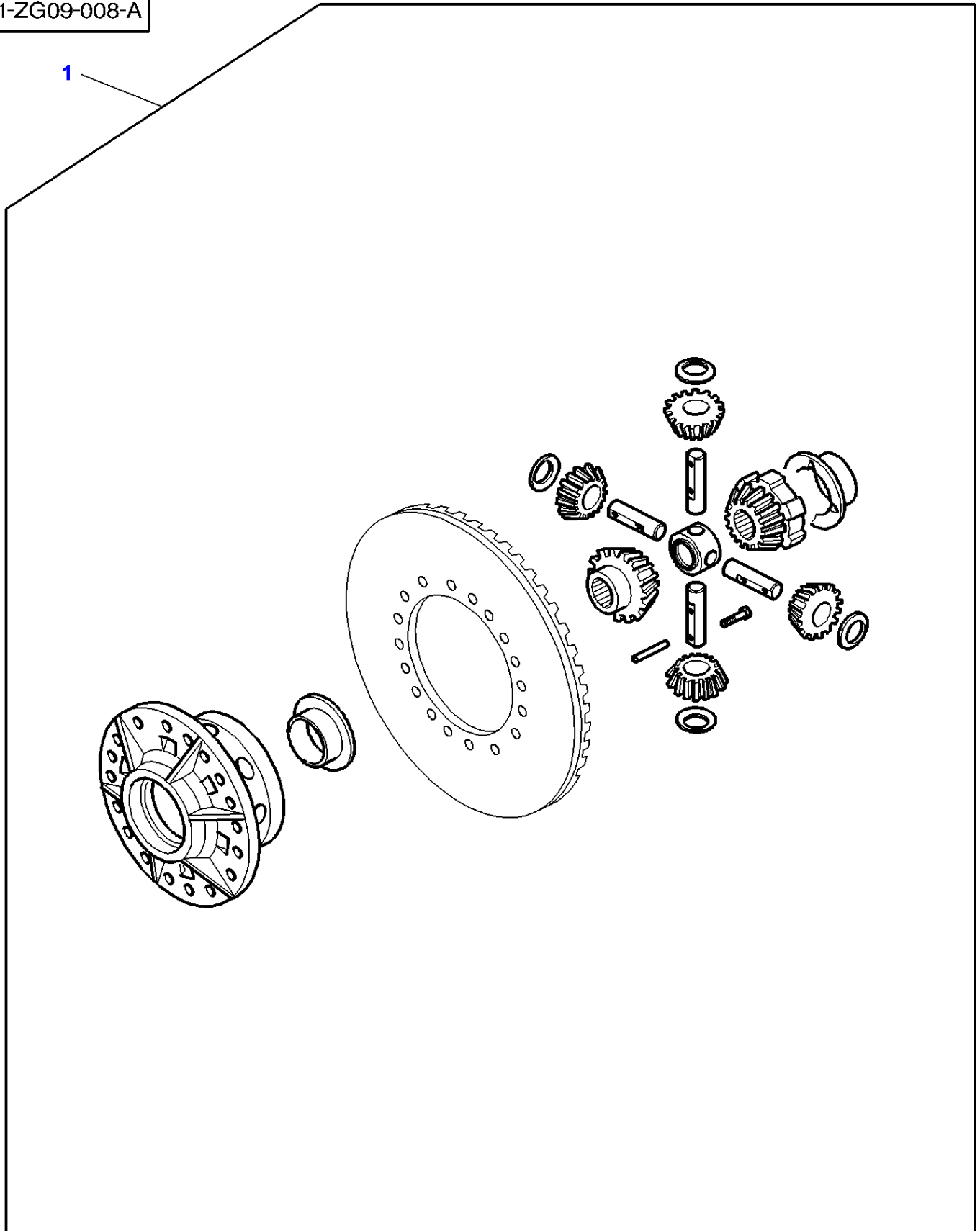
Rear Axle - Differential - 5" MULTI DISCS DIFFERENTIAL - REPAIR KIT

Page 145-0010

Item	Part Number	Qty	Description
1	3797450M11	1	Kit,Differential

1-ZG09-008-A

1



Massey Ferguson

MF 8210/8220 TRACTORS - 1637365

1637365

Rear Axle - Differential - 7" DIFFERENTIAL - REPAIR KIT

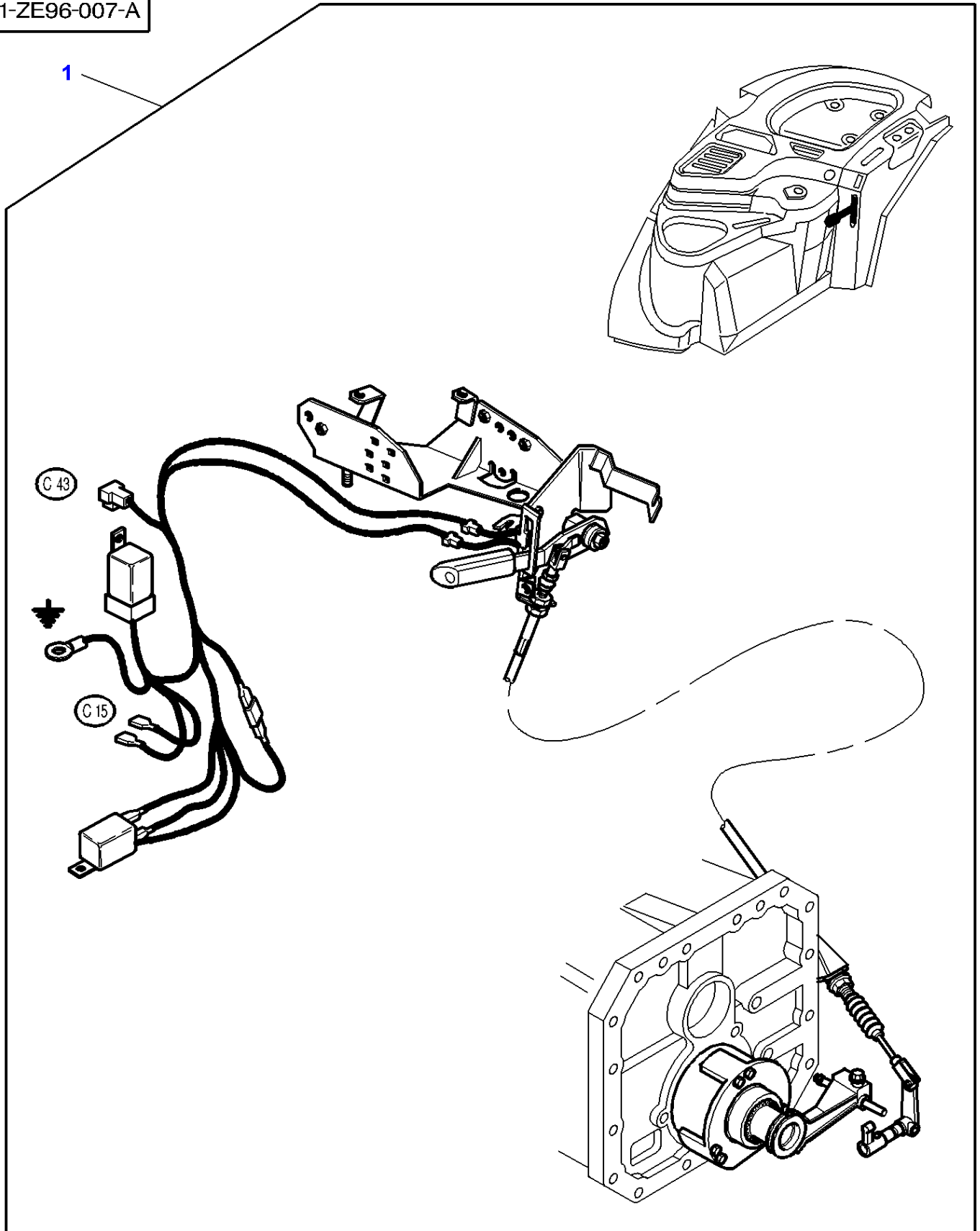
Page 145-0015

Item	Part Number	Qty	Description
1	3797452M12	1	Kit,Differential

Page Title	Page Number
Epicyclic Unit - Creeper Gear Dynashift Transmission	150-0005
Epicyclic Unit - Creeper Gear Full Powershift Transmission	150-0010
Front Linkage 35000N - WITH DYNASHIFT - WITH DANA FRONT AXLE	150-0015
Front Linkage 35000N - WITH FULL POWERSHIFT - WITH DANA FRONT AXLE	150-0020
Front Linkage 35000N - KIT CONVERSION RAM LESS TOGGLE TO RAM WITH TOGGLE	150-0025
Front Linkage 35000N - WITH CARRARO FRONT AXLE	150-0030
Front Linkage 35000N - Hydraulic - With Fixed CARRARO Front Axle	150-0035
Front Linkage 35000N - Hydraulic - With Suspended CARRARO Front Axle	150-0040
Front Linkage 35000N - TWO WAYS KIT FOR RAMS	150-0045
Front Linkage 35000N - WITH FRONT DUAL CONTROL	150-0050
Front Linkage 35000N - Without Front Dual Control - Lift External Control	150-0055
Front Pto - WITH DANA FRONT AXLE	150-0060
Front Pto - WITH CARRARO FRONT AXLE	150-0065
TRAILOR BRAKE - With Pump 45cc	150-0070
TRAILOR BRAKE - With Pump 150 L/mm	150-0075
Auxiliary Distributor - 4 Th Horizontal Spool Valve Kit For Cab	150-0080
Auxiliary Distributor - 4 Th Load Sensing Vertical Spool Valve Kit With Mechanical control For Cab	150-0085
Auxiliary Distributor - 5 Th Load Sensing Vertical Spool Valve Kit With Mechanical control For Cab	150-0090
Aboard Computer - With Dynashift-WITH FUEL FLOWMETER	150-0095
Aboard Computer - With Dynashift-WITHOUT FUEL FLOWMETER	150-0100
Aboard Computer - With Full Powershift - With Fuel Flowmeter	150-0105
Aboard Computer - With Full Powershift-WITHOUT FUEL FLOWMETER	150-0110
Fieldstar - STOCK	150-0115
Fieldstar	150-0120
APPLIANCE BRACKET BOARDED FOR CAB	150-0125
Air Conditioner	150-0130
Rear Window Wiper	150-0135
SECONDARY SEAT	150-0140
Seat Belt	150-0145
ROTATING LIGHT	150-0150
Front Axle 4 Wheel Drive - Mudguards And Supports - WITH DANA FRONT AXLE	150-0155
Front Axle 4 Wheel Drive - Mudguards And Supports - Pivoting - With DANA Front Axle	150-0160
Front Axle 4 Wheel Drive - Mudguards And Supports - WITH CARRARO FRONT AXLE	150-0165
Front Axle 4 Wheel Drive - Mudguards And Supports - Pivoting - With CARRARO Front Axle	150-0170
SENSOR HARNESS-REAR DUAL CONTROL - From Serial or Engine Number - 08-01-2001	150-0175
Autodrive - With Dynashift - From 08-01-2001	150-0180

1-ZE96-007-A

1



Massey Ferguson

MF 8210/8220 TRACTORS - 1637365

1637365

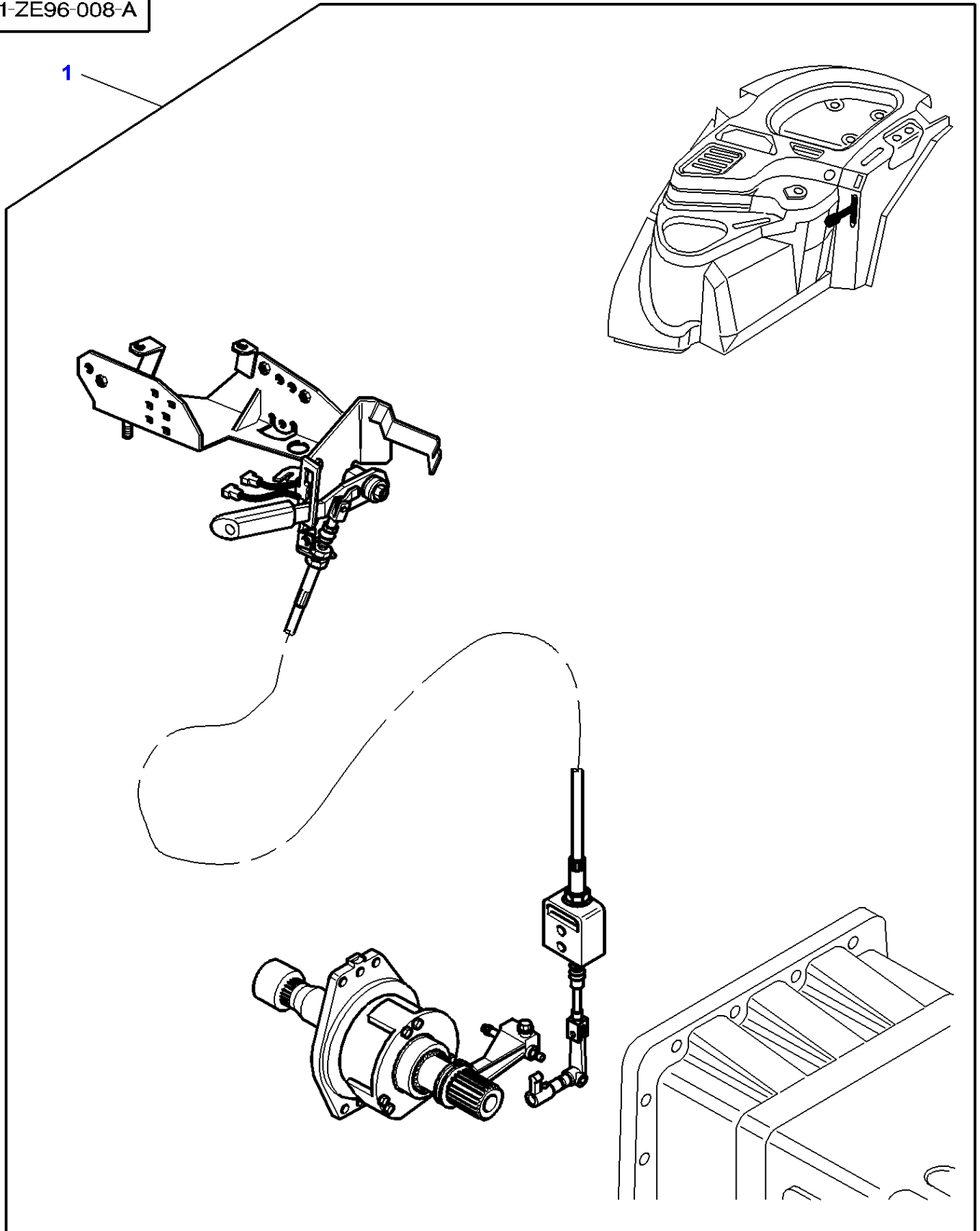
Epicyclic Unit - Creeper Gear Dynashift Transmission

Page 150-0005

Item	Part Number	Qty	Description
1	3783825M11	1	Reducer

1-ZE96-008-A

1



Massey Ferguson

MF 8210/8220 TRACTORS - 1637365

1637365

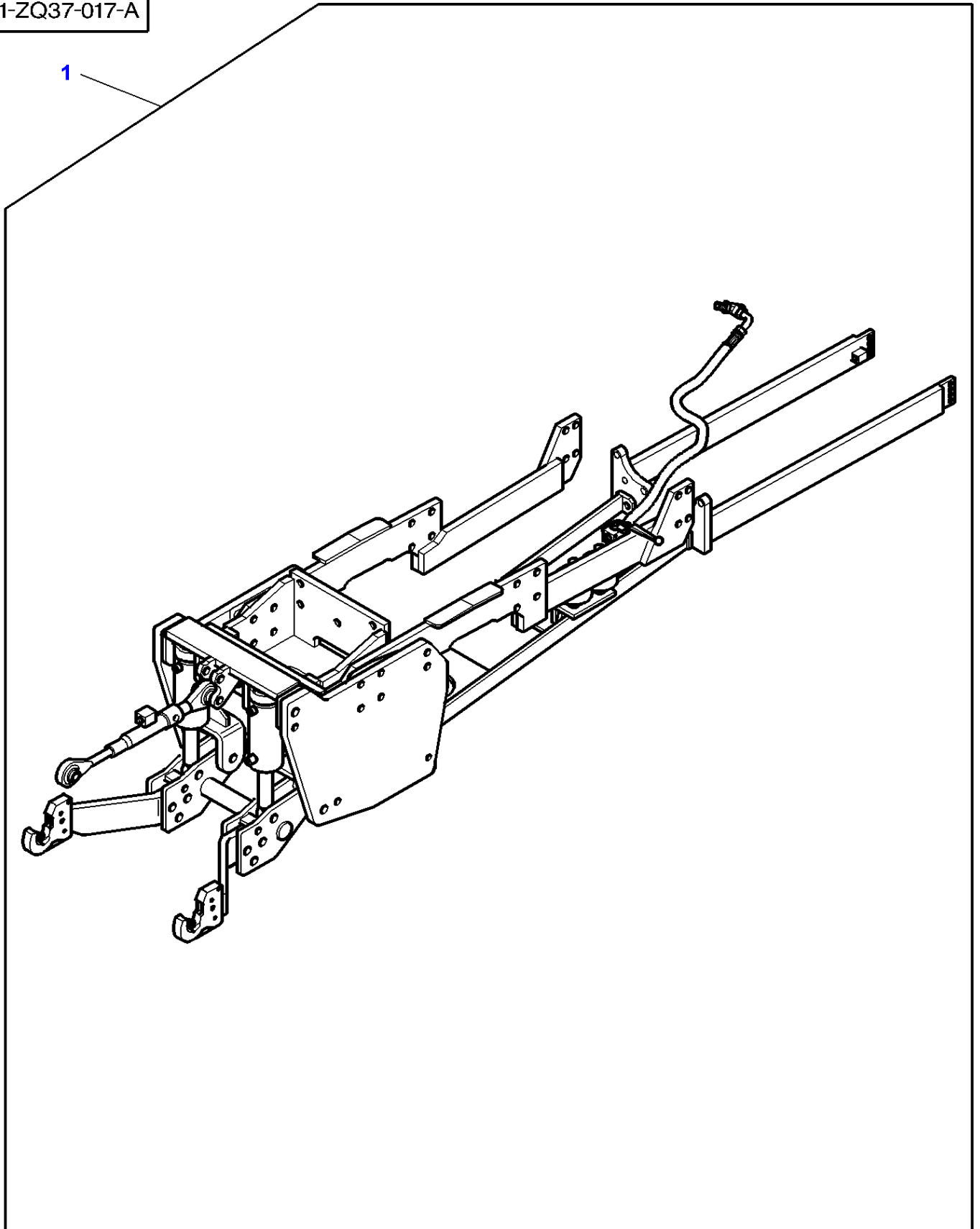
Epicyclic Unit - Creeper Gear Full Powershift Transmission

Page 150-0010

Item	Part Number	Qty	Description
1	3783826M12	1	Reducer

1-ZQ37-017-A

1



Massey Ferguson

MF 8210/8220 TRACTORS - 1637365

1637365

Front Linkage 35000N - WITH DYNASHIFT - WITH DANA FRONT AXLE

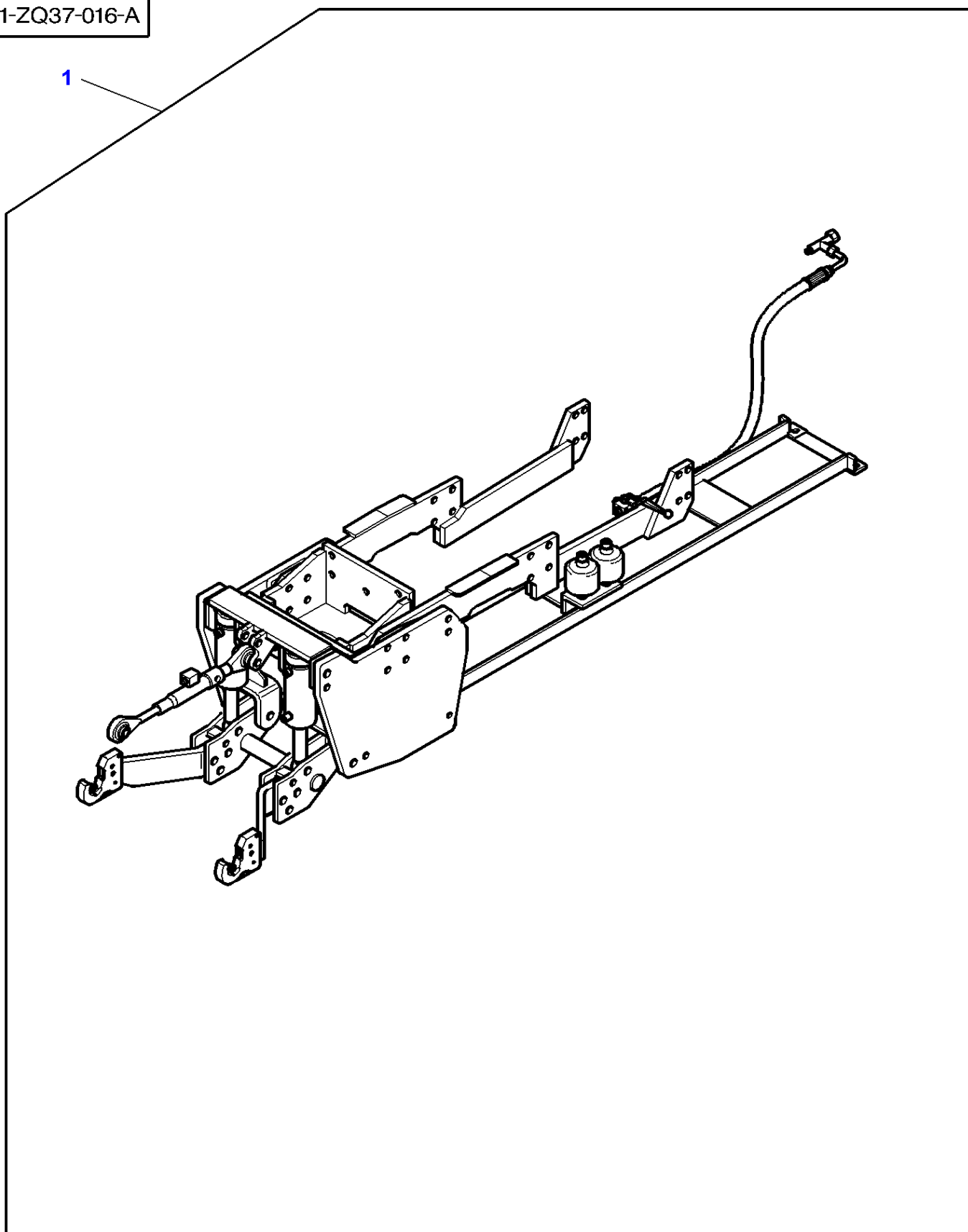
Page 150-0015

Item	Part Number	Qty	Description	Comments
1	3783038M93	1	Hitch	[A]

FOOTNOTE [A] FOR SERVICE BREAKDOWN REFER TO TRACTOR BOOK

1-ZQ37-016-A

1



Massey Ferguson

MF 8210/8220 TRACTORS - 1637365

1637365

Front Linkage 3500N - WITH FULL POWERSHIFT - WITH DANA FRONT AXLE

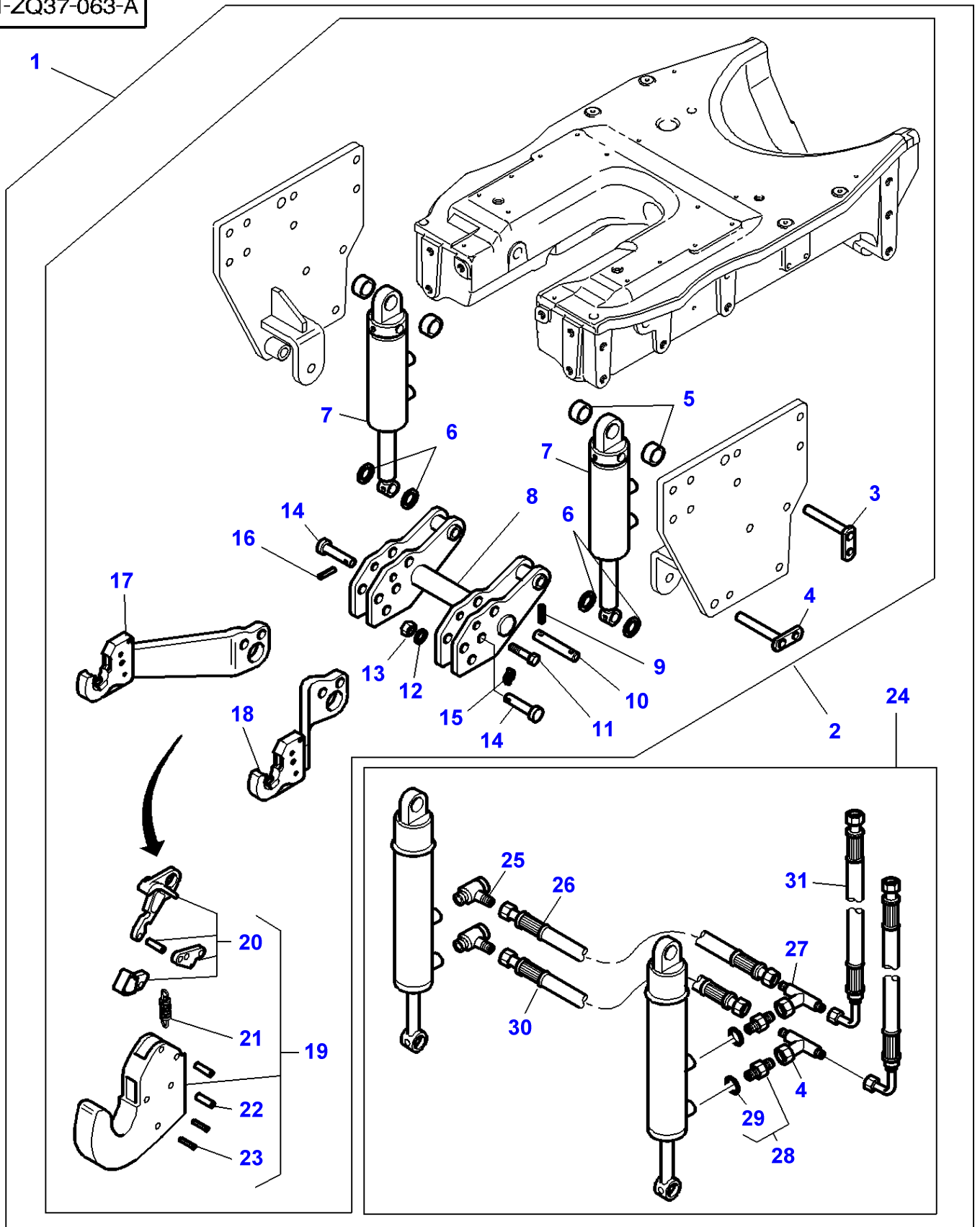
Page 150-0020

Item	Part Number	Qty	Description	Comments
1	3783036M92	1	Hitch	[A]

FOOTNOTE [A] FOR SERVICE BREAKDOWN REFER TO TRACTOR BOOK

MF 8210/8220 TRACTORS - 1637365
1-ZQ37-063-A

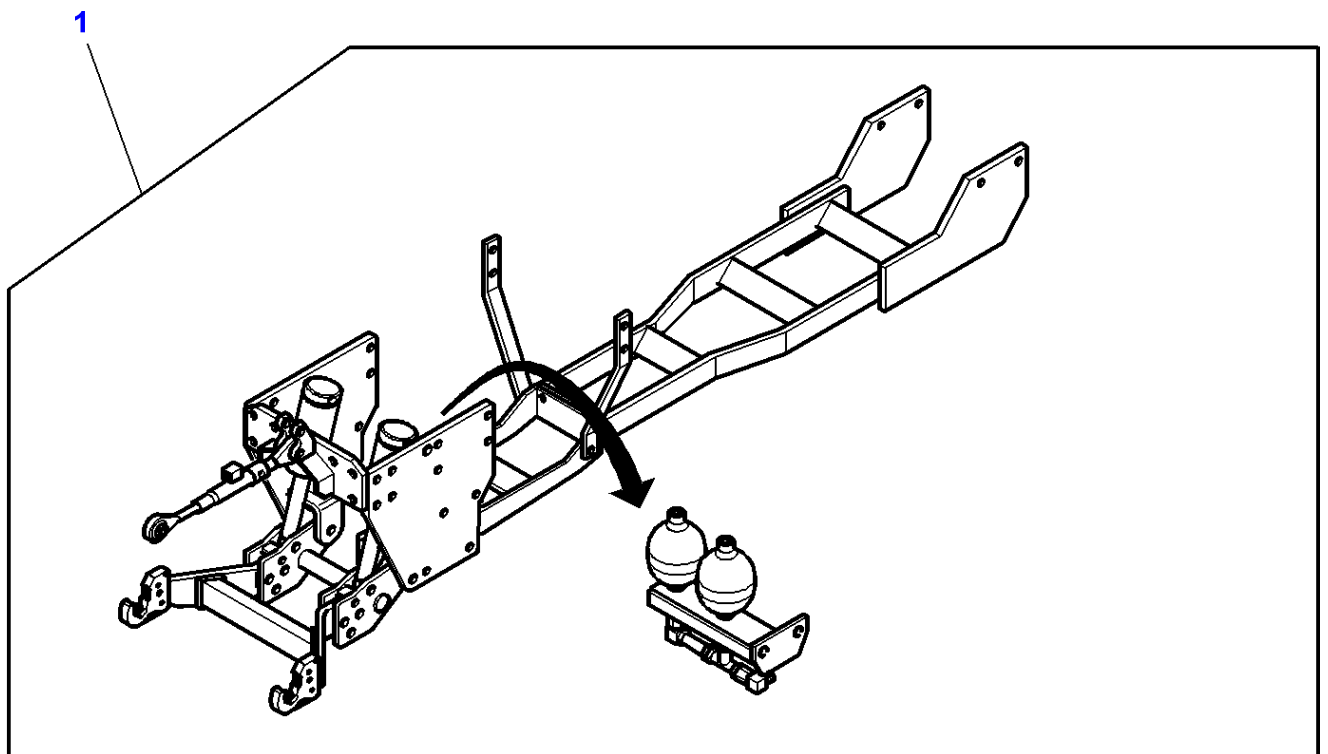
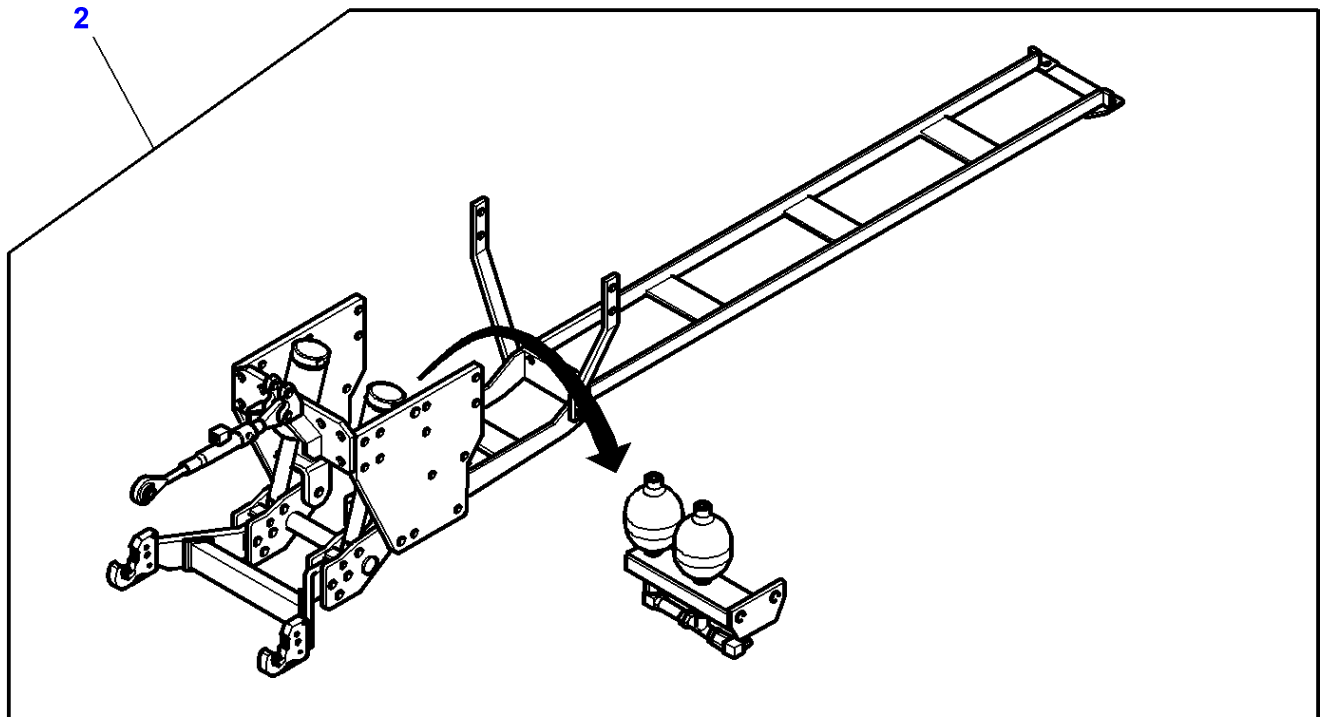
1-ZQ37-063-A



Item	Part Number	Qty	Description	Comments
1	4275464M11	1	Kit, Conversion	[A]
2	4275725M91	1	Fit.Instruction	(1)
3	3785150M1	2	Clevis Pin	(2)
4	3782681M1	2	Clevis Pin	(2)
5	4275465M1	4	Insert	(2)
6	3788604M1	4	Washer	(2) Diameter 50-36 X 4MM
7	4270295M1	2	Ram	(2)
8	4275466M1	1	Support	(2)
9	3788607M1	2	Pin	(2) Diameter 8MM
10	3788597M1	2	Clevis Pin	(2)
11	3788599M1	2	Clevis Pin	(2)
12	1443512X1	2	Washer	(2)
13	3788603M1	2	Locknut	(2) M12
14	3788596M1	4	Clevis Pin	(2)
15	3788605M1	2	Clip	(2) Diameter 10.5MM
16	3788608M1	2	Pin	(2) Diameter 12MM
17	3788600M1	1	Arm	(2) Right Hand
18	3788601M1	1	Arm	(2) Left Hand
19		1	Hook	(18) Not serviced,order REF. 17/18
20	3903946M91	1	Kit, Lever	(19)
21	3903949M1	1	Spring	(19)
22	3903948M91	1	Kit, Roll Pins	(19)
23	3903947M91	1	Kit, Roll Pins	(19)
24	4275726M91	1	Fit.Instruction	(1)
25	4271463M1	2	Union	(24)
26	4271470M1	1	Hydr Hose	(24) Length 430MM
27	3011289X91	1	Teepiece	(24)
28	3011223X91	2	Union	(24)
29	338923X1	1	Gasket	(28)
30	4271469M1	1	Hydr Hose	(24) Length 520MM
31	4271516M3	2	Hose	(24) Length 450MM

FOOTNOTE [A] RAM WITH TOGGLE

1-ZQ37-036-A



Item	Part Number	Qty	Description	Comments
1	3785951M14	1	Hitch	[A,C] Up to Serial or Engine Number M050024
	3789300M12	1	Hitch	[A,C,E] From Serial or Engine Number M050025
	3785950M14	1	Hitch	[A,D] Up to Serial or Engine Number M050024
	3789299M12	1	Hitch	[A,D,E] From Serial or Engine Number M050025
2	3786247M13	1	Hitch	[B,C] Up to Serial or Engine Number M050024
	3789302M12	1	Hitch	[B,C,E] From Serial or Engine Number M050025
	3786246M13	1	Hitch	[B,D] Up to Serial or Engine Number M050024
	3789301M12	1	Hitch	[B,D,E] From Serial or Engine Number M050025

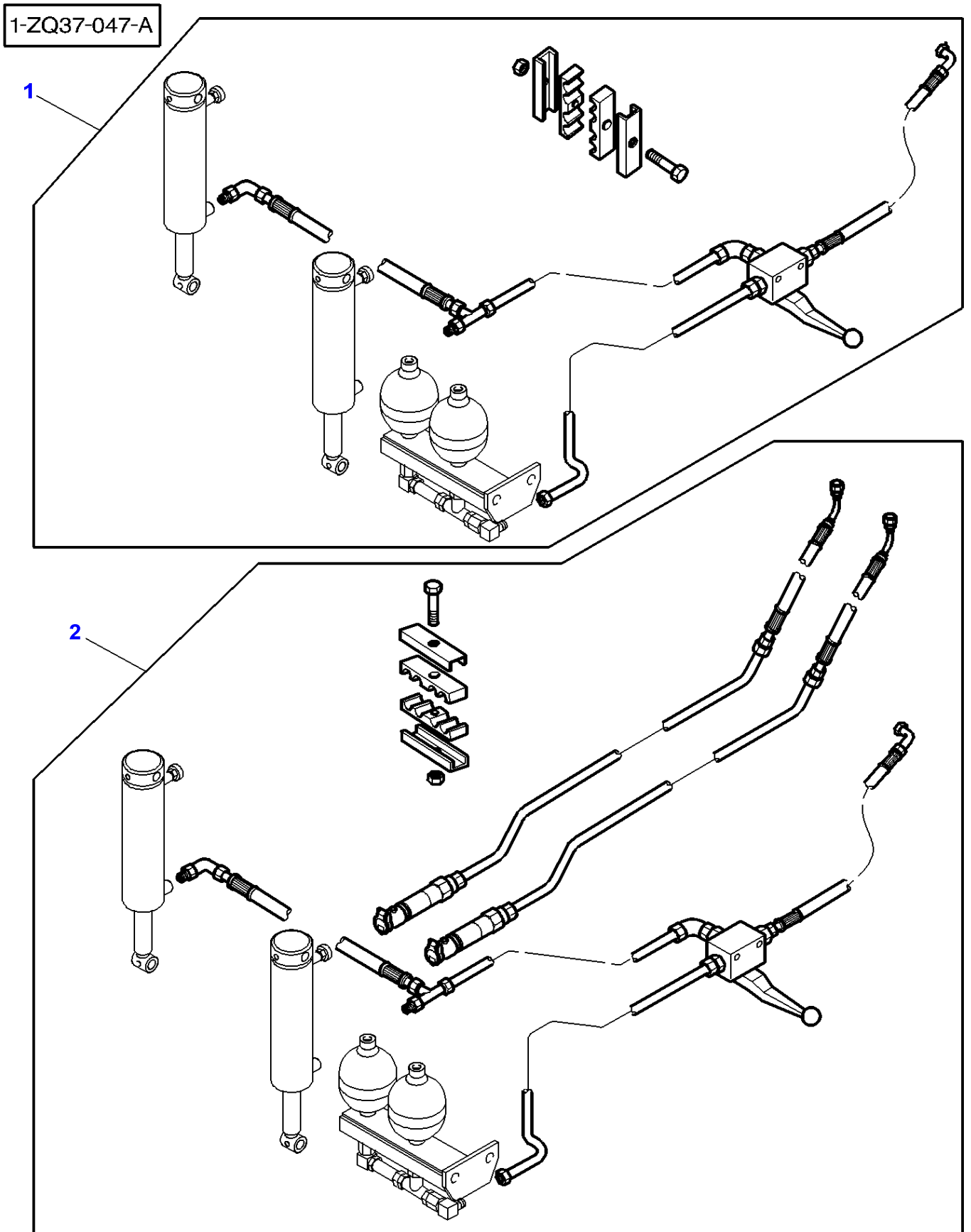
FOOTNOTE [A] WITH DYNASHIFT

FOOTNOTE [B] WITH FULL POWERSHIFT

FOOTNOTE [C] WITH ACCUMULATOR

FOOTNOTE [D] WITHOUT ACCUMULATOR

FOOTNOTE [E] RAM WITH TOGGLE



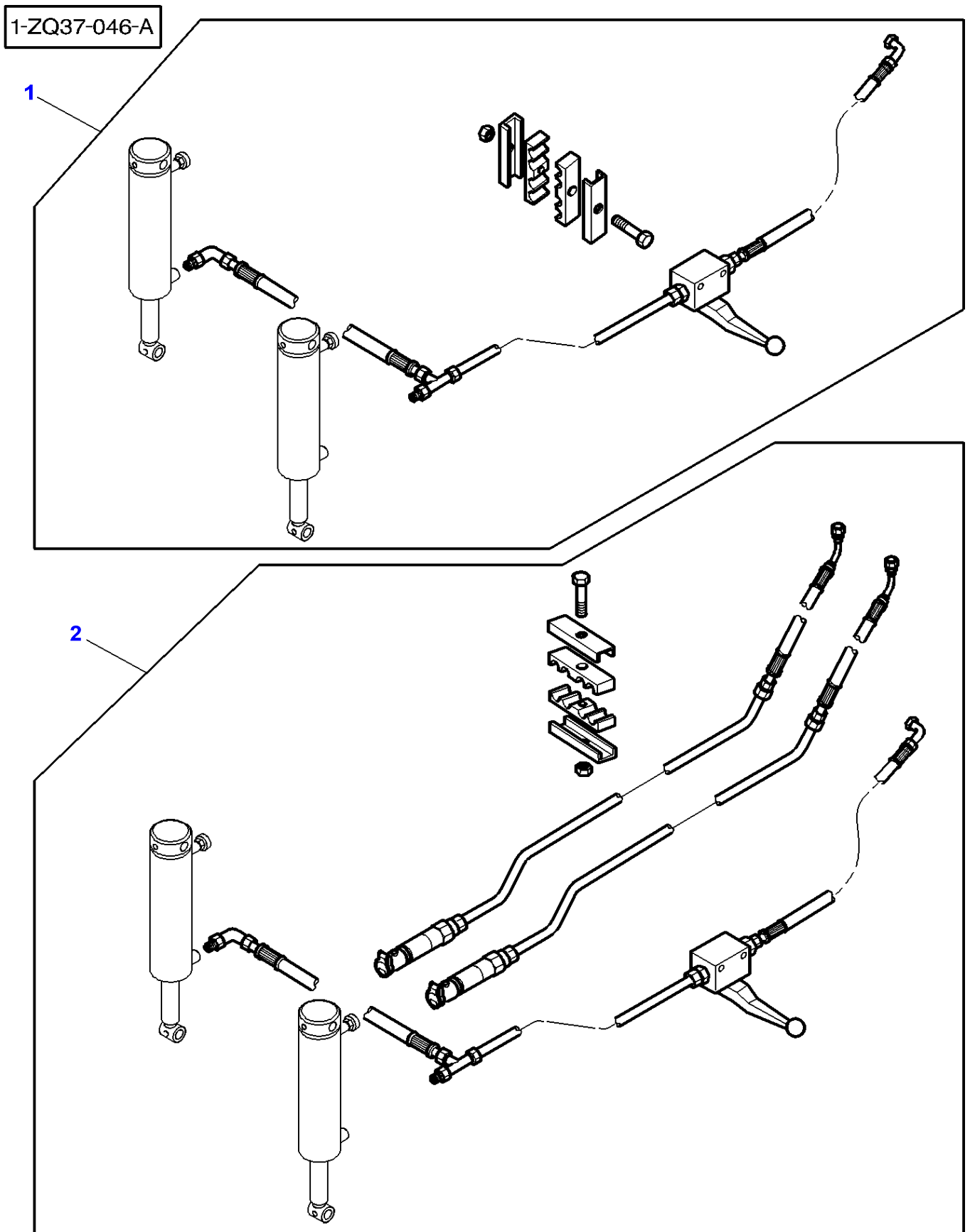
Item	Part Number	Qty	Description	Comments
1	3786937M12	1	Parts Pack	[A,B]
	3786939M12	1	Parts Pack	[D,B]
2	3786938M12	1	Parts Pack	[A,C]
	3786940M12	1	Parts Pack	[D,C]

FOOTNOTE [A] KIT SINGLE ACTING

FOOTNOTE [B] WITHOUT HYDRAULIC COUPLING

FOOTNOTE [C] WITH HYDRAULIC COUPLING

FOOTNOTE [D] KIT DUAL ACTING

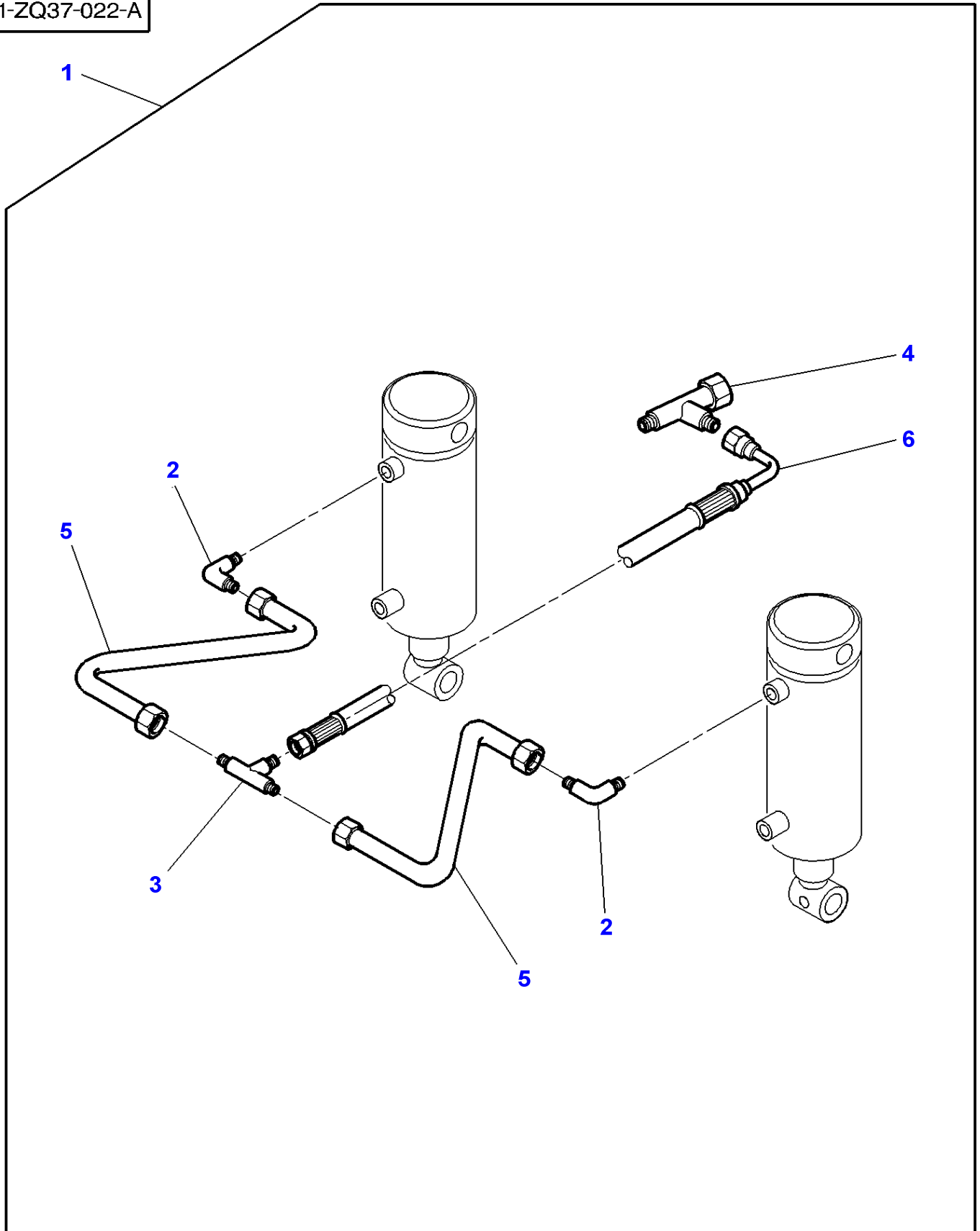


Massey Ferguson**MF 8210/8220 TRACTORS - 1637365****1637365****Front Linkage 3500N - Hydraulic - With Suspended CARRARO Front Axle****Page 150-0040**

Item	Part Number	Qty	Description	Comments
1	3786933M12	1	Parts Pack	[A,B,C]
	3786935M12	1	Parts Pack	[E,B,C]
2	3786934M12	1	Parts Pack	[A,B,D]
	3786936M12	1	Parts Pack	[E,B,D]

FOOTNOTE [A] KIT SINGLE ACTING**FOOTNOTE [B]** WITHOUT ACCUMULATOR**FOOTNOTE [C]** WITHOUT HYDRAULIC COUPLING**FOOTNOTE [D]** WITH HYDRAULIC COUPLING**FOOTNOTE [E]** KIT DUAL ACTING

1-ZQ37-022-A

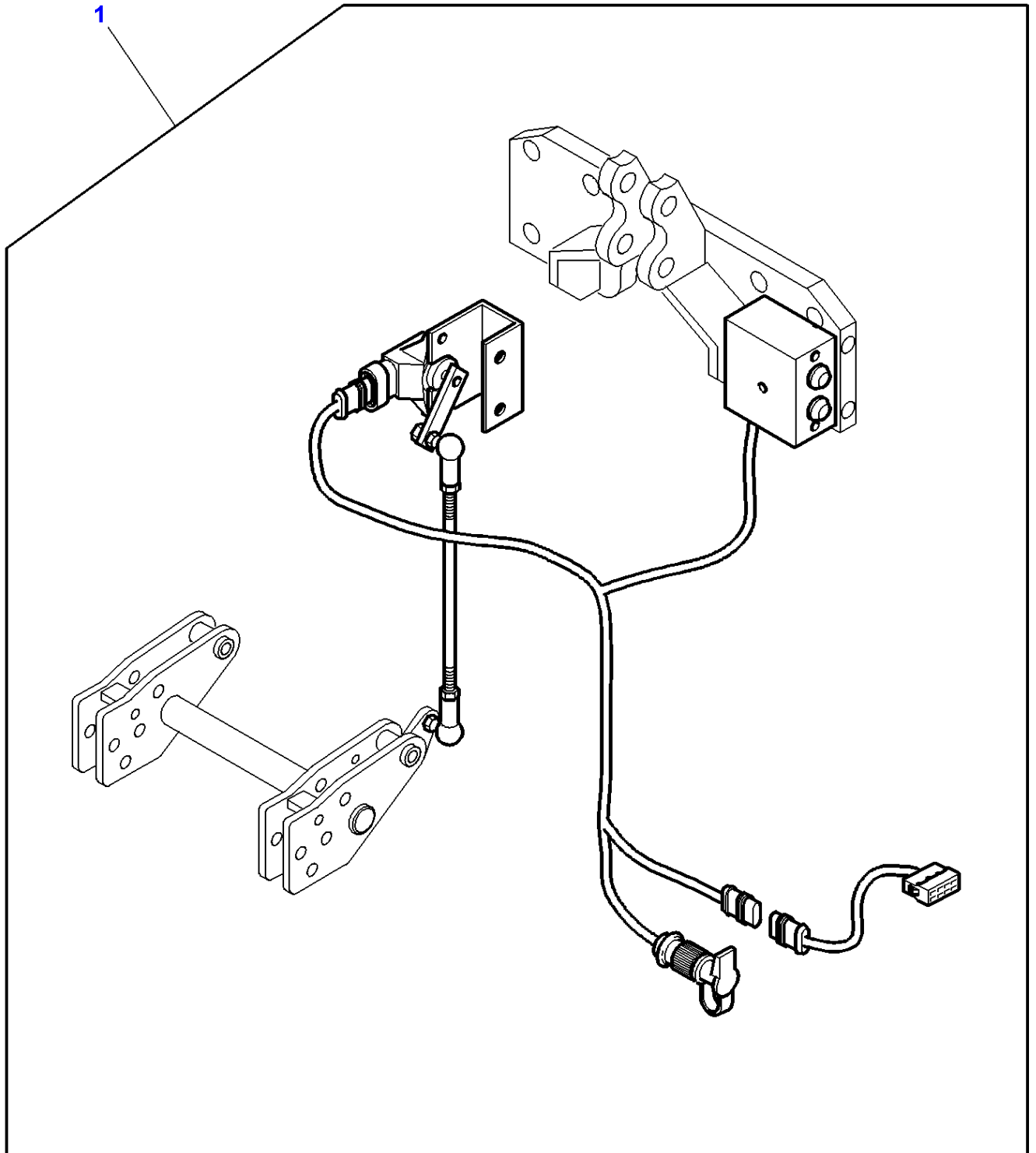


Massey Ferguson**MF 8210/8220 TRACTORS - 1637365****1637365****Front Linkage 35000N - TWO WAYS KIT FOR RAMS****Page 150-0045**

Item	Part Number	Qty	Description	Comments
1	3903533M91	1	Kit,Hose Fitting	[A]
		1	Kit,Hose Fitting	[B]
				See Page - Reference Number 040-0250/6
2	3900868M1	2	Elbow	(1) Diameter 3/8"
3	3902227M1	1	Teepiece	(1)
4	3782998M1	1	Teepiece	(1)
5	3783011M1	2	Tube	(1)
6	3903526M1	1	Hydr Hose	(1) Length 5000MM

FOOTNOTE [A] WITH DANA FRONT AXLE**FOOTNOTE [B]** WITH CARRARO FRONT AXLE

1-ZQ37-039-A



Massey Ferguson

MF 8210/8220 TRACTORS - 1637365

1637365

Front Linkage 35000N - WITH FRONT DUAL CONTROL

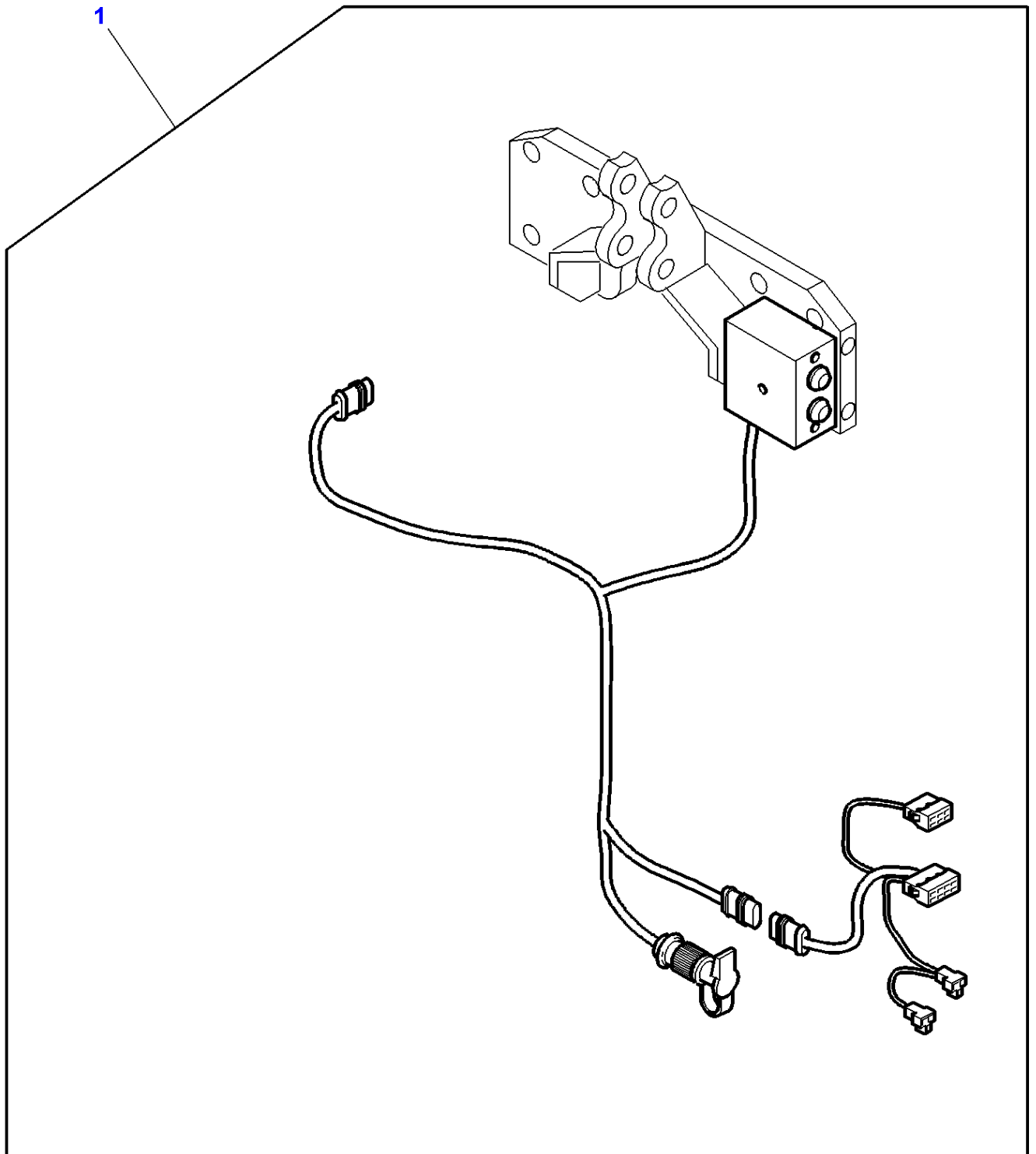
Page 150-0050

Item	Part Number	Qty	Description
1	3786304M12	1	Accessory Code

FOOTNOTE [A] UP

FOOTNOTE [B] DOWN

1-ZQ37-051-A



Massey Ferguson

MF 8210/8220 TRACTORS - 1637365

1637365

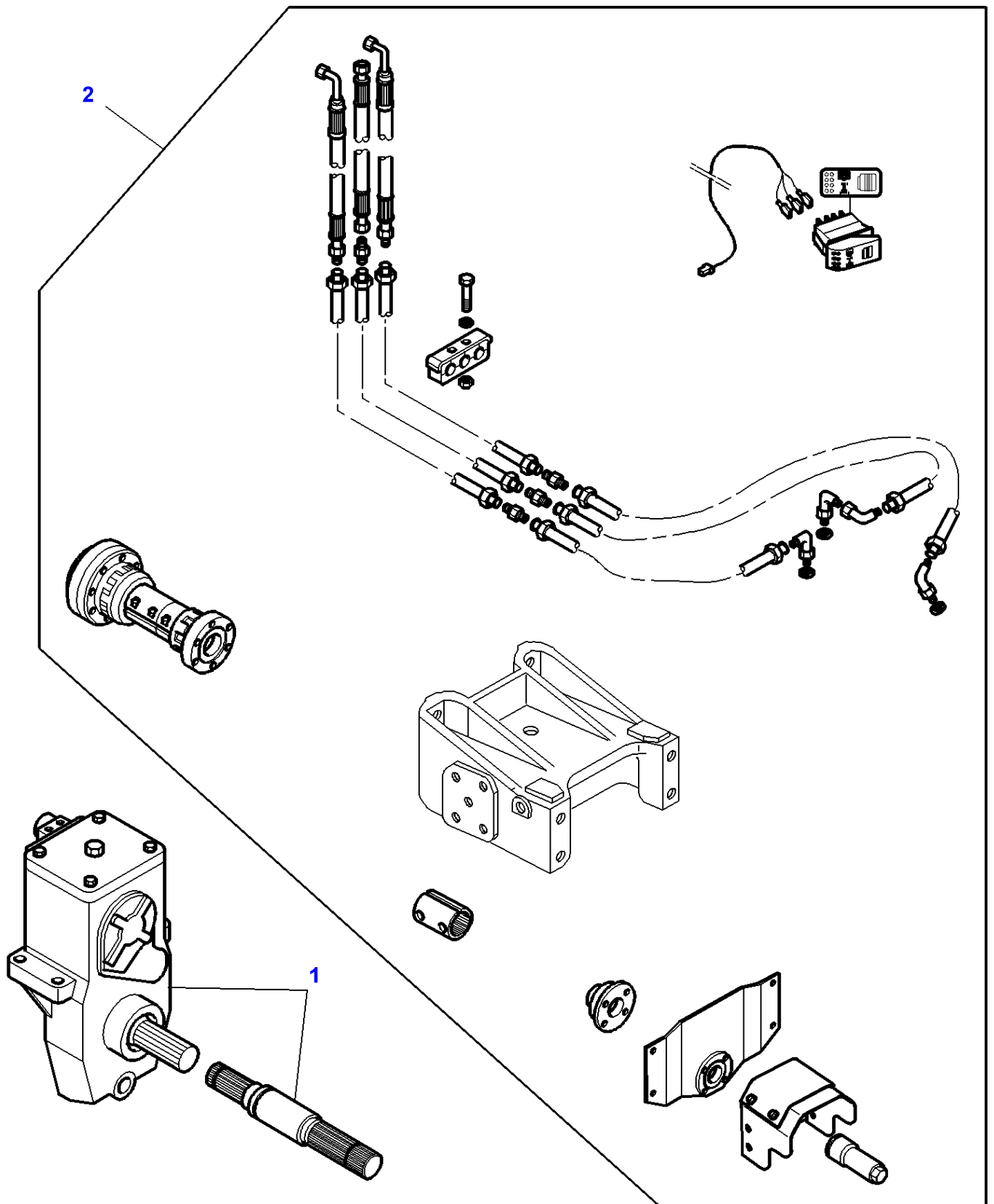
Front Linkage 3500N - Without Front Dual Control - Lift External Control

Page 150-0055

Item	Part Number	Qty	Description	Comments
1	3788765M11	1	Kit, Drive	[A]

FOOTNOTE [A] USE WITH DISTRIBUTORS ELECTRODYNAMIQUE ONLY AND JO YSTICK

1-ZX43-003-A



Front Pto - WITH DANA FRONT AXLE

Item	Part Number	Qty	Description	Comments
1	3783456M11	1	Front Pto Case	[A,C,E]
	3783457M11	1	Front Pto Case	[A,D,E]
	3783458M11	1	Front Pto Case	[B,C,E]
	3783459M11	1	Front Pto Case	[B,D,E]
2	3784668M11	1	Kit, Pto	[A]
	3784669M11	1	Kit, Pto	[B]

FOOTNOTE [A] CLOCKWISE

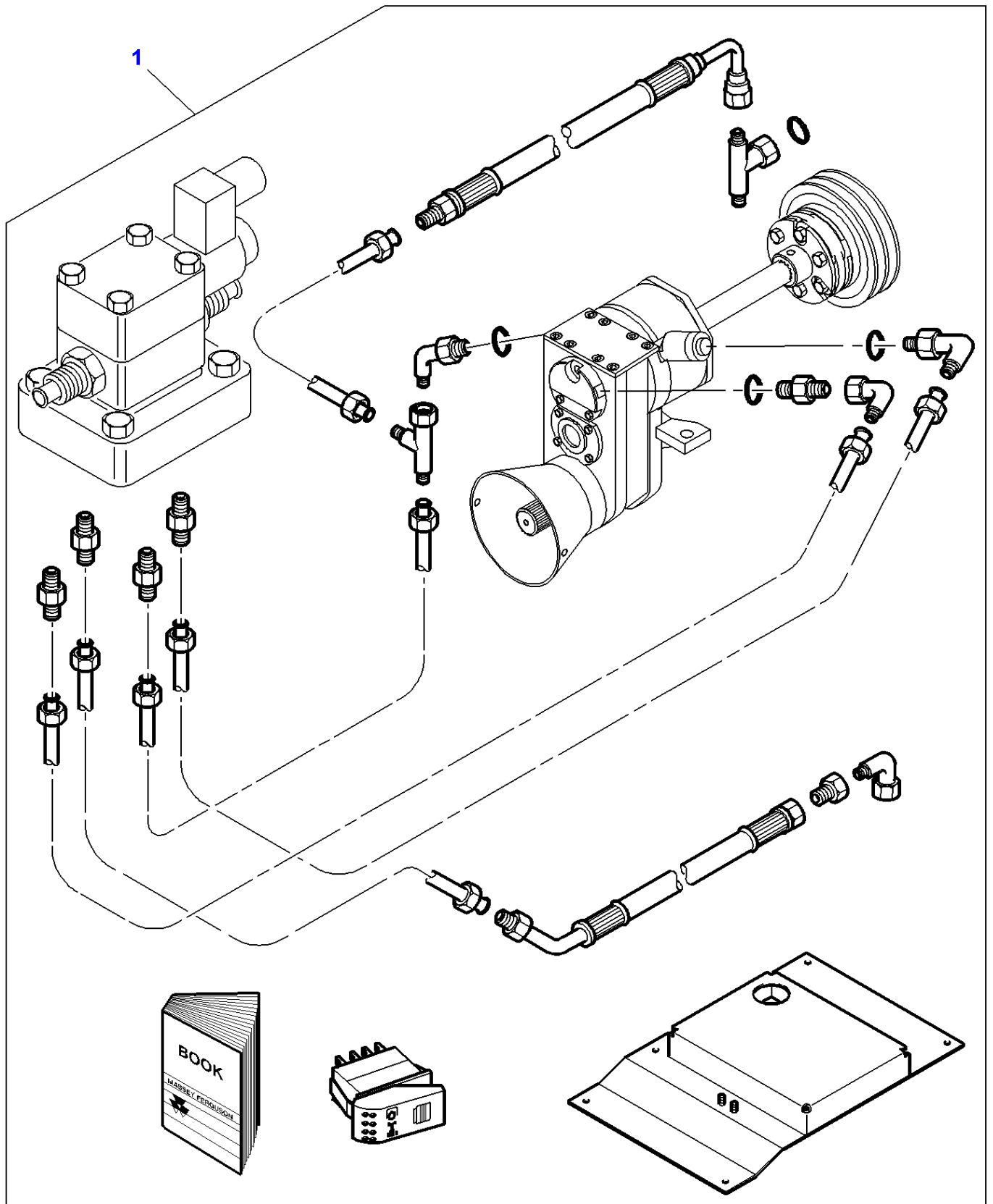
FOOTNOTE [B] COUNTER CLOCKWISE

FOOTNOTE [C] 6 SPLINE

FOOTNOTE [D] 21 SPLINES

FOOTNOTE [E] ORDER SEPARATELY PTO FITTING KIT

1-ZX43-001-A



Item	Part Number	Qty	Description	Comments
1	3786023M13	1	Kit, Pto	[B,D] Number of teeth/spines 6
	3786024M13	1	Kit, Pto	[A,D] Number of teeth/spines 6
	3786025M13	1	Kit, Pto	[B,D] Number of teeth/spines 21
	3786026M13	1	Kit, Pto	[A,D] Number of teeth/spines 21

FOOTNOTE [A] CLOCKWISE

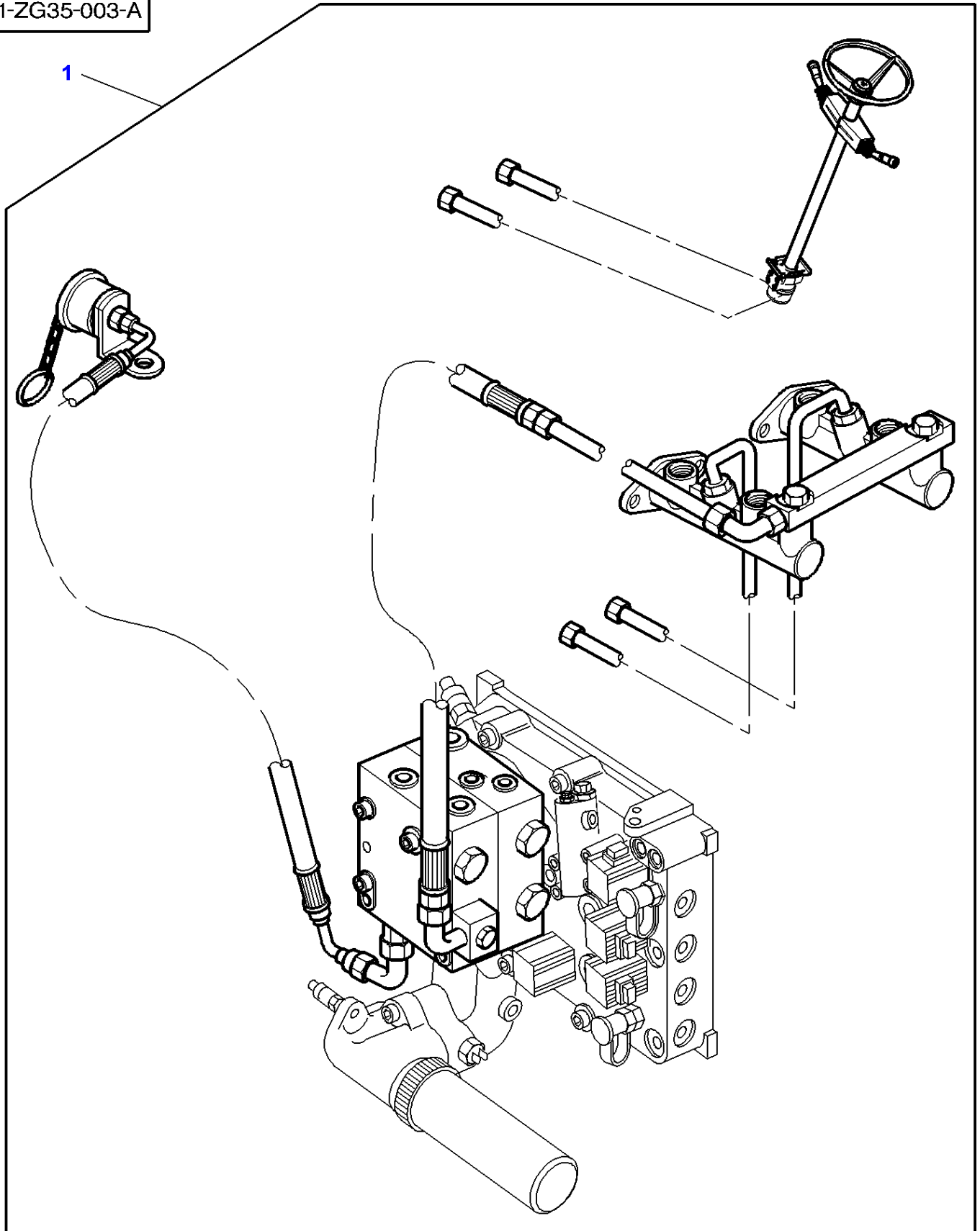
FOOTNOTE [B] COUNTER CLOCKWISE

FOOTNOTE [C] WITH FITTING BOOK CD2718

FOOTNOTE [D] WITH FITTING BOOK CD2719

FOOTNOTE [E] WITH FITTING BOOK CD2717

1-ZG35-003-A

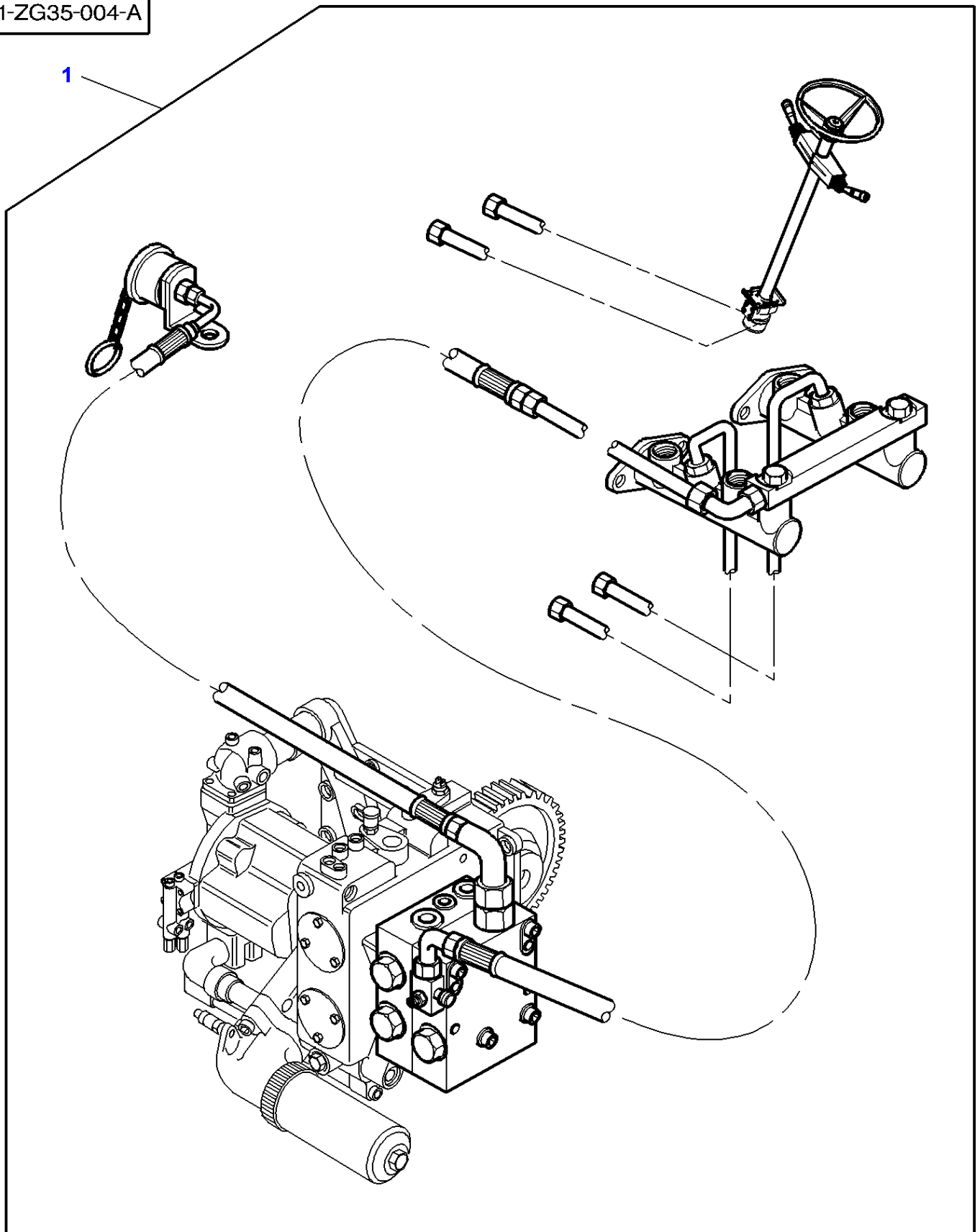


TRAILOR BRAKE - With Pump 45cc

Item	Part Number	Qty	Description	Comments
1	3781676M11	1	Kit, Trailr Brake	[B,C]
	3781677M11	1	Kit, Trailr Brake	[B,D] Up to Serial or Engine Number 31-JAN-2002
	3781031M11	1	Kit, Trailr Brake	[A,C]
	3781036M11	1	Kit, Trailr Brake	[A,D] Up to Serial or Engine Number 31-JAN-2002

- FOOTNOTE [A] TRACTOR WITH CAB
- FOOTNOTE [B] TRACTOR WITH PLATFORM
- FOOTNOTE [C] WITH MECHANICAL BRAKES
- FOOTNOTE [D] WITH ASSISTED BRAKE

1-ZG35-004-A



TRAILOR BRAKE - With Pump 150 L/mm

Item	Part Number	Qty	Description	Comments
1	3781678M11	1	Kit, Trailr Brake	[A,B,C]
	3781679M11	1	Kit, Trailr Brake	[A,B,D] Up to Serial or Engine Number 31-JAN-2002
	3781674M11	1	Kit, Trailr Brake	[A,C,E] Up to Serial or Engine Number 31-JAN-2002

FOOTNOTE [A] WITH FULL POWERSHIFT

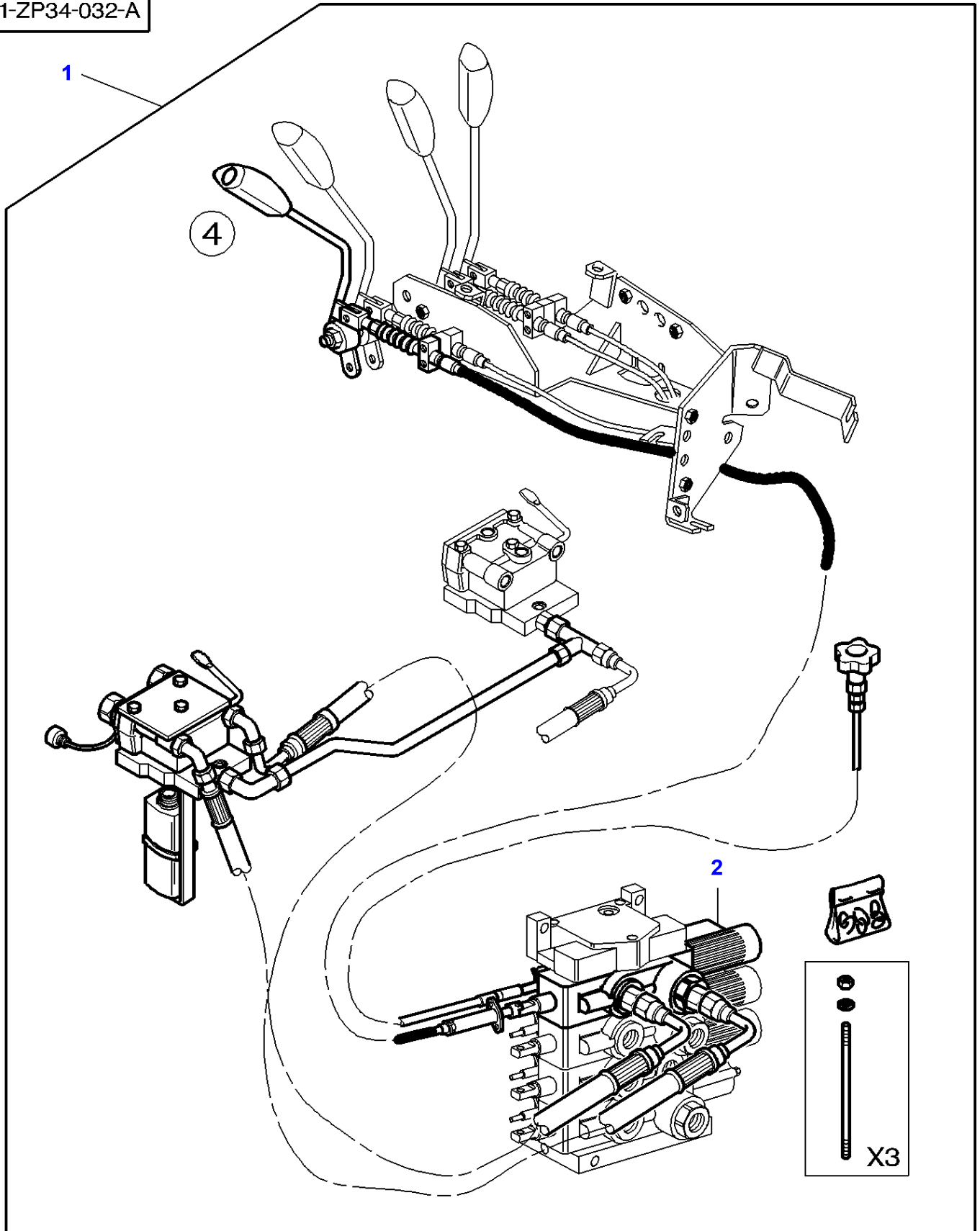
FOOTNOTE [B] TRACTOR WITH PLATFORM

FOOTNOTE [C] WITH MECHANICAL BRAKES

FOOTNOTE [D] WITH ASSISTED BRAKE

FOOTNOTE [E] TRACTOR WITH CAB

1-ZP34-032-A



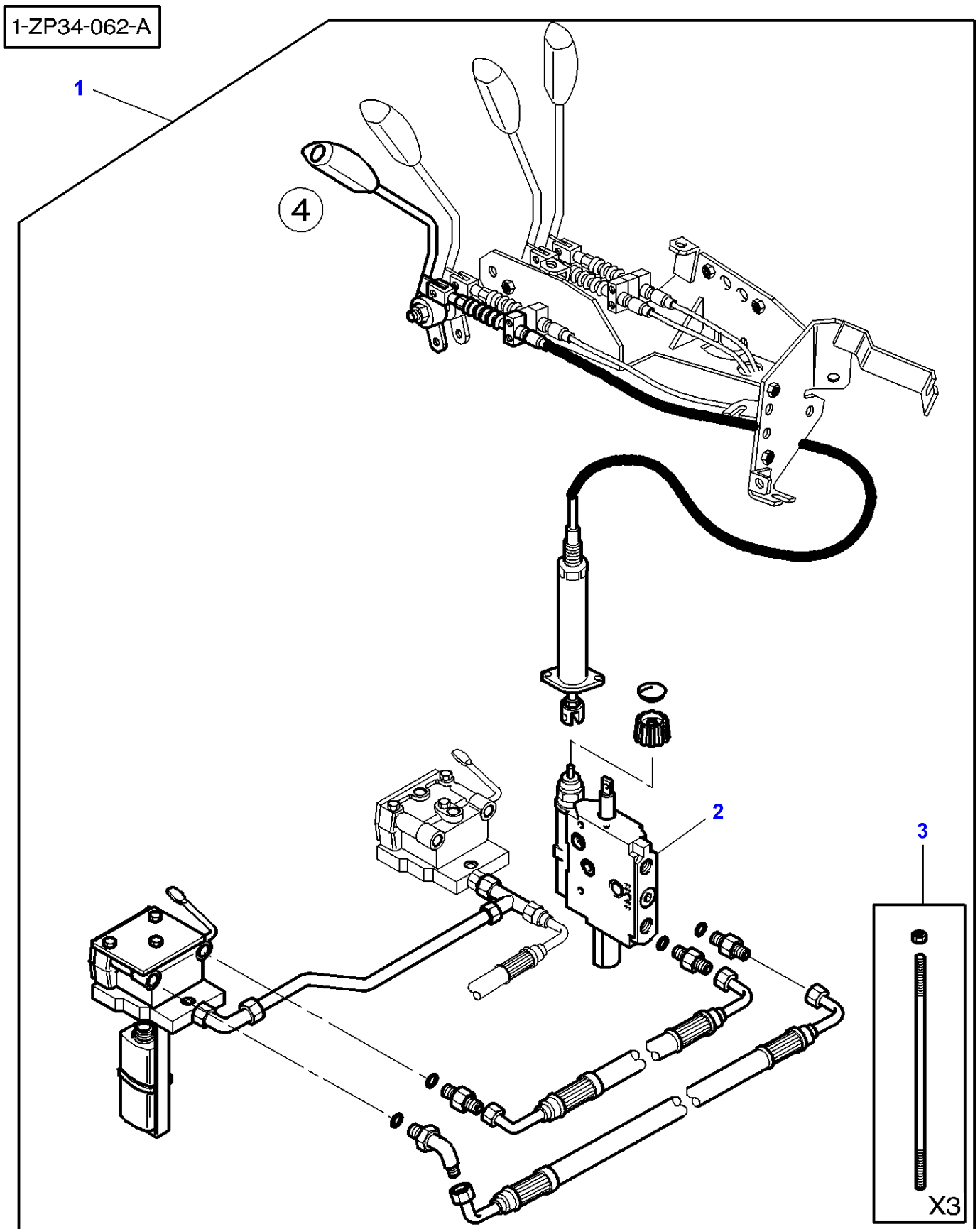
Auxiliary Distributor - 4 Th Horizontal Spool Valve Kit For Cab

Item	Part Number	Qty	Description	Comments
1	3783496M11	1	Kit, Contrl Vlve	[B,A]
	3783497M11	1	Kit, Contrl Vlve	[B,C]
2	3713928M4	1	Distributor	[A] (1)

FOOTNOTE [A] 4 FLOATING POSITIONS DIST,FLOW ADJUST,KICK-OUT,ZER O LEAK

FOOTNOTE [B] FOR SERVICE BREAKDOWN REFER TO TRACTOR BOOK

FOOTNOTE [C] 4 FLOAT POSIT DIST,FLOW ADJUST,KICK-OUT W 2 OVERP RES.VALVE AND RESUPPLYING FOR HYDRAULIC MOTOR



Massey Ferguson**MF 8210/8220 TRACTORS - 1637365****1637365****Auxiliary Distributor - 4 Th Load Sensing Vertical Spool Valve Kit With Mechanical control For Cab****Page 150-0085**

Item	Part Number	Qty	Description	Comments
1	3903883M12	1	Kit, Contrl Vlve	[A]
	3903884M12	1	Kit, Contrl Vlve	[D]
2	3795751M3	1	Distributor	[B,C] (1)
3	3796232M1	3	Stud	(1) M8 X 131

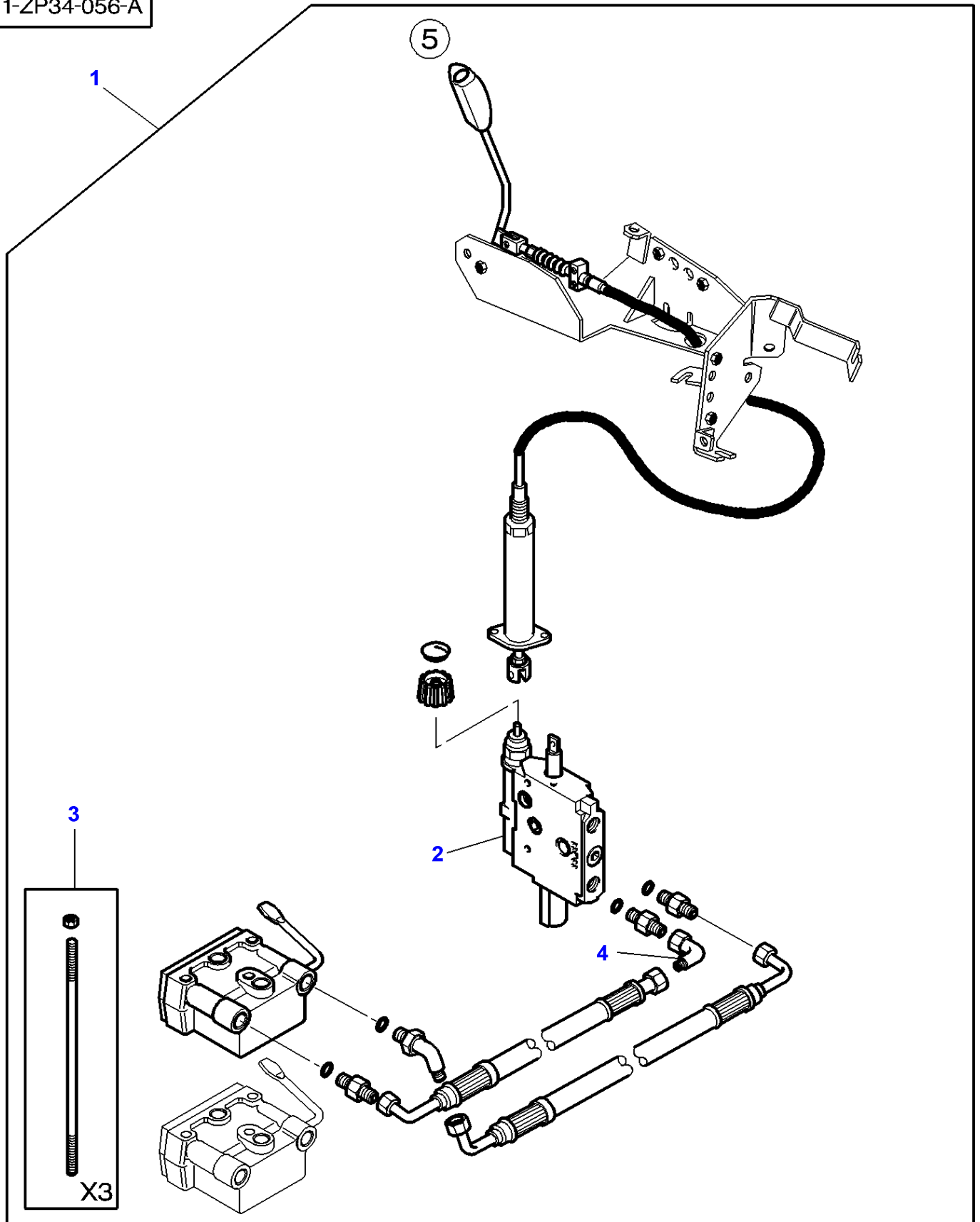
FOOTNOTE [A] USE WITH 2 DISTRIBUTORS ELECTRODYNAMIQUE AND 1 DISTRIBUTOR MECHANICAL CONTROL

FOOTNOTE [B] DIST 4 FLOATING POSITIONS ,FLOW ADJUST,DOUBLE ACTION,KICK OUT,ZERO LEAK

FOOTNOTE [C] DISTRIBUTOR WITH MECHANICAL CONTROL

FOOTNOTE [D] USE WITH 3 DISTRIBUTORS MECHANICAL CONTROL

1-ZP34-056-A



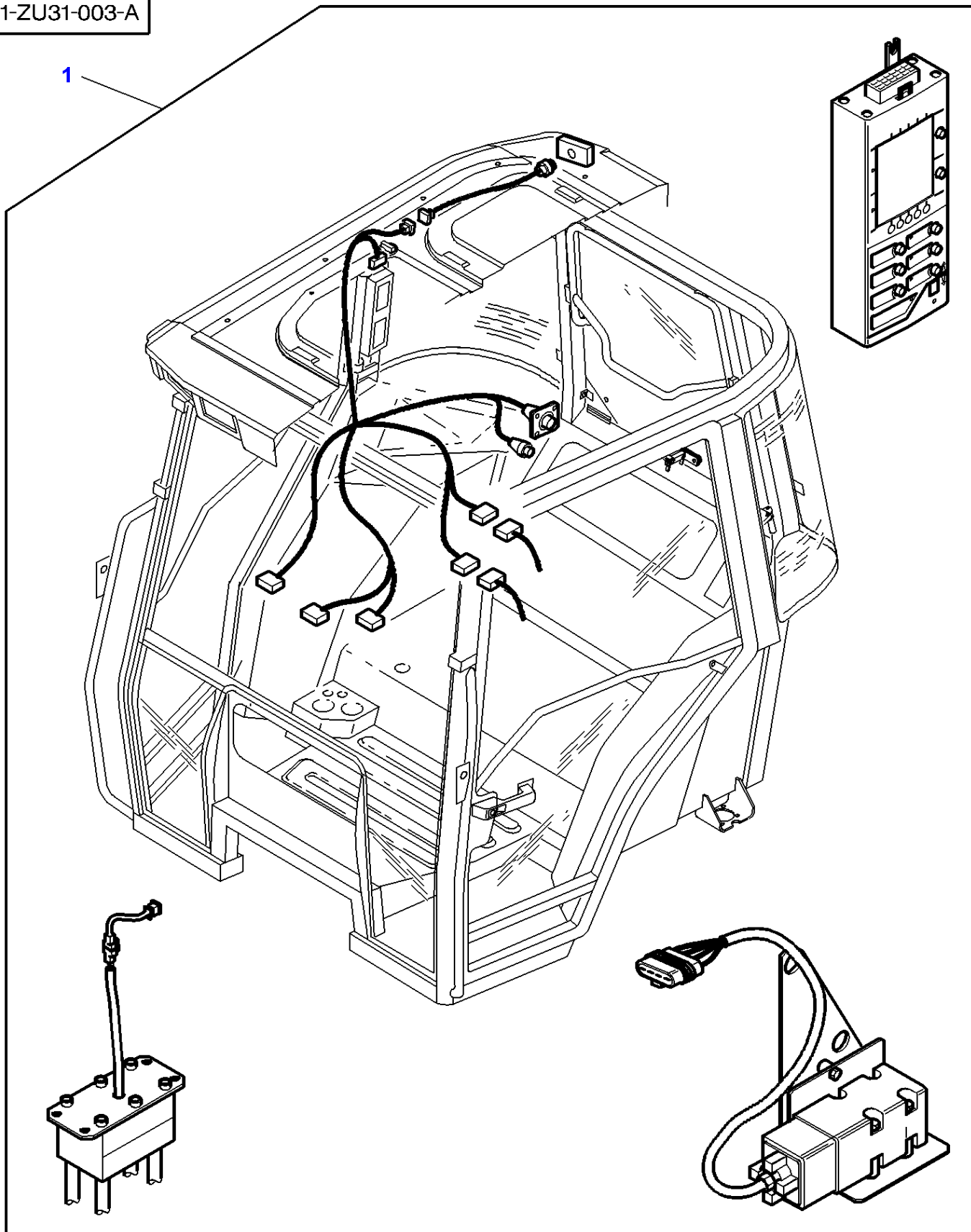
Massey Ferguson**MF 8210/8220 TRACTORS - 1637365****1637365****Auxiliary Distributor - 5 Th Load Sensing Vertical Spool Valve Kit With Mechanical control For Cab****Page 150-0090**

Item	Part Number	Qty	Description	Comments
1	3788100M12	1	Kit, Spool Valve	
2	3795751M3	1	Distributor	[A,B] (1)
3	3796125M1	1	Stud	(1) M8 X 211
4	70921325	1	Elbow Nipple	Replace and repair. Old interchangeable with new 3795749M1 (1)

FOOTNOTE [A] DIST 4 FLOATING POSITIONS ,FLOW ADJUST,DOUBLE ACTION,KICK OUT,ZERO LEAK**FOOTNOTE [B]** DISTRIBUTOR WITH MECHANICAL CONTROL

1-ZU31-003-A

1



Massey Ferguson

MF 8210/8220 TRACTORS - 1637365

1637365

Aboard Computer - With Dynashift-WITH FUEL FLOWMETER

Page 150-0095

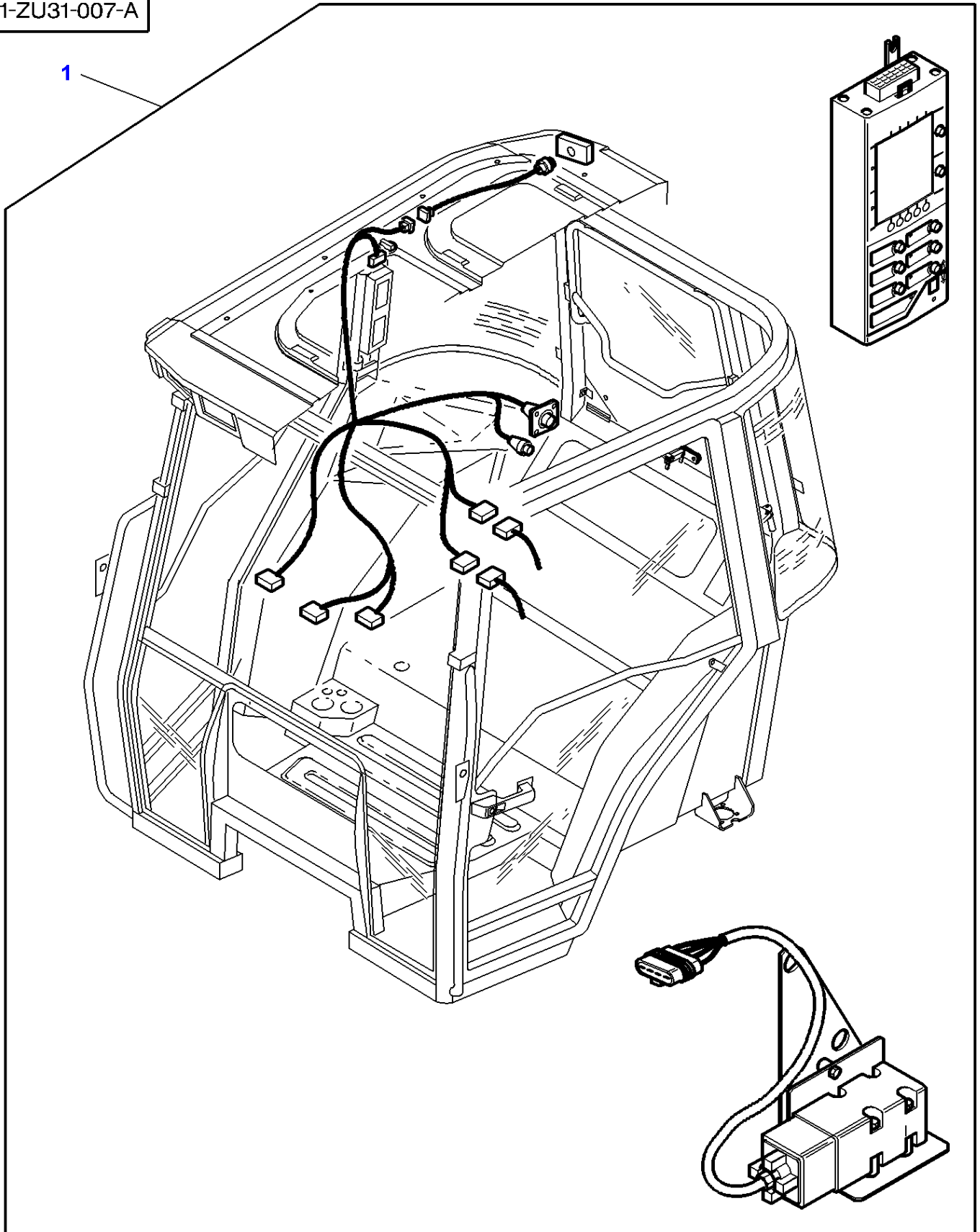
Item	Part Number	Qty	Description	Comments
1	3903413M12	1	Accessory Code	[B] For UK only or any text in English only GHZ 24.300
	3903415M12	1	Accessory Code	[A] Without or not for example : not United Kingdom GHZ 24.125

FOOTNOTE [A] ORDER SEPARATELY ABOARD COMPUTER DECALS

FOOTNOTE [B] ABOARD COMPUTER DECALS INCLUDED IN KIT

1-ZU31-007-A

1



Massey Ferguson

MF 8210/8220 TRACTORS - 1637365

1637365

Aboard Computer - With Dynashift-WITHOUT FUEL FLOWMETER

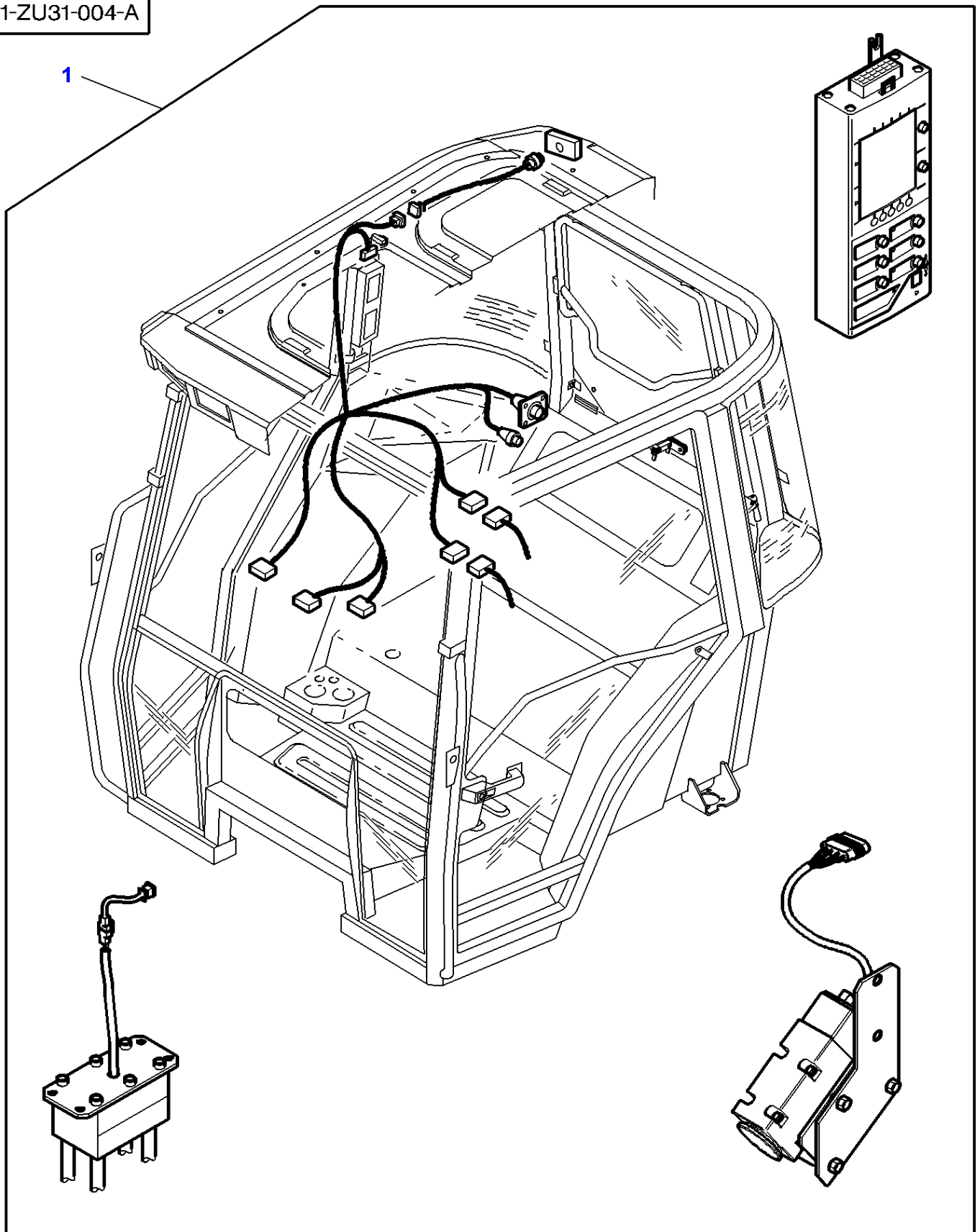
Page 150-0100

Item	Part Number	Qty	Description	Comments
1	3903886M11	1	Accessory Code	[B] For UK only or any text in English only GHZ 24.300
	3903888M11	1	Accessory Code	[A] Without or not for example : not United Kingdom GHZ 24.125

FOOTNOTE [A] ORDER SEPARATELY ABOARD COMPUTER DECALS

FOOTNOTE [B] ABOARD COMPUTER DECALS INCLUDED IN KIT

1-ZU31-004-A



Massey Ferguson

MF 8210/8220 TRACTORS - 1637365

1637365

Aboard Computer - With Full Powershift - With Fuel Flowmeter

Page 150-0105

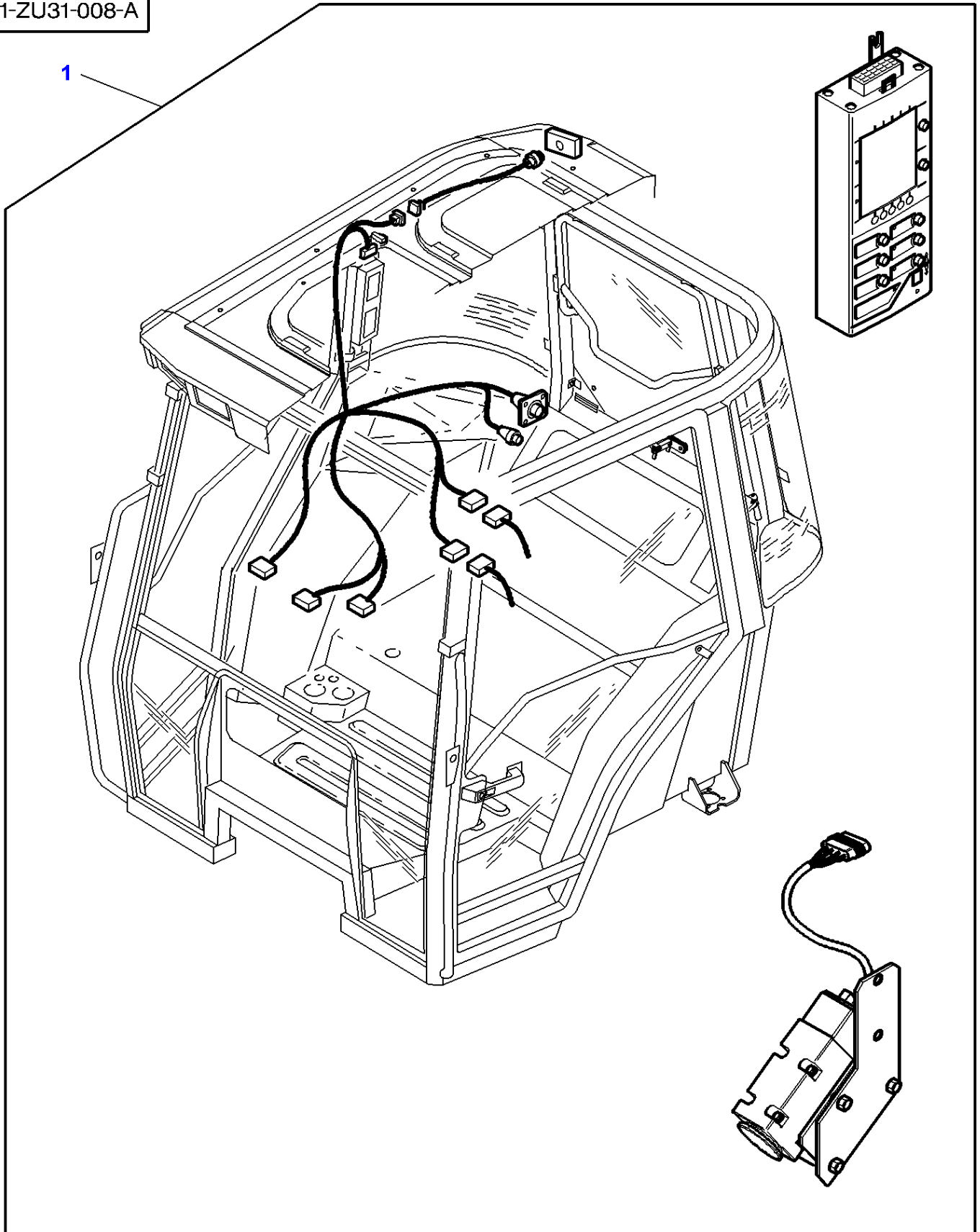
Item	Part Number	Qty	Description	Comments
1	3903414M12	1	Accessory Code	[B] For UK only or any text in English only GHZ 24.300
	3903416M12	1	Accessory Code	[A] Without or not for example : not United Kingdom GHZ 24.125

FOOTNOTE [A] ORDER SEPARATELY ABOARD COMPUTER DECALS

FOOTNOTE [B] ABOARD COMPUTER DECALS INCLUDED IN KIT

1-ZU31-008-A

1



Massey Ferguson

MF 8210/8220 TRACTORS - 1637365

1637365

Aboard Computer - With Full Powershift-WITHOUT FUEL FLOWMETER

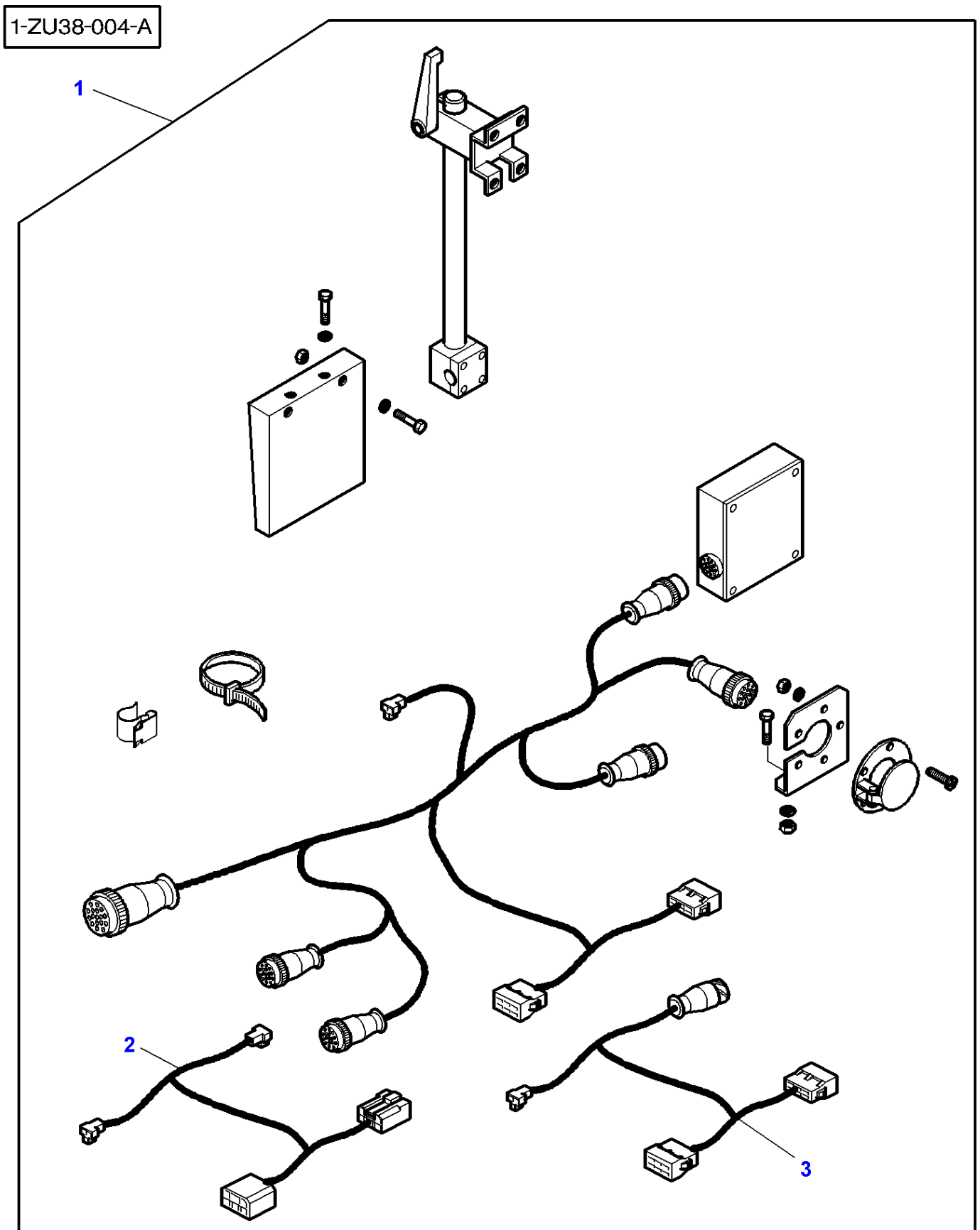
Page 150-0110

Item	Part Number	Qty	Description	Comments
1	3903887M11	1	Accessory Code	[B] For UK only or any text in English only GHZ 24.300
	3903889M11	1	Accessory Code	[A] Without or not for example : not United Kingdom GHZ 24.125

FOOTNOTE [A] ORDER SEPARATELY ABOARD COMPUTER DECALS

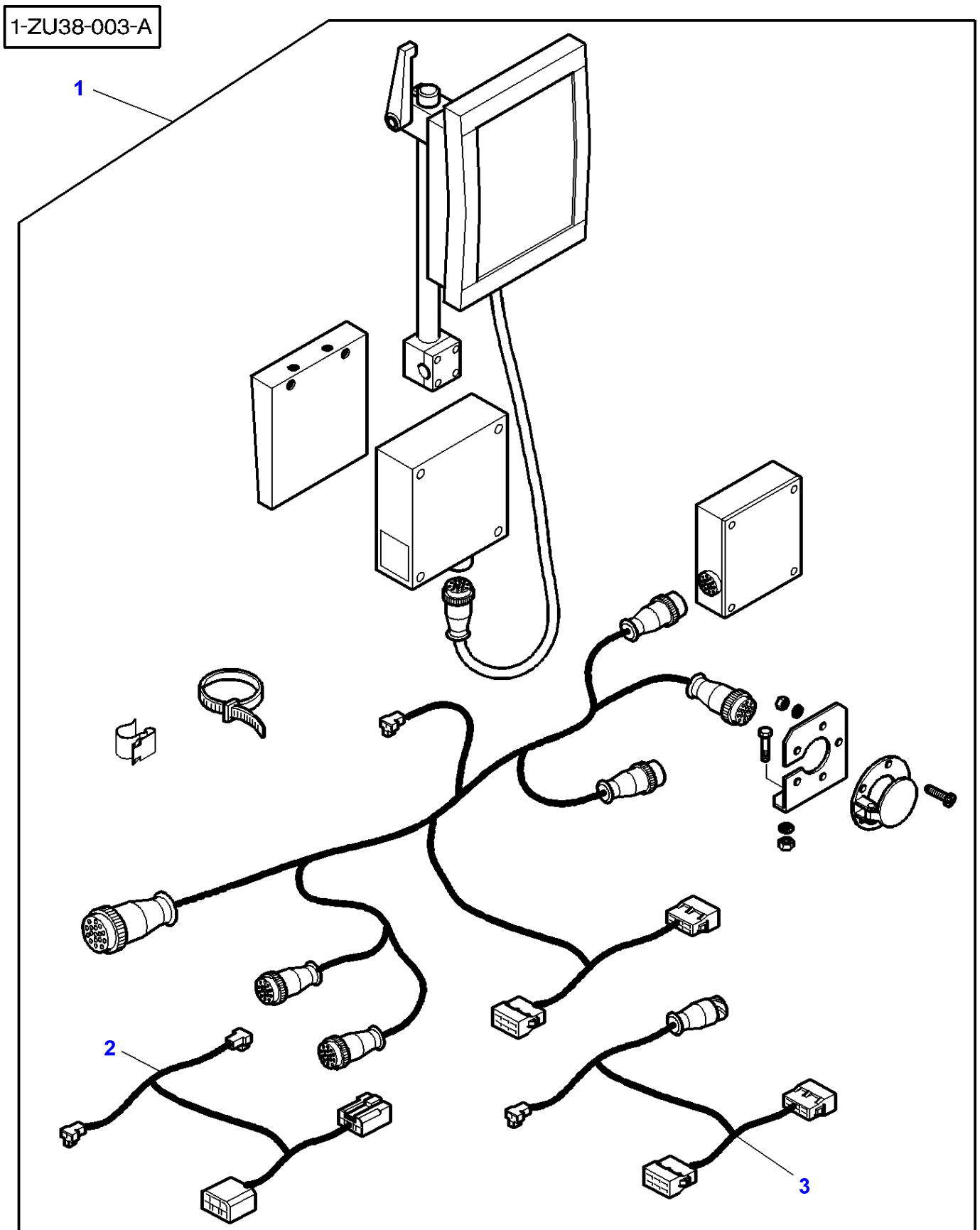
FOOTNOTE [B] ABOARD COMPUTER DECALS INCLUDED IN KIT

MF 8210/8220 TRACTORS - 1637365
1-ZU38-004-A



Item	Part Number	Qty	Description	Comments
1	3788790M13	1	Parts Pack	
2	3788714M91	1	Harness	[A] (1) For United States of America Up to Serial or Engine Number 07-JAN-2001
	3788429M91	1	Harness	[A] (1) For United States of America From Serial or Engine Number 08-JAN-2001
3	3788430M92	1	Harness	[B] (1)

FOOTNOTE [A] FEEDER HARNESS
FOOTNOTE [B] DATATRONIC SIGNAL HARNESS

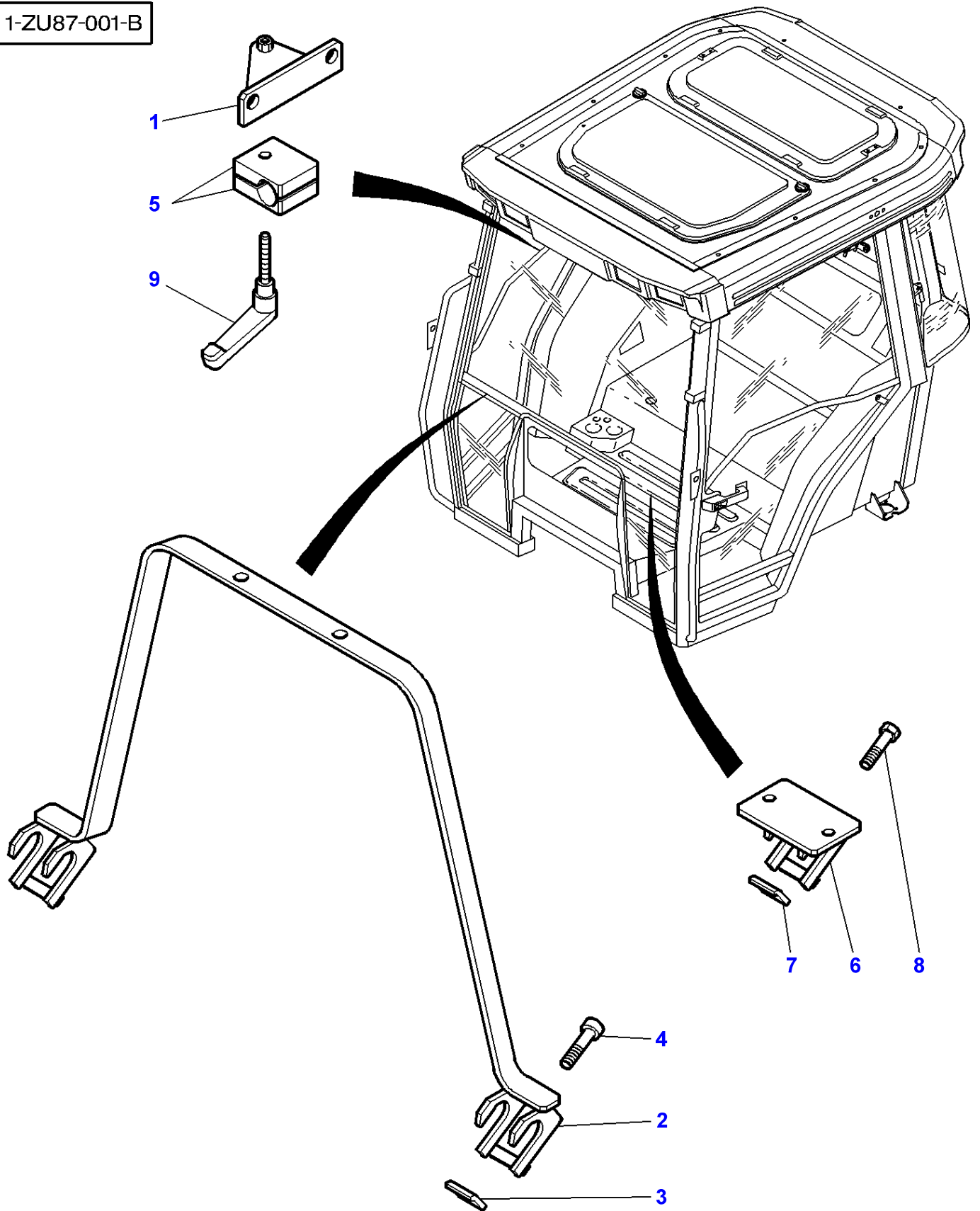


Item	Part Number	Qty	Description	Comments
1	3788789M12	1	Parts Pack	
2	3788714M91	1	Harness	[A] (1) For United States of America Up to Serial or Engine Number 07-JAN-2001
	3788429M91	1	Harness	[A] (1) For United States of America From Serial or Engine Number 08-JAN-2001
3	3788430M92	1	Harness	[B] (1)

FOOTNOTE [A] FEEDER HARNESS

FOOTNOTE [B] DATATRONIC SIGNAL HARNESS

1-ZU87-001-B



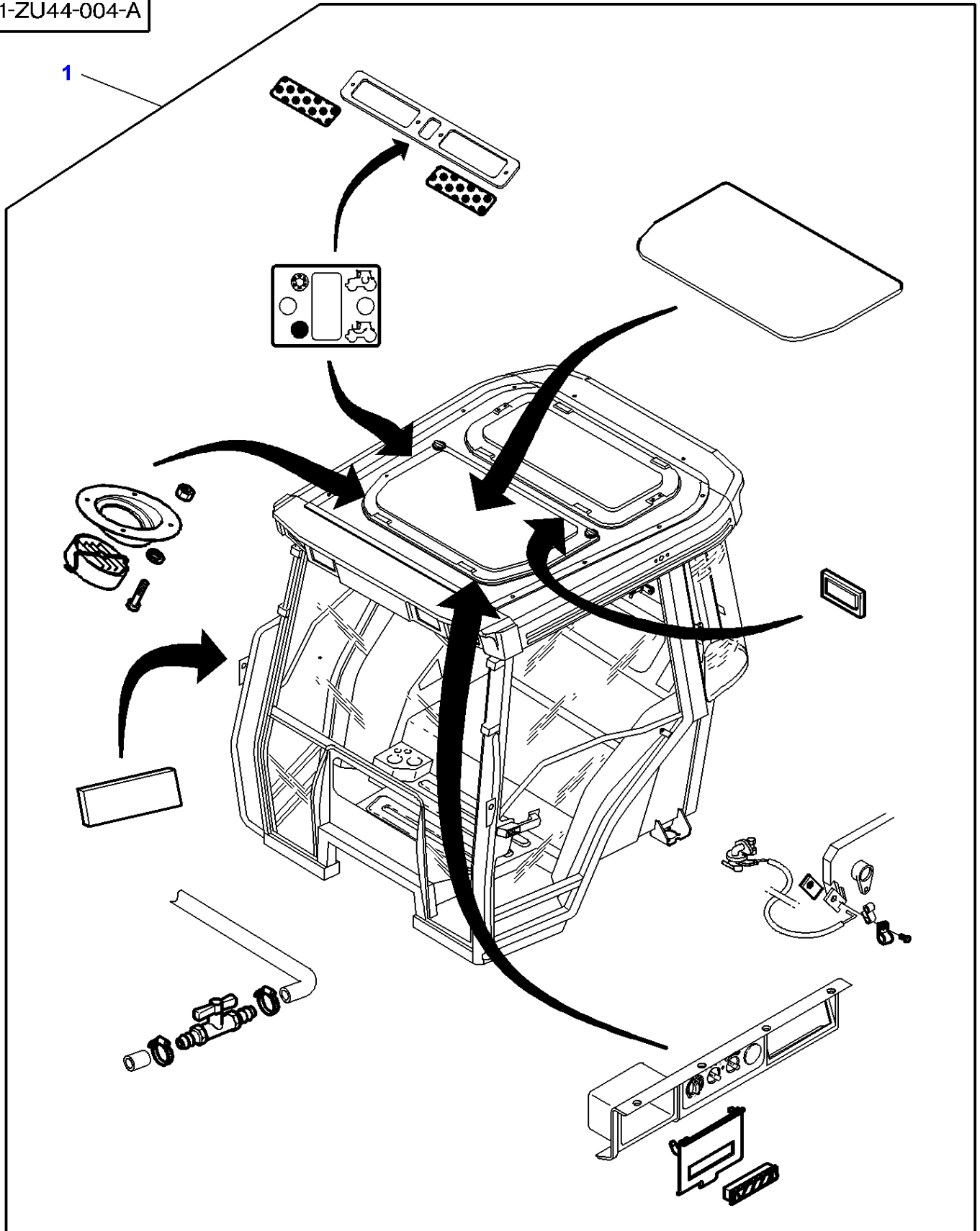
Item	Part Number	Qty	Description	Comments
1	3782484M1	1	Handle	[C]
2	3782478M91	1	Safety Frame	[A]
3	3782479M1	2	Counterplate	
4	3010177X1	2	Screw	M8 X 90
5	3782482M1	2	Support	[C]
6	3782480M91	1	Support	[B]
7	3782479M1	1	Counterplate	
8	3010177X1	1	Screw	M8 X 90
9	3782481M1	1	Angle.	[C]

FOOTNOTE [A] ON INSTRUMENT PANEL

FOOTNOTE [B] ON TRANSVERSE CABINE

FOOTNOTE [C] ON CAB DOOR

1-ZU44-004-A



Massey Ferguson

MF 8210/8220 TRACTORS - 1637365

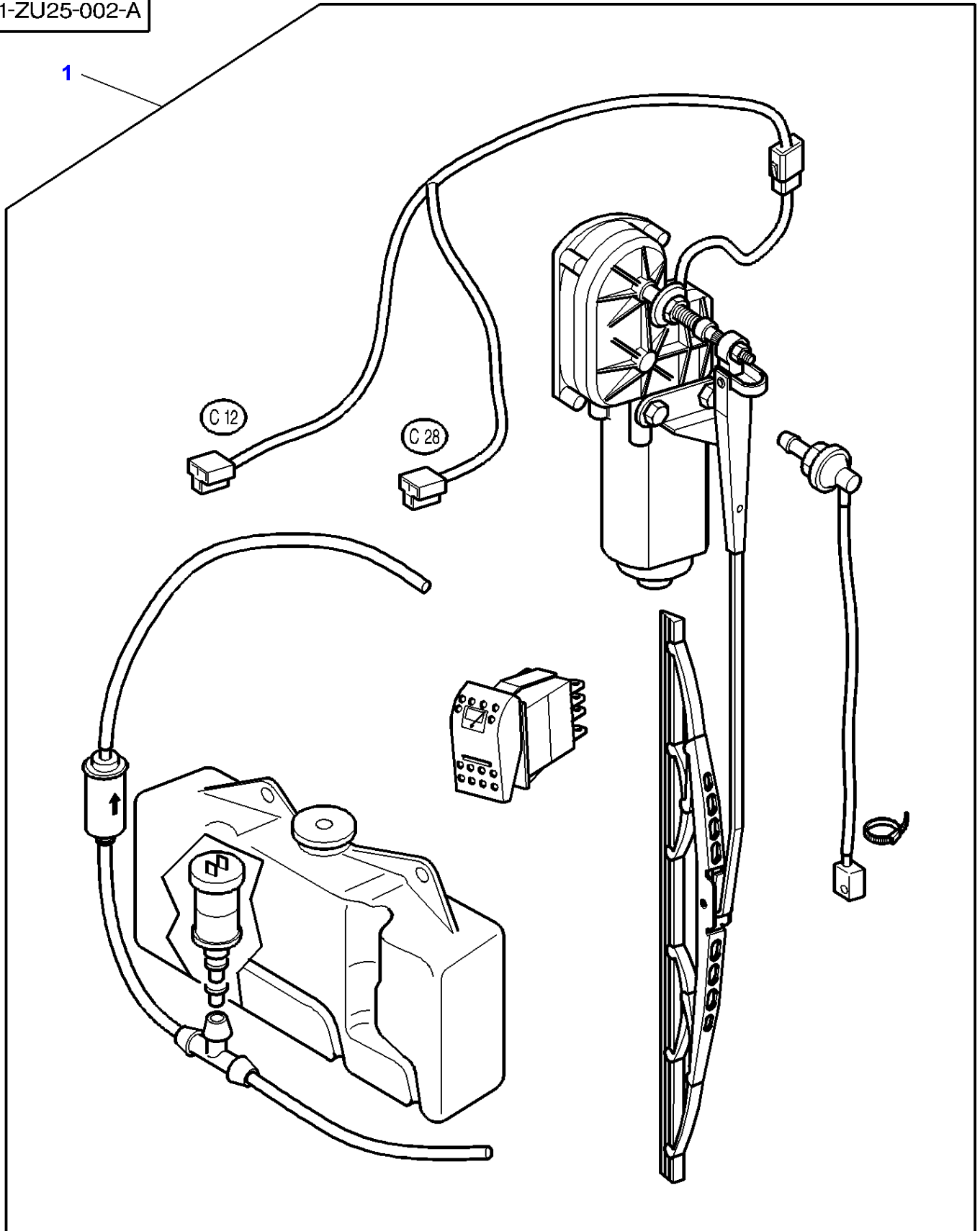
1637365

Air Conditioner

Page 150-0130

Item	Part Number	Qty	Description	Comments
1	3784595M12	1	Kit Air Condi	For United States of America For Australia For South Africa

1-ZU25-002-A



Rear Window Wiper

Item	Part Number	Qty	Description	Comments
1	3777332M11	1	Accessory Code	
	3778374M11	1	Kit, Wiper	[A]

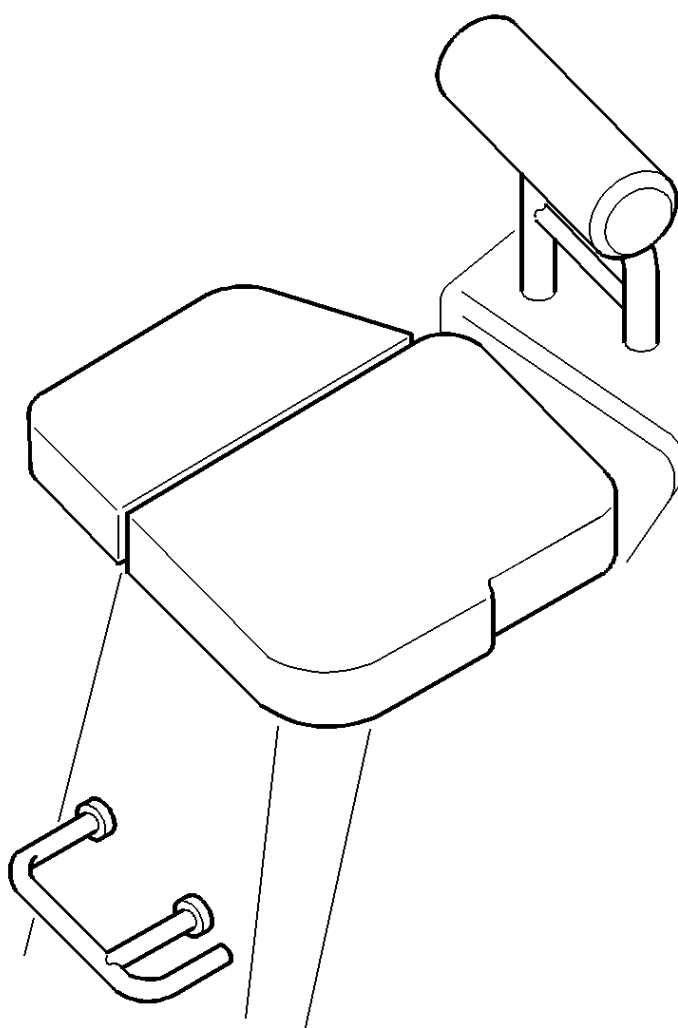
FOOTNOTE [A] WITH HIGH VISIBILITY ROOF

FOOTNOTE [B] STANDARD CAB

FOOTNOTE [C] INDUSTRIAL CAB

1-ZV03-002-A

1



Massey Ferguson

MF 8210/8220 TRACTORS - 1637365

1637365

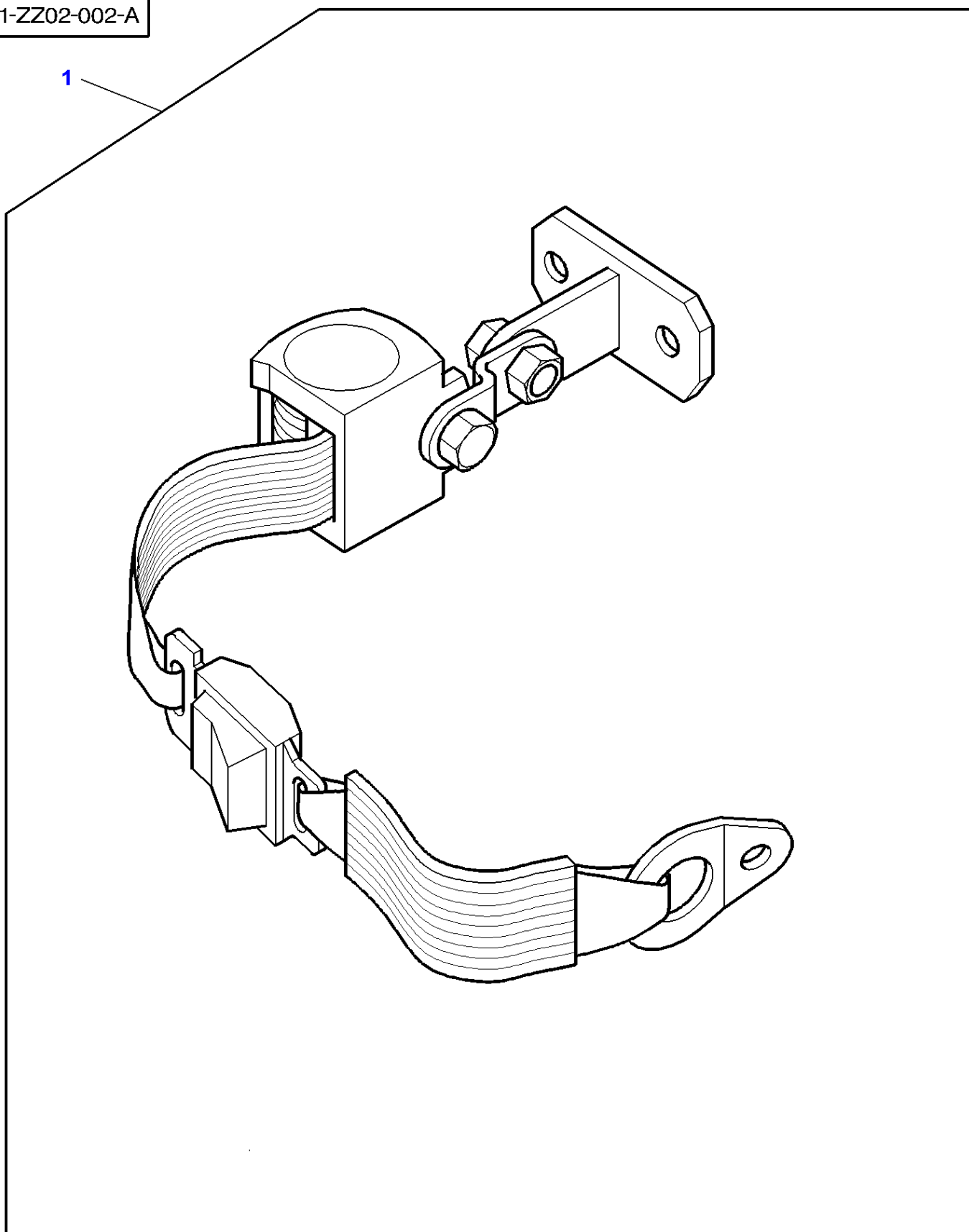
SECONDARY SEAT

Page 150-0140

Item	Part Number	Qty	Description
1	3781247M11	1	Accessory Code

1-ZZ02-002-A

1



Massey Ferguson

MF 8210/8220 TRACTORS - 1637365

1637365

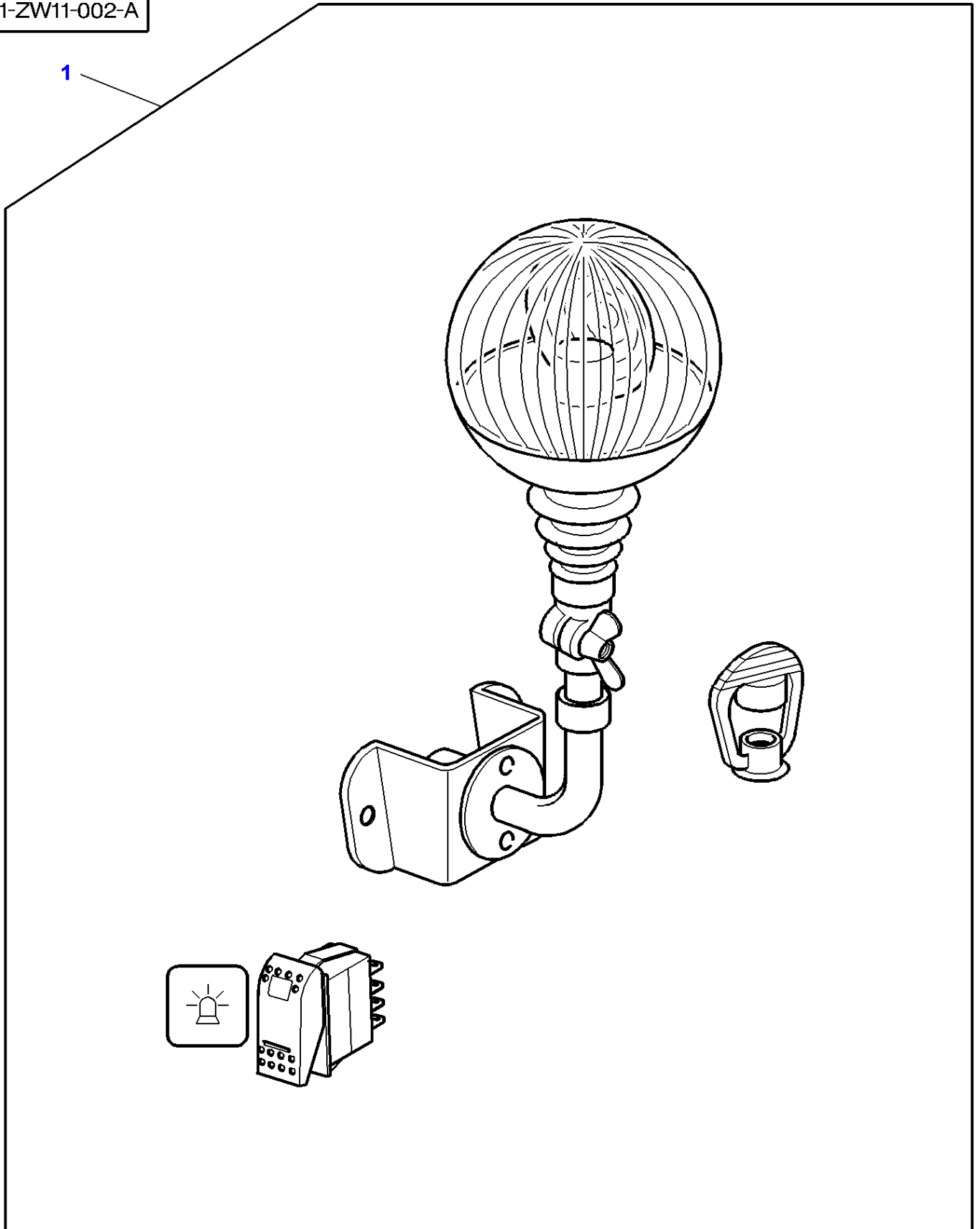
Seat Belt

Page 150-0145

Item	Part Number	Qty	Description
1	3781249M11	1	Accessory Code

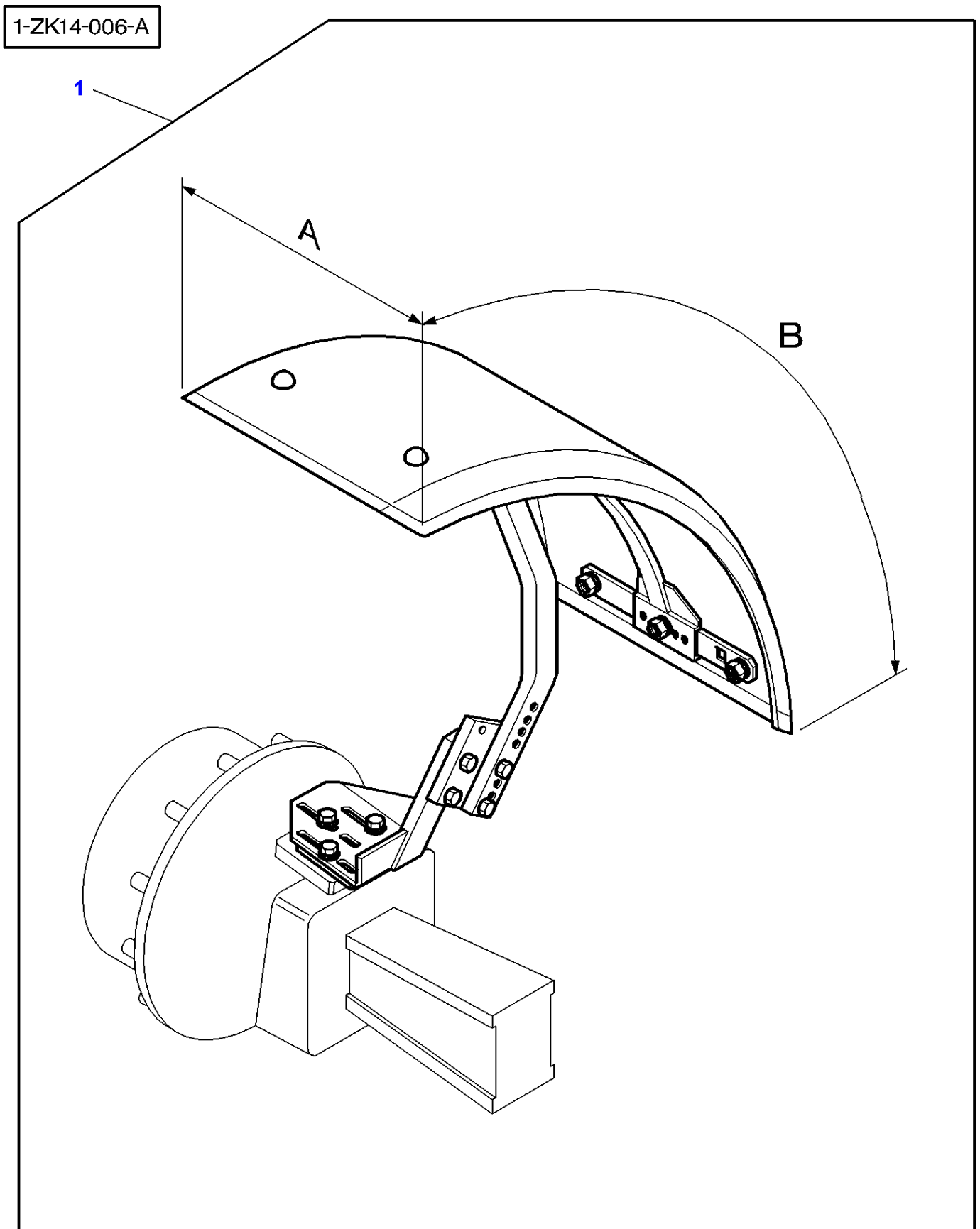
1-ZW11-002-A

1



ROTATING LIGHT

Item	Part Number	Qty	Description
1	3777324M11	1	Accessory Code



Massey Ferguson

MF 8210/8220 TRACTORS - 1637365

1637365

Front Axle 4 Wheel Drive - Mudguards And Supports - WITH DANA FRONT AXLE

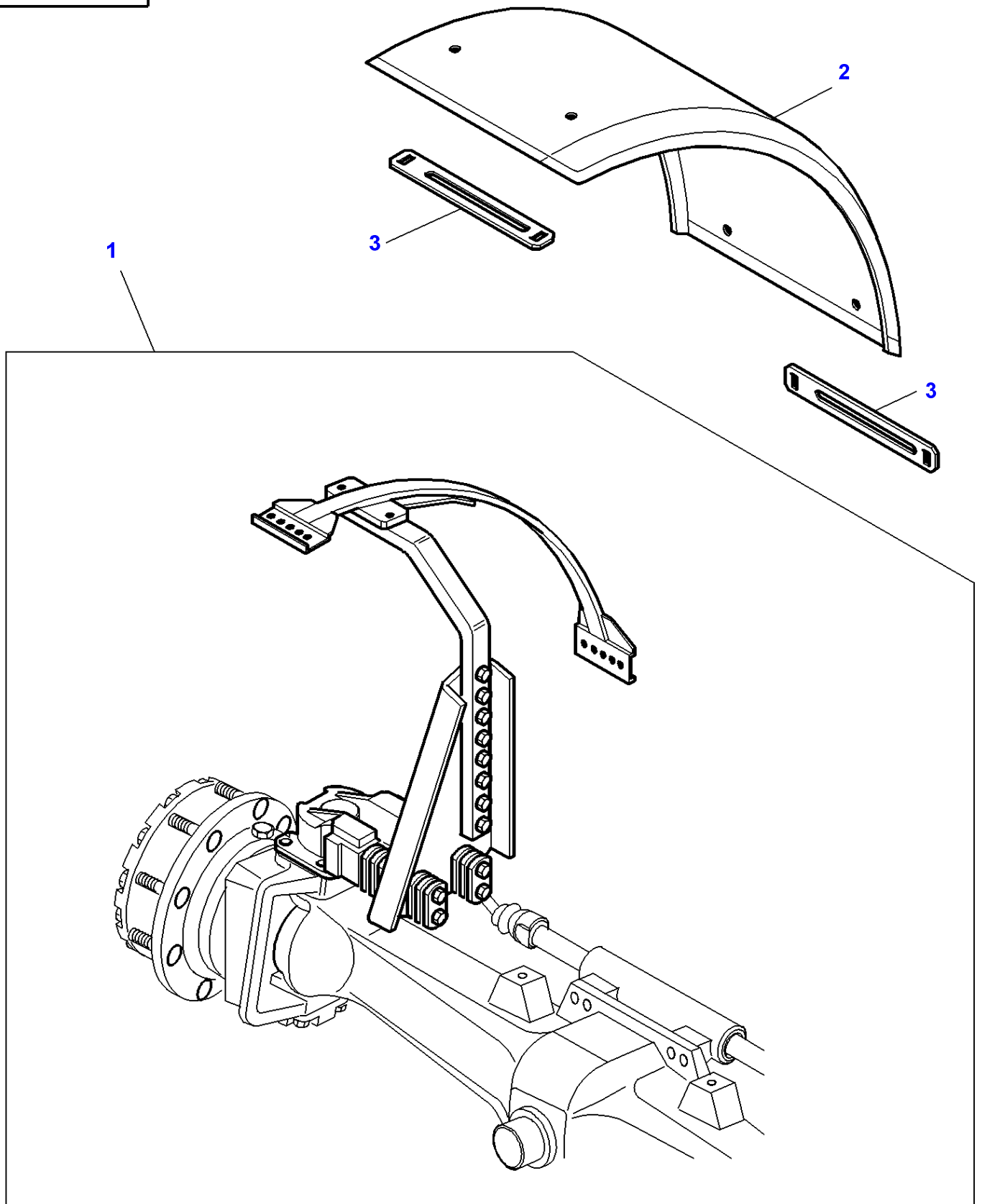
Page 150-0155

Item	Part Number	Qty	Description	Comments
1	3783927M11	1	Mudguard	A = 470 MM B = 1300 MM
	3783928M11	1	Mudguard	A = 520 MM B = 1550 MM
	3783929M11	1	Mudguard	A = 620 MM B = 1560 MM

FOOTNOTE [A] WITH DANA FRONT AXLE AG155

FOOTNOTE [B] WITH DANA FRONT AXLE AG200

1-ZK14-018-A

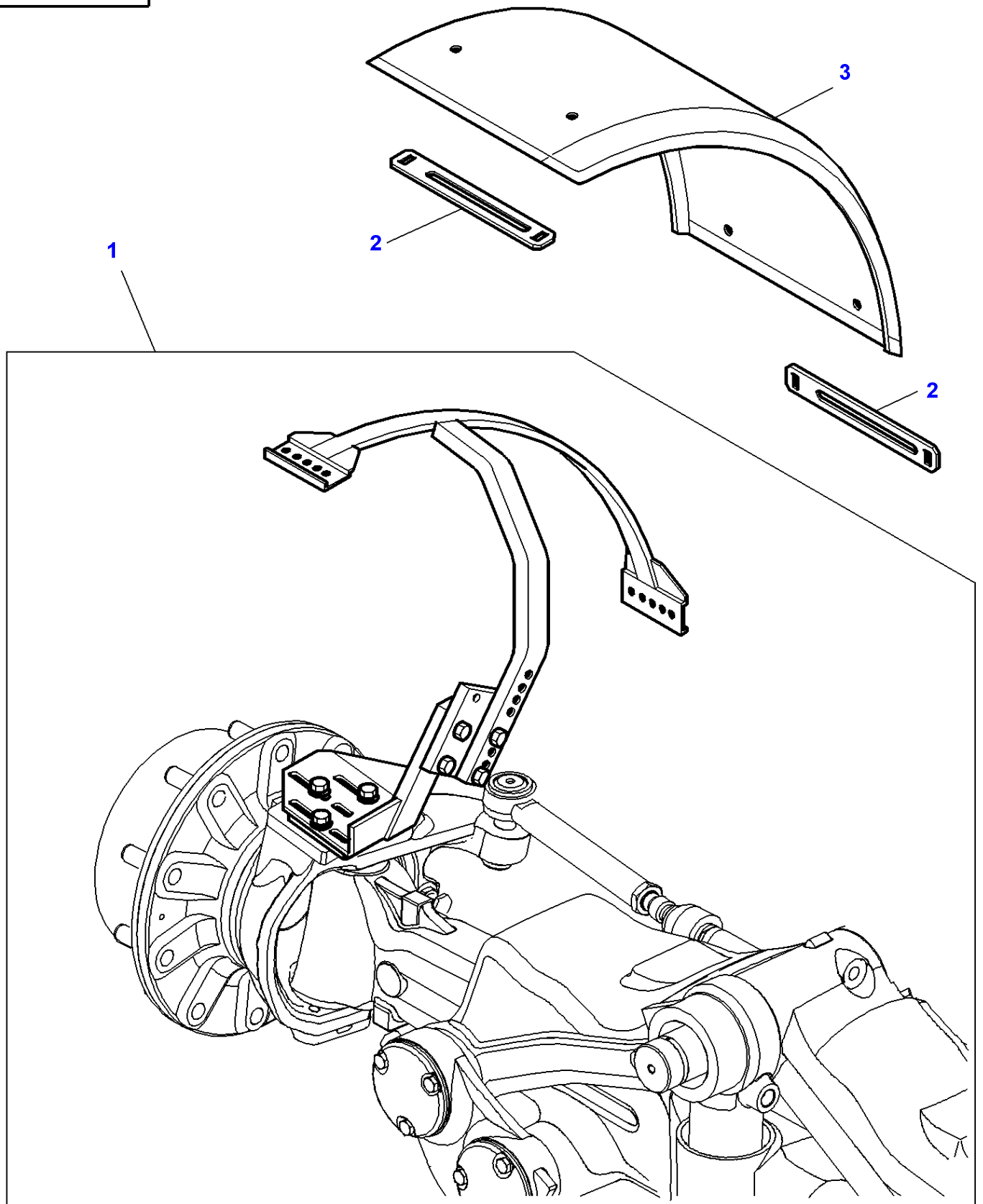


Massey Ferguson**MF 8210/8220 TRACTORS - 1637365****1637365****Front Axle 4 Wheel Drive - Mudguards And Supports - Pivoting - With DANA Front Axle****Page 150-0160**

Item	Part Number	Qty	Description	Comments
1	3785083M12	1	Accessory Code	
2	3619229M2	1	Fender	[A] Width 470 MM
	3779567M1	1	Fender	[A] Width 520 MM
	3780467M1	1	Fender	[A] Width 620 MM
3	3777586M2	2	Plate	[A] Length 340 MM
	3777587M2	2	Plate	[A] Length 400 MM
	3780468M2	2	Plate	[A] Length 448 MM

FOOTNOTE [A] NOT INCLUDED IN KIT

1-ZK14-016-A

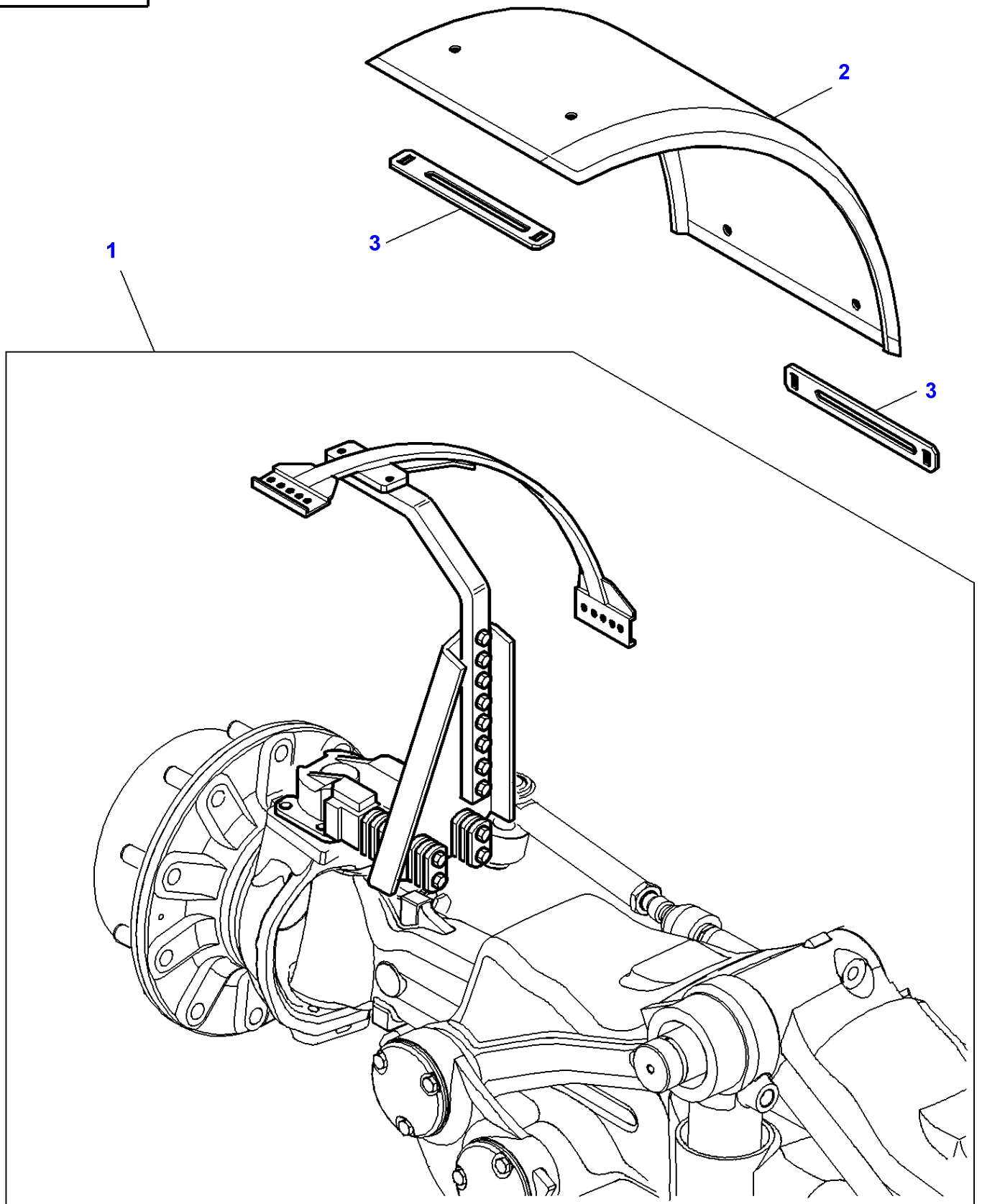


Massey Ferguson**MF 8210/8220 TRACTORS - 1637365****1637365****Front Axle 4 Wheel Drive - Mudguards And Supports - WITH CARRARO FRONT AXLE****Page 150-0165**

Item	Part Number	Qty	Description	Comments
1	3785927M11		Accessory Code	
2	3777586M2	2	Plate	[A] Length 340 MM
	3777587M2	2	Plate	[A] Length 400 MM
	3780468M2	2	Plate	[A] Length 448 MM
3	3619229M2	1	Fender	[A] Width 470 MM
	3779567M1	1	Fender	[A] Width 520 MM
	3780467M1	1	Fender	[A] Width 620 MM

FOOTNOTE [A] NOT INCLUDED IN KIT

1-ZK14-014-A

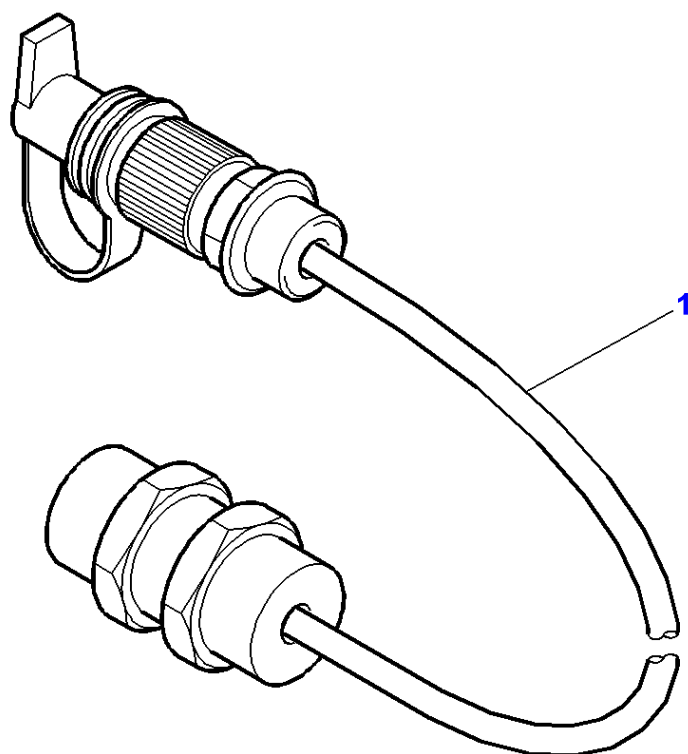


Massey Ferguson**MF 8210/8220 TRACTORS - 1637365****1637365****Front Axle 4 Wheel Drive - Mudguards And Supports - Pivoting - With CARRARO Front Axle****Page 150-0170**

Item	Part Number	Qty	Description	Comments
1	3785084M11	1	Accessory Code	
2	3619229M2	1	Fender	[A] Width 470 MM
	3779567M1	1	Fender	[A] Width 520 MM
	3780467M1	1	Fender	[A] Width 620 MM
3	3777586M2	2	Plate	[A] Length 340 MM
	3777587M2	2	Plate	[A] Length 400 MM
	3780468M2	2	Plate	[A] Length 448 MM

FOOTNOTE [A] NOT INCLUDED IN KIT

1-ZF85-001-A



Massey Ferguson

MF 8210/8220 TRACTORS - 1637365

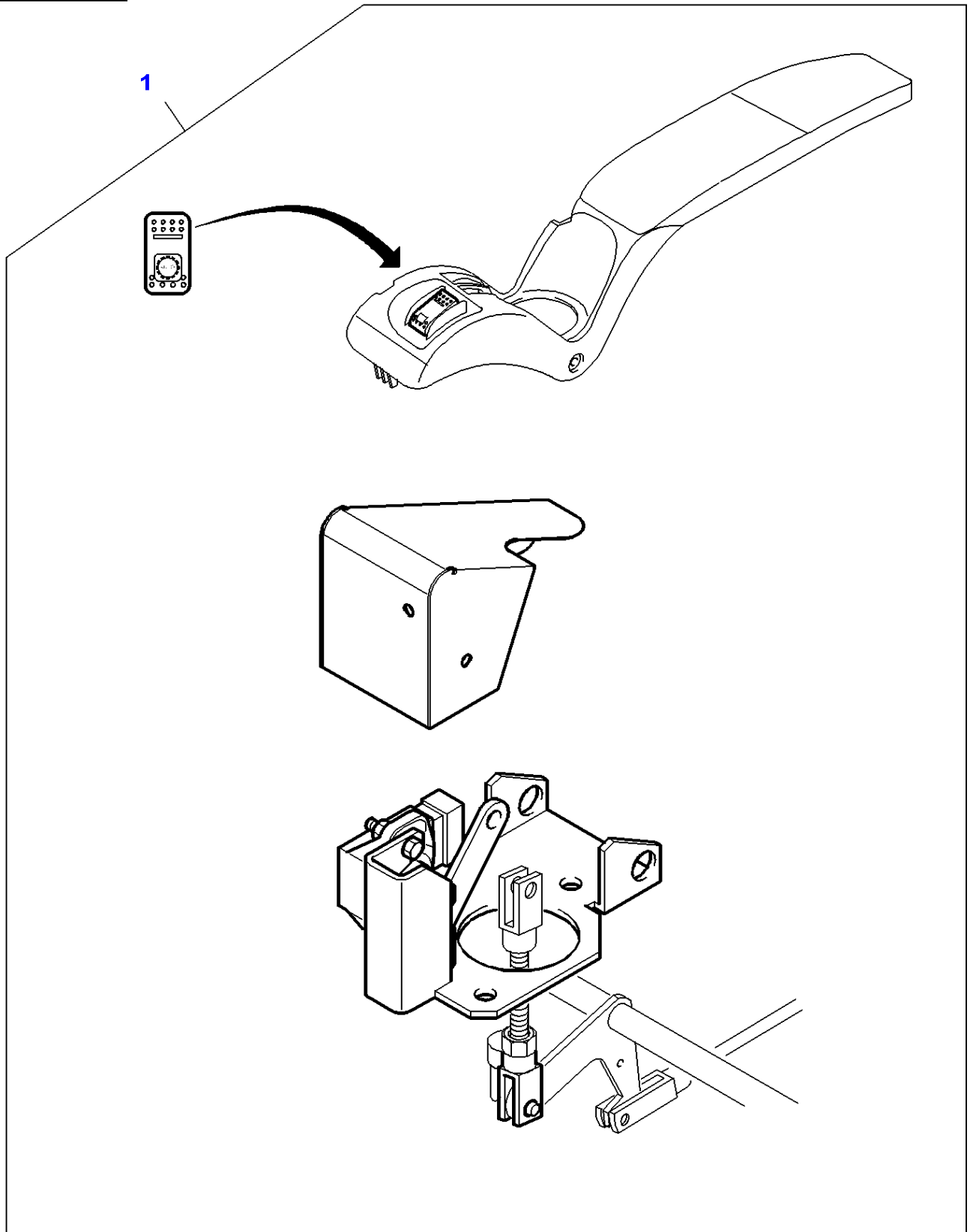
1637365

SENSOR HARNESS-REAR DUAL CONTROL - From Serial or Engine Number 08-01-2001

Page 150-0175

Item	Part Number	Qty	Description
1	3784995M91	1	Harness

1-ZF87-001-A



Massey Ferguson

MF 8210/8220 TRACTORS - 1637365

1637365

Autodrive - With Dynashift - From 08-01-2001

Page 150-0180

Item	Part Number	Qty	Description
1	3786104M11	1	Kit, Conversion



8220

MASSEY FERGUSON
MARCIGNY MOTOCULTURE

















