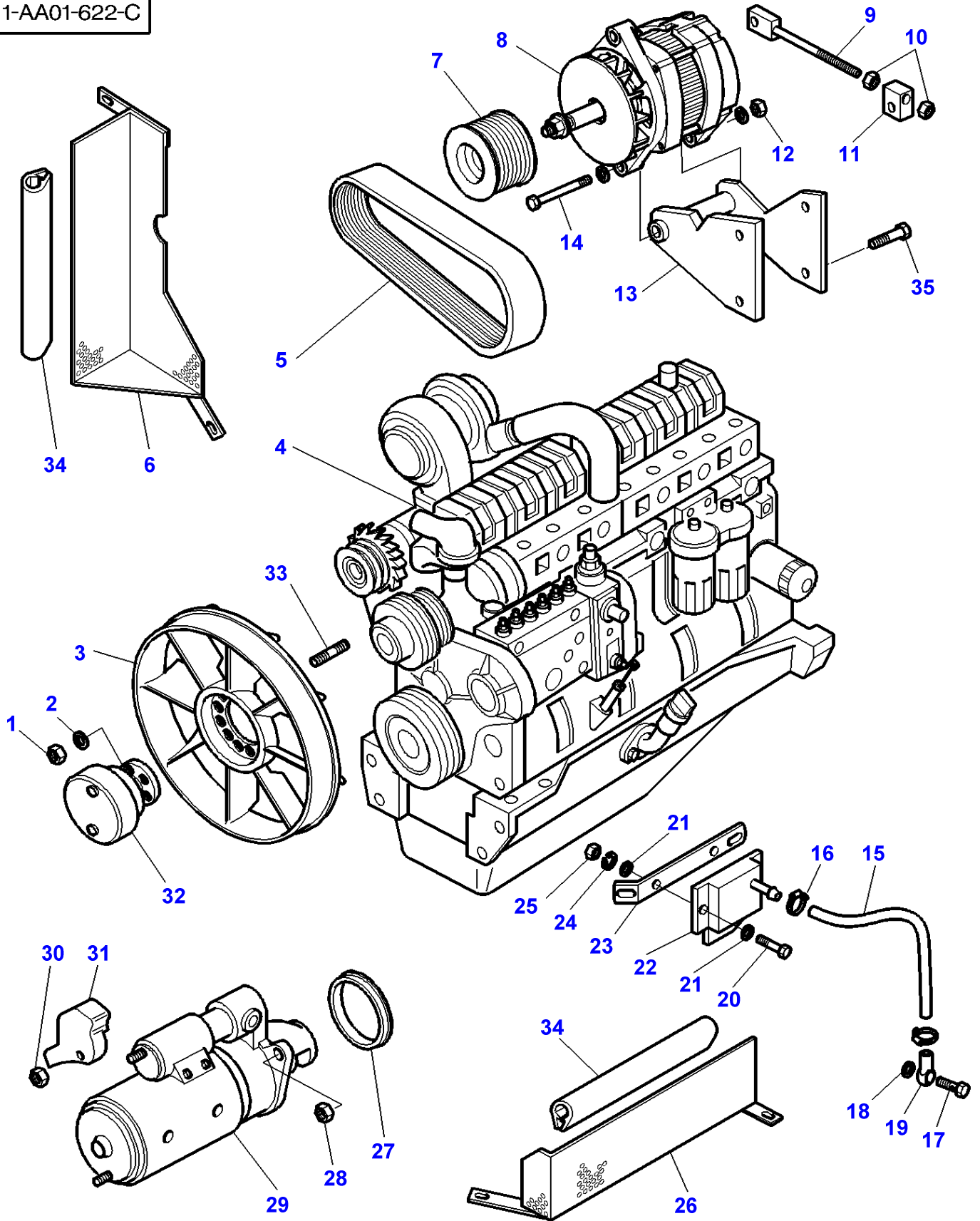


Page Title	Page Number
Engine	010-0005
Alternator	010-0010
Starter	010-0015
Heater - Engine Block	010-0020
Cylinder Block	010-0025
Cylinder Block Equipment	010-0030
Timing Gear Housing	010-0035
Flywheel Housing	010-0040
Crankshaft, Pistons And Connecting Rods	010-0045
Valve Mechanism And Camshaft	010-0050
Cylinder Head	010-0055
Cylinder Head Cover	010-0060
Thermostat	010-0065
Lubricating Oil Sump	010-0070
Lubricating Oil Pump	010-0075
Lubricating Oil Cooler And Filter	010-0080
Drive Shaft - Fan Engine	010-0085
Water Pump	010-0090
Injection Pump	010-0095
Stop Magnet	010-0100
Feed Pump	010-0105
Fuel Pipings	010-0110
Injector	010-0115
Fuel Filter	010-0120
Inlet And Exhaust Manifold	010-0125
Turbocharger - Pipes	010-0130
Cold Starting Device	010-0135
Belt Tensioner	010-0140
Engine Repair Kits - Piston- Cylinder Head With Valves	010-0145
Engine Gaskets Sets	010-0150
Batteries And Cables - Without Battery Cut-Off	010-0155
Cooling System - Air Conditioned Installation	010-0160
Cooling System -Air Conditioned - Sanden Compressor - Up to Serial or Engine Number - H152021	010-0165
Cooling System -Air Conditioned - Sanden Compressor - From Serial or Engine Number - H152022	010-0170
Cooling System - Engine	010-0175
Cooling System - Engine	010-0180
Cab Heating System - Engine Part	010-0185
Fuel System - Fuel Tank And Attachments	010-0190
Fuel System - Fuel Tank And Attachments - Additional Tank	010-0195
Fuel System - Fuel Tank And Attachments - Brackets And Guards - Up To H091014	010-0200
Fuel System - Fuel Tank And Attachments - Brackets And Guards - From H091015	010-0205
Fuel System - Pipes With Thermostart - With Additional Tank - With Fuel Debit	010-0210
Fuel System - Fuel Filter	010-0215
Air Filter - With Thermostart Equipment - 8160 / 200 HP PTO	010-0220
Air Filter - With Thermostart Equipment - 8170	010-0225
Air Filter - Dry - Dual Element - 8160 / 200 HP PTO	010-0230
Air Filter - Dry - Dual Element - 8170	010-0235
Exhaust System - Vertical	010-0240
Throttle Controls	010-0245
Throttle Controls	010-0250
Throttle Controls - Hand	010-0255

MF 8170 TRACTOR - 1637359
1-AA01-622-C

1-AA01-622-C



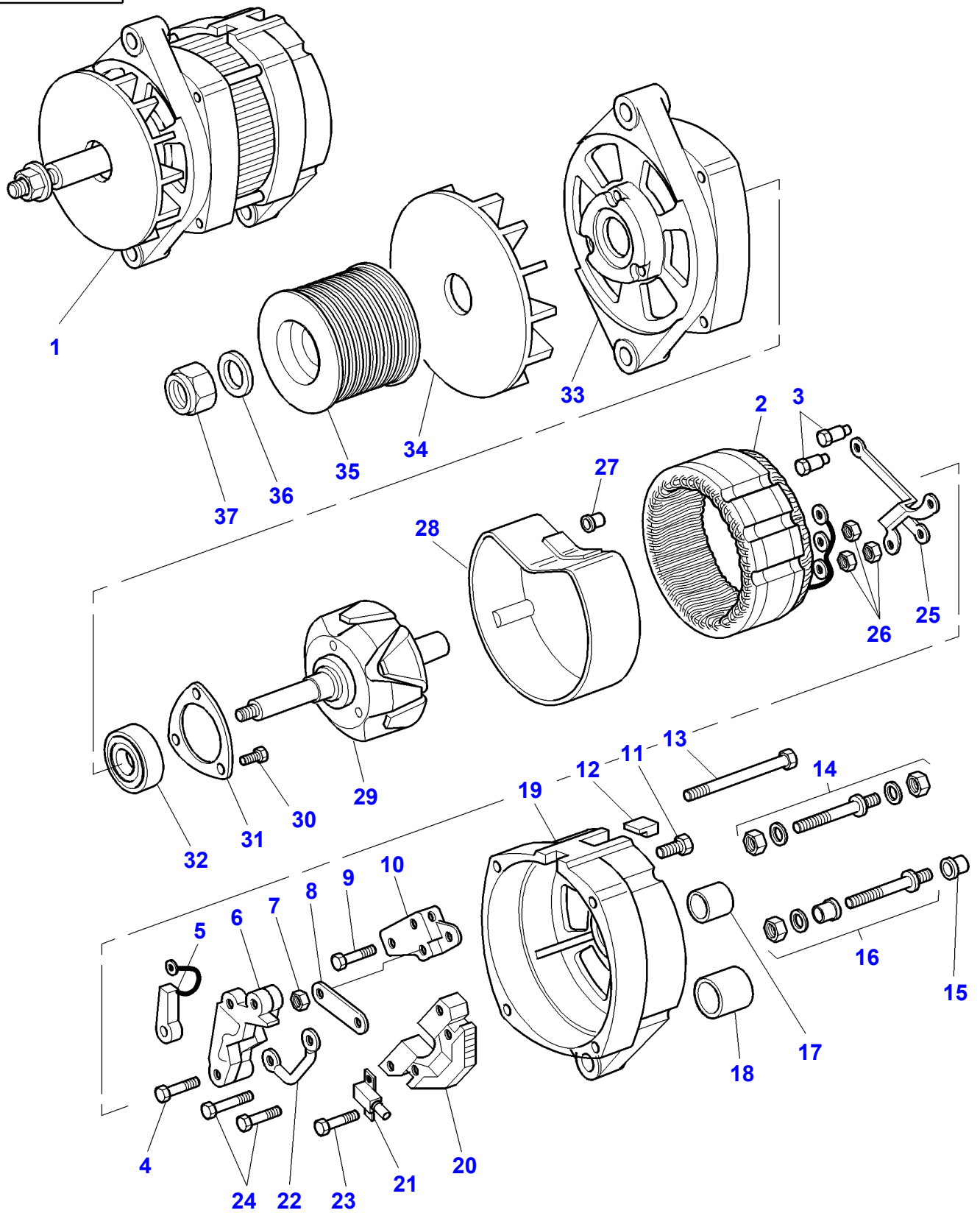
Engine

Item	Part Number	Qty	Description	Comments
1	1440329X1	6	Locknut	M10
2	390734X1	6	Washer	
3	3777244M1	1	Fan	
4	3777760M91	1	Engine	645 DSIE
5	V836859262	1	Belt	
6	3777415M2	1	Cowl	
7	3777253M1	1	Pulley	
8	71370306	1	Alternator	
9	3779474M1	1	Clevis Pin	
10	3009693X1	2	Nut Metric	
11	3779475M1	1	Clevis Pin	
12	375098X1	1	Nut Unc	
13	3779473M2	1	Support	
14	354679X1	1	Screw	1/2-13 X 153
15	3777331M1	1	Hydr Hose	
16	338612X1	2	Hose Clip	
17	3777549M1	1	Screw	
18	3007188X1	1	Gasket	
19	3777546M1	1	Union	
20	339262X1	2	Bolt Metric	M6X20
21	390971X1	4	Washer	
22	72502305	1	Transmitter	[A]
23	3777330M1	1	Support	
24	339375X1	2	Lock Washer	
25	339030X1	2	Nut Metric	
26	3777416M3	1	Cowl	
27	3778469M1	1	Spacer	
28	3009693X1	3	Nut Metric	
29	3777247M1	1	Startermotor	
30	3611638M1	1	Nut	Up to Serial or Engine Number G166015
31	3611662M1	1	Cover	Up to Serial or Engine Number G166015
	3780936M1	1	Cover	From Serial or Engine Number G166016
32	3777245M2	1	Clutch	
33	391005X1	6	Stud	M10X25
34	3616268M1	1	Gasket	Length 350MM
	3714513M1	1	Gasket	Length 450MM
35	339123X1	2	Hex. Sock. Screw	M8X20
	339291X1	2	Hex. Sock. Screw	M8X55

FOOTNOTE [A] TURBO PRESSURE TRANSDUCER

MF 8170 TRACTOR - 1637359
1-AC33-003-A

1-AC33-003-A



Massey Ferguson
MF 8170 TRACTOR - 1637359

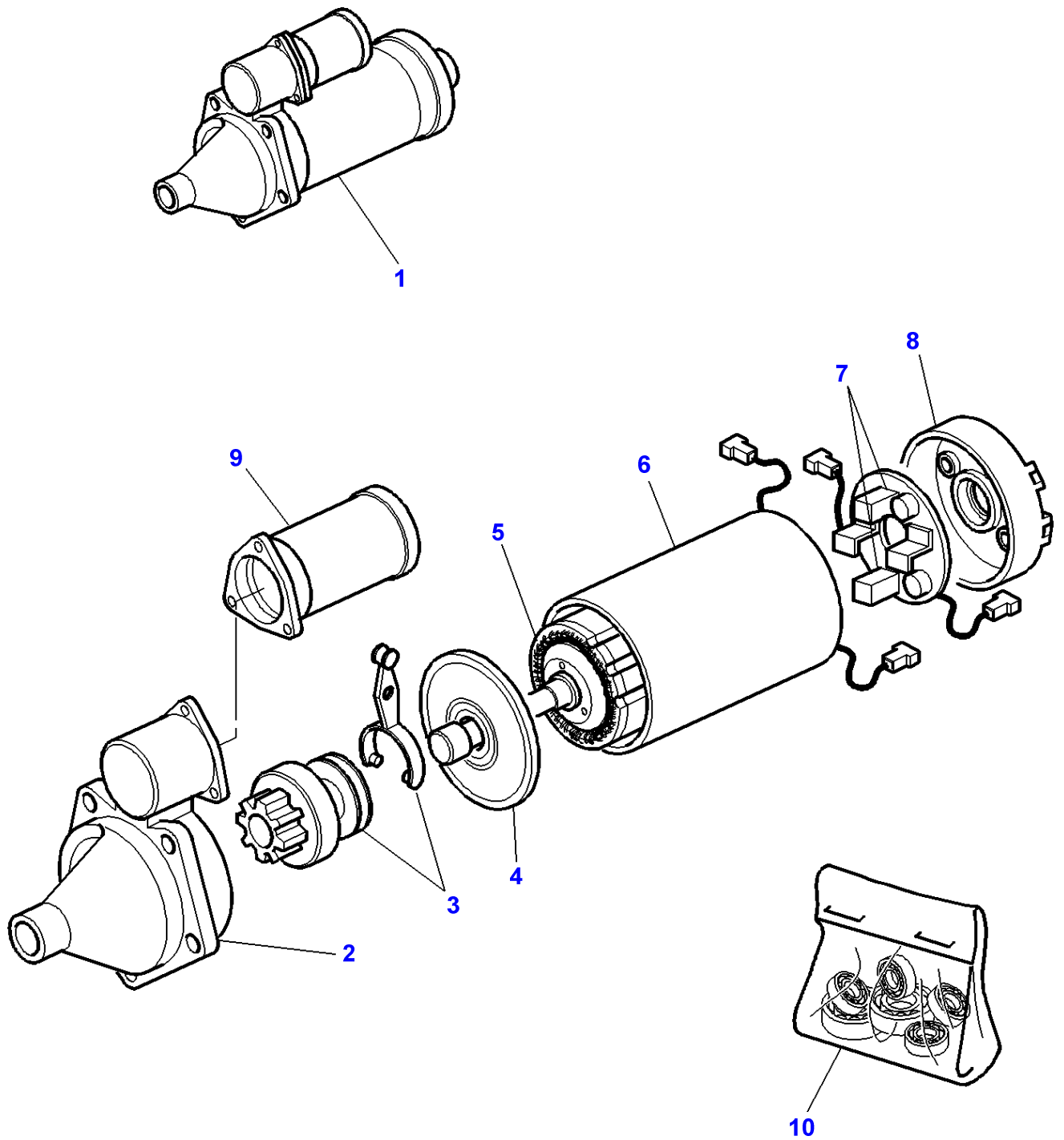
1637359

Page010-0010

Alternator

Item	Part Number	Qty	Description	Comments
1	71370306	1	Alternator	
2	71370855	1	Stator	(1)
3	71173328	2	Kit, Screw	(1)
4	71327160	1	Screw	(1)
5	71370867	1	Brush	(1)
6	71370866	1	Holder	(1)
7	355564X1	1	Nut Unc	(1)
8	71370863	1	Connector	(1)
9	70918268	1	Washer	(1)
10	71370860	1	Regulator	(1)
11	71370880	1	Screw	(1)
				8-32X1 3/4
	71370881	1	Screw	(1)
				1/4-20X2
	70921880	1	Washer	(1)
12	71370570	1	Tube	(1)
13	71370879	4	Screw	(1)
				10-24 X 2 1/2
14	71370861	1	Kit, Rod	(1)
15	30-3413926	1	Cap	(1)
16	71370862	1	Kit, Rod	(1)
17	72162794	1	Bearing	(1)
18	30-3413918	1	Bush	(1)
19	71370852	1	Frame	(1)
20	71370858	1	Diode	(1)
21	71370865	1	Capacitor	(1)
22	71370864	1	Connector	(1)
23	71370877	1	Screw	(1)
				8-32 X 1 1/8
24	71370874	3	Screw	(1)
				8-32 X 1
25	71370859	1	Diode	(1)
26	70917385	3	Nut	(1)
				8-32
27	72506418	2	Stub	(1)
28	71370808	1	Cover	(1)
29	71370854	1	Rotor	(1)
30	71370878	3	Screw	(1)
				8 X 1/2
31	71370868	1	Plate	(1)
32	30-3413837	1	Bearing	(1)
33	71370856	1	Frame	(1)
34	71370872	1	Fan	(1)
35	3777253M1	1	Pulley	(1)
36	70918268	1	Washer	(1)
37	70930986	1	Nut	(1)

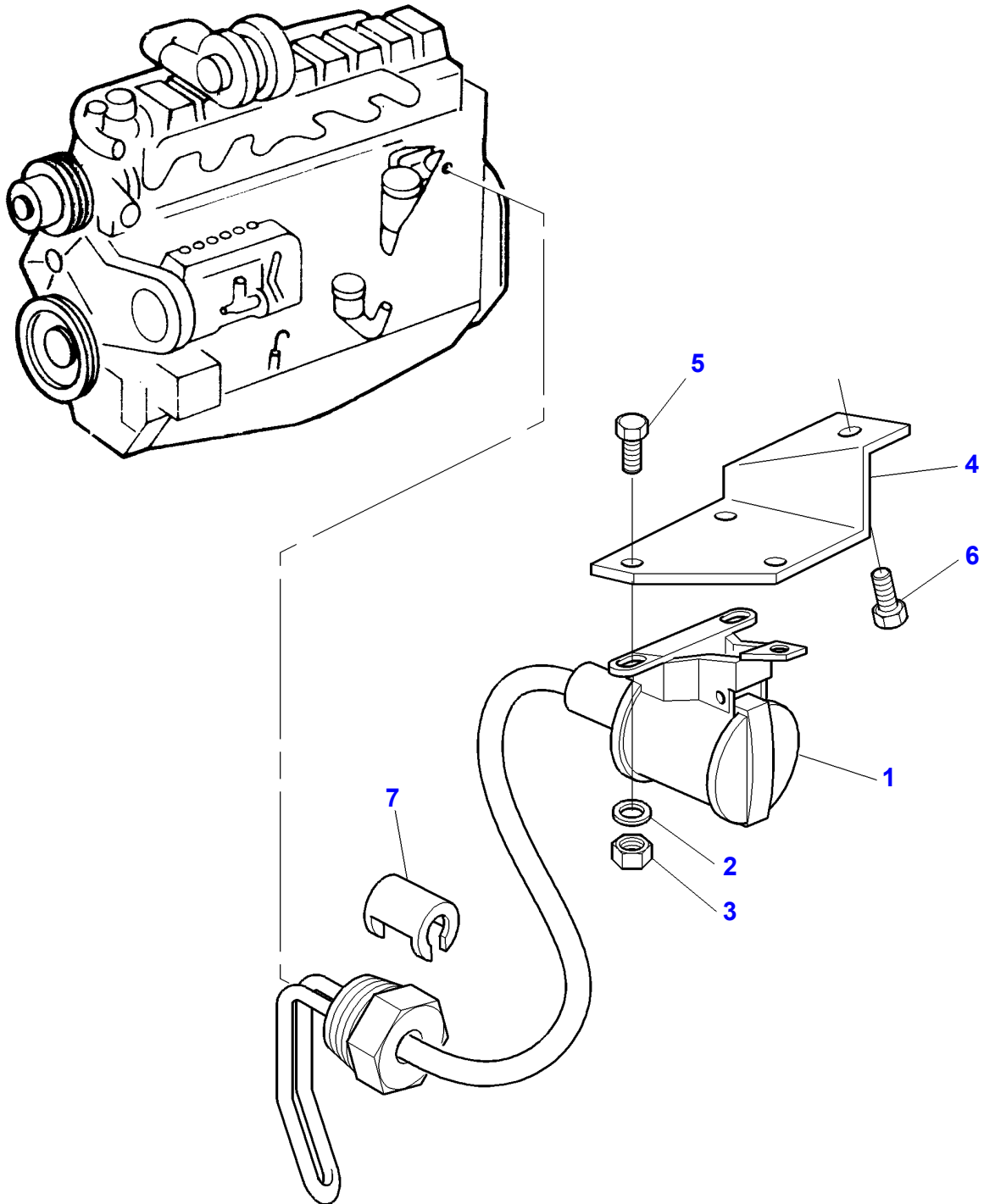
1-AC37-603-A



Starter

Item	Part Number	Qty	Description	Comments
1	3777247M1	1	Statermotor	
2	3903008M91	1	Bracket	(1)
3	3903012M91	1	Drive	(1) Number of teeth/spines 10
4	3903015M1	1	Bearing Plate	(1)
5	3903011M1	1	Armature	(1)
6	3903010M91	1	Coil	(1)
7	3903013M91	1	Kit, Brush	(1)
8	3903009M91	1	Bracket	(1)
9	3902929M1	1	Solenoid	(1)
10	3903014M91	X	Kit, Bush	

1-AC38-602-C

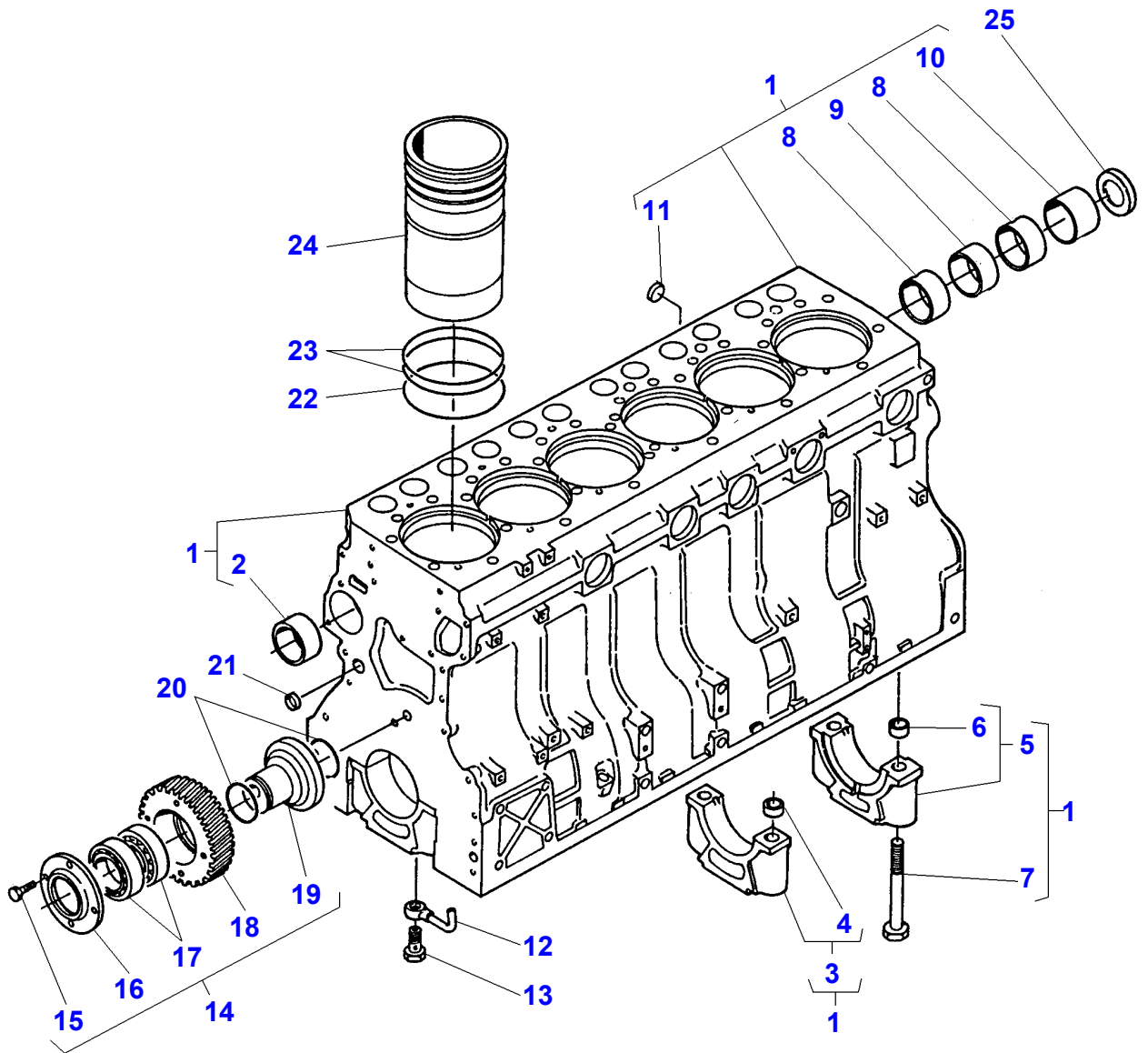


Massey Ferguson**MF 8170 TRACTOR - 1637359****1637359****Heater - Engine Block****Page010-0020**

Item	Part Number	Qty	Description	Comments
1	3615752M2	1	Element	
2	3006154X1	3	Washer	
3	1443615X1	3	Nut Metric	
4	3615753M1	1	Support	
5	3009531X1	3	Screw Metric	M4X12
6	339124X1	1	Hex. Sock. Screw	
7	3611974M1	1	Clip	

MF 8170 TRACTOR - 1637359
1-LA01-605-A

1-LA01-605-A



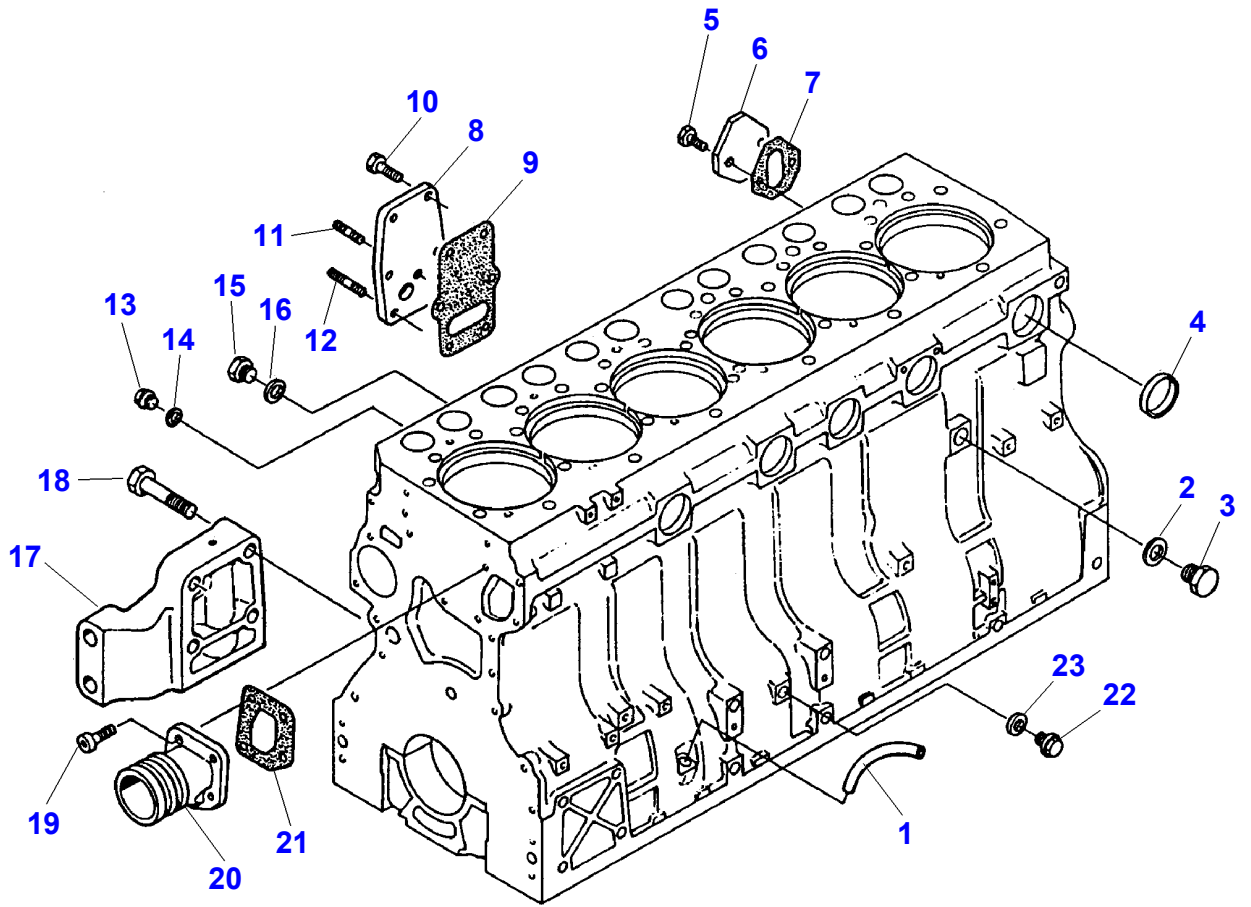
Cylinder Block

Item	Part Number	Qty	Description	Comments
1	V836859155	1	Cylinder Block	
2	V836322610	1	Bush	(1)
3		6	Bearing Carrier	[A] (1)
4	V836214478	2	Bush	(3)
5		1	Bearing Carrier	[A] (1)
6	V836214478	2	Bush	(5)
7	V529903180	14	Screw	(1)
8	V836852460	2	Bush	(1)
9	V836852459	1	Bush	(1)
10	V836852461	1	Bush	(1)
11	V640016018	1	Plug	(1)
12	V836846231	6	Pipe	
13	V836338601	6	Valve	
14	V836859165	1	Gear	
15	V528801380	4	Screw	(14) M8X20
16	V836859164	1	Flange	(14)
17	V610071079	2	Bearing	(14)
18	V836859163	1	Gear	(14)
19	V836859162	1	Shaft	(14)
20	V614603024	2	O Ring	
21	V640016016	4	Plug	
22	V836855447	6	O Ring	
23	V836855446	12	O Ring	
24	V836855445	6	Liner	
25	V836852744	4	Plug	

FOOTNOTE [A] NUMBER TO BE ADVISED

MF 8170 TRACTOR - 1637359
1-LA02-606-A

1-LA02-606-A



Massey Ferguson**MF 8170 TRACTOR - 1637359**

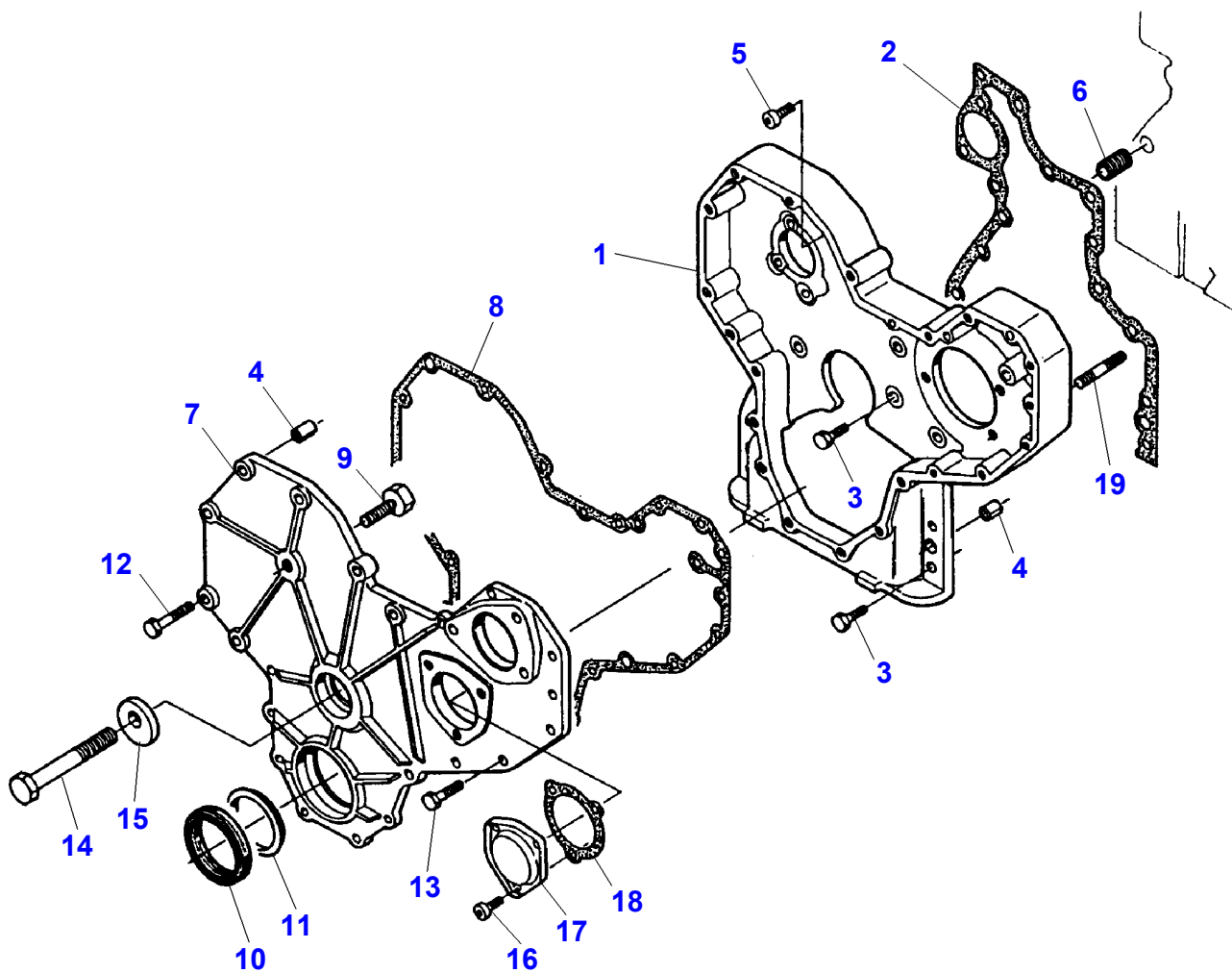
1637359

Cylinder Block Equipment

Page010-0030

Item	Part Number	Qty	Description	Comments
1	V836855997	1	Pipe	
2	V615881824	1	Seal	
3	V836019756	1	Plug	
4	V640016040	5	Plug	
5	V528801362	2	Screw	M8X16
6	V836647400	1	Cover	
7	V836647401	1	Gasket	
8	V836855678	1	Cover	
9	V836322852	1	Gasket	
10	V528801380	5	Screw	M8X20
11	V546801360	1	Stud	M8X16
12	V546801400	1	Bolt	M8X25
13	V640325110	5	Plug	
14	V615571014	5	Seal	
15	V836119079	1	Plug	
16	V615881620	1	Seal	
17	V836338483	1	Support	Right Hand
	V836338482	1	Support	Left Hand
18	V529802280	8	Screw	
19	V581804600	4	Screw	
20	V836855629	1	Sleeve	
21	V836855554	1	Gasket	
22	V640325014	1	Plug	
23	V615881420	1	Gasket	

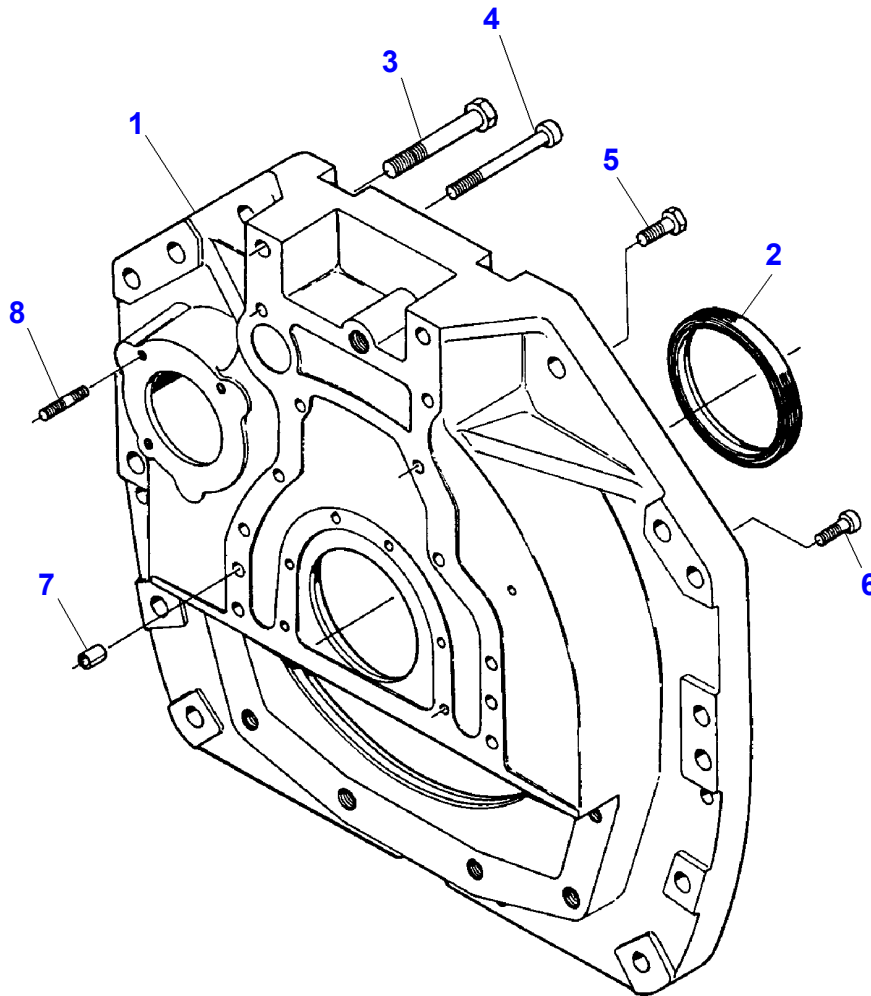
1-LA03-607-A



Massey Ferguson**MF 8170 TRACTOR - 1637359****1637359****Page010-0035****Timing Gear Housing**

Item	Part Number	Qty	Description
1	V836859150	1	Housing
2	V836647419	1	Gasket
3	V528801400	15	Screw
4	V598359850	4	Pin
5	V581804620	1	Screw
6	V836859153	1	Stud
7	V836859151	1	Cover
8	V836859152	1	Gasket
9	V836859160	1	Restrictor
10	V836840883	1	Gasket
11	V836855636	1	Gasket
12	V529801430	3	Screw
13	V528801410	14	Adjusting Screw
14	V529902730	1	Screw
15	V836859161	1	Bridle
16	V581804570	3	Screw
17	V836136717	1	Cover
18	V836129946	1	Gasket
19	V546801860	4	Stud

1-LA04-604-A

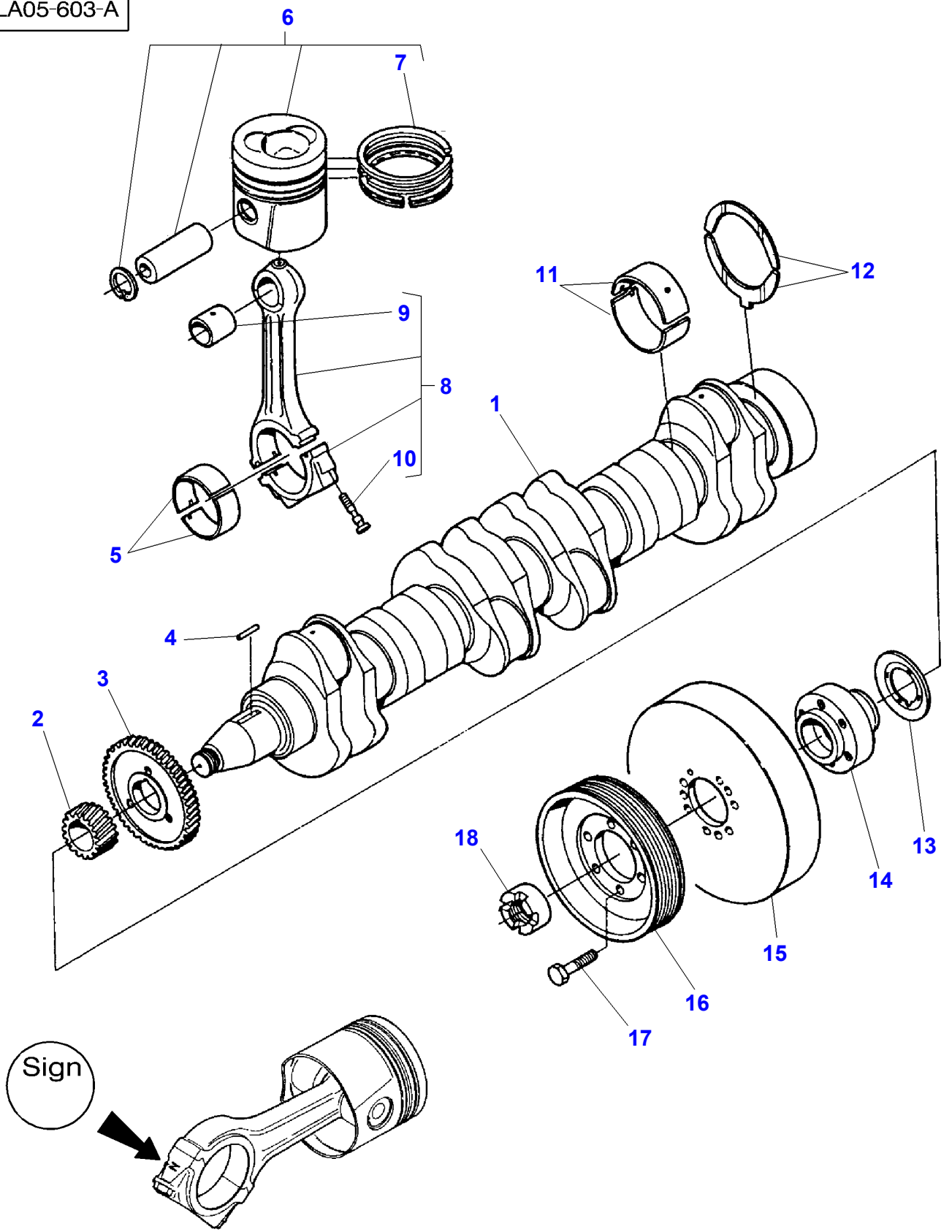


Massey Ferguson**MF 8170 TRACTOR - 1637359****1637359****Flywheel Housing****Page010-0040**

Item	Part Number	Qty	Description
1	V836855925	1	Cover
2	V836840884	1	Seal
3	V529803160	2	Screw
4	V529802360	2	Screw
5	V528902230	8	Screw
6	V581705030	6	Screw
7	V598359850	2	Pin
8	V546801800	3	Stud

MF 8170 TRACTOR - 1637359
1-LA05-603-A

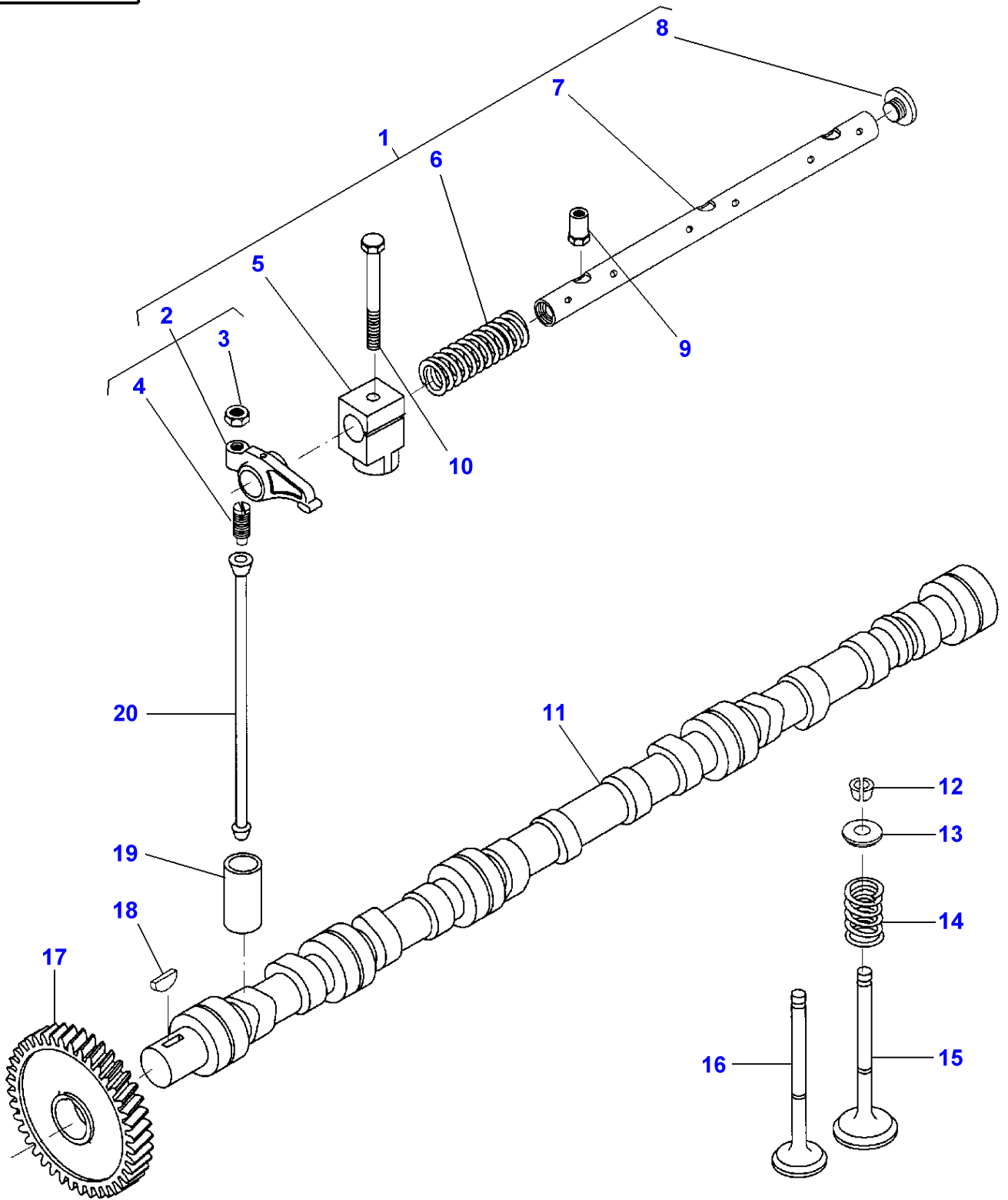
1-LA05-603-A



Crankshaft, Pistons And Connecting Rods

Item	Part Number	Qty	Description	Comments
1	V836855910	1	Crankshaft	
2	V836855559	1	Gear	
3	V836855558	1	Gear	
4	V836855525	1	Key	
5	V836336302	6	Bearing	STANDARD
	V836338650	X	Bearing	Diameter 72,731MM 72,750MM
	V836338651	X	Bearing	Diameter 72,481MM 72,500MM
	V836338652	X	Bearing	Diameter 71,981MM 72,000MM
	V836338653	X	Bearing	Diameter 71,481MM 71,500MM
6	V836840886	6	Piston	
7	V836840887	1	Kit, Piston Ring	(6)
8	V836355175	X	Conrod	2931-2950g C
	V836355176	X	Conrod	2951-2970g D
	V836352751	X	Conrod	2971-2990g E
	V836352752	X	Conrod	2991-3010g F
	V836352753	X	Conrod	3011-3030g G
	V836352754	X	Conrod	3031-3050g H
	V836352755	X	Conrod	3051-3070g I
	V836352756	X	Conrod	3071-3090g J
	V836352757	X	Conrod	3091-3110g K
	V836352758	X	Conrod	3111-3130g L
	V836352759	X	Conrod	3131-3150g M
	V836352760	X	Conrod	3151-3170g N
	V836352761	X	Conrod	3171-3190g O
	V836352762	X	Conrod	3191-3210g P
	V836352763	X	Conrod	3211-3230g R
	V836352764	X	Conrod	3231-3250g S
	V836352765	X	Conrod	3251-3270g T
	V836352766	X	Conrod	3271-3290g U
	V836352767	X	Conrod	3291-3310g V
	V836352768	X	Conrod	3311-3330g X
	V836352769	X	Conrod	3331-3350g Y
	V836352770	X	Conrod	3351-3370g Z
9	V836336297	1	Bush	(8)
10	V836336296	2	Screw	(8)
11	V836840944	7	Bearing	STANDARD
	V836840978	X	Bearing	Diameter 89,735MM 89,770MM
	V836840979	X	Bearing	Diameter 89,485MM 89,520MM
	V836840980	X	Bearing	Diameter 88,985MM 89,020MM
	V836840981	X	Bearing	Diameter 88,485MM 88,520MM
12	V836840945	2	Thrust Washer	STANDARD
	V836840982	X	Thrust Washer	0,1MM
	V836840983	X	Thrust Washer	0,2MM
13	V836855637	1	Ring	
14	V836855641	1	Hub	
15	V836840882	1	Shock Absorber	
16	V836855690	1	Pulley	
17	V528802220	6	Screw	
18	V836322221	1	Nut	

1-LA06-602-A

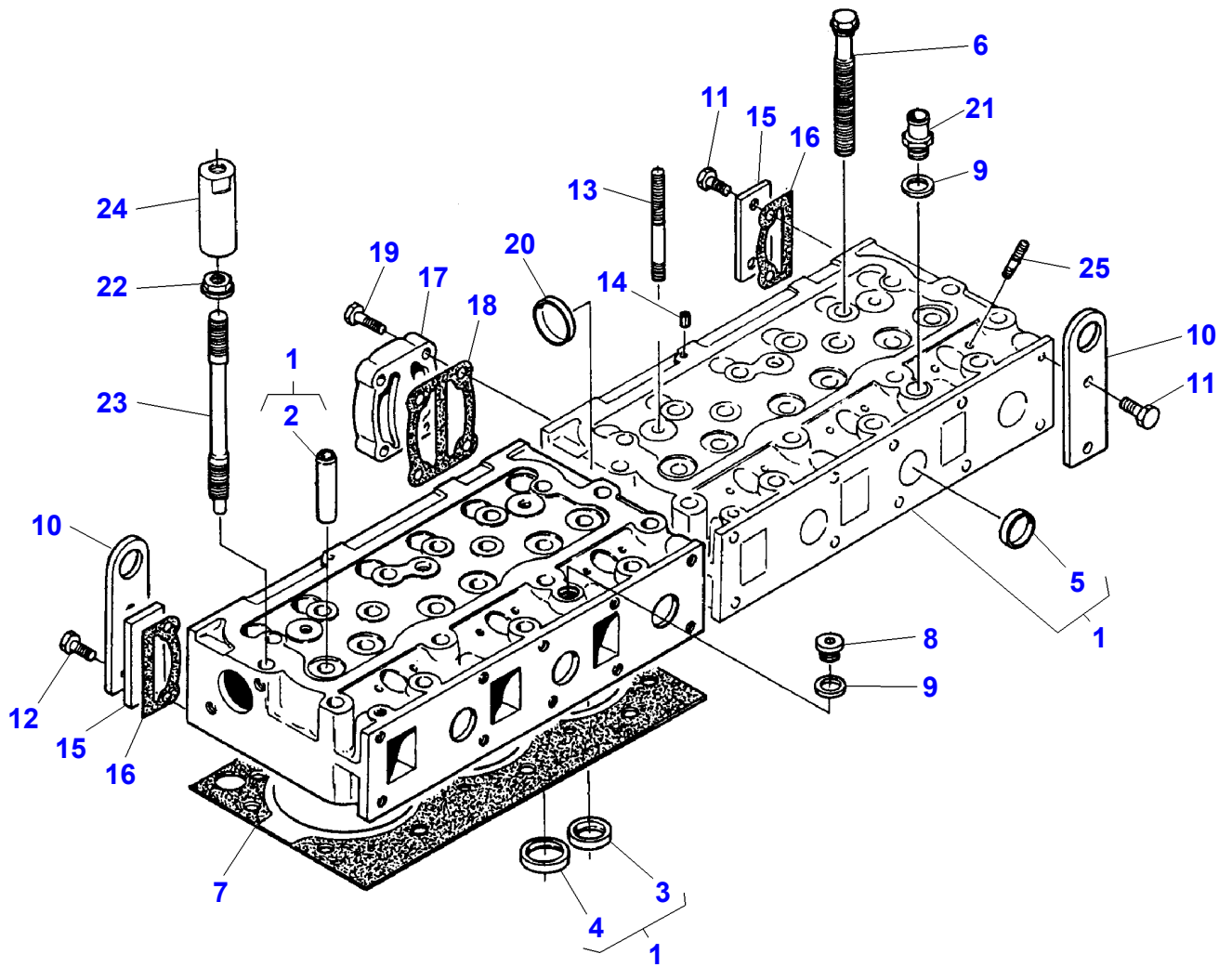


Valve Mechanism And Camshaft

Item	Part Number	Qty	Description	Comments
1	V836655911	2	Rocker Shaft	
2	V836655873	6	Rocker	(1)
3	V512861000	6	Nut	(2)
4	V836655866	6	Screw	(2)
5	V836655869	3	Bracket	(1)
6	V836655884	2	Spring	(1)
7	V836655870	1	Shaft	(1)
8	V836655899	2	Plug	(1)
9	V836655406	4	Nut	
10	V529801910	2	Screw	
11	V836846376	1	Camshaft	
12	V836646382	24	Cotter	
13	V836646381	12	Cup	
14	V836646380	12	Spring	
15	V836646356	6	Valve Inlet	
16	V836646357	6	Valve Exhaust	
17	V836855568	1	Gear	
18	V603305760	1	Key	
19	V836014264	12	Tappet	
20	V836355872	12	Rod	

MF 8170 TRACTOR - 1637359
1-LA07-606-A

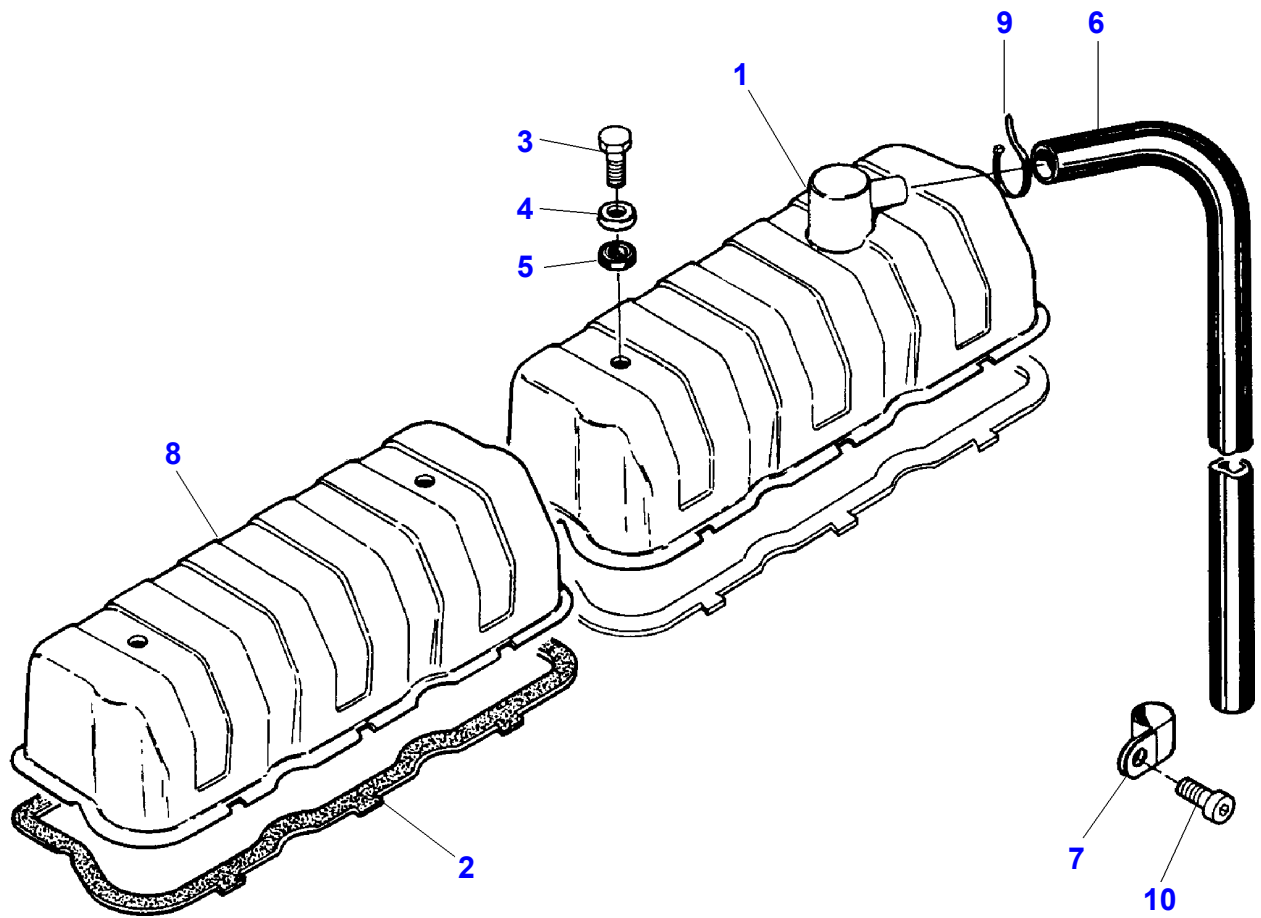
1-LA07-606-A



Cylinder Head

Item	Part Number	Qty	Description	Comments
1	V836640897	2	Cylinder Head	
2	V836647601	6	Guide	(1)
3	V836647600	3	Pressure Valve	(1)
4	V836647936	3	Pressure Valve	(1)
5	V836647942	5	Plug	(1)
6	V836859104	32	Screw	
7	V836855740	2	Gasket	
8	V640325018	1	Plug	
9	V615881822	2	Seal	
10	V836859722	2	Plate	Replace and repair. Old not interchangeable with new V836855349
11	V528801800	4	Screw	
12	V528801820	2	Screw	
13	V546801900	4	Stud	
14	V595953360	2	Pin	
15	V836855350	2	Plate	
16	V836855417	2	Gasket	
17	V836855348	1	Spacer	
18	V836855418	1	Gasket	
19	V528801830	4	Screw	
20	V640016045	1	Plug	
21	V836119837	1	Union	
22	V836859110	2	Nut	Replace and repair. Old not interchangeable with new V836647322
23	V836859109	2	Stud	Replace and repair. Old not interchangeable with new V836647321
24	V836647835	2	Nut Special	
25	V546901435	12	Stud	

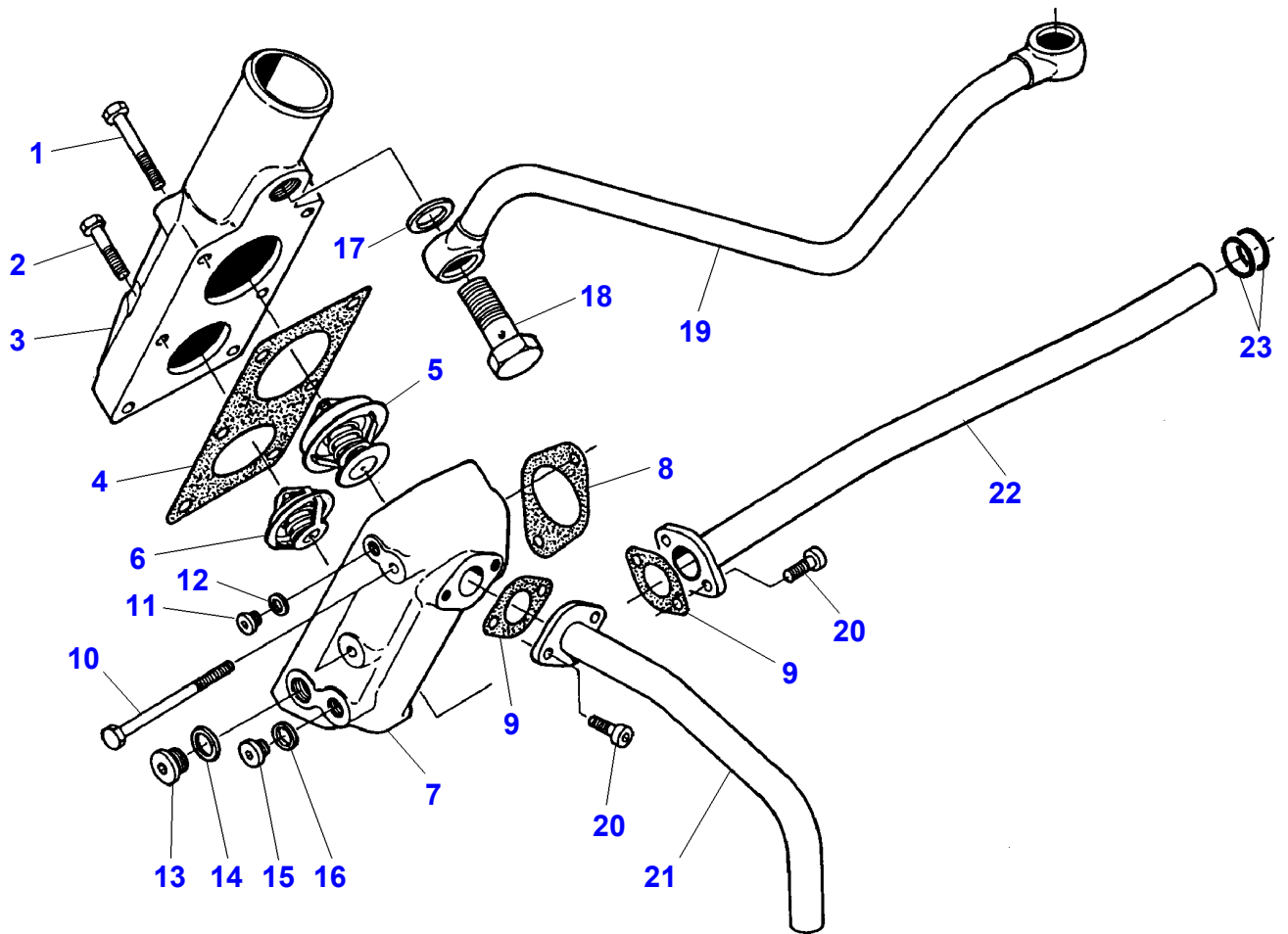
1-LA08-604-A



Massey Ferguson**MF 8170 TRACTOR - 1637359****1637359****Cylinder Head Cover****Page010-0060**

Item	Part Number	Qty	Description
1	V836646359	1	Valve Cover
2	V836646360	2	Gasket
3	V528801780	4	Screw
4	V836119855	4	Washer
5	V836012841	4	Gasket
6	V836755007	1	Pipe
7	V602074528	1	Clamp
8	V836846448	1	Valve Cover
9	V835329746	1	Clamp
10	V581804980	1	Screw

1-LA09-603-A



Thermostat

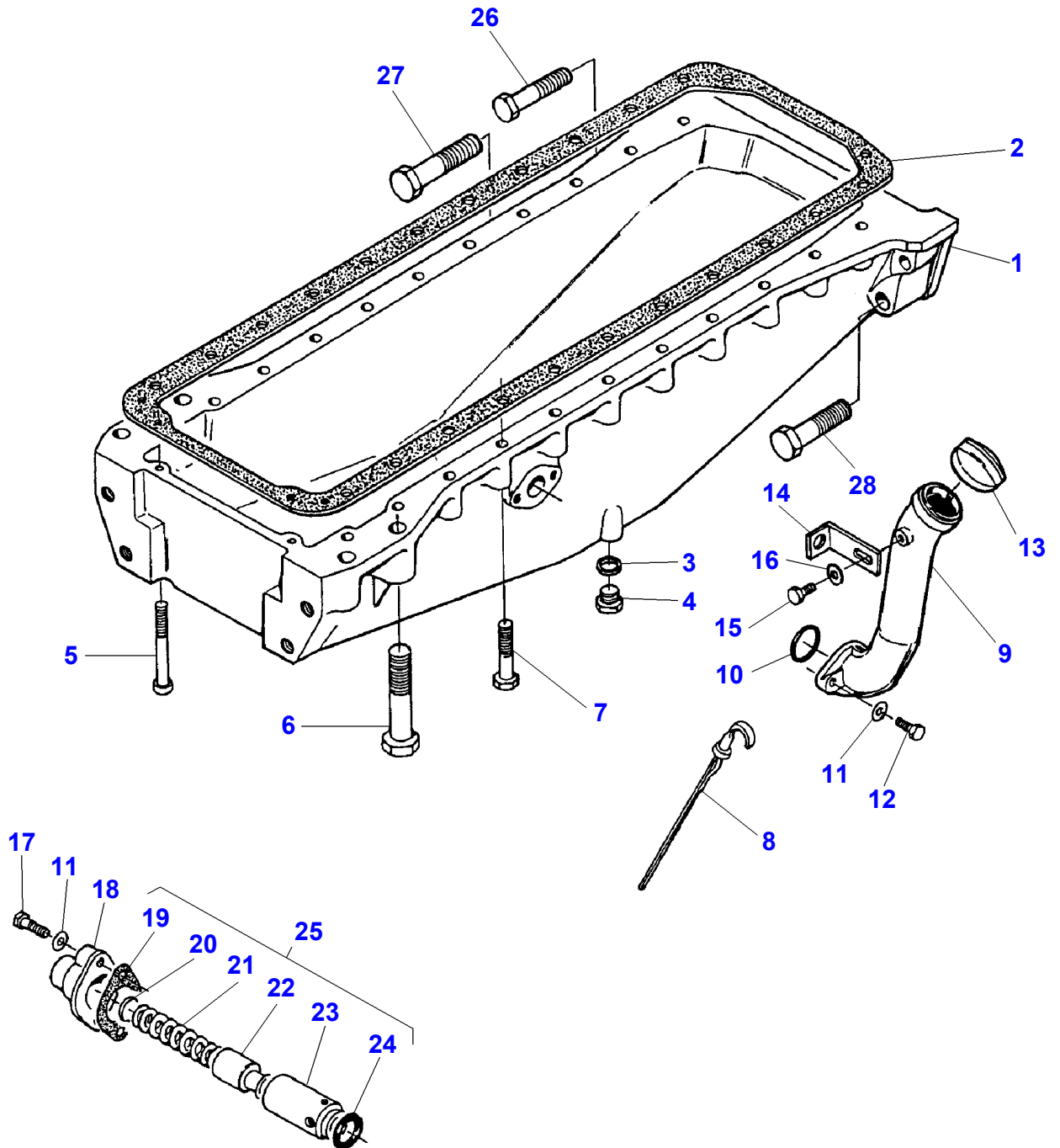
Item	Part Number	Qty	Description	Comments
1	V529801470	2	Screw	M8X60
2	V529801430	4	Screw	M8X40
3	V836855777	1	Pipe	
4	V836855603	1	Gasket	
5	V836352903	1	Thermostat	[A]
6	V836015156	1	Thermostat	[B]
7	V836855601	1	Housing	
8	V836646393	1	Gasket	
9	V836322190	2	Gasket	
10	V529801550	2	Screw	M8X100
11	V640325110	1	Plug	
12	V615571014	1	Seal	
13	V640325018	1	Plug	
14	V615881822	1	Seal	
15	V640325014	1	Plug	
16	V615881418	1	Seal	
17	V615882227	4	Gasket	
18	V640435018	2	Banjo Fitting	
19	V836859197	1	Pipe	
20	V581804600	4	Screw	M8X20
21	V836855672	1	Pipe	
22	V836855639	1	Pipe	
23	V614602430	2	O Ring	

FOOTNOTE [A] OPENS AT 83 DEGREES

FOOTNOTE [B] OPENS AT 79 DEGREES

MF 8170 TRACTOR - 1637359
1-LA10-603-A

1-LA10-603-A



Massey Ferguson
MF 8170 TRACTOR - 1637359

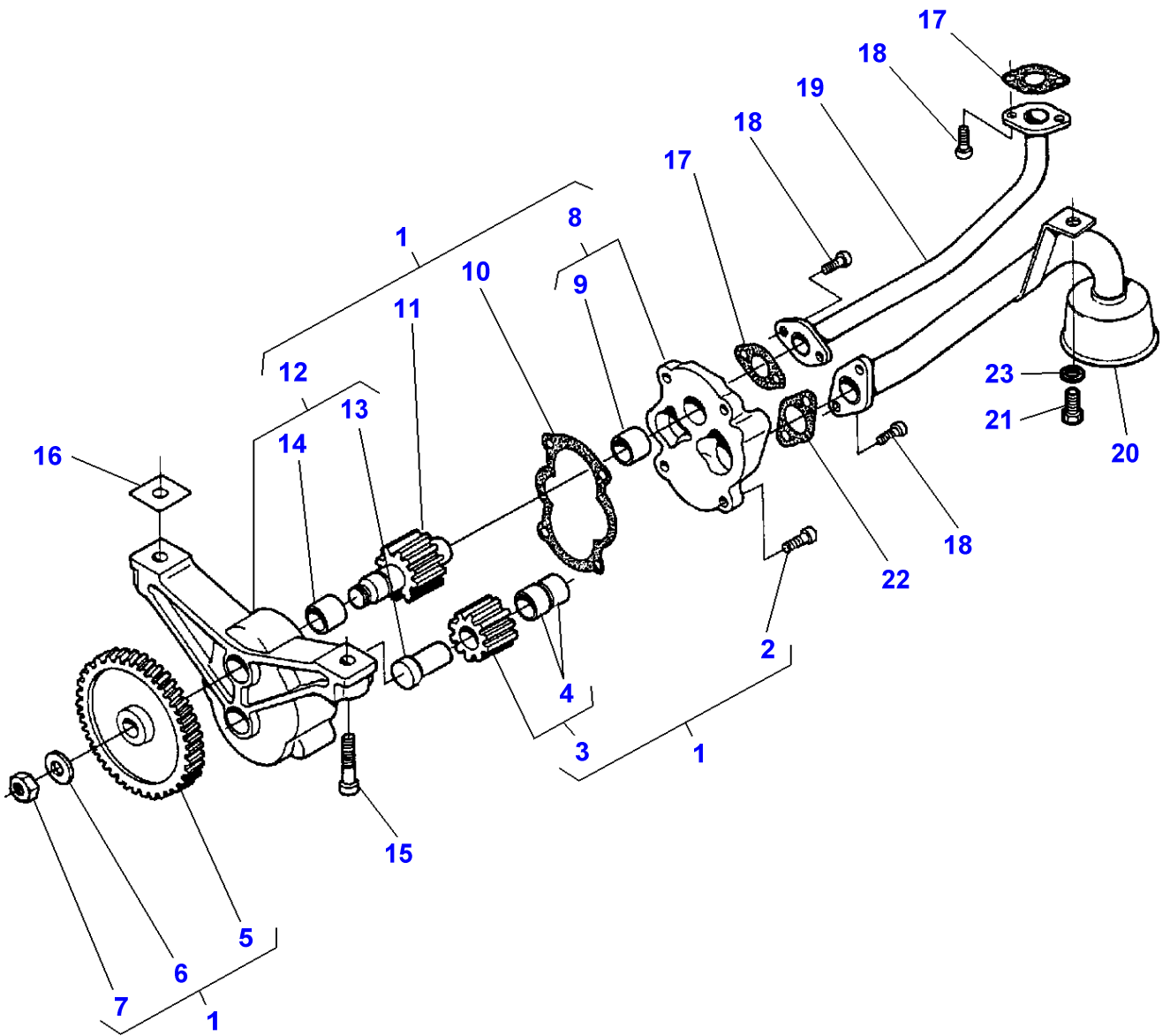
1637359

Page010-0070

Lubricating Oil Sump

Item	Part Number	Qty	Description	Comments
1	V836852518	1	Housing	
2	V836322183	1	Gasket	
3	V836655490	1	Seal	
4	V836655492	1	Plug	
5	V581704830	2	Screw	
6	V529903990	4	Screw	
7	V529701880	22	Screw	
8	V836855747	1	Dipstick	
9	V836855400	1	Breather	
10	V614603230	1	O Ring	
11	V500950800	4	Washer	
12	V528801380	2	Screw	
13	V836659697	1	Plug	
14	V836859004	1	Angle	
15	V528801360	1	Screw	
16	V500150842	1	Washer	
17	V528801420	2	Screw	
18	V836129849	1	Cover	
19	V836322190	1	Gasket	(25)
20	V836020290	1	Washer	(25)
21	V836655246	1	Spring	(25)
22	V836338850	1	Piston	(25)
23	V836117834	1	Cylinder	(25)
24	V614601524	1	O Ring	(25)
25	V836840851	1	Pressure Valve	
26	V529803090	2	Screw	
27	V529804330	2	Screw	
28	V529804310	2	Screw	

1-LA11-604-B



Massey Ferguson**MF 8170 TRACTOR - 1637359**

1637359

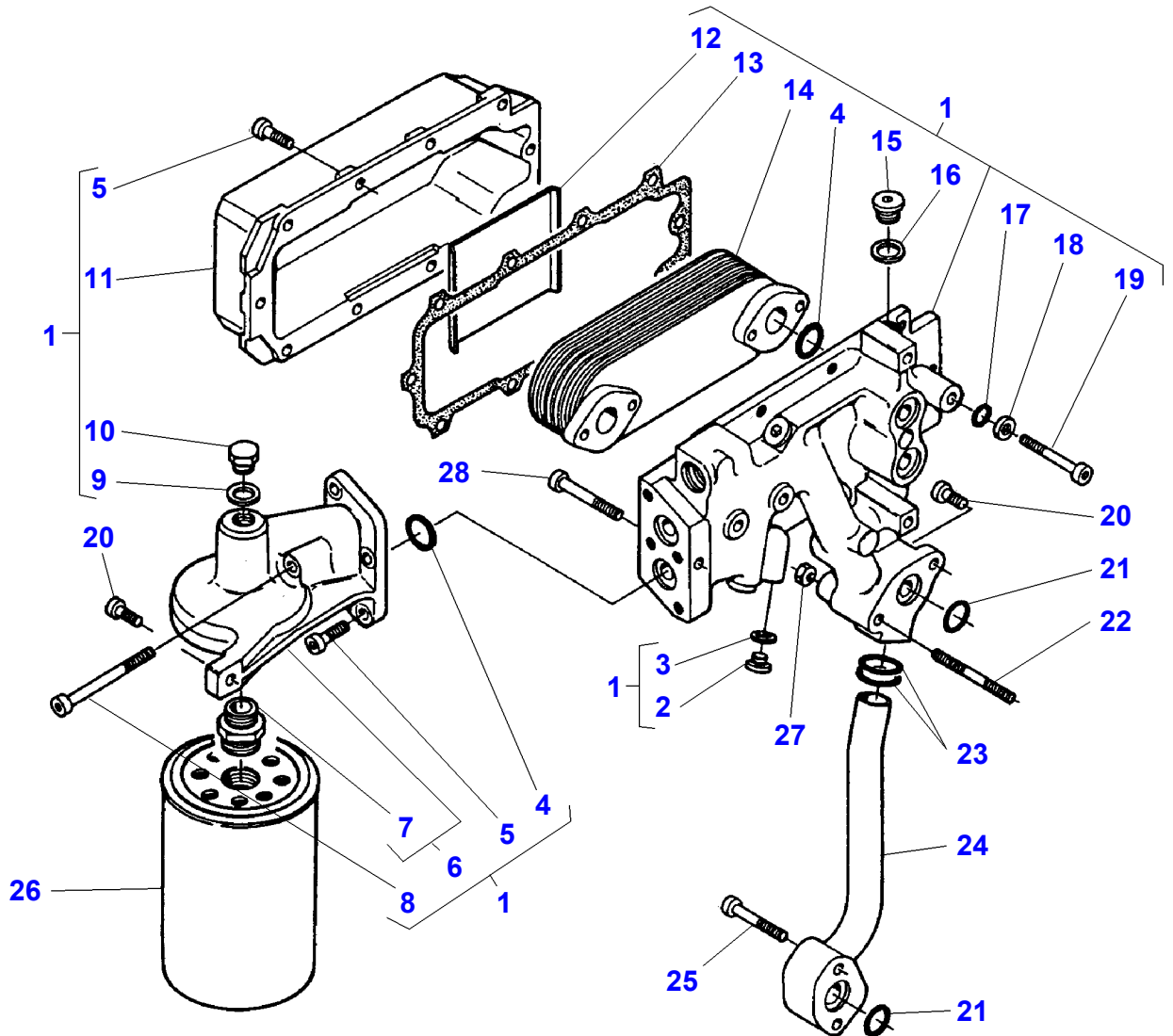
Lubricating Oil Pump

Page010-0075

Item	Part Number	Qty	Description	Comments
1	V836855300	1	Oil Pump	
2	V528801380	4	Screw	(1) M8X20
3	V836338180	1	Gear	(1)
4	V836322909	2	Bush	(3)
5	V836338667	1	Gear	(1)
6	V836122910	1	Washer	(1)
7	V504861000	1	Nut	(1)
8	V836855297	1	Cover	(1)
9	V836322909	1	Bush	(8)
10	V836338188	1	Gasket	(1)
11	V836338182	1	Gear	(1)
12	V836338186	1	Housing	(1)
13	V836322906	1	Shaft	(12)
14	V836322909	1	Bush	(12)
15	V581805050	2	Screw	M10X40
16	V836007871	X	Shim	
17	V836008449	2	Gasket	
18	V581804600	6	Screw	M8X20
19	V836855673	1	Pipe	
20	V836855674	1	Strainer	
21	V528801360	1	Screw	M8X16
22	V836338201	1	Gasket	
23	V500150840	1	Washer	

MF 8170 TRACTOR - 1637359
1-LA12-604-A

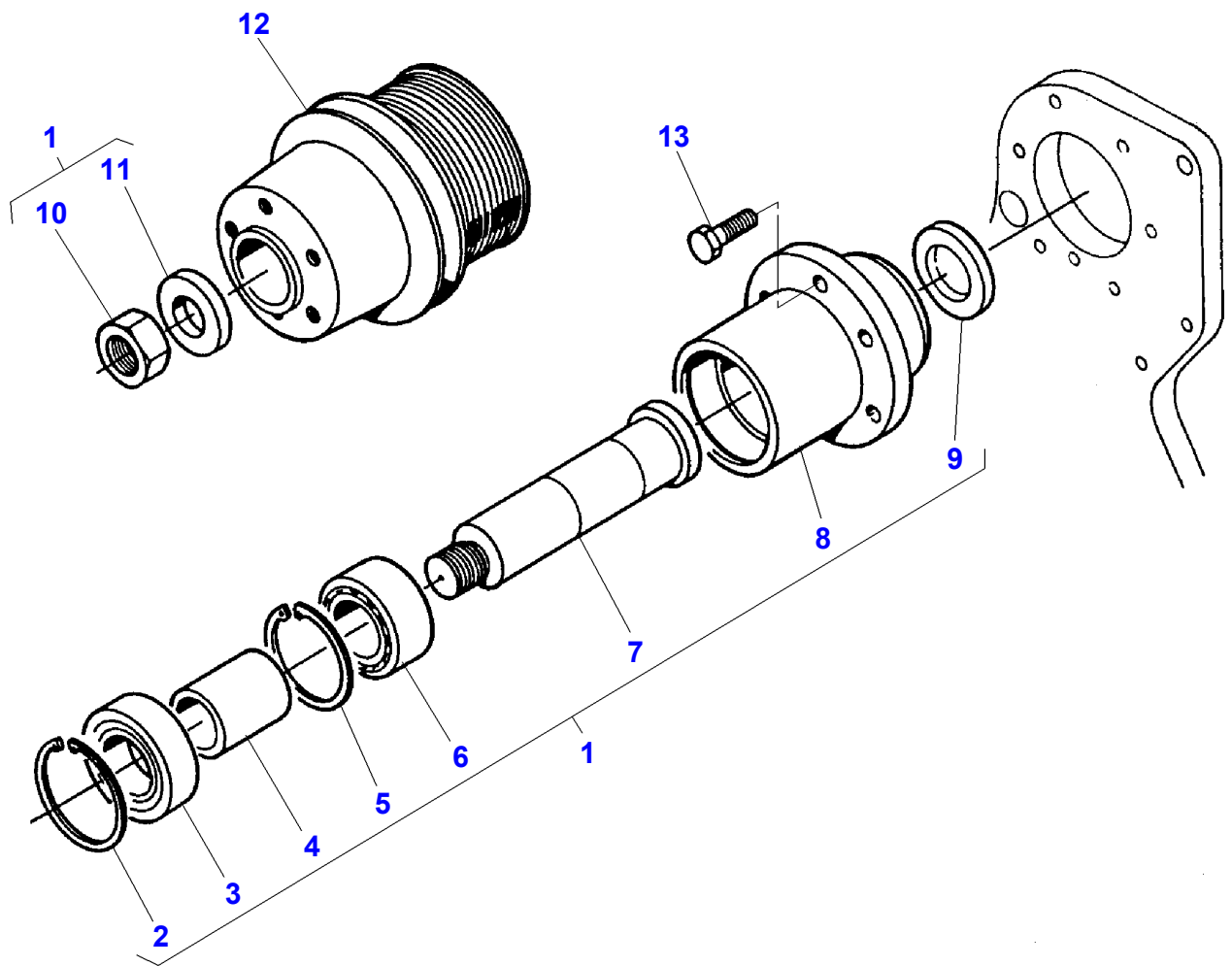
1-LA12-604-A



Lubricating Oil Cooler And Filter

Item	Part Number	Qty	Description	Comments
1	V836859182	1	Oil Cooler	
2	V640305012	1	Plug	(1)
3	V615881216	1	Gasket	(1)
4	V614602030	4	O Ring	(1)
5	V581804620	13	Screw	(1) M8X25
6	V836859187	1	Filter Head	(1)
7	V836859105	1	Union	(6)
8	V581804730	1	Screw	(1) M8X80
9	V615881620	1	Seal	(1)
10	V836119079	1	Plug	(1)
11	V836855519	1	Housing	(1)
12	V836855521	1	Plate	(1)
13	V836855520	1	Gasket	(1)
14	V836855484	1	Element	(1)
15	V640325018	3	Plug	(1)
16	V615881822	3	Seal	(1)
17	V614600724	4	O Ring	(1)
18	V836855517	4	Washer	(1)
19	V581804690	4	Screw	(1) M8X60
20	V581804620	2	Screw	M8X25
21	V614602030	3	O Ring	
22	V546801490	2	Stud	M8X70
23	V614602430	2	O Ring	
24	V836859134	1	Pipe	
25	V581804650	2	Screw	
26	V836859108	1	Oil Filter	
27	V504800800	2	Nut	
28	V581804690	2	Screw	M8X60

1-LA45-001-A

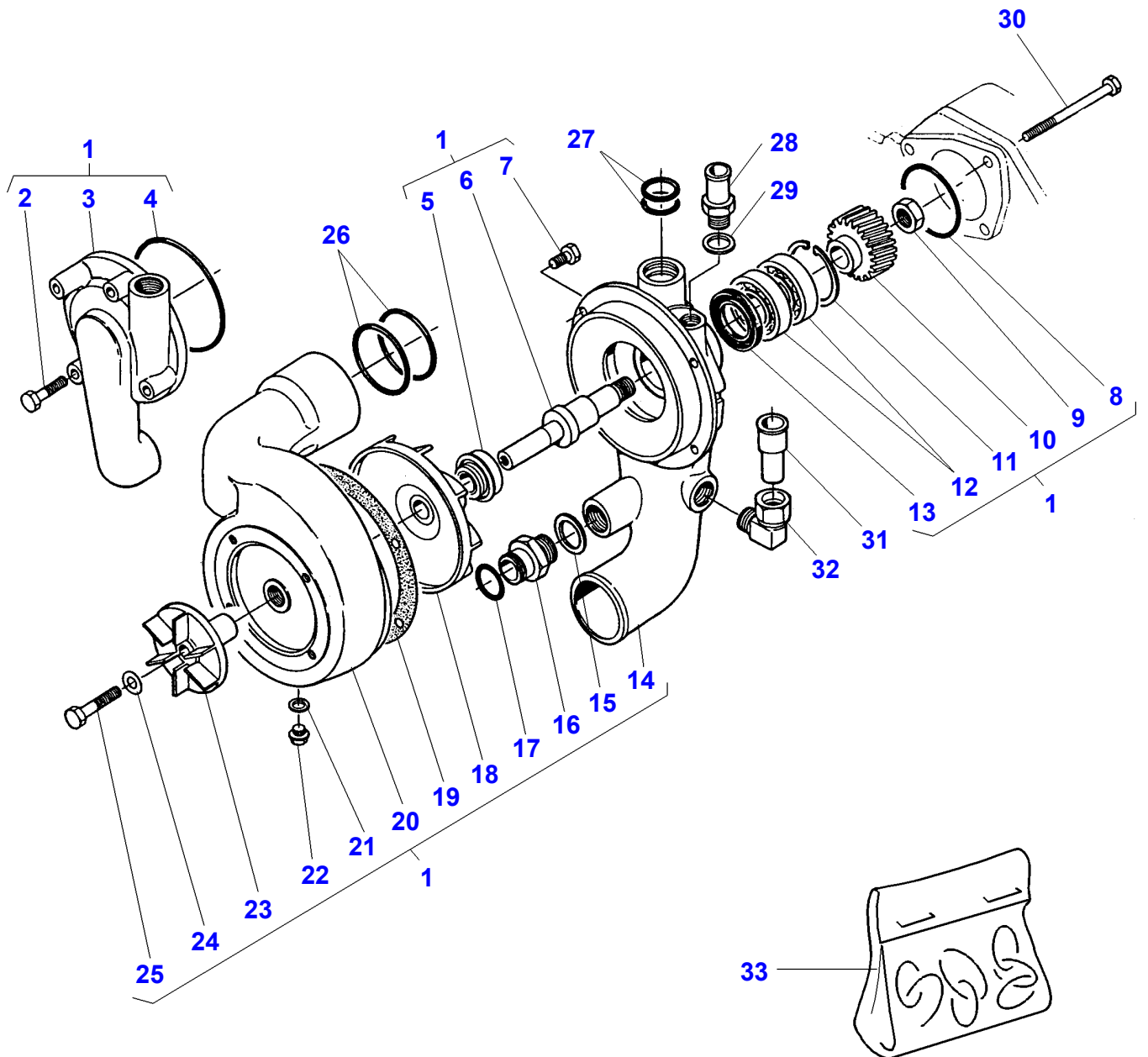


Drive Shaft - Fan Engine

Item	Part Number	Qty	Description	Comments
1	V836859119	1	Kit, Shaft	
2	V617330072	1	Circlip	(1)
3	V610063064	1	Bearing Assy	(1)
4	V836859122	1	Sleeve	(1)
5	V617350062	1	Circlip	(1)
6	V610032060	1	Bearing Assy	(1)
7	V836859121	1	Shaft	(1)
8	V836859120	1	Hub	(1)
9	V836529872	1	Plug	(1)
10	V504602002	1	Nut	(1)
11	V836855756	1	Washer	(1)
12	V836859222	1	Pulley	
13	V528801810	6	Screw	

MF 8170 TRACTOR - 1637359
1-LA13-604-A

1-LA13-604-A

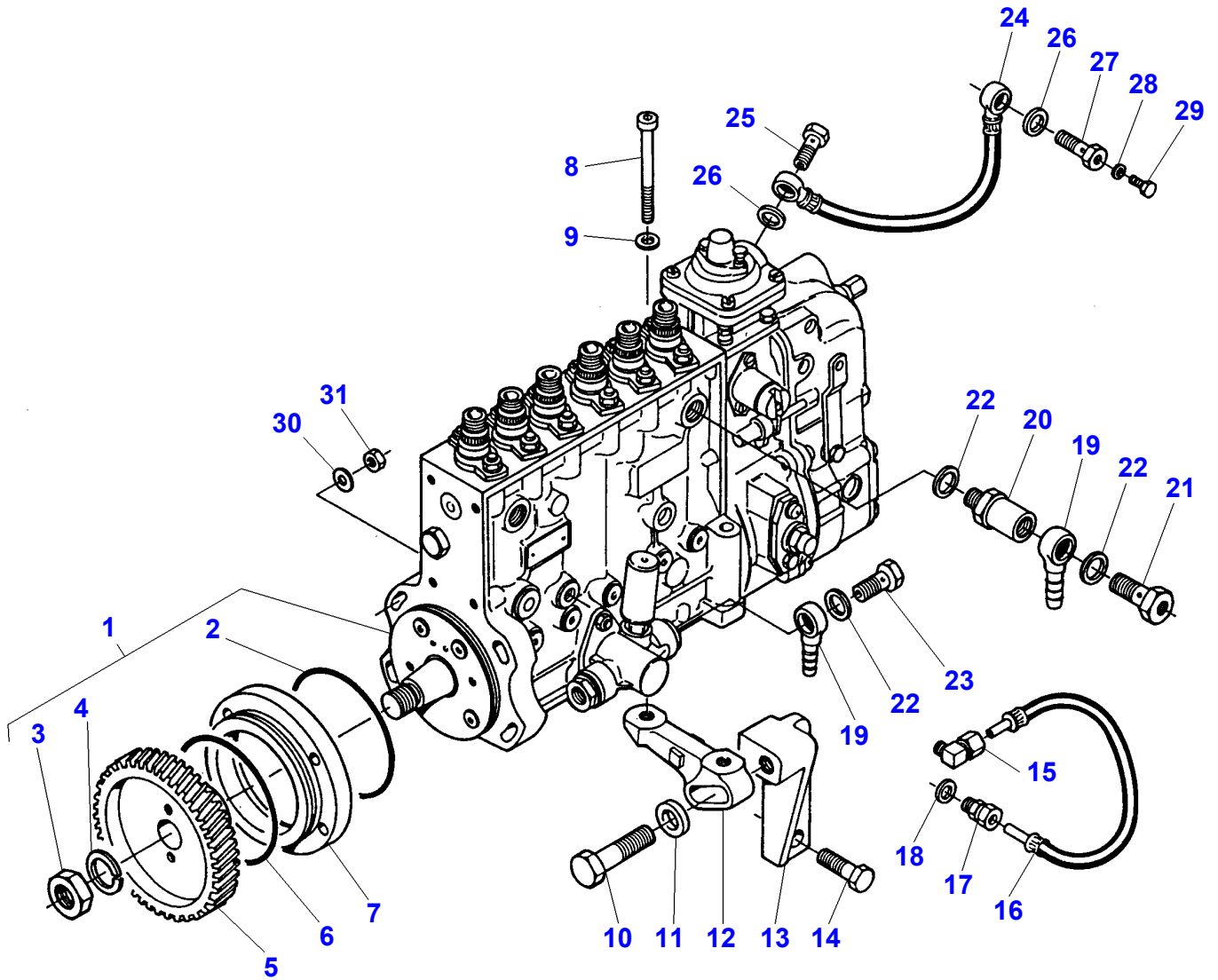


Water Pump

Item	Part Number	Qty	Description	Comments
1	V836859168	1	Water Pump	
2	V528801420	4	Screw	(1) M8X35
3	V836859111	1	Housing	(1)
4	V614608930	1	O Ring	(1)
5	V836859452	1	Gasket	(1)
6	V836859456	1	Shaft	(1)
7	V528801362	4	Screw	(1) M8X16
8	V614606230	1	O Ring	(1)
9	V504601600	1	Nut	(1)
10	V836855569	1	Gear	(1)
11	V617330052	1	Circlip	(1)
12	V610072050	2	Bearing Assy	(1)
13	V614103247	1	Gasket	(1)
14	V836859458	1	Body	(1)
15	V615892631	1	Seal	(1)
16	V836859118	1	Union	(1)
17	V614602324	1	O Ring	(1)
18	V836855948	1	Impeller	(1)
19	V836855625	1	Gasket	(1)
20	V836859170	1	Housing	(1)
21	V615881216	1	Gasket	(1)
22	V640305012	1	Plug	(1)
23	V836859167	1	Turbine	(1)
24	V500050842	1	Washer	(1)
25	V529401440	1	Screw	(1)
26	V614604958	2	O Ring	
27	V614602430	2	O Ring	
28	V836119837	1	Union	
29	V615881822	1	Seal	
30	V529801530	3	Screw	M8X90
31	V836859169	1	Tube	
32	V641176018	1	Union	
33	V836840988	1	Kit, Repair	

MF 8170 TRACTOR - 1637359
1-LA14-609-A

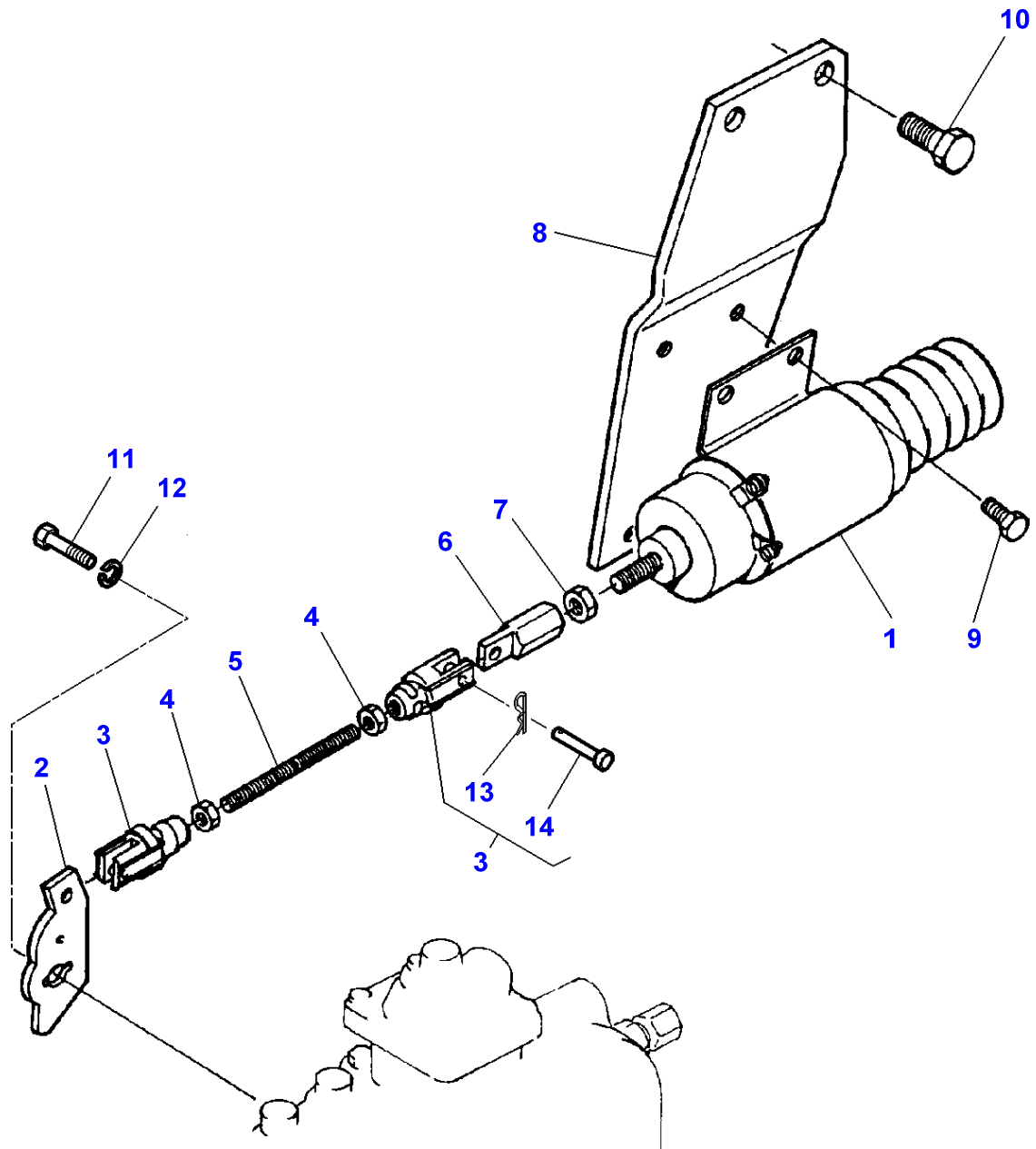
1-LA14-609-A



Injection Pump

Item	Part Number	Qty	Description	Comments
1	V836854740	1	Injection Pump	
2	V614609930	1	O Ring	(1)
3	V505612000	1	Nut	(1)
4	V500452000	1	Washer	(1)
5	V836855986	1	Gear	
6	V614609930	1	O Ring	
7	V836855996	1	Ring	
8	V581805150	2	Screw	
9	V500151050	2	Washer	
10	V529803072	1	Screw	
11	V836655994	1	Washer	
12	V836855987	1	Support	
13	V836855993	1	Support	
14	V528802632	2	Screw	
15	V641166006	1	Elbow Nipple	
16	V836120491	1	Pipe	
17	V641086006	1	Connection	
18	V615871014	1	O Ring	
19	V640255210	2	Pipe	
20	V836330959	1	Valve	
21	V836007420	1	Screw	
22	V615881420	3	Gasket	
23	V640435010	1	Screw	
24	V836659056	1	Tube	
25	V640435008	1	Screw	
26	V615881216	4	Gasket	
27	V835328286	1	Screw	
28	V615870610	1	Seal	
29	V528801042	1	Screw	
30	V500051052	4	Washer	
31	V504801002	4	Nut	

1-LA25-602-B



Massey Ferguson**MF 8170 TRACTOR - 1637359**

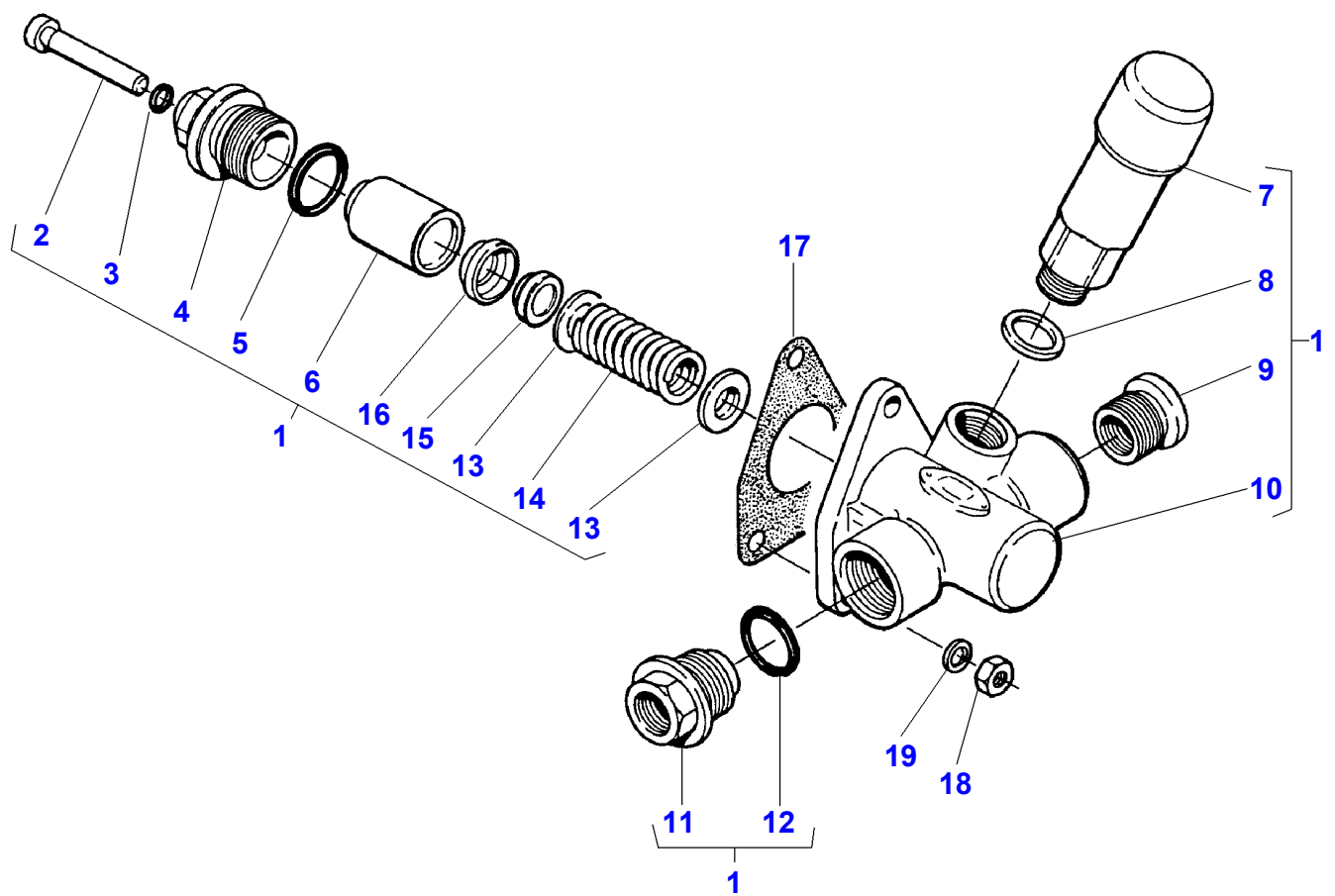
1637359

Stop Magnet

Page010-0100

Item	Part Number	Qty	Description	Comments
1	V836640941	1	Solenoid	
2	V835347344	1	Lever	
3	V835339319	2	Fork	
4	V504600502	2	Nut	
5	V836859052	1	Stem	
6	V836346773	1	Clevis	
7	V504600602	1	Nut	
8	V836859051	1	Support	
9	V528801062	4	Screw	
10	V528801782	2	Screw	M10X20
11	V528801062	1	Screw	
12	V500450602	1	Washer	
13		1	Pin	(3) Not serviced, order REF 3
14		1	Clevis Pin	(3) Not serviced, order REF 3

1-LA15-602-A



Massey Ferguson**MF 8170 TRACTOR - 1637359**

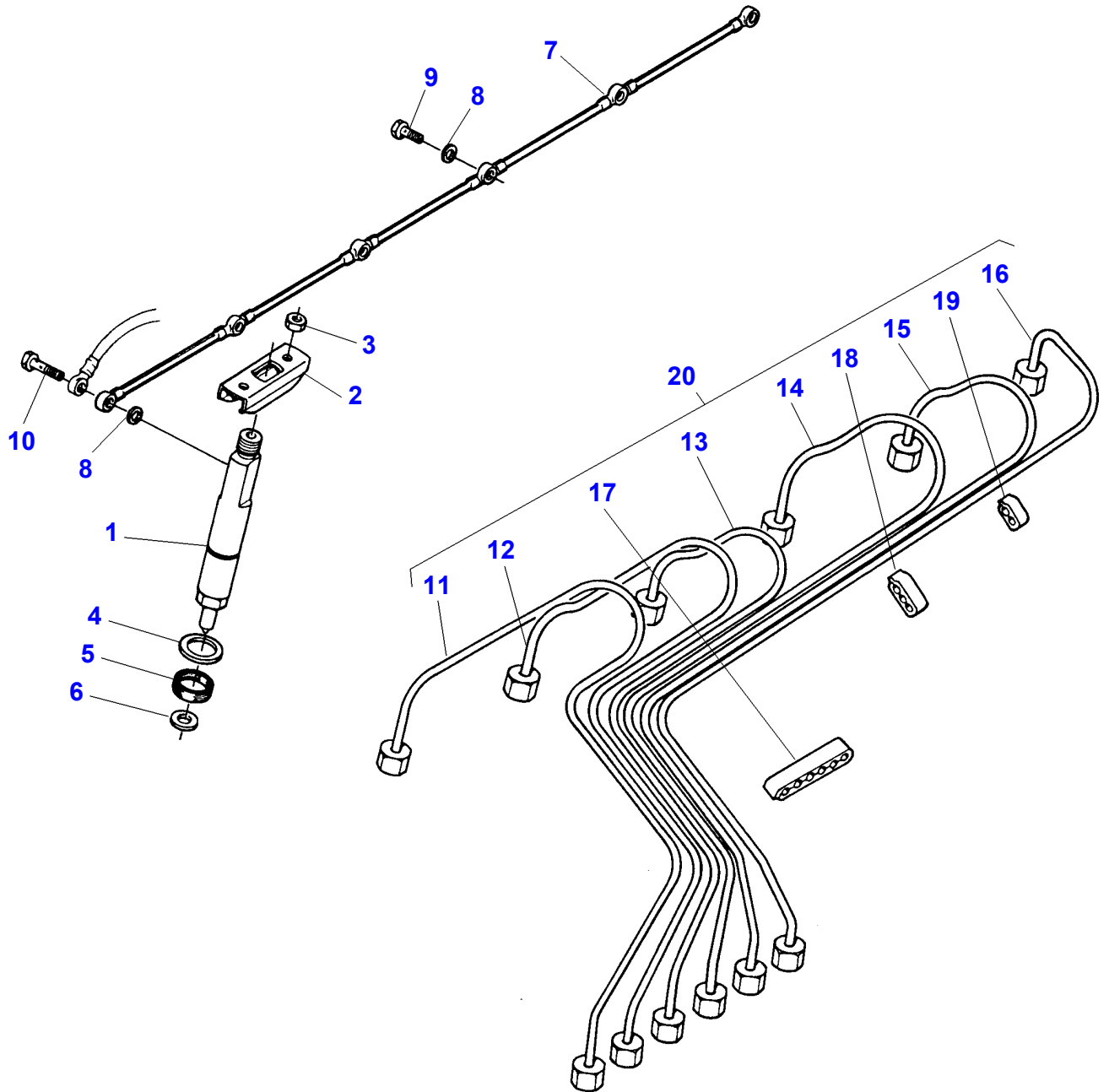
1637359

Page010-0105

Feed Pump

Item	Part Number	Qty	Description	Comments
1	V836340066	1	Pump	
2	V836340068	1	Clevis Pin	(1)
3	V836139015	1	O Ring	(1)
4	V836340069	1	Body	(1)
5	V835339876	1	O Ring	(1)
6	V835339877	1	Plunger	(1)
7	V835339884	1	Pump	(1)
8	V615881620	1	Seal	(1)
9	V836340067	1	Union	(1)
10		1	Housing	(1)
				Not serviced, order REF. 1
11	V835340971	1	Union	(1)
12	V835340972	1	O Ring	(1)
13	V835339879	2	Washer	(1)
14	V835339878	1	Spring	(1)
15	V835339880	1	Pressure Valve	(1)
16	V835339882	1	Gasket	(1)
17	V836329194	1	Gasket	
18	V504600602	3	Nut	
19	V500450602	3	Washer	

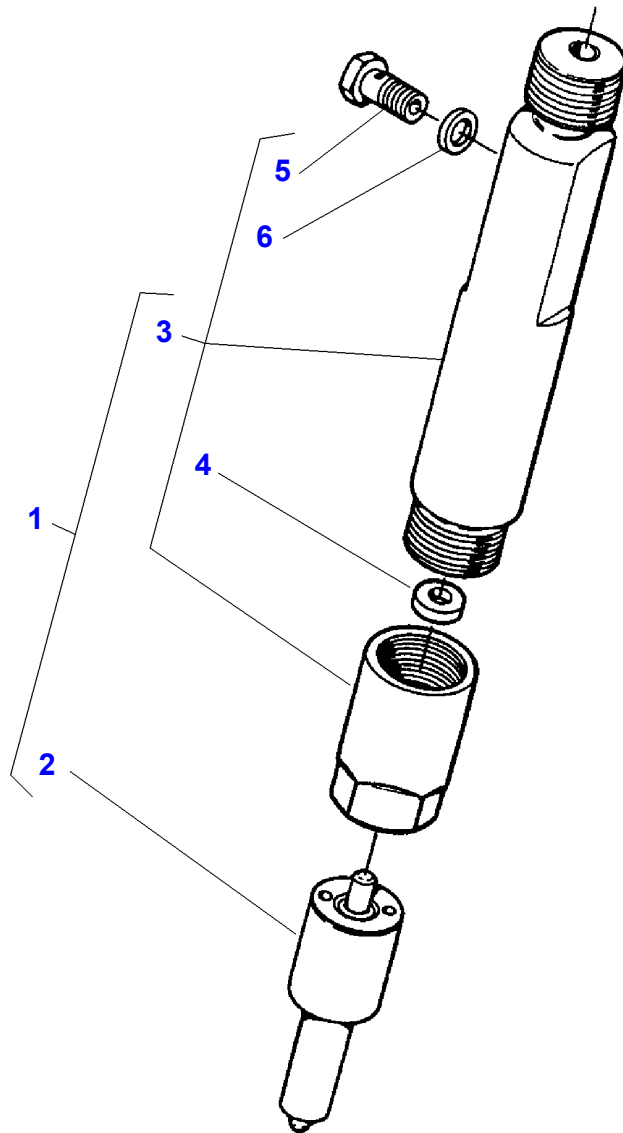
1-LA16-606-A



Fuel Pipings

Item	Part Number	Qty	Description	Comments
1	V836354615	6	Atomiser	
2	V835331103	6	Retainer	
3	V504800800	12	Nut	
4	V836652170	6	Washer	
5	V835336276	6	Seal	
6	V899901495	6	Washer	
7	V836847522	1	Pipe	
8	V615870710	13	Seal	
9	V835331289	5	Screw	
10	V835336943	1	Screw	
11	V836859401	1	Tube	(20) CYL. NO 1
12	V836859402	1	Exhaust Pipe	(20) CYL. NO 2
13	V836859403	1	Exhaust Pipe	(20) CYL. NO 3
14	V836859404	1	Exhaust Pipe	(20) CYL. NO 4
15	V836859405	1	Exhaust Pipe	(20) CYL. NO 5
16	V836859406	1	Exhaust Pipe	(20) CYL. NO 6
17	V836640097	1	Clamp	(20)
18	V836640095	2	Clamp	(20)
19	V836640094	2	Clamp	(20)
20	V836855990	1	Pipe Pack	

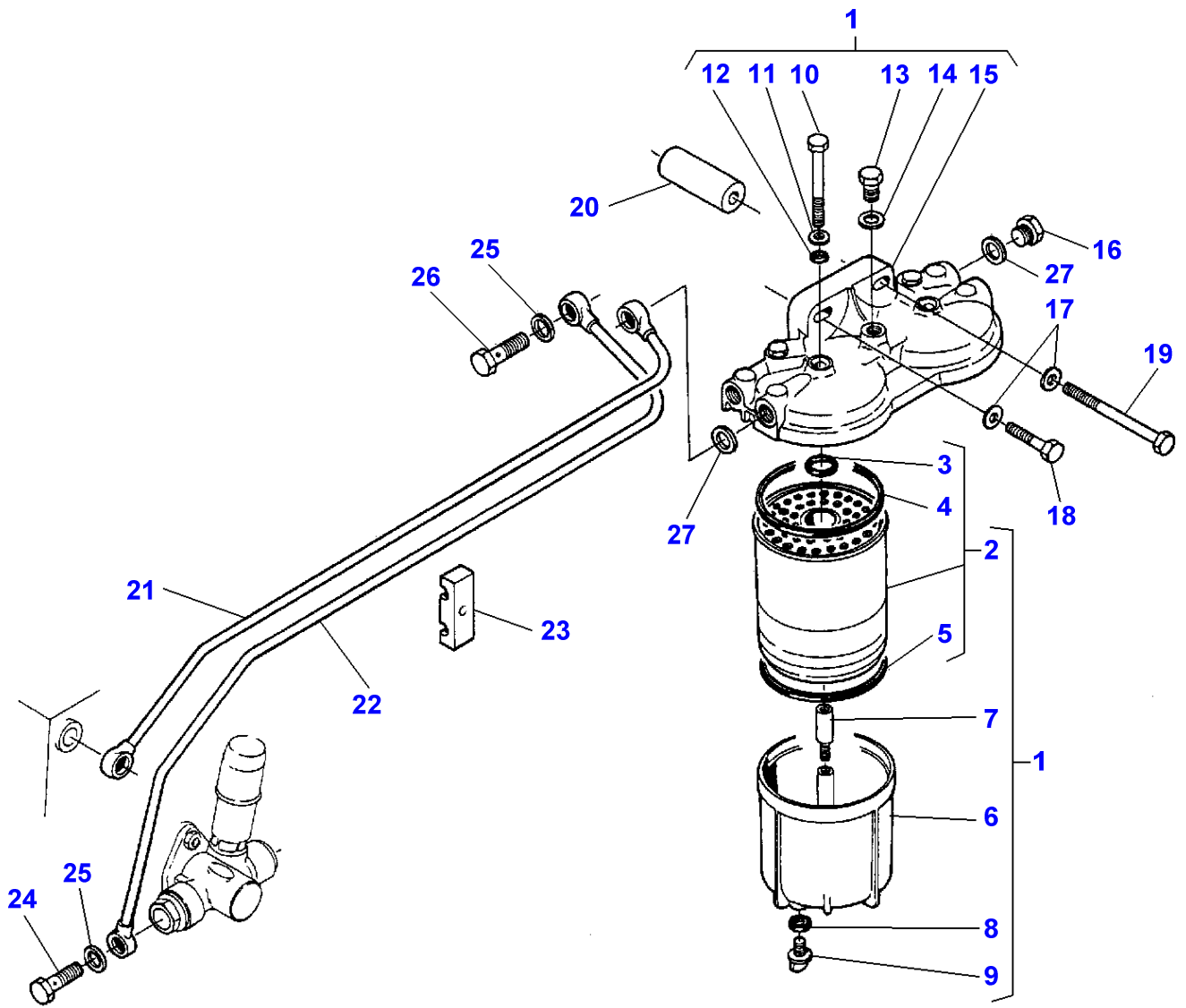
1-LA17-604-A



Injector

Item	Part Number	Qty	Description	Comments
1	V836354615	1	Atomiser	
2	V836354611	1	Nozzle	(1)
3		1	Atomiser Body	(1) Not serviced, order REF. 1
4	V836340907	X	Chock	(3) Thickness 1 MM
	V836340908	X	Chock	(3) Thickness 1,02MM
	V836340909	X	Chock	(3) Thickness 1,04MM
	V836340910	X	Chock	(3) Thickness 1,06MM
	V836340911	X	Chock	(3) Thickness 1,08MM
	V836340912	X	Chock	(3) Thickness 1,10MM
	V836340913	X	Chock	(3) Thickness 1,12MM
	V836340914	X	Chock	(3) Thickness 1,14MM
	V836340915	X	Chock	(3) Thickness 1,16MM
	V836340916	X	Chock	(3) Thickness 1,18MM
	V836340917	X	Chock	(3) Thickness 1,20MM
	V836340918	X	Chock	(3) Thickness 1,26MM
	V836340919	X	Chock	(3) Thickness 1,30MM
	V836340920	X	Chock	(3) Thickness 1,40MM
	V836340921	X	Chock	(3) Thickness 1,90MM
	V836340922	X	Chock	(3) Thickness 1,92MM
	V836340923	X	Chock	(3) Thickness 1,94MM
	V836340924	X	Chock	(3) Thickness 1,96MM
	V836340925	X	Chock	(3) Thickness 1,98MM
5	V615870710	2	Seal	(3)
6	V835331289	1	Screw	(3)

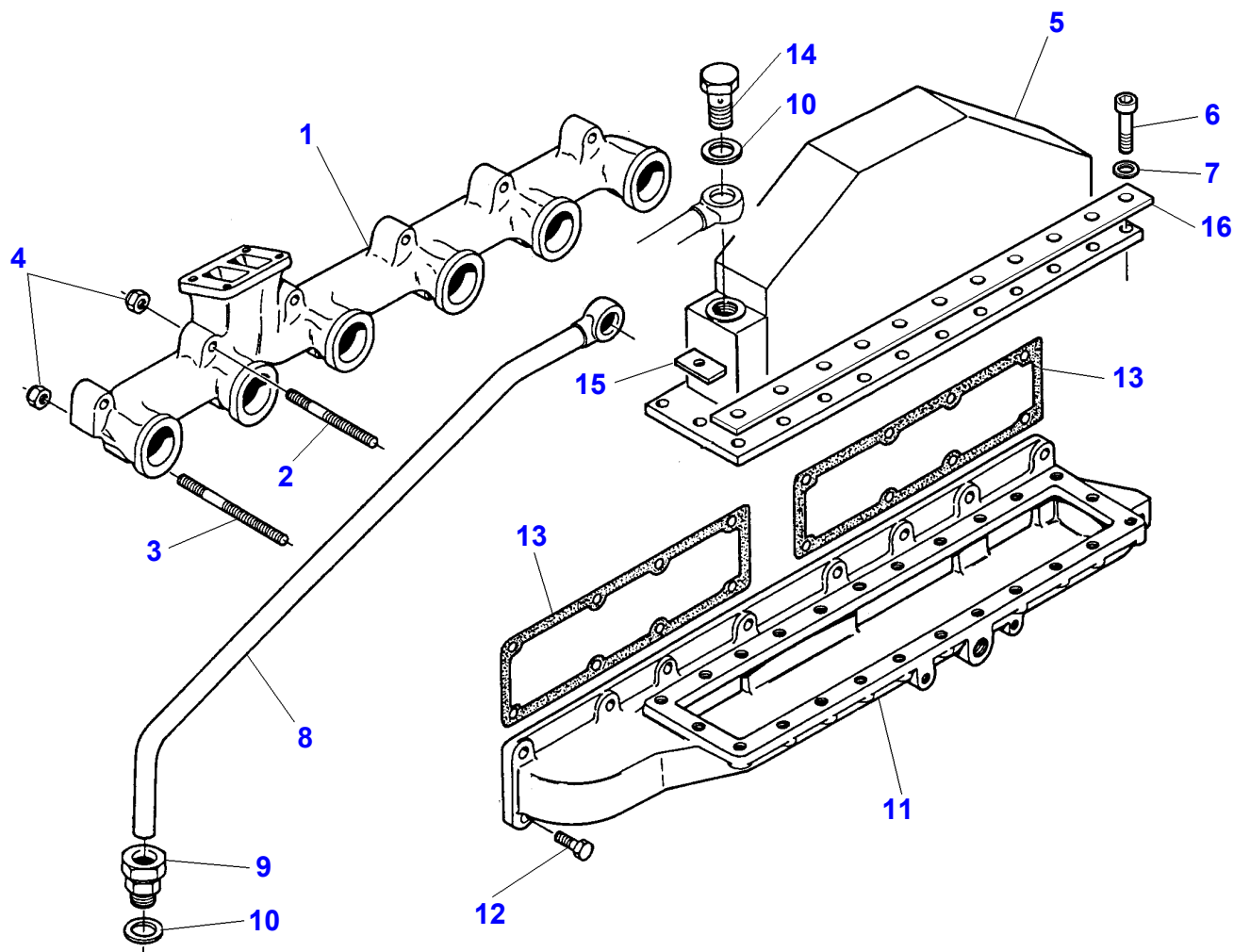
1-LA18-608-B



Fuel Filter

Item	Part Number	Qty	Description	Comments
1	V836339370	1	Fuel Filter	
2	1896287M91	2	Fuel Element	(1) CAV Alternative 3405419M1
	3405419M1	2	Fuel Element	Alternative 1896287M91
3	V836015142	1	O Ring	(2)
4	V835330014	1	Gasket	(2)
5	V835330015	1	Gasket	(2)
6	V836340045	2	Bowl	(1)
7	V836339372	2	Stud	(1)
8	V836015147	2	Gasket	(1)
9	V836015148	2	Plug	(1)
10	V836015149	2	Screw	(1)
11	V836015918	2	Washer	(1)
12	V836015919	2	O Ring	(1)
13	V836015958	1	Screw	(1)
14	V615571014	1	Seal	(1)
15	V836015959	1	Cover	(1)
16	V836117323	2	Plug	
17	V836120989	2	Washer	
18	V528801420	1	Screw	M8X35
19	V529801550	1	Screw	M8X100
20	V836859009	1	Spacer	
21	V836855989	1	Exhaust Pipe	
22	V836855988	1	Tube	
23	V836655527	2	Clamp	
24	V640435010	2	Screw	
25	V615881418	6	Seal	
26	V836429560	2	Screw	
27	V615581317	4	Seal	

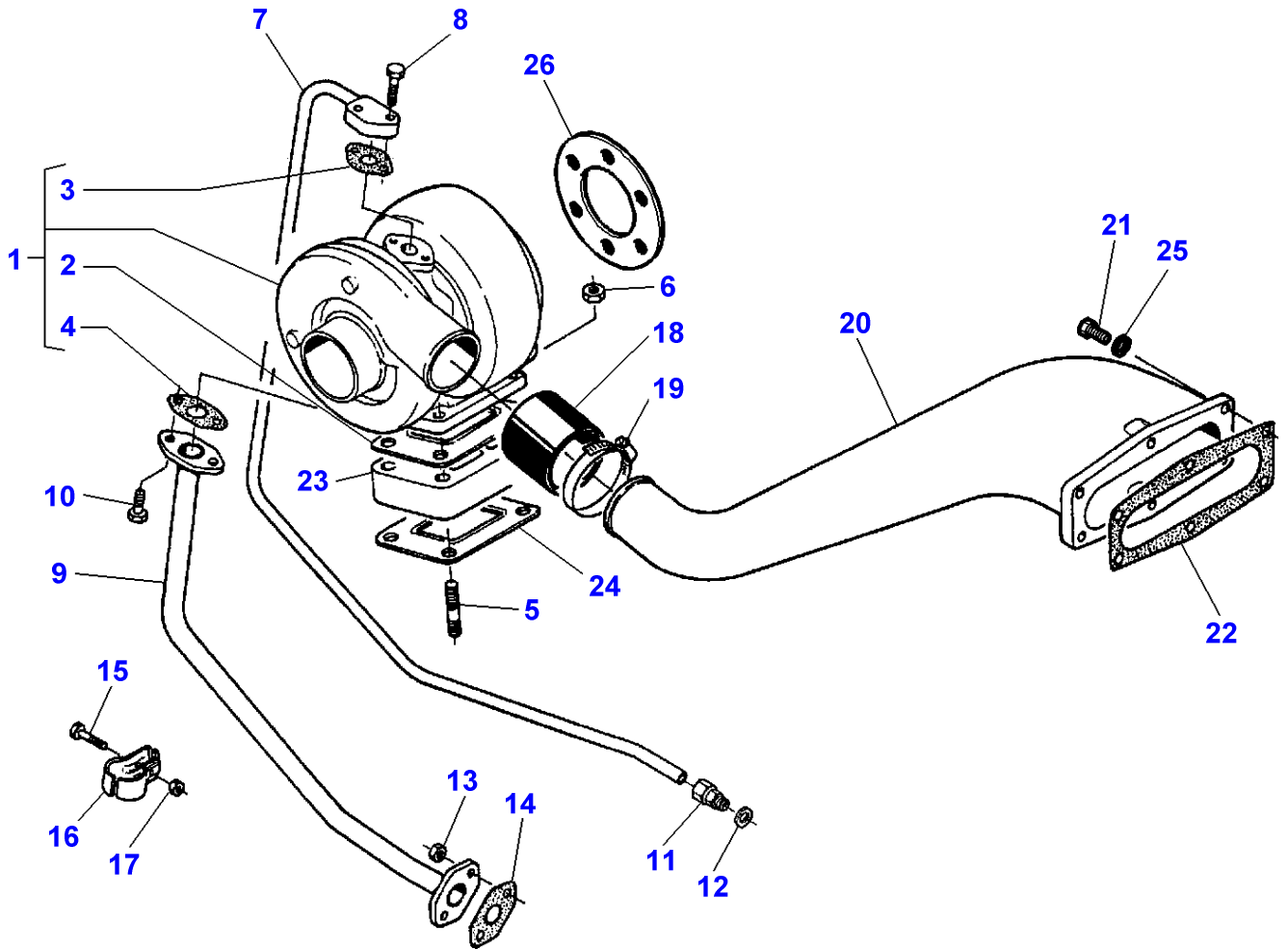
1-LA19-608-B



Massey Ferguson**MF 8170 TRACTOR - 1637359****1637359****Inlet And Exhaust Manifold****Page010-0125**

Item	Part Number	Qty	Description	Comments
1	V836859378	1	Exhaust Manifold	Replace and repair. Old not interchangeable with new V836847886
2	V836855995	10	Stud	
3	V836859034	2	Stud	
4	V513601002	12	Nut	
5	V836859178	1	Intercooler	
6	V581804580	24	Screw	
7	V500150840	24	Washer	
8	V836859196	1	Tube	
9	V641086018	1	Union	
10	V615882227	5	Gasket	
11	V836855552	1	Ind.Manifold	
12	V528801400	16	Screw	
13	V836847496	2	Gasket	
14	V640435018	2	Banjo Fitting	
15	V836859428	2	Plate	
16	V836859427	2	Plate	

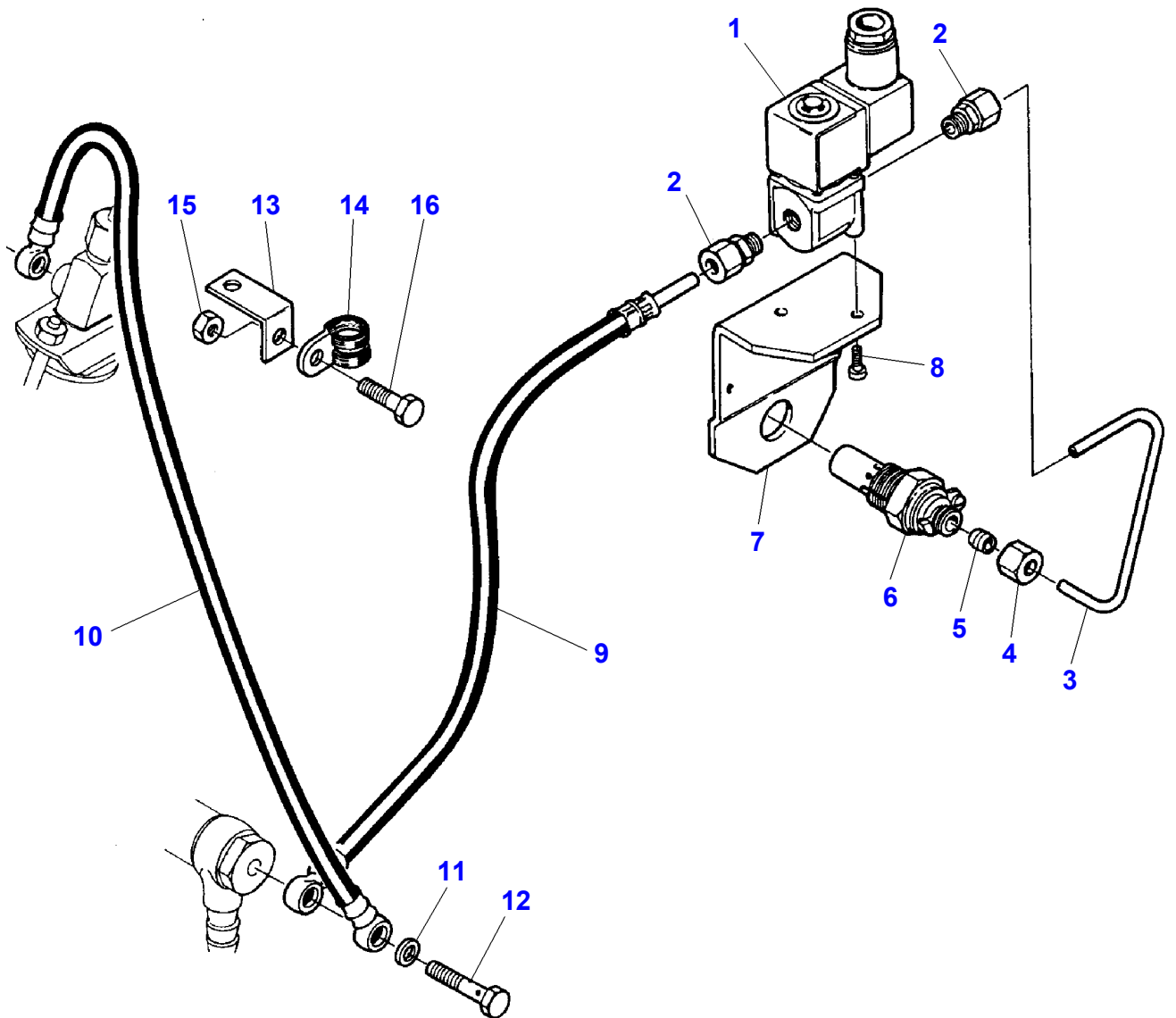
1-LA21-607-B



Turbocharger - Pipes

Item	Part Number	Qty	Description	Comments
1	V836340799	1	Turbocharger	
2	V836316726	1	Gasket	(1)
3	V836308344	1	Joint	(1)
4	V836324580	1	Joint	(1)
5	V546801840	4	Stud	M10X45
6	V521601000	4	Nut	M10
7	V836859493	1	Exhaust Pipe	
8	V528801410	2	Adjusting Screw	M8X30
9	V836859117	1	Tube	
10	V528801380	2	Screw	M8X20
11	V641086012	1	Union	
12	V615881620	1	Seal	
13	V504800800	2	Nut	
14	V836324580	1	Joint	
15	V529801112	1	Screw	M6X30
16	V835324324	2	Clamp	
17	V504600602	1	Nut	M6
18	V836128181	1	Hose	
19	V602061668	2	Clamp	
20	V836859195	1	Exhaust Pipe	
21	V581804580	6	Screw	M8X16
22	V836855744	1	Gasket	
23	V836855630	1	Bridle	
24	V836316726	1	Gasket	
25	V500950802	6	Washer	
26	V836338985	1	Gasket	

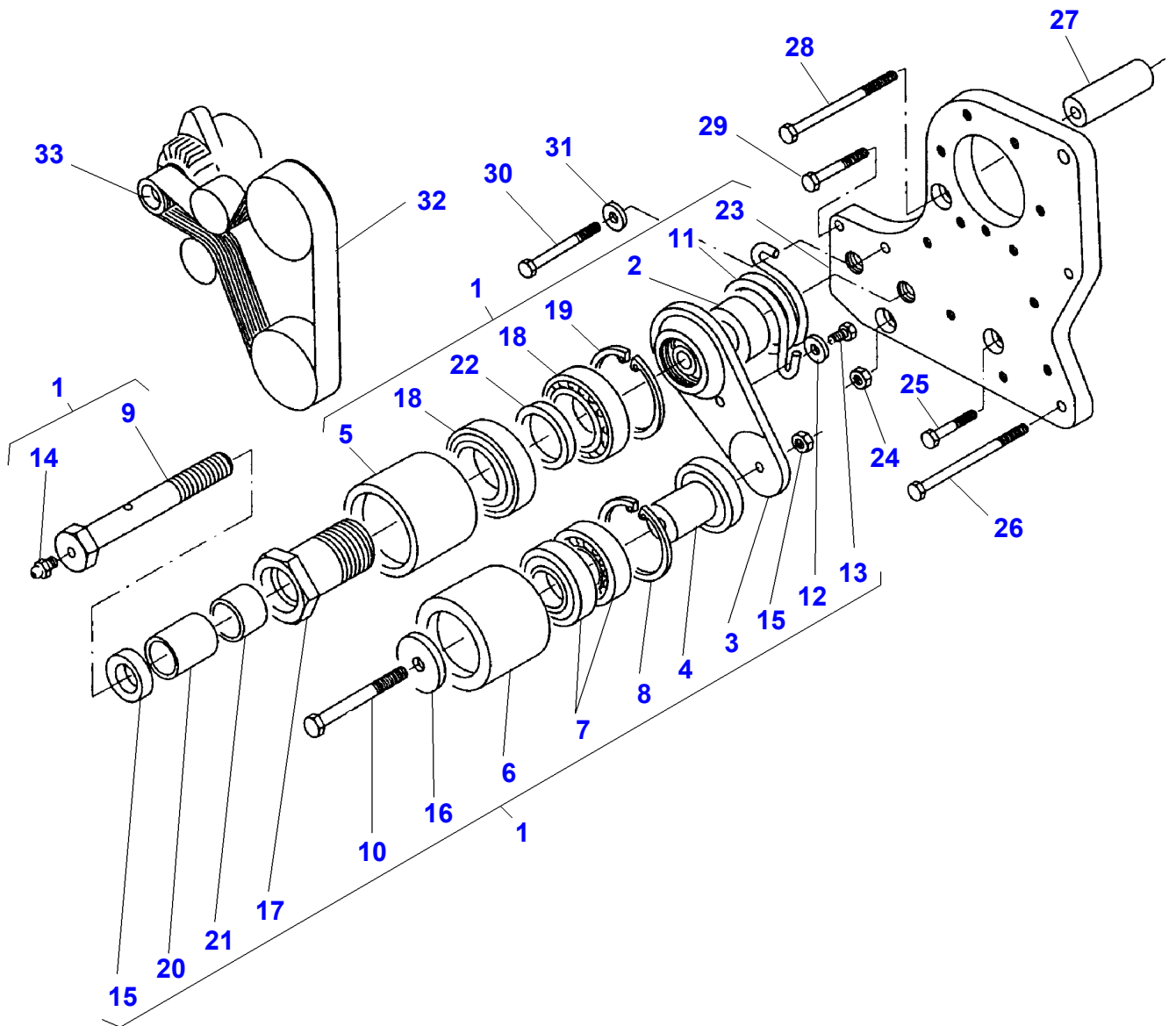
1-LA22-610-A



Massey Ferguson**MF 8170 TRACTOR - 1637359****1637359****Page010-0135****Cold Starting Device**

Item	Part Number	Qty	Description	Comments
1	V836659984	1	Electrovalve	12V Replace and repair. Old not interchangeable with new V835339812
2	V641046005	2	Union	
3	V836752078	1	Tube	Up to Serial or Engine Number H 16733 Diameter 4.76MM
	V836659975	1	Pipe	From Serial or Engine Number H 16734 Diameter 5MM
4	V836017420	1	Nut	Up to Serial or Engine Number H 16733
	V836659943	1	Nut	From Serial or Engine Number H 16734
5	V836017421	1	Olive	Up to Serial or Engine Number H 16733
	V836659944	1	Olive	From Serial or Engine Number H 16734
6	893501M91	1	Intake Heater	
7	V836752077	1	Support	
8	V563501782	2	Screw	M3X16
9	V835346794	1	Tube	
10	V836659057	1	Tube	
11	V615870812	3	Washer	
12	V640435005	1	Screw	
13	V836124941	2	Support	
14	V602060610	2	Clamp	
15	V504800800	2	Nut	M8
16	V528801400	2	Screw	M8X25

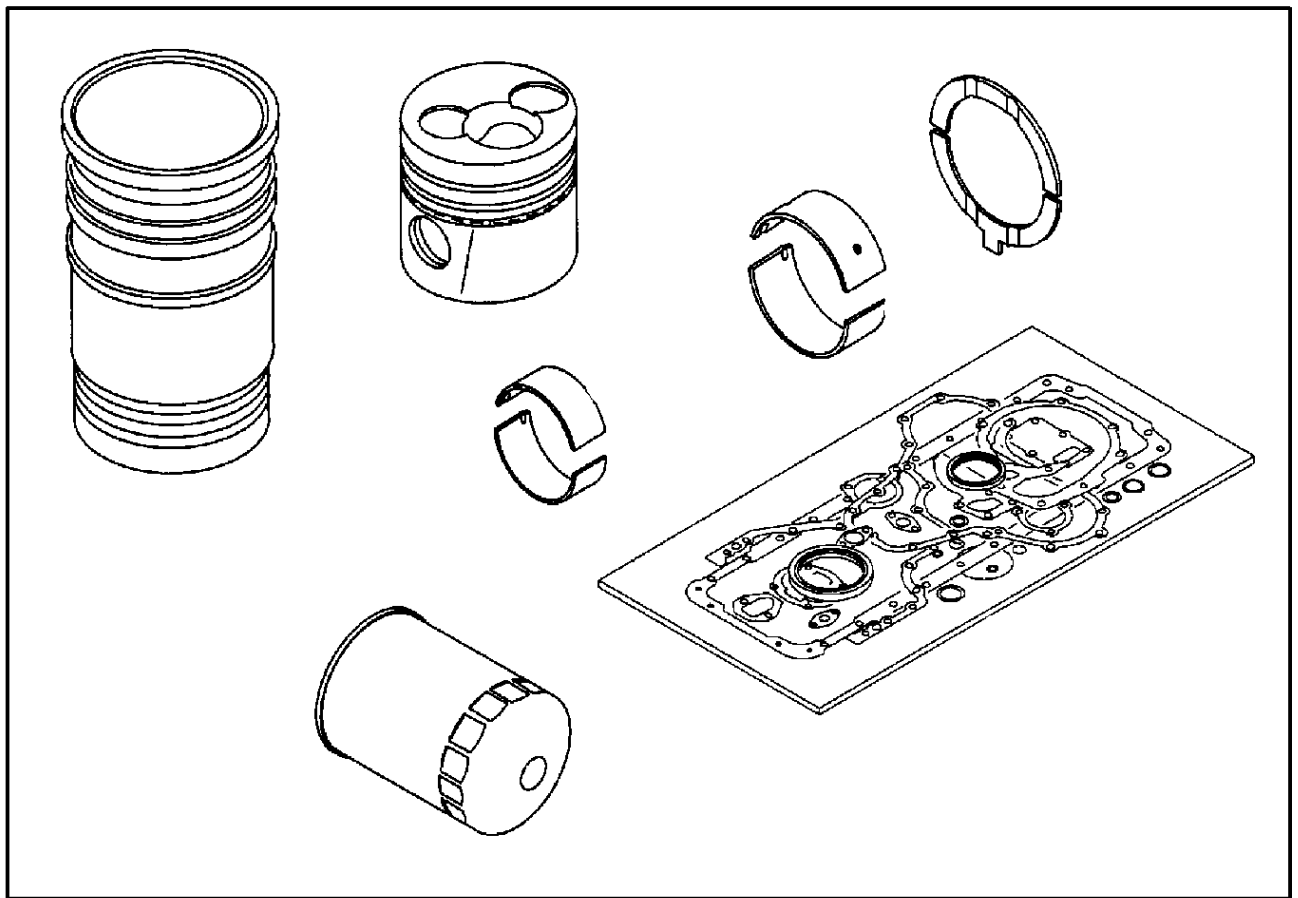
1-LA29-604-A



Belt Tensioner

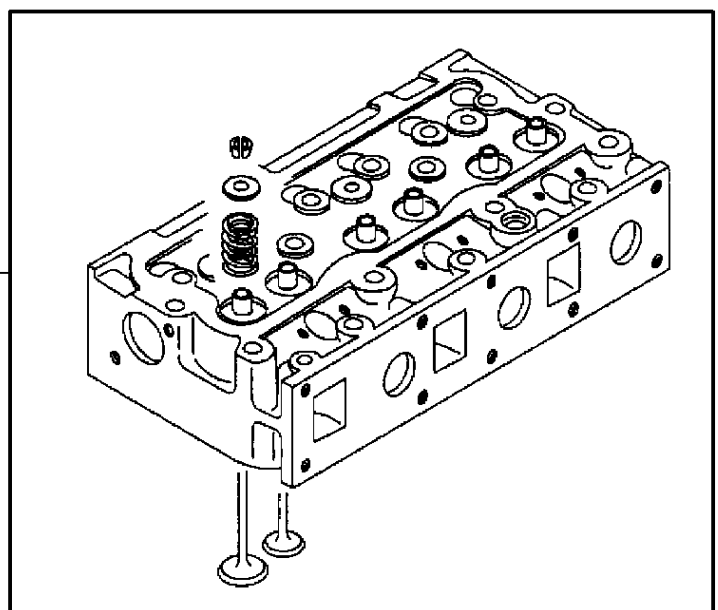
Item	Part Number	Qty	Description	Comments
1	V836859351	1	Tensioner	
2	V836859348	1	Shaft	(1)
3	V836859347	1	Support	(1)
4	V836855789	1	Shaft	(1)
5	V836859353	1	Roll	(1)
6	V836855666	1	Roll	(1)
7	V610062054	2	Bearing	(1)
8	V617330052	1	Circlip	(1)
9	V836859357	1	Screw	(1)
10	V529701880	1	Screw	(1)
11	V836855689	1	Spring	(1)
12	V836120989	1	Washer	(1)
13	V528801380	1	Screw	(1)
14	V644611006	1	Greaser	(1)
15	V836859356	1	Plate	(1)
16	V836855941	1	Plate	(1)
17	V836859349	1	Shaft	(1)
18	V610619084	2	Bearing Assy	(1)
19	V617330062	1	Circlip	(1)
20	V836859364	1	Bush	(1)
21	V836859363	1	Bush	(1)
22	V836859354	1	Ring	(1)
23	V836855935	1	Plate	(1)
24	V504801002	1	Nut	
25	V529801430	1	Screw	
26	V529801560	2	Screw	
27	V836855934	2	Sleeve	
28	V529801550	1	Screw	
29	V529801550	1	Screw	
30	V529801470	1	Screw	
31	V836120989	1	Washer	
32	V836859262	1	Belt	
33	V836855724	1	Pulley	

1-LA23-601-A



1

2



Massey Ferguson

MF 8170 TRACTOR - 1637359

1637359

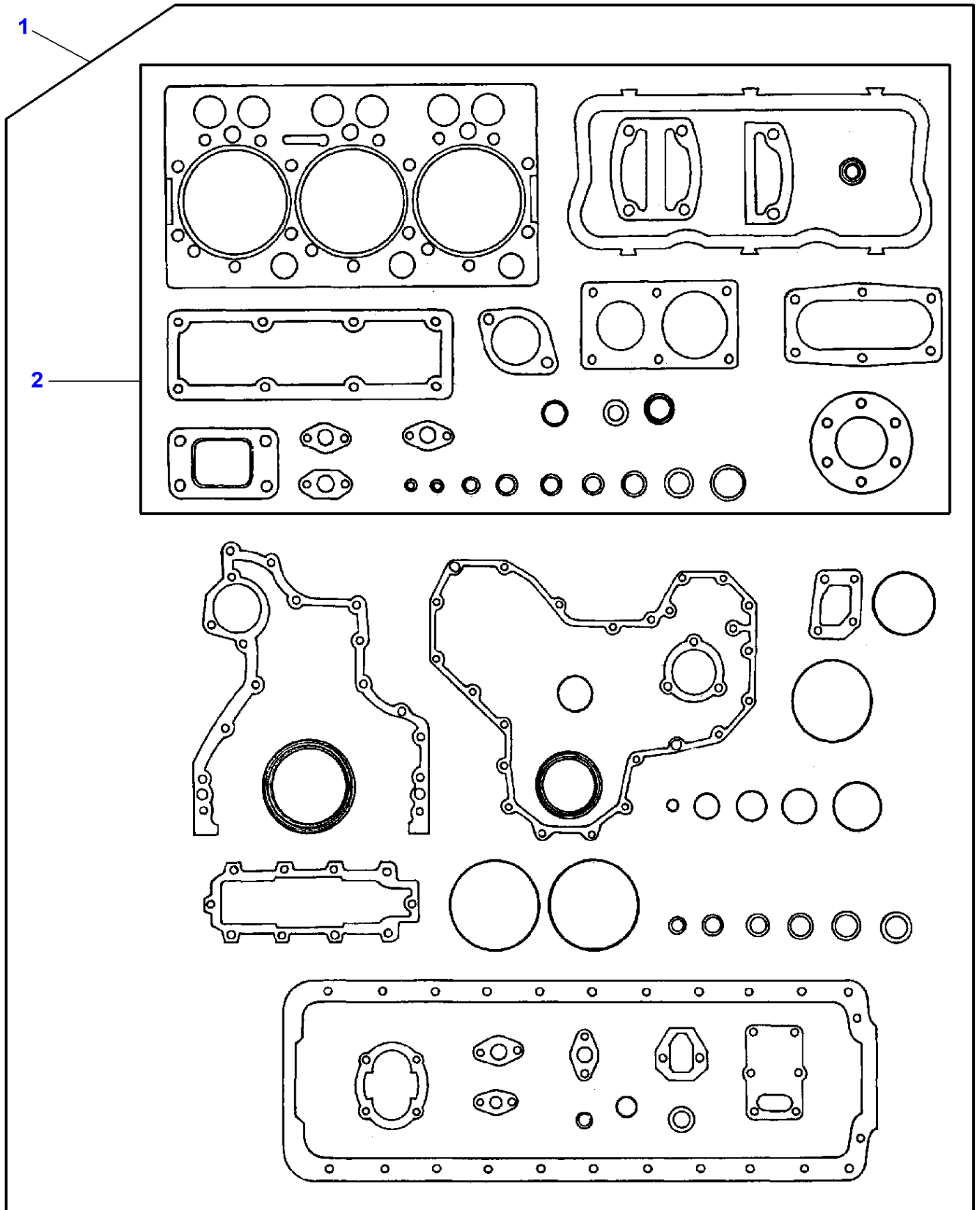
Engine Repair Kits - Piston- Cylinder Head With Valves

Page010-0145

Item	Part Number	Qty	Description
1	V836840986	1	Kit, Repair
2	V836640897	2	Cylinder Head

MF 8170 TRACTOR - 1637359
1-LA24-602-B

1-LA24-602-B



Massey Ferguson

MF 8170 TRACTOR - 1637359

1637359

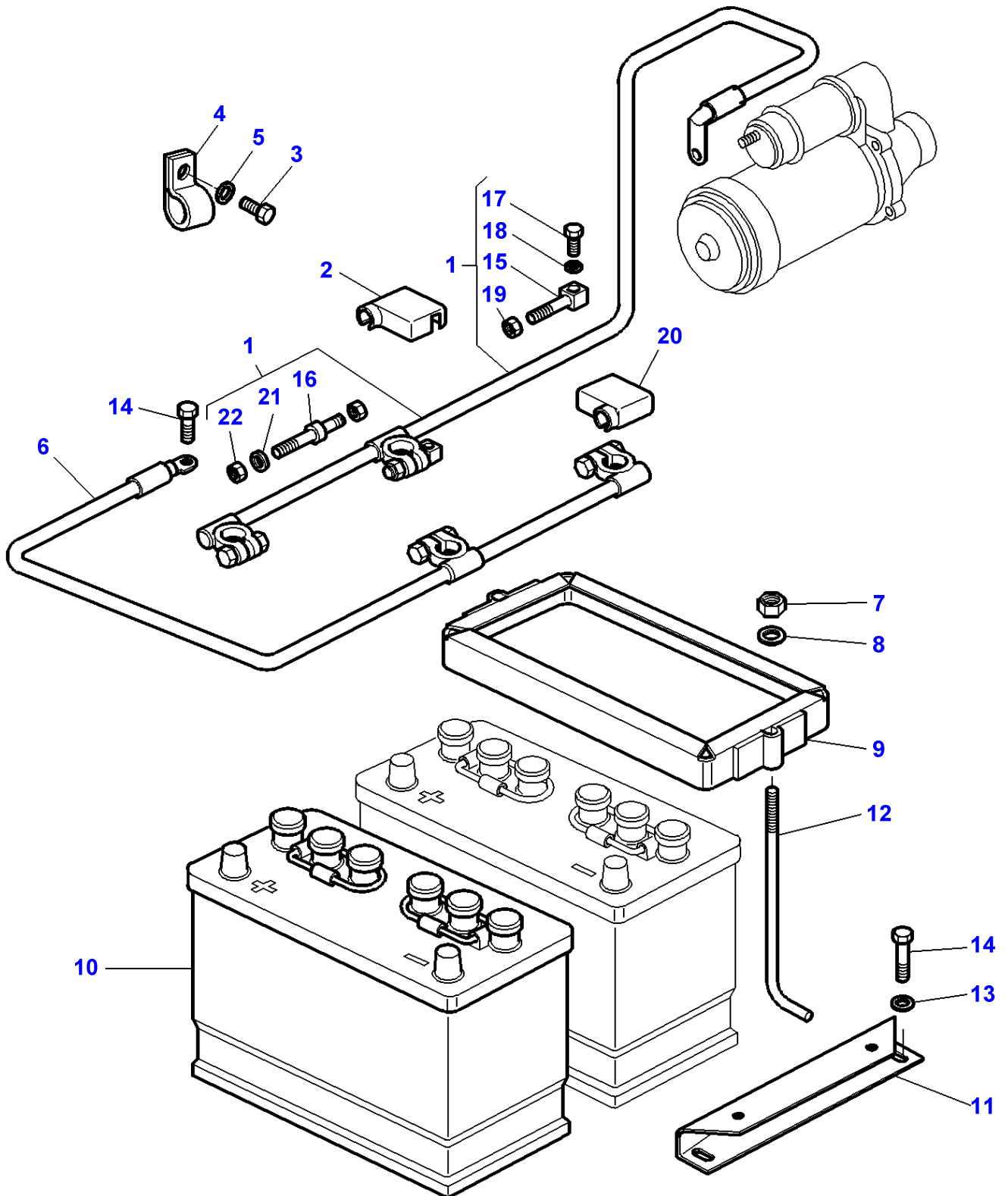
Engine Gaskets Sets

Page010-0150

Item	Part Number	Qty	Description	Comments
1	V836840985	1	Kit, Joint	
2	V836840984	1	Gasket	(1)

MF 8170 TRACTOR - 1637359
1-AC16-615-B

1-AC16-615-B



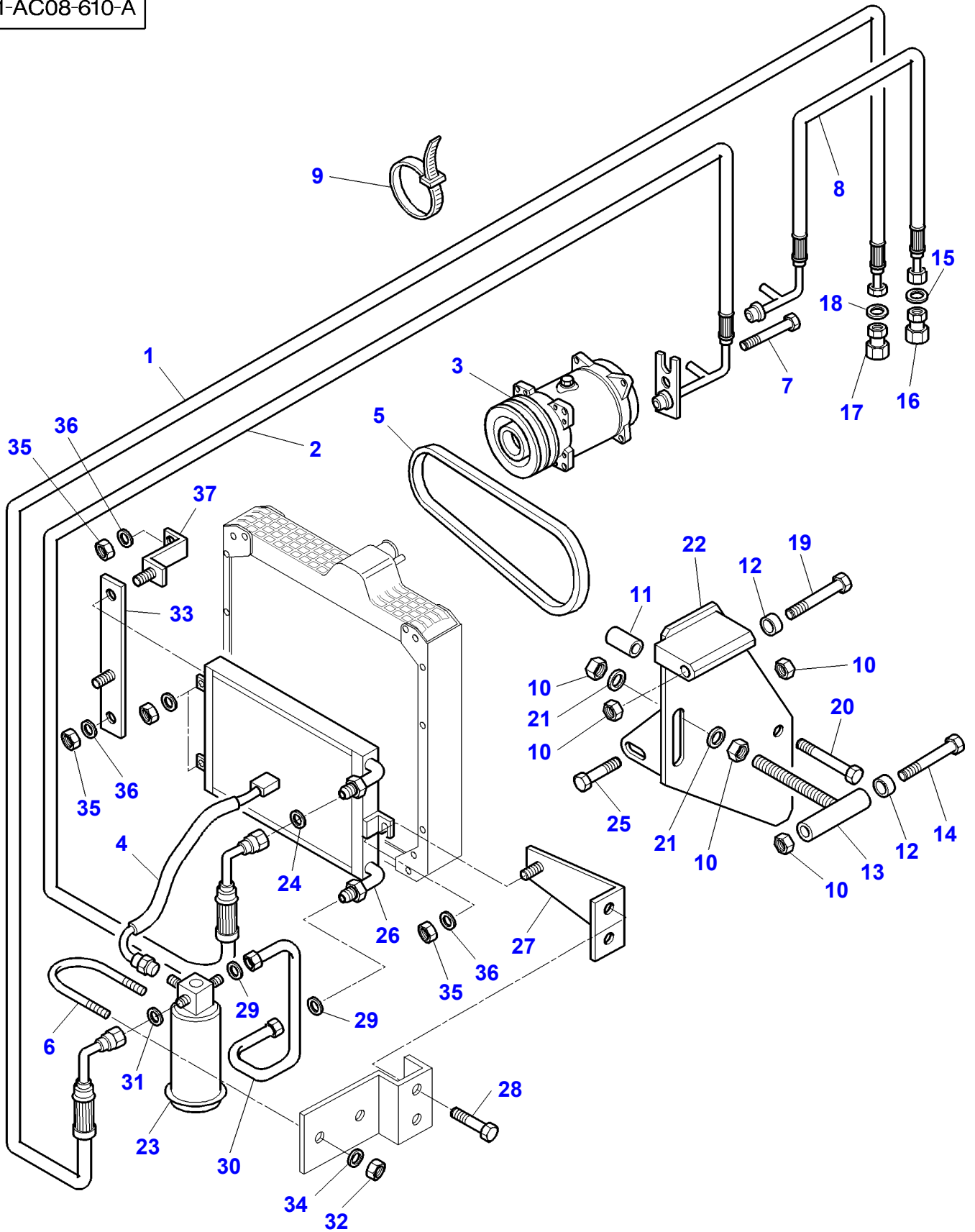
Batteries And Cables - Without Battery Cut-Off

Item	Part Number	Qty	Description	Comments
1	3713442M4	1	Battery Cable	8160 200 HP PTO
	3780615M2	1	Battery Cable	Length 3300MM 8170
2	3618966M1	2	Protector	Up to Serial or Engine Number H012025
	3618966M1	1	Protector	From Serial or Engine Number H012026
3	339761X1	2	Hex. Sock. Screw	M8X25
4	3387756M1	2	Strap	
5	390972X1	2	Washer Metric	
6	3780337M1	1	Cable	
7	339030X1	8	Nut Metric	
8	391038X1	4	Washer	
9	906170M91	2	Frame Assy	
10		2	Battery	[A] 505 Amp / 105 Ah
11	3713452M1	2	Stop	
12	1691384M2	4	Draglink	
13	391039X1	4	Washer Metric	
14	339124X1	5	Hex. Sock. Screw	M8X16
15	3781143M1	1	Screw	(1) Alternative 3781370M1
16	3781370M1	1	Screw	(1) Alternative 3781143M1
17	3010859X1	1	Screw	(1)
18	3010860X1	1	Washer	(1)
19		2	Nut	(1)
20	3782138M2	1	Protector	From Serial or Engine Number H012026
21	3010860X1	1	Washer	(1)
22		2	Nut	(1)

FOOTNOTE [A] PLEASE REFER TO MARKETING CATALOG

MF 8170 TRACTOR - 1637359
1-AC08-610-A

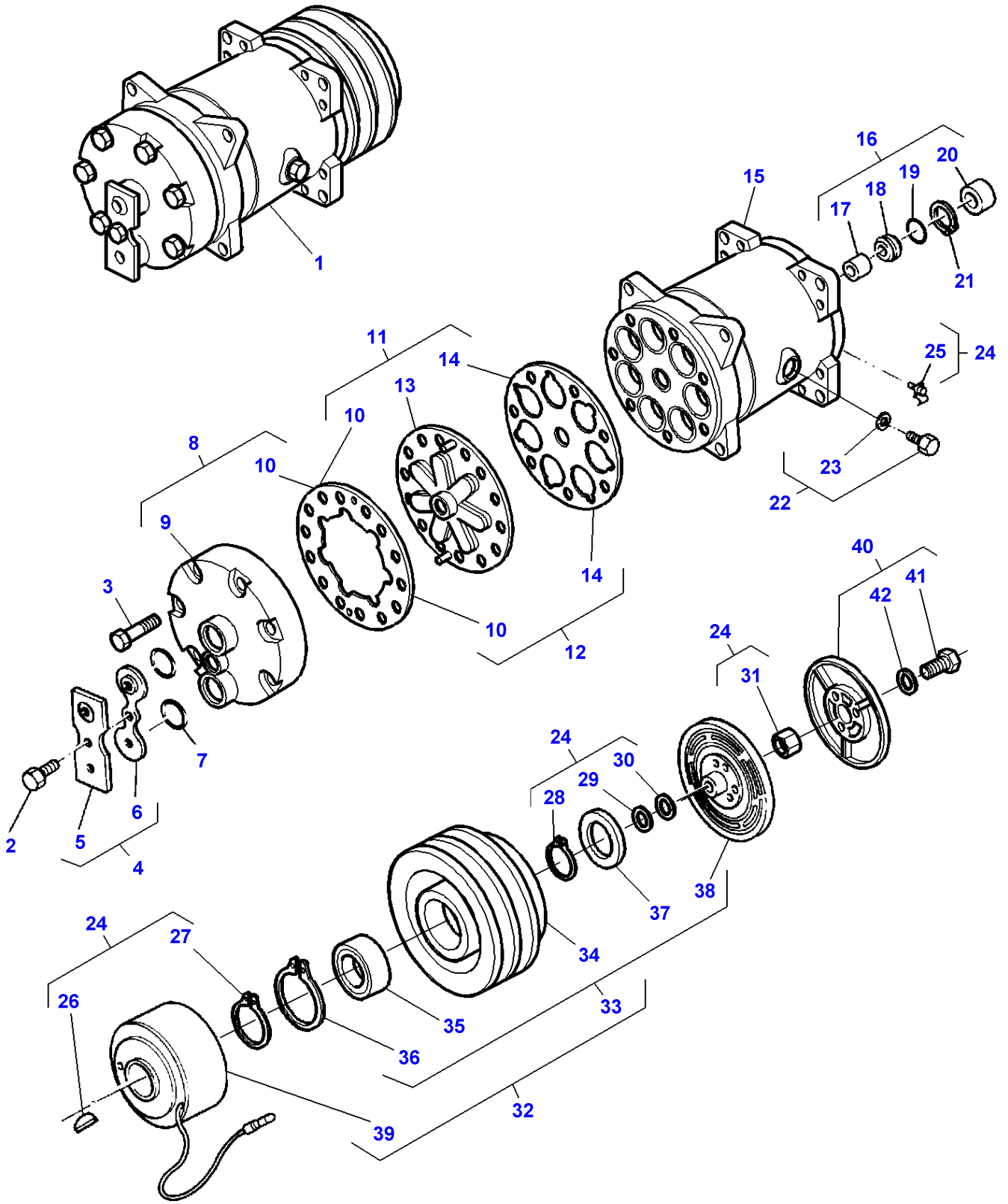
1-AC08-610-A



Item	Part Number	Qty	Description	Comments
1	3714434M1	1	Hydr Hose	
2	3777257M1	1	Hydr Hose	
3	3712528M2	1	Compressor	Up to Serial or Engine Number H152021
	3782613M2	1	Compressor	From Serial or Engine Number H152022
4	3712526M1	1	Pressure Switch	
5	3582951M1	1	Belt	
6	3383977M1	1	Stirrup	
7	353538X1	1	Screw Unf	3/8-24X25
8	3777256M1	1	Hydr Hose	
9	3619622M1	4	Cable Tie	
10	1440329X1	5	Locknut	
11	3777254M1	2	Spacer	
12	3042637M2	2	Spacer	
13	3580140M92	1	Tensioner	
14	1442487X1	1	Bolt Metric	M10X130mm
15	3010474X1	1	O Ring	
16	368543X1	1	Union	
17	368524X1	1	Union	
18	3010502X1	1	O Ring	
19	1442487X1	1	Bolt Metric	M10X130mm
20	390246X1	2	Bolt	M8X70
21	390734X1	2	Washer	
22	3777255M1	1	Support	
23	3712495M1	1	Filter	
24	3010472X1	1	O Ring	
25	339018X1	1	Bolt Metric	M10X40
26	3383908M5	1	Condenser	
27	3777258M1	1	Support	
28	339124X1	2	Hex. Sock. Screw	M8X16
29	3010471X1	2	O Ring	
30	3713459M1	1	Tube	
31	3010471X1	1	O Ring	
32	339030X1	2	Nut Metric	
33	3779481M1	1	Support	
34	390971X1	2	Washer	
35	339169X1	5	Nut	M8
36	390972X1	5	Washer Metric	
37	3777259M1	2	Support	

MF 8170 TRACTOR - 1637359
1-AC49-600-A

1-AC49-600-A

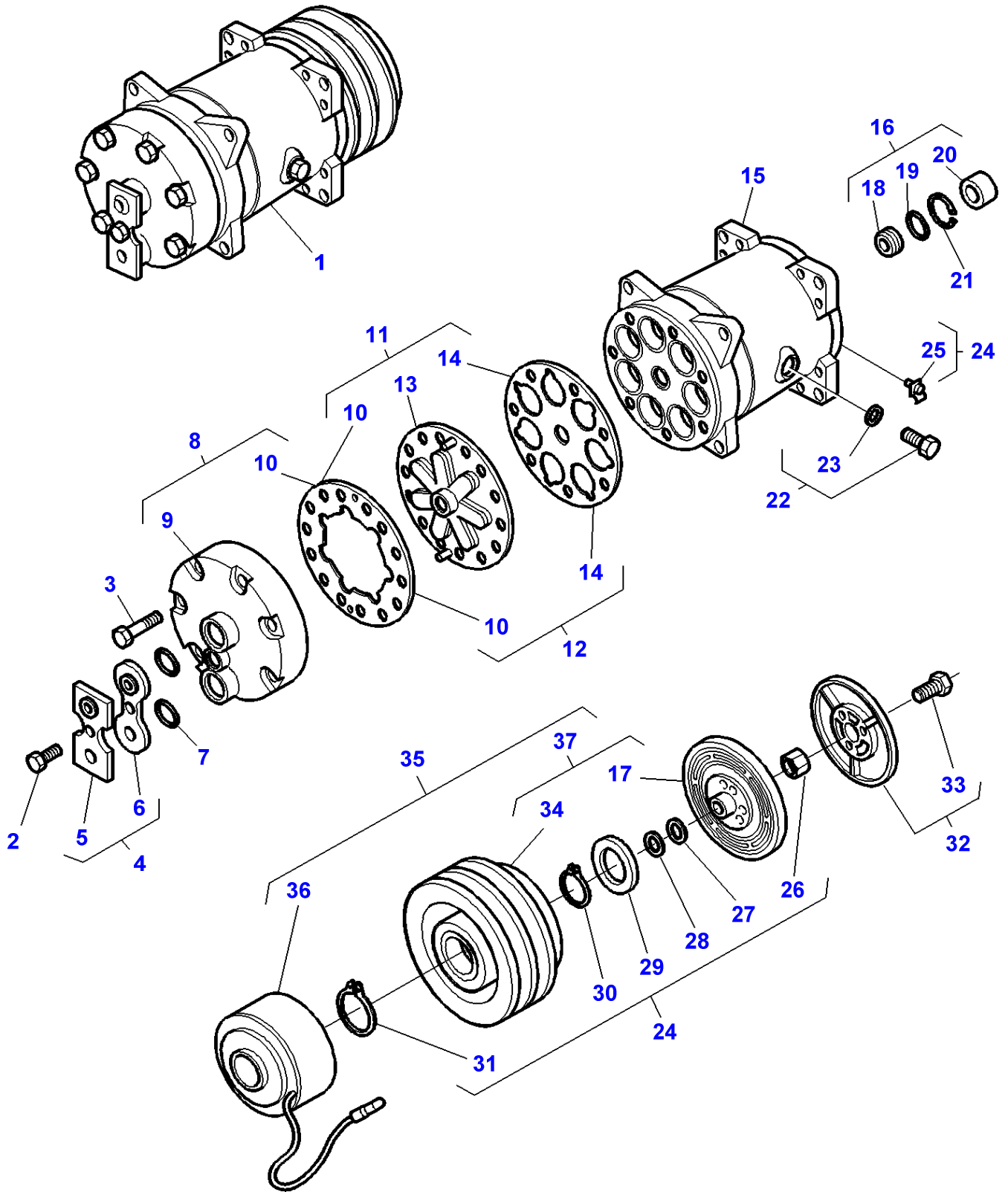


Item	Part Number	Qty	Description	Comments
1	3712528M2	1	Compressor	SDH715QC7952
2	3901157M1	1	Screw	(1)
3	3901154M1	6	Screw	(1)
4	3901156M91	1	Kit	(1)
5		1	Plate	(4)
				Not serviced, order REF.4
6		1	Cover	(4)
				Not serviced, order REF.4
7	3901155M1	2	O Ring	(1)
8	3901147M91	1	Head	(1)
9		1	Cover	(8)
				Not serviced, order REF.8
10		1	Gasket	(8)
				Not serviced, order REF.8
11	3901148M91	1	Kit	(1)
12	3901151M91	1	Kit, Gasket	(1)
13		1	Plate	(11)
				Not serviced, order REF.11
14		1	Gasket	(11)
				Not serviced, order REF.11
15		1	Body	(1)
				Not serviced, order REF.1
16	3901149M91	1	Kit, Seal	(1)
17		1	Seal	(16)
				Not serviced, order REF.16
18		1	Seal	(16)
				Not serviced, order REF.16
19		1	O Ring	(16)
				Not serviced, order REF.16
20		1	Felt Ring	(16)
				Not serviced, order REF.16
21	3901150M1	1	Circlip	(1)
22	3901152M91	1	Plug	(1)
23	3901153M1	1	O Ring	(22)
24	3901161M91	1	Kit	(1)
25		1	Clip	(24)
				Not serviced, order REF.24
26		1	Key	(24)
				Not serviced, order REF.24
27		1	Circlip	(24)
				Not serviced, order REF.24
28		1	Circlip	(24)
				Not serviced, order REF.24
29		1	Ring	(24)
				Not serviced, order REF.24
30		1	Ring	(24)
				Not serviced, order REF.24
31		1	Nut	(24)
				Not serviced, order REF.24
32		1	Clutch	[A]
				(1)
33	3902115M91	1	Rotor	(32)
34		1	Rotor	(33)
				Not serviced, order REF.33
35	3901159M1	1	Bearing	(33)
36		1	Circlip	(33)
				Not serviced, order REF.33
37	3901162M1	1	Cover	(33)
38		1	Armature	(33)
				Not serviced, order REF.33
39	3902142M1	1	Coil	(1)
40	3901163M91	1	Kit	(1)
41	373110X1	3	Screw	(40)
42	22463X	3	Lock Washer	(40)

FOOTNOTE [A] NOT SERVICED-ORDER DETAIL

MF 8170 TRACTOR - 1637359
1-AC49-601-A

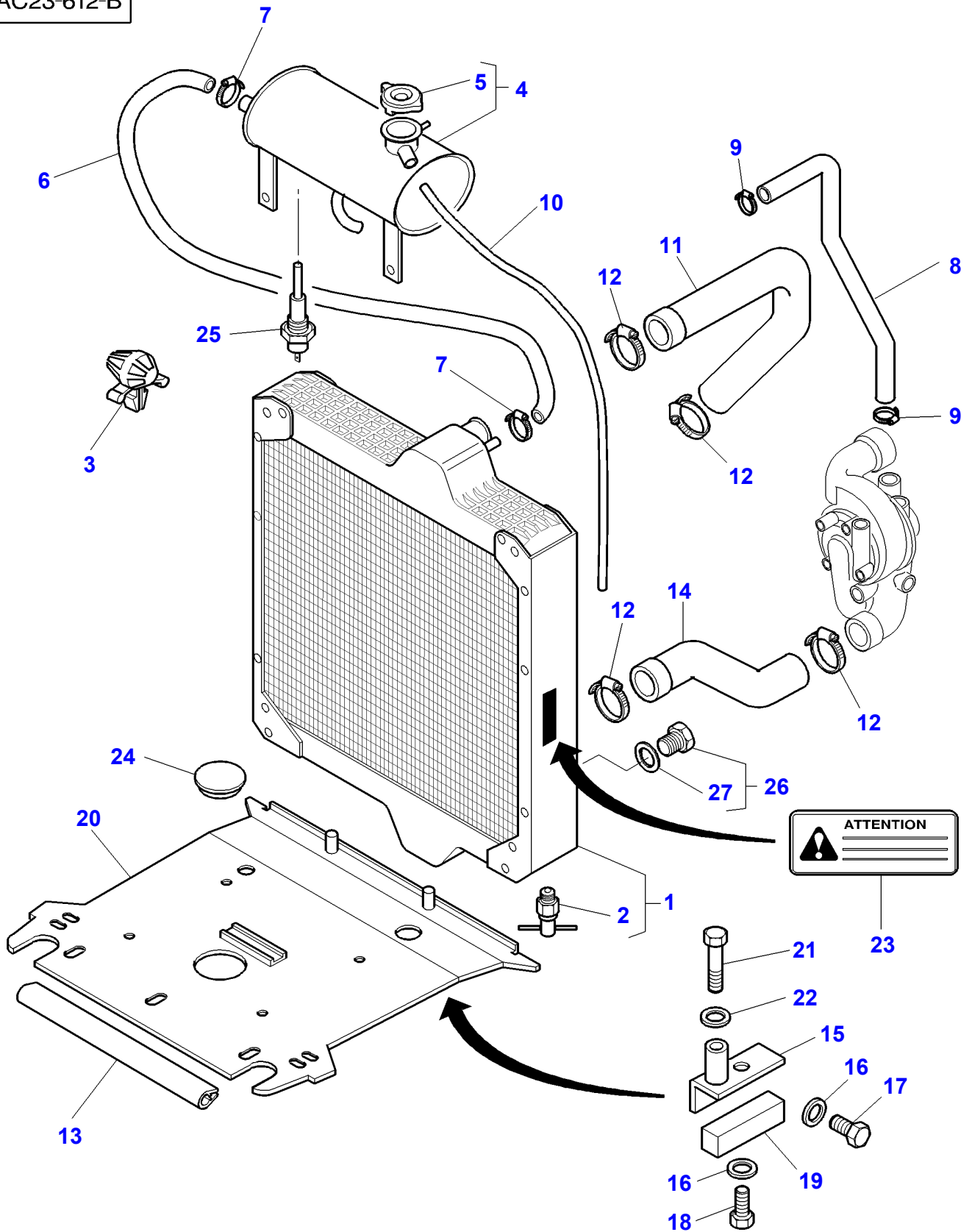
1-AC49-601-A



Item	Part Number	Qty	Description	Comments
1	3782613M2	1	Compressor	
2	3901157M1	1	Screw	(1)
3	3901154M1	6	Screw	(1)
4	3903258M91	1	Kit	(1)
5		1	Plate	(4)
				Not serviced, order REF.4
6		1	Cover	(4)
				Not serviced, order REF.4
7	3901155M1	2	O Ring	(1)
8	3901147M91	1	Head	(1)
9		1	Cover	(8)
				Not serviced, order REF.8
10		1	Gasket	(8)
				Not serviced, order REF.8
11	3903255M91	1	Kit	(1)
12	3903256M91	1	Kit, Gasket	(1)
13		1	Plate	(11)
				Not serviced, order REF.11
14		1	Gasket	(11)
				Not serviced, order REF.11
15		1	Body	(1)
				Not serviced, order REF.1
16	3903257M91	1	Kit, Seal	(1)
17		1	Armature	(37)
				Not serviced, order REF.37
18		1	Seal	(16)
				Not serviced, order REF.16
19		1	O Ring	(16)
				Not serviced, order REF.16
20		1	Felt Ring	(16)
				Not serviced, order REF.16
21	3901150M1	1	Circlip	(1)
22	3901152M91	1	Plug	(1)
23	3901153M1	1	O Ring	(22)
24	3903263M91	1	Kit	(1)
25		1	Clip	(24)
				Not serviced, order REF.24
26		1	Nut	(24)
				Not serviced, order REF.24
27		1	Ring	(24)
				Not serviced, order REF.24
28		1	Ring	(24)
				Not serviced, order REF.24
29	3901162M1	1	Cover	(24)
30		1	Clip	(24)
				Not serviced, order REF.24
31		1	Clip	(24)
				Not serviced, order REF.24
32	3903259M91	1	Kit	
33		3	Screw	(32)
				Not serviced, order REF.32
34		1	Pulley	(37)
				Not serviced, order REF.37
35	3903260M92	1	Clutch	(1)
36	3903262M91	1	Coil	(35)
37	3903261M92	1	Rotor	(35)

MF 8170 TRACTOR - 1637359
1-AC23-612-B

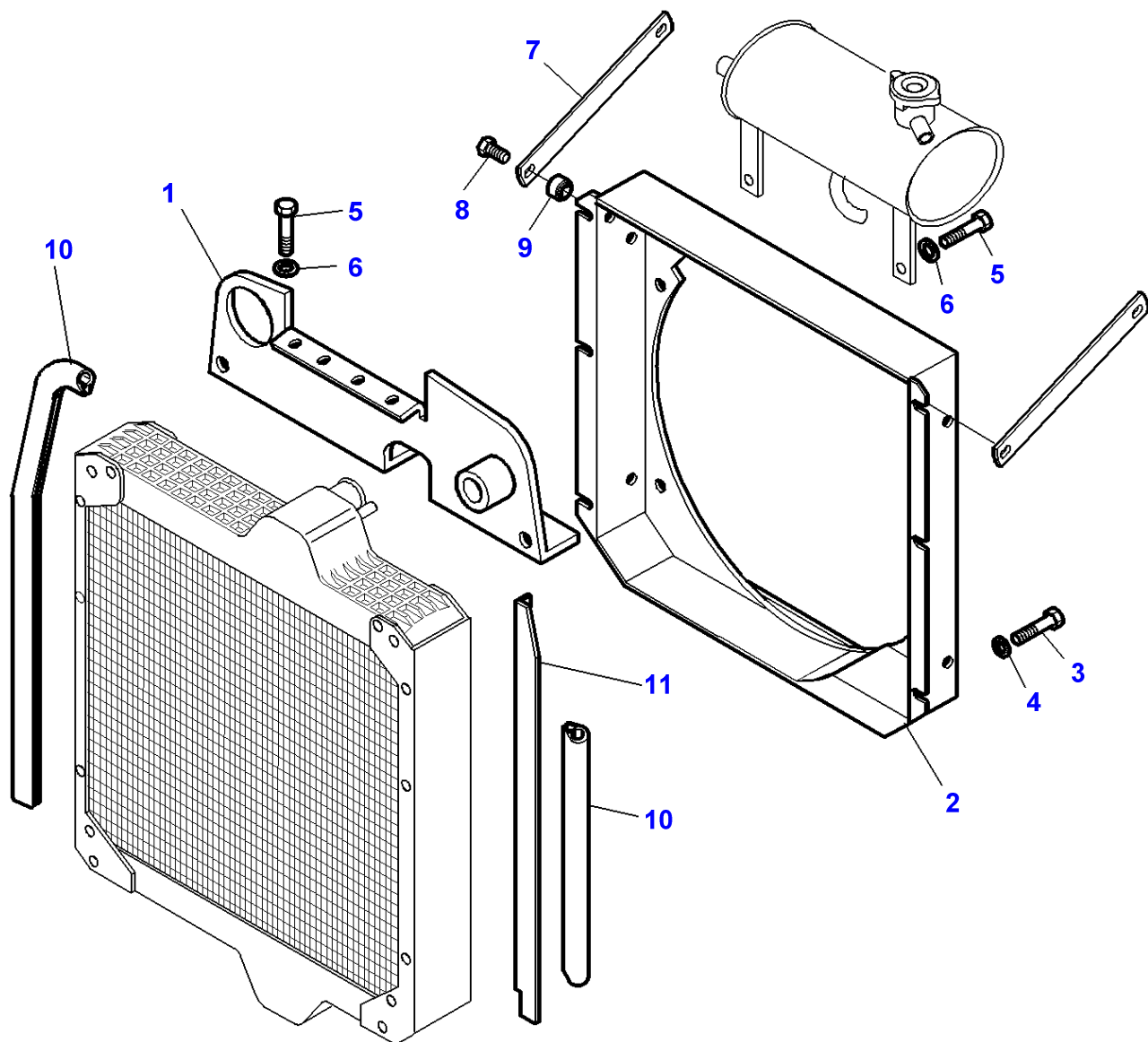
1-AC23-612-B



Cooling System - Engine

Item	Part Number	Qty	Description	Comments
1	3777264M3	1	Water Cooler	
2	3902881M1	1	Plug	(1)
3	3615984M1	2	Fastener	
4	3777297M92	1	Tank	
5	180224M92	1	Radiator Cap	(4)
6	3580327M1	1	Tube	Length 550MM
7	3712465M1	2	Clamp	
8	3777268M1	1	Water Hose	
9	338615X1	2	Clamp	
10	3583427M1	1	Tube	
11	3777260M2	1	Water Hose	
12	338615X1	4	Clamp	
13	3618702M2	1	Gasket	Length 540 MM
14	3778088M1	1	Water Hose	
15	3777262M3	1	Support	Left Hand
	3777263M3	1	Support	Right Hand
16	390734X1	6	Washer	Diameter 10-21MM Thickness 2MM
17	339401X1	4	Screw Metric	M10X25
18	339081X1	2	Screw Metric	M10X20
19	3581180M1	2	Foam	50X90X250MM
20	3777272M2	1	Shield	
21	339124X1	4	Hex. Sock. Screw	M8X16
22	390972X1	4	Washer Metric	Diameter 9-17MM Thickness 1,7MM
23		1	Decal	See Page - Reference Number 100-0050/8
24	3582590M1	1	Plug	
25	3617129M1	1	Sensor	
26	358724X91	1	Plug	
27	831497M1	1	O Ring	(26)

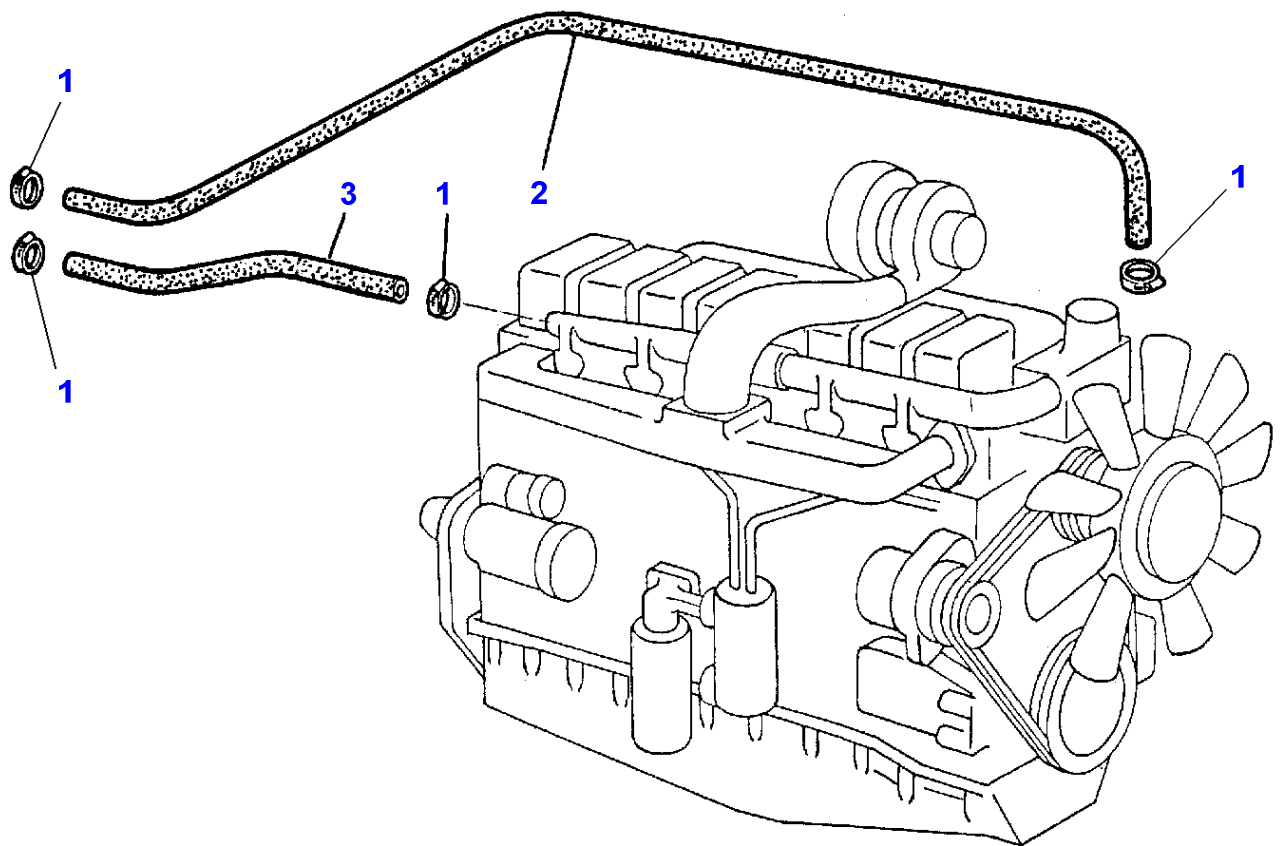
1-AC23-613-B



Cooling System - Engine

Item	Part Number	Qty	Description	Comments
1	3777271M4	1	Baffle	
2	3777270M4	1	Shroud	
3	391074X1	6	Hex. Sock. Screw	M6X12
4	391038X1	6	Washer	
5	339124X1	6	Hex. Sock. Screw	M8X16
6	390972X1	6	Washer Metric	
7	3714745M1	2	Support	
8	339124X1	2	Hex. Sock. Screw	M8X16
9	390972X1	2	Washer Metric	
10	3712639M1	1	Gasket	Length 355MM
	3713678M1	3	Gasket	Length 920MM
	3780659M1	2	Gasket	Length 790MM
11	3777265M1	1	Sealing Carrier	Left Hand
	3777266M1	1	Sealing Carrier	Right Hand

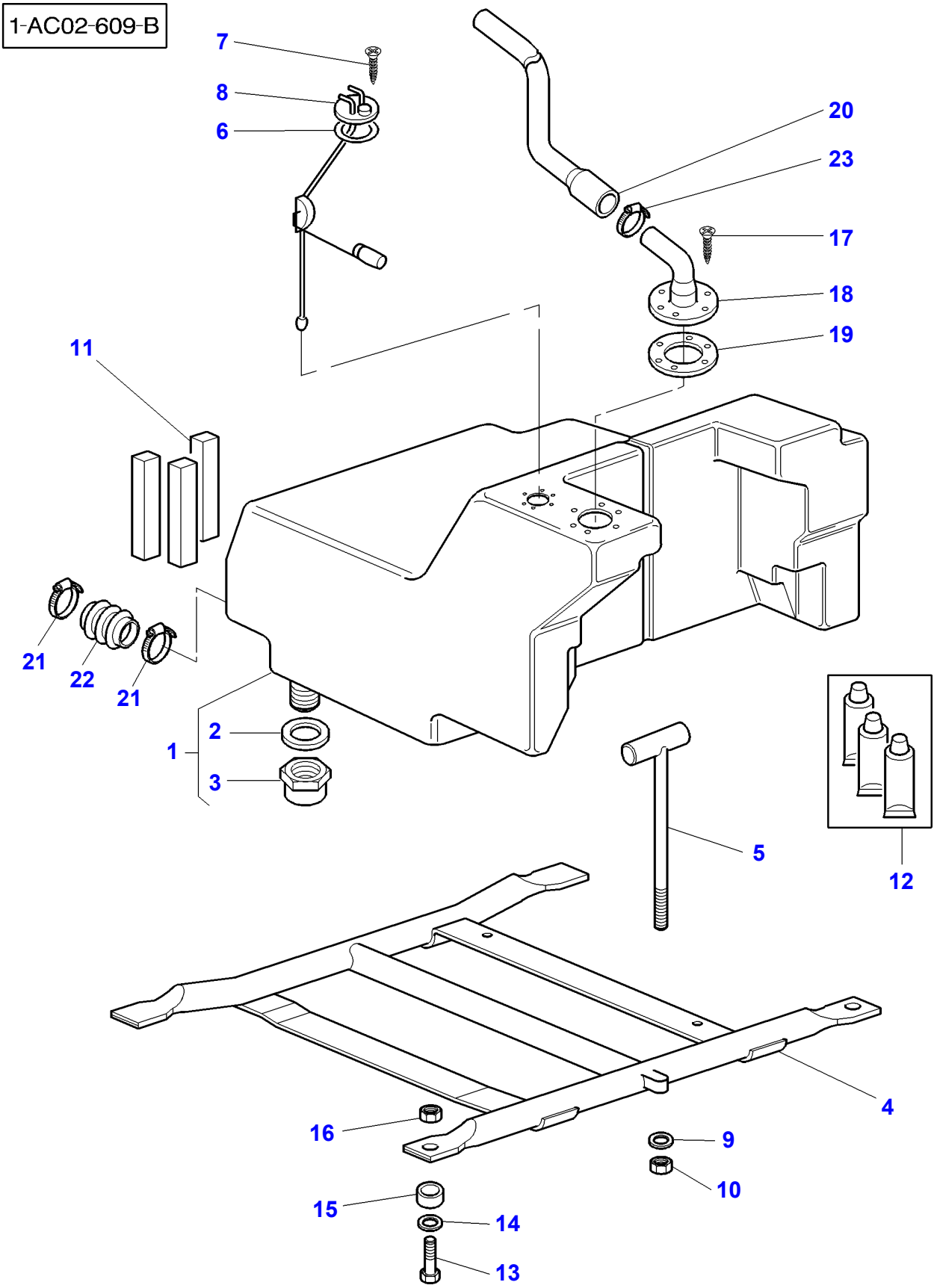
1-AC28-602-A



Massey Ferguson**MF 8170 TRACTOR - 1637359****1637359****Cab Heating System - Engine Part****Page010-0185**

Item	Part Number	Qty	Description	Comments
1	3019564X1	4	Hose Clip	Diameter 16-27 MM
2	3580928M1	1	Hose	Length 2800MM
3	3580959M3	1	Hose	Length 1150MM

MF 8170 TRACTOR - 1637359
1-AC02-609-B



Massey Ferguson**MF 8170 TRACTOR - 1637359**

1637359

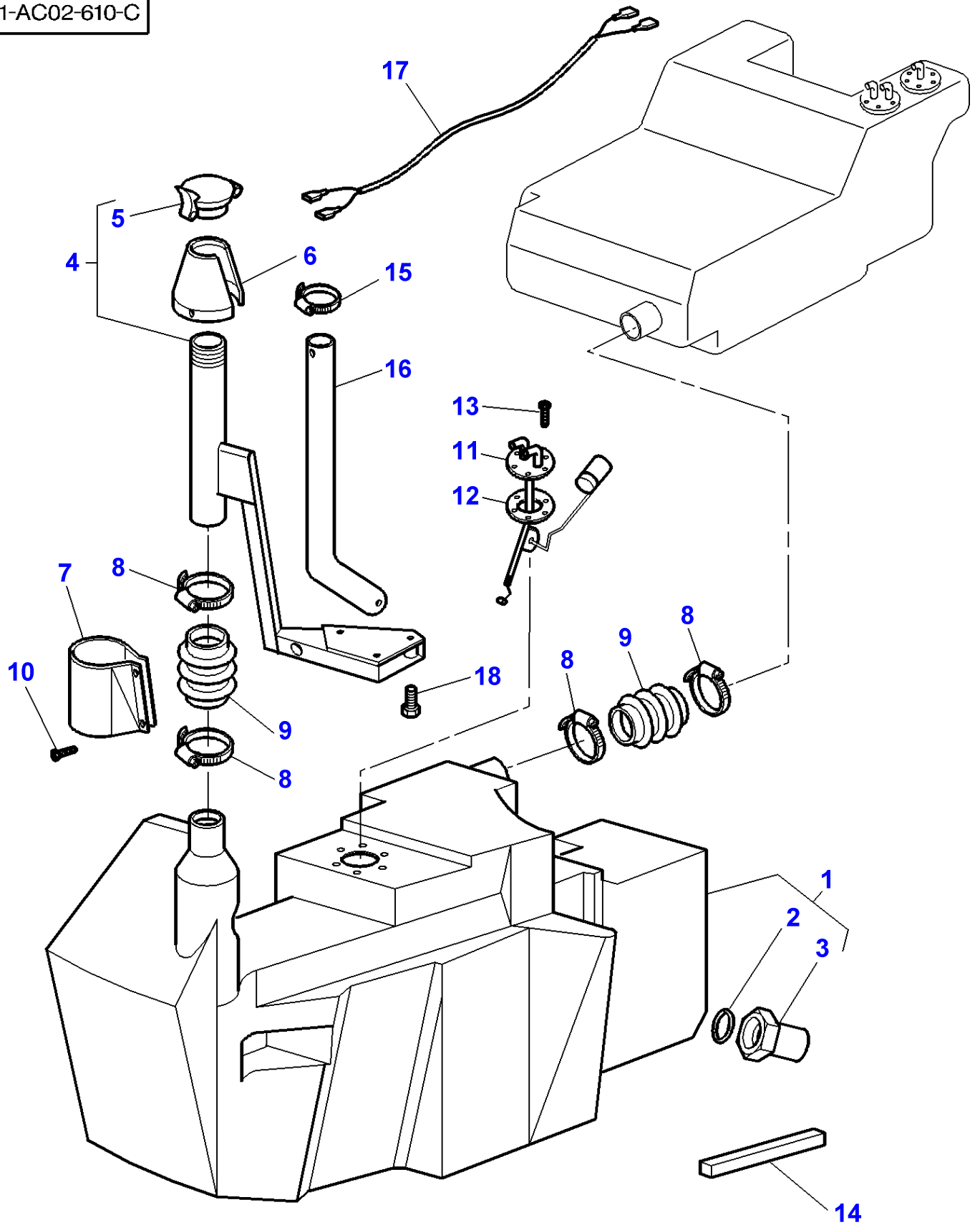
Fuel System - Fuel Tank And Attachments

Page010-0190

Item	Part Number	Qty	Description	Comments
1	3777384M94	1	Fuel Tank	275L
2	3616911M1	1	Gasket	(1)
3	3616909M1	1	Plug	(1)
4	3777390M1	1	Support	
5	3777391M1	1	Stem	
6	1617869M2	1	Gasket	
7	3005728X1	6	Screw	No 10X16
8	3777389M2	1	Fuel Gauge	
9	390734X1	1	Washer	
10	1440329X1	1	Locknut	M10
11	3600195M91	1	Parts Pack	
12	3600444M91	1	Kit, Service	
13	3009496X1	2	Bolt Metric	M10X45
14	385362X1	2	Washer Metric	
15	3580856M1	2	Spacer	
16	1440329X1	2	Locknut	M10
17	3005728X1	6	Screw	No 10X16
18	3782043M1	1	Non Return Valve	
19	1617869M2	1	Gasket	
20	3778733M2	1	Tube	
21	1440860X1	2	Clamp	
22	3582877M2	1	Hose	Length 102MM
23	338614X1	1	Hose Clip	

MF 8170 TRACTOR - 1637359
1-AC02-610-C

1-AC02-610-C

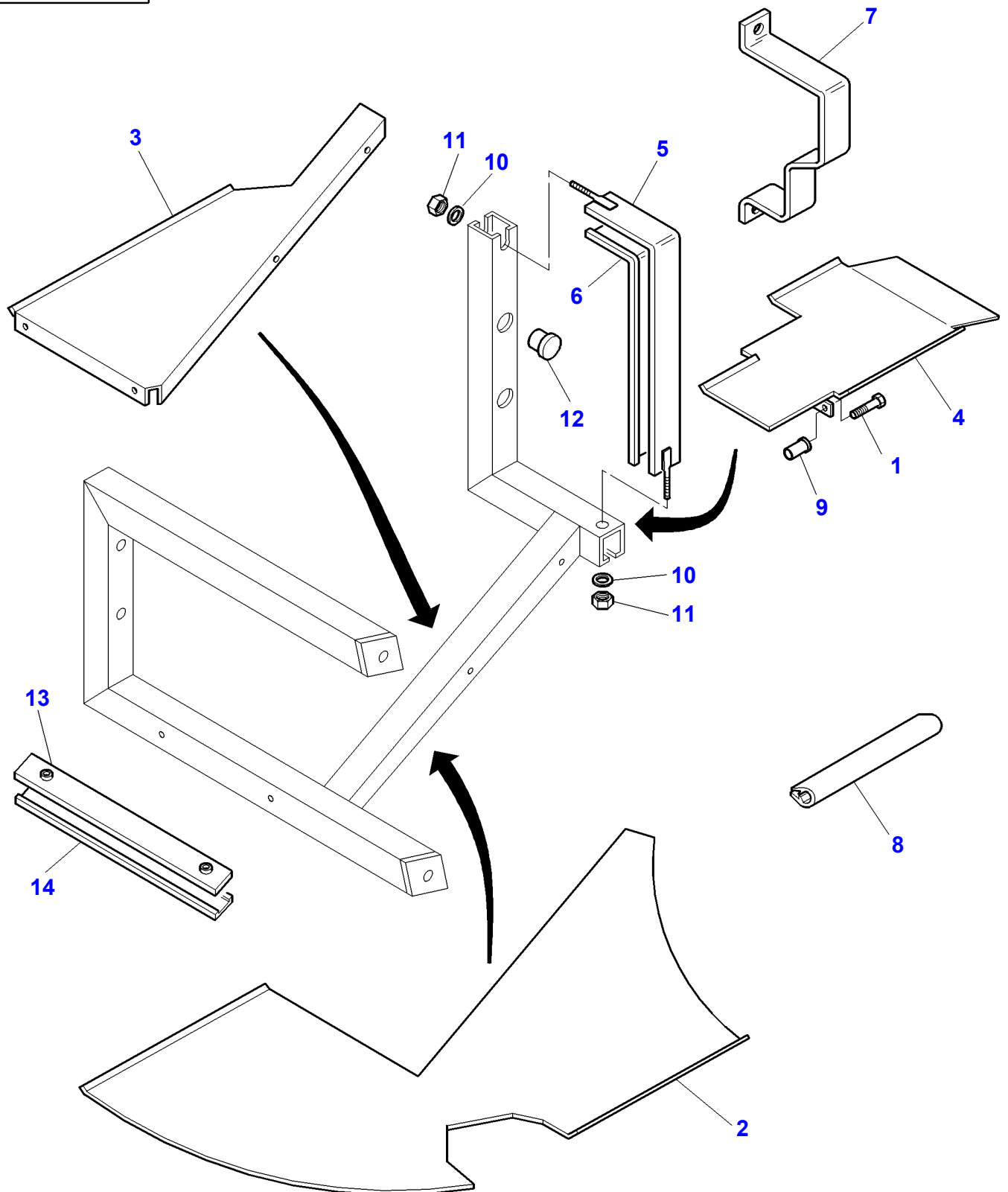


Massey Ferguson**MF 8170 TRACTOR - 1637359****1637359****Fuel System - Fuel Tank And Attachments - Additional Tank****Page010-0195**

Item	Part Number	Qty	Description	Comments
1	3777386M93	1	Tank	
2	3616911M1	1	Gasket	(1)
3	3616909M1	1	Plug	(1)
4	3778296M96	1	Spout	
5	3778761M1	1	Plug	(4)
6	3778531M1	1	Cowl	
7	3778781M1	1	Cowl	
8	1440860X1	4	Clamp	
9	3778297M1	2	Hose	Diameter 68 / 110
10	3005728X1	2	Screw	No 10X16
11	3777392M3	1	Dipstick	
12	1617869M2	1	Gasket	
13	3005728X1	6	Screw	No 10X16
14	3618690M1	2	Gasket	30 X 13 X 545MM
15	3779583M1	1	Clamp	Up to Serial or Engine Number G327011
16	3779410M2	1	Hose	Length 2000MM Up to Serial or Engine Number G327011
17	3582936M1	1	Harness	
18	3009501X1	2	Bolt	M10X70
	3009498X1	1	Bolt Metric	M10X55

MF 8170 TRACTOR - 1637359
1-AC02-614-A

1-AC02-614-A



Massey Ferguson**MF 8170 TRACTOR - 1637359**

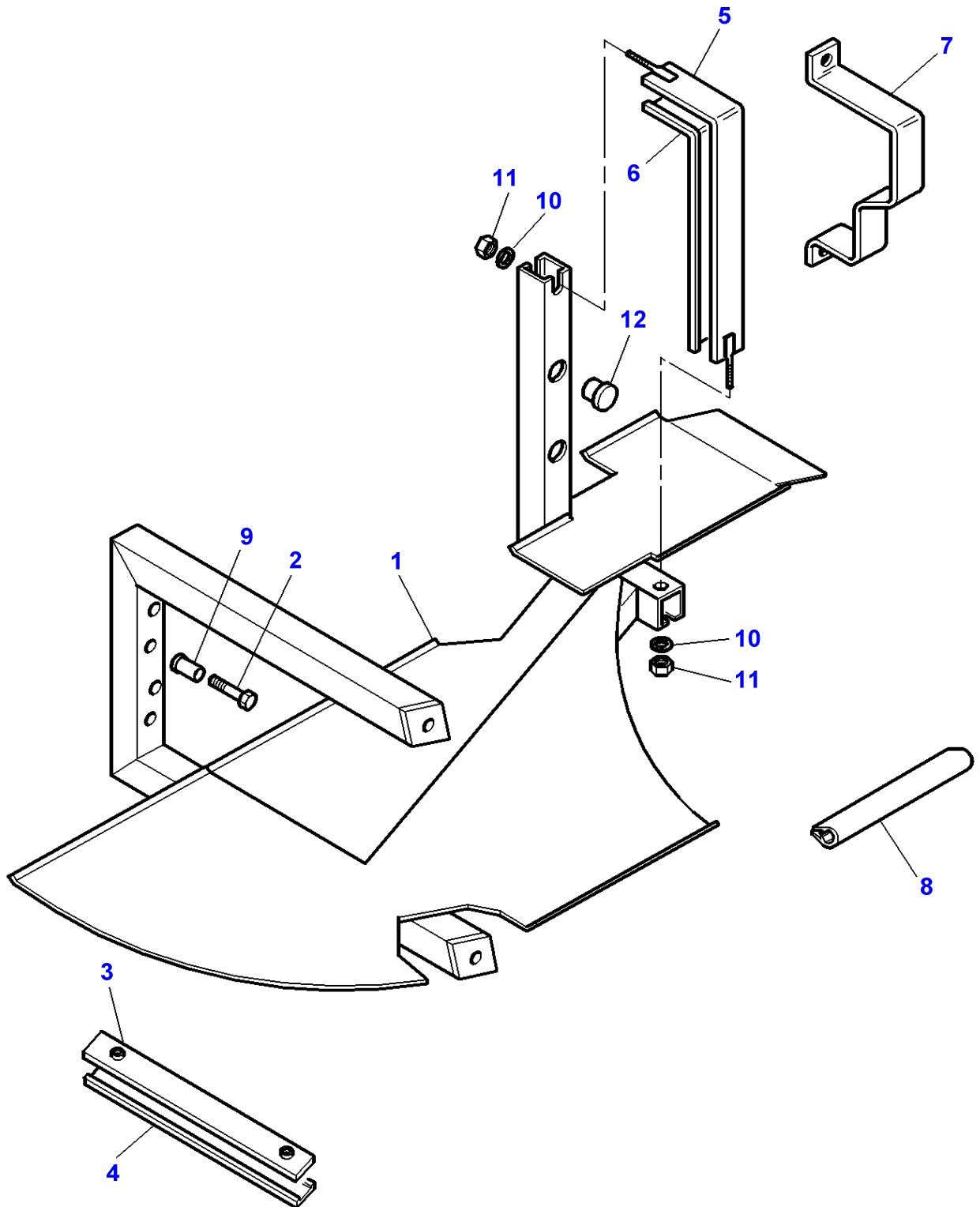
1637359

Fuel System - Fuel Tank And Attachments - Brackets And Guards Up To H091014

Page010-0200

Item	Part Number	Qty	Description	Comments
1	390830X1	2	Screw	M8X70
	339123X1	9	Hex. Sock. Screw	M8X20
2	3778303M2	1	Cowl	
3	3778301M1	1	Cowl	
4	3778302M1	1	Cowl	
5	3778298M1	1	Bridle	
6	3778317M1	1	Protector	
7	3778299M1	1	Stop	
8	3778851M1	1	Gasket	Length 215MM
	3778852M1	1	Gasket	Length 125MM
9	3778304M1	11	Nut	M8
10	391038X1	2	Washer	
11	1441500X1	6	Locknut	M6
12	3580599M1	2	Plug	
13	3780189M91	1	Support	Replace and repair. Old not interchangeable with new 3778300M2
14	3778385M1	1	Protector	

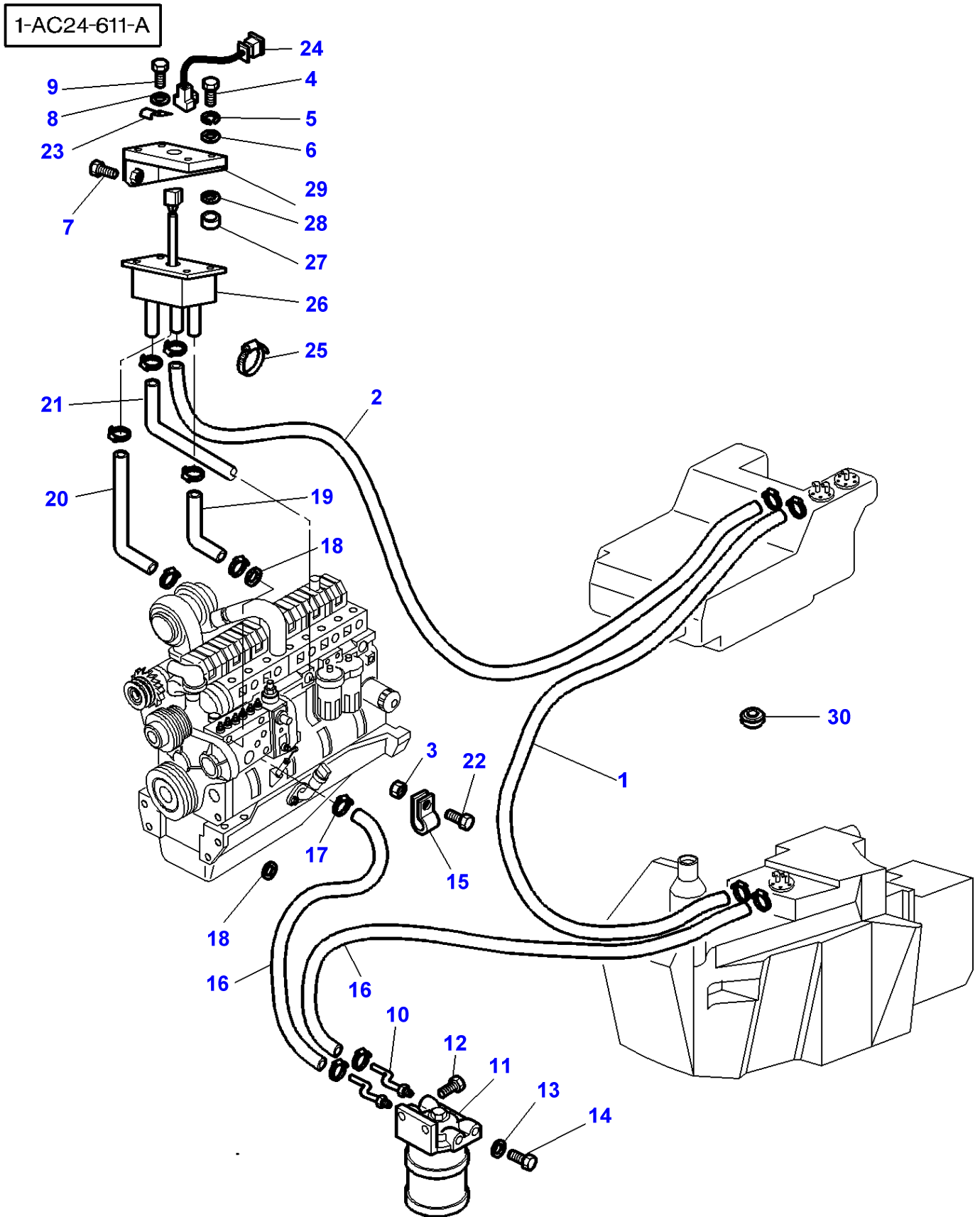
1-AC02-616-A



Massey Ferguson**MF 8170 TRACTOR - 1637359****1637359****Fuel System - Fuel Tank And Attachments - Brackets And Guards From H091015****Page010-0205**

Item	Part Number	Qty	Description	Comments
1	3782401M93	1	Frame	
2	390830X1	1	Screw	M8X70
	339123X1	3	Hex. Sock. Screw	M8X20
3	3780189M91	1	Support	Replace and repair. Old not interchangeable with new 3778300M2
4	3778385M1	1	Protector	
5	3778298M1	1	Bridle	
6	3778317M1	1	Protector	
7	3778299M1	1	Stop	
8	3778851M1	1	Gasket	Length 215MM
	3778852M1	1	Gasket	Length 125MM
9	3778304M1	7	Nut	M8
10	391038X1	2	Washer	
11	1441500X1	6	Locknut	M6
12	3580599M1	2	Plug	

MF 8170 TRACTOR - 1637359
1-AC24-611-A



Massey Ferguson**MF 8170 TRACTOR - 1637359**

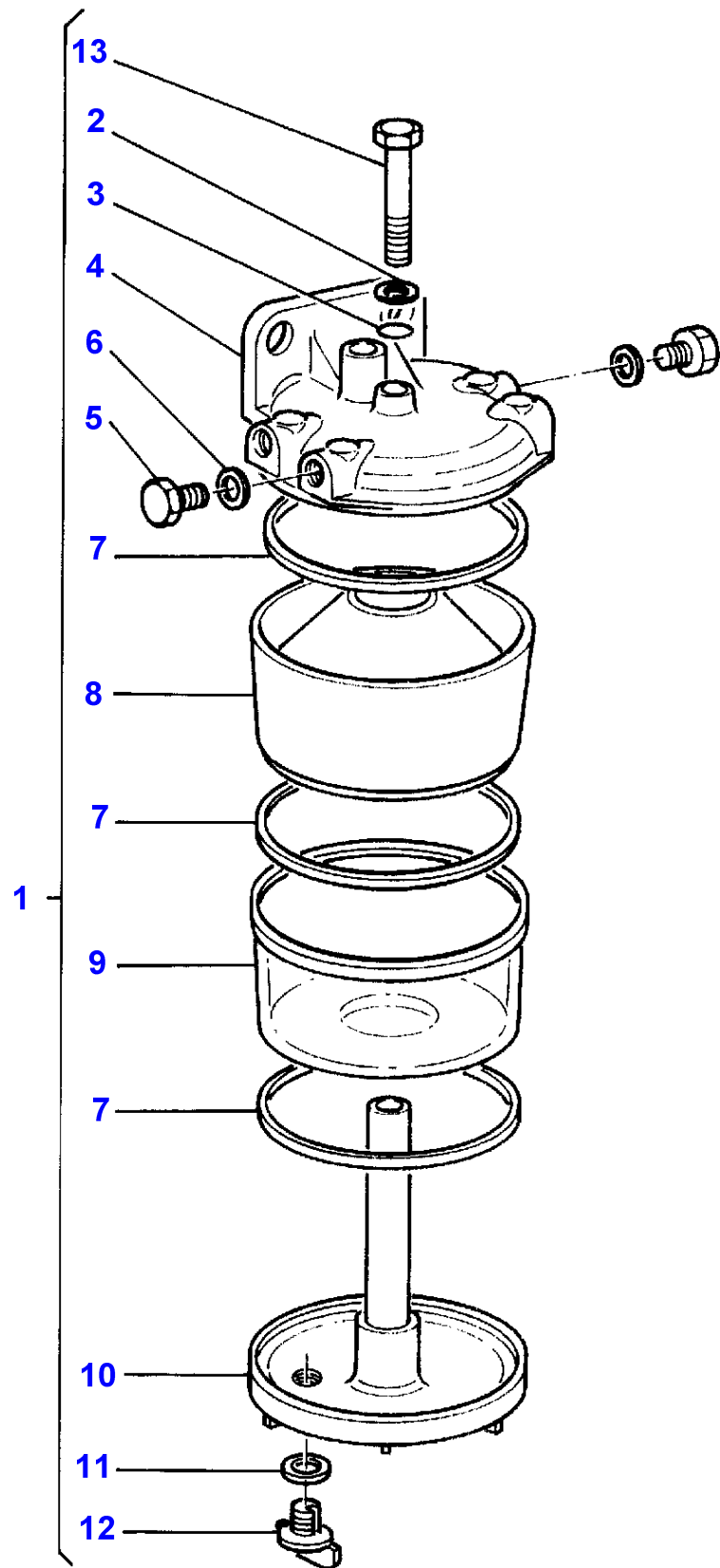
1637359

Fuel System - Pipes With Thermostat - With Additional Tank - With Fuel Debit

Page010-0210

Item	Part Number	Qty	Description	Comments
1	3777800M1	1	Hydr Hose	Length 1550MM
2	3777801M1	1	Hydr Hose	Length 3040MM
	3780476M1	1	Hydr Hose	Length 3500MM
3	339169X1	X	Nut	Diameter M8
4	339563X1	4	Screw Metric	Diameter M5X20MM
5	339381X1	4	Lock Washer	Diameter 5MM
6	339024X1	4	Washer Metric	
7	339228X1	2	Screw Metric	M8X12
8	339375X1	1	Lock Washer	
9	391074X1	1	Hex. Sock. Screw	Diameter M6X12MM
10	3712174M2	2	Tube	
11	1695571M91	1	Sediment Bowl	See Page - Reference Number 010-0215/1
12	339761X1	2	Hex. Sock. Screw	Diameter M8X25
13	880961M1	2	Washer	
14	884748M1	2	Plug	
15	3386294M1	1	Strap	
16	3615358M1	2	Hydr Hose	Length 1250MM
17	3712465M1	X	Clamp	
18	1440012X1	4	Gasket	
19	3714684M1	1	Hydr Hose	Length 270MM
20	3582846M1	1	Hose	Length 330MM
21	3780426M1	1	Hydr Hose	Length 750MM
22	339124X1	1	Hex. Sock. Screw	M8X16
23	3701687M1	1	Clip	
24	3714288M1	1	Harness	Length 2800MM
25	3619622M1	X	Cable Tie	
26	3582830M1	1	Flowmeter	
27	3582832M1	4	Spacer	
28	3389410M1	4	Grommet	
29	3777280M1	1	Support	
30	3010670X1	1	Grommet	

1-AC13-600-A

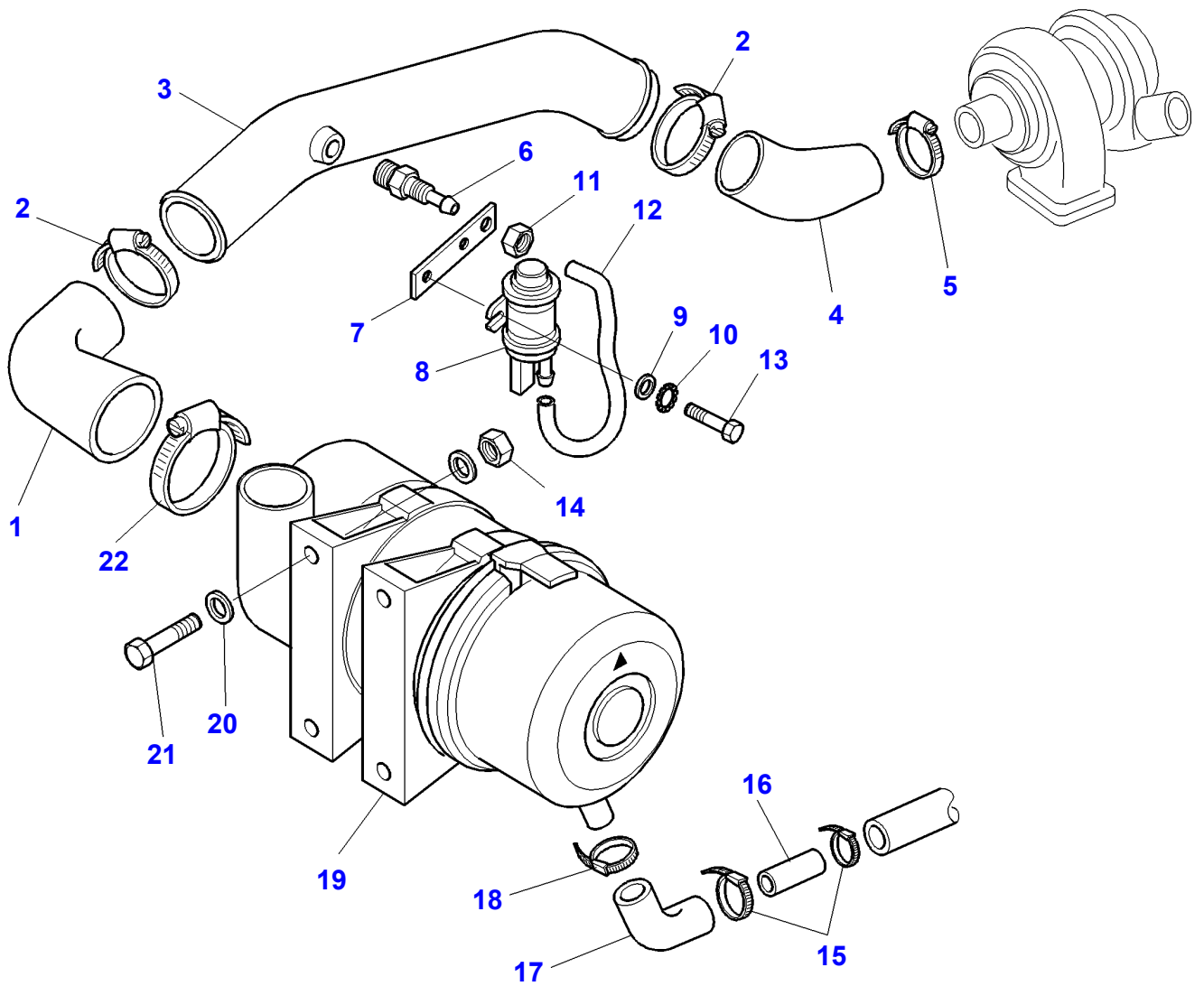


Massey Ferguson**MF 8170 TRACTOR - 1637359****1637359****Fuel System - Fuel Filter****Page010-0215**

Item	Part Number	Qty	Description	Comments
1	1695571M91	1	Sediment Bowl	
2	1851889M1	1	Washer	(1)
3	1001833M1	1	O Ring	(1)
4		1	Filter Head	(1)
				Not serviced, order REF.1
5	884748M1	2	Plug	(1)
				Replace and repair. Old not interchangeable with new 1871779M1
6	880961M1	2	Washer	(1)
				Replace and repair. Old not interchangeable with new 1871780M1
7	1851891M1	3	Gasket	(1)
8	1093896M1	1	Element	(1)
9	1024386M1	1	Body	(1)
10		1	Bottom	(1)
				Not serviced, order REF.1
11	1094155M1	1	Gasket	(1)
12	1094154M91	1	Plug	(1)
13	354604X1	1	Bolt Unc	(1)

MF 8170 TRACTOR - 1637359
1-AC26-610-A

1-AC26-610-A



Massey Ferguson**MF 8170 TRACTOR - 1637359**

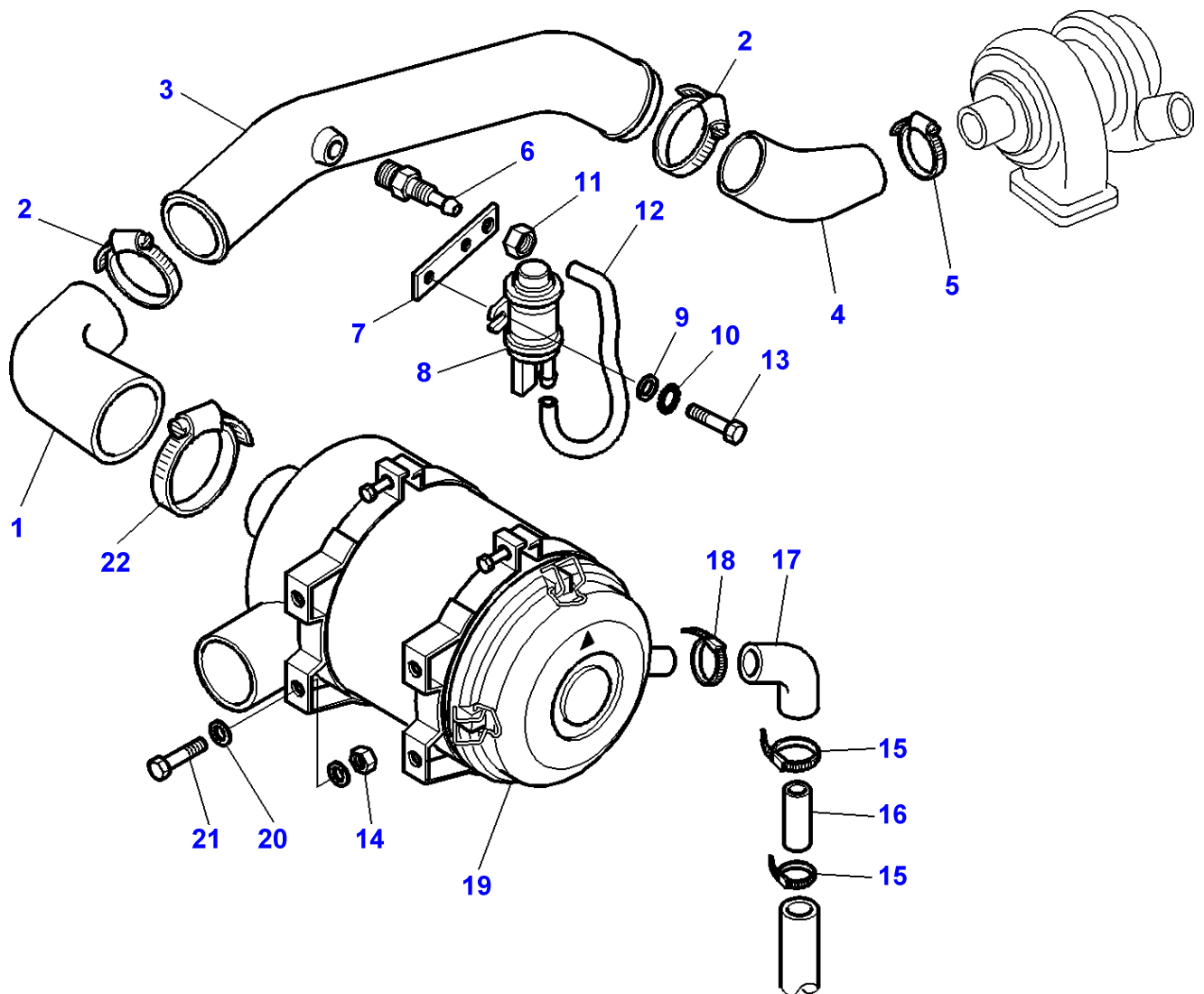
1637359

Air Filter - With Thermostat Equipment - 8160 / 200 HP PTO

Page010-0220

Item	Part Number	Qty	Description	Comments
1	3777277M1	1	Hose	
2	3010159X1	2	Clamp	Diameter 100/125
3	3777279M1	1	Tube	
4	3713183M1	1	Hose	
5	3010156X1	1	Clamp	Diameter 70/90
6	3778309M1	1	Breather	
7	3778310M1	1	Support	
8	72507188	1	Switch	
9	3001856X1	2	Washer Metric	
10	3006154X1	2	Washer	
11	339169X1	1	Nut	
12	3780509M1	1	Tube	
13	3009532X1	2	Screw	M4X16
14	339169X1	4	Nut	
15	338616X1	2	Hose Clip	Diameter 32/50
16	3777309M1	1	Tube	
17	3777308M1	1	Hose	
18	338617X1	1	Hose Clip	Diameter 40/60
19	3777276M1	1	Air Filter	
20	390972X1	8	Washer Metric	
21	339009X1	4	Hex. Sock. Screw	M8X35
22	3010162X1	1	Clamp	Diameter 130/155

1-AC26-611-A



Massey Ferguson**MF 8170 TRACTOR - 1637359**

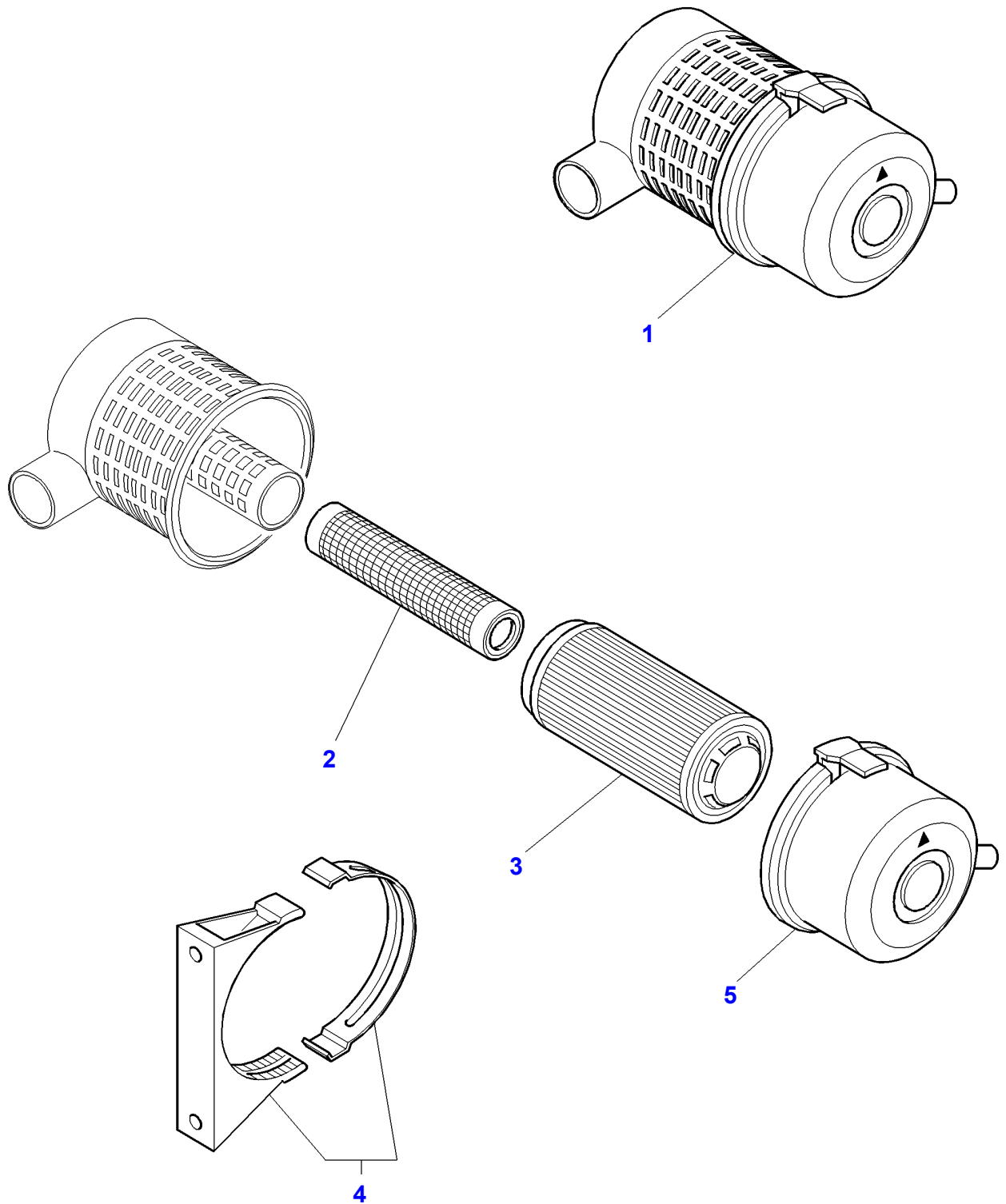
1637359

Air Filter - With Thermostat Equipment - 8170

Page010-0225

Item	Part Number	Qty	Description	Comments
1	3780823M2	1	Hose	
2	3010159X1	2	Clamp	Diameter 100/125
3	3777279M1	1	Tube	
4	3713183M1	1	Hose	
5	3010156X1	1	Clamp	Diameter 70/90
6	3778309M1	1	Breather	
7	3778310M1	1	Support	
8	72507188	1	Switch	
9	3001856X1	2	Washer Metric	
10	3006154X1	2	Washer	
11	339169X1	1	Nut	
12	3780509M1	1	Tube	
13	3009532X1	2	Screw	M4X16
14	339169X1	4	Nut	
15	338615X1	2	Clamp	Diameter 25/40
16	3777309M1	1	Tube	
17	3780821M1	1	Hose	
18	338617X1	1	Hose Clip	Diameter 40/60
19	3780822M1	1	Air Filter	
20	390972X1	8	Washer Metric	
21	339009X1	4	Hex. Sock. Screw	M8X35
22	3010162X1	1	Clamp	Diameter 130/155

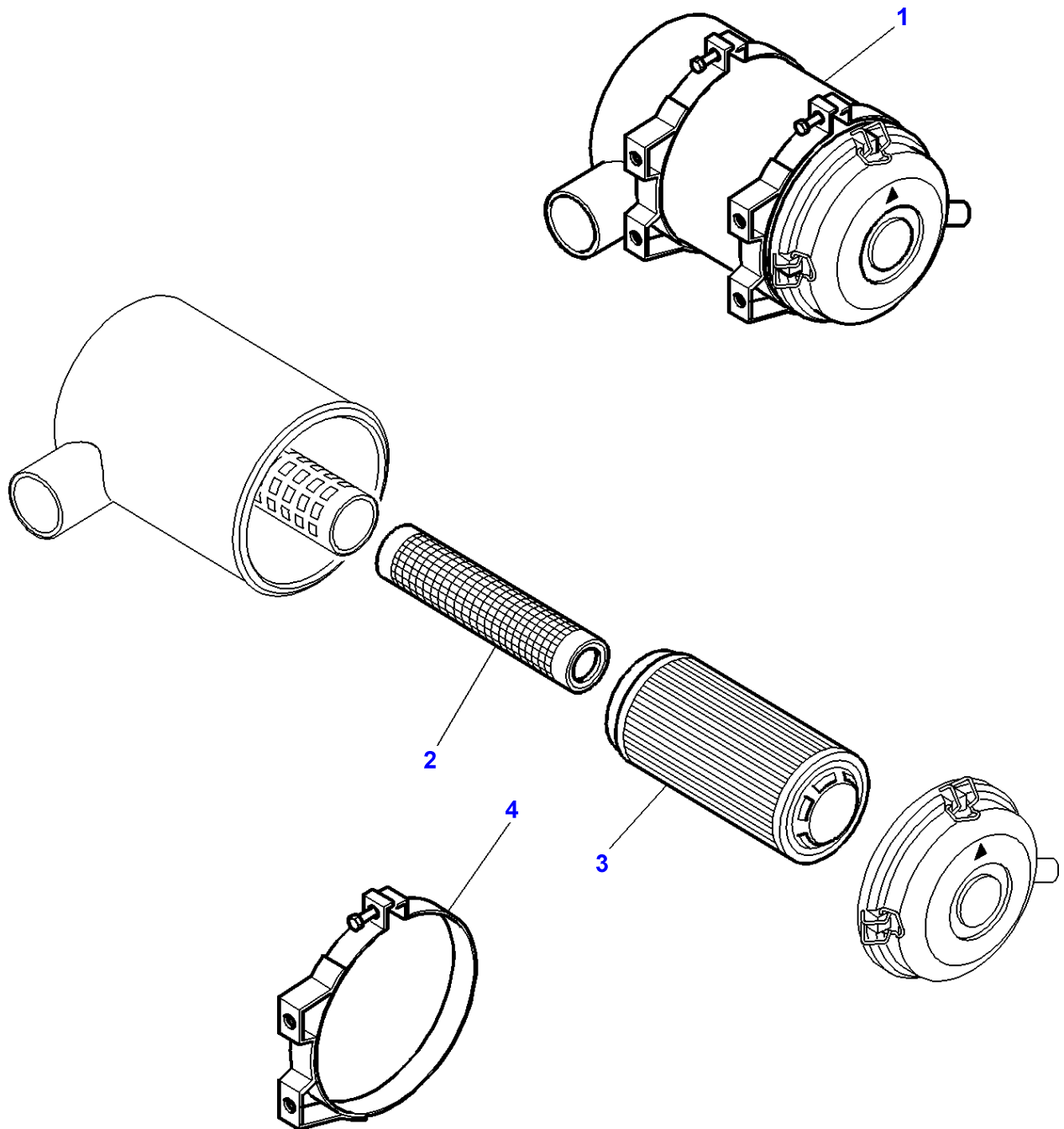
1-AC20-609-B



Massey Ferguson**MF 8170 TRACTOR - 1637359****1637359****Air Filter - Dry - Dual Element - 8160 / 200 HP PTO****Page010-0230**

Item	Part Number	Qty	Description	Comments
1	3777276M1	1	Air Filter	
2	3902812M1	1	Filter Insert	(1)
3	3902806M1	1	Filter Insert	(1)
4	3902930M1	1	Support	(1)
5	3902931M1	1	Cover	(1)

1-AC20-610-A

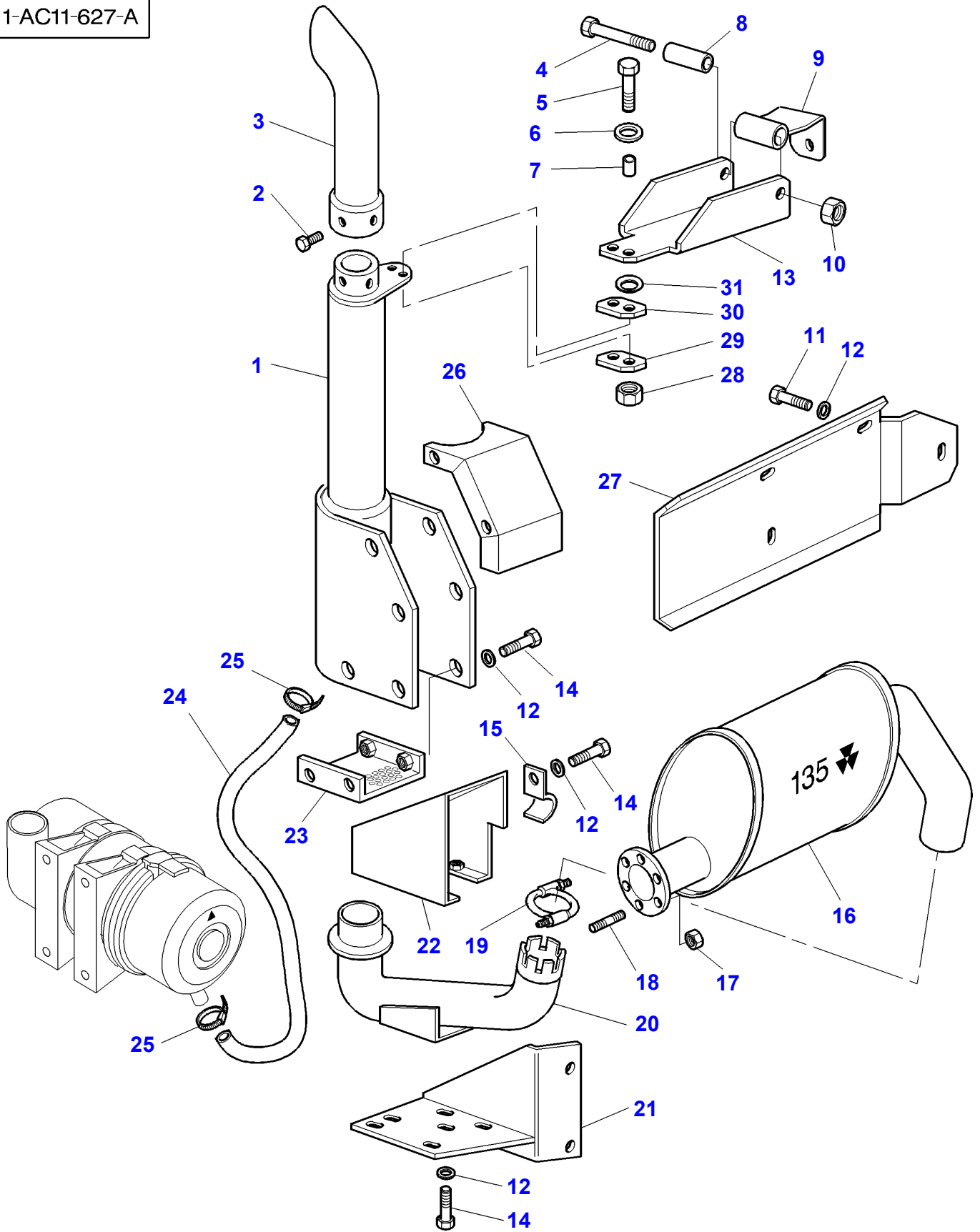


Massey Ferguson**MF 8170 TRACTOR - 1637359****1637359****Air Filter - Dry - Dual Element - 8170****Page010-0235**

Item	Part Number	Qty	Description	Comments
1	3780822M1	1	Air Filter	
2	3903031M1	1	Filter Insert	(1)
3	3903030M1	1	Filter Insert	(1)
4	3780958M1	2	Clamp	(1)

MF 8170 TRACTOR - 1637359
1-AC11-627-A

1-AC11-627-A

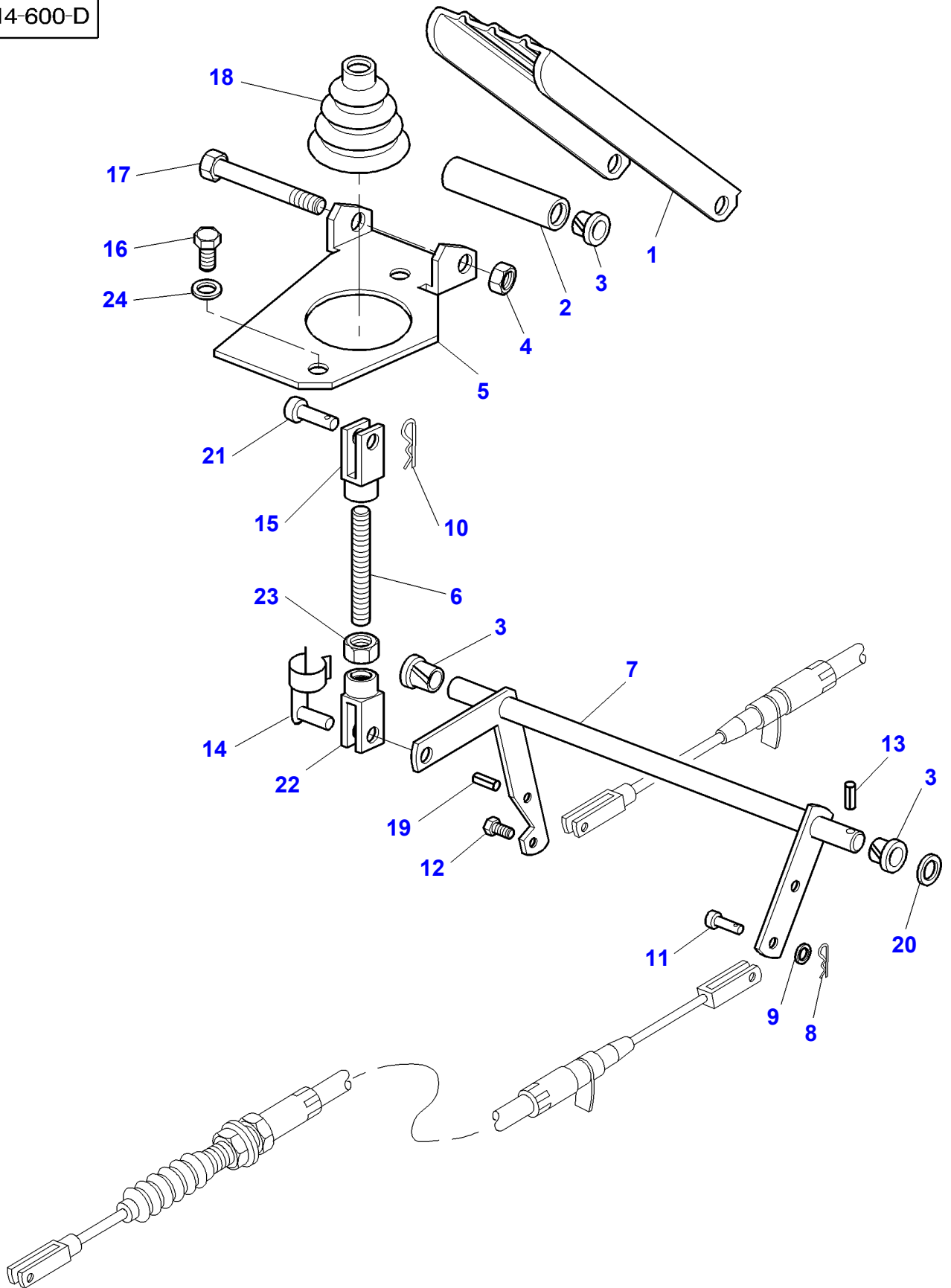


Exhaust System - Vertical

Item	Part Number	Qty	Description	Comments
1	3713949M5	1	Tube	
2	391074X1	2	Hex. Sock. Screw	M6X12
3	3714356M4	1	Tube	
4	3009515X1	1	Bolt Metric	M12X80
5	339337X1	2	Hex. Sock. Screw	M8X30
6	391039X1	2	Washer Metric	
7	3778809M1	2	Spacer	
8	3777839M1	1	Vibration Mount	
9	3777838M3	1	Support	
10	1442190X1	1	Locknut	
11	339228X1	4	Screw Metric	M8X12
12	390972X1	16	Washer Metric	
13	3777837M1	1	Strap	
14	339123X1	14	Hex. Sock. Screw	M8X20
15	3713805M1	1	Bridle	
16	3777286M1	1	Silencer	135
17	3010572X1	6	Nut	
18	1440022X1	6	Stud	M8X20
19	3715855M1	1	Clamp	
20	3777287M2	1	Tube	
21	3777284M1	1	Support	
22	3777302M1	1	Cowl	
23	3713777M1	1	Cowl	
24	3778882M1	1	Tube	Length 3450MM
25	338615X1	2	Clamp	Diameter 25-40
26	3713771M1	1	Cover	
27	3777288M1	1	Cowl	
28	1441461X1	2	Locknut	
29	3778090M1	1	Tappet Plate	
30	3778063M2	1	Tappet Plate	
31	3714124M1	2	Washer	

MF 8170 TRACTOR - 1637359
1-AC14-600-D

1-AC14-600-D



Throttle Controls

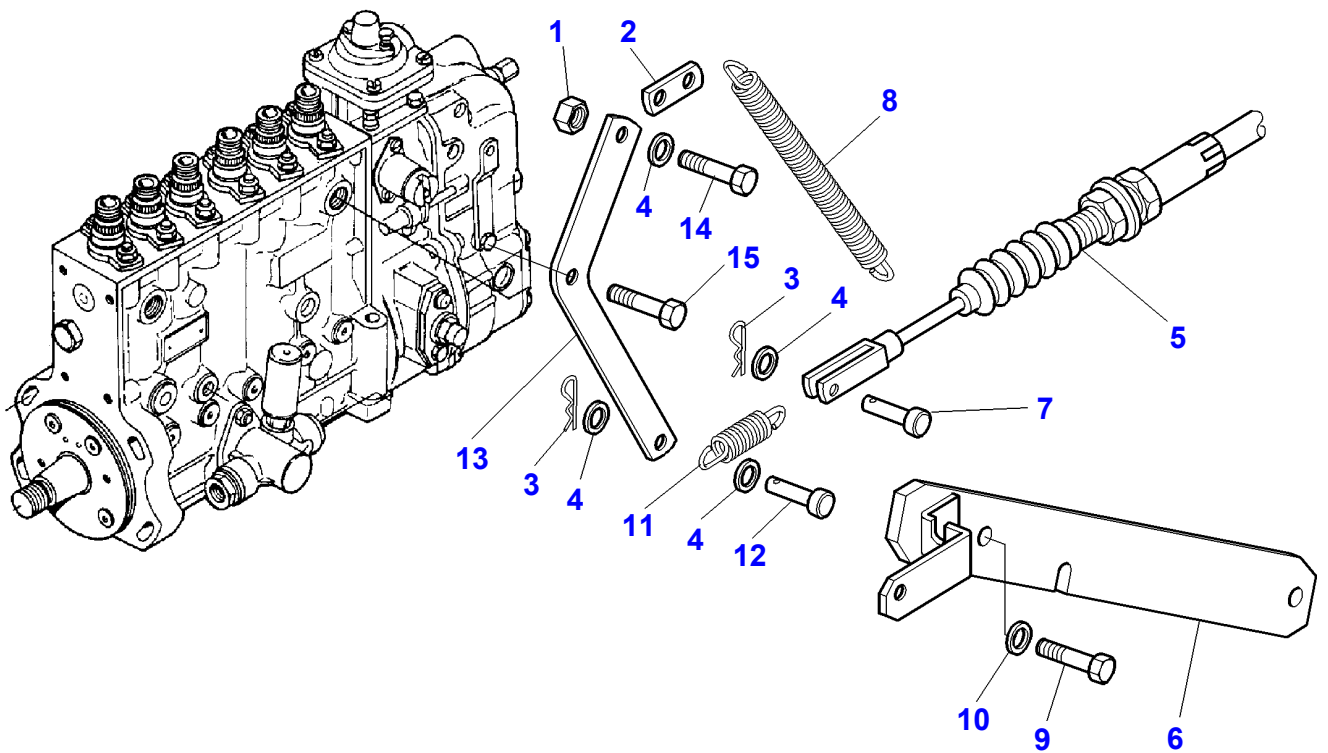
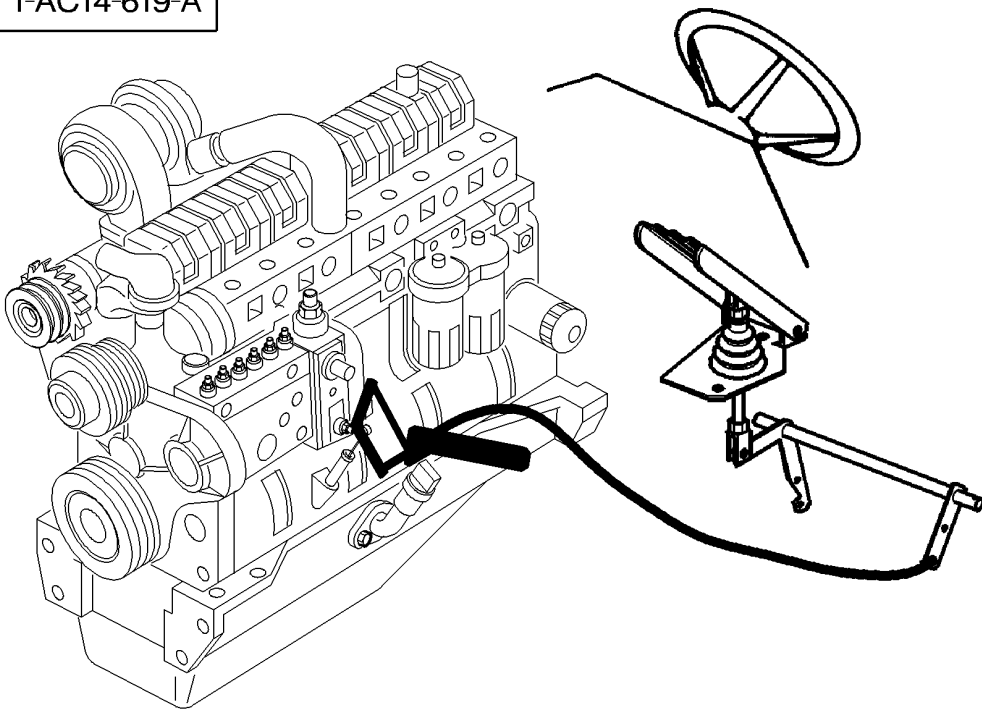
Item	Part Number	Qty	Description	Comments
1	3712851M91	1	Pedal	
2	3712867M1	1	Spacer	
3	3385913M2	4	Bush	
4	1441461X1	1	Locknut	
5	3712852M2	1	Support	
6	3712866M2	1	Stem	
7	3779453M91	1	Rod	[B]
8	357145X1	1	Pin	
9	390971X1	1	Washer	
10	357145X1	1	Pin	
11	3007850X1	1	Clevis Pin	
12	391883X1	1	Screw	M5X25
13	357146X1	1	Pin	
14	3713042M1	1	Clevis Pin	
15	3009130X1	1	Clevis	
16	339124X1	2	Hex. Sock. Screw	M8X16
17	391286X1	1	Bolt Metric	M8X85
18	3712886M1	1	Bellows	
19	339548X1	1	Pin	
20	1444351X1	1	Washer	
21	392235X1	1	Clevis Pin	
22	392463X1	1	Clevis	
23	339030X1	1	Nut Metric	M6
24	390972X1	2	Washer Metric	

FOOTNOTE [A] WITH DYNASHIFT

FOOTNOTE [B] WITH FULL POWERSHIFT

FOOTNOTE [C] TRACTOR WITH PLATFORM

1-AC14-619-A

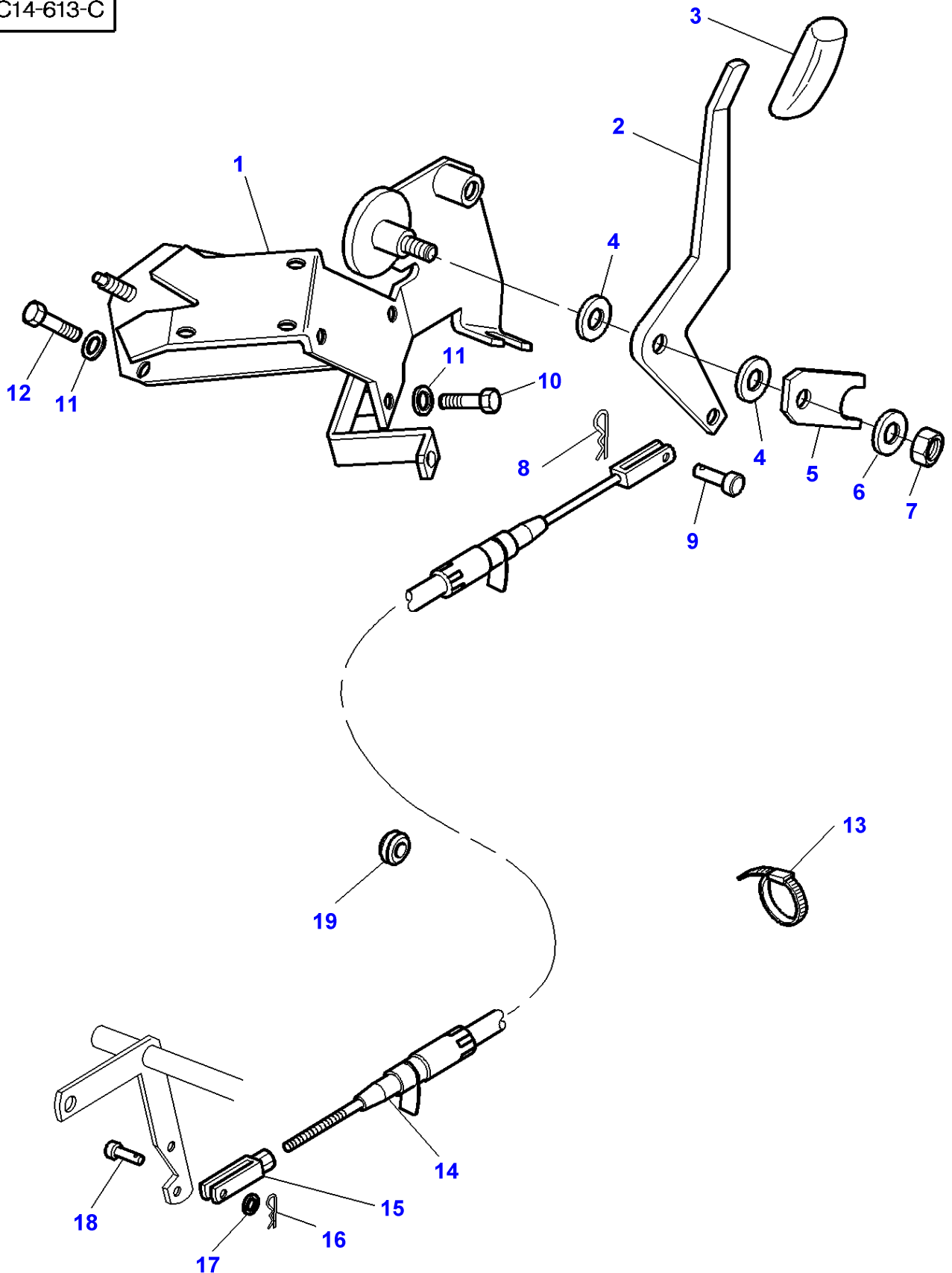


Throttle Controls

Item	Part Number	Qty	Description	Comments
1	339030X1	1	Nut Metric	
2	1660774M2	1	Lug	
3	357145X1	2	Pin	
4	390971X1	4	Washer	
5	3713022M2	1	Cable	MF8160/200HP PTO Length 900MM
	3713025M6	1	Cable	8170 Length 955MM
6	3777289M1	1	Support	MF8160/200HP PTO
	3781439M91	1	Support	MF8170
7	832297M1	1	Clevis Pin	
8	3615253M1	1	Spring	
9	339124X1	2	Hex. Sock. Screw	M8X16
10	390972X1	2	Washer Metric	
11	3387022M2	1	Spring	
12	3007850X1	1	Clevis Pin	
13	3580837M2	1	Lever	
14	339666X1	1	Hex. Sock. Screw	M6X20
15	339262X1	1	Bolt Metric	M6X30

MF 8170 TRACTOR - 1637359
1-AC14-613-C

1-AC14-613-C

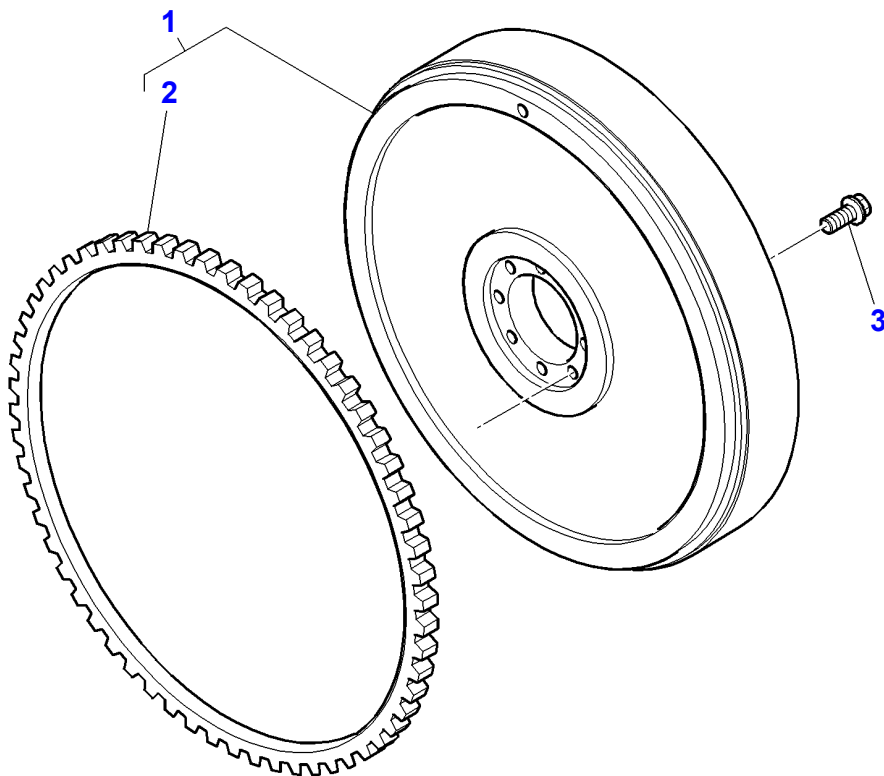


Throttle Controls - Hand

Item	Part Number	Qty	Description	Comments
1	3778645M94	1	Support	
2	3778583M2	1	Lever	
3	3777015M1	1	Handle	
4	3042581M2	2	Washer	
5	3712271M1	1	Plate	
6	880712M1	1	Washer	
7	1440330X1	1	Locknut	M12
8	357145X1	1	Pin	
9	3007850X1	1	Clevis Pin	
10	339368X1	1	Bolt Metric	M8X60
11	390972X1	3	Washer Metric	
12	339368X1	1	Bolt Metric	M8X60
13	3619622M1	1	Cable Tie	
14	3778639M1	1	Cable	Length 855MM
15	3616399M1	1	Stirrup	
16	357145X1	1	Pin	
17	390971X1	1	Washer	
18	832297M1	1	Clevis Pin	
19	1699748M1	1	Plug	Diameter 9,5MM
	3042523M1	1	Plug	Diameter 10MM
20	3010772X1	2	Screw	[A] M12X20

FOOTNOTE [A] NOT ILLUSTRATED

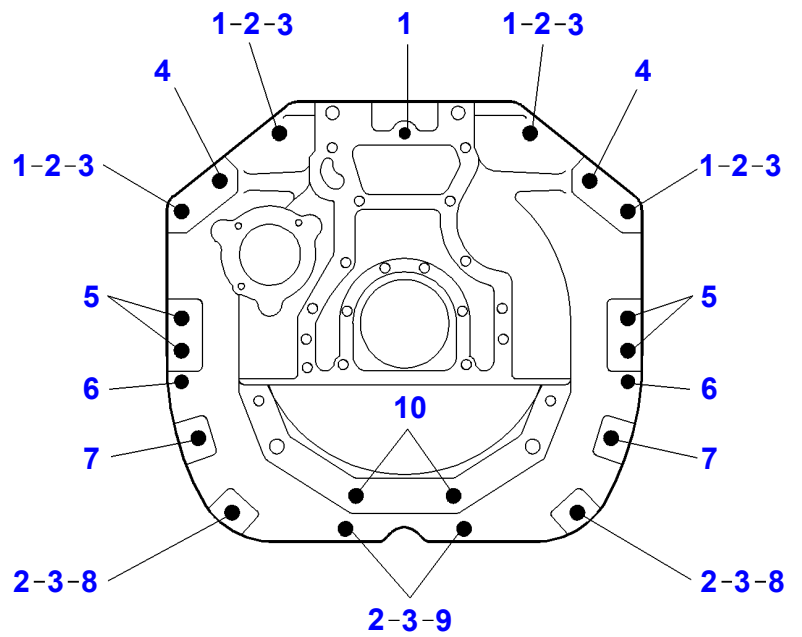
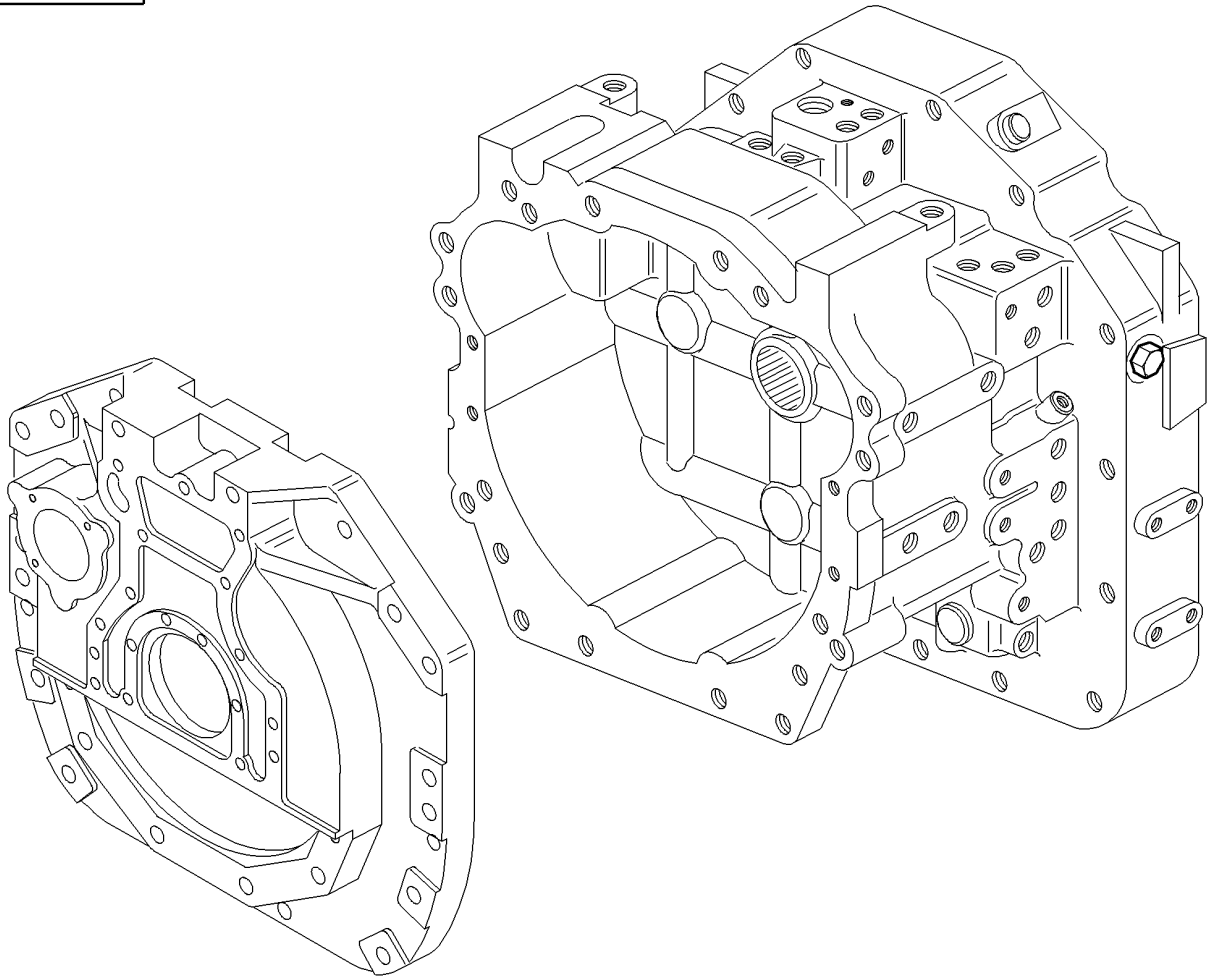
1-AA07-007-A



Massey Ferguson**MF 8170 TRACTOR - 1637359****1637359****Flywheel****Page020-0005**

Item	Part Number	Qty	Description	Comments
1	3716931M91	1	Flywheel	
2	1619032M1	1	Crownwheel	(1) Number of teeth/spines 132
3	3010025X1	8	Screw	M14X45

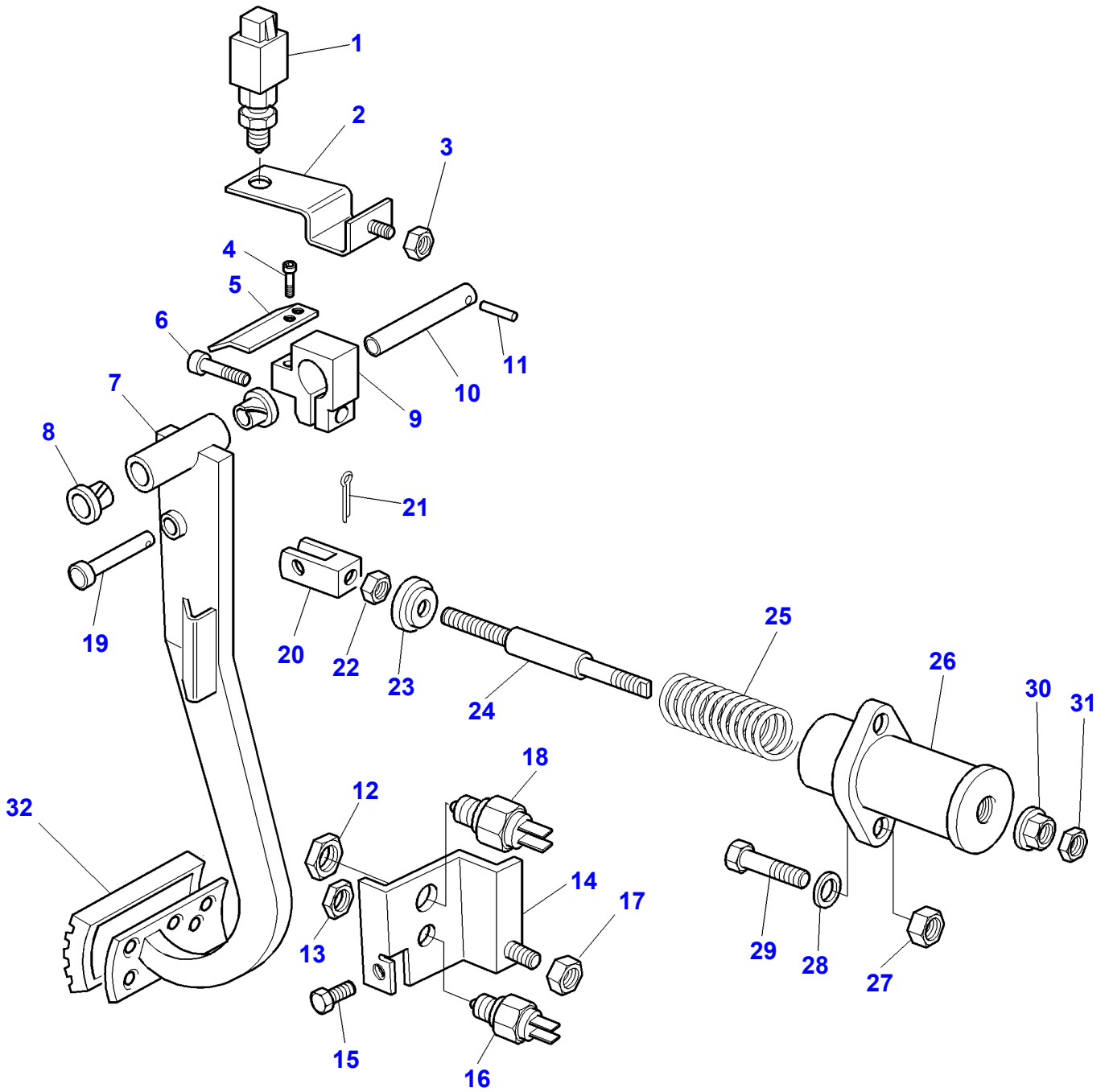
1-AD12-602-A



Item	Part Number	Qty	Description	Comments
1	3010563X1	5	Screw	M20X90
2	385365X1	8	Washer	Up to Serial or Engine Number H022012
	385365X1	14	Washer	From Serial or Engine Number H022013
3	3009746X1	8	Nut	Up to Serial or Engine Number H022012
	3009746X1	14	Nut	From Serial or Engine Number H022013
4	3010556X1	2	Screw Metric	M20X70
5	3010575X1	4	Screw	M20X130
				Up to Serial or Engine Number H022012
	3010850X1	4	Screw	M20X170
				From Serial or Engine Number H022013
6	3714795M1	2	Centraliser	
7	3010558X1	2	Screw Metric	M20X120
				Up to Serial or Engine Number H022012
	3010575X1	2	Screw	M20X130
				From Serial or Engine Number H022013
8	3010557X1	2	Screw Metric	M20X100
9	3009264X1	2	Screw Metric	M20X130
10	3580796M1	2	Screw	M22X100

MF 8170 TRACTOR - 1637359
1-AD06-610-B

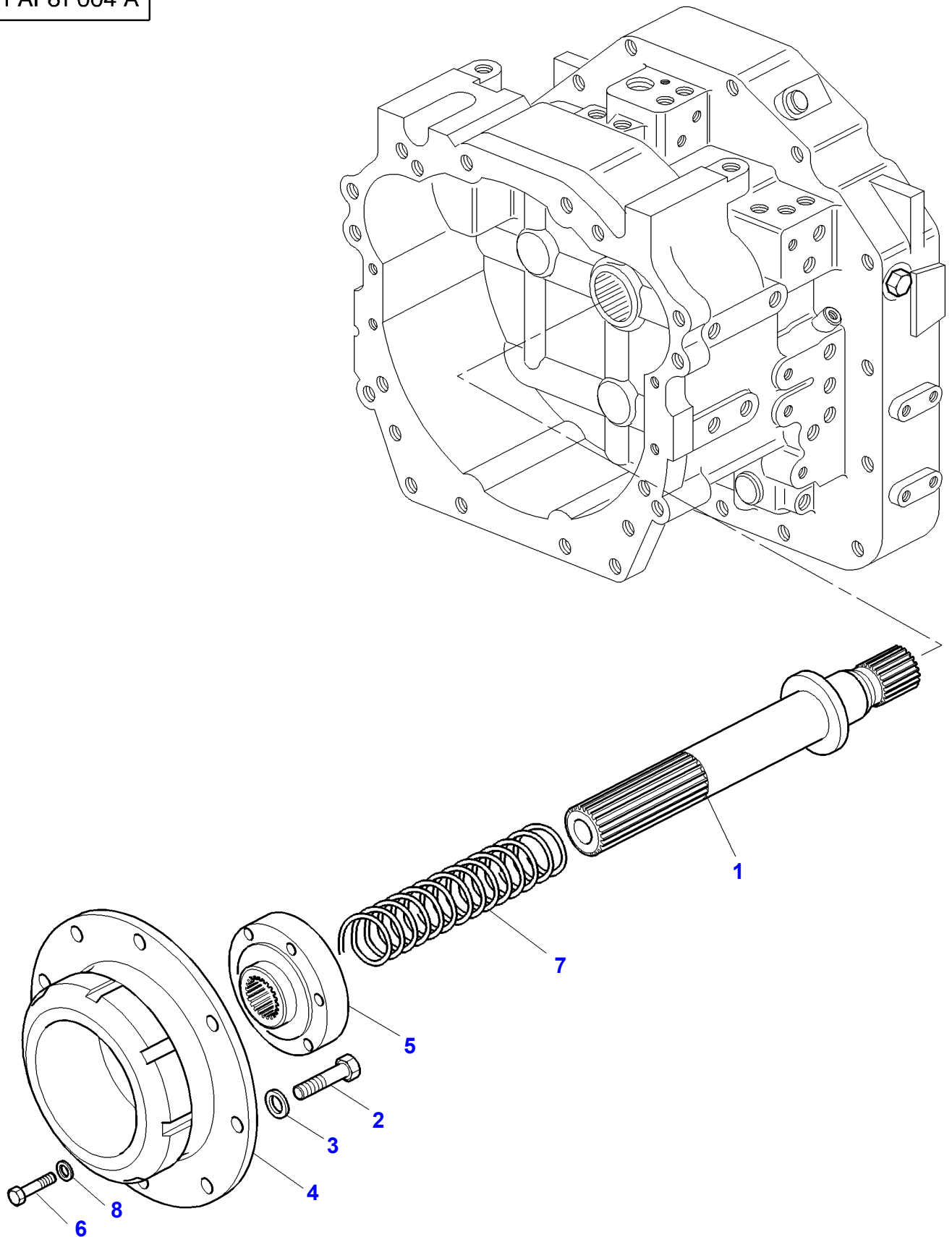
1-AD06-610-B



Clutch Pedal And Linkage

Item	Part Number	Qty	Description	Comments
1	3777157M1	1	Transmitter	
2	3777151M92	1	Support	
3	339030X1	1	Nut Metric	M6
4	3019880X1	2	Screw Metric	M4x12
5	3778867M1	1	Shield	
6	391989X1	1	Screw Metric	M8x20
7	3777150M2	1	Pedal	
8	3385604M1	2	Bearing	
9	3778866M1	1	Clamp	
10	3384658M1	1	Clevis Pin	Diameter 15 MM
11	391290X1	1	Pin	Diameter 5 MM Length 30 MM
12	339495X1	1	Nut	M16
13	339571X1	1	Nut Metric	M14
14	3778364M91	1	Stop	
15	339228X1	1	Screw Metric	M8x12
16	3780580M1	1	Switch, Indirect	Replace and repair. Old interchangeable with new 3777686M1
17	339169X1	1	Nut	M8
18	3778375M2	1	Switch, Indirect	
19	3019213X1	1	Clevis Pin	Diameter 12 MM
20	3384656M1	1	Clevis	
21	357146X1	1	Pin	Diameter 3 MM Length 25 MM
22	392310X1	1	Nut Metric	M10
23	3777155M1	1	Washer	
24	3777154M1	1	Pushrod	
25	3777156M1	1	Spring	
26	3777153M1	1	Guide	
27	339169X1	2	Nut	M8
28	390972X1	2	Washer Metric	Diameter 8 MM Diameter 17 MM Thickness 1,7 MM
29	339123X1	2	Hex. Sock. Screw	M8x20
30	3019125X1	1	Nut	M10
31	392310X1	1	Nut Metric	M10
32	1626321M2	1	Skate	

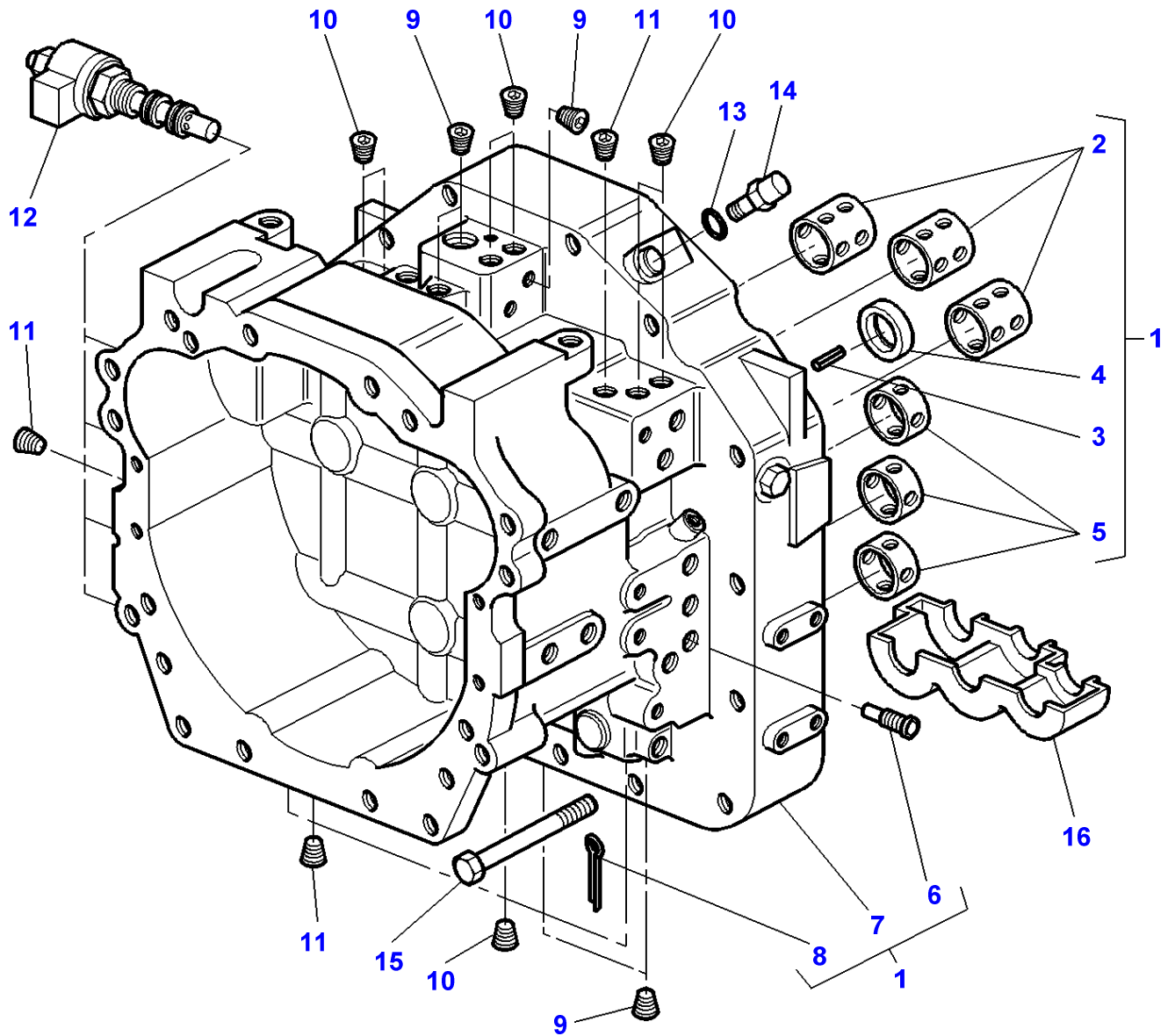
1-AF61-004-A



Massey Ferguson**MF 8170 TRACTOR - 1637359****1637359****Gear Box Full Power Shift - Input Shaft****Page025-0005**

Item	Part Number	Qty	Description	Comments
1	3716015M3	1	Shaft	
2	3010801X1	8	Screw Metric	M10x45
3	385362X1	8	Washer Metric	M10
4	3716162M1	1	Shock Absorber	
5	3716086M2	1	Hub	
6	3010783X1	6	Screw Metric	M16x45
7	3716087M1	1	Spring	
8	3019575X1	6	Washer Metric	M16

1-AF60-004-C



Massey Ferguson
MF 8170 TRACTOR - 1637359

1637359

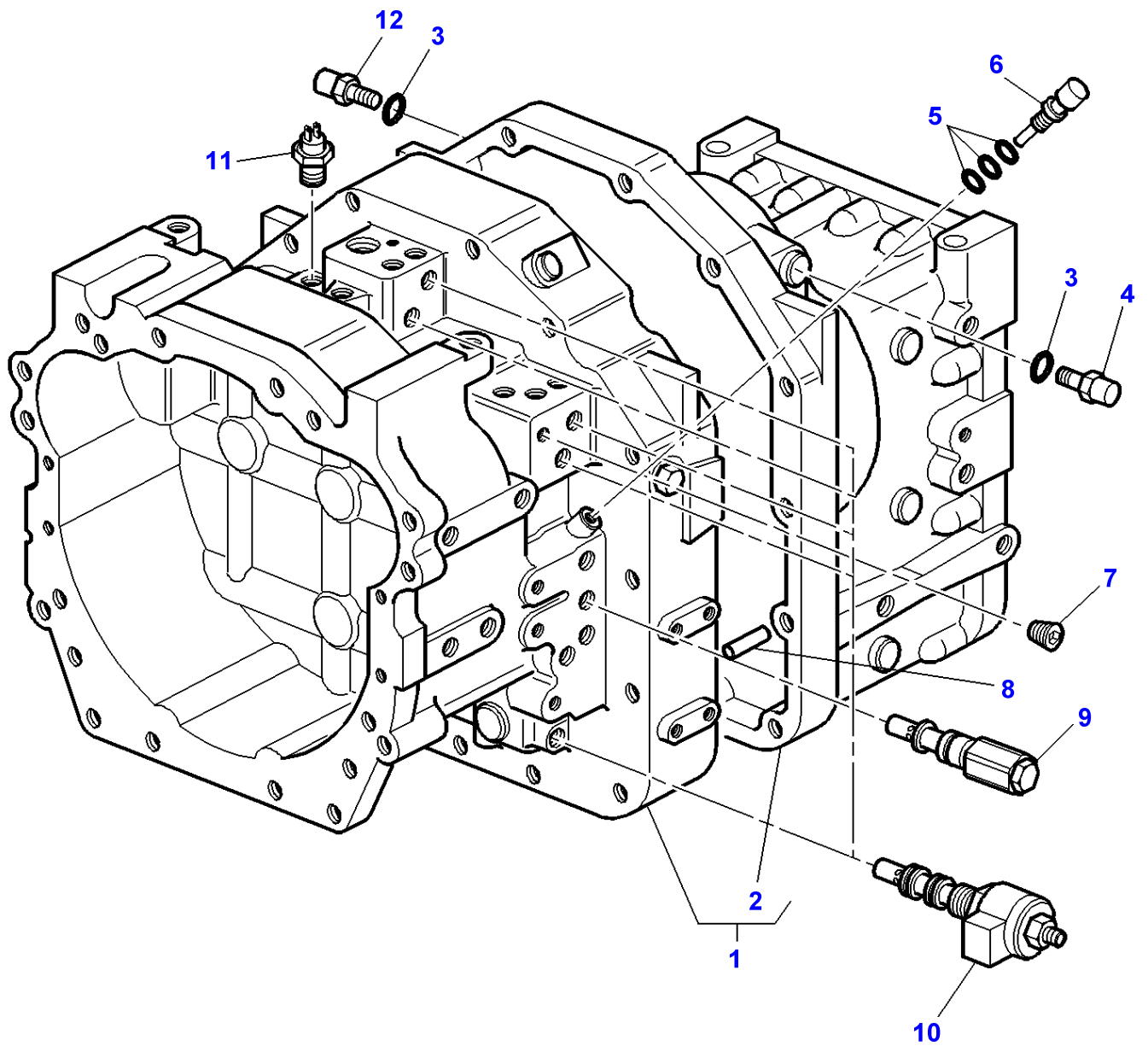
Page025-0010

Gear Box Full Power Shift

Item	Part Number	Qty	Description	Comments
1	3779367M91	1	Housing	
2	3779206M1	3	Bush	(1)
3	3779215M1	1	Plug	(1)
4	3779208M1	1	Gasket	(1)
5	3779207M1	3	Bush	(1)
6	3779283M91	1	Pressure Valve	(1)
7	3779365M1	1	Housing	(1)
8	3779224M1	1	Pin	(1)
9	3779308M1	5	Plug	
10	3779242M1	11	Plug	Diameter 7/16"
11	3779234M1	6	Plug	Diameter 9/16"
12	3779284M91	4	Solenoid	
13	3779222M1	1	O Ring	
14	3779280M1	1	Eng.Speed Sensor	[A]
15	3779318M1	18	Screw	M16x200
16	3779359M1	1	Deflector	

FOOTNOTE [A] INTERMEDIARY SPEED

1-AF60-005-C



Gear Box Full Power Shift

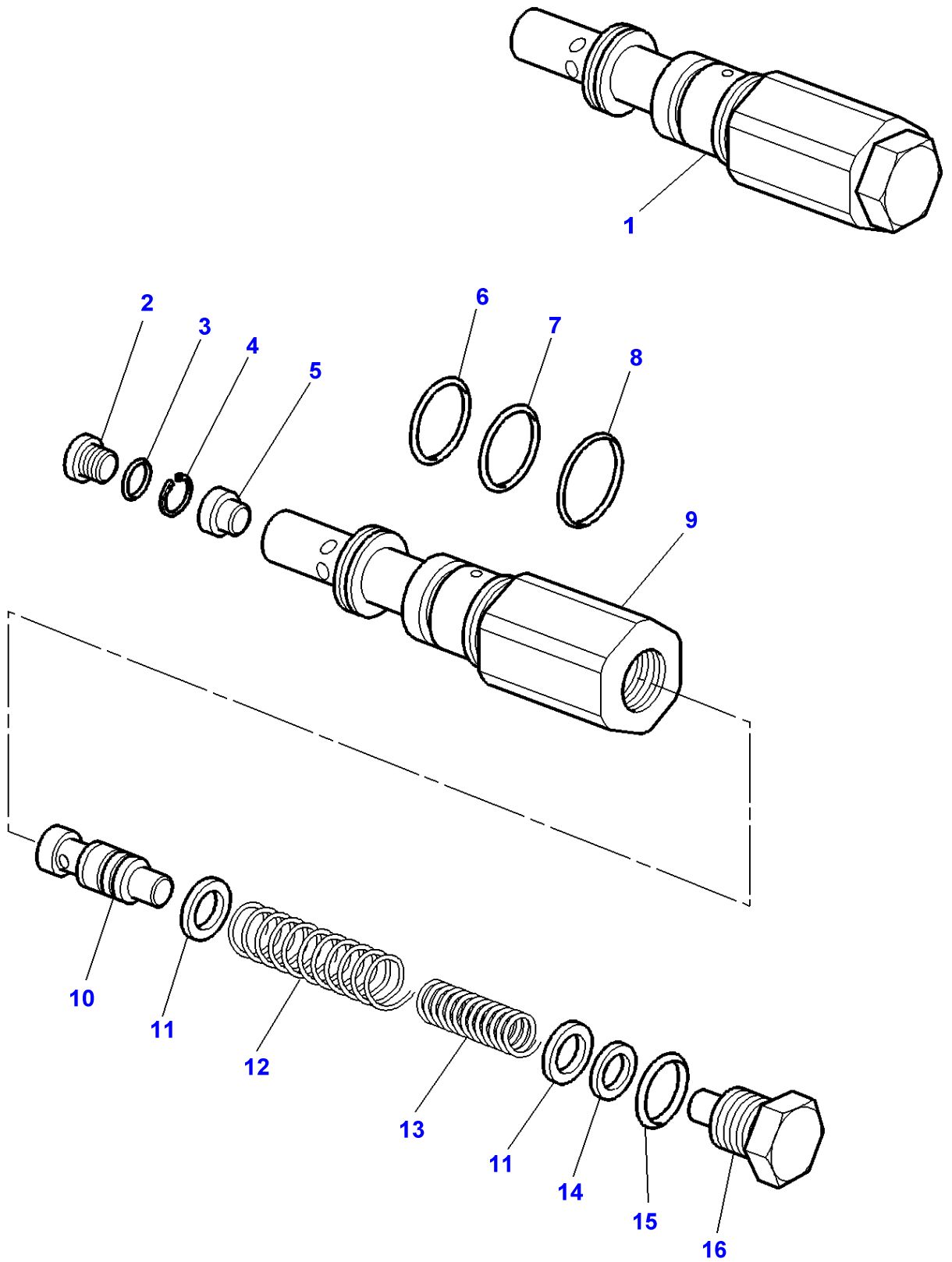
Item	Part Number	Qty	Description	Comments
1	3716349M91	1	Gearbox	
2	3779362M1	1	Housing	(1)
3	3779222M1	2	O Ring	
4	3779280M1	1	Eng.Speed Sensor	[B]
5	3779235M1	1	Kit, O Rings	
6	3779237M1	1	Transmitter	[A]
7	3779234M1	1	Plug	Diameter 9/16"
8	3779225M1	2	Locator	
9	3779244M91	1	Relief Valve	260 PSI
10	3779284M91	5	Solenoid	
11	3381387M4	1	Low Pr.Oil Trmtr	
12	3779280M1	1	Eng.Speed Sensor	[C]

FOOTNOTE [A] HEAT

FOOTNOTE [B] MOTOR SPEED

FOOTNOTE [C] TRAVELLING SPEED

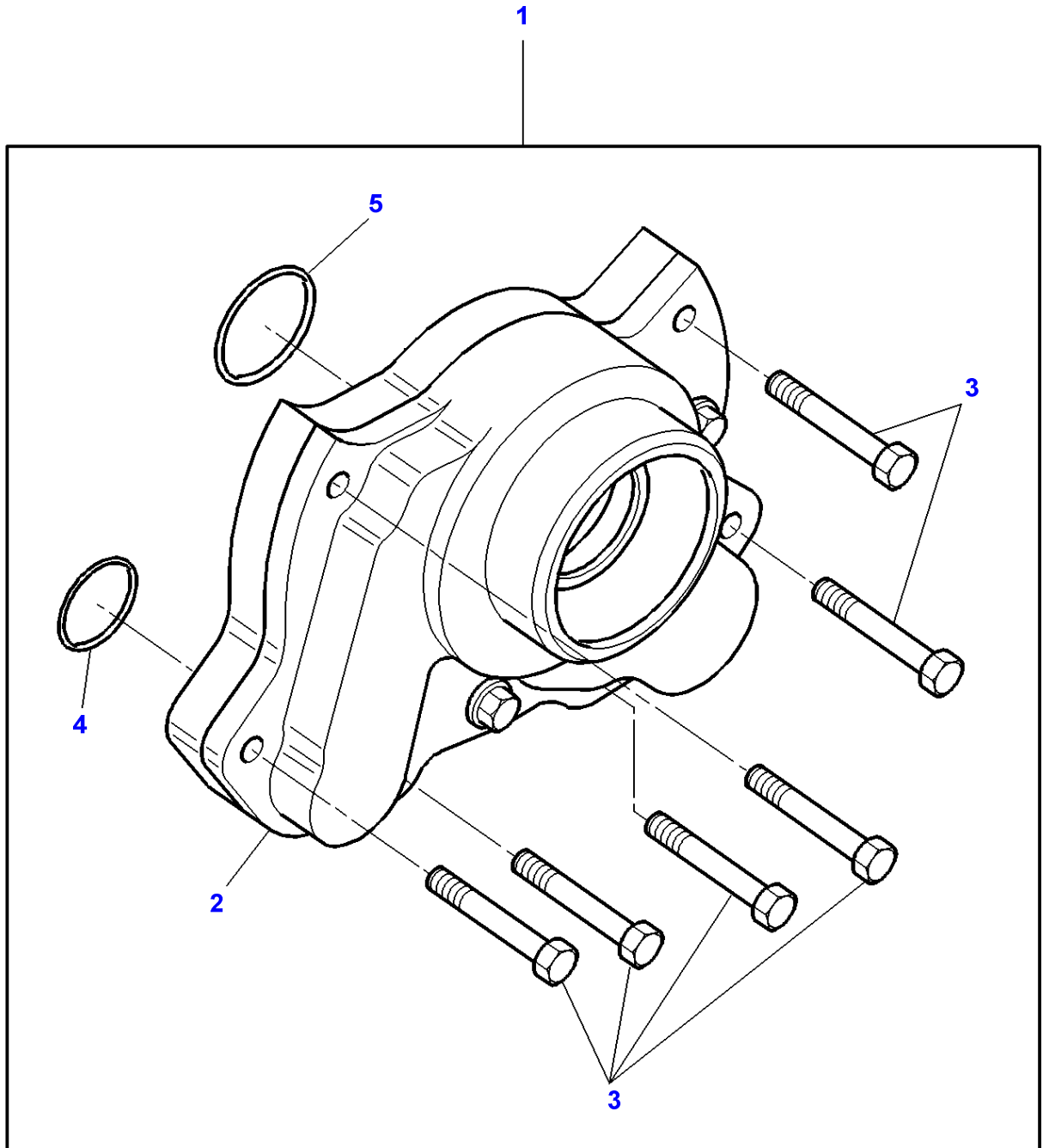
1-AF60-003-A



Gear Box Full Power Shift - Pressure Control Valve Components

Item	Part Number	Qty	Description	Comments
1	3779244M91	1	Relief Valve	260 PSI
2	3779308M1	1	Plug	(1)
3	3779307M1	1	O Ring	(1)
4	3779306M1	1	Circlip	(1)
5	3779305M1	1	Cover	(1)
6	3779315M1	1	O Ring	(1)
7	3779316M1	1	O Ring	(1)
8	3779317M1	1	O Ring	(1)
9	3779303M1	1	Cartridge	(1)
10	3779304M1	1	Distributor	(1)
11	3779309M1	2	Washer	(1)
12	3779311M1	1	Spring	(1)
13	3779310M1	1	Spring	(1)
14	3779312M1	3	Chock	(1)
15	3779313M1	1	O Ring	(1)
16	3779314M1	1	Plug	(1)

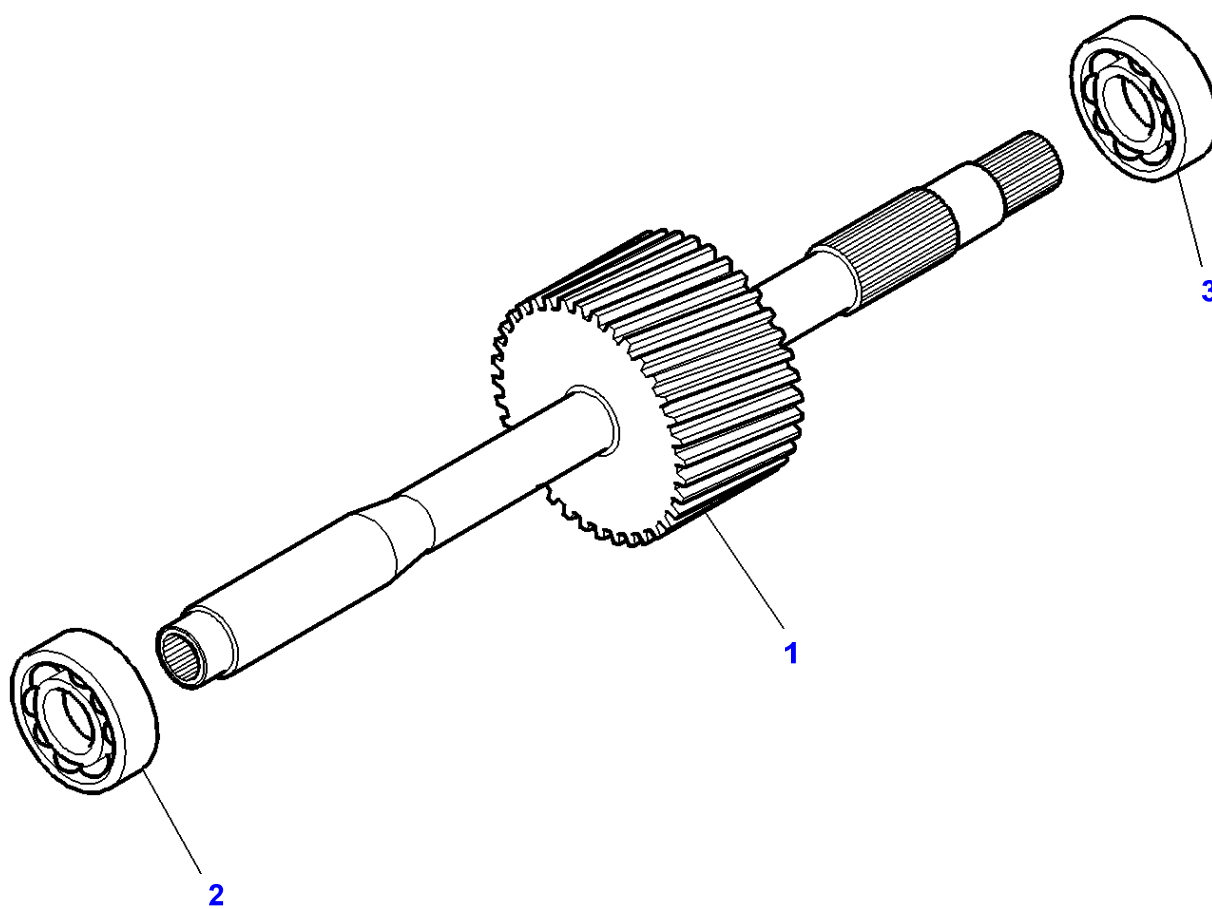
1-AF68-001-A



Massey Ferguson**MF 8170 TRACTOR - 1637359****1637359****Gear Box Full Power Shift - Pump****Page025-0025**

Item	Part Number	Qty	Description	Comments
1	3779272M91	1	Pump	
2	3779273M1	1	Pump	(1)
3	3779217M1	6	Screw	(1)
4	3779227M1	1	O Ring	(1)
5	3779228M1	1	O Ring	(1)

1-AF61-003-A



Massey Ferguson

MF 8170 TRACTOR - 1637359

1637359

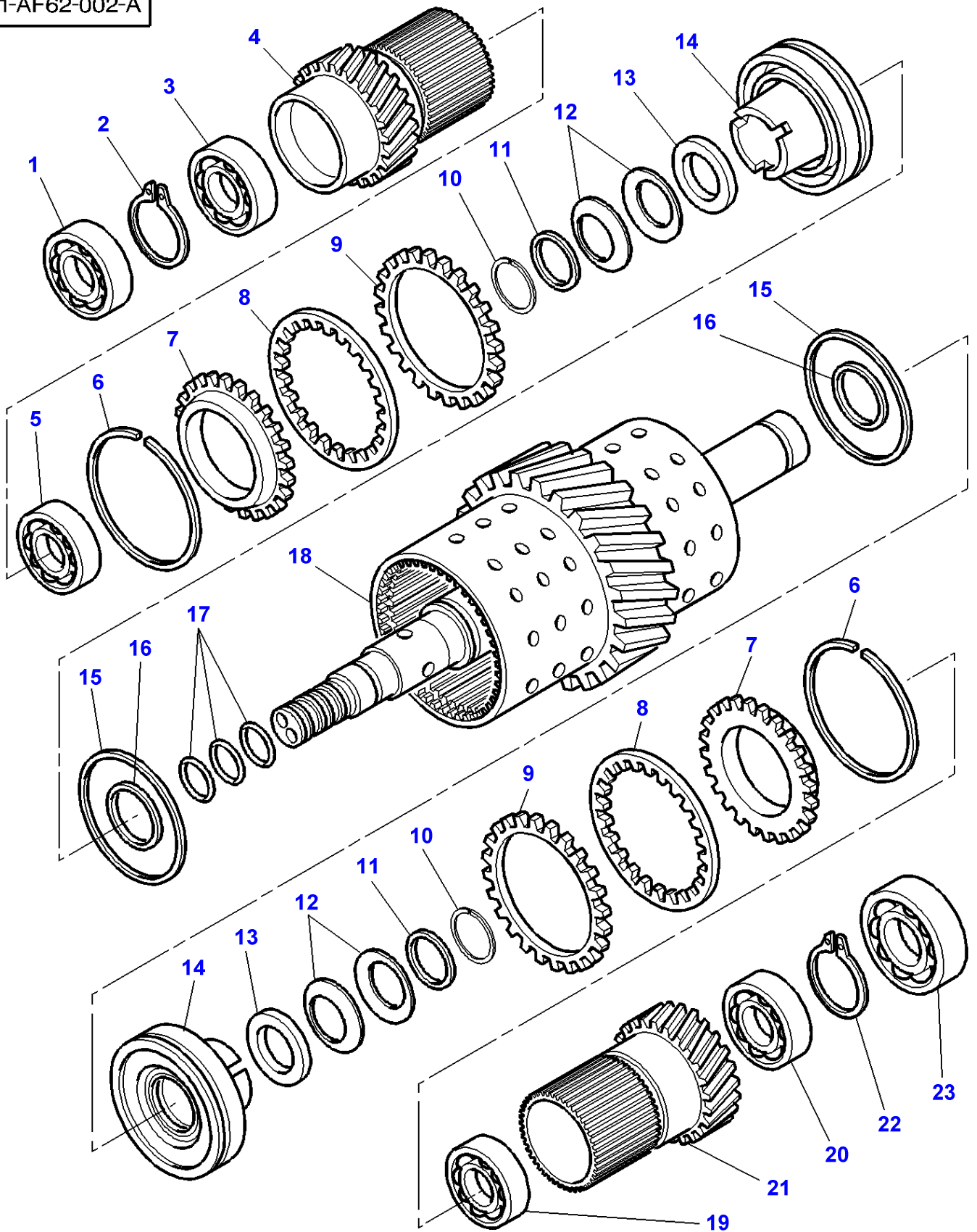
Gear Box Full Power Shift - Input Shaft

Page025-0030

Item	Part Number	Qty	Description
1	3779363M1	1	Shaft
2	3779259M1	1	Bearing Assy
3	3779336M1	1	Bearing Assy

MF 8170 TRACTOR - 1637359
1-AF62-002-A

1-AF62-002-A

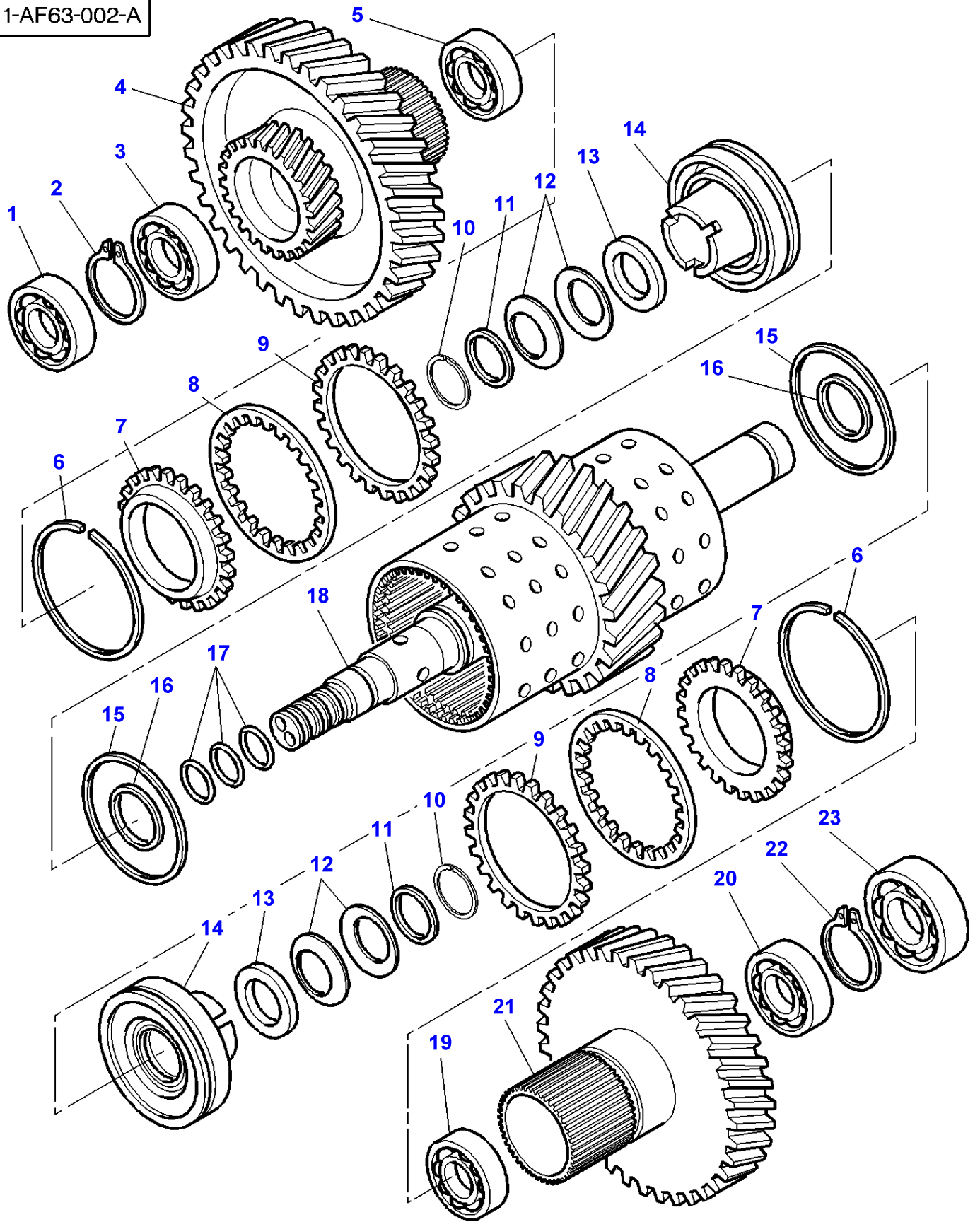


Massey Ferguson**MF 8170 TRACTOR - 1637359****1637359****Gear Box Full Power Shift - 2 nd Gears****Page025-0035**

Item	Part Number	Qty	Description	Comments
	3779338M91	1	Kit, Pinion	
1	3779336M1	1	Bearing Assy	
2	3779231M1	1	Circlip	
3	3779259M1	1	Bearing Assy	
4	3779335M1	1	Pinion	Number of teeth/spines 48
5	3779334M1	1	Bearing Assy	
6	3779326M1	2	Circlip	
7	3779330M1	2	Crownwheel	
8	3779324M1	20	Disc	
9	3779323M1	20	Disc	
10	3779322M1	2	Circlip	
11	3779360M1	2	Circlip	
12	3779328M1	12	Washer	
13	3779327M1	2	Washer	
14	3779329M1	2	Piston	
15	3779325M1	2	Gasket	
16	3779319M1	2	O Ring	
17	3779220M1	3	Oil Seal	
18	3779332M1	1	Shaft	
19	3779337M1	1	Bearing Assy	
20	3779212M1	1	Bearing Assy	
21	3779333M1	1	Pinion	Number of teeth/spines 59
22	3779321M1	1	Circlip	
23	3779331M1	1	Bearing Assy	

MF 8170 TRACTOR - 1637359
1-AF63-002-A

1-AF63-002-A



Massey Ferguson**MF 8170 TRACTOR - 1637359**

1637359

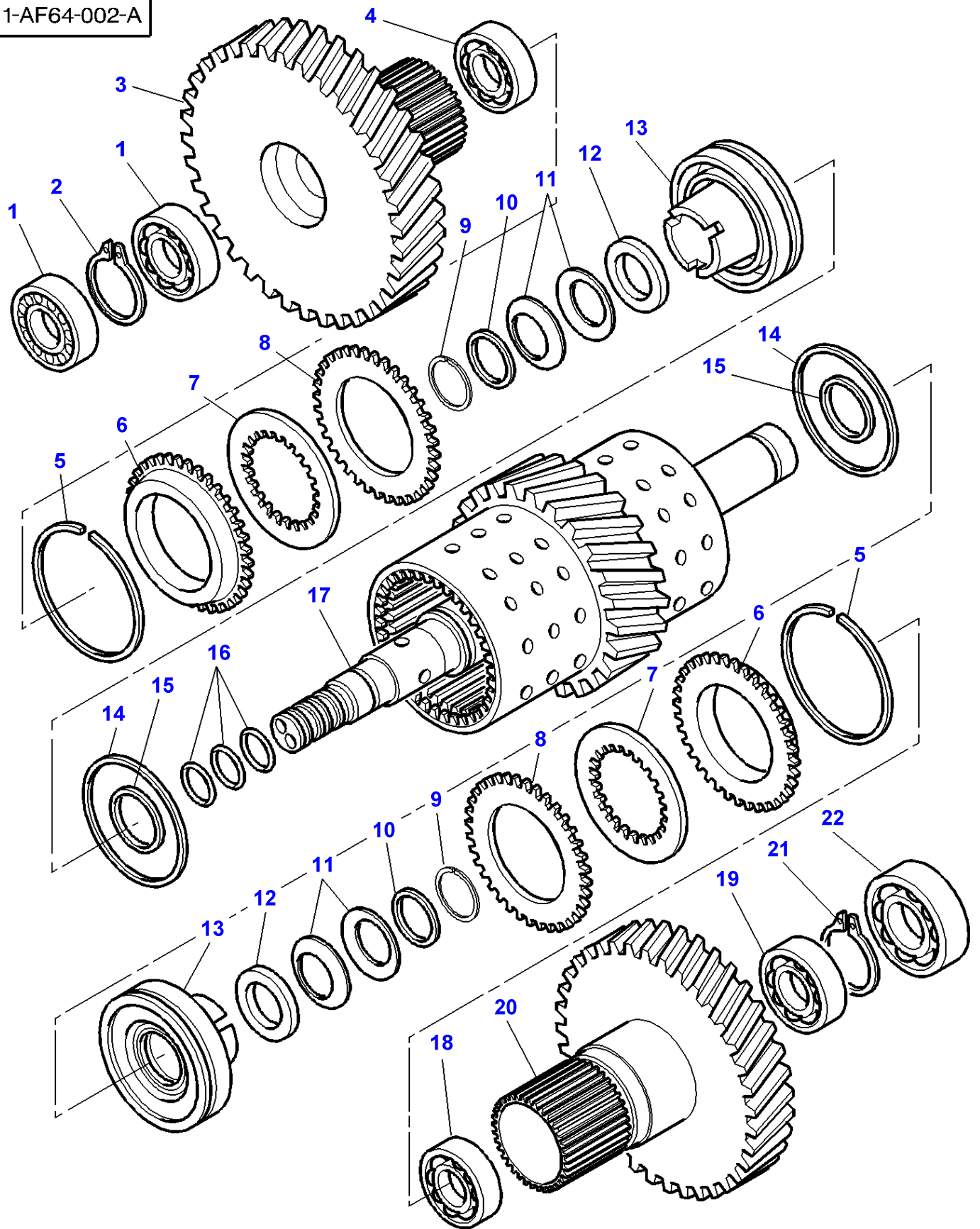
Gear Box Full Power Shift - 3 rd Gears

Page025-0040

Item	Part Number	Qty	Description	Comments
	3779339M91	1	Kit, Sprocket	
1	3779336M1	1	Bearing Assy	
2	3779231M1	1	Circlip	
3	3779260M1	1	Bearing Assy	
4	3779343M1	1	Pinion	
5	3779342M1	1	Bearing Assy	
6	3779326M1	2	Circlip	
7	3779330M1	2	Crownwheel	
8	3779324M1	20	Disc	
9	3779323M1	20	Disc	
10	3779322M1	2	Circlip	
11	3779360M1	2	Circlip	
12	3779328M1	12	Washer	
13	3779327M1	2	Washer	
14	3779329M1	2	Piston	
15	3779325M1	2	Gasket	
16	3779319M1	2	O Ring	
17	3779220M1	3	Oil Seal	
18	3779340M1	1	Shaft	
19	3779337M1	1	Bearing Assy	
20	3779212M1	1	Bearing Assy	
21	3779341M1	1	Pinion	Number of teeth/spines 76
22	3779321M1	1	Circlip	
23	3779213M1	1	Bearing Assy	

MF 8170 TRACTOR - 1637359
1-AF64-002-A

1-AF64-002-A



Massey Ferguson**MF 8170 TRACTOR - 1637359**

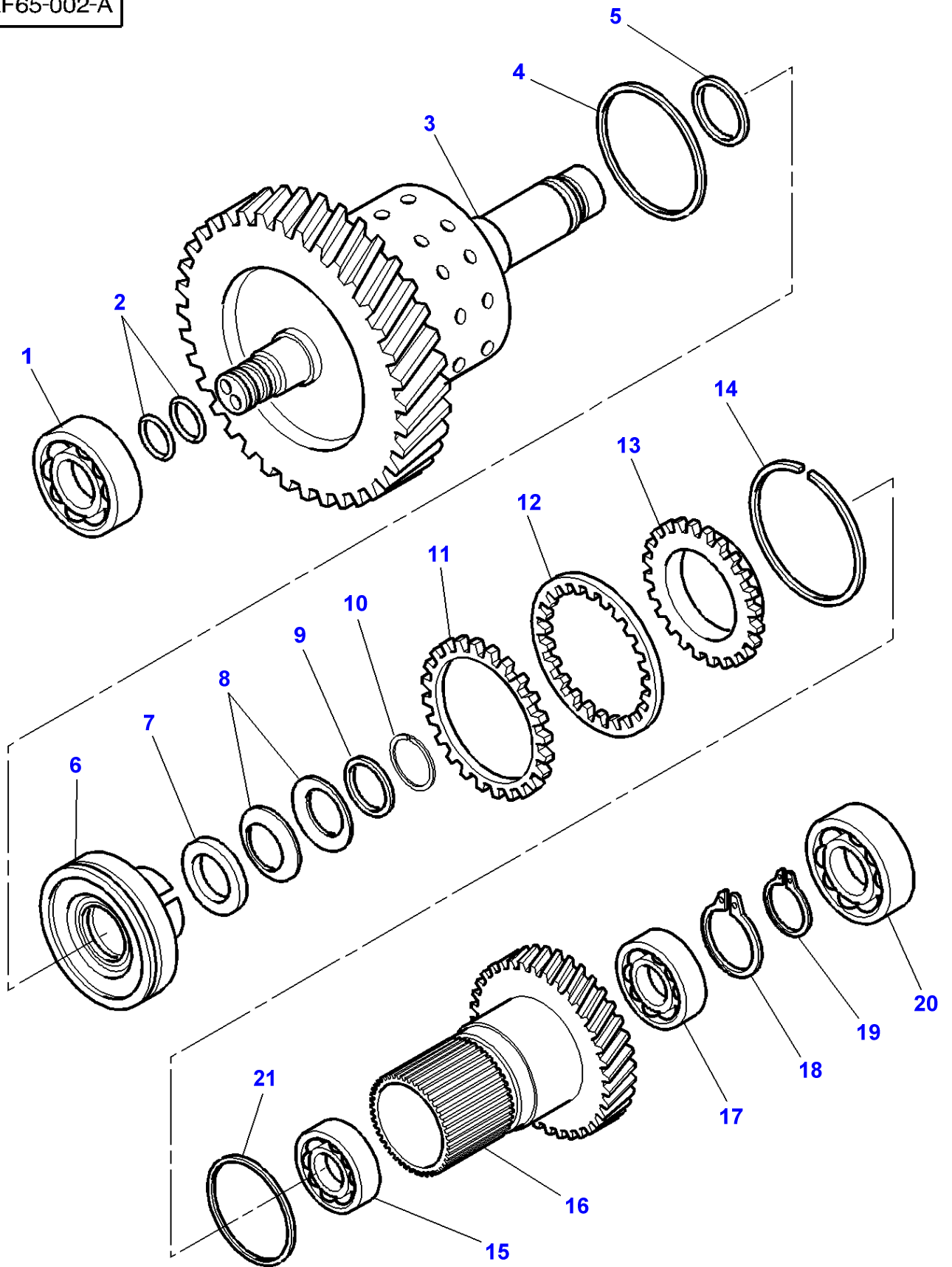
1637359

Gear Box Full Power Shift - 4 th Gears

Page025-0045

Item	Part Number	Qty	Description	Comments
	3779344M91	1	Kit, Sprocket	
1	3779336M1	2	Bearing Assy	
2	3779231M1	1	Circlip	
3	3779347M1	1	Pinion	Number of teeth/spines 80
4	3779346M1	1	Bearing Assy	
5	3779326M1	2	Circlip	
6	3779330M1	2	Crownwheel	
7	3779324M1	20	Disc	
8	3779323M1	20	Disc	
9	3779322M1	2	Circlip	
10	3779360M1	2	Circlip	
11	3779328M1	12	Washer	
12	3779327M1	2	Washer	
13	3779329M1	2	Piston	
14	3779325M1	2	Gasket	
15	3779319M1	2	O Ring	
16	3779220M1	3	Oil Seal	
17	3779332M1	1	Shaft	
18	3779337M1	1	Bearing Assy	
19	3779212M1	1	Bearing Assy	
20	3779345M1	1	Pinion	Number of teeth/spines 76
21	3779321M1	1	Circlip	
22	3779331M1	1	Bearing Assy	

1-AF65-002-A



Massey Ferguson**MF 8170 TRACTOR - 1637359**

1637359

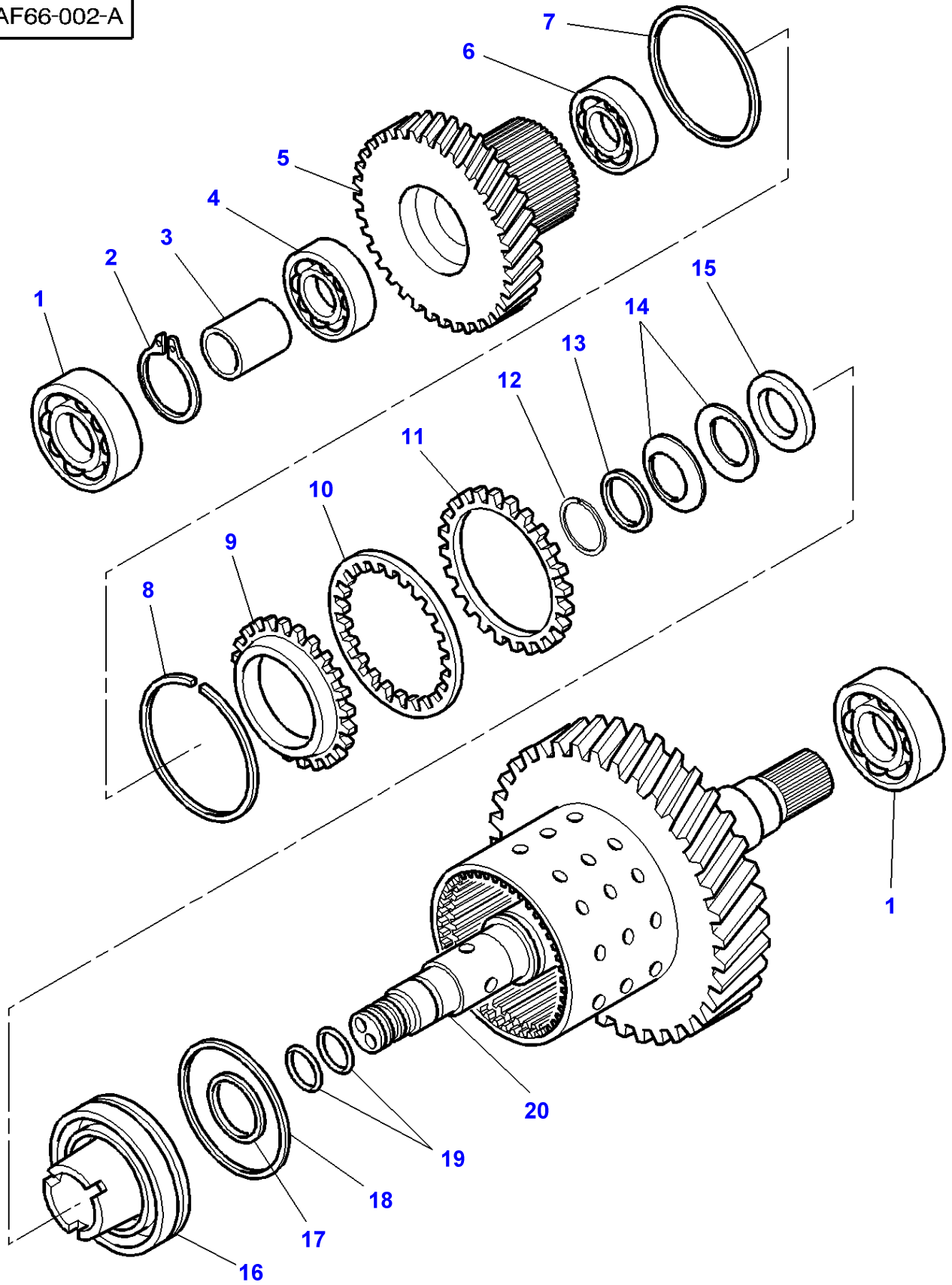
Gear Box Full Power Shift - 5 th Gears

Page025-0050

Item	Part Number	Qty	Description	Comments
	3779348M91	1	Kit, Sprocket	
1	3779331M1	1	Bearing Assy	
2	3779220M1	2	Oil Seal	
3	3779349M1	1	Shaft	
4	3779325M1	1	Gasket	
5	3779319M1	1	O Ring	
6	3779329M1	1	Piston	
7	3779327M1	1	Washer	
8	3779328M1	6	Washer	
9	3779360M1	1	Circlip	
10	3779322M1	1	Circlip	
11	3779323M1	10	Disc	
12	3779324M1	10	Disc	
13	3779330M1	1	Crownwheel	
14	3779326M1	1	Circlip	
15	3779350M1	1	Bearing Assy	
16	3779351M1	1	Pinion	Number of teeth/spines 44
17	3779352M1	1	Bearing Assy	
18	3779321M1	1	Circlip	
19	3779231M1	1	Circlip	
20	3779336M1	1	Bearing Assy	
21	3779320M1	1	O Ring	

MF 8170 TRACTOR - 1637359
1-AF66-002-A

1-AF66-002-A



Massey Ferguson**MF 8170 TRACTOR - 1637359**

1637359

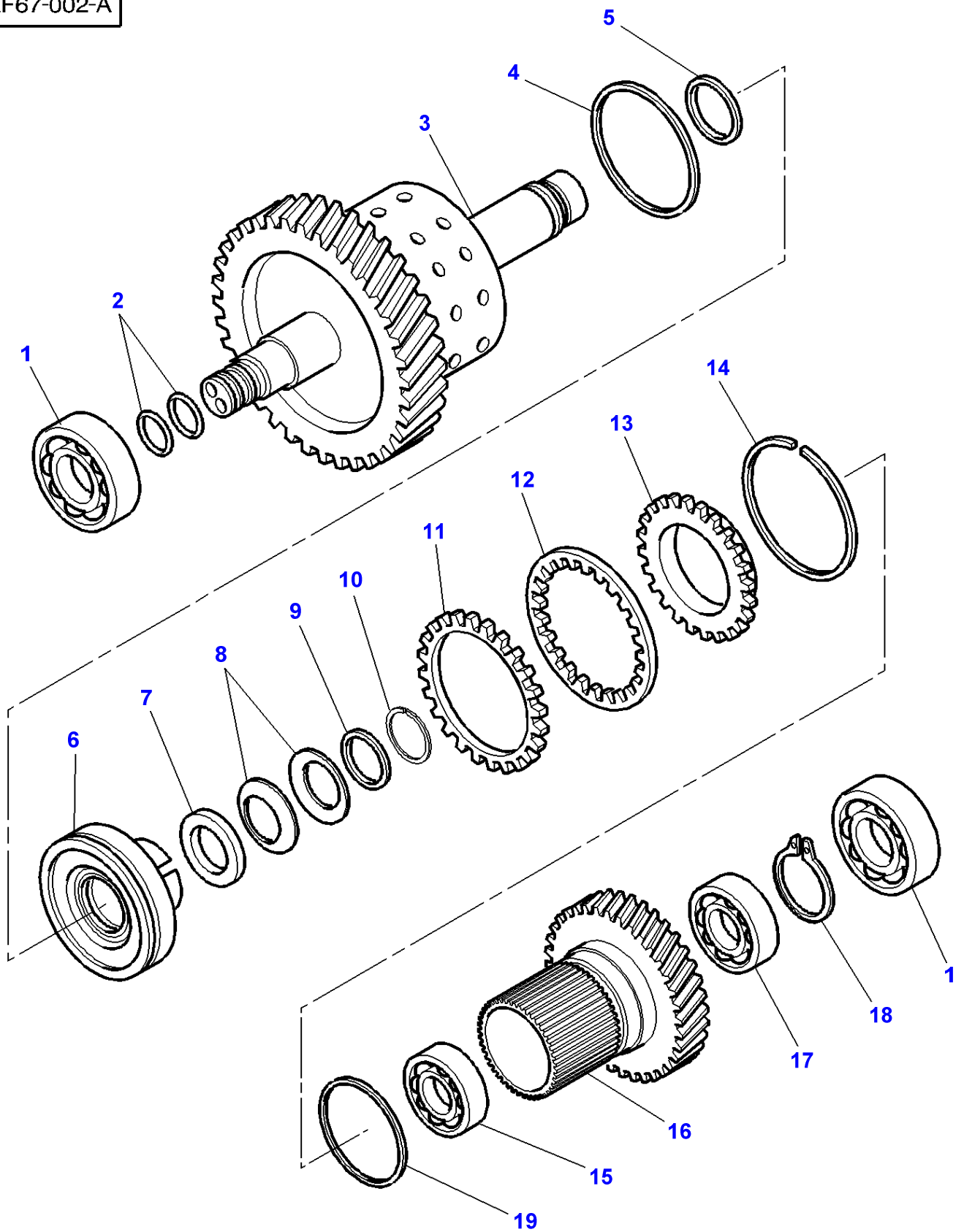
Gear Box Full Power Shift - 6 th Gears

Page025-0055

Item	Part Number	Qty	Description
	3779353M91	1	Kit, Sprocket
1	3779331M1	2	Bearing Assy
2	3779321M1	1	Circlip
3	3779361M1	1	Spacer
4	3779212M1	1	Bearing Assy
5	3779355M1	1	Pinion
6	3779350M1	1	Bearing Assy
7	3779320M1	1	O Ring
8	3779326M1	1	Circlip
9	3779330M1	1	Crownwheel
10	3779324M1	10	Disc
11	3779323M1	10	Disc
12	3779322M1	1	Circlip
13	3779360M1	1	Circlip
14	3779328M1	6	Washer
15	3779327M1	1	Washer
16	3779329M1	1	Piston
17	3779319M1	1	O Ring
18	3779325M1	1	Gasket
19	3779220M1	2	Oil Seal
20	3779354M1	1	Shaft

MF 8170 TRACTOR - 1637359
1-AF67-002-A

1-AF67-002-A



Massey Ferguson**MF 8170 TRACTOR - 1637359**

1637359

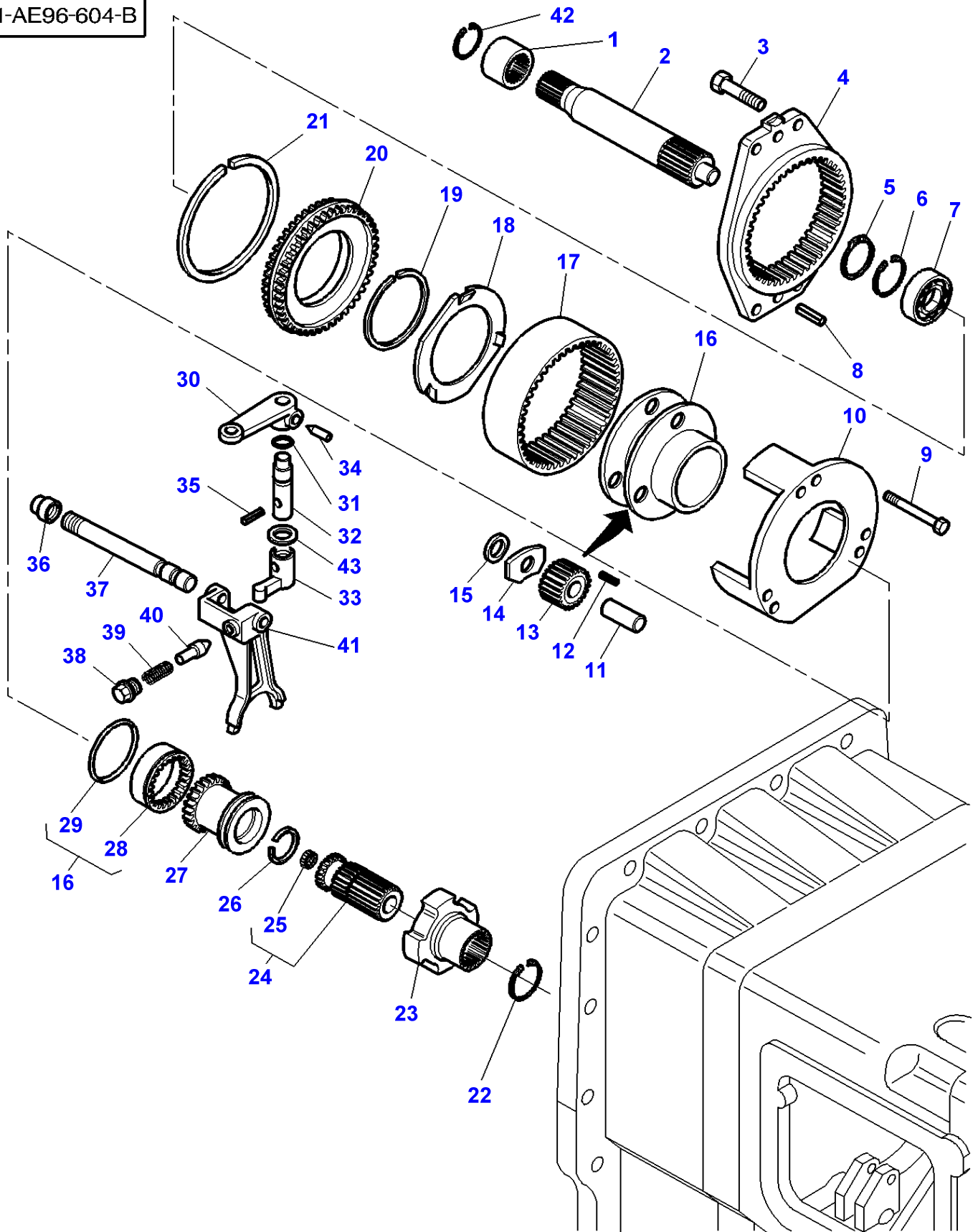
Gear Box Full Power Shift - 7 th Gears

Page025-0060

Item	Part Number	Qty	Description	Comments
	3779356M91	1	Kit, Pinion	
1	3779331M1	2	Bearing Assy	
2	3779220M1	2	Oil Seal	
3	3779357M1	1	Shaft	
4	3779325M1	1	Gasket	
5	3779319M1	1	O Ring	
6	3779329M1	1	Piston	
7	3779327M1	1	Washer	
8	3779328M1	6	Washer	
9	3779360M1	1	Circlip	
10	3779322M1	1	Circlip	
11	3779323M1	10	Disc	
12	3779324M1	10	Disc	
13	3779330M1	1	Crownwheel	
14	3779326M1	1	Circlip	
15	3779350M1	1	Bearing Assy	
16	3779358M1	1	Pinion	Number of teeth/spines 47
17	3779352M1	1	Bearing Assy	
18	3779321M1	1	Circlip	
19	3779320M1	1	O Ring	

MF 8170 TRACTOR - 1637359
1-AE96-604-B

1-AE96-604-B



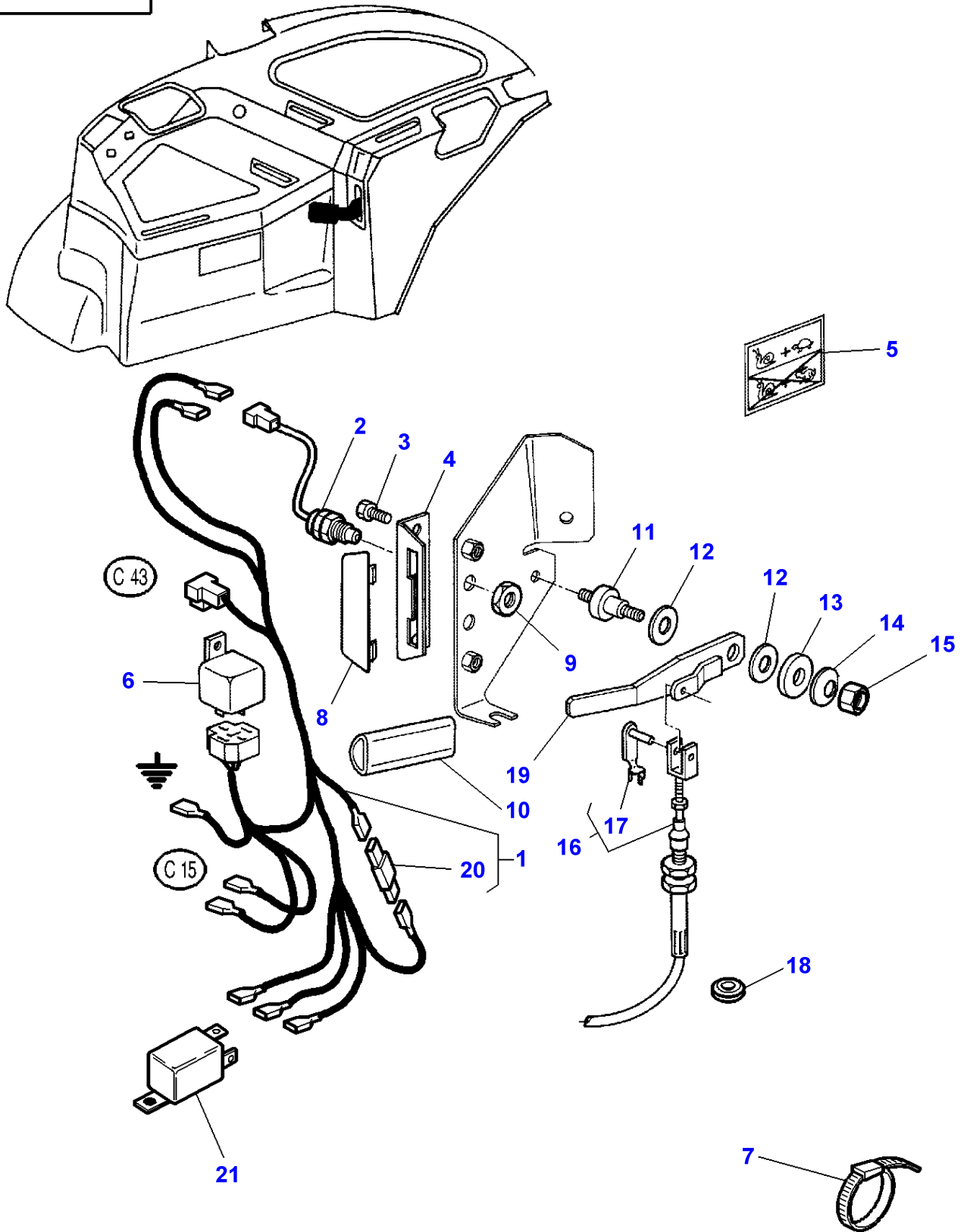
Epicyclic Unit - Creeper Gear

Item	Part Number	Qty	Description	Comments
1	3716442M1	1	Sleeve	
2	3716838M2	1	Shaft	
3	3009507X1	4	Hex. Sock. Screw	M12X35MM
4	3716843M1	1	Support	
5	339605X1	1	Circlip	
6	339606X1	1	Circlip	
7	3010128X1	1	Bearing Assy	
8	3385839M2	2	Pin	
9	3015134X1	6	Screw	M6X65MM
10	3716862M3	1	Plate	
11	1866538M2	3	Shaft	
12	1866553M2	96	Roller	
13	1866552M1	3	Pinion	
14	1866543M1	3	Washer	
15	1866542M1	6	Thrust Washer	
16	1866558M93	1	Carrier	
17	3716821M2	1	Annular Gear	
18	1866545M2	2	Washer	
19	377424X1	1	Ring	
20	3716837M1	1	Support	
21	3010750X1	1	Segment	Diameter 180MM
22	1441247X1	1	Ring	
23	3791821M1	1	Sleeve	[A]
24	3716840M11	1	Shaft	
25	3010741X1	1	Insert	(24)
26	3010640X1	1	Ring	
27	3716845M1	1	Coupling	
28	1866544M2	1	Spacer	(16)
29	1866539M1	1	Ring	(16)
30	3386195M2	1	Rod Link	
31	851258M1	1	O Ring	
32	3791633M1	1	Clevis Pin	
33	3716449M1	1	Selector	
34	3382979M1	1	Screw Special	
35	3001293X1	1	Pin	
36	3716447M2	1	Nut	
37	3716847M2	1	Stem	
38	3382343M1	1	Plug	
39	191221M1	1	Spring	
40	180418M2	1	Plunger	
41	3716846M3	1	Fork	
42	392376X1	1	Circlip	
43	3792320M1		Chock	Thickness 0,5 MM
	3792321M1		Chock	Thickness 1 MM
	3792322M1		Chock	Thickness 3 MM
	3792361M1		Chock	Thickness 5 MM

FOOTNOTE [A] WITH PARKING BRAKE

MF 8170 TRACTOR - 1637359
1-AF10-601-B

1-AF10-601-B



Creeper Gearbox Control

Item	Part Number	Qty	Description	Comments
1	3777521M1	1	Harness	See Page - Reference Number 080-0045/1
2	3780581M1	1	Switch,Indirect	Replace and repair. Old interchangeable with new 3386171M1
3	339228X1	2	Screw Metric	M8X12
4	3712275M1	1	Grille	
5	3615381M1	1	Decal	
6	3618239M1	1	Relay	
7	3619622M1	5	Cable Tie	Replace and repair. Old not interchangeable with new 1862425M1
8	3712984M1	1	Plate	[A]
9	3386198M1	1	Nut Special	
10	3712976M2	1	Handle	[D]
	3777016M1		Knob	[E]
11	3712277M1	1	Clevis Pin	
12	3386166M1	2	Washer	
13	1442174X1	1	Washer	
14	3386192M1	1	Washer	
15	1441461X1	1	Locknut	
16	3712989M2	1	Cable	
17	3600190M1	1	Clevis Pin	(16) Length 28MM
	3600191M1	1	Clevis Pin	(16) Length 40MM
18	3713587M1	1	Plug	[A]
19	3712281M3	1	Lever	
20			Not Used	
21	3615652M1	1	Relay	12V - 25A

FOOTNOTE [A] WITHOUT CREEPER GEAR

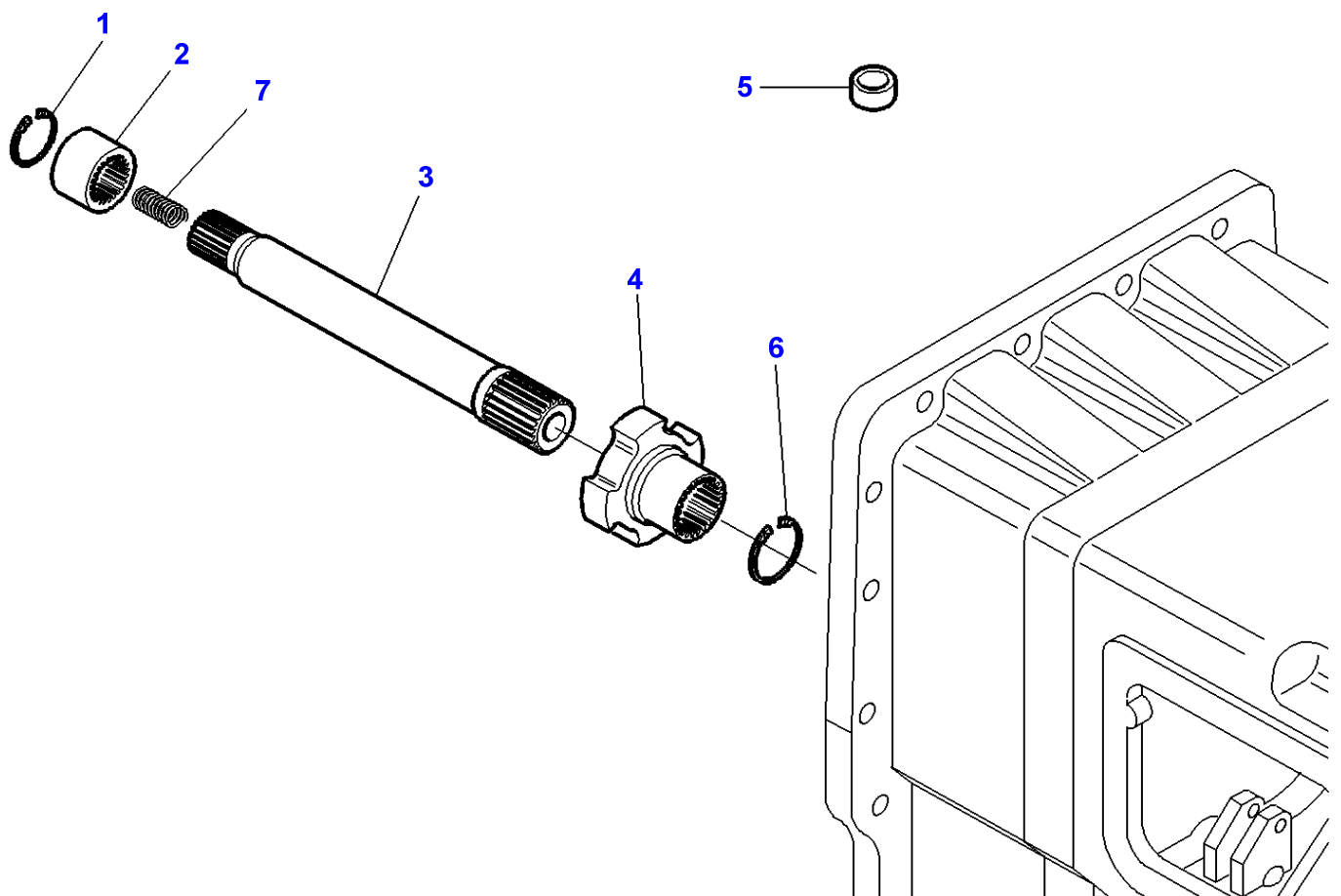
FOOTNOTE [B] WITH DYNASHIFT

FOOTNOTE [C] WITH FULL POWERSHIFT

FOOTNOTE [D] BLACK

FOOTNOTE [E] YELLOW

1-AE99-603-B

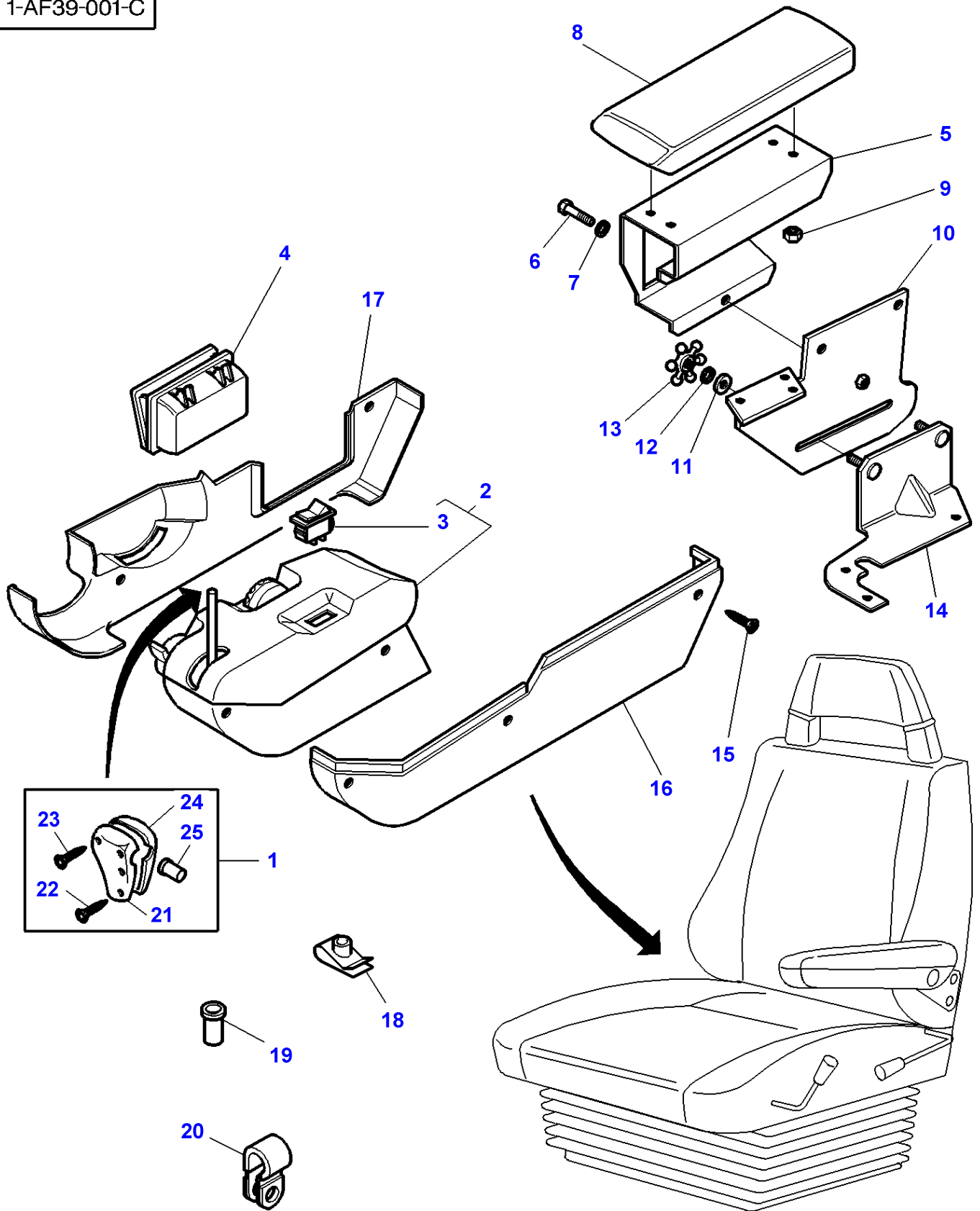


Massey Ferguson**MF 8170 TRACTOR - 1637359****1637359****Transmission - Output Shaft****Page025-0075**

Item	Part Number	Qty	Description	Comments
1	3716442M1	1	Sleeve	
2	392376X1	1	Circlip	
3	3716459M3	1	Shaft	
4	3791821M1	1	Sleeve	[A]
5	3006020X1	1	Plug	
6	1441247X1	1	Ring	
7	3715534M1	1	Spring	From Serial or Engine Number G272028

FOOTNOTE [A] WITH PARKING BRAKE

1-AF39-001-C



Massey Ferguson**MF 8170 TRACTOR - 1637359**

1637359

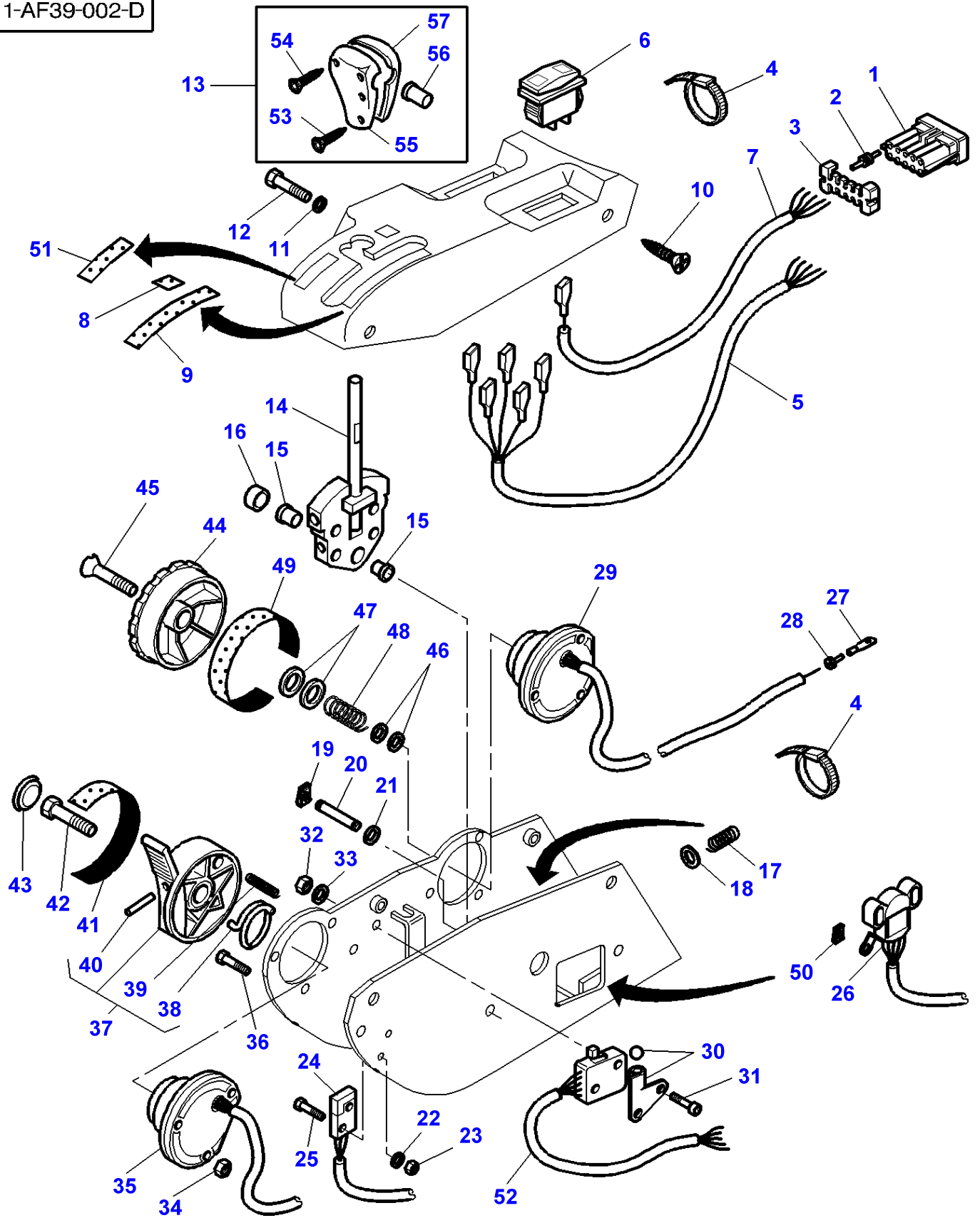
Controle Full Powershift

Page025-0080

Item	Part Number	Qty	Description	Comments
1	3779557M95	1	Handle	
2	3778524M92	1	Plate Control	Four Wheel Drive
3	3780077M2	1	Switch,Indirect	(2) Four Wheel Drive
4	3712912M1	1	Ashtray	
5	3778674M2	1	Support	
6	339228X1	3	Screw Metric	
7	390972X1	3	Washer Metric	
8	3778521M1	1	Armrest	
9	1441500X1	4	Locknut	
10	3778518M2	1	Plate	
11	3778519M1	2	Washer	
12	1440264X1	2	Washer Metric	
13	3778520M1	2	Button	
14	3778517M1	1	Angle	
15	3010578X1	7	Screw	M5X10
16	3778528M2	1	Flange	Left Hand
17	3778529M1	1	Flange	Right Hand
18	3715142M1	1	Nut	M5
19	3778672M1	3	Nut	M5
20	3779547M1	1	Clamp	
21	3779000M5	1	Shell	(1)
22	3010559X1	4	Screw	(1) M4X12
23	3782976M1	1	Self Tap Screws	(1) N6-16
24	3779001M5	1	Shell	(1)
25		1	Control Knob	(1) Not serviced, order REF 1

MF 8170 TRACTOR - 1637359
1-AF39-002-D

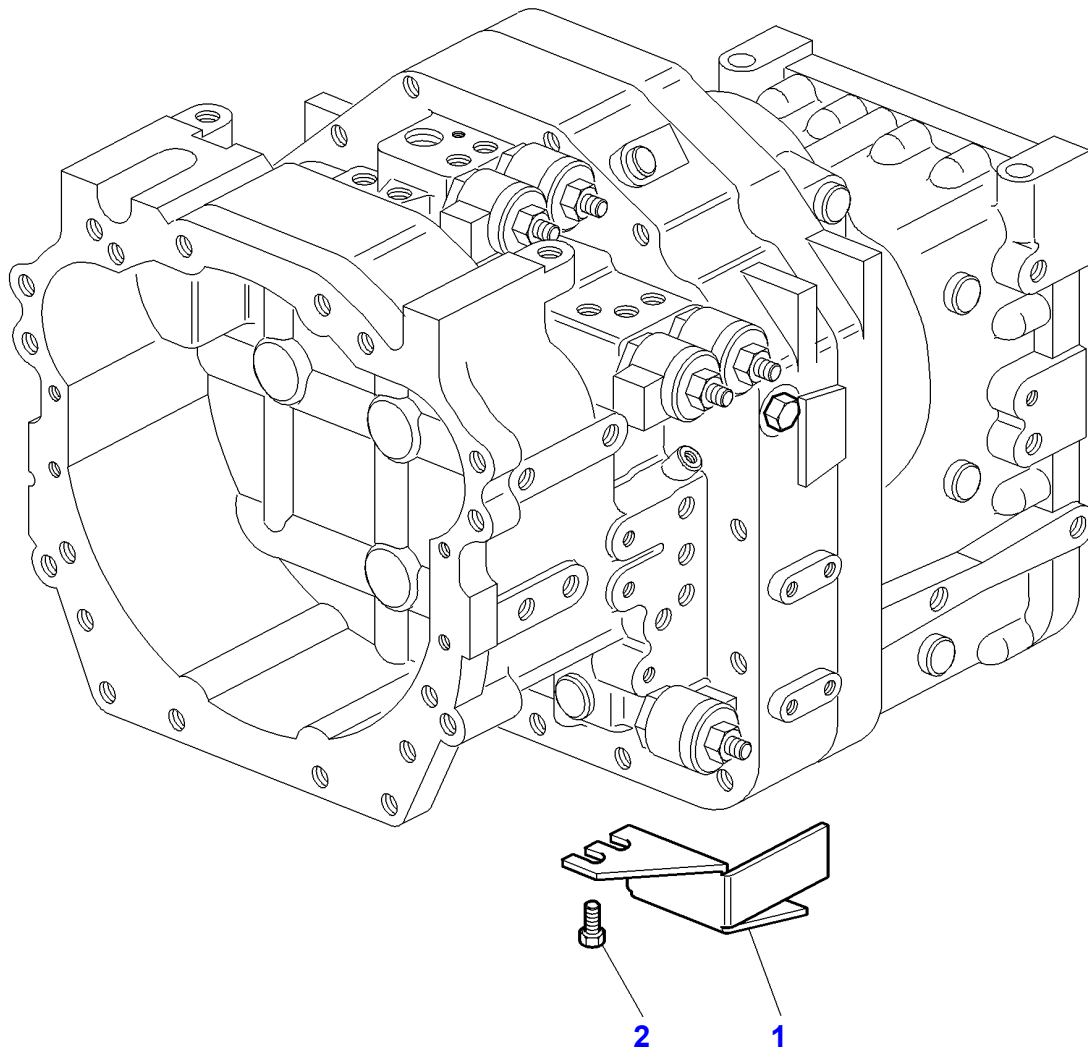
1-AF39-002-D



Controle Full Powershift - With Electronic Lift

Item	Part Number	Qty	Description	Comments
1	3902942M1	1	Connectors	GREY
	3902943M1	1	Connectors	BLACK
2	3902940M1	2	Plastic Plug	
3	3902941M1	2	Connectors	
4	3902829M1	12	Tie	
5	3902848M1	1	Harness	Four Wheel Drive
6	3780077M2	1	Switch,Indirect	Four Wheel Drive
7	3902849M1	1	Harness	
8	3902846M1	1	Decal	
9	3902847M1	1	Decal	
10	3004566X1	2	Screw	M6x16
11	1441206X1	3	Lock Washer	M6
12	339560X1	3	Hex. Sock. Screw	M6x16
13	3779557M95	1	Handle	
14	3902861M1	1	Lever	
15	3902838M1	2	Bearing	
16	3902850M1	1	Spacer	
17	3902859M1	1	Spring	
18	3902863M1	1	Washer	
19	3902944M1	2	Clip	Diameter 6 MM
20	3902945M2	1	Pin	
21	3902947M1	1	Roller	
22	3902866M1	2	Washer	M3
23	3010599X1	2	Nut Metric	M3
24	3902860M1	1	Switch,Indirect	
25	1442829X1	2	Screw	M3x16
26	3902946M91	1	Potentiometer	
27	3902843M1	4	Connectors	
28	3902842M1	4	Grommet	RED
29	3902845M91	1	Potentiometer	
30	3902862M1	1	Plate	
31	1442829X1	2	Screw	M3x16
32	3010599X1	2	Nut Metric	M3
33	3902866M1	2	Washer	M3
34	3019139X1	6	Nut	M4
35	3902844M91	1	Potentiometer	
36	3009531X1	6	Screw Metric	M4x12
37	3902835M91	1	Lever	
38	3902950M1	1	Spring	(37)
39	3902948M1	1	Spring	(37)
40	3902949M1	1	Pin	(37)
41	3902825M1	1	Decal	
42	339096X1	1	Bolt Metric	M6x35
43	3902831M1	1	Tap	
44	3902836M1	1	Button	
45	3009674X1	1	Screw	M6x35
46	3902833M1	2	Seal	
47	3902830M1	2	Washer	
48	3902832M1	1	Spring	
49	3902826M1	1	Decal	
50	3902955M1	2	Clip	Diameter 5 MM
51	3903016M1	1	Decal	
52	3903199M91	1	Harness	
53	3010559X1	4	Screw	(13) M4X12
54	3782976M1	1	Self Tap Screws	(13) N 6-16
55	3779000M5	1	Shell	(13)
56		1	Control Knob	(13)
				Not serviced, order REF 13
57	3779001M5	1	Shell	(13)

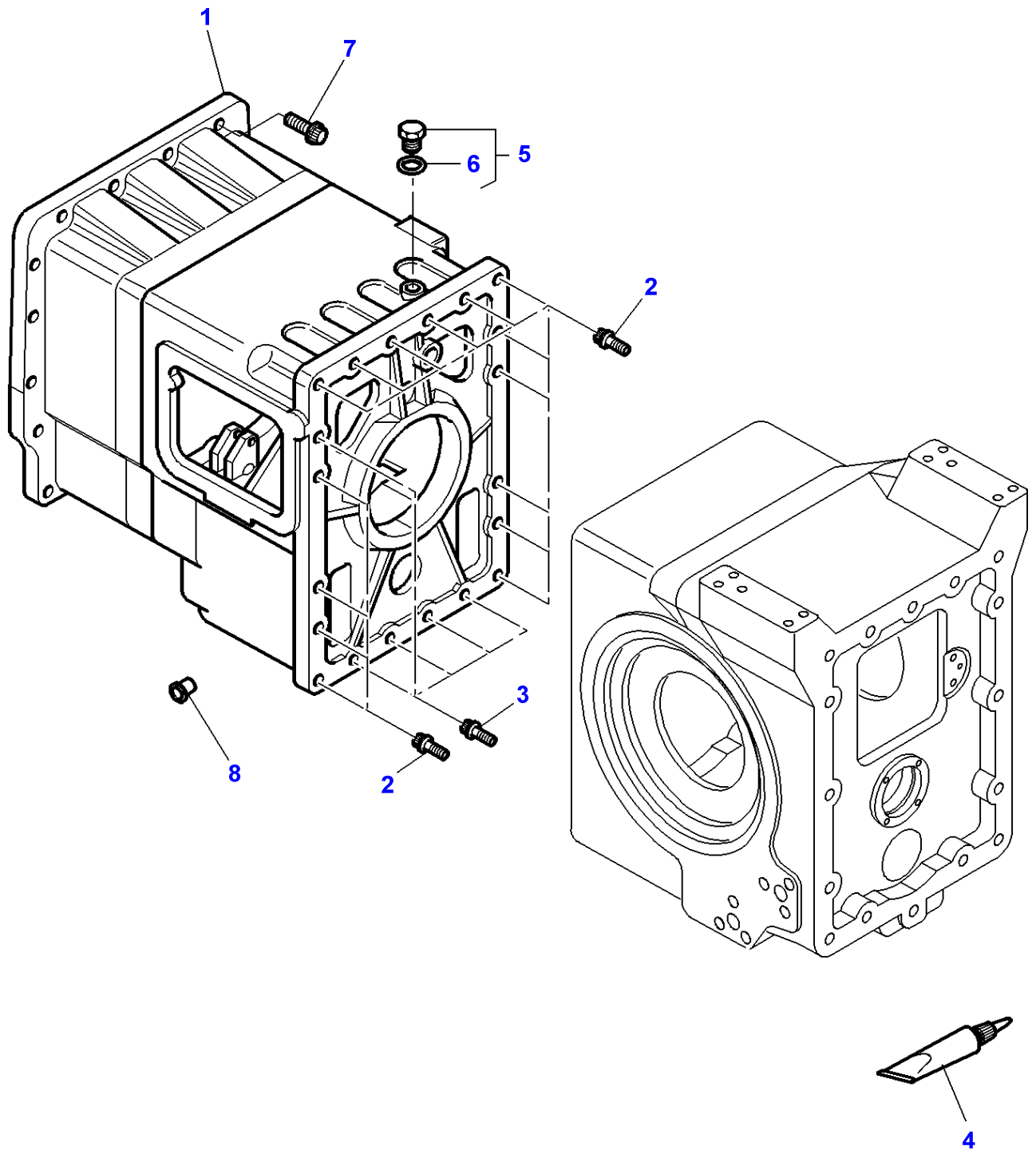
1-AW26-002-A



Massey Ferguson**MF 8170 TRACTOR - 1637359****1637359****Full Powershift - Electrovalves - Cowl****Page025-0090**

Item	Part Number	Qty	Description	Comments
1	3791246M1	1	Cowl	Right Hand
	3791247M1	1	Cowl	Left Hand
2	339228X1	4	Screw Metric	M8X12

1-AG63-002-C



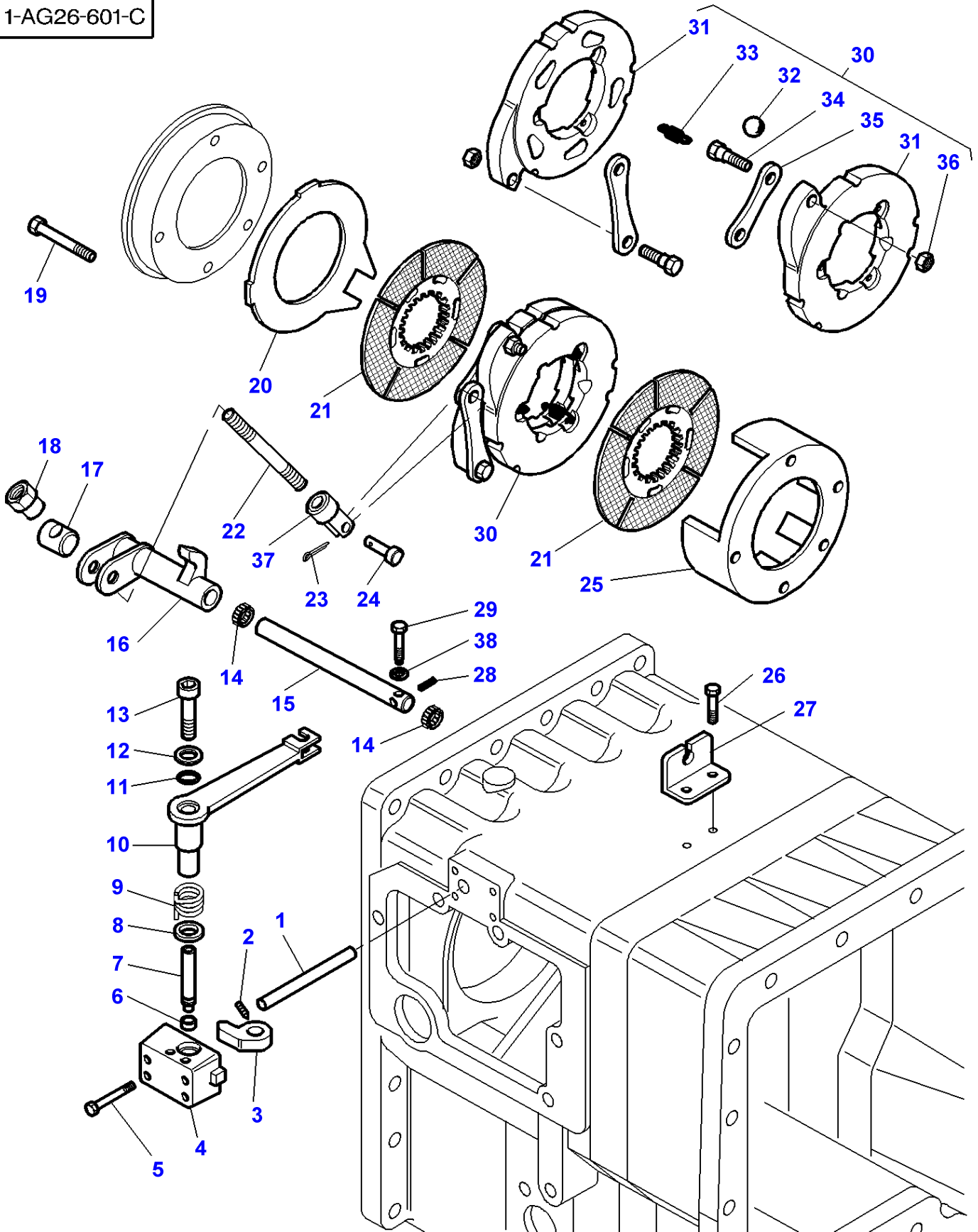
Rear Axle - Intermediary Housing

Item	Part Number	Qty	Description	Comments
1	3716412M4	1	Housing	
2	3009805X1	15	Screw Metric	M16X60
3	3009806X1	5	Plough Bolt	M16X70
4	3900613M2	X	Loctite	
5	3019649X91	1	Plug	M33
6	3019399X1	1	O Ring	(5)
7	3010007X1	18	Screw Metric	M16X60
8	3792315M1	2	Plug	[A] Diameter 20,9MM
	3792314M1	4	Plug	[A] Diameter 15MM
	3583240M1	8	Plug	[A] Diameter 6MM

FOOTNOTE [A] PLASTICS

MF 8170 TRACTOR - 1637359
1-AG26-601-C

1-AG26-601-C



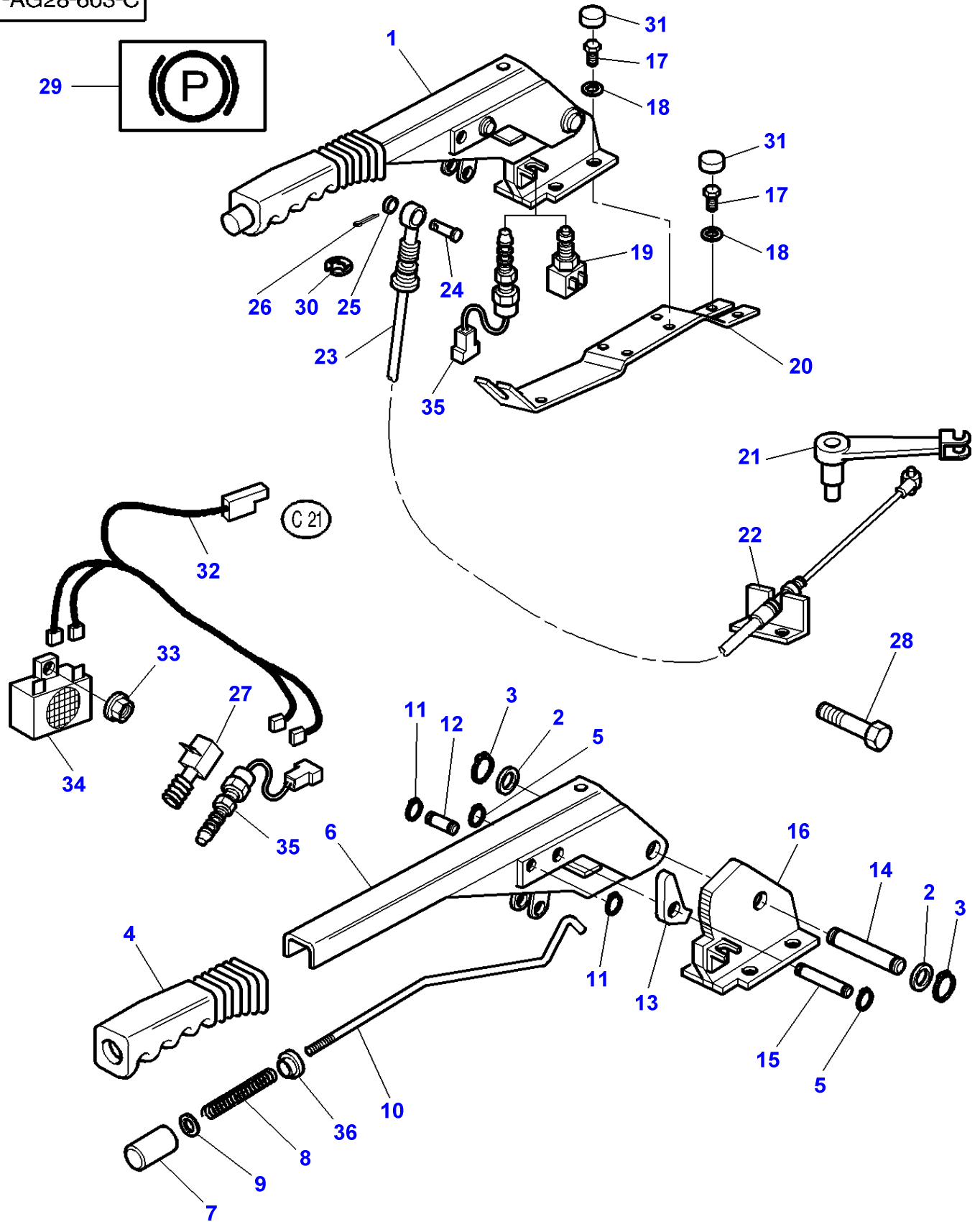
Handbrake - Lower Control

Item	Part Number	Qty	Description	Comments
1	3716540M1	1	Tappet Rod	
2	3009429X1	1	Screw	M6x10
3	3716544M1	1	Poppet	
4	3716501M1	1	Case Assy	
5	390246X1	4	Bolt	M8X70
6	3716560M1	1	Bush	
7	3716503M2	1	Clevis Pin	
8	3716310M1	1	Oil Seal	
9	3716554M2	1	Spring	
10	3716502M2	1	Shifter	
11	3010740X1	1	O Ring	
12	3716539M1	1	Washer	
13	1440350X1	1	Screw Metric	M6X20
14	3716561M1	2	Bush	Diameter 20 MM
15	3716542M1	1	Clevis Pin	
16	3716477M2	1	Angle Trans.	
17	3581305M1	1	Trunnion	
18	3791431M1	1	Nut Special	
19	3009301X1	5	Screw Metric	M12x80
20	3716932M1	4	Counterplate	[A]
21	3716933M1	6	Disc	[A]
22	3791669M1	1	Stud	
23	354048X1	1	Pin	Diameter 2,4 MM Length 19 MM
24	354190X1	1	Clevis Pin	Diameter 7/16"
25	3716411M2	1	Case Assy	[A]
26	339228X1	2	Screw Metric	M8x12
27	3716543M1	1	Support	
28	1440394X1	1	Pin	Diameter 4 MM Length 30 MM
29	3791488M2	1	Screw Special	
30	3716920M91	1	Brake	
31		2	Disc	(30) Not serviced, order REF NO 30
32	3310764M1	5	Ball	(30)
33	3310765M1	3	Spring	(30)
34	3902669M1	2	Screw	(30)
35	3902668M1	2	Draglink	(30)
36	3902667M1	2	Nut	(30)
37	3790494M1	1	Draglink	
38	851138M1	1	Seal	From Serial or Engine Number 09/99

FOOTNOTE [A] 6 PLATE WET BRAKES

MF 8170 TRACTOR - 1637359
1-AG28-603-C

1-AG28-603-C

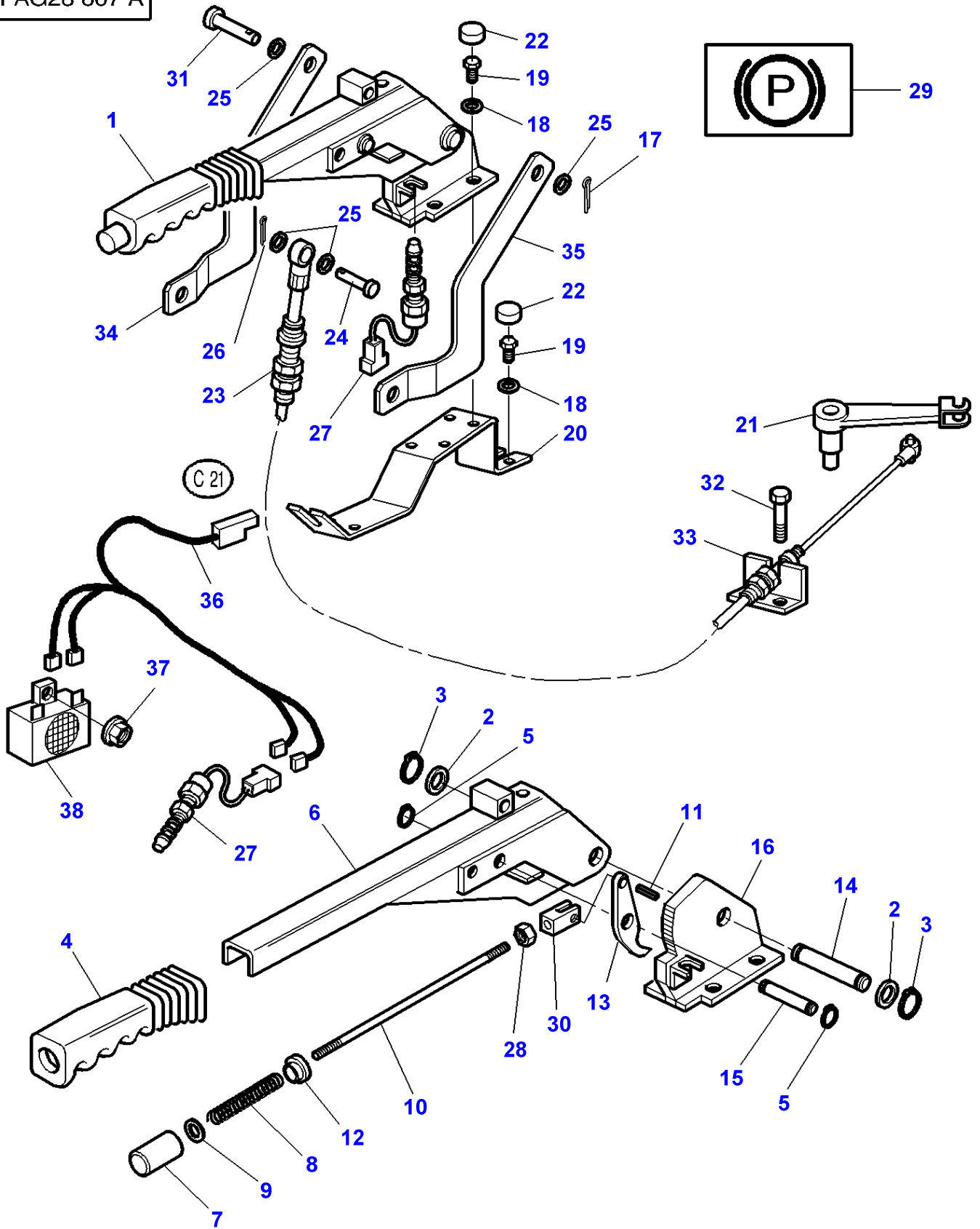


Brakes - Handbrake - Up to Serial or Engine Number H091014

Item	Part Number	Qty	Description	Comments
1	3778478M91	1	Handbrake Assy	Up to Serial or Engine Number G177009
	3778478M92	1	Handbrake Assy	From Serial or Engine Number G177010
2	1693980M1	2	Washer	(1)
3	339356X1	2	Circlip	(1)
4	1693965M1	1	Handle	(1)
5	3000261X1	2	Clip	(1)
6		1	Lever	(1)
				Not serviced, order REF NO 1
7	3616904M1	1	Button	(1)
8	1693970M1	1	Spring	(1)
9	353754X1	1	Washer	(1)
10	3715943M1	1	Rod	(1)
11	1440988X1	2	Circlip	(1)
12	1693974M1	1	Clevis Pin	(1)
13	3715942M1	1	Ratchet	(1)
14	1693976M1	1	Clevis Pin	(1)
15	1693973M1	1	Clevis Pin	(1)
16	3582569M91	1	Sector	(1)
				Up to Serial or Engine Number G177009
	3779133M92	1	Sector	(1)
				From Serial or Engine Number G177010
17	339123X1	8	Hex. Sock. Screw	M8X20
18	390972X1	8	Washer Metric	
19	3380073M1	1	Switch, Indirect	Up to Serial or Engine Number G177009
20	3778452M1	1	Support	
21		1	Shifter	See Page - Reference Number 030-0010/10
22		1	Support	See Page - Reference Number 030-0010/27
23	3778741M2	1	Cable	Length 1570MM
24	195234M1	1	Clevis Pin	
25	390972X1	1	Washer Metric	
26	354057X1	1	Pin	
27	3617693M1	1	Switch, Indirect	Up to Serial or Engine Number G177009
28	3009512X1	1	Bolt Metric	M12X60
29	3580502M1	1	Decal	
30	3581179M1	1	Ring	Diameter 16
31	3616277M1	8	Helmet	
32	3618557M1	1	Harness	
33	3010477X1	1	Nut Metric	M5
34	3320197M1	1	Buzzer	
35	3780395M2	2	Switch, Indirect	From Serial or Engine Number G177010
36	3616905M1	1	Washer	(1)

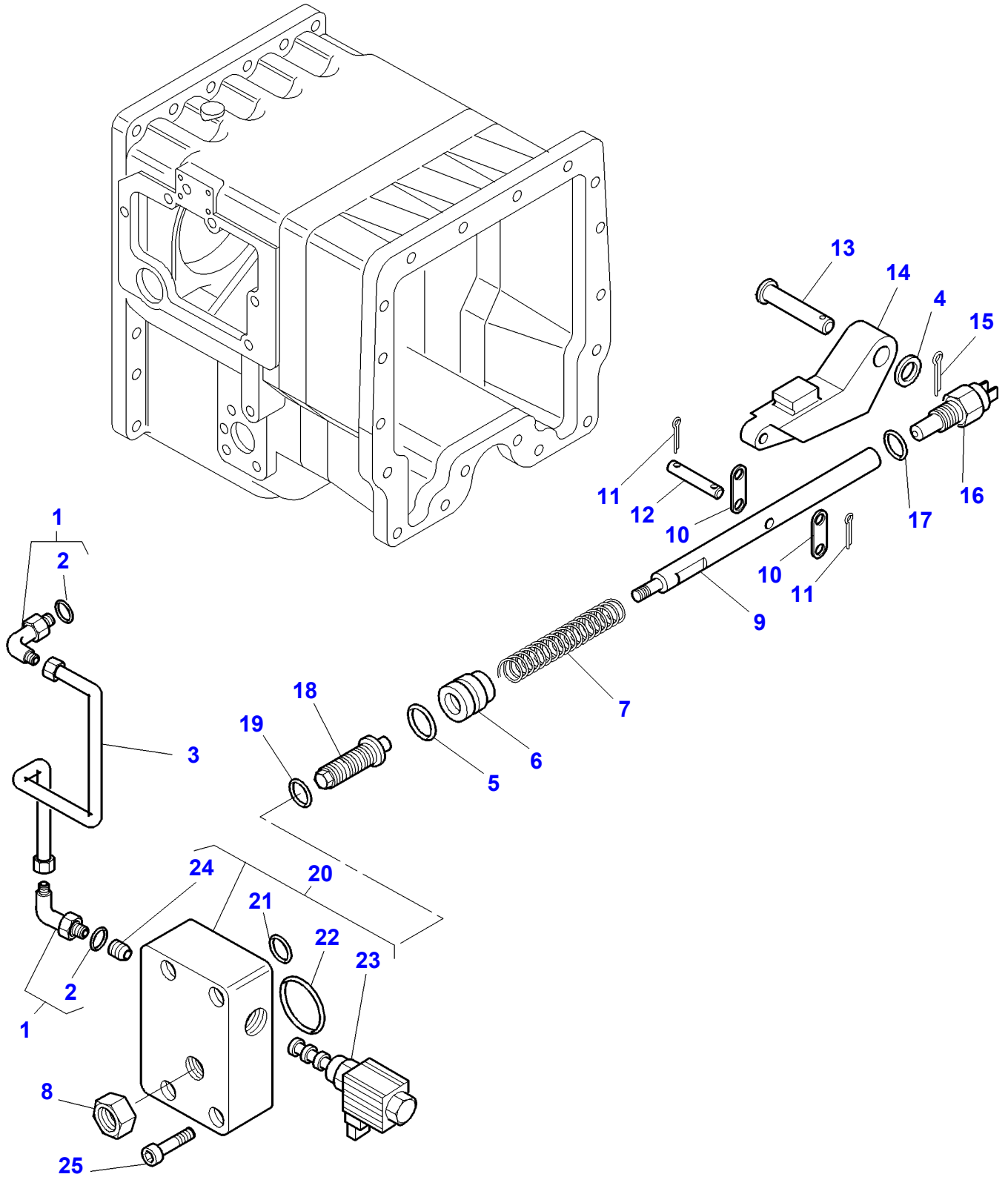
MF 8170 TRACTOR - 1637359
1-AG28-607-A

1-AG28-607-A



Item	Part Number	Qty	Description	Comments
1	3782572M91	1	Handbrake Assy	
2	1693980M1	2	Washer	(1)
3	339356X1	2	Circlip	(1)
4	1693965M1	1	Handle	(1)
5	1440988X1	2	Circlip	(1)
6		1	Hand Brake Lever	(1)
				Not serviced, order REF. No 1
7	3616904M1	1	Button	(1)
8	1693970M1	1	Spring	(1)
9	353754X1	1	Washer	(1)
10	3782646M1	1	Rod	(1)
11	3782649M1	1	Pin	(1)
12	3616905M1	1	Washer	(1)
13	3782645M1	1	Hasp	(1)
14	1693976M1	1	Clevis Pin	(1)
15	1693974M1	1	Clevis Pin	(1)
16	3779133M92	1	Sector	(1)
17	354057X1	1	Pin	
18	390972X1	8	Washer Metric	
19	339123X1	8	Hex. Sock. Screw	M8X20
20	3782571M2	1	Support	
21	3716502M2	1	Shifter	
22	3616277M1	8	Helmet	
23	3782575M2	1	Cable	Length 1510MM
24	195235M1	1	Clevis Pin	
25	390972X1	4	Washer Metric	
26	354057X1	1	Pin	
27	3780395M2	2	Switch,Indirect	
28	3782647M1	1	Nut	(1)
29	3580502M1	1	Decal	
30	3782648M1	1	Clevis	(1)
31	195237M1	1	Clevis Pin	
32	339228X1	2	Screw Metric	M8X12
33	3716543M1	1	Support	
34	3782574M1	1	Rod Link	Right Hand
35	3782573M1	1	Rod Link	Left Hand
36	3618557M1	1	Harness	
37	3010477X1	1	Nut Metric	M5
38	700705642	1	Buzzer	

1-AG64-002-A

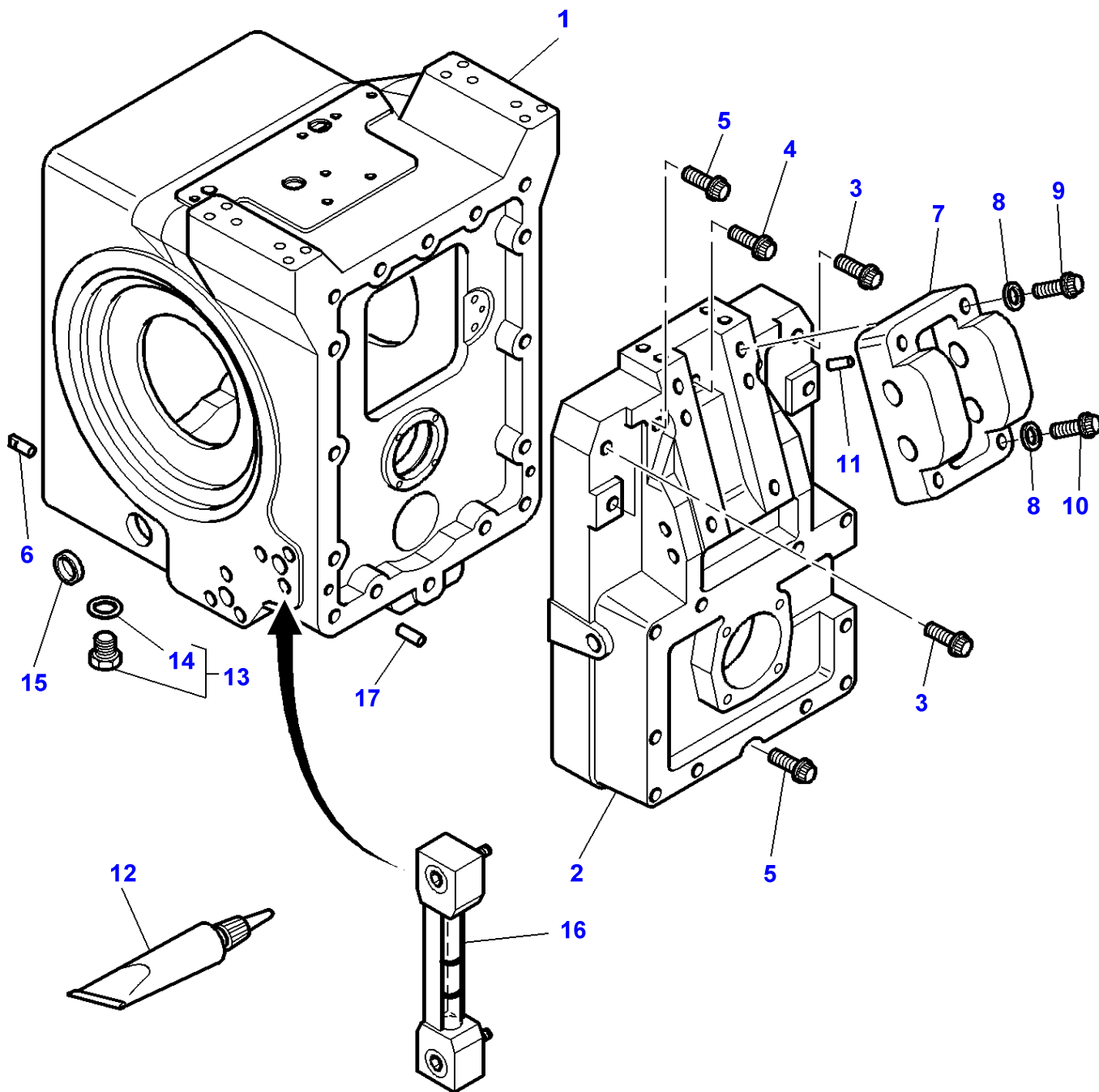


Parking Brake - With Powershift

Item	Part Number	Qty	Description	Comments
1	3019412X91	2	Elbow	
2	3019395X1	1	O Ring	(1)
3	3791287M1	1	Tube	[A]
4	3791380M1	1	Washer	Diameter 19 MM
5	366434X1	1	O Ring	
6	3791570M1	1	Piston	
7	3716228M1	1	Spring	
8	3384600M2	1	Nut Special	Diameter M18
9	3791571M2	1	Stem	
10	3716548M1	2	Rod Link	
11	1442993X1	2	Pin	Diameter 3,2 MM
12	3791124M2	2	Clevis Pin	
13	3791125M4	1	Clevis Pin	
14	3716551M4	1	Ratchet	
15	339531X1	1	Pin	Diameter 4 MM
16	3383546M1	1	Switch,Indirect	Up to Serial or Engine Number G260027
	3792196M1	1	Switch,Indirect	From Serial or Engine Number G260028
17	3010786X1	1	Gasket	Up to Serial or Engine Number H244017
	3010890X1	1	Bush	From Serial or Engine Number H244018
18	3790951M1	1	Screw	
19	3007118X1	1	O Ring	
20	3791141M91	1	Block	
21	3019467X1	1	O Ring	(20) Diameter 10,1x1,6 MM
22	364281X1	1	O Ring	(20) Diameter 47,35x1,78 MM
23	3791106M1	1	Electrovalve	(20)
24	3791107M1	1	Non Return Valve	(20)
25	3001758X1	4	Screw Metric	M6x50

FOOTNOTE [A] WITH PUMP 45CC

1-AG02-603-B

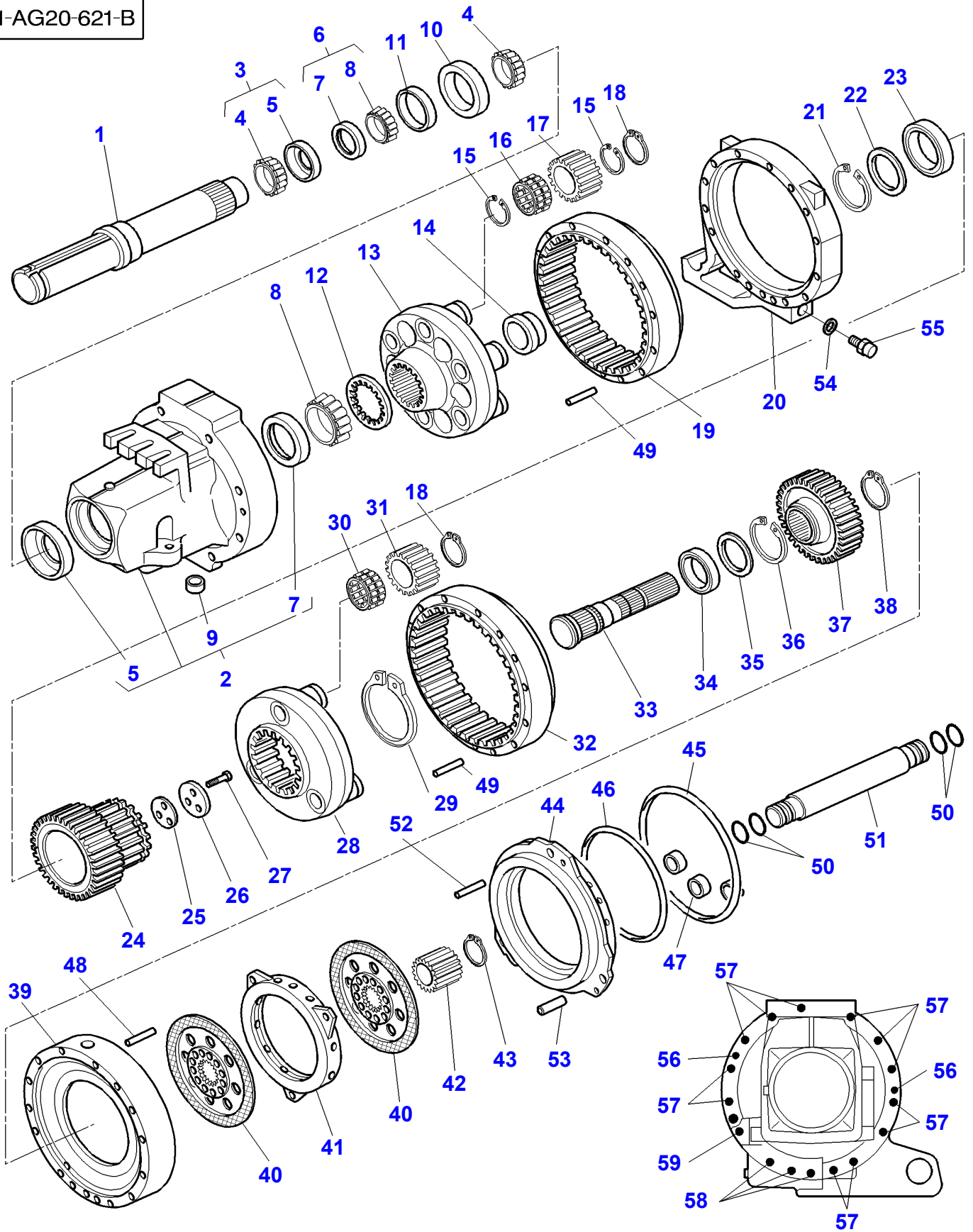


Rear Axle - Centre Housing

Item	Part Number	Qty	Description	Comments
1	3716461M5	1	Housing	Up to Serial or Engine Number H011031
	3792105M1	1	Housing	From Serial or Engine Number H011032
2	3716000M2	1	Housing	
3	3010556X1	4	Screw Metric	M20X70
4	3010557X1	1	Screw Metric	M20X100
5	3010558X1	3	Screw Metric	M20X120
6	3716496M2	1	Centraliser	
7	3716917M3	1	Lug	
8	385365X1	4	Washer	Diameter 20 MM Diameter 37 MM Thickness 5 MM
9	3010575X1	2	Screw	M20X130
10	3010563X1	2	Screw	M20X90
11	3716918M2	2	Centraliser	
12	3900613M2	X	Loctite	
13	3583994M91	1	Plug	M18
14	3019397X1	1	O Ring	(13)
15	3010760X1	2	Plug	Diameter 46 MM
16	3790931M1	1	Oil Dipstick	
17	3385839M2	2	Pin	Length 22,2 MM

MF 8170 TRACTOR - 1637359
1-AG20-621-B

1-AG20-621-B

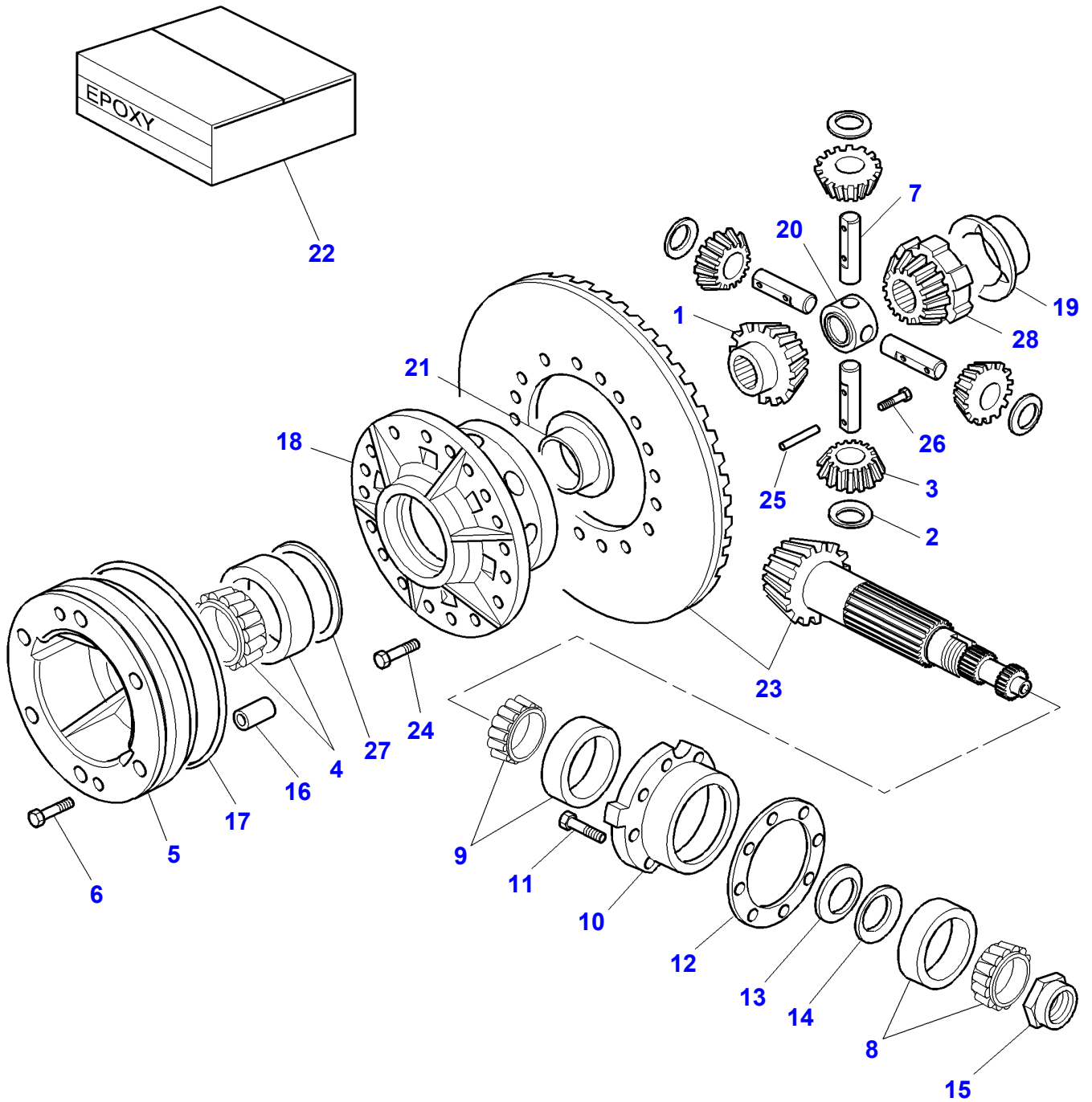


Item	Part Number	Qty	Description	Comments
1	3716264M3	2	Shaft	Diameter 110 MM Length 855 MM
2	3791238M14	1	Axle Housing	Right Hand
	3791237M14	1	Axle Housing	Left Hand
3	3010685X91	2	Bearing Assy	
4		1	Bearing Cone	(3) Not serviced, order REF. 3
5		1	Cone Cup	(3) Not serviced, order REF. 3
6	3010672X91	2	Bearing Assy	
7		1	Cone Cup	(6) Not serviced, order REF. 6
8		1	Bearing Cone	(6) Not serviced, order REF. 6
9	391560X1	1	Plug	(2) Diameter 30 MM Up to Serial or Engine Number H011031
10	3716210M1	2	Gasket	Diameter 190 MM Diameter 165 MM
11	3716344M1	2	Bush	Diameter 165 MM Diameter 120 MM
12	3716094M1	2	Washer	
13	3716483M2	2	Carrier	
14	3716093M1	2	Washer	
15	3716329M1	24	Segment	
16	3010734X1	12	Bearing Assy	
17	3716481M2	12	Diff Pinion	Number of teeth/spines 20 Up to Serial or Engine Number 22-JUL-1998
	3792442M1	12	Diff Pinion	Number of teeth/spines 20 From Serial or Engine Number 22-JUL-1998
18	1440478X1	18	Circlip	
19	3716336M3	2	Annular Gear	Number of teeth/spines 81 Up to Serial or Engine Number 22-JUL-1998
	3792439M1	2	Crownwheel	Number of teeth/spines 81 From Serial or Engine Number 22-JUL-1998
20	3716207M2	2	Spacer	
21	1441458X1	2	Ring	
22	3716498M1	2	Washer	
23	1442672X1	2	Bear. 6016	
24	3716488M1	2	Planet	Number of teeth/spines 39 Up to Serial or Engine Number 22-JUL-1998
	3792441M1	2	Planet	Number of teeth/spines 39 From Serial or Engine Number 22-JUL-1998
25	3716271M1		Chock	Thickness 0,005 MM
	3716272M1		Chock	Thickness 0,10 MM
	3716273M1		Chock	Thickness 0,25 MM
	3716274M1		Chock	Thickness 0,50 MM
	3716776M1		Chock	Thickness 1 MM
	3716777M1		Chock	Thickness 2 MM
26	3716267M1	2	Washer	Thickness 10 MM
27	3019853X1	6	Bolt Metric	M12X60
28	3716484M2	2	Carrier	
29	392782X1	2	Clip	
30	3010525X1	6	Bearing Assy	
31	3716485M2	6	Diff Pinion	Number of teeth/spines 20
32	3716482M3	2	Crownwheel	Number of teeth/spines 81 Up to Serial or Engine Number 22-JUL-1998
	3792440M1	2	Crownwheel	Number of teeth/spines 81 From Serial or Engine Number 22-JUL-1998
33	3716508M4	1	Planet	Left Hand Length 362 MM
	3716471M4	1	Planet	Right Hand Length 292 MM
34	339673X1	2	Bear. 6013	
35	3716416M1	2	Washer	
36	390613X1	2	Clip	
37	3716487M3	2	Planet	Number of teeth/spines 39
38	1440532X1	2	Circlip	
39	3716208M2	1	Spacer	Left Hand Up to Serial or Engine Number H138016

Item	Part Number	Qty	Description	Comments
39	3792134M1	1	Spacer	Left Hand From Serial or Engine Number H138017
39	3716209M2	1	Spacer	Right Hand Up to Serial or Engine Number H138016
39	3792135M1	1	Spacer	Right Hand From Serial or Engine Number H138017
40	3716223M1	4	Disc	
41	3716249M3	2	Plate	
42	3582194M1	2	Hub	
43	380005X1	2	Clip	
44	3716752M4	1	Piston	Right Hand Replace and repair. Old not interchangeable with new 3716753M3
44	3716752M4	1	Piston	Left Hand
45	3716252M1	1	O Ring	
46	3716253M1	1	O Ring	
47	391560X1	6	Plug	Diameter 30 MM
48	1612150M1	2	Clevis Pin	Diameter 12,7 MM Length 29 MM
49	3615934M1	4	Clevis Pin	Diameter 12,7 MM Length 82 MM
50	70923650	8	O Ring	
51	3791260M1	1	Tube	
52	3716768M1	4	Clevis Pin	Diameter 16 MM Length 98 MM
53	3791640M1	2	Clevis Pin	[A] Diameter 16 MM Length 98 MM
54	3019397X1	2	O Ring	
55	3583993M1	2	Plug	
56	3010564X1	4	Screw	M12x265
57	3716517M1	24	Stud	M16x363
57	3010875X1	24	Washer	M16
57	3019871X1	24	Nut Metric	M16
58	3791261M1	6	Stud	M16x378
58	3791824M1	6	Stud	M16x388
58	3010875X1	6	Washer	M16
58	3019871X1	6	Nut Metric	M16
59	3791824M1	2	Stud	M16x388
59	3010875X1	2	Washer	M16
59	3019871X1	2	Nut Metric	M16

FOOTNOTE [A] WITH 1 HOLE

1-AG09-002-A

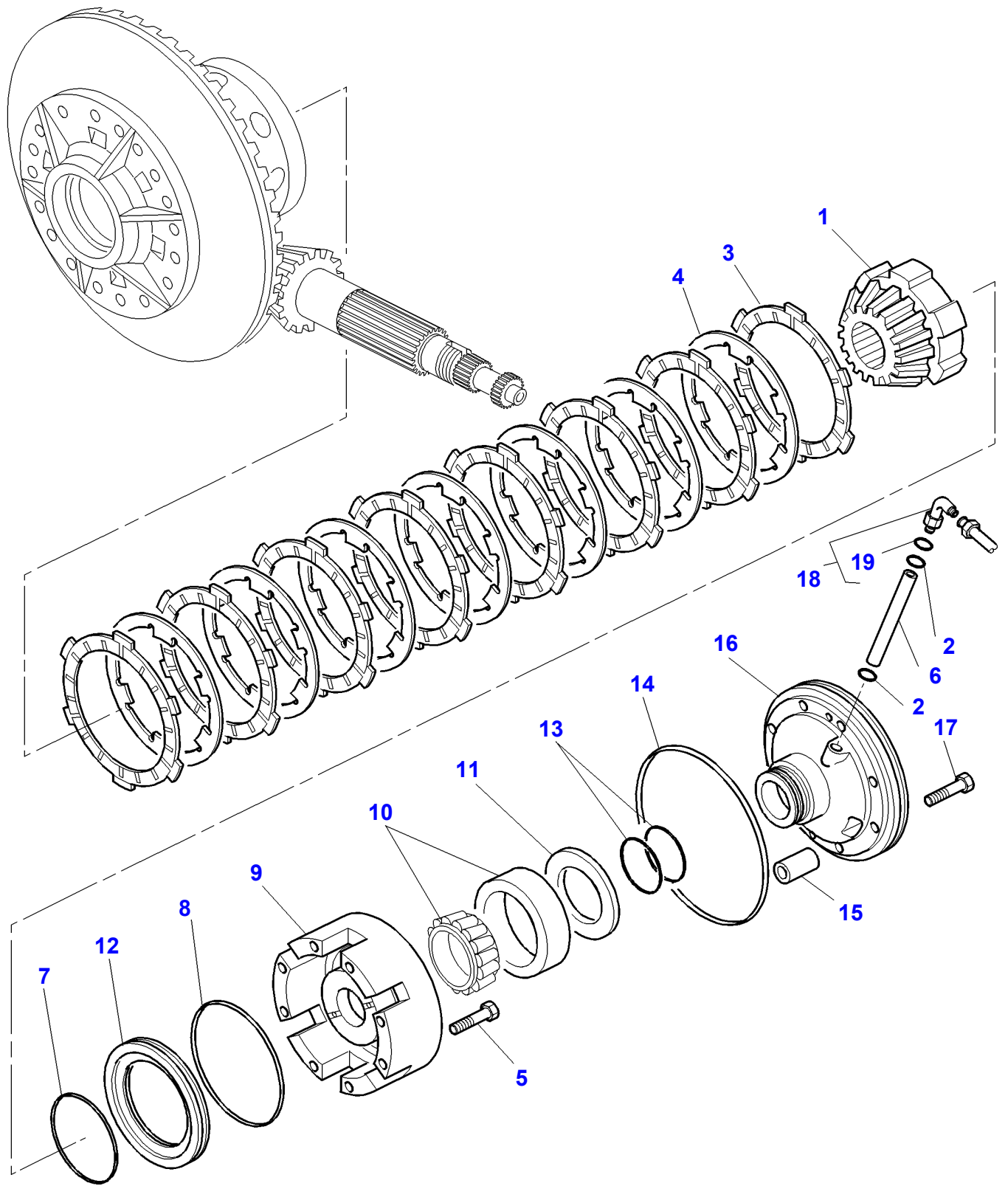


Rear Axle - Differential

Item	Part Number	Qty	Description	Comments
1	3716473M4	1	Pinion	
2	3791227M2	4	Washer	
3	3716463M1	4	Diff Pinion	
4	3010720X91	1	Bearing Assy	
5	3716246M3	1	Support	
6	3019899X1	6	Bolt Metric	M12X50
7	3716470M2	4	Clevis Pin	
8	3010720X91	1	Bearing Assy	
9	3010735X91	1	Bearing Assy	
10	3716430M2	1	Case Assy	
11	3010010X1	4	Screw	M12X40
	3010770X1	4	Screw Metric	M12X35
12	3716566M1	X	Shim	Thickness 0,05MM
	3716567M1	X	Shim	Thickness 0,1MM
	3716568M1	X	Shim	Thickness 0,2MM
	3716569M1	X	Shim	Thickness 0,3MM
13	3716422M1	1	Washer	
14	3792328M2	X	Chock	Thickness 0,65MM
	3716431M2	X	Chock	Thickness 0,7MM
	3792329M2	X	Chock	Thickness 0,75MM
	3716432M2	X	Chock	Thickness 0,8MM
	3792330M2	X	Chock	Thickness 0,85MM
	3716433M2	X	Chock	Thickness 0,9MM
	3792331M2	X	Chock	Thickness 0,95MM
	3716434M2	X	Chock	Thickness 1MM
15	3716450M1	1	Nut Special	M60
16	1611277M1	1	Pin	Diameter 16X20
17	3716335M1	1	O Ring	
18	3716464M4	1	Case Assy	
19	3716472M3	1	Washer	
20	3716059M4	1	Crosspiece	
21	3716327M3	1	Bush	
22	3930274M92	1	Loctite	
23	3716813M93	1	Kit, Bevel Gear	11X38
24	3010783X1	18	Screw Metric	M16X40
25	3384279M1	4	Needle	
26	1441000X1	4	Screw Metric	M8X16
27	3791616M1	1	Chock	Thickness 0.05 MM
	3791617M1	1	Chock	Thickness 0.1 MM
	3791618M1	1	Chock	Thickness 0.3 MM
28	3716474M4	1	Planet	

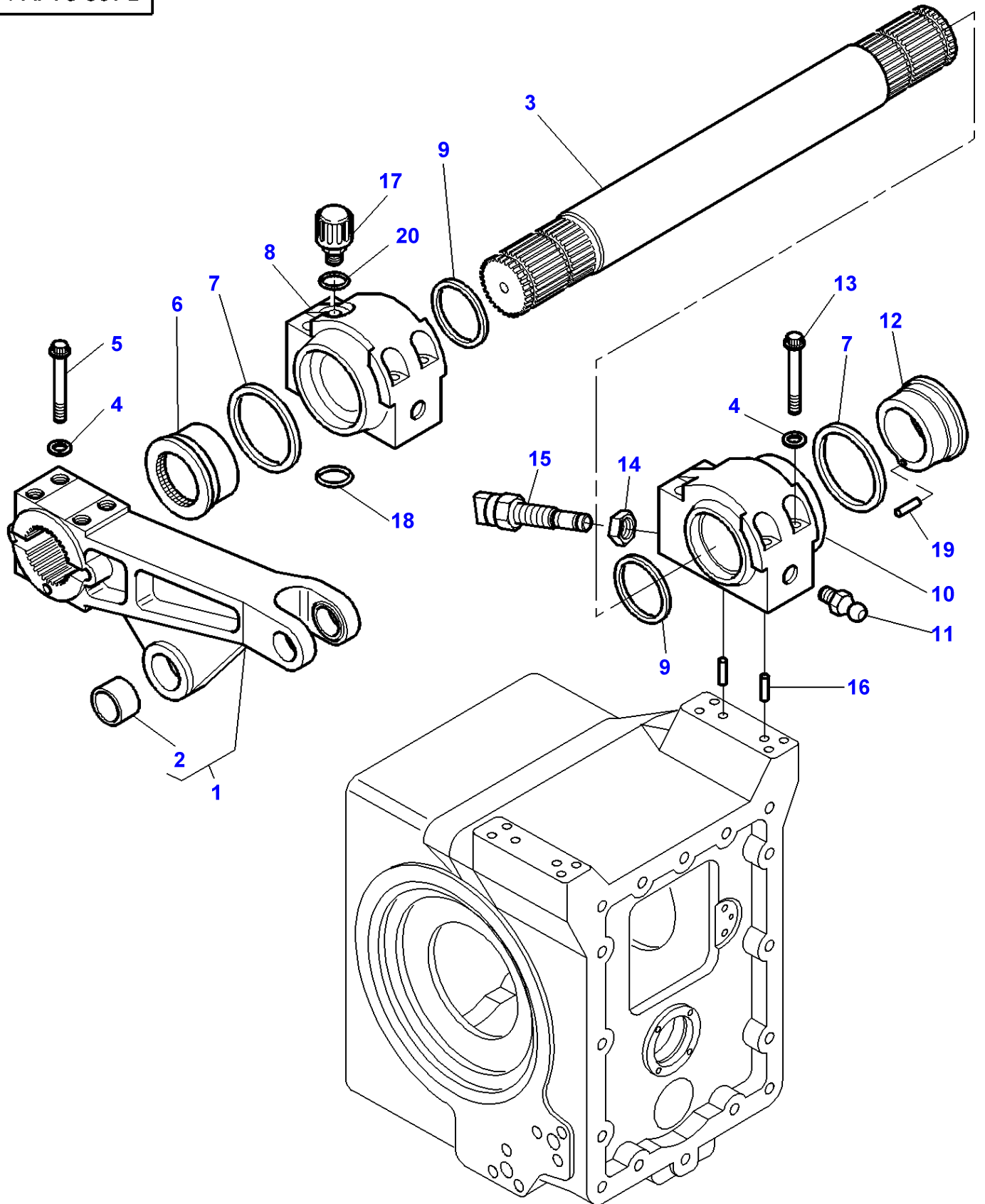
MF 8170 TRACTOR - 1637359
1-AG62-003-A

1-AG62-003-A



Item	Part Number	Qty	Description	Comments
1	3716474M4	1	Planet	
2	377494X1	2	O Ring	
3	3616741M1	8	Disc	
4	3616742M1	7	Counterplate	
5	3010784X1	8	Screw Metric	M12X110
6	3716571M2	1	Tube	
7	70923591	1	O Ring	
8	359008X1	1	O Ring	
9	3716562M12	1	Case Assy	
10	1850909M91	1	Bearing Assy	
11	3716479M1	X	Chock	Thickness 0,5 MM
	3716480M1	X	Chock	Thickness 0,6 MM
	3791782M1		Chock	Thickness 0,7 MM
	3716486M1	X	Chock	Thickness 0,8 MM
	3791783M1		Chock	Thickness 0,9 MM
12	3716467M1	1	Piston	
13	3716580M3	2	Segment	
14	3716335M1	1	O Ring	
15	1611277M1	1	Pin	Diameter 16X20
16	3716247M13	1	Support	
17	3019899X1	6	Bolt Metric	M12X50
18	3385713M91	1	Union	
19	831497M1	1	O Ring	(18)

1-AP73-001-D



Massey Ferguson**MF 8170 TRACTOR - 1637359**

1637359

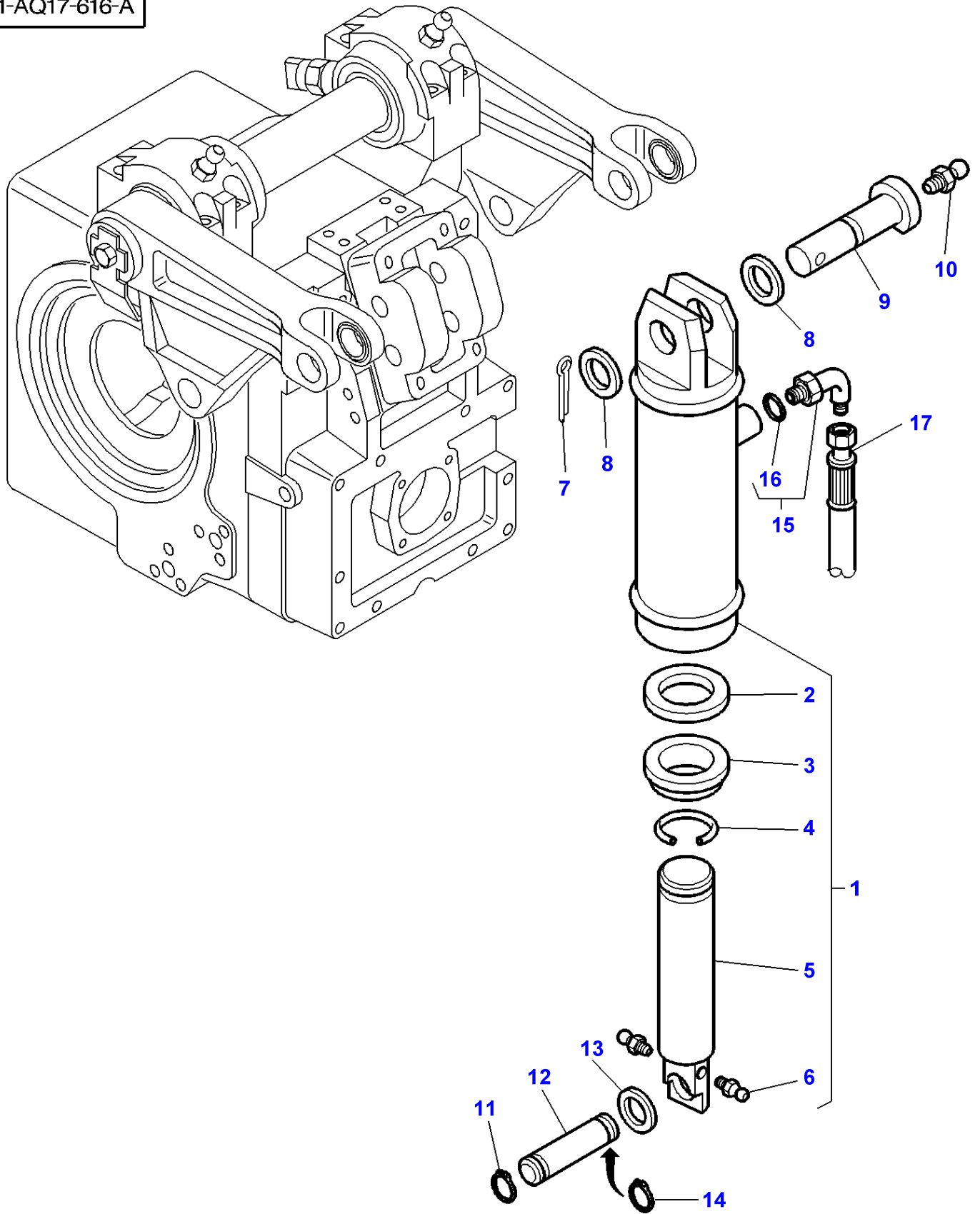
Electronic Lift - Lift Arms - With Heavy Duty Rear Axle Housing - Composite Reducer

Page040-0005

Item	Part Number	Qty	Description	Comments
1	3716511M12	1	Arm	Left Hand
	3716527M12	1	Arm	Right Hand
2	3716510M2	1	Bush	(1)
3	3716538M2	1	Shaft	
4	3010875X1	16	Washer	Diameter 16 MM
5	3019874X1	8	Screw Metric	M16x115
6	3716522M2	1	Cam	Left Hand
7	3716689M1	2	Gasket	
8	3716506M13	1	Bearing Carrier	Left Hand
9	3716616M1	2	Gasket	
10	3716521M14	1	Bearing Carrier	Right Hand
11	1441858X1	2	Greaser	
12	3716513M4	1	Cam	Right Hand
13	3010566X1	8	Screw Metric	M16x130
14	3385674M1	1	Nut	M24
15	3712728M3	1	Inductive Taker	
16	3385839M2	4	Pin	
17	3716934M1	1	Breather	
18	364105X1	1	O Ring	
19	3019304X1	1	Spirol Pin	
20	3019396X1	1	O Ring	

MF 8170 TRACTOR - 1637359
1-AQ17-616-A

1-AQ17-616-A



Massey Ferguson**MF 8170 TRACTOR - 1637359**

1637359

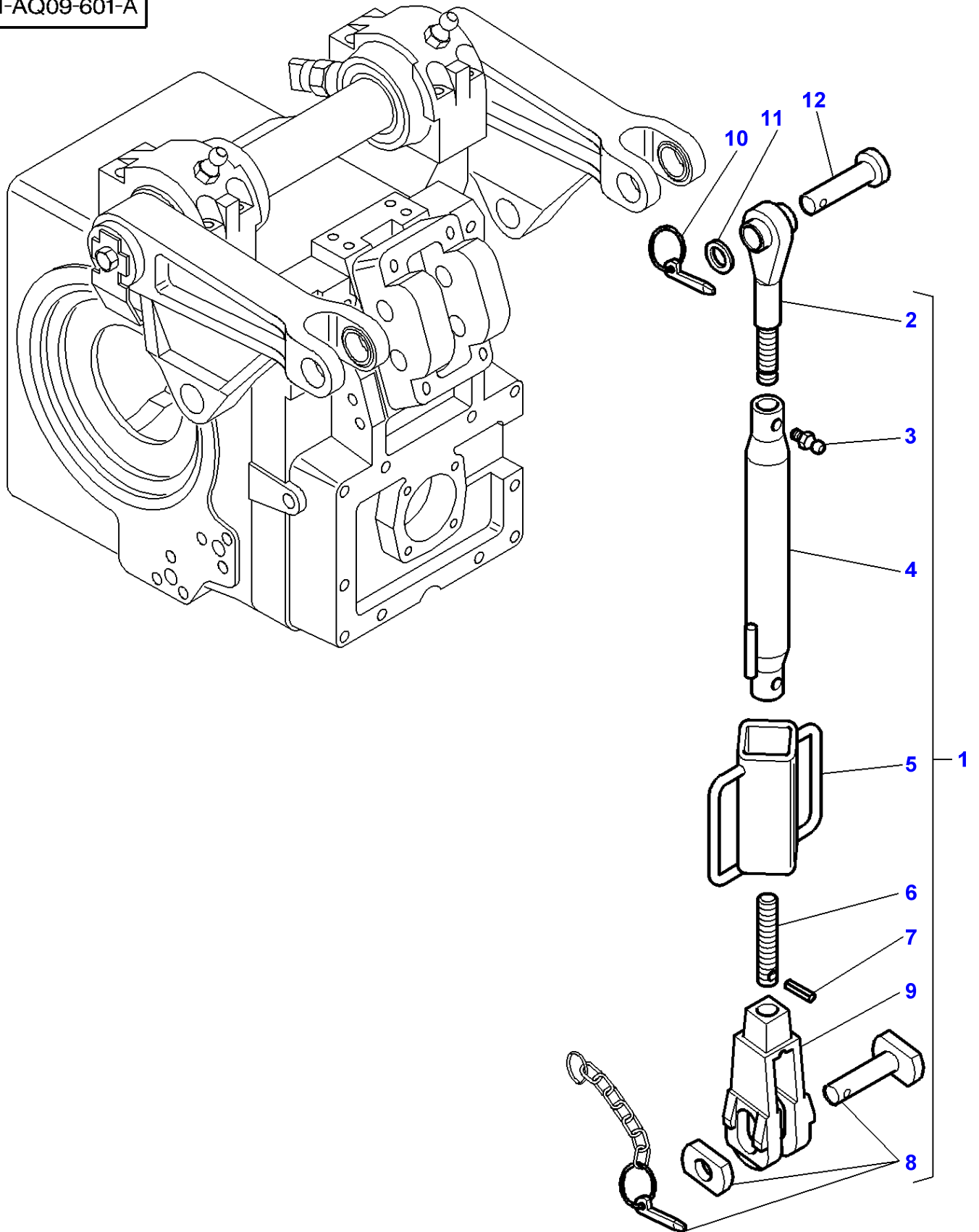
Linkage - Lift Cylinders

Page040-0010

Item	Part Number	Qty	Description	Comments
1	3716602M93	2	Lift Cylinder	Diameter 105MM
2	3902884M1	1	Gasket	(1)
3	3902883M1	1	Wiper	(1)
4	3902886M1	1	Ring	(1)
5	3902885M1	1	Cylinder Rod	(1)
6	1441858X1	2	Greaser	(1)
7	1442981X1	2	Pin	
8	3716678M2	4	Washer	Diameter 41 MM Diameter 60 MM Thickness 5,5 MM
9	3716609M1	2	Clevis Pin	
10	1441858X1	2	Greaser	
11	339605X1	2	Circlip	
12	3716600M1	2	Clevis Pin	
13	3716679M2	2	Washer	Diameter 61MM Diameter 70MM Thickness 4MM
14	339605X1	2	Circlip	
15	3019420X91	2	Union	
16	3019398X1	1	O Ring	(15)
17	3716386M1	1	Tube	Left Hand
	3716384M1	1	Tube	Right Hand

MF 8170 TRACTOR - 1637359
1-AQ09-601-A

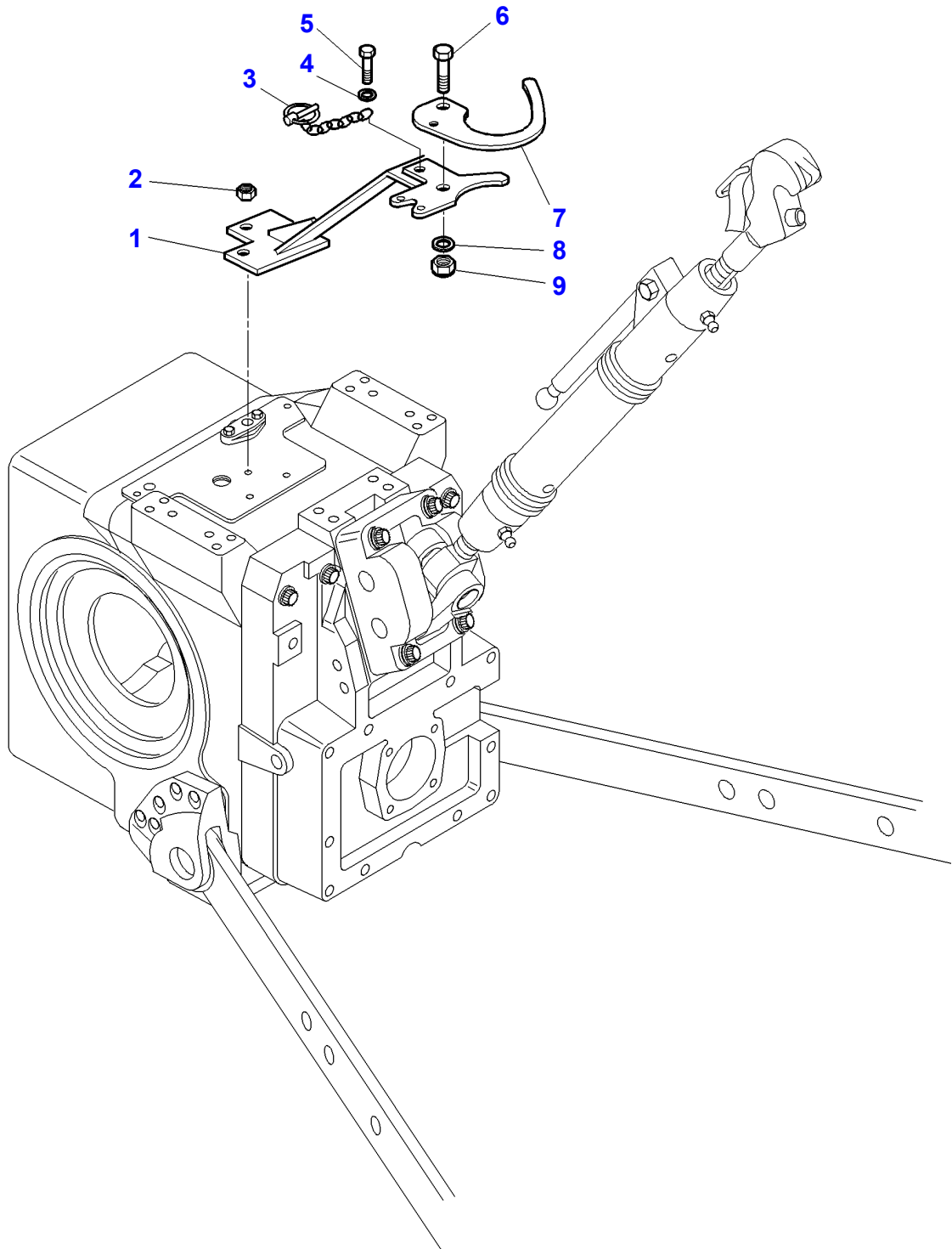
1-AQ09-601-A



Massey Ferguson**MF 8170 TRACTOR - 1637359****1637359****Linkage - Top Cat 2 And 3****Page040-0015**

Item	Part Number	Qty	Description	Comments
1	3716615M2	2	Draglink	
2	3902790M1	1	Toggle	(1)
3		2	Greaser	(1) Not serviced, order REF. 4
4	3902788M1	1	Tube	(1)
5	3902787M1	1	Handle	(1)
6	3902785M1	1	Clevis Pin	(1)
7	3902786M1	1	Pin	(1)
8	3902789M91	1	Parts Pack	(1)
9	3902784M1	1	Clevis	(1)
10	3387161M2	2	Pin	
11	3716148M1	2	Washer	Diameter 29 MM
12	3716661M1	2	Clevis Pin	

1-AQ07-607-A



Massey Ferguson**MF 8170 TRACTOR - 1637359**

1637359

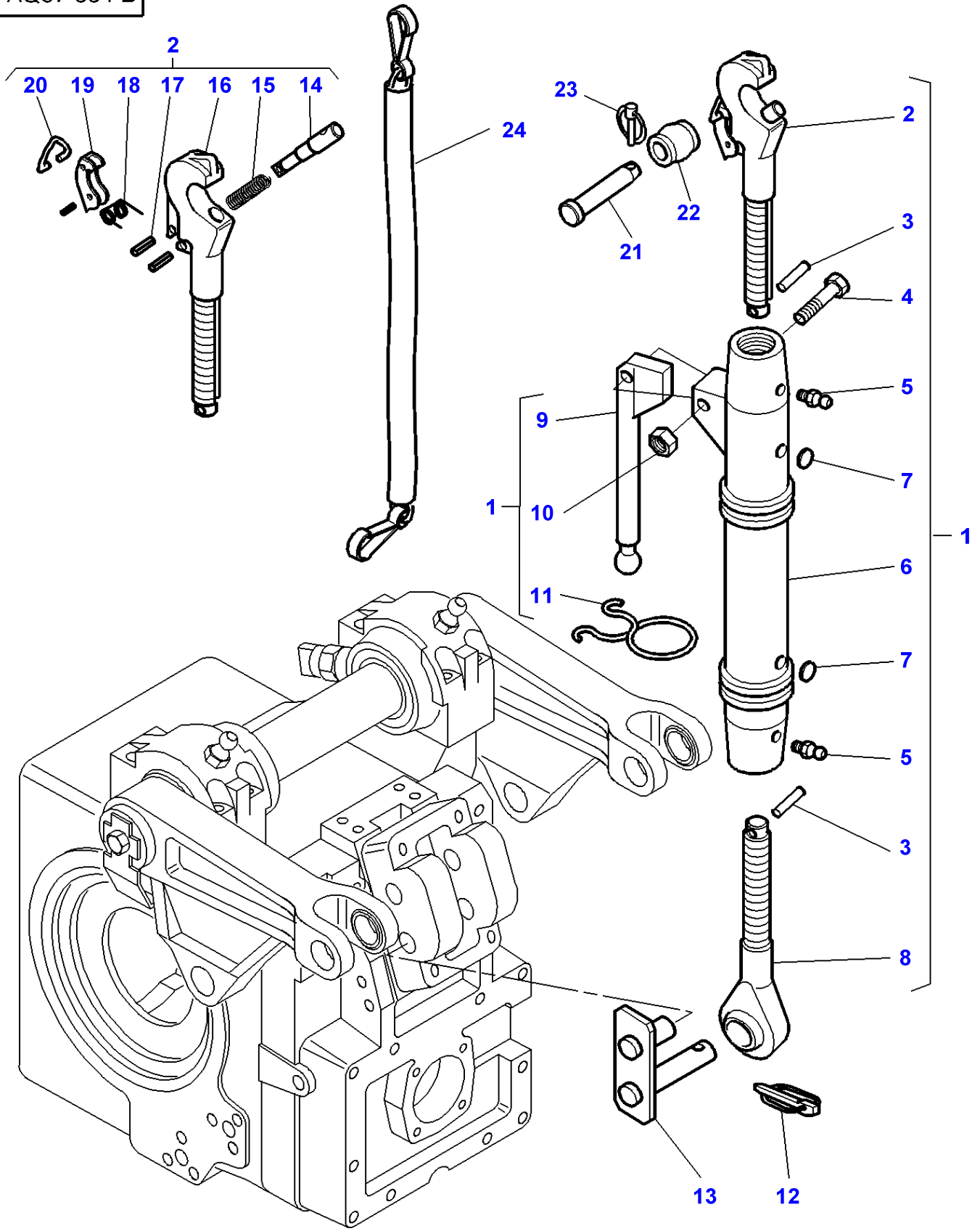
Linkage - Top Link With Hook End

Page040-0020

Item	Part Number	Qty	Description	Comments
1	3791641M2	1	Support	
2	1440330X1	3	Locknut	
3	3712199M91	1	Chain	
4	390971X1	1	Washer	
5	339560X1	1	Hex. Sock. Screw	M6X16MM
6	339009X1	1	Hex. Sock. Screw	M8X35MM
7	3791881M2	1	Latch	
8	390972X1	1	Washer Metric	
9	394367X1	1	Locknut	

MF 8170 TRACTOR - 1637359
1-AQ07-604-B

1-AQ07-604-B

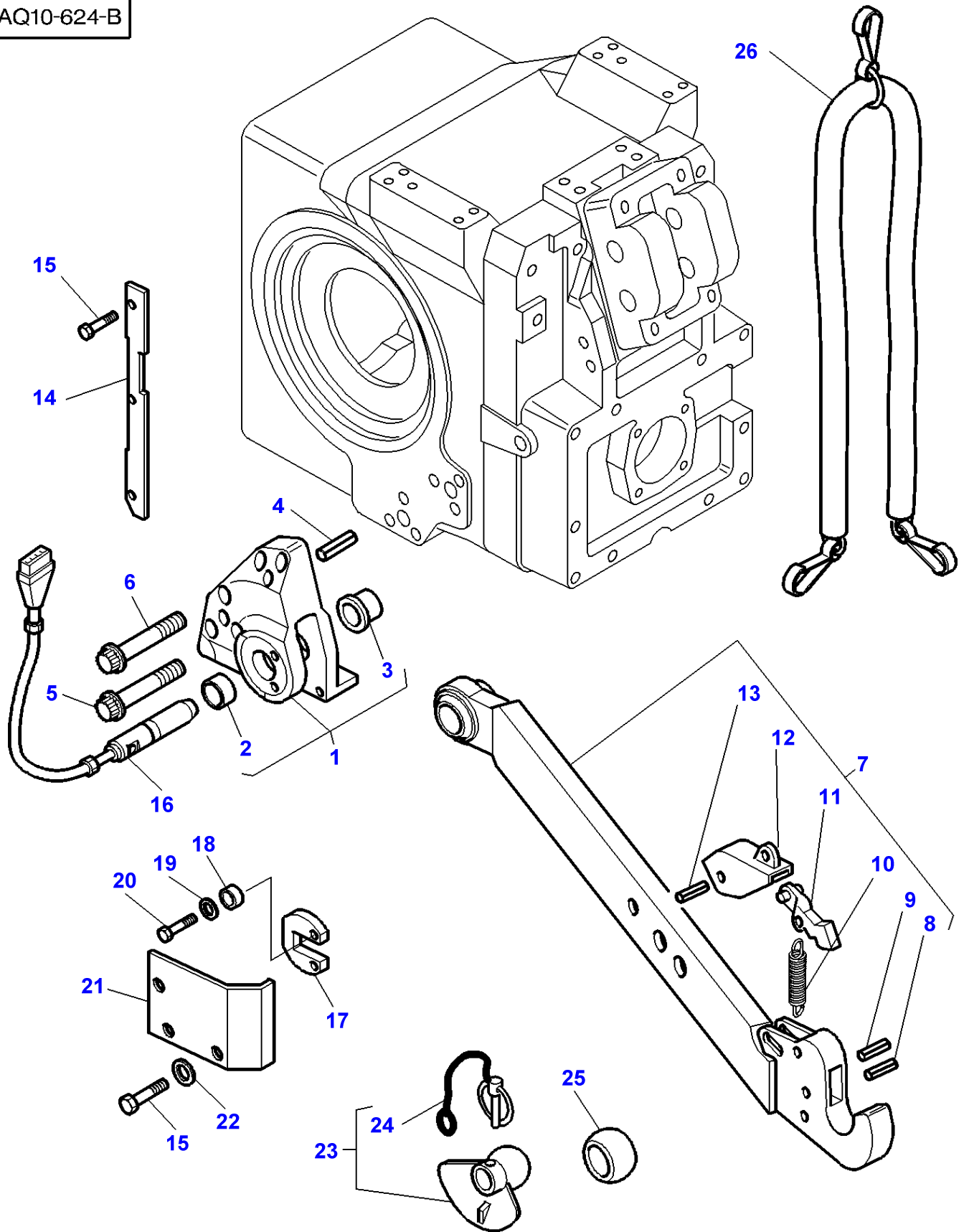


Linkage - Top Link With Hook End

Item	Part Number	Qty	Description	Comments
1	3716607M1	1	Top Link	
2	3902908M91	1	Hook	(1)
3	3902853M1	2	Clevis Pin	(1)
4	339679X1	1	Bolt Metric	(1)
5	3902857M1	2	Greaser	(1)
6	3902852M1	1	Tube	(1)
7	3902858M1	2	Plug	(1)
8	3902851M1	1	Toggle	(1)
9	3902855M1	1	Lever	(1)
10	1440329X1	1	Locknut	(1)
11	3902854M1	1	Retainer	(1)
12	3387161M2	1	Pin	
13	3716129M3	1	Clevis Pin	
14	3101927M1	1	Clevis Pin	(2)
15	3101929M1	1	Spring	(2)
16		1	Hook	(2)
				Not serviced, order REF.2
17	339662X1	3	Pin	(2)
18	3101930M1	1	Spring	(2)
19	3902909M1	1	Lever	(2)
20	3101935M1	1	Tie	(2)
21	367073X1	1	Clevis Pin	31,75 X 130,2MM
	3582043M2	1	Clevis Pin	25,4 X 124MM
22	3042434M1	1	Toggle	CAT.3
	3042433M1	1	Toggle	CAT.2/3
23	3387161M2	1	Pin	
24	3619220M1	1	Chain	Length 1500MM

MF 8170 TRACTOR - 1637359
1-AQ10-624-B

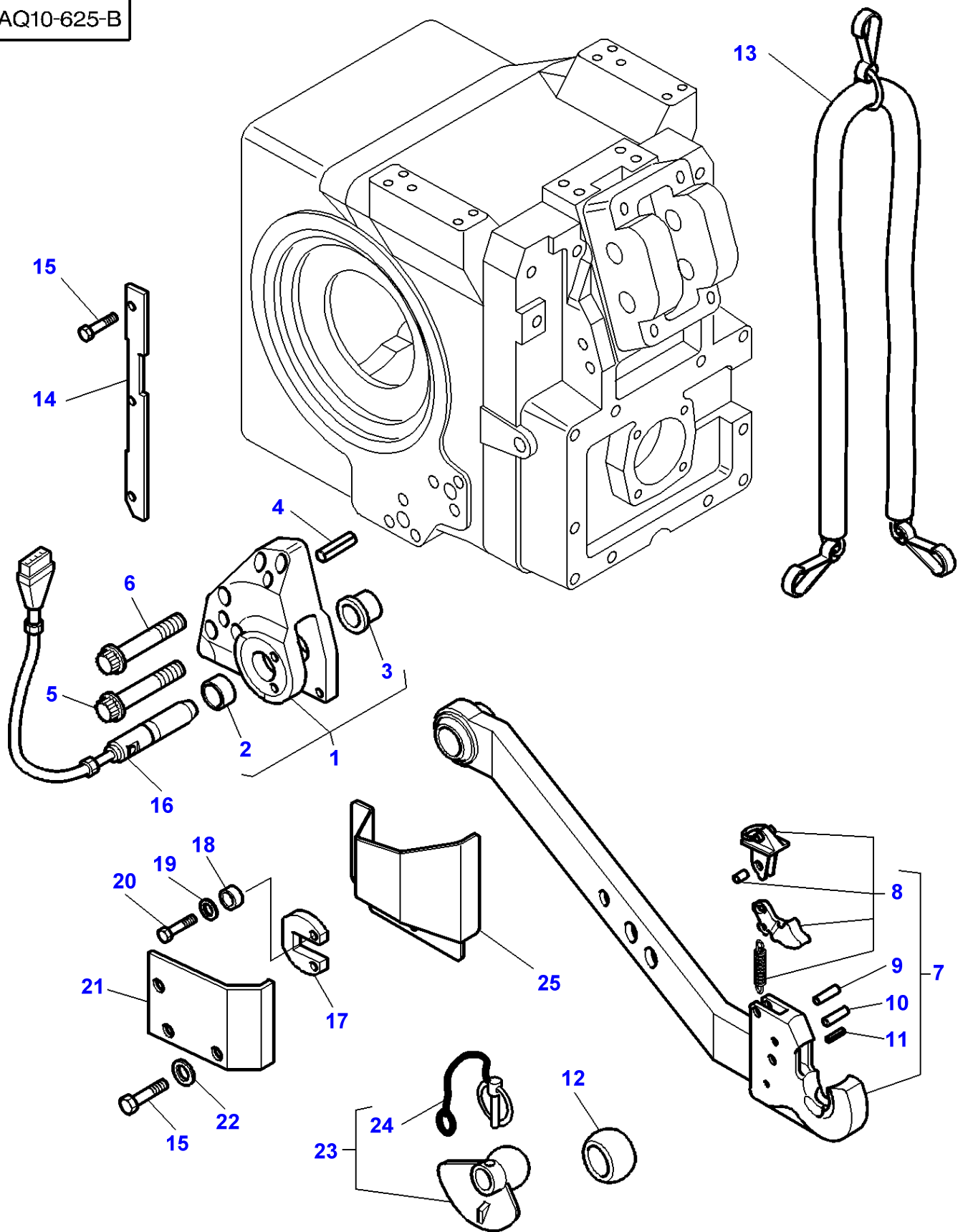
1-AQ10-624-B



Item	Part Number	Qty	Description	Comments
1	3716998M14	1	Clevis	Right Hand
	3716997M14	1	Clevis	Left Hand
2	3716994M2	1	Bush	(1)
3	3716995M2	1	Bush	(1)
4	3716624M1	4	Centraliser	
5	3010434X1	10	Screw Metric	M20x80
6	3010558X1	2	Screw Metric	M20x120
7	3716604M1	1	Bar	Left Hand
	3716605M1	1	Bar	Right Hand
8	339783X1	1	Pin	(7) Diameter 6X32MM
9	3008317X1	1	Pin	(7)
10	3101934M1	1	Spring	(7)
11	3106461M1	1	Ratchet	(7)
12	3103830M1	1	Lever	(7)
13	339290X1	1	Pin	(7)
14	3791193M1	2	Cowl	
15	339124X1	12	Hex. Sock. Screw	M8X16
16	3716981M1	2	Inductive Taker	
17	3716499M1	2	Plate	
18	3384183M2	4	Bush	
19	385362X1	4	Washer Metric	
20	3001429X1	4	Screw	M10X35
21	3716983M3	1	Protector	Left Hand
	3716984M3	1	Protector	Right Hand
22	390972X1	6	Washer Metric	
23	3042427M1	1	Toggle	CAT. 2/3
	3042428M1	1	Toggle	CAT. 3
24	3102086M91	1	Linch Pin	(23)
25	3042430M1	1	Toggle	CAT. 2/3
	3042431M1	1	Toggle	CAT.3
26	3619219M1	1	Chain	Length 3700MM

MF 8170 TRACTOR - 1637359
1-AQ10-625-B

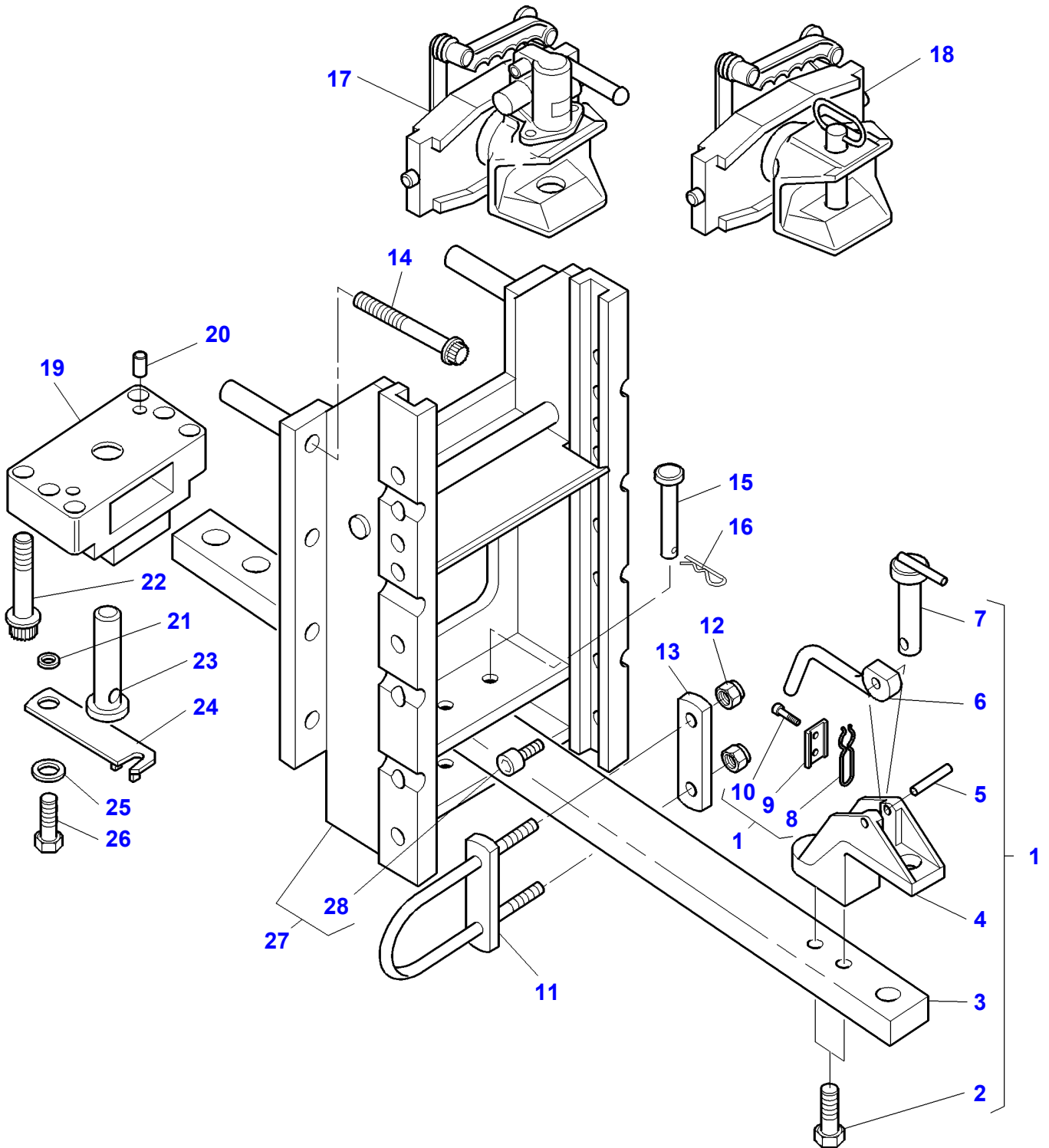
1-AQ10-625-B



Item	Part Number	Qty	Description	Comments
1	3716998M14	1	Clevis	Right Hand Up to Serial or Engine Number H180022
	3791868M11	1	Clevis	Right Hand From Serial or Engine Number H180023
	3716997M14	1	Clevis	Left Hand Up to Serial or Engine Number H180022
	3791867M11	1	Clevis	Left Hand From Serial or Engine Number H180023
2	3716994M2	1	Bush	(1)
3	3716995M2	1	Bush	(1)
4	3716624M1	4	Centraliser	
5	3010434X1	10	Screw Metric	M20x80
6	3010558X1	2	Screw Metric	M20x120
7	3792536M1	1	Bar	Left Hand
	3792535M1	1	Bar	Right Hand
8	3903314M91	1	Kit, Repair	(7)
9	3006429X1	1	Pin	(7)
10	3008317X1	1	Pin	(7)
11	339783X1	1	Pin	(7)
12	3042430M1	1	Toggle	CAT. 2/3
	3042431M1	1	Toggle	CAT.3
13	3619219M1	1	Chain	Length 3700MM
14	3791193M1	2	Cowl	
15	339124X1	12	Hex. Sock. Screw	M8X16
16	3716981M1	2	Inductive Taker	
17	3716499M1	2	Plate	
18	3384183M2	4	Bush	
19	385362X1	4	Washer Metric	
20	3001429X1	4	Screw	M10X35
21	3716983M3	1	Protector	Left Hand Up to Serial or Engine Number H180022
	3716984M3	1	Protector	Right Hand Up to Serial or Engine Number H180022
22	390972X1	6	Washer Metric	
23	3042427M1	1	Toggle	CAT. 2/3
	3042428M1	1	Toggle	CAT. 3
24	3102086M91	1	Linch Pin	(23)
25	3791630M1	1	Protector	Left Hand From Serial or Engine Number H180023
	3791631M1	1	Protector	Right Hand From Serial or Engine Number H180023

MF 8170 TRACTOR - 1637359
1-AQ18-607-A

1-AQ18-607-A



Massey Ferguson
MF 8170 TRACTOR - 1637359

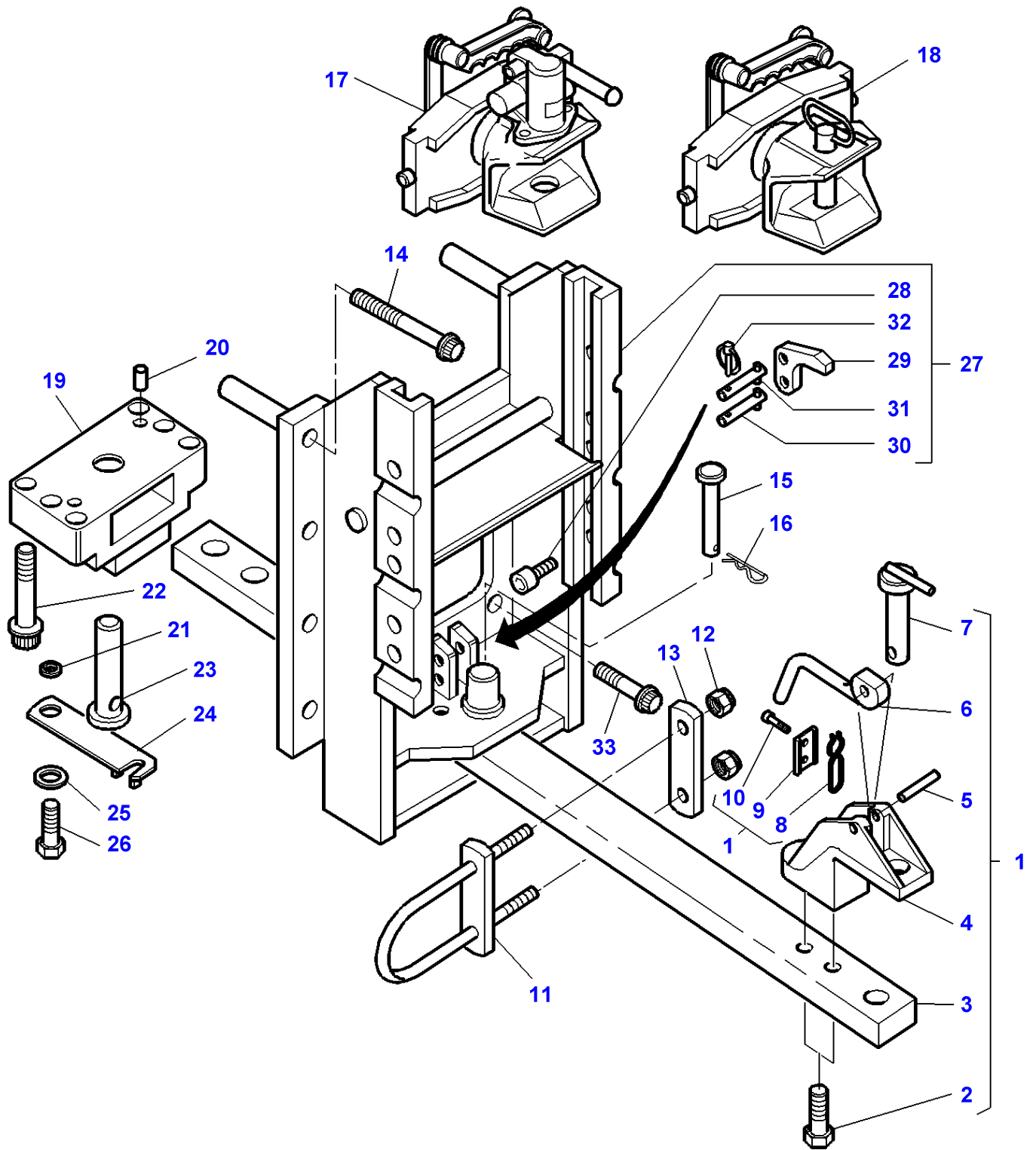
1637359

Page040-0040

Hitch

Item	Part Number	Qty	Description	Comments
1	3716631M93	1	Bar	
2	1442668X1	2	Screw	(1) M20X80
3		1	Bar	(1) Not serviced, order REF.1
4	3716619M2	1	Clevis	(1)
5	3010553X1	1	Pin	(1)
6	3791643M1	1	Lever	(1)
7	3716103M1	1	Pin Hitch	(1)
8	3716622M1	1	Thruster	(1)
9	3716621M2	1	Plate	(1)
10	339560X1	2	Hex. Sock. Screw	(1)
11	3716146M1	1	Shackle	
12	1442739X1	2	Locknut	
13	3716147M1	1	Counterplate	
14	3010562X1	8	Screw	M20X230
15	3010560X1	2	Clevis Pin	
16	3010932X1	2	Pin	Replace and repair. Old interchangeable with new 3010632X1
17	3791484M1	1	Clevis	See Page - Reference Number 040-0050
18	3791502M1	1	Clevis	See Page - Reference Number 040-0055
19	3716623M3	1	Bearing Carrier	
20	3716624M1	2	Centraliser	
21	3790749M1	1	Bush	
22	3010557X1	6	Screw Metric	M20X100
23	3716121M1	1	Clevis Pin	
24	3716306M91	1	Plate	
25	385362X1	2	Washer Metric	
26	3009492X1	2	Hex. Sock. Screw	M10X25
27	3791483M1	1	Support	
28	339114X1	1	Screw Metric	(27) M12X25

1-AQ18-608-B

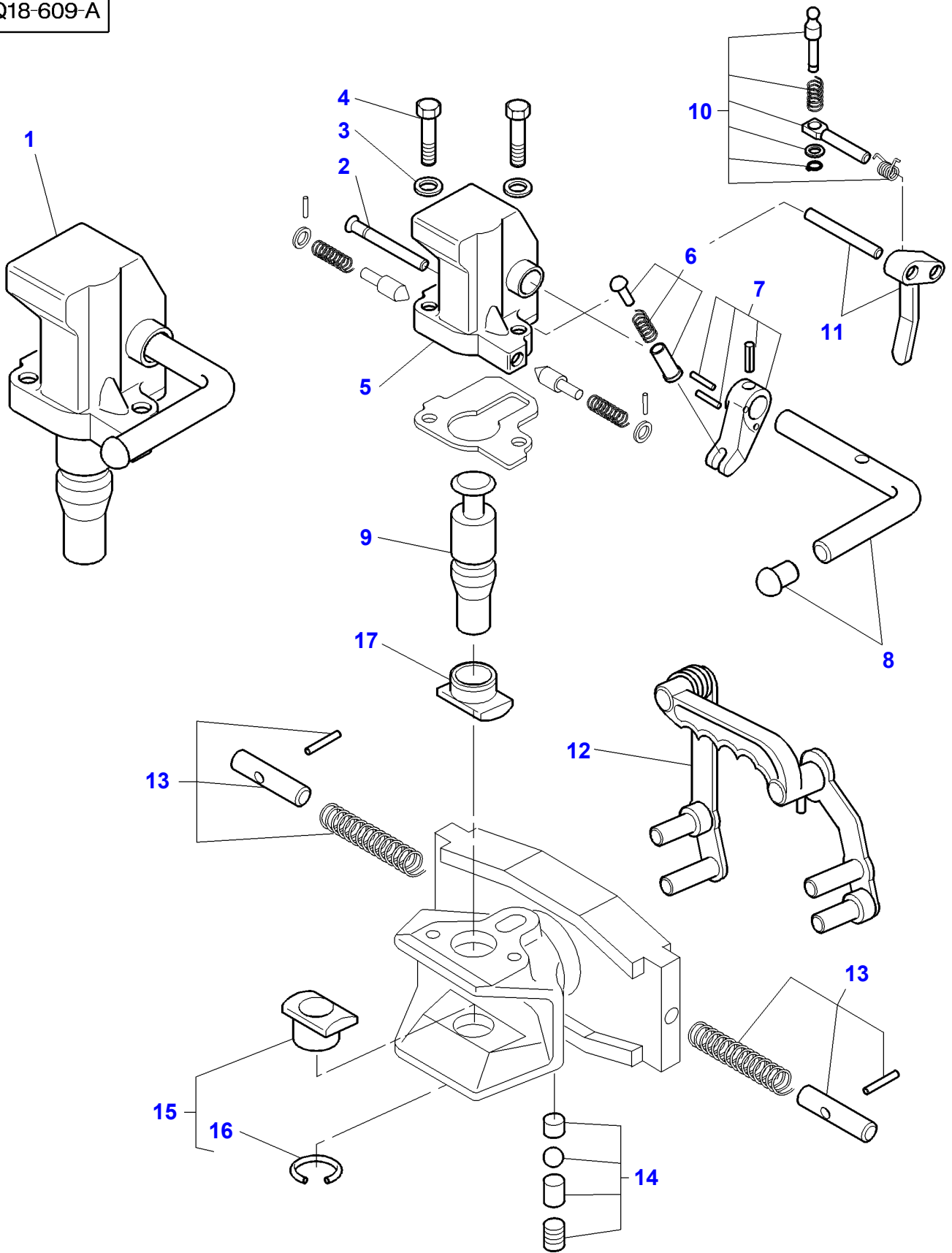


Massey Ferguson**MF 8170 TRACTOR - 1637359****1637359****Hitch - Hitch With Ring-Bolt****Page040-0045**

Item	Part Number	Qty	Description	Comments
1	3716631M93	1	Bar	
2	1442668X1	2	Screw	(1) M20X80
3		1	Bar	(1) Not serviced, order REF.1
4	3716619M2	1	Clevis	(1)
5	3010553X1	1	Pin	(1)
6	3791643M1	1	Lever	(1)
7	3716103M1	1	Pin Hitch	(1)
8	3716622M1	1	Thruster	(1)
9	3716621M2	1	Plate	(1)
10	339560X1	2	Hex. Sock. Screw	(1)
11	3716146M1	1	Shackle	
12	1442739X1	2	Locknut	
13	3716147M1	1	Counterplate	
14	3010562X1	8	Screw	M20X230
15	3010560X1	2	Clevis Pin	
16	3010932X1	2	Pin	Replace and repair. Old interchangeable with new 3010632X1
17	3791484M1	1	Clevis	See Page - Reference Number 040-0050
18	3791502M1	1	Clevis	See Page - Reference Number 040-0055
19	3716623M3	1	Bearing Carrier	
20	3716624M1	2	Centraliser	
21	3790749M1	1	Bush	
22	3010557X1	6	Screw Metric	M20X100
23	3716121M1	1	Clevis Pin	
24	3716306M91	1	Plate	
25	385362X1	2	Washer Metric	
26	3009492X1	2	Hex. Sock. Screw	M10X25
27	3791493M1	1	Support	
28	339114X1	1	Screw Metric	(27) M12X25
29	3903017M1	1	Hook	(27)
30	3714804M1	1	Clevis Pin	(27)
31	3714805M1	1	Clevis Pin	(27)
32	3382825M1	1	Pin	(27)
33	3010777X1	2	Screw Metric	M20X210

MF 8170 TRACTOR - 1637359
1-AQ18-609-A

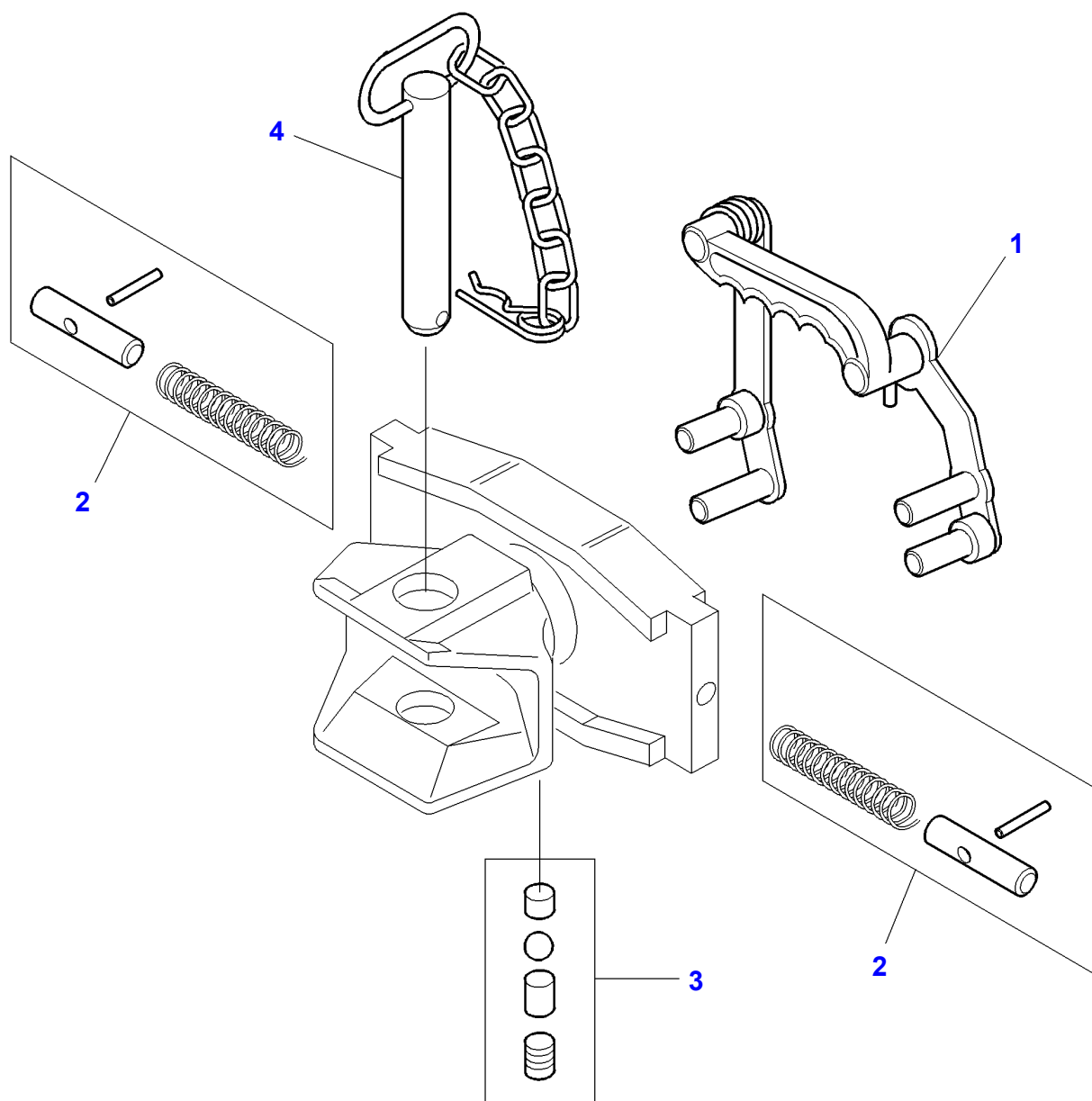
1-AQ18-609-A



Hitch - Cramer

Item	Part Number	Qty	Description	Comments
1	3902974M91	1	Head	
2	3902982M1	1	Clevis Pin	(1)
3	390734X1	2	Washer	(1)
4	339246X1	2	Bolt Metric	(1)
5		1	Head	(1)
				Not serviced, order REF. NO 1
6	3902979M91	1	Clevis Pin	(1)
7	3902978M91	1	Cam	(1)
8	3902977M91	1	Lever	(1)
9	3902981M91	1	Clevis Pin	(1)
10	3902976M91	1	Clevis Pin	(1)
11	3902975M91	1	Lever	(1)
12	3107940M92	1	Linkage	
13	3107941M91	2	Kit, Rod	
14	3105953M91	1	Kit, Brake	
15	3902983M91	1	Sleeve	
16	395520X1	1	Circlip	(15)
17	3902980M91	1	Sleeve	

1-AQ18-610-A

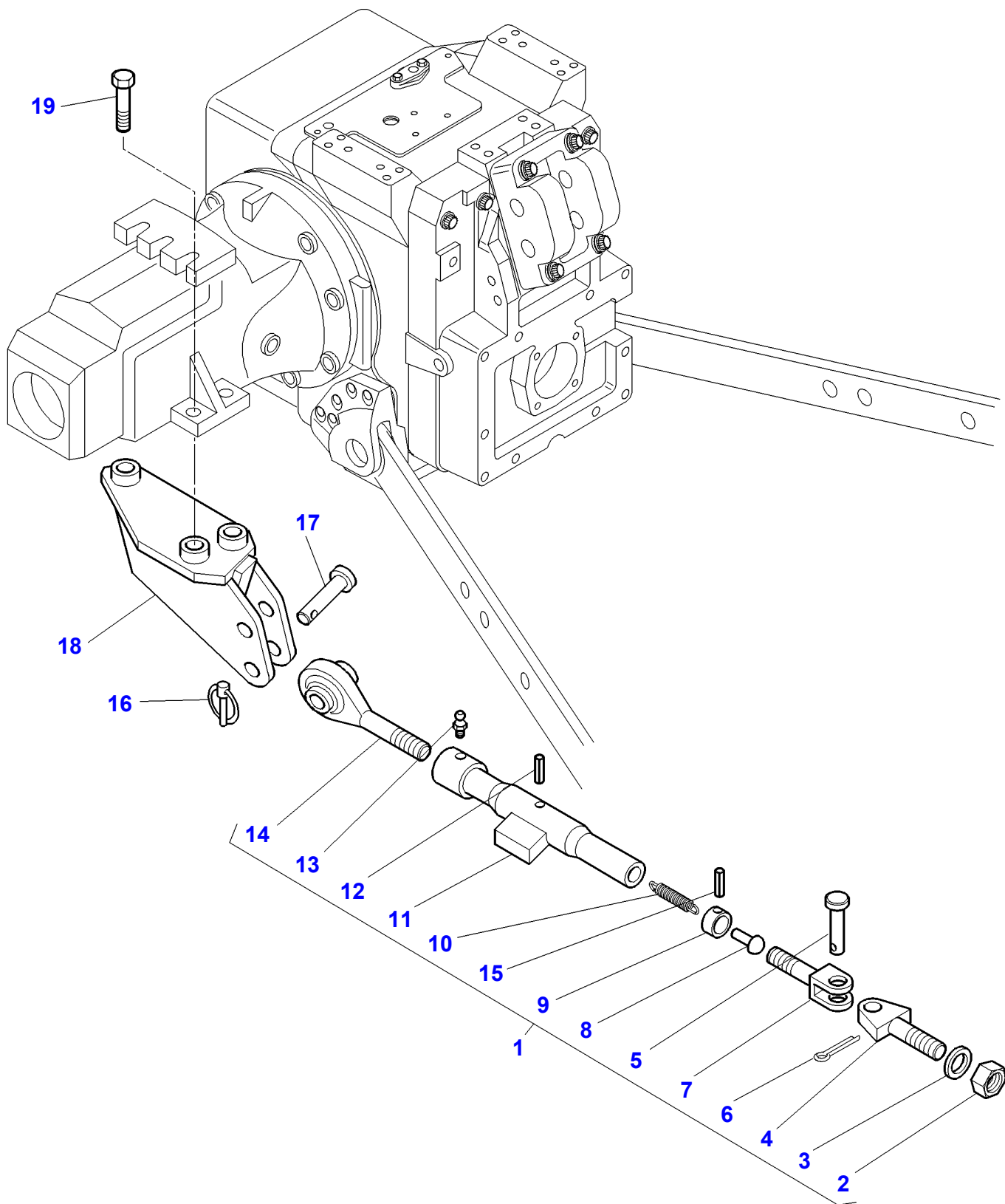


Massey Ferguson**MF 8170 TRACTOR - 1637359****1637359****Hitch - Cramer****Page040-0055**

Item	Part Number	Qty	Description
1	3107940M92	1	Linkage
2	3107941M91	2	Kit, Rod
3	3105953M91	1	Kit, Brake
4	3902984M91	1	Pin Hitch

MF 8170 TRACTOR - 1637359
1-AQ16-605-A

1-AQ16-605-A



Massey Ferguson**MF 8170 TRACTOR - 1637359**

1637359

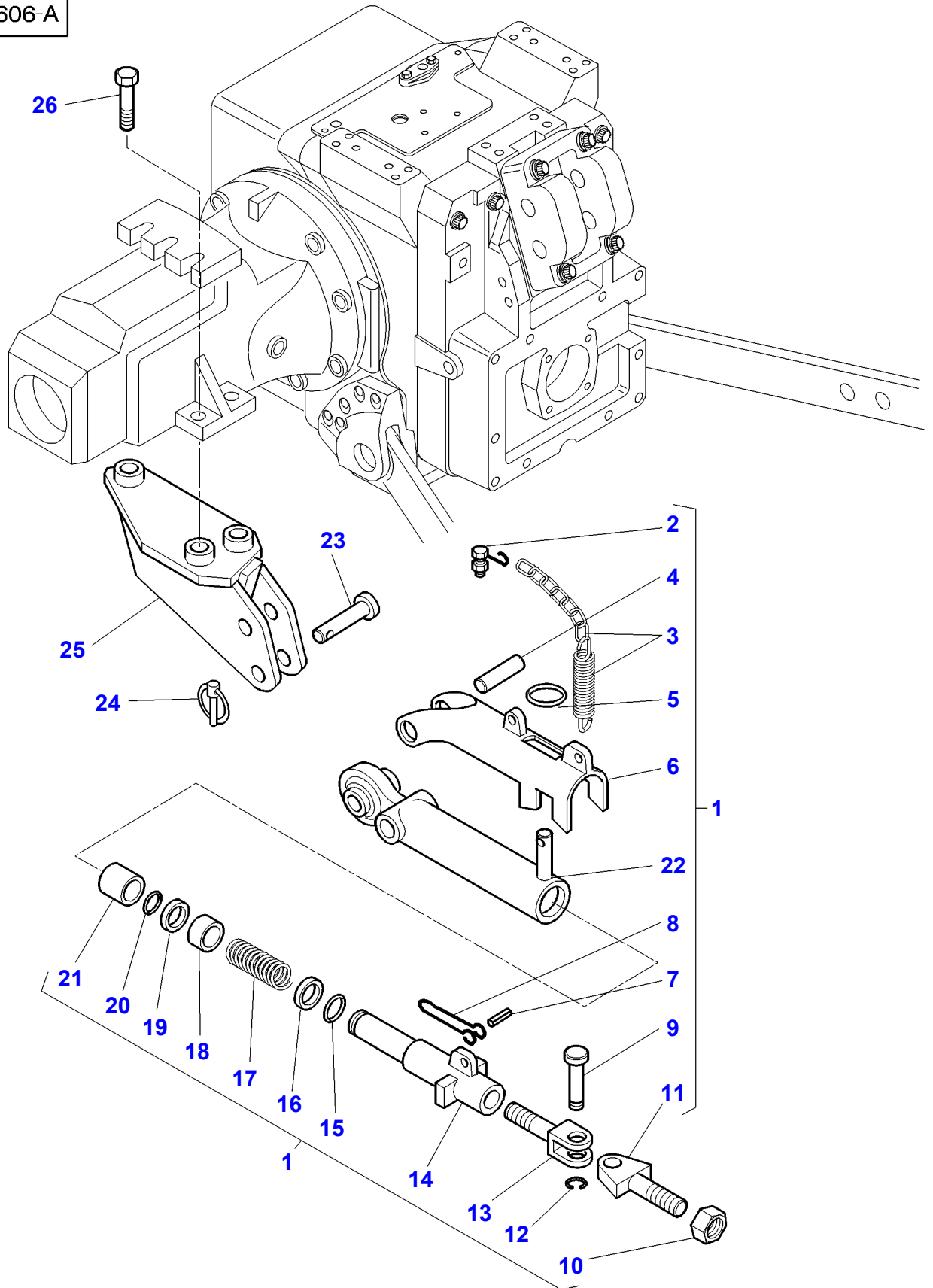
Linkage - Tube Stabilizers

Page040-0060

Item	Part Number	Qty	Description	Comments
1	3716775M1	2	Stabiliser	
2	3902877M1	1	Nut	(1)
3	3902879M1	1	Washer	(1)
4	3902875M1	1	Journal	(1)
5	3902876M1	1	Clevis Pin	(1)
6	354068X1	1	Pin	(1)
7	3902872M1	1	Clevis	(1)
8	3902873M1	1	Clevis Pin	(1)
9	3902874M1	1	Bush	(1)
10	3902871M1	1	Spring	(1)
11	3902870M1	1	Tube	(1)
12	390383X1	1	Pin	(1)
13	3900862M1	1	Greaser	(1)
14	3902878M1	1	Toggle	(1)
15	339304X1	1	Pin	(1)
16	3792034M1	2	Pin	
17	3582043M2	2	Clevis Pin	
18	3716126M1	1	Support	Left Hand
	3716127M1	1	Support	Right Hand
19	3010047X1	2	Screw	M20X60
	3010562X1	4	Screw	M20X230

MF 8170 TRACTOR - 1637359
1-AQ16-606-A

1-AQ16-606-A

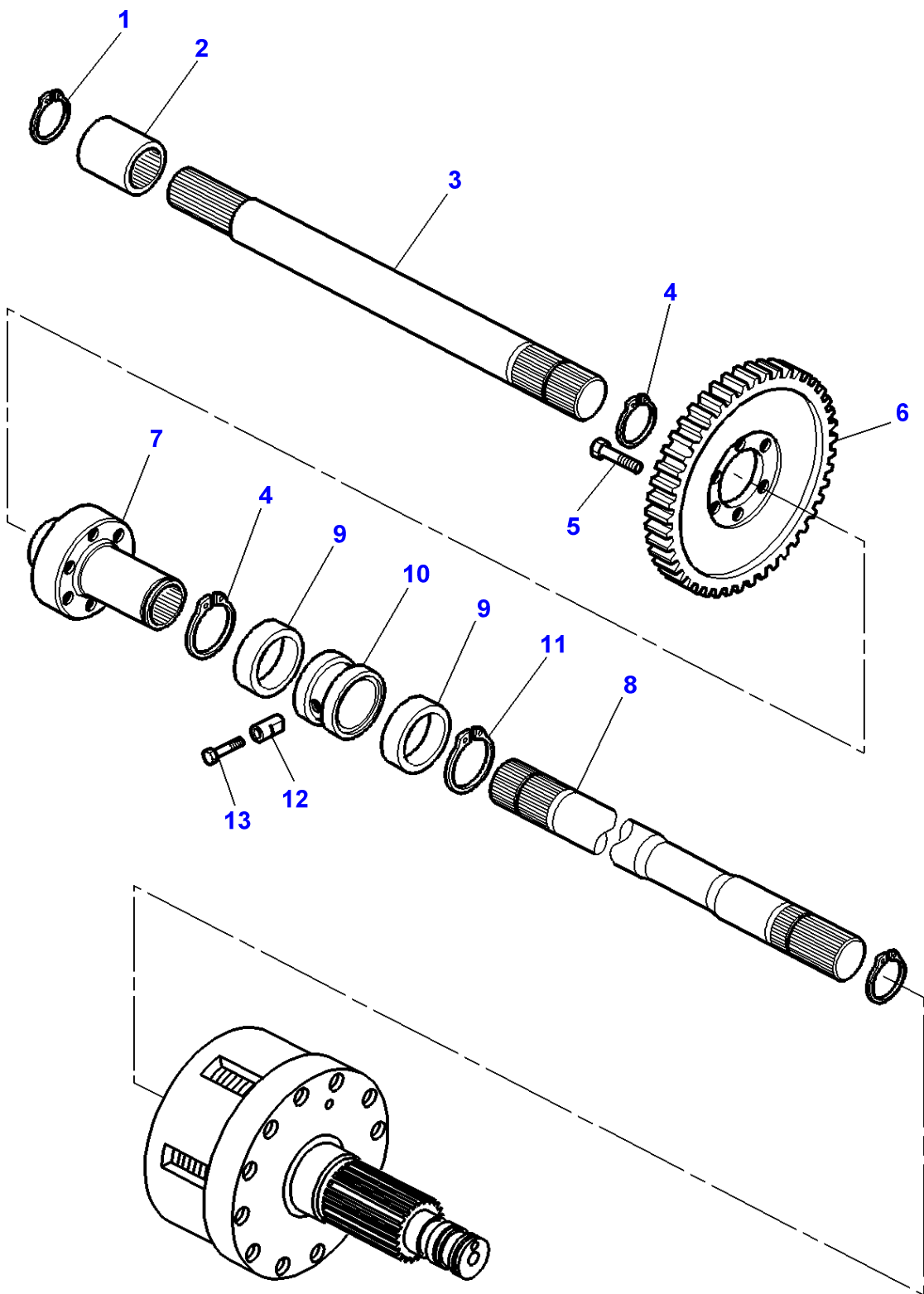


Linkage - Tube Stabilizers - For Germany Only

Item	Part Number	Qty	Description	Comments
1	3716608M1	2	Stabiliser	
2	3902906M1	1	Retainer	(1)
3	3902905M91	1	Parts Pack	(1)
4	3902891M1	1	Pin	(1)
5	3902890M1	1	Ring	(1)
6	3902889M1	1	Latch	(1)
7	3000046X1	1	Pin	(1)
8	3902899M1	1	Handle	(1)
9	3902901M1	1	Screw	(1)
10	3902904M1	1	Nut	(1)
11	3902903M1	1	Journal	(1)
12	3902902M1	1	Clip	(1)
13	3902900M1	1	Clevis	(1)
14	3902898M1	1	Tube	(1)
15	3902897M1	1	Clip	(1)
16	3902894M1	1	Bush	(1)
17	3902896M1	1	Spring	(1)
18	3902895M1	1	Bush	(1)
19	3902894M1	1	Bush	(1)
20	3902893M1	1	Clip	(1)
21	3902892M1	1	Bush	(1)
22	3902888M1	1	Toggle	(1)
23	3582043M2	2	Clevis Pin	
24	3792034M1	2	Pin	
25	3716126M1	1	Support	Left Hand
	3716127M1	1	Support	Right Hand
26	3010047X1	2	Screw	M20X60
	3010562X1	4	Screw	M20X230

MF 8170 TRACTOR - 1637359
1-AX18-604-A

1-AX18-604-A

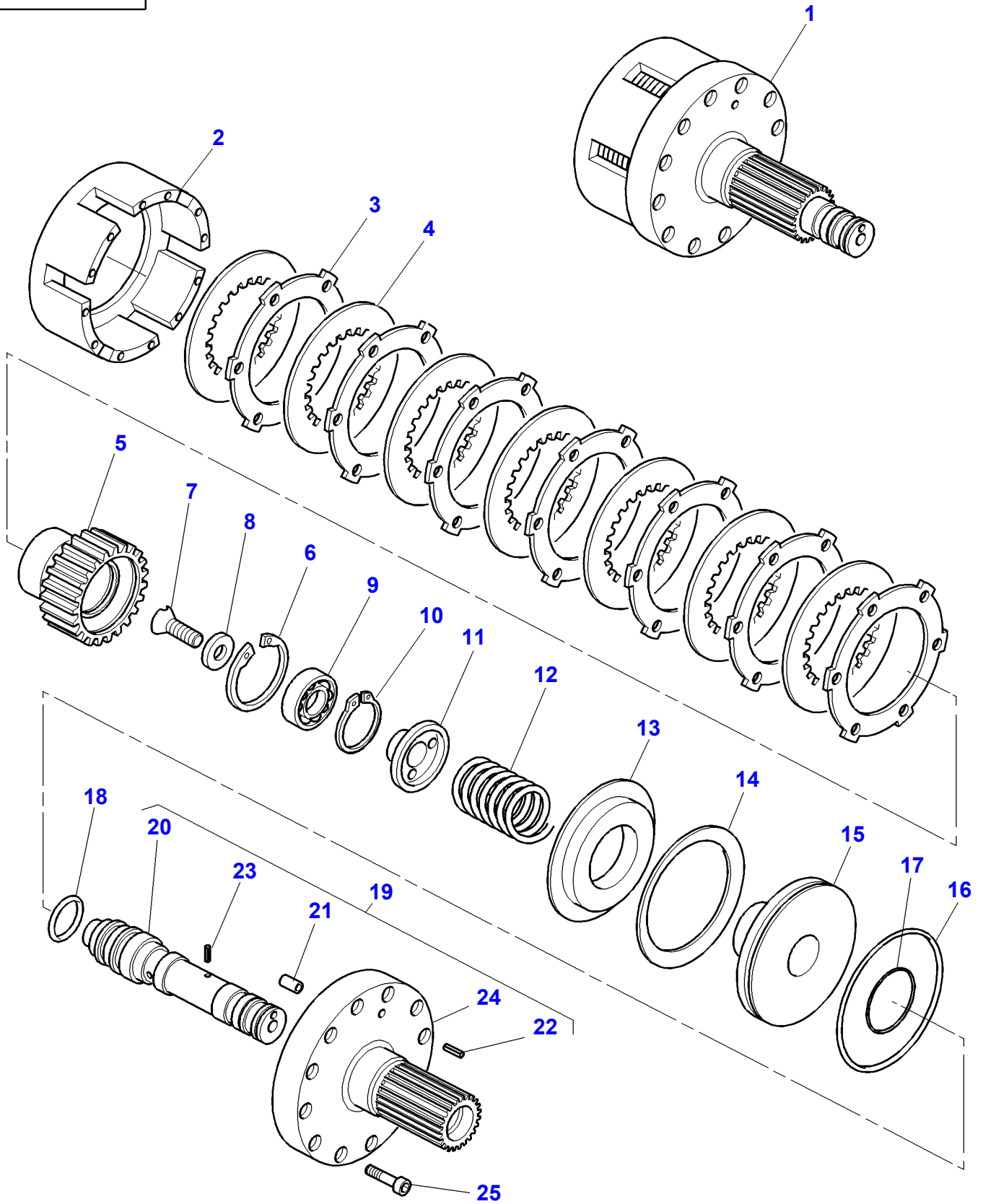


Pto Shaft

Item	Part Number	Qty	Description	Comments
1	3019268X1	1	Circlip	
2	3716460M1	1	Sleeve	
3	3716417M1	1	Shaft	Length 370MM
4	339469X1	2	Circlip	
5	339081X1	6	Screw Metric	M10X20
6	3716420M1	1	Pinion	Number of teeth/spines 87
7	3716489M1	1	Hub	
8	3716421M2	1	Shaft	
9	3003277X1	2	Bear. 6010	
10	3716564M2	1	Bush	
11	391129X1	1	Circlip	
12	3716807M1	1	Pin	
13	3019642X1	1	Plug	M16

MF 8170 TRACTOR - 1637359
1-AG23-615-A

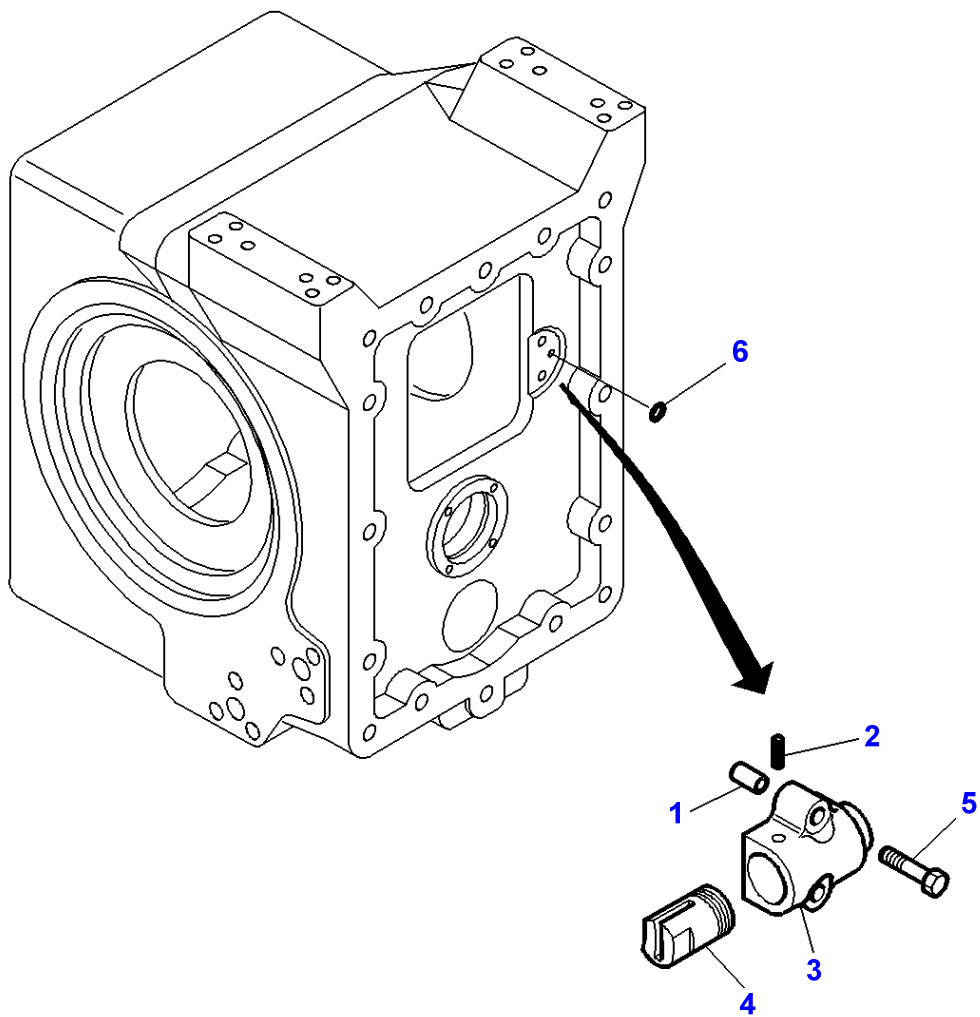
1-AG23-615-A



Independent Power Take Off Clutch - 7 Disc

Item	Part Number	Qty	Description	Comments
1	3716008M14	1	Kit, Clutch	
2	3716032M1	1	Cover	(1)
3	3387347M1	7	Disc	(1)
4	3387346M1	7	Counterplate	(1)
5	3716033M1	1	Hub	(1)
6	3716080M1	1	Ring	(1)
7	3009450X1	1	Screw	(1) M10X20
8	3389211M1	1	Washer	(1)
9	3010767X1	1	Bear. 6004	(1)
10	391061X1	1	Circlip	(1)
11	3716034M1	1	Stop	(1)
12	3582893M1	1	Spring	(1)
13	3387198M1	1	Support	(1)
14	3619148M1	1	Cup Spring	(1)
15	3387193M1	1	Piston	(1)
16	3582933M1	1	Gasket	(1)
17	3582934M1	1	Gasket	(1)
18	367156X1	1	O Ring	(1) Diameter 29,74X3,53MM Diameter 26,64X2,62MM
19	3716061M91	1	Support	(1)
20	3716030M1	1	Clevis Pin	(19)
21	3009351X1	1	Screw	(19) M6x8
22	1872134M92	1	Valve Check	(19)
23	3006442X1	1	Pin	(19) Diameter 2 MM Length 12 MM
24		1	Hub Carrier	(19) Not serviced, order REF 19
25	3010785X1	12	Screw Metric	M8X50

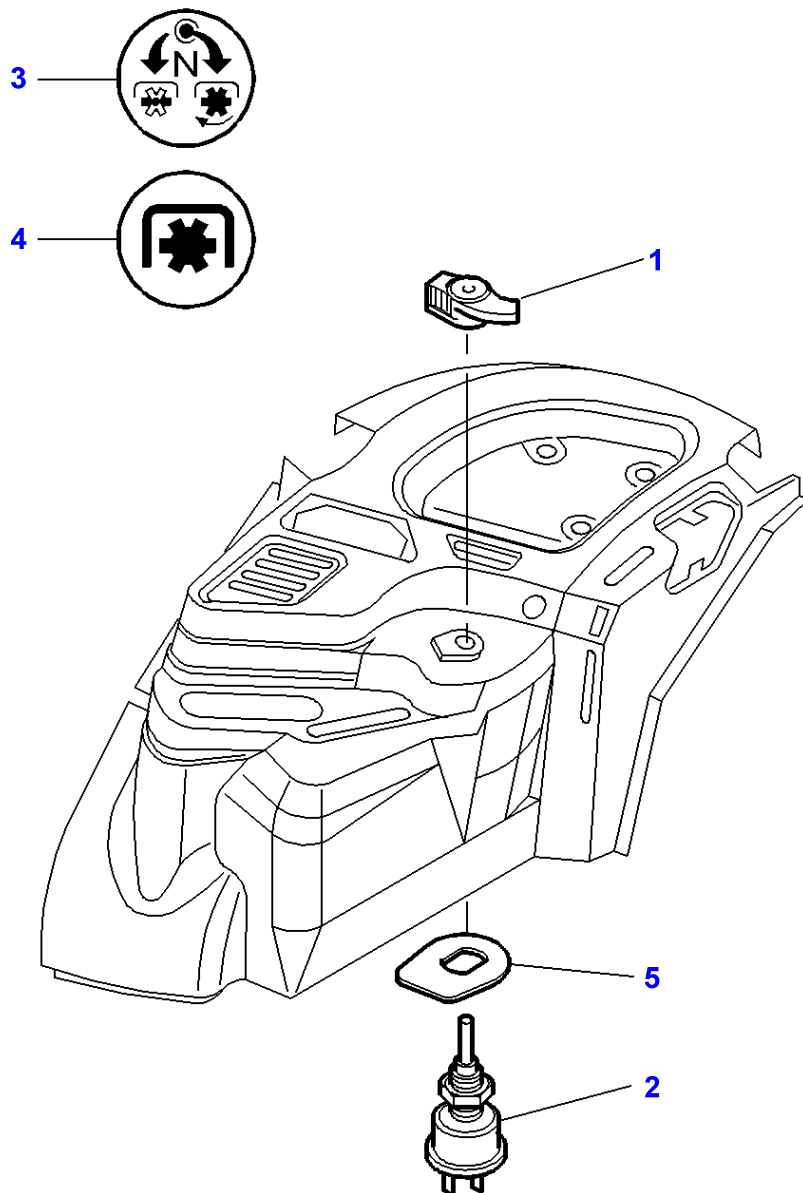
1-AG24-603-A



Massey Ferguson**MF 8170 TRACTOR - 1637359****1637359****Independent Power Take Off Drive Mechanism - Two Speed - Brakes****Page050-0015**

Item	Part Number	Qty	Description	Comments
1	3000052X1	2	Sleeve	
2	1440961X1	1	Pin	Diameter 4 MM Length 10 MM
3	3716181M1	1	Case Assy	
4	3716180M1	1	Piston	
5	3004715X1	2	Screw	M8X60
6	1440011X1	1	O Ring	

1-AG23-613-B



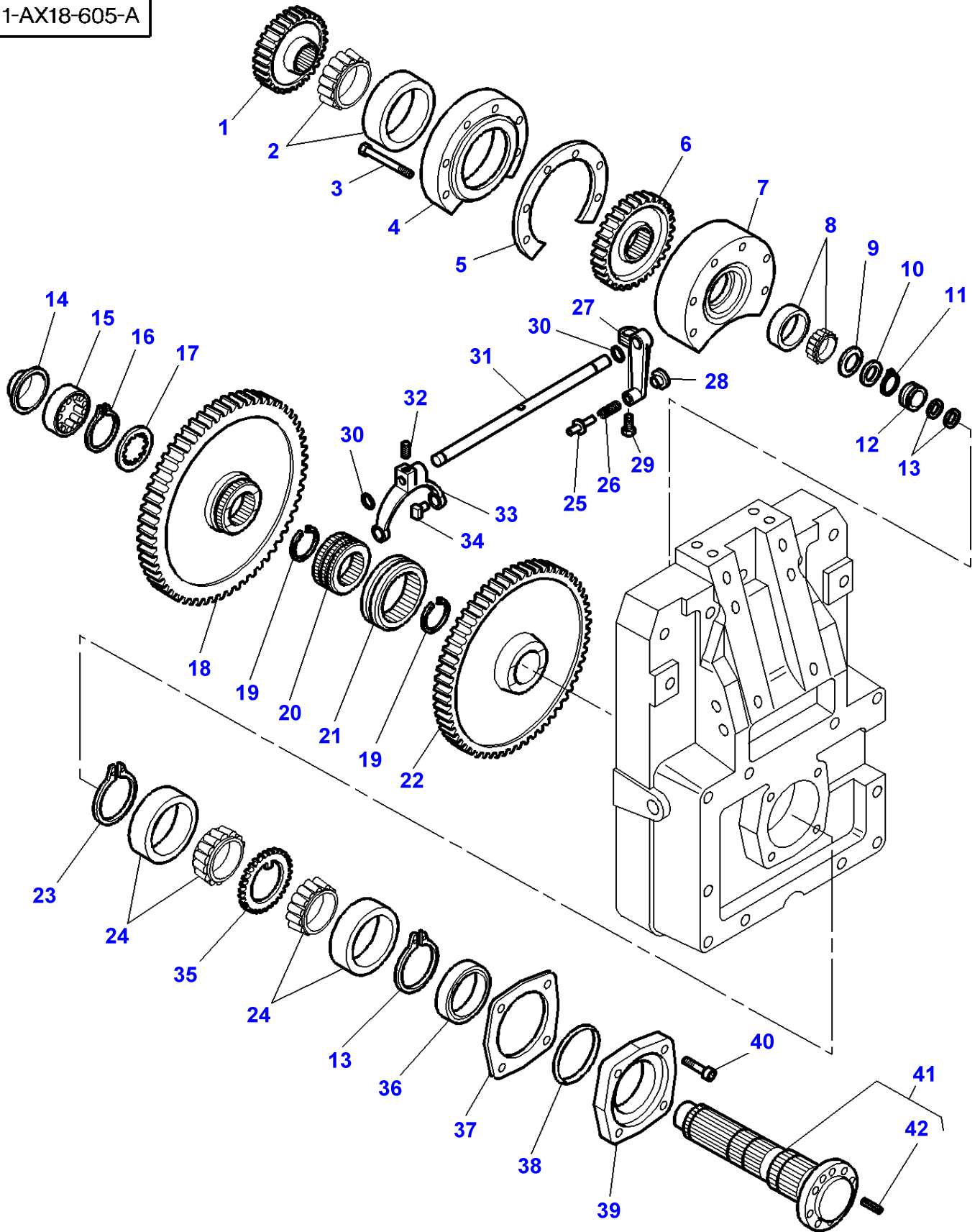
Massey Ferguson**MF 8170 TRACTOR - 1637359****1637359****Independent Power Take Off Clutch****Page050-0020**

Item	Part Number	Qty	Description	Comments
1	3778562M2	1	Button	
2	3619445M1	1	Switch,Indirect	
3	3778564M1	1	Decal	[A] Up to Serial or Engine Number G300004
4	3781792M1	1	Decal	[A] From Serial or Engine Number G300005
5	3781924M1	1	Plate	From Serial or Engine Number G300005

FOOTNOTE [A] WITH PTO BRAKES

MF 8170 TRACTOR - 1637359
1-AX18-605-A

1-AX18-605-A

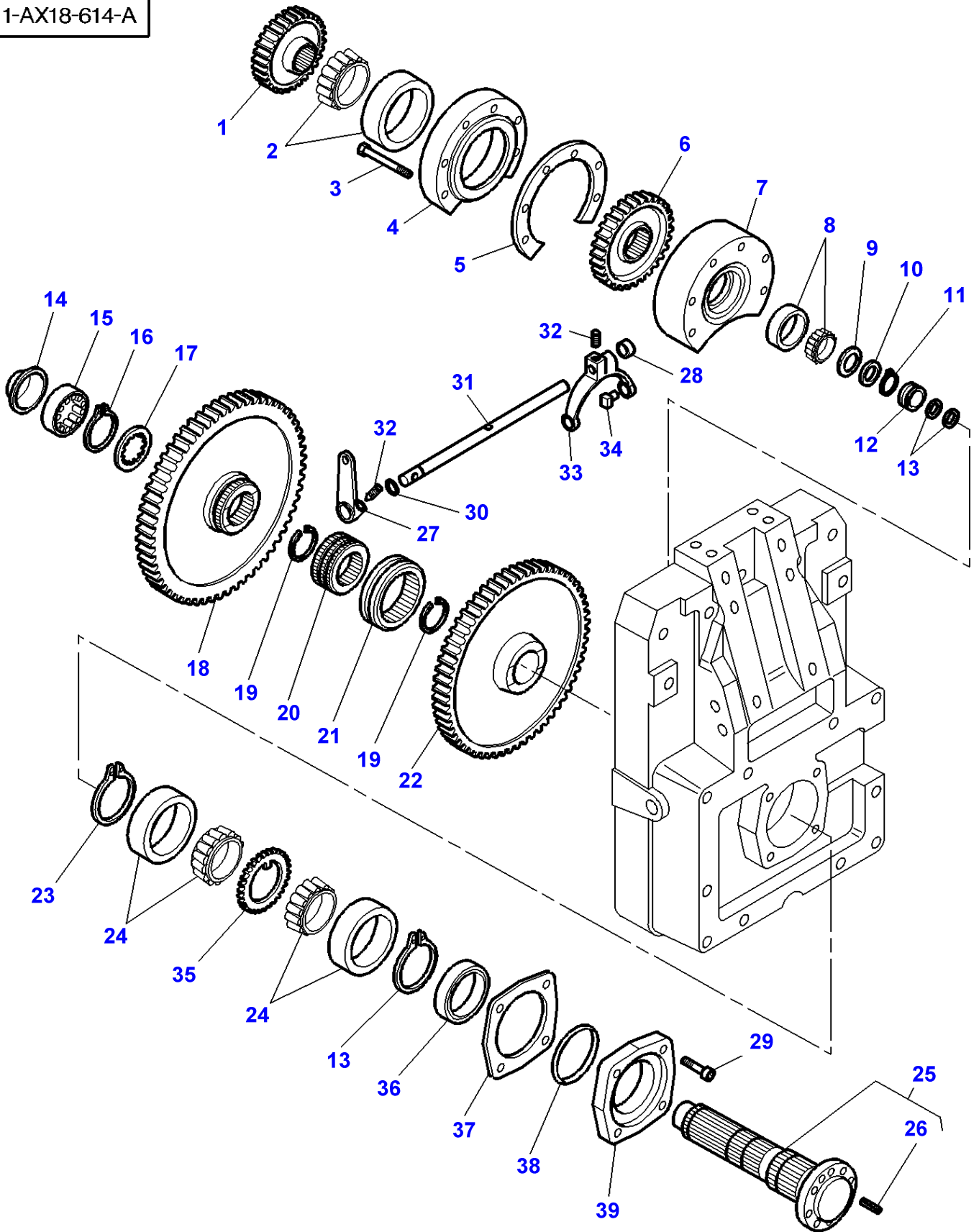


Pto Shaft

Item	Part Number	Qty	Description	Comments
1	3716005M1	1	Pinion	Number of teeth/spines 37 750 RPM
2	968634M91	1	Bearing Assy	
3	339488X1	6	Bolt Metric	M10x85
4	3716002M2	1	Bearing Carrier	
5	3716037M1	X	Chock	Thickness 0,1 MM
	3716038M1	X	Chock	Thickness 0,4 MM
6	3716006M1	1	Pinion	Number of teeth/spines 44 1000 RPM
7	3716003M2	1	Case Assy	
8	3009853X1	1	Bearing Taper	
9	3716007M1	1	Washer	
10	3716028M1	1	Washer	
11	3010624X1	1	Ring	
12	3382868M1	1	Bush	
13	3382874M1	2	Segment	
14	3716024M1	1	Deflector	
15	1612707M1	1	Bearing Assy	
16	391129X1	1	Circlip	
17	3716027M2	1	Washer	
18	3716009M13	1	Pinion	Number of teeth/spines 99 750 RPM
19	3010555X1	2	Ring	
20	3716025M2	1	Hub	
21	3382069M2	1	Slider Bearing	
22	3716012M12	1	Pinion	Number of teeth/spines 92 1000 RPM
23	3010554X1	2	Circlip	
24	968634M91	2	Bearing Assy	
25	3383009M1	1	Clevis Pin	
26	1426515M1	1	Spring	
27	3581440M1	1	Lever	
28	973052M1	1	Knob	
29	1440350X1	1	Screw Metric	M6
30	195868M1	2	O Ring	
31	3716049M1	1	Stem	
32	3382979M1	1	Screw Special	M8x20
33	3382971M1	1	Fork	
34	3382972M1	2	Skate	
35	3716014M2	1	Spacer	
36	3716017M1	1	Gasket	
37	3716053M1	X	Chock	Thickness 0,1 MM
	3716054M1	X	Chock	Thickness 0,4 MM
38	152623M1	1	O Ring	
39	3716022M1	1	Hub	
40	3009292X1	4	Screw	M10x25
41	3716057M13	1	Shaft	
42	3006290X1	1	Centraliser	(41) Diameter 10 MM Length 30 MM

MF 8170 TRACTOR - 1637359
1-AX18-614-A

1-AX18-614-A

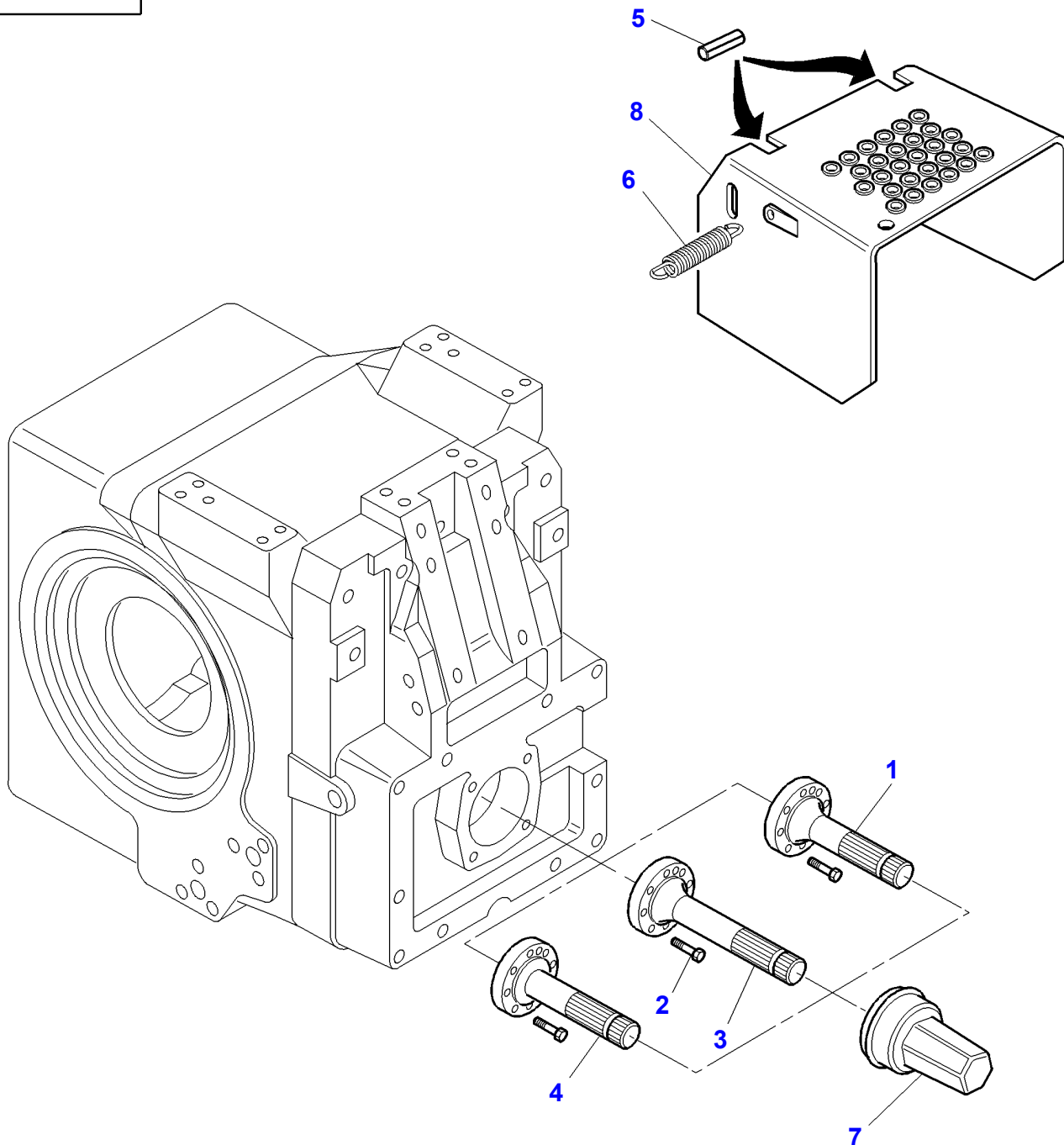


Pto Shaft - Cable Control

Item	Part Number	Qty	Description	Comments
1	3716288M1	1	Pinion	Number of teeth/spines 29 540 RPM
	3716005M1	1	Pinion	Number of teeth/spines 37 750 RPM
2	968634M91	1	Bearing Assy	
3	339488X1	6	Bolt Metric	M10x85
4	3716002M2	1	Bearing Carrier	
5	3716037M1	X	Chock	Thickness 0,1 MM
	3716038M1	X	Chock	Thickness 0,4 MM
6	3716006M1	1	Pinion	Number of teeth/spines 44 1000 RPM
7	3716003M2	1	Case Assy	
8	3009853X1	1	Bearing Taper	
9	3716007M1	1	Washer	
10	3716028M1	1	Washer	
11	3010624X1	1	Ring	
12	3382868M1	1	Bush	
13	3382874M1	2	Segment	
14	3716024M1	1	Deflector	
15	1612707M1	1	Bearing Assy	
16	391129X1	1	Circlip	
17	3716027M2	1	Washer	
18	3716290M12	1	Pinion	Number of teeth/spines 107 540 RPM
	3716009M13	1	Pinion	Number of teeth/spines 99 750 RPM
19	3010555X1	2	Ring	
20	3716025M2	1	Hub	
21	3382069M2	1	Slider Bearing	
22	3716012M12	1	Pinion	Number of teeth/spines 92 1000 RPM
23	3010554X1	2	Circlip	
24	968634M91	2	Bearing Assy	
25	3716057M13	1	Shaft	
26	3006290X1	1	Centraliser	(25) Diameter 10 MM Length 30 MM
27	3389580M2	1	Lever	
28	391563X1	1	Plug	
29	3009292X1	4	Screw	M10x25
30	195868M1	1	O Ring	
31	3791859M1	1	Stem	
32	3382979M1	2	Screw Special	M8x20
33	3382971M1	1	Fork	
34	3382972M1	2	Skate	
35	3716014M2	1	Spacer	
36	3716017M1	1	Gasket	
37	3716053M1	X	Chock	Thickness 0,1 MM
	3716054M1	X	Chock	Thickness 0,4 MM
38	152623M1	1	O Ring	
39	3716022M1	1	Hub	

MF 8170 TRACTOR - 1637359
1-AX18-611-A

1-AX18-611-A

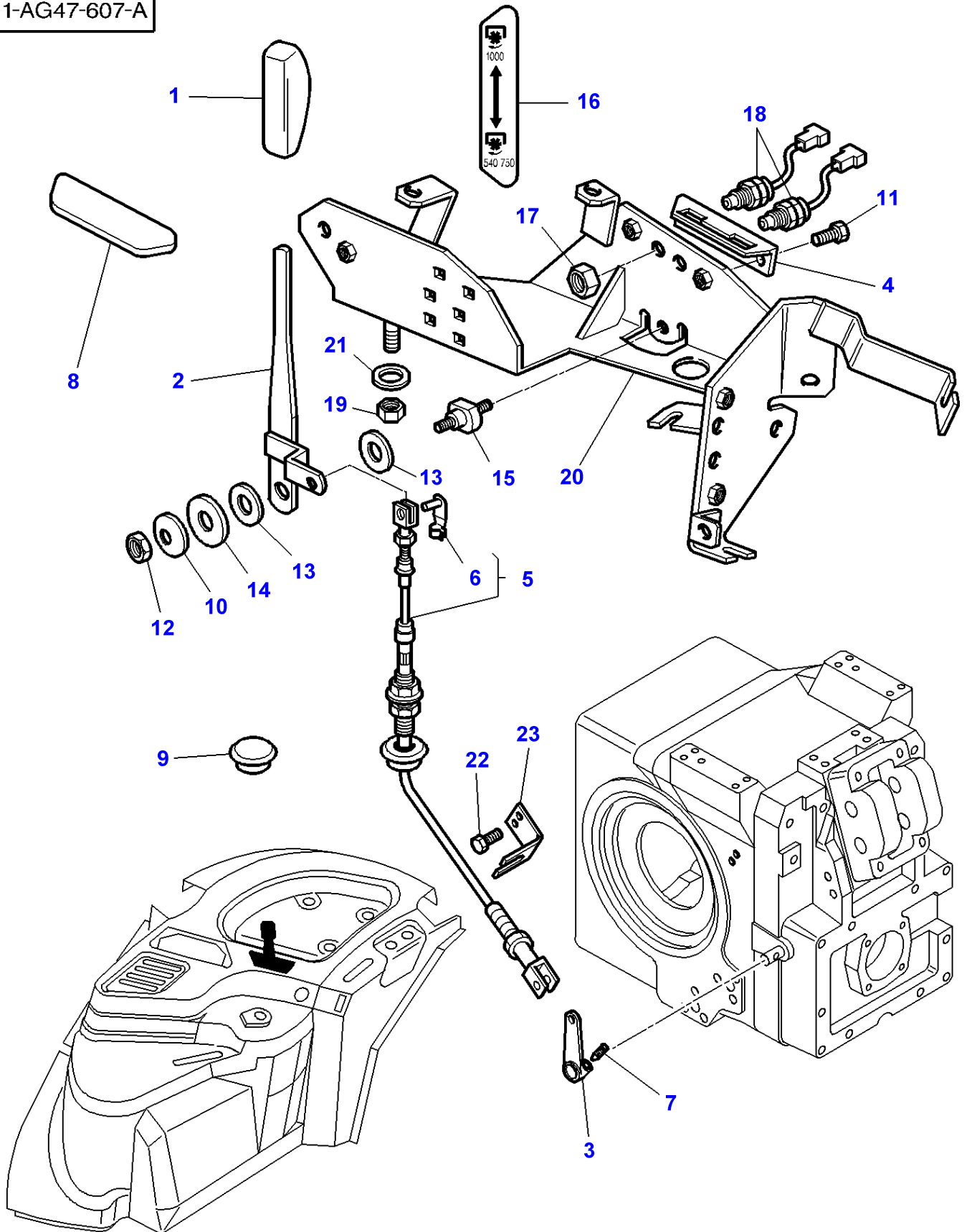


Pto Shaft

Item	Part Number	Qty	Description	Comments
1	3716016M1	1	Shaft	Number of teeth/spines 21 Diameter 1"3/8-34,9 MM Length 137,45 MM 1000 RPM
2	3010800X1	8	Screw	M12x35
3	3716019M1	1	Shaft	Number of teeth/spines 20 Diameter 1"3/4-44,2 MM Length 137,45 MM 1000 RPM
4	3716018M1	1	Shaft	Number of teeth/spines 6 Diameter 1"3/8-34,9 MM Length 137,45 MM 540 RPM
5	3019541X1	2	Roll Pin	Diameter 8 MM Length 22 MM Up to Serial or Engine Number 14-MAY-1998
6	3716643M1	1	Spring	Up to Serial or Engine Number 14-MAY-1998
7	3716021M1	1	Protector	Up to Serial or Engine Number 14-MAY-1998
8	3716640M91	1	Protector	Up to Serial or Engine Number 14-MAY-1998

MF 8170 TRACTOR - 1637359
1-AG47-607-A

1-AG47-607-A



Massey Ferguson**MF 8170 TRACTOR - 1637359**

1637359

Pto-Coupling Drive Mechanism - PTO CONTROL 750/1000 RPM

Page050-0040

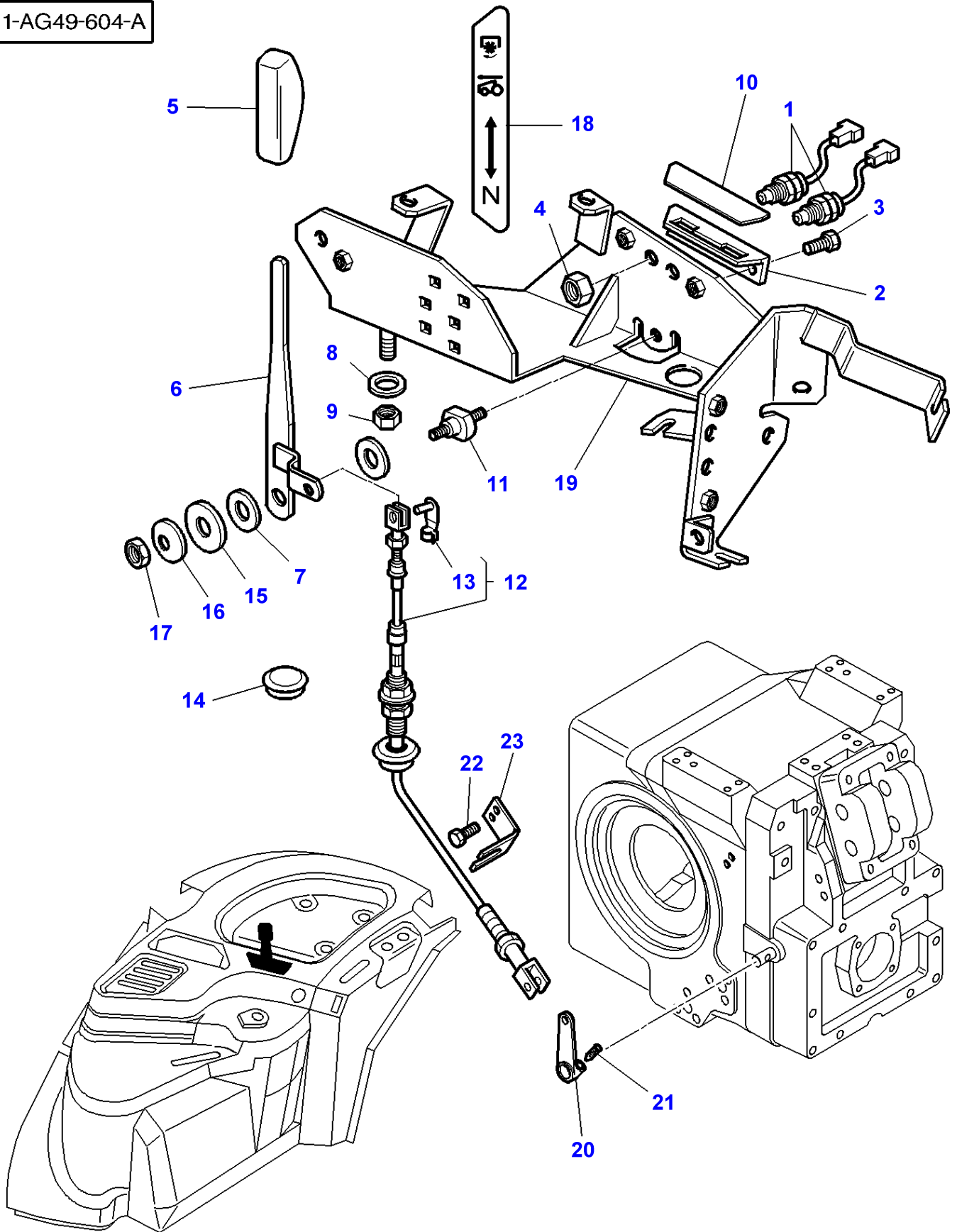
Item	Part Number	Qty	Description	Comments
1	3712976M2	1	Handle	[A]
	3777016M1	1	Knob	[B]
2	3712282M3	1	Lever	
3	3389580M2	1	Lever	M16X50
4	3715489M3	1	Grille	
5	3715483M1	1	Cable	
6	3600190M1	1	Clevis Pin	(5) Length 28MM
	3600191M1	1	Clevis Pin	(5) Length 40MM
7	3382979M1	1	Screw Special	
8	3712984M1	X	Plate	
9	3715587M1	1	Decal	Diameter 22MM
10	3386192M1	1	Washer	
11	339228X1	2	Screw Metric	M8X12
12	1441461X1	2	Locknut	
13	3386166M1	2	Washer	
14	1442174X1	1	Washer	
15	3712277M1	1	Clevis Pin	
16	3715185M2	1	Decal	
17	3386198M1	2	Nut Special	
18	3780581M1	2	Switch,Indirect	
19	1441461X1	4	Locknut	
20	3778480M91	1	Support	
21	385361X1	4	Washer Metric	
22	391989X1	2	Screw Metric	M8X20
23	3791860M1	1	Thruster	

FOOTNOTE [A] BLACK

FOOTNOTE [B] YELLOW

MF 8170 TRACTOR - 1637359
1-AG49-604-A

1-AG49-604-A



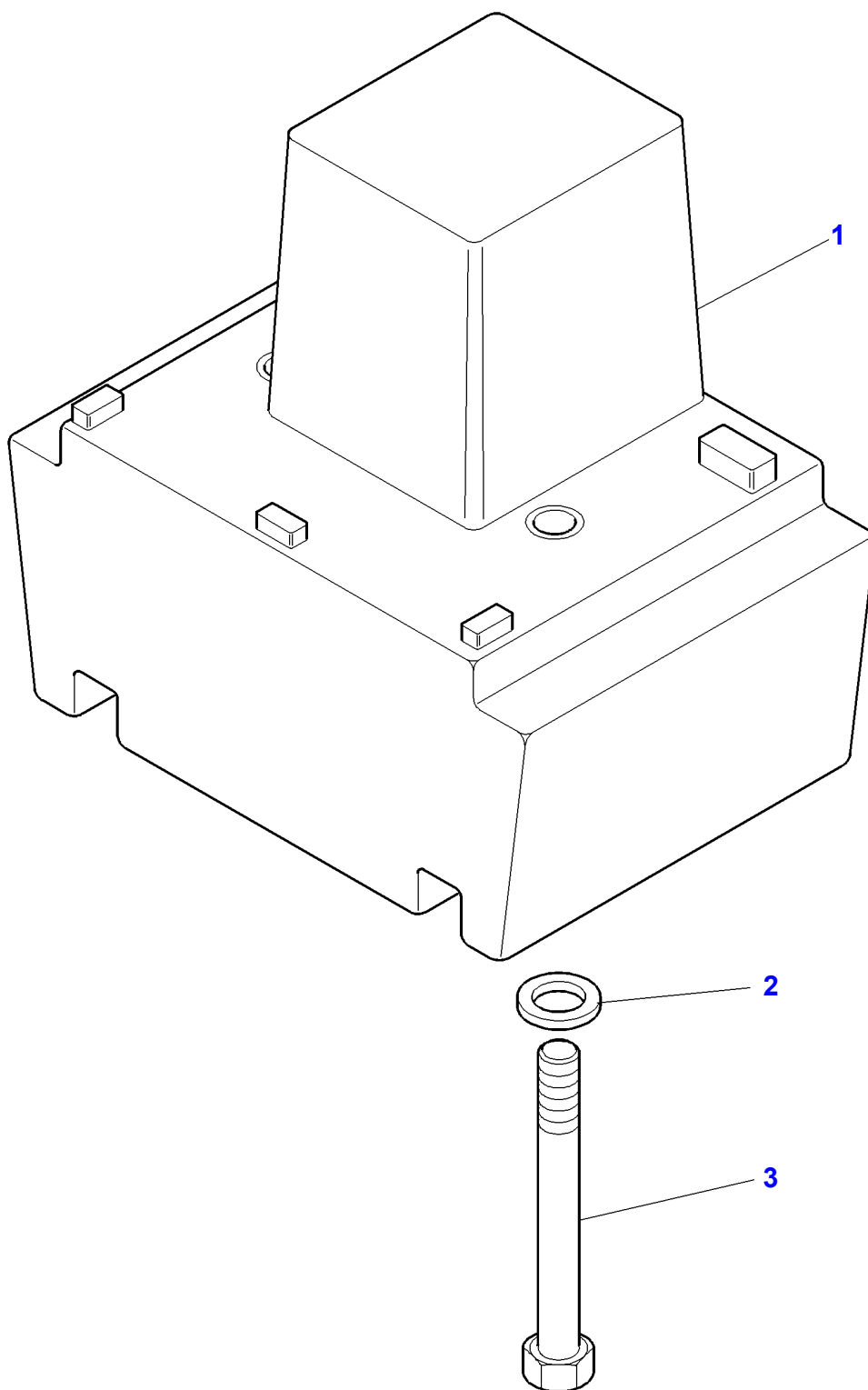
Pto-Proportional Drive Mechanism - Cable Control

Item	Part Number	Qty	Description	Comments
1	3780581M1	2	Switch,Indirect	
2	3712275M1	1	Grille	
3	339228X1	2	Screw Metric	M8X12
4	3386198M1	2	Nut Special	
5	3712976M2	1	Handle	[A]
	3777016M1	1	Knob	[B]
6	3712282M3	1	Lever	
7	3386166M1	2	Washer	
8	385361X1	4	Washer Metric	
9	1441461X1	4	Locknut	
10	3712984M1	1	Plate	
11	3712277M1	1	Clevis Pin	
12	3715483M1	1	Cable	
13	3600190M1	1	Clevis Pin	(12) Length 28MM
	3600191M1	1	Clevis Pin	(12) Length 40MM
14	3713587M1	1	Plug	
15	1442174X1	1	Washer	
16	3386192M1	1	Washer	
17	1441461X1	1	Locknut	
18	3780175M1	1	Decal	
19	3778480M91	1	Support	
20	3389580M2	1	Lever	
21	3382979M1	1	Screw Special	
22	391989X1	2	Screw Metric	M8X20
23	3791860M1	1	Thruster	

FOOTNOTE [A] BLACK

FOOTNOTE [B] YELLOW

1-AJ07-604-A

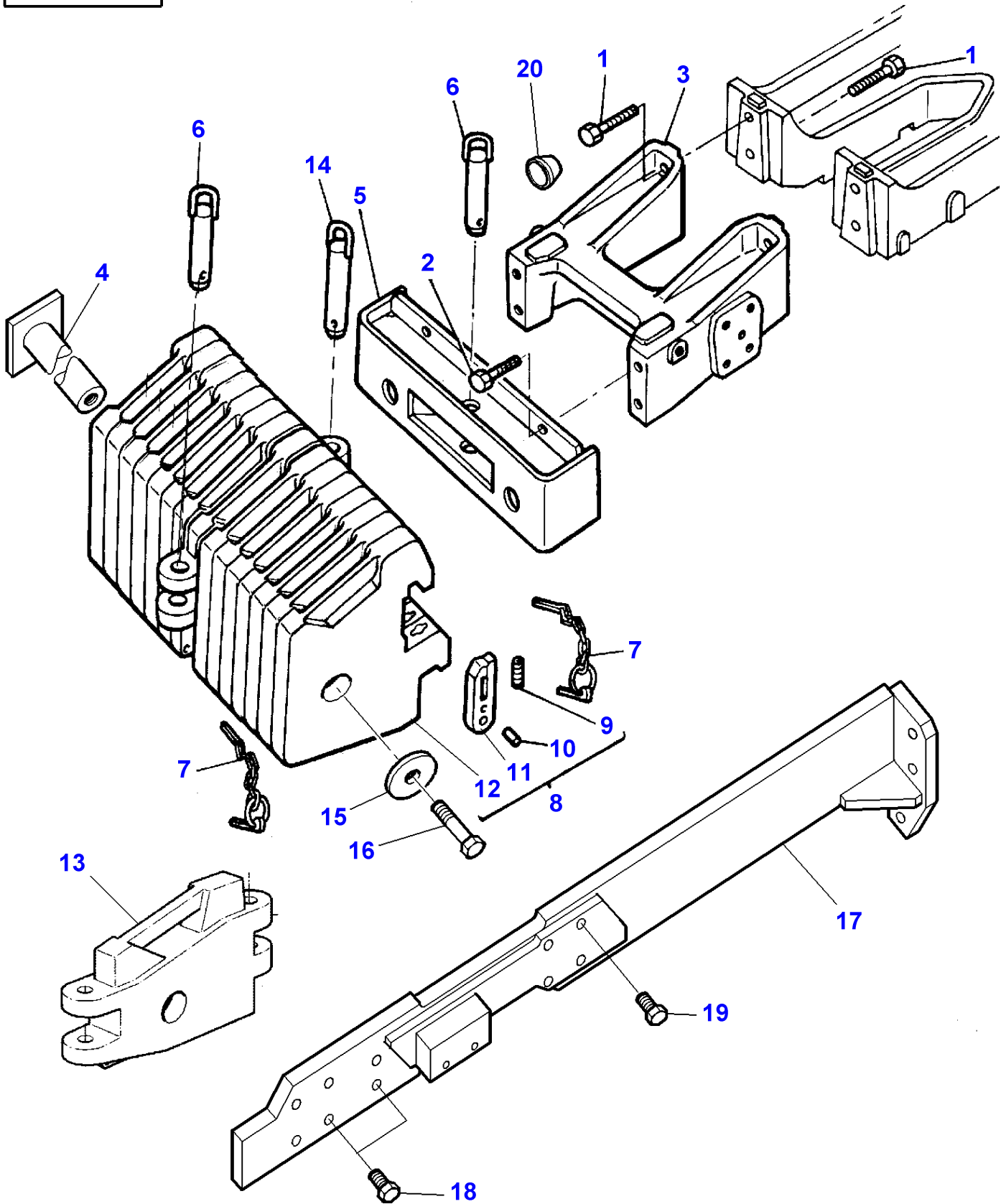


Massey Ferguson**MF 8170 TRACTOR - 1637359****1637359****Belly Weight****Page060-0005**

Item	Part Number	Qty	Description	Comments
1	3715563M1	1	Weight	540 KGS
2	3384348M1	2	Washer	
3	3010613X1	2	Screw	M20X280

MF 8170 TRACTOR - 1637359
1-AX15-612-B

1-AX15-612-B

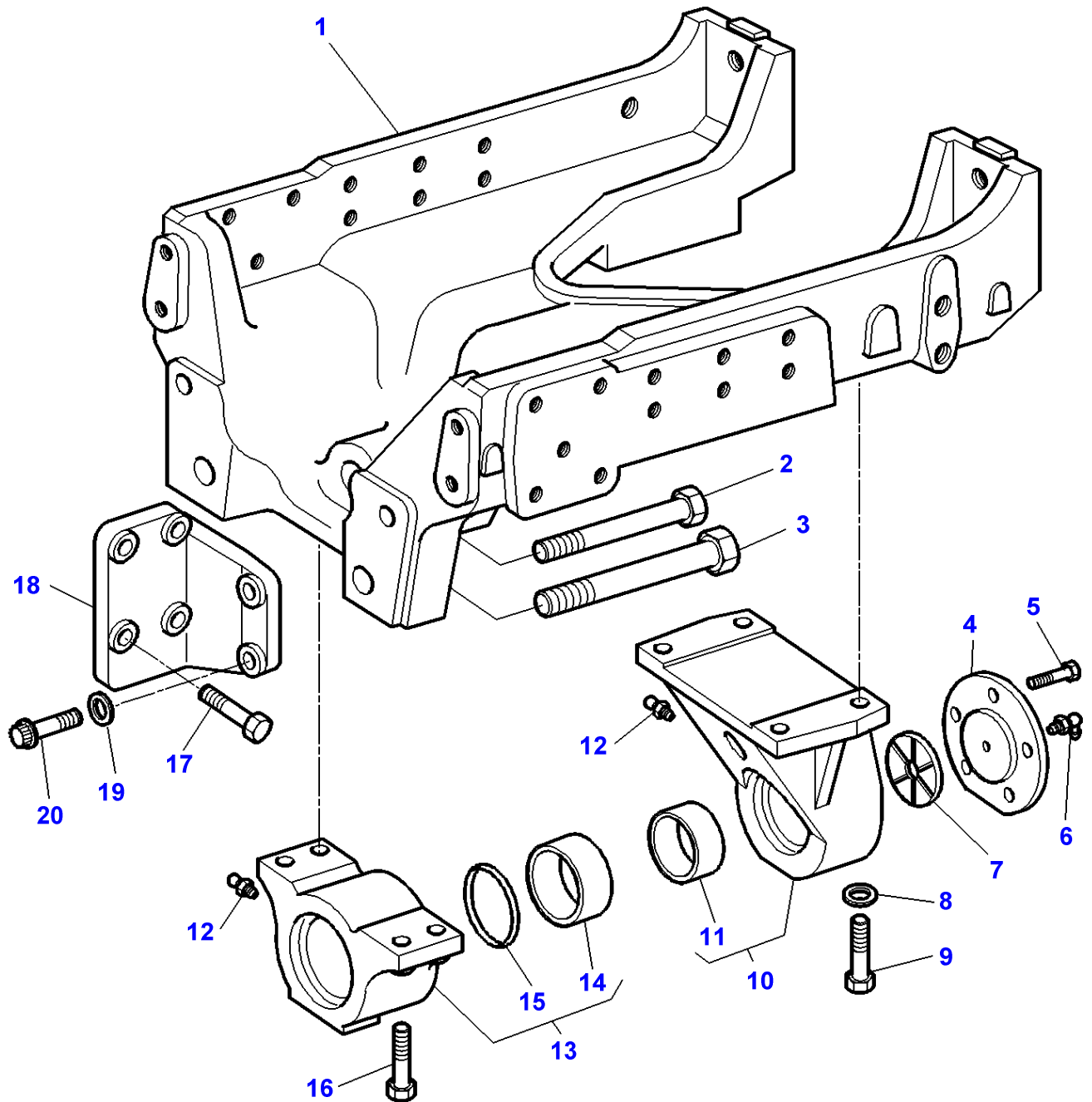


Weight Frame And Tow Pin

Item	Part Number	Qty	Description	Comments
1	3580231M1	4	Screw	M20X75
2	1441704X1	4	Screw Metric	M20X40
	1441590X1	4	Bolt Metric	M20x50
3	3715537M1	1	Spacer	
4	3618712M1	1	Bridle	Length 558MM
5	3580888M2	1	Support	
6	3387270M91	1	Pin Hitch	Length 171,5MM
7	3382812M91	2	Pin	
8	3582867M92	X	Weight	Thickness 35MM 45KG
9	1680172M1	1	Spring	(8)
10	339080X1	1	Roll Pin	(8)
11	3581636M1	1	Hasp	(8)
12		1	Weight	(8) Not serviced, order REF NO 8
13	3382789M4	1	Weight	
14	3382813M91	1	Pin Hitch	Length 215MM
15	3385963M1	1	Washer	
16	1441685X1	1	Screw Metric	M16X60
	3000171X1	1	Screw Metric	M16X90
17	3777187M2	1	Runner	Left Hand
	3777188M2	1	Runner	Right Hand
18	1442668X1	12	Screw	M20X70
19	3010045X1	8	Screw	M20X90
20	3385835M1	2	Plug	

MF 8170 TRACTOR - 1637359
1-AJ01-617-B

1-AJ01-617-B

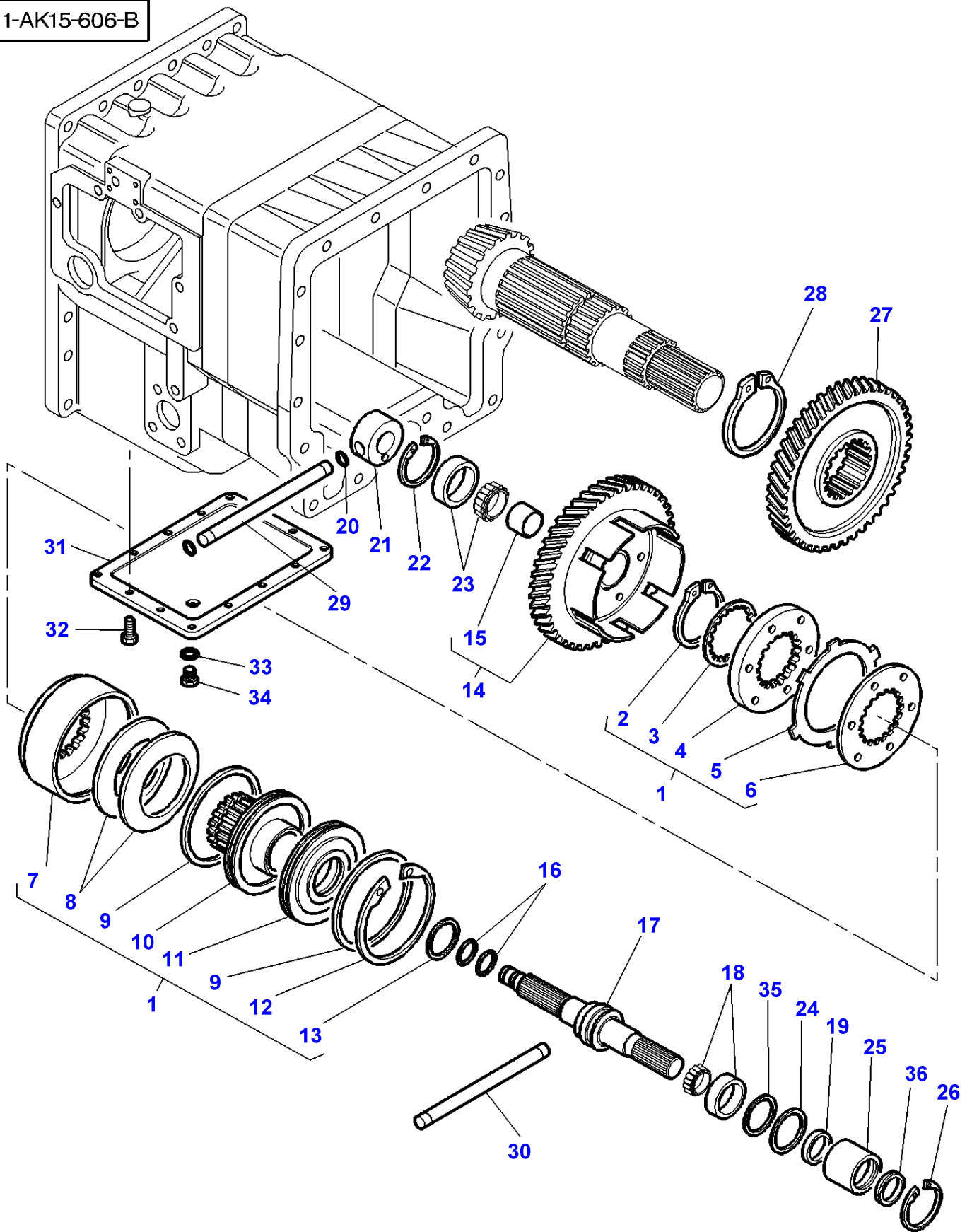


Front Axle

Item	Part Number	Qty	Description	Comments
1	3715695M4	1	Axle Holder	
2	3389552M1	2	Screw	M20X155
3	3389553M1	2	Screw	M24X165
4	72500774	1	Blanking Cover	Up to Serial or Engine Number G309032
	3781213M1	1	Blanking Cover	From Serial or Engine Number G309033
5	339299X1	5	Screw Metric	M12X30
6	1441858X1	1	Greaser	Up to Serial or Engine Number G309032
	3781256M1	1	Greaser	From Serial or Engine Number G309033
7	72500771	1	Washer	
8	385365X1	4	Washer	
9	3386216M1	4	Screw	M20X60
10	3715500M11	1	Bearing Carrier	
11	3715502M1	1	Bush	(10) Diameter 101,6MM
12	339608X1	2	Grease Nipple	
13	3715485M11	1	Axle Carrier	
14	3715487M1	1	Bush	(13) Diameter 146MM
15	3010608X1	1	Gasket	(13)
16	3581527M1	4	Screw	M20X75
17	V529802280	8	Screw	
18	V836338482	1	Support	Left Hand
	V836338483	1	Support	Right Hand
19	3010875X1	4	Washer	
20	3009806X1	4	Plough Bolt	M16X70

MF 8170 TRACTOR - 1637359
1-AK15-606-B

1-AK15-606-B

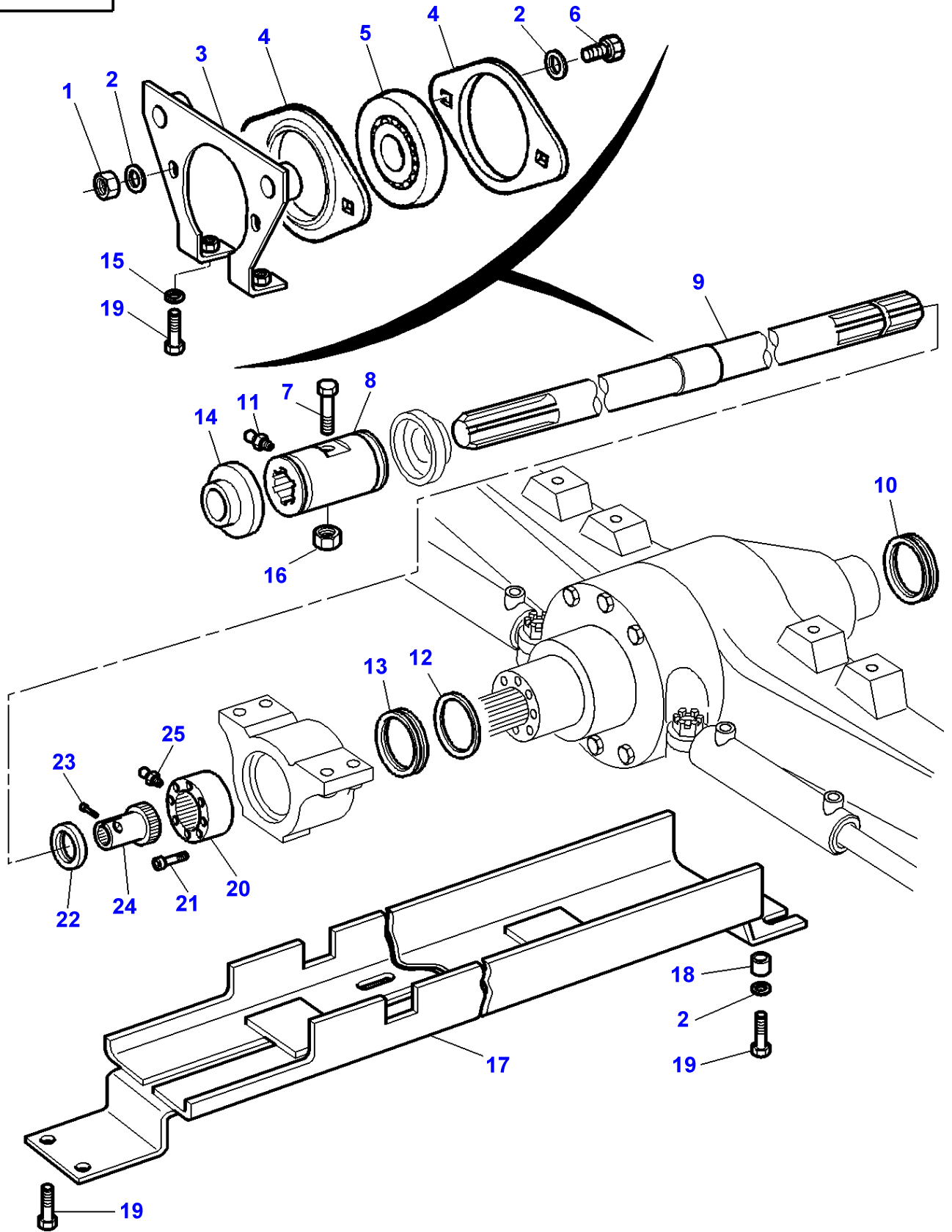


Front Axle 4 Wheel Drive - Clutch

Item	Part Number	Qty	Description	Comments
1	3716078M13	1	Clutch	
2	1440533X1	1	Circlip	(1)
3	3387182M1	X	Chock	(1) Thickness 0,6 MM
	3033343M1	X	Shim	(1) Thickness 0,8 MM
	3713553M1	X	Chock	(1) Thickness 1,4 MM
	3713554M1	X	Chock	(1) Thickness 1,7 MM
4	3617232M1	1	Tray	(1)
5	3616400M2	7	Disc	(1)
6	3384488M1	6	Tray	(1)
7	3384414M2	1	Housing	(1)
8	3619473M1	2	Washer	(1)
9	3384524M1	2	O Ring	(1)
10	3716509M3	1	Hub	(1)
11	3384427M1	1	Cover	(1)
12	1441403X1	1	Circlip	(1)
13	3384523M1	1	O Ring	(1)
14	3716530M13	1	Pinion	Number of teeth/spines 47
15	3387727M1	1	Bush	(14)
16	3382874M1	2	Segment	
17	3716518M11	1	Shaft	
18	3010697X91	1	Bearing Assy	
19	3716067M2	1	Oil Seal	
20	377494X1	2	O Ring	
21	3716441M2	1	Bush	
22	1440480X1	1	Circlip	
23	339481X1	1	Bearing Taper	
24	1441885X1	1	O Ring	
25	3716815M3	1	Sealing Holder	
26	1440819X1	1	Circlip	Replace and repair. Old interchangeable with new 1442770X1
27	3716531M3	1	Pinion	Number of teeth/spines 41
28	1440533X1	1	Circlip	
29	3716573M1	1	Tube	Length 160 MM
30	3716572M1	1	Tube	Length 95 MM
31	3716553M2	1	Cover	
32	3009493X1	13	Hex. Sock. Screw	M10x30
33	831497M1	1	O Ring	
34	3716563M2	1	Plug	
35	3716801M1	X	Chock	Thickness 0,1 MM
	3716802M1	X	Chock	Thickness 0,2 MM
	3716803M1	X	Chock	Thickness 0,5 MM
	3716804M1	X	Chock	Thickness 0,8 MM
36	3791400M1	1	Gasket	

MF 8170 TRACTOR - 1637359
1-AK11-606-B

1-AK11-606-B

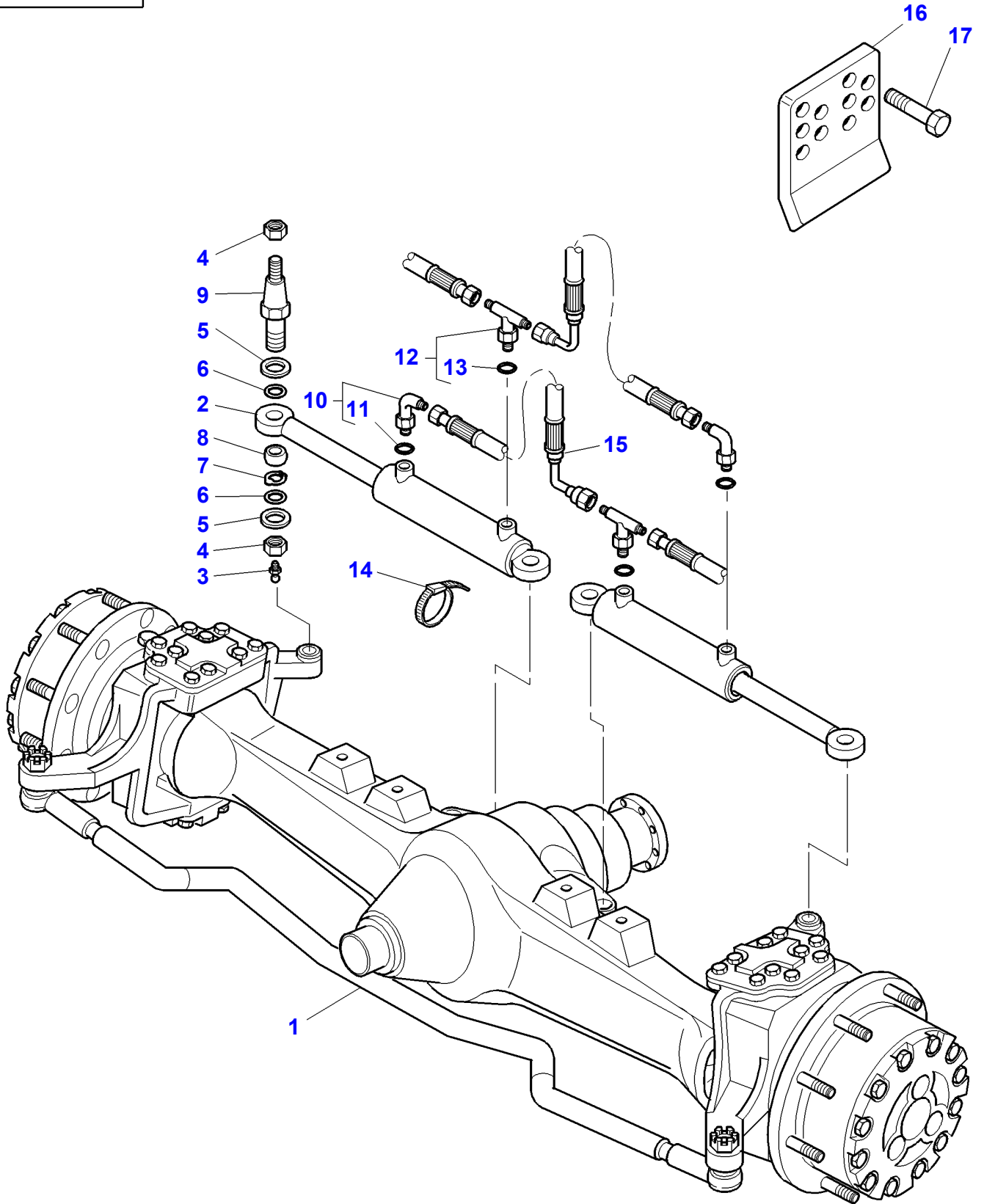


Guard And Transmission Shaft

Item	Part Number	Qty	Description	Comments
1	3009693X1	2	Nut Metric	
2	390734X1	6	Washer	
3	3715987M1	1	Bearer	
4	3712872M1	2	Bearing Carrier	
5	3712873M1	1	Bearing Assy	
6	3009493X1	2	Hex. Sock. Screw	M10X30
7	1440922X1	1	Bolt	M6X60
8	3714416M2	1	Sleeve	
9	3715986M1	1	Shaft	Length 2020MM
10	72500775	1	Seal	
11	1441858X1	1	Greaser	
12	3715944M1	1	Washer	
13	72500709	1	Seal	
14	3714575M1	2	Bellows	
15	390597X1	2	Washer Metric	
16	1441500X1	1	Locknut	
17	3715985M2	1	Cowl	
18	3042637M2	2	Spacer	
19	392054X1	6	Screw	M10X22
20	3715981M2	1	Annular Gear	
21	1440352X1	8	Bolt	M10X60
22	3715982M1	1	Gasket	
23	3009292X1	1	Screw	M10X25
24	3715983M2	1	Hub	
25	339608X1	1	Grease Nipple	

MF 8170 TRACTOR - 1637359
1-AK01-603-A

1-AK01-603-A



Massey Ferguson**MF 8170 TRACTOR - 1637359**

1637359

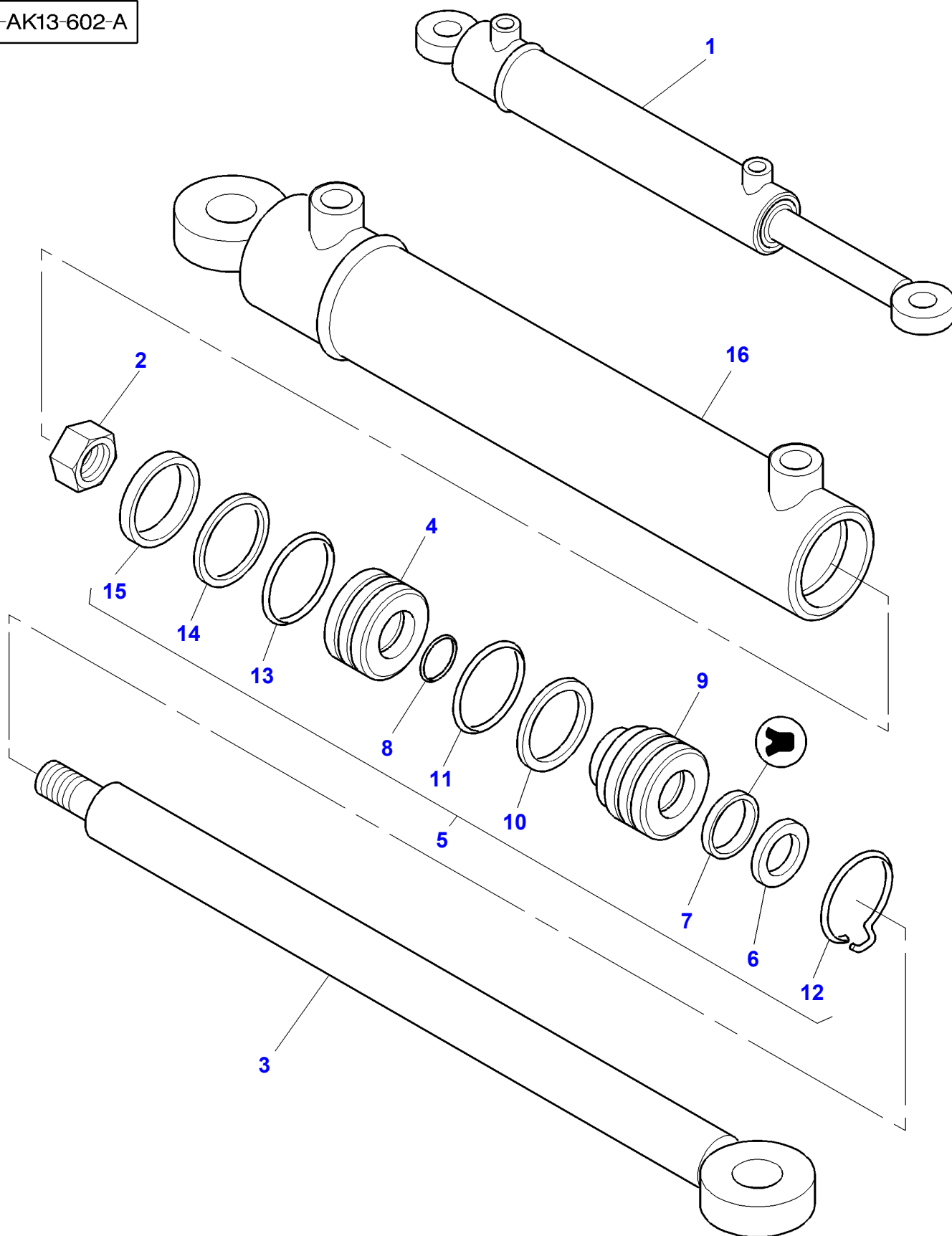
Page060-0030

Front Axle 4 Wheel Drive

Item	Part Number	Qty	Description	Comments
1	3715075M1	1	Front Live Axle	
2	72163177	2	Cylinder	
3	339608X1	4	Grease Nipple	
4	353457X1	8	Nut Fns	
5	353777X1	8	Washer	
6	72161188	8	Spacer	
7	72161187	4	Ring	
8	72161185	4	Bearing	
9	72161186	4	Stud	
10	357197X91	2	Elbow	
11	831452M1	1	O Ring	(10)
12	3595495M91	2	Teepiece	
13	3019397X1	1	O Ring	(12)
14	3619622M1	2	Cable Tie	
15	3777186M91	2	Hydr Hose	Length 770MM
16	377718M1	2	Stop	
17	1441590X1	4	Bolt Metric	M20X50

MF 8170 TRACTOR - 1637359
1-AK13-602-A

1-AK13-602-A

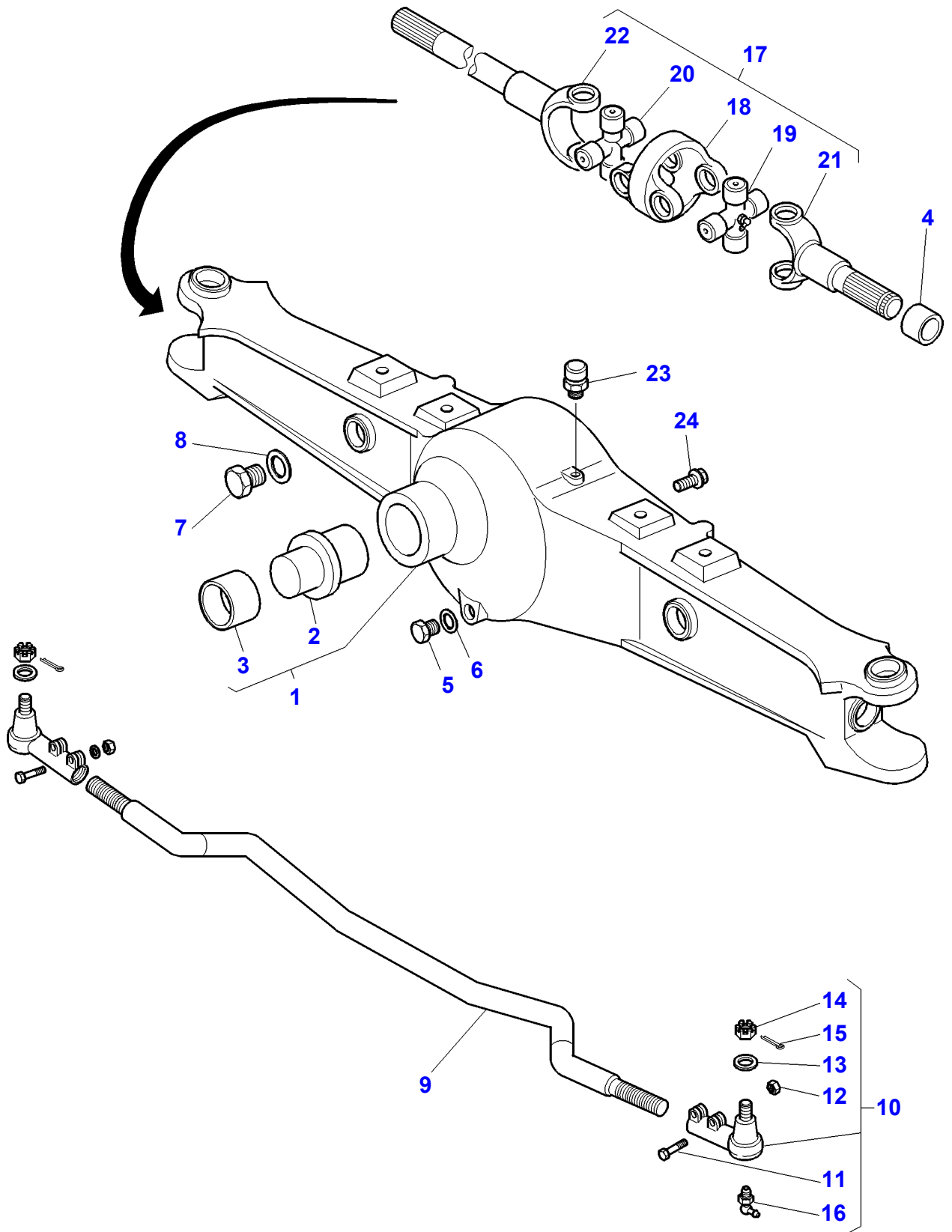


Massey Ferguson**MF 8170 TRACTOR - 1637359****1637359****Front Axle 4 Wheel Drive - Steering Cylinders****Page060-0035**

Item	Part Number	Qty	Description	Comments
1	72163177	1	Cylinder	
2	72162714	1	Nut	(1) 3/4"-16 UTC
3	72162716	1	Rod	(1)
4	72162715	1	Piston	(1)
5	72162718	1	Kit, Seal	(1)
6	72162723	1	Wiper	(5)
7	72162722	1	Seal	(5)
8	70923945	1	O Ring	(5) 1/16"X3/4"ID
9	72162717	1	Gland	(1)
10	72162721	1	Washer	(5)
11	70923826	1	O Ring	(5) 3/16"X1-5/8"ID Replace and repair. Old not interchangeable with new 72162613
12	72162724	1	Wire	(5)
13	72162719	1	O Ring	(5)
14	72162720	1	Ring	(5)
15	72162725	1	Oil Seal	(5)
16	72162713	1	Tube	(1)

MF 8170 TRACTOR - 1637359
1-AK03-604-B

1-AK03-604-B

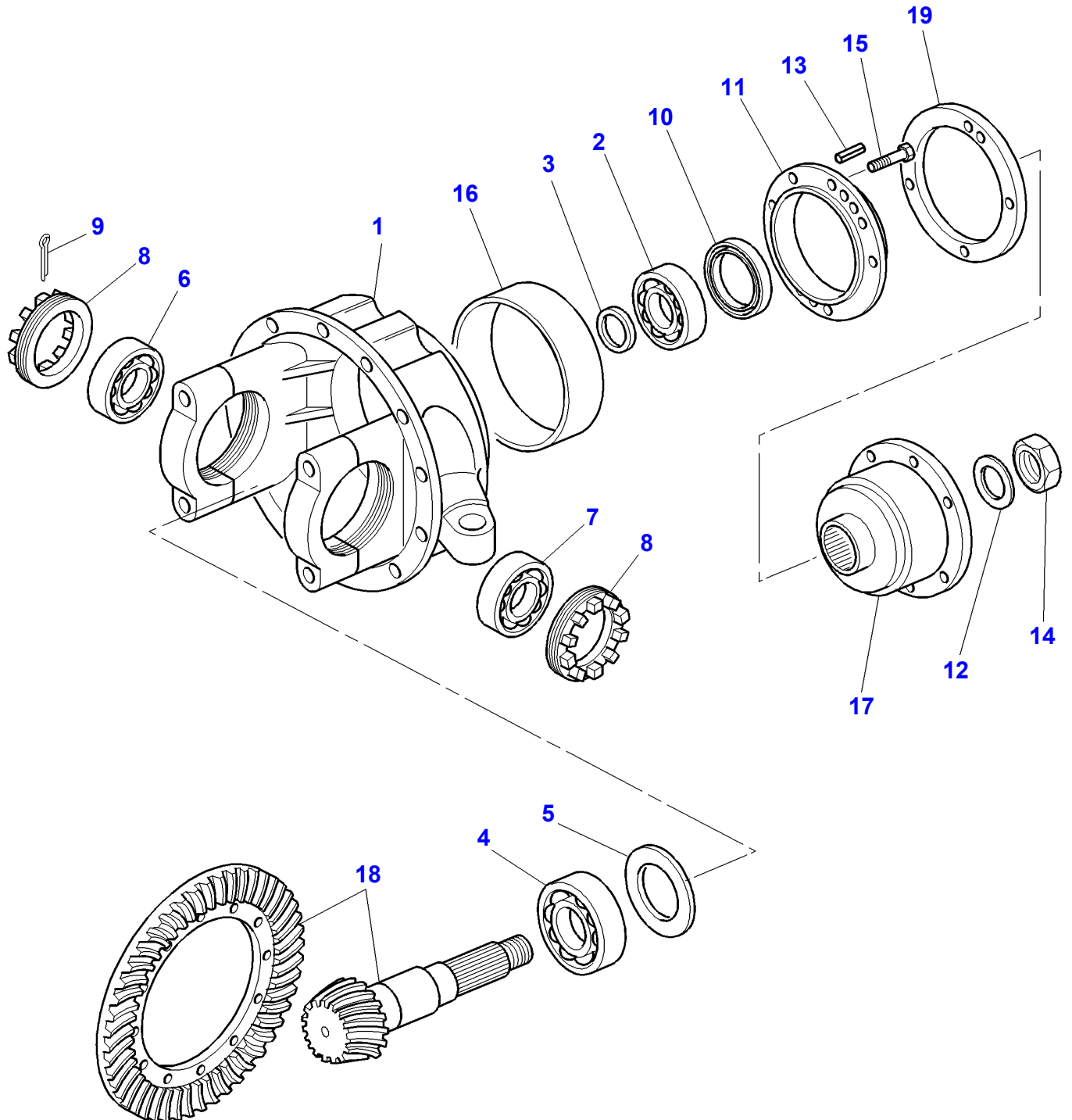


Front Axle 4 Wheel Drive - Housing

Item	Part Number	Qty	Description	Comments
1	72162751	1	Housing	
2	72506030	1	Clevis Pin	(1)
3	72506031	1	Bush	(1)
4	2374317	2	Bush	
5	72506039	1	Plug	
6	72162292	1	Ring	
7	72162293	1	Plug	M42-1,5
8	72162294	1	Ring	
9	72162756	1	Rod	
10	72162306	1	Toggle	Right Hand
	72162307	1	Toggle	Left Hand
				Replace and repair. Old not interchangeable with new 4350393
11	72162732	4	Capscrew	(10) M10-1,0X40MM
12	72162309	4	Nut	(10) M10-1,0
13	72162310	2	Seal	(10)
14	72162311	2	Nut	(10) M24-1,5
15	PZND4021V	2	Pin	(10) M5X50
16	1120697	2	Greaser	(10) M8-1
17	4347032	2	Shaft	Replace and repair. Old not interchangeable with new 72506033
18	72162300	1	Knuckle	(17)
19	72162302	1	Crosspiece	(17) INNER
20	72162301	1	Crosspiece	(17) OUTER
21	72162303	1	Shaft	(17) SHORT
22	72162304	1	Shaft	(17) LONG
23	72162295	1	Breather	
24	4347037	4	Capscrew	M14x50 Replace and repair. Old not interchangeable with new 72162731
	1162825	8	Capscrew	M14x40 Replace and repair. Old not interchangeable with new 72162730

MF 8170 TRACTOR - 1637359
1-AK04-608-B

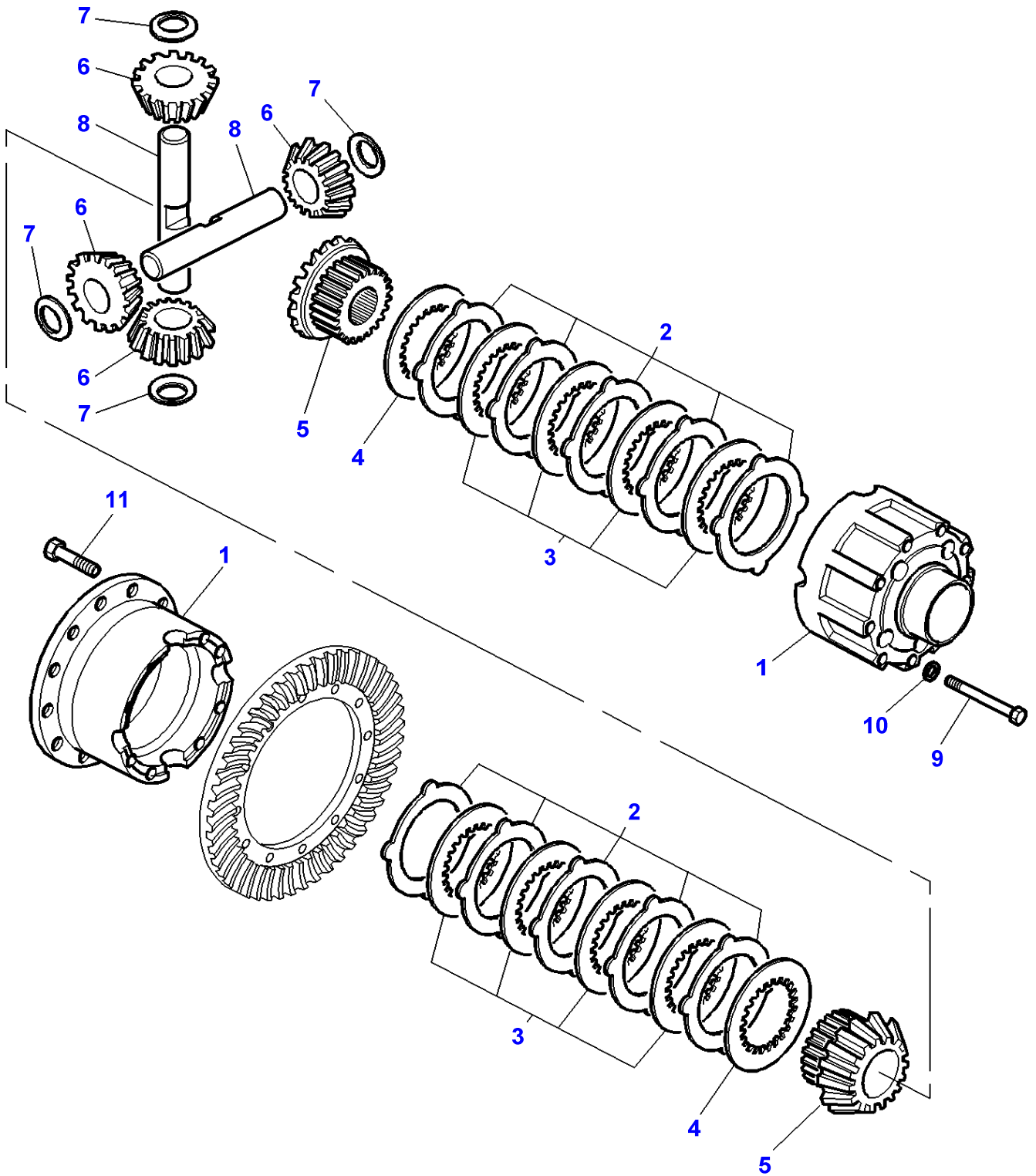
1-AK04-608-B



Front Axle 4 Wheel Drive - Differential

Item	Part Number	Qty	Description	Comments
1	72506017	1	Housing	
2	72506018	1	Bearing	
3	72162237	X	Shim	Thickness 6,6MM
	72162238	X	Shim	Thickness 6,4MM
	72162239	X	Shim	Thickness 6,2MM
	72162240	X	Shim	Thickness 6,0MM
	72162241	X	Shim	Thickness 5,8MM
	72162242	X	Shim	Thickness 5,6MM
	72162243	X	Shim	Thickness 5,4MM
4	72506019	1	Bearing	
5	72162246	X	Shim	Thickness 3,0MM
	72162247	X	Shim	Thickness 2,9MM
	72162248	X	Shim	Thickness 2,8MM
	72162249	X	Shim	Thickness 2,7MM
	72162250	X	Shim	Thickness 2,0MM
	72162251	X	Shim	Thickness 1,9MM
	72162252	X	Shim	Thickness 1,8MM
	72162253	X	Shim	Thickness 1,7MM
	72162254	X	Shim	Thickness 1,6MM
	72162255	X	Shim	Thickness 1,5MM
	72162256	X	Shim	Thickness 1,4MM
	72162257	X	Shim	Thickness 1,3MM
	72162258	X	Shim	Thickness 1,2MM
	72162259	X	Shim	Thickness 1,1MM
6	72506020	1	Bearing	Right Hand
7	72506021	1	Bearing	Left Hand
8	72162264	2	Nut	
9	1132649	2	Pin	Diameter 6.3 MM Length 45 MM
10	72514095	1	Oil Seal	
11	72506023	1	Flange	
12	72514096	1	Washer	
13	72162922	1	Pin	M7X30
14	4324788	1	Nut	M30-1,5
15	1440350X1	3	Screw Metric	M6X20
16	72506025	1	Bush	
17	72515313	1	Flange	
18	72514094	1	Kit, Bevel Gear	
19	72515314	1	Seal	

1-AK12-605-A



Massey Ferguson**MF 8170 TRACTOR - 1637359**

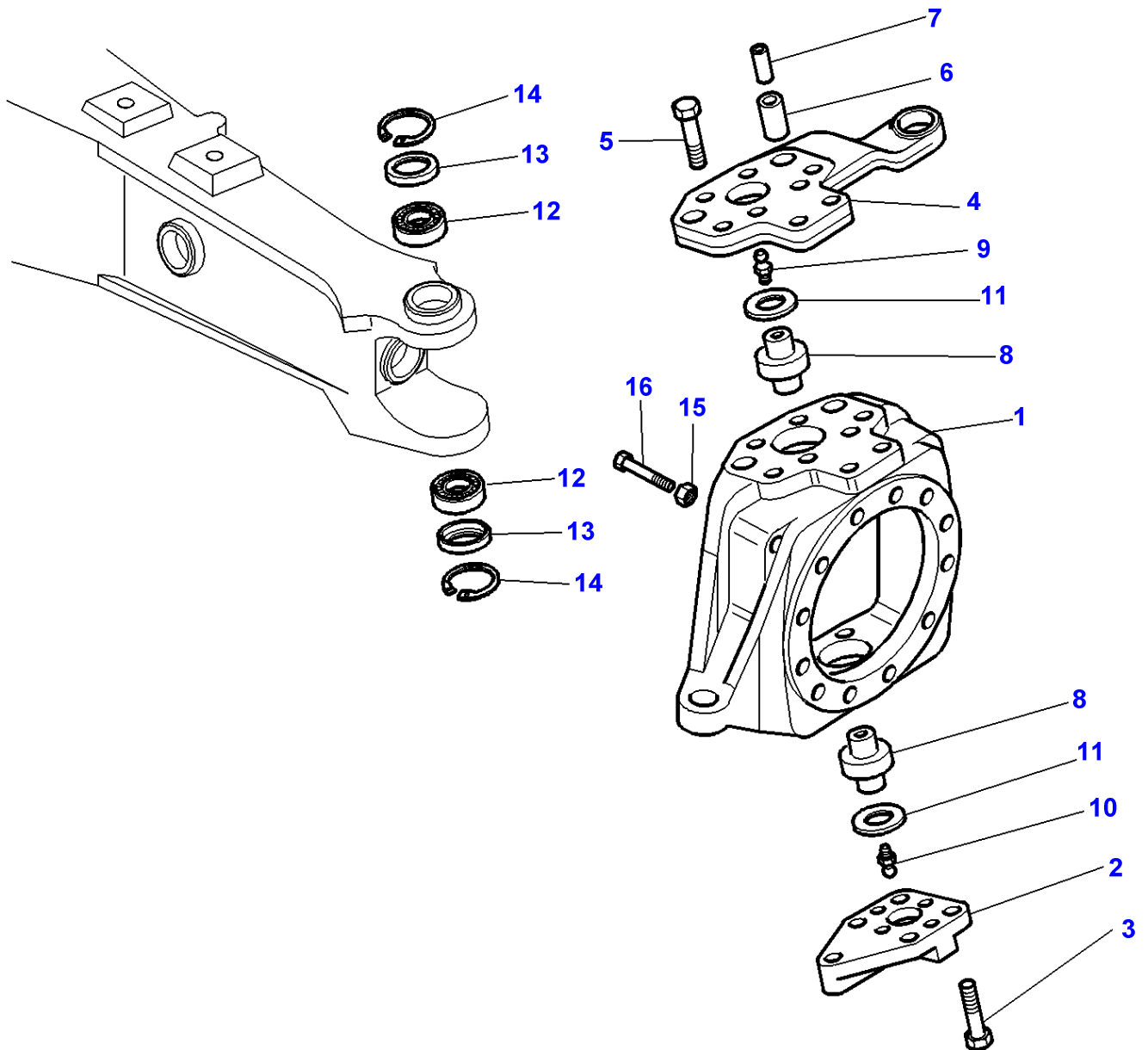
1637359

Front Axle 4 Wheel Drive - Differential Lock Mechanism

Page060-0050

Item	Part Number	Qty	Description	Comments
	4325142	1	Differential	
1	72162727	1	Case	
2	72506027	10	Plate	Thickness 1,8MM
	72162272	10	Plate	Thickness 1,9MM
	72162273	10	Plate	Thickness 2,0MM
3	72162274	8	Disc	
4	72162275	2	Plate	Thickness 3,1MM
5	72162280	2	Gear	Number of teeth/spines 29
6	72162281	4	Pinion	
7	72162282	4	Washer	
8	72162283	2	Shaft	
9	72162728	8	Capscrew	M12X95
10	72162455	8	Washer	M12
11	72162729	12	Capscrew	M14X25

1-AK05-607-A

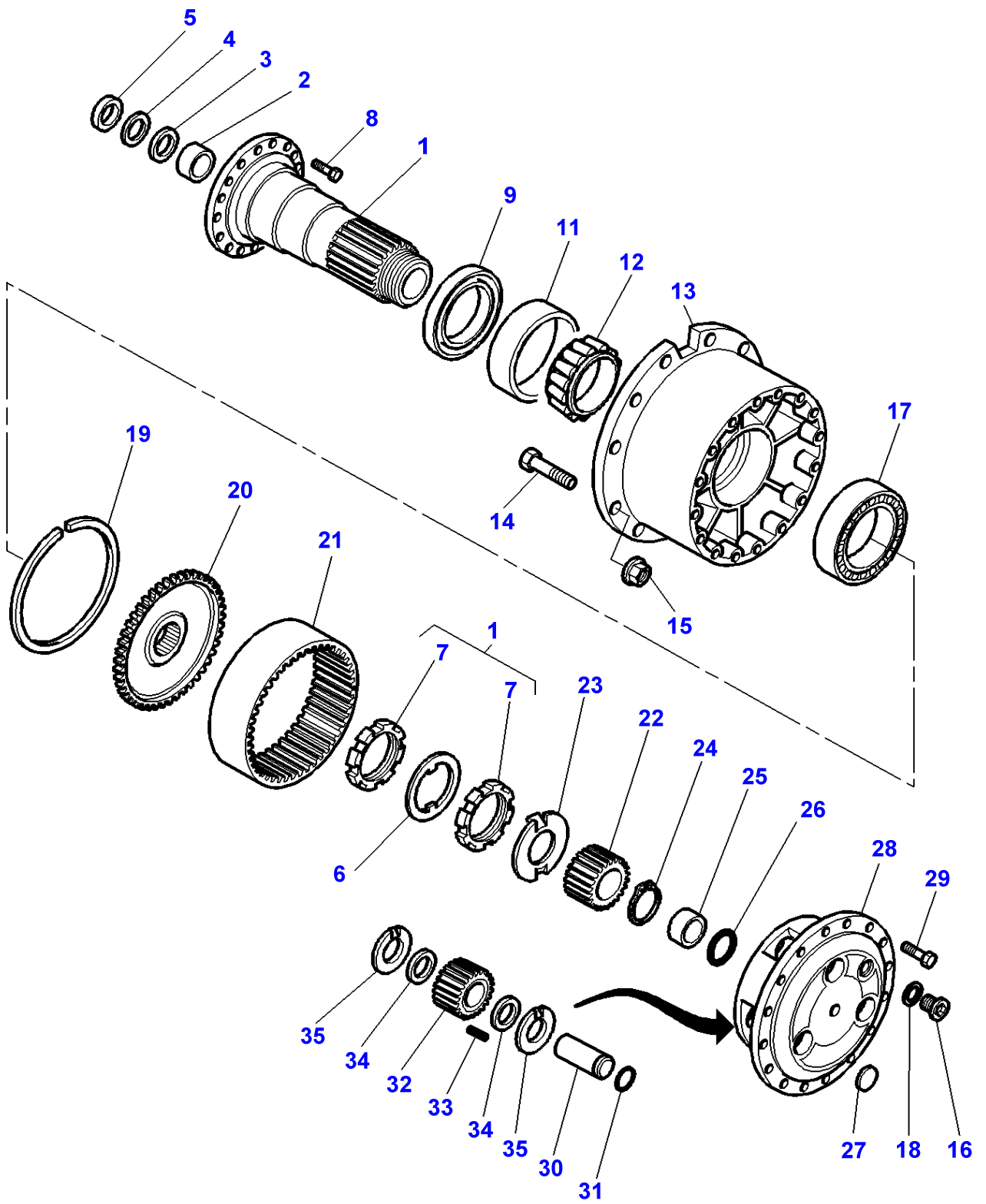


Front Axle 4 Wheel Drive - Final Drive

Item	Part Number	Qty	Description	Comments
1	4350433	1	Housing	Left Hand
	72162753	1	Housing	Right Hand
2	72162315	2	Cover	
3	1112619	8	Capscrew	M14X40
4	4325207	1	Arm	Left Hand
				Replace and repair. Old not interchangeable with new 72162317
	72162316	1	Arm	Right Hand
5	1111677	12	Capscrew	M14X55
6	1115520	4	Pin	Diameter 20X50
7	1137371	4	Pin	Diameter 12X50
8	4325209	4	Pivot	
9	1168226	2	Greaser	M10
10	1120698	2	Greaser	45'
11	72162322	X	Shim	Thickness 2,8MM
	72162323	X	Shim	Thickness 2,9MM
	72162324	X	Shim	Thickness 3,0MM
	72162325	X	Shim	Thickness 3,1MM
	72162326	X	Shim	Thickness 3,2MM
	72162327	X	Shim	Thickness 3,3MM
	72162328	X	Shim	Thickness 3,4MM
	72162329	X	Shim	Thickness 3,5MM
	72162330	X	Shim	Thickness 3,6MM
12	72162331	4	Bearing	
13	4324772	4	Cap	
14	4324773	4	O Ring	Diameter 4X57 ID
15	72162884	4	Nut	M18
16	72162752	4	Stop	

MF 8170 TRACTOR - 1637359
1-AK05-608-A

1-AK05-608-A



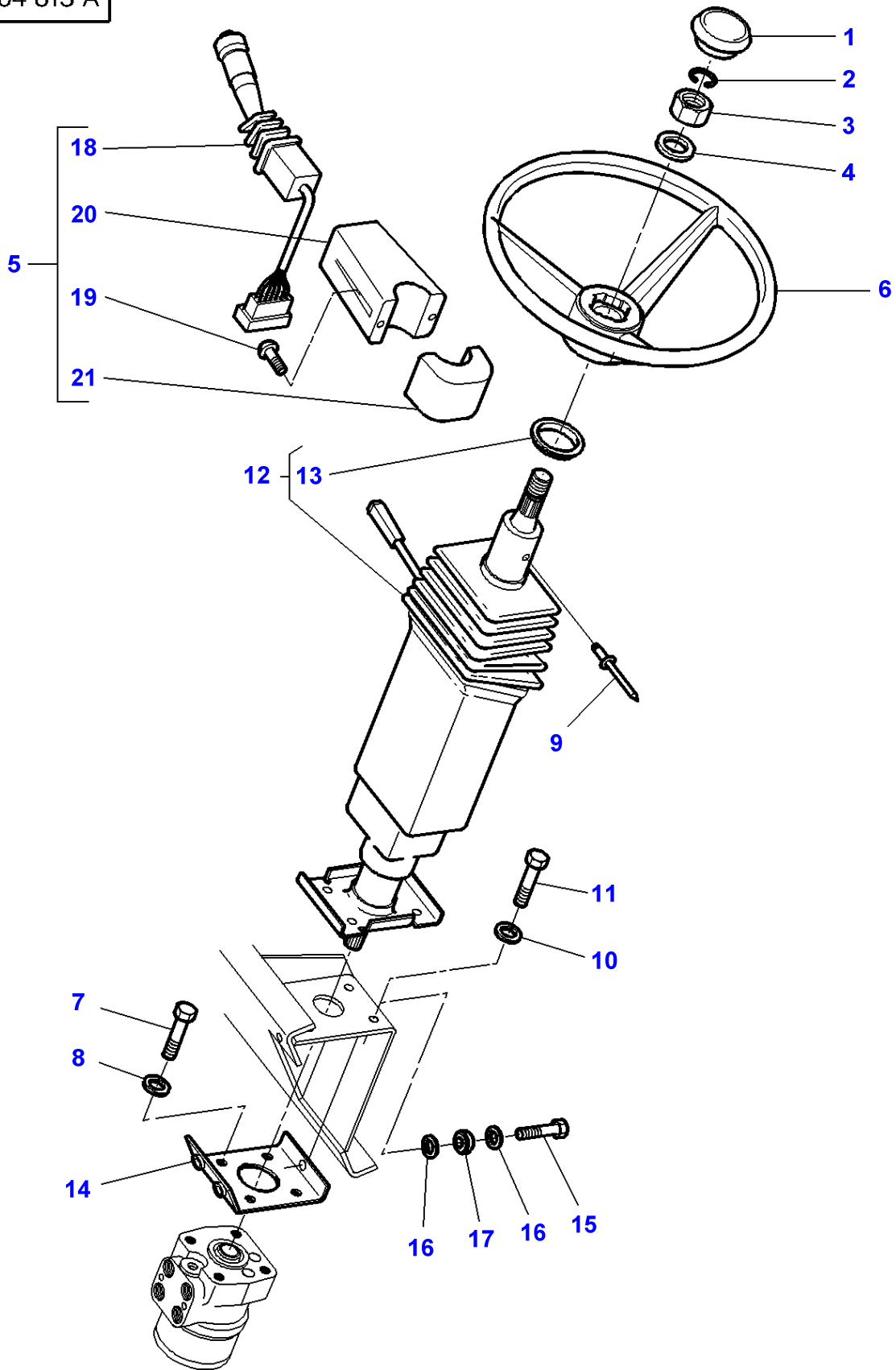
Front Axle 4 Wheel Drive - Final Drive

Item	Part Number	Qty	Description	Comments
1	72162335	2	Spindle	
2	2374317	2	Bush	Replace and repair. Old not interchangeable with new 72162296
3	4341193	2	Seal	Replace and repair. Old not interchangeable with new 72162297
4	4342918	2	Ring	Replace and repair. Old not interchangeable with new 72162298
5	4341194	2	Plate	
6	72162336	2	Washer	
7	72162337	4	Nut	(1) M70X1.5
8	72506034	24	Capscrew	M16X35
9	72506036	2	Seal	Diameter 140MM OD
10	72162339	2	Washer	[A]
11	834951M1	2	Cone Cup	
12	4336119	2	Bearing Cone	
13	72162342	2	Hub	
14	72162343	24	Bolt	M22-1.5
15	72162344	24	Nut	M22
16	72506038	4	Plug	M24-1.5
17	72506035	2	Bearing	
18	72162292	4	Ring	
19	72162347	2	Ring	
20	72162734	2	Carrier	
21	72162349	2	Gear	Number of teeth/spines 63
22	72162350	2	Gear	Number of teeth/spines 15
23	72162351	2	Washer	
24	72162352	2	Ring	
25	72162353	2	Plug	
26	72162354	X	Shim	Thickness 0,3MM
	72162355	X	Shim	Thickness 0,5MM
	72162356	X	Shim	Thickness 1,0MM
	72162357	X	Shim	Thickness 3,0MM
27	72162358	2	Cap	
28	72162735	2	Carrier	
29	1112619	32	Capscrew	M14X40
30	72162360	6	Pin	
31	72162361	6	Ring	
32	4346050	6	Gear	
33	72162363	138	Roller	
34	72506037	12	Washer	
35	72162365	12	Washer	

FOOTNOTE [A] NOT ILLUSTRATED

MF 8170 TRACTOR - 1637359
1-AN04-615-A

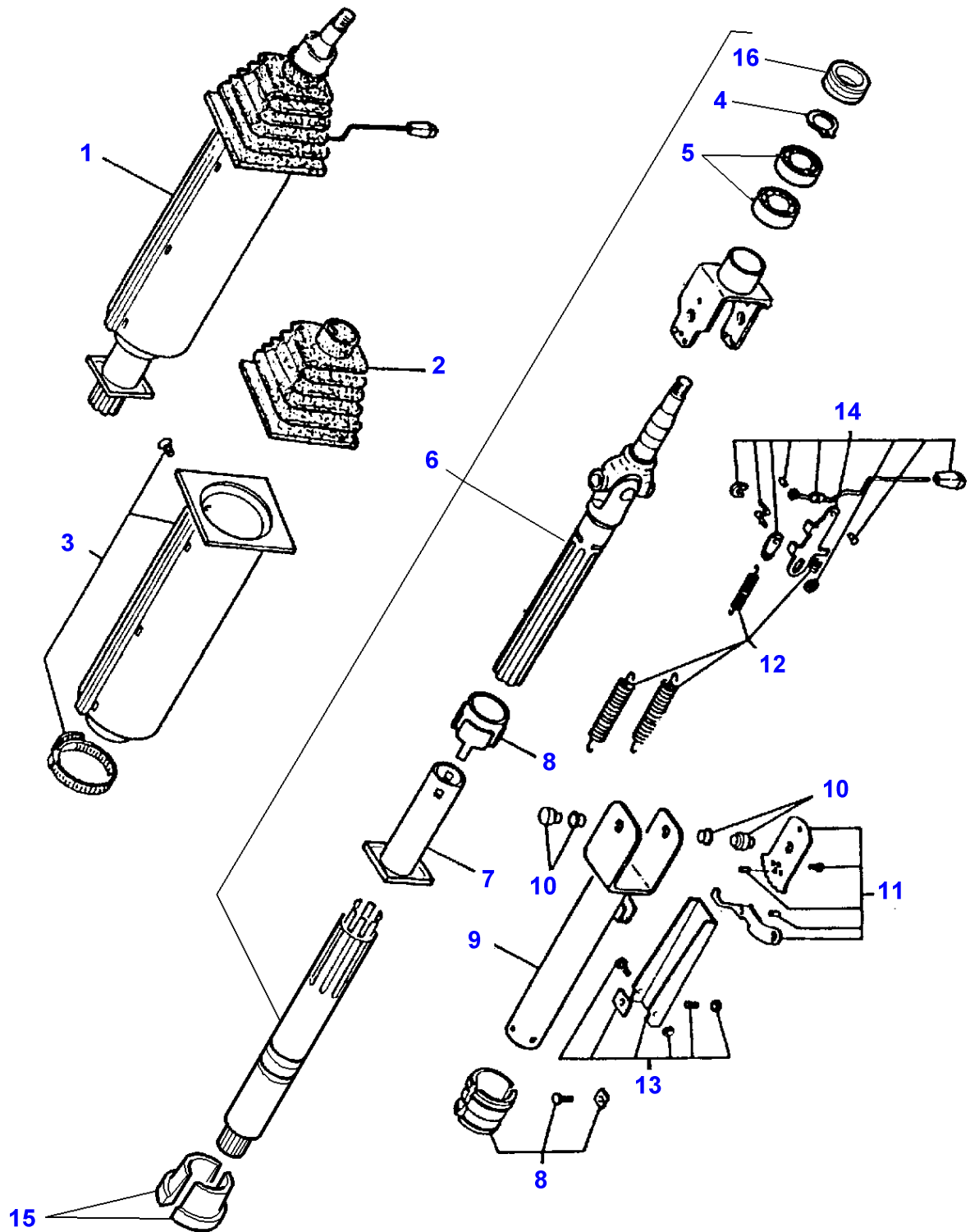
1-AN04-615-A



Massey Ferguson**MF 8170 TRACTOR - 1637359****1637359****Steering - Steering Wheel And Column****Page070-0005**

Item	Part Number	Qty	Description	Comments
1	3618970M91	1	Helmet	
2	961714M1	1	Ring	Up to Serial or Engine Number H176010
3	339571X1	1	Nut Metric	M14
4	390585X1	1	Washer Metric	Up to Serial or Engine Number H036021 Diameter M16
	390973X1	1	Washer Metric	From Serial or Engine Number H036022 Diameter 15X28X2,5MM
5	3713679M92	1	Switch,Indirect	
6	3385796M2	1	Steering Wheel	Up to Serial or Engine Number H176010
	3809661M1	1	Steering Wheel	From Serial or Engine Number H176011
7	339282X1	4	Screw Metric	M10X16
8	390734X1	4	Washer	
9	338941X1	1	Rivet	4 X 7,5MM
10	1440921X1	4	Washer Metric	M8
11	339124X1	4	Hex. Sock. Screw	
12	3713868M2	1	Column	See Page - Reference Number 070-0010/1
13		1	Gasket	See Page - Reference Number 070-0010/16
14	3388920M93	1	Support	
15	3009494X1	3	Screw Metric	M10X35
16	3389958M1	6	Washer	
17	1619912M1	3	Vibration Mount	
18	3713669M2	1	Switch,Indirect	(5)
19	3713785M1	6	Screw	(5)
20	3713680M1	1	Case Assy	(5)
21	3713784M1	1	Cover	(5)

1-AN04-603-A



Massey Ferguson**MF 8170 TRACTOR - 1637359**

1637359

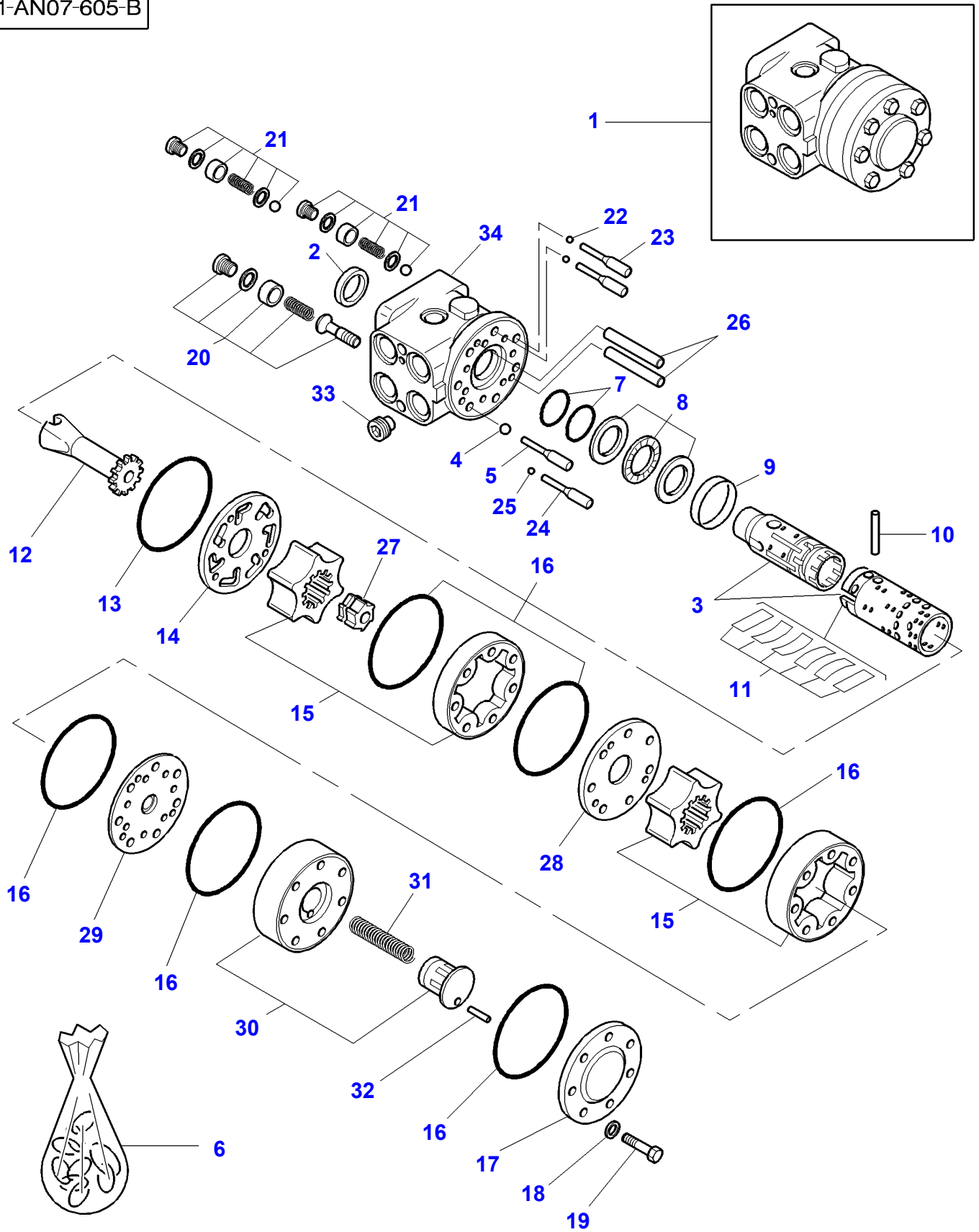
Steering - Steering Wheel And Column - Telescopic Steering Wheel

Page070-0010

Item	Part Number	Qty	Description	Comments
1	3713868M2	1	Column	
2	3902566M91	1	Bellows	(1)
3	3902568M91	1	Case Assy	(1)
4	1440475X1	1	Circlip	(6)
5	1440872X1	2	Bear. 6004 Rs	(6)
6	3902564M1	1	Shaft	(1)
7	3902565M1	1	Column	(1)
8	3900242M91	1	Parts Pack	(1)
9	3900241M91	1	Column	(1)
10	3900164M91	1	Clevis Pin	(1)
11	3900146M91	1	Kit, Lever	(1)
12	3900167M91	1	Kit, Spring	(1)
13	3900166M91	1	Kit, Brake	(1)
14	3902567M91	1	Kit, Lever	(1)
15	3900145M1	1	Bearing	(1)
16	3902578M1	1	Gasket	(6)

MF 8170 TRACTOR - 1637359
1-AN07-605-B

1-AN07-605-B



Massey Ferguson**MF 8170 TRACTOR - 1637359**

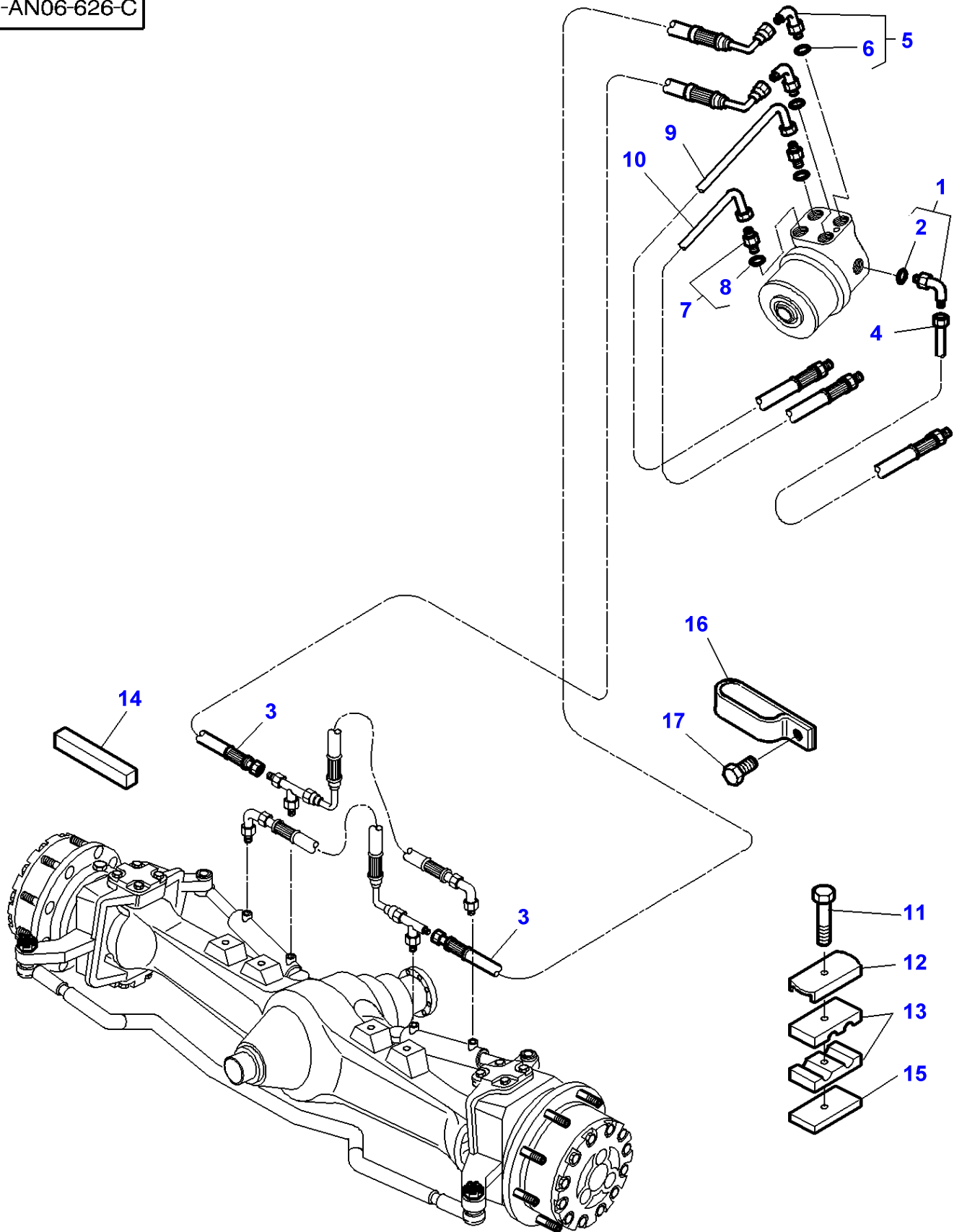
1637359

Steering - Steering Pump - 4 Wheels Drive

Page070-0015

Item	Part Number	Qty	Description	Comments
1	3716328M1	1	Distributor	OSPD 100/260 LS
2	1887719M1	1	Seal	(6)
3		1	Pump	(1) Not serviced, order REF 1
4	1806311M1	1	Ball	(1)
5	3902962M91	1	Roll Pin	(1)
6	3903005M91	1	Parts Pack	(1)
7		1	O Ring	(6) Not serviced, order REF 6
8	1894414M91	1	Bearing Assy	(1)
9	1806303M1	1	Bush	(1)
10	1806310M1	1	Pin	(1)
11	1894415M1	1	Kit, Spring	(1)
12	3902963M1	1	Shaft	(1)
13	1806314M1	1	Seal	(6)
14	3902966M91	1	Plate	(1)
15	3902964M91	1	Kit, Gear	(1) 100CC
	3902965M91	1	Kit, Gear	(1) 260CC
16	3902967M1	6	O Ring	(6)
17	1806316M1	1	Cap	(1)
18	1806317M1	7	Washer	(6)
19	3902968M1	7	Screw	(1)
20	3902076M91	1	Pressure Valve	(1)
21	1897432M91	2	Parts Pack	(1)
22	1897434M1	2	Ball	(1)
23	3903002M91	2	Roll Pin	(1)
24	3902969M91	1	Pressure Valve	(1)
25	3902970M1	1	Ball	(1)
26	3902971M1	2	Pin	(1)
27	3902972M1	1	Shaft	(1)
28	3902973M1	1	Plate	(1)
29	3903001M1	1	Plate	(1)
30		1	Body Pump	(1) Not serviced, order REF 1
31	3792595M1	1	Ring	(1) Replace and repair. Old interchangeable with new 3902791M1
32	3903004M1	1	Pin	(1)
33	3903006M91	1	Pressure Valve	(1)
34			Body Pump	(1) Not serviced, order REF 1

1-AN06-626-C

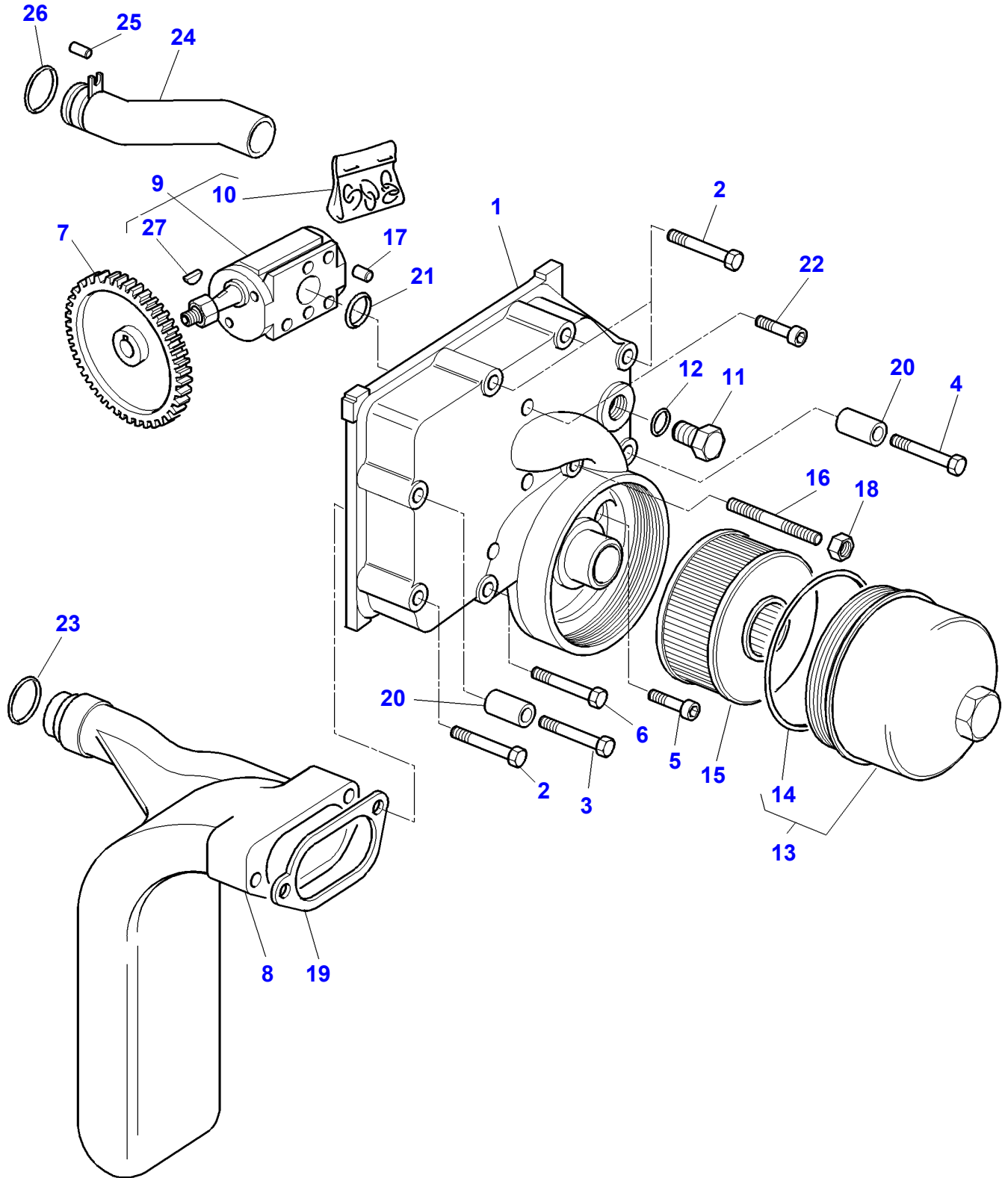


Steering Hydraulic Lines - 4 Wheels Drive

Item	Part Number	Qty	Description	Comments
1	3019410X91	1	Elbow Nipple	M12
2	3019394X1	1	O Ring	(1)
3	3778587M1	2	Hydr Hose	Length 3350MM
4	3778589M1	1	Tube	
5	3019588X91	2	Union	M18
6	3019394X1	1	O Ring	(5)
7	3019383X91	2	Adaptor	M18
8	3019397X1	1	O Ring	(7)
9	3778588M1	1	Tube	8160 200 HP PTO
	3779448M2	1	Tube	8170
10	3778590M2	1	Tube	
11	339168X1	2	Hex. Sock. Screw	M8X50
	339368X1	1	Bolt Metric	M8X60
				Up to Serial or Engine Number G245013
12	1626672M2	2	Bridle	
13	3040060M1	4	Block	
14	3617376M1	1	Gasket	
15	3780484M1	1	Spacer	Up to Serial or Engine Number G245013
16	70930748	1	Strap	From Serial or Engine Number G245014
17	339337X1	1	Hex. Sock. Screw	M8X30
				From Serial or Engine Number G245014

MF 8170 TRACTOR - 1637359
1-AP60-604-C

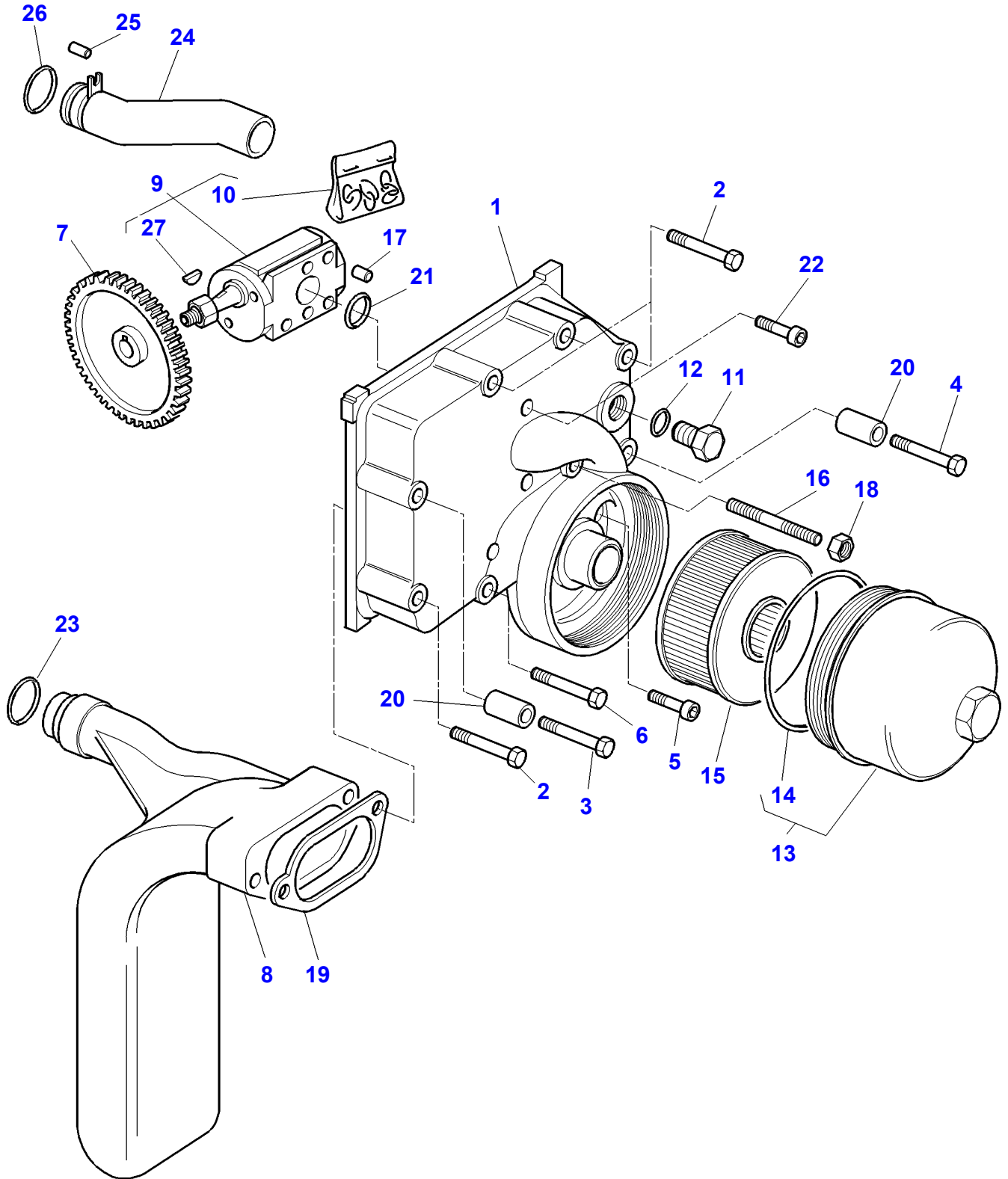
1-AP60-604-C



Item	Part Number	Qty	Description	Comments
1	3791328M3	1	Cover	Up to Serial or Engine Number H092010
	3791328M4	1	Cover	From Serial or Engine Number H092011
2	3009517X1	4	Bolt Metric	M12X100
3	3015344X1	1	Screw Metric	M12X115
	3009517X1	1	Bolt Metric	Up to Serial or Engine Number H092010 M12X100 From Serial or Engine Number H092011
4	1444034X1	1	Bolt Metric	M12X125
5	3009300X1	1	Screw	M12X70
6	3009519X1	1	Screw	M12X120
	3009517X1	1	Bolt Metric	Up to Serial or Engine Number H092010 M12X100 From Serial or Engine Number H092011
7	3716351M1	1	Pinion	Number of teeth/spines 70
8	3793088M1	1	Manifold	
9	3618001M3	1	Pump	60CM3/RPM
10	3903020M91	1	Kit, Joint	(9) Replace and repair. Old not interchangeable with new 3900998M91
11	3005645X1	1	Plug	M30 Up to Serial or Engine Number H092010
	3019438X1	1	Plug	M30 From Serial or Engine Number H092011
12	391265X1	1	Gasket	
13	3715772M91	1	Cover	
14	3715773M1	1	O Ring	(13)
15	3714453M1	1	Strainer	
16	3010766X1	2	Stud	M8X115 Up to Serial or Engine Number H092010
	392531X1	2	Stud	M8X105 From Serial or Engine Number H092011
17	1442522X1	2	Dowel	Diameter 6X12
18	339169X1	2	Nut	
19	3791530M1	1	Gasket	
20	3000705X1	2	Pin	Diameter 16X18
21	851150M1	1	Ring	
22	3009297X1	2	Screw Metric	M10X90
23	1001489M1	1	O Ring	
24	3716375M91	1	Tube	
25	1441722X1	1	Pin	Diameter 3X16
26	364777X1	1	O Ring	
27	1440360X1	1	Key	(9)

MF 8170 TRACTOR - 1637359
1-AP60-609-B

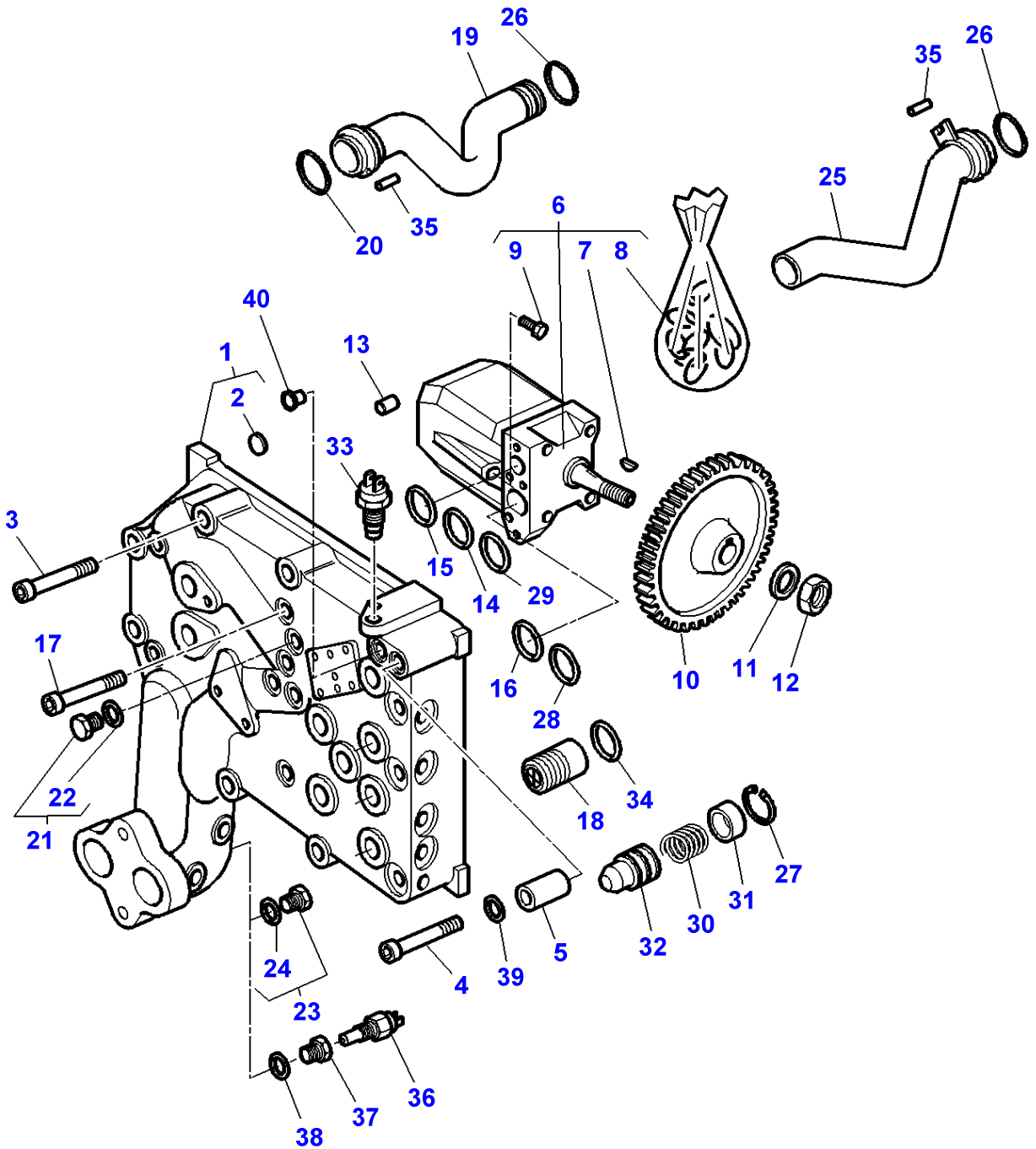
1-AP60-609-B



Item	Part Number	Qty	Description	Comments
1	3791328M3	1	Cover	Up to Serial or Engine Number H092010
	3791328M4	1	Cover	From Serial or Engine Number H092011
2	3009518X1	4	Screw	M12X110
3	3015344X1	1	Screw Metric	M12X115
	3009517X1	1	Bolt Metric	Up to Serial or Engine Number H092010 M12X100 From Serial or Engine Number H092011
4	1444034X1	1	Bolt Metric	M12X125
5	3009300X1	1	Screw	M12X70 From Serial or Engine Number H092011
6	3009519X1	1	Screw	M12X120 Up to Serial or Engine Number H092010
	3009517X1	1	Bolt Metric	M12X100 From Serial or Engine Number H092011
7	3716351M1	1	Pinion	Number of teeth/spines 70
8	3793088M1	1	Manifold	
9	3791900M1	1	Pump	80CM3/RPM
10	3903020M91	1	Kit, Joint	(9)
11	3005645X1	1	Plug	M30 Up to Serial or Engine Number H092010
	3019438X1	1	Plug	M30 From Serial or Engine Number H092011
12	391265X1	1	Gasket	
13	3790001M91	1	Cover	
14	3715773M1	1	O Ring	(13)
15	3790002M1	1	Strainer	Length 139MM
16	3010766X1	2	Stud	M8X115 From Serial or Engine Number H092011
	392531X1	2	Stud	M8X105 From Serial or Engine Number H092011
17	1442522X1	2	Dowel	
18	339169X1	2	Nut	
19	3791530M1	1	Gasket	
20	3000705X1	2	Pin	Diameter 16X18
21	851150M1	1	Ring	
22	3009297X1	2	Screw Metric	M10X90
23	1001489M1	1	O Ring	
24	3716375M91	1	Tube	
25	1441722X1	1	Pin	Diameter 3X16
26	364777X1	1	O Ring	
27	1440360X1	1	Key	(9)

MF 8170 TRACTOR - 1637359
1-AP61-616-C

1-AP61-616-C



Item	Part Number	Qty	Description	Comments
1	3716703M14	1	Cover	
2	391563X1	2	Plug	[B] (1) Diameter 16MM
	391563X1	2	Plug	[A] (1) Up to Serial or Engine Number 10/98 Diameter 16MM
	3006020X1	2	Plug	[B] (1) Diameter 20MM
	3006020X1	2	Plug	[A] (1) Up to Serial or Engine Number 10/98
3	3009302X1	6	Screw Metric	M12X90
4	3009303X1	2	Screw	M12X100
5	3000705X1	2	Pin	Diameter 16X18MM
6	3716370M2	1	Pump	45CM3/RPM
7	22277X	1	Key	(6)
8	3902614M91	1	Kit,Joint/Gasket	(6)
9	3902662M1	1	Plug	(6)
10	3716365M1	1	Pinion	Number of teeth/spines 73
11	353775X1	1	Washer	
12	353436X1	1	Nut Unf	
13	1442522X1	2	Dowel	Diameter 6X12MM
14	1001833M1	1	O Ring	Diameter 6,07X1,78MM
15	359299X1	1	O Ring	Diameter 23,4X3,53MM
16	378251X1	1	O Ring	Diameter 36,17X2,62MM
17	1440354X1	4	Screw Metric	M12X50
18	3715621M92	1	Non Return Valve	5BARS
19	3716376M92	1	Tube	
20	3389745M1	1	Gasket	
21	3019639X91	1	Plug	M14
22	3019395X1	1	O Ring	(21)
23	3019645X91	1	Plug	[B] M22 (23)
24	3019398X1	2	O Ring	
25	3716377M91	1	Tube	
26	364777X1	2	O Ring	
27	1441785X1	1	Clip	
28	1007240M1	2	O Ring	Diameter 9,2X2,62MM
29	195562M1	1	O Ring	Diameter 10,77X2,62MM
30	3715619M1	1	Spring	
31	3715618M1	1	Cup	
32	3715616M1	1	Non Return Valve	22BARS
33	3381387M4	1	Low Pr.Oil Trmtr	
34	359300X1	1	O Ring	
35	1441722X1	2	Pin	Diameter 3X16MM
36		1	Thermocontact	[B,C]
37		1	Adaptor	[B,C]
38		1	O Ring	[B,C]
39	3792365M1	1	Washer	From Serial or Engine Number G281016
40	3792347M1	1	Plug	Diameter 14MM From Serial or Engine Number 10/98
	3792314M1	1	Plug	Diameter 15MM From Serial or Engine Number 10/98

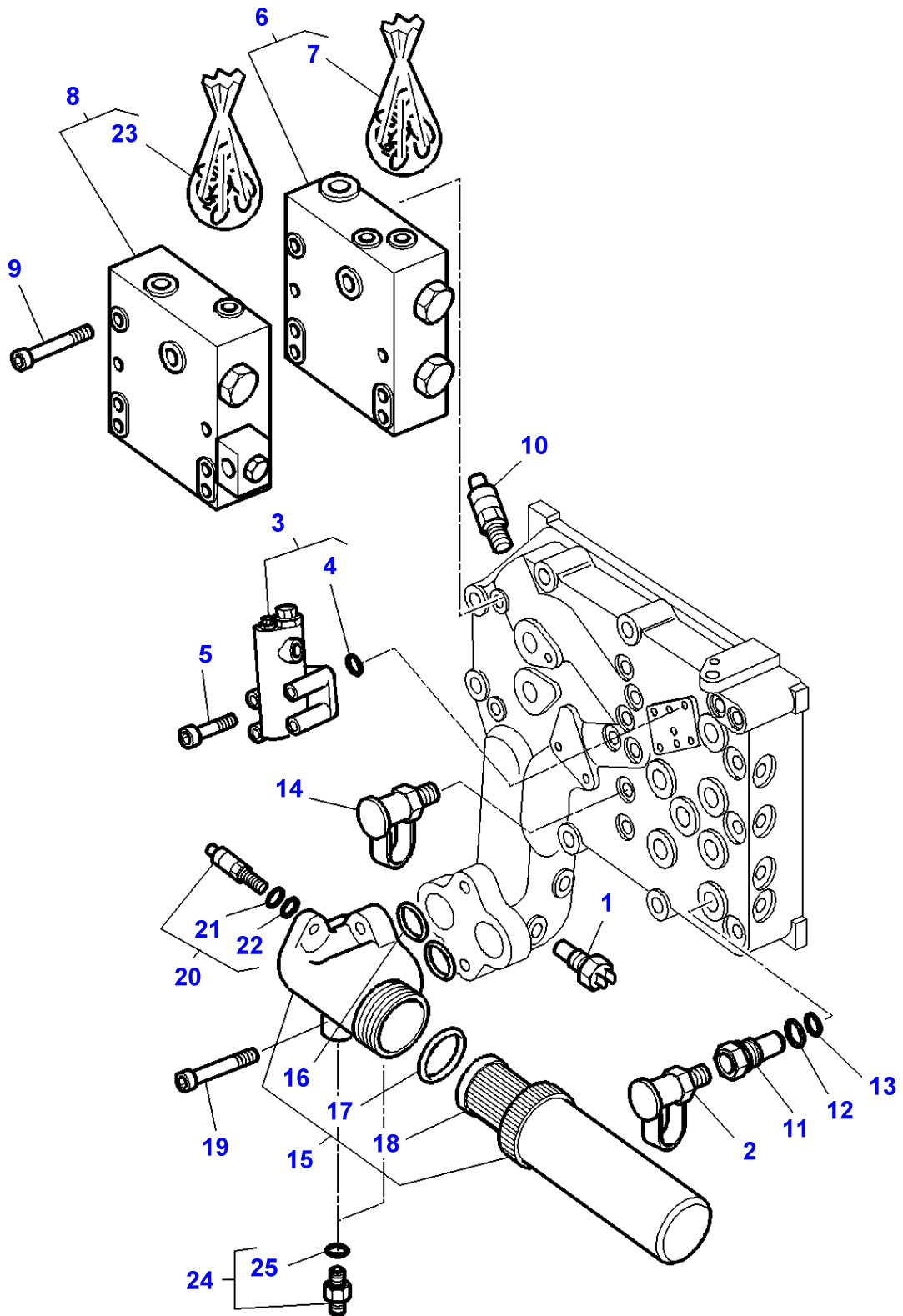
FOOTNOTE [A] WITH DYNASHIFT

FOOTNOTE [B] WITH FULL POWERSHIFT

FOOTNOTE [C] NOT USED

MF 8170 TRACTOR - 1637359
1-AP61-637-C

1-AP61-637-C



Item	Part Number	Qty	Description	Comments
1	3712668M2	1	Switch, Indirect	
2	3384387M1	1	Pressure Intake	
3	3716371M1	1	Adjuster	
4	359291X1	3	O Ring	(3)
5	3009283X1	4	Screw	M6X30
6	3790025M1	1	Safety Valve	[A]
7	3790027M1	1	Kit, Joint	(6)
8	3790036M1	1	Safety Valve	[B]
9	3015017X1	4	Screw	M8X135
10	3716357M1	1	Restrictor	
11	3716195M1	1	Plug	
12	831497M1	1	O Ring	Diameter 16,36X2,21MM
13	70923841	1	O Ring	Diameter 12,42X1,78MM
14	3384387M1	2	Pressure Intake	
15	3791109M1	1	Filter	[C]
	3791109M1	1	Filter	[D]
				Up to Serial or Engine Number H097013
	3792618M1		Filter	[D]
				From Serial or Engine Number H097014
16	831196M1	2	O Ring	(15)
17	842332M1	1	Gasket	(15)
18	3618662M1	1	Filter Insert	(15)
19	3000258X1	1	Screw Metric	[C]
				M10X40
	3000258X1	2	Screw Metric	[D]
				M10X40
				Up to Serial or Engine Number H097013
	1440351X1	2	Screw Metric	[D]
				M10X35
				From Serial or Engine Number H097014
20	3618663M3	1	Indicator	
21	831497M1	1	O Ring	(20)
				Diameter 16,4X2,2
22	70923841	1	O Ring	(20)
				Diameter 12,4X1,8
23	3902094M91	1	Kit, Joint	(8)
24	3019389X91	2	Union	[D]
				From Serial or Engine Number H097014
25	3019398X1	1	O Ring	(24)

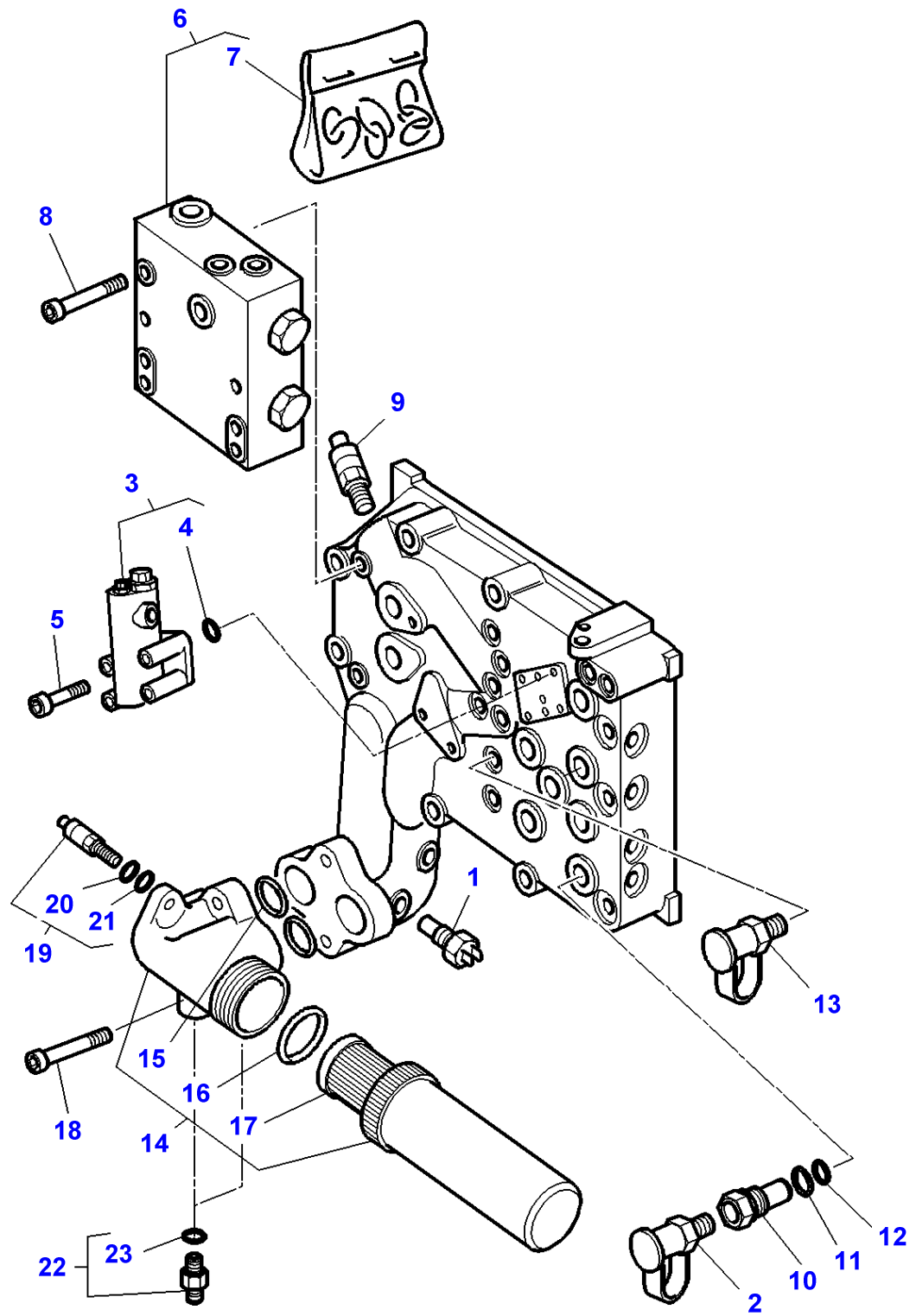
FOOTNOTE [A] STEERING

FOOTNOTE [B] BRAKING

FOOTNOTE [C] WITH FULL POWERSHIFT

FOOTNOTE [D] WITH DYNASHIFT

1-AP61-636-B

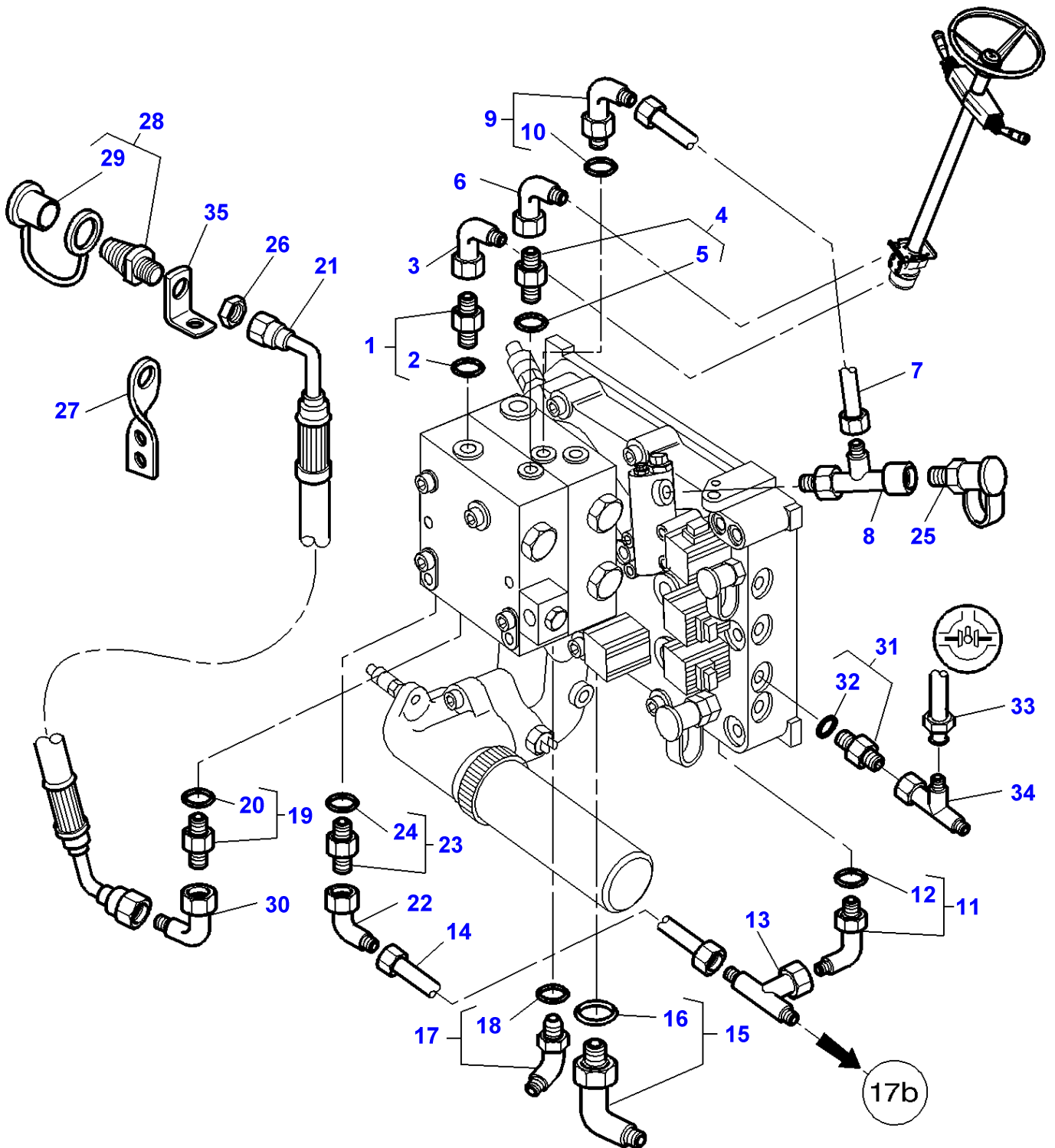


Item	Part Number	Qty	Description	Comments
1	3712668M2	1	Switch, Indirect	
2	3384387M1	1	Pressure Intake	
3	3716371M1	1	Adjuster	
4	359291X1	3	O Ring	(3)
5	3009283X1	4	Screw	M6X30
6	3716355M1	1	Safety Valve	
7	3790027M11	1	Kit, Joint	(6)
8	1441946X1	4	Screw	M8X75
9	3716357M1	1	Restrictor	
10	3716195M1	1	Plug	
11	831497M1	1	O Ring	Diameter 16,36X2,21MM
12	70923841	1	O Ring	Diameter 12,42X1,78MM
13	3384387M1	2	Pressure Intake	
14	3791109M1	1	Filter	[A]
	3791109M1	1	Filter	[B]
				Up to Serial or Engine Number H097013
	3792618M1	1	Filter	[B]
				From Serial or Engine Number H097014
15	831196M1	2	O Ring	(14)
16	842332M1	1	Gasket	(14)
17	3618662M1	1	Filter Insert	(14)
18	3000258X1	2	Screw Metric	[A]
				M10X40
	3000258X1	2	Screw Metric	[B]
				M10X40
				Up to Serial or Engine Number H097013
	1440351X1	2	Screw Metric	[B]
				M10X35
				From Serial or Engine Number H097014
19	3618663M3	1	Indicator	
20	831497M1	1	O Ring	(19)
				Diameter 16,4X2,2
21	70923841	1	O Ring	(19)
				Diameter 12,4X1,8
22	3019389X91	2	Union	[B]
				From Serial or Engine Number H097014
23	3019398X1	1	O Ring	(22)

FOOTNOTE [A] WITH FULL POWERSHIFT

FOOTNOTE [B] WITH DYNASHIFT

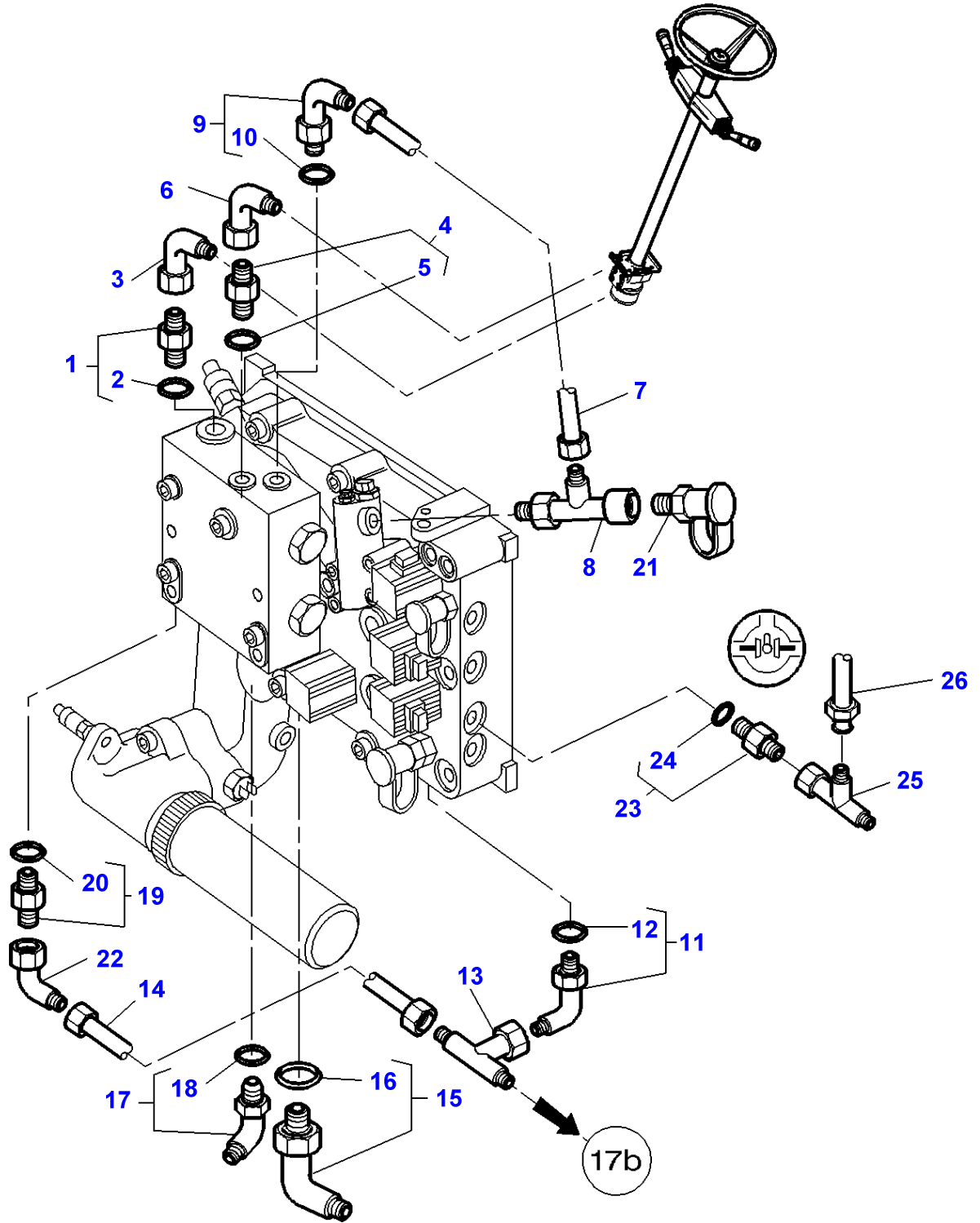
1-AP61-639-B



Item	Part Number	Qty	Description	Comments
1	3019658X91	1	Union	M22
2	3019398X1	1	O Ring	(1)
3	365233X1	1	Elbow	
4	3019379X91	1	Union	M14
5	3019395X1	1	O Ring	(4)
6	364603X1	1	Elbow	9/16"
7	3790074M91	1	Tube	
8	3712689M1	1	Union	
9	3019694X91	1	Union	M14
10	3019395X1	1	O Ring	(9)
11	3019416X91	1	Elbow	M18
12	3019397X1	1	O Ring	(11)
13	367261X1	1	Union	7/8"
14	3716780M92	1	Tube	
15	3019422X91	1	Union	
16	3019399X1	1	O Ring	(15) M33
17	3019584X91	1	Union	M14
18	3019395X1	1	O Ring	(17)
19	3019658X91	1	Union	M22
20	3019398X1	1	O Ring	(19)
21	3791611M1	1	Hydr Hose	
22	70921325	1	Elbow Nipple	7/8"
23	3019387X91	1	Union	M22
24	3019398X1	1	O Ring	(23)
25	3712707M1	1	Intake	
26	1442336X1	1	Nut	
27	3791579M2	1	Support	Up to Serial or Engine Number H097013
28	3581307M2	1	Pressure Valve	
29	3616259M1	1	Plug	(28)
30	365233X1	1	Elbow	
31	3019700X91	1	Union	3/4"/M14
32	3019394X1	1	O Ring	(31)
33	3791202M91	1	Tube	
34	364735X1	1	Union	3/4"
35	3792736M1	1	Support	From Serial or Engine Number H097014

MF 8170 TRACTOR - 1637359
1-AP61-638-B

1-AP61-638-B



Massey Ferguson**MF 8170 TRACTOR - 1637359**

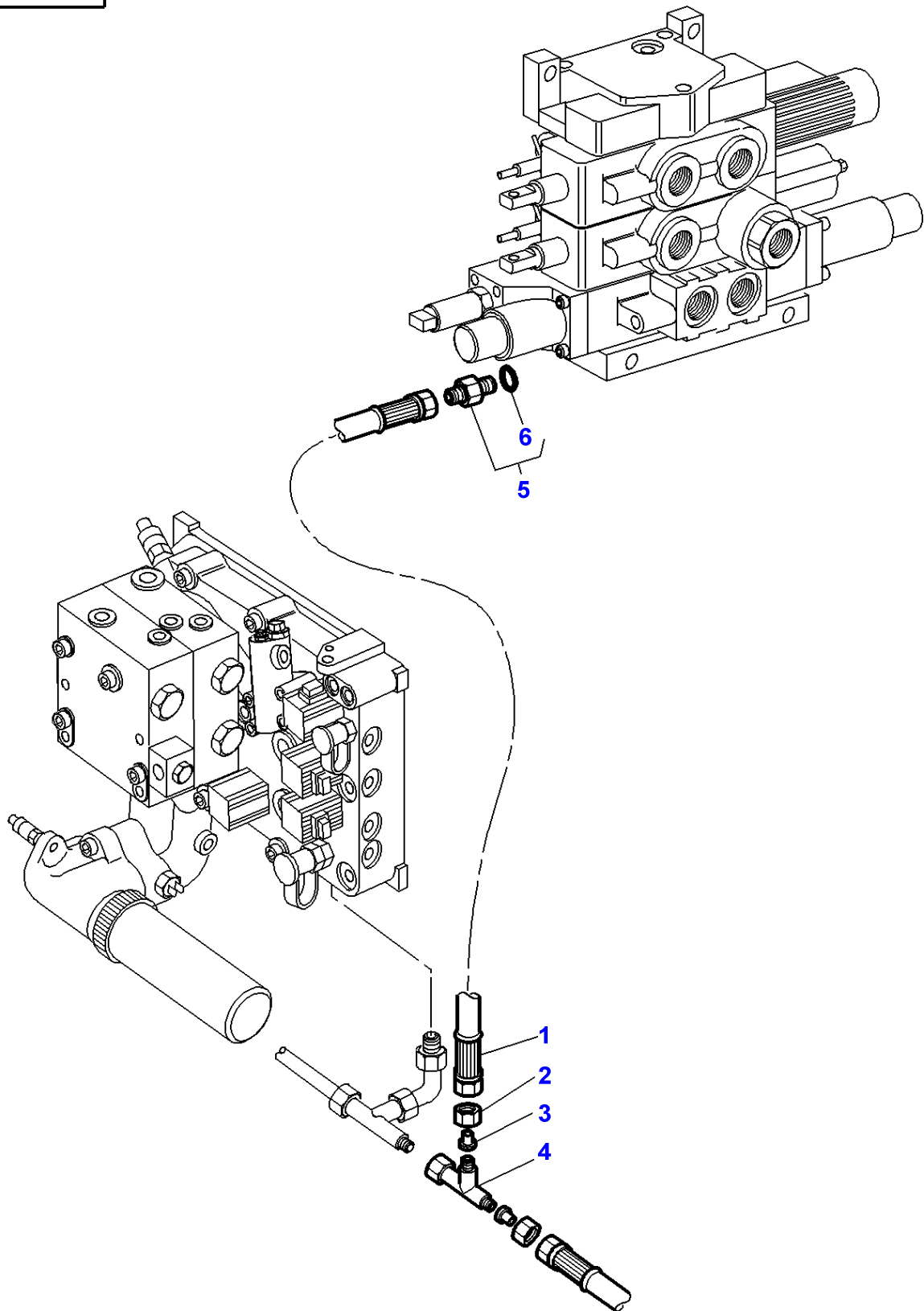
1637359

Hydraulics Load Sensing - Hydraulic Cover Rh - PUMP 45CC / Hydr. Lines / Without Tractor Braking

Page070-0055

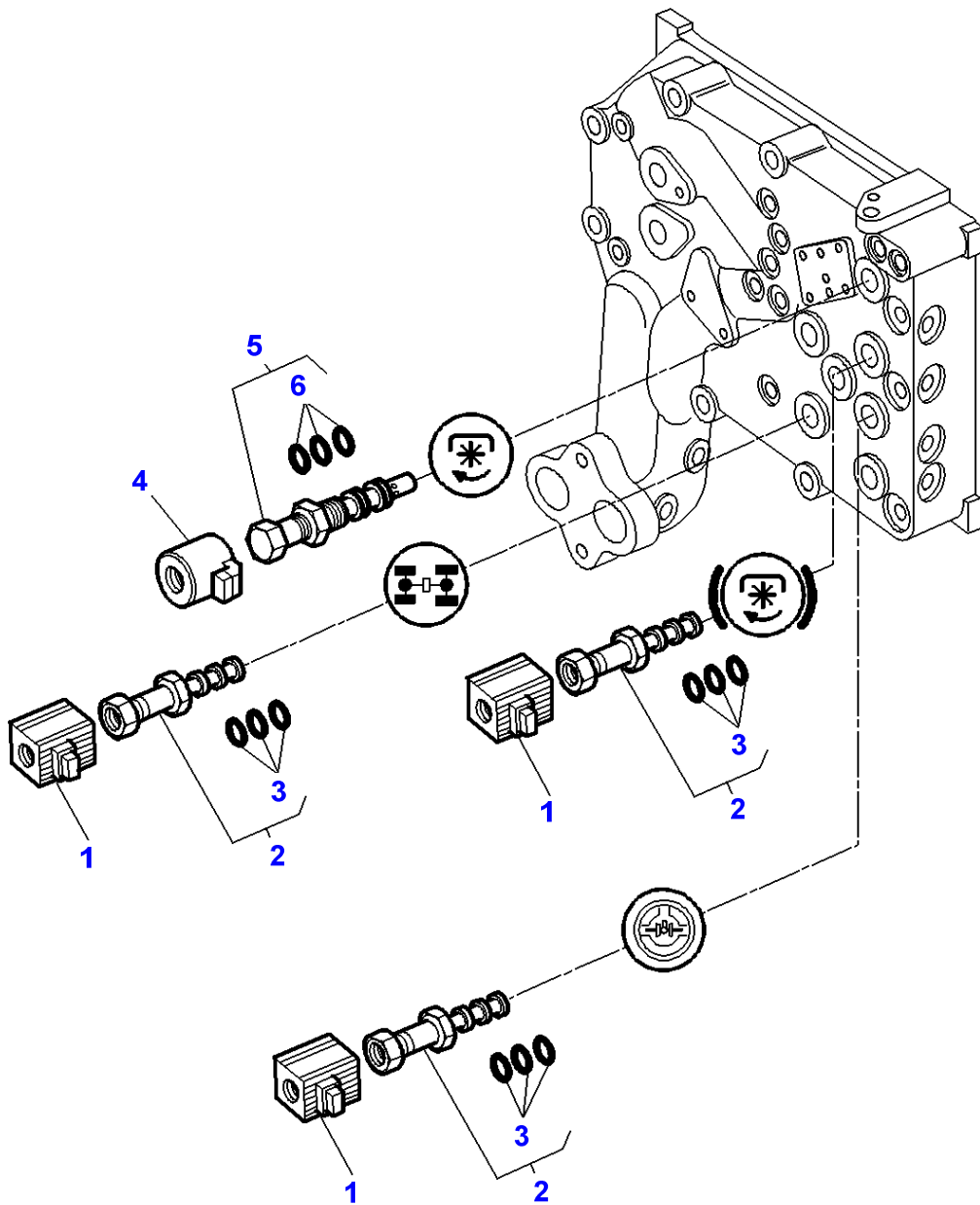
Item	Part Number	Qty	Description	Comments
1	3019658X91	1	Union	M22
2	3019398X1	1	O Ring	(1)
3	365233X1	1	Elbow	
4	3019379X91	1	Union	M14
5	3019395X1	1	O Ring	(4)
6	364603X1	1	Elbow	9/16"
7	3790074M91	1	Tube	
8	3712689M1	1	Union	
9	3019694X91	1	Union	M14
10	3019395X1	1	O Ring	(9)
11	3019416X91	1	Elbow	M18
12	3019397X1	1	O Ring	(11)
13	367261X1	1	Union	7/8"
14	3716780M92	1	Tube	
15	3019422X91	1	Union	
16	3019399X1	1	O Ring	(15) M33
17	3019584X91	1	Union	M14
18	3019395X1	1	O Ring	(17)
19	3019387X91	1	Union	M22
20	3019398X1	1	O Ring	(19)
21	3712707M1	1	Intake	
22	70921325	1	Elbow Nipple	7/8"
23	3019700X91	1	Union	3/4"/M14
24	3019394X1	1	O Ring	(23)
25	364735X1	1	Union	Four Wheel Drive 3/4"
26	3791202M91	1	Tube	

1-AP61-647-A



Item	Part Number	Qty	Description	Comments
1	3716399M1	1	Hydr Hose	
2	22576X	1	Union Nut	
3	356629X1	1	Reducer	
4	377218X1	1	Teepiece	
5	3019660X91	1	Union	
6	3019393X1	1	O Ring	(5)

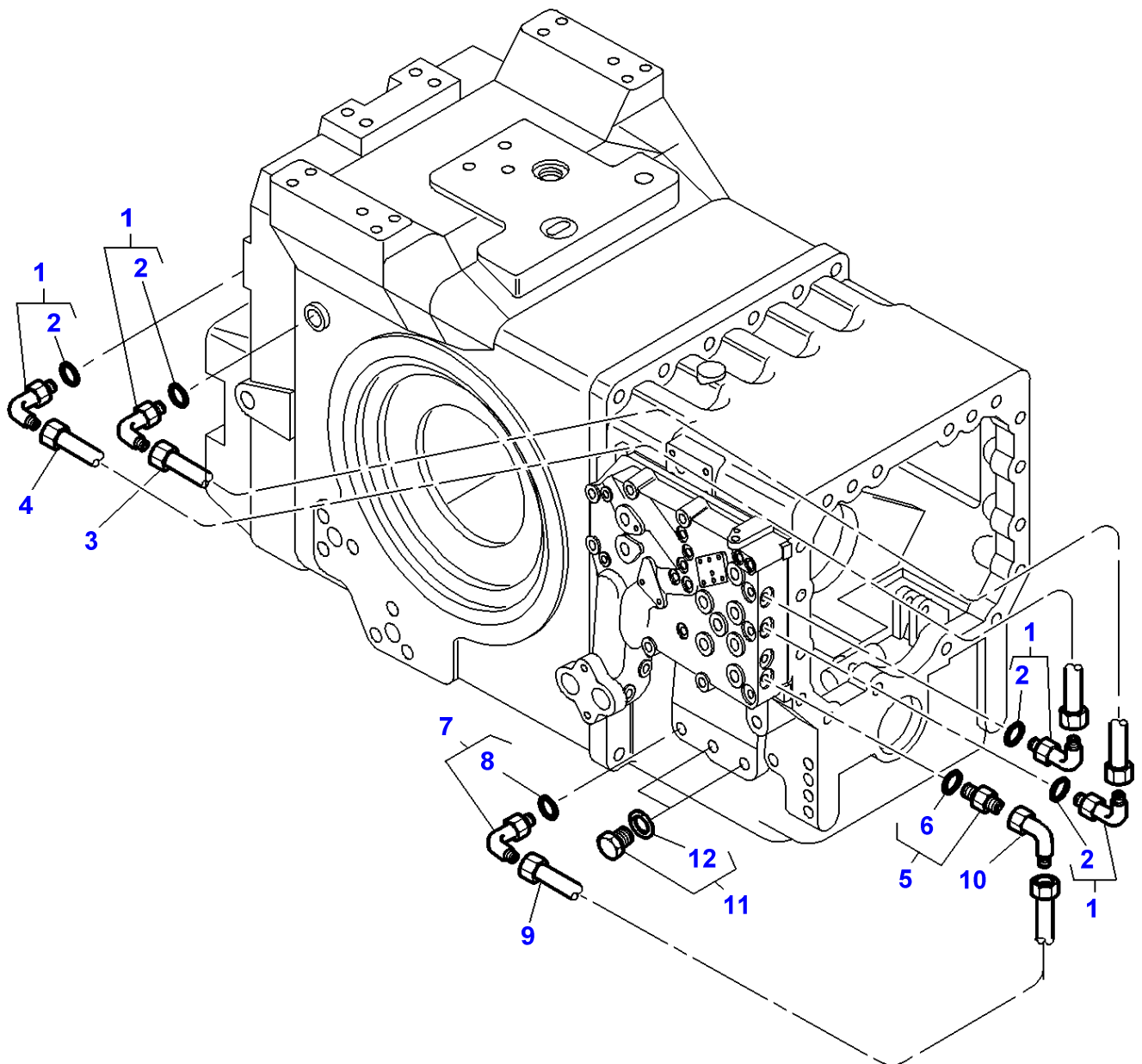
1-AP31-607-C



Massey Ferguson**MF 8170 TRACTOR - 1637359****1637359****Hydraulics - Hydraulic Cover Rh - PUMP 45CC / Electrovalves****Page070-0065**

Item	Part Number	Qty	Description	Comments
1	3619763M1	3	Solenoid	
2	3619762M1	3	Spool	
3	3900994M91	X	Kit, Joint	(2)
4	3791412M1	1	Solenoid	
5	3791413M1	1	Spool	
6	3902774M91	1	Kit, Joint	(5)

1-AP31-609-B

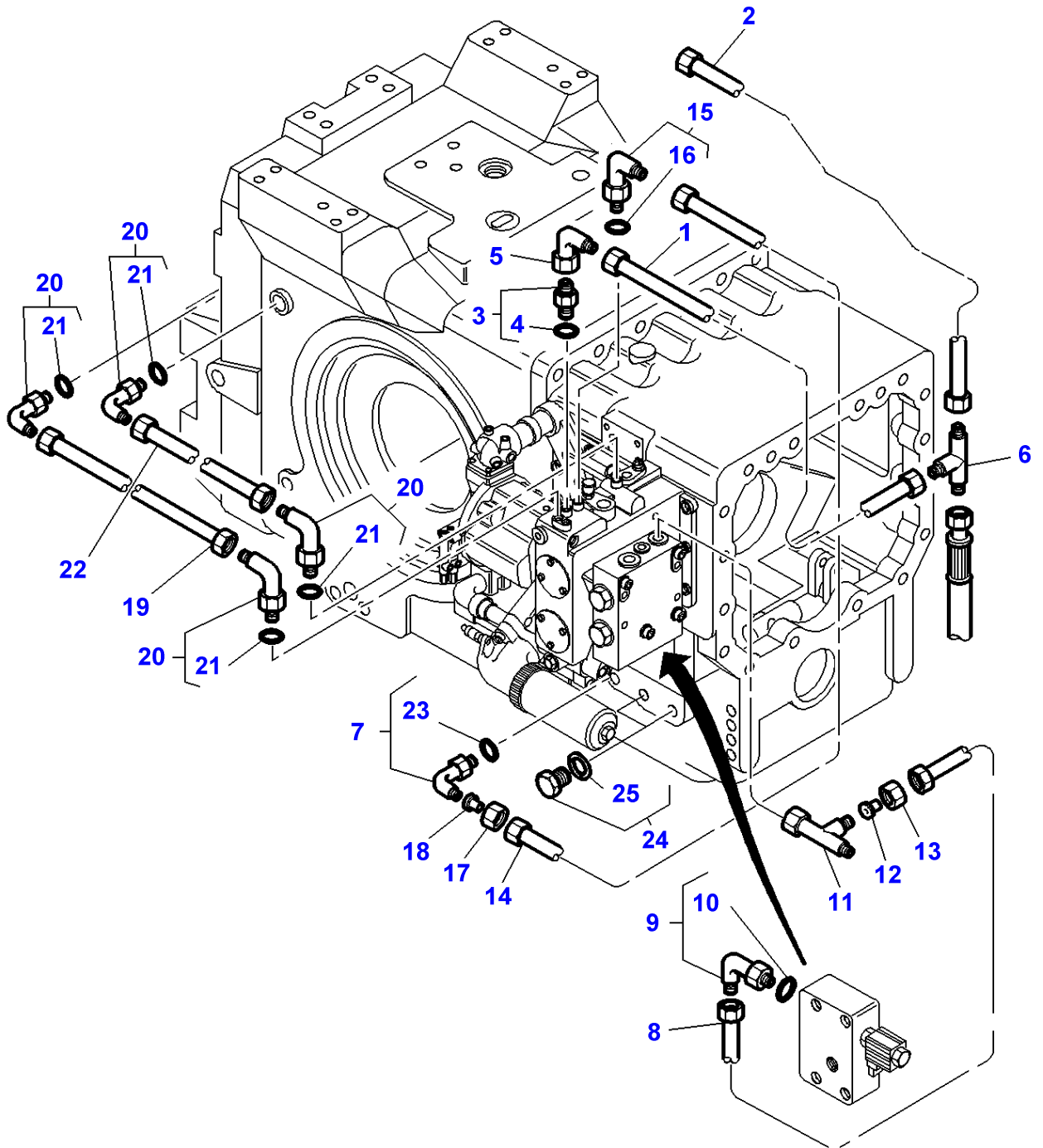


Massey Ferguson**MF 8170 TRACTOR - 1637359****1637359****Hydraulics - Hydraulic Cover Rh - PUMP 45CC / Hydr. Lines****Page070-0070**

Item	Part Number	Qty	Description	Comments
1	3019412X91	4	Elbow	
2	3019395X1	1	O Ring	(1)
3	3791375M91	1	Tube	
4	3791376M91	1	Tube	
5	3019700X91	1	Union	
6	3019394X1	1	O Ring	(5)
7	3385713M91	1	Union	
8	831497M1	1	O Ring	(7)
9	3791419M91	1	Tube	
10	365233X1	1	Elbow	
11	3019645X91	2	Plug	M22X1,5
12	3019398X1	1	O Ring	(11)

MF 8170 TRACTOR - 1637359
1-AP31-611-B

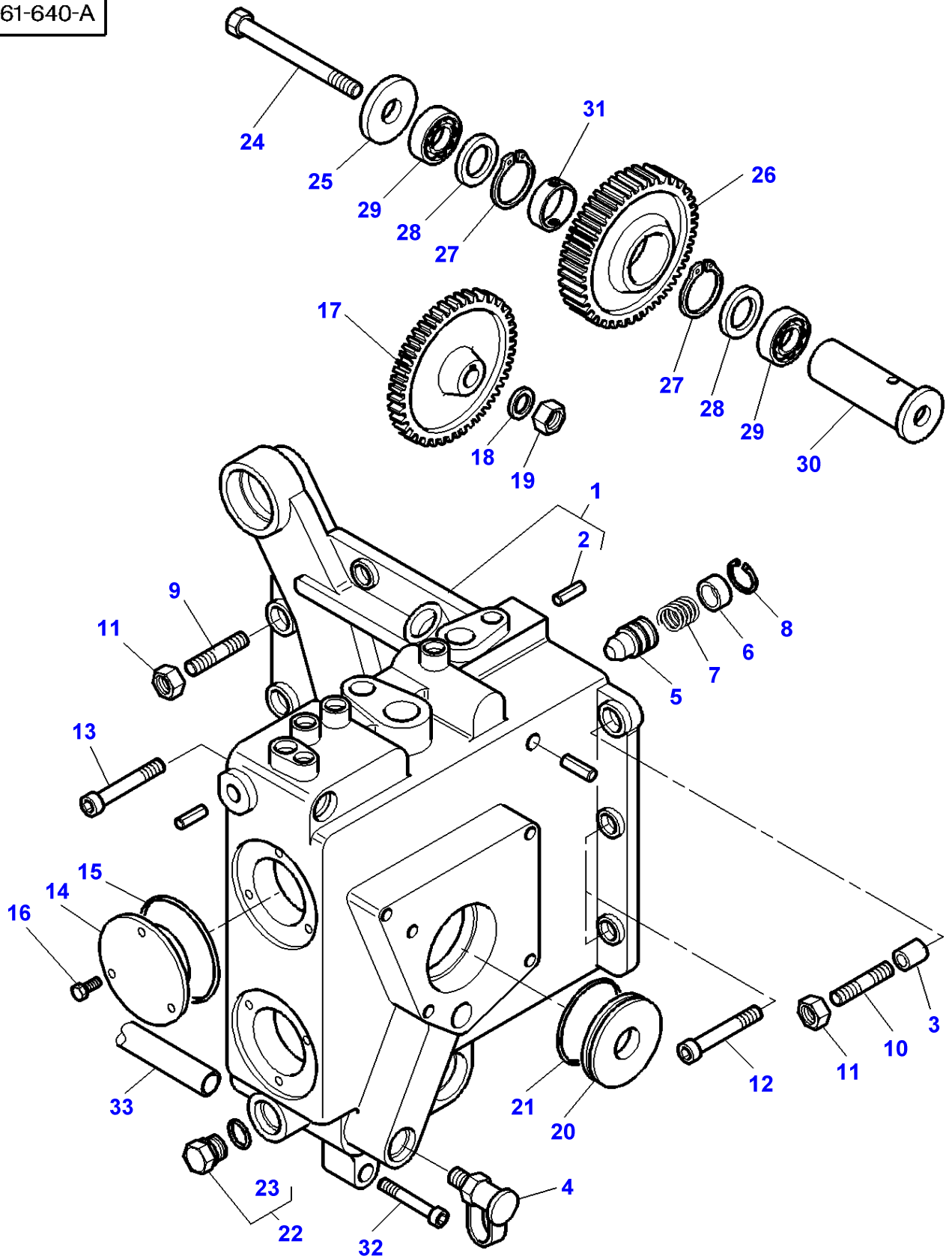
1-AP31-611-B



Item	Part Number	Qty	Description	Comments
1	3791713M1	1	Tube	
2	3791714M1	1	Tube	
3	3019381X91	1	Union	Diameter M16X3/4
4	3019396X1	1	O Ring	(3)
5	365233X1	1	Elbow	Diameter 3/4-16
6	356560X1	1	Teepiece	Diameter 3/4-16
7	3385713M91	1	Union	
8	3791718M1	1	Tube	
9	3019412X91	1	Elbow	Diameter M14
10	3019395X1	1	O Ring	(9)
11	364735X1	1	Union	Diameter 3/4-16
12	380003X1	1	Union	Diameter 1/2-20 /12X8
13	338773X1	1	Olive	
14	3791717M1	1	Tube	
15	3019412X91	1	Elbow	Diameter M14
16	3019395X1	1	O Ring	(15)
17	195960M1	1	Nut	Diameter 3/4
18	356627X1	1	Adaptor	Diameter 9/16-18 /12X10
19	3791715M1	1	Tube	
20	3019412X91	4	Elbow	
21	3019395X1	1	O Ring	(20)
22	3791712M1	1	Tube	
23	831497M1	1	O Ring	(7)
24	3019645X91	2	Plug	M22X1,5
25	3019398X1	1	O Ring	(24)

MF 8170 TRACTOR - 1637359
1-AP61-640-A

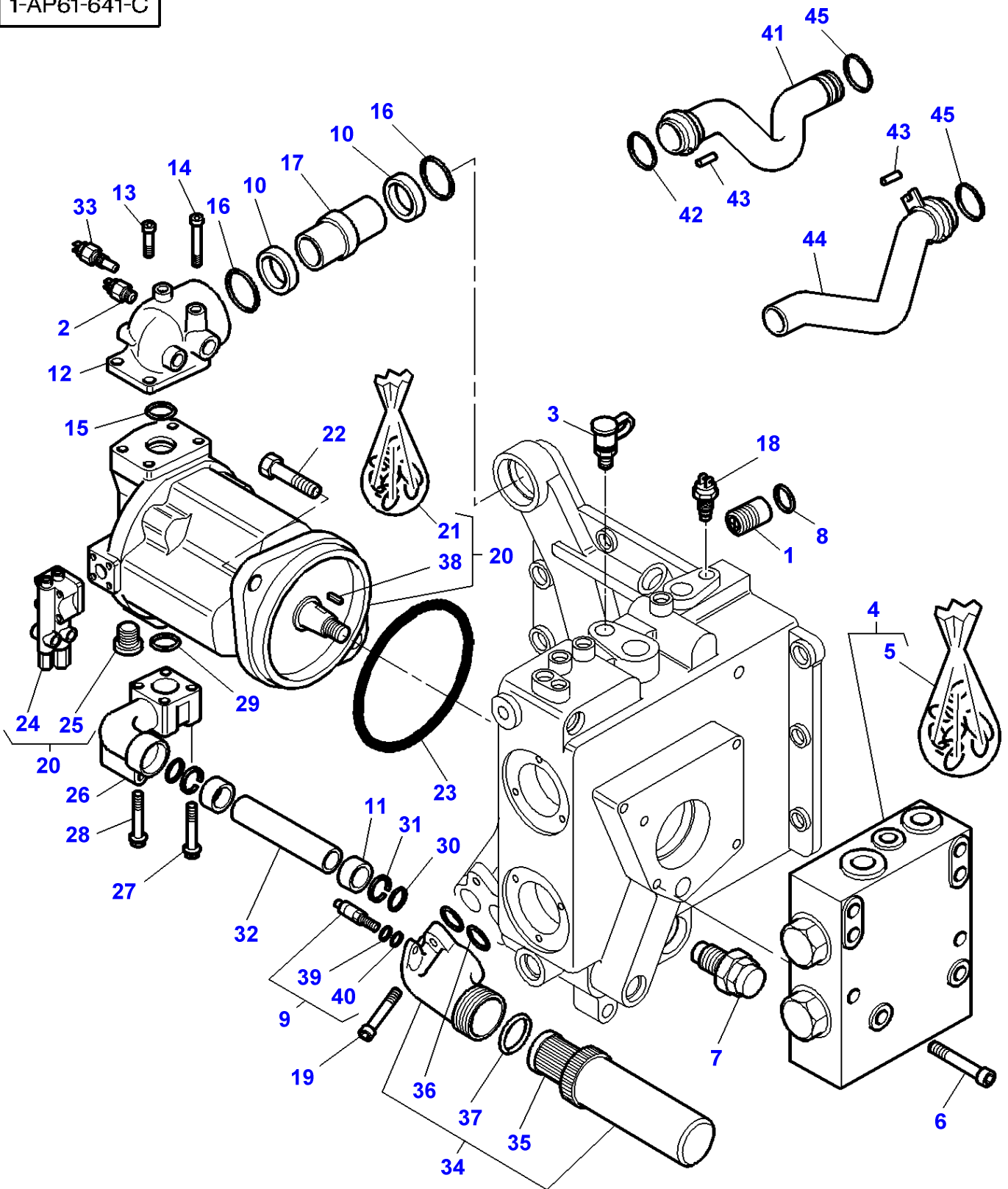
1-AP61-640-A



Item	Part Number	Qty	Description	Comments
1	3716732M11	1	Cover	
2	3712249M1	3	Plug	(1)
3	3000705X1	2	Pin	Diameter 16X18
4	3384387M1	1	Pressure Intake	
5	3715616M1	1	Non Return Valve	22 BARS
6	3715618M1	1	Cup	
7	3715619M1	1	Spring	
8	1441785X1	1	Clip	
9	3019897X1	2	Stud	M12X32
10	1440029X1	2	Stud	M12X38
11	3009695X1	4	Nut	
12	1440356X1	3	Screw Metric	M12X30
13	3009301X1	1	Screw Metric	M12X80
14	3716746M1	2	Cover	
15	3019920X1	2	O Ring	
16	339560X1	6	Hex. Sock. Screw	M6X16
17	3791889M1	1	Pinion	Number of teeth/spines 77
18	11298X	1	Washer	
19	355647X1	1	Nut Unf	M12
20	3716747M1	1	Cover	
21	3580247M1	1	O Ring	
22	3019645X91	1	Plug	
23	3019398X1	1	O Ring	(22)
24	3010448X1	1	Screw	M12X140
25	3618971M2	1	Washer	
26	3716735M1	1	Pinion	Number of teeth/spines 80
27	1440480X1	2	Circlip	
28	3716741M1	X	Chock	Thickness 0,1MM
	3716742M1	X	Chock	Thickness 0,2MM
	3716743M1	X	Chock	Thickness 0,5MM
29	339481X1	2	Bearing Taper	
30	3716738M1	1	Clevis Pin	
31	3716739M1	1	Spacer	
32	1440352X1	2	Bolt	M10X60
33	3791844M1	1	Draglink	

MF 8170 TRACTOR - 1637359
1-AP61-641-C

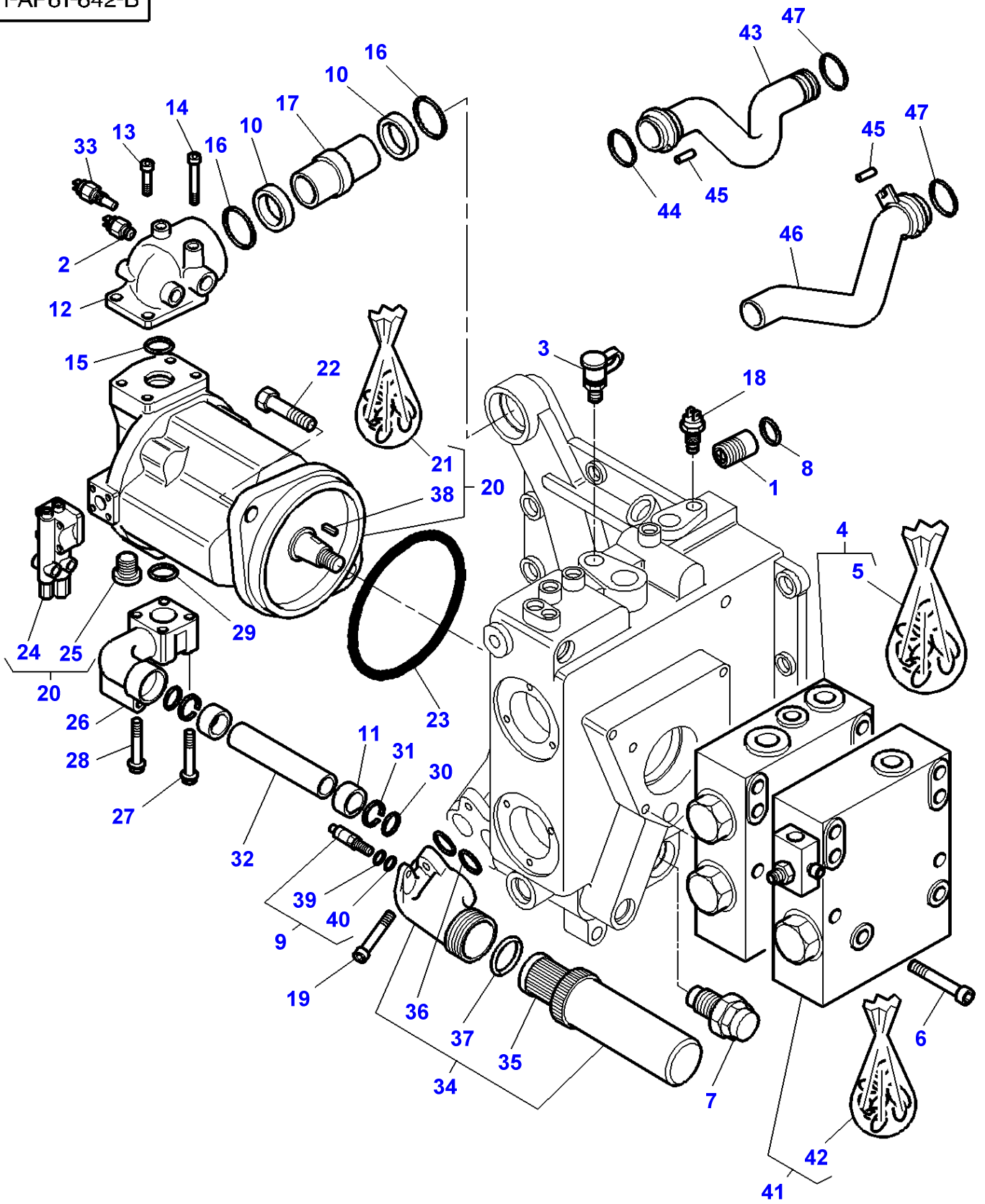
1-AP61-641-C



Item	Part Number	Qty	Description	Comments
1	3715621M92	1	Non Return Valve	Up to Serial or Engine Number 03/98 5 BARS
	3792040M91	1	Non Return Valve	From Serial or Engine Number 04/98 5 BARS
2	3712668M2	1	Switch,Indirect	
3	3384387M1	1	Pressure Intake	
4	3716355M1	1	Safety Valve	
5	3790027M11	1	Kit, Joint	(4)
6	1441946X1	4	Screw	M8X75
7	3716357M1	1	Restrictor	
8	359300X1	1	O Ring	
9	3618663M3	1	Indicator	
10	3716748M1	2	Gasket	
11	3790863M1	2	Gasket	
12	3716737M2	1	Manifold	
13	3009299X1	2	Screw Metric	M12X25
14	3009300X1	2	Screw	M12X70
15	835130M1	1	O Ring	
16	370087X1	2	O Ring	
17	3716744M1	1	Tube	
18	3381387M4	1	Low Pr.Oil Trmtr	
19	3000258X1	2	Screw Metric	M10X40
20	3790900M1	1	Pump	60CM3/RPM
21	3903018M91	1	Kit, Joint	(20)
22	390419X1	2	Hex. Sock. Screw	M16X40
23	70923591	1	O Ring	
24	3903022M1	1	Adjuster	(20)
25	3903019M1	1	Plug	(20)
26	3791912M1	1	Manifold	
27	3009292X1	2	Screw	Up to Serial or Engine Number 03/98 M10X25
28	1440352X1	2	Bolt	Up to Serial or Engine Number 03/98 M10X60
	3811722M1	4	Bolt	From Serial or Engine Number 04/98 M10X70
29	1001465M1	1	Ring	Up to Serial or Engine Number 03/98
	359306X1	1	O Ring	From Serial or Engine Number 04/98
30	3010466X1	2	Gasket	Up to Serial or Engine Number 03/98
	3010827X1	2	O Ring	From Serial or Engine Number 04/98
31	3010709X1	2	Bush	
32	3716745M1	1	Tube	
33	3790121M1	1	Thermocontact	Up to Serial or Engine Number 09/99
34	3618661M1	1	Filter	
35	3618662M1	1	Filter Insert	(34)
36	842332M1	1	Gasket	(34)
37	831196M1	2	O Ring	(34)
38	3903021M1	1	Key	(20)
39	831497M1	1	O Ring	(9) Diameter 16,4X2,2
40	70923841	1	O Ring	(9) Diameter 12,4X1,8
41	3716376M92	1	Tube	
42	3389745M1	1	Gasket	
43	1441722X1	2	Pin	Diameter 3X16MM
44	3716377M91	1	Tube	
45	364777X1	2	O Ring	

MF 8170 TRACTOR - 1637359
1-AP61-642-B

1-AP61-642-B



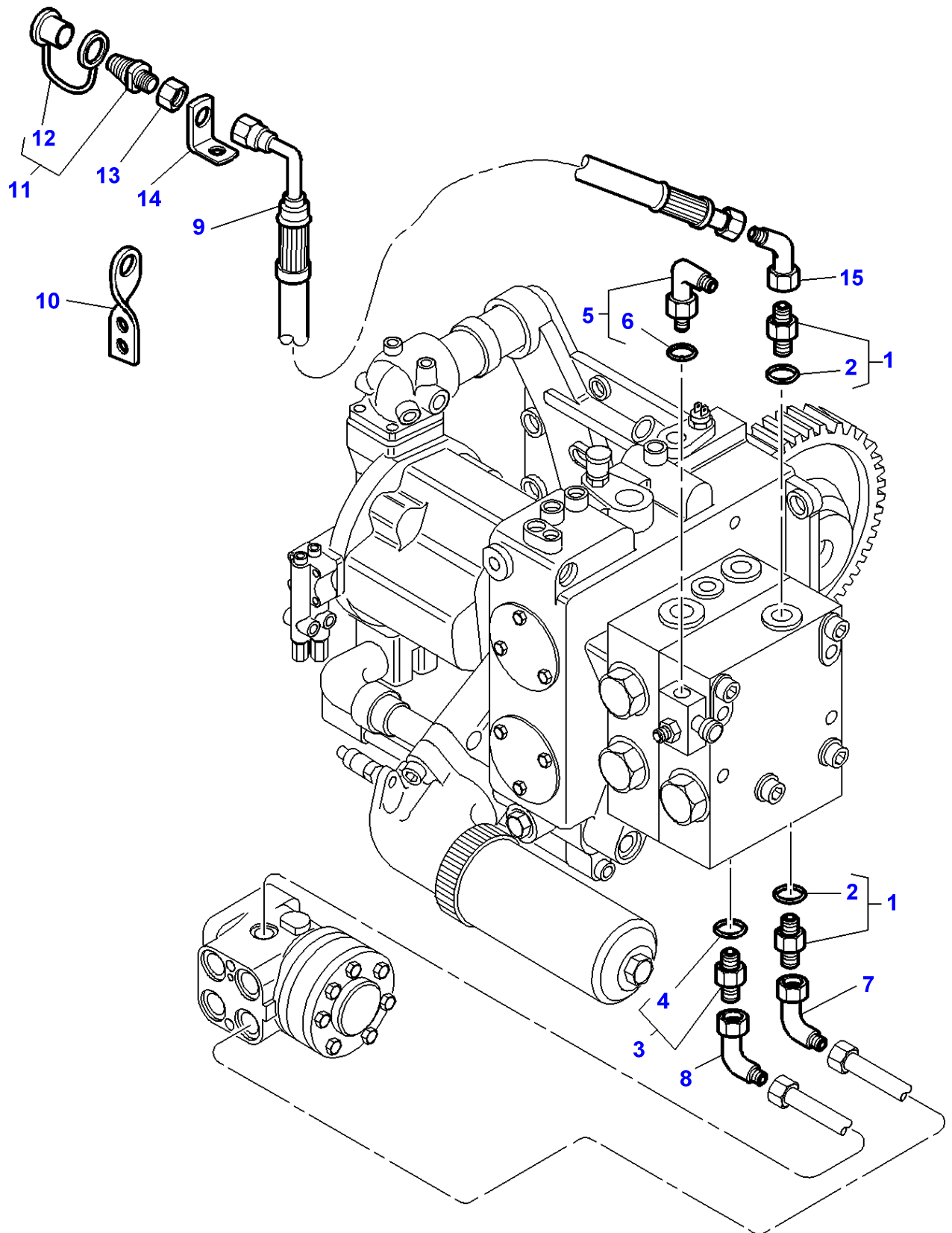
Item	Part Number	Qty	Description	Comments
1	3715621M92	1	Non Return Valve	Up to Serial or Engine Number 03/98 5 BARS
	3792040M91	1	Non Return Valve	From Serial or Engine Number 04/98 5 BARS
2	3712668M2	1	Switch, Indirect	
3	3384387M1	1	Pressure Intake	
4	3790025M1	1	Safety Valve	[B]
5	3790027M11	1	Kit, Joint	(4)
6	3015017X1	4	Screw	M8X135
7	3716357M1	1	Restrictor	
8	359300X1	1	O Ring	
9	3618663M3	1	Indicator	
10	3716748M1	2	Gasket	
11	3790863M1	2	Gasket	
12	3716737M2	1	Manifold	
13	3009299X1	2	Screw Metric	M12X25
14	3009300X1	2	Screw	M12X70
15	835130M1	1	O Ring	
16	370087X1	2	O Ring	
17	3716744M1	1	Tube	
18	3381387M4	1	Low Pr.Oil Trmtr	
19	3000258X1	2	Screw Metric	M10X40
20	3790900M1	1	Pump	60CM3/RPM
21	3903018M91	1	Kit, Joint	(20)
22	390419X1	2	Hex. Sock. Screw	M16X40
23	70923591	1	O Ring	
24	3903022M1	1	Adjuster	(20)
25	3903019M1	1	Plug	(20)
26	3791912M1	1	Manifold	
27	3009292X1	2	Screw	Up to Serial or Engine Number 03/98 M10X25
28	1440352X1	2	Bolt	Up to Serial or Engine Number 03/98 M10X60
	3811722M1	4	Bolt	From Serial or Engine Number 04/98 M10X70
29	1001465M1	1	Ring	Up to Serial or Engine Number 03/98
	359306X1	1	O Ring	From Serial or Engine Number 04/98
30	3010466X1	2	Gasket	Up to Serial or Engine Number 03/98
	3010827X1	2	O Ring	From Serial or Engine Number 04/98
31	3010709X1	2	Bush	
32	3716745M1	1	Tube	
33	3790121M1	1	Thermocontact	Up to Serial or Engine Number 09/99
34	3618661M1	1	Filter	
35	3618662M1	1	Filter Insert	(34)
36	842332M1	1	Gasket	(34)
37	831196M1	2	O Ring	(34)
38	3903021M1	1	Key	(20)
39	831497M1	1	O Ring	(9) Diameter 16,4X2,2
40	70923841	1	O Ring	(9) Diameter 12,4X1,8
41	3790036M1	1	Safety Valve	[C]
42	3902094M91	1	Kit, Joint	(41)
43	3716376M92	1	Tube	
44	3389745M1	1	Gasket	
45	1441722X1	2	Pin	Diameter 3X16MM
46	3716377M91	1	Tube	
47	364777X1	2	O Ring	

FOOTNOTE [B] STEERING

FOOTNOTE [C] BRAKING

MF 8170 TRACTOR - 1637359
1-AP61-645-B

1-AP61-645-B

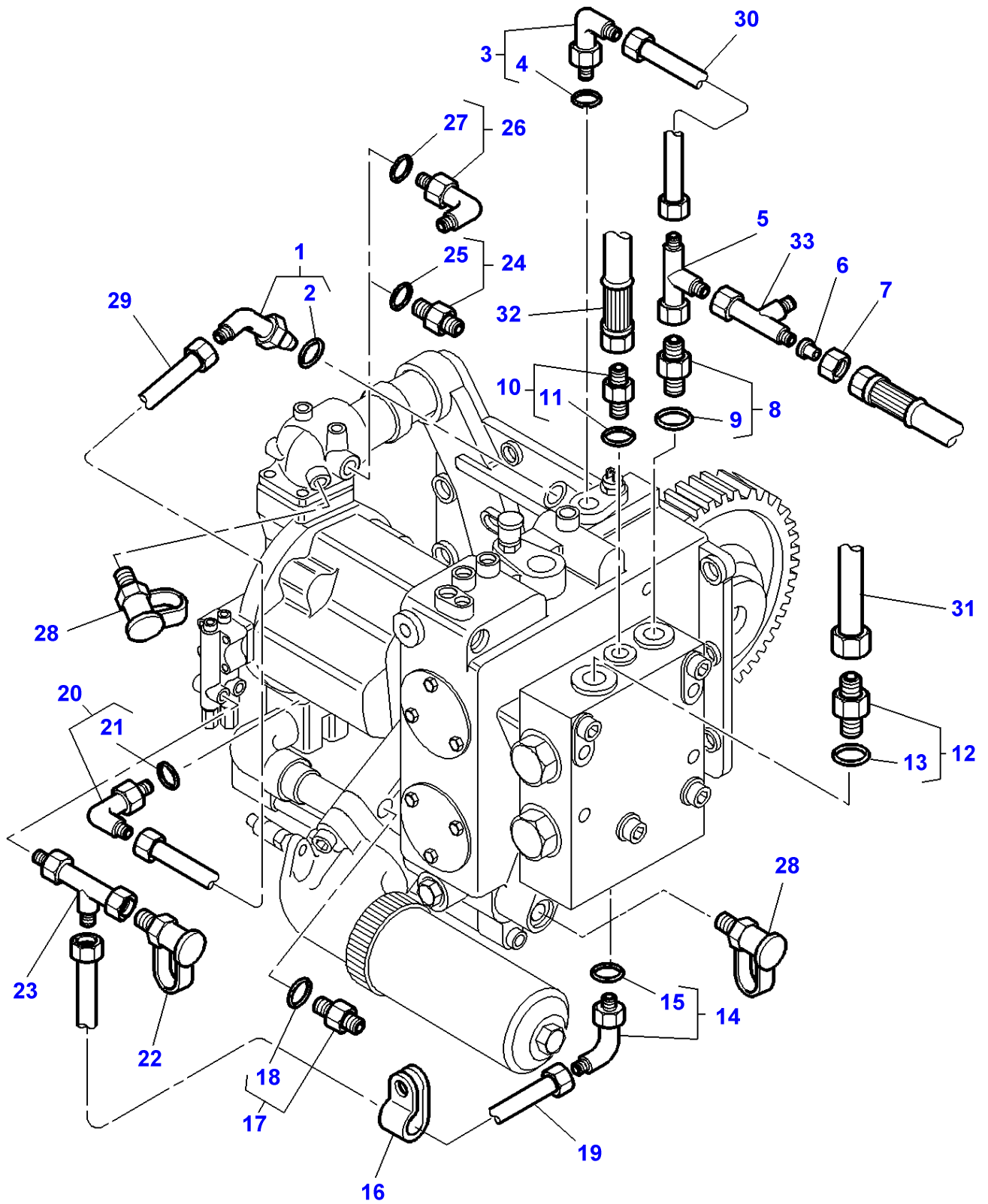


Massey Ferguson**MF 8170 TRACTOR - 1637359****1637359****Hydraulics Load Sensing - Hydraulic Cover Rh - PUMP 60CC / Hydr. Lines / With Tractor Braking****Page070-0095**

Item	Part Number	Qty	Description	Comments
1	3019658X91	2	Union	Diameter M22-3/4
2	3019398X1	1	O Ring	(1)
3	3019379X91	1	Union	Diameter M14X9/16
4	3019395X1	1	O Ring	(3)
5	3019694X91	1	Union	Diameter M14X1/2
6	3019395X1	1	O Ring	(5)
7	365233X1	1	Elbow	
8	364603X1	1	Elbow	
9	3792041M1	1	Hydr Hose	
10	3791579M2	1	Support	Up to Serial or Engine Number H097013
11	3581307M2	1	Pressure Valve	
12	3616259M1	1	Plug	(11)
13	1442336X1	1	Nut	
14	3792736M1	1	Support	From Serial or Engine Number H097014
15	366665X1	1	Elbow	From Serial or Engine Number 03/99

MF 8170 TRACTOR - 1637359
1-AP61-644-A

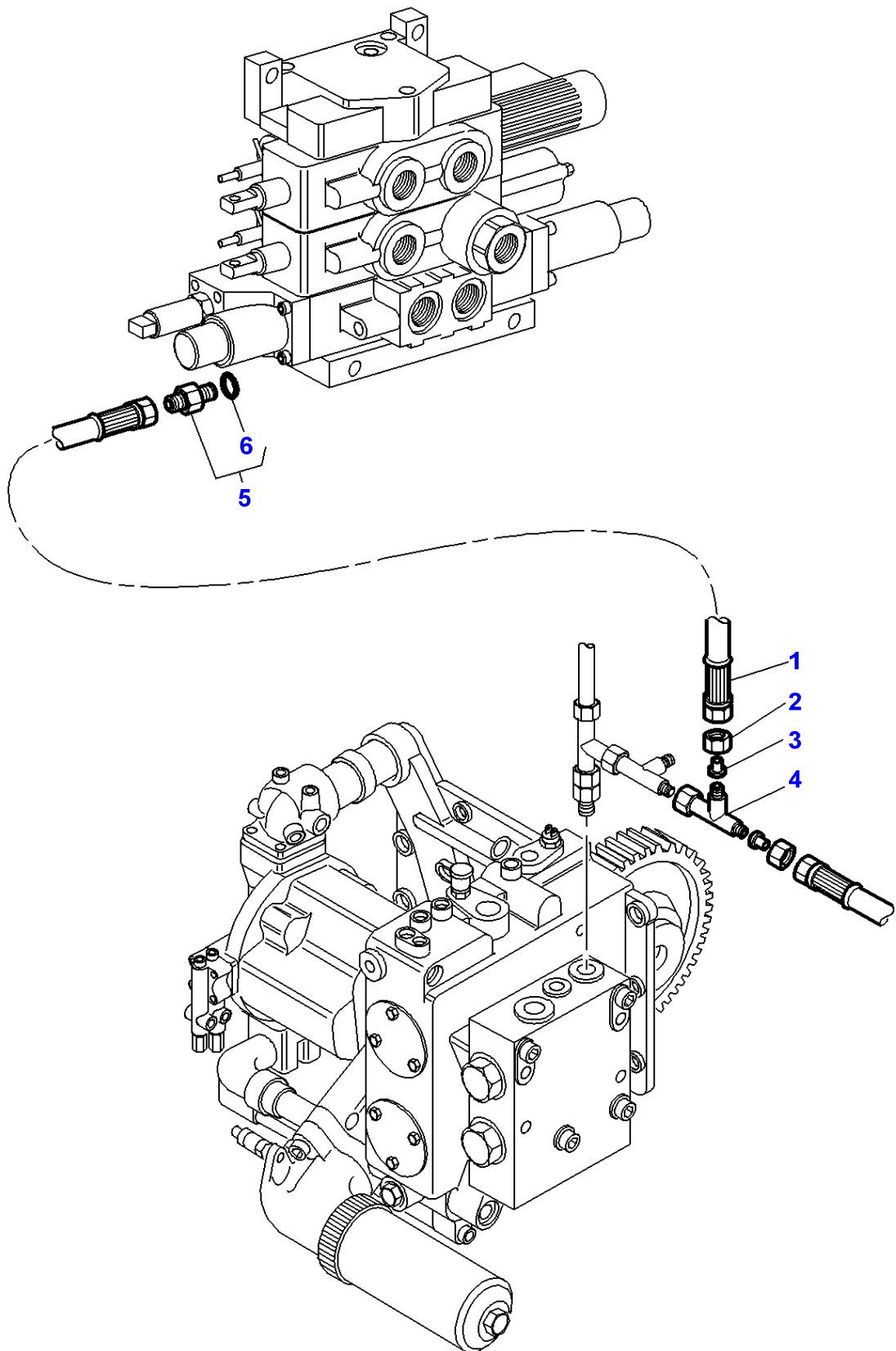
1-AP61-644-A



TR AILOR BRAKING

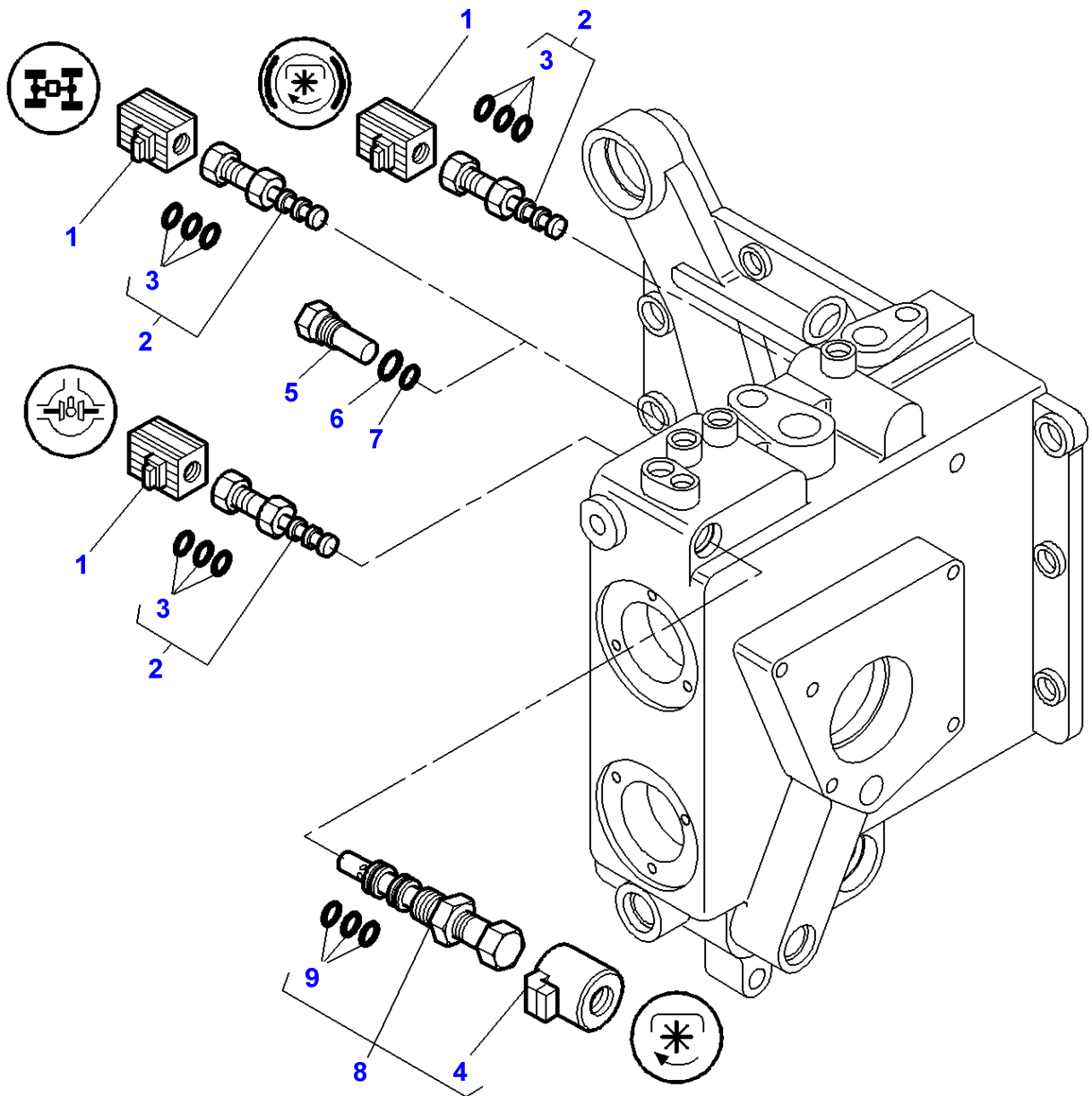
Item	Part Number	Qty	Description	Comments
1	3019418X91	1	Elbow Nipple	Diameter M22X7:8
2	3019398X1	1	O Ring	(1)
3	3019414X91	1	Union	Diameter M16X3/4
4	3019396X1	1	O Ring	(3)
5	364735X1	1	Union	
6	356627X1	1	Adaptor	Diameter 3/4X9/16
7	338773X1	1	Olive	Diameter 3/4
8	3019658X91	1	Union	Diameter M22-3/4
9	3019398X1	1	O Ring	(9)
10	3019379X91	1	Union	Diameter M14X9/16
11	3019395X1	1	O Ring	(10)
12	3019391X91	1	Union	Diameter M33X1"5/16
13	3019399X1	1	O Ring	(12)
14	3019694X91	1	Union	Diameter M14X1/2
15	3019395X1	1	O Ring	(14)
16	3581132M1	1	Clamp	
17	3019381X91	1	Union	Diameter M16X3/4
18	3019399X1	1	O Ring	(17)
19	3791710M1	1	Tube	
20	835007M91	1	Elbow	Diameter 7/8X7/8
21	1882958M1	1	O Ring	(20)
22	3712707M1	1	Intake	
23	3712689M1	1	Union	
24	3019385X91	1	Union	Up to Serial or Engine Number 03/98 Diameter M18X7/8
25	3019397X1	1	O Ring	(24)
26	3019416X91	1	Elbow	From Serial or Engine Number 04/98 Diameter M18X7/8
27	3019397X1	1	O Ring	(26)
28	3384387M1	2	Pressure Intake	
29	3792313M1	1	Tube	
30	3791711M1	1	Tube	
31	3791709M1	1	Tube	
32	3792042M1	1	Hydr Hose	
33	364735X1	1	Union	Diameter 3/4-16

1-AP61-646-A



Item	Part Number	Qty	Description	Comments
1	3716399M1	1	Hydr Hose	Length 1360MM
2	338773X1	1	Olive	
3	356627X1	1	Adaptor	
4	364735X1	1	Union	
5	3019660X91	1	Union	
6	3019393X1	1	O Ring	(5)

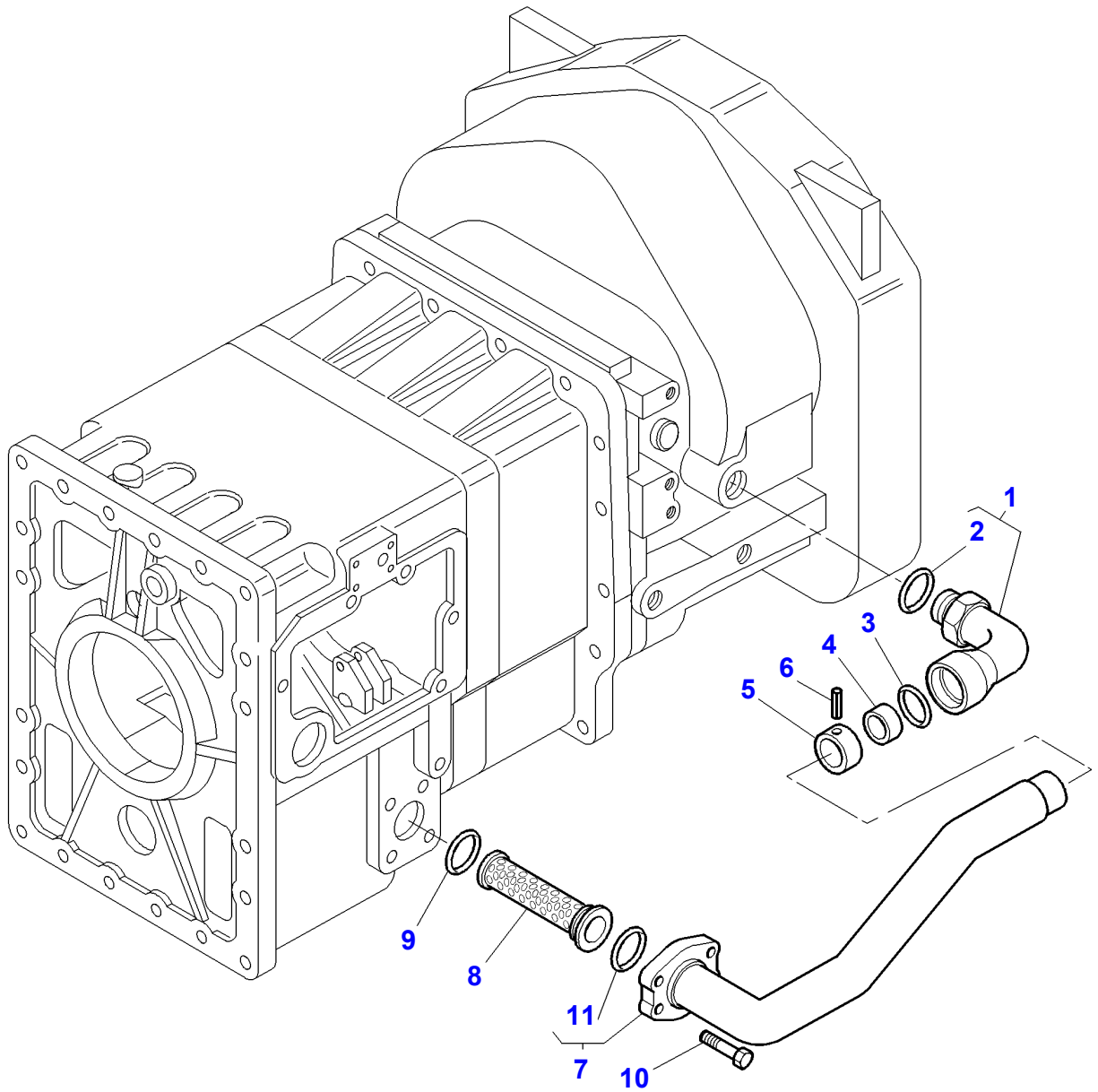
1-AP31-608-C



Massey Ferguson**MF 8170 TRACTOR - 1637359****1637359****Hydraulics - Hydraulic Cover Rh - PUMP 60CC / Electrovalves****Page070-0110**

Item	Part Number	Qty	Description	Comments
1	3619763M1	3	Solenoid	
2	3619762M1	3	Spool	
3	3900994M91	X	Kit, Joint	(2)
4	3791412M1	1	Solenoid	(8)
5	3381874M1	1	Plug	Two Wheel Drive
6	831497M1	1	O Ring	Two Wheel Drive
7	363510X1	1	O Ring	Two Wheel Drive
8	3793575M1	1	Electrovalve	Replace and repair. Old not interchangeable with new 3791399m91
9	3902774M92	1	Kit, Joint	(8)

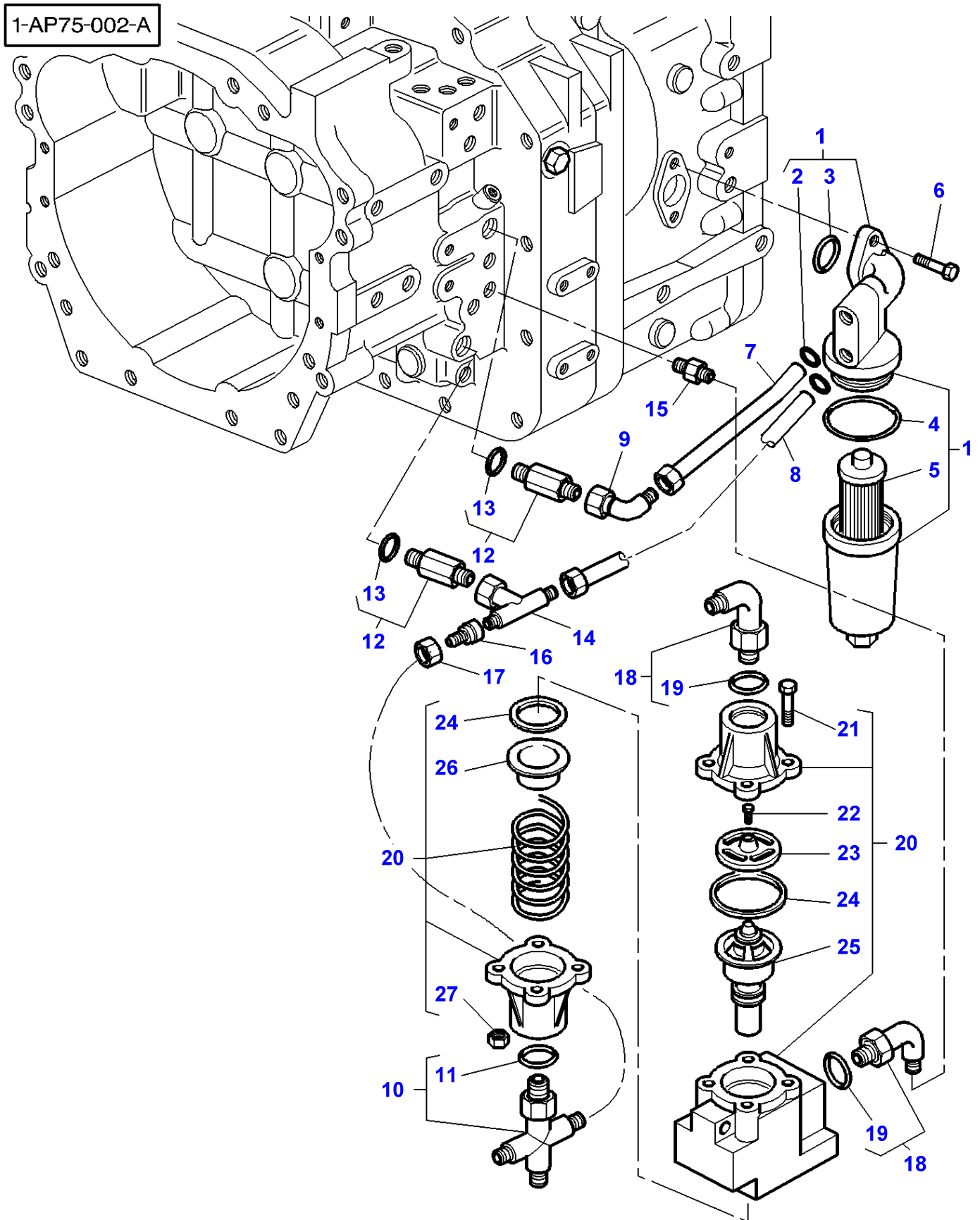
1-AP75-001-B



Massey Ferguson**MF 8170 TRACTOR - 1637359****1637359****Hydraulic Circuit Lube Systeme - With Full Powershift****Page070-0115**

Item	Part Number	Qty	Description	Comments
1	3716901M1	1	Bridle	
2	831504M1	1	O Ring	(1)
3	852140M1	1	O Ring	
4	3716902M1	1	Gasket	
5	3716903M1	1	Bush	
6	3009351X1	1	Screw	M6x8
7	3716908M92	1	Tube	
8	3716334M1	1	Strainer	
9	1006234M1	1	O Ring	
10	1440356X1	4	Screw Metric	M12X30
11	3716358M1	1	Seal	(7)

MF 8170 TRACTOR - 1637359
1-AP75-002-A

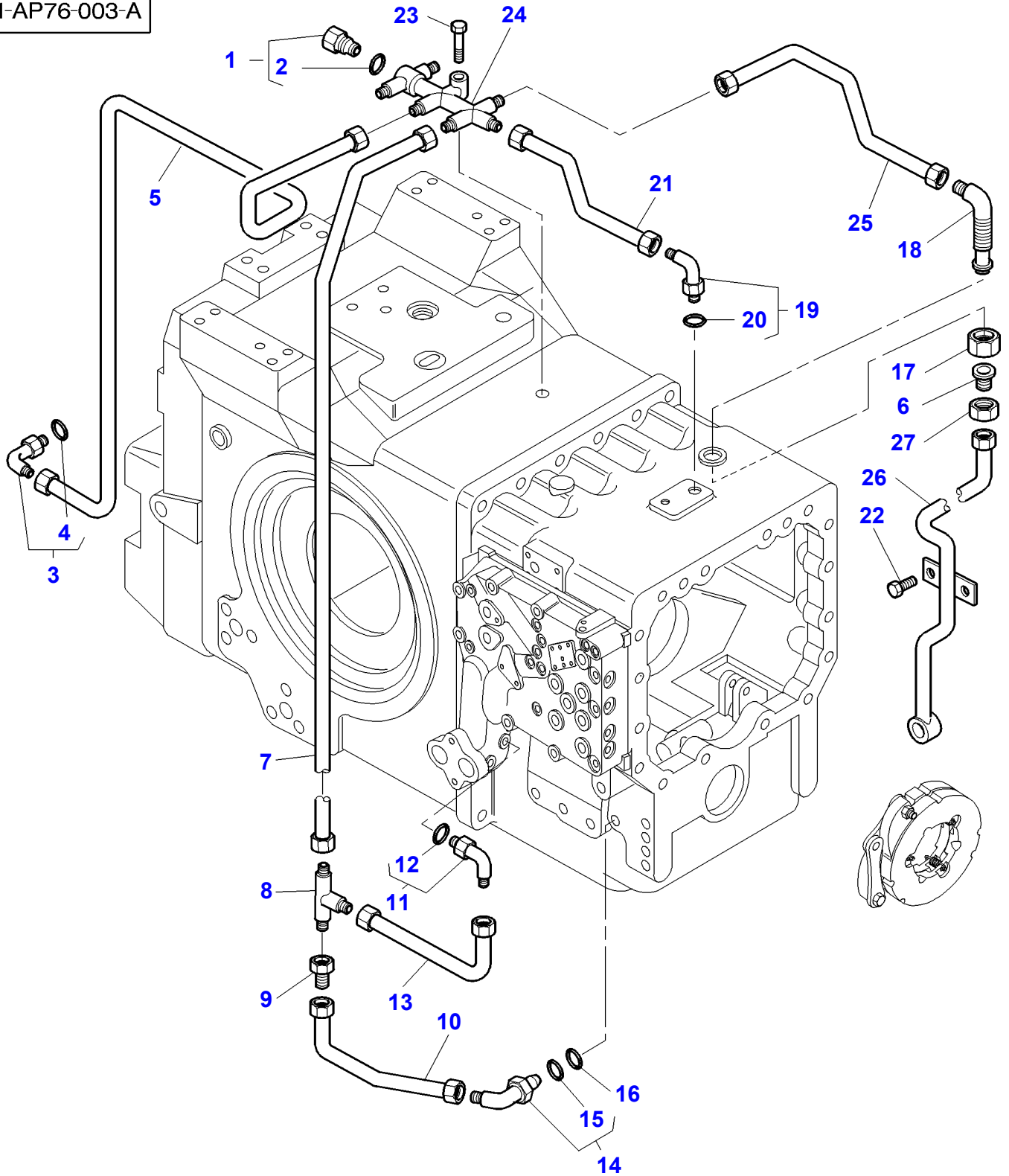


Item	Part Number	Qty	Description	Comments
1	3791110M2	1	Filter	
2	70924776	2	O Ring	(1)
3	377353X1	1	O Ring	(1)
4	842332M1	1	Gasket	(1)
5	3618662M1	1	Filter Insert	(1)
6	1440356X1	2	Screw Metric	M12x30
7	3790875M1	1	Tube	Up to Serial or Engine Number G271035
	3791875M1	1	Tube	From Serial or Engine Number G271036
8	3790876M1	1	Tube	Up to Serial or Engine Number G271035
	3791876M1	1	Tube	From Serial or Engine Number G271036
9	367277X1	1	Elbow	Diameter 1"5/16-12
10	3791174M1	1	Union	
11		1	O Ring	[A] (10)
12	3791393M91	2	Union	Diameter 1"5/16-12
13	835026M1	1	O Ring	(12)
14	373793X1	1	Teepiece	Diameter 1"5/16-12
15	3790887M1	1	Union	Diameter 1"5/16 Diameter 1"1/16-18
16	356633X1	1	Adaptor	
17	375048X1	1	Nut	
18	3791206M1	2	Union	
19		1	O Ring	[A] (18)
20	3790883M1	1	Pressure Valve	
21	70934293	4	Bolt	(20)
22	72514302	1	Screw	(20)
23	72514301	1	Washer	(20)
24	72511856	2	Seal	(20)
25	72514303	1	Pressure Valve	(20)
26	72511858	1	Seal	(20)
27	70923358	4	Nut	(20)

FOOTNOTE [A] NUMBER TO BE ADVISED

MF 8170 TRACTOR - 1637359
1-AP76-003-A

1-AP76-003-A



Massey Ferguson**MF 8170 TRACTOR - 1637359**

1637359

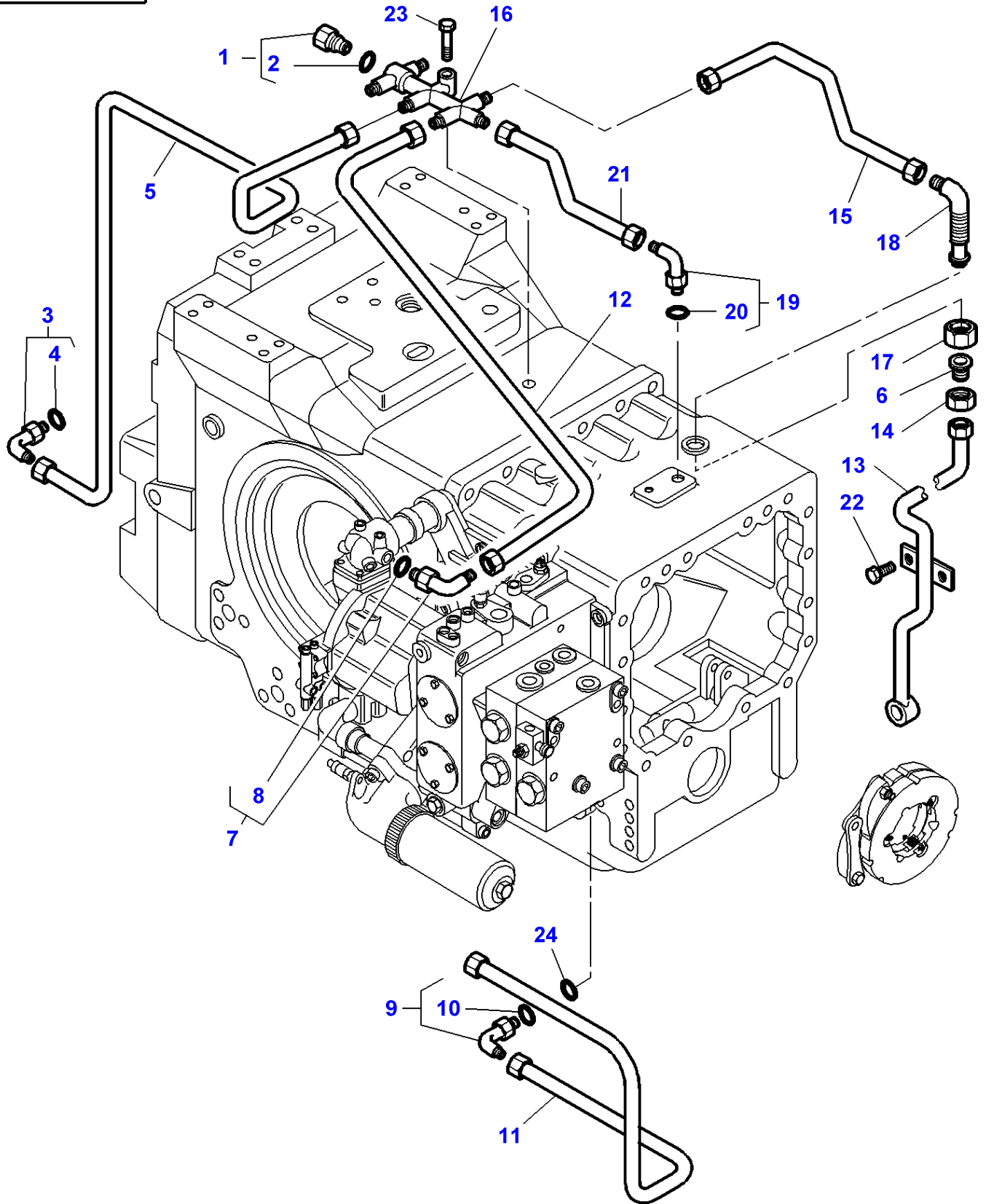
Hydraulic Circuit Lube Systeme - PUMP 45CC

Page070-0125

Item	Part Number	Qty	Description	Comments
1	358724X91	1	Plug	
2	831497M1	1	O Ring	(1)
3	3716879M91	1	Union	
4	3019395X1	1	O Ring	(3) Diameter 3/4"
5	3790898M91	1	Tube	
6	380003X1	1	Union	
7	3790896M91	1	Tube	
8	356561X1	1	Union	
9	377651X1	1	Reducer	
10	3790894M91	1	Tube	
11	3019416X91	1	Elbow	
12	3019397X1	1	O Ring	(11)
13	3790892M91	1	Tube	
14	3716884M91	1	Union	
15	831497M1	1	O Ring	(14)
16	3019395X1	1	O Ring	
17	353436X1	1	Nut Unf	Diameter 3/4"-16
18	3791258M91	1	Union	
19	3716772M91	1	Union	
20	831497M1	1	O Ring	(19)
21	3790918M91	1	Tube	
22	391989X1	2	Screw Metric	M8x20
23	339010X1	1	Bolt Metric	M8x40
24	3790871M2	1	Bar	
25	3790924M91	1	Tube	
26	3790926M93	1	Tube	
27	195960M1	1	Nut	

MF 8170 TRACTOR - 1637359
1-AP76-006-B

1-AP76-006-B



Massey Ferguson**MF 8170 TRACTOR - 1637359**

1637359

Hydraulic Circuit Lube Systeme - PUMP 60CC

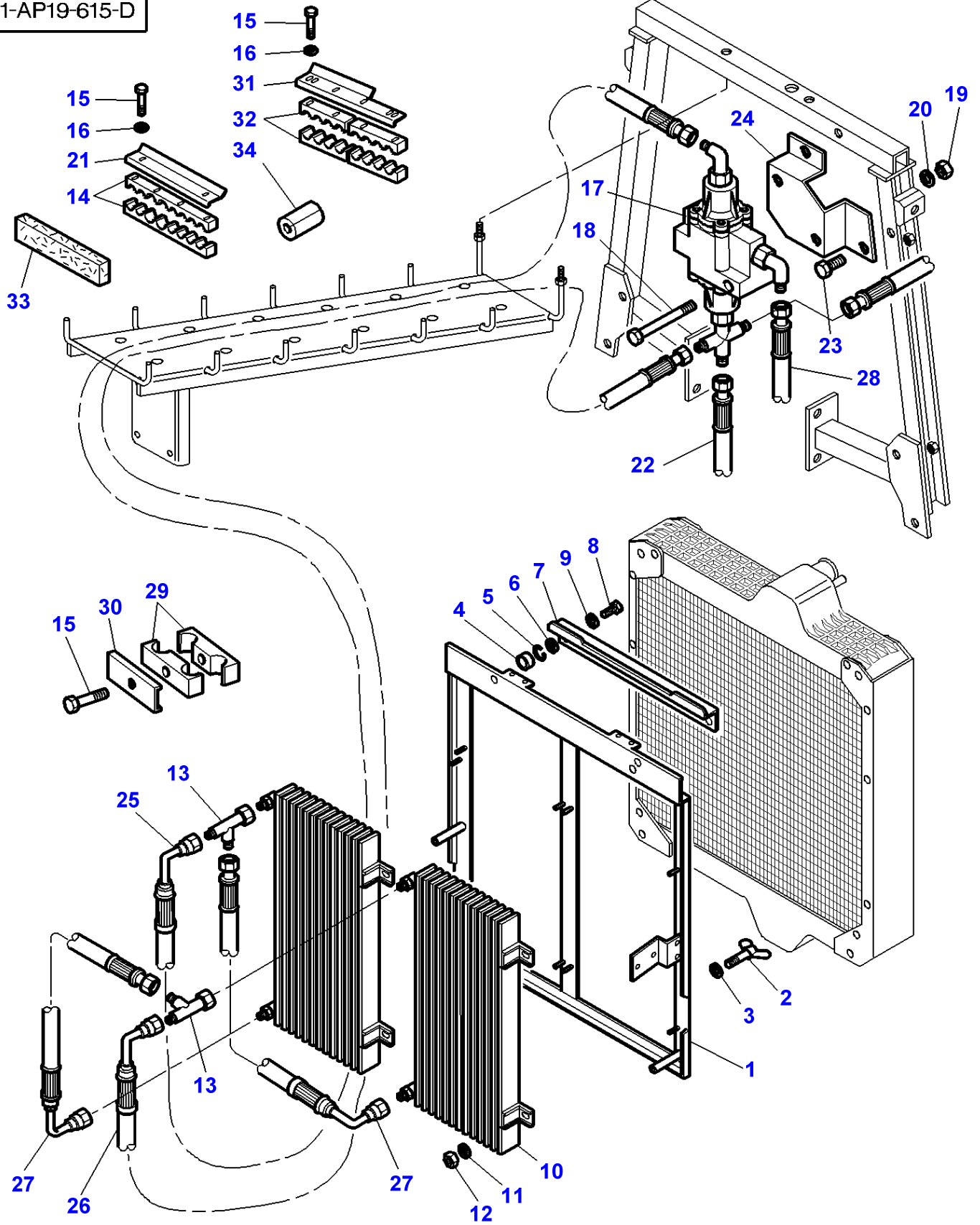
Page070-0130

Item	Part Number	Qty	Description	Comments
1	358724X91	1	Plug	
2	831497M1	1	O Ring	(1)
3	3716879M91	1	Union	
4	3019395X1	1	O Ring	(3)
5	3790898M91	1	Tube	
6	380003X1	1	Union	
7	3019416X91	1	Elbow	(6) Diameter M18
8	3019397X1	1	O Ring	
9	3716884M91	1	Union	
10		1	O Ring	[A] (9)
11	3792019M1	1	Tube	
12	3791716M1	1	Tube	
13	3790928M93	1	Tube	
14	195960M1	1	Nut	
15	3790924M91	1	Tube	
16	3790871M2	1	Bar	
17	353436X1	1	Nut Unf	
18	3791258M91	1	Union	
19	3791953M91	1	Union	Up to Serial or Engine Number 28-JUN-1999
	3791429M91	1	Union	From Serial or Engine Number 29-JUN-1999
20		1	O Ring	[A] (19)
21	3790918M91	1	Tube	
22	391989X1	2	Screw Metric	M8X20
23	339010X1	1	Bolt Metric	M8X40
24	3019395X1	1	O Ring	

FOOTNOTE [A] NUMBER TO BE ADVISED

MF 8170 TRACTOR - 1637359
1-AP19-615-D

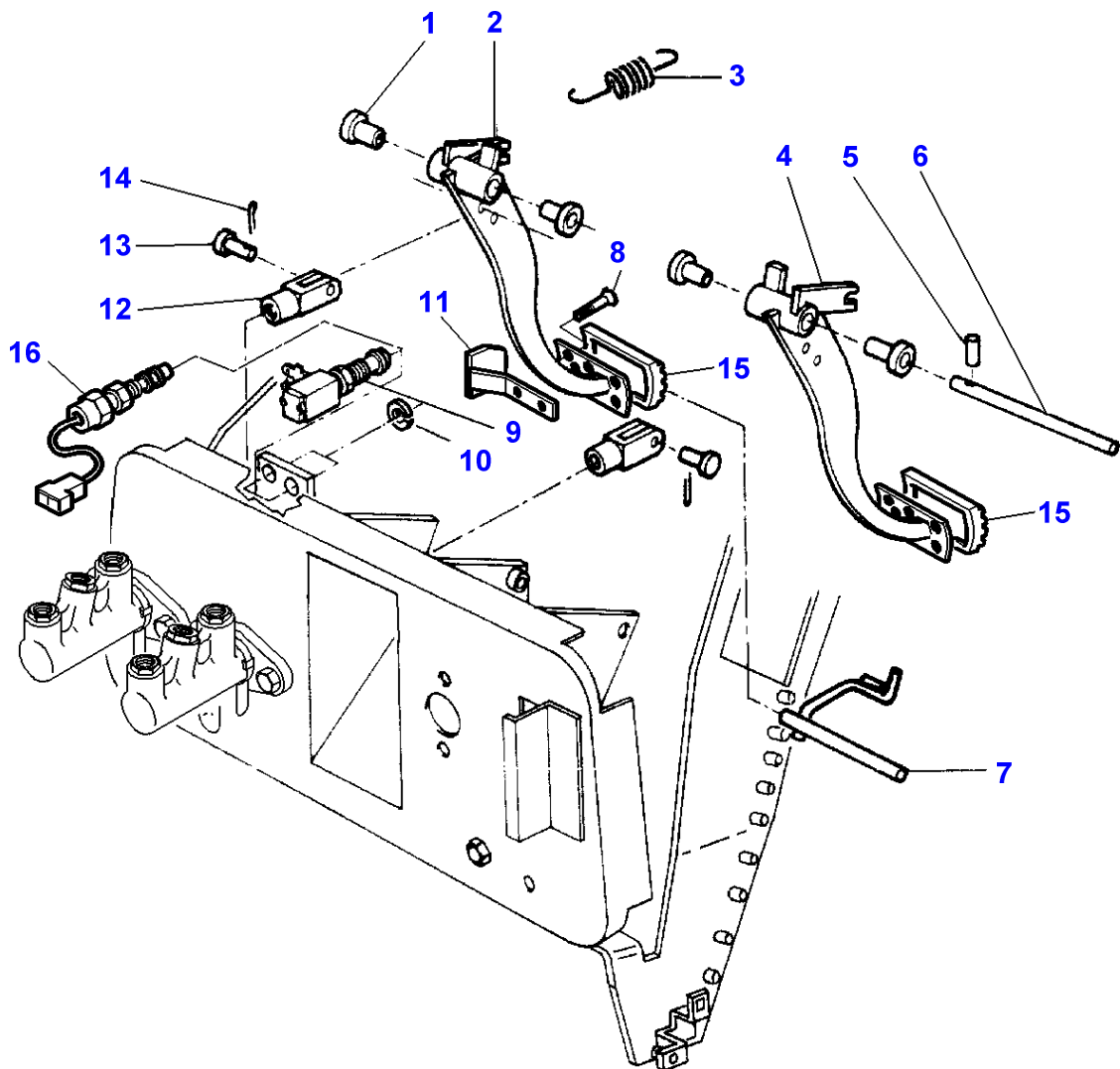
1-AP19-615-D



Oil Cooler

Item	Part Number	Qty	Description	Comments
1	3777273M3	1	Support	
2	339107X1	2	Wingbolt	M8X16
3	390972X1	2	Washer Metric	
4	3713694M1	2	Spacer	
5	1440522X1	2	Clip	
6	390972X1	2	Washer Metric	
7	3777274M1	1	Rail	
8	339124X1	2	Hex. Sock. Screw	M8X16
9	390972X1	2	Washer Metric	
10	3777275M3	2	Oil Cooler	
11	390972X1	6	Washer Metric	
12	339169X1	6	Nut	
13	364704X1	2	Teepiece	
14	3387160M1	2	Bridle	Up to Serial or Engine Number G271011
15	339168X1	3	Hex. Sock. Screw	M8X50
				Up to Serial or Engine Number G271011
	339168X1	5	Hex. Sock. Screw	M8X50
				From Serial or Engine Number G271012
	339368X1	4	Bolt Metric	From Serial or Engine Number G271012
				M8X60
16	390972X1	4	Washer Metric	
17		1	Pressure Valve	See Page - Reference Number 070-0120/20
18	3009502X1	2	Bolt Metric	M10X80
19	3009693X1	2	Nut Metric	
20	390734X1	2	Washer	
21	3778552M1	1	Support	Up to Serial or Engine Number G271011
22	3778559M2	1	Hydr Hose	Length 1050MM
23	339123X1	2	Hex. Sock. Screw	M8X20
24	3778554M1	1	Support	
25	3778555M2	1	Hydr Hose	Length 2700MM
26	3778556M2	1	Hydr Hose	Length 2600MM
27	3778557M1	2	Hydr Hose	Length 700MM
28	3778558M2	1	Hydr Hose	Length 1150MM
29	3387865M1	2	Bridle	
30	3387866M1	1	Plate	
31	3714231M2	1	Support	From Serial or Engine Number G271012
32	5015337M2	4	Bridle	From Serial or Engine Number G271012
33	3779389M1	1	Gasket	From Serial or Engine Number G243003
				30X13X160MM
34	3780011M1	6	Grommet	

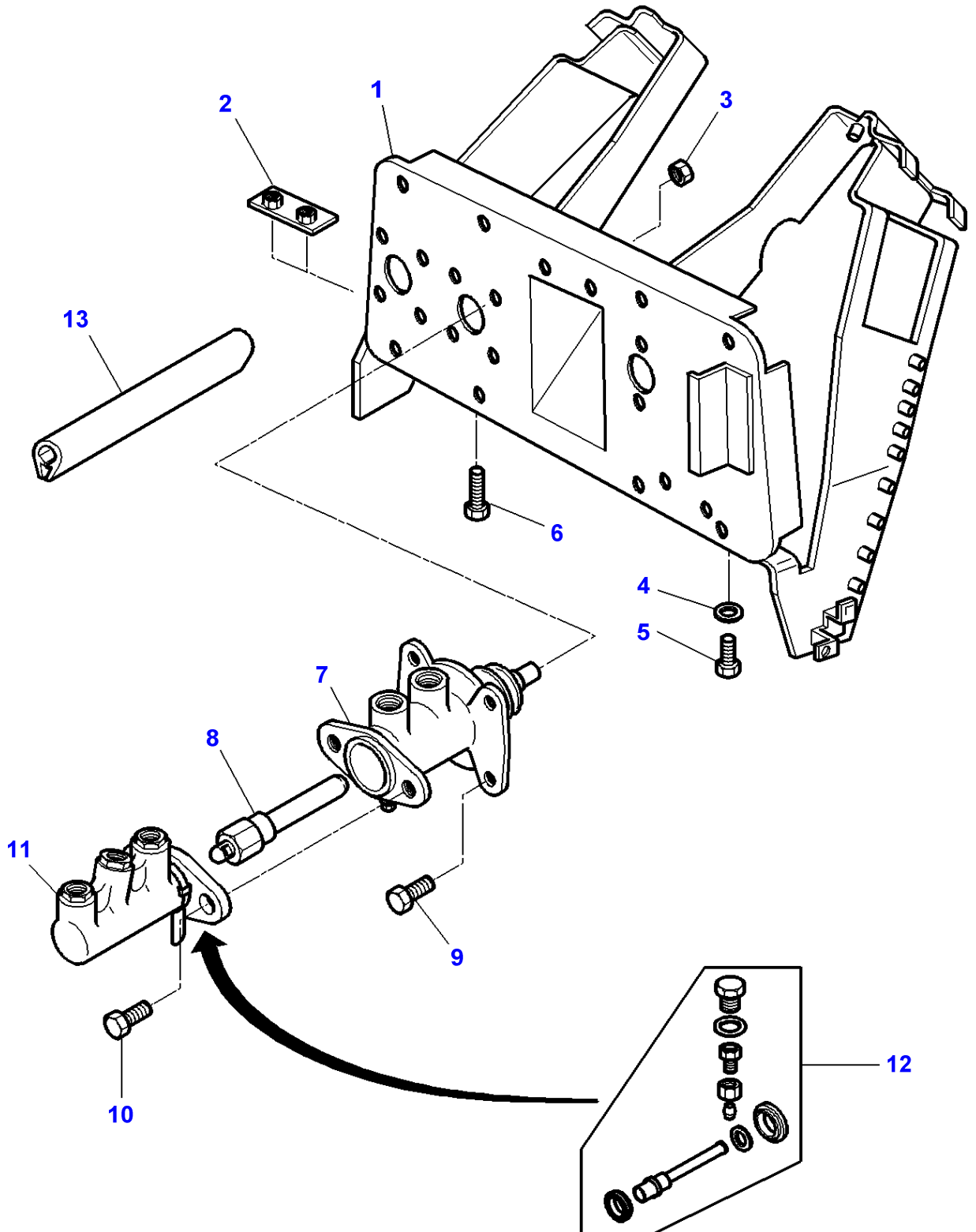
1-AG16-601-B



Brakes - Pedals

Item	Part Number	Qty	Description	Comments
1	3385604M1	4	Bearing	
2	3583924M2	1	Pedal	Right Hand
3	3384657M1	2	Spring	
4	3583925M1	1	Pedal	Left Hand
5	391290X1	1	Pin	Diameter 5X30
6	3713576M1	1	Clevis Pin	
7	3583930M3	1	Latch	
8	392404X1	4	Screw	
9	3617693M1	2	Switch,Indirect	Up to Serial or Engine Number G177009
10	3617264M1	2	Washer	Up to Serial or Engine Number G177009
11	3714488M3	2	Stop	
12	3385612M3	2	Clevis	Length 51MM
13	3019213X1	2	Clevis Pin	
14	357146X1	2	Pin	2,8X25MM
15	1626321M2	2	Skate	
16	3780395M2	2	Switch,Indirect	From Serial or Engine Number G177010

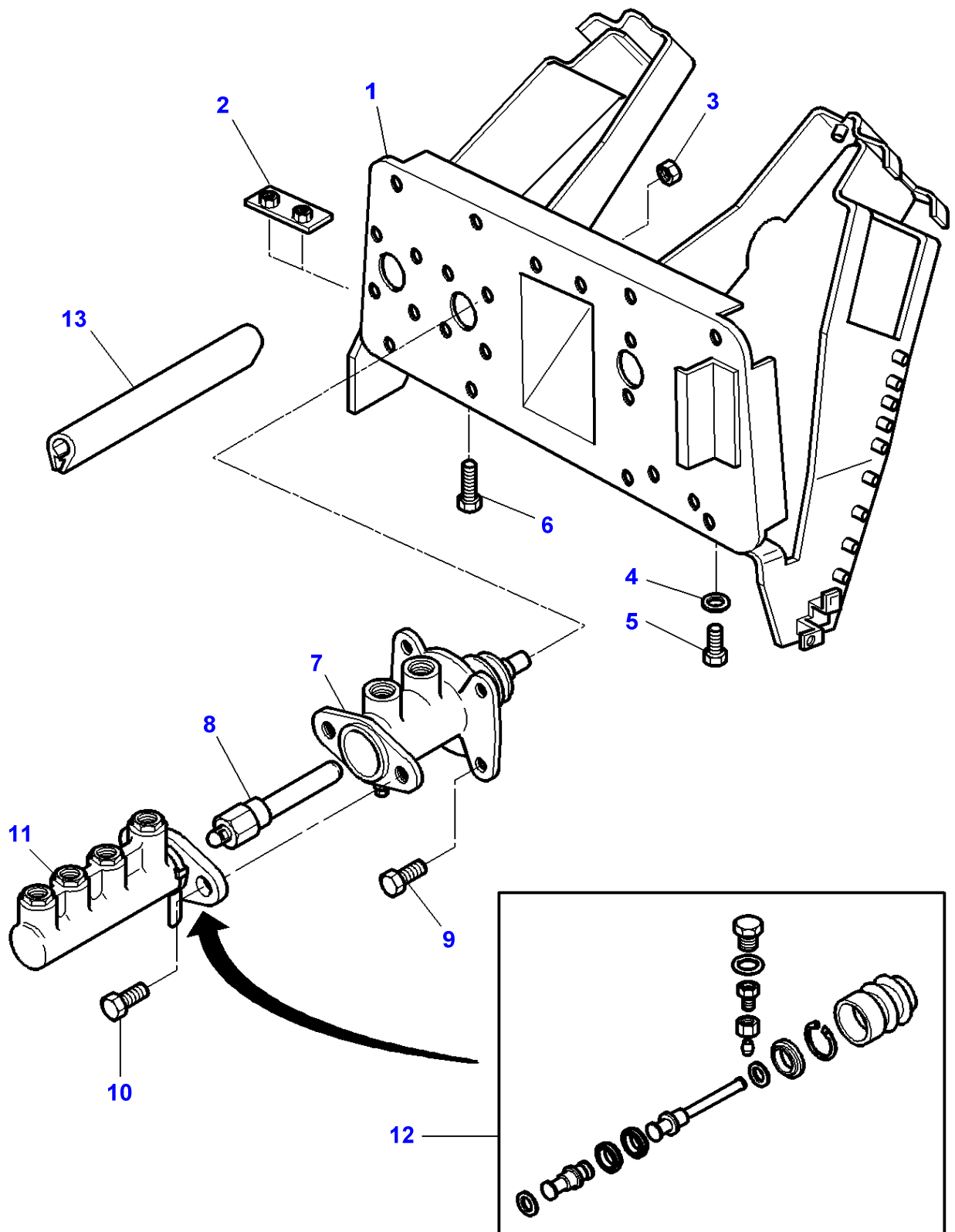
1-AG18-603-B



Massey Ferguson**MF 8170 TRACTOR - 1637359****1637359****Brakes - Master Cylinder - ASSISTED - WITHOUT TRAILER BRAKING****Page070-0145**

Item	Part Number	Qty	Description	Comments
1	3713562M94	1	Support	
2	3714445M1	1	Stop	
3	339169X1	4	Nut	
4	390972X1	8	Washer Metric	
5	339123X1	8	Hex. Sock. Screw	M8X20
6	339666X1	2	Hex. Sock. Screw	M6X20
7	3617596M1	2	Brake Cylinder	
8	3617594M91	2	Stem	
9	339761X1	8	Hex. Sock. Screw	M8X25
10	339761X1	4	Hex. Sock. Screw	M8X25
11	3384685M3	2	Main Cylinder	
12	1810832M91	1	Kit, Repair	(12)
13	3580695M1	1	Gasket	Length 1600 MM

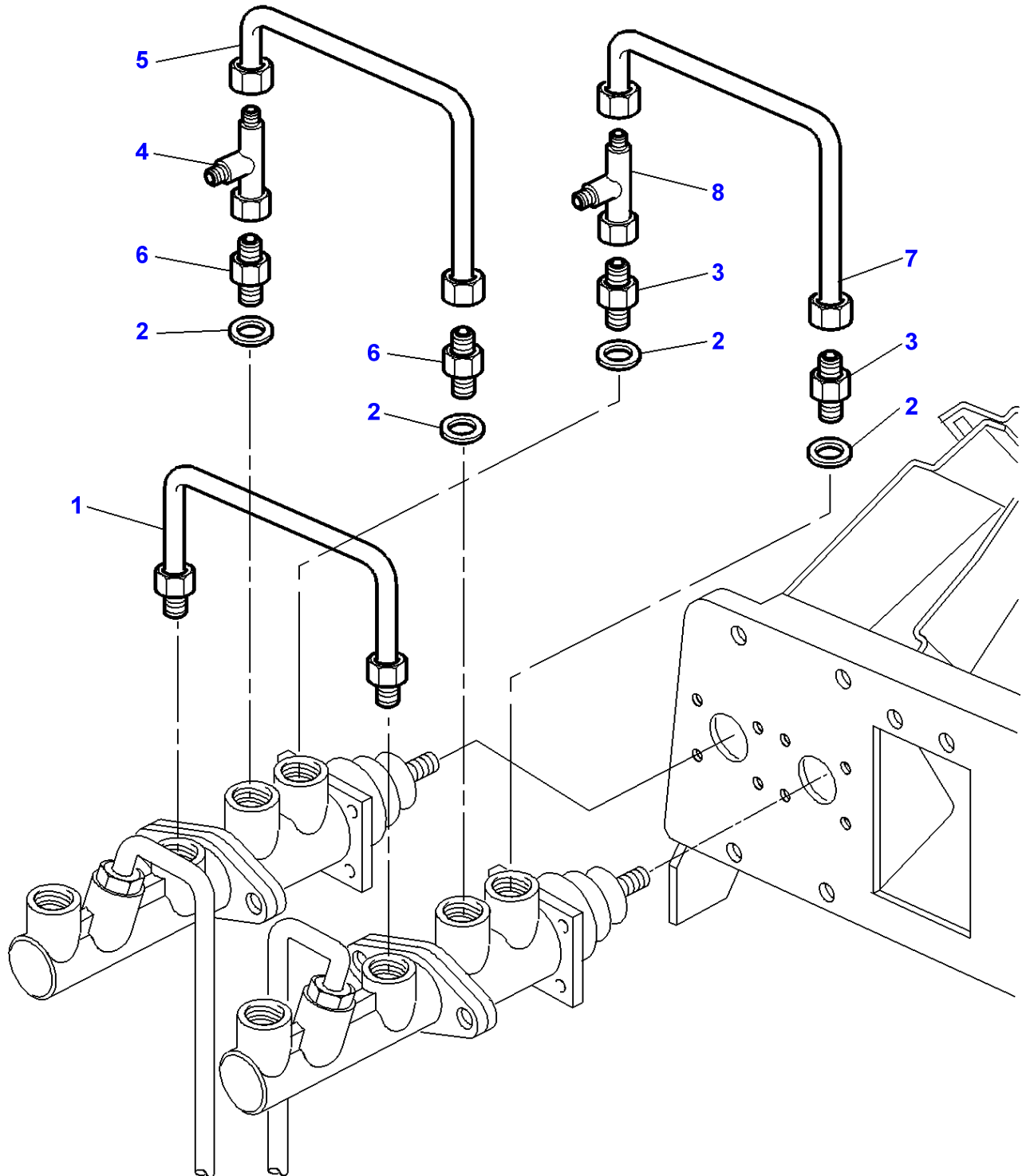
1-AG18-604-B



Massey Ferguson**MF 8170 TRACTOR - 1637359****1637359****Brakes - Master Cylinder - ASSISTED - FULL POWERSHIFT - WITH TRAILER BRAKING****Page070-0150**

Item	Part Number	Qty	Description	Comments
1	3713562M94	1	Support	
2	3714445M1	1	Stop	
3	339169X1	4	Nut	
4	390972X1	8	Washer Metric	
5	339123X1	8	Hex. Sock. Screw	M8X20
6	339666X1	2	Hex. Sock. Screw	M6X20
7	3617596M1	2	Brake Cylinder	
8	3617594M91	2	Stem	
9	339761X1	8	Hex. Sock. Screw	M8X25
10	339761X1	4	Hex. Sock. Screw	M8X25
11	3383079M5	2	Main Cylinder	
12	1810833M91	1	Kit, Repair	(12)
13	3580695M1	1	Gasket	Length 1600 MM

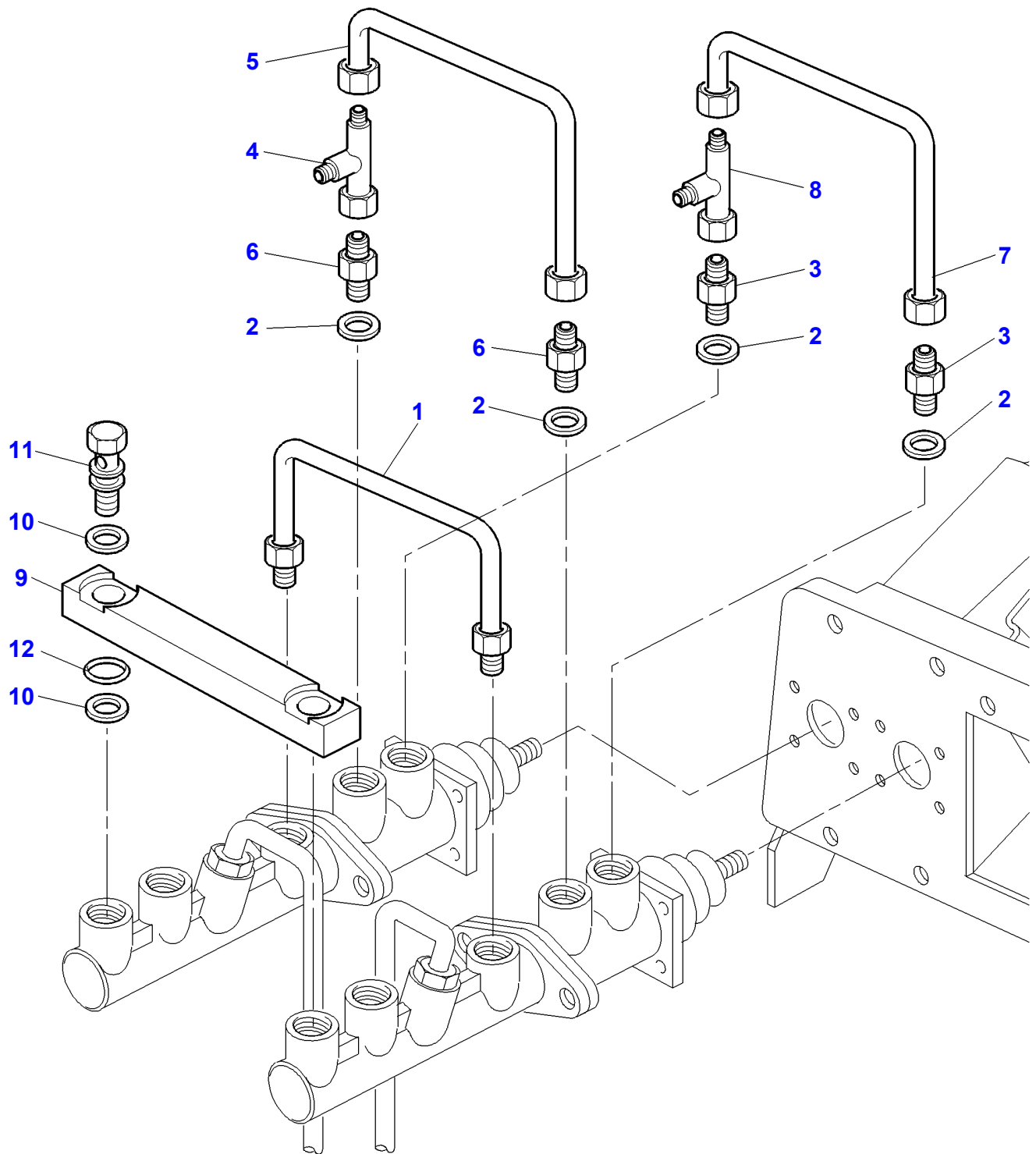
1-AG32-601-A



Massey Ferguson**MF 8170 TRACTOR - 1637359****1637359****Brake Pipes And Master Cylinder - ASSISTED - WITHOUT TRAILER BRAKING****Page070-0155**

Item	Part Number	Qty	Description
1	3386681M91	1	Tube
2	3004861X1	4	Washer
3	3019574X1	2	Union
4	364735X1	1	Union
5	3387574M91	1	Tube
6	3019382X1	2	Union
7	3386678M91	1	Tube
8	377218X1	1	Teepiece

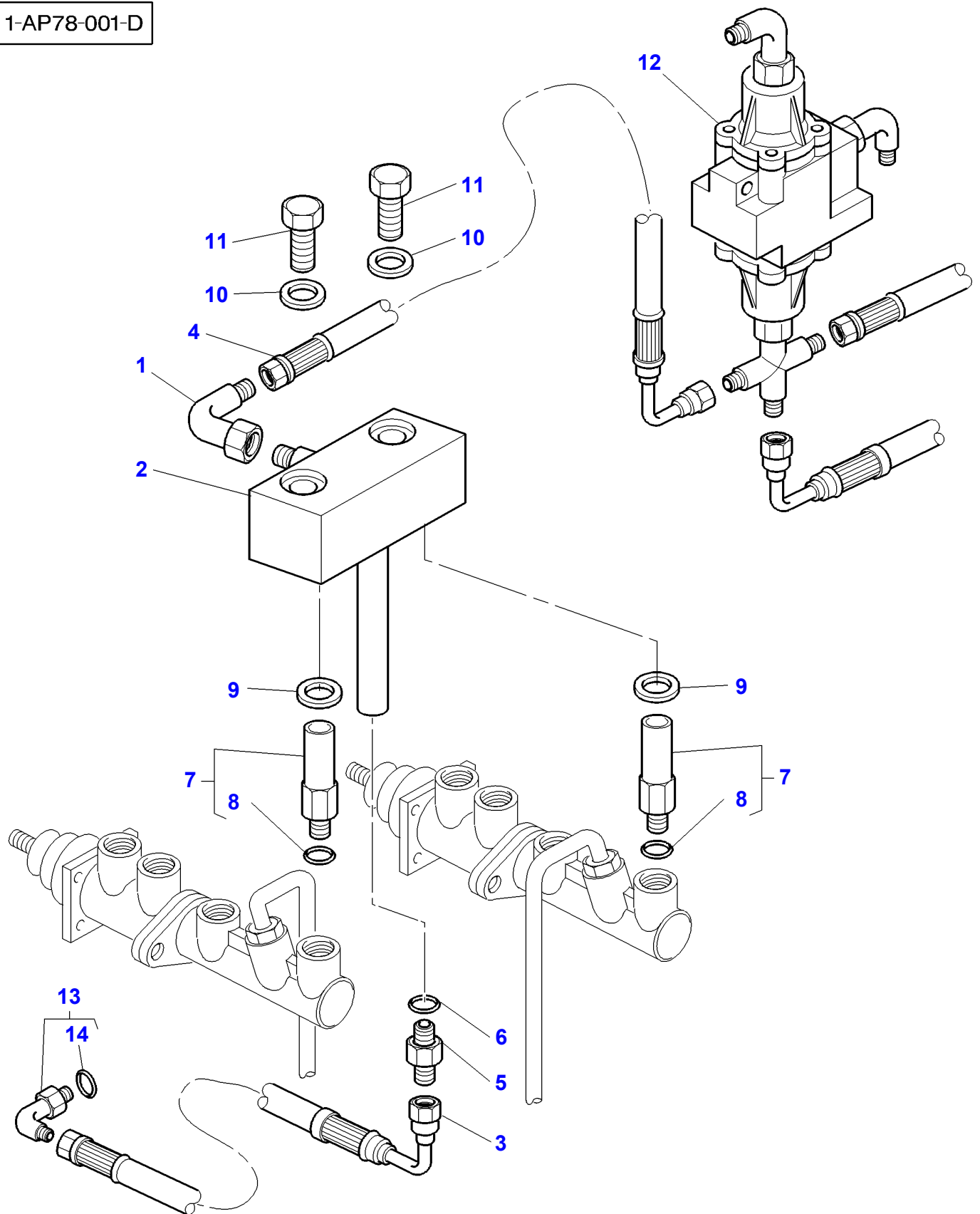
1-AG32-603-A



Massey Ferguson**MF 8170 TRACTOR - 1637359****1637359****Brake Pipes And Master Cylinder - ASSISTED - FULL POWERSHIFT - WITH TRAILER BRAKING****Page070-0160**

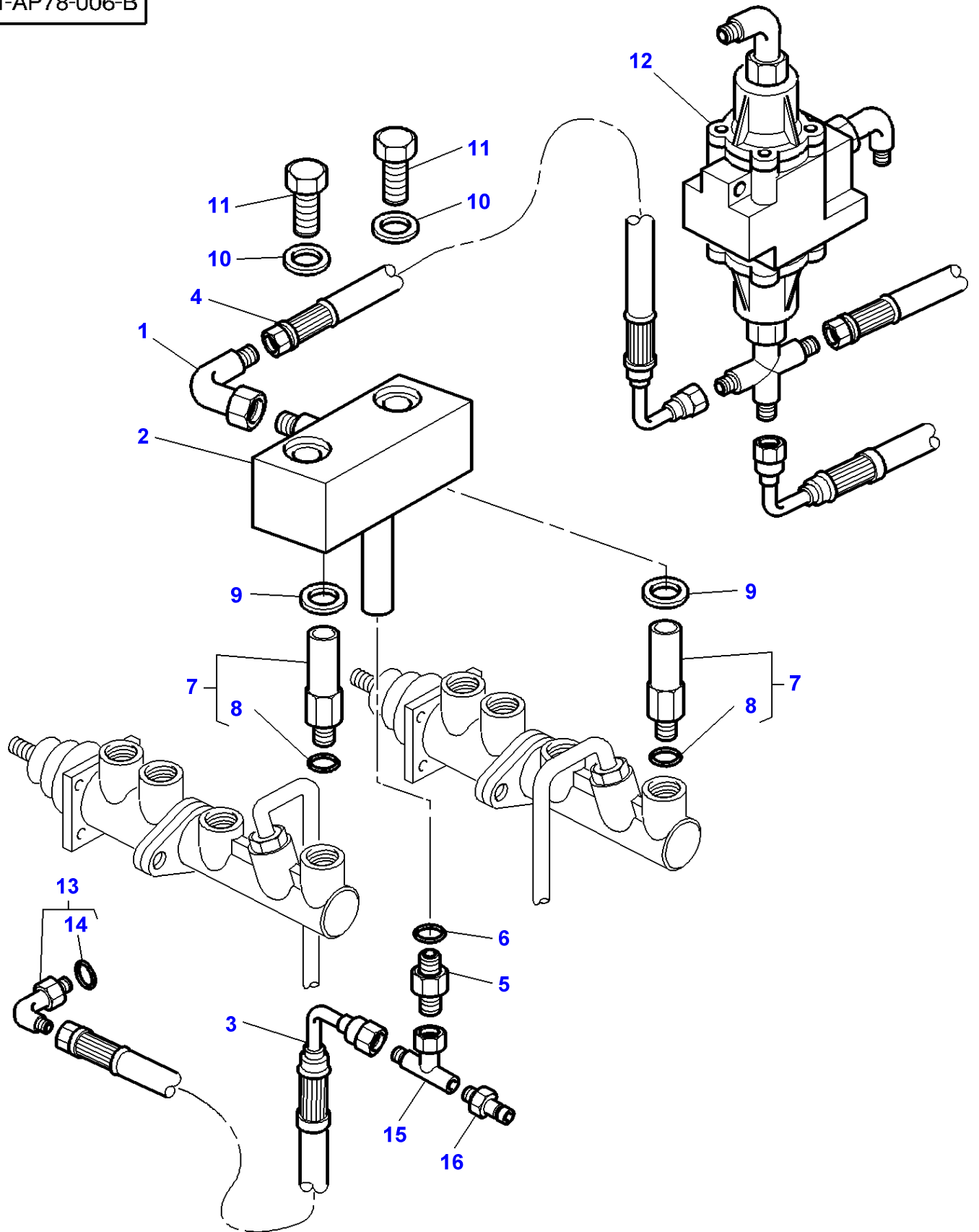
Item	Part Number	Qty	Description
1	3386681M91	1	Tube
2	3004861X1	4	Washer
3	3019574X1	2	Union
4	364735X1	1	Union
5	3387574M91	1	Tube
6	3019382X1	2	Union
7	3386678M91	1	Tube
8	377218X1	1	Teepiece
9	3581463M2	1	Bar
10	3581464M1	4	Bush
11	3581491M1	2	Banjo Bolt
12	3019395X1	2	O Ring

1-AP78-001-D



Item	Part Number	Qty	Description	Comments
1	3791382M91	1	Union	
2	3778712M93	1	Tank	
3	3778665M1	1	Hydr Hose	
4	3580768M1	1	Hydr Hose	
5	3617226M1	1	Jet	
6	3019395X1	1	O Ring	
7	3778718M92	2	Union	
8	3019395X1	1	O Ring	(7)
9	3778767M1	2	Bush	Diameter 14MM
10	3778766M1	2	Bush	Diameter 8MM
11	339123X1	2	Hex. Sock. Screw	M8
12		1	Pressure Valve	See Page - Reference Number 070-0120/20
13	3019416X91	1	Elbow	M18
14	3019397X1	1	O Ring	(13)

1-AP78-006-B



Massey Ferguson**MF 8170 TRACTOR - 1637359**

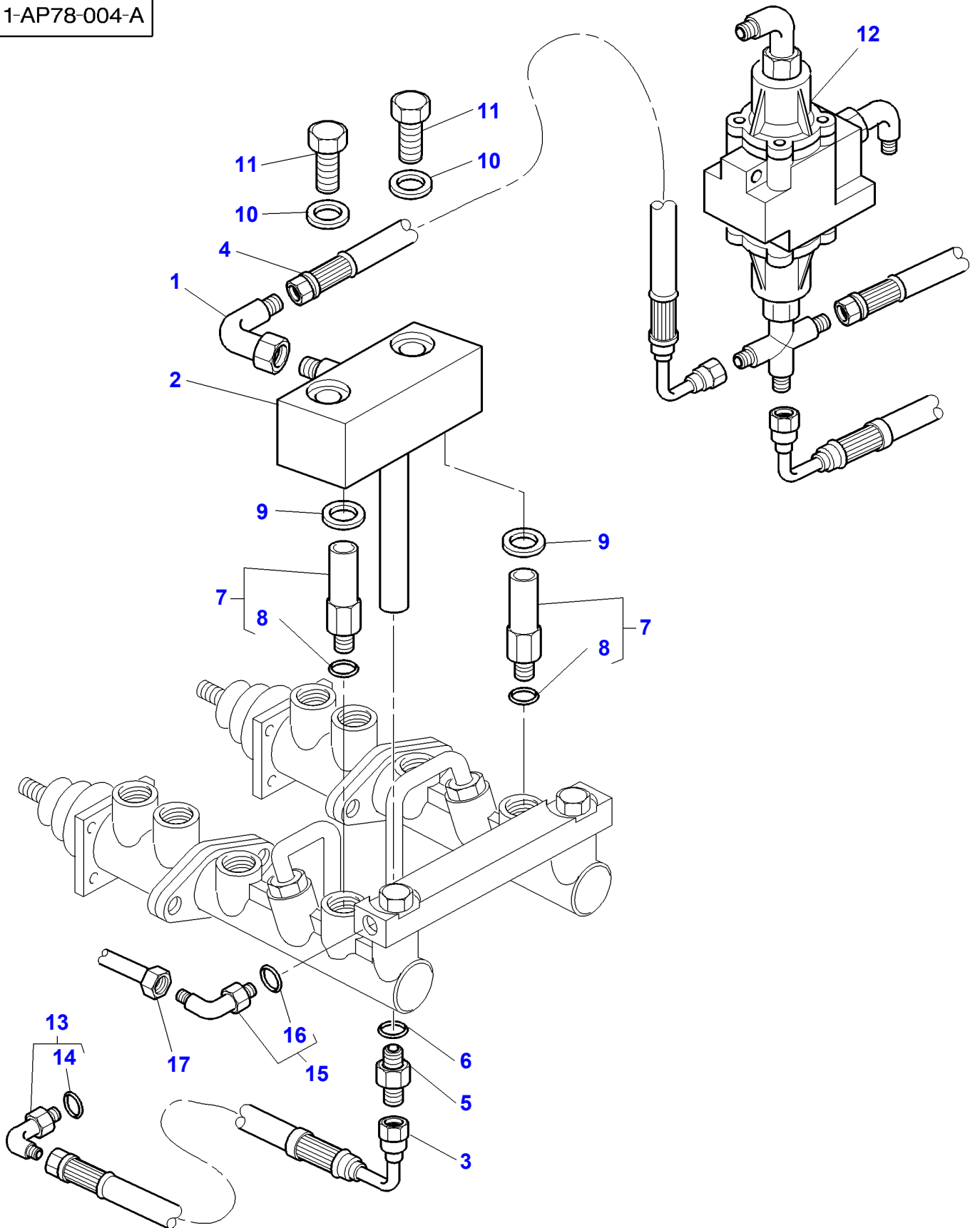
1637359

ASSISTED BRAKES - PIPES AND FITTING - 8170 Without Trailer Braking

Page070-0170

Item	Part Number	Qty	Description	Comments
1	3791382M91	1	Union	
2	3780431M92	1	Tank	
3	3778665M1	1	Hydr Hose	
4	3580768M1	1	Hydr Hose	
5	3617226M1	1	Jet	
6	3019395X1	1	O Ring	
7	3778718M92	2	Union	
8	3019395X1	1	O Ring	(7)
9	3778767M1	2	Bush	Diameter 14MM
10	3778766M1	2	Bush	Diameter 8MM
11	339123X1	2	Hex. Sock. Screw	M8
12		1	Pressure Valve	See Page - Reference Number 070-0120/20
13	3019416X91	1	Elbow	M18
14	3019397X1	1	O Ring	(13)
15	3780180M1	1	Teepiece	
16	3384387M1	1	Pressure Intake	

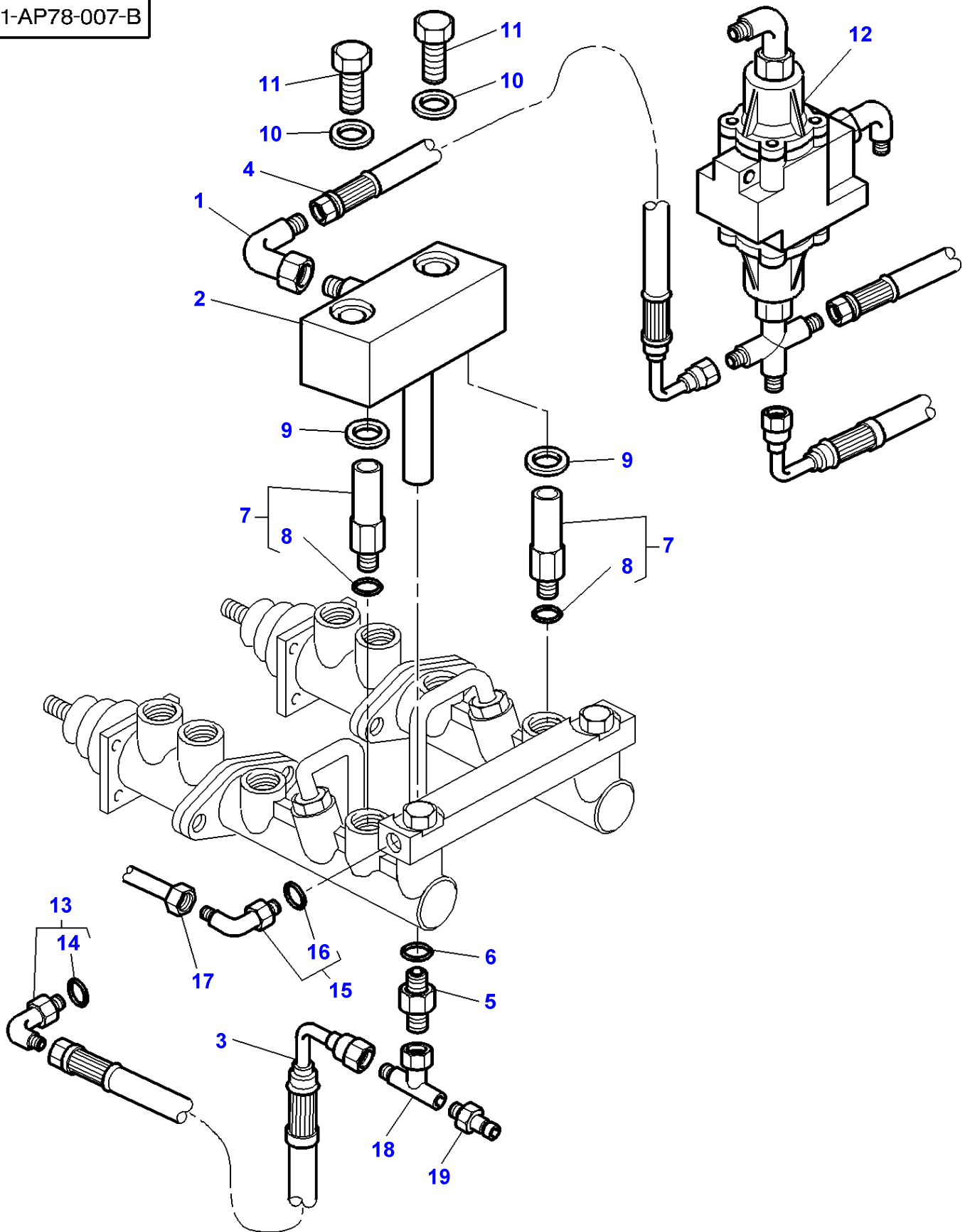
1-AP78-004-A



Massey Ferguson**MF 8170 TRACTOR - 1637359****1637359****ASSISTED BRAKES - PIPES AND FITTING - 8160 / 200 HP PTO With Trailer Braking****Page070-0175**

Item	Part Number	Qty	Description	Comments
1	3791382M91	1	Union	
2	3778712M93	1	Tank	
3	3778665M1	1	Hydr Hose	
4	3580768M1	1	Hydr Hose	
5	3617226M1	1	Jet	
6	3019395X1	1	O Ring	
7	3778718M92	2	Union	
8	3019395X1	1	O Ring	(7)
9	3778767M1	2	Bush	Diameter 14MM
10	3778766M1	2	Bush	Diameter 8MM
11	339123X1	2	Hex. Sock. Screw	M8
12		1	Pressure Valve	See Page - Reference Number 070-0120/20
13	3019416X91	1	Elbow	M18
14	3019397X1	1	O Ring	(13)
15	3019694X91	1	Union	
16	3019395X1	1	O Ring	(15)
17	3779144M1	1	Tube	

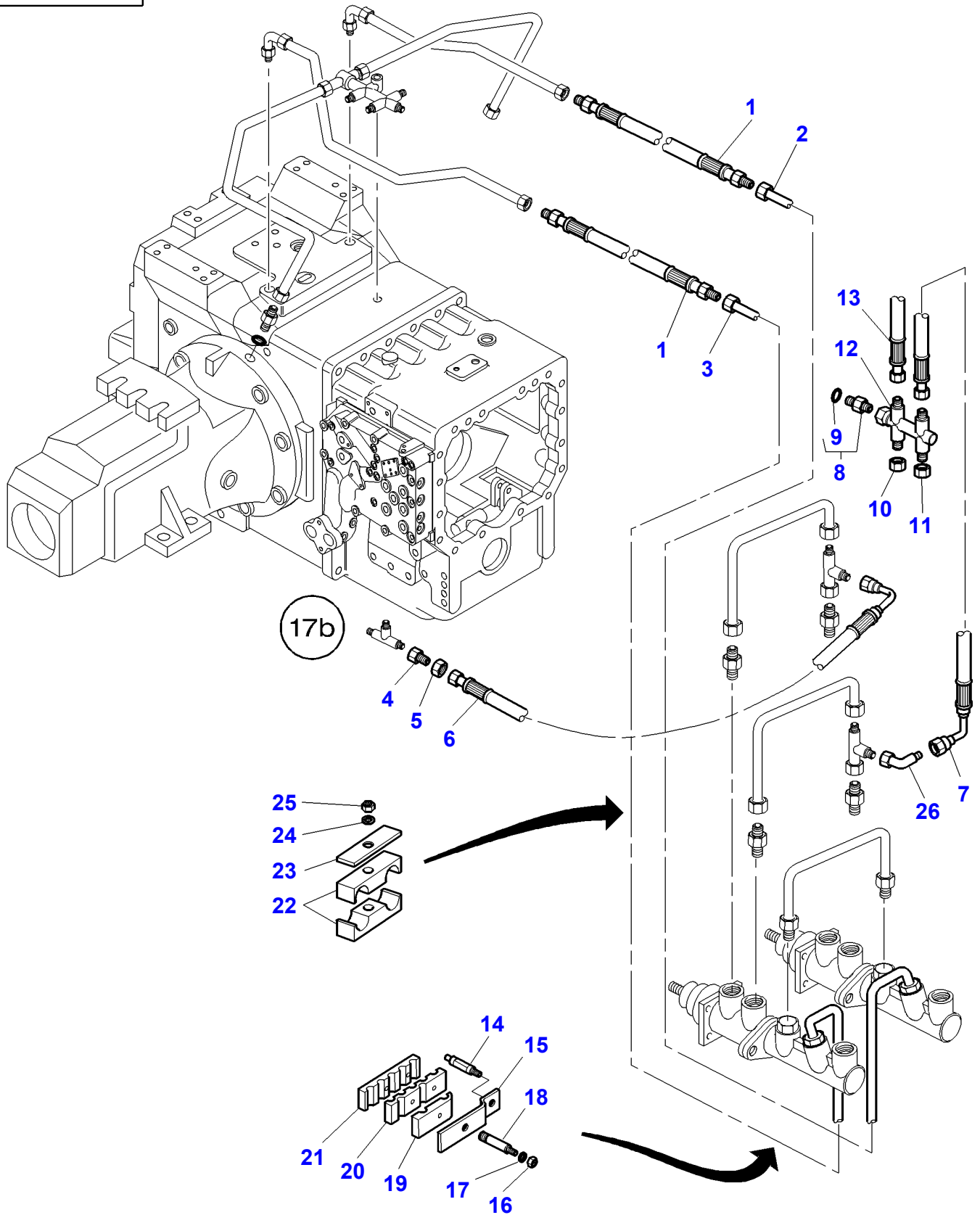
1-AP78-007-B



Item	Part Number	Qty	Description	Comments
1	3791382M91	1	Union	
2	3780431M92	1	Tank	
3	3778665M1	1	Hydr Hose	
4	3580768M1	1	Hydr Hose	
5	3617226M1	1	Jet	
6	3019395X1	1	O Ring	
7	3778718M92	2	Union	
8	3019395X1	1	O Ring	(7)
9	3778767M1	2	Bush	Diameter 14MM
10	3778766M1	2	Bush	Diameter 8MM
11	339123X1	2	Hex. Sock. Screw	M8
12		1	Pressure Valve	See Page - Reference Number 070-0120/20
13	3019416X91	1	Elbow	M18
14	3019397X1	1	O Ring	(13)
15	3019694X91	1	Union	
16	3019395X1	1	O Ring	(15)
17	3779144M1	1	Tube	
18	3780180M1	1	Teepiece	
19	3384387M1	1	Pressure Intake	

MF 8170 TRACTOR - 1637359
1-AP78-003-B

1-AP78-003-B

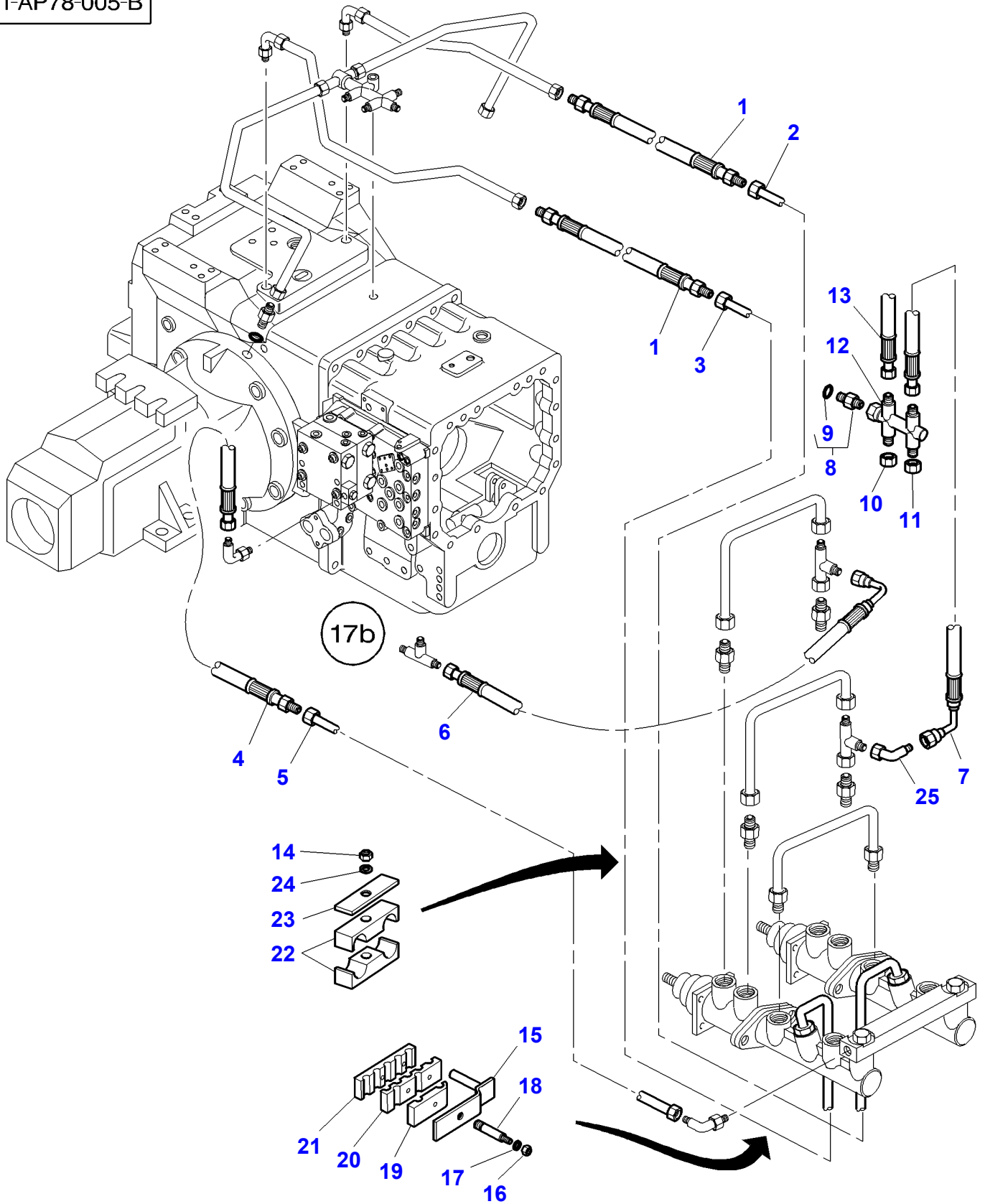


Item	Part Number	Qty	Description	Comments
1	3778585M1	2	Hydr Hose	
2	3778041M3	1	Tube	Left Hand
3	3778040M2	1	Tube	Right Hand
4	22576X	1	Union Nut	
5	356629X1	1	Reducer	
6	3778664M1	1	Hydr Hose	
7	3778663M1	1	Hydr Hose	
8	3019387X91	1	Union	
9	3019398X1	1	O Ring	(8)
10	356580X1	1	Plug	
11	356579X1	1	Cap	
12	3777412M1	1	Union	
13	3778588M1	1	Tube	8160 200 HP PTO
	3779448M2	1	Tube	8170
14	3778279M1	1	Stud	
15	3778280M1	1	Plate	
16	1441500X1	1	Locknut	M6
17	391038X1	3	Washer	
18	3715878M3	1	Stud	Diameter M8/M6
19	3715882M1	1	Bridle	
20	3715881M1	1	Bridle	
21	3715880M1	1	Bridle	
22	3384779M1	4	Bridle	
23	1625982M2	2	Plate	
24	391038X1	2	Washer	
25	339030X1	2	Nut Metric	
26	365233X1	1	Elbow	

FOOTNOTE [A] WITH FULL POWERSHIFT**FOOTNOTE [B] WITH DYNASHIFT**

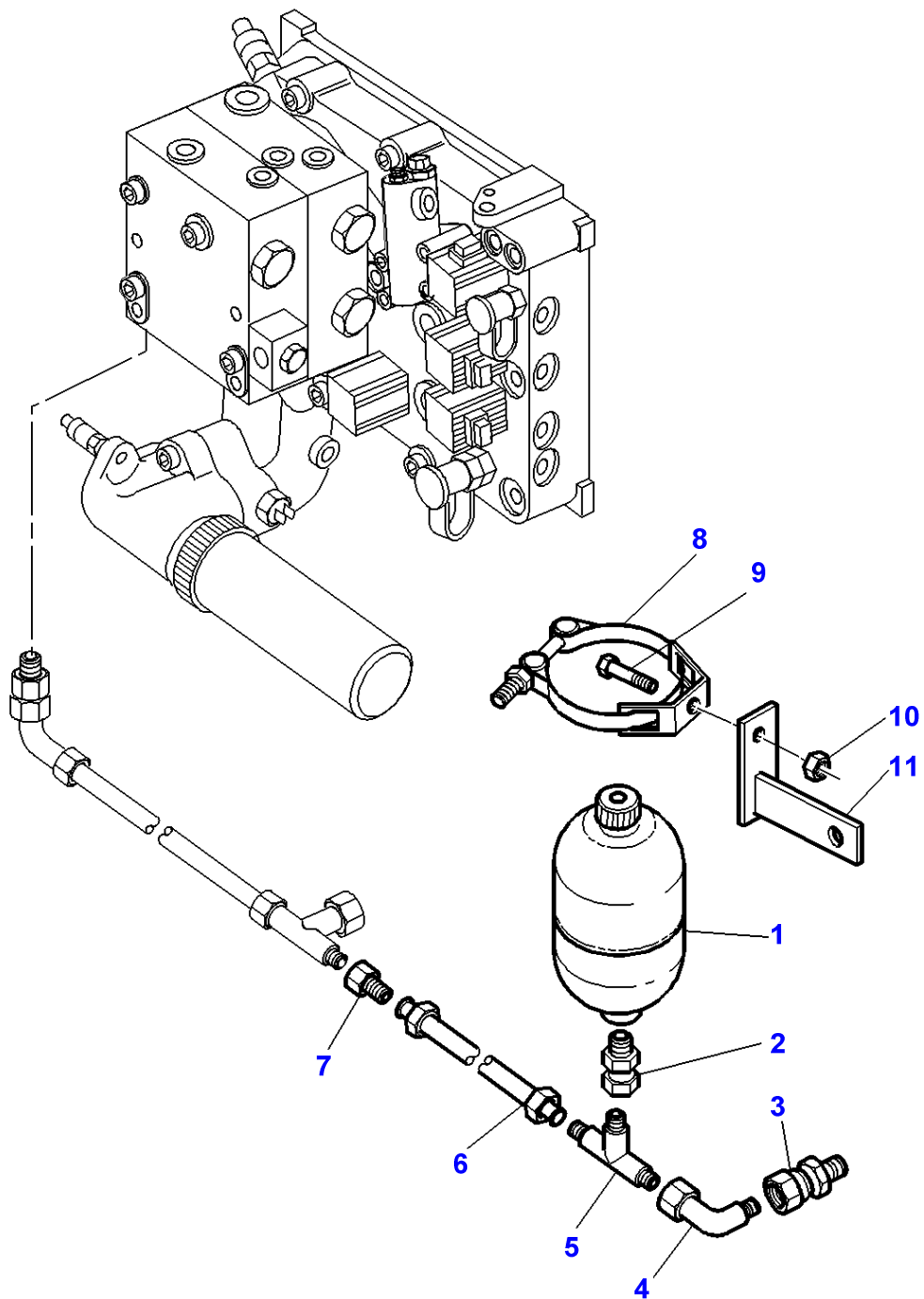
MF 8170 TRACTOR - 1637359
1-AP78-005-B

1-AP78-005-B



Item	Part Number	Qty	Description	Comments
1	3778585M1	2	Hydr Hose	
2	3778043M3	1	Tube	Left Hand
3	3778042M2	1	Tube	Right Hand
4	3778586M1	1	Hydr Hose	
5	3779144M1	1	Tube	
6	3778664M1	1	Hydr Hose	
7	3778663M1	1	Hydr Hose	
8	3019387X91	1	Union	
9	3019398X1	1	O Ring	(8)
10	356580X1	1	Plug	
11	356579X1	1	Cap	
12	3777412M1	1	Union	
13	3778588M1	1	Tube	8160 200 HP PTO
	3779448M2	1	Tube	8170
14	339030X1	2	Nut Metric	
15	3778280M1	1	Plate	
16	1441500X1	1	Locknut	M6
17	391038X1	3	Washer	
18	3715878M3	1	Stud	Diameter M8/M6
19	3715882M1	1	Bridle	
20	3715881M1	1	Bridle	
21	3715880M1	1	Bridle	
22	3384779M1	4	Bridle	
23	1625982M2	2	Plate	
24	391038X1	2	Washer	
25	365233X1	1	Elbow	

1-AP78-008-A

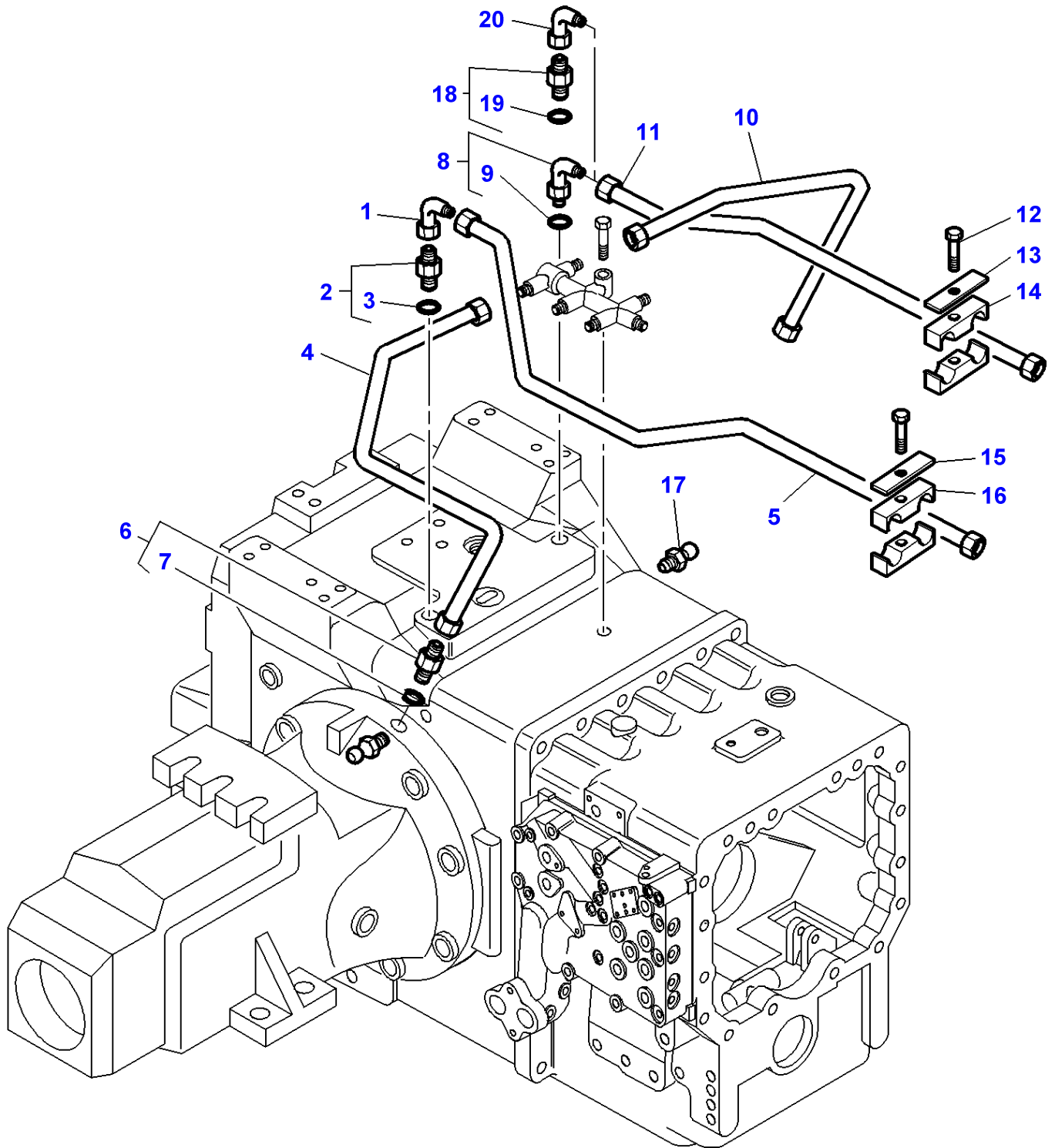


Massey Ferguson**MF 8170 TRACTOR - 1637359****1637359****ASSISTED BRAKES - PIPES AND FITTING - Accumulator****Page070-0195**

Item	Part Number	Qty	Description	Comments
1	3619551M1	1	Accumulator	
2	380018X1	1	Connector	
3	356627X1	1	Adaptor	
4	365233X1	1	Elbow	
5	356560X1	1	Teepiece	
6	3779862M1	1	Hydr Hose	
7	377651X1	1	Reducer	
8	3619807M1	1	Bridle	
9	339124X1	1	Hex. Sock. Screw	M8X16
10	339169X1	1	Nut	
11	3779861M2	1	Strap	

MF 8170 TRACTOR - 1637359
1-AG17-002-B

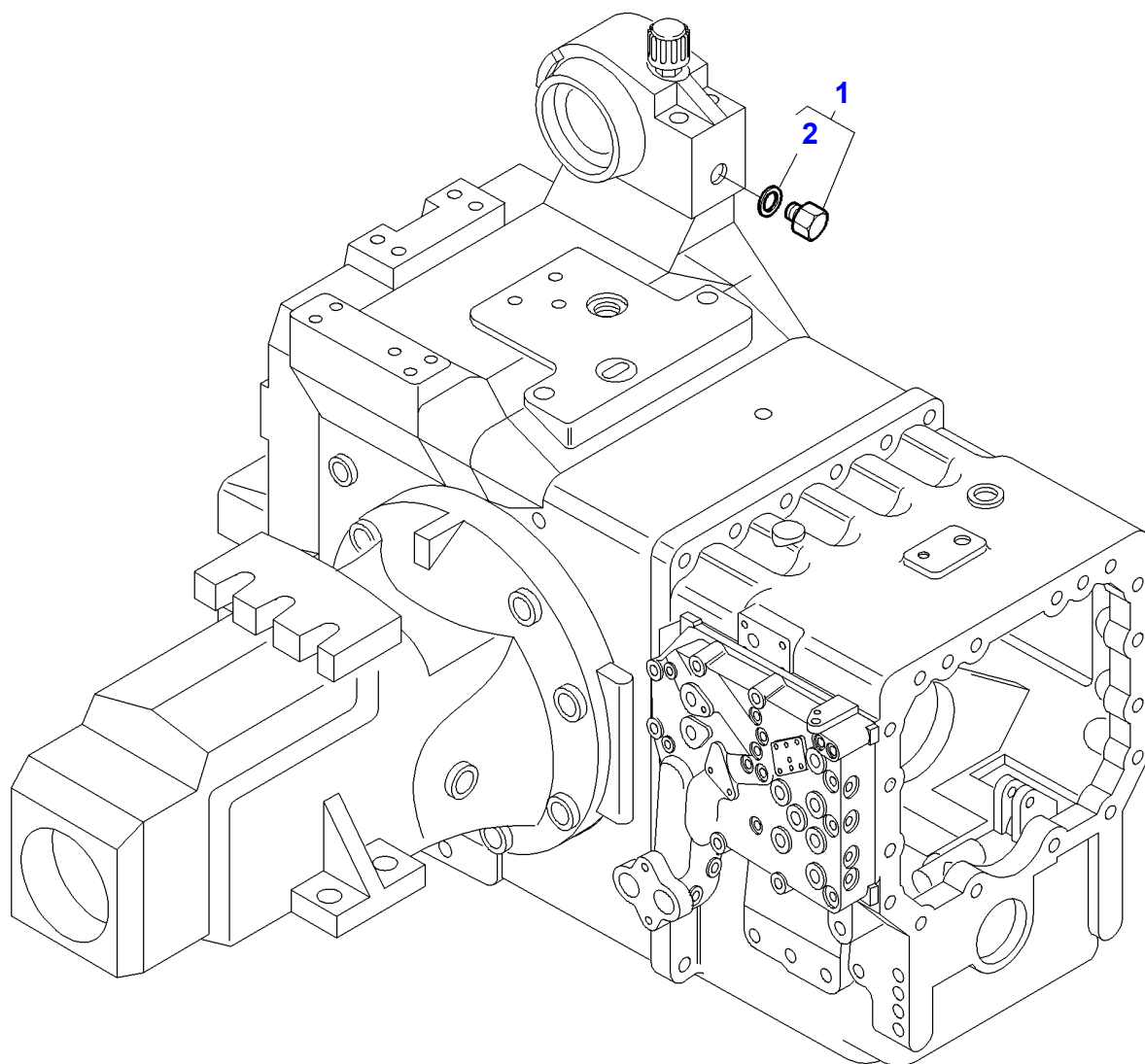
1-AG17-002-B



Item	Part Number	Qty	Description	Comments
1	373778X1	1	Union	
2	3019377X91	1	Union	
3	3019394X1	1	O Ring	(2)
4	3791200M91	1	Tube	Right Hand
5	3791194M91	1	Tube	Right Hand
6	3791282M91	2	Union	
7	3019394X1	1	O Ring	(6)
8	3019410X91	1	Elbow Nipple	Up to Serial or Engine Number 09/98
9	3019394X1	1	O Ring	(8)
10	3791198M91	1	Tube	Left Hand
11	3791196M91	1	Tube	Left Hand
12	339337X1	2	Hex. Sock. Screw	M8x30
13	3716911M1	1	Plate	
14	3716910M1	2	Bridle	
15	3716913M1	1	Plate	
16	3716912M1	2	Bridle	
17	3052960M1	2	Banjo Bolt	
18	3019377X91	1	Union	From Serial or Engine Number 10/98
19	3019394X1	1	O Ring	(18)
20	373778X1	1	Union	From Serial or Engine Number 10/98

FOOTNOTE [A] WITH DYNASHIFT**FOOTNOTE [B]** WITH FULL POWERSHIFT

1-AG17-013-A



Massey Ferguson

MF 8170 TRACTOR - 1637359

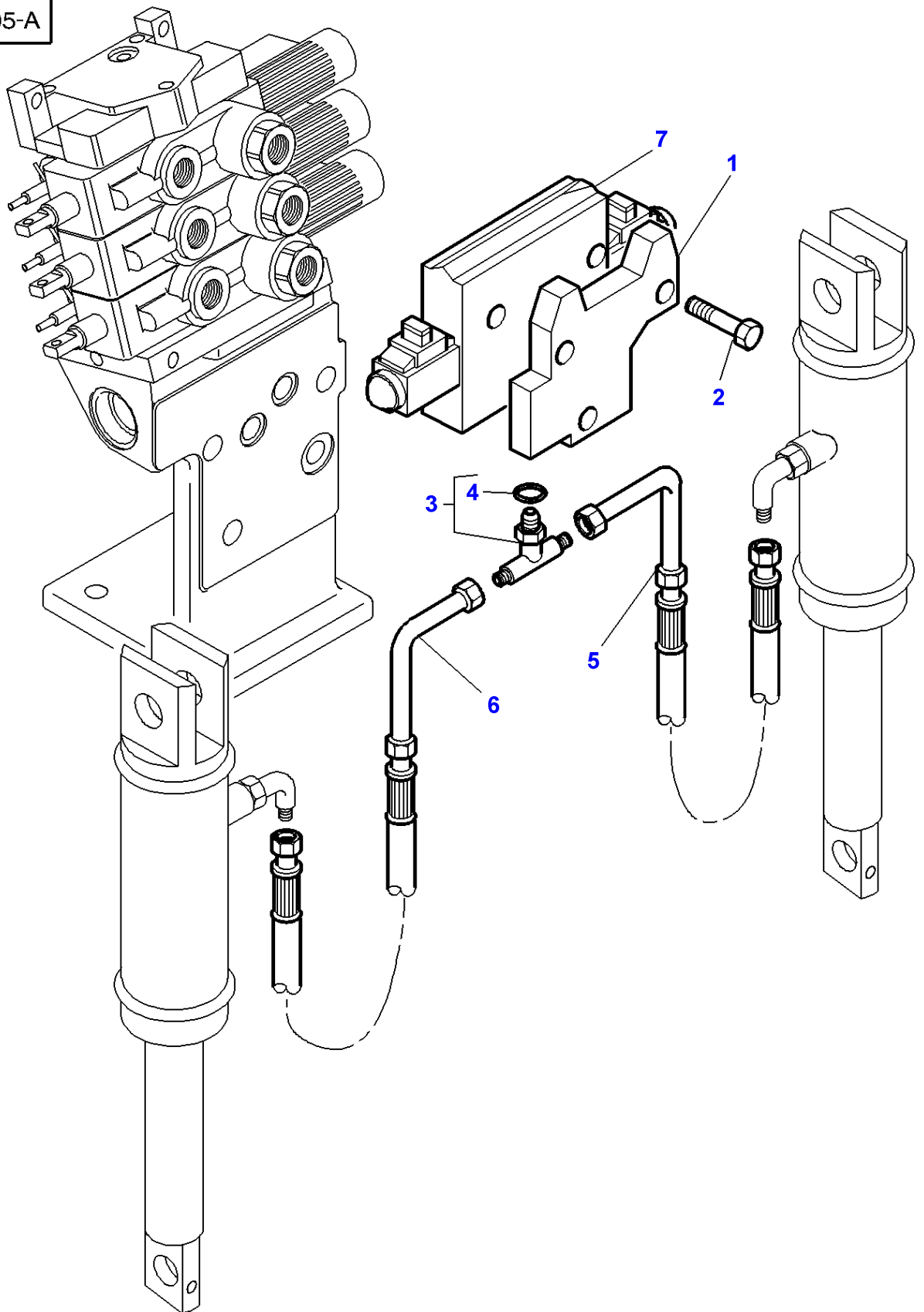
1637359

Brakes - Hydraulic Pipes

Page070-0205

Item	Part Number	Qty	Description	Comments
1	3019639X91	1	Plug	
2	3019395X1	1	O Ring	(1)

1-AP18-605-A

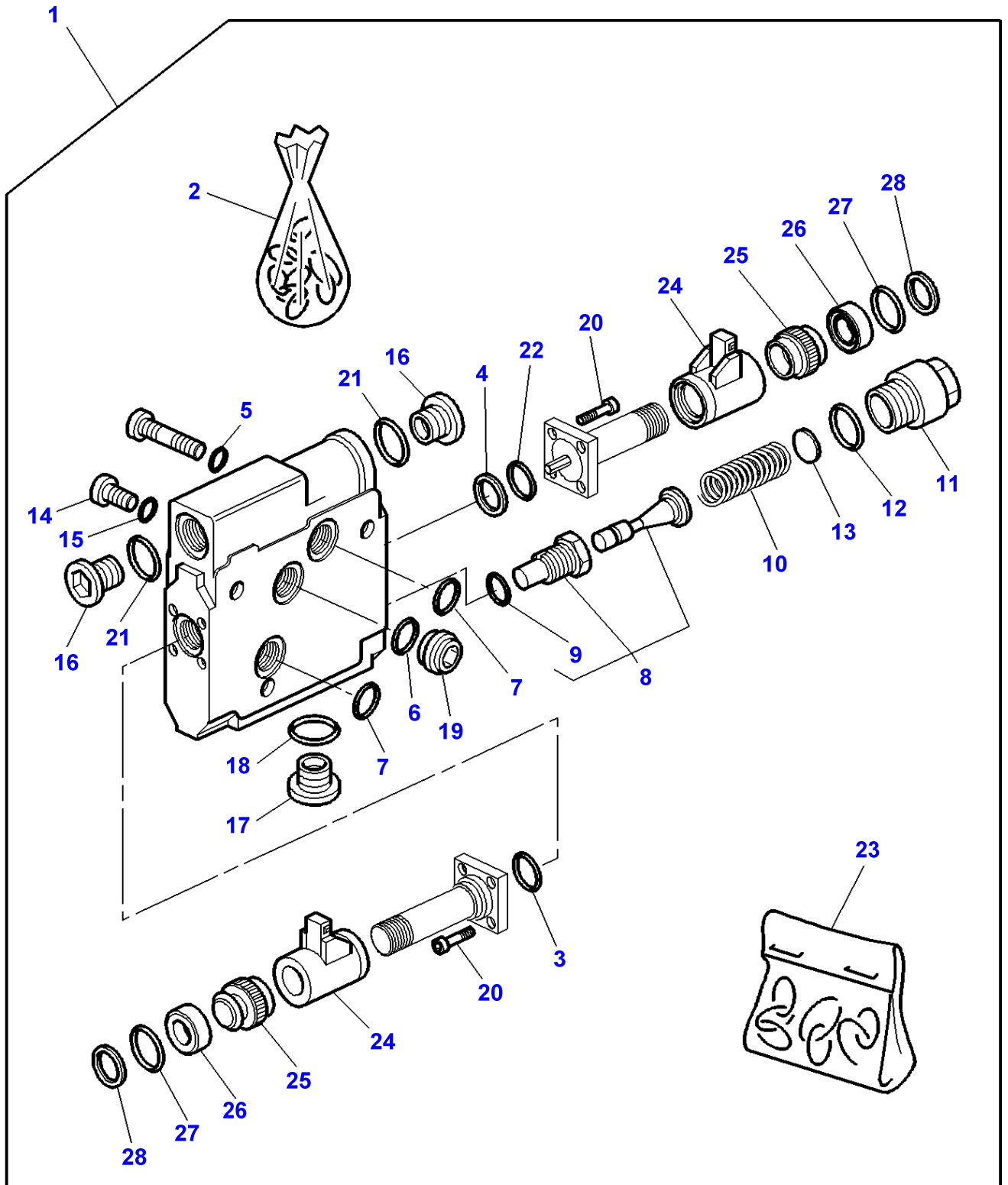


Massey Ferguson**MF 8170 TRACTOR - 1637359****1637359****Electronic Lift - Hydraulic Valve****Page070-0210**

Item	Part Number	Qty	Description	Comments
1	3716382M1	1	Plate	
2	390246X1	3	Bolt	M8X70
3	3019615X91	1	Union	
4	3019398X1	1	O Ring	(3)
5	3716384M1	1	Tube	Right Hand
6	3716386M1	1	Tube	Left Hand
7	3716381M1	1	Pressure Valve	110L/MN

MF 8170 TRACTOR - 1637359
1-AP18-631-A

1-AP18-631-A



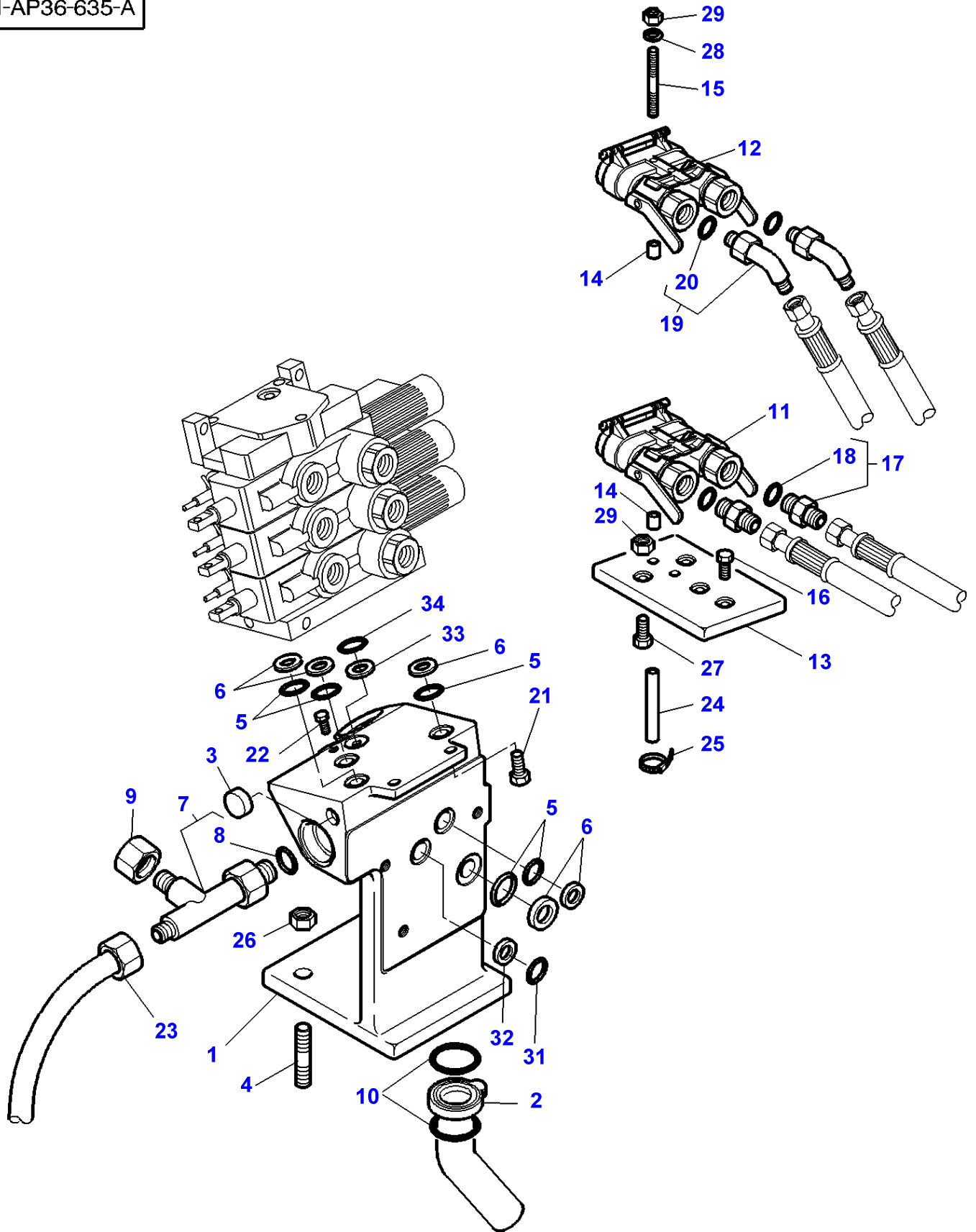
Electronic Lift - Hydraulic Valve

Item	Part Number	Qty	Description	Comments
1	3716381M1	1	Pressure Valve	[A] BOSCH 110L/MN
2	3902938M91	1	Kit, Joint	(1)
3	3902933M1	1	O Ring	(2) Diameter 19X1,5MM
4	3902934M1	1	Gasket	(2)
5	3108257M1	2	O Ring	(2) Diameter 5X1,5MM
6	3108233M1	1	O Ring	(2) Diameter 18X2,5MM
7	3108232M1	2	O Ring	(2) Diameter 20X2,5MM
8	3108258M1	1	Valve	(1)
9	3902935M1	1	O Ring	(2) Diameter 10,82X1,78MM
10	3104936M1	1	Comp.Spring	(1)
11	3902936M1	1	Plug	(1)
12		1	O Ring	(2) Not serviced, order REF 2 Diameter 22X2,5MM
13	3104724M1	X	Shim	(1) Thickness 0,8MM
	1806184M1	X	Shim	(1) Thickness 0,5MM
	3102069M1	X	Shim	(1) Thickness 0,4MM
	3102068M1	X	Shim	(1) Thickness 0,3MM
14	3102240M1	1	Plug	(1)
15	3108259M1	1	O Ring	(2) Diameter 8X2MM
16	3902932M1	2	Plug	(1)
17	3108244M1	1	Plug	(1)
18	3108238M1	1	O Ring	(1)
19	3108248M1	1	Bypass	(1)
20	3902937M1	8	Screw	(1) M4X8
21		2	O Ring	(2) Not serviced, order REF 2 Diameter 17X2,5MM
22		1	O Ring	(2) Not serviced, order REF 2 Diameter 28X2MM
23	3901801M91	2	Kit, Repair	
24		1	Solenoid	(23) Not serviced, order REF 23
25		1	Union Nut	(23) Not serviced, order REF 23
26		1	Helmet	(23) Not serviced, order REF 23
27		1	O Ring	(23) Not serviced, order REF 23 Diameter 21X1,5MM
28		1	O Ring	(23) Not serviced, order REF 23 Diameter 20X2,5MM

FOOTNOTE [A] ONLY P/NS WITH ITEMS ARE SUPPLIED IN SPARE PARTS

MF 8170 TRACTOR - 1637359
1-AP36-635-A

1-AP36-635-A



Auxiliary Hydraulics - Distributor Installation - 2 DISTRIBUTORS

Item	Part Number	Qty	Description	Comments
1	3716900M4	1	Angle	
2	3716914M91	1	Tube	
3	3015150X1	2	Plug	Diameter 24MM
4	3791655M1	3	Stud	
5	392224X1	5	O Ring	
6	3791880M1	5	Bush	Diameter 22,3 MM
7	3019633X91	1	Union	
8	3019399X1	1	O Ring	(7)
9	356582X1	1	Cap	
10	366617X1	2	O Ring	
11	3715310M4	1	Female Coupler	[C]
12	3715311M4	1	Female Coupler	[D]
13	3716392M2	1	Plate	
14	3712546M1	4	Spacer	
15	3010787X1	2	Stud	M8X138
16	339123X1	2	Hex. Sock. Screw	M8X20
17	835013M91	2	Union	
18	1882958M1	1	O Ring	(17)
19	835010M91	2	Elbow	
20	1882958M1	1	O Ring	(19)
21	391991X1	2	Screw Metric	M10X30
22	3010812X1	1	Screw	M8X30
23	3716397M1	1	Tube	[A]
	3791709M1	1	Tube	[F]
24	3616713M1	1	Tube	Length 1250MM
25	3619622M1	X	Cable Tie	
26	3019862X1	3	Nut Metric	M12
27	339123X1	2	Hex. Sock. Screw	M8X20
28	390972X1	2	Washer Metric	
29	339169X1	2	Nut	M8
30	339169X1	2	Nut	M8
31	1442477X1	1	Gasket	
32	3791884M2	1	Bush	
33	1441133X1	1	Gasket	
34	3791879M1	1	Bush	

FOOTNOTE [A] WITH PUMP 45CC

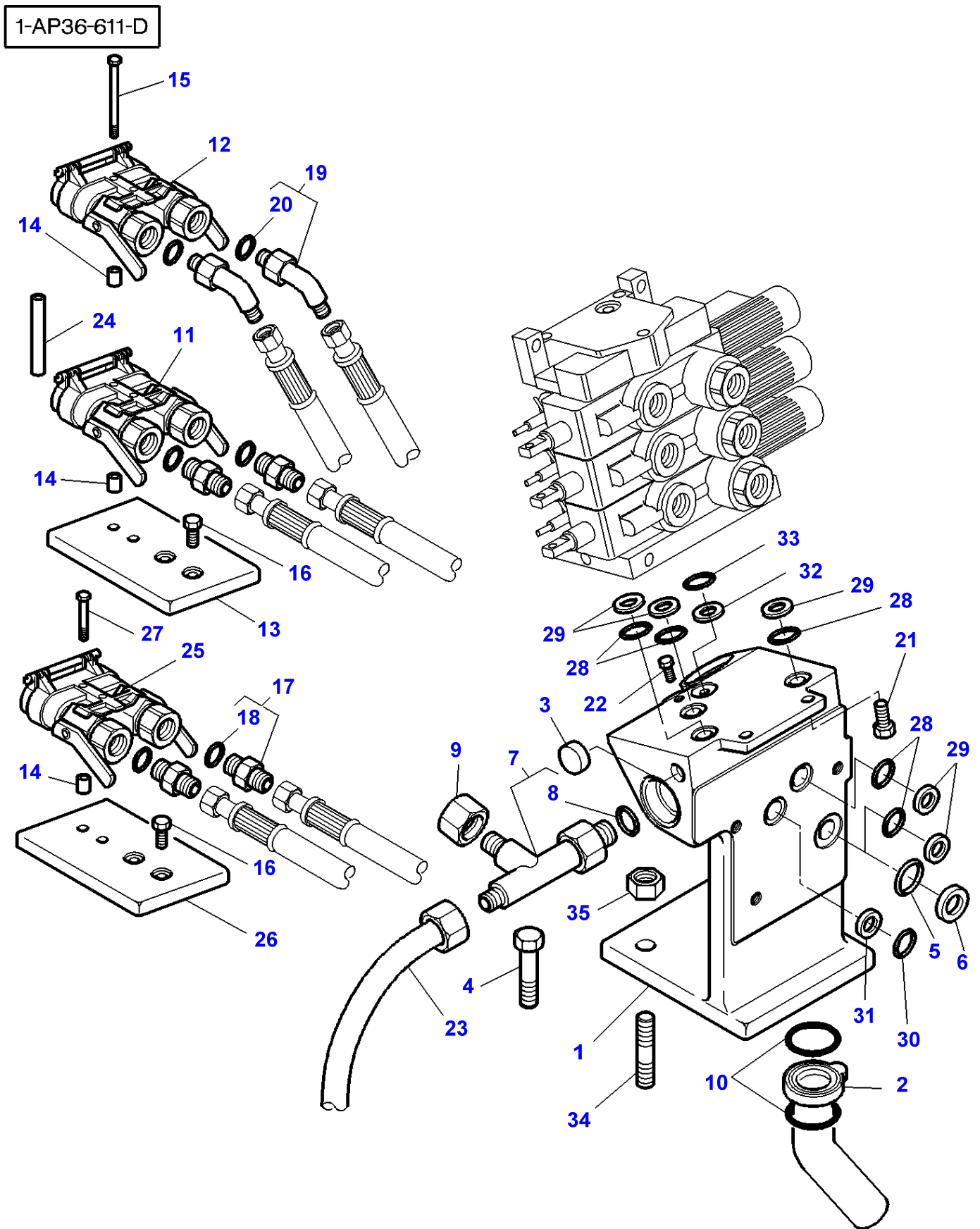
FOOTNOTE [B] WITHOUT HYDRAULIC LIFT

FOOTNOTE [C] BLACK

FOOTNOTE [D] RED

FOOTNOTE [F] WITH PUMP 60CC

MF 8170 TRACTOR - 1637359
1-AP36-611-D



Item	Part Number	Qty	Description	Comments
1	3716900M4	1	Angle	
2	3716914M91	1	Tube	
3	3006020X1	2	Plug	Up to Serial or Engine Number G048033 Diameter 20MM
	3015150X1	2	Plug	From Serial or Engine Number G048034 Diameter 24MM
4	3009507X1	3	Hex. Sock. Screw	Up to Serial or Engine Number 24/11/1997 M12X35
5	392224X1	7	O Ring	Up to Serial or Engine Number G034026
6	3716326M1	7	Bush	Up to Serial or Engine Number G034026 Diameter 23,3MM
7	3019633X91	1	Union	
8	3019399X1	1	O Ring	(7)
9	356582X1	1	Cap	
10	366617X1	2	O Ring	
11	3715310M4	1	Female Coupler	[C]
12	3715311M4	1	Female Coupler	[D]
13	3716392M2	1	Plate	
14	3712546M1	6	Spacer	
15	3015017X1	2	Screw	M8X135
16	339123X1	4	Hex. Sock. Screw	M8X20
17	835013M91	4	Union	
18	1882958M1	1	O Ring	(17)
19	835010M91	2	Elbow	
20	1882958M1	1	O Ring	(19)
21	391991X1	2	Screw Metric	M10X30
22	391989X1	1	Screw Metric	Up to Serial or Engine Number G034026 M8X20
	3010812X1	1	Screw	From Serial or Engine Number G034027 M8X30
23	3716397M1	1	Tube	[A]
	3791709M1	1	Tube	[B]
24	3616713M1	2	Tube	Length 1250MM
25	3715313M4	1	Female Coupler	[E]
26	3716391M1	1	Plate	
27	1442826X1	2	Screw	M8X80
28	392224X1	5	O Ring	From Serial or Engine Number G034027
29	3791880M1	5	Bush	From Serial or Engine Number G034027
30	1442477X1	1	Gasket	From Serial or Engine Number G034027
31	3791884M2	1	Bush	From Serial or Engine Number G034027
32	3791879M1	1	Bush	From Serial or Engine Number G034027
33	1441133X1	1	Gasket	From Serial or Engine Number G034027
34	3791655M1	3	Stud	From Serial or Engine Number 25/11/1997
35	3019862X1	3	Nut Metric	From Serial or Engine Number 25/11/1997

FOOTNOTE [A] WITH PUMP 45CC

FOOTNOTE [B] WITH PUMP 60CC

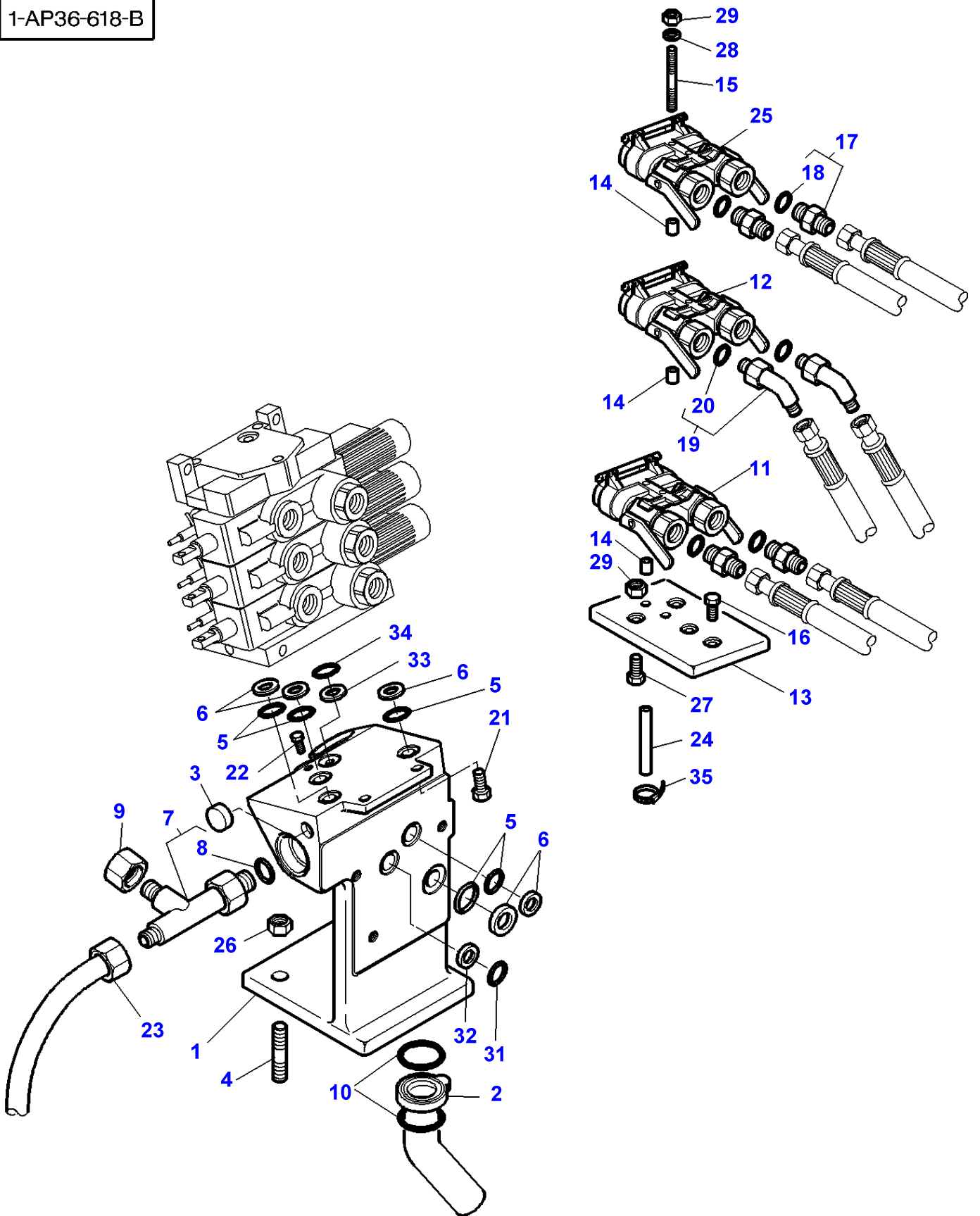
FOOTNOTE [C] BLACK

FOOTNOTE [D] RED

FOOTNOTE [E] GREEN

MF 8170 TRACTOR - 1637359
1-AP36-618-B

1-AP36-618-B



Item	Part Number	Qty	Description	Comments
1	3716900M4	1	Angle	
2	3716914M91	1	Tube	
3	3015150X1	2	Plug	Diameter 24MM
4	3791655M1	3	Stud	
5	392224X1	5	O Ring	
6	3791880M1	5	Bush	Diameter 22,3 MM
7	3019633X91	1	Union	
8	3019399X1	1	O Ring	(7)
9	356582X1	1	Cap	
10	366617X1	2	O Ring	
11	3715310M4	1	Female Coupler	[C]
12	3715311M4	1	Female Coupler	[D]
13	3716392M2	1	Plate	
14	3712546M1	6	Spacer	
15	3010788X1	2	Stud	M8X200
16	339123X1	2	Hex. Sock. Screw	M8X20
17	835013M91	4	Union	
18	1882958M1	1	O Ring	(17)
19	835010M91	2	Elbow	
20	1882958M1	1	O Ring	(19)
21	391991X1	2	Screw Metric	M10X30
22	3010812X1	1	Screw	M8X30
23	3716397M1	1	Tube	[A]
	3791709M1	1	Tube	[B]
24	3616713M1	X	Tube	
25	3715313M4	1	Female Coupler	[E]
26	3019862X1	3	Nut Metric	M12
27	339123X1	2	Hex. Sock. Screw	M8X20
28	390972X1	2	Washer Metric	
29	339169X1	2	Nut	M8
30	339169X1	2	Nut	M8
31	1442477X1	1	Gasket	
32	3791884M2	1	Bush	
33	1441133X1	1	Gasket	
34	3791879M1	1	Bush	
35	3619622M1	X	Cable Tie	

FOOTNOTE [A] WITH PUMP 45CC

FOOTNOTE [B] WITH PUMP 60CC

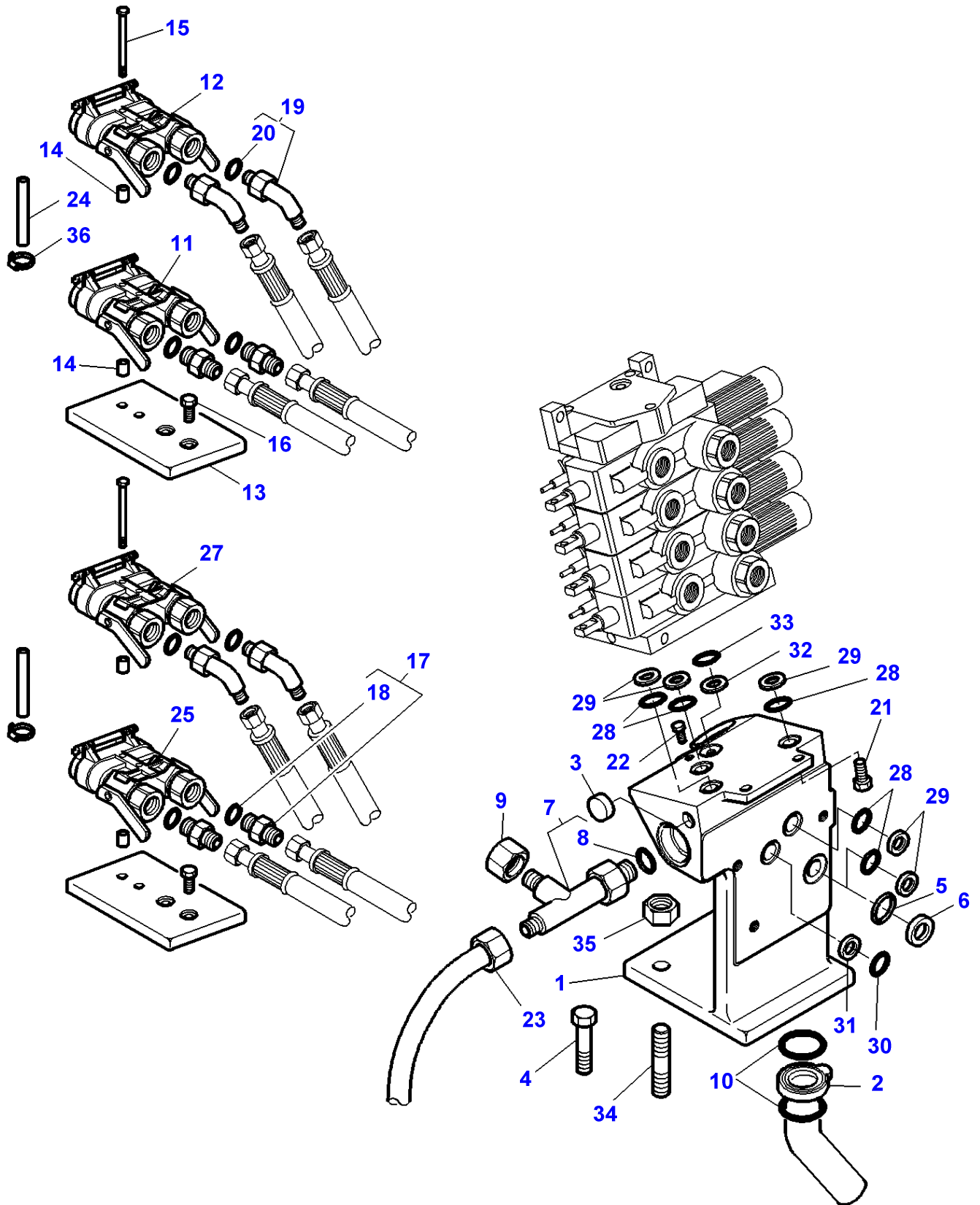
FOOTNOTE [C] BLACK

FOOTNOTE [D] RED

FOOTNOTE [E] GREEN

MF 8170 TRACTOR - 1637359
1-AP36-627-A

1-AP36-627-A



Item	Part Number	Qty	Description	Comments
1	3716900M4	1	Angle	
2	3716914M91	1	Tube	
3	3006020X1	2	Plug	Up to Serial or Engine Number G048033 Diameter 20MM
	3015150X1	2	Plug	From Serial or Engine Number G048034 Diameter 24MM
4	3009507X1	3	Hex. Sock. Screw	Up to Serial or Engine Number 24/11/1997 M12X35
5	392224X1	7	O Ring	Up to Serial or Engine Number G034026
6	3716326M1	7	Bush	Up to Serial or Engine Number G034026 Diameter 23,3MM
7	3019633X91	1	Union	
8	3019399X1	1	O Ring	(7)
9	356582X1	1	Cap	
10	366617X1	2	O Ring	
11	3715310M4	1	Female Coupler	[C]
12	3715311M4	1	Female Coupler	[D]
13	3716392M2	1	Plate	
14	3712546M1	8	Spacer	
15	3015017X1	4	Screw	M8X135
16	339123X1	4	Hex. Sock. Screw	M8X20
17	835013M91	4	Union	
18	1882958M1	1	O Ring	(17)
19	835010M91	4	Elbow	
20	1882958M1	1	O Ring	(19) M8X20
21	391991X1	2	Screw Metric	M10X30
22	391989X1	1	Screw Metric	Up to Serial or Engine Number G034026 M8X20
	3010812X1	1	Screw	From Serial or Engine Number G034027 M8X30
23	3716397M1	1	Tube	[B]
	3791709M1	1	Tube	[F]
24	3616713M1	2	Tube	Length 1250MM
25	3715313M4	1	Female Coupler	[E]
26	3716391M1	1	Plate	
27	3715312M4	1	Female Coupler	[A]
28	392224X1	5	O Ring	From Serial or Engine Number G034027
29	3791880M1	5	Bush	From Serial or Engine Number G034027
30	1442477X1	1	Gasket	From Serial or Engine Number G034027
31	3791884M2	1	Bush	From Serial or Engine Number G034027
32	3791879M1	1	Bush	From Serial or Engine Number G034027
33	1441133X1	1	Gasket	From Serial or Engine Number G034027
34	3791655M1	3	Stud	From Serial or Engine Number 25/11/1997
35	3019862X1	3	Nut Metric	From Serial or Engine Number 25/11/1997
36	3619622M1	X	Cable Tie	

FOOTNOTE [A] YELLOW

FOOTNOTE [B] WITH PUMP 45CC

FOOTNOTE [C] BLACK

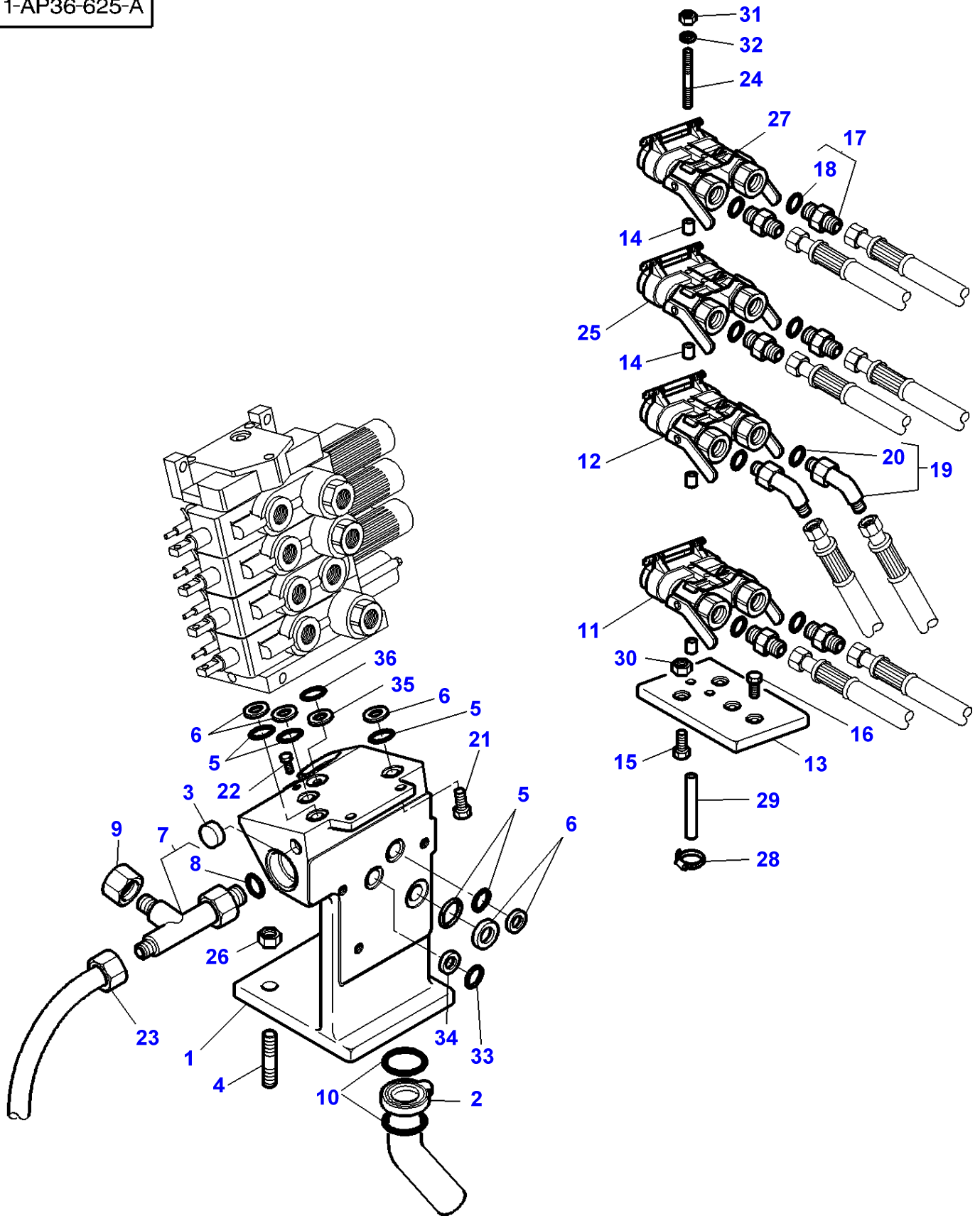
FOOTNOTE [D] RED

FOOTNOTE [E] GREEN

FOOTNOTE [F] WITH PUMP 60CC

MF 8170 TRACTOR - 1637359
1-AP36-625-A

1-AP36-625-A



Item	Part Number	Qty	Description	Comments
1	3716900M4	1	Angle	
2	3716914M91	1	Tube	
3	3015150X1	2	Plug	Diameter 24MM
4	3791655M1	3	Stud	M12
5	392224X1	5	O Ring	
6	3791880M1	5	Bush	Diameter 22,3MM
7	3019633X91	1	Union	
8	3019399X1	1	O Ring	(7)
9	356582X1	1	Cap	
10	366617X1	2	O Ring	
11	3715310M4	1	Female Coupler	[C]
12	3715311M4	1	Female Coupler	[D]
13	3716392M2	1	Plate	
14	3712546M1	8	Spacer	
15	339123X1	2	Hex. Sock. Screw	M8X20
16	339123X1	2	Hex. Sock. Screw	M8X20
17	835013M91	6	Union	
18	1882958M1	1	O Ring	(17)
19	835010M91	2	Elbow	
20	1882958M1	1	O Ring	(19)
21	391991X1	2	Screw Metric	M10X30
22	3010812X1	1	Screw	M8X30
23	3716397M1	1	Tube	[B]
	3791709M1	1	Tube	[F]
24	3010789X1	2	Stud	M8X262
25	3715313M4	1	Female Coupler	[E]
26	3019862X1	3	Nut Metric	M12
27	3715312M4	1	Female Coupler	[A]
28	3619622M1	X	Cable Tie	
29	3616713M1	1	Tube	Length 1250MM
30	339169X1	2	Nut	
31	339169X1	2	Nut	
32	390972X1	2	Washer Metric	
33	1442477X1	1	Gasket	
34	3791884M2	1	Bush	
35	3791879M1	1	Bush	
36	1441133X1	1	Gasket	

FOOTNOTE [A] YELLOW

FOOTNOTE [B] WITH PUMP 45CC

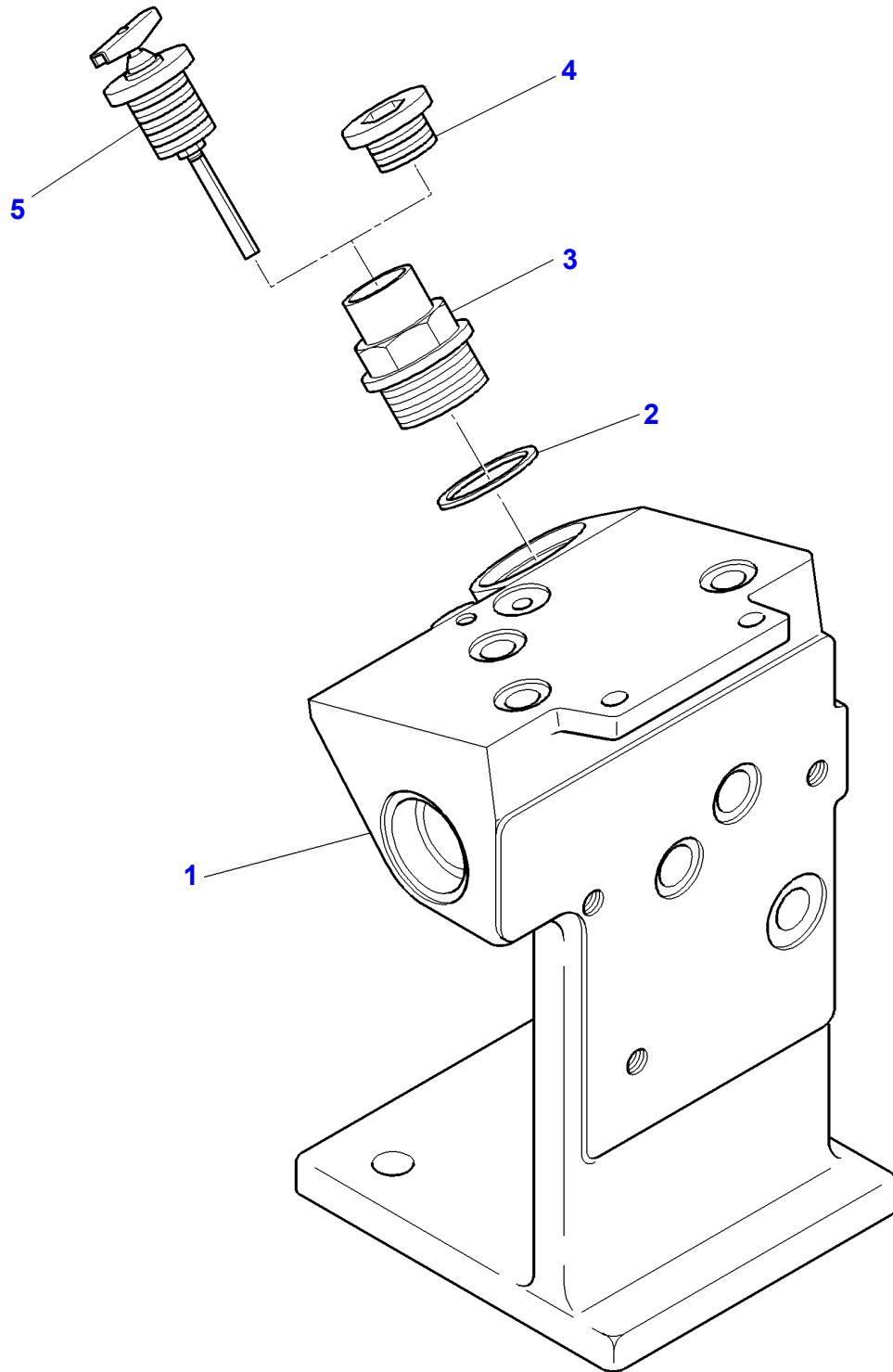
FOOTNOTE [C] BLACK

FOOTNOTE [D] RED

FOOTNOTE [E] GREEN

FOOTNOTE [F] WITH PUMP 60CC

1-AP77-002-B



Massey Ferguson

MF 8170 TRACTOR - 1637359

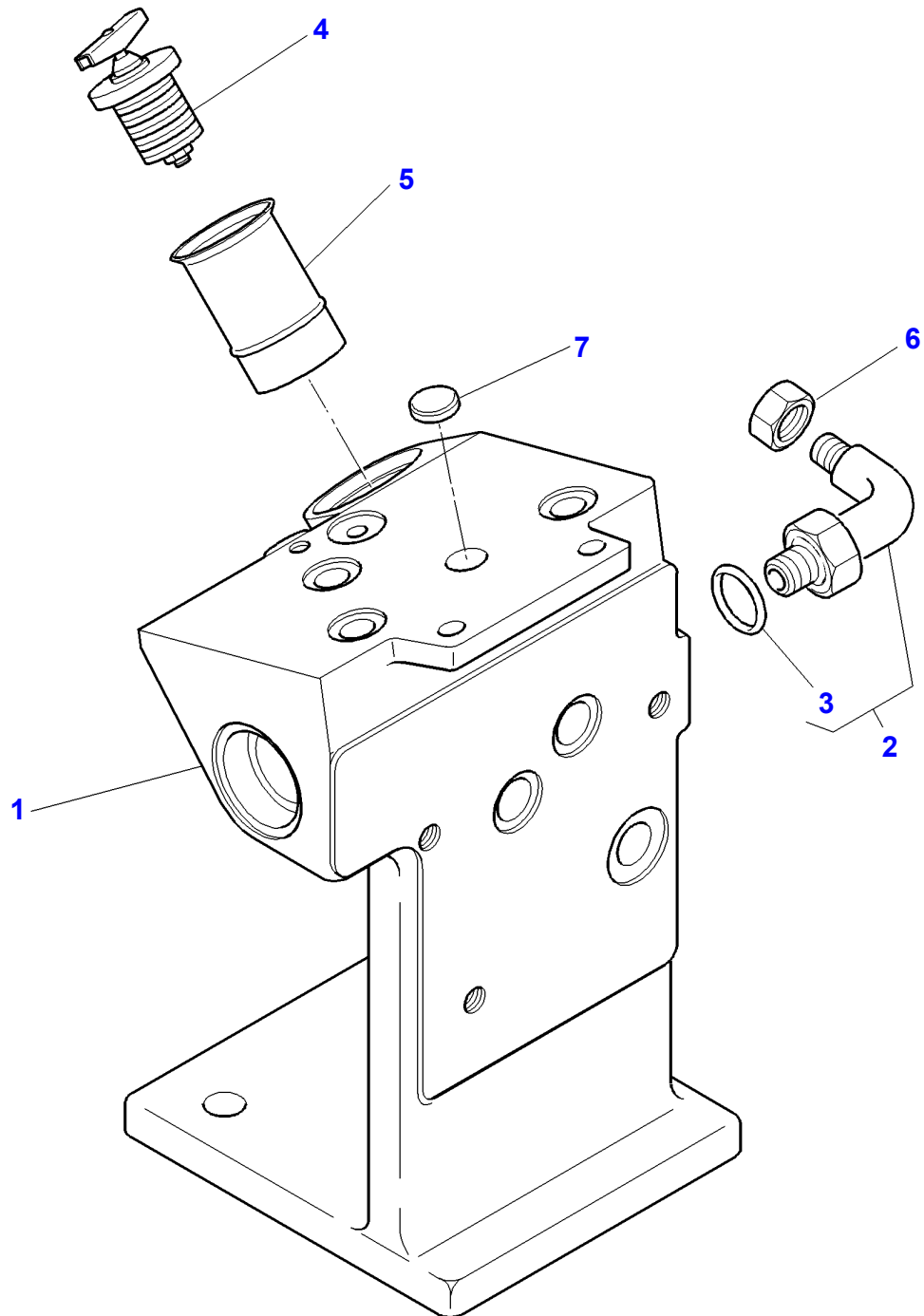
1637359

DIPSTICK / CENTRE HOUSING - Up to Serial or Engine Number G048033

Page070-0245

Item	Part Number	Qty	Description	Comments
1	3716900M1	1	Angle	
2	1442541X1	1	Seal	
3	3791275M1	1	Extension	
4	380023X91	1	Plug	M42
5	3790421M1	1	Oil Dipstick	

1-AP77-001-B

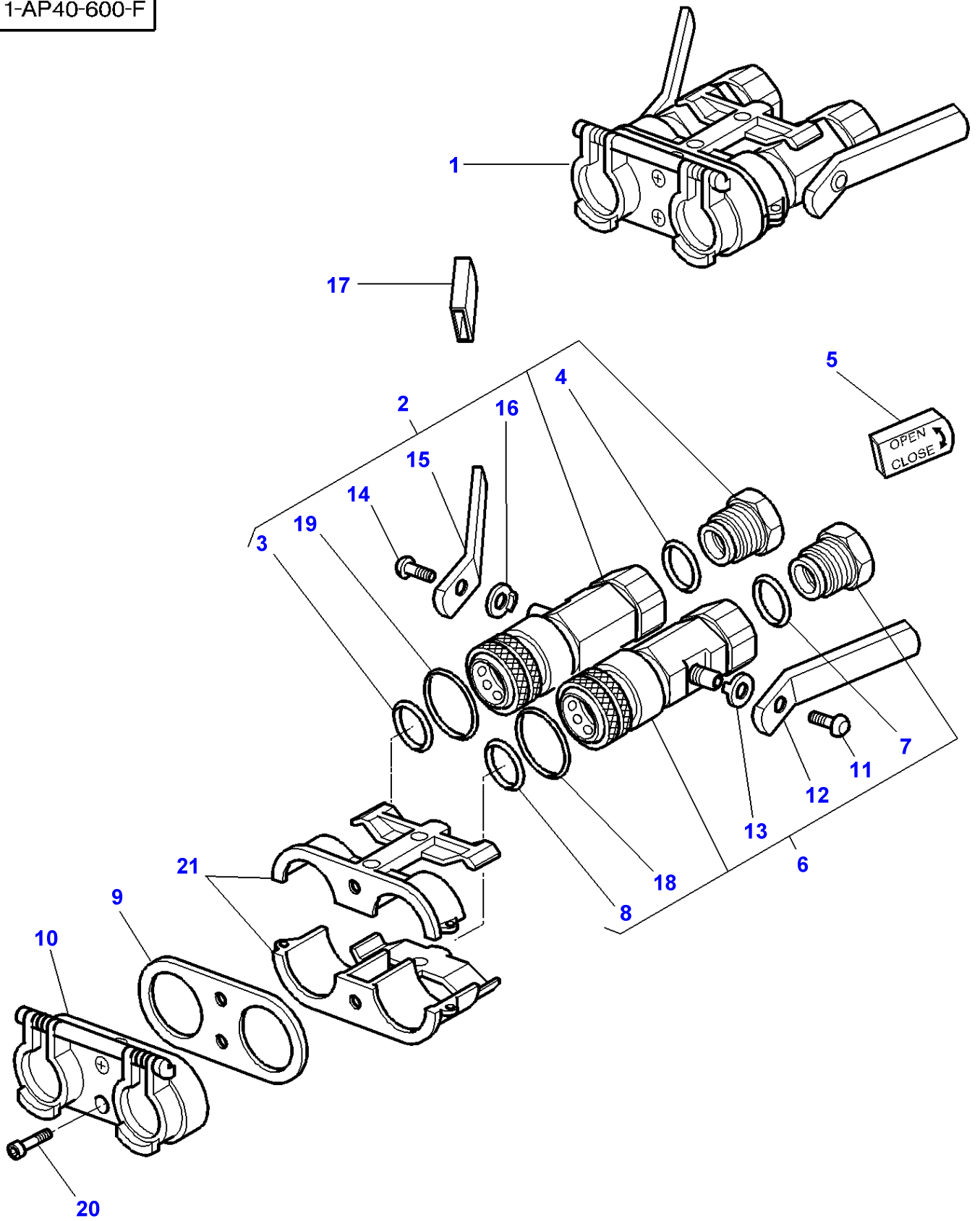


Massey Ferguson**MF 8170 TRACTOR - 1637359****1637359****DIPSTICK / CENTRE HOUSING - From Serial Number G048034 Except Tractor
G049008/G050009/G062005****Page070-0250**

Item	Part Number	Qty	Description	Comments
1	3716900M4	1	Angle	
2	3019420X91	1	Union	
3	3019398X1	1	O Ring	(2)
4	3791288M1	1	Plug	
5	3791466M2	1	Tube	
6	355782X1	1	Plug	
7	391563X1	1	Plug	Diameter 16MM

MF 8170 TRACTOR - 1637359
1-AP40-600-F

1-AP40-600-F

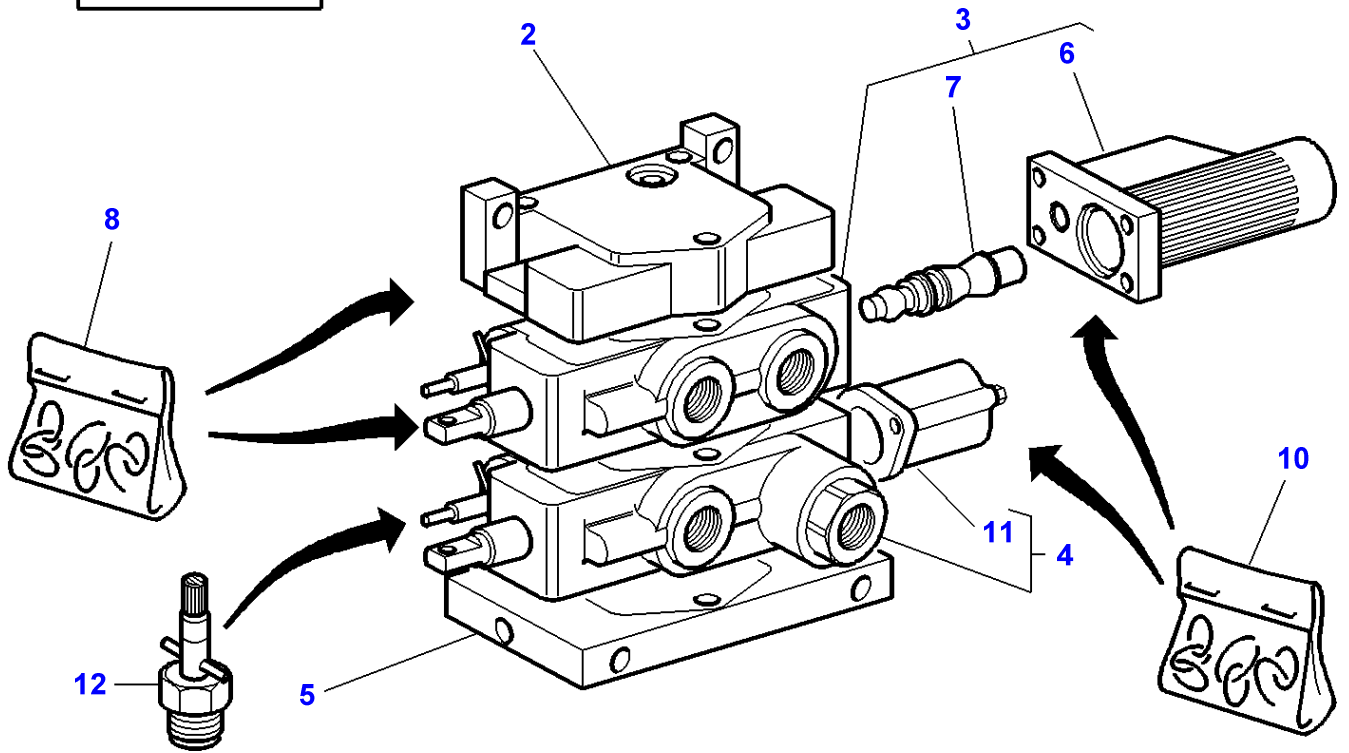
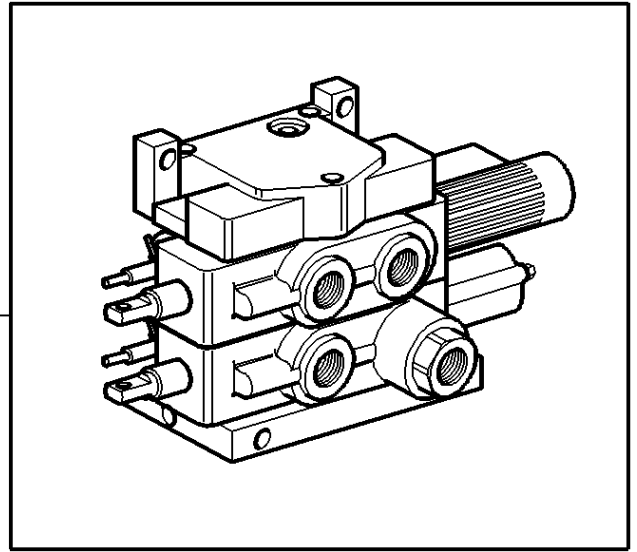
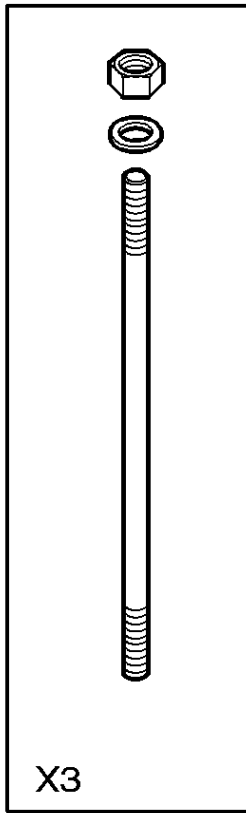


Hydraulic Coupling

Item	Part Number	Qty	Description	Comments
1	3715310M4	1	Female Coupler	[A]
	3715311M4	1	Female Coupler	[B]
	3715313M4	1	Female Coupler	[C]
	3715312M4	1	Female Coupler	[D]
2	3902108M92	1	Female Coupler	(1) Left Hand
3	359297X1	1	Ring	(2) Replace and repair. Old not interchangeable with new 3902143M1
4	1889915M1	1	O Ring	(2) Replace and repair. Old not interchangeable with new 3902193M1
5	3902110M1	1	Muff	[A] (1) Right Hand
	3902495M1	1	Muff	[B] (1) Right Hand
	3902497M1	1	Muff	[C] (1) Right Hand
	3902793M1	1	Muff	[D] (1) Right Hand
6	3902107M92	1	Female Coupler	(1) Right Hand
7	1889915M1	1	O Ring	(6) Replace and repair. Old not interchangeable with new 3902193M1
8	359297X1	1	Ring	(6) Replace and repair. Old not interchangeable with new 3902143M1
9	3902111M1	1	Gasket	(1)
10	3902491M91	1	Cover	[A] (1)
	3902489M91	1	Cover	[B] (1)
	3902490M91	1	Cover	[C] (1)
	3902792M1	1	Cover	[D] (1)
11		1	Screw	(6) Not serviced, order REF No 6
12		1	Lever	(6) Not serviced, order REF No 6
13		1	Washer	(6) Not serviced, order REF No 6
14		1	Screw	(2) Not serviced, order REF No 2
15		1	Lever	(2) Not serviced, order REF No 2
16		1	Screw	(2) Not serviced, order REF No 2
17	3902109M1	1	Muff	[A] (1) Left Hand
	3902494M1	1	Muff	[B] (1) Left Hand
	3902496M1	1	Muff	[C] (1) Left Hand
	3902493M1	1	Muff	[D] (1) Left Hand
18	364777X1	1	O Ring	(6)
19	364777X1	1	O Ring	(2)
20	3902772M1	2	Screw	(1)
21	72163347	2	Clamp	(1)

FOOTNOTE [A] BLACK
FOOTNOTE [B] RED
FOOTNOTE [C] GREEN
FOOTNOTE [D] YELLOW
FOOTNOTE [E] NUMBER TO BE ADVISED

1-AP34-713-A



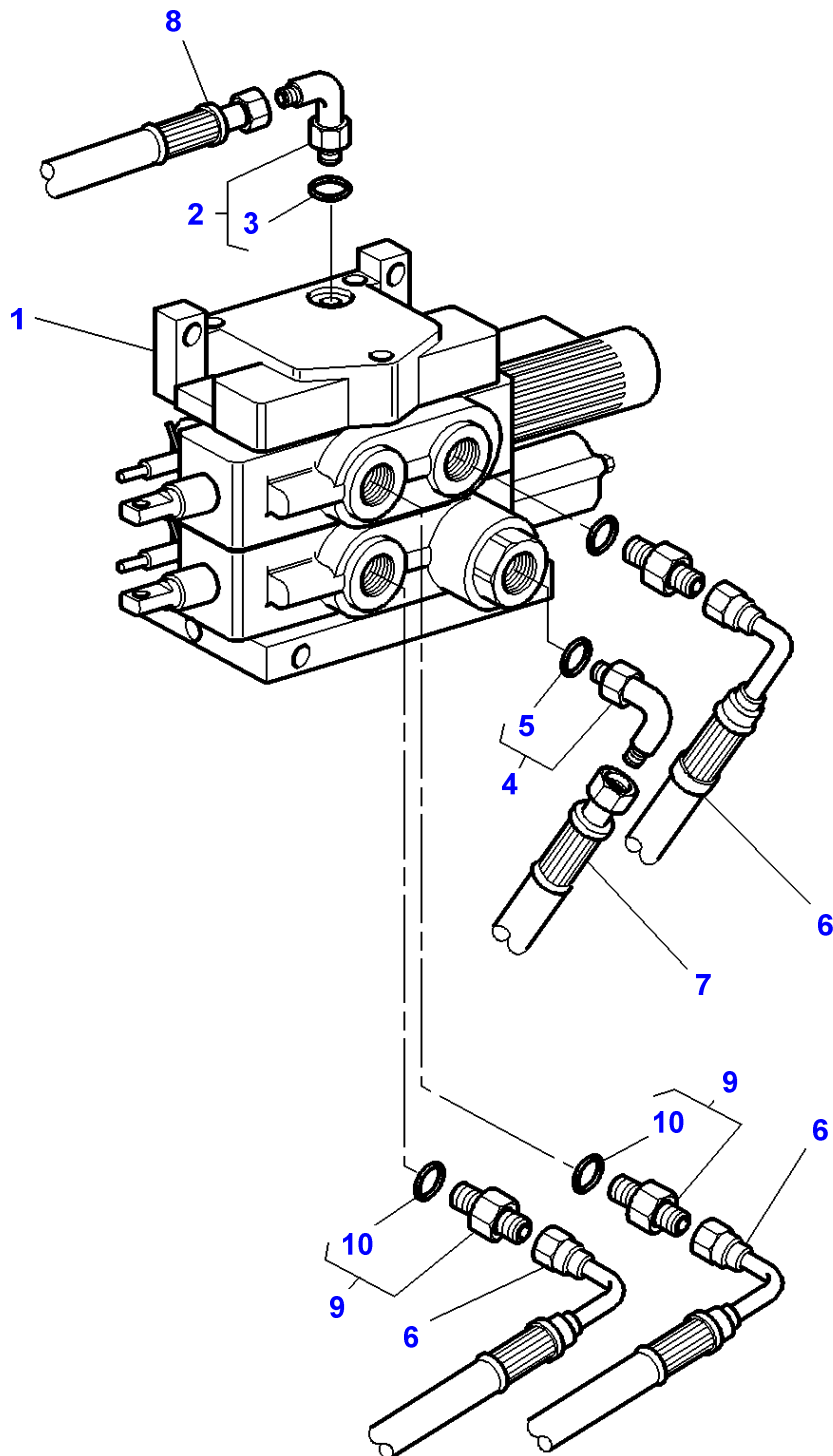
Distributor - 2 DISTRIBUTORS

Item	Part Number	Qty	Description	Comments
1	3716317M91	1	Distributor	
2	3716316M1	1	Element	(1)
3	3902062M92	1	Distributor	[A] (1)
4	3902063M91	1	Distributor	[B] (1)
5	3716314M1	1	Element	(1)
6	3902797M91	1	Protector	(3)
7	3790773M11	1	Kit, Service	(3)
8	3902067M91	1	Kit, Joint	(1)
9	3902732M91	1	Parts Pack	(1)
10	3902066M91	1	Kit, Joint	(1)
11	3902813M91	1	Protector	(4)
12	3790797M11	1	Kit, Service	(1)

FOOTNOTE [A] DIST 4 FLOATING POSITIONS ,FLOW ADJUST,KICK-OUT,W/ O, ZERO LEAK

FOOTNOTE [B] DIST 3 FLOATING POSITIONS,RETURN BY SPRING,FLOW AD JUST,ZERO LEAK

1-AP36-628-A



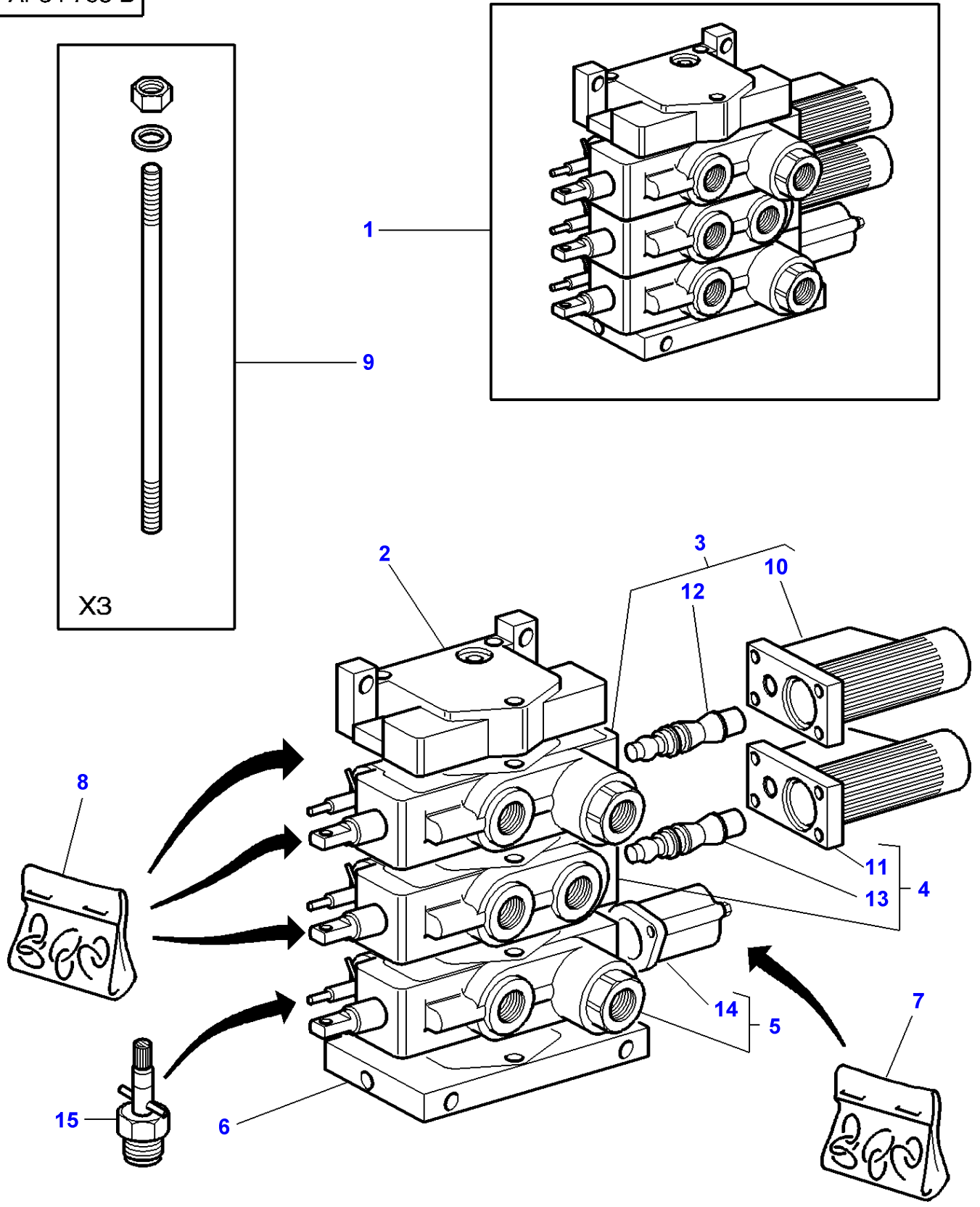
Massey Ferguson**MF 8170 TRACTOR - 1637359****1637359****Auxiliary Hydraulics - Distributor Installation - 2 DISTRIBUTORS - PLUMBING****Page070-0265**

Item	Part Number	Qty	Description	Comments
1	3716317M91	1	Distributor	
2	357197X91	1	Elbow	
3	831452M1	1	O Ring	(2)
4	380031X91	1	Union	
5	1882958M1	1	O Ring	(4)
6	3712540M1	3	Hydr Hose	Length 650MM
7	3583591M1	1	Hydr Hose	Length 690MM
8	3716398M1	1	Hydr Hose	[A]
	3792042M1	1	Hydr Hose	[B]
				Length 1400MM
9	835013M91	3	Union	
10	1882958M1	1	O Ring	(9)

FOOTNOTE [A] WITH PUMP 45CC**FOOTNOTE [B] WITH PUMP 60CC**

MF 8170 TRACTOR - 1637359
1-AP34-708-B

1-AP34-708-B



Distributor - 3 DISTRIBUTORS

Item	Part Number	Qty	Description	Comments
1	3716318M91	1	Distributor	
2	3716316M1	1	Element	(1)
3	3713928M3	1	Distributor	[C] (1)
4	3902062M92	1	Distributor	[A] (1)
5	3902063M91	1	Distributor	[B] (1)
6	3716314M1	1	Element	(1)
7	3902066M91	1	Kit, Joint	(1)
8	3902067M91	1	Kit, Joint	(1)
9	3716366M1	1	Parts Pack	(1)
10	3902797M91	1	Protector	(3)
11	3902797M91	1	Protector	(4)
12	3790773M11	1	Kit, Service	(3)
13	3790773M11	1	Kit, Service	(4)
14	3902813M91	1	Protector	(5)
15	3790797M11	1	Kit, Service	

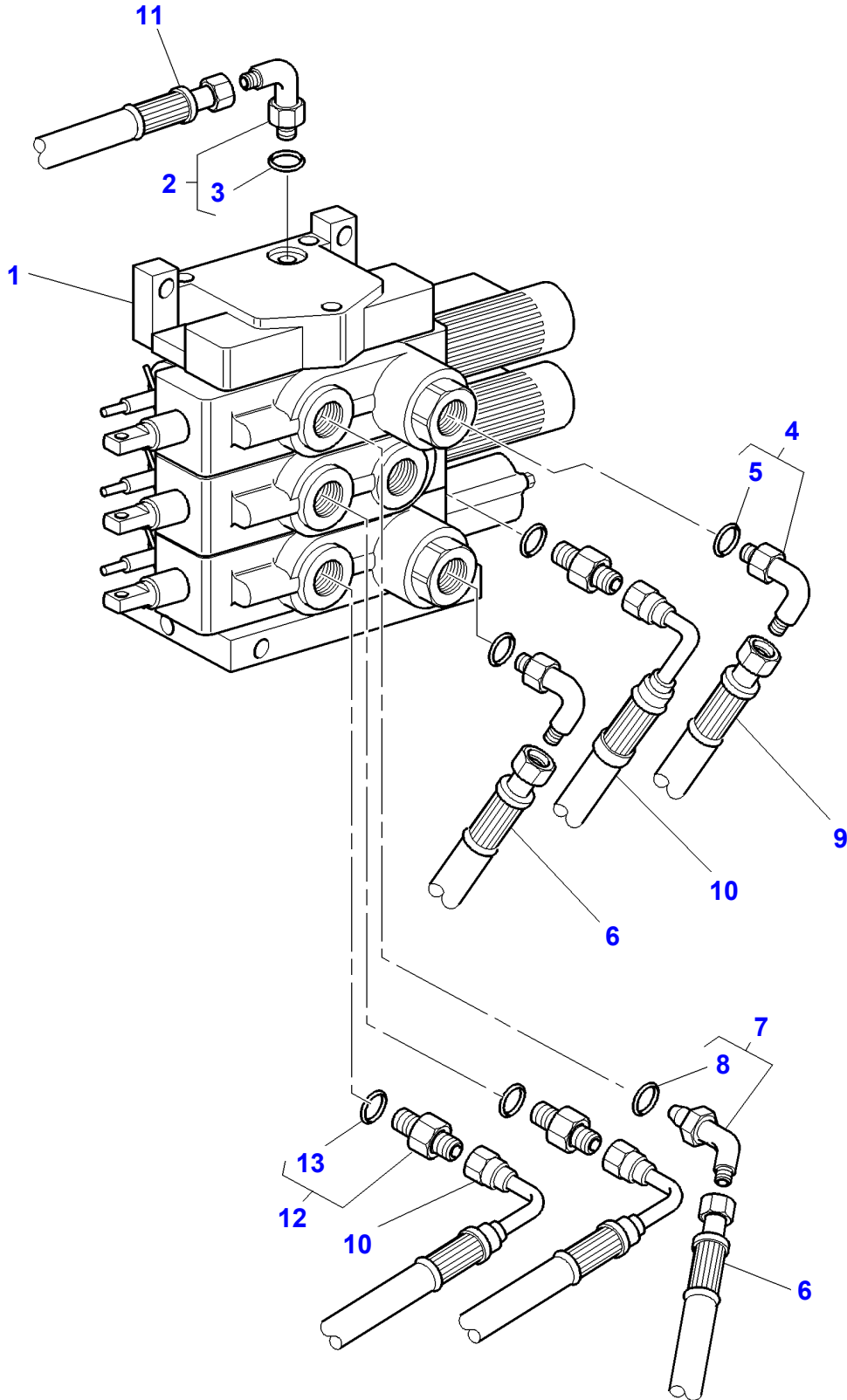
FOOTNOTE [A] DIST 4 FLOATING POSITIONS ,FLOW ADJUST,KICK-OUT,W/ O, ZERO LEAK

FOOTNOTE [B] DIST 3 FLOATING POSITIONS,RETURN BY SPRING,FLOW AD JUST,ZERO LEAK

FOOTNOTE [C] 4 FLOATING POSITIONS DIST,FLOW ADJUST,KICK-OUT,ZER O LEAK

MF 8170 TRACTOR - 1637359
1-AP36-620-A

1-AP36-620-A



Massey Ferguson**MF 8170 TRACTOR - 1637359**

1637359

Auxiliary Hydraulics - Distributor Installation - 3 DISTRIBUTORS - Plumbing

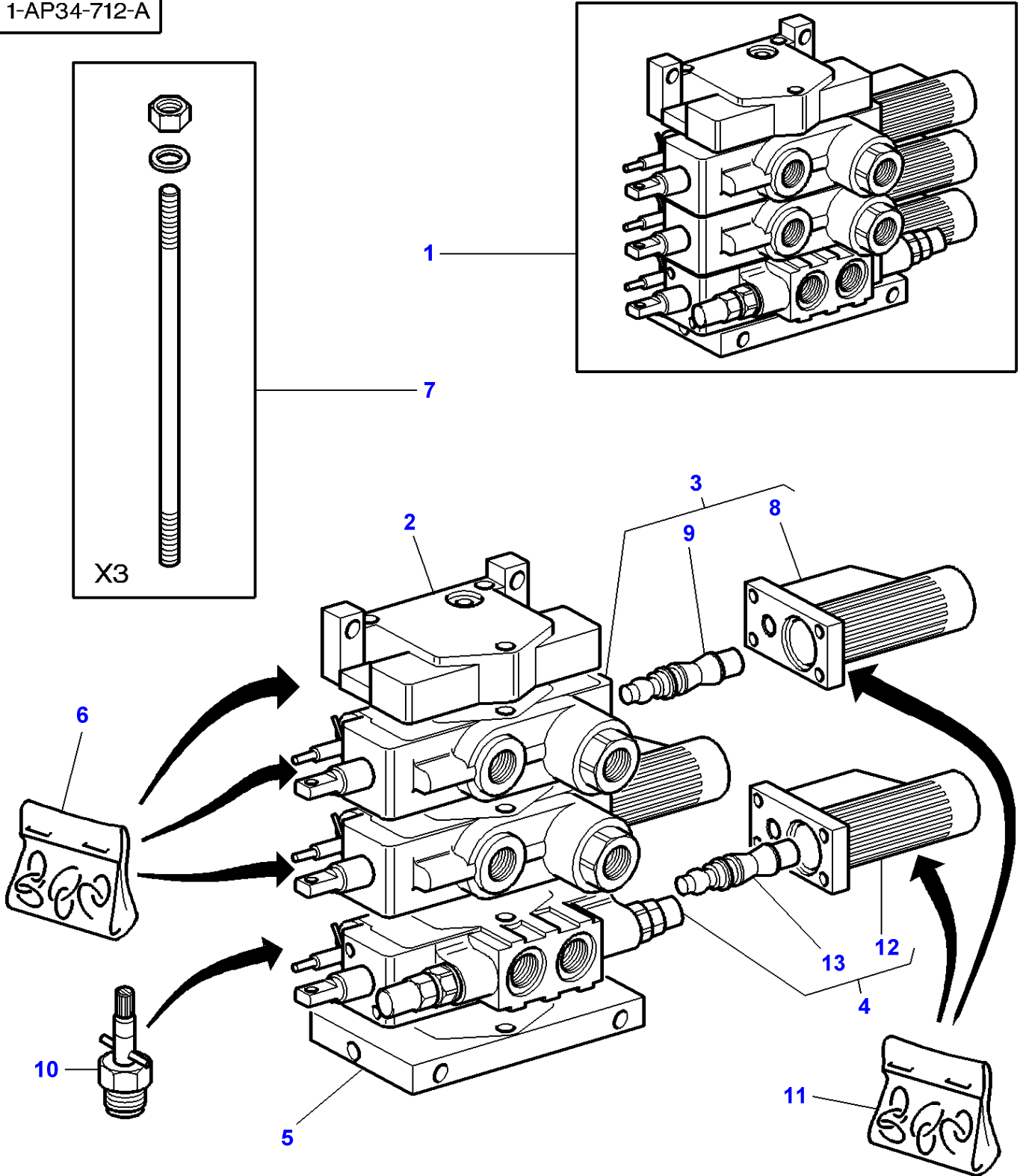
Page070-0275

Item	Part Number	Qty	Description	Comments
1	3716318M91	1	Distributor	
2	357197X91	1	Elbow	
3	831452M1	1	O Ring	(2)
4	380031X91	2	Union	
5	1882958M1	1	O Ring	(4)
6	3583591M1	2	Hydr Hose	Length 690MM
7	835010M91	1	Elbow	
8	1882958M1	1	O Ring	(7)
9	3714951M1	1	Hydr Hose	Length 500MM
10	3712540M1	3	Hydr Hose	Length 650MM
11	3716398M1	1	Hydr Hose	[A]
	3792042M1	1	Hydr Hose	[B] Length 1400MM
12	835013M91	3	Union	
13	1882958M1	1	O Ring	(12)

FOOTNOTE [A] WITH PUMP 45CC**FOOTNOTE [B]** WITH PUMP 60CC

MF 8170 TRACTOR - 1637359
1-AP34-712-A

1-AP34-712-A



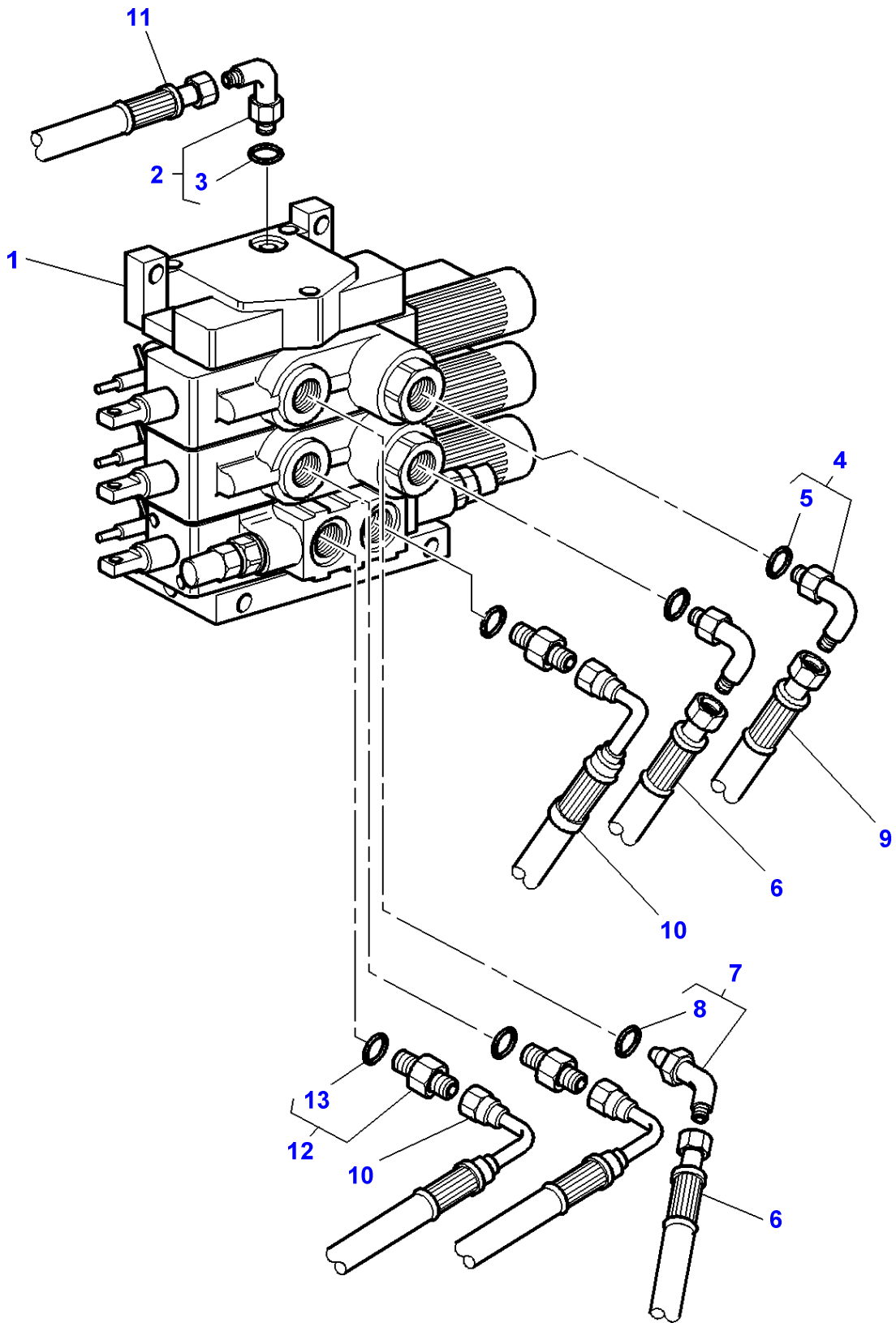
Item	Part Number	Qty	Description	Comments
1	3716319M91	1	Distributor	
2	3716316M1	1	Element	(1)
3	3713928M3	2	Distributor	[A] (1)
4	3713927M3	1	Distributor	[B] (1)
5	3716314M1	1	Element	(1)
6	3902067M91	1	Kit, Joint	(1)
7	3716366M1	1	Parts Pack	(1)
8	3902797M91	1	Protector	(3)
9	3790773M11	1	Kit, Service	(3)
10	3790797M11	1	Kit, Service	(1)
11	3902066M91	1	Kit, Joint	(1)
12	3902797M91	1	Protector	(4)
13	3790773M11	1	Kit, Service	(4)

FOOTNOTE [A] 4 FLOATING POSITIONS DIST, FLOW ADJUST, KICK-OUT, ZERO LEAK

FOOTNOTE [B] 4 FLOAT POSIT DIST, FLOW ADJUST, KICK-OUT W 2 OVERP RES. VALVE AND RESUPPLYING FOR HYDRAULIC MOTOR

MF 8170 TRACTOR - 1637359
1-AP36-629-A

1-AP36-629-A



Massey Ferguson**MF 8170 TRACTOR - 1637359**

1637359

Auxiliary Hydraulics - Distributor Installation - 3 DISTRIBUTORS - FOR HYDRAULIC MOTOR - PLUMBING

Page070-0285

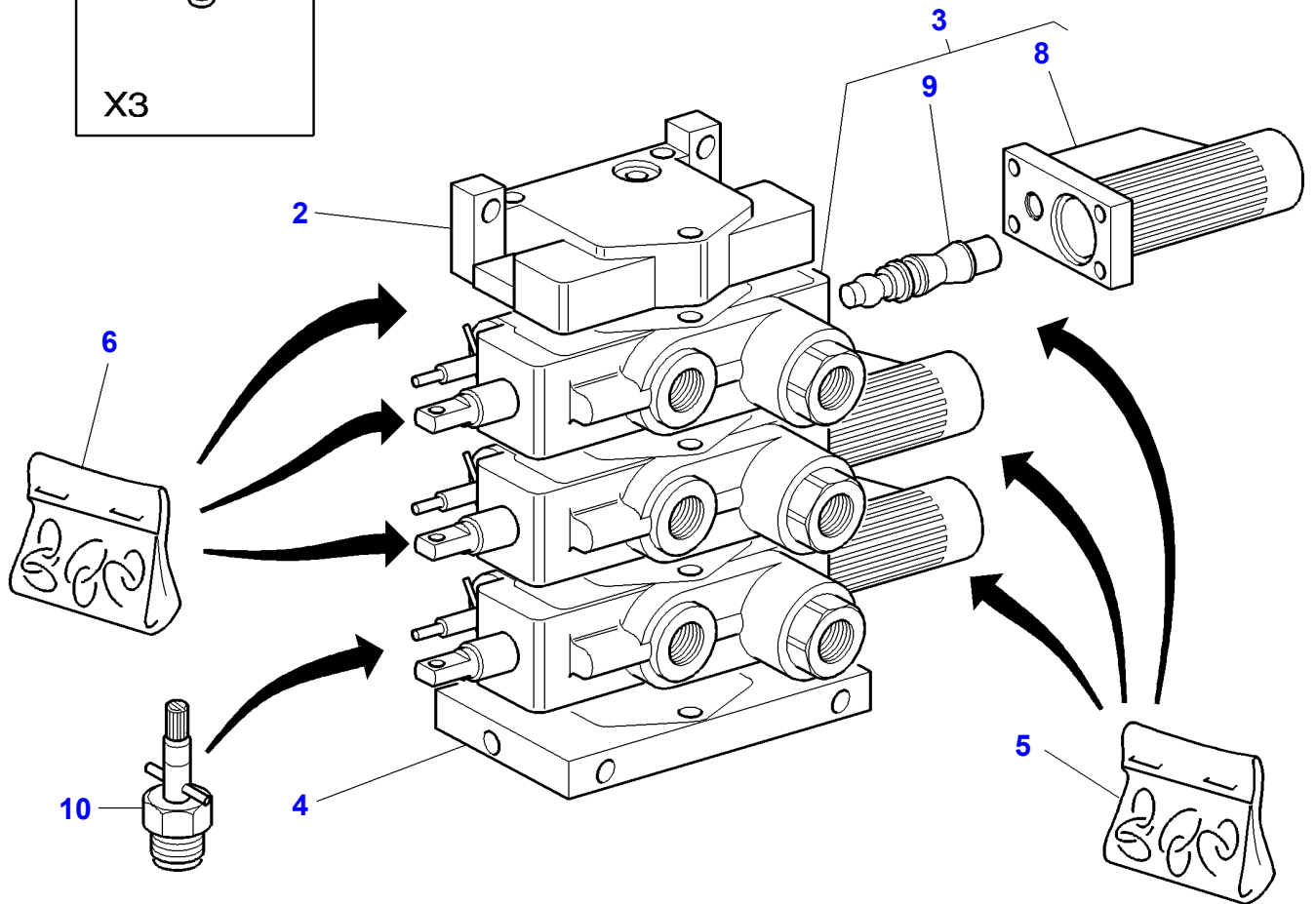
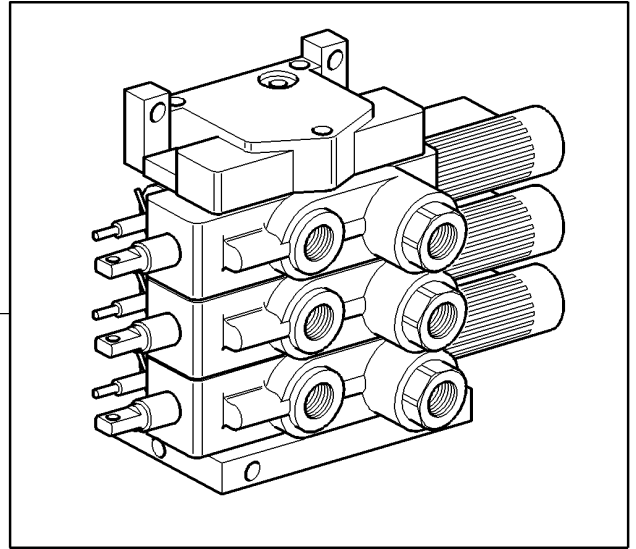
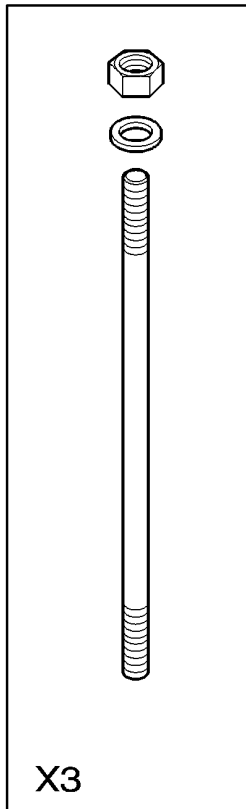
Item	Part Number	Qty	Description	Comments
1	3716319M91	1	Distributor	
2	357197X91	1	Elbow	
3	831452M1	1	O Ring	(2)
4	380031X91	2	Union	
5	1882958M1	1	O Ring	(4)
6	3583591M1	2	Hydr Hose	Length 690MM
7	835010M91	1	Elbow	
8	1882958M1	1	O Ring	(7)
9	3714951M1	1	Hydr Hose	Length 500MM
10	3712540M1	3	Hydr Hose	Length 650MM
11	3716398M1	1	Hydr Hose	[A]
	3792042M1	1	Hydr Hose	[B] Length 1400MM
12	835013M91	3	Union	
13	1882958M1	1	O Ring	(12)

FOOTNOTE [A] WITH PUMP 45CC

FOOTNOTE [B] WITH PUMP 60CC

MF 8170 TRACTOR - 1637359
1-AP34-622-C

1-AP34-622-C



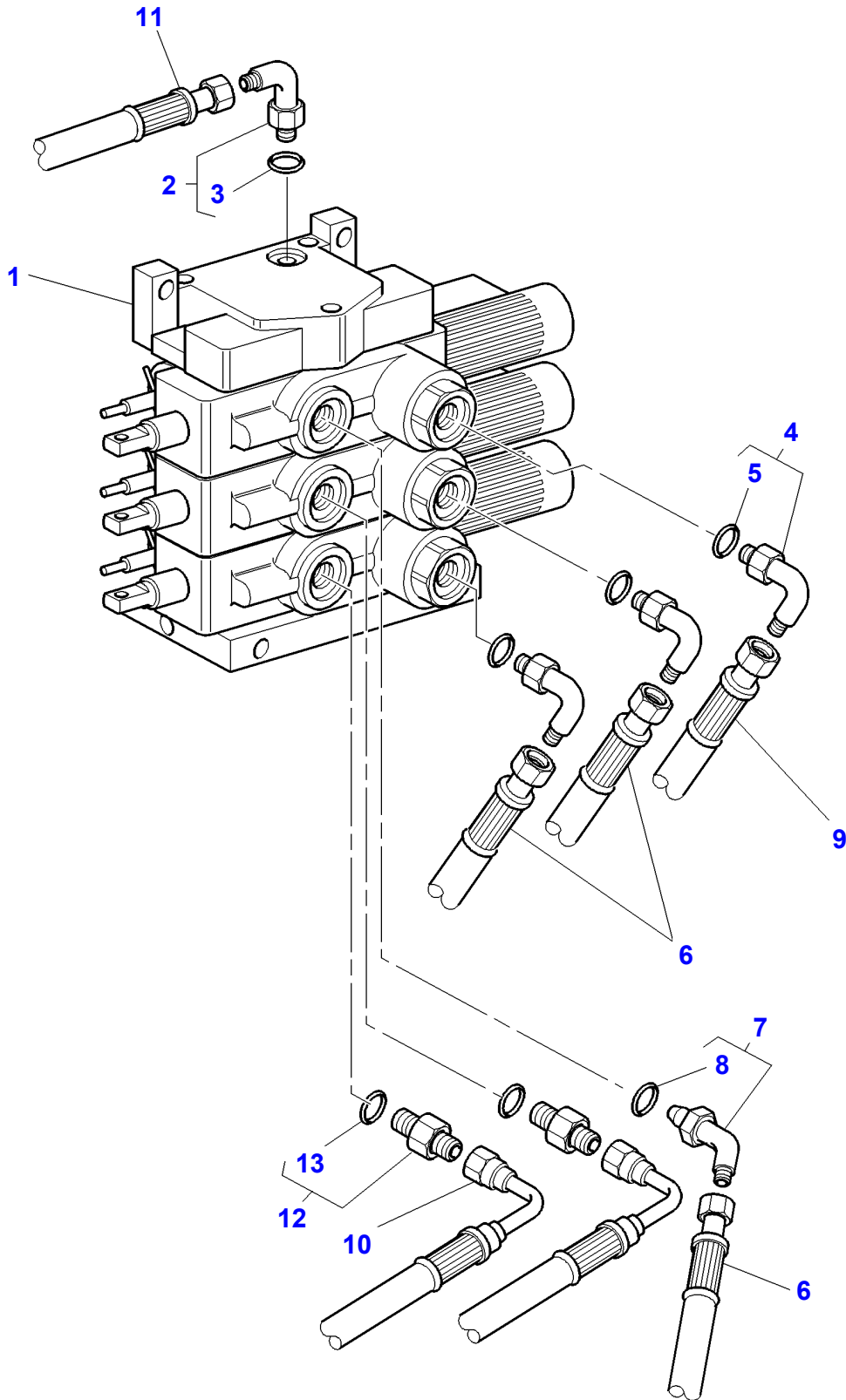
Distributor - 3 DISTRIBUTORS

Item	Part Number	Qty	Description	Comments
1	3716320M91	1	Distributor	
2	3716316M1	1	Element	(1)
3	3713928M3	3	Distributor	[A] (1)
4	3716314M1	1	Element	(1)
5	3902066M91	1	Kit, Joint	(1)
6	3902067M91	1	Kit, Joint	(1)
7	3716366M1	1	Parts Pack	(1)
8	3902797M91	1	Protector	(3)
9	3790773M11	1	Kit, Service	(3)
10	3790797M11	1	Kit, Service	(3)

FOOTNOTE [A] 4 FLOATING POSITIONS DIST,FLOW ADJUST,KICK-OUT,ZER O LEAK

MF 8170 TRACTOR - 1637359
1-AP36-619-A

1-AP36-619-A



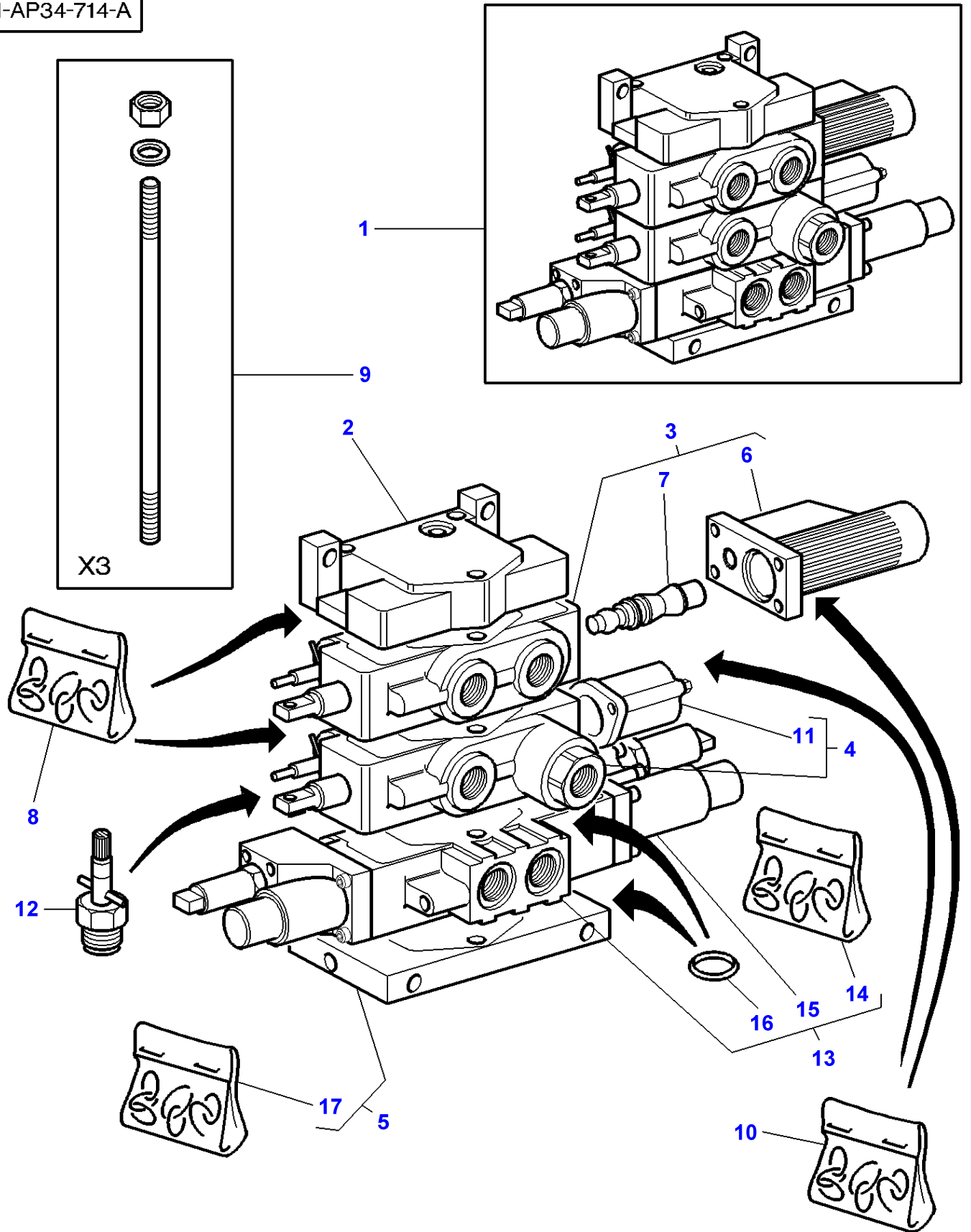
Massey Ferguson**MF 8170 TRACTOR - 1637359****1637359****Auxiliary Hydraulics - Distributor Installation - 3 DISTRIBUTORS - Plumbing****Page070-0295**

Item	Part Number	Qty	Description	Comments
1	3716320M91	1	Distributor	
2	357197X91	1	Elbow	
3	831452M1	1	O Ring	(2)
4	380031X91	3	Union	7/88-14
5	1882958M1	1	O Ring	(4)
6	3583591M1	3	Hydr Hose	Length 690MM
7	835010M91	1	Elbow	
8	1882958M1	1	O Ring	(7)
9	3714951M1	1	Hydr Hose	Length 500MM
10	3712540M1	2	Hydr Hose	Length 650MM
11	3716398M1	1	Hydr Hose	[A]
	3792042M1	1	Hydr Hose	[B]
				Length 1400MM
12	835013M91	2	Union	
13	1882958M1	1	O Ring	(12)

FOOTNOTE [A] WITH PUMP 45CC**FOOTNOTE [B] WITH PUMP 60CC**

MF 8170 TRACTOR - 1637359
1-AP34-714-A

1-AP34-714-A



Item	Part Number	Qty	Description	Comments
1	3716321M91	1	Distributor	
2	3716316M1	1	Element	(1)
3	3902062M92	1	Distributor	[A] (1)
4	3902063M91	1	Distributor	[B] (1)
5	3716315M1	1	Element	(1)
6	3902797M91	1	Protector	(3)
7	3790773M11	1	Kit, Service	(3)
8	3902067M91	1	Kit, Joint	(1)
9	3716366M1	1	Parts Pack	(1)
10	3902066M91	1	Kit, Joint	(1)
11	3902813M91	1	Protector	(4)
12	3790797M11	2	Kit, Service	(1)
13	3715122M1	1	Pressure Valve	[C] (1)
14	3902734M91	1	Kit, Joint	(13)
15	3900512M92	2	Pressure Valve	(13)
16	359288X1	4	Seal	(13)
17	3902733M91	1	Kit, Joint	(5)

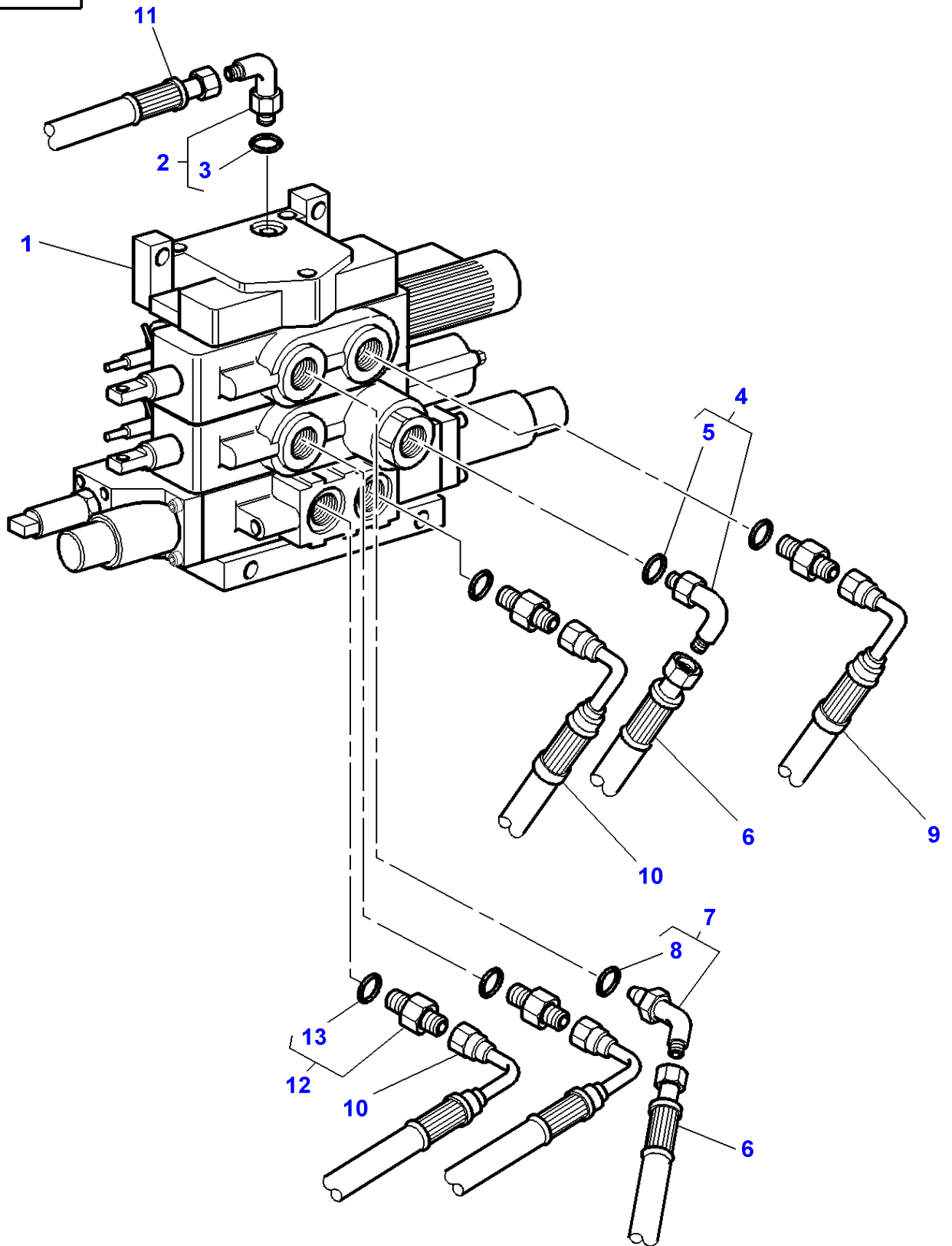
FOOTNOTE [A] DIST 4 FLOATING POSITIONS ,FLOW ADJUST,KICK-OUT,W/ O, ZERO LEAK

FOOTNOTE [B] DIST 3 FLOATING POSITIONS,RETURN BY SPRING,FLOW AD JUST,ZERO LEAK

FOOTNOTE [C] DIST 3 FLOATING POSITIONS,AUTOMATIC KICK-OUT(BY SP RING),FLOW ADJUST,ELECTRIC CONTROL

MF 8170 TRACTOR - 1637359
1-AP36-630-A

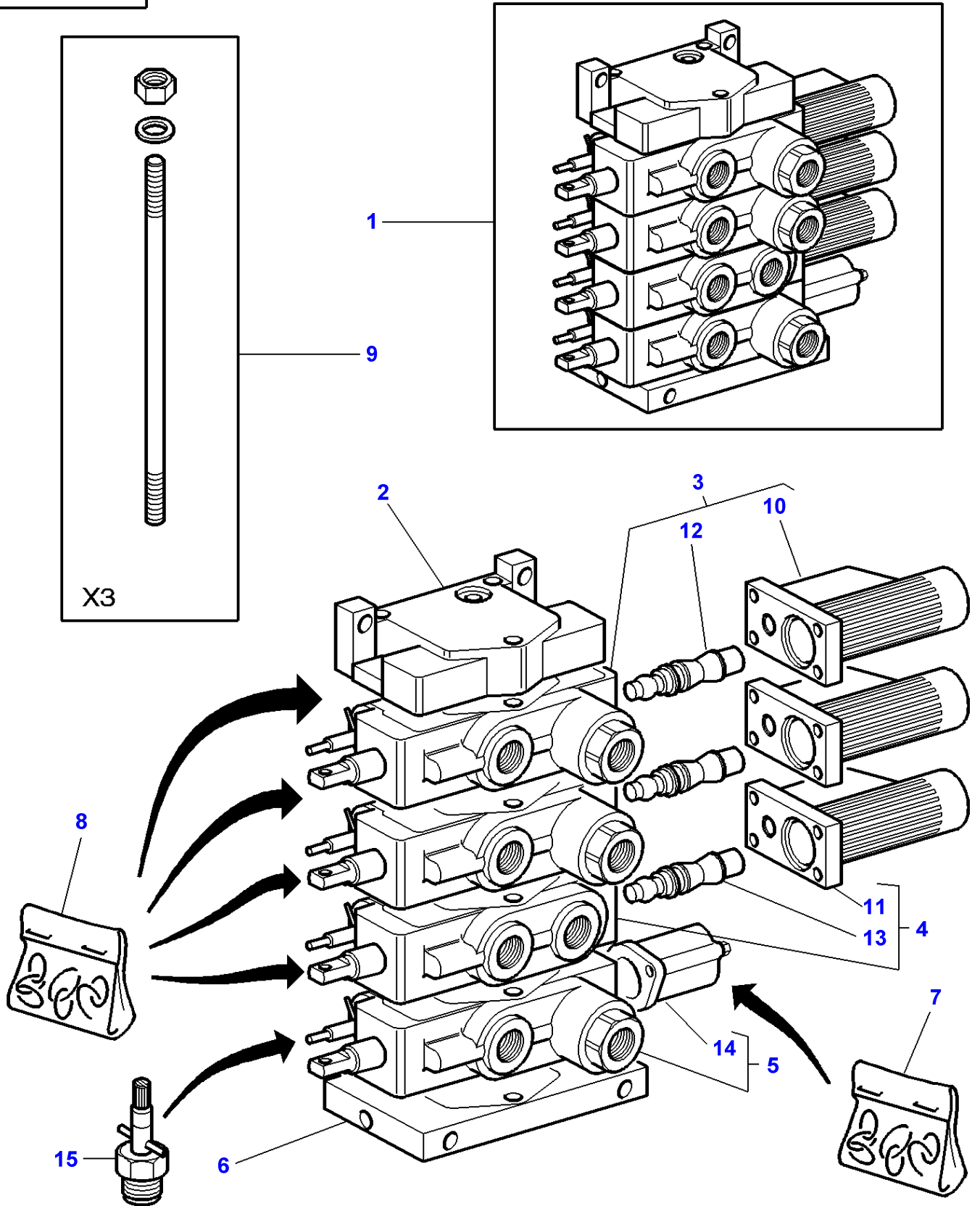
1-AP36-630-A



Item	Part Number	Qty	Description	Comments
1	3716321M91	1	Distributor	
2	357197X91	1	Elbow	
3	831452M1	1	O Ring	(2)
4	380031X91	1	Union	
5	1882958M1	1	O Ring	(4)
6	3583591M1	2	Hydr Hose	Length 690MM
7	835010M91	1	Elbow	
8	1882958M1	1	O Ring	(7)
9	3714955M1	1	Hydr Hose	Length 500MM
10	3712540M1	3	Hydr Hose	Length 650MM
11	3716398M1	1	Hydr Hose	[A]
	3792042M1	1	Hydr Hose	[B] Length 1400MM
12	835013M91	3	Union	
13	1882958M1	1	O Ring	(12)

FOOTNOTE [A] WITH PUMP 45CC**FOOTNOTE [B]** WITH PUMP 60CC

1-AP34-711-A



Distributor - 4 DISTRIBUTORS

Item	Part Number	Qty	Description	Comments
1	3716322M91	1	Distributor	
2	3716316M1	1	Element	(1)
3	3713928M3	2	Distributor	[C] (1)
4	3902062M92	1	Distributor	[A] (1)
5	3902063M91	1	Distributor	[B] (1)
6	3716314M1	1	Element	(1)
7	3902066M91	1	Kit, Joint	(1)
8	3902067M91	1	Kit, Joint	(1)
9	3716367M1	1	Parts Pack	(1)
10	3902797M91	1	Protector	(3)
11	3902797M91	1	Protector	(4)
12	3790773M11	1	Kit, Service	(3)
13	3790773M11	1	Kit, Service	(4)
14	3902813M91	1	Protector	(5)
15	3790797M11	4	Kit, Service	(1)

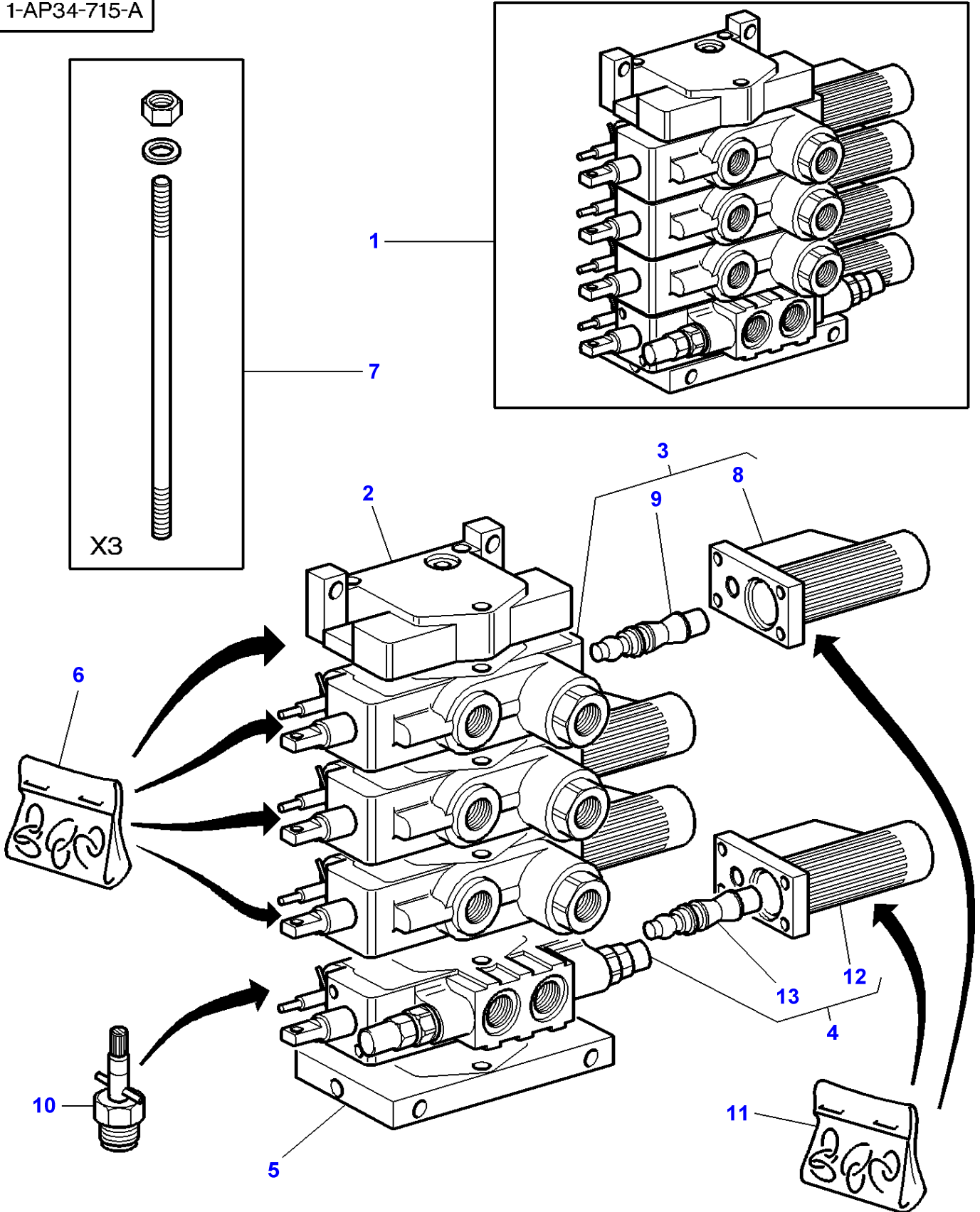
FOOTNOTE [A] DIST 4 FLOATING POSITIONS ,FLOW ADJUST,KICK-OUT,W/ O, ZERO LEAK

FOOTNOTE [B] DIST 3 FLOATING POSITIONS,RETURN BY SPRING,FLOW AD JUST,ZERO LEAK

FOOTNOTE [C] 4 FLOATING POSITIONS DIST,FLOW ADJUST,KICK-OUT,ZER O LEAK

MF 8170 TRACTOR - 1637359
1-AP34-715-A

1-AP34-715-A



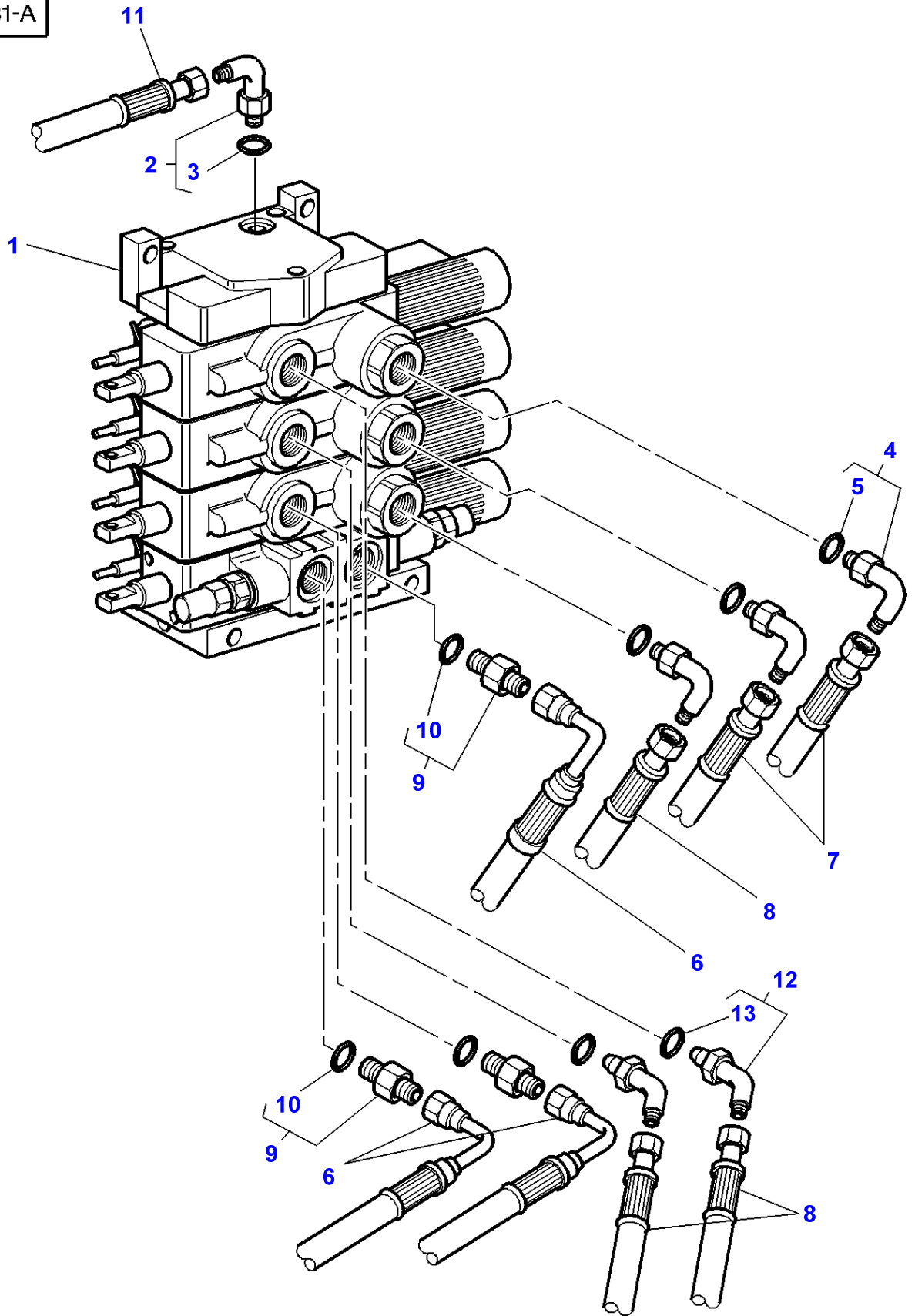
Item	Part Number	Qty	Description	Comments
1	3716323M91	1	Distributor	
2	3716316M1	1	Element	(1)
3	3713928M3	3	Distributor	[A] (1)
4	3713927M3	1	Distributor	[B] (1)
5	3716314M1	1	Element	(1)
6	3902067M91	1	Kit, Joint	(1)
7	3716367M1	1	Parts Pack	(1)
8	3902797M91	1	Protector	(3)
9	3790773M11	1	Kit, Service	(3)
10	3790797M11	1	Kit, Service	(1)
11	3902066M91	1	Kit, Joint	(1)
12	3902797M91	3	Protector	(4)
13	3790773M11	1	Kit, Service	(4)

FOOTNOTE [A] 4 FLOATING POSITIONS DIST, FLOW ADJUST, KICK-OUT, ZERO LEAK

FOOTNOTE [B] 4 FLOAT POSIT DIST, FLOW ADJUST, KICK-OUT W 2 OVERP RES. VALVE AND RESUPPLYING FOR HYDRAULIC MOTOR

MF 8170 TRACTOR - 1637359
1-AP36-631-A

1-AP36-631-A

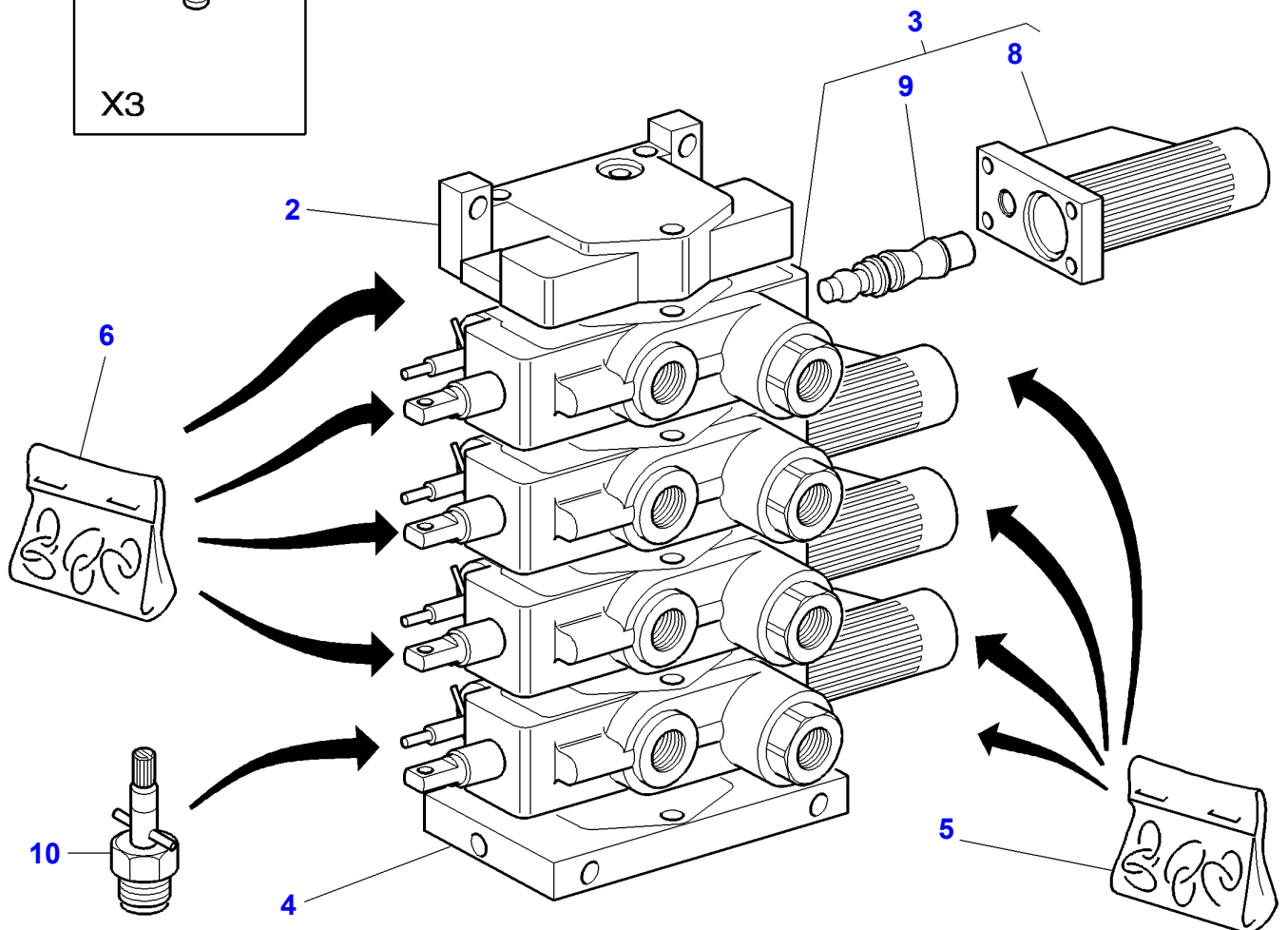
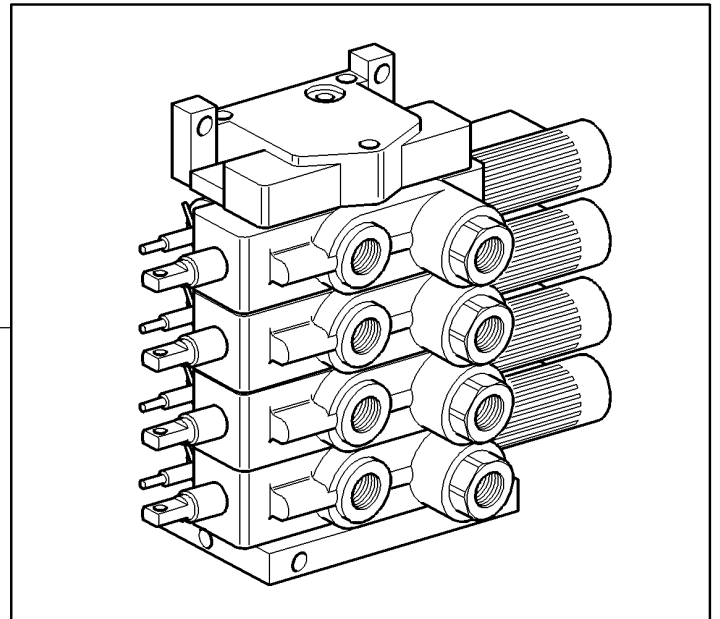
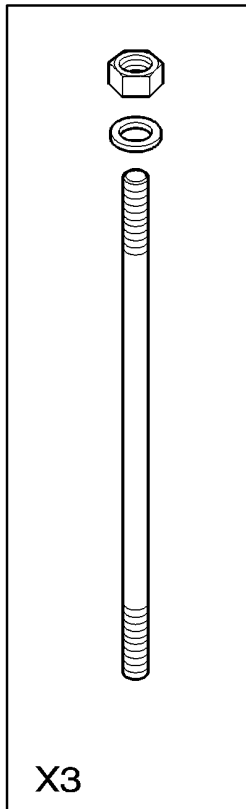


Item	Part Number	Qty	Description	Comments
1	3716323M91	1	Distributor	
2	357197X91	1	Elbow	
3	831452M1	1	O Ring	(2)
4	380031X91	3	Union	7/88-14
5	1882958M1	1	O Ring	(4)
6	3712540M1	3	Hydr Hose	Length 650MM
7	3714951M1	2	Hydr Hose	Length 500MM
8	3583591M1	3	Hydr Hose	Length 690MM
9	835013M91	3	Union	
10	1882958M1	1	O Ring	(9)
11	3716398M1	1	Hydr Hose	[A]
	3792042M1	1	Hydr Hose	[B]
				Length 1400MM
12	835010M91	2	Elbow	
13	1882958M1	1	O Ring	(12)

FOOTNOTE [A] WITH PUMP 45CC**FOOTNOTE [B]** WITH PUMP 60CC

MF 8170 TRACTOR - 1637359
1-AP34-623-B

1-AP34-623-B



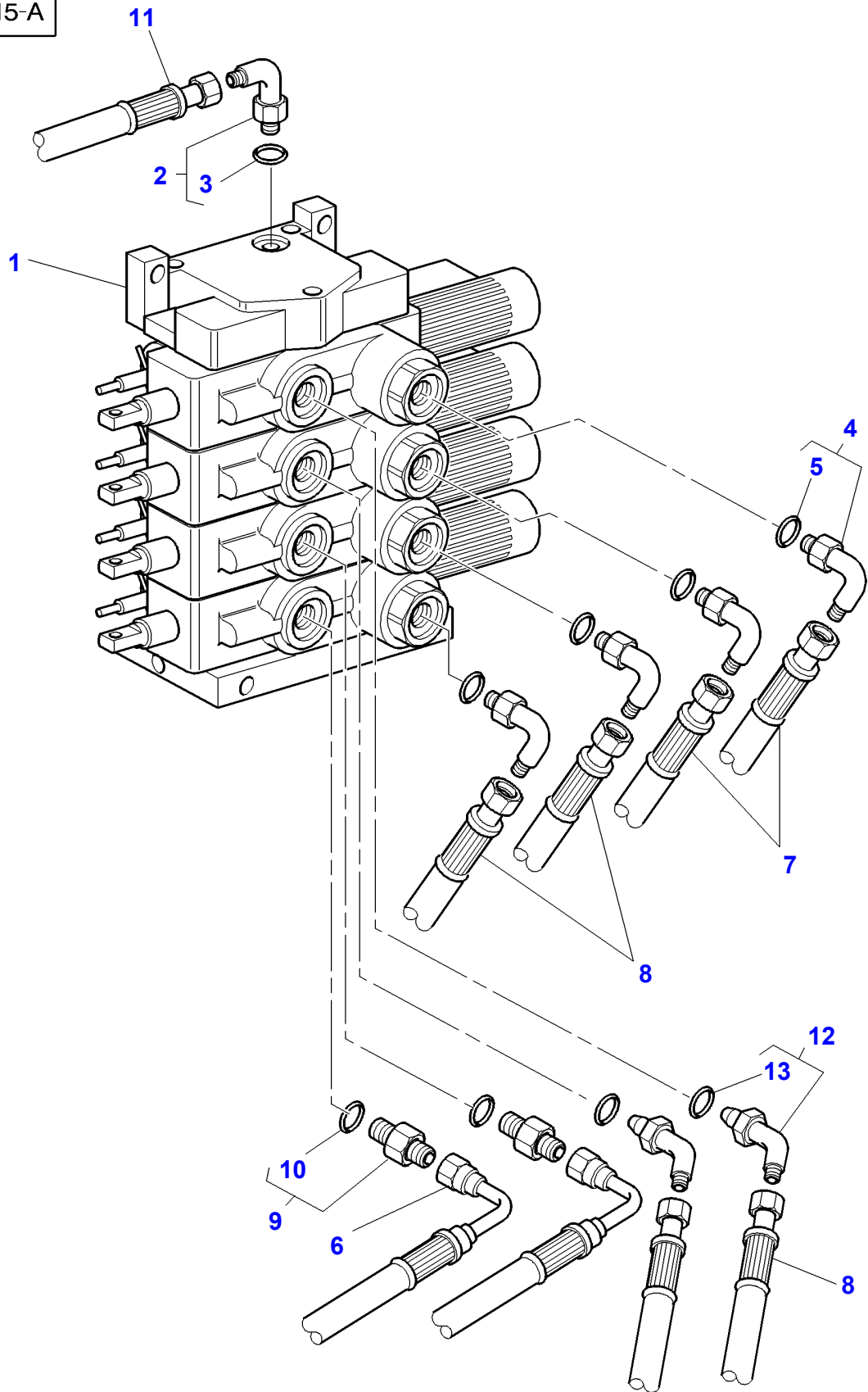
Distributor - 4 DISTRIBUTORS

Item	Part Number	Qty	Description	Comments
1	3716324M91	1	Distributor	
2	3716316M1	1	Element	(1)
3	3713928M3	4	Distributor	[A] (1)
4	3716314M1	1	Element	(1)
5	3902066M91	1	Kit, Joint	(1)
6	3902067M91	1	Kit, Joint	(1)
7	3716367M1	1	Parts Pack	(1)
8	3902797M91	1	Protector	(3)
9	3790773M11	1	Kit, Service	(3)
10	3790797M11	1	Kit, Service	(3)

FOOTNOTE [A] 4 FLOATING POSITIONS DIST,FLOW ADJUST,KICK-OUT,ZER O LEAK

MF 8170 TRACTOR - 1637359
1-AP36-615-A

1-AP36-615-A

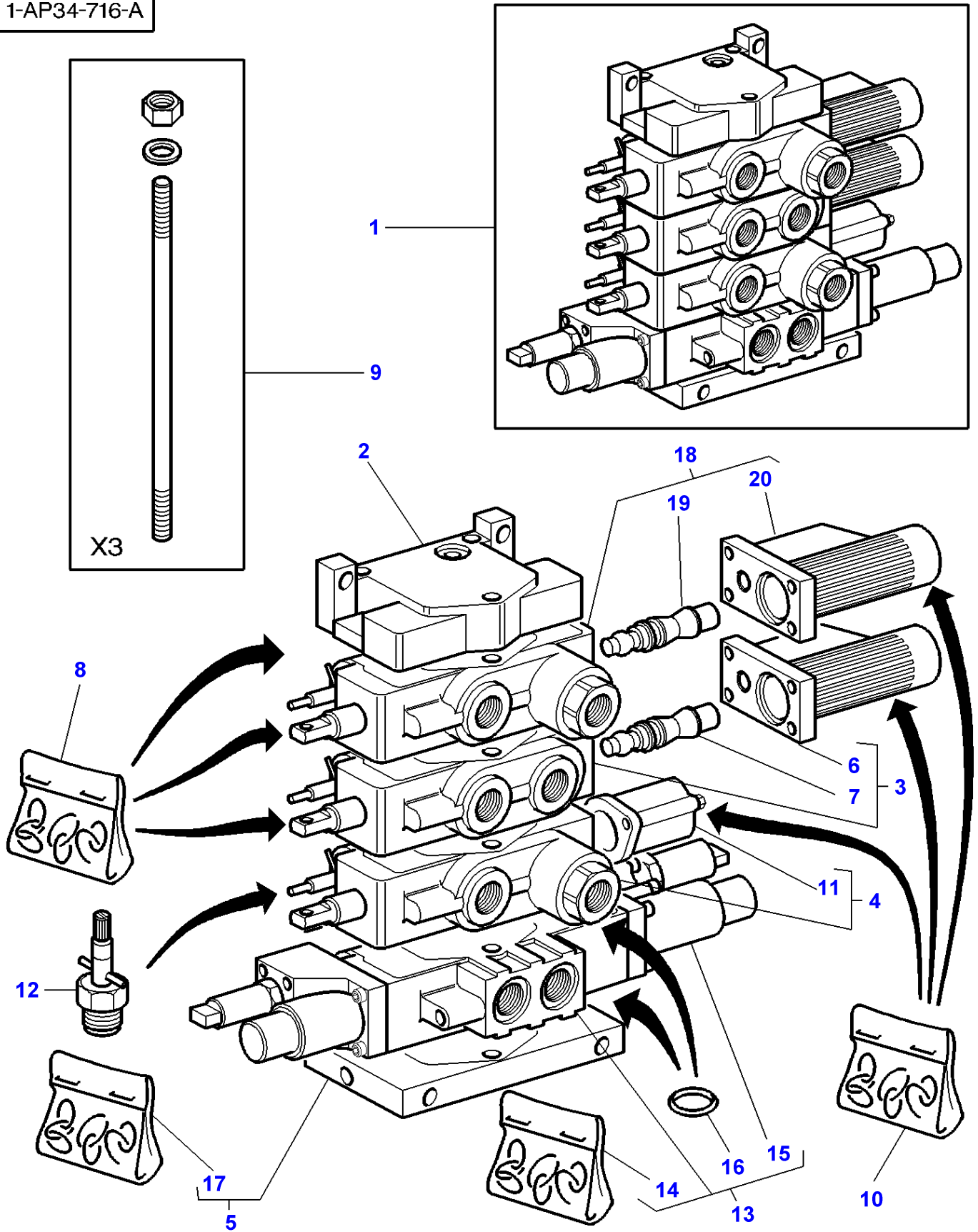


Item	Part Number	Qty	Description	Comments
1	3716324M91	1	Distributor	
2	357197X91	1	Elbow	
3	831452M1	1	O Ring	(2)
4	380031X91	4	Union	7/88-14
5	1882958M1	1	O Ring	(4)
6	3712540M1	2	Hydr Hose	Length 650MM
7	3714951M1	2	Hydr Hose	Length 500MM
8	3583591M1	4	Hydr Hose	Length 690MM
9	835013M91	2	Union	
10	1882958M1	1	O Ring	(9)
11	3716398M1	1	Hydr Hose	[A]
	3792042M1	1	Hydr Hose	[B]
				Length 1400MM
12	835010M91	2	Elbow	
13	1882958M1	1	O Ring	(12)

FOOTNOTE [A] WITH PUMP 45CC**FOOTNOTE [B]** WITH PUMP 60CC

MF 8170 TRACTOR - 1637359
1-AP34-716-A

1-AP34-716-A



Item	Part Number	Qty	Description	Comments
1	3716393M91	1	Distributor	
2	3716316M1	1	Element	(1)
3	3902062M92	1	Distributor	[A] (1)
4	3902063M91	1	Distributor	[B] (1)
5	3716315M1	1	Element	(1)
6	3902797M91	1	Protector	(3)
7	3790773M11	1	Kit, Service	(3)
8	3902067M91	1	Kit, Joint	(1)
9	3716367M1	1	Parts Pack	(1)
10	3902066M91	1	Kit, Joint	(1)
11	3902813M91	1	Protector	(4)
12	3790797M11	3	Kit, Service	(1)
13	3715122M1	1	Pressure Valve	[C] (1)
14	3902734M91	1	Kit, Joint	(13)
15	3900512M92	2	Pressure Valve	(13)
16	359288X1	4	Seal	(13)
17	3902733M91	1	Kit, Joint	(5)
18	3713928M3	1	Distributor	[D] (1)
19	3790773M11	1	Kit, Service	(18)
20	3902797M91	1	Protector	(18)

FOOTNOTE [A] DIST 4 FLOATING POSITIONS ,FLOW ADJUST,KICK-OUT,W/ O, ZERO LEAK

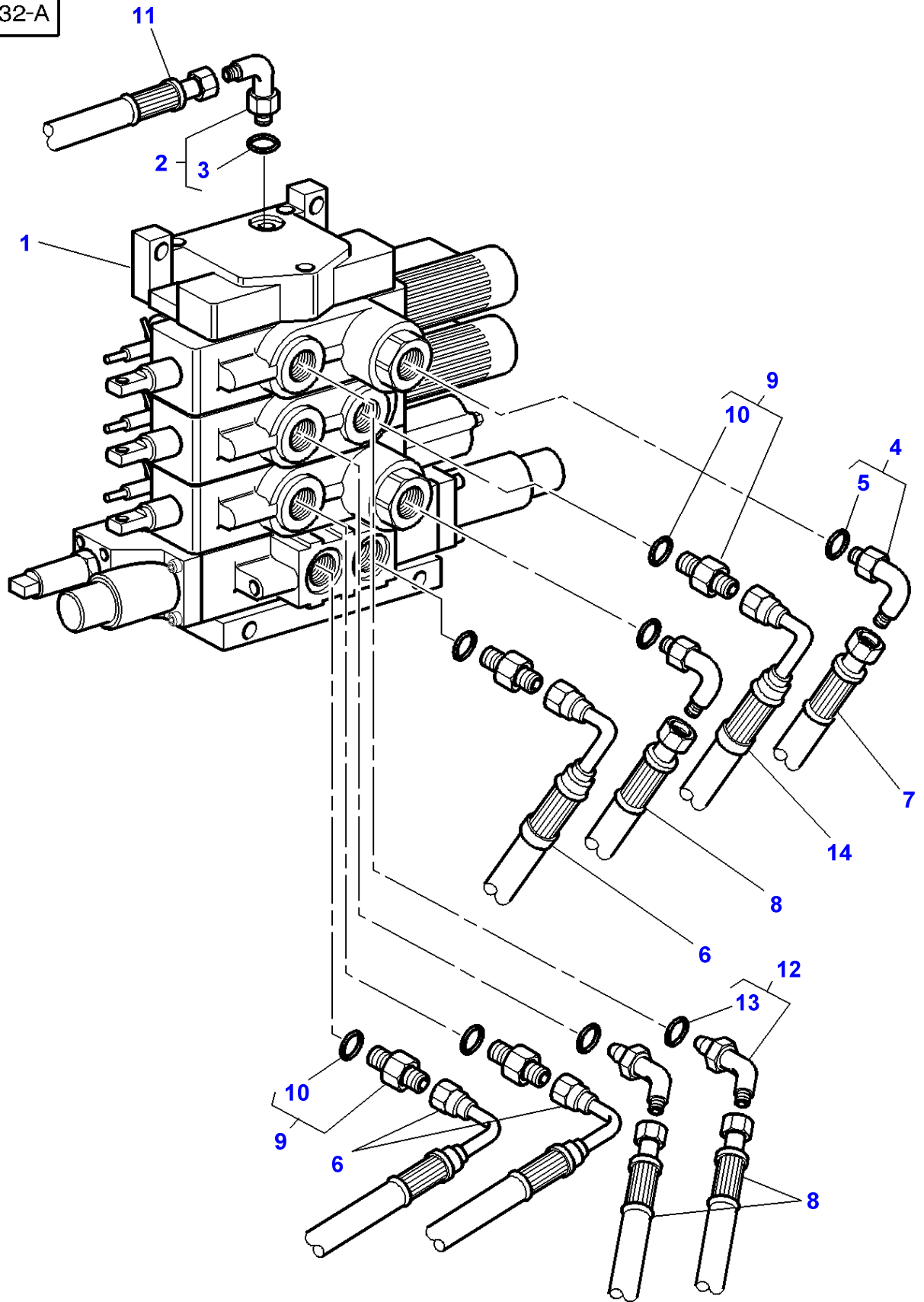
FOOTNOTE [B] DIST 3 FLOATING POSITIONS,RETURN BY SPRING,FLOW AD JUST,ZERO LEAK

FOOTNOTE [C] DIST 3 FLOATING POSITIONS,AUTOMATIC KICK-OUT(BY SP RING),FLOW ADJUST,ELECTRIC CONTROL

FOOTNOTE [D] 4 FLOATING POSITIONS DIST,FLOW ADJUST,KICK-OUT,ZER O LEAK

MF 8170 TRACTOR - 1637359
1-AP36-632-A

1-AP36-632-A



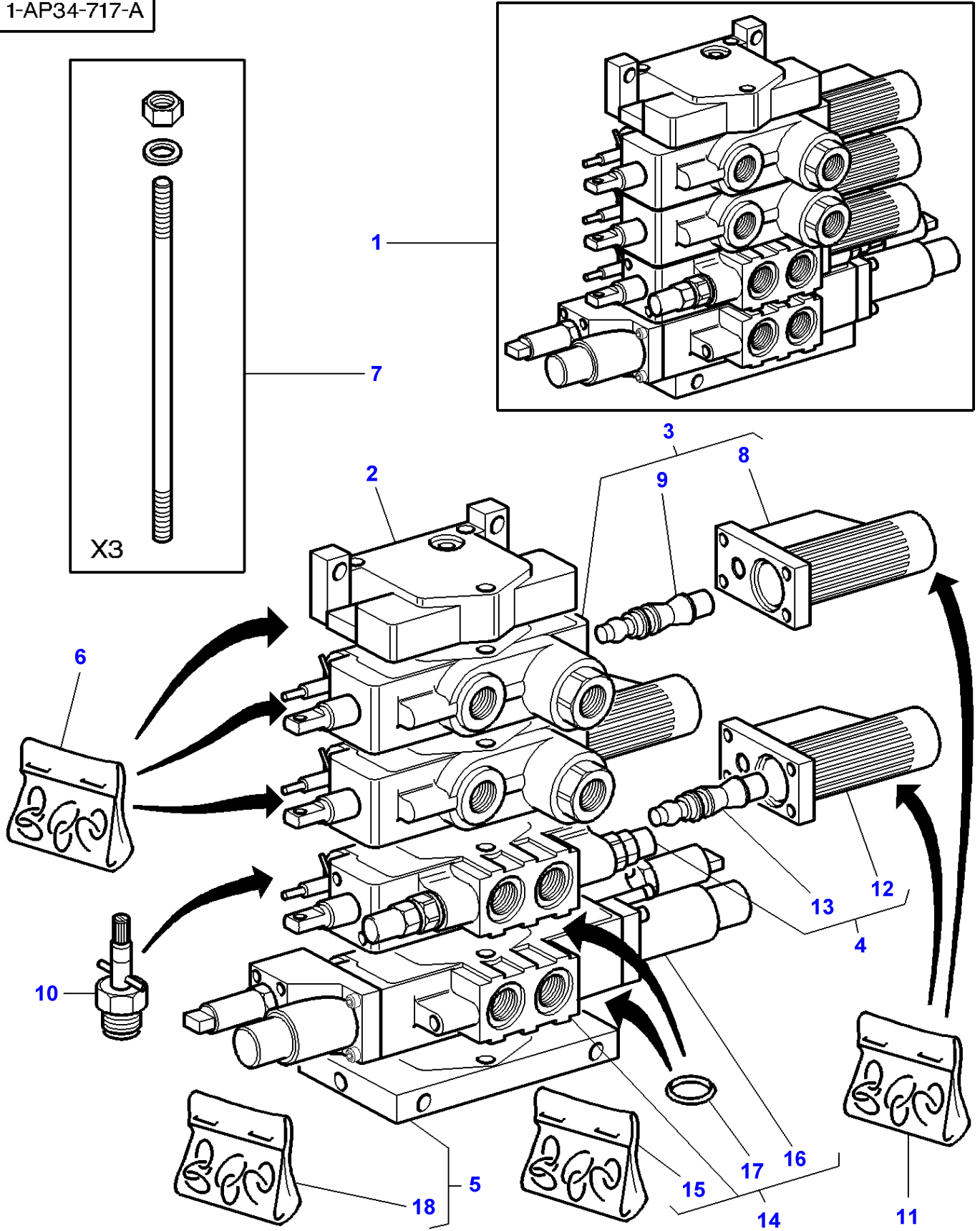
Item	Part Number	Qty	Description	Comments
1	3716393M91	1	Distributor	
2	357197X91	1	Elbow	
3	831452M1	1	O Ring	(2)
4	380031X91	2	Union	7/88-14
5	1882958M1	1	O Ring	(4)
6	3712540M1	3	Hydr Hose	Length 650MM
7	3714951M1	1	Hydr Hose	Length 500MM
8	3583591M1	3	Hydr Hose	Length 690MM
9	835013M91	4	Union	
10	1882958M1	1	O Ring	(9)
11	3716398M1	1	Hydr Hose	[A]
	3792042M1	1	Hydr Hose	[B] Length 1400MM
12	835010M91	2	Elbow	
13	1882958M1	1	O Ring	(12)
14	3714955M1	1	Hydr Hose	Length 500MM

FOOTNOTE [A] WITH PUMP 45CC

FOOTNOTE [B] WITH PUMP 60CC

MF 8170 TRACTOR - 1637359
1-AP34-717-A

1-AP34-717-A



Item	Part Number	Qty	Description	Comments
1	3716394M91	1	Distributor	
2	3716316M1	1	Element	(1)
3	3713928M3	2	Distributor	[A] (1)
4	3713927M3	1	Distributor	[B] (1)
5	3716315M1	1	Element	(1)
6	3902067M91	1	Kit, Joint	(1)
7	3716367M1	1	Parts Pack	(1)
8	3902797M91	1	Protector	(3)
9	3790773M11	1	Kit, Service	(3)
10	3790797M11	2	Kit, Service	(1)
11	3902066M91	1	Kit, Joint	(1)
12	3902797M91	1	Protector	(4)
13	3790773M11	1	Kit, Service	(4)
14	3715122M1	1	Pressure Valve	[C] (1)
15	3902734M91	1	Kit, Joint	(14)
16	3900512M92	2	Pressure Valve	(14)
17	359288X1	4	Seal	(14)
18	3902733M91	1	Kit, Joint	(5)

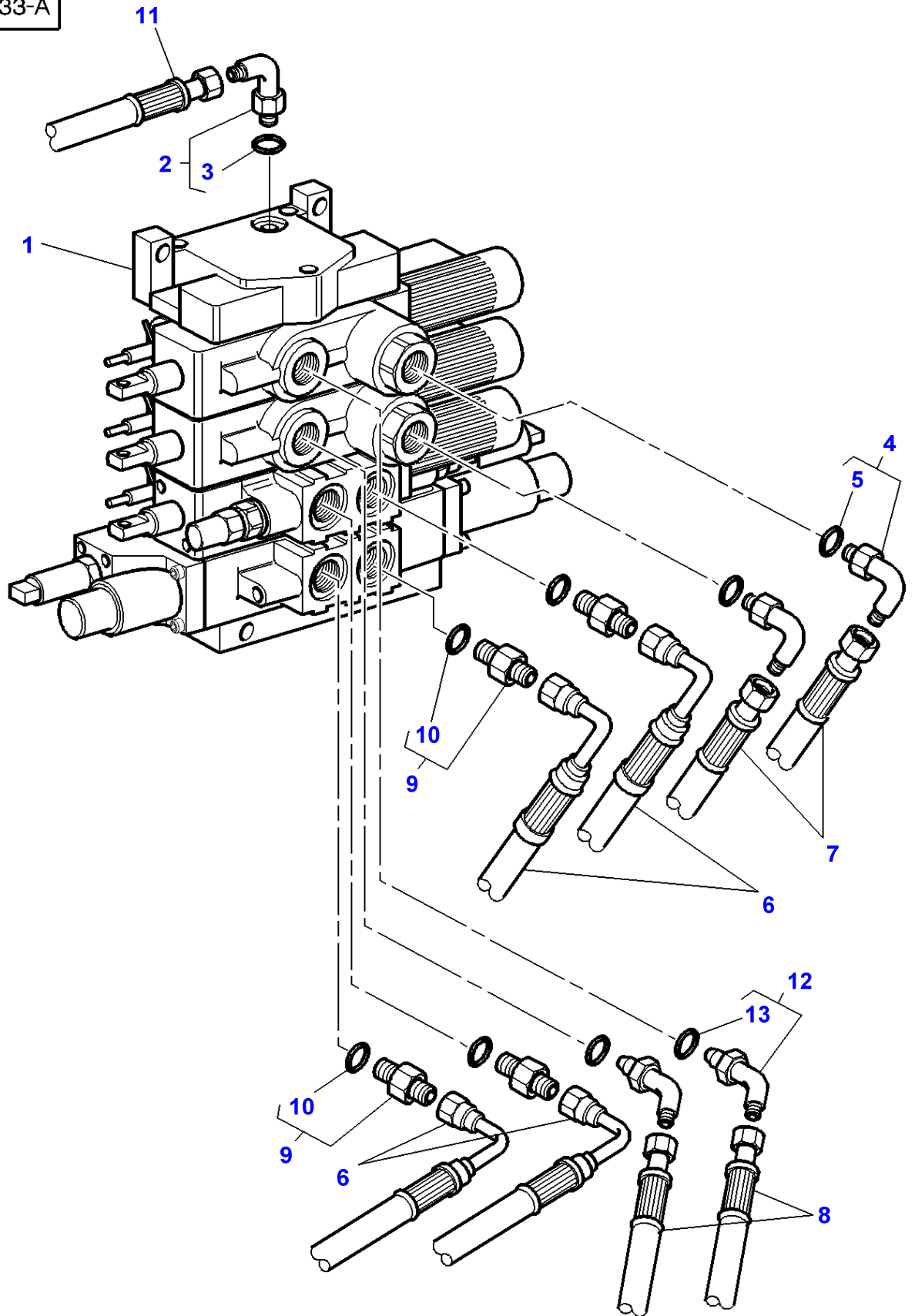
FOOTNOTE [A] 4 FLOATING POSITIONS DIST, FLOW ADJUST, KICK-OUT, ZERO LEAK

FOOTNOTE [B] 4 FLOAT POSIT DIST, FLOW ADJUST, KICK-OUT W 2 OVERP RES. VALVE AND RESUPPLYING FOR HYDRAULIC MOTOR

FOOTNOTE [C] DIST 3 FLOATING POSITIONS, AUTOMATIC KICK-OUT (BY SP RING), FLOW ADJUST, ELECTRIC CONTROL

MF 8170 TRACTOR - 1637359
1-AP36-633-A

1-AP36-633-A



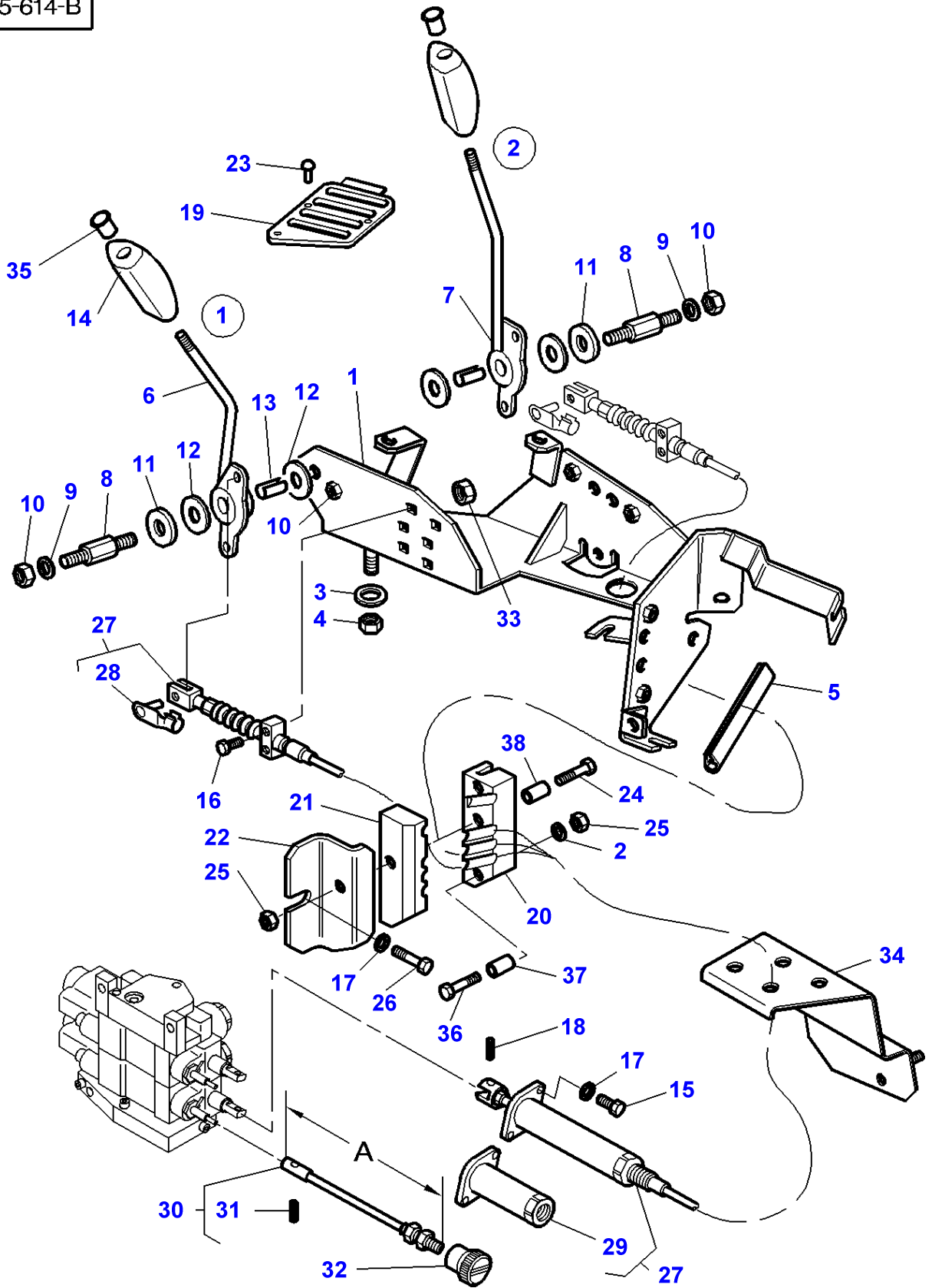
**Auxiliary Hydraulics - Distributor Installation - 4 DISTRIBUTORS - FOR HYDRAULIC MOTOR - DUAL
CONTRO L - PLUMBING**

Item	Part Number	Qty	Description	Comments
1	3716394M91	1	Distributor	
2	357197X91	1	Elbow	
3	831452M1	1	O Ring	(2)
4	380031X91	2	Union	7/88-14
5	1882958M1	1	O Ring	(4)
6	3712540M1	4	Hydr Hose	Length 650MM
7	3714951M1	2	Hydr Hose	Length 500MM
8	3583591M1	2	Hydr Hose	Length 690MM
9	835013M91	4	Union	
10	1882958M1	1	O Ring	(9)
11	3716398M1	1	Hydr Hose	[A]
	3792042M1	1	Hydr Hose	[B] Length 1400MM
12	835010M91	2	Elbow	
13	1882958M1	1	O Ring	(12)

FOOTNOTE [A] WITH PUMP 45CC**FOOTNOTE [B]** WITH PUMP 60CC

MF 8170 TRACTOR - 1637359
1-AP35-614-B

1-AP35-614-B



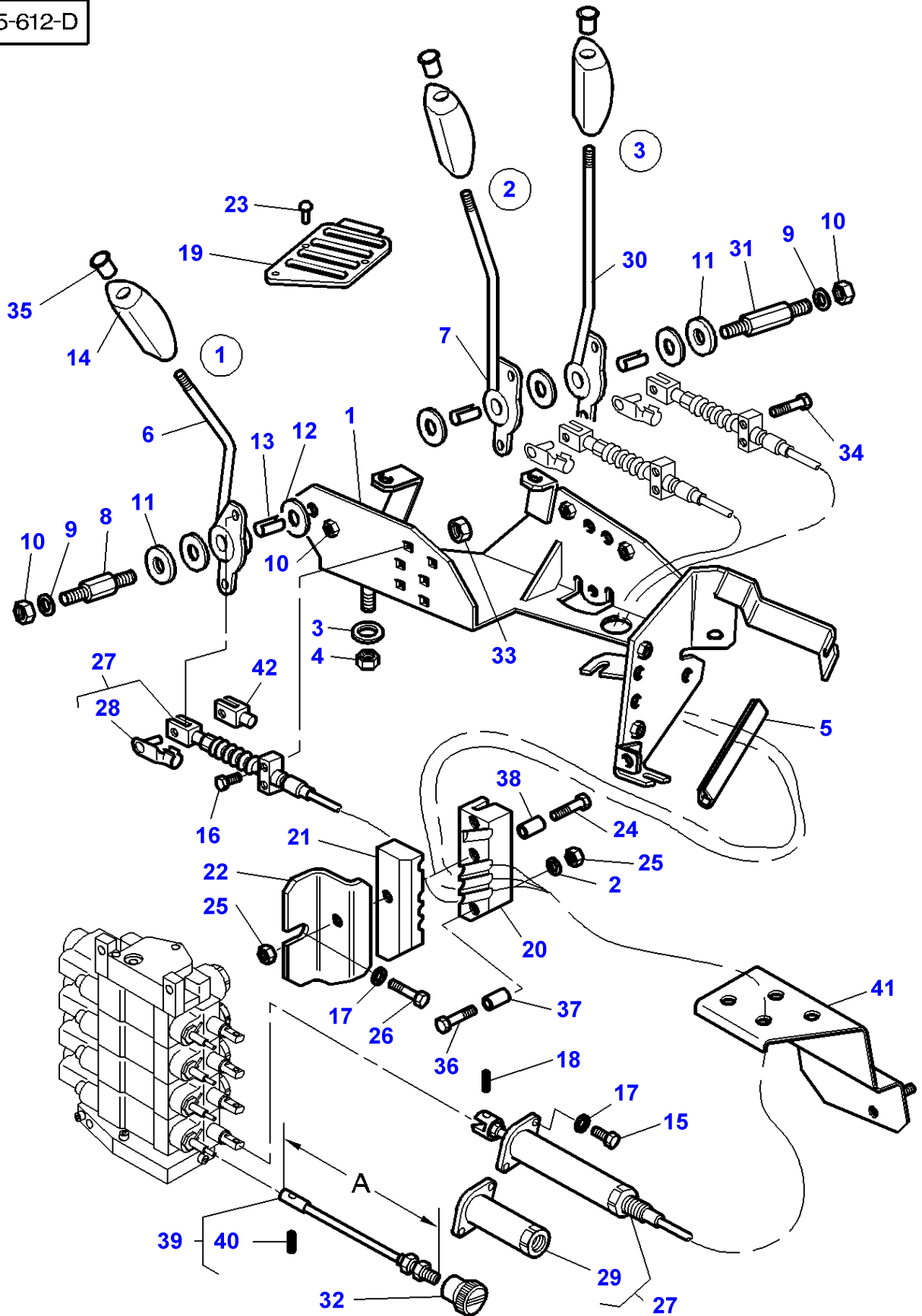
Item	Part Number	Qty	Description	Comments
1	3778480M91	1	Support	
2	390971X1	2	Washer	
3	385361X1	4	Washer Metric	
4	1441461X1	4	Locknut	M8
5	3052562M1	1	Gasket	
6	3778481M2	1	Lever	
7	3778482M2	1	Lever	
8	3712956M3	2	Clevis Pin	
9	390972X1	4	Washer Metric	
10	1441461X1	4	Locknut	M8
11	3387447M1	2	Washer	
12	3386514M1	4	Friction Disc	
13	3713905M1	2	Bearing	
14	3715495M1	2	Handle	
15	357831X1	4	Screw	1/4"-20X16
16	3009332X1	4	Screw	M6X30
17	390971X1	5	Washer	
18	3714223M1	2	Clevis Pin	
19	3778486M1	1	Grille	
20	3712979M2	1	Bridle	
21	3712980M2	1	Bridle	
22	3712981M2	1	Angle	
23	3010506X1	7	Screw	M5X16
24	339096X1	2	Bolt Metric	M6X35
25	339030X1	3	Nut Metric	
26	339560X1	1	Hex. Sock. Screw	M6X16
27	3778566M2	2	Hydraulic Cable	Length 1310MM
28	3600190M1	1	Clevis Pin	(27) Length 28MM
29	3902200M91	1	Parts Pack	(27)
30	3778560M2	2	Cable	Length A=563MM
31	3010003X1	1	Screw	(30)
32	3715367M1	1	Button	[B]
	3715365M1	1	Button	[C]
33	1441500X1	4	Locknut	M6
34	3779479M1	1	Support	
35	3715496M1	1	Muff	[B]
	3715497M1	1	Muff	[C]
36	1440922X1	1	Bolt	M6X60
37	3714645M1	2	Spacer	Diameter 8X26,5
38	3714646M1	1	Spacer	Diameter 8X50

FOOTNOTE [B] BLACK

FOOTNOTE [C] RED

MF 8170 TRACTOR - 1637359
1-AP35-612-D

1-AP35-612-D



Item	Part Number	Qty	Description	Comments
1	3778480M91	1	Support	
2	390971X1	2	Washer	
3	385361X1	4	Washer Metric	
4	1441461X1	4	Locknut	M8
5	3052562M1	1	Gasket	
6	3778481M2	1	Lever	
7	3778482M2	1	Lever	
8	3712956M3	1	Clevis Pin	
9	390972X1	4	Washer Metric	
10	1441461X1	4	Locknut	M8
11	3387447M1	2	Washer	
12	3386514M1	5	Friction Disc	
13	3713905M1	3	Bearing	
14	3715495M1	3	Handle	
15	357831X1	6	Screw	1/4"-20X16
16	3009332X1	2	Screw	M6X30
17	390971X1	7	Washer	
18	3714223M1	3	Clevis Pin	
19	3778487M1	1	Grille	
20	3712979M2	1	Bridle	
21	3712980M2	1	Bridle	
22	3712981M2	1	Angle	
23	3010506X1	7	Screw	M5X16
24	339096X1	2	Bolt Metric	M6X35
25	339030X1	3	Nut Metric	
26	339560X1	1	Hex. Sock. Screw	M6X16
27	3778566M1	3	Hydraulic Cable	Up to Serial or Engine Number G083023 Length 1300MM
	3778566M2	3	Hydraulic Cable	From Serial or Engine Number G083024 Length 1310MM
28	3600190M1	1	Clevis Pin	(27) Length 28MM
29	3902200M91	1	Parts Pack	(27)
30	3778483M2	1	Lever	
31	3712279M3	1	Clevis Pin	Length 78MM
32	3715367M1	1	Button	[B]
	3715365M1	1	Button	[C]
	3715364M1	1	Button	[D]
33	1441500X1	4	Locknut	M6
34	3009336X1	2	Screw	M6X55
35	3715496M1	1	Muff	[B]
	3715497M1	1	Muff	[C]
	3715498M1	1	Muff	[D]
36	1440922X1	1	Bolt	M6X60
37	3714645M1	2	Spacer	Diameter 8X26,5
38	3714646M1	1	Spacer	Diameter 8X50
39	3778560M2	1	Cable	Length A=563MM
	3779469M1	2	Cable	Length A=593MM
40	3010003X1	1	Screw	(39)
41	3779479M1	1	Support	
42	392463X1	3	Clevis	From Serial or Engine Number G057015 Up to Serial or Engine Number G083023

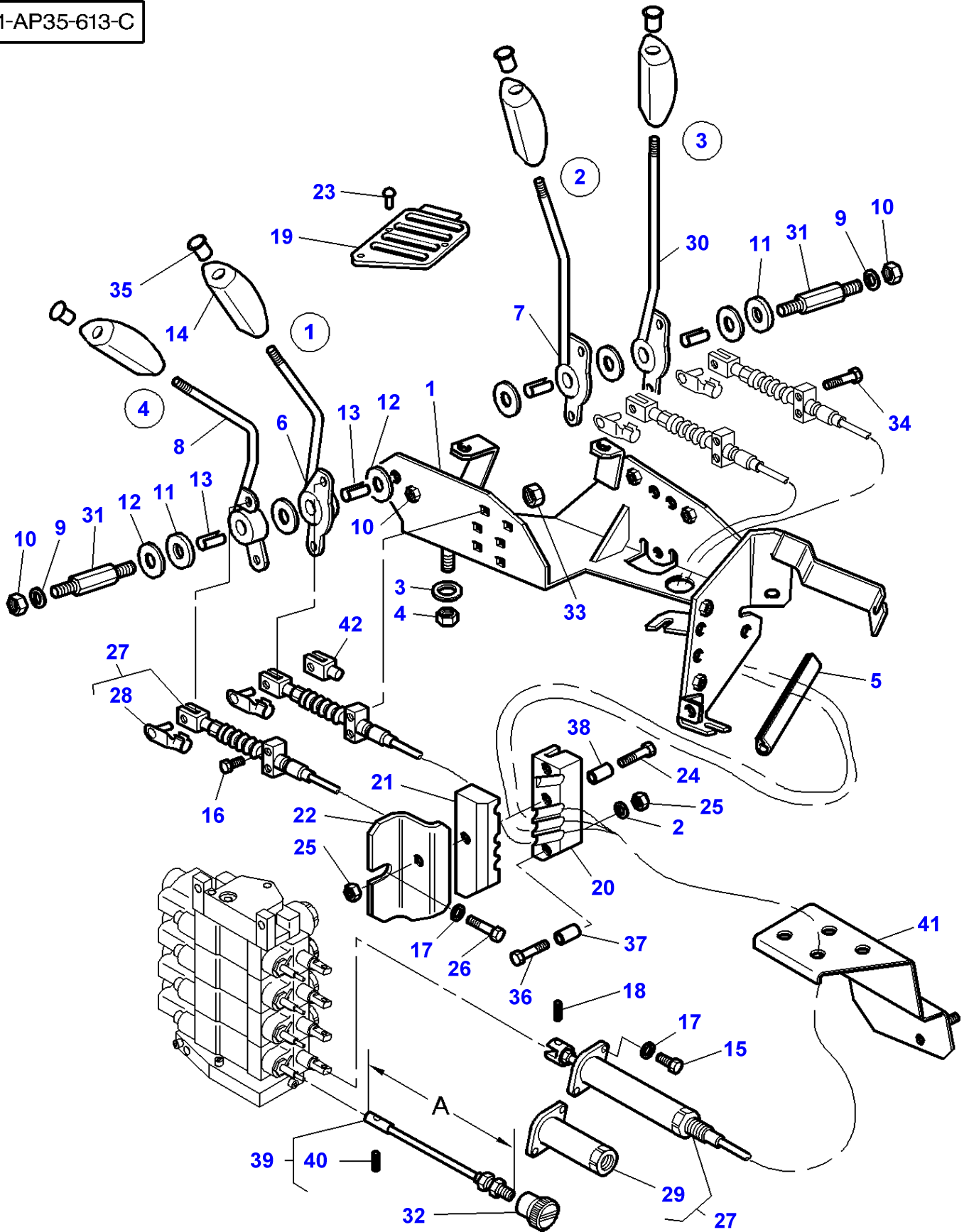
FOOTNOTE [B] BLACK

FOOTNOTE [C] RED

FOOTNOTE [D] GREEN

MF 8170 TRACTOR - 1637359
1-AP35-613-C

1-AP35-613-C



Item	Part Number	Qty	Description	Comments
1	3778480M91	1	Support	
2	390971X1	2	Washer	
3	385361X1	4	Washer Metric	
4	1441461X1	4	Locknut	M8
5	3580695M1	1	Gasket	
6	3778481M2	1	Lever	
7	3778482M2	1	Lever	
8	3778484M3	1	Lever	
9	390972X1	4	Washer Metric	
10	1441461X1	4	Locknut	M8
11	3387447M1	2	Washer	
12	3386514M1	6	Friction Disc	
13	3713905M1	4	Bearing	
14	3715495M1	4	Handle	
15	357831X1	8	Screw	1/4"-20X16
16	3009336X1	2	Screw	M6X55
17	390971X1	9	Washer	
18	3714223M1	3	Clevis Pin	
19	3778488M1	1	Grille	
20	3712979M2	1	Bridle	
21	3712980M2	1	Bridle	
22	3712981M2	1	Angle	
23	3010506X1	7	Screw	M5X16
24	339096X1	2	Bolt Metric	M6X35
25	339030X1	3	Nut Metric	
26	339560X1	1	Hex. Sock. Screw	M6X16
27	3778566M1	4	Hydraulic Cable	Up to Serial or Engine Number G083023 Length 1300MM
	3778566M2	4	Hydraulic Cable	From Serial or Engine Number G083024 Length 1310MM
28	3600190M1	1	Clevis Pin	(27) Length 28MM
29	3902200M91	1	Parts Pack	(27)
30	3778483M2	1	Lever	
31	3712279M3	2	Clevis Pin	Length 78MM
32	3715366M1	1	Button	[A]
	3715367M1	1	Button	[B]
	3715365M1	1	Button	[C]
	3715364M1	1	Button	[D]
33	1441500X1	4	Locknut	M6
34	3009336X1	2	Screw	M6X55
35	3715496M1	1	Muff	[B]
	3715497M1	1	Muff	[C]
	3715498M1	1	Muff	[D]
	3715499M1	1	Muff	[A]
36	1440922X1	1	Bolt	M6X60
37	3714645M1	2	Spacer	Diameter 8X26,5
38	3714646M1	1	Spacer	Diameter 8X50
39	3778560M2	2	Cable	Length A=563MM
	3779469M1	2	Cable	Length A=593MM
40	3010003X1	1	Screw	(39)
41	3780804M1	1	Support	
42	392463X1	4	Clevis	From Serial or Engine Number G057015 Up to Serial or Engine Number G083023

FOOTNOTE [A] YELLOW

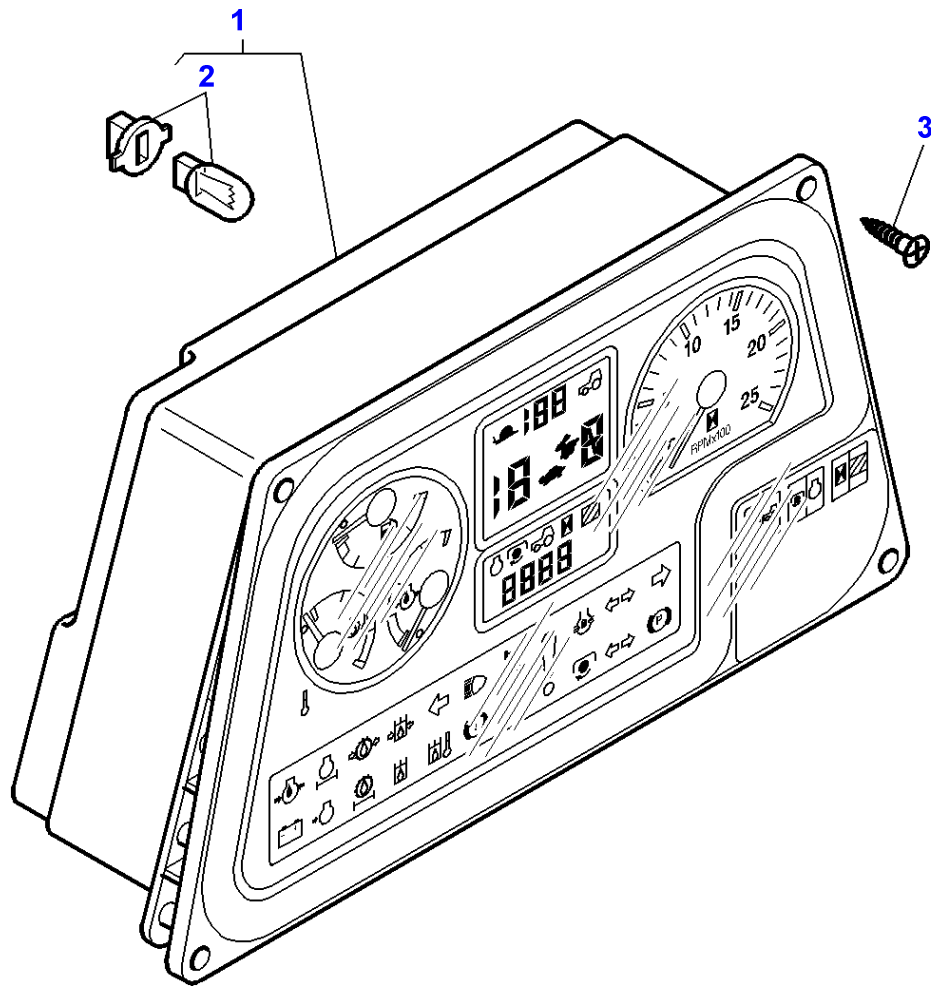
FOOTNOTE [B] BLACK

FOOTNOTE [C] RED

FOOTNOTE [D] GREEN

MF 8170 TRACTOR - 1637359
1-AC15-606-A

1-AC15-606-A



Massey Ferguson

MF 8170 TRACTOR - 1637359

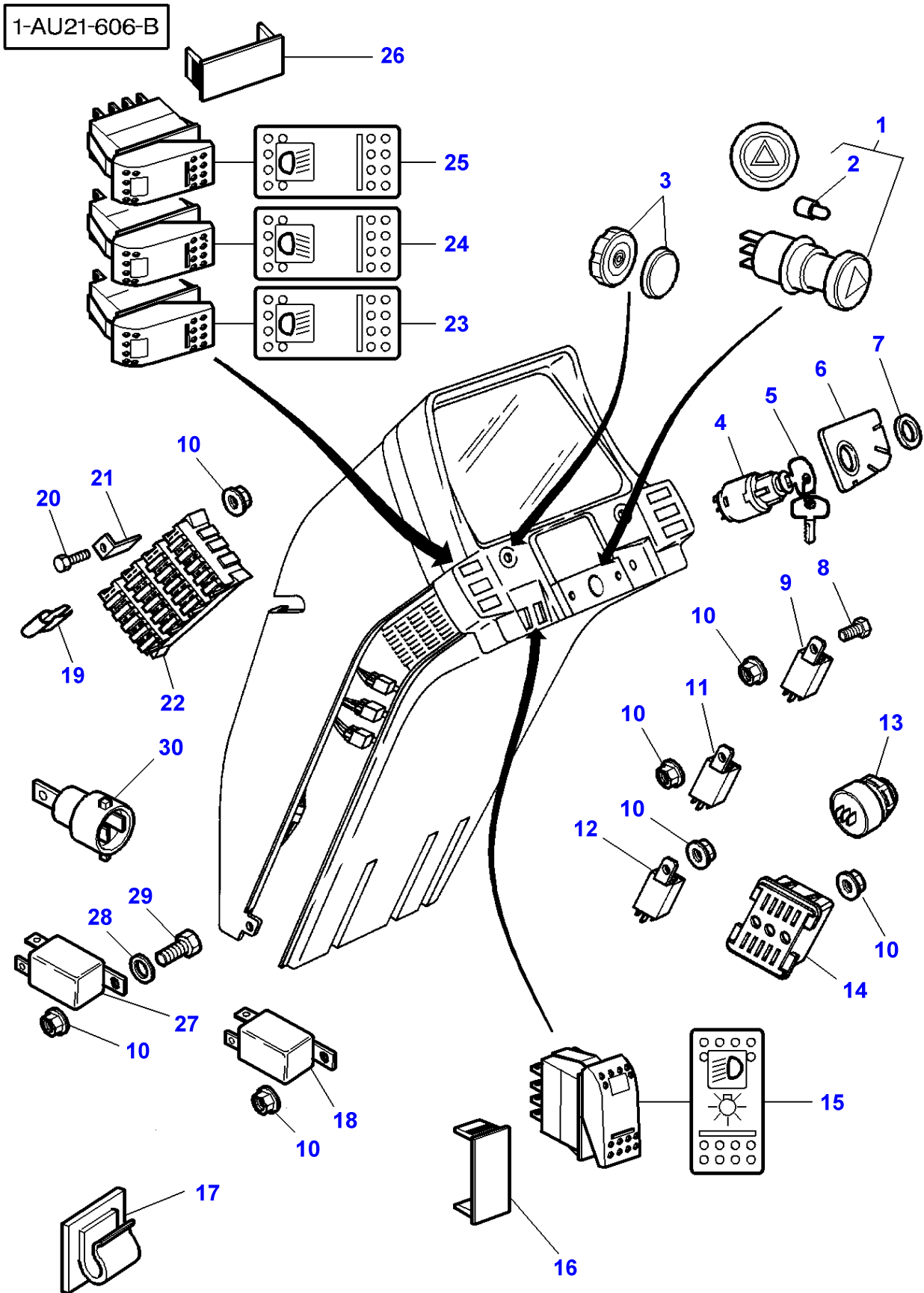
1637359

Instrument Panel And Instruments

Page080-0005

Item	Part Number	Qty	Description	Comments
1	3777609M96	1	Instrument Panel	
2	72505208	26	Bulb	(1)
3	3010791X1	4	Screw	M4x20

MF 8170 TRACTOR - 1637359
1-AU21-606-B



Electric Equipment & Instrument Panel

Item	Part Number	Qty	Description	Comments
1	3370427M91	1	Switch	
2	3405185M1	1	Bulb 12v 1.2w	(1)
3	2191950K91	1	Button	
4	1874535M3	1	Switch, Ignition	
5	3813361M1	1	Ignition Key	
6	3583937M2	1	Decal	
7	1694534M1	1	Nut	
8	339560X1	1	Hex. Sock. Screw	M6X16
9	3617865M1	1	Blinker Unit	
10	3010477X1	X	Nut Metric	
11	3387326M2	1	Relay	12V-50A
12	3615652M1	1	Relay	
13	3777567M1	1	Buzzer	
14	3713103M1	1	Connector	
15	3713142M2	1	Switch, Indirect	
16	3713151M1	1	Tap	
17	3582094M1	2	Tie	
18	3713403M1	1	Relay	
19	3389401M1	1	Fastener	
20	339160X1	4	Screw	M5X10
21	3782186M1	4	Support	
22		1	Fuse Box	See Page - Reference Number 080-0025/1
		1	Fuse Box	See Page - Reference Number 080-0030/1
23	3715188M1	1	Switch, Indirect	[C]
24	3715189M1	1	Switch, Indirect	[D]
25	3715188M1	1	Switch, Indirect	[A]
26	3713151M1	1	Tap	[B]
27	3779874M1	1	Relay	12V-50A 8160 / 200HP PTO
28	390469X1	1	Washer Metric	
29	390990X1	1	Screw Metric	M5X12
30	3779879M1	1	Relay	12V-50A 8170

FOOTNOTE [A] WITH FRONT WORKING LIGHTS EXTENSION

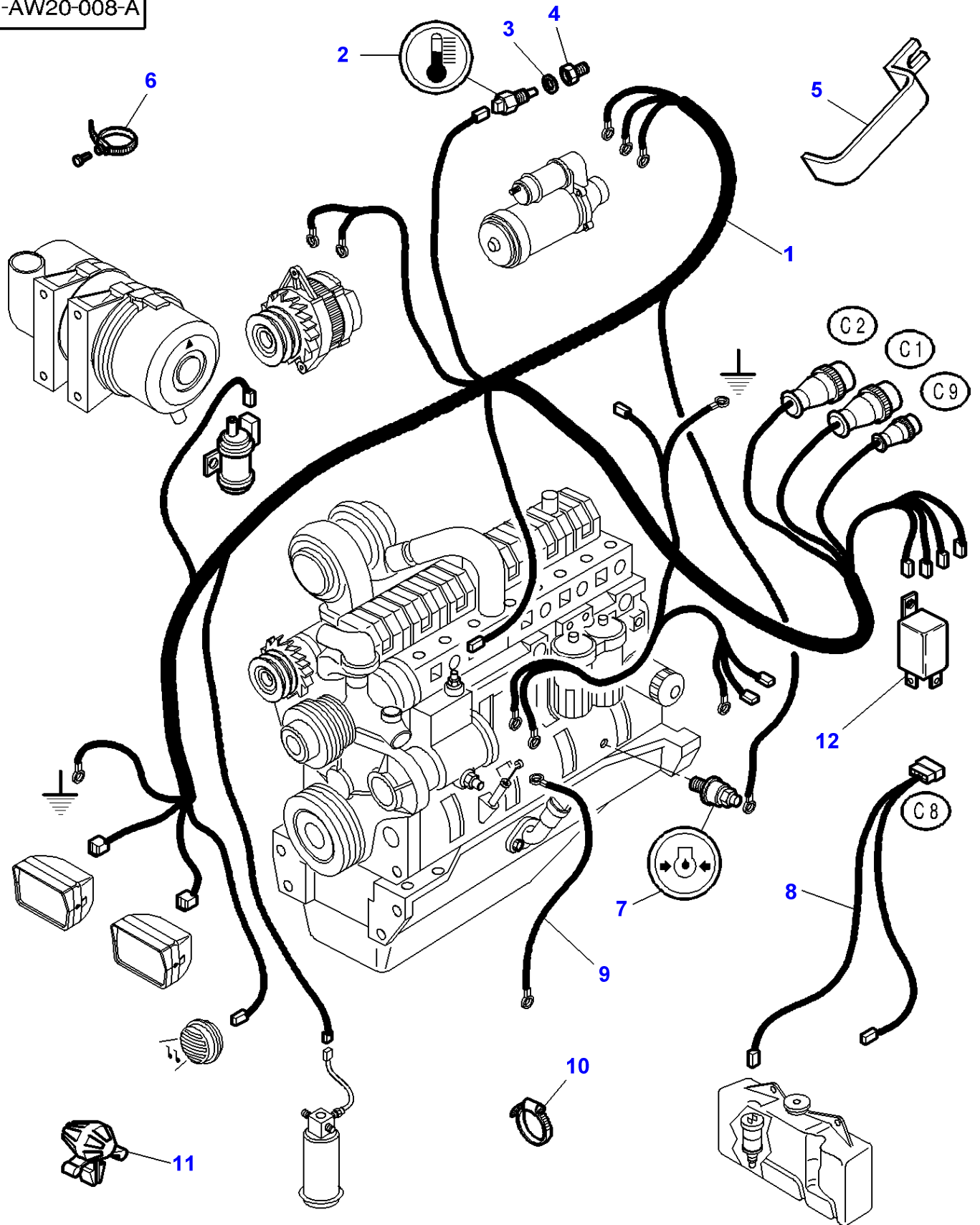
FOOTNOTE [B] WITHOUT WORKLIGHT

FOOTNOTE [C] FRONT

FOOTNOTE [D] REAR

MF 8170 TRACTOR - 1637359
1-AW20-008-A

1-AW20-008-A



Massey Ferguson**MF 8170 TRACTOR - 1637359**

1637359

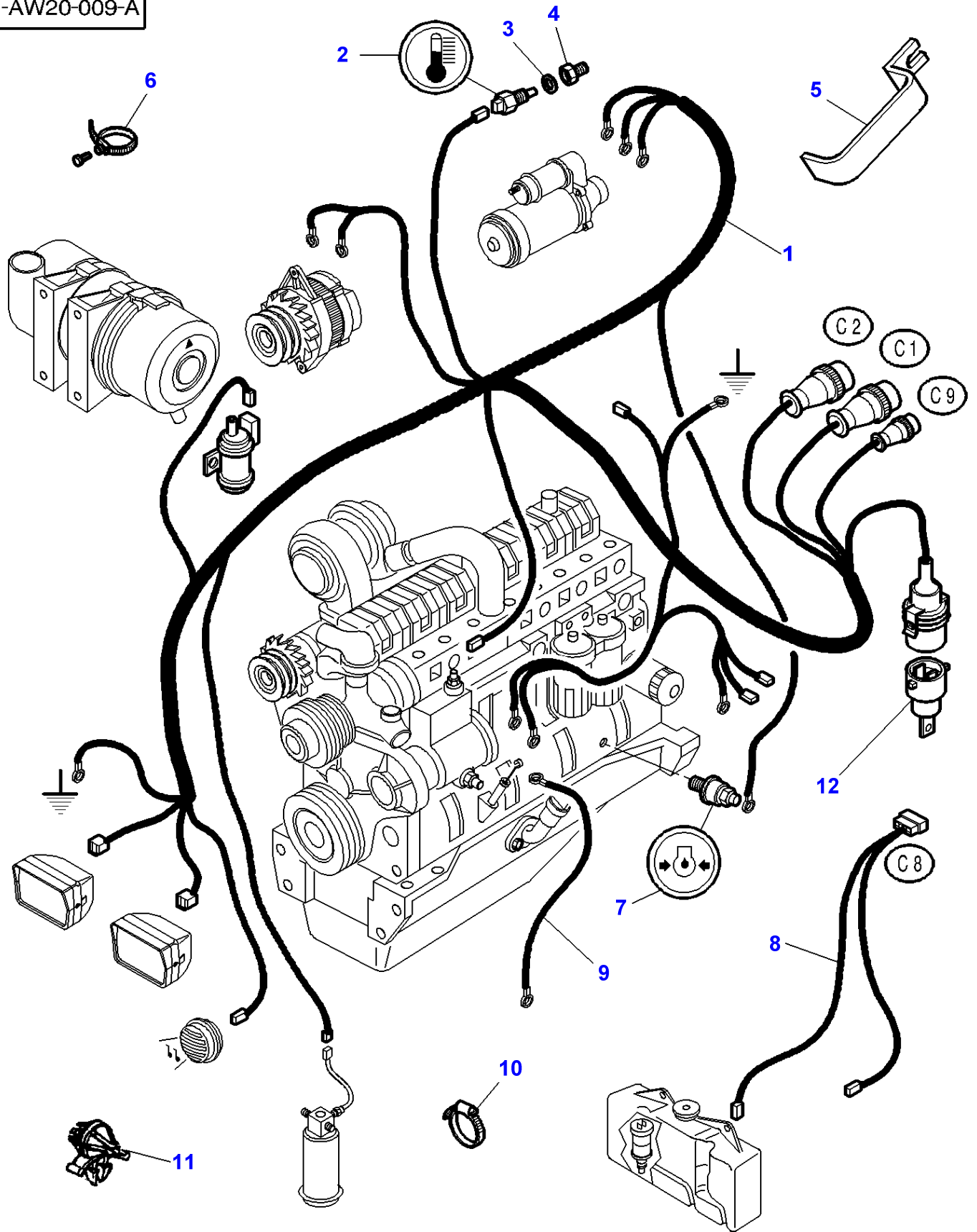
Engine Harness - 8160 / 200 HP PTO

Page080-0015

Item	Part Number	Qty	Description
1	3777640M2	1	Harness
2	5015257M1	1	Sender
3	339526X1	1	Seal
4	3778202M1	1	Union
5	3715996M1	1	Bridle
6	3771975M1	2	Clamp
7	72512518	1	Sender
8	3713812M1	1	Harness
9	3712175M1	1	Wire
10	3619622M1	X	Cable Tie
11	3615984M1	1	Fastener
12	3779874M1	1	Relay

MF 8170 TRACTOR - 1637359
1-AW20-009-A

1-AW20-009-A



Massey Ferguson**MF 8170 TRACTOR - 1637359**

1637359

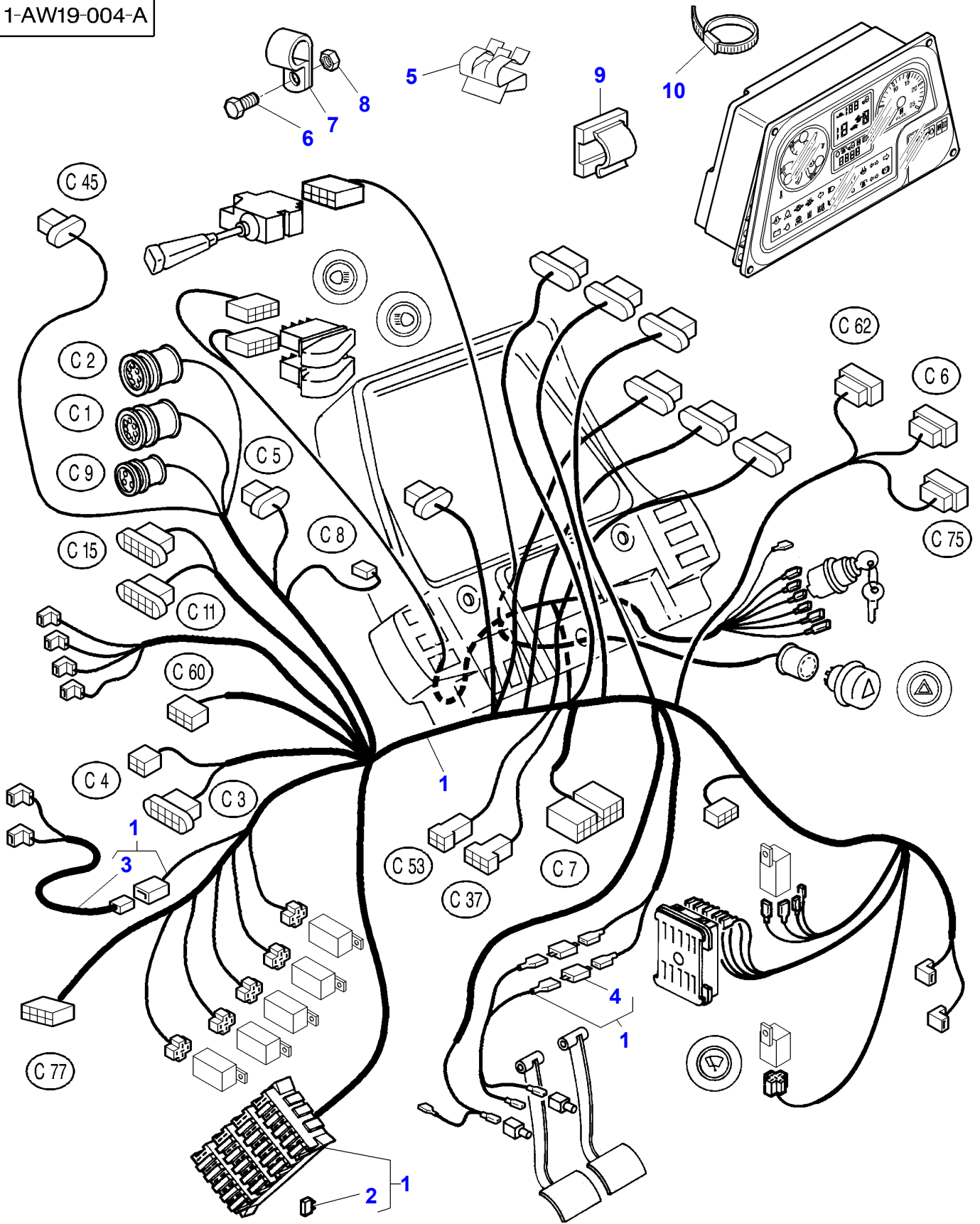
Engine Harness - 8170

Page080-0020

Item	Part Number	Qty	Description	Comments
1	3780412M1	1	Harness	
	3780413M1	1	Harness	For Sweden
2	5015257M1	1	Sender	
3	339526X1	1	Seal	
4	3778202M1	1	Union	
5	3715996M1	1	Bridle	
6	3771975M1	2	Clamp	
7	72512518	1	Sender	
8	3713812M1	1	Harness	
9	3712175M1	1	Wire	
10	3619622M1	X	Cable Tie	
11	3615984M1	1	Fastener	
12	3779879M1	1	Relay	12V-50A

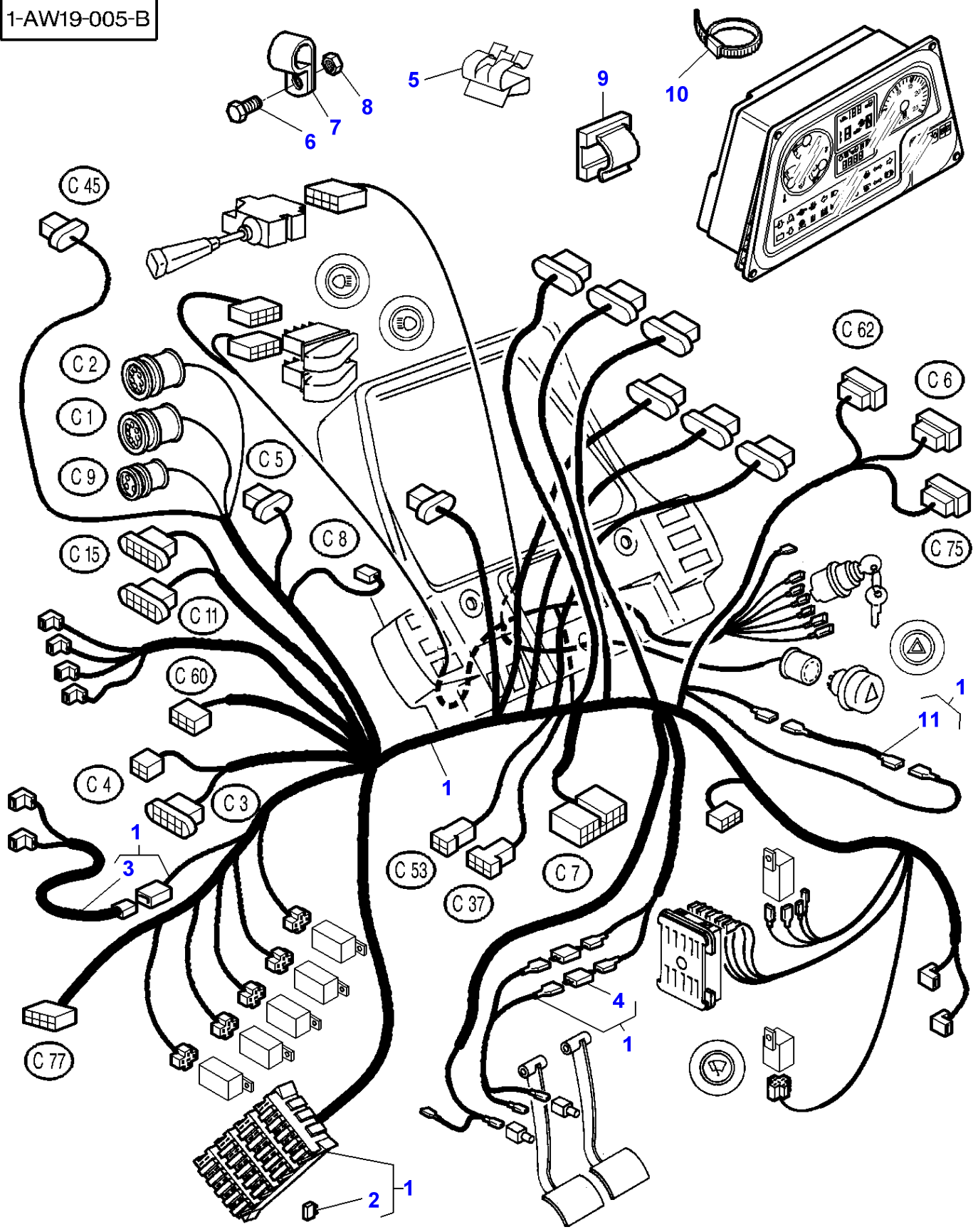
MF 8170 TRACTOR - 1637359
1-AW19-004-A

1-AW19-004-A



Item	Part Number	Qty	Description	Comments
1	3777516M94	1	Harness	
2	3580868M1	2	Fuse	(1) 3 AMP
	3387319M1	4	Fuse	(1) 7,5 AMP
	3620025M1	3	Fuse	(1) 10 AMP
	3620026M1	6	Fuse	(1) 15 AMP
	3387322M1	3	Fuse	(1) 25 AMP
	3712661M1	5	Fuse	(1) 30 AMP
3	3713090M1	1	Harness	(1)
4	3777531M1	2	Diode	(1) 2X6AMP
5	3618680M1	1	Fastener	
6	339123X1	3	Hex. Sock. Screw	M8X20
	339761X1	1	Hex. Sock. Screw	M8X25
7	3387756M1	4	Strap	Diameter 16MM
8	339169X1	2	Nut	
9	3760697M1	X	Clip	
10	3619622M1	X	Cable Tie	

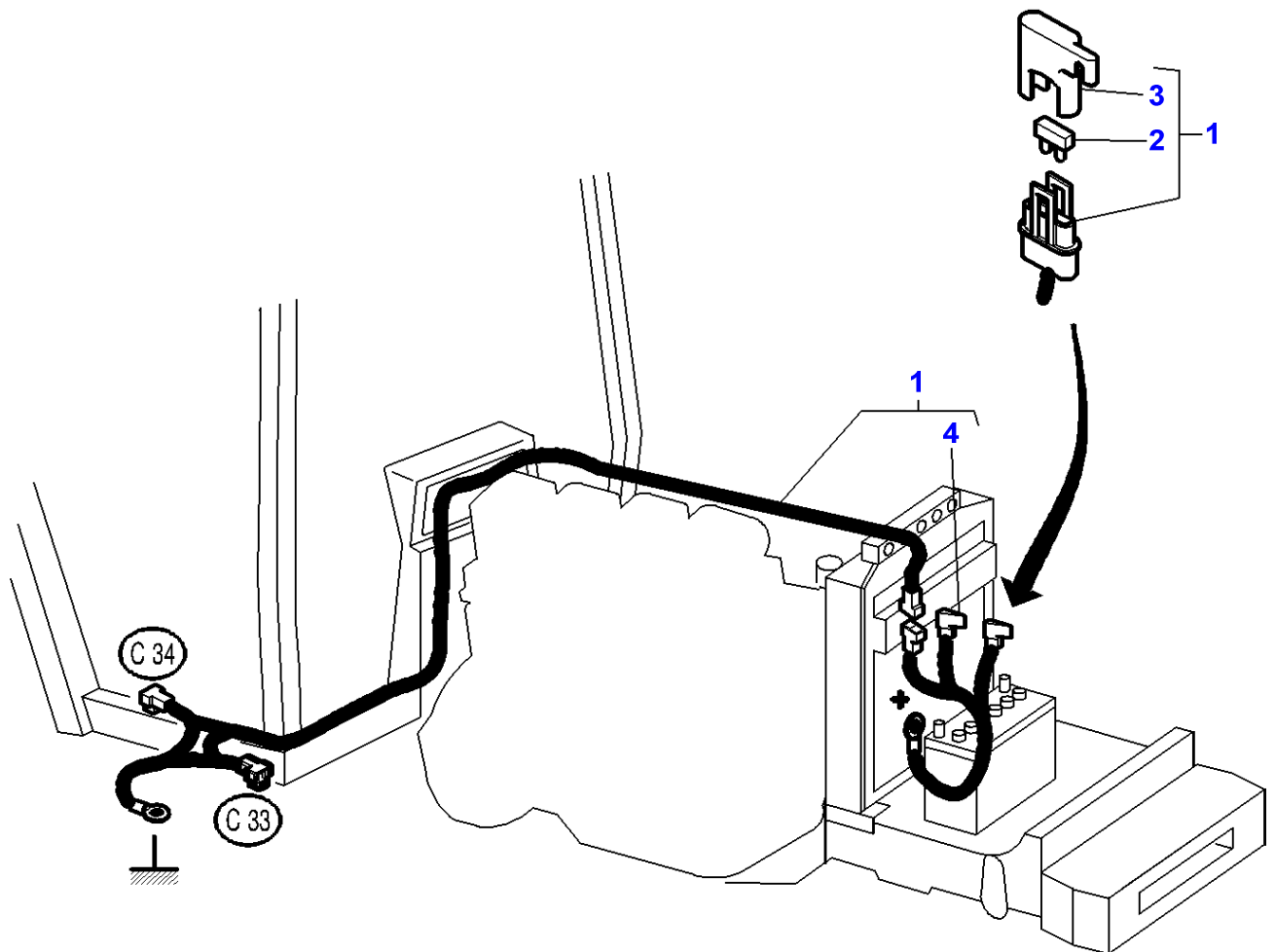
1-AW19-005-B



INSTRUMENT PANEL HARNESS

Item	Part Number	Qty	Description	Comments
1	3777514M94	1	Harness	
	3777634M93	1	Harness	For Sweden
2	3580868M1	2	Fuse	(1) 3 AMP
	3387319M1	4	Fuse	(1) 7,5 AMP
	3620025M1	3	Fuse	(1) 10 AMP
	3620026M1	6	Fuse	(1) 15 AMP
	3387322M1	3	Fuse	(1) 25 AMP
	3712661M1	5	Fuse	(1) 30 AMP
3	3713090M1	1	Harness	(1)
4	3777531M1	2	Diode	(1) 2X6AMP
5	3618680M1	1	Fastener	
6	339123X1	3	Hex. Sock. Screw	M8X20
	339761X1	1	Hex. Sock. Screw	M8X25
7	3387756M1	4	Strap	Diameter 16MM
8	339169X1	2	Nut	
9	3760697M1	X	Clip	
10	3619622M1	X	Cable Tie	
11	3781003M1	1	Wire	(1) From Serial or Engine Number G308029

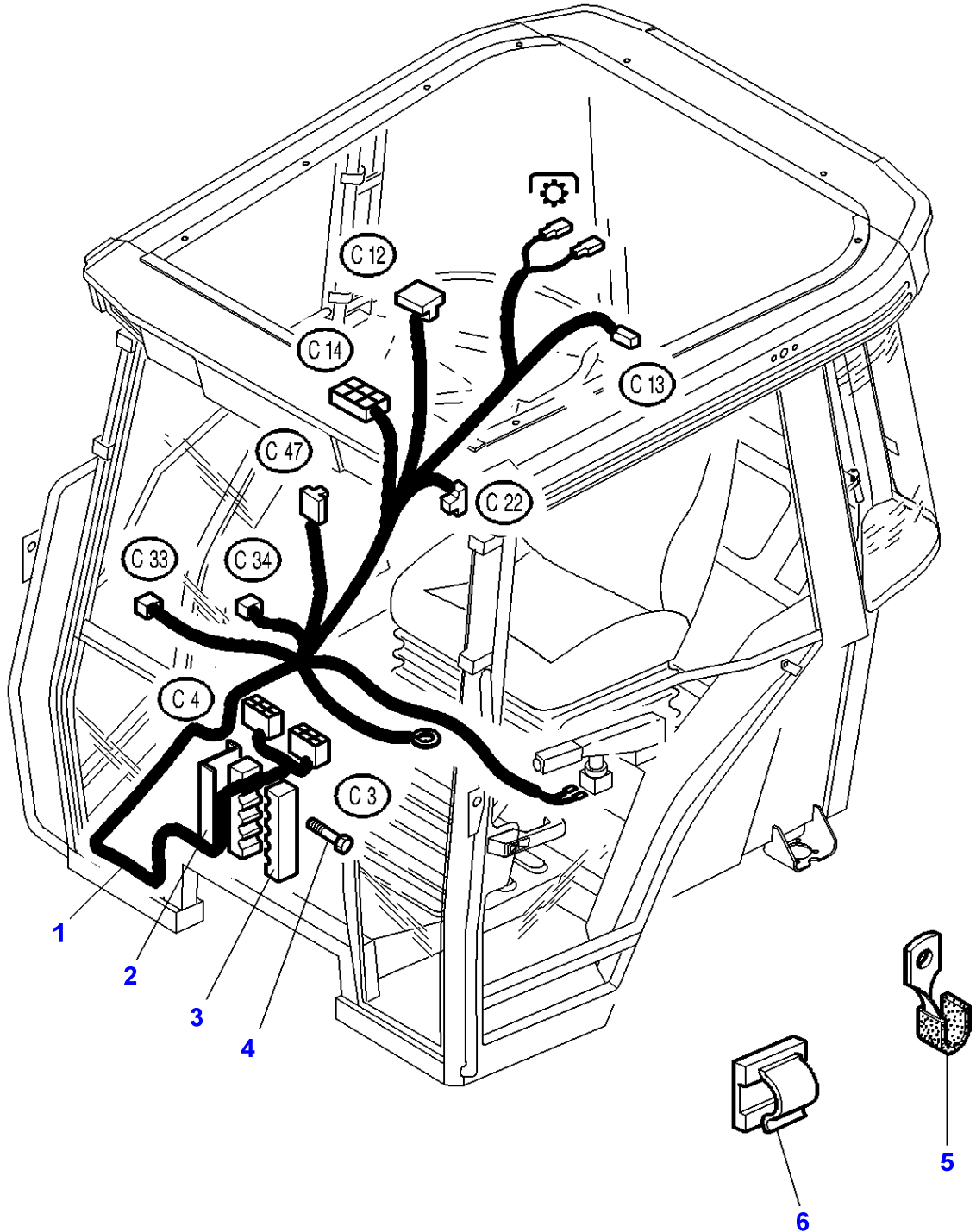
1-AU16-629-A



Massey Ferguson**MF 8170 TRACTOR - 1637359****1637359****Tractor Cab - Electrical Wiring - With Electronic Lift****Page080-0035**

Item	Part Number	Qty	Description	Comments
1	3713301M92	1	Harness	
2	3387319M1	1	Fuse	(1) 7,5 AMP
	3620026M1	1	Fuse	(1) 15 AMP
3	3600224M1	2	Cover	(1)
4		1	Harness	(1) Not serviced, order REF 1

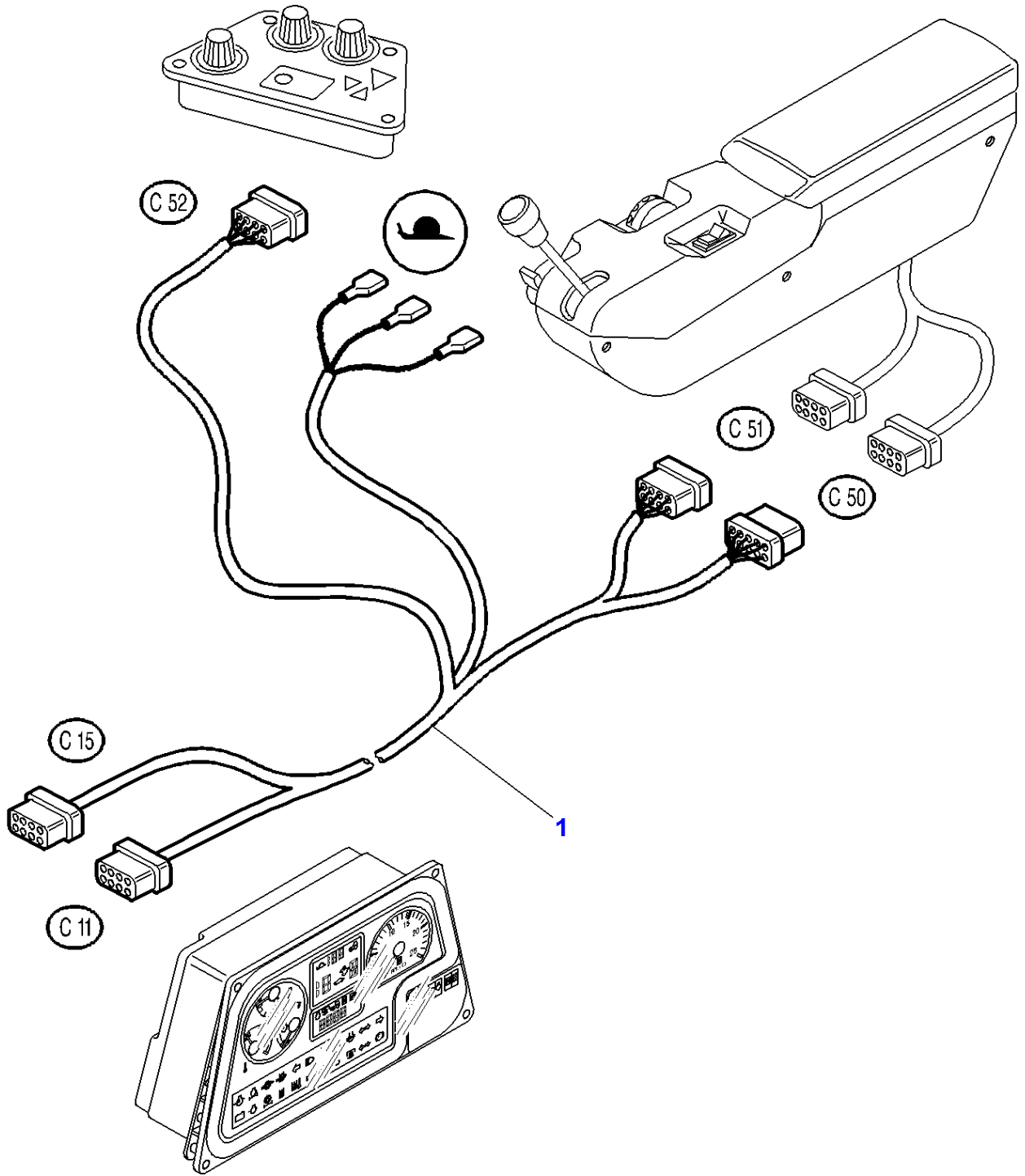
1-AW23-002-B



Massey Ferguson**MF 8170 TRACTOR - 1637359****1637359****HARNESS CONSOLE****Page080-0040**

Item	Part Number	Qty	Description	Comments
1	3777520M1	1	Harness	
2	3583308M92	1	Bridle	
3	3713556M3	2	Bridle	
4	391074X1	1	Hex. Sock. Screw	M6X12
	391884X1	1	Bolt Metric	M6X50
5	3583345M1	X	Strap	
6	3760697M1	X	Clip	

1-AW24-001-A



Massey Ferguson

MF 8170 TRACTOR - 1637359

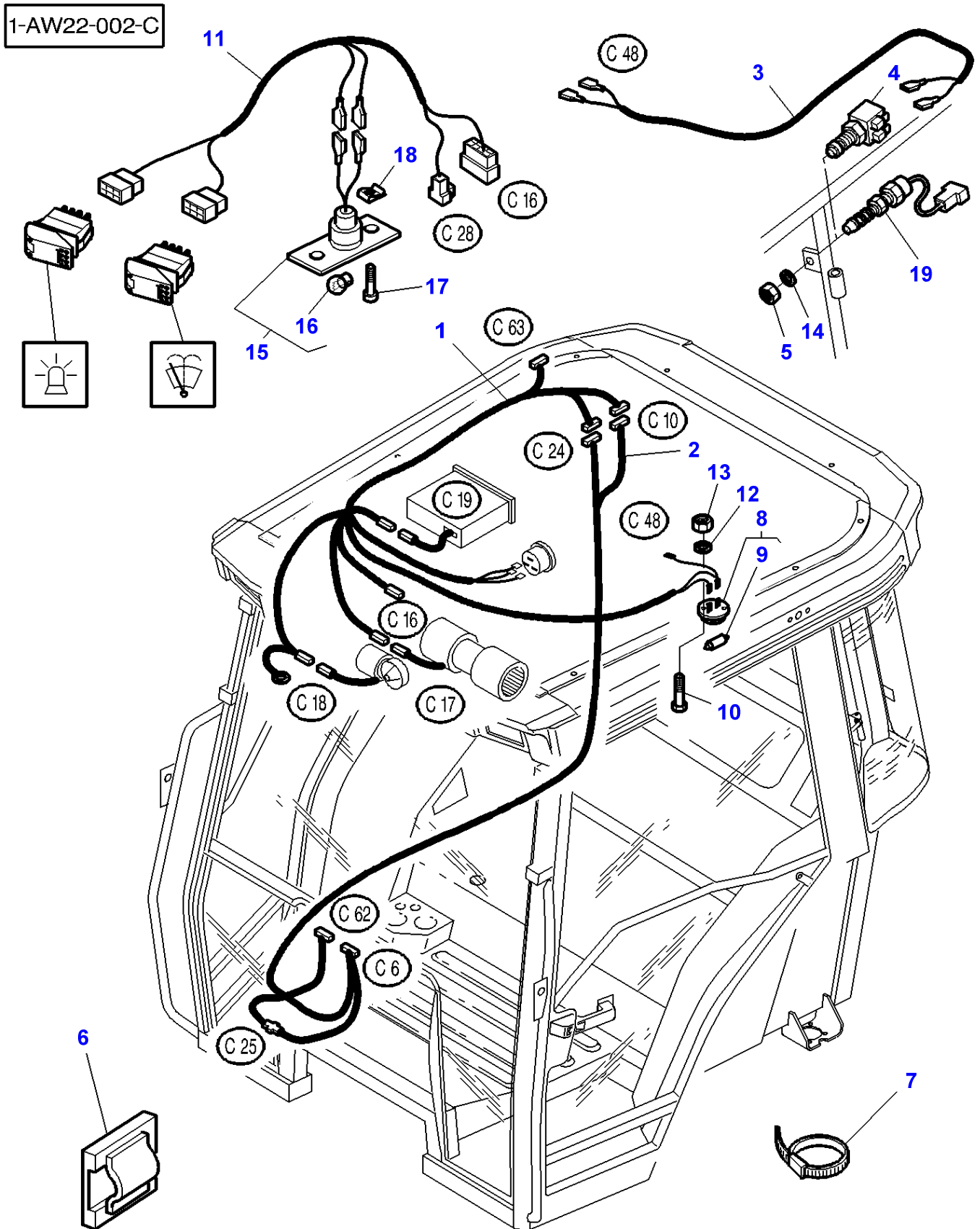
1637359

FULL POWERSHIFT CONTROL HARNESS - ARMREST

Page080-0045

Item	Part Number	Description
1	3777521M1	Harness

MF 8170 TRACTOR - 1637359
1-AW22-002-C



ROOF HARNESS

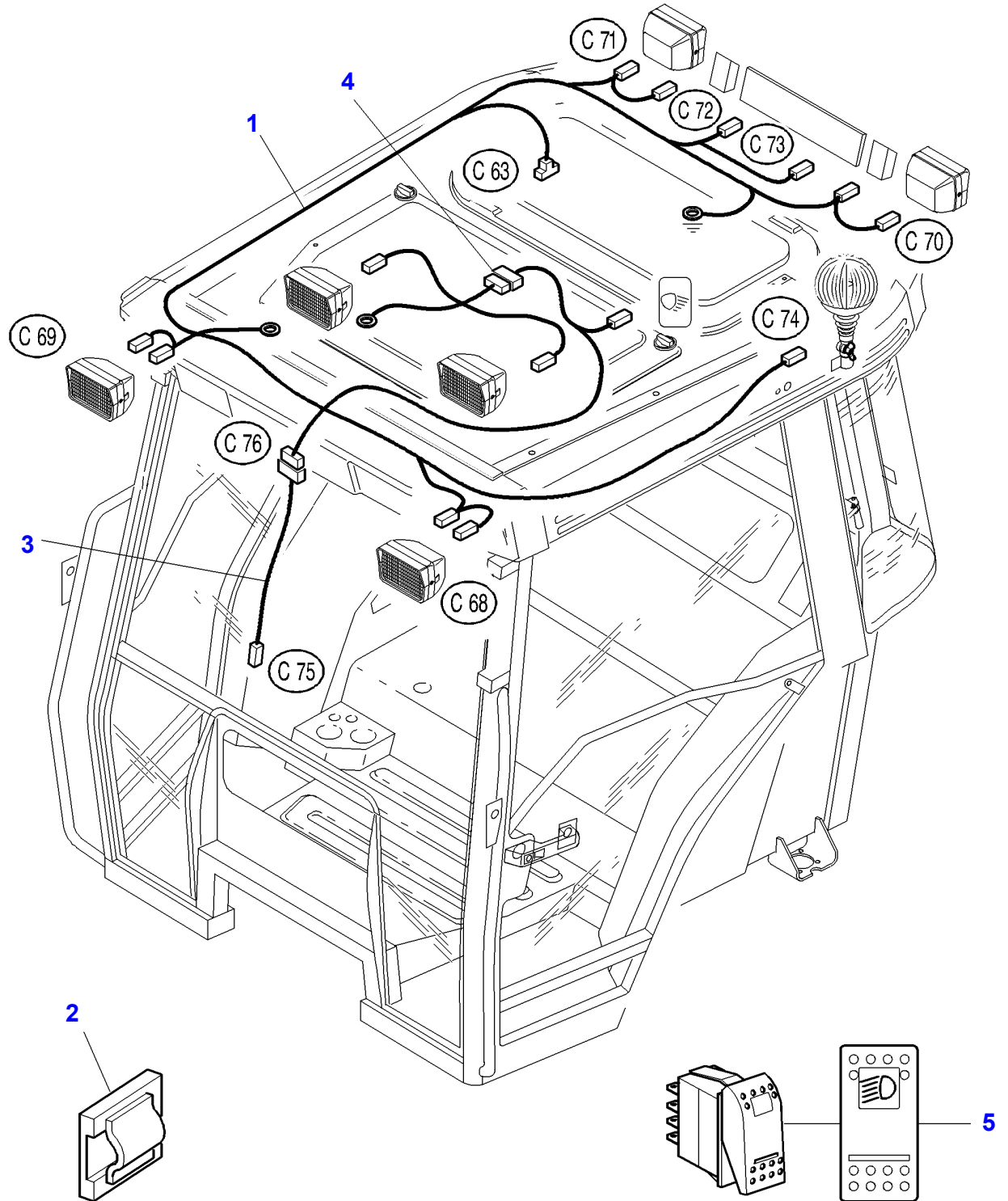
Item	Part Number	Qty	Description	Comments
1	3778208M1	1	Harness	
2	3778207M1	1	Harness	
3	3714845M1	1	Harness	
4	3617693M1	1	Switch,Indirect	Up to Serial or Engine Number G177009
5	390333X1	1	Nut Metric	M10
6	3760697M1	X	Clip	
7	3619622M1	X	Cable Tie	
8	3713129M1	1	Roof Light	
9	3385821M1	2	Bulb 12v 10w	(8)
10	3001162X1	2	Screw	M4X18
11	3780127M1	1	Harness	
12	3001856X1	2	Washer Metric	
13	3019139X1	2	Nut	M4
14	3617264M1	1	Washer	Up to Serial or Engine Number G177009
15	72502614	1	Roof Light	
16	71129920	1	Bulb	(15) N194
17	3009532X1	2	Screw	M4x16
18	3010819X1	2	Nut	M4
19	3780395M2	1	Switch,Indirect	From Serial or Engine Number G177010

FOOTNOTE [A] FOR CAB 5016526 & 5016527

FOOTNOTE [B] FOR CAB 5016524 & 5016525

MF 8170 TRACTOR - 1637359
1-AW21-003-A

1-AW21-003-A



Massey Ferguson

MF 8170 TRACTOR - 1637359

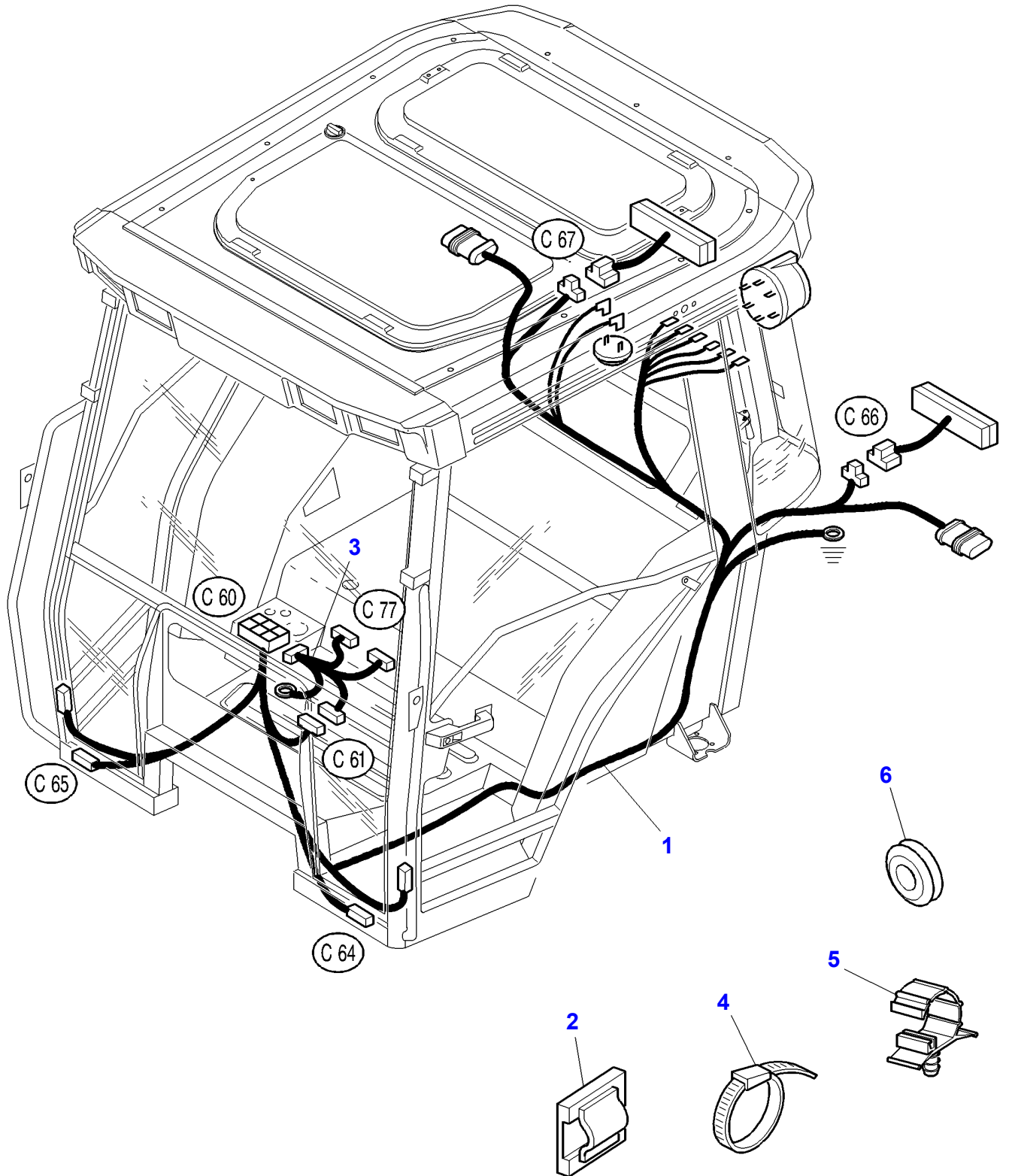
1637359

LIGHTING HARNESS - ROOF

Page080-0055

Item	Part Number	Qty	Description
1	3778212M1	1	Harness
2	3760697M1	X	Clip
3	3713331M1	1	Harness
4	3714887M92	1	Harness
5	3713145M1	1	Switch,Indirect

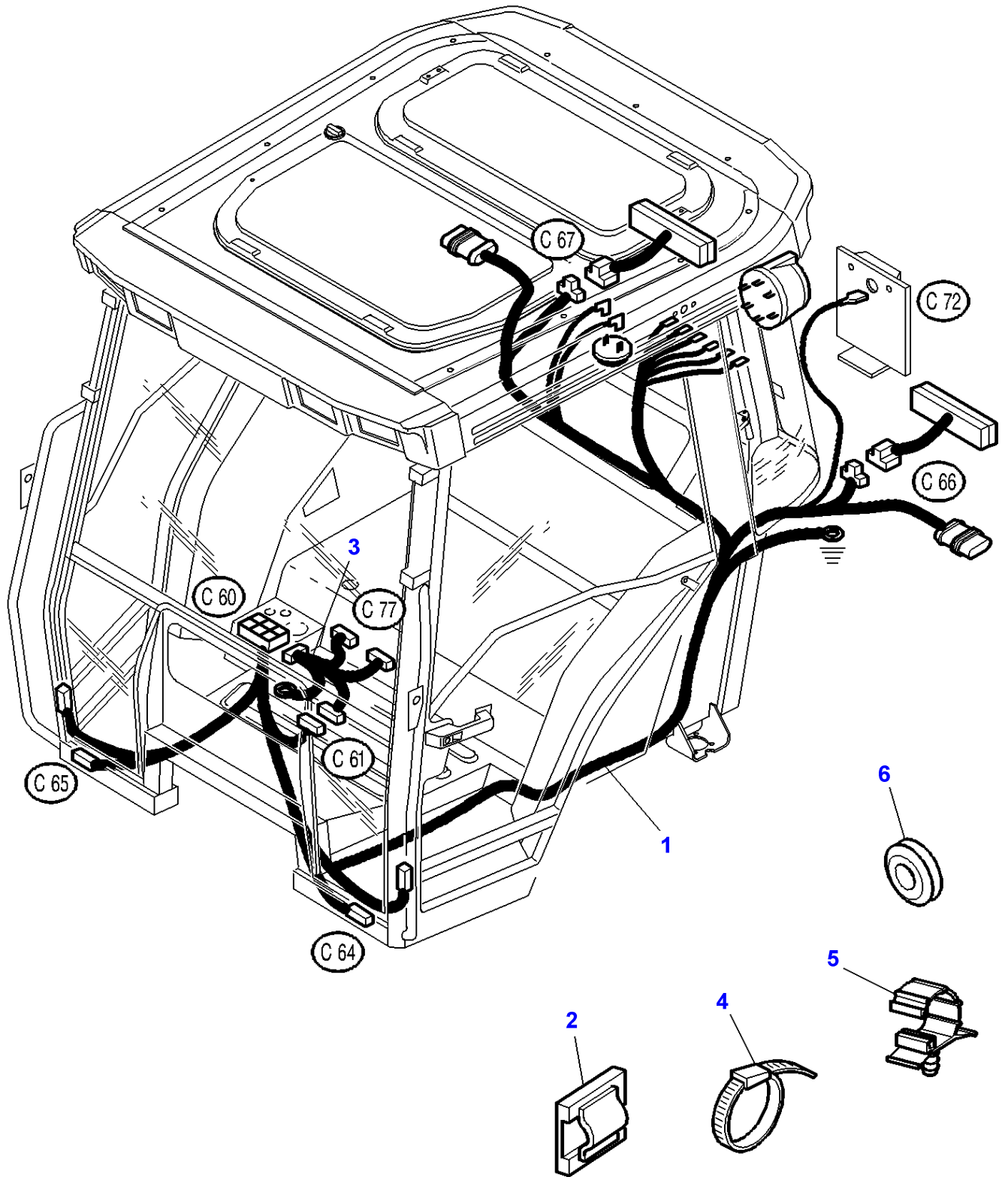
1-AU48-605-A



Massey Ferguson**MF 8170 TRACTOR - 1637359****1637359****Tractor Cab - Lighting Equipment - SPANISH EXCEPTED****Page080-0060**

Item	Part Number	Qty	Description	Comments
1	3777528M2	1	Harness	
2	3760697M1	2	Clip	
3	3714433M1	1	Harness	
4	3619622M1	X	Cable Tie	
5	3715129M1	5	Clamp	Diameter 20MM
	3715130M1	3	Clamp	Diameter 10MM
6	3010670X1	1	Grommet	

1-AU48-606-A

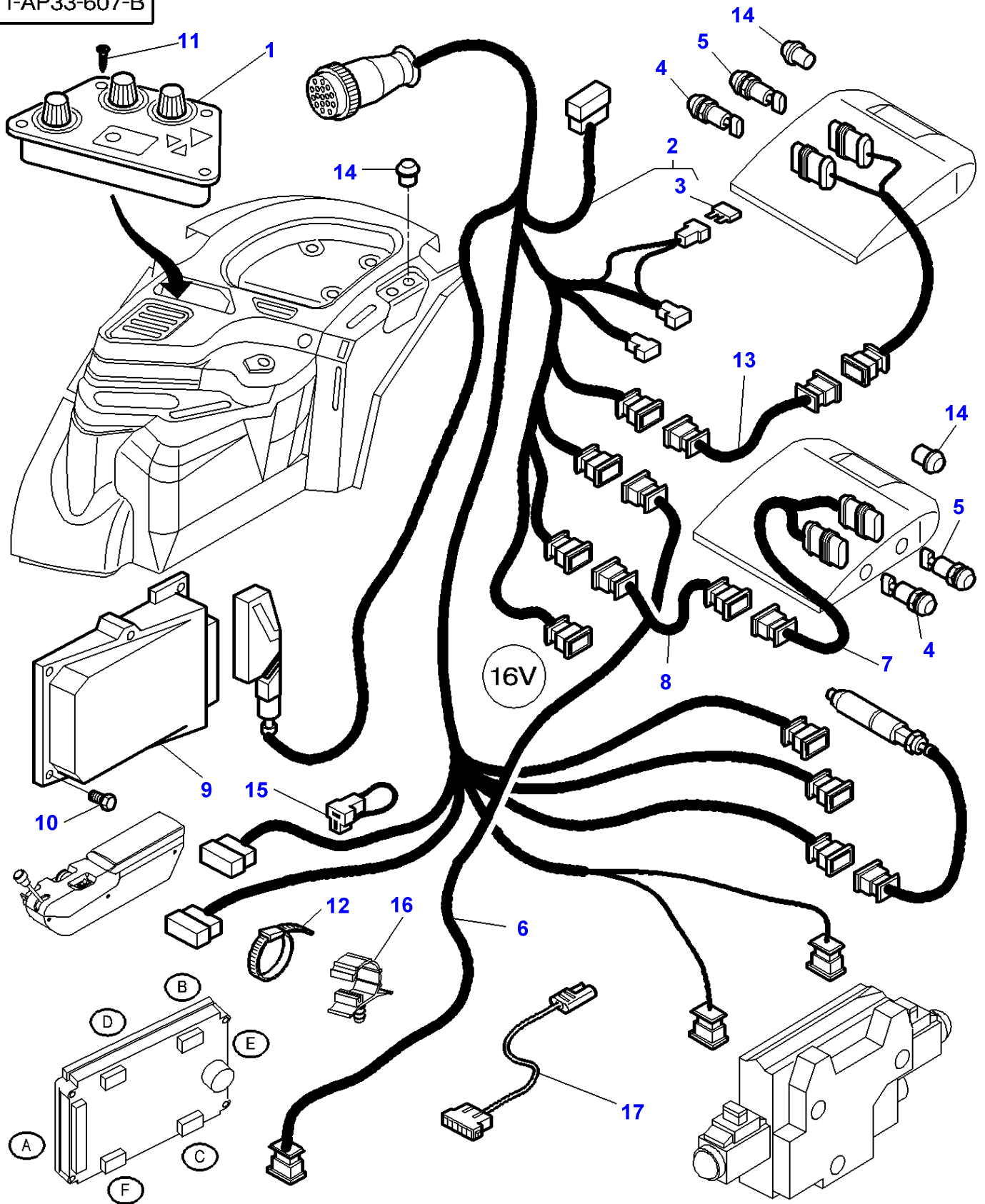


Massey Ferguson**MF 8170 TRACTOR - 1637359****1637359****Tractor Cab - Lighting Equipment - FOR SPANISH****Page080-0065**

Item	Part Number	Qty	Description	Comments
1	3777530M2	1	Harness	
2	3760697M1	2	Clip	
3	3714433M1	1	Harness	
4	3619622M1	X	Cable Tie	
5	3715129M1	5	Clamp	Diameter 20MM
	3715130M1	3	Clamp	Diameter 10MM
6	3010670X1	1	Grommet	

MF 8170 TRACTOR - 1637359
1-AP33-607-B

1-AP33-607-B

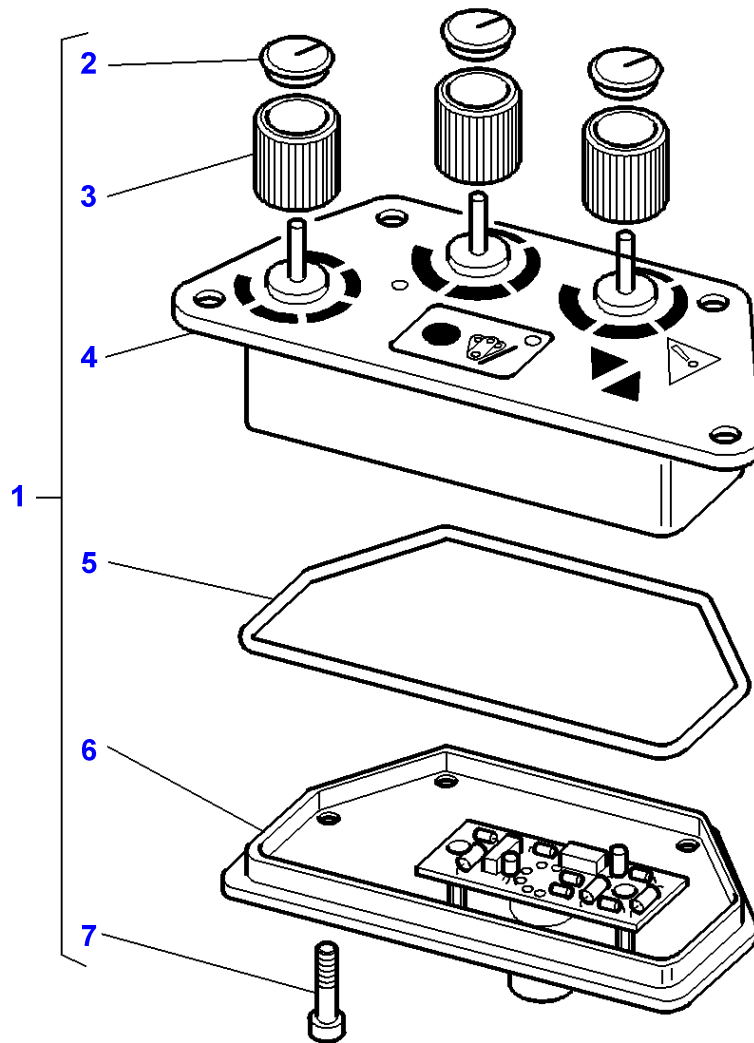


Electronic Lift - Main Harness

Item	Part Number	Qty	Description	Comments
1	3778510M93	1	Electron Console	
2	3778505M92	1	Elect.Lift Cable	
3	3580868M1	1	Fuse	(2) 3 AMP
4	3714137M1	2	Switch,Indirect	[A]
5	3714138M1	2	Switch,Indirect	[B]
6	3778707M1	1	Harness	
7	3714135M1	2	Harness	
8	3712725M1	1	Harness	Left Hand Length 3500 MM
9	3779194M93	1	Calculator	
10	3010506X1	2	Screw	
11	3010506X1	4	Screw	
12	3619622M1	20	Cable Tie	
13	3712726M1	1	Harness	Right Hand
14	3380422M1	X	Plug	
15	3715934M1	1	Harness	
16	3715129M1	2	Clamp	Diameter 20MM
	3715130M1	2	Clamp	Diameter 10MM
17	3779558M1	1	Harness	[C]

FOOTNOTE [A] UP**FOOTNOTE [B]** DOWN**FOOTNOTE [C]** DATATRONIC HARNESS : THEORETICAL SPEED

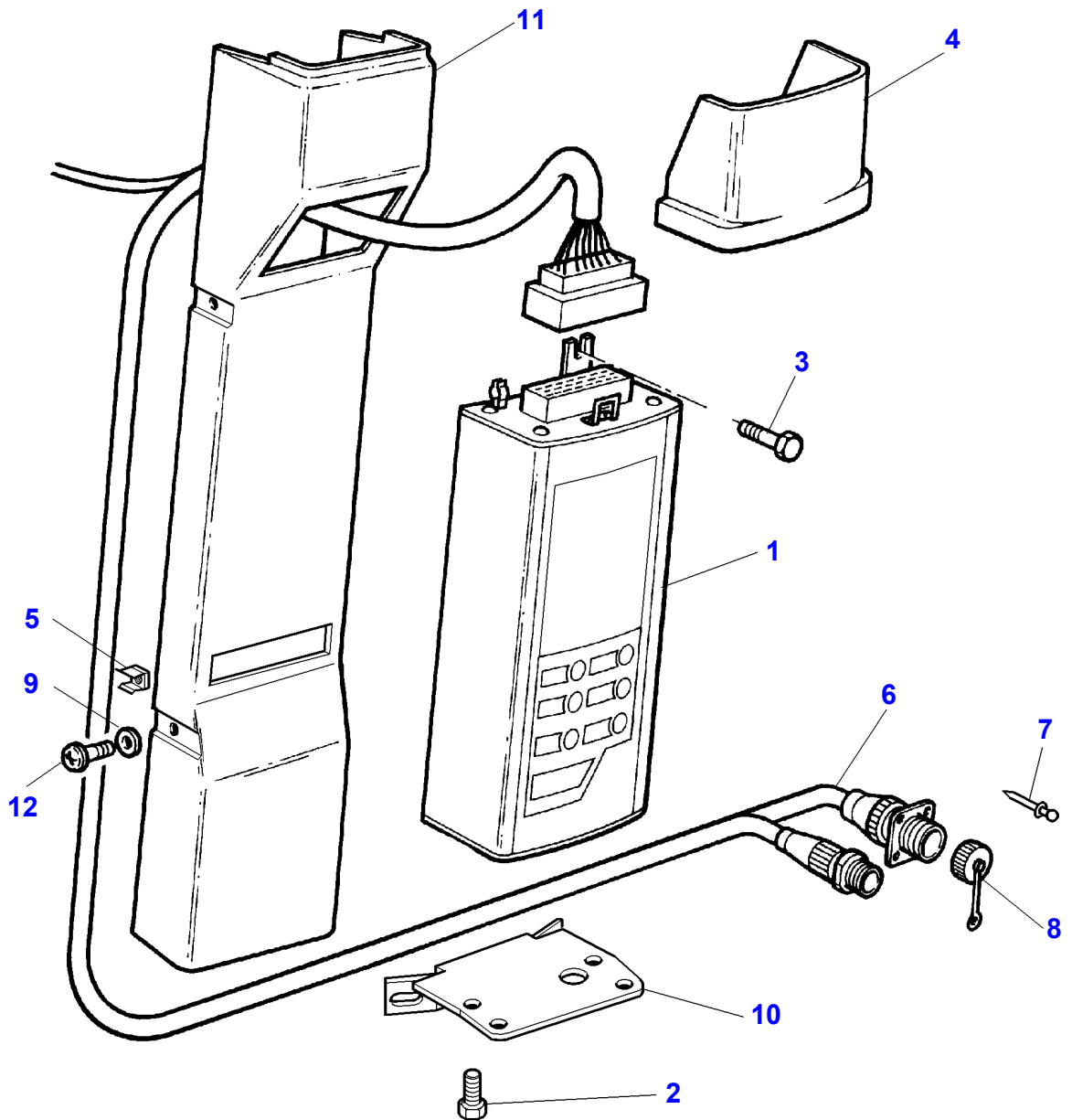
1-AP37-601-A



Massey Ferguson**MF 8170 TRACTOR - 1637359****1637359****Electronic Lift - Console****Page090-0010**

Item	Part Number	Qty	Description	Comments
1	3778510M93	1	Electron Console	
2	3902440M1	3	Helmet	(1)
3	3902808M1	3	Button	(1)
				Up to Serial or Engine Number H140013
	3903452M1	3	Button	(1)
				From Serial or Engine Number H140014
4	3902809M92	1	Cover	(1)
5	3902452M1	1	O Ring	(1)
6	3902810M91	1	Printed Circuit	(1)
7	3902811M1	4	Screw	(1)

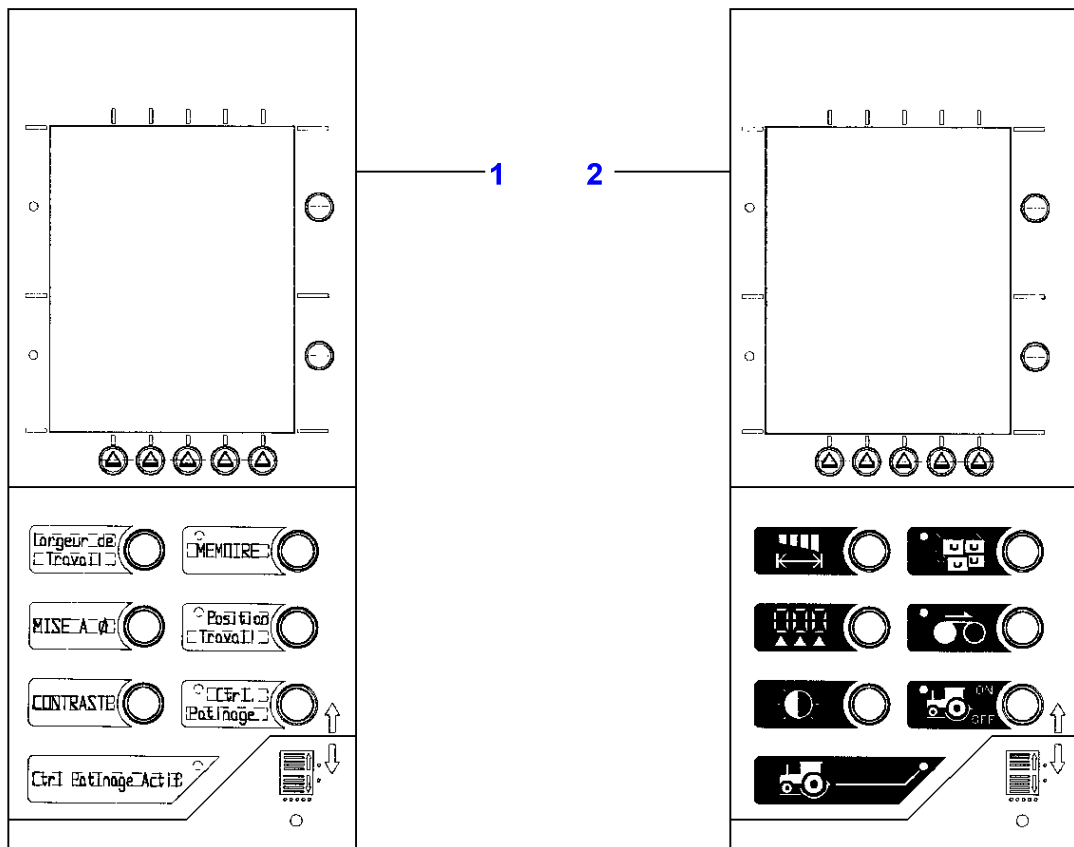
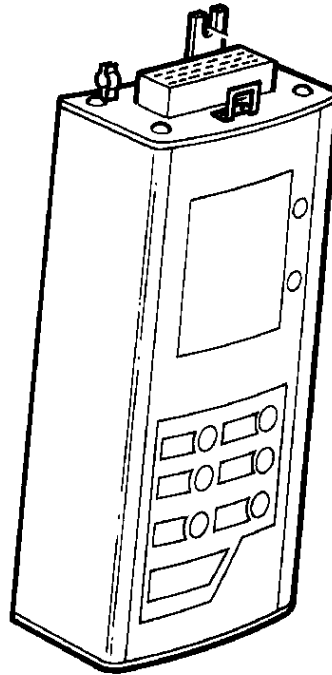
1-AU31-603-A



Aboard Computer

Item	Part Number	Qty	Description	Comments
1	3792437M92	1	Onboard Computer	
2	3010578X1	2	Screw	
3	3010506X1	3	Screw	M5X16
4	3714916M1	1	Moulding	
5	3615557M1	7	Boxnut	
6		1	Harness	See Page - Reference Number 090-0025/1
7	338980X1	4	Rivet	
8	3900383M1	1	Plug	
9	1427000M1	4	Washer	
10	3714918M2	1	Support	
11	3714919M1	1	Mounting	
12	3580257M1	4	Screw	

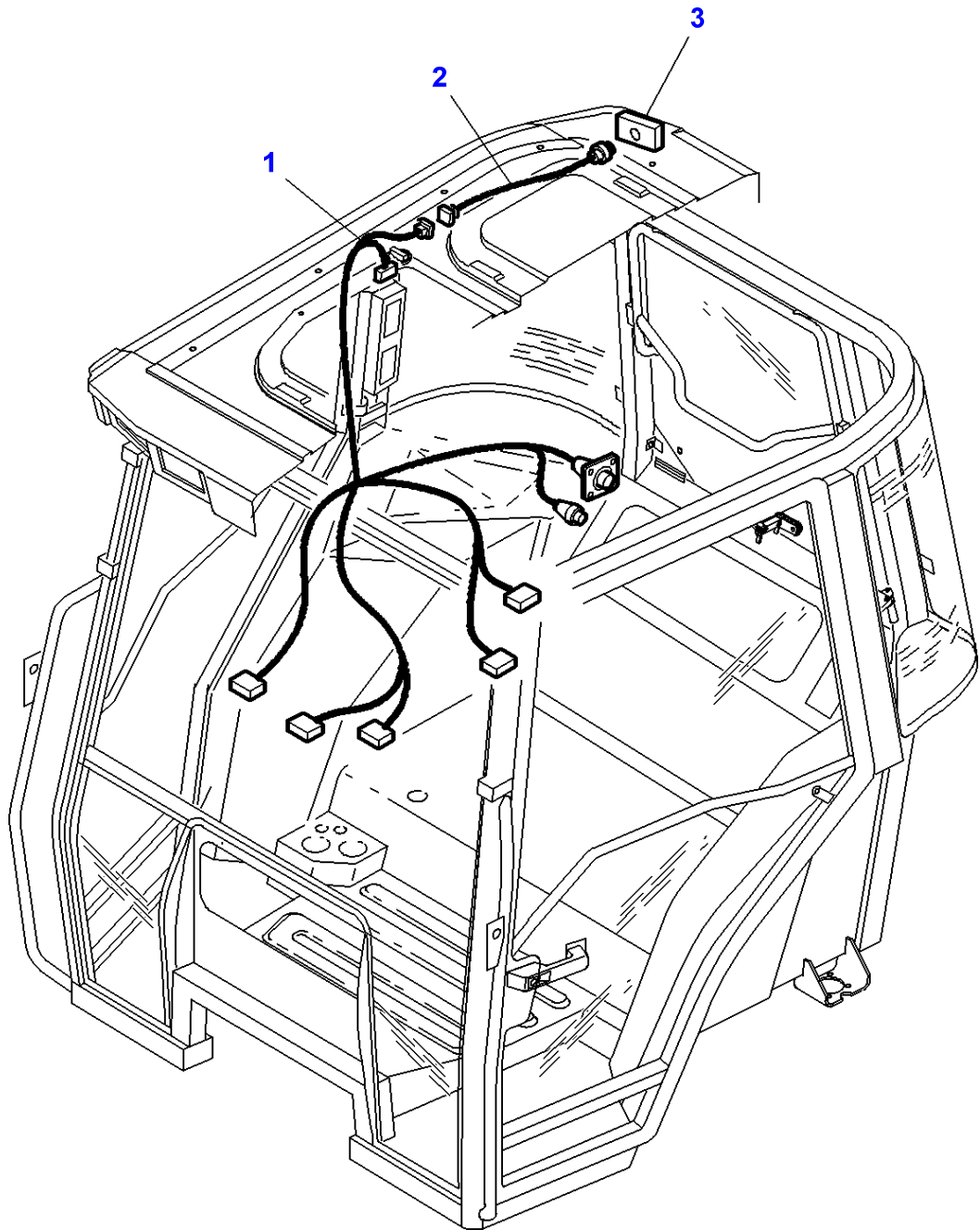
1-AU32-600-A



Item	Part Number	Qty	Description	Comments
1	3714660M1	1	Decal	For France only or any text in French only
	3714661M1	1	Decal	For UK only or any text in English only
	3714662M1	1	Decal	For Germany only or any text in German only
	3714664M1	1	Decal	[A]
2	3714665M1	1	Decal	

FOOTNOTE [A] SPAIN

1-AU35-600-B



Massey Ferguson

MF 8170 TRACTOR - 1637359

1637359

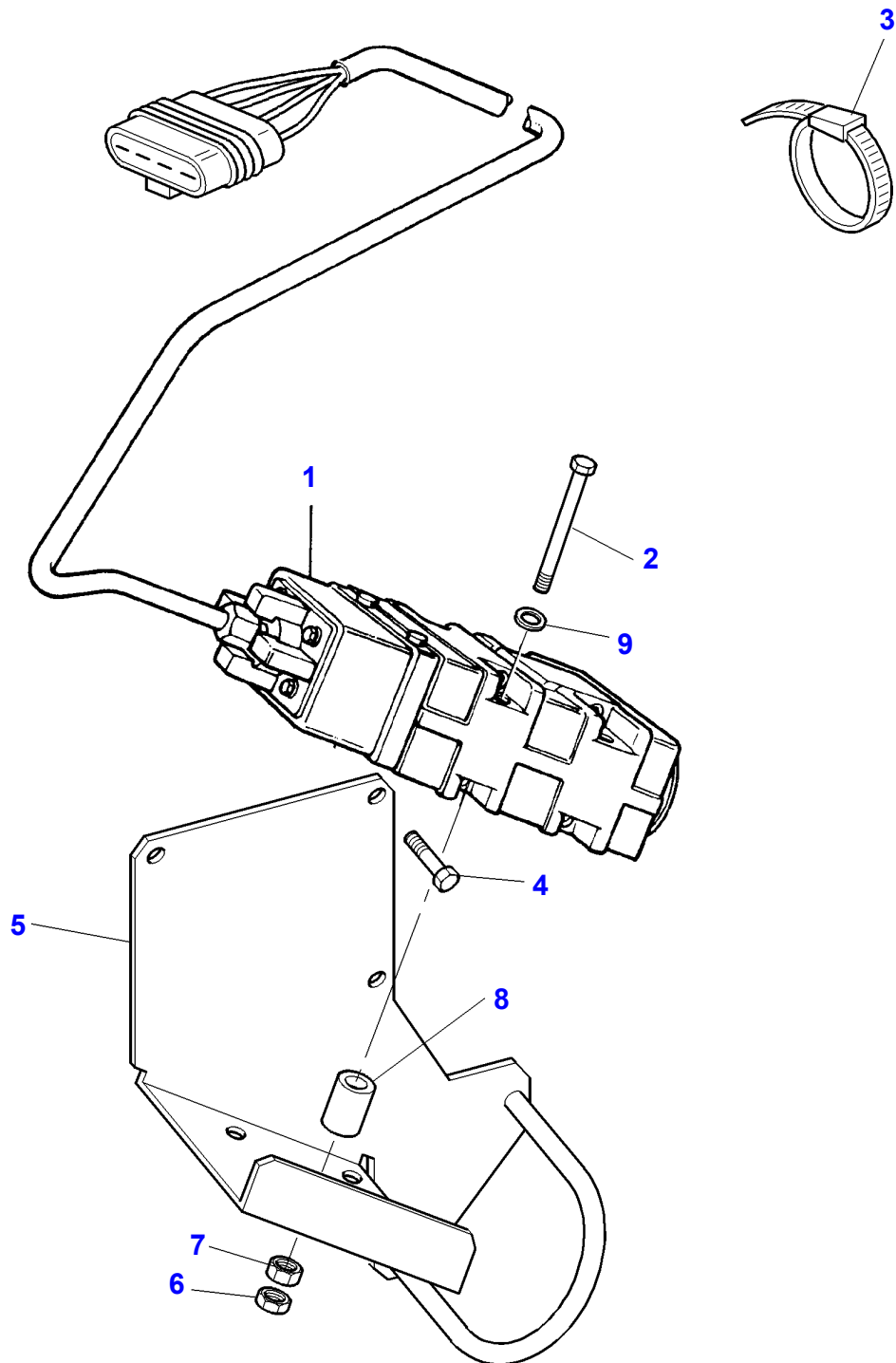
Aboard Computer - Wiring

Page090-0025

Item	Part Number	Qty	Description
1	3778701M3	1	Harness
2	3714262M1	1	Harness
3	3714264M1	1	Transmitter

FOOTNOTE [A] FUEL FLOWMETER

1-AU34-602-A



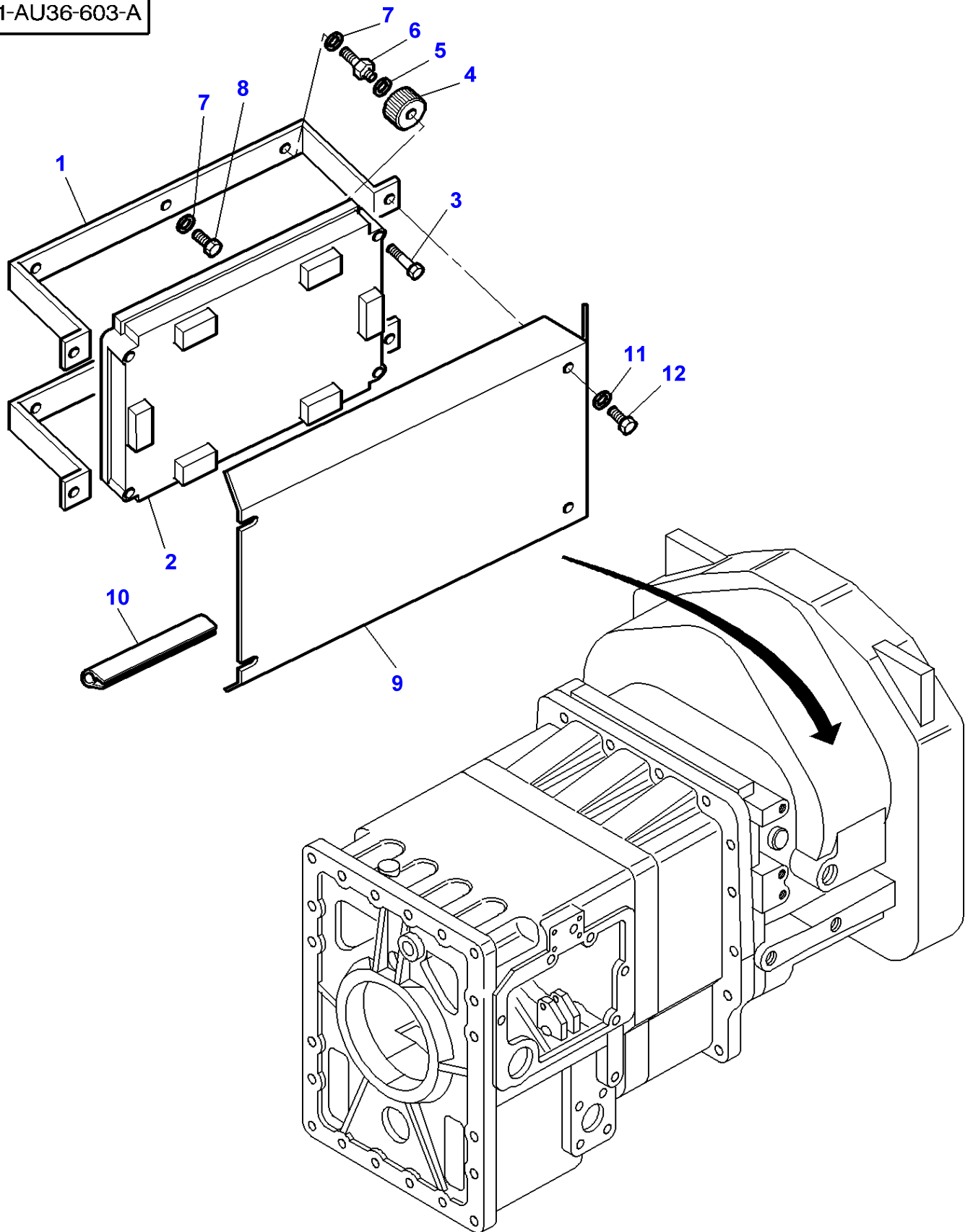
Radar

Item	Part Number	Qty	Description	Comments
1	3714291M2	1	Speed Detector	GHZ 24.125
	3714290M2	1	Speed Detector	GHZ 24.300
				For UK only or any text in English only
2	3019894X1	4	Screw	M6X100
3	3619622M1	X	Cable Tie	
4	339123X1	3	Hex. Sock. Screw	M8X20
5	3778933M1	1	Support	
6	1440207X1	4	Nut Metric	Replace and repair. Old interchangeable with new 392308X1
7	339030X1	4	Nut Metric	
8	3582802M1	4	Spacer	
9	391038X1	12	Washer	

FOOTNOTE [A] WITH ADDITIONAL FUEL TANK

MF 8170 TRACTOR - 1637359
1-AU36-603-A

1-AU36-603-A

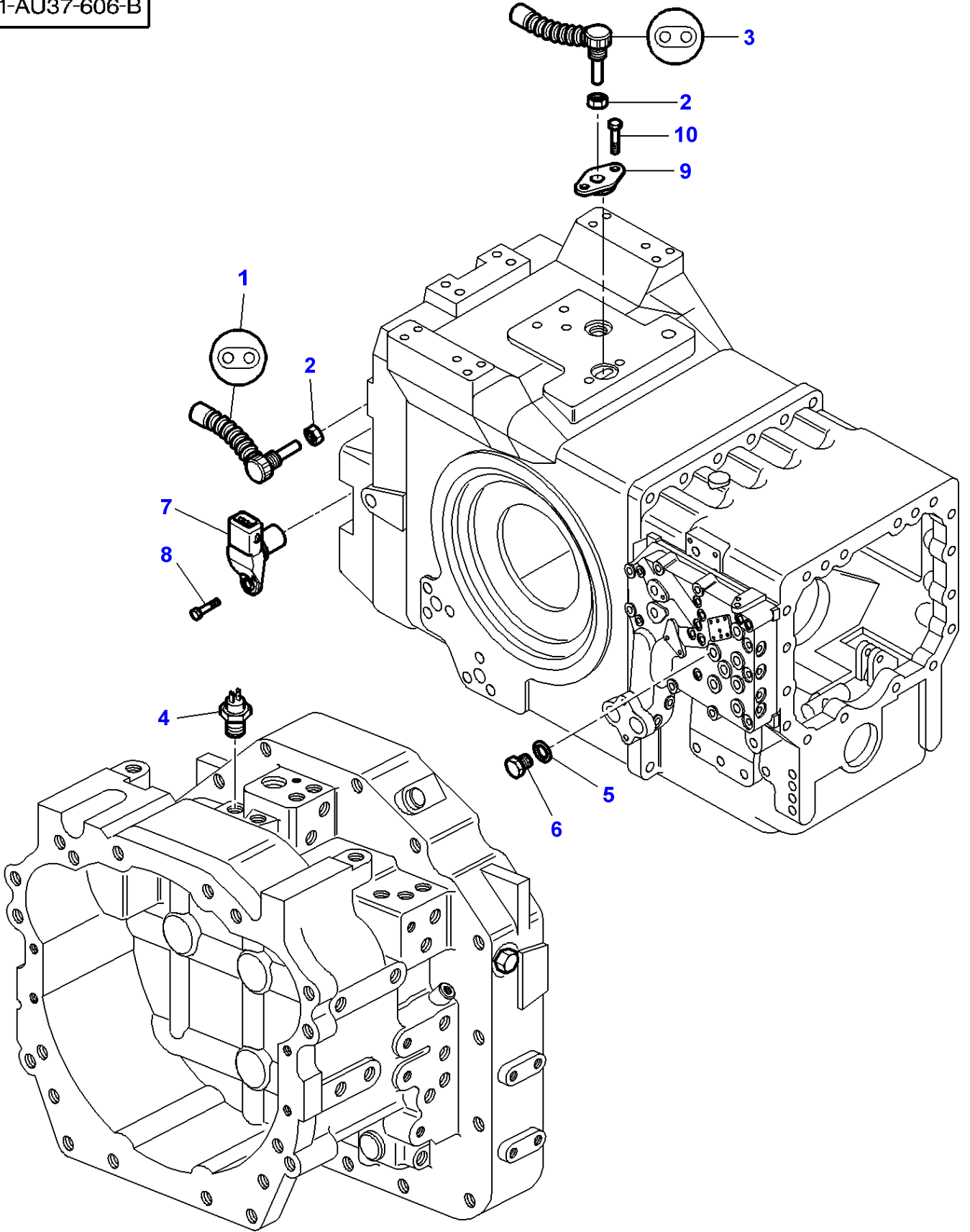


Massey Ferguson**MF 8170 TRACTOR - 1637359****1637359****Electronic Equipment - Control Box****Page090-0035**

Item	Part Number	Qty	Description	Comments
1	3790912M1	2	Support	
2	3791704M95	1	Switch Box	
3	339096X1	4	Bolt Metric	M6X35
4	3790853M1	4	Support	
5	391289X1	4	Lock Washer	
6	3791098M1	4	Screw	M6/M8
7	22428X	5	Lock Washer	
8	339228X1	1	Screw Metric	M8X12
9	3790911M2	1	Cowl	
10	3580695M1	4	Gasket	
11	390972X1	4	Washer Metric	
12	339228X1	4	Screw Metric	M8X12

MF 8170 TRACTOR - 1637359
1-AU37-606-B

1-AU37-606-B



Massey Ferguson**MF 8170 TRACTOR - 1637359**

1637359

Electronic Equipment - Sensors

Page090-0040

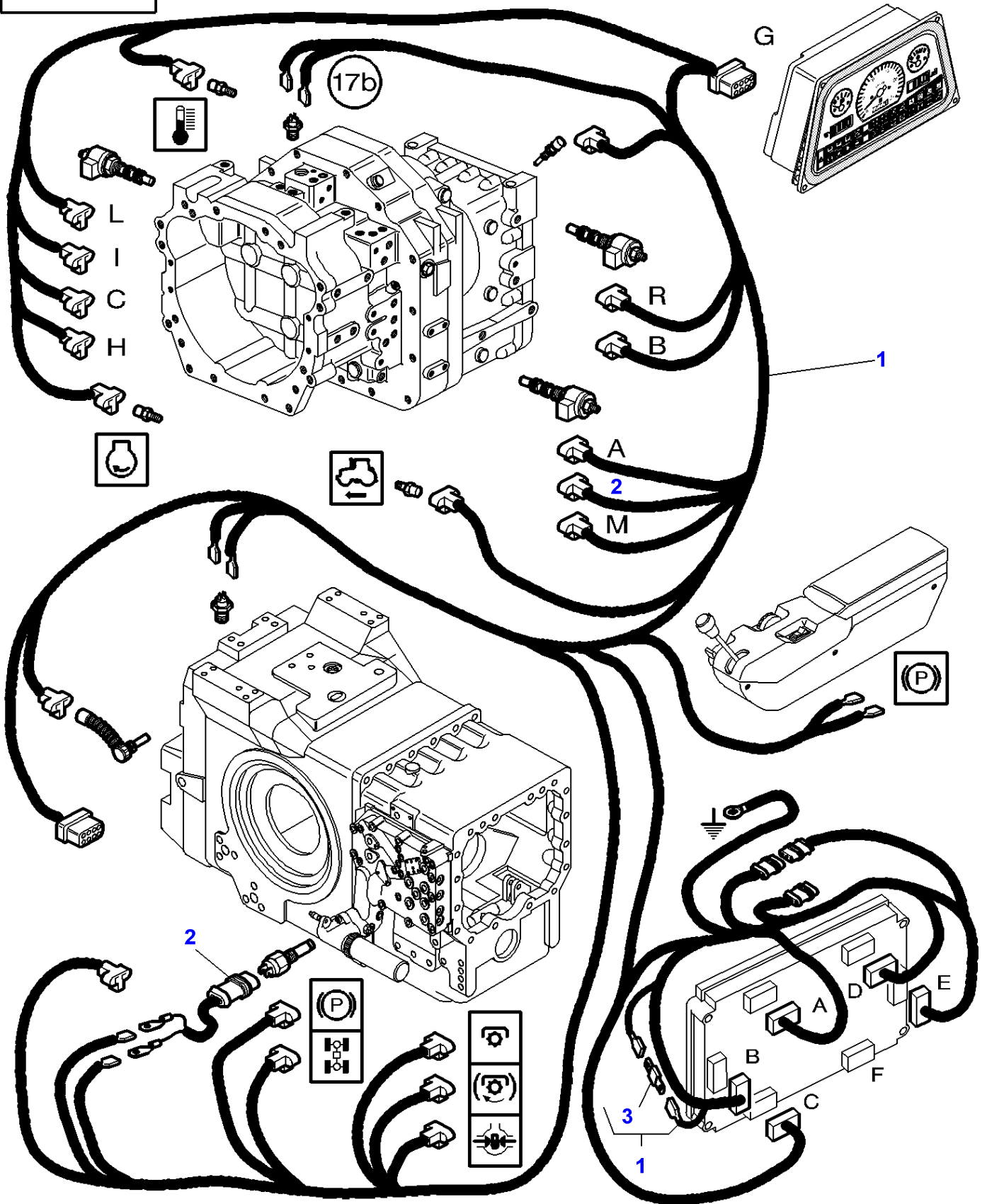
Item	Part Number	Qty	Description	Comments
1	3790881M1	1	Inductive Taker	[B] Length 75MM
2	339592X1	2	Nut Metric	
3	3583287M2	1	Inductive Taker	[A] Length 150MM
4	3381387M4	1	Low Pr.Oil Trmtr	
5	390202X1	1	Seal	
6	339494X1	1	Plug	
7	3716042M1	1	Pto Speed Sensor	
8	3009280X1	1	Screw	M6X12
9	3716581M3	1	Support	
	3792114M1	1	Support	[C]
10	339761X1	2	Hex. Sock. Screw	M8x25

FOOTNOTE [A] TRAVELLING SPEED

FOOTNOTE [B] PTO SPEED

FOOTNOTE [C] WITH KIT,BEVEL GEAR 8X43

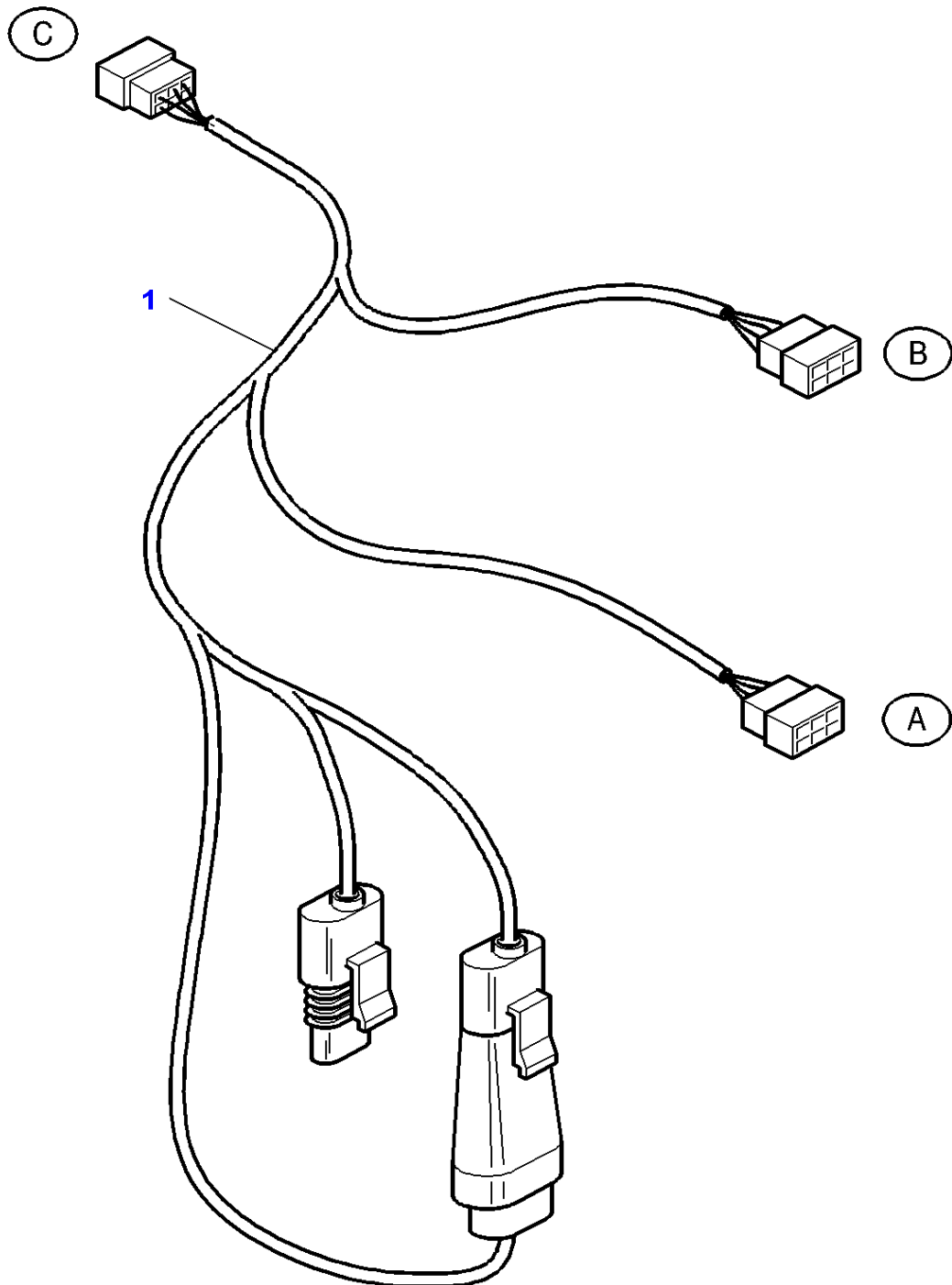
1-AW25-001-D



Massey Ferguson**MF 8170 TRACTOR - 1637359****1637359****FULL POWERSHIFT - TRANSMISSION MAIN HARNESS****Page090-0045**

Item	Part Number	Qty	Description	Comments
1	3790909M3	1	Harness	Up to Serial or Engine Number G260027
	3790909M5	1	Harness	From Serial or Engine Number G260028
2	3792198M1	1	Harness	Up to Serial or Engine Number G260027
3	3779377M1	1	Diode	(1)

1-AW25-002-A



Massey Ferguson

MF 8170 TRACTOR - 1637359

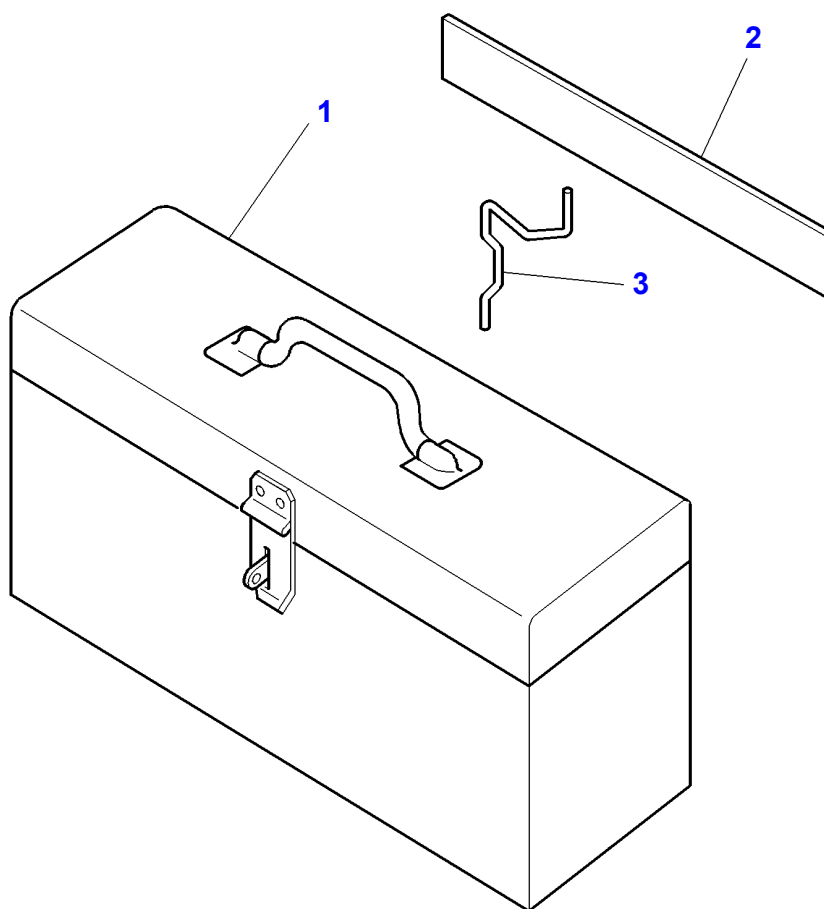
1637359

FULL POWERSHIFT - TRANSMISSION MAIN HARNESS - EMERGENCY HARNESS

Page090-0050

Item	Part Number	Qty	Description
1	3791105M2	1	Harness

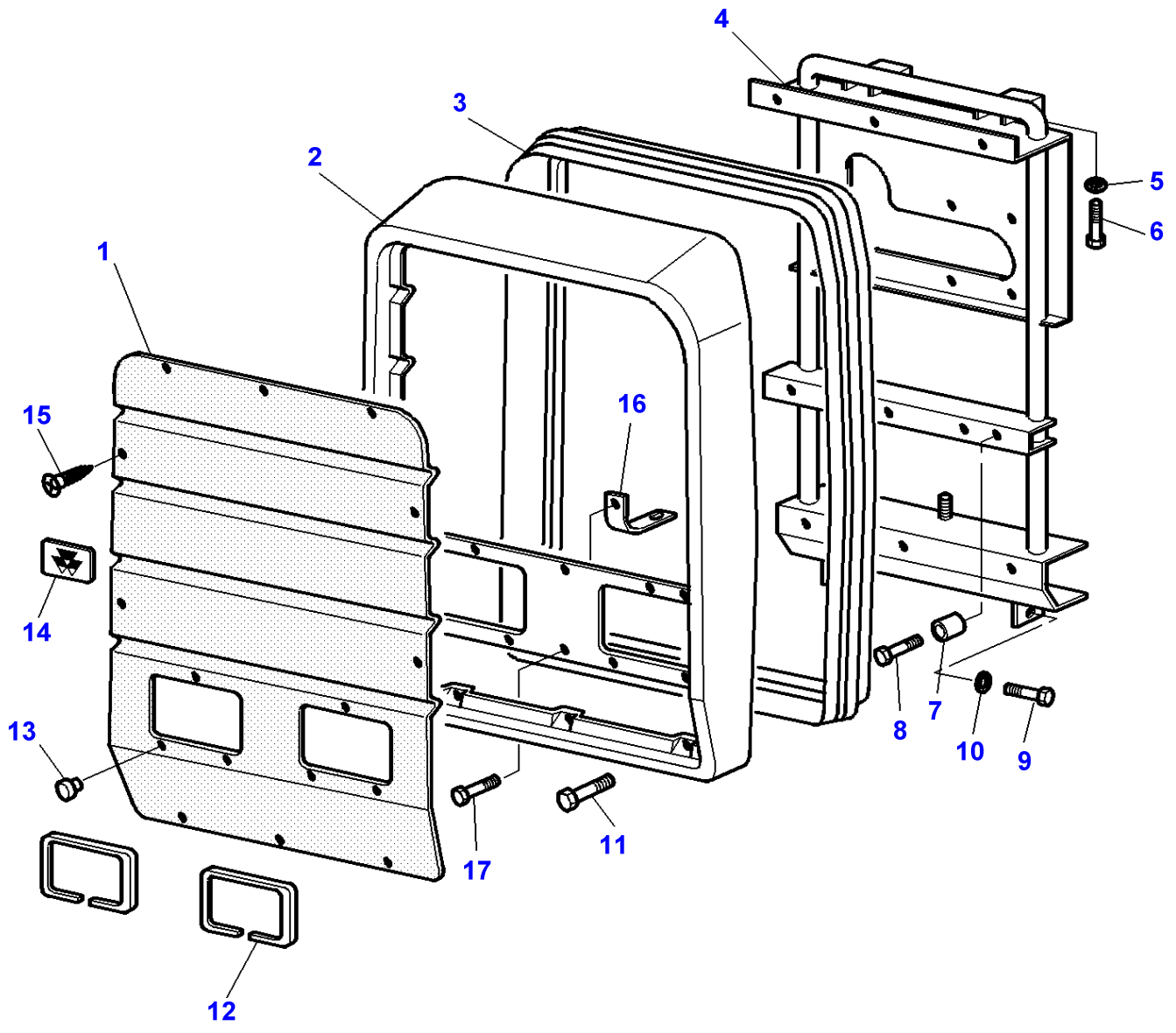
1-AR08-604-A



Tool Box

Item	Part Number	Qty	Description	Comments
1	3616340M1	1	Tool Box	
2	3580639M1	1	Gasket	Length 200MM
3	3580564M1	1	Eccentric	

1-AR02-600-B

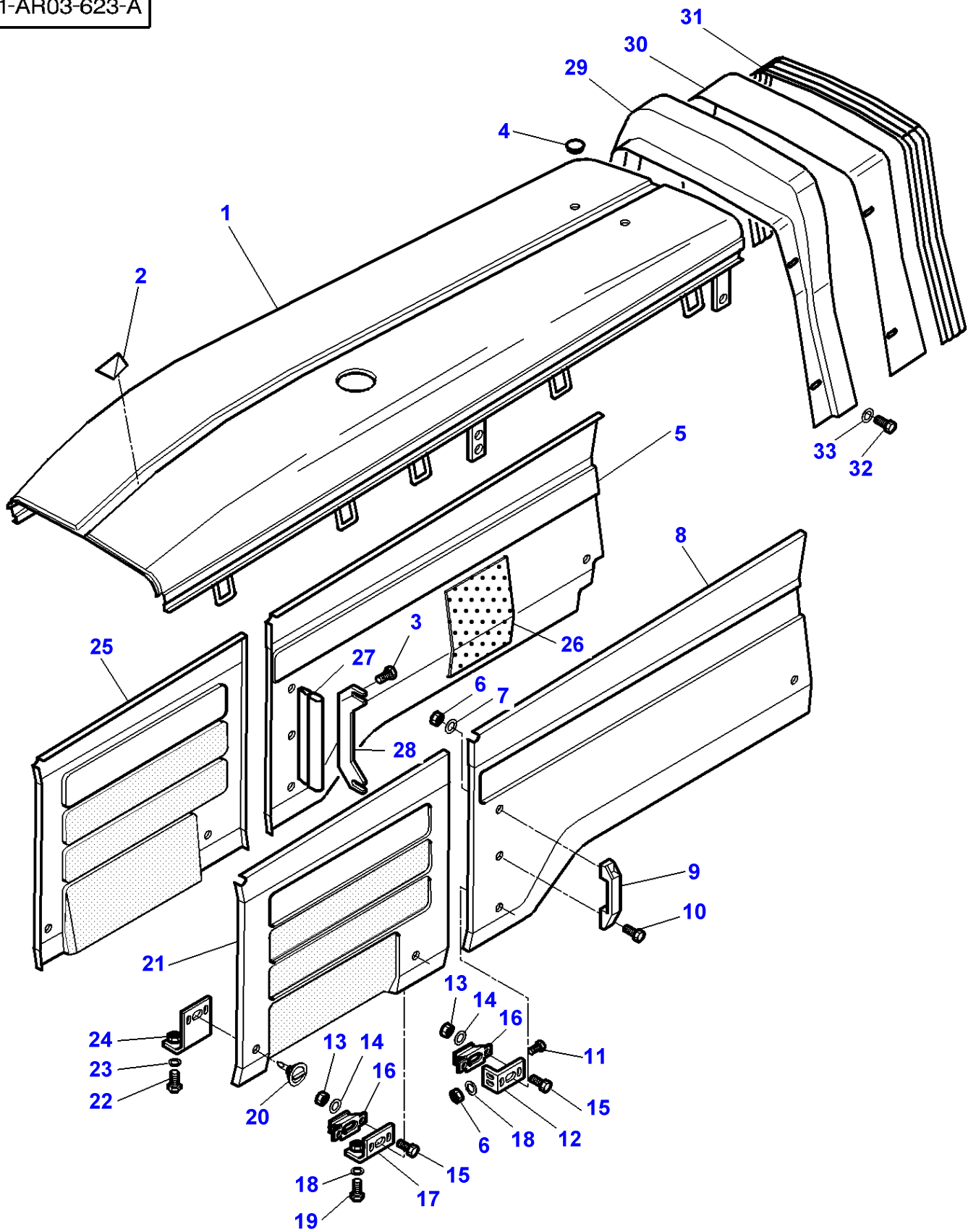


Sheet Metal - Grille

Item	Part Number	Qty	Description	Comments
1	3713209M1	1	Grille	
2	3713208M1	1	Screen	
3	3714392M91	1	Gasket	
4	3713213M92	1	Frame Assy	
5	390734X1	2	Washer	
6	339081X1	2	Screw Metric	M10X20
7	3713210M1	3	Spacer	
8	339096X1	3	Bolt Metric	M6X35
9	339081X1	2	Screw Metric	M10X20
10	390734X1	2	Washer	
11	339666X1	6	Hex. Sock. Screw	M6X20
12	3389462M1	2	Gasket	Length 560MM
13	1699748M1	6	Plug	
14	3618969M91	1	Emblem	
15	380027X1	10	Screw	Replace and repair. Old not interchangeable with new 3010536X1
16	3714523M1	1	Strap	
17	339262X1	1	Bolt Metric	M6X30

MF 8170 TRACTOR - 1637359
1-AR03-623-A

1-AR03-623-A

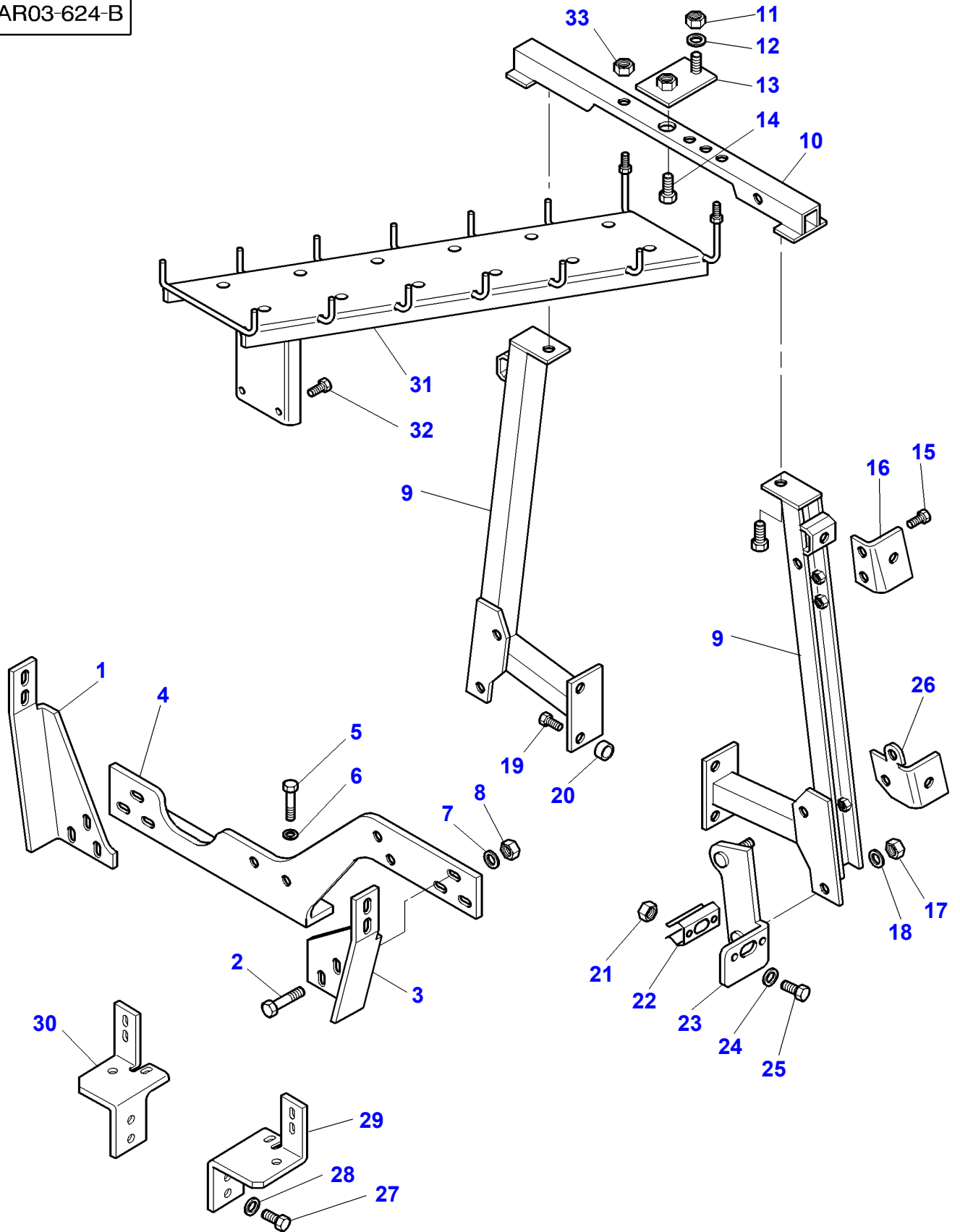


Sheet Metal - Hood

Item	Part Number	Qty	Description	Comments
1	3714239M91	1	Bonnet	
2	3714430M1	1	Guide	
3	339228X1	4	Screw Metric	M8X12
4	3714113M1	2	Plug	
5	3777463M91	1	Panel	Right Hand
6	1441500X1	8	Locknut	
7	391038X1	4	Washer	
8	3713234M91	1	Panel	Left Hand
9	3714431M1	2	Handle	
10	339560X1	4	Hex. Sock. Screw	M6X16
11	391074X1	4	Hex. Sock. Screw	M6X12
12	3779508M1	2	Strap	
13	1443615X1	16	Nut Metric	
14	3001856X1	16	Washer Metric	
15	1442171X1	16	Screw	M4X10
16	3713226M1	8	Bridle	
17	3779489M1	2	Strap	
18	390971X1	1	Washer	
19	391074X1	2	Hex. Sock. Screw	M6X12
	339560X1	2	Hex. Sock. Screw	M6X16
20	3778784M1	8	Latch	Replace and repair. Old not interchangeable with new 3713246M1
21	3713239M91	1	Panel	Left Hand
22	391074X1	2	Hex. Sock. Screw	M6X12
	339560X1	2	Hex. Sock. Screw	M6X16
23	390971X1	8	Washer	
24	3713225M1	2	Angle	
25	3713238M91	1	Panel	Right Hand
26	3714429M1	1	Protector	850X530MM
27	3714820M1	2	Staple	Length 300MM
28	3777473M1	2	Stop	
29	3777447M2	1	Spacer	
30	3777460M2	1	Shield	
31	3777461M1	1	Seal	Length 1955MM
32	339124X1	4	Hex. Sock. Screw	M8X16
33	391039X1	4	Washer Metric	

MF 8170 TRACTOR - 1637359
1-AR03-624-B

1-AR03-624-B

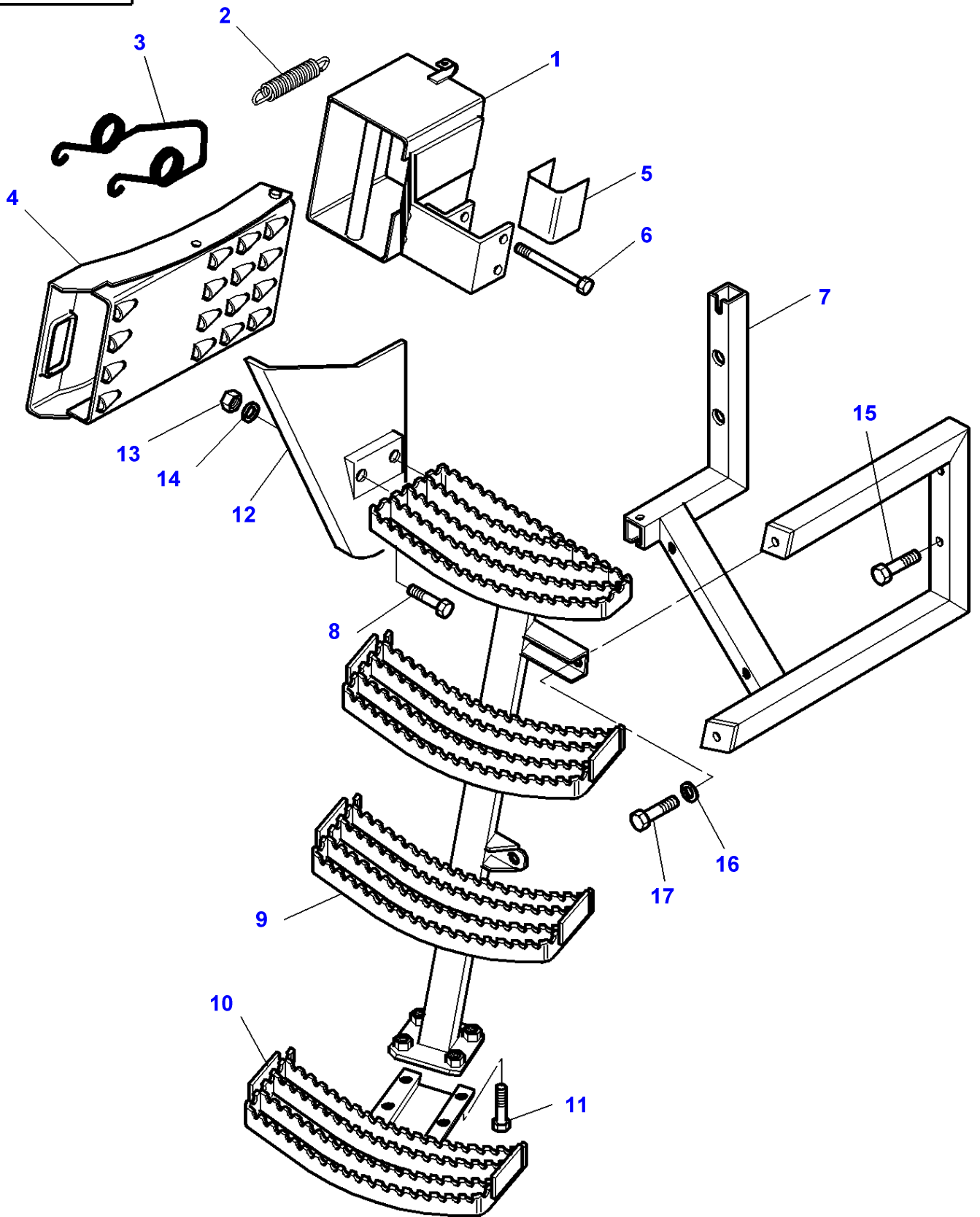


Sheet Metal - Hood - Brackets And Assembling Parts

Item	Part Number	Qty	Description	Comments
1	3777466M1	1	Support	Right Hand
2	339124X1	6	Hex. Sock. Screw	M8X16
3	3777465M1	1	Support	Left Hand
4	3777464M2	1	Support	
5	339139X1	2	Screw Metric	M12X25
6	390735X1	2	Washer	
7	390972X1	6	Washer Metric	
8	339169X1	6	Nut	
9	3777449M1	1	Support	Right Hand
10	3713223M3	1	Transverse	
11	339169X1	1	Nut	
12	391039X1	1	Washer Metric	
13	3777459M1	1	Strap	
14	339228X1	1	Screw Metric	M8X12
15	339124X1	4	Hex. Sock. Screw	M8X16
16	3777454M1	1	Strap	Left Hand
	3777455M1	1	Strap	Right Hand
17	339169X1	4	Nut	
18	390972X1	4	Washer Metric	
19	392054X1	2	Screw	M10X22
20	3383637M1	2	Spacer	
21	1443615X1	4	Nut Metric	
22	3713226M1	2	Bridle	
23	3777451M1	1	Strap	Left Hand
	3777452M1	1	Strap	Right Hand
24	3001856X1	4	Washer Metric	
25	1442171X1	4	Screw	
26	3777457M1	1	Strap	Left Hand
	3777458M1	1	Strap	Right Hand
27	339081X1	4	Screw Metric	
28	390734X1	4	Washer	
29	3714310M1	1	Support	Left Hand
30	3714311M1	1	Support	Right Hand
31	3778553M1	1	Support	
32	339124X1	2	Hex. Sock. Screw	M8X16
33	339169X1	2	Nut	

MF 8170 TRACTOR - 1637359
1-AZ32-001-B

1-AZ32-001-B

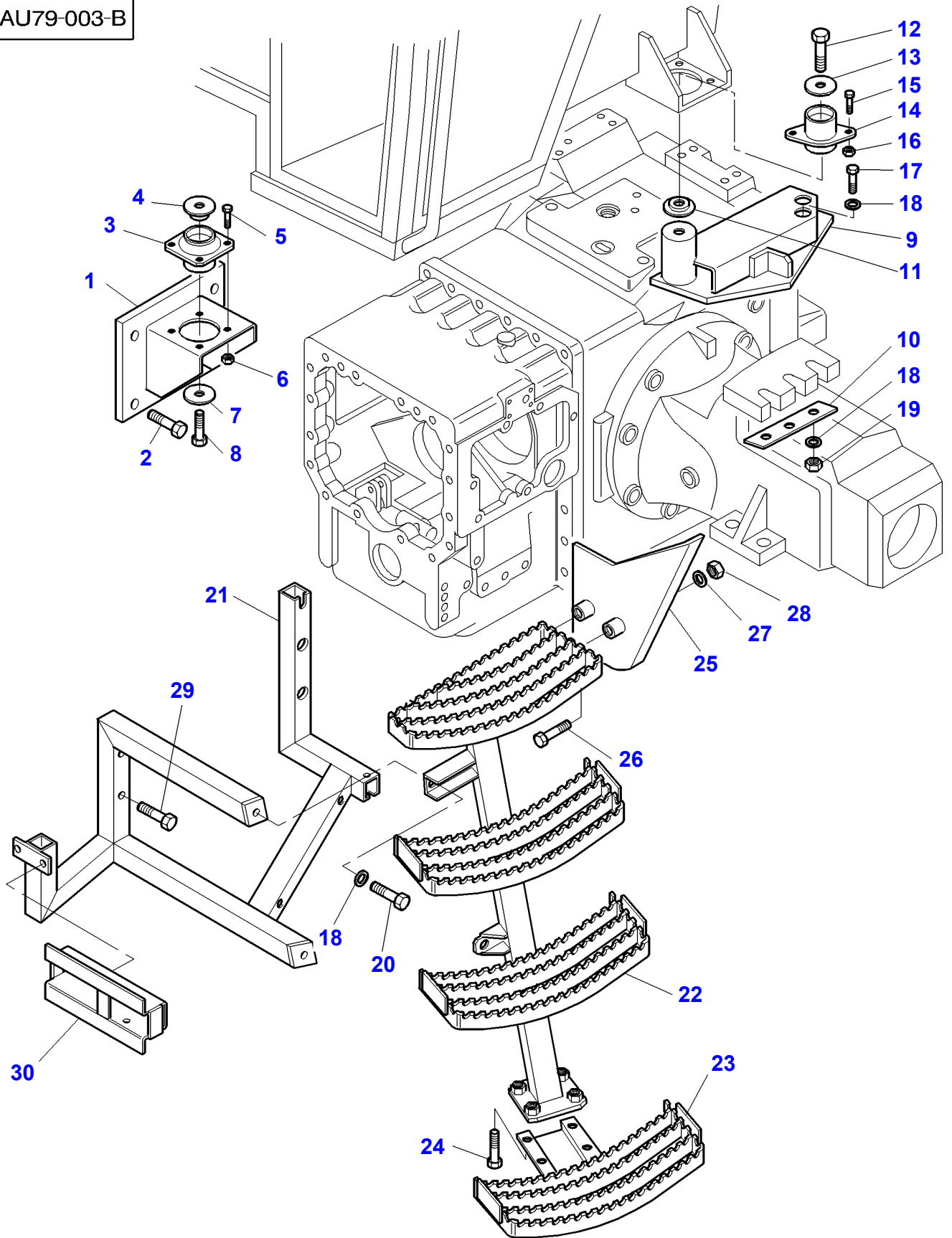


Massey Ferguson**MF 8170 TRACTOR - 1637359****1637359****Step Plate - Wedge Wheel-Support****Page 100-0025**

Item	Part Number	Qty	Description	Comments
1	3715111M91	1	Support	
2	3616740M2	1	Spring	
3	3715112M1	1	Stem	
4	3042422M1	2	Chock	
5	3619191M1	2	Gasket	Length 42MM
6	1440922X1	2	Bolt	M6X60MM
7	3778972M91	1	Support	Right Hand 8160 200 HP PTO
	3780568M1	1	Support	Right Hand 8170
8	339132X1	1	Screw	M8x75
	3015258X1	1	Screw Metric	M8X95
9	3778629M91	1	Step	Right Hand
10	3778630M91	1	Stair	Right Hand
11	3009491X1	4	Hex. Sock. Screw	M10X20
12	3778669M3	1	Protector	Right Hand Up to Serial or Engine Number H082032
		1	Protector	Right Hand From Serial or Engine Number H082033 See Page - Reference Number 100-0035/18
13	339169X1	2	Nut	
14	390972X1	2	Washer Metric	
15	391889X1	4	Screw	M16X70
16	3019575X1	2	Washer Metric	
17	339275X1	2	Hex. Sock. Screw	M16X35

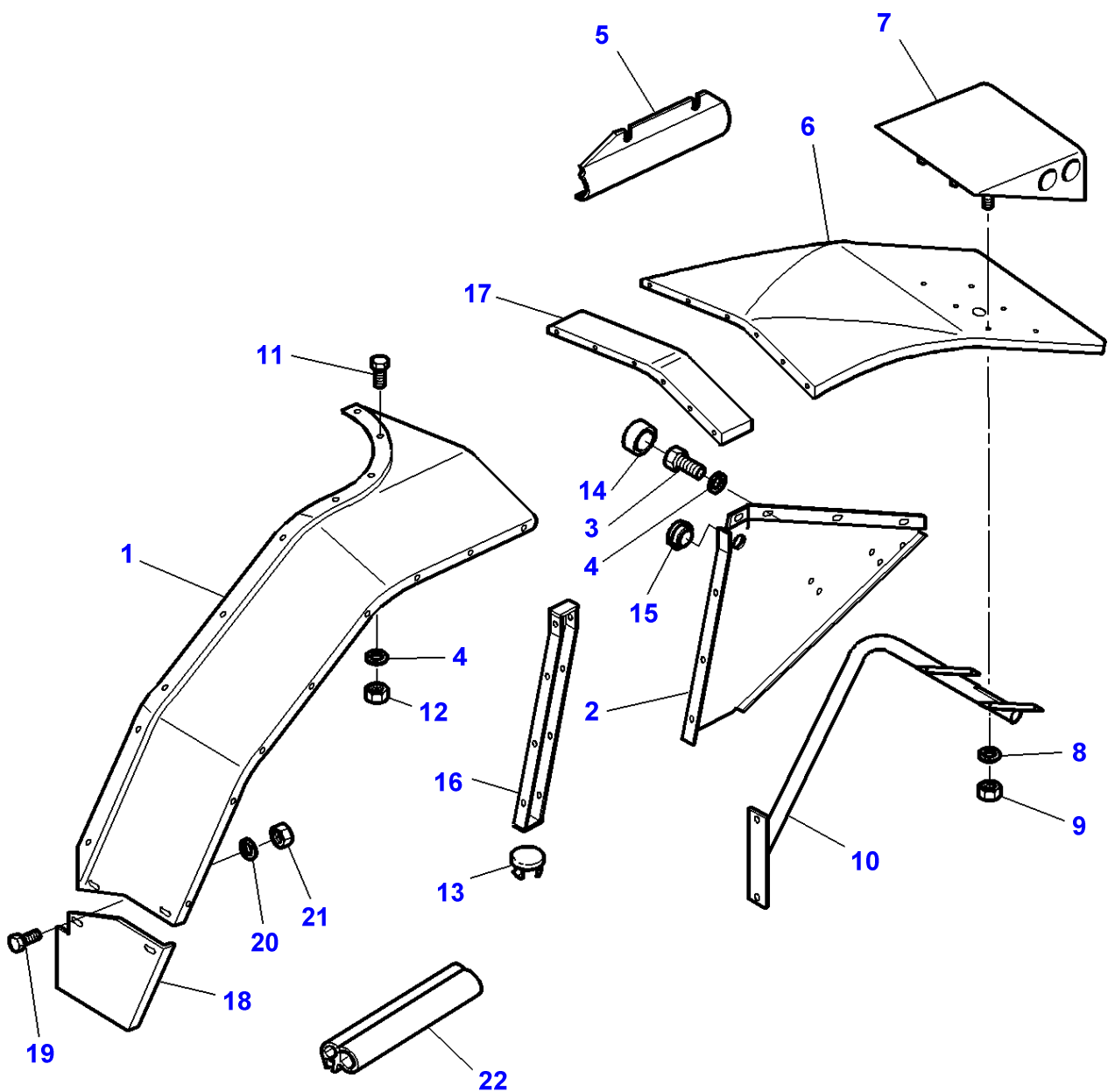
MF 8170 TRACTOR - 1637359
1-AU79-003-B

1-AU79-003-B



Item	Part Number	Qty	Description	Comments
1	3781609M1	1	Support	Left Hand
	3781610M1	1	Support	Right Hand
2	390419X1	6	Hex. Sock. Screw	M16X40
	391334X1	2	Screw	M16X50
3	3712693M1	2	Vibration Mount	
4	3388272M1	2	Washer	
5	3009492X1	8	Hex. Sock. Screw	M10X25
6	3009693X1	8	Nut Metric	
7	3712809M2	4	Spacer	
8	339805X1	2	Bolt Metric	M16X100
9	3777359M1	1	Support	Left Hand
				8160 200 HP PTO
	3777360M1	1	Support	Right Hand
				8160 200 HP PTO
	3780311M1	1	Support	Left Hand
				8170
	3780312M1	1	Support	Right Hand
				8170
10	3777417M1	2	Plate	
11	3388272M1	2	Washer	
12	339805X1	2	Bolt Metric	M16X100
13	3712809M2	4	Spacer	
14	3715926M1	2	Buffer	
15	3009492X1	8	Hex. Sock. Screw	M10X25
16	3009693X1	8	Nut Metric	
17	339805X1	4	Bolt Metric	M16X100
18	3019575X1	11	Washer Metric	
19	339034X1	4	Nut	
20	339275X1	2	Hex. Sock. Screw	M16X35
21	3778228M1	1	Support	8160 200 HP PTO
	3780565M1	1	Support	8170
		1	Support	Up to Serial or Engine Number H091014
				8170
				From Serial or Engine Number H091015
				See Page - Reference Number 010-0205/1
22	3778229M91	1	Step	
23	3778336M91	1	Stair	
24	339081X1	4	Screw Metric	M10X20
25	3778395M2	1	Protector	Up to Serial or Engine Number H082032
		1	Protector	From Serial or Engine Number H082033
				See Page - Reference Number 100-0035/18
26	339168X1	2	Hex. Sock. Screw	M8X50
				Up to Serial or Engine Number G257027
	339132X1	1	Screw	M8X75
	390246X1	3	Bolt	M8X70
				From Serial or Engine Number G257028
27	390972X1	2	Washer Metric	
28	339169X1	4	Nut	Up to Serial or Engine Number G257027
	394367X1	4	Locknut	From Serial or Engine Number G257028
29	391889X1	4	Screw	M16X70
30	3780567M1	1	Support	

1-AU07-607-B



**Massey Ferguson
MF 8170 TRACTOR - 1637359**

1637359

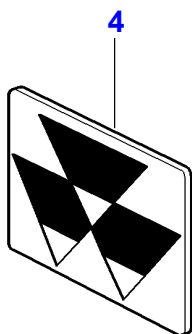
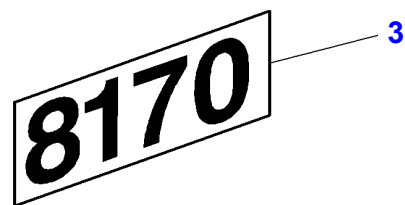
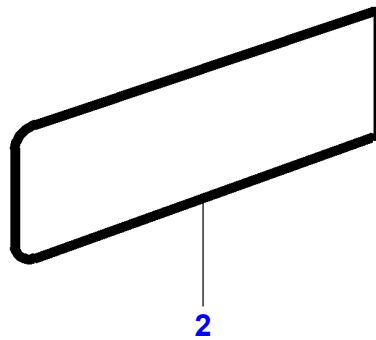
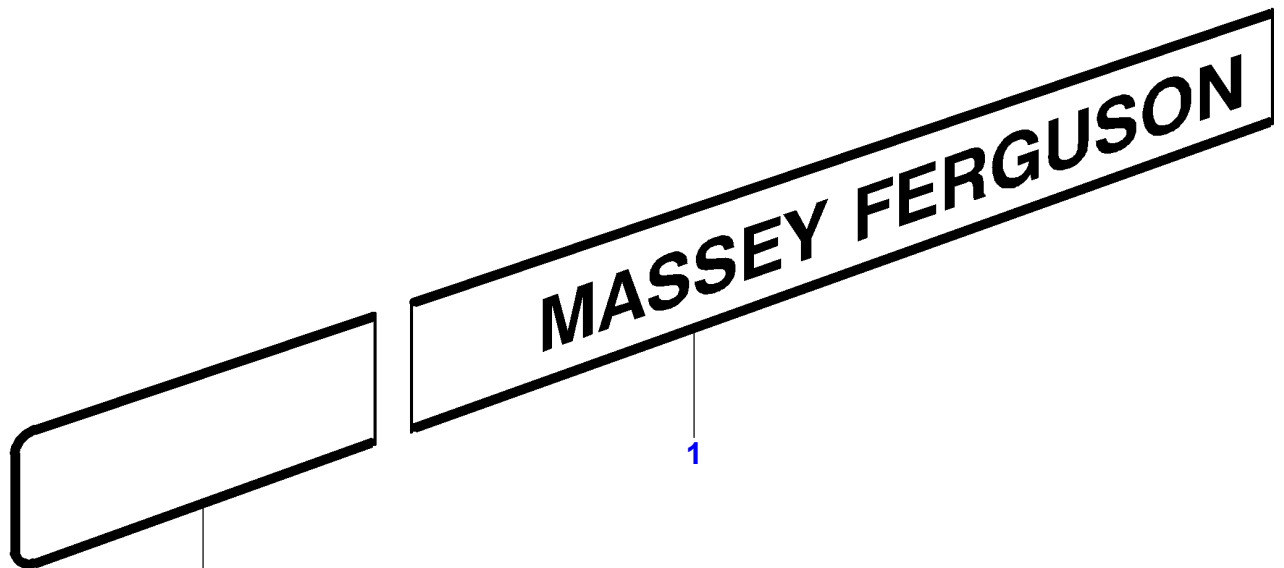
Page 100-0035

Tractor Cab - Fenders

Item	Part Number	Qty	Description	Comments
1	3714631M2	1	Fender	Right Hand
	3714630M2	1	Fender	Left Hand
2	3713429M2	1	Skirt	Right Hand 8160 200 HP PTO
	3713428M2	1	Skirt	Left Hand 8160 200 HP PTO
	3780624M1	1	Skirt	Left Hand 8170
	3780625M1	1	Skirt	Right Hand 8170
3	339123X1	X	Hex. Sock. Screw	M8 X 20
4	385361X1	X	Washer Metric	Diameter 9X17X3,2MM
	391039X1	X	Washer Metric	Diameter 9X24X2,18MM
5	3714096M1	1	Protector	Right Hand
	3714097M1	1	Protector	Left Hand
6	3712963M1	1	Extension	Right Hand
	3712964M1	1	Extension	Left Hand
7	3712967M1	1	Case Assy	Right Hand
	3712968M2	1	Case Assy	Left Hand
8	391038X1	12	Washer	Diameter 6MM
9	339030X1	12	Nut Metric	M6
10	3714327M2	1	Cowl	Right Hand
	3714326M2	1	Cowl	Left Hand
11	339761X1	X	Hex. Sock. Screw	M8X25
12	339169X1	X	Nut	M8
	394367X1	X	Locknut	[B] M8
13	3778814M1	8	Plug	[A] Diameter 11,5MM
	3714113M1	5	Plug	[A] Diameter 8,5 MM
14	3616277M1	1	Helmet	
15	3777000M1	2	Grommet	
16	3778471M1	1	Spacer	Left Hand
	3778472M1	1	Spacer	Right Hand
17	3778473M1	2	Spacer	
18	3781697M1	1	Protector	Left Hand From Serial or Engine Number H082033
	3781696M1	1	Protector	Right Hand From Serial or Engine Number H082033
19	385368X1	4	Bolt Metric	
20	390972X1	2	Washer Metric	
21	394367X1	2	Locknut	
22	3781707M1	1	Gasket	Length 130MM

FOOTNOTE [A] BLACK
FOOTNOTE [B] CHECK NUT

1-AR05-624-A



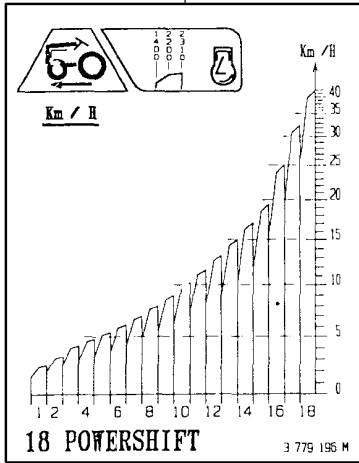
Massey Ferguson**MF 8170 TRACTOR - 1637359****1637359****Emblems****Page 100-0040**

Item	Part Number	Qty	Description	Comments
1	3713755M1	1	Decal	Right Hand
	3713756M1	1	Decal	Left Hand
2	3713757M1	2	Decal	
3	3780296M1	2	Decal	
4	3618969M91	1	Emblem	

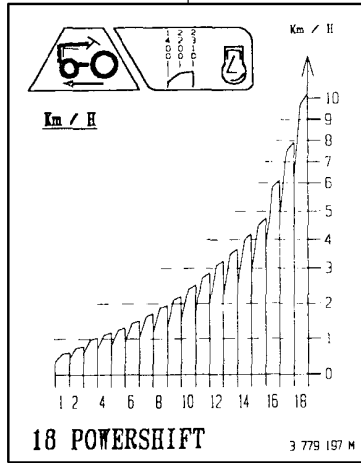
MF 8170 TRACTOR - 1637359
1-AR12-614-A

1-AR12-614-A

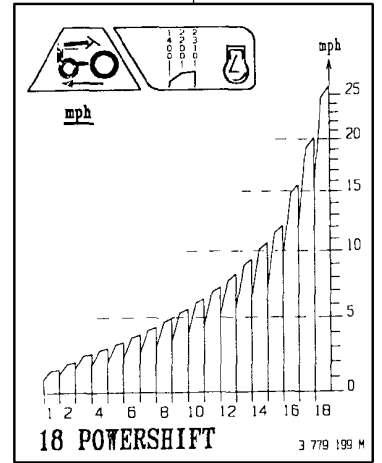
1



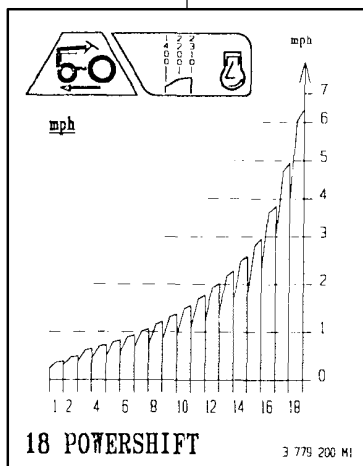
2



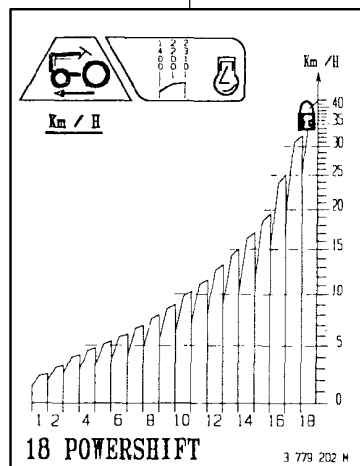
3



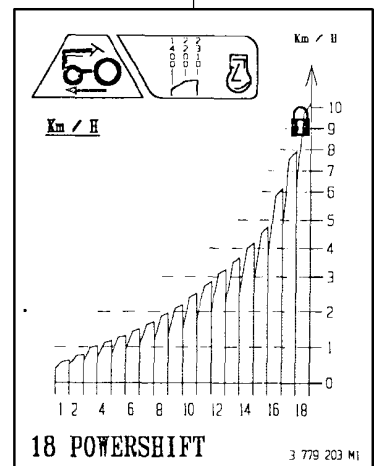
4



5



6

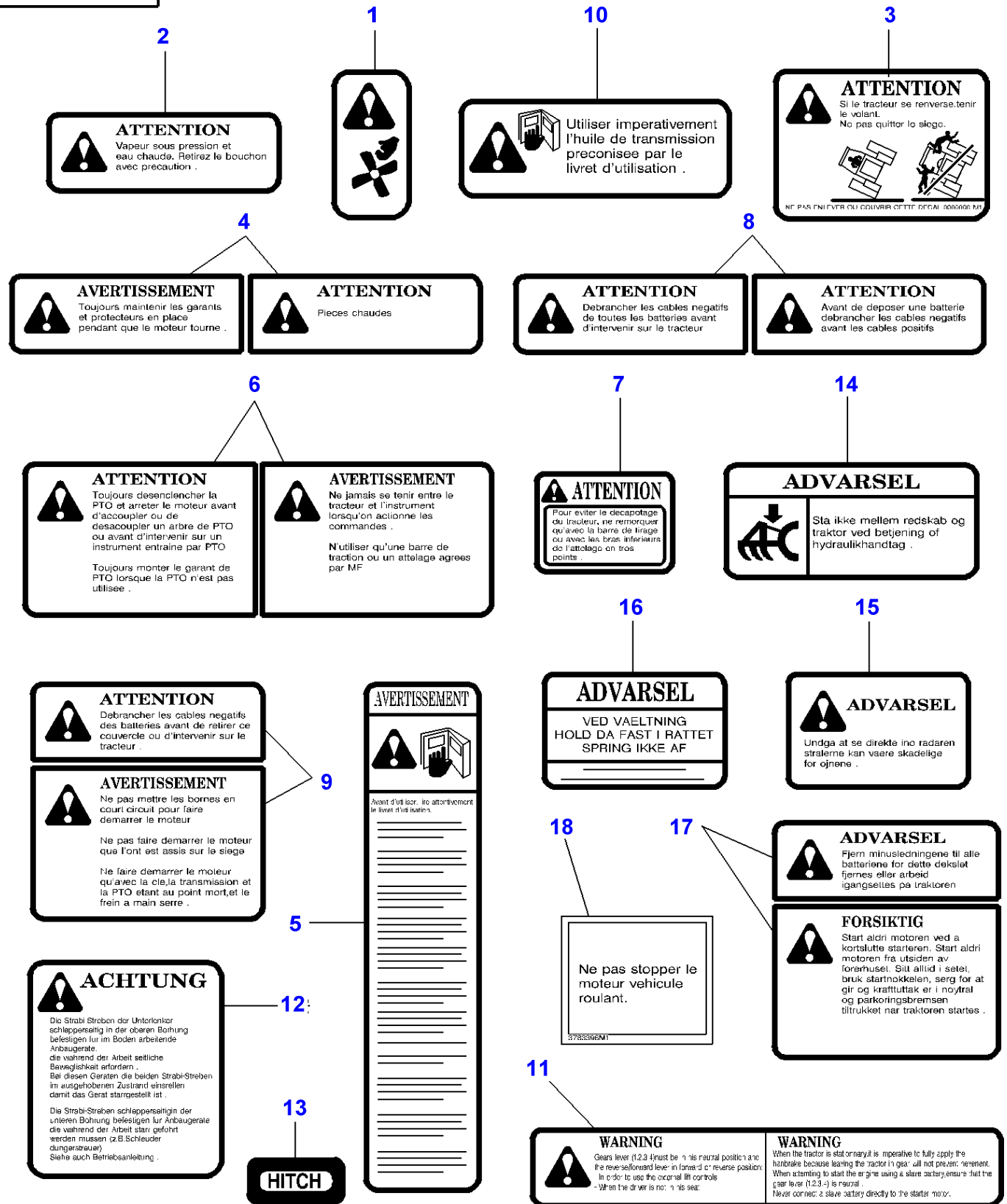


Massey Ferguson**MF 8170 TRACTOR - 1637359****1637359****Decals - Speed Charts****Page 100-0045**

Item	Part Number	Qty	Description	Comments
1	3779196M1	1	Decal	40 KM/H
2	3779197M1	1	Decal	[A] 40 KM/H
3	3779199M1	1	Decal	40 MP/H
4	3779200M1	1	Decal	[A] 40 MP/H
5	3779202M1	1	Decal	30 KM/H
6	3779203M1	1	Decal	[A] 30 KM/H

FOOTNOTE [A] WITH CREEPER GEAR

1-AR13-608-B



Decals - Safety

Item	Part Number	Qty	Description	Comments
1	3697199M1	1	Decal	
	3715586M1	1	Decal	[C]
	3779670M1	1	Decal	[D]
2	3596029M1	1	Decal	For France only or any text in French only
	3595685M1	1	Decal	For UK only or any text in English only
				For Sweden
	3597432M1	1	Decal	For Italy only or any text in Italian only
	3597433M1	1	Decal	[A]
	3715063M1	1	Decal	[B]
	3715583M1	1	Decal	[C]
	3779667M1	1	Decal	[D]
3	3580313M1	1	Decal	For France only or any text in French only
	3580315M1	1	Decal	For UK only or any text in English only
	3618260M1	1	Decal	For Sweden
	3581533M2	1	Decal	For Italy only or any text in Italian only
	3581532M1	1	Decal	[A]
	3715589M1	1	Decal	[C]
	3779675M1	1	Decal	[D]
4	3596037M1	1	Decal	For France only or any text in French only
	3595678M1	1	Decal	For UK only or any text in English only
				For Sweden
	3597428M1	1	Decal	For Germany only or any text in German only
	3597429M1	1	Decal	For Italy only or any text in Italian only
	3597430M1	1	Decal	[A]
	3715064M1	1	Decal	[B]
	3715585M1	1	Decal	[C]
	3779669M1	1	Decal	[D]
5	3780717M1	1	Decal	For France only or any text in French only
	3780718M1	1	Decal	For UK only or any text in English only
	3780746M1	1	Decal	For Germany only or any text in German only
	3618261M1	1	Decal	For Sweden
	3780747M1	1	Decal	For Italy only or any text in Italian only
	3780742M1	1	Decal	[A]
	3780745M1	1	Decal	[B]
	3780744M1	1	Decal	[C]
	3781230M1	1	Decal	[D]
6	3581564M1	1	Decal	For France only or any text in French only
	3581563M1	1	Decal	For UK only or any text in English only
	3618264M1	1	Decal	For Sweden
	3581566M1	1	Decal	For Italy only or any text in Italian only
	3581568M1	1	Decal	[A]
	3715012M1	1	Decal	[B]
	3715587M1	1	Decal	[C]
	3779671M1	1	Decal	[D]
7	539613M1	1	Decal	For France only or any text in French only
	2752579M1	1	Decal	For UK only or any text in English only
				For Sweden
	3581570M2	1	Decal	For Germany only or any text in German only
	3581571M2	1	Decal	For Italy only or any text in Italian only
	3581573M2	1	Decal	[A]
	3715011M1	1	Decal	[B]
	3715588M1	1	Decal	[C]
	3779672M1	1	Decal	[D]
8	3596045M1	1	Decal	For France only or any text in French only
	3595679M1	1	Decal	For UK only or any text in English only
	3597446M1	1	Decal	For Germany only or any text in German only
	3618262M1	1	Decal	For Sweden
	3597447M1	1	Decal	For Italy only or any text in Italian only
	3597448M1	1	Decal	[A]
	3715065M1	1	Decal	[B]
	3715584M1	1	Decal	[C]
	3779668M1	1	Decal	[D]
9	3596467M1	1	Decal	For France only or any text in French only
	3699634M1	1	Decal	For UK only or any text in English only
				For Sweden
	3597449M1	1	Decal	For Germany only or any text in German only
	3597450M1	1	Decal	For Italy only or any text in Italian only
	3597451M1	1	Decal	[A]
	3715068M1	1	Decal	[B]
	3715069M1	1	Decal	[B]
	3779676M1	1	Decal	[D]

Decals - Safety

Item	Part Number	Qty	Description	Comments
10	3713698M1	1	Decal	For France only or any text in French only
10	3713699M1	1	Decal	For UK only or any text in English only
				For Sweden
10	3713700M1	1	Decal	For Germany only or any text in German only
10	3713701M1	1	Decal	For Italy only or any text in Italian only
10	3713702M1	1	Decal	[A]
10	3715591M1	1	Decal	[C]
10	3779678M1	1	Decal	[D]
11	3713705M3	1	Decal	For UK only or any text in English only
11	3780743M1	1	Decal	For Sweden
12	3583497M1	1	Decal	For Germany only or any text in German only
13	3618263M1	1	Decal	For Sweden
14	3715072M1	1	Decal	[B]
15	3714996M1	1	Decal	[B]
16	3715067M1	1	Decal	[B]
17	3715590M1	1	Decal	[C]
18	3783395M1	1	Decal	For France only or any text in French only
18	3783396M1	1	Decal	For UK only or any text in English only

FOOTNOTE [A] SPANISH TEXT

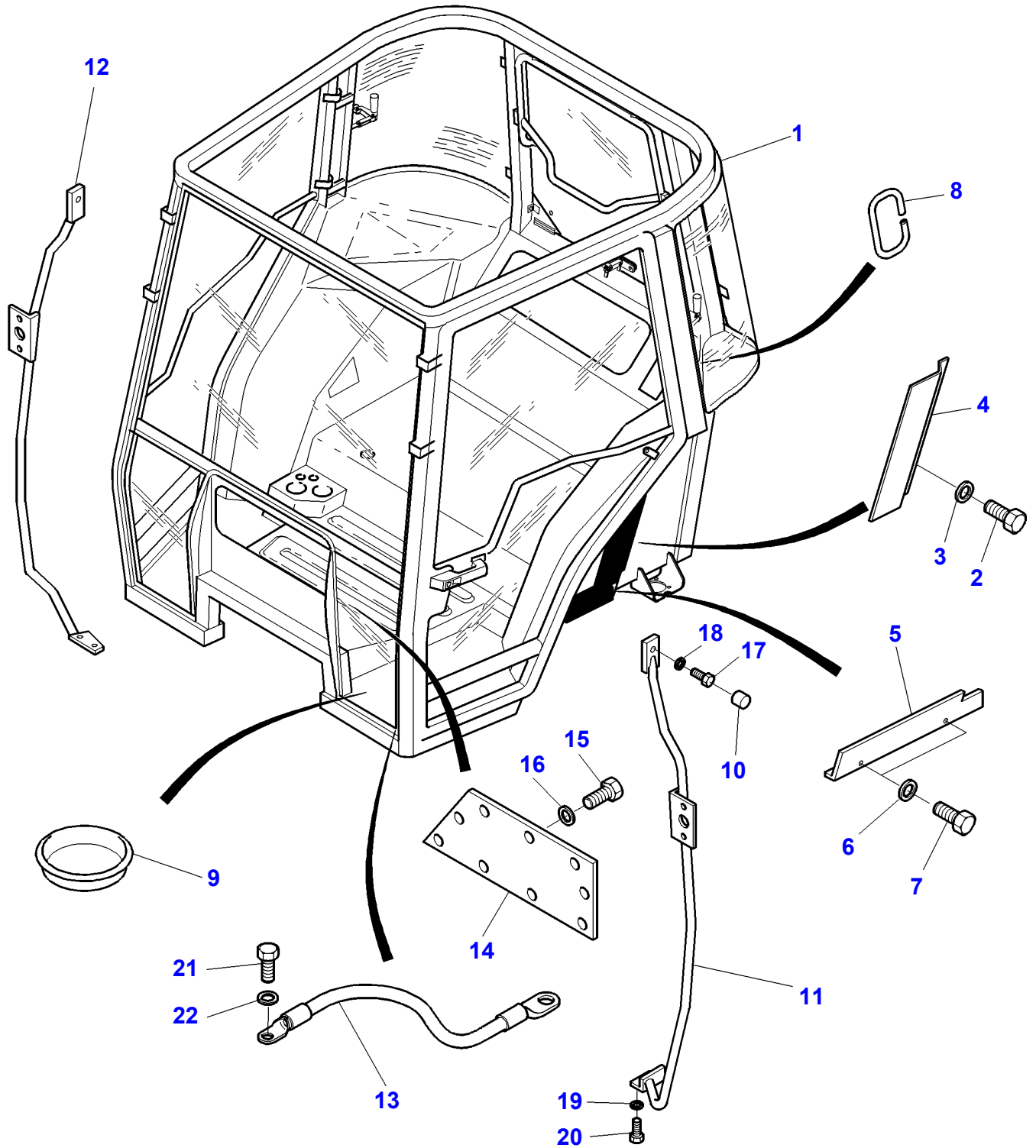
FOOTNOTE [B] DENMARK

FOOTNOTE [C] NORWAY ONLY

FOOTNOTE [D] FOR RUSSIAN

MF 8170 TRACTOR - 1637359
1-AU03-602-A

1-AU03-602-A

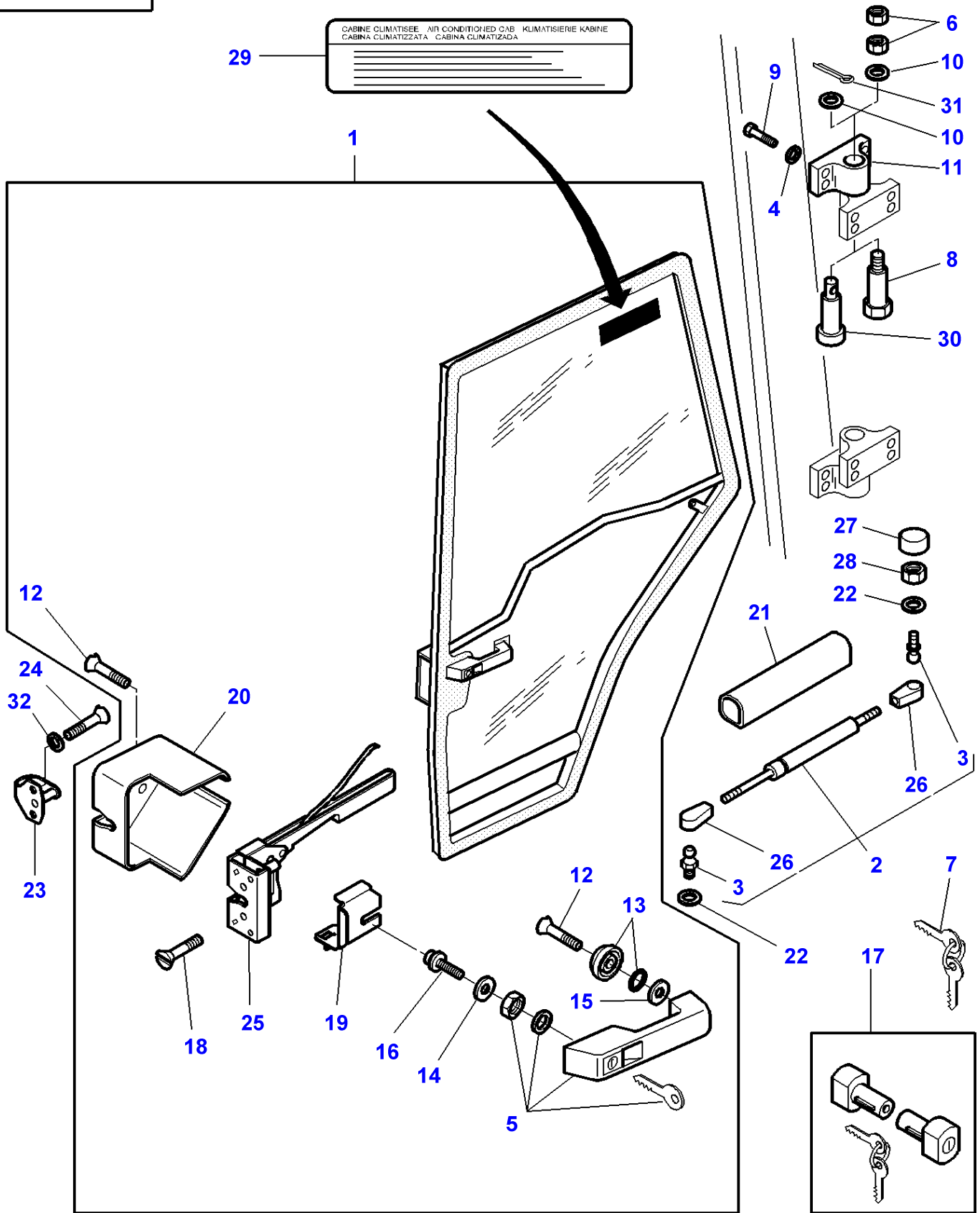


Tractor Cab - Frame

Item	Part Number	Qty	Description	Comments
1	3777181M92	1	Cab	
2	339123X1	4	Hex. Sock. Screw	M8X20
3	390972X1	4	Washer Metric	Diameter 9MM
4	3713290M1	1	Cowl	Right Hand Top
	3713289M1	1	Cowl	Left Hand Top
5	3713292M1	1	Cowl	Right Hand Bottom
	3713291M1	1	Cowl	Left Hand Bottom
6	390971X1	4	Washer	M6
7	391074X1	4	Hex. Sock. Screw	M6X12
8	3714681M1	1	Profile	Length 150MM
9	3902363M1	1	Plug	Diameter 20MM
10	3616277M1	2	Helmet	
11	3780049M91	1	Guideway	Left Hand 8170
	3778305M1	1	Guideway	Left Hand 8160 200 HP PTO
12	3780048M91	1	Guideway	Right Hand 8170
	3778306M1	1	Guideway	Right Hand 8160 200 HP PTO
13	3780338M1	1	Earth Strap	
14	3778052M1	1	Inspection Cover	
15	3903188M1	9	Screw	CBLX M6X25
16	390971X1	9	Washer	
17	339228X1	2	Screw Metric	M8X12
18	390972X1	2	Washer Metric	
19	390972X1	2	Washer Metric	
20	339124X1	4	Hex. Sock. Screw	M8X16
21	339761X1	1	Hex. Sock. Screw	M8X25
22	385362X1	1	Washer Metric	Diameter 10-20X3MM
	339374X1	1	Lock Washer	Diameter 8MM

MF 8170 TRACTOR - 1637359
1-AU05-602-B

1-AU05-602-B

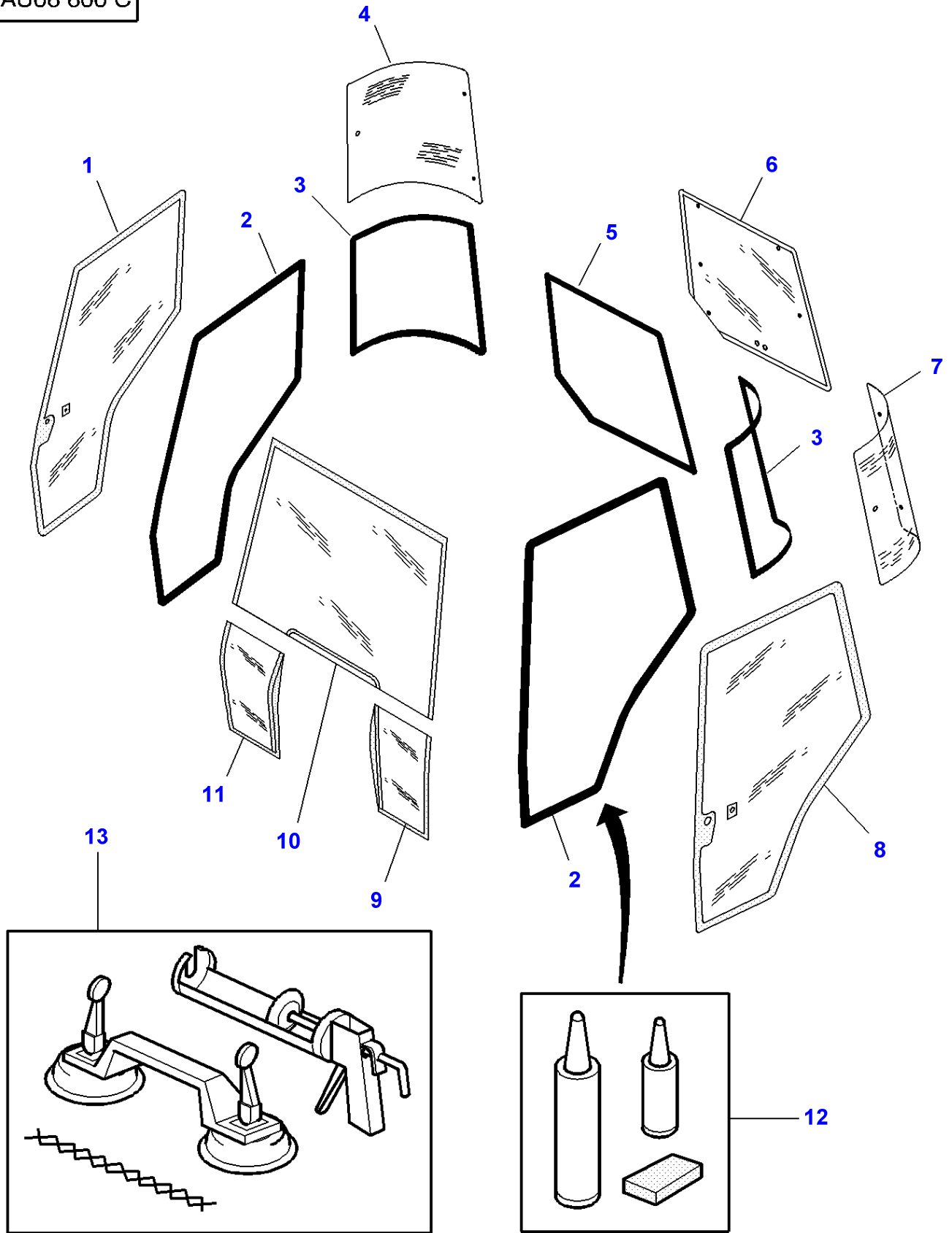


Tractor Cab - Doors

Item	Part Number	Qty	Description	Comments
1	3902120M91	1	Gate	Right Hand
	3902119M91	1	Gate	Left Hand
2	3902121M3	2	Ram	
3	3902773M1	2	Toggle	(2)
4	385361X1	16	Washer Metric	
5	3902356M91	2	Handle	[A] (1) No610
6	339169X1	8	Nut	Up to Serial or Engine Number
7	3902584M91	1	Kit, Spanner	
8	3902117M1	4	Clevis Pin	Up to Serial or Engine Number
9	3902414M1	16	Screw	M8X20
10	3902118M1	4	Washer	Up to Serial or Engine Number Diameter M8-20
	3903187M1	4	Washer	From Serial or Engine Number Diameter 22X12X1,2
11	3902116M1	4	Hinge	
12	3902411M1	2	Screw	(1) M6X16
13	3902145M1	2	Skate	(1)
14	3902366M1	2	Washer	(1) 28X42X2
15	3902367M1	2	Washer	(1) 5X18X1
16	3902368M1	2	Screw Special	(1)
17	3902370M91	1	Parts Pack	No 610
18	3902412M1	4	Screw	(1) M6X25
19	3902369M1	1	Rod Link	(1) Left Hand
	3902371M1	1	Rod Link	(1) Right Hand
20	3804660M1	1	Cover	(1) Right Hand
	3804661M1	1	Cover	(1) Left Hand
21	3902415M1	2	Protector	
22	391025X1	4	Lock Washer	
23	3902372M1	2	Latch	
24	3010775X1	4	Screw	CZX M6X25
25	3804663M1	1	Latch	(1) Left Hand
	3804662M1	1	Latch	(1) Right Hand
26		2	Toggle	(2) Not serviced, order REFNo2
27	3616277M1	2	Helmet	
28	339169X1	2	Nut	
29	3619471M1	1	Decal	
30	3903186M1	4	Clevis Pin	From Serial or Engine Number
31	1442963X1	4	Split Pin	From Serial or Engine Number Diameter 2,5X32
32	391038X1	4	Washer	

FOOTNOTE [A] NUMBER STAMPED ON THE LOCK

1-AU06-600-C



Tractor Cab - Windows

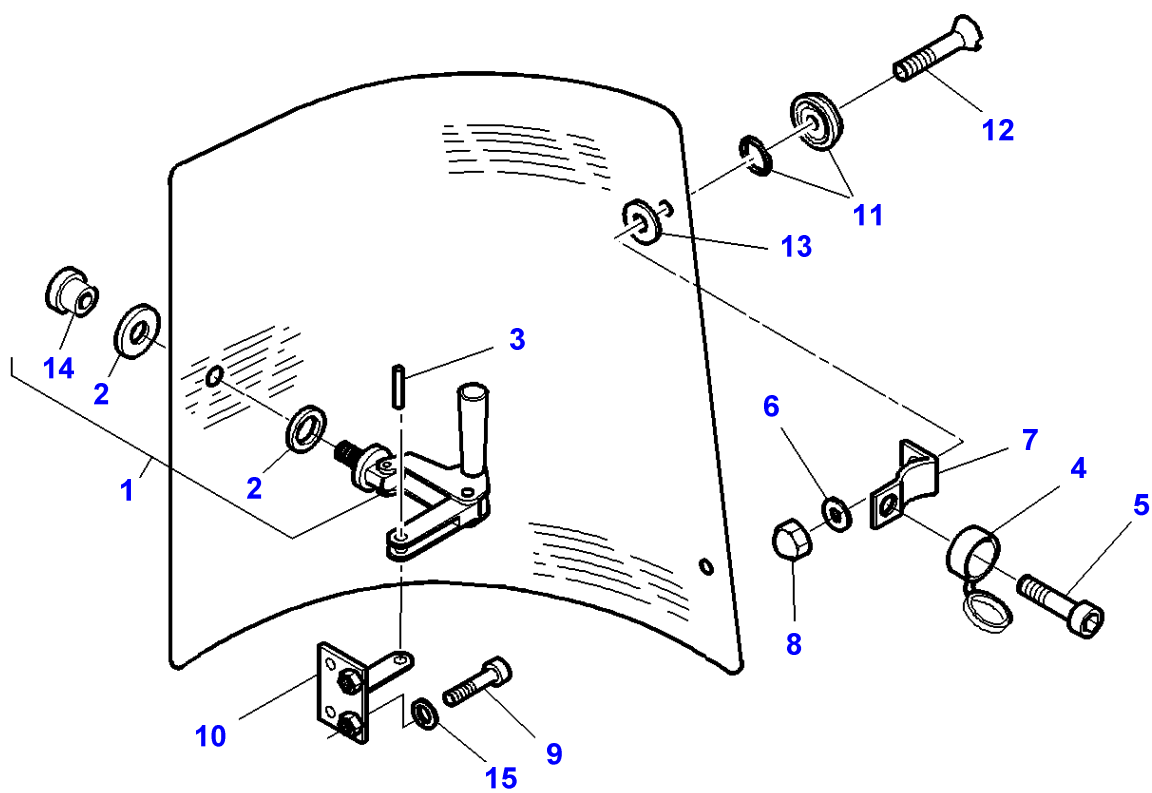
Item	Part Number	Qty	Description	Comments
1	3902124M1	1	Window	Right Hand
2	3902122M1	2	Seal	
3	3902133M1	2	Seal	
4	3902131M1	1	Window	Right Hand
5	3902144M1	1	Seal	
6	3715438M1	1	Window	
7	3902130M1	1	Window	Left Hand
8	3902123M1	1	Window	Left Hand
9	3902149M1	1	Window	Left Hand
10	3902148M1	1	Windscreen	
11	3902150M1	1	Window	Right Hand
12	3902373M91	1	Parts Pack	
13	3902503M91	1	Parts Pack	

FOOTNOTE [A] WITH WINDSHIELD WIPER SIDE RIGHT

FOOTNOTE [B] WITH WINDSHIELD WIPER SIDE LEFT

FOOTNOTE [C] WITH HIGH VISIBILITY ROOF

1-AU06-604-B



Massey Ferguson**MF 8170 TRACTOR - 1637359**

1637359

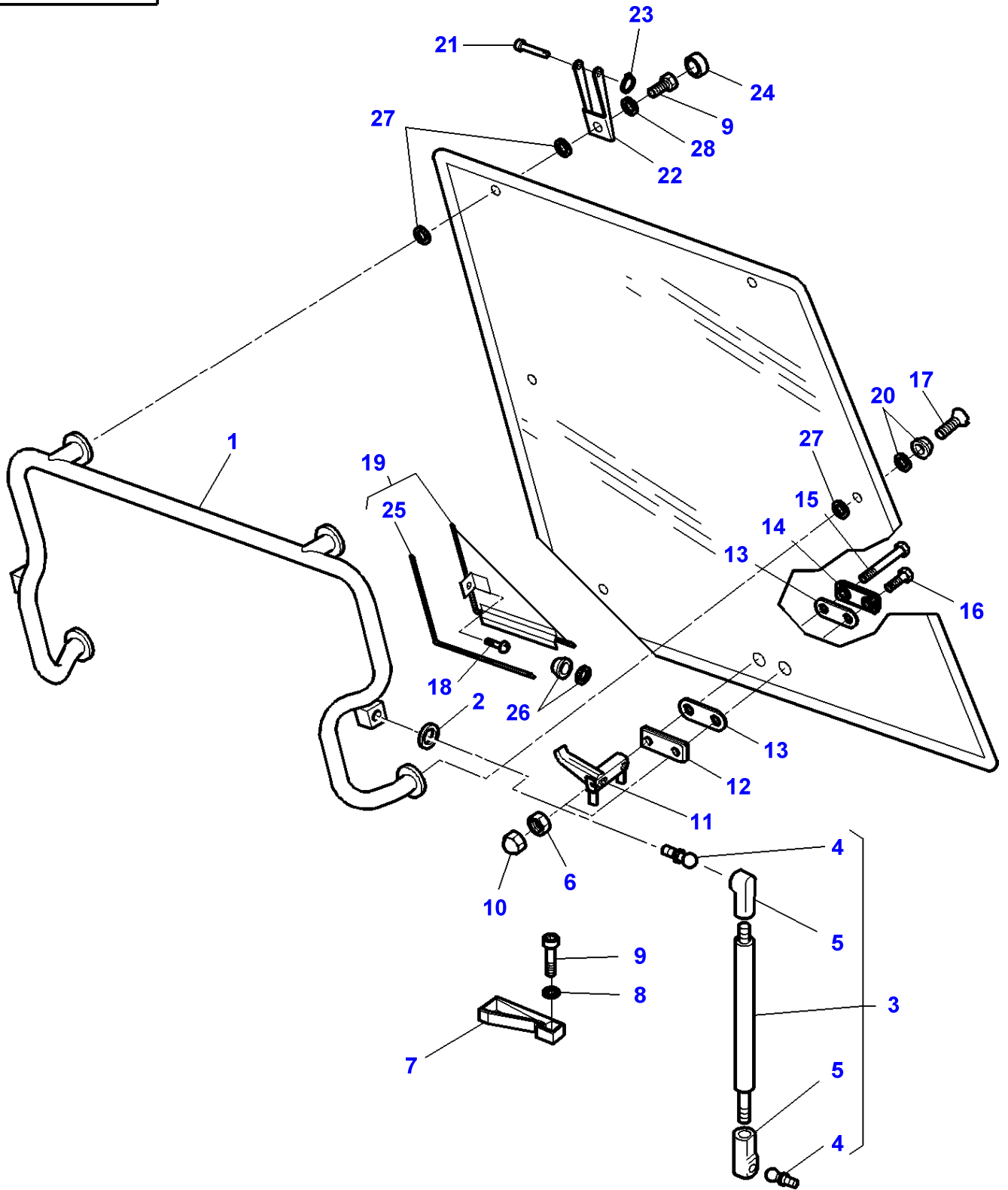
Tractor Cab - Windows - Side Window Mechanism

Page 110-0020

Item	Part Number	Qty	Description	Comments
1	3476132M91	1	Stay	Left Hand
	3476133M91	1	Stay	Right Hand
2	3478052M1	2	Washer	(1)
3	3473439M1	2	Clevis Pin	(1)
4	3902129M1	4	Muff	
5	3903188M1	4	Screw	CBLX M6X25
6	390971X1	4	Washer	
7	3902128M1	4	Hinge	
8	3902455M1	4	Nut	M6
9	3903188M1	8	Screw	CBLX M6X25
11	3902145M1	4	Skate	
12	3903188M1	4	Screw	CBLX M6X25
				Replace and repair. Old interchangeable with new 3902498M1
13	3902365M1	4	Washer	Diameter 8X30X3
14	3478051M1	1	Nut	(1)
15	391289X1	8	Lock Washer	

MF 8170 TRACTOR - 1637359
1-AU06-605-B

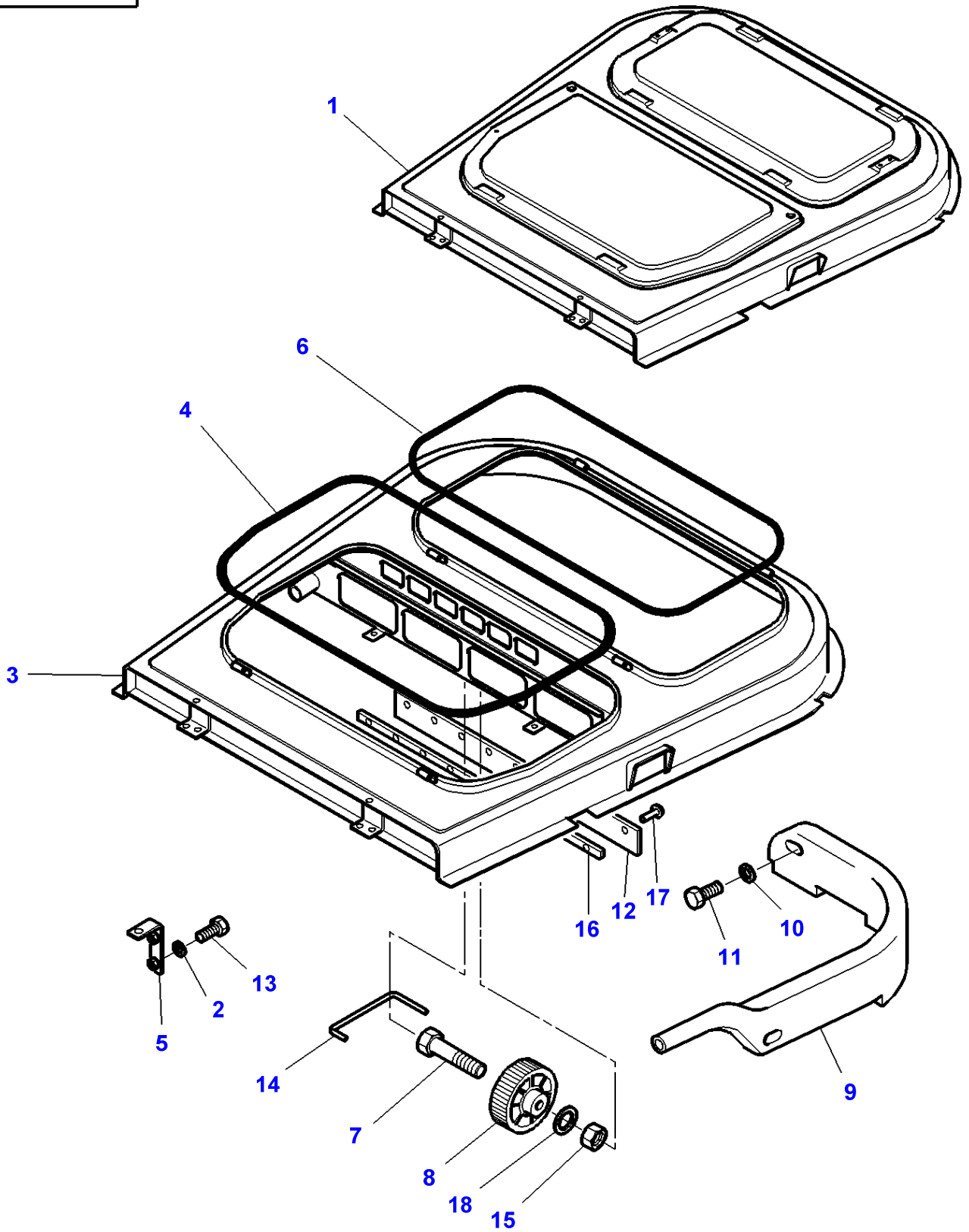
1-AU06-605-B



Tractor Cab - Windows - Rear Window Mechanism

Item	Part Number	Qty	Description	Comments
1	3902135M92	1	Support	
2	391025X1	4	Lock Washer	
3	3902140M1	2	Ram	
4		2	Toggle	(3) Not serviced, order REFNo3
5		2	Toggle	(3) Not serviced, order REFNo3
6	1441204X1	2	Nut Metric	M10
7	3619610M1	1	Thruster	Repairs and replaces 3902138M1
8	391289X1	2	Lock Washer	
9	3903188M1	4	Screw	FX M6X25 Replace and repair. Old not interchangeable with new 3902498M1
	3010775X1	4	Screw	CZX M6X25
10	3619609M1	2	Helmet	M10
11	3619605M1	1	Handle	Repairs and replaces 3902139M1
12	3619604M1	1	Plate	
13	3619906M1	2	Gasket	
14	3619603M1	1	Plate	
15	3619907M1	1	Screw	M10X130
16	3619908M1	1	Screw	M10X35
17	3902412M1	2	Screw	M6X25
18	339228X1	1	Screw Metric	M8X12
19	3902386M91	1	Plate	
20	3902145M1	2	Skate	
21	3902137M1	2	Clevis Pin	
22	3902136M2	2	Clevis	
23	1440988X1	2	Circlip	
24	3902129M1	2	Muff	
25	3902417M1	1	Gasket	(19)
26	3619241M1	1	Button	Replace and repair. Old interchangeable with new 3902418M1
27	3902365M1	6	Washer	Diameter 8X30X3
28	385361X1	2	Washer Metric	

1-AU02-602-A



Tractor Cab - Roof

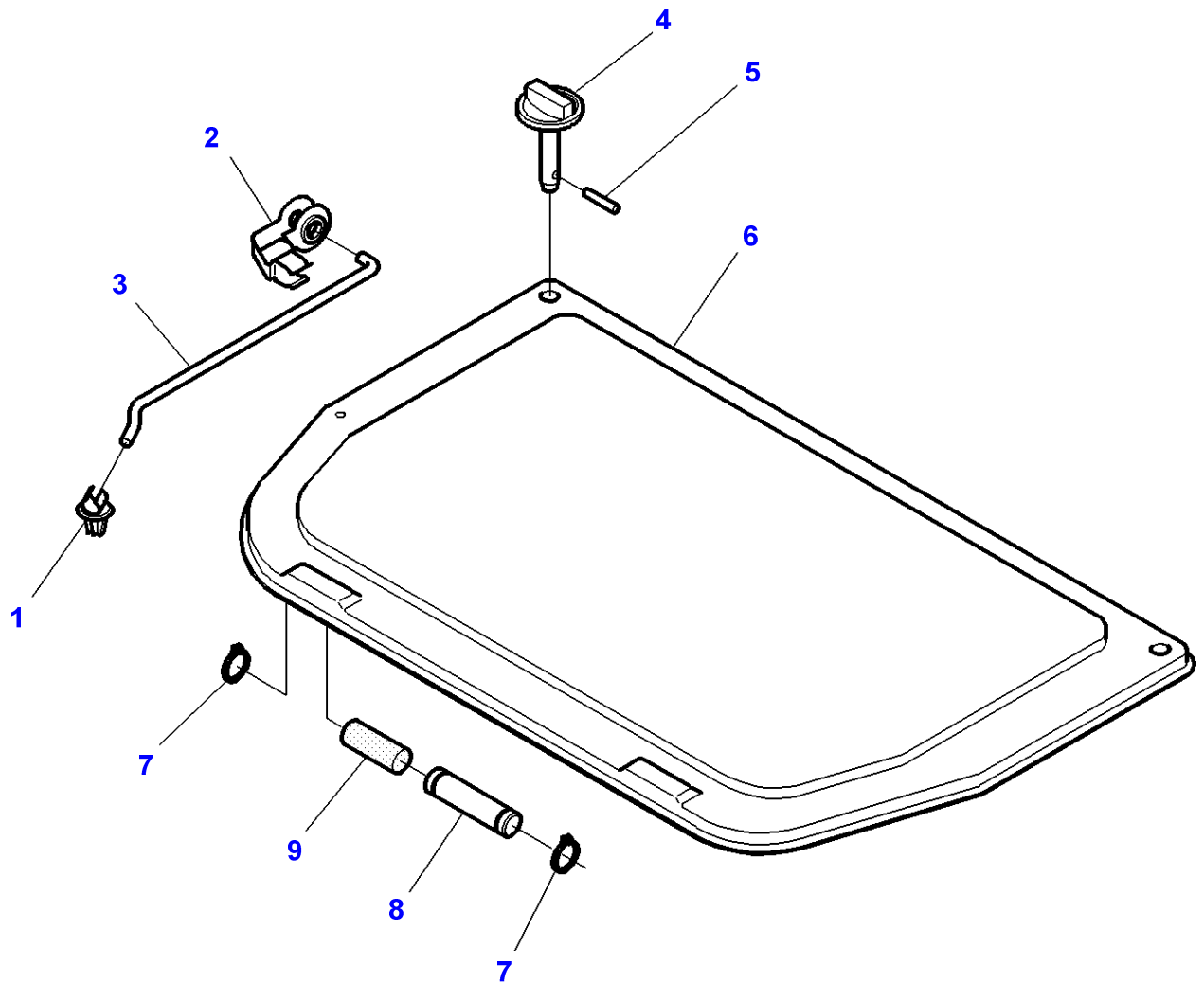
Item	Part Number	Qty	Description	Comments
1	3714088M93	1	Roof	
2	339102X1	2	Washer	(1) M5
3		1	Roof	(1) Not serviced, order REF NO 1
4	3713158M1	1	Gasket	(1) Length 2858MM
5	3713802M1	1	Strap	(1)
6	3713159M1	1	Gasket	Length 2740MM
7	339229X1	1	Hex. Sock. Screw	(1) M6
8	3713167M1	1	Button	(1)
9	3713163M1	1	Manifold	(1) Right Hand
	3713164M1	1	Manifold	(1) Left Hand
10	390971X1	4	Washer	(1) M6
11	3008342X1	4	Screw Metric	(1) M6X25
12	3713165M1	1	Band	(1)
13	390990X1	2	Screw Metric	(1) M5X12
14	3714090M1	1	Draglink	(1)
15	1441500X1	1	Locknut	(1) M6
16	3713166M2	1	Plate	(1)
17	338980X1	9	Rivet	(1)
18	390971X1	2	Washer	(1)

FOOTNOTE [A] AUSTRIA ONLY

FOOTNOTE [B] FOR CAB 5016524 & 5016525

FOOTNOTE [C] FOR CAB 5016526 & 5016527

1-AU42-600-A

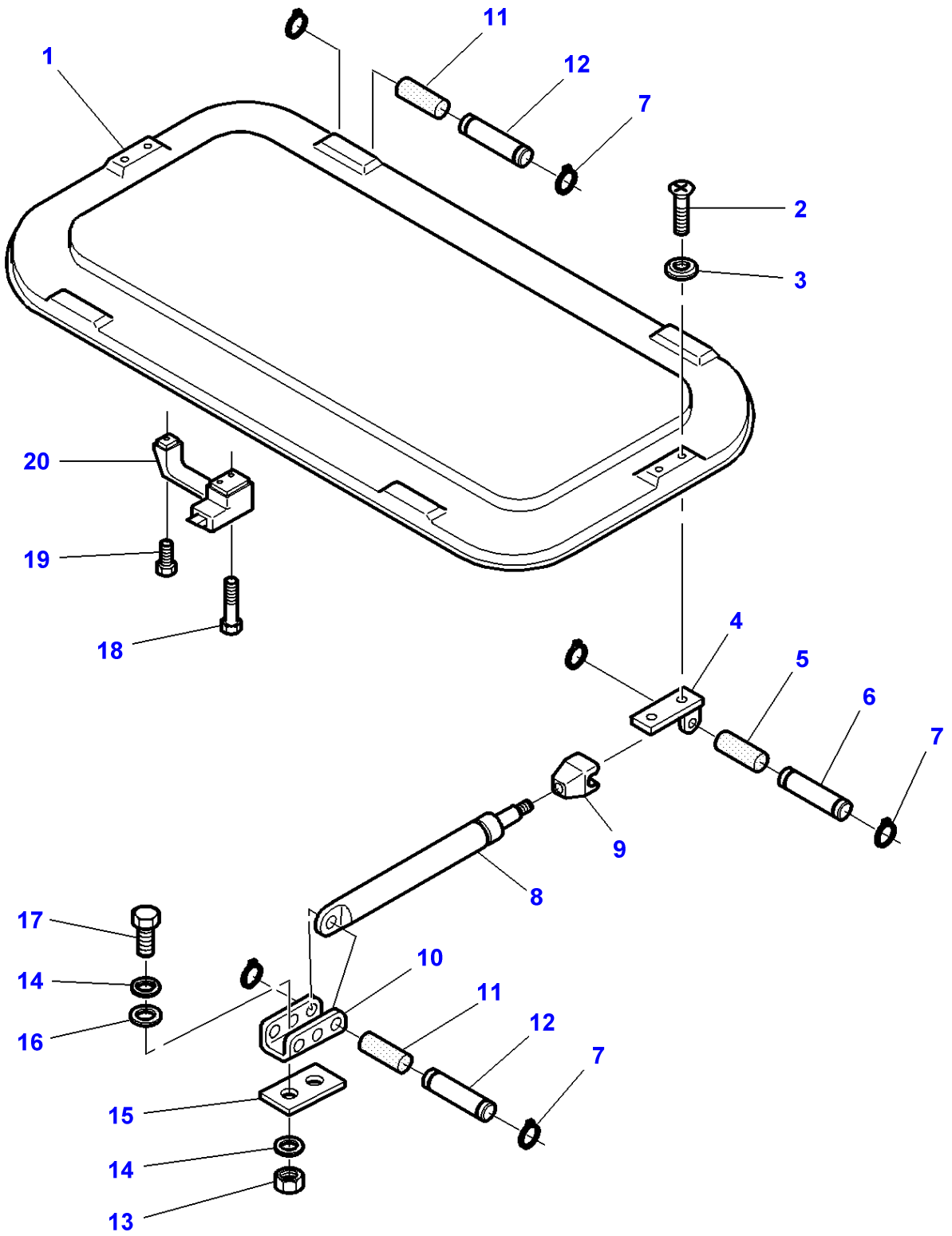


Massey Ferguson**MF 8170 TRACTOR - 1637359****1637359****Tractor Cab - Heating Hatchway****Page 110-0035**

Item	Part Number	Qty	Description
1	3385465M1	1	Pliers
2	894225M1	1	Clip
3	3713161M1	1	Stem
4	3713160M91	2	Stem
5	3006465X1	2	Roll Pin
6	3712959M1	1	Trap
7	3000261X1	4	Clip
8	3303074M1	2	Clevis Pin
9	3303077M1	2	Bush

FOOTNOTE [A] FOR CAB 5016524 & 5016525**FOOTNOTE [B]** FOR CAB 5016526 & 5016527

1-AU43-600-B



Tractor Cab - Air Hatchway

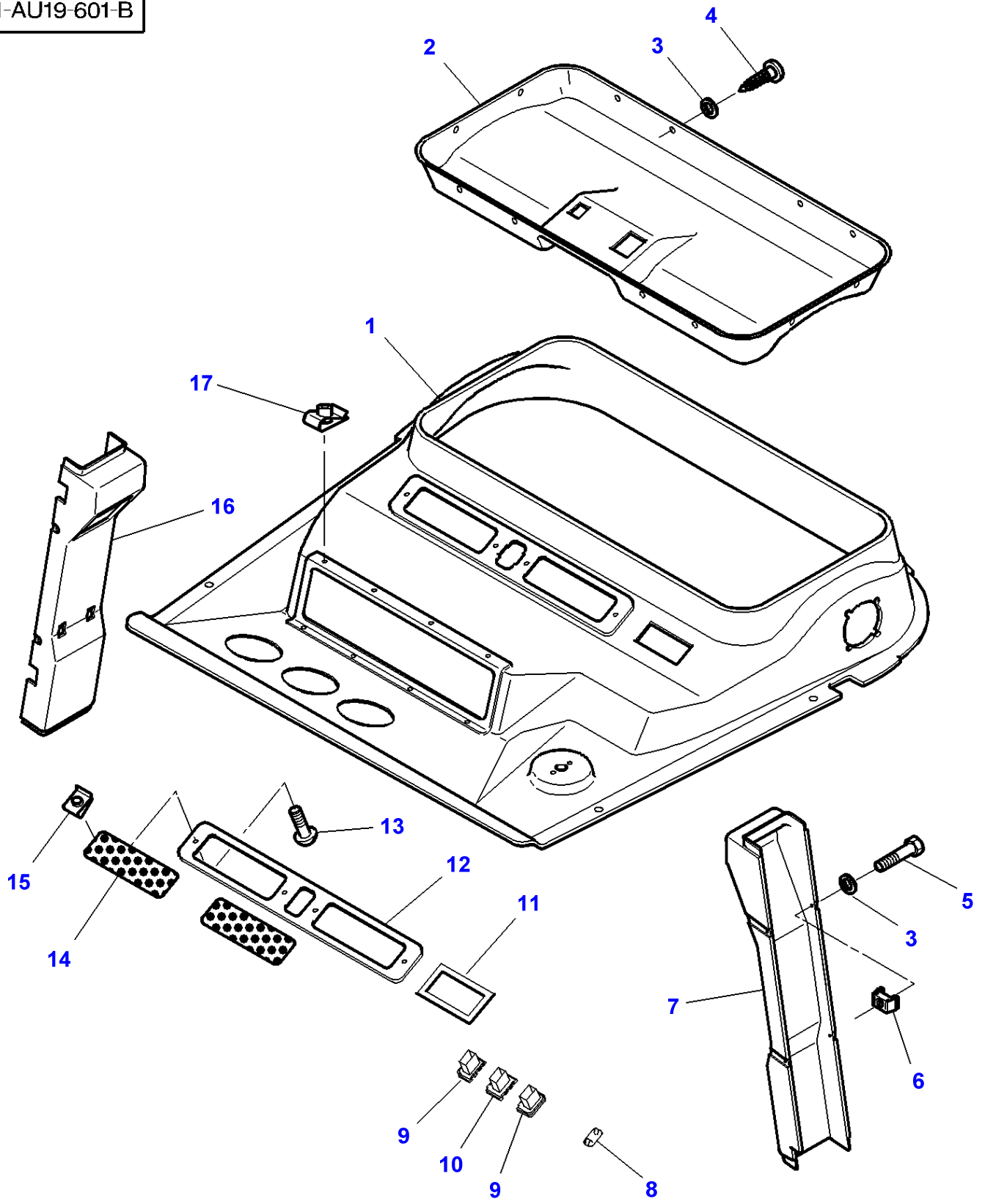
Item	Part Number	Qty	Description	Comments
1	3712960M1	1	Trap	
2	3009439X1	4	Screw	M8X16
3	3530168M1	4	Washer	
4	3580934M91	1	Support	Right Hand
	3580933M91	1	Support	Left Hand
5	3303076M1	2	Bush	
6	3303075M1	2	Clevis Pin	6X33
7	3000261X1	8	Clip	
8	3303021M91	2	Gas Strut	
9	3303019M3	1	Head	
10	3301743M1	2	Lock	
11	3303077M1	4	Bush	
12	3303074M1	4	Clevis Pin	6X38
13	339169X1	4	Nut	
14	390972X1	8	Washer Metric	
15	3385446M1	2	Gasket	
16	3301742M1	4	Washer	
17	339123X1	4	Hex. Sock. Screw	M8X20
18	1441967X1	1	Screw Metric	M6X45
19	395579X1	1	Screw Metric	M6X16
20	3388511M91	1	Handle	

FOOTNOTE [A] FOR CAB 5016524 & 5016525

FOOTNOTE [B] FOR CAB 5016526 & 5016527

MF 8170 TRACTOR - 1637359
1-AU19-601-B

1-AU19-601-B



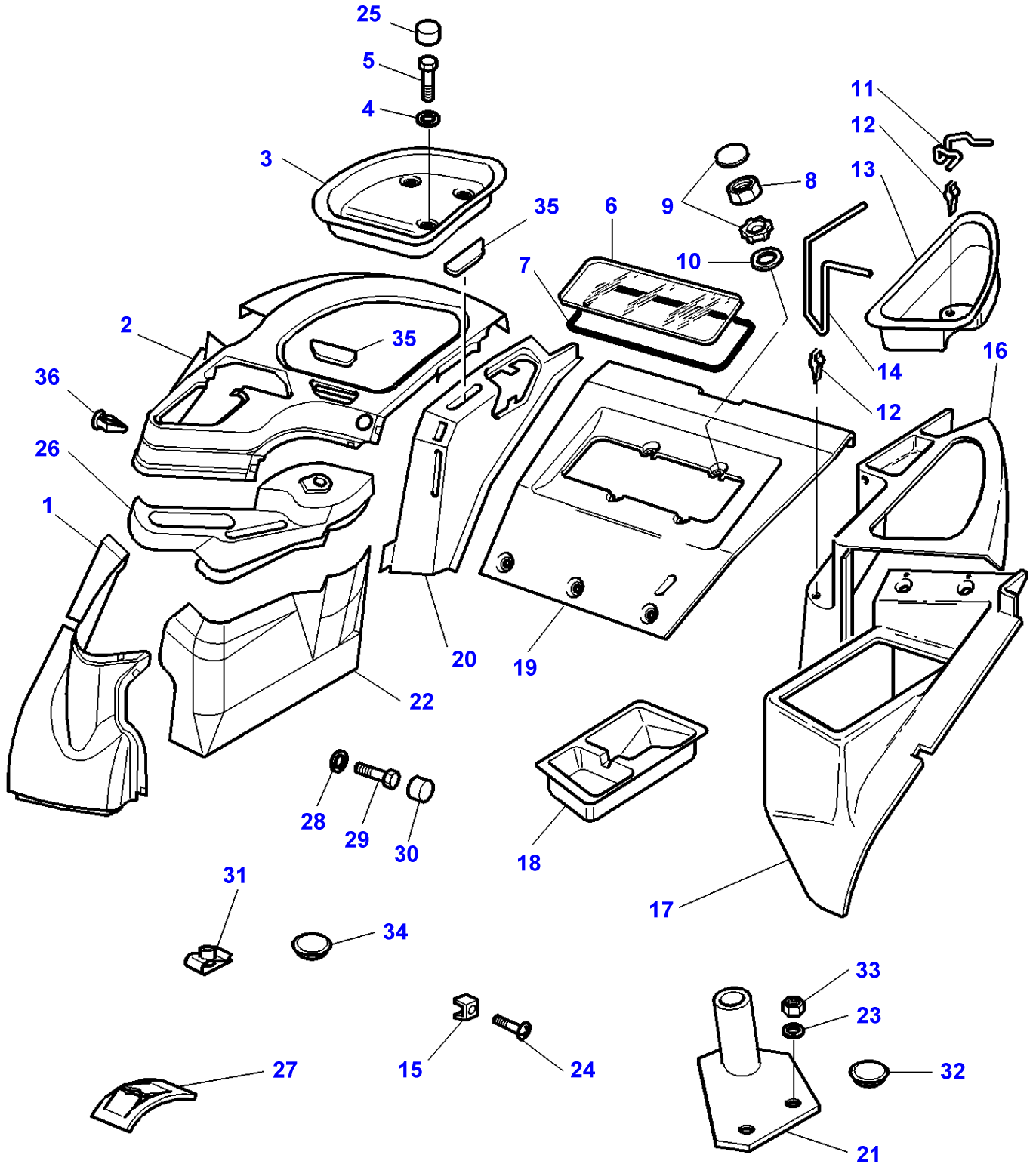
Tractor Cab - Cladding - Upper Components

Item	Part Number	Qty	Description	Comments
1	3714075M2	1	Roof Covering	8160 200 HP PTO
	3780279M1	1	Facing	8170
2	3712606M1	1	Facing	
3	1427000M1	23	Washer	
4	3389854M1	15	Self Tap Screws	
5	3580257M1	8	Screw	M5 X 20
6	3615557M1	8	Boxnut	M5
7	3712752M5	1	Mounting	Left Hand
8	3713151M1	1	Tap	
9	3713153M1	2	Support	
10	3713152M1	1	Support	
11	3713621M1	1	Plate	
12	3712608M1	1	Cover	
13	3010506X1	4	Screw	
14	3712607M1	2	Grille	
15	3715142M1	4	Nut	Thickness 3/5MM
16	3714919M1	1	Mounting	Right Hand
17	3715142M1	8	Nut	Thickness 3/5MM
	3388231M1	1	Nut	M5
	3389351M1	2	Nut	M10

FOOTNOTE [A] WITHOUT DATATRONIC

FOOTNOTE [B] FOR CAB 5016524 & 5016525

1-AU19-616-C



Tractor Cab - Cladding - Lower Component

Item	Part Number	Qty	Description	Comments
1	3778252M2	1	Plate Clamping	Right Hand
2	3778055M1	1	Plate Clamping	
3	3712410M1	1	Pocket	Right Hand
4	390597X1	4	Washer Metric	Diameter 10MM
5	339282X1	4	Screw Metric	M10 X 16
6	3714482M1	1	Window	
7	3714481M1	1	Gasket	
8	339169X1	4	Nut	
9	3619241M1	4	Button	
10	390972X1	4	Washer Metric	
11	3713500M2	1	Stem	
12	3713616M1	2	Clip	
13	3712414M1	1	Pocket	Left Hand
14	3713501M1	1	Stem	
15	3580062M1	8	Nut	M5
16	3712412M1	1	Panel	
17	3712413M2	1	Panel	
18	3712925M1	1	Pocket	
19	3712421M2	1	Breech Plate	
20	3712408M1	1	Panel	
21	3714666M1	1	Support	
22	3778253M2	1	Panel	
23	22428X	2	Lock Washer	
24	3010506X1	21	Screw	M5X16
	3010578X1	2	Screw	M5X10
25	3619609M1	4	Helmet	
26	3778426M1	1	Plate Clamping	[D]
27	3714529M1	4	Nut Special	
28	3715991M1	1	Spacer	
29	339123X1	1	Hex. Sock. Screw	
30	3616277M1	1	Helmet	
31	3715142M1	11	Nut	Thickness 3/5MM
	3715143M1	3	Nut	Thickness 0,5/4MM
32	3580982M1	1	Plug	[A]
33	339169X1	2	Nut	M8
34	3713587M1	X	Plug	[F,G] Diameter 22MM
35	3712984M1	X	Plate	[F,G]
36	3780626M1	4	Tie	

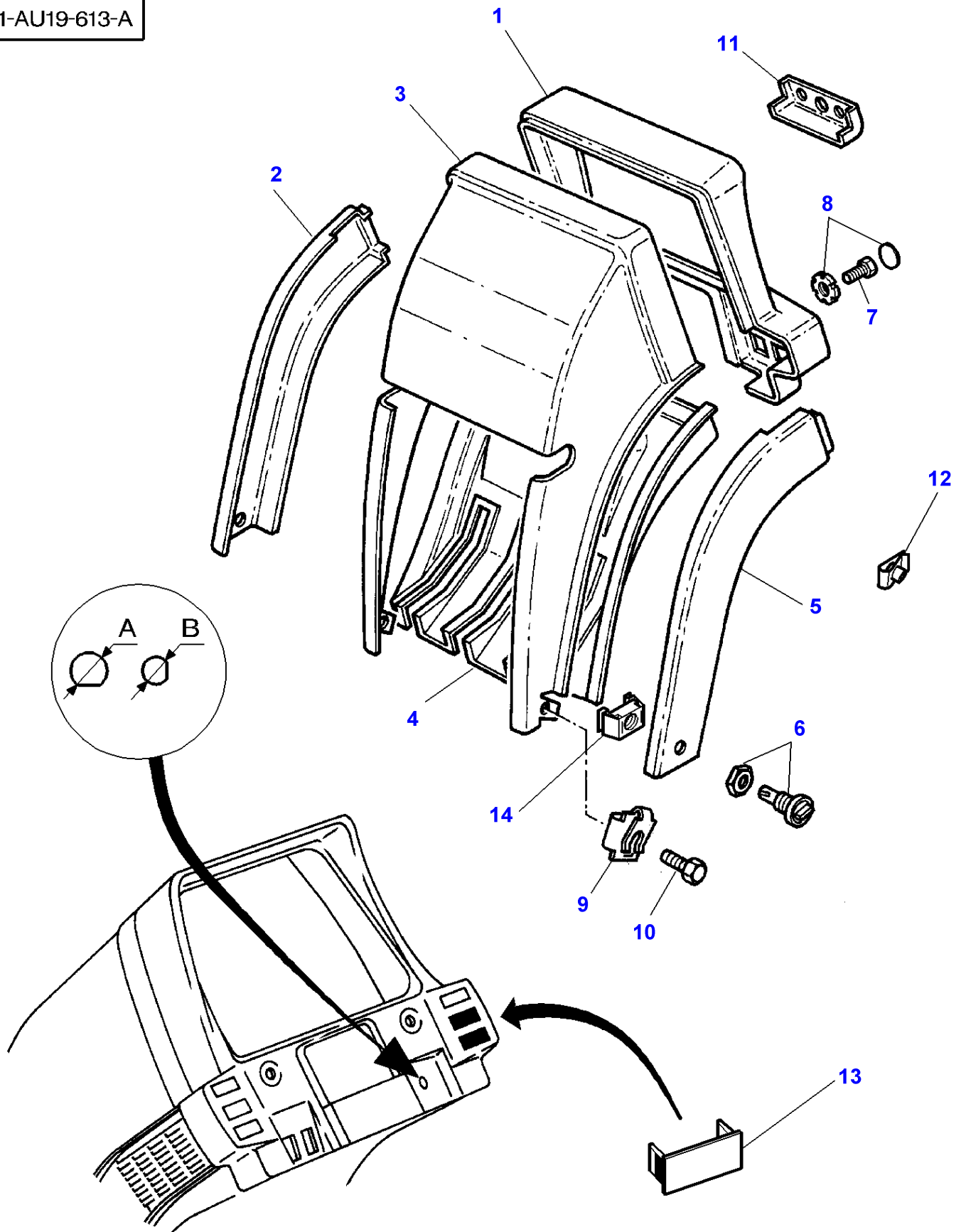
FOOTNOTE [A] WITHOUT ROTATING LIGHT

FOOTNOTE [D] WITHOUT REVERSING GEAR MANUAL

FOOTNOTE [F] WITHOUT AUTOMATIC HITCH

FOOTNOTE [G] LESS PTO

1-AU19-613-A



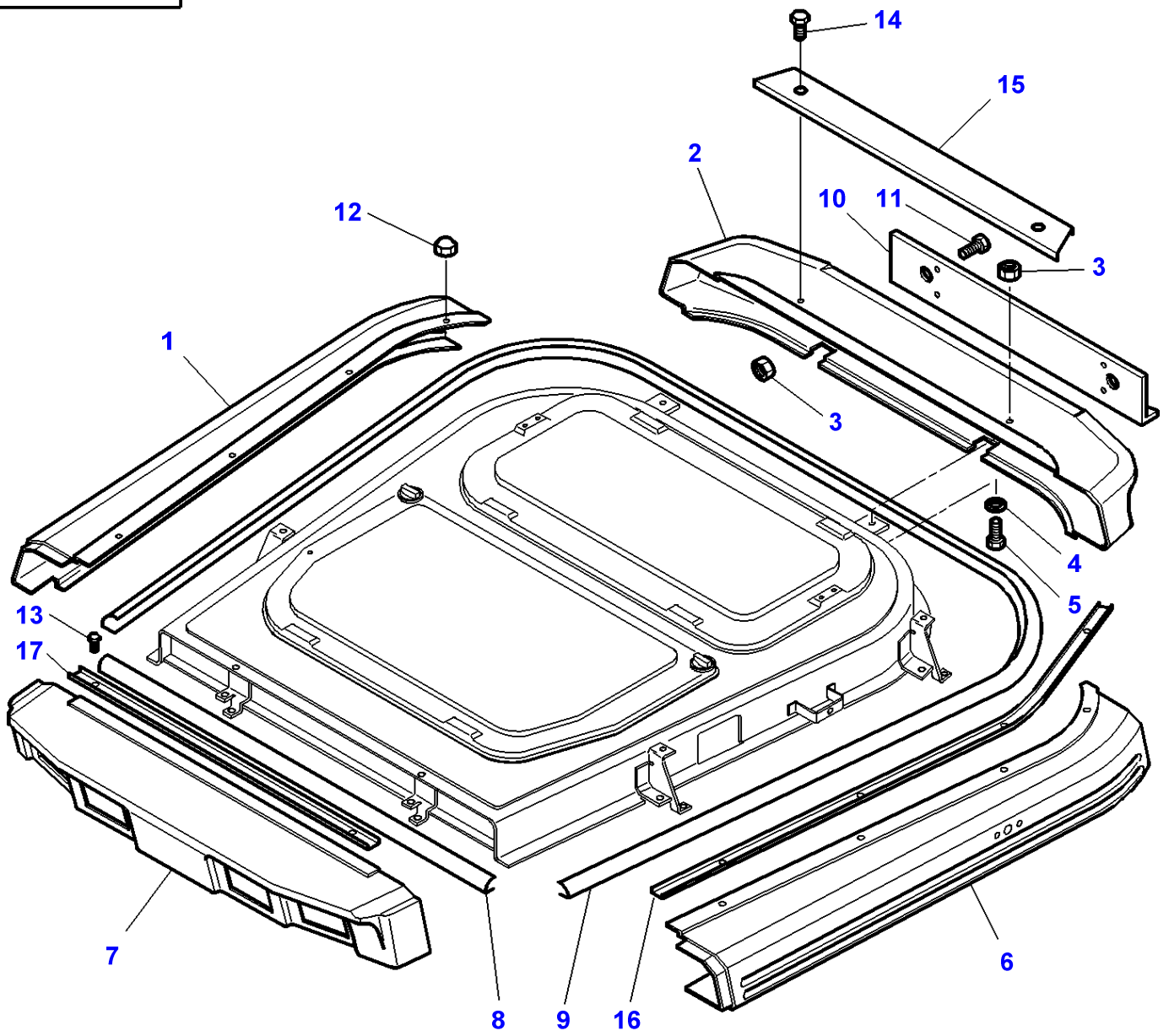
Tractor Cab - Cladding - Instrument Panel

Item	Part Number	Qty	Description	Comments
1	3778450M1	1	Plate Clamping	A Diameter 19,74MM
	3712418M1	1	Plate Clamping	B Diameter 16MM
2	3712420M1	1	Facing	Right Hand
3	3712416M1	1	Envelope	
4	3712417M1	1	Envelope	
5	3712419M1	1	Facing	Left Hand
6	3618739M1	2	Button	
7	339560X1	2	Hex. Sock. Screw	M6 X 16
8	3713550M1	2	Latch	
9	3388231M1	1	Nut	M5
10	3010506X1	6	Screw	M5 X 16
	3010578X1	3	Screw	M5X10
11	3714209M1	1	Plate	
12	3715142M1	2	Nut	Thickness 3/5MM
	3715143M1	1	Nut	Thickness 0,5/4MM
13	3713151M1	2	Tap	
14	3618738M1	2	Clamp	

FOOTNOTE [A] FOR CAB 5016526 & 5016527

FOOTNOTE [B] FOR CAB 5016524 & 5016525

1-AU19-607-A



Massey Ferguson**MF 8170 TRACTOR - 1637359**

1637359

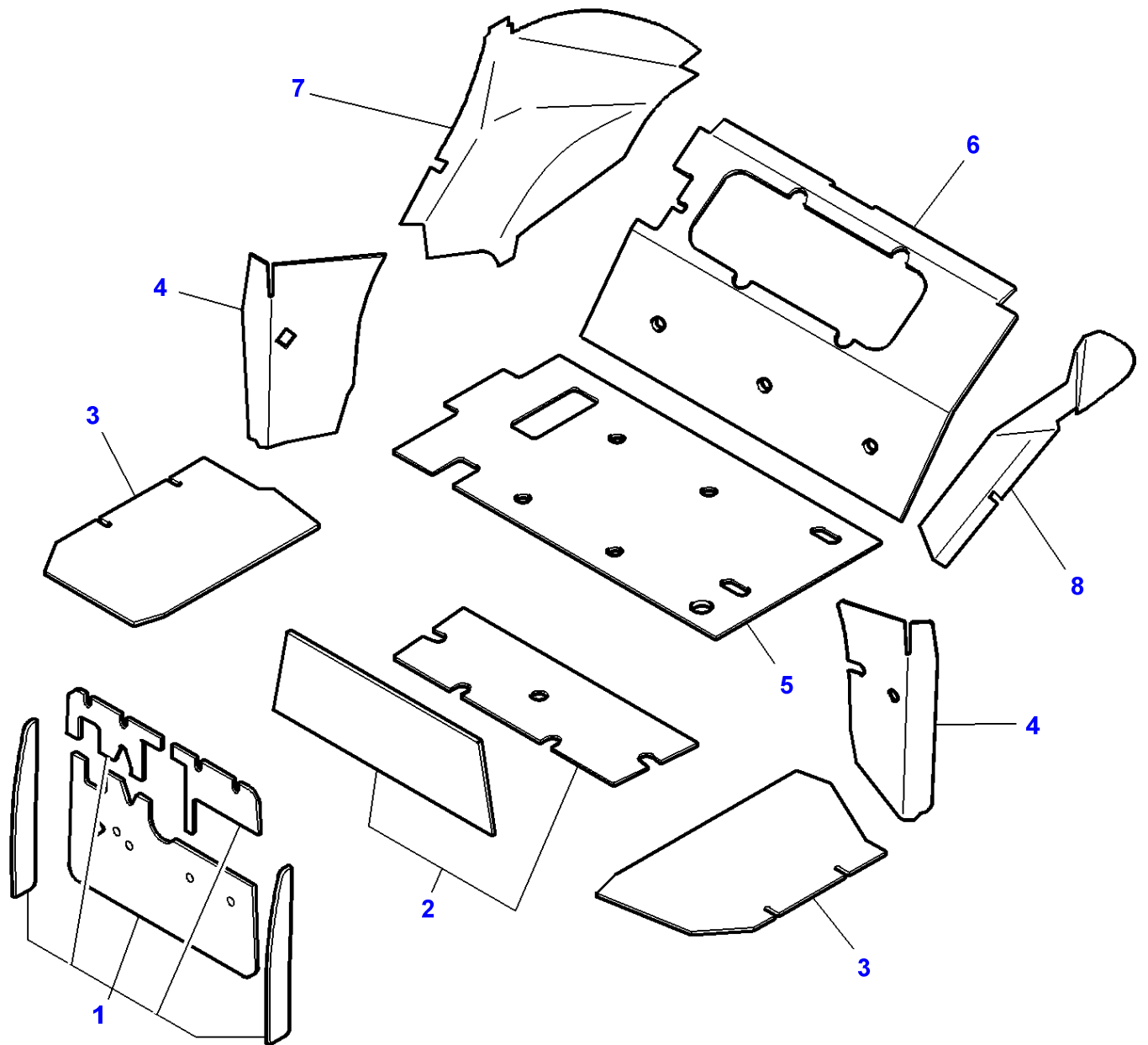
Tractor Cab - Cladding

Page 110-0060

Item	Part Number	Qty	Description	Comments
1	3712833M2	1	Trim	
2	3712831M2		Visor	
3	339030X1	12	Nut Metric	M6
4	3019571X1	14	Washer	Diameter 6MM
5	339666X1	4	Hex. Sock. Screw	M6X20
6	3712832M1	1	Trim	
7	3712830M1	1	Visor	
8	3714885M1	1	Gasket	Length 1050mm
9	3714884M1	1	Gasket	Length 3700mm
10	3715422M1	1	Deflector	
11	391074X1	4	Hex. Sock. Screw	M6x12MM
12	3010594X1	8	Nut Metric	
13	339804X1	2	Hex. Sock. Screw	M6X25
14	1441268X1	2	Screw Metric	M6X30
15	3715679M1	1	Profile	
16	3715676M1	1	Profile	Right Hand
	3715677M1	1	Profile	Left Hand
17	3715678M1	1	Profile	

FOOTNOTE [A] WITH 4 HEADLAMPS

1-AU11-604-B

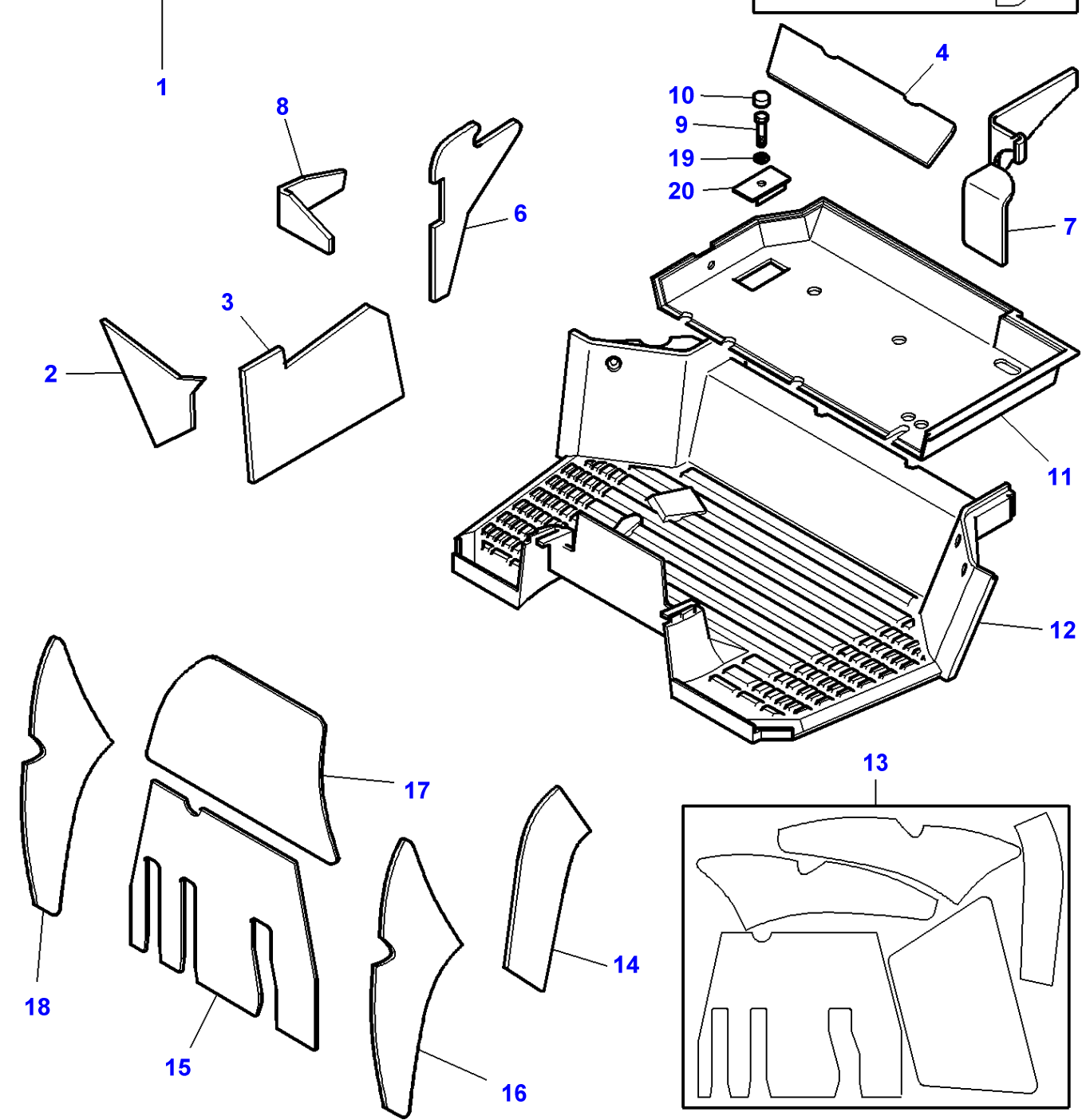
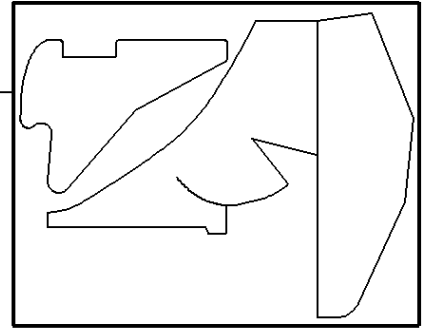
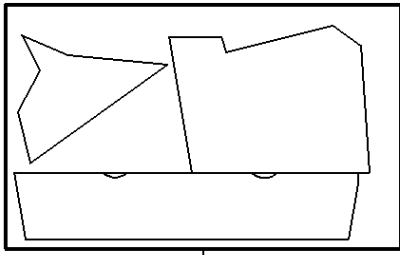


Massey Ferguson**MF 8170 TRACTOR - 1637359****1637359****Tractor Cab - Cab Insulation****Page 110-0065**

Item	Part Number	Qty	Description	Comments
1	3713870M93	1	Sound Reduction	[A]
2	3778445M91	1	Sound Reduction	
3	3713881M92	1	Sound Reduction	
4	3713884M93	1	Sound Reduction	
5	3713899M3	1	Sound Reduction	
6	3713898M5	1	Sound Reduction	
7	3713897M5	1	Sound Reduction	Right Hand
8	3713896M5	1	Sound Reduction	Left Hand

FOOTNOTE [A] WITH ASSISTED BRAKE**FOOTNOTE [B]** WITH MECHANICAL BRAKES

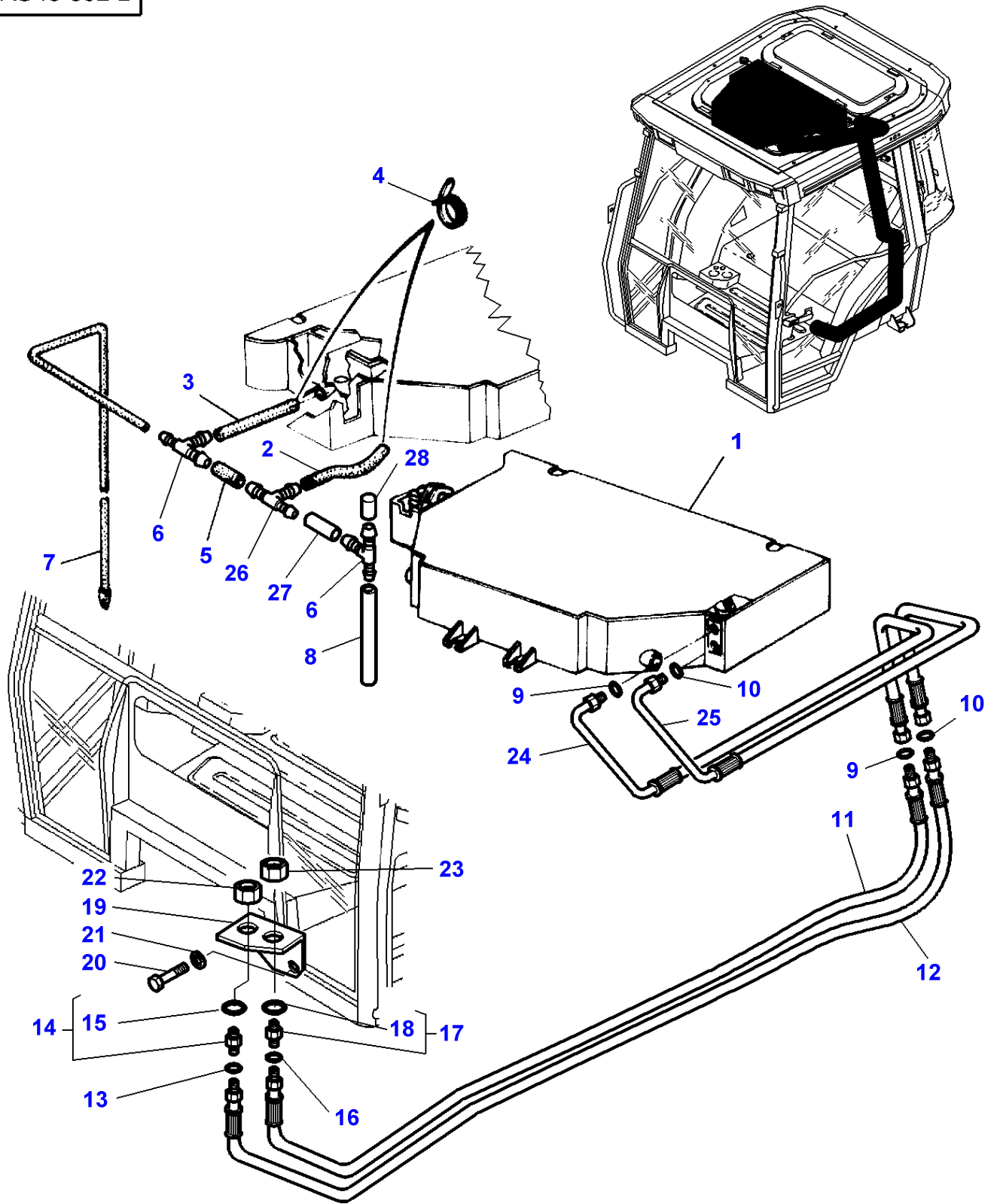
1-AU11-605-B



Tractor Cab - Cab Insulation

Item	Part Number	Qty	Description	Comments
1	3778448M91	1	Sound Reduction	
2		1	Sound Reduction	(1) Not serviced, order REF.1
3		1	Sound Reduction	(1) Not serviced, order REF.1
4		1	Sound Reduction	(1) Not serviced, order REF.1
5	3713892M93	1	Sound Reduction	
6		1	Sound Reduction	(5) Not serviced, order REF.5
7		1	Sound Reduction	(5) Not serviced, order REF.5
8		1	Sound Reduction	(5) Not serviced, order REF.5
9	339124X1	1	Hex. Sock. Screw	M8X16
10	3616277M1	1	Helmet	
11	3777378M3	1	Mat	
12	3777377M2	1	Mat	
13	3713915M92	1	Sound Reduction	
14		1	Sound Reduction	(13) Not serviced, order REF.13
15		1	Sound Reduction	(13) Not serviced, order REF.13
16		1	Sound Reduction	(13) Not serviced, order REF.13
17		1	Sound Reduction	(13) Not serviced, order REF.13
18		1	Sound Reduction	(13) Not serviced, order REF.13
19	390972X1	1	Washer Metric	
20	3778789M1	1	Helmet	

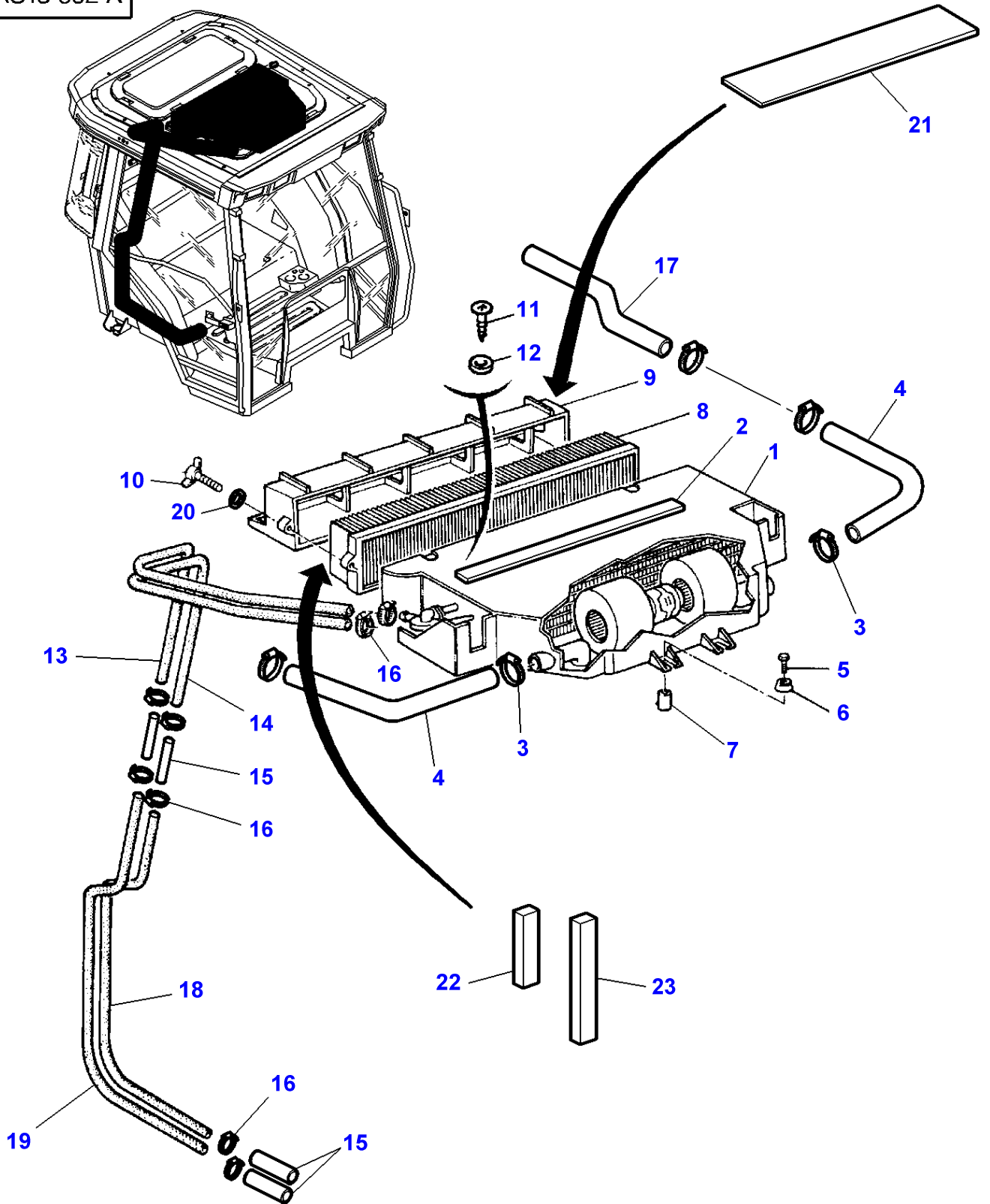
1-AU45-602-B



Air Conditioner - Hose

Item	Part Number	Qty	Description	Comments
1	3713375M2	1	Air Conditioner	
2	3777614M1	2	Tube	Diameter 15,9-23MM Length 150MM
3	3777616M1	2	Hose	Diameter 15,9-23MM Length 195MM
4	3000483X1	4	Clamp	Diameter 12-22MM
5	3777613M1	2	Hose	Diameter 15,9-23MM Length 60MM
6	3388779M1	4	Union	Diameter 16-16-08MM
7	3713470M1	2	Hose	Diameter 08-12 Length 165MM
8	3777744M1	2	Tube	Diameter 8MM Length 1500MM
9	3010473X1	2	O Ring	
10	3010471X1	2	O Ring	
11	3714143M1	1	Hydr Hose	
12	3714246M1	1	Hydr Hose	
13	3010502X1	1	O Ring	
14	368544X1	1	Union	
15	3600218M1	1	Joint	(14)
16	3010474X1	1	O Ring	
17	368523X1	1	Union	
18	3600219M1	1	Joint	(17)
19	3713615M1	1	Support	
20	339124X1	2	Hex. Sock. Screw	M8X16
21	390972X1	2	Washer Metric	
22	1691973M1	1	Nut	
23	1691972M1	1	Nut	
24	3713462M1	1	Hydr Hose	
25	3714144M1	1	Hydr Hose	
26	3010683X1	2	Teepiece	Diameter 16-16-16MM
27	3777741M1	2	Hose	Diameter 16MM Length 490MM
28	3777737M1	2	Plug	

1-AU13-602-A

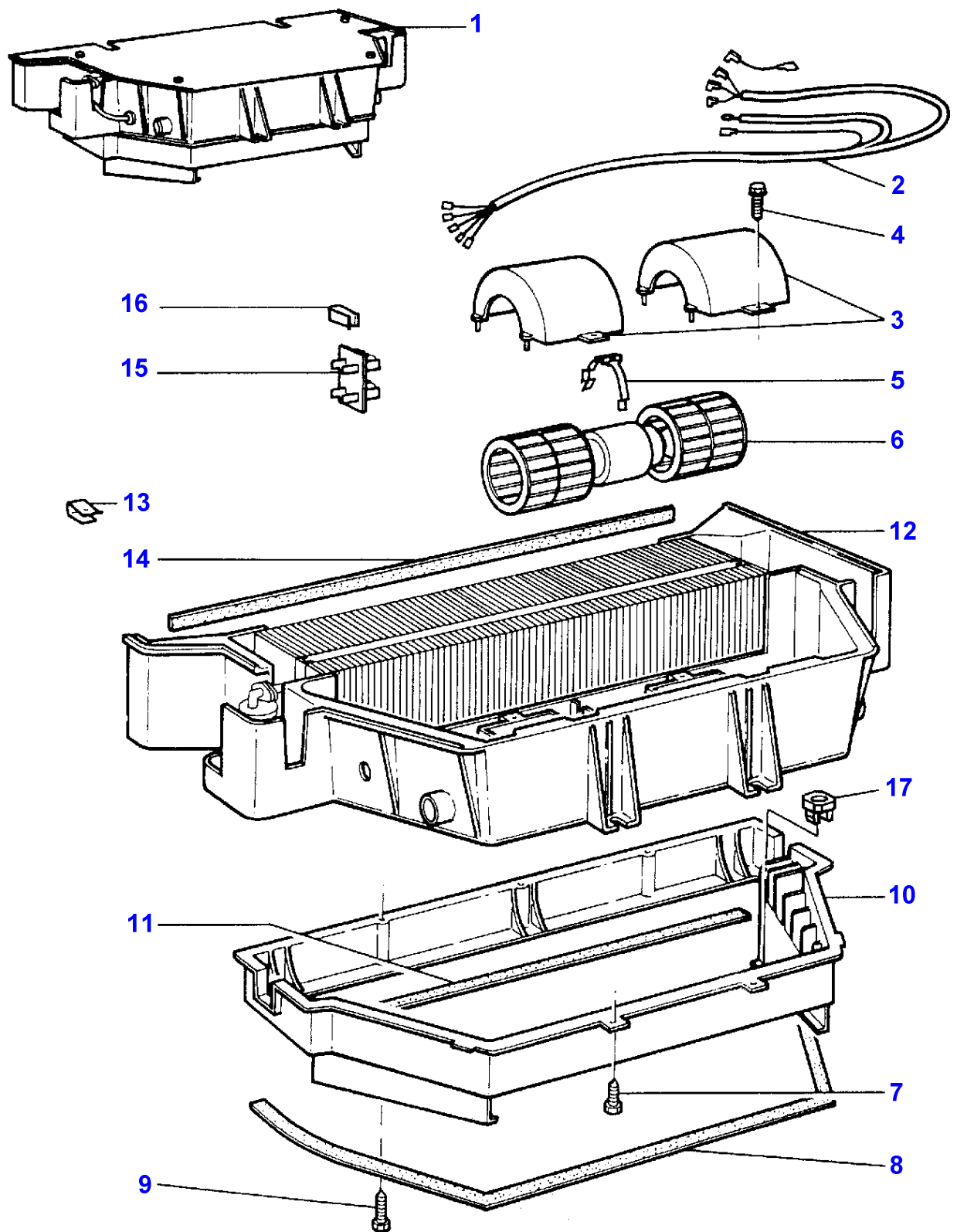


Tractor Cab - Heater Hoses

Item	Part Number	Qty	Description	Comments
1	3713375M2	1	Air Conditioner	
2	3713745M1	1	Gasket	15X05X1950
3	338616X1	8	Hose Clip	Diameter 32X50
4	3387515M1	2	Hose	
5	339009X1	4	Hex. Sock. Screw	M8X35
6	3387512M1	8	Buffer	
7	3387513M1	4	Spacer	
8	3388840M2	1	Cab Filter	
9	3388743M1	1	Frame Assy	
10	3388758M2	2	Wingbolt	M6X60
11	339112X1	1	Screw Metric	M4X12
12	3001856X1	1	Washer Metric	
13	3714872M1	1	Hose	Length 1000MM
14	3714871M1	1	Hose	Length 900MM
15	3713469M1	4	Tube	
16	3000483X1	8	Clamp	Diameter 16-27
17	3713461M1	2	Hose	
18	3779739M1	1	Hose	Length 1670 MM
19	3714873M1	1	Hose	Length 2350MM
20	391038X1	2	Washer	
21	3778497M2	1	Foam	915X150X12MM
22	3778658M1	2	Gasket	38X13X60MM
23	3778659M1	2	Gasket	38X13X80MM

FOOTNOTE [A] FOR CAB 5016524 & 5016525

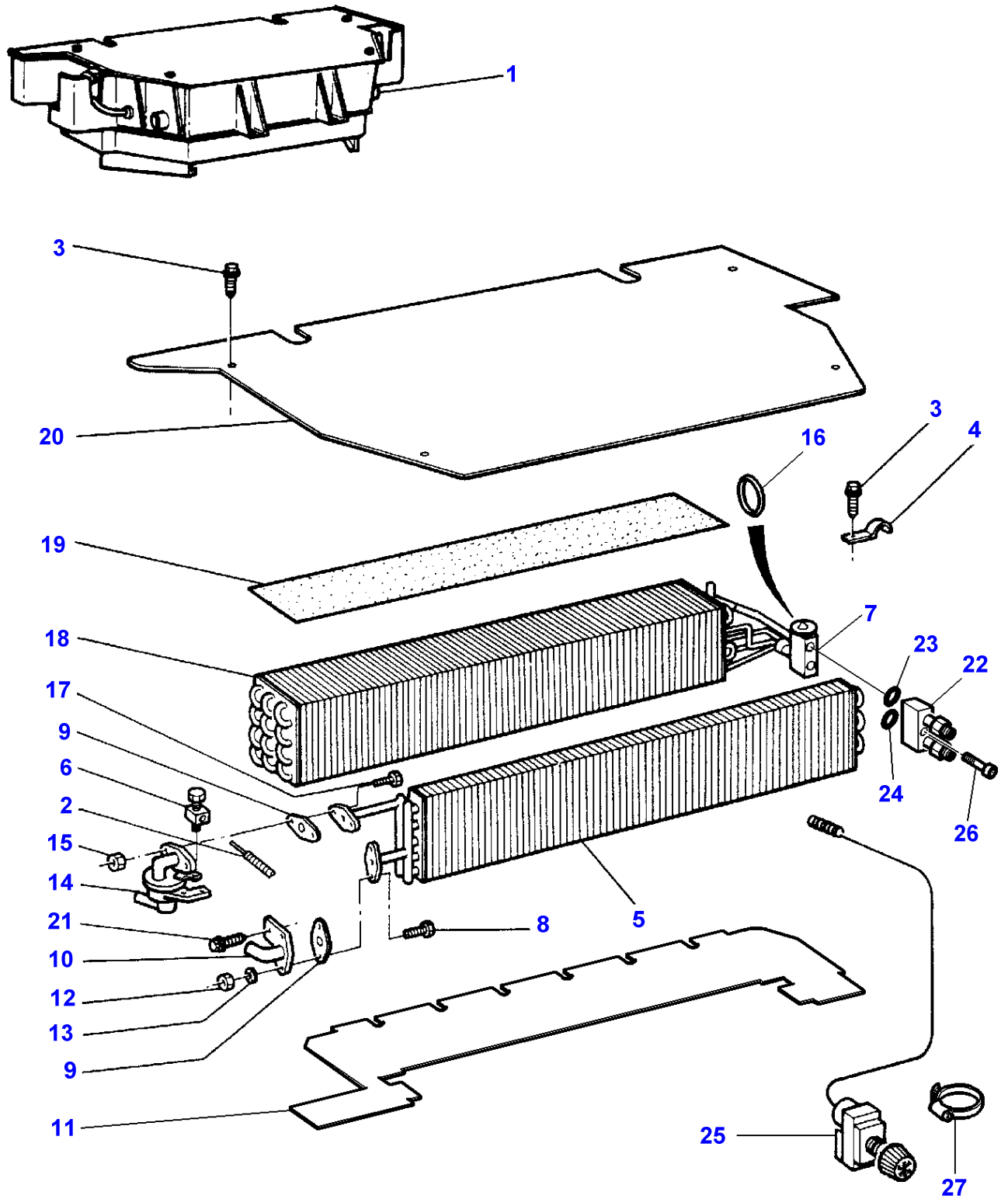
1-AU44-600-A



Air Conditioner

Item	Part Number	Qty	Description	Comments
1	3713375M2	1	Air Conditioner	
2	3902318M91	1	Harness	(1)
3	3310833M1	2	Cover	(1) Replace and repair. Old interchangeable with new 3902319M1
4	3310837M1	4	Screw	(1)
5	3902320M1	1	Strap	(1)
6	3310831M91	1	Motor	(1) Replace and repair. Old interchangeable with new 3902321M91
7	3310837M1	6	Screw	(1)
8	3902322M1	1	Foam	(1)
9	3310841M1	3	Screw	(1)
10	3310840M1	1	Housing	(1) Replace and repair. Old interchangeable with new 3902323M1
11	3310843M1	1	Foam	(1) Replace and repair. Old not interchangeable with new 3902324M1
12	3310825M1	1	Housing	(1)
13	3310842M1	9	Strap	(1)
14	3310849M1	1	Foam	(1) Replace and repair. Old interchangeable with new 3902325M1
15	3304510M92	1	Resistor	(1) Replace and repair. Old interchangeable with new 3902326M91
16	3310834M1	1	Strap	(1)
17	3583649M1	1	Nut Special	(1)

1-AU44-601-E

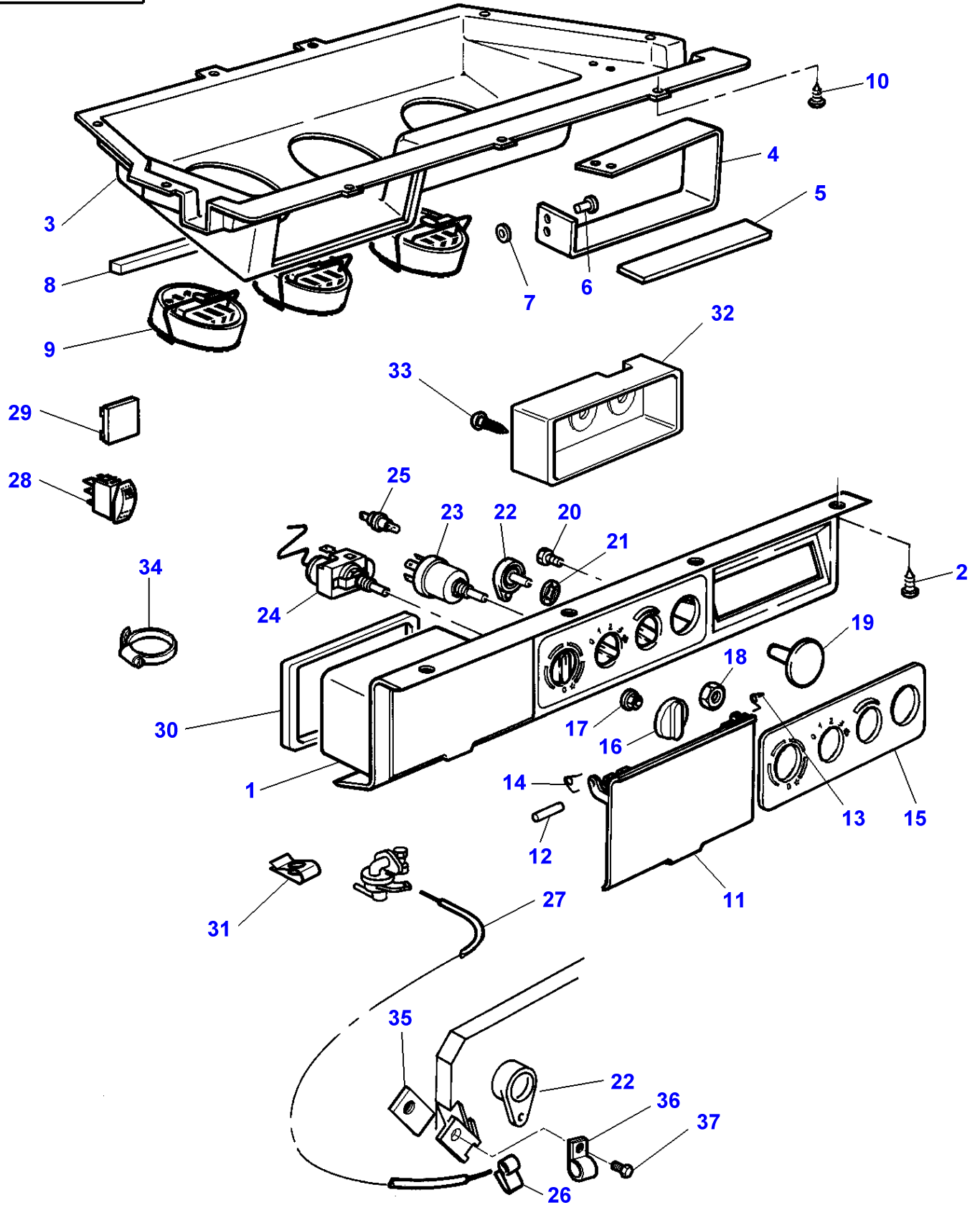


Air Conditioner

Item	Part Number	Qty	Description	Comments
1	3713375M2	1	Air Conditioner	
2	3902212M1	1	Cable	
3	3310837M1	6	Screw	(1)
4	3310836M1	1	Strap	(1)
5	3310827M92	1	Radiator	(1)
6	3311579M91	1	Union	(1)
7	3902334M91	1	Regulator	(1)
8	3902089M1	2	Screw	(1)
9	3902327M1	2	Gasket	(1)
10	3310946M1	1	Elbow	(1)
11	3902329M2	1	Plate	Replace and repair. Old interchangeable with new 3902328M1 (1)
12	3902090M1	2	Nut	Replace and repair. Old interchangeable with new 3902329M1 (1)
13	3902090M1	2	Nut	(1)
14	3310945M1	1	Cock	(1)
15	3902090M1	2	Nut	Replace and repair. Old not interchangeable with new 3902330M1 (1)
16	3902499M1	1	Gasket	(1)
	3902500M1	3	Gasket	Diameter 6,7MM (1)
				Diameter 13,4MM
17	3902089M1	2	Screw	(1)
18	3902331M91	1	Evaporator	(1)
19	3902332M1	1	Foam	(1)
20	3310839M1	1	Plate	(1)
21	3902089M1	2	Screw	Replace and repair. Old interchangeable with new 3902333M1 (1)
22	3902549M91	1	Connection	(1)
23	3902550M1	1	O Ring	(1)
				Diameter 6,7X1,8MM
24	3902551M1	1	O Ring	(1)
				Diameter 13,4X2,4MM
25	3310669M91	1	Thermostat	(1)
26	3015257X1	2	Screw Metric	Replace and repair. Old interchangeable with new 3902666M91 (1)
				M6X55
27	3000483X1	2	Clamp	

MF 8170 TRACTOR - 1637359
1-AU12-607-C

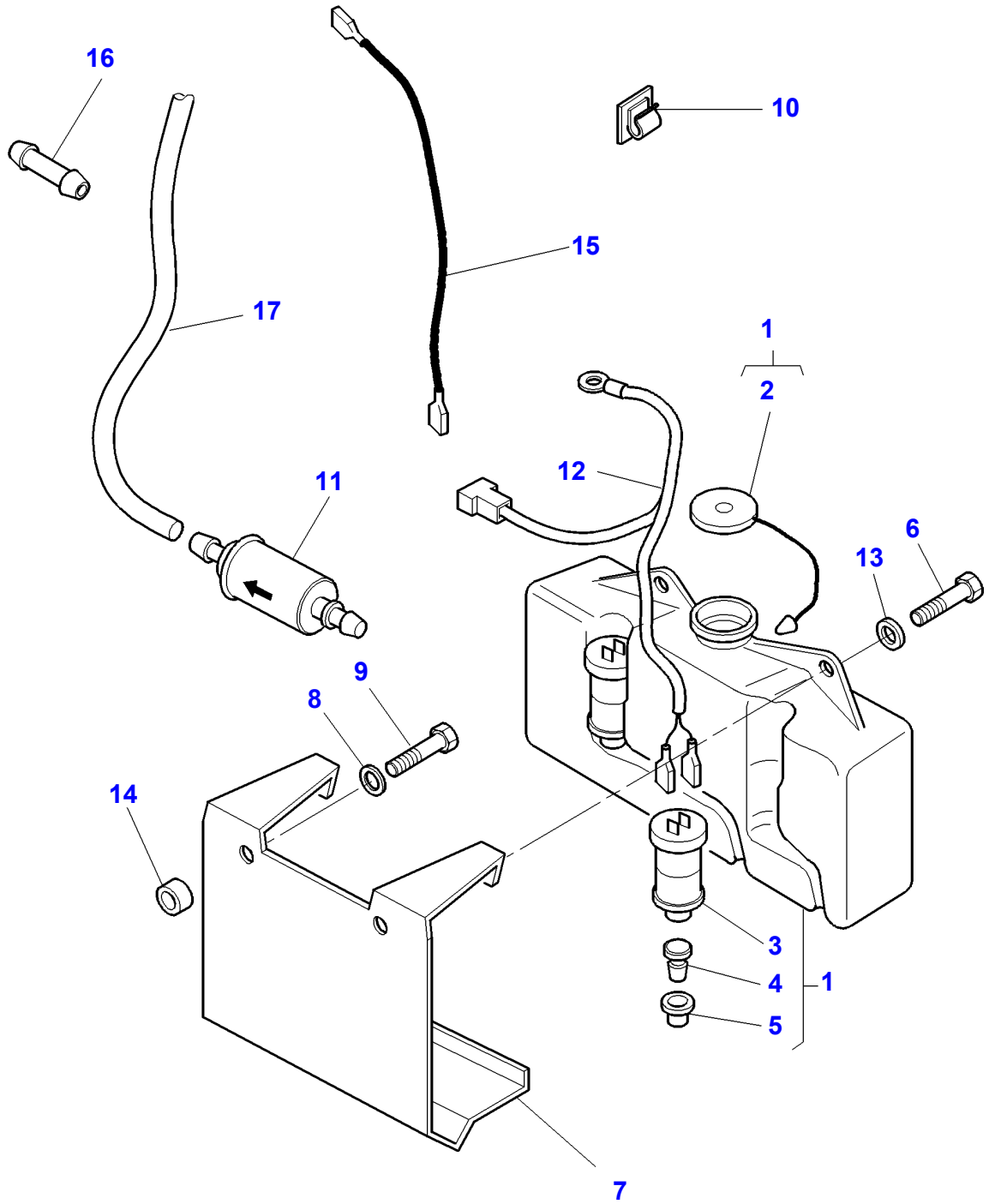
1-AU12-607-C



Tractor Cab - Heater

Item	Part Number	Qty	Description	Comments
1	3712609M2	1	Control Panel	
2	3389854M1	6	Self Tap Screws	N? 10X19
	373269X1	2	Self Tap Screws	No 10X25
3	3714076M2	1	Boot	
4	3714077M1	1	Support	
5	3713635M1	1	Gasket	
6	3714846M1	4	Rivet	
7	339102X1	4	Washer	
8	3713744M1	1	Gasket	10X15X1080MM
9	3388030M1	3	Louvre	
10	380026X1	9	Screw	Diameter 3.5X16
11	3902214M1	1	Gate	(1)
12	3902204M1	2	Clevis Pin	(1)
13	3902203M1	1	Spring	(1)
14	3902202M1	1	Spring	(1)
15	3902299M1	1	Diffusing Lens	(1)
16	3902213M1	3	Knob	(1)
17	3902217M1	1	Nut	(1)
18	3902208M1	1	Nut	(1)
19	3902205M1	1	Plug	(1)
20	3902218M1	1	Screw	(1) M5X14MM
21	3902210M1	1	Washer	(1)
22	3902211M1	1	Lever	(1)
23	3310871M1	1	Commutator	(1)
24	3310669M91	1	Thermostat	(1)
25	1427873M1	1	Holder	(1)
26	3902206M1	1	Spring	(1)
27	3902212M1	1	Cable	(1)
28	3713146M1	1	Switch,Indirect	
29	3713151M1	1	Tap	
30	3713746M1	1	Gasket	15X10X480MM
31	3389351M1	6	Nut	No 10
	3389250M1	3	Nut	M5
32	3902591M2	1	Cover	(1)
33	365916X1	4	Self Tap Screws	(1)
34	3000483X1	2	Clamp	
35	3782904M1	1	Plate	From Serial or Engine Number H034012 Up to Serial or Engine Number H125001
36	3782903M1	1	Clip	From Serial or Engine Number H034012 Up to Serial or Engine Number H125001
37	3008179X1	1	Screw Metric	M4X10 From Serial or Engine Number H034012 Up to Serial or Engine Number H125001

1-AU24-602-A



Massey Ferguson**MF 8170 TRACTOR - 1637359**

1637359

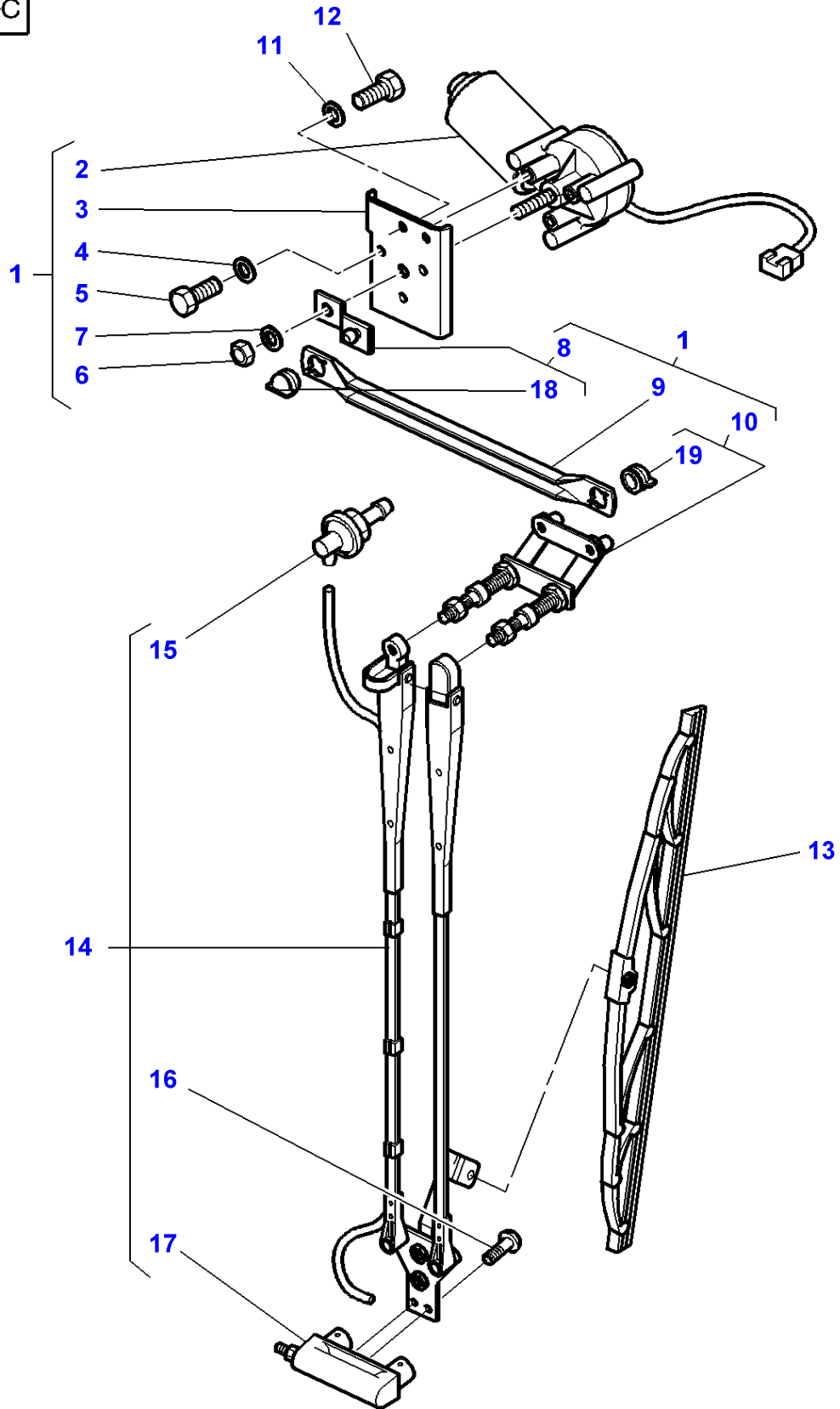
Tractor Cab - Windscreen Washer

Page 110-0100

Item	Part Number	Qty	Description	Comments
1	3582444M91	1	Tank	
2	3106496M1	1	Plug	(1)
3	3582441M1	1	Water Pump	(1)
4	3582442M1	1	Plug	(1)
5	3582443M1	1	Gasket	(1)
6	339124X1	2	Hex. Sock. Screw	M8X16
7	3778973M1	1	Support	
8	390972X1	2	Washer Metric	
9	339009X1	2	Hex. Sock. Screw	M8X35
10	3760697M1	2	Clip	
11	3583086M1	1	Pressure Valve	
12	5015261M1	1	Harness	
13	391039X1	2	Washer Metric	
14	3052946M1	2	Spacer	
15	3777527M1	1	Wire	
16	3715074M1	1	Union	
17	3580902M1	X	Hose	

MF 8170 TRACTOR - 1637359
1-AU23-600-C

1-AU23-600-C



Tractor Cab - Windscreen Wiper

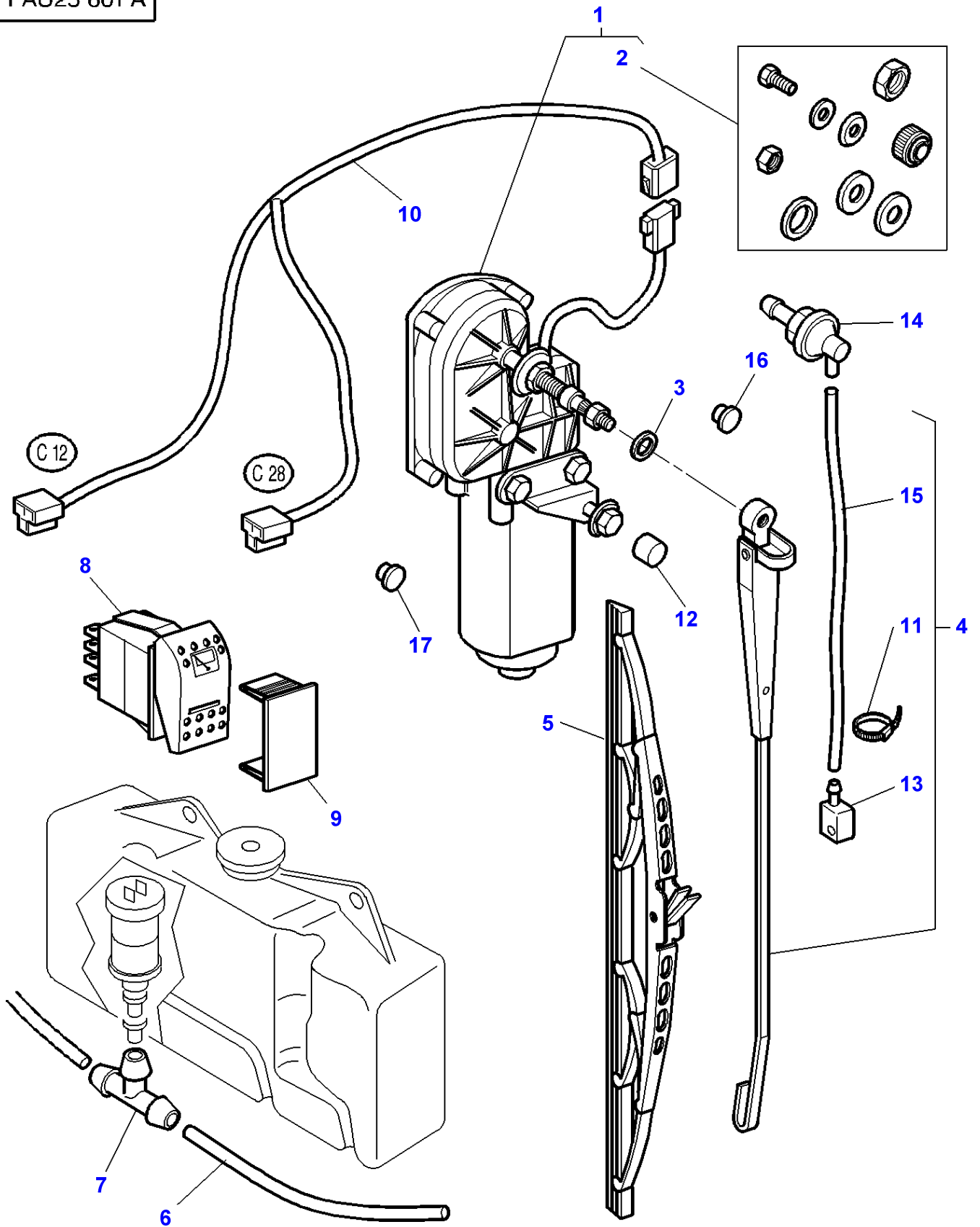
Item	Part Number	Qty	Description	Comments
1	3777005M2	1	Wiper Motor	
2	3777698M92	1	Wiper Motor	(1) Replace and repair. Old not interchangeable with new 3902337M2
3	3902338M1	1	Support	(1)
4	391289X1	3	Lock Washer	(1)
5	339560X1	3	Hex. Sock. Screw	(1)
6	339169X1	1	Nut	(1)
7	3008914X1	1	Tab Washer	(1)
8	3902341M1	1	Crank	(1)
9	3902340M1	1	Conrod	(1)
10	3902339M92	1	Clevis Pin	(1)
11	390972X1	2	Washer Metric	
12	339124X1	2	Hex. Sock. Screw	
13	3714194M1	1	Wiper Blade	
14	3715612M1	1	Arm	
15	3902342M1	1	Union	(14)
16	3902460M1	2	Screw	(14)
17	3902343M1	1	Jet	(14)
18		1	Nut	(8) Not serviced, order REF 8
19		1	Nut	(10) Not serviced, order REF 10

FOOTNOTE [A] WITH WINDSHIELD WIPER SIDE RIGHT

FOOTNOTE [B] WITH WINDSHIELD WIPER SIDE LEFT

MF 8170 TRACTOR - 1637359
1-AU25-601-A

1-AU25-601-A



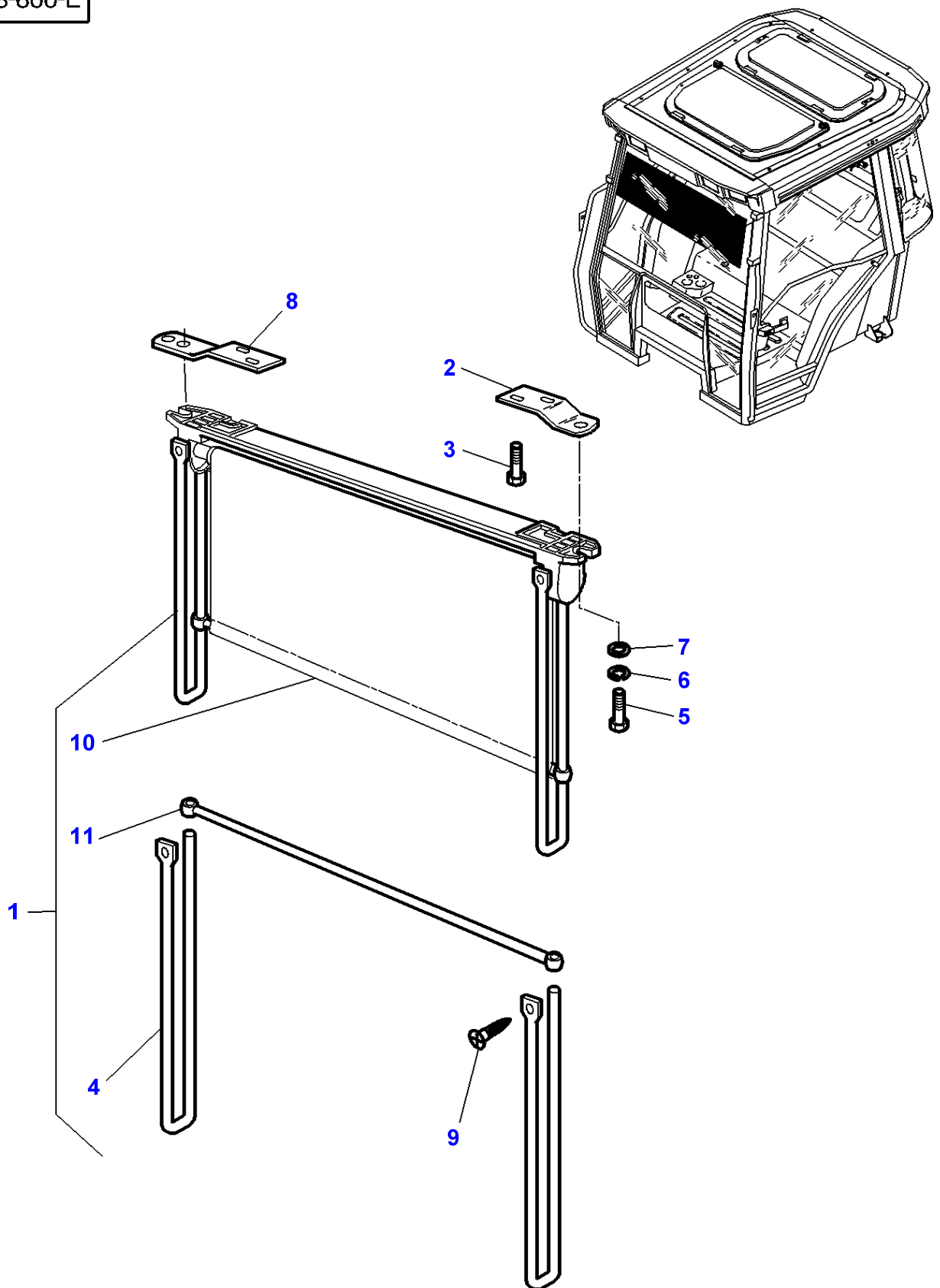
Tractor Cab - Rear Window Wiper

Item	Part Number	Qty	Description	Comments
1	3715610M1	1	Engine	
2	3902580M91	1	Parts Pack	(1)
3	3582643M1	1	Washer	
4	3713196M2	1	Arm	
5	3713195M1	1	Wiper Blade	
6	3714119M1	1	Tube	Length 1300MM
	3714118M1	1	Tube	Length 200MM
	3714120M2	1	Tube	Length 2800MM
7	3583069M1	1	Teepiece	
8	3713147M1	1	Switch,Indirect	
9	3713151M1	1	Tap	[A]
10	3713738M2	1	Harness	
11	3902463M1	1	Clamp	(4)
12	3616277M1	1	Helmet	
13	3902461M1	1	Jet	(4)
14	3902342M1	1	Union	
15	3902462M1	1	Tube	(4)
16	3713741M1	1	Plug	[A] Diameter 17,5MM
17	3713742M1	1	Plug	[A] Diameter 9,5MM

FOOTNOTE [A] WITHOUT REAR WIPER AND WASHER WINDSCREEN

FOOTNOTE [B] WITH HIGH VISIBILITY ROOF

1-AU28-600-E

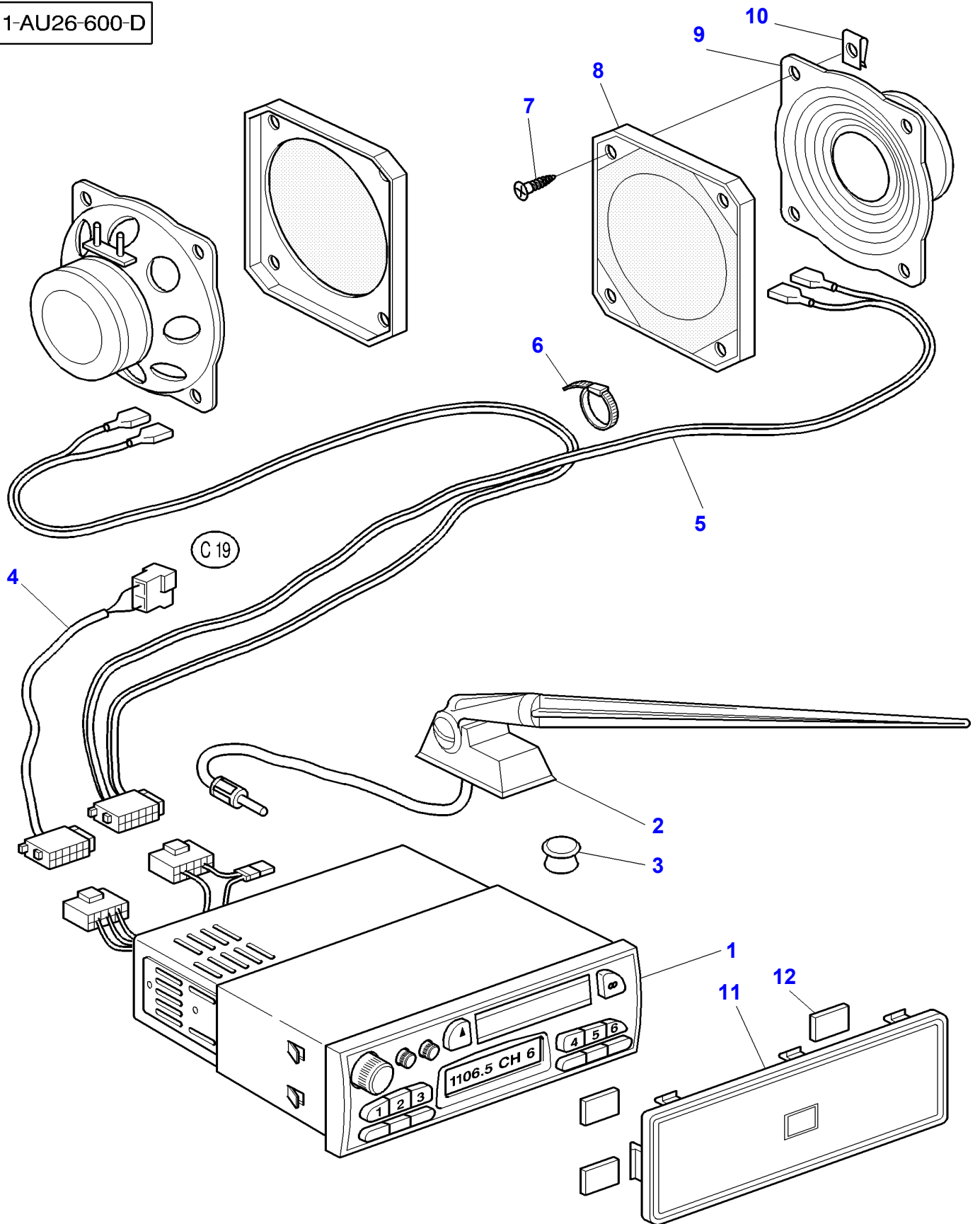


Tractor Cab - Sun shield

Item	Part Number	Qty	Description	Comments
1	3714072M91	1	Canopy	
2	3389750M1	1	Support	Left Hand
3	3007934X1	4	Screw Metric	M6X16
4	3902174M91	2	Rod	(1)
5	339560X1	2	Hex. Sock. Screw	M6X16
6	339375X1	2	Lock Washer	
7	390971X1	2	Washer	
8	3389749M1	1	Support	Right Hand
9	3389854M1	2	Self Tap Screws	CBZ N10X19
10	3902176M91	1	Panel	(1)
11	3902175M91	1	Bar	(1)

MF 8170 TRACTOR - 1637359
1-AU26-600-D

1-AU26-600-D

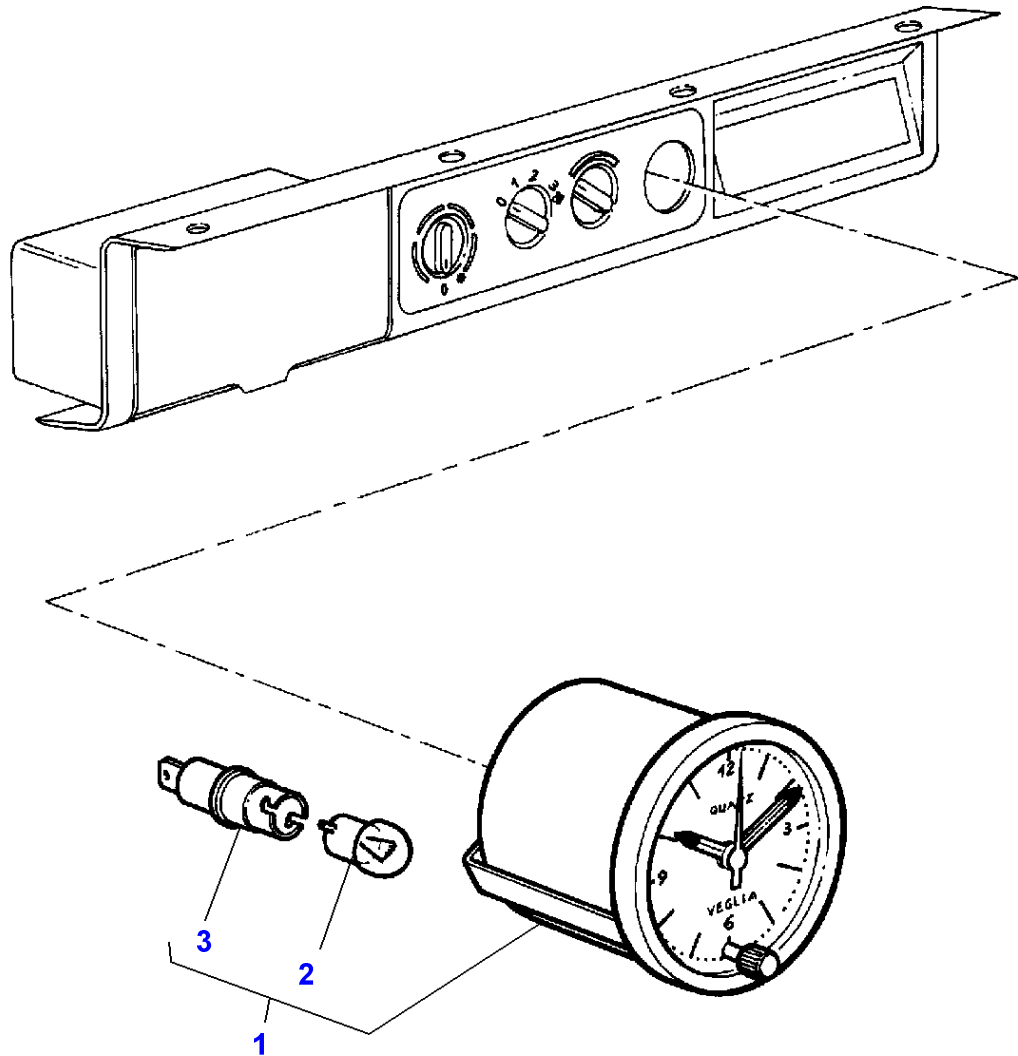


Tractor Cab - Radio Installation

Item	Part Number	Qty	Description	Comments
1	3816384M91	1	Radio Push Butt.	Replace and repair. Old not interchangeable with new 3701956M91
2	3617629M92	1	Top Aerial	
3	3041932M1	1	Plug	[A]
4	3715099M1	1	Harness	
5	3715100M1	1	Harness	
6	3619622M1	1	Cable Tie	
7	3580257M1	8	Screw	
8	3617395M1	2	Grille	
9	3617394M1	2	Speaker	
10	3715142M1	8	Nut	
11	3580173M1	1	Plate	[A]
12	3580174M1	4	Gasket	[A]

FOOTNOTE [A] WITHOUT RADIO**FOOTNOTE [B]** WITH HIGH VISIBILITY ROOF

1-AU18-600-A



Massey Ferguson

MF 8170 TRACTOR - 1637359

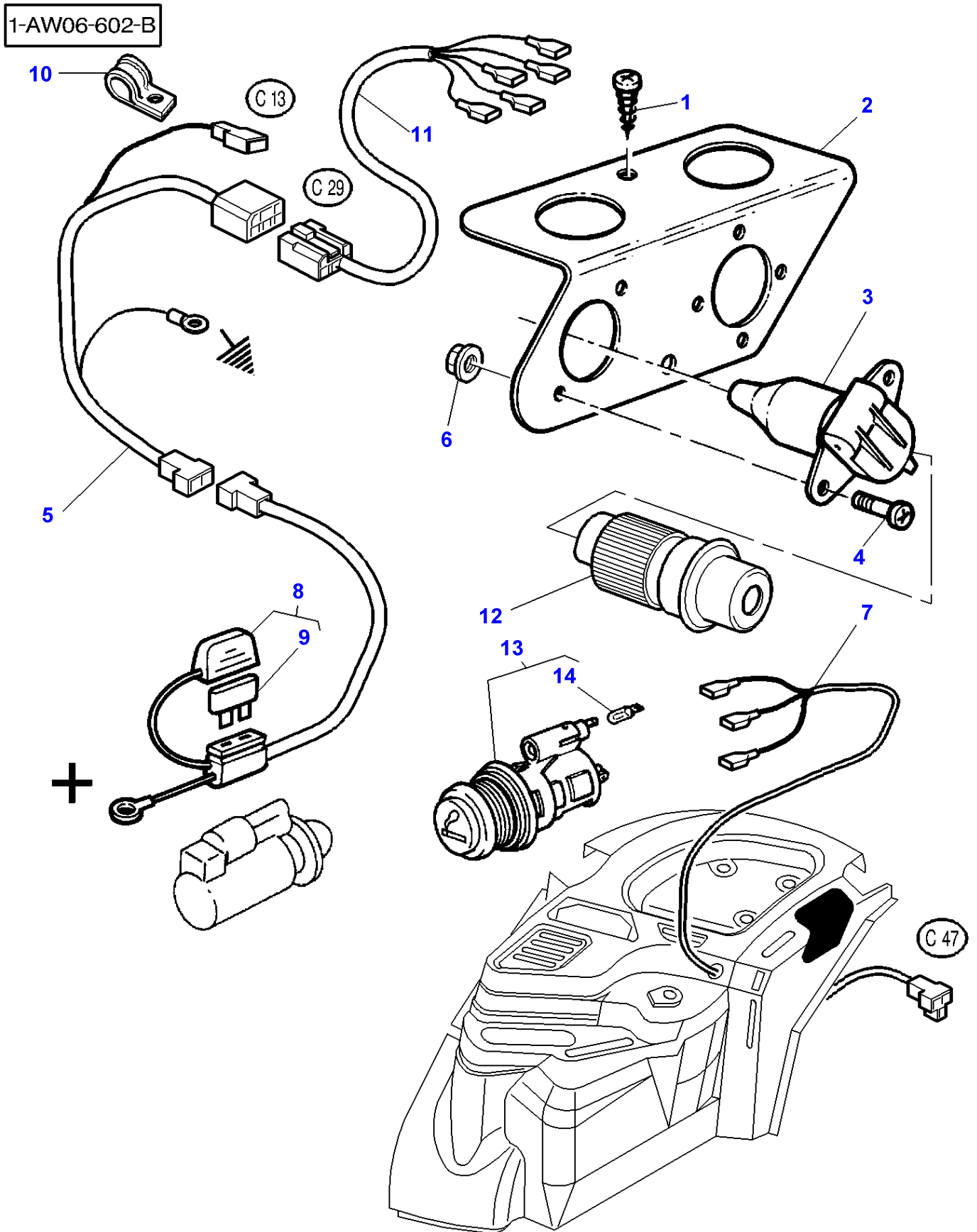
1637359

Tractor Cab - Watch

Page 110-0125

Item	Part Number	Qty	Description	Comments
1	3713364M1	1	Clock	
2	963333M1	1	Bulb 12v 5w	(1)
3	3902191M1	1	Lamp Socket	(1)

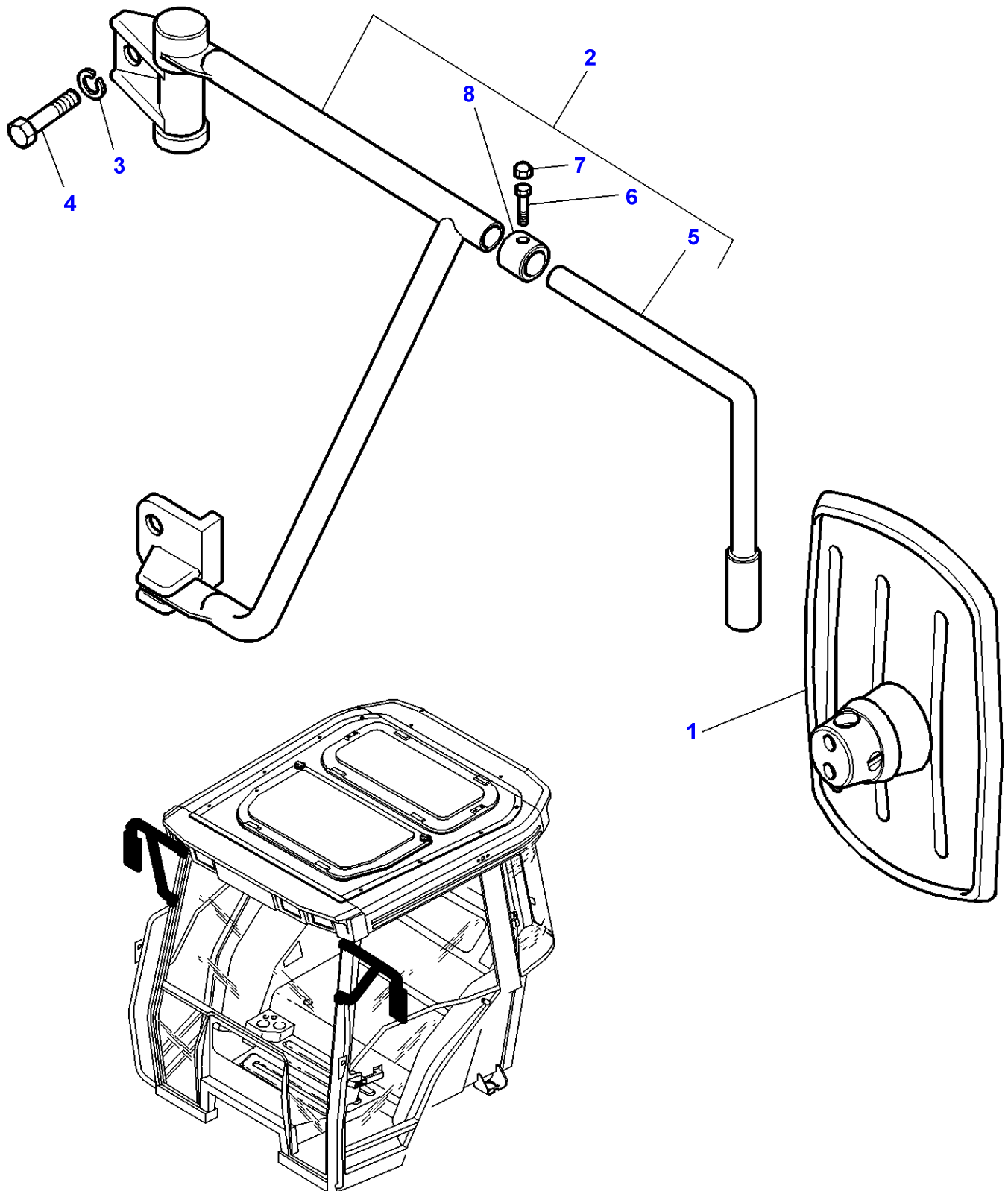
MF 8170 TRACTOR - 1637359
1-AW06-602-B



Massey Ferguson**MF 8170 TRACTOR - 1637359****1637359****Electrical Wiring - Tractor Cab****Page 110-0130**

Item	Part Number	Qty	Description	Comments
1	3010506X1	1	Screw	M5X16
	3010578X1	1	Screw	M5X10
2	3713356M1	1	Support	
3	3713127M1	1	Electric Socket	
4	3000926X1	2	Screw	
5	3714515M1	1	Harness	
6	3010477X1	2	Nut Metric	
7	3714566M1	1	Harness	
8	3778938M91	1	Wire	
9	3712661M1	1	Fuse	(8) 30 AMP
10	3387578M1	1	Clamp	
11	3714516M1	1	Harness	
12	3760032M1	1	Electrical Plug	
13	3617848M91	1	Lighter	
14	3405185M1	1	Bulb 12v 1.2w	(13)

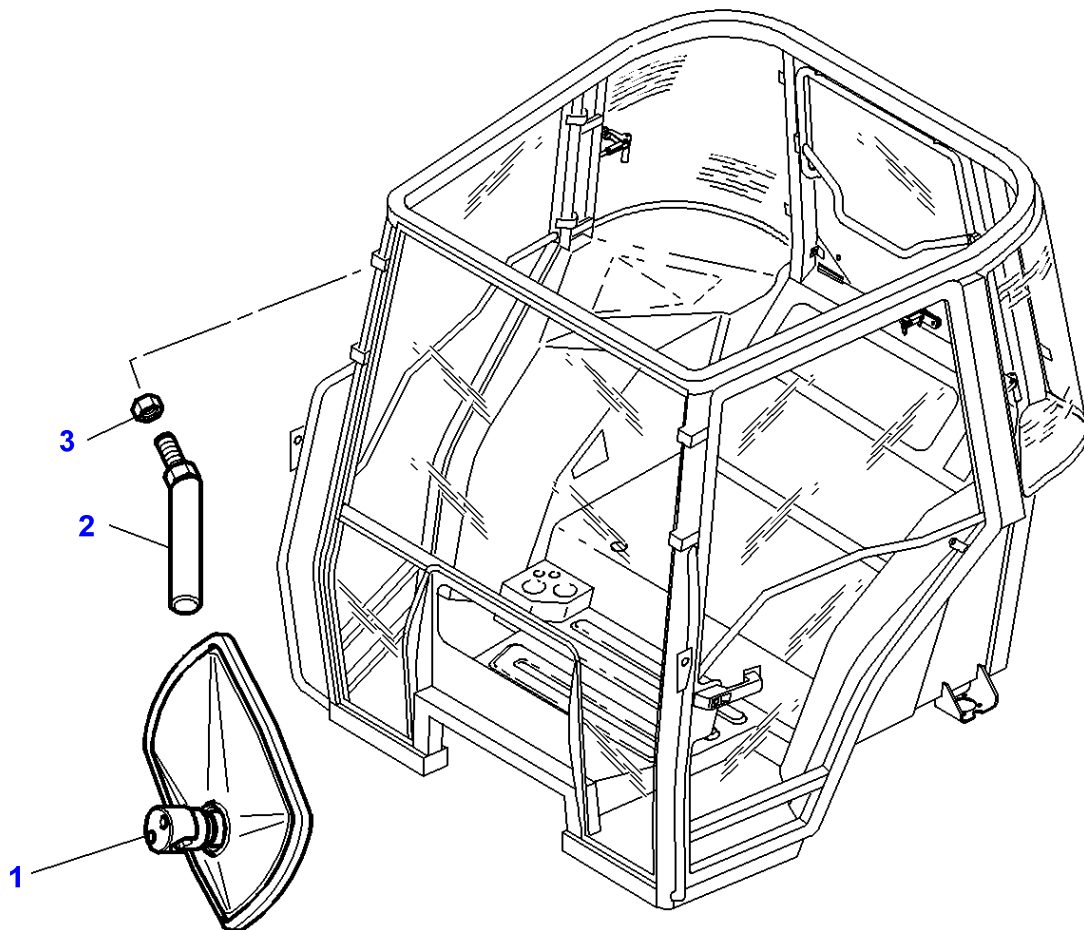
1-AU29-604-A



Massey Ferguson**MF 8170 TRACTOR - 1637359****1637359****Tractor Cab - External Mirrors****Page 110-0135**

Item	Part Number	Qty	Description	Comments
1	3806615M91	1	Mirror	
2	3806612M91	1	Arm	Left Hand
	3806613M91	1	Arm	Right Hand
3	385361X1	4	Washer Metric	
4	339123X1	4	Hex. Sock. Screw	
5	3902610M1	1	Stem	(2)
6	339228X1	1	Screw Metric	(2)
7	3616277M1	1	Helmet	(2)
8	3902611M1	1	Sleeve	(2)

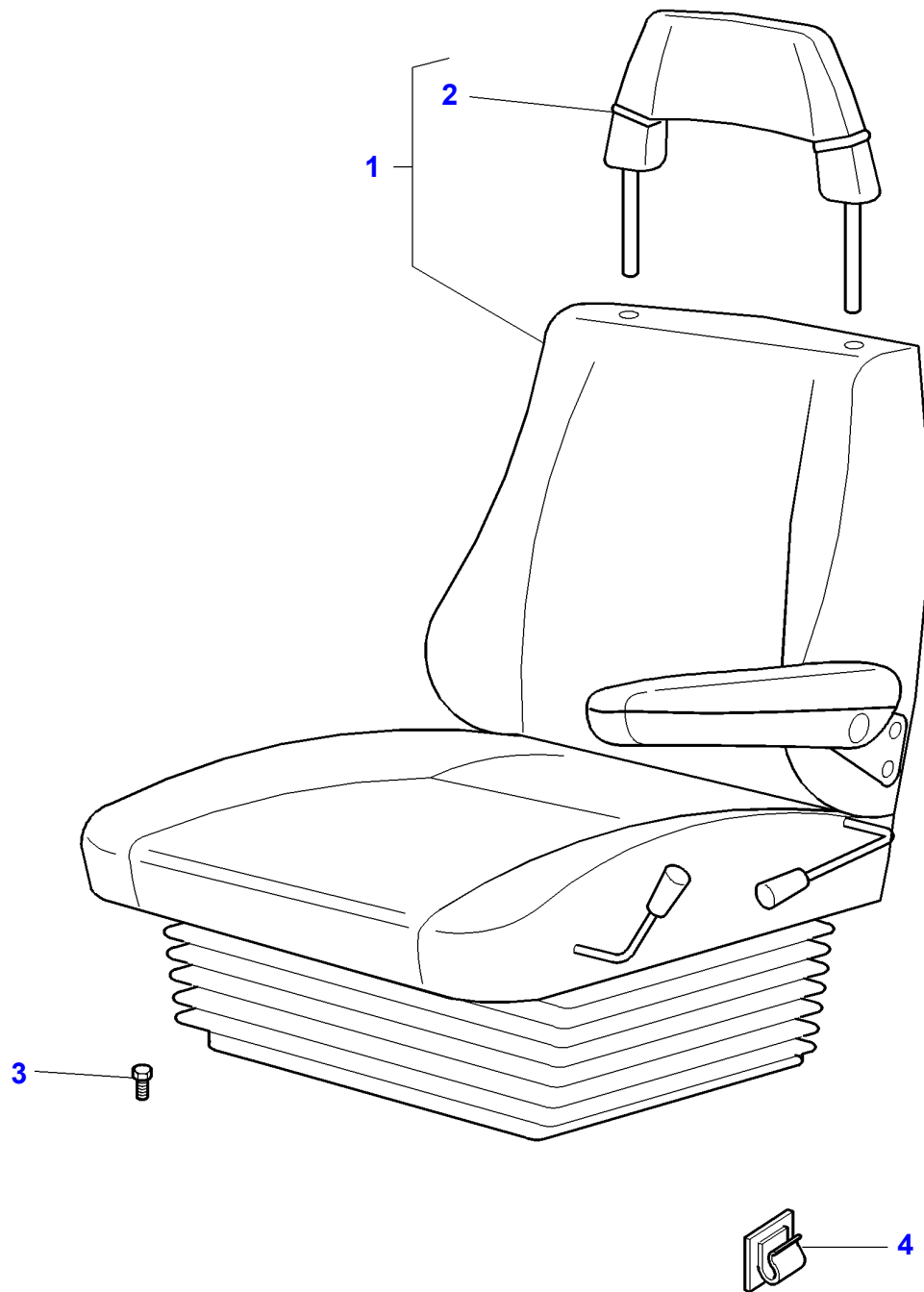
1-AU30-601-A



Massey Ferguson**MF 8170 TRACTOR - 1637359****1637359****Tractor Cab - Internal Mirrors****Page 110-0140**

Item	Part Number	Qty	Description	Comments
1	3806618M91	1	Mirror	
2	3778091M1	1	Clevis Pin	Replace and repair. Old not interchangeable with new 3713999M1
3	3009693X1	1	Nut Metric	M10

1-AV07-608-A

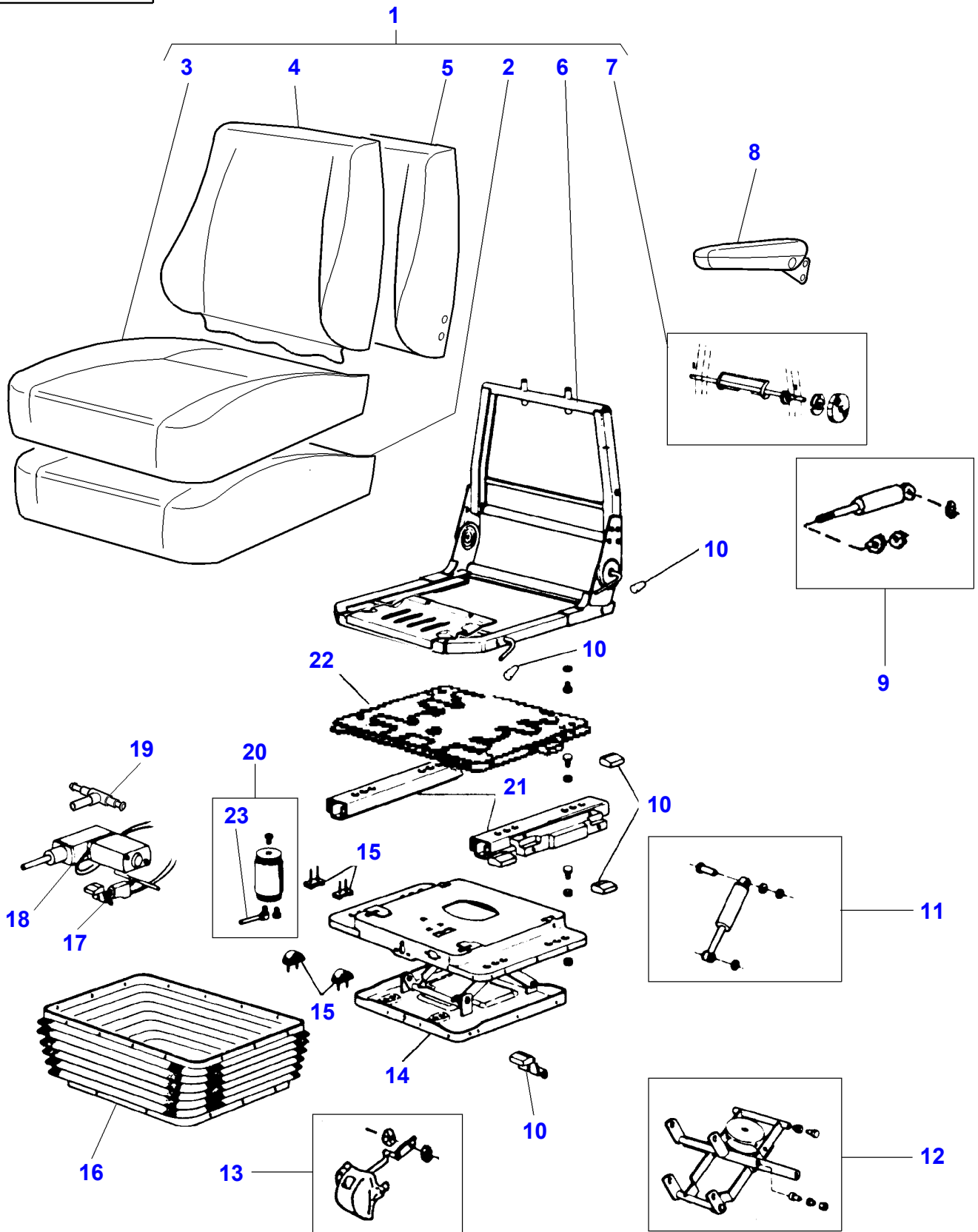


Massey Ferguson**MF 8170 TRACTOR - 1637359****1637359****Main Seat - Air Pressure Seat****Page 110-0145**

Item	Part Number	Qty	Description	Comments
1	3778462M91	1	Seat	See Page - Reference Number 110-0150
2	3712877M1	1	Head Rest	
3	339123X1	4	Hex. Sock. Screw	8X20MM
4	3583514M1	1	Strap	

MF 8170 TRACTOR - 1637359
1-AV07-606-B

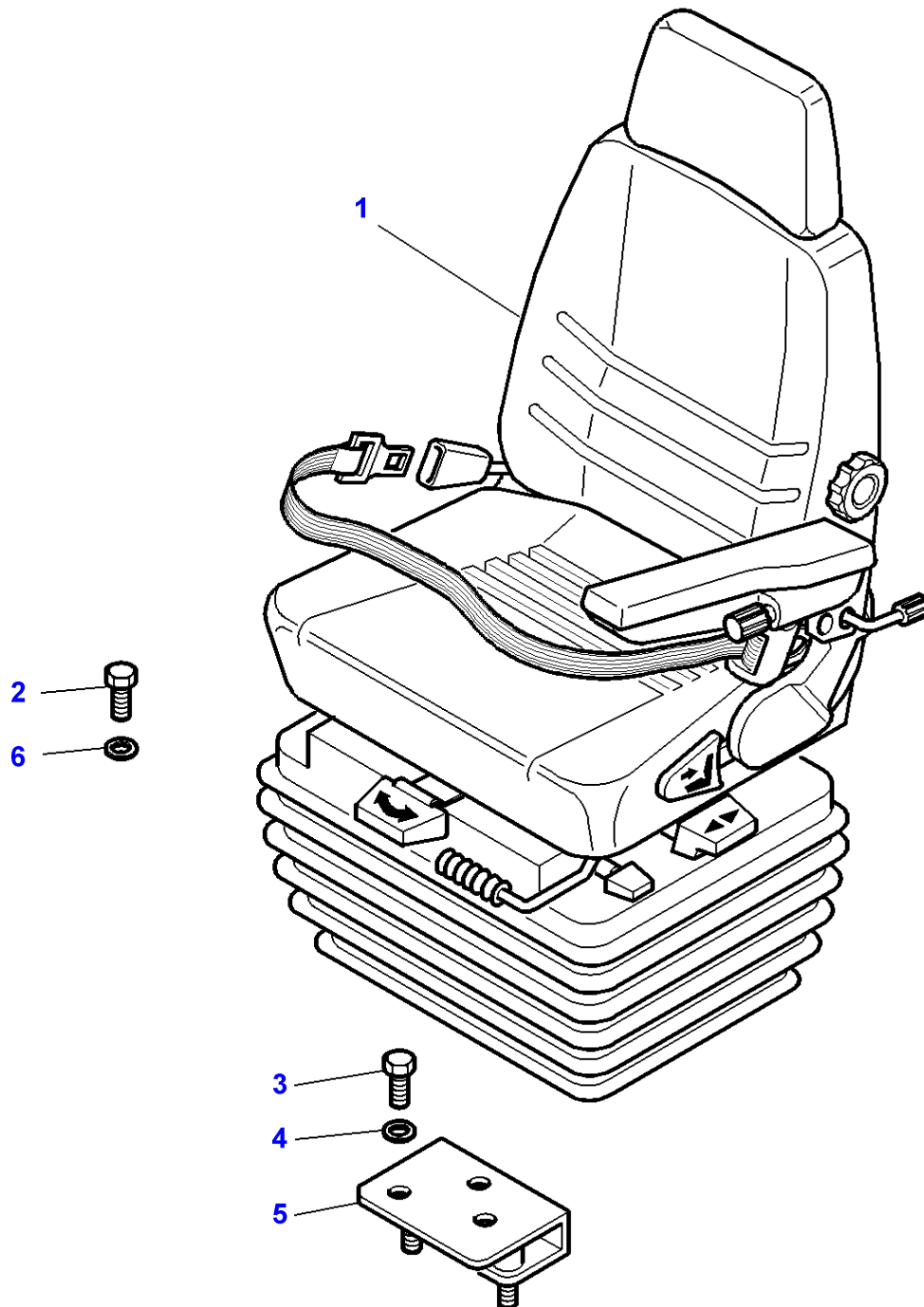
1-AV07-606-B



Main Seat - Air Pressure Seat

Item	Part Number	Qty	Description	Comments
1	3902880M91	1	Seat	
2	3902179M91	1	Facing	(1)
3	3902160M91	1	Seat Cover	(1)
4	3902166M91	1	Seat Cover	(1)
5	3902165M91	1	Facing	(1)
6		1	Frame	(1)
				Not serviced, order REF No 1
7	3902158M91	1	Kit, Repair	(1)
8	3902803M91	1	Kit, Armrest	
9	3902663M91	1	Kit, Repair	
10	3902157M91	1	Kit, Repair	
11	3902184M91	1	Kit, Repair	
12	3902187M91	1	Kit, Repair	
13	3902664M91	1	Parts Pack	
14	3902186M91	1	Suspension	
15	3902173M91	1	Kit, Stop	
16	3902185M91	1	Bellows	
17	3902640M91	1	Kit, Valve	
18	3901538M91	1	Kit, Compressor	
19	3902501M91	1	Parts Pack	
20	3902182M91	1	Kit, Repair	
21	3902172M92	1	Kit, Guide	
22	3902805M91	1	Plate	
23	3902957M1	1	Elbow	(20)

1-AV01-528-A



Seat - Grammer

Item	Part Number	Qty	Description	Comments
1	3779611M91	1	Seat	[B] See Page - Reference Number 110-0160/1 See Page - Reference Number 110-0165/1 RED
2	391989X1	4	Screw Metric	M8x20
	1441000X1	4	Screw Metric	M8x16
3	339124X1	3	Hex. Sock. Screw	M8x16
4	390972X1	3	Washer Metric	M8
5	3780410M1	1	Plate	
6	390972X1	4	Washer Metric	M8

FOOTNOTE [A] WITH MANUAL ADJUSTMENT

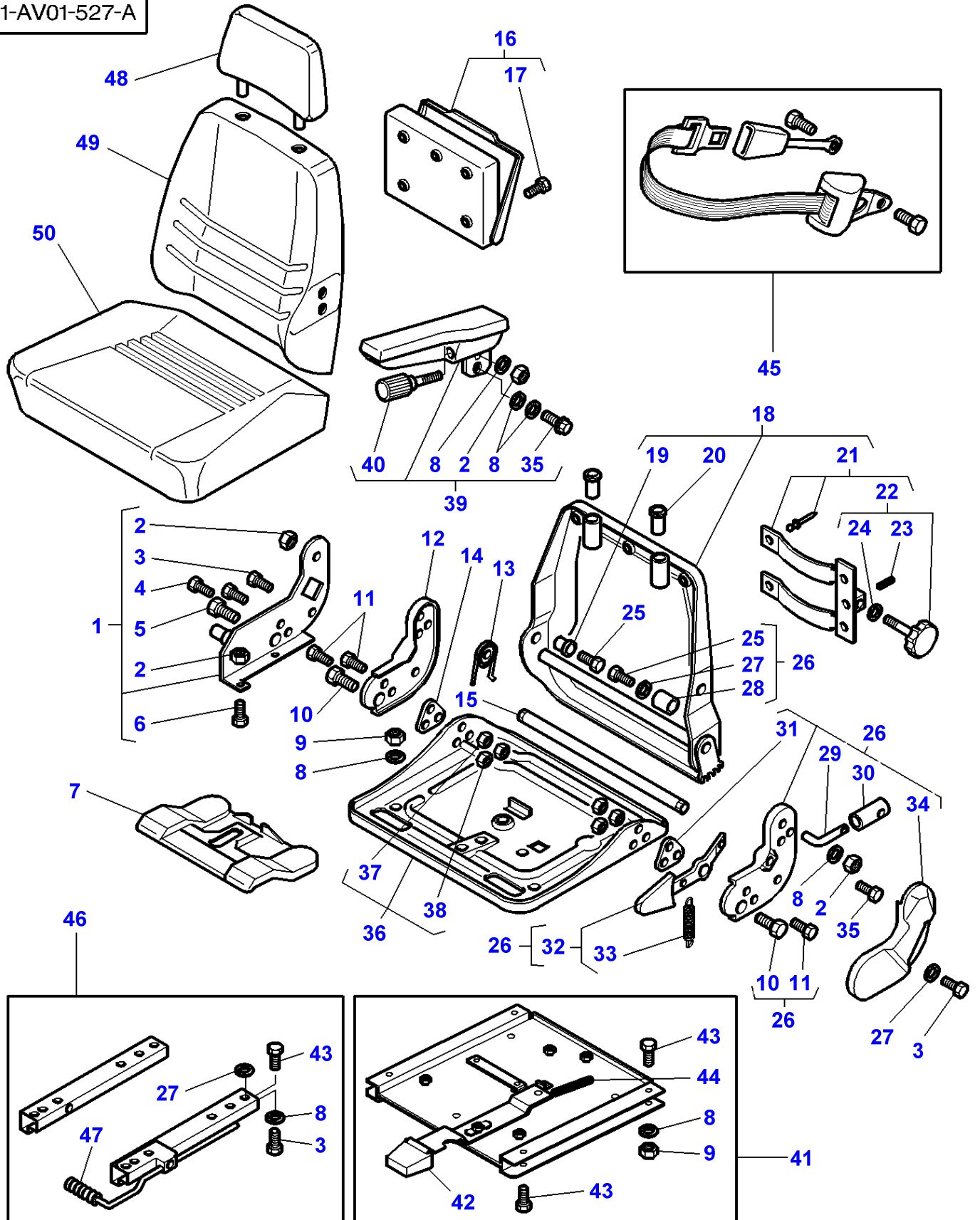
FOOTNOTE [B] WITH AUTOMATIC ADJUSTMENT

FOOTNOTE [C] FOR CAB 5016850 & 5016851 (MF)

FOOTNOTE [D] FOR CAB 5016524 / 525 / 526 / 527

MF 8170 TRACTOR - 1637359
1-AV01-527-A

1-AV01-527-A



Seat - Grammer

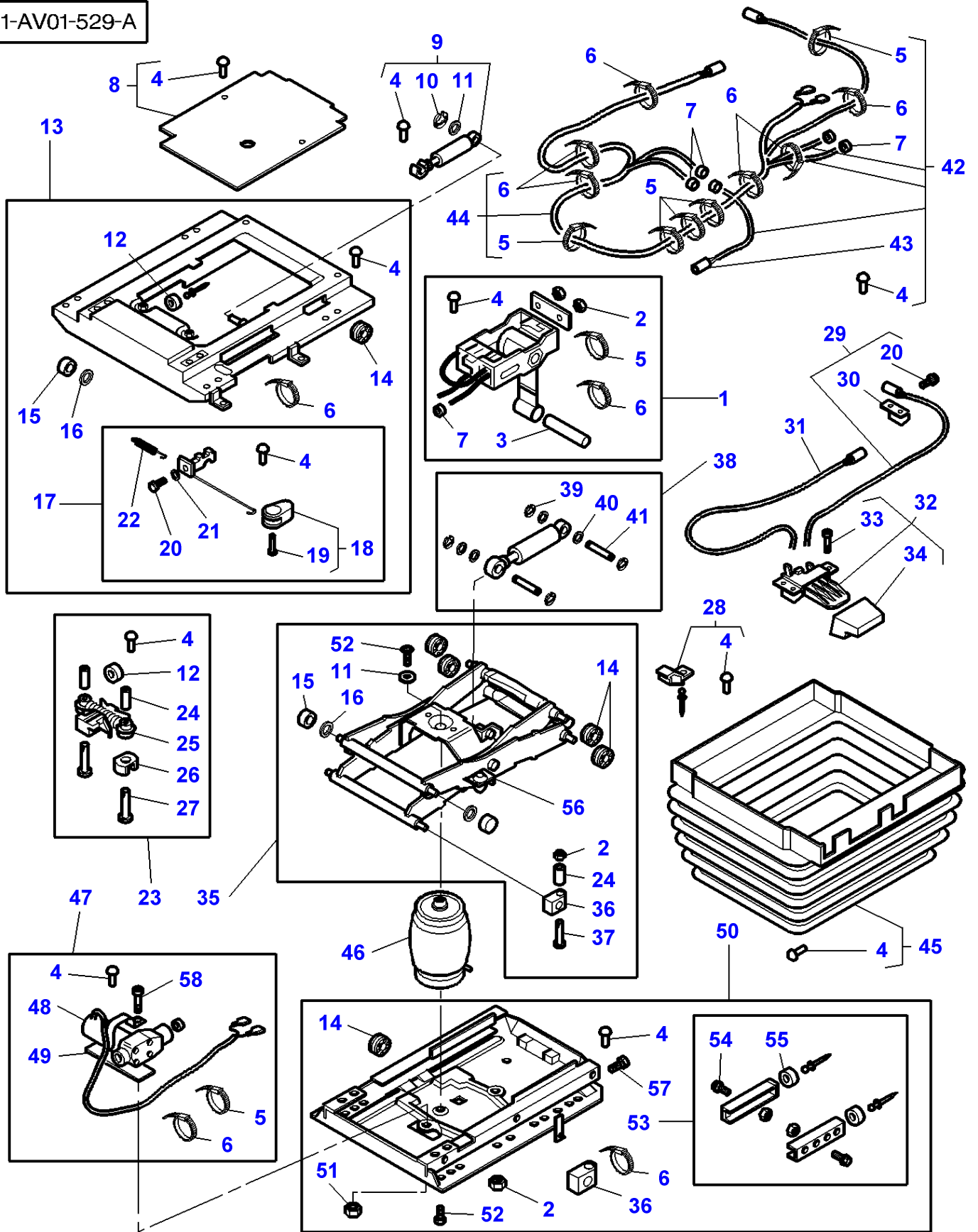
Item	Part Number	Qty	Description	Comments
1	3903086M91	1	Support	
2	1441461X1	3	Locknut	M8
3	391148X1	3	Screw	M8x20
4	1440349X1	2	Screw Metric	M8x30
5	3903094M1	1	Screw	Diameter 7/16"-20 Length 35 MM
6	3009439X1	1	Screw	M8x16
7	3903084M91	1	Driven Plate	
8	390972X1	11	Washer Metric	Diameter 8 MM
9	339169X1	4	Nut	M8
10	353561X1	2	Screw Unf	Diameter 7/16"-20 Length 30 MM
11	391990X1	4	Screw	M8x25
12	3105795M1	1	Support	
13	3105793M1	1	Spring	
14	3903073M1	1	Plate	
15	3903074M1	1	Tube	
16	3903085M91	1	Pocket	
17	3903093M1	4	Screw	Diameter 4 MM
18	3903070M91	1	Frame	
19	3903075M1	1	Insert	
20	3101494M1	2	Bush	
21	3903071M91	1	Support	
22	3903072M91	1	Stem	
23	3009322X1	1	Spirol Pin	Diameter 3 MM Length 18 MM
24	1444351X1	1	Washer	Diameter 13 MM
25	339287X1	2	Screw Metric	M8x35
26	3903079M91	1	Driven Plate	
27	391039X1	5	Washer Metric	Diameter 8 MM
28	3903076M1	1	Tube	
29	3903080M1	1	Lever	
30	3903081M1	1	Handle	
31	3903077M1	1	Plate	
32	3903078M91	1	Lever	
33	3105797M1	1	Spring	
34	3903082M1	1	Housing	
35	3101996M1	1	Screw Special	M8x16
36	3903083M91	1	Frame	
37	339169X1	4	Nut	M8
38	353428X1	2	Nut Unf	Diameter 7/16"-20
39	3903099M91	1	Armrest	
40	3903098M1	1	Stem	
41	3903100M91	1	Plate	
42	3903102M1	1	Handle	
43	1441000X1	12	Screw Metric	M8x16
44	3903101M1	1	Spring	
45	3903092M1	1	Safety Belt	
46	3903088M91	1	Kit, Guide	
47	3903087M1	1	Handle	
48	3779612M1	1	Head Rest	RED
49	3903118M1	1	Cushion	RED
50	3903117M1	1	Cushion	RED

FOOTNOTE [A] FOR CAB 5016850 & 5016851 (MF)

FOOTNOTE [B] FOR CAB 5016524 / 525 / 526 / 527

MF 8170 TRACTOR - 1637359
1-AV01-529-A

1-AV01-529-A

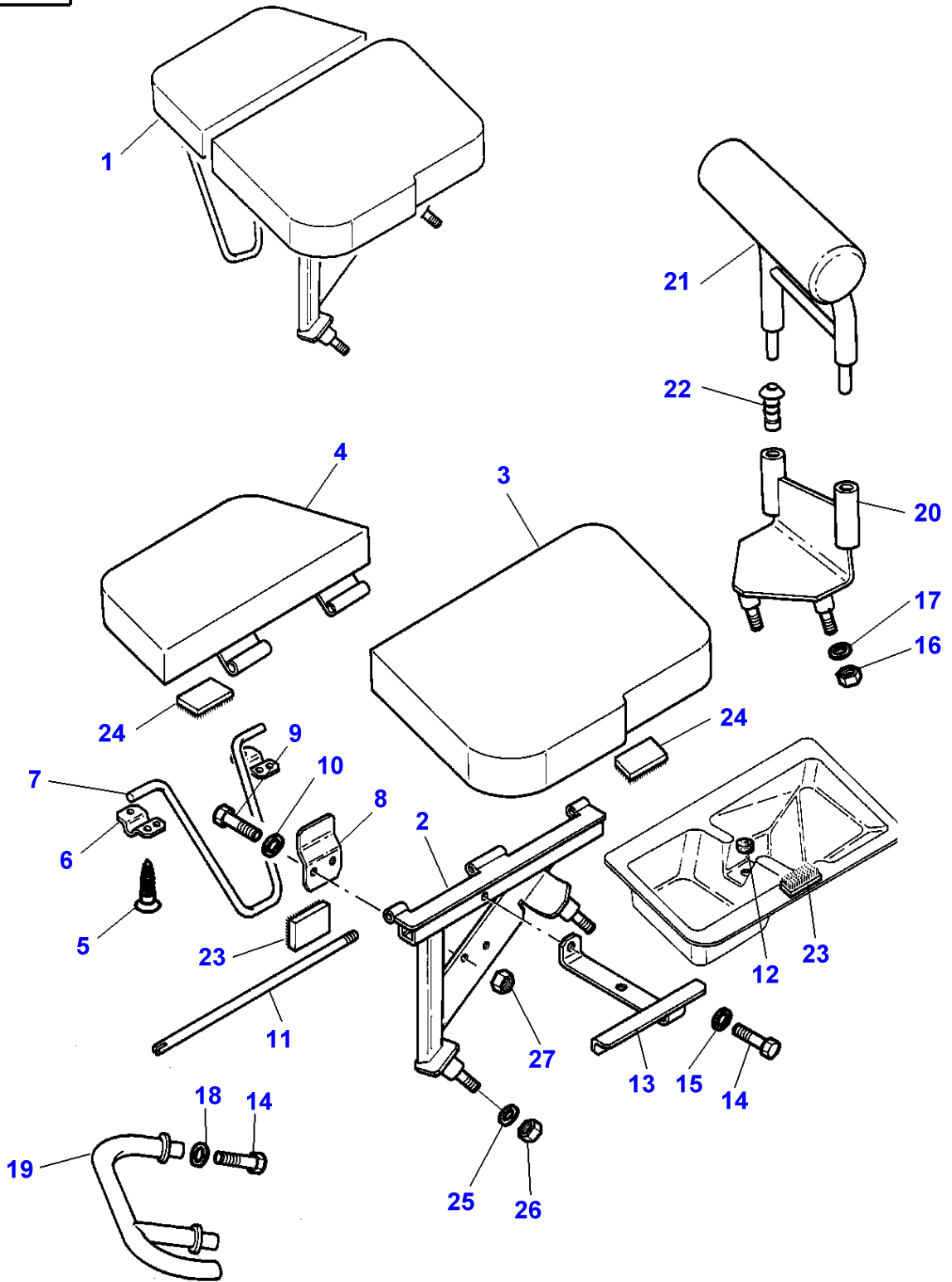


Item	Part Number	Qty	Description	Comments
1	3903129M91	1	Lever	
2	1441461X1	4	Locknut	M8
3	3903130M1	1	Clevis Pin	
4	1719896M1	24	Plug	
5	3903068M1	4	Tie	4,7x204 MM
6	3105397M1	5	Cable Clamp	2,5x102 MM
7	3903052M1	4	Olive	
8	3903037M91	1	Housing	
9	3903039M91	1	Shock Absorber	Replace and repair. Old not interchangeable with new 3903131M91
10	1441206X1	1	Lock Washer	Diameter 6 MM
11	390972X1	2	Washer Metric	Diameter 8,4 MM
12	3903040M1	1	Buffer	
13	3903132M91	1	Suspension	
14	3903050M1	4	Roller	
15	3105382M1	2	Bearing Needle	
16	3903048M1	2	Ring	
17	3903045M91	1	Rod Link	
18	3903180M91	1	Handle	Replace and repair. Old not interchangeable with new 3903134M91
19	3903065M1	1	Screw	4x14
20	3903064M1	2	Screw	3,5x12 MM
21	339362X1	1	Washer	Diameter 4,3 MM
22	3903044M1	2	Spring	
23	3903032M91	1	Shock Absorber	
24	3105404M1	4	Tube	
25	3903033M1	2	Insert	
26	3903034M1	2	Buffer	
27	339287X1	2	Screw Metric	M8x35
28	3903036M1	2	Stop	
29	3903138M91	1	Cable	
30	3903136M1	1	Support	
31	3903137M91	1	Cable	
32	3903043M91	1	Selector	
33	3903063M1	3	Screw	M5x16
34	3903042M1	1	Handle	
35	3903047M91	1	Suspension	
36	3903049M1	2	Bearing Carrier	
37	3903066M1	2	Screw	
38	3903058M91	1	Shock Absorber	
39	390287X1	4	Lock Washer	
40	3101663M1	4	Washer	
41	3903035M1	2	Clevis Pin	
42	3903141M91	1	Hydr Hose	
43	3105395M1	2	Hose Clip	
44	3903140M91	1	Cable	
45	3903139M91	1	Bellows	
46	3903051M91	1	Accumulator	
47	3903057M91	1	Compressor	
48	3903053M1	1	Clamp	
49	3903054M1	1	Plate	
50	3903059M91	1	Fit Plate Seat	
51	339169X1	1	Nut	M8
52	3903067M1	2	Screw	M8x20
53	3903062M1	1	Stop	
54	3101996M1	2	Screw Special	M8x16
55	3102401M1	2	Buffer	
56	1719867M1	2	Protector	
57	3000926X1	1	Screw	M5x10
58	3001414X1	1	Screw Metric	M8x12
59	3903135M91	1	Kit, Repair	[A,B]

FOOTNOTE [A] INCLUDE ITEM 2/4/5/6/11/12/14/15/16/24/25/ 26/36/51/52/53/56/58

FOOTNOTE [B] NOT ILLUSTRATED

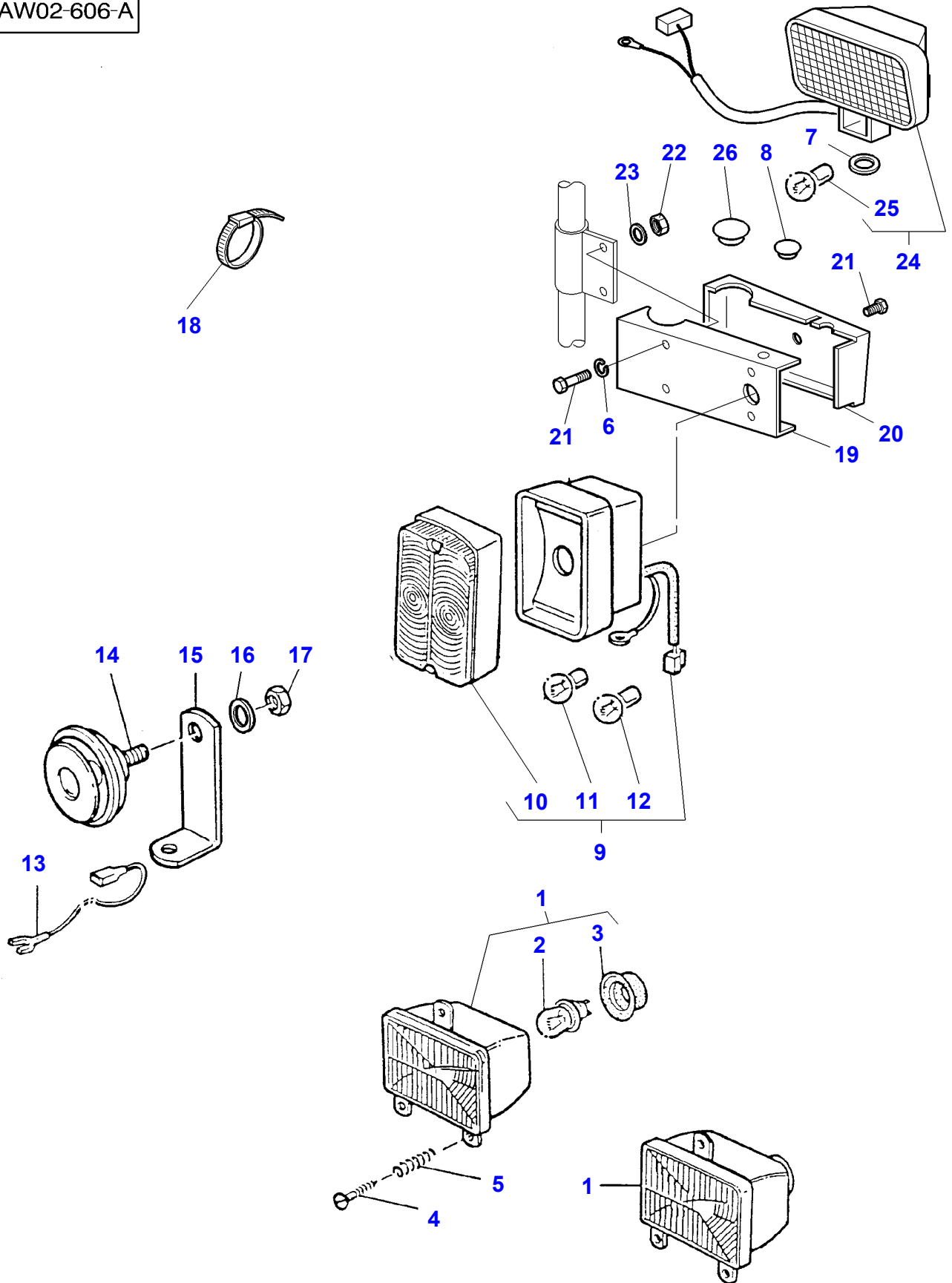
1-AV03-602-B



Secondary Seat

Item	Part Number	Qty	Description	Comments
1	3713829M92	1	Seat	Up to Serial or Engine Number G139000
	3779641M92	1	Seat	From Serial or Engine Number G139001
2	3712855M3	1	Support	(1)
3	3712853M1	1	Cushion	(1)
	3779636M1	1	Cushion	Up to Serial or Engine Number G139000 (1)
				From Serial or Engine Number G139001
4	3712854M1	1	Cushion	(1)
	3779634M1	1	Cushion	Up to Serial or Engine Number G139000 (1)
				From Serial or Engine Number G139001
5	3713140M1	6	Screw	(1)
6	3712859M1	2	Bridle	(1)
7	3712861M1	1	Stand	(1)
8	3712856M1	1	Hook	
9	339666X1	2	Hex. Sock. Screw	M6X20
10	390971X1	2	Washer	
11	3712899M1	1	Stem	(1)
12	3616277M1	1	Helmet	
13	3712860M1	1	Angle	(1)
14	339124X1	2	Hex. Sock. Screw	M8X16
15	390972X1	1	Washer Metric	
16	394367X1	3	Locknut	M8X35
17	390972X1	3	Washer Metric	Diameter 8MM
18	3010467X1	2	Washer	
19	3713139M1	1	Foot Rest	
20	3712857M2	1	Support	
21	3712919M1	1	Back Rest	Up to Serial or Engine Number G139000
	3779638M1	1	Back Rest	From Serial or Engine Number G139001
22	3713138M1	2	Guide Bush	
23	3714101M1	2	Band	
24	3714102M1	2	Band	
25	390972X1	2	Washer Metric	
26	394367X1	2	Locknut	
27	1441500X1	2	Locknut	M6

1-AW02-606-A



Lighting Equipment - Front

Item	Part Number	Qty	Description	Comments
1	3713799M91	2	Headlamp	[A]
	3713798M91	2	Headlamp	[B]
2	961866M1	1	Bulb H/L 45/40w	(1)
3	3388264M1	1	Cap	(1)
4	3388265M1	6	Screw Special	[A,B] (1)
5	3388266M1	6	Spring	[A,B] (1)
6	1441100X1	4	Washer	
7	385362X1	2	Washer Metric	
8	1699036M1	2	Plug	[C] Diameter 5MM
9	3714184M91	2	Light	[E]
10	3105505M1	1	Lens	(9)
11	1420037M1	1	Bulb 12v 5w	(9)
12	621235M1	1	Bulb 12v 21w Sbc	(9)
13	3042257M1	1	Earth Strap	
14	1678404M1	1	Horn	
15	656632M4	1	Bracket	
16	339374X1	1	Lock Washer	
17	339169X1	1	Nut	
18	3619622M1	10	Cable Tie	
19	3714316M2	1	Extension	Left Hand
	3714317M2	1	Extension	Right Hand
20	3714858M1	1	Case Assy	Left Hand
	3714857M1	1	Case Assy	Right Hand
21	3010578X1	6	Screw	M5X10
22	390995X1	4	Nut Metric	M5
23	390469X1	4	Washer Metric	
24	3714399M92	2	Lamp	
25	1628494M1	2	Bulb H3	(24)
26	1699925M1	2	Plug	[C] Diameter 11MM

FOOTNOTE [A] WHITE BULB.FOR RH DRIVING

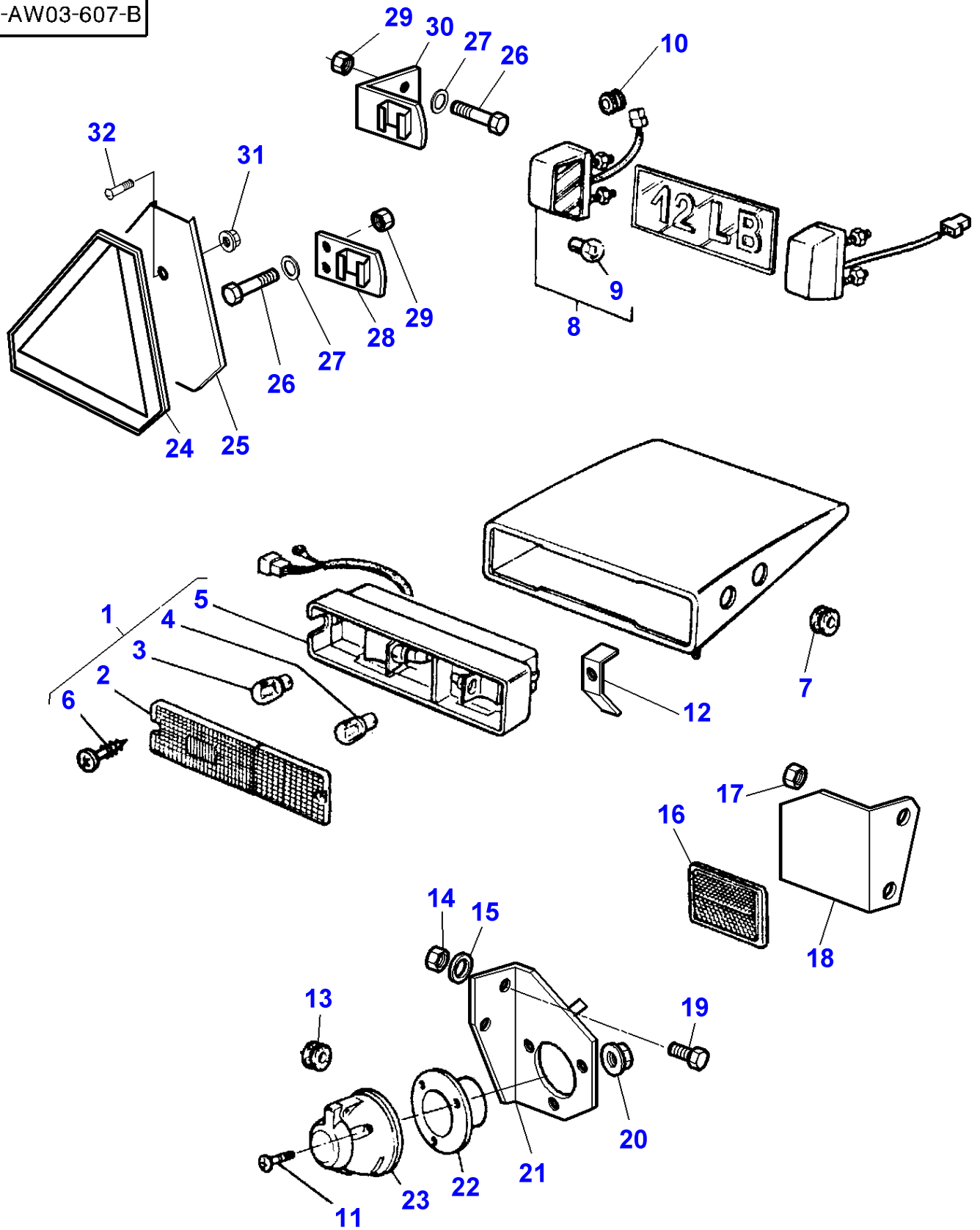
FOOTNOTE [B] WHITE BULB.FOR LH DRIVING

FOOTNOTE [C] WITHOUT FRONT WORKING LIGHTS EXTENSION

FOOTNOTE [E] WITH TRAFFIC INDICATOR

MF 8170 TRACTOR - 1637359
1-AW03-607-B

1-AW03-607-B

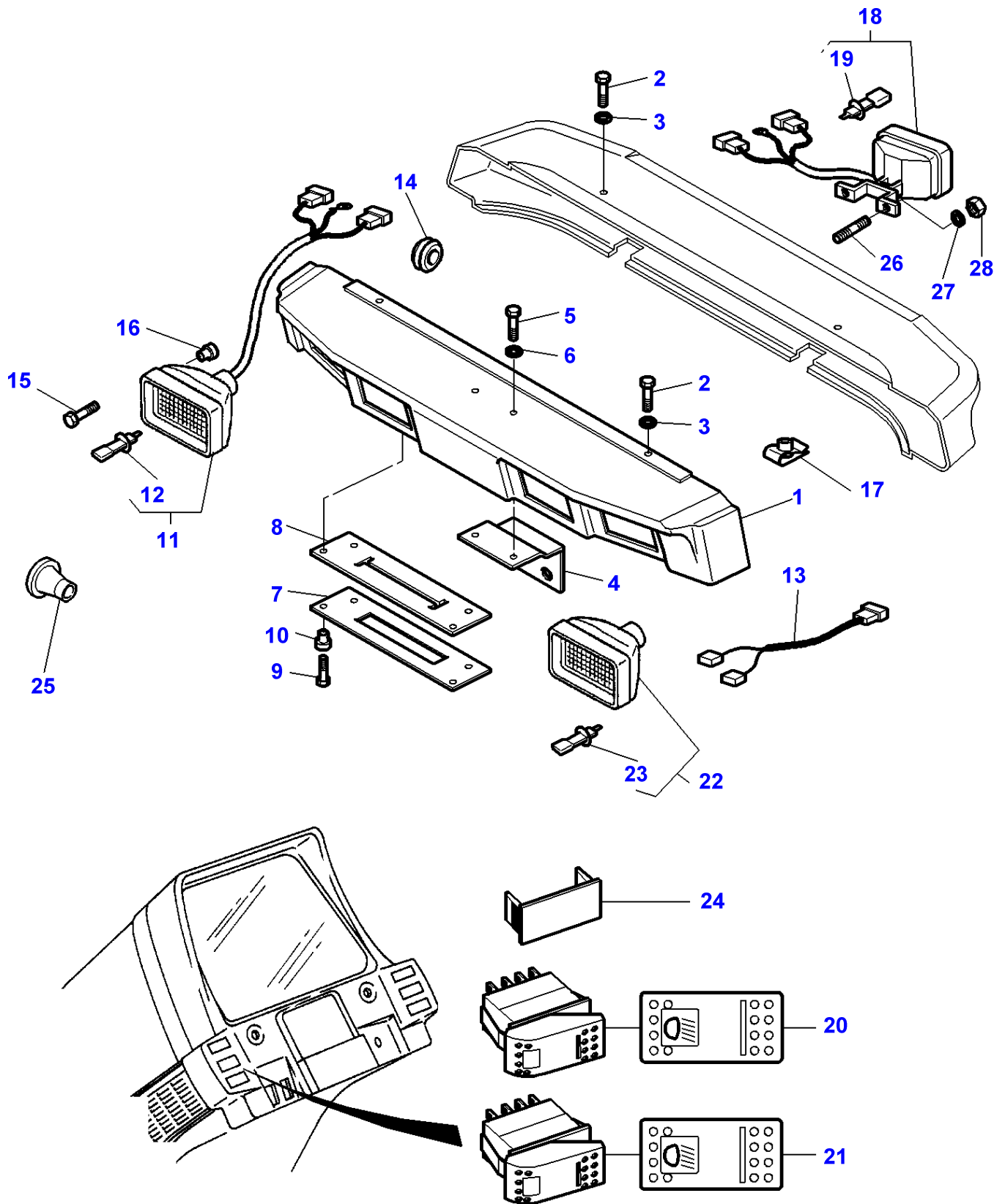


Lighting Equipment - Rear

Item	Part Number	Qty	Description	Comments
1	3713911M92	2	Light	
2	3105050M1	1	Reflector	(1)
3	621235M1	1	Bulb 12v 21w Sbc	(1)
4	908543M1	1	Bulb S/L 21/5w	(1)
5		1	Case Assy	(1) Not serviced, order REF.NO1
6	3001725X1	2	Screw	(1)
7	3580984M1	2	Grommet	
8	3619018M91	2	N/Plate Lamp	
9	3002706X1	1	Bulb 12v 10w	(8)
10	338977X1	1	Grommet	Diameter 8-16
	3301815M1	1	Grommet	Diameter 14-19
11	3009538X1	3	Screw	M5X35
12	3713696M1	4	Bridle	
13	367439X1	2	Grommet	Diameter 15-25
14	339169X1	2	Nut	
15	22428X	2	Lock Washer	
16	3581703M1	2	Reflector	
17	339495X1	4	Nut	M16
18	3778910M2	1	Support	Left Hand
	3778911M2	1	Support	Right Hand
19	339123X1	2	Hex. Sock. Screw	M8X20
20	3010477X1	3	Nut Metric	
21	3580408M1	1	Support	
22	3041656M1	1	Plate	
23	409965M1	1	Socket 7 Pin Sup	
24	3712185M1	1	Triangle	
25	3389910M92	1	Plate	
26	339123X1	4	Hex. Sock. Screw	M8X20
27	339374X1	4	Lock Washer	
28	3714371M91	1	Support	
29	339169X1	4	Nut	
30	3389907M92	1	Reflector Mtg.	
31	3010477X1	2	Nut Metric	
32	3580257M1	2	Screw	M5X20

MF 8170 TRACTOR - 1637359
1-AW05-608-B

1-AW05-608-B



Field Lights

Item	Part Number	Qty	Description	Comments
1	3712830M1	1	Visor	[A]
2	339666X1	4	Hex. Sock. Screw	M6X20
3	391038X1	4	Washer	
4	3714426M1	1	Support	
5	339666X1	2	Hex. Sock. Screw	M6X20
6	391038X1	2	Washer	
7	3714459M3	1	Plate	
8	3714460M1	1	Protector	
9	3010559X1	4	Screw	M4X12
10	3713803M1	4	Nut	M4
11	3713134M91	4	Headlamp	[E,F]
	3713132M91	2	Headlamp	[C]
12	1628494M1	4	Bulb H3	(11)
13	3713339M1	4	Harness	
14	3714694M1	3	Grommet	Diameter 7/21
15	3009535X1	8	Screw	M4X30
16	3019139X1	8	Nut	M4
17	3010070X1	2	Nut	M6
18	3713130M91	2	Lamp	[C]
19	1628494M1	4	Bulb H3	(18)
20	3715189M1	1	Switch,Indirect	
21	3715189M1	1	Switch,Indirect	
22	3713137M1	2	Lamp	
23	3713341M1	2	Bulb 12v 60/55w	(22) H4
24	3713151M1	X	Tap	
25	833062M1	2	Grommet	
26	1440022X1	4	Stud	M8X20
27	390972X1	4	Washer Metric	
28	339169X1	4	Nut	

FOOTNOTE [A] WITH 4 HEADLAMPS

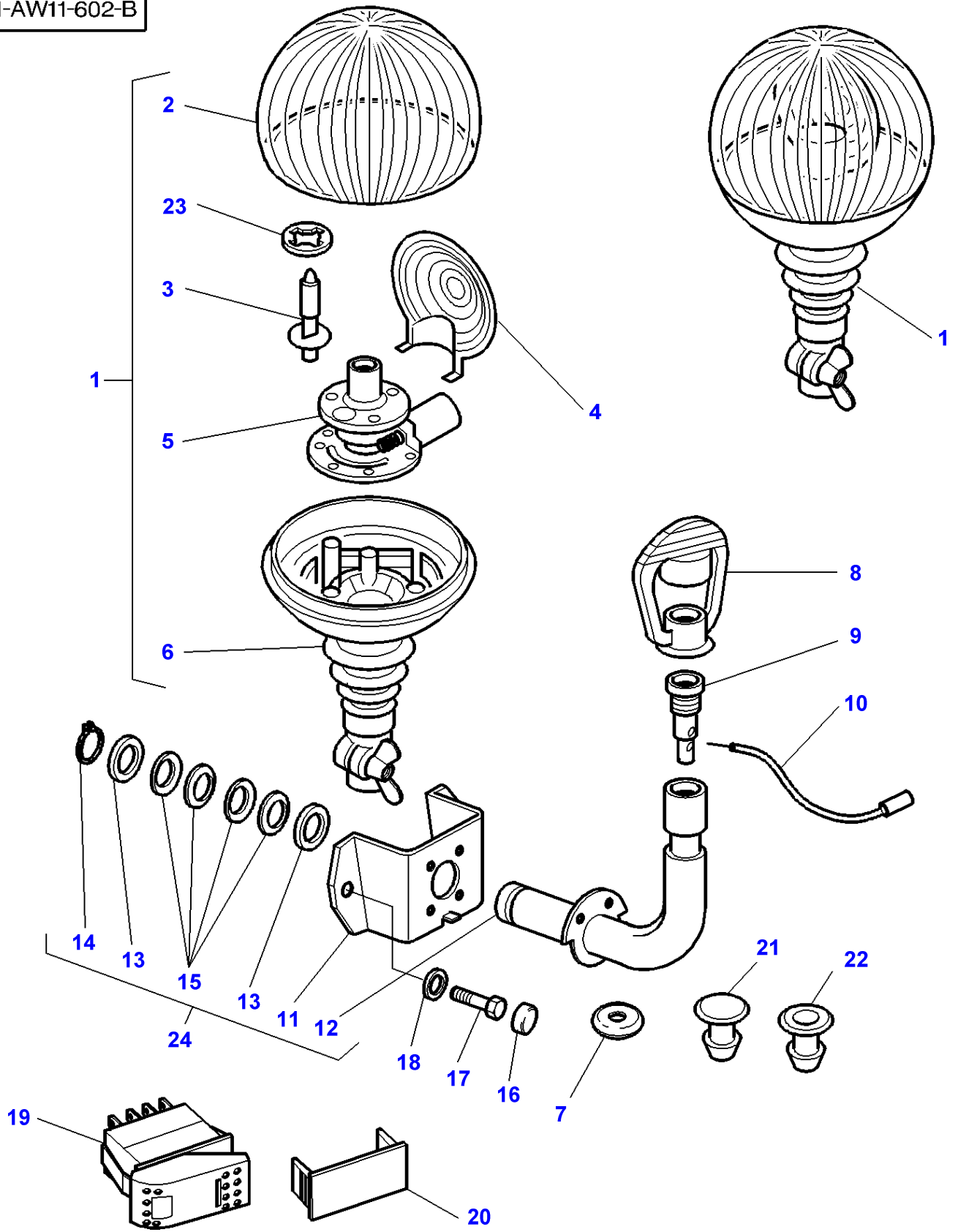
FOOTNOTE [C] WITH 2 BULB WORKLIGHT

FOOTNOTE [E] WITH 1 BULB WORKLIGHT

FOOTNOTE [F] INCLUDE ITEM 13

MF 8170 TRACTOR - 1637359
1-AW11-602-B

1-AW11-602-B



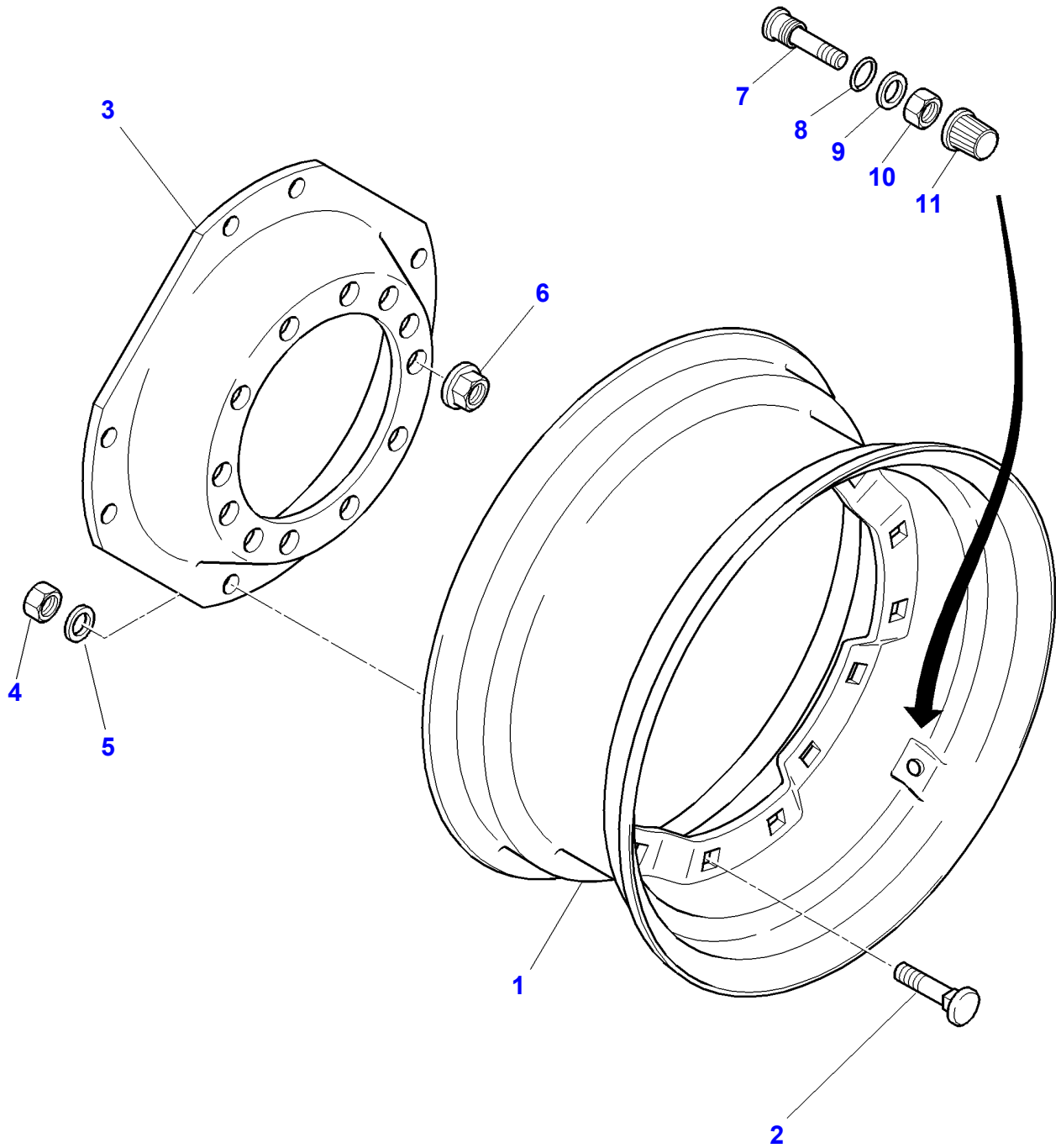
Lighting Kits

Item	Part Number	Qty	Description	Comments
1	3715144M92	1	Turning Light	[A]
2	3902469M1	1	Lens	(1)
3	3405180M1	1	Bulb 12v	(1)
4	3900282M1	1	Reflectingmirror	(1)
5	3900285M1	1	Engine	(1)
6		1	Support	(1)
				Not serviced, order REF 1
7	3714694M1	2	Grommet	
8	3617859M1	1	Helmet	
9	3617860M1	1	Intake	
10	3713260M1	1	Wire	
11	3778024M1	1	Support	(24)
12	3778023M1	1	Tube	(24)
13	3778025M1	2	Washer	(24)
				Diameter 45MM
14	3006699X1	1	Clip	(24)
15	3778094M1	4	Washer	(24)
16	3616277M1	4	Helmet	
17	339123X1	4	Hex. Sock. Screw	M8X20
18	390972X1	4	Washer Metric	
19	3713146M1	1	Switch,Indirect	
20	3713151M1	1	Tap	[B]
21	3713404M1	1	Plug	
22	3713405M2	1	Grommet	
23	3900281M1	1	Bush	(1)
24	3778093M91	1	Support	

FOOTNOTE [A] ORANGE

FOOTNOTE [B] WITHOUT ROTATING LIGHT

1-AL03-609-A

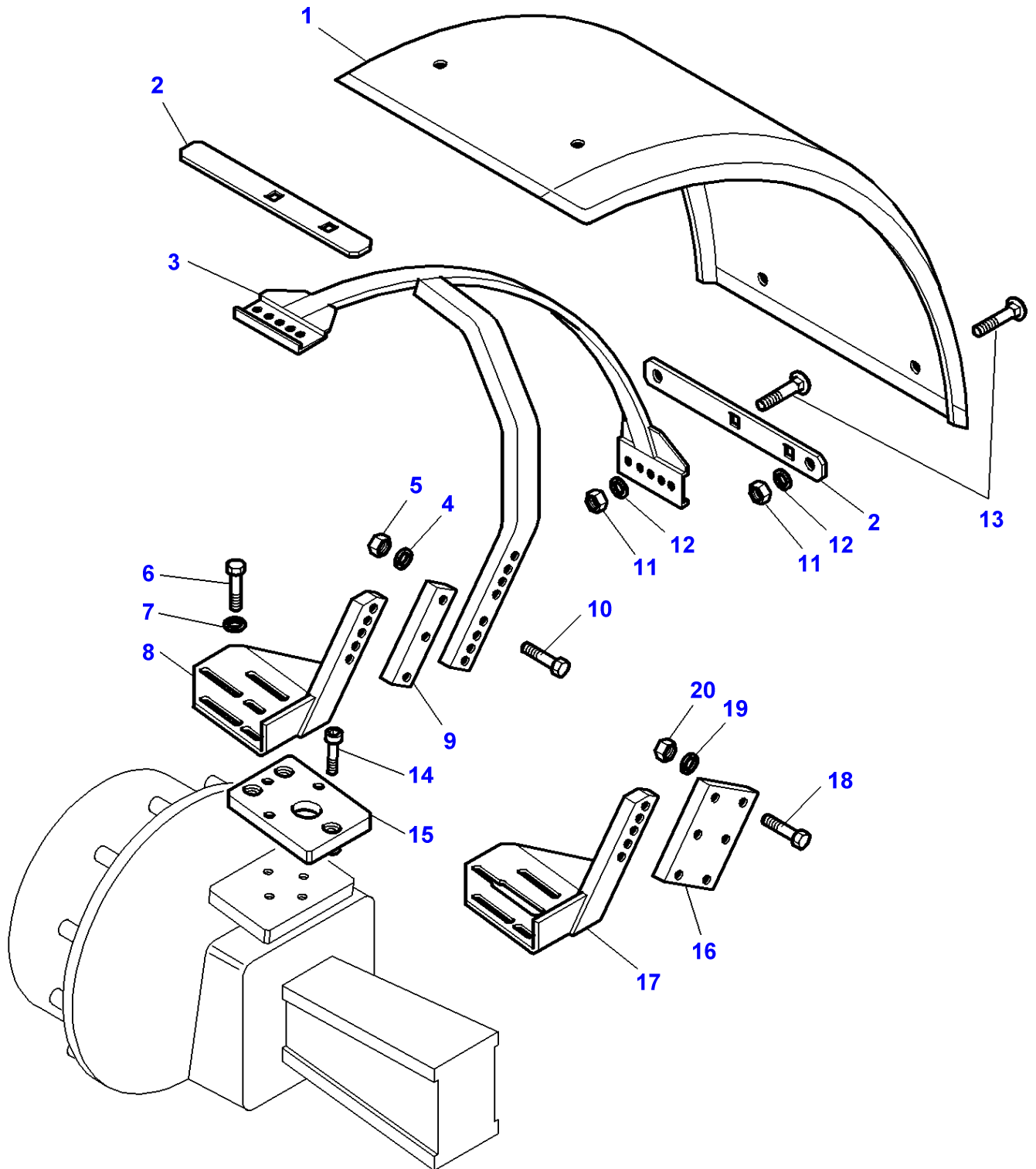


Massey Ferguson**MF 8170 TRACTOR - 1637359****1637359****Front Wheels - 4 Wheel Drive****Page 130-0005**

Item	Part Number	Qty	Description	Comments
1	72512347	2	Rim	[A] DW18L X 28
	72508987	2	Rim	DWW15L X 30
2	72506938	8	Bolt	M16X50
3	72512677	2	Disc	
4	70950947	8	Nut	
5	70937238	8	Washer	
6	3712611M2	24	Nut Special	M22
7	72514013	1	Adaptor	
8	71170390	1	Grommet	
9	71175919	1	Washer	
10	71175918	1	Nut	
11	71169204	1	Plug	

FOOTNOTE [A] USE WITH TYRES 600/70R28

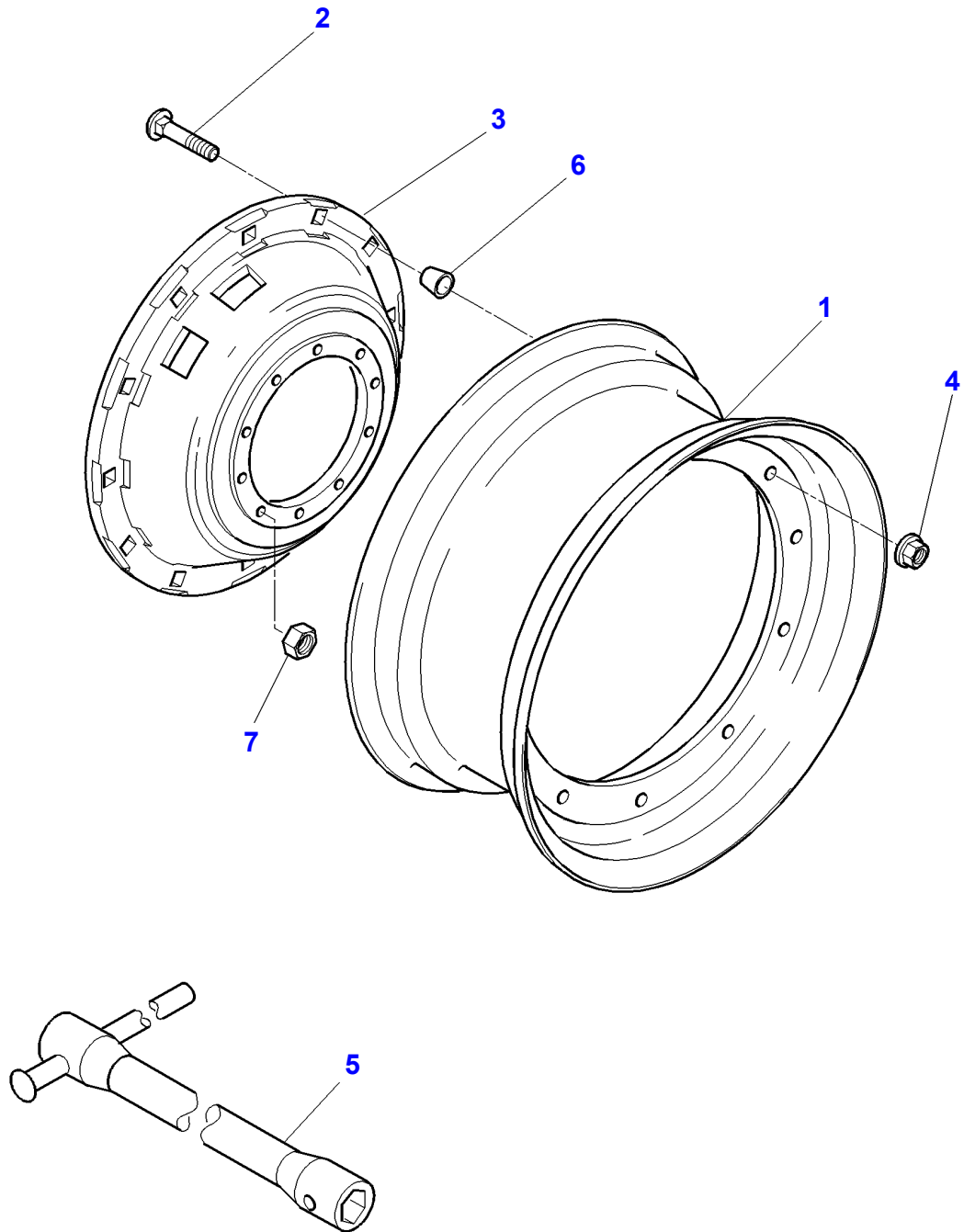
1-AK14-607-B



Front Axle 4 Wheel Drive - Mudguards And Supports

Item	Part Number	Qty	Description	Comments
1	3619229M2	2	Fender	Width 470MM
	3779567M1	2	Fender	Width 520MM
	3780467M1	2	Fender	Width 620MM
2	3777586M1	4	Plate	Length 340MM
	3777587M1	4	Plate	400MM
	3780468M1	4	Plate	Length 448MM
3	3777588M1	1	Support	Left Hand
	3777590M1	1	Support	Right Hand
4	390735X1	4	Washer	
5	3009695X1	6	Nut	
6	3009493X1	6	Hex. Sock. Screw	M10X30MM
7	3619096M1	6	Washer	
8	3777589M1	1	Support	Left Hand
	3777591M1	1	Support	Right Hand
9	3777716M1	2	Spacer	
10	3009513X1	4	Bolt Metric	M12X65MM
	3009516X1	2	Screw Metric	M12X90MM
11	392310X1	12	Nut Metric	
12	390734X1	12	Washer	
13	390809X1	12	Bolt Metric	M10X25MM
14	3009300X1	4	Screw	M12X70
	1441366X1	2	Bolt Metric	M12X40
15	3777193M2	2	Plate	
16	3779565M2	2	Spacer	
17	3780493M1	1	Support	Left Hand
	3780494M1	1	Support	Right Hand
18	3009513X1	8	Bolt Metric	M12X65
19	390735X1	8	Washer	
20	3009695X1	12	Nut	

1-AM05-611-B

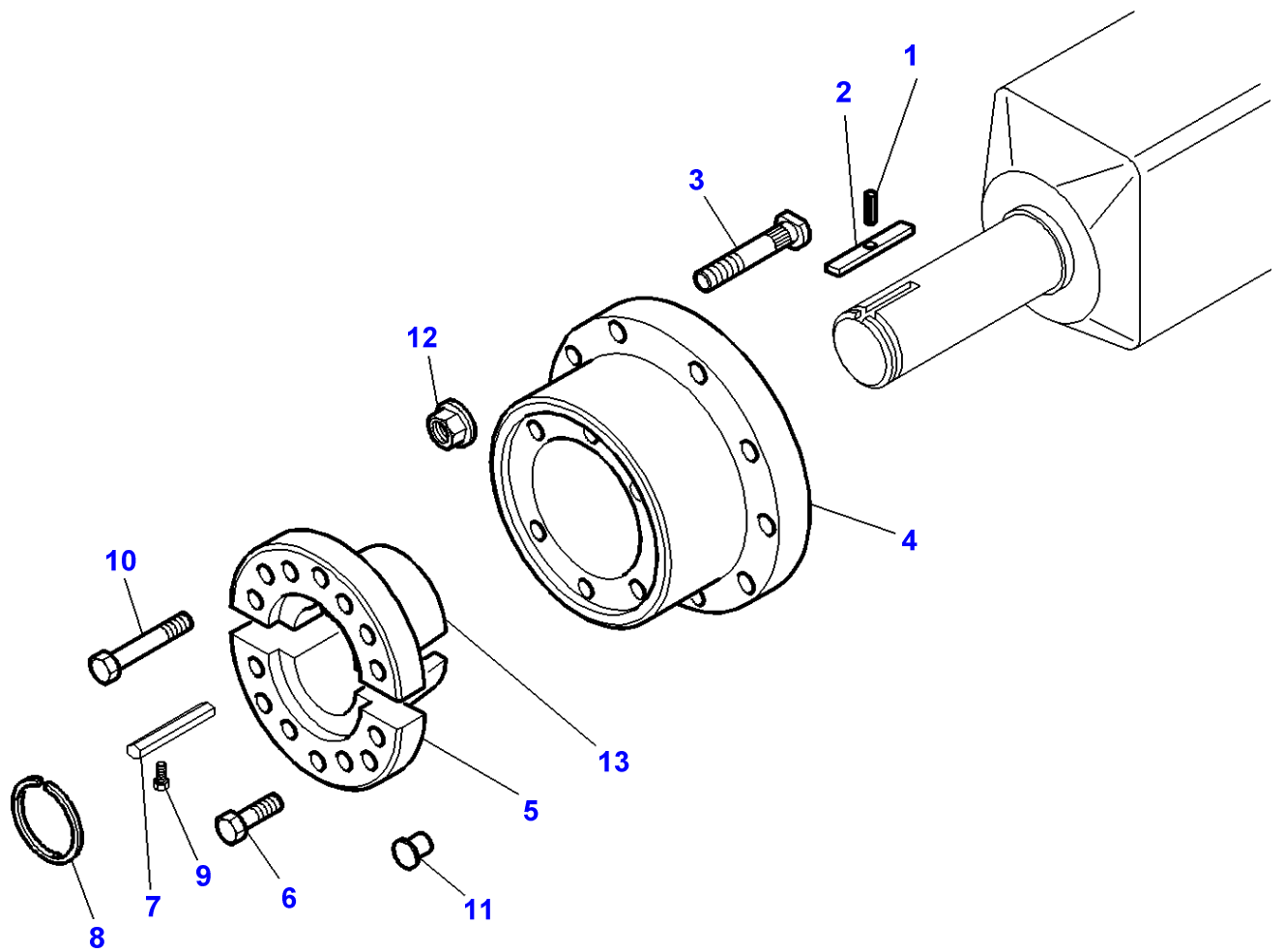


Massey Ferguson**MF 8170 TRACTOR - 1637359****1637359****Rear Wheels - Fixing By Cone****Page 130-0015**

Item	Part Number	Qty	Description	Comments
1	3777195M1	2	Rim	[A] DWWA 23 X 38
	3777196M1	2	Rim	DWW 18L X 42
2	3384603M1	24	Screw	M18X95
3	3716108M2	2	Disc	
4	3384600M2	24	Nut Special	M18
5	3386406M1	1	Spanner	
6	3780302M1	4	Dowel	
7	3712611M2	20	Nut Special	M22

FOOTNOTE [A] USE WITH TYRES 650/85R38

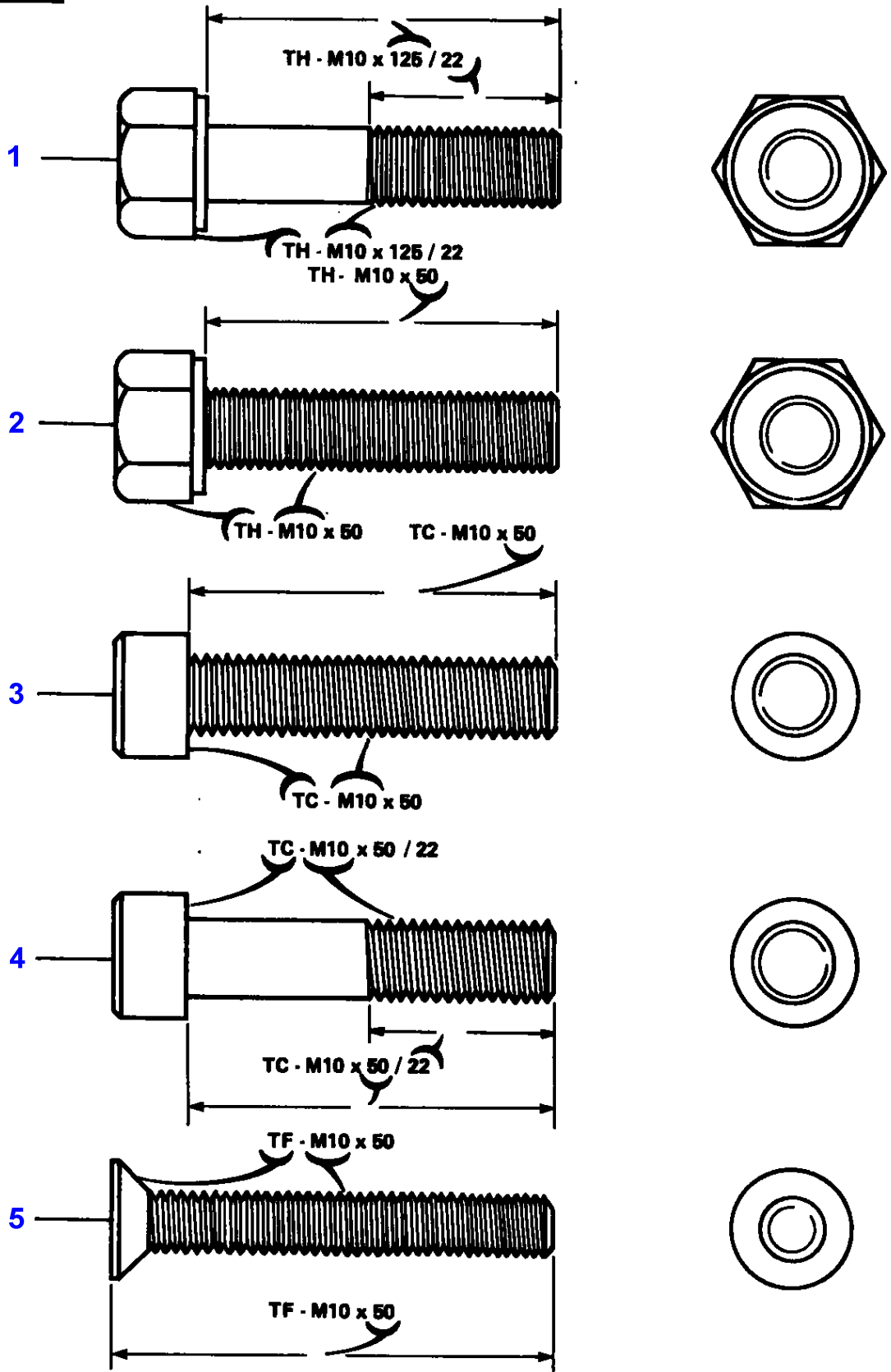
1-AM05-610-C



Rear Wheels - Fixing By Cone

Item	Part Number	Qty	Description	Comments
1	763786M1	2	Pin	
2	509816M2	2	Key	
3	3716105M1	20	Stud	
4	3716107M2	2	Hub	Diameter 110MM
5	3716269M1	1	Cone	Diameter 110MM Replace and repair. Old interchangeable with new 3716104M1
6	3010047X1	16	Screw	From Serial or Engine Number G322027
7	3716106M2	2	Key	
8	3010765X1	2	Ring	
9	1440350X1	2	Screw Metric	M6X20
10	3010569X1	12	Screw	M20X80
11	3791968M1	16	Plug	From Serial or Engine Number G341006
12	3712611M2	20	Nut Special	M22X1,5
13	3716268M1	1	Cone	Diameter 110MM Replace and repair. Old interchangeable with new 3716104M1

1-9895-002



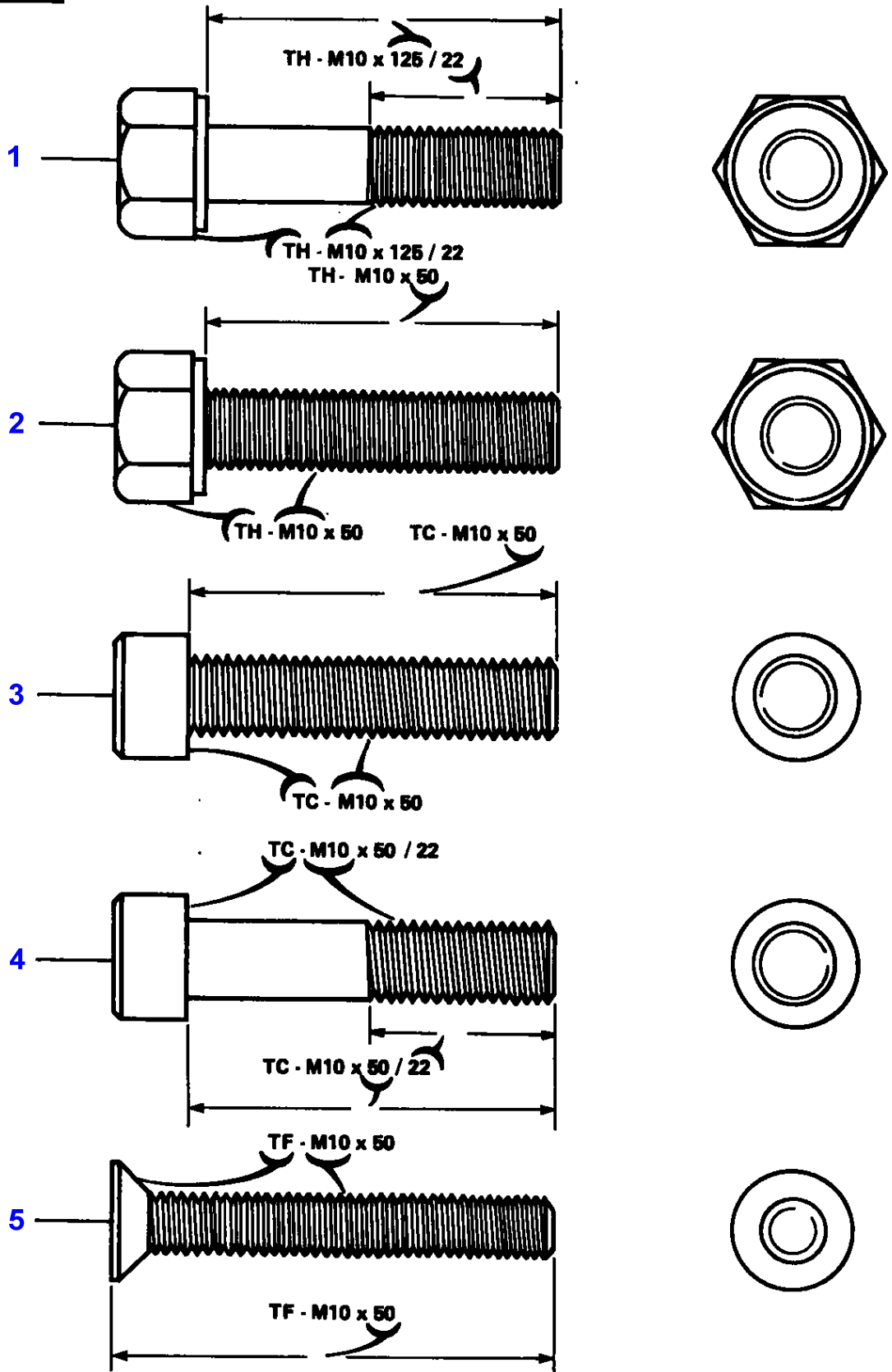
Bolts

Item	Part Number	Qty	Description	Comments
1	339009X1	X	Hex. Sock. Screw	TH-M8X35/22
	339010X1	X	Bolt Metric	TH-M8X40/22
				Not serviced, order 391176X1
	339011X1	X	Bolt Metric	TH-M8X45/22
	339019X1	X	Hex. Sock. Screw	TH-M8X50/26
	339136X1	X	Hex. Sock. Screw	TH-M8X90/22
	339168X1	X	Hex. Sock. Screw	TH-M8X50/22
	339229X1	X	Hex. Sock. Screw	TH-M6X40/18
	339234X1	X	Bolt Metric	TH-M10X120/26
	339244X1	X	Bolt Metric	TH-M6X55/18
	339262X1	X	Bolt Metric	TH-M6X30/18
	339368X1	X	Bolt Metric	TH-M8X60/22
	339475X1	X	Hex. Sock. Screw	TH-M10X70/26
	339557X1	X	Screw	TH-M8X120/22
	339679X1	X	Bolt Metric	TH-M10X60/26
	339881X1	X	Hex. Sock. Screw	TH-M16X60/38
	353546X1	X	Screw	TH-5/16NF51/25
	353561X1	X	Screw Unf	TH-5/8NF102/38
	353615X1	X	Bolt Unf	TH-5/8NFX51/38
	353725X1	X	Bolt Unc	TH-1/2NCX44/32
				Not serviced, order 362523X1
	353728X1	X	Bolt Unc	TH-5/8NCX50/38
	353729X1	X	Bolt Unc	TH-5/8NCX63/38
	353898X1	X	Screw	TH-3/8NCX83/25
	354262X1	X	Bolt Unc	TH-3/8NCX38/25
	354264X1	X	Bolt Unc	TH-3/8NCX44/25
	354267X1	X	Bolt Unc	TH-3/8NCX57/25
	354273X1	X	Bolt Unc	TH-3/8NCX76/25
	354493X1	X	Screw	TH-1/4NFX70/38
	354604X1	X	Bolt Unc	TH-1/4NCX54/19
	354628X1	X	Screw	TH-3/8NCX89/25
	354629X1	X	Bolt Unc	TH-3/8NCX92/25
	354630X1	X	Screw	TH-3/8NCX95/25
	354649X1	X	Bolt Unc	TH-1/2NCX57/32
	354653X1	X	Screw	TH-1/2NCX70/32
	354655X1	X	Bolt Unc	TH-1/2NCX76/32
	354663X1	X	Screw	TH-1/2NC102/32
	354726X1	X	Bolt Unc	TH-3/4NC102/44
	357002X1	X	Screw	TH-7/8NC108/51
	357041X1	X	Screw	TH-1/2NC172/32
	357263X1	X	Screw	TH-1/2NC181/32
	353683X1	X	Bolt Unc	TH-5/16NC38/23
	362487X1	X	Screw	TH-7/16NC48/28
	353725X1	X	Bolt Unc	TH-1/2NCX44/32
	362782X1	X	Screw	TH-1/2NC102/32
	362786X1	X	Screw	TH-1/2NC108/38
	368445X1	X	Screw	TH-5/8NCX70/54
369189X1	X	Screw	TH-5/16NC38/28	
377824X1	X	Bolt Unc	TH-7/16NC35/28	
			Not serviced, order 377824X1	
377824X1	X	Bolt Unc	TH-7/16NC35/28	
390864X1	X	Bolt Metric	TH-M16X80/38	
391244X1	X	Bolt Metric	TH-M6X45/18	
391245X1	X	Bolt Metric	TH-M8X130/28	
391328X1	X	Screw Metric	TH-M20X65/46	
391870X1	X	Screw	TH-M14X1,50 X35/22	
391884X1	X	Bolt Metric	TH-M6X50/18	
391889X1	X	Screw	TH-M16X70/38	
3010045X1	X	Screw	TH-M20X90/46	
511411M3	X	Screw	TH-3/4NC165/89	
832566M1	X	Screw	TH-1/2NCX38/22	
2	339081X1	X	Screw Metric	TH-M10X20
	339123X1	X	Hex. Sock. Screw	TH-M8X20
	339124X1	X	Hex. Sock. Screw	TH-M8X16
	339139X1	X	Screw Metric	TH-M12X25
	339160X1	X	Screw	TH-M5X10
	339228X1	X	Screw Metric	TH-M8X12
	339230X1	X	Hex. Sock. Screw	TH-M6X10
	339275X1	X	Hex. Sock. Screw	TH-M16X35
	339287X1	X	Screw Metric	TH-M8X35

Bolts

Item	Part Number	Qty	Description	Comments
2	339337X1	X	Hex. Sock. Screw	TH-M8X30
2	339401X1	X	Screw Metric	TH-M10X25
2	339451X1	X	Screw Metric	TH-M10X30
				Not serviced, order 3009493X1
2	339560X1	X	Hex. Sock. Screw	TH-M6X16
2	339563X1	X	Screw Metric	TH-M5X20
2	339666X1	X	Hex. Sock. Screw	TH-M6X20
2	339721X1	X	Screw Metric	TH-M5X16
2	339761X1	X	Hex. Sock. Screw	TH-M8X25
2	353518X1	X	Screw Unf	TH-5/16UNFX22
2	353562X1	X	Screw Unf	TH-7/16UNFX35
2	353593X1	X	Screw Unf	TH-1/2UNFX32
2	353665X1	X	Screw Unc	TH-1/4UNCX13
2	353667X1	X	Screw Unc	TH-1/4UNCX19
2	353677X1	X	Screw Unc	TH-5/16UNCX19
2	353679X1	X	Screw Unc	TH-5/16UNCX25
2	353690X1	X	Screw Unc	TH-3/8UNCX22
2	353691X1	X	Screw Unc	TH-3/8UNCX25
2	353693X1	X	Screw Unc	TH-3/8UNCX32
2	353726X1	X	Screw Unc	TH-5/8UNCX38
2	353727X1	X	Screw Unc	TH-5/8UNCX44
2	354276X1	X	Screw Unc	TH-1/2UNCX32
2	353901X1	X	Screw Unc	TH-5/8UNCX32
2	354702X1	X	Screw	TH-3/4UNCX25
2	354704X1	X	Screw Unc	TH-3/4UNCX32
2	354708X1	X	Screw Unc	TH-3/4UNCX44
2	354710X1	X	Screw Unc	TH-3/4UNCX51
2	361526X1	X	Screw	TH-7/16UNFX25
2	362429X1	X	Screw	TH-3/8UNCX16
2	362519X1	X	Screw	TH-1/2UNCX38
2	390990X1	X	Screw Metric	TH-M5X12
2	391074X1	X	Hex. Sock. Screw	TH-M6X12
2	391176X1	X	Screw Metric	TH-M8X40
2	391180X1	X	Screw	TH-M14X25
2	391246X1	X	Screw	TH-M5X8
2	391269X1	X	Screw Metric	TH-M16X30
2	391561X1	X	Hex. Sock. Screw	TH-M10X45
2	395316X1	X	Bolt Metric	TH-M16X1,50X35
2	391932X1	X	Screw	TH-M10X25
2	392054X1	X	Screw	TH-M10X22
3	339367X1	X	Screw Metric	TC-M3X8
3	357834X1	X	Screw Unc	TC-1/4UNCX25
3	390962X1	X	Screw Metric	TC-M5X10
3	391148X1	X	Screw	TC-M8X20
3	392409X1	X	Screw	TC-M5X6
4	357747X1	X	Screw	TC-3/8NCX51/32
4	357749X1	X	Screw Unc	TC-3/8NCX57/32
4	357750X1	X	Screw Unc	TC-3/8NCX60/32
4	357831X1	X	Screw	TC-1/4NCX57/25
4	357838X1	X	Screw Unc	TC-1/4NCX38/25
4	357884X1	X	Screw	TC-3/8NCX70/32
4	360861X1	X	Screw	TC-7/16NC70/35
4	360874X1	X	Screw	TC-5/8NCX64/45
4	391981X1	X	Screw Metric	TC-M8X35/28
5	392404X1	X	Screw	TF-M5X16

1-9895-002

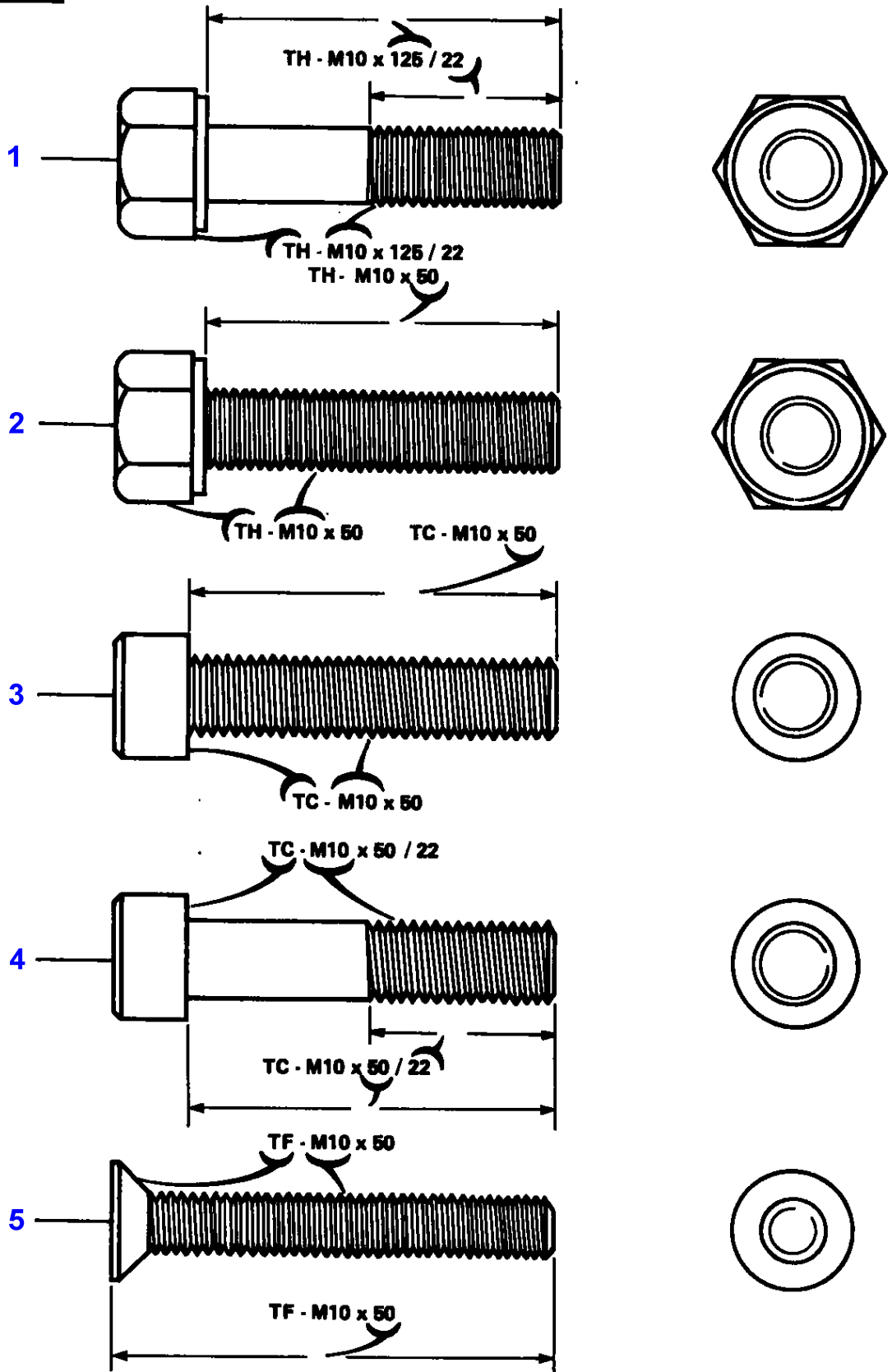


Massey Ferguson
MF 8170 TRACTOR - 1637359

Bolts - Continued

Item	Part Number	Qty	Description	Comments	
1	1440827X1	X	Screw	TH-M5X30/16	
	1442602X1	X	Screw Metric	TH-M10X1,25 X100/26	
	1442668X1	X	Screw	TH-M20X80/46	
	3001429X1	X	Screw	TH-M10X35/26	
	3008563X1	X	Screw	TH-M20X150/22	
	3009229X1	X	Screw	TH-M12X80/30	
	3009242X1	X	Screw	TH-M16X70/38	
	3009511X1	X	Bolt Metric	TH-M12X55/30	
	3009512X1	X	Bolt Metric	TH-M12X60/30	
	3009515X1	X	Bolt Metric	TH-M12X80/30	
	3010045X1	X	Screw	TH-M20X90/46	
	3019851X1	X	Bolt Metric	TH-M12X45/30	
	3019856X1	X	Bolt Metric	TH-M12X80/30	
	3019865X1	X	Bolt Metric	TH-M16X75/38	
	3019894X1	X	Screw	TH-M6X100/18	
	3384129M1	X	Screw	TH-M20X55/46	
	3384130M1	X	Screw	TH-M22X90/50	
	3384131M1	X	Bolt Metric	TH-M16X55/38	
	3384132M1	X	Screw	TH-M16X150/44	
	3384267M1	X	Screw	TH-M16X180/44	
	3386071M1	X	Screw	TH-1/2NC196/38	
	3386216M1	X	Screw	TH-M20X60/46	
	3386471M1	X	Screw	TH-M20X365/65	
	3388474M1	X	Screw	TH-M16X1,50 X80/38	
	3389552M1	X	Screw	TH-M20X155/35	
	3389553M1	X	Screw	TH-M24X165/60	
	3580795M1	X	Screw	TH-M16X80/38	
	3580796M1	X	Screw	TH-M22X100/60	
2	3002009X1	X	Screw Metric	TH-M12X40 Not serviced, order 3002009X1	
	1441704X1	X	Screw Metric	TH-M20X40	
	1444071X1	X	Screw	TH-M8X8	
	3001968X1	X	Screw	TH-M20X60	
	3002009X1	X	Screw Metric	TH-M12X40	
	3008654X1	X	Screw	TH-M20X45	
	3009492X1	X	Hex. Sock. Screw	TH-M10X25	
	3009493X1	X	Hex. Sock. Screw	TH-M10X30	
	3009494X1	X	Screw Metric	TH-M10X35	
	3009745X1	X	Screw	TH-M18X55	
	3580231M1	X	Screw	TH-M20X75	
3	1440349X1	X	Screw Metric	TC-M8X30	
	1441000X1	X	Screw Metric	TC-M8X16	
	1444203X1	X	Screw	TC-M6X10	
	3000926X1	X	Screw	TC-M5X10	
	3001379X1	X	Screw	TC-M8X20	
	3001414X1	X	Screw Metric	TC-M8X12	
	3007934X1	X	Screw Metric	TC-M6X16	
	3009281X1	X	Screw	TC-M6X16	
	3009282X1	X	Screw	TC-M6X25	
	3009285X1	X	Screw	TC-M8X16	
	3389857M1	X	Screw	TC-M5X16	
	3389885M1	X	Screw	TC-M5X12	
	3389886M1	X	Screw	TC-M5X25	
	3580257M1	X	Screw	TC-M5X20	
	4	1441764X1	X	Screw Metric	TC-M8X60/28
		3009284X1	X	Screw	TC-M6X45/24
3009289X1		X	Screw Metric	TC-M8X70/28	
3009296X1		X	Screw	TC-M10X80/32	
3009300X1		X	Screw	TC-M12X70/36	
3009313X1		X	Screw	TC-M16X90/44	
3009538X1		X	Screw	TC-M5X35/25	
3019911X1		X	Screw	TC-M14X45/40	
5	3004514X1	X	Screw	TF-M5X10	
	3004550X1	X	Screw Metric	TF-M4X16	
	3008891X1	X	Screw Metric	TF-M4X10	
	3389280M1	X	Screw	TF-M5X25	
	3580138M1	X	Screw	TF-M5X12	

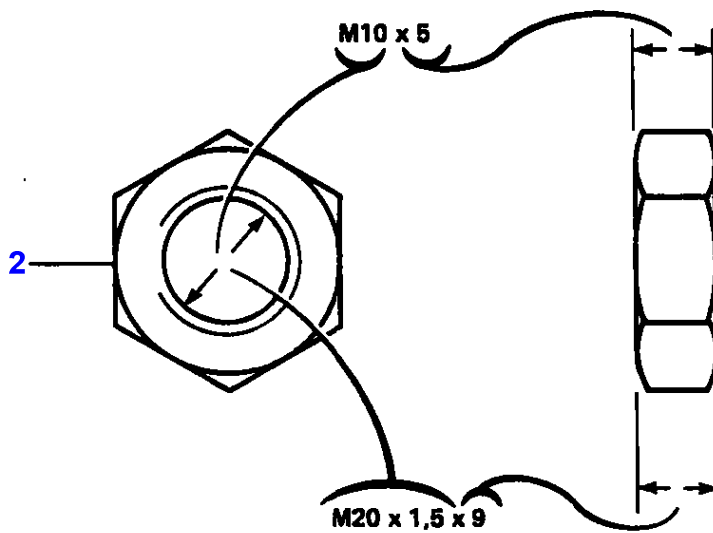
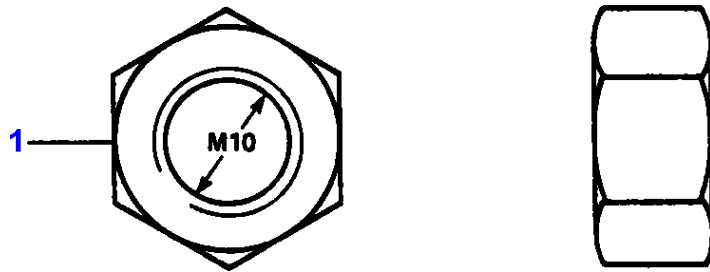
1-9895-002



Massey Ferguson
MF 8170 TRACTOR - 1637359

Bolts - Continued

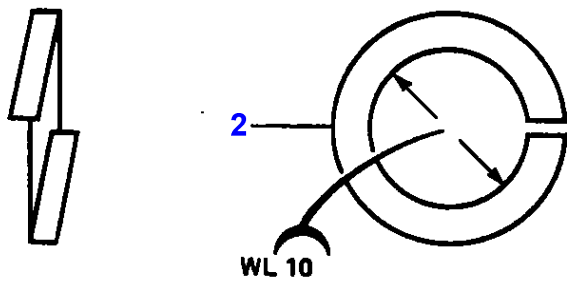
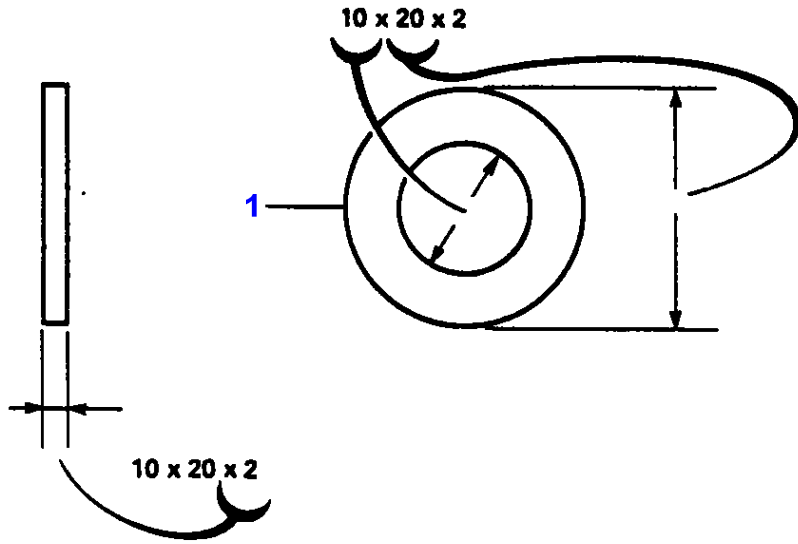
Item	Part Number	Qty	Description	Comments	
1	1440827X1	X	Screw	TH-M5X30/16	
	1442602X1	X	Screw Metric	TH-M10X1,25 X100/26	
	1442668X1	X	Screw	TH-M20X80/46	
	3001429X1	X	Screw	TH-M10X35/26	
	3008563X1	X	Screw	TH-M20X150/22	
	3009229X1	X	Screw	TH-M12X80/30	
	3009242X1	X	Screw	TH-M16X70/38	
	3009511X1	X	Bolt Metric	TH-M12X55/30	
	3009512X1	X	Bolt Metric	TH-M12X60/30	
	3009515X1	X	Bolt Metric	TH-M12X80/30	
	3010045X1	X	Screw	TH-M20X90/46	
	3019851X1	X	Bolt Metric	TH-M12X45/30	
	3019856X1	X	Bolt Metric	TH-M12X80/30	
	3019865X1	X	Bolt Metric	TH-M16X75/38	
	3019894X1	X	Screw	TH-M6X100/18	
	3384129M1	X	Screw	TH-M20X55/46	
	3384130M1	X	Screw	TH-M22X90/50	
	3384131M1	X	Bolt Metric	TH-M16X55/38	
	3384132M1	X	Screw	TH-M16X150/44	
	3384267M1	X	Screw	TH-M16X180/44	
	3386071M1	X	Screw	TH-1/2NC196/38	
	3386216M1	X	Screw	TH-M20X60/46	
	3386471M1	X	Screw	TH-M20X365/65	
	3388474M1	X	Screw	TH-M16X1,50 X80/38	
	3389552M1	X	Screw	TH-M20X155/35	
	3389553M1	X	Screw	TH-M24X165/60	
	3580795M1	X	Screw	TH-M16X80/38	
	3580796M1	X	Screw	TH-M22X100/60	
2	3002009X1	X	Screw Metric	TH-M12X40 Not serviced, order 3002009X1	
	1441704X1	X	Screw Metric	TH-M20X40	
	1444071X1	X	Screw	TH-M8X8	
	3001968X1	X	Screw	TH-M20X60	
	3002009X1	X	Screw Metric	TH-M12X40	
	3008654X1	X	Screw	TH-M20X45	
	3009492X1	X	Hex. Sock. Screw	TH-M10X25	
	3009493X1	X	Hex. Sock. Screw	TH-M10X30	
	3009494X1	X	Screw Metric	TH-M10X35	
	3009745X1	X	Screw	TH-M18X55	
	3580231M1	X	Screw	TH-M20X75	
3	1440349X1	X	Screw Metric	TC-M8X30	
	1441000X1	X	Screw Metric	TC-M8X16	
	1444203X1	X	Screw	TC-M6X10	
	3000926X1	X	Screw	TC-M5X10	
	3001379X1	X	Screw	TC-M8X20	
	3001414X1	X	Screw Metric	TC-M8X12	
	3007934X1	X	Screw Metric	TC-M6X16	
	3009281X1	X	Screw	TC-M6X16	
	3009282X1	X	Screw	TC-M6X25	
	3009285X1	X	Screw	TC-M8X16	
	3389857M1	X	Screw	TC-M5X16	
	3389885M1	X	Screw	TC-M5X12	
	3389886M1	X	Screw	TC-M5X25	
	3580257M1	X	Screw	TC-M5X20	
	4	1441764X1	X	Screw Metric	TC-M8X60/28
		3009284X1	X	Screw	TC-M6X45/24
3009289X1		X	Screw Metric	TC-M8X70/28	
3009296X1		X	Screw	TC-M10X80/32	
3009300X1		X	Screw	TC-M12X70/36	
3009313X1		X	Screw	TC-M16X90/44	
3009538X1		X	Screw	TC-M5X35/25	
3019911X1		X	Screw	TC-M14X45/40	
5		3004514X1	X	Screw	TF-M5X10
	3004550X1	X	Screw Metric	TF-M4X16	
	3008891X1	X	Screw Metric	TF-M4X10	
	3389280M1	X	Screw	TF-M5X25	
	3580138M1	X	Screw	TF-M5X12	



1-9932 - 001

Nuts

Item	Part Number	Qty	Description	Comments	
1	339030X1	X	Nut Metric	H-M6	
	339034X1	X	Nut	H-M16	
	3009747X1	X	Nut	H-M20	
	339068X1	X	Nut Metric	H-M24	
	339169X1	X	Nut	H-M8	
	339402X1	X	Nut	H-M10	
	339571X1	X	Nut Metric	H-M14X1,5	
	353427X1	X	Nut Unf	H-5/8 UNF	
	353437X1	X	Nut Unf	H-1/2 UNF	
	353920X1	X	Nut Unf	H-7/8 UNF	
	353926X1	X	Nut Unf	H-1/2 UNF	
	354120X1	X	Nut	H-NO10 UNC	
	355564X1	X	Nut Unc	H-NO10 UNC	
	355566X1	X	Nut Unc	H-3/8 UNC	
	355645X1	X	Nut Unc	H-7/16 UNC	
	355646X1	X	Nut Unf	H-1" UNC	
	353918X1	X	Nut Unf	H-1/4 UNF	
	368748X1	X	Nut	H-5/8 UNF	
	375100X1	X	Nut Unc	H-3/4 UNC	
	375101X1	X	Nut Unc	H-7/8 UNC	
	3818216M1	X	Nut Unf	H-7/16 UNF	
	377641X1	X	Nut Unf	H-5/8 UNF	
	390345X1	X	Nut Metric	H-M8	
	391216X1	X	Nut Metric	H-M3	
	1443615X1	X	Nut Metric	H-M4	
	2	339186X1	X	Nut Metric	H-M12X7
		339495X1	X	Nut	H-M16X8
		339592X1	X	Nut Metric	H-M20X1,5X9
		353429X1	X	Nut Unf	H-5/8UNFX9,6
		358706X1	X	Nut	H-3/4UNFX8
375107X1		X	Nut Unc	H-1/4UNCX4	
375112X1		X	Nut Unc	H-5/8UNCX9,6	
390191X1		X	Nut Metric	H-M30X1X6	
390197X1		X	Nut Metric	H-M24X1,5X10	
390333X1		X	Nut Metric	H-M10X1,00X6	

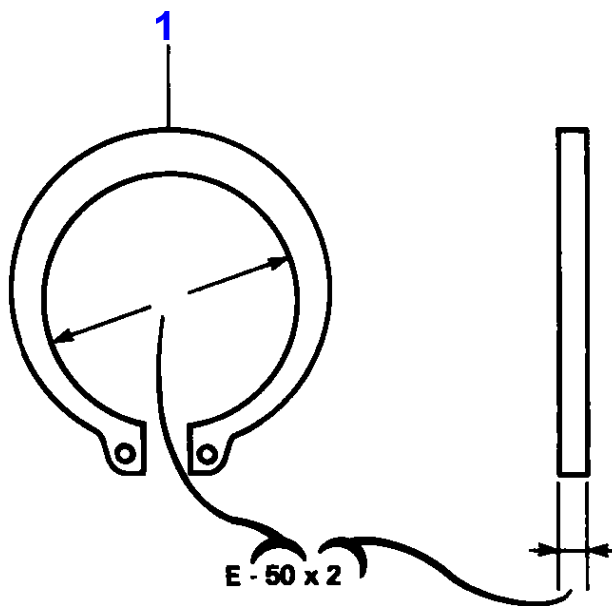
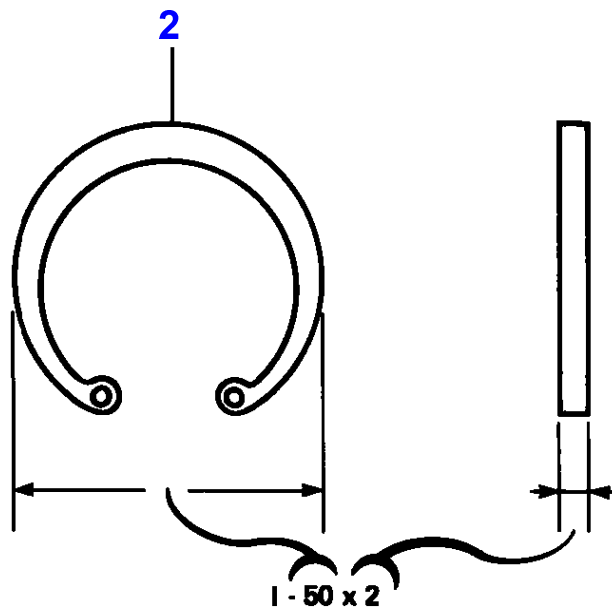


1-9945-001

Washers

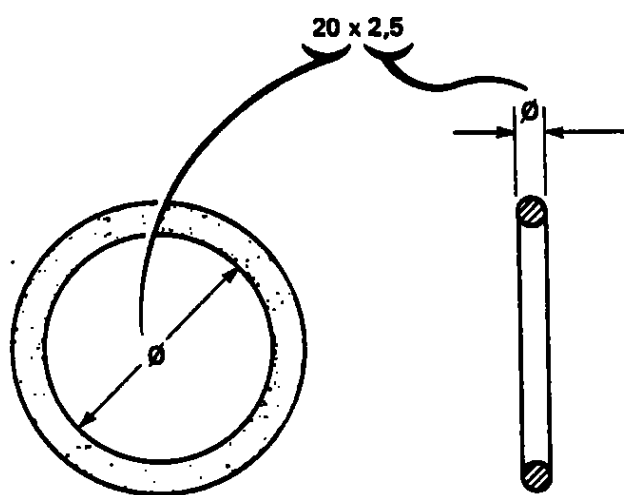
Item	Part Number	Qty	Description	Comments
1	36477X	X	Washer	30X42X3
	339024X1	X	Washer Metric	8,4X17X2
	339456X1	X	Washer	12X25X3
	339534X1	X	Washer Metric	11X21X2
	339588X1	X	Washer	6,5X18X1,5
	353754X1	X	Washer	7,1X15,9X1,6
	353755X1	X	Washer	8,7X17,5X1,6
	353756X1	X	Washer	10,3X20,6X1,6
	353757X1	X	Washer	11,9X23,4X1,6
	390735X1	X	Washer	13,5X27X2,4
	353763X1	X	Washer	23,8X44,5X3,4
	353766X1	X	Washer	33,3X69,9X4,2
	353771X1	X	Washer	10,3X20,6X2,4
	353774X1	X	Washer	16,7X33,3X3,4
	353775X1	X	Washer	20,6X38,1X4,6
	353776X1	X	Washer	23,8X44,5X4,6
	355618X1	X	Washer	9,5X22,2X2,1
	366496X1	X	Washer	20,6X38,1X4,6
	377329X1	X	Washer	16,8X28,4X4,2
	377378X1	X	Washer	19,7X27X2,6
	385361X1	X	Washer Metric	9X17X3
	385362X1	X	Washer Metric	11X21X3
	385363X1	X	Washer	13,5X24X1,2
	339102X1	X	Washer	4,3X9X0,8
	390469X1	X	Washer Metric	5,5X10X1
	390585X1	X	Washer Metric	16X25X2
	390703X1	X	Washer Metric	3,2X7X0,5
	390734X1	X	Washer	10,5X21X2
	390735X1	X	Washer	13X24X2,5
	390749X1	X	Washer	21X32X2
	390971X1	X	Washer	6,4X12X1,6
	390972X1	X	Washer Metric	8,4X17X1,6
	390973X1	X	Washer Metric	15X28X2,5
	390977X1	X	Washer Metric	4,3X8X0,5
	391039X1	X	Washer Metric	9X24X2
	391130X1	X	Lock Washer	6,1X11,8X1,6
	391565X1	X	Washer Metric	8,4X15X1,6
	391583X1	X	Washer	13X20X1
	1440264X1	X	Washer Metric	10,5X34X4
	339381X1	X	Lock Washer	5,1X9,2X1,2
				Replace and repair. Old interchangeable with new 1440312X1
	1440921X1	X	Washer Metric	8,4X22X2
	1441664X1	X	Washer Metric	17,5X30X3
	1443775X1	X	Washer	5,3X15X6
	1444353X1	X	Washer	17X27X26
	1618290M1	X	Washer	13,5X76X10
	1693972M1	X	Washer	6X15X1,5
	1693980M1	X	Washer	14,2X24X2
	1719922M1	X	Washer	8,1X23X1
	3001852X1	X	Washer	4,3X12X1
	3019560X1	X	Washer	5,5X15X1,6
	3019569X1	X	Washer	4,6X9X2
	3019571X1	X	Washer	6,7X12,3X2
	3019575X1	X	Washer Metric	17,6X29,7X2
2	339374X1	X	Lock Washer	WL 8
	339375X1	X	Lock Washer	WL 6
	339376X1	X	Lock Washer	WL 10
	339377X1	X	Lock Washer	WL 16
	339380X1	X	Washer	WL 14
	339381X1	X	Lock Washer	WL 5
				Replace and repair. Old interchangeable with new 1440312X1
	339382X1	X	Lock Washer	WL 4
	353432X1	X	Lock Washer	WL 11,1
	353434X1	X	Lock Washer	WL 3/8"
	353439X1	X	Lock Washer	WL 12,7
	353443X1	X	Washer	WL 1"
	353445X1	X	Lock Washer	WL NO 10

1-9974-002



Circlips

Item	Part Number	Qty	Description	Comments
1	22608X	X	Circlip	E-44,4 X 1,57
	22783X	X	Circlip	E-63,5 X 2
	339356X1	X	Circlip	E-14 X 1
	354476X1	X	Clip	E-12,7 X 1,05
	368232X1	X	Clip	E-9,5 X 1,07
	391129X1	X	Circlip	E-50 X 2
	395520X1	X	Circlip	E-40 X 2,5
	1440474X1	X	Circlip	E-12 X1
	1440478X1	X	Circlip	E-45 X 1,75
	1440533X1	X	Circlip	E-70 X 2,5
2	339364X1	X	Clip	I-25 X 1,2
	356005X1	X	Clip	I-146 X 3,17
	358886X1	X	Clip	I-44 X 1,07
	390936X1	X	Circlip	I-40 X 1,75
	1440913X1	X	Segment	I-75 X 2,5
	1441403X1	X	Circlip	I-145 X 4
	1442446X1	X	Circlip	I-14 X 1



1-9975-001

O Rings

Part Number	Qty	Description	Comments
152613M1	X	O Ring	89 X 3,6
195561M1	X	O Ring	9,5 X 1,6
195562M1	X	O Ring	11,1 X 2,4
195632M1	X	O Ring	20,2 X 3,53
195869M1	X	O Ring	10,8 X 1,8
330982X1	X	O Ring	10,7 X 1,9
359118X1	X	O Ring	145,6 X 3,5
365392X1	X	O Ring	22,2 X 2,4
366434X1	X	O Ring	34,6 X 2,62
368374X1	X	O Ring	20,6 X 2,4
3010474X1	X	O Ring	30,2 X 1,6
368541X1	X	O Ring	17,5 X 1,6
371119X1	X	O Ring	7,6 X 1,6
831452M1	X	O Ring	11,8 X 2,1
831495M1	X	O Ring	8,8 X 1,9
831496M1	X	O Ring	10,4 X 1,9
1852568M1	X	O Ring	16,2 X 2,3
832276M1	X	O Ring	18,80 X 3
835025M1	X	O Ring	23,5 X 3
851258M1	X	O Ring	15,9 X 2,4
1009659M1	X	O Ring	72,6 X 3,5
1441121X1	X	O Ring	7,9 X 1,6
1441141X1	X	O Ring	12,42 X 1,78
1441176X1	X	O Ring	94,8 X 3,53
1441634X1	X	O Ring	33 X 2,6
1610254M1	X	O Ring	56,8 X 2,6
1639382M1	X	O Ring	30 X 2
1749437M1	X	O Ring	45 X 2,5
1749440M1	X	O Ring	37,7 X 3,5
1807116M1	X	O Ring	23 X 2,5
3019395X1	X	O Ring	11,4 X 2,1
3019396X1	X	O Ring	13,4 X 2,1
3019397X1	X	O Ring	15,4 X 2,1
3019398X1	X	O Ring	19,4 X 2,1
3019455X1	X	O Ring	23,7 X 2,8
3102079M1	X	O Ring	11 X 2
3102326M1	X	O Ring	26 X 2,5
3102329M1	X	O Ring	18 X 2,5
3104855M1	X	O Ring	13,5 X 1,7
3104856M1	X	O Ring	11,5 X 1,7
3384856M1	X	O Ring	15 X 2,5
3388349M1	X	O Ring	220 X 3
3388350M1	X	O Ring	115 X 3
3389314M1	X	O Ring	8,93 X 2
3582204M1	X	O Ring	42,5 X 1,8
3580247M1	X	O Ring	59,9 X 3,5





