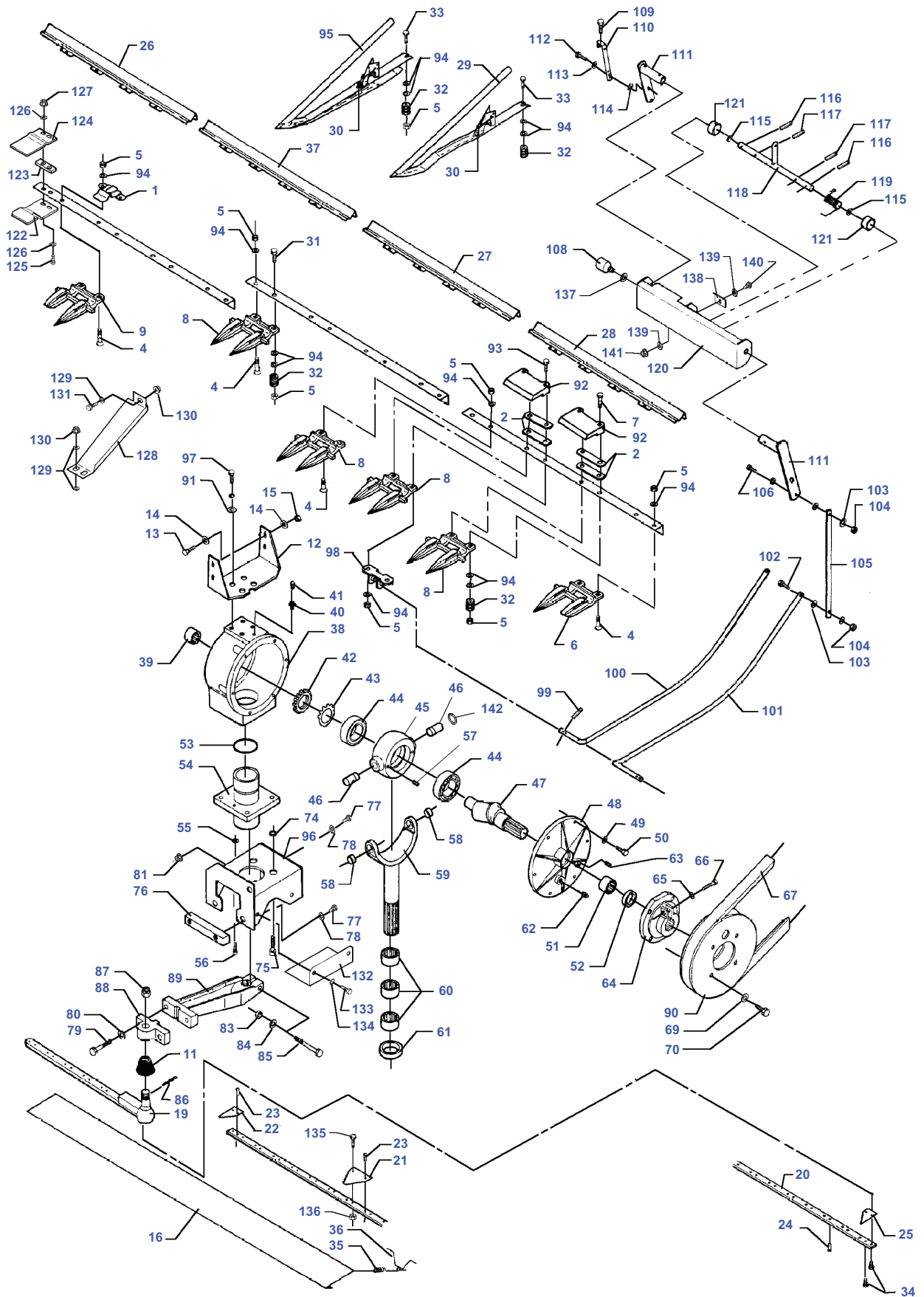




MF 7272/7274/7278 CERA COMBINE - 1637408
D-ZAZA-008-A



Knives And Fingers - Freeflow - 20-22"

Item	Part Number	Qty	Description	Comments
1	D28283934	19	Clip	20' - 6,16M
	D28283934	21	Clip	22' - 6,77M
2	D28230292	4	Shim	
4	D40551500	X	Bolt	
5	D41010800	X	Nut	
6	D44104700	1	Finger	Left Hand
7	D40067600	X	Screw	
8	D44104500	39	Finger	20' - 6,16M
	D44104500	43	Finger	22' - 6,77M
9	D44104600	1	Finger	Right Hand
11	D44120500	1	Cap	
12	D28283104	1	Support	Up to Serial or Engine Number 939559
13	339337X1	2	Hex. Sock. Screw	M8 X 30
14	D20400414	4	Washer	
15	394367X1	2	Locknut	
16	D28230830	2	Guard	22' - 6,77M
	D28230831	1	Guard	20' - 22' 6,16M - 6,77M
	D28200314	1	Guard	20' - 6,16M
	D28200738	1	Guard	20' - 6,16M
19	D28283010	2	Blade	20' - 6,16M
	D28283865	2	Blade	22' - 6,77M
	D28283011	2	Knife Head	
20	D28281492	2	Knife Back	20' - 6,16M
	D28281493	2	Knife Back	22' - 6,77M
	D44103700	X	Section	[D]
22	D44103800	2	Half Section	
23	D41306100	X	Rivet	[D]
24	D41306200	X	Rivet	[D]
25	D44104000	2	Half Section	Left Hand
26	D18283701	1	Stone Trap	
27	D18283705	1	Stone Trap	22' - 6,77M
	D18283706	1	Stone Trap	20' - 6,16M
28	D18283702	1	Stone Trap	
29	D49040900	X	Ear Lifter	
30	D49040400	X	Spring	
31	339019X1	X	Hex. Sock. Screw	M10 X 50
32	D49040600	X	Roller	
33	339019X1	X	Hex. Sock. Screw	M10 X 50
34	339560X1	2	Hex. Sock. Screw	M6 X 16
35	D26500317	2	Spring	(16)
36	D28230841	2	Spring	(16)
37	D18283704	1	Stone Trap	22' - 6,77M
38	D28281324	1	Wobble Drive	[B] Cpl.
	D44127800	1	Box	[B] (38)
	D28281324	1	Wobble Drive	[C] (38) Cpl.
	D44126500	1	Box	[C] (38)
39	D44128800	1	Bearing Needle	(38)
40	D44129400	1	Connector	(38)
41	D46116500	1	Valve.	(38)
42	D44129100	1	Nut	(38)
43	D44129200	1	Washer	(38)
44	D41668400	2	Bearing Roller	(38)
45	D44127900	1	Housing	[B] (38)
	D44126400	1	Housing	[C] (38)
46	D44128000	2	Journal	[B] (38)
	D44125900	1	Journal	[C] (38)
47	D44129300	1	Shaft	(38)
48	D44128200	1	Cover	[B] (38)
	D44126300	1	Cover	[C] (38)

Knives And Fingers - Freeflow - 20-22"

Item	Part Number	Qty	Description	Comments
49	D41102100	6	Washer	(38) A8
50	339123X1	6	Hex. Sock. Screw	(38) M8 X 20
51	D41669700	1	Bearing Needle	(38)
52	D45412000	1	Gasket	(38)
53	D45481500	1	O Ring	(38)
54	D44128300	1	Bearing Carrier	[B] (38)
54	D44126200	1	Bearing Carrier	[C] (38)
55	D41102100	2	Washer	(38) A8
56	D40697200	2	Screw	[B] (38)
56	D40697700	2	Screw	[C] (38)
57	D40639600	2	Pin	[B] (38)
58	D44128400	2	Bush	[B] (38)
58	D44126100	2	Bush	[C] (38)
59	D44128500	1	Yoke	[B] (38)
59	D44126000	1	Yoke	[C] (38)
60	D41669800	3	Bearing Needle	(38)
61	D45409500	1	Gasket	(38)
62	D44128600	1	Plug	(38)
63	D45236200	1	Plug	(38)
64	D44127100	1	Hub	(38)
65	D41100900	1	Spring Washer	(38)
66	D40694000	1	Screw	(38)
67	D41985600	1	Belt	
69	D20400426	4	Washer	
70	1440716X1	4	Hex. Sock. Screw	M12 X 30
74	D20400523	4	Spacer	
75	D40465400	4	Screw	
76	D28283103	1	Clamp	
77	390419X1	5	Hex. Sock. Screw	M16 X 40
78	D20400461	5	Washer	
79	D40698400	2	Screw	
80	D20400438	2	Washer	
81	1442739X1	2	Locknut	M16
83	1442190X1	1	Locknut	M12
84	D20400428	1	Washer	
85	390826X1	1	Hex. Sock. Screw	M12 X 100
86	391423X1	1	Split Pin	Diameter 4 X 40
87	D41054300	1	Nut	
88	D44126900	1	Flange	
89	D44127000	1	Swivel Arm	
90	D44127200	1	Pulley	
91	D28280986	4	Washer	
92	D28260362	X	Clip	
93	1441671X1	X	Screw Special	M10 X 50
94	D20400419	X	Washer	
95	D49040300	X	Ear Lifter	
96	D18283109	1	Support	
97	339337X1	4	Hex. Sock. Screw	M8 X 30
98	D28284356	4	Fitting	[A]
99	339662X1	8	Pin	[A] Diameter 6 X 28
100	D28284257	2	Sensor	[A]
101	D28284258	2	Sensor	[A]
102	D40405300	4	Screw	[A]
103	D20400506	20	Washer	[A]
104	394367X1	8	Locknut	[A] M8
105	D28284223	4	Link	[A]

Knives And Fingers - Freeflow - 20-22"

Item	Part Number	Qty	Description	Comments
106	339009X1	4	Hex. Sock. Screw	[A] M8 X 35
108	D28780523	2	Potentiometer	[A]
109	D40464900	2	Screw	[A]
110	D28780845	2	Rod	[A]
111	D28284225	4	Lever	AUTO LEVEL 22' - 6,77M
111	D28284234	4	Lever	[A]
112	339804X1	2	Hex. Sock. Screw	[A] M6 X 25
113	D20400404	2	Washer	[A]
114	1441462X1	2	Locknut	[A] M6
115	D28200551	4	Washer	[A]
116	D42611900	8	Pin	[A]
117	339052X1	4	Pin	[A] Diameter 6 X 40
118	D28284232	2	Shaft	[A]
119	D28284389	2	Spring	[A]
120	D28284229	2	Support	AUTO LEVEL 22' - 6,77M
121	D28284456	4	Bush	[A]
122	D28281576	1	Plate	
123	D28281575	1	Shim	
124	D28281574	1	Plate	
125	339010X1	2	Hex. Sock. Screw	M8 X 40
126	D20400506	2	Washer	
127	394367X1	2	Locknut	M8
128	D28281572	1	Guard	
129	D20400506	3	Washer	
130	D41017500	3	Locknut	
131	339761X1	1	Hex. Sock. Screw	M8 X 25
132	D28281706	1	Guard	
133	339124X1	2	Hex. Sock. Screw	M8 X 16
134	D20400506	2	Washer	
135	339560X1	X	Hex. Sock. Screw	M6 X 16
136	1441462X1	X	Locknut	M6
137	D20400441	1	Washer	
138	D28284268	2	Stop	
139	D20400416	4	Washer	
140	339123X1	2	Hex. Sock. Screw	M8 X 20
141	394367X1	2	Locknut	M8
142	D45483000	1	O Ring	[C]

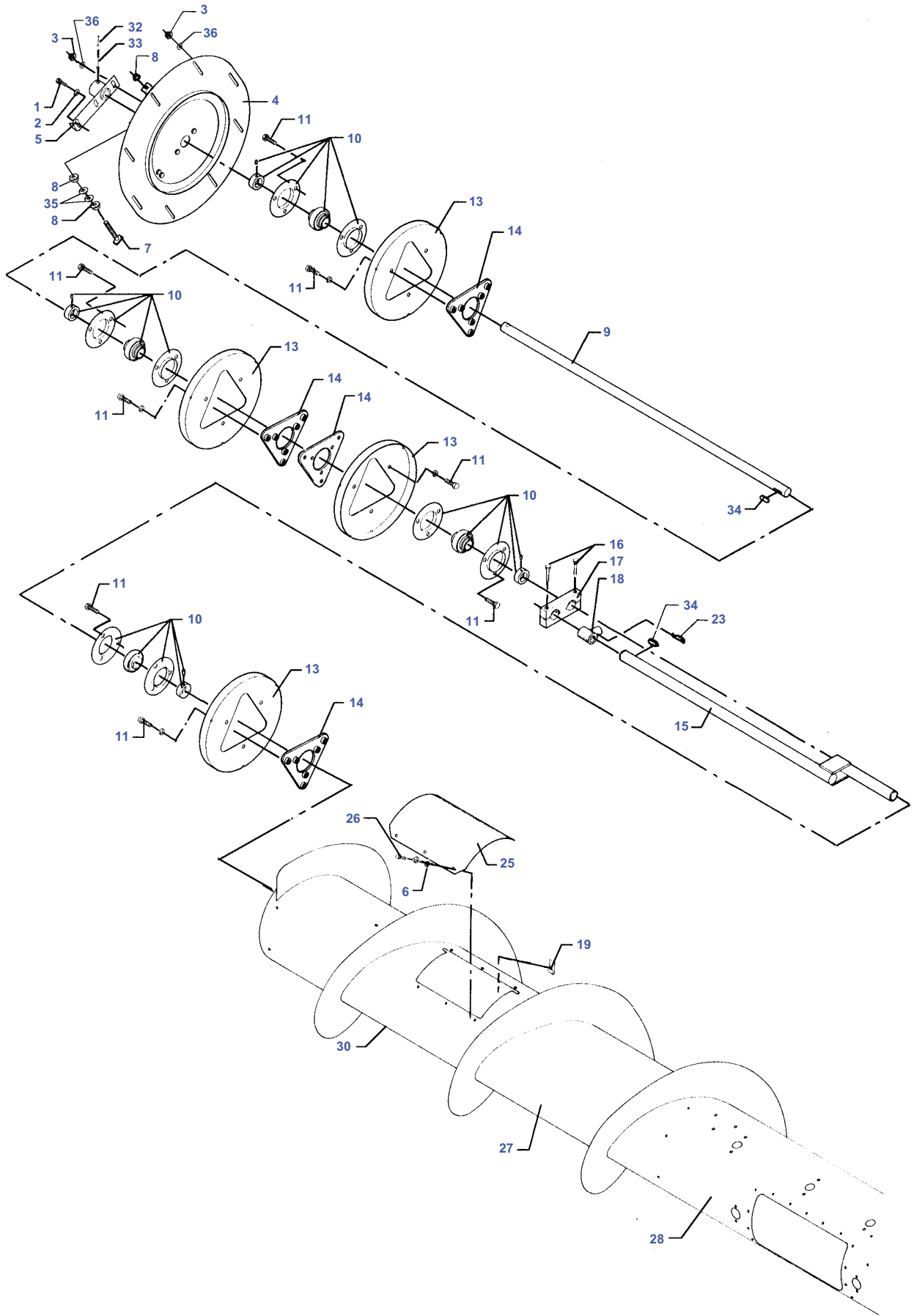
FOOTNOTE [A] OPTIONAL EQUIPMENT AUTO LEVEL

FOOTNOTE [B] USED ONLY IN KNIFE DRIVES WITH 6 HOLES IN BEARING HOUSING BOTTOM

FOOTNOTE [C] USED ONLY IN KNIFE DRIVES WITH 8HOLES IN BEARING HOUSING BOTTOM AND BULGES SIDES

FOOTNOTE [D] OPTIONAL

MF 7272/7274/7278 CERA COMBINE - 1637408
D-ZAZB-004-A

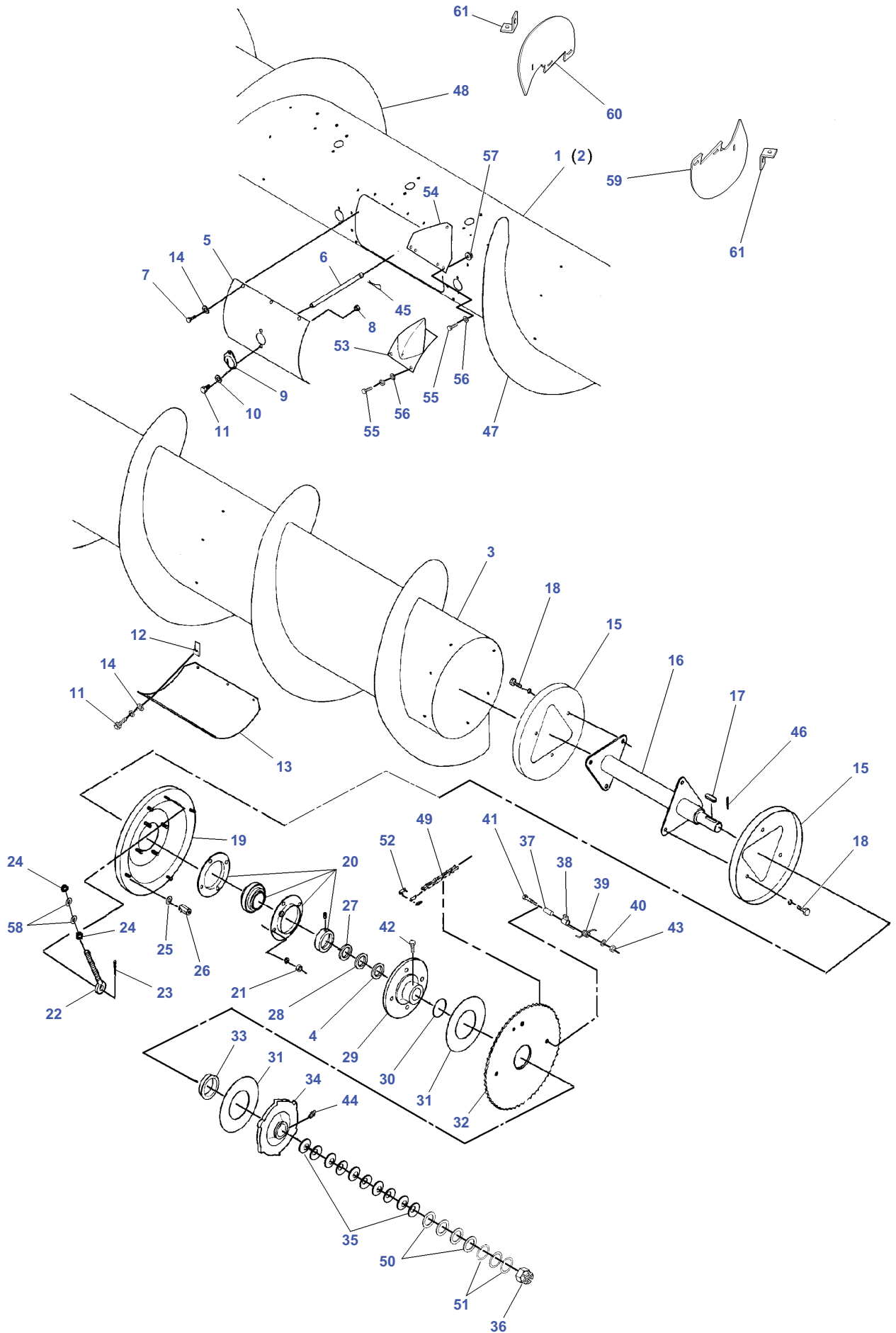


D-ZAZB-004-A

Table Auger Right Hand - Freeflow - 20-22"

Item	Part Number	Qty	Description	Comments
1	339124X1	1	Hex. Sock. Screw	M8 X 16
2	D20400506	1	Washer	
3	D41017500	10	Locknut	
4	D18280040	1	Plate	Right Hand
5	D28283029	1	Adjuster	
6	391038X1	6	Washer	
7	D28211023	1	Bolt	
8	1440329X1	2	Locknut	M10
9	D28283037	1	Shaft	20' - 6,16M Up to Serial or Engine Number 940147
	D28283871	1	Shaft	22' - 6,77M Up to Serial or Engine Number 940147
	D28284655	1	Shaft	20' - 6,16M From Serial or Engine Number 940148
	D28284661	1	Crankshaft	22' - 6,77M From Serial or Engine Number 940148
10	D41707800	4	Bearing	
11	339814X1	24	Hex. Sock. Screw	M10 X 35
13	D28280014	4	Plate	
14	D28283847	4	Bearing Plate	
15	D28285977	1	Crankshaft	
16	3009498X1	2	Hex. Sock. Screw	M10 X 55
17	D28283039	1	Arm	
18	D28251831	15	Bearing Carrier	
19	D43428200	6	Nut	M6
23	D28283853	15	Hair Pin	
25	D18283070	1	Cover	Up to Serial or Engine Number 939559
	D18285312	1	Cover	From Serial or Engine Number 939560
26	339666X1	6	Hex. Sock. Screw	M6 X 20
27	D18283125	1	Table Auger	20' - 6,16M Up to Serial or Engine Number 940147
	D18283870	1	Table Auger	22' - 6,77M Up to Serial or Engine Number 940147
	D18285991	1	Table Auger	20' - 6,16M From Serial or Engine Number 940148
	D18285992	1	Table Auger	22' - 6,77M From Serial or Engine Number 940148
28	D28283012	1	Body	
30	D28283034	1	Body	Right Hand 20' - 6,16M Up to Serial or Engine Number 940147
	D28286012	1	Body	Right Hand 20' - 6,16M From Serial or Engine Number 940148
	D28283876	1	Body	Right Hand 22' - 6,77M Up to Serial or Engine Number 940147
	D28286013	1	Body	Right Hand 22' - 6,77M From Serial or Engine Number 940148
32	1441645X1	1	Pin	Diameter 8 X 55
33	D42625300	1	Pin	Diameter 13 X 56
34	339441X1	2	Key Parallel	
35	D20400471	2	Washer	
36	D20400414	X	Washer	

MF 7272/7274/7278 CERA COMBINE - 1637408
D-ZAZC-008-A



D-ZAZC-008-A

Table Auger Left Hand - Freeflow - 20-22"

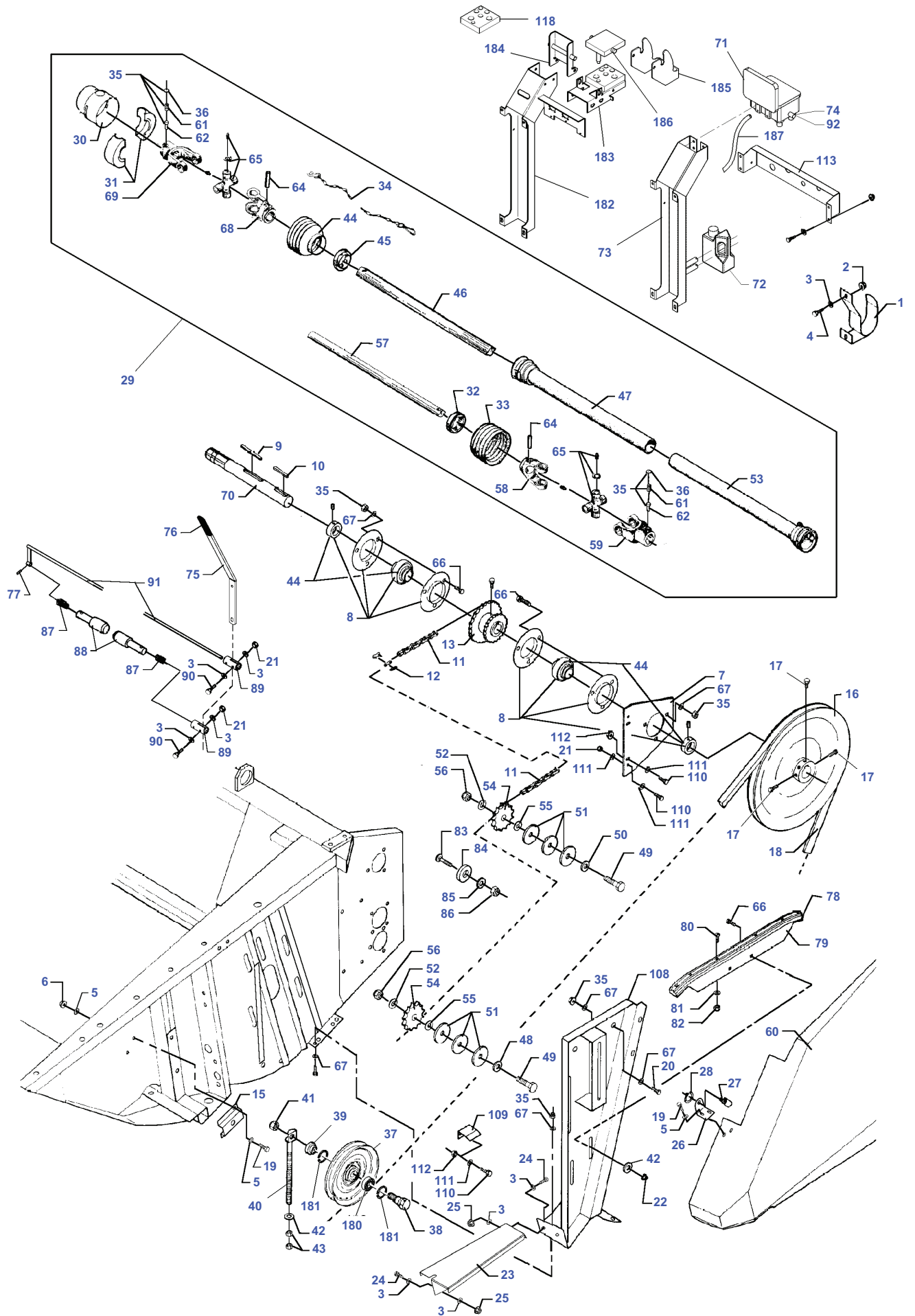
Item	Part Number	Qty	Description	Comments
1	D18283125	1	Table Auger	20' - 6,16M Up to Serial or Engine Number 940147
	D18283870	1	Table Auger	22' - 6,77M Up to Serial or Engine Number 940147
	D18285991	1	Table Auger	20' - 6,16M From Serial or Engine Number 940148
	D18285992	1	Table Auger	22' - 6,77M From Serial or Engine Number 940148
2	D28283012	1	Body	
3	D28283875	1	Body	Left Hand 22' - 6,77M
	D28286006	1	Body	Left Hand 20' - 6,16M
4	D41653500	X	Washer	[A]
5	D18283078	1	Cover	
6	D28283815	15	Finger	
7	339560X1	X	Hex. Sock. Screw	M6 X 16
8	1441462X1	X	Locknut	M6
9	D28283060	15	Bush	
10	D20400404	X	Washer	
11	339666X1	X	Hex. Sock. Screw	M6 X 20
12	D43428200	6	Nut	M6
13	D18283070	1	Cover	Up to Serial or Engine Number 939559
	D18285312	1	Cover	From Serial or Engine Number 939560
14	391038X1	6	Washer	
15	D28280014	2	Plate	
16	D28283007	1	Drive Shaft	
17	D43106800	1	Key	
18	3009491X1	6	Hex. Sock. Screw	M10 X 20
19	D18283053	1	Plate	
20	D41716500	1	Bearing	
21	3009695X1	4	Nut	M12
22	D28281387	1	Screw	
23	3000197X1	1	Split Pin	Diameter 4 X 35
24	339402X1	2	Nut	M10
25	D20400415	4	Washer	
26	D28280729	4	Nut	
27	D41653500	X	Washer	
28	D41653500	4	Washer	
29	D28283004	1	Washer	
30	D45481600	1	O Ring	
31	D45904300	2	Facing	
32	D28283008	1	Sprocket	Up to Serial or Engine Number 937852
	D28286047	1	Sprocket	From Serial or Engine Number 937853
33	D28283000	1	Insert	Up to Serial or Engine Number 937852
	D28286049	1	Insert	From Serial or Engine Number 937853
34	D28286166	1	Clutch Disc	
35	D41112400	10	Washer	
36	D41054100	1	Castle Nut	
37	D28281431	1	Spacer	
38	D28281432	1	Support	
39	D28283006	1	Spring	
40	D20400507	1	Spacer	
41	3009498X1	1	Hex. Sock. Screw	M10 X 55
42	339761X1	1	Hex. Sock. Screw	M8 X 25
43	1440329X1	1	Locknut	M10
44	1441858X1	1	Grease Nipple	M6
45	D28283853	15	Hair Pin	
46	354066X1	1	Split Pin	5/32" X 1
47	D28280005	1	Auger	20' - 6,16M Up to Serial or Engine Number 939455
	D28280067	1	Auger	22' - 6,77M Up to Serial or Engine Number 939455
	D28286019	1	Auger	20' - 6,16M From Serial or Engine Number 939649
	D28286021	1	Auger	22' - 6,77M From Serial or Engine Number 939649
48	D28280006	1	Auger	20' - 6,16M Up to Serial or Engine Number 939455
	D28280068	1	Auger	22' - 6,77M Up to Serial or Engine Number 939455
	D28286018	1	Auger	20' - 6,16M From Serial or Engine Number 939649

Table Auger Left Hand - Freeflow - 20-22"

Item	Part Number	Qty	Description	Comments
48	D28286020	1	Auger	22' - 6,77M From Serial or Engine Number 939649
49	D42329300	1	Chain	
50	D20400520	4	Spacer	
51	D20400522	3	Spacer	
52	D42365100	1	Link	
53	D28283294	4	Spike	
54	D28281694	4	Threaded Part	
55	339123X1	20	Hex. Sock. Screw	M8 X 20
56	D20400506	20	Washer	
57	394367X1	12	Locknut	M8
58	D20400471	2	Washer	
59	D28285967	1	Auger Extension	
60	D28285968	1	Auger Extension	
61	D28285981	2	Bracket	

FOOTNOTE [A] OPTIONAL

MF 7272/7274/7278 CERA COMBINE - 1637408
D-ZAZD-009-B



D-ZAZD-009-B

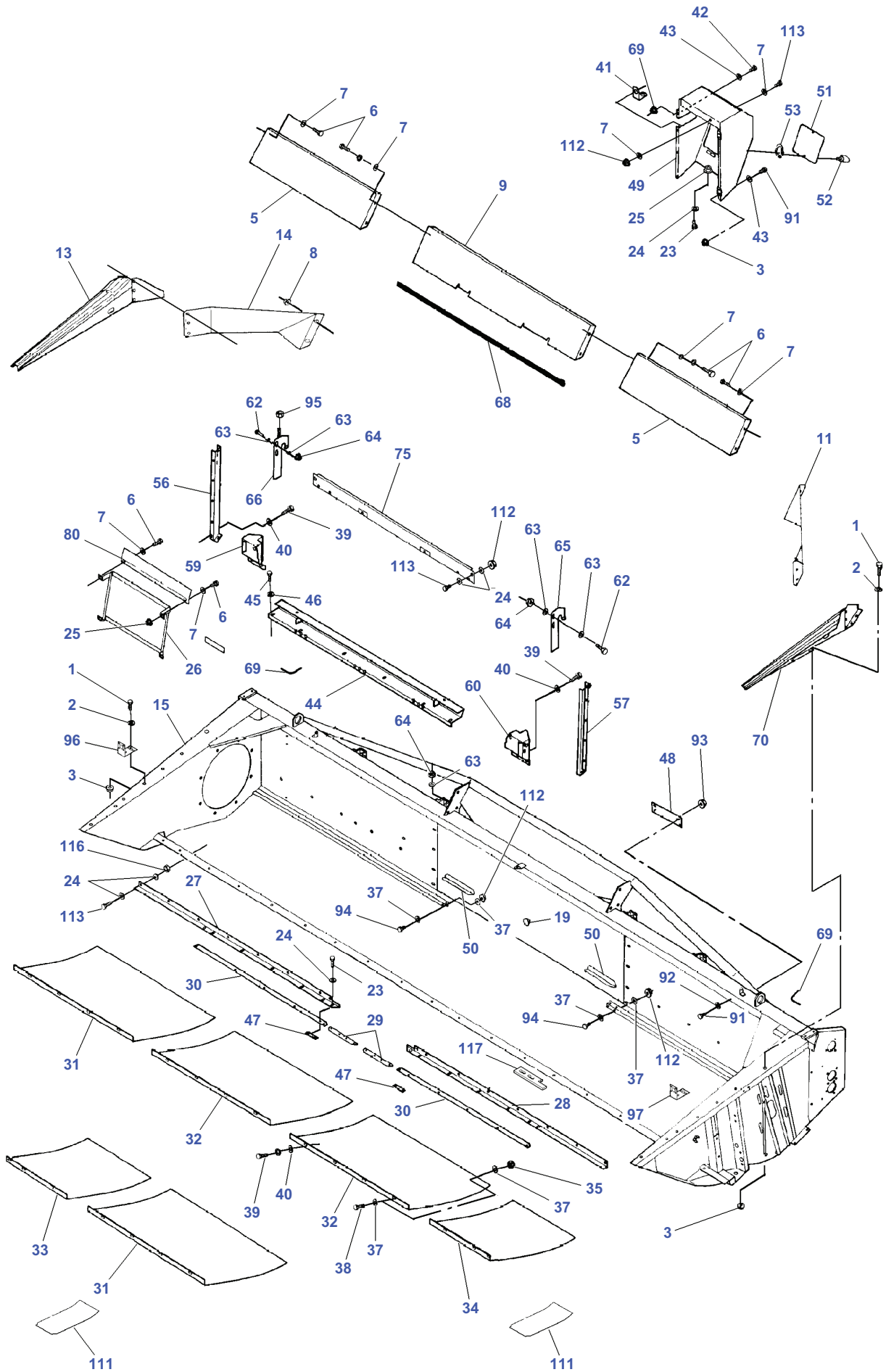
Item	Part Number	Qty	Description	Comments
1	D28281345	1	Stirrup	
2	394367X1	X	Locknut	M8
3	D20400506	X	Washer	
4	339124X1	X	Hex. Sock. Screw	M8 X 16
5	391038X1	X	Washer	
6	1441462X1	X	Locknut	M6
7	D28285302	1	Bearing Carrier	
8	D41707800	2	Bearing	
9	D43114900	1	Key	
10	1441579X1	1	Key Parallel	
11	D42329300	1	Chain	
12	D42365100	1	Link	
13	D28280225	1	Sprocket	
15	D28281578	1	Retainer	
16	D28285423	1	Pulley	
17	D40697900	3	Screw	
18	D41985600	1	Belt	
19	339666X1	X	Hex. Sock. Screw	M6 X 20
20	3009492X1	4	Hex. Sock. Screw	M10 X 25
21	394367X1	X	Locknut	M8
22	1440329X1	X	Locknut	M10
23	D28281570	1	Plate	
24	339761X1	3	Hex. Sock. Screw	M8 X 25
25	394367X1	3	Locknut	M8
26	D28281577	1	Angle.	
27	D43427500	1	Pin	
28	1440988X1	1	Circlip	
29	D45609100	1	Shaft	20' - 6,16M
	D45609300	1	Shaft	22' - 6,77M
30	D45632900	1	Bush	
31	D45633000	1	Ring	
32	D45630700	1	Ring	
33	D45630500	1	Guard	
34	D45681800	2	Chain	
35	D45632400	2	Tube	
36	D45645700	2	Washer	
37	D28760574	1	Pulley	Valid from machine/table no,can be used in new as well as in older machines 938215
38	D28760156	1	Screw	
39	D28760155	1	Bush	
40	D28260181	1	Bolt	
41	1442739X1	X	Locknut	M16
42	D20400416	X	Washer	
43	339402X1	X	Nut	M10
44	D45630400	1	Guard	
45	D45630600	1	Ring	
46	D45631100	1	Tube	20' - 6,16M
	D45633700	1	Tube	22' - 6,77M
47	D45631900	1	Tube	20' - 6,16M
	D45633900	1	Tube	22' - 6,77M
48	D28181284	1	Washer	
49	391889X1	2	Hex. Sock. Screw	M16 X 70
50	D20400463	1	Washer	
51	D20400460	6	Washer	
52	D20400459	2	Washer	
53	D45632300	1	Tube	
54	D41716800	2	Tightener	
55	D20400516	X	Spacer	[B]
56	1442739X1	2	Locknut	M16
57	D45631500	1	Tube	
58	D45630100	1	Yoke	
59	D45633200	1	Yoke	
60	D18281583	1	Guard	
61	D45667300	2	Spring	
62	D45665300	2	Pin	
64	D42619100	2	Pin	

Item	Part Number	Qty	Description	Comments
65	D45630300	2	Hub	
66	1442456X1	8	Screw Special	M10 X 30
67	D20400419	X	Washer	
68	D45630200	1	Yoke	
69	D45633100	1	Yoke	
70	D28284404	1	Shaft	
71	D28785641	1	Clutch	[A] Up to Serial or Engine Number 59115
72	D45148900	1	Container	[A] Up to Serial or Engine Number 59115
73	D28285296	1	Bracket	[A] Up to Serial or Engine Number 59115
74	D45140037	2	Screw	[A]
75	D28285536	1	Lever	
76	D43484900	1	Lever	
77	D42612200	X	Pin	
78	D28280787	1	Rail	
79	D18281365	1	Crossmember	
80	D40609300	6	Screw	
81	D20400466	6	Washer	
82	D41087200	6	Locknut	M4
83	D40073100	1	Screw	
84	D28280981	1	Spacer	
85	D20400459	1	Washer	
86	1442739X1	1	Locknut	M16
87	D27100794	2	Spring	
88	D28283200	1	Shaft	
89	D28285535	2	Fork	
90	339168X1	X	Hex. Sock. Screw	M8 X 50
91	D28285531	1	Journal	
92	D45140038	2	Ring	[A] Up to Serial or Engine Number 59115
108	D18283090	1	Plate	
109	D18283098	1	Fitting	
110	339123X1	X	Hex. Sock. Screw	M8 X 20
111	D20400506	X	Washer	
112	394367X1	X	Locknut	M8
113	D18285215	1	Bracket	Up to Serial or Engine Number 59115
118	D28285492	1	Rubber Patch	From Serial or Engine Number 59116
180	SKF62042RS	1	Bear. 6204 2rs	Valid from machine/table no,can be used in new as well as in older machines 938215
181	339199X1	2	Circlip	Valid from machine/table no,can be used in new as well as in older machines 938215
182	D28285518	1	Bracket	From Serial or Engine Number 59116
183	D28285519	1	Support	From Serial or Engine Number 59116 CPL.
184	D28285497	1	Support	From Serial or Engine Number 59116
185	D28285494	1	Stirrup	From Serial or Engine Number 59116
186	D45140044	1	Clutch	From Serial or Engine Number 59116
187	D45702000	1	Hose	

FOOTNOTE [A] OPTIONAL EQUIPMENT

FOOTNOTE [B] OPTIONAL

MF 7272/7274/7278 CERA COMBINE - 1637408
D-ZAZE-009-A



D-ZAZE-009-A

Table Housing And Guarding - Freeflow - 20-22"

Item	Part Number	Qty	Description	Comments
1	339560X1	X	Hex. Sock. Screw	M6 X 16
2	391038X1	X	Washer	
3	1441462X1	X	Locknut	M6
5	D18283238	2	Cowl	20' - 6,16M
	D18283862	2	Cowl	22' - 6,77M
6	339123X1	X	Hex. Sock. Screw	M8 X 20
7	D20400506	X	Washer	
8	394367X1	X	Locknut	M8
9	D18283236	1	Cowl	
11	D18283233	1	Cowl	
13	D18283516	1	Side	Up to Serial or Engine Number 939455
	D18285507	1	Side	From Serial or Engine Number 939649
14	D18283232	1	Cowl	Right Hand
15	D18285504	1	Table	20' - 6,16M
	D18285505	1	Table	Up to Serial or Engine Number 939455 22' - 6,77M
	D18286026	1	Table	Up to Serial or Engine Number 939455 20' - 6,16M
	D18286027	1	Table	From Serial or Engine Number 939649 22' - 6,77M
19	D45745300	X	Plug	
23	339123X1	X	Hex. Sock. Screw	M8 X 20
24	D20400506	X	Washer	
25	394367X1	X	Locknut	M8
26	D28285263	1	Retainer	22' - 6,77M
	D18285767	1	Bracket	20' - 6,16M
27	D28281806	1	Deflector	20' - 6,16M
	D28281808	1	Deflector	Right Hand 22' - 6,77M
28	D28281805	1	Deflector	20' - 6,16M
	D28281807	1	Deflector	Left Hand 22' - 6,77M
29	D28282634	2	Retainer	Valid from machine/table no,can be used in new as well as in older machines 60316
30	D28283324	2	Deflector	20' - 6,16M
	D28283861	2	Deflector	22' - 6,77M
31	D28283256	4	Wearplate	20' - 6,16M
	D28283256	3	Wearplate	22' - 6,77M
32	D28283255	2	Wearplate	22' - 6,77M
33	D28283253	1	Wearplate	Right Hand
34	D28283254	1	Wearplate	Left Hand
35	394367X1	X	Locknut	M8
37	D20400506	X	Washer	
38	D40405300	X	Screw	
39	3009493X1	X	Hex. Sock. Screw	M10 X 30
40	D20400419	X	Washer	
41	D18250648	1	Clip	
42	339666X1	5	Hex. Sock. Screw	M6 X 20
43	D20400405	5	Washer	
44	D18285529	1	Profile	
45	3009493X1	8	Hex. Sock. Screw	M10 X 30
46	D20400415	8	Washer	
47	D28283321	4	Clamp	
48	D18285613	1	Cover	
49	D18284331	1	Guard	
50	D28283406	2	Deflector	
51	D18280958	1	Cover	
52	D43427500	2	Pin	
53	1440988X1	2	Circlip	
56	D18285775	1	Support	
57	D18285776	1	Support	
59	D18285752	1	Bracket	
60	D18285756	1	Bracket	
62	339881X1	4	Hex. Sock. Screw	M16 X 60
63	D28181284	9	Washer	

Table Housing And Guarding - Freeflow - 20-22"

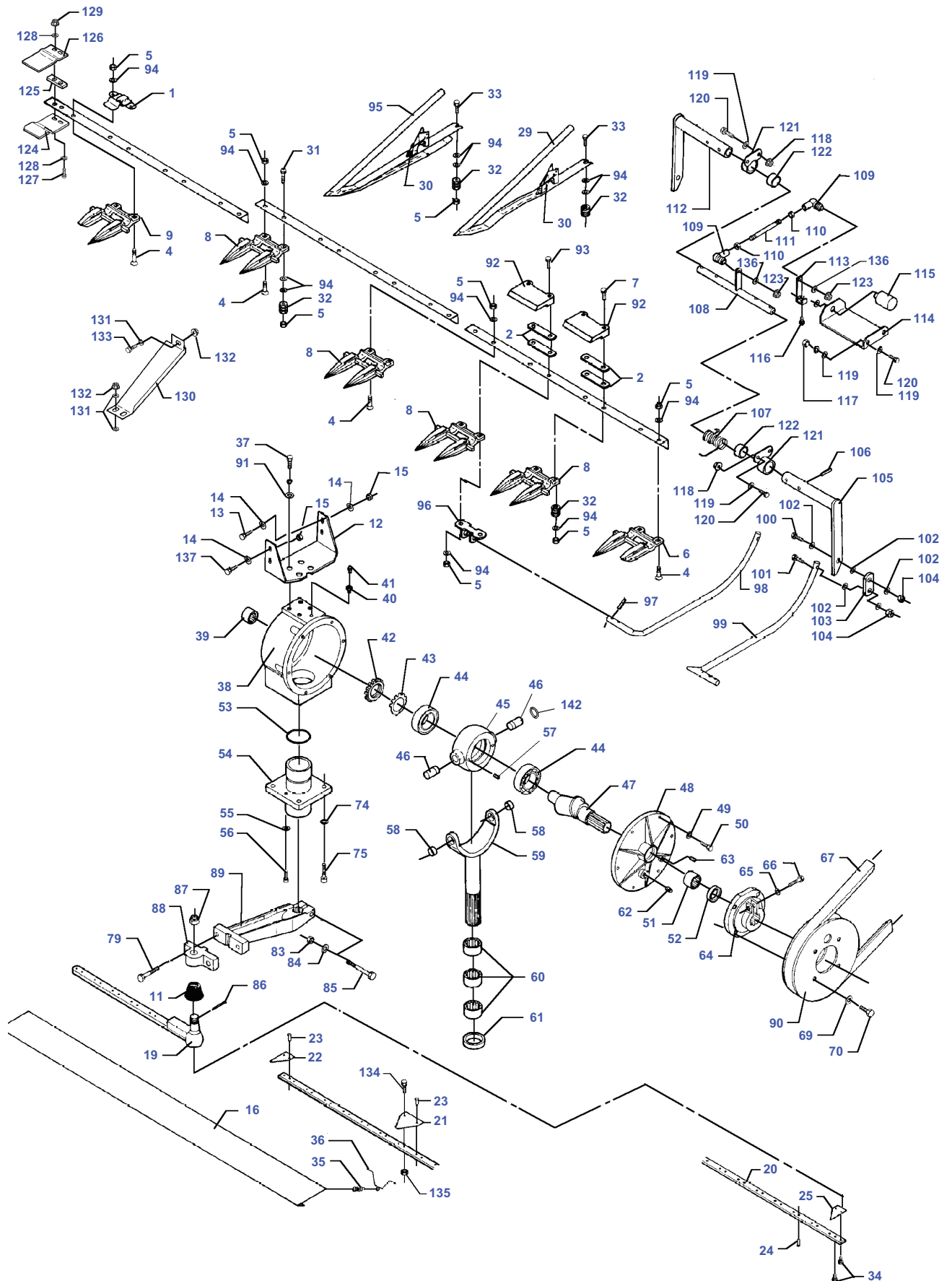
Item	Part Number	Qty	Description	Comments
64	1442739X1	5	Locknut	M16
65	D18285739	1	Hook	
66	D18285738	1	Hook	
68	D28283557	X	Tensioner	
69	D28782178	X	Seal Section	Length 5 M
70	D18283938	1	Plate	Left Hand
75	D18285218	1	Plate	[A]
80	D28285264	1	Guard	22' - 6,77M
80	D18285763	1	Protector	20' - 6,16M
91	339560X1	X	Hex. Sock. Screw	M6 X 16
92	D20400404	X	Washer	
93	1441462X1	X	Locknut	M6
94	339337X1	4	Hex. Sock. Screw	M8 X 30
95	339034X1	1	Nut	M16
96	D28780381	2	Retainer	[C]
97	D28780381	1	Retainer	[B]
111	D28284101	2	Plate	
112	394367X1	X	Locknut	M8
113	339761X1	X	Hex. Sock. Screw	M8 X 25
116	339169X1	X	Nut	M8
117	D28285011	1	Lock Support	

FOOTNOTE [A] OPTIONAL EQUIPMENT AUTO LEVEL

FOOTNOTE [B] OPTIONAL EQUIPMENT ELECTRIC - VERTICAL KNIFE LEFT

FOOTNOTE [C] OPTIONAL EQUIPMENT ELECTRIC VERTICAL KNIFE RIGHT

MF 7272/7274/7278 CERA COMBINE - 1637408
D-ZAZF-011-A



Knives And Fingers - Powerflow - 20-22"

Item	Part Number	Qty	Description	Comments
1	D28283934	19	Clip	20' - 6,16M
	D28283934	21	Clip	22' - 6,77M
2	D28230292	4	Shim	
4	D40551500	X	Bolt	
5	339402X1	X	Nut	M10
6	D44104700	1	Finger	Left Hand
7	D40067600	X	Screw	
8	D44104500	39	Finger	20' - 6,16M
	D44104500	43	Finger	22' - 6,77M
9	D44104600	1	Finger	Right Hand
11	D44120500	1	Cap	
12	D28283104	1	Support	Up to Serial or Engine Number 939559
13	339337X1	2	Hex. Sock. Screw	M8 X 30
14	D20400414	4	Washer	
15	394367X1	2	Locknut	M8
16	D28230830	2	Guard	22' - 6,77M
	D28230831	1	Guard	20' - 22' 6,16M - 6,77M
	D28200314	1	Guard	20' - 6,16M
	D28200738	1	Guard	20' - 6,16M
19	D28283010	2	Blade	20' - 6,16M
	D28283865	2	Blade	22' - 6,77M
	D28283011	2	Knife Head	
20	D28281492	2	Knife Back	20' - 6,16M
	D28281493	2	Knife Back	22' - 6,77M
21	D44103700	X	Section	
22	D44103800	X	Half Section	
23	D41306100	X	Rivet	
24	D41306200	X	Rivet	
25	D44104000	1	Half Section	
29	D49040900	X	Ear Lifter	
30	D49040400	X	Spring	
31	339019X1	X	Hex. Sock. Screw	M10 X 50
32	D49040600	21	Roller	20' - 6,16M
	D49040600	23	Roller	22' - 6,77M
33	339019X1	X	Hex. Sock. Screw	M10 X 50
34	339560X1	2	Hex. Sock. Screw	M6 X 16
35	D26500317	4	Spring	(16)
36	D28230841	4	Spring	(16)
37	339337X1	4	Hex. Sock. Screw	M8 X 30
38	D28281324	1	Wobble Drive	[B] Cpl.
	D44127800	1	Box	[B] (38)
	D44126500	1	Box	[C] (38)
39	D44128800	1	Bearing Needle	(38)
40	D44129400	1	Connector	(38)
41	D46116500	1	Valve.	(38)
42	D44129100	1	Nut	(38)
43	D44129200	1	Washer	(38)
44	D41668400	2	Bearing Roller	(38)
45	D44127900	1	Housing	[B] (38)
	D44126400	1	Housing	[C] (38)
46	D44128000	2	Journal	[B] (38)
	D44125900	1	Journal	[C] (38)
47	D44129300	1	Shaft	(38)
48	D44128200	1	Cover	[B] (38)
	D44126300	1	Cover	[C] (38)
49	D41102100	6	Washer	(38)
50	339123X1	6	Hex. Sock. Screw	(38) M8 X 20
51	D41669700	1	Bearing Needle	(38)
52	D45412000	1	Gasket	(38)
53	D45481500	1	O Ring	(38)

Knives And Fingers - Powerflow - 20-22"

Item	Part Number	Qty	Description	Comments
54	D44128300	1	Bearing Carrier	[B] (38)
54	D44126200	1	Bearing Carrier	[C] (38)
55	D41102100	2	Washer	(38)
56	D40697200	2	Screw	[B] (38)
56	D40697700	2	Screw	[C] (38)
57	D40639600	2	Pin	[B] (38)
58	D44128400	2	Bush	[B] (38)
58	D44126100	2	Bush	[C] (38)
59	D44128500	1	Yoke	[B] (38)
59	D44126000	1	Yoke	[C] (38)
60	D41669800	3	Bearing Needle	(38)
61	D45409500	1	Gasket	(38)
62	D44128600	1	Plug	(38)
63	D45236200	1	Plug	(38)
64	D44127100	1	Hub	(38)
65	D41100900	1	Spring Washer	(38)
66	D40694000	1	Screw	(38)
67	D41986300	1	V Belt	
69	D20400426	4	Washer	
70	1440716X1	4	Hex. Sock. Screw	M12 X 30
74	D20400522	4	Spacer	
75	D40465100	4	Screw	
79	D40698400	2	Screw	
83	1442190X1	1	Locknut	M12
84	D20400426	1	Washer	
85	390826X1	1	Hex. Sock. Screw	M12 X 100
86	391423X1	1	Split Pin	Diameter 4 X 40
87	D41054300	1	Nut	
88	D44126900	1	Flange	
89	D44127000	1	Swivel Arm	
90	D44127200	1	Pulley	
91	D28280986	4	Washer	Up to Serial or Engine Number 939559
92	D28260362	2	Clip	
93	1441671X1	X	Screw Special	M10 X 50
94	D20400419	X	Washer	
95	D49040300	X	Ear Lifter	
96	D28284356	4	Fitting	[A]
97	339662X1	8	Pin	[A] Diameter 6 X 28
98	D28284259	2	Sensor	[A]
99	D28284260	2	Sensor	[A]
100	339337X1	4	Hex. Sock. Screw	[A] M8 X 30
101	D40405300	4	Screw	[A]
102	D20400506	20	Washer	[A]
103	D28284363	4	Link	[A]
104	394367X1	8	Locknut	[A] M8
105	D28284227	2	Lever	[A]
106	D42611900	8	Pin	[A]
107	D28281693	2	Spring	[A]
108	D28284232	2	Shaft	[A]
109	D46437300	4	Toggle	[A]
110	D41010600	4	Nut	[A] M6
111	D28780446	2	Rod	[A]
112	D28284226	2	Lever	[A]
113	D28284361	2	Connecting Link	[A]
114	D28284360	2	Plate	[A]
115	D28780523	2	Potentiometer	[A]
116	D40464900	2	Screw	[A]

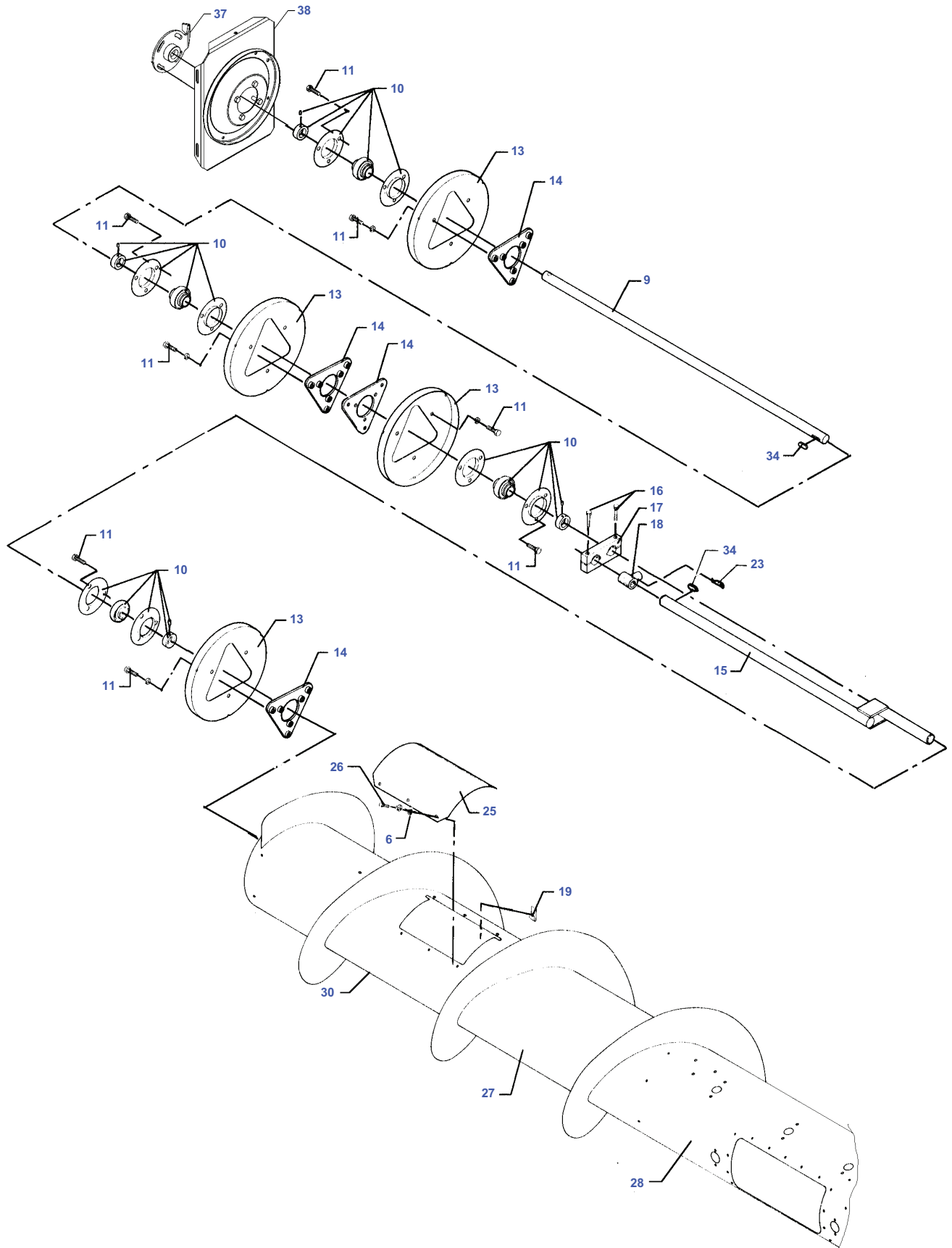
Item	Part Number	Qty	Description	Comments
117	339169X1	4	Nut	[A] M8
118	394367X1	8	Locknut	[A] M8
119	D20400506	16	Washer	[A]
120	339123X1	12	Hex. Sock. Screw	[A] M8 X 20
121	D28284458	4	Bearing Bush	[A]
122	D28284456	4	Bush	[A]
123	1441462X1	2	Locknut	[A] M6
124	D28281576	1	Plate	
125	D28281575	1	Shim	
126	D28281574	1	Plate	
127	339010X1	2	Hex. Sock. Screw	M8 X 40
128	D20400506	2	Washer	
129	394367X1	2	Locknut	M8
130	D18281572	1	Guard	
131	D20400506	3	Washer	
132	394367X1	3	Locknut	M8
133	339761X1	1	Hex. Sock. Screw	M8 X 25
134	339560X1	X	Hex. Sock. Screw	M6 X 16
135	1441462X1	X	Locknut	M6
136	D20400404	4	Washer	
137	D40405300	2	Screw	
142	D45483000	1	O Ring	[C]

FOOTNOTE [A] OPTIONAL EQUIPMENT AUTO LEVEL

FOOTNOTE [B] USED ONLY IN KNIFE DRIVES WITH 6 HOLES IN BEARING HOUSING BOTTOM

FOOTNOTE [C] USED ONLY IN KNIFE DRIVES WITH 8HOLES IN BEARING HOUSING BOTTOM AND BULGES SIDES

MF 7272/7274/7278 CERA COMBINE - 1637408
D-ZAZG-007-A

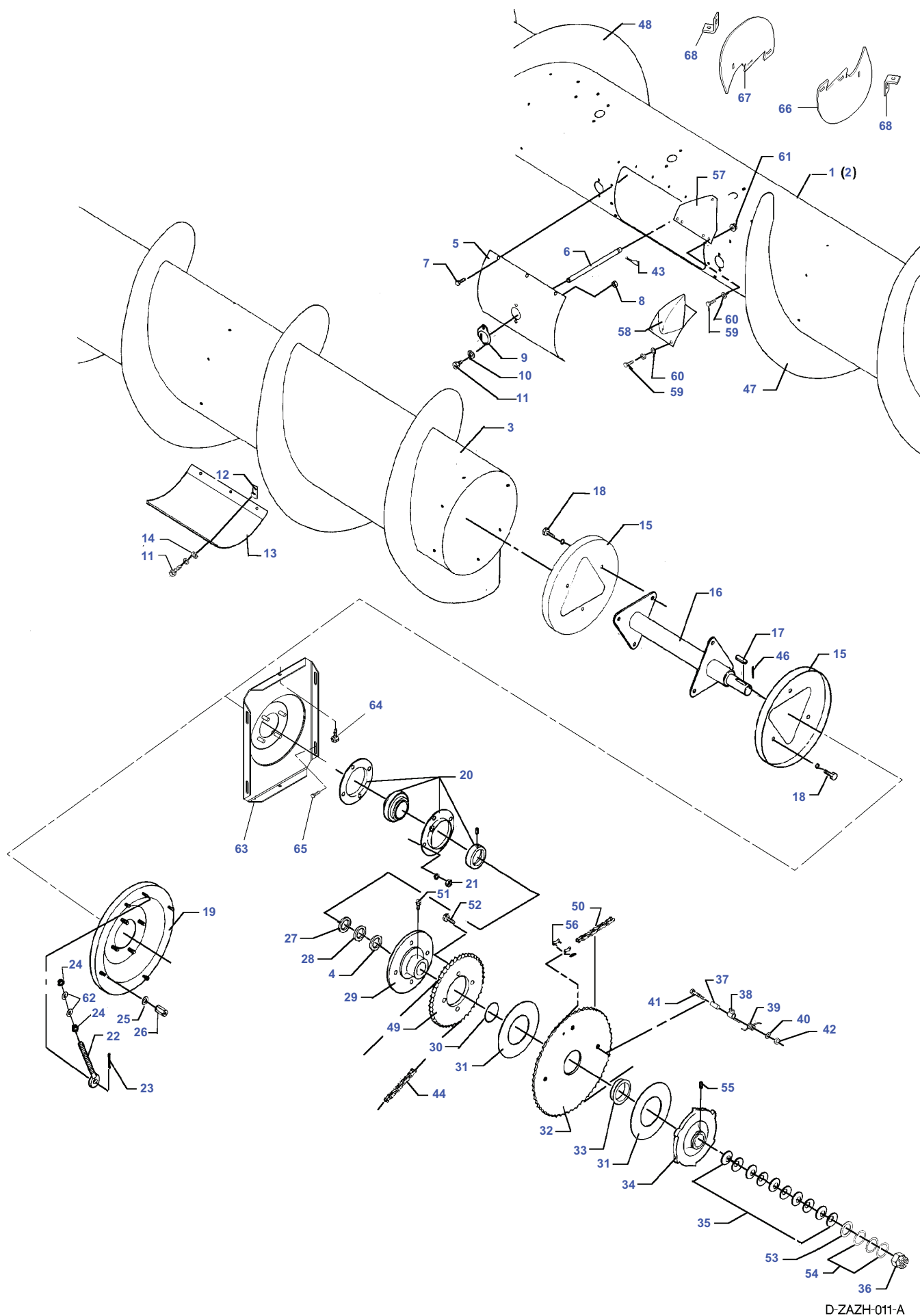


D-ZAZG-007-A

Table Auger Right Hand - Powerflow - 20-22"

Item	Part Number	Qty	Description	Comments
6	391038X1	12	Washer	
9	D28283037	1	Shaft	20' - 6,16M Up to Serial or Engine Number 939559
	D28283871	1	Shaft	22' - 6,77M Up to Serial or Engine Number 939559
	D28285997	1	Shaft	20' - 6,16M From Serial or Engine Number 939560
	D28285797	1	Auger	22' - 6,77M From Serial or Engine Number 939560
10	D41707800	4	Bearing	
11	339814X1	24	Hex. Sock. Screw	M10 X 35
13	D28280014	4	Plate	
14	D28283847	4	Bearing Plate	
15	D28285977	1	Crankshaft	
16	3009498X1	2	Hex. Sock. Screw	M10 X 55
17	D28283039	1	Arm	
18	D28251831	15	Bearing Carrier	
19	D43428200	6	Nut	M6
23	D28283853	15	Hair Pin	
25	D18283070	1	Cover	Up to Serial or Engine Number 939559
	D18285312	1	Cover	From Serial or Engine Number 939560
26	339666X1	6	Hex. Sock. Screw	M6 X 20
27	D18283953	1	Table Auger	20'-6,16M Up to Serial or Engine Number 939559
	D18285986	1	Table Auger	20'-6,16M From Serial or Engine Number 939560
	D18284500	1	Table Auger	22' - 6,77M Up to Serial or Engine Number 939559
	D28286153	1	Auger	22'-6,77M From Serial or Engine Number 939560
28	D28283012	1	Body	
30	D28283034	1	Body	Right Hand 20' - 6,16M Up to Serial or Engine Number 940147
	D28286007	1	Body	Right Hand 20' - 6,16M From Serial or Engine Number 940148
	D28283876	1	Body	Right Hand 22' - 6,77M
34	339441X1	2	Key Parallel	
37	D28285130	1	Fitting	From Serial or Engine Number 939560
38	D28285102	1	Cover	

MF 7272/7274/7278 CEREА COMBINE - 1637408
D-ZAZH-011-A



D-ZAZH-011-A

Tabel Auger Left Hand - Powerflow - 20-22"

Item	Part Number	Qty	Description	Comments
1	D18283953	1	Table Auger	20' - 6,16M Up to Serial or Engine Number 939559
	D18285986	1	Table Auger	20'-6,16M From Serial or Engine Number 939560
	D18284500	1	Table Auger	22' - 6,77M Up to Serial or Engine Number 939559
	D28286153	1	Auger	22'-6,77M From Serial or Engine Number 939560
2	D28283012	1	Body	
3	D28286006	1	Body	Left Hand 20' - 6,16M
	D28283875	1	Body	Left Hand 22' - 6,77M
4	D41653500	2	Washer	
5	D18283078	1	Cover	
6	D28283815	15	Finger	
7	339560X1	8	Hex. Sock. Screw	M6 X 16
8	1441462X1	X	Locknut	M6
9	D28283060	15	Bush	
10	D20400404	X	Washer	
11	339666X1	X	Hex. Sock. Screw	M6 X 20
12	D43428200	6	Nut	M6
13	D18283070	1	Cover	Up to Serial or Engine Number 939559
	D18285312	1	Cover	From Serial or Engine Number 939560
14	391038X1	6	Washer	
15	D28280014	2	Plate	
16	D28285100	1	Drive Shaft	
17	D43106800	1	Key	
18	339814X1	X	Hex. Sock. Screw	M10 X 35
19	D18283053	1	Plate	Up to Serial or Engine Number 939559
20	D41716500	1	Bearing	
21	3009695X1	4	Nut	M12
22	D28281387	1	Screw	Up to Serial or Engine Number 939559
	D28384055	1	Bolt	From Serial or Engine Number 939560
23	339129X1	1	Split Pin	Diameter 3,2 X 25
24	339402X1	2	Nut	M10
25	D20400416	4	Washer	
26	D28280729	4	Nut	Up to Serial or Engine Number 939559
27	D41653500	X	Washer	[C]
28	D41653500	4	Washer	[C]
29	D28283004	1	Washer	
30	D45481600	1	O Ring	
31	D45904300	2	Facing	
32	D28283153	1	Sprocket	Up to Serial or Engine Number 937883 20'-22' 6,16 - 6,77 M
	D28286046	1	Sprocket	From Serial or Engine Number 937898 Up to Serial or Engine Number 940322 22' - 6,77 M
	D28286046	1	Sprocket	From Serial or Engine Number 937898 20' - 6,16 M
	D28285443	1	Sprocket	From Serial or Engine Number 940323 22' - 6,77 M
33	D28283000	1	Insert	Up to Serial or Engine Number 937883
	D28286049	1	Insert	From Serial or Engine Number 937898
34	D28286166	1	Clutch Disc	22' - 6,77M
35	D41112400	10	Washer	
36	D41054100	1	Castle Nut	[B]
37	D28281431	1	Spacer	
38	D28281432	1	Support	
39	D28283006	1	Spring	
40	D20400507	1	Spacer	
41	3009498X1	1	Hex. Sock. Screw	M10 X 55
42	1440329X1	1	Locknut	M10
43	D28283853	15	Hair Pin	
44	D42332800	1	Chain	
46	354066X1	1	Split Pin	5/32" X 1
47	D28286016	1	Auger	Right Hand 20' - 6,16M
	D28284502	1	Auger	Right Hand 22' - 6,77M

Tabel Auger Left Hand - Powerflow - 20-22"

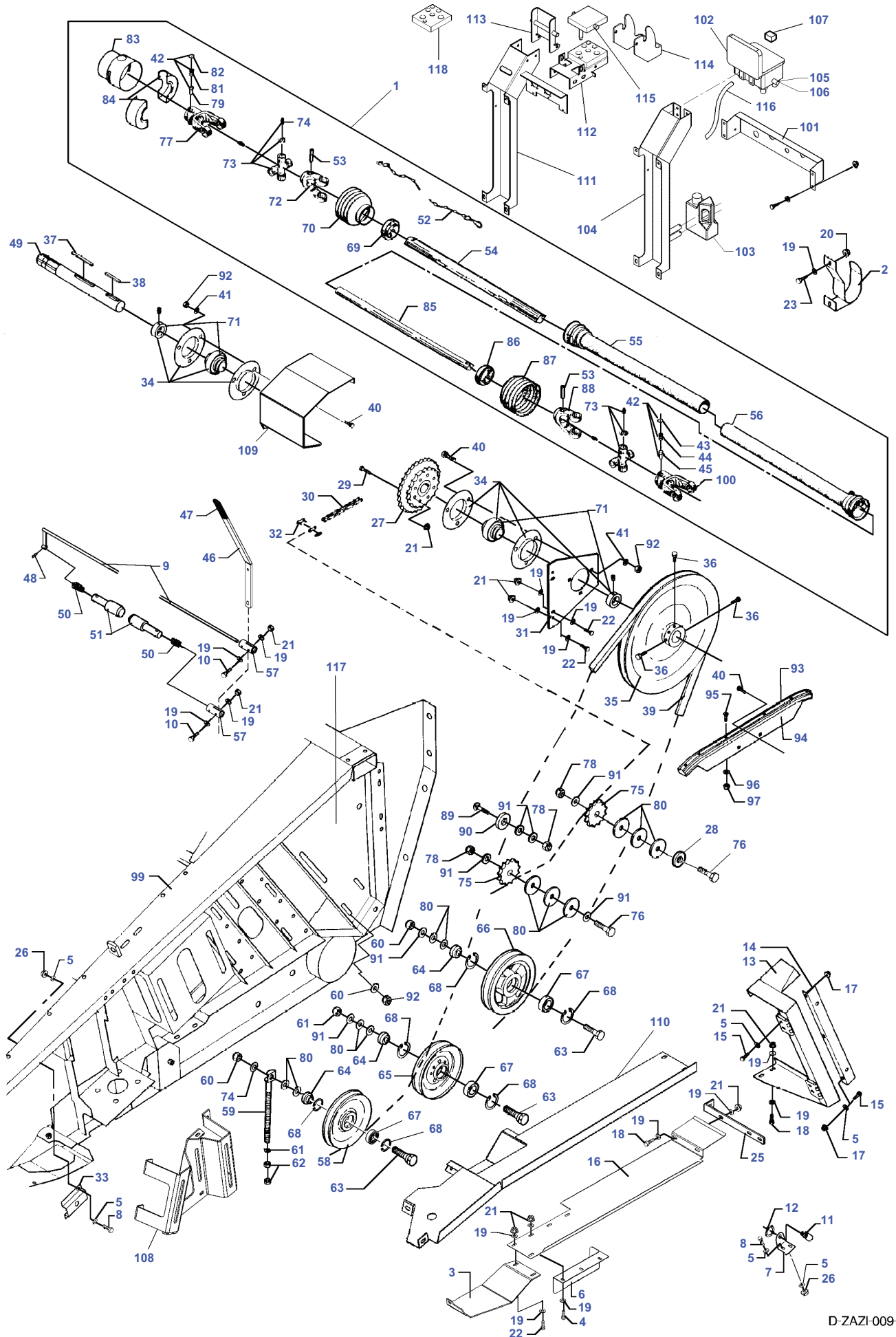
Item	Part Number	Qty	Description	Comments
48	D28286017	1	Auger	Left Hand 20' - 6,16M
48	D28284501	1	Auger	Left Hand 22' - 6,77M
49	D28283182	1	Sprocket	
50	D42329200	1	Chain	
51	339761X1	1	Hex. Sock. Screw	M8 X 25
52	339123X1	4	Hex. Sock. Screw	M8 X 20
53	D20400520	1	Spacer	
54	D20400523	4	Spacer	
55	1441858X1	1	Grease Nipple	M6
56	D42365500	1	Link	
57	D28281694	4	Threaded Part	[A]
58	D28283297	4	Finger	[A]
59	339123X1	20	Hex. Sock. Screw	[A] M8 X 20
60	D20400506	20	Washer	[A]
61	394367X1	12	Locknut	[A] M8
62	D20400471	2	Washer	
63	D28285102	1	Cover	From Serial or Engine Number 939560
64	D40633300	2	Pin	From Serial or Engine Number 939560
65	390809X1	4	Screw Special	From Serial or Engine Number 939560 M10 X 25
66	D28285974	1	Auger	
67	D28285975	1	Auger	
68	D28285981	2	Bracket	

FOOTNOTE [A] OPTIONAL EQUIPMENT STANDARD COMBINE, STANDARD EQUIPMENT AUTO LEVEL COMBINE,SLOPES

FOOTNOTE [B] NOT ILLUSTRATED

FOOTNOTE [C] OPTIONAL

MF 7272/7274/7278 CERA COMBINE - 1637408
D-ZAZI-009-B



D-ZAZI-009-B

Item	Part Number	Qty	Description	Comments
1	D45609100	1	Shaft	20' - 6,16M
	D45609300	1	Shaft	22' - 6,77M
				Up to Serial or Engine Number 939566
2	D28281345	1	Stirrup	
3	D28281709	1	Guard	Up to Serial or Engine Number 939559
4	D40404900	X	Hex. Sock. Screw	
5	D20400470	X	Washer	
6	D28281708	1	Protector	Replace and repair. Old interchangeable with new D18281708
				Up to Serial or Engine Number 939559
7	D28281577	1	Angle.	Up to Serial or Engine Number 939559
8	D40402600	X	Hex. Sock. Screw	
9	D28285117	1	Rod	
10	D40423900	X	Hex. Sock. Screw	
11	D43427500	1	Pin	
12	D42555500	1	Circlip	
13	D18280541	1	Post	Up to Serial or Engine Number 939559
14	D18280550	1	Angle.	Up to Serial or Engine Number 939559
15	D40402400	X	Hex. Sock. Screw	
16	D28281707	1	Plate	Up to Serial or Engine Number 939559
17	1441462X1	X	Locknut	
18	D40405100	X	Hex. Sock. Screw	
19	D20400506	X	Washer	
20	394367X1	X	Locknut	
21	394367X1	X	Locknut	
22	D40405000	X	Hex. Sock. Screw	
23	D40404700	X	Hex. Sock. Screw	
25	D28283924	1	Reinforcement	Up to Serial or Engine Number 939559
26	1441462X1	X	Locknut	Replace and repair. Old not interchangeable with new D41087400
27	D28285385	1	Gear	
28	D20400460	1	Washer	
29	D40423600	8	Hex. Sock. Screw	
30	D42329200	1	Chain	
31	D18281366	1	Bearing Carrier	Up to Serial or Engine Number 939559
32	D42365500	1	Link	
33	D28281578	1	Retainer	Up to Serial or Engine Number 939559
34	D41707800	2	Bearing	
35	D28285423	1	Pulley	
36	D40697900	3	Screw	
37	D43114900	1	Key	
38	D43105000	1	Key	
39	D41986300	1	V Belt	
40	D40066800	6	Screw Special	
41	D20400419	6	Washer	
42	D45632400	2	Tube	
43	D45645700	2	Washer	
44	D45667300	2	Spring	
45	D45665300	2	Pin	
46	D28285127	1	Lever	
47	D43484900	1	Lever	
48	D42612200	X	Pin	
49	D28285125	1	Shaft	
50	D27100794	2	Spring	
51	D28283200	1	Shaft	
52	D45681800	2	Chain	
53	D42619100	2	Pin	
54	D45631100	1	Tube	20' - 6,16M
	D45633700	1	Tube	22' - 6,77M
55	D45631900	1	Tube	20' - 6,16M
	D45633900	1	Tube	22' - 6,77M
56	D45632300	1	Tube	20' - 22' 6,16M - 6,77M
57	D28285126	2	Fork	

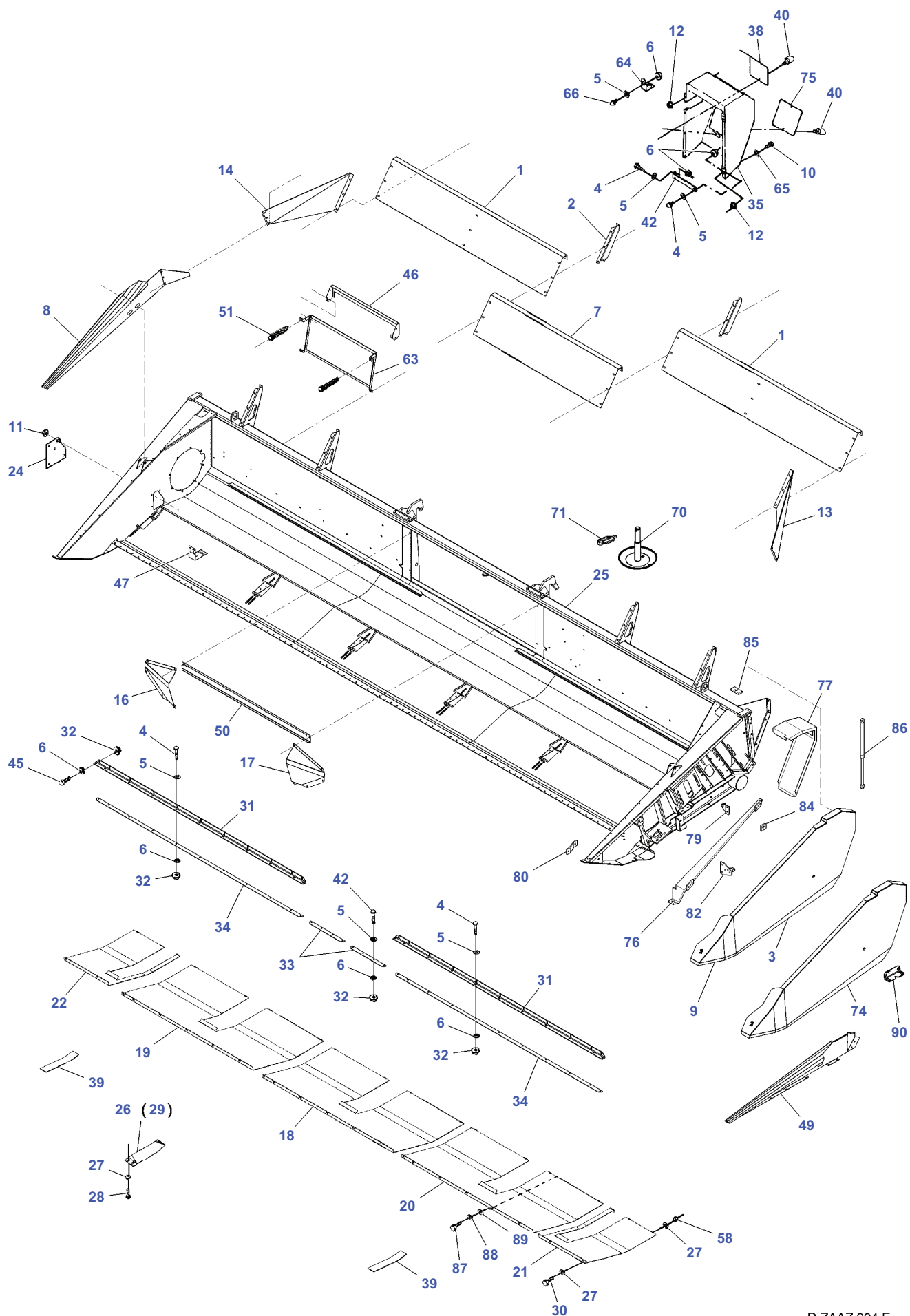
Item	Part Number	Qty	Description	Comments
58	D28760574	1	Pulley	Valid from machine/table no,can be used in new as well as in older machines 938215
59	D28260181	1	Bolt	Up to Serial or Engine Number 939559
60	D41087900	3	Locknut	
61	D20400416	X	Washer	
62	D41010800	X	Nut	
63	D28760156	3	Screw	
64	D28760155	3	Bush	
65	D28752130	1	Pulley	
66	D28280819	1	Pulley	
67	D41622700	3	Bear. 6204 2rs	
68	339199X1	6	Circlip	
69	D45630600	1	Ring	
70	D45630400	1	Guard	
71	D41663400	2	Ball Bearing	
72	D45630200	1	Yoke	
73	D45630300	2	Hub	
74	D43001600	2	Greaser	
75	D41716800	2	Tightener	
76	D40433600	2	Hex. Sock. Screw	
77	D45633100	1	Yoke	[A]
78	D41087900	X	Locknut	
79	D45665300	2	Pin	
80	D20400460	X	Washer	
81	D45667300	2	Spring	
82	D45645700	2	Washer	
83	D45632900	1	Bush	
84	D45633300	1	Tube	
85	D45631500	1	Tube	20' - 22' 6,16M - 6,77M
86	D45630700	1	Ring	
87	D45630500	1	Guard	
88	D45630100	1	Yoke	
89	D40073100	1	Screw	
90	D28280981	1	Spacer	
91	D28181284	X	Washer	
92	D41087600	X	Locknut	
93	D28280787	1	Rail	
94	D28281365	1	Crossmember	Replace and repair. Old interchangeable with new D18281365
95	D40609300	6	Screw	
96	D20400466	6	Washer	
97	D41087200	6	Locknut	
99	D18285512	1	Table Housing	20' - 6,16M Up to Serial or Engine Number 939559
99	D18285828	1	Housing	20' - 6,16M From Serial or Engine Number 939560
99	D18285513	1	Housing	22' - 6,77M Up to Serial or Engine Number 939559
99	D18285827	1	Housing	22' - 6,77M From Serial or Engine Number 939560
100	D45633200	1	Yoke	[A]
101	D18285215	1	Bracket	Up to Serial or Engine Number 59115
102	D28785641	1	Clutch	[B] Up to Serial or Engine Number 59115
103	D45148900	1	Container	[B] Up to Serial or Engine Number 59115
104	D28285296	1	Bracket	[B] Up to Serial or Engine Number 59115
105	D45140037	2	Screw	[B]
106	D45140038	2	Ring	[B] Up to Serial or Engine Number 59115
107	D45140039	2	Plug	Up to Serial or Engine Number 59115
108	D18285089	1	Bracket	From Serial or Engine Number 939560 Up to Serial or Engine Number 940199
108	D18285454	1	Bracket	From Serial or Engine Number 940200
109	D18285795	1	Guard	From Serial or Engine Number 939560 Up to Serial or Engine Number 940199
109	D28285290	1	Shield	From Serial or Engine Number 940200
110	D28285366	1	Guard	From Serial or Engine Number 939560
111	D28285518	1	Bracket	From Serial or Engine Number 59116

Massey Ferguson**MF 7272/7274/7278 CEREAL COMBINE - 1637408****1637408****Guarding And Transmissions - Powerflow - 20" + (22" up to No 939566)****Page001-0009**

Item	Part Number	Qty	Description	Comments
112	D28285519	1	Support	From Serial or Engine Number 59116 CPL.
113	D28285497	1	Support	From Serial or Engine Number 59116
114	D28285494	1	Stirrup	From Serial or Engine Number 59116
115	D45140044	1	Clutch	From Serial or Engine Number 59116
116	D45702000	1	Hose	
117	D28285445	1	Bracket	[C]
118	D28285492	1	Rubber Patch	From Serial or Engine Number 59116

FOOTNOTE [A] DELIVERED IN SETS**FOOTNOTE [B]** OPTIONAL EQUIPMENT**FOOTNOTE [C]** ORDER D28285445 + D18285413

MF 7272/7274/7278 CERA COMBINE - 1637408
D-ZAAZ-004-E



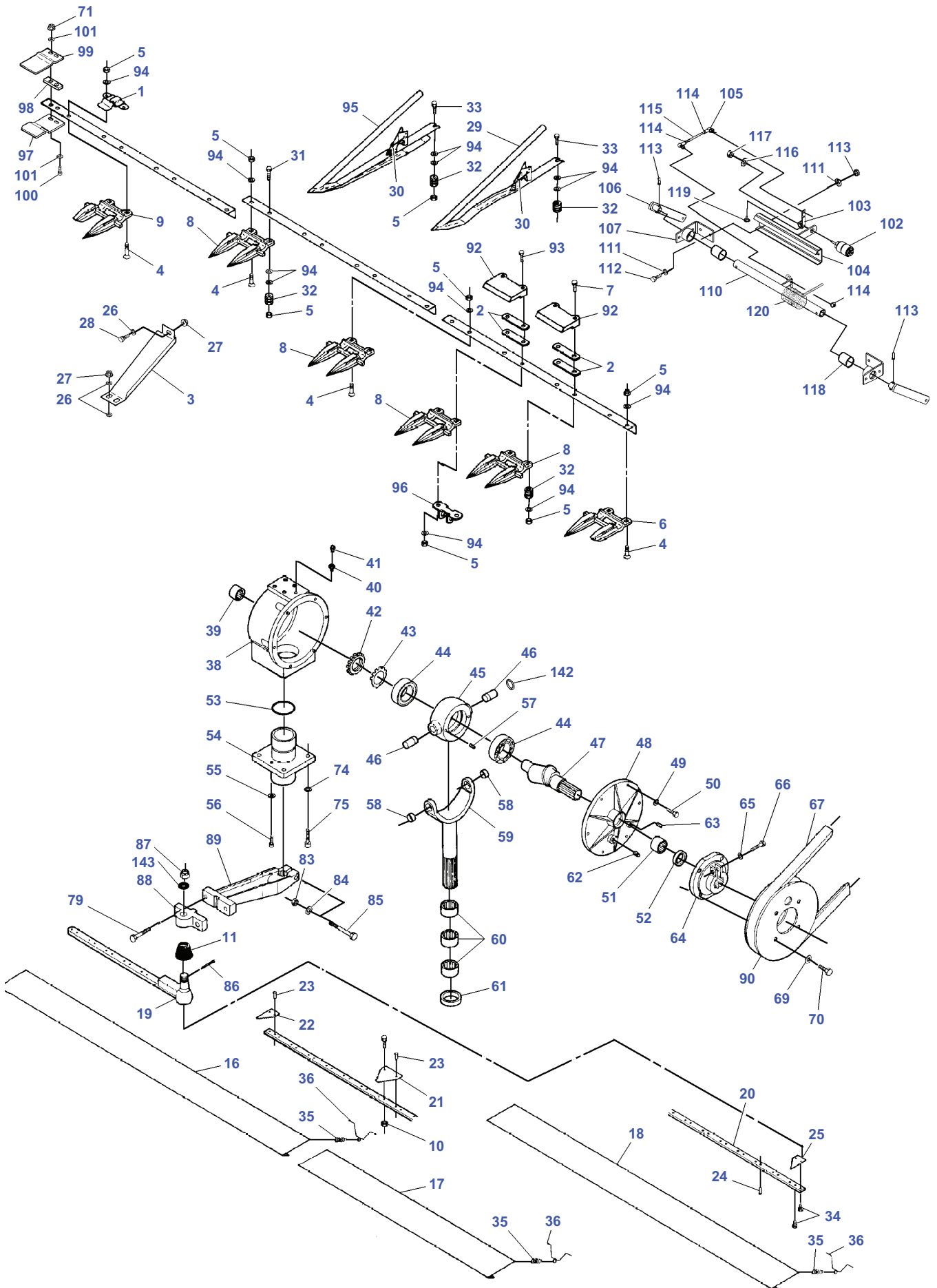
D-ZAAZ-004-E

Item	Part Number	Qty	Description	Comments
1	D18285663	2	Plate	20' - 6,16M
	D18285664	2	Plate	22' - 6,77M
2	D18285124	2	Support	
3	D18280552	1	Guard	Up to Serial or Engine Number 939559
4	D40404900	X	Hex. Sock. Screw	
5	D20400506	X	Washer	
6	394367X1	X	Locknut	
7	D18285120	1	Guard	
8	D18283554	1	Panel	
9	D18281582	1	Guard	Up to Serial or Engine Number 939559
10	D40402400	X	Hex. Sock. Screw	
11	D20400404	X	Washer	
12	1441462X1	X	Locknut	
13	D18285122	1	Guard	
14	D18285121	1	Guard	
16	D18285313	1	Guard	Right Hand Up to Serial or Engine Number 939559
	D28285373	1	Guard	From Serial or Engine Number 939560 Right Hand
17	D18285314	1	Guard	Left Hand Up to Serial or Engine Number 939559
	D28285374	1	Guard	From Serial or Engine Number 939560 Left Hand
18	D28280255	4	Wearplate	[A] Replace and repair. Old interchangeable with new D18280255 22' - 6,77M Up to Serial or Engine Number 939559
	D28285811	2	Wearplate	[A] 22'-6,77M From Serial or Engine Number 939560
	D28280256	3	Wearplate	[A] Replace and repair. Old interchangeable with new D18280256 20' - 6,16M Up to Serial or Engine Number 939559
	D28285078	1	Wearplate	[A] 20'-6,16M From Serial or Engine Number 939560
19	D28285812	1	Wearplate	[A] 22' - 6,77M From Serial or Engine Number 939560
	D28285085	1	Wearplate	[A] 20'-6,16M From Serial or Engine Number 939560
20	D28285813	1	Wearplate	[A] 22' - 6,77M From Serial or Engine Number 939560
	D28285084	1	Wearplate	[A] 20'-6,16M From Serial or Engine Number 939560
21	D28280253	1	Wearplate	[A] 22' - 6,77M Up to Serial or Engine Number 939559
	D28280257	1	Wearplate	[A] Left Hand 20' - 6,16M Replace and repair. Old interchangeable with new D18280257 Up to Serial or Engine Number 939559
	D28285082	1	Wearplate	[A] 20' - 22' 6,16M - 6,77M From Serial or Engine Number 939560
22	D28280254	1	Wearplate	[A] Right Hand 22' - 6,77M Up to Serial or Engine Number 939559
	D28280258	1	Wearplate	[A] Right Hand 20' - 6,16M Replace and repair. Old interchangeable with new D18280258 Up to Serial or Engine Number 939559
	D28285081	1	Wearplate	[A] From Serial or Engine Number 939560
24	D28280359	1	Shutter	

Table Housing And Guarding - Powerflow - 20-22"

Item	Part Number	Qty	Description	Comments
25	D18285512	1	Table Housing	20' - 6,16M Up to Serial or Engine Number 939559
25	D18285828	1	Housing	20'-6,16M From Serial or Engine Number 939560
25	D18285513	1	Housing	22' - 6,77M Up to Serial or Engine Number 939559
25	D18285827	1	Housing	22' - 6,77M From Serial or Engine Number 939560
26	D28251486	3	Cover	20' - 6,16M Up to Serial or Engine Number 939559
26	D28251486	4	Cover	22' - 6,77M
27	D20400506	X	Washer	
28	D20400470	X	Washer	
29	D28285194	3	Cover	20' - 6,16M
29	D28285194	4	Cover	22' - 6,77M
30	D40423700	X	Hex. Sock. Screw	
31	D28285651	2	Angle.	20' - 6,16M
31	D28285652	2	Angle.	22' - 6,77M
32	D41010700	X	Nut	
33	D28285197	2	Scraper	
34	D28286127	2	Stripper	20' - 6,16M
34	D28286128	2	Scraper	22' - 6,77M
35	D18283723	1	Panel	Up to Serial or Engine Number 939559
38	D18280965	1	Cover	Up to Serial or Engine Number 939559
39	D28283984	2	Wearplate	
40	D43427500	4	Pin	
42	D28283924	1	Reinforcement	Up to Serial or Engine Number 939559
45	D40405000	X	Hex. Sock. Screw	
46	D28285264	1	Guard	22' - 6,77M
46	D18285763	1	Protector	20' - 6,16M
47	D28780381	X	Retainer	
49	D18285590	1	Side	
50	D18285801	1	Plate	Up to Serial or Engine Number 939559
50	D28285375	1	Plate	From Serial or Engine Number 939560
51	D18285097	1	Brace	
58	394367X1	X	Locknut	
63	D28285263	1	Retainer	22' - 6,77M
63	D18285767	1	Bracket	20' - 6,16M
64	D18250648	1	Clip	
65	D20400470	X	Washer	
66	D40404700	X	Hex. Sock. Screw	
70	D28286101	1	Support	
71	D41446200	1	Split Pin	
74	D18285172	1	Guard	From Serial or Engine Number 939560
75	D28285446	1	Console	From Serial or Engine Number 939560
76	D18285175	1	Shield	From Serial or Engine Number 939560
77	D18285104	1	Guard	From Serial or Engine Number 939560
79	D18285293	1	Support	From Serial or Engine Number 939560 Up to Serial or Engine Number 940199
79	D28285447	1	Console	From Serial or Engine Number 940200
80	D18285097	1	Brace	From Serial or Engine Number 939560 Up to Serial or Engine Number 940199
82	D28285446	1	Console	From Serial or Engine Number 939560
84	D28285271	3	Dog	From Serial or Engine Number 939560
85	D28285289	1	Support	From Serial or Engine Number 939560
86	D45056600	1	Gas Strut	From Serial or Engine Number 939560 Up to Serial or Engine Number 940199
86	D45050060	1	Gas Strut	From Serial or Engine Number 940200
87	D40407800	26	Hex. Sock. Screw	
88	D41101900	26	Spring Washer	
89	D20400419	26	Washer	
90	D43419900	1	Lock	From Serial or Engine Number 60644

MF 7272/7274/7278 CERA COMBINE - 1637408
D-ZAAA-006-A



Knives And Fingers - Powerflow - 25"

Item	Part Number	Qty	Description	Comments
1	D28283934	24	Clip	
2	D28230292	4	Shim	
3	D18281572	1	Guard	
4	D40551500	X	Bolt	
5	339402X1	X	Nut	M10
6	D44104700	1	Finger	Left Hand
7	D40067600	2	Screw	
8	D44104500	55	Finger	
9	D44104600	1	Finger	Right Hand
10	1441462X1	X	Locknut	M6
11	D44120500	1	Cap	
16	D28230830	X	Guard	
	D28230842	X	Guard	
	D28230845	X	Guard	
17	D28230843	X	Guard	
18	D28230830	X	Guard	
	D28230844	X	Guard	
	D28230842	X	Guard	
19	D28285042	1	Knife	
	D28283011	2	Knife Head	
20	D28285041	2	Knife Back	
21	D44103700	X	Section	
22	D44103800	X	Half Section	
23	D41306100	X	Rivet	
24	D41306200	X	Rivet	
25	D44104000	X	Half Section	Left Hand
26	D20400506	3	Washer	
27	394367X1	3	Locknut	M8
28	339123X1	1	Hex. Sock. Screw	M8 X 20
29	D49040900	X	Ear Lifter	
30	D49040400	X	Spring	
31	339019X1	X	Hex. Sock. Screw	M10 X 50
32	D49040600	X	Roller	
33	339019X1	X	Hex. Sock. Screw	M10 X 50
34	339560X1	X	Hex. Sock. Screw	M6 X 16
35	D26500317	X	Spring	
36	D28230841	X	Spring	
38	D28281067	1	Wobble Drive	[A]
	D44127800	1	Box	[A]
	D28281324	1	Wobble Drive	[B] CPL.
	D44126500	1	Box	[B]
39	D44128800	1	Bearing Needle	
40	D44129400	1	Connector	
41	D46116500	1	Valve.	
42	D44129100	1	Nut	
43	D44129200	1	Washer	
44	D41668400	2	Bearing Roller	
45	D44127900	1	Housing	[A]
	D44126400	1	Housing	[B]
46	D44128000	2	Journal	[A]
	D44125900	1	Journal	[B]
47	D44129300	1	Shaft	
48	D44128200	1	Cover	[A]
	D44126300	1	Cover	[B]
49	D41102100	6	Washer	
50	339123X1	6	Hex. Sock. Screw	M8 X 20
51	D41669700	1	Bearing Needle	
52	D45412000	1	Gasket	
53	D45481500	1	O Ring	
54	D44128300	1	Bearing Carrier	[A]
	D44126200	1	Bearing Carrier	[B]
55	D41102100	2	Washer	
56	D40697200	2	Screw	[A]
	D40697700	2	Screw	[B]
57	D40639600	2	Pin	[A]
58	D44128400	2	Bush	[A]
	D44126100	2	Bush	[B]
59	D44128500	1	Yoke	[A]
	D44126000	1	Yoke	[B]
60	D41669800	3	Bearing Needle	

Knives And Fingers - Powerflow - 25"

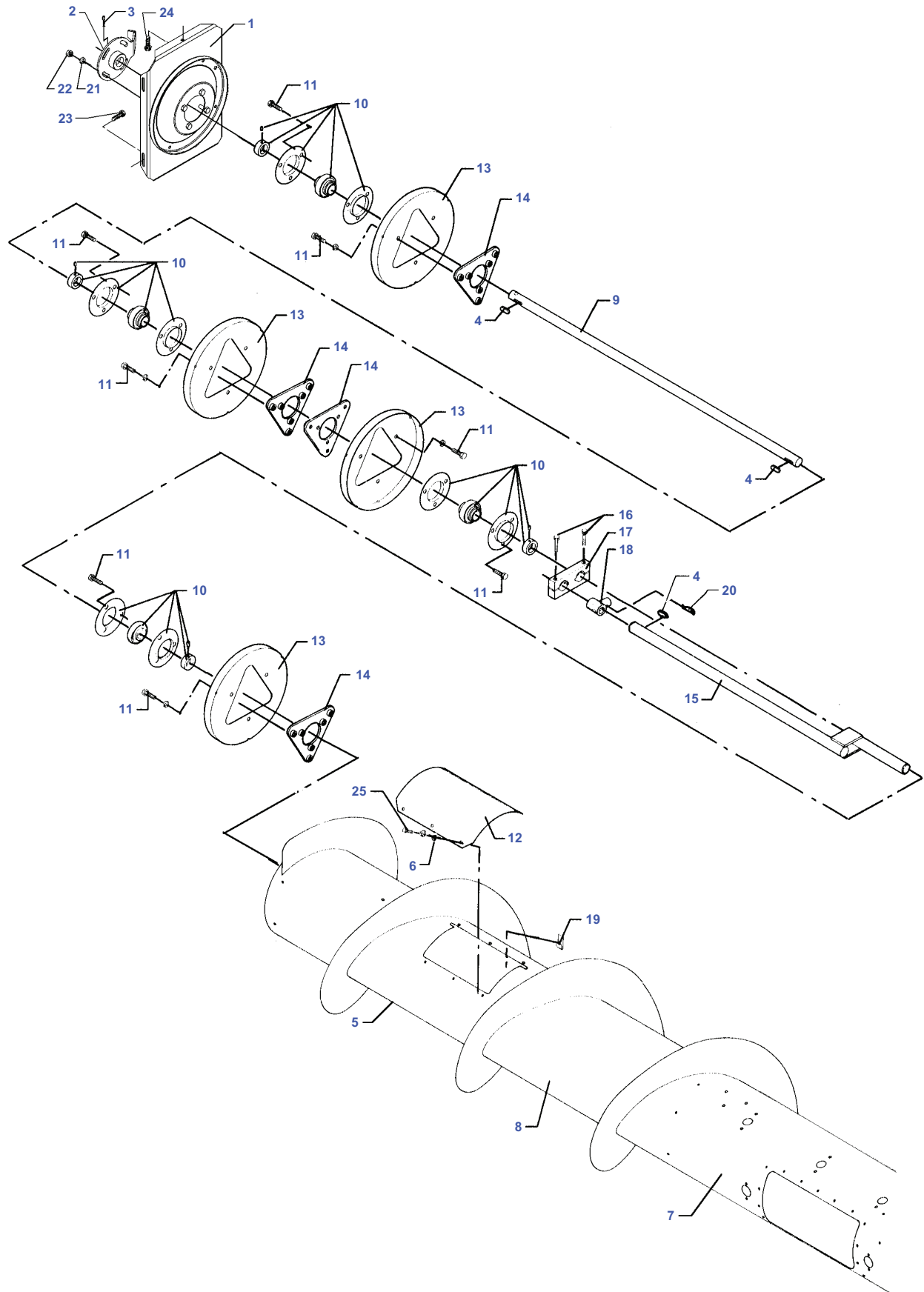
Item	Part Number	Qty	Description	Comments
61	D45409500	1	Gasket	
62	D44128600	1	Plug	
63	D45236200	1	Plug	
64	D44127100	1	Hub	
65	D41100900	1	Spring Washer	
66	D40694000	1	Screw	
67	D41986300	1	V Belt	
69	D20400426	4	Washer	
70	1440716X1	4	Hex. Sock. Screw	M12 X 30
71	394367X1	2	Locknut	M8
74	D20400522	4	Spacer	
75	D40465100	4	Screw	
79	D40698400	2	Screw	
83	1442190X1	X	Locknut	M12
84	D20400428	1	Washer	
85	390826X1	1	Hex. Sock. Screw	M12 X 100
86	391423X1	1	Split Pin	Diameter 4 X 40
87	D41054300	1	Nut	
88	D44126900	1	Flange	
89	D44127000	1	Swivel Arm	
90	D44127200	1	Pulley	
92	D28260362	2	Clip	
93	1441671X1	X	Screw Special	M10 X 50
94	D20400419	X	Washer	
95	D49040300	X	Ear Lifter	
96	D28284356	4	Fitting	
97	D28281576	1	Plate	
98	D28281575	1	Shim	
99	D28281574	1	Plate	
100	339009X1	2	Hex. Sock. Screw	M8 X 35
101	D20400506	2	Washer	
102	D28780523	2	Potentiometer	
103	D28284361	2	Connecting Link	
104	D28285250	2	Support	
105	D46437300	4	Toggle	
106	D28285198	4	Arm	
107	D28285073	2	Clamp	
108	D28285072	2	Bush	[C]
109	339390X1	4	Pin	[C] Diameter 8 X 30
110	D28285251	2	Shaft	
111	D20400413	16	Washer	
112	339761X1	8	Hex. Sock. Screw	M8 X 25
113	394367X1	8	Locknut	M8
114	D41010600	4	Nut	M6
115	D28780446	2	Rod	
116	D20400404	2	Washer	
117	1441462X1	2	Locknut	M6
118	D28284456	4	Bush	
119	D40464900	2	Screw	
120	D28285087	2	Spiral	
142	D45483000	1	O Ring	[B]
143	D20400438	1	Washer	

FOOTNOTE [A] USED ONLY IN KNIFE DRIVES WITH 6 HOLES IN BEARING HOUSING BOTTOM

FOOTNOTE [B] USED ONLY IN KNIFE DRIVES WITH 8HOLES IN BEARING HOUSING BOTTOM AND BULGES SIDES

FOOTNOTE [C] NOT ILLUSTRATED

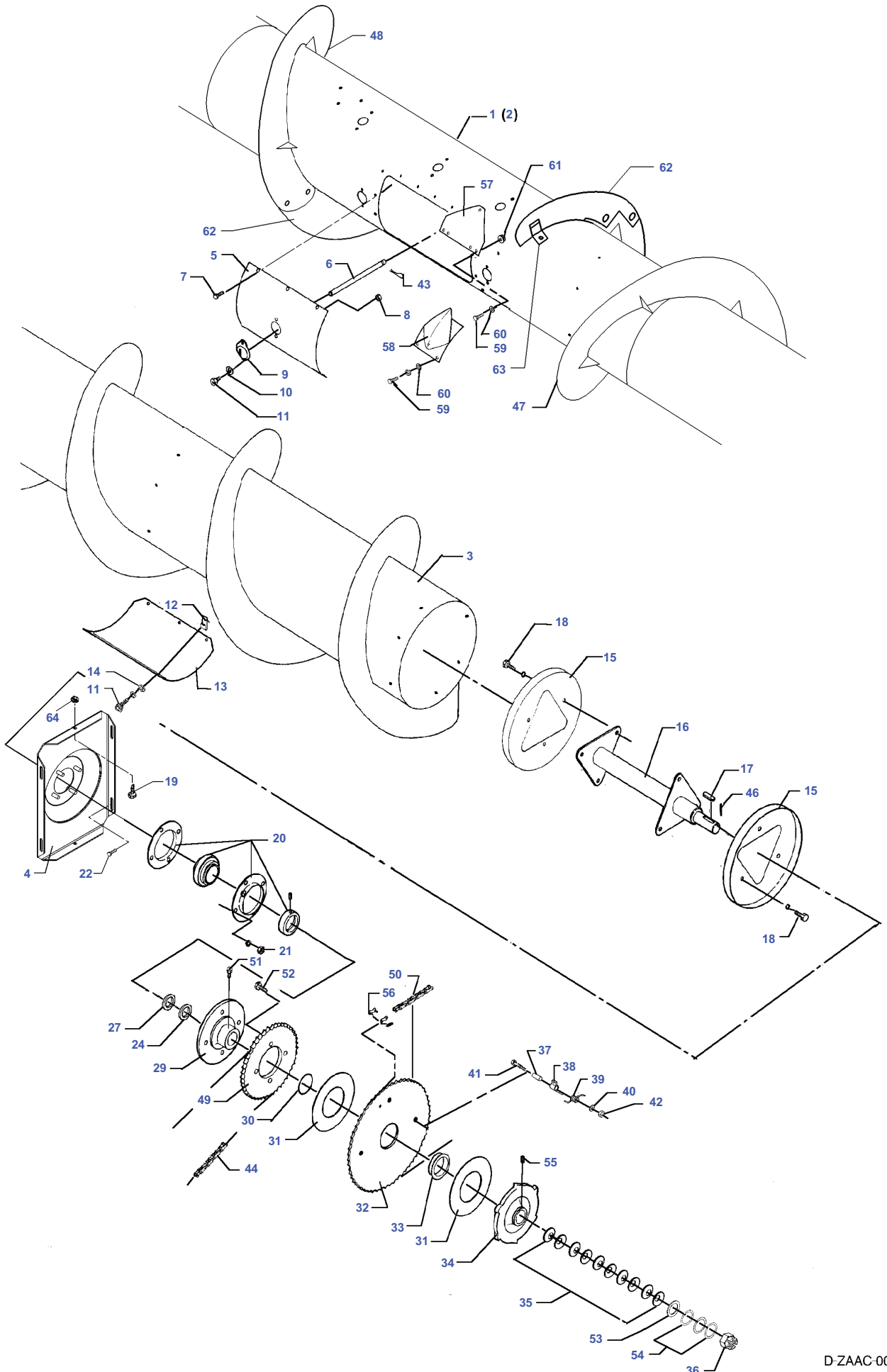
MF 7272/7274/7278 CERA COMBINE - 1637408
D-ZAAB-004-A



D-ZAAB-004-A

Item	Part Number	Qty	Description	Comments
1	D28285102	1	Cover	
2	D28285130	1	Fitting	
3	D40633000	1	Pin	
4	339441X1	2	Key Parallel	
5	D28285135	1	Tube	
6	391038X1	X	Washer	
7	D28285028	1	Tube	
8	D28286141	1	Auger	
9	D28285129	1	Shaft	
10	D41707800	2	Bearing	
11	339814X1	X	Hex. Sock. Screw	M10 X 35
12	D28283070	2	Cover	Up to Serial or Engine Number 936541
	D18285312	2	Cover	From Serial or Engine Number 936551
13	D28280014	4	Plate	
14	D28283847	4	Bearing Plate	
15	D28285977	1	Crankshaft	Valid from machine/table no,can be used in new as well as in older machines 937426
16	3009498X1	2	Hex. Sock. Screw	M10 X 55
17	D28283039	1	Arm	
18	D28251831	19	Bearing Carrier	
19	D43428200	12	Nut	M6
20	D28283853	X	Hair Pin	
21	D20400423	4	Flat Washers	
22	1442190X1	4	Locknut	M12
23	390809X1	4	Screw Special	M10 X 25
24	D40409400	1	Screw Metric	
25	339666X1	6	Hex. Sock. Screw	M6 X 20

MF 7272/7274/7278 CERA COMBINE - 1637408
D-ZAAC-004-B



D-ZAAC-004-B

Feeder Drum Left Hand - Powerflow - 25"

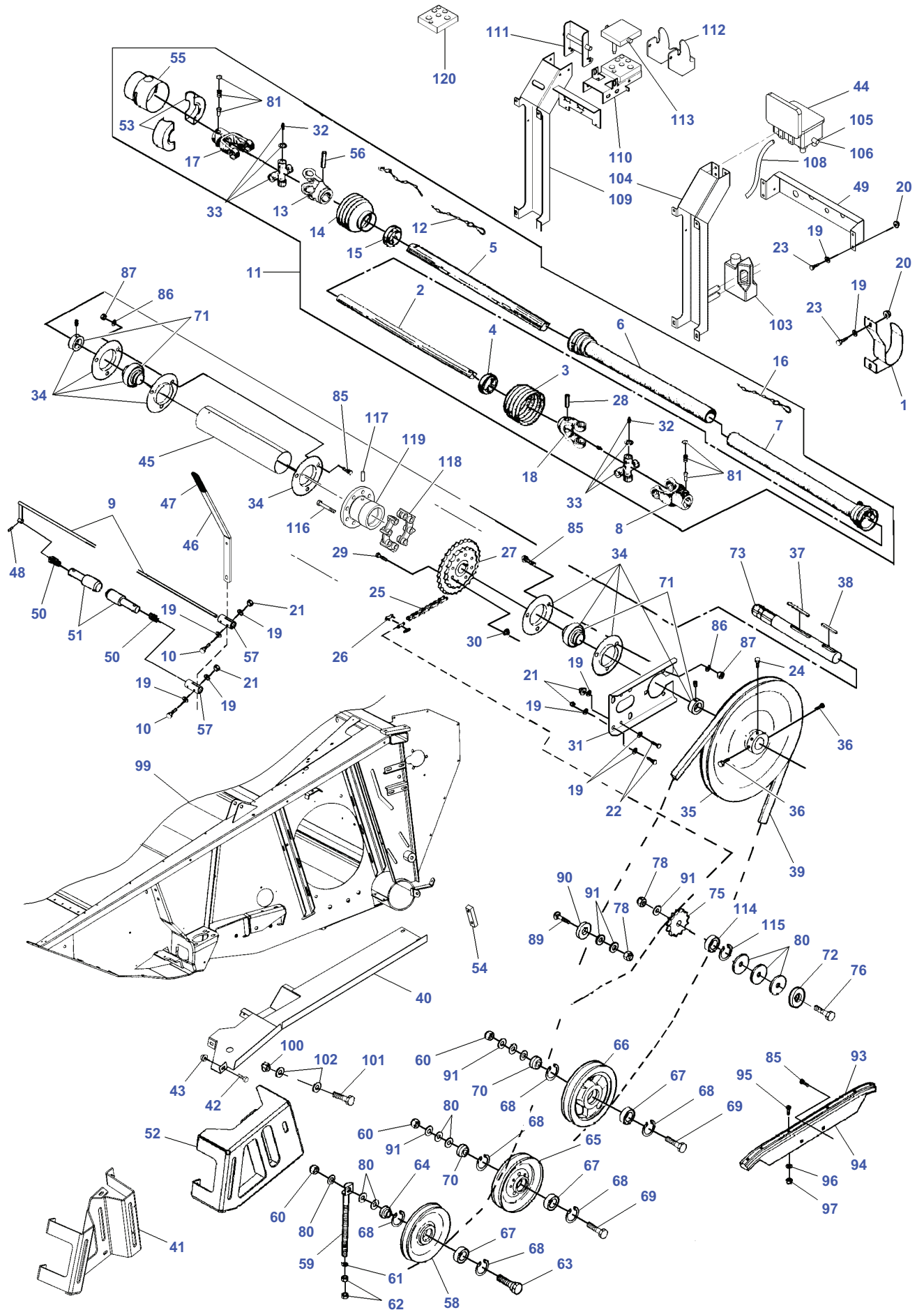
Item	Part Number	Qty	Description	Comments
1	D28286141	1	Auger	
2	D28285028	1	Tube	
3	D28285134	1	Tube	
4	D28285102	1	Cover	
5	D18283078	1	Cover	
6	D28283815	19	Finger	
7	339560X1	8	Hex. Sock. Screw	M6 X 16
8	1441462X1	X	Locknut	M6
9	D28283060	19	Bush	
10	D20400404	X	Washer	
11	339666X1	X	Hex. Sock. Screw	M6 X 20
12	D43428200	6	Nut	M6
13	D18283070	X	Cover	Up to Serial or Engine Number 939559
	D18285312	X	Cover	From Serial or Engine Number 939560
14	391038X1	6	Washer	
15	D28280014	2	Plate	
16	D28285100	1	Drive Shaft	Valid from machine/table no,can be used in new as well as in older machines 936551
17	339441X1	1	Key Parallel	
18	339814X1	X	Hex. Sock. Screw	M10 X 35
19	D40409400	1	Screw Metric	
20	D41716500	1	Bearing	
21	3009695X1	4	Nut	M12
22	390809X1	4	Screw Special	M10 X 25
24	D41653500	1	Washer	
27	D41653500	1	Washer	
29	D28283004	1	Washer	
30	D45481600	1	O Ring	
31	D45904300	2	Facing	
32	D28283153	4	Sprocket	Up to Serial or Engine Number 937883
	D28286046	4	Sprocket	From Serial or Engine Number 937898
				Up to Serial or Engine Number 940322
	D28285443	4	Sprocket	From Serial or Engine Number 940323
33	D28283000	1	Insert	Up to Serial or Engine Number 937883
	D28286049	1	Insert	From Serial or Engine Number 937898
34	D28286166	1	Clutch Disc	
35	D41112400	10	Washer	
36	D41054100	1	Castle Nut	
37	D28281431	1	Spacer	
38	D28281432	1	Support	
39	D28283006	1	Spring	
40	D20400507	1	Spacer	
41	3009498X1	1	Hex. Sock. Screw	M10 X 55
42	1440329X1	1	Locknut	M10
43	D28283853	X	Hair Pin	
44	D42332800	1	Chain	
46	354066X1	1	Split Pin	5/32" X 1
47	D28285031	1	Spiral	
48	D28285029	1	Spiral	
49	D28283182	1	Sprocket	Up to Serial or Engine Number 940322
	D28285470	1	Sprocket	From Serial or Engine Number 940323
50	D42329200	1	Chain	
51	339761X1	1	Hex. Sock. Screw	M8 X 25
52	339123X1	4	Hex. Sock. Screw	M8 X 20
53	D20400520	1	Spacer	
54	D20400522	4	Spacer	
55	1441858X1	1	Grease Nipple	
56	D42365500	1	Link	
57	D28281694	4	Threaded Part	[A]
58	D28283297	4	Finger	[A]
59	339123X1	X	Hex. Sock. Screw	M8 X 20
60	D20400506	X	Washer	
61	394367X1	X	Locknut	M8

Massey Ferguson**MF 7272/7274/7278 CEREAL COMBINE - 1637408****1637408****Feeder Drum Left Hand - Powerflow - 25"****Page001-0013**

Item	Part Number	Qty	Description	Comments
62	D28285974	1	Auger	Valid from machine/table no,can be used in new as well as in older machines 937426 Left Hand
62	D28285975	1	Auger	Valid from machine/table no,can be used in new as well as in older machines 937426 Right Hand
63	D28285981	2	Bracket	Valid from machine/table no,can be used in new as well as in older machines 937426
64	339402X1	2	Nut	M10

FOOTNOTE [A] OPTIONAL EQUIPMENT STANDARD COMBINE, STANDARD EQUIPMENT AUTO LEVEL
COMBINE,SLOPES

MF 7272/7274/7278 CERA COMBINE - 1637408
D-ZAAD-008-A



D-ZAAD-008-A

Item	Part Number	Qty	Description	Comments
1	D28281345	1	Stirrup	
2	D45634600	1	Tube	
3	D45634900	1	Guard	
4	D45635100	1	Shield	
5	D45634500	1	Tube	
6	D45634800	1	Tube	
7	D45634700	1	Tube	
8	D45634100	2	Yoke	
9	D28285117	1	Rod	
10	D40423900	X	Hex. Sock. Screw	
11	D45609500	1	Shaft	From Serial or Engine Number 939286
12	D45635500	1	Chain	
13	D45634400	1	Yoke	
14	D45635000	1	Guard	
15	D45635200	1	Shield	
16	D45681800	1	Chain	
17	D45634200	1	Yoke	From Serial or Engine Number 940490
18	D45634300	1	Yoke	
19	D20400506	X	Washer	
20	394367X1	X	Locknut	
21	394367X1	X	Locknut	
22	D40404900	X	Hex. Sock. Screw	
23	D40404700	X	Hex. Sock. Screw	
24	D40466200	X	Setscrew	
25	D42329200	1	Chain	Up to Serial or Engine Number 940322
	D42333700	1	Chain	From Serial or Engine Number 940323
26	D42367100	1	Link	From Serial or Engine Number 940323
	D45165500	1	Link	Up to Serial or Engine Number 940322
27	D28285385	1	Gear	Up to Serial or Engine Number 940322
	D28285427	1	Sprocket	From Serial or Engine Number 940323
28	D42619000	1	Pin	
29	D42618900	8	Pin	
30	394367X1	8	Locknut	
31	D18285413	1	Bearing Carrier	
32	D43001600	2	Greaser	(33)
33	D45622700	2	Crosspiece	
34	D41701700	1	Flange	
35	D28285423	1	Pulley	
36	D40466700	2	Hex. Sock. Screw	
37	D43114900	1	Key	Up to Serial or Engine Number 941712
	D43155200	1	Gib Key	From Serial or Engine Number 941713
38	D43105000	1	Key	
39	D41986300	1	V Belt	
40	D18285177	1	Guard	
41	D18285089	1	Bracket	From Serial or Engine Number 939560 Up to Serial or Engine Number 940199
	D18285454	1	Bracket	From Serial or Engine Number 940200 Up to Serial or Engine Number 940489
42	D40404900	3	Hex. Sock. Screw	
	D40405000	3	Hex. Sock. Screw	
43	394367X1	6	Locknut	
44	D28785641	1	Clutch	Up to Serial or Engine Number 59115
45	D28285290	1	Shield	
46	D28285127	1	Lever	
47	D43484900	1	Lever	
48	D42612200	X	Pin	
49	D18285215	1	Bracket	Up to Serial or Engine Number 59115
50	D27100794	2	Spring	
51	D28283200	1	Shaft	
52	D28285485	1	Bracket	From Serial or Engine Number 940490
53	D45635400	1	Profile	
54	D28285487	1	Bracket	
55	D45635300	1	Cone	
56	D42618900	1	Pin	
57	D28285126	2	Fork	
58	D28760574	1	Pulley	From Serial or Engine Number 938215
59	D28384055	1	Bolt	
60	D41087800	3	Locknut	
61	D20400416	X	Washer	
62	D41087600	X	Locknut	
63	D28760156	1	Screw	

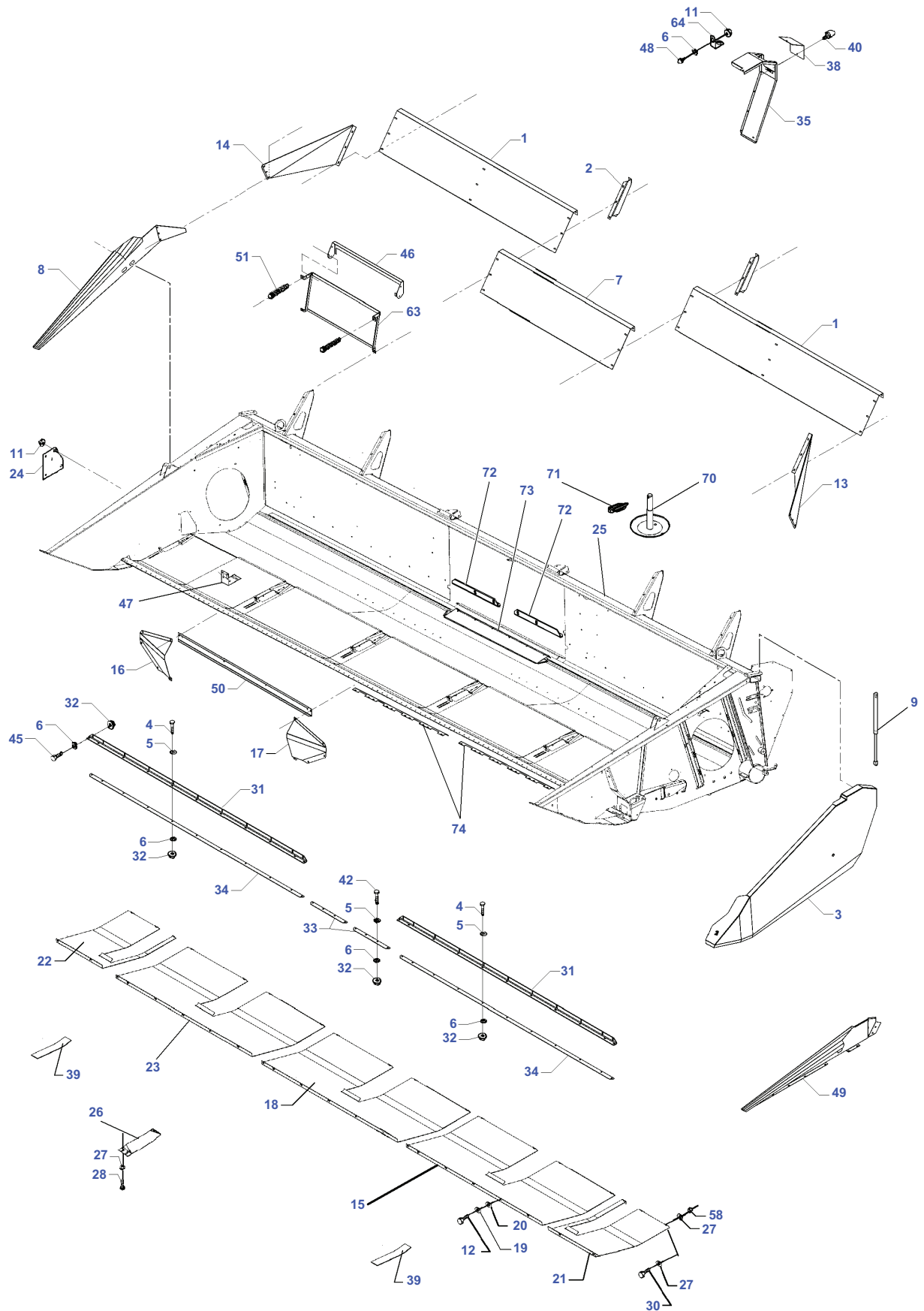
Item	Part Number	Qty	Description	Comments
64	D28760155	1	Bush	
65	D28752130	1	Pulley	
66	D28280819	1	Pulley	
67	D41622700	3	Bear. 6204 2rs	
68	339199X1	6	Circlip	
69	D28760156	2	Screw	
70	D28760155	2	Bush	
71	D41663400	2	Ball Bearing	
72	D20400460	1	Washer	
73	D28285125	1	Shaft	Up to Serial or Engine Number 941712
73	D28286164	1	Shaft	From Serial or Engine Number 941713
75	D41716800	X	Tightener	Up to Serial or Engine Number 940322
75	D28285473	X	Tensioner	From Serial or Engine Number 940323
76	D40433600	X	Hex. Sock. Screw	
78	D41087900	X	Locknut	
80	D20400460	X	Washer	
81	D45632400	2	Tube	
85	D40066800	2	Screw Special	
86	D20400419	2	Washer	
87	D41087600	2	Locknut	
89	D40073100	1	Screw	
90	D28280981	1	Spacer	
91	D28181284	X	Washer	
93	D28280787	1	Rail	
94	D28281365	1	Crossmember	Replace and repair. Old interchangeable with new D18281365
95	D40609300	6	Screw	
96	D20400466	6	Washer	
97	D41087200	6	Locknut	
99	D18285000	1	Table	Up to Serial or Engine Number 937774 25' - 7,60M
99	D28285400	1	Table	From Serial or Engine Number 937775 25' - 7,60M
99	D18285827	1	Housing	22' - 6,77M
100	D41087600	6	Locknut	
101	D40407900	1	Hex. Sock. Screw	
101	D40407800	5	Hex. Sock. Screw	
102	D20400419	2	Washer	
102	D20400471	10	Washer	
103	D45148900	1	Container	[A] Up to Serial or Engine Number 59115
104	D28285296	1	Bracket	[A] Up to Serial or Engine Number 59115
105	D45140037	2	Screw	[A]
106	D45140038	2	Ring	[A] Up to Serial or Engine Number 59115
107	D45140039	1	Plug	[B] Up to Serial or Engine Number 59115
108	D45702000	1	Hose	
109	D28285518	1	Bracket	From Serial or Engine Number 59116
110	D28285519	1	Support	From Serial or Engine Number 59116 CPL.
111	D28285497	1	Support	From Serial or Engine Number 59116
112	D28285494	1	Stirrup	From Serial or Engine Number 59116
113	D45140044	1	Clutch	From Serial or Engine Number 59116
114	339599X1	2	Bear. 6204 2rs	From Serial or Engine Number 940323
115	339199X1	2	Circlip	From Serial or Engine Number 940323
116	D40433800	8	Screw	From Serial or Engine Number 940323
117	D42650400	1	Pin	From Serial or Engine Number 940323
118	D28285429	2	Bush	From Serial or Engine Number 940323 Up to Serial or Engine Number 941712
118	D28285491	1	Spacer	From Serial or Engine Number 941713
119	D28285428	1	Hub	[C] From Serial or Engine Number 940323 Up to Serial or Engine Number 941774
119	D28286163	1	Hub	From Serial or Engine Number 941775
120	D28285492	1	Rubber Patch	From Serial or Engine Number 59116

FOOTNOTE [A] OPTIONAL EQUIPMENT

FOOTNOTE [B] NOT ILLUSTRATED

FOOTNOTE [C] ORDER D28286163 + D28286164 + D43155200

MF 7272/7274/7278 CERA COMBINE - 1637408
D-ZAAE-005-B



D-ZAAE-005-B

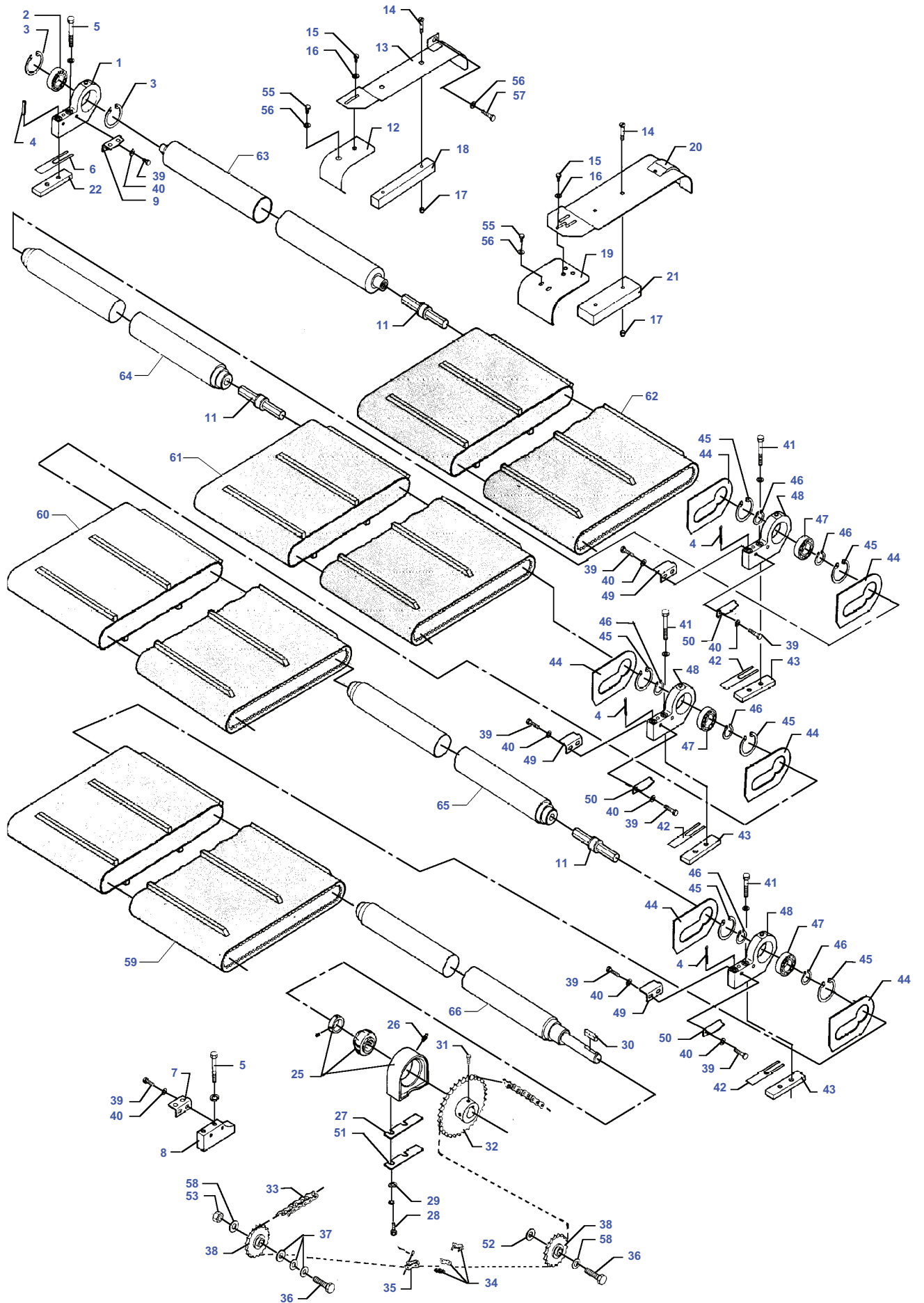
Item	Part Number	Qty	Description	Comments
1	D18285119	2	Plate	
2	D18285124	2	Support	
3	D18285172	1	Guard	
4	339170X1	18	Screw Special	M8 X 20
5	D41102100	18	Washer	
6	D20400506	X	Washer	
7	D18285120	1	Guard	
8	D18283554	1	Panel	Right Hand
9	D45056600	1	Gas Strut	From Serial or Engine Number 939560 Up to Serial or Engine Number 940199
	D45050060	1	Gas Strut	From Serial or Engine Number 940200
10	339123X1	X	Hex. Sock. Screw	[B] M8 X 20
11	394367X1	X	Locknut	M8
12	3009493X1	26	Hex. Sock. Screw	M10 X 30
13	D18285122	1	Guard	
14	D18285121	1	Guard	
15	D28285085	1	Wearplate	[A] Left Hand
16	D18285313	1	Guard	Right Hand Up to Serial or Engine Number 930559
	D28285373	1	Guard	Right Hand From Serial or Engine Number 930560
17	D18285314	1	Guard	Left Hand Up to Serial or Engine Number 930559
	D28285374	1	Guard	Left Hand From Serial or Engine Number 930560
18	D28285078	2	Wearplate	[A] Replace and repair. Old interchangeable with new D18285078
19	D41101900	26	Spring Washer	
20	D20400419	26	Washer	
21	D28285081	1	Wearplate	[A] Left Hand
22	D28285082	1	Wearplate	[A] Right Hand
23	D28285084	1	Wearplate	[A] Right Hand
24	D28280359	1	Shutter	
25	D18285000	1	Table	Up to Serial or Engine Number 937774
	D28285400	1	Table	From Serial or Engine Number 937775
26	D18285194	4	Cover	
	D28285524	4	Cover	OPTIONAL RAPE
27	D20400506	48	Washer	
28	D40476100	X	Hex. Sock. Screw	M8 X 20
30	339010X1	24	Hex. Sock. Screw	M8 X 40
31	D18285113	2	Angle.	
32	339169X1	18	Nut	M8
33	D28285197	2	Scraper	
34	D28286129	2	Scraper	
35	D18285104	1	Guard	
38	D18285268	1	Cover	
39	D28283984	2	Wearplate	
40	D43427500	X	Pin	
42	339149X1	4	Screw Special	M8 X 30
45	339761X1	X	Hex. Sock. Screw	M8 X 25
46	D28285264	1	Guard	
47	D28780381	X	Retainer	
48	339124X1	X	Hex. Sock. Screw	M8 X 16
49	D18285590	1	Side	Left Hand
50	D18285801	1	Plate	Up to Serial or Engine Number 930559
	D28285375	1	Plate	From Serial or Engine Number 930560
51	D28710853	2	Spring	
58	394367X1	24	Locknut	M8
63	D28285263	1	Retainer	
64	D18250648	1	Clip	
70	D28286101	1	Support	

Massey Ferguson**MF 7272/7274/7278 CEREAL COMBINE - 1637408****1637408****Table Housing And Guarding - Powerflow - 25"****Page001-0015**

Item	Part Number	Qty	Description	Comments
71	D41446200	1	Split Pin	
72	D28285318	2	Support	
73	D18285322	1	Plate	Valid from machine/table no,can be used in new as well as in older machines 937426
74	D18285979	5	Plate	Valid from machine/table no,can be used in new as well as in older machines 937426

FOOTNOTE [A] BOTH AL AND STD**FOOTNOTE [B]** NOT ILLUSTRATED

MF 7272/7274/7278 CERA COMBINE - 1637408
D-ZAAF-006-A



Powerflow Band - Left Hand - 20-22"

Item	Part Number	Qty	Description	Comments
1	D28251562	1	Bearing Carrier	CPL.
	D28251581	1	Bearing Carrier	(1)
2	D41715600	1	Ball Bearing	(1)
3	1440479X1	2	Circlip	(1)
4	339055X1	6	Pin	Diameter 8 X 40
5	339365X1	X	Hex. Sock. Screw	M10 X 80
6	D28251519	X	Shim	[J]
7	D28251380	1	Bracket	Right Hand
8	D28251419	1	Bracket	
9	D28251379	6	Bracket	Left Hand
11	D28251565	4	Shaft	
12	D18281700	1	Plate	Right Hand 20' - 6,16M
	D28282255	1	Plate	Right Hand 22' - 6,77M Valid from machine/table no,can be used in new as well as in older machines 937475
13	D18281703	1	Plate	Right Hand 20' - 6,16M
	D28282258	1	Plate	Right Hand 22' - 6,77M Valid from machine/table no,can be used in new as well as in older machines 937475
14	D40064000	X	Screw	
15	339123X1	X	Hex. Sock. Screw	M8 X 20
16	D20400506	X	Washer	
17	394367X1	X	Locknut	M8
18	D28281310	2	Guide	Valid from machine/table no,can be used in new as well as in older machines 937533
19	D28281698	3	Shield	20' - 6,16M
	D28281698	4	Shield	22' - 6,77M
20	D28281699	3	Shield	20' - 6,16M
	D28281699	4	Shield	22' - 6,77M
21	D28281311	2	Guide	Valid from machine/table no,can be used in new as well as in older machines 937533
22	D28251146	1	Strap	Up to Serial or Engine Number 939559 20' - 6,16M
	D28285303	1	Strap	From Serial or Engine Number 939560 20' - 6,16M
	D28280923	1	Dog	22' - 6,77M
25	D41715800	1	Bearing Carrier	
26	339608X1	1	Grease Nipple	
27	D28251448	X	Shim	[J]
28	390799X1	X	Hex. Sock. Screw	M10 X 40
29	D20400419	X	Washer	
30	D43104900	1	Key	
31	D40466200	2	Setscrew	
32	D28251161	1	Sprocket	Number of teeth/spines 32
	D28251163	2	Sprocket	[I]
33	D42332800	1	Chain	
34	D42363100	1	Link	
35	D42363500	1	Link	
36	391889X1	2	Hex. Sock. Screw	M16 X 70
37	D20400460	4	Washer	
38	D41712300	2	Tensioner	
39	339123X1	X	Hex. Sock. Screw	M8 X 20
40	D20400506	X	Washer	
41	D40693100	X	Screw	
42	D28251445	X	Shim	[J]
43	D28251146	X	Strap	Up to Serial or Engine Number 939559
	D28285303	X	Strap	From Serial or Engine Number 939560
44	D28251420	8	Control	
45	339437X1	8	Circlip	
46	339469X1	8	Circlip	
47	D41716300	4	Ball Bearing	
48	D28251583	4	Bearing Carrier	22' - 6,77M
	D28251583	3	Bearing Carrier	20' - 6,16M
49	D28251417	4	Scraper	Left Hand 22' - 6,77M
50	D28251418	4	Scraper	Right Hand
51	D28281522	X	Shim	[J]

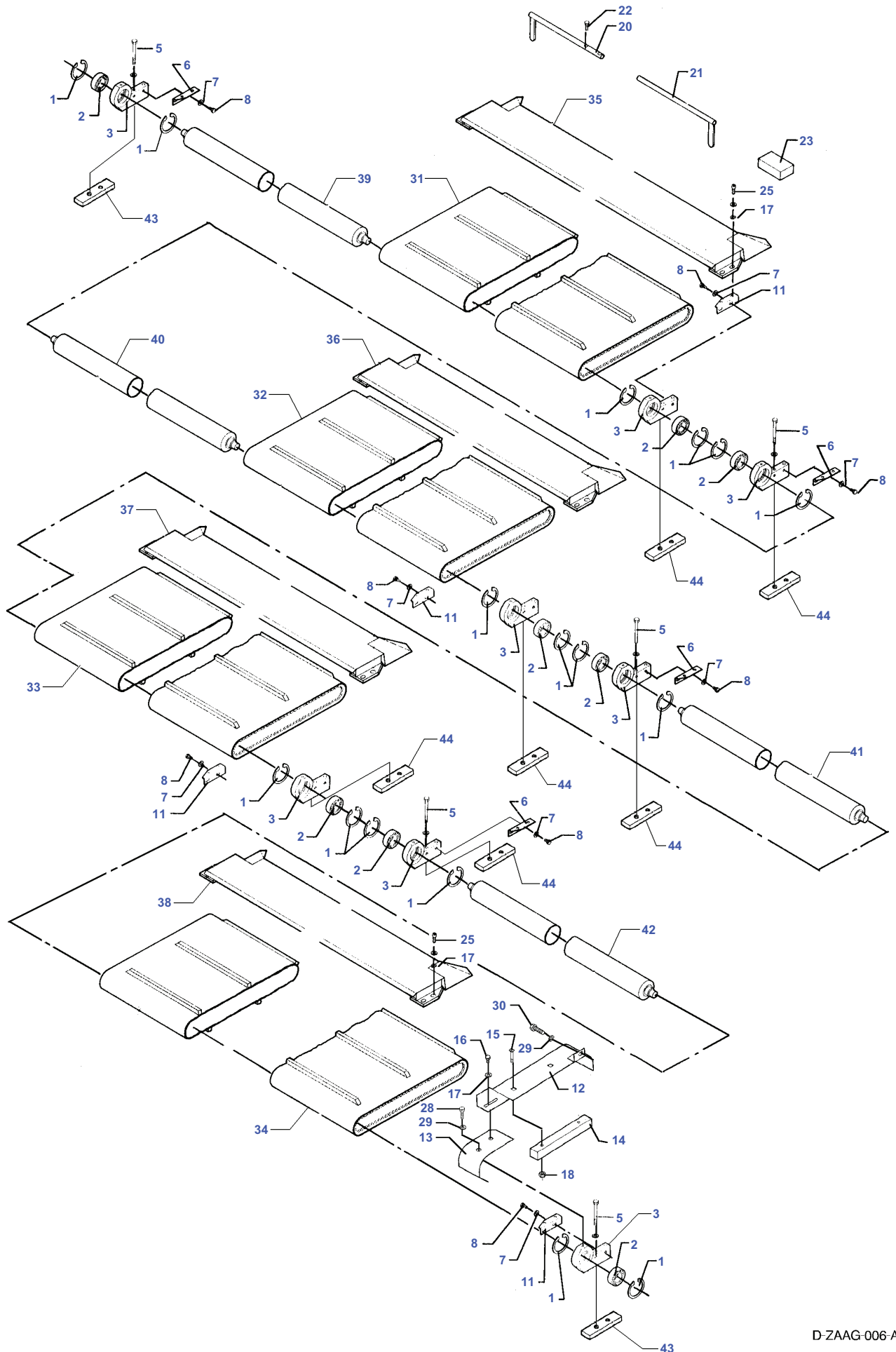
Powerflow Band - Left Hand - 20-22"

Item	Part Number	Qty	Description	Comments
52	D20400516	X	Spacer	[J]
53	1442739X1	1	Locknut	M16
55	339230X1	X	Hex. Sock. Screw	M6 X 10
56	391038X1	X	Washer	
57	339560X1	1	Hex. Sock. Screw	M6 X 16
58	D28181284	2	Washer	
59	D28250932	1	Band	20' - 22' 6,16M - 6,77M
60	D28250931	1	Band	22' - 6,77M
60	D28250932	1	Band	20' - 6,16M
61	D28250931	1	Band	22' - 6,77M
61	D28250932	1	Band	20' - 6,16M
62	D28250931	1	Band	22' - 6,77M
62	D28250932	1	Band	20' - 6,16M
63	D28284108	1	Roller	20' - 22' 6,16M - 6,77M
64	D28284145	1	Roller	22' - 6,77M
64	D28284109	1	Roller	20' - 6,16M
64	D28285142	1	Roller	Up to Serial or Engine Number 939559 20' - 6,16M
65	D28284145	1	Roller	From Serial or Engine Number 939560 22' - 6,77M
65	D28284109	1	Roller	Up to Serial or Engine Number 939559 20' - 6,16M
65	D28285142	1	Roller	Up to Serial or Engine Number 939559 20' 6,16M
65	D28285817	1	Roller	From Serial or Engine Number 939560 22' - 6,77M
66	D28284110	1	Roller	From Serial or Engine Number 939560 20' - 22' 6,16M - 6,77M
66	D28285142	1	Roller	Up to Serial or Engine Number 939559 20' - 6,16M
66	D28285817	1	Roller	From Serial or Engine Number 939560 22' - 6,77M
				From Serial or Engine Number 939560

FOOTNOTE [I] OPTIONAL EQUIPMENT

FOOTNOTE [J] OPTIONAL EQUIPMENT AUTO LEVEL

MF 7272/7274/7278 CEREAL COMBINE - 1637408
D-ZAAG-006-A

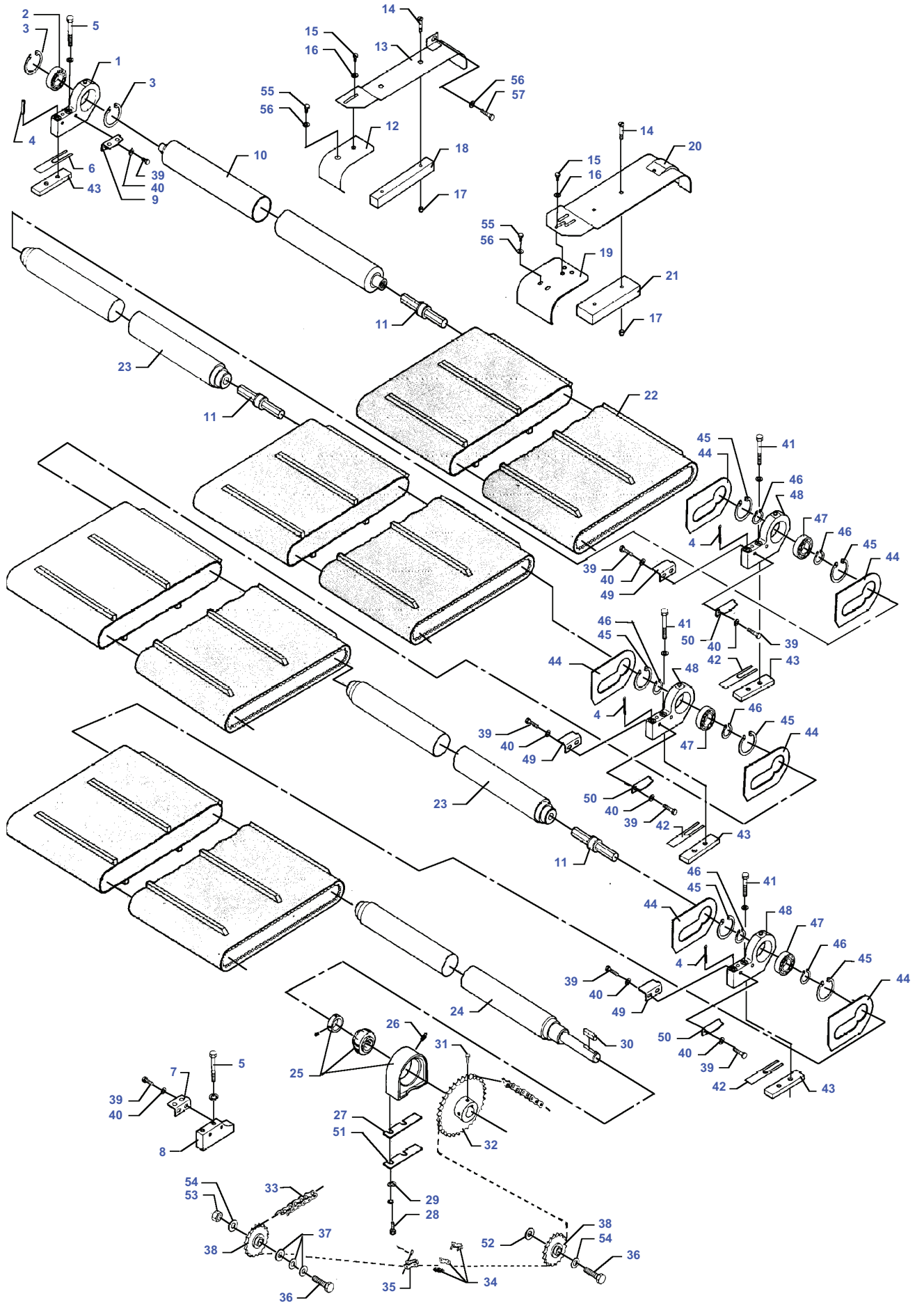


D-ZAAG-006-A

Powerflow Band - Right Hand - 20-22"

Item	Part Number	Qty	Description	Comments
1	1440479X1	16	Circlip	20' - 6,16M
	1440479X1	20	Circlip	22' - 6,77M
2	D41715600	8	Ball Bearing	20' - 6,16M
	D41715600	10	Ball Bearing	22' - 6,77M
3	D28251582	8	Bearing Carrier	20' - 6,16M
	D28251582	10	Bearing Carrier	22' - 6,77M
5	339365X1	16	Hex. Sock. Screw	M10 X 80
6	D28251380	4	Bracket	Right Hand 20' - 6,16M
	D28251380	5	Bracket	Right Hand 22' - 6,77M
7	D20400506	16	Washer	20' - 6,16M
	D20400506	20	Washer	22' - 6,77M
8	D40697400	16	Screw	20' - 6,16M
	D40697400	20	Screw	22' - 6,77M
11	D28251379	4	Bracket	Left Hand 20' - 6,16M
	D28251379	5	Bracket	Left Hand 22' - 6,77M
12	D18281702	1	Shield	Left Hand 20' - 6,16M
	D28282257	1	Plate	Right Hand 22' - 6,77M Valid from machine/table no,can be used in new as well as in older machines 937475
13	D18281701	1	Shield	Left Hand 20' - 6,16M
	D18282256	1	Plate	Right Hand 22' - 6,77M Valid from machine/table no,can be used in new as well as in older machines 937475
14	D28281310	2	Guide	Valid from machine/table no,can be used in new as well as in older machines 937533
15	D40064000	X	Screw	
16	339123X1	X	Hex. Sock. Screw	M8 X 20
17	D20400506	X	Washer	
18	394367X1	X	Locknut	M8
20	D28251543	1	Tool	(20)
	D28251545	1	Tool	(20)
21	D28251544	1	Tool	(20)
22	D43385200	2	Screw	(20)
23	D28251547	1	Adjuster	(20)
25	391148X1	16	Screw	20' - 6,16M M8 X 20
	391148X1	20	Screw	22' - 6,77M M8 X 20
28	339230X1	X	Hex. Sock. Screw	M6 X 10
29	391038X1	X	Washer	
30	339560X1	1	Hex. Sock. Screw	M6 X 16
31	D28250932	1	Band	20' - 22' 6,16M - 6,77M
32	D28250931	1	Band	22' - 6,77M
	D28250932	1	Band	20' - 6,16M
33	D28250931	2	Band	22' - 6,77M
	D28250932	1	Band	20' - 6,16M
34	D28250932	1	Band	20' - 6,16M
	D28250931	1	Band	22' - 6,77M
35	D28281562	1	Scraper	20' - 22' 6,16 - 6,77M
36	D28281563	1	Scraper	22' - 6,16M
	D28281562	1	Scraper	20' - 6,16M
37	D28281563	2	Scraper	22' - 6,77M
	D28281562	1	Scraper	20' - 6,16M
38	D28281562	1	Scraper	20' - 22' 6,16M - 6,77M
39	D28285817	1	Roller	22' - 6,77M
	D28285142	1	Roller	20' - 6,16M
40	D28285817	1	Roller	22' - 6,77M
	D28285142	1	Roller	20' - 6,16M
41	D28285817	1	Roller	22' - 6,77M
	D28285142	1	Roller	20' - 6,16M
42	D28285142	2	Roller	22' - 6,77M
43	D28285303	X	Strap	20' - 6,16M
	D28280923	X	Dog	22' - 6,77M
44	D28285303	X	Strap	

MF 7272/7274/7278 CERA COMBINE - 1637408
D-ZAAH-008-A



D-ZAAH-008-A

Powerflow Band - Left Hand - 25"

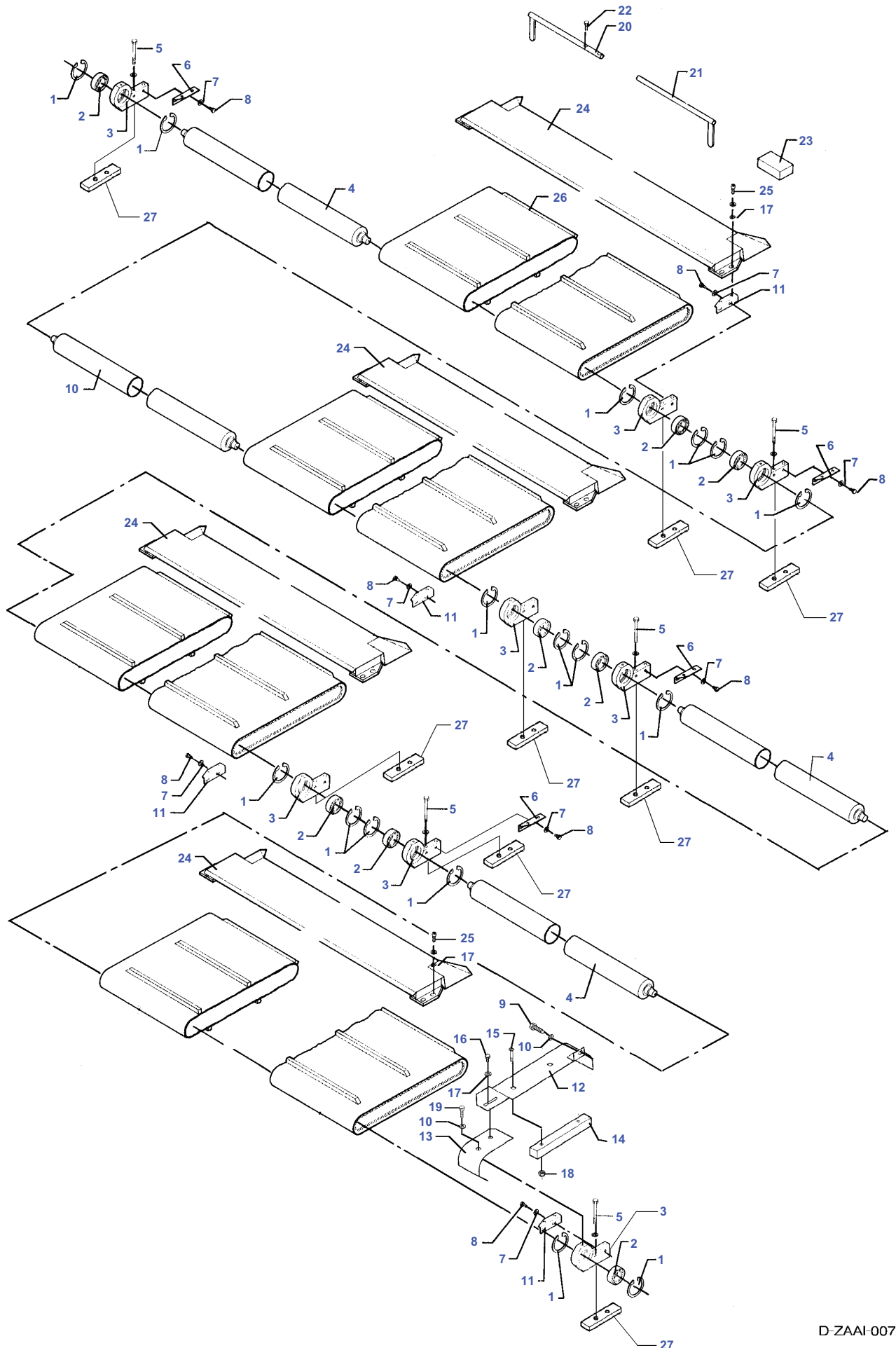
Item	Part Number	Qty	Description	Comments
1	D28251562	1	Bearing Carrier	CPL.
	D44742000	X	Kit, Repair	(1)
	D28251581	1	Bearing Carrier	(1)
2	D41715600	1	Ball Bearing	(1)
3	1440479X1	2	Circlip	(1)
4	339055X1	4	Pin	Diameter 8 X 40
5	339365X1	4	Hex. Sock. Screw	M10 X 80
6	D28251519	X	Shim	[A]
7	D28251380	1	Bracket	Right Hand
8	D28251419	1	Bracket	
9	D28251379	1	Bracket	Left Hand
10	D28284108	1	Roller	Replace and repair. Old not interchangeable with new D18284108 Up to Serial or Engine Number 939559
	D28285142	1	Roller	From Serial or Engine Number 939560
11	D28251565	4	Shaft	
12	D28284372	1	Shield	Right Hand
13	D18284385	1	Shield	Right Hand
14	D28281311	2	Guide	Valid from machine/table no,can be used in new as well as in older machines 937533
15	339123X1	X	Hex. Sock. Screw	M8 X 20
16	D20400506	X	Washer	
17	394367X1	X	Locknut	M8
18	D28281310	2	Guide	Valid from machine/table no,can be used in new as well as in older machines 937533
19	D28281698	4	Shield	
20	D28281699	4	Shield	
21	D28281311	4	Guide	Valid from machine/table no,can be used in new as well as in older machines 937533
22	D28250932	5	Band	
23	D28284109	3	Roller	Replace and repair. Old not interchangeable with new D18284109 Up to Serial or Engine Number 939559
	D28285142	3	Roller	From Serial or Engine Number 939560
24	D28284110	1	Roller	Replace and repair. Old not interchangeable with new D18284110 Up to Serial or Engine Number 939559
	D28285142	1	Roller	From Serial or Engine Number 939560
25	D41715800	1	Bearing Carrier	
26	339608X1	1	Grease Nipple	
27	D28251448	X	Shim	[A]
28	390799X1	X	Hex. Sock. Screw	M10 X 40
29	D20400419	X	Washer	
30	D43104900	1	Key	
31	D40466200	2	Setscrew	
32	D28251161	1	Sprocket	
33	D42332800	1	Chain	
34	D42363100	1	Link	
35	D42363500	1	Link	
36	391889X1	2	Hex. Sock. Screw	M16 X 70
37	D20400460	X	Washer	
38	D41712300	2	Tensioner	
39	339123X1	X	Hex. Sock. Screw	M8 X 20
40	D20400506	X	Washer	
41	D40693100	X	Screw	
42	D28251445	X	Shim	
43	D28285303	15	Strap	
44	D28251420	8	Control	
45	339437X1	8	Circlip	
46	339469X1	8	Circlip	
47	D41716300	4	Ball Bearing	
48	D28251583	4	Bearing Carrier	
49	D28251417	4	Scraper	Left Hand
50	D28251418	4	Scraper	Right Hand
51	D28281522	X	Shim	[A]
52	D20400516	X	Spacer	[A]
53	1442739X1	1	Locknut	M16
54	D28181284	2	Washer	

Massey Ferguson**MF 7272/7274/7278 CEREAL COMBINE - 1637408****1637408****Powerflow Band - Left Hand - 25"****Page001-0018**

Item	Part Number	Qty	Description	Comments
55	339230X1	X	Hex. Sock. Screw	M6 X 10
56	391038X1	X	Washer	
57	339560X1	1	Hex. Sock. Screw	M6 X 16

FOOTNOTE [A] OPTIONAL

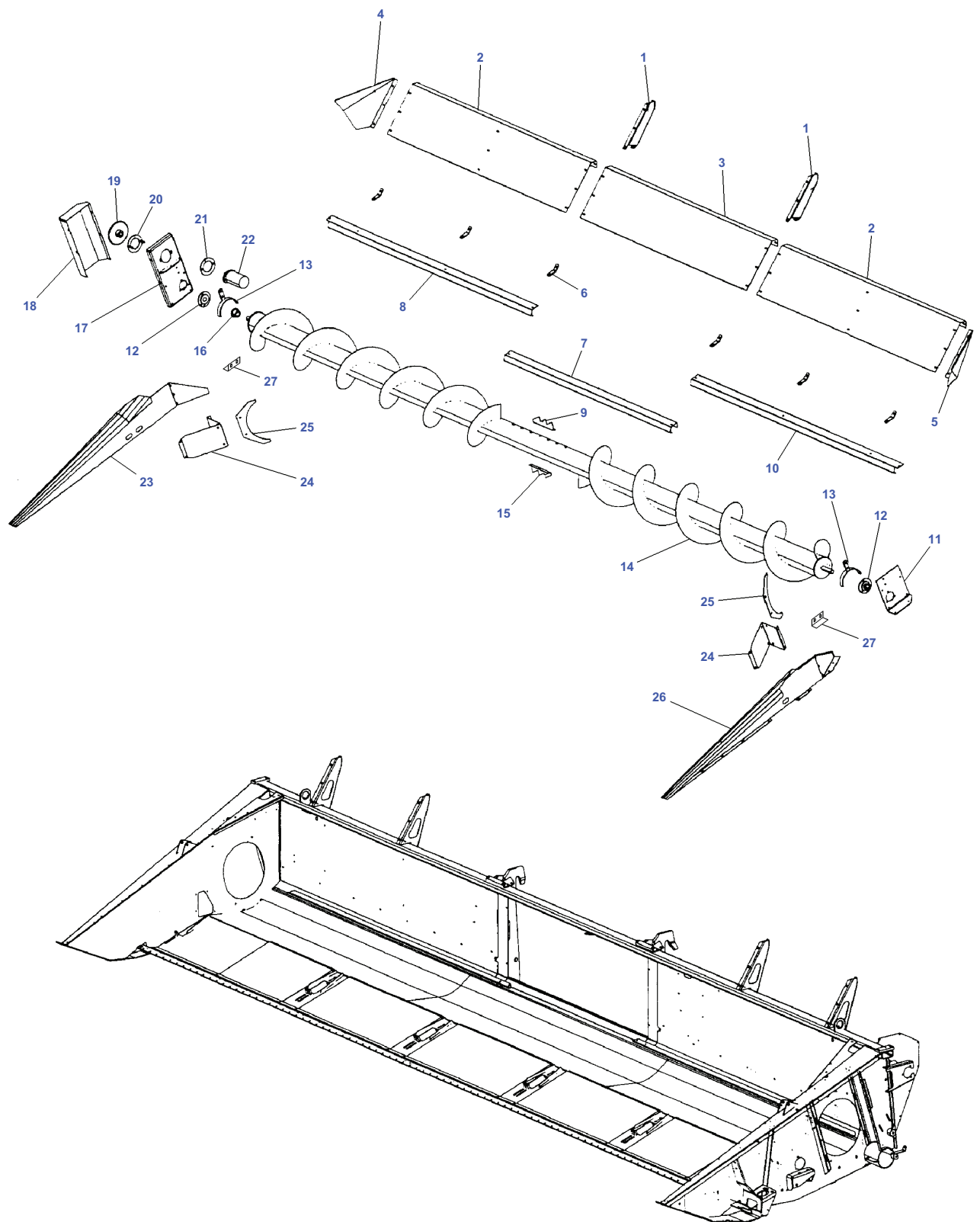
MF 7272/7274/7278 CERA COMBINE - 1637408
D-ZAAI-007-A



D-ZAAI-007-A

Item	Part Number	Qty	Description	Comments
1	1440479X1	X	Circlip	
2	D41715600	X	Ball Bearing	
3	D28251582	X	Bearing Carrier	
4	D28285142	X	Roller	
5	339365X1	X	Hex. Sock. Screw	M10 X 80
6	D28251380	X	Bracket	
7	D20400506	X	Washer	
8	D40697400	X	Screw	
9	339560X1	X	Hex. Sock. Screw	M6 X 16
10	391038X1	X	Washer	
11	D28251379	4	Bracket	
12	D28284381	X	Shield	Left Hand
13	D28284374	X	Shield	Left Hand
14	D28281310	2	Guide	
15	D40064000	X	Screw	
16	339123X1	X	Hex. Sock. Screw	M8 X 20
17	D20400506	X	Washer	
18	394367X1	X	Locknut	M8
19	339230X1	X	Hex. Sock. Screw	M6 X 10
20	D28251543	1	Tool	
	D28251545	1	Tool	(20)
21	D28251544	1	Tool	(20)
22	D43385200	2	Screw	(20)
23	D28251547	1	Adjuster	(20)
24	D28281562	5	Scraper	
25	391148X1	16	Screw	M8 X 20
26	D28250932	5	Band	
27	D28285303	X	Strap	

MF 7272/7274/7278 CEREAL COMBINE - 1637408
D-ZAAY-001-A

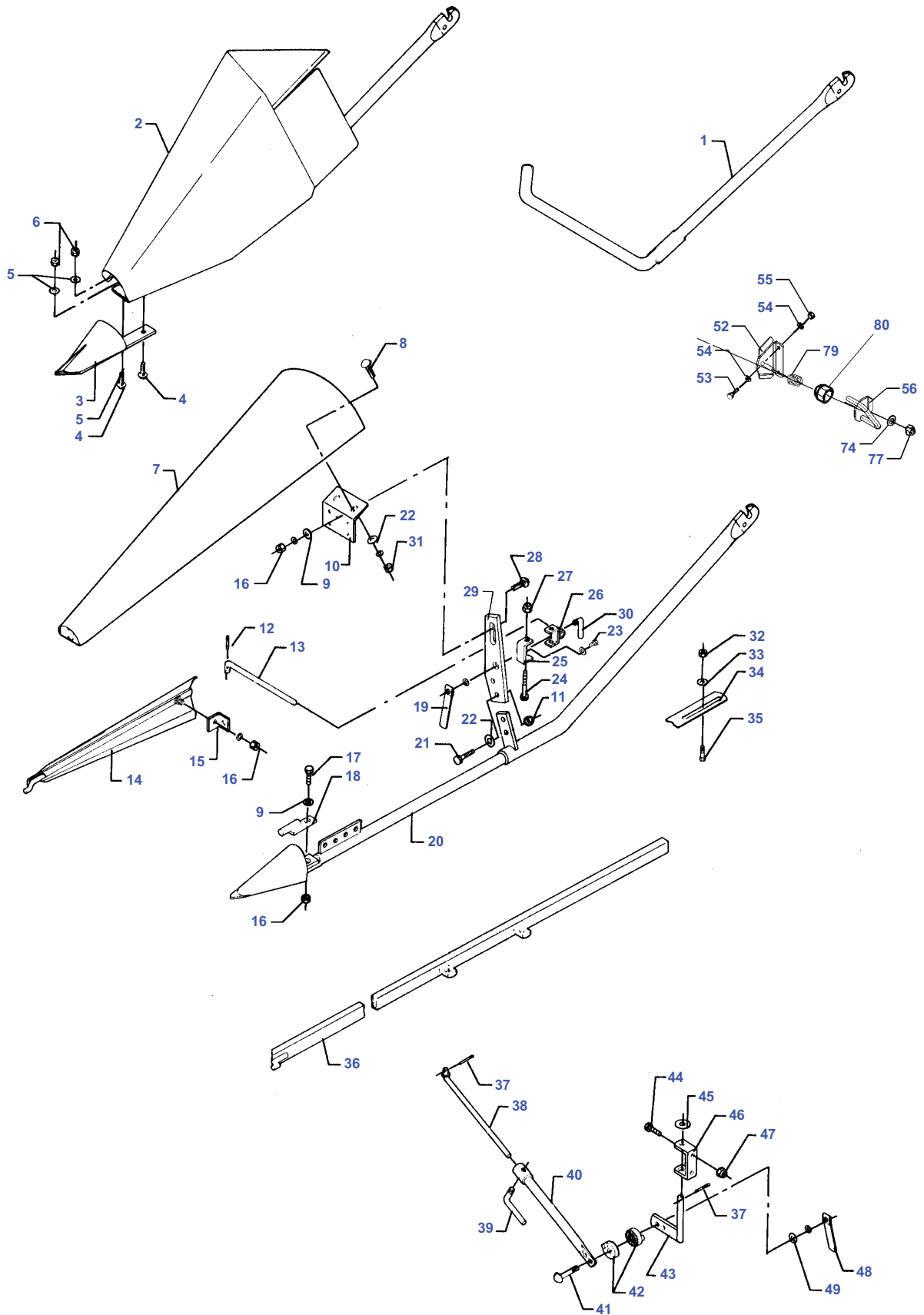


D-ZAAY-001-A

Oilseed Rape Auger

Item	Part Number	Qty	Description	Comments
1	D18285124	2	Support	
2	D18285663	2	Plate	20' - 6,16M
	D18285664	2	Plate	22' - 6,77M
	D18285119	2	Plate	25' - 7,60M
3	D18285120	1	Guard	
4	D28282326	1	Guard	
5	D28282327	1	Guard	
6	D28282287	1	Clamp	
7	D28282288	1	Clamp	
8	D28282291	1	Strip	20' - 6,16M
	D28282293	1	Strip	22' - 6,77M
	D28282295	1	Stripper	25' - 7,60M
9	D28282304	1	Slat	Right Hand 667MM
	D28282302	1	Dog	Right Hand 229MM
	D28282303	1	Dog	Right Hand 448MM
10	D28282292	1	Strip	20' - 6,16M
	D28282294	1	Strip	22' - 6,77M
	D28282296	1	Stripper	25' - 7,60M
11	D28282284	1	Guard	
12	D41709600	2	Bearing	
13	D28282299	2	Rail	
14	D28282316	1	Auger	20' - 6,16M
	D28282315	1	Auger	22' - 6,77M
	D28282314	1	Auger	25' - 7,60M
15	D28282307	1	Slat	Left Hand 667MM
	D28282305	1	Dog	Left Hand 229MM
	D28282306	1	Dog	Left Hand 448MM
16	D28281339	1	Drive	
17	D28282283	1	Bracket	
18	D28282285	1	Guard	
19	D28281338	1	Sprocket	Number of teeth/spines 34
20	D28650018	1	Plate	
21	D28650101	1	Plate	
22	D45120700	1	Hydraulic Motor	
23	D18283554	1	Panel	
24	D28282301	2	Deflector	
25	D28282328	2	Plate	
26	D18285590	1	Side	
27	D28281390	1	Shim	Thickness 1 MM
	D28281391	1	Shim	

MF 7272/7274/7278 CERA COMBINE - 1637408
D-ZABZ-008-A



D-ZABZ-008-A

Straw Dividers

Item	Part Number	Qty	Description	Comments
1	D18251600	1	Divider	
2	D28251604	1	Divider	RH + LH
	D18251602	1	Divider	(2) Left Hand
	D18251603	1	Divider	(2) Right Hand
3	D18260226	2	Point	(2)
4	1442456X1	4	Screw Special	(2) M10 X 30
5	D20400471	4	Washer	(2)
6	1440329X1	4	Locknut	(2) M10
7	D28251605	1	Divider	
	D18211126	1	Divider	(7)
8	385370X1	2	Bolt	(7) M8 X 25
9	D20400471	3	Washer	(7)
10	D18230447	1	Plate	(7)
11	394367X1	2	Locknut	(7) M8
12	1442034X1	1	Split Pin	(7) Diameter 4 X 20
13	D28230462	1	Rod	(7)
14	D18230457	1	Wing	(7)
15	D27200313	1	Angle.	(7)
16	339402X1	3	Nut	(7) M10
17	390799X1	1	Hex. Sock. Screw	(7) M10 X 40
18	D17200640	1	Stop	(7)
19	D27300323	1	Locknut	(7)
20	D18251601	1	Support	(7)
21	339761X1	2	Hex. Sock. Screw	(7) M8 X 25
22	D20400506	4	Washer	(7)
23	D28230467	1	Mounting	(7)
	D40211200	1	Screw	(23)
24	339891X1	1	Hex. Sock. Screw	(23) M8 X 80
25	D28230468	1	Mounting	(23)
26	D28230471	1	Mounting	(23)
27	394367X1	1	Locknut	(23) M8
28	390809X1	2	Screw Special	(7) M10 X 25
29	D18250549	1	Plate	(7)
30	D27200300	1	Pin	(7)
31	339169X1	2	Nut	(7) M8
32	1442190X1	2	Locknut	M12
33	D20400423	2	Flat Washers	
34	D28251588	2	Plate	
35	D40070200	2	Screw Metric	M8 X 20
36	D28230487	1	Wing	
	D28230480	1	Wing	(36)
37	354076X1	2	Pin	(36) 3/16" X 1
38	D28230482	1	Support	(36)
39	D27200364	1	Handle	(36)
40	D28230486	1	Pipe	(36)
41	339226X1	1	Screw Special	(36) M6 X 16
	D40070900	1	Screw	(36) M12
42	D28230488	2	Clutch	(36)
43	D28230473	1	Support	(36)
44	3009492X1	2	Hex. Sock. Screw	(36) M10 X 25
45	D20400518	1	Spacer	(36)
46	D28230472	1	Bracket	(36)

Massey Ferguson**MF 7272/7274/7278 CEREAL COMBINE - 1637408****1637408****Straw Dividers****Page001-0021**

Item	Part Number	Qty	Description	Comments
47	1440329X1	2	Locknut	(36) M10
48	D27300323	1	Locknut	(36) 1/2 WG
48	D28284403	1	Locknut	(36) M12
49	D20400426	1	Washer	(36)
52	D28285166	2	Bracket	Up to Serial or Engine Number 939559
52	D28286051	1	Bracket	From Serial or Engine Number 939560
53	339814X1	4	Hex. Sock. Screw	M10 X 35
54	D20400507	8	Spacer	
55	1440329X1	4	Locknut	M10
56	D28285185	1	Arm	Right Hand
56	D28285162	1	Arm	Left Hand
74	D20400537	2	Spacer	
77	1442190X1	2	Locknut	M12
79	D28285165	2	Spring	
80	D45750300	1	Ferrule	

MF 7272/7274/7278 CERA COMBINE - 1637408
D-ZABA-007-B

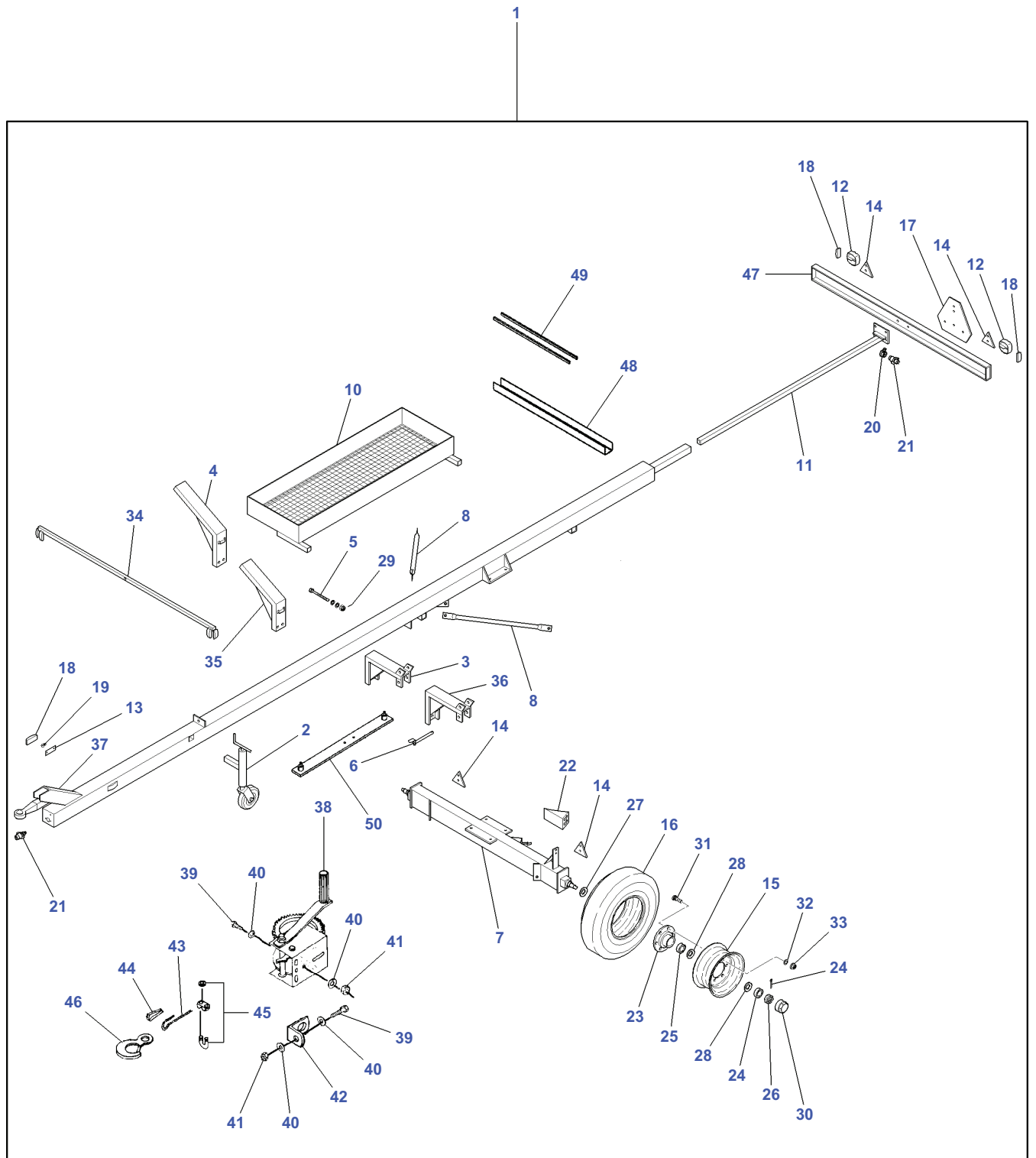


Table Trailer - From No 0000500

Item	Part Number	Qty	Description	Comments
1	D28282399	1	Tube	[A] 18' - 25' 5,56 - 7,60M
	D28282400	1	Tube	[A] 12' - 16' 3,72 - 4,95M
	D28282401	1	Tube	[C] 18' - 25' 5,56 - 7,60M
	D28282402	1	Tube	[C] 12' - 16' 3,72 - 4,95M
	D28282403	1	Tube	[B] 18' - 25' 5,56 - 7,60M
	D28282404	1	Tube	[B] 12' - 16' 3,72 - 4,95M
2	D28282642	1	Wheel	CPL.
3	D28282490	2	Bracket	Left Hand FREEFLOW
4	D28282485	2	Bracket	Right Hand POWERFLOW
5	D28282389	2	Bolt	
6	D28283693	4	Bolt	
7	D28282391	1	Axle	
8	D28282390	2	Stay	
10	D28282398	1	Support	
11	D28282393	1	Clevis Pin	
12	D45000228	2	Light	
13	D45084600	6	Reflector	
14	D45083900	4	Reflector	
15	D28282392	2	Rim	
16	D46731800	2	Tyre	
17	D45084500	1	Reflector	
18	D45000268	8	Side Lamp	
19	D45081300	6	Bulb	
20	D45005200	1	Electric Socket	
21	D45005300	2	Electric Socket	
22	D45907200	2	Shoe	
23	D46743600	2	Housing	
24	D41663000	2	Bearing Taper	
25	950579M1	2	Bearing Taper	
26	D41049500	2	Nut	
27	D46743400	2	Ring	
28	D46743500	2	Ring	
29	339037X1	2	Split Pin	Diameter 5 X 50
30	D46743700	2	Cap	
31	D46743800	12	Bolt	
32	339448X1	12	Spring Washer	
33	339447X1	12	Nut	M18
34	D28282395	1	Front Light	
35	D28282495	2	Bracket	Right Hand FREEFLOW
36	D28282480	2	Bracket	Left Hand POWERFLOW
37	D28282609	1	Bracket	CPL
38	D45906700	1	Capstan	[D]
39	339761X1	3	Hex. Sock. Screw	[D] M8 X 25
40	D20400506	6	Washer	[D]
41	394367X1	3	Locknut	[D] M8
42	D28284042	1	Ring	[D]
43	D28284143	1	Pipe	[D]
	D28282153	1	Rail	[D] (43)
44	D43409000	1	Thimble	[D] (43)
45	D43405900	2	Bracket	[D] (43)
46	D43410400	1	Hook	[D] (43)
47	D28282540	1	Plate	
48	D28282645	2	Support	

Item	Part Number	Qty	Description	Comments
49	D28282647	4	Protective Strip	
50	D28282633	1	Bracket	

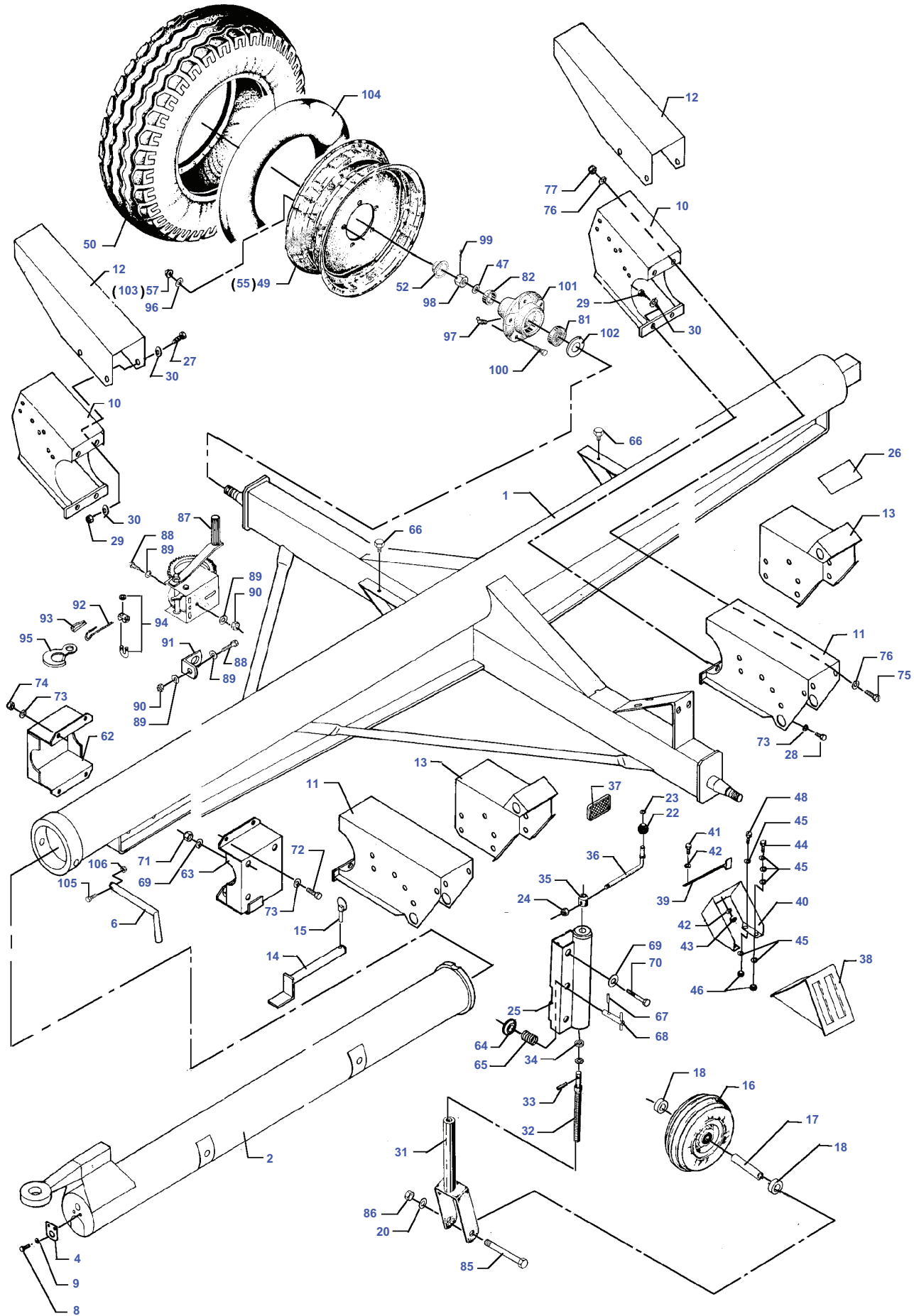
FOOTNOTE [A] WITHOUT TRAILER BRAKING

FOOTNOTE [B] WITH TRAILOR BRAKING

FOOTNOTE [C] FOR ITALY ONLY

FOOTNOTE [D] OPTIONAL EQUIPMENT

MF 7272/7274/7278 CERA COMBINE - 1637408
D-ZABA-009-A



D-ZABA-009-A

Table Trailer - UP TO NO. 7374033

Item	Part Number	Qty	Description	Comments
1	D28285150	1	Rod	22' - 25' 6,77M - 7,60M
	D28285151	1	Rod	[A] 22' - 25' 6,77M - 7,60M
	D28283658	1	Trailer	20' - 6,16M
	D28283960	1	Trailer	[A] 20' - 6,16M
2	D28285145	1	Rod	22' - 25' 6,77M - 7,60M
	D28283668	1	Drawbar	
4	D28250748	1	Support	
6	D28283633	1	Screw	
8	D40402400	2	Hex. Sock. Screw	
9	D20400404	2	Washer	
10	D28283675	2	Bracket	
11	D28283676	2	Bracket	
12	D28283678	2	Support	
13	D28283683	2	Support	
14	D28283693	2	Bolt	
15	D41446200	2	Split Pin	
16	D46721700	1	Wheel	
17	D28250317	1	Bush	
18	D28250305	2	Spacer	
20	D20400459	2	Washer	
22	D28200609	1	Ball	
23	D20400466	1	Washer	
24	D41087700	1	Locknut	
25	D28284035	1	Pipe	
26	D49138600	1	Transfer	
27	D40410900	16	Hex. Sock. Screw	
28	D40411100	4	Hex. Sock. Screw	
29	D41087700	20	Locknut	
30	D20400423	32	Flat Washers	
31	D28250340	1	Pipe	
32	D28250337	1	Spindle	
33	D42612000	1	Pin	
34	D41597100	1	Ball Bearing	
35	D28250356	1	Hub	
36	D28250327	1	Lever	
37	D45084600	6	Reflector	
38	D45907200	2	Shoe	
39	D28260477	2	Retainer	(39)
40	D28283963	2	Retainer	(39)
41	D40402400	2	Hex. Sock. Screw	(39)
42	D20400404	4	Washer	(39)
43	1441462X1	2	Locknut	(39) Replace and repair. Old not interchangeable with new D41087400
44	D40405100	4	Hex. Sock. Screw	
45	D20400413	28	Washer	
46	394367X1	4	Locknut	
47	D20400459	2	Washer	
48	D40404900	4	Hex. Sock. Screw	
49	D28284453	2	Wheel	[C]
50	D46735600	2	Tyre	
52	D46723900	2	Cap	
55	D28284452	2	Rim	[B]
57	D41021500	10	Nut	M 12
62	D28284043	1	Bracket	
63	D28284048	1	Bracket	
64	D28284490	2	Spacer	
65	D28700136	1	Spring	
66	D43385200	2	Screw	
67	D41410800	1	Split Pin	
68	D28250355	1	Pin	
69	D20400522	2	Spacer	
70	D40418800	1	Screw	
71	D41088100	1	Locknut	
72	D40411100	4	Hex. Sock. Screw	
73	D20400426	14	Washer	
74	D41087700	2	Locknut	

Table Trailer - UP TO NO. 7374033

Item	Part Number	Qty	Description	Comments
75	D40435100	4	Screw	
76	D28181284	8	Washer	
77	D41087900	4	Locknut	
81	339481X1	2	Bearing Taper	
82	D41661100	2	Bearing Taper	
85	D40435600	1	Screw	
86	D41087900	1	Locknut	
87	D45906700	1	Capstan	[D]
88	D40405000	3	Hex. Sock. Screw	[D]
89	D20400506	6	Washer	[D]
90	394367X1	3	Locknut	[D]
91	D28284042	1	Ring	[D]
92	D28284143	1	Pipe	[D]
92	D28782153	X	Wire	[D] (92) 5 M
93	D43409000	1	Thimble	[D] (92)
94	D43405900	2	Bracket	[D] (92)
95	D43410400	1	Hook	[D] (92)
96	D41111200	10	Clip	[B]
97	D43001500	2	Greaser	[B]
98	D41048700	2	Castle Nut	[B]
99	D41408800	2	Split Pin	[B]
100	D46728300	10	Bolt	M 14
101	D46729200	2	Housing	[B]
102	D46727400	2	Seal	[B]
103	D41013000	10	Nut	M 14
104	D46707400	2	Hose	
105	D40423600	1	Hex. Sock. Screw	
106	394367X1	1	Locknut	

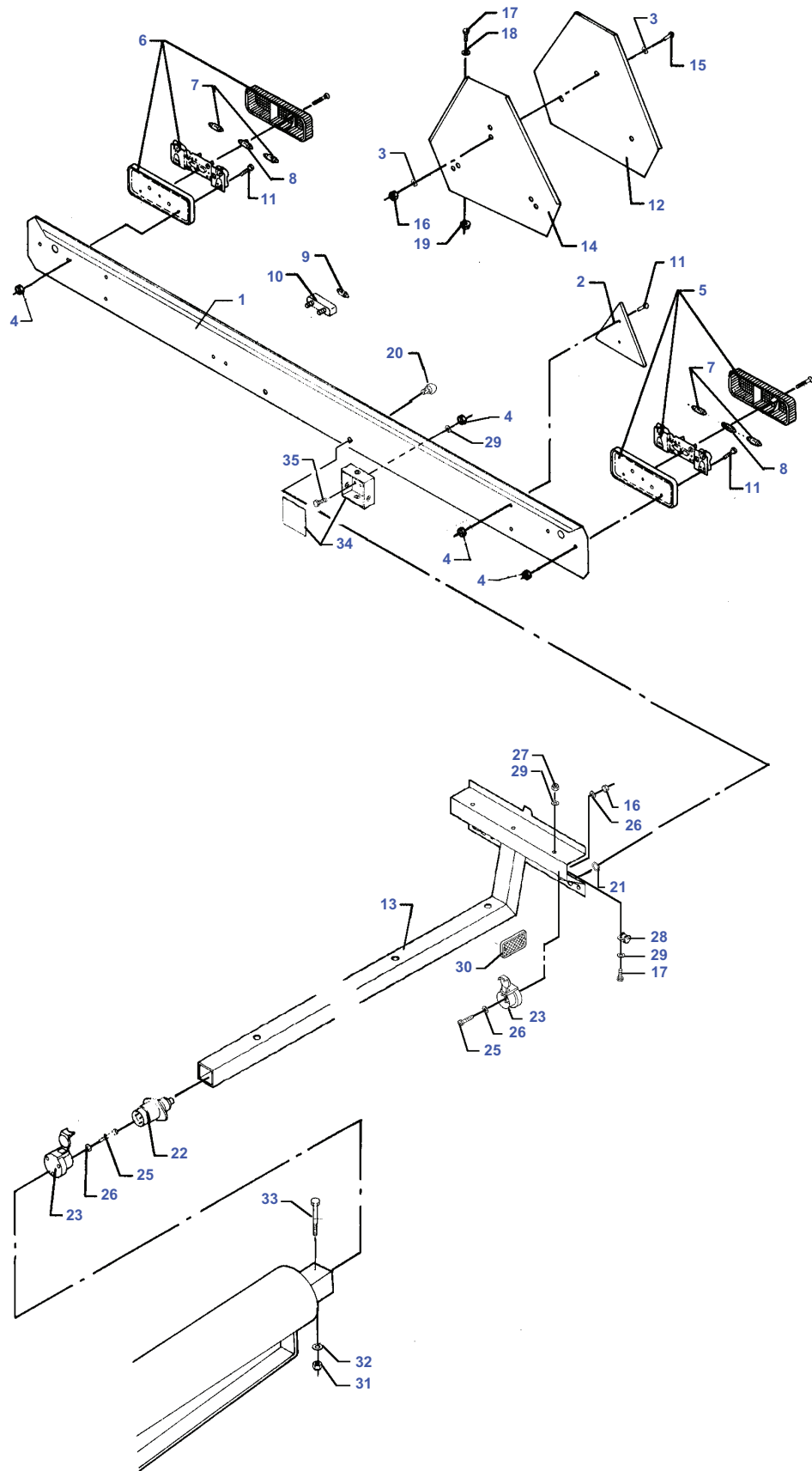
FOOTNOTE [A] EQUIPMENT REQUIRED AND APPROVED BY THE TOV AUTHORITIES

FOOTNOTE [B] FOR HUB WITH M14 HUB BOLTS

FOOTNOTE [C] FOR HUB WITH M14 HUB BOLTS, INCL.POS 50,51,55,104

FOOTNOTE [D] OPTIONAL EQUIPMENT

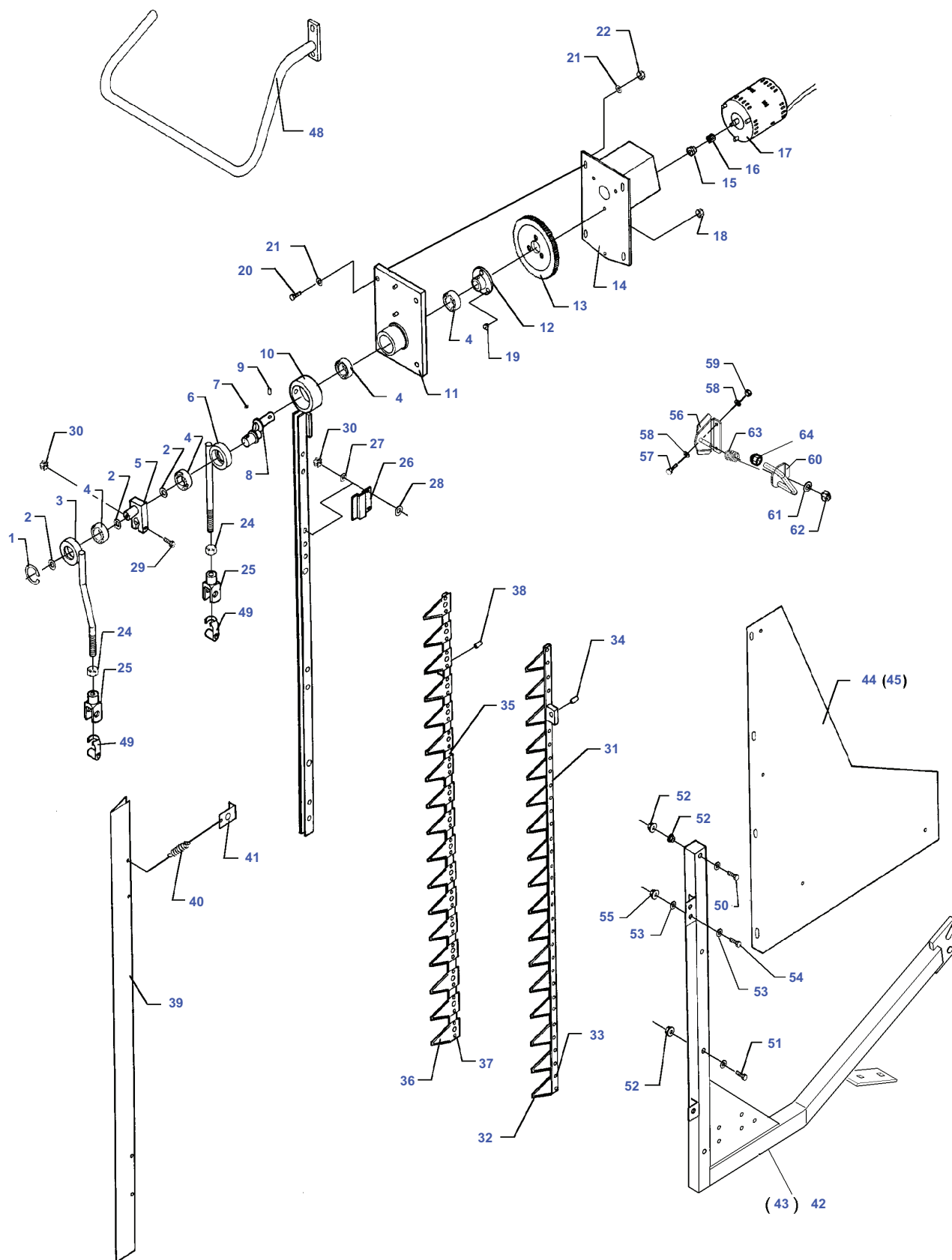
MF 7272/7274/7278 CERA COMBINE - 1637408
D-ZABB-003-A



D-ZABB-003-A

Item	Part Number	Qty	Description	Comments
1	D28285744	X	Bar	
	D28285770	1	Ramp	Valid from machine/table no,can be used in new as well as in older machines 937065
2	D45083900	2	Reflector	
3	D20400400	6	Washer	
4	D41010500	10	Nut	
5	D45077100	1	Rh Rear Lamp	Left Hand
6	D45077300	1	Lh Rear Lamp	Right Hand
7	621235M1	4	Bulb 12v 21w Sbc	
8	3002706X1	2	Bulb 12v 10w	
9	D45080900	2	Bulb	
10	D45085500	2	Lamp	
11	390958X1	8	Screw Special	M5 X 16
12	D45084500	1	Reflector	
13	D28285152	1	Support	
14	D28251559	1	Support	
15	3001162X1	3	Hex. Sock. Screw	M4 X 16
16	D41010400	3	Nut	
17	339560X1	3	Hex. Sock. Screw	M6 X 16
18	D20400453	3	Washer	
19	1441462X1	3	Locknut	M6
20	D43427500	2	Pin	
21	1440988X1	2	Circlip	
22	D45005300	1	Electric Socket	
23	D45005200	2	Electric Socket	
25	D40351600	3	Screw Metric	
26	D20400400	3	Washer	
27	1441462X1	1	Locknut	M6
28	D45729400	1	Clamp	
29	D20400404	4	Washer	
30	D45084600	2	Reflector	
31	1442190X1	1	Locknut	M12
32	D20400426	1	Washer	
33	391885X1	1	Hex. Sock. Screw	M12 X 90
34	D28781903	1	Connector	
35	339804X1	2	Hex. Sock. Screw	M6 X 25

MF 7272/7274/7278 CEREAL COMBINE - 1637408
D-ZABC-003-A



Electric Vertical Knife

Item	Part Number	Qty	Description	Comments
1	1440475X1	1	Circlip	
2	D20400441	X	Washer	
3	D28284090	1	Bracket	Valid from machine/table no,can be used in new as well as in older machines 936512
4	391057X1	4	Bear. 6004 2rs	
5	D28284087	1	Crank	
6	D28284289	1	Conrod	Valid from machine/table no,can be used in new as well as in older machines 936512
7	D43100900	1	Key	
8	D28284084	1	Crank	
9	339071X1	1	Pin	Diameter 6 X 30
10	D28284291	1	Knife	Valid from machine/table no,can be used in new as well as in older machines 936512
11	D28284292	1	Bearing Shell	Valid from machine/table no,can be used in new as well as in older machines 936512
12	D28284069	1	Hub	
13	D28284081	1	Gear	
14	D28284090	1	Bracket	
15	D28284111	1	Nut	
16	D28284080	1	Pinion	
17	D45070083	1	Electric Motor	
18	D40688000	3	Screw	
19	D41010600	3	Nut	M6
20	339019X1	4	Hex. Sock. Screw	M10 X 50
21	D20400471	8	Washer	
22	339402X1	4	Nut	M10
24	339079X1	2	Nut	M14
25	D45905200	2	Fork Head	
26	D28284094	8	Clip	
27	D20400500	X	Spacer	
28	D20400506	32	Washer	
29	339010X1	16	Hex. Sock. Screw	M8 X 40
30	394367X1	16	Locknut	M8
31	D28284060	1	Knife	
	D28284105	1	Knife Back	(31)
32	D44104100	17	Knife	(31)
33	D41314900	34	Rivet	(31)
34	D43360800	1	Bush	(31)
35	D28284061	1	Knife	
	D28284104	1	Knife Back	(35)
36	D44104100	17	Knife	(35)
37	D41314900	34	Rivet	(35)
38	D43360800	1	Bush	(35)
39	D28284124	1	Guard	
40	D26500317	2	Spring	
41	D28284125	2	Retainer	
42	D28285169	1	Bracket	[B]
43	D28285168	1	Bracket	[A]
44	D28285187	1	Guard	[B]
45	D28285189	1	Guard	[A]
48	D28284107	1	Deflector	
49	D45904800	2	Pin	
50	D40422400	X	Screw	
51	D40422300	X	Hex. Sock. Screw	M6 X 55
52	1441462X1	X	Locknut	M6
53	D20400419	2	Washer	
54	3009495X1	1	Hex. Sock. Screw	M10 X 40
55	1440329X1	1	Locknut	M10
56	D28285166	2	Bracket	Up to Serial or Engine Number 939559
	D28286051	1	Bracket	From Serial or Engine Number 939560
57	339814X1	4	Hex. Sock. Screw	M10 X 35
58	D20400507	8	Spacer	
59	1440329X1	4	Locknut	M10
60	D28285185	1	Arm	Right Hand
	D28285162	1	Arm	Left Hand
61	D20400537	2	Spacer	

Electric Vertical Knife

Item	Part Number	Qty	Description	Comments
62	1442190X1	2	Locknut	M12
63	D28285165	2	Spring	
64	D45750300	1	Ferrule	

FOOTNOTE [A] OPTIONAL EQUIPMENT ELECTRIC - VERTICAL KNIFE LEFT

FOOTNOTE [B] OPTIONAL EQUIPMENT ELECTRIC VERTICAL KNIFE RIGHT

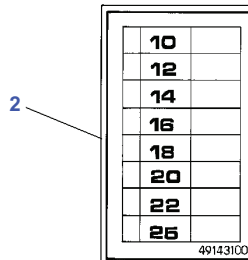
Ved skift af kniv, skal man sikre sig at knivbladene ligger an mod fingrenes skæreflader uden at presse mod disse.

When changing knife, please ensure that the blades are in contact with the fingers without pressing against them.

Beim Wechsel der Messern müssen die Klingen dicht an den Fingern liegen, ohne sie zu pressen.

En changeant le couteau, faire attention que la section soit en contact avec la surface du doigt sans appuyer sur celui-ci.

49158800



Ved ændring af tromlehastighed skal fjederstramhed på tromlekobling justeres.

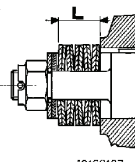
When changing table auger revolutions adjust the spring tension of the table auger clutch.

Bei Änderung der Einzugschneckenumdrehungen die Federspannung der Einzugschneckenkupplung einstellen.

En Changeant la vitesse de rotation de la vis d'alimentation ajuster la tension du ressort de l'embrayage de la vis d'alimentation.

High Speed: $L = 28,5 \pm 0,2$

Low Speed: $L = 26 \pm 0,2$



49100137

Al cambiar la cuchilla, asegurarse de que las hojas estén en contacto con los dedos pero sin apretarse contra ellos.

Cambiando la lama fare attenzione la lama sia a contatto con la superficie del dente senza però appoggiarsi sopra.

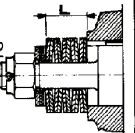
49100192

Al cambiar la velocidad del sinfin de cabezal ajustar la tensión del embrague del sinfin de cabezal.

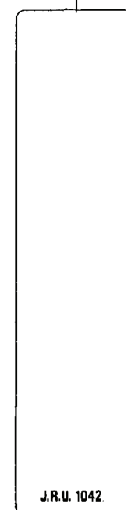
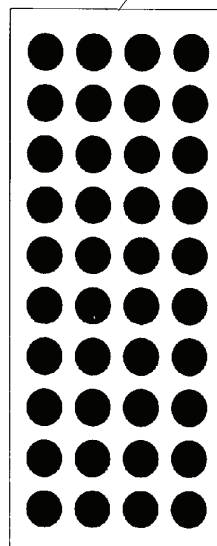
Al cambiamento della velocità di rotazione della coclea regolare la tensione della molla della frizione della coclea.

Velocidad alta $L = 28,5 \pm 0,2$

Velocidad baja $L = 26 \pm 0,2$



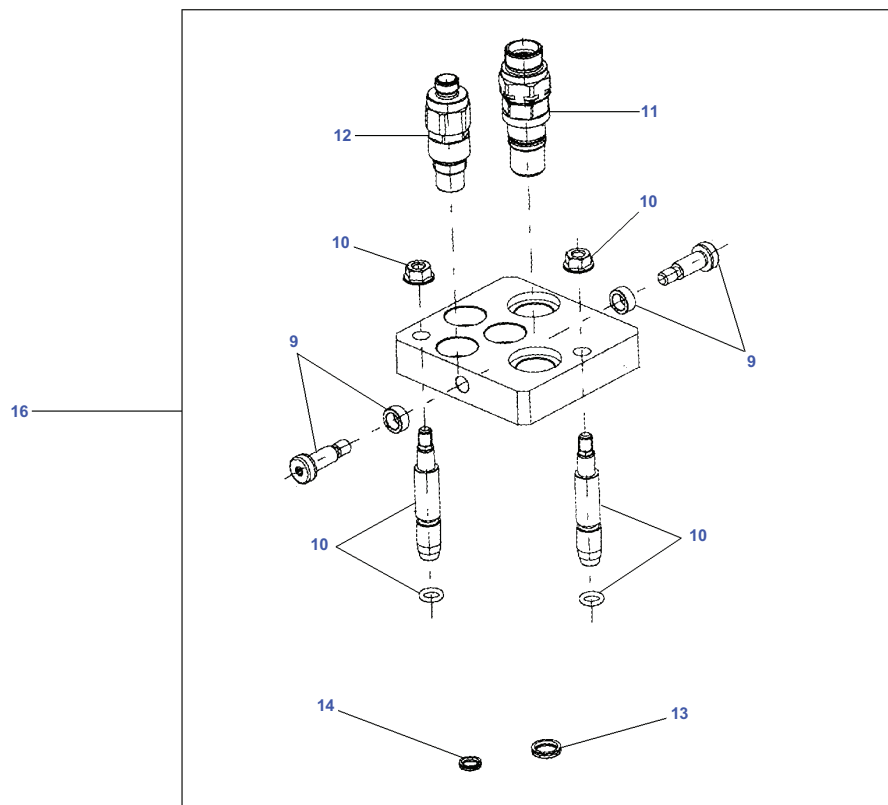
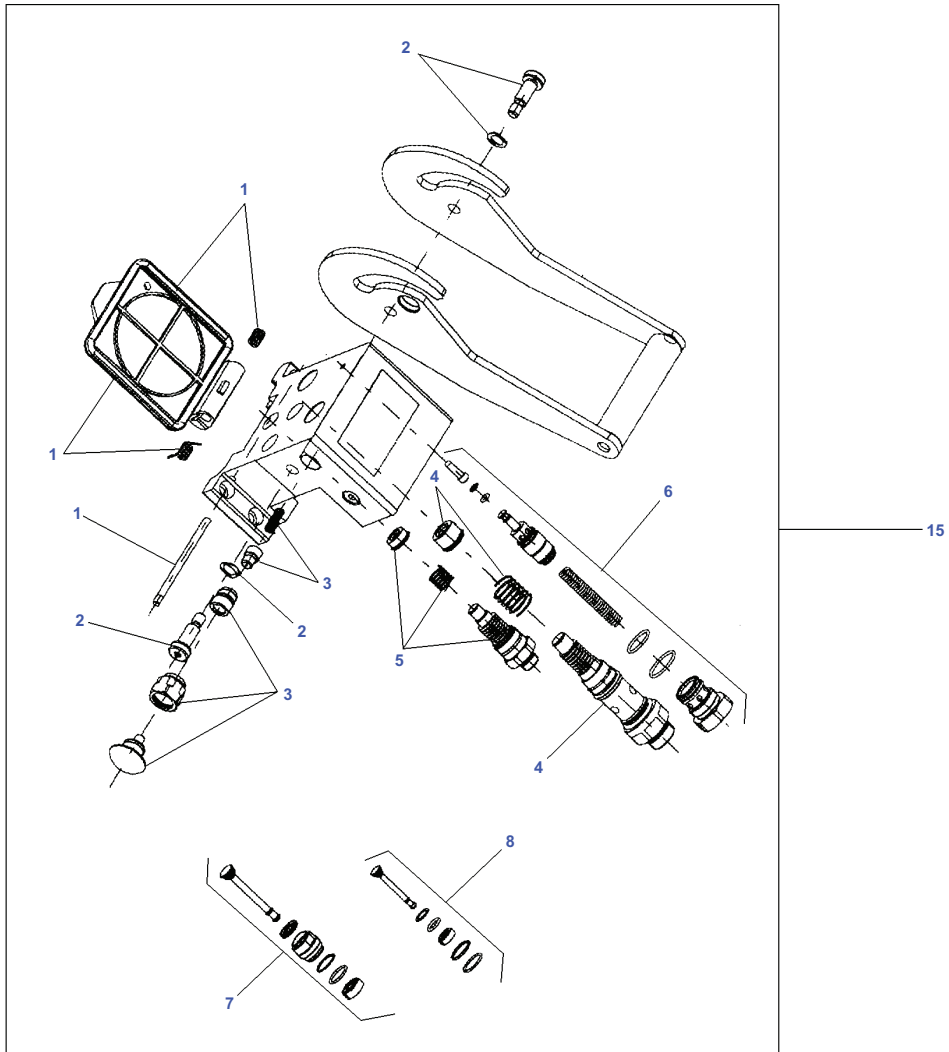
49100195



Decals

Item	Part Number	Qty	Description	Comments
1	D49158800	1	Decal	
2	D49143100	1	Transfer	
3	D49100137	1	Decal	
4	D49100192	1	Knife	
5	D49100195	1	Decal	
6	D49178500	40	Decal	[A]
	D49178600	40	Decal	[B]
	D49178700	40	Decal	[C]
	D49178800	40	Decal	[D]
7	D49138600	1	Transfer	[A]
	D49138700	1	Transfer	[D]

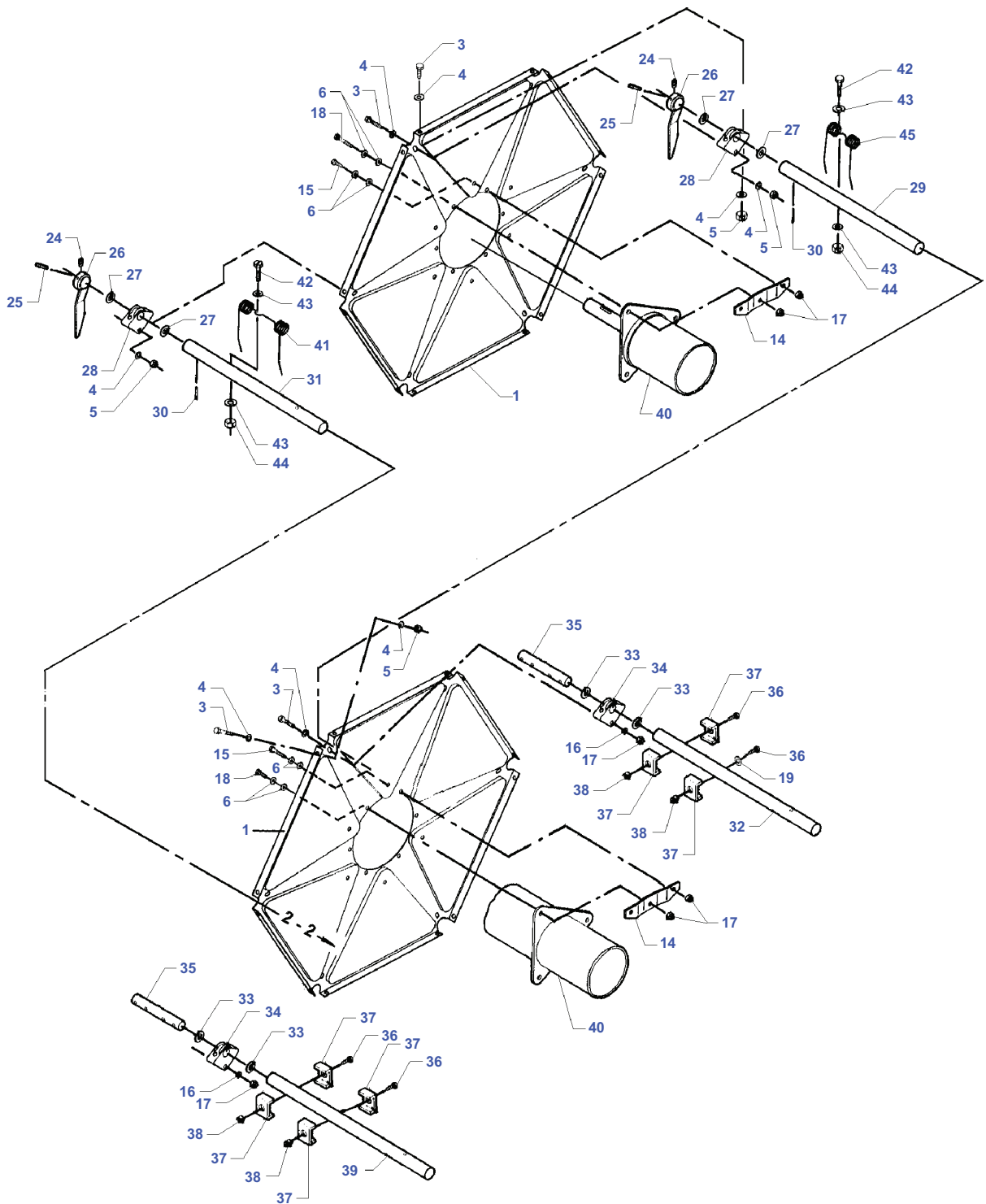
- FOOTNOTE [A] YELLOW
- FOOTNOTE [B] RED
- FOOTNOTE [C] BLUE
- FOOTNOTE [D] WHITE



Multi-Coupling - From 59116

Item	Part Number	Qty	Description	Comments
1	D45140051	1	Cover	(15)
2	D45140052	1	Screw	(15)
3	D45140053	1	Lock	(15)
4	D45140054	1	Coupling	(15)
5	D45140055	1	Coupling	(15)
6	D45140056	1	Pressure Valve	(15)
7	D45140057	1	Pressure Valve	(15)
8	D45140058	1	Pressure Valve	(15)
9	D45140045	1	Roller	(16)
10	D45140046	1	Steering	(16)
11	D45140047	1	Coupling	(16)
12	D45140048	1	Coupling	(16)
13	D45140049	1	Ring	(16)
14	D45140050	1	Ring	(16)
15	D45140043	1	Clutch	CPL.
16	D45140044	1	Clutch	CPL.

MF 7272/7274/7278 CERA COMBINE - 1637408
D-ZBZA-001-A



D-ZBZA-001-A

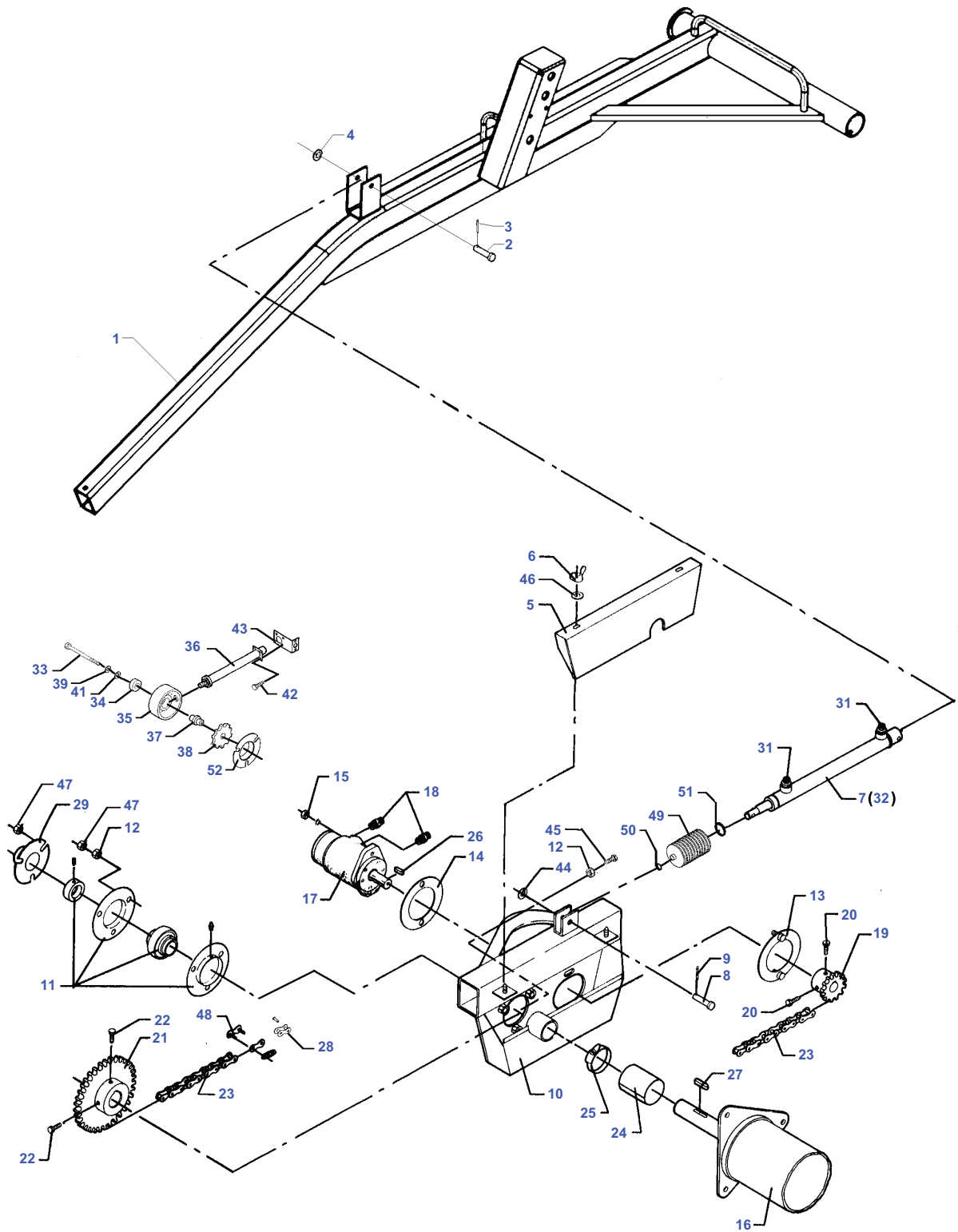
Reel - Right Hand

Item	Part Number	Qty	Description	Comments
1	D28680276	2	Plate	22' + 25' 6,77M - 7,60M Valid from machine/table no,can be used in new as well as in older machines 941149
3	339804X1	X	Hex. Sock. Screw	M6 X 25
4	D20400403	X	Washer	
5	1441462X1	X	Locknut	M6
6	D20400413	X	Washer	
14	D28660051	6	Dog	
15	339124X1	X	Hex. Sock. Screw	M8 X 16
16	D20400506	X	Washer	
17	394367X1	X	Locknut	M8
18	339761X1	X	Hex. Sock. Screw	M8 X 25
19	D20400507	6	Spacer	18'-20'-22'-25' 5,56M - 6,16M - 6,77M - 7,60M
24	D40632000	6	Stud	
25	D42614300	6	Pin	
26	D28680107	6	Finger	
27	D20400586	X	Washer	
28	D28680117	X	Bearing Carrier	
29	D28680145	3	Rake	Right Hand 20' - 22' 6,16M - 6,77M Up to Serial or Engine Number 937165
	D28680259	3	Bar	Right Hand 20' - 22' 6,16M - 6,77M From Serial or Engine Number 937166
	D28680279	3	Bar	From Serial or Engine Number 941149 22' + 25' 6,77M - 7,60M
	D28680272	3	Reel Tine	Left Hand 25' - 7,60M Valid from machine/table no,can be used in new as well as in older machines 941149
30	339037X1	X	Split Pin	Diameter 5 X 50
31	D28680141	3	Rake	20' - 22' 6,16M - 6,77M Up to Serial or Engine Number 937165
	D28680260	3	Bar	20' - 22' 6,16M - 6,77M From Serial or Engine Number 937166
	D28680280	3	Bar	22' + 25' 6,77M - 7,60M From Serial or Engine Number 941149
	D28680271	3	Bar	Right Hand 25' - 7,60M Valid from machine/table no,can be used in new as well as in older machines 941149
32	D28680273	3	Bar	Right Hand 25' - 7,60M Valid from machine/table no,can be used in new as well as in older machines 941149
	D28680142	3	Rake	Left Hand 22' - 6,77M Up to Serial or Engine Number 937165
	D28680147	3	Rake	Left Hand 20' - 6,16M Up to Serial or Engine Number 937165
	D28680261	3	Bar	Left Hand 22' - 6,77M From Serial or Engine Number 937166
	D28680257	3	Bar	Left Hand 20' - 6,16M From Serial or Engine Number 937166
	D28680281	3	Bar	22' + 25' 6,77M - 7,60M From Serial or Engine Number 941149
33	D20400585	12	Washer	18'-20'-22'-25' 5,56M - 6,16M - 6,77M - 7,60M
34	D28680132	6	Bearing Carrier	18'-20'-22'-25' 5,56M - 6,16M - 6,77M - 7,60M
35	D28680139	6	Pin	18' - 20' - 22' 5,56M - 6,16M - 6,77M

Reel - Right Hand

Item	Part Number	Qty	Description	Comments
35	D28685007	6	Pin	25' - 7,60M
36	339019X1	24	Hex. Sock. Screw	18'-20'-22'-25' 5,56M - 6,16M - 6,77M - 7,60M M10 X 50
37	D28660035	42	Stirrup	18'-20'-22'-25' 5,56M - 6,16M - 6,77M - 7,60M
38	1440329X1	X	Locknut	M10
39	D28680274	3	Reel Tine	Valid from machine/table no,can be used in new as well as in older machines 941149
39	D28680140	3	Rake	25' -7,60M Left Hand 22' - 6,77M Up to Serial or Engine Number 937165
39	D28680148	3	Rake	Left Hand 20' - 6,16M Up to Serial or Engine Number 937165
39	D28680262	3	Bar	Left Hand 22' - 6,77M From Serial or Engine Number 937166 Up to Serial or Engine Number 941148
39	D28680258	3	Bar	Left Hand 20' - 6,16M From Serial or Engine Number 937166
39	D28680282	3	Bar	22' + 25' 6,77M + 7,60M From Serial or Engine Number 941149
40	D28680151	1	Pipe	20' - 6,16M
40	D28680267	1	Tube	25' - 7,60M Valid from machine/table no,can be used in new as well as in older machines 941149
40	D28680278	1	Tube	22' - 6,77M
41	D28680130	X	Spring	
42	339168X1	X	Hex. Sock. Screw	M8 X 50
43	D20400506	X	Washer	
44	394367X1	X	Locknut	M8
45	D28680131	3	Spring	

MF 7272/7274/7278 CEREAL COMBINE - 1637408
D-ZBZD-004-A

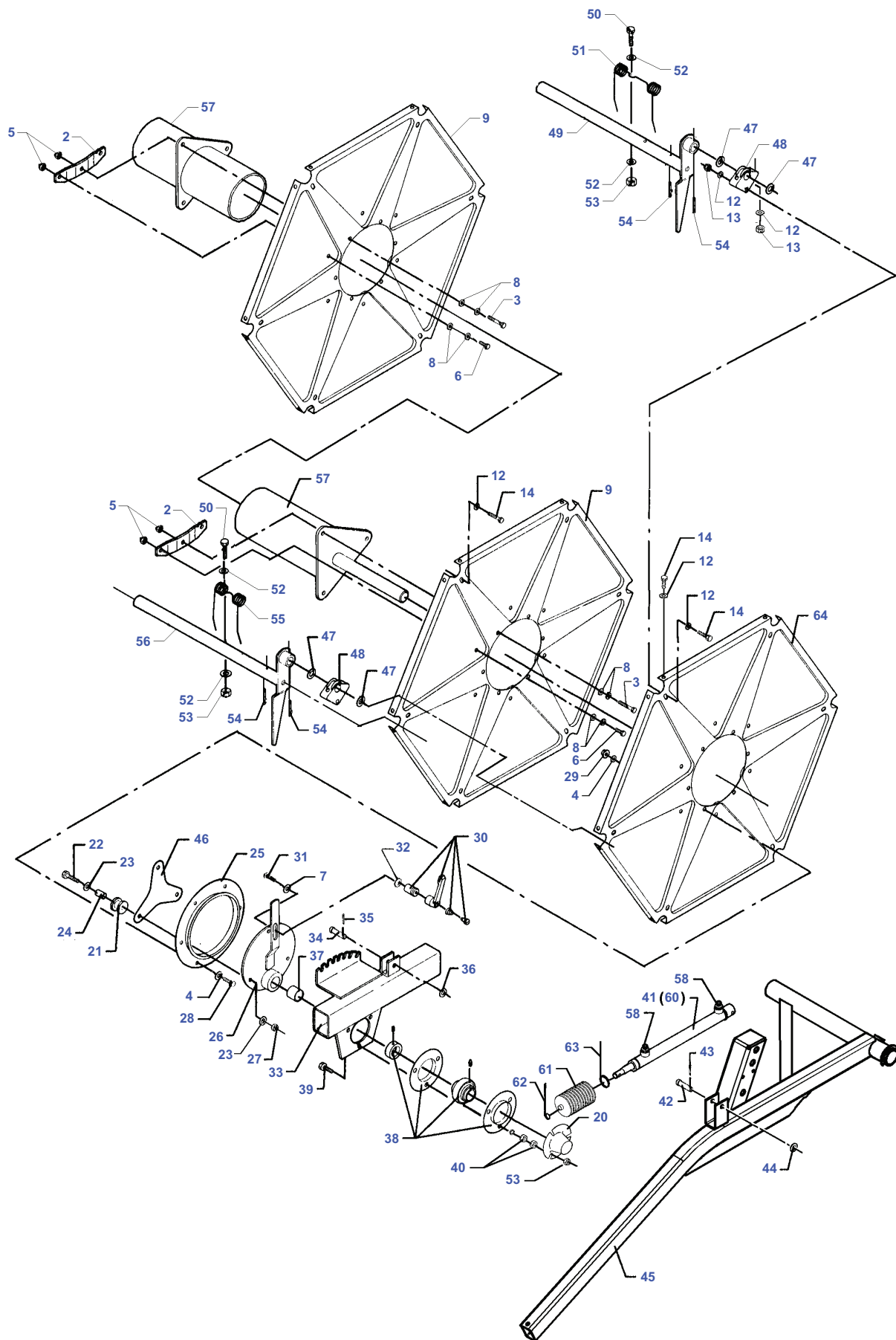


Reel Suspension And Hydraulic Motor

Item	Part Number	Qty	Description	Comments
1	D18685026	1	Frame	Right Hand FREEFLOW
	D28685024	1	Frame	Right Hand POWERFLOW
2	D28280383	1	Pin	
3	354066X1	1	Split Pin	5/32" X 1
4	D20400471	1	Washer	
5	D28680046	1	Cover	
6	339106X1	2	Wing Nut	M8
7	D45140014	1	Cylinder	
8	D28280382	1	Pin	
9	354066X1	1	Split Pin	5/32" X 1
10	D28680055	1	Housing	
11	D41707800	1	Bearing	
12	339402X1	4	Nut	M10
13	D28650018	1	Plate	
14	D28650101	1	Plate	
15	3009695X1	2	Nut	M12
16	D28680151	1	Pipe	20' - 6,16M
	D28680267	1	Tube	25' - 7,60M
				Valid from machine/table no, can be used in new as well as in older machines 941149
	D28680278	1	Tube	22' - 6,77M
17	D45120700	1	Hydraulic Motor	
18	D45250700	2	Union	
19	D28650023	1	Sprocket	
20	339124X1	3	Hex. Sock.	25' - 7,60M
			Screw	M8 X 16
	339123X1	2	Hex. Sock.	M8 X 20
			Screw	
21	D28680013	1	Sprocket	
22	339337X1	2	Hex. Sock.	M8 X 30
			Screw	
23	D42325700	1	Chain	
24	D28680087	1	Tube	
25	338617X1	1	Hose Clip	Diameter 40-60
26	D43103400	1	Key	
27	1440375X1	1	Key Parallel	
28	D42363200	1	Link	
29	D28761977	1	Cover	
31	D45250000	2	Union	
32	D45140016	1	Kit, Gasket	
33	339814X1	1	Hex. Sock.	[A]
			Screw	M10 X 35
34	D28781020	1	Sensor	[A]
	1440487X1	1	Bear. 6203 2rs	[A]
				(34)
35	D28751223	1	Cup	[A]
				(34)
36	D28781016	1	Sensor	[A]
				(34)
37	D28751218	1	Journal	[A]
				(34)
38	D28750922	1	Wheel	[A]
				(34)
39	D41101900	1	Spring Washer	[A]
41	D20400419	1	Washer	[A]
42	D40740400	4	Screw	[A]
43	D28780772	1	Retainer	[A]
44	D20400505	1	Spacer	
45	D40408400	1	Bolt Metric	
46	D20400414	2	Washer	
47	394367X1	6	Locknut	M8
48	D42363100	1	Link	
49	D28281626	1	Rubber	
50	D45007800	1	Retainer	
51	D45050037	1	Retainer	
52	D28281517	1	Cover	[A]

FOOTNOTE [A] OPTIONAL EQUIPMENT REEL/FIELD PRESSURE ADJUSTMENT

MF 7272/7274/7278 CERA COMBINE - 1637408
D-ZBZB-009-A



Reel - Left Hand

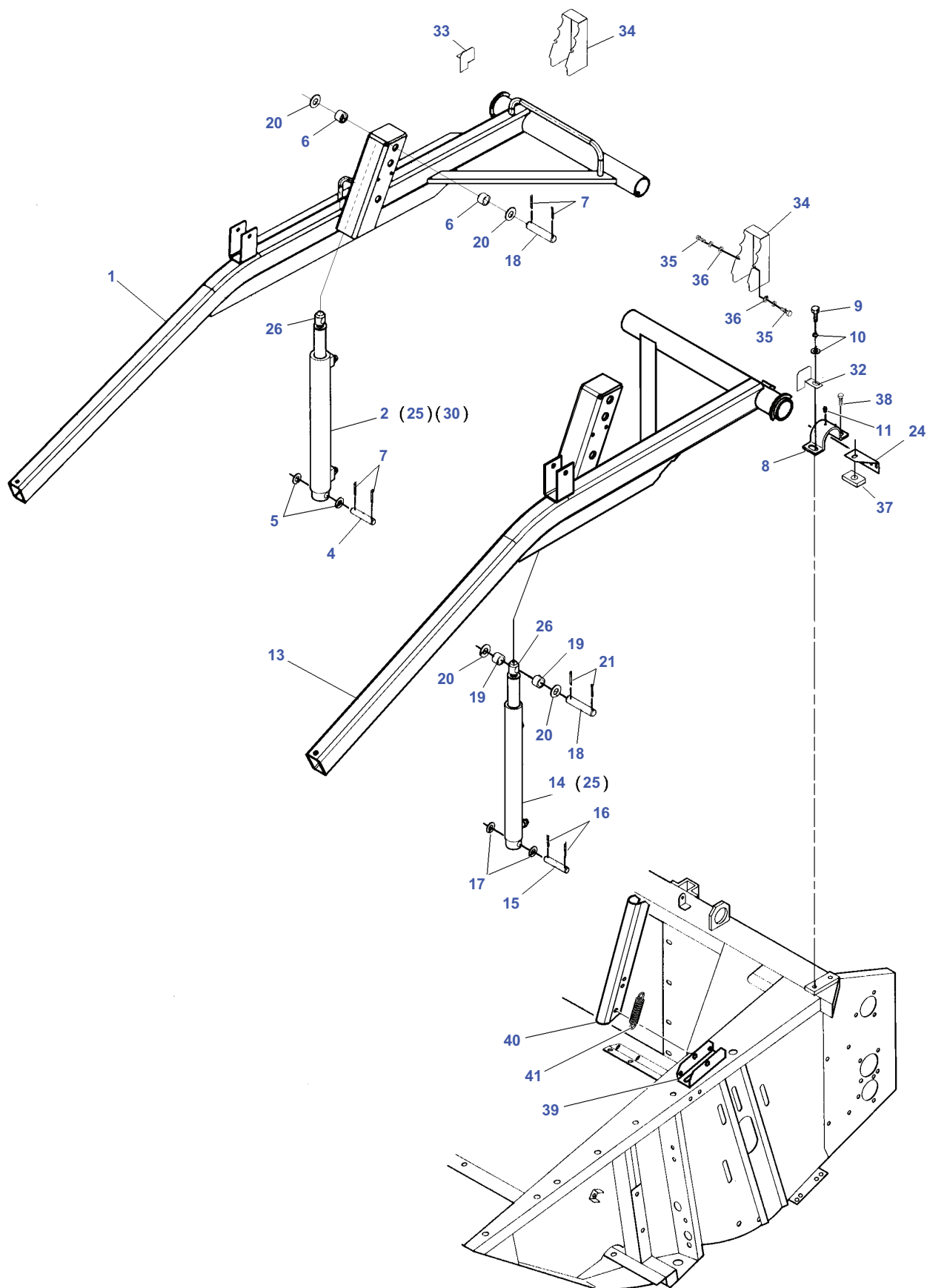
Item	Part Number	Qty	Description	Comments
2	D28660051	6	Dog	
3	339761X1	X	Hex. Sock. Screw	M8 X 50
4	D20400506	X	Washer	
5	394367X1	X	Locknut	M8
6	339124X1	X	Hex. Sock. Screw	M8 X 16
7	D20400518	1	Spacer	
8	D20400413	X	Washer	
	D20400506	X	Washer	25' - 7,60M
9	D28680276	3	Plate	Valid from machine/table no,can be used in new as well as in older machines 941149
12	D20400403	X	Washer	
13	1441462X1	X	Locknut	M6
14	339804X1	X	Hex. Sock. Screw	M6 X 25
20	D28761977	1	Cover	
21	D28660005	3	Roller	
22	339019X1	3	Hex. Sock. Screw	M10 X 50
	3009498X1	3	Hex. Sock. Screw	25' - 7,60M M10 X 55
23	D20400416	3	Washer	
	D20400471	3	Washer	25' - 7,60M
24	D28660143	3	Bush	
25	D28660036	1	Ring	Up to Serial or Engine Number 941148
	D28680277	1	Ring	From Serial or Engine Number 941149
26	D28680097	1	Plate	
27	1440329X1	3	Locknut	M10
28	339123X1	6	Hex. Sock. Screw	M8 X 20
29	394367X1	6	Locknut	M8
30	D43387500	1	Lever	
31	390787X1	1	Screw Special	M12 X 25
32	D20400426	1	Washer	
33	D28680054	1	Housing	
34	D28280382	1	Pin	
35	354066X1	1	Split Pin	5/32" X 1
36	D20400505	1	Spacer	
37	D43338200	1	Lining	(26)
38	D41707800	1	Bearing	
39	3009493X1	3	Hex. Sock. Screw	M10 X 30
	390799X1	3	Hex. Sock. Screw	25' - 7,60M M10 X 40
40	339402X1	3	Nut	M10
41	D45140011	1	Cylinder	20' - 6,16M
42	D28280383	1	Pin	
43	354066X1	1	Split Pin	5/32" X 1
44	D20400471	1	Washer	
45	D18685025	1	Frame	Left Hand FREEFLOW
	D28685023	1	Frame	Left Hand POWERFLOW
46	D28680120	1	Plate	
47	D20400586	X	Washer	
48	D28680117	X	Bearing Carrier	
49	D28680273	3	Bar	Left Hand 25' - 7,60M Valid from machine/table no,can be used in new as well as in older machines 941149
	D28680142	3	Rake	Left Hand 22' - 6,77M Up to Serial or Engine Number 937165
	D28680261	3	Bar	Left Hand 22' - 6,77M From Serial or Engine Number 937166
	D28680147	3	Rake	Left Hand 20' - 6,16M Up to Serial or Engine Number 937165
	D28680257	3	Bar	Left Hand 20' - 6,16M From Serial or Engine Number 937166
	D28680281	3	Bar	22' + 25' 6,77M - 7,60M From Serial or Engine Number 941149
50	339168X1	X	Hex. Sock. Screw	M8 X 50

Reel - Left Hand

Item	Part Number	Qty	Description	Comments
51	D28680130	X	Spring	
52	D20400506	X	Washer	
53	394367X1	X	Locknut	M8
54	339037X1	X	Split Pin	Diameter 5 X 50
55	D28680131	3	Spring	
56	D28680274	3	Reel Tine	Left Hand 25' - 7,60M Valid from machine/table no,can be used in new as well as in older machines 941149
56	D28680140	3	Rake	Left Hand 22' - 6,77M Up to Serial or Engine Number 937165
56	D28680262	3	Bar	Left Hand 22' - 6,77M From Serial or Engine Number 937166
56	D28680148	3	Rake	Left Hand 20' - 6,16M Up to Serial or Engine Number 937165
56	D28680258	3	Bar	Left Hand 20' - 6,16M From Serial or Engine Number 937166
56	D28680282	3	Bar	22' + 25' 6,77M - 7,60M From Serial or Engine Number 941149
57	D28680278	1	Tube	22' - 6,77M
57	D28680151	1	Pipe	20' - 6,16M
57	D28680267	1	Tube	25' - 7,60M Valid from machine/table no,can be used in new as well as in older machines 941149
58	D45250000	2	Union	PACOMA
60	D46140015	1	Bearing Carrier	
61	D28281626	1	Rubber	
62	D45007800	1	Retainer	
63	D45050037	1	Retainer	
64	D28680240	1	Plate	[A] Up to Serial or Engine Number 941148
64	D28680276	1	Plate	From Serial or Engine Number 941149

FOOTNOTE [A] ORDER D28680276 + D28680277

MF 7272/7274/7278 CEREА COMBINE - 1637408
D-ZBZC-006-A

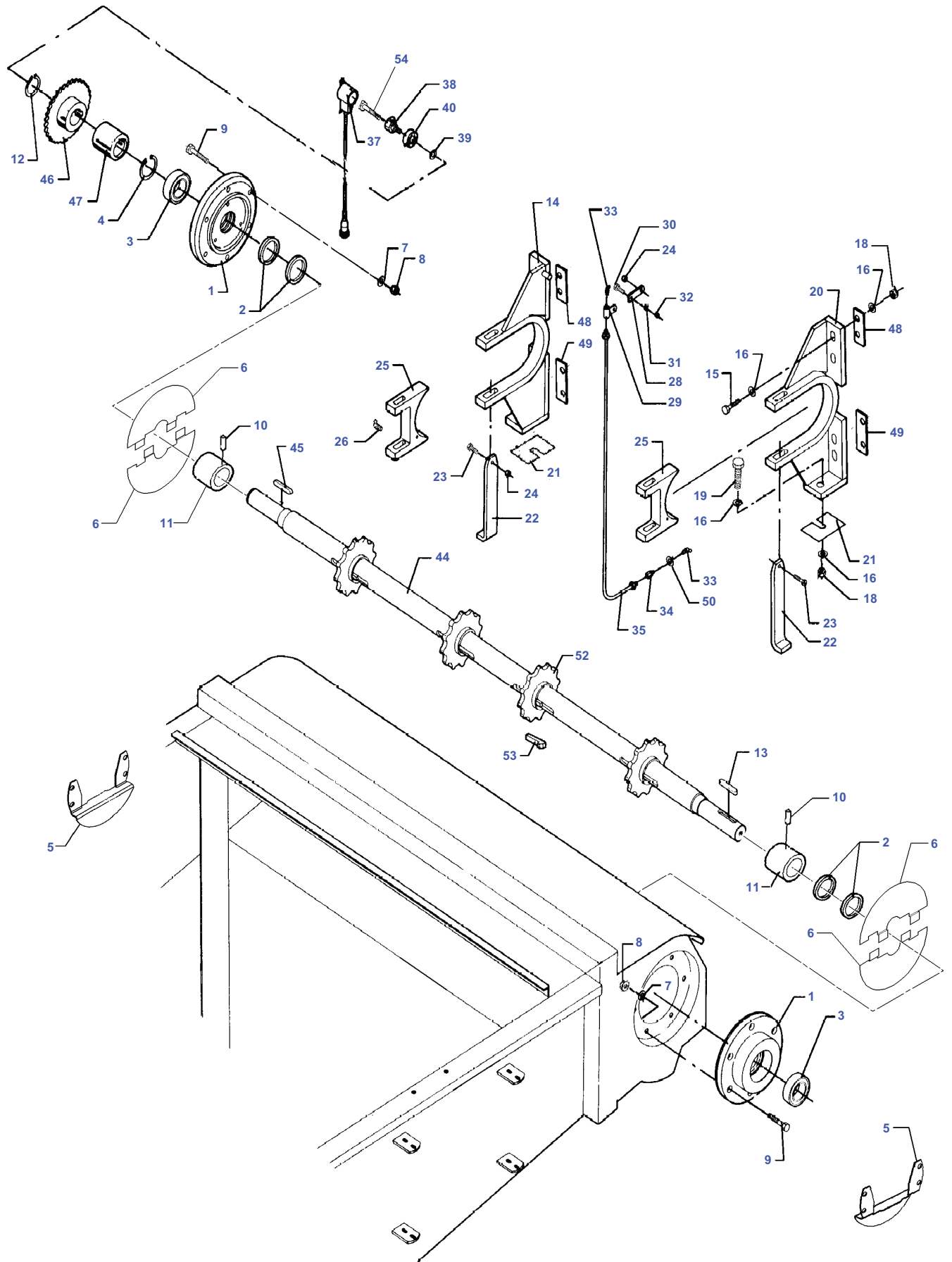


D-ZBZC-006-A

Reel Suspension And Hydraulic Cylinders

Item	Part Number	Qty	Description	Comments
1	D18685026	1	Frame	Right Hand FREEFLOW
	D28685024	1	Frame	Right Hand POWERFLOW
2	D45100066	1	Cylinder	
4	D28280236	1	Pin	
5	D20400518	2	Spacer	
6	D28751140	2	Spacer	
7	354066X1	4	Split Pin	5/32" X 1
8	D28283300	2	Half Flange	
9	339139X1	2	Hex. Sock. Screw	M12 X 25
10	D20400424	2	Washer	
11	1441858X1	2	Grease Nipple	M6
13	D18685025	1	Frame	Left Hand FREEFLOW
	D28685023	1	Frame	Left Hand POWERFLOW
14	D45100067	1	Cylinder	
15	D28280236	1	Pin	
16	354066X1	2	Split Pin	5/32" X 1
17	D20400518	2	Spacer	
18	D28280237	2	Pin	
19	D28751140	2	Spacer	
20	D20400520	4	Spacer	
21	354066X1	4	Split Pin	5/32" X 1
24	D18283251	1	Retainer	
25	D41042700	2	Nut	
26	D45100044	2	Piston Head	
30	D45110089	1	Kit, Seal	SERTA
32	D28680025	1	Angle.	
33	D28680024	1	Angle.	
34	D28281518	2	Guard	
35	339560X1	4	Hex. Sock. Screw	M6 X 16
36	D20400404	4	Washer	
37	D28283835	2	Support	
38	1440716X1	2	Hex. Sock. Screw	M12 X 30
39	D28685027	2	Console	
40	D28685015	2	Stand	
41	D28710853	2	Spring	

MF 7272/7274/7278 CERA COMBINE - 1637408
D-ZCZA-004-B



D-ZCZA-004-B

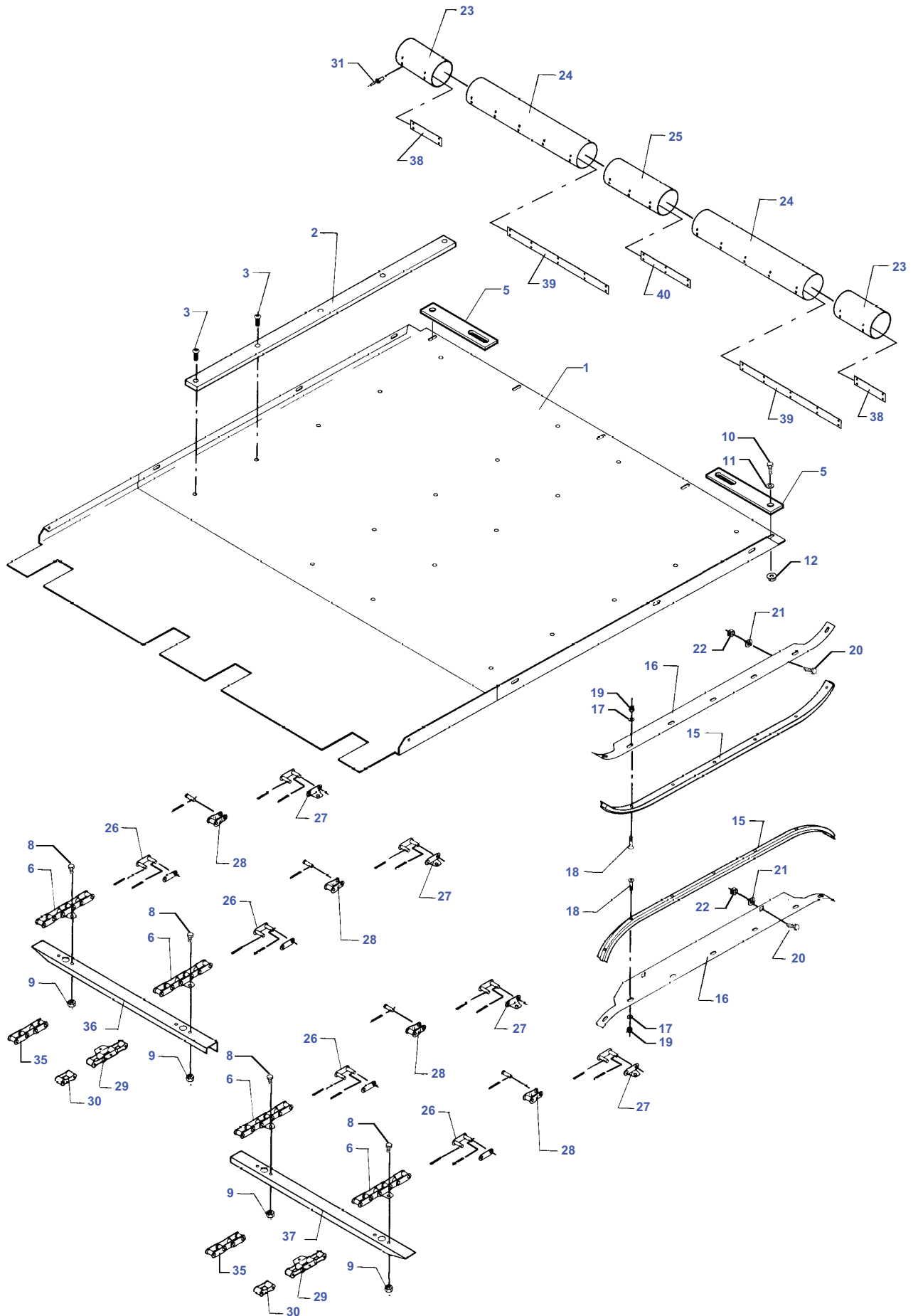
Elevator Shaft - Top And Pivot

Item	Part Number	Qty	Description	Comments
1	D28280112	2	Bearing	
2	D43501500	4	Felt Ring	
3	1440572X1	2	Bear. 6210 2rs	Right Hand
4	1440516X1	1	Circlip	Left Hand
5	D28281409	2	Cover	Up to Serial or Engine Number 57735
6	D28285386	4	Cover	From Serial or Engine Number 57736
7	D20400426	12	Washer	
8	1442190X1	12	Locknut	M12
9	D40694100	12	Screw	
10	D40632000	2	Stud	
11	D28284038	2	Insert	Up to Serial or Engine Number 57735
	D28286108	2	Insert	From Serial or Engine Number 57736
12	391129X1	1	Circlip	From Serial or Engine Number 57723
13	D43107900	1	Key	
14	D28281309	1	Bearing	
15	391889X1	8	Hex. Sock. Screw	M16 X 70
16	D28181284	20	Washer	
18	1442739X1	5	Locknut	M16
19	D40433700	1	Screw	
20	D28280984	1	Bearing	
21	D28280142	12	Shim	
22	D28280138	2	Pin	
23	339337X1	1	Hex. Sock. Screw	M8 X 30
24	394367X1	2	Locknut	M8
25	D28281552	2	Stop	
26	D43002700	2	Greaser	
28	D28281478	1	Mounting	
29	D43009200	1	Bracket	
30	339666X1	1	Hex. Sock. Screw	M6 X 20
31	D20400404	1	Washer	
32	1441462X1	1	Locknut	M6
33	D43002700	2	Greaser	
34	D43009500	1	Connector	
35	D28281479	1	Tube	
37	D28780514	1	Sensor	
38	D28780516	1	Inductive Sensor	
39	D20400419	1	Washer	
40	1440487X1	1	Bear. 6203 2rs	
44	D28283598	1	Shaft	CPL.
	D28283593	1	Shaft	
45	D43107500	1	Key	From Serial or Engine Number 57723
46	D28283544	1	Sprocket	From Serial or Engine Number 57723
47	D28283846	1	Bush	[A] From Serial or Engine Number 57723
	D28283545	1	Spacer	[B] From Serial or Engine Number 57723
48	D28281663	2	Support	
49	D28281662	2	Support	
50	D20400453	1	Washer	
52	D28282479	4	Sprocket	(44) Valid from machine/table no,can be used in new as well as in older machines 60260
53	D43162000	4	Gib Key	(44)
54	D40692400	1	Screw	

FOOTNOTE [A] WITH ELECTRIC REVERSING GEAR

FOOTNOTE [B] WITH HYDRAULIC REVERSING GEAR

MF 7272/7274/7278 CERA COMBINE - 1637408
D-ZCZB-004-A



D-ZCZB-004-A

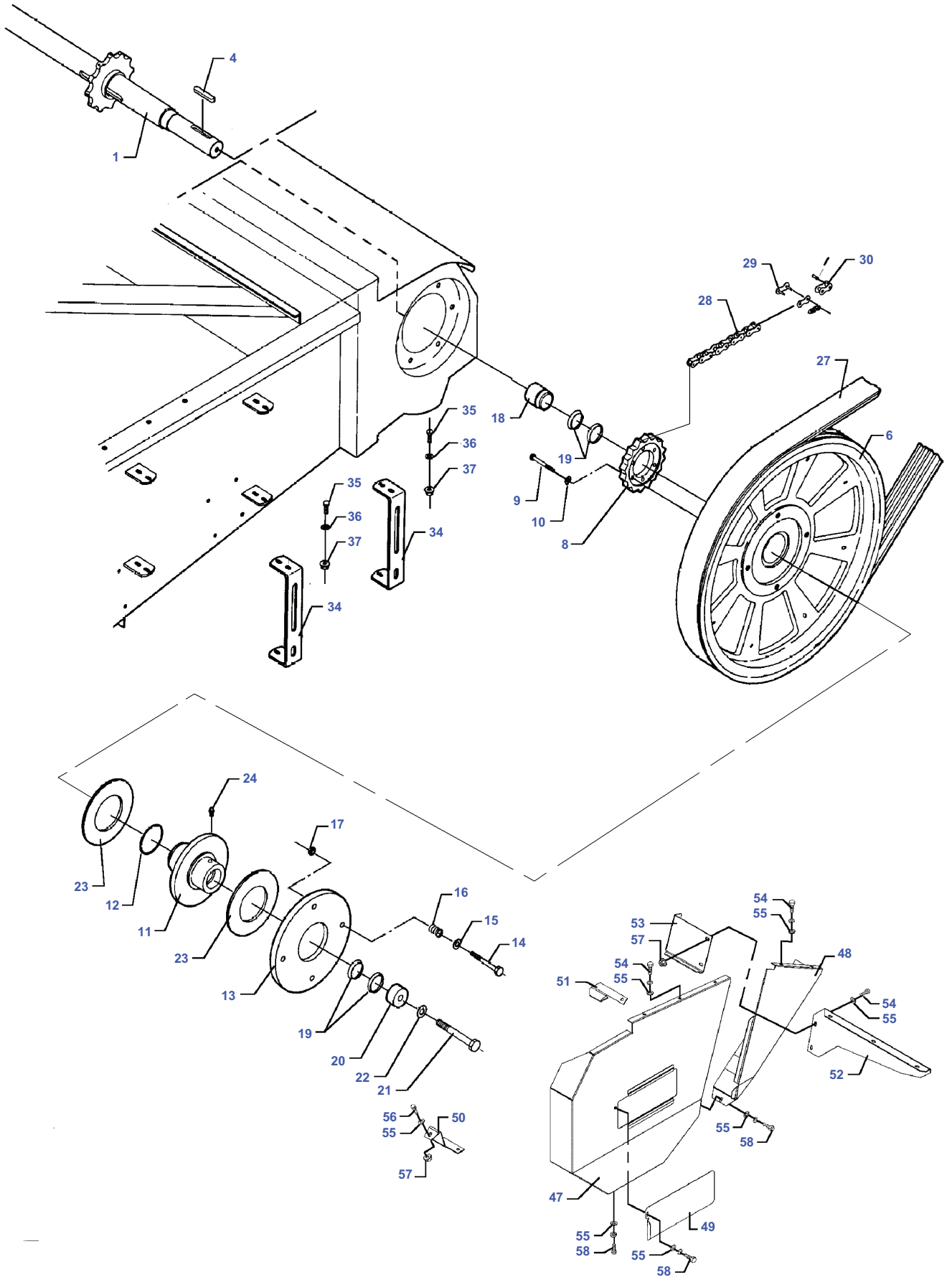
Feeder Chain And Protective Plates

Item	Part Number	Qty	Description	Comments
1	D28281705	1	Plate	
2	D28281247	4	Guide	
3	D40685000	20	Screw	
5	D28281410	2	Cover	Up to Serial or Engine Number 57735
	D28286106	2	Cover	From Serial or Engine Number 57736
6	D28281872	1	Chain	Up to Serial or Engine Number 57067 Right Hand CPL.
	D28281873	1	Chain	Up to Serial or Engine Number 57067 Right Hand CPL.
	D28280302	4	Chain	Up to Serial or Engine Number 57067 38,4 MM
	D28285326	4	Chain	From Serial or Engine Number 57068 38,4 MM
	D28285378	1	Chain	From Serial or Engine Number 57068 Up to Serial or Engine Number 58521 Right Hand CPL.
	D28286407	1	Chain	From Serial or Engine Number 58522 Right Hand CPL.
	D28285379	1	Chain	Left Hand CPL.
	D28286408	1	Chain	From Serial or Engine Number 57068 Up to Serial or Engine Number 58521 Left Hand CPL.
8	339123X1	160	Hex. Sock. Screw	(6) Up to Serial or Engine Number 57067 M8 X 20
	3009491X1	160	Hex. Sock. Screw	(6) From Serial or Engine Number 57068 M10 X 20
9	394367X1	160	Locknut	(6) Up to Serial or Engine Number 57067 M8
	1440329X1	160	Locknut	(6) From Serial or Engine Number 57068 M10
10	339123X1	13	Hex. Sock. Screw	M8 X 20
11	D20400506	13	Washer	
12	394367X1	5	Locknut	M8
15	D28281557	2	Rail	(15)
	D28280540	2	Rail	
16	D18281315	2	Reinforcement	(15)
17	D20400404	14	Washer	(15)
18	D40600900	14	Screw Metric	(15)
19	1441462X1	14	Locknut	(15) M6
20	390787X1	4	Screw Special	M12 X 25
21	D20400423	4	Flat Washers	
22	3009695X1	4	Nut	M12
23	D28281875	2	Protector	Up to Serial or Engine Number 57735
	D28286107	2	Protector	From Serial or Engine Number 57736
24	D28281840	2	Protector	
25	D28281874	2	Protector	
26	D42351400	4	Link	(6) Up to Serial or Engine Number 57067
	D42350800	4	Connecting Link	(6) From Serial or Engine Number 57068
27	D42351500	1	Link	Up to Serial or Engine Number 57067
	D42350700	1	Connecting Link	From Serial or Engine Number 57068
28	D42351200	8	Link	(6) Up to Serial or Engine Number 57067
	D42350900	8	Link	(6) From Serial or Engine Number 57068
29	D42351600	1	Chain	Up to Serial or Engine Number 57067
	D42350600	1	Link	From Serial or Engine Number 57068
30	D42354800	1	Link	Up to Serial or Engine Number 57067
	D42354900	1	Link	From Serial or Engine Number 57068
31	D41397200	34	Rivet	Up to Serial or Engine Number 57735
35	D42351300	1	Chain	Up to Serial or Engine Number 57067
36	D28281868	20	Slat	(6) Up to Serial or Engine Number 57067 Right Hand

Massey Ferguson**MF 7272/7274/7278 CEREAL COMBINE - 1637408****1637408****Feeder Chain And Protective Plates****Page003-0002**

Item	Part Number	Qty	Description	Comments
36	D28285406	20	Carrier	(6) From Serial or Engine Number 57068 Right Hand
37	D28281869	20	Slat	(6) Up to Serial or Engine Number 57067 Left Hand
37	D28285407	20	Slat	(6) From Serial or Engine Number 57068 Left Hand
38	D28282209	2	Rivet	Up to Serial or Engine Number 57735
39	D28281870	2	Plate	
40	D28281871	1	Plate	

MF 7272/7274/7278 CERA COMBINE - 1637408
D-ZCZC-004-B

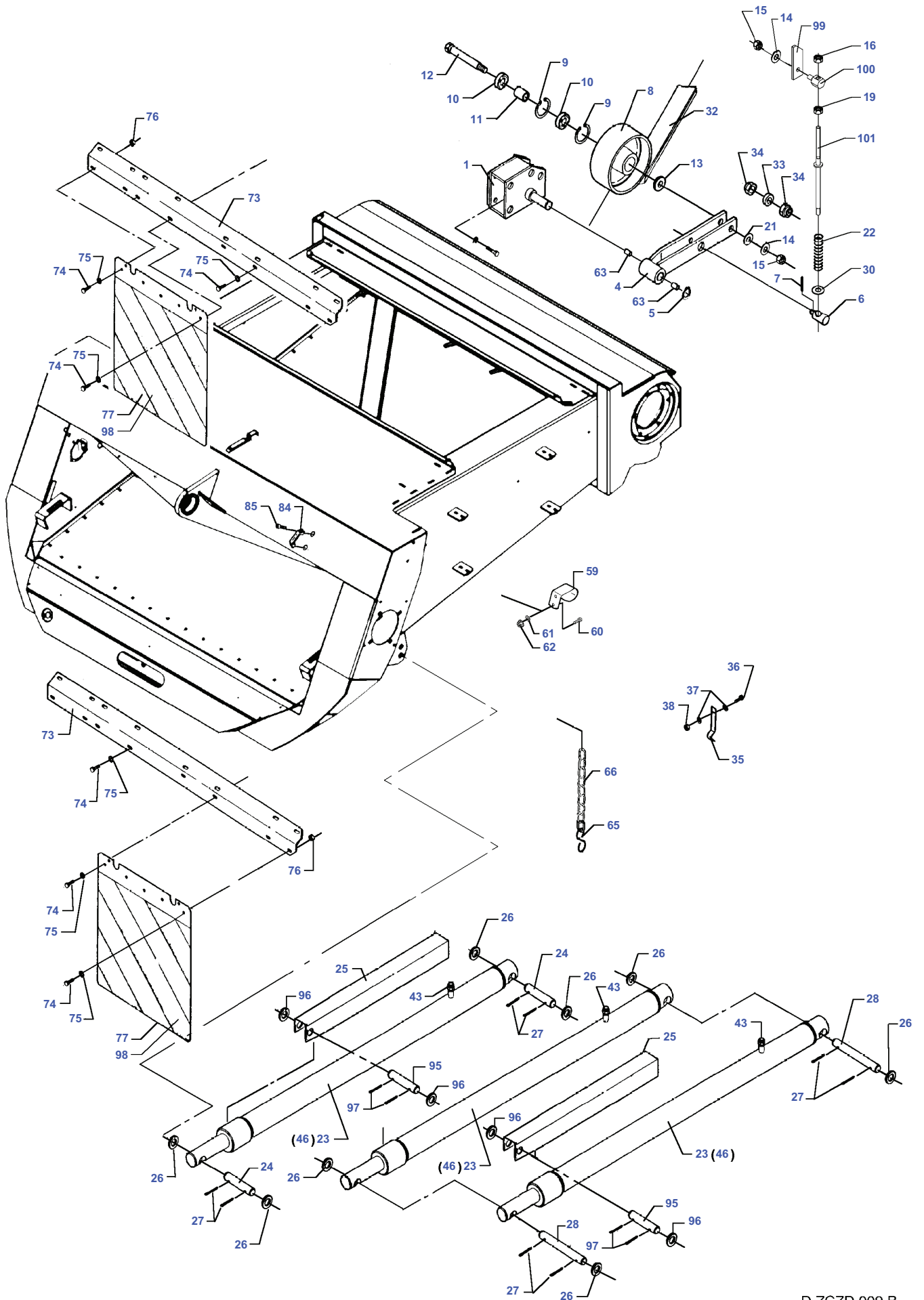


D-ZCZC-004-B

Table Clutch

Item	Part Number	Qty	Description	Comments
1	D28283598	1	Shaft	CPL.
	D28283593	1	Shaft	
4	D43107900	4	Key	
6	D28280120	1	Pulley	
8	D28281618	1	Sprocket	
9	339814X1	6	Hex. Sock. Screw	M10 X 35
10	D20400471	6	Washer	
11	D28280118	1	Hub	
12	D45481200	1	O Ring	
13	D28280116	1	Plate	
14	390826X1	4	Hex. Sock. Screw	M12 X 100
15	D28251025	4	Washer	
16	D28260098	4	Comp.Spring	Up to Serial or Engine Number 57735
	D28286052	4	Comp.Spring	From Serial or Engine Number 57736
17	D41012100	4	Locknut	
18	D28280252	1	Ring	
19	D42596900	2	Tightener	
20	D28280261	1	Ring	
21	339214X1	1	Hex. Sock. Screw	M16 X 50
22	D20400459	1	Washer	
23	D45903400	2	Friction Disc	Up to Serial or Engine Number 57735
	D45904300	1	Facing	From Serial or Engine Number 57736
24	3008923X1	1	Nipple	
27	D41979800	1	Belt	
28	D42334600	1	Chain	
29	D42367700	1	Connecting Link	
30	D42367800	1	Link	
34	D28281296	2	Support	
35	339761X1	8	Hex. Sock. Screw	M8 X 25
36	D20400506	8	Washer	
37	394367X1	8	Locknut	M8
47	D28185328	1	Guard	Up to Serial or Engine Number 57722
	D28186327	1	Shield	From Serial or Engine Number 57723
48	D28185326	1	Guard	Left Hand
	D28186331	1	Guard	Up to Serial or Engine Number 57722 Left Hand
	D28186691	1	Shield	From Serial or Engine Number 57723 Up to Serial or Engine Number 58548 Left Hand
	D28186691	1	Shield	From Serial or Engine Number 58549
49	D28184441	1	Cover	
50	D28181107	1	Bracket	
51	D28181106	1	Bracket	
52	D28185321	1	Bracket	
53	D28181126	1	Bracket	
54	339123X1	X	Hex. Sock. Screw	M8 X 20
55	D20400506	X	Washer	
56	339761X1	X	Hex. Sock. Screw	M8 X 25
57	394367X1	X	Locknut	M8
58	D40476100	2	Hex. Sock. Screw	M8 X 20

MF 7272/7274/7278 CERA COMBINE - 1637408
D-ZCZD-009-B



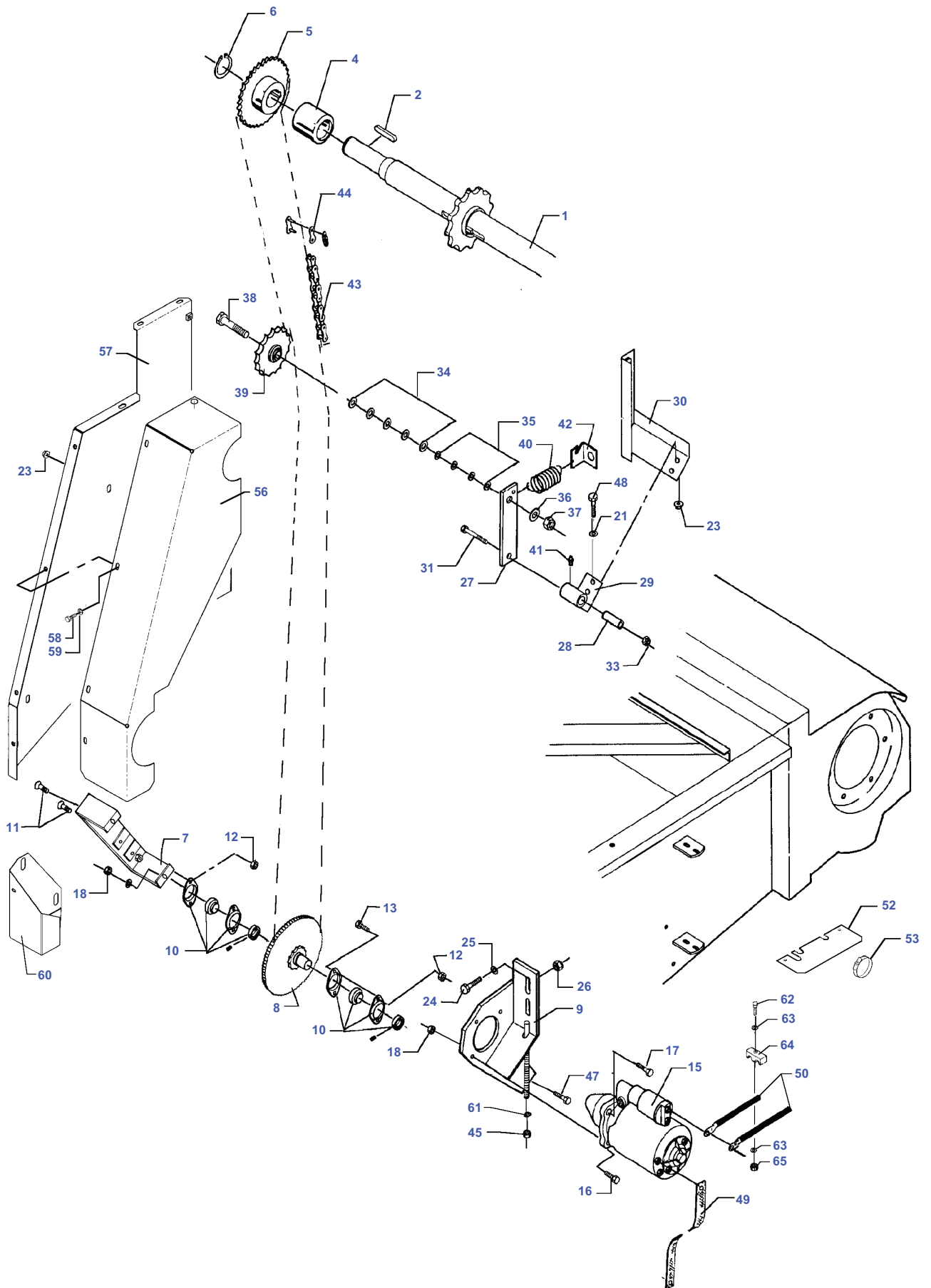
D-ZCZD-009-B

Hydraulic Cylinder

Item	Part Number	Qty	Description	Comments
1	D28785719	1	Bracket	
2	391561X1	4	Hex. Sock. Screw	[A] M10 X 45
3	D20400419	4	Washer	[A]
4	D28786659	1	Lever	Valid from machine/table no,can be used in new as well as in older machines 57068 - CPL.
	D28787003	1	Arm	
5	1440476X1	1	Circlip	
6	D28780030	1	Pivot	
7	339129X1	1	Split Pin	Diameter 3,2 X 25
8	D28880196	1	Pulley	
9	339199X1	2	Circlip	
10	SKF62042RS	2	Bear. 6204 2rs	
11	D28780007	1	Ring	
12	D28780008	1	Bolt	
13	D28380003	1	Ring	
14	D20400459	2	Washer	
15	1442739X1	2	Locknut	M16
16	3764827M1	1	Nut	M16
19	3764827M1	14	Nut	M16
21	D20400460	1	Washer	
22	D28210881	1	Comp.Spring	
23	D45140002	2	Ram	
24	D28282040	2	Clevis Pin	
25	D18284049	2	Stop	Up to Serial or Engine Number 58279
	D28284123	2	Stop	From Serial or Engine Number 58280
26	D20400467	8	Washer	
27	354078X1	8	Split Pin	3/16" X 1-1/4
28	D28282039	2	Clevis Pin	Up to Serial or Engine Number 58279
	D28181857	1	Clevis Pin	From Serial or Engine Number 58280
30	D28181284	1	Washer	
32	D41979800	1	Belt	
33	D28780776	1	Spacer	
34	D28780777	2	Eccentric	
35	D28260477	2	Retainer	
36	339666X1	2	Hex. Sock. Screw	M6 X 20
37	D20400470	4	Washer	
38	1441462X1	2	Locknut	M6
43	D45250800	X	Union	
46	D45110087	2	Kit, Seal	SERTA
59	D28181714	2	Hinge	
60	339123X1	4	Hex. Sock. Screw	M8 X 20
61	D20400506	4	Washer	
62	394367X1	4	Locknut	M8
63	D43364800	2	Bush	(4)
65	D28181230	1	Chain	
66	D42386000	2	Hook	
73	D28181073	2	Suspension	
74	339666X1	X	Hex. Sock. Screw	M6 X 20
75	391038X1	X	Washer	
76	394367X1	X	Locknut	M8
77	D28761501	2	Plate	
84	D43386900	2	Handle	
85	391148X1	4	Screw	M8 X 20
95	D28282040	2	Clevis Pin	Up to Serial or Engine Number 58279
	D28181856	2	Clevis Pin	From Serial or Engine Number 58280
96	D20400467	4	Washer	
97	354078X1	4	Split Pin	3/16" X 1-1/4
98	D49157500	4	Decal	
99	D28280789	1	Perforated Plate	
100	D28280790	1	Nut	
101	D28280802	1	Tie Rod	

FOOTNOTE [A] NOT ILLUSTRATED

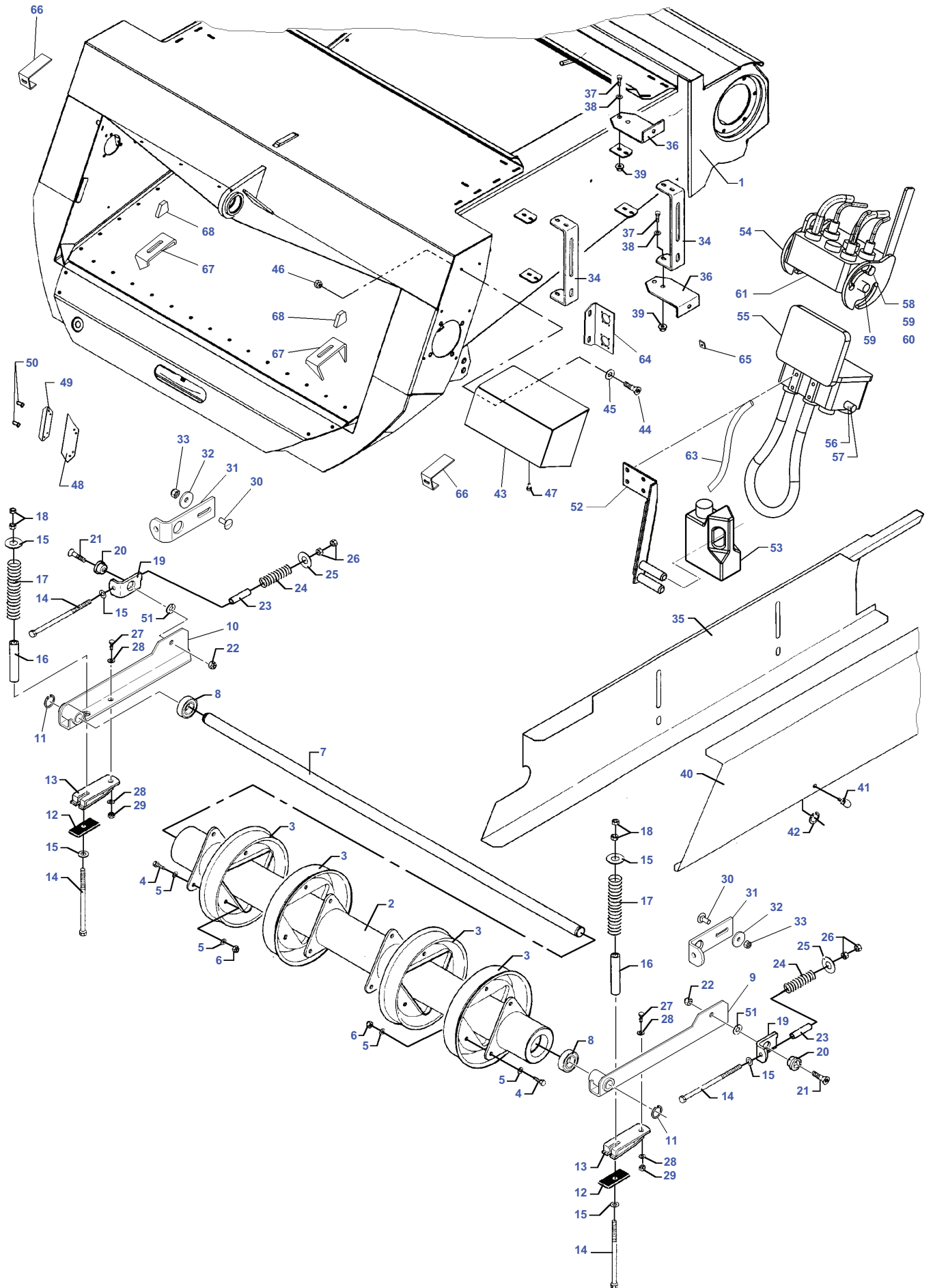
MF 7272/7274/7278 CERA COMBINE - 1637408
D-ZCZE-004-A



D-ZCZE-004-A

Item	Part Number	Qty	Description	Comments
1	D28283598	1	Shaft	CPL.
	D28283593	1	Shaft	
2	D43107500	1	Key	
4	D28283545	1	Spacer	Replace and repair. Old interchangeable with new D18283545
5	D28283544	1	Sprocket	
6	D42504300	1	Circlip	
7	D28284251	1	Stirrup	
8	D28283515	1	Sprocket	
9	D28283514	1	Bracket	
10	D41713900	2	Bearing	
11	D40603400	2	Screw Metric	
12	D41010800	4	Nut	
13	D40407800	2	Hex. Sock. Screw	
15	D45070088	1	Startermotor	
16	D40407900	2	Hex. Sock. Screw	
17	D40408100	1	Hex. Sock. Screw	
18	D41010800	4	Nut	
21	D20400506	4	Washer	
23	394367X1	5	Locknut	
24	D40411100	2	Hex. Sock. Screw	
25	D20400446	2	Washer	
26	D41087700	2	Locknut	
27	D28283818	1	Lever	
28	D28283820	1	Bush	
29	D28283823	1	Bearing Carrier	
30	D28283542	1	Support	
31	D40426600	1	Hex. Sock. Screw	
33	D41087600	1	Locknut	
34	D28181284	5	Washer	
35	D20400516	X	Spacer	
36	D20400462	1	Washer	
37	D41087900	1	Locknut	
38	D40433800	1	Screw	
39	D41712300	1	Tensioner	
40	D28760287	1	Spring	
41	D43001700	1	Greaser	
42	D28283819	1	Retainer	
43	D42333300	1	Chain	
44	D42363100	1	Link	
45	D41087600	1	Locknut	
47	D40407800	1	Hex. Sock. Screw	
48	D40423600	2	Hex. Sock. Screw	
49	D28760642	1	Earth Strap	
50	D28781887	2	Cable	
52	D28284250	1	Guard	
53	D45728000	1	Hose Clip	
56	D18280378	1	Shield	Up to Serial or Engine Number 57723
57	D18185358	1	Guard	Left Hand Up to Serial or Engine Number 57723
58	D40404900	4	Hex. Sock. Screw	Up to Serial or Engine Number 57723
59	D20400506	4	Washer	Up to Serial or Engine Number 57723
60	D18281843	1	Guard	
61	D20400416	1	Washer	
62	D40422200	1	Hex. Sock. Screw	
63	D20400470	2	Washer	
64	D45736400	1	Clip	
65	1441462X1	1	Locknut	Replace and repair. Old not interchangeable with new D41087400

MF 7272/7274/7278 CERA COMBINE - 1637408
D-ZCZF-009-B



D-ZCZF-009-B

Feeder Shaft - Lower

Item	Part Number	Qty	Description	Comments
1	D28285677	X	Conveyor	CPL.
	D28285678	X	Conveyor	CPL.AUTO LEVEL
	D18281763	1	Conveyor	Up to Serial or Engine Number 57185
	D18281998	1	Conveyor	From Serial or Engine Number 57186
	D18282340	1	Conveyor	Up to Serial or Engine Number 58279
	D18281764	1	Shaft	From Serial or Engine Number 58280
2	D18281960	1	Shaft	Up to Serial or Engine Number 57185
	D18281245	4	Cup	From Serial or Engine Number 57186
4	339814X1	12	Hex. Sock. Screw	M10 X 35
5	D20400415	24	Washer	
6	1440329X1	12	Locknut	M10
7	D28281767	1	Shaft	
8	390384X1	2	Bear. 6306 2rs	
9	D18281773	1	Bracket	Left Hand
	D18281963	1	Bracket	Up to Serial or Engine Number 57185
	D18281963	1	Bracket	Left Hand
	D18281963	1	Bracket	From Serial or Engine Number 57186
10	D28281774	1	Bracket	Right Hand
	D18281966	1	Bracket	Up to Serial or Engine Number 57185
	D18281966	1	Bracket	Right Hand
	D18281966	1	Bracket	From Serial or Engine Number 57186
11	1440477X1	2	Circlip	
12	D28280537	2	Plate	
13	D28281374	2	Chock	[A]
	D28286105	1	Chock	From Serial or Engine Number 57736
14	D40413200	4	Screw	
15	D20400425	10	Washer	
16	D28281799	2	Pipe	
17	D28281798	2	Spring	
18	3009695X1	2	Nut	M12
19	D28286111	2	Support	Up to Serial or Engine Number 58739
20	D28281777	2	Bush	
21	D40605600	2	Screw Metric	
22	1442190X1	2	Locknut	M12
23	D28280489	2	Spacer	
24	D28280309	2	Spring	
25	D28260383	2	Indicator	
26	3009695X1	4	Nut	M12
27	339337X1	2	Hex. Sock. Screw	[A]
				M8 X 30
28	D20400506	4	Washer	[A]
29	394367X1	2	Locknut	[A]
				M8
30	390809X1	2	Screw Special	From Serial or Engine Number ...
				M10 X 25
31	D28288151	2	Support	From Serial or Engine Number ...
32	D20400420	2	Washer	From Serial or Engine Number ...
33	1440329X1	2	Locknut	From Serial or Engine Number ...
				M10
34	D28281296	2	Support	
35	D18281809	1	Shield	[C]
	D18281982	1	Cowl	[D]
36	D18282081	4	Support	
37	339337X1	8	Hex. Sock. Screw	M8 X 30
38	D20400506	8	Washer	
39	394367X1	8	Locknut	M8
40	D18281780	1	Shield	
41	D43427500	4	Pin	
42	1440988X1	4	Circlip	
43	D18285284	1	Case Assy	
44	339123X1	4	Hex. Sock. Screw	M8 X 20
45	D20400506	4	Washer	
46	394367X1	4	Locknut	M8
47	D45744000	1	Plug	
48	D28281853	2	Seal	
49	D18281854	2	Clamp	
50	D41397900	4	Rivet	
51	D20400456	2	Washer	
52	D28285320	1	Support	[B]
				Up to Serial or Engine Number 59115

Feeder Shaft - Lower

Item	Part Number	Qty	Description	Comments
53	D45148900	1	Container	[B] Up to Serial or Engine Number 59115
54	D28785642	1	Clutch	[B] Up to Serial or Engine Number 59115
55	D45148800	1	Male Coupler	[B] Up to Serial or Engine Number 59115
56	D45140037	2	Screw	[B]
57	D45140038	2	Ring	[B] Up to Serial or Engine Number 59115
58	D45140041	2	Ring	Up to Serial or Engine Number 59115
59	D45140037	4	Screw	
60	D45140042	2	Screw	Up to Serial or Engine Number 59115
61	D45140040	2	Plug	Up to Serial or Engine Number 59115
62	D45140043	1	Clutch	[E] See Page - Reference Number 001-0027/15 From Serial or Engine Number 59116
63	D45702000	1	Hose	
64	D28285521	1	Retainer	
65	D28281280	1	Mounting	[F] (1)
66	D28281759	2	Reinforcement	[F] (1)
67	D28281957	2	Anglepiece	[F] (1)
68	D28282232	2	Anglepiece	[F] (1)

FOOTNOTE [A] MAIZE EQUIPMENT

FOOTNOTE [B] OPTIONAL EQUIPMENT

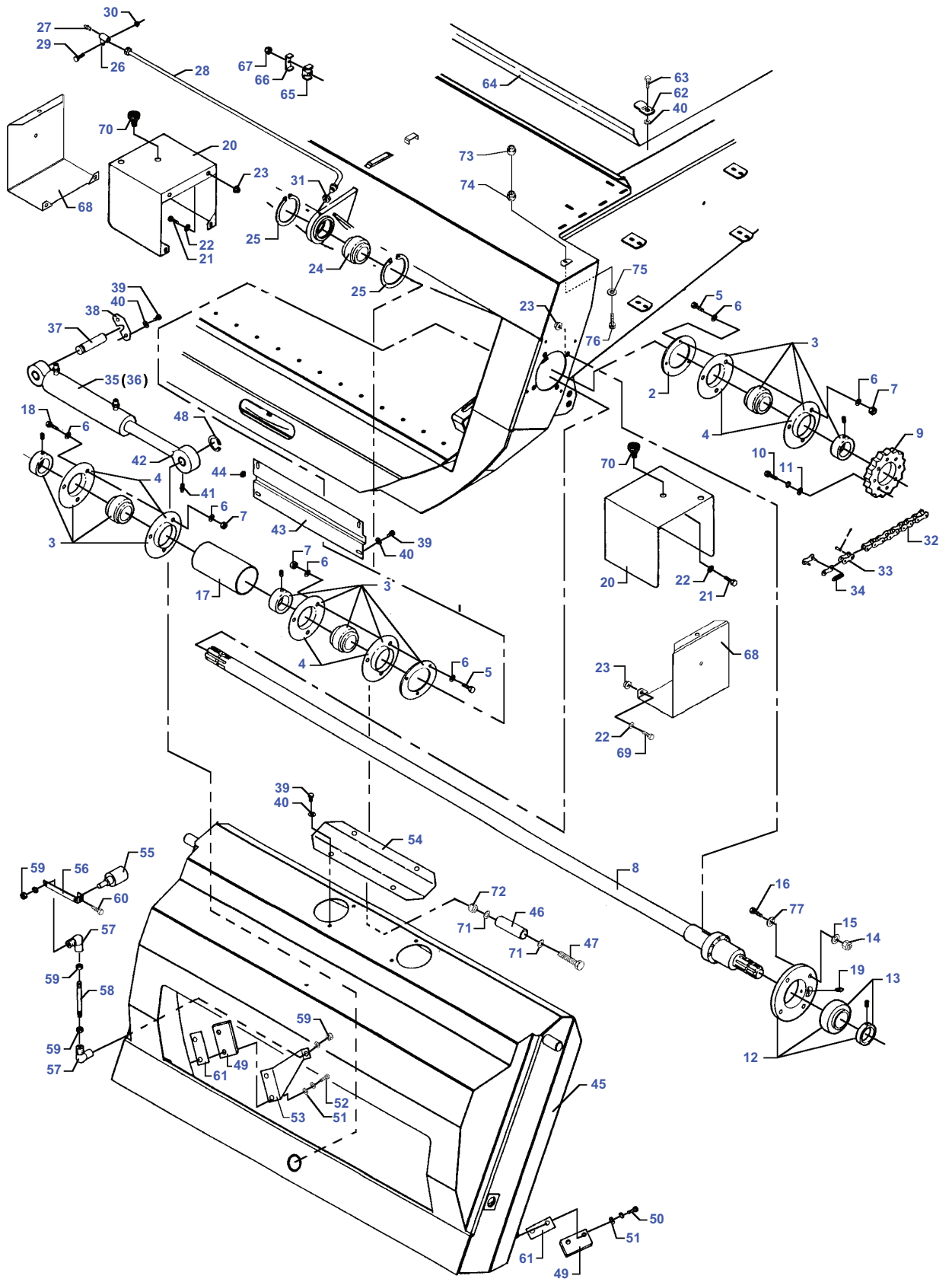
FOOTNOTE [C] COMBINE WITHOUT HYDRAULIC REVERSING

FOOTNOTE [D] COMBINE WITH HYDRAULIC REVERSING

FOOTNOTE [E] NOT ILLUSTRATED

FOOTNOTE [F] WELDED PART

MF 7272/7274/7278 CERA COMBINE - 1637408
D-ZCZG-004-A



D-ZCZG-004-A

Transmission Auto Level Combine

Item	Part Number	Qty	Description	Comments
2	D28284368	2	Shim	
3	D41707800	3	Bearing	
4	D41701700	6	Flange	
5	3009493X1	6	Hex. Sock. Screw	M10 X 30
6	D20400507	12	Spacer	
7	339402X1	6	Nut	M10
8	D28281789	1	Shaft	CPL.
	D28281769	1	Shaft	
	D28281788	1	Hub	
9	D28281617	1	Sprocket	
10	339009X1	8	Hex. Sock. Screw	M8 X 35
11	D20400506	8	Washer	
12	D41716400	1	Bearing	
13	D41716400	1	Bearing	
14	1442739X1	4	Locknut	M16
15	D20400462	4	Washer	
16	339214X1	4	Hex. Sock. Screw	M16 X 50
17	D28281772	1	Shield	
18	3009492X1	3	Hex. Sock. Screw	M10 X 25
19	339608X1	1	Grease Nipple	
20	D18281791	2	Shield	Up to Serial or Engine Number 59409
	D28282251	2	Shield	From Serial or Engine Number 59410
21	339123X1	4	Hex. Sock. Screw	M8 X 20
22	D20400506	8	Washer	
23	394367X1	8	Locknut	M8
24	D45698700	1	Toggle	
25	D42514800	2	Circlip	
26	D43009200	1	Bracket	
27	D43002600	1	Greaser	
28	D28780803	1	Tube	
29	339666X1	1	Hex. Sock. Screw	M6 X 20
30	1441462X1	1	Locknut	M6
31	D43009500	1	Connector	
32	D42334600	1	Chain	
33	D42367800	1	Link	
34	D42367700	1	Connecting Link	
35	D45100029	1	Ram	
36	D45110085	1	Kit, Seal	
37	D28284399	1	Pin	
38	D28281783	1	Plate	
39	339123X1	X	Hex. Sock. Screw	M8 X 20
40	D20400506	X	Washer	
41	1441858X1	1	Grease Nipple	
42	D45698900	1	Toggle	
43	D18281779	1	Cover	
44	D44740400	X	Gasket	Length 2 M
45	D18281909	1	Frame	
46	D28281782	1	Pin	
47	D40435100	1	Screw	
48	1440477X1	1	Circlip	
49	D18281781	2	Plate	
50	339139X1	2	Hex. Sock. Screw	M12 X 25
51	D20400426	4	Washer	
52	1440716X1	2	Hex. Sock. Screw	M12 X 30
53	D18281787	1	Bracket	
54	D18281792	1	Cover	
55	D28780523	1	Potentiometer	
56	D18281785	1	Rod	
57	D46437300	2	Toggle	
58	D28281784	1	Rod	
59	D41010600	4	Nut	M6
60	339560X1	1	Hex. Sock. Screw	M6 X 16
61	D28281810	X	Shim	[A]
62	D18281771	1	Support	
63	339124X1	2	Hex. Sock. Screw	M8 X 16
64	D18282086	1	Shutter	
65	D45739400	3	Support	
66	D28750784	3	Bracket	
67	1441462X1	3	Locknut	M6
68	D18281838	2	Shield	Up to Serial or Engine Number 59409
	D28282460	2	Shield	From Serial or Engine Number 59410

Massey Ferguson**MF 7272/7274/7278 CEREAL COMBINE - 1637408**

1637408

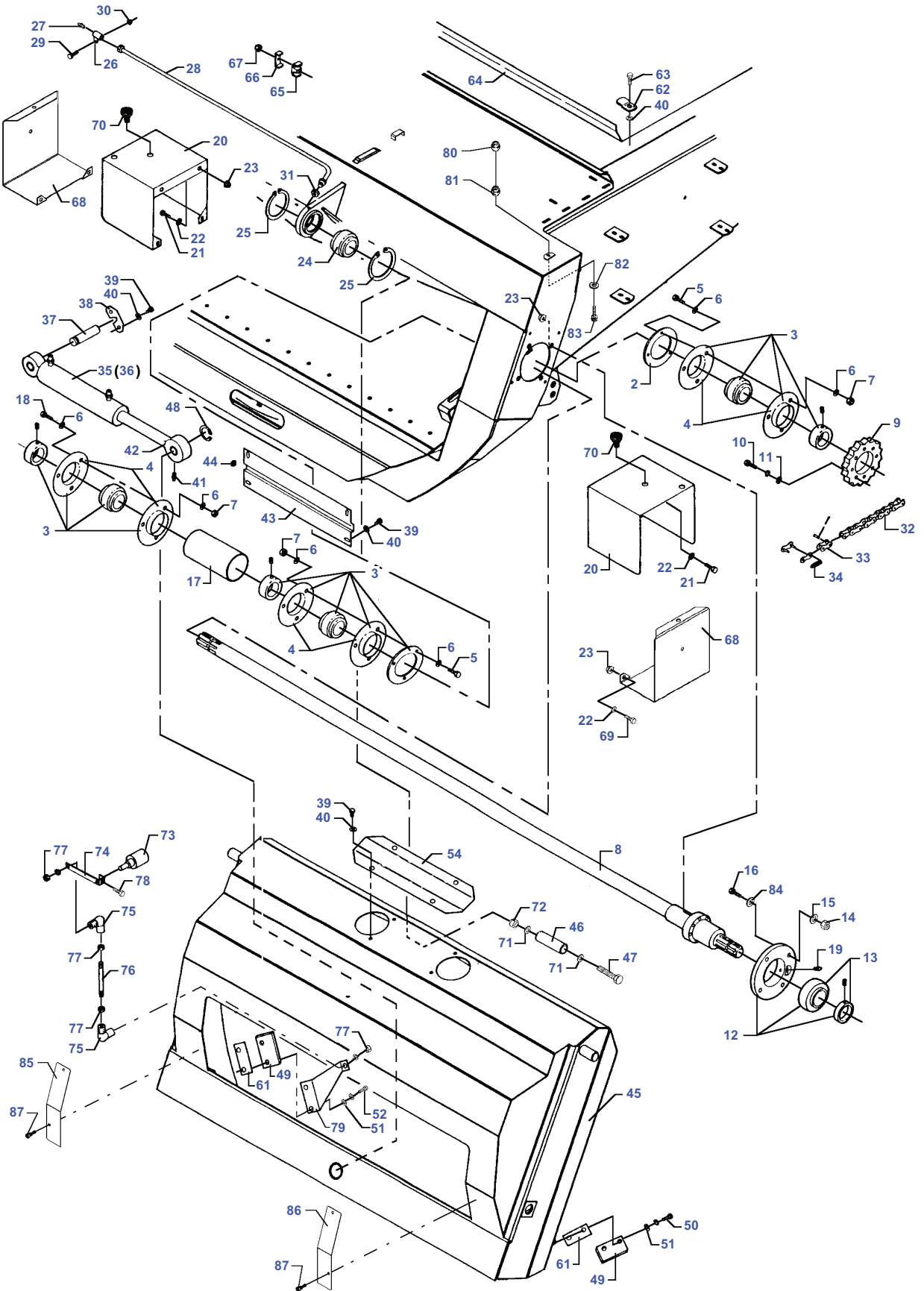
Transmission Auto Level Combine

Page003-0007

Item	Part Number	Qty	Description	Comments
69	D40405300	4	Screw	
70	D43385200	2	Screw	
71	D28280441	2	Washer	
72	1442739X1	1	Locknut	M16
73	1441462X1	1	Locknut	M6
74	1441462X1	1	Locknut	M6
75	D20400404	1	Washer	
76	339804X1	1	Hex. Sock. Screw	M6 X 25
77	D20400461	4	Washer	

FOOTNOTE [A] OPTIONAL

MF 7272/7274/7278 CEREAL COMBINE - 1637408
D-ZCZH-004-A



D-ZCZH-004-A

Transmission Auto Level - Table

Item	Part Number	Qty	Description	Comments
2	D28284368	2	Shim	
3	D41707800	3	Bearing	
4	D41701700	6	Flange	
5	3009493X1	6	Hex. Sock. Screw	M10 X 30
6	D20400507	12	Spacer	
7	339402X1	6	Nut	M10
8	D28281789	1	Shaft	CPL.
	D28281769	1	Shaft	
	D28281788	1	Hub	
9	D28281617	1	Sprocket	
10	339009X1	8	Hex. Sock. Screw	M8 X 35
11	D20400506	8	Washer	
12	D41716400	1	Bearing	
13	D41716400	1	Bearing	
14	1442739X1	4	Locknut	M16
15	D20400462	4	Washer	
16	339214X1	4	Hex. Sock. Screw	M16 X 50
17	D28281772	1	Shield	
18	3009492X1	3	Hex. Sock. Screw	M10 X 25
19	339608X1	1	Grease Nipple	
20	D18281791	2	Shield	Up to Serial or Engine Number 59409
	D28282251	2	Shield	From Serial or Engine Number 59410
21	339123X1	4	Hex. Sock. Screw	M8 X 20
22	D20400506	8	Washer	
23	394367X1	8	Locknut	M8
24	D45698700	1	Toggle	
25	D42514800	2	Circlip	
26	D43009200	1	Bracket	
27	D43002600	1	Greaser	
28	D28780803	1	Tube	
29	339666X1	1	Hex. Sock. Screw	M6 X 20
30	1441462X1	1	Locknut	M6
31	D43009500	1	Connector	
32	D42334600	1	Chain	
33	D42367800	1	Link	
34	D42367700	1	Connecting Link	
35	D45100029	1	Ram	Up to Serial or Engine Number 57521
	D45120073	1	Ram	From Serial or Engine Number 57522
36	D45110085	1	Kit, Seal	
37	D28284399	1	Pin	
38	D28281783	1	Plate	
39	339123X1	X	Hex. Sock. Screw	M8 X 20
40	D20400506	X	Washer	
41	1441858X1	1	Grease Nipple	
42	D45698900	1	Toggle	
43	D18281779	1	Cover	
44	D44740400	X	Gasket	Length 2 M
45	D18281908	1	Frame	
46	D28281782	1	Pin	
47	D40435100	1	Screw	
48	1440477X1	1	Circlip	
49	D18281781	2	Plate	
50	339139X1	2	Hex. Sock. Screw	M12 X 25
51	D20400426	4	Washer	
52	1440716X1	2	Hex. Sock. Screw	M12 X 30
54	D18281792	1	Cover	
57	D20400521	2	Spacer	[C]
61	D28281810	X	Shim	[B]
62	D18281771	1	Support	
63	339124X1	2	Hex. Sock. Screw	M8 X 16
64	D18282086	1	Shutter	
65	D45739400	3	Support	
66	D28750784	3	Bracket	
67	1441462X1	3	Locknut	M6
68	D18281838	2	Shield	Up to Serial or Engine Number 59409
	D28282460	2	Shield	From Serial or Engine Number 59410
69	D40405300	4	Screw	
70	D43385200	2	Screw	
71	D28280441	2	Washer	
72	1442739X1	1	Locknut	M16
73	D28780523	1	Potentiometer	

Transmission Auto Level - Table

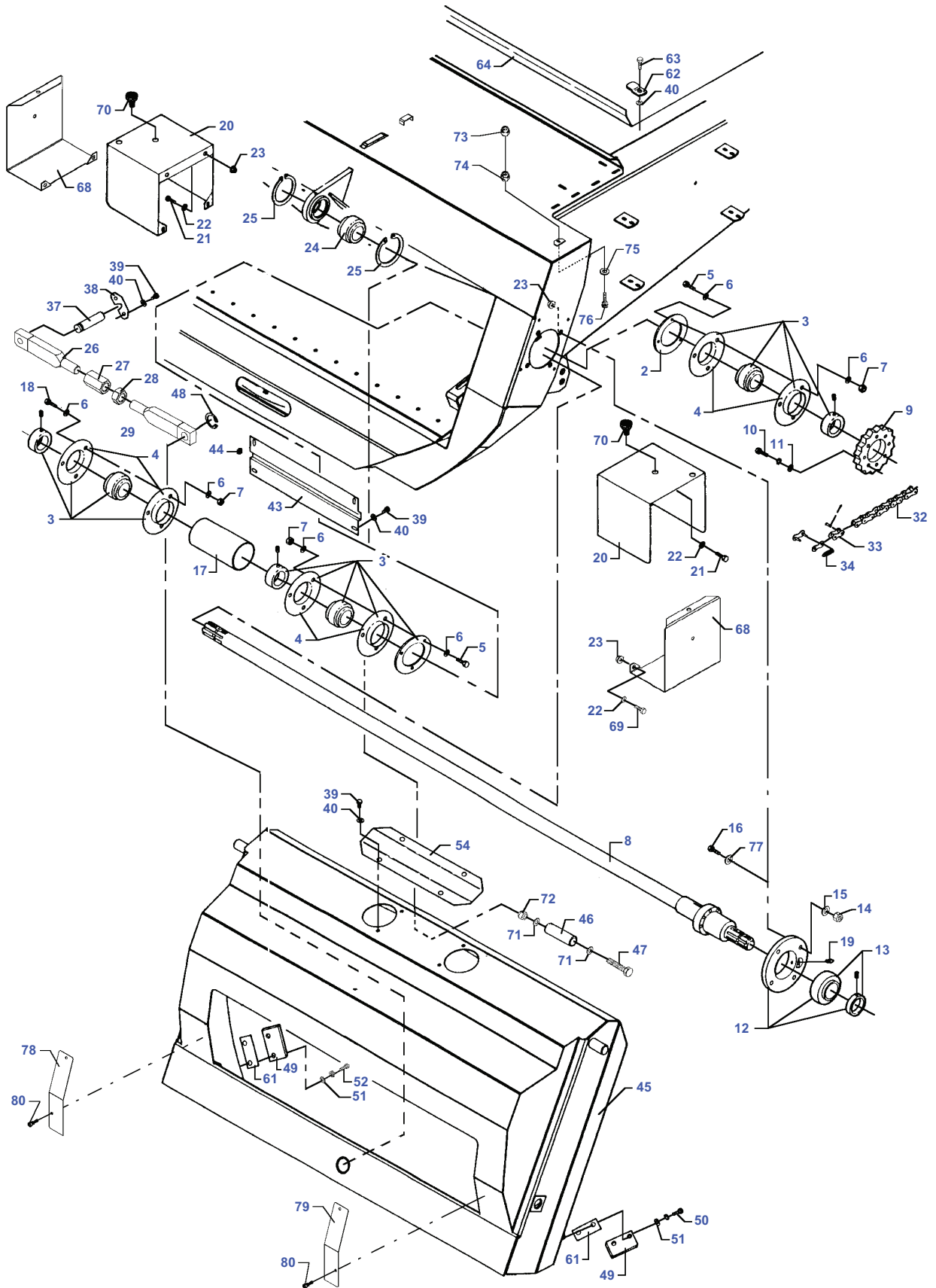
Item	Part Number	Qty	Description	Comments
74	D18281785	1	Rod	
75	D46437300	2	Toggle	
76	D28281784	1	Rod	
77	D41010600	2	Nut	M6
78	339560X1	1	Hex. Sock. Screw	M6 X 16
79	D18281787	1	Bracket	
80	1441462X1	1	Locknut	M6
81	1441462X1	1	Locknut	M6
82	D20400404	1	Washer	
83	339804X1	1	Hex. Sock. Screw	M6 X 25
84	D20400461	4	Washer	
85	D28281878	1	Cover	[A]
86	D28281879	1	Cover	[A]
87	D40685000	4	Screw	[A]

FOOTNOTE [A] COVER PLATES ARE USED FOR RYE GRASS ONLY

FOOTNOTE [B] OPTIONAL

FOOTNOTE [C] NOT ILLUSTRATED

MF 7272/7274/7278 CERA COMBINE - 1637408
D-ZCZI-004-A



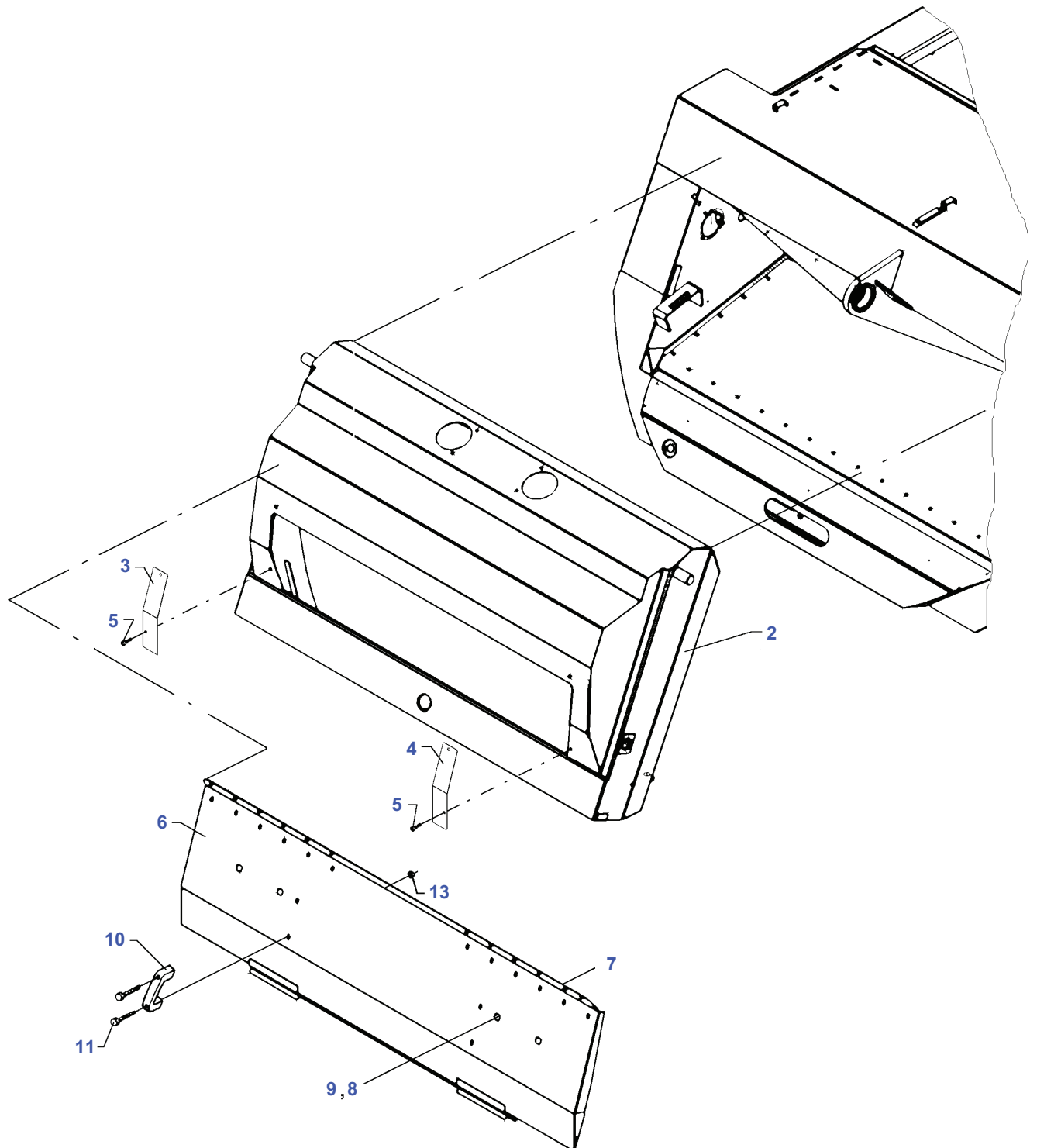
D-ZCZI-004-A

Transmission Std. Combine

Item	Part Number	Qty	Description	Comments
2	D28284368	2	Shim	
3	D41707800	3	Bearing	
4	D41701700	6	Flange	
5	3009493X1	6	Hex. Sock. Screw	M10 X 30
6	D20400507	12	Spacer	
7	339402X1	6	Nut	M10
8	D28281789	1	Shaft	CPL.
	D28281769	1	Shaft	
	D28281788	1	Hub	
9	D28281617	1	Sprocket	
10	339009X1	8	Hex. Sock. Screw	M8 X 35
11	D20400506	8	Washer	
12	D41716400	1	Bearing	
13	D41716400	1	Bearing	
14	1442739X1	4	Locknut	M16
15	D20400462	4	Washer	
16	339214X1	4	Hex. Sock. Screw	M16 X 50
17	D28281772	1	Shield	
18	3009492X1	3	Hex. Sock. Screw	M10 X 25
19	339608X1	1	Grease Nipple	
20	D18281791	2	Shield	Up to Serial or Engine Number 59409
	D28282251	2	Shield	From Serial or Engine Number 59410
21	339123X1	4	Hex. Sock. Screw	M8 X 20
22	D20400506	8	Washer	
23	394367X1	8	Locknut	M8
24	D45698700	1	Toggle	
25	D42514800	2	Circlip	
26	D28281820	1	Link	Right Hand
27	D28281825	1	Nut	
28	390340X1	1	Nut	M30
29	D28281819	1	Link	Left Hand
32	D42334600	1	Chain	
33	D42367800	1	Link	
34	D42367700	1	Connecting Link	
37	D28284399	1	Pin	
38	D28281783	1	Plate	
39	339123X1	X	Hex. Sock. Screw	M8 X 20
40	D20400506	X	Washer	
43	D18281779	1	Cover	
44	D44740400	X	Gasket	Length 2 M
45	D18281908	1	Frame	
46	D28281782	1	Pin	
47	D40435100	1	Screw	
48	1440477X1	1	Circlip	
49	D18281781	2	Plate	
50	339139X1	2	Hex. Sock. Screw	M12 X 25
51	D20400426	4	Washer	
52	1440716X1	2	Hex. Sock. Screw	M12 X 30
54	D18281792	1	Cover	
61	D28281810	X	Shim	[B]
62	D18281771	2	Support	
63	339124X1	2	Hex. Sock. Screw	M8 X 16
64	D18282086	1	Shutter	
68	D18281838	2	Shield	Up to Serial or Engine Number 59409
	D28282460	2	Shield	From Serial or Engine Number 59410
69	D40405300	4	Screw	
70	D43385200	2	Screw	
71	D28280441	2	Washer	
72	1442739X1	1	Locknut	M16
73	1441462X1	1	Locknut	M6
74	1441462X1	1	Locknut	M6
75	D20400404	1	Washer	
76	339804X1	1	Hex. Sock. Screw	M6 X 25
77	D20400461	4	Washer	
78	D28281878	1	Cover	Right Hand
79	D28281879	1	Cover	Left Hand
80	D40685000	4	Screw	[A]

FOOTNOTE [A] COVER PLATES ARE USED FOR RYE GRASS ONLY

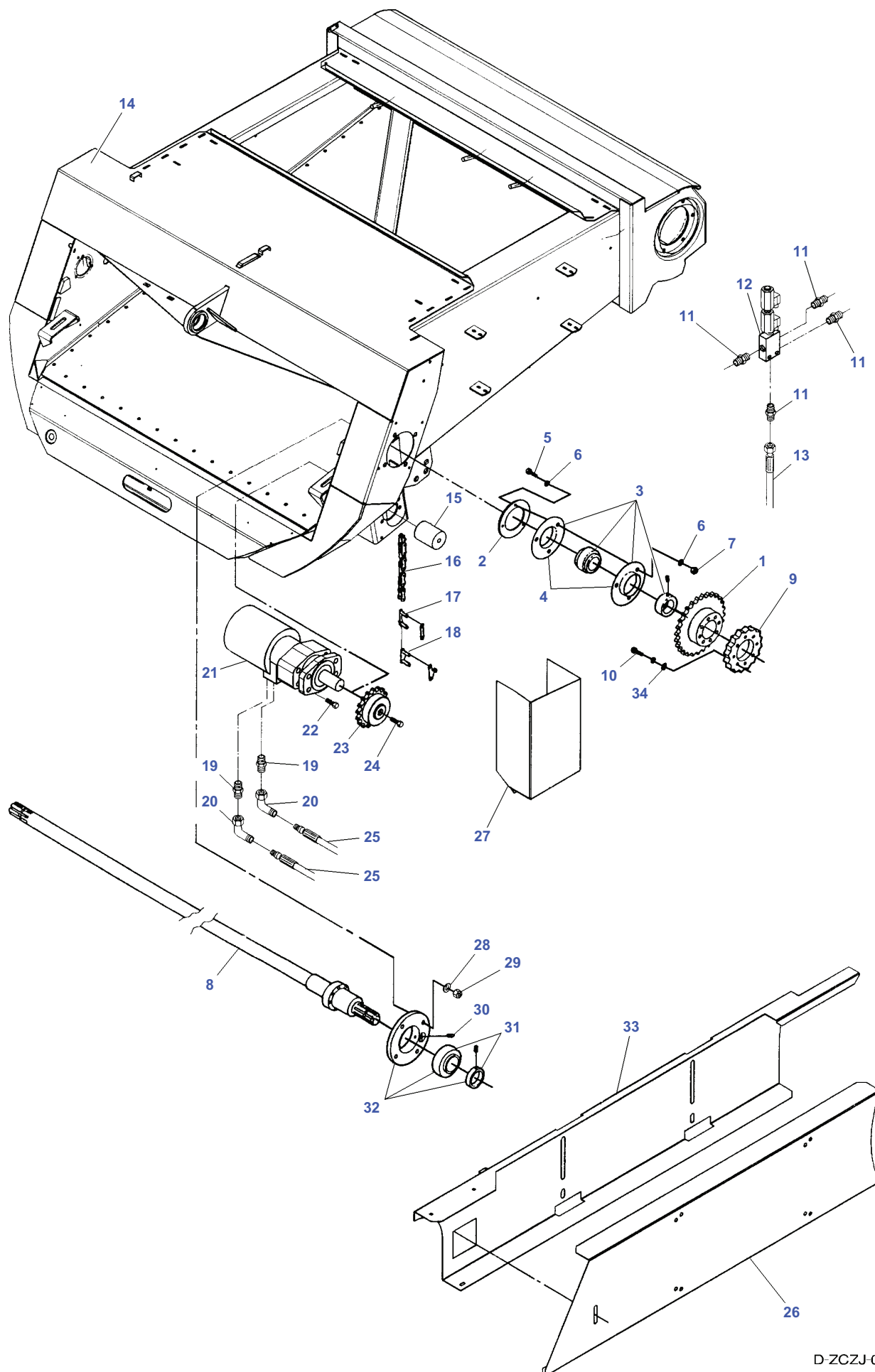
FOOTNOTE [B] OPTIONAL



Adapter And Cover Plate

Item	Part Number	Qty	Description	Comments
2	D18281908	1	Frame	
	D18281909	1	Frame	
3	D28281878	1	Cover	
4	D28281879	1	Cover	
5	D40685000	2	Screw	
6	D18280969	1	Plate	
7	D43429400	2	Latch	
8	D43429200	2	Housing	
9	D43429300	2	Punch	
10	D43386900	2	Handle	
11	391148X1	4	Screw	M8 X 20
13	394367X1	4	Locknut	M8

MF 7272/7274/7278 CEREА COMBINE - 1637408
D-ZCZJ-002-A



D-ZCZJ-002-A

Hydraulic Reversing - From 57723

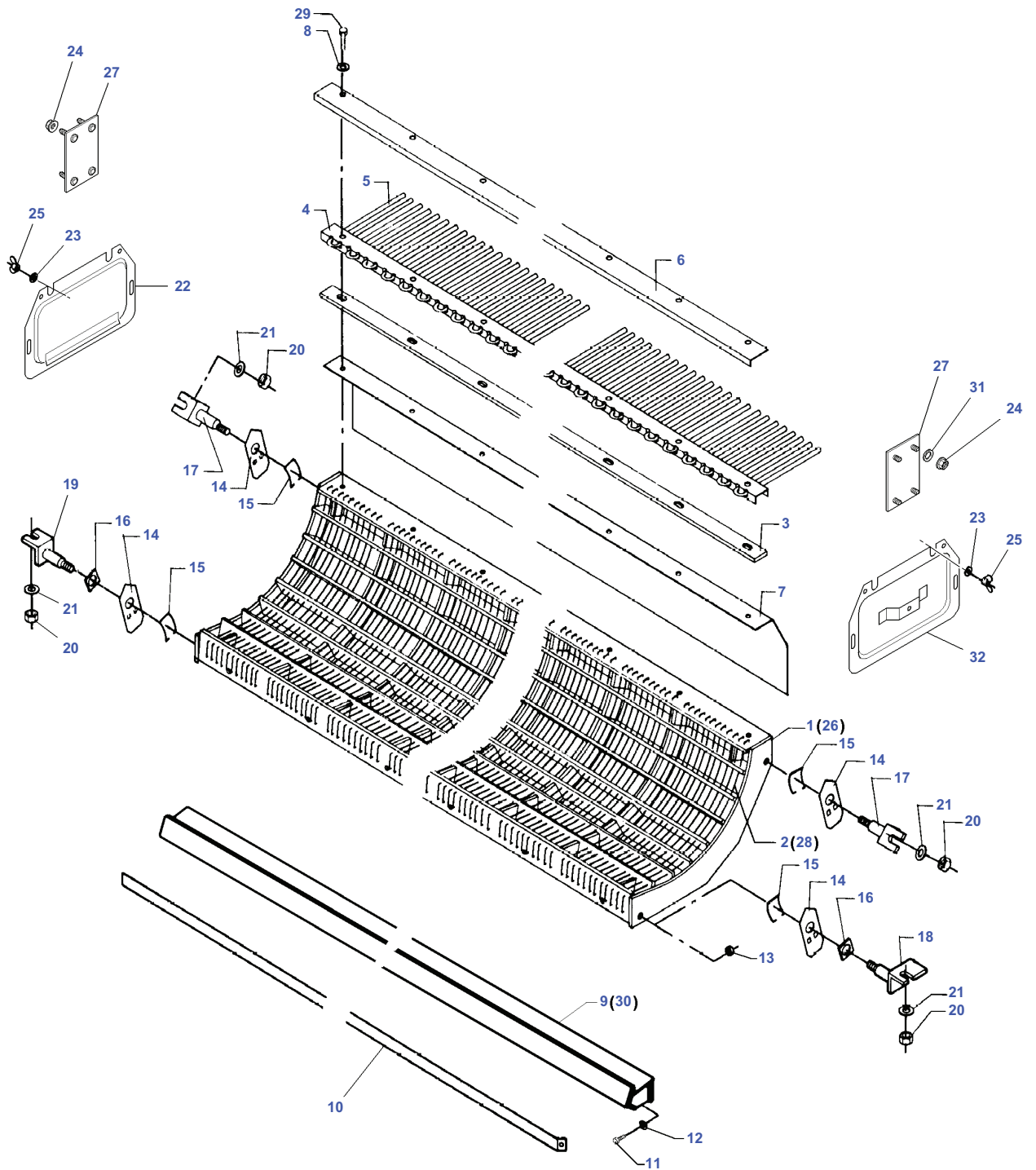
Item	Part Number	Qty	Description	Comments
1	D28281961	1	Sprocket	
2	D28284368	1	Shim	
3	D41707800	1	Bearing	
4	D41701700	1	Flange	
5	3009493X1	1	Hex. Sock. Screw	M10 X 30
6	D20400507	2	Spacer	
7	339402X1	1	Nut	M10
8	D28281789	1	Shaft	CPL.
	D28281769	1	Shaft	
	D28281788	1	Hub	
9	D28281617	1	Sprocket	Number of teeth/spines 16
10	339891X1	1	Hex. Sock. Screw	M8 X 80
11	D45255200	4	Connector	
12	D45110095	1	Pressure Valve	
13	D45132500	1	Hydr. Hose	
14	D18281998	1	Conveyor	Up to Serial or Engine Number 58279 MF 7272 CEREAL MF 7278 CEREAL
	D18282340	1	Conveyor	From Serial or Engine Number 58280 MF 7278CEREAL MF 7272CEREAL MF 7274 CEREAL
	D18282340	1	Conveyor	
15	D28281954	1	Transducer	
16	D42339300	1	Chain	
17	D42365900	1	Link	
18	D42366000	1	Link	
19	D45257300	2	Union	
20	D45264100	4	Union	
21	D45120025	1	Engine	
	D45120030	1	Kit, Gasket	[A,B]
	D45120031	1	Kit, Gasket	[A,C]
22	D40446500	4	Screw	
23	D28281981	1	Sprocket	
24	D40458300	1	Screw	
25	D45130035	2	Hydraulic Hose	
26	D18281780	1	Shield	
27	D18281983	1	Guard	
28	D20400462	1	Washer	
29	1442739X1	1	Locknut	M16
30	339608X1	1	Grease Nipple	M10
31	D41716400	1	Bearing	
32	D41716400	1	Bearing	
33	D18281982	1	Cowl	
34	D20400506	1	Washer	

FOOTNOTE [A] NOT ILLUSTRATED

FOOTNOTE [B] ENGINE

FOOTNOTE [C] CLUTCH

MF 7272/7274/7278 CERA COMBINE - 1637408
D-ZDZA-004-C



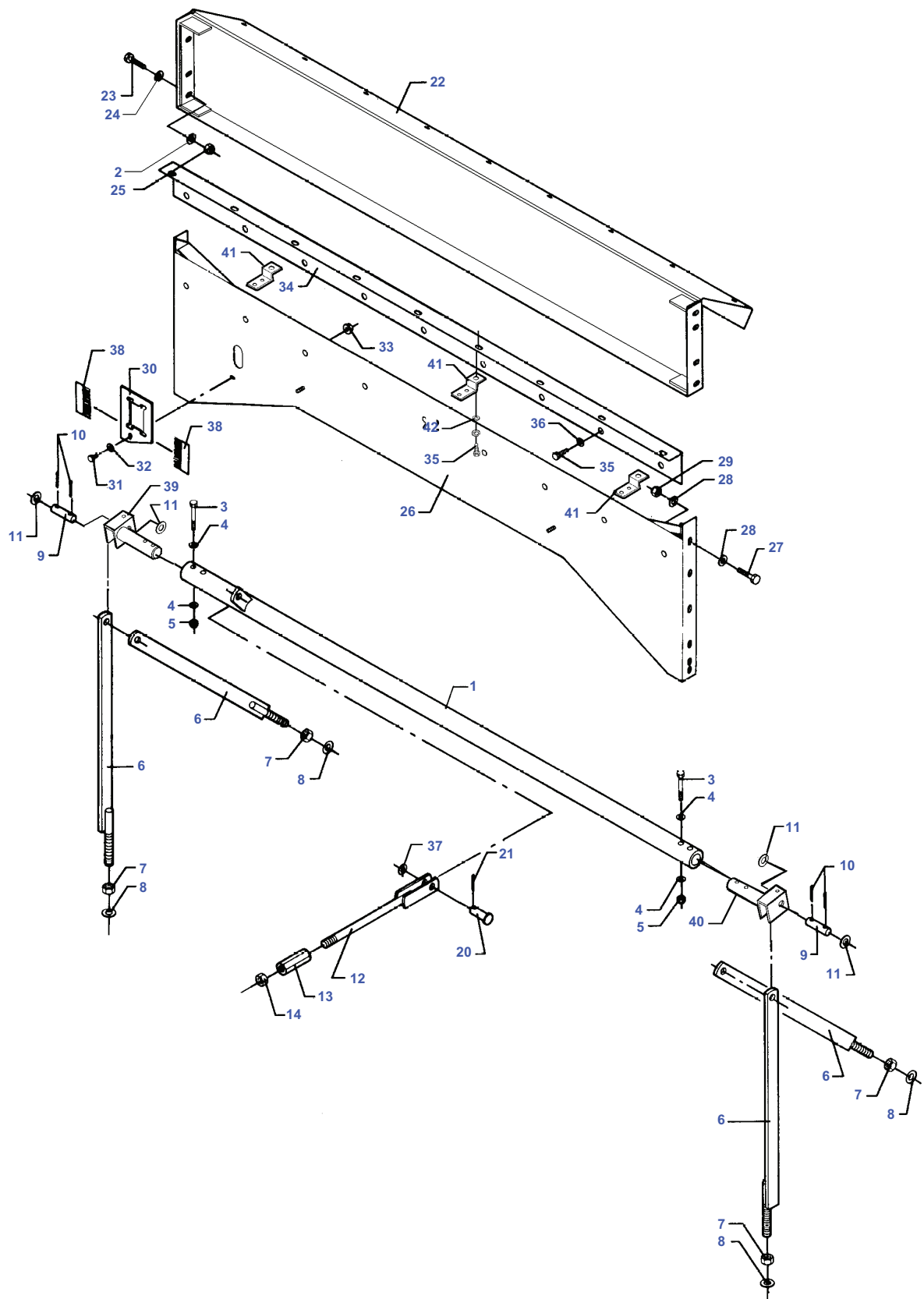
Concave

Item	Part Number	Qty	Description	Comments
1	D28380519	1	Concave	
2	D28380075	X	Wire	
3	D28380596	1	Washer	
4	D28380598	1	Perforated Plate	
5	D28350257	30	Tine	
6	D28380599	1	Perforated Plate	
7	D28380597	1	Shield	
8	D20400415	15	Washer	
9	D28380401	1	Concave	
10	D28380191	1	Blade	1,5 X 30 Length 2850 mm
	D28380449	9	Plate	[E] 1,5 X 40 Length 3500 mm
	D28380379	9	Sieve	[E] 1,5 X 45
11	339814X1	7	Hex. Sock. Screw	M10 X 35
12	D20400419	7	Washer	
13	1440329X1	7	Locknut	M10
14	D28350146	4	Plate	
15	D28350031	4	Spring	
16	D28350037	2	Gauge	
17	D28380621	2	Journal	Valid from machine/table no,can be used in new as well as in older machines 58460
18	D28380622	1	Journal	Valid from machine/table no,can be used in new as well as in older machines 57867
19	D28385087	1	Journal	
20	339034X1	4	Nut	M16
21	D28181284	4	Washer	
22	D28185271	1	Cover	
23	D20400506	8	Washer	
24	394367X1	8	Locknut	M8
25	339106X1	4	Wing Nut	M8
26	D28380504	1	Concave	[A]
27	D28184058	2	Plate	
28	D28380493	X	Wire	[A]
29	D40425900	15	Screw	
30	D28380495	1	Concave	[A] From Serial or Engine Number 61115
31	D20400506	8	Washer	
32	D28185626	1	Cover	

FOOTNOTE [A] OPTIONAL EXTRA MAIZE

FOOTNOTE [E] FOR CLOVER

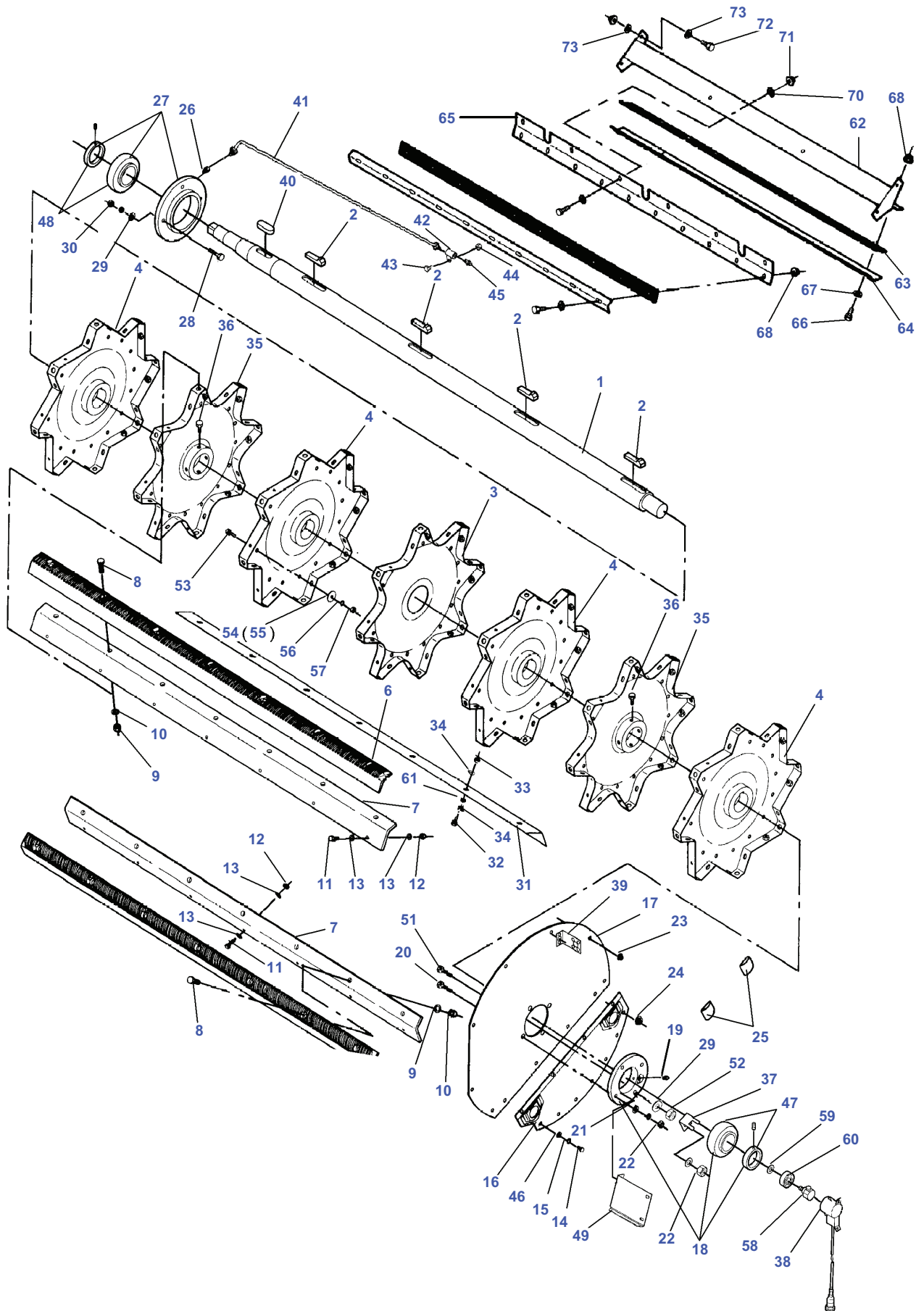
MF 7272/7274/7278 CERA COMBINE - 1637408
D-ZDZB-001-A



Concave Adjustment

Item	Part Number	Qty	Description	Comments
1	D28380144	1	Shaft	
2	D20400424	8	Washer	
3	339204X1	4	Hex. Sock. Screw	M10 X 65
4	D20400471	8	Washer	
5	1440329X1	4	Locknut	M10
6	D28380142	4	Suspension	
7	339034X1	8	Nut	M16
8	D28181284	8	Washer	
9	D28384050	2	Pin	Valid from machine/table no,can be used in new as well as in older machines 60435
10	D28384049	2	Clamp	Valid from machine/table no,can be used in new as well as in older machines 60435
11	1441462X1	2	Locknut	Valid from machine/table no,can be used in new as well as in older machines 60435 M6
12	D28980635	1	Rod	
13	D28884116	1	Nut	
14	339034X1	1	Nut	M16
20	D41486000	1	Clevis Pin	
21	354066X1	1	Split Pin	5/32" X 1
22	D28180195	1	Support	
23	3009509X1	8	Hex. Sock. Screw	M12 X 45
24	D20400426	8	Washer	
25	1442190X1	8	Locknut	M12
26	D28181201	1	Plate	
27	3009509X1	12	Hex. Sock. Screw	M12 X 45
28	D20400426	24	Washer	
29	1442190X1	12	Locknut	M12
30	D28180188	1	Plate	
31	339560X1	1	Hex. Sock. Screw	M6 X 16
32	391038X1	1	Washer	
33	1441462X1	1	Locknut	M6
34	D28181088	1	Reinforcement	
35	3009493X1	X	Hex. Sock. Screw	M10 X 30
36	D20400471	8	Washer	
37	D20400461	1	Washer	
38	D28180246	2	Brush	
39	D28380312	1	Arm	Right Hand
40	D28384047	1	Arm	Left Hand
41	D28780694	3	Support	
42	D20400416	X	Washer	

MF 7272/7274/7278 CERA COMBINE - 1637408
D-ZDZC-009-B



D-ZDZC-009-B

Threshing Drum

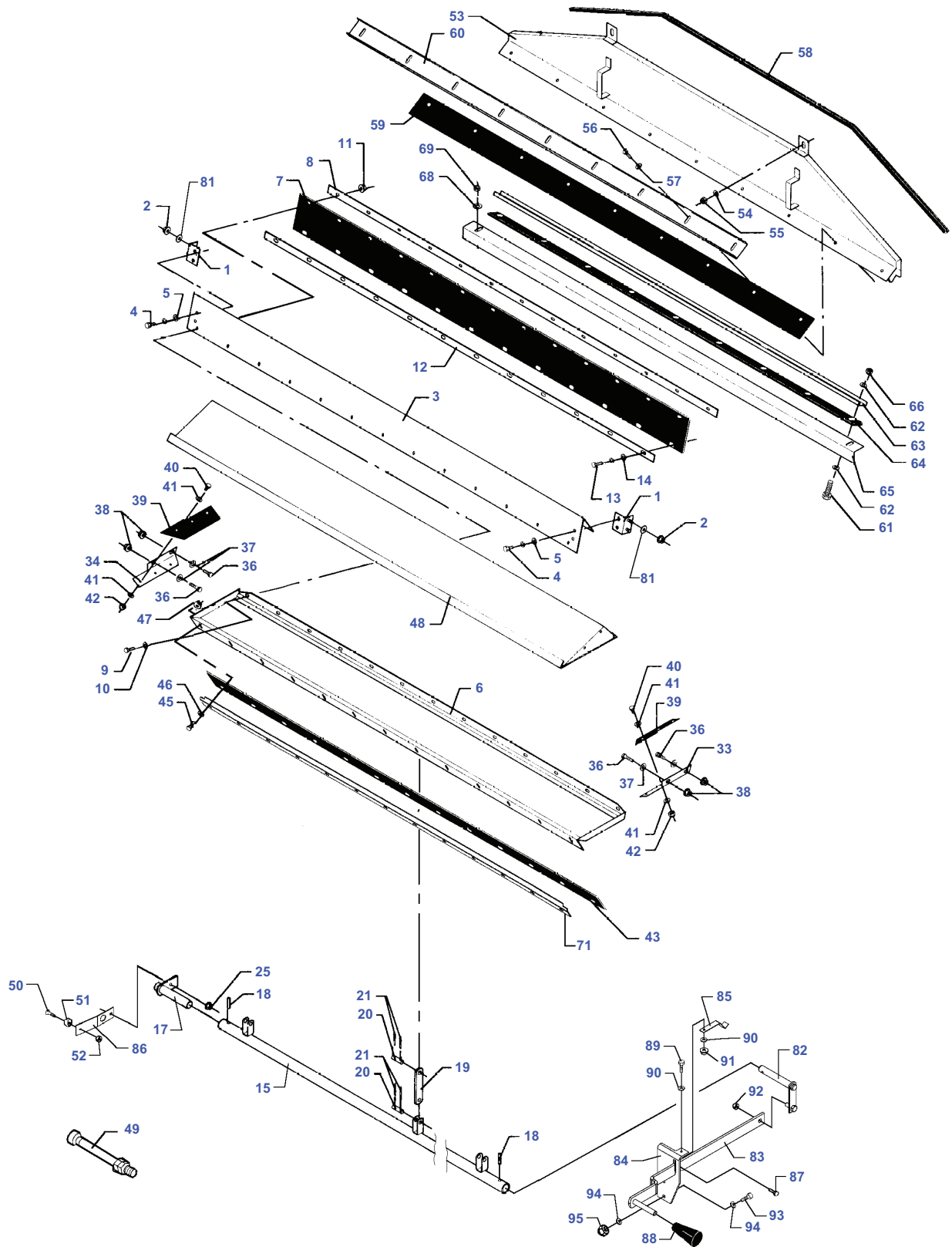
Item	Part Number	Qty	Description	Comments
1	D28380169	1	Threshing Cyl	
	D28380314	1	Shaft	(1)
2	D43160200	4	Gib Key	(1)
3	D28380084	4	Crosspiece	(1)
4	D28380085	4	Crosspiece	(1)
6	D28080862	2	Kit, Beater Bar	(1)
				Left Hand
	D28080861	2	Kit, Beater Bar	(1)
				Right Hand
7	D28380089	8	Support	(1)
8	3009509X1	56	Hex. Sock. Screw	(1)
				M12 X 45
9	1442190X1	56	Locknut	(1)
				M12
10	D20400424	56	Washer	(1)
11	D40425000	56	Hex. Sock. Screw	(1)
				M8 X 35
12	394367X1	X	Locknut	(1)
				M8
13	D20400408	X	Washer	(1)
14	339124X1	4	Hex. Sock. Screw	M8 X 16
15	D20400506	4	Washer	
16	D28380576	1	Shutter	
17	D28385011	1	Cover	
18	D41715000	1	Bearing	
19	339608X1	1	Grease Nipple	
20	390912X1	3	Hex. Sock. Screw	M12 X 40
21	D20400446	4	Washer	
22	3009695X1	4	Nut	M12
23	394367X1	8	Locknut	M8
24	394367X1	7	Locknut	M8
25	D27300181	4	Shutter	
26	D43009600	2	Adaptor	
27	D41716400	1	Bearing	
28	3009509X1	4	Hex. Sock. Screw	M12 X 45
29	D20400446	4	Washer	
30	3009695X1	4	Nut	M12
31	D28380494	8	Plate	[A]
32	339814X1	X	Hex. Sock. Screw	[A]
				M10 X 35
33	D41087600	X	Locknut	[A]
				M10
34	D20400473	X	Washer	[A]
35	D28380202	2	Hub	(1)
36	D40693800	8	Screw	(1)
37	D28780749	1	Retainer	
38	D28780514	1	Sensor	
39	D28780772	1	Retainer	
40	D43110600	1	Key	
41	D28780803	1	Tube	
42	D43009200	1	Bracket	
43	339666X1	1	Hex. Sock. Screw	M6 X 20
44	1441462X1	1	Locknut	M6
45	339003X1	1	Greaser	
46	D20400506	4	Washer	
47	D41713200	1	Ball Bearing	
48	D41716400	1	Bearing	
49	D28181126	1	Bracket	
51	D40411400	1	Screw Metric	
52	D41012100	1	Locknut	
53	3009493X1	X	Hex. Sock. Screw	[B]
				M10 X 30
54	D20400421	X	Washer	[B]
55	D20400422	X	Washer	[B]
56	D41101900	X	Spring Washer	[B]
57	339402X1	X	Nut	[B]
				M10
58	D28780516	1	Inductive Sensor	
59	D20400419	1	Washer	
60	1440487X1	1	Bear. 6203 2rs	
61	D20400423	X	Flat Washers	[A]

Threshing Drum

Item	Part Number	Qty	Description	Comments
62	D28380193	1	Deflector	
63	D28380132	2	Scraper	
64	D28380133	2	Rail	
65	D28380131	1	Deflector	
66	339337X1	20	Hex. Sock. Screw	M8 X 30
67	D20400506	20	Washer	
68	394367X1	22	Locknut	M8
69	3009493X1	6	Hex. Sock. Screw	[C] M10 X 30
70	D20400416	12	Washer	
71	1440329X1	6	Locknut	M10
72	3009493X1	X	Hex. Sock. Screw	M10 X 30
73	D20400416	8	Washer	

FOOTNOTE [A] MAIZE EQUIPMENT**FOOTNOTE [B]** OPTIONAL**FOOTNOTE [C]** NOT ILLUSTRATED

MF 7272/7274/7278 CERA COMBINE - 1637408
D-ZDZD-001-A



D-ZDZD-001-A

Drum Cover And Stone Trap

Item	Part Number	Qty	Description	Comments
1	D28380105	2	Elbow	
2	1440329X1	4	Locknut	M10
3	D28380380	1	Plate	
4	3009492X1	4	Hex. Sock. Screw	M10 X 25
5	D20400471	4	Washer	
6	D28380117	1	Stone Trap	
7	D28380107	1	Curtain	
8	D28380108	1	Plate	
9	339804X1	13	Hex. Sock. Screw	M6 X 25
10	391038X1	13	Washer	
11	1441462X1	13	Locknut	M6
12	D28380109	1	Washer	
13	339761X1	12	Hex. Sock. Screw	M8 X 25
14	D20400506	12	Washer	
15	D28380110	1	Shaft	
17	D28380112	1	Support	
18	339071X1	2	Pin	Diameter 6 X 30
19	D28380113	3	Strap	
20	D28600299	6	Pin	
21	354057X1	12	Split Pin	1/8" X 3/4
25	1441462X1	1	Locknut	M6
33	D28380118	1	Seal	
34	D28380119	1	Seal	
36	339761X1	4	Hex. Sock. Screw	M8 X 25
37	D20400506	4	Washer	
38	394367X1	4	Locknut	M8
39	D28380148	2	Seal	
40	339560X1	6	Hex. Sock. Screw	M6 X 16
41	D20400404	12	Washer	
42	1441462X1	6	Locknut	M6
43	D28380171	1	Strip	
45	339761X1	13	Hex. Sock. Screw	M8 X 25
46	D20400506	13	Washer	
47	394367X1	13	Locknut	M8
48	D28380163	1	Plate	[B]
49	D28780365	1	Sensor	
50	3000025X1	1	Screw	M4 X 25
51	D45010092	1	Magnet	
52	D41010400	1	Nut	
53	D28180632	1	Cover	
54	D20400419	2	Washer	
55	1440329X1	2	Locknut	M10
56	339123X1	9	Hex. Sock. Screw	M8 X 20
57	D20400506	9	Washer	
58	D44740600	X	Strip	Length 25 M
59	D28180409	1	Seal	
60	D28180628	1	Rail	
61	339337X1	9	Hex. Sock. Screw	M8 X 30
62	D20400506	18	Washer	
63	D28180630	1	Rail	
64	D28180629	1	Deflector	
65	D28180627	1	Profile	
66	394367X1	9	Locknut	M8
68	D20400415	2	Washer	
69	339402X1	4	Nut	M10
71	D28380172	1	Plate	[A]
81	D20400416	4	Washer	
82	D28385013	1	Shaft	
83	D28385016	1	Handle	
84	D28385017	1	Console	
85	D28385008	1	Spring	
86	D28385009	1	Bracket	
87	D40690000	1	Screw	
88	D43389700	1	Handle	
89	339666X1	1	Hex. Sock. Screw	M6 X 20
90	391038X1	2	Washer	
91	1441462X1	1	Locknut	M6
92	1442190X1	1	Locknut	M12
93	339814X1	2	Hex. Sock. Screw	M10 X 35
94	D20400507	4	Spacer	
95	1440329X1	2	Locknut	M10

Massey Ferguson

MF 7272/7274/7278 CEREAL COMBINE - 1637408

1637408

Drum Cover And Stone Trap

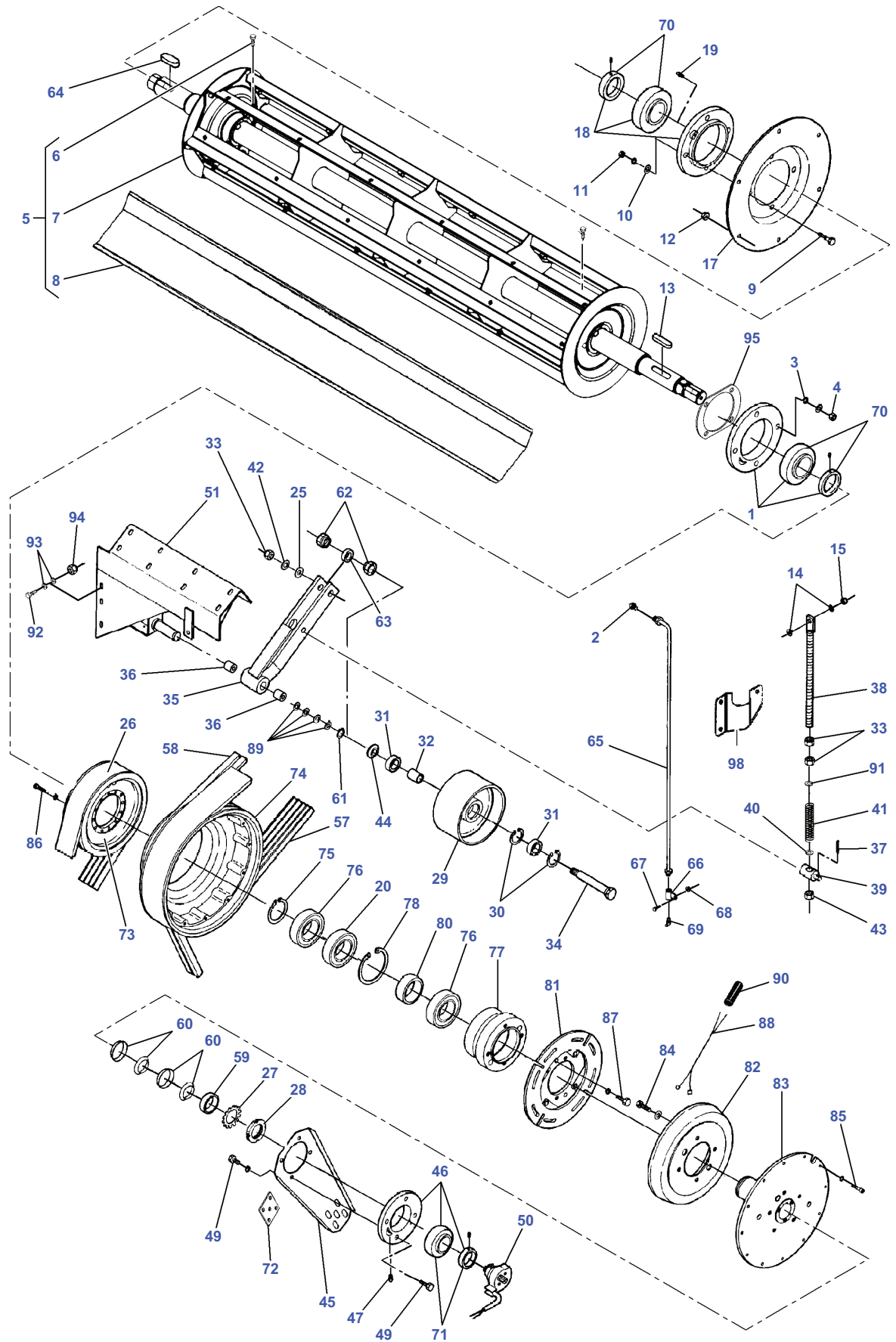
Page004-0004

Item	Part Number	Qty	Description	Comments
------	-------------	-----	-------------	----------

FOOTNOTE [A] STANDARD COMBINE

FOOTNOTE [B] MAIZE EQUIPMENT

MF 7272/7274/7278 CERA COMBINE - 1637408
D-ZDZE-008-B



D-ZDZE-008-B

Rear Beater

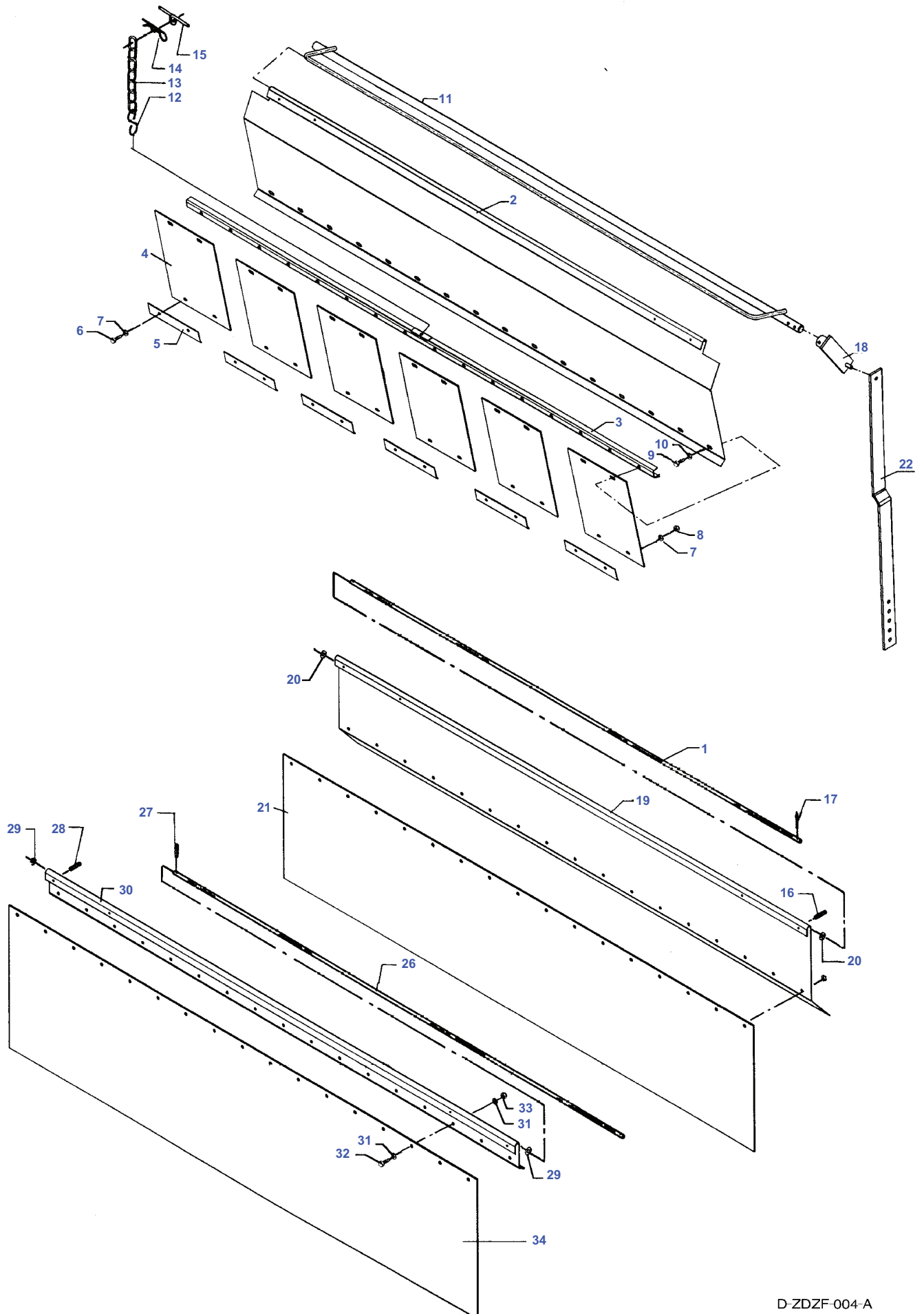
Item	Part Number	Qty	Description	Comments
1	D41717300	1	Bearing	CPL.
2	D43009900	1	Grease	M8X1
3	D20400446	4	Washer	
4	3009695X1	4	Nut	M12
5	D28385021	1	Rear Beater	
6	D40697900	2	Screw	(5)
7	D28385022	1	Beater	(5)
8	D28380423	6	Plate	(5)
9	3009509X1	4	Hex. Sock. Screw	M12 X 45
10	D20400446	4	Washer	
11	3009695X1	4	Nut	M12
12	394367X1	6	Locknut	M8
13	D43159000	1	Key	
14	D20400471	2	Washer	
15	1440329X1	1	Locknut	M10
17	D28380103	1	Cover	
18	D41717300	1	Bearing	CPL.
19	339003X1	1	Greaser	M8
20	D41617700	1	Ball Bearing	From Serial or Engine Number 59762
25	D20400460	1	Washer	
26	D41979800	1	Belt	
27	D28780617	1	Washer	
28	D25700322	1	Nut	
29	D28780486	1	Pulley	
30	339199X1	2	Circlip	
31	SKF62042RS	2	Bear. 6204 2rs	
32	D28780007	1	Ring	
33	339034X1	2	Nut	M16
34	D28780008	1	Bolt	
35	D28786659	1	Lever	CPL.
	D28787003	1	Arm	
36	D43364800	2	Bush	(35)
37	339129X1	1	Split Pin	Diameter 3,2 X 25
38	D28380011	1	Tie Rod	
39	D28780030	1	Pivot	
40	D20400459	2	Washer	
41	D28210881	1	Comp.Spring	
42	D20400459	1	Washer	
43	1442739X1	1	Locknut	M16
44	D28380003	1	Ring	
45	D28380020	1	Yoke	
46	D41711000	1	Flange	
47	1441858X1	1	Grease Nipple	
49	3009507X1	4	Hex. Sock. Screw	M12 X 35
50	D28780404	1	Retainer	
51	D28780830	1	Tensioner	
52	D40425900	4	Screw	[A]
57	D41990059	1	Belt	See Page - Reference Number 011-0001/45
58	D41990001	2	V Belt	See Page - Reference Number 006-0007
59	D28380195	1	Bush	
60	D42595900	2	Tightener	
61	1440476X1	1	Circlip	
62	D28780777	2	Eccentric	
63	D28780776	1	Spacer	
64	D43110600	1	Key	
65	D28780803	1	Tube	
66	D43009200	1	Bracket	
67	339560X1	1	Hex. Sock. Screw	M6 X 16
68	1441462X1	1	Locknut	M6
69	339003X1	1	Greaser	
70	D41717400	2	Bearing Assy	
71	D41705700	X	Ball Bearing	
72	D28380178	1	Dog	
73	D28380300	1	Clutch	
	D28380047	1	Pulley	(73)
74	D28380045	1	Pulley	(73)
75	D42505500	1	Circlip	(73)
76	D41617700	2	Ball Bearing	(73)
77	D28380285	1	Bearing Carrier	(73)
78	D42516700	1	Circlip	(73)

Rear Beater

Item	Part Number	Qty	Description	Comments
80	D28380043	1	Ring	(73) Up to Serial or Engine Number 59761
80	D28380658	1	Ring	(73) From Serial or Engine Number 59762
81	D45060300	1	Plate	(73)
82	D45060200	1	Magnet	(73)
83	D28380286	1	Hub	(73)
84	D40410700	4	Screw	(73)
85	1440349X1	12	Screw	(73) M8 X 30
86	339337X1	12	Hex. Sock. Screw	(73) M8 X 30
87	339139X1	4	Hex. Sock. Screw	(73) M12 X 25
88	D28850906	1	Harness	(73)
89	D20400531	4	Spacer	
90	D28751867	X	Sheath	
91	D28181284	1	Washer	
92	D40407200	4	Hex. Sock. Screw	M10 X 45
93	D20400473	8	Washer	
94	D41092500	4	Nut	
95	D28385023	1	Shim	
96	D41102100	1	Washer	[A]
97	D41100900	1	Spring Washer	[A]
98	D28285889	1	Bracket	

FOOTNOTE [A] NOT ILLUSTRATED

MF 7272/7274/7278 CERA COMBINE - 1637408
D-ZDZF-004-A



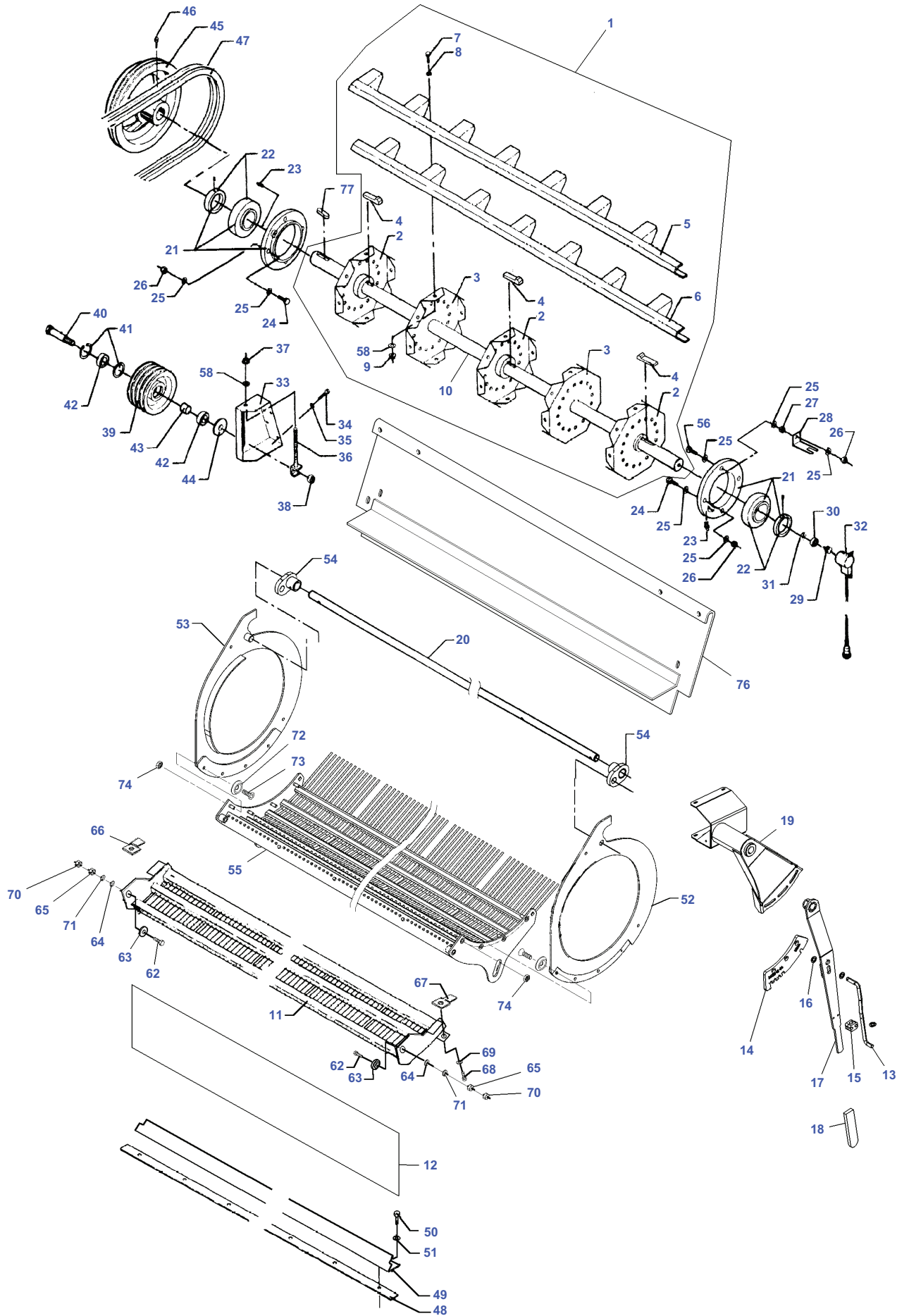
D-ZDZF-004-A

Check Flaps

Item	Part Number	Qty	Description	Comments
1	D28180133	2	Shaft	
2	D28380529	3	Guard	
3	D28380530	1	Rail	
4	D28380528	6	Plate	
5	D28380527	6	Reinforcement	
6	339761X1	12	Hex. Sock. Screw	M8 X 25
7	D20400506	24	Washer	
8	1441462X1	12	Locknut	M6
9	339666X1	12	Hex. Sock. Screw	M6 X 20
10	D20400405	24	Washer	
11	D28380535	1	Suspension	
12	D42386000	1	Hook	
13	D28180405	1	Chain	
14	D27100120	1	Hair Pin	
15	D21100341	1	Retainer	
16	354066X1	14	Split Pin	5/32" X 1
17	D44358000	6	Hair Pin	
18	D28380538	1	Arm	
19	D28181019	1	Cowl	
20	D20400419	84	Washer	
21	D28181903	1	Guard	
22	D28380539	1	Rod	Up to Serial or Engine Number 61114
	D28285618	1	Rod	From Serial or Engine Number 61115
26	D28180133	1	Shaft	[A]
27	D44358000	X	Hair Pin	[A]
28	354066X1	X	Split Pin	[A] 5/32" X 1
29	D20400419	X	Washer	[A]
30	D28181723	1	Guard	[A]
31	D20400405	X	Washer	[A]
32	339560X1	X	Hex. Sock. Screw	[A] M6 X 16
33	1441462X1	X	Locknut	[A] M6
34	D28181710	1	Guard	[A]

FOOTNOTE [A] FOR MACHINES WITHOUT ROTARY SEPARATOR

MF 7272/7274/7278 CERA COMBINE - 1637408
D-ZDZG-004-E



D-ZDZG-004-E

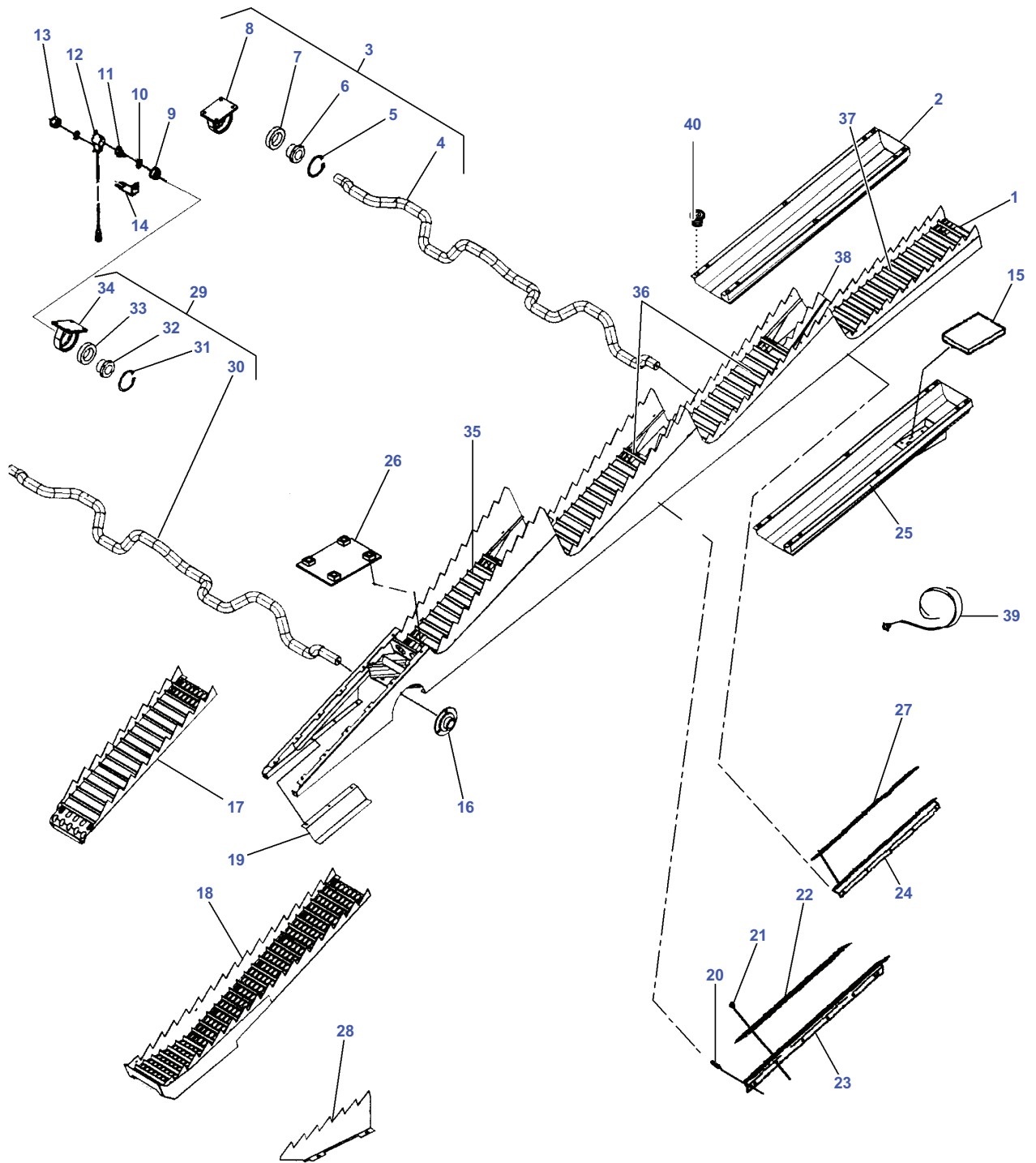
Concave, Cylinder And Grain Separator

Item	Part Number	Qty	Description	Comments
1	D28380260	1	Cylinder	
2	D28380258	3	Crosspiece	(1)
3	D28380256	2	Crosspiece	(1)
4	D43154900	3	Gib Key	(1)
5	D28380254	4	Batt	(1)
6	D28380255	4	Batt	(1)
7	339814X1	40	Hex. Sock. Screw	(1) M10 X 35
8	D20400415	40	Washer	(1)
9	1440329X1	40	Locknut	(1) M10
10	D28380259	1	Shaft	(1)
11	D28380382	1	Beater	
	D28380346	2	Wire	Length 120 mm
	D28380347	2	Wire	Length 140 mm
	D28380348	74	Wire	Length 208 mm
12	D28380203	1	Guard	
13	D28385047	1	Pawl	Valid from machine/table no,can be used in new as well as in older machines 58301
14	D28385043	1	Scale	Valid from machine/table no,can be used in new as well as in older machines 58301
15	D45730008	1	Clamp	Valid from machine/table no,can be used in new as well as in older machines 58301
16	339072X1	3	Washer	Valid from machine/table no,can be used in new as well as in older machines 58301
17	D28385044	1	Lever	Valid from machine/table no,can be used in new as well as in older machines 58301
18	D43484900	1	Lever	Valid from machine/table no,can be used in new as well as in older machines 58301
19	D28385048	1	Mounting	Valid from machine/table no,can be used in new as well as in older machines 58301
20	D28380439	1	Shaft	
21	D41711000	2	Flange	
22	D41705700	2	Ball Bearing	
23	1441858X1	2	Grease Nipple	
24	390912X1	8	Hex. Sock. Screw	M12 X 40
25	D20400426	16	Washer	
26	1442190X1	8	Locknut	M12
27	3009695X1	1	Nut	M12
28	D28780611	1	Retainer	
29	D28780516	1	Inductive Sensor	
30	1440487X1	1	Bear. 6203 2rs	
31	D20400419	1	Washer	
32	D28780514	1	Sensor	
33	D28380234	1	Bracket	
34	390799X1	3	Hex. Sock. Screw	M10 X 40
35	D20400415	3	Washer	
36	D28211025	1	Bolt	
37	339402X1	2	Nut	M10
38	1442739X1	1	Locknut	M16
39	D28380242	1	Pulley	
40	D28480090	1	Bolt	
41	339199X1	2	Circlip	
42	SKF62042RS	2	Bear. 6204 2rs	
43	D28780007	1	Ring	
44	D28380235	1	Washer	
45	D28380244	1	Pulley	
46	3009493X1	2	Hex. Sock. Screw	M10 X 30
47	D41990007	2	Belt	See Page - Reference Number 011-0002/98
48	D28380291	1	Shim	
49	D28380261	1	Extension	
50	3009493X1	8	Hex. Sock. Screw	M10 X 30
51	D20400415	8	Washer	
52	D28380583	1	Plate	Left Hand
53	D28380584	1	Plate	Right Hand
54	D28380440	2	Eccentric	

Concave, Cylinder And Grain Separator

Item	Part Number	Qty	Description	Comments
55	D28385035	1	Concave	Valid from machine/table no,can be used in new as well as in older machines 58301
55	D28380632	78	Wire	
56	391198X1	1	Hex. Sock. Screw	M12 X 50
58	D20400471	41	Washer	
62	3009507X1	2	Hex. Sock. Screw	M12 X 35
63	D28380356	2	Bush	
64	D20400426	2	Washer	
65	3009695X1	2	Nut	M12
66	D28380359	1	Lock	
67	D28380360	1	Lock	
68	3009493X1	2	Hex. Sock. Screw	M10 X 30
69	D20400473	2	Washer	
70	D41012100	2	Locknut	
71	D20400537	2	Spacer	
72	D28380586	2	Washer	
73	D40606100	8	Screw	
74	1440329X1	8	Locknut	M10
76	D28382147	1	Cover	
77	D43107500	1	Key	

MF 7272/7274/7278 CEREAL COMBINE - 1637408
D-ZEZA-005-E



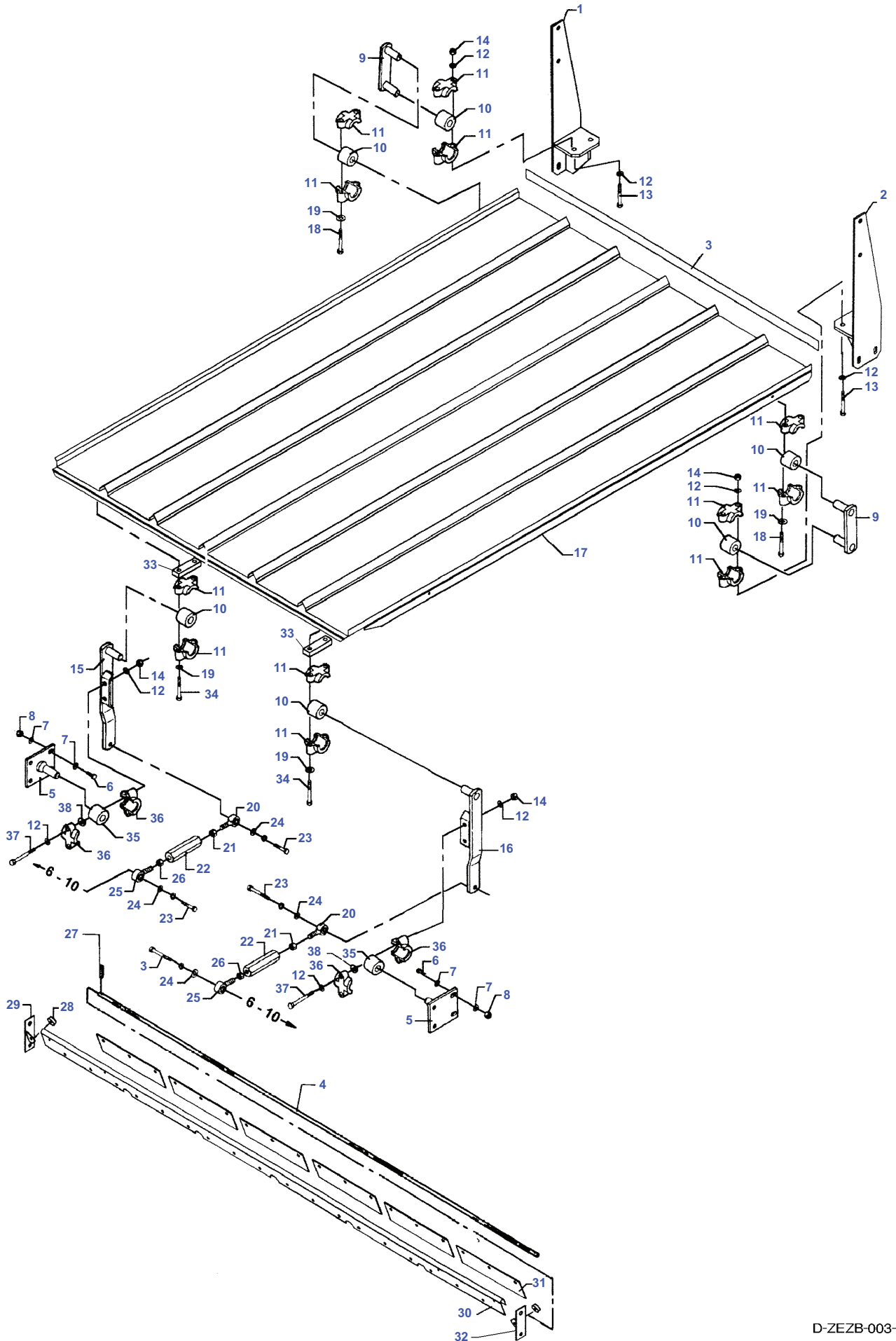
D-ZEZA-005-E

Straw Shaker And Cranks

Item	Part Number	Qty	Description	Comments
1	D28485200	8	Walker	
2	D28485585	6	Bottom	[A] Valid from machine/table no,can be used in new as well as in older machines 6115
3	D28485353	1	Shaft	BACK, CPL.
4	D28485114	1	Shaft	(3) BACK
5	1440516X1	2	Circlip	(3)
6	D41641800	8	Ring	(3)
7	D41622200	8	Bearing	(3)
8	D28485139	8	Housing	(3)
9	1440487X1	X	Bear. 6203 2rs	
10	D20400419	X	Washer	
11	D28780516	X	Inductive Sensor	
12	D28780514	1	Sensor	
13	D41010800	X	Nut	
14	D28780522	1	Support	
15	D45050069	1	Sensor	Up to Serial or Engine Number 57680
	D44900774	1	Sensor	From Serial or Engine Number 57681
16	D41707800	X	Bearing	
17	D28485195	8	Facing	
18	D28485280	8	Facing	
19	D28485269	1	Plate	
20	D41397300	X	Rivet	
21	D43427400	48	Fastener	
22	D28450637	2	Bush	
23	D28450536	2	Plate	
24	D28480301	2	Plate	
25	D28485582	2	Bottom	[A] Valid from machine/table no,can be used in new as well as in older machines 61115
26	D28485188	8	Clamp	
27	D28480300	2	Seal	
28	D28480825	X	Side	
29	D28485352	1	Shaft	FRONT, CPL. Up to Serial or Engine Number 7826 From Serial or Engine Number 7827 FRONT COMPL.
	D28485466	1	Crank	(29) FRONT Up to Serial or Engine Number 7826 (29) FRONT From Serial or Engine Number 7827
30	D28485112	1	Shaft	(29) FRONT Up to Serial or Engine Number 7826 (29) FRONT From Serial or Engine Number 7827
	D28485458	1	Crank	(29) FRONT From Serial or Engine Number 7827
31	1440516X1	2	Circlip	(29)
32	D41641800	8	Ring	(29)
33	D41622200	8	Bearing	(29)
34	D28485139	8	Housing	(29)
35	D28485205	1	Facing	FRONT
36	D28485206	2	Facing	MIDDLE
37	D28485207	1	Facing	BACK
38	D28485208	3	Raiser	
39	D44900775	1	Harness	
40	D45750500	1	Plug	

FOOTNOTE [A] THE STRAW WALKER BOTTOMS MUST BE REPLACED SET BY S ET

MF 7272/7274/7278 CEREAL COMBINE - 1637408
D-ZEZB-003-B

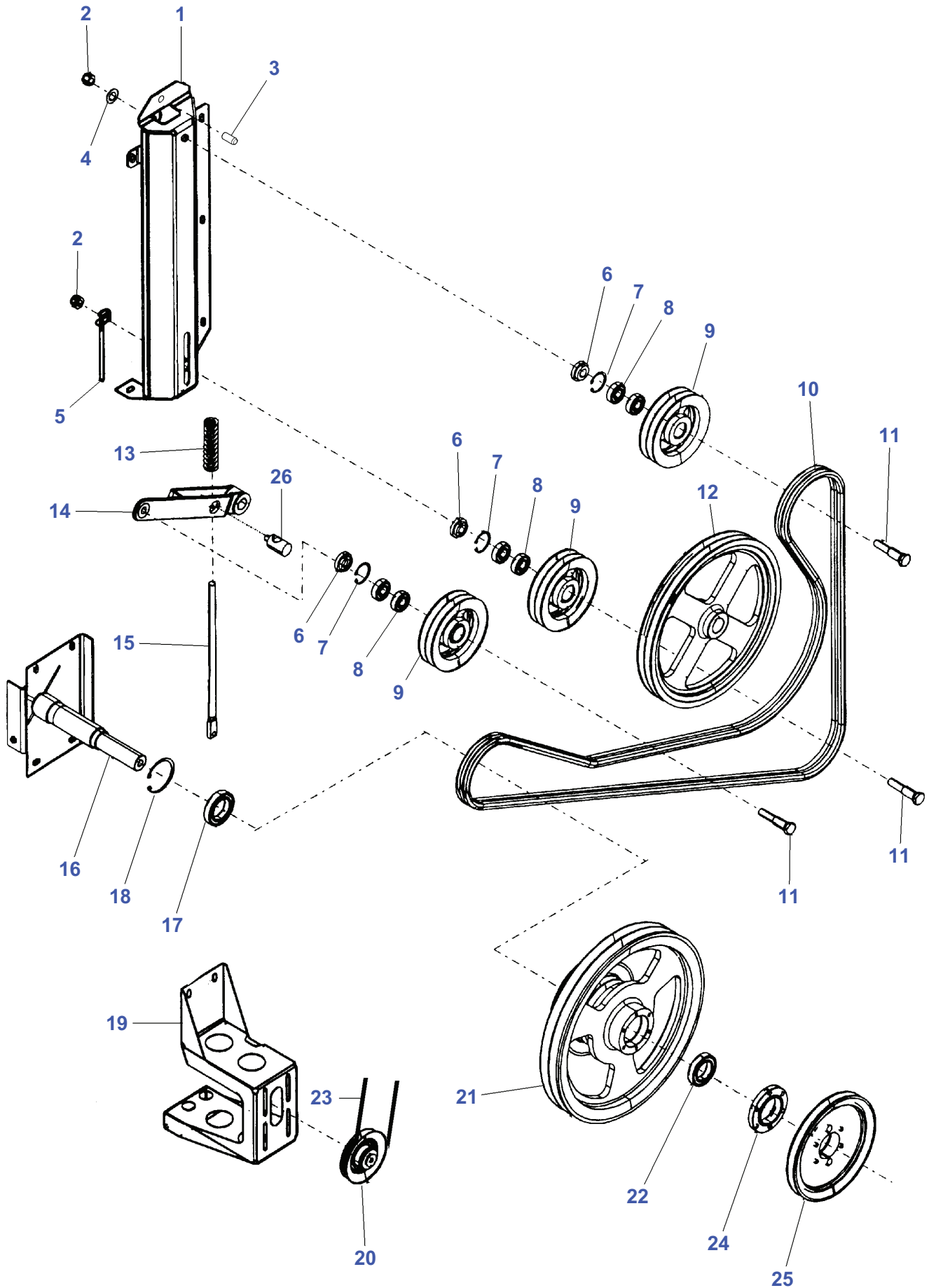


D-ZEZB-003-B

Second Grain Pan

Item	Part Number	Qty	Description	Comments
1	D28186058	1	Bracket	
2	D28186038	1	Bracket	
3	D28485465	1	Edge	
4	D28480835	1	Clevis Pin	
5	D28480682	2	Bracket	
6	339337X1	X	Hex. Sock. Screw	M8 X 30
7	D20400506	X	Washer	
8	394367X1	X	Locknut	M8
9	D28480897	2	Arm	
10	D28450420	2	Bush	
11	D28430010	4	Half Flange	
12	D20400419	X	Washer	
13	D40426500	X	Screw	
14	1440329X1	X	Locknut	M10
15	D28485460	1	Arm	Valid from machine/table no,can be used in new as well as in older machines 59410
16	D28485462	1	Arm	
17	D28485130	1	Pan	
18	339475X1	X	Hex. Sock. Screw	M10 X 70
19	D20400415	X	Washer	
20	D45698800	2	Toggle	
21	3009695X1	X	Nut	M12
22	D28480838	2	Bolt	
23	3009507X1	X	Hex. Sock. Screw	M12 X 35
24	D20400424	X	Washer	
25	D45699000	2	Toggle	
26	D41014400	X	Nut	
27	354050X1	X	Split Pin	3/32" X 1
28	D44718300	2	Plug	
29	D28480832	1	Console	
30	D28485259	1	Band	
31	D28480828	6	Rubber Strap	
32	D28480833	1	Console	
33	D28585114	2	Shim	
34	D40426500	2	Screw	
35	D46481700	2	Bush	
36	D28485224	4	Bracket	
37	3009503X1	X	Hex. Sock. Screw	M10 X 90
38	D28480862	2	Shim	

MF 7272/7274/7278 CEREAL COMBINE - 1637408
D-ZFZK-002-B



D-ZFZK-002-B

Massey Ferguson**MF 7272/7274/7278 CEREAL COMBINE - 1637408**

1637408

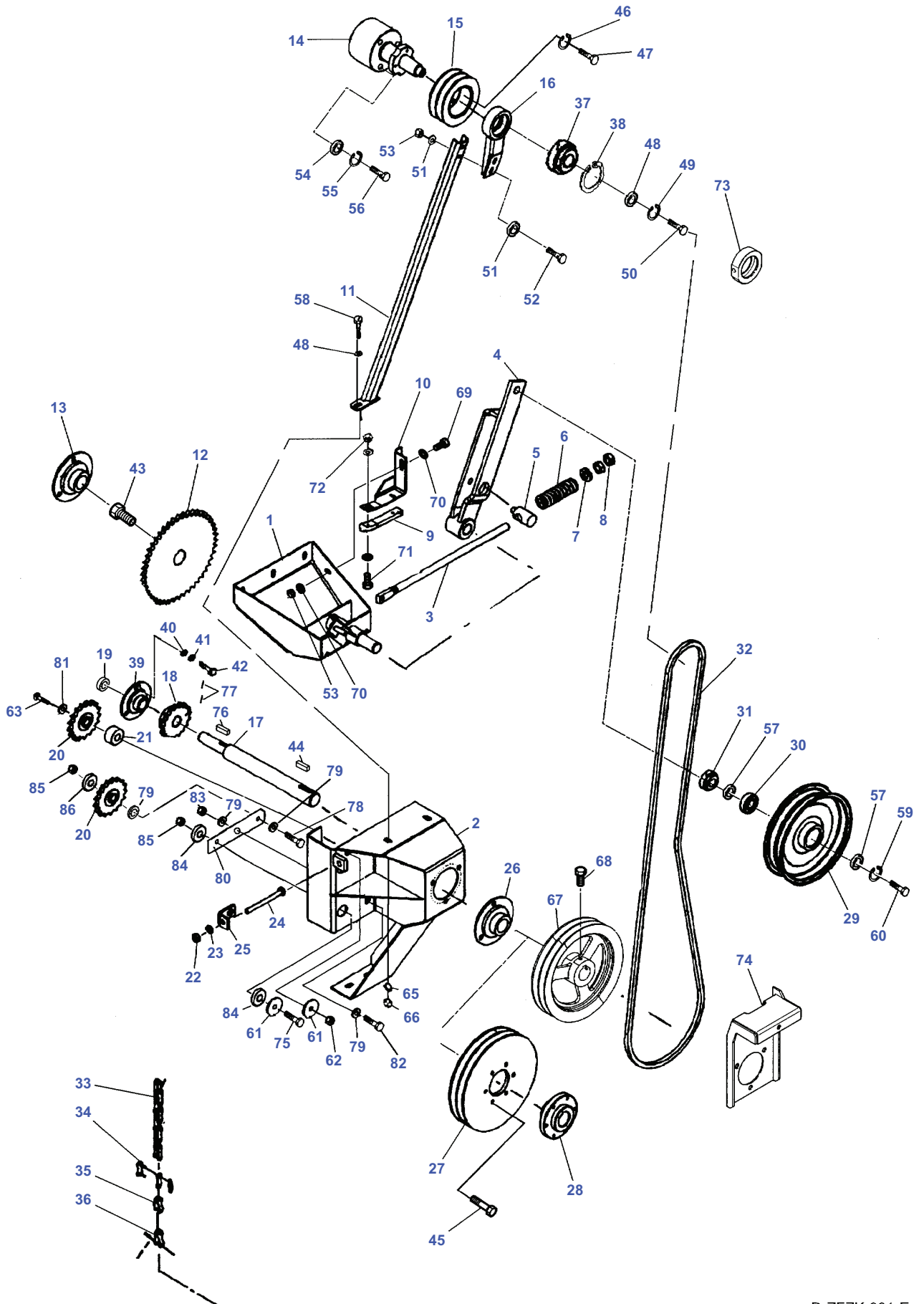
Straw Walker Transmission - From 7827 (601115)

Page005-0003

Item	Part Number	Qty	Description	Comments
1	D28285609	1	Bracket	
2	1442739X1	2	Locknut	M16
3	D28285616	1	Pin	(1)
4	D20400463	1	Washer	
5	D28211025	1	Bolt	
6	D28880354	3	Spacer	
7	339199X1	3	Circlip	
8	SKF62042RS	6	Bear. 6204 2rs	
9	D28480822	3	Pulley	
10	D41975300	1	Belt	
11	D28250444	3	Bolt	
12	D28885042	1	Pulley	
	D28285527	1	Pulley	[A]
13	D28485365	1	Spring	
14	D28880495	1	Lever	
15	D28380011	1	Tie Rod	
16	D28480588	1	Bracket	
17	391347X1	1	Bear. 6010 2rs	
18	339437X1	1	Circlip	
19	D28485399	1	Support	
20	D28782735	1	Pulley	
21	D28285941	1	Pulley	
22	SKF60092RS	1	Bear. 6009 2rs	
23	D41921800	1	Belt	Valid from machine/table no,can be used in new as well as in older machines 61075
24	D28485348	1	Cover	
25	D28485388	1	Pulley	
26	D28780030	1	Pivot	

FOOTNOTE [A] MAIZE EQUIPMENT

MF 7272/7274/7278 CEREAL COMBINE - 1637408
D-ZFZK-001-E



D-ZFZK-001-E

Item	Part Number	Qty	Description	Comments
1	D28485338	1	Bracket	
2	D28485292	1	Bracket	
3	D28380011	1	Tie Rod	
4	D28880404	1	Lever	
5	D28780030	1	Pivot	
6	D28485365	1	Spring	
7	D28181284	X	Washer	
8	D41011100	X	Nut	
9	D28485367	1	Rail	
10	D28485366	1	Reinforcement	
11	D28485570	1	Arm	Valid from machine/table no,can be used in new as well as in older machines 60583
	D28480997	1	Brace	From Serial or Engine Number 59000 Up to Serial or Engine Number 60777
	D28480997	1	Brace	From Serial or Engine Number 58599 Up to Serial or Engine Number 60543
	D28480997	1	Brace	From Serial or Engine Number 57346 Up to Serial or Engine Number 61114
12	D28485289	1	Sprocket	
13	D41707800	1	Bearing	
14	D28485309	1	Hub	
15	D28485305	1	Pulley	
16	D28485569	1	Support	Valid from machine/table no,can be used in new as well as in older machines 60583
	D28480996	1	Bracket	From Serial or Engine Number 59000 Up to Serial or Engine Number 60777
	D28480996	1	Bracket	From Serial or Engine Number 58599 Up to Serial or Engine Number 60543
	D28480996	1	Bracket	From Serial or Engine Number 57346 Up to Serial or Engine Number 61114
17	D28485308	1	Shaft	
18	D28485279	1	Sprocket	
	D28485469	1	Sprocket	[A] Up to Serial or Engine Number 61115
19	D41713300	1	Ball Bearing	
20	D41717900	2	Sprocket	[A] Up to Serial or Engine Number 61115
21	D28485327	2	Bush	
22	D40900070	X	Nut	
23	D20400471	X	Washer	
24	D40409400	X	Screw Metric	
25	D28485328	1	Shank	
26	D41707800	1	Bearing	
27	D28485315	1	Pulley	Up to Serial or Engine Number 59041
28	D28485291	1	Hub	Up to Serial or Engine Number 59041
29	D28480822	1	Pulley	B170/2
30	D41622700	1	Bear. 6204 2rs	
31	D28880354	1	Spacer	
32	D41933700	1	Kit, Belt	
33	D42328900	X	Chain	[A] Up to Serial or Engine Number 61115 5/8X99
34	D42363100	X	Link	
35	D42362400	X	Inner Link	
36	D42363200	X	Link	
37	D41628300	1	Ball Bearing	Valid from machine/table no,can be used in new as well as in older machines 60583
38	D42514000	1	Circlip	
39	D41708700	2	Flange	
40	D20400506	6	Washer	
41	D41102100	3	Washer	
42	D40476300	3	Screw	
43	D40464500	2	Screw	
44	D43104700	1	Key	
45	D40690400	6	Screw	Up to Serial or Engine Number 59041
46	D41102100	1	Washer	
47	D40690400	1	Screw	
48	D20400473	2	Washer	
49	D41101900	1	Spring Washer	
50	D40407700	1	Hex. Sock. Screw	

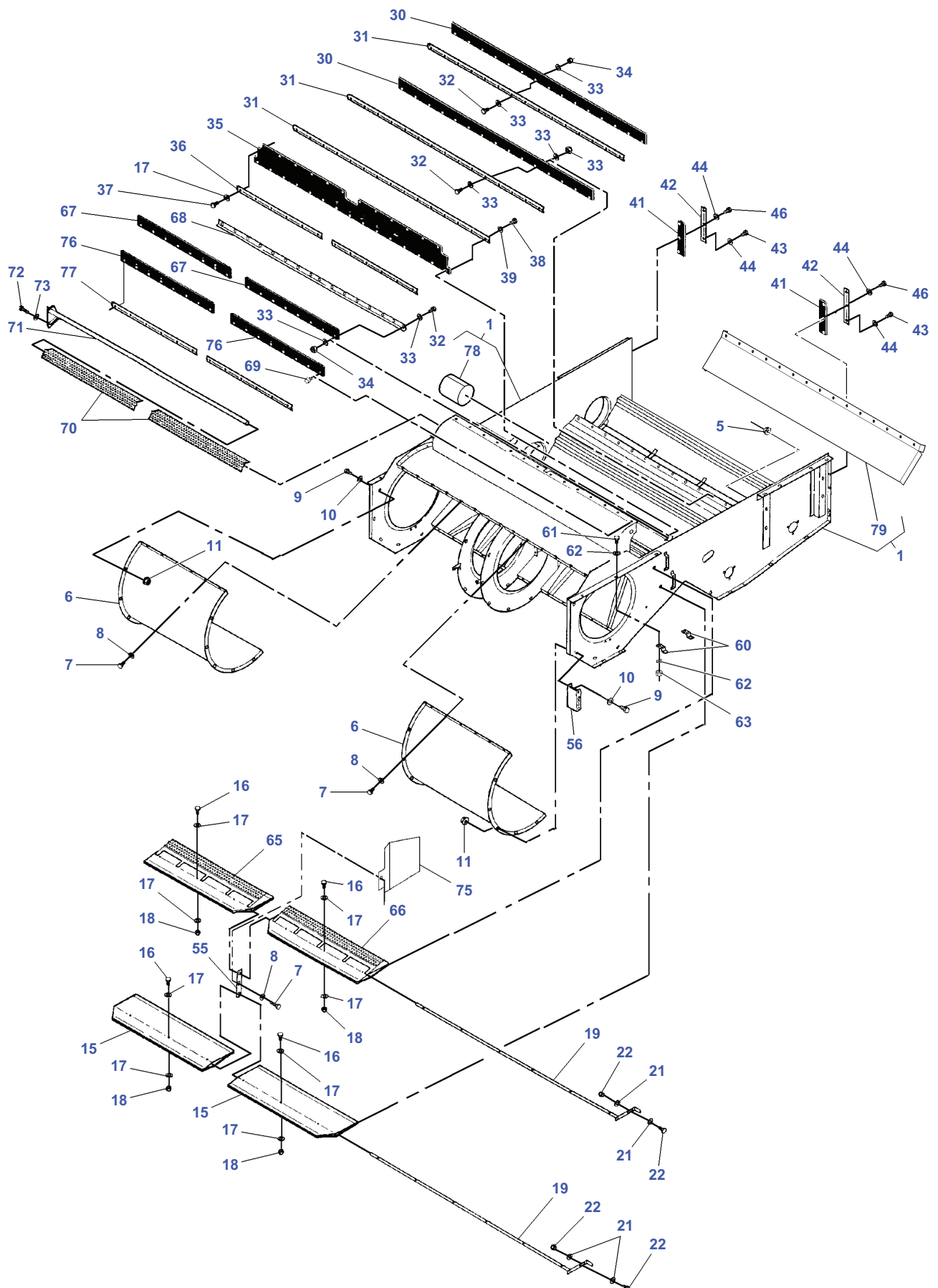
Item	Part Number	Qty	Description	Comments
51	D20400506	6	Washer	
52	D40405000	3	Hex. Sock. Screw	
53	394367X1	3	Locknut	
54	D20400426	1	Washer	
55	D41100900	1	Spring Washer	
56	D40429400	1	Hex. Sock. Screw	
57	339199X1	1	Circlip	
58	D40407900	1	Hex. Sock. Screw	
59	D20400459	1	Washer	
60	D28250444	1	Bolt	
61	D28181284	1	Washer	
61	D20400421	1	Washer	[A] Up to Serial or Engine Number 61115 10X49X5
62	D41087800	1	Locknut	
63	D40433700	1	Screw	
64	D20400459	1	Washer	[B]
65	D20400473	1	Washer	
66	D41087600	1	Locknut	
67	D28285475	1	Pulley	Valid from machine/table no,can be used in new as well as in older machines 59042
68	D40464400	2	Screw	
69	D40405000	1	Hex. Sock. Screw	
70	D20400506	2	Washer	
71	D40609300	2	Screw	
72	D41087200	2	Locknut	
73	D28485568	1	Ball Bearing	Valid from machine/table no,can be used in new as well as in older machines 60583
74	D28485571	1	Bracket	Valid from machine/table no,can be used in new as well as in older machines 60583
75	D40434600	1	Hex. Sock. Screw	
75	D40407100	1	Screw	[A] Up to Serial or Engine Number 61115 10X40
76	D43103200	1	Key	
77	D40639600	2	Pin	[A] Up to Serial or Engine Number 61115 8X16
78	D40433600	1	Hex. Sock. Screw	[A] Up to Serial or Engine Number 61115 16X70
79	D20400459	4	Washer	[A] Up to Serial or Engine Number 61115 17X30X3
80	D28482210	1	Bracket	[A] Up to Serial or Engine Number 61115
81	D20400516	2	Spacer	[A] Up to Serial or Engine Number 61115 16.5X33X1
81	D20400517	2	Spacer	[A] Up to Serial or Engine Number 61115 16.5X33X1.5
81	D20400518	2	Spacer	[A] Up to Serial or Engine Number 61115 16.533X2
81	D20400459	1	Washer	
82	D40416600	1	Hex. Sock. Screw	[A] Up to Serial or Engine Number 61115 16X45
83	D41087900	2	Locknut	[A] Up to Serial or Engine Number 61115 Diameter M16
84	D20400473	2	Washer	[A] Up to Serial or Engine Number 61115 10.5X28X4

Massey Ferguson**MF 7272/7274/7278 CEREAL COMBINE - 1637408****1637408****Straw Walker Transmission - Up To 7826 (60870)****Page005-0004**

Item	Part Number	Qty	Description	Comments
85	D41087600	1	Locknut	[A] Up to Serial or Engine Number 61115 Diameter M10
86	D20400461	1	Washer	[A] Up to Serial or Engine Number 61115 16.5X29X5

FOOTNOTE [A] INCLUDED IN THE RECTIFICATION PROGRAMME FOR STRAW WALKER CHAIN UP TO N 61115**FOOTNOTE [B]** NOT ILLUSTRATED

MF 7272/7274/7278 CERA COMBINE - 1637408
D-ZFZA-004-A

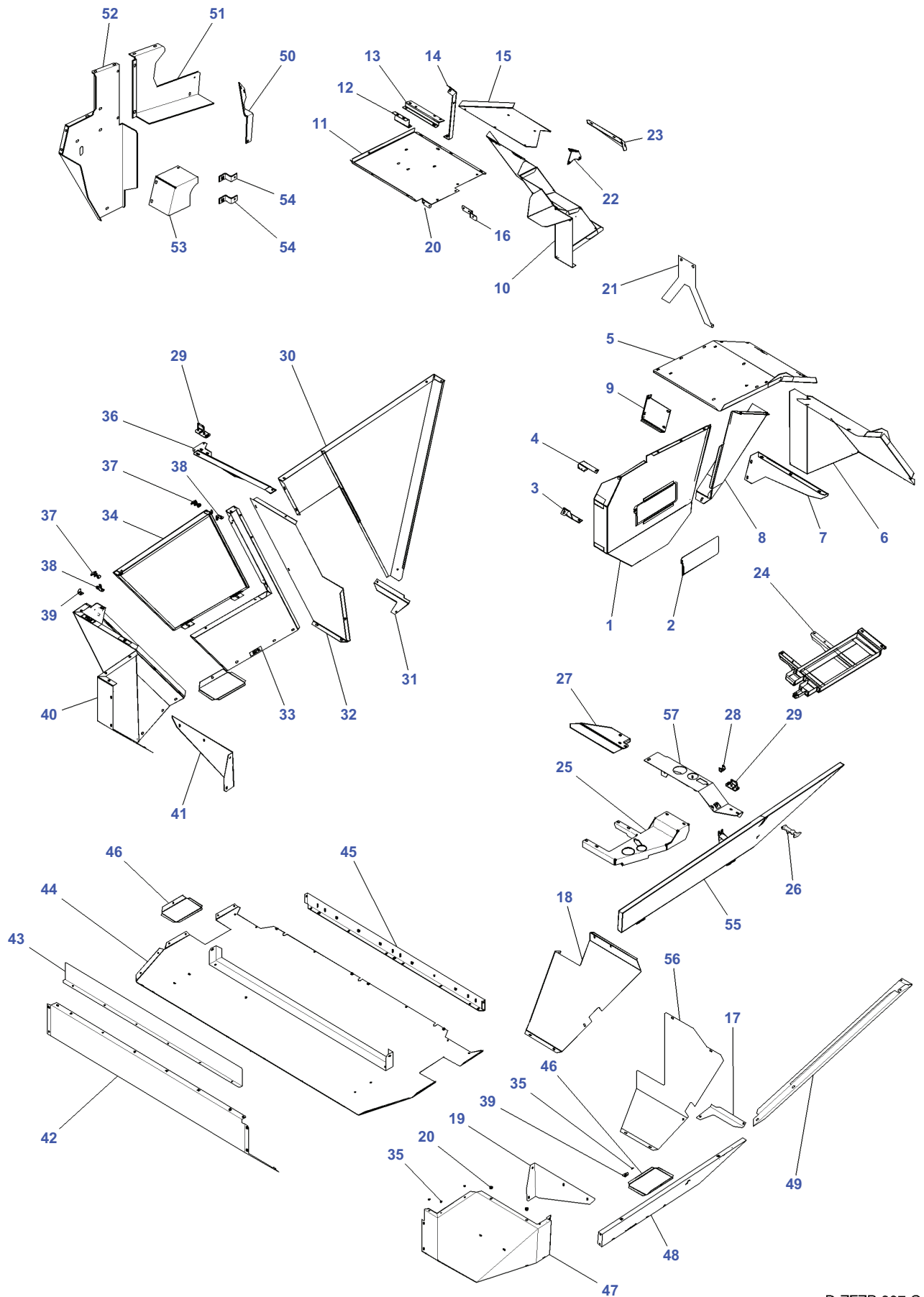


Fan Housing, Mantle And Rotary Air Intake

Item	Part Number	Qty	Description	Comments
1	D28480704	1	Washer	
5	394367X1	4	Locknut	M8
6	D28480171	2	Cover	
7	339123X1	X	Hex. Sock. Screw	M8 X 20
8	D20400506	X	Washer	
9	339123X1	20	Hex. Sock. Screw	M8 X 20
10	D20400506	20	Washer	
11	394367X1	20	Locknut	M8
15	D28480566	2	Plate	
16	339262X1	12	Hex. Sock. Screw	M6 X 30
17	D20400470	36	Washer	
18	1441462X1	12	Locknut	M6
19	D28480211	2	Shaft	
20	339123X1	2	Hex. Sock. Screw	[B] M8 X 20
21	D20400506	4	Washer	
22	394367X1	2	Locknut	M8
30	D28480158	2	Seal	
31	D28480157	3	Rail	
32	339666X1	X	Hex. Sock. Screw	M6 X 20
33	391038X1	X	Washer	
34	1441462X1	X	Locknut	M6
35	D28480744	1	Gasket	
36	D28480173	2	Rail	
37	339804X1	12	Hex. Sock. Screw	M6 X 25
38	339666X1	15	Hex. Sock. Screw	M6 X 20
39	391038X1	X	Washer	
41	D28480363	2	Seal	
42	D28480362	2	Rail	
43	339123X1	2	Hex. Sock. Screw	M8 X 20
44	D20400506	7	Washer	
46	339337X1	3	Hex. Sock. Screw	M8 X 30
55	D28480740	1	Support	
56	D28784378	1	Pipe	
60	D28780694	2	Support	
61	390799X1	2	Hex. Sock. Screw	M10 X 40
62	D20400473	4	Washer	
63	1440329X1	2	Locknut	M10
65	D28480749	1	Plate	Right Hand
66	D28480750	1	Plate	Left Hand
67	D28480706	4	Gasket	
68	D28480741	1	Gasket	
69	D43427400	16	Fastener	
70	D28480745	2	Gate	
71	D28480751	1	Shaft	
72	339761X1	1	Hex. Sock. Screw	M8 X 25
73	D20400411	1	Washer	
75	D28480770	1	Plate	
76	D28480834	2	Seal	
77	D28480831	2	Support	
78	D28480206	1	Tube	(1)
79	D28480153	1	Bottom	(1)

FOOTNOTE [B] NOT ILLUSTRATED

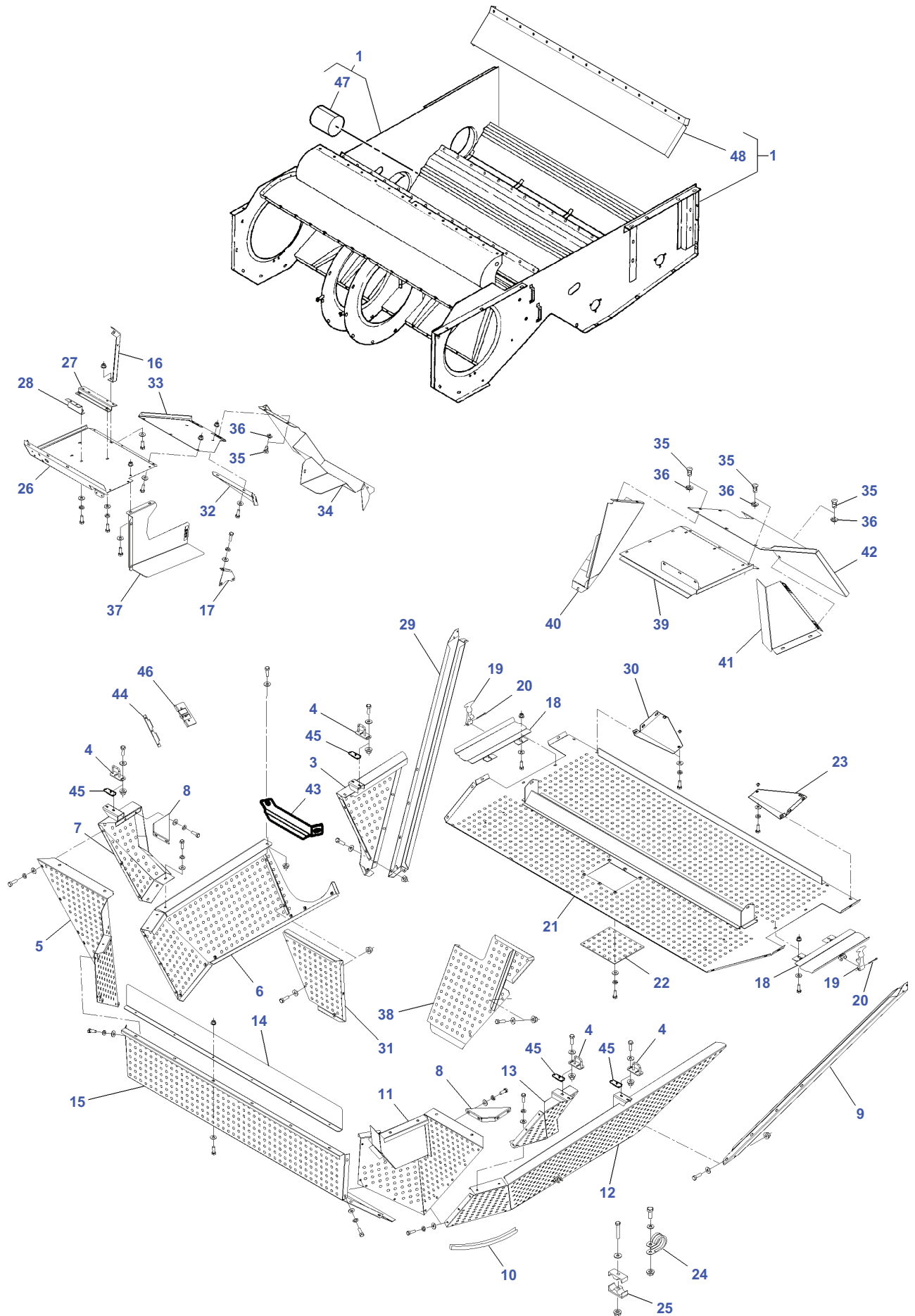
MF 7272/7274/7278 CEREА COMBINE - 1637408
D-ZFZB-007-C



D-ZFZB-007-C

Item	Part Number	Qty	Description	Comments
1	D28186327	1	Shield	
2	D28184441	1	Cover	
3	D28181107	1	Bracket	
4	D28181106	1	Bracket	
5	D28186692	1	Guard	
6	D28186694	1	Guard	
7	D28185321	1	Bracket	
8	D28186691	1	Shield	
9	D28181126	1	Bracket	
10	D28186669	1	Guard	
11	D28485419	1	Guard	
12	D28185631	1	Bracket	
13	D28185630	1	Bracket	
14	D28185356	1	Brace	
15	D28186670	1	Guard	
16	D28185999	1	Bracket	
17	D28186728	1	Strut	
18	D28186729	1	Plate	Up to Serial or Engine Number 59965
19	D28186774	1	Guard	
20	D44731100	2	Grommet	
21	D28186689	1	Guard	
22	D28186732	1	Bracket	
23	D28186731	1	Bracket	
24	D28181516	1	Retainer	Up to Serial or Engine Number 58874
25	D28782712	1	Retainer	From Serial or Engine Number 58875
26	D44737100	1	Rubber Strap	
27	D28186767	1	Locking Plate	Up to Serial or Engine Number 59965
28	D28120289	1	Retainer	
29	D28181157	2	Clamp	
30	D28186734	1	Plate	
31	D28186727	1	Strut	
32	D28186785	1	Plate	
33	D28186675	1	Guard	
34	D28186674	1	Side	
35	D45742200	9	Plug	
36	D28186786	1	Locking Plate	
37	D44737200	2	Rubber Strap	
38	D28186787	2	Retainer	
39	D28186790	2	Stop	
40	D28186726	1	Guard	
41	D28186788	1	Bracket	
42	D28485412	1	Guard	
43	D28480605	1	Plate	
44	D28485414	1	Base Plate	
45	D28480423	1	Profile	
46	D28186722	2	Hatch	
47	D28186717	1	Guard	
48	D28186723	1	Guard	
49	D28186718	1	Corner	
50	D28186737	1	Strut	
51	D28186738	1	Shield	
52	D28186495	1	Guard	
53	D28186493	1	Guard	
54	D28186496	1	Guard	
55	D28186721	1	Hatch	Up to Serial or Engine Number 59965
	D28186853	1	Hatch	From Serial or Engine Number 59966
56	D28186854	1	Plate	
57	D28782738	1	Locking Plate	From Serial or Engine Number 59966

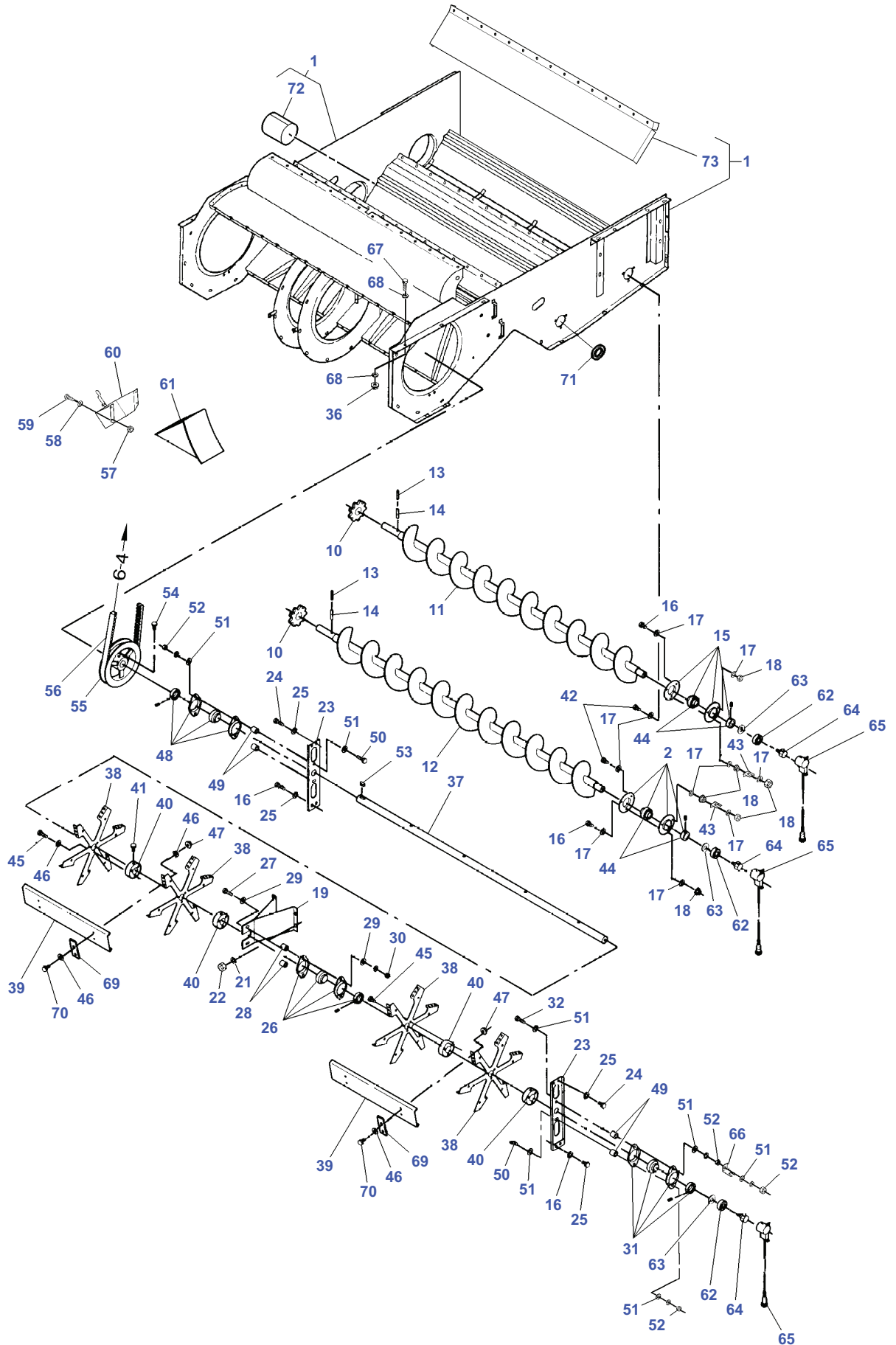
MF 7272/7274/7278 CEREAL COMBINE - 1637408
D-ZFZB-001-C



D-ZFZB-001-C

Item	Part Number	Qty	Description	Comments
1	D28480704	1	Washer	
3	D18485059	1	Plate	Right Hand
4	D28181157	4	Clamp	
5	D18485058	1	Plate	
6	D18485056	1	Plate	Right Hand
7	D18485048	1	Corner	Right Hand
8	D28485053	2	Reinforcement	
9	D18485099	1	Profile	Left Hand
10	D44740000	X	Profile	50 M
11	D18485049	1	Plate	
12	D18485055	1	Plate	Left Hand
13	D18485034	1	Plate	Left Hand
14	D28480605	1	Plate	
15	D18485006	1	Plate	
16	D28185356	1	Brace	
17	D28185632	1	Bracket	
18	D28485012	2	Trap	
19	D44737100	2	Rubber Strap	
20	D41411100	2	Split Pin	
21	D28485008	1	Plate	
22	D28480630	1	Plate	
23	D28485036	1	Plate	
24	D45730400	1	Clamp	
25	D45731100	1	Retainer	
26	D28185360	1	Guard	
27	D28185630	1	Bracket	
28	D28185631	1	Bracket	
29	D18485098	1	Profile	Right Hand
30	D28485015	1	Plate	Right Hand
31	D28485097	1	Plate	Right Hand
32	D28185633	1	Bracket	
33	D28185558	1	Guard	Right Hand
34	D28186155	1	Guard	Right Hand
35	D43427500	16	Pin	
36	D42555500	16	Circlip	
37	D28186154	1	Guard	
38	D28485102	1	Plate	Left Hand
39	D28185323	1	Guard	Left Hand
	D28186329	1	Guard	Up to Serial or Engine Number 57722 Left Hand
40	D28185326	1	Guard	From Serial or Engine Number 57723 Left Hand
	D28186331	1	Guard	Up to Serial or Engine Number 57722 Left Hand
	D28186691	1	Shield	From Serial or Engine Number 57723 Up to Serial or Engine Number 58548 Left Hand
41	D28185351	1	Guard	From Serial or Engine Number 58549
42	D28185320	1	Guard	Left Hand
	D28186332	1	Guard	Up to Serial or Engine Number 57722 Left Hand
43	D28485306	1	Bracket	From Serial or Engine Number 57723
44	D28580417	1	Hinge	
45	D28181871	1	Support	
46	D28580416	1	Hinge	
47	D28480206	1	Tube	(1)
48	D28480153	1	Bottom	(1)

MF 7272/7274/7278 CEREAL COMBINE - 1637408
D-ZFZC-004-B



Main Fan Blade And Bottom Auger

Item	Part Number	Qty	Description	Comments
1	D28480704	1	Washer	
2	D41706200	1	Bearing	
10	D28580448	2	Sprocket	
11	D28480361	1	Auger	
12	D28485000	1	Auger	
13	395557X1	2	Spirol Pin	Diameter 5 X 50
14	339307X1	2	Pin	Diameter 8 X 50
15	D41709600	1	Bearing	
16	3009492X1	4	Hex. Sock. Screw	M10 X 25
17	D20400471	14	Washer	
18	339402X1	8	Nut	M10
19	D28480165	1	Bracket	
21	D20400506	4	Washer	
22	394367X1	4	Locknut	M8
23	D28480366	2	Stay	
24	3009491X1	4	Hex. Sock. Screw	M10 X 20
25	D20400419	X	Washer	
26	D41710100	1	Bearing	
27	D40411400	2	Screw Metric	
28	D28480172	2	Spacer	
29	D20400426	4	Washer	
30	3009695X1	2	Nut	M12
31	D41710100	1	Bearing	
32	D40411600	1	Screw Metric	
36	1440329X1	10	Locknut	M10
37	D28480325	1	Shaft	
38	D28480185	2	Fan	
	D28440130	4	Hub	(38)
39	D28480174	12	Fan	(38)
40	D28480162	4	Bush	(38)
41	3009493X1	X	Hex. Sock. Screw	(38) M10 X 30
42	390799X1	2	Hex. Sock. Screw	(38) M10 X 40
43	D28780522	2	Support	(38)
44	D41716000	2	Ball Bearing	(38)
45	339761X1	12	Hex. Sock. Screw	(38) M8 X 25
46	D20400506	X	Washer	(38)
47	394367X1	48	Locknut	(38) M8
48	D41710100	1	Bearing	
49	D28480172	4	Spacer	
50	D40411400	3	Screw Metric	
51	D20400426	9	Washer	
52	3009695X1	5	Nut	M12
53	D43106200	1	Key	
54	3009492X1	2	Hex. Sock. Screw	M10 X 25
55	D28480763	1	Pulley	
	D28480807	1	Pulley	[A]
56	D41981100	1	Belt	See Page - Reference Number 006-0006/26
	D41981400	1	V Belt	[A] See Page - Reference Number 006-0006/26
57	394367X1	3	Locknut	M8
58	D20400506	3	Washer	
59	339761X1	3	Hex. Sock. Screw	M8 X 25
60	D45907500	1	Retainer	[B]
61	D45907000	1	Wedge	[B]
62	1440487X1	3	Bear. 6203 2rs	
63	D20400419	3	Washer	
64	D28780516	3	Inductive Sensor	
65	D28780514	3	Sensor	
66	D28780611	1	Retainer	
67	390799X1	10	Hex. Sock. Screw	M10 X 40
68	D20400473	20	Washer	
69	D28482107	24	Support	(38)
70	339337X1	48	Hex. Sock. Screw	M8 X 30
71	D28485349	1	Reinforcement	
72	D28480206	1	Tube	(1)
73	D28480153	1	Bottom	(1)

Massey Ferguson

MF 7272/7274/7278 CEREAL COMBINE - 1637408

1637408

Main Fan Blade And Bottom Auger

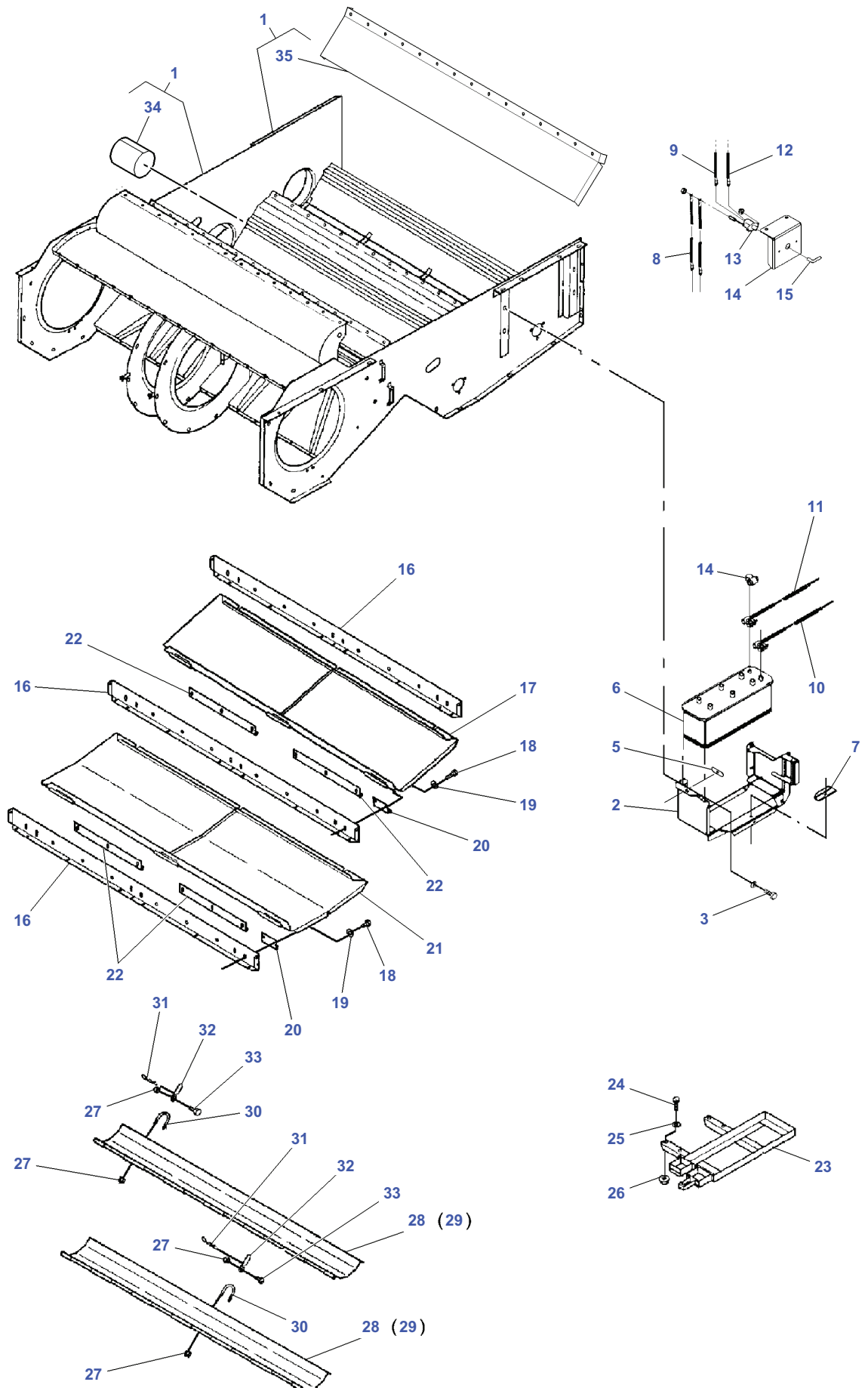
Page006-0004

Item	Part Number	Qty	Description	Comments
------	-------------	-----	-------------	----------

FOOTNOTE [A] REDUCED MAIN FAN SPEED

FOOTNOTE [B] OPTIONAL EQUIPMENT

MF 7272/7274/7278 CEREAL COMBINE - 1637408
D-ZFZD-006-A



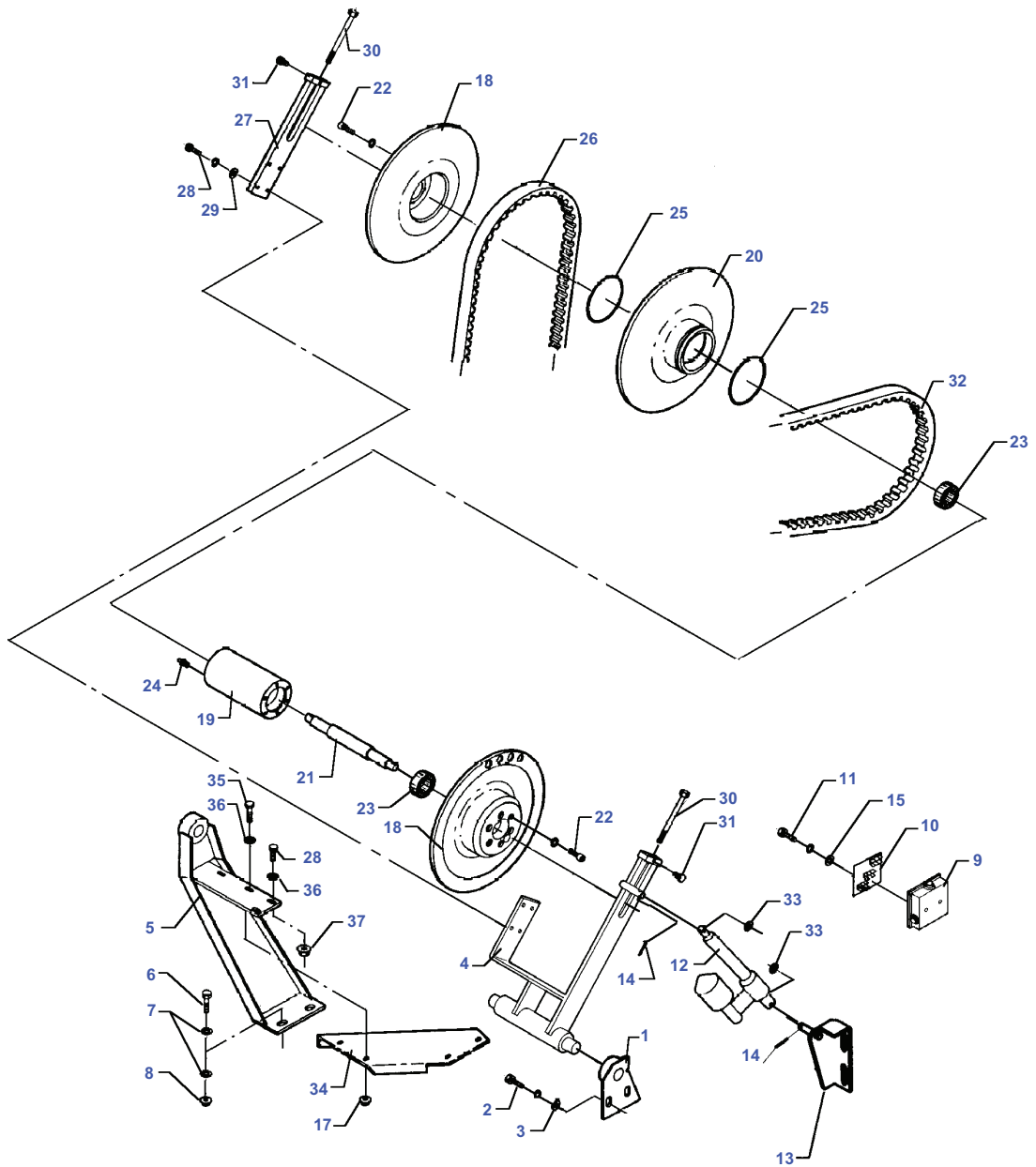
D-ZFZD-006-A

Fan Housing - Doors And Batteries

Item	Part Number	Qty	Description	Comments
1	D28480704	1	Washer	
2	D28485104	1	Support	
3	339123X1	X	Hex. Sock. Screw	M8 X 20
5	D28485242	1	Support	
6	D44900588	1	Battery	
7	D28485263	1	Support	
8	D28785916	2	Hose	
9	D28781896	1	Cable	
10	D28781896	1	Cable	
11	D28781929	1	Cable	
12	D28785946	1	Hose	
13	D45059800	1	Switch	
14	D28485264	1	Bracket	
15	D45060055	1	Spanner	
16	D28480423	3	Profile	
17	D28480411	1	Shutter	
18	339761X1	X	Hex. Sock. Screw	M8 X 25
19	D20400506	X	Washer	
20	D28480417	1	Hinge	
21	D28480413	X	Shutter	
22	D28480478	X	Chock	
23	D28181516	1	Retainer	
24	339761X1	4	Hex. Sock. Screw	M8 X 25
25	D20400506	4	Washer	
26	394367X1	4	Locknut	M8
27	1441462X1	X	Locknut	M6
28	D28480156	2	Shutter	
29	D28480447	2	Shutter	[A]
30	D28560165	6	U Bolt	
31	D27100120	6	Hair Pin	
32	D28560162	6	Lever	
33	339804X1	X	Hex. Sock. Screw	M6 X 25
34	D28480206	1	Tube	(1)
35	D28480153	1	Bottom	(1)

FOOTNOTE [A] OPTIONAL EQUIPMENT FOR PEAS

MF 7272/7274/7278 CERA COMBINE - 1637408
D-ZFZE-004-A

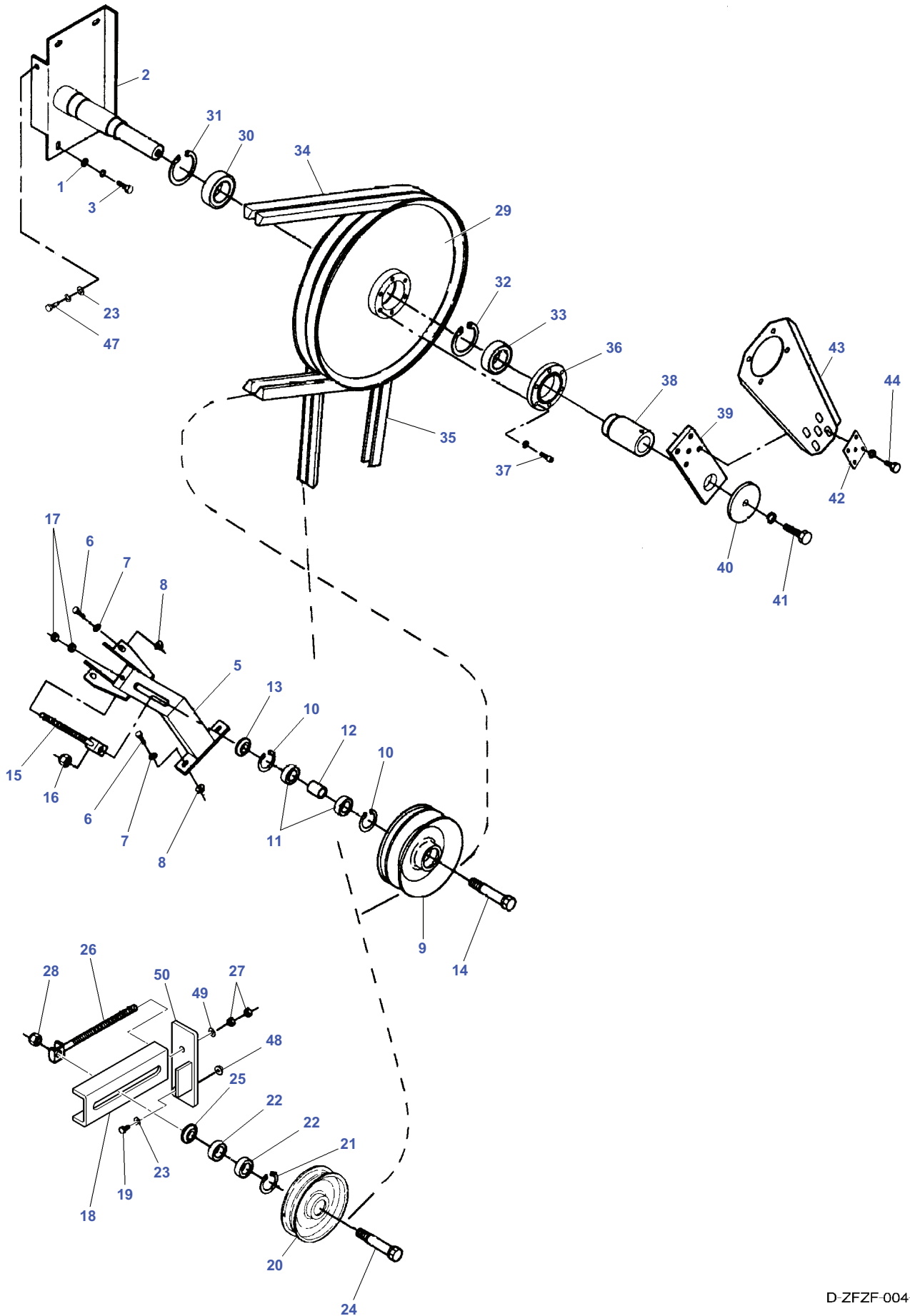


D-ZFZE-004-A

Main Fan Variator

Item	Part Number	Qty	Description	Comments
1	D28480203	1	Bracket	
2	3009492X1	2	Hex. Sock. Screw	M10 X 25
3	D20400471	2	Washer	
4	D28480739	1	Fork	
5	D28480869	1	Bracket	
6	339814X1	2	Hex. Sock. Screw	M10 X 35
7	D20400416	4	Washer	
8	1440329X1	2	Locknut	M10
9	D28781903	1	Connector	
10	D28780326	1	Plate	
11	339560X1	2	Hex. Sock. Screw	M6 X 16
12	D45080018	1	Ram	
13	D28485350	1	Bracket	
14	D40445900	2	Pin	
15	D20400453	2	Washer	
17	D20400416	2	Washer	
18	D28480324	1	Variator	
	D28480140	2	Variator	(18)
19	D28480321	1	Bearing Carrier	(18)
20	D28480144	1	Washer	(18)
21	D28480316	1	Shaft	(18)
22	D40690400	12	Screw	(18) M8 X 25
23	D41628800	2	Ball Bearing	(18)
24	1441858X1	1	Grease Nipple	(18)
25	D45476400	2	O Ring	(18)
26	D41981100	1	Belt	
	D41981400	1	V Belt	
27	D28480317	1	Fork	
28	339337X1	6	Hex. Sock. Screw	M8 X 30
29	D20400506	4	Washer	
30	D40409400	2	Screw Metric	
31	339230X1	2	Hex. Sock. Screw	M6 X 10
32	D41981200	1	Belt	See Page - Reference Number 011-0002/90
33	D20400537	2	Spacer	
34	D28480866	1	Bracket	
35	339761X1	6	Hex. Sock. Screw	M8 X 25
36	D20400506	6	Washer	
37	394367X1	6	Locknut	M8

MF 7272/7274/7278 CERA COMBINE - 1637408
D-ZFZF-004-C

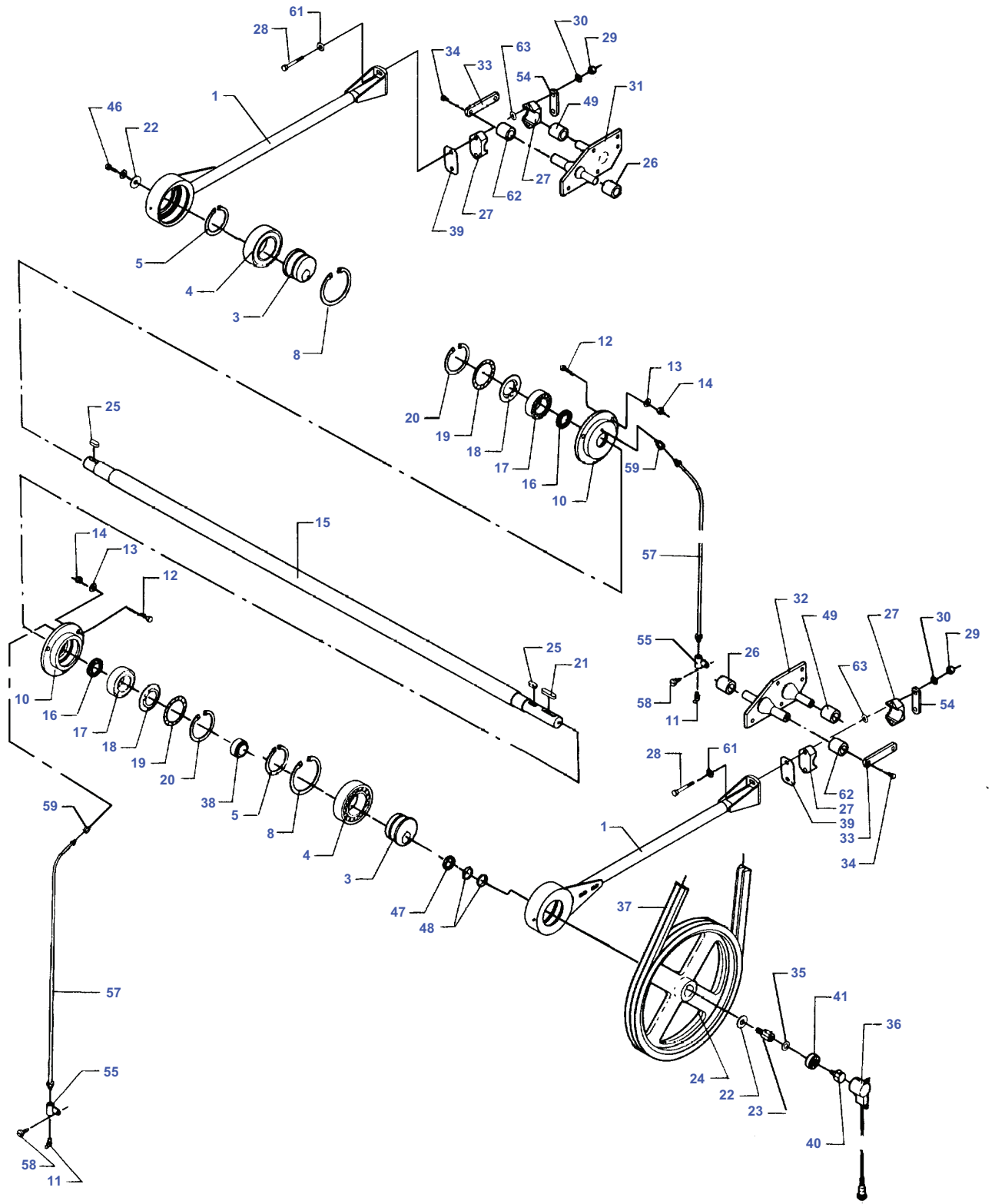


D-ZFZF-004-C

Counter Drive

Item	Part Number	Qty	Description	Comments
1	D20400473	4	Washer	
2	D28480588	1	Bracket	
3	D40407200	4	Hex. Sock. Screw	M10 X 45
5	D28480245	1	Bracket	
6	339761X1	4	Hex. Sock. Screw	M8 X 25
7	D20400414	4	Washer	
8	394367X1	4	Locknut	M8
9	D28384052	1	Pulley	
10	339199X1	2	Circlip	
11	SKF62042RS	2	Bear. 6204 2rs	
12	D28384054	1	Spacer	
13	D28380003	1	Ring	
14	D28384053	1	Bolt	
15	D28211025	1	Bolt	
16	1442739X1	1	Locknut	M16
17	339402X1	2	Nut	M10
18	D28480384	1	Bracket	
19	D40407200	2	Hex. Sock. Screw	M10 X 45
20	D28250441	1	Pulley	
21	339199X1	1	Circlip	
22	SKF62042RS	2	Bear. 6204 2rs	
23	D20400416	3	Washer	
24	D28250444	1	Bolt	
25	D28480457	1	Spacer	
26	D28850316	1	Bolt	
27	339402X1	2	Nut	M10
28	1442739X1	1	Locknut	M16
29	D28480895	1	Washer	
30	391347X1	1	Bear. 6010 2rs	
31	339437X1	1	Circlip	
32	D42515100	1	Circlip	
33	SKF60092RS	1	Bear. 6009 2rs	
34	D41990001	2	V Belt	See Page - Reference Number 004-0005/58
35	D41933900	1	Kit, V Belt	See Page - Reference Number 006-0008/37
36	D28485348	1	Cover	
37	D40690400	6	Screw	M8 X 25
38	D28480091	1	Bush	
39	D28380018	1	Bracket	
40	D28750882	1	Washer	
41	390419X1	1	Hex. Sock. Screw	M16 X 40
42	D28380178	1	Dog	
43	D28380020	1	Yoke	
44	3009507X1	5	Hex. Sock. Screw	M12 X 35
47	390799X1	2	Hex. Sock. Screw	M10 X 40
48	D41092500	3	Nut	
49	D20400415	2	Washer	
50	D28480252	1	Bracket	(18)

MF 7272/7274/7278 CERA COMBINE - 1637408
D-ZFZG-001-B

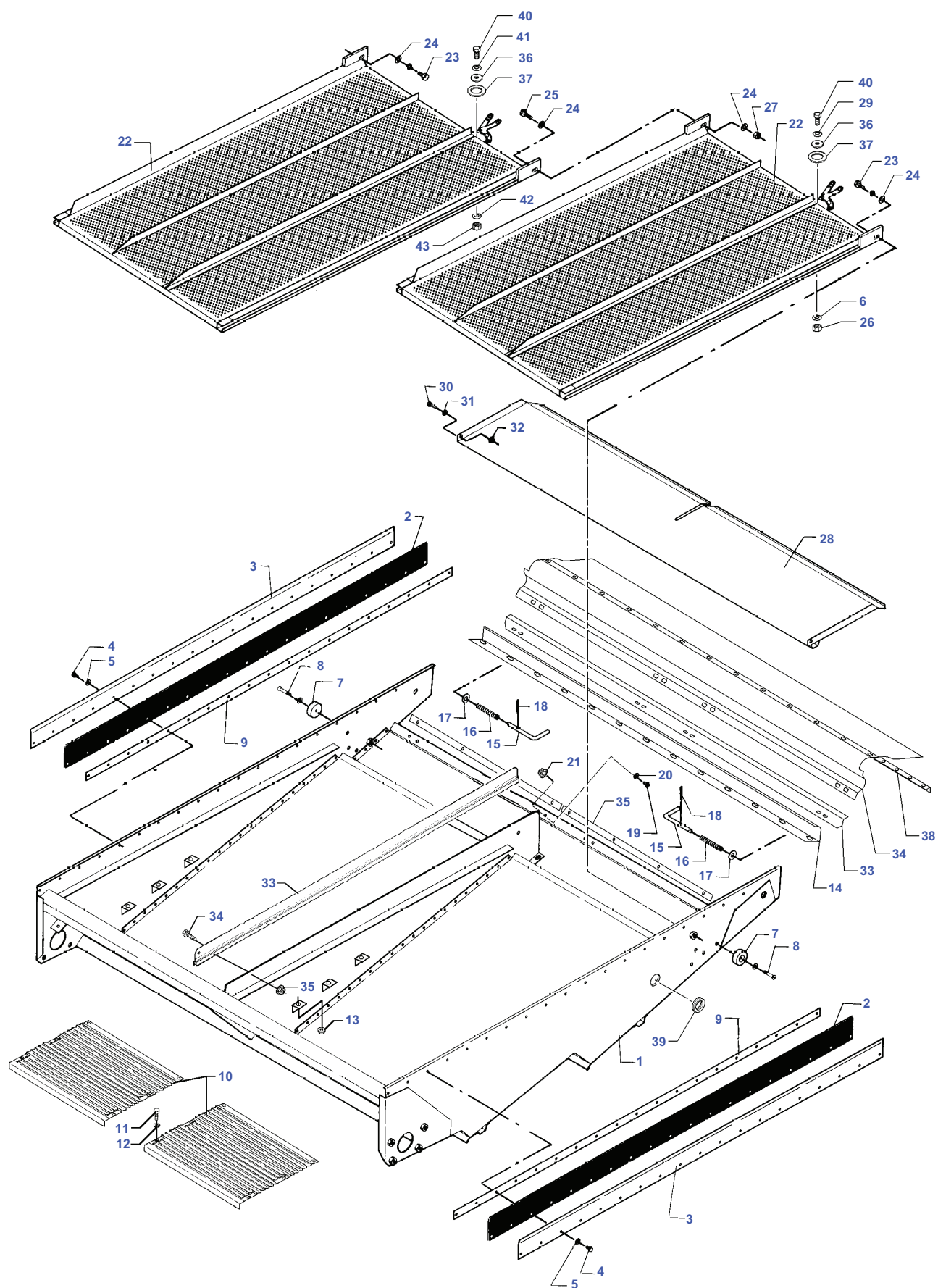


Eccentric Drive

Item	Part Number	Qty	Description	Comments
1	D28482436	2	Rod	Valid from machine/table no, can be used in new as well as in older machines 60416 For Italy only or any text in Italian only
3	D28482214	2	Eccentric	
4	D41615000	2	Ball Bearing	
5	D42506300	2	Circlip	
8	D42517200	2	Circlip	
10	D28480258	2	Bearing Carrier	
11	339003X1	2	Greaser	
12	3009493X1	6	Hex. Sock. Screw	M10 X 30
13	D20400471	6	Washer	
14	1440329X1	6	Locknut	M10
15	D28480266	1	Shaft	
16	D45478900	2	Ring	
17	SKF62082RS	2	Bear. 6208 2rs	
18	D45427500	2	Seal	
19	D41679500	2	Spacer	
20	1440516X1	2	Circlip	
21	1441579X1	1	Key Parallel	
22	D25400068	2	Washer	
23	D28780419	1	Threaded Part	
24	D28480460	1	Pulley	
25	339460X1	2	Key Parallel	
26	D28480268	2	Bush	
27	D28480526	4	Fitting	
28	D40439600	4	Hex. Sock. Screw	M10 X 90
29	D41092500	4	Nut	
30	D20400419	4	Washer	
31	D28480888	1	Support	Right Hand
32	D28480887	1	Support	Left Hand
33	D28480129	2	Link	
34	3009492X1	4	Hex. Sock. Screw	M10 X 25
35	D20400419	1	Washer	
36	D28780514	1	Sensor	
37	D41933900	1	Kit, V Belt	See Page - Reference Number 006-0007/35
38	D28480264	1	Bush	
39	D28480430	X	Chock	[A]
40	D28780516	1	Inductive Sensor	
41	1440487X1	1	Bear. 6203 2rs	
46	3009492X1	1	Hex. Sock. Screw	M10 X 25
47	D28480467	1	Ring	
48	D42596500	1	Tightener	
49	D46481600	2	Bush	
54	D28480571	2	Dog	
55	D43009200	2	Bracket	
57	D28780831	2	Tube	
58	339666X1	2	Hex. Sock. Screw	M6 X 20
59	D43009500	2	Connector	
61	D41112500	4	Washer	
62	D46481800	2	Bush	
63	D20400507	2	Spacer	

FOOTNOTE [A] QUANTITY AS REQUIRED

MF 7272/7274/7278 CERA COMBINE - 1637408
D-ZFZH-001-A



D-ZFZH-001-A

Lower Shaker Shoe And Sieves

Item	Part Number	Qty	Description	Comments
1	D28485167	1	Shaker Shoe	Up to Serial or Engine Number 57299 From Serial or Engine Number 57420 USE D28485379 IF COMBINE WITH ELECT SIEVES
	D28485379	1	Shaker Shoe	From Serial or Engine Number 57300 Up to Serial or Engine Number 57419
	D28480537	1	Shaker Shoe	(1) Up to Serial or Engine Number 57299 From Serial or Engine Number 57420 USE D28482339 IF COMBINE WITH ELECT SIEVES
	D28482339	1	Shaker Shoe	(1) From Serial or Engine Number 57300 Up to Serial or Engine Number 57419
2	D28480541	2	Gasket	(1) Up to Serial or Engine Number 57299 From Serial or Engine Number 57420
	D28482355	2	Gasket	(1) From Serial or Engine Number 57300 Up to Serial or Engine Number 57419
3	D28480540	2	Plate	(1) Up to Serial or Engine Number 57299 From Serial or Engine Number 57420
	D28482368	2	Plate	(1) From Serial or Engine Number 57300 Up to Serial or Engine Number 57419
4	339666X1	X	Hex. Sock. Screw	(1) M6 X 20
5	391038X1	X	Washer	(1)
6	D41112600	2	Cup Spring	
7	D28480097	2	Washer	(1)
8	1441585X1	2	Screw Metric	(1)
9	D28480496	2	Shim	(1)
10	D28480758	2	Plate	(1)
11	339123X1	8	Hex. Sock. Screw	(1) M8 X 20
12	D20400506	8	Washer	(1)
13	394367X1	8	Locknut	(1) M8
14	D28485248	1	Profile	(1)
15	D28485364	2	Lever	(1)
16	D27200158	2	Spring	(1)
17	D20400426	2	Washer	(1)
18	339129X1	2	Split Pin	(1) Diameter 3,2 X 25
19	339560X1	8	Hex. Sock. Screw	(1) M6 X 16
20	391038X1	8	Washer	(1)
21	1441462X1	8	Locknut	(1) M6
22	D28480099	2	Sieve	[A,C] Diameter 2,5 MM
	D28480309	2	Sieve	[A,D] Diameter 5 MM
	D28480310	2	Sieve	[A,D] Diameter 5 MM
23	339139X1	2	Hex. Sock. Screw	M12 X 25
24	D20400426	4	Washer	
25	1440716X1	1	Hex. Sock. Screw	M12 X 30
26	394367X1	2	Locknut	M8
27	1442190X1	1	Locknut	M12
28	D28480450	1	Plate	[A,B]
29	D41112900	2	Cup Spring	
30	339123X1	2	Hex. Sock. Screw	[A,B] M8 X 20
31	D20400500	2	Spacer	[A,B]
32	394367X1	2	Locknut	[A,B] M8
33	D28485250	1	Rail	

Lower Shaker Shoe And Sieves

Item	Part Number	Qty	Description	Comments
34	D28485446	1	Cover	
35	D28482350	2	Strip	
36	D28482231	2	Washer	
37	D45715900	2	Friction Disc	
38	D28480076	1	Rail	
39	D44732500	X	Grommet	
40	385370X1	2	Bolt	M8 X 25
41	D41112900	2	Cup Spring	
42	D41112600	2	Cup Spring	
43	394367X1	2	Locknut	M8

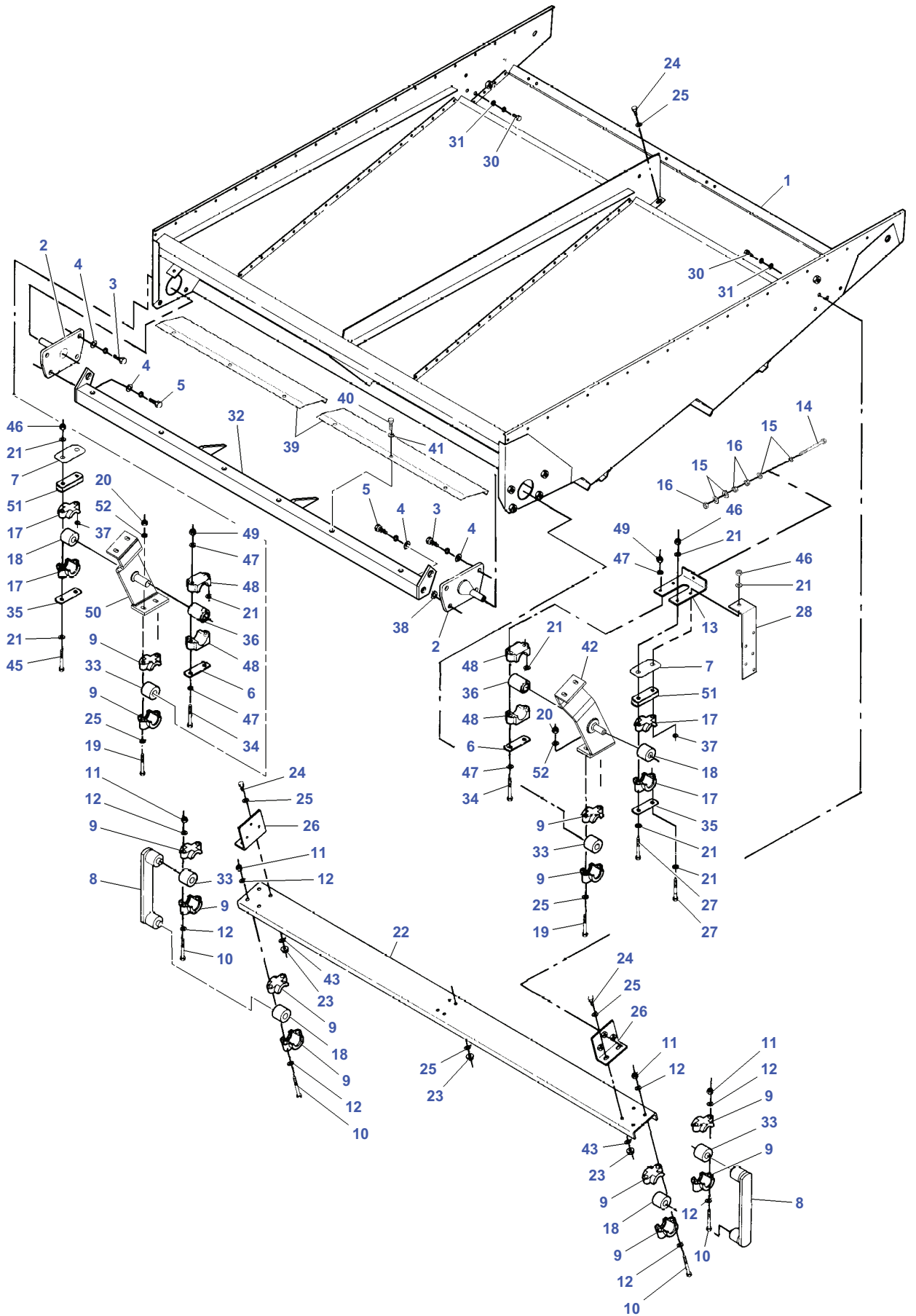
FOOTNOTE [A] OPTIONAL EQUIPMENT

FOOTNOTE [B] FOR MAIZE

FOOTNOTE [C] FOR CLOVER

FOOTNOTE [D] FOR RAPESEED

MF 7272/7274/7278 CEREAL COMBINE - 1637408
D-ZFZI-005-B



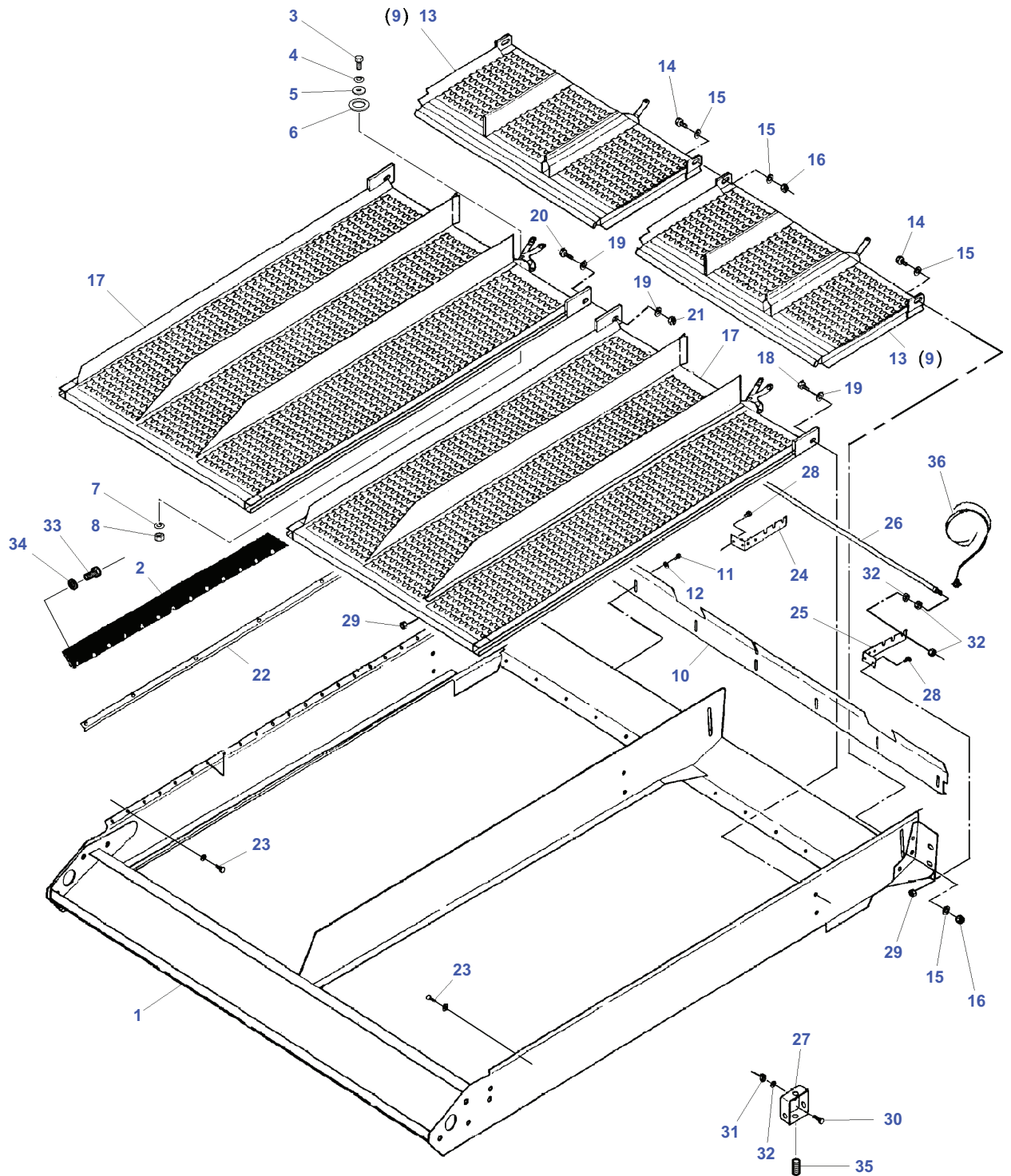
D-ZFZI-005-B

Lower Shaker Shoe And Suspension

Item	Part Number	Qty	Description	Comments
1	D28480537	1	Shaker Shoe	Up to Serial or Engine Number 57299 From Serial or Engine Number 57420 USE D28485379 IF COMBINE WITH ELECT SIEVES
	D28482339	1	Shaker Shoe	From Serial or Engine Number 57300 Up to Serial or Engine Number 57419
2	D28480505	2	Support	CPL
	D28480081	2	Bracket	(2)
3	1440716X1	6	Hex. Sock. Screw	M12 X 30
4	D20400537	8	Spacer	
5	390912X1	2	Hex. Sock. Screw	M12 X 40
6	D28485226	X	Clamp	
7	D28485234	X	Plate	
8	D28480909	2	Arm	
9	D28430010	8	Half Flange	
10	D40426500	8	Screw	
11	1440329X1	8	Locknut	M10
12	D20400419	16	Washer	
13	D28485227	1	Plate	
14	390122X1	1	Hex. Sock. Screw	M10 X 80
15	D20400419	4	Washer	
16	339402X1	3	Nut	M10
17	D28485224	8	Bracket	
18	D46481700	4	Bush	(2)
	D28450420	4	Bush	(8)
19	D40438900	6	Screw	
20	D41092500	X	Nut	
21	D20400426	X	Washer	
22	D28480127	1	Profile	
23	1440329X1	8	Locknut	M10
24	3009493X1	8	Hex. Sock. Screw	M10 X 30
25	D20400419	8	Washer	
26	D28480114	2	Angle.	
27	390171X1	X	Hex. Sock. Screw	M12 X 120
28	D28782403	1	Retainer	
30	3009491X1	6	Hex. Sock. Screw	M10 X 20
31	D20400419	6	Washer	
32	D28480502	1	Stay	
33	D28450420	4	Bush	
34	390806X1	4	Hex. Sock. Screw	M12 X 130
35	D28480860	2	Clamp	
36	D46481600	2	Bush	
37	D28480862	2	Shim	
38	D20400513	X	Spacer	[B]
39	D28480761	2	Plate	
40	339123X1	6	Hex. Sock. Screw	M8 X 20
41	D20400506	6	Washer	
42	D28485219	1	Arm	Left Hand CPL.
	D28485217	1	Arm	Left Hand
43	D20400416	4	Washer	
45	D40429600	2	Screw	
46	1442190X1	X	Locknut	M12
47	D20400426	8	Washer	
48	D28485223	4	Bracket	
49	1442190X1	4	Locknut	M12
50	D28485220	1	Arm	Right Hand CPL.
	D28485218	1	Arm	Right Hand
51	D28485225	X	Connector	
52	D20400473	4	Washer	

FOOTNOTE [B] OPTIONAL

MF 7272/7274/7278 CERA COMBINE - 1637408
D-ZFAZ-004-A



D-ZFAZ-004-A

Upper Shaker Shoe And Sieves

Item	Part Number	Qty	Description	Comments
1	D28485258	1	Shaker Shoe	Up to Serial or Engine Number 57299 From Serial or Engine Number 57420 USE D28485378 IF COMBINE WITH ELECT SIEVES CPL
	D28485378	1	Shaker Shoe	From Serial or Engine Number 57300 Up to Serial or Engine Number 57419 CPL.
	D28480542	1	Shaker Shoe	(1) Up to Serial or Engine Number 57299 From Serial or Engine Number 57420 USE D28482322 IF COMBINE WITH ELECT SIEVES
	D28482322	1	Boot	(1) From Serial or Engine Number 57300 Up to Serial or Engine Number 57419
2	D28480546	2	Gasket	(1)
3	385370X1	X	Bolt	M8 X 25
4	D41112900	X	Cup Spring	
5	D28482231	2	Washer	
6	D45715900	2	Friction Disc	
7	D41112600	X	Cup Spring	
8	394367X1	X	Locknut	M8
9	D28480783	2	Control	[C]
10	D28480992	1	Plate	
11	339666X1	7	Hex. Sock. Screw	M6 X 20
12	391038X1	7	Washer	
13	D28480101	2	Extension	[D]
	D28480432	2	Grille	[A,E]
14	339139X1	3	Hex. Sock. Screw	M12 X 25
15	D20400426	6	Washer	
16	1442190X1	3	Locknut	M12
17	D28480100	2	Sieve	
	D28480431	2	Sieve	[A,E]
	D28480451	2	Sieve	[A] GREAPLE 23
18	339139X1	2	Hex. Sock. Screw	M12 X 25
19	D20400426	4	Washer	
20	1440716X1	1	Hex. Sock. Screw	M12 X 30
21	1442190X1	1	Locknut	M12
22	D28480545	2	Rail	(1)
23	D40688200	2	Screw Metric	
24	D28780774	1	Support	[B] Right Hand
25	D28780773	1	Support	[B] Left Hand
26	D44900624	1	Sensor	[B] Repairs and replaces D45062700
27	D28781903	1	Connector	
28	339666X1	4	Hex. Sock. Screw	M6 X 20
29	D41010600	4	Nut	M6
30	392383X1	2	Screw	
31	D41010500	2	Nut	
32	392310X1	6	Nut	[B] M10
33	339123X1	14	Hex. Sock. Screw	M8 X 20
34	D20400506	16	Washer	
35	D45090071	1	Plug	
36	D45050067	1	Harness	

FOOTNOTE [A] OPTIONAL EQUIPMENT

FOOTNOTE [B] OPTIONAL EQUIPMENT GRAIN LOSS INDICATOR

FOOTNOTE [C] OPTIONAL EQUIPMENT STANDARD COMBINE, STANDARD EQUIPMENT AUTO LEVEL
COMBINE,SLOPES

FOOTNOTE [D] STANDARD COMBINE

Massey Ferguson

MF 7272/7274/7278 CEREAL COMBINE - 1637408

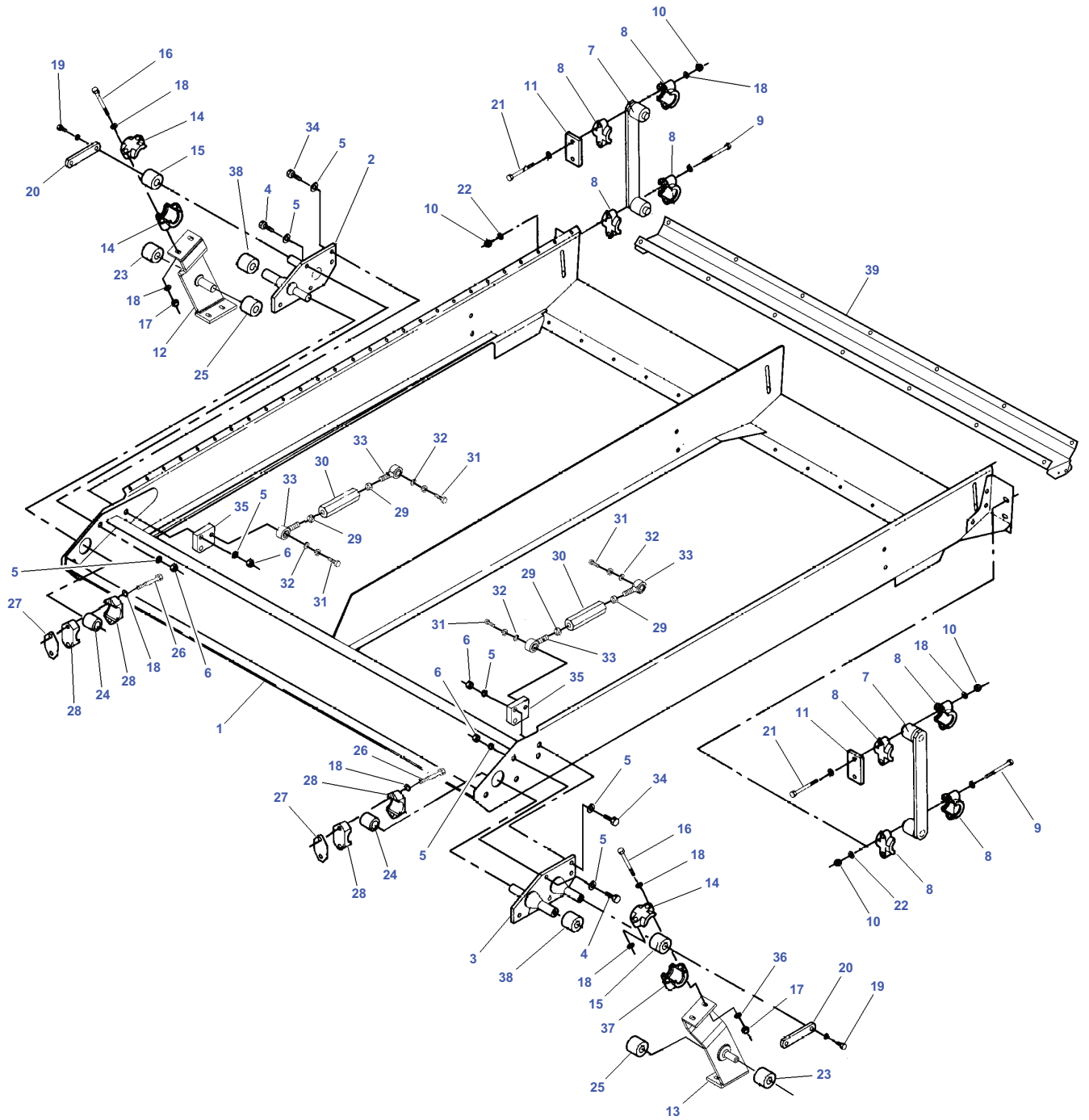
1637408

Upper Shaker Shoe And Sieves

Page006-0011

Item	Part Number	Qty	Description	Comments
			FOOTNOTE [E] FOR MAIZE	

MF 7272/7274/7278 CERA COMBINE - 1637408
D-ZFAA-001-A

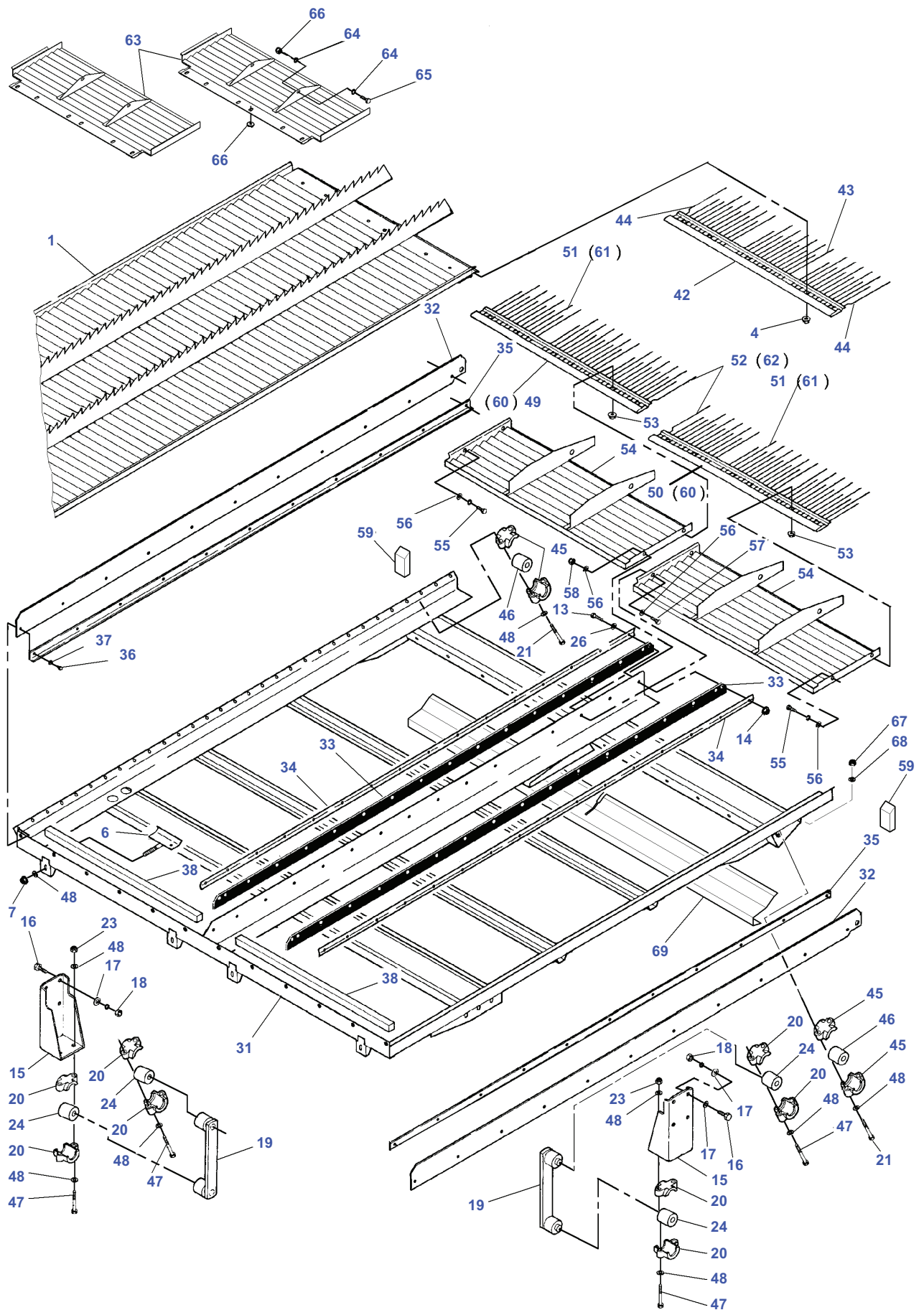


D-ZFAA-001-A

Upper Shaker Shoe And Suspension

Item	Part Number	Qty	Description	Comments
1	D28485258	1	Shaker Shoe	Up to Serial or Engine Number 57299 From Serial or Engine Number 57420 USE D28485378 IF COMBINE WITH ELECT SIEVES CPL
	D28485378	1	Shaker Shoe	From Serial or Engine Number 57300 Up to Serial or Engine Number 57419 CPL.
	D28480542	1	Shaker Shoe	(1) Up to Serial or Engine Number 57299 From Serial or Engine Number 57420 USE D28482322 IF COMBINE WITH ELECT SIEVES
	D28482322	1	Boot	(1) From Serial or Engine Number 57300 Up to Serial or Engine Number 57419
2	D28480888	1	Support	Right Hand
3	D28480887	1	Support	Left Hand
4	3009507X1	6	Hex. Sock. Screw	M12 X 35
5	D20400537	20	Spacer	
6	1442190X1	10	Locknut	M12
7	D28480911	2	Arm	
8	D28430010	8	Half Flange	
9	D40426500	4	Screw	
10	1440329X1	8	Locknut	M10
11	D28480235	2	Shim	
12	D28485220	1	Arm	Right Hand CPL.
	D28485218	1	Arm	(12) Right Hand
13	D28485219	1	Arm	Left Hand CPL.
	D28485217	1	Arm	(13) Left Hand
14	D28485244	4	Bracket	
15	D46481600	2	Bush	
16	3009503X1	4	Hex. Sock. Screw	M10 X 90
17	1440329X1	4	Locknut	M10
18	D20400426	8	Washer	
19	3009492X1	4	Hex. Sock. Screw	M10 X 25
20	D28480129	2	Link	
21	3009503X1	4	Hex. Sock. Screw	M10 X 90
22	D20400473	4	Washer	
23	D46481700	2	Bush	(12)
	D46481700	2	Bush	(13)
24	D28480268	4	Bush	
25	D46481600	2	Bush	(12)
	D46481600	2	Bush	(13)
26	D40426500	4	Screw	
27	D28480105	2	Plate	
28	D28480270	4	Half Flange	
29	3009695X1	4	Nut	M12
30	D28480838	2	Bolt	
31	3009507X1	4	Hex. Sock. Screw	M12 X 35
32	D20400424	4	Washer	
33	D45698800	4	Toggle	
34	D40411400	4	Screw Metric	
35	D28480694	2	Support	
36	D20400473	2	Washer	
37	D28485223	4	Bracket	
38	D46481800	X	Bush	
39	D28485323	1	Seal	

MF 7272/7274/7278 CERA COMBINE - 1637408
D-ZFAB-006-A



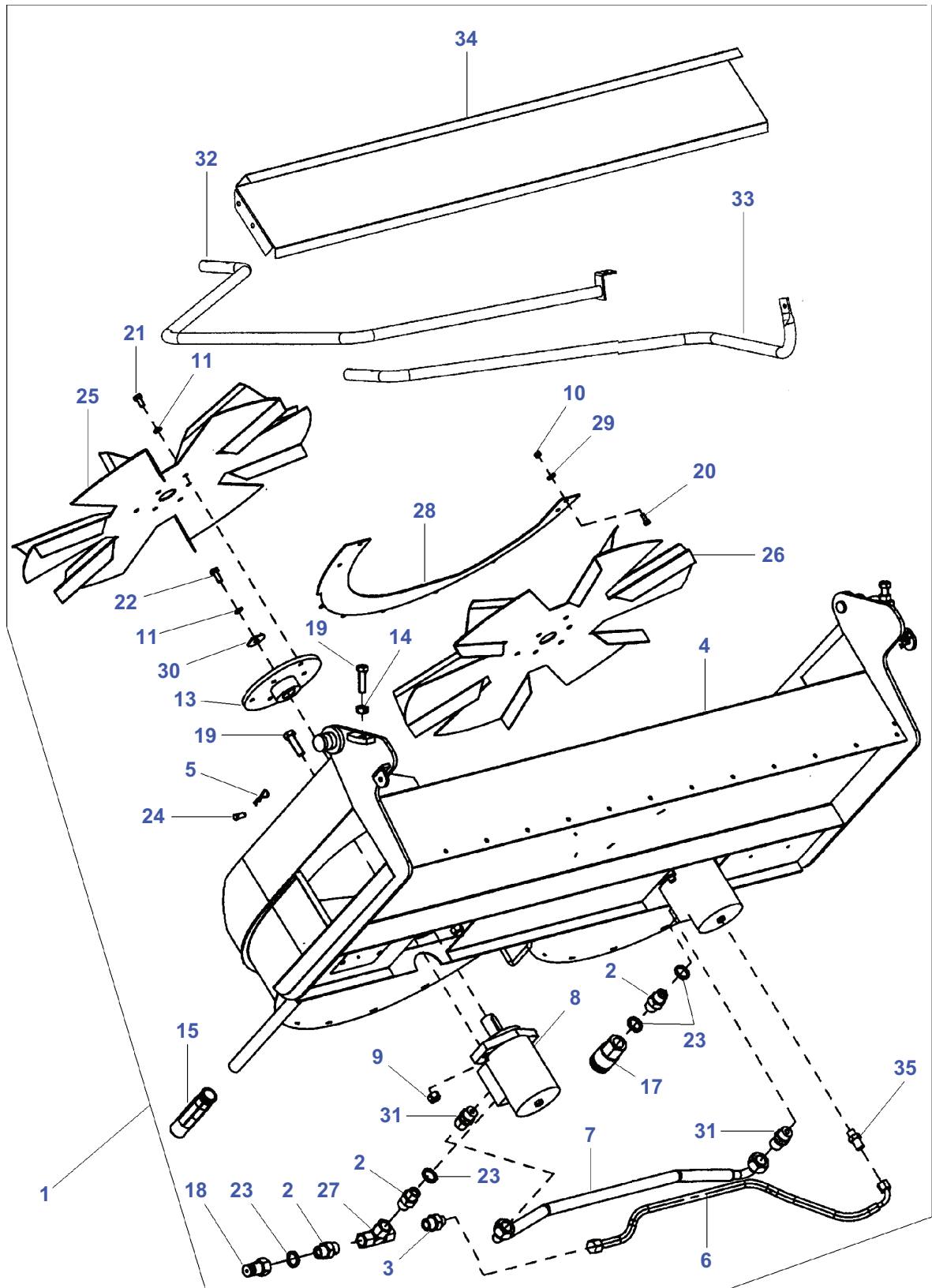
D-ZFAB-006-A

Conveyor Pan And Suspension

Item	Part Number	Qty	Description	Comments
1	D28480820	2	Pan	
4	394367X1	12	Locknut	M8
6	D28480012	4	Hook	
7	1440329X1	4	Locknut	M10
13	339262X1	9	Hex. Sock. Screw	M6 X 30
14	1441462X1	9	Locknut	M6
15	D28480070	2	Bracket	
16	1440716X1	8	Hex. Sock. Screw	M12 X 30
17	D20400426	16	Washer	
18	3009695X1	8	Nut	M12
19	D28480909	2	Arm	
20	D28430010	8	Half Flange	
21	D40426500	4	Screw	Up to Serial or Engine Number 57228 MF 7278 CEREAL
	D40426500	4	Screw	Up to Serial or Engine Number 57228 MF 7272 CEREAL
	D40438900	4	Screw	From Serial or Engine Number 57229
23	1440329X1	6	Locknut	M10
24	D28450420	4	Bush	(19)
26	391038X1	9	Washer	
31	D28480830	1	Frame	
	D28480816	1	Frame	(31)
32	D28480529	2	Gasket	(31)
33	D28480531	2	Gasket	(31)
34	D28480530	2	Rail	(31)
35	D28480528	2	Rail	(31)
36	339123X1	22	Hex. Sock. Screw	(31) M8 X 20
37	D20400506	22	Washer	(31)
38	D44740400	X	Gasket	(31) Length 2 M
42	D28480764	2	Rake	
43	D28450458	32	Pin	
44	D28482119	4	Pin	
45	D28480270	2	Half Flange	
46	D28480268	2	Bush	
47	339365X1	8	Hex. Sock. Screw	M10 X 80
48	D41112500	12	Washer	
49	D28480338	1	Rake	
50	D28480340	1	Rake	
51	D28450458	17	Pin	(49)
	D28450458	17	Pin	(50)
52	D28482119	1	Pin	(49)
	D28482119	1	Pin	(50)
53	394367X1	12	Locknut	M8
54	D28480725	2	Table	
55	339124X1	4	Hex. Sock. Screw	M8 X 16
56	D20400506	8	Washer	
57	339010X1	2	Hex. Sock. Screw	M8 X 40
58	394367X1	2	Locknut	M8
59	D28480929	2	Seal	
60	D28084225	2	Rake	[B] From Serial or Engine Number 61115
61	D28480734	32	Pin	[B]
62	D28480735	4	Pin	[B]
63	D28480886	2	Extension	[A]
64	D20400404	20	Washer	[A]
65	339124X1	4	Hex. Sock. Screw	[A] M8 X 16
66	394367X1	16	Locknut	[A] M8
67	D41092500	4	Nut	From Serial or Engine Number 57229
68	D20400473	4	Washer	From Serial or Engine Number 57229
69	D28480719	1	Plate	(31)

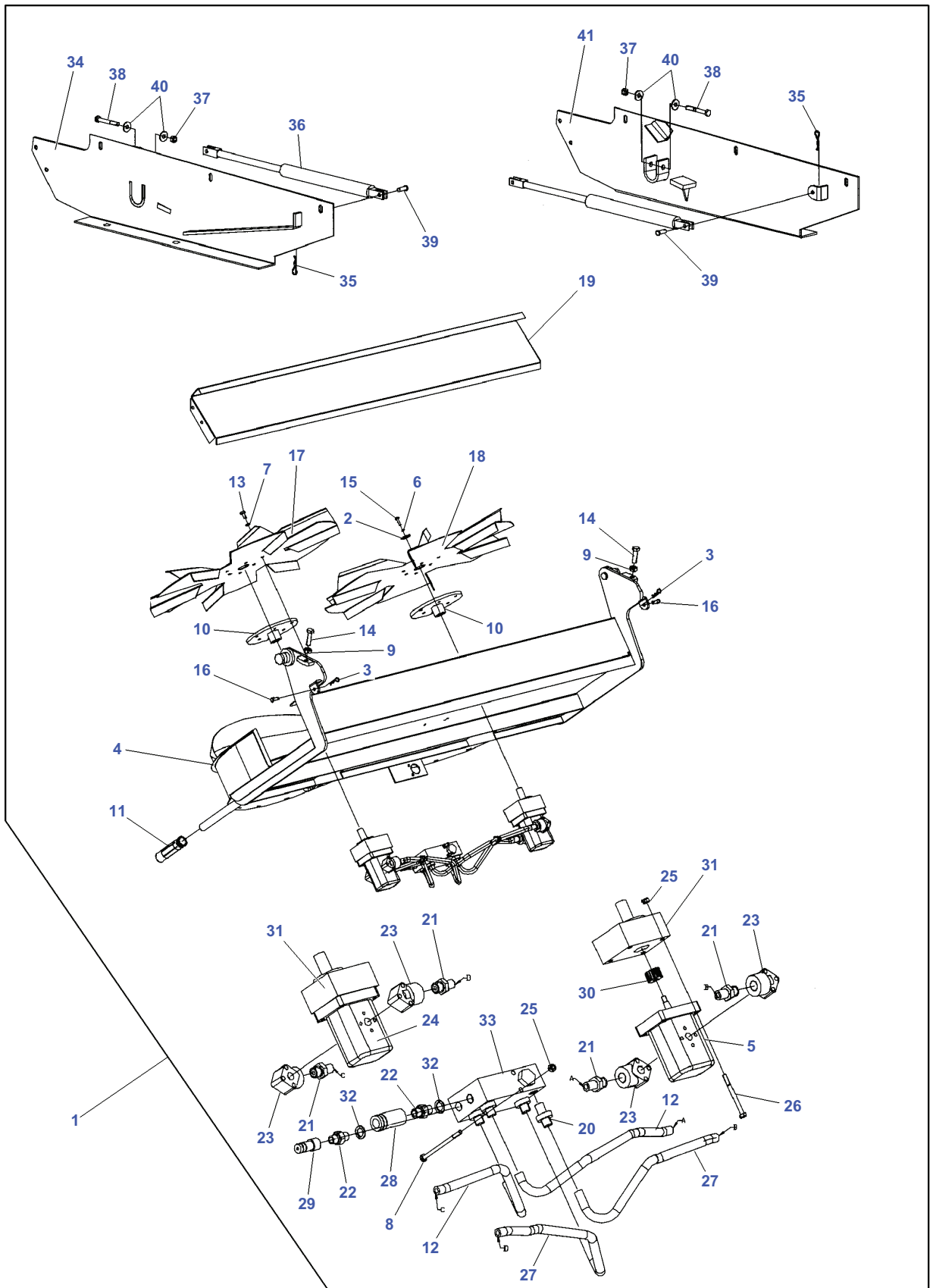
FOOTNOTE [A] OPTIONAL EQUIPMENT

FOOTNOTE [B] MAIZE EQUIPMENT



Item	Part Number	Qty	Description	Comments
1	D28086796	1	Spreader	8SW CPL.
2	D49080209	3	Adaptor	
3	D49070076	1	Connection	
4	D49080211	1	Housing	
5	D44358000	2	Hair Pin	
6	D49080213	1	Pipe	
7	D49080215	1	Pipe	
8	D49080216	2	Hydraulic Motor	
	D49080227	1	Kit, Seal	
9	1442190X1	4	Locknut	M12
10	1441462X1	10	Locknut	M6
11	D41102100	14	Washer	
13	D49080224	2	Hub	
14	3009695X1	2	Nut	M12
15	D49060088	1	Lever	
17	D49080217	1	Union	
18	D49080218	1	Hex. Sock. Screw	
19	D40412700	2	Bolt	M12 X 120
20	339560X1	10	Hex. Sock. Screw	M6 X 16
21	339124X1	12	Hex. Sock. Screw	M8 X 16
22	339123X1	2	Hex. Sock. Screw	M8 X 20
23	D49080226	4	Seal	
24	D49080137	2	Screw	
25	D49080142	1	Rotor	
26	D49080144	1	Rotor	
27	D49080225	1	Adaptor	
28	D49080220	1	Shield	
29	D20400470	10	Washer	
30	D20400410	2	Washer	
31	D49080221	2	Adaptor	
32	D49080222	1	Tube	
33	D49080223	1	Tube	
34	D49080146	1	Guide	
35	D49080208	1	Adaptor	

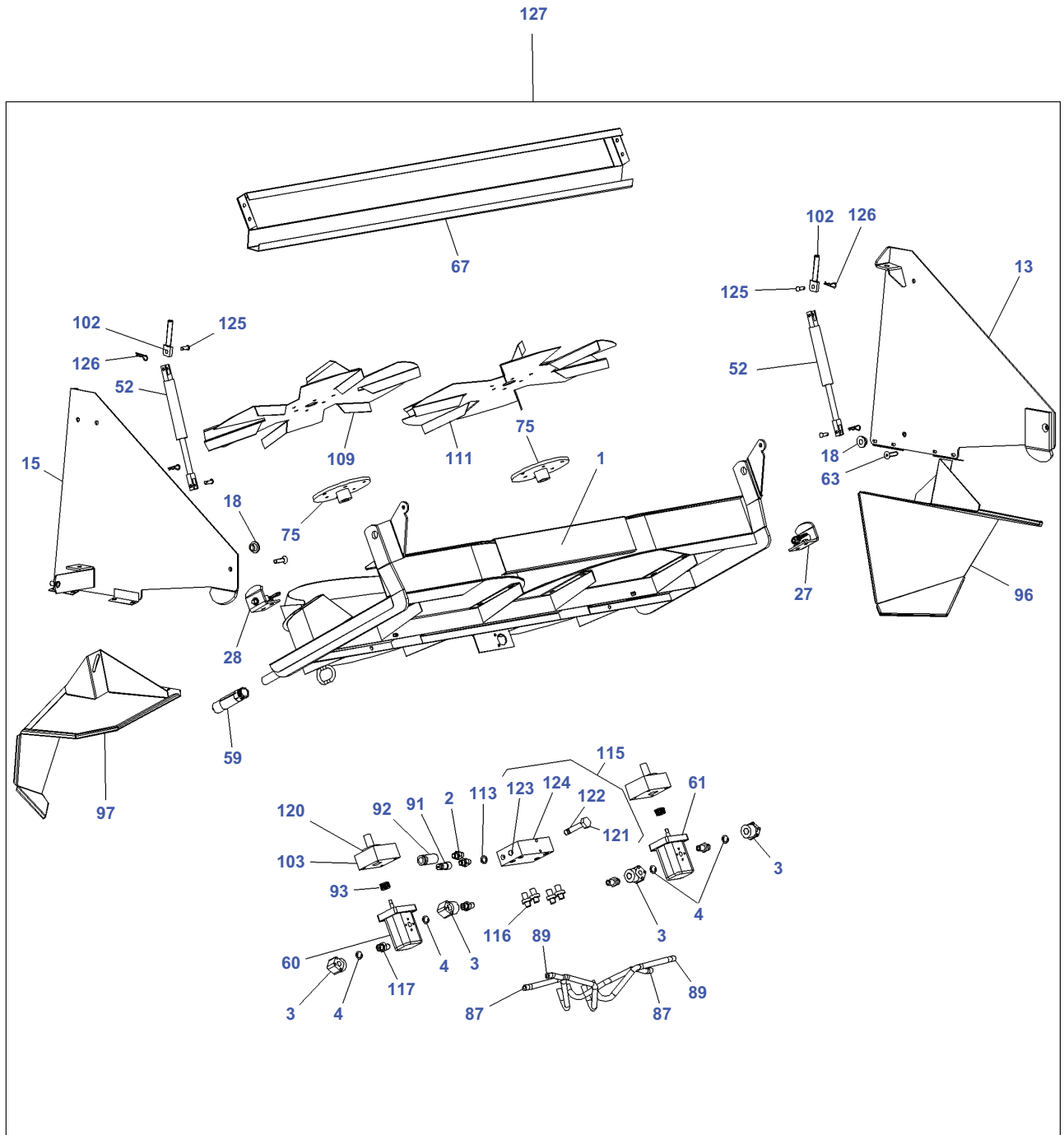
MF 7272/7274/7278 CERA COMBINE - 1637408
D-ZFAC-006-A



Item	Part Number	Qty	Description	Comments
1	D28086532	1	Spreader	[A] CPL. 8SW
2	D20400470	2	Washer	
3	D44358000	2	Hair Pin	
4	D49080140	1	Housing	Length 1680MM
5	D49070060	1	Hydraulic Motor	
	D49070065	1	Kit, Seal	
6	D41101900	2	Spring Washer	
7	D41102100	12	Washer	
8	D40423000	2	Screw	
9	D41100900	2	Spring Washer	
10	D49070008	2	Hub	
11	D49060088	1	Lever	
12	D49080128	2	Pipe	Length 1680MM
13	D40404700	12	Hex. Sock. Screw	
14	D40412700	2	Bolt	M12X120
15	40402600	2	Screw	
16	D49080137	2	Screw	
17	D49080142	1	Rotor	Length 1680MM
18	D49080144	1	Rotor	Length 1680MM
19	D49080146	1	Guide	Length 1680MM
20	D49080133	4	Union	
21	D49080134	4	Union	
22	D49080119	2	Adaptor	
23	D49070026	4	Flange	
24	D49070059	1	Hydraulic Motor	
	D49070065	1	Kit, Seal	
25	1441462X1	10	Locknut	
26	D40422700	8	Hex. Sock. Screw	
27	D49080130	2	Pipe	Length 1680MM
28	D49080131	1	Belt	
29	D49080132	1	Belt	
30	D49070064	2	Nut	
31	D49070025	2	Bearing	
32	D45232400	2	Washer	
33	D49070056	1	Pressure Valve	Cpl.
34	D49080147	1	Support	
35	D44358000	2	Hair Pin	
36	D49080148	2	Cylinder	
37	394367X1	2	Locknut	
38	D40424100	2	Hex. Sock. Screw	
39	D49080137	2	Screw	
40	D20400506	4	Washer	
41	D49080149	1	Bracket	

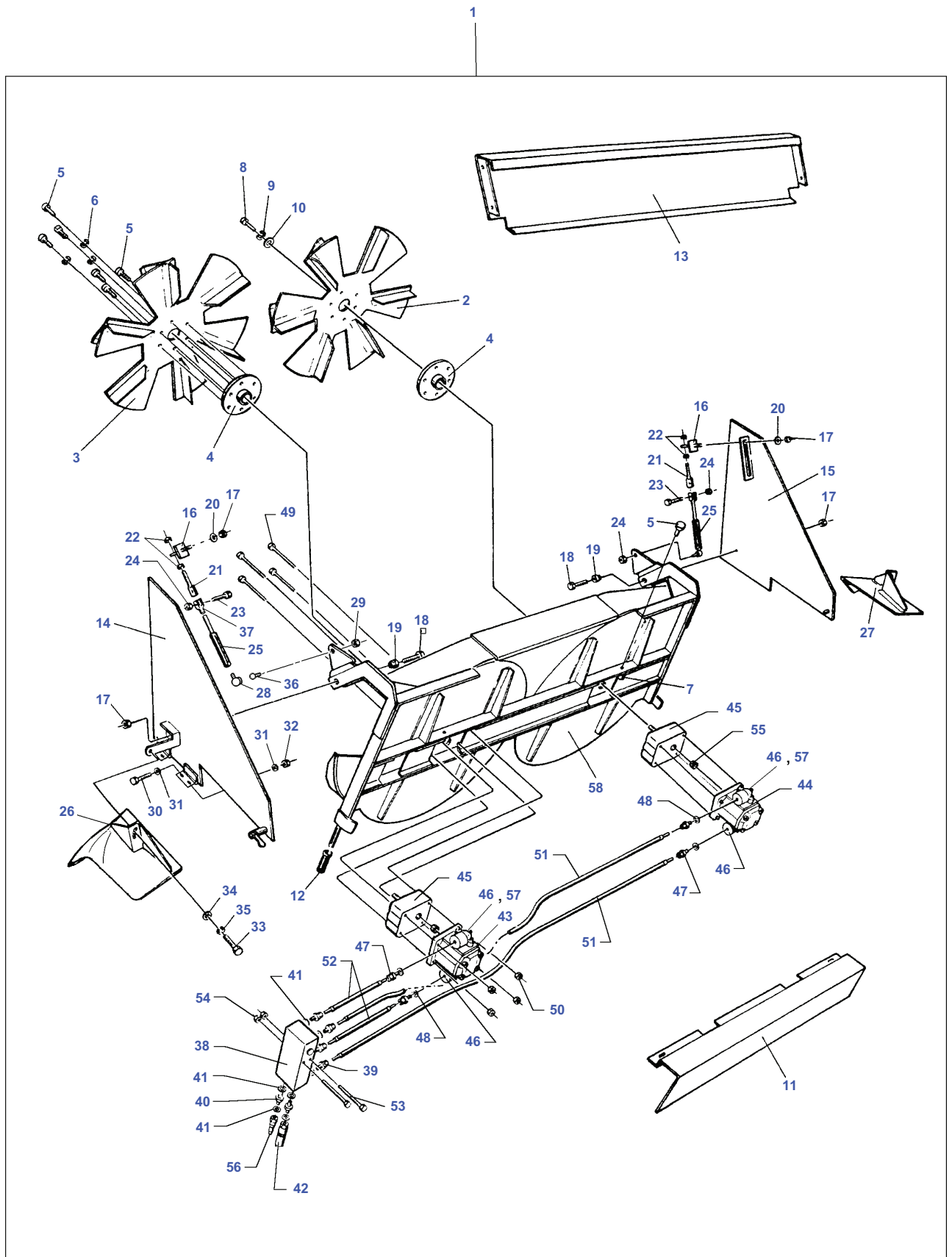
FOOTNOTE [A] 59115/314/517/518/519/586 60050/51/59/250/259/260/ 262/263/264/265/266/267/268/269/270

MF 7272/7274/7278 CEREAL COMBINE - 1637408
D-ZFAC-009-A



Item	Part Number	Qty	Description	Comments
1	D49080124	1	Spreader	Length 1400mm
	D49080125	1	Spreader	Length 1680mm
2	D49080119	2	Adaptor	
3	D49070026	4	Flange	
4	D45461700	2	O Ring	
13	D49080120	1	Plate	
15	D49080121	1	Plate	
18	D49080079	2	Spacer	
27	D49080122	1	Angle.	
28	D49080123	1	Angle.	
52	D49080126	2	Gas Strut	
59	D49060088	1	Lever	
60	D49070059	1	Hydraulic Motor	
	D49070065	1	Kit, Seal	
61	D49070060	1	Hydraulic Motor	
	D49070065	1	Kit, Seal	
63	D40603300	2	Screw Metric	
67	D49070047	1	Cover	Length 1400mm
	D49070048	1	Cover	Length 1680mm
75	D49070008	2	Hub	
87	D49080127	2	Pipe	Length 1400mm
	D49080128	2	Pipe	Length 1680mm
89	D49080129	2	Pipe	Length 1400mm
	D49080130	2	Pipe	Length 1680mm
91	D49080131	1	Belt	
92	D49080132	1	Belt	
93	D49070064	2	Nut	
96	D49070054	1	Plate	
97	D49070053	1	Plate	
102	D49080047	2	Tensioner	
103	D49070025	2	Bearing	
109	D49070037	1	Rotor	Length 1400mm
	D49070044	1	Rotor	Length 1680mm
111	D49070038	1	Rotor	Length 1400mm
	D49070043	1	Rotor	Length 1680mm
113	D45232400	2	Washer	
115	D49070056	1	Pressure Valve	
116	D49080133	4	Union	
117	D49080134	4	Union	
120	D49080138	2	Kit, Seal	
121	D49070068	1	Divider	
122	D49070020	1	Kit, Gasket	
123	D49070069	1	Non Return Valve	
124	D49080135	1	Cover	
125	D49080137	4	Screw	
126	D44358000	4	Hair Pin	
127	D49080107	1	Spreader	CPL-1680MM
	D49080106	1	Spreader	CPL 1400MM

MF 7272/7274/7278 CERA COMBINE - 1637408
D-ZFAC-008-A



D-ZFAC-008-A

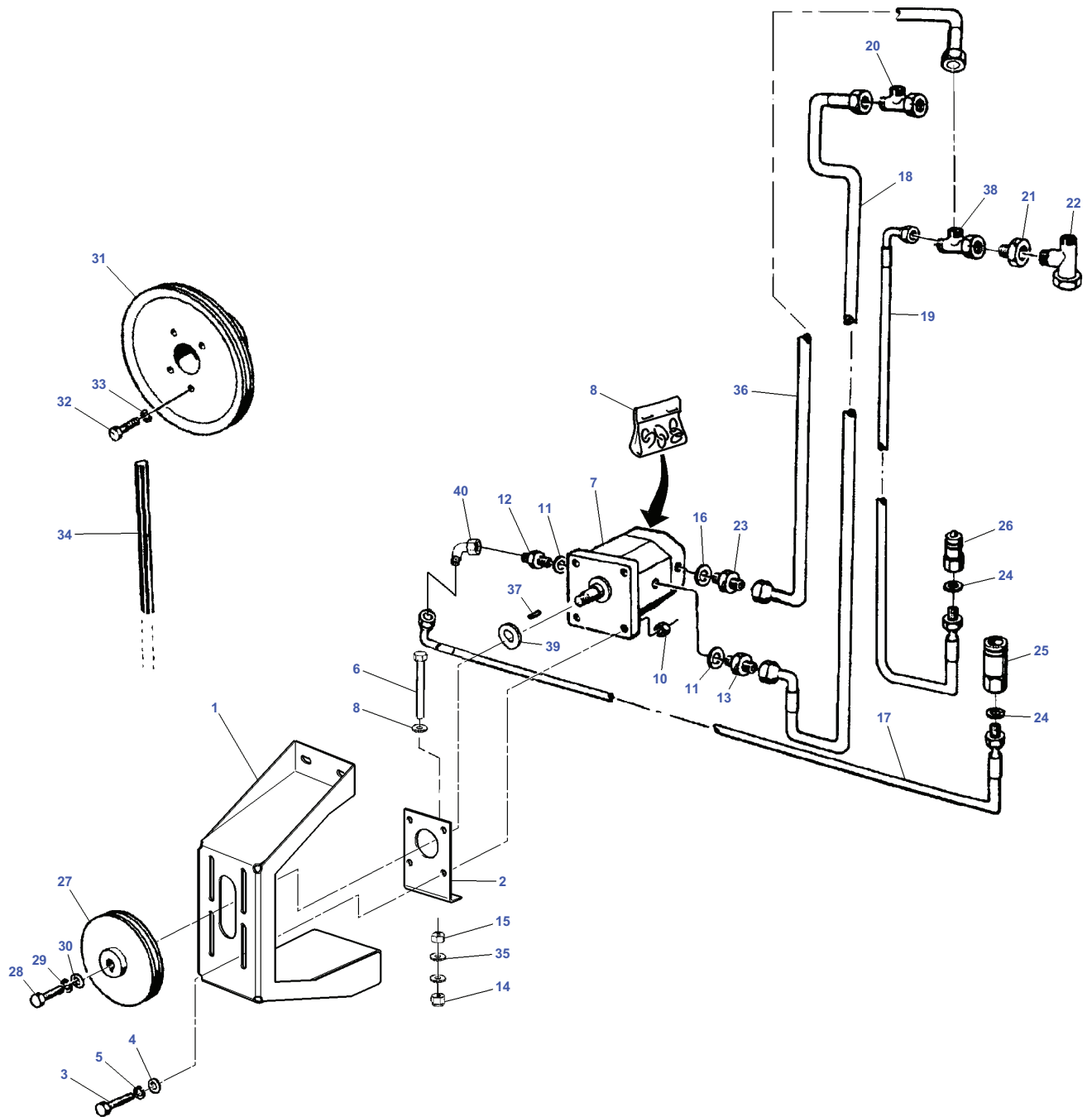
Massey Ferguson**MF 7272/7274/7278 CEREAL COMBINE - 1637408**

1637408

Chaff Spreader - Rekord - M.F 7278 - Up To 57722

Page006-0017

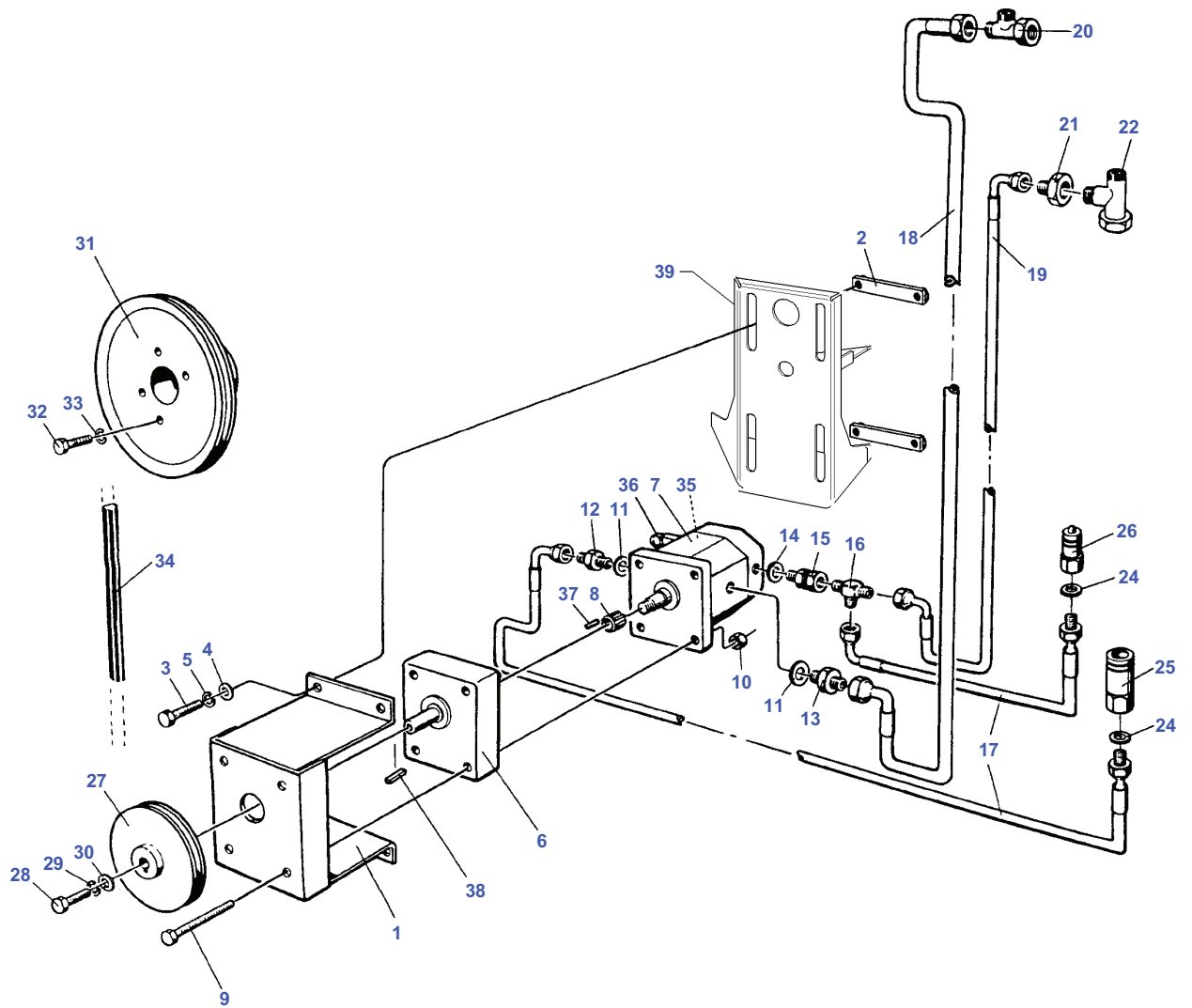
Item	Part Number	Qty	Description	Comments
1	D49070039	1	Spreader	
2	D49070043	1	Rotor	Right Hand
3	D49070044	1	Rotor	Left Hand
4	D49070008	2	Hub	
5	D40404700	14	Hex. Sock. Screw	
6	D41102100	12	Washer	
7	394367X1	2	Locknut	
8	D40402600	2	Hex. Sock. Screw	
9	D41100600	2	Spring Washer	
10	D20400470	2	Washer	
11	D49070046	1	Guard	
12	D49060088	1	Lever	
13	D49070048	1	Cover	
14	D49070049	1	Plate	Left Hand
15	D49070050	1	Plate	Right Hand
16	D49070051	1	Support	Left Hand
17	D41087700	4	Locknut	
18	D40411100	2	Hex. Sock. Screw	
19	D49080079	2	Spacer	
20	D20400426	2	Washer	
21	D49080047	2	Tensioner	
22	D41010900	4	Nut	
23	D40405000	2	Hex. Sock. Screw	
24	394367X1	4	Locknut	
25	D49080049	2	Gas Strut	
26	D49070053	1	Plate	Left Hand
27	D49070054	1	Plate	Right Hand
28	D49070104	1	Yoke	
29	D41087600	X	Locknut	
30	D40400700	8	Hex. Sock. Screw	
31	D20400402	16	Washer	
32	D41087300	8	Locknut	
33	D40407600	2	Hex. Sock. Screw	
34	D20400419	2	Washer	
35	D41101900	2	Spring Washer	
36	D49080102	1	Pivot	
37	D49070103	X	Yoke	
38	D49070056	1	Pressure Valve	
39	D45252800	4	Union	
40	D49070031	2	Connector	
41	D45232400	8	Washer	
42	D49070057	1	Coupling	
43	D49070059	1	Hydraulic Motor	Left Hand
	D49070065	1	Kit, Seal	
44	D49070060	1	Hydraulic Motor	Right Hand
	D49070065	1	Kit, Seal	
45	D49070025	2	Bearing	
46	D49070026	4	Flange	
47	D45252600	4	Union	
48	D49070027	4	Seal	
49	D40422700	8	Hex. Sock. Screw	
50	1441462X1	8	Locknut	Replace and repair. Old not interchangeable with new D41087400
51	D49070062	2	Hose	
52	D49070063	2	Hose	
53	D40423000	2	Screw	
54	1441462X1	2	Locknut	Replace and repair. Old not interchangeable with new D41087400
55	D49070064	2	Nut	
56	D49070058	1	Coupling	
57	D45483200	1	O Ring	
58	D49070042	1	Housing	



Item	Part Number	Qty	Description	Comments
1	D28485394	1	Bracket	Valid from machine/table no,can be used in new as well as in older machines 61075
2	D28485398	1	Bracket	
3	339337X1	4	Hex. Sock. Screw	M8 X 30
4	D20400506	4	Washer	
5	D41102100	4	Washer	
6	D40412700	1	Bolt	M12 X 120
7	D45120038	1	Hydraulic Pump	
8	D45120032	1	Kit, Seal	
9	339337X1	4	Hex. Sock. Screw	[A] M8 X 30
10	394367X1	4	Locknut	M8
11	D45420100	1	Seal	3/4"
	D45420300	1	Gasket	1/2"
12	D45217400	1	Nipple	
13	D45247400	1	Nipple	
14	1442190X1	1	Locknut	M12
15	3009695X1	1	Nut	M12
16	D45420300	1	Gasket	
17	D45130068	1	Hose	Length 5500 mm
18	D45130069	1	Hose	Length 4000 mm
19	D45130070	1	Hose	Length 5000 mm
20	D45266500	1	Fork	
21	D45273200	1	Union	
22	D45266800	1	Fitting	
23	D45252700	1	Union	
24	D45713700	2	Gasket	Valid from machine/table no,can be used in new as well as in older machines 58975
25	D45135000	1	Union	
26	D45134900	1	Union	
27	D28485390	1	Pulley	
28	339123X1	1	Hex. Sock. Screw	M8 X 20
29	D41102100	1	Washer	
30	D20400408	1	Washer	
31	D28485388	1	Pulley	
32	339368X1	4	Hex. Sock. Screw	M8 X 60
33	D41102100	4	Washer	
34	D41921500	1	V Belt	
35	D20400426	3	Washer	
36	D45266300	1	Union	
37	D43102400	1	Key	
38	D45266300	1	Union	
39	D45120039	1	Ring	
40	D45265200	1	Union	

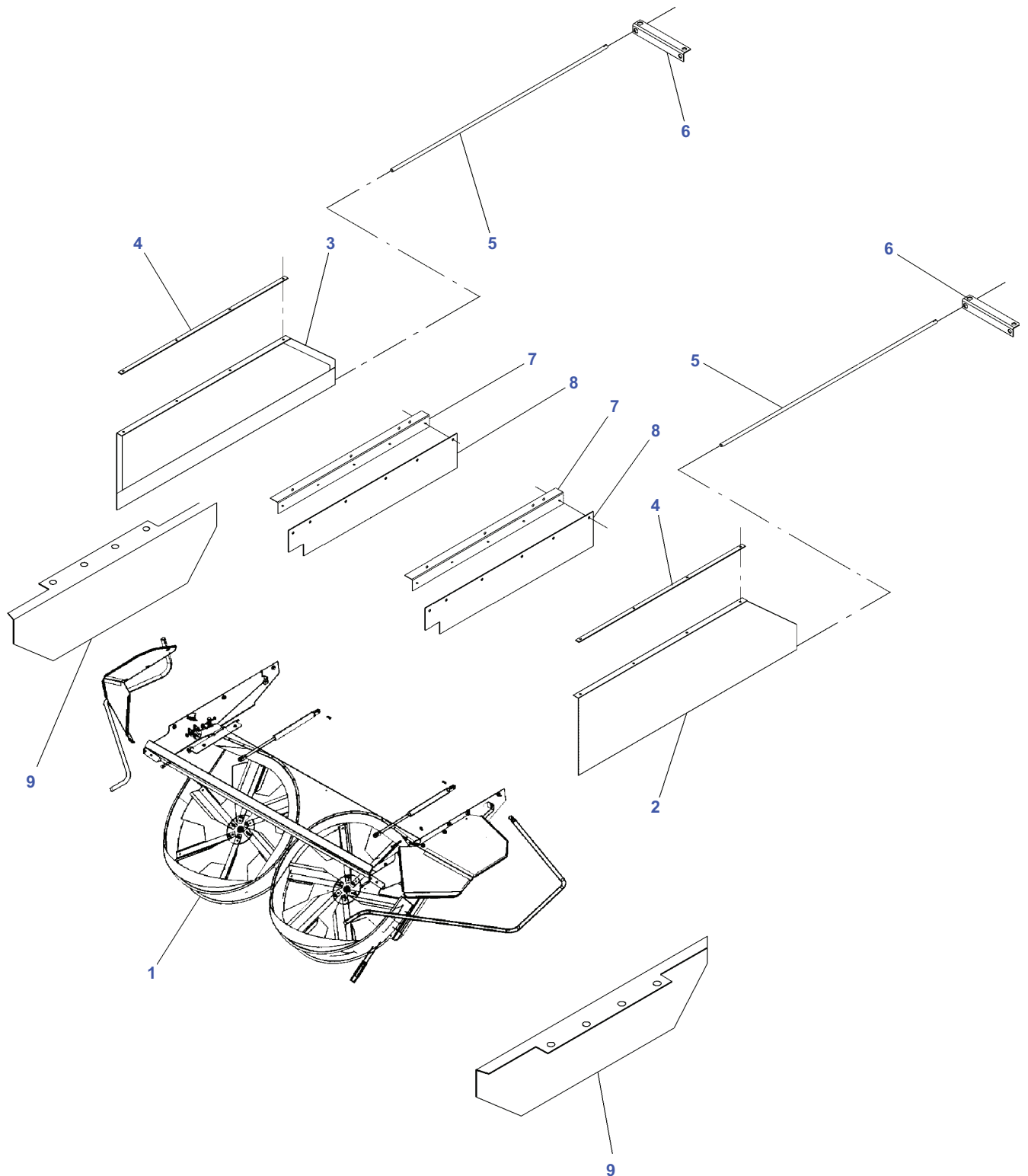
FOOTNOTE [A] NOT ILLUSTRATED

MF 7272/7274/7278 CERA COMBINE - 1637408
D-ZFAD-001-A



D-ZFAD-001-A

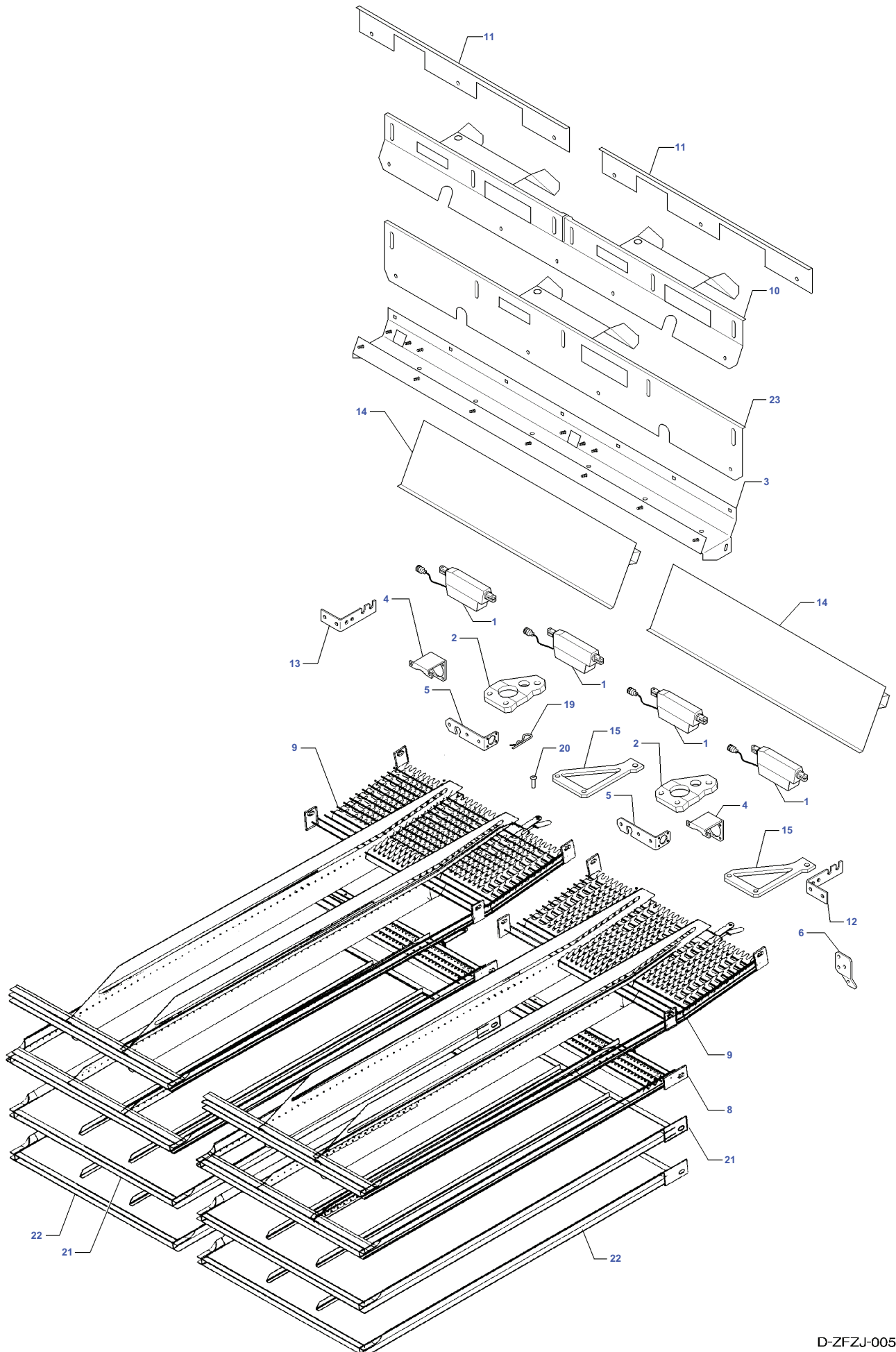
Item	Part Number	Qty	Description	Comments
1	D49070070	1	Bracket	
2	D49070071	2	Mounting	
3	D40405100	4	Hex. Sock. Screw	
4	D20400506	4	Washer	
5	D41102100	4	Washer	
6	D49070072	1	Support	
7	D49070073	1	Pump	
8	D49070074	1	Nut	
9	D40424500	4	Screw	
10	394367X1	4	Locknut	
11	D49070075	2	Gasket	
12	D49070076	1	Connection	
13	D49070077	1	Connection	
14	D49070027	1	Seal	
15	D49070078	1	Connection	
16	D49070079	1	Connection	
17	D49070080	2	Hose	
18	D49070081	1	Hose	
19	D49070082	1	Hose	
20	D45266500	1	Fork	
21	D45273200	1	Union	
22	D45266800	1	Fitting	
24	D49070022	2	Seal	
25	D45135000	1	Union	
26	D45134900	1	Union	
27	D49070084	1	Pulley	
28	D40404900	1	Hex. Sock. Screw	
29	D41102100	1	Washer	
30	D20400411	1	Washer	
31	D49070085	1	Pulley	
32	D40424100	4	Hex. Sock. Screw	
33	D41102100	4	Washer	
34	D41921700	1	Belt	MF 7278
35	D49070086	1	Kit, Seal	
36	D49070052	1	Pressure Valve	
37	D43171100	1	Key	
38	D43102400	1	Key	
39	D28485351	1	Console	



Windbreak And Side Guard For Chaff Spreader

Item	Part Number	Qty	Description	Comments
1	D28085887	1	Spreader	CPL. Up to Serial or Engine Number 58009
	D28086532	1	Spreader	Cpl. From Serial or Engine Number 58010
2	D28185783	1	Panel	
3	D28185784	1	Panel	
4	D28185975	2	Rod	
5	D28185976	2	Tube	
6	D28185785	2	Support	
7	D28186019	2	Angle.	Up to Serial or Engine Number 58548
8	D28186020	2	Side	Up to Serial or Engine Number 58548
	D28186020	2	Side	
9	D28186666	2	Side	From Serial or Engine Number 58549

MF 7272/7274/7278 CERA COMBINE - 1637408
D-ZFZJ-005-C

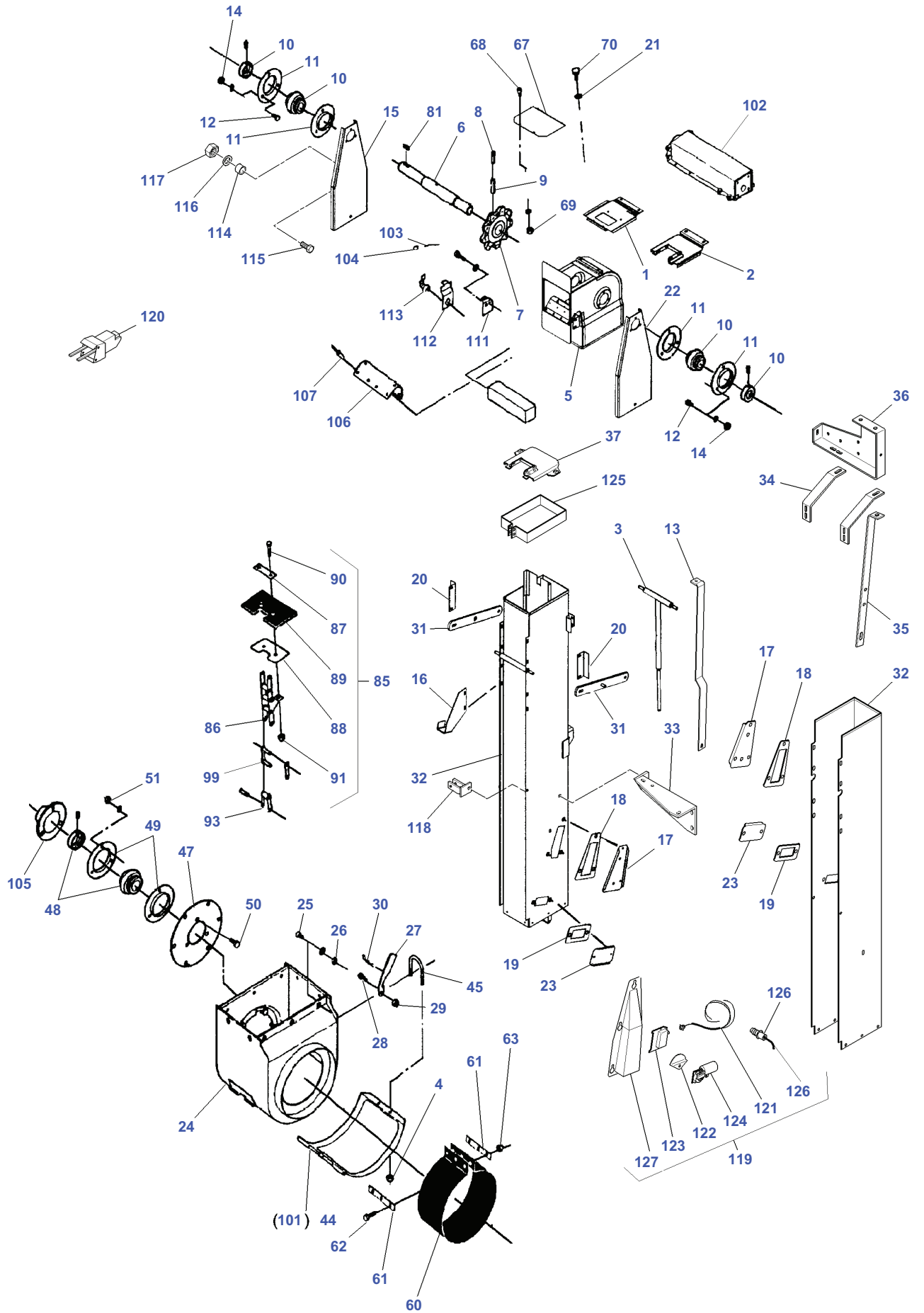


D-ZFZJ-005-C

Electric Screen

Item	Part Number	Qty	Description	Comments
1	D28482313	4	Actuator	
2	D28482314	2	Bracket	
3	D28482330	1	Bolt	
4	D28482343	2	Stop	
5	D28482347	2	Stop	
6	D28482348	1	Console	
8	D28482374	2	Sieve	
9	D28482378	2	Sieve	
10	D28482387	1	Rake	
11	D28482391	2	Plate	
12	D28482396	1	Support	
13	D28482397	1	Support	
14	D28482399	2	Profile	
15	D28482400	2	Bracket	
19	D44358000	8	Hair Pin	
20	D45905500	8	Bolt	
21	D28482381	2	Grille	Diameter 2,50 mm
22	D28482382	2	Grille	Diameter 5,00 mm
23	D28482393	1	Plate	

MF 7272/7274/7278 CERA COMBINE - 1637408
D-ZGZA-004-E



D-ZGZA-004-E

Filling Elevator

Item	Part Number	Qty	Description	Comments
1	D28585144	1	Cover	[A]
2	D28580478	1	Cover	[B] Valid from machine/table no,can be used in new as well as in older machines 60416
3	D28585125	1	Rod	
4	1441462X1	X	Locknut	M6
5	D28585300	1	Head	Valid from machine/table no,can be used in new as well as in older machines 59088
6	D28585022	1	Shaft	
7	D28580448	1	Sprocket	
8	395557X1	1	Spirol Pin	Diameter 5 X 50
9	339307X1	1	Pin	Diameter 8 X 50
10	412260M1	2	Ball Bearing	
11	D41708700	4	Flange	
12	339124X1	6	Hex. Sock. Screw	M8 X 16
13	D28585331	1	Stay	
14	339169X1	6	Nut	M8
15	D28585139	1	Bracket	
16	D28585142	1	Plate	
17	D28585128	1	Plate	
18	D28585138	1	Seal	
19	D28585140	1	Seal	
20	D28585122	2	Guide	
21	D20400506	X	Washer	
22	D28585124	1	Bracket	
23	D28585133	1	Plate	
24	D28585296	1	Bottom	[D] Valid from machine/table no,can be used in new as well as in older machines 59088
25	1441267X1	12	Screw	M6 X 16
26	1441462X1	12	Locknut	M6
27	D28560162	1	Lever	
28	339804X1	1	Hex. Sock. Screw	M6 X 25
29	1441462X1	1	Locknut	M6
30	D27100120	1	Hair Pin	
31	D28585132	2	Arm	
32	D28585329	1	Housing	Valid from machine/table no,can be used in new as well as in older machines 59088
33	D28580118	1	Bracket	
34	D28580250	2	Bracket	
35	D28582012	1	Stay	
36	D28181404	1	Bracket	
37	D28580401	1	Cover	
44	D28585295	1	Bottom	[D] Valid from machine/table no,can be used in new as well as in older machines 59088
45	D28560165	1	U Bolt	
47	D28580245	1	Bearing Plate	
48	D41708600	1	Ball Bearing	
49	D41708800	2	Bearing Flange	
50	D40407000	3	Screw	
51	339402X1	3	Nut	M10
60	D28480219	1	Plate	
61	D28550247	2	Plate	
62	339666X1	3	Hex. Sock. Screw	M6 X 20
63	1441462X1	3	Locknut	M6
67	D28580406	1	Cover	
68	D40688000	4	Screw	
69	1441462X1	4	Locknut	M61
70	339011X1	2	Hex. Sock. Screw	M8 X 45
81	D43103200	1	Key	
85	D28585175	1	Chain	
86	D42350300	1	Chain	
87	D28550323	30	Plate	
88	D28585026	30	Plate	
89	D28585021	30	Rubber Piece	

Filling Elevator

Item	Part Number	Qty	Description	Comments
90	339337X1	60	Hex. Sock. Screw	M8 X 30
91	394367X1	60	Locknut	M8
93	D42350900	1	Link	
99	D42350800	1	Connecting Link	
101	D28585344	1	Lid	[C]
102	D28780630	1	Sensor	CPL.
103	D01906800	X	Wire	
104	D43407400	1	Seal	
105	D28761667	1	Cover	
106	D28585070	1	Cover	
107	D41399800	8	Rivet	
111	D28580334	1	Hinge	(112)
112	D28580335	1	Lock	Up to Serial or Engine Number 57635
112	D28580336	1	Lock	From Serial or Engine Number 57636
113	D43423000	1	Lock	(112)
114	D28550012	1	Support	
115	D40064300	1	Screw	
116	D20400414	1	Washer	
117	394367X1	1	Locknut	M8
118	D28785679	1	Console	
119	D44900691	1	Moisture Meter	
120	D28080944	1	Kit	
120	D28782797	1	Sensor	
120	D44900896	2	Finger	
121	D44900867	1	Wiring Harness	(119)
122	D44900895	1	Plate	(119)
123	D44900859	1	Control Box	(119)
124	D44900857	1	Wiper Motor	(119)
125	D44709601	1	Rubber Piece	
126	D28781726	1	Indicator	(119)
127	D44900858	1	Housing	(119)

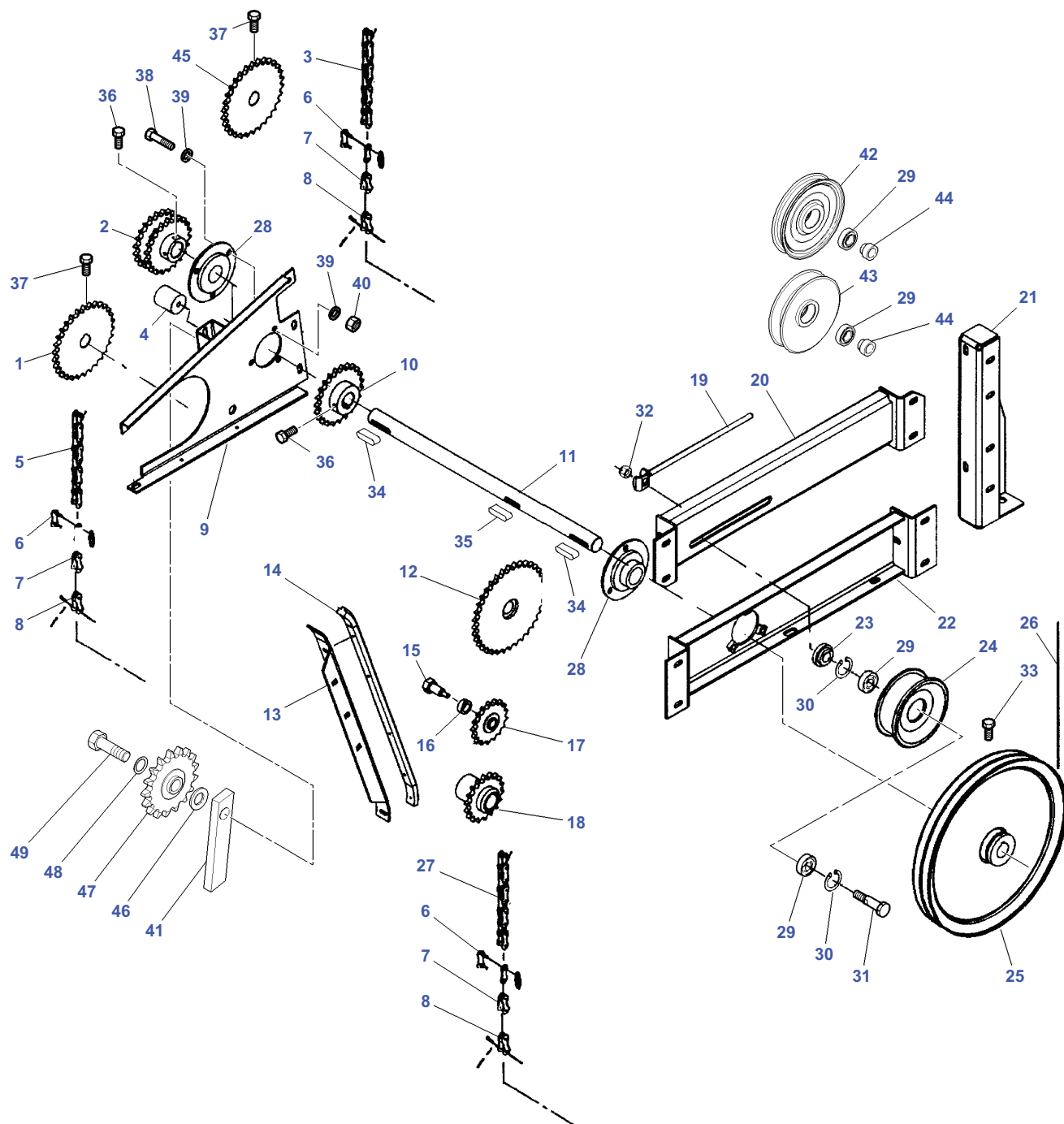
FOOTNOTE [A] YIELDMETER

FOOTNOTE [B] MICROTRAC

FOOTNOTE [C] OPTIONAL EQUIPMENT FOR PEAS

FOOTNOTE [D] UP TO SERIAL NUMBER 59087 ORDER D28585295 AND D28585296

MF 7272/7274/7278 CERA COMBINE - 1637408
D-ZGZE-001-A



D-ZGZE-001-A

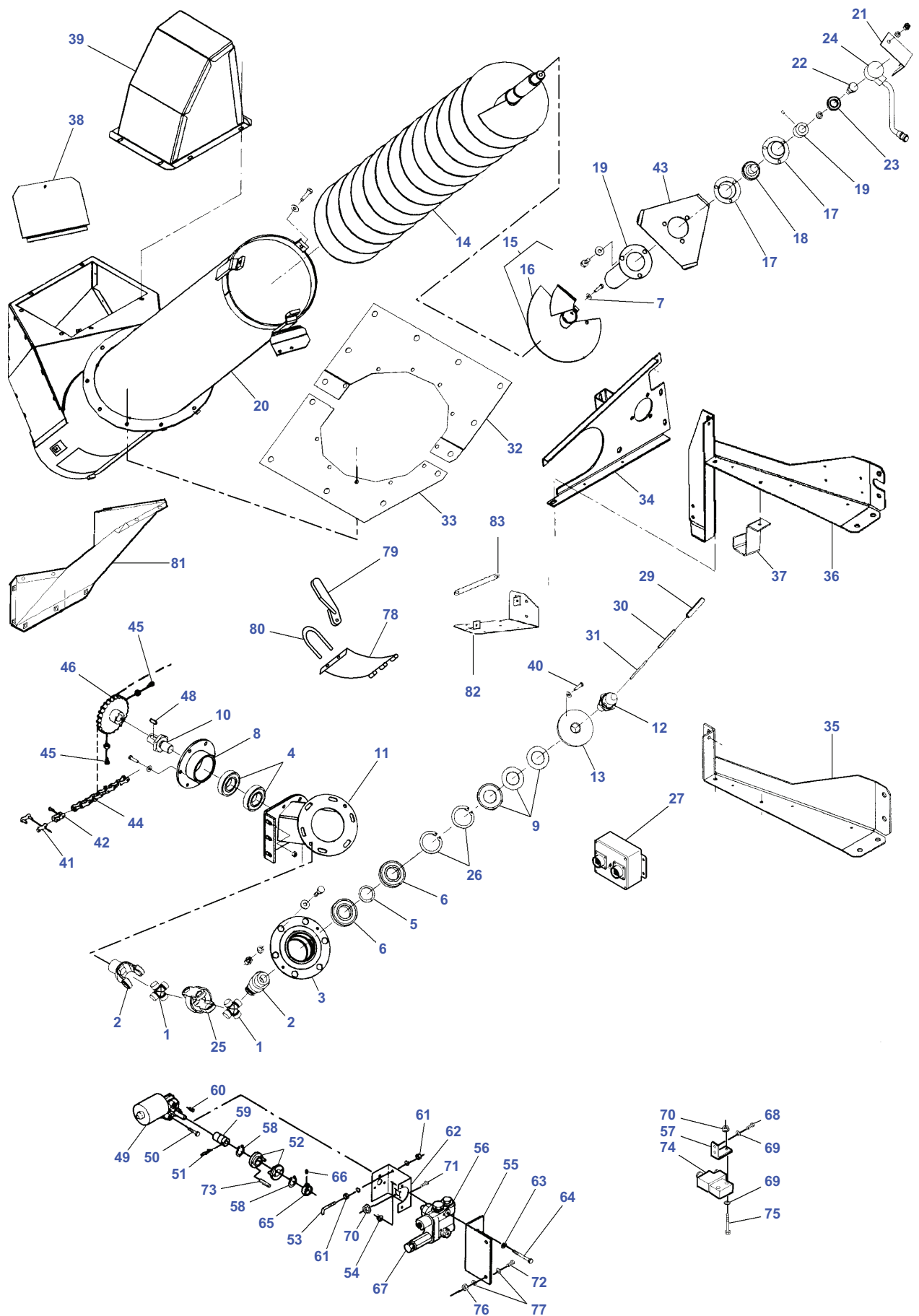
Filling and Return Elevator Transmissions

Item	Part Number	Qty	Description	Comments
1	D28585107	1	Sprocket	
2	D28585106	1	Sprocket	
3	D42328600	1	Chain	[B] Up to Serial or Engine Number 58827
	D42325100	1	Chain	
	D42325100	1	Chain	From Serial or Engine Number 58828
4	D28585110	1	Support	Up to Serial or Engine Number 59219
5	D42326200	1	Chain	
6	D42363100	1	Link	
7	D42362400	1	Inner Link	
8	D42364200	1	Inner Link	
9	D28585109	1	Bracket	
10	D28585103	1	Sprocket	
11	D28585108	1	Sprocket	Up to Serial or Engine Number 59008
	D28585339	1	Shaft	From Serial or Engine Number 59009
12	D28585105	1	Sprocket	Up to Serial or Engine Number 59008
	D28585340	1	Sprocket	From Serial or Engine Number 59009
13	D28281365	1	Crossmember	[A]
14	D28280787	1	Rail	[A]
15	D28585135	1	Bolt	[A]
16	D28585076	1	Washer	[A]
17	D41717900	1	Sprocket	[A]
18	D28585104	1	Sprocket	[A]
19	D28580206	1	Tightener	
20	D28585112	1	Bracket	
21	D28785572	1	Bracket	
22	D28585100	1	Bracket	
23	D28880354	1	Spacer	
24	D28585113	1	Roller	
25	D28585102	1	Pulley	
26	D41929000	2	V Belt	
27	D42326900	1	Chain	[A] Up to Serial or Engine Number 59219 From Serial or Engine Number 59220
	D42328100	1	Chain	
28	D41709600	1	Bearing	
29	339599X1	4	Bear. 6204 2rs	
30	339199X1	2	Circlip	
31	D28580205	1	Bolt	
32	1442739X1	1	Locknut	M16
33	D40466700	2	Hex. Sock. Screw	M10 X 25
34	D43103700	2	Key	
35	1440375X1	1	Key Parallel	
36	D40466900	4	Screw	
37	D40697100	4	Screw	
38	3009493X1	3	Hex. Sock. Screw	M10 X 30
39	390734X1	9	Washer	
40	339402X1	3	Nut	M10
41	D28585181	2	Bridle	From Serial or Engine Number 59220
42	D28760574	1	Pulley	From Serial or Engine Number 59220
43	D28752130	1	Pulley	From Serial or Engine Number 59220
44	D28760155	2	Bush	From Serial or Engine Number 59220
45	D28585107	1	Sprocket	Up to Serial or Engine Number 58827
	D28281338	1	Sprocket	From Serial or Engine Number 58828 STANDARD
	D28585107	1	Sprocket	From Serial or Engine Number 58828 MAIZE
46	D20400459	1	Washer	From Serial or Engine Number 59220
47	D41717900	1	Sprocket	From Serial or Engine Number 59220
48	D20400462	1	Washer	From Serial or Engine Number 59220
49	391120X1	1	Hex. Sock. Screw	From Serial or Engine Number 59220 M16 X 45

FOOTNOTE [A] RETURN ELEVATOR

FOOTNOTE [B] TO BE USED WITH D28285107 WHEN HARVESTING MAIZE

MF 7272/7274/7278 CEREА COMBINE - 1637408
D-ZGZB-005-E



D-ZGZB-005-E

Filler Pipe

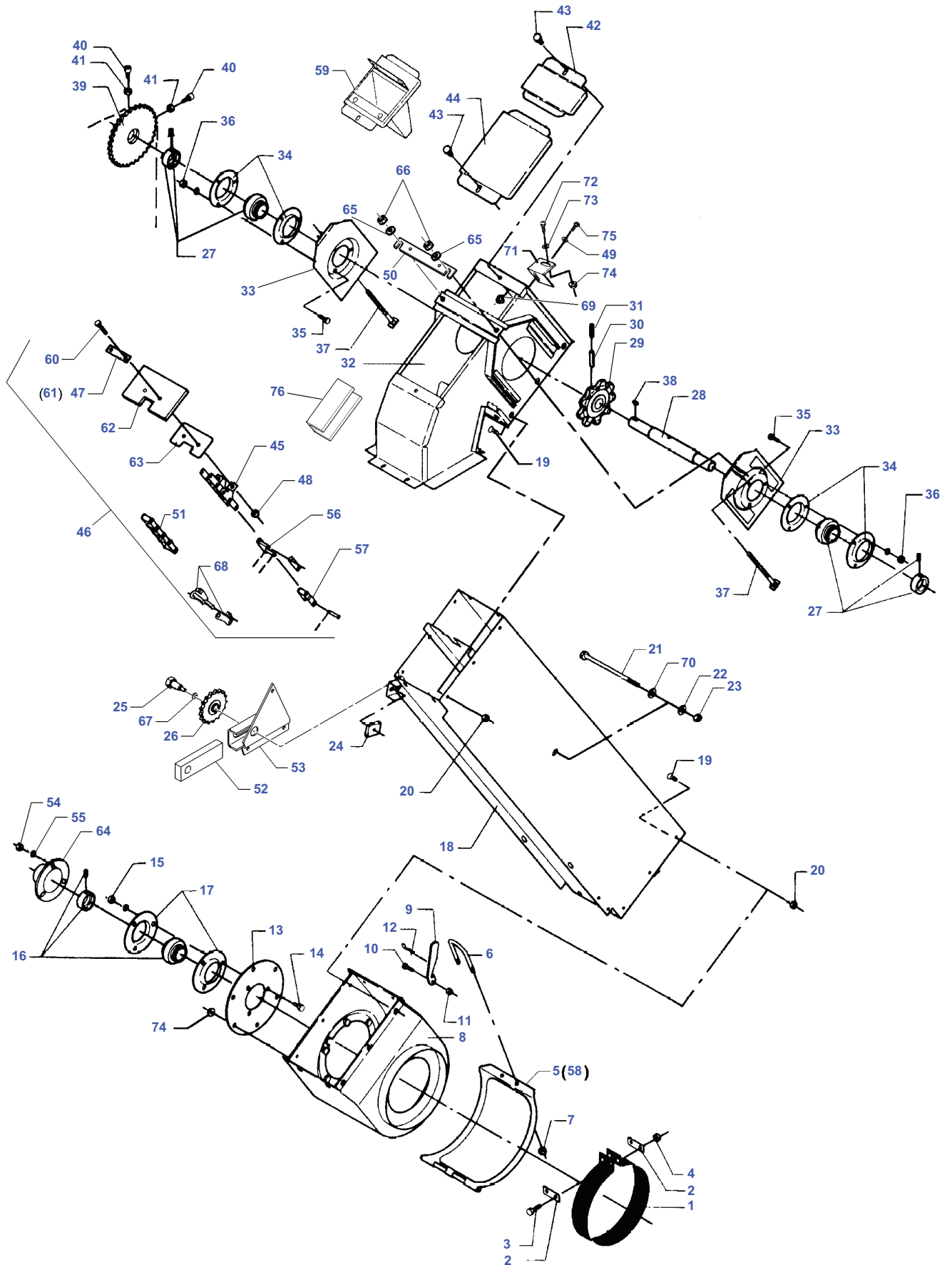
Item	Part Number	Qty	Description	Comments
1	D45623000	2	Crosspiece	
2	D28580057	2	Fork	
3	D28580413	1	Bearing Housing	
4	SKF62072RS	1	Bear. 6207 2rs	
5	D27700245	1	Spacer	
6	D41624100	2	Bearing Assy	
7	339123X1	1	Hex. Sock. Screw	M8 X 20
8	D28580027	1	Bearing Assy	
9	D41679900	1	Seal	
10	D28580060	1	Stud	
11	D28585030	1	Adaptor	
12	D28580251	1	Pin	
13	D28580414	1	Washer	
14	D28585033	1	Auger	
	D28585185	1	Auger	[A]
15	D28585035	1	Section	
	D28585184	1	Section	MAIZE/RICE
16	D28585036	1	Flight	[B] (15)
17	D41708700	2	Flange	
18	412260M1	1	Ball Bearing	
19	D28850886	1	Guard	
20	D28585037	1	Filling	Up to Serial or Engine Number 58255
	D28885637	1	Filler	From Serial or Engine Number 58256
21	D28780522	1	Support	
22	D28780516	1	Inductive Sensor	
23	1440487X1	1	Bear. 6203 2rs	
24	D28780514	1	Sensor	
25	D45626500	1	Fork	
26	D42515100	2	Circlip	
27	D28782504	1	Case Assy	
29	D42625600	1	Pin	
30	390949X1	1	Pin	Diameter 8 X 70
31	390950X1	1	Pin	Diameter 5 X 70
32	D28585054	1	Plate	
33	D28585053	1	Plate	
34	D28585109	1	Bracket	
35	D28585055	1	Plate	Up to Serial or Engine Number 58518
36	D28585302	1	Plate	From Serial or Engine Number 58519 Up to Serial or Engine Number 58951 From Serial or Engine Number 58952
	D28188492	1	Bracket	
37	D28785681	1	Holder	
38	D28580258	1	Trap	
39	D28585046	1	Inlet	
40	339230X1	1	Hex. Sock. Screw	M6 X 10
41	D42362400	1	Inner Link	
42	D42363100	X	Link	
	D42363200	X	Link	
43	D28580301	1	Bearing Plate	
44	D42326200	X	Chain	
45	D40697100	X	Screw	
46	D28585107	X	Sprocket	
48	D43103700	X	Key	
49	D28080790	1	Wiper Motor	
50	D28782149	3	Bolt	
51	390538X1	1	Pin	Diameter 5 X 24
52	D28780802	2	Washer	
53	D28780801	1	Screw	
54	394367X1	1	Locknut	M8
55	D28980999	1	Support	
56	D45110069	1	Flow Regulator	
57	D28780959	1	Holder	
58	1440476X1	2	Circlip	
59	D28981003	1	Union	
60	D43170300	1	Key	
61	D41010600	2	Nut	M6
62	D28981001	1	Support	
63	D20400506	2	Washer	
64	339891X1	2	Hex. Sock. Screw	M8 X 80
65	D28981086	1	Ring	
66	D40632000	1	Stud	

Filler Pipe

Item	Part Number	Qty	Description	Comments
67	D28251484	1	Non Return Valve	
68	339666X1	2	Hex. Sock. Screw	M6 X 20
69	D20400404	4	Washer	
70	1441462X1	3	Locknut	M6
71	D40741200	8	Screw	
72	390799X1	2	Hex. Sock. Screw	M10 X 40
73	D42608700	1	Pin	
74	D45110054	1	Valve.	Up to Serial or Engine Number 58300
74	D45110095	1	Pressure Valve	From Serial or Engine Number 58301
75	391884X1	2	Hex. Sock. Screw	M6 X 50
76	1440329X1	2	Locknut	M10
77	D20400416	4	Washer	
78	D28885638	1	Cover	From Serial or Engine Number 58256
79	D28560162	1	Lever	From Serial or Engine Number 58256
80	D28560165	1	U Bolt	From Serial or Engine Number 58256
81	D28180703	1	Shield	
82	D28186852	1	Bracket	
83	D28186847	1	Rod	

FOOTNOTE [A] MAIZE EQUIPMENT**FOOTNOTE [B] INCLUDED IN D28585035**

MF 7272/7274/7278 CERA COMBINE - 1637408
D-ZGZC-005-C



Return Elevator

Item	Part Number	Qty	Description	Comments
1	D28480218	1	Plate	
2	D28480217	2	Plate	
3	339560X1	2	Hex. Sock. Screw	M6 X 16
4	1441462X1	2	Locknut	M6
5	D28580048	1	Bottom Part	[C] Valid from machine/table no,can be used in new as well as in older machines 59088
6	D28560165	1	U Bolt	
7	1441462X1	2	Locknut	M6
8	D28580052	1	Cover	[D] Valid from machine/table no,can be used in new as well as in older machines 59088
9	D28560162	1	Lever	
10	339804X1	1	Hex. Sock. Screw	M6 X 25
11	1441462X1	1	Locknut	M6
12	D27100120	1	Hair Pin	
13	D28580245	1	Bearing Plate	
14	D40407000	3	Screw	
15	339402X1	3	Nut	M10
16	D41708600	1	Ball Bearing	
17	D41708800	2	Bearing Flange	
18	D28580355	1	Housing	Up to Serial or Engine Number 59008
	D28580445	1	Housing	From Serial or Engine Number 59009
19	1441267X1	20	Screw	M6 X 16
20	1441462X1	20	Locknut	M6
21	D40430300	1	Screw	
22	D20400426	1	Washer	
23	1442190X1	1	Locknut	M12
24	D28580219	1	Dog	
25	D28585135	1	Bolt	
26	D41717900	X	Sprocket	
27	412260M1	2	Ball Bearing	
28	D28580227	1	Shaft	Up to Serial or Engine Number 59008
	D28580443	1	Shaft	From Serial or Engine Number 59009
29	D28580448	1	Sprocket	
30	339307X1	1	Pin	Diameter 8 X 50
31	395557X1	1	Spirol Pin	Diameter 5 X 50
32	D28580356	1	Riser	Up to Serial or Engine Number 59008
	D28580444	1	Riser	From Serial or Engine Number 59009
33	D28580221	2	Bearing Plate	
34	D41708700	4	Flange	
35	339123X1	6	Hex. Sock. Screw	M8 X 20
36	339169X1	6	Nut	M8
37	D28520060	2	Bolt	
38	D43103100	1	Key	
39	D28585105	1	Sprocket	
40	D40466900	2	Screw	
41	339169X1	2	Nut	M8
42	D28580097	1	Shutter	
43	D43385200	2	Screw	
44	D28580222	1	Shutter	
45	D42350300	1	Chain	
46	D28580348	1	Chain	
47	D28550323	1	Plate	
48	394367X1	28	Locknut	M8
49	D20400416	X	Washer	
50	D28580433	1	Plate	
51	D42351300	1	Chain	
52	D28585181	1	Bridle	
53	D28585180	1	Bracket	
54	1440329X1	3	Locknut	M10
55	D20400471	1	Washer	
56	D42351400	1	Link	
57	D42351200	1	Link	
58	D28580295	1	Cover	[B]
59	D28780853	1	Sensor	[A]
60	339337X1	28	Hex. Sock. Screw	M8 X 30

Return Elevator

Item	Part Number	Qty	Description	Comments
61	D28550323	14	Plate	
62	D28580137	14	Plate	
63	D28550372	14	Plate	
64	D28761667	1	Cover	
65	D20400471	2	Washer	
66	D28580432	2	Nut	
67	D20400414	1	Washer	
68	D42350400	1	Link	
69	1440329X1	1	Locknut	M10
70	D20400425	X	Washer	
71	D28585192	1	Angle.	Up to Serial or Engine Number 60484
71	D28585343	1	Bracket	From Serial or Engine Number 60485
72	339761X1	1	Hex. Sock. Screw	M8 X 25
73	D20400506	1	Washer	
74	394367X1	1	Locknut	M8
75	3009492X1	1	Hex. Sock. Screw	M10 X 25
76	D28580439	1	Bracket	(32) FOR D28580444

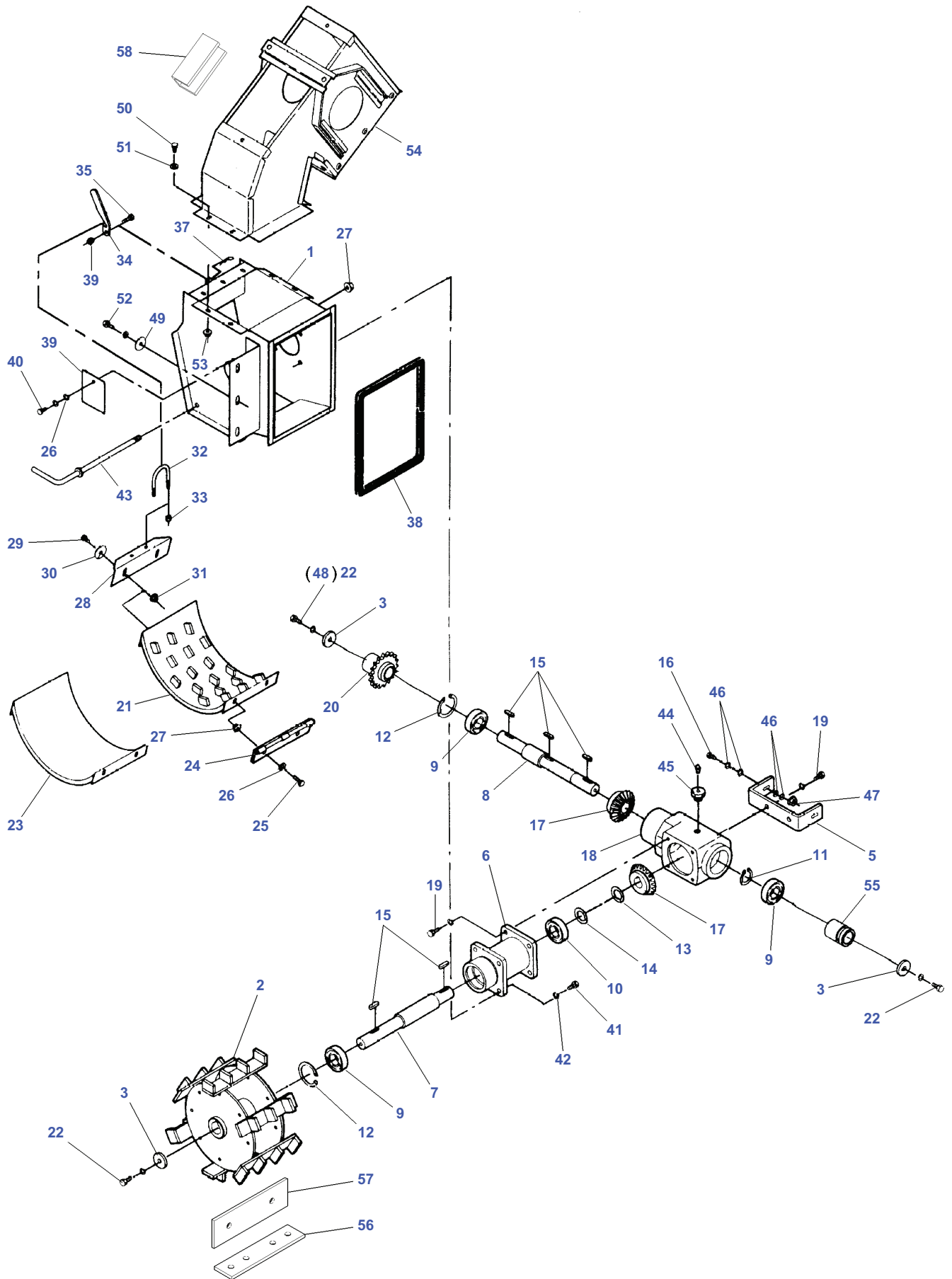
FOOTNOTE [A] RETURNS VOL. MONITOR

FOOTNOTE [B] OPTIONAL EQUIPMENT FOR PEAS

FOOTNOTE [C] UP TO SERIAL NUMBER 59087ORDER ALSO D28585290

FOOTNOTE [D] UP TO SERIAL NUMBER 59087ORDER ALSO D28585291

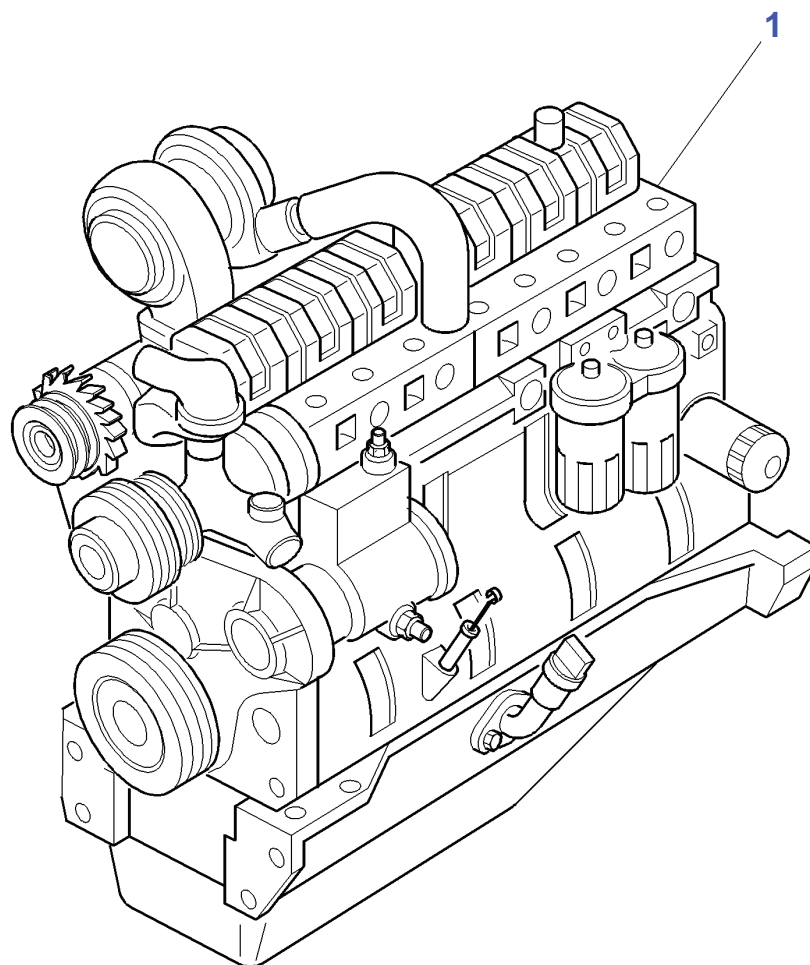
MF 7272/7274/7278 CEREAL COMBINE - 1637408
D-ZGZD-003-C



Returns Thresher

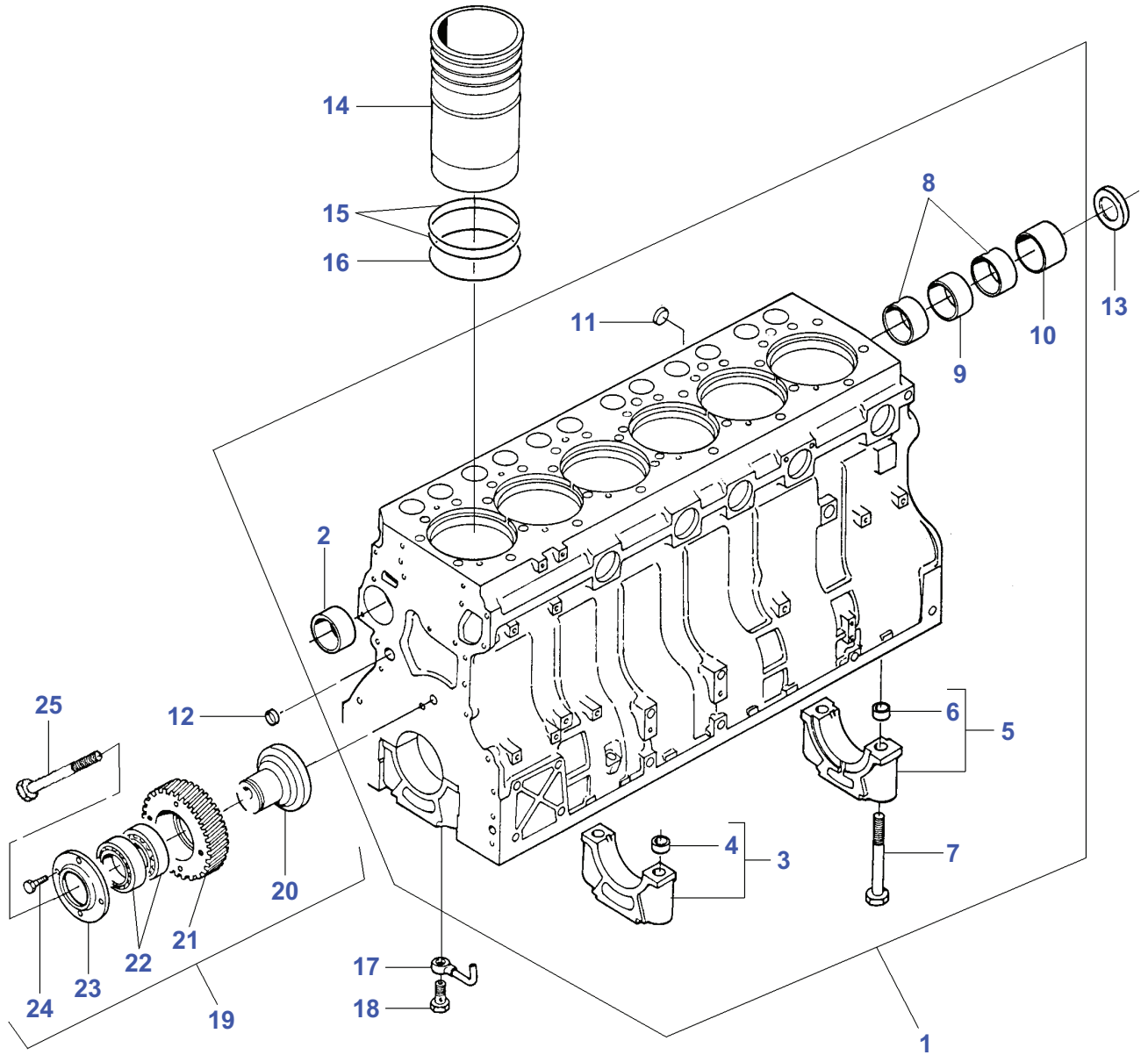
Item	Part Number	Qty	Description	Comments
1	D28580360	1	Housing	
2	D28580243	1	Cylinder	
3	D20400421	3	Washer	
4	D28580214	1	Angle Drive	[A]
5	D28580211	1	Support	(4)
6	D28580407	1	Bearing Carrier	(4)
7	D28580209	1	Shaft	(4)
8	D28580210	1	Drive Shaft	(4)
9	SKF62062RS	3	Bear. 6206 2rs	(4)
10	1440494X1	1	Bear. 6206	(4)
11	1440477X1	1	Circlip	(4)
12	1440479X1	2	Circlip	(4)
13	D42598800	5	Washer	(4)
14	D42598900	5	Washer	(4)
15	D43103400	5	Key	(4)
16	339337X1	2	Hex. Sock. Screw	(4) M8 X 30
17	D28580010	2	Gear	(4)
18	D28580216	1	Gear Case Assy.	(4)
19	3009492X1	6	Hex. Sock. Screw	(4) M10 X 25
20	D28585104	1	Sprocket	
21	D28580230	1	Cover	
22	D40466700	2	Hex. Sock. Screw	M10 X 25
23	D28580318	1	Cover	CPL.
	D28580232	1	Cover	
24	D28580189	1	Hinge	
25	339761X1	2	Hex. Sock. Screw	M8 X 25
26	D20400506	3	Washer	
27	394367X1	3	Locknut	M8
28	D28580248	1	Plate	
29	339123X1	2	Hex. Sock. Screw	M8 X 20
30	D20400410	2	Washer	
31	394367X1	2	Locknut	M8
32	D28560165	1	U Bolt	
33	1441462X1	2	Locknut	M6
34	D28560162	1	Lever	
35	339804X1	1	Hex. Sock. Screw	M6 X 25
36	1441462X1	1	Locknut	[A] M6
37	D27100120	1	Hair Pin	
38	D44740600	X	Strip	Length 25 M
39	D28580182	1	Cover	
40	339124X1	1	Hex. Sock. Screw	M8 X 16
41	339814X1	4	Hex. Sock. Screw	M10 X 35
42	D20400419	4	Washer	
43	D28580247	2	Rod	
44	D46116500	1	Valve.	
45	D28580296	1	Plug	
46	D20400414	4	Washer	
47	394367X1	2	Locknut	M8
48	D40466500	1	Setscrew	
49	D20400416	3	Washer	
50	339666X1	7	Hex. Sock. Screw	M6 X 20
51	391038X1	7	Washer	
52	3009493X1	3	Hex. Sock. Screw	M10 X 30
53	1441462X1	5	Locknut	M6
54	D28580356	1	Riser	Up to Serial or Engine Number 59008
	D28580444	1	Riser	From Serial or Engine Number 59009
55	D28585136	1	Bush	
56	D28580403	3	Plate	
57	D28580404	3	Deflector	
58	D28580439	1	Bracket	(54) FOR D28580444

FOOTNOTE [A] NOT ILLUSTRATED



Massey Ferguson**MF 7272/7274/7278 CEREAL COMBINE - 1637408****1637408****Engine****Page008-0001**

Item	Part Number	Qty	Description	Comments
1	V832957782	1	Engine	645 DSBAEL MF 7278 CEREAL Up to Serial or Engine Number 58548
	V832960591	1	Engine	645DSBAEL MF 7278 CEREAL From Serial or Engine Number 58549
	V832960589	1	Engine	645 DSBAEL MF 7274 CEREAL
	V832960588	1	Engine	645 DSBAEL MF 7272 CEREAL

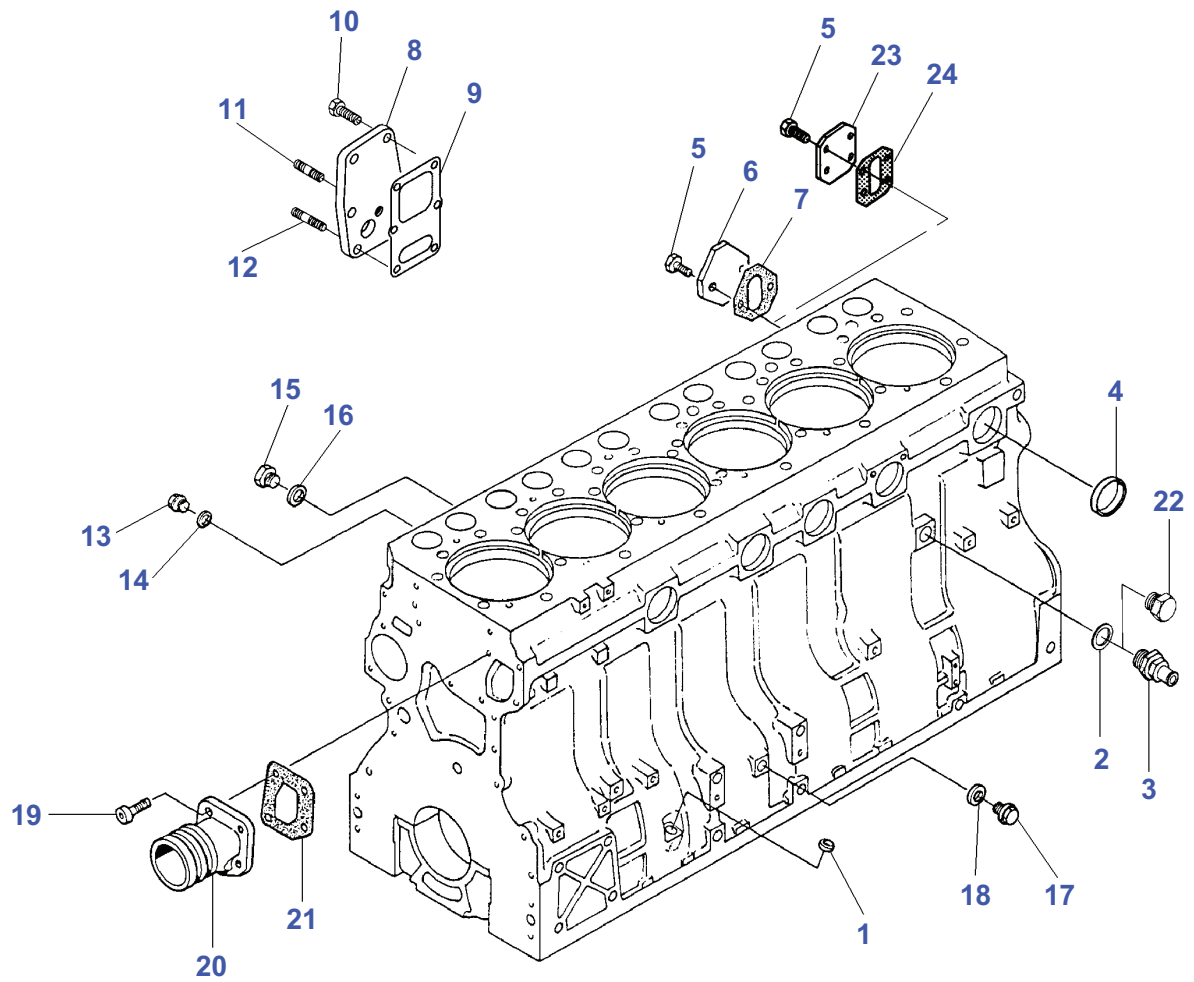


Cylinder Block

Item	Part Number	Qty	Description	Comments
1	V836859155	1	Cylinder Block	Up to Serial or Engine Number L17960 MF7278
	V836866592	1	Cylinder Block	From Serial or Engine Number L17961 MF7278
	V836866592	1	Cylinder Block	MF7272/7274
2	V836322610	1	Bush	(1) Up to Serial or Engine Number L17960 MF7278
	V836866069	1	Bush	(1) From Serial or Engine Number L17961 MF7278
	V836866069	1	Bush	(1) MF7272/7274
	V836866036	X	Bush	(1) MF7272/7274 Diameter +0,4MM
3		6	Bearing Carrier	(1) Not serviced,order REF.1
4	V836214478	12	Bush	(3)
5		1	Bearing Carrier	(1) Not serviced,order REF.1
6	V836214478	2	Bush	(5)
7	V529903180	14	Screw	(1)
8	V836852460	2	Bush	(1) Diameter + 0,2 mm No 3
	V836852466	2	Bush	Diameter + 0,2 mm No 2 , 4
9	V836852459	1	Bush	(1)
10	V836852461	1	Bush	(1)
	V836852467	1	Bush	Diameter +0.2MM
11	V640016018	1	Plug	(1)
12	V640016016	4	Plug	[A]
13	V836852744	1	Plug	
14	V836855445	6	Liner	MF7272/7274
	V836855445	6	Liner	Up to Serial or Engine Number 58548 MF7278
	V836867048	6	Liner	From Serial or Engine Number 58549 MF7278
	V836859581	6	Liner	Thickness 9,08mm
	V836859582	6	Liner	Thickness 9,13mm
	V836859583	6	Liner	Thickness 9,23mm
15	V836855446	12	O Ring	[A]
16	V836855447	6	O Ring	[A]
17	V836846231	6	Pipe	
18	V836338601	6	Valve.	
19	V836855563	1	Gear	
20	V836855562	1	Shaft	(19)
21	V836855560	1	Gear	(19)
22	V610072109	2	Bearing Assy	(19)
23	V836855561	1	Flange	(19)
24	V528801362	4	Screw	(19) M8X16
25	V581705910	1	Screw	M14X70

FOOTNOTE [A] INCLUDED IN V836840994

MF 7272/7274/7278 CERA COMBINE - 1637408
D-HB46-002-C

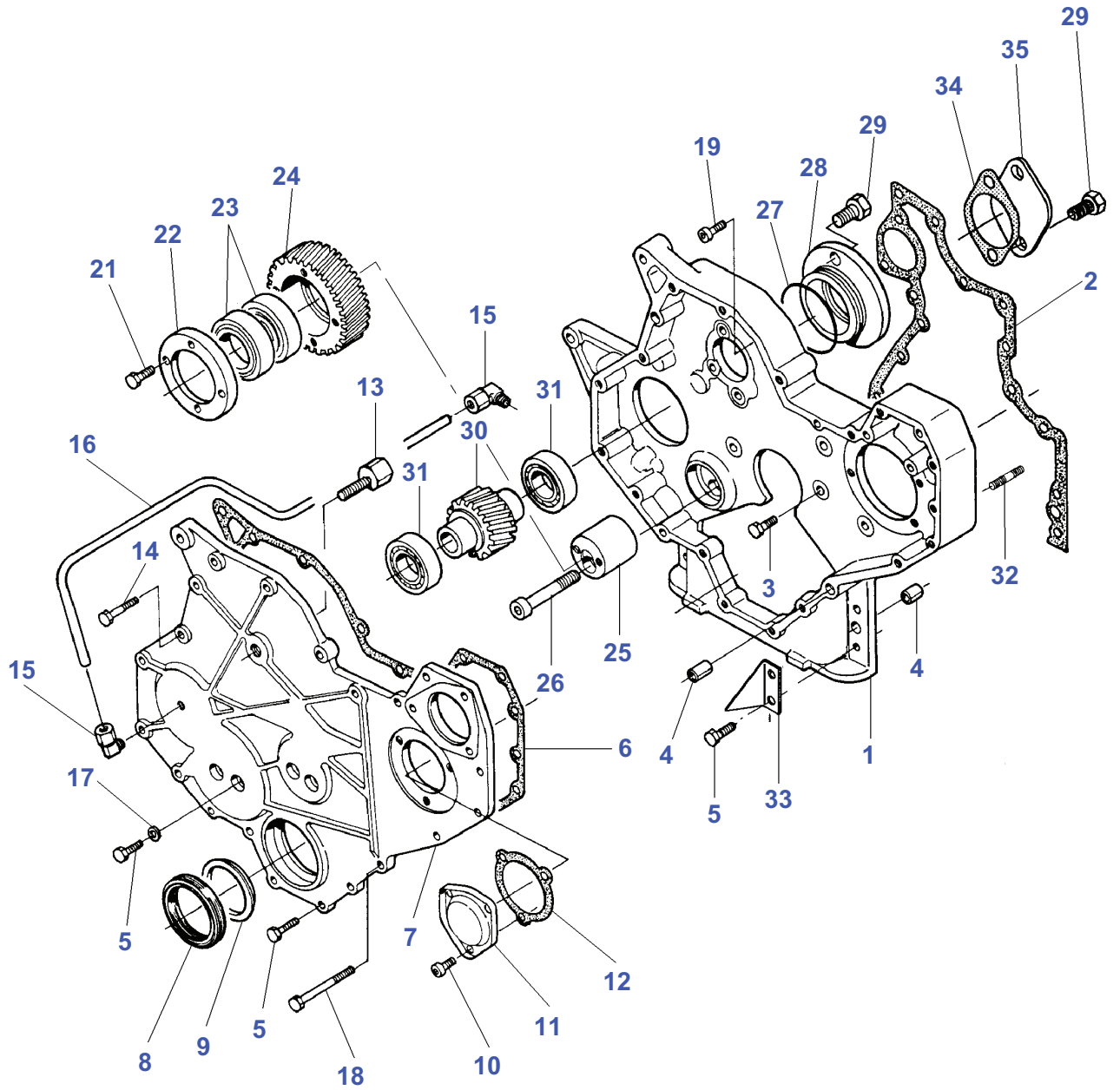


Cylinder Block Equipment

Item	Part Number	Qty	Description	Comments
1	V640016012	1	Plug	
2	V615881824	1	Seal	[A]
3	V836664377	1	Cock	
4	V640016040	5	Plug	
5	V528801362	2	Screw	M8X16
6	V836647400	1	Cover	MF7274
	V836647400	1	Cover	Up to Serial or Engine Number M21677 MF7278
7	V836647401	1	Gasket	[A] MF7274
	V836647401	1	Gasket	[A] Up to Serial or Engine Number M21677 MF7278
8	V836855678	1	Cover	
9	V836322852	1	Gasket	[A]
10	V528801380	9	Screw	M8X20
11	V546801360	1	Bolt	M8X16
12	V546801400	1	Bolt	M8X25
13	V640325110	5	Plug	
14	V615571014	5	Seal	[A]
15	V836119079	1	Plug	
16	V615881620	1	Seal	[A]
17	V640325014	1	Plug	
18	V615881420	1	Gasket	[A]
19	VHC9326	4	Screw	M8X20
20	V836855629	1	Sleeve	
21	V836855554	1	Gasket	[A]
22	V836019756	1	Plug	
23	V836866957	1	Cover	MF7272
	V836866957	1	Cover	From Serial or Engine Number M21678 MF7278
24	V836866958	1	Gasket	MF7272
	V836866958	1	Gasket	From Serial or Engine Number M21678 MF7278

FOOTNOTE [A] INCLUDED IN V836840994

MF 7272/7274/7278 CEREAL COMBINE - 1637408
D-HB03-007-A

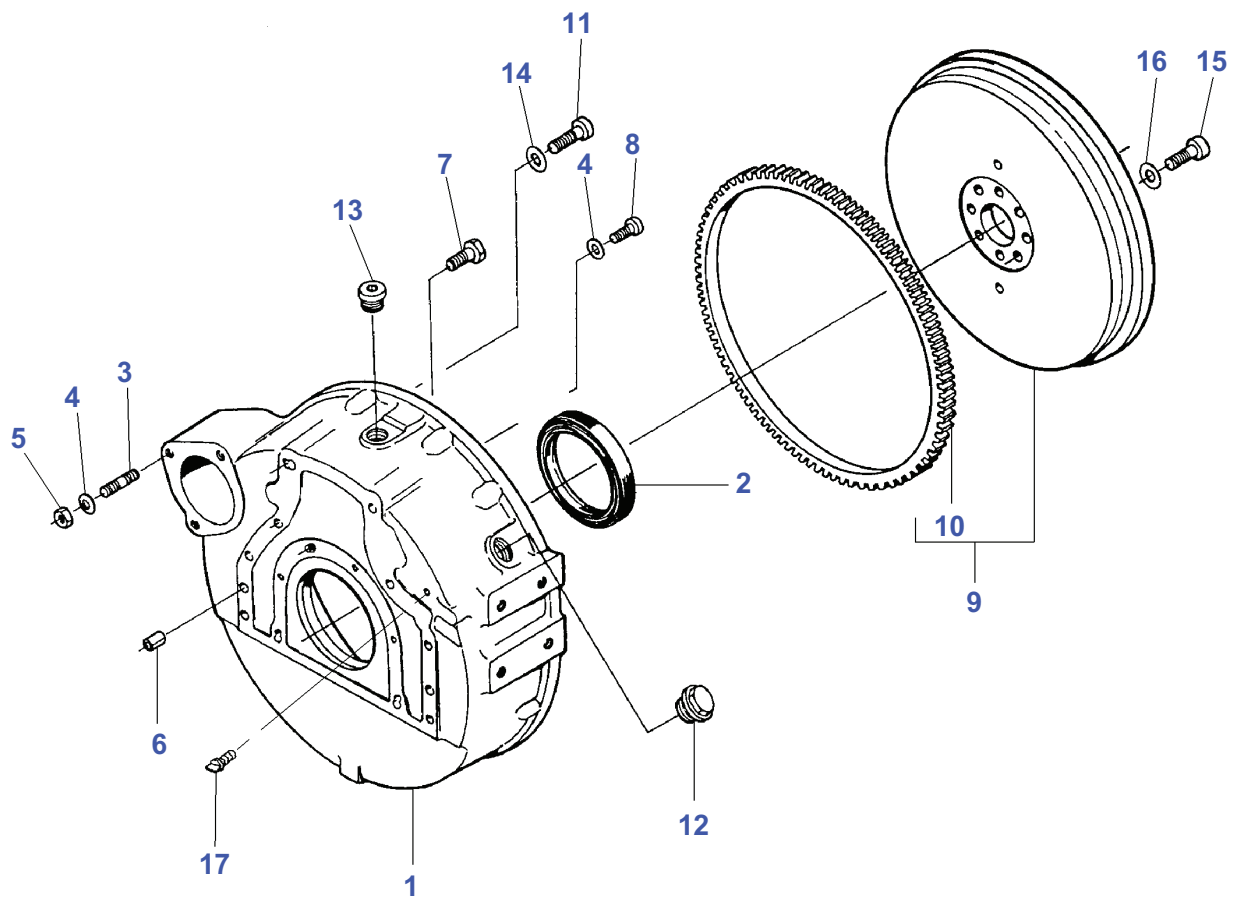


Timing Gear Housing

Item	Part Number	Qty	Description	Comments
1	V836859199	1	Gear Case Assy.	
2	V836647419	1	Gasket	[A]
3	V528801380	9	Screw	
4	V598359850	4	Pin	
5	V528801400	12	Screw	
6	V836859201	1	Gasket	[A]
7	V836859200	1	Housing	
8	V836840883	1	Oil Seal	[A]
9	V836855636	1	Gasket	
10	V581804570	3	Screw	
11	V836136717	1	Cover	
12	V836129946	1	Gasket	[A]
13	V836855526	1	Restrictor	
14	V528801410	6	Adjusting Screw	
15	V641166006	2	Elbow Nipple	
16	V836855853	1	Pipe	
17	V615870814	4	Washer	[A]
18	V529801530	2	Screw	
19	VHC9326	1	Screw	
20	V836855567	1	Gear	[B]
21	V528801400	4	Screw	(20)
22	V836855565	1	Ring	(20)
23	V610072109	2	Bearing Assy	(20)
24	V836855564	1	Gear	(20)
25	V836855566	1	Sleeve	(20)
26	V581705910	1	Screw	
27	V614609430	1	O Ring	[A]
28	V836855651	1	Cover	
29	V528802610	2	Screw	
30	V836855652	1	Gear	
31	VLA1014	2	Ball Bearing	Repairs and replaces V610060096
32	V546801860	4	Stud	
33	V836859588	1	Angle.	
34	V836864459	1	Gasket	
35	V836864458	1	Cover	

FOOTNOTE [A] INCLUDED IN V836840994

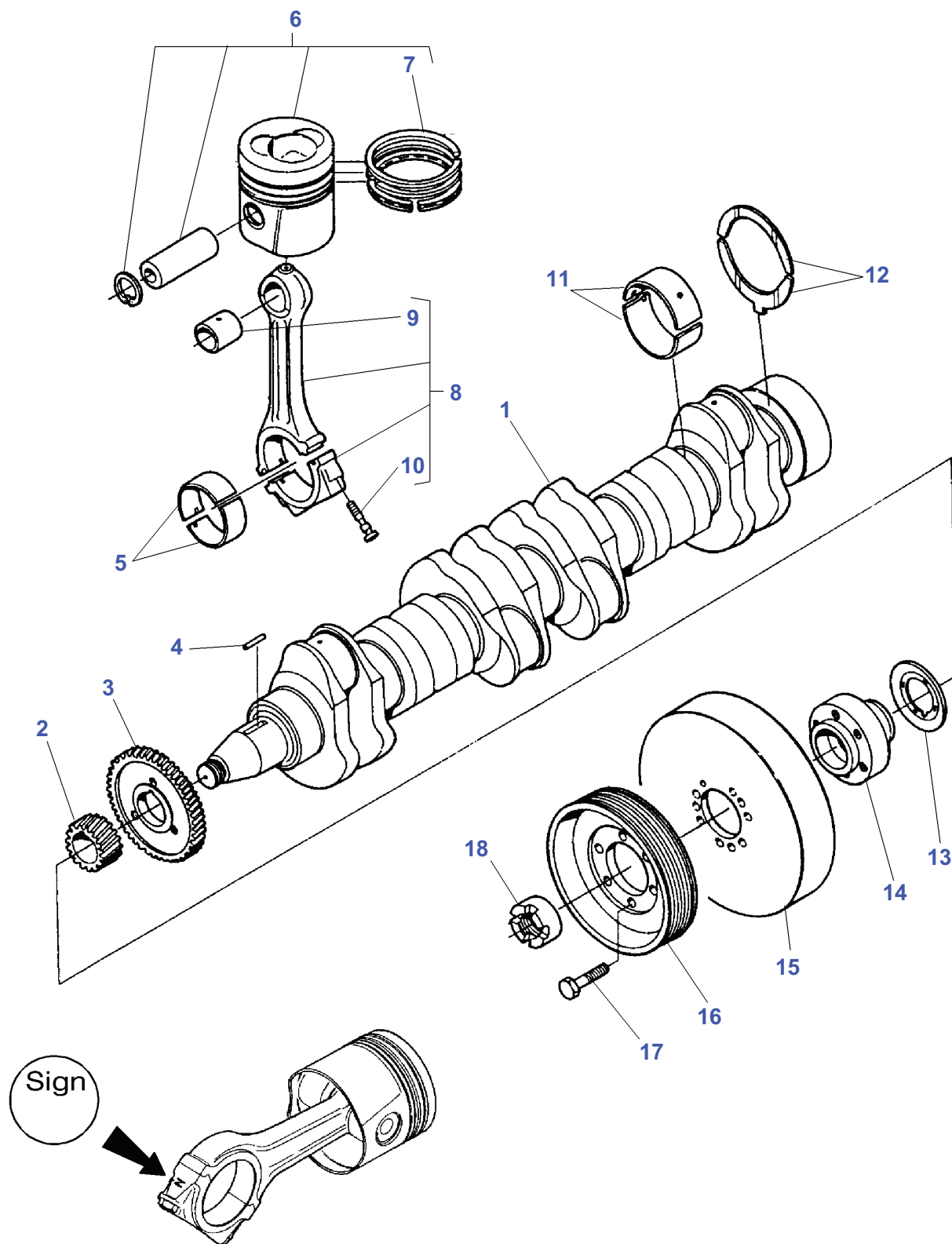
FOOTNOTE [B] NOT ILLUSTRATED



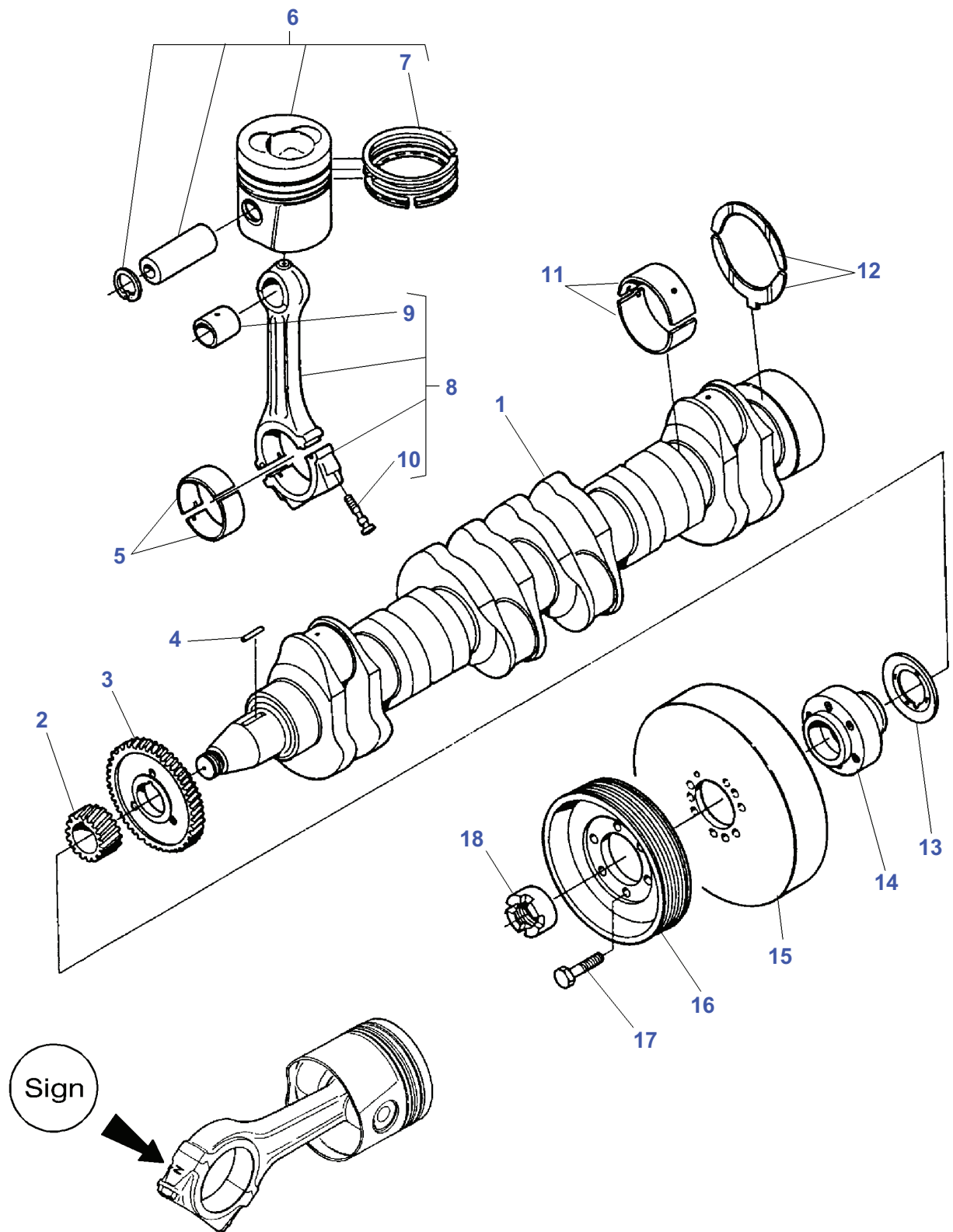
Flywheel Housing

Item	Part Number	Qty	Description	Comments
1	V836647440	1	Flywheel Housing	
2	V836840884	1	Oil Seal	[A]
	V836020054	1	Spacer	Thickness 2mm
3	V546801800	3	Bolt	M10X25
4	V500951000	6	Washer	
5	V504801000	3	Nut	M10
6	V598359850	2	Pin	
7	V529802230	6	Screw	M12X40
8	V581705030	6	Screw	M10X30
9	V836855909	1	Flywheel	
10	V836117970	1	Annular Gear	(9)
11	V581705440	2	Screw	M12X35
12	V640045126	1	Plug	
13	V640325018	1	Plug	
14	V500951200	1	Washer	
15	V529702630	8	Screw	
16	V500951400	8	Washer	
17	V836859311	1	Plug	

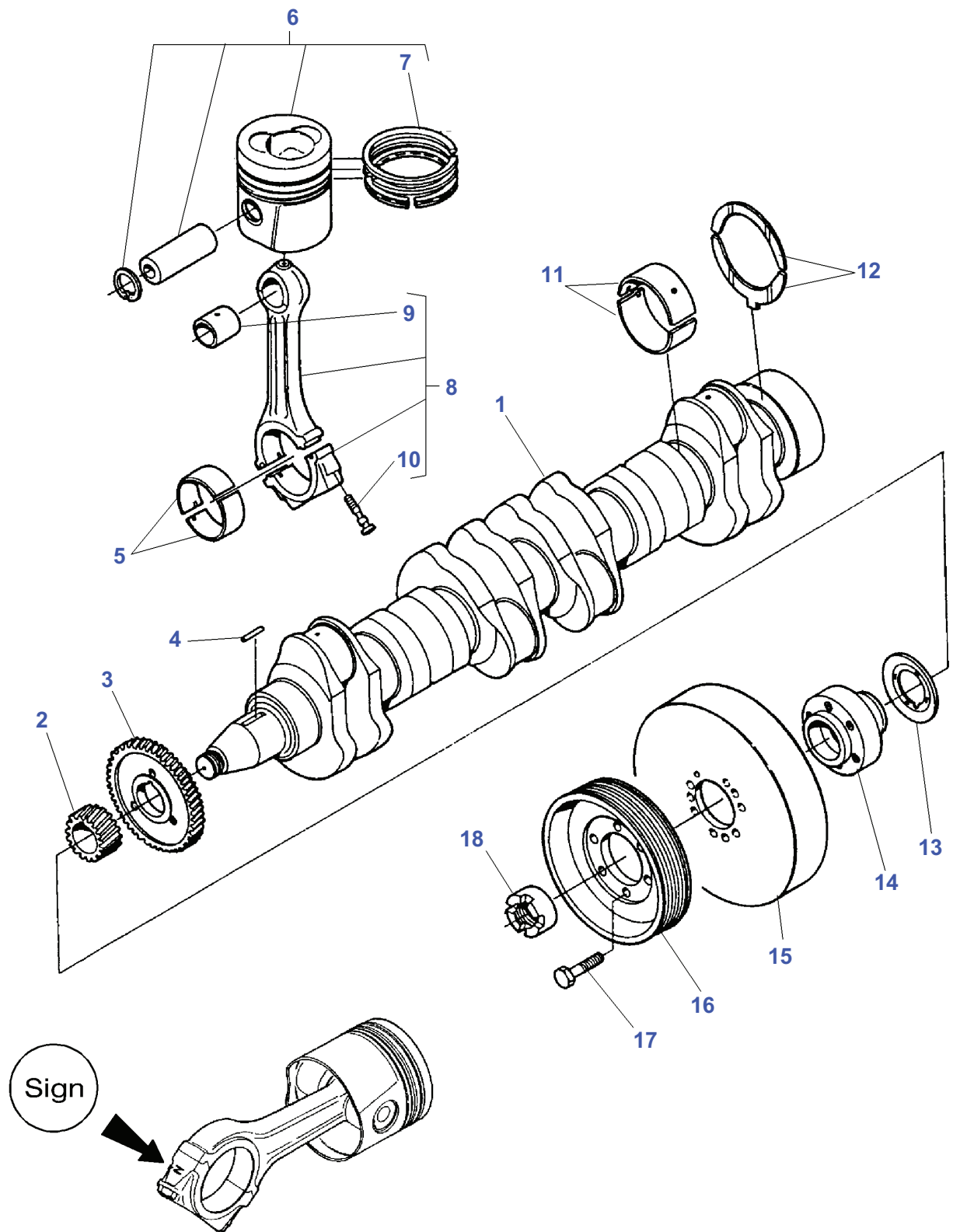
FOOTNOTE [A] INCLUDED IN V836840994



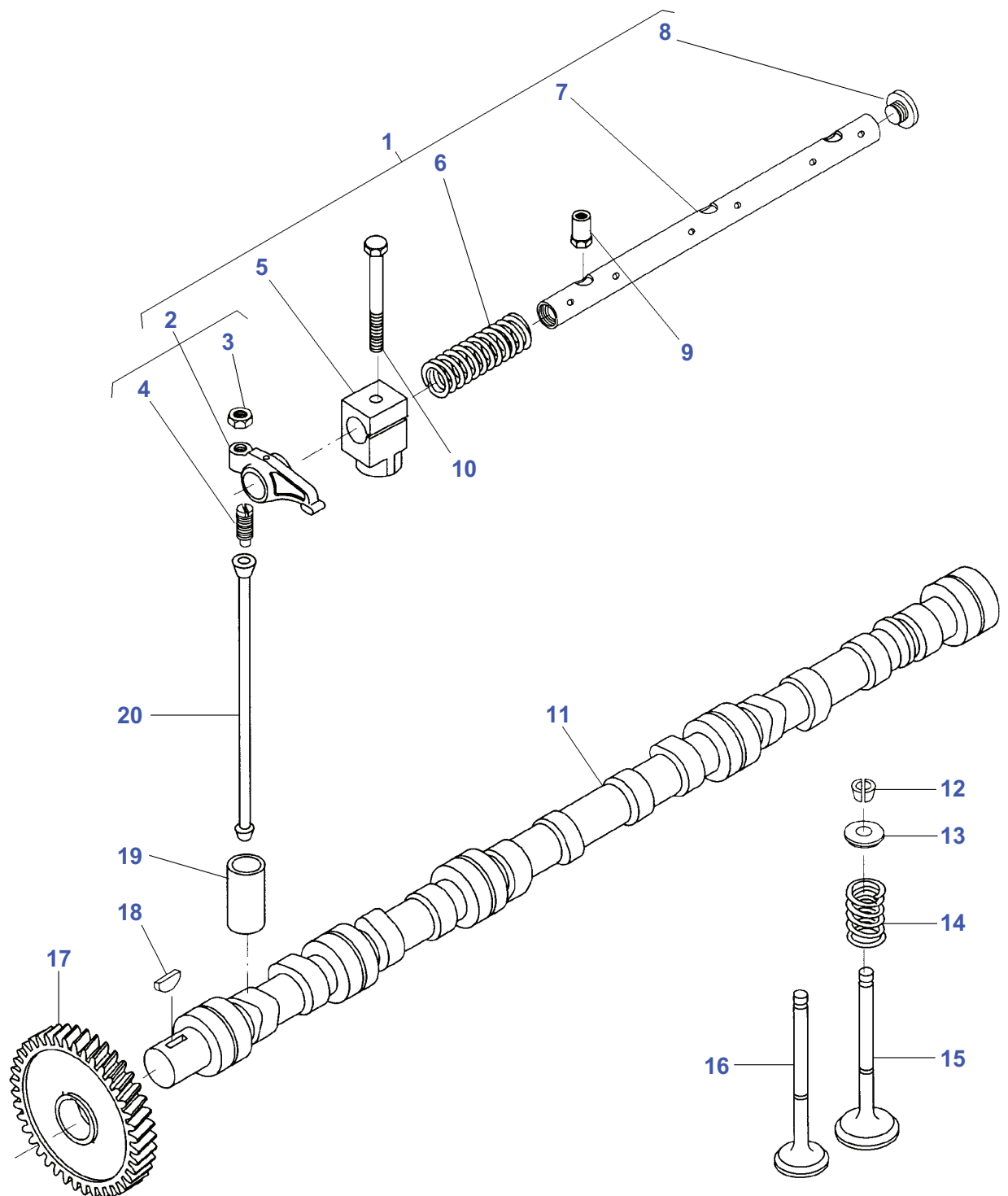
Item	Part Number	Qty	Description	Comments
1	V836855910	1	Crankshaft	
2	V836855559	1	Gear	
3	V836855558	1	Gear	
4	V836855525	1	Key	
5	V836336302	6	Bearing	STANDARD
	V836338650	X	Bearing	Diameter 72,731MM 72,750MM
	V836338651	X	Bearing	Diameter 72,481MM 72,500MM
	V836338652	X	Bearing	Diameter 71,981MM 72,000MM
	V836338653	X	Bearing	Diameter 71,481MM 71,500MM
6	V836840886	6	Piston	
7	V836840887	6	Kit, Piston Ring	(6)
8	V836355175	X	Conrod	2931-2950g C
	V836355176	X	Conrod	2951-2970g D
	V836352751	X	Conrod	2971-2990g E
	V836352752	X	Conrod	2991-3010g F
	V836352753	X	Conrod	3011-3030g G
	V836352754	X	Conrod	3031-3050g H
	V836352755	X	Conrod	3051-3070g I
	V836352756	X	Conrod	3071-3090g J
	V836352757	X	Conrod	3091-3110g K
	V836352758	X	Conrod	3111-3130g L
	V836352759	X	Conrod	3131-3150g M
	V836352760	X	Conrod	3151-3170g N
	V836352761	X	Conrod	3171-3190g O
	V836352762	X	Conrod	3191-3210g P
	V836352763	X	Conrod	3211-3230g R
	V836352764	X	Conrod	3231-3250g S
	V836352765	X	Conrod	3251-3270g T
	V836352766	X	Conrod	3271-3290g U
	V836352767	X	Conrod	3291-3310g V
	V836352768	X	Conrod	3311-3330g X
	V836352769	X	Conrod	3331-3350g Y
	V836352770	X	Conrod	3351-3370g Z
9	V836336297	6	Bush	(8)
	V836338606		Bush	(8) Diameter +0,5mm
10	V836336296	12	Screw	(8)
11	V836840944	7	Main Bearing	STANDARD
	V836840978	X	Main Bearing	Diameter 89,735MM 89,770MM
	V836840979	X	Main Bearing	Diameter 89,485MM 89,520MM
	V836840980	X	Main Bearing	Diameter 88,985MM 89,020MM
	V836840981	X	Main Bearing	Diameter 88,485MM 88,520MM
12	V836840945	2	Thrust Washer	STANDARD
	V836840982	X	Thrust Washer	0,1MM
	V836840983	X	Thrust Washer	0,2MM
13	V836855637	1	Ring	
14	V836855641	1	Hub	
15	V836840882	1	Shock Absorber	
16	V836855690	1	Pulley	
17	V528902230	6	Screw	
18	V836322221	1	Nut	



Item	Part Number	Qty	Description	Comments
1	V836855910	1	Crankshaft	
2	V836855559	1	Gear	
3	V836855558	1	Gear	
4	V836855525	1	Key	
5	V836336302	6	Bearing	STANDARD
	V836338650	X	Bearing	Diameter 72,731MM 72,750MM
	V836338651	X	Bearing	Diameter 72,481MM 72,500MM
	V836338652	X	Bearing	Diameter 71,981MM 72,000MM
	V836338653	X	Bearing	Diameter 71,481MM 71,500MM
6	V836840886	6	Piston	
7	V836840887	1	Kit, Piston Ring	(6)
8	V836864101	X	Conrod	2230-2249g E
	V836864102	X	Conrod	2250-2269g F
	V836864103	X	Conrod	2270-2289g G
	V836340948	X	Conrod	2290-2309g H
	V836864105	X	Conrod	2310-2329g I
	V836864106	X	Conrod	2330-2349g J
	V836864107	X	Conrod	2350-2369g K
9	V836864288	6	Bush	(8)
	V836338606	X	Bush	(8) Diameter +0,5mm
10	V836864141	12	Screw	(8)
11	V836840944	7	Main Bearing	STANDARD
	V836840978	X	Main Bearing	Diameter 89,735MM 89,770MM
	V836840979	X	Main Bearing	Diameter 89,485MM 89,520MM
	V836840980	X	Main Bearing	Diameter 88,985MM 89,020MM
	V836840981	X	Main Bearing	Diameter 88,485MM 88,520MM
12	V836840945	2	Thrust Washer	STANDARD
	V836840982	X	Thrust Washer	0,1MM
	V836840983	X	Thrust Washer	0,2MM
13	V836855637	1	Ring	
14	V836855641	1	Hub	
15	V836840882	1	Shock Absorber	
16	V836855690	1	Pulley	From Serial or Engine Number K 9565
17	V528902230	6	Screw	
18	V836322221	1	Nut	

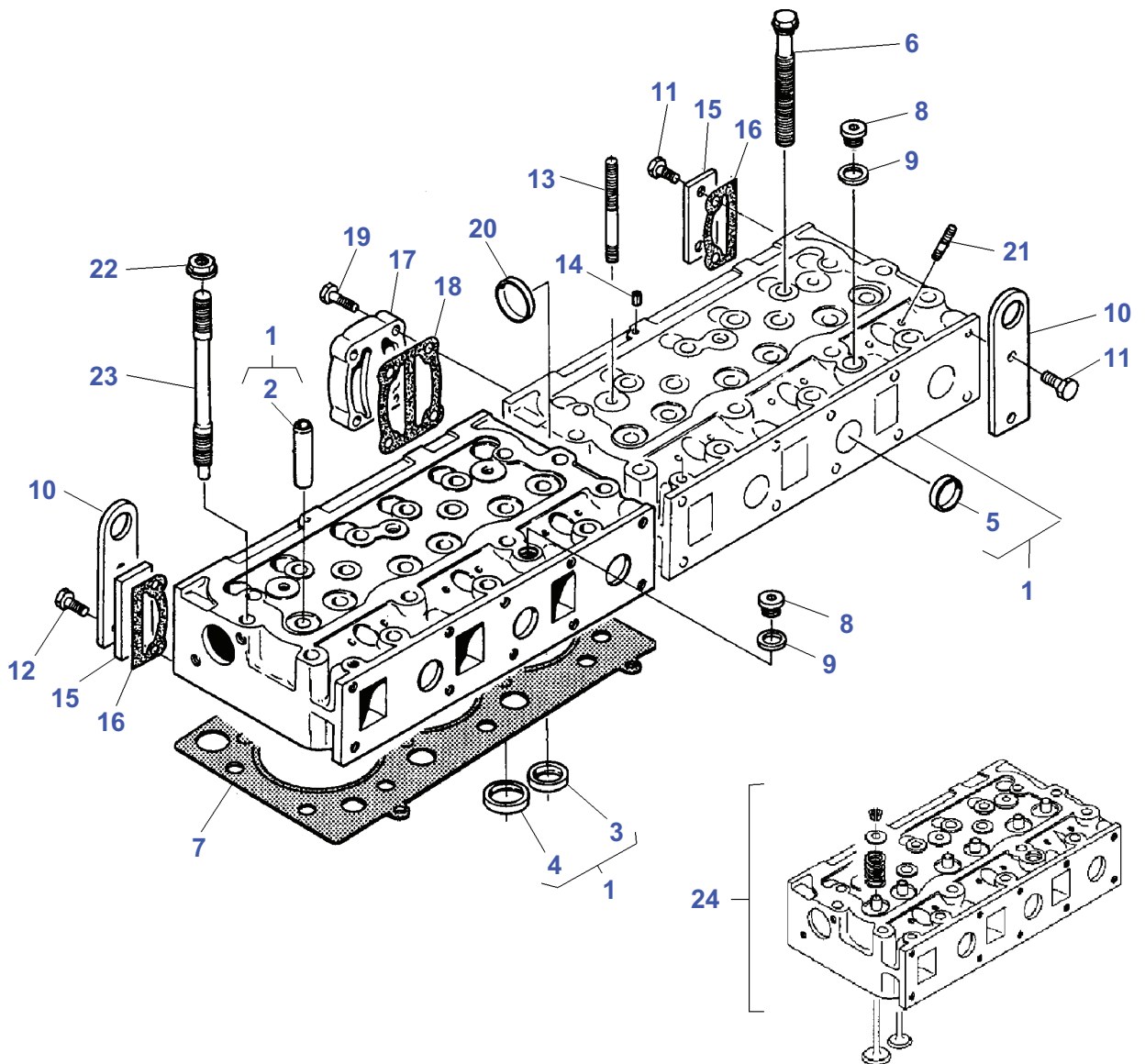


Item	Part Number	Qty	Description	Comments
1	V836855910	1	Crankshaft	
2	V836855559	1	Gear	
3	V836855558	1	Gear	
4	V836855525	1	Key	
5	V836336302	6	Bearing	STANDARD
	V836338650	X	Bearing	Diameter 72,731MM 72,750MM
	V836338651	X	Bearing	Diameter 72,481MM 72,500MM
	V836338652	X	Bearing	Diameter 71,981MM 72,000MM
	V836338653	X	Bearing	Diameter 71,481MM 71,500MM
6	V836866182	6	Piston	
7	V836840887	6	Kit, Piston Ring	(6)
8	V836864101	X	Conrod	2230-2249g E
	V836864102	X	Conrod	2250-2269g F
	V836864103	X	Conrod	2270-2289g G
	V836340948	X	Conrod	2290-2309g H
	V836864105	X	Conrod	2310-2329g I
	V836864106	X	Conrod	2330-2349g J
	V836864107	X	Conrod	2350-2369g K
9	V836864288	6	Bush	(8)
	V836338606	X	Bush	(8) Diameter +0,5mm
10	V836864141	12	Screw	(8)
11	V836840944	7	Main Bearing	STANDARD
	V836840978	X	Main Bearing	Diameter 89,735MM 89,770MM
	V836840979	X	Main Bearing	Diameter 89,485MM 89,520MM
	V836840980	X	Main Bearing	Diameter 88,985MM 89,020MM
	V836840981	X	Main Bearing	Diameter 88,485MM 88,520MM
12	V836840945	2	Thrust Washer	STANDARD
	V836840982	X	Thrust Washer	0,1MM
	V836840983	X	Thrust Washer	0,2MM
13	V836855637	1	Ring	
14	V836855641	1	Hub	
15	V836840882	1	Shock Absorber	
16	V836855690	1	Pulley	
17	V528902230	6	Screw	
18	V836322221	1	Nut	



Valve Mechanism

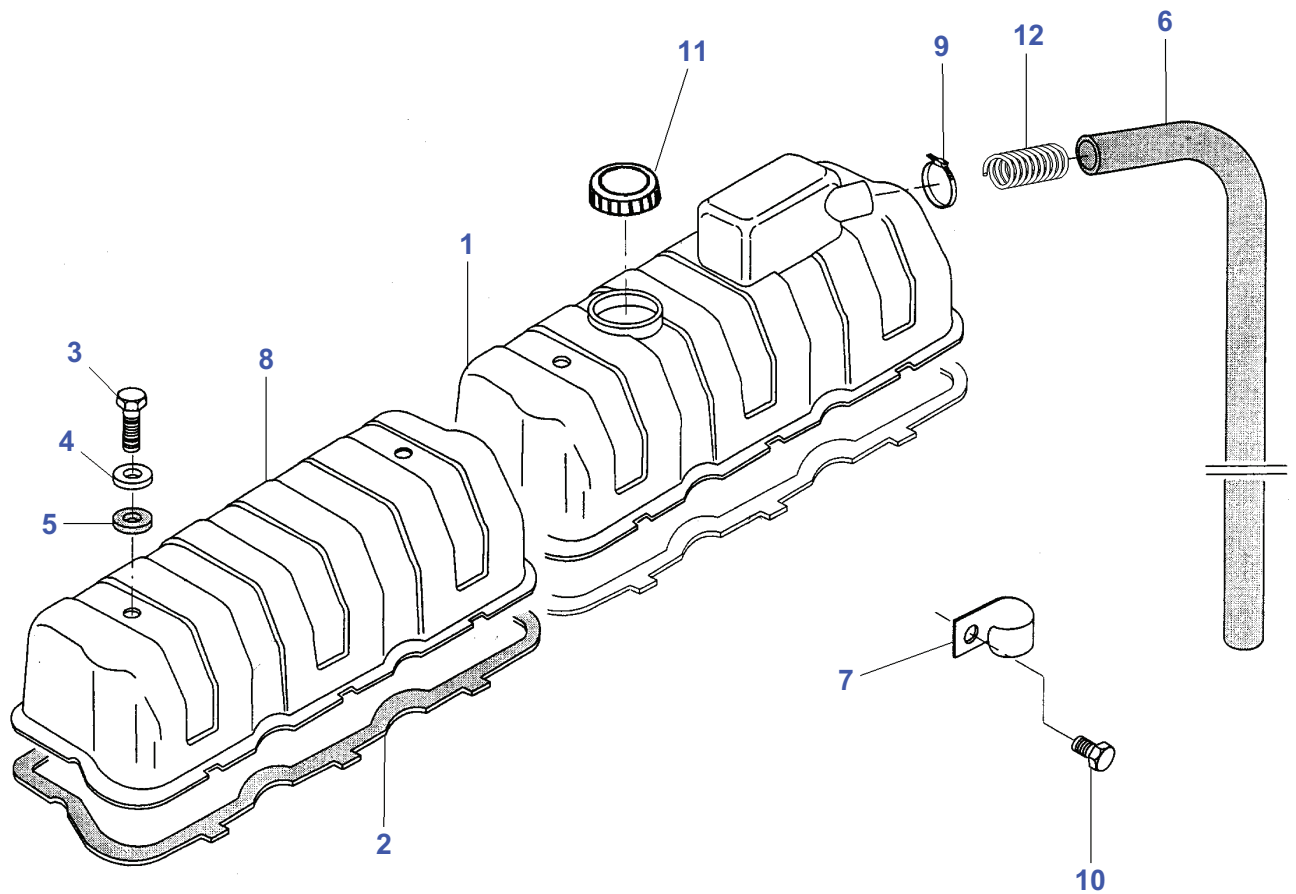
Item	Part Number	Qty	Description	Comments
1	V836666610	2	Rocker Shaft	
2	V836666608	12	Rocker	(1)
3	V512861000	12	Nut	(2)
4	V836655866	12	Adjusting Screw	(2)
5	V836655869	6	Bracket	(1)
	V836666609	6	Bracket	MF7278CEREAL (1) MF7272/7274CEREAL
6	V836655884	4	Spring	(1)
7	V836655870	2	Shaft	(1)
8	V836655899	4	Plug	(1)
9	V836655406	4	Nut	
10	V529801910	2	Screw	
11	V836862528	1	Camshaft	Up to Serial or Engine Number L17960 MF7278
	V836324661	1	Bush	Diameter + 0,4 mm
	V836862528	1	Camshaft	From Serial or Engine Number L17961 MF7278
	V836862528	1	Camshaft	Replace and repair. Old not interchangeable with new V836866054 MF7272/7274
				Replace and repair. Old not interchangeable with new V836866054
12	V836646382	24	Cotter	
13	V836646381	12	Cup	
	V836652269		Ring	Diameter + 0,2 mm Exhaust Echapp.
	V836855347		Ring	Diameter + 0,2 mm Inlet Admiss.
14	V836646380	12	Spring	
15	V836646356	6	Valve Inlet	
16	V836646357	6	Valve Exhaust	
17	V836855568	1	Gear	
18	V603305760	1	Key	
19	V836014264	12	Tappet	
20	V836355872	12	Rod	



Cylinder Head

Item	Part Number	Qty	Description	Comments
1	V836855381	2	Cylinder Head	
2	V836647601	12	Guide	(1)
3	V836647600	6	Pressure Valve	(1) EXHAUST
4	V836647936	6	Valve Seat	(1) INLET
5	V836647942	10	Plug	(1)
6	V836859104	32	Screw	
7	V836666302	2	Head Gasket	[A] Repairs and replaces v836664155
8	V640325018	1	Plug	
9	V615881822	1	Seal	[A]
10	V836859722	2	Plate	Replace and repair. Old not interchangeable with new V836855349
11	V528801800	4	Screw	M10X25
12	V528801820	2	Screw	M10X35
13	V546801900	4	Stud	M10X75
14	V595959140	2	Pin	
15	V836855350	2	Plate	
16	V836837391	2	Gasket	[A] Repairs and replaces v836855417 Replace and repair. Old not interchangeable with new V836866215
17	V836855348	1	Connector	
18	V836867390	1	Gasket	[A] Repairs and replaces v836855418 Replace and repair. Old not interchangeable with new V836866214
19	V528901830	4	Screw	
20	V640016045	1	Plug	
21	V546901435	21	Stud	M8X40
22	V836859110	2	Nut	
23	V836859109	2	Stud	
24	V836640897	2	Cylinder Head	

FOOTNOTE [A] INCLUDED IN V836840993

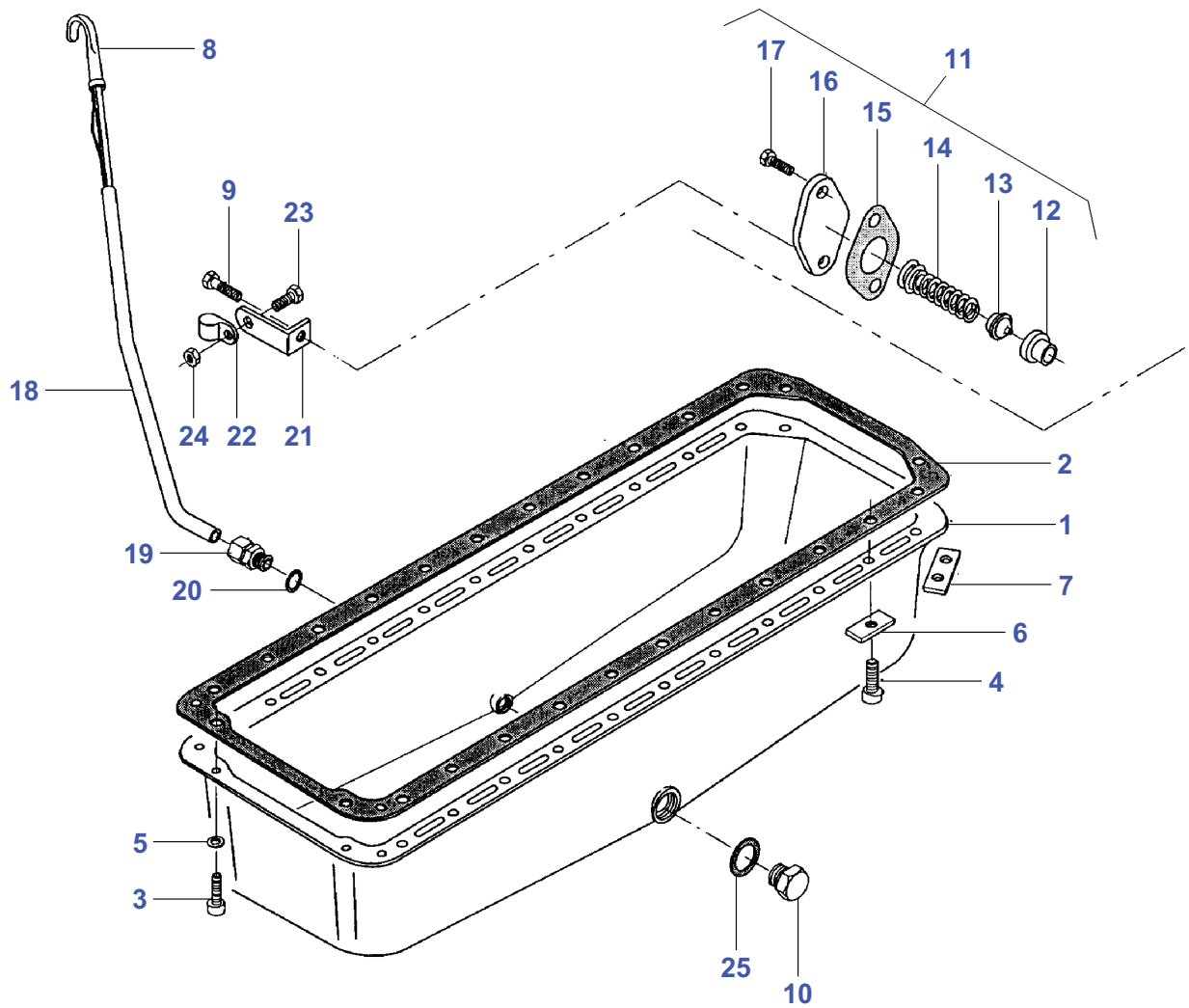


Cylinder Head Cover

Item	Part Number	Qty	Description	Comments
1	V836859626	1	Valve Cover	
2	V836646360	2	Gasket	[A]
3	V528801780	4	Screw	M10X20
4	V836119855	4	Washer	
5	V836012841	4	Gasket	[A]
6	V836659529	1	Hose Flexible	
7	V836659539	1	Band	
8	V836846448	1	Valve Cover	
9	V651754720	1	Band	
10	V528801740	1	Screw	M10X10
11	V836659697	1	Cap	
12	V836859587	1	Spring	

FOOTNOTE [A] INCLUDED IN V836840993

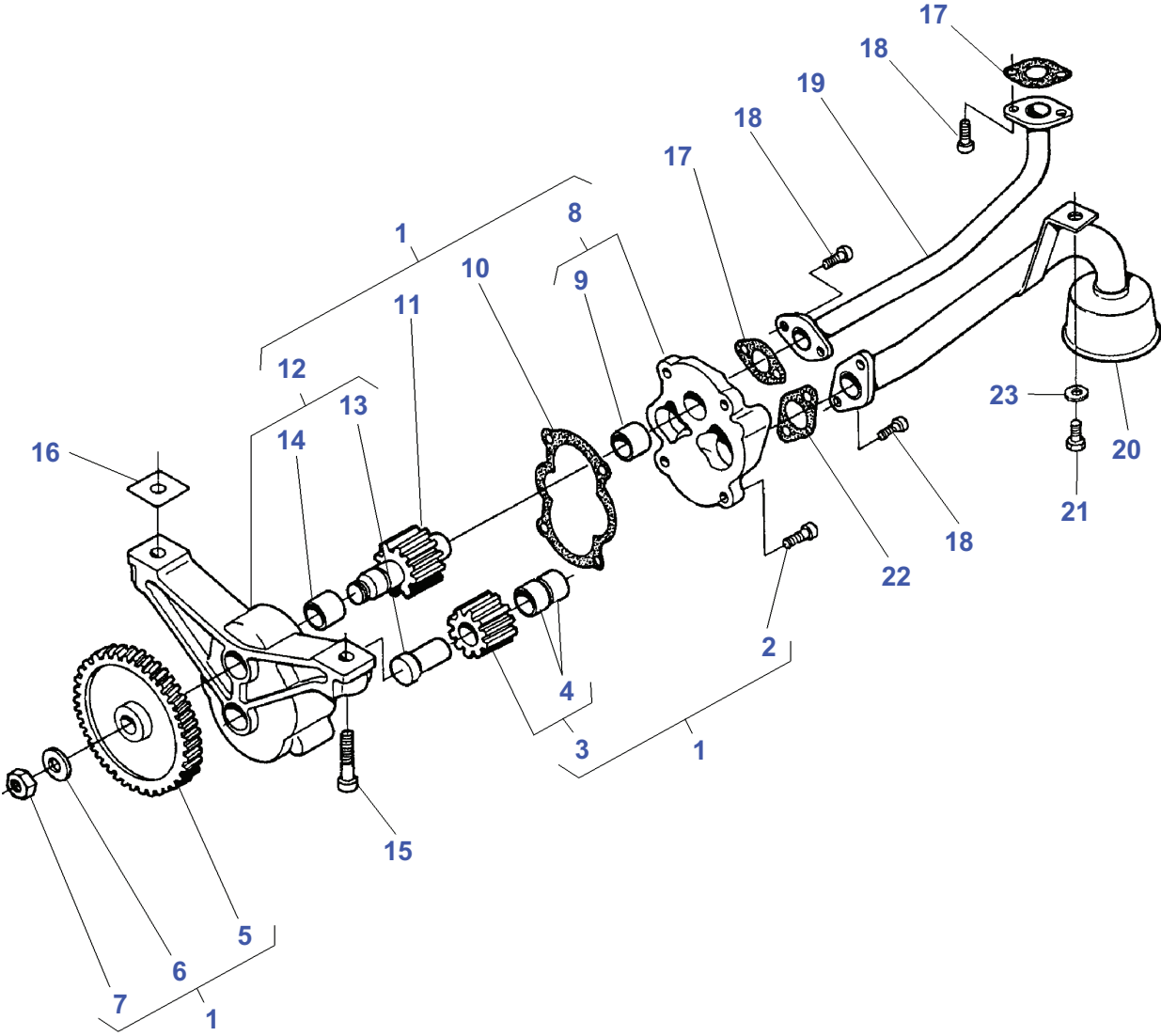
MF 7272/7274/7278 CERA COMBINE - 1637408
D-HB10-010-A



Lubricating Oil Sump

Item	Part Number	Qty	Description	Comments
1	V836347308	1	Oil Sump	
2	V836322538	1	Gasket	[A]
3	VHC9326	4	Screw	
4	V581805000	24	Screw	
5	V500950800	4	Washer	
6	V836859560	20	Washer	
7	V836859561	2	Washer	
8	V836346298	1	Dipstick	
9	V529801430	1	Screw	
10	V640045022	1	Plug	
11	V836662130	1	Control Valve	
12	V836659521	1	Valve Seat	(11)
13	V836659522	1	Plate	(11)
14	V836864056	1	Spring	(11)
15	V836322190	1	Gasket	[A] (11)
16	V836659524	1	Cover	(11)
17	V528801380	1	Screw	(11)
18	V836859563	1	Pipe	
19	V641086012	1	Union	
20	V615881620	1	Seal	[A]
21	V836652081	1	Support	
22	V602060612	1	Fastener	
23	V528801380	1	Screw	
24	V504800800	1	Nut	
25	V615882227	1	Gasket	[A]

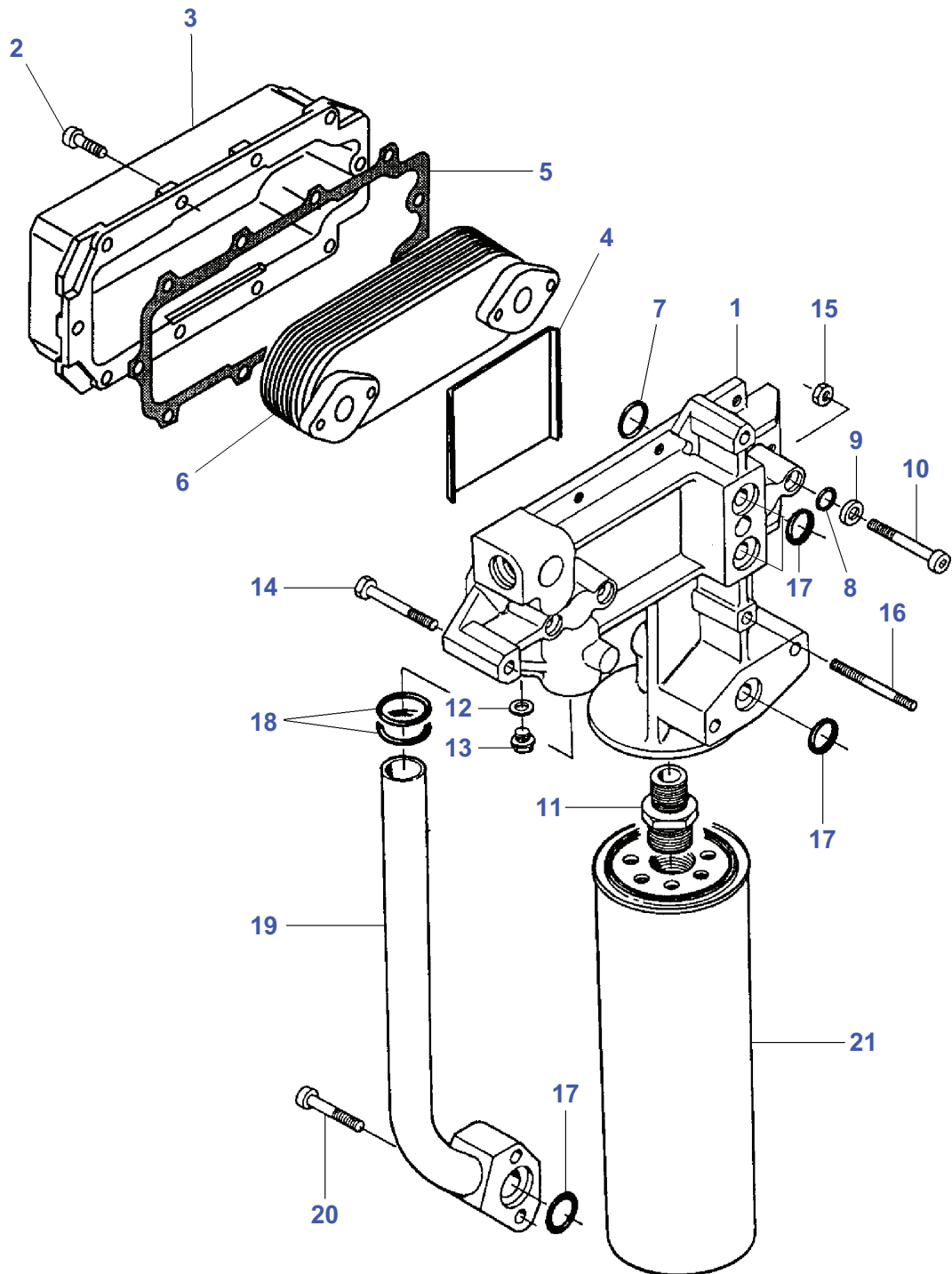
FOOTNOTE [A] INCLUDED IN V836840994



Lubricating Oil Pump

Item	Part Number	Qty	Description	Comments
1	V836855300	1	Oil Pump	
2	V528801380	4	Screw	(1) M8X20
3	V836338180	1	Gear	(1)
4	V836322909	2	Bush	(3)
5	V836338667	1	Gear	(1)
6	V836122910	1	Washer	(1)
7	V504861000	1	Nut	(1)
8	V836855297	1	Cover	(1)
9	V836322909	1	Bush	(8)
10	V836338188	1	Gasket	[A] (1)
11	V836338182	1	Gear	(1)
12	V836338186	1	Frame	(1)
13	V836322906	1	Shaft	(12)
14	V836322909	1	Bush	(12)
15	V581805050	2	Screw	M10X40
16	V836007871	X	Shim	
17	V836008449	2	Gasket	[A]
18	VHC9326	6	Screw	M8X20
19	V836855673	1	Pipe	
20	V836855674	1	Strainer	
21	V528801360	1	Screw	M8X16
22	V836338201	1	Gasket	[A]
23	V500150840	1	Washer	

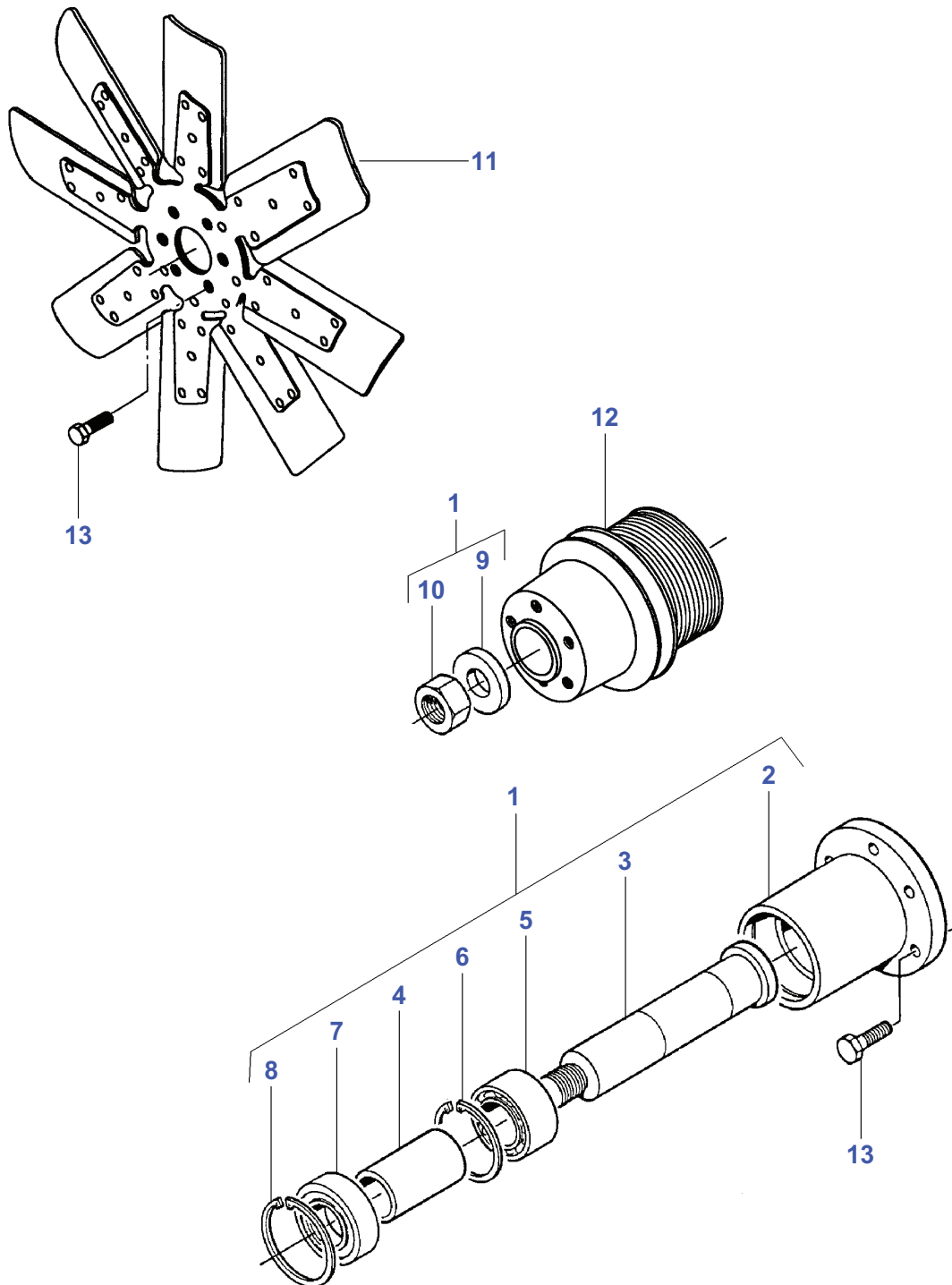
FOOTNOTE [A] INCLUDED IN V836840994



Lubrication Oil Cooler

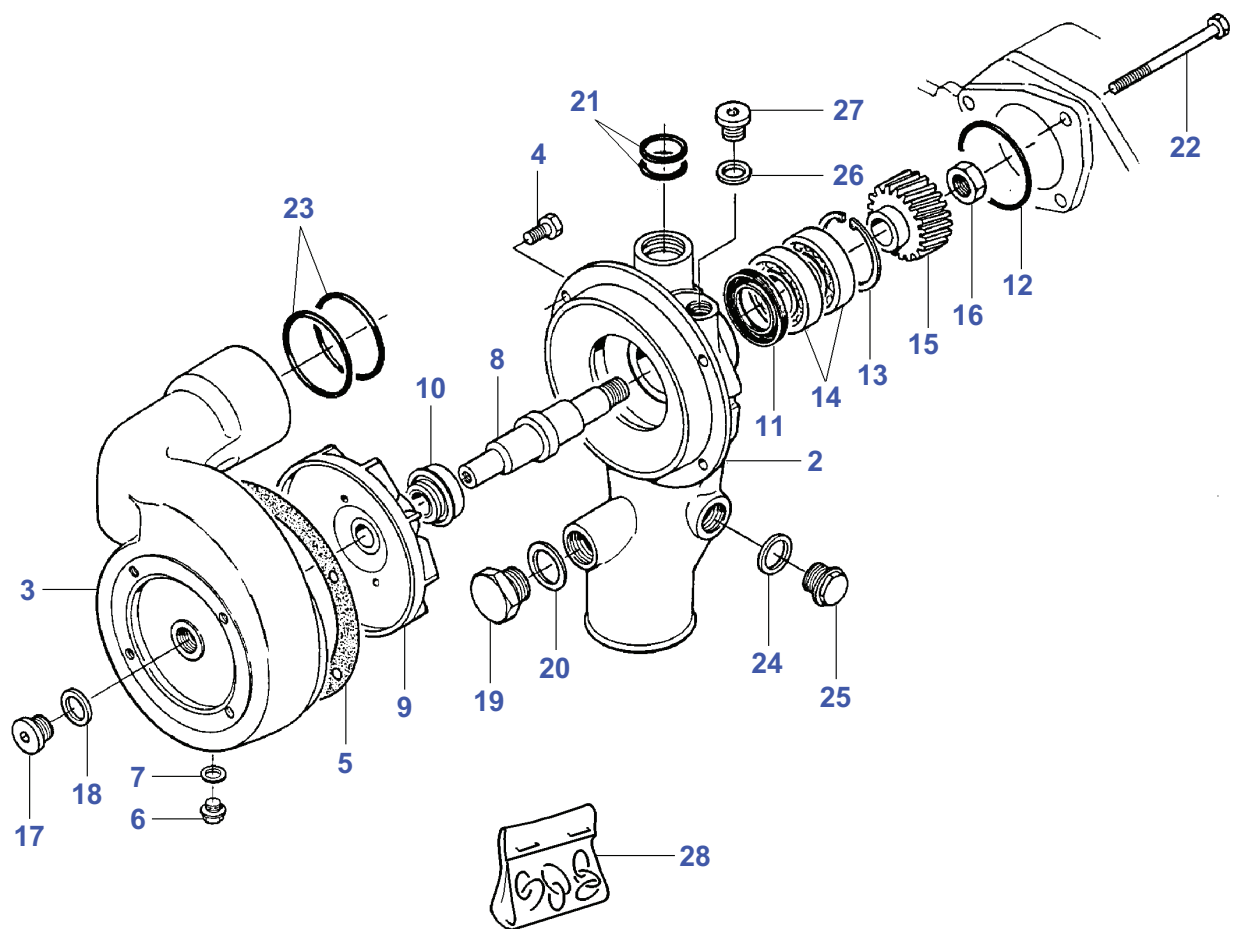
Item	Part Number	Qty	Description	Comments
1	V836855522	1	Oil Cooler	
2	V581804620	10	Screw	(1)
3	V836855519	1	Housing	(1)
4	V836855521	1	Guide	(1)
5	V836855520	1	Gasket	[A] (1)
6	V836855484	1	Element	(1)
7	V614602030	2	O Ring	[A] (1)
8	V614600724	4	O Ring	[A] (1)
9	V836855517	4	Washer	(1)
10	V581804690	4	Screw	(1)
11	V836338512	1	Union	(1)
12	V615881216	1	Gasket	[A] (1)
13	V640305012	1	Plug	(1)
14	V581804690	4	Screw	
15	V504800800	1	Nut	
16	V546801490	1	Bolt	
17	V614602030	4	O Ring	[A]
18	V614602430	2	O Ring	[A]
19	V836855523	1	Pipe	
20	V581804650	2	Screw	
21	V836336459	1	Oil Filter	

FOOTNOTE [A] INCLUDED IN V836840994



Drive Shaft - Fan Engine

Item	Part Number	Qty	Description	Comments
1	V836855762	1	Kit, Shaft	
2	V836855758	1	Hub	(1)
3	V836855755	1	Shaft	(1)
4	V836855757	1	Sleeve	(1)
5	V610032060	1	Bearing Assy	(1)
6	V617350062	1	Circlip	(1)
7	V610063064	1	Bearing Assy	(1)
8	V617330072	1	Circlip	(1)
9	V836855756	1	Washer	(1)
10	V504602002	1	Nut	(1)
11	V836855677	1	Fan	MF7274/7278CEREAL
	V836859665	1	Fan	MF7272CEREAL
12	V836859288	1	Pulley	MF7274/7278CEREAL
	V836866029	1	Pulley	MF7272CEREAL
13	V528801810	12	Screw	



Water Pump

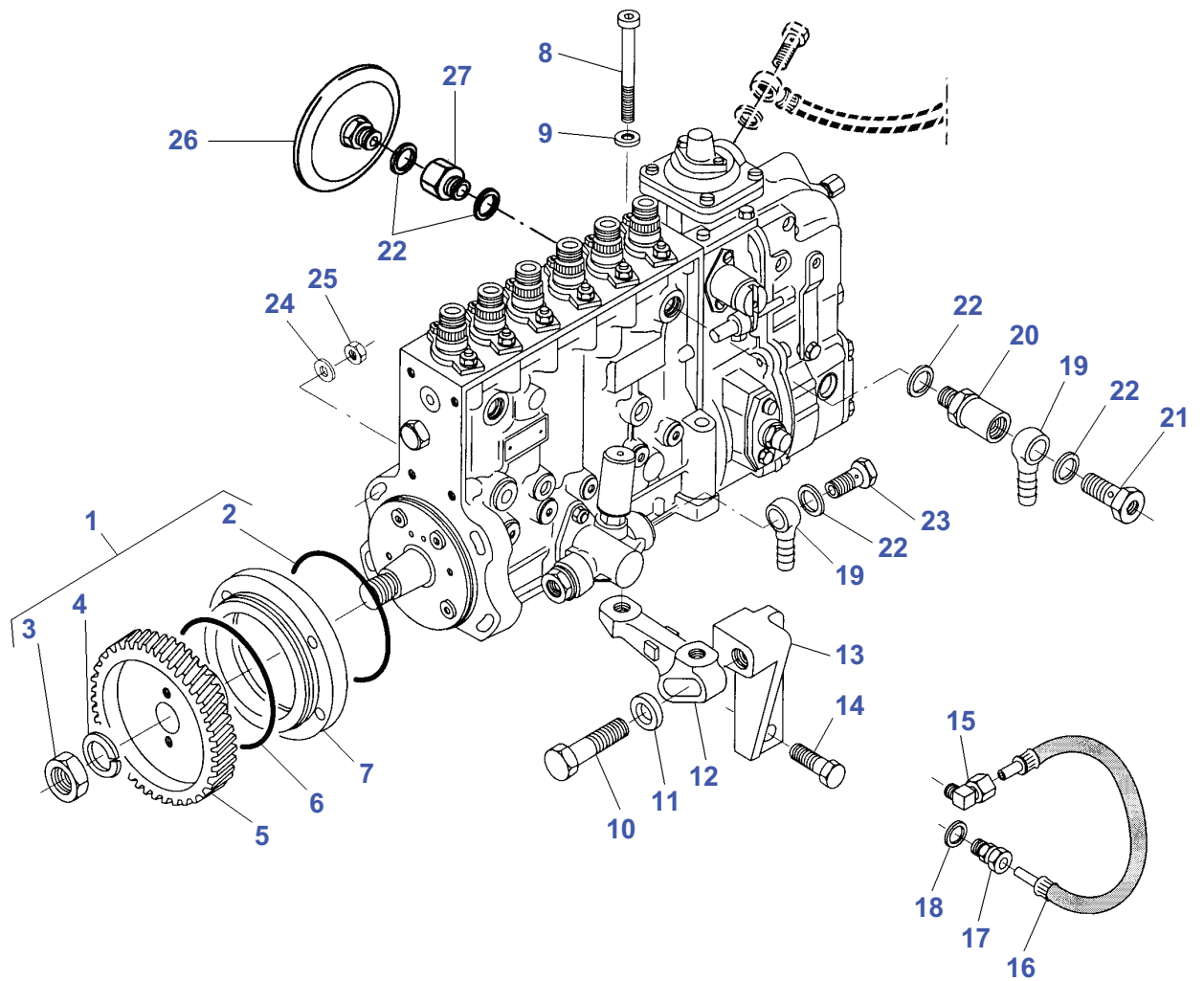
Item	Part Number	Qty	Description	Comments
1	V836859202	1	Water Pump	[D]
2	V836859457	1	Frame	(1)
3	V836859168	1	Water Pump	(1)
4	V528801362	4	Screw	(1)
5	V836855625	1	Gasket	[C] (1)
6	V640305012	1	Plug	(1)
7	V615881216	1	Gasket	[C] (1) Replace and repair. Old not interchangeable with new V615871216
8	V836859456	1	Shaft	[C] (1)
9	V836866735	1	Impeller	[C] (1) Repairs and replaces V836855948
10	V836859452	1	Gasket	[C] (1)
11	V614103247	1	Gasket	[C] (1)
12	V614606230	1	O Ring	[A,C] (1)
13	V617330052	1	Circlip	[C] (1)
14	V610072050	2	Bearing Assy	[C] (1)
15	V836855569	1	Gear	(1)
16	V504601600	1	Nut	[C] (1)
17	V640325018	1	Plug	(1)
18	V615881822	1	Seal	[C] (1)
19	V640045126	1	Plug	(1)
20	V615892631	1	Seal	[C] (1)
21	V614602430	1	O Ring	[B,C] (1)
22	V529801530	3	Screw	
23	V614604958	2	O Ring	[A,C]
24	V615882227	1	Gasket	[A]
25	V640045022	1	Plug	
26	V615881822	1	Seal	[A]
27	V640325018	1	Plug	
28	V836862271	1	Kit, Repair	

FOOTNOTE [A] INCLUDED IN V836840994

FOOTNOTE [B] INCLUDED IN V836840993

FOOTNOTE [C] INCLUDED IN V836862271

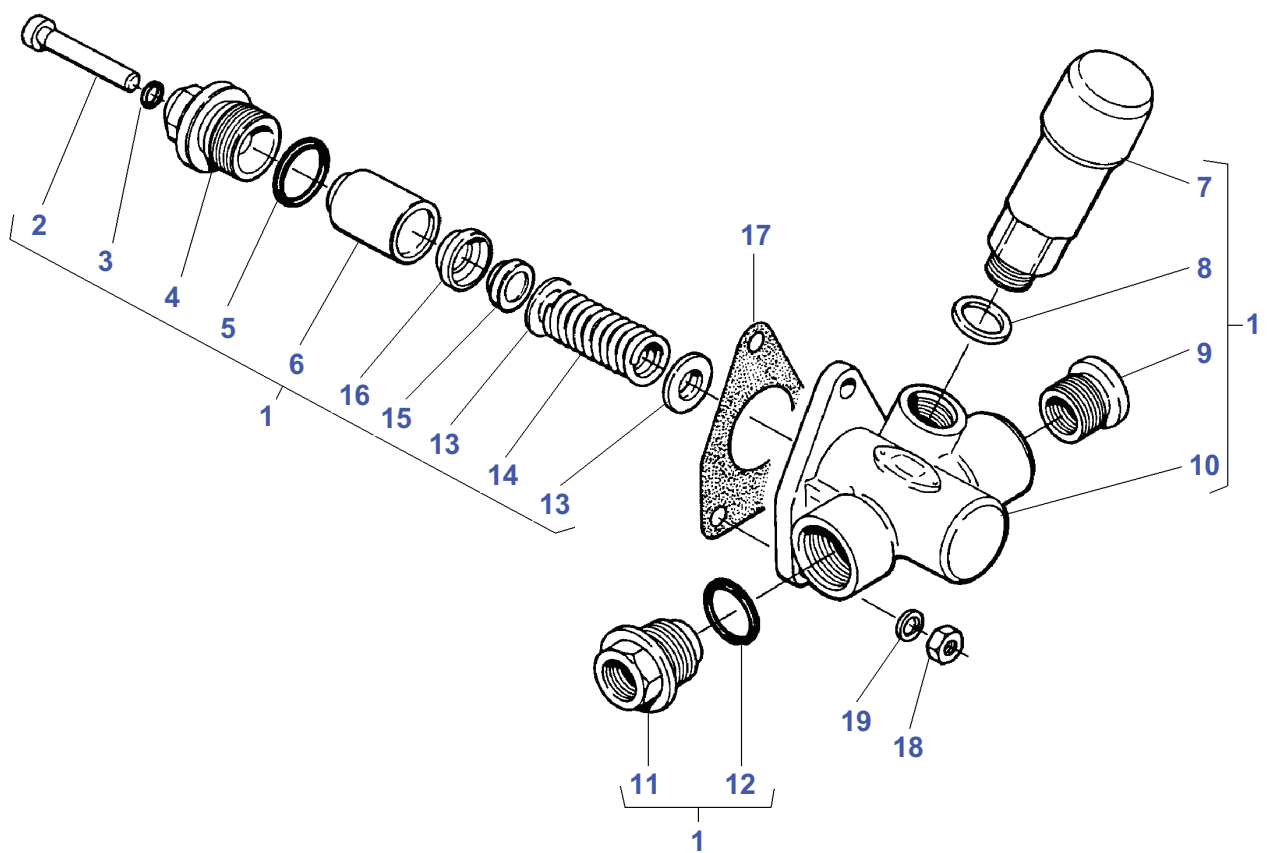
FOOTNOTE [D] NOT ILLUSTRATED



Injection Pump

Item	Part Number	Qty	Description	Comments
1	V836854997	1	Injection Pump	MF7274
	V836854852	1	Injection Pump	MF7278
	V836854990	1	Injection Pump	Up to Serial or Engine Number 58548 MF7278 From Serial or Engine Number 58549
	V836854996	1	Injection Pump	MF7272
2	V614609930	1	O Ring	[A]
				(1)
3	V505612000	1	Nut	(1)
4	V500452002	1	Washer	(1)
5	V836855986	1	Gear	
6	V614609930	1	O Ring	[A]
7	V836855996	1	Ring	
8	V581805150	2	Screw	M10X90
9	V500151050	2	Washer	
10	V529803072	1	Screw	M16X60
11	V836655994	1	Washer	
12	V836855987	1	Support	
13	V836855993	1	Support	
14	V528802640	2	Screw	M14X40
15	V641166006	1	Elbow Nipple	
16	V836120491	1	Pipe,Oil	
17	V641086006	1	Connection	
18	V615571014	1	Seal	[A]
19	V640255210	2	Pipe	
20	V836330959	1	Valve.	
21	V835336944	1	Screw	
22	V615881420	7	Gasket	[A]
23	V640435010	1	Screw	
24	V500051052	4	Washer	
25	V504801000	4	Nut	
26	V836316814	1	Pressure Valve	
27	V836336934	1	Union	

FOOTNOTE [A] INCLUDED IN V836840994

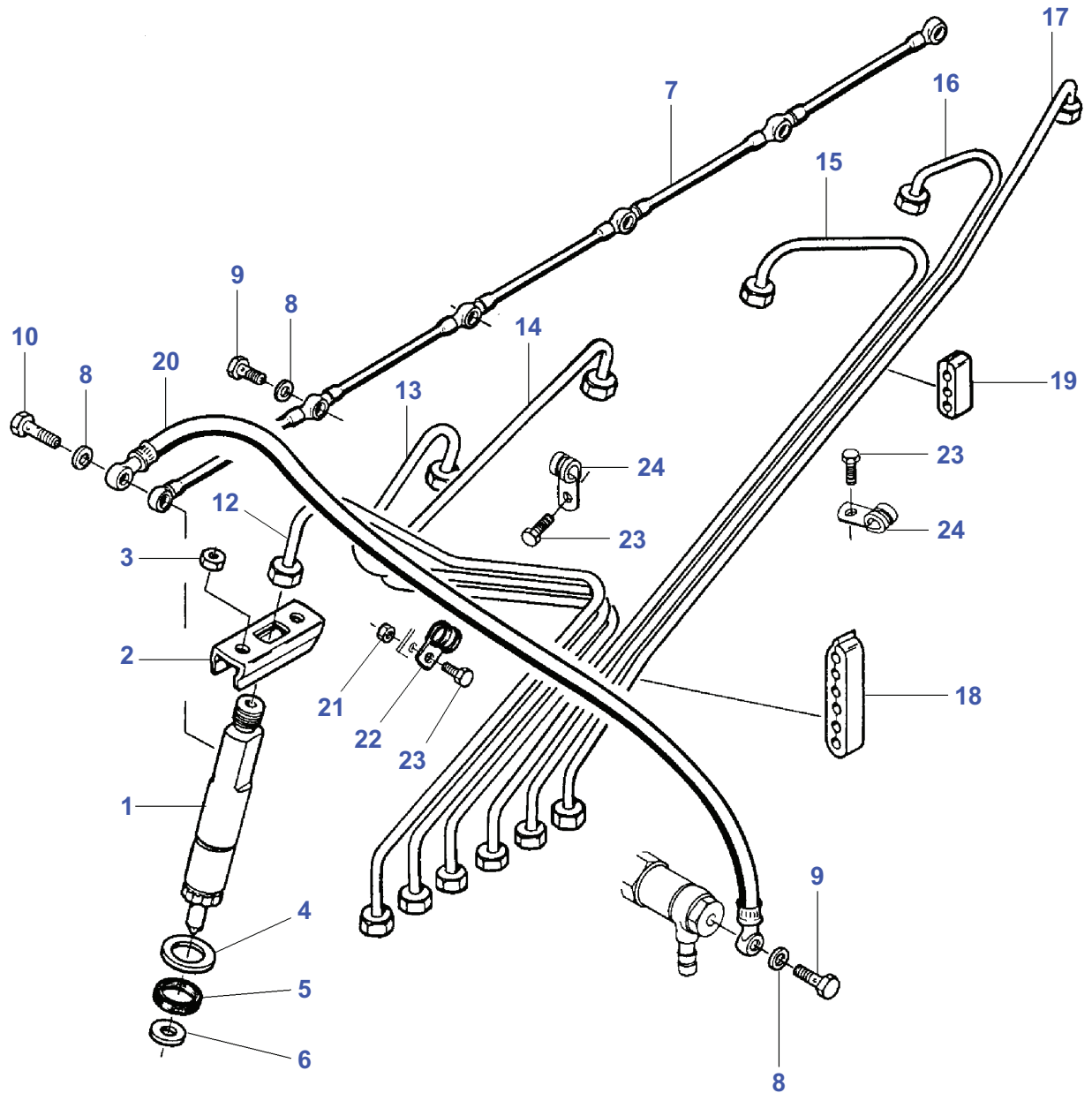


Feed Pump

Item	Part Number	Qty	Description	Comments
1	V836362023	1	Pump	
2	V836362024	1	Lever	(1)
3	V836362025	1	O Ring	[A] (1)
4	V836340069	1	Body	(1)
5	V836362027	1	O Ring	[A] (1)
6	V835339877	1	Plunger	(1)
7	V835339884	1	Pump	(1)
8	V615881620	1	Seal	(1)
9	V836340067	1	Union	(1)
10		1	Housing	(1) Not serviced,order REF. 1
11	V835340971	1	Union	[A] (1)
12	V835340972	1	O Ring	[A] (1)
13	V835339879	2	Washer	(1)
14	V836362026	1	Spring	(1)
15	V835339880	1	Pressure Valve	[A] (1)
16	V835339882	1	Gasket	(1)
17	V836329194	1	Gasket	
18	V504600602	3	Nut	M6
19	V500450602	3	Washer	
20	V836862418	1	Parts Pack	[B]

FOOTNOTE [A] INCLUDED IN REPAIR KIT V836862418

FOOTNOTE [B] NOT ILLUSTRATED

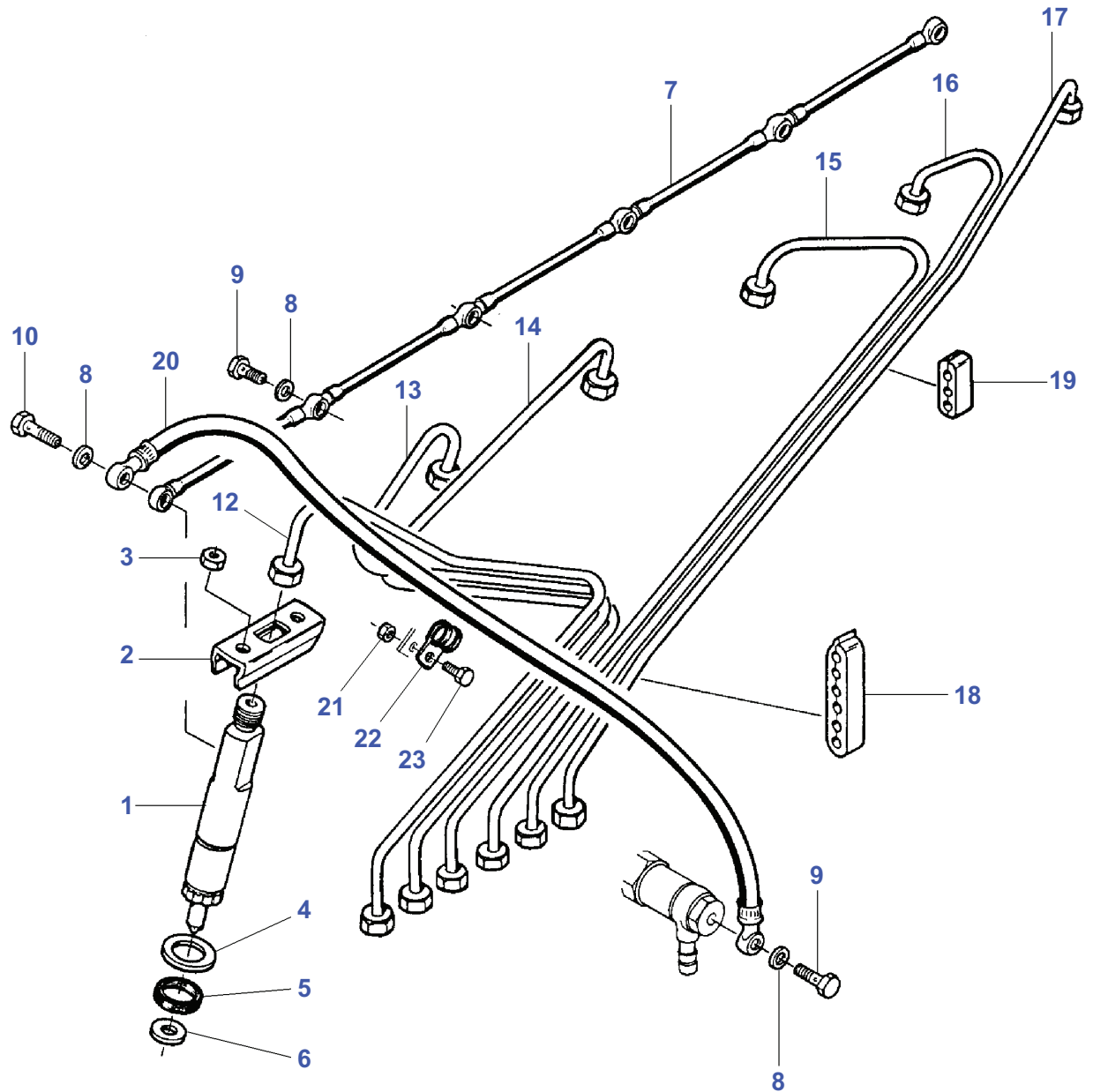


Fuel Pipings - M.F 7278 CEREAL

Item	Part Number	Qty	Description	Comments
1	V836354615	6	Atomiser	Up to Serial or Engine Number 58548
	V836854992	6	Atomiser	From Serial or Engine Number 58549
2	V835331103	6	Retainer	
3	V504800800	12	Nut	
4	V836652170	6	Washer	
5	V835336276	6	Seal	[A]
6	V899901495	6	Washer	[A]
7	V836847522	1	Pipe	
8	V615870710	13	Seal	[A]
9	V835331289	5	Screw	
10	V835336943	1	Screw	
11	V836859297	1	Kit, Pipe	[B] Up to Serial or Engine Number 58548
	V836866670	1	Kit, Pipe	[B] From Serial or Engine Number 58549
12	V836859477	1	Injection Pipe	(11) Up to Serial or Engine Number 58548 CYL.NO 1
		1	Exhaust Pipe	(11) CYL NO. 1 From Serial or Engine Number 58549 Not serviced,order REF.11
13	V836859478	4	Exhaust Pipe	(11) Up to Serial or Engine Number 58548 CYL.NO 2
		1	Exhaust Pipe	(11) CYL.NO 2 From Serial or Engine Number 58549 Not serviced,order REF.11
14	V836859479	1	Exhaust Pipe	(11) Up to Serial or Engine Number 58548 CYL.NO 3
		1	Exhaust Pipe	(11) CYL.NO 3 From Serial or Engine Number 59549 Not serviced,order REF.11
15	V836859480	1	Exhaust Pipe	(11) Up to Serial or Engine Number 58548 CYL.NO 4
		1	Exhaust Pipe	(11) CYL.NO 4 From Serial or Engine Number 58549 Not serviced,order REF.11
16	V836859481	1	Exhaust Pipe	(11) Up to Serial or Engine Number 58548 CYL.NO 5
		1	Exhaust Pipe	(11) CYL.NO 5 From Serial or Engine Number 58549 Not serviced,order REF.11
17	V836859482	1	Exhaust Pipe	(11) Up to Serial or Engine Number 58548 CYL.NO 6
		1	Exhaust Pipe	(11) CYL.NO 6 From Serial or Engine Number 58549 Not serviced,order REF.11
18	V836664521	1	Clamp	(11)
19	V836664518	2	Clamp	(11)
20	V835336942	1	Tube	
21	V504600502	1	Nut	
22	V602069813	1	Clamp	
23	V528800762	3	Screw	Up to Serial or Engine Number 58548
	V528800762	1	Screw	From Serial or Engine Number 58549
24	V602070605	2	Band	Up to Serial or Engine Number 58548

FOOTNOTE [A] INCLUDED IN V836840993

FOOTNOTE [B] NOT ILLUSTRATED

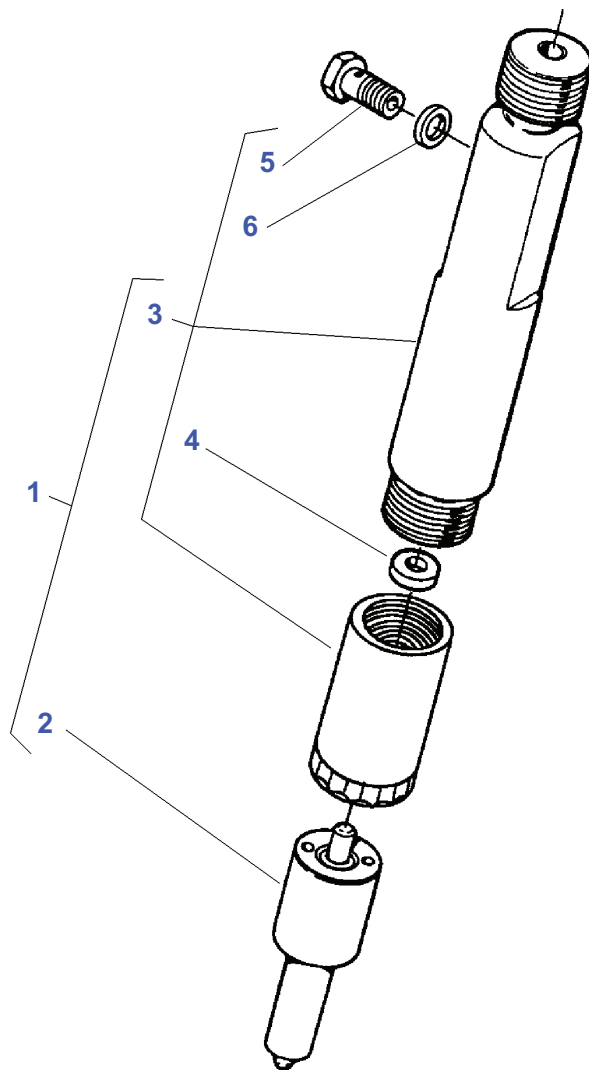


Fuel Pipings - M.F 7272-7274 CEREAL

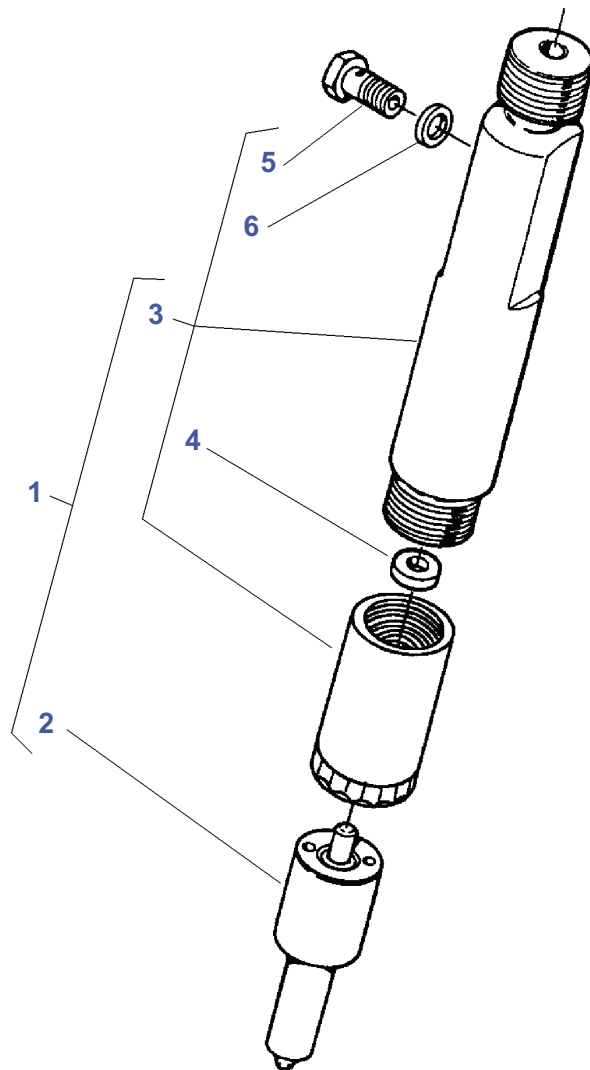
Item	Part Number	Qty	Description	Comments
1	V836354615	6	Atomiser	MF7274CEREAL
	V836854929	6	Atomiser	MF7272CEREAL
2	V835331103	6	Retainer	
3	V504800800	12	Nut	
4	V836652170	6	Washer	
5	V835336276	6	Seal	[A]
6	V899901495	6	Washer	[A]
7	V836847522	1	Pipe	
8	V615870710	13	Seal	[A]
9	V835331289	5	Screw	
10	V835336943	1	Screw	
11	V836866670	1	Kit, Pipe	[B]
12		1	Exhaust Pipe	(11) CYL.NO 1 Not serviced,order REF.11
13		1	Exhaust Pipe	(11) CYL.NO 2 Not serviced,order REF.11
14		1	Exhaust Pipe	(11) CYL.NO 3 Not serviced,order REF.11
15		1	Exhaust Pipe	(11) CYL.NO 4 Not serviced,order REF.11
16		1	Exhaust Pipe	(11) CYL.NO 5 Not serviced,order REF.11
17		1	Exhaust Pipe	(11) CYL.NO 6 Not serviced,order REF.11
18	V836664521	1	Clamp	(11)
19	V836664518	2	Clamp	(11)
20	V835336942	1	Tube	
21	V504600502	1	Nut	
22	V602069813	1	Clamp	
23	V528800762	1	Screw	

FOOTNOTE [A] INCLUDED IN V836840993

FOOTNOTE [B] NOT ILLUSTRATED

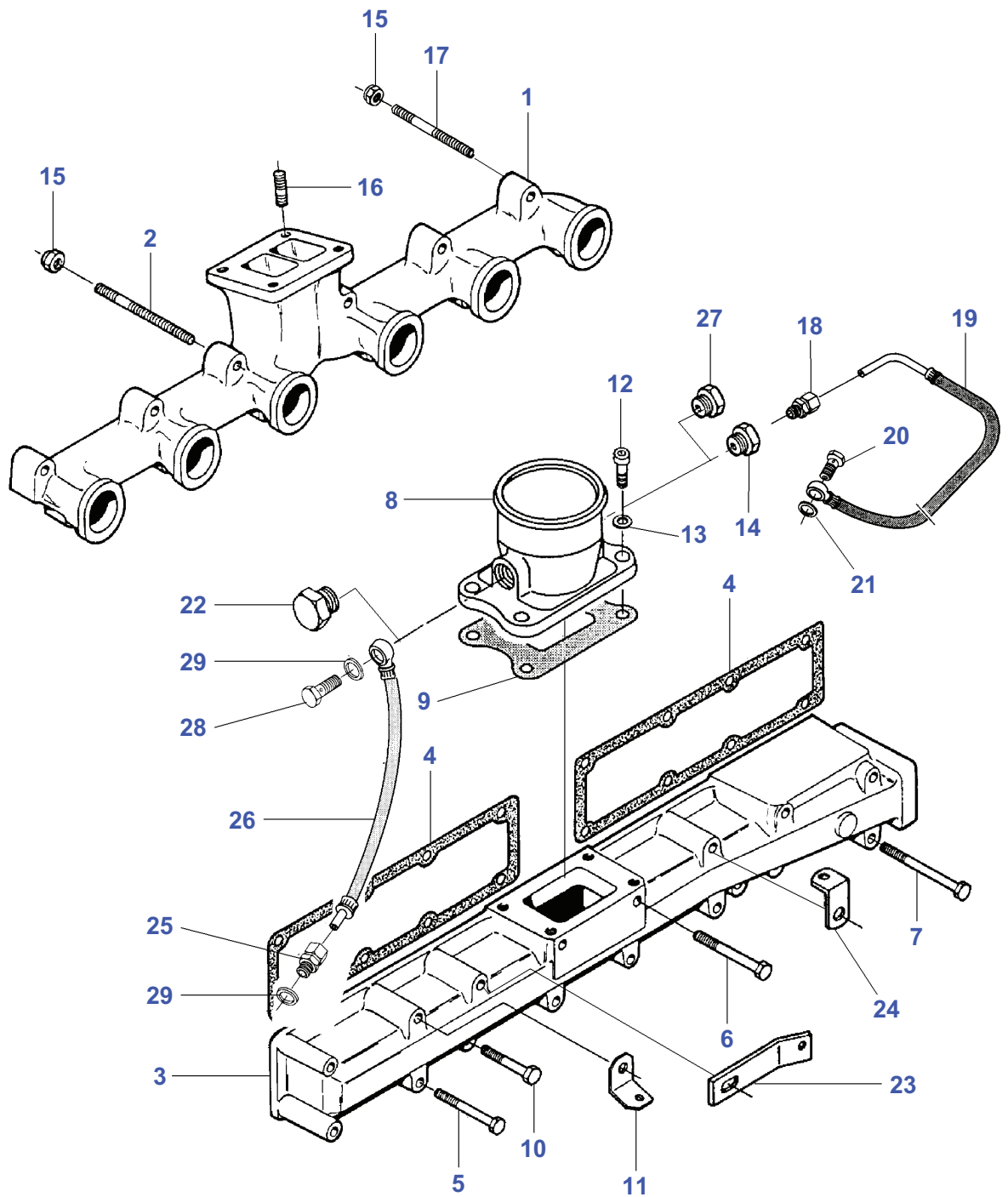


Item	Part Number	Qty	Description	Comments
1	V836354615	1	Atomiser	250BAR
2	V836354611	1	Nozzle	(1)
3		1	Atomiser Body	(1) Not serviced,order REF. 1
4	V836340907	X	Chock	(3) Thickness 1 MM
	V836340908	X	Chock	(3) Thickness 1,02MM
	V836340909	X	Chock	(3) Thickness 1,04MM
	V836340910	X	Chock	(3) Thickness 1,06MM
	V836340911	X	Chock	(3) Thickness 1,08MM
	V836340912	X	Chock	(3) Thickness 1,10MM
	V836340913	X	Chock	(3) Thickness 1,12MM
	V836340914	X	Chock	(3) Thickness 1,14MM
	V836340915	X	Chock	(3) Thickness 1,16MM
	V836340916	X	Chock	(3) Thickness 1,18MM
	V836340917	X	Chock	(3) Thickness 1,20MM
	V836340918	X	Chock	(3) Thickness 1,26MM
	V836340919	X	Chock	(3) Thickness 1,30MM
	V836340920	X	Chock	(3) Thickness 1,40MM
	V836340921	X	Chock	(3) Thickness 1,90MM
	V836340922	X	Chock	(3) Thickness 1,92MM
	V836340923	X	Chock	(3) Thickness 1,94MM
	V836340924	X	Chock	(3) Thickness 1,96MM
	V836340925	X	Chock	(3) Thickness 1,98MM
5	V835331289	1	Screw	(3)
6	V615870710	2	Seal	(3)



Item	Part Number	Qty	Description	Comments
1	V836854929	1	Atomiser	270BAR MF7272/7274
	V836854992	1	Atomiser	270BAR MF7278
2	V836854930	1	Nozzle	(1) MF7272/7274
	V836854991	1	Nozzle	(1) MF7278
3		1	Atomiser Body	(1) Not serviced,order REF. 1
4	V836862000	X	Chock	(3) Thickness 1 MM
	V836862001	X	Chock	(3) Thickness 1,05MM
	V836862002	X	Chock	(3) Thickness 1,10MM
	V836862003	X	Chock	(3) Thickness 1,15MM
	V836862004	X	Chock	(3) Thickness 1,20MM
	V836862005	X	Chock	(3) Thickness 1,25MM
	V836862006	X	Chock	(3) Thickness 1,30MM
	V836862007	X	Chock	(3) Thickness 1,35MM
	V836862008	X	Chock	(3) Thickness 1,40MM
	V836862009	X	Chock	(3) Thickness 1,45MM
	V836862010	X	Chock	(3) Thickness 1,50MM
	V836862011	X	Chock	(3) Thickness 1,55MM
	V836862012	X	Chock	(3) Thickness 1,60MM
	V836862013	X	Chock	(3) Thickness 1,65MM
	V836862014	X	Chock	(3) Thickness 1,70MM
	V836862015	X	Chock	(3) Thickness 1,75MM
	V836862016	X	Chock	(3) Thickness 1,80MM
	V836862017	X	Chock	(3) Thickness 1,85MM
	V836862018	X	Chock	(3) Thickness 1,90MM
	V836862019	X	Chock	(3) Thickness 1,95MM
5	V835331289	1	Screw	(3)
6	V615870710	2	Seal	(3)

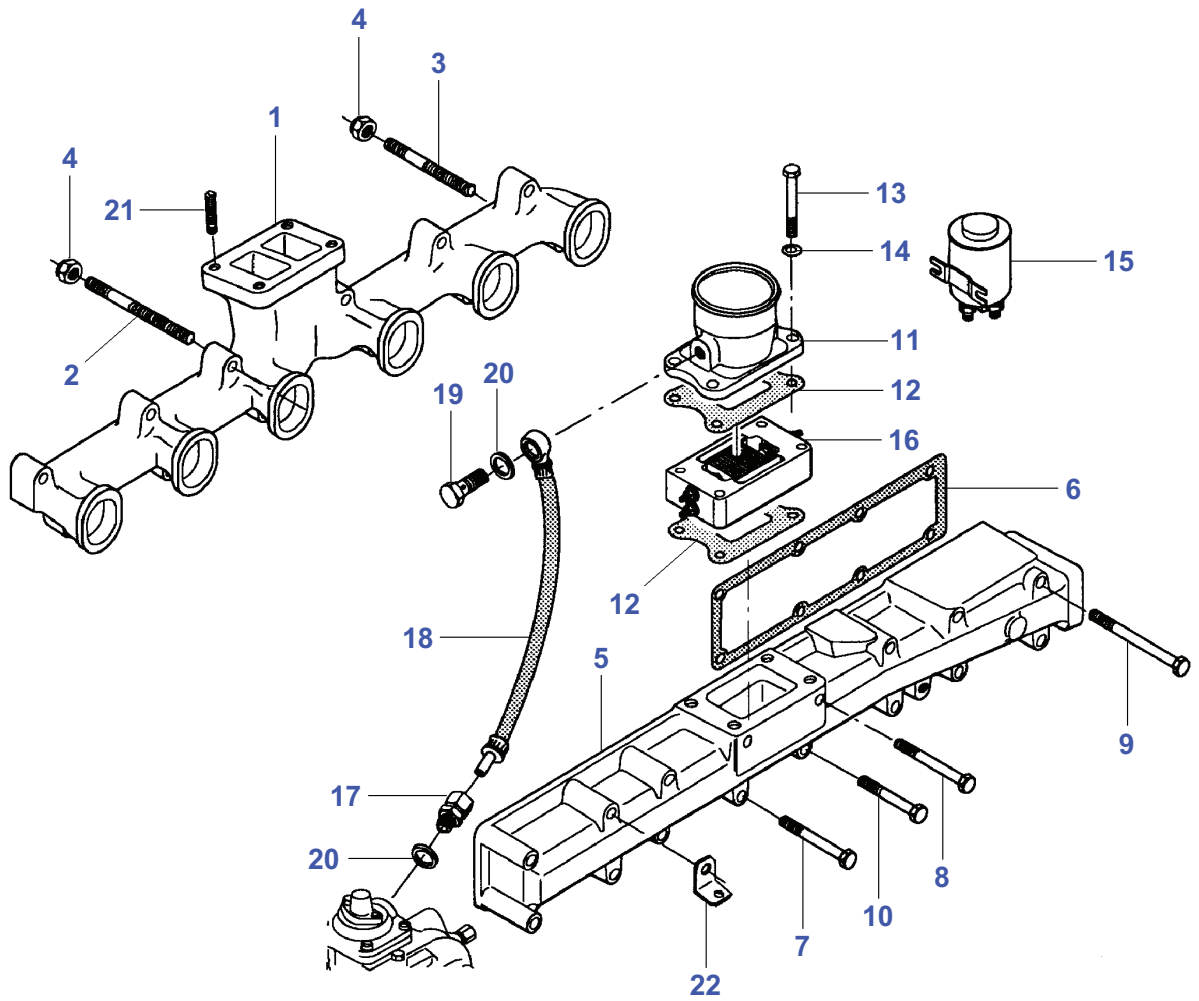
MF 7272/7274/7278 CEREAL COMBINE - 1637408
D-HB19-001-C



D-HB19-001-C

Item	Part Number	Qty	Description	Comments
1	V836855506	1	Exhaust Manifold	
2	V836859034	10	Stud	M10x130
3	V836847493	1	Intake Manifold	
4	V836847496	2	Gasket	[A]
5	V529801510	8	Screw	
6	V529801530	3	Screw	
7	V529801562	2	Screw	
8	V836847531	1	Pipe	
9	V836847532	1	Gasket	[A]
10	V529801470	2	Screw	
11	V836855774	1	Angle.	
12	V581804620	4	Screw	
13	V500950800	4	Washer	
14	V836146021	1	Plug	Up to Serial or Engine Number K11306
15	V513601002	12	Nut	
16	V546801800	4	Bolt	
17	V836859188	2	Bolt	
18	V641016008	1	Union	Up to Serial or Engine Number K11305
19	V836659068	1	Pipe	Up to Serial or Engine Number K11305
20	V640435008	1	Screw	Up to Serial or Engine Number K11305
21	V615881216	2	Gasket	[A] Up to Serial or Engine Number K11305
22	V836114958	1	Plug	Up to Serial or Engine Number K11305
23	V836864379	1	Support	
24	V836864378	1	Support	
25	V641086008	1	Valve.	From Serial or Engine Number K11306
26	V836852301	1	Tube	From Serial or Engine Number K11306
27	V836114958	1	Plug	From Serial or Engine Number K11306
28	V640435008	1	Screw	From Serial or Engine Number K11306
29	V615881216	3	Gasket	From Serial or Engine Number K11306

FOOTNOTE [A] INCLUDED IN V836840993



Massey Ferguson**MF 7272/7274/7278 CEREAL COMBINE - 1637408**

1637408

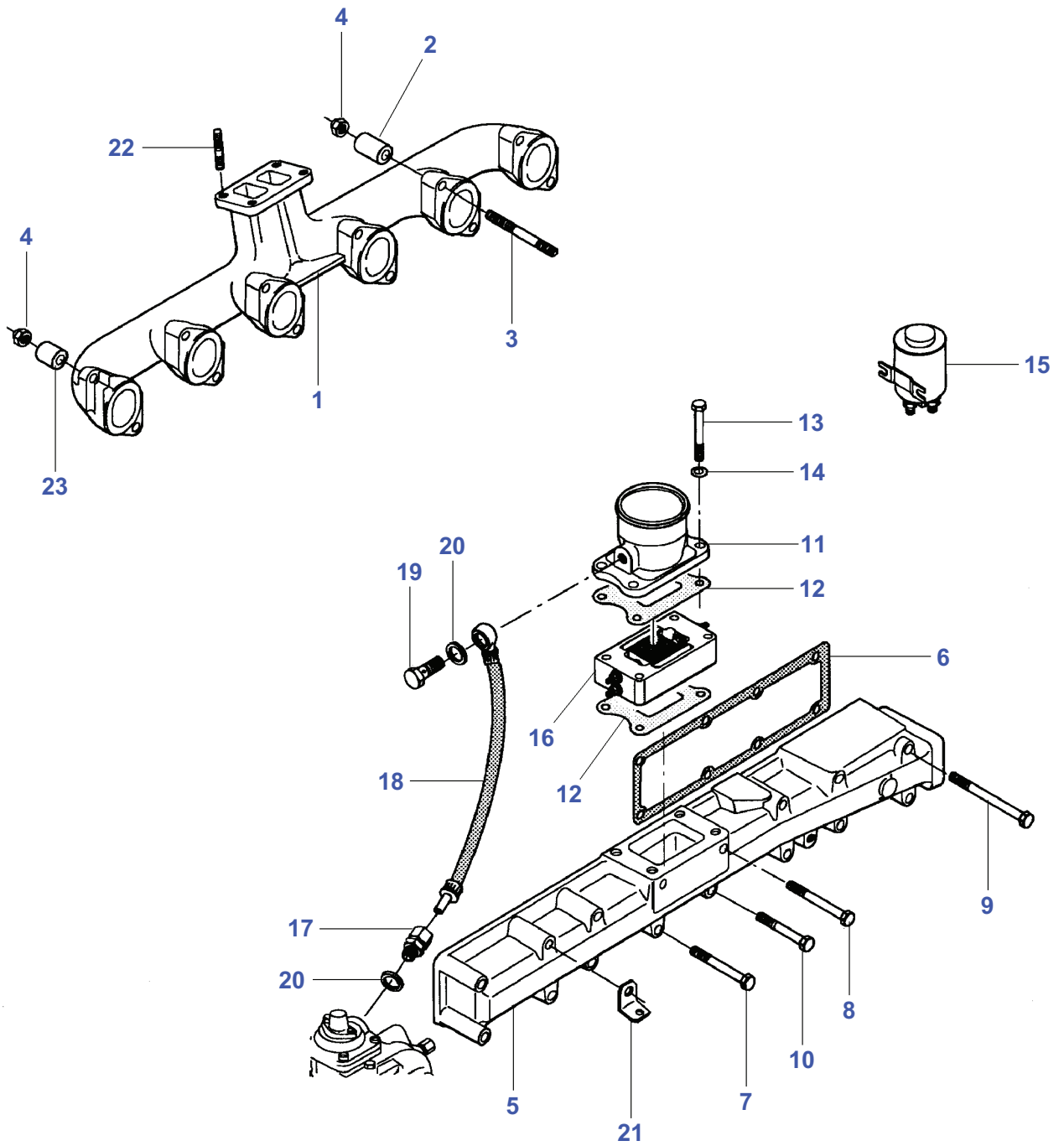
Turbocharger - Inlet And Exhaust Manifold - M.F 7278 - From 58549 + M.F 7274

Page008-0024

Item	Part Number	Qty	Description	Comments
1	V836855506	1	Exhaust Manifold	
2	V836859034	10	Stud	
3	V836859188	2	Bolt	
4	V513601002	12	Nut	
5	V836847493	1	Intake Manifold	
6	V836847496	2	Gasket	[A]
7	V529801510	8	Screw	
8	V529801530	3	Screw	
9	V529801562	2	Screw	
10	V529801470	2	Screw	
11	V836866152	1	Pipe	
12	V836847532	2	Gasket	[A]
13	V529801480	4	Screw	
14	V500950800	4	Washer	
15	V836864497	1	Solenoid	12V/200A MF 7274
	V836666759	1	Solenoid	12V/150A
16	V836864398	1	Heater	
17	V641086008	1	Valve.	
18	V836852301	1	Tube	
19	V640435008	2	Screw	
20	V615881216	4	Gasket	[A]
21	V836855774	1	Angle.	
22	V546801800	4	Bolt	

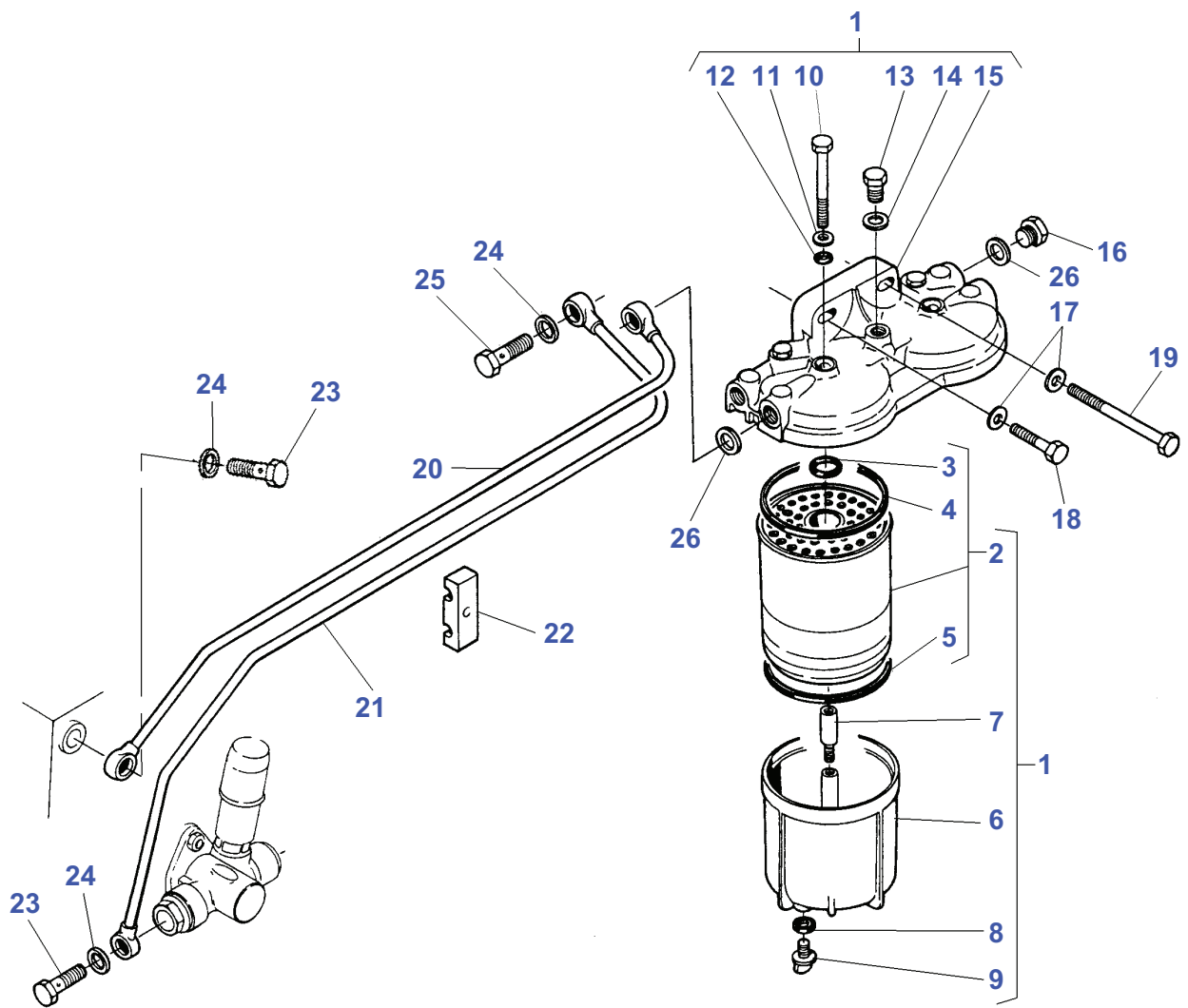
FOOTNOTE [A] INCLUDED IN V836840993

MF 7272/7274/7278 CERA COMBINE - 1637408
D-HB19-010-A



Item	Part Number	Qty	Description	Comments
1	V836867065	1	Exhaust Manifold	
2	V836664013	10	Sleeve	
3	V836859188	12	Bolt	M10X100
4	V513601002	12	Nut	
5	V836847493	1	Intake Manifold	
6	V836847496	2	Gasket	[A]
7	V529801510	8	Screw	M8X80
8	V529801530	3	Screw	M8X90
9	V529801562	2	Screw	M8X110
10	V529801470	2	Screw	M8X60
11	V836866152	1	Pipe	
12	V836847532	2	Gasket	[A]
13	V529801480	4	Screw	M8X65
14	V500950800	4	Washer	
15	V836666759	1	Solenoid	12V/150A
16	V836864398	1	Heater	
17	V641086008	1	Valve.	
18	V836852301	1	Tube	
19	V640435008	2	Screw	
20	V615881216	4	Gasket	[A]
21	V836855774	1	Angle.	
22	V546801840	4	Bolt	M10X45
23	V836664012	2	Sleeve	

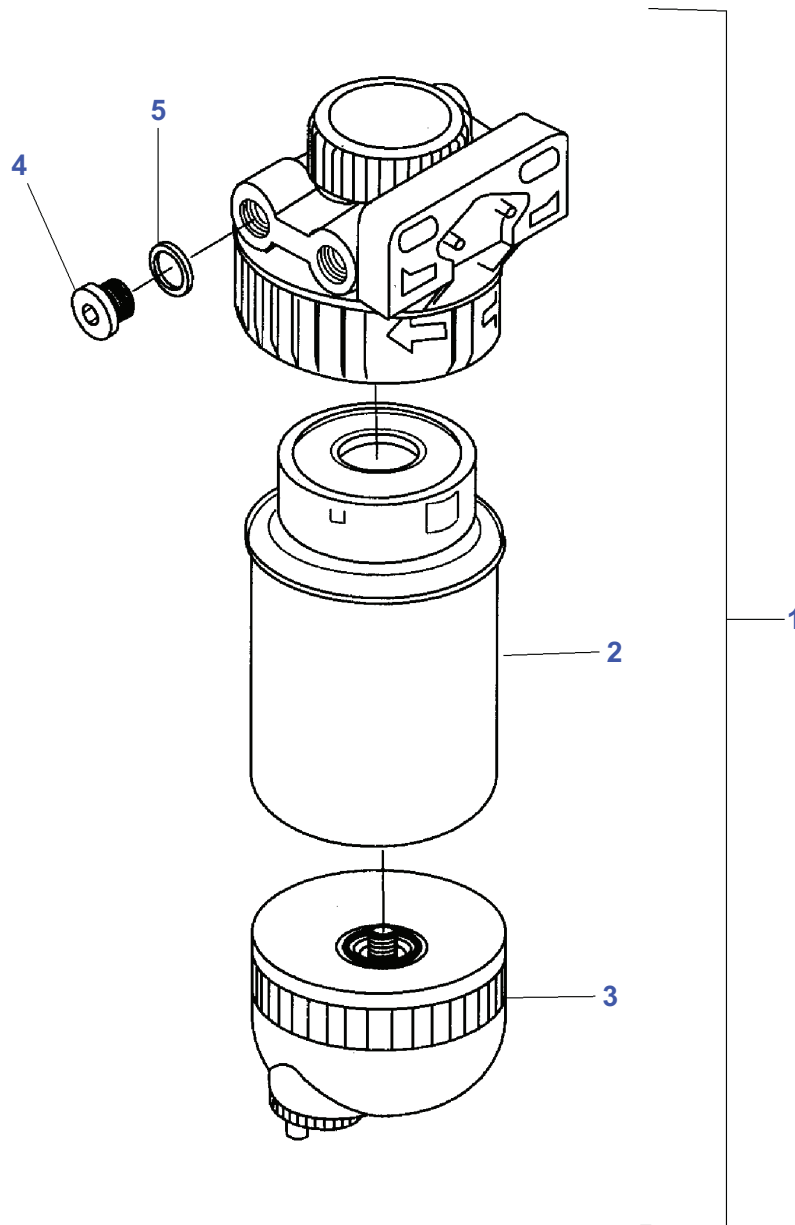
FOOTNOTE [A] INCLUDED IN V836840993



Fuel Filter

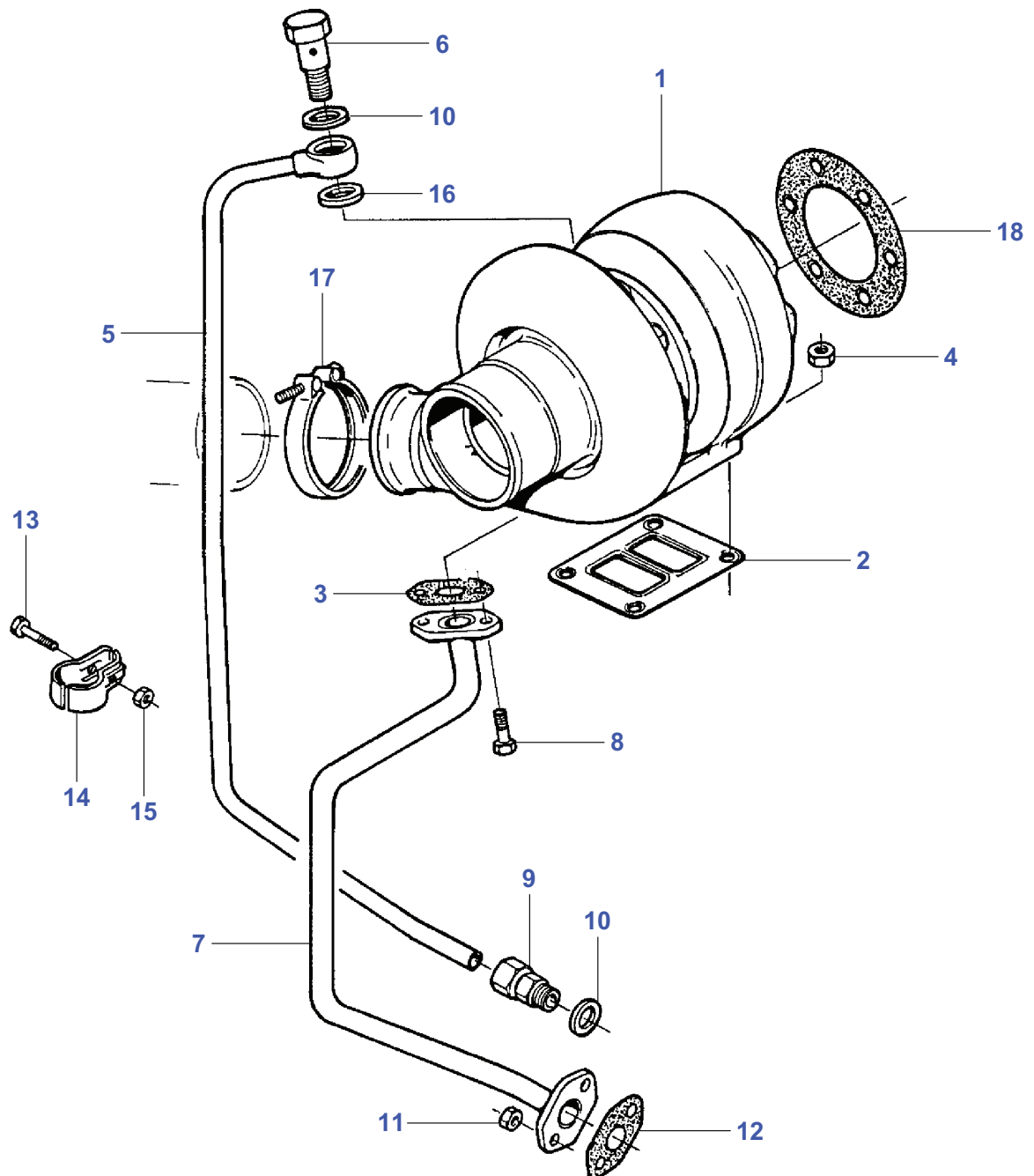
Item	Part Number	Qty	Description	Comments
1	V836339370	1	Fuel Filter	
2	1896287M91	2	Fuel Element	(1) CAV Alternative 3405419M1
	3405419M1	2	Fuel Element	Alternative 1896287M91
3	V836015142	1	O Ring	(2)
4	V835330014	1	Gasket	(2)
5	V835330015	1	Gasket	(2)
6	V836340045	2	Bowl	(1)
7	V836339372	2	Stud	(1)
8	V836015147	2	Gasket	(1)
9	V836015148	2	Plug	(1)
10	V836015149	2	Screw	(1)
11	V836015918	2	Washer	(1)
12	V836015919	2	O Ring	(1)
13	V836015958	1	Plug	(1)
14	V615571014	1	Seal	[A] (1)
15	V836015959	1	Cover	(1)
16	V836117323	2	Plug	
17	V836120989	2	Washer	
18	V528801420	1	Screw	
19	V529801550	1	Screw	
20	V836855989	1	Exhaust Pipe	
21	V836855988	1	Tube	
22	V836655527	2	Band	
23	V640435010	2	Screw	
24	V615881418	6	Seal	[A]
25	V836429560	2	Screw	
26	V615581317	4	Seal	[A]

FOOTNOTE [A] INCLUDED IN V836840993



Sedimenter

Item	Part Number	Qty	Description	Comments
1	V836859713	1	Pre Filter	
2	V836859302	1	Container	(1)
3	V836862051	1	Separator	(1)
4	V640325014	2	Plug	
5	V615881418	2	Seal	



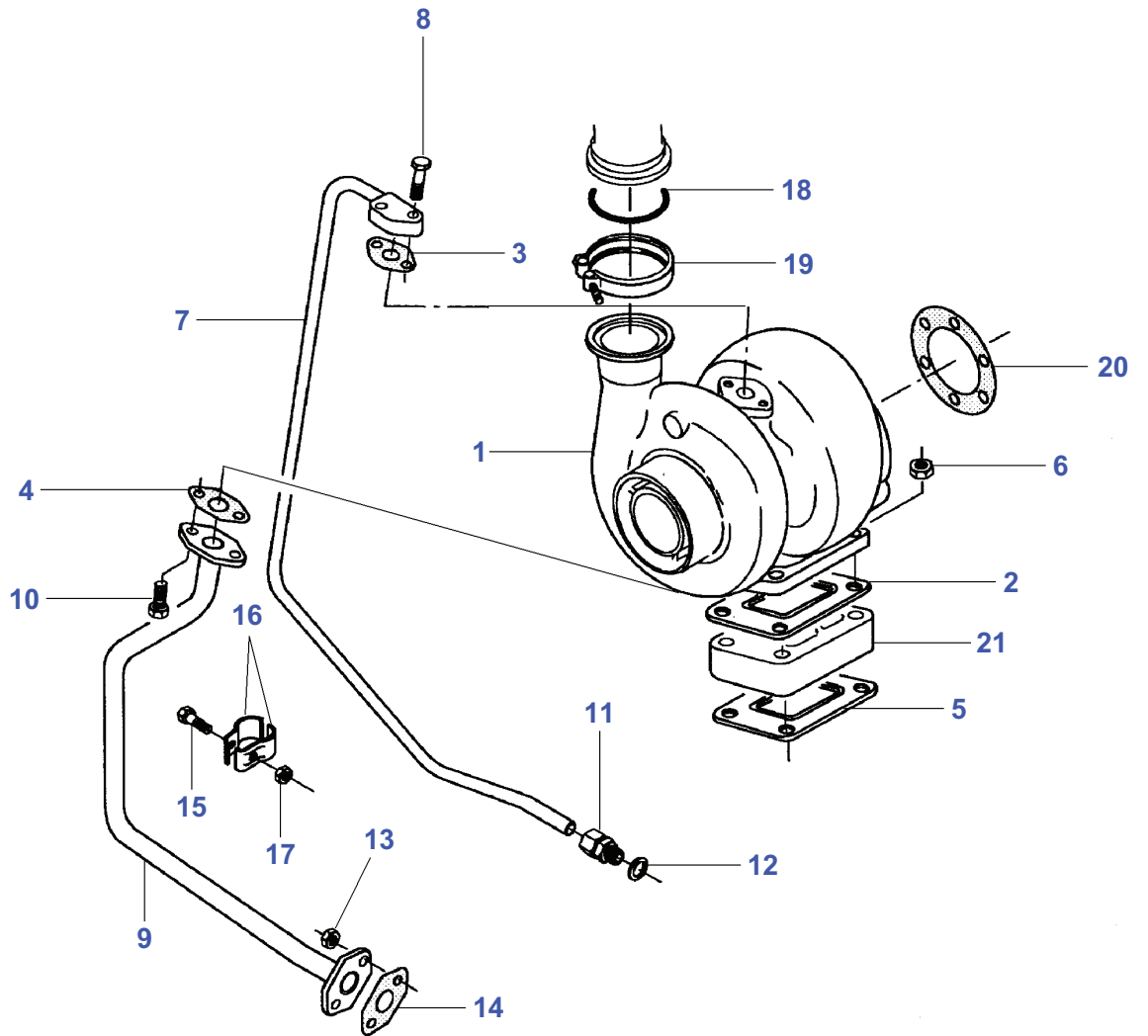
Massey Ferguson**MF 7272/7274/7278 CEREAL COMBINE - 1637408**

1637408

Turbocharger - MF 7274 CEREAL / MF 7278 CEREAL

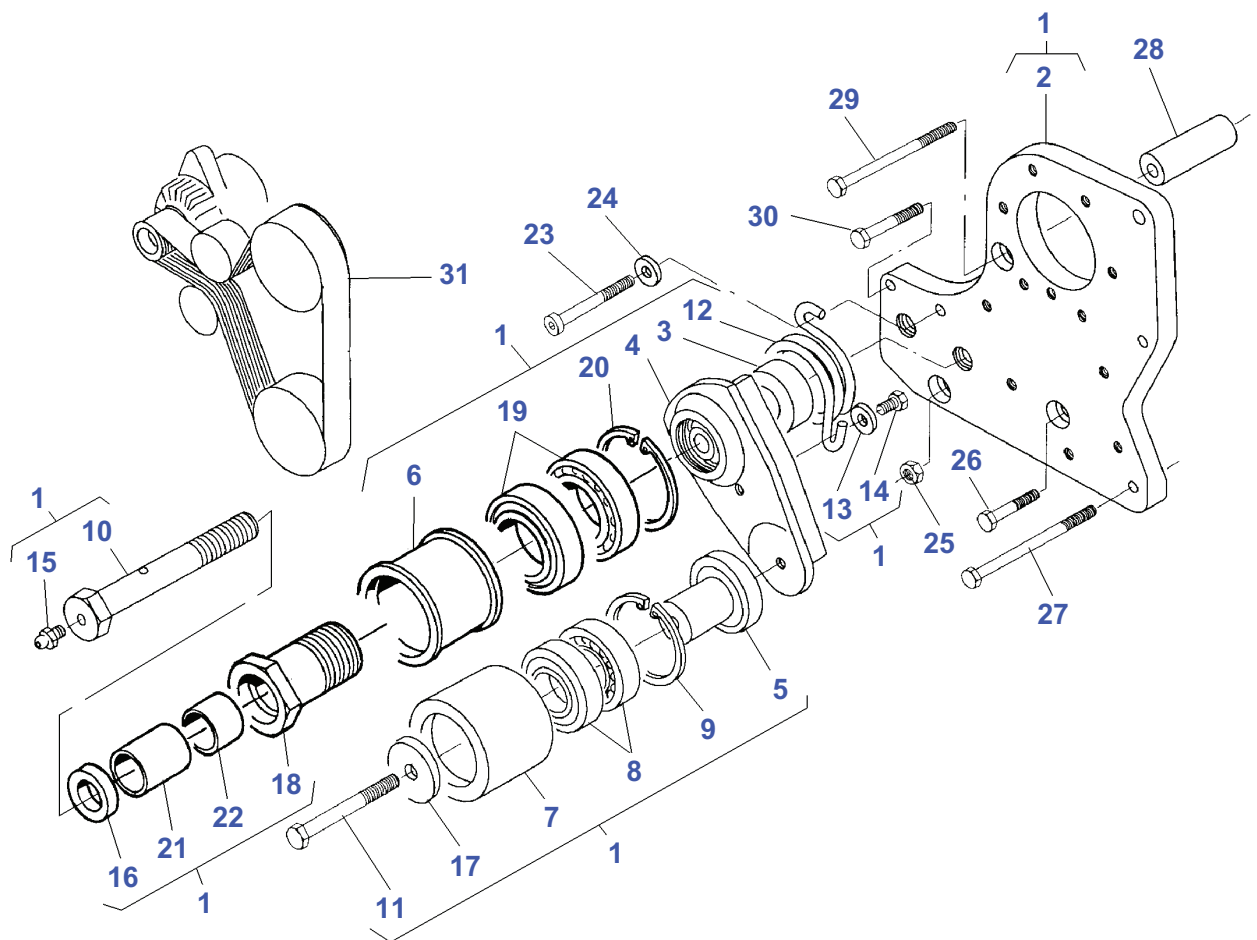
Page008-0028

Item	Part Number	Qty	Description	Comments
1	V836840885	1	Turbocharger	
2	V836840992	1	Gasket	(1)
3	V836324580	1	Joint.	(1)
4	V521601000	4	Nut	
5	V836859136	1	Exhaust Pipe	
6	V836855714	1	Screw	
7	V836859137	1	Exhaust Pipe	
8	V528801380	2	Screw	
9	V641086012	1	Union	
10	V615881620	1	Seal	
11	V504800800	2	Nut	
12	V836324580	1	Joint.	
13	V529801112	1	Screw	
14	V835324324	2	Bracket	
15	V504600602	1	Nut	
16	V615881420	1	Gasket	
17	V836840930	1	Clamp	
18	V886325175	1	Gasket	



Turbocharger - M.F 7272 CEREAL

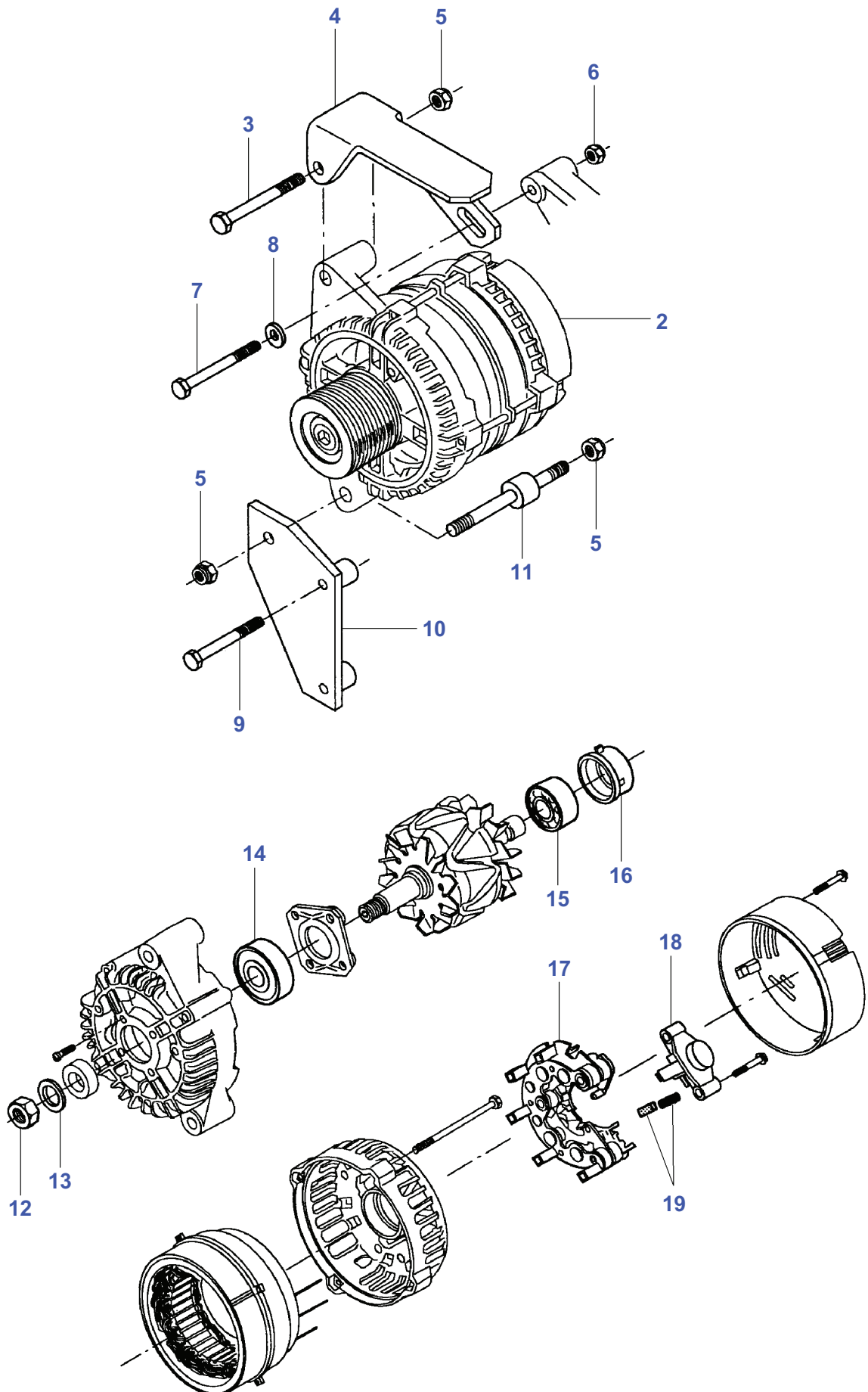
Item	Part Number	Qty	Description	Comments
1	V836866221	1	Turbocharger	
2	V836316726	1	Gasket	(1)
3	V836308344	1	Joint.	(1)
4	V836324580	1	Joint.	(1)
5	V836316726	4	Gasket	M10 X 45
6	V521601000	4	Nut	M10
7	V836859621	1	Pipe	
8	V528801410	2	Adjusting Screw	M8 X 30
9	V836859622	1	Pipe	
10	V528801380	2	Screw	M8 X 20
11	V641086012	1	Union	
12	V615881620	1	Seal	
13	V504800800	2	Nut	
14	V836324580	1	Joint.	
15	V529801112	1	Screw	M6 X 30
16	V835324324	2	Bracket	
17	V504600602	1	Nut	M6
18	V614606225	1	O Ring	
19	V836866454	1	Clamp	
20	V836338985	1	Gasket	
21	V836855630	1	Bridle	



Belt Tensioner

Item	Part Number	Qty	Description	Comments
1	V836864296	1	Tensioner	
2	V836855935	1	Plate	(1)
3	V836859348	1	Shaft	(1)
4	V836859347	1	Support	(1)
5	V836855789	1	Shaft	(1)
6	V836859683	1	Roll	(1)
7	V836855666	1	Roll	(1)
8	V610062055	2	Bearing Assy	(1)
9	V617330052	1	Circlip	(1)
10	V836859357	1	Screw	(1)
11	V529701880	1	Screw	(1)
12	V836855689	1	Spring	(1)
13	V836120989	1	Washer	(1)
14	V528801360	1	Screw	(1)
15	V644611006	1	Greaser	(1)
16	V836859356	1	Plate	(1)
17	V836855941	1	Plate	(1)
18	V836859684	1	Shaft	(1)
19	V610060085	2	Bearing Assy	(1)
20	V617330068	1	Circlip	(1)
21	V836859364	1	Bush	(1)
22	V836859363	1	Bush	(1)
23	V529801520	1	Screw	
	V581804710	1	Screw	MF7272CEREA
24	V836120989	1	Washer	
25	V504801000	1	Nut	
26	V529801440	1	Screw	
27	V529801562	2	Screw	
28	V836855934	2	Sleeve	
29	V529801550	1	Screw	
30	V529801470	1	Screw	
	V529801500	1	Screw	MF7272CEREA
31	V836859718	1	V Belt	
	V685121555	1	V Belt	MF7272CEREA
	V836859718	1	V Belt	Up to Serial or Engine Number 58548
	V685121585	1	V Belt	From Serial or Engine Number 58549

MF 7272/7274/7278 CERA COMBINE - 1637408
D-HB24-010-A

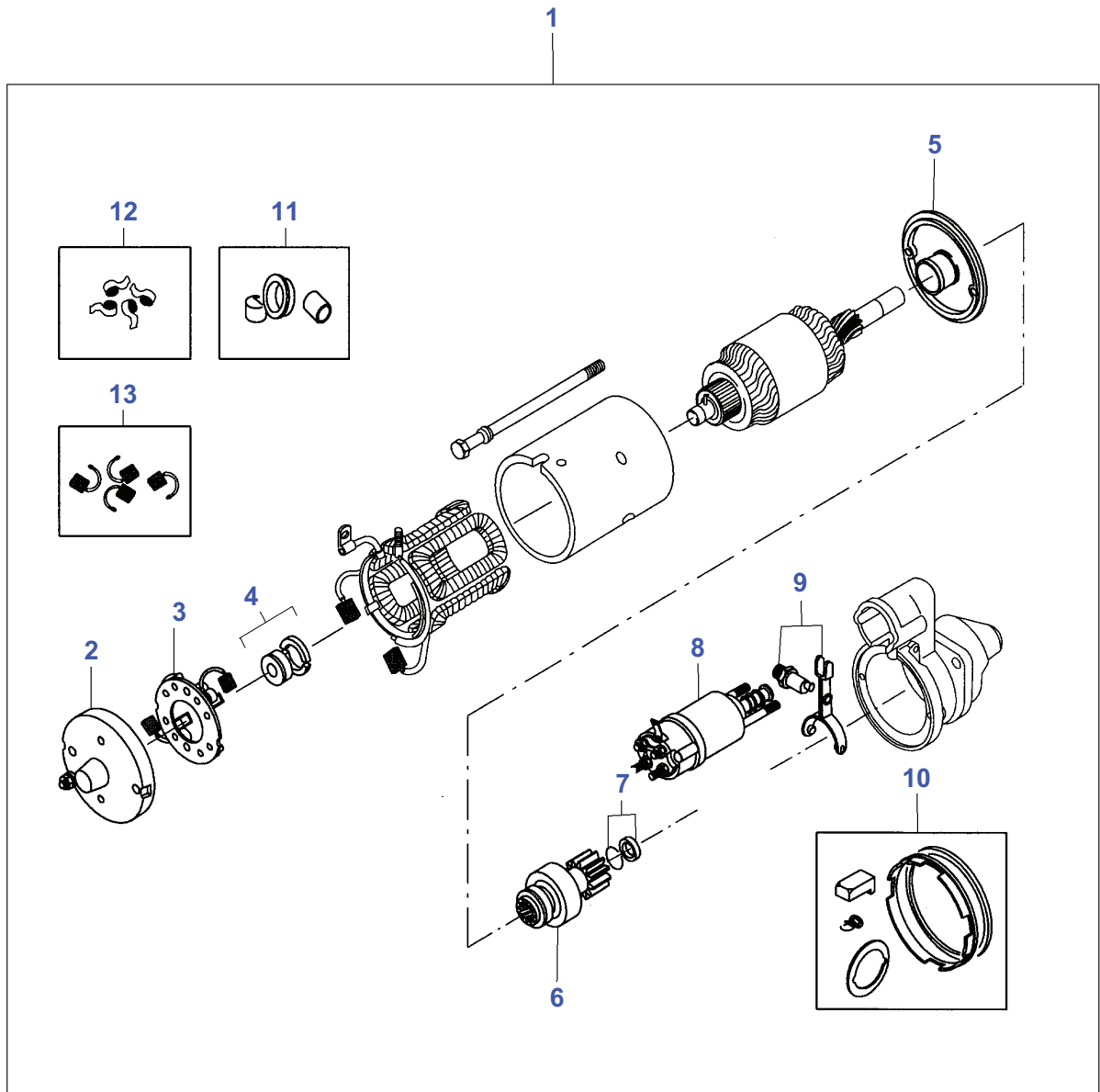


D-HB24-010-A

Alternator

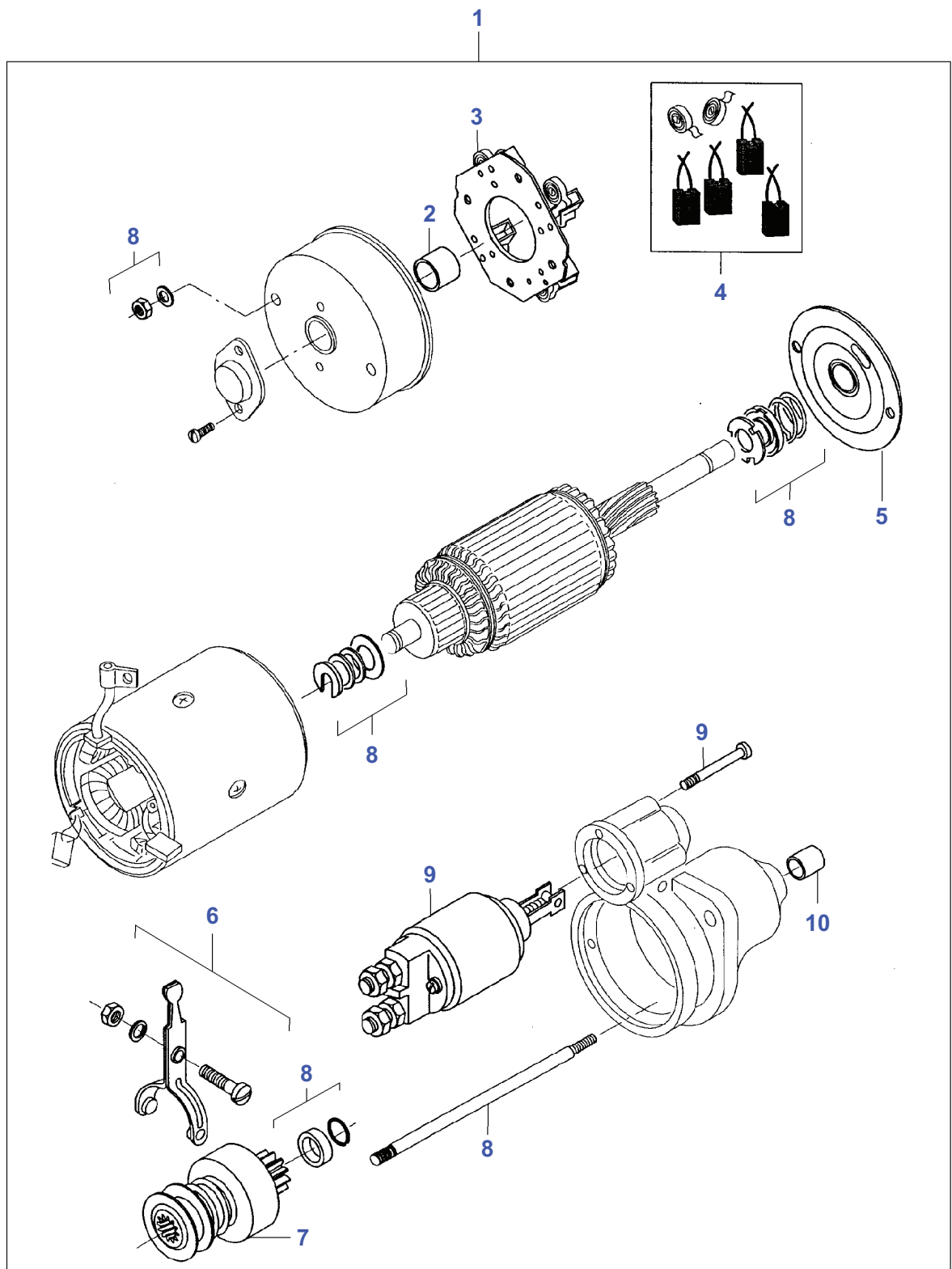
Item	Part Number	Qty	Description	Comments
1	V836864048	1	Alternator	[A] BOSCH12V/150A
2	V836864142	1	Pulley	
3	V529801910	1	Screw	
4	V836855928	1	Bracket	
5	V510601002	3	Nut	
6	V510600802	1	Nut	
7	V529801510	1	Screw	
8	V836120989	1	Washer	
9	V529801490	2	Screw	
10	V836855956	1	Bracket	
11	V836855957	1	Screw	MF7278CEREAL
	V836866341	1	Screw	MF7272/7274CEREAL
12	V515601602	1	Nut	(1)
13	V500451602	1	Washer	(1)
14	V836862378	1	Bearing Assy	(1)
15	V836862380	1	Bearing Assy	(1)
16	V836862379	1	Chock	(1)
17	V836862381	1	Rectifier	(1)
18	V836862382	1	Regulator	(1)
19	V836862383	1	Kit, Brush	(1)

FOOTNOTE [A] NOT ILLUSTRATED



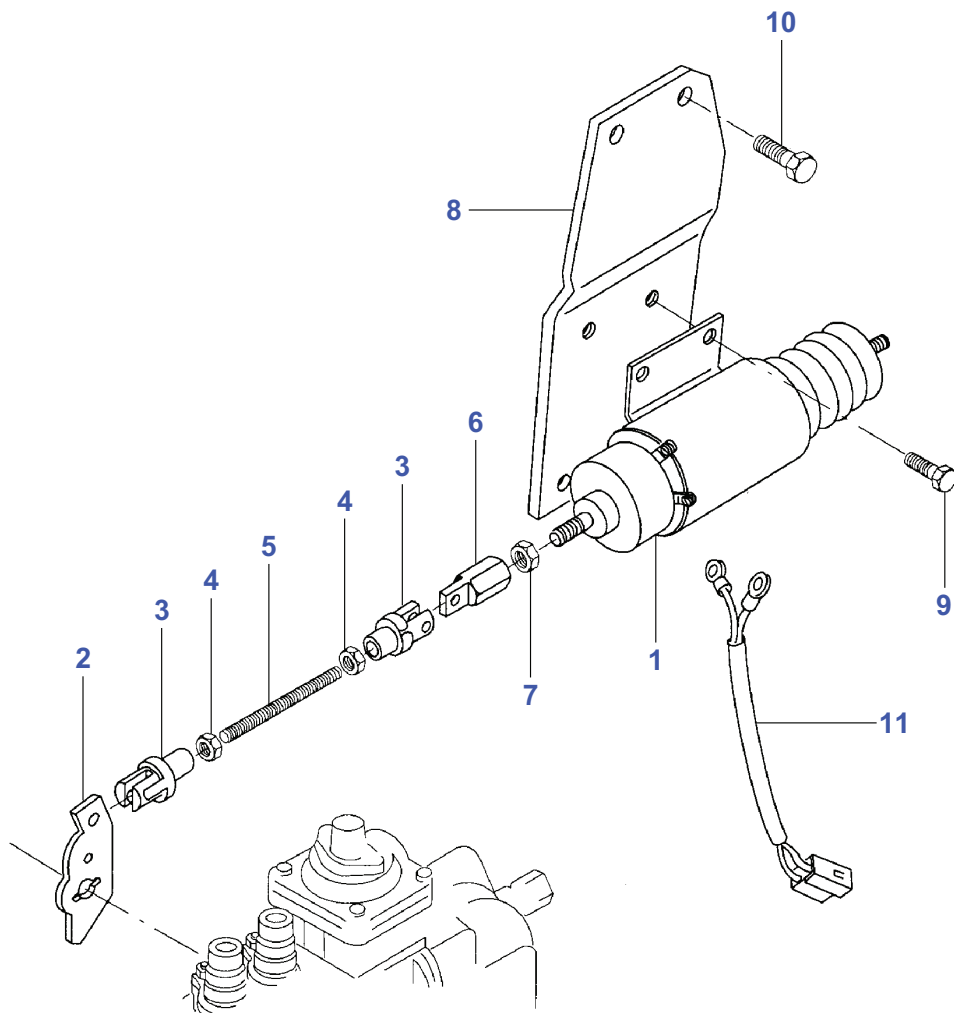
Massey Ferguson**MF 7272/7274/7278 CEREAL COMBINE - 1637408****1637408****Starter Motor - Up To No L2670 M.F 7278 CEREAL****Page008-0032**

Item	Part Number	Qty	Description	Comments
1	V836640938	1	Startermotor	
2	V835331862	1	Flange	(1)
3	V836015847	1	Clamp	(1)
4	V836015839	1	Bush	(1)
5	V835331867	1	Flange	(1)
6	V836640947	1	Drive	(1)
7	V835331865	1	Washer	(1)
8	V836640946	1	Solenoid	(1)
9	V835331869	1	Fork	(1)
10	V835331870	1	Kit, Joint	(1)
11	V836015848	1	Kit, Bush	(1)
12	V836015232	1	Kit, Spring	(1)
13	V836015230	1	Kit, Brush	(1)



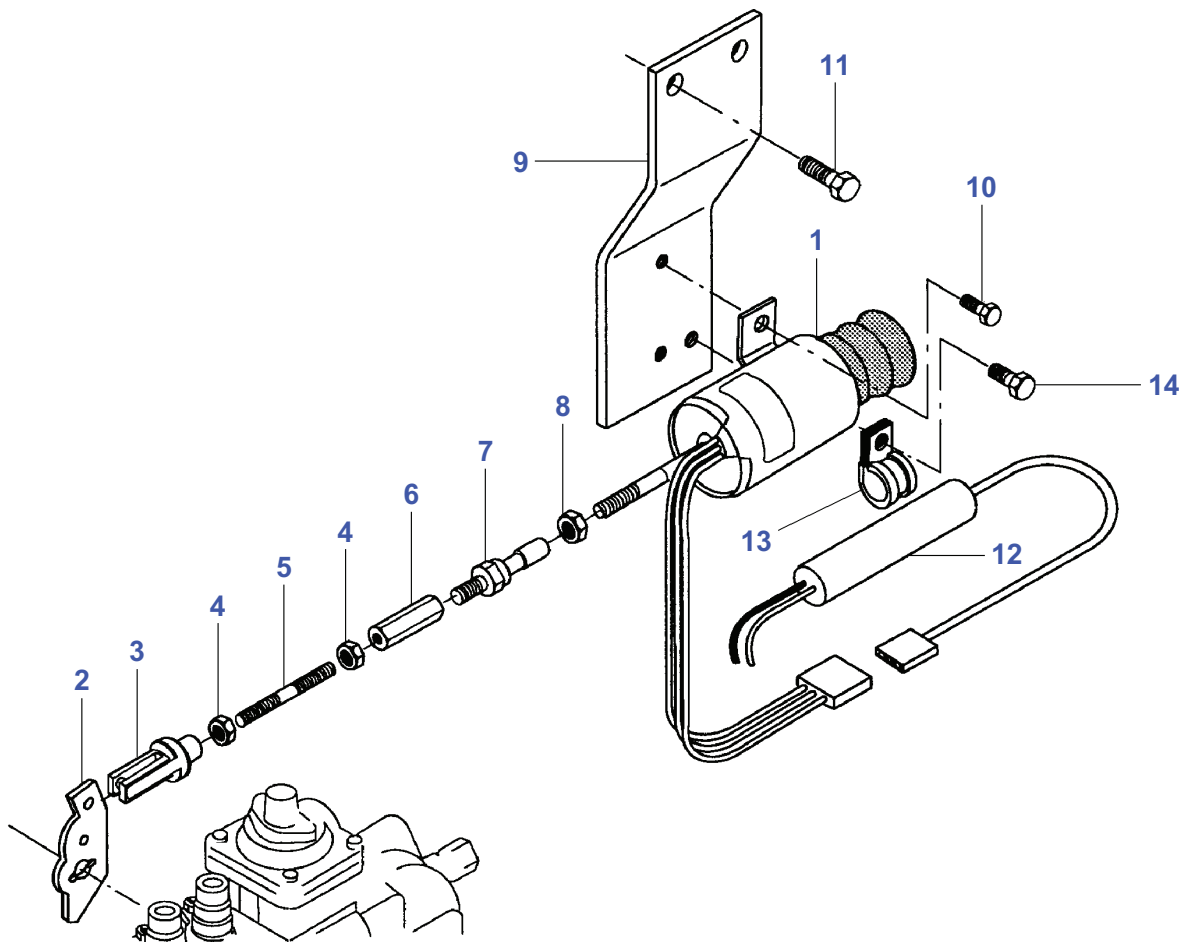
Massey Ferguson**MF 7272/7274/7278 CEREAL COMBINE - 1637408****1637408****Starter Motor - M.F 7278 - From L2671 + M.F 7272-7274****Page008-0033**

Item	Part Number	Qty	Description	Comments
1	V836662073	1	Startermotor	From Serial or Engine Number J8335 MF7278 MF7272/7274
2	V836640951	1	Bush	(1)
3	V836662091	1	Clamp	(1)
4	V836662092	1	Kit, Brush	(1)
5	V836640954	1	Plate	(1)
6	V836640955	1	Control	(1)
7	V836662093	1	Drive Gear	(1)
8	V836662094	1	Kit, Gasket	(1)
9	V836640958	1	Solenoid	(1)
10	V836662095	1	Bush	(1)



Massey Ferguson**MF 7272/7274/7278 CEREAL COMBINE - 1637408****1637408****Stop Magnet - M.F 7278 - Up To 58548****Page008-0034**

Item	Part Number	Qty	Description	Comments
1	V836640941	1	Solenoid	12V
2	V836660210	1	Lever	
3	V835339319	2	Fork	
4	V504600502	2	Nut	M5
5	V836859495	1	Stem	
6	V836346773	1	Clevis	
7	V504600602	1	Nut	M6
8	V836859494	1	Bracket	
9	V528801380	2	Screw	M6x12
10	V528801380	2	Screw	M10x20
11	V836659064	1	Harness	



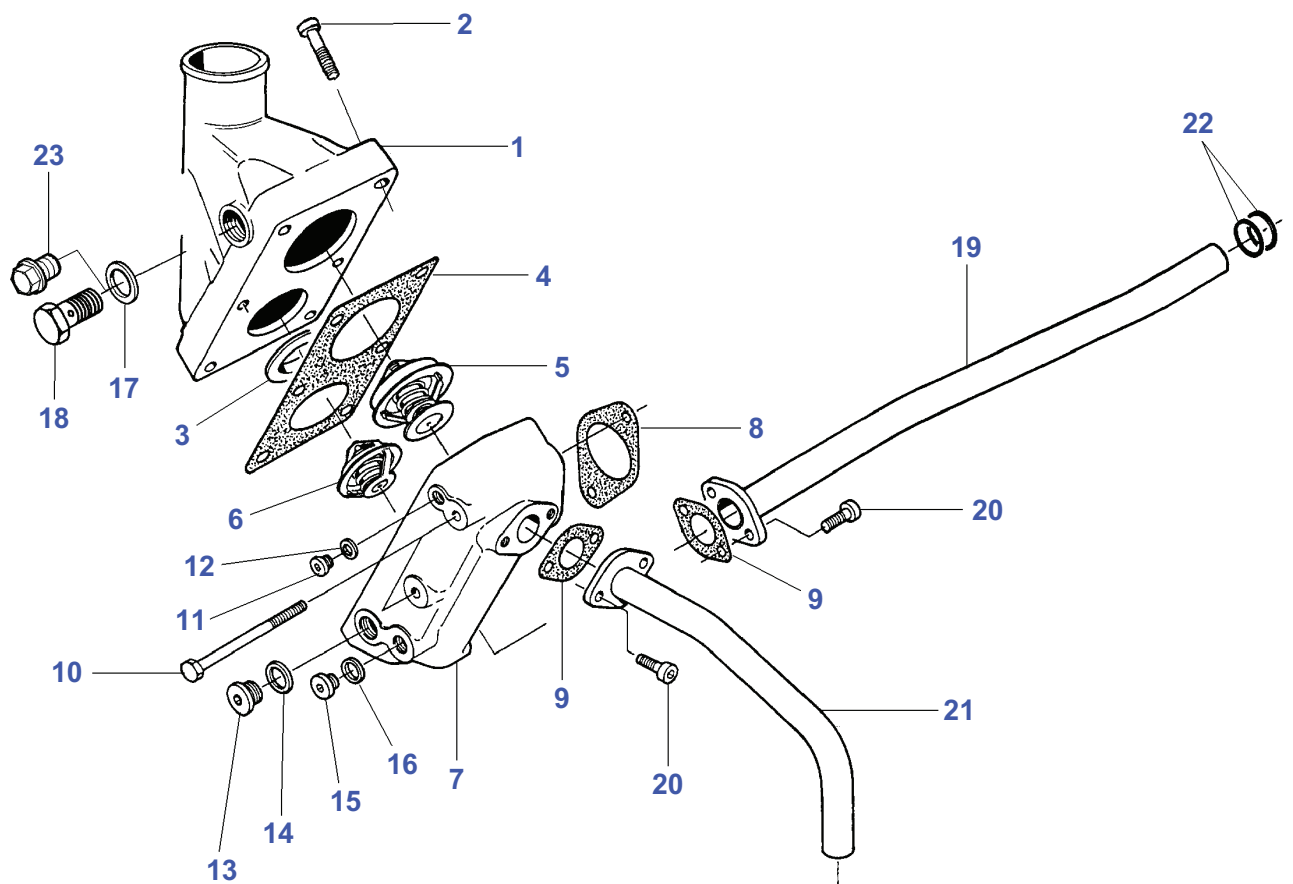
Massey Ferguson**MF 7272/7274/7278 CEREAL COMBINE - 1637408**

1637408

Stop Magnet - M.F 7278 - From 58549 + M.F 7272-7274

Page008-0035

Item	Part Number	Qty	Description	Comments
1	V836664211	1	Stop Solenoid	12V
2	V836664210	1	Lever	
3	V835339319	1	Fork	
4	V504600502	2	Nut	
5	V836864285	1	Stem	
6	V836864286	1	Nut	
7	V836664287	1	Stem	
8	V504600602	1	Nut	
9	V836859706	1	Support	
	V836866774	1	Support	
10	V528801062	2	Bolt	
11	V528801760	2	Screw	
12	V836659691	1	Relay	
13	V602074620	1	Clamp	
14	V528801360	1	Screw	



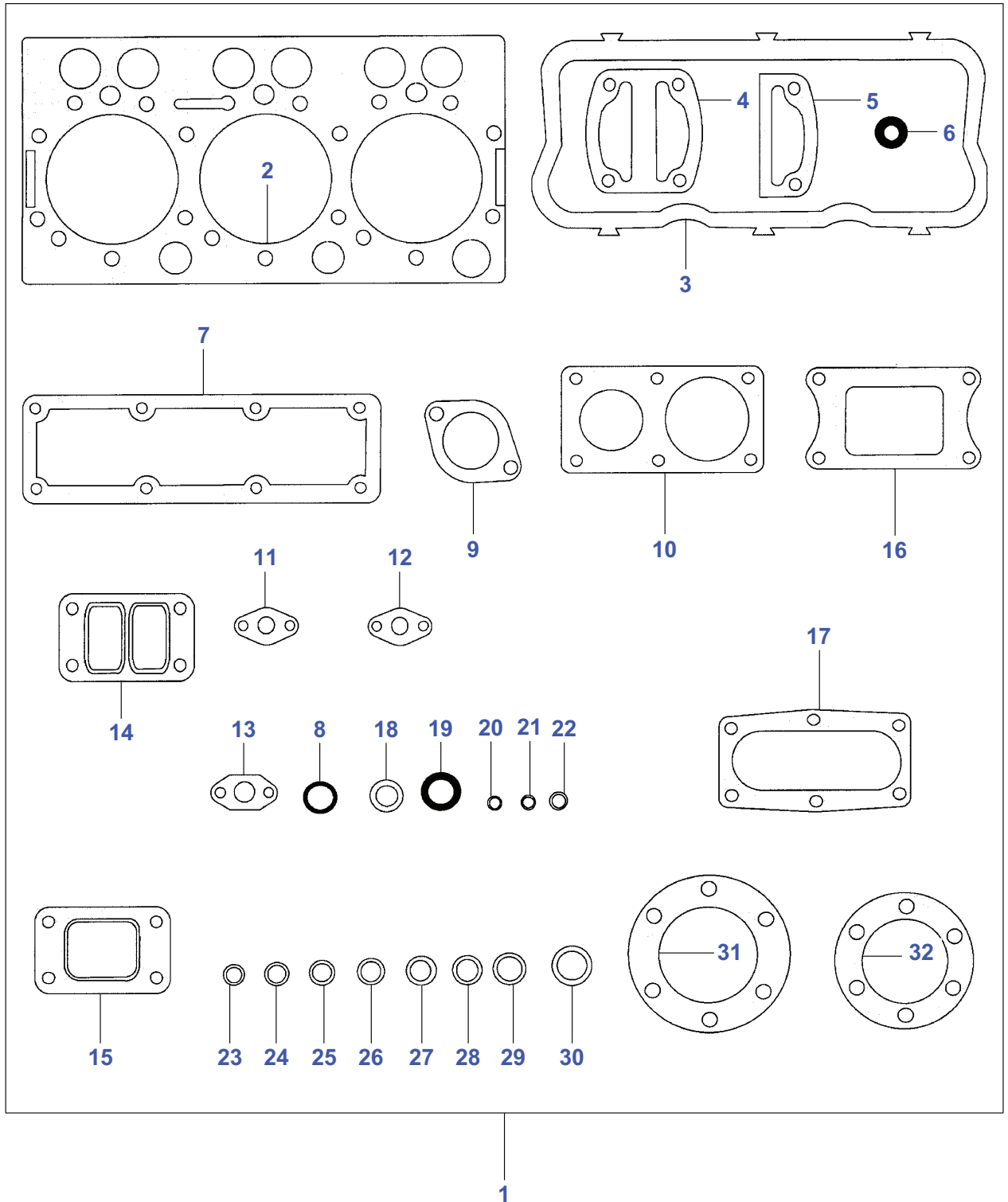
Thermostat

Item	Part Number	Qty	Description	Comments
1	V836855602	1	Housing	
2	V581804650	6	Screw	M8X40
3	V836336425	1	Washer	
4	V836855603	1	Gasket	[C]
5	V836331590	1	Thermostat	[A]
6	V836015156	1	Thermostat	[B]
7	V836855601	1	Housing	
8	V836646393	1	Gasket	[C]
9	V836322190	2	Gasket	[C]
10	V529801550	2	Screw	M8X100
11	V640325110	1	Plug	
12	V615571014	1	Seal	[C]
13	V640325018	1	Plug	
14	V615881822	1	Seal	[C]
15	V640325014	1	Plug	
16	V615881418	1	Seal	[C]
17	V615882227	1	Gasket	[C]
18	V640435018	1	Banjo Fitting	[A]
19	V836855639	1	Pipe	
20	VHC9326	4	Screw	
21	V836855672	1	Pipe	
22	V614602430	2	O Ring	[C]
23	V640045022	1	Plug	

FOOTNOTE [A] OPENS AT 83 DEGREES

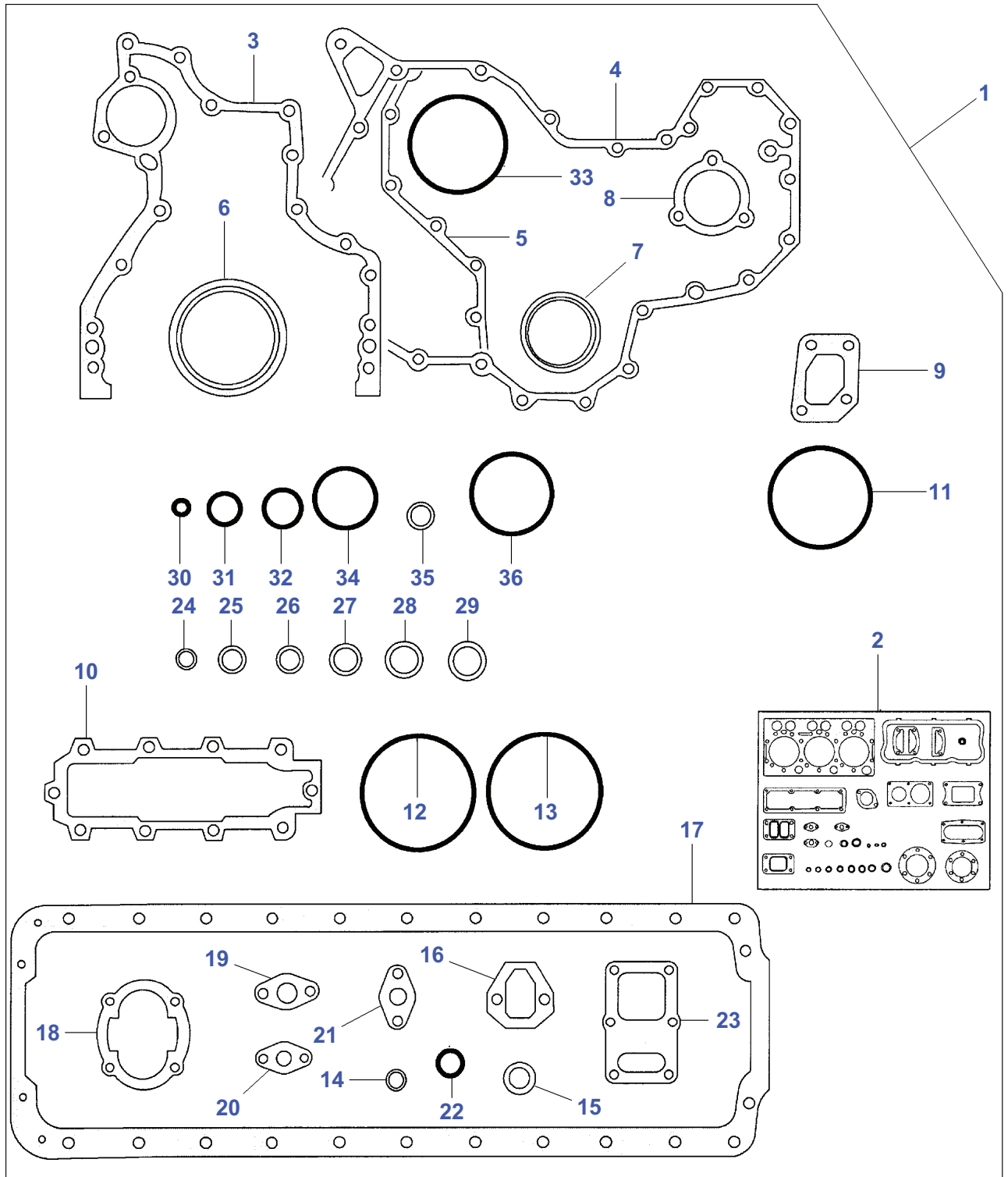
FOOTNOTE [B] OPENS AT 79 DEGREES

FOOTNOTE [C] INCLUDED IN V836840993



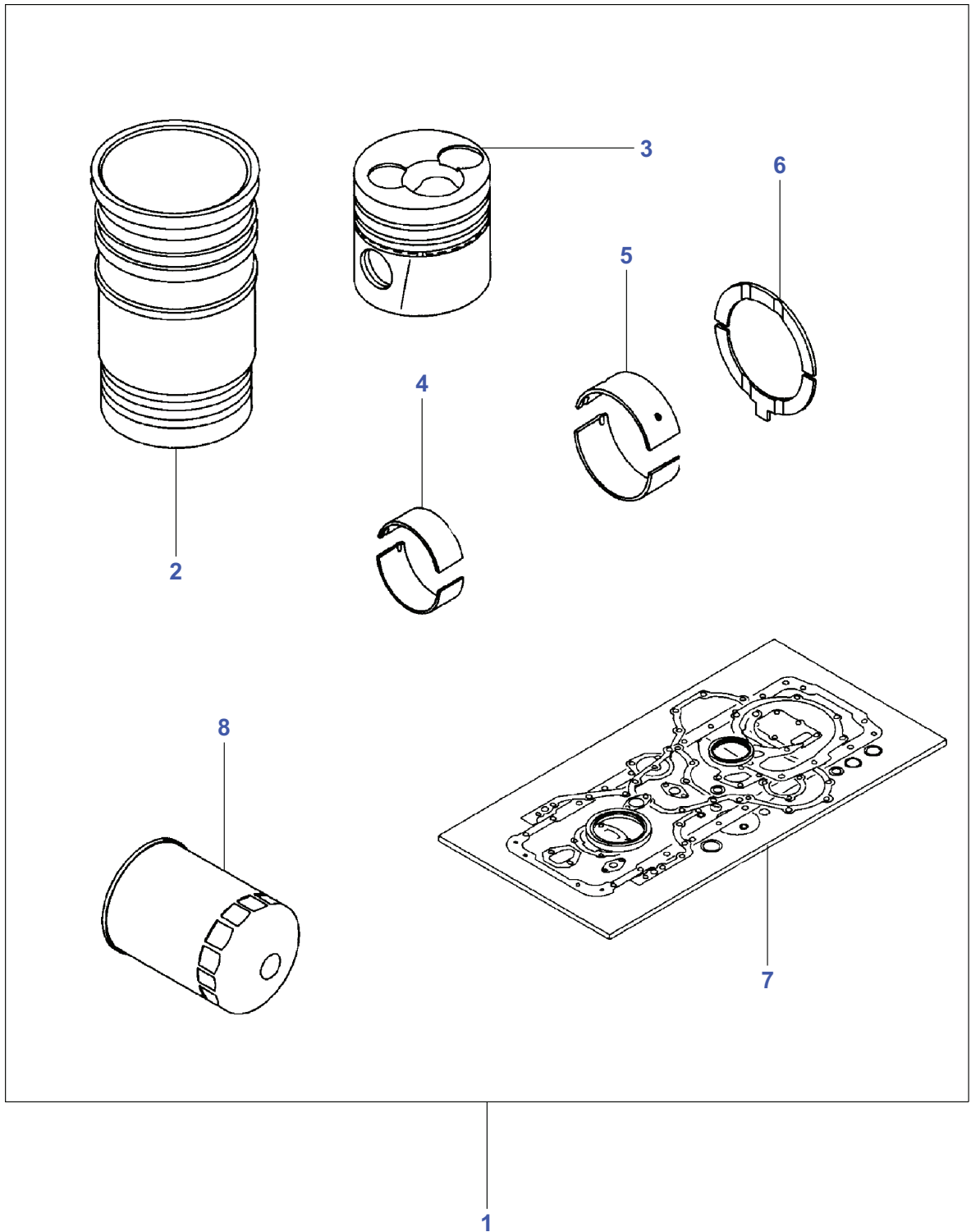
Joints And Gaskets

Item	Part Number	Qty	Description	Comments
1	V836840993	1	Kit, Joint	
2	V836666302	2	Head Gasket	Replace and repair. Old not interchangeable with new V836664155
3	V836646360	2	Gasket	
4	V836855418	1	Gasket	
5	V836855417	2	Gasket	
6	V836012841	4	Gasket	
7	V836847496	2	Gasket	
8	V614602430	4	O Ring	
9	V836646393	1	Gasket	
10	V836855603	1	Gasket	
11	V836322190	2	Gasket	
12	V836308344	1	Joint.	
13	V836324580	2	Joint.	
14	V836840992	1	Gasket	
15	V836316726	2	Gasket	
16	V836847532	1	Gasket	
17	V836855744	1	Gasket	
18	V899901495	6	Washer	
19	V835336276	6	Seal	
20	V615870710	7	Seal	
21	V836355435	6	Seal	
22	V615870812	3	Gasket	
23	V615571014	1	Seal	
24	V615881216	4	Gasket	
25	V615581317	2	Seal	
26	V615881418	7	Seal	
27	V615881420	1	Gasket	
28	V615881620	2	Seal	
29	V615881822	3	Seal	
30	V615882227	1	Gasket	
31	V886325175	1	Gasket	
32	V836338985	1	Gasket	



Joints And Gaskets

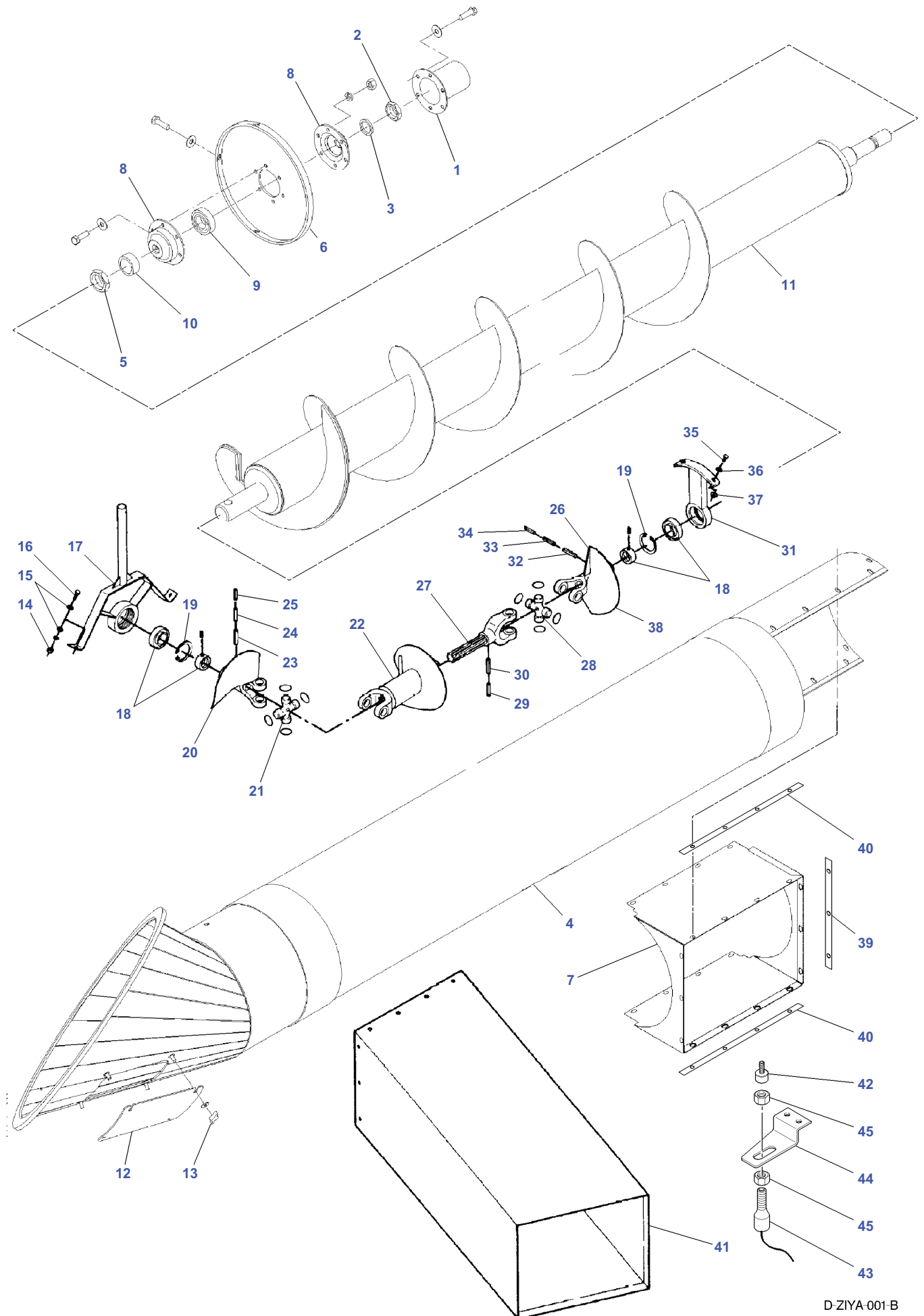
Item	Part Number	Qty	Description	Comments
1	V836840994	1	Kit, Joint	
2	V836840993	1	Kit, Joint	(1)
3	V836647419	1	Gasket	
4	V836859201	1	Gasket	
5	V836859152	1	Gasket	
6	V836840884	1	Oil Seal	
7	V836840883	1	Oil Seal	
8	V836129946	1	Gasket	
9	V836855554	1	Gasket	
10	V836855520	1	Gasket	
11	V614609930	2	O Ring	
12	V836855446	12	O Ring	
13	V836855447	6	O Ring	
14	V640016016	4	Plug	
15	V615882227	2	Gasket	
16	V836647401	1	Gasket	
17	V836322538	1	Gasket	
18	V836338188	1	Gasket	
19	V836338201	1	Gasket	
20	V836008449	2	Gasket	
21	V836322190	1	Gasket	
22	V615882227	1	Gasket	
23	V836322852	1	Gasket	
24	V615571014	6	Seal	
25	V615881216	3	Gasket	
26	V615881420	8	Gasket	
27	V615881620	2	Seal	
28	V615881822	1	Seal	
29	V615881824	1	Seal	
30	V614600724	4	O Ring	
31	V614602030	6	O Ring	
32	V614602430	2	O Ring	
33	V614609430	1	O Ring	
34	V614604958	2	O Ring	
35	V615870814	4	Washer	
36	V614606230	1	O Ring	



Massey Ferguson**MF 7272/7274/7278 CEREAL COMBINE - 1637408****1637408****Engine Repair Kits****Page008-0039**

Item	Part Number	Qty	Description	Comments
1	V836840995	1	Kit, Repair	MF7274/7278
	V836862442	1	Kit, Repair	MF7272
2	V836855445	6	Liner	7272/7274
	V836867048	6	Liner	MF7278
3	V836840886	6	Piston	MF7274
	V836866182	6	Piston	MF7272/7278
4	V836336302	6	Bearing	
5	V836840944	7	Main Bearing	
6	V836840945	2	Thrust Washer	
7	V836840994	1	Kit, Joint	
8	V836336459	1	Oil Filter	

MF 7272/7274/7278 CEREAL COMBINE - 1637408
D-ZIYA-001-B



D-ZIYA-001-B

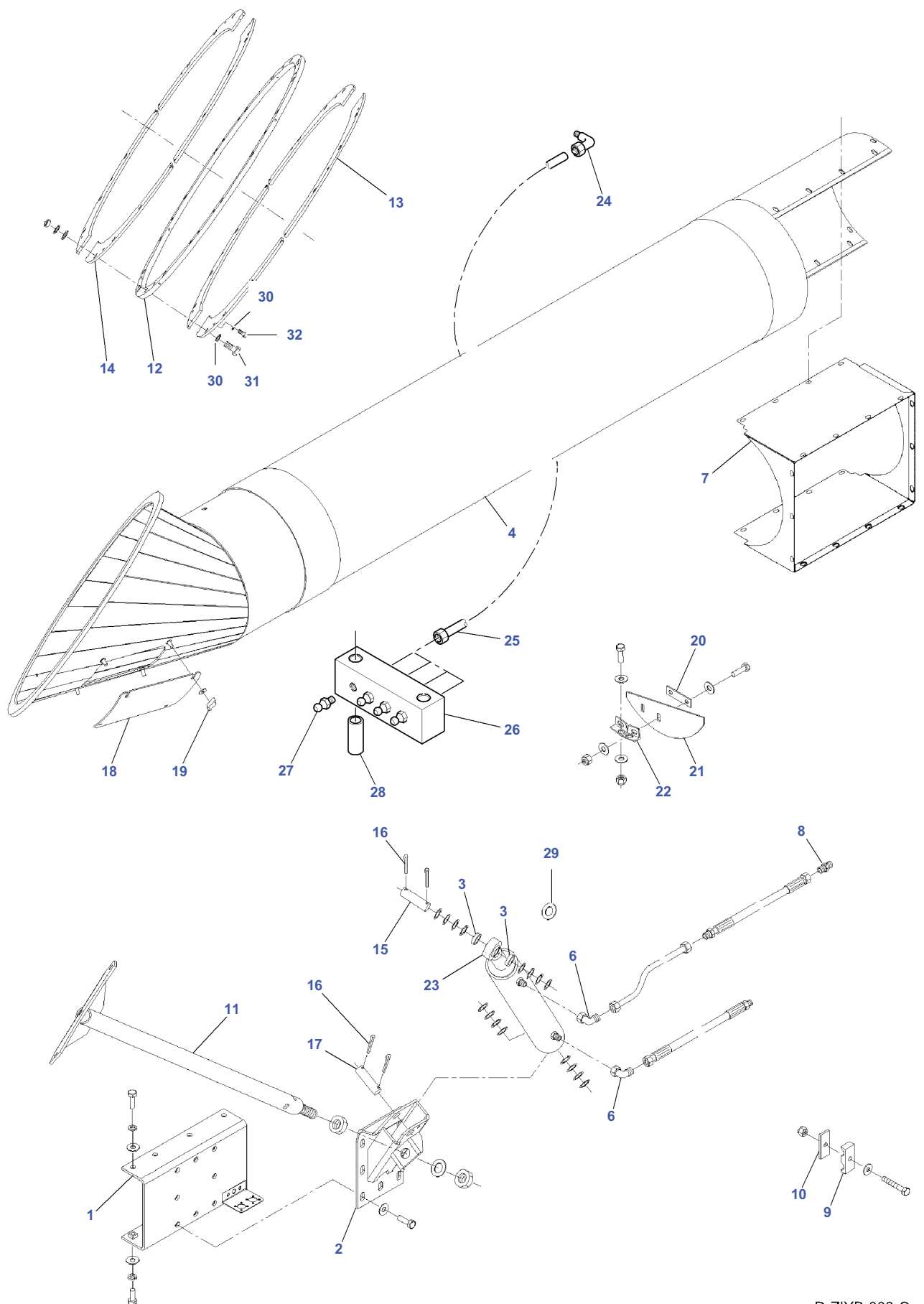
Unloading auger -Swivel part

Item	Part Number	Qty	Description	Comments
1	D18851122	1	Cap	
2	D41034100	1	Nut	
3	D28800328	2	Spacer	
4	D28880650	1	Pipe	Valid from machine/table no,can be used in new as well as in older machines 59088
5	D41034400	1	Nut	
6	D18880046	1	Plate	
7	D18880034	1	Funnel	
8	D28200239	2	Bearing Carrier	
9	SKF62072RS	1	Bear. 6207 2rs	
10	D28830693	1	Spacer	
11	D28880395	1	Auger	
12	D18880366	1	Gate	
13	D41057300	1	Wing Nut	
14	339402X1	2	Nut	M10
15	D20400416	4	Washer	
16	3009493X1	2	Hex. Sock. Screw	M10 X 30
17	D28880230	1	Bracket	
18	D41663400	2	Ball Bearing	
19	1440480X1	2	Circlip	
20	D28880083	1	Auger	
	D28850839	1	Yoke	(20)
21	D45622700	1	Crosspiece	(20)
22	D28880073	1	Auger	(20)
23	D42625600	1	Pin	
24	390949X1	1	Pin	Diameter 8 X 70
25	390950X1	2	Pin	Diameter 5 X 70
26	D28880053	1	Yoke	
	D28880051	1	Yoke	(26)
27	D28880052	1	Fork	(26)
28	D45622700	1	Crosspiece	(26)
29	339414X1	1	Pin	Diameter 6 X 60
30	391220X1	1	Pin	Diameter 10 X 45
31	D28880045	1	Bracket	
32	D42625400	1	Pin	
33	339194X1	1	Pin	Diameter 8 X 60
34	339249X1	1	Pin	Diameter 5 X 60
35	339337X1	2	Hex. Sock. Screw	M8 X 30
36	D20400506	2	Washer	
37	394367X1	2	Locknut	M8
38	D28850834	1	Spiral	
39	D28880031	1	Rail	
40	D28880031	2	Rail	
41	D28880032	1	Canvas	[A]
	D28880323	1	Canvas	[B]
42	D45010092	1	Magnet	From Serial or Engine Number 58875
43	D28782585	1	Sensor	From Serial or Engine Number 58875
44	D28787378	1	Support	From Serial or Engine Number 58875
45	D41098000	1	Nut	From Serial or Engine Number 58875

FOOTNOTE [A] OPTIONAL EQUIPMENT, LONG.

FOOTNOTE [B] OPTIONAL EQUIPMENT, SHORT

MF 7272/7274/7278 CERA COMBINE - 1637408
D-ZIYB-003-C

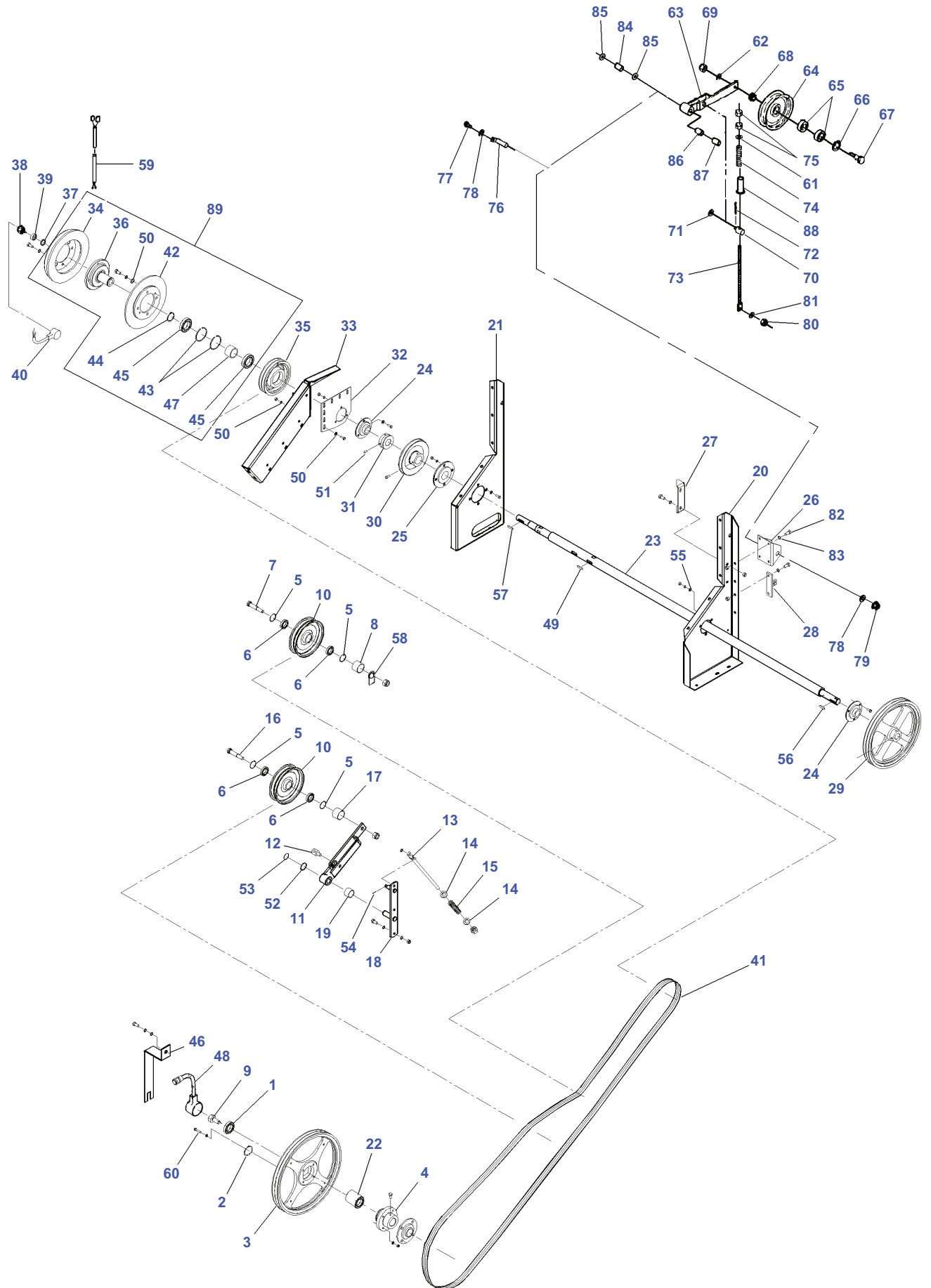


D-ZIYB-003-C

Discharge Auger Pipe

Item	Part Number	Qty	Description	Comments
1	D28880400	1	Support	Up to Serial or Engine Number 58518 MF 7272 CEREAL MF 7278 CEREAL
	D28885861	1	Support	From Serial or Engine Number 58519
2	D28880283	1	Bracket	
3	D20400537	2	Spacer	
4	D28880650	1	Pipe	Valid from machine/table no,can be used in new as well as in older machines 59088
6	D45263900	2	Union	
7	D18880034	1	Funnel	
8	D45254000	1	Union	
9	D45739100	1	Support	
10	D28750783	1	Reinforcement	
11	D28880330	1	Reinforcement	
12	D28880462	1	Flange	
13	D18880498	4	Flange	
14	D28880499	4	Flange	
15	D28750214	1	Clevis Pin	
16	354078X1	4	Split Pin	3/16" X 1-1/4
17	D28850877	1	Pin	
18	D18880366	1	Gate	
19	D41057300	1	Wing Nut	
20	D28851026	1	Plate	
21	D28880024	1	Stop	
22	D28851025	1	Retainer	
23	D45100065	1	Ram	
24	D43008100	1	Connector	
25	D28885250	1	Tube	Length 525 mm
	D28885251	1	Tube	Length 675 mm
	D28885252	1	Tube	Length 1115 mm
	D28885253	1	Tube	Length 1685 mm
26	D28885249	1	Nipple	
27	339003X1	4	Greaser	AM8
28	D28660143	2	Bush	
29	D45120071	1	Segment	
30	D20400424	1	Washer	
31	D40439900	1	Screw	
32	D40411400	1	Screw Metric	

MF 7272/7274/7278 CEREAL COMBINE - 1637408
D-ZIZC-006-B



D-ZIZC-006-B

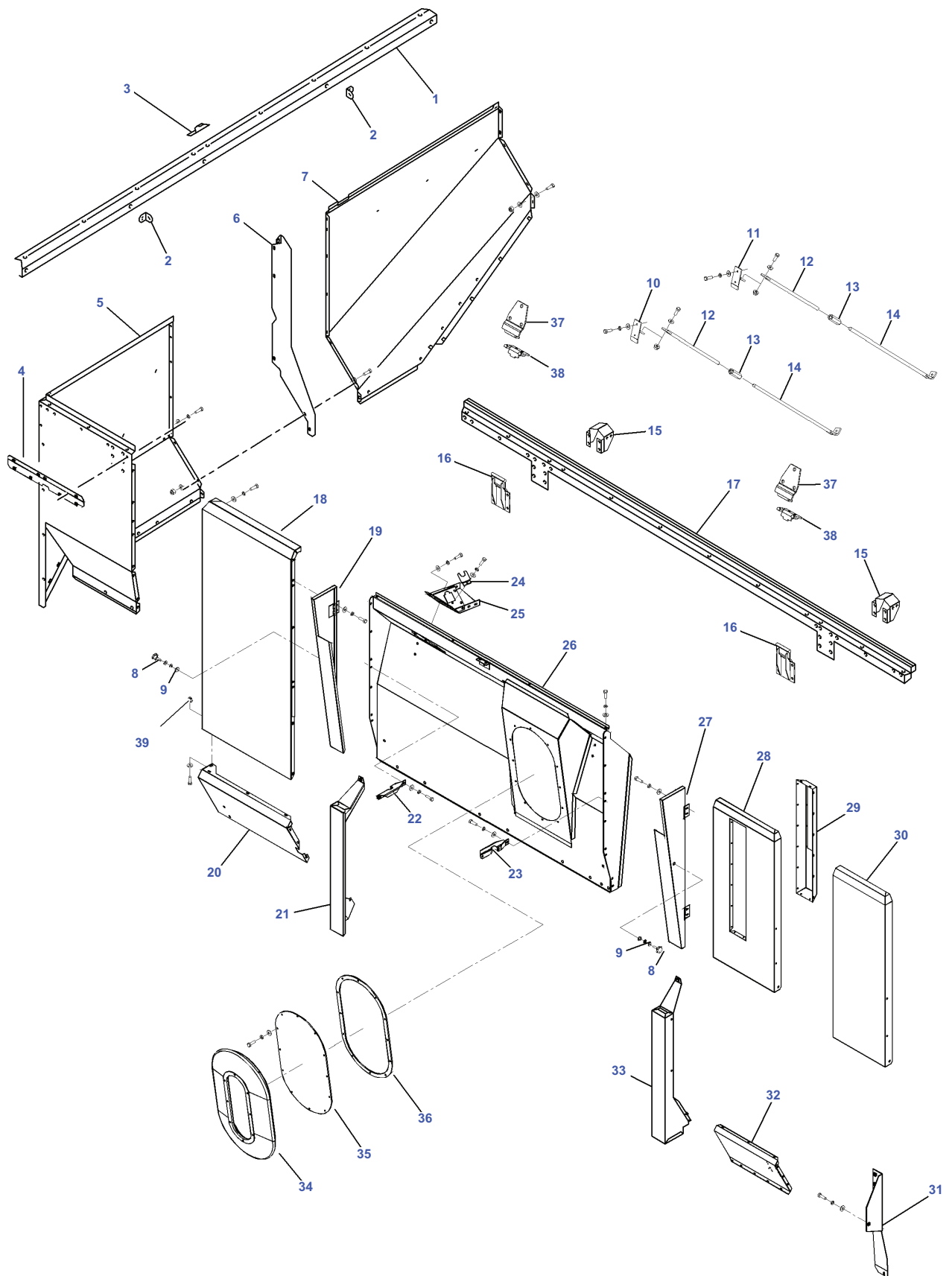
Unloading Auger - Transmission

Item	Part Number	Qty	Description	Comments
1	1440487X1	1	Bear. 6203 2rs	
2	D42505800	1	Circlip	
3	D28885163	1	Pulley	
4	D28885162	1	Flange	
5	339199X1	4	Circlip	
6	SKF62042RS	4	Bear. 6204 2rs	
7	D28885049	1	Bolt	
8	D28885047	1	Spacer	
9	D28780516	1	Inductive Sensor	
10	D28250441	2	Pulley	
11	D28880495	1	Lever	
12	D28880473	1	Pin	
13	D28380011	1	Tie Rod	
14	D28181284	2	Washer	
15	D28210881	1	Comp.Spring	
16	D28250444	1	Bolt	
17	D28880354	1	Spacer	
18	D28885046	1	Shaft	
19	D28885048	1	Spacer	
20	D28885003	1	Bracket	Left Hand Up to Serial or Engine Number 57663
	D28885633	1	Bracket	Left Hand From Serial or Engine Number 57674
21	D28885002	1	Bracket	Right Hand Up to Serial or Engine Number 57673
	D28885632	1	Bracket	Right Hand From Serial or Engine Number 57674
22	D28885444	1	Sleeve	From Serial or Engine Number 57674
23	D28885448	1	Countershaft	Up to Serial or Engine Number 57673
	D28885635	1	Countershaft	From Serial or Engine Number 57674
24	D41707800	2	Bearing	Up to Serial or Engine Number 57673
	D41707900	2	Bearing	From Serial or Engine Number 57674
25	D41716500	1	Bearing	Up to Serial or Engine Number 57673
	D41715000	1	Bearing	From Serial or Engine Number 57674
26	D28880359	1	Support	
27	D28885043	1	Support	
28	D28880361	1	Clamp	
29	D28885042	1	Pulley	
30	D28785072	1	Pulley	
31	D28786225	1	Pulley	
32	D28880284	1	Bearing Plate	Up to Serial or Engine Number 57866
	D28885634	1	Bearing Plate	From Serial or Engine Number 57867
33	D28880194	1	Bracket	
34	D45060200	1	Magnet	(89)
35	D28885060	1	Pulley	
36	D28885065	1	Hub	(89)
37	D42596300	1	Tightener	
38	1441410X1	1	Nut	M22
39	D28882101	1	Flange	
40	D28780404	1	Retainer	
41	D41978800	1	Belt	
42	D45080033	1	Plate	(89)
43	339437X1	2	Circlip	(89)
44	391129X1	1	Circlip	(89)
45	391347X1	2	Bear. 6010 2rs	(89)
46	D28780724	1	Retainer	
47	D28885066	1	Bush	(89)
48	D28780514	1	Sensor	
49	339441X1	1	Key Parallel	
50	D20400473	16	Washer	(89)
51	D40609000	1	Pin	
52	D20400530	1	Spacer	
53	1440476X1	1	Circlip	
54	354059X1	1	Split Pin	1/8" X 1
55	D20400507	3	Spacer	
56	339441X1	1	Key Parallel	
57	D43107500	1	Key	
58	D28251476	1	Retainer	
59	D28851037	1	Harness	
60	D40464600	3	Bolt	M8 X 65
61	D28181284	1	Washer	

Unloading Auger - Transmission

Item	Part Number	Qty	Description	Comments
62	D20400459	1	Washer	
63	D28880495	1	Lever	
64	D28250441	1	Pulley	Diameter 200 mm
65	SKF62042RS	2	Bear. 6204 2rs	
66	339199X1	1	Circlip	
67	D28250444	1	Bolt	
68	D28880354	1	Spacer	
69	1442739X1	1	Locknut	M16
70	D28780473	1	Ram	
71	D20400429	1	Washer	
72	339129X1	1	Split Pin	Diameter 3,2 X 25
73	D28380011	1	Tie Rod	
74	D28210881	1	Comp.Spring	
75	339034X1	2	Nut	M16
76	D28880360	1	Pin	
77	339560X1	2	Hex. Sock. Screw	M6 X 16
78	D20400404	3	Washer	
79	1441462X1	1	Locknut	M6
80	1440329X1	1	Locknut	M10
81	D20400471	4	Washer	
82	339814X1	11	Hex. Sock. Screw	M10 X 35
83	D20400416	20	Washer	
84	D28880489	1	Bush	
85	D20400530	2	Spacer	
86	D43364000	1	Bush	
87	D43364300	1	Bush	
88	D28780318	1	Guide	
89	D28885067	1	Clutch	CPL.

MF 7272/7274/7278 CERA COMBINE - 1637408
D-ZIZD-008-B



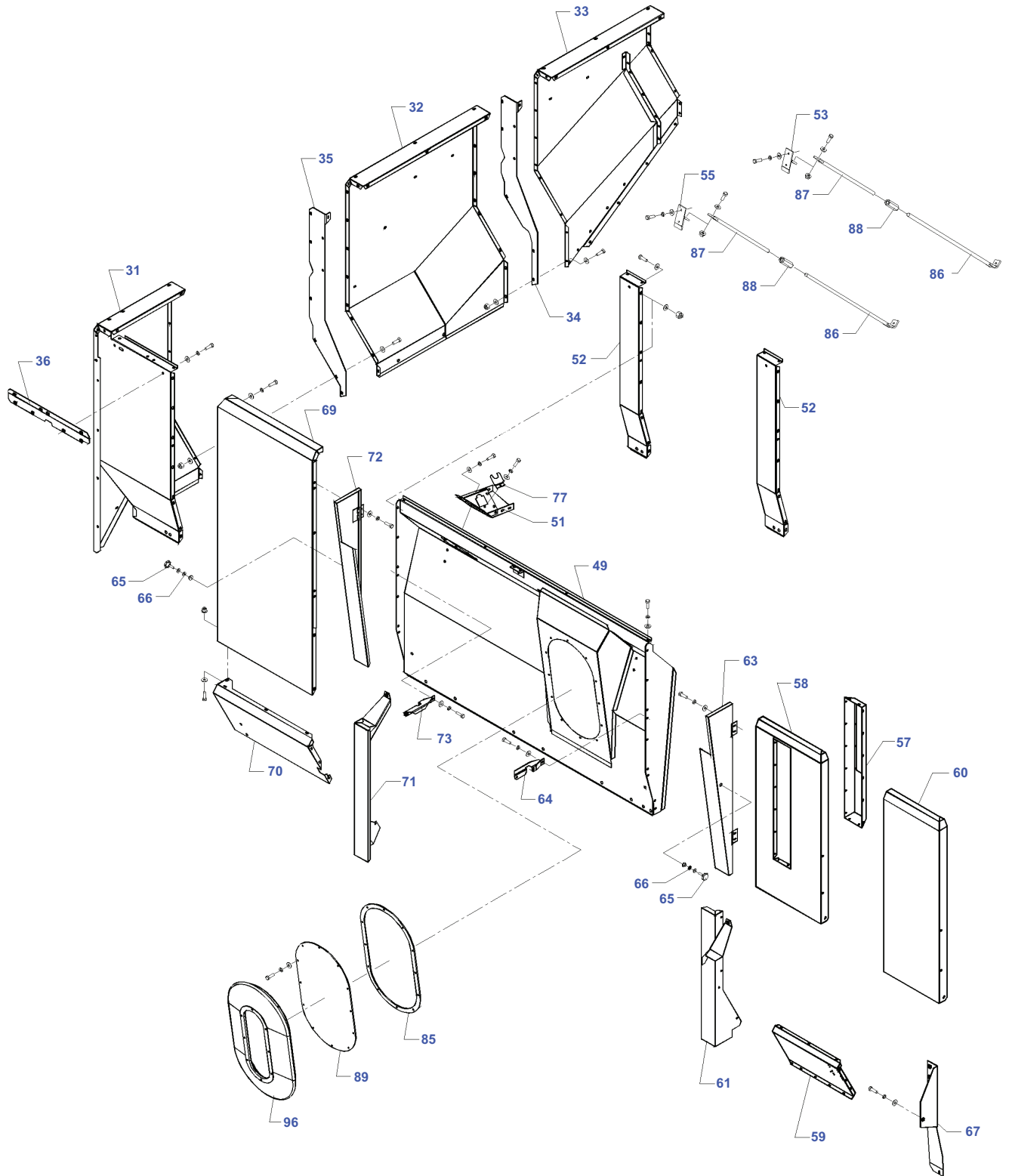
D-ZIZD-008-B

Guards - Grain Tank Top - From 58519

Item	Part Number	Qty	Description	Comments
1	D28885706	1	Plate	
2	D28885803	2	Support	10500L
3	D28885831	1	Support	
4	D18885308	1	Plate	
5	D18885662	1	Guard	
6	D28885721	1	Stay	
7	D18885664	1	Plate	
8	D43385300	1	Screw	
9	D44731100	1	Grommet	
10	D28880309	1	Tensioner	Right Hand
11	D28880293	1	Tensioner	Left Hand
12	D28880305	2	Reinforcement	
13	D28884116	2	Nut	
14	D28880302	2	Reinforcement	
15	D28885698	2	Support	
16	D28885856	2	Support	
17	D28885704	1	Plate	
18	D18885656	1	Guard	
19	D28185712	1	Panel	Right Hand
20	D28186563	1	Guard	
21	D28186747	1	Guard	
22	D28885817	1	Bracket	
23	D28885817	1	Bracket	
24	D28880287	1	Cover	
25	D28885297	1	Case Assy	
26	D18885658	1	Panel	
27	D28185704	1	Cover	Left Hand
28	D18186145	1	Guard	
29	D18186146	1	Ladder	
30	D18186148	1	Handle	[A]
31	D28185706	1	Bracket	
32	D28186147	1	Guard	
33	D28186698	1	Guard	
34	D28985586	1	Bellows	
35	D28985571	1	Window	
36	D18985572	1	Plate	
37	D28885852	2	Strap	
38	D28885853	2	Strap	
39	D45742200	2	Plug	

FOOTNOTE [A] ELECTRIC GRAIN TANK HATCH

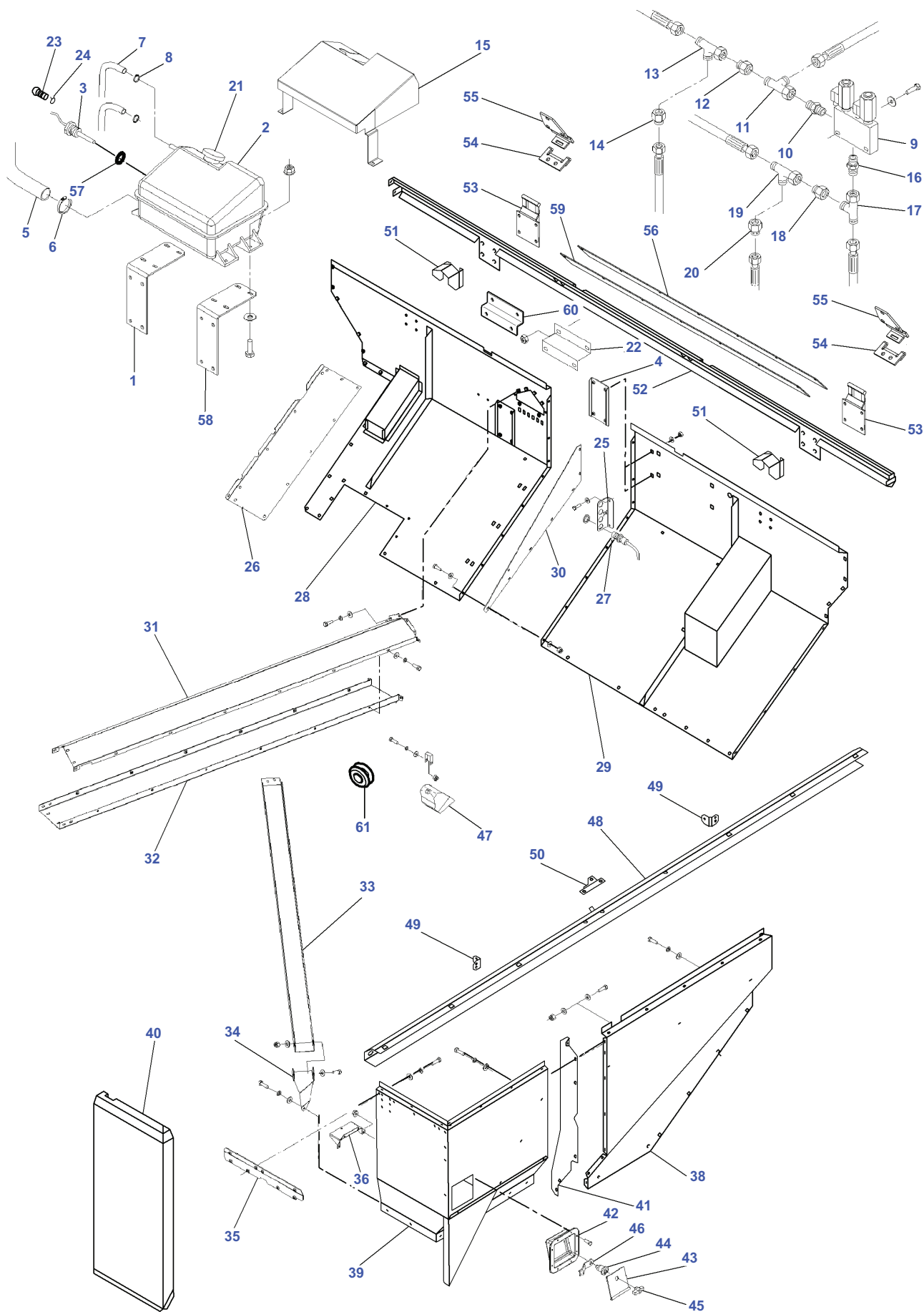
MF 7272/7274/7278 CERA COMBINE - 1637408
D-ZIZD-005-A



Item	Part Number	Qty	Description	Comments
31	D18885300	1	Guard	
32	D18885033	1	Plate	
33	D18885360	1	Guard	
34	D28885306	1	Stay	
35	D28885307	1	Stay	
36	D18885308	1	Plate	
49	D18885293	1	Panel	
51	D28885297	1	Case Assy	
52	D18885294	2	Plate	Replace and repair. Old not interchangeable with new D28885294
53	D28880293	1	Tensioner	Left Hand
55	D28880309	1	Tensioner	Right Hand
57	D18186146	1	Ladder	
58	D18186145	1	Guard	
59	D28186147	1	Guard	
60	D18186148	1	Handle	[A]
61	D28185708	1	Guard	
63	D28185704	1	Cover	Left Hand
64	D28185709	1	Bracket	
65	D43385300	1	Screw	
66	D44731100	1	Grommet	
67	D28185706	1	Bracket	
69	D18185710	1	Guard	
70	D28185717	1	Guard	
71	D28185714	1	Guard	
72	D28185712	1	Panel	Right Hand
73	D28185711	1	Bracket	
77	D28880287	1	Cover	
85	D18985572	1	Plate	
86	D28880302	2	Reinforcement	
87	D28880305	2	Reinforcement	
88	D28884116	2	Nut	
89	D28985571	1	Window	
96	D28985586	1	Bellows	

FOOTNOTE [A] ELECTRIC GRAIN TANK HATCH

MF 7272/7274/7278 CERA COMBINE - 1637408
D-ZIZD-009-D



D-ZIZD-009-D

Item	Part Number	Qty	Description	Comments
1	D28782511	2	Angle.	Up to Serial or Engine Number 59965
2	D46490096	1	Expansion Tank	Valid from machine/table no,can be used in new as well as in older machines 58420
	D28782261	2	Connector	Up to Serial or Engine Number 59965 (2) Valid from machine/table no,can be used in new as well as in older machines 58420
	D45717300	2	Gasket	Up to Serial or Engine Number 59965 (2) Valid from machine/table no,can be used in new as well as in older machines 58420
	D28787041	1	Expansion Tank	Up to Serial or Engine Number 59965 Valid from machine/table no,can be used in new as well as in older machines 58420
	D28787423	1	Valve Block	From Serial or Engine Number 59966 (2) Valid from machine/table no,can be used in new as well as in older machines 58420
				From Serial or Engine Number 59966
3	D45082400	1	Sensor	Valid from machine/table no,can be used in new as well as in older machines 59965
4	D28785411	1	Support	
5	D44748200	X	Hose	
6	D45729700	1	Clamp	
7	D44717000	X	Fuel Hose	
8	D45729700	4	Clamp	
9	D45110070	1	Block	
10	D45255500	1	Fitting	
11	D45266800	1	Fitting	
12	D45273100	1	Reducer	
13	D45266600	1	Union	
14	D45272000	1	Connector	
15	D28782508	1	Cover	Up to Serial or Engine Number 58419
16	D45251500	1	Union	
17	D45266600	1	Union	
18	D45272800	1	Union	
19	D45266200	1	Union	
20	D45272100	1	Connector	
21	D46490095	1	Cover	Up to Serial or Engine Number 59965
	D46490094	1	Cap	From Serial or Engine Number 59966
22	D28785384	1	Console	
23	D45750100	1	Cap	
24	D45738900	1	Hose Clip	
25	D28780748	1	Retainer	
26	D18885219	1	Guard	
27	D28780531	1	Warn Indicator	
28	D18885674	1	Plate	Right Hand
29	D18885672	1	Plate	Left Hand
30	D18885022	1	Brace	
31	D28885333	1	Case Assy	
32	D28885332	1	Case Assy	
33	D28885434	1	Chute	
34	D28885430	1	Profile	
35	D18885308	1	Plate	
36	D28181054	1	Support	
38	D18885671	1	Plate	Left Hand
39	D18885667	1	Panel	Left Hand
40	D18885676	1	Panel	
41	D28885722	1	Brace	
42	D28181052	1	Frame Assy	
43	D28181056	1	Trap	
44	D43429200	1	Housing	
45	D43429300	1	Punch	
46	D43429400	1	Latch	
47	D45084700	1	Worklamp	
48	D28885702	1	Plate	
49	D28885803	2	Support	10500L
50	D28885831	1	Support	
51	D28885856	2	Support	
52	D28885701	1	Plate	
53	D28885678	2	Support	
54	D28885852	2	Strap	
55	D28885853	2	Strap	
56	D28885859	1	Reinforcement	
57	D46488800	1	Gasket	
58	D28786615	1	Angle.	Up to Serial or Engine Number 59965

Massey Ferguson

MF 7272/7274/7278 CEREAL COMBINE - 1637408

1637408

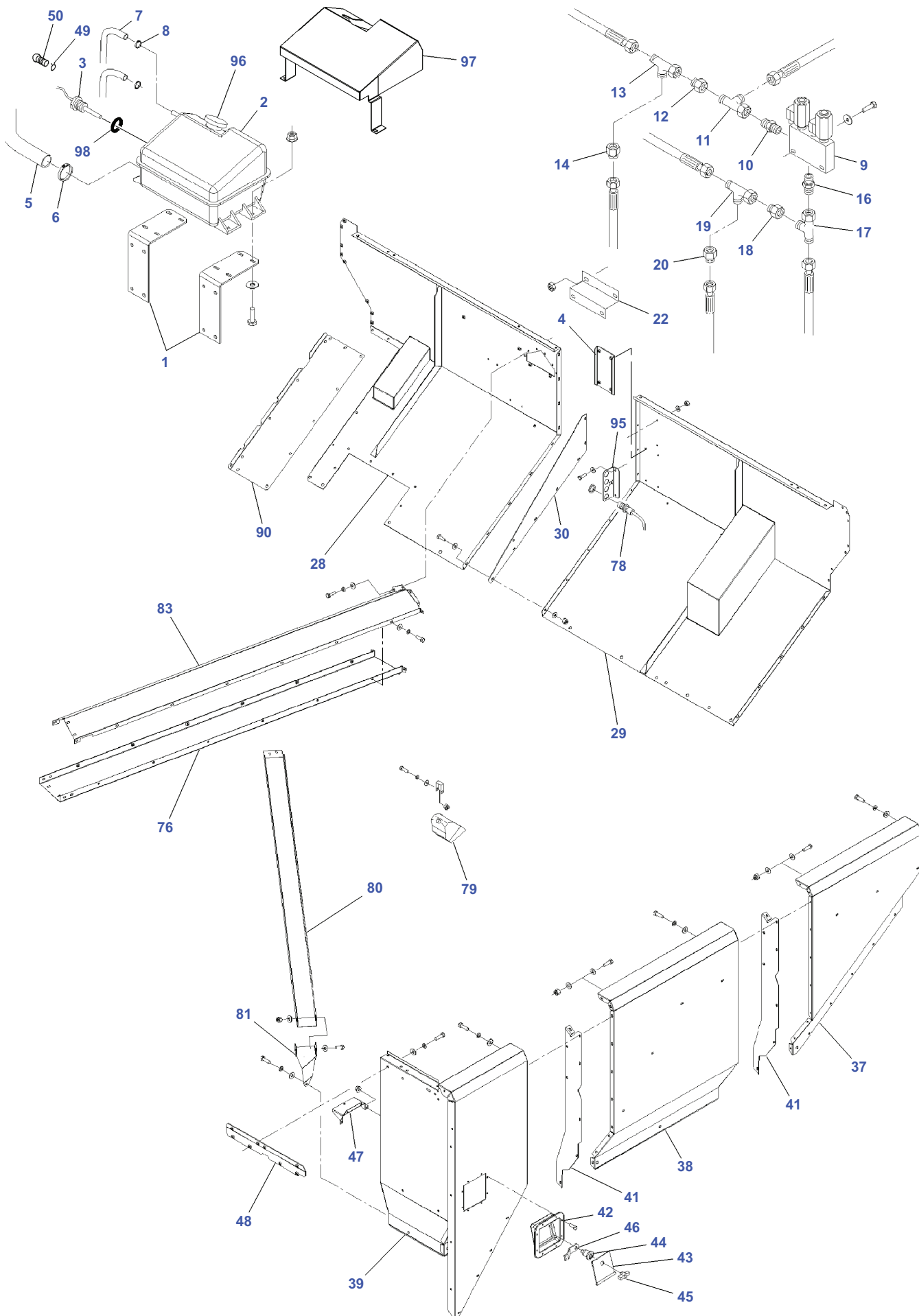
Guards - Grain Tank Top - From 58519

Page009-0006

Item	Part Number	Qty	Description	Comments
59	D44745200	X	Seal	[A] Length 10M
60	D28786605	1	Plate	
61	D44732700	1	Grommet	From Serial or Engine Number 58875

FOOTNOTE [A] CUT TO REQUIRED LENGTH

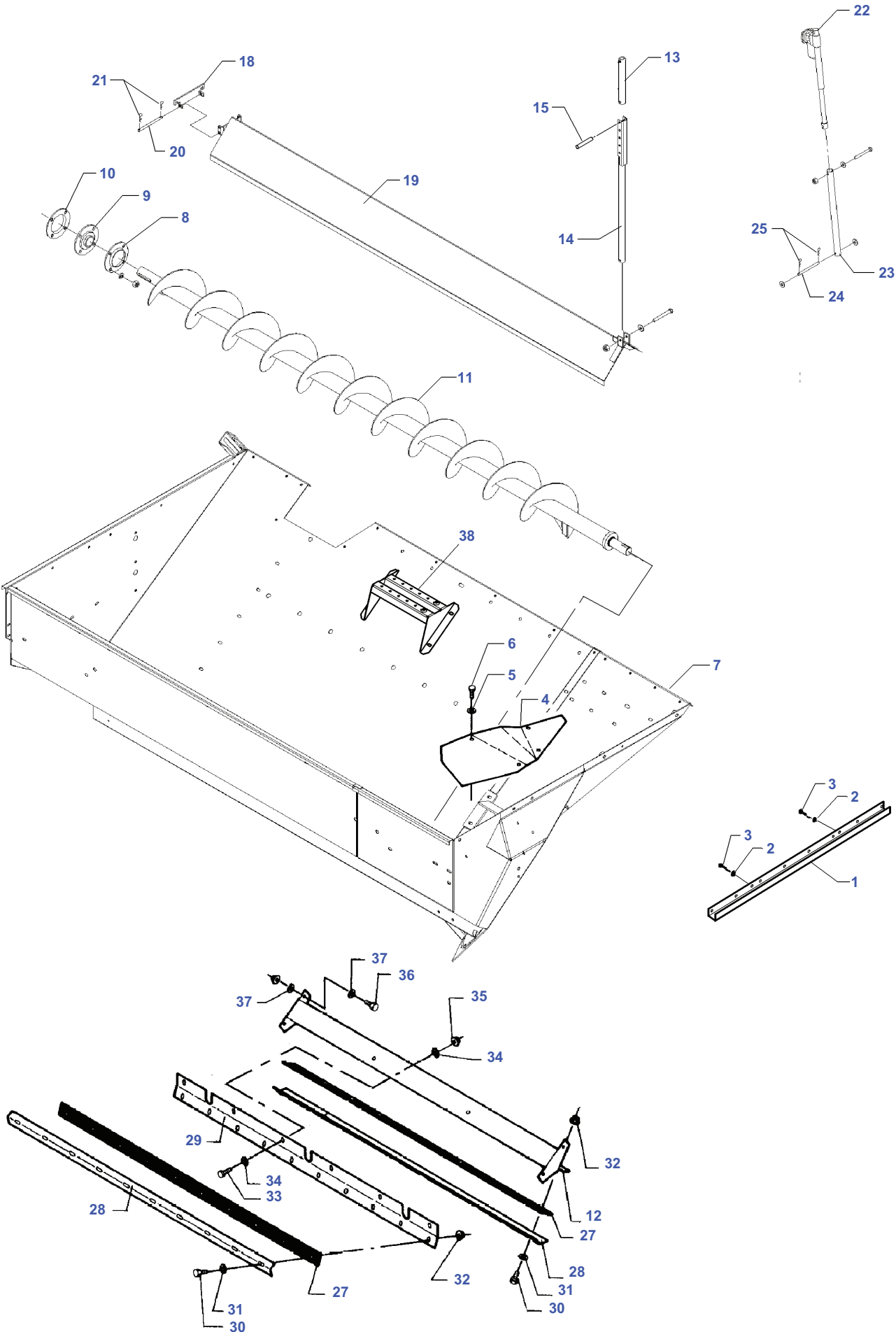
MF 7272/7274/7278 CERA COMBINE - 1637408
D-ZIZD-006-C



D-ZIZD-006-C

Item	Part Number	Qty	Description	Comments
1	D28782511	2	Angle.	Up to Serial or Engine Number 59965
2	D46490096	1	Expansion Tank	Valid from machine/table no,can be used in new as well as in older machines 58420
	D28782261	2	Connector	(2) Valid from machine/table no,can be used in new as well as in older machines 58420
	D45717300	2	Gasket	(2) Valid from machine/table no,can be used in new as well as in older machines 58420
3	D45082400	1	Sensor	Valid from machine/table no,can be used in new as well as in older machines 59965
4	D28785411	1	Support	
5	D44748200	X	Hose	
6	D45729700	1	Clamp	
7	D44717000	X	Fuel Hose	
8	D45729700	4	Clamp	
9	D45110070	1	Block	
10	D45255500	1	Fitting	
11	D45266800	1	Fitting	
12	D45273100	1	Reducer	
13	D45266600	1	Union	
14	D45272000	1	Connector	
16	D45251500	1	Union	
17	D45266600	1	Union	
18	D45272800	1	Union	
19	D45266200	1	Union	
20	D45272100	1	Connector	
22	D28785384	1	Console	
28	D18885312	1	Plate	Right Hand
29	D18885004	1	Plate	Left Hand
30	D18885022	1	Brace	
37	D18885423	1	Panel	
38	D18885011	1	Plate	Left Hand
39	D18885540	1	Guard	
41	D28885040	2	Brace	
42	D28181052	1	Frame Assy	
43	D28181056	1	Trap	
44	D43429200	1	Housing	
45	D43429300	1	Punch	
46	D43429400	1	Latch	
47	D28181054	1	Support	
48	D18885308	1	Plate	
49	D45738900	1	Hose Clip	
50	D45750100	1	Cap	
76	D28885332	1	Case Assy	
78	D28780531	1	Warn Indicator	
79	D45084700	1	Worklamp	
80	D28885434	1	Chute	
81	D28885430	1	Profile	
83	D28885333	1	Case Assy	
90	D18885219	1	Guard	
95	D28780748	1	Retainer	
96	D46490095	1	Cover	
97	D28782508	1	Cover	Up to Serial or Engine Number 58419
98	D46488800	1	Gasket	

MF 7272/7274/7278 CEREAL COMBINE - 1637408
 D-ZIZE-007-B



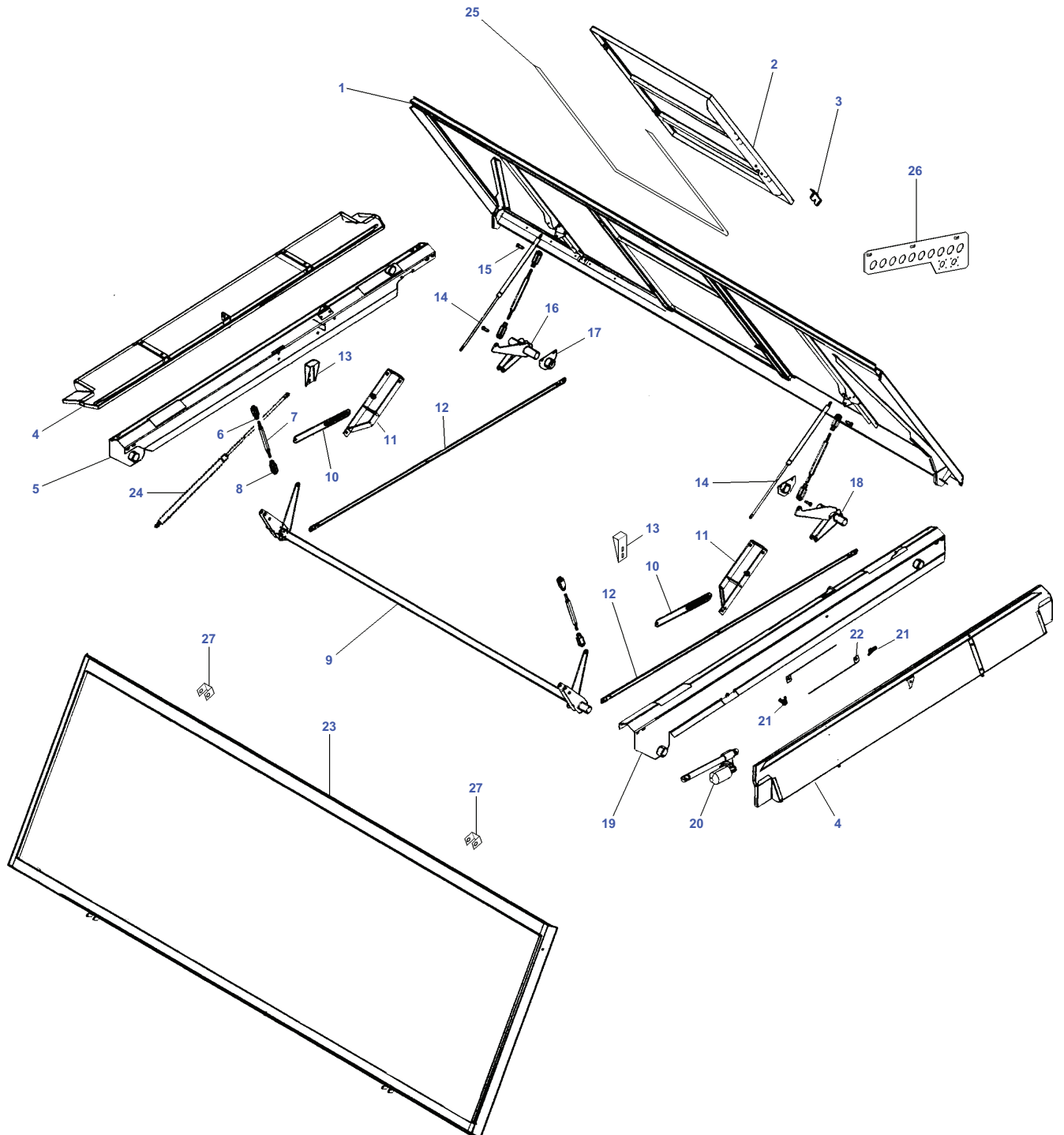
Guards - Grain Tank Bottom

Item	Part Number	Qty	Description	Comments
1	D28880377	1	Profile	
2	D20400506	X	Washer	
3	339337X1	X	Hex. Sock. Screw	M8 X 30
4	D28880234	1	Plate	
5	D20400405	4	Washer	
6	339560X1	4	Hex. Sock. Screw	M6 X 16
7	D28880220	1	Bottom	
8	D41705600	1	Flange	
9	D41705700	1	Ball Bearing	
10	D41714700	1	Flange	
11	D28885555	1	Auger	Replace and repair. Old not interchangeable with new D28885165 Valid from machine/table no, can be used in new as well as in older machines 57269
	D28885556	1	Auger	[B]
	D28885551	1	Shaft	Right Hand
12	D28380193	1	Deflector	
13	D28885616	1	Tube	
14	D28880338	1	Rod	
15	D28230632	1	Pin	
18	D28851231	1	Hinge	
19	D28880241	1	Plate	
20	D28851230	1	Hinge	
21	D44358000	2	Hair Pin	
22	D45059300	1	Ram	[A]
23	D28885240	1	Lever	[A]
24	D28230632	1	Pin	[A]
25	354066X1	2	Split Pin	[A] 5/32" X 1
27	D28380132	2	Scraper	
28	D28380133	2	Rail	
29	D28380131	1	Deflector	
30	339337X1	20	Hex. Sock. Screw	M8 X 30
31	D20400506	20	Washer	
32	394367X1	22	Locknut	M8
33	3009493X1	6	Hex. Sock. Screw	M10 X 30
34	D20400416	12	Washer	
35	1440329X1	6	Locknut	M10
36	3009493X1	X	Hex. Sock. Screw	M10 X 30
37	D20400416	8	Washer	
38	D28580446	3	Support	Valid from machine/table no, can be used in new as well as in older machines 60416

FOOTNOTE [A] OPTIONAL EQUIPMENT

FOOTNOTE [B] GRASS SEED AUGER

MF 7272/7274/7278 CERA COMBINE - 1637408
D-ZIZF-015-C



Massey Ferguson**MF 7272/7274/7278 CEREAL COMBINE - 1637408**

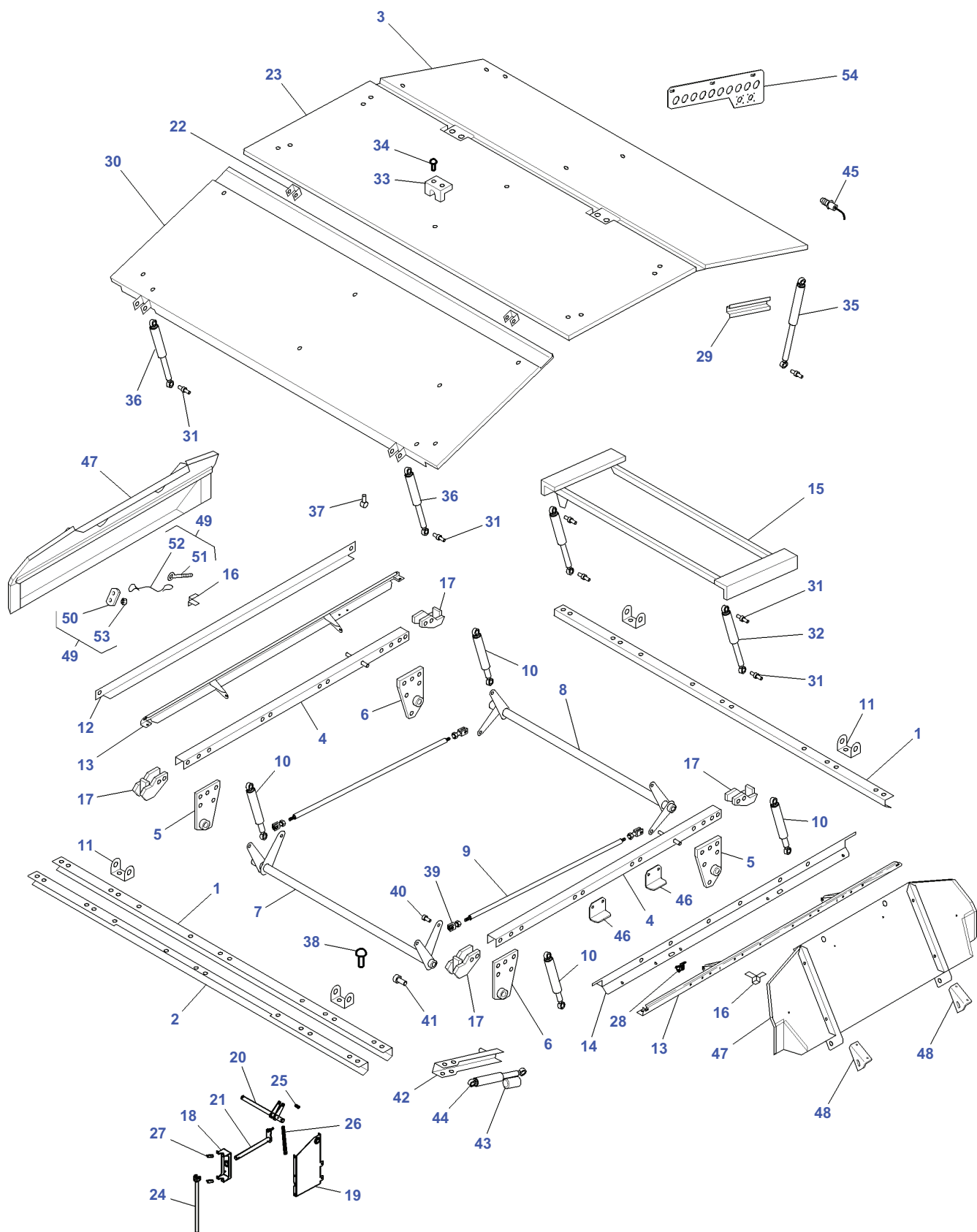
1637408

Grain Tank Covers - From 58519

Page009-0009

Item	Part Number	Qty	Description	Comments
1	D18885653	1	Shutter	
2	D18885659	1	Plate	
3	D43419900	1	Lock	
4	D28885807	2	Side	10500L
5	D28885798	1	Frame	
6	D45904600	4	Clevis	
7	D28885692	4	Rod	
8	D45904500	4	Clevis	
9	D28885687	1	Rod	
10	D28885814	2	Lever	10500L
11	D28885820	2	Lever	10500L
12	D28885691	1	Lever	
13	D28885727	2	Support	
14	D45080017	2	Gas Strut	
15	D45904700	4	Bolt	
16	D28885812	1	Lever	
17	D28885720	2	Support	
18	D28885689	1	Lever	
19	D28885695	1	Frame	
20	D44900996	1	Ram	
21	D46436200	2	Toggle	
22	D28885832	2	Strap	10500L
23	D18885654	1	Shutter	
24	D45050057	1	Cylinder	
25	D44745200	1	Seal	Length 10 M
26	D28885624	1	Holder	
27	D28885520	4	Latch	

MF 7272/7274/7278 CERA COMBINE - 1637408
D-ZIZF-014-C



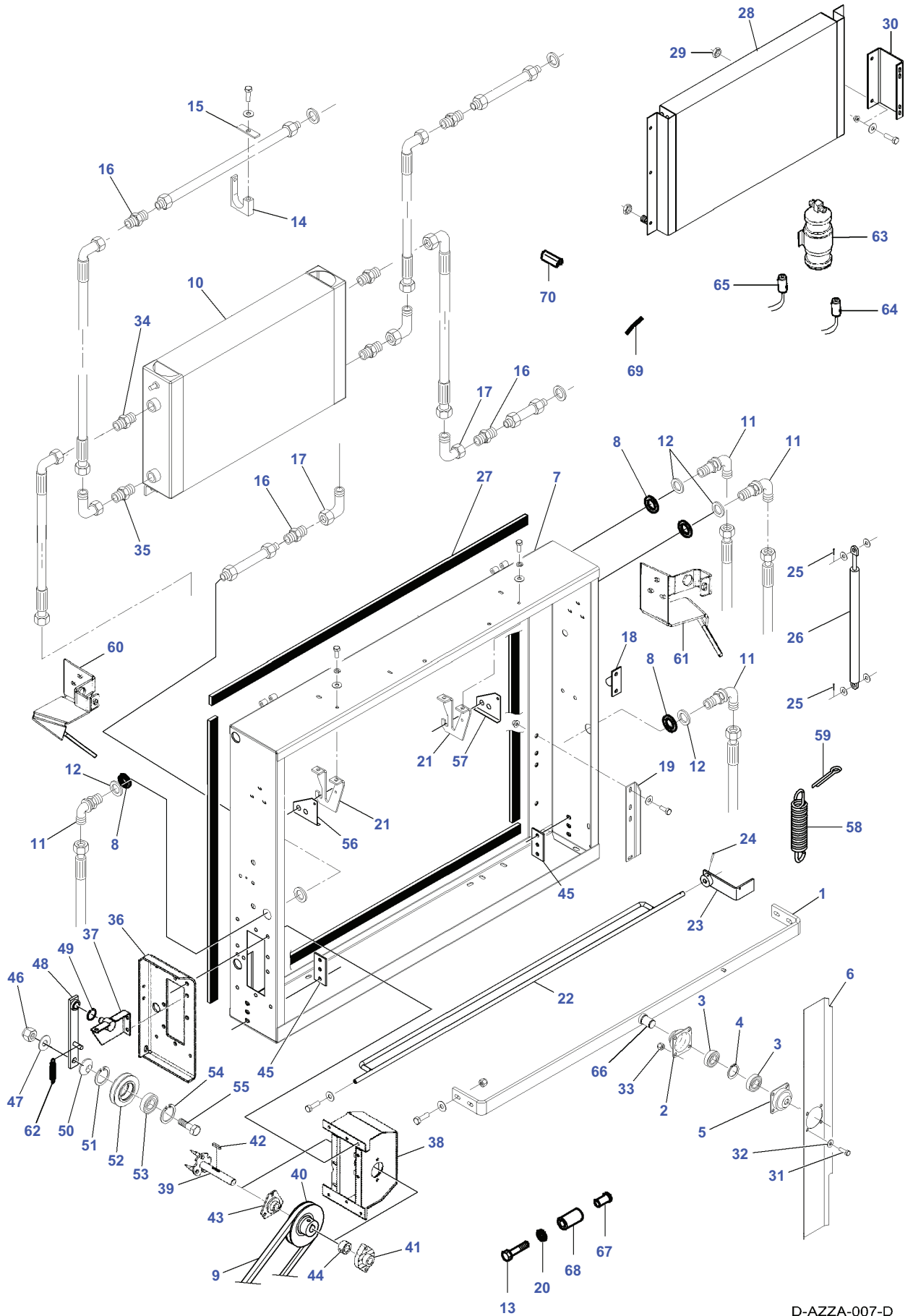
Grain Tank Covers - Up To 58518

Item	Part Number	Qty	Description	Comments
1	D28885023	2	Frame	
2	D28885302	1	Frame	
3	D18885086	1	Plate	
4	D28885450	2	Frame	
5	D28885457	2	Plate	
6	D28885458	2	Plate	
7	D28885460	1	Clevis Pin	
8	D28885465	1	Clevis Pin	
9	D28885467	2	Rod	
10	D28885469	4	Lever	
11	D28885477	4	Hinge	
12	D28885481	1	Frame	
13	D28885154	2	Shim	
14	D28885487	1	Frame	
15	D28885491	1	Frame	
16	D28885493	3	Strap	
17	D28885495	4	Console	
18	D18885503	1	Angle.	[A]
19	D28885506	1	Console	[A]
20	D28885508	1	Lever	[A]
21	D28885513	1	Clevis Pin	[A]
22	D28885520	4	Latch	
23	D18885528	1	Shutter	
24	D28885532	1	Handle	[A]
25	D28885535	2	Hinge	[A]
26	D28885536	1	Lever	[A]
27	D28885537	2	Setscrew	[A]
28	D28885538	1	Console	
29	D28885539	1	Brace	[A]
30	D18885084	1	Plate	
31	D28885568	6	Bolt	
32	D28885569	2	Arm	
33	D43419900	1	Lock	
34	D44732700	1	Grommet	
35	D45056600	2	Gas Strut	
36	D45061901	2	Gas Strut	
37	D45698800	1	Toggle	[A]
38	D45699000	1	Toggle	[A]
39	D45904500	10	Clevis	
40	D45904700	10	Bolt	
41	D46480900	4	Buffer	
42	D28885452	1	Console	[B]
43	D45059300	1	Ram	[B]
44	D28751095	1	Pin	
45	D28780531	1	Warn Indicator	
46	D28885206	4	Stop	
47	D28885542	2	Side	
48	D28885140	2	Support	
49	D28885186	1	Wire	
50	D28885177	1	Plate	(49)
51	D40782600	1	Screw	(49)
52	D43404800	1	Steel Band Wire	(49)
53	D43407700	1	Wire	(49)
54	D28885624	1	Holder	

FOOTNOTE [A] MANUAL GRAIN TANK HATCH

FOOTNOTE [B] ELECTRIC GRAIN TANK HATCH

MF 7272/7274/7278 CERA COMBINE - 1637408
D-AZZA-007-D



D-AZZA-007-D

Hydraulic Cooler - From 58549

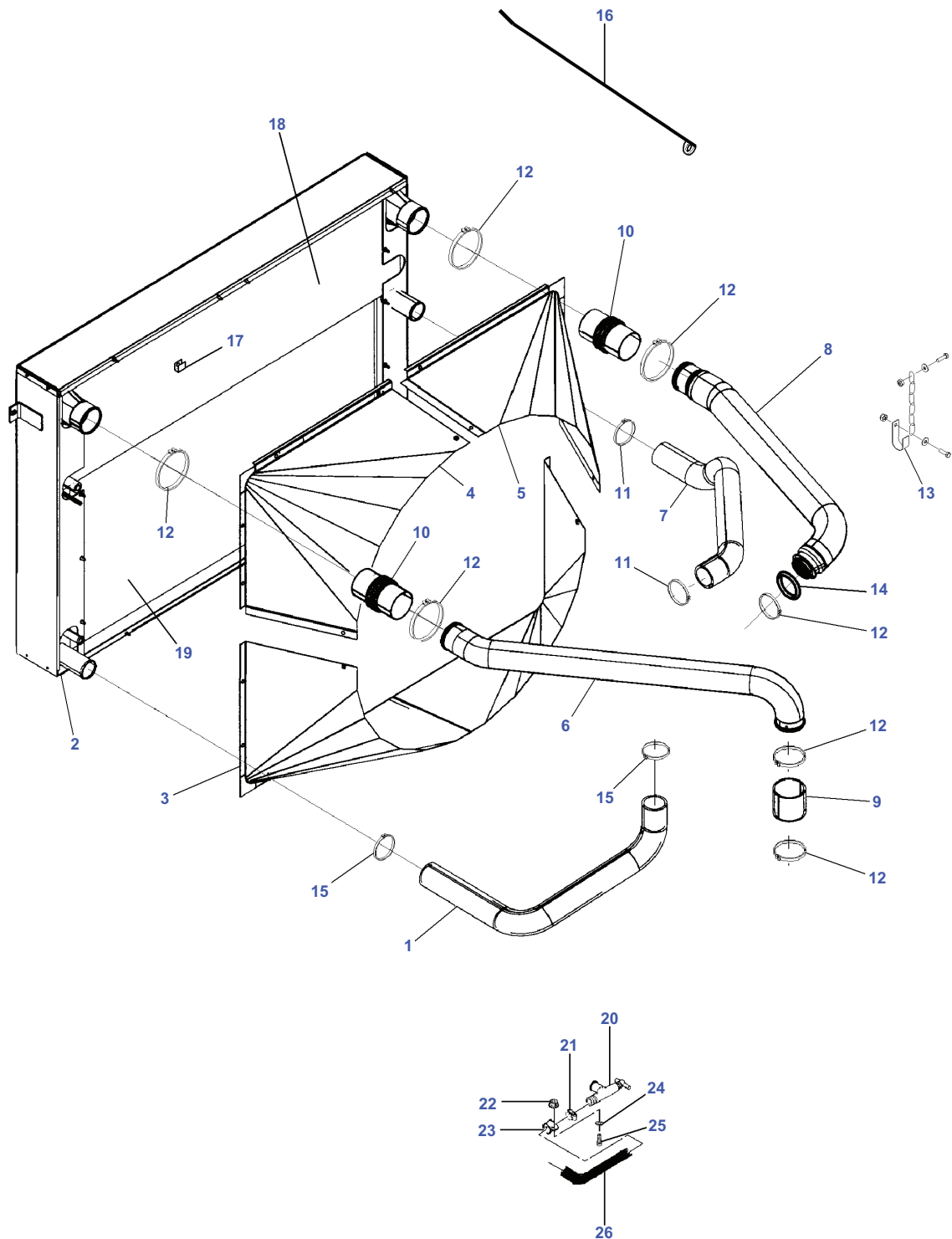
Item	Part Number	Qty	Description	Comments
1	D28787490	1	Bracket	
2	D28770432	1	Bearing Carrier	
3	339581X1	2	Bear. 6205 2rs	
4	1440476X1	1	Circlip	
5	D28770432	1	Bearing Carrier	
6	D28784196	1	Blade	
7	D28787275	1	Bracket	
8	D28785495	X	Spacer	
9	D28786813	1	Belt	[A]
10	D28782277	1	Oil Cooler	
11	D45269900	4	Connector	
12	D20400439	16	Washer	
13	339745X1	1	Hex. Sock. Screw	M8 X 45
14	D45739700	1	Support	
15	D28784251	1	Plate	
16	D45254500	3	Union	
17	D45264300	3	Connectors	
18	D28786523	1	Support	
19	D28784240	1	Reinforcement	
20	D20400506	1	Washer	
21	D28781548	2	Support	
22	D28786212	1	Rod	
23	D28786118	1	Pedal	
24	1440394X1	1	Pin	Diameter 4 X 30
25	D41404200	6	Split Pin	
26	D45056700	2	Gas Strut	
27	D44740600	X	Strip	Length 25 M
28	D28784065	1	Condenser	
29	D28784082	2	Nut	
30	D28784198	2	Fitting	
31	339123X1	4	Hex. Sock. Screw	M8 X 20
32	D20400506	4	Washer	
33	394367X1	4	Locknut	M8
34	D45251500	4	Union	
35	D45264300	2	Connectors	
36	D28786635	1	Plate	
37	D28786228	1	Bracket	
38	D28786834	1	Support	
39	D28788536	1	Clevis Pin	Valid from machine/table no,can be used in new as well as in older machines 58952 MF 7274/78 ONLY MF 7272 ONLY
	D28788536	1	Clevis Pin	
40	D28786226	1	Pulley	
41	D41717100	1	Bearing	
42	D43102300	1	Key	
43	D41713600	1	Bearing	
44	D28781721	1	Ring	
45	D28786838	2	Plate	
46	339034X1	1	Nut	M16
47	D20400459	1	Washer	
48	D28786766	1	Arm	
49	D42501400	1	Circlip	
50	D28380003	1	Ring	
51	339126X1	1	Circlip	
52	D28785815	1	Roller	
53	339581X1	1	Bear. 6205 2rs	
54	339126X1	1	Circlip	
55	D28760328	1	Bolt	
56	D28781549	1	Lock	
57	D28781550	1	Lock	
58	D28761862	1	Tension Spring	
59	1442034X1	1	Split Pin	Diameter 4 X 20
60	D28787316	1	Support	
61	D28787318	1	Support	
62	D28761057	1	Spring	
63	D45070017	1	Filter	
64	D45070023	1	Switch	HIGH PRESSURE
65	D45080063	1	Pressure Switch	LOW PRESSURE
66	D28784180	1	End	(1)

Hydraulic Cooler - From 58549

Item	Part Number	Qty	Description	Comments
67	D41028300	1	Bush	
68	D28786878	1	Spacer	
69	D44735900	1	Seal Section	0,3m
69		1	Not Used	
70	D44744800	1	Profile	0,20m
70		1	Not Used	

FOOTNOTE [A] AVAILABLE IN LENGTH OF 1,5 M - TO BE ADAPTED ACCORDING TO MACHINE TYPE

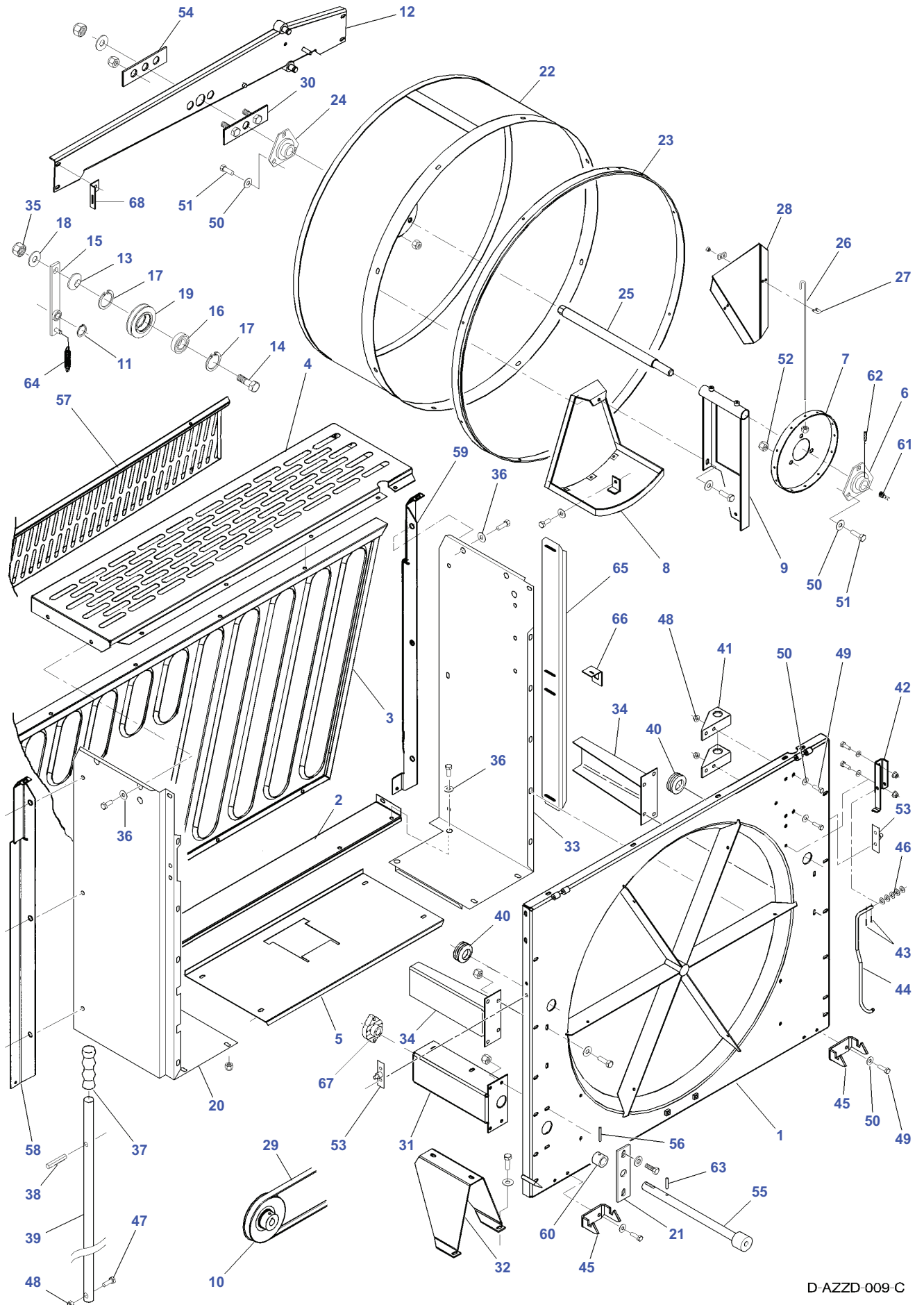
MF 7272/7274/7278 CERA COMBINE - 1637408
D-AZZB-008-E



D-AZZB-008-E

Item	Part Number	Qty	Description	Comments
1	D28787132	1	Tube	
2	D28787273	1	Cooler	
3	D28787269	1	Guard	MF 7274/78 ONLY
	D28787325	1	Screen	MF 7272 ONLY
4	D28787301	1	Guard	MF 7274/78 ONLY
	D28787371	1	Screen	MF 7272 ONLY
5	D28787268	1	Guard	MF 7274/78 ONLY
	D28787315	1	Screen	MF 7272 ONLY
6	D28787145	1	Tube	
7	D28787129	1	Tube	
8	D28787131	1	Tube	MF 7274/78 ONLY
	D28787413	1	Pipe	MF 7272 ONLY
9	D46484301	1	Hose	
10	D46485700	2	Sleeve	
11	1440860X1	2	Clamp	Diameter 60-80
12	D46440053	6	Clamp	
13	D28788720	1	Strap	
14	D45482200	1	O Ring	
15	D45731300	2	Clamp	
16	D28788453	1	Stay	
17	D28788454	1	Retainer	
18	D28787271	1	Intercooler	(2)
19	D28787272	1	Water Cooler	(2)
20	D45718800	1	Cock	From Serial or Engine Number 58549 MF 7278 CEREAL
	D45718800	1	Cock	From Serial or Engine Number 58599 MF 7274 CEREAL
	D45718800	1	Cock	From Serial or Engine Number 59510 MF 7272 CEREAL
21	3000483X1	1	Hose Clip	Diameter 16-22
22	1441462X1	1	Locknut	M6
23	D45730400	1	Clamp	
24	391038X1	1	Washer	
25	339560X1	1	Hex. Sock. Screw	M6 X 16
26	D28782176	1	Hose	Up to Serial or Engine Number 58548 MF 7278 CEREAL
	D28782176	1	Hose	Up to Serial or Engine Number 58598 MF 7274 CEREAL
	D28782176	1	Hose	Up to Serial or Engine Number 59509 MF 7272 CEREAL
	D28782930	1	Hose	From Serial or Engine Number 58549 MF 7278 CEREAL
	D28782930	1	Hose	From Serial or Engine Number 58599 MF 7274 CEREAL
	D28782930	1	Hose	From Serial or Engine Number 59510 MF 7272 CEREAL

MF 7272/7274/7278 CERA COMBINE - 1637408
D-AZZD-009-C



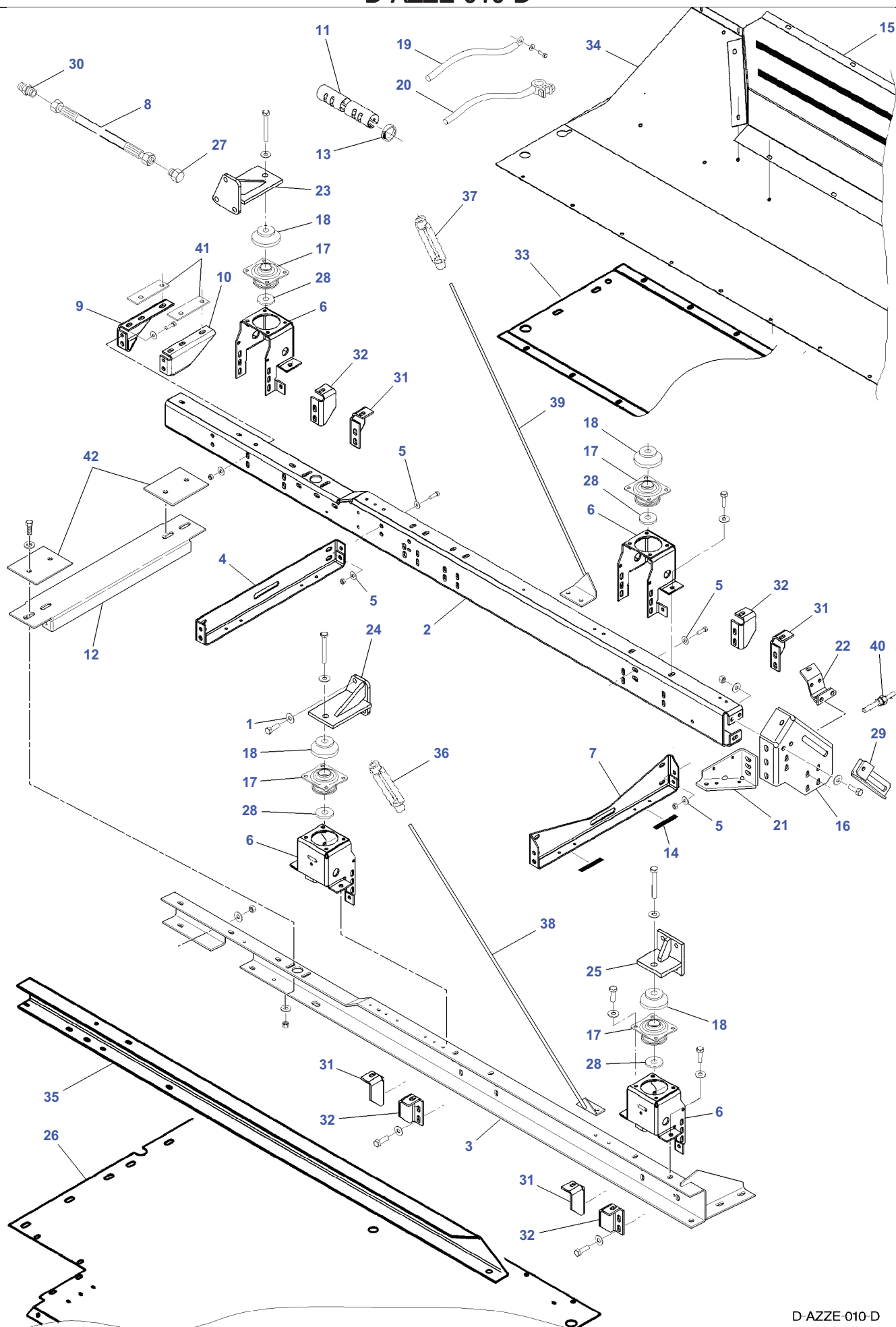
D-AZZD-009-C

Rotary Screen - From 58549

Item	Part Number	Qty	Description	Comments
1	D28786209	1	Plate	Valid from machine/table no,can be used in new as well as in older machines 57229
2	D28787304	1	Base Plate	
3	D18186749	1	Grille	
4	D28186752	1	Shelf	
5	D28784231	1	Plate	
6	D41713600	1	Bearing	
7	D28780096	1	Hub	
8	D28781043	1	Plate	
9	D28781045	1	Bracket	
10	D28780114	1	Pulley	
11	D42501400	1	Circlip	
12	D28785952	1	Support	Valid from machine/table no,can be used in new as well as in older machines 57229
13	D28380003	1	Ring	
14	D28760328	1	Bolt	
15	D28786092	1	Arm	Valid from machine/table no,can be used in new as well as in older machines 57229
16	339581X1	1	Bear. 6205 2rs	
17	339126X1	2	Circlip	
18	D20400459	1	Washer	
19	D28785815	1	Roller	
20	D28787302	1	Plate	Left Hand
21	D28781198	1	Plate	
22	D28780984	1	Strainer	
23	D28781010	1	Seal	
24	D41713600	1	Bearing	
25	D28788537	1	Shaft	Valid from machine/table no,can be used in new as well as in older machines 58952
26	D28780094	12	Spoke	
27	D43405900	2	Bracket	
28	D28781763	1	Blade	
29	D41990019	1	V Belt	
30	D28780954	1	Plate	
31	D28781155	1	Bearing Carrier	
32	D28786227	1	Reinforcement	
33	D28787303	1	Plate	Right Hand
34	D28781157	2	Bracket	
35	339034X1	1	Nut	M16
36	D20400411	X	Washer	
37	D43384000	1	Lever	
38	D42609300	1	Pin	
39	D28781146	1	Lever	
40	D44732500	2	Grommet	
41	D28781145	2	Fitting	
42	D28781762	1	Support	
43	D41404200	1	Split Pin	
44	D28781761	1	Support	
45	D28788532	2	Hook	Valid from machine/table no,can be used in new as well as in older machines 58912
46	D20400413	6	Washer	
47	339009X1	1	Hex. Sock. Screw	M8 X 35
48	394367X1	5	Locknut	M8
49	339761X1	8	Hex. Sock. Screw	M8 X 25
50	D20400506	X	Washer	
51	339123X1	6	Hex. Sock. Screw	M8 X 20
52	394367X1	2	Locknut	M8
53	D28786522	2	Support	
54	D28780966	1	Plate	
55	D28781716	1	Shaft	
56	339071X1	1	Pin	Diameter 6 X 30
57	D18186751	1	Shield	
58	D28186753	1	Stiffener	
59	D28186754	1	Stiffener	
60	D28781695	1	Ring	
61	D28781721	1	Ring	
62	D40632000	1	Stud	
63	1440911X1	1	Pin	Diameter 3,5 X 30

Item	Part Number	Qty	Description	Comments
64	D28761057	2	Spring	
65	D28186796	1	Strut	
66	D28787328	1	Bracket	
67	D41717100	1	Bearing	
68	D28781534	1	Support	

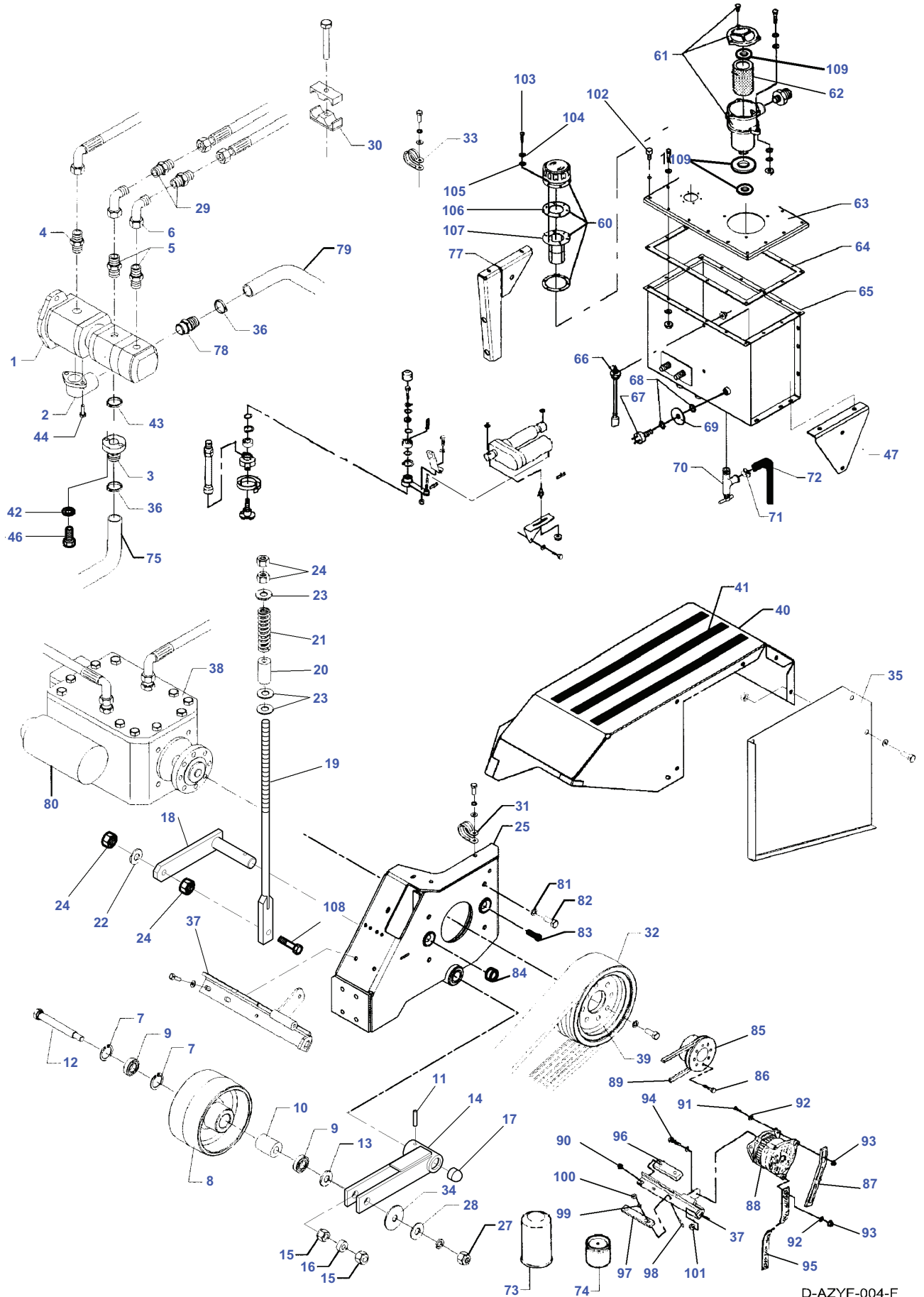
MF 7272/7274/7278 CERA COMBINE - 1637408
D-AZZE-010-D



D-AZZE-010-D

Item	Part Number	Qty	Description	Comments
1	D20400426	X	Washer	
2	D28785606	1	Member	Right Hand
3	D28787478	1	Member	Left Hand Valid from machine/table no, can be used in new as well as in older machines 60771
4	D28784172	1	Crossmember	
5	D20400473	X	Washer	
6	D28784171	4	Support	
7	D28785043	1	Stay	
8	D45130033	1	Hydr. Hose	
9	D28784252	1	Support	Right Hand
10	D28784253	1	Support	Left Hand
11	D28280782	1	Guard	
12	D28787270	1	Bracket	
13	338617X1	1	Hose Clip	Diameter 40-60
14	D28782178	X	Seal Section	Length 5 M
15	D28181837	1	Step	
16	D28786869	1	Bracket	
17	D46406600	4	Damper	
18	D28781296	4	Spacer	
19	D28781928	1	Harness	
20	D28785949	1	Cable	
21	D28786567	1	Plate	
22	D28786592	1	Support	
23	D28785210	1	Suspension	
24	D28785210	1	Suspension	
25	D28770293	1	Suspension	
26	D28786464	1	Roof	
27	D28781170	1	Plug	
28	D28781297	4	Spacer	
29	D28786870	1	Actuator	
30	D45251100	1	Union	
31	D28785166	4	Plate	
32	D28785167	4	Plate	
33	D28185279	1	Roof	
34	D28181850	1	Roof	
35	D28786491	1	Support	
36	D41035100	1	Tensioner	
37	D41035100	1	Tensioner	
38	D28787321	1	Stem	
39	D28787320	1	Stem	
40	D28786881	1	Pivot	
41	D28781111	2	Shim	
42	D28788343	2	Plate	

MF 7272/7274/7278 CERA COMBINE - 1637408
D-AZYF-004-F



D-AZYF-004-F

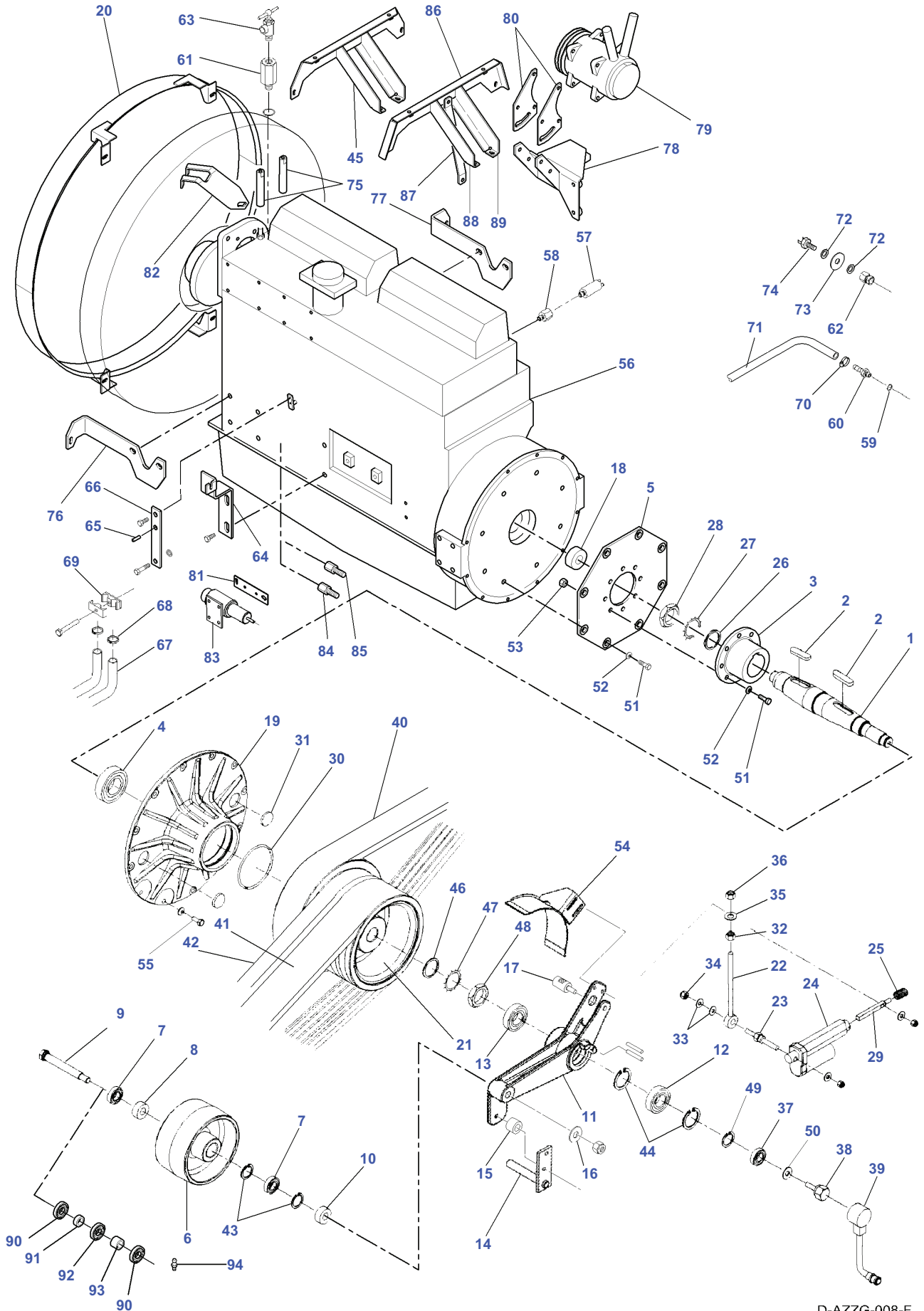
Prop. pump and Hydr. pump - From 58549

Item	Part Number	Qty	Description	Comments
1	D45166900	1	Pump	
2	D45239900	1	Connector	
3	D28786485	2	Connector	
4	D45251500	1	Union	
5	D45250700	2	Union	
6	D45264100	1	Union	
7	339199X1	2	Circlip	
8	D28780900	1	Pulley	
9	SKF62042RS	2	Bear. 6204 2rs	
10	D28780007	1	Ring	
11	D42621900	1	Pin	
12	D28780008	1	Bolt	
13	D28380003	1	Ring	
14	D28781992	1	Support	Up to Serial or Engine Number 59115
	D28782527	1	Arm	From Serial or Engine Number 59116
15	D28780777	2	Eccentric	
16	D28780776	1	Spacer	
17	D45744200	1	Ferrule	
18	D28786820	1	Arm	Up to Serial or Engine Number 59115
	D28787403	1	Arm	From Serial or Engine Number 59116
19	D28782790	1	Spindle	Valid from machine/table no,can be used in new as well as in older machines 60583
20	D28787998	1	Pipe	
21	D28210881	1	Comp.Spring	
22	D41100900	1	Spring Washer	
23	D20400423	5	Flat Washers	
24	3009695X1	4	Nut	M12
25	D28785782	1	Support	Up to Serial or Engine Number 59115
	D28787247	1	Support	From Serial or Engine Number 59116
	D28787359	1	Bracket	MF 7272 CEREAL
27	1442739X1	X	Locknut	M16
28	D20400459	1	Washer	
29	D45272200	1	Union	
30	D45736700	2	Support	
31	D28250656	2	Arm	
32	D41990045	1	Belt	See Page - Reference Number 010-0006/40 Valid from machine/table no,can be used in new as well as in older machines 60503 MF 7274-78 CEREAL MF 7272 CEREAL
	D41990062	1	Belt	MF 7272 CEREAL
33	D45730400	2	Clamp	
34	D20400437	1	Washer	
35	D28787079	1	Plate	
36	338616X1	2	Hose Clip	Diameter 32-50
37	D28781312	1	Bracket	
38	D45166300	1	Hydraulic Pump	Up to Serial or Engine Number 59965 MF 7272 CEREAL
	D45168800	1	Hydraulic Pump	Up to Serial or Engine Number 58827 MF 7274-78 CEREAL
	D45168900	1	Hydraulic Pump	From Serial or Engine Number 58828 Up to Serial or Engine Number 59965 MF 7274-78 CEREAL
	D45160001	1	Hydraulic Pump	From Serial or Engine Number 59962 MF 7272 CEREAL
	D45169900	1	Pump	From Serial or Engine Number 60050 MF 7274-78 CEREAL
39	D28780058	1	Pulley	
40	D28787077	1	Cover	MF 7274 - 7278
	D28787032	1	Guard	MF 7272
41	D44740800	X	Strip	Length 18 M
42	D41102100	2	Washer	
43	D45463600	1	O Ring	
44	D40692500	2	Screw	
46	D40690400	2	Screw	
47	D28786783	1	Support	
60	D45103000	1	Filter	
61	D45165800	1	Seal	
62	D45165900	1	Filter	
63	D28781818	1	Plate	

Prop. pump and Hydr. pump - From 58549

Item	Part Number	Qty	Description	Comments
64	D28781819	1	Kit, Seal	
65	D28787072	1	Bottom	
66	D45080021	1	Dipstick	
67	D44900617	1	Sensor	
68	D45201600	2	Packing	
69	D28780947	1	Washer	
70	D46422300	1	Cock	
71	3000483X1	1	Hose Clip	Diameter 16-22
72	D28782176	X	Hose	Length 6 M
73	D46447400	1	Oil Filter	
74	1896287M91	2	Fuel Element	
75	D28786449	1	Suction Hose	
77	D28786818	1	Union	
78	D28785062	1	Nipple	
79	D28782310	1	Hose	Diameter 32 mm
80	D45161300	1	Oil Filter	
81	D20400426	4	Washer	
82	D40693800	4	Screw	
83	D40418500	2	Hex. Sock. Screw	M20 X 55
84	D43367400	1	Bush	
85	D28781123	1	Pulley	
86	339269X1	8	Hex. Sock. Screw	M10 X 100
87	D28780603	1	Tensioner	
88	D46446700	1	Alternator	
89	D41904200	1	Belt	
90	D41092500	2	Nut	
91	339761X1	2	Hex. Sock. Screw	M8 X 25
92	D20400506	3	Washer	
93	394367X1	3	Locknut	M8
94	D40425100	1	Screw	
95	D28760642	1	Earth Strap	
96	D28780002	1	Fitting	
97	D28780001	1	Fitting	
98	3009493X1	1	Hex. Sock. Screw	M10 X 30
99	D20400471	1	Washer	
100	1440329X1	1	Locknut	M10
101	394367X1	X	Locknut	M8
102	D46480900	1	Buffer	
103	D40749100	1	Screw Metric	
104	D45715300	1	Washer	
105	D45715100	1	Washer	
106	D45145800	1	Seal	
107	D45103100	1	Gasket	
108	3009509X1	1	Hex. Sock. Screw	
109	D45166800	1	Kit	

MF 7272/7274/7278 CERA COMBINE - 1637408
D-AZZG-008-F



D-AZZG-008-F

Power Take-Off - From 58549

Item	Part Number	Qty	Description	Comments
1	D28780616	1	Shaft	
2	D43110600	1	Key	
3	D28780615	1	Hub	
4	D41629600	1	Ball Bearing	
5	D28788467	1	Plate	
6	D28780486	1	Pulley	
7	SKF62042RS	2	Bear. 6204 2rs	
8	D28780007	1	Ring	
9	D28780008	1	Bolt	
10	D28380003	1	Ring	
11	D28787005	1	Lever	
12	SKF62062RS	1	Bear. 6206 2rs	
13	SKF62072RS	1	Bear. 6207 2rs	
14	D28785519	1	Guard	
15	D28780224	1	Spacer	
16	D20400517	1	Spacer	
17	D28780250	1	Pin	
18	D28780805	1	Bush	
19	D28780061	1	Bearing Carrier	
20	D28787372	1	Ring	
21	D28785025	1	Pulley	
22	D28780843	1	Bolt	
23	D28786881	1	Pivot	
24	D28786868	1	Actuator	Up to Serial or Engine Number 58874
	D44900894	1	Actuator	From Serial or Engine Number 58875
25	D28786568	1	Spring	
26	D25700260	1	Washer	
27	D28780617	1	Washer	
28	D25700322	1	Nut	
29	D28780247	1	Bolt	
30	D45470800	1	O Ring	
31	D45746700	2	Plug	
32	3009695X1	1	Nut	M12
33	D20400459	2	Washer	
34	1442739X1	1	Locknut	M16
35	D20400423	1	Flat Washers	
36	3009695X1	1	Nut	M12
37	1440487X1	1	Bear. 6203 2rs	
38	D28780516	1	Inductive Sensor	
39	D28780514	1	Sensor	
40	D41990045	1	Belt	Valid from machine/table no,can be used in new as well as in older machines 60503
41	D41990064	1	Belt	
42	D41978100	1	V Belt	
43	339199X1	2	Circlip	
44	1440479X1	2	Circlip	
45	D28785230	1	Bracket	[A]
46	D28730018	1	Washer	
47	D28710736	1	Lock Washer	
48	D28710073	1	Nut	
49	1440477X1	1	Circlip	
50	D20400416	1	Washer	
51	3009492X1	X	Hex. Sock. Screw	M10 X 25
52	D41112500	X	Washer	
53	339402X1	8	Nut	M10
54	D28785370	1	Band	
55	3009493X1	12	Hex. Sock. Screw	M10 X 30
56	D46490013	1	Engine	MF 7278
	D46490011	1	Engine	MF 7274
	D46490010	1	Engine	MF 7272
57	D44900586	1	Gauge	
58	D28786520	1	Nipple	
59	D45711200	1	Gasket	
60	D28785115	1	Connector	
61	D28785053	1	Reducer	Valid from machine/table no,can be used in new as well as in older machines 60416
62	D28786662	1	Nipple	
63	D46422300	2	Cock	
64	D28786671	1	Clamp	

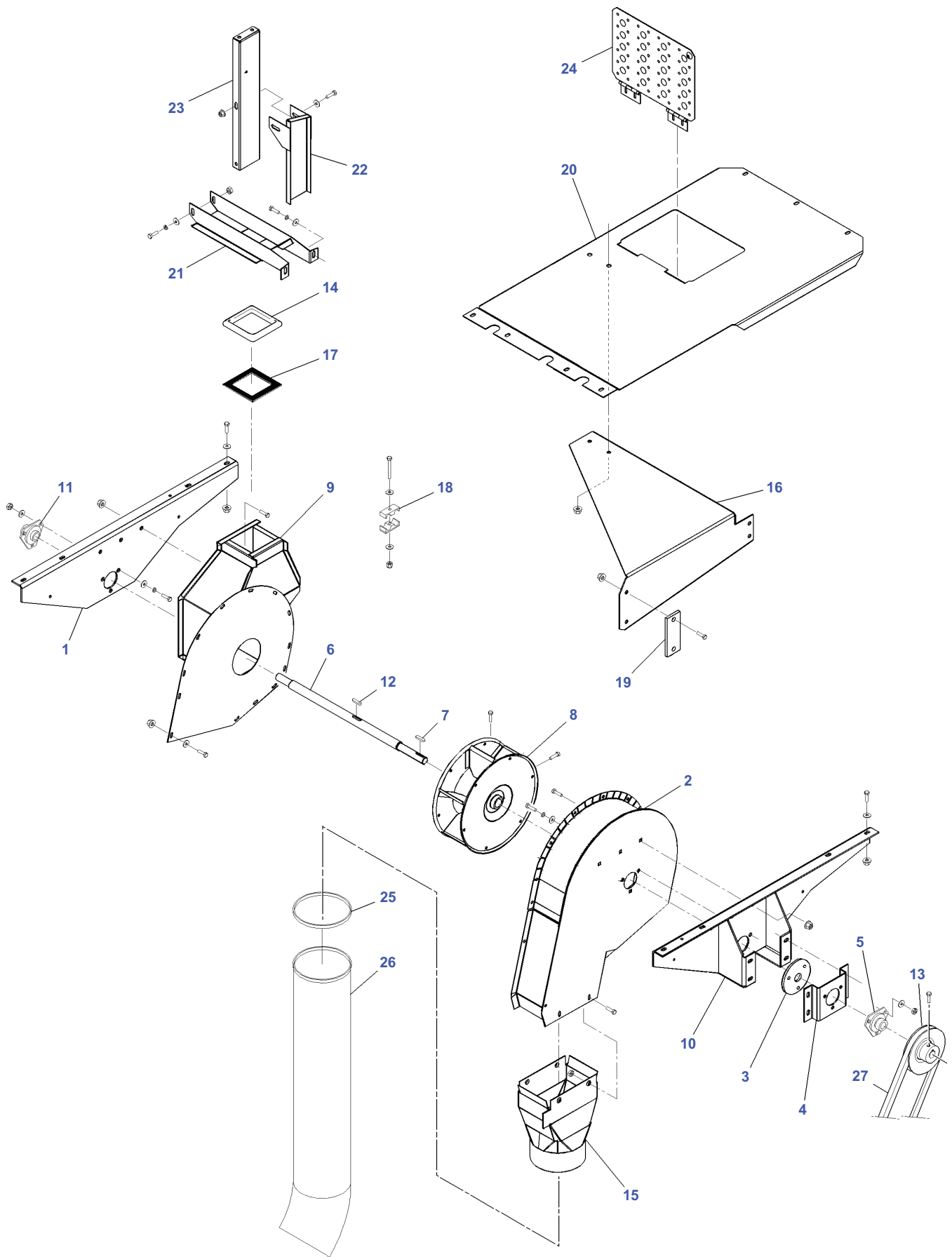
Power Take-Off - From 58549

Item	Part Number	Qty	Description	Comments
65	D28751580	1	Stud	
66	D28786794	2	Lever	
67	D28784525	X	Hose	[B] Length 5 M
68	3000483X1	2	Hose Clip	Diameter 16-22
69	D45736700	2	Support	
70	3000483X1	1	Hose Clip	Diameter 16-22
71	D28782175	1	Fuel Hose	[B] Length 5 M
72	D45201600	2	Packing	
73	D28780947	1	Washer	
74	D44900617	1	Sensor	
75	D28785226	2	Extension	
76	D28787261	1	Bracket	
77	D28787262	1	Bracket	
78	D28785109	1	Console	
79	D45080062	1	Compressor	
80	D28785046	2	Bracket	
81	D28788542	1	Plate	
82	D28788591	1	Plate	
83	D46446400	1	Magnet	Up to Serial or Engine Number 58548
83	D46440051	1	Magnet	From Serial or Engine Number 58549
84	D28760746	1	Threaded Part	
85	D28761073	1	Threaded Part	
86	D28782912	1	Bracket	
87	D28787471	1	Stay	
88	D28785238	1	Bracket	(86)
89	D28785239	1	Support	(86)
90	D41622700	2	Bear. 6204 2rs	From Serial or Engine Number 59788 7272/7274
90	D41622700	2	Bear. 6204 2rs	From Serial or Engine Number 59762 7278
91	D28782758	1	Ring	From Serial or Engine Number 59788 7272/7274
91	D28782758	1	Ring	From Serial or Engine Number 59762 7278
92	D41618100	1	Ball Bearing	From Serial or Engine Number 59788 7272/7274
92	D41618100	1	Ball Bearing	From Serial or Engine Number 59762 7278
93	D28782757	1	Spacer	From Serial or Engine Number 59788 7272/7274
93	D28782757	1	Spacer	From Serial or Engine Number 59762 7278
94	D43001500	1	Greaser	From Serial or Engine Number 59788 7272/7274
94	D43001500	1	Greaser	From Serial or Engine Number 59762 7278

FOOTNOTE [A] ORDER D28782912 + D28787471

FOOTNOTE [B] CUT TO REQUIRED LENGTH

MF 7272/7274/7278 CEREAL COMBINE - 1637408
D-AZZH-003-B



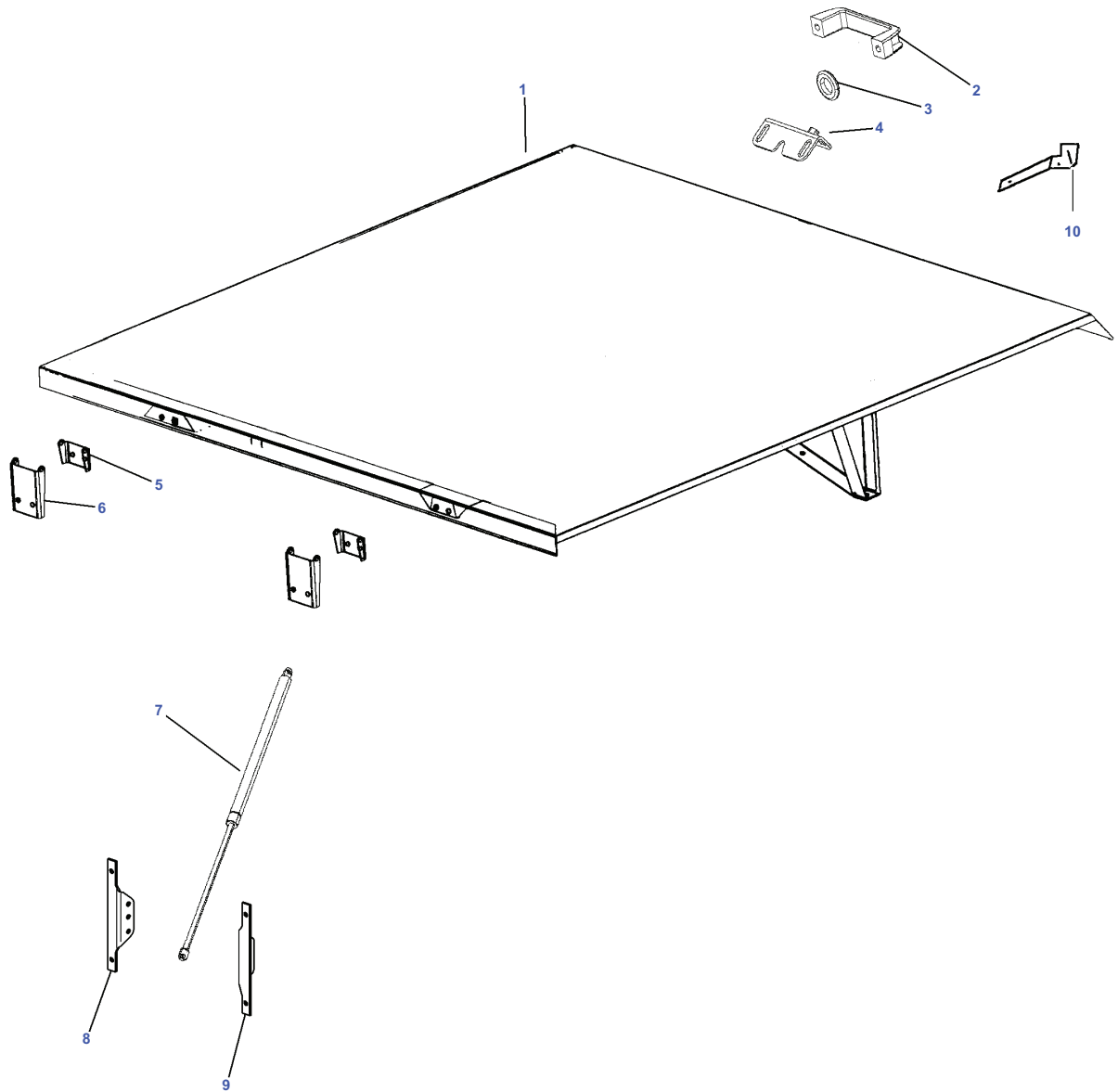
D-AZZH-003-B

Fan Housing - From 58549

Item	Part Number	Qty	Description	Comments
1	D28782347	1	Bracket	
2	D28780573	1	Housing	Up to Serial or Engine Number 59619
	D28488493	1	Housing	From Serial or Engine Number 59620
3	D28782092	1	Plate	
4	D28782105	1	Bearing Carrier	
5	D41713700	1	Bearing	
6	D28782256	1	Shaft	
7	D43103400	1	Key	
8	D28780586	1	Fan	
9	D28785662	1	Cover	Up to Serial or Engine Number 59619
	D28488499	1	Cover	From Serial or Engine Number 59620
10	D28782349	1	Bracket	
11	D41713700	1	Bearing	
12	D43102300	1	Key	
13	D28780113	1	Pulley	
14	D28782164	X	Gasket	[A] Length 5 M
15	D28782258	1	Channel	
16	D28185993	1	Bracket	
17	D28782178	X	Seal Section	[A] Length 5 M
18	D45736700	1	Support	
19	D28185994	1	Support	
20	D28186752	1	Shelf	STAGE II
21	D28780786	1	Shroud	
22	D28780779	1	Shroud	
23	D28780783	1	Bracket	
24	D18184285	1	Cover	
25	D45731400	X	Clamp	
26	D28786865	1	Hose	
27	D41939300	1	Belt	

FOOTNOTE [A] CUT TO REQUIRED LENGTH

MF 7272/7274/7278 CERA COMBINE - 1637408
D-AZZJ-001-B

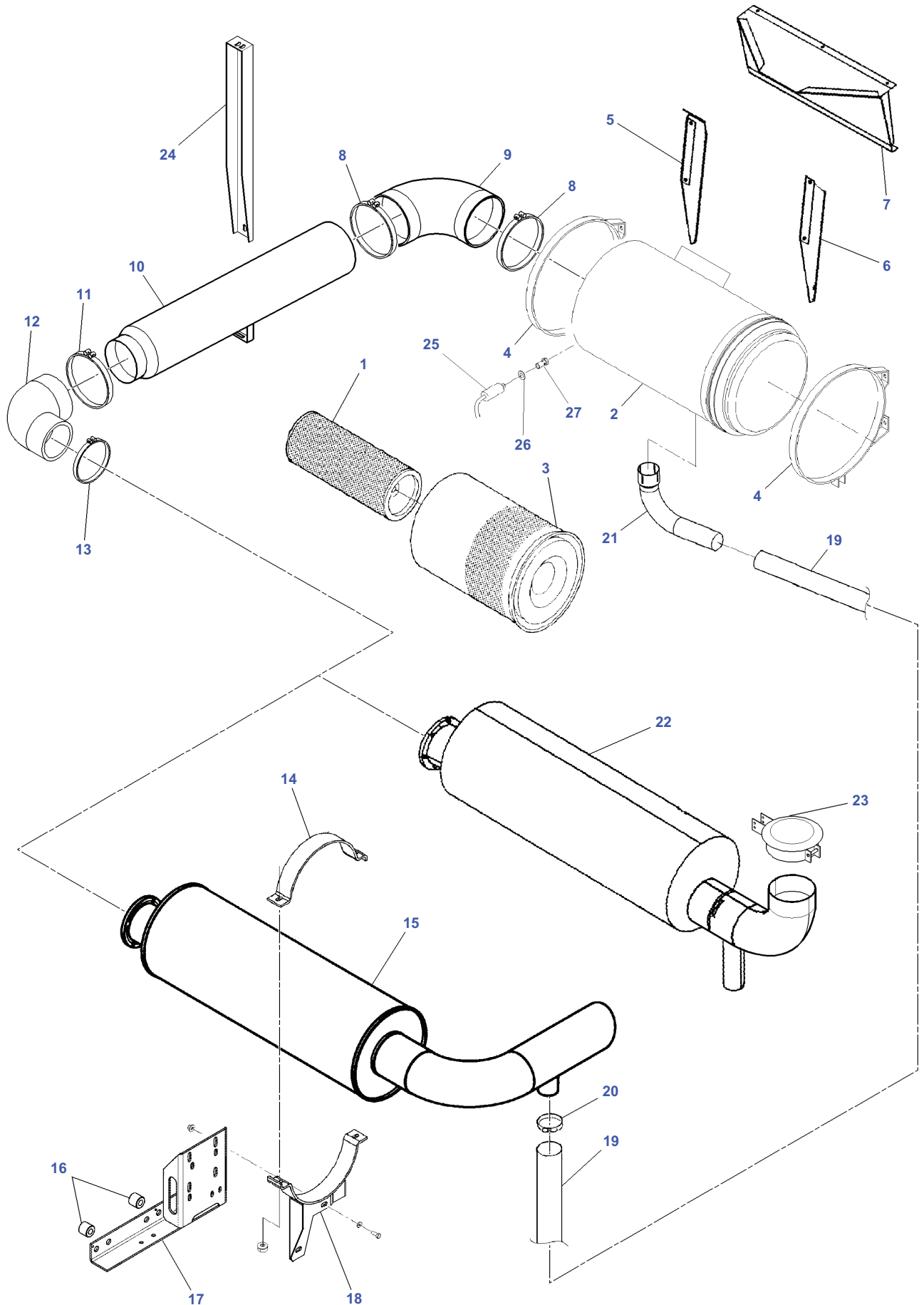


D-AZZJ-001-B

Massey Ferguson**MF 7272/7274/7278 CEREAL COMBINE - 1637408****1637408****Engine Bonnet - From 58549****Page010-0008**

Item	Part Number	Qty	Description
1	D28788311	1	Bonnet.
2	D43386900	1	Handle
3	D44732700	1	Grommet
4	D43419900	1	Lock
5	D28788309	2	Hinge
6	D28788308	2	Hinge
7	D45056700	1	Gas Strut
8	D28788350	1	Bracket
9	D28788350	1	Bracket
10	D28788332	1	Lock

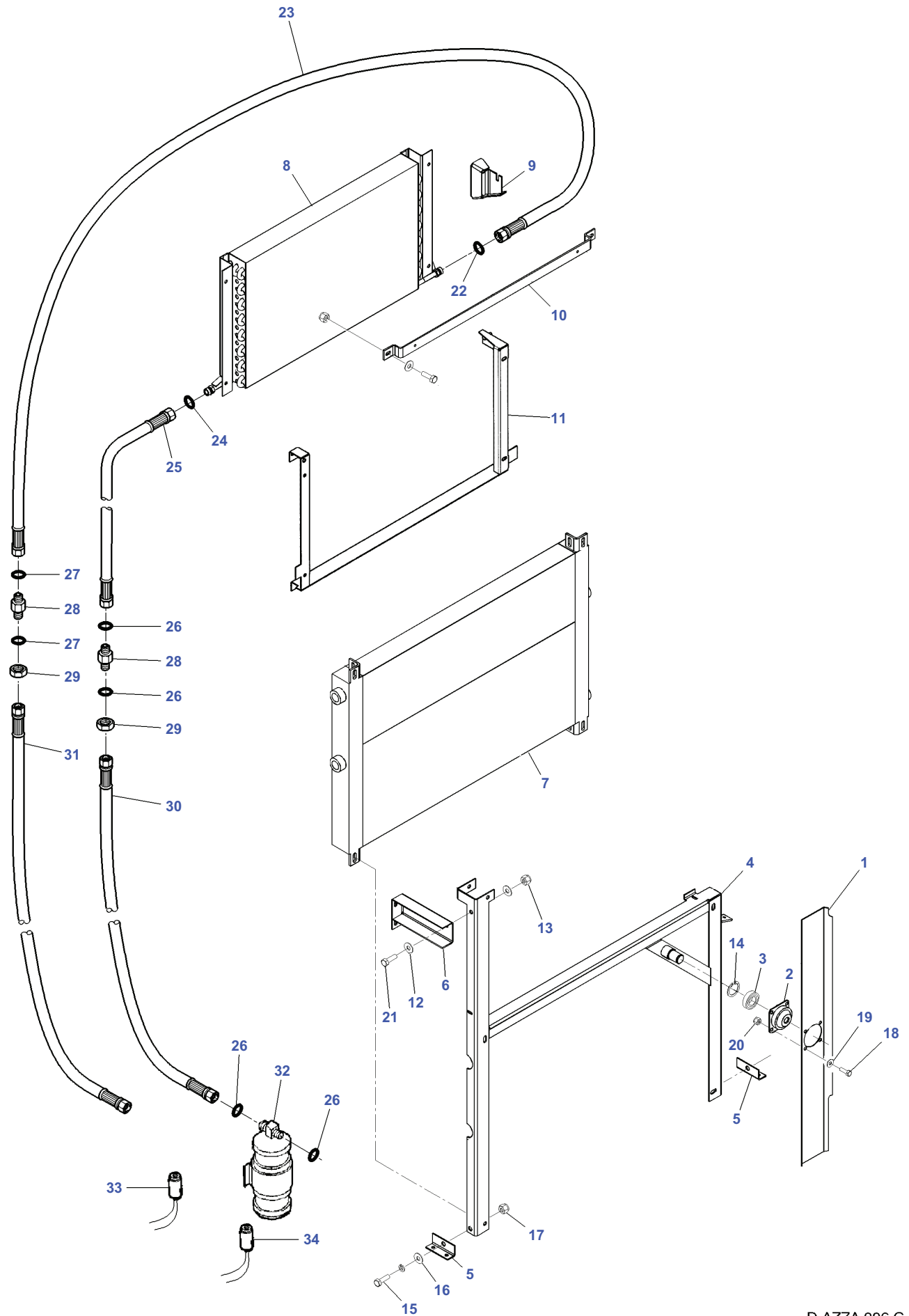
MF 7272/7274/7278 CERA COMBINE - 1637408
D-AZAZ-008-C



D-AZAZ-008-C

Item	Part Number	Qty	Description	Comments
1	D46483900	1	Filter	(2)
2	D46483700	1	Air Filter	CPL.
3	D46483800	1	Filter	(2)
4	D46483600	2	Band	
5	D28186299	1	Bracket	
6	D28186298	1	Bracket	
7	D28186239	1	Support	
8	D45733900	2	Hose Clip	
9	D46486100	1	Elbow	
10	D28786880	1	Pipe	MF 7274/78 ONLY
	D28787406	1	Tube	MF 7272 ONLY
11	D45733700	1	Hose Clip	
12	D46444900	1	Hose	
13	338620X1	1	Clamp	Diameter 80-100
14	D28780147	1	Tensioner	
15	D28786871	1	Silencer	Up to Serial or Engine Number 58738
16	D28786827	2	Pin	
17	D28785178	1	Bracket	
18	D28785270	1	Bracket	
19	D28788534	1	Ejector	Valid from machine/table no,can be used in new as well as in older machines 58912
20	338617X1	X	Hose Clip	Diameter 40-60
21	D28786516	1	Pipe	
22	D28787260	1	Silencer	From Serial or Engine Number 58739
23	D46483200	1	Cap	From Serial or Engine Number 58739
24	D28788456	1	Bracket	
25	D46442400	1	Indicator	
26	D20400417	1	Washer	
27	D45717900	1	Union	

MF 7272/7274/7278 CERA COMBINE - 1637408
D-AZZA-006-C



D-AZZA-006-C

Massey Ferguson**MF 7272/7274/7278 CEREAL COMBINE - 1637408**

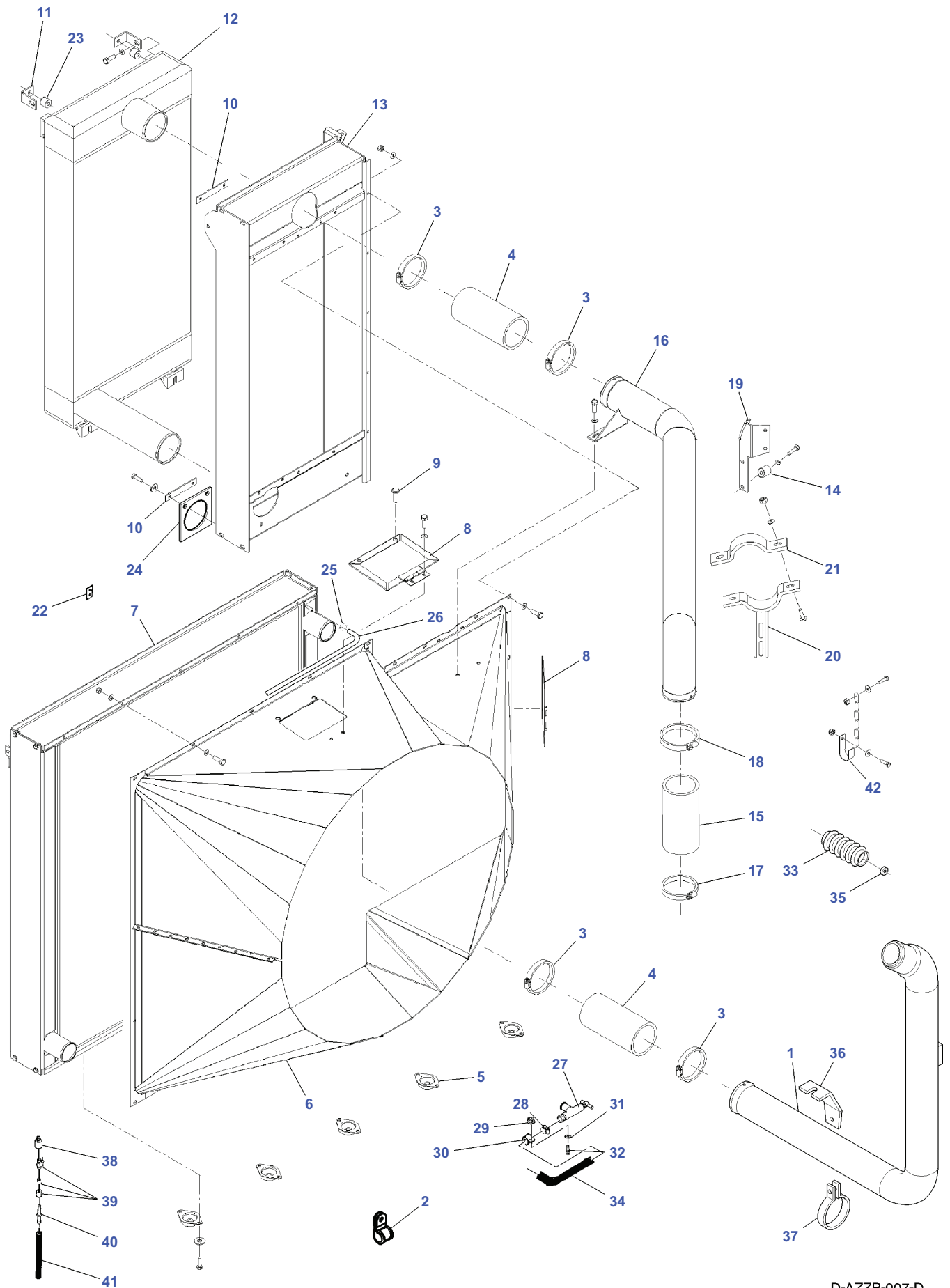
1637408

Hydraulic Cooler - M.F 7278 - Up To 58548

Page010-0010

Item	Part Number	Qty	Description	Comments
1	D28784503	1	Blade	MF 7278
2	D28770432	2	Bearing Carrier	MF 7278
3	339581X1	2	Bear. 6205 2rs	MF 7278
4	D28785281	1	Frame	
5	D28785280	2	Bracket	
6	D28785537	1	Support	
7	D28785651	1	Oil Cooler	
8	D28785273	1	Condenser	
9	D28785538	1	Support	
10	D28785600	1	Hose	
11	D28785539	X	Frame	
12	D20400471	X	Washer	
13	1440329X1	X	Locknut	M10
14	1440476X1	1	Circlip	MF 7278
15	339139X1	X	Hex. Sock. Screw	M12 X 25
16	D20400426	X	Washer	
17	3009695X1	X	Nut	M12
18	339123X1	X	Hex. Sock. Screw	MF 7278 M8 X 20
19	D20400506	X	Washer	MF 7278
20	394367X1	X	Locknut	MF 7278 M8
21	3009492X1	X	Hex. Sock. Screw	M10 X 25
22	D45450100	1	O Ring	
23	D45080059	1	Hose	
24	D45450100	1	O Ring	
25	D45081800	1	Tube	
26	3010471X1	2	O Ring	
27	D45450100	2	O Ring	
28	D28784083	2	Lead	
29	D28784082	2	Nut	
30	D45080066	1	Hose	
31	D45080064	1	Hose	
32	D45070017	1	Filter	
33	D45070023	1	Switch	HIGH PRESSURE
34	D45080063	1	Pressure Switch	LOW PRESSURE

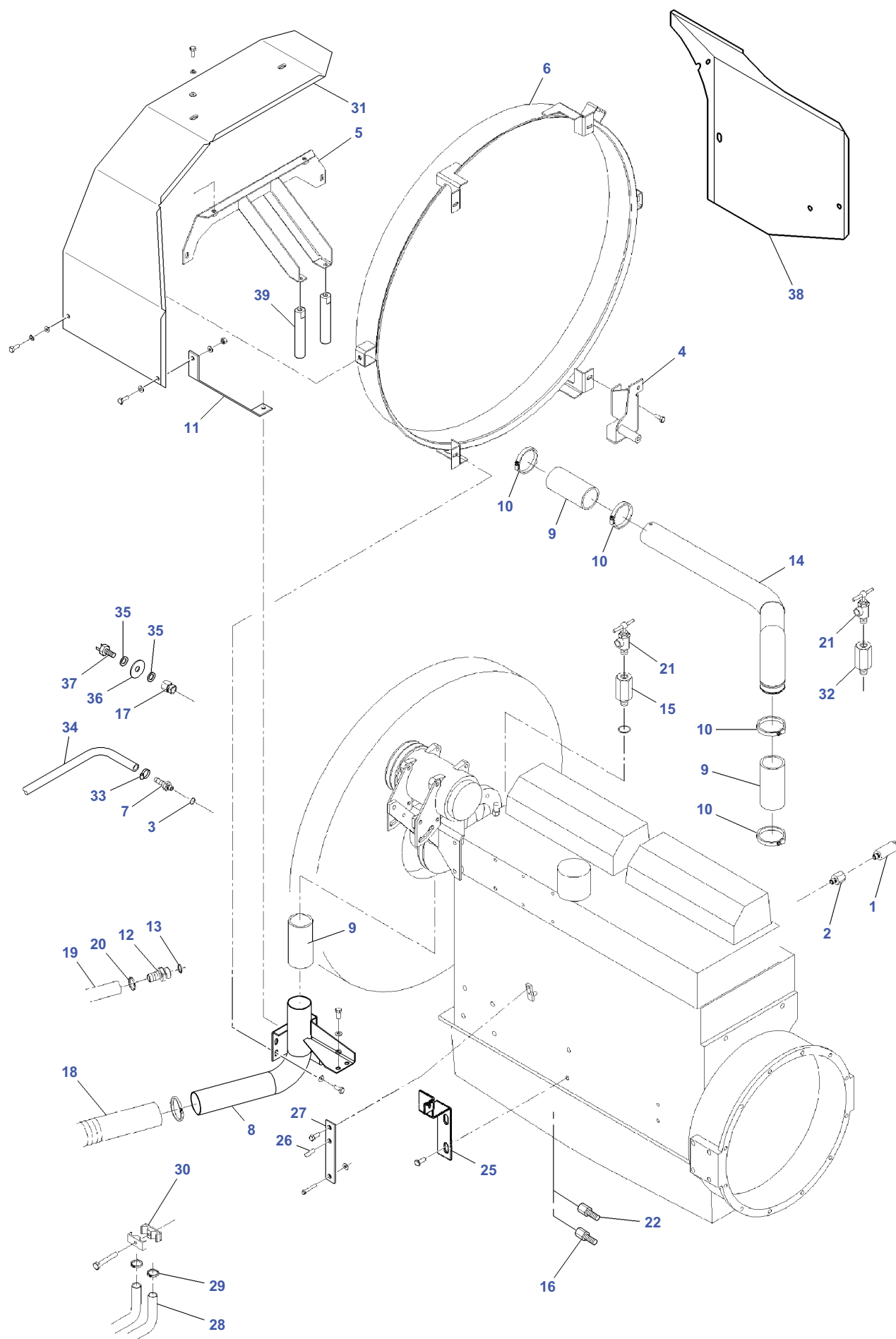
MF 7272/7274/7278 CERA COMBINE - 1637408
D-AZZB-007-C



D-AZZB-007-D

Item	Part Number	Qty	Description	Comments
1	D28785288	1	Tube	Up to Serial or Engine Number 57931
	D28786800	1	Tube	From Serial or Engine Number 57932
2	D45729800	1	Clamp	
3	D45731500	4	Hose Clip	
4	D46484200	2	Sleeve	
5	D46480800	5	Damper	
6	D28785219	1	Ventilator	
7	D28785096	1	Cooler	
8	D28785473	2	Trap	
9	D43427200	4	Pin	
10	D28785057	2	Holder	
11	D28785516	2	Support	
12	D28785652	1	Intercooler	
13	D28785215	1	Bracket	
14	D28785984	2	Bush	
15	D46484300	1	Rubber	
16	D28786798	1	Tube	
17	D45731300	1	Clamp	
18	D45731500	1	Hose Clip	
19	D28785492	1	Bracket	
20	D28785983	1	Tube	
21	D28785982	1	Band	
22	D28730779	1	Locking Plate	
23	D46482000	2	Damper	
24	D28785056	2	Seal	
25	D45729700	1	Clamp	
26	D44717000	X	Fuel Hose	
27	D46422300	1	Cock	
28	D45729700	1	Clamp	
29	1441462X1	X	Locknut	
30	D45730400	1	Clamp	
31	D20400470	X	Washer	
32	D40402400	X	Hex. Sock. Screw	
33	D46437700	1	Rubber	
34	D41717700	X	Hose	
35	D28786572	X	Bush	
36	D28786812	1	Support	
37	D45734600	1	Clamp	
38	D28752513	1	Adaptor	
39	D46401100	1	Plug	
40	D46418200	1	Adaptor	
41	D28780572	1	Hose	
42	D28788720	1	Strap	

MF 7272/7274/7278 CEREА COMBINE - 1637408
D-AZZC-009-A



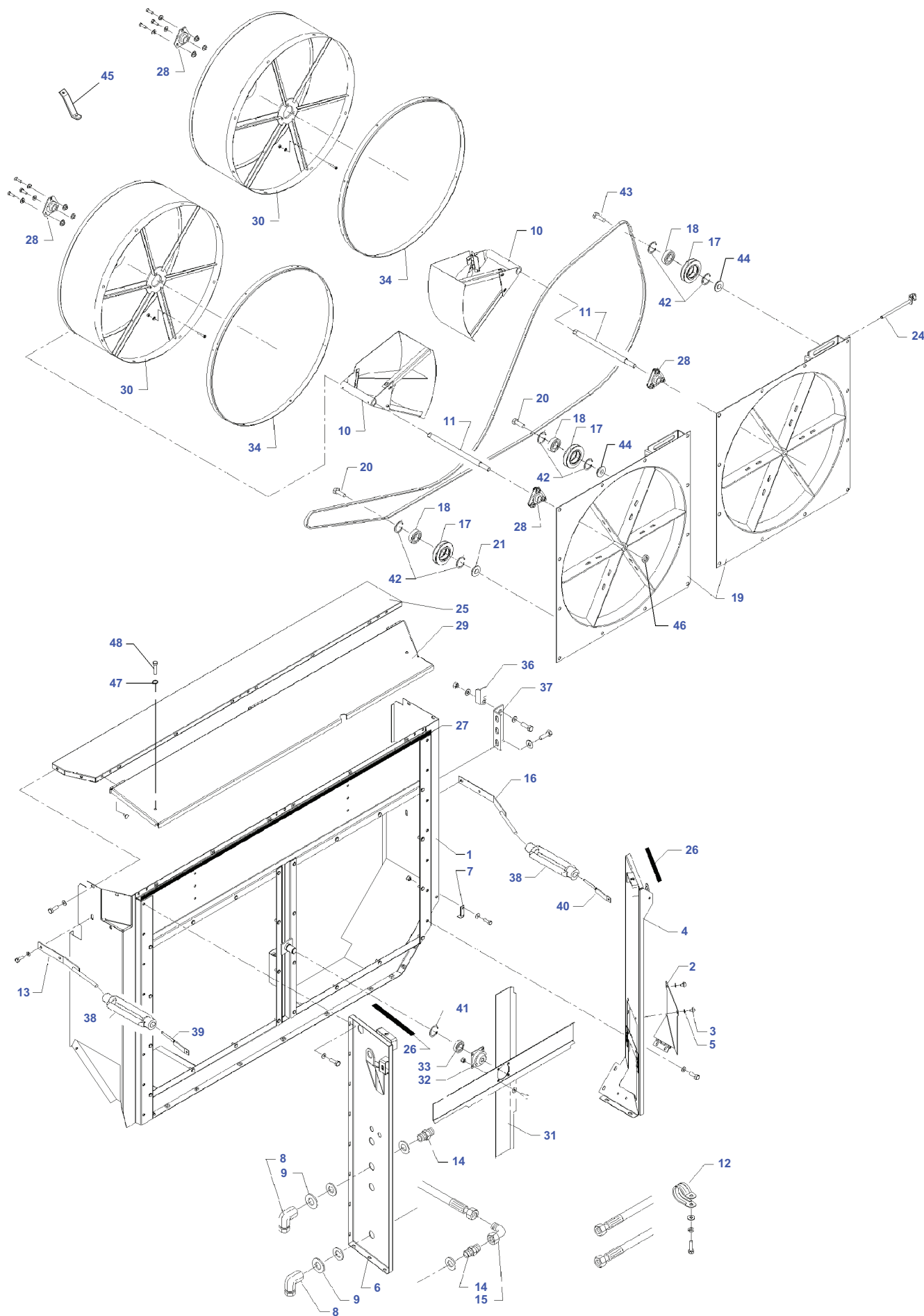
D-AZZC-009-A

Item	Part Number	Qty	Description	Comments
1	D44900586	1	Gauge	
2	D28786520	1	Nipple	
3	D45711200	1	Gasket	Valid from machine/table no,can be used in new as well as in older machines 57033
4	D28785229	1	Support	
5	D28785230	1	Bracket	[A]
6	D28785234	1	Ventilator	
7	D28785115	1	Connector	
8	D28786803	1	Tube	Valid from machine/table no,can be used in new as well as in older machines 57701
9	D28785067	3	Hose	
10	1440860X1	6	Clamp	Diameter 60-80
11	D28785441	1	Brace	
12	D28786806	1	Connector	Valid from machine/table no,can be used in new as well as in older machines 57701
13	D45201900	1	Washer	Valid from machine/table no,can be used in new as well as in older machines 57701
14	D28785979	1	Tube	
15	D28785053	1	Reducer	Valid from machine/table no,can be used in new as well as in older machines 60416
16	D28760746	1	Threaded Part	
17	D28786662	1	Nipple	Valid from machine/table no,can be used in new as well as in older machines 57033
18	D46448700	1	Hose	Length 610 mm
19	D44748200	X	Hose	
20	338615X1	2	Clamp	Valid from machine/table no,can be used in new as well as in older machines 57033 Diameter 25-40
21	D46422300	2	Cock	
22	D28761073	1	Threaded Part	
25	D28786671	1	Clamp	Valid from machine/table no,can be used in new as well as in older machines 56983
26	D28751580	1	Stud	
27	D28786794	2	Lever	Valid from machine/table no,can be used in new as well as in older machines 56983
28	D28784525	X	Hose	[B] Length 5 M
29	3000483X1	2	Hose Clip	Diameter 16-22
30	D45736700	2	Support	
31	D28785512	1	Guard	
32	D28950540	1	Union	
33	3000483X1	1	Hose Clip	Diameter 16-22
34	D28782175	1	Fuel Hose	[B] Length 5 M
35	D45201600	2	Packing	
36	D28780947	1	Washer	
37	D44900617	1	Sensor	
38	D28785975	1	Shield	
39	D28785226	2	Extension	

FOOTNOTE [A] ORDER D28782912 + D28787471

FOOTNOTE [B] CUT TO REQUIRED LENGTH

MF 7272/7274/7278 CEREА COMBINE - 1637408
D-AZZD-008-B

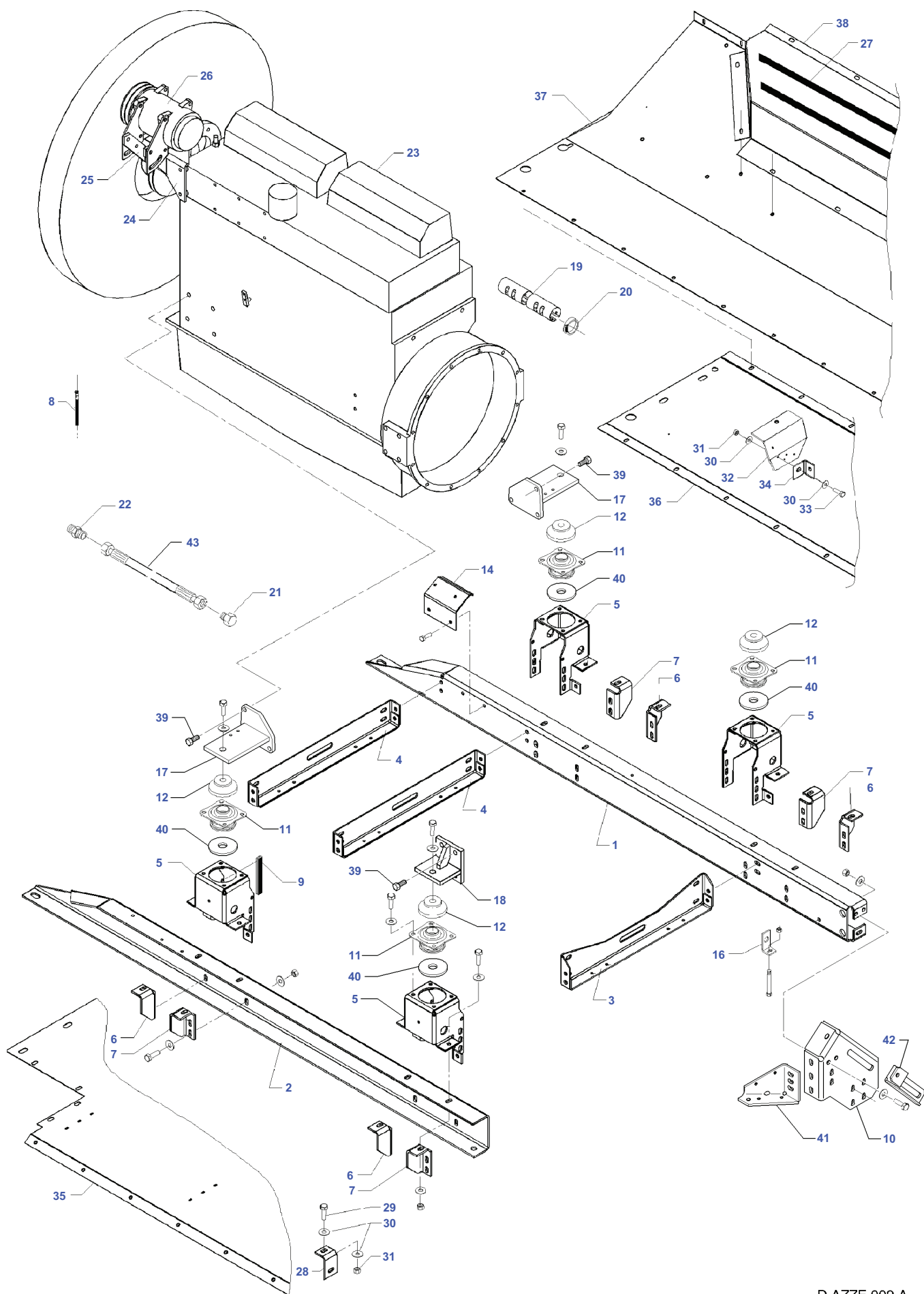


D-AZZD-008-B

Item	Part Number	Qty	Description	Comments
1	D28787209	1	Air Intake	Valid from machine/table no, can be used in new as well as in older machines 58301
2	D28785245	1	Trap	
3	D43427500	2	Pin	
4	D28785247	1	Plate	
5	D42555500	2	Circlip	
6	D28785244	1	Plate	
7	D28785412	1	Holder	
8	D45269900	4	Connector	
9	D28785495	4	Spacer	
10	D28785553	2	Plate	
11	D28785331	2	Journal	
12	D45728300	3	Clip	
13	D28185580	1	Stay	Right Hand
14	D45251500	4	Union	
15	D45264300	2	Connectors	
16	D28185575	1	Stay	Right Hand
17	D28950560	3	Pulley	
18	D41622800	3	Bear. 6205 2rs	
19	D28785203	2	Bearing Plate	
20	D28760328	2	Bolt	
21	D28880354	3	Spacer	
24	D28211025	1	Bolt	
25	D28785323	1	Cover	
26	D44706600	X	Seal Section	
27	D44745200	X	Seal	[A] Length 10M
28	D41713600	4	Bearing	
29	D28785320	1	Cover	
30	D28785250	2	Air Intake	
31	D28785443	1	Rotor	
32	D28770432	2	Bearing Carrier	
33	D41622800	2	Bear. 6205 2rs	
34	D28785259	2	Seal	
36	D28185504	2	Fitting	
37	D28150616	2	Mounting	
38	D41035100	2	Tensioner	
39	D28185579	1	Stay	Right Hand
40	D28185576	1	Stay	Right Hand
41	D42502300	1	Circlip	
42	D42514000	6	Circlip	
43	D28760328	1	Bolt	
44	D28380003	2	Ring	
45	D28786921	1	Reinforcement	From Serial or Engine Number 58010
46	D41012300	1	Nut	
47	1440988X1	2	Circlip	
48	D43427200	2	Pin	

FOOTNOTE [A] CUT TO REQUIRED LENGTH

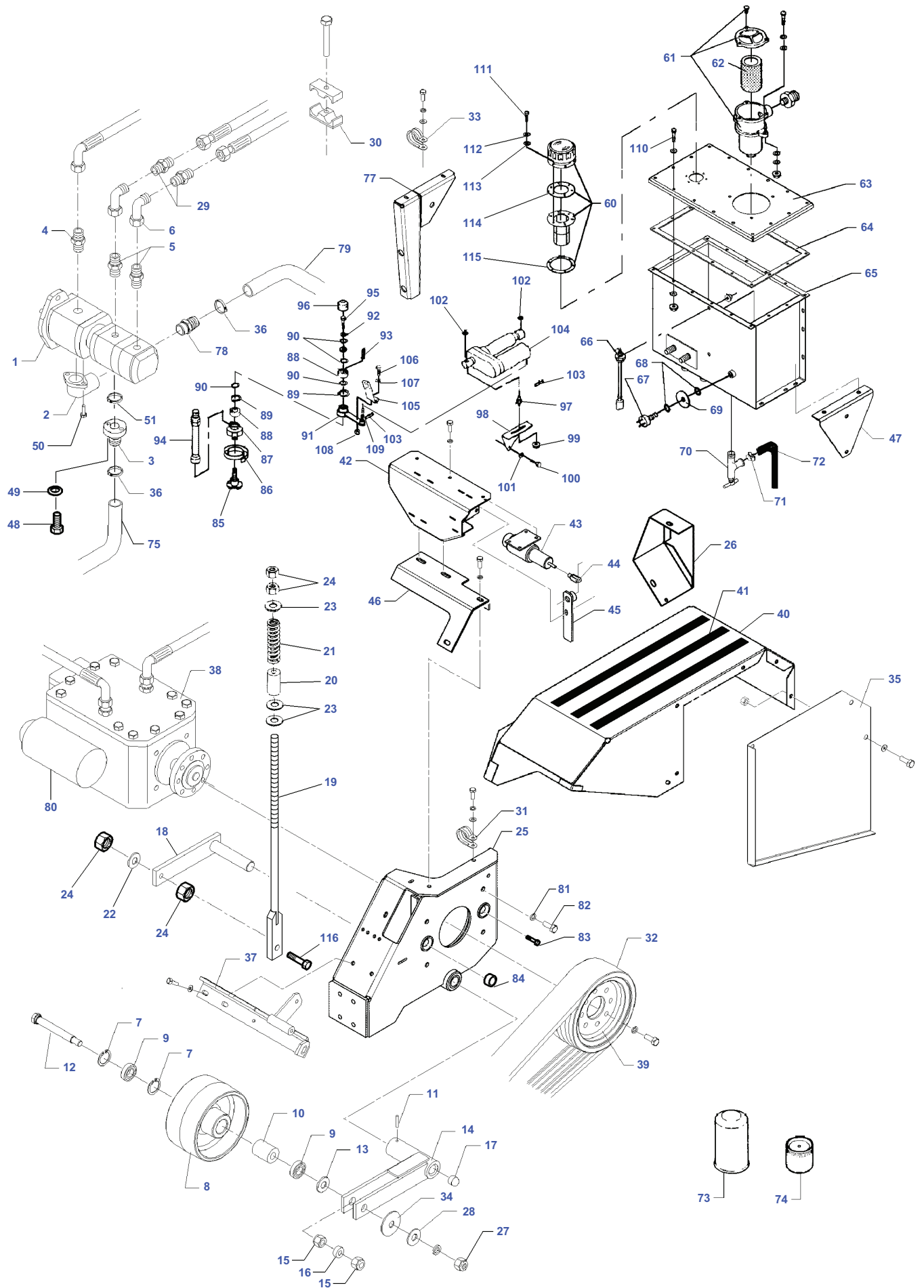
MF 7272/7274/7278 CERA COMBINE - 1637408
D-AZZE-009-A



D-AZZE-009-A

Item	Part Number	Qty	Description	Comments
1	D28785116	1	Member	Right Hand
2	D28785117	1	Member	Left Hand
3	D28785043	1	Stay	
4	D28784172	2	Crossmember	
5	D28784171	4	Support	
6	D28785166	4	Plate	
7	D28785167	4	Plate	
8	D28781928	1	Harness	See Page - Reference Number 016-0007/8
9	D44735900	X	Seal Section	Length 0,1 M
10	D28784169	1	Fitting	
11	D46406600	4	Damper	
12	D28781296	4	Spacer	
14	D28785459	1	Retainer	
16	D28780772	1	Retainer	
17	D28785210	2	Suspension	
18	D28770293	1	Suspension	
19	D28280782	1	Guard	
20	D45728000	1	Hose Clip	
21	D28781170	1	Plug	
22	D45251100	1	Union	
23	V832957782	1	Engine	
24	D28785109	1	Console	
25	D28785046	1	Bracket	
26	D45080062	1	Compressor	
	D45000198	1	Kit, Compressor	
27	D44728600	X	Film	
28	D28780437	1	Retainer	
29	D40407800	X	Hex. Sock. Screw	
30	D20400416	X	Washer	
31	D41087600	X	Locknut	
32	D28780369	1	Retainer	
33	D40407700	X	Hex. Sock. Screw	
34	D28780381	1	Retainer	
35	D28786464	1	Roof	
36	D28185279	1	Roof	
37	D28181777	1	Roof	Up to Serial or Engine Number 57690
	D28181850	1	Roof	From Serial or Engine Number 57691
38	D28185452	1	Step	Up to Serial or Engine Number 57690
	D28181837	1	Step	From Serial or Engine Number 57691
39	D40693800	7	Screw	
40	D28781297	4	Spacer	
41	D28786567	1	Plate	
42	D28786870	1	Actuator	From Serial or Engine Number 57723
43	D45130033	1	Hydr. Hose	

MF 7272/7274/7278 CERA COMBINE - 1637408
D-AZYF-003-D

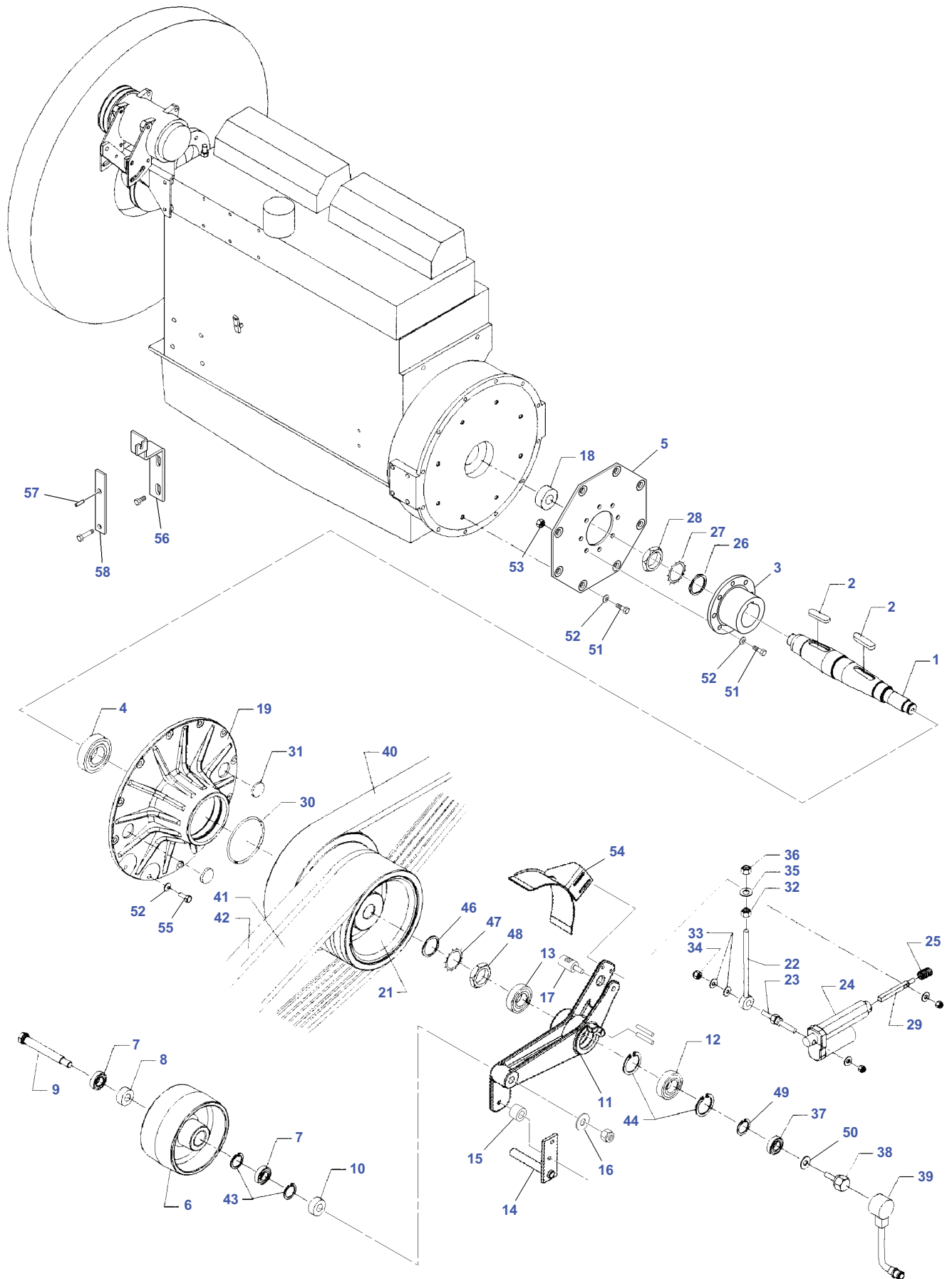


D-AZYF-003-D

Item	Part Number	Qty	Description	Comments
1	D45166900	1	Pump	
2	D45239900	1	Connector	
3	D28786485	2	Connector	
4	D45251500	1	Union	
5	D45250700	2	Union	
6	D45264100	1	Union	
7	339199X1	2	Circlip	
8	D28780900	1	Pulley	
9	D41622700	2	Bear. 6204 2rs	
10	D28780007	1	Ring	
11	D42621900	1	Pin	
12	D28780008	1	Bolt	
13	D28380003	1	Ring	
14	D28781992	1	Support	
15	D28780777	2	Eccentric	
16	D28780776	1	Spacer	
17	D45744200	1	Ferrule	
18	D28780197	1	Arm	Up to Serial or Engine Number 57563
	D28786820	1	Arm	From Serial or Engine Number 57564
19	D28782790	1	Spindle	Valid from machine/table no,can be used in new as well as in older machines 60583
20	D28787998	1	Pipe	Valid from machine/table no,can be used in new as well as in older machines 58163
21	D28210881	1	Comp.Spring	
22	D41100900	1	Spring Washer	
23	D20400423	5	Flat Washers	
24	D41010900	2	Nut	
25	D28785164	1	Bracket	Up to Serial or Engine Number 57563
	D28785782	1	Support	From Serial or Engine Number 57564
26	D28786731	1	Console	
27	D41087900	X	Locknut	
28	D20400459	1	Washer	
29	D45272200	1	Union	
30	D45736700	2	Support	
31	D28250656	2	Arm	
32	D41990045	1	Belt	See Page - Reference Number 010-0016/40 Valid from machine/table no,can be used in new as well as in older machines 60509
33	D45730400	2	Clamp	
34	D20400437	1	Washer	
35	D28785427	1	Cover	Up to Serial or Engine Number 57563
	D28787031	1	Plate	From Serial or Engine Number 57564 Up to Serial or Engine Number 57896
	D28787079	1	Plate	From Serial or Engine Number 57897
36	D45727500	2	Clamp	
37	D28781312	1	Bracket	
38	D45163000	1	Hydraulic Pump	Up to Serial or Engine Number 57563
	D45168800	1	Hydraulic Pump	From Serial or Engine Number 57564
39	D28785023	1	Pulley	Up to Serial or Engine Number 57563
	D28780058	1	Pulley	From Serial or Engine Number 57564
40	D28785426	1	Guard	Up to Serial or Engine Number 57563
	D28787042	1	Cover	From Serial or Engine Number 57564 Up to Serial or Engine Number 57896
	D28787077	1	Cover	From Serial or Engine Number 57897
41	D44738900	X	Strip	
42	D28786721	1	Console	Valid from machine/table no,can be used in new as well as in older machines 57564
43	D46447600	1	Dynamo	
44	D46430200	1	Fork Head	
45	D28786996	1	Arm	Up to Serial or Engine Number 57563
	D28787038	1	Arm	From Serial or Engine Number 57564
46	D28786998	1	Bracket	Up to Serial or Engine Number 57563
	D28787040	1	Bracket	From Serial or Engine Number 57564
47	D28785518	1	Support	Up to Serial or Engine Number 57563
	D28786783	1	Support	From Serial or Engine Number 57564
48	D40690400	2	Screw	
49	D41102100	2	Washer	
50	D45463600	1	O Ring	
51	D40692500	2	Screw	
60	D45103000	1	Filter	
61	D45165800	1	Seal	

Item	Part Number	Qty	Description	Comments
62	D45165900	1	Filter	
63	D28781818	1	Plate	
64	D28781819	1	Kit, Seal	
65	D28781816	1	Tank	
66	D45080021	1	Dipstick	
67	D44900617	1	Sensor	
68	D45201600	2	Packing	
69	D28780947	1	Washer	
70	D46422300	1	Cock	
71	D45729700	1	Clamp	
72	D44741000	X	Hose	Length 40 M
73	D46447400	1	Oil Filter	
74	1896287M91	2	Fuel Element	
75	D28786449	1	Suction Hose	
77	D28785416	1	Cover	Up to Serial or Engine Number 59563
78	D28885052	1	Union	
79	D28782310	1	Hose	Diameter 32 MM
80	D45161300	1	Oil Filter	
81	D20400426	4	Washer	
82	D40693800	4	Screw	
83	D40406200	2	Screw	Up to Serial or Engine Number 57563
83	D40418500	2	Hex. Sock. Screw	From Serial or Engine Number 57564
84	D43367400	1	Bush	
85	D28781292	1	Regulator	
85	D28781295	1	Shaft	
86	D28781077	1	Spring	
87	D28781182	1	Bearing Housing	
88	D41616600	2	Ball Bearing	
89	D42512600	2	Circlip	
90	D42501300	4	Circlip	
91	D28781071	1	Bearing Housing	
92	D28781072	1	Washer	
93	D42601000	1	Pin	
94	D28781064	1	Sensor	
95	D40424700	1	Hex. Sock. Screw	
96	D28781057	1	Cover	
97	D28784285	1	Pin	
98	D28786989	1	Console	
99	394367X1	4	Locknut	
100	D40404900	3	Hex. Sock. Screw	
101	D20400506	3	Washer	
102	D20400404	2	Washer	
103	D41402800	2	Split Pin	
104	D28781027	1	Actuator	
105	D28780834	1	Retainer	
106	D40402400	1	Hex. Sock. Screw	
107	D20400404	1	Washer	
108	1441462X1	1	Locknut	
109	D28786720	1	Extension	
110	D46480900	X	Buffer	
111	D40749100	1	Screw Metric	
112	D45715300	1	Washer	
113	D45715100	1	Washer	
114	D45145800	1	Seal	
115	D45103100	1	Gasket	
116	D40428300	1	Hex. Sock. Screw	

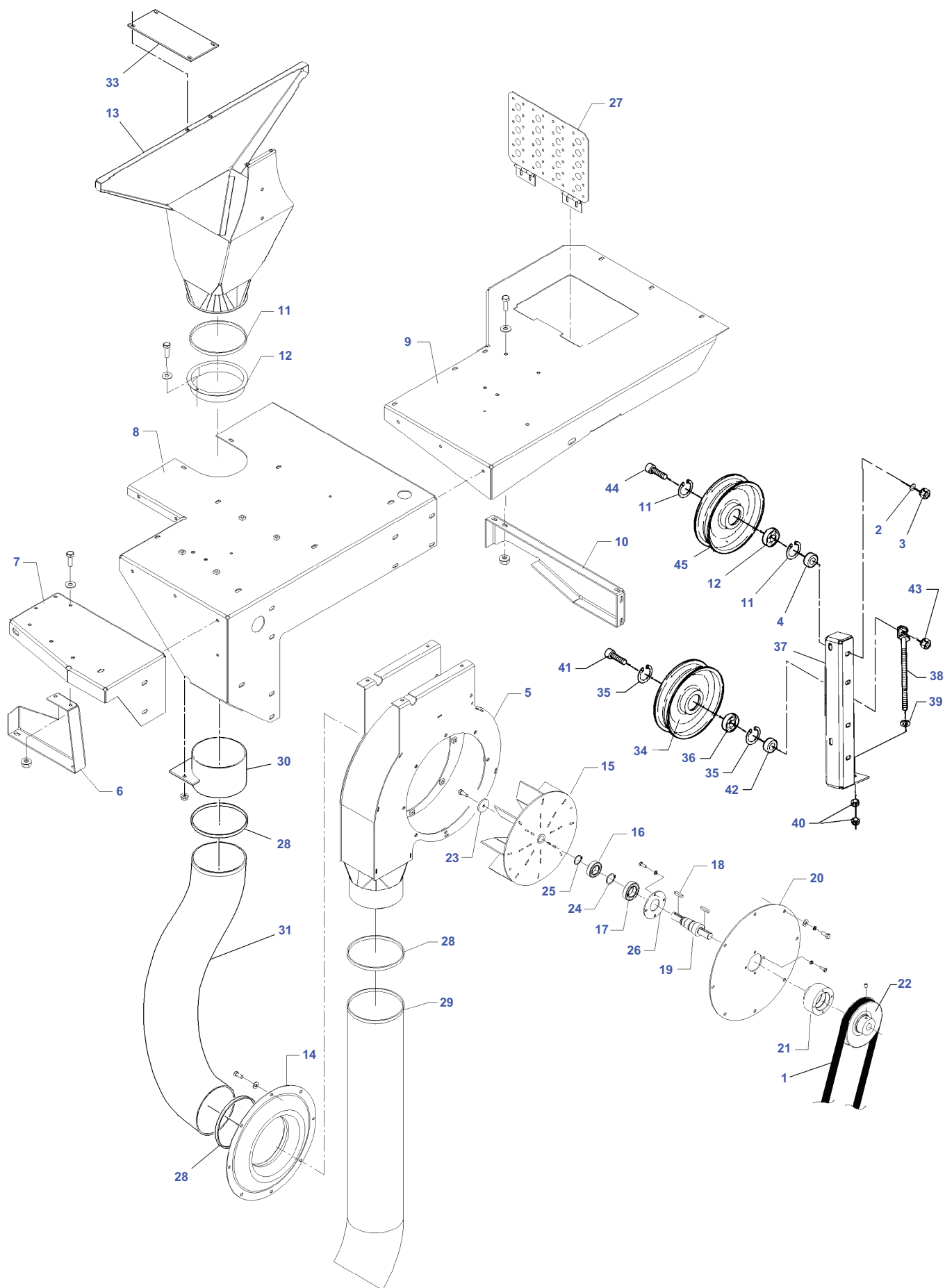
MF 7272/7274/7278 CERA COMBINE - 1637408
D-AZZG-004-B



D-AZZG-004-B

Item	Part Number	Qty	Description	Comments
1	D28780616	1	Shaft	
2	D43110600	1	Key	
3	D28780615	1	Hub	
4	D41629600	1	Ball Bearing	
5	D28788467	1	Plate	
6	D28780486	1	Pulley	
7	D41622700	2	Bear. 6204 2rs	
8	D28780007	1	Ring	
9	D28780008	1	Bolt	
10	D28380003	1	Ring	
11	D28787005	1	Lever	
12	D41622900	1	Bear. 6206 2rs	
13	D41623000	1	Bear. 6207 2rs	
14	D28785519	1	Guard	
15	D28780224	1	Spacer	
16	D20400517	1	Spacer	
17	D28780250	1	Pin	
18	D28780805	1	Bush	
19	D28780061	1	Bearing Carrier	
21	D28785025	1	Pulley	
22	D28780843	1	Bolt	
23	D28786881	1	Pivot	
24	D28786908	1	Actuator	
25	D28786568	1	Spring	
26	D25700260	1	Washer	
27	D28780617	1	Washer	
28	D25700322	1	Nut	
29	D28780247	1	Bolt	
30	D45470800	1	O Ring	
31	D45746700	2	Plug	
32	D41010900	1	Nut	
33	D20400459	2	Washer	
34	D41087900	1	Locknut	
35	D20400423	1	Flat Washers	
36	D41010900	1	Nut	
37	D41622600	1	Bear. 6203 2rs	
38	D28780516	1	Inductive Sensor	
39	D28780514	1	Sensor	
40	D41990045	1	Belt	See Page - Reference Number 010-0015/32 Valid from machine/table no, can be used in new as well as in older machines 60503
41	D41990064	1	Belt	See Page - Reference Number 011-0001/47
42	D41978100	1	V Belt	
43	339199X1	2	Circlip	
44	D42514500	2	Circlip	
46	D28730018	1	Washer	
47	D28710736	1	Lock Washer	
48	D28710073	1	Nut	
49	D42502800	1	Circlip	
50	D20400416	1	Washer	
51	D40407700	8	Hex. Sock. Screw	
52	D41112500	X	Washer	
53	D41010800	8	Nut	
54	D28785370	1	Band	
55	3009493X1	12	Hex. Sock. Screw	
56	D28786671	1	Clamp	
57	D28751580	1	Stud	
58	D28786794	1	Lever	

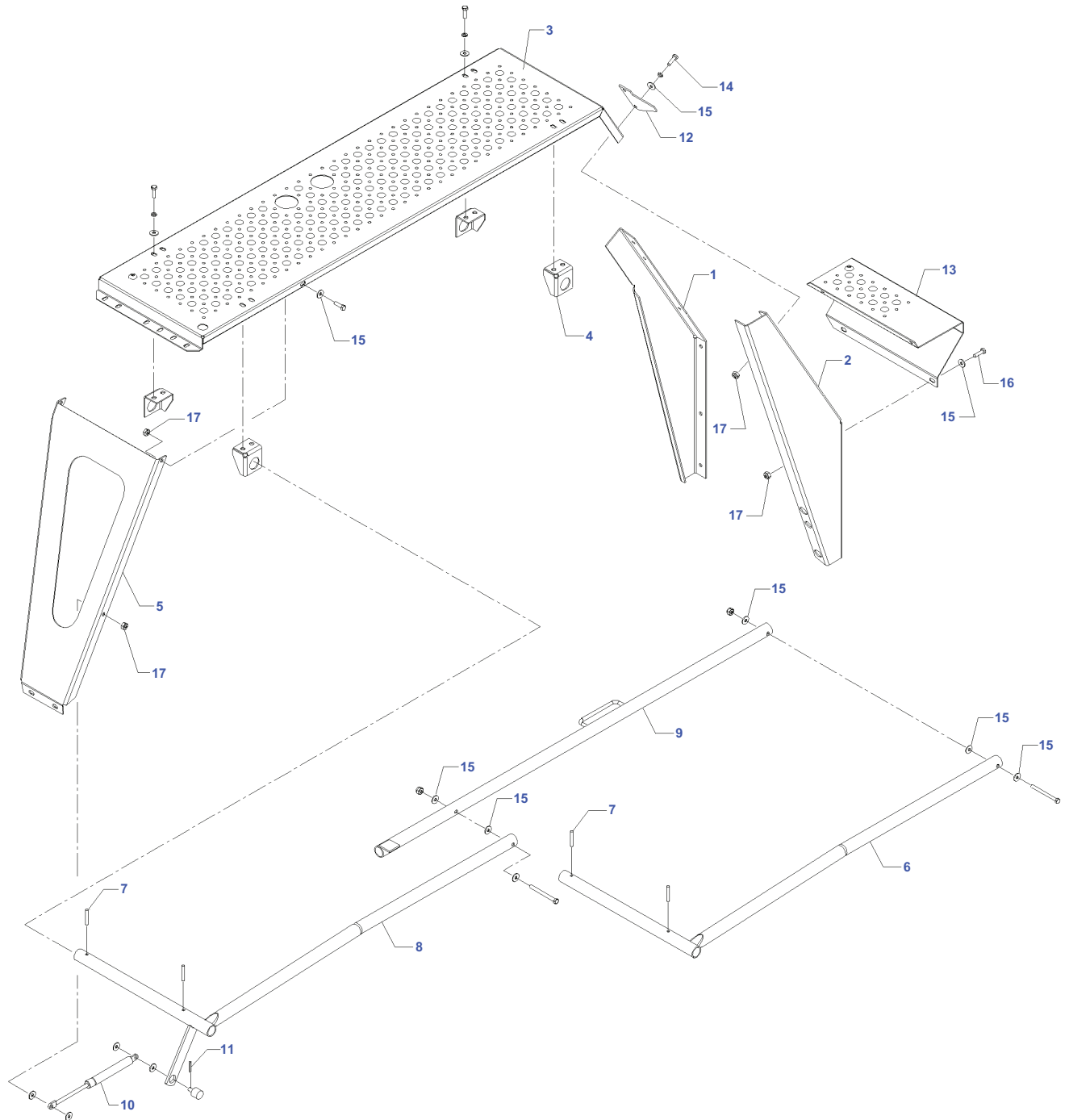
MF 7272/7274/7278 CERA COMBINE - 1637408
D-AZZH-005-C



D-AZZH-005-C

Item	Part Number	Qty	Description	Comments
1	D41941900	1	V Belt	
2	D20400459	1	Washer	
3	D41087800	1	Locknut	
4	D28760155	1	Bush	
5	D28785299	1	Ventilator	
6	D28785353	1	Console	
7	D28785240	1	Shelf	
8	D28785465	1	Shelf	
9	D28785249	1	Shelf	
10	D28185672	1	Bracket	
11	339199X1	2	Circlip	
12	D41622700	1	Bear. 6204 2rs	
13	D28785325	1	Cleaner	Up to Serial or Engine Number 57324
	D28786791	1	Cleaner	From Serial or Engine Number 57325
14	D28786788	1	Inlet	
15	D28785308	1	Wheel	
16	D41616900	1	Ball Bearing	
17	D41617000	1	Ball Bearing	
18	D43102200	2	Key	
19	D28785305	1	Support	
20	D28785304	1	Plate	
21	D28785306	1	Bearing Shell	
22	D28780113	1	Pulley	
23	D28785345	1	Washer	
24	D42502800	1	Circlip	
25	D42502300	1	Circlip	
26	D28785307	1	Cover	
27	D18184285	1	Cover	
28	D45731400	3	Clamp	
29	D28786865	1	Hose	Length 1,61M
30	D28786786	1	Adaptor	
31	D28786864	1	Hose	Length 0,8M
33	D28786895	1	Bracket	From Serial or Engine Number 57867
34	D28752130	1	Pulley	
35	339199X1	2	Circlip	
36	D41622700	1	Bear. 6204 2rs	
37	D28785572	1	Bracket	
38	D28211025	1	Bolt	
39	D20400419	1	Washer	
40	D41020800	2	Nut	
41	D28760156	1	Screw	
42	D28760155	1	Bush	
43	1442739X1	1	Locknut	
44	D28760156	1	Screw	
45	D28760574	1	Pulley	

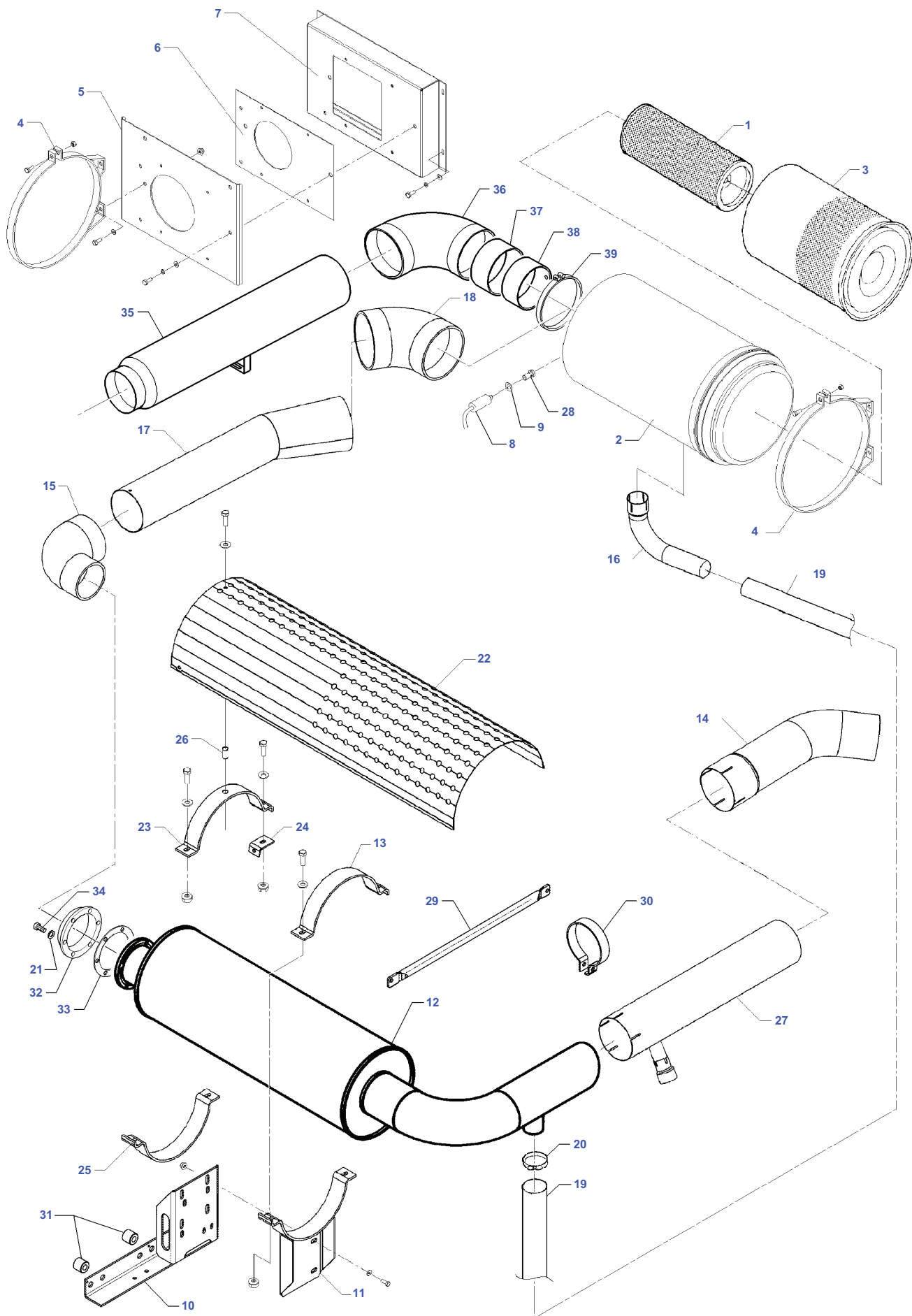
MF 7272/7274/7278 CERA COMBINE - 1637408
D-AZZI-001-A



Massey Ferguson**MF 7272/7274/7278 CEREAL COMBINE - 1637408****1637408****Gangway Over Engine - M.F 7278 - Up To 58548****Page010-0018**

Item	Part Number	Qty	Description	Comments
1	D28786349	1	Support	Right Hand
2	D28785476	1	Support	Left Hand
3	D28785474	1	Step	
4	D28785479	4	Hinge	
5	D28785478	1	Plate	
6	D28785485	1	Support	
7	D42612400	4	Pin	
8	D28785482	1	Support	
9	D28785498	1	Rail	
10	D45050058	1	Cylinder	
11	D41404200	1	Split Pin	
12	D28785499	1	Stop	
13	D28785477	1	Step	
14	D40405000	4	Hex. Sock. Screw	
15	D20400506	X	Washer	
16	D40404900	4	Hex. Sock. Screw	
17	394367X1	X	Locknut	

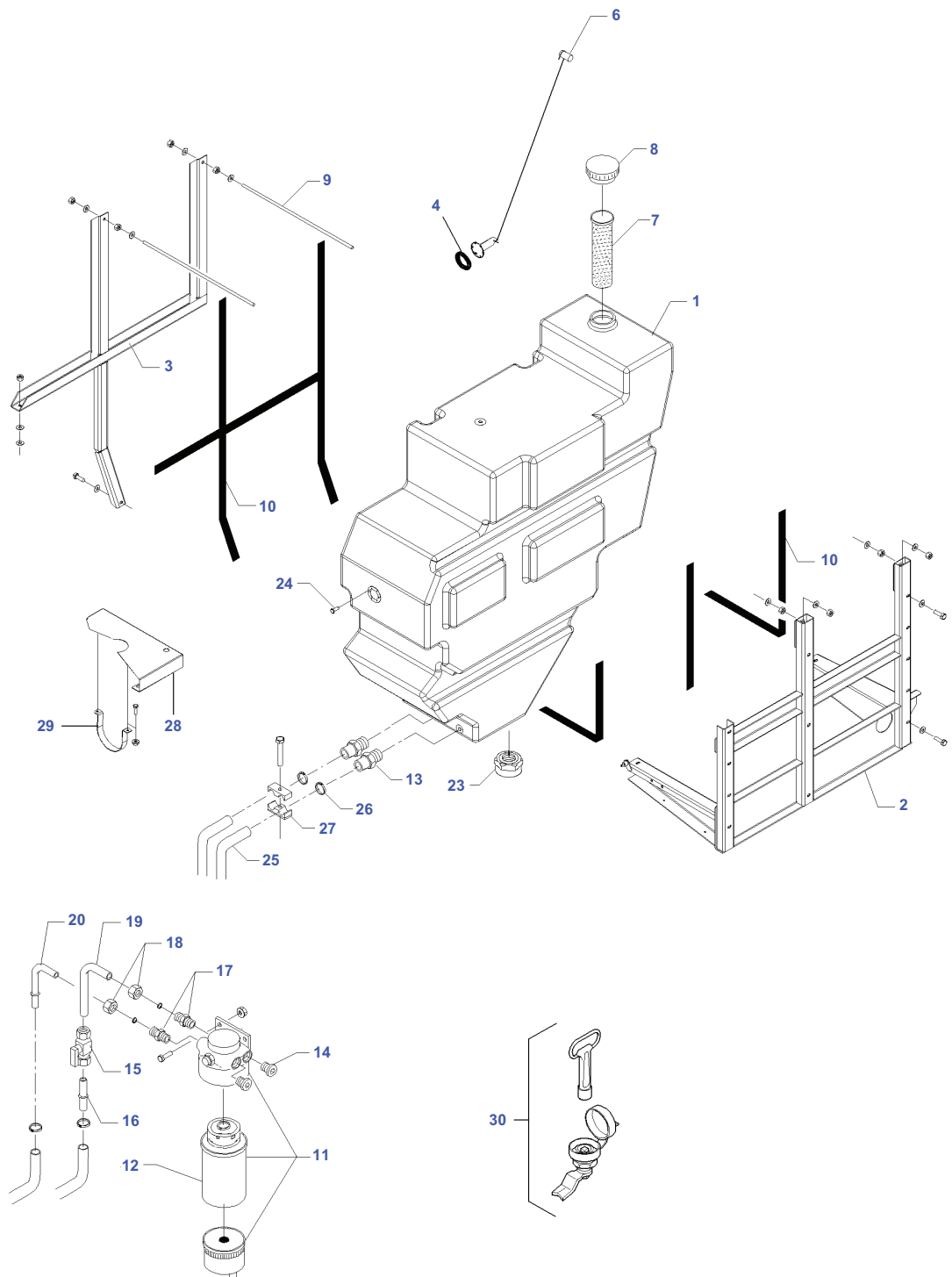
MF 7272/7274/7278 CERA COMBINE - 1637408
D-AZAZ-007-A



D-AZAZ-007-A

Item	Part Number	Qty	Description	Comments
1	D46483900	1	Filter	(2)
2	D46483700	1	Air Filter	CPL.
3	D46483800	1	Filter	(2)
4	D46483600	2	Band	
5	D28786541	1	Bracket	
6	D28786542	1	Plate	
7	D28786525	1	Bracket	
8	D46442400	1	Indicator	
9	D20400417	1	Washer	
10	D28785178	1	Bracket	Up to Serial or Engine Number 57563
	D28786828	1	Bracket	From Serial or Engine Number 57564
11	D28785270	1	Bracket	
12	D28785027	1	Silencer	Up to Serial or Engine Number 57465
	D28786871	1	Silencer	From Serial or Engine Number 57466
13	D28780147	1	Tensioner	
14	D46485200	1	Elbow	Up to Serial or Engine Number 57465
15	D46444900	1	Hose	
16	D28786516	1	Pipe	
17	D28785112	1	Inlet	Up to Serial or Engine Number 57961
18	D28785268	1	Rubber	Up to Serial or Engine Number 57961
19	D28786863	1	Silencer	Valid from machine/table no,can be used in new as well as in older machines 57585
20	D45728000	X	Hose Clip	
21	D41102100	6	Washer	
22	D28781434	1	Guard	Up to Serial or Engine Number 57635
	D28786866	1	Guard	From Serial or Engine Number 57636
23	D28784409	2	Stirrup	
24	D28781437	2	Angle.	Up to Serial or Engine Number 57635
25	D28781445	1	Stirrup	Up to Serial or Engine Number 57635
26	D28781438	1	Spacer	Up to Serial or Engine Number 57635
27	D28786604	1	Ejector	Up to Serial or Engine Number 57465
28	D45735400	1	Union	Up to Serial or Engine Number 57680
	D45717900	1	Union	From Serial or Engine Number 57681
29	D28785826	1	Rod	Valid from machine/table no,can be used in new as well as in older machines 57380
30	D28785827	1	Clamp	Valid from machine/table no,can be used in new as well as in older machines 57380
31	D28786827	2	Pin	
32	D28785698	1	Counterplate	
33	D46445600	1	Gasket	
34	D40690400	6	Screw	
35	D28786925	1	Pipe	From Serial or Engine Number 57962
36	D46486100	1	Elbow	From Serial or Engine Number 57962
37	D28786846	1	Hose	From Serial or Engine Number 57962
38	D28786845	1	Pipe	From Serial or Engine Number 57962
39	D45734500	1	Circlip	From Serial or Engine Number 57962

MF 7272/7274/7278 CERA COMBINE - 1637408
D-AZAA-008-C

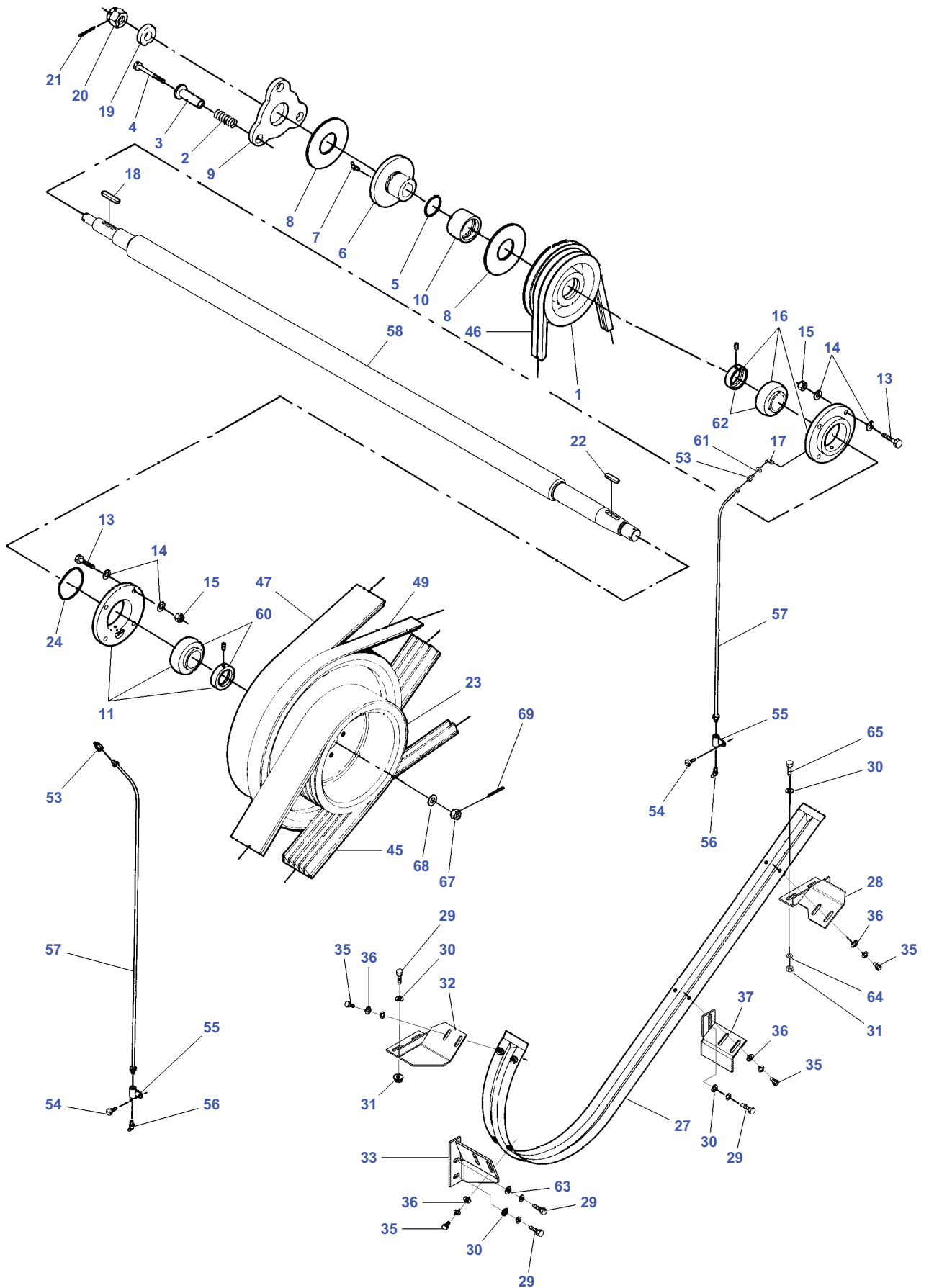


Fuel Tank - 750 L

Item	Part Number	Qty	Description	Comments
1	D28785535	1	Tank	
2	D28785520	1	Console	
3	D28785530	1	Support	
4	D45080036	1	Gasket	
6	D28785601	1	Fuel Gauge	
7	D46403500	1	Fuel Filter	
8	D45080038	1	Tank Cap	
9	D28781582	2	Threaded Part	
10	D44745300	X	Rubber	[A] Length 5 M
11	D46446500	1	Sediment Bowl	CPL
12	D46443000	1	Element	(11)
13	D28785576	2	Connector	
14	D45236700	2	Screw	
15	D45713000	1	Ball	
16	D45716800	1	Union	
17	D45761000	2	Nipple	
18	D46446000	2	Union	
19	D28785732	1	Band	
20	D45735300	1	Connector	
23	D45080039	1	Plug	
24	D40741100	6	Screw	
25	D28784525	X	Hose	[A] Length 5 M Diameter 16-22
26	3000483X1	2	Hose Clip	
27	D45739200	2	Support	
28	D28785533	1	Bracket	
29	D28185671	1	Holder	
30	D43425200	1	Key	
	D43425300	1	Nut	
	D43425400	1	Packing	
	D43425500	1	O Ring	
	D43425600	1	Cap	
	D43425700	1	Rod	
	D43425800	1	Screw	
	D43425900	1	Lock	

FOOTNOTE [A] CUT TO REQUIRED LENGTH

MF 7272/7274/7278 CERA COMBINE - 1637408
D-AAZA-006-A



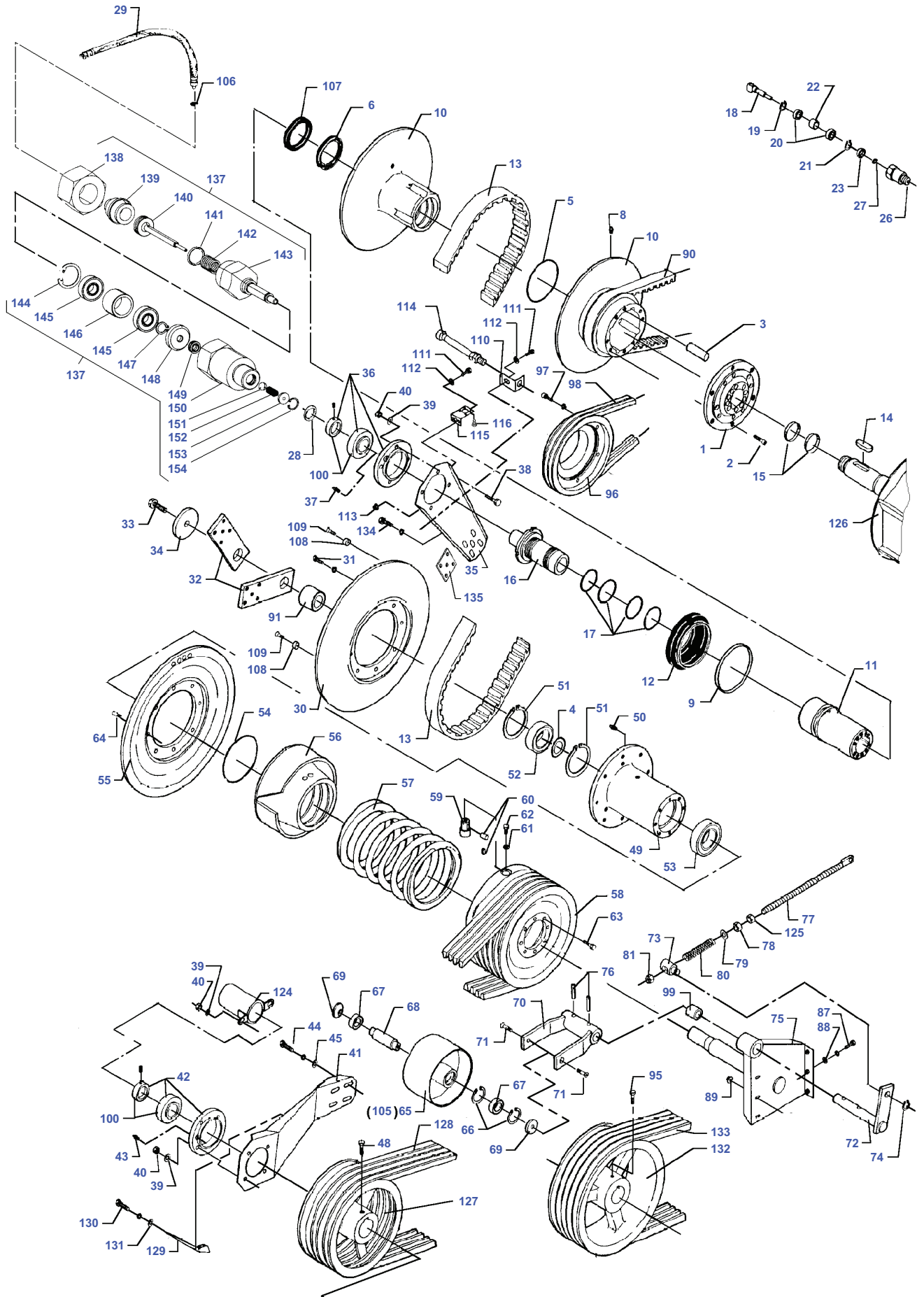
D-AAZA-006-A

Countershaft

Item	Part Number	Qty	Description	Comments
1	D28780480	1	Clutch	
	D28780813	1	Pulley	(1)
2	D28260098	3	Comp.Spring	(1)
3	D28780809	1	Bush	(1)
4	D40466800	3	Screw	(1)
5	D45465600	1	O Ring	(1)
6	D28780482	1	Hub	(1)
7	3008923X1	1	Nipple	(1)
8	D45903800	2	Friction Disc	(1)
9	D28780478	1	Plate	(1)
10	D28780810	1	Lining	(1)
11	D41717800	1	Bearing Flange	
13	339881X1	8	Hex. Sock. Screw	M16 X 60
14	D20400459	16	Washer	
15	1442739X1	8	Locknut	M16
16	D41711000	1	Flange	
17	D43001700	1	Greaser	
18	D43104900	1	Key	
19	D28780475	1	Washer	
20	339046X1	1	Castle Nut	M24
21	354078X1	1	Split Pin	3/16" X 1-1/4
22	D43106400	1	Key	
23	D28785635	1	Pulley	
24	D28785854	1	Spacer	
27	D28787996	1	Protector	Valid from machine/table no,can be used in new as well as in older machines 58301
28	D28785348	1	Support	
29	3009493X1	X	Hex. Sock. Screw	M10 X 30
30	D20400416	X	Washer	
31	1440329X1	2	Locknut	M10
32	D28785342	1	Support	
33	D28785344	1	Support	
35	339124X1	8	Hex. Sock. Screw	M8 X 16
36	D20400506	8	Washer	
37	D28785346	1	Bracket	
45	D41990059	1	Belt	See Page - Reference Number 004-0005/57
46	D41929000	2	V Belt	See Page - Reference Number 007-0002/26
47	D41990064	1	Belt	See Page - Reference Number 010-0006/41
49	D41979600	1	Belt	
	D41990049	1	Belt	[B]
53	D43009500	1	Connector	
54	D40743100	2	Screw	
55	D43009200	2	Bracket	
56	D43002600	2	Greaser	
57	D28780803	2	Tube	
58	D28785855	1	Countershaft	
60	D41717600	1	Bearing	(11)
61	D20400453	1	Washer	
62	D41705700	1	Ball Bearing	
63	D20400471	1	Washer	
64	D20400473	2	Washer	
65	339814X1	2	Hex. Sock. Screw	M10 X 35
67	D41054900	1	Castle Nut	
68	D41652800	1	Bush	
69	354416X1	1	Pin	3/16" X 2-1/2

FOOTNOTE [B] REDUCED CHOP SPEED

MF 7272/7274/7278 CERA COMBINE - 1637408
D-AAZB-001-A



D-AAZB-001-A

Cylinder Transmission

Item	Part Number	Qty	Description	Comments
1	D28080609	1	Epicyclic	(1)
	D28382095	1	Variator	
	D28380221	1	Cover	(1)
2	D40607100	18	Screw	(1)
3	D28380024	4	Pin	(1)
4	D41654800		Washer	Thickness 1 MM
	D41654900		Shim	Thickness 2 MM
5	D45471500	1	O Ring	(1)
6	D45403600	1	Gasket	(1)
8	1441858X1	1	Grease Nipple	(1)
9	D45039100	3	Cable Tie	(1)
10	D28380301	1	Variator	(1)
11	D28380298	1	Bush	(1)
12	D28380031	1	Bellows	(1)
13	D41980500		Belt	
14	D43110600	1	Key	
15	D42596800	1	Tightener	
16	D28380184	1	Bush	
17	D45467100	4	O Ring	
18	D28380017	1	Clutch	Up to Serial or Engine Number 58300
	D28710334	1	Shaft	(18)
				Up to Serial or Engine Number 58300
19	1440968X1	1	Ring	(18)
				Up to Serial or Engine Number 58300
20	D41616400	2	Ball Bearing	(18)
				Up to Serial or Engine Number 58300
21	D42500700	1	Circlip	(18)
				Up to Serial or Engine Number 58300
22	D28710333	1	Bush	(18)
				Up to Serial or Engine Number 58300
23	D28380297	1	Spacer	(18)
				Up to Serial or Engine Number 58300
26	D28380016	1	Bolt	(18)
				Up to Serial or Engine Number 58300
27	D45404200	1	Gasket	(18)
				Up to Serial or Engine Number 58300
28	D45420100	1	Seal	
29	D45130034	1	Hydraulic Hose	
	D45136900	1	Hydr. Hose	
30	D28380063	1	Washer	
31	3009493X1	8	Hex. Sock.	M10 X 30
			Screw	
32	D28380018	2	Bracket	
33	390419X1	1	Hex. Sock.	M16 X 40
			Screw	
34	D28750882	1	Washer	
35	D28380020	1	Yoke	
36	D41711000	1	Flange	
37	1441858X1	1	Grease Nipple	
38	3009507X1	8	Hex. Sock.	M12 X 35
			Screw	
39	D20400424	8	Washer	
40	3009695X1	8	Nut	M12
41	D28380168	1	Support	
42	D41711000	1	Flange	
43	1441858X1	1	Grease Nipple	
44	339139X1	8	Hex. Sock.	M12 X 25
			Screw	
45	D20400424	8	Washer	
48	3009493X1	2	Hex. Sock.	M10 X 30
			Screw	
49	D28380040	1	Variator	(49)
	D28385025	1	Variator	
50	1441858X1	1	Grease Nipple	(49)
51	D42516400	2	Circlip	(49)
52	391069X1	1	Bear. 6309 2rs	(49)
53	3009404X1	1	Bear. 6310 2rs	(49)
54	D45472100	1	O Ring	(49)
55	D28380041	1	Spacer	(49)
56	D28380046	1	Variator	(49)
57	D28385024	1	Spring	(49)

Cylinder Transmission

Item	Part Number	Qty	Description	Comments
58	D28380039	1	Pulley	(49)
59	D28380303	2	Retainer	(49)
60	D28380304	2	Wearplate	(49)
61	D20400415	2	Washer	(49)
62	3009491X1	2	Hex. Sock. Screw	(49) M10 X 20
63	390799X1	8	Hex. Sock. Screw	(49) M10 X 40
64	1441584X1	8	Screw Metric	(49)
65	D28380189	1	Pulley	
66	339199X1	2	Circlip	
67	SKF62042RS	2	Bear. 6204 2rs	
68	D28380001	1	Bolt	
69	D28380003	2	Ring	
70	D28380009	1	Rockerarm	
71	1441584X1	2	Screw Metric	
72	D28380005	1	Arm	
73	D28760334	1	Bracket	
74	1440475X1	1	Circlip	
75	D28385555	1	Bracket	Valid from machine/table no,can be used in new as well as in older machines 58256
76	D42621900	2	Pin	
77	D28380011	1	Tie Rod	
78	339034X1	1	Nut	M16
79	D28181284	1	Washer	
80	D28210881	1	Comp.Spring	
81	1442739X1	1	Locknut	M16
87	390799X1	6	Hex. Sock. Screw	M10 X 40
88	D20400415	3	Washer	
89	1440329X1	3	Locknut	M10
90	D41981200	1	Belt	
91	D28385557	1	Bush	Valid from machine/table no,can be used in new as well as in older machines 58256
95	390799X1	1	Hex. Sock. Screw	[A] M10 X 40
96	D28380231	1	Washer	[C]
97	D40692300	6	Screw	[C]
98	D41990007	2	Belt	[C]
99	D43367400	1	Bush	
100	D41705700	2	Ball Bearing	
105	D28380313	1	Pulley	[A]
106	D45232400	1	Washer	
107	D45403700	1	Gasket	
108	D45010092	2	Magnet	[D]
109	D40316400	2	Screw Metric	[D]
110	D28780967	1	Sensor	[D]
111	339560X1	2	Hex. Sock. Screw	[D] M6 X 16
112	D20400404	2	Washer	[D]
113	1441462X1	2	Locknut	[D] M6
114	D28780971	1	Sensor	[D]
115	D28780772	1	Retainer	[D]
116	D40740400	4	Screw	[D]
124	D28380229	1	Tube	
125	3764827M1	1	Nut	M16
126	D28385022	1	Beater	
127	D28380002	1	Pulley	
128	D41982300	1	Kit, Belt	
129	D28180928	1	Bracket	
130	339123X1	2	Hex. Sock. Screw	M8 X 20
131	D20400506	2	Washer	
132	D28380170	1	Pulley	[A]
133	D41982000	1	Kit, Belt	[A]
134	3009507X1	5	Hex. Sock. Screw	M12 X 35
135	D28380178	1	Dog	
136	D28081039	1	Kit, Service	[E,B]
137	D28382051	1	Coupling	(136)

Cylinder Transmission

Item	Part Number	Qty	Description	Comments
138	D45211300	1	Union	(137) From Serial or Engine Number 58301
139	D45272000	1	Connector	(137) From Serial or Engine Number 58301
140	D28382050	1	Piston	(137) From Serial or Engine Number 58301
141	D45482900	1	O Ring	(137) From Serial or Engine Number 58301
142	D44351400	1	Spring	(137) From Serial or Engine Number 58301
143	D28382048	1	Shaft	(137) From Serial or Engine Number 58301
144	1440968X1	1	Ring	(137) From Serial or Engine Number 58301
145	D41616400	2	Ball Bearing	(137) From Serial or Engine Number 58301
146	D28710333	1	Bush	(137) From Serial or Engine Number 58301
147	D42500700	1	Circlip	(137) From Serial or Engine Number 58301
148	D28382052	1	Spacer	(137) From Serial or Engine Number 58301
149	D45404300	1	Seal	(137) From Serial or Engine Number 58301
150	D28382049	1	Housing	(137) From Serial or Engine Number 58301
151	D41648000	1	Ball	(137) From Serial or Engine Number 58301
152	D44351500	1	Spring	(137) From Serial or Engine Number 58301
153	D28382091	1	Guide	(137) From Serial or Engine Number 58301
154	D42510600	1	Circlip	(137) From Serial or Engine Number 58301
155	D28781308	1	Washer	[E] (136)
156	D28782528	1	Wiring Harness	[E] (136)
157	D28782553	1	Tube	[E] (136)
158	D45110095	1	Pressure Valve	[E] (136)
159	D45130046	1	Hose	[E] (136)
160	D45130078	2	Hydraulic Hose	[E] (136)
161	D45252600	4	Union	[E] (136)
162	D45258000	1	Union	[E] (136)
163	D45263900	1	Union	[E] (136)
164	D45266900	1	Connector	[E] (136)
165	D45730600	1	Divider	[E] (136)
166	D28081021	1	Instructions	[E] (136)

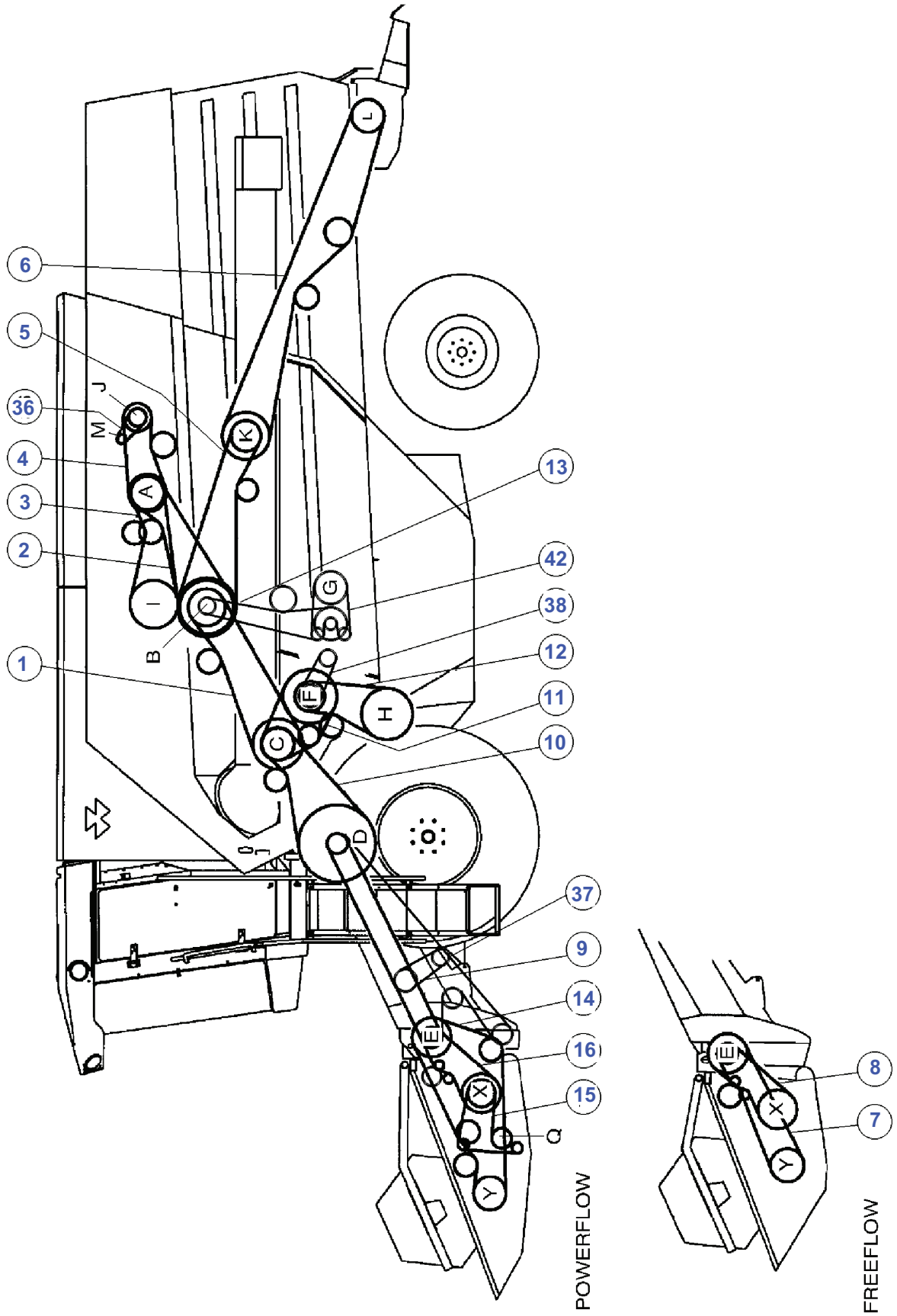
FOOTNOTE [A] OPTIONAL EQUIPMENT

FOOTNOTE [B] SERVICE KIT IS AVAILABLE FOR COMBINES MANUFACTURED BEFORE COMBINE NO . 58301

FOOTNOTE [C] FOR MACHINES WITH GRAIN SEPARATOR

FOOTNOTE [D] OPTIONAL EQUIPMENT STANDARD COMBINE, STANDARD EQUIPMENT AUTO LEVEL
COMBINE,SLOPES

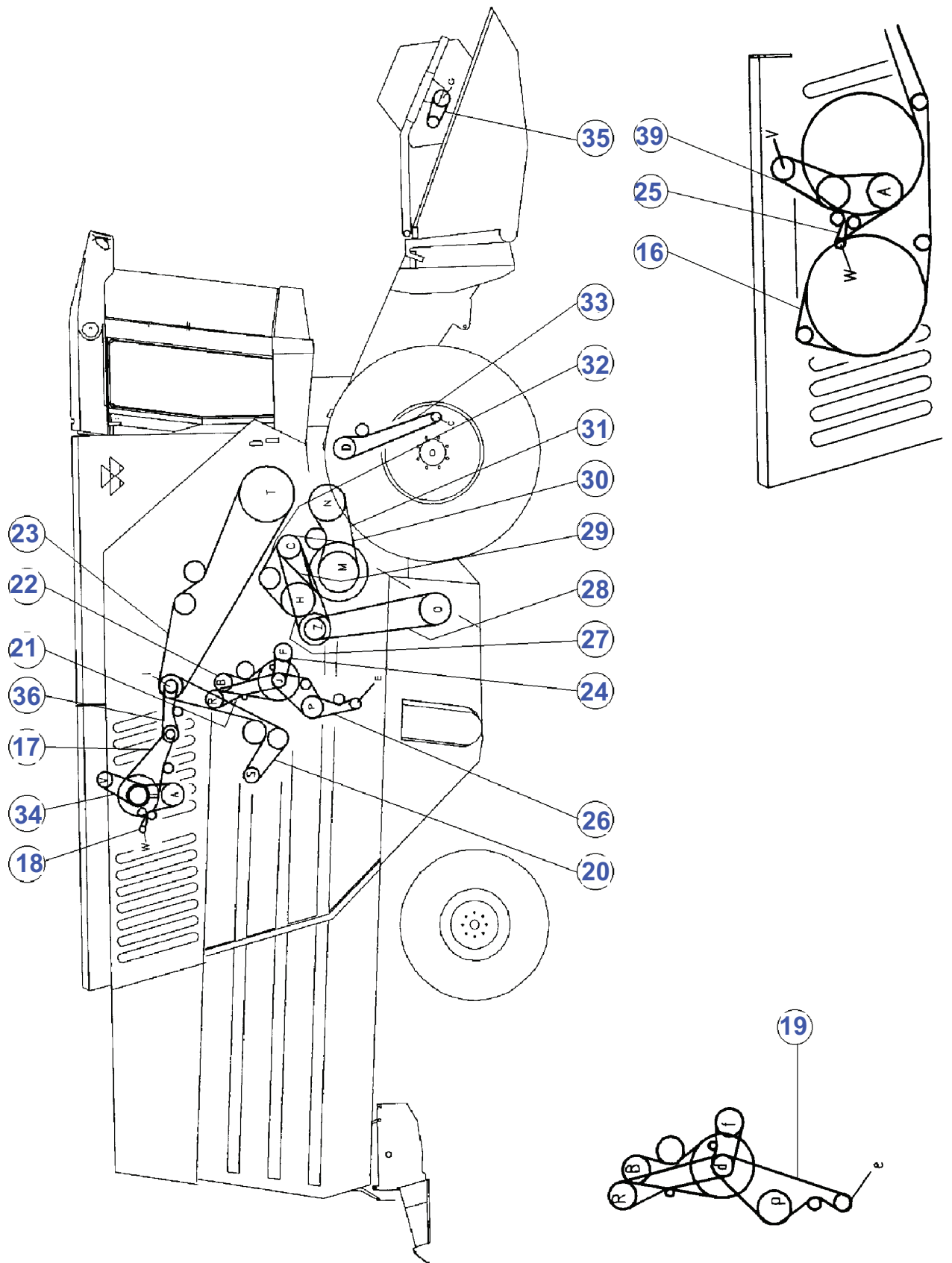
FOOTNOTE [E] NOT ILLUSTRATED



Belt Mounting, Left Side

Item	Part Number	Qty	Description	Comments
1	D41990059	1	Belt	[B,C]
2	D41990060	1	Belt	[A,B]
3	D41978100	1	V Belt	[A,I]
4	D41990062	1	Belt	[A,J] Valid from machine/table no,can be used in new as well as in older machines 60503 MF 7272 CEREAL
	D41990045	1	Belt	[A,J] Valid from machine/table no,can be used in new as well as in older machines 60503 MF 7274-78 CEREAL
5	D41979600	1	Belt	[B,K]
	D41990049	1	Belt	[B,K,N,Z]
6	D41977900	1	Belt	[K,L,Z]
	D41978400	1	Belt	[K,L,N]
7	D41985600	1	Belt	[E,Y]
8	D42329300	1	Chain	[E,X]
9	D42334600	1	Chain	[E,D]
10	D41979800	1	Belt	[C,D]
11	D41990001	2	V Belt	[C,F]
12	D41933900	1	Kit, V Belt	[F,H] SET
13	D41933700	1	Kit, Belt	[F,G] SET
14	D41986300	1	V Belt	[E,Y]
15	D42332800	1	Chain	[X,Q]
16	D42329200	1	Chain	[X,E]
	D42333700	1	Chain	22' + 25' 6,77M + 7,60M
36	D41904200	1	Belt	[J,M]
37	D42339300	1	Chain	
38	D41921700	1	Belt	
42	D42328900	1	Chain	

FOOTNOTE [A] DIESEL ENGINE
 FOOTNOTE [B] COUNTER SHAFT
 FOOTNOTE [C] REAR BEATER
 FOOTNOTE [D] UPPER FEEDER SHAFT
 FOOTNOTE [E] INTERMEDIARY FEEDER SHAFT
 FOOTNOTE [F] INTERMED.SHAFT
 FOOTNOTE [G] STRAW SHAKER CRANK
 FOOTNOTE [H] ECCENTRIC SHAFT
 FOOTNOTE [I] DISCHARGE AUGER SHAFT
 FOOTNOTE [J] TRACTION PUMP
 FOOTNOTE [K] INTERMEDIARY DRIVE F. STRAW CHOPPER
 FOOTNOTE [L] STRAW CHOPPER
 FOOTNOTE [M] ELECTRIK VERTICAL KNIFE
 FOOTNOTE [N] REDUCED CHOP SPEED
 FOOTNOTE [Q] BAND ROLLER
 FOOTNOTE [X] FEEDER DRUM
 FOOTNOTE [Y] KNIFE DRIVE
 FOOTNOTE [Z] REDUCED REVOLUTIONS

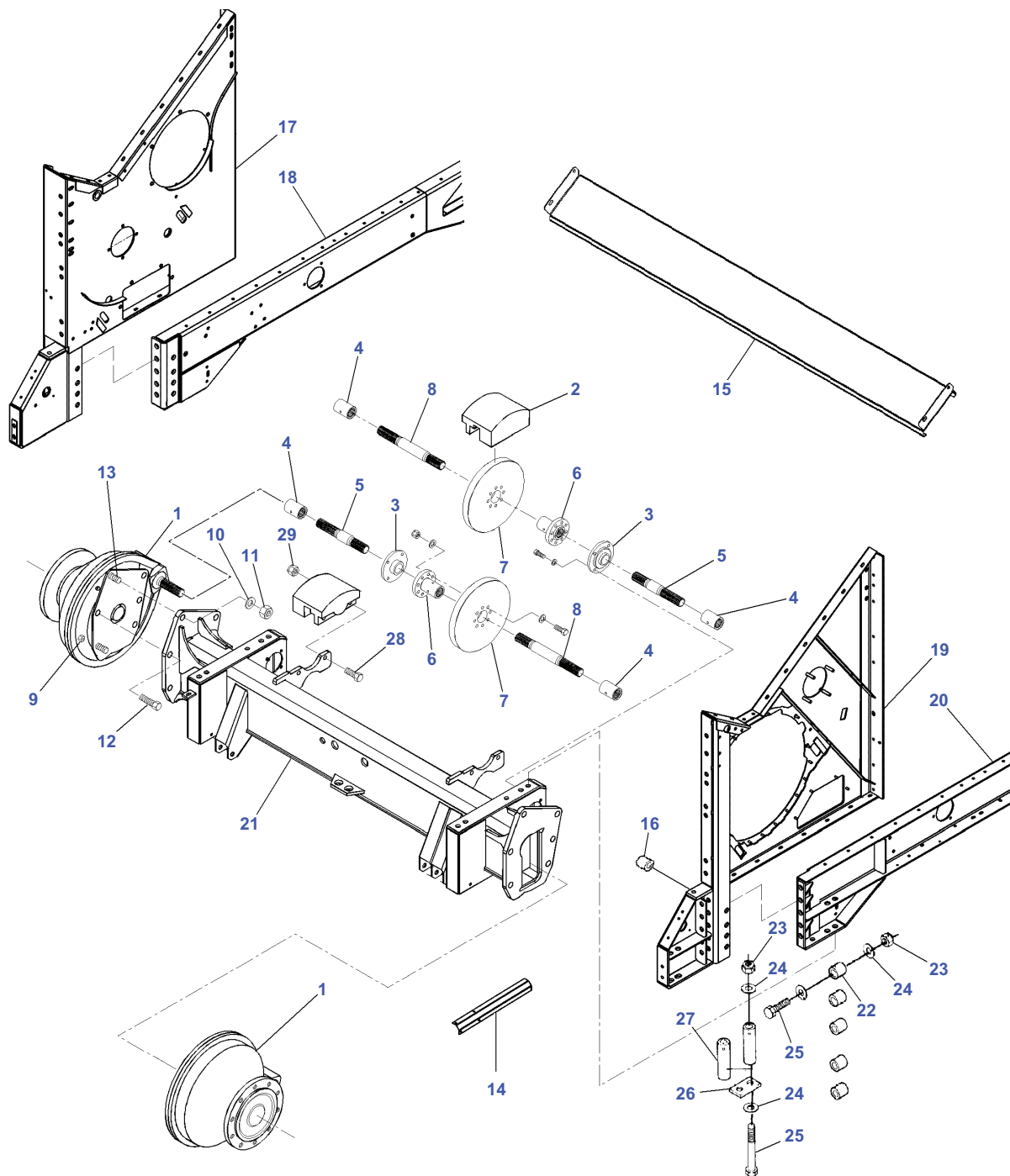


Belt Mounting, Right Side

Item	Part Number	Qty	Description	Comments
16	D41916800	1	V Belt	[I] Up to Serial or Engine Number 58548
17	D41990019	1	V Belt	[U]
18	D41900300	1	Belt	[A,W] MF 7272
	D41900200	1	Belt	[A,W] MF 7274/7278
19	D42326900	1	Chain	[B,E] Up to Serial or Engine Number 59219 MF 7274/7278
20	D41939300	1	Belt	[S]
21	D42325100	1	Chain	[R,J]
	D42328600	1	Chain	[P,R,J]
22	D41929000	2	V Belt	[B,E]
23	D41978800	1	Belt	[I,T]
24	D42326200	1	Chain	[F,J]
25	D41900100	1	Belt	[A,W] Up to Serial or Engine Number 58549 MF 7274/7278
26	D42328100	1	Chain	[A,W,X,Z] From Serial or Engine Number 59009 MF 7274/7278
27	D41981200	1	Belt	[C,Z]
28	D41981100	1	Belt	[O,Z]
	D41981400	1	V Belt	[Z,O,L,Q]
29	D41980500	1	Belt	[C,M]
30	D41982300	1	Kit, Belt	[M,N] SET
31	D41982000	1	Kit, Belt	[M,N,L,Q] SET
32	D41990007	1	Belt	[C,H] SET
33	D42333300	1	Chain	[D,K] Up to Serial or Engine Number 57722
34	D41990027	1	Belt	[V]
35	D42325700	1	Chain	[G]
36	D28786813	1	Belt	[I]
39	D41990014	1	V Belt	[V] Up to Serial or Engine Number 58548 MF 7278

FOOTNOTE [A]	DIESEL ENGINE
FOOTNOTE [B]	COUNTER SHAFT
FOOTNOTE [C]	REAR BEATER
FOOTNOTE [D]	UPPER FEEDER SHAFT
FOOTNOTE [E]	RETURN THRESHER
FOOTNOTE [F]	FILLING AUGER
FOOTNOTE [G]	REEL DRIVE
FOOTNOTE [H]	GRAIN SEPARATOR
FOOTNOTE [I]	DISCHARGE AUGER SHAFT
FOOTNOTE [J]	COUNTER DRIVE F. FILL ELEVATOR
FOOTNOTE [K]	ELECTRIC REVERSING
FOOTNOTE [L]	REDUCED MAIN FAN SPEED
FOOTNOTE [M]	COUNTER DRIVE, VARIATOR
FOOTNOTE [N]	THRESHING DRUM
FOOTNOTE [O]	MAIN FAN
FOOTNOTE [P]	INCREASED REVOLUTIONS
FOOTNOTE [Q]	REDUCED REVOLUTIONS
FOOTNOTE [R]	FILL ELEVATOR
FOOTNOTE [S]	DUST EXTRACTOR
FOOTNOTE [T]	DISCHARGE AUGER
FOOTNOTE [U]	TO BE USED WITH D28285107 WHEN HARVESTING MAIZE
FOOTNOTE [V]	AIR CONDITIONING
FOOTNOTE [W]	ALTERNATOR
FOOTNOTE [X]	INTERMEDIARY FEEDER SHAFT
FOOTNOTE [Z]	MAIN FAN VARIATOR

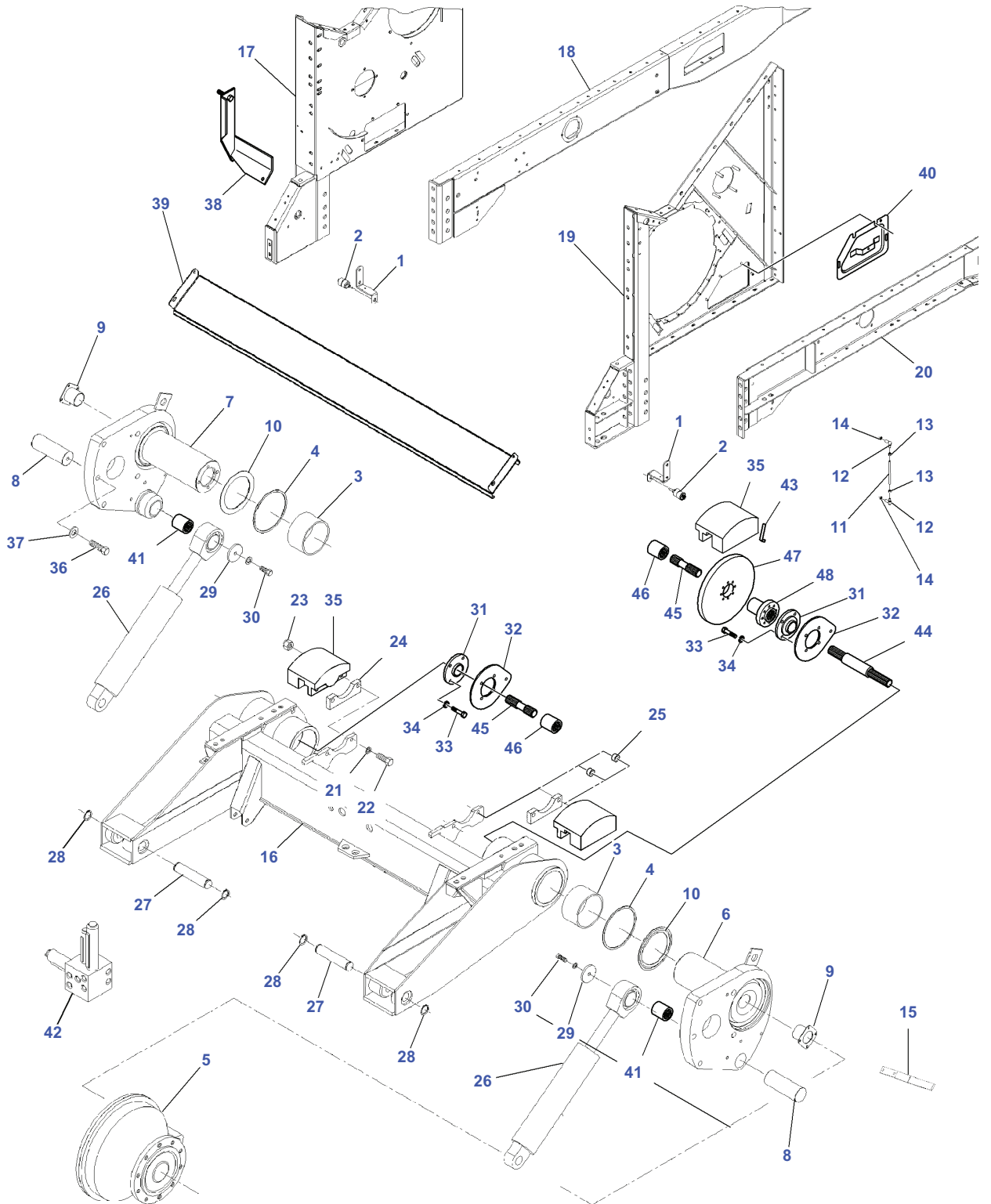
MF 7272/7274/7278 CEREА COMBINE - 1637408
D-ABZV-002-C



D-ABZV-002-C

Item	Part Number	Qty	Description	Comments
1	D46149300	2	Final Drive	Up to Serial or Engine Number 57324
	D46140066	2	Final Drive	From Serial or Engine Number 57325
2	D46140016	2	Kit, Brake	
3	D41715000	2	Bearing	
4	D46149400	4	Connector	
5	D28185365	2	Countershaft	
6	D28185289	2	Hub	
7	D46140069	2	Brake Disc	
8	D28185363	2	Countershaft	Up to Serial or Engine Number 57563
	D28186178	2	Countershaft	From Serial or Engine Number 57564
9	D46116600	2	Vent	
10	D46140096	12	Washer	
11	D46140095	2	Nut	
12	D46140094	4	Bolt	
13	D46140097	2	Stud	
14	D28185600	1	Plate	
15	D28186144	1	Plate	From Serial or Engine Number 57745
16	D28185628	4	Spacer	
17	D28186141	1	Side	Right Hand
18	D28181859	1	Side	
19	D28185911	1	Plate	Left Hand
20	D28181858	1	Side	
21	D28185312	1	Shaft	Up to Serial or Engine Number 58279
	D28186625	1	Front Axle	From Serial or Engine Number 58280
22	D28180088	10	Spacer	
23	3010067X1	X	Locknut	M20
24	D20400437	X	Washer	
25	D40437800	X	Screw	
26	D28181161	2	Bracket	
27	D28180058	4	Pipe	
28	D40437300	4	Hex. Sock. Screw	M20 X 65
29	3009747X1	4	Nut	M20

MF 7272/7274/7278 CEREAL COMBINE - 1637408
D-ABZW-002-C

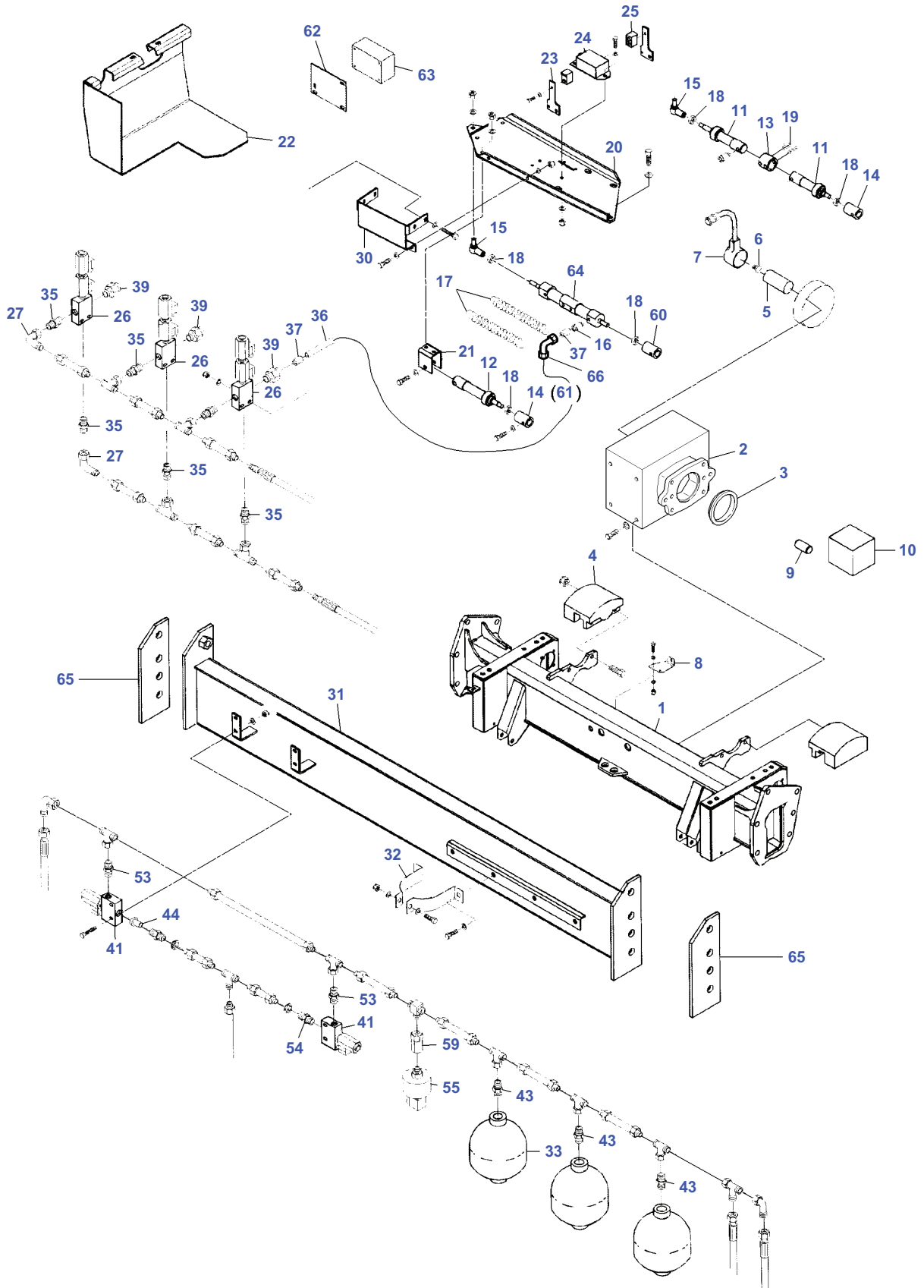


D-ABZW-002-C

Final Drives - Auto Level - M.F 7274-7278

Item	Part Number	Qty	Description	Comments
1	D28185689	2	Support	
2	D28780523	2	Potentiometer	
3	D43338500	6	Casing	
4	D45479600	4	Ring	
5	D46149300	1	Final Drive	Up to Serial or Engine Number 57324
	D46140066	1	Final Drive	From Serial or Engine Number 57325
6	D28185641	1	Final Drive	
7	D28185640	1	Final Drive	
8	D28185645	2	Pin	
9	D28185690	2	Seal	
10	D28181652	2	Spacer	
11	D28780446	2	Rod	
12	D46437300	4	Toggle	
13	D41010600	2	Nut	M6
14	D20400453	2	Washer	
15	D28185696	1	Scraper	
16	D28185650	1	Shaft	Up to Serial or Engine Number 58279
	D28186624	1	Shaft	From Serial or Engine Number 58280
17	D28186141	1	Side	
18	D28181859	1	Side	Right Hand
19	D28185911	1	Plate	Left Hand
20	D28181858	1	Side	
21	D20400438	8	Washer	
22	D40437200	4	Screw	
23	3010067X1	4	Locknut	M20
24	D28186254	2	Spacer	
25	D28180059	2	Pipe	
26	D45100026	2	Cylinder	
27	D28181647	2	Bolt	
28	391129X1	4	Circlip	
29	D28750882	2	Washer	
30	391889X1	2	Hex. Sock. Screw	M16 X 70
31	D28185694	2	Bearing Carrier	
32	D28185673	2	Washer	
33	D40431900	8	Screw	
34	D20400428	16	Washer	
35	D46140016	2	Kit, Brake	
36	D40449900	4	Screw	
37	D41102000	4	Spring	
38	D28284574	1	Bracket	
39	D28186144	1	Plate	From Serial or Engine Number 57745
40	D28185626	1	Cover	
41	D45699100	2	Bush	
42	D41100094	1	Hydr. Plug	
43	D28780845	1	Rod	
44	D28185363	1	Countershaft	
45	D28186179	2	Countershaft	
46	D46149400	2	Connector	
47	D46140069	1	Brake Disc	
48	D28185289	1	Hub	

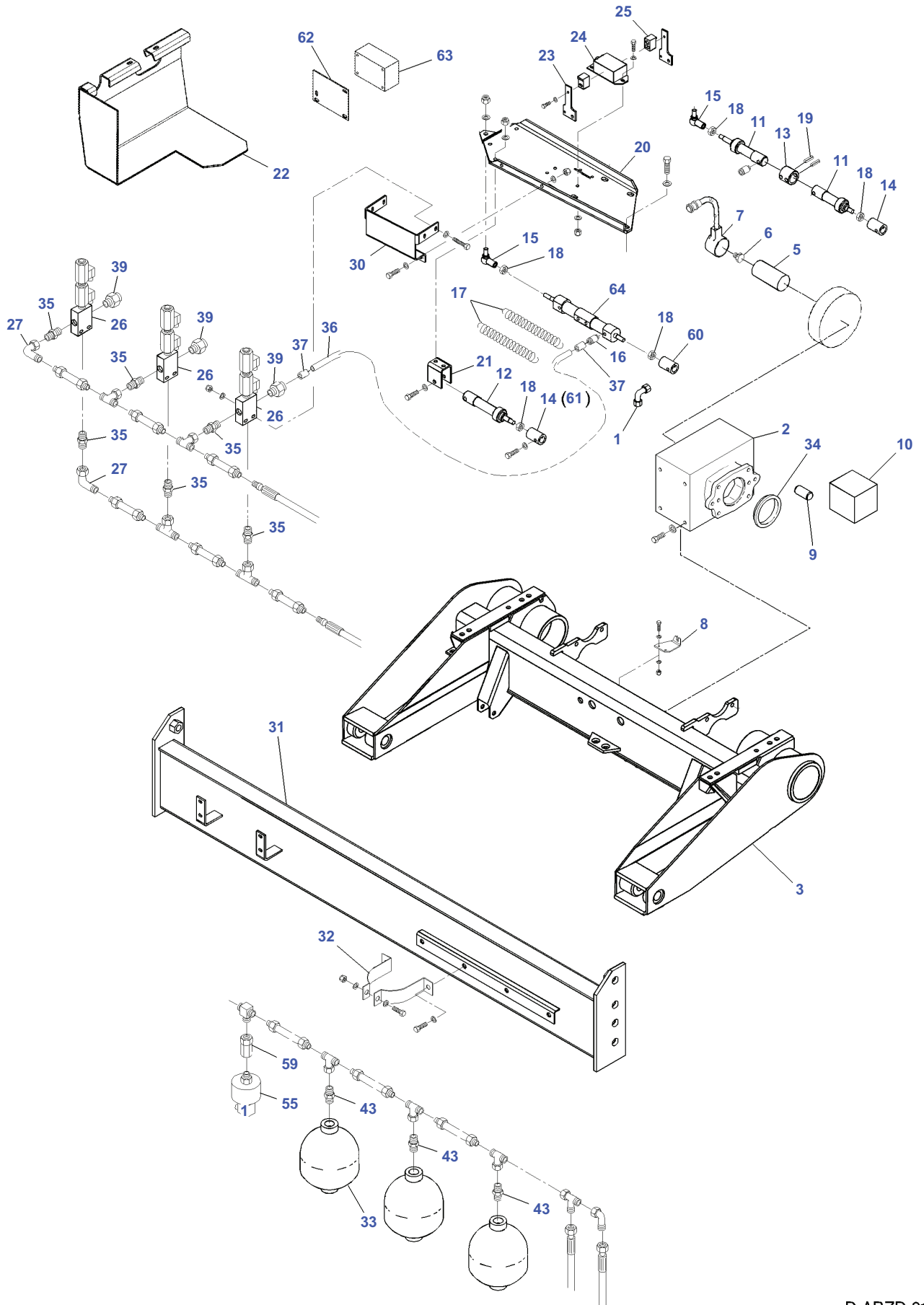
MF 7272/7274/7278 CEREAL COMBINE - 1637408
D-ABZC-011-A



D-ABZC-011-A

Item	Part Number	Qty	Description	Comments
1	D28185312	1	Shaft	
2	D46140067	1	Gearbox	Up to Serial or Engine Number 57563
	D46140058	1	Gearbox	From Serial or Engine Number 57564
3	D28185936	1	Ring	
4	D46140016	2	Kit, Brake	
5	D28185112	1	Adaptor	Up to Serial or Engine Number 57563
	D28186503	1	Guard	From Serial or Engine Number 57564
6	D28780516	1	Inductive Sensor	
7	D28780514	1	Sensor	
8	D28185614	1	Bracket	Up to Serial or Engine Number 57563
	D28186505	1	Bracket	From Serial or Engine Number 57564
9	D46149900	1	Connector	Up to Serial or Engine Number 57563
	D46140078	1	Connector	From Serial or Engine Number 57564
10	D45165100	1	Hydraulic Motor	
11	D45140003	2	Cylinder	Up to Serial or Engine Number 57324
12	D45140004	1	Cylinder	Up to Serial or Engine Number 57324
	D45140010	1	Cylinder	From Serial or Engine Number 57325
13	D28185110	1	Adaptor	Up to Serial or Engine Number 57324
14	D28185108	2	Adaptor	Up to Serial or Engine Number 57324
15	D46436200	1	Toggle	
16	D45148200	6	Connector	
	D45258000	6	Union	From Serial or Engine Number 57325
17	D28761862	1	Tension Spring	Up to Serial or Engine Number 57324
18	D41012000	3	Nut	
19	D42618600	2	Pin	Up to Serial or Engine Number 57324
20	D28185109	1	Bracket	Up to Serial or Engine Number 57324
	D28182366	1	Bracket	From Serial or Engine Number 57325
21	D28185111	1	Support	Up to Serial or Engine Number 57324
	D28182365	1	Support	From Serial or Engine Number 57325
				Up to Serial or Engine Number 57680
	D28182381	1	Bracket	From Serial or Engine Number 57681
22	D28185201	1	Guard	Up to Serial or Engine Number 57324
	D28186504	1	Sensor	From Serial or Engine Number 57325
23	D28185674	2	Bracket	
24	D28785685	1	Sensor	
25	D28785689	2	Magnet	
26	D45110055	3	Pressure Valve	Up to Serial or Engine Number 57324
27	D45263900	2	Union	Up to Serial or Engine Number 57324
30	D28185173	1	Bracket	
31	D28185090	1	Profile	
32	D28752408	6	Support	
33	D45100300	3	Accumulator	
35	D45252600	6	Union	Up to Serial or Engine Number 57324
36	D45148100	6	Hose	Up to Serial or Engine Number 57324
	D45130076	6	Hydr. Hose	From Serial or Engine Number 57325
37	D45148400	6	Tube	Up to Serial or Engine Number 57324
39	D45148300	6	Connector	Up to Serial or Engine Number 57324
41	D45110054	2	Valve.	
43	D45250500	3	Union	
44	D28780319	1	Washer	
53	D45250800	2	Union	
54	D45255200	2	Connector	
55	D28781255	1	Sensor	
59	D45277000	1	Connector	
60	D28185108	1	Adaptor	From Serial or Engine Number 57325
61	D28182364	1	Adaptor	From Serial or Engine Number 57325
62	D28182368	1	Console	From Serial or Engine Number 57325
63	D45120027	1	Block	From Serial or Engine Number 57325
	D45252800	8	Union	From Serial or Engine Number 57325
64	D45140009	1	Cylinder	From Serial or Engine Number 57325
65	D28185096	2	Plate	
66	D28780988	2	Pipe,Oil	From Serial or Engine Number 57325

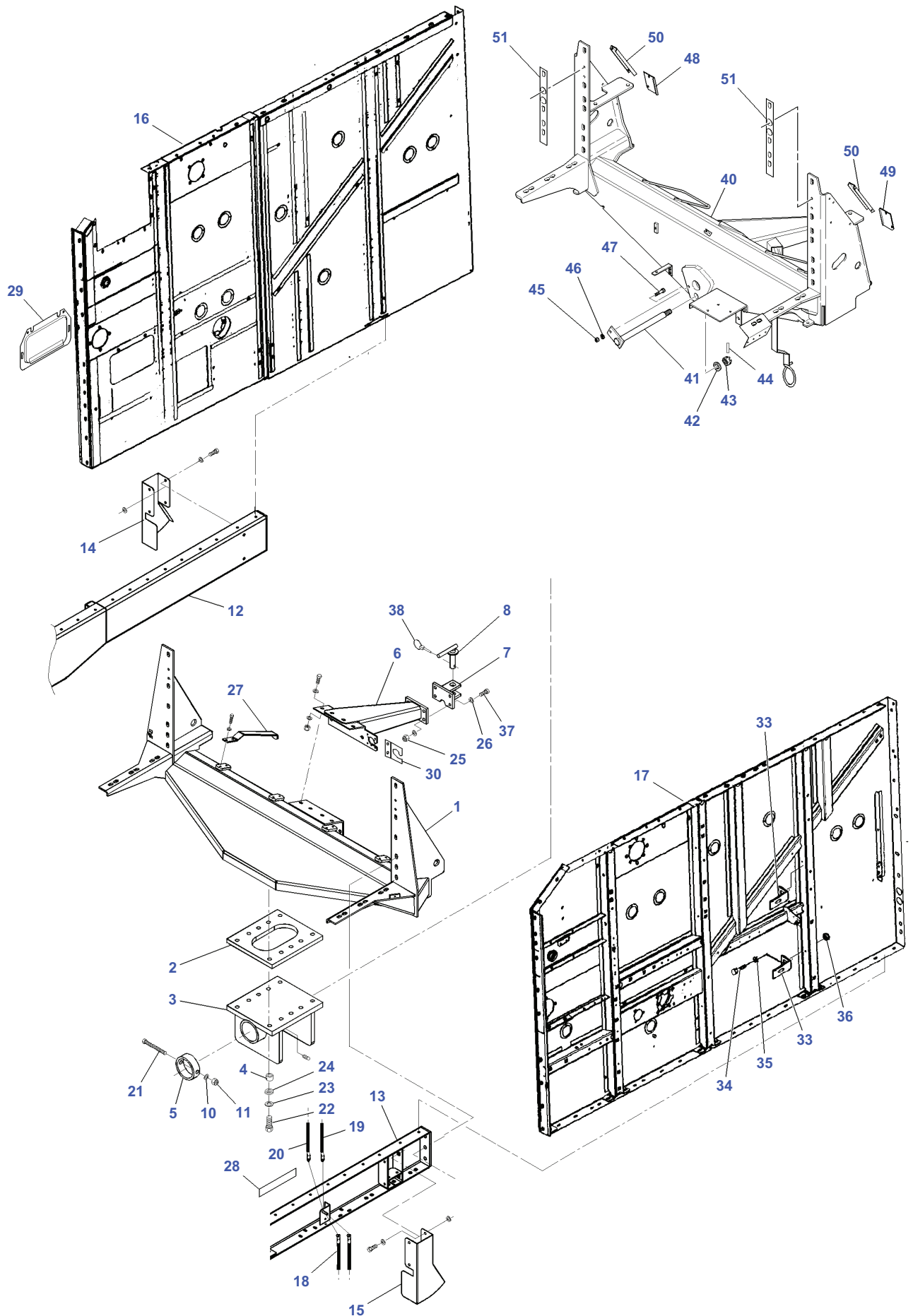
MF 7272/7274/7278 CERA COMBINE - 1637408
D-ABZD-010-A



D-ABZD-010-A

Item	Part Number	Qty	Description	Comments
1	D28780988	2	Pipe,Oil	From Serial or Engine Number 57325
2	D46140067	1	Gearbox	Up to Serial or Engine Number 57563
	D46140058	1	Gearbox	From Serial or Engine Number 57564
3	D28185650	1	Shaft	Up to Serial or Engine Number 58279
	D28186624	1	Shaft	From Serial or Engine Number 58280
5	D28185112	1	Adaptor	Up to Serial or Engine Number 57563
	D28186503	1	Guard	From Serial or Engine Number 57564
6	D28780516	1	Inductive Sensor	
7	D28780514	1	Sensor	
8	D28185366	1	Bracket	Up to Serial or Engine Number 57563
	D28185614	1	Bracket	From Serial or Engine Number 57564
9	D46149900	1	Connector	Up to Serial or Engine Number 57563
	D46140078	1	Connector	From Serial or Engine Number 57564
10	D45165100	1	Hydraulic Motor	
11	D45140003	2	Cylinder	Up to Serial or Engine Number 57324
12	D45140004	1	Cylinder	Up to Serial or Engine Number 57324
	D45140010	1	Cylinder	From Serial or Engine Number 57325
13	D28185110	1	Adaptor	Up to Serial or Engine Number 57324
14	D28185108	2	Adaptor	Up to Serial or Engine Number 57324
15	D46436200	1	Toggle	
16	D45148200	6	Connector	Up to Serial or Engine Number 57324
	D45258000	6	Union	From Serial or Engine Number 57325
17	D28761862	1	Tension Spring	Up to Serial or Engine Number 57324
18	D41012000	3	Nut	
19	D42618600	2	Pin	Up to Serial or Engine Number 57324
20	D28185109	1	Bracket	Up to Serial or Engine Number 57324
	D28182366	1	Bracket	From Serial or Engine Number 57325
21	D28185111	1	Support	Up to Serial or Engine Number 57324
	D28182365	1	Support	From Serial or Engine Number 57325
				Up to Serial or Engine Number 57680
	D28182381	1	Bracket	From Serial or Engine Number 57681
	D28182381	1	Bracket	
22	D28185201	1	Guard	Up to Serial or Engine Number 57324
	D28186504	1	Sensor	From Serial or Engine Number 57325
23	D28185674	2	Bracket	
24	D28785685	1	Sensor	
25	D28785689	2	Magnet	
26	D45110055	3	Pressure Valve	Up to Serial or Engine Number 57324
27	D45263900	2	Union	Up to Serial or Engine Number 57324
30	D28185173	1	Bracket	Up to Serial or Engine Number 57324
31	D28185090	1	Profile	
32	D28752408	6	Support	
33	D45100300	3	Accumulator	
34	D28185936	1	Ring	
35	D45252600	6	Union	Up to Serial or Engine Number 57234
36	D45148100	X	Hose	Up to Serial or Engine Number 57324
	D45130076	6	Hydr. Hose	From Serial or Engine Number 57325
37	D45148400	6	Tube	Up to Serial or Engine Number 57324
39	D45148300	6	Connector	Up to Serial or Engine Number 57324
	D45252800	6	Union	From Serial or Engine Number 57325
43	D45250500	3	Union	
55	D28781255	1	Sensor	
59	D45277000	1	Connector	
60	D28185108	1	Adaptor	From Serial or Engine Number 57325
61	D28182364	1	Adaptor	From Serial or Engine Number 57325
62	D28182368	1	Console	From Serial or Engine Number 57325
63	D45120027	1	Block	From Serial or Engine Number 57325
64	D45140009	1	Cylinder	From Serial or Engine Number 57325

MF 7272/7274/7278 CERA COMBINE - 1637408
D-ABZE-006-C



D-ABZE-006-C

Rear Axle

Item	Part Number	Qty	Description	Comments
1	D28185050	1	Plate	Up to Serial or Engine Number 58449
2	D28185053	1	Shim	Up to Serial or Engine Number 58449
	D28185685	1	Shim	[A] Up to Serial or Engine Number 58449
3	D28185062	1	Bracket	Up to Serial or Engine Number 58449
4	D28180059	10	Pipe	Up to Serial or Engine Number 58449
5	D28185012	1	Locking Plate	Up to Serial or Engine Number 58449
6	D28185278	1	Extension	Up to Serial or Engine Number 58449
7	D28150801	1	Hook	
	D45906900	1	Hook	[C,B]
	D45907400	1	Hook	For Germany only or any text in German only
8	D28150802	1	Bolt	
10	D20400523	1	Spacer	Up to Serial or Engine Number 58449
11	3010067X1	1	Locknut	Up to Serial or Engine Number 58449
12	D28181859	1	Side	Right Hand
13	D28181858	1	Side	Left Hand
14	D28181558	1	Guard	Right Hand
15	D28181559	1	Guard	Left Hand
16	D28186005	1	Side	
17	D28186004	1	Side	
18	D28785917	2	Hose	
19	D28785947	1	Hose	
20	D28781929	1	Cable	
21	D40437500	1	Screw	Up to Serial or Engine Number 58449
22	D40437700	10	Screw	[D]
	D40437500	10	Screw	[A]
23	D41101400	10	Washer	
24	D20400433	10	Washer	
25	339079X1	4	Nut	
26	D20400428	8	Washer	
27	D28485164	2	Clevis	
28	D44748700	X	Gasket	Length 0,60
29	D28185271	2	Cover	From Serial or Engine Number 57446
30	D28185992	1	Console	
33	D28751238	4	Bracket	
34	D40422700	4	Hex. Sock. Screw	
35	D20400404	4	Washer	
36	1441462X1	4	Locknut	
37	391177X1	4	Bolt Metric	Up to Serial or Engine Number 58449
38	D41446200	1	Split Pin	Up to Serial or Engine Number 58449
40	D28186190	1	Axle Housing	From Serial or Engine Number 58450
41	D28186189	1	Shaft	From Serial or Engine Number 58450
42	D20400540	1	Washer	From Serial or Engine Number 58450
43	D41054900	1	Castle Nut	From Serial or Engine Number 58450
44	D41411300	1	Pin	From Serial or Engine Number 58450
45	D41010900	1	Nut	From Serial or Engine Number 58450
46	D20400426	1	Washer	From Serial or Engine Number 58450
47	D40411300	1	Hex. Sock. Screw	From Serial or Engine Number 58450
48	D28186580	1	Plate	Right Hand
49	D28186581	1	Plate	Left Hand
50	D28186572	1	Plate	
51	D28180152	1	Shim	From Serial or Engine Number 58450
52	D43359700	1	Part	[E]

FOOTNOTE [A] AUTO LEVEL

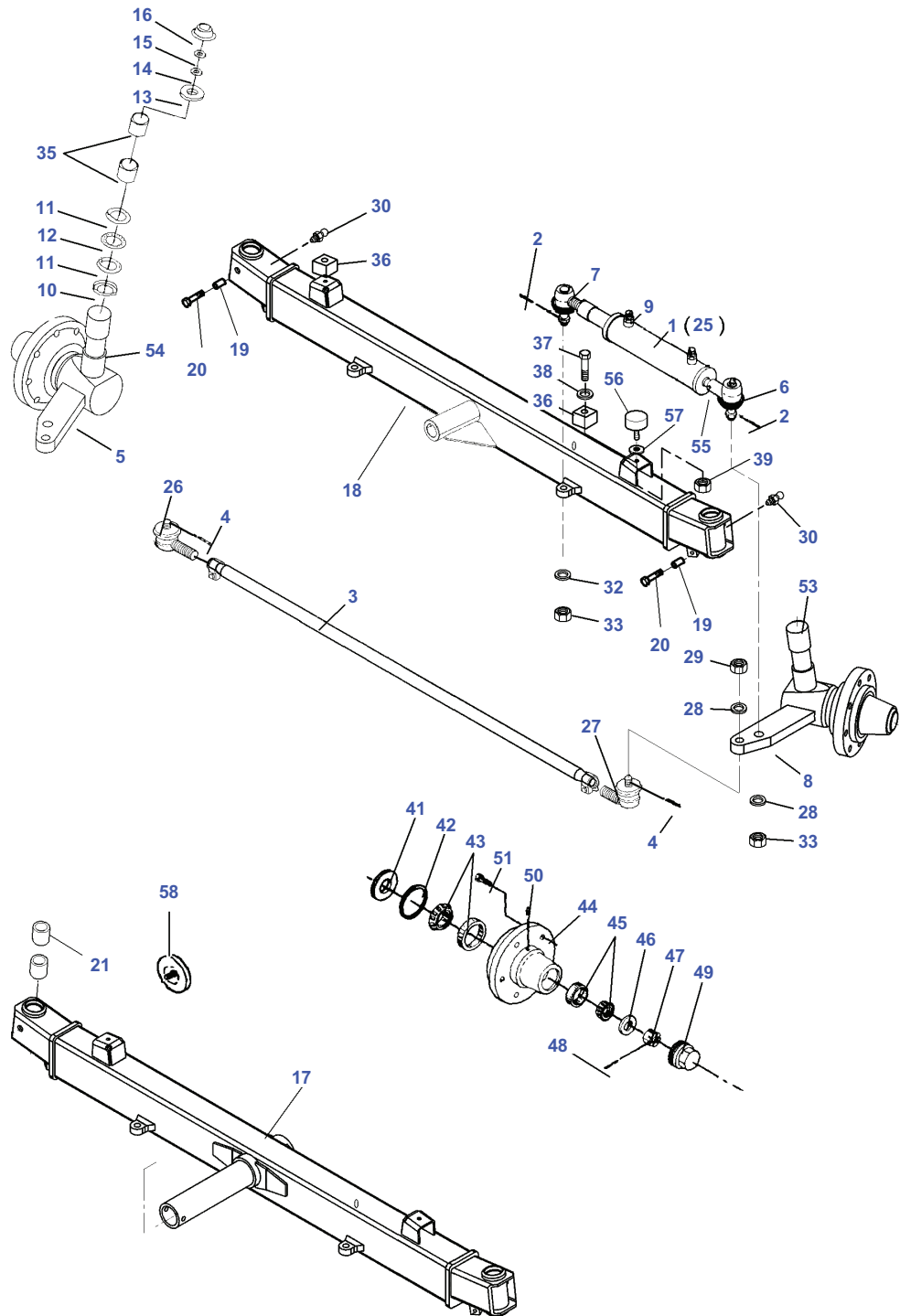
FOOTNOTE [B] WITH AUTOMATIC HITCH

FOOTNOTE [C] OPTIONAL

FOOTNOTE [D] STANDARD

FOOTNOTE [E] NOT ILLUSTRATED

MF 7272/7274/7278 CERA COMBINE - 1637408
D-ABZE-008-C

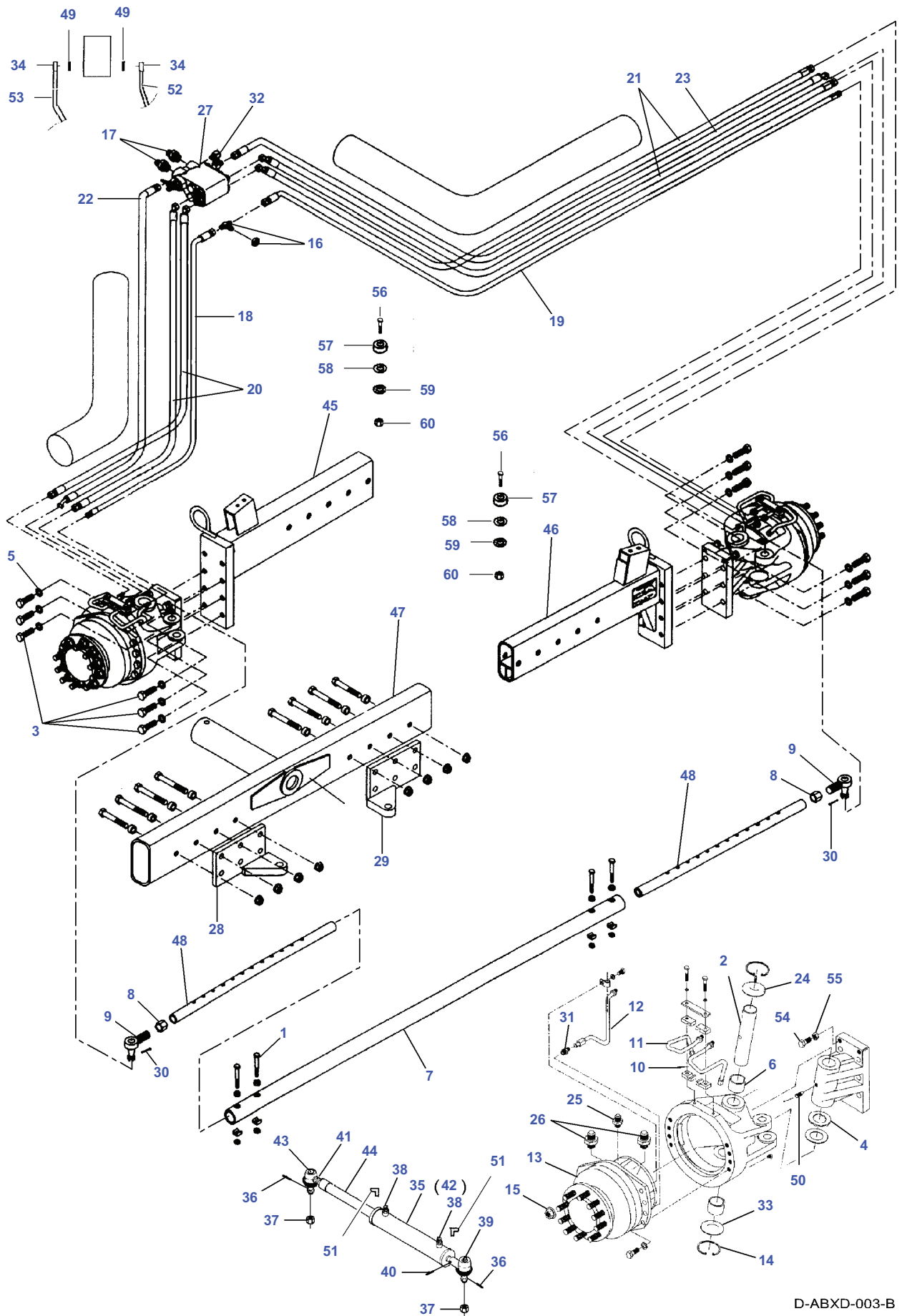


D-ABZE-008-C

Rear Axle

Item	Part Number	Qty	Description	Comments
1	D45120068	2	Cylinder	
2	3000197X1	2	Split Pin	Diameter 4 X 35
3	D45907600	1	Rod	
4	354066X1	2	Split Pin	5/32" X 1
5	D46727700	1	Steering Axle	CPL.
6	D45934100	1	Joint.	
7	D45934200	1	Joint.	
8	D46727800	1	Steering Axle	
9	D45250800	4	Union	
10	D28182292	2	Bearing Shell	
11	D41659000	4	Washer	
12	D41658000	2	Washer	
13	D28150131	2	Washer	Up to Serial or Engine Number 57299
	D28185590	2	Washer	From Serial or Engine Number 57300
14	D42599000	2	Washer	
15	D42502800	2	Circlip	
16	D45745700	2	Cover	
17	D28186844	1	Axle	Up to Serial or Engine Number 58449
18	D28186182	1	Rear Axle	From Serial or Engine Number 58450
19	D28186111	2	Spacer	
20	D40414000	2	Screw Metric	
21	D43338400	4	Bush	Up to Serial or Engine Number 58449
25	D45120067	1	Kit, Seal	
26	D45907800	1	Toggle	Right Hand
27	D45910100	1	Toggle	Left Hand
28	D20400438	4	Washer	
29	D41048800	2	Groove Nut	
30	D43001500	2	Greaser	
32	D20400519	2	Washer	
33	D41054300	2	Nut	
35	D43338600	2	Bush	Up to Serial or Engine Number 57032
	D43338400	2	Bush	From Serial or Engine Number 57033
36	D28181900	2	Cap	Up to Serial or Engine Number 57465
		X	Not Used	
37	D40694100	2	Screw	Up to Serial or Engine Number 57465
38	D20400426	2	Washer	Up to Serial or Engine Number 57465
39	D41087700	2	Locknut	Up to Serial or Engine Number 57465
	D46140089	2	Nut	From Serial or Engine Number 57466
41	D46729600	1	Washer	(5)
				Up to Serial or Engine Number 57324
	D46729600	1	Washer	(8)
				Up to Serial or Engine Number 57324
42	D46729700	1	Ring	(5)
	D46729700	1	Ring	(8)
43	D41663100	1	Bearing Roller	(5)
	D41663100	1	Bearing Roller	(8)
44	D46729300	1	Housing	(5)
	D46729300	1	Housing	(8)
45	D41662700	1	Bearing Taper	(5)
	D41662700	1	Bearing Taper	(8)
46	D46729500	1	Washer	(5)
	D46729500	1	Washer	(8)
47	D41048200	1	Nut	(5)
	D41048200	1	Nut	(8)
48	D41415200	1	Pin	(5)
	D41415200	1	Pin	(8)
49	D46723300	1	Cover	(5)
	D46723300	1	Cover	(8)
50	D43000300	1	Greaser	(5)
	D43000300	1	Greaser	(8)
51	D46728200	6	Bolt	(5)
	D46728200	6	Bolt	(8)
53	D46729800	1	Hub	(8)
				Left Hand
54	D46729900	1	Hub	(5)
				Right Hand
55	D42605100	2	Pin	
56	D49050046	2	Stop	From Serial or Engine Number 57466
57	D20400425	2	Washer	From Serial or Engine Number 57466
58	D45085600	2	Reflector	

MF 7272/7274/7278 CEREА COMBINE - 1637408
D-ABXD-003-B

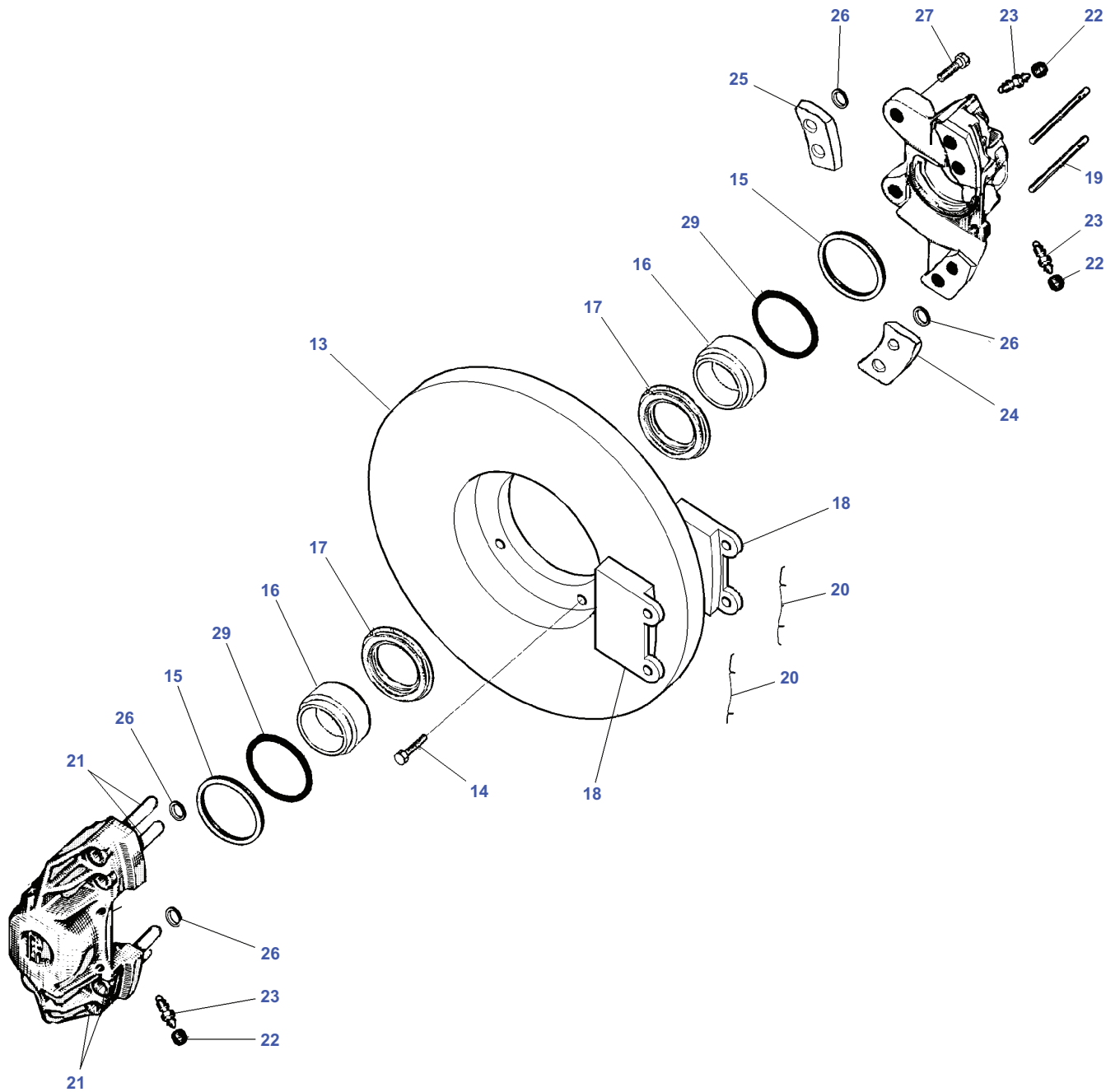


D-ABXD-003-B

4 Wheel drive

Item	Part Number	Qty	Description	Comments
1	D40468100	4	Screw	
2	D49066800	1	Shaft	
3	D49080186	12	Screw	
4	D49067000	1	Thrust Washer	
5	D20400437	12	Washer	
6	D49066900	2	Bush	
7	D49060096	1	Tube	
8	D49060094	2	Nut	
9	D49067300	2	Toggle	
10	D49080180	1	Pipe,Oil	
11	D49080179	1	Pipe,Oil	
12	D49080178	1	Pipe,Oil	
13	D49080187	1	Motor	
14	D49068000	2	Ring	
15	D49067700	10	Nut	
16	D49080185	1	Teepiece	
17	D49080184	2	Connection	
18	D49080189	1	Hydraulic Hose	
19	D49080190	1	Hydraulic Hose	
20	D49080191	2	Hydraulic Hose	
21	D49080192	2	Hydraulic Hose	
22	D49070088	1	Hydraulic Hose	
23	D49080193	1	Hydraulic Hose	
24	D49080177	1	Plug	
25	D49080181	1	Connection	
26	D49080182	2	Connection	
27	D49080188	1	Pressure Valve	
28	D49080194	1	Bracket	Left Hand
29	D49080195	1	Bracket	Right Hand
30	D41406200	2	Split Pin	Diameter 3,2 X 40
31	D49080183	1	Connection	
32	D49070099	1	Valve.	
33	D49067900	1	Plug	
34	D28186650	1	Adaptor	
35	D49050057	1	Steering Cyl	
36	3000197X1	1	Split Pin	(35) Diameter 4 X 35
37	D41054300	2	Nut	(35)
38	D45252800	2	Union	(35) Up to Serial or Engine Number 58419
	D45255100	2	Union	(35) From Serial or Engine Number 58420
39	D49050009	1	Knuckle Joint	(35)
40	1440394X1	1	Pin	(35) Diameter 4 X 30
41	D49050016	2	Nut	(35)
42	D49050058	1	Kit	(35)
43	D49050009	1	Knuckle Joint	(35)
44	D45100092	1	Cylinder Rod	(35)
45	D49080158	1	Stub	Up to Serial or Engine Number 58449
46	D49080159	1	Stub	Up to Serial or Engine Number 58449
47	D49080157	1	Axle	Up to Serial or Engine Number 58449
48	D49080161	2	Tube	
49	D45482700	2	O Ring	From Serial or Engine Number 58420
50	D43001700	1	Greaser	From Serial or Engine Number 58420
51	D45258600	3	Union	From Serial or Engine Number 58420
52	D49080166	1	Hydraulic Hose	From Serial or Engine Number 58420
53	D49080167	1	Hydraulic Hose	From Serial or Engine Number 58420
54	D49080162	1	Screw	From Serial or Engine Number 58420
55	D49080164	1	Nut	From Serial or Engine Number 58420
56	D40426300	2	Hex. Sock. Screw	From Serial or Engine Number 58420
57	D28181904	2	Damper	From Serial or Engine Number 58420
58	D20400471	2	Washer	From Serial or Engine Number 58420
59	D41101900	2	Spring Washer	From Serial or Engine Number 58420
60	D41087600	2	Locknut	From Serial or Engine Number 58420

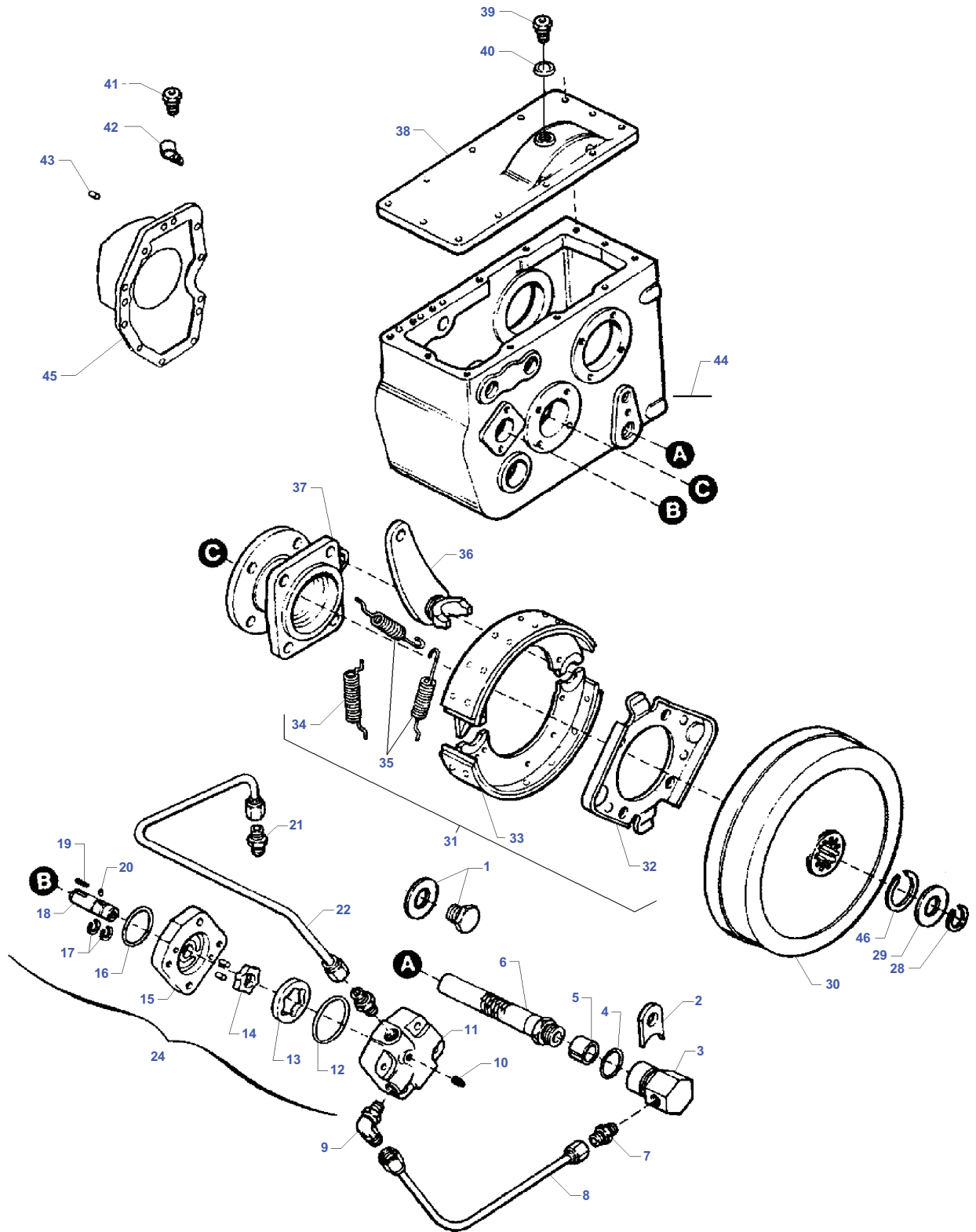
MF 7272/7274/7278 CEREAL COMBINE - 1637408
D-ABZG-001-B



Working Brake

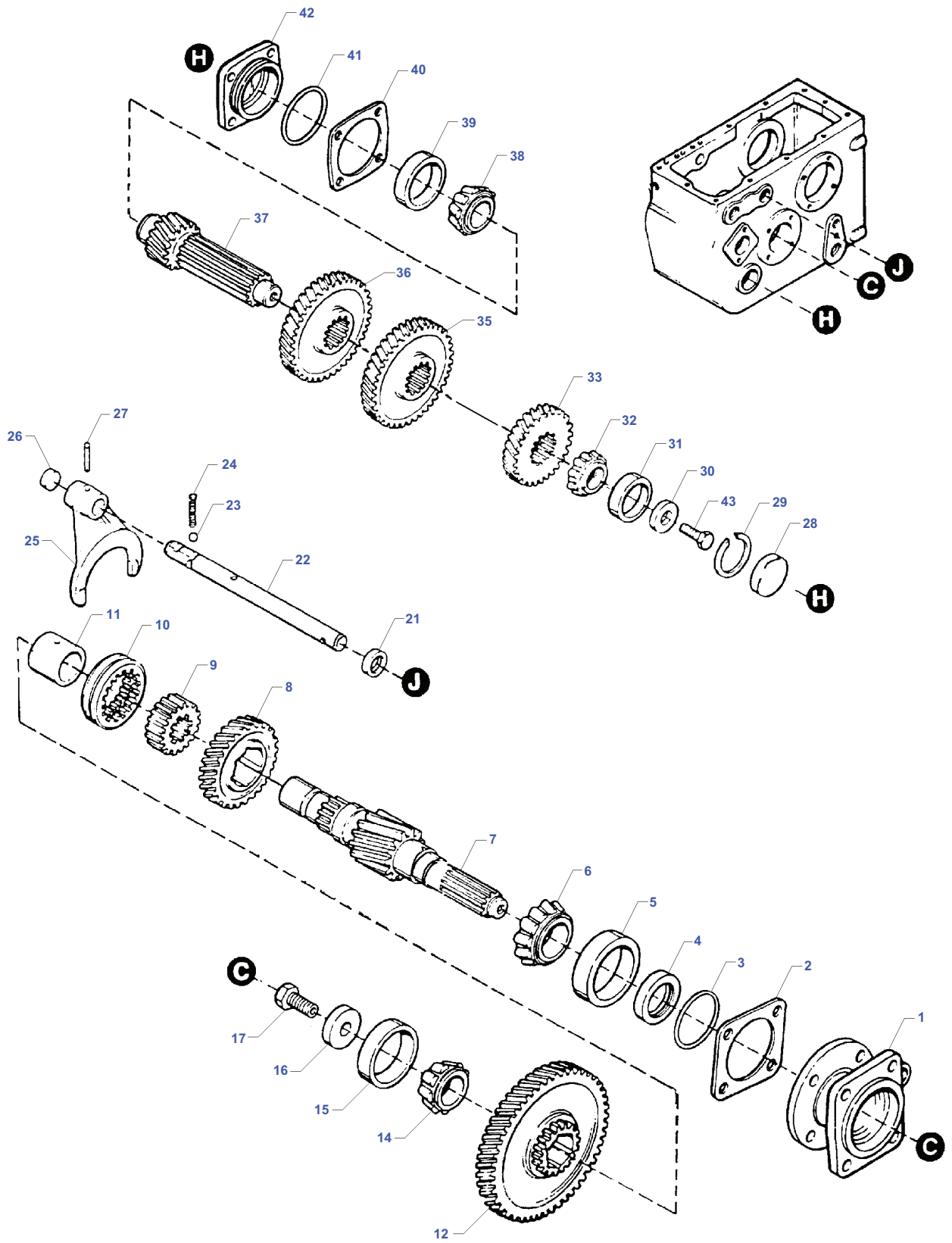
Item	Part Number	Qty	Description	Comments
13	D46140069	2	Brake Disc	
14	339139X1	8	Hex. Sock. Screw	M12 X 25
15	D46140016	1	Kit, Brake	
	D46140026	2	O Ring	(15)
16	D46140027	2	Piston	(15)
17	D46140028	2	Seal	(15)
18	D46140029	1	Kit, Brake	(15)
19	D46140030	2	Pin	(15)
20	D46140031	2	Spring	(15)
21	D40696700	4	Screw	(15)
22	D45908600	3	Cap	(15)
23	D46140034	3	Valve.	(15)
24	D46140033	1	Spacer	(15)
25	D46140033	1	Spacer	(15)
				Left Hand
26	D45482400	4	O Ring	(15)
27	D40437300	2	Hex. Sock. Screw	M20 X 65
29	D46140035	2	Seal	

MF 7272/7274/7278 CEREА COMBINE - 1637408
D-ABZH-004-A

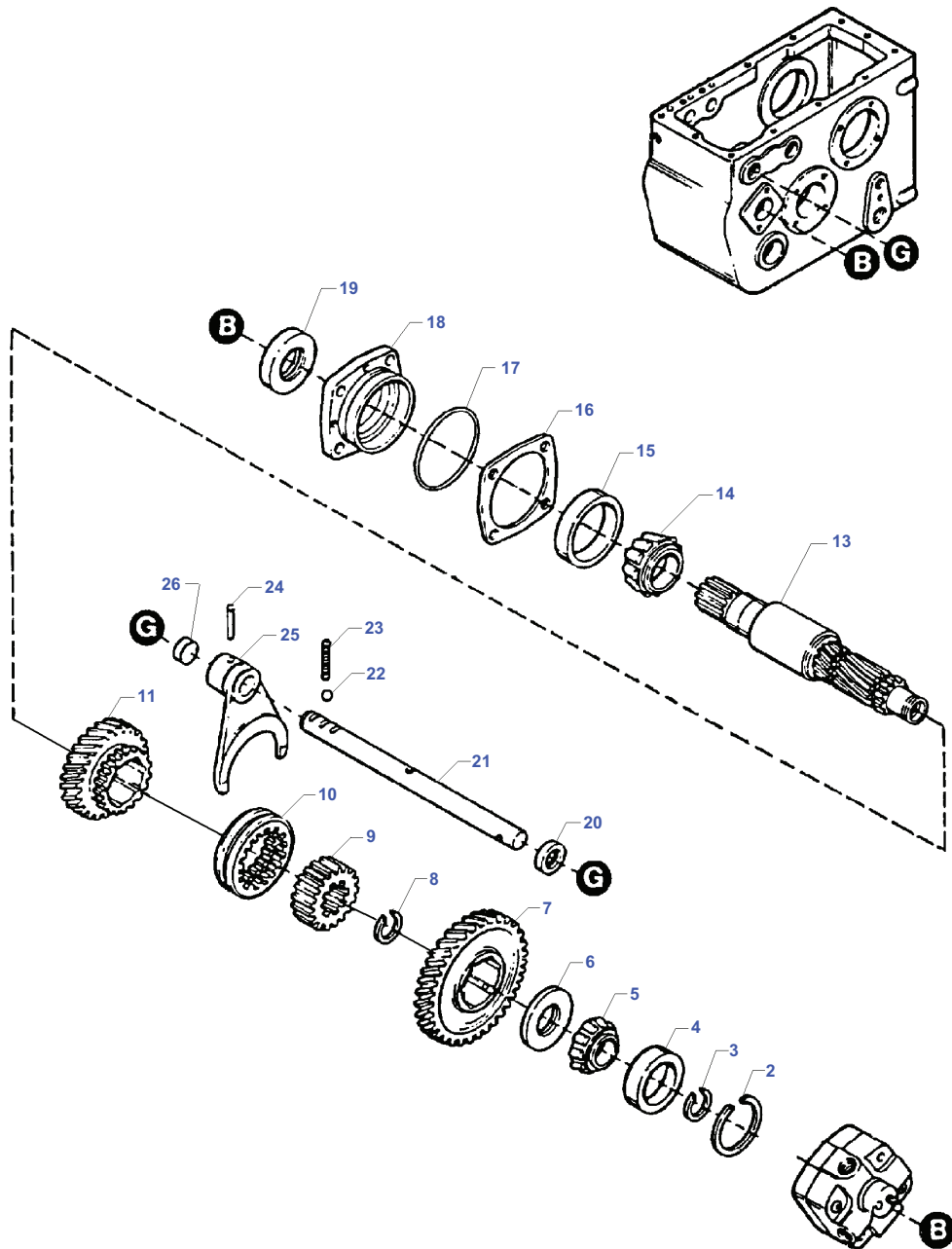


Item	Part Number	Qty	Description	Comments
1	70225441	1	Plug	
	70226012	X	Gasket	
2	71183535	1	Retainer	
	70926115	1	Bolt	1/2"-13 X 3/4
	353439X1	1	Lock Washer	1/2"
3	71183536	1	Screen	
4	70925919	1	O Ring	
5	71183828	1	Magnet	
6	71183747	1	Screen	
7	70921409	1	Connectors	
8	71183750	1	Tube	
9	70921402	1	Elbow	
10	70901651	1	Plug	
11	71184147	1	Housing	
12	70924186	1	O Ring	
13	71335782	1	Rotor	
14	72017072	2	Pin	
15	71184148	1	Cover	
16	70930911	1	O Ring	
17	71335785	2	Ring	
18	71335783	1	Shaft	
19	71184145	1	Key	
20	71335784	1	Pin	
21	846634	2	Connector	9/16"-18
22	D46140059	1	Lub.Oil Pipe	
24	71183840	1	Hydraulic Pump	
	70922823	2	Capscrew	
28	70932861	1	Ring	
29	70919393	1	Washer	
30	71183170	1	Brake Drum	
31	71171602	1	Brake	Repairs and replaces D28186128
32	71177930	1	Support	(31)
	354276X1	4	Bolt Unc	1/2"-13 X 1-1/4
	704031	4	Nut	1/2"-13
33	71171602	1	Brake	(31)
34	74906602	1	Spring	(31)
	79014625	X	Loctite	
	79021648	X	Primer	
35	74906603	2	Spring	(31)
36	71305651	1	Lever	
37	D46140063	1	Gearbox	
38	71183439	1	Cover	
	354276X1	12	Bolt Unc	1/2"-13 X 1-1/4
39	70225441	1	Plug	
40	70226012	1	Gasket	
41	71313115	1	Vent	
42	70923690	1	Elbow	
43	70926551	1	Pin	
44	71398334	1	Housing	
45	D46140062	1	Housing	
46	70932862	1	Ring	

MF 7272/7274/7278 CERA COMBINE - 1637408
D-ABZI-002-A

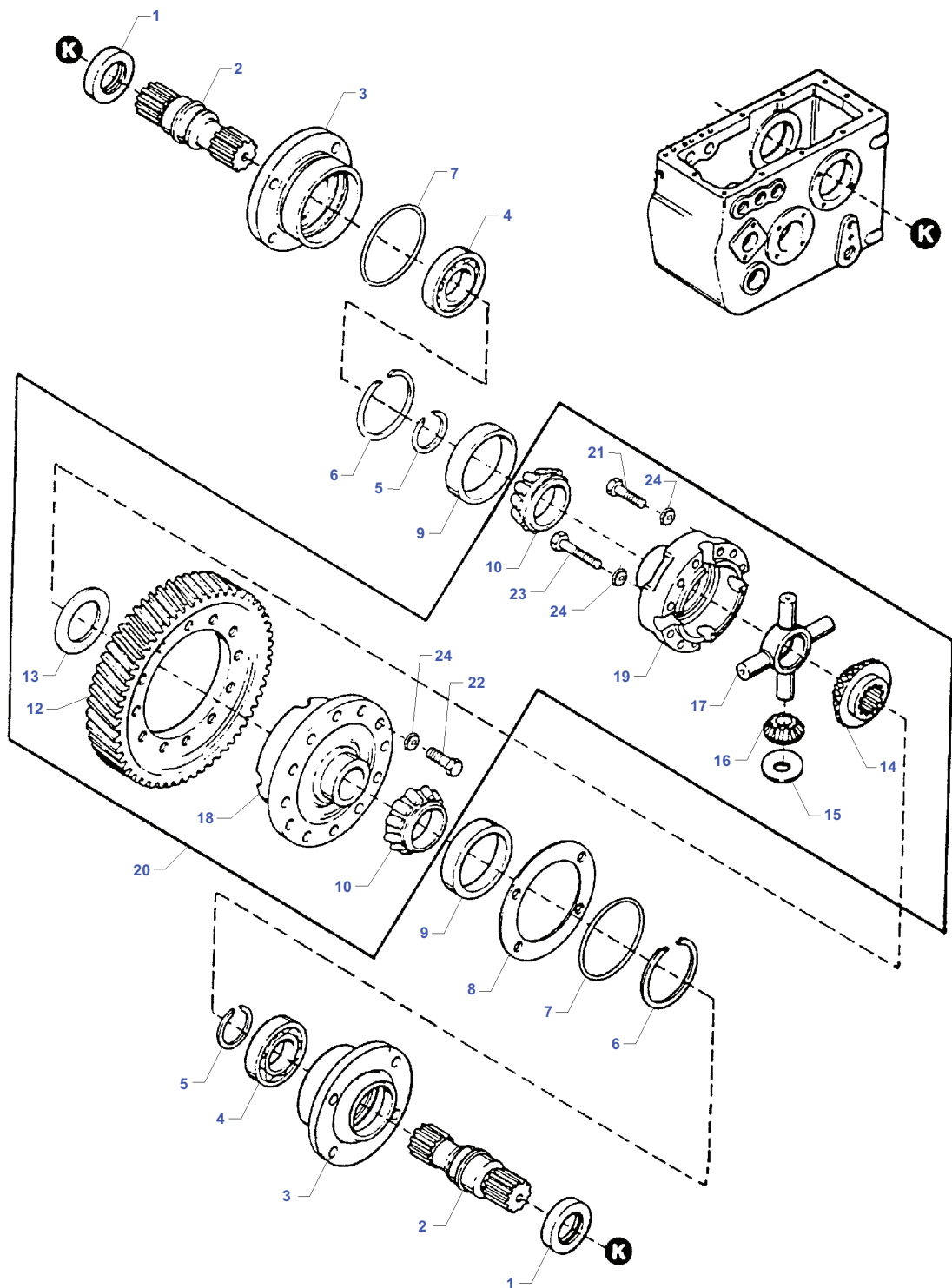


Item	Part Number	Qty	Description	Comments
1	D46140058	1	Gearbox	
	354276X1	4	Bolt Unc	1/2"-13 X 1-1/4
2	71377712	X	Shim	Thickness .05
	71377713	X	Shim	Thickness .0076
	71377714	X	Shim	Thickness .127
	71377715	X	Shim	Thickness .177
	71377716	X	Shim	Thickness .254
3	70923808	1	O Ring	
4	71162565	1	Oil Seal	
5	71377722	1	Bearing Cup	
6	71377723	1	Bearing Cone	
7	D46140064	1	Shaft	
8	71377416	1	Gear	
9	71160040	1	Collar	
10	71195328	1	Coupling	
11	71377711	1	Bush	
12	71377417	1	Gear	
14	71377535	1	Bearing	
15	71377534	1	Bearing	
16	71177386	1	Washer	
17	71183403	1	Capscrew	
21	71160303	1	Oil Seal	
	79014625	X	Loctite	
	79021648	X	Primer	
	79014628	X	Loctite	
22	71377549	1	Stem	
23	70917579	1	Ball	
24	71160067	1	Spring	
25	71300507	1	Fork	
26	70930798	1	Plug	
27	70923404	1	Pin	
28	71317628	1	Plug	
29	71184144	1	Ring	
30	71177385	1	Washer	
31	71160001	1	Bearing Cup	
32	70927952	1	Bearing Cone	
33	71377411	1	Gear	
35	71377412	1	Gear	
36	71377413	1	Gear	
37	71377414	1	Shaft	
38	70228509	1	Bearing Cone	
39	70230068	1	Cup	
40	71186745	X	Shim	Thickness 0.05
	71186746	X	Shim	Thickness 0.076
	71175961	X	Shim	Thickness 0.127
	71175962	X	Shim	Thickness 0.177
	71175963	X	Shim	Thickness 0.254
41	70923816	1	O Ring	
42	71377410	1	Retainer	
	353691X1	4	Bolt Unc	3/8"-16 X 1
43	354276X1	1	Bolt Unc	1/2"-13 X 1-1/4



Item	Part Number	Qty	Description	Comments
2	71184144	1	Ring	
3	71184133	X	Ring	Thickness 1.803
	71302467	X	Ring	Thickness 1.828
	71302468	X	Ring	Thickness 1.854
	71302469	X	Ring	Thickness 1.905
	71184134	X	Ring	Thickness 1.879
	71184135	X	Ring	Thickness .077
	71302471	X	Ring	Thickness 1.981
	79014628	2	Loctite	
	79021648	X	Primer	
	79014625	X	Loctite	
4	71160001	1	Bearing Cup	
5	70927952	1	Bearing Cone	
6	71178888	1	Spacer	
7	71377408	1	Gear	
8	71183839	2	Bush	
	71184140	4	Pin	
9	71160040	1	Collar	
10	71195328	1	Coupling	
11	71377407	1	Gear	
13	71377409	1	Shaft	
14	70234608	1	Bearing Cone	
15	70234607	1	Cup	
16	71186745	X	Shim	Thickness 0.05
	71186746	X	Shim	Thickness 0.076
	71175961	X	Shim	Thickness 0.127
	71175962	X	Shim	Thickness 0.177
	71175963	X	Shim	Thickness 0.254
17	70923816	1	O Ring	
18	71190292	1	Bearing Carrier	
	353691X1	4	Bolt Unc	3/8"-16 X 1
19	71162565	1	Oil Seal	
20	71160303	1	Oil Seal	
21	71377548	1	Rail	
22	70917579	1	Ball	
23	71160067	1	Spring	
24	70923404	1	Pin	
25	71300509	1	Fork	
26	70930798	1	Plug	

MF 7272/7274/7278 CERA COMBINE - 1637408
D-ABAA-002-A



Massey Ferguson**MF 7272/7274/7278 CEREAL COMBINE - 1637408**

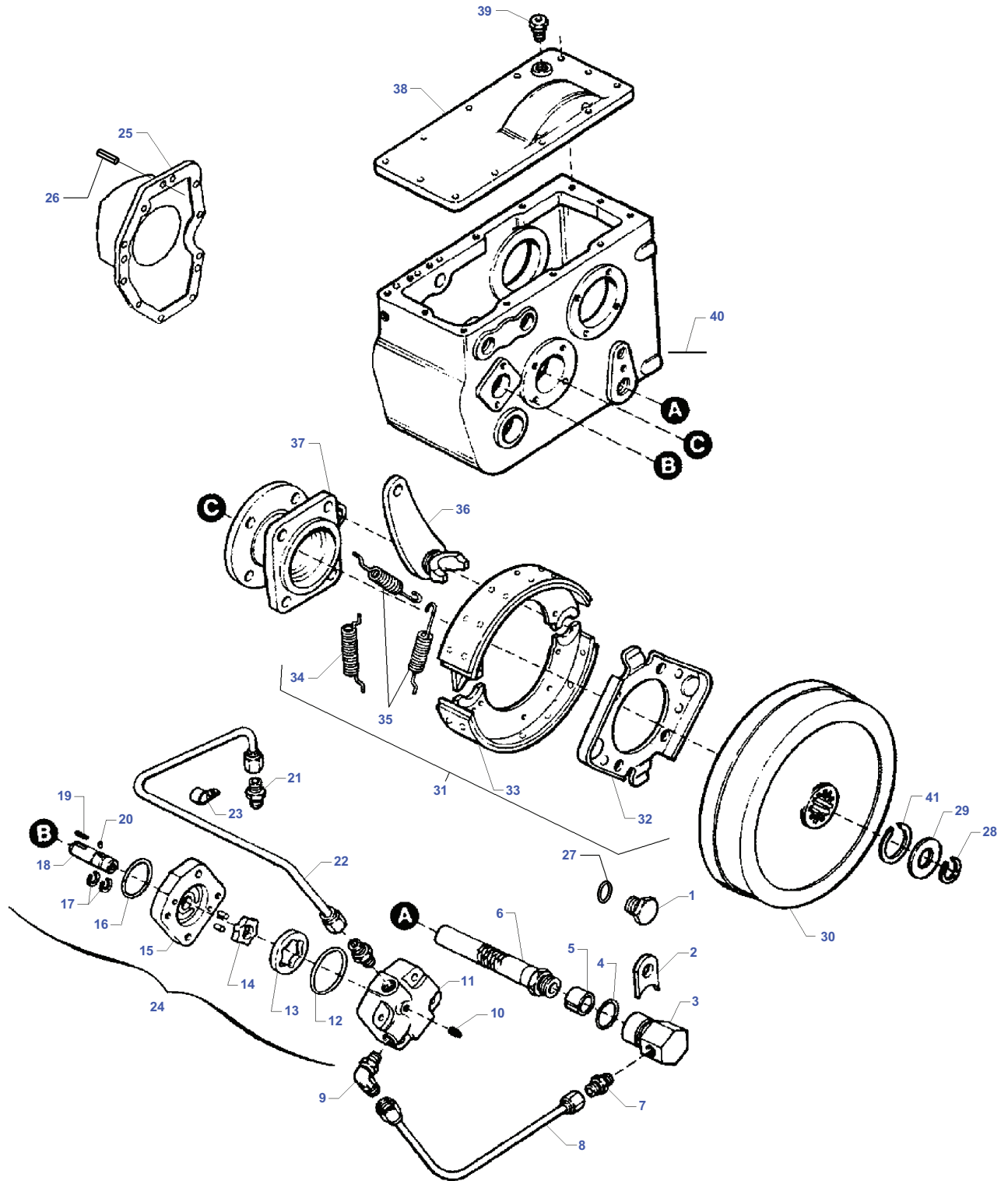
1637408

Differential - From 57564 - Gearbox D46140058

Page012-0012

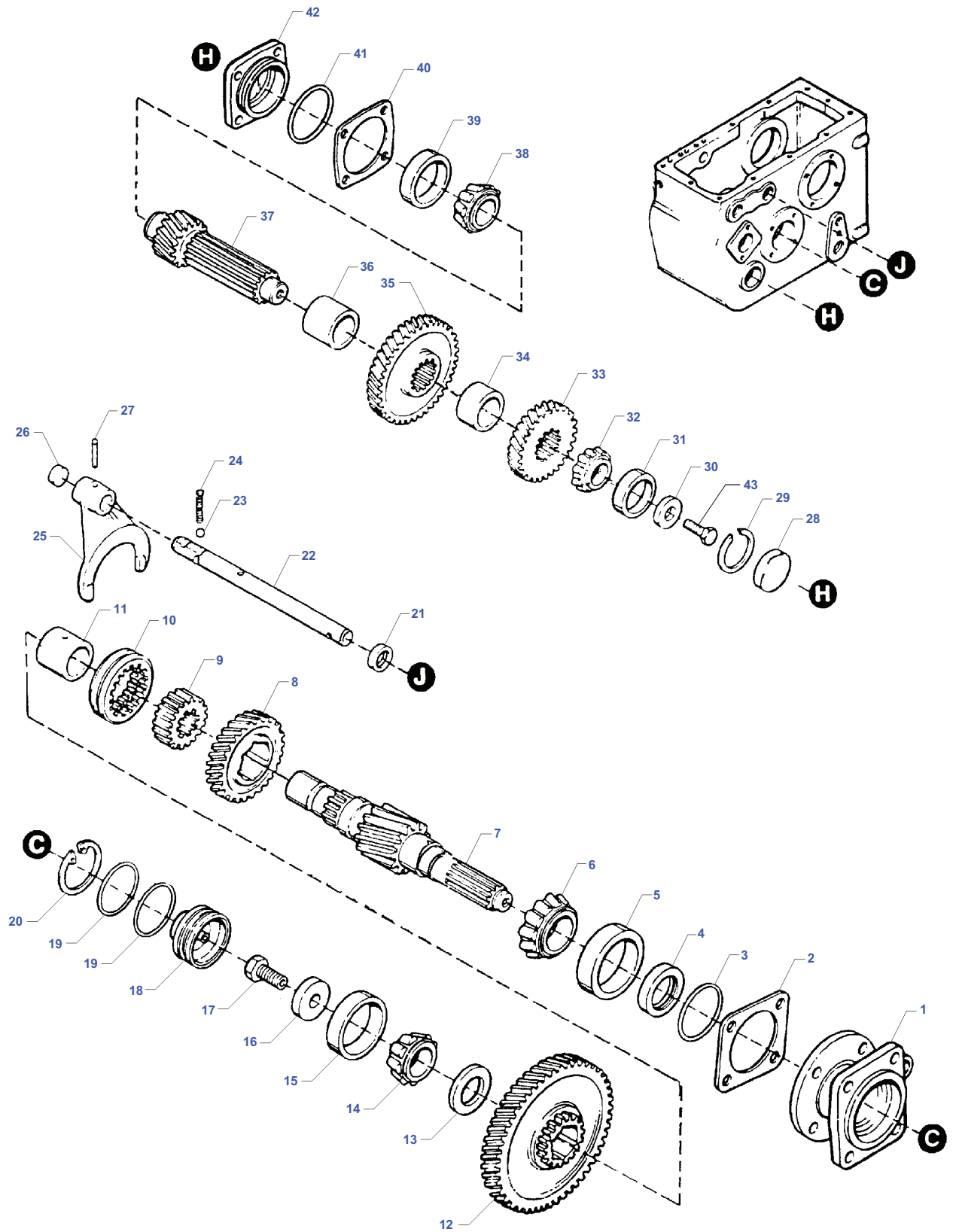
Item	Part Number	Qty	Description	Comments
1	71377724	2	Oil Seal	
2	71377547	2	Shaft	
3	71377707	2	Carrier	
	353727X1	12	Bolt Unc	5/8"-11 X 1-3/4
4	70042847	2	Ball Bearing	
5	71160055	2	Ring	
6	70927321	2	Ring	
7	70923594	2	O Ring	
8	71377717	X	Shim	Thickness .0050
	71377718	X	Shim	Thickness .0076
	71377719	X	Shim	Thickness .127
	71377720	X	Shim	Thickness .177
	71377721	X	Shim	Thickness .254
9	70930426	2	Cup	
10	70930424	2	Bearing Cone	
12	71398330	1	Gear	
13	71160085	2	Washer	
14	71344598	2	Gear	
15	71347782	4	Washer	
16	71344597	4	Pinion	
17	71347777	1	Spider	
18	71386867	1	Case	
19	71386866	1	Case	
20	71398327	1	Differential	
	79014625	X	Loctite	
	79021648	X	Primer	
	79014628	X	Loctite	
	71387506	1	Kit	
21	70927469	4	Capscrew	
22	70923154	4	Capscrew	1/2"-13 X 1-1/2
23	354661X1	8	Bolt Unc	1/2"-13 X 3-3/4
24	705541	16	Washer	1/2"

MF 7272/7274/7278 CEREА COMBINE - 1637408
D-ABZH-003-A



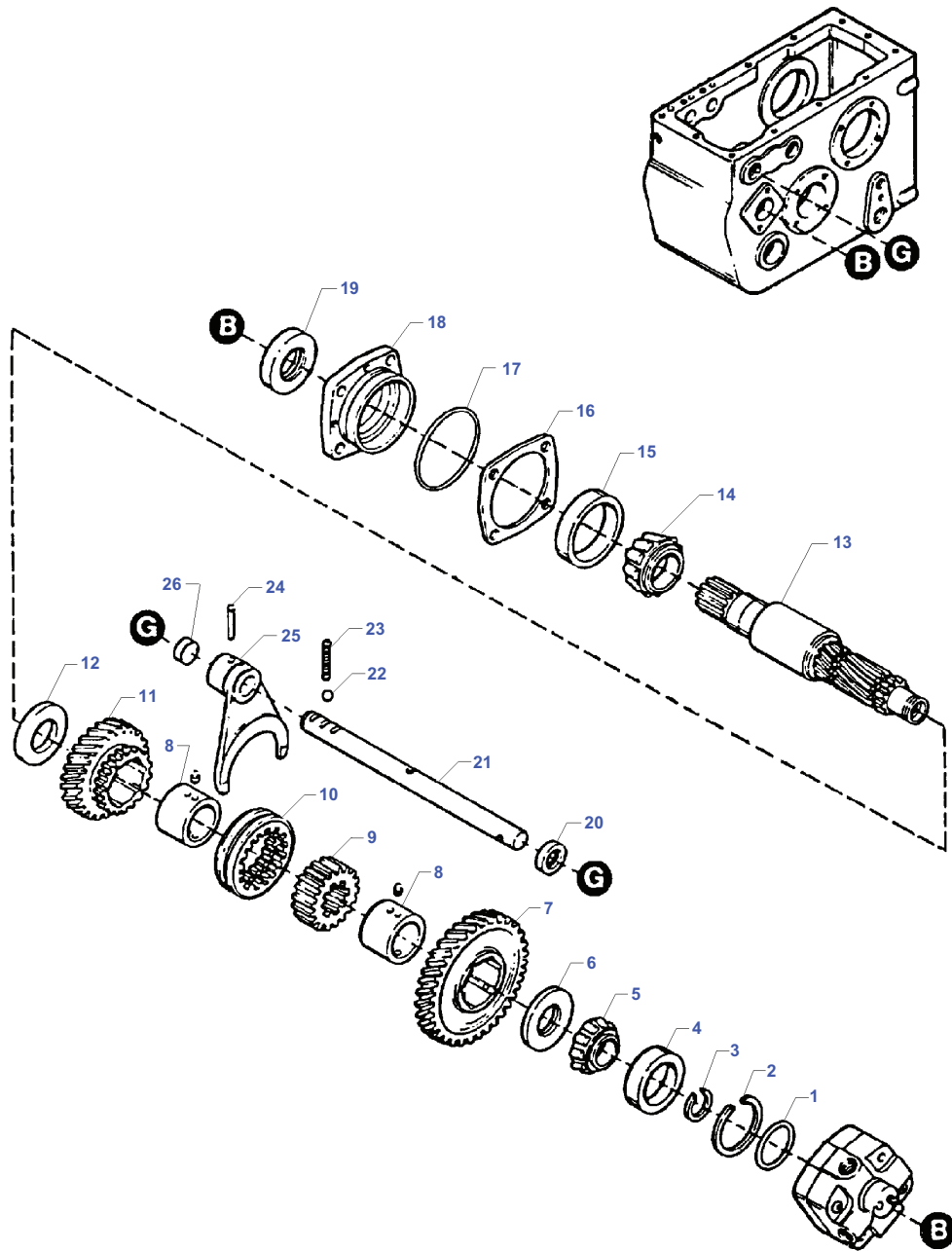
Item	Part Number	Qty	Description	Comments
1	70225441	1	Plug	
2	71183535	1	Retainer	
	70926115	1	Bolt	
	Y705046	1	Lock Washer	
3	71183536	1	Screen	
4	70925919	1	O Ring	
5	71183828	1	Magnet	
6	71183747	1	Screen	
7	70921409	1	Connectors	
8	71183750	1	Tube	
9	70921402	1	Elbow	
10	70901651	1	Plug	
11	71184147	1	Housing	
12	70924186	1	O Ring	
13	71335782	1	Rotor	
14	72017072	2	Pin	
15	71184148	1	Cover	
16	70930911	1	O Ring	
17	71335785	2	Ring	
18	71335783	1	Shaft	
19	71184145	1	Key	
20	71335784	1	Pin	
21	846634	2	Connector	
22	71373449	1	Tube Assy	
23	70930609	1	Clamp	
	70917379	1	Washer	
24	71183840	1	Hydraulic Pump	
	70921971	2	Capscrew	
25	D28185789	1	Housing	
26	70926551	3	Pin	
27	70226012	1	Gasket	
28	70932861	1	Ring	
29	70919393	1	Washer	
30	71183170	1	Brake Drum	
31	71171602	1	Brake	Repairs and replaces D28186128
32	71177930	1	Support	(31)
	354276X1	4	Bolt Unc	
	704031	4	Nut	
33	71379789	1	Kit, Shoe	(31)
34	74906602	1	Spring	(31)
	79014625	X	Loctite	
	79021648	X	Primer	
35	74906603	2	Spring	(31)
36	71171275	1	Lever	
37	71171269	1	Adaptor	
38	71169242	1	Cover	
	70921176	12	Capscrew	
39	71166154	1	Vent	
40	71398334	1	Housing	
41	70932862	1	Ring	

MF 7272/7274/7278 CEREА COMBINE - 1637408
D-ABZI-001-A



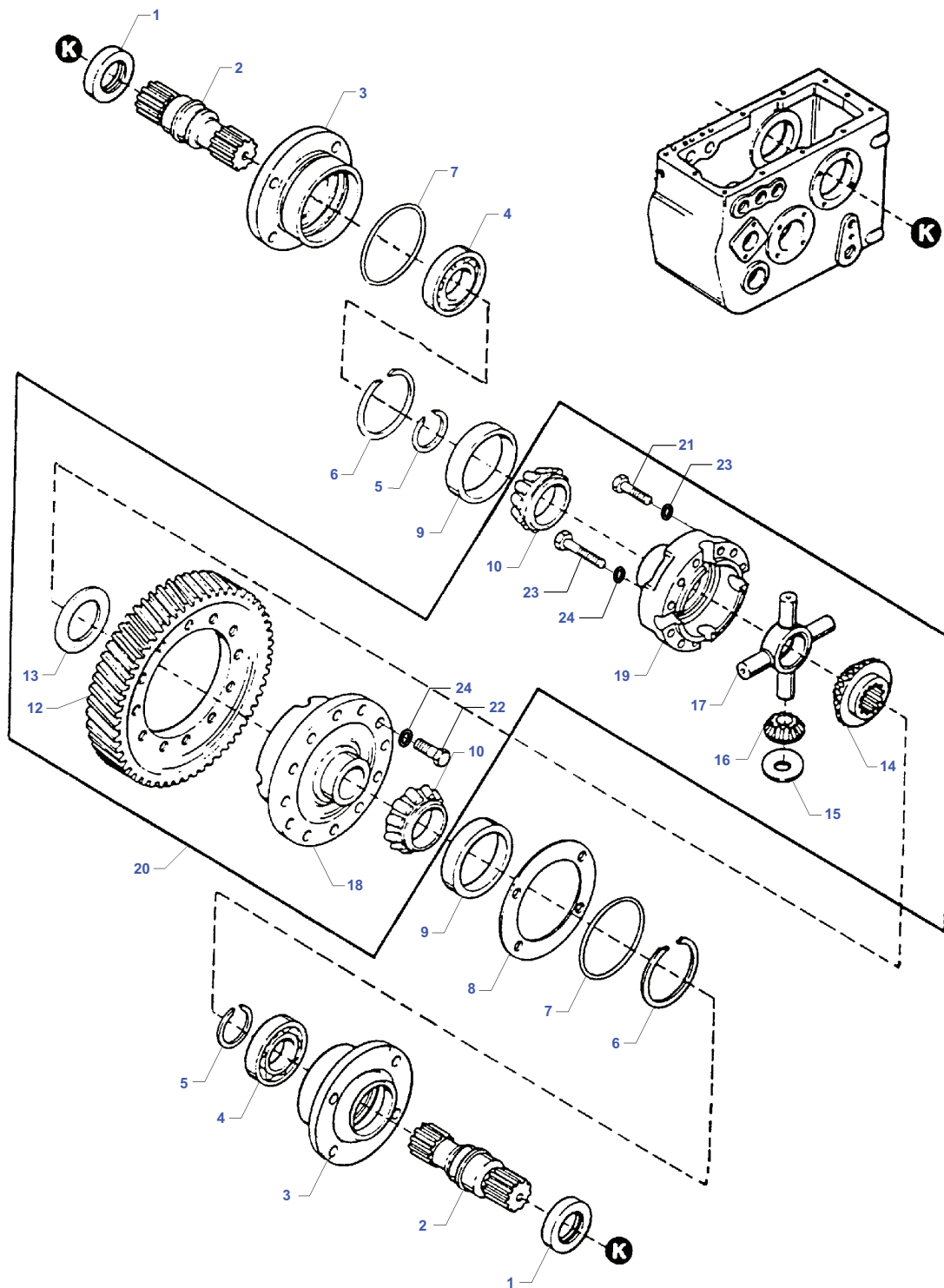
Item	Part Number	Qty	Description	Comments
1	71171269	1	Adaptor	
	70921176	4	Capscrew	
2	71186743	X	Shim	Thickness .002
	71186744	X	Shim	Thickness .003
	71166170	X	Shim	Thickness .005
	71166171	X	Shim	Thickness .007
	71166172	X	Shim	Thickness .010
3	70923816	1	O Ring	
4	71162565	1	Oil Seal	
5	71160044	1	Bearing Cup	
6	71160043	1	Bearing Cone	
7	71184656	1	Shaft	
8	71318842	1	Gear	
9	71160040	1	Collar	
10	71195328	1	Coupling	
11	71183530	1	Bush	
12	71369276	1	Gear	
13	71160022	1	Spacer	
14	70927090	1	Bearing	
15	70927091	1	Bearing	
16	71177386	1	Washer	
17	71183403	1	Capscrew	
18	71183737	1	Manifold	
19	70937004	2	O Ring	
20	700712375	1	Ring	
21	71160303	1	Oil Seal	
	79014625	X	Loctite	
	79021648	X	Primer	
	79014628	X	Loctite	
22	71318610	1	Rail	
23	70917579	1	Ball	
24	71160067	1	Spring	
25	71300507	1	Fork	
26	70930798	1	Plug	
27	70923404	1	Pin	
28	71317628	1	Plug	
29	71184144	1	Ring	
30	71177385	1	Washer	
31	71160001	1	Bearing Cup	
32	70927952	1	Bearing Cone	
33	71169156	1	Gear	
34	71169161	1	Spacer	
35	71169155	1	Gear	
36	71183735	1	Spacer	
37	71368368	1	Shaft	
38	70234608	1	Bearing Cone	
39	70234607	1	Cup	
40	71186741	X	Shim	Thickness .002
	71186742	X	Shim	Thickness .003
	71160011	X	Shim	Thickness .005
	71160012	X	Shim	Thickness .007
	71160013	X	Shim	Thickness .010
41	70923581	1	O Ring	
42	71160010	1	Retainer	
	70921210	4	Capscrew	
43	70921176	1	Capscrew	

MF 7272/7274/7278 CEREА COMBINE - 1637408
D-ABAZ-001-A



Item	Part Number	Qty	Description	Comments
1	70930911	1	O Ring	
2	71184144	1	Ring	
3	71184128	X	Ring	Thickness .056
	71184129	X	Ring	Thickness .059
	71184130	X	Ring	Thickness .062
	71184131	X	Ring	Thickness .065
	71184132	X	Ring	Thickness .068
	71184134	X	Ring	Thickness .074
	71184135	X	Ring	Thickness .077
	79014628	2	Loctite	
	79021648	X	Primer	
	79014625	X	Loctite	
4	71160001	1	Bearing Cup	
5	70927952	1	Bearing Cone	
6	71178888	1	Spacer	
7	71318846	1	Gear	
8	71183843	2	Bush	
	71184140	4	Pin	
9	71160019	1	Collar	
10	71195328	1	Coupling	
11	71318840	1	Gear	
12	71160022	1	Spacer	
13	71183841	1	Shaft	
14	70234608	1	Bearing Cone	
15	70234607	1	Cup	
16	71186745	X	Shim	Thickness .002
	71186746	X	Shim	Thickness .003
	71175961	X	Shim	Thickness .005
	71175962	X	Shim	Thickness .007
	71175963	X	Shim	Thickness .010
17	70923816	1	O Ring	
18	71190292	1	Bearing Carrier	
	70921210	4	Capscrew	
19	71162565	1	Oil Seal	
20	71160303	1	Oil Seal	
21	71338892	1	Rail	
22	70917579	1	Ball	
23	71160067	1	Spring	
24	70923404	1	Pin	
25	71300509	1	Fork	
26	70930798	1	Plug	

MF 7272/7274/7278 CEREА COMBINE - 1637408
D-ABAA-001-A



D-ABAA-001-A

Massey Ferguson**MF 7272/7274/7278 CEREAL COMBINE - 1637408**

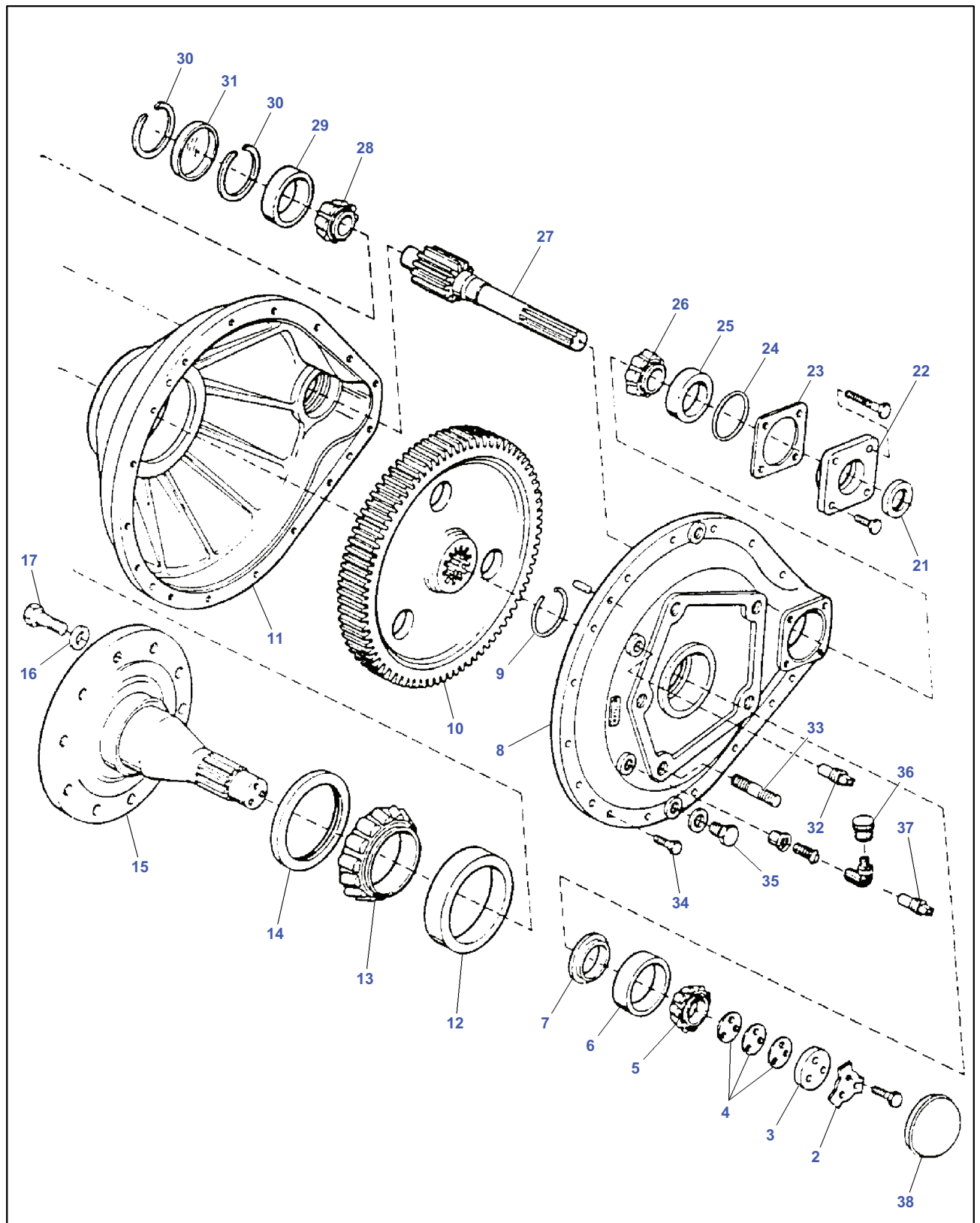
1637408

Differential - M.F 7278 - Gearbox D46140067 - Up To 57563

Page012-0016

Item	Part Number	Qty	Description	Comments
1	700717365	2	Oil Seal	
2	71162681	2	Shaft	
3	71170922	2	Carrier	
	70921176	8	Capscrew	
4	70042847	2	Ball Bearing	
5	71160055	2	Ring	
6	70927321	2	Ring	
7	70923819	2	O Ring	
8	71186747	X	Shim	Thickness .002
	71186748	X	Shim	Thickness .003
	71170923	X	Shim	Thickness .005
	71170924	X	Shim	Thickness .007
	71170925	X	Shim	Thickness .010
	71188575	X	Shim	Thickness .020
9	70930426	2	Cup	
10	70930424	2	Bearing Cone	
12	71398330	1	Gear	
13	71160085	2	Washer	
14	71344598	2	Gear	
15	71347782	4	Washer	
16	71344597	4	Pinion	
17	71347777	1	Spider	
18	71386867	1	Case	
19	71386866	1	Case	
20	71398327	1	Differential	
	79014625	X	Loctite	
	79021648	X	Primer	
	79014628	X	Loctite	
	71387506	1	Kit	
21	70927469	4	Capscrew	
22	70923154	4	Capscrew	
23	70926157	8	Bolt	
24	705541	16	Washer	

MF 7272/7274/7278 CERA COMBINE - 1637408
D-ABAB-008-B

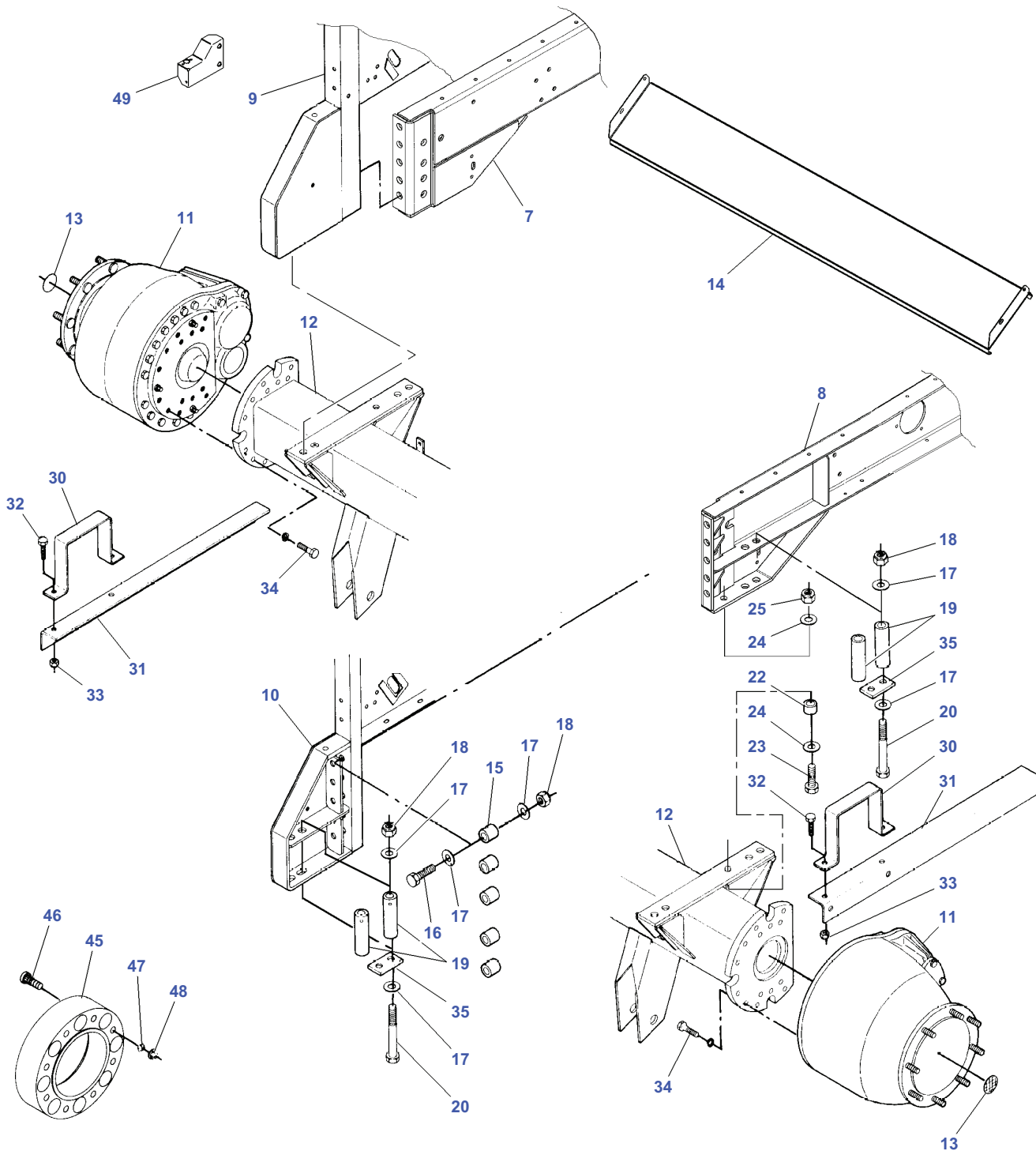


1

D-ABAB-008-B

Item	Part Number	Qty	Description	Comments
1	D46140066	2	Final Drive	
2	71304265	2	Plate	
3	70950388	3	Screw	
	71391572	2	Plate	
4	71304262	2	Shim	Thickness .005
	71304263	2	Shim	Thickness .007
	71304264	2	Shim	Thickness .010
5	70930884	2	Bearing Cone	
6	70930883	2	Bearing Cup	
7	71304266	2	Spacer	
8	71373573	2	Housing	
	70950386	14	Capscrew	
	LC2312031	X	Clear.Sil.310ml	
	70926551	6	Pin	
9	71304267	1	Ring	
10	71389647	2	Gear	
11	71334701	2	Housing	
12	7713860	2	Bearing Cup	
13	71314481	2	Bearing Cone	
14	7744477	2	Oil Seal	
	71370926	20	Spacer	
15	71327595	2	Axle	
16	705665	20	Washer	7/8"
17	70925806	20	Capscrew	
21	700717365	2	Oil Seal	
22	71304292	2	Retainer	
	70950377	4	Capscrew	
	70950417	4	Capscrew	
23	71166170	2	Shim	Thickness .127
	71166171	2	Shim	Thickness .178
	71166172	2	Shim	Thickness .254
24	70923816	2	O Ring	
25	71162782	2	Bearing Cup	
26	71162781	2	Bearing Cone	
27	71389646	2	Gear	
28	70210011	2	Cone	
29	70210012	2	Bearing Cup	
30	70933295	4	Ring	
31	71304271	2	Plug	
	355619X1	6	Washer	3/8"
	70950264	6	Capscrew	
32	71340437	2	Vent	
	71313115	2	Vent	
	70912094	2	Bush	
	70923690	2	Elbow	
33	71311546	4	Stud	
	70933817	4	Capscrew	
	71339238	4	Washer	
	70933813	4	Nut	
	79021648	X	Primer	
	70936750	X	Loctite	
34	71183757	4	Gasket	
35	71369299	4	Plug	
36	71312323	2	Cap	
	70901480	2	Nipple	
	70921419	2	Elbow	
	70901840	2	Bush	
37	3008469	2	Plug	Replace and repair. Old not interchangeable with new 70904224
38	71304261	2	Cap	

MF 7272/7274/7278 CEREAL COMBINE - 1637408
D-ABZV-003-A



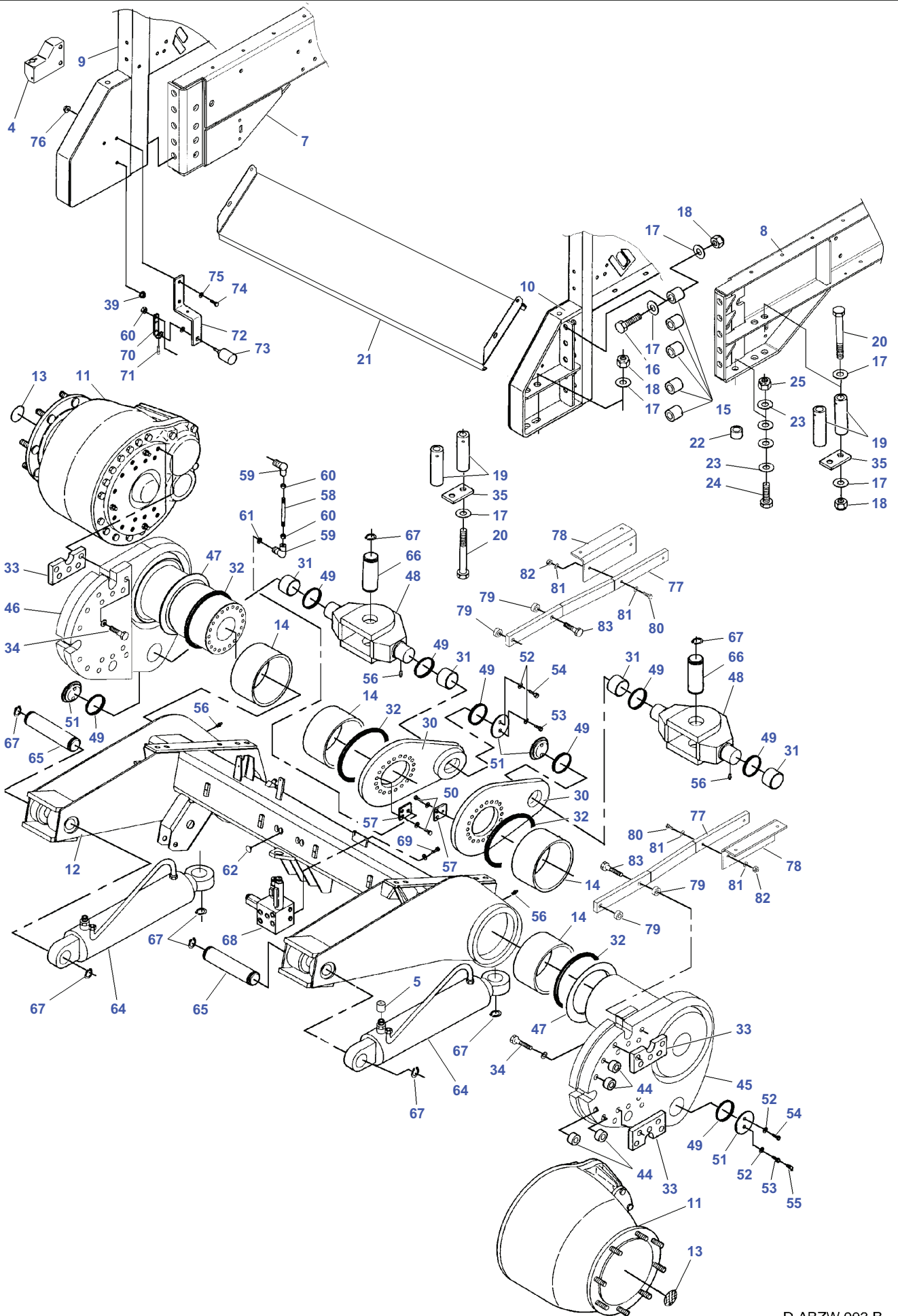
D-ABZV-003-A

Item	Part Number	Qty	Description	Comments
7	D28181859	1	Side	Right Hand
8	D28181858	1	Side	Left Hand
9	D28185913	1	Side	Right Hand
10	D28185911	1	Plate	Left Hand
11	D46140045	2	Final Drive	See Page - Reference Number 012-0026
12	D28180990	1	Front Axle	
13	D45085400	2	Reflector	
14	D28380176	1	Plate	Up to Serial or Engine Number 57722
	D28186451	1	Plate	From Serial or Engine Number 57723
15	D28180088	10	Spacer	
16	D40437200	10	Screw	
17	D20400437	12	Washer	
18	3010067X1	4	Locknut	M20
19	D28180058	4	Pipe	
20	D40437800	4	Screw	
22	D28180059	2	Pipe	
23	D40437400	2	Screw	
24	D20400437	4	Washer	
25	3010067X1	2	Locknut	M20
30	D28181115	2	Support	[D]
31	D28181116	2	Reinforcement	[D]
32	339214X1	4	Hex. Sock. Screw	[D] M16 X 50
33	1442739X1	4	Locknut	[D] M16
34	339881X1	X	Hex. Sock. Screw	M16 X 60
35	D28181161	2	Bracket	
45	D28151064	1	Spacer	[C]
46	D46113300	8	Bolt	[C]
47	D41110300	8	Spring Washer	[C]
48	D41020000	8	Nut	[C] M22
49	D28185998	1	Bracket	

FOOTNOTE [C] WHEELS 30.5 LR32 FOR TRACTION

FOOTNOTE [D] MAIZE EQUIPMENT

MF 7272/7274/7278 CERA COMBINE - 1637408
D-ABZW-003-B



D-ABZW-003-B

Item	Part Number	Qty	Description	Comments
4	D28185998	1	Bracket	
5	D45100001	2	Non Return Valve	
7	D28181859	1	Side	Right Hand
8	D28181858	1	Side	Left Hand
9	D28185913	1	Side	Right Hand
10	D28185911	1	Plate	Left Hand
11	D46140045	2	Final Drive	See Page - Reference Number 012-0026
12	D28181632	1	Front Axle	
13	D45085400	2	Reflector	
14	D43338500	4	Casing	
15	D28180088	10	Spacer	
16	D40437200	10	Screw	
17	D20400437	36	Washer	
18	3010067X1	18	Locknut	M20
19	D28180058	4	Pipe	
20	D40437800	4	Screw	
21	D28380176	1	Plate	Up to Serial or Engine Number 57722
	D28186451	1	Plate	From Serial or Engine Number 57723
22	D28180059	2	Pipe	
23	D20400437	4	Washer	
24	D40437200	2	Screw	
25	3010067X1	2	Locknut	M20
30	D28181802	2	Arm	
31	D43338600	4	Bush	
32	D45479600	4	Ring	
33	D28181872	4	Spacer	Valid from machine/table no,can be used in new as well as in older machines 58395
34	D40434000	28	Screw	
35	D28181161	4	Bracket	
39	1440329X1	1	Locknut	M10
44	D28181873	8	Spacer	Valid from machine/table no,can be used in new as well as in older machines 58395
45	D28181630	1	Flange	Left Hand
46	D28181625	1	Flange	Right Hand
47	D28181652	2	Spacer	
48	D28181799	2	Yoke	
49	D45479200	8	Ring	
50	3009509X1	40	Hex. Sock. Screw	M12 X 45
51	D28181676	4	Cover	
52	D20400471	8	Washer	
53	339124X1	4	Hex. Sock. Screw	M8 X 16
54	3009492X1	4	Hex. Sock. Screw	M10 X 25
55	D43001700	4	Greaser	
56	1441858X1	8	Grease Nipple	
57	D28181624	2	Bracket	
58	D28784450	2	Stay	
59	D46437300	4	Toggle	
60	D41010600	4	Nut	M6
61	D20400453	2	Washer	
62	D45743900	4	Plug	
64	D45110092	2	Kit, Seal	
65	D28181647	2	Bolt	
66	D28181648	2	Bolt	
67	391129X1	8	Circlip	
68	D45110094	1	Pressure Valve	CPL.
69	339761X1	2	Hex. Sock. Screw	M8 X 25
70	D28284361	2	Connecting Link	
71	339560X1	2	Hex. Sock. Screw	M6 X 16
72	D28181653	2	Retainer	
73	D28780523	2	Potentiometer	
74	3009493X1	4	Hex. Sock. Screw	M10 X 30
75	D20400471	4	Washer	
76	1440329X1	4	Locknut	M10
77	D28181737	2	Scraper	[A]

Massey Ferguson**MF 7272/7274/7278 CEREAL COMBINE - 1637408**

1637408

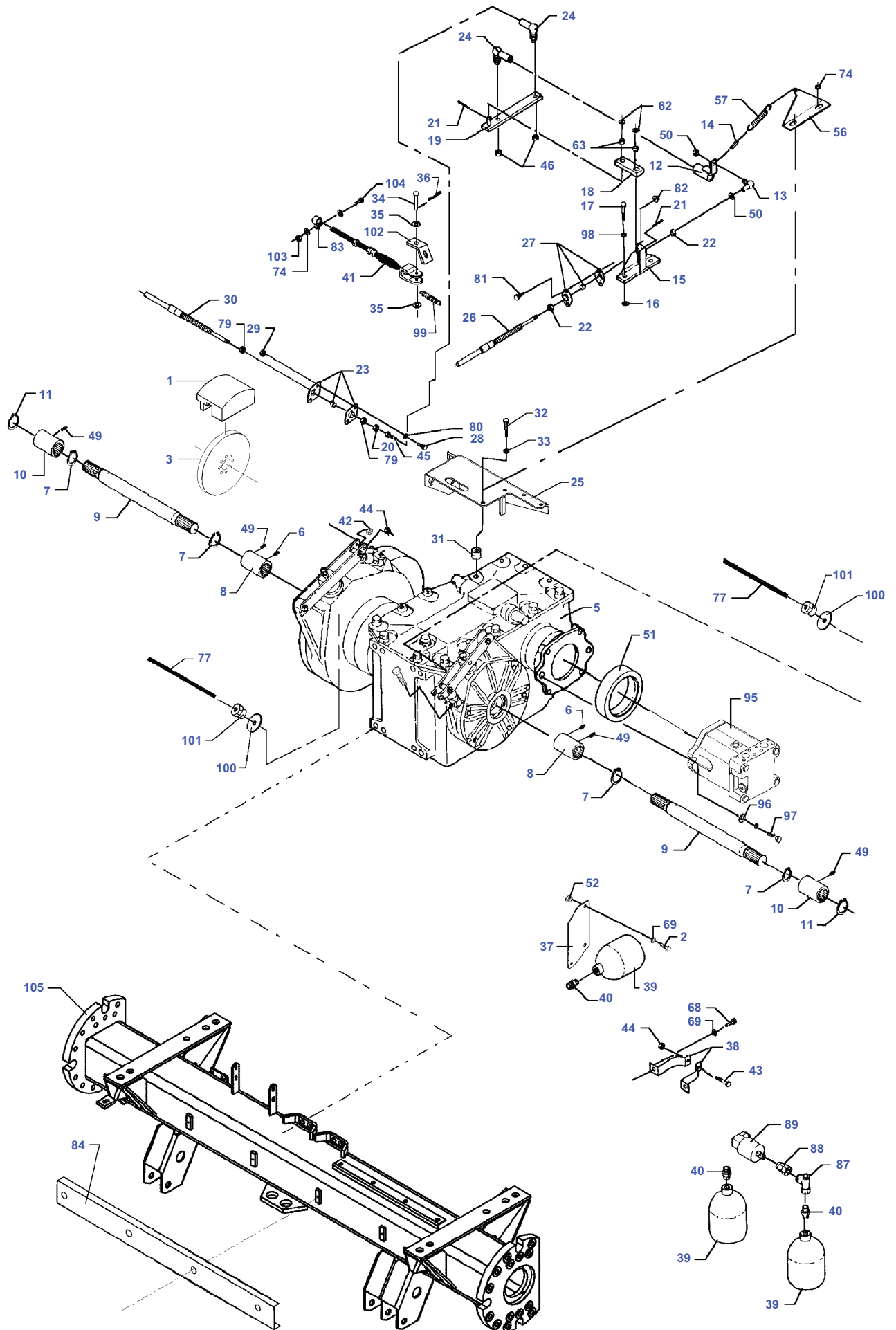
Final Drives - Auto Level - M.F 7272 CEREAL

Page012-0019

Item	Part Number	Qty	Description	Comments
78	D28181738	2	Scraper	[A]
79	D28181736	4	Wheel	[A]
80	391561X1	4	Hex. Sock. Screw	[A] M10 X 45
81	D20400471	8	Washer	[A]
82	1440329X1	4	Locknut	[A] M10
83	D40434600	4	Hex. Sock. Screw	[A] M16 X 110

FOOTNOTE [A] MAIZE EQUIPMENT

MF 7272/7274/7278 CEREAL COMBINE - 1637408
D-ABZC-010-A



D-ABZC-010-A

Item	Part Number	Qty	Description	Comments
1	D46140016	2	Kit, Brake	
2	3009493X1	2	Hex. Sock. Screw	M10 X 30
3	D46140009	2	Brake Disc	
5	D46148600	1	Gearbox	
6	3008923X1	2	Nipple	
7	1440478X1	4	Circlip	
8	D46148900	2	Sleeve	
9	D46148700	2	Shaft	
10	D46148800	2	Sleeve	
11	D42509500	2	Circlip	
12	D28181748	1	Lever	
13	D46437400	1	Toggle	
14	391290X1	1	Pin	Diameter 5 X 30
15	D28181749	1	Plate	
16	D20400471	2	Washer	
17	D40439300	2	Screw	
18	D28980354	1	Lever	
19	D28980796	1	Arm	
20	D41010600	2	Nut	M6
21	339129X1	2	Split Pin	Diameter 3,2 X 25
22	D46431700	2	Nut	
23	D46434800	2	Toggle	
24	D46436200	2	Toggle	
25	D28181746	1	Support	
26	D46439400	1	Cable	Length 3800 mm
27	D46431600	1	Toggle	
28	339666X1	5	Hex. Sock. Screw	M6 X 20
29	1441462X1	5	Locknut	M6
30	D46439500	1	Cable	
31	D28250794	4	Spacer	
32	D40439300	4	Screw	
33	D20400471	4	Washer	
34	D28180838	1	Clevis Pin	
35	D20400507	2	Spacer	
36	354050X1	2	Split Pin	3/32" X 1
37	D28782136	1	Plate	
38	D28752408	6	Support	
39	D45100300	3	Accumulator	
40	D45250500	3	Union	
41	D45925300	1	Cable	
42	339169X1	2	Nut	M8
43	D40405600	3	Setscrew	
44	394367X1	5	Locknut	M8
45	D28760913	2	Bolt	
46	339402X1	3	Nut	M10
49	1441858X1	2	Grease Nipple	
50	D41010500	2	Nut	
51	D46147700	1	Ring	
52	1440329X1	X	Locknut	M10
56	D28780870	1	Bracket	
57	D28710853	1	Spring	
62	D20400537	2	Spacer	
63	D43360500	2	Bush	
68	3009491X1	4	Hex. Sock. Screw	M10 X 20
69	D20400415	4	Washer	
74	D20400471	3	Washer	
77	D28981336	2	Tube	
79	D46434600	2	Nut	M12
80	391038X1	2	Washer	
81	339560X1	2	Hex. Sock. Screw	M6 X 16
82	1441462X1	2	Locknut	M6
83	D45730400	1	Clamp	
84	D28482117	1	Cowl	[A] Valid from machine/table no,can be used in new as well as in older machines 56915
87	D45266300	1	Union	[B]
88	D45277000	1	Connector	[B]

Massey Ferguson**MF 7272/7274/7278 CEREAL COMBINE - 1637408**

1637408

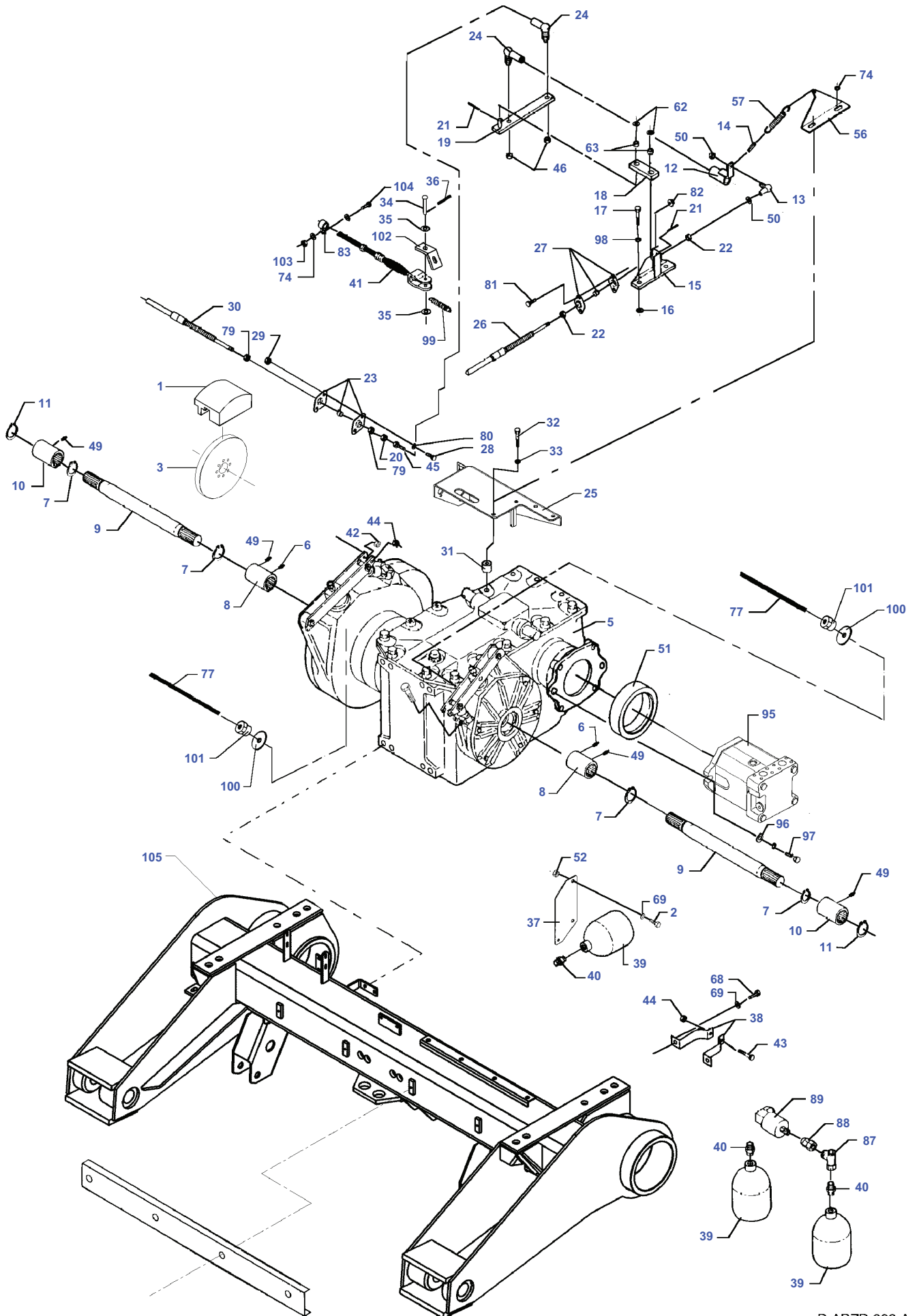
Front Axle And Gearbox - Standard Combine - M.F 7272 CEREAL

Page012-0020

Item	Part Number	Qty	Description	Comments
89	D28781255	1	Sensor	[B]
95	D45165100	1	Hydraulic Motor	
96	339214X1	2	Hex. Sock. Screw	M16 X 50
97	D28181284	2	Washer	
98	D20400415	2	Washer	
99	D28710853	1	Spring	
100	D45711200	2	Gasket	
101	D45714600	2	Adaptor	
102	D28120328	2	Retainer	
103	1441462X1	1	Locknut	M6
104	391884X1	X	Hex. Sock. Screw	M6 X 50
105	D28180990	1	Front Axle	

FOOTNOTE [A] OPTIONAL EQUIP. ELECT. REVERSING**FOOTNOTE [B]** OPTIONAL EQUIPMENT STANDARD COMBINE, STANDARD EQUIPMENT AUTO LEVEL
COMBINE,SLOPES

MF 7272/7274/7278 CERA COMBINE - 1637408
D-ABZD-009-A



D-ABZD-009-A

Item	Part Number	Qty	Description	Comments
1	D46140016	2	Kit, Brake	
2	3009493X1	2	Hex. Sock. Screw	M10 X 30
3	D46140009	2	Brake Disc	
5	D46148600	1	Gearbox	
6	3008923X1	2	Nipple	
7	1440478X1	4	Circlip	
8	D46148900	2	Sleeve	
9	D46148700	2	Shaft	
10	D46148800	2	Sleeve	
11	D42509500	2	Circlip	
12	D28181748	1	Lever	
13	D46437400	1	Toggle	
14	391290X1	1	Pin	Diameter 5 X 30
15	D28181749	1	Plate	
16	D20400471	2	Washer	
17	D40439300	2	Screw	
18	D28980354	1	Lever	
19	D28980796	1	Arm	
20	D41010600	2	Nut	M6
21	339129X1	2	Split Pin	Diameter 3,2 X 25
22	D46431700	2	Nut	
23	D46434800	2	Toggle	
24	D46436200	2	Toggle	
25	D28181746	1	Support	
26	D46439400	1	Cable	Length 3800 mm
27	D46431600	1	Toggle	
28	339666X1	5	Hex. Sock. Screw	M6 X 20
29	1441462X1	5	Locknut	M6
30	D46439500	1	Cable	
31	D28250794	4	Spacer	
32	D40439300	4	Screw	
33	D20400471	4	Washer	
34	D28180838	1	Clevis Pin	
35	D20400507	2	Spacer	
36	354050X1	2	Split Pin	3/32" X 1
37	D28782136	1	Plate	
38	D28752408	6	Support	
39	D45100300	3	Accumulator	
40	D45250500	3	Union	
41	D45925300	1	Cable	
42	339169X1	2	Nut	M8
43	D40405600	3	Setscrew	
44	394367X1	5	Locknut	M8
45	D28760913	2	Bolt	
46	339402X1	3	Nut	M10
49	1441858X1	2	Grease Nipple	
50	D41010500	2	Nut	
51	D46147700	1	Ring	
52	1440329X1	X	Locknut	M10
56	D28780870	1	Bracket	
57	D28710853	1	Spring	
62	D20400537	2	Spacer	
63	D43360500	2	Bush	
68	3009491X1	4	Hex. Sock. Screw	M10 X 20
69	D20400415	4	Washer	
74	D20400471	3	Washer	
77	D28981336	2	Tube	
79	D46434600	2	Nut	M12
80	391038X1	2	Washer	
81	339560X1	2	Hex. Sock. Screw	M6 X 16
82	1441462X1	2	Locknut	M6
83	D45730400	1	Clamp	
87	D45266300	1	Union	[B]
88	D45277000	1	Connector	[B]
89	D28781255	1	Sensor	[B]
95	D45165100	1	Hydraulic Motor	
96	339214X1	2	Hex. Sock. Screw	M16 X 50
97	D28181284	2	Washer	
98	D20400415	2	Washer	
99	D28710853	1	Spring	
100	D45711200	2	Gasket	

Massey Ferguson

MF 7272/7274/7278 CEREAL COMBINE - 1637408

1637408

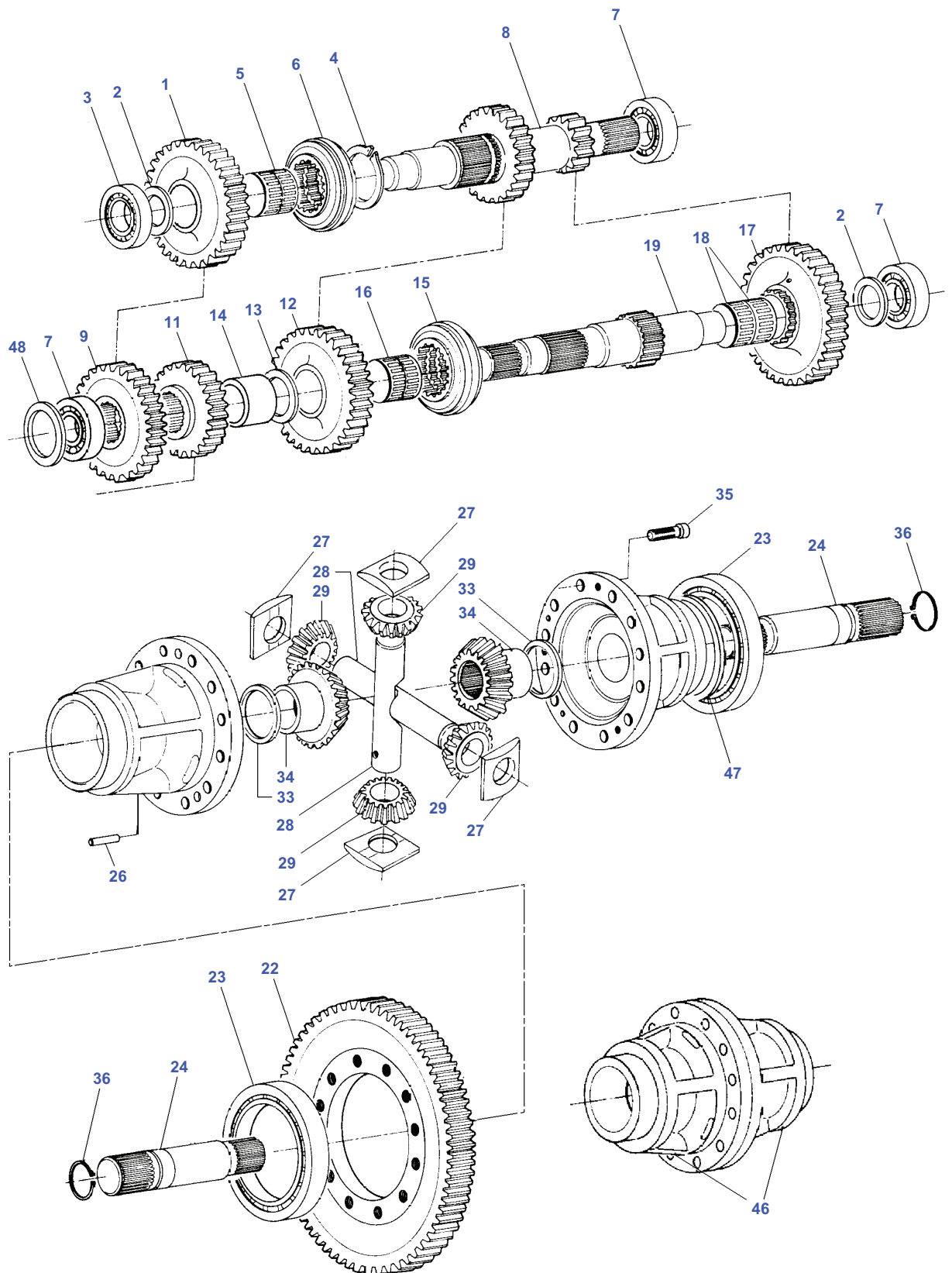
Front Axle And Gearbox - Auto Level - M.F 7272 CEREAL

Page012-0021

Item	Part Number	Qty	Description	Comments
101	D45714600	2	Adaptor	
102	D28120328	1	Retainer	
103	1441462X1	X	Locknut	M6
104	391884X1	X	Hex. Sock. Screw	M6 X 50
105	D28181632	1	Front Axle	

FOOTNOTE [B] OPTIONAL EQUIPMENT STANDARD COMBINE, STANDARD EQUIPMENT AUTO LEVEL COMBINE,SLOPES

MF 7272/7274/7278 CERA COMBINE - 1637408
D-ABXZ-001-A

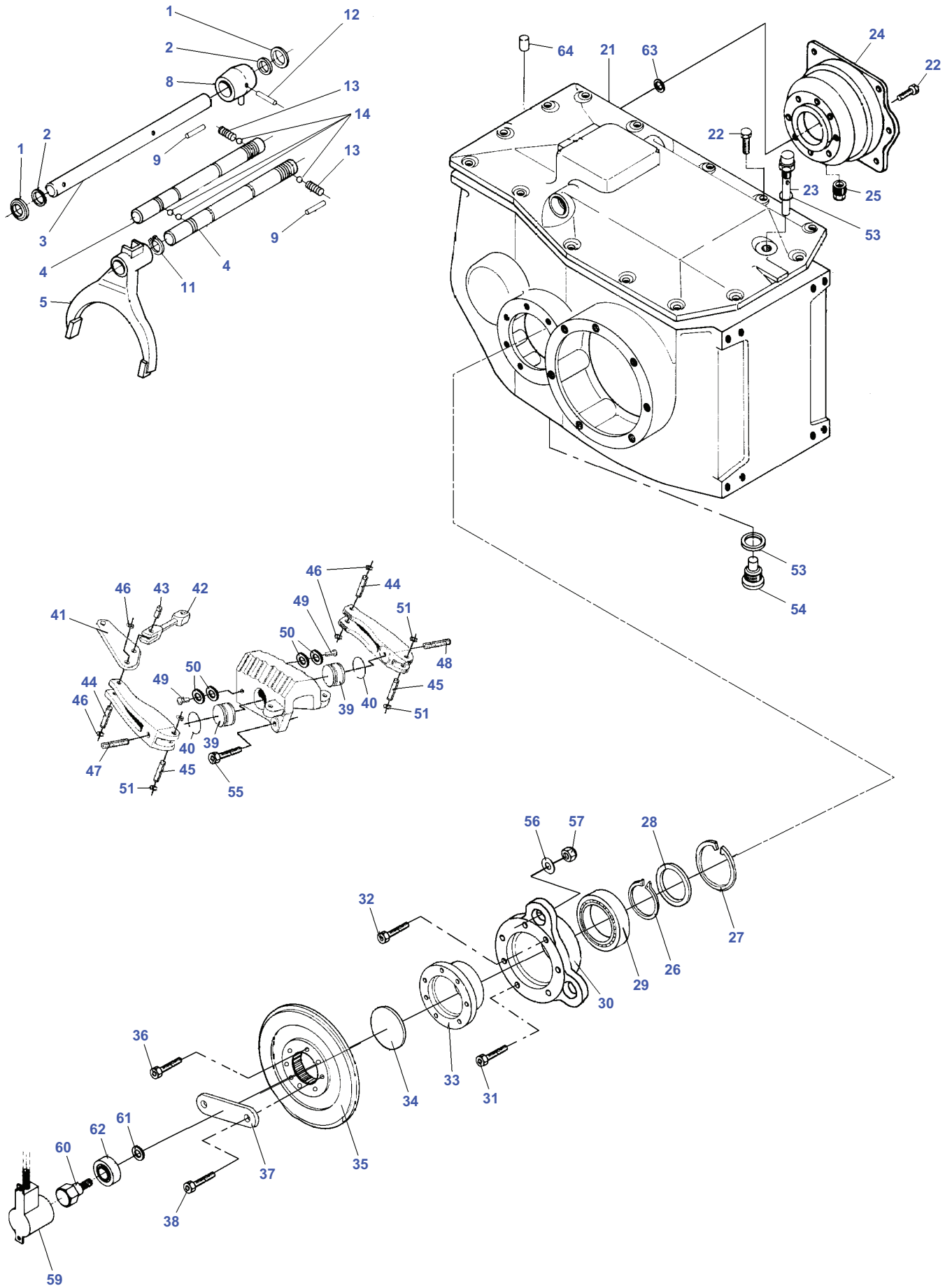


D-ABXZ-001-A

Item	Part Number	Qty	Description	Comments
1	D46100696	1	Gear	
2	D41651500	2	Washer	
3	D41637000	1	Bearing Taper	
4	D42508900	1	Circlip	
5	D41650000	1	Bearing Needle	
6	D46100701	1	Sleeve	
7	D41636600	3	Bearing Taper	
8	D46100703	1	Shaft	
9	D46100704	1	Gear	
11	D46100705	1	Gear	
12	D46100706	1	Gear	
13	D41651600	1	Washer	
14	D46100708	1	Spacer	
15	D46100709	1	Sleeve	
16	D41650200	1	Bearing Needle	
17	D46100711	1	Gear	
18	D41650100	2	Bearing Needle	
19	D46100713	1	Shaft	
22	D46100714	1	Gear	
23	D41614400	2	Ball Bearing	
24	D46140013	2	Shaft	
26	391290X1	2	Pin	Diameter 5 X 30
27	D46100718	4	Washer	
28	D46100719	2	Clevis Pin	
29	D46100720	4	Drive Pinion	
33	D46100722	2	Washer	
34	D46100723	2	Gear	
35	D40900086	12	Screw	
36	1440478X1	2	Circlip	
46	D46100725	1	Housing	
47	D46173700	X	Spacer	[A]
	D46173800	X	Spacer	[A]
48	D46173500	X	Spacer	[A]
	D46173600	X	Spacer	[A]

FOOTNOTE [A] OPTIONAL

MF 7272/7274/7278 CERA COMBINE - 1637408
D-ABXA-001-A

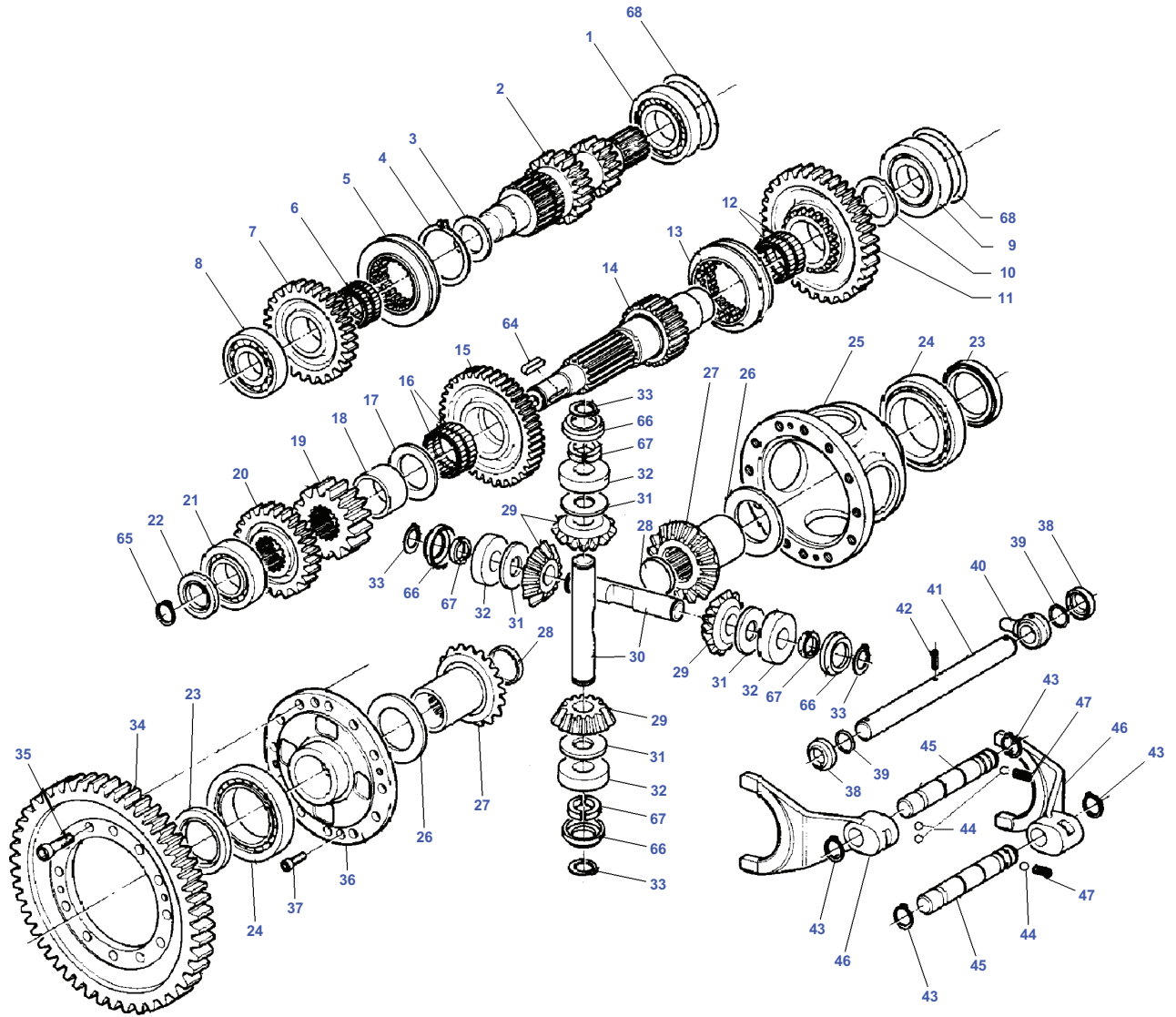


D-ABXA-001-A

Item	Part Number	Qty	Description	Comments
1	D45405900	2	Seal	
2	D45462700	2	O Ring	
3	D46100728	1	Shaft	
4	D46100729	2	Shaft	
5	D46100730	2	Fork	
8	D46100731	1	Hub	
9	390215X1	2	Pin	Diameter 3 X 20
11	D46100357	4	Circlip	
12	391018X1	1	Pin	Diameter 5 X 36
13	D46100735	2	Spring	
14	D46100736	4	Ball	
21	D46140010	1	Cover	
22	D40439300	27	Screw	
23	D46100739	1	Screw	
24	D46148100	1	Flange	
25	D45236500	1	Plug	
26	391129X1	1	Circlip	
27	339437X1	1	Circlip	
28	D45418600	1	Gasket	
29	391347X1	1	Bear. 6010 2rs	
30	D46140015	1	Bearing Carrier	
31	D40699500	4	Screw	
32	D40692700	3	Screw	
33	D46140007	1	Flange	
34	D46140006	1	Plug	
35	D46140008	1	Brake Disc	
36	D40692200	6	Screw	
37	D40692300	2	Screw	
38	D28181757	1	Threaded Part	
39	D46140017	1	Kit, Brake	
	D46140018	2	Brake Lining	(39)
40	D46140025	2	Ring	(39)
41	D46140019	1	Brake Lever	(39)
42	D46140020	1	Yoke	(39)
43	D46140021	1	Pin	(39)
44	D46140022	2	Journal	(39)
45	D46140023	2	Journal	(39)
46	D42555200	4	Circlip	(39)
47	D40634500	1	Pin	(39)
48	D40634600	1	Pin	(39)
49	D46140024	2	Sleeve	(39)
50	D45713800	4	Washer	(39)
51	D42555400	4	Circlip	(39)
53	D45201900	1	Washer	
54	D46100764	1	Plug	
55	D40699600	2	Screw	
56	D20400471	2	Washer	
57	1440329X1	2	Locknut	M10
59	D28780514	1	Sensor	
60	D28780516	1	Inductive Sensor	
61	D20400419	1	Washer	
62	1440487X1	1	Bear. 6203 2rs	
63	D46173300	X	Spacer	[A]
	D46173400	X	Spacer	[A]
64	D46134000	2	Pin	

FOOTNOTE [A] OPTIONAL

MF 7272/7274/7278 CERA COMBINE - 1637408
D-ABXB-003-A



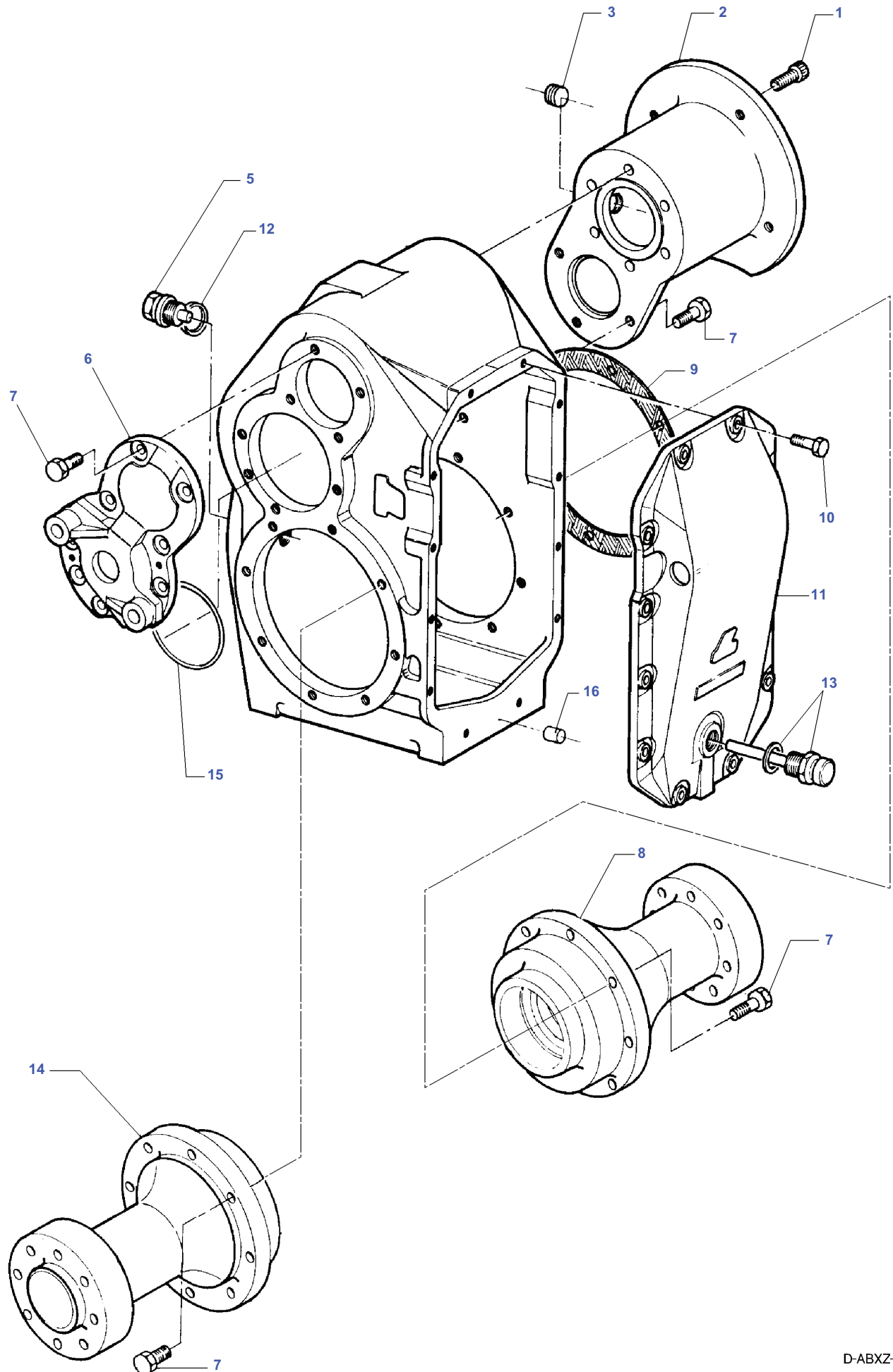
D-ABXB-003-A

Gear Box Front Axle - M.F 7272 CEREAL

Item	Part Number	Qty	Description	Comments
1	339818X1	1	Bear. 6208	
2	D46174000	1	Drive Shaft	
3	D41651300	1	Disc	
4	339470X1	1	Circlip	
5	D46143200	1	Thimble	
6	D41650400	1	Bearing Needle	
7	D46145500	1	Pinion	
8	1440508X1	1	Bear. 6306	
9	D41637200	1	Bearing Taper	
10	D41651400	1	Washer	
11	D46142800	1	Gear	
12	D41650300	2	Bearing Needle	
13	D46143100	1	Sleeve	
14	D46143500	1	Shaft	
15	D46174200	1	Pinion	
16	D41650000	2	Bearing Needle	
17	D41651500	1	Washer	
18	D46140005	1	Spacer	
19	D46140004	1	Gear	
20	D46145400	1	Pinion	
21	D41636900	1	Bearing Taper	
22	D45419700	1	Gasket	
23	D45409700	2	Gasket	
24	D41662000	2	Bearing Roller	
25	D46144500	1	Housing	
26	D46144000	2	Ring	
27	D46145000	2	Pinion	
28	D46143900	2	Plug	
29	D46144900	4	Pinion	
30	D46174400	2	Bolt	
31	D46144100	4	Washer	
32	D46145200	4	Ring	
33	D42502000	4	Circlip	
34	D46140003	1	Gear	
35	D40607100	12	Screw	
36	D46144800	1	Flange	
37	D40688400	2	Screw	
38	D45405900	2	Seal	
39	D45462700	2	O Ring	
40	D46100731	1	Hub	
41	D46143800	1	Shaft	
42	391018X1	1	Pin	Diameter 5 X 36
43	D46100357	4	Circlip	
44	D46100736	4	Ball	
45	D46143600	2	Shaft	
46	D46142200	2	Shift Fork	
47	D46100735	2	Spring	
64	1440375X1	1	Key Parallel	
65	395565X1	1	Ring	
66	D46174600	4	Ring	
67	D46174500	8	Bush	
68	D46173300	X	Spacer	[A]
	D46173400	X	Spacer	[A]

FOOTNOTE [A] OPTIONAL

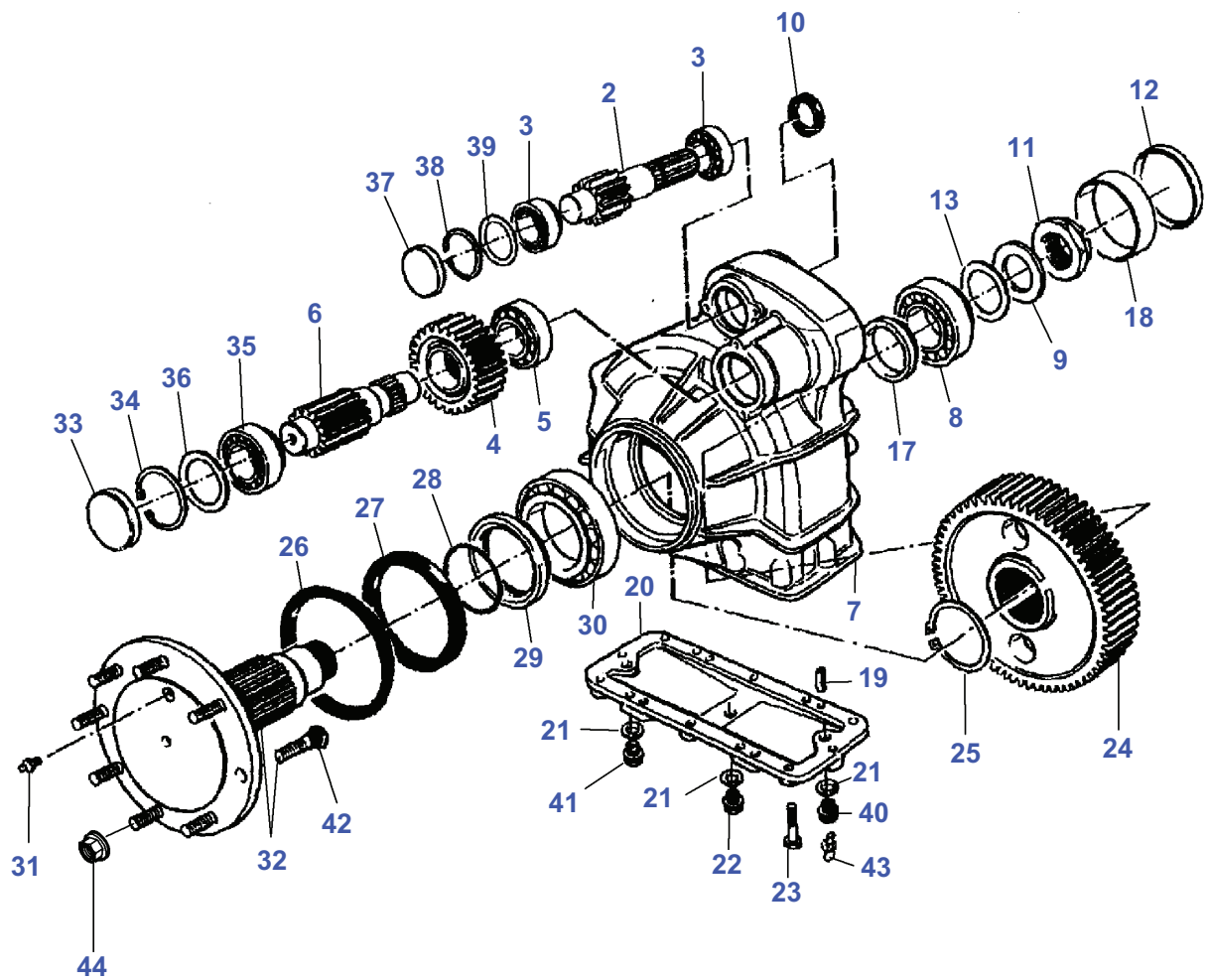
MF 7272/7274/7278 CEREА COMBINE - 1637408
D-ABXB-002-B



D-ABXZ-003-B

Massey Ferguson**MF 7272/7274/7278 CEREAL COMBINE - 1637408****1637408****Gear Box Front Axle - M.F 7272 CEREAL****Page012-0025**

Item	Part Number	Qty	Description	Comments
1	D40692400	6	Screw	
2	D46148000	1	Housing	
3	D45236500	1	Plug	
5	D46100764	1	Plug	
6	D46142000	1	Cover	
7	3009493X1	11	Hex. Sock. Screw	M10 X 30
8	D46148300	1	Flange	
9	D46144200	1	Disc	Thickness 0,19 MM
	D46144300	1	Disc	Thickness 0,25 MM
	D46144400	1	Disc	Thickness 0,35 MM
10	339337X1	12	Hex. Sock. Screw	M8 X 30
11	D46142300	1	Housing	
12	D45201900	1	Washer	
13	D46141800	1	Plug	
14	D46148200	1	Flange	
15	D45482000	1	O Ring	
16	D46134000	2	Pin	

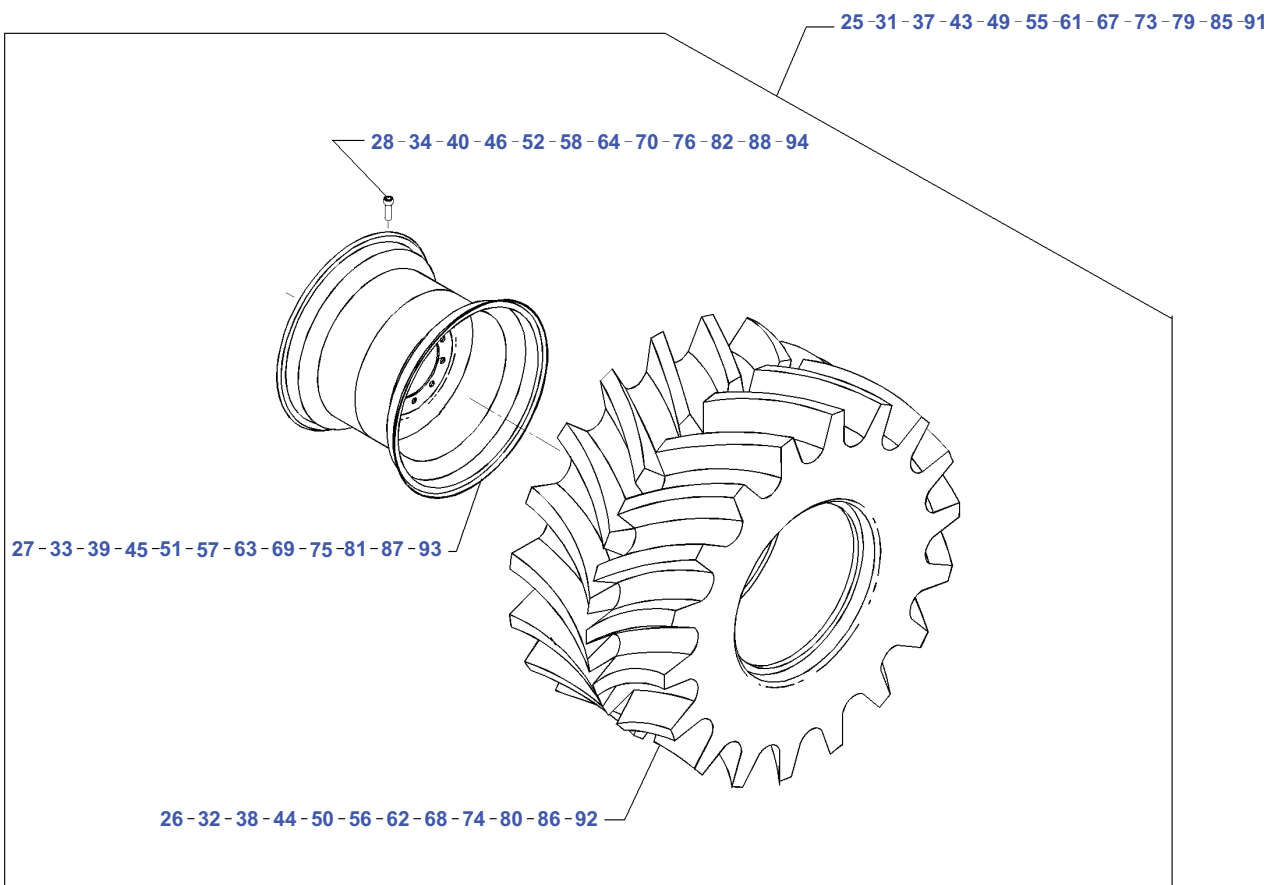
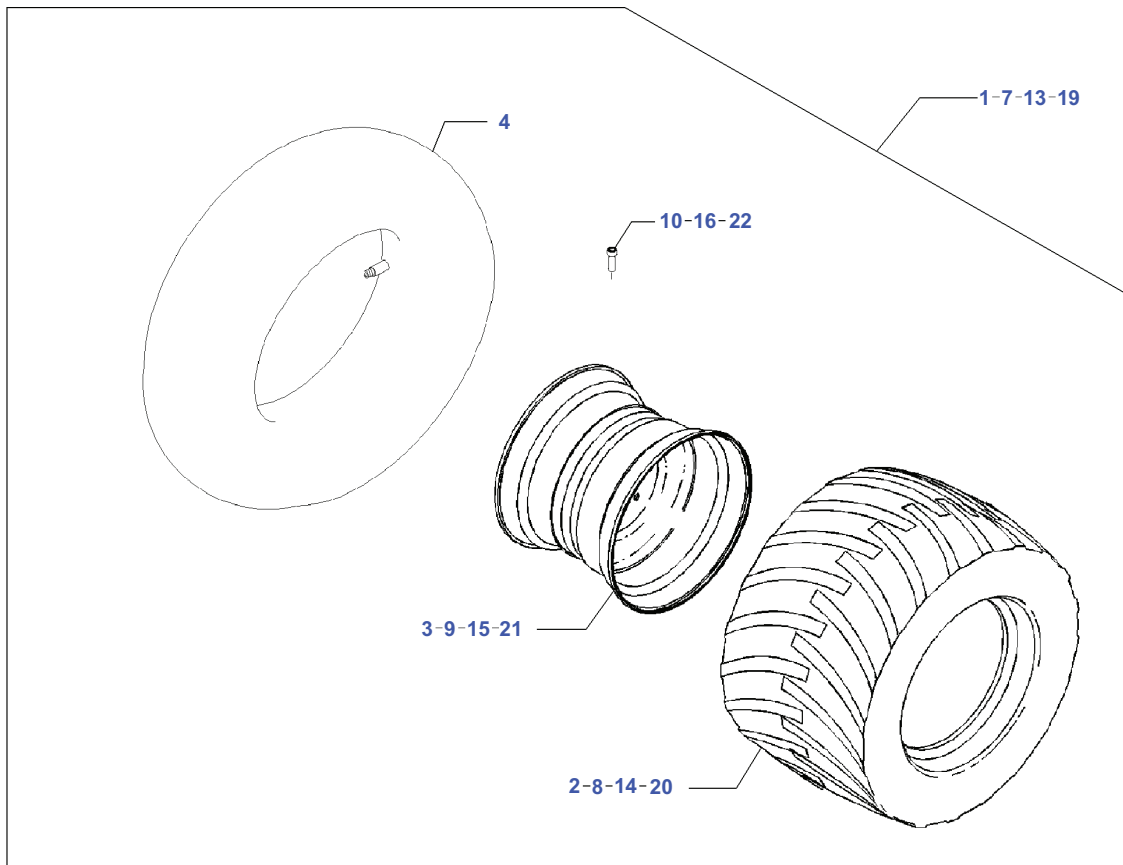


Final Drive - M.F 7272 CEREAL

Item	Part Number	Qty	Description	Comments
1	D46140045	1	Final Drive	[A]
2	D46150001	1	Input Shaft	
3	D41670000	2	Bearing Roller	
4	D46150002	1	Pinion	
5	D41668300	1	Bearing Assy	
6	D46150003	1	Countershaft	
7	D46150004	1	Housing	
8	D41670100	1	Bearing Roller	
9	D46150005	1	Washer	
10	D45408700	1	Gasket	
11	D46139300	1	Nut	
12	D46150006	1	Cover	
13	D46140600	1	Chock	Thickness 0,50 mm
	D46140500	1	Chock	Thickness 0,35 mm
	D46140300	1	Washer	Thickness 0,20 mm
	D46150007	1	Washer	Thickness 0,10 mm
17	D46150009	1	Ring	
18	D46150008	1	Ring	
19	D42621300	4	Pin	Diameter 12 X 30
20	D46150010	1	Cover	
21	D45232700	3	O Ring	
22	D45236600	12	Plug	
23	D40431100	12	Screw	
24	D46150011	1	Pinion	
25	D42506800	1	Circlip	
26	D45479400	1	Seal	
27	D45408500	1	Seal	
28	D45483100	1	O Ring	
29	D46150012	1	Packing Ring	
30	D41670200	1	Bearing Roller	
31	D43004600	1	Greaser	
32	D46150013	1	Axle	
33	D46150014	1	Plug	
34	D42516400	1	Circlip	
35	D41668800	1	Bearing Roller	
36	D46135900	1	Washer	Thickness 0,50 mm
	D46135800	1	Washer	Thickness 0,35 mm
	D46135600	1	Washer	Thickness 0,20 mm
	D46150015	1	Shim	Thickness 0,10 mm
37	D46150016	1	Plug	
38	339437X1	1	Circlip	
39	D41654400	1	Shim	Thickness 0,10 mm
	D41654500	1	Shim	Thickness 0,20 mm
	D41654600	1	Shim	Thickness 0,30 mm
	D41654700	1	Shim	Thickness 0,50 mm
40	D46135300	1	Plug	
41	D46165400	1	Gasket	
42	D46133900	8	Bolt	
43	D46116500	1	Valve.	
44	D41021700	X	Nut	

FOOTNOTE [A] NOT ILLUSTRATED

MF 7272/7274/7278 CERA COMBINE - 1637408
D-ABZL-004-A



D-ABZL-004-A

Traction Wheel And Rear Wheel - Standard

Item	Part Number	Qty	Description	Comments
1	D28185881	X	Wheel	Right Hand CPL.
	D28185882	X	Wheel	Left Hand CPL.
2	D46733200	X	Tyre	(1) 15,5/80-24
3	D28185875	X	Rim	(1) 15,5/80-24
4	D46708400	X	Tyre Tube	(1) 14,9-24
7	D28182350	X	Wheel	Right Hand CPL.
	D28182351	X	Wheel	Left Hand CPL.
8	D46732800	X	Tyre	(7) 500/60-26,5
9	D28182347	X	Rim	(7) 16,00X26,5
10	D46738700	X	Pressure Valve	(7)
13	D28186980	X	Wheel	Right Hand CPL.
	D28186981	X	Wheel	Left Hand CPL.
14	D46732800	X	Tyre	(13) 500/60-26,5
15	D28186974	X	Rim	(13) 16,00X26,5
16	D46738700	X	Pressure Valve	(13)
19	D28185889	X	Wheel	Right Hand CPL.
	D28185890	X	Wheel	Left Hand CPL.
20	D46732700	X	Tyre	(19) ONLY 7272/7274 600/55-26,5
21	D28185879	X	Rim	(19) ONLY 7272/7274 20,00X26,5
22	D46738700	X	Pressure Valve	(19) ONLY 7272/7274
25	D28182376	X	Wheel	Right Hand CPL.
	D28182377	X	Wheel	Left Hand CPL.
26	D46732700	X	Tyre	(25) ONLY 7274/7278 600/55-26,5
27	D28182356	X	Rim	(25) ONLY 7274/7278 600/55-26,6
28	D46738700	X	Pressure Valve	(25) ONLY 7274/7278
31	D28185836	X	Wheel	Right Hand CPL. MICHELIN
	D28185837	X	Wheel	Left Hand CPL. MICHELIN
32	D46735300	X	Tyre	(31) ONLY 7274/7278 1050/50R32
33	D28185810	X	Rim	(31) ONLY 7274/7278 DH36X32
34	D46738700	X	Pressure Valve	(31) ONLY 7274/7278
37	D28186340	X	Wheel	Right Hand CPL.
	D28186341	X	Wheel	Left Hand CPL.
38	D46732200	X	Tyre	(37) ONLY 7274/7278 900/55R32
39	D28185814	X	Rim	(37) ONLY 7274/7278 DH27X32
40	D46738700	X	Pressure Valve	(37) ONLY 7274/7278
43	D28186067	X	Wheel	Right Hand CPL.CONTINENTAL
	D28186068	X	Wheel	Left Hand CPL.CONTINENTAL
44	D46732000	X	Tyre	(43) ONLY 7274/7278 650/75R32
45	D28186065	X	Rim	(43) ONLY 7274/7278 DH21X32
46	D46738700	X	Pressure Valve	(43) ONLY 7274/7278

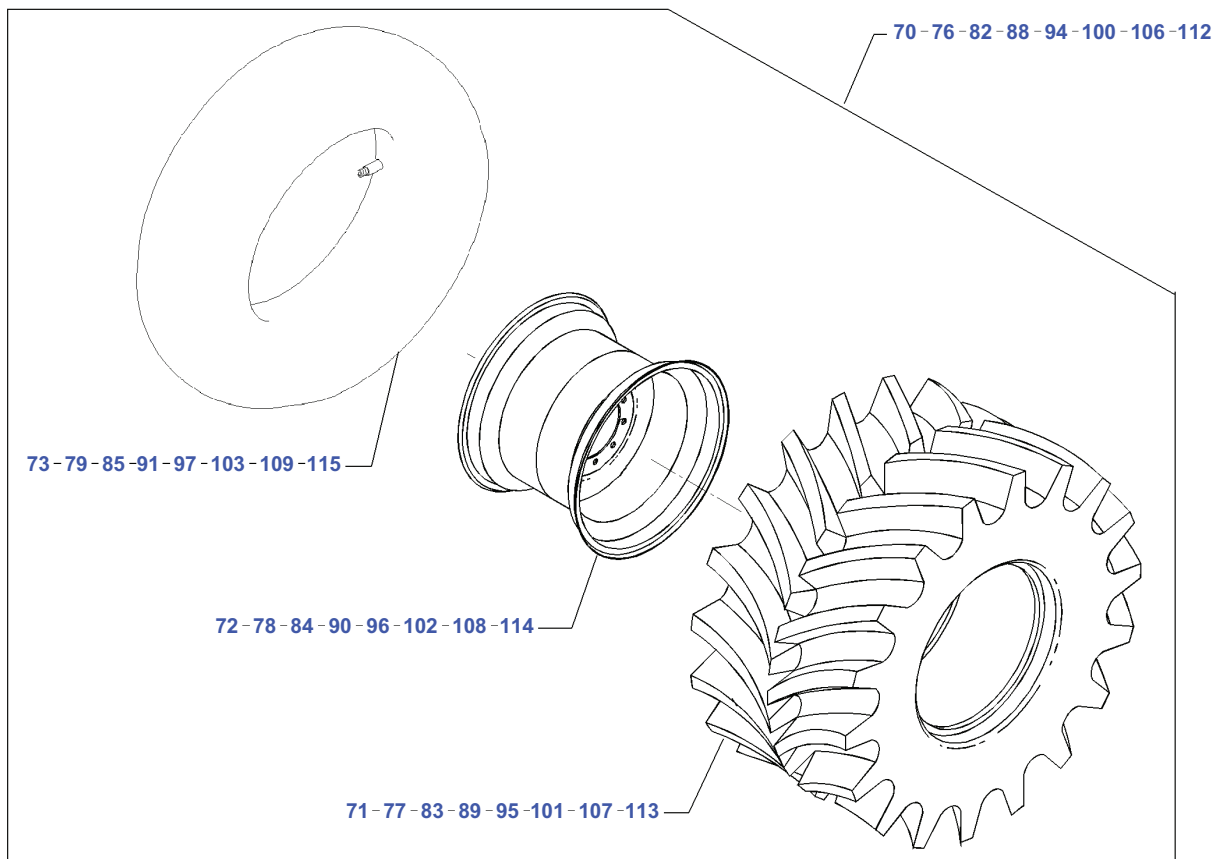
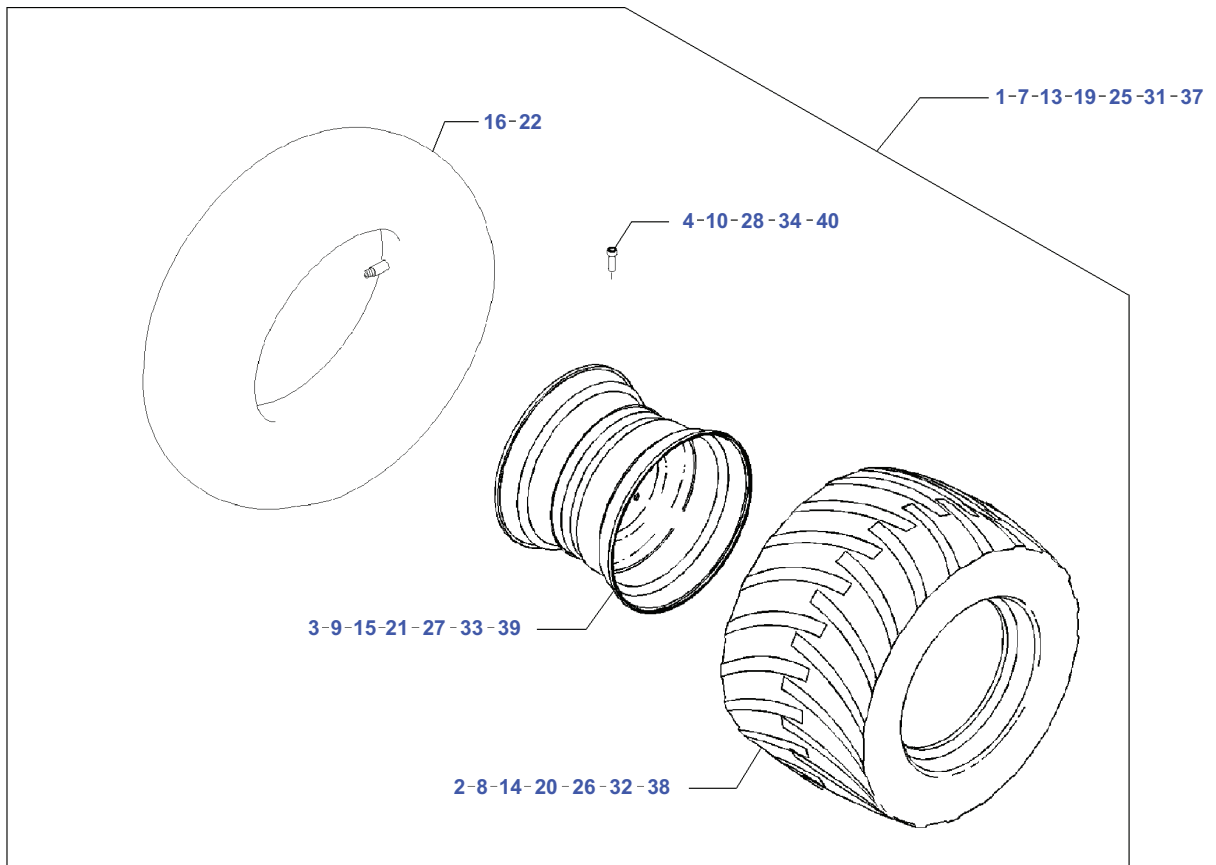
Traction Wheel And Rear Wheel - Standard

Item	Part Number	Qty	Description	Comments
49	D28186903	X	Wheel	Right Hand CPL.CONTINENTAL
49	D28186904	X	Wheel	Left Hand CPL.CONTINENTAL
50	D46732000	X	Tyre	(49) ONLY 7274/7278 650/75R32
51	D28186901	X	Rim	(49) ONLY 7274/7278 DH21AX32
52	D46738700	X	Pressure Valve	(49) ONLY 7274/7278
55	D28186910	X	Wheel	Right Hand CPL.GOODYEAR
55	D28186911	X	Wheel	Left Hand CPL.GOODYEAR
56	D46732400	X	Tyre	(55) ONLY 7274/7278 800/65R32
57	D28186908	X	Rim	(55) ONLY 7274/7278 DW27AX32
58	D46738700	X	Pressure Valve	(55) ONLY 7274/7278
61	D28186917	X	Wheel	Right Hand CPL. MICHELIN
61	D28186918	X	Wheel	Left Hand CPL. MICHELIN
62	D46735300	X	Tyre	(61) ONLY 7274/7278 1050/50R32
63	D28186915	X	Rim	(61) ONLY 7274/7278 DW36AX32
64	D46738700	X	Pressure Valve	(61) ONLY 7274/7278
67	D28186969	X	Wheel	Right Hand CPL.
67	D28186970	X	Wheel	Left Hand CPL.
68	D46732200	X	Tyre	(67) ONLY 7274/7278 900/55R32
69	D28186922	X	Rim	(67) ONLY 7274/7278 DW27AX32
70	D46738700	X	Pressure Valve	(67) ONLY 7274/7278
73	D28186931	X	Wheel	Right Hand CPL. GOODYEAR
73	D28186932	X	Wheel	Left Hand CPL. GOODYEAR
74	D46732400	X	Tyre	(73) ONLY 7272 800/65R32
75	D28186929	X	Rim	(73) ONLY 7272 DW27AX32
76	D46737200	X	Pressure Valve	(73) ONLY 7272
79	D28186945	X	Wheel	Right Hand CPL.CONTINENTAL
79	D28186946	X	Wheel	Left Hand CPL.CONTINENTAL
80	D46732000	X	Tyre	(79) ONLY 7272 650/75R32
81	D28186943	X	Rim	(79) ONLY 7272 DW21AX32
82	D46738700	X	Pressure Valve	(79) ONLY 7272
85	D28186953	X	Wheel	Right Hand CPL. GOODYEAR
85	D28186954	X	Wheel	Left Hand CPL. GOODYEAR
86	D46732200	X	Tyre	(85) ONLY 7272 900/55R32
87	D28186929	X	Rim	(85) ONLY 7272 DW27AX32
88	D46737200	X	Pressure Valve	(85) ONLY 7272
88		X	Not Used	
91	D28186979	X	Wheel	Right Hand CPL. MICHELIN

Massey Ferguson**MF 7272/7274/7278 CEREAL COMBINE - 1637408****1637408****Traction Wheel And Rear Wheel - Standard****Page012-0027**

Item	Part Number	Qty	Description	Comments
91	D28186982	X	Wheel	Left Hand CPL. MICHELIN
92	D46735300	X	Tyre	(91) ONLY 7272 1050/50R32
93	D28186977	X	Rim	(91) ONLY 7272 DW36AX32
94	D46737200	X	Pressure Valve	(91) ONLY 7272

MF 7272/7274/7278 CEREА COMBINE - 1637408
D-ABZM-004-A



D-ABZM-004-A

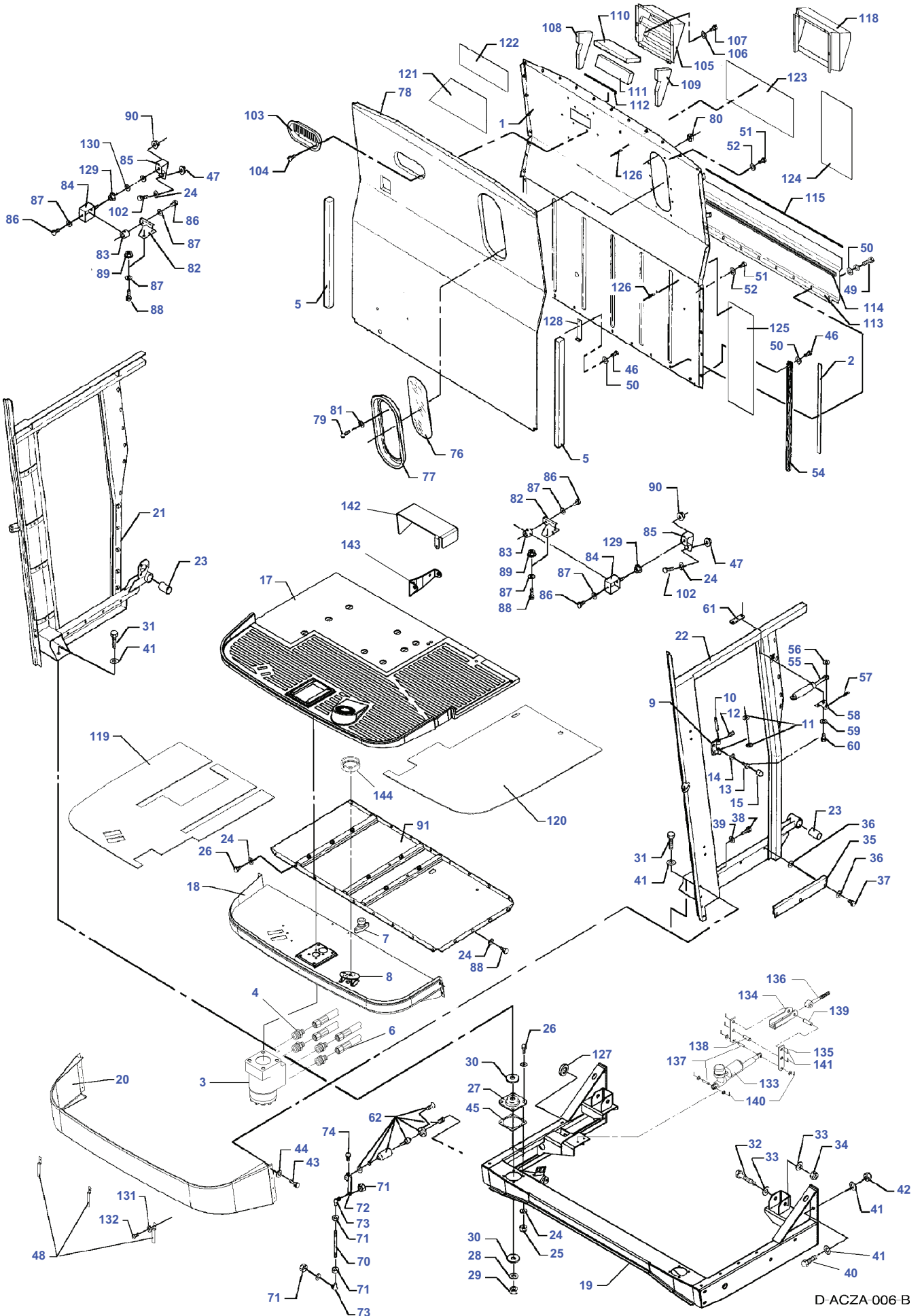
Traction Wheel And Rear Wheel - Auto Level And 4WD

Item	Part Number	Qty	Description	Comments
1	D28182370	X	Wheel	Right Hand CPL. 4WD
	D28182371	X	Wheel	Left Hand CPL. 4WD
2	D46732800	X	Tyre	(1) 500/60-26,5
3	D28182353	X	Rim	(1) 500/60-26,6
4	D46738700	X	Pressure Valve	(1)
7	D28182376	X	Wheel	Right Hand CPL. 4WD
	D28182377	X	Wheel	Left Hand CPL. 4WD
8	D46732700	X	Tyre	(7) 600/55-26,5
9	D28182356	X	Rim	(7) 600/55-26,5
10	D46738700	X	Pressure Valve	(7)
13	D28186102	X	Wheel	Right Hand CPL. 4WD
	D28186103	X	Wheel	Left Hand CPL. 4WD
14	D46733200	X	Tyre	(13) 15,5/80-24
15	D28186100	X	Rim	(13) 15,5/80-24
16	D46708400	X	Tyre Tube	(13) 14,9-24
19	D28185881	X	Wheel	Right Hand CPL.
	D28185882	X	Wheel	Left Hand CPL.
20	D46733200	X	Tyre	(19) 15,5/80-24
21	D28185875	X	Rim	(19) 15,5/80-24
22	D46708400	X	Tyre Tube	(19) 14,9-24
25	D28185889	X	Wheel	Right Hand CPL.
	D28185890	X	Wheel	Left Hand CPL.
26	D46732700	X	Tyre	(25) 600/55-26,5
27	D28185879	X	Rim	(25) 20,00X26,5
28	D46738700	X	Pressure Valve	(25)
31	D28182350	X	Wheel	Right Hand CPL.
	D28182351	X	Wheel	Left Hand CPL.
32	D46732800	X	Tyre	(31) 500/60-26,5
33	D28182347	X	Rim	(31) 16,00X26,5
34	D46738700	X	Pressure Valve	(31)
37	D28186980	X	Wheel	Right Hand CPL.
	D28186981	X	Wheel	Left Hand CPL.
38	D46732800	X	Tyre	(37) 500/60-26,5
39	D28186974	X	Rim	(37) 16,00X26,5
40	D46738700	X	Pressure Valve	(37)
70	D28185840	X	Wheel	Right Hand CPL.
	D28185841	X	Wheel	Left Hand CPL.
71	D46732600	X	Tyre	(70) ONLY 7274/7278 620/75R34
72	D28185812	X	Rim	(70) ONLY 7274/7278 DW20AX34
73	D46738800	X	Tyre Tube	(70) ONLY 7274/7278 23,1-34
76	D28185844	X	Wheel	Right Hand CPL.
	D28185845	X	Wheel	Left Hand CPL.
77	D46732400	X	Tyre	(76) ONLY 7274/7278 800/65R32
78	D28185814	X	Rim	(76) ONLY 7274/7278 DH27X32

Traction Wheel And Rear Wheel - Auto Level And 4WD

Item	Part Number	Qty	Description	Comments
79	D46738100	X	Tyre Tube	(76) ONLY 7274/7278 30,5L-32
82	D28186346	X	Wheel	Right Hand CPL
82	D28186347	X	Wheel	Left Hand CPL.
83	D46732200	X	Tyre	(82) ONLY 7274/7278 900/55R32
84	D28185814	X	Rim	(82) ONLY 7274/7278 DH27X32
85	D46738100	X	Tyre Tube	(82) ONLY 7274/7278 30,5L-32
88	D28186924	X	Wheel	Right Hand CPL.GOODYEAR
88	D28186925	X	Wheel	Left Hand CPL.GOODYEAR
89	D46732400	X	Tyre	(88) ONLY 7274/7278 800/65R32
90	D28186922	X	Rim	(88) ONLY 7274/7278 DH27AX32
91	D46738100	X	Tyre Tube	(88) ONLY 7274/7278 30,5L-32
94	D28186951	X	Wheel	Right Hand CPL.GOODYEAR
94	D28186950	X	Wheel	Left Hand CPL.GOODYEAR
95	D46732200	X	Tyre	(94) ONLY 7274/7278 900/55R32
96	D28186922	X	Rim	(94) ONLY 7274/7278 DW27AX32
97	D46738100	X	Tyre Tube	(94) ONLY 7274/7278 30,5L-32
100	D28186957	X	Wheel	Right Hand CPL.GOODYEAR
100	D28186958	X	Wheel	Left Hand CPL.GOODYEAR
101	D46732400	X	Tyre	(100) ONLY 7272 800/65R32
102	D28186929	X	Rim	(100) ONLY 7272 DW27AX32
102		X	Not Used	
103	D46738100	X	Tyre Tube	(100) ONLY 7272 30,5L-32
106	D28186961	X	Wheel	Right Hand CPL.CONTINENTAL
106	D28186962	X	Wheel	Left Hand CPL.CONTINENTAL
107	D46732000	X	Tyre	(106) ONLY 7272 650/75R32
108	D28186936	X	Rim	(106) ONLY 7272 DW21AX32
109	D46738200	X	Tyre Tube	(106) ONLY 7272 24,5-32
112	D28186965	X	Wheel	Right Hand CPL.GOODYEAR
112	D28186966	X	Wheel	Left Hand CPL.GOODYEAR
113	D46732200	X	Tyre	(112) ONLY 7272 900/55R32
114	D28186929	X	Rim	(112) ONLY 7272 DW27AX32
115	D46738100	X	Tyre Tube	(112) ONLY 7272 30,5L-32

MF 7272/7274/7278 CERA COMBINE - 1637408
D-ACZA-006-B



D-ACZA-006-B

Back Plate, Platform And Bottom Mat

Item	Part Number	Qty	Description	Comments
1	D28980576	1	Side	
2	D28980953	5	Strip	
3	D45169500	1	Pressure Valve	
	D45120029	1	Pressure Valve	For Italy only or any text in Italian only
4	D45252700	4	Union	
5	D28980853	2	Lining	
6	D45130026	4	Hydr. Hose	
7	D45050045	1	Switch	
8	D28989012	1	Support	(18)
9	D28980512	2	Hinge	
10	D42694100	2	Pin	
11	D43406400	4	Washer	
12	D40630100	4	Pin	
13	3009492X1	4	Hex. Sock. Screw	M10 X 25
14	D20400419	4	Washer	
15	D45744700	4	Protector	
17	D28981712	1	Mat	
18	D28981714	1	Frame	
19	D28981687	1	Suspension	
20	D28981358	1	Trim	
21	D28981368	1	Frame	Right Hand
22	D28981367	1	Frame	Left Hand
23	D46480600	2	Damper	
24	D20400506	X	Washer	
25	394367X1	8	Locknut	M8
26	339761X1	8	Hex. Sock. Screw	M8 X 25
27	D46480400	2	Damper	
28	D20400429	2	Washer	
29	D41087800	2	Locknut	
30	D20400460	4	Washer	
31	D40431500	2	Screw Metric	
32	D40437700	2	Screw	
33	D20400441	4	Washer	
34	3010067X1	2	Locknut	M20
35	D28980926	1	Strip	
36	D20400506	6	Washer	
37	339124X1	3	Hex. Sock. Screw	M8 X 16
38	3009492X1	6	Hex. Sock. Screw	M10 X 25
39	D20400419	6	Washer	
40	1441602X1	8	Bolt Metric	
41	D20400430	8	Washer	
42	D41087800	6	Locknut	
43	D40749100	8	Screw Metric	
44	D20400466	8	Washer	
45	D28981388	2	Spacer	
46	339123X1	3	Hex. Sock. Screw	M8 X 20
47	394367X1	X	Locknut	M8
48	D28980509	3	Support	
49	339124X1	9	Hex. Sock. Screw	M8 X 16
50	D20400506	9	Washer	
51	391074X1	27	Hex. Sock. Screw	M6 X 12
52	391038X1	31	Washer	
54	D28760642	1	Earth Strap	
55	D45061800	1	Gas Strut	
56	D20400500	2	Spacer	
57	354057X1	2	Split Pin	1/8" X 3/4
58	D28980456	1	Bracket	
59	391038X1	3	Washer	
60	339666X1	3	Hex. Sock. Screw	M6 X 20
61	D28980571	1	Threaded Part	
62	D28780523	1	Potentiometer	
70	D28787070	1	Rod	Valid from machine/table no, can be used in new as well as in older machines 57897

Back Plate, Platform And Bottom Mat

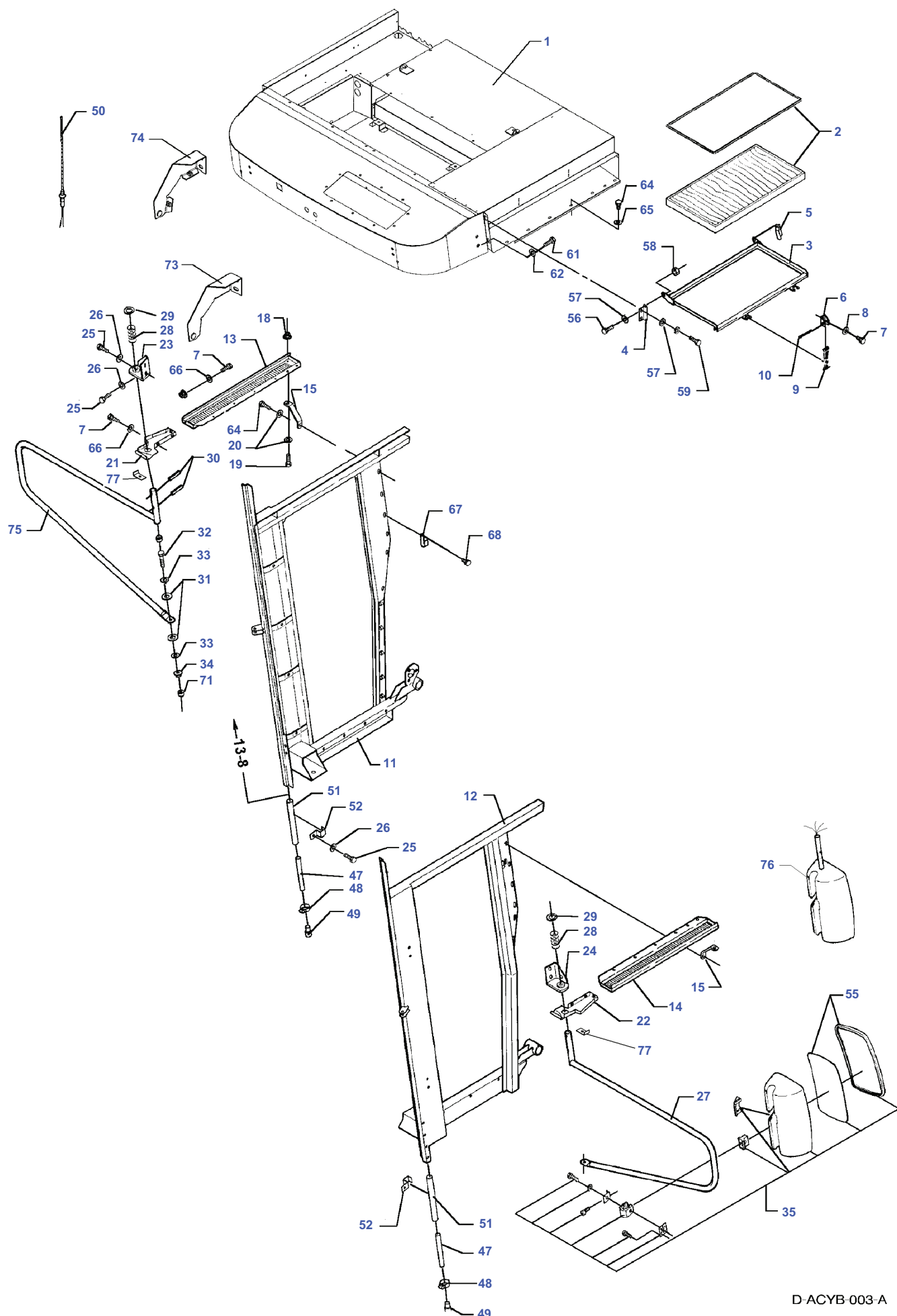
Item	Part Number	Qty	Description	Comments
71	D41010600	4	Nut	M6
72	D28787068	1	Arm	Valid from machine/table no, can be used in new as well as in older machines 57897
73	D46437300	2	Toggle	
74	339560X1	1	Hex. Sock. Screw	M6 X 16
76	D28980222	1	Window	
77	D28981223	1	Frame	
78	D28981224	1	Cladding	Up to Serial or Engine Number 59016
78	D28981821	1	Cladding	From Serial or Engine Number 59017
78	D28981822	1	Cladding	From Serial or Engine Number 59017
79	D40688000	10	Screw	
80	1441462X1	10	Locknut	M6
81	D20400404	10	Washer	
82	D28980984	2	Bracket	
83	D46480700	2	Buffer	
84	D28980987	2	Stirrup	
85	D28880301	2	Tensioner	
86	339124X1	4	Hex. Sock. Screw	M8 X 16
87	D20400506	4	Washer	
88	339123X1	X	Hex. Sock. Screw	M8 X 20
89	394367X1	4	Locknut	M8
90	1440329X1	4	Locknut	M10
91	D28981563	1	Plate	
102	339337X1	4	Hex. Sock. Screw	M8 X 30
103	D28981222	1	Grille	Up to Serial or Engine Number 59016
104	D40688000	4	Screw	
105	D28981226	1	Fan	Up to Serial or Engine Number 59016
106	D20400453	6	Washer	
107	339560X1	6	Hex. Sock. Screw	M6 X 16
108	D28981232	1	Floor Covering	Up to Serial or Engine Number 59016
109	D28981235	1	Floor Covering	Up to Serial or Engine Number 59016
110	D28981234	1	Floor Covering	Up to Serial or Engine Number 59016
111	D28981233	1	Floor Covering	Up to Serial or Engine Number 59016
112	D28782160	X	Gasket	[A] Length 10 m Up to Serial or Engine Number 59016
113	D28981236	1	Shield	
114	D44741200	X	Strip	[A] Length 5 m
115	D44740600	X	Strip	[A] Length 25 m
118	D28981327	1	Duct	
119	D28981564	1	Plate	
120	D28981715	1	Plate	
121	D28981520	1	Sound Reduction	
122	D28981522	1	Sound Reduction	Up to Serial or Engine Number 59016
122	D28981820	1	Sound Reduction	From Serial or Engine Number 59017
123	D28981523	1	Sound Reduction	
124	D28981521	1	Sound Reduction	
125	D28981524	1	Sound Reduction	
126	D41397400	32	Rivet	
127	D44732300	1	Grommet	Up to Serial or Engine Number 60661
128	D28980468	1	Support	
129	339402X1	2	Nut	M10
130	D20400416	4	Washer	
131	D20400506	3	Washer	
132	339124X1	3	Hex. Sock. Screw	M8 X 16
133	D28785467	1	Actuator	
134	D28981541	1	Top	
135	D28981543	2	Arm	
136	D28981544	1	Rod	
137	D28981552	2	Bolt	
138	D28981553	1	Bolt	
139	D28981554	1	Bolt	
140	391403X1	4	Split Pin	Diameter 3,2 X 32

Back Plate, Platform And Bottom Mat

Item	Part Number	Qty	Description	Comments
141	339531X1	4	Split Pin	Diameter 4 X 36
142	D28981746	1	Plate	
143	D28981745	1	Clip	
144	D28981733	1	Support	

FOOTNOTE [A] CUT TO REQUIRED LENGTH

MF 7272/7274/7278 CERA COMBINE - 1637408
D-ACYB-003-A



D-ACYB-003-A

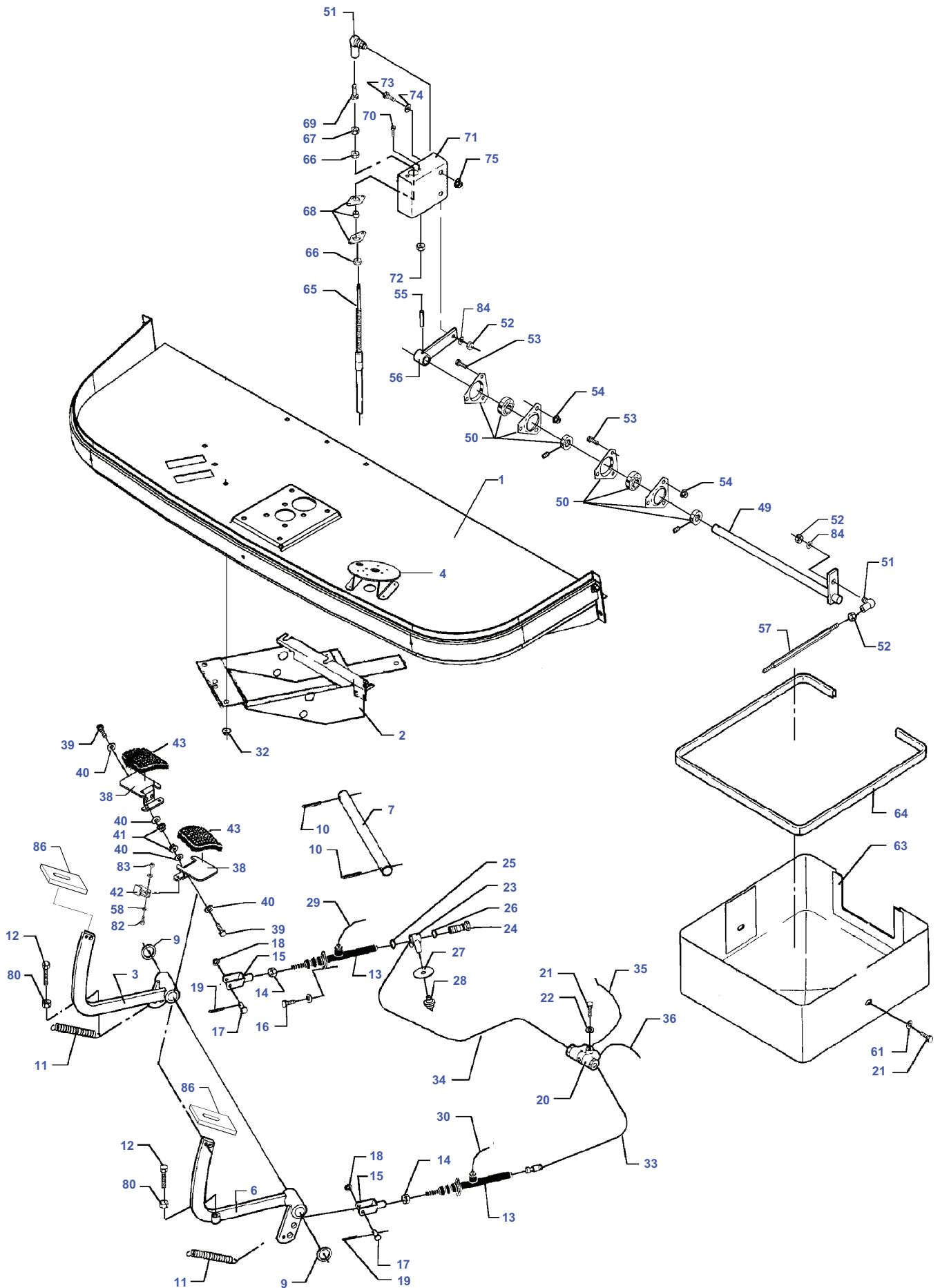
Cab roof and side members

Item	Part Number	Qty	Description	Comments
1	D28981339	1	Roof	Up to Serial or Engine Number 58548
	D28981801	1	Roof	From Serial or Engine Number 58549
2	D28980100	1	Cab Filter	
3	D28981106	1	Frame	
4	D28980713	1	Hinge	
5	D28980714	1	Hinge	Up to Serial or Engine Number 58548
	D28980713	1	Hinge	From Serial or Engine Number 58549
6	D28981118	2	Holder	
7	339560X1	10	Hex. Sock. Screw	M6 X 16
8	391038X1	10	Washer	
9	D44737200	2	Rubber Strap	
10	391423X1	2	Split Pin	Diameter 4 X 40
11	D28981368	1	Frame	Right Hand
12	D28981367	1	Frame	Left Hand
13	D28980891	1	Intake	Right Hand
14	D28980892	1	Intake	Left Hand
15	D28980890	2	Stay	
18	1441462X1	1	Locknut	M6
19	339560X1	X	Hex. Sock. Screw	M6 X 16
20	391038X1	X	Washer	
21	D28981496	1	Cover	Right Hand
22	D28981465	1	Cover	Left Hand
23	D28980758	1	Bracket	Right Hand
24	D28980757	1	Bracket	Left Hand
25	339761X1	X	Hex. Sock. Screw	M8 X 25
26	D20400506	X	Washer	
27	D28980762	1	Arm	Up to Serial or Engine Number 57228
	D28981717	1	Arm	From Serial or Engine Number 57229
28	D28760286	2	Spring	
29	D20400531	2	Spacer	
30	D42662500	4	Pin	
31	D28980752	4	Washer	
32	339009X1	2	Hex. Sock. Screw	M8 X 35
33	D20400506	4	Washer	
34	394367X1	2	Locknut	M8
35	D45086300	2	Mirror	
47	D28782171	X	Hose	[B] Length 3 m
48	D45039100	2	Cable Tie	[A] A. C.
49	D45070044	2	Pressure Valve	
50	D45086600	1	Aerial Long	
51	D28782172	X	Hose	[B] Length 5 m
52	D28981051	2	Retainer	
55	D45083300	1	Mirror Glass	
56	339123X1	2	Hex. Sock. Screw	M8 X 20
57	D20400506	6	Washer	
58	394367X1	2	Locknut	M8
59	339124X1	4	Hex. Sock. Screw	M8 X 16
61	3009491X1	4	Hex. Sock. Screw	M10 X 20
62	D20400419	4	Washer	
64	D40749100	8	Screw Metric	
65	D20400466	8	Washer	
66	D20400404	6	Washer	
67	D45058300	1	Hook	
68	D40741200	2	Screw	
71	D45744900	2	Protector	
73	D28981469	1	Hinge	Left Hand
74	D28981468	1	Hinge	
75	D28980762	1	Arm	Up to Serial or Engine Number 57228
	D28981720	1	Arm	From Serial or Engine Number 57229
76	D44900759	1	Mirror	Left Hand
	D44900760	1	Mirror	Right Hand
77	D28981817	2	Bracket	(22)

FOOTNOTE [A] OPTIONAL EQUIPMENT

FOOTNOTE [B] CUT TO REQUIRED LENGTH

MF 7272/7274/7278 CERA COMBINE - 1637408
D-ACYC-004-B



D-ACYC-004-B

Brake pedals and gearshift

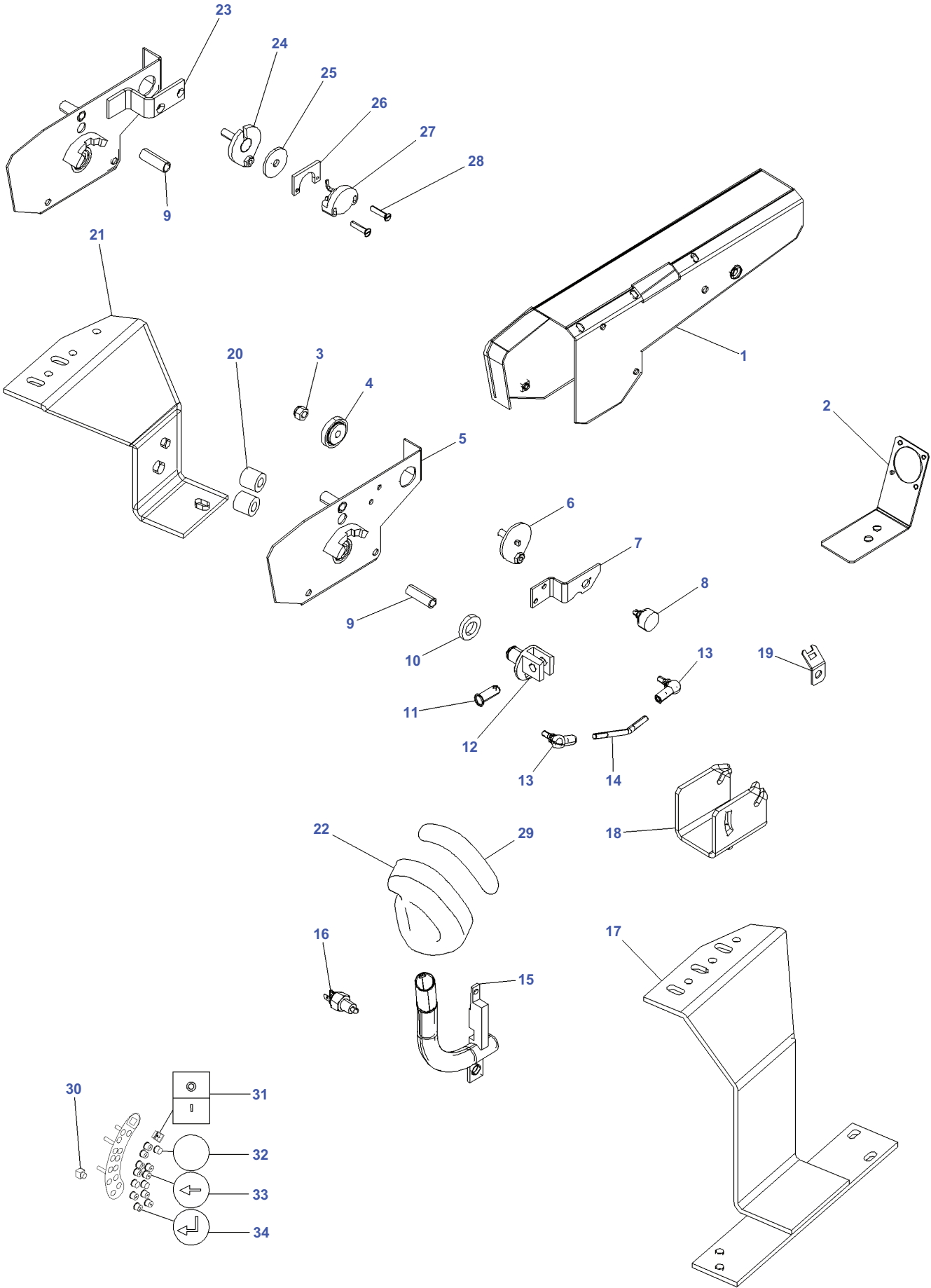
Item	Part Number	Qty	Description	Comments
1	D28981714	1	Frame	
2	D28981669	1	Bracket	
3	D28985768	1	Brake Pad	Valid from machine/table no,can be used in new as well as in older machines 57356
4	D28989012	1	Support	(1)
6	D28985768	1	Brake Pad	Valid from machine/table no,can be used in new as well as in older machines 57356
7	D28981670	1	Shaft	
9	D43319300	2	Bush	
10	354416X1	2	Pin	3/16" X 2-1/2
11	D28800460	2	Spring	
12	339337X1	2	Hex. Sock. Screw	M8 X 30
13	D45908000	2	Ram	
14	339402X1	2	Nut	M10
15	D45905300	2	Fork Head	
16	339761X1	4	Hex. Sock. Screw	M8 X 25
17	D45905500	2	Bolt	
18	D45905600	2	Washer	
19	354057X1	2	Split Pin	1/8" X 3/4
20	D45908100	1	Ram	
21	339124X1	3	Hex. Sock. Screw	M8 X 16
22	D20400506	1	Washer	
23	D45908400	1	Connector	
24	D45908500	1	Screw	
25	D45713600	1	Gasket	
26	D45713700	1	Gasket	
	D28981336	1	Tube	Left Hand MF 7272
27	D28780948	1	Washer	
28	D45908300	1	Switch	
29	D28980948	1	Pipe	Right Hand
30	D28980947	1	Pipe	Left Hand
32	394367X1	6	Locknut	M8
33	D28985953	1	Tube	Right Hand
34	D28985952	1	Tube	Right Hand
	D28985953	1	Tube	Up to Serial or Engine Number 57299 Right Hand
				From Serial or Engine Number 57300
35	D28980944	1	Pipe	Right Hand MF 7274-7278
	D28981336	1	Tube	Right Hand MF 7272
36	D28980945	1	Pipe	Left Hand MF 7274-7278
	D28981336	1	Tube	Left Hand MF 7272
38	D28981203	2	Brake Pad	RH + LH
39	339804X1	4	Hex. Sock. Screw	M6 X 25
40	D20400404	8	Washer	
41	1441462X1	4	Locknut	M6
42	D28981584	1	Pawl	
43	D44719500	1	Rubber	
49	D28980801	1	Shaft	MF 7272
50	D41713600	2	Bearing	MF 7272
51	D46436200	2	Toggle	MF 7272
52	339402X1	2	Nut	MF 7272
				M10
53	339761X1	6	Hex. Sock. Screw	MF 7272 M8 X 25
54	394367X1	6	Locknut	MF 7272
				M8
55	391290X1	1	Pin	MF 7272 Diameter 5 X 30
56	D28980804	1	Arm	MF 7272
57	D28980805	1	Rod	MF 7272
58	D20400466	2	Washer	
61	D20400506	1	Washer	

Brake pedals and gearshift

Item	Part Number	Qty	Description	Comments
63	D28980684	1	Cover	
64	D28782160	X	Gasket	[A] Length 10 m
65	D46439500	1	Cable	
66	D46434600	2	Nut	(65) M12
67	D41010600	1	Nut	(65) M6
68	D46434800	1	Toggle	
69	D28760913	1	Bolt	
70	339666X1	2	Hex. Sock. Screw	M6 X 20
71	D28980806	1	Bracket	
72	1441462X1	2	Locknut	M6
73	3009493X1	2	Hex. Sock. Screw	M10 X 30
74	D20400471	2	Washer	
75	1440329X1	2	Locknut	M10
80	339169X1	2	Nut	M8
82	D40400900	1	Setscrew	
83	1441917X1	1	Locknut	M5
84	D41101900	2	Spring Washer	
86	D28981747	2	Seal	

FOOTNOTE [A] CUT TO REQUIRED LENGTH

MF 7272/7274/7278 CEREА COMBINE - 1637408
D-ACYM-003-A



D-ACYM-003-A

Electrical Multifunction Lever

Item	Part Number	Qty	Description	Comments
1	D26734881	1	Arm	
2	D28984036	1	Strap	
3	394367X1	1	Locknut	M8
4	D28986138	1	Friction Disc	
5	D28986151	1	Support	
6	D28986149	1	Eccentric	
7	D28986147	1	Strap	
8	D28782150	1	Stop	
9	D28986140	1	Roll Pin	
10	D20400461	1	Washer	
11	D45905500	1	Bolt	
12	D28986132	1	Clevis	
13	D46437300	2	Toggle	
14	D28986142	1	Stem	
15	D28986130	1	Lever	[B]
16	D44900429	1	Switch	
17	D28986144	1	Console	[C]
18	D26734846	1	Support	
19	D28186425	1	Strap	[B] Up to Serial or Engine Number 58874
20	D28986146	2	Spacer	[B]
21	D28986143	1	Console	[B]
22	D28981815	1	Handle	[B]
23	D28986123	1	Support	[B]
24	D28986136	1	Eccentric	[B]
25	D28986139	1	Washer	[B]
26	D28985611	1	Threaded Part	[B]
27	D28785504	1	Potentiometer	[B]
28	392383X1	2	Screw	[B]
29	D28984035	1	Control Panel	
30	D44900012	13	Button	From Serial or Engine Number 58453 Up to Serial or Engine Number 58800
31	D44900122	1	Switch	From Serial or Engine Number 58453 Up to Serial or Engine Number 58800
32	D44900002	3	Button	From Serial or Engine Number 58453 Up to Serial or Engine Number 58800
33	D44900836	9	Button	From Serial or Engine Number 58453 Up to Serial or Engine Number 58800
34	D44900840	1	Button	From Serial or Engine Number 58453 Up to Serial or Engine Number 58800

FOOTNOTE [B] COMBINES NO. 57975,57976,57977,57978,57979, 58068,58069,58070,58071

FOOTNOTE [C] PNEUMATIC SEAT

Instrument panel and control box

Item	Part Number	Qty	Description	Comments
1	D28981569	1	Control Box	Up to Serial or Engine Number 58328
	D28981797	1	Control Box	From Serial or Engine Number 58329
2	D28980144	1	Bracket	
3	339560X1	3	Hex. Sock. Screw	M6 X 16
5	D46415200	1	Lever	
6	392383X1	4	Screw	
7	D46439700	1	Throttle Cable	
8	D28981131	1	Bracket	Up to Serial or Engine Number 58800
9	339124X1	3	Hex. Sock. Screw	Up to Serial or Engine Number 58800 M8 X 16
10	D28980094	1	Hub	Up to Serial or Engine Number 58800
11	D43319300	2	Bush	Up to Serial or Engine Number 58800
12	D28750915	1	Brake Disc	Up to Serial or Engine Number 58800
13	339303X1	1	Dowel	Up to Serial or Engine Number 58800 Diameter 3 X 16
14	D40606700	1	Screw	Up to Serial or Engine Number 58800
15	D28981162	1	Handle	Up to Serial or Engine Number 58800
16	D45010092	1	Magnet	Up to Serial or Engine Number 58800
17	D40316400	1	Screw Metric	Up to Serial or Engine Number 58800
18	D28980356	1	Spring	Up to Serial or Engine Number 58800
19	D28980093	1	Plate	Up to Serial or Engine Number 58800
20	D45906000	1	Pin	Up to Serial or Engine Number 58800
21	D45905600	1	Washer	Up to Serial or Engine Number 58800
22	354059X1	1	Split Pin	Up to Serial or Engine Number 58800 1/8" X 1
23	D28782437	1	Sensor	Up to Serial or Engine Number 58800
24	D41098000	2	Nut	Up to Serial or Engine Number 58800
26	D46439000	1	Cable	Up to Serial or Engine Number 58800
27	D46438700	1	Fork	Up to Serial or Engine Number 58800
34	339337X1	1	Hex. Sock. Screw	Up to Serial or Engine Number 58800 M8 X 30
38	339402X1	1	Nut	M10
39	D28980790	1	Bearing Carrier	
40	339932X1	1	Bear. 6202 2rs	
41	D42512900	1	Circlip	
42	D28980789	1	Shaft	
43	D42501300	2	Circlip	
44	D46436200	1	Toggle	
45	D28980805	1	Rod	
46	D28980793	1	Lever	
47	1440398X1	1	Pin	Diameter 5 X 20
48	D28980809	1	Plate	
49	D28980788	2	Retainer	
50	339337X1	4	Hex. Sock. Screw	M8 X 30
51	D20400506	4	Washer	
52	D28981083	1	Selector	
54	D45050054	1	Switch	
56	D43383800	1	Handle	
57	D46439400	1	Cable	Length 3800 mm
58	D28730779	1	Locking Plate	
59	354057X1	2	Split Pin	1/8" X 3/4
60	D40630900	1	Pin	
61	339230X1	1	Hex. Sock. Screw	M6 X 10
63	3009491X1	4	Hex. Sock. Screw	M10 X 20
64	D20400419	4	Washer	
65	D28985902	1	Cover	MF 7278 Up to Serial or Engine Number 58328
	D28981792	1	Cover	MF 7278 From Serial or Engine Number 58329 Up to Serial or Engine Number 58548
	D28981811	1	Cover	MF 7278 From Serial or Engine Number 58549 Up to Serial or Engine Number 58827
	D28981811	1	Cover	MF 7272 - 7274 Up to Serial or Engine Number 58827
	D28982000	1	Cover	From Serial or Engine Number 58828
	D28982112	1	Cover	MF 7272
66	D45050004	5	Switch	N1
67	D45050008	1	Switch	
68	D44900017	2	Cover	
69	D45050009	1	Switch	

Instrument panel and control box

Item	Part Number	Qty	Description	Comments
70	D45050003	8	Magnet	N2
71	D45050010	1	Switch	
72	D45050015	1	Switch	
73	D45050014	1	Switch	
74	D45050025	1	Switch	
75	D45050029	1	Switch	
76	D45050030	1	Switch	
77	D45050012	1	Switch	
78	D45050013	1	Switch	
79	D45060014	3	Control Light	
80	D45060013	2	Decal	
81	D45060012	1	Decal	
82	D45063800	1	Plate	
83	D45060011	2	Decal	
84	D44900832	1	Switch, Ignition	
85	D44900833	1	Key	
105	D28981570	1	Bracket	
106	D28981671	1	Handle	
107	339337X1	2	Hex. Sock. Screw	M8 X 30
108	D20400506	2	Washer	
109	D45070090	1	Switch	
110	1444168X1	2	Screw Special	M4 X 16
111	D45924900	1	Handbrake Cable	Length 3245 mm
112	D45906100	1	Bolt	
113	354043X1	1	Pin	1/16" X 1
114	D45063800	1	Plate	
115	D45065800	6	Light	
116	D44739400	1	Gasket	
118	D45050011	1	Switch	
119	D41010500	4	Nut	
120	D45050028	1	Switch	
121	D45050033	1	Switch	
122	D45050006	4	Switch	N4
123	D45050032	1	Switch	
124	D45050031	1	Switch	
126	D45050039	1	Switch	
127	D20400459	2	Washer	Up to Serial or Engine Number 58800
128	D44732300	1	Grommet	
129	D20400470	1	Washer	
130	D45060016	1	Frame	
131	3009493X1	3	Hex. Sock. Screw	M10 X 30
132	D20400505	3	Spacer	
133	D20400400	2	Washer	
136	D45745100	5	Washer	
137	D40741100	5	Screw	
138	D45749800	5	Cap	
139	D28882045	1	Tension Spring	
140	D45050027	1	Switch	
141		1	Lever	Not serviced,order REF. 164 Up to Serial or Engine Number 58800
141		1	Lever	[C] Not serviced,order REF. 164 Up to Serial or Engine Number 58800
142		1	Handle	Not serviced,order REF. 164 Up to Serial or Engine Number 58800
142		1	Handle	[C] Not serviced,order REF. 164 Up to Serial or Engine Number 58800
143		1	Printed Circuit	Up to Serial or Engine Number 58452 Not serviced,order REF. 164
144		1	Printed Circuit	Up to Serial or Engine Number 58452 Not serviced,order REF. 164
145	D28781524	1	Control	Up to Serial or Engine Number 58452
146	D44900440	1	Switch	Up to Serial or Engine Number 58452
147	D28781525	1	Switch	Up to Serial or Engine Number 58452
148	D44900122	1	Switch	Up to Serial or Engine Number 58452
149	D45020066	4	Spacer	
150	D45020065	4	Washer	Up to Serial or Engine Number 58800
151	D41010400	4	Nut	Up to Serial or Engine Number 58800
152	D44900012	4	Button	Up to Serial or Engine Number 58452
153	D44900002	4	Button	Up to Serial or Engine Number 58452

Instrument panel and control box

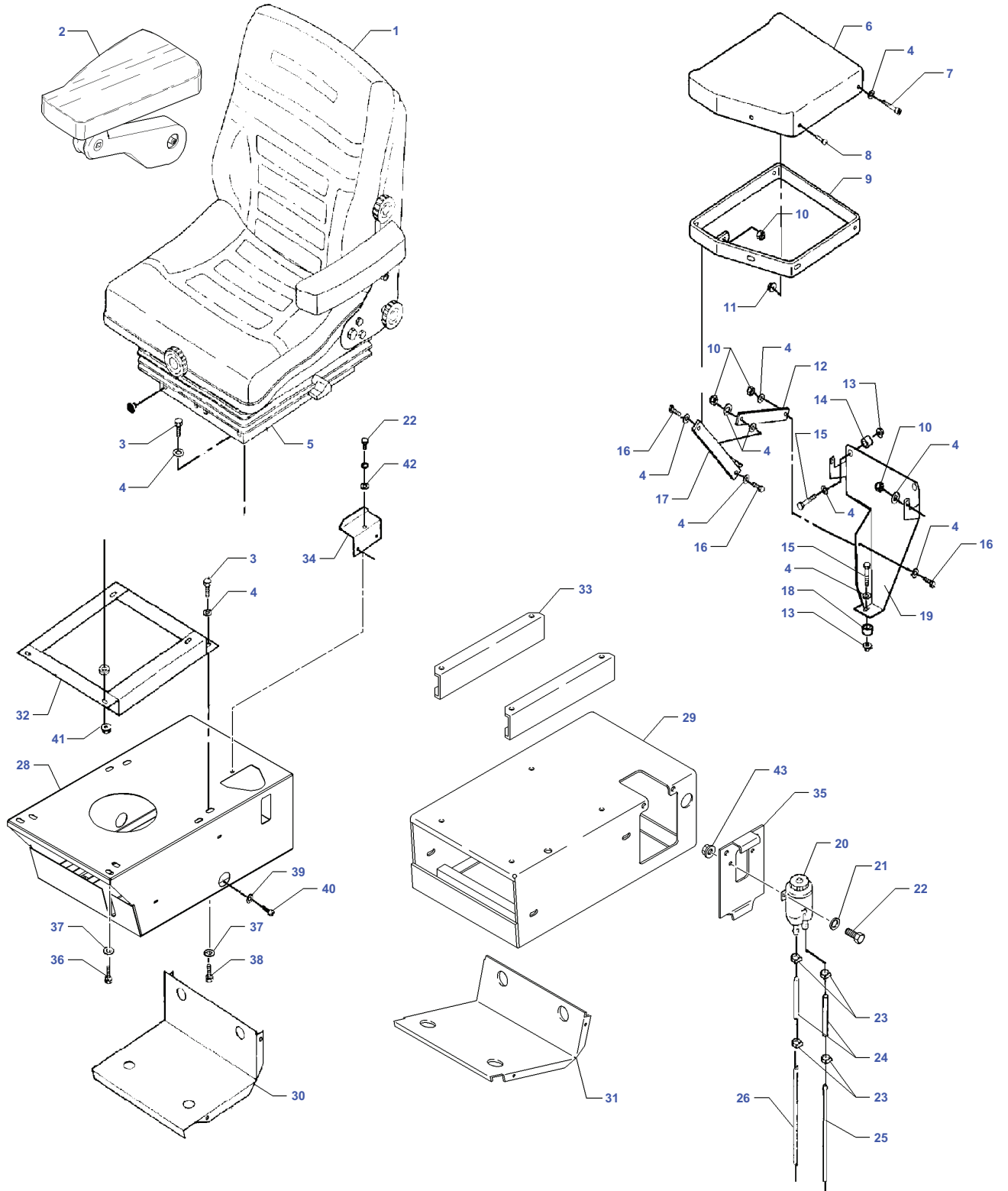
Item	Part Number	Qty	Description	Comments
154	D40631200	1	Pin	Up to Serial or Engine Number 58800
155	D40316900	1	Screw	Up to Serial or Engine Number 58800
156	D40316700	1	Screw	Up to Serial or Engine Number 58800
157	D45060095	X	Connector	Up to Serial or Engine Number 58800
158	3405185M1	6	Bulb 12v 1.2w	
159	D44900012	13	Button	From Serial or Engine Number 58453 Up to Serial or Engine Number 58827
160	D44900122	1	Switch	From Serial or Engine Number 58453 Up to Serial or Engine Number 58827
161	D44900002	3	Button	From Serial or Engine Number 58453 Up to Serial or Engine Number 58827
162	D44900836	9	Button	From Serial or Engine Number 58453 Up to Serial or Engine Number 58827
163	D44900840	1	Button	From Serial or Engine Number 58453 Up to Serial or Engine Number 58827
170	D28781359	1	Sensor	[A]
170	D28781357	1	Cover	[A] (170)
171	D28781358	1	Block	[A] (170)
172	D28781578	1	Roll	[A] (170)
173	D28781400	3	Sensor	[A] (170)
174	D40351200	8	Screw	[A] (170)
175	391074X1	4	Hex. Sock. Screw	[A] M6 X 12
176	D20400405	4	Washer	[A]
177	D45050019	1	Spirit Level	[A]
178	D40743000	2	Screw	[A] From Serial or Engine Number 7920
179	D44900212	1	Decal	[B]
180	D28981724	1	Plate	
181	D28981793	1	Bracket	From Serial or Engine Number 58329

FOOTNOTE [A] AUTO LEVEL COMBINE

FOOTNOTE [B] OPTIONAL EXTRA FOR PREHEATER

FOOTNOTE [C] ELECTRIC FORWARD SPEED CONTROL

MF 7272/7274/7278 CERA COMBINE - 1637408
D-ACYK-001-B



Operator Seat

Item	Part Number	Qty	Description	Comments
1	D45939600	1	Seat	VIKING Up to Serial or Engine Number 57002
	D45939700	1	Seat	GRAMMER Up to Serial or Engine Number 57002
	D45941500	1	Seat	[A] From Serial or Engine Number 57003 Up to Serial or Engine Number 58731
	D45941600	1	Seat	[B] From Serial or Engine Number 58732 Up to Serial or Engine Number 57002
2	D45934500	1	Armrest	Right Hand Up to Serial or Engine Number 57002
	D45940700	1	Armrest	From Serial or Engine Number 57003 Up to Serial or Engine Number 58875
3	D40404900	4	Hex. Sock. Screw	
4	D20400506	X	Washer	
5	D45939800	1	Spring Carrier	[D] GRAMMER Up to Serial or Engine Number 57002
	D45946800	1	Spring Carrier	[C] Up to Serial or Engine Number 57002
6	D28985579	1	Seat Cushion	
7	D40405100	2	Hex. Sock. Screw	
8	D40688200	3	Screw Metric	
9	D28985582	1	Frame	
10	394367X1	5	Locknut	
11	1441462X1	3	Locknut	
12	D28980693	1	Link	
13	394367X1	3	Locknut	
14	D28980738	2	Bush	
15	D40423800	3	Hex. Sock. Screw	
16	D40405000	3	Hex. Sock. Screw	
17	D28980690	1	Link	
18	D28980738	1	Bush	
	D28981237	1	Bush	From Serial or Engine Number 50630 Up to Serial or Engine Number 52341
19	D28981240	1	Plate	From Serial or Engine Number 50630 Up to Serial or Engine Number 52341
20	D45908200	1	Container	
21	D20400453	2	Washer	
22	D40402400	3	Hex. Sock. Screw	
23	338612X1	4	Hose Clip	
24	D44717800	2	Hose	
25	D28980948	1	Pipe	See Page - Reference Number 013-0003/29
26	D28980947	1	Pipe	See Page - Reference Number 013-0003
28	D28981142	1	Bracket	Up to Serial or Engine Number 58328
29	D28982070	1	Seat Stand	From Serial or Engine Number 58329
30	D28980737	1	Shelf	Up to Serial or Engine Number 58328
31	D28981790	1	Shelf	From Serial or Engine Number 58329
32	D28981139	1	Frame Assy	GRAMMER Up to Serial or Engine Number 58328
33	D28982069	2	Adjustment	From Serial or Engine Number 58329
34	D28980736	1	Bracket	Up to Serial or Engine Number 58328
35	D28981791	1	Trap	From Serial or Engine Number 58329
36	D40407800	3	Hex. Sock. Screw	
37	D20400505	1	Spacer	
38	D40407700	3	Hex. Sock. Screw	
39	D20400466	4	Washer	
40	D40740700	4	Screw	
41	394367X1	4	Locknut	
42	D20400470	1	Washer	
43	1441462X1	4	Locknut	

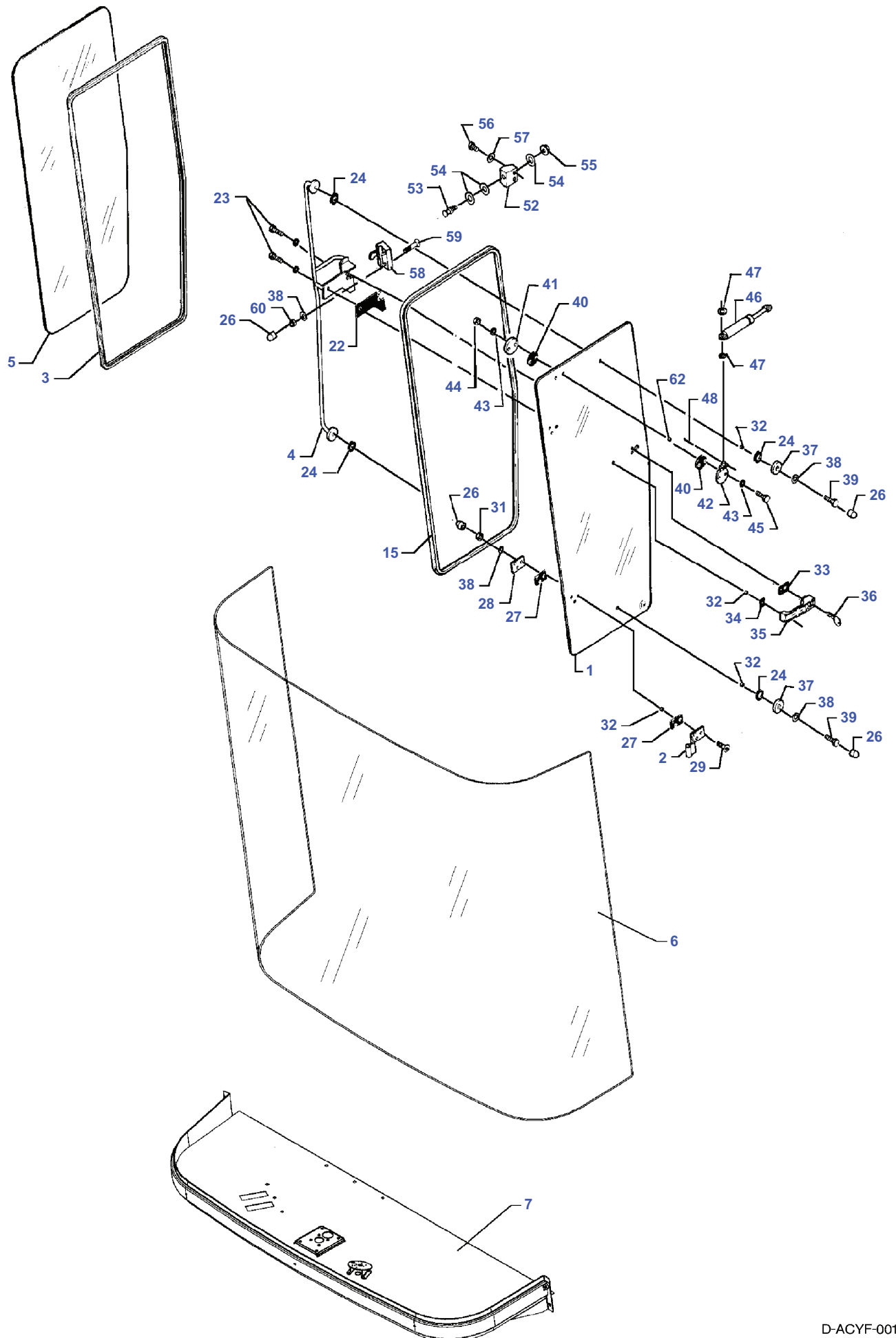
FOOTNOTE [A] MECHANICAL SEAT

FOOTNOTE [B] PNEUMATIC SEAT

FOOTNOTE [C] PNEUMATIC

FOOTNOTE [D] MECHANICAL

MF 7272/7274/7278 CERA COMBINE - 1637408
D-ACYF-001-B



D-ACYF-001-B

Glass

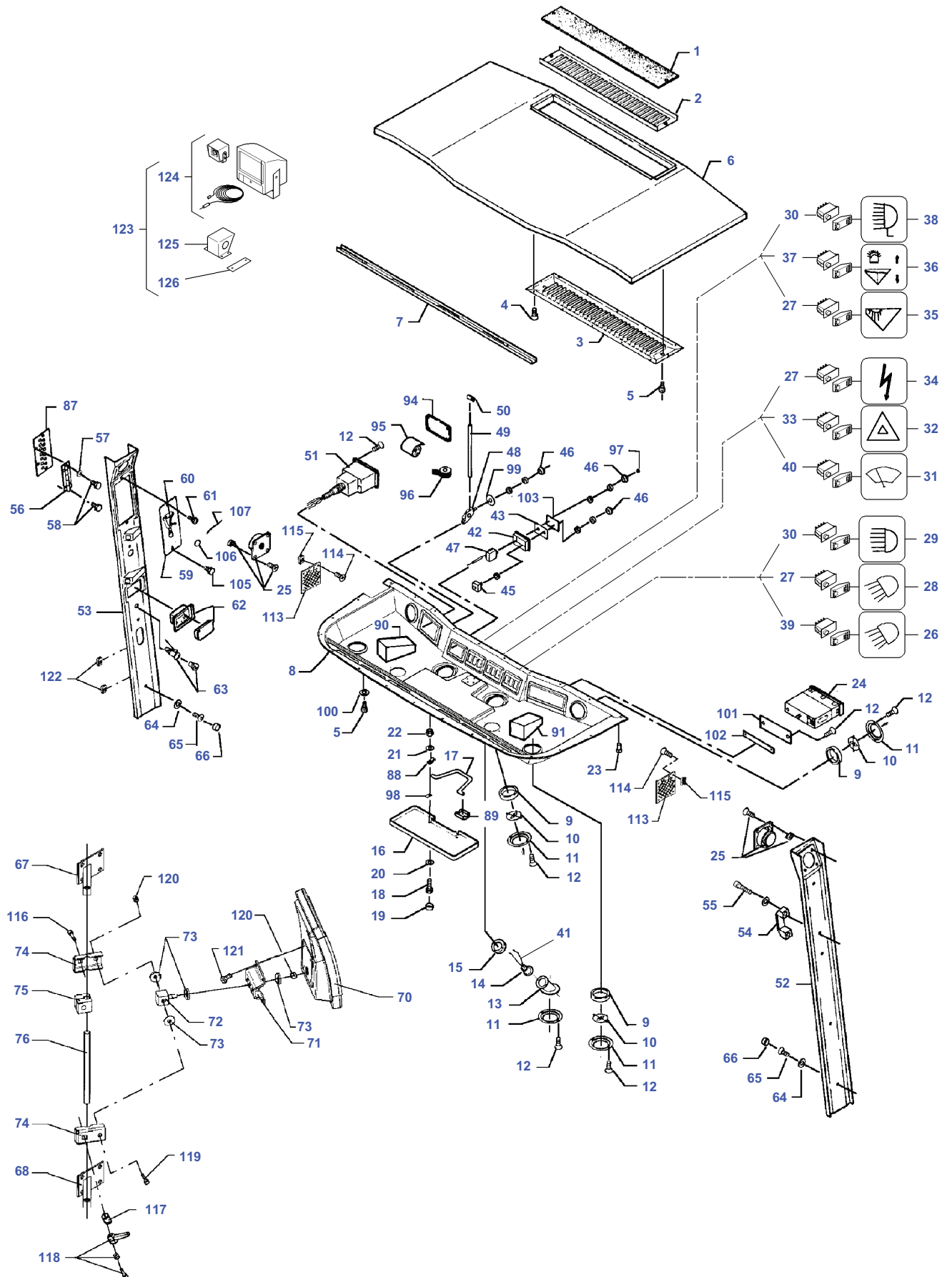
Item	Part Number	Qty	Description	Comments
1	D28980561	1	Glass Pane	
2	D28980477	2	Hinge	
3	D28782151	X	Seal Section	[C] Length 10 M Length 3,980 M
4	D28981186	1	Fitting	
5	D28980562	1	Window	
6	D28081587	1	Windscreen	[B]
	D28981592	1	Kit, Repair	[A]
7	D28981714	1	Frame	
15	D28782163	X	Gasket	Length 10 M
22	D28980489	1	Shim	
23	339666X1	3	Hex. Sock. Screw	M6 X 20
24	D28980463	4	Plate	
26	D45744900	X	Protector	
27	D28980478	4	Plate	
28	D28980485	2	Plate	
29	D40601800	6	Screw	
31	394367X1	6	Locknut	M8
32	D28980322	6	Bush	
33	D28980486	1	Shim	
34	D28980487	1	Shim	
35	D43419100	1	Door Handle	
36	D43418700	1	Spanner	
37	D28980466	2	Washer	
38	D20400506	X	Washer	
39	339337X1	2	Hex. Sock. Screw	M8 X 30
40	D28980461	2	Washer	
41	D28980464	1	Washer	
42	D28980470	1	Bracket	
43	390971X1	4	Washer	
44	1441462X1	2	Locknut	M6
45	339262X1	2	Hex. Sock. Screw	M6 X 30
46	D45061800	1	Gas Strut	
47	D20400500	2	Spacer	
48	354057X1	2	Split Pin	1/8" X 3/4
52	D28980916	1	Bracket	
53	D43419400	1	Bolt	
54	D20400426	3	Washer	
55	D46434600	1	Nut	
56	339124X1	2	Hex. Sock. Screw	M8 X 16
57	D20400506	2	Washer	
58	D43419200	1	Lock	
59	D40601900	2	Screw	
60	394367X1	2	Locknut	M8
62	D28980322	2	Bush	

FOOTNOTE [A] USE MOUNTING KIT NO 28981592

FOOTNOTE [B] NOTE CONTAINS GLUE OF LTD KEEPING QUALITIES

FOOTNOTE [C] CUT TO REQUIRED LENGTH

MF 7272/7274/7278 CERA COMBINE - 1637408
D-ACYG-003-A



D-ACYG-003-A

Item	Part Number	Qty	Description	Comments
1	D28980849	1	Filter	
2	D28980923	1	Shutter	
3	D28981508	1	Grate	
4	D40740100	12	Screw	
5	D43385100	4	Screw	
6	D28980855	1	Lining	
7	D28981357	1	Grille	
8	D28981998	1	Panel	
9	D28980554	6	Retainer	
10	D28980553	6	Shutter	
11	D28980555	8	Ring	
12	D40740200	24	Screw	
13	D28980839	2	Holder	
14	D45060001	2	Light	
15	D28980771	2	Cover	
16	D28981507	1	Canopy	
17	D28980664	1	Stirrup	
18	D40400900	2	Setscrew	
19	D45749800	2	Cap	
20	D45745100	2	Washer	
21	D20400466	2	Washer	
22	1441917X1	2	Locknut	M5
23	D45745600	22	Rivet	
24	D28085632	1	Radio	Valid from machine/table no,can be used in new as well as in older machines 57701 CPL CD
	D28080365	1	Instruction Book	
	D43429500	X	Clip	
	D45000269	1	Radio	CD
	D45086600	1	Aerial Long	
	D45090091	1	Speaker	
	D45086400	1	Radio	TAPE
25	D45090091	1	Speaker	
26	D45050040	1	Light Switch	
27	D45050003	5	Magnet	N2
28	D45050040	1	Light Switch	
29	D45050017	1	Switch	
30	D45050005	2	Dummy	N3
31	D45050018	1	Switch	
32	D45050052	1	Switch	
33	D45050051	1	Switch	
34	D45050021	1	Switch	
35	D45050022	1	Switch	
36	D45050023	1	Switch	
37	D45050041	1	Switch	N5
38	D45050024	1	Switch	
39	D45050049	1	Switch	N6
40	D45050050	1	Switch	N7
41	D28782337	1	Insert	
42	D28980928	1	Frame	
43	D28980436	1	Plate	
45	D45070024	1	Switch	
46	D45070026	2	Button	
47	D45093000	1	Thermostat	
48	D45070025	1	Adjuster	
49	D45070027	1	Cable	
50	D45070028	1	Bracket	
51	D28981536	1	Printer	[A]
	D28981575	1	Printer	[A]
52	D28981535	1	Cover	Left Hand
53	D28980483	1	Cover	Right Hand
54	D43386900	1	Handle	
55	391148X1	2	Screw	M8 X 20
56	D28980772	1	Hinge	
57	D20400404	2	Washer	
58	339230X1	2	Hex. Sock. Screw	M6 X 10
59	D28981528	1	Plate	
60	D45059600	1	Hammer	
61	D43385100	2	Screw	
62	D45060024	1	Ashtray	
63	D45060037	1	Lighter	

Frontpanel, side members and datavision

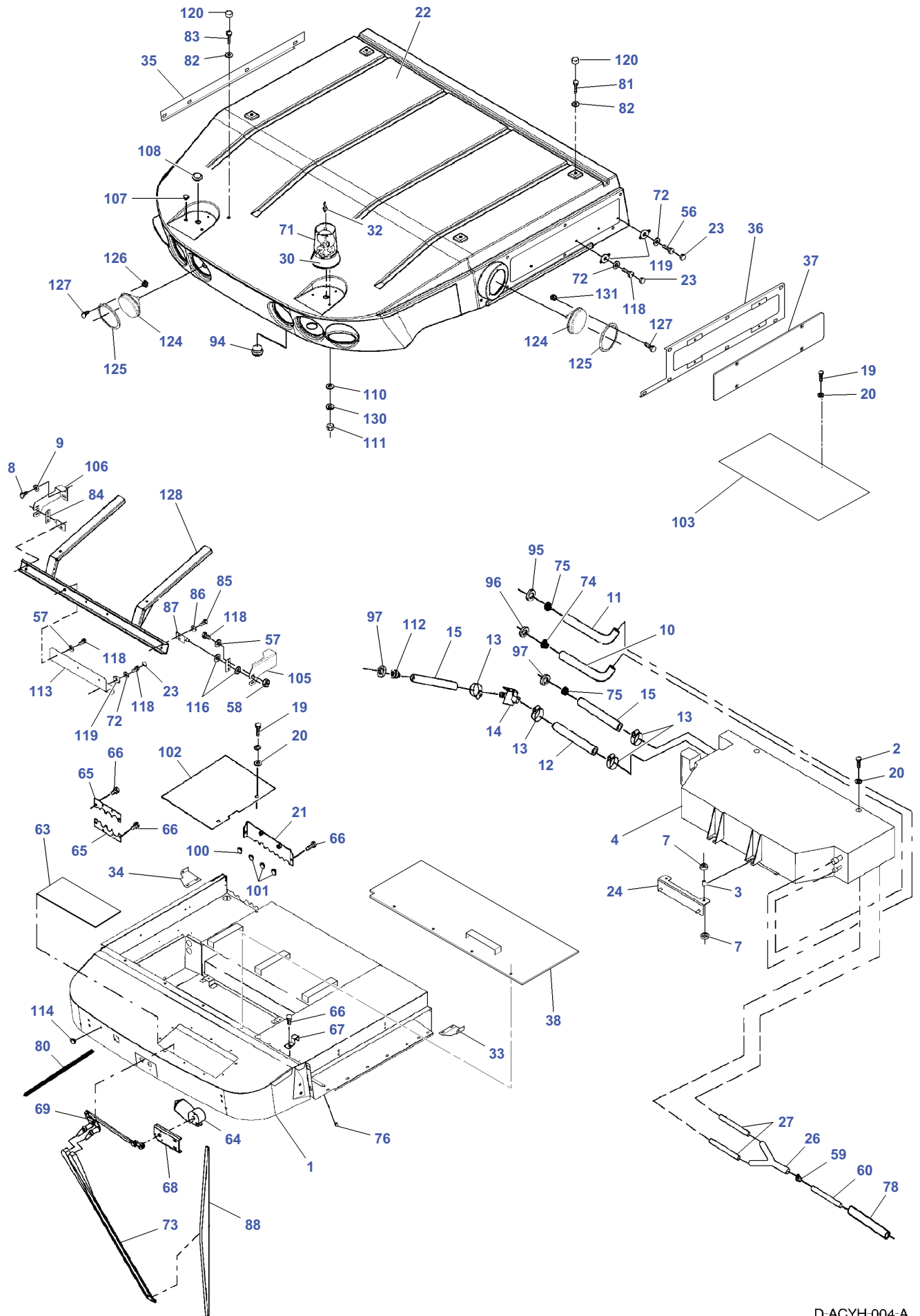
Item	Part Number	Qty	Description	Comments
64	D45745100	6	Washer	
65	390958X1	6	Screw Special	M5 X 16
66	D45749800	6	Cap	
67	D28981042	1	Suspension	
68	D28980764	1	Suspension	
70	D28981672	1	Terminal	Up to Serial or Engine Number 56885
70	D28985811	1	Terminal	From Serial or Engine Number 56886 Up to Serial or Engine Number 61121 From Serial or Engine Number 61122
70	D28981845	1	Terminal	From Serial or Engine Number 61122
71	D28981328	1	Fitting	
72	D28981330	1	Threaded Part	
73	D28981331	4	Washer	
74	D28981332	2	Clamp	
75	D28980501	1	Fitting	
76	D28981360	1	Rod	
87	D28980775	1	Panel	
88	D28980665	2	Retainer	
89	D45060031	1	Support	
90	D28980977	1	Gasket	
91	D28980976	1	Gasket	
94	D28981509	1	Plate	
95	D45010063	1	Paper	
96	D45010062	1	Ribbon	
97	D45745300	1	Plug	
98	D28981143	2	Support	
99	D49189000	1	Decal	
100	D20400404	2	Washer	
101	D28981510	1	Plate	
102	D28981511	1	Plate	
103	D49187900	1	Decal	
105	D40741200	2	Screw	
106	D43407400	1	Seal	
107	D01906800	X	Wire	Length 150 mm
113	D45090093	2	Plate	
114	D40740000	8	Screw	
115	D43429500	8	Clip	
116	D40072200	1	Screw	
117	D28980748	1	Bush	
118	D43387500	1	Lever	
119	D40438800	1	Screw	
120	D41017500	2	Locknut	
121	D40689500	4	Screw	
122	D44900071	2	Clip	
123	D28085634	1	Reversing Camera	
124	D45000270	1	Reversing Camera	(123)
124	D45000271	1	Reversing Camera	EXTRA
125	D28985245	1	Support	(123)
126	D28985175	1	Plate	(123)
127	D44900761	1	Switch	[B,C]

FOOTNOTE [A] OPTIONAL EQUIPMENT

FOOTNOTE [B] NOT ILLUSTRATED

FOOTNOTE [C] FOR ELECTRIC MIRRORS

MF 7272/7274/7278 CERA COMBINE - 1637408
D-ACYH-004-A



D-ACYH-004-A

Item	Part Number	Qty	Description	Comments
1	D28981801	1	Roof	
2	339010X1	4	Hex. Sock. Screw	M8 X 40
3	D28981587	1	Spacer	
4	D45080055	1	Air Conditioner	
7	D45080096	8	Damper	
8	3009492X1	4	Hex. Sock. Screw	M10 X 25
9	D20400419	1	Washer	
10	D45080051	1	Hose	
11	D45080052	1	Hose	
12	D28782176	X	Hose	[D] Length 6 m
13	3000483X1	4	Hose Clip	Diameter 16-22
14	D45070008	1	Valve.	
15	D28782176	X	Hose	[D] Length 6 m
18	D45000167	1	Map	[C] (4)
19	339124X1	X	Hex. Sock. Screw	M8 X 16
20	D20400506	X	Washer	
21	D28981112	1	Plate	
22	D28981798	1	Roof	
23	D45748500	13	Cap	
24	D28981448	1	Fitting	
26	D45080094	2	Hose	
27	D28782171	X	Hose	[D] Length 3 m
30	D45050200	1	Rotating Light	Up to Serial or Engine Number 61114
	D44900990	1	Rotating Light	From Serial or Engine Number 61115
	D45060046	1	Rotating Light	[A]
32	D45081000	1	Bulb	
33	D28981805	1	Bracket	
34	D28981807	1	Bracket	
35	D28981705	1	Plate	
36	D28981808	1	Plate	
37	D28981812	1	Plate	
38	D28981708	1	Plate	
56	339666X1	6	Hex. Sock. Screw	M6 X 20
57	391038X1	13	Washer	
58	1441462X1	16	Locknut	M6
59	D28980863	2	Bush	
60	D28782171	X	Hose	[D] Length 3 m
63	D44741200	X	Strip	[D] Length 5 m
64	D45080042	1	Wiper Motor	
65	D28981145	2	Locking Plate	
66	D40749100	6	Screw Metric	
67	D28980970	2	Retainer	
68	D28985184	1	Bracket	
69	D45080044	1	Wiper	
71	D45050200	1	Rotating Light	
	D45060047	1	Glass	H. CHRISTENSEN 170492
	D45080012	1	Glass	[B]
72	390971X1	13	Washer	
73	D45080048	1	Wiper Arm	
74	D44733100	1	Bush	
75	D44733100	3	Bush	
76	D44719100	2	Rivet	
78	D28980991	2	Hose	
80	D28980967	6	Gasket	
81	339009X1	4	Hex. Sock. Screw	M8 X 35
82	D45713900	6	Gasket	
83	339761X1	2	Hex. Sock. Screw	M8 X 25
84	D28981495	2	Fitting	
85	339123X1	4	Hex. Sock. Screw	M8 X 20
86	D20400506	4	Washer	
87	D28981494	2	Bracket	
88	D45080049	2	Wiper Blade	
94	D45745500	2	Plug	
95	D44732600	1	Grommet	

Item	Part Number	Qty	Description	Comments
96	D44732800	1	Grommet	
97	D44732700	2	Grommet	
100	D45744000	1	Plug	
101	D44731900	3	Grommet	
102	D28981124	1	Trap	
103	D28782156	X	Seal Section	[D] Length 10 m
105	D28981469	1	Hinge	Left Hand
106	D28981468	1	Hinge	Right Hand
107	D45744100	3	Plug	
108	D45744500	1	Plug	
110	D20400466	3	Washer	
111	D41010400	3	Nut	
112	D44732900	1	Grommet	
113	D28981578	1	Bracket	
114	D44731900	1	Grommet	
116	D20400507	4	Spacer	
118	339560X1	8	Hex. Sock. Screw	M6 X 16
119	D45749200	13	Washer	
120	D45744900	6	Protector	
124	D45080002	8	Headlamp	Up to Serial or Engine Number 61114
124	D45080135	8	Worklamp	From Serial or Engine Number 61115
125	D28981482	8	Muff	Up to Serial or Engine Number 61114
125	D28981849	8	Plate	From Serial or Engine Number 61115
126	D43429800	18	Clip	
127	D40740500	32	Screw	
128	D28981799	1	Frame	
130	D41100300	3	Washer	
131	D43429900	6	Clip	

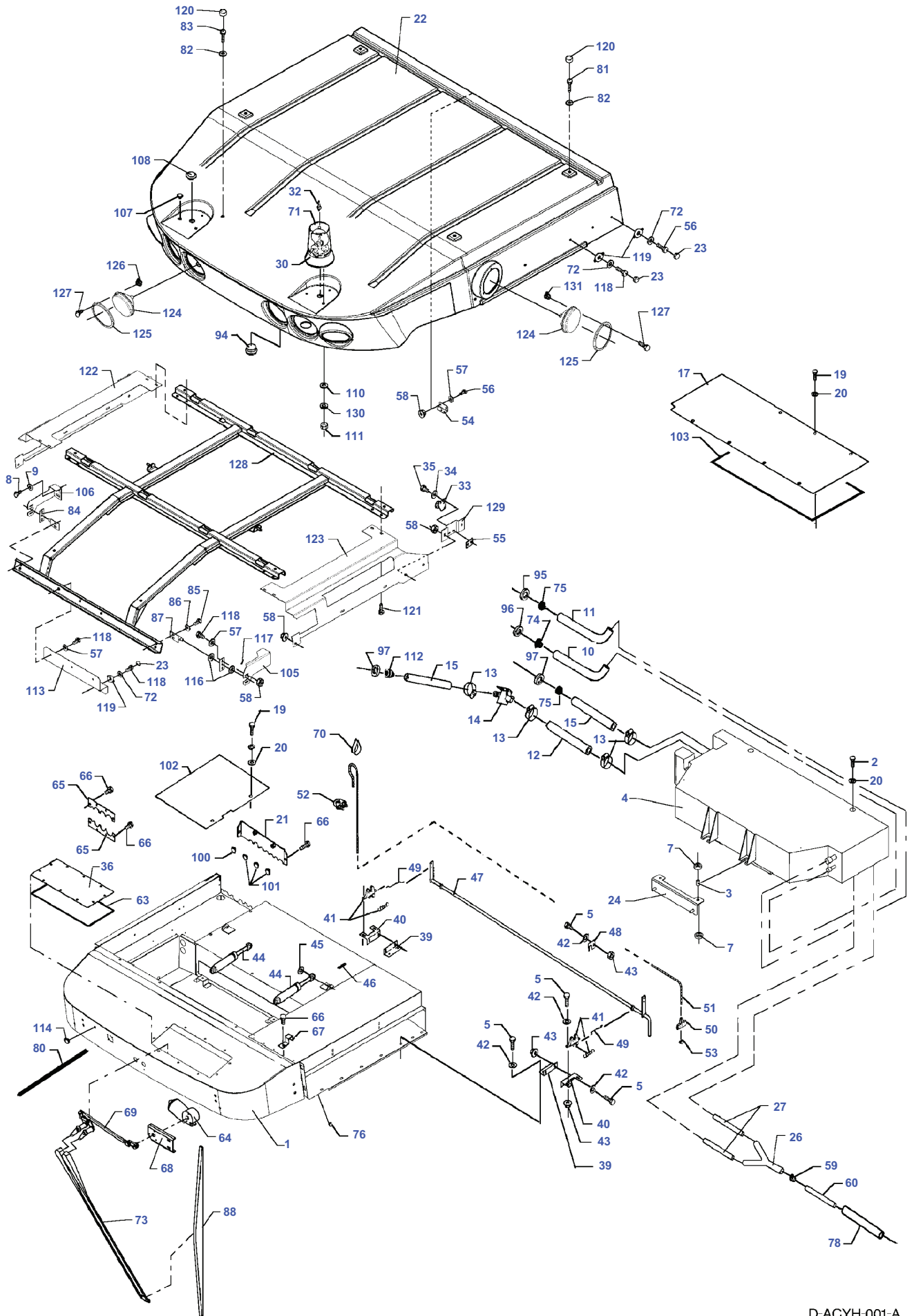
FOOTNOTE [A] ONLY FOR SWITZERLAND

FOOTNOTE [B] ORANGE BASE HELLA

FOOTNOTE [C] NOT ILLUSTRATED

FOOTNOTE [D] CUT TO REQUIRED LENGTH

MF 7272/7274/7278 CERA COMBINE - 1637408
D-ACYH-001-A



D-ACYH-001-A

Item	Part Number	Qty	Description	Comments
1	D28981339	1	Roof	
2	339010X1	4	Hex. Sock. Screw	M8 X 40
3	D28981587	1	Spacer	
4	D45080055	1	Air Conditioner	
5	339560X1	X	Hex. Sock. Screw	M6 X 16
7	D45080096	8	Damper	
8	3009492X1	4	Hex. Sock. Screw	M10 X 25
9	D20400419	1	Washer	
10	D45080051	1	Hose	
11	D45080052	1	Hose	
12	D28782176	X	Hose	[D] Length 6000 mm
13	3000483X1	4	Hose Clip	Diameter 16-22
14	D45070008	1	Valve.	
15	D28782176	X	Hose	[D] Length 6000 mm
17	D28981123	1	Door	
18	D45000167	1	Map	[C] (4)
19	339124X1	X	Hex. Sock. Screw	M8 X 16
20	D20400506	X	Washer	
21	D28981112	1	Plate	
22	D28981463	1	Roof	
23	D45748500	13	Cap	
24	D28981448	1	Fitting	
26	D45080094	2	Hose	
27	D28782171	X	Hose	[D] Length 3000 mm
30	D45050200	1	Rotating Light	
	D45060046	1	Rotating Light	[A]
32	3405180M1	1	Bulb 12v	
33	D43419700	2	Pin	
34	D20400466	4	Washer	
35	D40400900	4	Setscrew	
36	D28981364	1	Cover	
39	D28980933	2	Elbow	
40	D28980932	2	Bracket	
41	D43419800	2	Lock	
42	D20400404	X	Washer	
43	1441462X1	8	Locknut	M6
44	D45061901	2	Gas Strut	
45	D20400506	4	Washer	
46	339129X1	4	Split Pin	Diameter 3,2 X 25
47	D28980880	1	Rod	
48	D28980876	3	Bar	
49	D28980881	2	Rod	
50	D43384800	1	Lever	
51	D28782159	X	String	[D] Length 2600 mm
52	D43405900	1	Bracket	
53	D43407800	1	Bracket	
54	D28981710	1	Bracket	
55	D28980993	2	Gauge	
56	339666X1	6	Hex. Sock. Screw	M6 X 20
57	391038X1	13	Washer	
58	1441462X1	16	Locknut	M6
59	D28980863	2	Bush	
60	D28782171	X	Hose	[D] Length 3000 mm
63	D44741200	X	Strip	[D] Length 5000 mm
64	D45080042	1	Wiper Motor	
65	D28981145	2	Locking Plate	
66	D40749100	6	Screw Metric	
67	D28980970	2	Retainer	
68	D28985184	1	Bracket	
69	D45080044	1	Wiper	
70	D43408800	1	Thimble	
71	D45050200	1	Rotating Light	
	D45060047	1	Glass	H. CHRISTENSEN 170492

Item	Part Number	Qty	Description	Comments
71	D45080012	1	Glass	[B]
72	D20400453	13	Washer	
73	D45080048	1	Wiper Arm	
74	D44733100	1	Bush	
75	D44733100	3	Bush	
76	D44719100	2	Rivet	
78	D28980991	2	Hose	
80	D28980967	6	Gasket	
81	339009X1	4	Hex. Sock. Screw	M8 X 35
82	D45713900	6	Gasket	
83	339761X1	2	Hex. Sock. Screw	M8 X 25
84	D28981495	2	Fitting	
85	339123X1	4	Hex. Sock. Screw	M8 X 20
86	D20400506	4	Washer	
87	D28981494	2	Bracket	
88	D45080049	2	Wiper Blade	
94	D45745500	2	Plug	
95	D44732600	1	Grommet	
96	D44732800	1	Grommet	
97	D44732700	2	Grommet	
100	D45744000	1	Plug	
101	D44731900	3	Grommet	
102	D28981124	1	Trap	
103	D28782156	X	Seal Section	[A] Length 10 000 mm
105	D28981469	1	Hinge	Left Hand
106	D28981468	1	Hinge	Right Hand
107	D45744100	3	Plug	
108	D45744500	1	Plug	
110	D20400466	3	Washer	
111	D41010400	3	Nut	
112	D44732900	1	Grommet	
113	D28981578	1	Bracket	
114	D44731900	1	Grommet	
116	D20400507	4	Spacer	
117	339129X1	2	Split Pin	Diameter 3,2 X 25
118	339560X1	8	Hex. Sock. Screw	M6 X 16
119	D45749200	13	Washer	
120	D45744900	6	Protector	
121	D40685000	8	Screw	
122	D28981580	1	Stay	Right Hand
123	D28981579	1	Stay	Left Hand
124	D45080002	8	Headlamp	
125	D28981482	8	Muff	
126	D43429800	18	Clip	
127	D40740500	24	Screw	
128	D28981478	1	Frame	
129	D28980873	2	Plate	
130	D41100300	3	Washer	
131	D43429900	6	Clip	

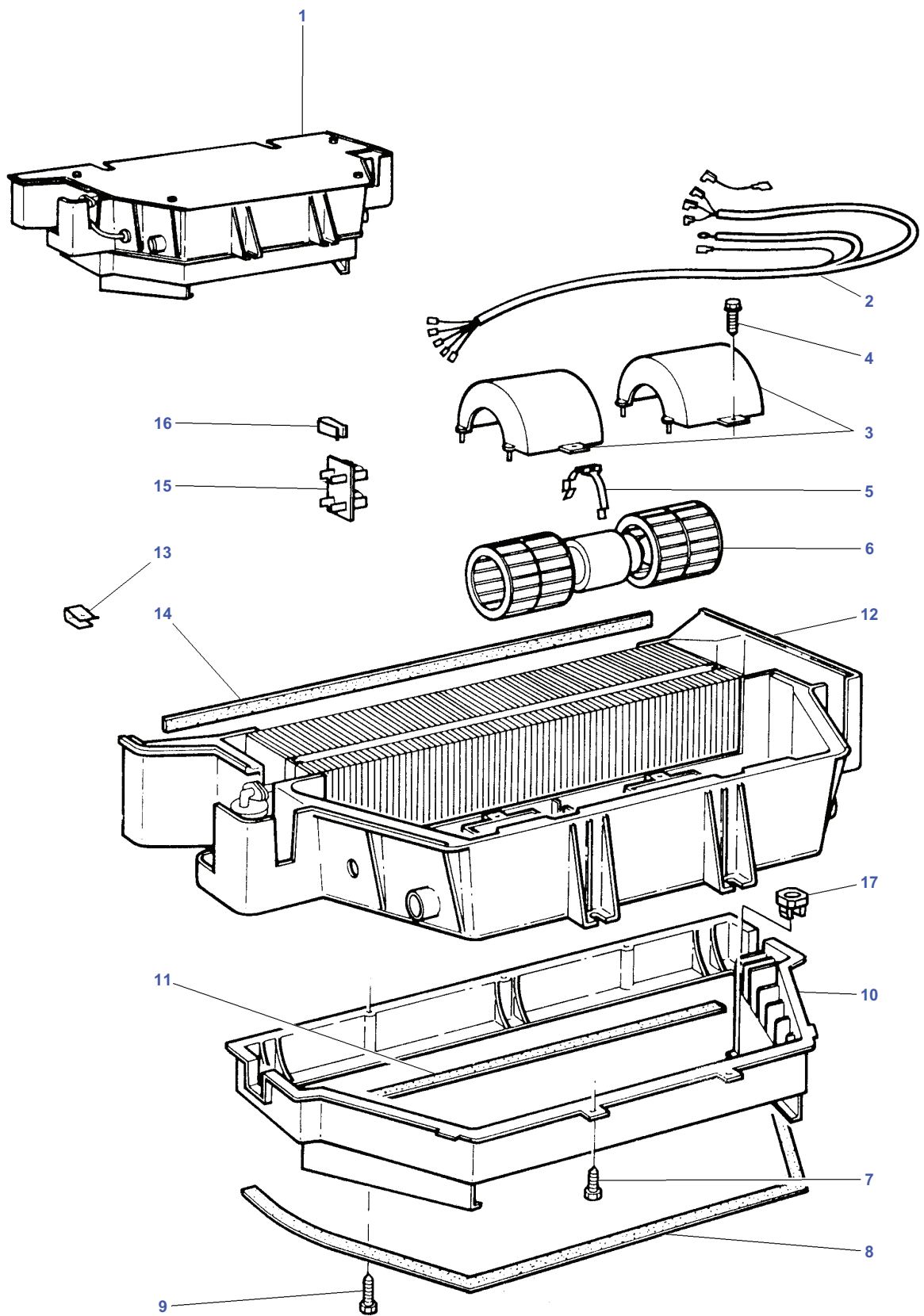
FOOTNOTE [A] ONLY FOR SWITZERLAND

FOOTNOTE [B] ORANGE BASE HELLA

FOOTNOTE [C] NOT ILLUSTRATED

FOOTNOTE [D] CUT TO REQUIRED LENGTH

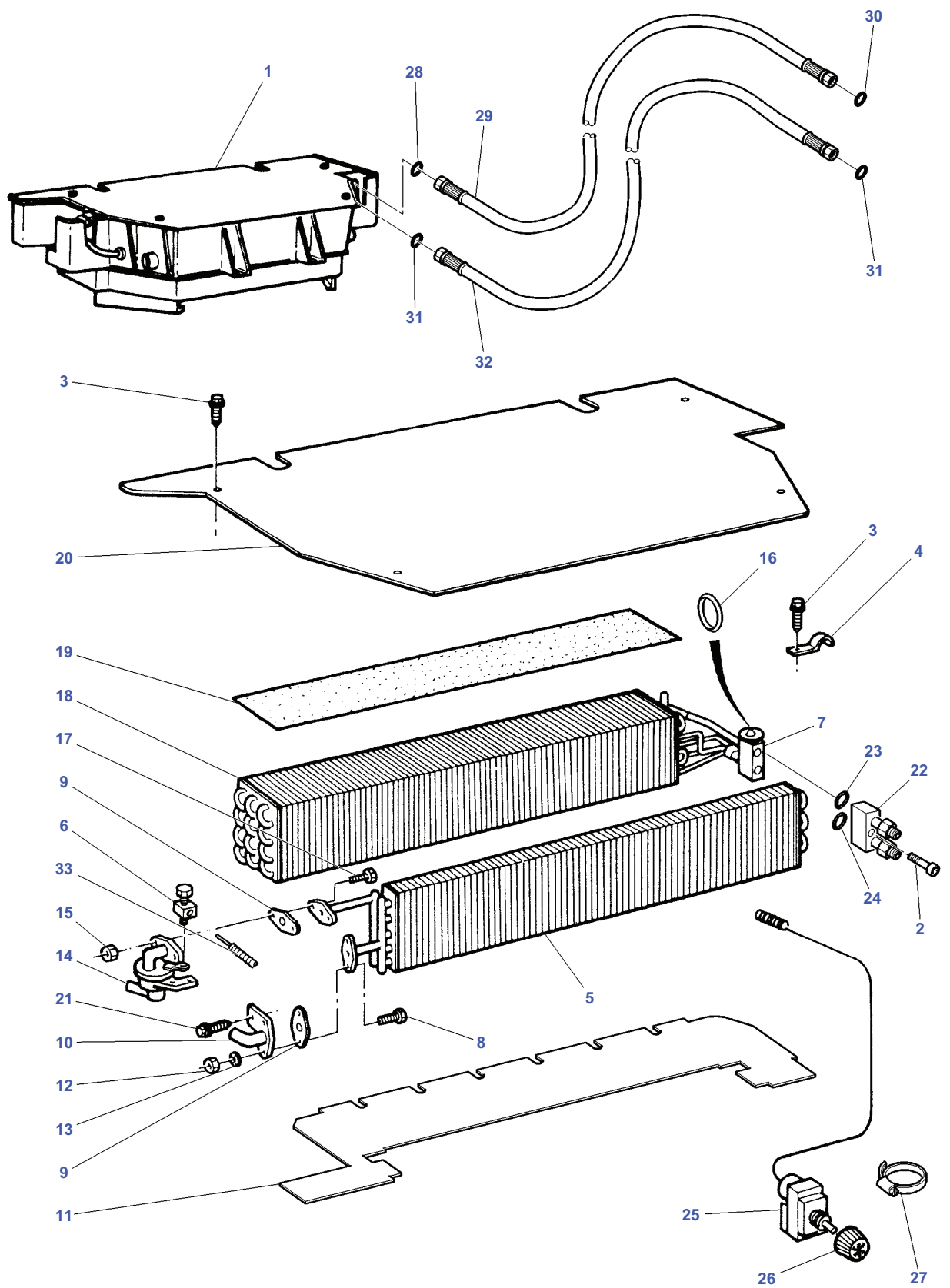
MF 7272/7274/7278 CERA COMBINE - 1637408
D-ACYL-001-B



Air Conditioner

Item	Part Number	Qty	Description	Comments
1	D45080055	1	Air Conditioner	
2	3902318M91	1	Harness	(1)
3	3310833M1	2	Cover	(1)
4	3310837M1	4	Screw	(1)
5	3902320M1	1	Strap	(1)
6	3310831M91	1	Motor	(1)
7	3310837M1	6	Screw	(1)
8	3902322M1	1	Foam	(1)
9	3310841M1	3	Screw	(1)
10	3310840M1	1	Housing	(1)
11	3310843M1	1	Foam	(1)
12	3310825M1	1	Housing	(1)
13	3310842M1	9	Strap	(1)
14	3310849M1	1	Foam	(1)
15	3304510M92	1	Resistor	(1)
16	3310834M1	1	Strap	(1)
17	3583649M1	1	Nut Special	(1)

MF 7272/7274/7278 CERA COMBINE - 1637408
D-ACYL-003-A

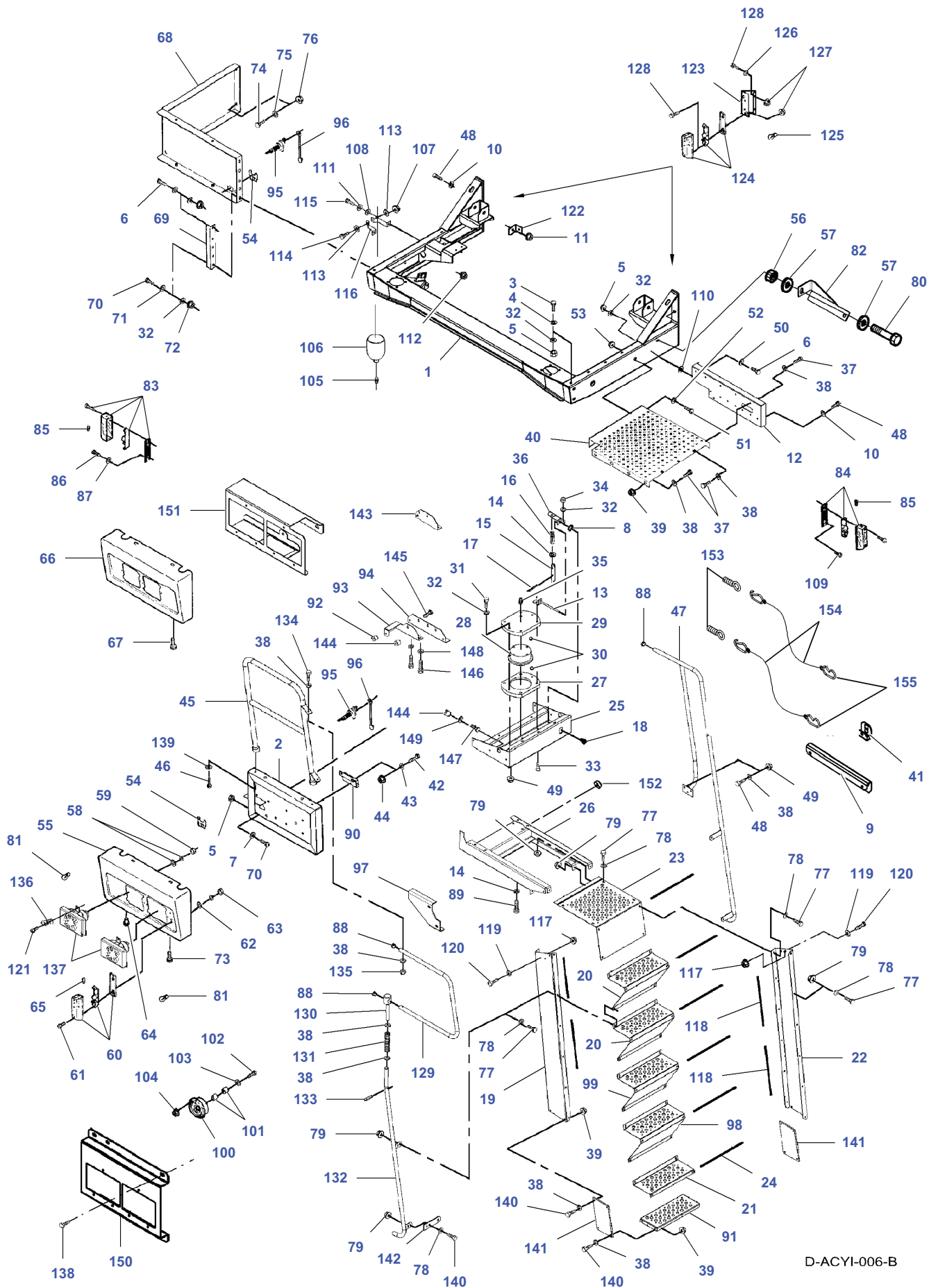


D-ACYL-003-A

Air Conditioner

Item	Part Number	Qty	Description	Comments
1	D45080055	1	Air Conditioner	
2	3015257X1	2	Screw Metric	(1) M6 X 55
3	3310837M1	6	Screw	(1)
4	3310836M1	1	Strap	(1)
5	3310827M92	1	Radiator	(1)
6	3311579M91	1	Union	(1)
7	3902334M91	1	Regulator	(1)
8	3902089M1	2	Screw	(1)
9	3902327M1	2	Gasket	(1)
10	3310946M1	1	Elbow	(1)
11	3902329M2	1	Plate	(1)
12	3902090M1	2	Nut	(1)
13	3902090M1	2	Nut	(1)
14	3310945M1	1	Cock	(1)
15	3902090M1	2	Nut	(1)
16	3902550M1	1	O Ring	(1) Diameter 6,7 mm Repairs and replaces 3902499M1
	3902551M1	3	O Ring	(1) Diameter 13,4 mm Repairs and replaces 3902500M1
17	3902089M1	2	Screw	(1)
18	3902331M92	1	Evaporator	(1)
19	3902332M1	1	Foam	(1)
20	3310839M1	1	Plate	(1)
21	3902089M1	2	Screw	(1)
22	3902549M91	1	Connection	(1)
23	3902550M1	1	O Ring	(1) Diameter 6,7 X 1,8 mm
24	3902551M1	1	O Ring	(1) Diameter 13,4 X 2,4 mm
25	D45093000	1	Thermostat	
26	D45070026	1	Button	
27	3000483X1	2	Hose Clip	Diameter 16-22
28	3010471X1	1	O Ring	Diameter 7,65 mm
29	D45080051	1	Hose	
30	D45450100	1	O Ring	
31	D45450200	2	O Ring	
32	D45080052	1	Hose	
33	3902212M2	1	Cable	

MF 7272/7274/7278 CERA COMBINE - 1637408
D-ACYI-006-B



D-ACYI-006-B

Platform and ladder

Item	Part Number	Qty	Description	Comments
1	D28981687	1	Suspension	
2	D28981758	1	Plate	Valid from machine/table no,can be used in new as well as in older machines 57794
3	339814X1	1	Hex. Sock. Screw	M10 X 35
4	D20400420	3	Washer	
5	1440329X1	1	Locknut	M10
6	3009493X1	3	Hex. Sock. Screw	M10 X 30
7	D20400419	2	Washer	
8	D44731100	1	Grommet	
9	D28982145	1	Support	
10	D20400506	X	Washer	
11	394367X1	4	Locknut	M8
12	D28981299	1	Platform	
13	D28981272	1	Lever	
14	D20400426	3	Washer	
15	D28981263	1	Pin	
16	D28210500	1	Spring	
17	3000197X1	1	Split Pin	Diameter 4 X 35
18	D43383900	1	Lever	
19	D18981617	1	Ladder	
20	D18981265	2	Step	
21	D18981616	1	Step	
22	D28981613	1	Ladder	
23	D28981268	1	Step	
24	D44740800	X	Strip	[I] Length 18 M
25	D28981658	1	Console	Valid from machine/table no,can be used in new as well as in older machines 57794
	D28981711	1	Bracket	[F]
26	D28981261	1	Support	
27	D28981258	1	Flange	
28	D28981257	1	Flange	
29	D28981259	1	Flange	
30	D41648300	76	Ball	
31	1441370X1	2	Hex. Sock. Screw	
32	D20400416	6	Washer	
33	D40067600	4	Screw	
34	1440329X1	4	Locknut	M10
35	D43002700	1	Greaser	
36	D28981262	1	Bracket	
37	339123X1	X	Hex. Sock. Screw	M8 X 20
38	D20400506	X	Washer	
39	394367X1	X	Locknut	M8
40	D28981607	1	Platform	
	D28981289	1	Plate	[F] MF 7272-74 CEREAL [H] MF 7278 CEREAL
	D28981729	1	Plate	
41	D28982144	1	Support	
42	339123X1	2	Hex. Sock. Screw	M8 X 20
43	D20400506	2	Washer	
44	394367X1	2	Locknut	M8
45	D28980118	1	Rail	
	D28981412	1	Guideway	[F]
46	3009491X1	2	Hex. Sock. Screw	M10 X 20
47	D28981625	1	Rail	
	D28981410	1	Rail	[F]
48	339761X1	X	Hex. Sock. Screw	M8 X 25
49	394367X1	X	Locknut	M8
50	D20400416	3	Washer	
51	339666X1	X	Hex. Sock. Screw	M6 X 20
52	D20400404	X	Washer	
53	1441462X1	X	Locknut	M6
54	D28980980	2	Cover	
55	D28981398	1	Shield	
56	394367X1	1	Locknut	Valid from machine/table no,can be used in new as well as in older machines 57606 M8
57	D20400506	2	Washer	Valid from machine/table no,can be used in new as well as in older machines 57606
58	D20400400	16	Washer	

Platform and ladder

Item	Part Number	Qty	Description	Comments
59	D41010400	8	Nut	
60	D45080007	2	Light	
61	D40351400	4	Screw	
62	D20400400	4	Washer	
63	D41010400	4	Nut	
64	D43385200	3	Screw	
65	621235M1	X	Bulb 12v 21w Sbc	
66	D28981399	1	Shield	
67	D43385200	4	Screw	
68	D18981629	1	Guard	Up to Serial or Engine Number 60049
68	D18986152	1	Guard	From Serial or Engine Number 60050
69	D28980986	1	Support	
70	3009492X1	4	Hex. Sock. Screw	M10 X 25
71	D20400419	5	Washer	
72	1440329X1	5	Locknut	M10
73	339124X1	1	Hex. Sock. Screw	M8 X 16
74	339123X1	2	Hex. Sock. Screw	M8 X 20
75	D20400414	2	Washer	
76	394367X1	2	Locknut	M8
77	339123X1	X	Hex. Sock. Screw	M8 X 20
78	D20400506	X	Washer	
79	394367X1	X	Locknut	M8
80	339761X1	1	Hex. Sock. Screw	Valid from machine/table no,can be used in new as well as in older machines 57606 M8 X 25
81	965465M1	4	Bulb H/L 45/40w	[B]
81	3713341M1	4	Bulb 12v 60/55w	[A]
82	D28285381	1	Bracket	Valid from machine/table no,can be used in new as well as in older machines 57606
83	D45077500	1	Flasher	Right Hand
84	D45077600	1	Flasher	Left Hand
85	621235M1	2	Bulb 12v 21w Sbc	
86	3001162X1	2	Hex. Sock. Screw	M4 X 16
87	D20400400	2	Washer	
88	D45744200	3	Ferrule	
89	1440716X1	4	Hex. Sock. Screw	M12 X 30
90	D28980995	1	Stop	Up to Serial or Engine Number 61287
90	D28981285	1	Stop	From Serial or Engine Number 61288
91	D18981621	1	Step	[C]
92	D46482000	1	Damper	From Serial or Engine Number 57269
93	D18981743	1	Bracket	From Serial or Engine Number 57269
94	D18981730	1	Bracket	From Serial or Engine Number 57269
95	D45068200	2	Electric Socket	
96	D45068300	2	Dustcap	
97	D18981619	1	Bracket	From Serial or Engine Number 57269
98	D18981615	1	Step	
99	D18981614	1	Step	
100	D45019500	1	Horn	
101	D28480172	2	Spacer	
102	339168X1	1	Hex. Sock. Screw	M8 X 50
103	D20400506	1	Washer	
104	394367X1	1	Locknut	M8
105	D45250500	2	Union	[G]
106	D28781981	1	Accumulator	[G]
106	D45148500	2	Accumulator	[G]
107	394367X1	2	Locknut	[G] M8
108	D41101900	6	Spring Washer	[G]
109	3005686X1	2	Screw	No 10 X 13
110	D20400415	1	Washer	
111	D20400415	6	Washer	[G]
112	339402X1	3	Nut	[G] M10
113	D20400413	4	Washer	[G]
114	D40424300	2	Hex. Sock. Screw	[G] M8 X 60
115	339814X1	3	Hex. Sock. Screw	[G] M10 X 35
116	D28752408	4	Support	[G]
117	394367X1	4	Locknut	M8

Platform and ladder

Item	Part Number	Qty	Description	Comments
118	D28782178	X	Seal Section	[I] Length 5 M
119	D20400506	4	Washer	
120	339123X1	4	Hex. Sock. Screw	M8 X 20
121	D45080011	12	Screw	
122	D28780772	1	Retainer	[D]
123	D28781364	2	Bracket	
124	D45080005	2	Lamp	
125	D45081300	2	Bulb	
125		1	Not Used	
126	D20400466	2	Washer	
127	1441917X1	4	Locknut	M5
128	339721X1	6	Hex. Sock. Screw	M5 X 16
129	D28981309	1	Guideway	
129	D28981408	1	Guideway	[F]
130	D28981311	1	Trunnion	
131	D25400086	1	Spring	
132	D28981627	1	Rail	
133	339071X1	1	Pin	Diameter 6 X 30
134	339011X1	2	Hex. Sock. Screw	M8 X 45
135	394367X1	2	Locknut	M8
136	D45080008	12	Spring	
137	D45080006	4	Head Lamp Ass Rh	
137	D44900999	4	Head Lamp Ass Lh	For UK only or any text in English only From Serial or Engine Number 6020
138	D43385200	3	Screw	
139	D20400420	2	Washer	
140	339337X1	8	Hex. Sock. Screw	M8 X 30
141	D28981622	2	Rubber	[C]
142	D28981318	2	Support	[E]
143	D18981341	1	Fitting	Up to Serial or Engine Number 57268
144	D46482000	2	Damper	
145	D40603100	1	Screw	
146	D40476100	2	Hex. Sock. Screw	M8 X 20
147	3009491X1	1	Hex. Sock. Screw	M10 X 20
148	D20400413	2	Washer	
149	D20400471	1	Washer	
150	D28981437	1	Retainer	
151	D28982430	X	Retainer	Right Hand
152	D44718300	1	Plug	
153	D40784000	2	Bolt	
154	D44777500	2	Rope	
155	D42388100	2	Hook	

FOOTNOTE [A] FOR ASSYMMETRIC LIGHT

FOOTNOTE [B] FOR SYMMETRIC LIGHT

FOOTNOTE [C] AUTO LEVEL COMBINE

FOOTNOTE [D] OPTIONAL EQUIPMENT STANDARD COMBINE, STANDARD EQUIPMENT AUTO LEVEL COMBINE, SLOPES

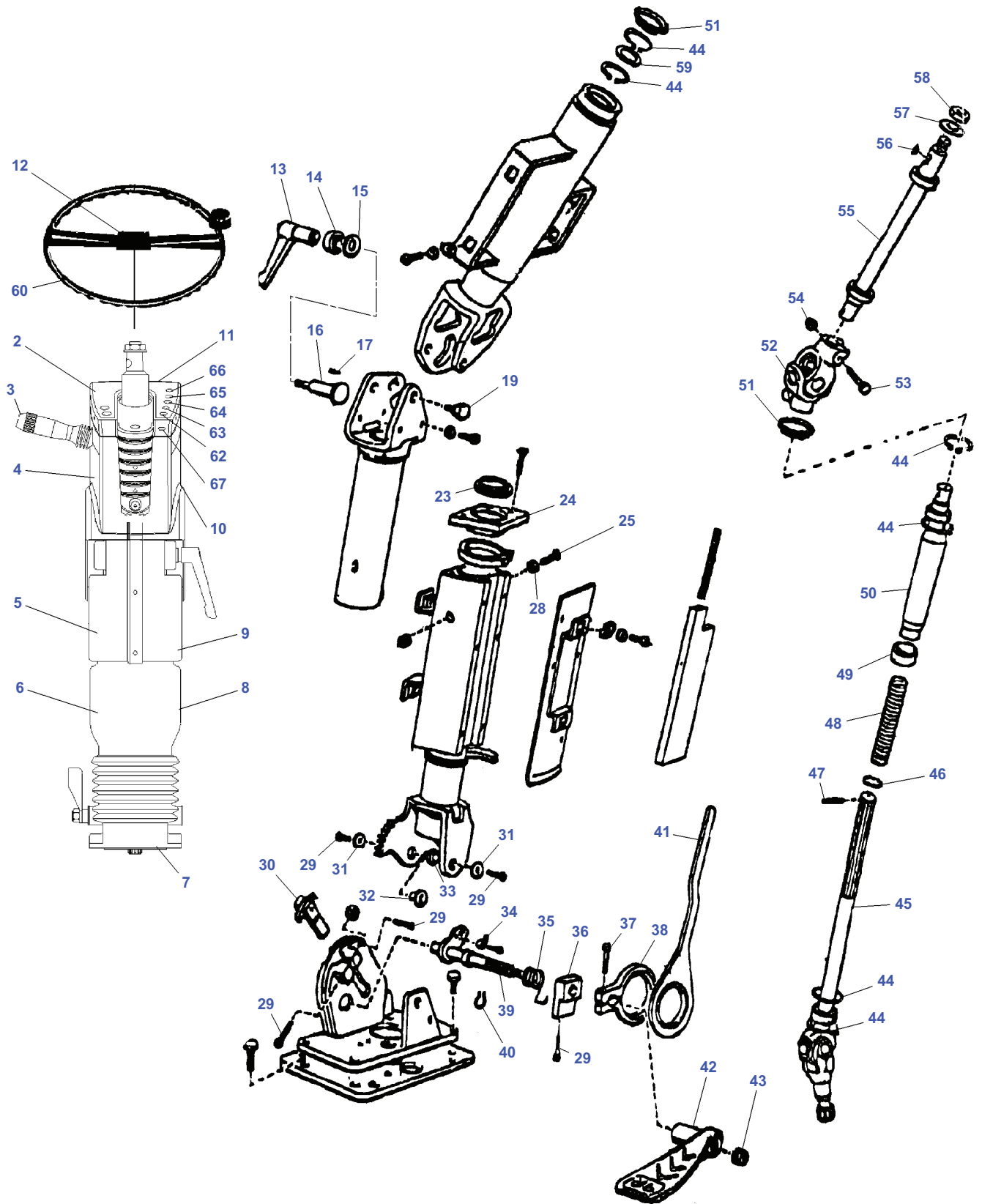
FOOTNOTE [E] WHEELS 30.5 LR32 FOR TRACTION

FOOTNOTE [F] ONLY USED FOR TRACTION WHEEL (TERRATYRES) 73X44 00-32

FOOTNOTE [G] FOR ALL MACHINE AND STANDARD MAC. WITH AL TABLE 18" PF AND 20-25 FF/PF

FOOTNOTE [H] USED FOR TRACTION WHEEL - TYRES 900/55R32 AND 1050 /50R32

FOOTNOTE [I] CUT TO REQUIRED LENGTH



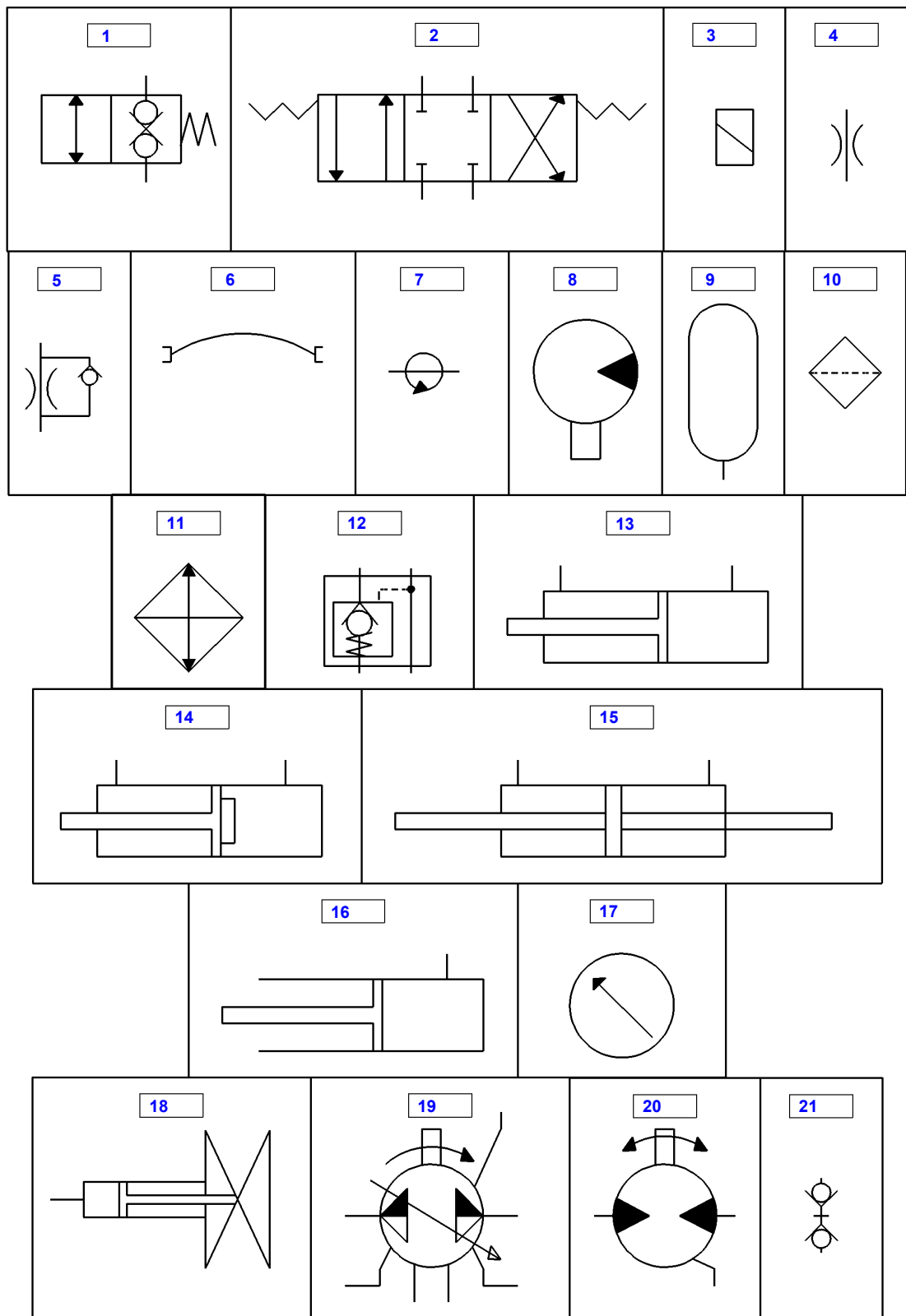
Steering Wheel And Column

Item	Part Number	Qty	Description	Comments
1	D45940035	1	Steering Column	[A] MF 7274-7278 Up to Serial or Engine Number 58874
	D45940036	1	Column	[A] MF 7272
	D45940036	1	Column	[A] MF 7274-7278 From Serial or Engine Number 58875
2	D45931500	1	Cover	(1) MF 7274-7278 Up to Serial or Engine Number 58874
	D45940026	1	Cover	(1) MF 7272
3	D45932400	1	Commutator	(1)
4	D45931700	1	Cover	(1) Left Hand
5	D45931800	1	Cover	(1) Right Hand
6	D45932100	1	Cover	(1) Left Hand
7	D45932200	1	Bellows	(1)
8	D45932000	1	Cover	(1) Right Hand
9	D45931800	1	Cover	(1) Right Hand
10	D45931600	1	Cover	(1) Right Hand
11	D28985459	1	Board	(1) MF 7274-7278
		1	Not Used	(1) MF 7272
12	D45940800	1	Cover	
13	D43387600	1	Handle	
14	D45940003	1	Bush	
15	D45940004	2	Washer	
16	D45940005	1	Screw	
17	390215X1	1	Pin	Diameter 3 X 20
19	D45940006	2	Screw	
23	D45940007	1	Gasket	
24	D45940008	1	Cover	
25	339721X1	1	Hex. Sock. Screw	M5 X 16
28	D41010500	1	Nut	
29	3009431X1	6	Screw	M6 X 20
30	D45940009	1	Locking Plate	
31	391038X1	2	Washer	
32	D45940010	1	Pivot	Right Hand
33	D45940011	1	Pivot	Left Hand
34	D45940012	1	Spring Carrier	
35	D45940013	1	Spring	
36	D45940015	1	Bearing	
37	D40688800	1	Screw	
38	D45940016	1	Retainer	
39	D45940014	1	Clevis Pin	
40	D42501300	1	Circlip	
41	D45940018	1	Dog	
42	D45940017	1	Pedal	
43	1440329X1	1	Locknut	M10
44	D42512900	6	Circlip	
45	D45940020	1	Drive Shaft	
46	D42547500	1	Ring	
47	D42604600	1	Pin	
48	D45940024	1	Spring	
49	D45940019	1	Bush	
50	D45940023	1	Tube	
51	D45940001	2	Gasket	
52	D45940021	1	Universal Joint	
53	339009X1	2	Hex. Sock. Screw	M8 X 35
54	394367X1	2	Locknut	M8
55	D45940022	1	Clevis Pin	
56	D43171400	1	Key	
57	D20400438	1	Washer	

Steering Wheel And Column

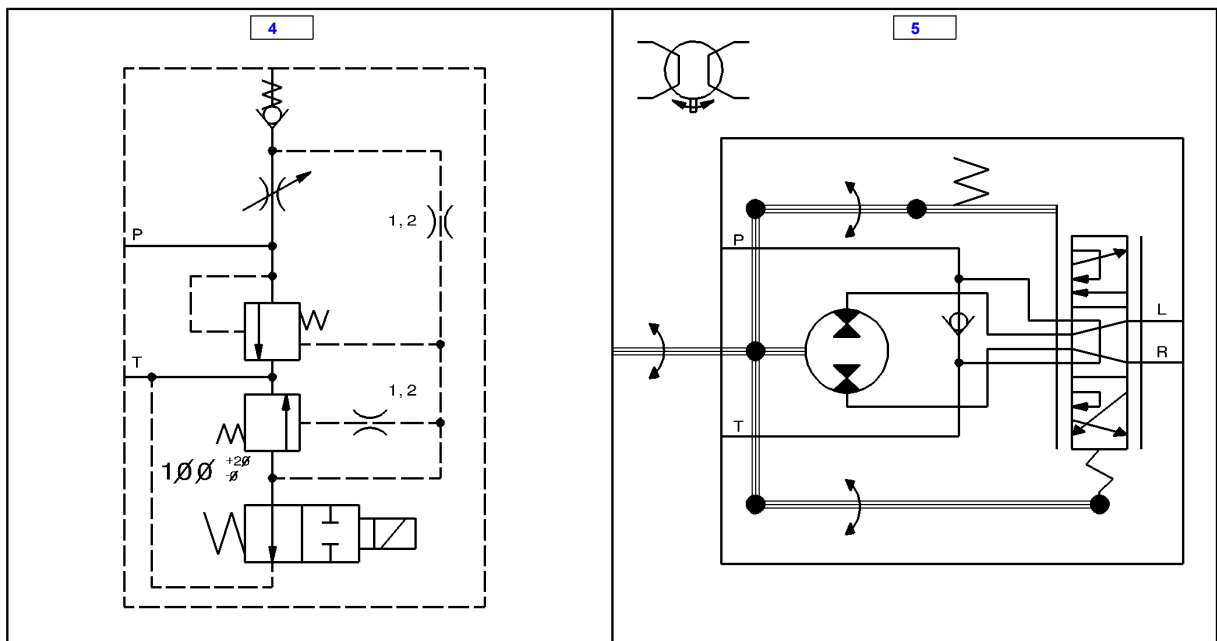
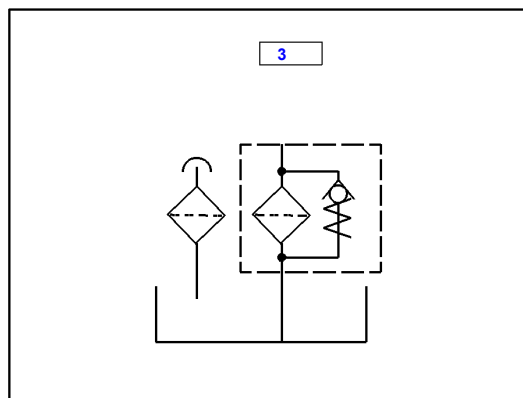
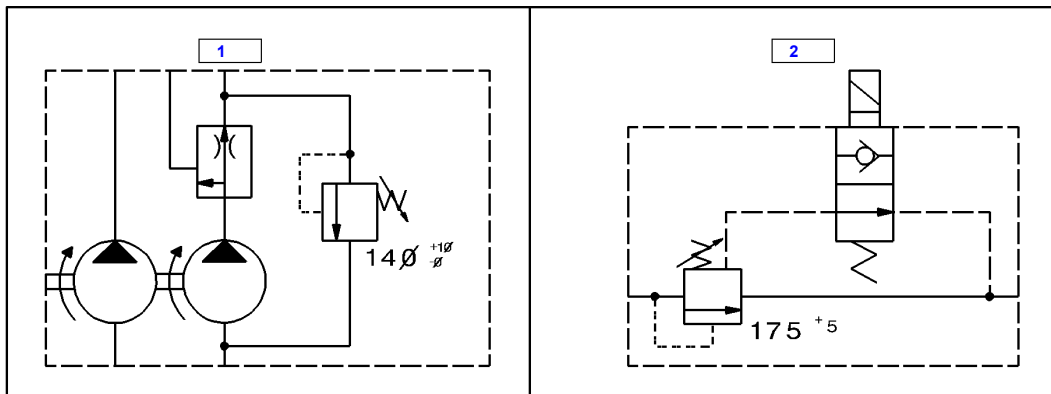
Item	Part Number	Qty	Description	Comments
58	D41042800	1	Nut	M18
59	D45940002	1	Spacer	
60	D45940300	1	Steering Wheel	
62	D44900184	1	Button	Up to Serial or Engine Number 58874
63	D44900185	1	Button	Up to Serial or Engine Number 58874
63		X	Not Used	
64	D44900186	1	Button	Up to Serial or Engine Number 58874
64		X	Not Used	
65	D44900187	1	Button	Up to Serial or Engine Number 58874
66	D44900188	1	Button	Up to Serial or Engine Number 58874
67	D44900183	5	Switch	Up to Serial or Engine Number 58874

FOOTNOTE [A] NOT ILLUSTRATED



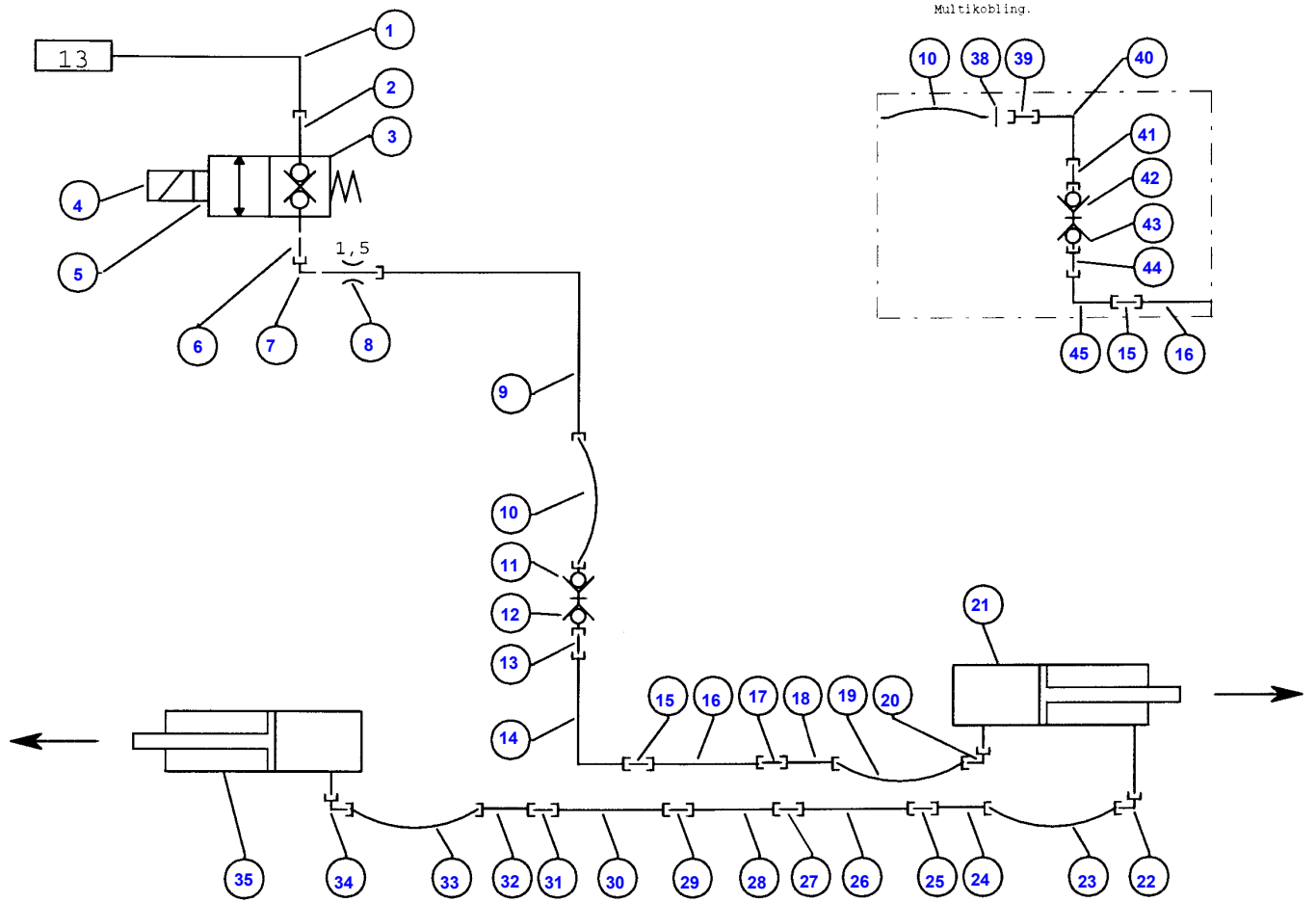
Hydraulic symbols

Item	Qty	Description	Comments
1	X	Pressure Valve	2/2 VENTIL
2	X	Pressure Valve	4/3 VENTIL
3	X	Coil	MAGNETSPOLE
4	X	Regulator	DROVLESKIVE
5	X	Regulator	DROLESKIVE.EN VE
6	X	Hydraulic Hose	HYDR. SLANGE
7	X	Clutch	DREJEFORBINDELSE
8	X	Hydraulic Motor	HYDR. MOTOR
9	X	Accumulator	AKKUMLATOR
10	X	Filter	OLIEFILTER
11	X	Radiator	KOLER
12	X	Non Return Valve	KONTRAVENTIL
13	X	Hydraulic, Cylin	DOBBELTV.CYLIND.
14	X	Hydraulic, Cylin	DOBBELTV. YLIND.
15	X	Steering Cyl	STYRE CYLINDER
16	X	Hydraulic, Cylin	ENKELTVIRKENDE
17	X	Manometer	MANOMETER
18	X	Variator	CYLINDERVARIATOR
19	X	Hydraulic Pump	FREMDRIFTSPUMPE
20	X	Hydraulic Motor	FREMDRIFTSMOTOR
21	X	Coupling	LYNKOBLING



Hydraulic symbols

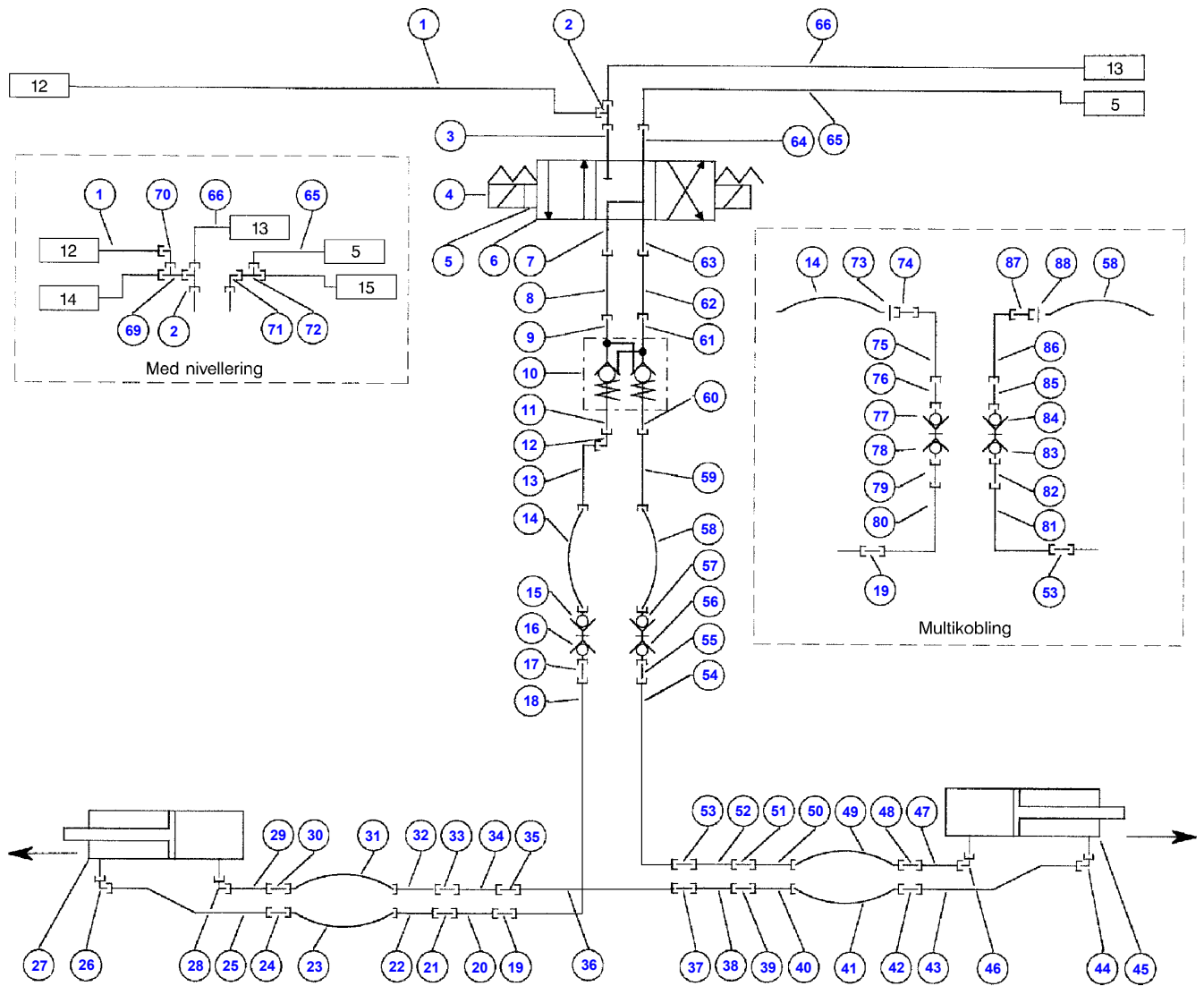
Item	Qty	Description	Comments
1	X	Hydraulic Pump	HJALPEHYDRAULIK PUMPE
2	X	Pressure Valve	OVERTRYK BYPASSVENTIL
3	X	Oil Tank	HYDRAULIKOLIETAN
4	X	Divider	FLOWDIVIDER
5	X	Valve Block	STYREORBITROL



Hydraulics - Reel Up/Down

Item	Part Number	Qty	Description	Comments
1	D28280653	1	Pipe,Oil	
2	D45252600	2	Union	
3	D45110054	1	Valve.	
	D45110014	1	Kit, Joint	
4	D45110064	1	Coil	
5	D45110065	1	Mandrel	
6	D45252600	2	Union	
7	D45263900	4	Union	
8	D28780324	1	Washer	1.8MM
9	D28185566	1	Pipe	
10	D45130020	1	Hydr. Hose	
11	D45138800	1	Union	
	D45110017	1	Gasket	
12	D45138900	1	Union	
13	D45252800	1	Union	
14	D28785585	1	Pipe	
15	D45254000	6	Union	
16	D28785587	1	Pipe	
	D28283438	2	Pipe,Oil	14' - 4,34M
	D28283437	2	Pipe,Oil	16' - 4,95M
	D28283436	2	Pipe,Oil	18' - 5,56M
	D28283826	2	Tube	20' - 6,16M
	D28785622	2	Pipe	22' - 6,77M
17	D45254000	6	Union	
18	D28785621	3	Pipe	25' - 7,60M
19	D45130017	3	Hydr. Hose	FREEFLOW
	D45130029	3	Hydr. Hose	POWER FLOW
20	D45263900	4	Union	
21	D45100066	1	Cylinder	
22	D45263900	4	Union	
23	D45130017	3	Hydr. Hose	FREEFLOW
	D45130029	3	Hydr. Hose	POWER FLOW
24	D28785621	3	Pipe	25' - 7,60M
25	D45254000	6	Union	
26	D28283438	2	Pipe,Oil	14' - 4,34M
	D28283437	2	Pipe,Oil	16' - 4,95M
	D28283436	2	Pipe,Oil	18' - 5,56M
	D28283826	2	Tube	20' - 6,16M
	D28785622	2	Pipe	22' - 6,77M
27	D45254000	6	Union	
28	D28785586	1	Pipe	
29	D45254000	6	Union	
30	D28283437	1	Pipe,Oil	16' - 4,95M
	D28283436	1	Pipe,Oil	18' - 5,56M
	D28283826	1	Tube	20' - 6,16M
	D28785622	1	Pipe	22' - 6,77M
31	D45254000	6	Union	
32	D28785621	3	Pipe	25' - 7,60M
33	D45130017	3	Hydr. Hose	FREEFLOW
	D45130029	3	Hydr. Hose	POWER FLOW
34	D45263900	4	Union	
35	D45100067	1	Cylinder	
38	D45232400	1	Washer	
39	D45278000	1	Connector	
40	D28785593	1	Pipe	
41	D45272100	2	Connector	
42	D45140035	1	Coupling	
	D45149100	1	O Ring	
43	D45140034	1	Coupling	
44	D45272100	2	Connector	
45	D28785877	1	Pipe	
	D28785588	1	Pipe	

MF 7272/7274/7278 CERA COMBINE - 1637408
D-ADZC-001-A

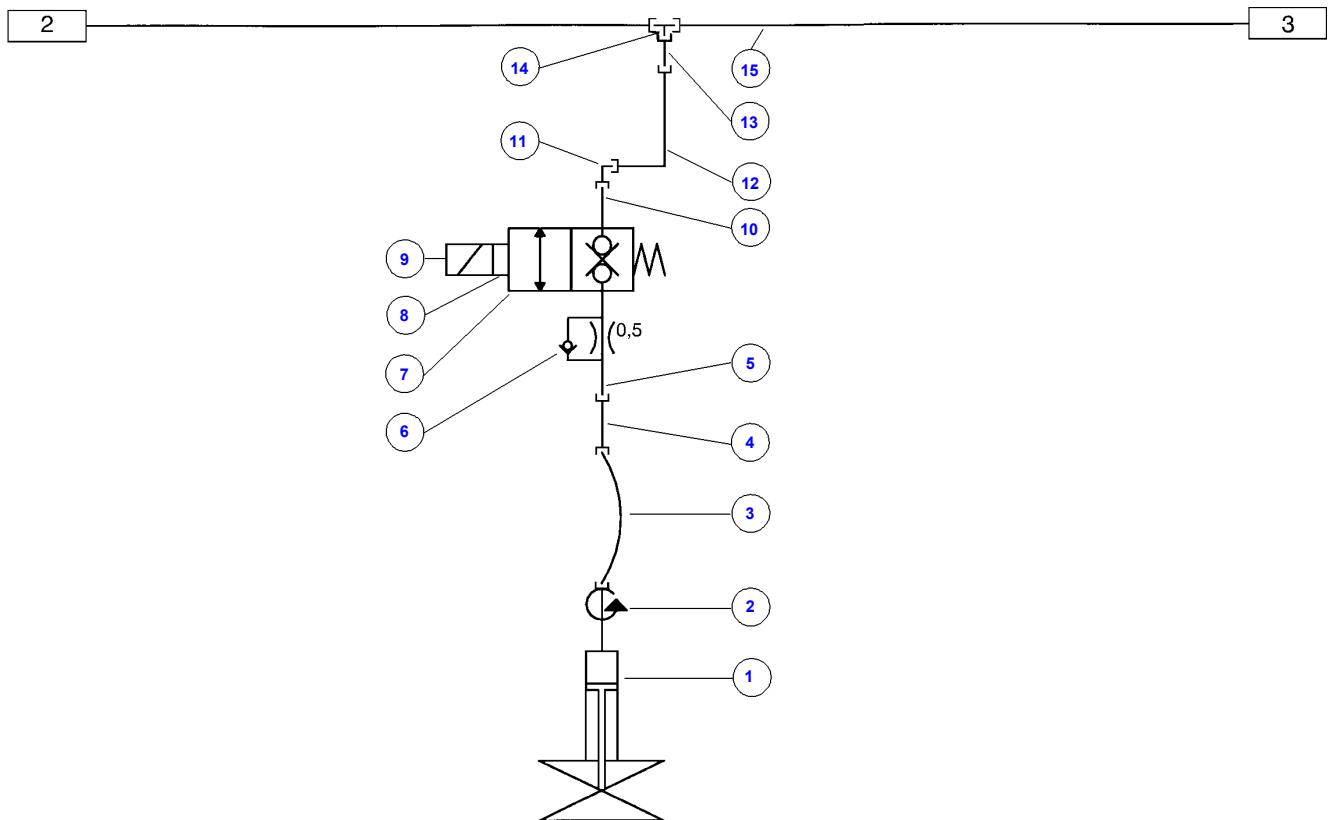


Hydraulic - Reel Fore/Aft.

Item	Part Number	Qty	Description
1	D28780458	1	Pipe
2	D45266100	3	Union
3	D45252600	8	Union
4	D45110064	2	Coil
	D45252600	8	Union
5	D45110096	1	Distributor
6	D45110095	1	Pressure Valve
	D45110015	1	Gasket
7	D45110064	2	Coil
	D45252600	8	Union
8	D28780988	2	Pipe,Oil
9	D45252600	8	Union
10	D45110098	1	Pressure Valve
11	D45252600	8	Union
12	D45263900	7	Union
13	D28780991	1	Pipe,Oil
14	D45130054	2	Hydr. Hose
15	D45138800	2	Union
	D45110017	2	Gasket
16	D45138900	2	Union
17	D45252800	2	Union
18	D28785583	1	Pipe
19	D45254000	12	Union
20	D28283438	4	Pipe,Oil
	D28283437	4	Pipe,Oil
	D28283436	4	Pipe,Oil
	D28283826	4	Tube
	D28785622	4	Pipe
21	D45254000	12	Union
22	D28785621	4	Pipe
23	D45130017	4	Hydr. Hose
24	D45254000	12	Union
25	D28281208	2	Pipe,Oil
	D28283571	2	Pipe,Oil
26	D45263900	7	Union
27	D45100028	1	Cylinder
28	D45263900	7	Union
29	D28281207	2	Pipe,Oil
	D28283572	2	Pipe,Oil
30	D45254000	12	Union
31	D45130017	4	Hydr. Hose
32	D28785621	4	Pipe
33	D45254000	12	Union
34	D28283438	4	Pipe,Oil
	D28283437	4	Pipe,Oil
	D28283436	4	Pipe,Oil
	D28283826	4	Tube
	D28785622	4	Pipe
35	D45254000	12	Union
36	D28785586	1	Pipe
37	D45254000	12	Union
38	D28283438	4	Pipe,Oil
	D28283437	4	Pipe,Oil
	D28283436	4	Pipe,Oil
	D28283826	4	Tube
	D28785622	4	Pipe
39	D45254000	12	Union
40	D28785621	4	Pipe
41	D45130017	4	Hydr. Hose
42	D45254000	12	Union
43	D28281208	2	Pipe,Oil
	D28283571	2	Pipe,Oil
44	D45263900	7	Union
45	D45100027	1	Cylinder
46	D45263900	7	Union
47	D28281207	2	Pipe,Oil
	D28283572	2	Pipe,Oil
48	D45254000	12	Union
49	D45130017	4	Hydr. Hose
50	D28785621	4	Pipe
51	D45254000	12	Union

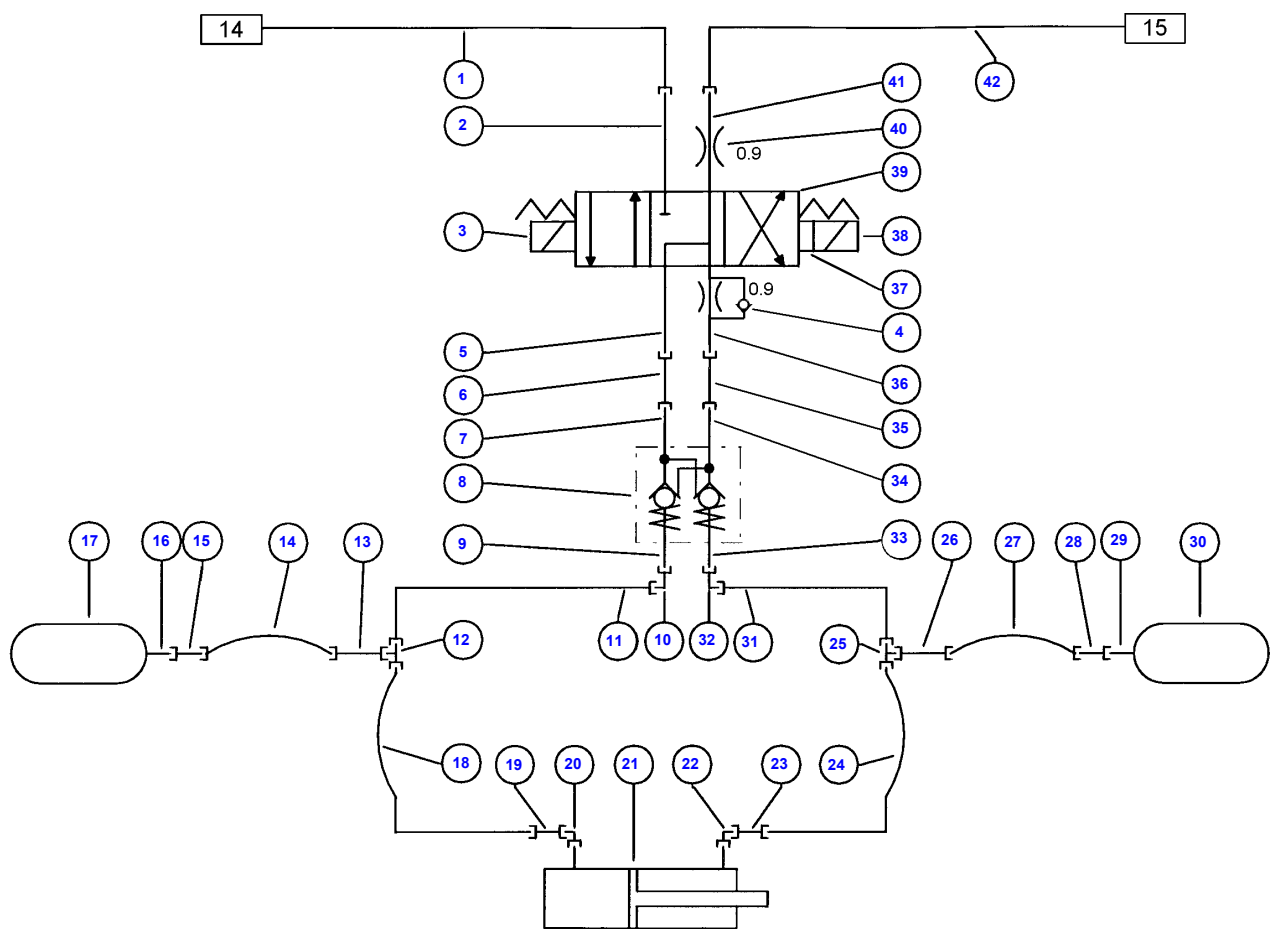
Hydraulic - Reel Fore/Aft.

Item	Part Number	Qty	Description
52	D28283438	4	Pipe,Oil
52	D28283437	4	Pipe,Oil
52	D28283436	4	Pipe,Oil
52	D28283826	4	Tube
52	D28785622	4	Pipe
53	D45254000	12	Union
54	D28785585	1	Pipe
55	D45252800	2	Union
56	D45138800	2	Union
56	D45110017	2	Gasket
57	D45138900	2	Union
58	D45130054	2	Hydr. Hose
59	D28185562	1	Hydraulic Hose
60	D45252600	8	Union
61	D45252600	8	Union
62	D28780988	2	Pipe,Oil
63	D45252600	8	Union
64	D45252600	1	Union
65	D28185570	1	Hydraulic Hose
66	D28280653	1	Pipe,Oil
69	D45266100	3	Union
70	D45263900	7	Union
71	D45263900	7	Union
72	D45266100	3	Union
73	D45232400	2	Washer
74	D45278000	2	Connector
75	D28785593	2	Pipe
76	D45272100	4	Connector
77	D45140035	2	Coupling
77	D45149100	2	O Ring
78	D45140034	2	Coupling
79	D45272100	4	Connector
80	D28785876	1	Pipe
81	D28785878	1	Pipe
82	D45272100	4	Connector
83	D45140034	2	Coupling
84	D45140035	2	Coupling
84	D45149100	2	O Ring
85	D45272100	4	Connector
86	D28785593	2	Pipe
87	D45278000	2	Connector
88	D45232400	2	Washer



Hydraulics - Cylindervariator

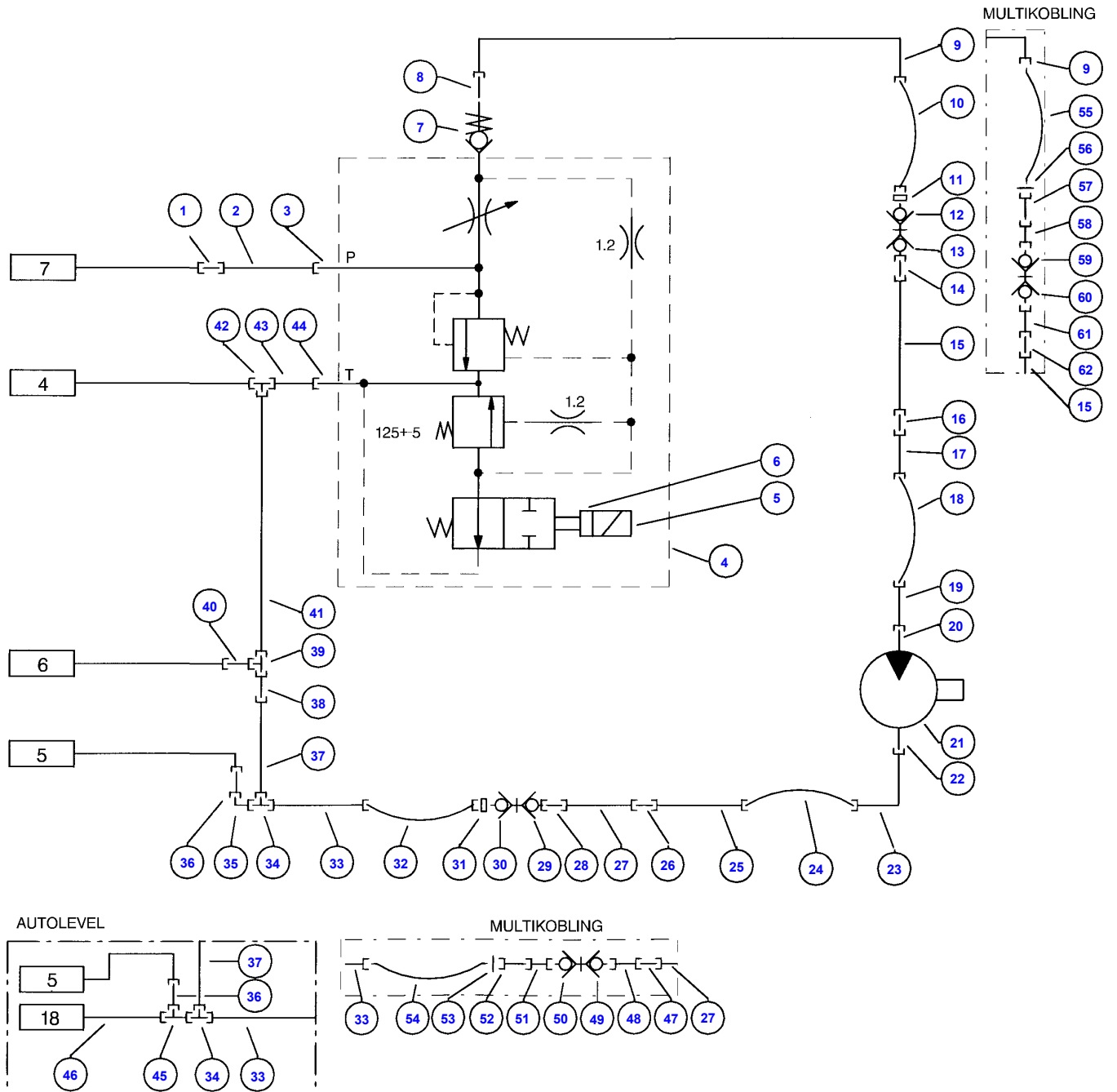
Item	Part Number	Qty	Description	Comments
1	D28382095	1	Variator	
2	D28380017	1	Clutch	Up to Serial or Engine Number 58300
	D28382051	1	Coupling	From Serial or Engine Number 58301
3	D45130034	1	Hydraulic Hose	
4	D28780423	1	Pipe,Oil	
5	D45252600	2	Union	
6	D28780700	1	Washer	
7	D45110054	1	Valve.	Up to Serial or Engine Number 58300
	D45110095	1	Pressure Valve	From Serial or Engine Number 58301
	D45110014	1	Kit, Joint	
8	D45110065	1	Mandrel	
9	D45110064	1	Coil	
10	D45252600	2	Union	
11	D45263900	1	Union	
12	D28780960	1	Pipe,Oil	
13	D45272100	1	Connector	
14	D45256200	1	Union	
15	D28780663	1	Pipe,Oil	



Auto Level Combine - Table

Item	Part Number	Qty	Description
1	D28781220	1	Pipe
2	D45252600	7	Union
3	D45110064	2	Coil
4	D28780488	1	Washer
5	D45252600	7	Union
6	D28780988	2	Pipe,Oil
7	D45252600	7	Union
8	D45110098	1	Pressure Valve
9	D28181678	1	Union
10	D45263900	4	Union
11	D28185563	1	Pipe
12	D45266100	2	Union
13	D28280653	4	Pipe,Oil
14	D45123600	2	Hydr. Hose
15	D45272300	2	Connector
16	D45250500	2	Union
17	D45148500	2	Accumulator
18	D45130024	2	Hydr. Hose
19	D28280653	4	Pipe,Oil
20	D45263900	4	Union
21	D45100029	1	Ram
22	D45263900	4	Union
23	D28280653	4	Pipe,Oil
24	D45130024	2	Hydr. Hose
25	D45266100	2	Union
26	D28280653	4	Pipe,Oil
27	D45123600	2	Hydr. Hose
28	D45272300	2	Connector
29	D45250500	2	Union
30	D45148500	2	Accumulator
31	D28185565	1	Pipe
32	D45263900	4	Union
33	D45252600	7	Union
34	D45252600	7	Union
35	D28780988	2	Pipe,Oil
36	D45252600	7	Union
37	D45110096	1	Distributor
38	D45110064	2	Coil
39	D45110095	1	Pressure Valve
	D45110015	1	Gasket
40	D28780720	1	Washer
41	D45252600	7	Union
42	D28781219	1	Pipe

MF 7272/7274/7278 CERA COMBINE - 1637408
D-ADZF-001-A



Hydraulics - Reel Speed

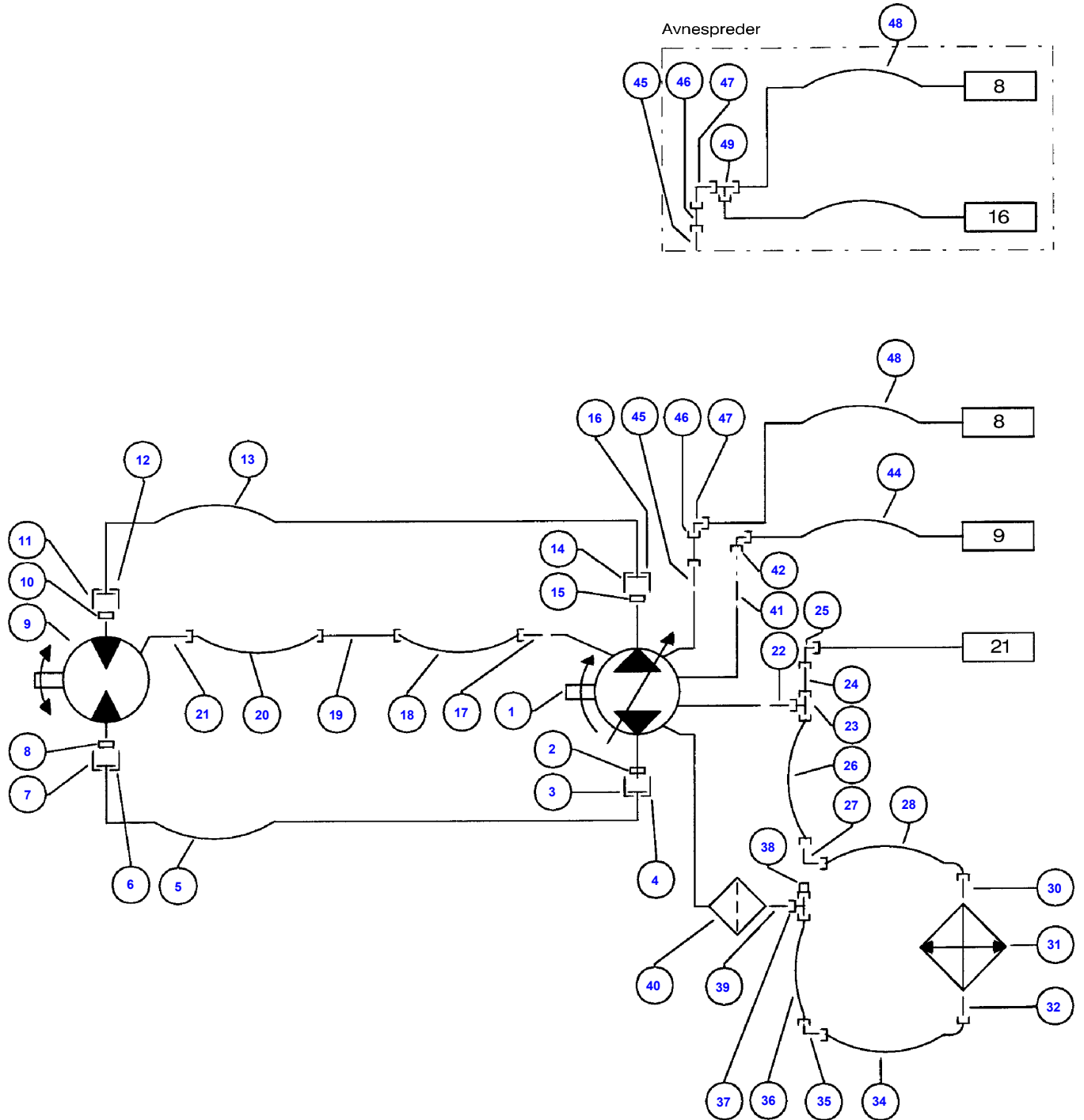
Item	Part Number	Qty	Description	Comments
1	D45254100	1	Union	
2	D28785361	1	Pipe	
3	D45253400	1	Union	
4	D45110069	1	Flow Regulator	
	D45110011	1	Kit, Seal	
5	D45110043	1	Solenoid	BLACK
	D45120077	1	Solenoid	
6	D45110060	1	Pressure Valve	[A] BLACK
	D45120076	1	Electrovalve	BLUE
7	D28251484	1	Non Return Valve	
8	D45250700	5	Union	
9	D28780995	2	Pipe,Oil	
	D28780993	1	Pipe,Oil	
10	D45130019	2	Hydr. Hose	
11	D45462200	2	O Ring	
12	D45135400	2	Union	
13	D45135300	2	Union	
14	D45250700	5	Union	
15	D28785584	4	Pipe	
16	D45254900	4	Union	
17	D28785895	2	Pipe	12' - 3,72M
	D28785896	2	Pipe	14' - 4,34M
	D28785897	2	Pipe	16' - 4,95M
	D28785898	2	Pipe	18' - 5,56M
	D28785899	2	Pipe	20' - 6,16M
	D28785900	2	Pipe	22' - 6,77M
	D28785599	2	Pipe	25' - 7,60M
18	D45130013	2	Hydr. Hose	FREEFLOW
	D45130015	2	Hydr. Hose	POWERFLOW
19	D28280676	1	Pipe,Oil	
20	D45250700	5	Union	
21	D45120700	1	Hydraulic Motor	
22	D45250700	5	Union	
23	D28280677	1	Pipe,Oil	
24	D45130013	2	Hydr. Hose	FREEFLOW
25	D28785895	2	Pipe	12' - 3,72M
	D28785896	2	Pipe	14' - 4,34M
	D28785897	2	Pipe	16' - 4,95M
	D28785898	2	Pipe	18' -5,56M
	D28785899	2	Pipe	20' - 6,16M
	D28785900	2	Pipe	22' - 6,77M
	D28785599	2	Pipe	25' - 7,60M
26	D45254900	4	Union	
27	D28785584	4	Pipe	
28	D28785584	4	Pipe	
29	D45250700	5	Union	
30	D45135400	2	Union	
31	D45135300	2	Union	
32	D45462200	2	O Ring	
33	D28780995	2	Pipe,Oil	
34	D45256200	1	Union	
35	D45264100	1	Union	
36	D45272100	1	Connector	
37	D28780994	1	Pipe,Oil	
38	D45272800	1	Union	
39	D45256400	2	Union	
40	D45272600	1	Union	
41	D28780668	1	Pipe,Oil	
42	D45256400	2	Union	
43	D28780669	1	Pipe,Oil	
44	D45251500	1	Union	
45	D45266200	1	Union	
46	D28780402	1	Hydr.Hose Assy.	
47	D45254900	4	Union	
48	D28785584	4	Pipe	
49	D45140034	2	Coupling	
50	D45140035	2	Coupling	
	D45149100	2	O Ring	
51	D28785594	2	Pipe	
52	D45278100	2	Connector	

Hydraulics - Reel Speed

Item	Part Number	Qty	Description	Comments
53	D45201800	2	Ring	
54	D45130053	2	Hydr. Hose	
55	D45130053	2	Hydr. Hose	
56	D45201800	2	Ring	
57	D45278100	2	Connector	
58	D28785594	2	Pipe	
59	D45140035	2	Coupling	
59	D45149100	2	O Ring	
60	D45140034	2	Coupling	
61	D28785584	4	Pipe	
62	D45254900	4	Union	

FOOTNOTE [A] ORDER + D45120076 + D45120077

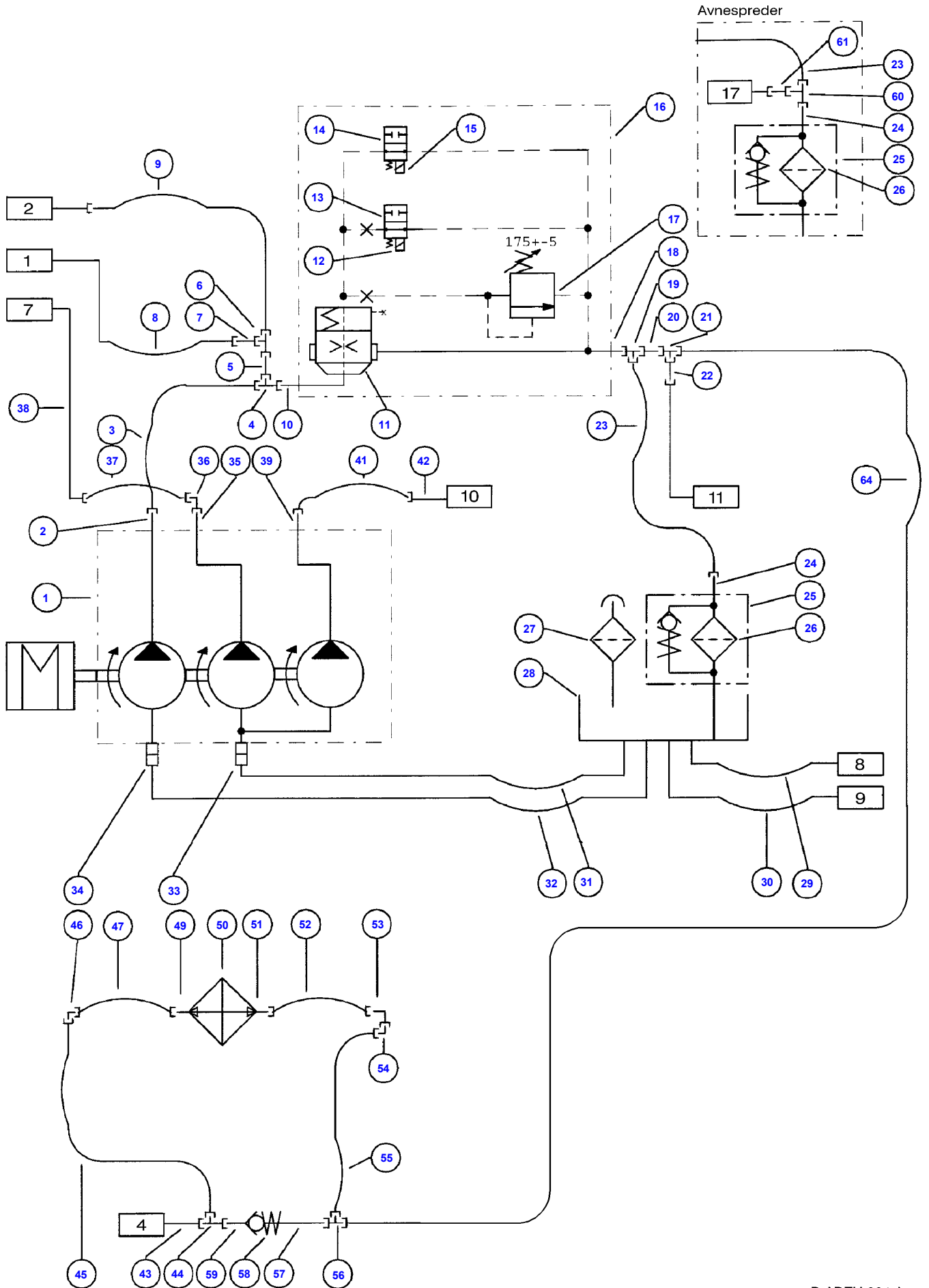
MF 7272/7274/7278 CERA COMBINE - 1637408
D-ADZG-004-A



Propulsion Hydraulic

Item	Part Number	Qty	Description	Comments
1	D45163000	1	Hydraulic Pump	Up to Serial or Engine Number 57563
	D45168800	1	Hydraulic Pump	From Serial or Engine Number 57564
2	D45463900	4	O Ring	Up to Serial or Engine Number 57563
	D45482700	4	O Ring	From Serial or Engine Number 57564
3	D45160800	8	Flange	
4	D45160800	8	Flange	
5	D45130062	1	Hose	Up to Serial or Engine Number 57563
	D45130071	1	High Press Hose	From Serial or Engine Number 57564
6	D45160800	8	Flange	
7	D45160800	8	Flange	
8	D45463900	4	O Ring	
9	D45165100	1	Hydraulic Motor	
10	D45463900	4	O Ring	
11	D45160800	8	Flange	
12	D45160800	8	Flange	
13	D45130009	1	Hydr. Hose	Up to Serial or Engine Number 57563
	D45130067	1	Hose	From Serial or Engine Number 57564
14	D45160800	8	Flange	
15	D45463900	4	O Ring	Up to Serial or Engine Number 57563
	D45482700	4	O Ring	From Serial or Engine Number 57564
16	D45160800	8	Flange	
17	D45251100	6	Union	
18	D45130044	1	Hydr. Hose	
19	D28780872	1	Pipe,Oil	
20	D45130600	1	Hose	
21	D45251100	6	Union	
22	D45251100	6	Union	
23	D45267200	2	Union	
24	D45272400	1	Connector	
25	D45263900	1	Union	
26	D45130022	2	Hydr. Hose	
27	D45269900	2	Connector	
28	D45130049	1	Hydr. Hose	
30	D45251500	2	Union	
31	D28785651	1	Oil Cooler	
32	D45251500	2	Union	
34	D45130039	1	Hydraulic Hose	
35	D45269900	2	Connector	
36	D45130022	2	Hydr. Hose	
37	D45267200	2	Union	
38	D45219900	1	Plug	
	D45204800	1	Union Nut	
	D42501600	1	Circlip	
39	D45251100	6	Union	
40	D45161300	1	Oil Filter	
41	D45251100	6	Union	
42	D45264200	2	Union	
44	D45130050	2	Hose	
45	D45251100	1	Union	
46	D28786717	2	Pipe	
47	D45258700	1	Connector	
48	D45130050	2	Hose	
49	D45266500	1	Fork	

MF 7272/7274/7278 CEREAL COMBINE - 1637408
D-ADZH-004-A



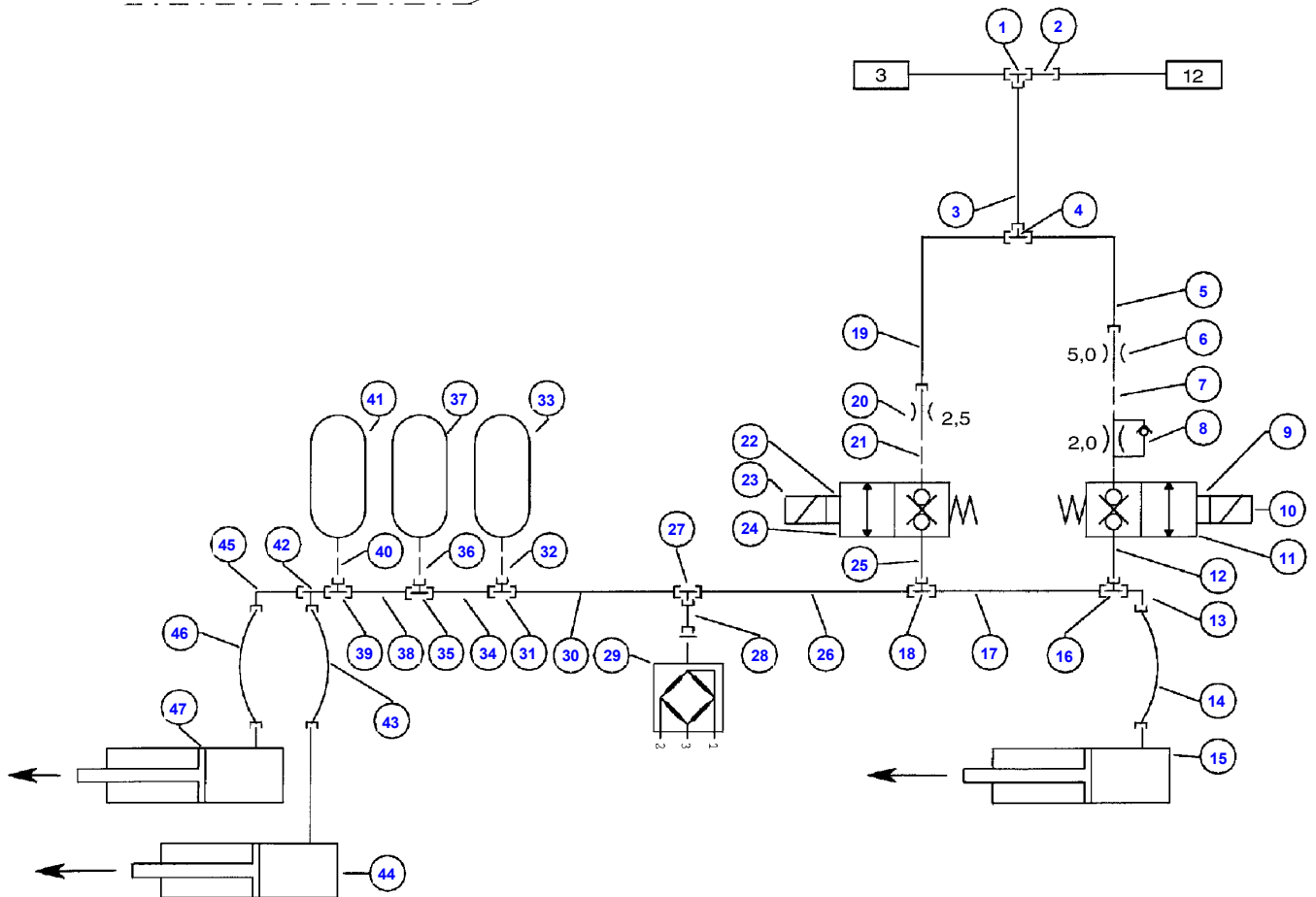
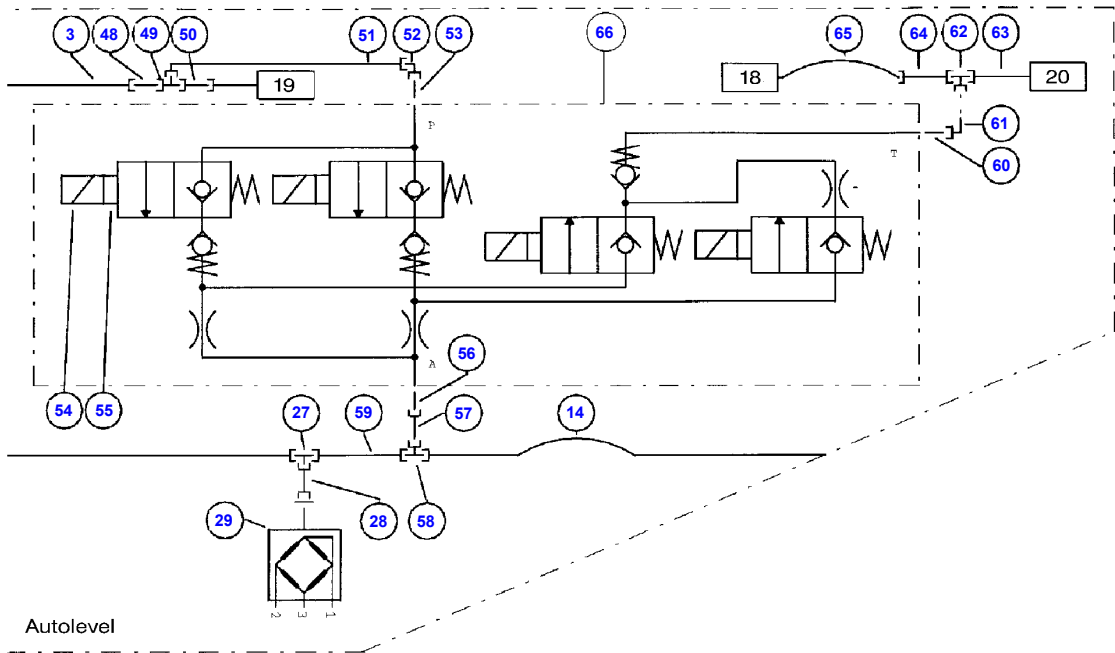
D-ADZH-004-A

Hydraulics - Pump And Main Valve

Item	Part Number	Qty	Description	Comments
1	D45166900	1	Pump	
	D45167300	1	Kit, Seal	
2	D45251500	4	Union	
3	D45130042	1	Hydr. Hose	
4	D45266600	4	Union	
5	D45272100	1	Connector	
6	D45266200	1	Union	
7	D45272800	1	Union	
8	D45130043	2	Hydr. Hose	
9	D45130043	2	Hydr. Hose	
10	D45251500	4	Union	
11	D45120002	1	Pressure Valve	
	D45120043	1	O Ring	[A] KIT TO D45120002
12	D45110064	2	Coil	
13	D45120004	2	Bypass	
14	D45120004	2	Bypass	
15	D45110064	2	Coil	
16	D45110070	1	Block	
	D45120001	1	Kit, Seal	
17	D45120003	1	Pressure Valve	
18	D45255500	1	Fitting	
19	D45266800	2	Fitting	
20	D45273100	1	Reducer	
21	D45266600	4	Union	
22	D45272000	1	Connector	
23	D45130051	1	Hydr. Hose	
24	D45255300	1	Union	
25	D45165800	1	Seal	
26	D45165900	1	Filter	
27	D45103000	1	Filter	
28	D28787072	1	Bottom	
	D28786486	1	Plate	Up to Serial or Engine Number 58548
	D28781818	1	Plate	From Serial or Engine Number 58549
	D28786497	1	Seal	Up to Serial or Engine Number 58548
	D28781819	1	Kit, Seal	From Serial or Engine Number 58549
29	D45130050	2	Hose	
30	D45130050	2	Hose	
31	D28782308	2	Hose	
32	D28782308	2	Hose	
33	D28781675	2	Bracket	
34	D28781675	2	Bracket	
35	D45250700	2	Union	
36	D45264100	2	Union	
37	D45130040	2	Hydr. Hose	
38	D28786565	1	Pipe	
39	D45250700	2	Union	
41	D45130040	2	Hydr. Hose	
42	D28786564	1	Pipe	
43	D28780671	1	Pipe,Oil	
44	D45266600	4	Union	
45	D45130039	4	Hydraulic Hose	
46	D45269900	2	Connector	
47	D45130039	4	Hydraulic Hose	
49	D45251500	4	Union	
50	D28785651	1	Oil Cooler	
51	D45251500	4	Union	
52	D45130052	2	Hose	
53	D45264300	1	Connectors	
54	D45269900	2	Connector	
55	D45130039	4	Hydraulic Hose	
56	D45266600	4	Union	
57	D45255600	2	Union	
58	D45110097	1	Bypass	
59	D45255600	2	Union	
60	D45266800	2	Fitting	
61	D45273200	1	Union	
64	D45130039	4	Hydraulic Hose	

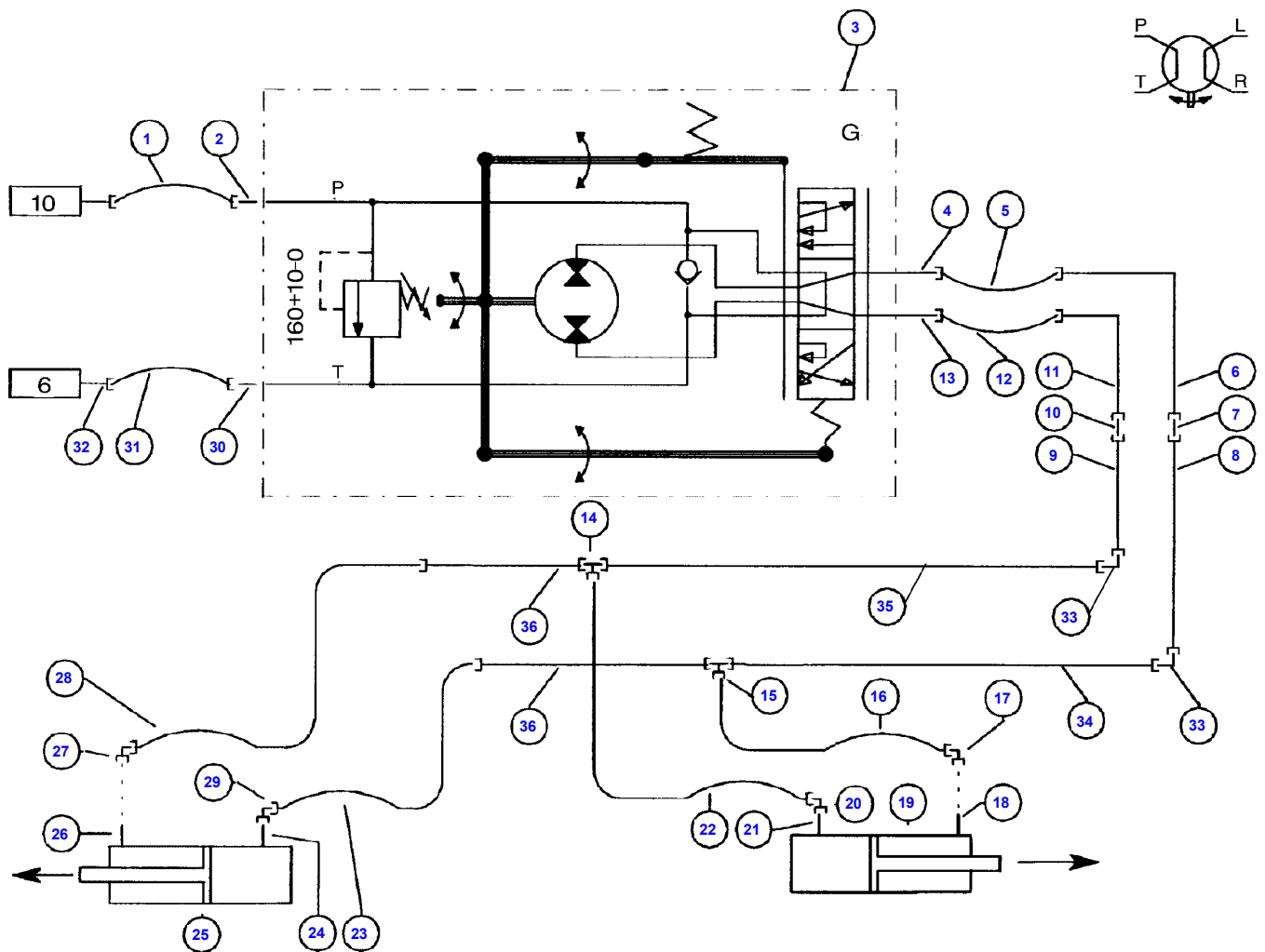
FOOTNOTE [A] NOT ILLUSTRATED

MF 7272/7274/7278 CERA COMBINE - 1637408
D-ADAZ-001-B



Hydraulics - Table Up/Down

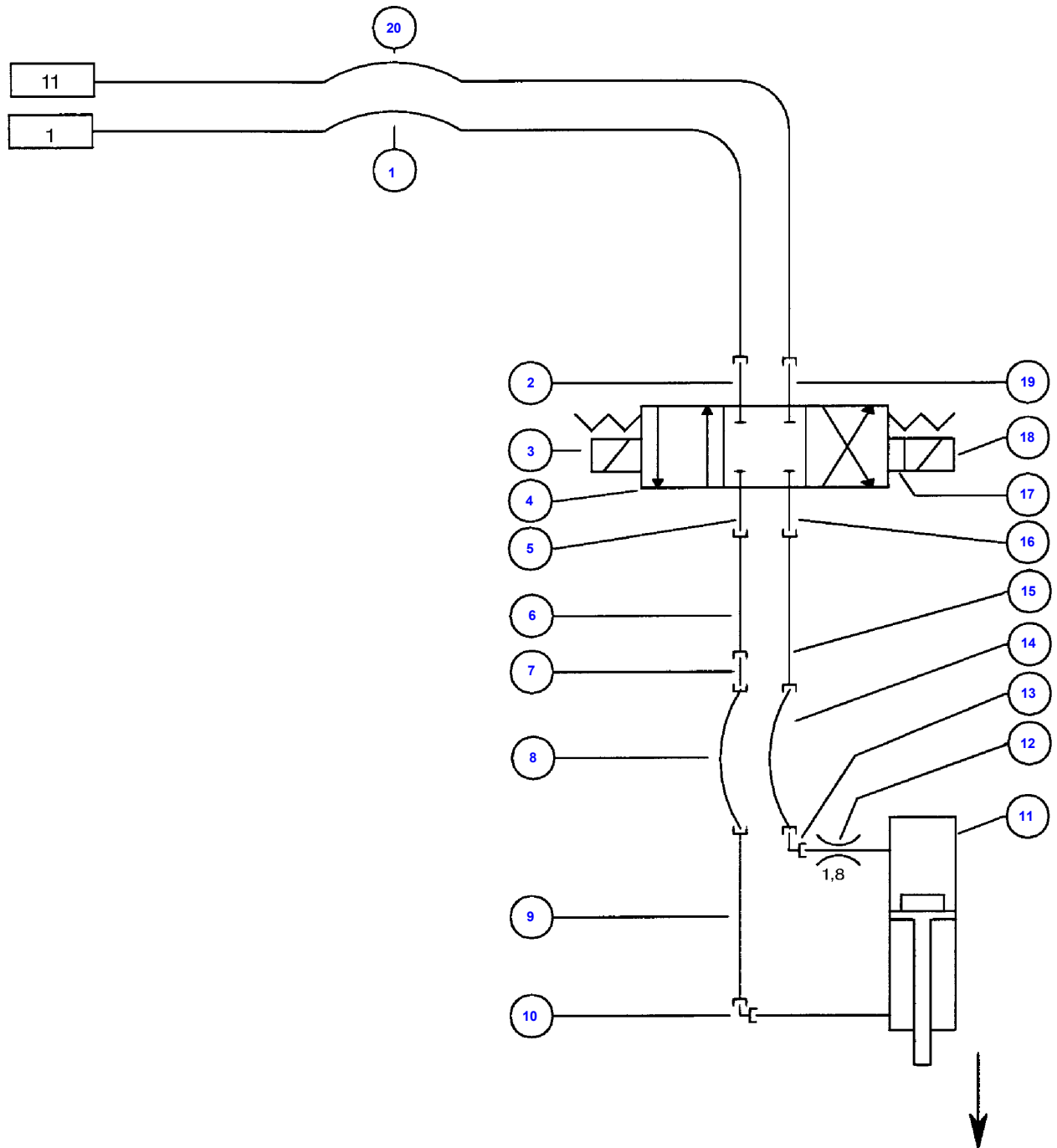
Item	Part Number	Qty	Description	Comments
1	D45256200	2	Union	
2	D45272100	1	Connector	
3	D28780662	1	Pipe,Oil	
4	D45256200	2	Union	
5	D28780655	3	Pipe,Oil	
6	D28780712	1	Washer	
7	D45255200	2	Connector	
8	D28780319	1	Washer	
9	D45110065	4	Mandrel	
10	D45110064	3	Coil	
11	D45110014	2	Kit, Joint	
	D45110054	2	Valve.	
12	D45250800	2	Union	
13	D45264000	2	Union	
14	D45130028	3	Hydr. Hose	
15	D45140002	3	Ram	
16	D45267100	5	Union	
17	D28785434	2	Pipe	
18	D45267100	5	Union	
19	D28780655	3	Pipe,Oil	
20	D28780711	1	Washer	
21	D45255200	2	Connector	
22	D45110065	4	Mandrel	
23	D45110064	3	Coil	
24	D45110054	2	Valve.	
	D45110014	2	Kit, Joint	
25	D45250800	2	Union	
26	D28785434	2	Pipe	
27	D45256100	1	Union	
28	D45277000	1	Connector	
29	D28781255	1	Sensor	
30	D28785073	1	Pipe	
31	D45267100	5	Union	
32	D45250500	3	Union	
33	D45100300	3	Accumulator	
34	D28780695	2	Guard	
35	D45267100	5	Union	
36	D45250500	3	Union	
37	D45100300	3	Accumulator	
38	D28780695	2	Guard	
39	D45267100	5	Union	
40	D45250500	3	Union	
41	D45100300	3	Accumulator	
42	D45266300	1	Union	
43	D45130028	3	Hydr. Hose	
44	D45140002	3	Ram	
45	D45264000	2	Union	
46	D45130028	3	Hydr. Hose	
47	D45140002	3	Ram	
48	D45110065	4	Mandrel	
	D45254900	1	Union	
49	D45266200	1	Union	
50	D45272200	2	Union	
51	D28186024	1	Pipe	
52	D45264100	2	Union	
53	D45253400	3	Union	
54	D45110064	3	Coil	
55	D45120026	4	Carrier	Up to Serial or Engine Number 58810
	D45120060	4	Carrier	From Serial or Engine Number 58811
56	D45253400	3	Union	
57	D45272200	2	Union	
58	D45267300	2	Union	
59	D28186025	1	Pipe	
60	D45253400	3	Union	
61	D45264100	2	Union	
62	D45267300	2	Union	
63	D28186023	1	Pipe	
64	D28780655	3	Pipe,Oil	
65	D45130040	1	Hydr. Hose	
66	D45120023	1	Pressure Valve	CPL.
	D45120024	1	Kit, Gasket	KIT TO D45120023



Hydraulics - Steering Gear

Item	Part Number	Qty	Description	Comments
1	D45130026	4	Hydr. Hose	
2	D45252700	4	Union	
3	D45169500	1	Pressure Valve	
4	D45252700	4	Union	
5	D45130026	4	Hydr. Hose	
6	D28780653	1	Pipe,Oil	
7	D45254100	2	Union	
8	D28785463	1	Pipe	
9	D28785464	1	Pipe	
10	D45254100	2	Union	
11	D28780654	1	Pipe,Oil	
12	D45130026	4	Hydr. Hose	
13	D45252700	4	Union	
14	D45267100	2	Union	
15	D45267100	2	Union	
16	D45124400	4	Hydr. Hose	[A]
17	D45264000	4	Union	
18	D45250800	4	Union	
19	D45120068	2	Cylinder	
20	D45264000	4	Union	
21	D45250800	4	Union	
22	D45124400	4	Hydr. Hose	[A]
23	D45124400	4	Hydr. Hose	[A]
24	D45250800	4	Union	
25	D45120068	2	Cylinder	
26	D45250800	4	Union	
27	D45264000	4	Union	
28	D45124400	4	Hydr. Hose	[A]
29	D45264000	4	Union	
30	D45252700	4	Union	
31	D45130026	4	Hydr. Hose	
32	D28780657	1	Pipe,Oil	
33	D45258600	1	Union	
34	D28782367	1	Hydr. Hose	
35	D28782436	1	Hydr. Hose	
36	D28782365	1	Pipe	

FOOTNOTE [A] FOR 4WD, ORDER D45130028 HYDRAULIC HOSE



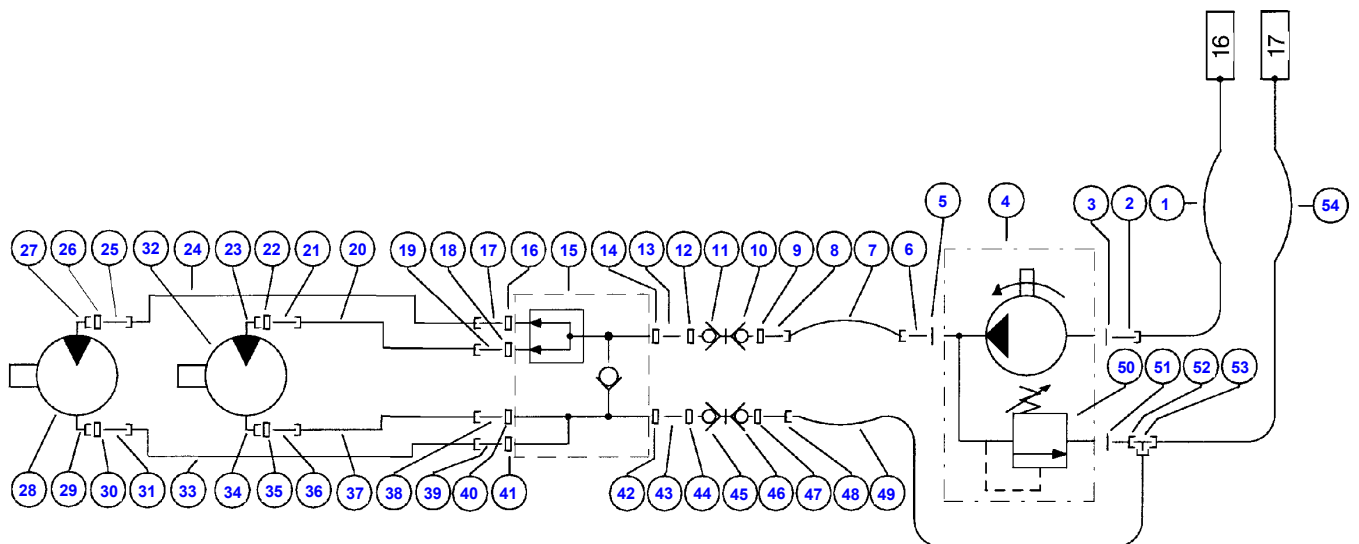
Massey Ferguson**MF 7272/7274/7278 CEREAL COMBINE - 1637408**

1637408

Hydraulics - Unloading Auger Out/In

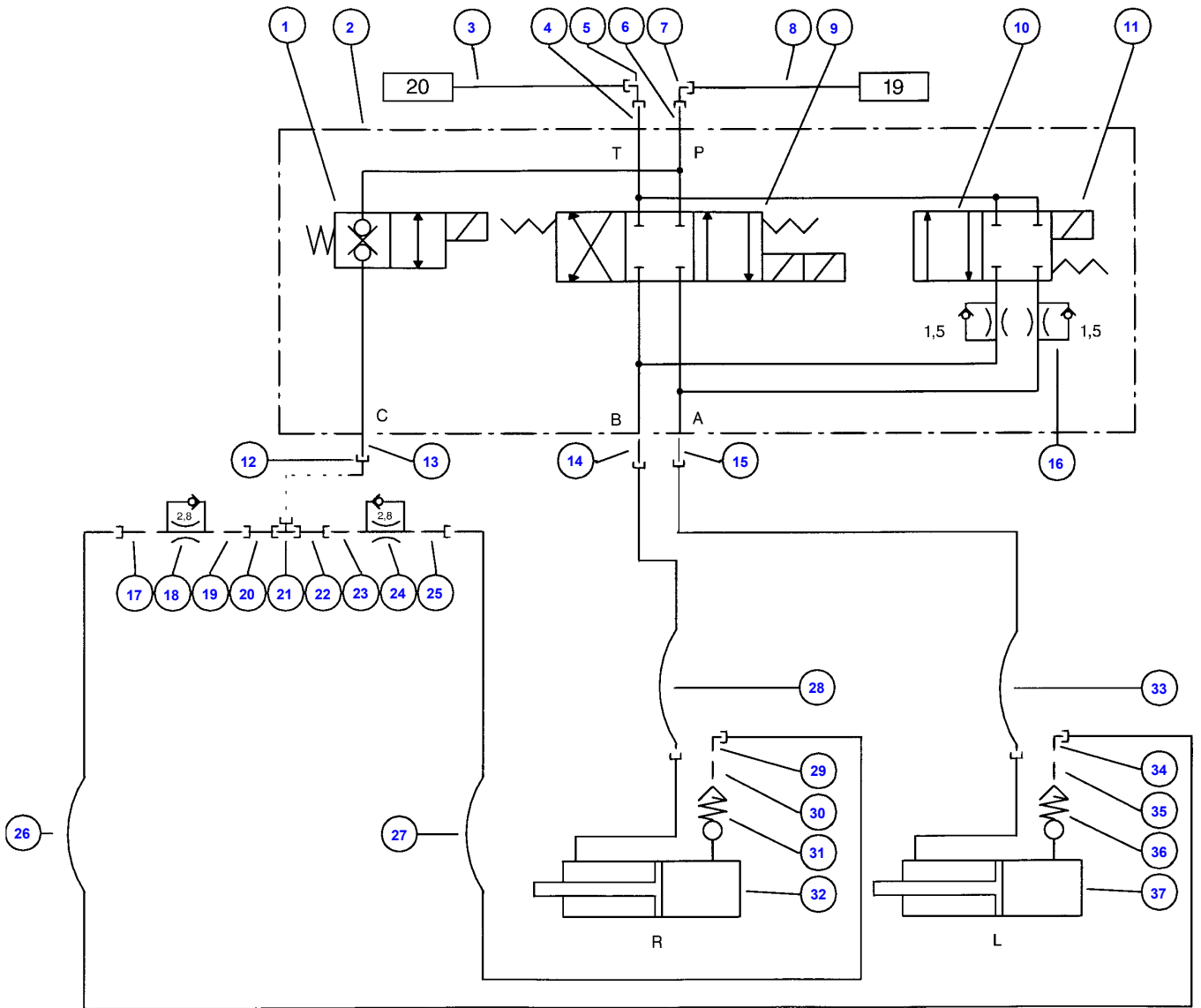
Page014-0012

Item	Part Number	Qty	Description
1	D45130046	2	Hose
2	D45252600	4	Union
3	D45110064	2	Coil
4	D45110055	1	Pressure Valve
	D45110015	1	Gasket
5	D45252600	4	Union
6	D28780679	1	Pipe,Oil
7	D45254000	1	Union
8	D45123600	2	Hydr. Hose
9	D28780425	1	Pipe,Oil
10	D45263900	2	Union
11	D45100065	1	Ram
12	D28780324	1	Washer
13	D45263900	2	Union
14	D45123600	2	Hydr. Hose
15	D28780680	1	Pipe,Oil
16	D45252600	4	Union
17	D45110066	1	Parts Pack
18	D45110064	2	Coil
19	D45252600	4	Union
20	D45130046	2	Hose



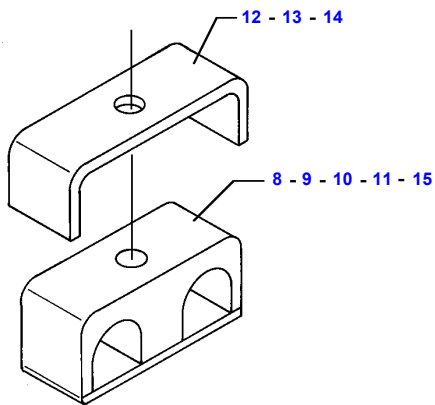
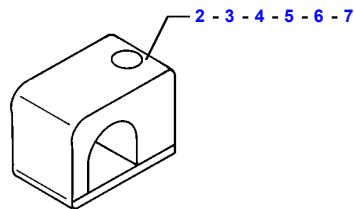
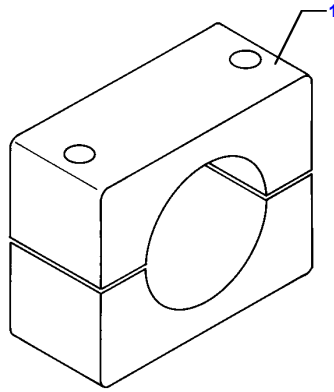
Hydraulics - Chaff Spreader - Rekord

Item	Part Number	Qty	Description
1	D49070081	1	Hose
2	D49070077	1	Connection
3	D49070075	2	Gasket
4	D49070073	1	Pump
	D49070086	1	Kit, Seal
5	D49070075	2	Gasket
6	D49070076	1	Connection
7	D49070080	1	Hose
8	D49070083	2	Connection
9	D49070022	10	Seal
10	D45135000	1	Union
11	D49070058	1	Coupling
12	D49070022	10	Seal
13	D45070031	1	Hose
14	D49070022	10	Seal
15	D49070020	1	Kit, Gasket
16	D49070022	10	Seal
17	D45252800	4	Union
18	D49070022	10	Seal
19	D45252800	4	Union
20	D49070063	2	Hose
21	D45252600	4	Union
22	D49070027	5	Seal
23	D49070026	4	Flange
24	D49070062	2	Hose
25	D45252600	4	Union
26	D49070027	5	Seal
27	D49070026	4	Flange
28	D49070060	1	Hydraulic Motor
	D49070065	1	Kit, Seal
29	D49070026	4	Flange
30	D49070027	5	Seal
31	D45252600	4	Union
32	D49070059	1	Hydraulic Motor
	D49070065	1	Kit, Seal
33	D49070062	2	Hose
34	D49070026	4	Flange
35	D49070027	5	Seal
36	D45252600	4	Union
37	D49070063	2	Hose
38	D45252800	4	Union
39	D45252800	4	Union
40	D49070022	10	Seal
41	D49070022	10	Seal
42	D49070022	10	Seal
43	D49070031	1	Connector
44	D49070022	10	Seal
45	D49070057	1	Coupling
46	D45134900	1	Union
47	D49070022	10	Seal
48	D49070083	2	Connection
49	D45070080	1	Union
50	D49070052	1	Pressure Valve
51	D49070027	5	Seal
52	D49070078	1	Connection
53	D49070079	1	Connection
54	D49070082	1	Hose



Auto Level Combine

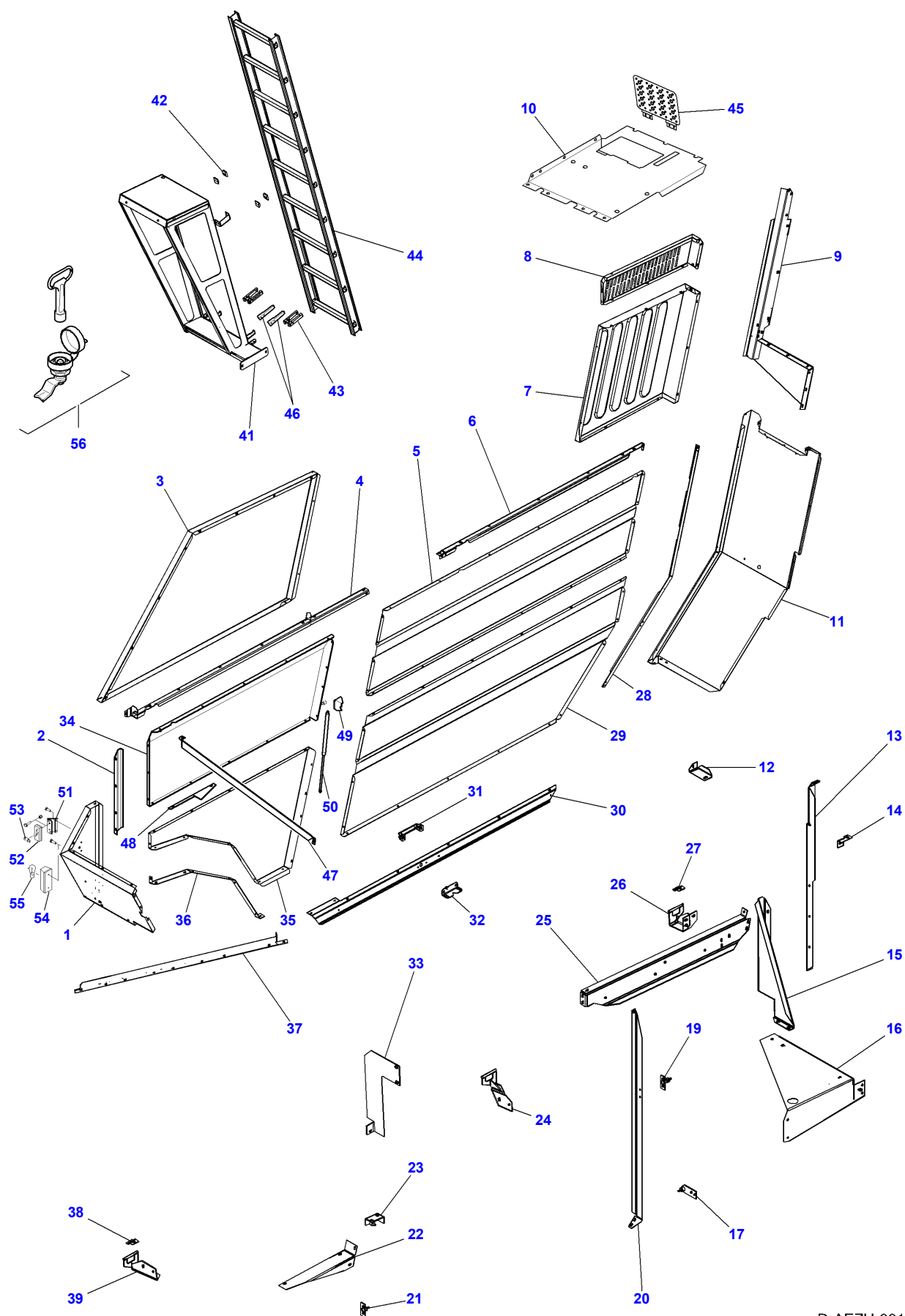
Item	Part Number	Qty	Description	Comments
1	D45120005	1	Distributor	
2	D45110094	1	Pressure Valve	CPL.
	D45120008	1	Seal	
3	D28186023	1	Pipe	
4	D45255200	1	Connector	
5	D45264100	1	Union	
6	D45250800	6	Union	
7	D45264000	2	Union	
8	D28186026	1	Pipe	
9	D45110066	1	Parts Pack	
10	D45120006	1	Distributor	
11	D45110064	2	Coil	
12	D45264000	2	Union	
13	D45250800	6	Union	
14	D45250800	6	Union	
15	D45250800	6	Union	
16	D45120007	2	Pressure Valve	
17	D28181683	2	Connector	
18	D28780316	2	Washer	
19	D45250800	6	Union	
20	D28711881	2	Pipe,Oil	
21	D45267100	1	Union	
22	D28711881	2	Pipe,Oil	
23	D45250800	6	Union	
24	D28780316	2	Washer	
25	D28181683	2	Connector	
26	D45132300	3	Hydr. Hose	
27	D45130028	1	Hydr. Hose	
28	D45132300	3	Hydr. Hose	
29	D45265000	2	Connector	
30	D45235200	2	Nipple	
31	D45120020	2	Pressure Valve	
32	D45100026	2	Cylinder	
33	D45132300	3	Hydr. Hose	
34	D45265000	2	Connector	
35	D45235200	2	Nipple	
36	D45120020	2	Pressure Valve	
37	D45100026	2	Cylinder	



Pipe Support

Item	Part Number	Qty	Description
1	D45737900	X	Support
2	D45738700	X	Support
3	D45739900	X	Bridle
4	D45739800	X	Clip
5	D45739600	X	Support
6	D45739500	X	Support
7	D45739700	X	Support
8	D45739100	X	Support
9	D45739400	X	Support
10	D45739200	X	Support
11	D45736600	X	Support
12	D28750783	X	Reinforcement
13	D28750784	X	Bracket
14	D28250656	X	Arm
15	D45736400	X	Clip

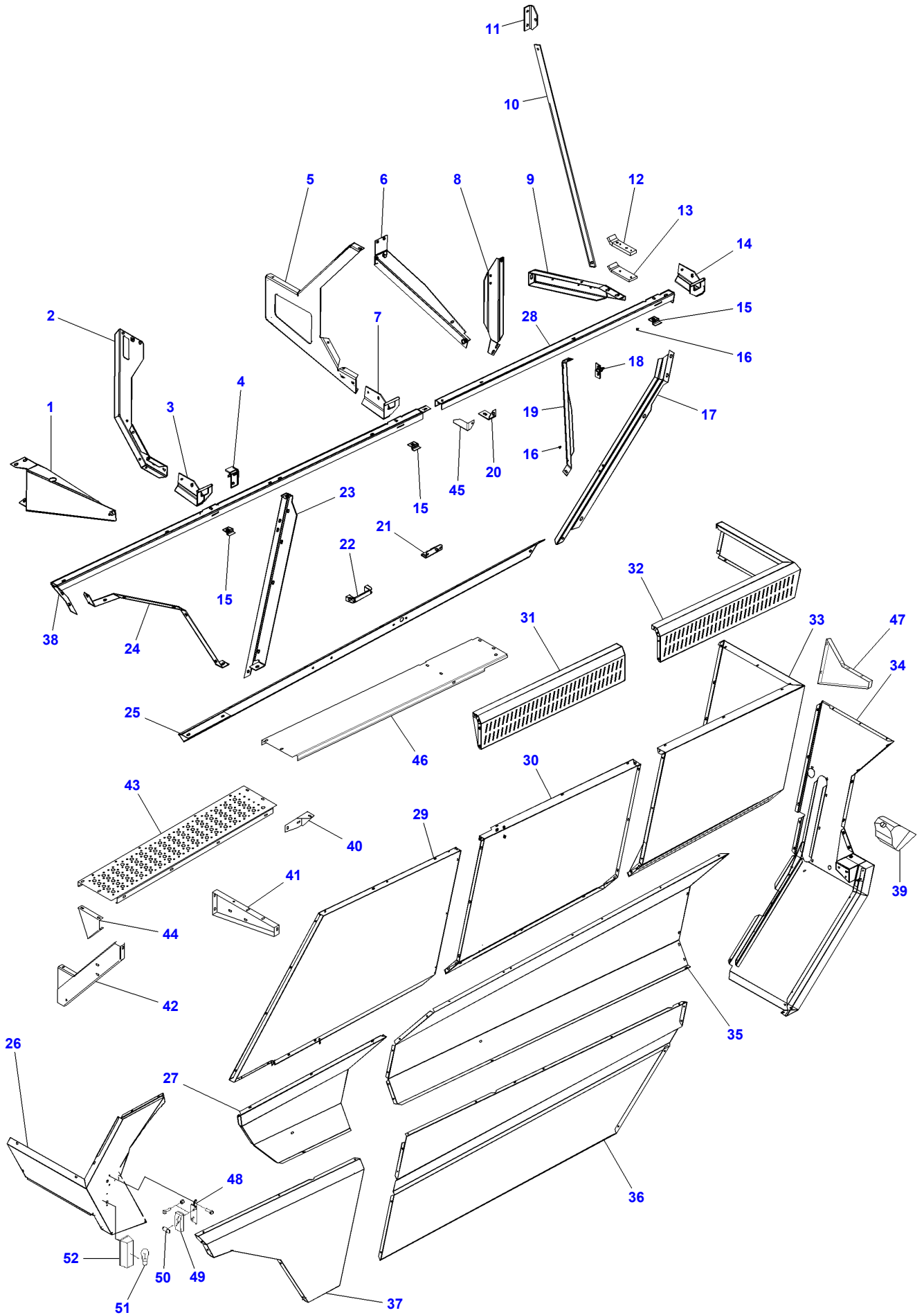
MF 7272/7274/7278 CERA COMBINE - 1637408
D-AEZH-001-D



D-AEZH-001-D

Item	Part Number	Qty	Description	Comments
1	D28186563	1	Guard	
2	D28186552	1	Reinforcement	Up to Serial or Engine Number 58951
	D28188487	1	Reinforcement	From Serial or Engine Number 58952
3	D28186748	1	Shield	
4	D28186704	1	Reinforcement	Up to Serial or Engine Number 58951
	D28188498	1	Reinforcement	From Serial or Engine Number 58952
5	D18186543	1	Shield	
6	D28186707	1	Reinforcement	
7	D28186564	1	Shield	Up to Serial or Engine Number 61291
	D18187019	1	Shield	From Serial or Engine Number 61292
8	D18186574	1	Shield	
9	D28186559	1	Shield	
10	D28186764	1	Shield	
11	D18186546	1	Shield	
12	D28186759	1	Strap	
13	D28186755	1	Reinforcement	
14	D28186756	1	Strap	
15	D28186757	1	Reinforcement	
16	D28185993	1	Bracket	
17	D28188489	1	Clevis Pin	Valid from machine/table no,can be used in new as well as in older machines 58952
19	D28786522	1	Support	
20	D28186773	1	Reinforcement	
21	D28786522	1	Support	
22	D28186765	1	Support	Up to Serial or Engine Number 58951
23	D28186770	1	Strap	Up to Serial or Engine Number 58951
24	D28186744	1	Support	
25	D28186741	1	Reinforcement	
26	D28186714	1	Support	
27	D28186742	1	Support	
28	D28186573	1	Reinforcement	
29	D18186544	1	Shield	
30	D18186547	1	Reinforcement	
31	D43386900	1	Handle	
32	D43419900	1	Lock	
33	D28186750	1	Plate	
34	D28186701	1	Shield	Up to Serial or Engine Number 58951
	D18187028	1	Shield	From Serial or Engine Number 58952
35	D18187017	1	Shield	
36	D28186570	1	Reinforcement	
37	D28186566	1	Reinforcement	
38	D28186742	1	Support	
39	D28186680	1	Strap	
41	D18186614	1	Bracket Assy.	
42	D28186664	4	Skate	
43	D28186662	1	Slipper	
44	D28186619	1	Ladder	
45	D28184285	1	Cover	
46	D28186710	2	Slipper	
47	D28186801	1	Reinforcement	From Serial or Engine Number 58952
48	D28186802	1	Support	From Serial or Engine Number 58952
49	D28188496	1	Strap	From Serial or Engine Number 58952
50	D45056700	1	Gas Strut	From Serial or Engine Number 58952
51	D28781364	1	Bracket	
52	D45080005	1	Lamp	
53	D45081300	1	Bulb	
54	D45077500	1	Flasher	
55	621235M1	1	Bulb 12v 21w Sbc	
56	D43425200	1	Key	
	D43425300	1	Nut	
	D43425400	1	Packing	
	D43425500	1	O Ring	
	D43425600	1	Cap	
	D43425700	1	Rod	
	D43425800	1	Screw	
	D43425900	1	Lock	

MF 7272/7274/7278 CERA COMBINE - 1637408
D-AEZD-005-C

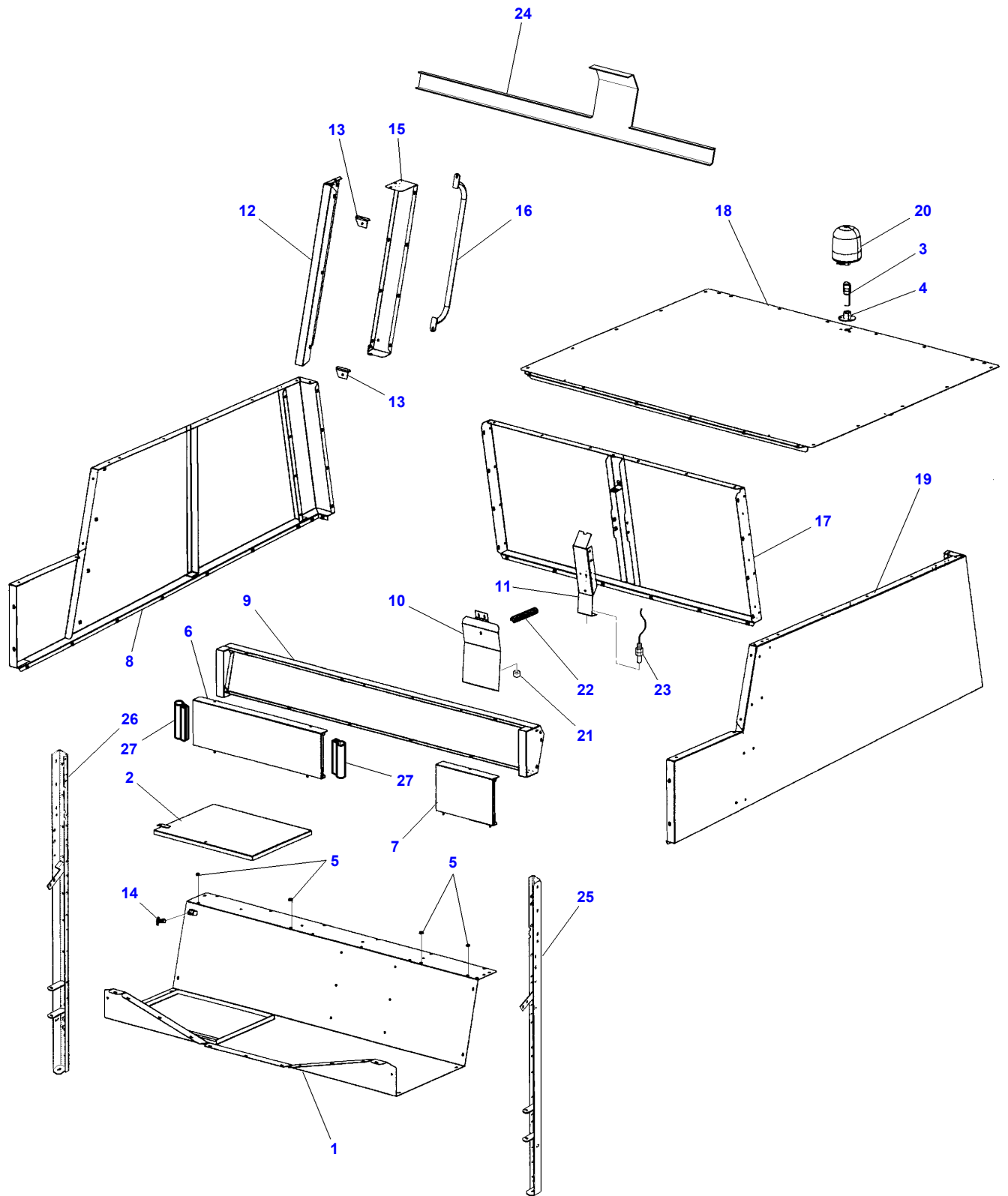


D-AEZD-005-C

Item	Part Number	Qty	Description	Comments
1	D28186780	1	Support	
2	D28186676	1	Strap	
3	D28186680	1	Strap	
4	D28186777	1	Strap	
5	D28186649	1	Support	
6	D28186784	1	Bar	
7	D28186680	1	Strap	
8	D28186779	1	Bar	
9	D28180479	1	Bracket	
10	D28186686	1	Rod	
11	D28186687	1	Strap	
12	D28181033	1	Stop	
13	D18181034	1	Stop	
14	D28186684	1	Strap	
15	D28186683	2	Strap	
16	D45742200	2	Plug	
17	D28186677	1	Reinforcement	
18	D28786522	1	Support	
19	D28186782	1	Bar	
20	D28186761	1	Strap	Up to Serial or Engine Number 60415
21	D43419900	1	Lock	
22	D43386900	1	Handle	
23	D28186678	1	Bar	
24	D28186679	1	Bar	
25	D18186855	1	Bar	Valid from machine/table no,can be used in new as well as in older machines 59966
26	D18187021	1	Support	
27	D18187022	1	Shield	
28	D28186648	1	Bar	
29	D28186584	1	Side	
30	D28186870	1	Side	Valid from machine/table no,can be used in new as well as in older machines 60250
31	D18186869	1	Bar	Valid from machine/table no,can be used in new as well as in older machines 60250
32	D18186873	1	Bar	Valid from machine/table no,can be used in new as well as in older machines 60250
33	D28186872	1	Side	Valid from machine/table no,can be used in new as well as in older machines 60250
34	D18186531	1	Shield	
35	D18186524	1	Side	
36	D18186530	1	Guard	
37	D28186587	1	Case	Up to Serial or Engine Number 61291
	D18187023		Case	From Serial or Engine Number 61292
38	D28186647	1	Bar	
39	D28781728	1	Worklamp	
40	D28185296	1	Bracket	
41	D28185291	1	Bracket	
42	D28185292	1	Bracket	
43	D28180889	1	Step	
44	D28182403	1	Bracket	
45	D28186889	1	Strap	From Serial or Engine Number 60416
46	D18186890	1	Support	[A]
47	D28186893	1	Side	[A]
48	D28781364	1	Bracket	
49	D45080005	1	Lamp	
50	D45081300	1	Bulb	
51	621235M1	1	Bulb 12v 21w Sbc	
52	D45077600	1	Flasher	

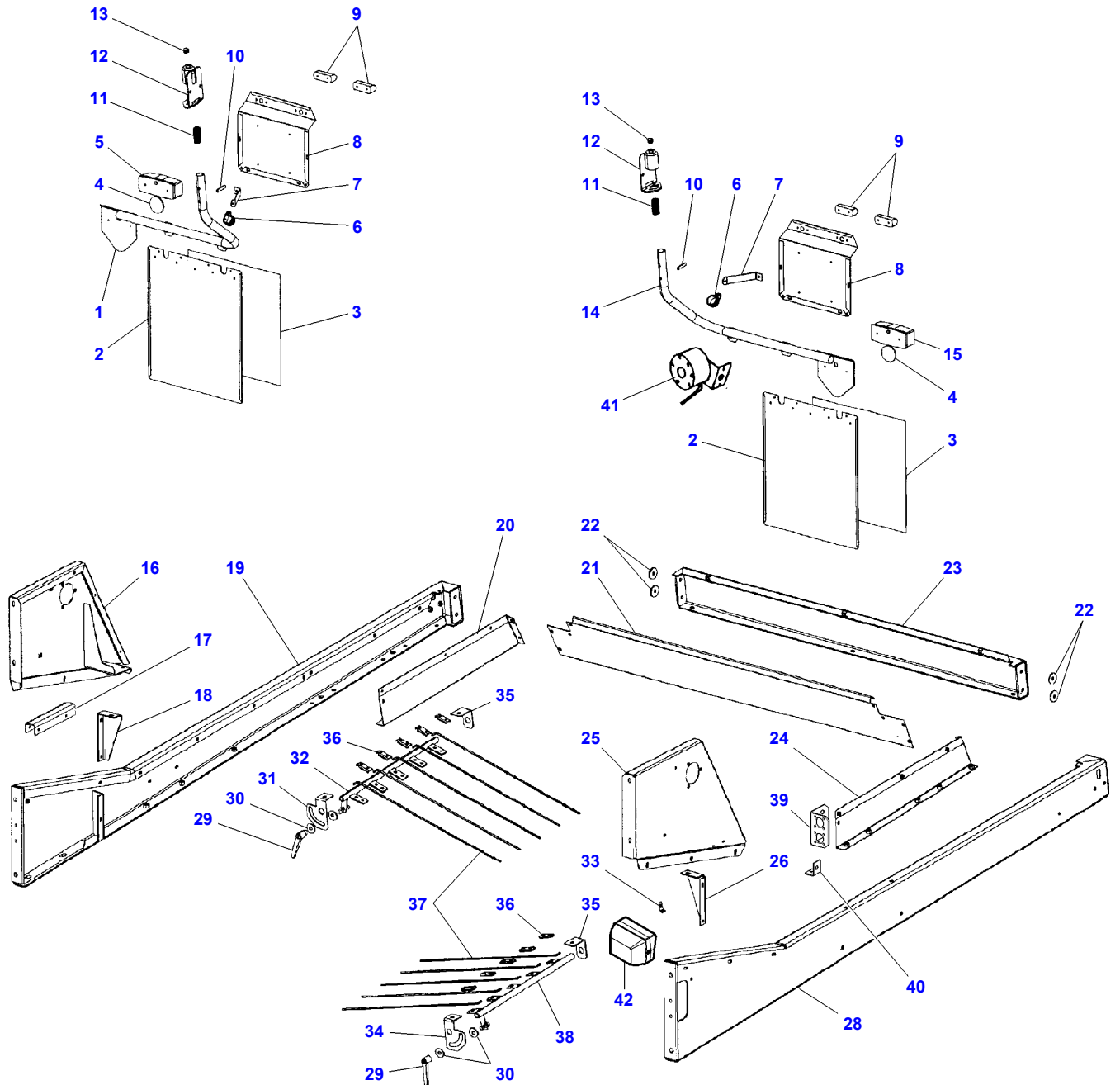
FOOTNOTE [A] ORDER D28186890 + D28186893

MF 7272/7274/7278 CERA COMBINE - 1637408
D-AEZI-003-B



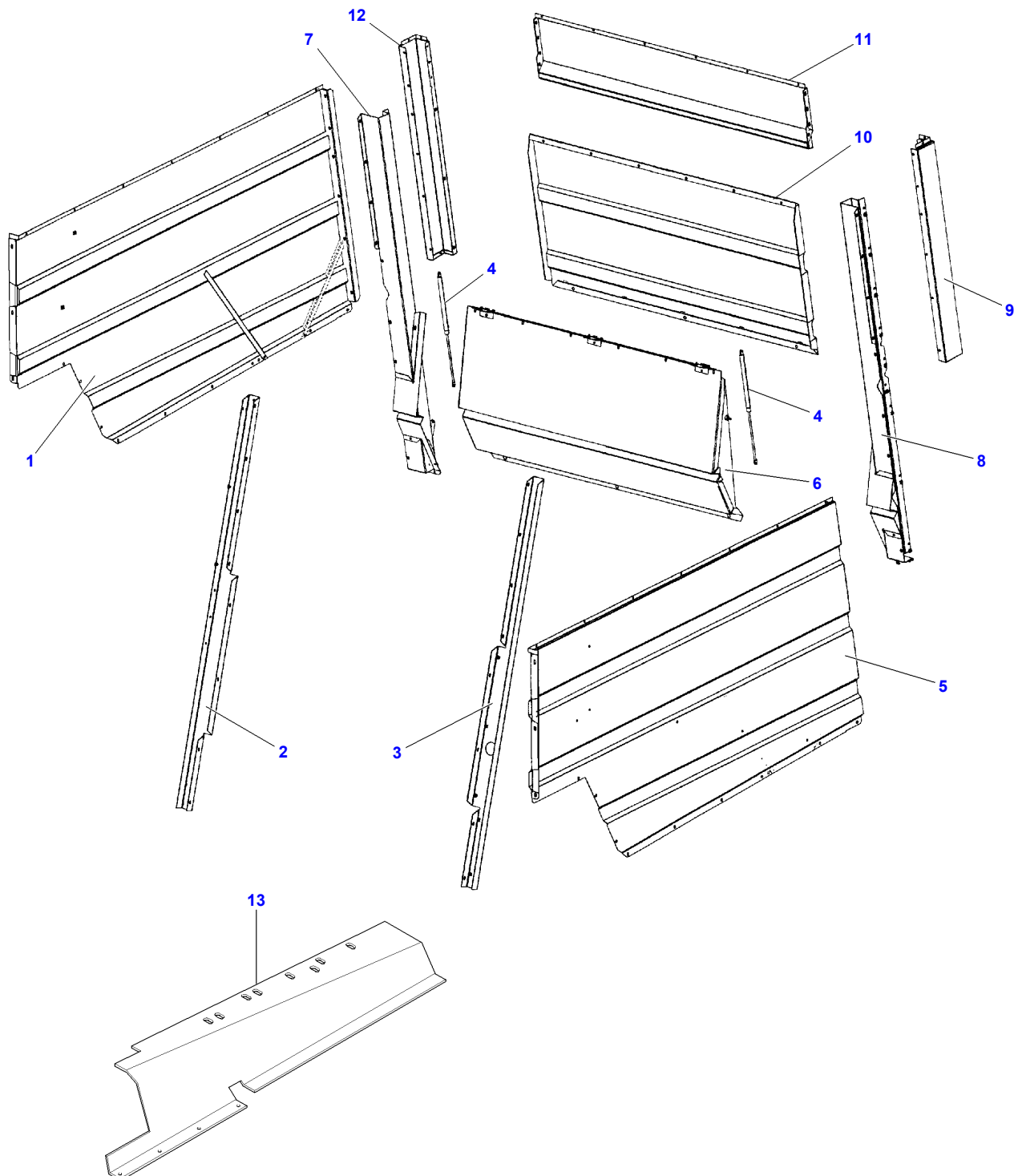
Item	Part Number	Qty	Description	Comments
1	D28185622	1	Plate	
2	D28186460	1	Hatch	
3	D45051300	1	Retainer	
4	D18950553	1	Bracket	
5	D44731200	4	Grommet	
6	D28186258	1	Plate	Right Hand Up to Serial or Engine Number 58518
	D28187004	1	Plate	Right Hand From Serial or Engine Number 58519
7	D28186260	1	Plate	Left Hand
8	D28185514	1	Shield	Right Hand
9	D18186995	1	Shield	
10	D28181535	1	Flap	
11	D28181530	1	Support	
12	D18187016	1	Shield	
13	D28186296	2	Bracket	
14	D44737200	1	Rubber Strap	
15	D28186291	1	Shield	
16	D28752355	1	Lever	
17	D28186277	1	Backplate	
18	D28186273	1	Plate	
19	D28185508	1	Shield	
20	D45051200	1	Lamp	
21	D45010092	1	Magnet	
22	D26600305	1	Spring	
23	D28780365	1	Sensor	
24	D28187006	1	Shield	
25	D28185464	1	Profile	Left Hand
26	D28185465	1	Profile	Right Hand
27	D44743500	2	Seal	

MF 7272/7274/7278 CERA COMBINE - 1637408
D-AEZJ-003-B



Item	Part Number	Qty	Description	Comments
1	D28186555	1	Arm	
2	D28761501	2	Plate	[A]
3	D49157500	2	Decal	[A]
4	D45085600	2	Reflector	
5	D45077300	1	Lh Rear Lamp	
6	D45730400	2	Clamp	[A]
7	D28186558	2	Strut	[A]
8	D28752224	2	Licence Plate	[A]
9	D45085500	4	Lamp	[A]
10	391220X1	2	Pin	Diameter 10 X 45
11	D28185545	2	Comp.Spring	
12	D18186263	2	Bracket	
13	D45743000	2	Plug	
14	D28186553	1	Arm	
15	3042085M1	1	Rh Rear Lamp	
16	D18186312	1	Bracket	
17	D18186311	1	Bracket	
18	D28186324	1	Bracket	
19	D18186221	1	Support	
20	D28186315	1	Cover	
21	D28186217	1	Plate	
22	D20400425	4	Washer	
23	D18186224	1	Support	
24	D28186226	1	Cover	
25	D18186213	1	Bracket	
26	D28186215	1	Bracket	
28	D18185766	1	Support	
29	D43387500	2	Lever	
30	391212X1	4	Washer	
31	D28186465	1	Locking Plate	
32	D28181860	1	Tube	
33	D28186442	1	Clamp	
34	D28186466	1	Strap	
35	D28186464	2	Strap	
36	D28181537	10	Clamp	
37	D28181046	10	Spring Wire	
38	D28181623	1	Tube	
39	D28186641	1	Plate	
40	D28186642	1	Strap	
41	D44900865	1	Buzzer	
42	D28781728	1	Worklamp	
	D28781735	1	Fuse	

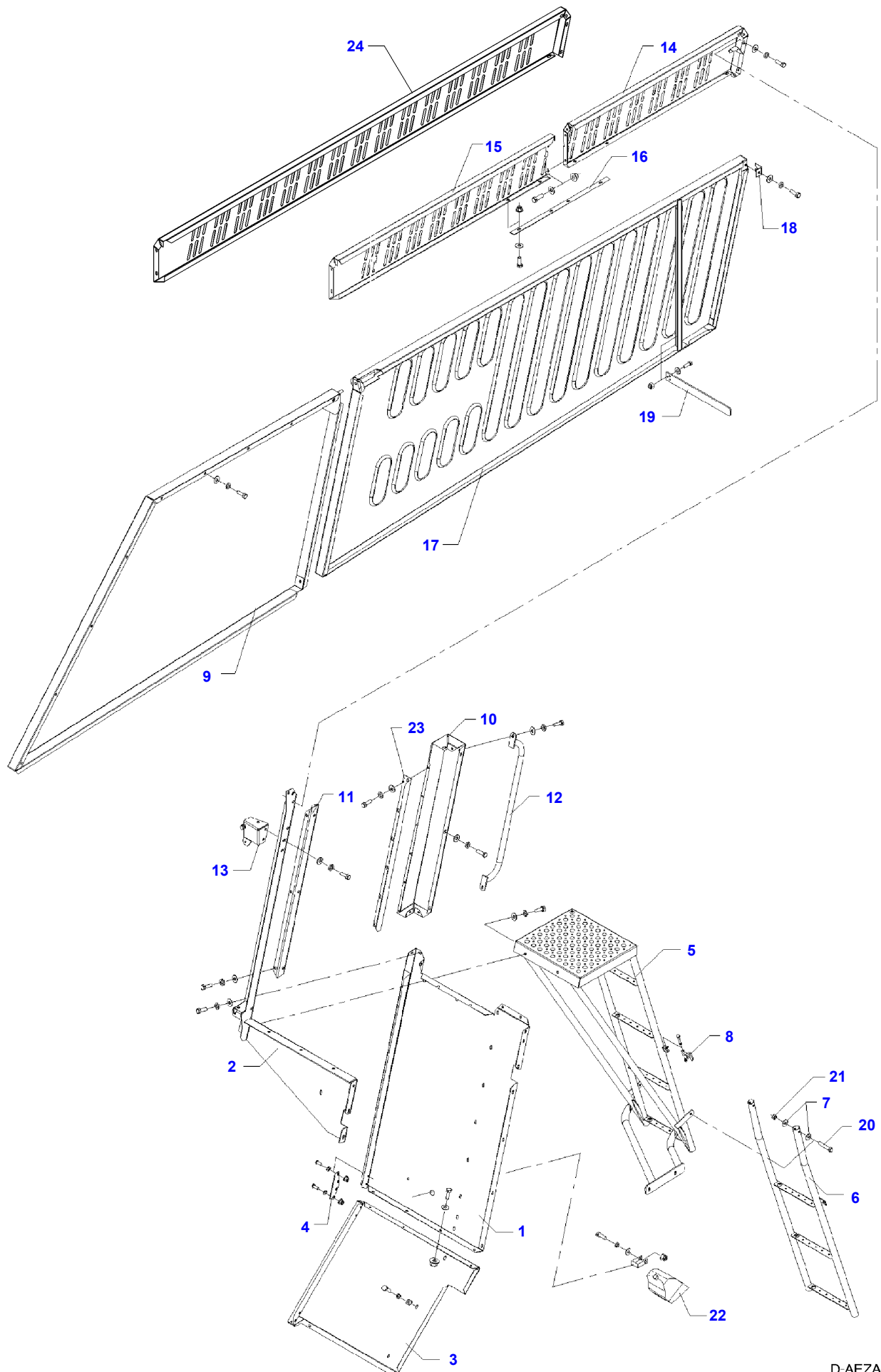
FOOTNOTE [A] OPTIONAL EQUIPMENT



Massey Ferguson**MF 7272/7274/7278 CEREAL COMBINE - 1637408****1637408****Straw Hood BOTTOM - From 58450****Page015-0005**

Item	Part Number	Qty	Description
1	D18186630	1	Shield
2	D28186293	1	Reinforcement
3	D28186516	1	Reinforcement
4	D45059500	2	Gas Strut
5	D18186633	1	Shield
6	D28186218	1	Hatch
7	D28186318	1	Plate
8	D28186227	1	Plate
9	D18185948	1	Plate
10	D18186302	1	Hatch
11	D18185770	1	Shield
12	D18185949	1	Plate
13	D28185995	1	Guard

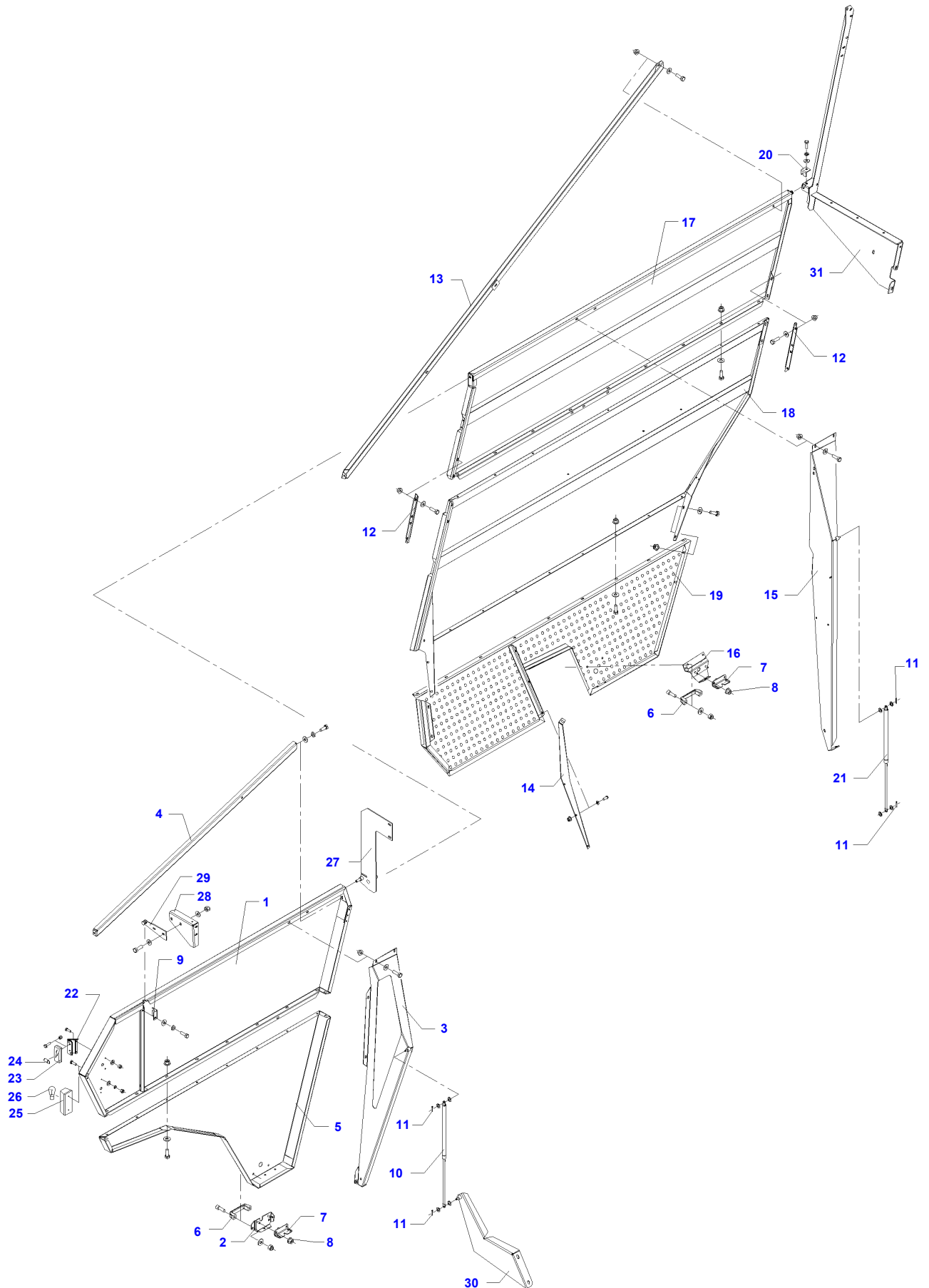
MF 7272/7274/7278 CEREА COMBINE - 1637408
D-AEZA-004-A



D-AEZA-004-A

Item	Part Number	Qty	Description	Comments
1	D18185268	1	Guard	Up to Serial or Engine Number 58449
	D18186292	1	Guard	From Serial or Engine Number 58450
2	D28185263	1	Support	Up to Serial or Engine Number 58449
	D28186294	1	Support	From Serial or Engine Number 58450
3	D18185341	1	Plate	Up to Serial or Engine Number 58449
	D18186449	1	Guard	From Serial or Engine Number 58450
4	D28185304	1	Brace	
5	D18185215	1	Ladder	Up to Serial or Engine Number 57931
	D18186484	1	Ladder	From Serial or Engine Number 57932
6	D18185467	1	Extension	Up to Serial or Engine Number 57931
	D18186488	1	Extension	From Serial or Engine Number 57932
7	D20400500	6	Spacer	
8	D44737200	1	Rubber Strap	
9	D28185216	1	Guard	
10	D28185269	1	Guard	Right Hand
11	D28185344	1	Profile	
12	D28752355	1	Lever	
13	D28185403	1	Hinge	Right Hand
14	D18185223	1	Guard	Up to Serial or Engine Number 57866
15	D18185214	1	Guard	Right Hand Up to Serial or Engine Number 57866
16	D28185408	1	Reinforcement	Up to Serial or Engine Number 57866
17	D28185718	1	Cover	
18	D28185404	1	Fitting	
19	D28185503	1	Lever	
20	D40423900	2	Hex. Sock. Screw	
21	394367X1	2	Locknut	
22	D45084700	1	Worklamp	
23	D28186106	1	Plate	
24	D18186443	1	Guard	From Serial or Engine Number 57867

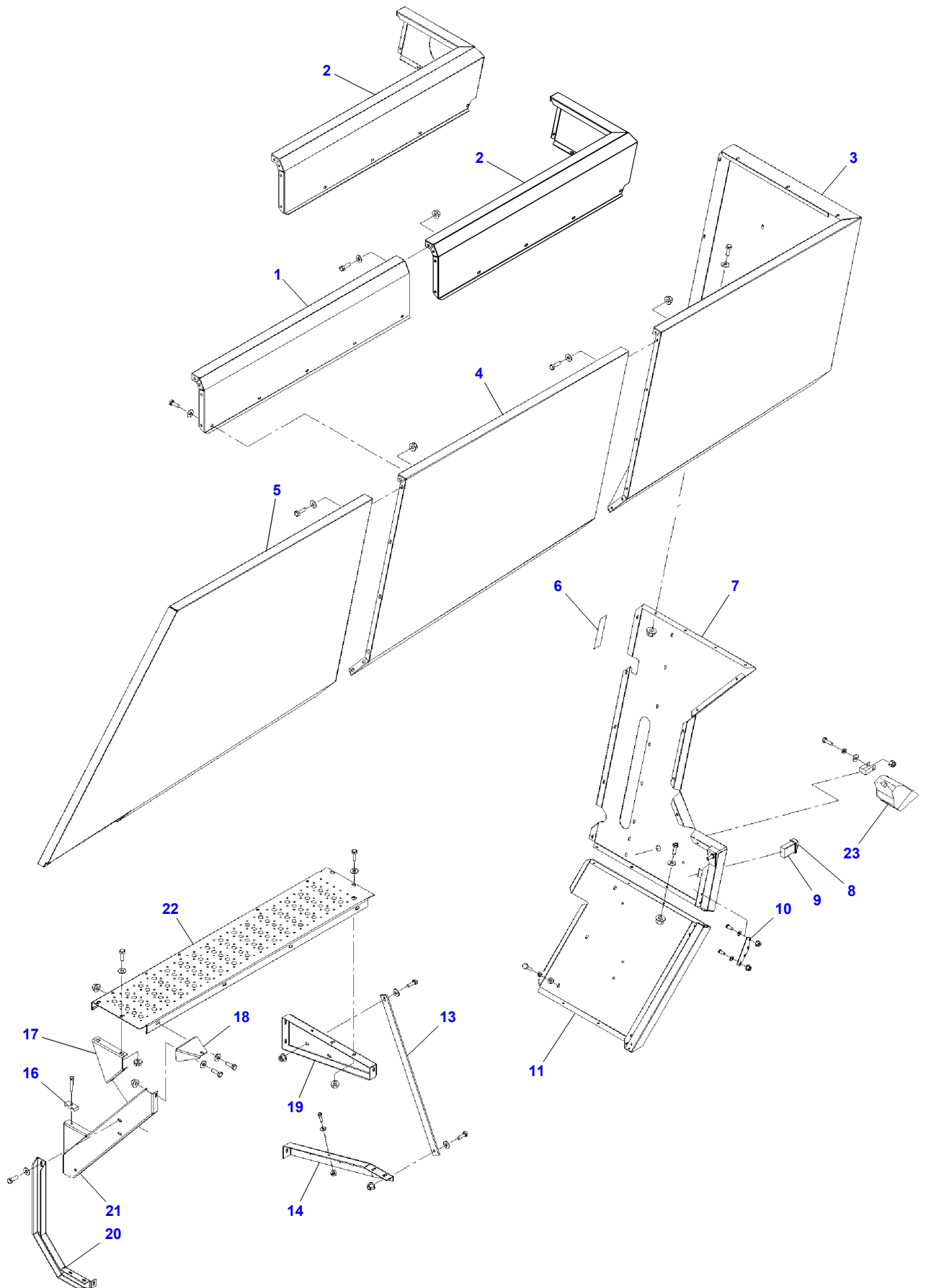
MF 7272/7274/7278 CERA COMBINE - 1637408
D-AEZB-003-A



D-AEZB-003-A

Item	Part Number	Qty	Description	Comments
1	D28185219	1	Guard	Right Hand
2	D28185379	1	Plate	
3	D28185387	1	Bracket	
4	D28185396	1	Brace	Right Hand
5	D28185530	1	Guard	Right Hand
6	D43386900	2	Handle	
7	D43419900	2	Lock	
8	D44732700	1	Grommet	
9	D28185266	1	Fitting	Right Hand
10	D45080017	1	Gas Strut	
11	D41404200	2	Split Pin	
12	D28185541	2	Reinforcement	
13	D28185556	1	Section	
14	D28185581	1	Brace	
15	D28185667	1	Bracket	
16	D28185668	1	Bracket	
17	D18185225	1	Trap	Right Hand
18	D18185227	1	Guard	
19	D18185526	1	Guard	
20	D28185410	1	Fitting	
21	D45056700	1	Gas Strut	
22	D28781364	1	Bracket	
23	D45080005	1	Lamp	
24	D45081300	1	Bulb	
25	D45077500	1	Flasher	
26	D45080600	1	Bulb 12v 21w Sbc	
27	D28185372	1	Bracket	
28	D28185382	1	Bracket	
29	D28185383	1	Hinge	Right Hand
30	D28185385	1	Bracket	
31	D28185263	1	Support	

MF 7272/7274/7278 CERA COMBINE - 1637408
D-AEZC-005-A

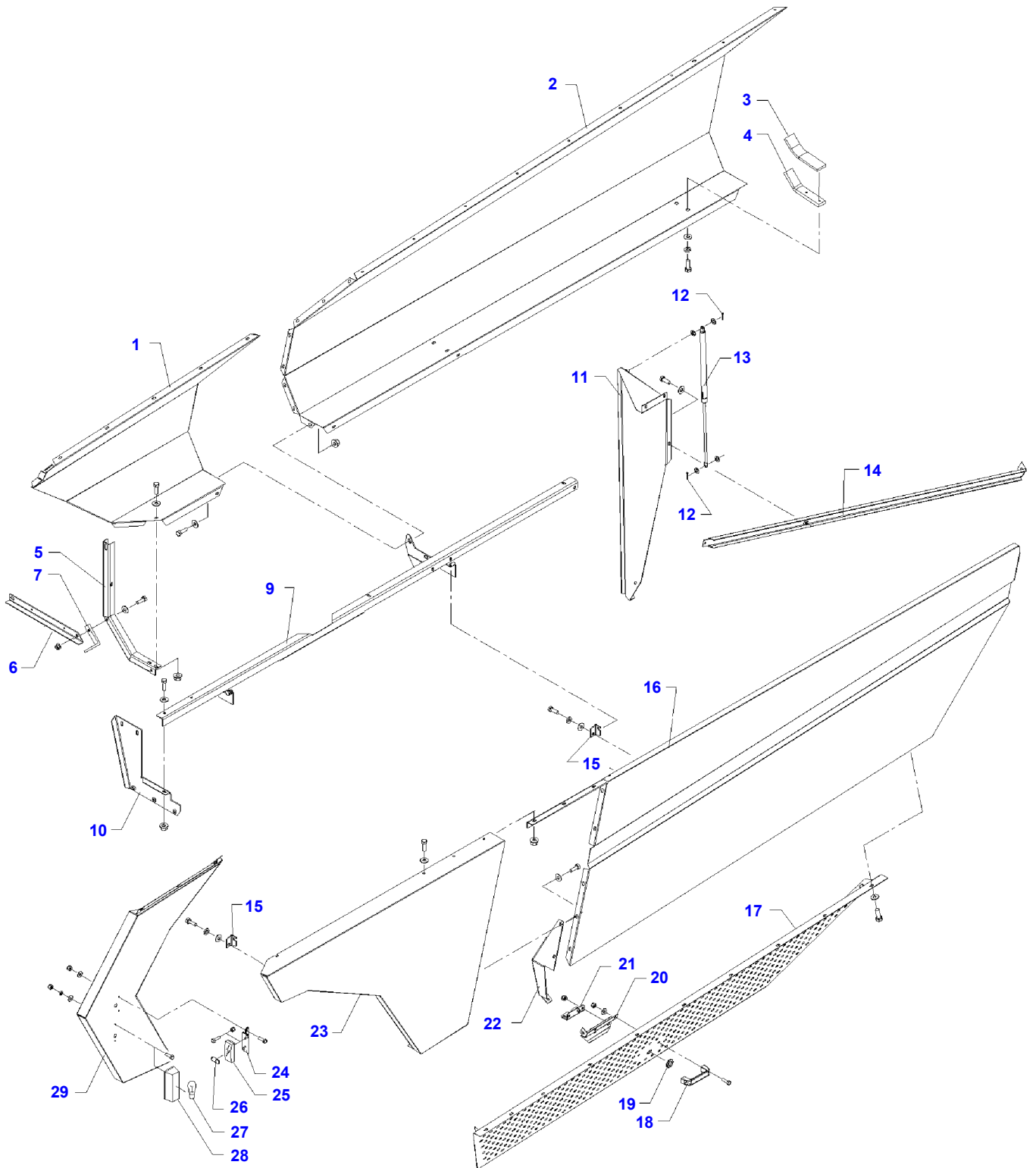


D-AEZC-005-A

Massey Ferguson**MF 7272/7274/7278 CEREAL COMBINE - 1637408****1637408****Top + Rear Lh Guard - Up To 58548****Page015-0008**

Item	Part Number	Qty	Description	Comments
1	D18185536	1	Guard	
2	D18186243	1	Guard	From Serial or Engine Number 57466 Up to Serial or Engine Number 58449
	D18186240	1	Cowl	From Serial or Engine Number 58450
3	D28185038	1	Guard	Up to Serial or Engine Number 58449
	D28186444	1	Cowl	From Serial or Engine Number 58450
4	D28185040	1	Guard	Left Hand
5	D28185041	X	Guard	Left Hand
6	D44735900	1	Seal Section	
7	D18185035	1	Guard	Up to Serial or Engine Number 58449
	D18186339	1	Cowl	From Serial or Engine Number 58450
8	D45050003	1	Magnet	
9	D45050040	1	Light Switch	
10	D28185304	1	Brace	
11	D18185469	1	Guard	Up to Serial or Engine Number 58449
	D18186445	1	Cowl	From Serial or Engine Number 58450
13	D28180480	1	Tensioner	
14	D28180479	1	Bracket	
16	D45739400	1	Support	
	D28750784	1	Bracket	
17	D28181021	1	Bracket	
18	D28185297	1	Bracket	
19	D28185291	1	Bracket	
20	D28185295	1	Bracket	Left Hand
21	D28185292	1	Bracket	
22	D28180889	1	Step	
23	D28781728	1	Worklamp	
	D44900770	1	Worklamp	

MF 7272/7274/7278 CEREAL COMBINE - 1637408
D-AEZD-003-A



D-AEZD-003-A

Massey Ferguson**MF 7272/7274/7278 CEREAL COMBINE - 1637408**

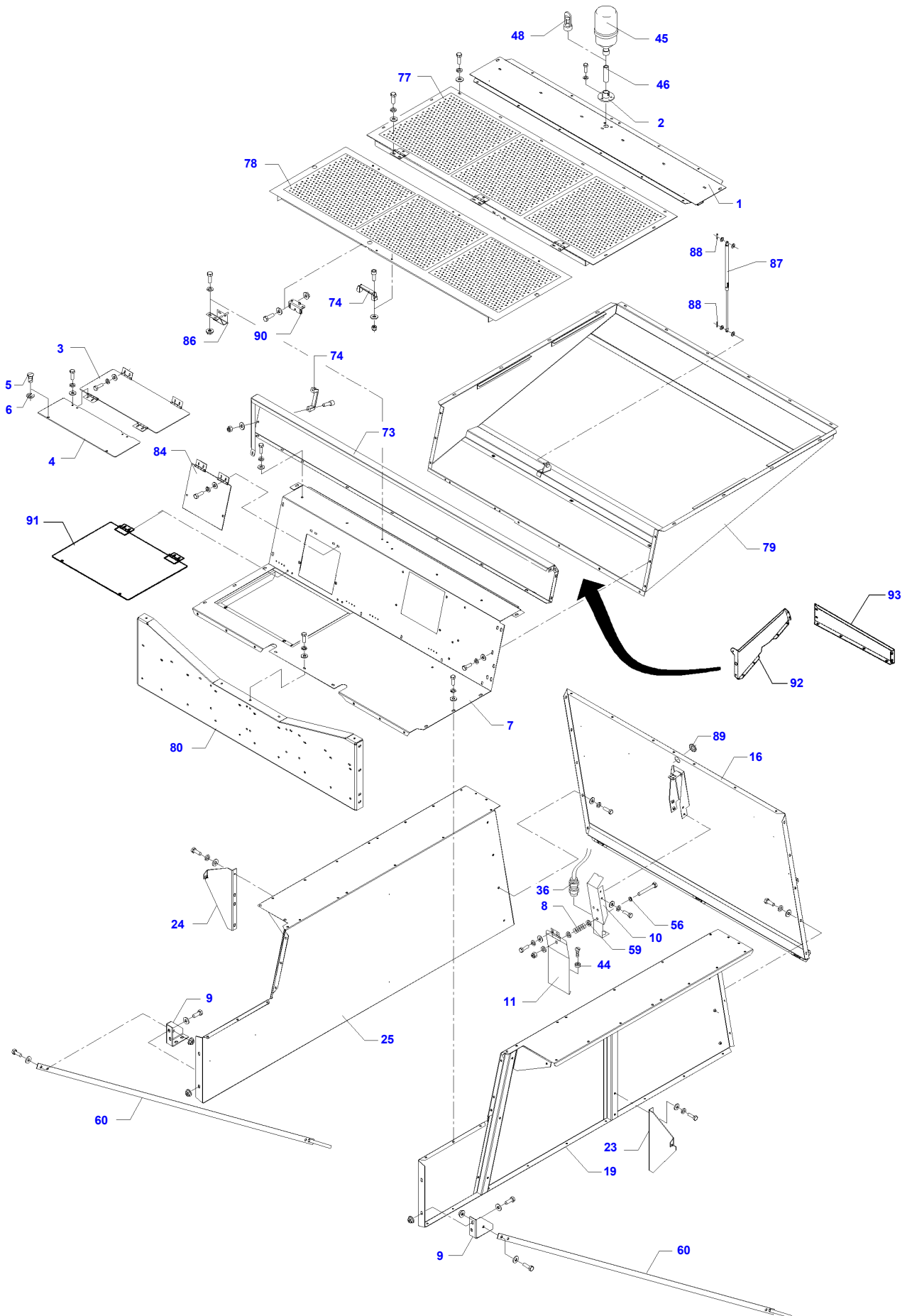
1637408

Bottom Lh Guard - Up To 58548

Page015-0009

Item	Part Number	Qty	Description	Comments
1	D28185043	1	Guard	
2	D18185037	1	Guard	
3	D28181033	1	Stop	
4	D28181034	1	Stop	
5	D28181067	1	Support	
6	D28180796	1	Support	
7	D28780381	1	Retainer	
9	D28185298	1	Hinge	
10	D28185302	1	Support	
11	D28185196	1	Bracket	
12	D41404200	1	Split Pin	
13	D45050057	1	Cylinder	
14	D28185194	1	Profile	
15	D28185339	2	Bracket	
16	D28185031	1	Cover	
17	D28085040	1	Guard	Left Hand
18	D43386900	1	Handle	
19	D43419900	1	Lock	
20	D28185935	1	Bracket	
21	D43419900	1	Lock	
22	D28185535	1	Reinforcement	
23	D28185033	1	Guard	Left Hand
24	D28781364	1	Bracket	
25	D45080005	1	Lamp	
26	D45081300	1	Bulb	
27	D45080600	1	Bulb 12v 21w Sbc	
28	D45077600	1	Flasher	Left Hand
29	D28185044	1	Guard	

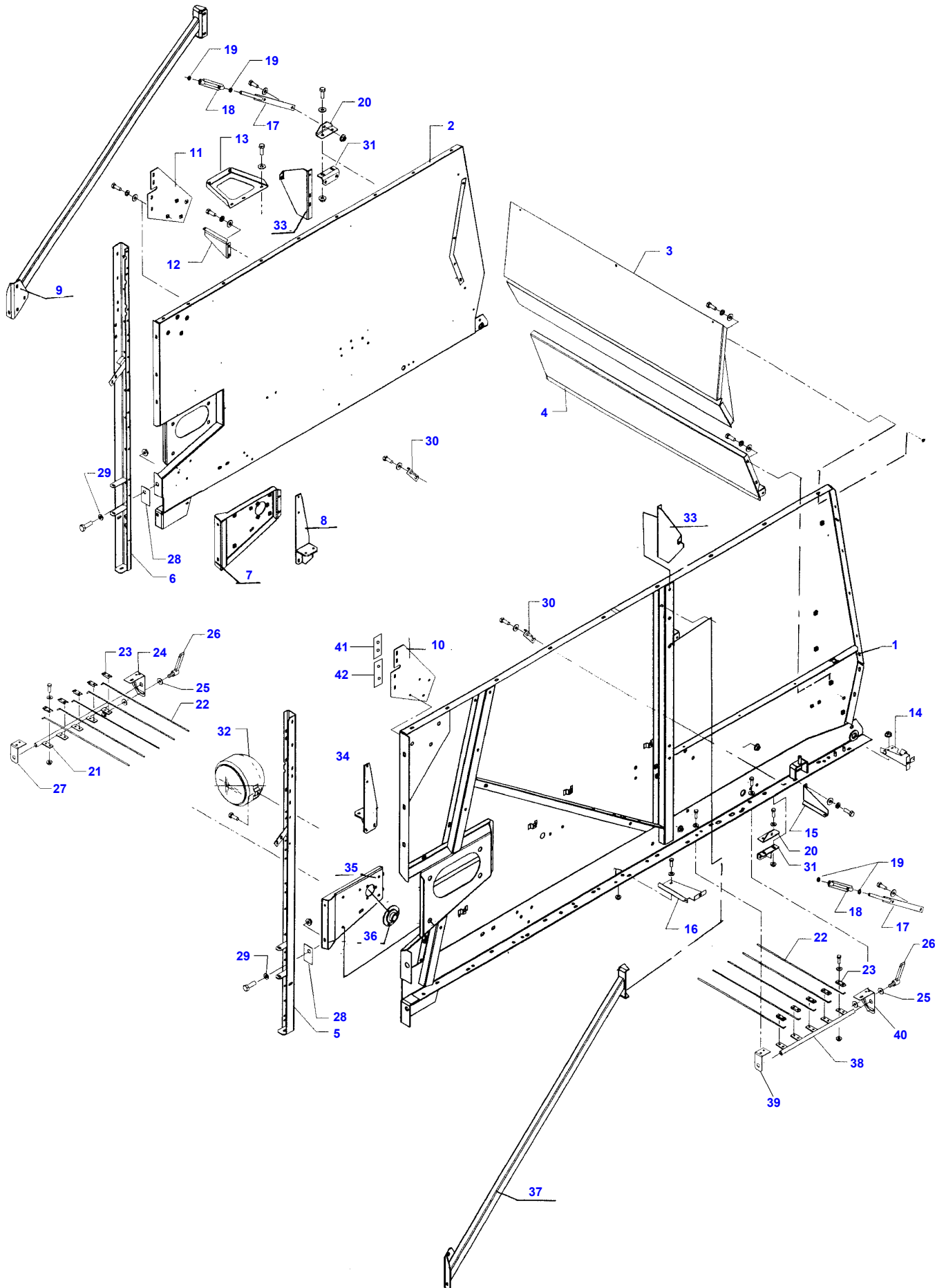
MF 7272/7274/7278 CERA COMBINE - 1637408
D-AEZE-004-A



D-AEZE-004-A

Item	Part Number	Qty	Description	Comments
1	D18185240	1	Guard	
2	D18950553	1	Bracket	
3	D18185941	1	Cover	Up to Serial or Engine Number 57324
4	D18185943	1	Cover	Up to Serial or Engine Number 57324
5	D43427500	5	Pin	
6	D42555500	5	Circlip	
7	D28185229	1	Plate	Up to Serial or Engine Number 57722
	D28186391	1	Plate	From Serial or Engine Number 57723
8	D26600305	1	Spring	
9	D28181476	2	Support	Left Hand
10	D28181530	1	Support	
11	D28181535	1	Flap	
16	D28185089	1	Plate	
19	D28185137	1	Side	Left Hand
23	D28185187	1	Bracket	Left Hand
24	D28185188	1	Bracket	Right Hand
25	D28185235	1	Side	Right Hand
36	D28780365	1	Sensor	
44	D45010092	1	Magnet	
45	D45051200	1	Lamp	
46	D45051300	1	Retainer	
48	D45067900	1	Cap	
56	D20400473	8	Washer	
59	D20400411	9	Washer	
60	D28181610	2	Stay	
73	D18785837	1	Guard	Up to Serial or Engine Number
	D18185232	1	Guard	From Serial or Engine Number
74	D43386900	2	Handle	
77	D18185954	1	Cover	
78	D18185952	1	Cover	
79	D28185944	1	Housing	
80	D28185175	1	Support	
84	D28185967	1	Trap	
86	D28185960	1	Fitting	
87	D45059500	1	Gas Strut	Up to Serial or Engine Number 57324
88	D41404200	2	Split Pin	Up to Serial or Engine Number 57324
89	D44732700	1	Grommet	
90	D43419900	2	Lock	
91	D28185247	1	Trap	Up to Serial or Engine Number 57722
	D28186398	1	Trap	From Serial or Engine Number 57723
92	D28186137	1	Plate	From Serial or Engine Number 57068
93	D28186136	1	Plate	From Serial or Engine Number 57068

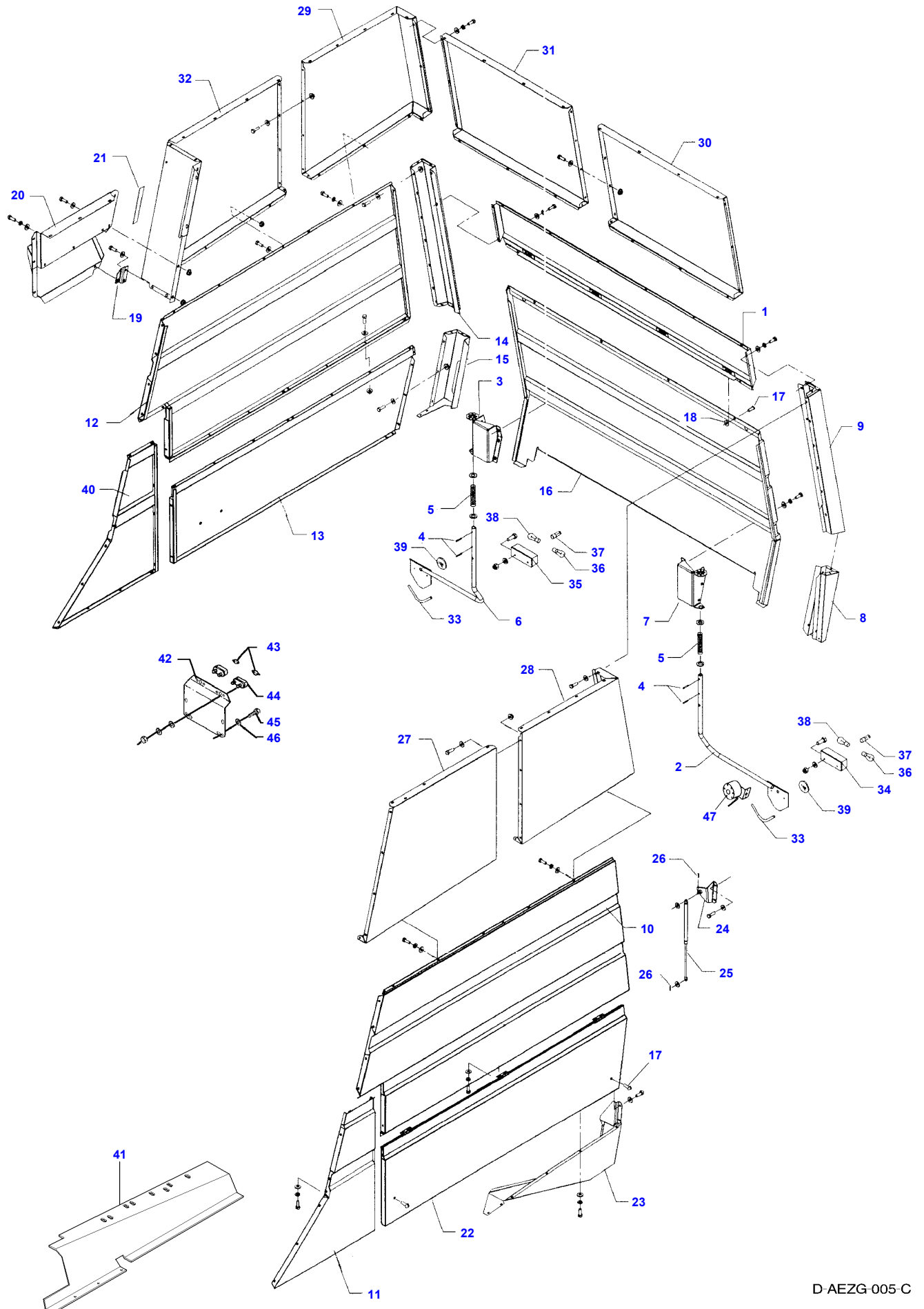
MF 7272/7274/7278 CERA COMBINE - 1637408
D-AEZF-003-B



D-AEZF-003-B

Item	Part Number	Qty	Description	Comments
1	D28186011	1	Side	
2	D28186013	1	Side	
3	D28185098	1	Plate	
4	D28185134	1	Plate	
5	D28185464	1	Profile	Left Hand
6	D28185465	1	Profile	Right Hand
7	D28186055	1	Bracket	
8	D28186058	1	Bracket	
9	D28186176	1	Support	
10	D28181010	1	Reinforcement	
11	D28185679	1	Reinforcement	
12	D28185262	1	Bracket	
13	D28185522	1	Support	
14	D28185259	1	Bracket	
15	D28185261	1	Bracket	
16	D28185257	1	Bracket	
17	D28181608	2	Stay	
18	D41035000	2	Tightener	
19	D20400537	X	Spacer	
20	D28184275	2	Stay	
21	D28181623	1	Tube	
22	D28181046	5	Spring Wire	
23	D28181537	5	Clamp	
24	D28180019	1	Locking Plate	
25	D20400423	1	Flat Washers	
26	D43387500	1	Lever	
27	D28180018	1	Fitting	
28	D28180785	X	Plate	
29	D28181284	X	Washer	
30	D28880098	2	Bracket	
31	D28180744	2	Plate	
32	D45060045	1	Worklamp	
	D28781735	1	Fuse	
33	D28181901	1	Console	Left Hand
	D28181902	1	Console	Right Hand
34	D28181902	1	Console	
35	D28186022	1	Bracket	
36	D41707800	2	Bearing	
37	D28186171	1	Profile	
38	D28181860	1	Tube	
39	D28181861	1	Locking Plate	
40	D28181862	1	Support	
41	D28181086	2	Tensioner	
42	D28181087	2	Tensioner	

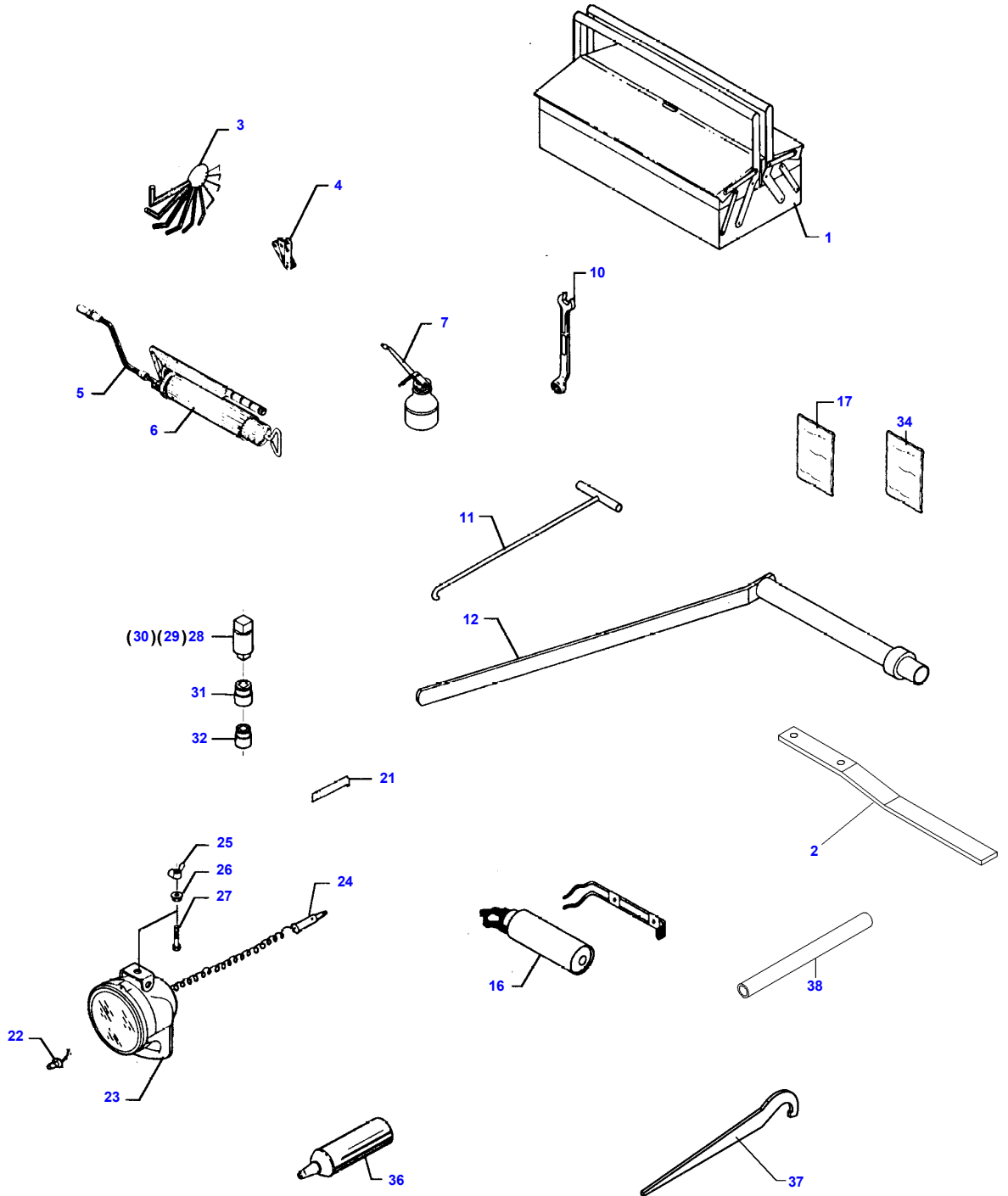
MF 7272/7274/7278 CERA COMBINE - 1637408
D-AEZG-005-C



D-AEZG-005-C

Item	Part Number	Qty	Description	Comments
1	D18185130	1	Guard	
2	D18185154	1	Arm	Left Hand
3	D28185163	1	Bracket	Left Hand
4	D42612300	4	Pin	
5	D28760286	2	Spring	
6	D18185253	1	Bar	Right Hand
7	D28185255	1	Bracket	
8	D18185086	1	Reinforcement	Left Hand
9	D18185087	1	Reinforcement	Left Hand
10	D18189081	1	Guard	Left Hand
11	D18189094	1	Guard	
12	D18189083	1	Guard	
13	D18189098	1	Panel	Right Hand
14	D18185181	1	Guard	Right Hand
15	D18185456	1	Guard	Right Hand
16	D18185132	1	Guard	
17	D43427500	X	Pin	
18	D42555500	X	Circlip	
19	D28185459	1	Spacer	Up to Serial or Engine Number 57700 MF 7278 CEREAL
20	D28185265	1	Step	Up to Serial or Engine Number 57700 MF 7278 CEREAL
21	D44740000	X	Profile	Length 50 M
22	D18185082	1	Trap	Left Hand
23	D18185088	1	Guard	Left Hand
24	D28185560	1	Bracket	
25	D45070065	1	Damper	
26	D41404400	X	Split Pin	
27	D28185077	1	Guard	Left Hand
28	D28185078	1	Guard	Left Hand
29	D28185179	1	Guard	Right Hand
30	D28185185	1	Guard	Left Hand
31	D28185186	1	Guard	Right Hand
32	D28185238	1	Guard	Right Hand
33	D44740000	X	Profile	50 M
34	D45077100	1	Rh Rear Lamp	Left Hand
35	D45077300	1	Lh Rear Lamp	Right Hand
36	1628494M1	X	Bulb H3	
37	D45080600	X	Bulb 12v 21w Sbc	
38	D45080700	X	Bulb 12v 10w	
39	D45085600	X	Reflector	
40	D18189087	1	Guard	
41	D28185995	1	Guard	
42	D28752224	1	Licence Plate	
43	D45085500	2	Lamp	
44	D45080900	2	Bulb	
45	339666X1	X	Hex. Sock. Screw	
46	391038X1	X	Washer	
47	D44900865	1	Buzzer	

MF 7272/7274/7278 CERA COMBINE - 1637408
D-AFZA-005-A



Tools - Paint

Item	Part Number	Qty	Description	Comments
1	D43713300	1	Tool Box	
2	D28185696	1	Scraper	EQUIPMENT
3	D43705500	1	Allen Key	
4	D27300186	1	Feeler Guage	
5	D43709800	1	Hose	
6	3405930M1	1	Grease Gun	
7	D43710300	1	Oil Can	
10	D43707900	1	Spanner	
11	D28530187	1	Tool	
12	D28380136	1	Key	
16	D43713400	1	Extinguisher	6 KG
	D43714200	1	Extinguisher	2 KG
17	D28580181	1	Bag	
21	D28780689	1	Spring	
22	D28761343	1	Worklamp	
	1628494M1	1	Bulb H3	(22)
23	D45077700	1	Worklamp	(22)
24	D45026600	1	Intake	(22)
25	339539X1	1	Wing Nut	(22)
				M10
26	339402X1	1	Nut	(22)
				M10
27	1441370X1	1	Hex. Sock. Screw	(22)
28	D28151359	1	Connector	
	D28151358	1	Connector	(28)
29	D28151357	1	Spring	(28)
30	D41647600	1	Ball	(28)
31	D43715300	1	Tool	
32	D43708900	1	Key	
34	D28781871	1	Electric Equip.	
36	D49208700	1	Grease	
37	D28280440	1	Tool	
38	D28380526	1	Rod	

NO ILLUSTRATED
NON ILLUSTRÉ
NICHT ABGEBILDET
NO ILLUSTRADO
EJ ILLUSTRERET

Item	Part Number	Qty	Description	Comments
1	D28780964	X	Harness	[A]
2	D28780987	X	Harness	[B]
3	D28781018	X	Harness	[C]
4	D28781189	X	Harness	[D]
5	D28781363	X	Harness	[E]
6	D28781478	X	Harness	
7	D28781584	X	Harness	[H]
8	D28781591	X	Harness	[I]
9	D28781612	X	Harness	[J]
10	D28781618	X	Harness	[K]
11	D28781657	X	Harness	[L]
12	D28781658	X	Harness	[M]
13	D28781727	X	Harness	[N]
				com-unit
14	D28781729	X	Harness	[O]
15	D28781759	X	Harness	[P]
16	D28782051	X	Harness	[Q]
17	D28782364	X	Harness	[R]
18	D28782369	X	Harness	[S]
19	D28782381	X	Harness	[T]
20	D28782408	X	Harness	[U]
21	D28782472	X	Wiring Harness	[V]
22	D28782539	X	Harness	[W]
23	D28782540	X	Harness	[X]
24	D28782541	X	Harness	[Y]
25	D28782542	X	Harness	[Z]
26	D28782563	X	Harness	[F]
27	D28782701	X	Harness	[G]
28	D28782702	X	Harness	Left Hand
29	D28782703	X	Harness	AL POWER
30	D28782704	X	Harness	AL POWER

FOOTNOTE [A] HARVEST FUNCTION, FRONT 2

FOOTNOTE [B] LIGHT BAR

FOOTNOTE [C] MONITORING 3

FOOTNOTE [D] VERTICAL KNIFE LEFT

FOOTNOTE [E] AIR CONDITIONING

FOOTNOTE [F] GRAIN TANK

FOOTNOTE [G] RIGHT AND LEFT POWER

FOOTNOTE [H] INTERIOR CAB

FOOTNOTE [I] GRAIN LOSS MONITOR

FOOTNOTE [J] FORWARD SPEED CONTROL

FOOTNOTE [K] TILT SENSOR

FOOTNOTE [L] RETURNS VOLUME

FOOTNOTE [M] STRAW CHOPPER VIBRATION SENSOR

FOOTNOTE [N] COM-UNIT

FOOTNOTE [O] STRAW HOOD

FOOTNOTE [P] REEL FIELD PRESSURE CONTROL

FOOTNOTE [Q] CUTTING HEIGHT

FOOTNOTE [R] ELECTRICAL GEARSHIFT 7200

FOOTNOTE [S] FOR ELECTRIC CONCAVE

FOOTNOTE [T] FOR STRAW DEFLECTOR

FOOTNOTE [U] FRONT LIGHT

FOOTNOTE [V] GRAIN TANK COVERS

FOOTNOTE [W] ARM REST

FOOTNOTE [X] FOR STD ELECTRIC BOX

FOOTNOTE [Y] RIGHT JOB COMPUTER

FOOTNOTE [Z] LEFT JOB COMPUTER

NO ILLUSTRATED
NON ILLUSTRÉ
NICHT ABGEBILDET
NO ILLUSTRADO
EJ ILLUSTRERET

Item	Part Number	Qty	Description	Comments
1	D28782705	X	Harness	[A]
2	D28782706	X	Harness	[B]
3	D28782707	X	Harness	[C]
4	D28782724	X	Harness	[D]
5	D28782725	X	Harness	[E]
6	D28782726	X	Harness	[F]
7	D28785449	X	Harness	25' PF
8	D28785457	X	Harness	25'
9	D28785458	X	Harness	25'
10	D28785578	X	Harness	[G]
11	D28785864	X	Harness	[H]
12	D28785923	X	Harness	22'FF
13	D28786063	X	Harness	[I]
14	D28786603	X	Harness	[J]
15	D28786835	X	Harness	[K]
16	D28786836	X	Harness	[L]
17	D28787124	X	Harness	[M]
18	D28787226	X	Harness	[N]
19	D28787259	X	Harness	[O]
20	D28787297	X	Harness	[P]
21	D28787392	X	Harness	[Q]
22	D28787393	X	Harness	[R]
23	D44900817	X	Harness	[S]
24	D44900818	X	Harness	[T]
25	D44900821	X	Harness	[U]
26	D28081450	X	Harness	From Serial or Engine Number 61122

- FOOTNOTE [A]** LEAD-IN PLATE
FOOTNOTE [B] FOR STD ELECTRIC BOX
FOOTNOTE [C] INTERIOR CAB
FOOTNOTE [D] ELECTRICAL GEARSHIFT 7200
FOOTNOTE [E] VERTICAL KNIFE LEFT
FOOTNOTE [F] VERTICAL KNIFE RIGHT
FOOTNOTE [G] REVERSING LAMP
FOOTNOTE [H] STEERING COLUMN
FOOTNOTE [I] ROTARY BEACON / STRAW ALARM
FOOTNOTE [J] MOISTER METER
FOOTNOTE [K] ELECTRIC SIEVE 5 SW
FOOTNOTE [L] ELECTRIC SIEVE 8 SW
FOOTNOTE [M] TAIL LIGHT
FOOTNOTE [N] WORK LIGHT
FOOTNOTE [O] FOR ENGINE SISU STAGE II
FOOTNOTE [P] EEM
FOOTNOTE [Q] EEM ENGINE
FOOTNOTE [R] CPL CAB POTENTIOMETER
FOOTNOTE [S] MULTIFONCTION LEVER 3
FOOTNOTE [T] MULTIFONCTION LEVER 2
FOOTNOTE [U] SAFETY START

NO ILLUSTRATED
NON ILLUSTRÉ
NICHT ABGEBILDET
NO ILLUSTRADO
EJ ILLUSTRERET

Wiring Harness DV2 +

Item	Part Number	Qty	Description	Comments
1	D28752249	X	Wiring Harness	[A]
2	D28787124	X	Harness	[B]
3	D28280613	X	Harness	[C]
4	D28780365	X	Sensor	[D]
5	D45010092	X	Magnet	[D]
6	D28782408	X	Harness	[E]
7	D28782384	X	Wiring Harness	[F]
				Up to Serial or Engine Number 58137
	D28782529	X	Harness	[F]
				From Serial or Engine Number 58138
8	D28782422	X	Carrier	[G]
9	D28781929	X	Cable	[H]
10	D28781896	X	Cable	[I]
11	D28780613	X	Wiring Harness	[J]
12	D28780641	X	Harness	Left Hand
13	D28781363	X	Harness	[K]
14	D28781887	X	Cable	[L]
15	D28780964	X	Harness	[M]
16	D28782472	X	Wiring Harness	[N]
17	D28781591	X	Harness	[O]
18	D28781727	X	Harness	[P]
19	D28782194	X	Harness	[Q]
20	D28782381	X	Harness	[R]
21	D28782456	X	Harness	[S]
22	D28782458	X	Harness	[T]
23	D28782460	X	Harness	[U]
24	D28786574	X	Harness	[O]
26	D28786836	1	Harness	From Serial or Engine Number 57867
27	D28786603	1	Harness	[W]
28	D28782528	X	Wiring Harness	[X]
29	D44900775	X	Harness	[Y]
30	D45050067	X	Harness	[Z]

FOOTNOTE [A] REGISTRATION PLATE LIGHT

FOOTNOTE [B] FOR MAGNET

FOOTNOTE [C] CUTTING TABLE

FOOTNOTE [D] FOR STRAW ALARM

FOOTNOTE [E] FRONT LIGHT

FOOTNOTE [F] CAB

FOOTNOTE [G] FOR CAB

FOOTNOTE [H] BATTERY CABLE

FOOTNOTE [I] MAIN SWITCH CABLE

FOOTNOTE [J] WORK LIGHT (CAB ROOF)

FOOTNOTE [K] A.C. CLUTCH

FOOTNOTE [L] ENGINE CABLE, REVERSE DRIVE

FOOTNOTE [M] HARVEST FUNCTION, FRONT

FOOTNOTE [N] GRAIN TANK COVERS

FOOTNOTE [O] YIELDMETER

FOOTNOTE [P] COM-UNIT

FOOTNOTE [Q] FOR ENGINE

FOOTNOTE [R] FOR STRAW DEFLECTOR

FOOTNOTE [S] POWER RH+LH

FOOTNOTE [T] RH JOBCOMPUTER,

FOOTNOTE [U] RH JOBCOMPUTER, AL

FOOTNOTE [W] MOISTER METER

FOOTNOTE [X] CYLINDER REVOLUTION

FOOTNOTE [Y] STRAW WALKER GRAIN LOSS SENSOR

FOOTNOTE [Z] SHAKERSHOE GRAIN LOSS SENSOR

NO ILLUSTRATED
NON ILLUSTRÉ
NICHT ABGEBILDET
NO ILLUSTRADO
EJ ILLUSTRERET

Wiring Harness DV2 +

Item	Part Number	Qty	Description	Comments
1	D28781188	X	Harness	[A] Up to Serial or Engine Number 58874
	D28782725	X	Harness	[A] From Serial or Engine Number 58875
2	D28781189	X	Harness	[B]
3	D28780987	X	Harness	[C]
4	D28781018	X	Harness	[D]
5	D46442400	X	Indicator	[E]
6	D28781608	X	Harness	[F]
7	D28781612	X	Harness	[G]
8	D28781657	X	Harness	[H]
9	D28781658	X	Harness	[I]
10	D28781190	X	Harness	[J]
11	D28781191	X	Harness	[K] Up to Serial or Engine Number 58874
	D28782726	X	Harness	[K] From Serial or Engine Number 58875
12	D28781192	X	Harness	[L]
13	D28781585	X	Harness	[M]
14	D28782563	X	Harness	[N]
15	D28785912	X	Harness	[O]

- FOOTNOTE [A]** FOR ELECTRIC BOX, RIGHT
FOOTNOTE [B] FOR ELECTRIC BOX, CUTTING TABLE
FOOTNOTE [C] LIGHT BAR
FOOTNOTE [D] MONITORING 3
FOOTNOTE [E] SERVICE INDICATOR
FOOTNOTE [F] CHAFF SPREADER
FOOTNOTE [G] FORWARD SPEED CONTROL
FOOTNOTE [H] RETURNS VOLUME
FOOTNOTE [I] STRAW CHOPPER VIBRATION SENSOR
FOOTNOTE [J] TABLE, RIGHT
FOOTNOTE [K] ELECTRIC BOX, LH
FOOTNOTE [L] TABLE, LEFT
FOOTNOTE [M] OPTIONAL EXTRA -ELECTIC SIEVE
FOOTNOTE [N] GRAIN TANK
FOOTNOTE [O] DEFLECTORS

NO ILLUSTRATED
NON ILLUSTRÉ
NICHT ABGEBILDET
NO ILLUSTRADO
EJ ILLUSTRERET

Wiring Harness DV2 +

Item	Part Number	Qty	Description	Comments
1	D28781638	X	Harness	[A]
2	D28782456	X	Harness	[B]
3	D28785864	X	Harness	[C]
4	D28782342	X	Harness	[D]
5	D28782363	X	Harness	[E]
	D28782724	X	Harness	Up to Serial or Engine Number 58875 [E] From Serial or Engine Number 58876
6	D28782381	X	Harness	[F]
7	D44900042	X	Cable	[G]
8	D28785949	X	Cable	+
9	D28784448	X	Harness	[H]
10	D28784449	X	Harness	[I]
11	D28980996	X	Wiring Harness	[J]
12	D28781584	X	Harness	[K]
13	D28781478	X	Harness	[L]
14	D28782051	X	Harness	[M]
15	D28781729	X	Harness	[N]
16	D28786063	X	Harness	[O]
17	D28782195	X	Wire	[P]

- FOOTNOTE [A]** COM-UNIT
FOOTNOTE [B] POWER RH+LH
FOOTNOTE [C] STEERING COLUMN
FOOTNOTE [D] REAR LIGHT
FOOTNOTE [E] FOR ENGINE
FOOTNOTE [F] DEFLECTORS
FOOTNOTE [G] FOR MULTI-FUNCTION LEVER
FOOTNOTE [H] FOR STD ELECTRIC BOX
FOOTNOTE [I] FOR AL ELECTRIC BOX
FOOTNOTE [J] FOR RADIO CPL.
FOOTNOTE [K] INTERIOR CAB
FOOTNOTE [L] 4 WD
FOOTNOTE [M] CUTTING HEIGHT
FOOTNOTE [N] STRAW HOOD
FOOTNOTE [O] ROTATING LIGHT
FOOTNOTE [P] FUSE BOX

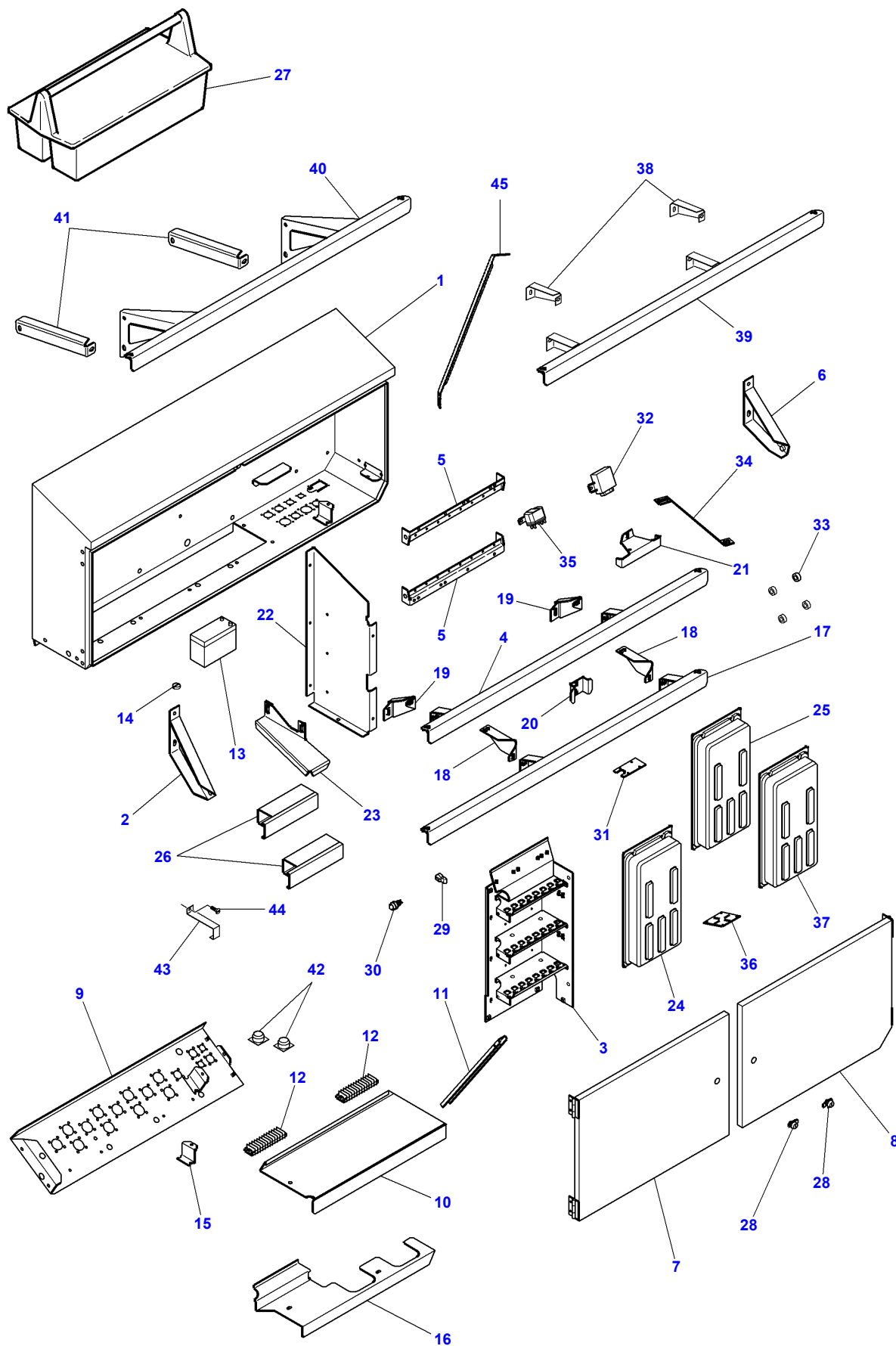
NO ILLUSTRATED
NON ILLUSTRÉ
NICHT ABGEBILDET
NO ILLUSTRADO
EJ ILLUSTRERET

Wiring Harness DV2 +

Item	Part Number	Qty	Description	Comments
1	D28782360	X	Harness	[A]
2	D28782380	X	Harness	[B]
3	D28782382	X	Wiring Harness	[C]
4	D28781805	X	Harness	[D]
5	D28781806	X	Harness	[E]
6	D28781807	X	Pointer	[F]
7	D28781928	X	Harness	[G]
8	D28782264	X	Harness	[H]
9	D28782361	X	Wiring Harness	[I]
10	D28782364	X	Harness	[J]
				Up to Serial or Engine Number 58874
	D28782724	X	Harness	[J]
				From Serial or Engine Number 58875
11	D28782369	X	Harness	[K]
12	D28782385	X	Harness	[L]
13	D28782458	X	Harness	[M]
14	D28782407	X	Wiring Harness	[N]
15	D28785399	X	Harness	[O]
16	D28785578	X	Harness	[P]

- FOOTNOTE [A]** AL POWER
FOOTNOTE [B] FRONT AXLE LEVELLING
FOOTNOTE [C] REVERSING LAMP
FOOTNOTE [D] PREHEATER
FOOTNOTE [E] TIMER RELAY
FOOTNOTE [F] PILOT LAMP
FOOTNOTE [G] FOR ENGINE
FOOTNOTE [H] ELECTRICAL ROTARY SCREEN
FOOTNOTE [I] RH JOBCOMPUTER, AL
FOOTNOTE [J] ELECTRICAL GEARSHIFT 7200
FOOTNOTE [K] FOR ELECTRIC CONCAVE
FOOTNOTE [L] FOR CAB
FOOTNOTE [M] RH JOBCOMPUTER, STD
FOOTNOTE [N] LH JOBCOMPUTER, STD
FOOTNOTE [O] TAIL LIGHT
FOOTNOTE [P] REVERSING LAMP

MF 7272/7274/7278 CERA COMBINE - 1637408
D-BAZE-001-D



D-BAZE-001-D

Massey Ferguson**MF 7272/7274/7278 CEREAL COMBINE - 1637408**

1637408

Electric Box standard and Auto Level combine - From 58875

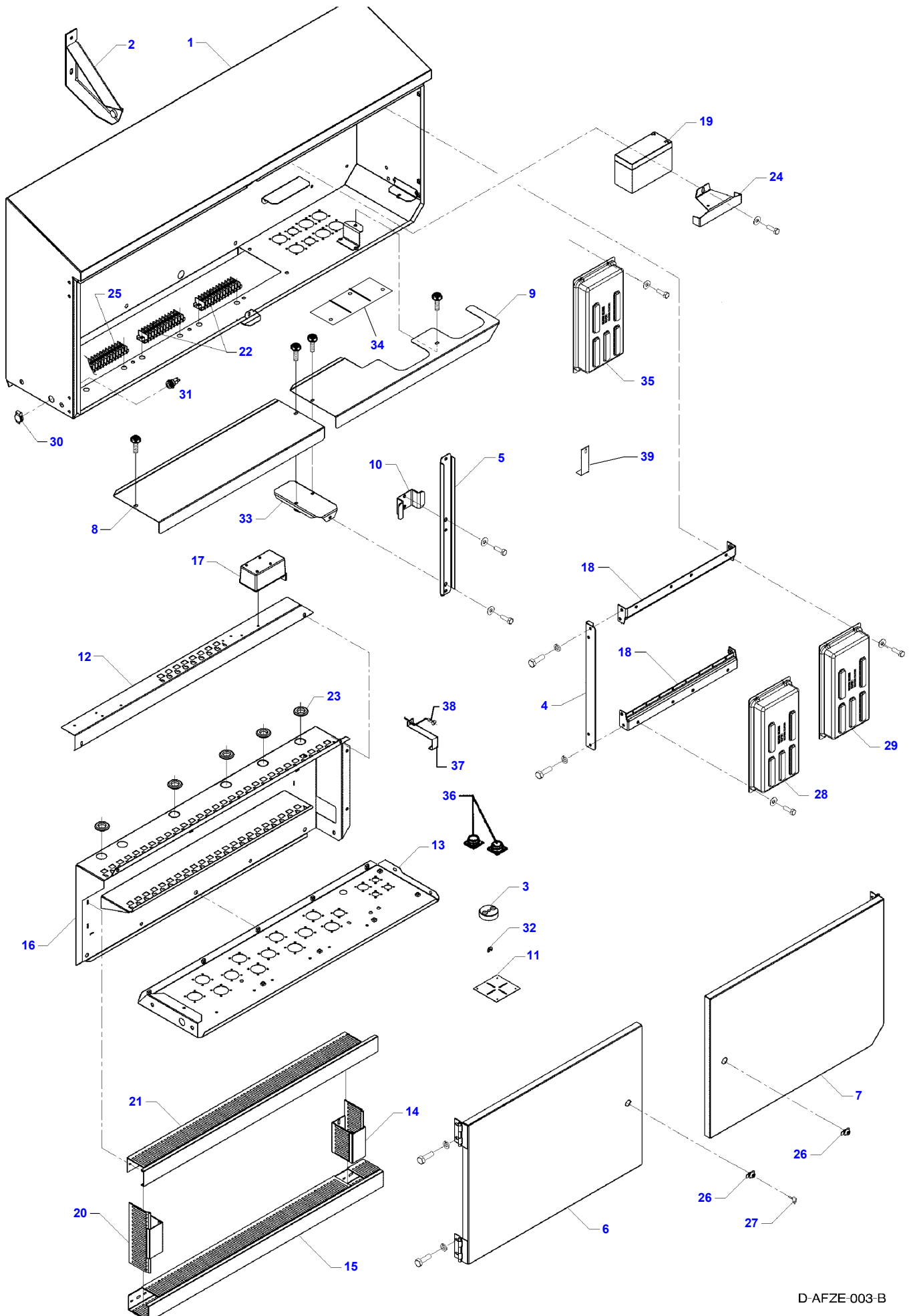
Page016-0008

Item	Part Number	Qty	Description	Comments
1	D28787414	1	Fuse Box	[A] Autolevel - CPL.
	D28787415	1	Fuse Box	[A] Standard - CPL.
	D28782567	1	Box	
2	D28184239	1	Bracket	
3	D28782573	1	Plate	
4	D28785901	1	Bracket	
5	D28782570	2	Bracket	
6	D28184474	1	Bracket	
7	D28785883	1	Cover	
8	D28785885	1	Cover	
9	D28782575	1	Plate	
10	D28782572	1	Cover	
11	D28782577	1	Rail	
12	D45010096	2	Rail	
13	D44900050	1	Battery	
14	D28780351	1	Screw	
15	D28785918	1	Bracket	
16	D28782568	1	Cover	
17	D28785910	1	Plate	
18	D28785908	2	Bracket	
19	D28785903	2	Bracket	
20	D28785911	1	Bracket	
21	D28781769	1	Support	
22	D28782574	1	Plate	
23	D28784452	1	Support	
24	D28782720	1	Computer	
25	D28787055	1	Computer	Auto Level
26	D28782595	2	Channel	
27	D43713300	1	Tool Box	
28	D43423000	2	Lock	
29	D45068300	1	Dustcap	
30	D45068200	1	Electric Socket	
31	D28786877	1	Plate	
32	D45088800	1	Relay	
33	D43319200	4	Washer	
34	D28784451	1	Bracket	
35	D45086800	1	Relay	
36	D28785921	1	Cover	
37	D28782721	1	Computer	
38	D28785595	2	Bracket	Up to Serial or Engine Number 60870
39	D28785596	1	Bracket	Up to Serial or Engine Number 60870
40	D28787451	1	Bracket	From Serial or Engine Number 60871
41	D28787452	1	Bracket	From Serial or Engine Number 60871
42	D28781298	1	Relay	Soft-Start
	D45010006	2	Plug	Soft-Start
43	D28781347	1	Fitting	Soft-Start
44	D40740100	1	Screw	Soft-Start
45	D28187011	1	Support	[B]

FOOTNOTE [A] COMPUTER NOT INCLUDED

FOOTNOTE [B] FROM 59220 - UP TO 6114

MF 7272/7274/7278 CERA COMBINE - 1637408
D-AFZE-003-B

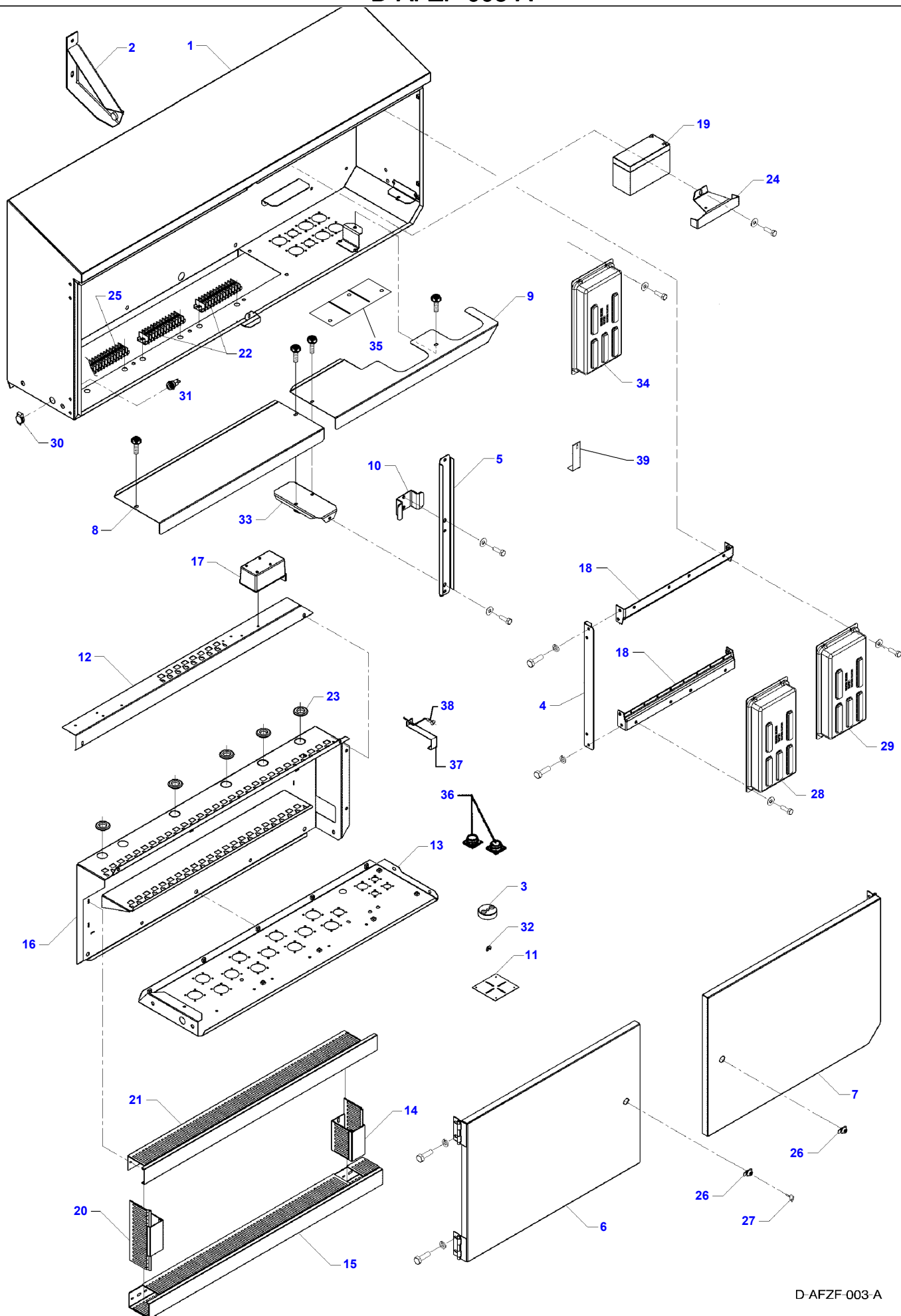


D-AFZE-003-B

Item	Part Number	Qty	Description	Comments
1	D28785868	1	Box	
	D49130013	1	Decal	AUTO LEVEL
	D49130012	1	Decal	
2	D28184471	1	Bracket	
3	D28780351	1	Screw	
4	D28785881	1	Bracket	
5	D28785882	1	Plate	
6	D28785883	1	Cover	
7	D28785885	1	Cover	
8	D28785888	1	Cover	
9	D28785889	1	Cover	
10	D28785911	1	Bracket	
11	D28785921	1	Cover	
12	D28785874	1	Rail	
13	D28785871	1	Plate	
14	D28785873	1	Case Assy	
15	D28785872	1	Case Assy	
16	D28785869	1	Plate	
17	D28781617	1	Box	
18	D28781628	2	Bracket	
19	D44900050	1	Battery	
20	D28780527	1	Fence	
21	D28781180	1	Duct	
22	D45010096	2	Rail	
23	D44732700	5	Grommet	
24	D28781769	1	Support	
25	D45010099	1	Rail	
26	D43423000	2	Lock	
27	D43423100	1	Spanner	
28	D68782720	1	Computer	[A] Right Hand Valid from machine/table no,can be used in new as well as in older machines 60292
29	D28782721	1	Computer	Left Hand Valid from machine/table no,can be used in new as well as in older machines 60416
30	D45068300	1	Dustcap	
31	D45068200	1	Electric Socket	
32	D45010097	9	Wire	
33	D28785887	1	Bracket	
34	D28782465	1	Plate	
35	D28782516	1	Computer	From Serial or Engine Number 57867
36	D28781298	1	Relay	SOFT-START
	D45010006	2	Plug	SOFT-START
37	D28781347	1	Fitting	SOFT-START
38	D40740100	1	Screw	SOFT-START
39	D28780745	2	Support	

FOOTNOTE [A] FOR DVII UPTO 58874 REMOVE HOD27-HOD28 DIAGRAMM 360 BEFORE USING COMPUTER-USE SW VER.4.81 OR LATER

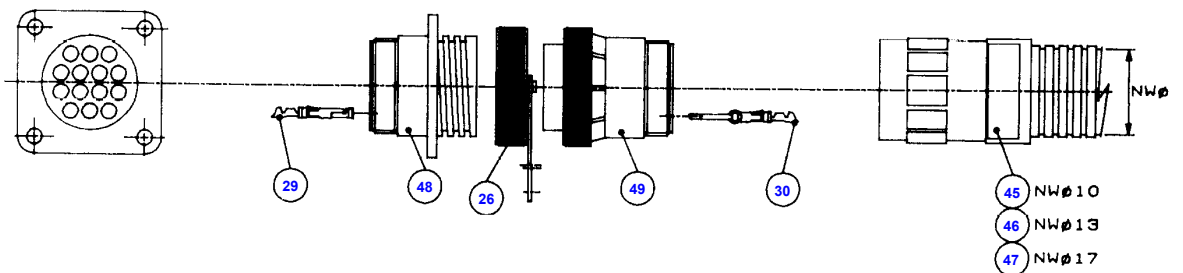
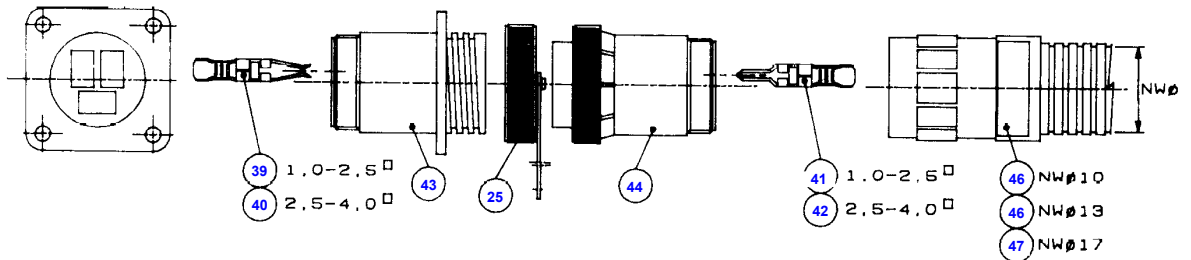
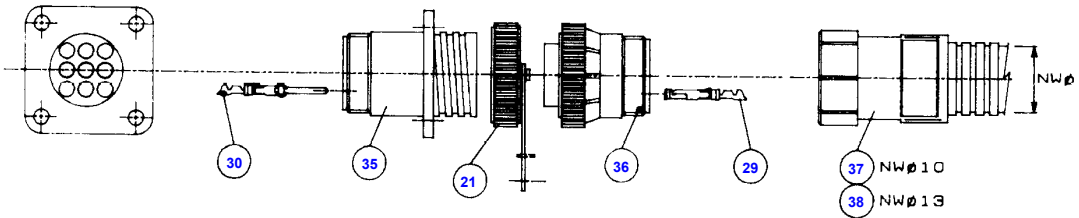
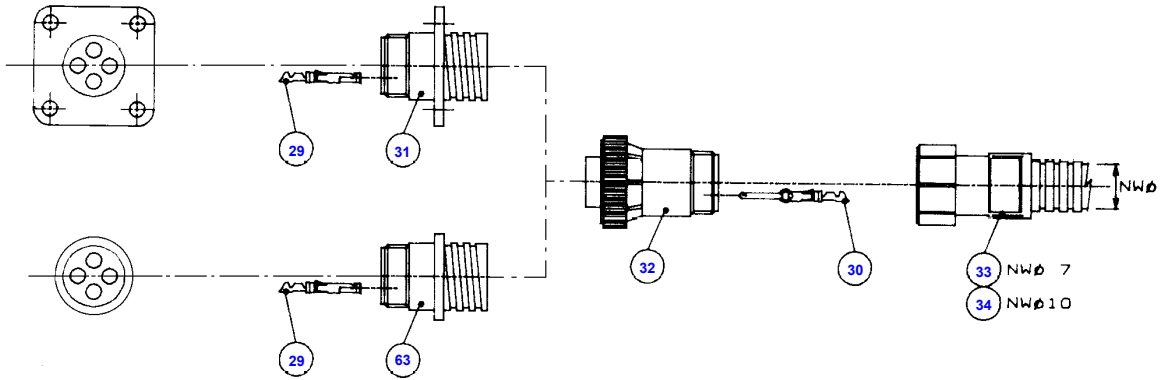
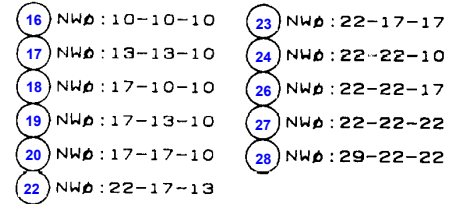
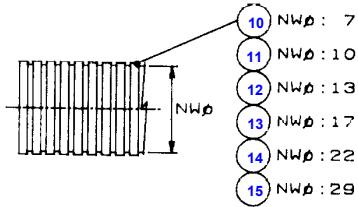
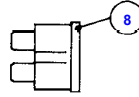
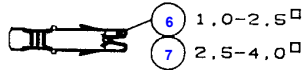
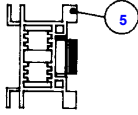
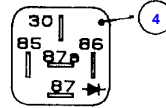
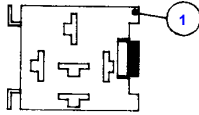
MF 7272/7274/7278 CERA COMBINE - 1637408
D-AFZF-003-A



D-AFZF-003-A

Item	Part Number	Qty	Description	Comments
1	D28785868	1	Box	
	D49130013	1	Decal	AUTO LEVEL
	D49130012	1	Decal	
2	D28184471	1	Bracket	
3	D28780351	1	Screw	
4	D28785881	1	Bracket	
5	D28785882	1	Plate	
6	D28785883	1	Cover	
7	D28785885	1	Cover	
8	D28785888	1	Cover	
9	D28785889	1	Cover	
10	D28785911	1	Bracket	
11	D28785921	1	Cover	
12	D28785874	1	Rail	
13	D28785871	1	Plate	
14	D28785873	1	Case Assy	
15	D28785872	1	Case Assy	
16	D28785869	1	Plate	
17	D28781617	1	Box	
18	D28781628	2	Bracket	
19	D44900050	1	Battery	
20	D28780527	1	Fence	
21	D28781180	1	Duct	
22	D45010096	2	Rail	
23	D44732700	5	Grommet	
24	D28781769	1	Support	
25	D45010099	1	Rail	
26	D43423000	2	Lock	
27	D43423100	1	Spanner	
28	D68782720	1	Computer	Right Hand Valid from machine/table no,can be used in new as well as in older machines 60292
29	D28782721	1	Computer	Left Hand Valid from machine/table no,can be used in new as well as in older machines 60416
30	D45068300	1	Dustcap	
31	D45068200	1	Electric Socket	
32	D45010097	9	Wire	
33	D28785887	1	Bracket	
34	D28787055	1	Computer	Valid from machine/table no,can be used in new as well as in older machines 57532 AUTO LEVEL
35	D28782465	1	Plate	
36	D28781298	1	Relay	SOFT-START
	D45010006	2	Plug	SOFT-START
37	D28781347	1	Fitting	SOFT-START
38	D40740100	1	Screw	SOFT-START
39	D28780745	2	Support	

MF 7272/7274/7278 CERA COMBINE - 1637408
D-AFZG-001-A

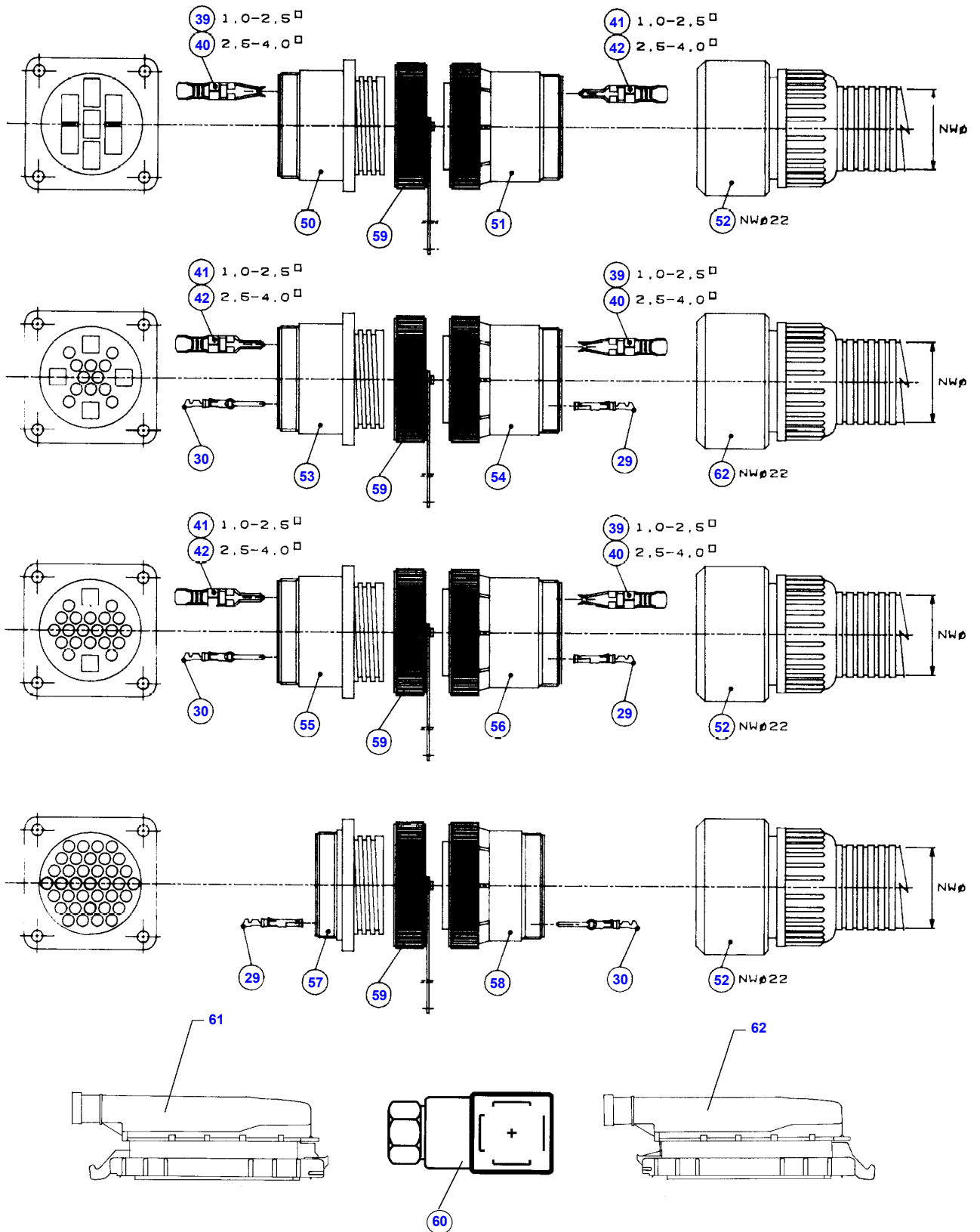


D-AFZG-001-A

Electrical Parts

Item	Part Number	Qty	Description	Comments
1	D45010068	X	Case Assy	
4	D45070089	X	Relay	
5	D45010076	X	Fuse Holder	
6	D45010027	X	Connector	
7	D45010028	X	Connector	
8	3387318M1	X	Fuse	5 AMP
	3387319M1	X	Fuse	7,5 AMP
	1695939M1	X	Fuse	10 AMP
	1695966M1	X	Fuse	15 AMP
	D45010073	X	Fuse	20 AMP
	3387322M1	X	Fuse	25 AMP
	D45010075	X	Fuse	30 AMP
10	D28782170	X	Sheath	Length 5 M
11	D28782165	X	Sheath	Length 15 M
12	D28782169	X	Sheath	Length 15 M
13	D28782166	X	Sheath	Length 15 M
14	D28782167	X	Sheath	Length 10 M
15	D28782168	X	Sheath	Length 10 M
16	D45020010	X	Connector	
17	D45020019	X	Rear Landside	
18	D45020011	X	Connector	
19	D45020022	X	Connector	
20	D45020012	X	Connector	
21	D45010082	X	Cover	
22	D45020023	X	Connector	
23	D45020015	X	Connector	
24	D45020013	X	Connector	
25	D45010083	X	Cover	
26	D45020014	X	Connector	
27	D45020016	X	Connector	
28	D45020017	X	Connector	
29	D45060094	X	Connector	
30	D45060093	X	Connector	
31	D45010006	X	Plug	
32	D45010005	X	Intake	
33	D45010040	X	Connector	
34	D45010041	X	Union	
35	D45010042	X	Plug	
36	D45010043	X	Intake	
37	D45010037	X	Connector	
38	D45010038	X	Union	
39	D45010024	X	Connector	
40	D45010026	X	Connector	
41	D45010023	X	Connector	
42	D45010025	X	Connector	
43	D45010011	X	Plug	
44	D45010012	X	Plug	
45	D28780339	X	Gasket	
	D45020080	X	Union	
	D45020090	X	Gasket	
46	D45010056	X	Connection	
47	D45010047	X	Union	
48	D45010009	X	Intake	
49	D45010010	X	Electric Socket	
63	D45030078	X	Intake	

MF 7272/7274/7278 CERA COMBINE - 1637408
D-AFZG-005-B



Electrical Parts

Item	Part Number	Qty	Description
29	D45060094	X	Connector
30	D45060093	X	Connector
39	D45010024	X	Connector
40	D45010026	X	Connector
41	D45010023	X	Connector
42	D45010025	X	Connector
50	D45010013	X	Intake
51	D45010014	X	Intake
52	D28780306	X	Union
	D45020082	X	Union
	D45020092	X	Gasket
53	D45010018	X	Intake
54	D45010017	X	Plug
55	D45010020	X	Intake
56	D45010019	X	Plug
57	D45010007	X	Intake
58	D45010008	X	Intake
59	D45010080	X	Cover
60	D45010034	X	Plug
61	D45043800	X	Housing
62	D45043900	X	Housing

**MF 7272/7274/7278 CEREА COMBINE - 1637408
D-AFYI-001-A**

Pos.nr. Pos.No. Pos.nr. No.Pos.	Koder Code Code Code
1	DLR 01
2	DLR 02
3	DLR 03
3	DLR 04
3	DLR 05
3	DLR 06
3	DLR 07
3	DLR 08
3	DVR 01
3	DVR 02
3	DVR 03
3	DVR 04
3	DVR 05
3	DVR 07
3	DVR 09
3	DVR 13
3	DVR 14
3	DVR 19
3	DVR 20
3	DVR 21
3	DVR 22
3	DVR 23
3	DVR 24
3	DVR 37
3	DVR 38
3	HOR 01
3	HOR 04
3	HOR 05
3	HOR 07
3	HOR 08
3	HOR 09
3	HOR 10
3	HOR 11
3	HOR 12
3	HOR 13
3	HOR 14
3	HOR 15
3	HOR 16
3	HOR 17
3	HOR 18
3	HOR 19
3	HOR 20
15	HOR 21
15	HOR 22
3	HOR 23
3	HOR 24
3	HOR 25
3	HOR 26
3	HOR 27
3	HOR 28
3	HOR 29
3	HOR 30
3	HOR 32
3	HOR 32
3	HOR 34
3	HOR 35
3	HOR 36
3	HOR 37
3	HOR 38
4	HOR 39
3	ILR 01
3	ILR 03
3	ILR 04
3	ILR 06
3	ILR 08

Pos.nr. Pos.No. Pos.nr. No.Pos.	Koder Code Code Code
5	DLS 01
6	DLS 02
7	DLS 03
7	DLS 04
7	DLS 05
7	DLS 06
8	DLS 07
8	DLS 08
8	DLS 09
8	DLS 10
8	DLS 11
7	DVS 01
7	DVS 02
6	DVS 03
9	DVS 04
9	DVS 05
7	DVS 06
8	DVS 07
8	DVS 13
8	DVS 16
9	DVS 17
9	DVS 18
8	DVS 20
8	DVS 22
8	DVS 23
8	DVS 24
8	DVS 30
9	HOS 01
10	HOS 02
8	HOS 03
8	HOS 05
8	HOS 06
8	HOS 07
8	HOS 08
8	HOS 09
8	HOS 10
8	HOS 11
8	HOS 12
8	HOS 13
7	HOS 14
6	HOS 15
10	HOS 16
6	HOS 17
11	HOS 18
10	HOS 19
8	HOS 20
8	HOS 21
8	HOS 22
8	HOS 23
12	ILS 03
12	ILS 04
8	ILS 07
8	ILS 08
7	ILS 09

Pos.nr. Pos.No. Pos.nr. No.Pos.	Koder Code Code Code
13	DVD 21
14	HOD 03
14	HOD 05
14	HOD 06
14	HOD 07
14	HOD 08
14	HOD 09
14	HOD 10
14	HOD 11
14	HOD 12
14	HOD 13
14	HOD 14
14	HOD 15
14	HOD 16
14	HOD 18
14	HOD 21
14	HOD 25
14	HOD 26
14	HOD 27
14	HOD 28
14	HOD 29
14	DVD 01
14	DVD 02
14	DVD 03
14	DVD 04
14	DVD 06
14	DVD 07
14	DVD 08
14	DVD 09
14	DVD 18
14	DVD 19

Massey Ferguson**MF 7272/7274/7278 CEREAL COMBINE - 1637408**

1637408

Electrical components for electric box

Page016-0013

Item	Part Number	Qty	Description	Comments
1	D45088800	X	Relay	
2	D45086800	X	Relay	
3	D45070089	X	Relay	
4	D45080024	X	Relay	
5	3387318M1	X	Fuse	5 AMP
6	D45010073	X	Fuse	20 AMP
7	1695966M1	X	Fuse	15 AMP
8	3387318M1	X	Fuse	5 AMP
9	D45010075	X	Fuse	30 AMP
10	1695939M1	X	Fuse	10 AMP
11	3387322M1	X	Fuse	25 AMP
12	3387319M1	X	Fuse	7,5 AMP
13	D44900589	X	Diode	STPS 12045TV
14	D45010094	X	Diode	Up to Serial or Engine Number 7778
15	D45087700	X	Relay	

NO ILLUSTRATED
NON ILLUSTRÉ
NICHT ABGEBILDET
NO ILLUSTRADO
EJ ILLUSTRERET

Item	Part Number	Qty	Description	Comments
1	D28787124	X	Harness	CL066 Left Hand C191/192 Right Hand DL03/04
		X	Harness	CL067 Left Hand C191/192 Right Hand DLL15,16
		X	Harness	CL068 Left Hand C191/192 Right Hand DLL18,19
		X	Harness	CL069 Left Hand C191/192 Right Hand DLL15,16
		X	Harness	CL069 Left Hand C191/192 Right Hand DLL18,19
2	D28785578	X	Harness	CL137 Left Hand C173 Right Hand ILL16
		X	Harness	CL138 Left Hand C173 Right Hand ILL17
		X	Harness	CL139 Left Hand C173 Right Hand ILL16
		X	Harness	CL140 Left Hand C173 Right Hand ILL17
3	D28786063	X	Harness	CL314 Left Hand C201 Right Hand C43
		X	Harness	CL315 Left Hand C201 Right Hand C43
		X	Harness	CL316 Left Hand C201 Right Hand ILL11
		X	Harness	CL317 Left Hand C201 Right Hand ILL11
4	D28787124	X	Harness	CL318 C191/192

NO ILLUSTRATED
NON ILLUSTRÉ
NICHT ABGEBILDET
NO ILLUSTRADO
EJ ILLUSTRERET

Item	Part Number	Qty	Description	Comments
1	D28782541	X	Harness	CR133 Left Hand C175 Right Hand CRP04
		X	Harness	CR134 Left Hand C175 Right Hand CRP04
		X	Harness	CR135 Left Hand C175 Right Hand CRP04
		X	Harness	CR136 Left Hand C175 Right Hand CRP03
		X	Harness	CR137 Left Hand C175 Right Hand CRP03
		X	Harness	CR138 Left Hand C175 Right Hand CRP04
		X	Harness	CR139 Left Hand C175 Right Hand CRP04
		X	Harness	CR140 Left Hand C175 Right Hand CRP04
		X	Harness	CR141 Left Hand C79 Right Hand CRP05
		X	Harness	CR142 Left Hand C79 Right Hand CRP05
2	D28786603	X	Harness	CR178 Left Hand C175 Right Hand C76
		X	Harness	CR179 Left Hand C76 Right Hand C71
		X	Harness	CR180 Left Hand C76 Right Hand C71
3	D28785449	X	Harness	CR212 Left Hand C66 Right Hand C91
		X	Harness	CR213 Left Hand C66 Right Hand C91
		X	Harness	CR214 Left Hand C66 Right Hand C92
		X	Harness	CR215 Left Hand C66 Right Hand C92
		X	Harness	CR216 Left Hand C66 Right Hand C92
		X	Harness	CR217 Left Hand C66 Two Wheel Drive C64
		X	Harness	CR218 Left Hand C66 Right Hand C64
4	D28785457	X	Harness	CR219 Left Hand C95 Right Hand C94
5	D28785458	X	Harness	CR221 Left Hand C94 Right Hand C96
	D28782726	X	Harness	CR221 Left Hand C94 Right Hand C96
	D28785458	X	Harness	CR222 Left Hand C94 Right Hand GND

Massey Ferguson**MF 7272/7274/7278 CEREAL COMBINE - 1637408****1637408****Wiring Harness DV2 + - Electrical Cable "C.R." - From 58875****Page016-0015**

Item	Part Number	Qty	Description	Comments
5	D28782726	X	Harness	CR222 Left Hand C94 Right Hand GND
5	D28785458	X	Harness	CR223 Left Hand GND Right Hand C96
5	D28782726	X	Harness	CR223 Left Hand GND Right Hand C96
6	D28785449	X	Harness	CR224 Left Hand C66 Right Hand C91
7	D28786603	X	Harness	CR241 Left Hand C175 Right Hand C71
7		X	Harness	CR242 Left Hand C175 Right Hand C71
7		X	Harness	CR243 Left Hand C175 Right Hand C71

NO ILLUSTRATED
NON ILLUSTRÉ
NICHT ABGEBILDET
NO ILLUSTRADO
EJ ILLUSTRERET

Item	Part Number	Qty	Description	Comments
1	D28782540	X	Harness	DL001 Left Hand DLS02 Right Hand DLS01
		X	Harness	DL002 Left Hand DLS02 Right Hand W10
		X	Harness	DL003 Left Hand C1 Right Hand DLS01
		X	Harness	DL004 Left Hand DLR01 Right Hand DLR08
2	D28782707	X	Harness	DL005 Left Hand C1 Right Hand DLH02
		X	Harness	DL006 Left Hand C1 Right Hand DLH02
		X	Harness	DL007 Left Hand C1 Right Hand DLH02
		X	Harness	DL008 Left Hand C1 Right Hand DLH02
		X	Harness	DL009 Left Hand C75 Right Hand DLR10
		X	Harness	DL010 Left Hand C75 Right Hand DLH02
		X	Harness	DL011 Left Hand C1 Right Hand DLH02
		X	Harness	DL012 Left Hand C1 Right Hand DLR10
		X	Harness	DL013 Left Hand C75 Right Hand DLH02
		X	Harness	DL014 Left Hand C1 Right Hand C75
		X	Harness	DL016 Left Hand C1 Right Hand C75
3	D28782540	X	Harness	DL021 Left Hand C1 Right Hand DLR01
		X	Harness	DL022 Left Hand C1 Right Hand DLR01
		X	Harness	DL023 Left Hand DLR01 Right Hand DLR06
		X	Harness	DL026 Left Hand DLR07 Right Hand DLR06
		X	Harness	DL027 Left Hand DLR06 Right Hand C3
		X	Harness	DL028 Left Hand DLR06 Right Hand C4
		X	Harness	DL029 Left Hand DLR07 Right Hand C4
		X	Harness	DL030 Left Hand DLR07 Right Hand C3
4	D28782408	X	Harness	DL032 Left Hand C4 Right Hand DL005

Item	Part Number	Qty	Description	Comments
4		X	Harness	DL033 Left Hand DL006 Right Hand
4		X	Harness	DL034 Left Hand C4 Right Hand DL002
4		X	Harness	DL035 Left Hand DL001 Right Hand
4		X	Harness	DL039 Left Hand DL006 Right Hand DL005
4		X	Harness	DL041 Left Hand STEL Right Hand
4		X	Harness	DL042 Left Hand W7 Right Hand
4		X	Harness	DL044 Left Hand DL001 Right Hand DL002
5	D28782540	X	Harness	DL045 Left Hand DLR07 Right Hand C3
5		X	Harness	DL038 Left Hand DLR01 Right Hand W3
5		X	Harness	DL046 Left Hand DLR06 Right Hand C3
5		X	Harness	DL049 Left Hand C1 Right Hand DLR03
5		X	Harness	DL050 Left Hand DLR03 Right Hand W3
5	D28782707	X	Harness	DL051 Left Hand DLH03 Right Hand W12
5		X	Harness	DL052 Left Hand C1 Right Hand DLH03
5	D28782540	X	Harness	DL053 Left Hand C1 Right Hand DLR04
5		X	Harness	DL054 Left Hand C2 Right Hand DLR04
5		X	Harness	DL055 Left Hand DLR04 Right Hand W3
5		X	Harness	DL056 Left Hand DLR02 Right Hand W10
5		X	Harness	DL057 Left Hand C1 Right Hand DLR02
5	D28782707	X	Harness	DL058 Left Hand C1 Right Hand C75
5	D28782540	X	Harness	DL060 Left Hand DLS06 Right Hand C1
5		X	Harness	DL061 Left Hand DLS06 Right Hand C4
5		X	Harness	DL062 Left Hand DLS05 Right Hand C4
5		X	Harness	DL063 Left Hand DLS04 Right Hand C4

Item	Part Number	Qty	Description	Comments
5		X	Harness	DL064 Left Hand DLS03 Right Hand C4
5		X	Harness	DL065 Left Hand DLR03 Right Hand W10
5		X	Harness	DL066 Left Hand DLR02 Right Hand DLR03
5		X	Harness	DL067 Left Hand DLR02 Right Hand DLS03
5		X	Harness	DL068 Left Hand DLR02 Right Hand DLS04
5		X	Harness	DL069 Left Hand DLR02 Right Hand DLS05
5		X	Harness	DL070 Left Hand DLR02 Right Hand DLS06
6	D28782408	X	Harness	DL071 Left Hand C4 Right Hand DLL11
6		X	Harness	DL072 Left Hand DLL12 Right Hand
6		X	Harness	DL073 Left Hand C4 Right Hand DLL10
6		X	Harness	DL074 Left Hand DLL09 Right Hand
6		X	Harness	DL075 Left Hand C4 Right Hand DLL11
6		X	Harness	DL076 Left Hand DLL12 Right Hand
6		X	Harness	DL077 Left Hand C4 Right Hand DLL10
6		X	Harness	DL078 Left Hand DLL09 Right Hand
6		X	Harness	DL079 Left Hand STEL Right Hand DLL11
6		X	Harness	DL080 Left Hand STEL Right Hand DLL12
6		X	Harness	DL081 Left Hand STEL Right Hand DLL09
6		X	Harness	DL082 Left Hand STEL Right Hand DLL10
7	D28782540	X	Harness	DL083 Left Hand DLR04 Right Hand W10
7		X	Harness	DL084 Left Hand DLR04 Right Hand DLS07
7		X	Harness	DL085 Left Hand DLR04 Right Hand DLS08
7		X	Harness	DL086 Left Hand DLS07 Right Hand C3
7		X	Harness	DL087 Left Hand DLS07 Right Hand C4

Item	Part Number	Qty	Description	Comments
7		X	Harness	DL088 Left Hand DLS07 Right Hand C3
7		X	Harness	DL089 Left Hand DLS08 Right Hand C4
7		X	Harness	DL090 Left Hand DLS08 Right Hand C3
7		X	Harness	DL091 Left Hand DLS08 Right Hand C3
8	D28782408	X	Harness	DL092 Left Hand C4 Right Hand DLL14
8		X	Harness	DL093 Left Hand DLL14 Right Hand GND
8		X	Harness	DL096 Left Hand C4 Right Hand DLL17
8		X	Harness	DL097 Left Hand DLL17 Right Hand GND
9	D28782540	X	Harness	DL100 Left Hand DLR05 Right Hand W1
9		X	Harness	DL101 Left Hand C1 Right Hand DLR05
10	D28782540	X	Harness	DL102 Left Hand C1 Right Hand DLH05
10		X	Harness	DL103 Left Hand DLH05 Right Hand W4
11	D28782540	X	Harness	DL104 Left Hand DLR05 Right Hand W10
11		X	Harness	DL105 Left Hand DLS09 Right Hand C3
11		X	Harness	DL106 Left Hand DLR05 Right Hand DLS09
11		X	Harness	DL107 Left Hand DLR05 Right Hand DLS10
11		X	Harness	DL109 Left Hand DLS09 Right Hand C3
11		X	Harness	DL112 Left Hand DLS10 Right Hand C3
11		X	Harness	DL114 Left Hand C3 Right Hand W3
12	D28782707	X	Harness	DL119 Left Hand W4 Right Hand W5
13	D28782540	X	Harness	DL120 Left Hand C1 Right Hand DLR06
13		X	Harness	DL121 Left Hand C1 Right Hand DLR07
13		X	Harness	DL122 Left Hand DLR06 Right Hand W3
13		X	Harness	DL123 Left Hand DLR06 Right Hand DLR07

Item	Part Number	Qty	Description	Comments
13		X	Harness	DL125 Left Hand DLR08 Right Hand DLS02
13		X	Harness	DL126 Left Hand C1 Right Hand DLR08
13		X	Harness	DL127 Left Hand DLR08 Right Hand W3
13		X	Harness	DL128 Left Hand DLS11 Right Hand W10
13		X	Harness	DL130 Left Hand C1 Right Hand W1
13		X	Harness	DL131 Left Hand C1 Right Hand DLS11
14	D28782707	X	Harness	DL132 Left Hand DLH03 Right Hand ILH02
14		X	Harness	DL133 Left Hand C1 Right Hand DLH03
15	D28780987	X	Harness	DL134 Left Hand W22 Right Hand DLL22
15		X	Harness	DL135 Left Hand W22 Right Hand DLL23
15		X	Harness	DL136 Left Hand W23 Right Hand DLL24
15		X	Harness	DL137 Left Hand W23 Right Hand DLL25
15		X	Harness	DL138 Left Hand W24 Right Hand DLL26
15		X	Harness	DL139 Left Hand W25 Right Hand DLL27
15		X	Harness	DL140 Left Hand W26 Right Hand GND
15		X	Harness	DL141 Left Hand Right Hand DLL24
15		X	Harness	DL142 Left Hand W26 Right Hand DLL23
15		X	Harness	DL143 Left Hand W26 Right Hand GND
15		X	Harness	DL144 Left Hand W20 Right Hand DLL20
15		X	Harness	DL145 Left Hand W21 Right Hand DLL21
16	D28782707	X	Harness	DL150 Left Hand C2 Right Hand ILD01
17	D28782408	X	Harness	DL151 Left Hand DLL20 Right Hand
17		X	Harness	DL152 Left Hand Right Hand DLL20
17		X	Harness	DL153 Left Hand DLL21 Right Hand

Item	Part Number	Qty	Description	Comments
17		X	Harness	DL154 Left Hand Right Hand DLL21
18	D28782707	X	Harness	DL155 Left Hand C1 Right Hand C75
19	D28782408	X	Harness	DL196 Left Hand W7 Right Hand DLL10
19		X	Harness	DL197 Left Hand W7 Right Hand DLL11
20	D28781729	X	Harness	DL198 Left Hand C3 Right Hand C13
20		X	Harness	DL199 Left Hand C3 Right Hand C191
20		X	Harness	DL200 Left Hand C3 Right Hand C13
20		X	Harness	DL201 Left Hand C3 Right Hand C192
20		X	Harness	DL202 Left Hand C3 Right Hand C192
20		X	Harness	DL203 Left Hand C3 Right Hand C13
20		X	Harness	DL204 Left Hand C3 Right Hand C13
20		X	Harness	DL205 Left Hand C3 Right Hand C191
20		X	Harness	DL206 Left Hand C3 Right Hand C192
20		X	Harness	DL207 Left Hand C3 Right Hand C191
20		X	Harness	DL208 Left Hand C3 Right Hand C13
20		X	Harness	DL209 Left Hand C3 Right Hand C13
20		X	Harness	DL210 Left Hand C3 Right Hand C13
20		X	Harness	DL211 Left Hand W6 Right Hand C191
20		X	Harness	DL212 Left Hand W6 Right Hand C192
21	D28785864	X	Harness	DL213 Left Hand C75 Right Hand DLH01
21		X	Harness	DL214 Left Hand C75 Right Hand DLH01
21		X	Harness	DL215 Left Hand C75 Right Hand DLH01
21		X	Harness	DL216 Left Hand C75 Right Hand C226
21		X	Harness	DL217 Left Hand C75 Right Hand C226

Massey Ferguson**MF 7272/7274/7278 CEREAL COMBINE - 1637408**

1637408

Wiring Harness DV2 + - Electrical Cable "D.L." - From 58875

Page016-0016

Item	Part Number	Qty	Description	Comments
21		X	Harness	DL218 Left Hand C75 Right Hand DLH04
21		X	Harness	DL219 Left Hand C75 Right Hand C226
23	D28782540	X	Harness	DL220 Left Hand C2 Right Hand DLR01
24	D28782707	X	Harness	DL221 Left Hand C2 Right Hand DLR11
24		X	Harness	DL222 Left Hand DLH02 Right Hand DLR10
24		X	Harness	DL223 Left Hand DLR11 Right Hand DLR10
24		X	Harness	DL224 Left Hand DLR10 Right Hand DLH02
24		X	Harness	DL225 Left Hand DLR10 Right Hand ILH02
24		X	Harness	DL226 Left Hand DLR10 Right Hand DLR11
24		X	Harness	DL227 Left Hand DLR11 Right Hand DLR12
24		X	Harness	DL228 Left Hand ILR05 Right Hand DLR12
24		X	Harness	DL229 Left Hand DLR11 Right Hand DLH02

NO ILLUSTRATED
NON ILLUSTRÉ
NICHT ABGEBILDET
NO ILLUSTRADO
EJ ILLUSTRERET

Massey Ferguson**MF 7272/7274/7278 CEREAL COMBINE - 1637408**

1637408

Wiring Harness DV2 + - ELECTRICAL CABLE MISCS. FROM 58875

Page016-0022

Item	Part Number	Qty	Description	Comments
1	D28787297	X	Harness	D DUB 9 Left Hand C255 Right Hand C257
2	D28786603	X	Harness	GREEN Left Hand C175 Right Hand C70
		X	Harness	SHIELD Left Hand C175 Right Hand C70
		X	Harness	WHITE Left Hand C175 Right Hand C70
		X	Harness	YELLOW Left Hand C175 Right Hand C70
3	D45050067	X	Harness	[A] Turbular Sensor C147
4	D44900775	X	Harness	[B] C147

FOOTNOTE [A] SHAKERSHOE GRAIN LOSS SENSOR**FOOTNOTE [B]** STRAW WALKER GRAIN LOSS SENSOR

NO ILLUSTRATED
NON ILLUSTRÉ
NICHT ABGEBILDET
NO ILLUSTRADO
EJ ILLUSTRERET

Item	Part Number	Qty	Description	Comments
2	D28785399	X	Harness	CL 066 C 192-1/DL 03 + CL 066 C 191-1/DL 04+ CL 069 C 192-4/DL 03 CL 069 C 191-4/DL 04
3	D28785578	X	Harness	CL 137 C 173-1/ILL16 CL 138 C 173-2/ILL17 CL139 C 173-3/ILL16 CL 140 C 173-4/ILL17
4	D28785912	X	Harness	CL 146 C 105-10/C102-2 CL 147 C 105-10/C102-8 CL 148 C 105-15/C102-1 CL 149 C 105-15/C102-9 CL 231 C 105-1/C103-2 CL 232 C 105-1/C103-8 CL 233 C 105-7/C103-1 CL 234 C 105-7/C103-9 CL 235 C 105-6/C103-3 CL 236 C 105-5/C103-4 CL 237 C 105-4/C103-5 CL 238 C 105-11/C102-5 CL 239 C 105-12/C102-4 CL 240 C 105-13:C102-3
5	D28786836	X	Harness	[A] CL 289 CAP05-18/C124-1 [A] CL 290 CAP05-16/C124-2 [A] CL 291 CAP05-27/C124-6 [A] CL 292 CAP05-19/C124-5 [A] CL 293 CAP05-19/C124-5 [A] CL 294 CAP05-34/C124-7 [A] CL 295 CAP05-34/C125-7 [A] CL 296 CAP05-011/C125-1 [A] CL 297 CAP05-10/C125-2

Item	Part Number	Qty	Description	Comments
5				[A] CL 298 CAP05-26/C125-6
6	D28786835	X	Harness	[B] CL 299 CAP05-05/C129-1
6	D28786836	X	Harness	[B] CL 299 CAP05-05/C129-1
6	D28786835	X	Harness	[B] CL 300 CAP05-04/C129-2
6	D28786836	X	Harness	[B] CL 300 CAP05-04/C129-2
6	D28786835	X	Harness	[B] CL 301 CAP05-25/C129-6
6	D28786836	X	Harness	[B] CL 301 CAP05-25/C129-6
6	D28786835	X	Harness	[B] CL 302 CAP05-20/C129-5
6	D28786836	X	Harness	[B] CL 302 CAP05-20/C129-5
6	D28786835	X	Harness	[B] CL 303 CAP05-20/C130-5
6	D28786836	X	Harness	[B] CL 303 CAP05-20/C130-5
6	D28786835	X	Harness	[B] CL 304 CAP05-33/C129-7
6	D28786836	X	Harness	[B] CL 304 CAP05-33/C129-7
6	D28786835	X	Harness	[B] CL 305 CAP05-33/C130-7
6	D28786836	X	Harness	[B] CL 305 CAP05-033/C130-7
6	D28786835	X	Harness	[B] CL 306 CAP05-02/C130-1
6	D28786836	X	Harness	[B] CL 306 CAP05-02/C130-1
6	D28786835	X	Harness	[B] CL 307 CAP05-01/C130-2
6	D28786836	X	Harness	[B] CL 307 CAP05-01/C130-2
6	D28786835	X	Harness	[B] CL 308 CAP05-24/C130-6
6	D28786836	X	Harness	[B] CL 308 CAP05-24/C130-6

FOOTNOTE [A] 6+8 SW

FOOTNOTE [B] 5+6+8+ SW

NO ILLUSTRATED
NON ILLUSTRÉ
NICHT ABGEBILDET
NO ILLUSTRADO
EJ ILLUSTRERET

Item	Part Number	Qty	Description	Comments
2		.	.	CR 111 C25-3/DVR30-86
3		.	.	CR 112 C25-4/DVR31-86
4		.	.	CR 123 DVM02-30/C98-30
5		.	.	CR 124 DVM02-30/C98-30
6		.	.	CR 125 W66/C98-61
10		.	.	CR 146 W33/HOM13-31
12		.	.	CR 148 DVR 31-85/W33
13		.	.	CR 149 DVR30-85/W33
14		.	.	CR 150 DVR30-30/C46-1
15		.	.	CR 151 DVR31-30/C46-7
19	D28785449	X	Harness	[A] CR 212 C66-5/C91-2 [A] CR 212 C66-5/C91-2 [A] CR 213 C66-9/C91-3 [A] CR 214 C66-7/C92-1 [A] CR 215 C66-6/C92-2 [A] CR 216 C66-2/C92-3 [A] CR 217 C66-3/C64-3 [A] CR 218 C66-4/C64-4 [A] CR 224 C66-1/C91-1
33		.	.	CR 246 DVS19-1/W32
34		.	.	CR 247 DVS19-2/W32
35		.	.	CR 248 DVR30-87/W32
36		.	.	CR 249 DVR30-87A/W33
37		.	.	CR 250 DVR30-87/W32

FOOTNOTE [A] POWERFLOW

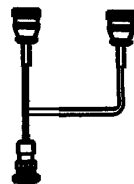
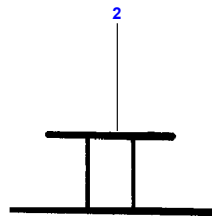
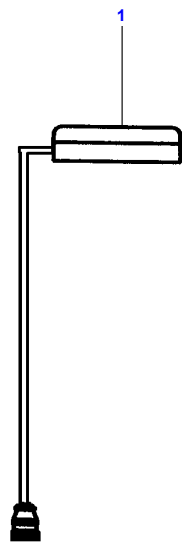
NO ILLUSTRATED
NON ILLUSTRÉ
NICHT ABGEBILDET
NO ILLUSTRADO
EJ ILLUSTRERET

Item	Part Number	Qty	Description	Comments
1	D28782363	X	Harness	EM 001 DVM03+/C14-22
2	.	.	.	EM 002 DVM02-50/C14-1
3	.	.	.	EM 003 DVG0161/C14-6
4	.	.	.	EM 004 DVF02/C19-3
5	.	.	.	EM 007 DVG02-16W66/C14-
6	.	.	.	EM 008 C14-20/C19-4
7	.	.	.	EM 009 DVM0231DVM03GND
8	.	.	.	EM 012 C14-5/DNF21-2W
9	D28784448	X	Harness	[A] EM 013 C14-20/W3GND
	D28784449	X	Harness	[B] EM 013 C14-20/W3GND
10	D28781363	X	Harness	EM 017 C19-3/DVF05 AIR CONDIT.
11		X	.	EM 018 DVK01-1/DVF05 AIR CONDIT.
12		X	.	EM 019 C19-4/DVK01-2 AIR CONDIT.
13		X	.	EM 080 DVK14/DVM02-50
14		X	.	EM 081 DNF21/C68-5
15		X	.	EM 082 DVG01-31DVM02-31
16		X	.	EM 083 DVR35-86/W67

FOOTNOTE [A] STANDARD
FOOTNOTE [B] AUTO LEVEL

NO ILLUSTRATED
NON ILLUSTRÉ
NICHT ABGEBILDET
NO ILLUSTRADO
EJ ILLUSTRERET

Item	Part Number	Qty	Description	Comments
1		.	.	KV35 C50-B+/STB+
2	D28786574	X	Harness	SHIELD C79-4/C79-4 R00 EXTERN 1100 TO RA-YIELD
3		.	.	WHITE C79-9/C79-9 R00 EXTERN1100 V TO RA-YIELD
4		.	.	YELLOW C79-1/C79-1 R00 EXTERN1100V Alternative TO RA-YIELD
5		.	.	GREEN C79-3/C79-3 R00 EXTERN1100V TO RA-YIELD
6		.	.	BROWN C79-2/C79-2 R00 EXTERN 110V TO RA-YIELD
7	D28782477	X	Harness	W2/W2+12V From Serial or Engine Number 58114
8	D28782477	X	Harness	W11/W11 From Serial or Engine Number 58114
9	D28782477	X	Harness	W4/W4 GND From Serial or Engine Number 58114
10	D28782477	X	Harness	W4/GND From Serial or Engine Number 58114
11	D28782477	X	Harness	W5/W5 GND From Serial or Engine Number 58114
12	D28782477	X	Harness	W12/W12 From Serial or Engine Number 58114
13	D28782477	X	Harness	W12/BAT+12V From Serial or Engine Number 58114



Massey Ferguson

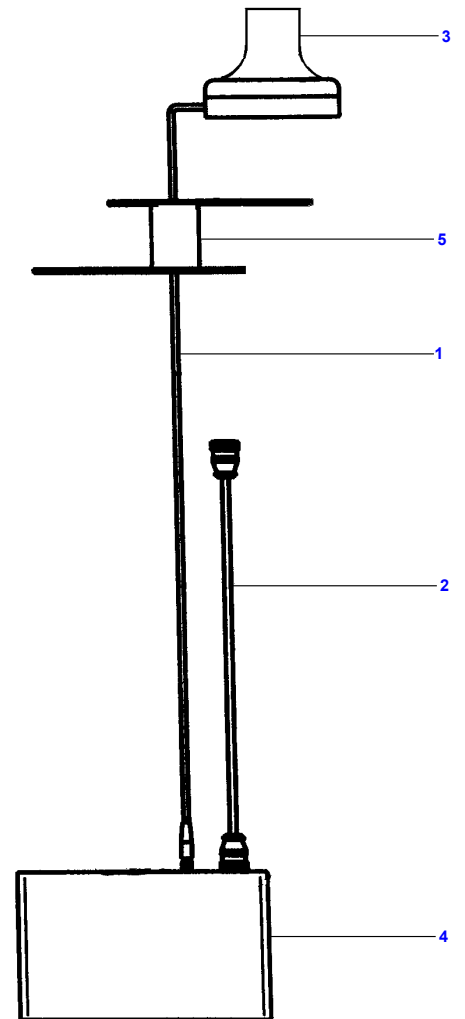
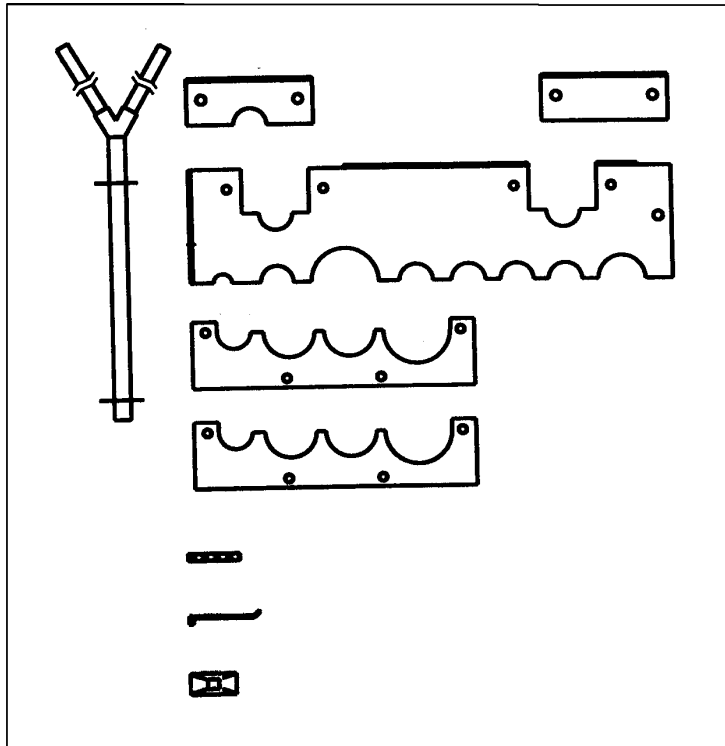
MF 7272/7274/7278 CEREAL COMBINE - 1637408

1637408

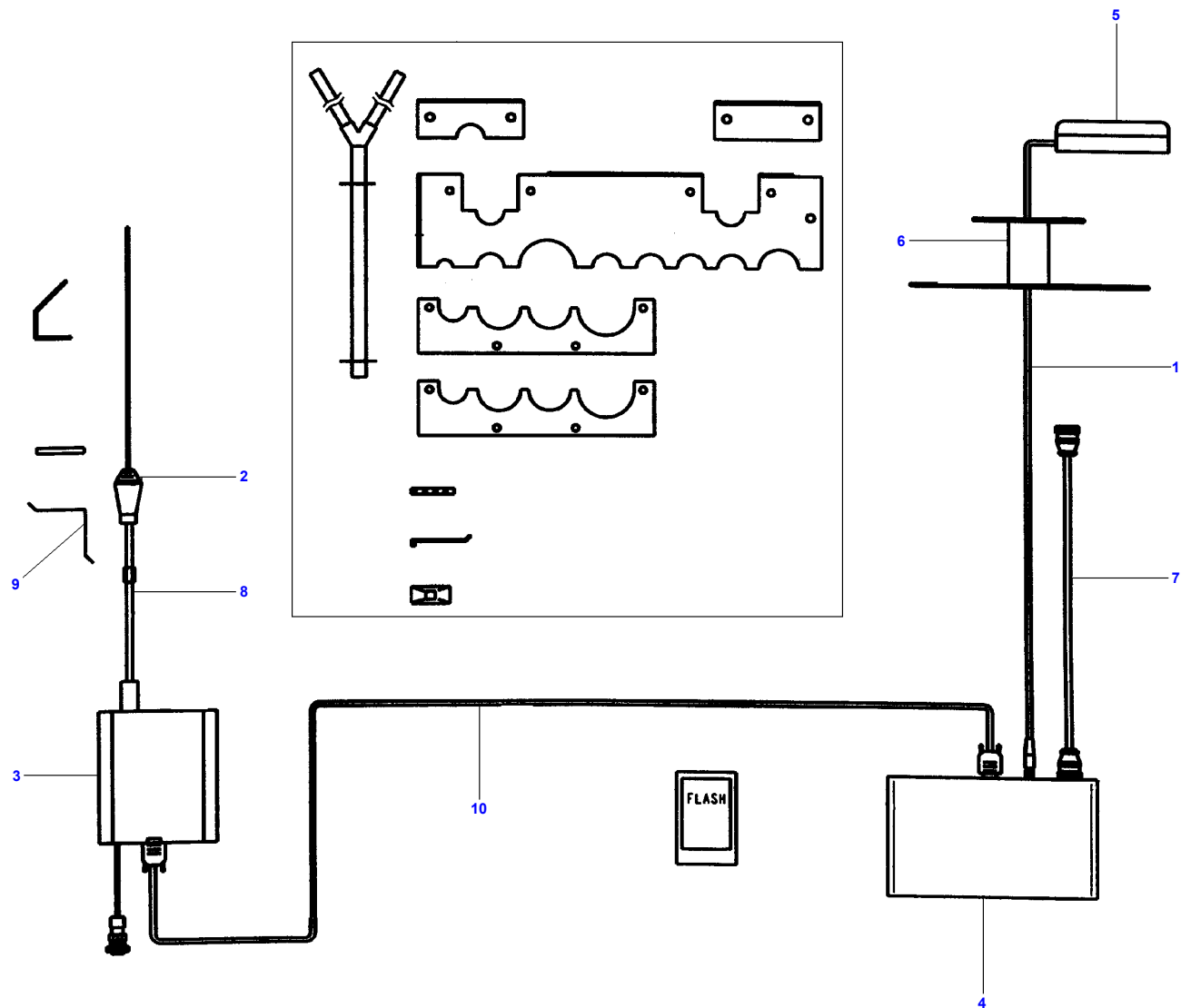
Mobil GPS Receiver Antenna

Page016-0032

Item	Part Number	Qty	Description
1	D44900827	1	Antenna
2	D28782545	1	Cable



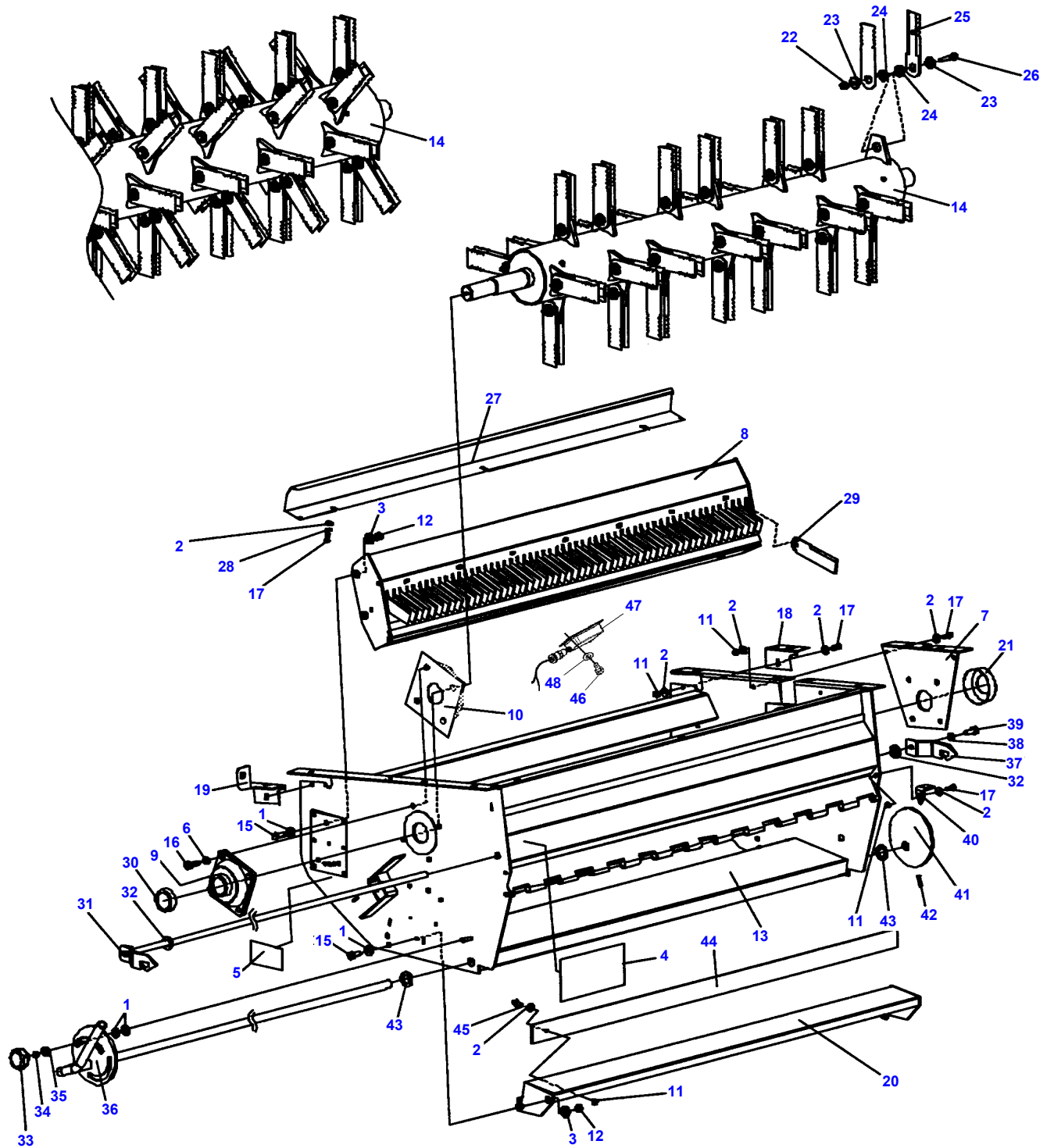
Item	Part Number	Qty	Description	Comments
1	D44900729	1	Cable	AGCO COMMUNIT
	D44900731	2	Adaptor	DVII COMUNIT
	D44900351	1	Cable	DVII COMUNIT
2	D28781727	1	Harness	AGCO COMUNIT
	D28781638	1	Harness	DVII COMUNIT
3	D44900347	1	Antenna	
4	D28981822	1	Cladding	DVII COMUNIT
	D28789379	1	Com Unit	AGCO COMUNIT
5	D28782215	1	Antenna	



Mobil rds DGPS

Item	Part Number	Qty	Description	Comments
1	D44900731	2	Adaptor	AGCO COMUNIT
	D44900729	1	Cable	AGCO CUMUNIT
	D44900351	1	Cable	DVII COMUNIT
2	D45086600	1	Aerial Long	
3	D28781669	1	Kit Gps	
4	D28789379	1	Com Unit	
	D28080050	1	Modem	
5	D44900189	1	Antenna	
6	D28780444	1	Bracket	
	D44730500	2	Grommet	DVII COMUNIT
7	D28781638	1	Harness	
	D28781727	1	Harness	AGCO COMUNIT
8	D45060039	1	Cable	
9	D28780709	1	Bracket	
10	D44900763	1	Cable	

MF 7272/7274/7278 CERA COMBINE - 1637408
D-AGZA-012-A



D-AGZA-012-A

Item	Part Number	Qty	Description	Comments
1	D20400416	X	Washer	
2	D20400506	X	Washer	
3	D49073400	4	Bush	
4	D49070143	1	Decal	
5	D49070144	2	Decal	
6	D41100900	8	Spring Washer	M401
	D41101200	8	Cup Spring	M801
7	D49070161	1	Reinforcement	M401
	D49070162	1	Reinforcement	M801
8	D49070146	1	Bar	M401 - 1400mm
	D49070147	1	Bar	M401 - 1680mm
9	D41703000	2	Bearing	M401
	D41701800	2	Washer	M801
10	D49060009	2	Guard	M401
	D49070148	2	Guard	M801
11	394367X1	X	Locknut	M8
12	1440329X1	4	Locknut	M10
13	D49070163	1	Housing	M401 - 1400mm
	D49070164	1	Housing	M401 - 1680mm
	D49070165	1	Housing	M801
14	D49070154	1	Cylinder	[A] M401 - 1400mm
	D49060091	1	Spacer	[A] M401 - 1680mm
	D49070150	1	Cylinder	[A] M801
	D49070153	1	Cylinder	[B] M401 - 1400mm
	D49070155	1	Drum	[B] M401 - 1680mm
15	339814X1	4	Hex. Sock. Screw	M10 X 35
16	390419X1	8	Hex. Sock. Screw	M16 X 40 M401
	390419X1	8	Hex. Sock. Screw	M16 X 40 M801
17	339123X1	X	Hex. Sock. Screw	M8 X 20
18	D49070166	1	Stop	
19	D49070167	1	Stop	
20	D49070157	1	Cross Bar	M401 - 1400mm
	D49070158	1	Transverse	M401 - 1680mm
	D49070158	1	Transverse	M801
21	D49070168	1	Cover	M401
	D49070169	1	Cover	M801
22	D41092500	28	Nut	M401 - 1400mm
	D41092500	37	Nut	M401 - 1680mm
	D41092500	54	Nut	M801
23	D49080067	56	Insert	M401 - 1400mm
	D49080067	68	Insert	M401 - 1680mm
	D49080067	108	Insert	M801
24	D49017100	56	Bush	M401 - 1400mm
	D49017100	68	Bush	M401 - 1680mm
	D49017100	108	Bush	M801
25	D49074600	56	Knife	M401 - 1400mm
	D49074600	68	Knife	M401 - 1680mm
	D49074600	108	Knife	M801
26	D40438600	28	Screw	M401 - 1400mm
	D40438600	34	Screw	M401 - 1680mm
	D40438600	54	Screw	M801
27	D49070400	1	Plate	M401 - 1400mm
	D49070500	1	Plate	M401 - 1680mm
	D49070500	1	Plate	M801
28	D41102100	3	Washer	
29	D49005700	56	Knife	M401 - 1400mm
	D49005700	68	Knife	M401 - 1680mm
	D49005700	68	Knife	M801
30	D41701900	2	Ball Bearing	M401
	D41701600	2	Guard	M401
31	D49070117	1	Shaft	M401 - 1400mm
	D49060012	1	Shaft	M401 - 1680mm
	D49060012	1	Shaft	M801
32	D20400433	2	Washer	

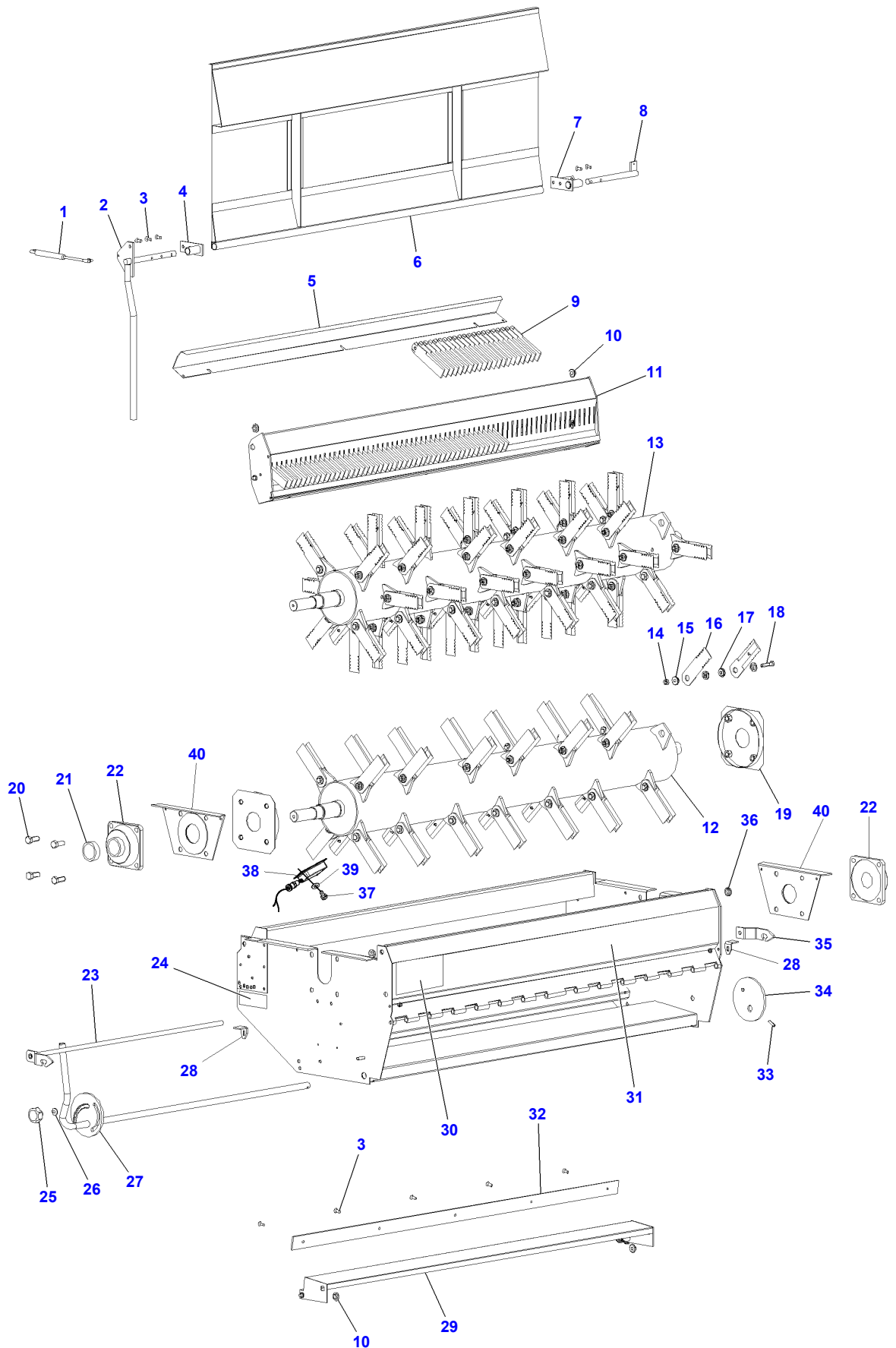
Item	Part Number	Qty	Description	Comments
33	D43386000	1	Handle	
34	D41101900	1	Spring Washer	
35	D49060017	1	Cone	
36	D49070118	1	Lever	M401 - 1400mm
36	D49060015	1	Lever	M401 - 1680mm
36	D49060015	1	Lever	M801
37	D49060013	1	Hook	
38	D41100900	1	Spring Washer	
39	1440716X1	1	Hex. Sock. Screw	M12 X 30
40	D49060014	2	Stop	
41	D49060016	1	Washer	
42	339390X1	1	Pin	
43	D20400468	2	Washer	
44	D49070159	1	Transverse	M401 - 1400mm
44	D49070160	1	Plate	M401 - 1680mm
44	D49070160	1	Plate	M801
45	3009440X1	4	Screw Special	M401 - 1400mm M8 X 20
45	3009440X1	5	Screw Special	M401 - 1680mm M8 X 20
45	3009440X1	5	Screw Special	M801 M8 X 20
46	339666X1	X	Hex. Sock. Screw	M6 X 20
47	D44900989	1	Buzzer	[C]
48	391038X1	8	Washer	[C]

FOOTNOTE [A] WITH TOOTHING

FOOTNOTE [B] SMOOTH

FOOTNOTE [C] CHOPPER VIBRATION MONITOR

MF 7272/7274/7278 CERA COMBINE - 1637408
D-AGZA-013-A



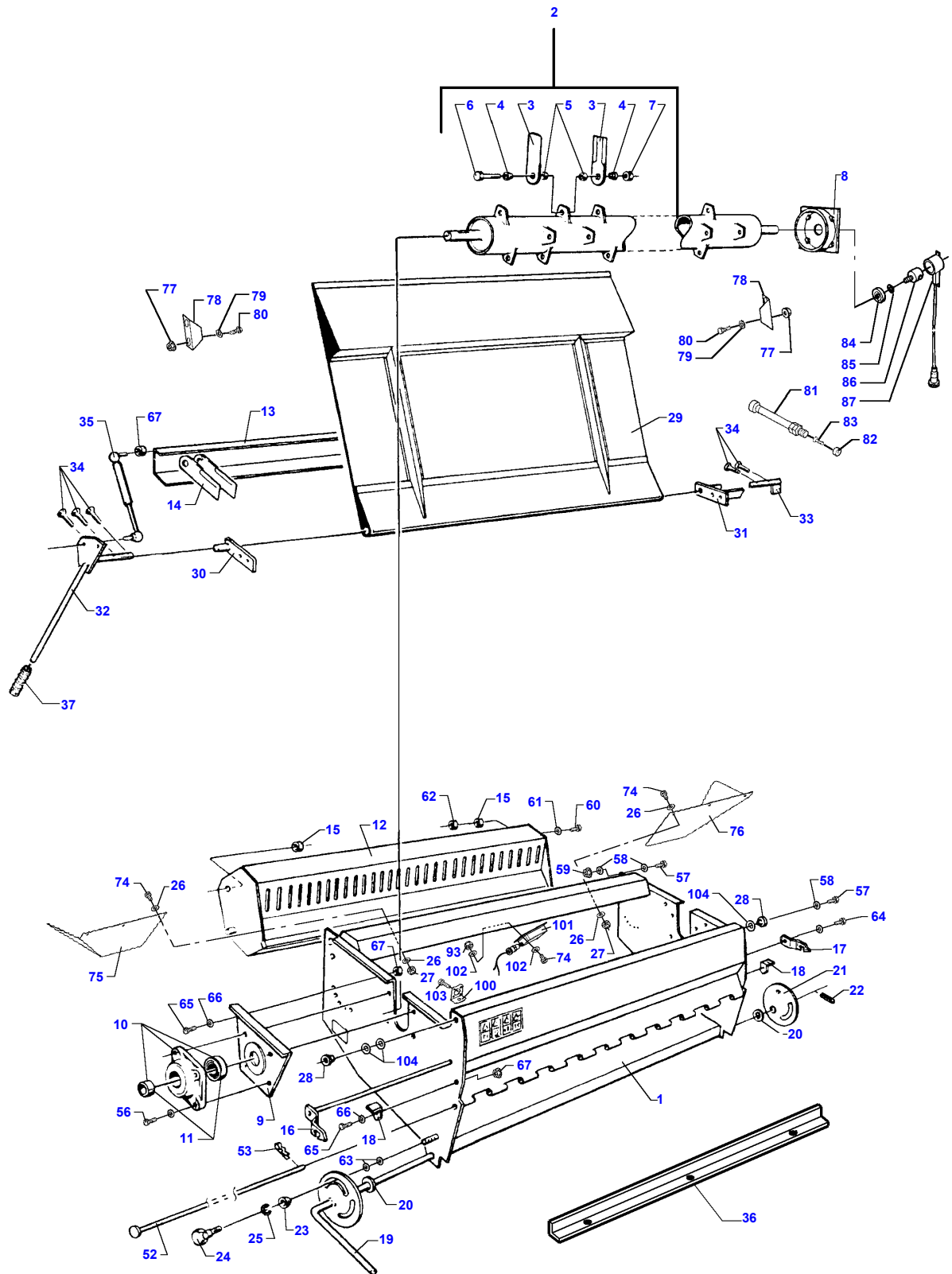
D-AGZA-013-A

Item	Part Number	Qty	Description	Comments
1	D49070141	1	Ram	
2	D49060022	1	Lever	
3	1441584X1	10	Screw Metric	
4	D49060020	1	Bearing	
5	D49070500	1	Plate	
6	D49070142	1	Deflector	Length 1400 mm
	D49060055	1	Deflector	Length 1680 mm
7	D49060021	1	Bearing	
8	D49060023	1	Deflector	
9	D49005700	56	Knife	Length 1400 mm
	D49005700	68	Knife	Length 1680 mm
10	D49073400	4	Bush	
11	D49070147	1	Bar	Length 1680 mm
	D49070146	1	Bar	Length 1400 mm
12	D49070154	1	Cylinder	[A] Length 1400 mm
	D49070153	1	Cylinder	Length 1400 mm
	D49070155	1	Drum	Length 1680 mm
13	D49070150	1	Cylinder	M800
14	D41092500	28	Nut	Length 1400 mm
	D41092500	34	Nut	Length 1680 mm
	D41092500	54	Nut	M800
15	D49080067	56	Insert	Length 1400 mm
	D49080067	68	Insert	Length 1680 mm
	D49080067	108	Insert	M800
16	D49074600	56	Knife	[A] Length 1400 mm
	D49080066	56	Knife	Length 1400 mm
	D49074600	68	Knife	[A] Length 1680 mm
	D49080066	68	Knife	Length 1680 mm
	D49074600	108	Knife	M800
17	D49017100	56	Bush	Length 1400 mm
	D49017100	68	Bush	Length 1680 mm
18	D40438600	28	Screw	Length 1400 mm
	D40438600	34	Screw	Length 1680 mm
	D40438600	54	Screw	M800
19	D49060009	2	Guard	
	D49070148	2	Guard	M800
20	3009507X1	8	Hex. Sock. Screw	M12 X 35
21	D41701900	2	Ball Bearing	M400
	D41701600	2	Guard	M800
22	D41703000	2	Bearing	M400
	D41701800	2	Washer	M800
23	D49060012	1	Shaft	
24	D49070144	2	Decal	
25	D43386000	1	Handle	
26	D49060017	1	Cone	
27	D49060015	1	Lever	
28	D49060014	2	Stop	
29	D49070158	1	Transverse	Length 1400 mm
30	D49070143	1	Decal	
31	D49070151	1	Straw Chopper	Length 1400 mm
	D49070149	1	Straw Chopper	Length 1680 mm
32	D49070159	1	Transverse	Length 1400 mm
	D49070160	1	Plate	Length 1680 mm
33	339390X1	1	Pin	
34	D49060016	1	Washer	
35	D49060013	1	Hook	
36	D49071600	2	Bush	
37	339666X1	X	Hex. Sock. Screw	M6 X 20
38	D44900989	1	Buzzer	[B]
39	391038X1	8	Washer	[B]
40	D49070181	1	Support	

FOOTNOTE [A] WITH TOOTHING

FOOTNOTE [B] CHOPPER VIBRATION MONITOR

MF 7272/7274/7278 CERA COMBINE - 1637408
D-AGZA-001-A



D-AGZA-001-A

Item	Part Number	Qty	Description	Comments
1	D49060041	1	Straw Chopper	
	D49060089	1	Straw Chopper	(1)
2	D49070155	1	Drum	(1)
3	D49080066	68	Knife	(2)
4	D49080067	68	Insert	(2)
5	D49017100	68	Bush	(2)
6	D40438600	34	Screw	(2)
7	D41092500	34	Nut	(2)
8	D49060009	2	Guard	(1)
9	D49060010	2	Reinforcement	(1)
10	D41703000	2	Bearing	(1)
11	D41701900	2	Ball Bearing	(1)
12	D49060011	1	Bar	(1)
				Length 1667 mm
	D49070116	1	Knife	(1)
				Length 1388 mm
13	D49070500	1	Plate	(1)
14	D49005700	68	Knife	(1)
15	D49073400	2	Bush	(1)
16	D49060012	1	Shaft	(1)
17	D49060013	1	Hook	(1)
18	D49060014	2	Stop	(1)
19	D49060015	1	Lever	(1)
				Length 1680 mm
	D49070118	1	Lever	(1)
				Length 1400 mm
20	D20400468	2	Washer	(1)
21	D49060016	1	Washer	(1)
22	339390X1	1	Pin	(1)
23	D49060017	1	Cone	(1)
24	D43386000	1	Handle	(1)
25	D41101900	1	Spring Washer	(1)
26	390971X1	X	Washer	
27	1441462X1	X	Locknut	M6
28	D49071600	2	Bush	(1)
29	D49060055	1	Deflector	(1)
30	D49060020	1	Bearing	(1)
				Left Hand
31	D49060021	1	Bearing	(1)
				Right Hand
32	D49060022	1	Lever	(1)
33	D49060023	1	Deflector	(1)
34	3009440X1	5	Screw Special	(1)
				M8 X 20
35	D45070067	1	Gas Strut	
36	D49060018	1	Kit	
37	D43384000	1	Lever	
52	D49073100	1	Rod	
53	D44358000	1	Hair Pin	
56	3009507X1	8	Hex. Sock. Screw	(1)
				M12 X 35
57	390419X1	4	Hex. Sock. Screw	(1)
				M16 X 40
58	D20400433	6	Washer	(1)
59	1442739X1	2	Locknut	(1)
				M16
60	3009493X1	2	Hex. Sock. Screw	(1)
				M10 X 30
61	D20400416	2	Washer	(1)
62	1440329X1	2	Locknut	(1)
				M10
63	D20400416	2	Washer	(1)
64	1440716X1	1	Hex. Sock. Screw	(1)
				M12 X 30
65	339123X1	1	Hex. Sock. Screw	(1)
				M8 X 20
66	D20400414	1	Washer	(1)
67	394367X1	1	Locknut	(1)
				M8
74	339666X1	X	Hex. Sock. Screw	M6 X 20
75	D28181760	X	Plate	

Massey Ferguson**MF 7272/7274/7278 CEREAL COMBINE - 1637408**

1637408

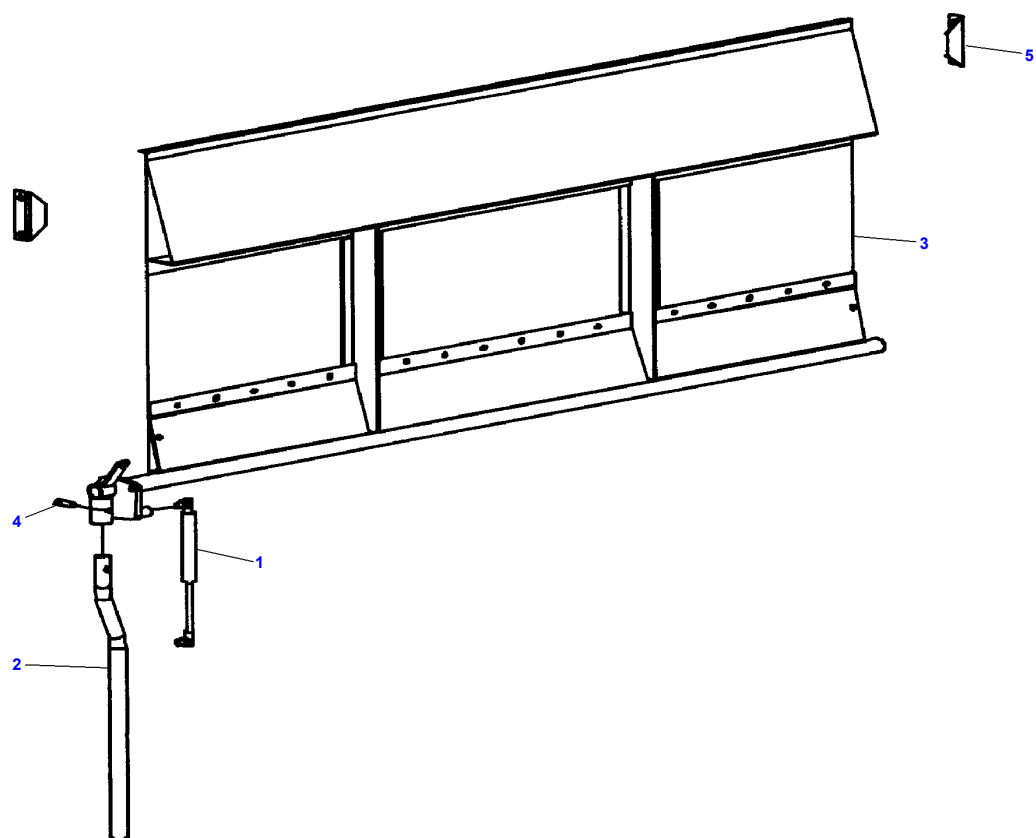
Straw Chopper - Rekord - REKORD M97

Page017-0003

Item	Part Number	Qty	Description	Comments
76	D28181761	X	Plate	
77	1440329X1	4	Locknut	M10
78	D28880098	2	Bracket	
79	D20400471	4	Washer	
80	3009491X1	4	Hex. Sock. Screw	M10 X 20
81	D28780365	1	Sensor	
82	D45010092	1	Magnet	
83	D40316400	1	Screw Metric	
84	1440487X1	1	Bear. 6203 2rs	
85	D20400419	1	Washer	
86	D28780516	1	Inductive Sensor	
87	D28780514	X	Sensor	
93	1441462X1	10	Locknut	M6
100	D28780381	1	Retainer	[A]
101	D44900989	1	Buzzer	[B]
102	391038X1	8	Washer	[B]
103	D40741200	4	Screw	
104	D20400516	3	Spacer	

FOOTNOTE [A] OPTIONAL EQUIPMENT

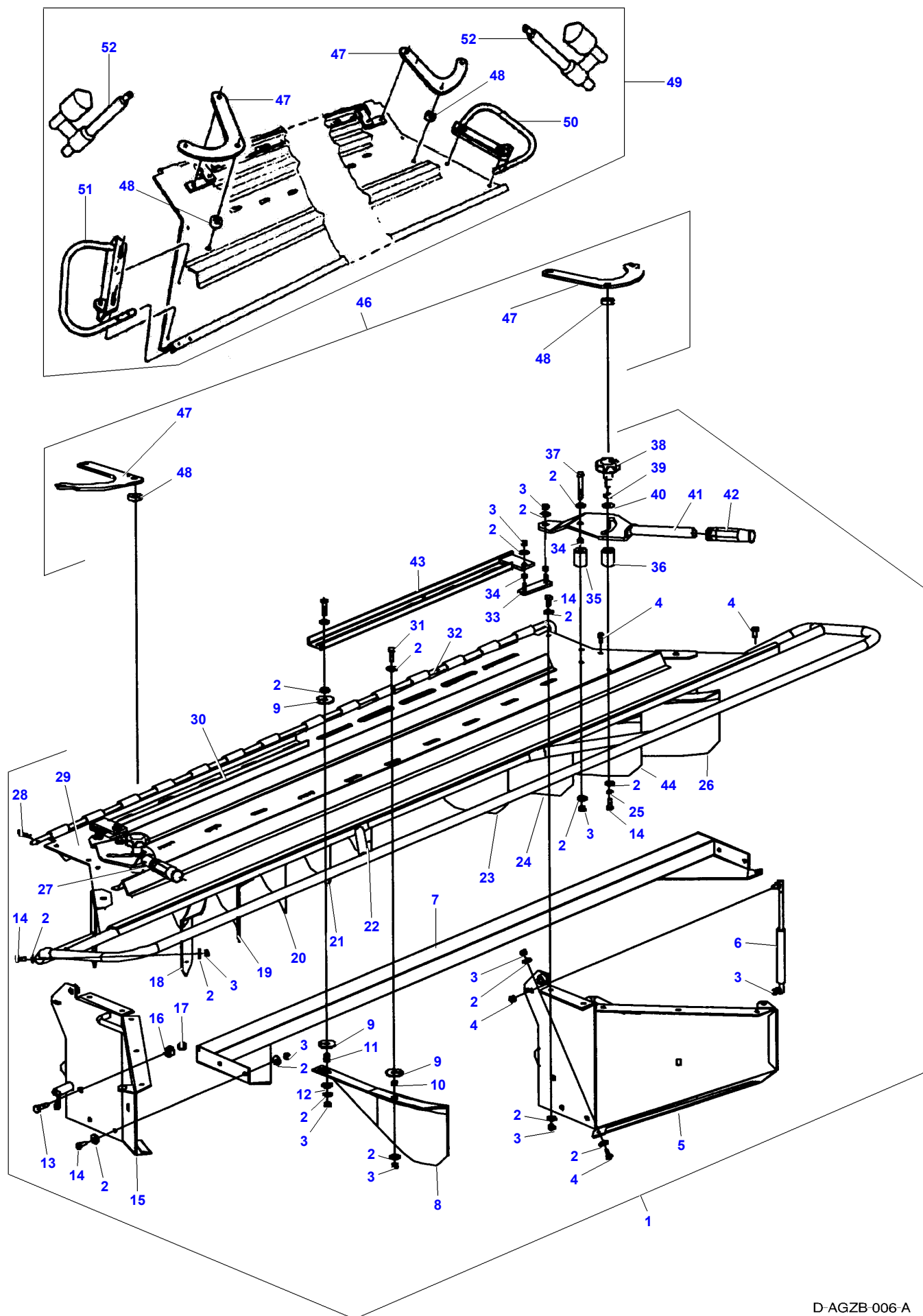
FOOTNOTE [B] CHOPPER VIBRATION MONITOR



Massey Ferguson**MF 7272/7274/7278 CEREAL COMBINE - 1637408****1637408****Deflector Plate - REKORD M401 - M801****Page017-0004**

Item	Part Number	Qty	Description	Comments
1	D45070067	1	Gas Strut	
2	D49070170	1	Hand Lever	
3	D49070171	1	Deflector	Length 1400 mm
	D49070172	1	Deflector	Length 1680 mm
4	339390X1	1	Pin	
5	D49070173	2	Stop	

MF 7272/7274/7278 CERA COMBINE - 1637408
D-AGZB-006-A



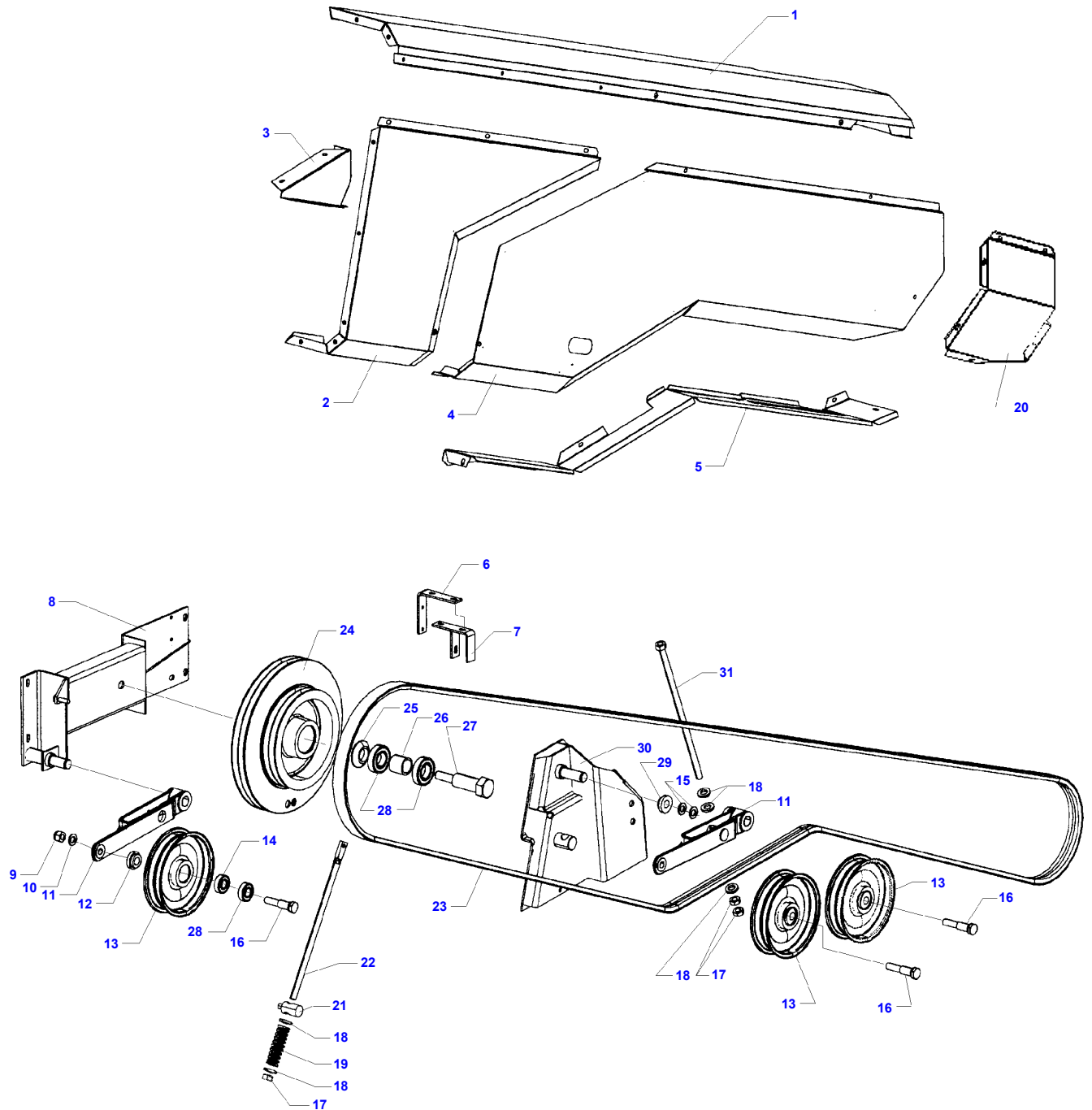
D-AGZB-006-A

Item	Part Number	Qty	Description	Comments
1	D49070131	1	Hood	Length 1400 mm
	D49070136	1	Hood	Length 1680 mm
2	D20400506	X	Washer	(1)
3	394367X1	X	Locknut	(1)
				M8
4	339124X1	X	Hex. Sock. Screw	(1)
				M8 X 16
5	D49070174	3	Plate	(1)
6	D45070067	2	Gas Strut	(1)
7	D49070121	1	Reinforcement	(1)
				Length 1400 mm
	D49060027	1	Reinforcement	(1)
				Length 1680 mm
8	D49060064	1	Deflector	(1)
9	D49060086	24	Washer	(1)
				Length 1400 mm
	D49060086	30	Washer	(1)
				Length 1680 mm
10	D49060079	8	Bush	(1)
				Length 1400 mm
	D49060079	10	Bush	(1)
				Length 1680 mm
11	D49060078	8	Bush	(1)
				Length 1400 mm
	D49060078	10	Bush	(1)
				Length 1680 mm
12	D49060087	8	Washer	(1)
				Length 1400 mm
	D49060087	10	Washer	(1)
				Length 1680 mm
13	339814X1	2	Hex. Sock. Screw	(1)
				M10 X 35
14	339123X1	X	Hex. Sock. Screw	(1)
				M8 X 20
15	D49070175	1	Plate	(1)
16	D49060038	2	Bush	(1)
17	1440329X1	2	Locknut	(1)
				M10
18	D49060073	1	Deflector	(1)
				Length 1680 mm
19	D49060071	1	Deflector	(1)
20	D49060069	1	Deflector	(1)
21	D49060067	1	Deflector	(1)
22	D49060065	1	Deflector	(1)
23	D49060066	1	Deflector	(1)
24	D49060068	1	Deflector	(1)
25	D41102100	2	Washer	(1)
26	D49060072	1	Deflector	(1)
				Length 1680 mm
27	D49060083	1	Lever	(1)
28	D44358000	1	Hair Pin	(1)
29	D49070176	1	Deflector	(1)
				Length 1400 mm
	D49070177	1	Deflector	(1)
				Length 1680 mm
30	D49060075	1	Rail	(1)
				Length 1400 mm
	D49060077	1	Rail	(1)
				Length 1680 mm
31	339761X1	8	Hex. Sock. Screw	(1)
				Length 1400 mm
				M8 X 25
	339761X1	10	Hex. Sock. Screw	(1)
				Length 1680 mm
				M8 X 25
32	D49070122	1	Rod	(1)
				Length 1400 mm
	D49060039	1	Rod	(1)
				Length 1680 mm
33	D49060080	2	Link	(1)
34	D49060081	6	Bush	(1)
35	D49060084	2	Bush	(1)

Item	Part Number	Qty	Description	Comments
36	D49060085	2	Threaded Bush	(1)
37	339368X1	2	Hex. Sock. Screw	(1) M8 X 60
38	D49070800	2	Screw	(1)
39	D41100900	2	Spring Washer	(1)
40	D20400426	2	Washer	(1)
41	D49060082	1	Lever	(1)
42	D49060088	2	Lever	(1)
43	D49060074	1	Rail	(1) Length 1400 mm
43	D49060076	1	Rail	(1) Length 1680 mm
44	D49060070	1	Deflector	(1)
45	339009X1	8	Hex. Sock. Screw	[A] (1) Length 1400 mm M8 X 35
46	D49070132	1	Kit, Adjuster	
47	D49060056	2	Arm	
48	D49060057	2	Spacer	
49	D49060052	1	Kit	Up to Serial or Engine Number 90618
50	D49060059	1	Clamp	(49) Up to Serial or Engine Number 90618
51	D49060058	1	Clamp	(49)
52	D28782530	2	Ram	(49)

FOOTNOTE [A] NOT ILLUSTRATED

MF 7272/7274/7278 CEREА COMBINE - 1637408
D-AGZC-005-A



D-AGZC-005-A

Massey Ferguson**MF 7272/7274/7278 CEREAL COMBINE - 1637408**

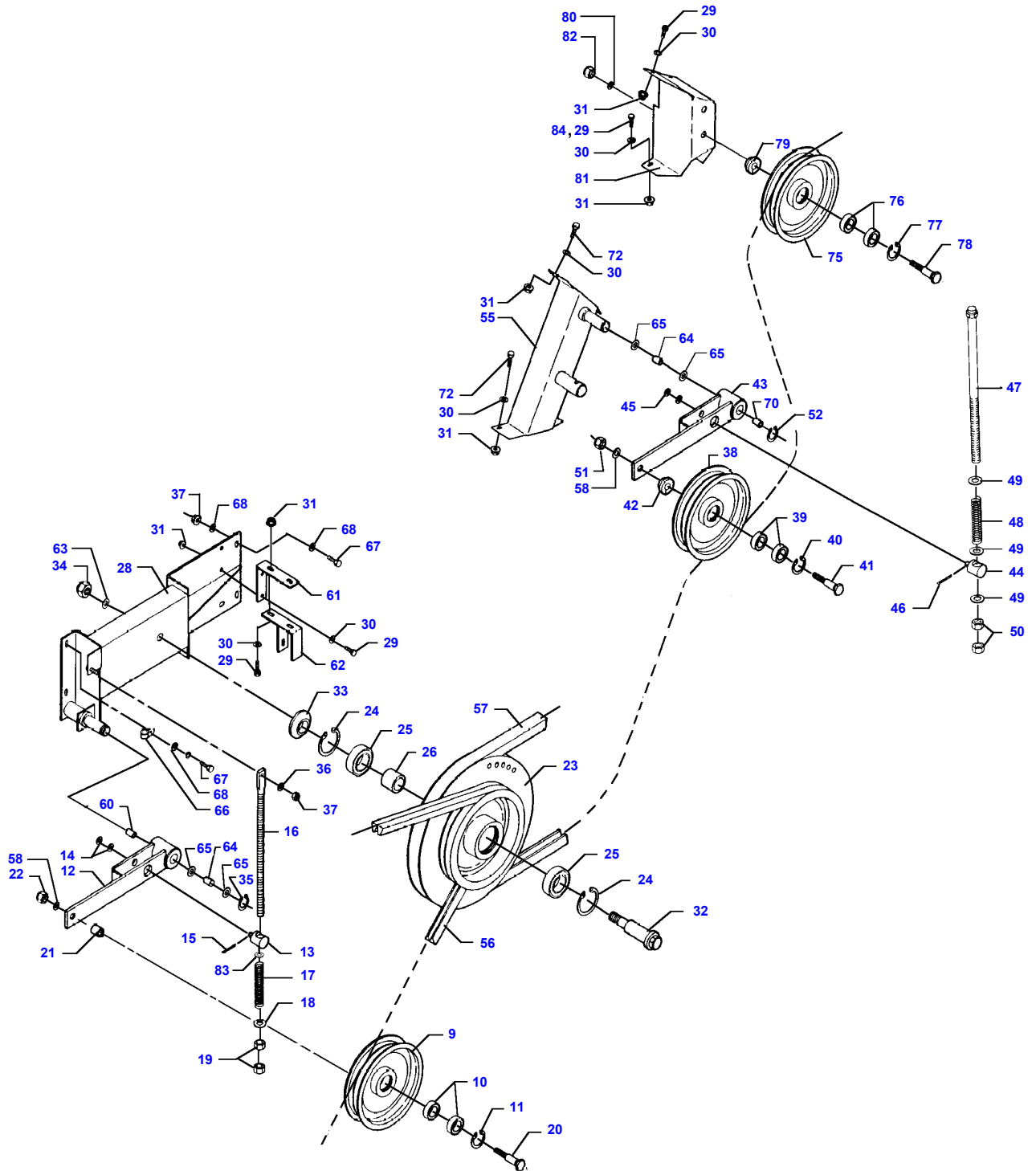
1637408

Counter Drive - Straw Chopper - REKORD M401 - M801

Page017-0006

Item	Part Number	Qty	Description	Comments
1	D18185549	1	Guard	
2	D18186417	1	Guard	
3	D28185552	1	Shield	
4	D18185550	1	Guard	
5	D28185551	1	Shield	
6	D28880469	1	Fitting	
7	D28880471	1	Yoke	
8	D28880249	1	Bracket	
9	1442739X1	1	Locknut	M16
10	D20400459	1	Washer	
11	D28880495	2	Lever	
12	D28480457	3	Spacer	
13	D28250441	3	Pulley	
14	339599X1	2	Bear. 6204 2rs	
15	D20400530	2	Spacer	
16	D28250444	3	Bolt	
17	339034X1	4	Nut	M16
18	D28181284	5	Washer	
19	D28880505	1	Spring	
20	D28186539	1	Lock Support	
21	D28780030	2	Pivot	
22	D28380011	1	Tie Rod	
23	D41977900	1	Belt	
24	D28880263	1	Pulley	
25	D28851036	1	Disc	
26	D28880254	1	Spacer	
27	D28880261	1	Bolt	
28	D41623000	2	Bear. 6207 2rs	
29	D28880489	1	Bush	
30	D28186230	1	Bracket	
31	D28884141	1	Tensioner	

MF 7272/7274/7278 CEREА COMBINE - 1637408
D-AGZC-001-A



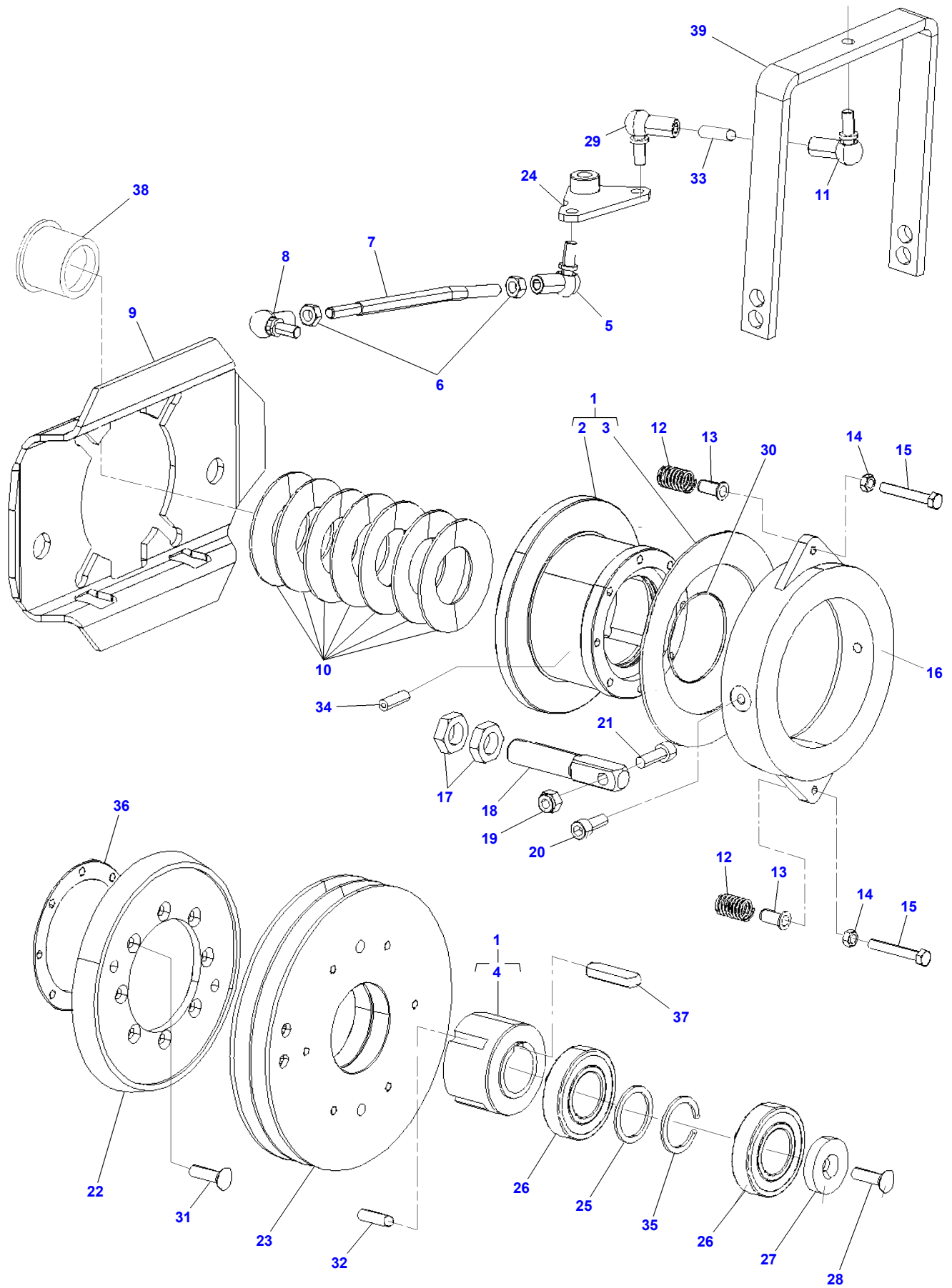
Item	Part Number	Qty	Description	Comments
9	D28250441	1	Pulley	
10	SKF62042RS	2	Bear. 6204 2rs	
11	339199X1	1	Circlip	
12	D28880495	1	Lever	Valid from machine/table no,can be used in new as well as in older machines 57068
13	D28780030	1	Pivot	
14	D20400426	2	Washer	
15	339129X1	1	Split Pin	Diameter 3,2 X 25
16	D28380011	1	Tie Rod	
17	D28880505	1	Spring	
18	D28181284	1	Washer	
19	339034X1	2	Nut	M16
20	D28250444	1	Bolt	
21	D28880354	1	Spacer	
22	1442739X1	1	Locknut	M16
23	D28880263	1	Pulley	
24	1440480X1	2	Circlip	
25	SKF62072RS	2	Bear. 6207 2rs	
26	D28880254	1	Spacer	
28	D28880249	1	Bracket	
29	339761X1	X	Hex. Sock. Screw	M8 X 25
30	D20400506	X	Washer	
31	1440329X1	X	Locknut	M10
32	D28880261	1	Bolt	
33	D28851036	1	Disc	
34	3010067X1	1	Locknut	
35	1440476X1	1	Circlip	
36	D20400471	1	Washer	
37	1440329X1	1	Locknut	M10
38	D28250441	1	Pulley	
39	SKF62042RS	2	Bear. 6204 2rs	
40	339199X1	1	Circlip	
41	D28250444	1	Bolt	
42	D28880354	1	Spacer	
43	D28880495	1	Lever	Valid from machine/table no,can be used in new as well as in older machines 57068
44	D28780030	1	Pivot	
45	D20400426	1	Washer	
46	339129X1	1	Split Pin	Diameter 3,2 X 25
47	D28884141	1	Tensioner	
48	D28210881	1	Comp.Spring	
49	D28181284	2	Washer	
50	339034X1	2	Nut	M16
51	1442739X1	1	Locknut	M16
52	1440476X1	1	Circlip	
54	D20400471	1	Washer	[B]
55	D28884125	1	Support	
56	D41979600	1	Belt	
	D41990049	1	Belt	[A]
57	D41977900	1	Belt	See Page - Reference Number 017-0009/28
	D41978400	1	Belt	[A] See Page - Reference Number 017-0009/28
58	D20400459	2	Washer	
59	D43364000	1	Bush	[B] (12)
60	D43364300	1	Bush	(12)
61	D28880469	1	Fitting	
62	D28880471	1	Yoke	
63	D20400522	1	Spacer	
64	D28880489	1	Bush	
65	D20400530	2	Spacer	
66	D45731100	1	Retainer	
67	3009493X1	X	Hex. Sock. Screw	M10 X 30
68	D20400416	X	Washer	
70	D43364000	1	Bush	(43)
71	D43364300	1	Bush	[B] (43)
72	339761X1	X	Hex. Sock. Screw	M8 X 25

Massey Ferguson**MF 7272/7274/7278 CEREAL COMBINE - 1637408****1637408****Counter Drive - Straw Chopper - REKORD M97 / M400 - M800****Page017-0007**

Item	Part Number	Qty	Description	Comments
75	D28250441	1	Pulley	
76	SKF62042RS	2	Bear. 6204 2rs	
77	339199X1	1	Circlip	
78	D28250444	1	Bolt	
79	D28880354	1	Spacer	
80	D20400459	1	Washer	
81	D28884133	1	Bracket	
82	1442739X1	1	Locknut	M16
83	D20400459	1	Washer	
84	339337X1	X	Hex. Sock. Screw	M8 X 30

FOOTNOTE [A] REDUCED CHOP SPEED**FOOTNOTE [B] NOT ILLUSTRATED**

MF 7272/7274/7278 CEREА COMBINE - 1637408
D-AGZD-005-A



D-AGZD-005-A

Massey Ferguson**MF 7272/7274/7278 CEREAL COMBINE - 1637408**

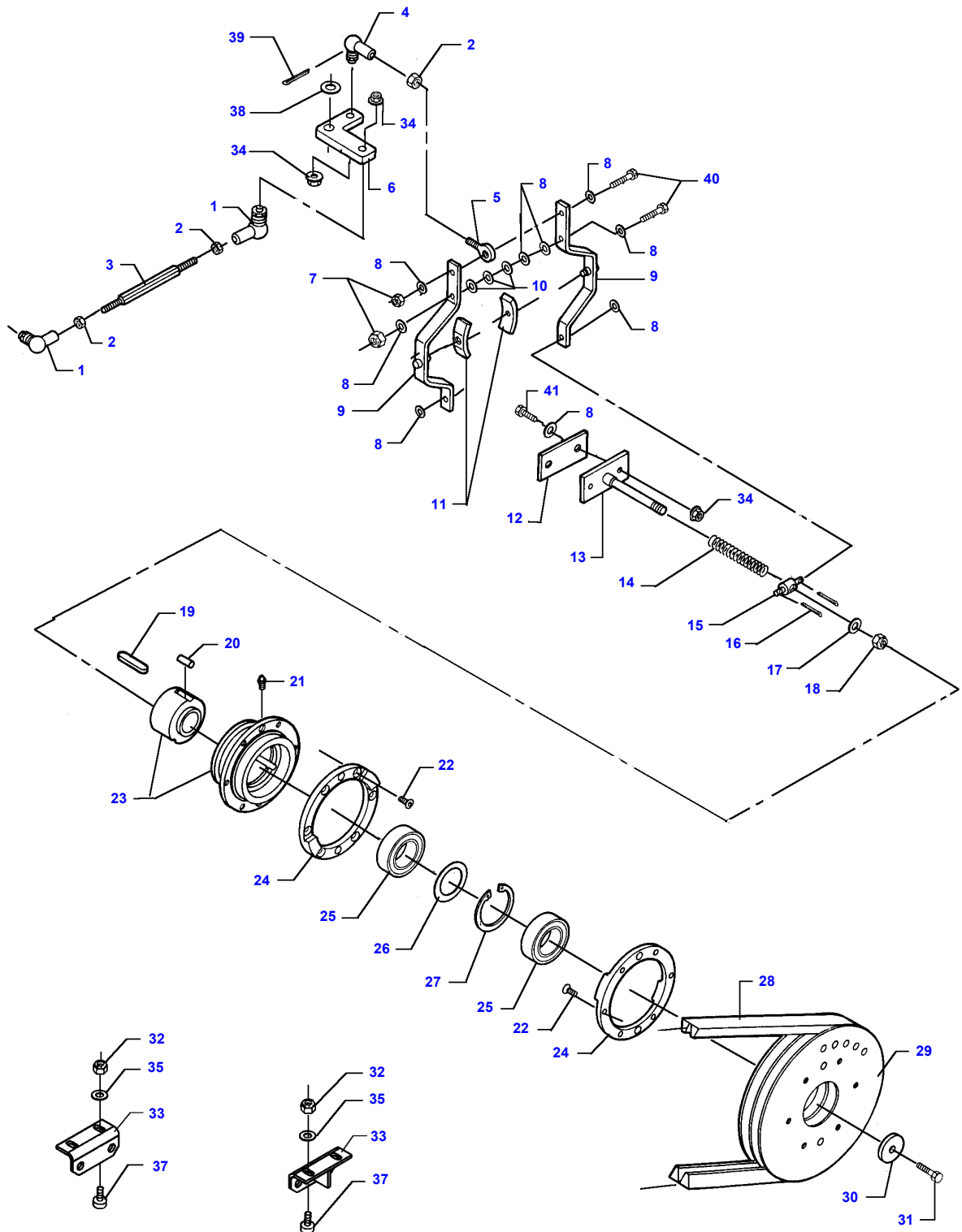
1637408

Straw Chopper Clutch - Rekord - REKORD M400 - M800 / M401 - M801

Page017-0008

Item	Part Number	Qty	Description	Comments
1	D28880497	1	Hub	
2		1	Housing	(1) Not serviced,order REF. 1
3	D45903401	1	Disc	(1)
4		1	Housing	(1) Not serviced,order REF. 1
5	D46436200	1	Toggle	
6	339402X1	2	Nut	M10
7	D28880540	1	Rod	
8	D46436200	1	Toggle	
9	D28880539	1	Housing	
10	D41112800	7	Disc	
11	D46436200	1	Toggle	
12	D28210500	2	Spring	
13	D41028300	2	Bush	
14	339169X1	2	Nut	M8
15	D40405600	2	Setscrew	
16	D28880537	1	Cover	
17	1441410X1	4	Nut	M22
18	D28880536	2	Holder	
19	1440329X1	2	Locknut	M10
20	D40692300	2	Screw	
21	D40692400	2	Screw	
22	D28880523	1	Cone	
23	D28880529	1	Pulley	M400
	D28880528	1	Pulley	M800
24	D28880531	1	Shift Lever Assy	
25	D42599200	1	Disc	
26	SKF62082RS	2	Bear. 6208 2rs	
27	D28880353	1	Washer	
28	D40606300	1	Screw	
29	D46436200	1	Toggle	
30	D45467600	1	O Ring	
31	1441585X1	8	Screw Metric	
32	D42694900	4	Pin	
33	D40633500	1	Grub Screw	
34	1441858X1	1	Grease Nipple	M6
35	339437X1	1	Circlip	
36	D28880534	1	Plate	
37	D43106200	1	Key	
38	D28884235	1	Spring Carrier	Valid from machine/table no,can be used in new as well as in older machines 60250
39	D28880385	1	Brace	M400+M800
	D28884219	1	Brace	M401+M801

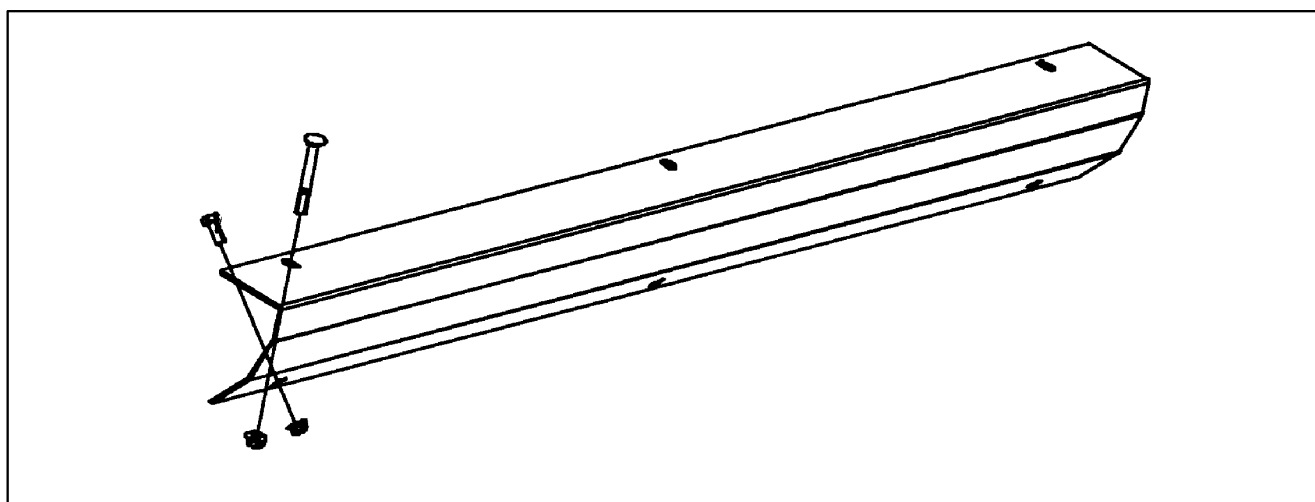
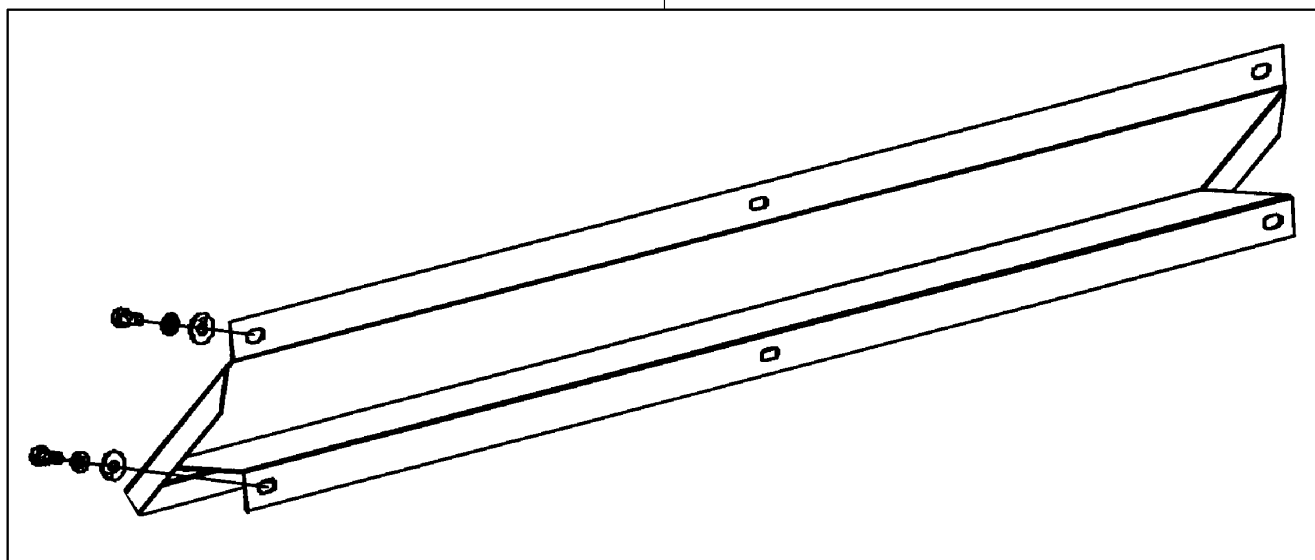
MF 7272/7274/7278 CEREА COMBINE - 1637408
D-AGZD-001-A



Item	Part Number	Qty	Description	Comments
1	D46436200	2	Toggle	
2	339402X1	4	Nut	M10
3	D28880206	1	Rod	
4	D46436200	1	Toggle	
5	D45697900	1	Toggle	
6	D28185413	1	Arm	
7	1440329X1	2	Locknut	M10
8	D20400471	10	Washer	
9	D28880214	2	Lever	
10	D20400419	3	Washer	
11	D28880262	2	Block	
12	D28880391	1	Shim	
13	D28880502	1	Spring	
14	D25400086	1	Spring	
15	D28880207	1	Pin	
16	339129X1	2	Split Pin	Diameter 3,2 X 25
17	D20400426	1	Washer	
18	1442190X1	1	Locknut	M12
19	D43106200	1	Key	
20	D42694900	4	Pin	
21	1441858X1	1	Grease Nipple	M6
22	D40608800	4	Screw Metric	
23	D28880201	1	Hub	
24	D28880199	2	Coupling	
25	SKF62082RS	2	Bear. 6208 2rs	
26	D42599200	1	Disc	
27	339437X1	1	Circlip	
28	D41977900	1	Belt	See Page - Reference Number 017-0007/57
	D41978400	1	Belt	[A] See Page - Reference Number 017-0007/57
29	D28880501	1	Pulley	
30	D28880472	1	Washer	
31	D40466500	1	Setscrew	
32	1442190X1	4	Locknut	M12
33	D28180744	2	Plate	
34	339402X1	4	Nut	M10
35	D20400426	4	Washer	
37	1442456X1	4	Screw Special	M10 X 30
38	D20400537	1	Spacer	
39	339129X1	1	Split Pin	Diameter 3,2 X 25
40	D40425900	2	Screw	
41	390799X1	2	Hex. Sock. Screw	M10 X 40

FOOTNOTE [A] REDUCED CHOP SPEED

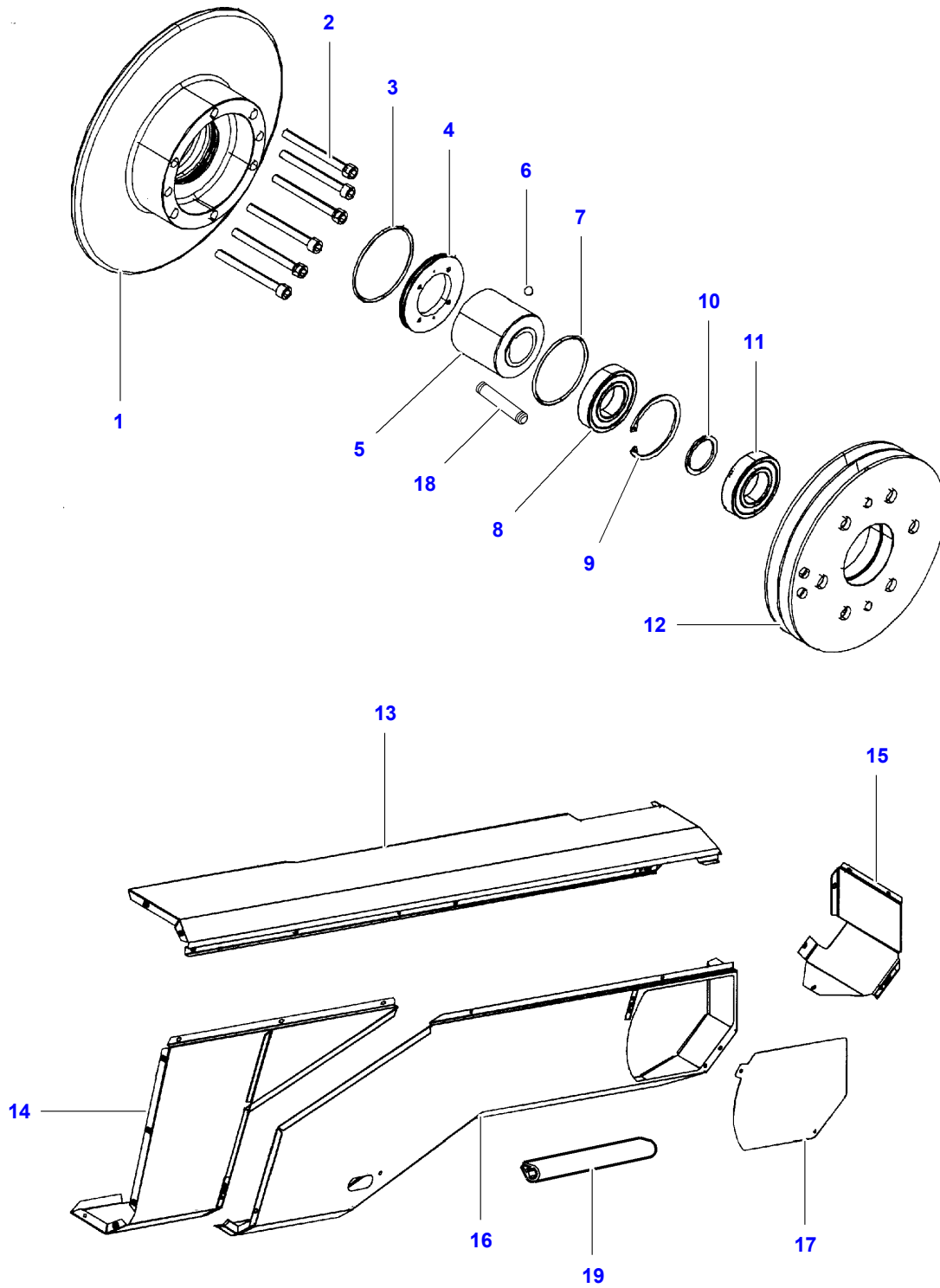
1



2

Massey Ferguson**MF 7272/7274/7278 CEREAL COMBINE - 1637408****1637408****Straw Chopper Maize Equipment - REKORD M97 / M400 - M800 / M401 - M801****Page017-0010**

Item	Part Number	Qty	Description	Comments
1	D49070139	1	Guard	Up to Serial or Engine Number 58449 1400MM
	D49070140	1	Shield	Up to Serial or Engine Number 58449 1680MM
	D49070134	1	Guard	From Serial or Engine Number 58450 1400MM
	D49070138	1	Guard	From Serial or Engine Number 58450 1680MM
2	D49070133	1	Guard	Length 1400 mm M400+401+800+801
	D49070137	1	Shield	Length 1680 mm M400+401+800+801



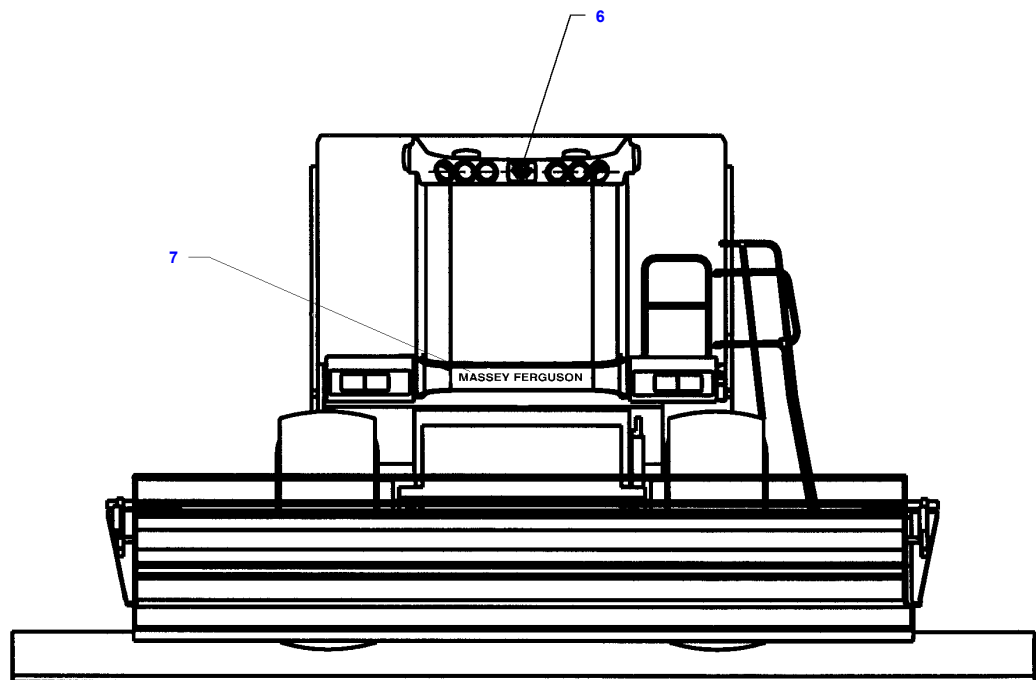
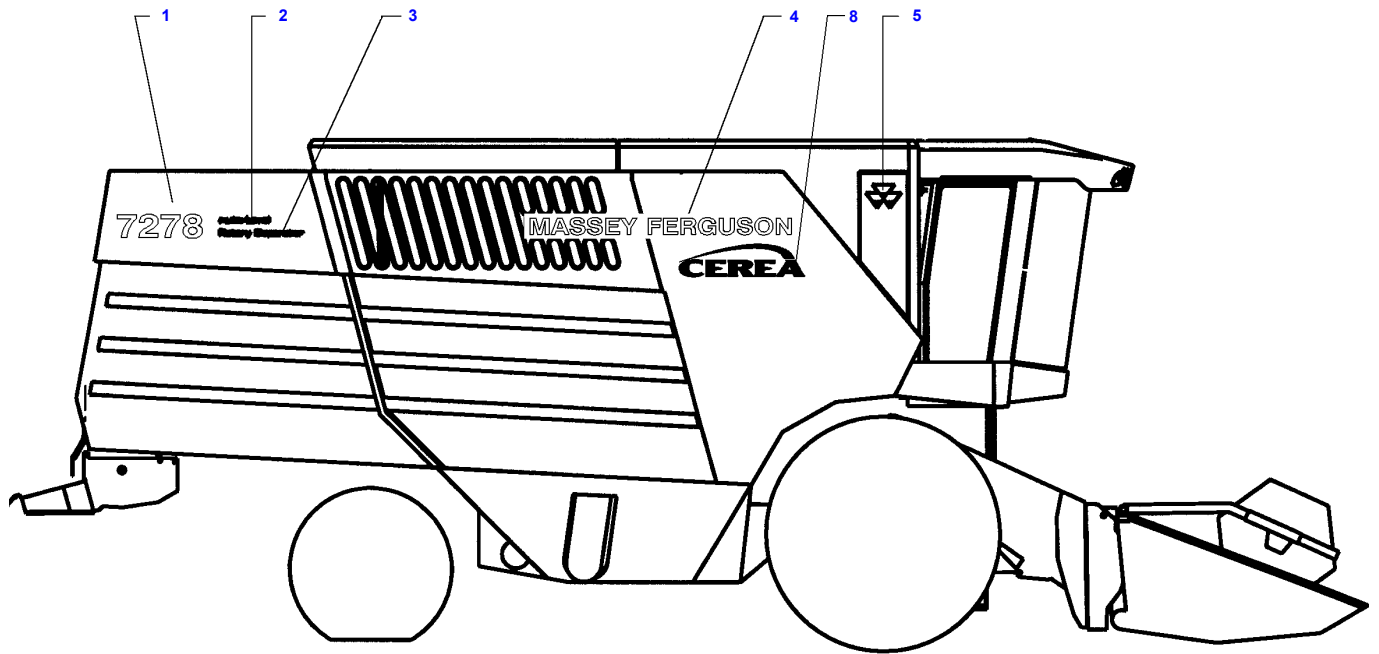
Massey Ferguson**MF 7272/7274/7278 CEREAL COMBINE - 1637408**

1637408

Straw Chopper Clutch - Rekord - REKORD M401 - M801 - From 59820

Page017-0011

Item	Part Number	Qty	Description	Comments
1	D28884215	1	Hub	
2	D40693300	5	Screw	
3	D45476400	1	O Ring	
4	D28884216	1	Lock Washer	
5	D28884214	1	Hub	
6	D41649500	1	Ball	
7	D45467600	1	O Ring	
8	SKF62082RS	1	Bear. 6208 2rs	
9	339437X1	1	Circlip	
10	D42599200	1	Disc	
11	SKF62082RS	1	Bear. 6208 2rs	
12	D28884221	1	Pulley	TYPE M401
	D28884219	1	Brace	TYPE M801
13	D18186637	1	Shield	
14	D28186645	1	Shield	
15	D28884223	1	Shield	
16	D28884225	1	Ladder	
17	D28884231	1	Shield	
18	D42694900	1	Pin	
19	D26733226	1	Protective Strip	Length 0,20M



Decal, front and right side

Item	Part Number	Qty	Description	Comments
1	D49127800	2	Decal	MF 7278
	D49129100	2	Decal	MF 7274
	D49129200	2	Decal	MF 7272
2	D49130007	2	Decal	
3	D49130008	2	Decal	
4	D49127700	2	Decal	
5	D49130002	1	Decal	
6	D49100121	1	Decal	
7	D49120002	1	Decal	
8	D49130028	1	Decal	CEREAL
14	D49160400	1	Decal	[A, I]
17	D49100150	1	Decal	[B, I]
18	D49100160	1	Decal	[C, I]
19	D49100182	1	Decal	[D, I]
22	D49100161	2	Decal	[I]
23	D49100162	2	Decal	[E, I] FREEFLOW
24	D49100149	X	Decal	[F, I]
25	D49180900	2	Decal	[I]
26	D49100189	1	Decal	[I] E
	D49121800	1	Decal	[I] UKR
	D49122900	1	Decal	[I] CS-SK
	D49124200	1	Decal	[I] H
	D49126200	1	Decal	[I] PL
	D49195600	1	Decal	[I] DK
	D49195700	1	Decal	[I] GB-RO-BUL
	D49195800	1	Decal	[I] D-NF
	D49195900	1	Decal	[I] F-CH
	D49196000	1	Decal	[I] S-FIN
27	D49100188	1	Decal	[I] E
	D49151900	1	Decal	[I] DK
	D49152000	1	Decal	[I] S-FIN
	D49152100	1	Decal	[I] GB-RO-BUL
	D49152200	1	Decal	[I] D-NL
	D49152300	1	Decal	[I] F-CH
28	D49100009	1	Decal	[A, I]
29	D49196100	1	Decal	[I] DK-S
	D49196200	1	Decal	[I] GB-D-F
	D49196300	1	Decal	[I] RO-BUL-CH
30	D49113300	1	Decal	[H, I]
31	D49120900	1	Decal	[G, I]

FOOTNOTE [A] EQUIPMENT REQUIRED AND APPROVED BY THE TOV AUTHORITIES

FOOTNOTE [B] FOR MACHINE CPL

FOOTNOTE [C] FOR TABLE

FOOTNOTE [D] WARNING BEFORE START

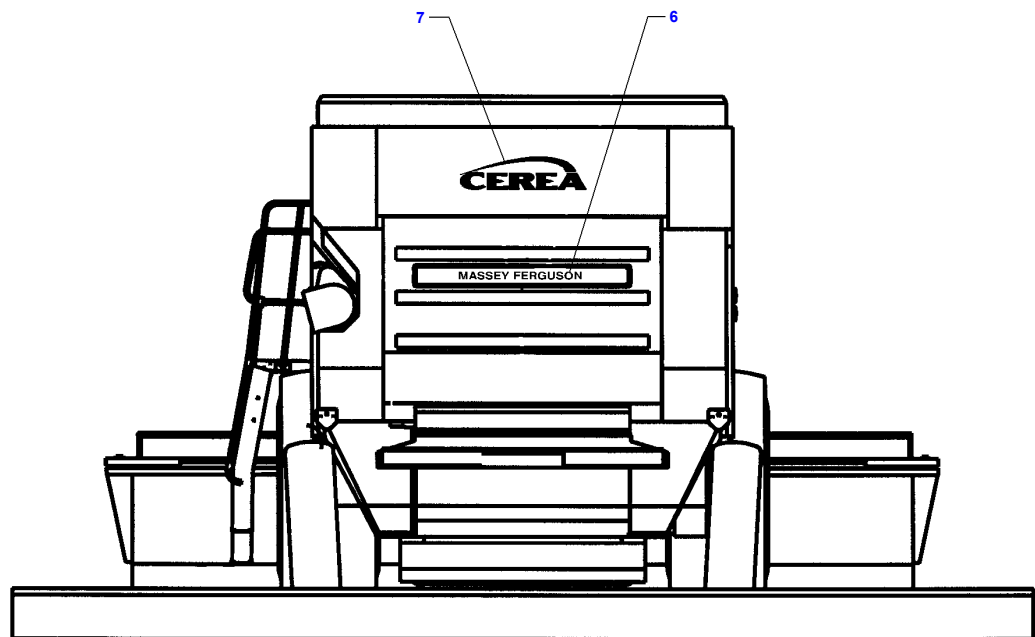
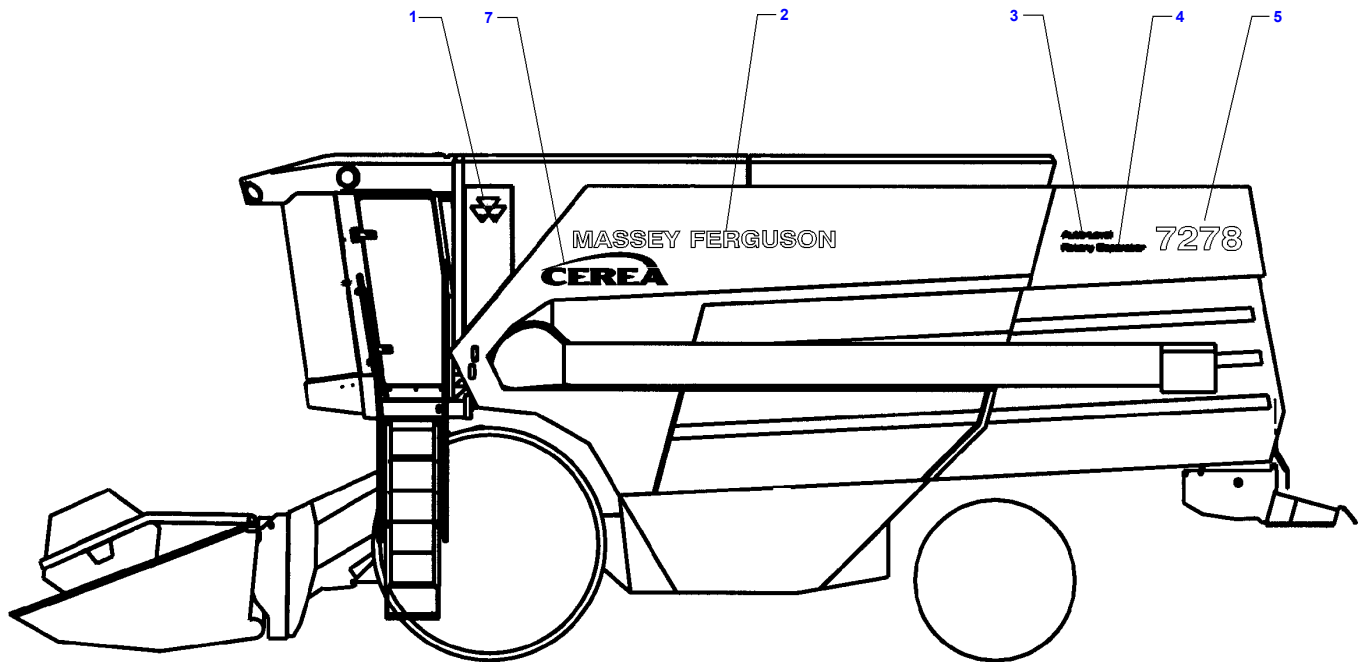
FOOTNOTE [E] WARNING SENSORS TABLE

FOOTNOTE [F] WARNING BEFORE REPAIR

FOOTNOTE [G] TO BATTERY

FOOTNOTE [H] "KEEP OFF"

FOOTNOTE [I] NOT ILLUSTRATED

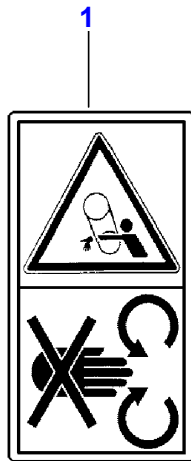


Decal, rear and left side

Item	Part Number	Qty	Description	Comments
1	D49127900	1	Decal	
2	D49127700	2	Decal	
3	D49130007	2	Decal	
4	D49130008	2	Decal	
5	D49127800	2	Decal	MF 7278
	D49129100	2	Decal	MF 7274
	D49129200	2	Decal	MF 7272
6	D49130069	1	Decal	
7	D49130028	2	Decal	CEREAL
14	D49160400	2	Decal	[A,B]
16	D49150300	1	Decal	[A,B]

FOOTNOTE [A] EQUIPMENT REQUIRED AND APPROVED BY THE TOV AUTHORITIES

FOOTNOTE [B] NOT ILLUSTRATED



Massey Ferguson

MF 7272/7274/7278 CEREAL COMBINE - 1637408

1637408

Security Decal

Page018-0003

Item	Part Number	Qty	Description
1	D49100160	2	Decal