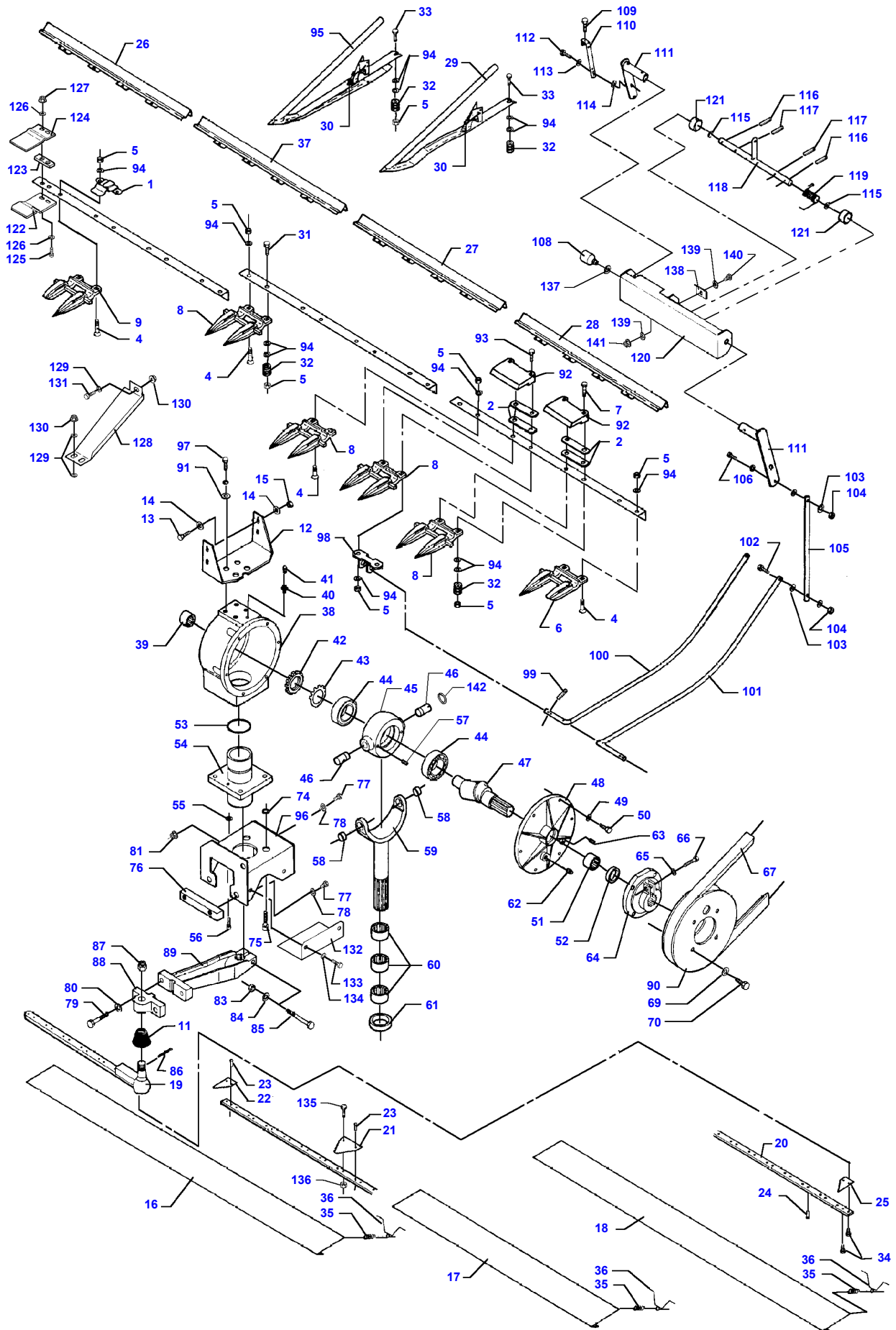




MF 7250/7252 COMBINE - 1637400
D-ZAZA-005-A



Knives And Fingers - Freeflow - 14' - 20'

Item	Part Number	Qty	Description	Comments
1	D28283934	13	Clip	14' - 4,34M
	D28283934	15	Clip	16' - 4,95M
	D28283934	17	Clip	18' - 5,56M
	D28283934	19	Clip	20' - 6,16M
2	D28230292	4	Shim	
4	D40551500	X	Bolt	
5	D41010800	X	Nut	
6	D44104700	1	Finger	Left Hand
7	D40067600	X	Screw	
8	D44104500	27	Finger	14' - 4,34M
	D44104500	31	Finger	16' - 4,95M
	D44104500	35	Finger	18' - 5,56M
	D44104500	39	Finger	20' - 6,16M
9	D44104600	1	Finger	Right Hand
11	D44120500	1	Cap	
12	D28283104	1	Support	
13	D40405100	2	Hex. Sock. Screw	
14	D20400414	4	Washer	
15	D41087500	2	Locknut	
16	D28230842	2	Guard	18' - 5,56M
	D28230844	1	Guard	20' - 6,16M
	D28230845	1	Guard	16' - 4,95M
	D28230842	1	Guard	14' - 4,34M
17	D28230843	1	Guard	18' - 5,56M
18	D28230844	1	Guard	16' - 4,95M
	D28230845	1	Guard	20' - 6,16M
19	D28283009	2	Blade	18' - 5,56M
	D28283010	2	Blade	20' - 6,16M
	D28283307	2	Blade	14' - 4,34M
	D28283308	2	Blade	16' - 4,95M
	D28283011	2	Knife Head	
20	D28281490	2	Knife Back	16' - 4,95M
	D28281491	2	Knife Back	18' - 5,56M
	D28281492	2	Knife Back	20' - 6,16M
	D28281493	2	Knife Back	22' - 6,77M
21	D44103700	X	Section	OPTIONAL
22	D44103800	2	Half Section	
23	D41306100	X	Rivet	OPTIONAL
24	D41306200	X	Rivet	OPTIONAL
25	D44104000	2	Half Section	Left Hand
26	D18283701	1	Stone Trap	Right Hand
27	D18283705	1	Stone Trap	18' - 5,56M
	D18283706	1	Stone Trap	20' - 6,16M
28	D18283702	1	Stone Trap	Left Hand
29	D49040200	X	Ear Lifter	
30	D49040400	X	Spring	
31	D40426000	X	Hex. Sock. Screw	
32	D49040600	X	Roller	
33	D40426000	X	Hex. Sock. Screw	
34	D40402400	2	Hex. Sock. Screw	
35	D26500317	2	Spring	(1)
	D26500317	2	Spring	(16)
	D26500317	2	Spring	(17)
	D26500317	2	Spring	(18)
36	D28230841	2	Spring	(1)
	D28230841	2	Spring	(16)
	D28230841	2	Spring	(17)
	D28230841	2	Spring	(18)
37	D18283703	1	Stone Trap	14' - 4,34M
	D18283704	1	Stone Trap	16' - 4,95M
38	D28281324	1	Wobble Drive	[A]
	D44127800	1	Box	[A]
	D28281324	1	Wobble Drive	(38)
	D44126500	1	Box	[B]
				(38)
39	D44128800	1	Bearing Needle	(38)
40	D44129400	1	Connector	(38)

Knives And Fingers - Freeflow - 14' - 20'

Item	Part Number	Qty	Description	Comments
41	D46116500	1	Valve	(38)
42	D44129100	1	Nut	(38)
43	D44129200	1	Washer	(38)
44	D41668400	2	Bearing Roller	(38)
45	D44127900	1	Housing	[A] (38)
45	D44126400	1	Housing	[B] (38)
46	D44128000	2	Journal	[A] (38)
46	D44125900	1	Journal	[B] (38)
47	D44129300	1	Shaft	(38)
48	D44128200	1	Cover	[A] (38)
48	D44126300	1	Cover	[B] (38)
49	D41100700	6	Spring Washers	(38)
50	D40404900	6	Hex. Sock. Screw	(38)
51	D41669700	1	Bearing Needle	(38)
52	D45412000	1	Gasket	(38)
53	D45481500	1	O Ring	(38)
54	D44128300	1	Bearing Carrier	[A] (38)
54	D44126200	1	Bearing Carrier	[B] (38)
55	D41100700	2	Spring Washers	(38)
56	D40697200	2	Screw	[A] (38)
56	D40697700	2	Screw	[B] (38)
57	D40639600	2	Pin	[A] (38)
58	D44128400	2	Bush	[A] (38)
58	D44126100	2	Bush	[B] (38)
59	D44128500	1	Yoke	[A] (38)
59	D44126000	1	Yoke	[B] (38)
60	D41669800	3	Bearing Needle	(38)
61	D45409500	1	Gasket	(38)
62	D44128600	1	Plug	(38)
63	D45236200	1	Plug	(38)
64	D44127100	1	Hub	(38)
65	D41100900	1	Spring Washers	(38)
66	D40694000	1	Screw	(38)
67	D41985600	1	Belt	
69	D20400426	4	Washer	
70	D40410900	4	Hex. Sock. Screw	
74	D20400522	4	Spacer	
75	D40465400	4	Screw	
76	D28283103	1	Clamp	
77	D40416500	5	Screw Metric	
78	D20400461	5	Washer	
79	D40698400	2	Screw	
80	D20400438	2	Washer	
81	D41087900	2	Locknut	
83	D41087700	1	Locknut	
84	D20400428	1	Washer	
85	D40429400	1	Screw Metric	
86	D41409100	1	Split Pin	
87	D41054300	1	Nut	
88	D44126900	1	Flange	
89	D44127000	1	Swivel Arm	
90	D44127200	1	Pulley	
91	D28280986	4	Washer	
92	D28260362	X	Clip	
93	D40067200	X	Screw	
94	D20400419	X	Washer	

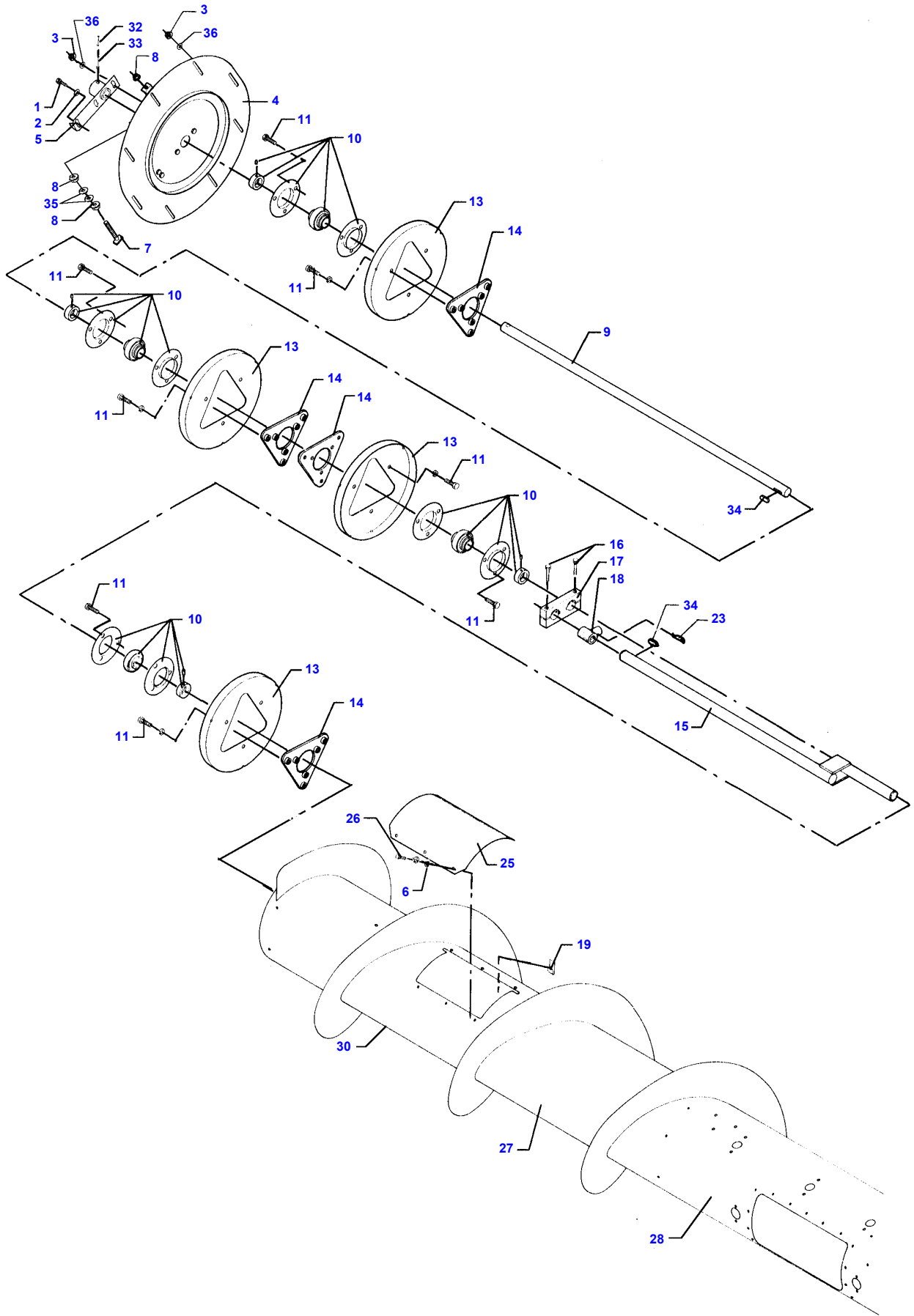
Knives And Fingers - Freeflow - 14' - 20'

Item	Part Number	Qty	Description	Comments
95	D49040300	X	Ear Lifter	
96	D28283109	1	Support	
97	D40405100	4	Hex. Sock. Screw	
98	D28284356	4	Fitting	ACC AUTO-LEVEL
99	D42611800	8	Pin	ACC AUTO-LEVEL
100	D28284257	2	Sensor	ACC AUTO-LEVEL
101	D28284258	2	Sensor	ACC AUTO-LEVEL
102	D40405300	4	Screw	ACC AUTO-LEVEL
103	D20400506	20	Washer	ACC AUTO-LEVEL
104	D41087500	8	Locknut	ACC AUTO-LEVEL
105	D28284223	4	Link	ACC AUTO-LEVEL
106	D40423600	4	Screw Metric	ACC AUTO-LEVEL
108	D28780523	2	Meter	ACC AUTO-LEVEL
109	D40464900	2	Screw	ACC AUTO-LEVEL
110	D28780845	2	Rod	ACC AUTO-LEVEL
111	D28284225	4	Lever	AUTO-LEVEL 18' - 22' 5,56M - 6,77M
111	D28284234	4	Lever	ACC AUTO-LEVEL
112	D40402700	2	Hex. Sock. Screw	ACC AUTO-LEVEL
113	D20400404	2	Washer	ACC AUTO-LEVEL
114	D41013400	2	Nut	ACC AUTO-LEVEL
115	D28200551	4	Washer	ACC AUTO-LEVEL
116	D42611900	8	Pin	ACC AUTO-LEVEL
117	D42612300	4	Pin	ACC AUTO-LEVEL
118	D28284232	2	Shaft	ACC AUTO-LEVEL
119	D28284389	2	Spring	ACC AUTO-LEVEL
120	D28284222	2	Support	AUTO-LEVEL 16' - 4,95M
120	D28284229	2	Support	AUTO-LEVEL 18' - 22' 5,56M - 6,77M
121	D28284456	4	Bush	ACC AUTO-LEVEL
122	D28281576	1	Plate	
123	D28281575	1	Shim	
124	D28281574	1	Plate	
125	D40423700	2	Screw Metric	
126	D20400506	2	Washer	
127	D41087500	2	Locknut	
128	D18281572	1	Guard	
129	D20400506	3	Washer	
130	D41017500	3	Locknut	
131	D40405000	1	Hex. Sock. Screw	
132	D28281706	1	Guard	
133	D40404700	2	Hex. Sock. Screw	
134	D20400506	2	Washer	
135	D40402400	X	Hex. Sock. Screw	Alternative D41306100
136	1441462X1	X	Locknut	Alternative D41306100 Replace and repair. Old not interchangeable with new D41087400
137	D20400441	1	Washer	
138	D28284268	2	Stop	
139	D20400416	4	Washer	
140	D40404900	2	Hex. Sock. Screw	
141	D41087500	2	Locknut	
142	D45483000	1	O Ring	[B]

FOOTNOTE [A] USED ONLY IN KNIFE DRIVES WITH 6 HOLES IN BEARING HOUSING BOTTOM

FOOTNOTE [B] USED ONLY IN KNIFE DRIVES WITH 8HOLES IN BEARING HOUSING BOTTOM AND BULGES SIDES

MF 7250/7252 COMBINE - 1637400
D-ZAZB-005-A

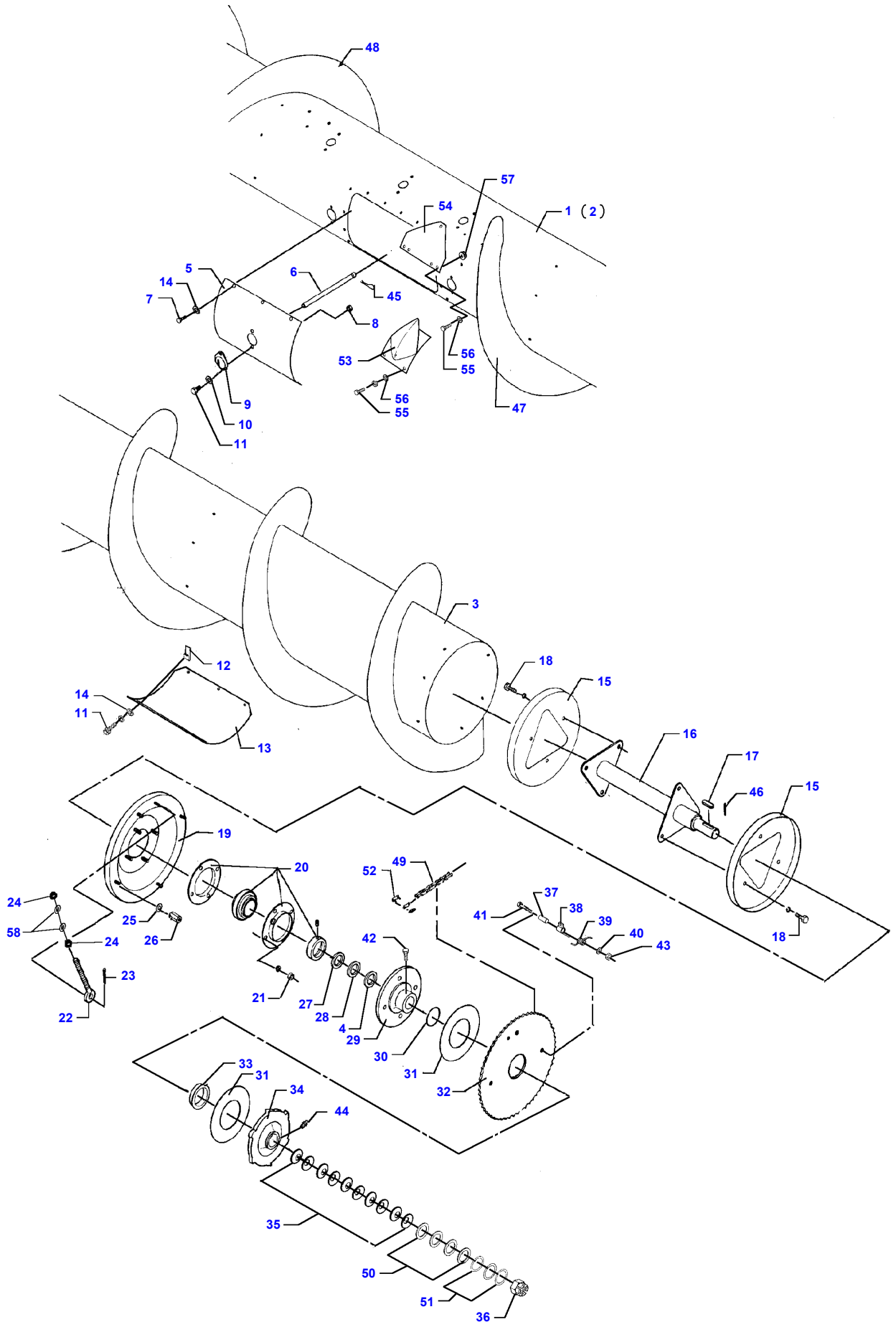


D-ZAZB-005-A

Table Auger Right Hand - Freeflow - 14' - 20'

Item	Part Number	Qty	Description	Comments
1	D40404700	1	Hex. Sock. Screw	
2	D20400506	1	Washer	
3	D41017500	10	Locknut	
4	D18280040	1	Plate	
5	D28283029	1	Adjuster	
6	D20400470	6	Washer	
7	D28211023	1	Bolt	
8	D41087600	2	Locknut	
9	D28283036	1	Shaft	18' - 5,56M
	D28283037	1	Shaft	20' - 6,16M
	D28284655	1	Shaft	Up to Serial or Engine Number 940147 20' 6,16M
	D28283767	1	Shaft	From Serial or Engine Number 940148 14' - 4,34M
	D28283768	1	Shaft	16' - 4,95M
10	D41707800	4	Bearing	
11	D40407900	24	Hex. Sock. Screw	
13	D28280014	4	Plate	
14	D28283847	4	Bearing Plate	
15	D28283016	1	Crankshaft	
16	D40426100	2	Screw	
17	D28283039	1	Arm	
18	D28251831	15	Bearing Carrier	
19	D43428200	6	Nut	
23	D28283853	15	Hair Pin	
25	D18283070	1	Cover	
26	D40402600	6	Hex. Sock. Screw	
27	D18283125	1	Table Auger	20' - 6,16M
	D18283134	1	Table Auger	Up to Serial or Engine Number 940147 18' - 5,56M
	D18283789	1	Table Auger	Up to Serial or Engine Number 940147 14' - 4,34M
	D18283790	1	Table Auger	Up to Serial or Engine Number 940147 16' - 4,95M
	D18285988	1	Table Auger	Up to Serial or Engine Number 940147 14' - 4,34M
	D18285989	1	Table Auger	From Serial or Engine Number 940148 16' - 4,95M
	D18285990	1	Table Auger	From Serial or Engine Number 940148 18' - 5,56M
	D18285991	1	Table Auger	From Serial or Engine Number 940148 20' - 6,16M
28	D28283012	1	Body	
30	D28283032	1	Tube	Right Hand 18' - 5,56M
	D28283034	1	Body	Right Hand 20' - 6,16M
	D28283792	1	Body	Right Hand 14' - 4,34M
	D28283795	1	Body	Right Hand 16' - 4,95M
32	D42616400	1	Pin	
33	D42625300	1	Pin	
34	D43104700	2	Key	
35	D20400471	2	Washer	
36	D20400414	X	Washer	

MF 7250/7252 COMBINE - 1637400
D-ZAZC-005-A



D-ZAZC-005-A

Table Auger Left Hand - Freeflow - 14' - 20'

Item	Part Number	Qty	Description	Comments
1	D18283125	1	Table Auger	20' - 6,16M Up to Serial or Engine Number 940147
	D18283134	1	Table Auger	18' - 5,56M Up to Serial or Engine Number 940147
	D18283789	1	Table Auger	14' - 4,34M Up to Serial or Engine Number 940147
	D18283790	1	Table Auger	16' - 4,95M Up to Serial or Engine Number 940147
	D18285988	1	Table Auger	14' - 4,34M From Serial or Engine Number 940148
	D18285989	1	Table Auger	16' - 4,95M From Serial or Engine Number 940148
	D18285990	1	Table Auger	18' - 5,56M From Serial or Engine Number 940148
	D18285991	1	Table Auger	20' - 6,16M From Serial or Engine Number 940148
2	D28283012	1	Body	
3	D28283031	1	Body	Left Hand 20' - 6,16M
	D28283033	1	Body	Left Hand 18' - 5,56M
	D28283793	1	Body	Left Hand 14' - 4,34M
	D28283794	1	Body	Left Hand 16' - 4,95M
4	D41653500	X	Washer	OPTIONAL
5	D18283078	1	Cover	
6	D28283815	15	Finger	
7	D40402400	X	Hex. Sock. Screw	
8	1441462X1	X	Locknut	Replace and repair. Old not interchangeable with new D41087400
9	D28283060	15	Bush	
10	D20400404	X	Washer	
11	D40402600	X	Hex. Sock. Screw	
12	D43428200	6	Nut	
13	D18283070	1	Cover	
14	D20400470	6	Washer	
15	D28280014	2	Plate	
16	D28283007	1	Drive Shaft	
17	D43106800	1	Key	
18	D40407600	6	Hex. Sock. Screw	
19	D18283053	1	Plate	
20	D41716500	1	Bearing	
21	D41010900	4	Nut	
22	D28281387	1	Screw	
23	D41408900	1	Split Pin	
24	D41010800	2	Nut	
25	D20400415	4	Washer	
26	D28280729	4	Nut	
27	D41653500	X	Washer	
28	D41653500	2	Washer	
29	D28283004	1	Washer	
30	D45481600	1	O Ring	
31	D45904300	2	Facing	
32	D28283008	1	Sprocket	
33	D28283000	1	Insert	
34	D28283003	1	Washer	
35	D41112400	10	Washer	
36	D41054100	1	Castle Nut	
37	D28281431	1	Spacer	
38	D28281432	1	Support	
39	D28283006	1	Spring	
40	D20400507	1	Spacer	
41	D40426100	1	Screw	
42	D40405000	1	Hex. Sock. Screw	
43	D41087600	1	Locknut	
44	D43001500	1	Greaser	
45	D28283853	15	Hair Pin	
46	D41408800	1	Split Pin	
47	D28280005	1	Spiral	20' - 6,16M
	D28280051	1	Spiral	18' - 5,56M
	D28280052	1	Spiral	16' - 4,95M

Massey Ferguson**MF 7250/7252 COMBINE - 1637400**

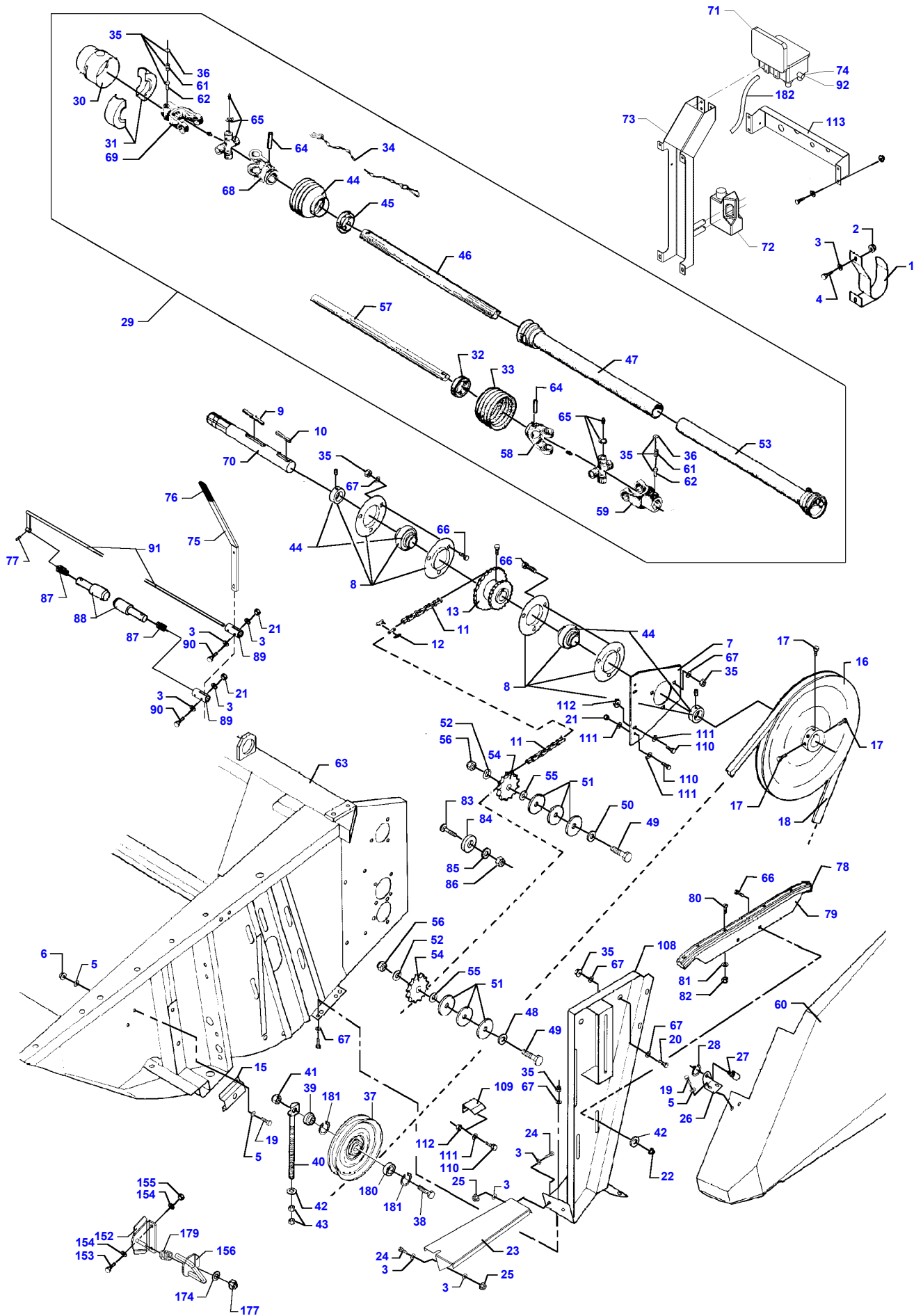
1637400

Table Auger Left Hand - Freeflow - 14' - 20'

Page001-0003

Item	Part Number	Qty	Description	Comments
47	D28280988	1	Spiral	14' - 4,34M
48	D28280006	1	Spiral	20' - 6,16M
48	D28280053	1	Spiral	18' - 5,56M
48	D28280054	1	Spiral	16' - 4,95M
48	D28280989	1	Spiral	14' - 4,34M
49	D42329300	1	Chain	
50	D20400520	4	Spacer	
51	D20400522	3	Spacer	
52	D42365100	1	Link	
53	D28283294	4	Spike	
54	D28281694	4	Threaded Part	
55	D40404900	20	Hex. Sock. Screw	
56	D20400506	20	Washer	
57	D41087500	12	Locknut	
58	D20400471	2	Washer	

MF 7250/7252 COMBINE - 1637400
D-ZAZD-005-B



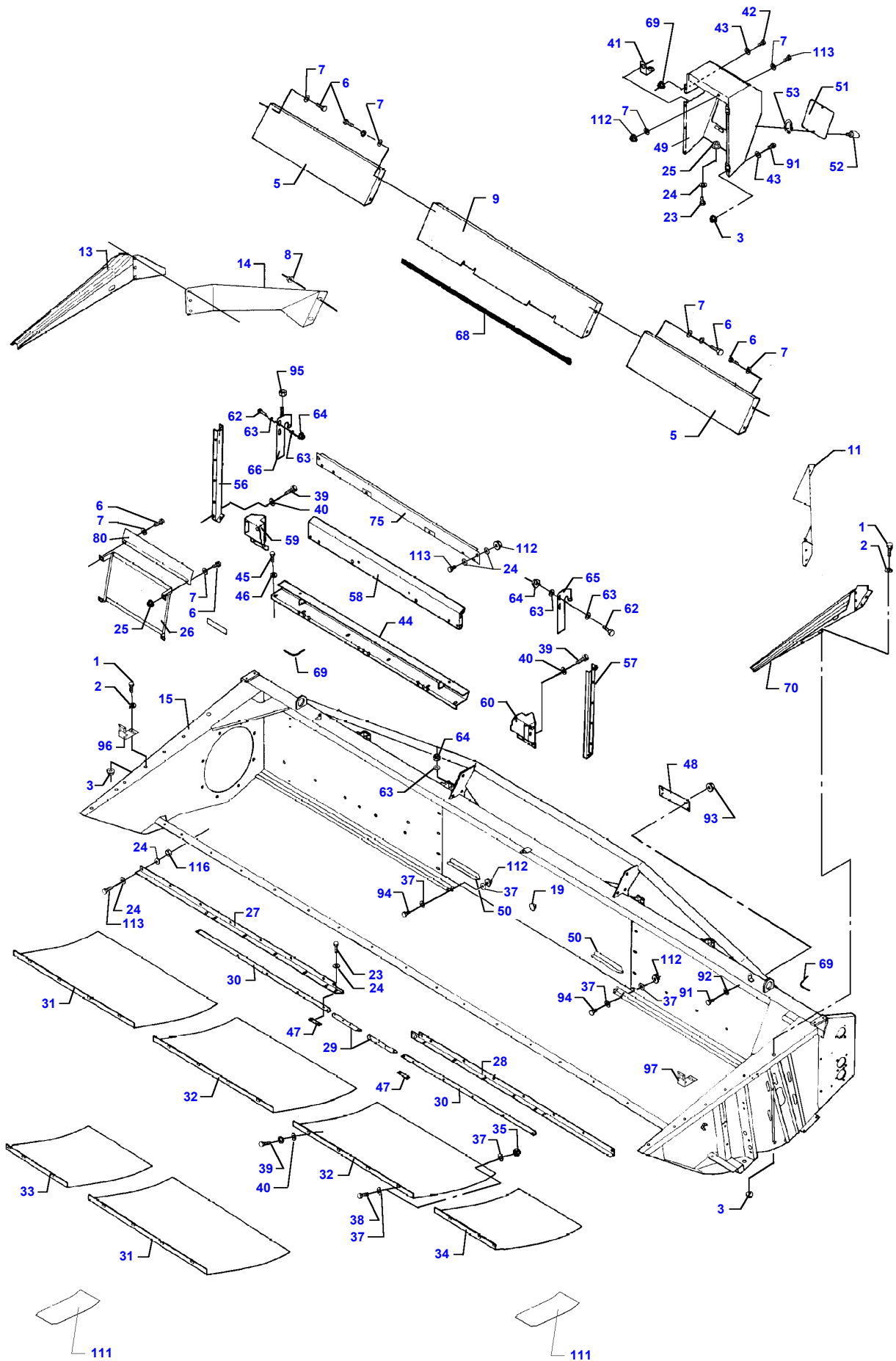
D-ZAZD-005-B

Item	Part Number	Qty	Description	Comments
1	D18281345	1	Stirrup	
2	D41013500	X	Nut	
3	D20400506	X	Washer	
4	D40404700	X	Hex. Sock. Screw	
5	D20400470	X	Washer	
6	1441462X1	X	Locknut	Replace and repair. Old not interchangeable with new D41087400
7	D18283099	1	Bearing Carrier	
8	D41707800	2	Bearing	
9	D43114900	1	Key	
10	D43105000	1	Key	
11	D42329300	1	Chain	
12	D42365100	1	Link	
13	D28280225	1	Sprocket	
15	D28281578	1	Retainer	
16	D28285423	1	Pulley	
17	D40697900	3	Screw	
18	D41985600	1	Belt	
19	D40402600	X	Hex. Sock. Screw	
20	D40407700	4	Hex. Sock. Screw	
21	D41087500	X	Locknut	
22	D41087600	X	Locknut	
23	D28281570	1	Plate	
24	D40405000	3	Hex. Sock. Screw	
25	D41087500	3	Locknut	
26	D28281577	1	Angle	
27	D43427500	1	Pin	
28	D42555500	1	Circlip	
29	D45608900	1	Shaft	14' - 4,34M
	D45609000	1	Shaft	16' - 4,95M
	D45609100	1	Shaft	18' - 20' 5,56M - 6,16M
30	D45632900	1	Bush	
31	D45633000	1	Ring	
32	D45630700	1	Ring	
33	D45630500	1	Guard	
34	D45681800	2	Chain	
35	D45632400	2	Tube	
36	D45645700	2	Washer	
37	D28760574	1	Pulley	Valid from machine/table no, can be used in new as well as in older machines 58241
38	D28760156	1	Screw	
39	D28760155	1	Bush	
40	D28260181	1	Bolt	
41	D41087900	X	Locknut	
42	D20400416	X	Washer	
43	D41010800	X	Nut	
44	D45630400	1	Guard	
45	D45630600	1	Ring	
46	D45631100	1	Tube	18' - 20' 5,56M - 6,16M
	D45632800	1	Tube	16' - 4,95M
47	D45631900	1	Tube	18' - 20' 5,56M - 6,16M
	D45632600	1	Tube	16' - 4,95M
48	D28181284	1	Washer	
49	D40433600	2	Screw Metric	
50	D20400463	1	Washer	
51	D20400460	6	Washer	
52	D20400459	2	Washer	
53	D45632100	1	Tube	14' - 4,34M
	D45632300	1	Tube	18' - 20' 5,56M - 6,16M
	D45632500	1	Tube	16' - 4,95M
54	D41716800	2	Tightener	
55	D20400516	X	Spacer	OPTIONAL
56	D41087900	2	Locknut	

Item	Part Number	Qty	Description	Comments
57	D45631500	1	Tube	18' - 20' 5,56M - 6,16M
57	D45632700	1	Tube	16' - 4,95M
58	D45630100	1	Yoke	
59	D45633200	1	Yoke	
60	D18281583	1	Guard	
61	D45667300	2	Spring	
62	D45665300	2	Pin	
63	D18285501	1	Table Housing	14' - 4,34M
63	D18285502	1	Table Housing	16' - 4,95M
63	D18285503	1	Table Housing	18' - 5,56M
63	D18285504	1	Table Housing	20' - 6,16M
64	D42619100	2	Pin	
65	D45630300	2	Hub	
66	D40066800	8	Screw Metric	
67	D20400419	X	Washer	
68	D45630200	1	Yoke	
69	D45633100	1	Yoke	
70	D28284404	1	Shaft	
71	D28785641	1	Clutch	[A]
72	D45148900	1	Container	[A]
73	D28285296	1	Bracket	[A]
74	D45140037	2	Screw	[A]
75	D28285536	1	Lever	
76	D43484900	1	Lever	
77	D42612200	X	Pin	
78	D28280787	1	Rail	
79	D28281365	1	Crossmember	
80	D40609300	6	Screw	
81	D20400466	6	Washer	
82	D41087200	6	Locknut	
83	D40073100	1	Screw	
84	D28280981	1	Spacer	
85	D20400459	1	Washer	
86	D41087900	1	Locknut	
87	D27100794	2	Spring	
88	D28283200	1	Shaft	
89	D28285535	2	Fork	
90	D40423900	X	Hex. Sock. Screw	
91	D28285531	1	Journal	
92	D45140038	2	Ring	[A]
108	D18283090	1	Plate	
109	D18283098	1	Fitting	
110	D40404900	X	Hex. Sock. Screw	
111	D20400506	X	Washer	
112	D41013500	X	Nut	
113	D18285215	1	Bracket	
152	D28285166	2	Support	
153	D40407900	4	Hex. Sock. Screw	
154	D20400507	8	Spacer	
155	D41087600	4	Locknut	
156	D28285162	1	Arm	Left Hand
156	D28285185	1	Arm	Right Hand
174	D20400537	2	Spacer	
177	D41087700	2	Locknut	
179	D28285270	2	Spring	
180	D41622700	1	Bearing Ball	Valid from machine/table no, can be used in new as well as in older machines 58241
181	D42513700	2	Circlip	Valid from machine/table no, can be used in new as well as in older machines 58241
182	D45702000	1	Hose	

FOOTNOTE [A] OPTIONAL EQUIPMENT

MF 7250/7252 COMBINE - 1637400
D-ZAZE-005-A



D-ZAZE-005-A

Table Housing And Guarding - Freeflow - 14' - 20'

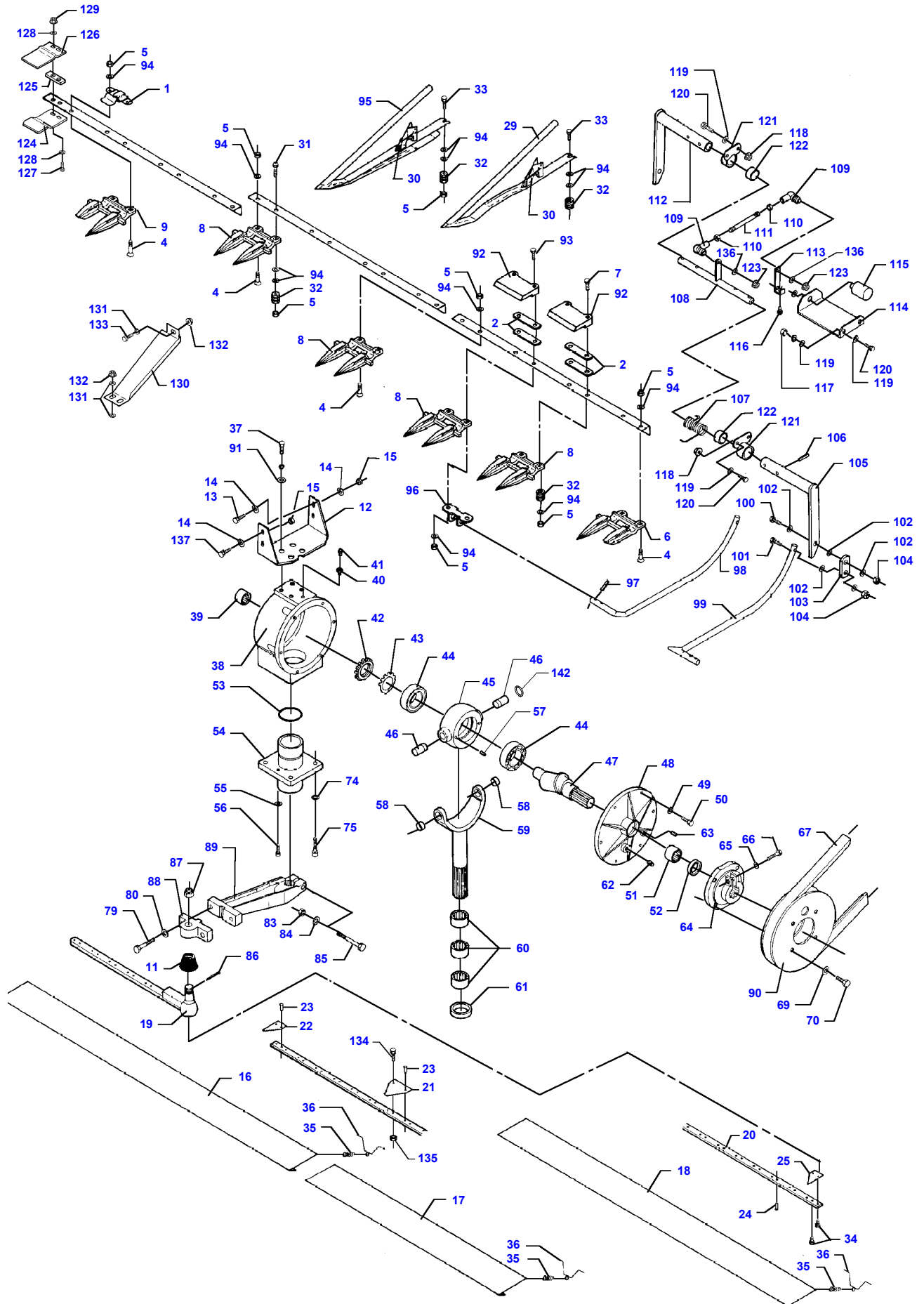
Item	Part Number	Qty	Description	Comments
1	D40402400	X	Hex. Sock. Screw	
2	D20400470	X	Washer	
3	D41013400	X	Nut	
5	D18283237	2	Cowl	18' - 5,56M
	D18283238	2	Cowl	20' - 6,16M
	D18283427	2	Cowl	16' - 4,95M
	D18283428	2	Cowl	14' - 4,34M
6	D40404900	X	Hex. Sock. Screw	
7	D20400506	X	Washer	
8	D41013500	X	Nut	
9	D18283236	1	Cowl	
11	D18283233	1	Cowl	Left Hand
13	D18283516	1	Side	Right Hand
14	D18283232	1	Cowl	Right Hand
15	D18285501	1	Table Housing	14' - 4,34M
	D18285502	1	Table Housing	16' - 4,95M
	D18285503	1	Table Housing	18' - 5,56M
	D18285504	1	Table Housing	20' - 6,16M
19	D45745300	X	Plug	
23	D40404900	X	Hex. Sock. Screw	
24	D20400506	X	Washer	
25	D41013500	X	Nut	
26	D18285767	1	Bracket	18' - 20' 5,56M - 6,16M
	D18285768	1	Bracket	14' - 16' 4,34M - 4,95M
27	D28281802	1	Deflector	Right Hand 16' - 4,95M
	D28281804	1	Deflector	Right Hand 18' - 5,56M
	D28281806	1	Deflector	Right Hand 20' - 6,16M
	D28282208	1	Deflector	Right Hand 14' - 4,34M
28	D28281801	1	Deflector	Left Hand 16' - 4,95M
	D28281803	1	Deflector	Left Hand 18' - 5,56M
	D28281805	1	Deflector	Left Hand 20' - 6,16M
	D28282207	1	Deflector	Left Hand 14' - 4,34M
30	D28283324	2	Deflector	20' - 6,16M
	D28283325	2	Deflector	18' - 5,56M
	D28283326	2	Deflector	16' - 4,95M
	D28283327	2	Deflector	14' - 4,34M
31	D28283256	3	Wearplate	16' - 4,95M
	D28283256	2	Wearplate	18' - 5,56M
	D28283256	4	Wearplate	20' - 6,16M
	D28283256	1	Wearplate	14' - 4,34M
32	D28283255	2	Wearplate	14' + 18' 4,34M + 5,56M
33	D28283253	1	Wearplate	Right Hand
34	D28283254	1	Wearplate	Left Hand
35	D41087500	X	Locknut	
37	D20400506	X	Washer	
38	D40405300	X	Screw	
39	D40407800	X	Hex. Sock. Screw	
40	D20400419	X	Washer	
41	D18250648	1	Clip	
42	D40402600	5	Hex. Sock. Screw	
43	D20400405	5	Washer	
44	D18285529	1	Profile	
45	D40407800	8	Hex. Sock. Screw	
46	D20400415	8	Washer	
47	D28283321	4	Clamp	18' - 20' 5,56M - 6,16M
	D28283321	2	Clamp	16' - 4,95M
48	D18285613	1	Cover	
49	D18284331	1	Guard	
50	D28283406	2	Deflector	

Item	Part Number	Qty	Description	Comments
51	D18280958	1	Cover	
52	D43427500	2	Pin	
53	D42555500	2	Circlip	
56	D18285775	1	Seal	Right Hand
57	D18285776	1	Seal	Left Hand
62	D40433300	4	Screw Metric	
63	D28181284	9	Washer	
64	D41087900	5	Locknut	
65	D18285739	1	Hook	Left Hand
66	D18285738	1	Hook	Right Hand
68	D28283557	X	Tensioner	
69	D44740000	X	Profile	Length 5 M
70	D18283938	1	Plate	Left Hand
75	D18285218	1	Plate	ACC AUTO-LEVEL
80	D18285763	1	Protector	18' - 20' 5,56M - 6,16M
80	D18285764	1	Protector	16' - 4,95M
80	D18285765	1	Protector	14' - 4,34M
81	D20400506	2	Washer	ACC AUTO-LEVEL
82	D28284249	1	Plate	ACC AUTO-LEVEL
83	D40404700	2	Hex. Sock. Screw	ACC AUTO-LEVEL
91	D40402400	X	Hex. Sock. Screw	
92	D20400404	X	Washer	
93	D41013400	X	Nut	
94	D40405100	4	Hex. Sock. Screw	
95	D41011100	1	Nut	
96	D28780381	2	Retainer	[A]
97	D28780381	1	Retainer	[B]
112	D41087500	X	Locknut	
113	D40405000	X	Hex. Sock. Screw	
116	D41010700	X	Nut	

FOOTNOTE [A] OPTIONAL EQUIPMENT ELECTRIC VERTICAL KNIFE RIGHT

FOOTNOTE [B] OPTIONAL EQUIPMENT ELECTRIC - VERTICAL KNIFE LEFT

MF 7250/7252 COMBINE - 1637400
D-ZAZF-005-A



Knives And Fingers - Powerflow - 14' - 20'

Item	Part Number	Qty	Description	Comments
1	D28283934	13	Clip	14' - 4,34M
	D28283934	15	Clip	16' - 4,95M
	D28283934	17	Clip	18' - 5,56M
	D28283934	19	Clip	20' - 6,16M
2	D28230292	4	Shim	
4	D40551500	X	Bolt	
5	D41010800	X	Nut	
6	D44104700	1	Finger	Left Hand
7	D40067600	X	Screw	
8	D44104500	27	Finger	14' - 4,34M
	D44104500	31	Finger	16' - 4,95M
	D44104500	35	Finger	18' - 5,56M
	D44104500	39	Finger	20' - 6,16M
9	D44104600	1	Finger	Right Hand
11	D44120500	1	Cap	
12	D28283104	1	Support	
13	D40405100	2	Hex. Sock. Screw	
14	D20400414	4	Washer	
15	D41087500	2	Locknut	
16	D28230842	2	Guard	18' - 5,56M
	D28230845	1	Guard	16' - 4,95M
	D28230845	1	Guard	20' - 6,16M
	D28230842	1	Guard	14' - 4,34M
17	D28230843	1	Guard	14' - 4,34M
				20' - 6,16M
18	D28230844	1	Guard	16' - 4,95M
	D28230844	1	Guard	20' - 6,16M
19	D28283009	2	Blade	18' - 5,56M
	D28283010	2	Blade	20' - 6,16M
	D28283307	2	Blade	14' - 4,34M
	D28283308	2	Blade	16' - 4,95M
	D28283011	2	Knife Head	
20	D28281489	2	Knife Back	14' - 4,34M
	D28281490	2	Knife Back	16' - 4,95M
	D28281491	2	Knife Back	18' - 5,56M
	D28281492	2	Knife Back	20' - 6,16M
21	D44103700	X	Section	
22	D44103800	X	Half Section	Right Hand
23	D41306100	X	Rivet	
24	D41306200	X	Rivet	
25	D44104000	1	Half Section	Left Hand
29	D49040200	X	Ear Lifter	
30	D49040400	X	Spring	
31	D40426000	X	Hex. Sock. Screw	
32	D49040600	17	Roller	
	D49040600	19	Roller	
	D49040600	21	Roller	
	D49040600	15	Roller	
33	D40426000	X	Hex. Sock. Screw	
34	D40402400	2	Hex. Sock. Screw	
35	D26500317	4	Spring	(16)
	D26500317	4	Spring	(18)
36	D28230841	4	Spring	(16)
	D28230841	4	Spring	(18)
37	D40405100	4	Hex. Sock. Screw	
38	D28281324	1	Wobble Drive	[A] Cpl.
	D44127800	1	Box	[A] (38)
	D28281324	1	Wobble Drive	[B] Cpl.
	D44126500	1	Box	[B]
39	D44128800	1	Bearing Needle	(38)
40	D44129400	1	Connector	(38)
41	D46116500	1	Valve	(38)
42	D44129100	1	Nut	(38)

Knives And Fingers - Powerflow - 14' - 20'

Item	Part Number	Qty	Description	Comments
43	D44129200	1	Washer	(38)
44	D41668400	2	Bearing Roller	(38)
45	D44127900	1	Housing	[A] (38)
45	D44126400	1	Housing	[B] (38)
46	D44128000	2	Journal	[A] (38)
46	D44125900	1	Journal	[B] (38)
47	D44129300	1	Shaft	(38)
48	D44128200	1	Cover	[A] (38)
48	D44126300	1	Cover	[B] (38)
49	D41100700	6	Spring Washers	(38)
50	D40404900	6	Hex. Sock. Screw	(38)
51	D41669700	1	Bearing Needle	(38)
52	D45412000	1	Gasket	(38)
53	D45481500	1	O Ring	(38)
54	D44128300	1	Bearing Carrier	[A] (38)
54	D44126200	1	Bearing Carrier	[B] (38)
55	D41100700	2	Spring Washers	(38)
56	D40697200	2	Screw	[A] (38)
56	D40697700	2	Screw	[B] (38)
57	D40639600	2	Pin	[A] (38)
58	D44128400	2	Bush	[A] (38)
58	D44126100	2	Bush	[B] (38)
59	D44128500	1	Yoke	[A] (38)
59	D44126000	1	Yoke	[B] (38)
60	D41669800	3	Bearing Needle	(38)
61	D45409500	1	Gasket	(38)
62	D44128600	1	Plug	(38)
63	D45236200	1	Plug	(38)
64	D44127100	1	Hub	(38)
65	D41100900	1	Spring Washers	(38)
66	D40694000	1	Screw	(38)
67	D41986300	1	V Belt	
69	D20400426	4	Washer	
70	D40410900	4	Hex. Sock. Screw	
71	D40405300	2	Screw	
74	D20400522	4	Spacer	Valid from machine/table no, can be used in new as well as in older machines 939560
75	D40465100	4	Screw	
79	D40698400	2	Screw	
80	D20400523	4	Spacer	
83	D41087700	1	Locknut	
84	D20400426	1	Washer	
85	D40429400	1	Screw Metric	
86	D41409100	1	Split Pin	
87	D41054300	1	Nut	
88	D44126900	1	Flange	
89	D44127000	1	Swivel Arm	
90	D44127200	1	Pulley	
91	D28280986	4	Washer	
92	D28260362	2	Clip	
93	D40067200	X	Screw	
94	D20400419	X	Washer	
95	D49040300	X	Ear Lifter	
96	D28284356	4	Fitting	ACC AUTO-LEVEL

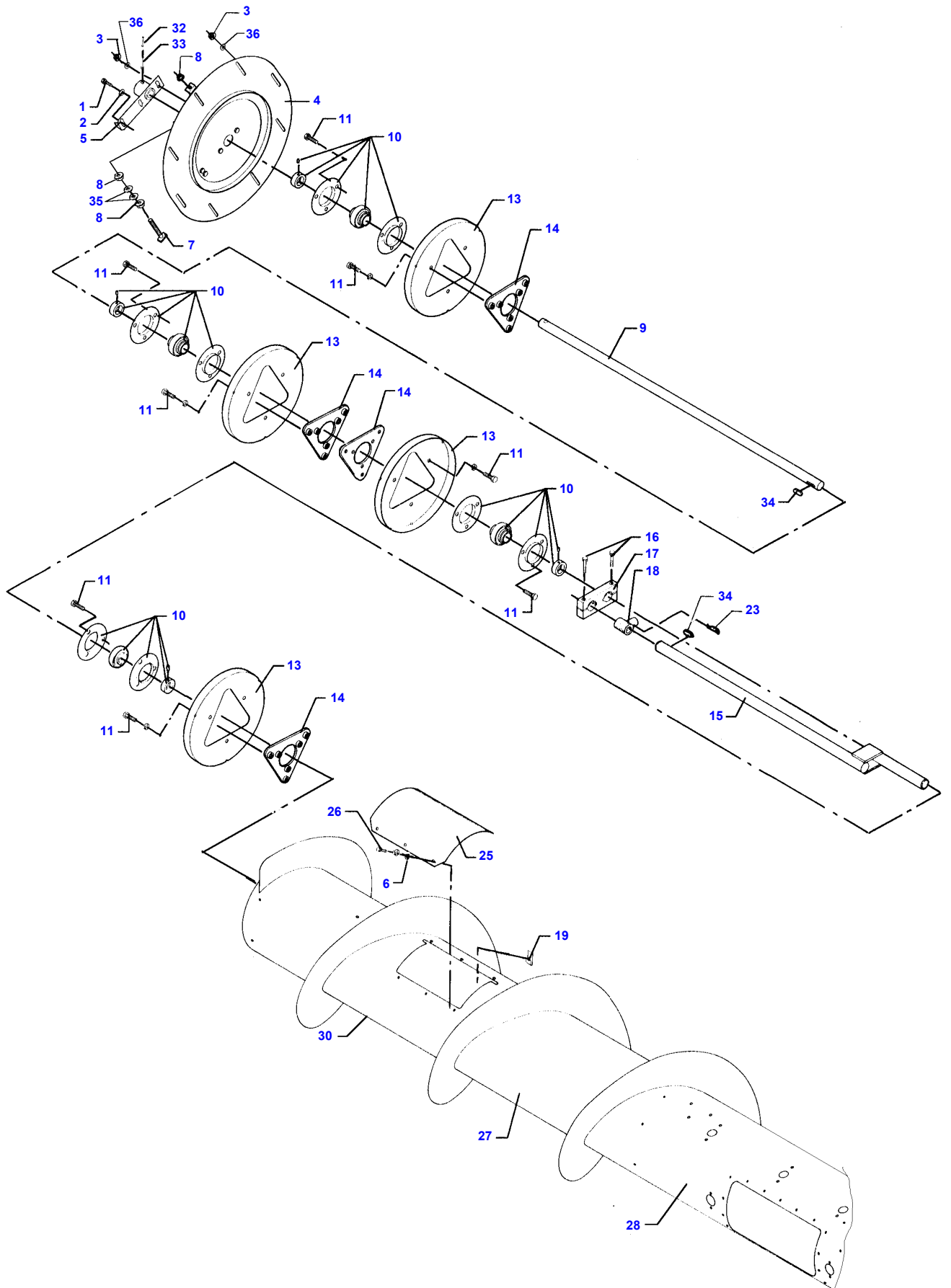
Knives And Fingers - Powerflow - 14' - 20'

Item	Part Number	Qty	Description	Comments
97	D42611800	8	Pin	ACC AUTO-LEVEL
98	D28284259	2	Sensor	ACC AUTO-LEVEL
99	D28284260	2	Sensor	ACC AUTO-LEVEL
100	D40405100	4	Hex. Sock. Screw	ACC AUTO-LEVEL
101	D40405300	4	Screw	ACC AUTO-LEVEL
102	D20400506	20	Washer	ACC AUTO-LEVEL
103	D28284363	4	Link	ACC AUTO-LEVEL
104	D41087500	8	Locknut	ACC AUTO-LEVEL
105	D28284227	2	Lever	Left Hand ACC AUTO-LEVEL
106	D42611900	8	Pin	ACC AUTO-LEVEL
107	D28281693	2	Spring	ACC AUTO-LEVEL
108	D28284232	2	Shaft	ACC AUTO-LEVEL
109	D46437300	4	Toggle	ACC AUTO-LEVEL
110	D41010600	4	Nut	ACC AUTO-LEVEL
111	D28780446	2	Rod	ACC AUTO-LEVEL
112	D28284226	2	Lever	Right Hand ACC AUTO-LEVEL
113	D28284361	2	Potentiometer	ACC AUTO-LEVEL
114	D28284360	2	Plate	ACC AUTO-LEVEL
115	D28780523	2	Meter	ACC AUTO-LEVEL
116	D40464900	2	Screw	ACC AUTO-LEVEL
117	D41010700	4	Nut	ACC AUTO-LEVEL
118	D41013500	8	Nut	ACC AUTO-LEVEL
119	D20400506	16	Washer	ACC AUTO-LEVEL
120	D40404900	12	Hex. Sock. Screw	ACC AUTO-LEVEL
121	D28284458	4	Bearing Bush	ACC AUTO-LEVEL
122	D28284456	4	Bush	ACC AUTO-LEVEL
123	D41088800	2	Locknut	ACC AUTO-LEVEL
124	D28281576	1	Plate	
125	D28281575	1	Shim	
126	D28281574	1	Plate	
127	D40423700	2	Screw Metric	
128	D20400506	2	Washer	
129	D41087500	2	Locknut	
130	D18281572	1	Guard	
131	D20400506	3	Washer	
132	D41087500	3	Locknut	
133	D40405000	1	Hex. Sock. Screw	
134	D40402400	X	Hex. Sock. Screw	Alternative D41306100
135	1441462X1	X	Locknut	Alternative D41306100 Replace and repair. Old not interchangeable with new D41087400
136	D20400404	4	Washer	
142	D45483000	1	O Ring	[B]

FOOTNOTE [A] USED ONLY IN KNIFE DRIVES WITH 6 HOLES IN BEARING HOUSING BOTTOM

FOOTNOTE [B] USED ONLY IN KNIFE DRIVES WITH 8HOLES IN BEARING HOUSING BOTTOM AND BULGES SIDES

MF 7250/7252 COMBINE - 1637400
D-ZAZG-005-A

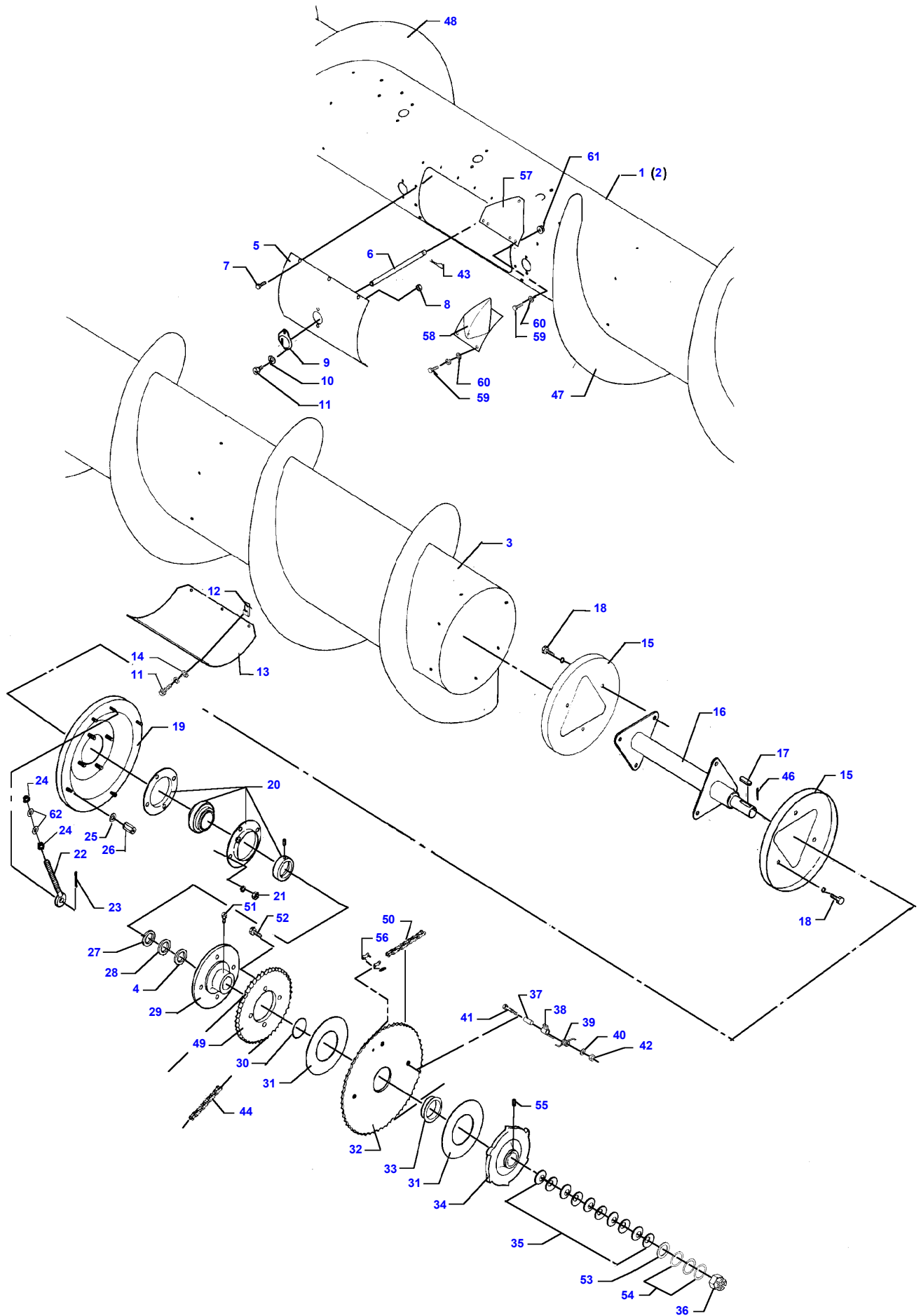


D-ZAZG-005-A

Table Auger Right Hand - Powerflow - 14' - 20'

Item	Part Number	Qty	Description	Comments
1	D40404700	1	Hex. Sock. Screw	
2	D20400506	1	Washer	
3	D41087500	10	Locknut	
4	D18283041	1	Plate	
5	D28283028	1	Support	
6	D20400470	12	Washer	
7	D28211023	1	Bolt	
8	D41010800	2	Nut	
9	D28283036	1	Shaft	18' - 5,56M
	D28283037	1	Shaft	20' - 6,16M
	D28283767	1	Shaft	14' - 4,34M
	D28283768	1	Shaft	16' - 4,95M
10	D41707800	4	Bearing	
11	D40407900	24	Hex. Sock. Screw	
13	D28280014	4	Plate	
14	D28283847	4	Bearing Plate	
15	D28283016	1	Crankshaft	
16	D40426100	2	Screw	
17	D28283039	1	Arm	
18	D28251831	15	Bearing Carrier	
19	D43428200	6	Nut	
23	D28283853	15	Hair Pin	
25	D18283070	1	Cover	
26	D40402600	6	Hex. Sock. Screw	
27	D18283950	1	Table Auger	14' - 4,34M Up to Serial or Engine Number 939559
	D18283951	1	Table Auger	16' - 4,95M Up to Serial or Engine Number 939559
	D18283952	1	Table Auger	18' - 5,56M Up to Serial or Engine Number 939559
	D18283953	1	Table Auger	20' - 6,16M Up to Serial or Engine Number 939559
	D18285983	1	Table Auger	14'-4,34M From Serial or Engine Number 939560
	D18285984	1	Table Auger	16'-4,95M From Serial or Engine Number 939560
	D18285986	1	Table Auger	18'-5,56M From Serial or Engine Number 939560
	D18285986	1	Table Auger	20'-6,16M From Serial or Engine Number 939560
28	D28283012	1	Body	
30	D28283032	1	Tube	Right Hand 18' - 5,56M
	D28283034	1	Body	Right Hand 20' - 6,16M
	D28283792	1	Body	Right Hand 14' - 4,34M
	D28283795	1	Body	Right Hand 16' - 4,95M
32	D42616400	1	Pin	
33	D42625300	1	Pin	
34	D43104700	2	Key	
35	D20400471	X	Washer	
36	D20400414	10	Washer	

MF 7250/7252 COMBINE - 1637400
D-ZAZH-005-A



D-ZAZH-005-A

Item	Part Number	Qty	Description	Comments
1	D18283950	1	Table Auger	14' - 4,34M Up to Serial or Engine Number 939559
	D18283951	1	Table Auger	16' - 4,95M Up to Serial or Engine Number 939559
	D18283952	1	Table Auger	18' - 5,56M Up to Serial or Engine Number 939559
	D18283953	1	Table Auger	20' - 6,16M Up to Serial or Engine Number 939559
	D18285983	1	Table Auger	14'-4,34M From Serial or Engine Number 939560
	D18285984	1	Table Auger	16'-4,95M From Serial or Engine Number 939560
	D18285986	1	Table Auger	20'-6,16M From Serial or Engine Number 939560
	D18285985	1	Table Auger	18'-5,56M From Serial or Engine Number 939560
2	D28283012	1	Body	
3	D28283031	1	Body	Left Hand 20' - 6,16M
	D28283033	1	Body	Left Hand 18' - 5,56M
	D28283793	1	Body	Left Hand 14' - 4,34M
	D28283794	1	Body	Left Hand 16' - 4,95M
4	D28280957	X	Washer	OPTIONAL
5	D18283078	1	Cover	
6	D28283815	15	Finger	
7	D40402400	8	Hex. Sock. Screw	
8	1441462X1	X	Locknut	Replace and repair. Old not interchangeable with new D41087400
9	D28283060	15	Bush	
10	D20400404	X	Washer	
11	D40402600	X	Hex. Sock. Screw	
12	D43428200	6	Nut	
13	D18283070	1	Cover	
14	D20400470	6	Washer	
15	D28280014	2	Plate	
16	D28285100	1	Drive Shaft	
17	D43106800	1	Key	
18	D40407900	X	Hex. Sock. Screw	
19	D18283053	1	Plate	
20	D41716500	1	Bearing	
21	D41010900	4	Nut	
22	D28281387	1	Screw	
23	D41405900	1	Pin	
24	D41010800	2	Nut	
25	D20400416	4	Washer	
26	D28280729	4	Nut	
27	D41653500	X	Washer	OPTIONAL
28	D41653500	X	Washer	OPTIONAL
29	D28283004	1	Washer	
30	D45481600	1	O Ring	
31	D45904300	2	Facing	
32	D28283153	1	Sprocket	
33	D28283000	1	Insert	
34	D28283003	1	Washer	
35	D41112400	10	Washer	
36	D41054100	1	Castle Nut	
37	D28281431	1	Spacer	
38	D28281432	1	Support	
39	D28283006	1	Spring	
40	D20400507	1	Spacer	
41	D40426100	1	Screw	
42	D41087600	1	Locknut	
43	D28283853	15	Hair Pin	
44	D42332800	1	Chain	
46	D41408800	1	Split Pin	
47	D28283945	1	Screw	Right Hand 14' - 4,34M
	D28283946	1	Screw	Right Hand 16' - 4,95M

Massey Ferguson**MF 7250/7252 COMBINE - 1637400**

1637400

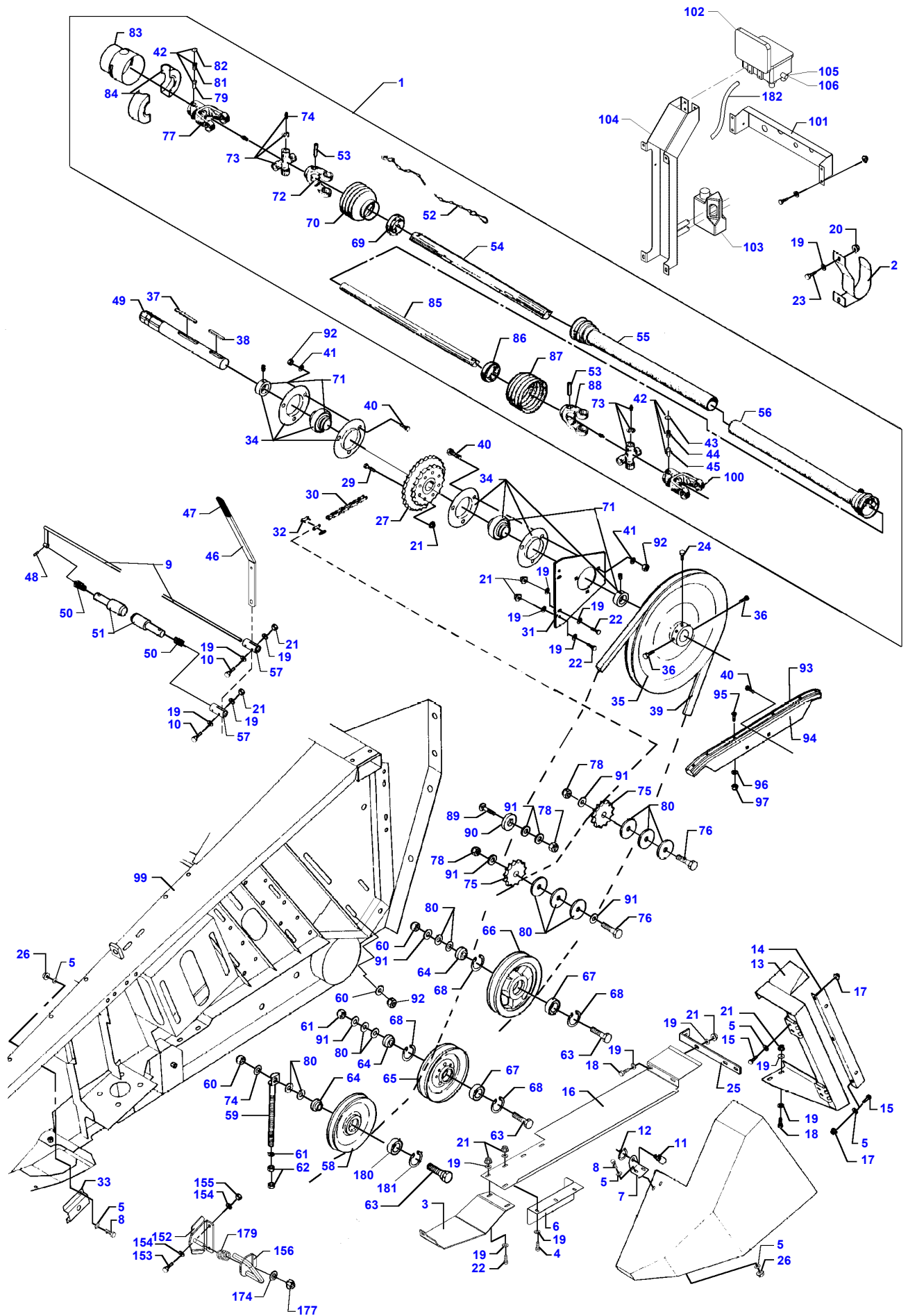
Table Auger Left Hand - Powerflow - 14' - 20'

Page001-0008

Item	Part Number	Qty	Description	Comments
47	D28283947	1	Screw	Right Hand 18' - 5,56M
47	D28283948	1	Screw	Right Hand 20' - 6,16M
48	D28283940	1	Screw	Left Hand 14' - 4,34M
48	D28283941	1	Screw	Left Hand 16' - 4,95M
48	D28283942	1	Screw	Left Hand 18' - 5,56M
48	D28283943	1	Screw	Left Hand 20' - 6,16M
49	D28283182	1	Sprocket	
50	D42329200	1	Chain	
51	D40405000	1	Hex. Sock. Screw	
52	D40404900	4	Hex. Sock. Screw	
53	D20400520	1	Spacer	
54	D20400522	4	Spacer	
55	D43001500	1	Greaser	
56	D42365100	1	Link	
57	D28281694	4	Threaded Part	[A]
58	D28283297	4	Finger	[A]
59	D40404900	20	Hex. Sock. Screw	[A]
60	D20400506	20	Washer	[A]
61	D41087500	12	Locknut	[A]
62	D20400471	2	Washer	

FOOTNOTE [A] OPTIONAL EQUIPMENT STANDARD COMBINE, STANDARD EQUIPMENT AUTO-LEVEL COMBINE,SLOPES

MF 7250/7252 COMBINE - 1637400
D-ZAZI-005-B



D-ZAZI-005-B

Guarding And Transmissions - Powerflow - 14' - 20'

Item	Part Number	Qty	Description	Comments
1	D45608900	1	Shaft	14' - 4,34M
	D45609600	1	Shaft	16' - 4,95M
	D45609100	1	Shaft	18' - 20' 5,56M - 6,16M
2	D18281345	1	Stirrup	
3	D28281709	1	Guard	
4	D40404900	X	Hex. Sock. Screw	
5	D20400470	X	Washer	
6	D28281708	1	Protector	
7	D28281577	1	Angle	
8	D40402600	X	Hex. Sock. Screw	
9	D28285117	1	Rod	
10	D40423900	X	Hex. Sock. Screw	
11	D43427500	1	Pin	
12	D42555500	1	Circlip	
13	D18280541	1	Post	
14	D18280550	1	Angle	
15	D40402400	X	Hex. Sock. Screw	
16	D28281707	1	Plate	
17	D41013400	X	Nut	
18	D40405100	X	Hex. Sock. Screw	
19	D20400506	X	Washer	
20	D41013500	X	Nut	
21	D41087500	X	Locknut	
22	D40405000	X	Hex. Sock. Screw	
23	D40404700	X	Hex. Sock. Screw	
24	D40466200	4	Setscrew	
25	D28283924	1	Reinforcement	
26	1441462X1	X	Locknut	Replace and repair. Old not interchangeable with new D41087400
27	D28285385	1	Gear	
29	D40423600	8	Screw Metric	
30	D42329200	1	Chain	
31	D18281366	1	Bearing Carrier	
32	D42365500	1	Link	
33	D28281578	1	Retainer	
34	D41707800	2	Bearing	
35	D28285423	1	Pulley	
36	D40466700	2	Hex. Sock. Screw	
37	D43114900	1	Key	
38	D43105000	1	Key	
39	D41986300	1	V Belt	
40	D40066800	6	Screw Metric	
41	D20400419	6	Washer	
42	D45632400	2	Tube	
43	D45645700	2	Washer	
44	D45667300	2	Spring	
45	D45665300	2	Pin	
46	D28285127	1	Lever	
47	D43484900	1	Lever	
48	D42612200	X	Pin	
49	D28284404	1	Shaft	
50	D27100794	2	Spring	
51	D28283200	1	Shaft	
52	D45681800	2	Chain	
53	D42619100	2	Pin	
54	D45631100	1	Tube	18' - 20' 5,56M - 6,16M
	D45632800	1	Tube	16' - 4,95M
55	D45631900	1	Tube	18' - 20' 5,56M - 6,16M
	D45632600	1	Tube	16' - 4,95M
56	D45632100	1	Tube	14' - 4,34M

Guarding And Transmissions - Powerflow - 14' - 20'

Item	Part Number	Qty	Description	Comments
56	D45632300	1	Tube	18' - 20' 5,56M - 6,16M
56	D45632500	1	Tube	16' - 4,95M
57	D28285126	2	Fork	
58	D28760574	1	Pulley	Valid from machine/table no, can be used in new as well as in older machines 58241
59	D28260181	1	Bolt	
60	D41087900	3	Locknut	
61	D20400416	X	Washer	
62	D41010800	X	Nut	
63	D28760156	3	Screw	
64	D28760155	3	Bush	
65	D28752130	1	Pulley	
66	D28280819	1	Pulley	
67	D41622700	2	Bearing Ball	
68	D42513700	4	Circlip	
69	D45630600	1	Ring	
70	D45630400	1	Guard	
71	D41663400	2	Bearing Ball	
72	D45630200	1	Yoke	
73	D45630300	2	Hub	
74	D43001600	2	Greaser	
75	D41716800	2	Tightener	
76	D40433600	2	Screw Metric	
77	D45633100	1	Yoke	[A]
78	D41087900	X	Locknut	
79	D45665300	2	Pin	
80	D20400460	X	Washer	
81	D45667300	2	Spring	
82	D45645700	2	Washer	
83	D45632900	1	Bush	
84	D45633300	1	Profile	
85	D45631500	1	Tube	18' - 20' 5,56M - 6,16M 16' - 4,95M
85	D45632700	1	Tube	16' - 4,95M
86	D45630700	1	Ring	
87	D45630500	1	Guard	
88	D45630100	1	Yoke	
89	D40073100	1	Screw	
90	D28280981	1	Spacer	
91	D28181284	X	Washer	
92	D41087600	X	Locknut	
93	D28280787	1	Rail	
94	D28281365	1	Crossmember	
95	D40609300	6	Screw	
96	D20400466	6	Washer	
97	D41087200	6	Locknut	
99	D18285509	1	Table Housing	14' - 4,34M
99	D18285510	1	Table Housing	16' - 4,95M
99	D18285511	1	Table Housing	18' - 5,56M
99	D18285512	1	Table Housing	20' - 6,16M
100	D45633200	1	Yoke	[A]
101	D18285215	1	Bracket	
102	D28785641	1	Clutch	[B]
103	D45148900	1	Container	[B]
104	D28285296	1	Bracket	[B]
105	D45140037	2	Screw	[B]
106	D45140038	2	Ring	[B]
152	D28285166	2	Support	
153	D40407900	4	Hex. Sock. Screw	
154	D20400507	8	Spacer	
155	D41087600	4	Locknut	
156	D28285162	1	Arm	Left Hand
156	D28285185	1	Arm	Right Hand
174	D20400537	2	Spacer	
177	D41087700	2	Locknut	
179	D28285270	2	Spring	
180	D41622700	1	Bearing Ball	Valid from machine/table no, can be used in new as well as in older machines 58241

Massey Ferguson

MF 7250/7252 COMBINE - 1637400

1637400

Guarding And Transmissions - Powerflow - 14' - 20'

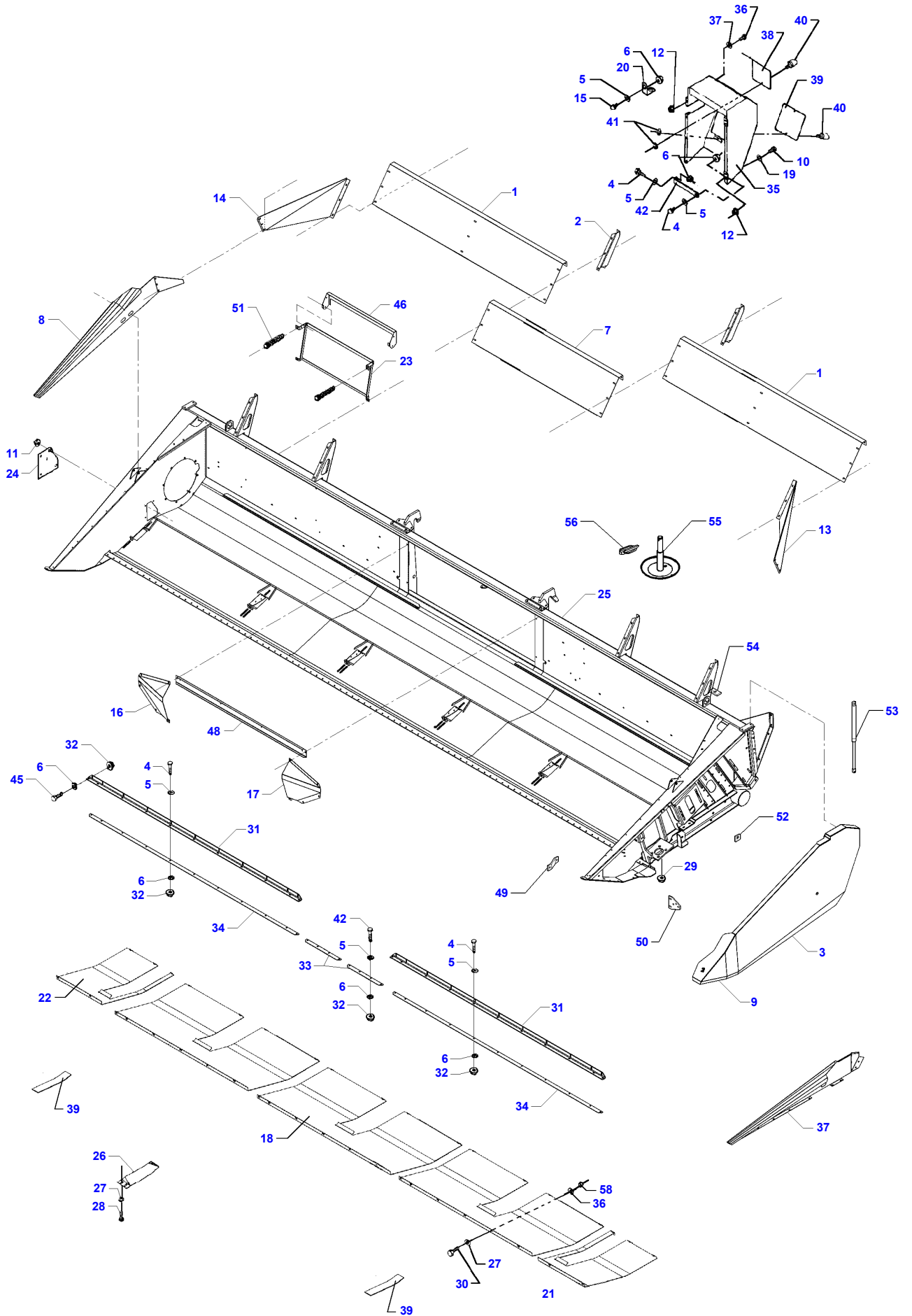
Page001-0009

Item	Part Number	Qty	Description	Comments
181	D42513700	2	Circlip	Valid from machine/table no, can be used in new as well as in older machines 58241
182	D45702000	1	Hose	

FOOTNOTE [A] DELIVERED IN SETS

FOOTNOTE [B] OPTIONAL EQUIPMENT

MF 7250/7252 COMBINE - 1637400
D-ZAAZ-005-A



D-ZAAZ-005-A

Table Housing And Guarding - Powerflow - 14' - 20'

Item	Part Number	Qty	Description	Comments
1	D18285660	2	Plate	14' - 4,34M
	D18285661	2	Plate	16' - 4,95M
	D18285662	2	Plate	18' - 5,56M
	D18285663	2	Plate	20' - 6,16M
2	D18285124	2	Fitting	
3	D18280552	1	Guard	
4	D40404900	X	Hex. Sock. Screw	
5	D20400506	X	Washer	
6	D41013500	X	Nut	
7	D18285120	1	Guard	
8	D18283554	1	Panel	Right Hand
9	D18281582	1	Guard	
10	D40402400	X	Hex. Sock. Screw	
11	D20400404	X	Washer	
12	D41013400	X	Nut	
13	D18285122	1	Guard	
14	D18285121	1	Guard	
15	D40404700	X	Hex. Sock. Screw	
16	D18285313	1	Guard	Right Hand
17	D18285314	1	Guard	Left Hand
18	D28280255	2	Wearplate	14' - 4,34M
	D28280255	1	Wearplate	16' - 4,95M
	D28280255	3	Wearplate	18' - 5,56M
	D28280256	3	Wearplate	20' - 6,16M
19	D20400470	X	Washer	
20	D18250648	1	Clip	
21	D28280253	1	Wearplate	Left Hand 14' + 18' 4,34M + 5,56M
	D28280257	1	Wearplate	Left Hand 20' - 6,16M
	D28280915	1	Wearplate	Left Hand 16' - 4,95M
22	D28280254	1	Wearplate	Right Hand 14' + 18' 4,34M + 5,56M
	D28280258	1	Wearplate	Right Hand 20' - 6,16M
	D28280916	1	Wearplate	Right Hand 16' - 4,95M
23	D18285767	1	Bracket	18' - 20' 5,56M - 6,16M
	D18285768	1	Bracket	14' - 16' 4,34M - 4,95M
24	D18280359	1	Shutter	
25	D18285509	1	Table Housing	14' - 4,34M
	D18285510	1	Table Housing	16' - 4,95M
	D18285511	1	Table Housing	18' - 5,56M
	D18285512	1	Table Housing	20' - 6,16M
26	D28251486	3	Cover	16' - 18' - 20' 4,95M - 5,56M 6,16M
	D28251486	2	Cover	14' - 4,34M
27	D20400506	X	Washer	
28	D20400470	X	Washer	
30	D40423700	X	Screw Metric	
31	D28285648	2	Angle	Valid from machine/table no, can be used in new as well as in older machines 939560 14' - 4,34M
	D28285649	2	Angle	Valid from machine/table no, can be used in new as well as in older machines 939560 16' - 4,95M
	D28285650	2	Angle	Valid from machine/table no, can be used in new as well as in older machines 939560 18' - 5,56M
	D28285651	2	Angle	Valid from machine/table no, can be used in new as well as in older machines 939560 20' - 6,16M
32	D41010700	X	Nut	
33	D28285197	2	Scraper	
34	D28285654	2	Strip	14' - 4,34M
	D28285655	2	Strip	16' - 4,95M
	D28285656	2	Strip	18' - 5,56M
	D28285657	2	Strip	20' - 6,16M

Massey Ferguson**MF 7250/7252 COMBINE - 1637400**

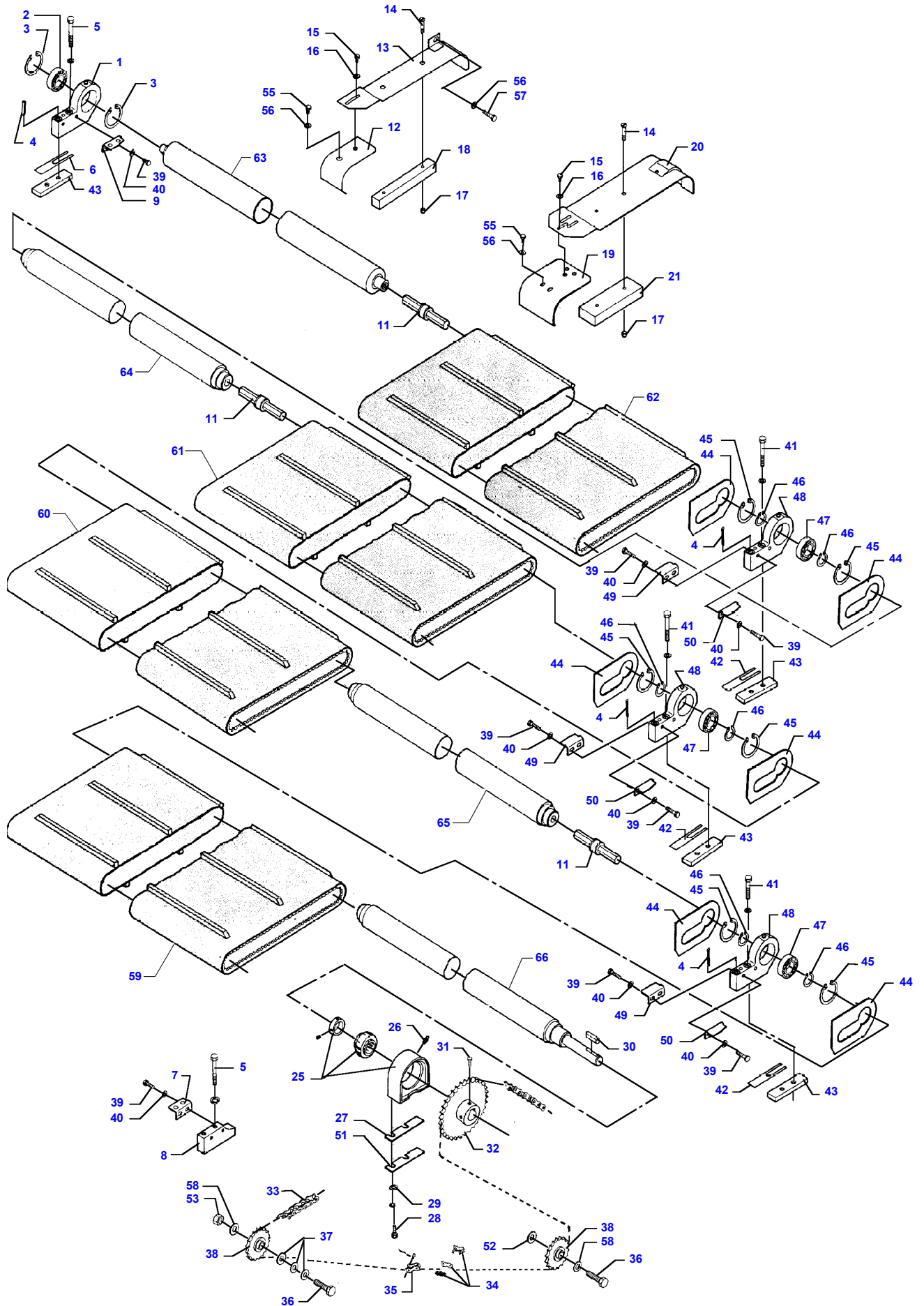
1637400

Table Housing And Guarding - Powerflow - 14' - 20'

Page001-0010

Item	Part Number	Qty	Description	Comments
35	D18283723	1	Panel	
36	D41087500	X	Locknut	
37	D18285590	1	Side	Left Hand
38	D18280965	1	Cover	
39	D18280958	1	Cover	
39	D28283984	2	Wearplate	
40	D43427500	4	Pin	
42	D28283924	1	Reinforcement	
45	D40405000	X	Hex. Sock. Screw	
46	D18285763	1	Protector	18' - 20' 5,56M - 6,16M
46	D18285764	1	Protector	14' - 16' 4,34M - 4,95M
47	D28780381	X	Retainer	
48	D18285801	1	Plate	
49	D18285097	1	Brace	Valid from machine/table no, can be used in new as well as in older machines 939560
50	D28285170	1	Cover	Valid from machine/table no, can be used in new as well as in older machines 931560
52	D28285271	1	Dog	Valid from machine/table no, can be used in new as well as in older machines 931560
53	D45056600	1	Gas Strut	Valid from machine/table no, can be used in new as well as in older machines 931560
54	D28285289	1	Support	Valid from machine/table no, can be used in new as well as in older machines 931560
55	D28285180	1	Bar	
56	D41446200	1	Split Pin	

MF 7250/7252 COMBINE - 1637400
D-ZAAH-005-A



Powerflow Band - Left Hand - 14' - 20'

Item	Part Number	Qty	Description	Comments
1	D28251562	1	Bearing Carrier	
	D28251581	1	Bearing Carrier	(1)
2	D41715600	1	Bearing Ball	(1)
3	D42514500	2	Circlip	(1)
4	D42616100	6	Pin	
5	D40426600	X	Hex. Sock. Screw	
6	D28251519	X	Shim	OPTIONAL
7	D28251380	4	Bracket	Right Hand 14' - 4,34M
	D28251380	5	Bracket	Right Hand 16' - 18' - 20' 4,95M - 5,56M 6,16M
8	D28251419	1	Bracket	Replace and repair. Old interchangeable with new D18251419
9	D28251379	4	Bracket	Left Hand 14' - 4,34M
	D28251379	5	Bracket	Left Hand 16' - 18' - 20' 4,95M - 5,56M 6,16M
11	D28251565	2	Shaft	14' - 4,34M
	D28251565	3	Shaft	16' - 18' - 20' 4,95M - 5,56M 6,16M
12	D18281700	1	Plate	Right Hand 20' - 6,16M
	D18284385	1	Shield	Right Hand 14' - 4,34M
	D18284386	1	Shield	Right Hand 16' - 4,95M
	D18284387	1	Shield	Right Hand 18' - 5,56M
	D18284524	1	Guard	Right Hand 22' - 6,77M
13	D18281703	1	Plate	Right Hand 20' - 6,16M
	D18284374	1	Shield	Left Hand 14' - 4,34M
	D18284377	1	Shield	Right Hand 18' - 5,56M
	D18284379	1	Shield	Right Hand 16' - 4,95M
14	D40064000	X	Screw	
15	D40404900	X	Hex. Sock. Screw	
16	D20400506	X	Washer	
17	D41087500	X	Locknut	
18	D28281310	2	Guide	
19	D18281698	2	Shield	14' - 4,34M
	D18281698	3	Shield	16' - 18' - 20' 4,95M - 5,56M 6,16M
20	D18281699	2	Shield	14' - 4,34M
	D18281699	3	Shield	16' - 18' - 20' 4,95M - 5,56M 6,16M
21	D28281311	4	Guide	
25	D41715800	1	Bearing Carrier	
26	D43004900	1	Grease Nipple	
27	D28251448	X	Shim	OPTIONAL
28	D40408000	X	Hex. Sock. Screw	
29	D20400419	X	Washer	
30	D43104900	1	Key	
31	D40466200	2	Setscrew	
32	D28251161	1	Sprocket	Number of teeth/spines 32
	D28251163	2	Sprocket	[A]
33	D42332800	1	Chain	
34	D42363100	1	Link	
35	D42363500	1	Link	
36	D40433600	2	Screw Metric	
37	D20400460	4	Washer	
38	D41712300	2	Tensioner	

Powerflow Band - Left Hand - 14' - 20'

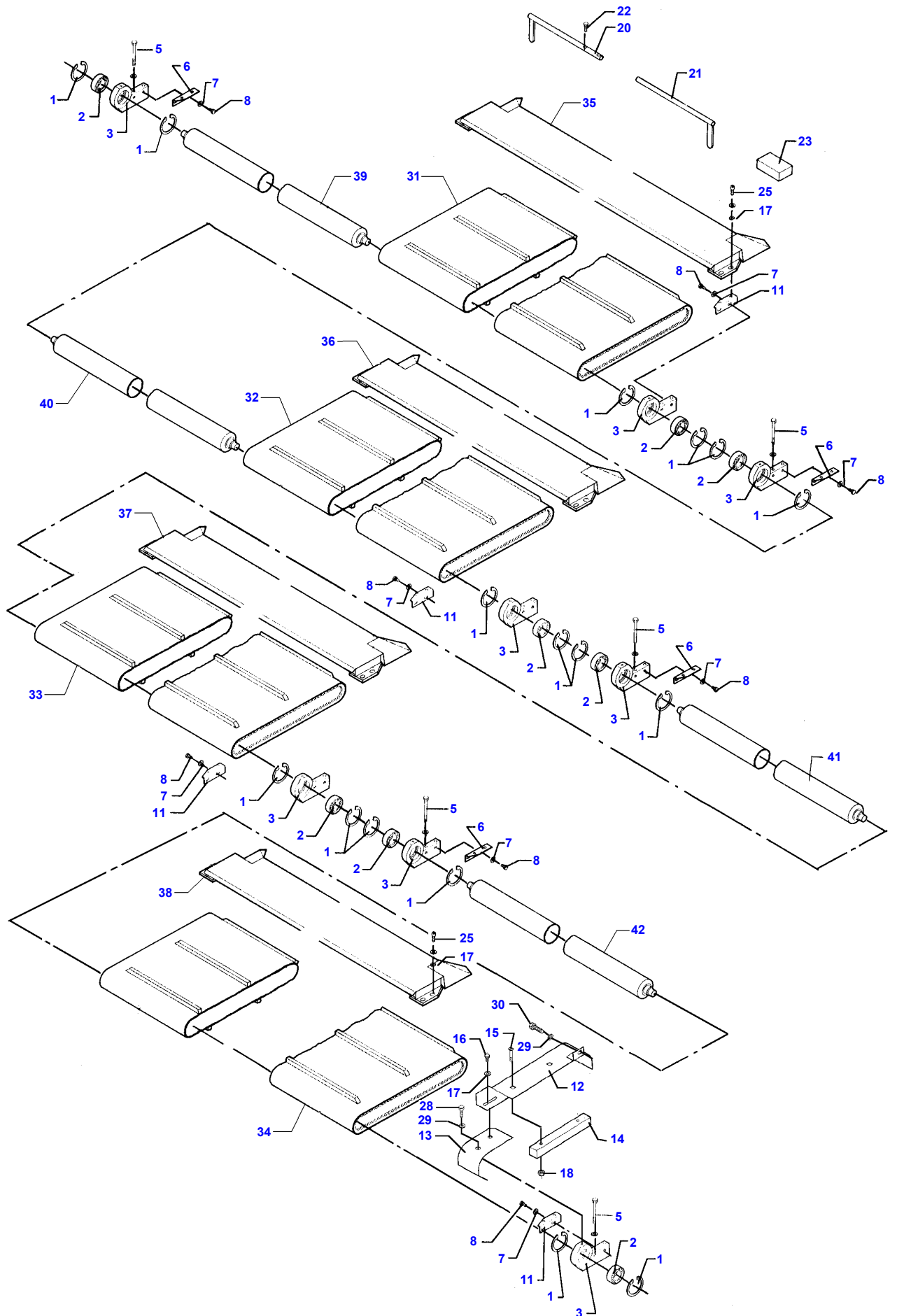
Item	Part Number	Qty	Description	Comments
39	D40404900	X	Hex. Sock. Screw	
40	D20400506	X	Washer	
41	D40693100	X	Screw	
42	D28251445	X	Shim	OPTIONAL
43	D28251146	3	Strap	14' - 4,34M
43	D28251146	4	Strap	16' - 18' - 20' 4,95M - 5,56M 6,16M
44	D28251420	4	Control	14' - 4,34M
44	D28251420	6	Control	16' - 18' - 20' 4,95M - 5,56M 6,16M
45	D42515400	8	Circlip	
46	D42503300	8	Circlip	
47	D41716300	4	Bearing Ball	
48	D28251583	2	Bearing Carrier	14' - 4,34M
48	D28251583	3	Bearing Carrier	16' - 18' - 20' 4,95M - 5,56M 6,16M
49	D28251417	2	Scraper	Left Hand 14' - 4,34M
49	D28251417	3	Scraper	Left Hand 16' - 18' - 20' 4,95M - 5,56M 6,16M
50	D28251418	2	Scraper	Right Hand 14' - 4,34M
50	D28251418	3	Scraper	Right Hand 16' - 18' - 20' 4,95M - 5,56M 6,16M
51	D28281522	X	Shim	OPTIONAL
52	D20400516	X	Spacer	OPTIONAL
53	D41087900	1	Locknut	
55	D40402200	X	Hex. Sock. Screw	
56	D20400470	X	Washer	
57	D40402400	1	Hex. Sock. Screw	
58	D28181284	2	Washer	
59	D28250932	1	Band	18' - 20' 5,56M - 6,16M
59	D28250931	1	Band	16' - 4,95M
59	D44742000	1	Kit, Repair	[B]
60	D28250931	1	Band	14' - 16' 4,34M - 4,95M 18' - 5,56M
60	D28250932	1	Band	20' - 6,16M
61	D28250931	1	Band	16' - 18' 4,95M - 5,56M
61	D28250932	1	Band	20' - 6,16M
62	D28250931	1	Band	16' - 4,95M
62	D28250932	1	Band	18' - 20' 5,56M - 6,16M
63	D28284144	1	Roller	Right Hand 16' - 4,95M Up to Serial or Engine Number 939559
63	D28285817	1	Roller	Right Hand 16' - 4,95M From Serial or Engine Number 939560
63	D28284108	1	Roller	Right Hand 18' - 20' 5,56M - 6,16M Up to Serial or Engine Number 939559
63	D28285142	1	Roller	Right Hand 18' - 20' 5,56M - 6,16M
64	D28284145	1	Roller	16' - 18' 4,95M - 5,56M
64	D28284109	1	Roller	20' - 6,16M Up to Serial or Engine Number 939559
64	D28285142	1	Roller	20' - 6,16M From Serial or Engine Number 939560
64	D28285817	1	Roller	16' - 18' 4,95M - 5,56M 20' - 6,16M

Massey Ferguson**MF 7250/7252 COMBINE - 1637400****1637400****Powerflow Band - Left Hand - 14' - 20'****Page001-0011**

Item	Part Number	Qty	Description	Comments
65	D28284145	1	Roller	16' - 18' 4,95M - 5,56M 14' - 4,34M Up to Serial or Engine Number 939559
65	D28285817	1	Roller	16' - 18' 4,95M - 5,56M 14' - 4,34M From Serial or Engine Number 939560
65	D28284109	1	Roller	20' - 6,16M Up to Serial or Engine Number 939559
65	D28285142	1	Roller	20' - 6,16M From Serial or Engine Number 939560
66	D28284146	1	Roller	Left Hand 16' - 4,95M
66	D28284110	1	Roller	18' - 20' 5,56M - 6,16M
66	D28285817	1	Roller	16' - 4,95M From Serial or Engine Number 939560
66	D28285142	1	Roller	14' - 18' 4,34M - 5,56M 20' - 6,16M From Serial or Engine Number 939560

FOOTNOTE [A] OPTIONAL EQUIPMENT**FOOTNOTE [B] NOT ILLUSTRATED**

MF 7250/7252 COMBINE - 1637400
D-ZAAI-005-A



Massey Ferguson

MF 7250/7252 COMBINE - 1637400

1637400

Powerflow Band - Right Hand - 14' - 20'

Page001-0012

Item	Part Number	Qty	Description	Comments
1	D42514500	16	Circlip	16' - 18' - 20' 4,95M - 5,56M 6,16M
2	D42514500	12	Circlip	14' - 4,34M
	D41715600	8	Bearing Ball	16' - 18' - 20' 4,95M - 5,56M 6,16M
3	D41715600	6	Bearing Ball	14' - 4,34M
	D28251582	8	Bearing Carrier	16' - 18' - 20' 4,95M - 5,56M 6,16M
	D28251582	6	Bearing Carrier	14' - 4,34M
5	D40426600	16	Hex. Sock. Screw	
6	D28251380	4	Bracket	Right Hand 16' - 18' - 20' 4,95M - 5,56M 6,16M
	D28251380	3	Bracket	Right Hand 14' - 4,34M
7	D20400506	16	Washer	16' - 18' - 20' 4,95M - 5,56M 6,16M
8	D40697400	16	Screw	16' - 18' - 20' 4,95M - 5,56M 6,16M
	D40697400	12	Screw	14' - 4,34M
11	D28251379	4	Bracket	Left Hand 16' - 18' - 20' 4,95M - 5,56M 6,16M
	D28251379	3	Bracket	Left Hand 14' - 4,34M
12	D18281702	1	Plate	Left Hand 20' - 6,16M
	D18284374	1	Shield	Left Hand 14' - 4,34M
	D18284375	1	Shield	Left Hand 18' - 5,56M
	D18284378	1	Shield	Left Hand 16' - 4,95M
13	D18281701	1	Plate	Left Hand 20' - 6,16M
	D18284381	1	Shield	Left Hand 14' - 4,34M
	D18284382	1	Shield	Left Hand 16' - 4,95M
	D18284383	1	Shield	Left Hand 18' - 5,56M
14	D28281310	2	Guide	
15	D40064000	X	Screw	
16	D40404900	X	Hex. Sock. Screw	
17	D20400506	X	Washer	
18	D41087500	X	Locknut	
20	D28251543	1	Tool	
	D28251545	1	Tool	(20)
21	D28251544	1	Tool	(20)
22	D43385200	2	Screw	(20)
23	D28251547	1	Adjuster	(20)
25	D40690300	16	Screw	16' - 18' - 20' 4,95M - 5,56M 6,16M
	D40690300	12	Screw	14' - 4,34M
28	D40402200	X	Hex. Sock. Screw	
29	D20400470	X	Washer	
30	D40402400	1	Hex. Sock. Screw	
31	D28250932	1	Band	14' - 18' 4,34M - 5,56M 20' - 6,16M
	D28250931	1	Band	16' - 4,95M
32	D28250931	1	Band	14' - 16' 4,34M - 4,95M 18' - 5,56M

Massey Ferguson**MF 7250/7252 COMBINE - 1637400**

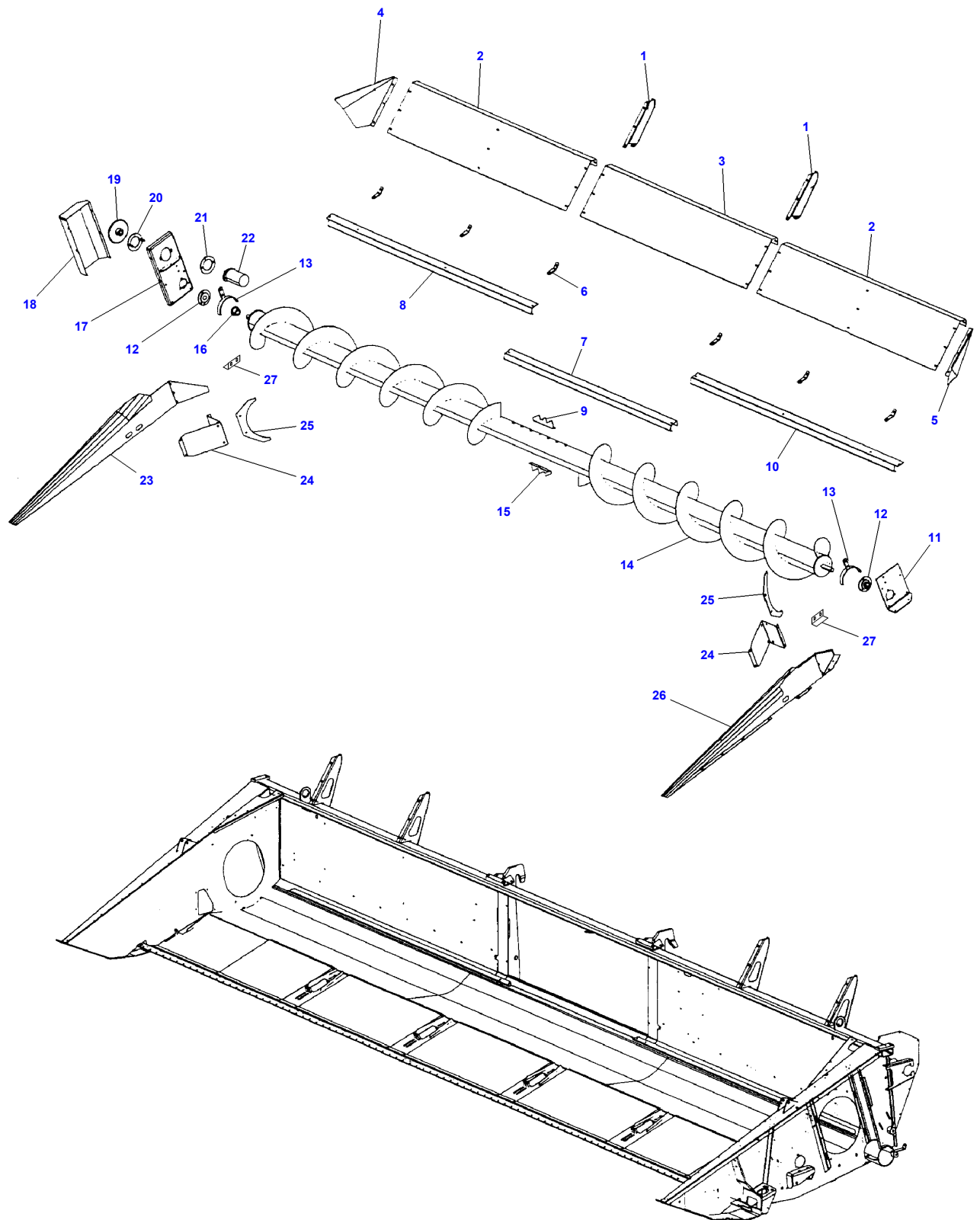
1637400

Powerflow Band - Right Hand - 14' - 20'

Page001-0012

Item	Part Number	Qty	Description	Comments
32	D28250932	1	Band	20' - 6,16M
33	D28250931	1	Band	16' - 18' 4,95M - 5,56M
33	D28250932	1	Band	20' - 6,16M
34	D28250932	1	Band	18' - 20' 5,56M - 6,16M
34	D28250931	1	Band	16' - 4,95M
35	D28281563	1	Scraper	16' - 4,95M
35	D28281562	1	Scraper	14' - 18' 4,34M - 5,56M
36	D28281563	1	Scraper	20' - 6,16M 14' - 16' 4,34M - 5,56M
36	D28281562	1	Scraper	20' - 6,16M
37	D28281563	1	Scraper	16' - 18' 4,95M - 5,56M
37	D28281562	1	Scraper	20' - 6,16M
38	D28281562	1	Scraper	18' - 20' 5,56M - 6,16M
38	D28281563	1	Scraper	16' - 4,95M
39	D28285817	1	Roller	16' - 4,95M
39	D28285142	1	Roller	14' - 18' 4,34M - 5,56M
40	D28285817	1	Roller	20' - 6,16M 14' - 16' 4,34M - 4,95M
40	D28285142	1	Roller	18' - 20' 5,56M - 6,16M
41	D28285817	1	Roller	20' - 6,16M
41	D28285142	1	Roller	16' - 18' 4,95M - 5,56M
41	D28285142	1	Roller	20' - 6,16M
42	D28285817	1	Roller	20' - 6,16M
42	D28285142	1	Roller	16' - 4,95M 18' - 20' 5,56M - 6,16M

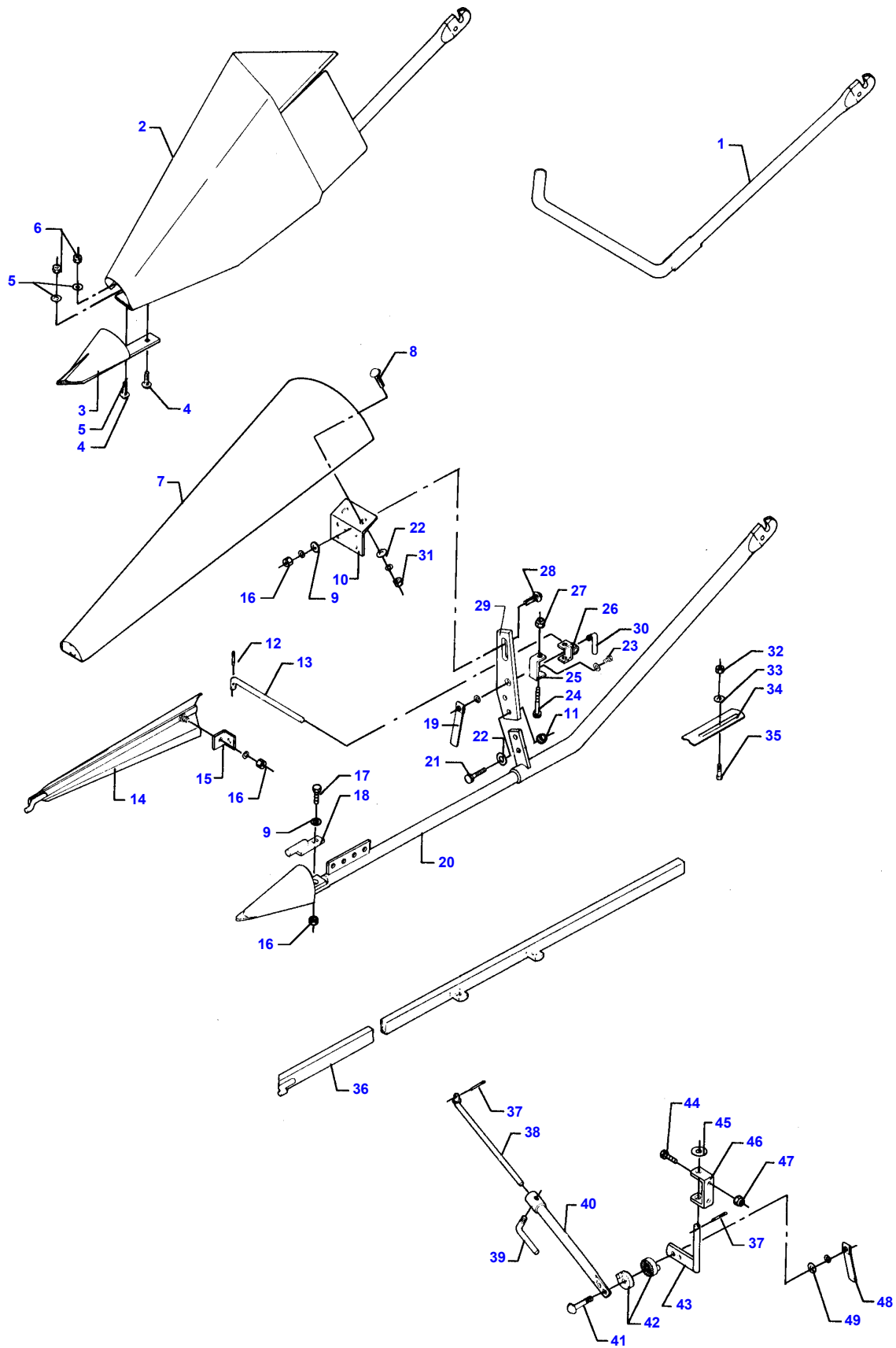
MF 7250/7252 COMBINE - 1637400
D-ZAAY-001-A



OILSEED RAPE AUGER

Item	Part Number	Qty	Description	Comments
1	D18285124	2	Fitting	
2	D18285661	2	Plate	16' - 4,95M
	D18285662	2	Plate	18' - 5,56M
	D18285663	2	Plate	20' - 6,16M
	D18285664	2	Plate	22' - 6,77M
3	D28285120	1	Guard	
4	D28282326	1	Guard	
5	D28282327	1	Guard	
6	D28282287	1	Clamp	
7	D28282288	1	Clamp	
8	D28282321	1	Strip	16' - 4,95M
	D28282289	1	Strip	18' - 5,56M
	D28282291	1	Strip	20' - 6,16M
9	D28282304	1	Slat	
10	D28282320	1	Strip	16' - 4,95M
	D28282290	1	Strip	18' - 5,56M
	D28282292	1	Strip	20' - 6,16M
11	D28282284	1	Guard	
12	D41709600	2	Bearing	
13	D28282299	2	Rail	
14	D28282318	1	Auger	16' - 4,95M
	D28282317	1	Auger	18' - 5,56M
	D28282316	1	Auger	20' - 6,16M
15	D28282307	1	Slat	
16	D28281339	1	Drive	
17	D28282283	1	Bracket	
18	D28282285	1	Guard	
19	D28281338	1	Sprocket	Number of teeth/spines 34
20	D28650018	1	Plate	
21	D28650101	1	Plate	
22	D45120700	1	Hydraulic Motor	
23	D18283554	1	Panel	
24	D28282301	2	Deflector	
25	D28282328	2	Plate	
26	D18285590	1	Side	
27	D28281390	1	Shim	Thickness 1 MM
	D28281391	1	Shim	

MF 7250/7252 COMBINE - 1637400
D-ZABZ-005-A



Straw Dividers

Item	Part Number	Qty	Description	Comments
1	D18251600	1	Divider	
2	D28251604	1	Divider	
	D18251602	1	Divider	(2) Left Hand
	D18251603	1	Divider	(2) Right Hand
3	D18260226	2	Point	(2)
4	D40066800	4	Screw Metric	(2)
5	D20400471	4	Washer	(2)
6	D41087600	4	Locknut	(2)
7	D28251605	1	Divider	
	D18211126	1	Divider	(7)
8	D40063700	2	Screw Metric	(7)
9	D20400471	3	Washer	(7)
10	D18230447	1	Plate	(7)
11	D41013500	2	Nut	(7)
12	D41408700	1	Split Pin	(7)
13	D28230462	1	Rod	(7)
14	D18230457	1	Wing	(7)
15	D27200313	1	Angle	(7)
16	D41010800	3	Nut	(7)
17	D40408000	1	Hex. Sock. Screw	(7)
18	D17200640	1	Stop	(7)
19	D27300323	1	Locknut	(7)
20	D18251601	1	Support	(7)
21	D40405000	2	Hex. Sock. Screw	(7)
22	D20400506	4	Washer	(7)
23	D28230467	1	Mounting	(7)
	D40211200	1	Screw	(23)
24	D40424400	1	Bolt	(23)
25	D28230468	1	Mounting	(23)
26	D28230471	1	Mounting	(23)
27	D41087500	1	Locknut	(23)
28	D40066700	2	Screw Metric	(7)
29	D18250549	1	Plate	(7)
30	D27200300	1	Pin	(7)
31	D41010700	2	Nut	(7)
32	D41087700	2	Locknut	
33	D20400423	2	Washer	
34	D18251588	2	Plate	
35	D40070200	2	Screw Metric	
36	D28230487	1	Wing	
	D28230480	1	Wing	(36)
37	D41410600	2	Pin	(36)
38	D28230482	1	Support	(36)
39	D27200364	1	Handle	(36)
40	D28230486	1	Pipe	(36)
41	D40021300	1	Screw	(36)
	D40070900	1	Screw	1/2 WG (36) M 12
42	D28230488	2	Clutch	(36)
43	D28230473	1	Support	(36)
44	D40407700	2	Hex. Sock. Screw	(36)
45	D20400518	1	Spacer	(36)
46	D28230472	1	Bracket	(36)
47	D41087600	2	Locknut	(36)
48	D27300323	1	Locknut	(36)
	D28284403	1	Locknut	1/2 WG (36) M 12
49	D20400426	1	Washer	(36)

MF 7250/7252 COMBINE - 1637400
D-ZABA-006-A

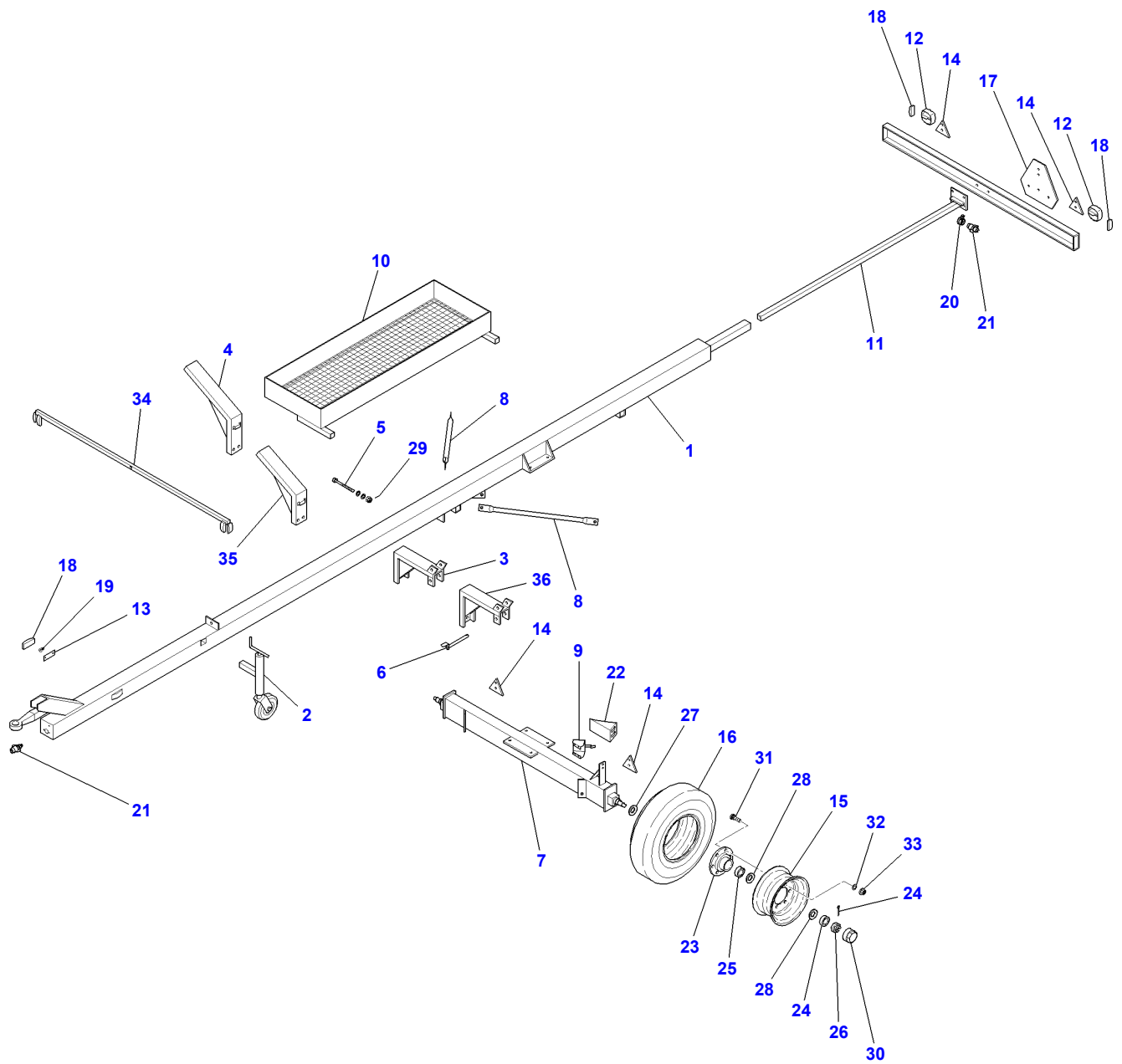


Table Trailer - From No 0000500

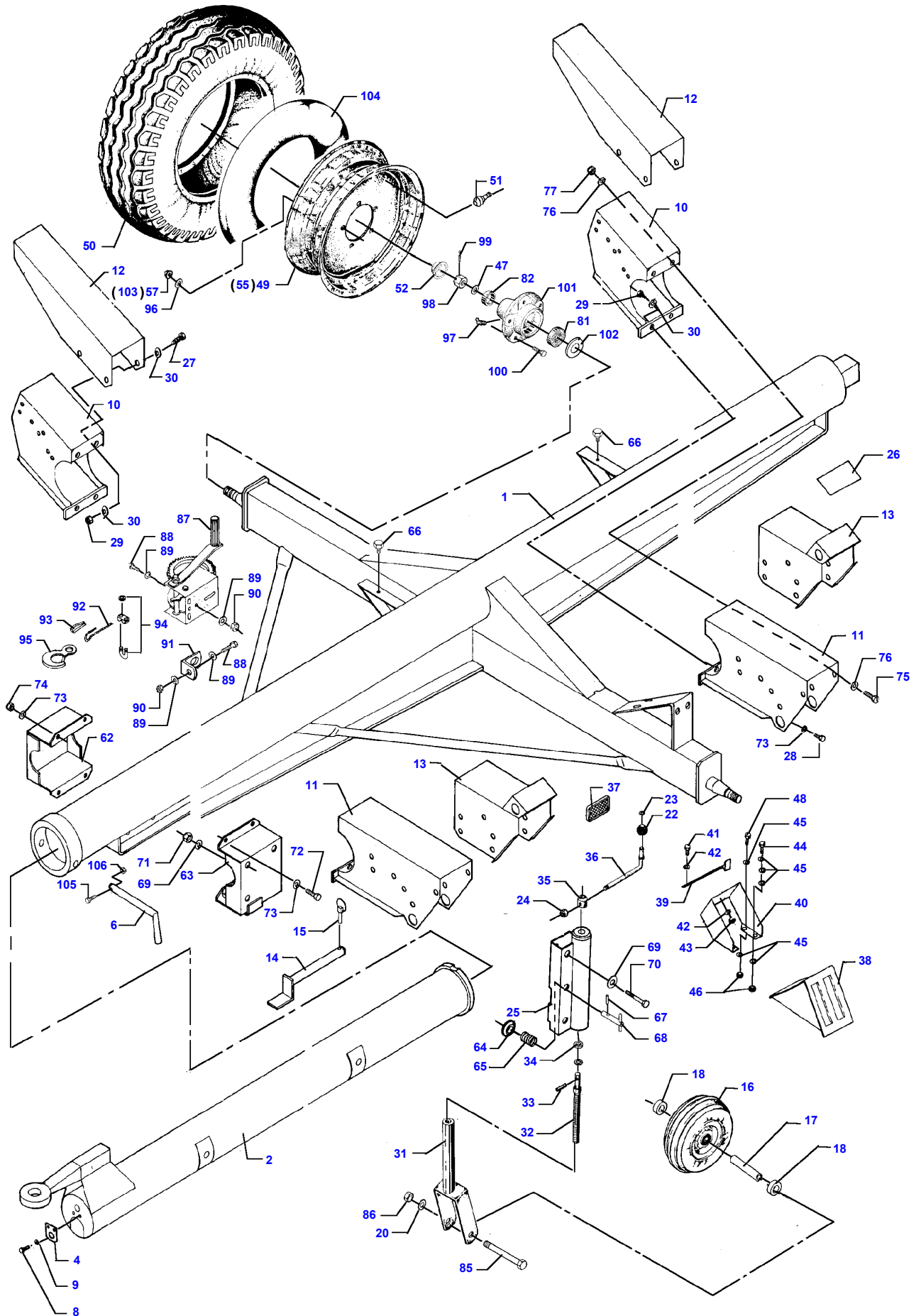
Item	Part Number	Qty	Description	Comments
1	D28282399	1	Trailer	[A] 18' - 25' 5,56 - 7,60M
	D28282400	1	Trailer	[A] 12' - 16' 3,72 - 4,95M
	D28282401	1	Trailer	[C] 18' - 25' 5,56 - 7,60M
	D28282402	1	Trailer	[C] 12' - 16' 3,72 - 4,95M
	D28282403	1	Trailer	[B] 18' - 25' 5,56 - 7,60M
	D28282404	1	Trailer	[B] 12' - 16' 3,72 - 4,95M
2	D28282383	1	Wheel	CPL.
3	D28282384	2	Bracket	Left Hand FREEFLOW
4	D28282387	2	Bracket	Right Hand POWERFLOW
5	D28282389	2	Bolt	
6	D28282388	4	Bolt	
7	D28282391	1	Axle	
8	D28282390	2	Stay	
9	D28282397	2	Retainer	
10	D28282398	1	Support	
11	D28282393	1	Clevis Pin	
12	D28282394	2	Rear Light	
13	D45084600	6	Reflector	
14	D45083900	4	Reflector	
15	D28282392	2	Rim	
16	D46731800	2	Tyre	
17	D45084500	1	Reflector	
18	D45000268	8	Side Lamp	
19	D45081300	6	Bulb	
20	D45005200	1	Electric Socket	
21	D45005300	2	Electric Socket	
22	D45907200	2	Wedge	
23	D46743600	2	Housing	
24	D41663000	2	Bearing Taper	
25	D41661600	2	Bearing Taper	
26	D41049500	2	Nut	
27	D46743400	2	Ring	
28	D46743500	2	Ring	
29	D41411100	2	Split Pin	5 X 50
30	D46743700	2	Cap	
31	D46743800	12	Bolt	
32	D41111600	12	Spring Washers	
33	D41020200	12	Nut	M18
34	D28282395	1	Front Light	
35	D28282385	2	Bracket	Right Hand FREEFLOW
36	D28282386	2	Bracket	Left Hand POWERFLOW

FOOTNOTE [A] WITHOUT TRAILER BRAKING

FOOTNOTE [B] WITH TRAILOR BRAKING

FOOTNOTE [C] FOR ITALY ONLY

MF 7250/7252 COMBINE - 1637400
D-ZABA-004-A



D-ZABA-004-A

Item	Part Number	Qty	Description	Comments
1	D28283658	1	Trailer	
	D28283960	1	Trailer	[A]
2	D28283668	1	Drawbar	
4	D28250748	1	Support	
6	D28283633	1	Screw	
8	D40402400	2	Hex. Sock. Screw	
9	D20400404	2	Washer	
10	D28283675	2	Bracket	
11	D28283676	2	Bracket	
12	D28283678	2	Support	
13	D28283683	2	Support	
14	D28283693	2	Bolt	
15	D41446200	2	Split Pin	
16	D46721700	1	Wheel	
17	D28250317	1	Bush	
18	D28250305	2	Spacer	
20	D20400459	2	Washer	
22	D28200609	1	Ball	
23	D20400466	1	Washer	
24	D41087700	1	Locknut	
25	D28284035	1	Pipe	
26	D49138600	1	Transfer	
27	D40410900	16	Hex. Sock. Screw	
28	D40411100	4	Hex. Sock. Screw	
29	D41087700	20	Locknut	
30	D20400423	32	Washer	
31	D28250340	1	Pipe	
32	D28250337	1	Spindle	
33	D42612000	1	Pin	
34	D41597100	1	Bearing Ball	
35	D28250356	1	Hub	
36	D28250327	1	Lever	
37	D45084600	6	Reflector	
38	D45907200	2	Wedge	
39	D28284118	2	Retainer	
	D28260477	2	Retainer	(39)
40	D28283963	2	Retainer	(39)
41	D40402400	2	Hex. Sock. Screw	(39)
42	D20400404	4	Washer	(39)
43	1441462X1	2	Locknut	(39)
Replace and repair. Old not interchangeable with new D41087400				
44	D40405100	4	Hex. Sock. Screw	
45	D20400413	28	Washer	
46	D41087500	4	Locknut	
47	D20400459	2	Washer	
48	D40404900	4	Hex. Sock. Screw	
49	D28284453	2	Wheel	[B]
50	D46735600	2	Tyre	(49)
51	D46737200	2	Pressure Valve	(49)
52	D46723900	2	Cap	
55	D28284452	2	Rim	[B] (49)
57	D41021500	10	Nut	M 12
62	D28284043	1	Bracket	
63	D28284048	1	Bracket	
64	D28284490	2	Spacer	
65	D28700136	1	Spring	
66	D43385200	2	Screw	
67	D41410800	1	Split Pin	
68	D28250355	1	Pin	
69	D20400522	2	Spacer	
70	D40418800	1	Screw	
71	D41088100	1	Locknut	
72	D40411100	4	Hex. Sock. Screw	
73	D20400426	14	Washer	
74	D41087700	2	Locknut	
75	D40435100	4	Screw	
76	D28181284	8	Washer	
77	D41087900	4	Locknut	
81	D41661300	2	Bearing Taper	
82	D41661100	2	Bearing Taper	

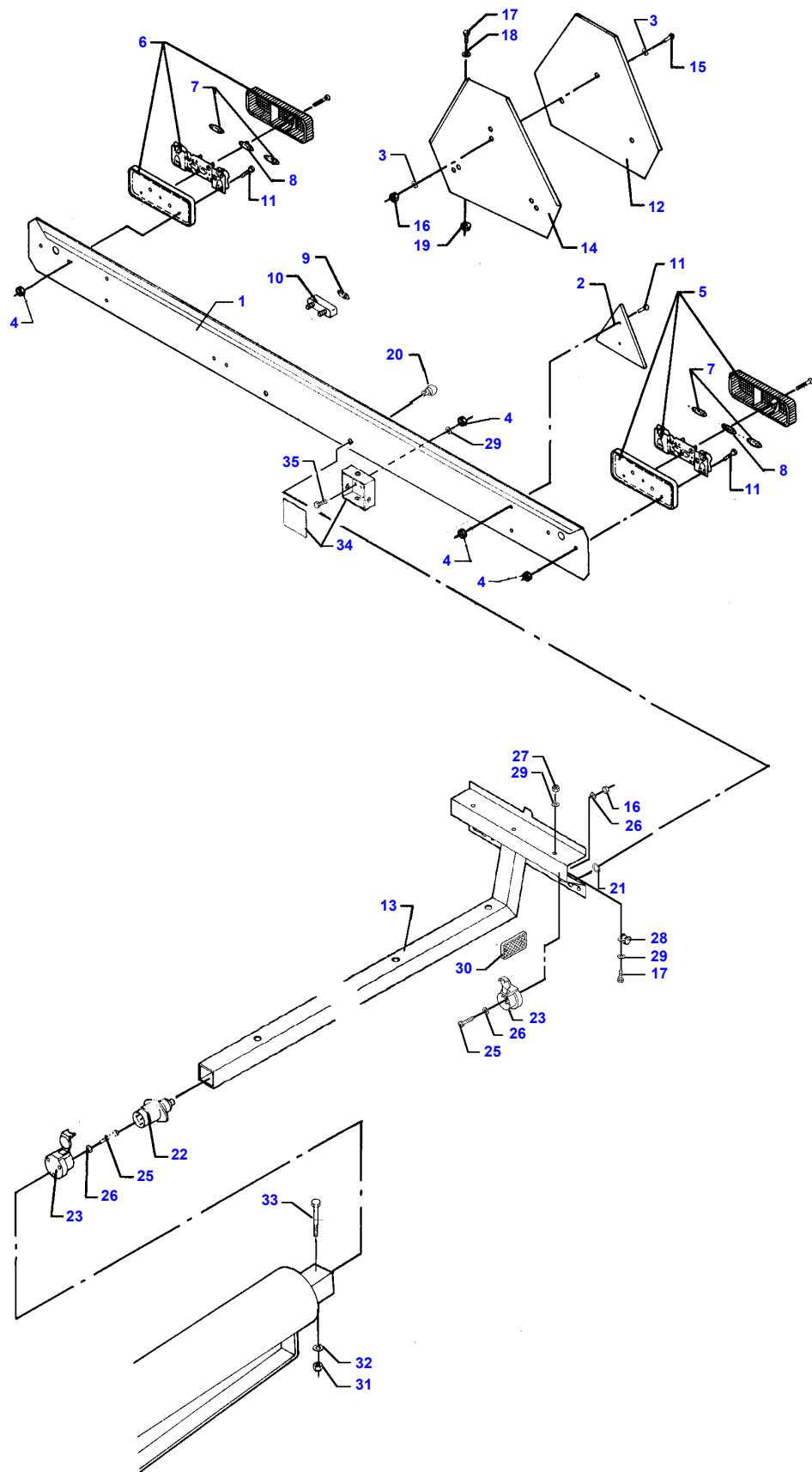
Item	Part Number	Qty	Description	Comments
85	D40435600	1	Screw	
86	D41087900	1	Locknut	
87	D45906700	1	Capstan	[C]
88	D40405000	3	Hex. Sock. Screw	[C]
89	D20400506	6	Washer	[C]
90	D41087500	3	Locknut	[C]
91	D28284042	1	Ring	[C]
92	D28284143	1	Pipe	[C]
92	D28782153	X	Wire	[C] (92) 5 M
93	D43409000	1	Thimble	[C] (92)
94	D43405900	2	Bracket	[C] (92)
95	D43410400	1	Hook	[C] (92)
96	D41111200	10	Clip	[B]
97	D43001500	2	Greaser	[B]
98	D41048700	2	Castle Nut	[B]
99	D41408800	2	Split Pin	[B]
100	D46728300	10	Bolt	M 14
101	D46729200	2	Housing	[B]
102	D46727400	2	Seal	[B]
103	D41013000	10	Nut	M 14
104	D46707400	2	Hose	(49)
105	D40423600	1	Screw Metric	
106	D41087500	1	Locknut	

FOOTNOTE [A] EQUIPMENT REQUIRED AND APPROVED BY THE TOV AUTHORITIES

FOOTNOTE [B] FOR HUB WITH M14 HUB BOLTS

FOOTNOTE [C] OPTIONAL EQUIPMENT

MF 7250/7252 COMBINE - 1637400
D-ZABB-004-A



D-ZABB-004-A

Massey Ferguson**MF 7250/7252 COMBINE - 1637400**

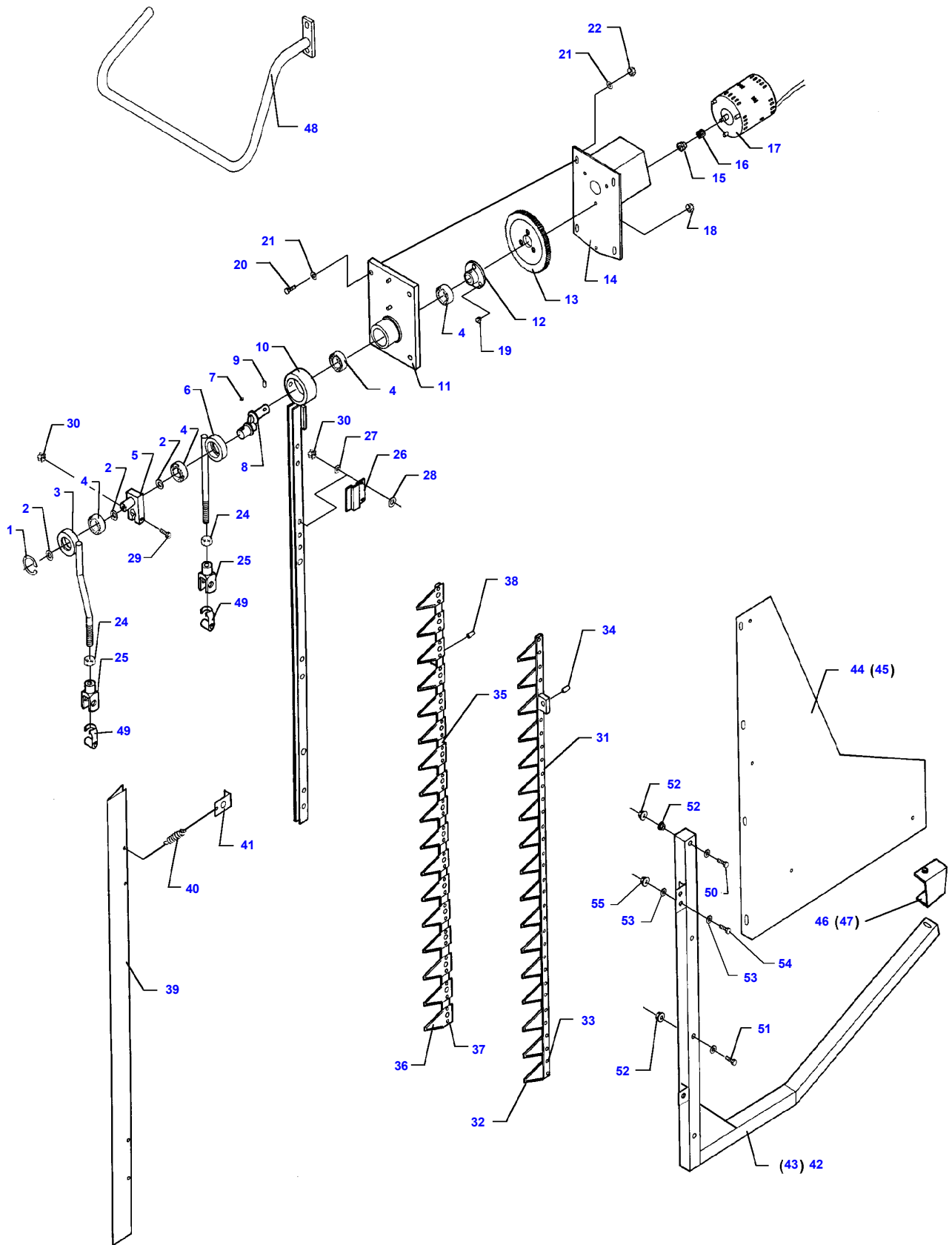
1637400

Lightening Bracket - UP TO NO. 7374033

Page001-0017

Item	Part Number	Qty	Description	Comments
1	D28283719	1	Bracket	
	D28283662	1	Ramp	
2	D45083900	2	Reflector	
3	D20400400	6	Washer	
4	D41010500	10	Nut	
5	D45077100	1	Rh Rear Lamp	Left Hand
6	D45077300	1	Lh Rear Lamp	Right Hand
7	D45080600	4	Bulb 12v 21w Sbc	
8	D45080700	2	Bulb 12v 10w	
9	D45080900	2	Bulb	
10	D45085500	2	Lamp	
11	D40352300	8	Screw Metric	
12	D45084500	1	Reflector	
13	D28285152	1	Support	
14	D28251559	1	Support	
15	D40400300	3	Screw Metric	
16	D41010400	3	Nut	
17	D40402400	3	Hex. Sock. Screw	
18	D20400453	3	Washer	
19	D41013400	3	Nut	
20	D43427500	2	Pin	
21	D42555500	2	Circlip	
22	D45005300	1	Electric Socket	
23	D45005200	2	Electric Socket	
25	D40351600	3	Screw Metric	
26	D20400400	3	Washer	
27	1441462X1	1	Locknut	Replace and repair. Old not interchangeable with new D41087400
28	D45729400	1	Clamp	
29	D20400404	4	Washer	
30	D45084600	2	Reflector	
31	D41087700	1	Locknut	
32	D20400426	1	Washer	
33	D40429200	1	Bolt	
34	D28781903	1	Connector	
35	D40402700	2	Hex. Sock. Screw	

MF 7250/7252 COMBINE - 1637400
D-ZABC-004-A



Electric Vertical Knife

Item	Part Number	Qty	Description	Comments
1	D42501800	1	Circlip	
2	D20400441	X	Washer	
3	D28284074	1	Connecting Link	
4	D41616800	4	Bearing Ball	
5	D28284087	1	Crank	
6	D28284072	1	Connecting Link	
7	D43100900	1	Key	
8	D28284084	1	Crank	
9	D42612000	1	Pin	
10	D28284079	1	Accessory	
11	D28284093	1	Bearing Carrier	
12	D28284069	1	Hub	
13	D28284081	1	Gear	
14	D28284090	1	Bracket	
15	D28284111	1	Nut	
16	D28284080	1	Pinion	
17	D45070083	1	Electric Motor	
18	D40688000	3	Screw	
19	D41010600	3	Nut	
20	D40426000	4	Hex. Sock. Screw	
21	D20400471	8	Washer	
22	D41010800	4	Nut	
24	D41011000	2	Nut Metric	
25	D45905200	2	Fork Head	
26	D28284094	8	Clip	
27	D20400500	X	Spacer	
28	D20400506	32	Washer	
29	D40423700	16	Screw Metric	
30	D41087500	16	Locknut	
31	D28284060	1	Knife	
	D28284105	1	Knife Back	(31)
32	D44104100	17	Knife	(31)
33	D41314900	34	Rivet	(31)
34	D43360800	1	Bush	(31)
35	D28284061	1	Knife	
	D28284104	1	Knife Back	(35)
36	D44104100	17	Knife	(35)
37	D41314900	34	Rivet	(35)
38	D43360800	1	Bush	(35)
39	D28284124	1	Guard	
40	D26500317	2	Spring	
41	D28284125	2	Retainer	
42	D28284100	1	Bracket	[B] Right Hand
43	D28284099	1	Bracket	[A] Left Hand
44	D28284140	1	Guard	[B] Right Hand
45	D28284139	1	Guard	[A] Left Hand
46	D28284136	1	Bracket	[B] Right Hand
47	D28284137	1	Bracket	[A] Left Hand
48	D28284107	1	Deflector	
49	D45904800	2	Pin	
50	D40422400	X	Screw	
51	D40422300	X	Hex. Sock. Screw	
52	D41013400	X	Nut	
53	D20400419	2	Washer	
54	D40425800	1	Screw	
55	D41087600	1	Locknut	

FOOTNOTE [A] OPTIONAL EQUIPMENT ELECTRIC - VERTICAL KNIFE LEFT

FOOTNOTE [B] OPTIONAL EQUIPMENT ELECTRIC VERTICAL KNIFE RIGHT

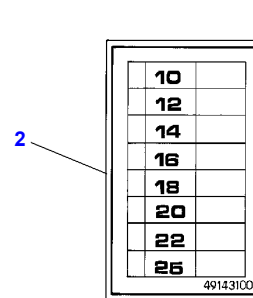
Ved skift af kniv, skal man sikre sig at knivbladene ligger an mod fingrenes skæreflader uden at presse mod disse.

When changing knife, please ensure that the blades are in contact with the fingers without pressing against them.

Beim Wechsel der Messern müssen die Klingen dicht an den Fingern liegen, ohne sie zu pressen.

En changeant le couteau, faire attention que la section soit en contact avec la surface du doigt sans appuyer sur celui-ci.

49158800



Ved ændring af tromlehastighed skal fjederstramhed på tromlekobling justeres.

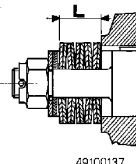
When changing table auger revolutions adjust the spring tension of the table auger clutch.

Bei Änderung der Einzugschneckenumdrehungen die Federspannung der Einzugschneckenkupplung einstellen.

En Changeant la vitesse de rotation de la vis d'alimentation ajuster la tension du ressort de l'embrayage de la vis d'alimentation.

High Speed: $L = 28,5 \pm 0,2$

Low Speed: $L = 26 \pm 0,2$



49100137

Al cambiar la cuchilla, asegurarse de que las hojas estén en contacto con los dedos pero sin apretarse contra ellos.

Cambiando la lama fare attenzione la lama sia a contatto con la superficie del dente senza però appoggiarsi sopra.

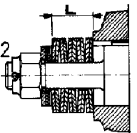
49100192

Al cambiar la velocidad del sinfin de cabezal ajustar la tensión del embrague del sinfin de cabezal.

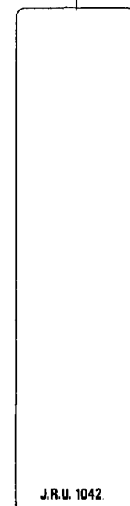
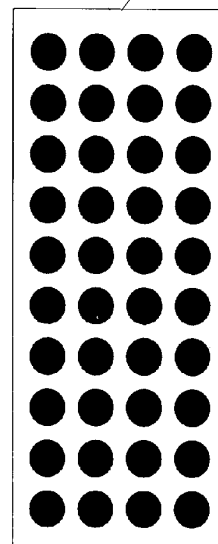
Al cambiamento della velocità di rotazione della coclea regolare la tensione della molla della frizione della coclea.

Velocidad alta $L = 28,5 \pm 0,2$

Velocidad baja $L = 26 \pm 0,2$



49100195

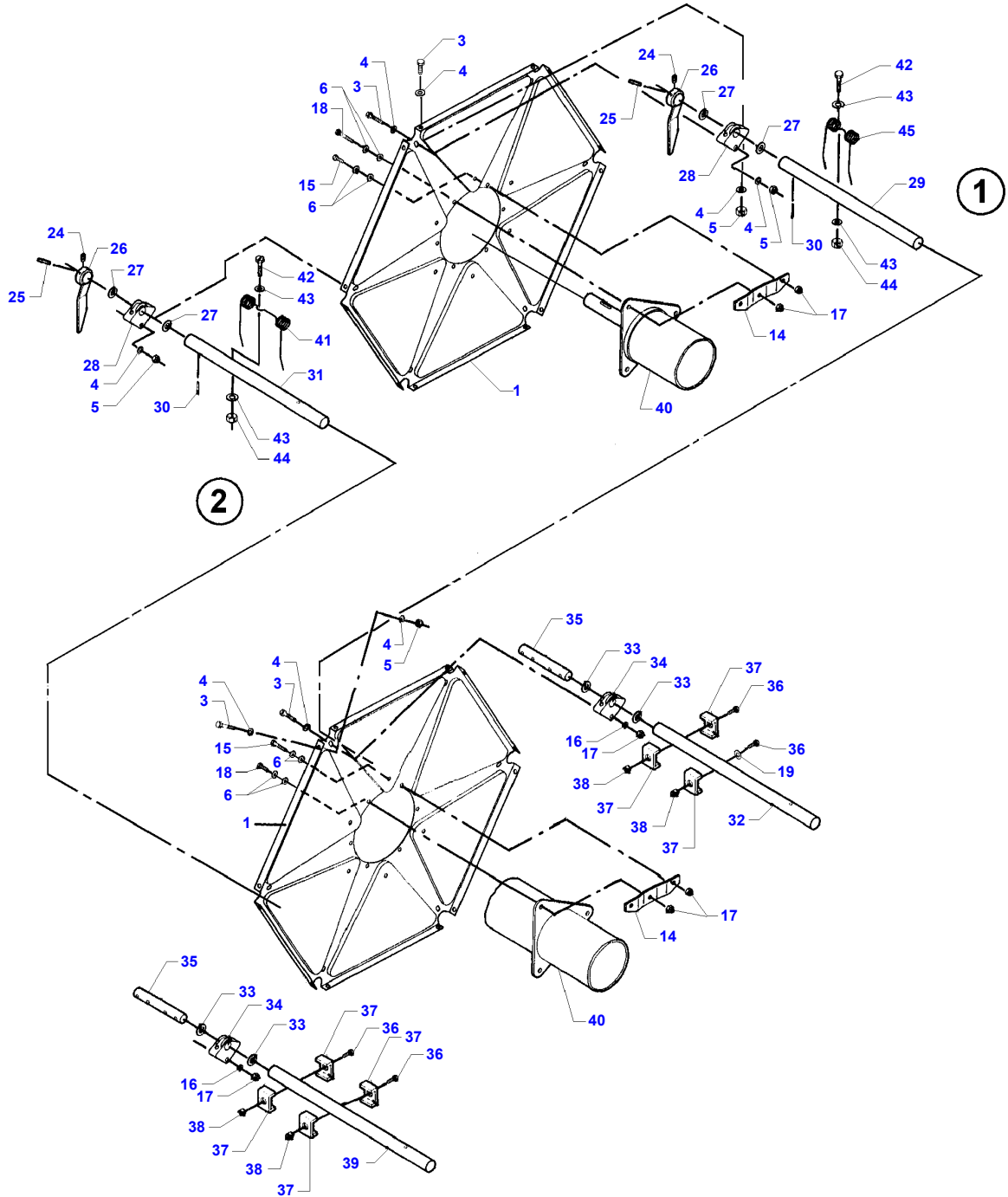


Decals

Item	Part Number	Qty	Description	Comments
1	D49158800	1	Decal	
2	D49143100	1	Transfer	
3	D49100137	1	Decal	
4	D49100192	1	Knife	
5	D49100195	1	Decal	
6	D49178500	40	Decal	[A]
	D49178600	40	Decal	[B]
	D49178700	40	Decal	[C]
	D49178800	40	Decal	[D]
7	D49138600	1	Transfer	[A]
	D49138700	1	Transfer	[D]

- FOOTNOTE [A] YELLOW
- FOOTNOTE [B] RED
- FOOTNOTE [C] BLUE
- FOOTNOTE [D] WHITE

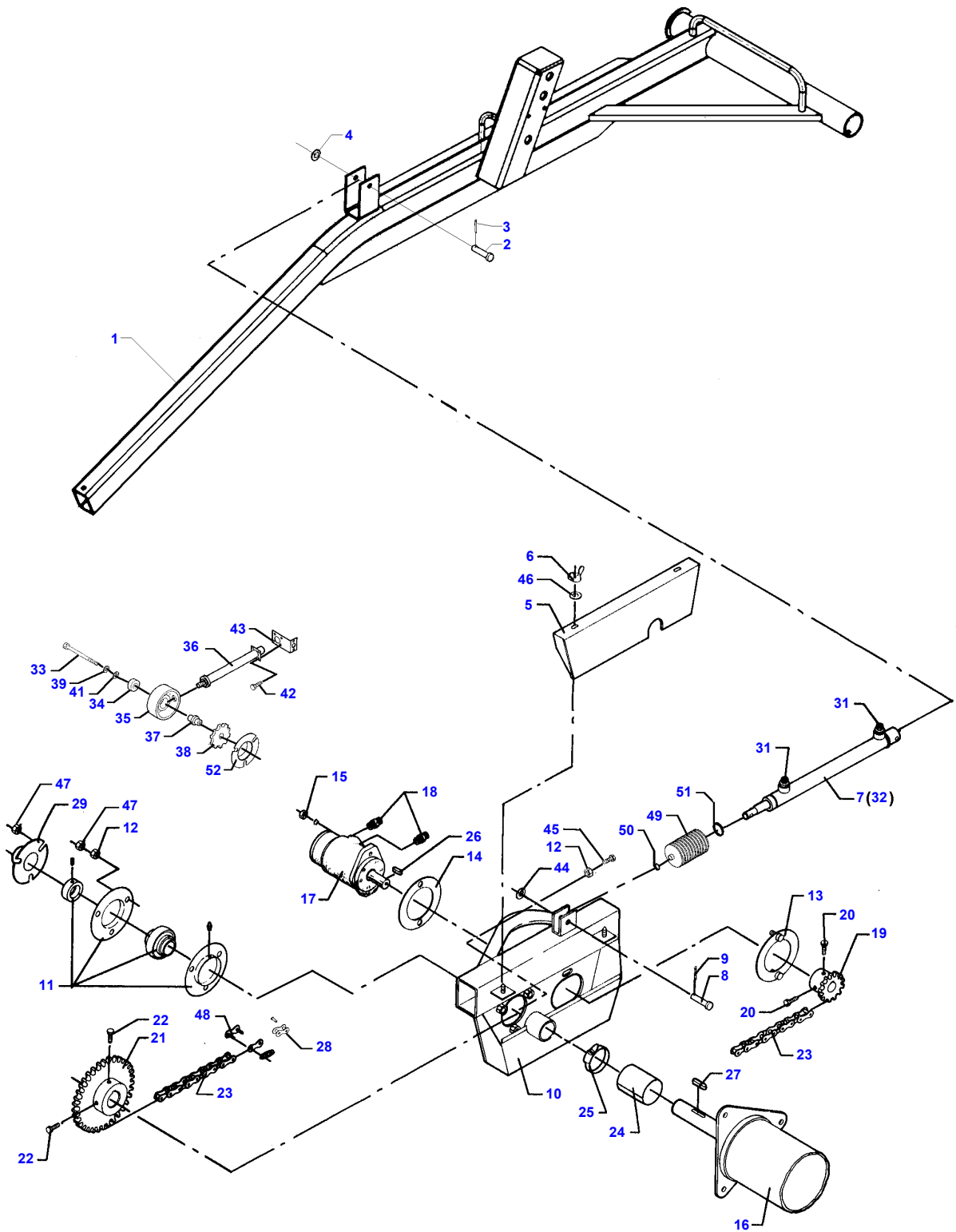
MF 7250/7252 COMBINE - 1637400
D-ZBZA-003-A



Reel - Right Hand

Item	Part Number	Qty	Description	Comments
1	D28680240	2	Plate	
3	D40402700	X	Hex. Sock. Screw	
4	D20400403	X	Washer	
5	1441462X1	X	Locknut	Replace and repair. Old not interchangeable with new D41087400
6	D20400413	X	Washer	
14	D28660051	6	Dog	
15	D40404700	X	Hex. Sock. Screw	
16	D20400506	X	Washer	
17	D41087500	X	Locknut	
18	D40405000	X	Hex. Sock. Screw	
19	D20400507	6	Spacer	18' - 20' 5,56M - 6,16M
24	D40632000	6	Stud	
25	D42614300	6	Pin	
26	D28680107	6	Finger	
27	D20400586	X	Washer	
28	D28680117	X	Bearing Carrier	
29	D28680145	3	Rake	Right Hand 20' - 6,16M
	D28680154	3	Rake	18' - 5,56M
	D28680168	3	Rake	16' - 4,95M
	D28680170	3	Rake	14' - 4,34M
30	D41411100	X	Split Pin	
31	D28680141	3	Rake	20' - 6,16M
	D28680156	3	Rake	Right Hand 18' - 5,56M
	D28680167	3	Rake	16' - 4,95M
	D28680171	3	Rake	14' - 4,34M
32	D28680147	3	Rake	20' - 6,16M
	D28680153	3	Rake	Left Hand 18' - 5,56M
33	D20400585	12	Washer	18' - 20' 5,56M - 6,16M
34	D28680132	6	Bearing Carrier	18' - 20' 5,56M - 6,16M
35	D28680139	6	Pin	18' - 20' 5,56M - 6,16M
36	D40426000	24	Hex. Sock. Screw	18' - 20' 5,56M - 6,16M
37	D28660035	42	Stirrup	18' - 20' 5,56M - 6,16M
38	D41087600	24	Locknut	18' - 20' 5,56M - 6,16M
39	D28680148	3	Rake	20' - 6,16M
	D28680152	3	Rake	18' - 5,56M
40	D28680151	1	Pipe	20' - 6,16M
	D28680159	1	Tube	18' - 5,56M
	D28680166	1	Tube	16' - 4,95M
	D28680174	1	Tube	14' - 4,34M
41	D28680130	X	Spring	
42	D40423900	X	Hex. Sock. Screw	
43	D20400506	X	Washer	
44	D41087500	X	Locknut	
45	D28680131	3	Spring	

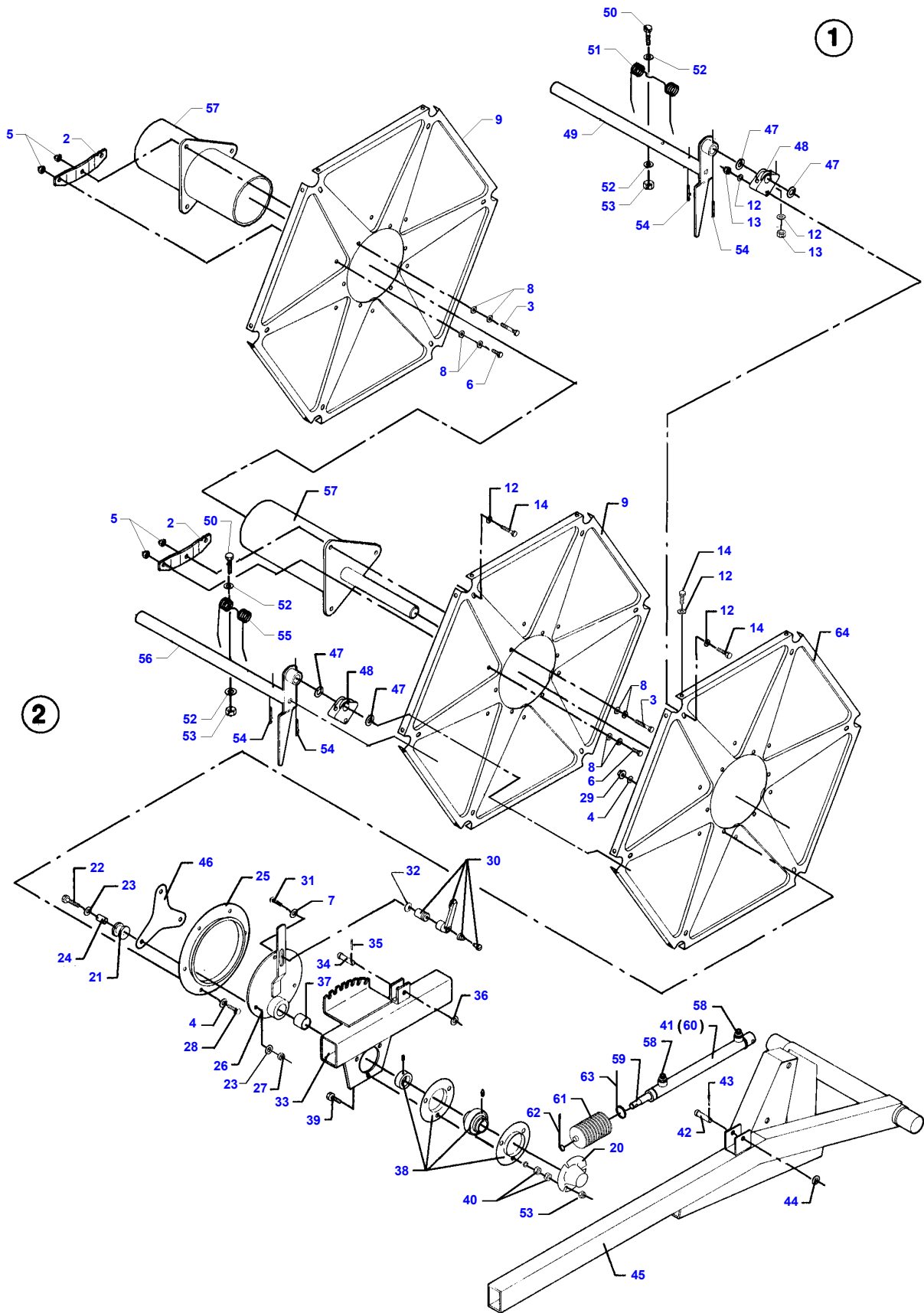
MF 7250/7252 COMBINE - 1637400
D-ZBZD-005-A



Reel Suspension And Hydraulic Motor

Item	Part Number	Qty	Description	Comments
1	D18685026	1	Frame	FREEFLOW Right Hand Valid from machine/table no, can be used in new as well as in older machines 937853
	D18685024	1	Frame	POWERFLOW Right Hand Valid from machine/table no, can be used in new as well as in older machines 937853
2	D28280383	1	Pin	
3	D41408800	1	Split Pin	
4	D20400471	1	Washer	
5	D28680046	1	Cover	
6	D41057100	2	Wing Nut	
7	D45100027	1	Cylinder	
8	D28280382	1	Pin	
9	D41408800	1	Split Pin	
10	D28680055	1	Housing	
11	D41707800	1	Bearing	
12	D41010800	4	Nut	
13	D28650018	1	Plate	
14	D28650101	1	Plate	
15	D41010900	2	Nut	
16	D28680151	1	Pipe	20' - 6,16M
	D28680159	1	Tube	18' - 5,56M
	D28680166	1	Tube	16' - 4,95M
	D28680174	1	Tube	14' - 4,34M
17	D45120700	1	Hydraulic Motor	
18	D45250700	2	Union	
19	D28650023	1	Sprocket	
20	D40404900	2	Hex. Sock. Screw	
21	D28680013	1	Sprocket	
22	D40405100	2	Hex. Sock. Screw	
23	D42325700	1	Chain	
24	D28680087	1	Tube	
25	D45728000	1	Clamp	
26	D43103400	1	Key	
27	D43103500	1	Key	
28	D42363200	1	Link	
29	D28761977	1	Cover	
31	D45250000	2	Union	
32	D45110083	1	Kit, Seal	
33	D40407900	1	Hex. Sock. Screw	[A]
34	D28781020	1	Sensor	[A]
	D41622600	1	Bearing Ball	[A] (34)
35	D28751223	1	Cup	[A] (34)
36	D28781016	1	Sensor	[A] (34)
37	D28751218	1	Journal	[A] (34)
38	D28750922	1	Wheel	[A] (34)
39	D41100800	1	Spring Washers	[A]
41	D20400419	1	Washer	[A]
42	D40740400	4	Screw	[A]
43	D28780772	1	Retainer	[A]
44	D20400505	1	Spacer	
45	D40408400	1	Bolt Metric	
46	D20400414	2	Washer	
47	D41087500	6	Locknut	
48	D42363100	1	Link	
49	D28281626	1	Rubber	
50	D45007800	1	Retainer	
51	D45050037	1	Retainer	
52	D28281517	1	Cover	[A]

MF 7250/7252 COMBINE - 1637400
D-ZBZB-005-B



Reel - Left Hand

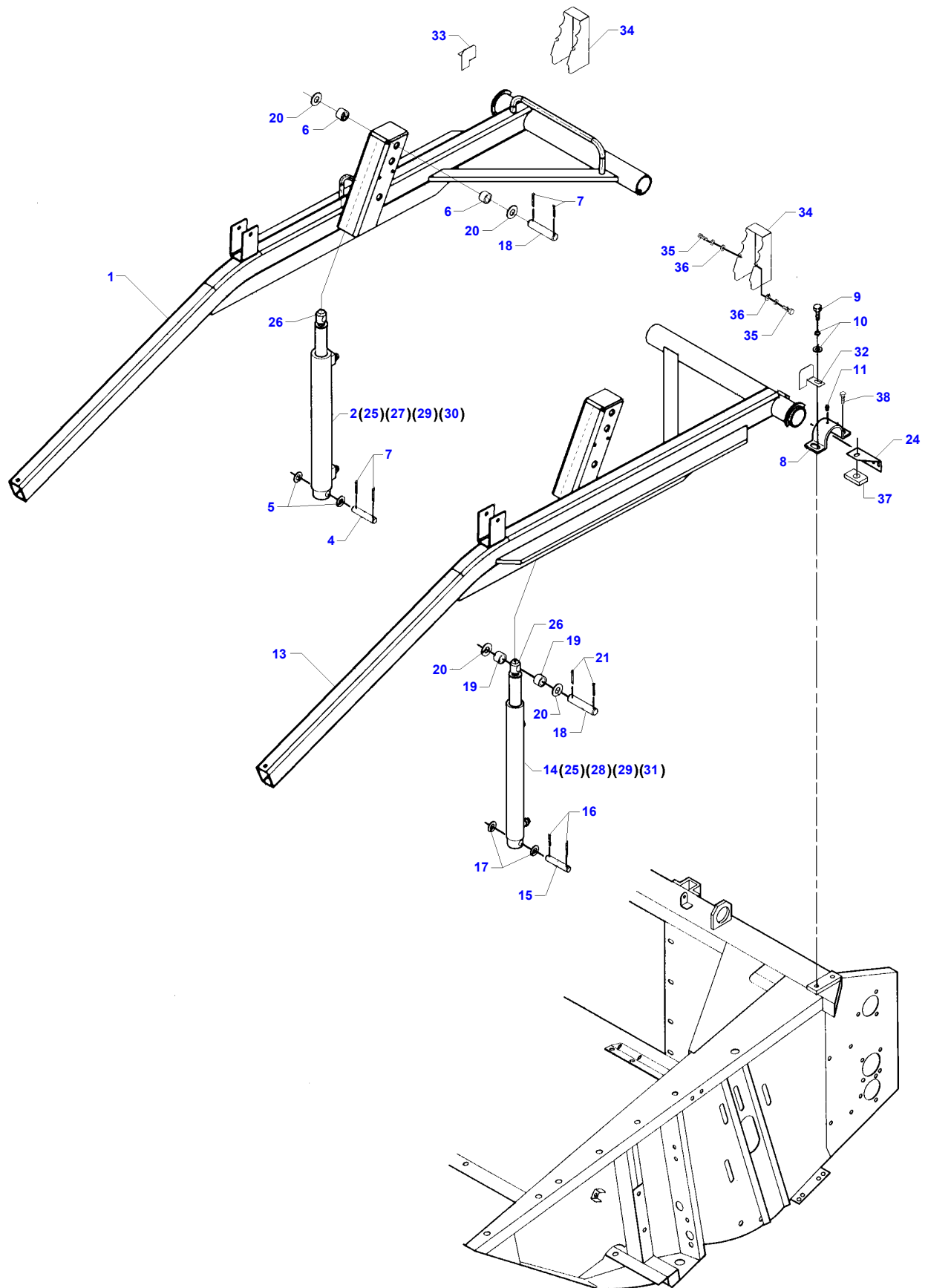
Item	Part Number	Qty	Description	Comments
2	D28660051	6	Dog	
3	D40405000	X	Hex. Sock. Screw	
4	D20400506	X	Washer	
5	D41087500	X	Locknut	
6	D40404700	X	Hex. Sock. Screw	
7	D20400518	1	Spacer	
8	D20400413	X	Washer	
9	D28680276	3	Plate	Valid from machine/table no, can be used in new as well as in older machines 941149
12	D20400403	X	Washer	
13	1441462X1	X	Locknut	Replace and repair. Old not interchangeable with new D41087400
14	D40402700	X	Hex. Sock. Screw	
20	D28761977	1	Cover	
21	D28660005	3	Roller	
22	D40426000	3	Hex. Sock. Screw	
23	D20400416	3	Washer	
24	D28660143	3	Bush	
25	D28660036	1	Ring	Up to Serial or Engine Number 941148
	D28680277	1	Ring	From Serial or Engine Number 941149
26	D28680097	1	Plate	
27	D41087600	3	Locknut	
28	D40404900	6	Hex. Sock. Screw	
29	D41087500	6	Locknut	
30	D43387500	1	Lever	
31	D40070100	1	Screw Metric	
32	D20400426	1	Washer	
33	D28680054	1	Housing	
34	D28280382	1	Pin	
35	D41408800	1	Split Pin	
36	D20400505	1	Spacer	
37	D43338200	1	Lining	(26)
38	D41707800	1	Bearing	
39	D40407800	3	Hex. Sock. Screw	
40	D41010800	3	Nut	
41	D45100028	1	Cylinder	
42	D28280383	1	Pin	
43	D41408800	1	Split Pin	
44	D20400471	1	Washer	
45	D18685025	1	Frame	FREEFLOW Left Hand Valid from machine/table no, can be used in new as well as in older machines 937853
	D18685023	1	Frame	POWERFLOW Left Hand Valid from machine/table no, can be used in new as well as in older machines 937853
46	D28680120	1	Plate	
47	D20400586	X	Washer	
48	D28680117	X	Bearing Carrier	
49	D28680147	3	Rake	Left Hand 20' - 6,16M
	D28680153	3	Rake	Left Hand 18' - 5,56M
	D28680168	3	Rake	16' - 4,95M
	D28680170	3	Rake	14' - 4,34M
50	D40423900	X	Hex. Sock. Screw	
51	D28680130	X	Spring	
52	D20400506	X	Washer	
53	D41087500	X	Locknut	
54	D41411100	X	Split Pin	
55	D28680131	3	Spring	
56	D28680148	3	Rake	Left Hand 20' - 6,16M

Reel - Left Hand

Item	Part Number	Qty	Description	Comments
56	D28680152	3	Rake	Left Hand 18' - 5,56M
56	D28680167	3	Rake	16' - 4,95M
56	D28680171	3	Rake	14' - 4,34M
57	D28680151	1	Pipe	20' - 6,16M
57	D28680159	1	Tube	18' - 5,56M
57	D28680166	1	Tube	16' - 4,95M
57	D28680174	1	Tube	14' - 4,34M
58	D45250000	2	Union	PACOMA
58	D45252800	2	Union	PPT
59	D45100021	1	Cylinder Rod	PACOMA
60	D45100080	1	Kit, Seal	PACOMA
60	D45110020	1	Kit	PPT
60	D45110084	1	Kit, Seal	SERTA
61	D28281626	1	Rubber	
62	D45007800	1	Retainer	
63	D45050037	1	Retainer	
64	D28680240	1	Plate	[A] Up to Serial or Engine Number 941148
64	D28680276	1	Plate	From Serial or Engine Number 941149

FOOTNOTE [A] ORDER D28680276 + D28680277

MF 7250/7252 COMBINE - 1637400
D-ZBZC-004-A



D-ZBZC-004-A

Massey Ferguson**MF 7250/7252 COMBINE - 1637400**

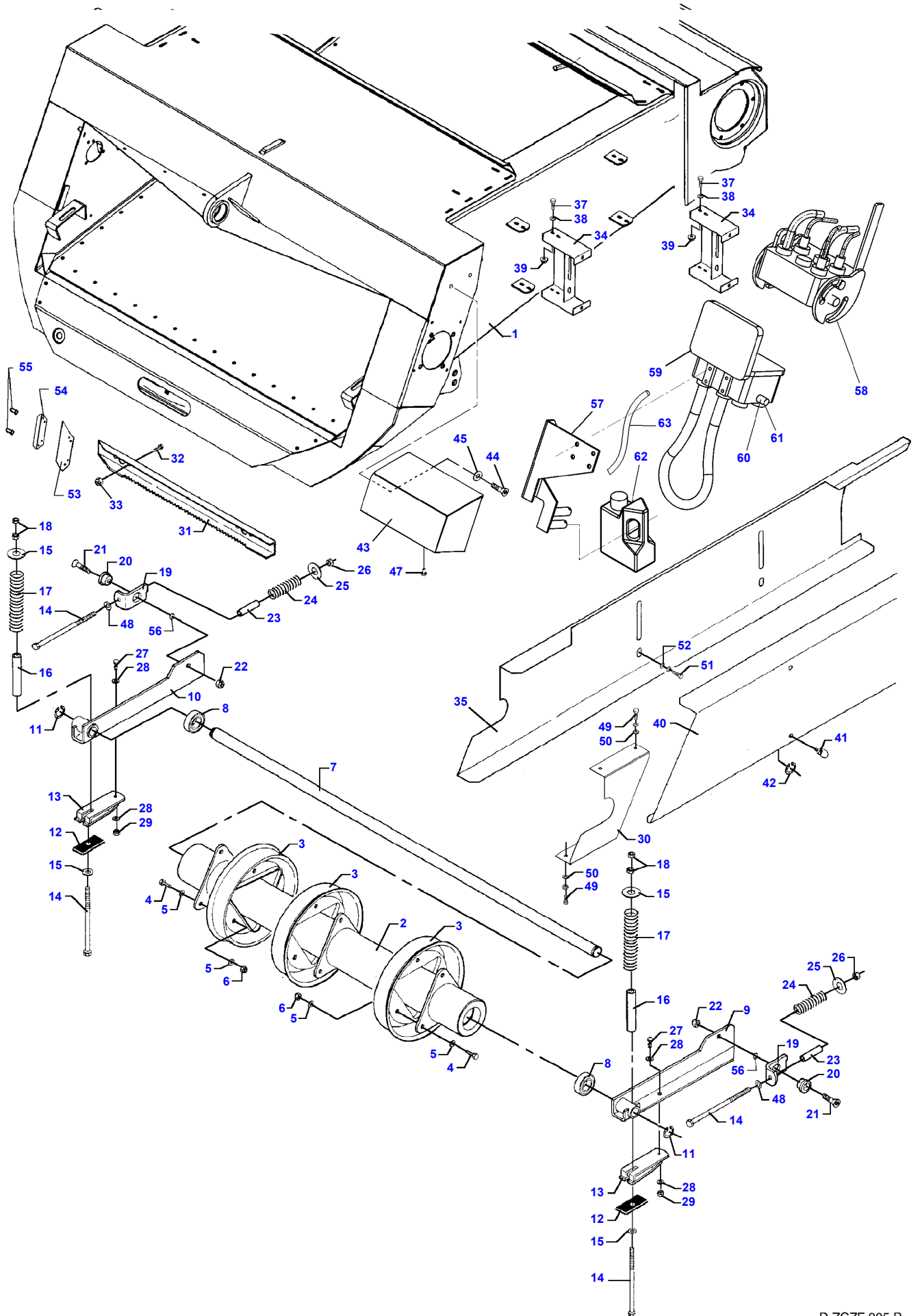
1637400

Reel Suspension And Hydraulic Cylinders

Page002-0004

Item	Part Number	Qty	Description	Comments
1	D18685026	1	Frame	FREEFLOW Right Hand Valid from machine/table no, can be used in new as well as in older machines 937853
	D18685024	1	Frame	POWERFLOW Right Hand Valid from machine/table no, can be used in new as well as in older machines 937853
2	D45100066	1	Cylinder	
4	D28280236	1	Pin	
5	D20400518	2	Spacer	
6	D28751140	2	Spacer	
7	D41408800	4	Split Pin	
8	D18283300	2	Half Flange	
9	D40410800	2	Screw Metric	
10	D20400424	2	Washer	
11	D43001500	2	Greaser	
13	D18685025	1	Frame	FREEFLOW Left Hand Valid from machine/table no, can be used in new as well as in older machines 937853
	D18685023	1	Frame	POWERFLOW Left Hand Valid from machine/table no, can be used in new as well as in older machines 937853
14	D45100067	1	Cylinder	
15	D28280236	1	Pin	
16	D41408800	2	Split Pin	
17	D20400518	2	Spacer	
18	D28280237	2	Pin	
19	D28751140	2	Spacer	
20	D20400520	4	Spacer	
21	D41408800	4	Split Pin	
24	D18283251	1	Retainer	
25	D41042700	2	Nut	
26	D45100044	2	Piston Head	
27	D45100016	1	Cylinder Rod	PACOMA
28	D45100017	1	Cylinder Rod	PACOMA
29	D45252800	3	Union	
30	D45100031	1	Gasket	PACOMA
	D45110030	1	Kit, Joint	PPT
	D45110089	1	Kit, Seal	SERTA
31	D45100032	1	Kit,Joint/Gasket	PACOMA
	D45110022	1	Kit, Joint	PPT
	D45110090	1	Kit, Seal	SERTA
32	D18680025	1	Angle	Left Hand
33	D18680024	1	Angle	Right Hand
34	D18281518	2	Guard	
35	D40402400	4	Hex. Sock. Screw	
36	D20400404	4	Washer	
37	D28283835	2	Support	
38	D40410900	2	Hex. Sock. Screw	

MF 7250/7252 COMBINE - 1637400
D-ZCZF-005-B



D-ZCZF-005-B

Feeder Shaft - Lower

Item	Part Number	Qty	Description	Comments
1	D18282179	1	Conveyor	Up to Serial or Engine Number 57185
	D18282260	X	Conveyor	From Serial or Engine Number 57186
	D28284580	X	Table	AUTO-LEVEL
	D28284576	X	Table	STANDARD
2	D18282188	1	Shaft	Up to Serial or Engine Number 57185
	D18282225	1	Shaft	From Serial or Engine Number 57186
3	D28281245	3	Cup	Replace and repair. Old not interchangeable with new D18281245
4	D40407900	9	Hex. Sock. Screw	
5	D20400415	18	Washer	
6	D41087600	9	Locknut	
7	D28282189	1	Shaft	
8	D41629000	2	Bearing Ball	
9	D18281773	1	Bracket	Up to Serial or Engine Number 57185 Left Hand
	D18281963	1	Bracket	From Serial or Engine Number 57186 Left Hand
10	D18281774	1	Bracket	Up to Serial or Engine Number 57185 Right Hand
	D18281966	1	Bracket	From Serial or Engine Number 57186 Right Hand
11	D42502800	2	Circlip	
12	D28280537	2	Plate	
13	D28281374	2	Chock	[A]
14	D40413200	4	Screw	
15	D20400425	8	Washer	
16	D28281799	2	Pipe	
17	D28281798	2	Spring	
18	D41010900	2	Nut	
19	D28281778	2	Support	
20	D28281777	2	Bush	
21	D40605600	2	Screw Metric	
22	D41087700	2	Locknut	
23	D28280489	2	Spacer	
24	D28280309	2	Spring	
25	D28260383	2	Indicator	
26	D41010900	2	Nut	
27	D40405100	2	Hex. Sock. Screw	[A]
28	D20400506	4	Washer	[A]
29	D41087500	2	Locknut	[A]
30	D28282194	1	Guard	
31	D28282155	20	Support	
32	D40404900	X	Hex. Sock. Screw	
33	D41087500	X	Locknut	
34	D28284031	2	Bracket	
35	D18281809	1	Shield	
37	D40405000	8	Hex. Sock. Screw	
38	D20400506	8	Washer	
39	D41013500	8	Nut	
40	D18281780	1	Shield	
41	D43427500	4	Pin	
42	D42555500	4	Circlip	
43	D18285284	1	Case Assy	
44	D40404900	4	Hex. Sock. Screw	
45	D20400506	4	Washer	
46	D41013500	4	Nut	
47	D45744000	1	Plug	
48	D20400426	2	Washer	
49	D40476100	4	Hex. Sock. Screw	
50	D20400506	4	Washer	
51	D40070200	4	Screw Metric	
52	D20400423	4	Washer	
53	D28281853	2	Seal	
54	D28281854	2	Clamp	
55	D41397900	4	Rivet	
56	D20400456	2	Washer	
57	D28285282	1	Bracket	[B]
58	D28785642	1	Clutch	[B]
59	D45148800	1	Clutch	[B]
60	D45140037	1	Screw	[B]
61	D45140038	1	Ring	[B]
62	D45148900	1	Container	[B]

Massey Ferguson

MF 7250/7252 COMBINE - 1637400

1637400

Feeder Shaft - Lower

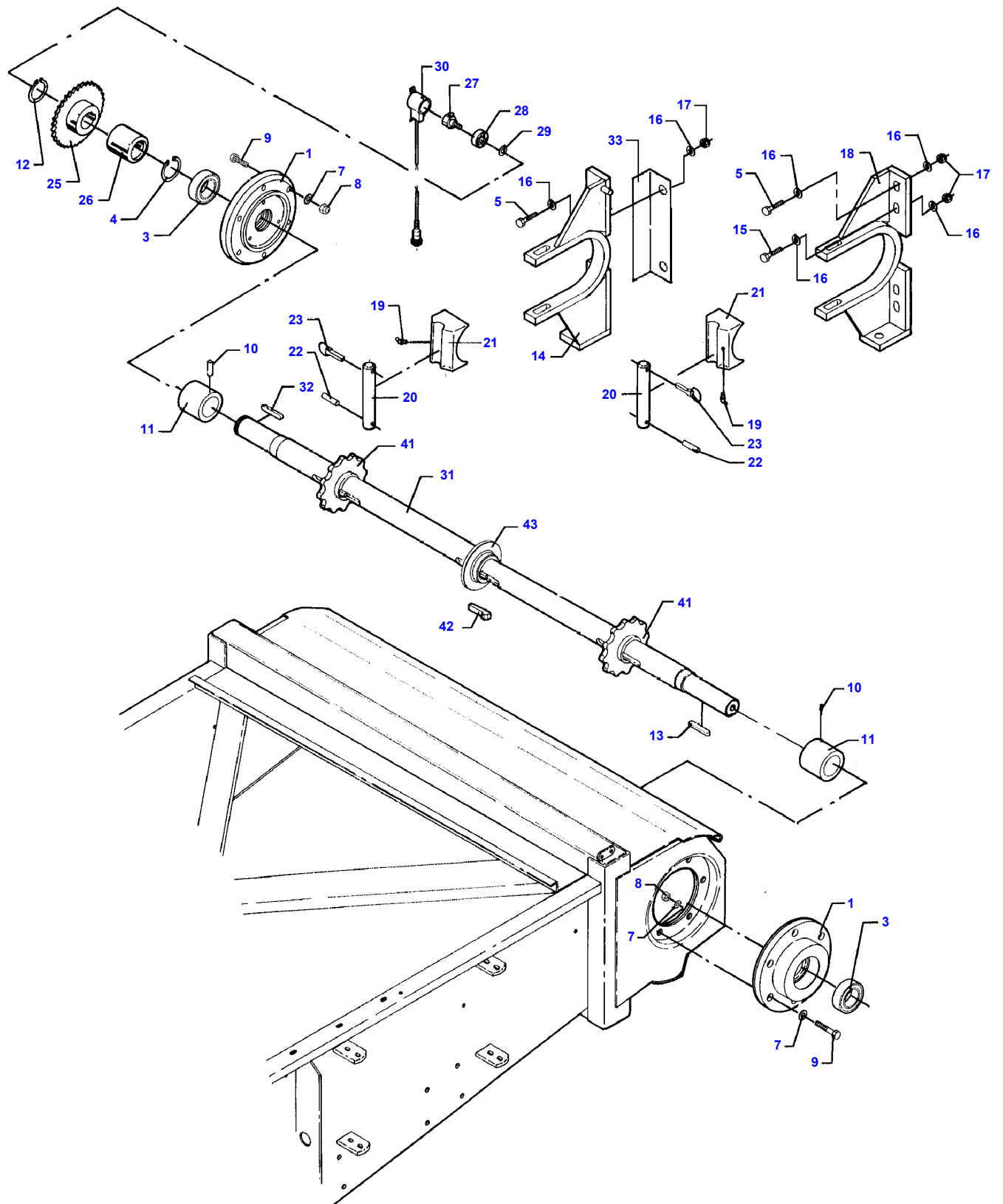
Page003-0001

Item	Part Number	Qty	Description	Comments
63	D45702000	1	Hose	

FOOTNOTE [A] MAIZE EQUIPMENT

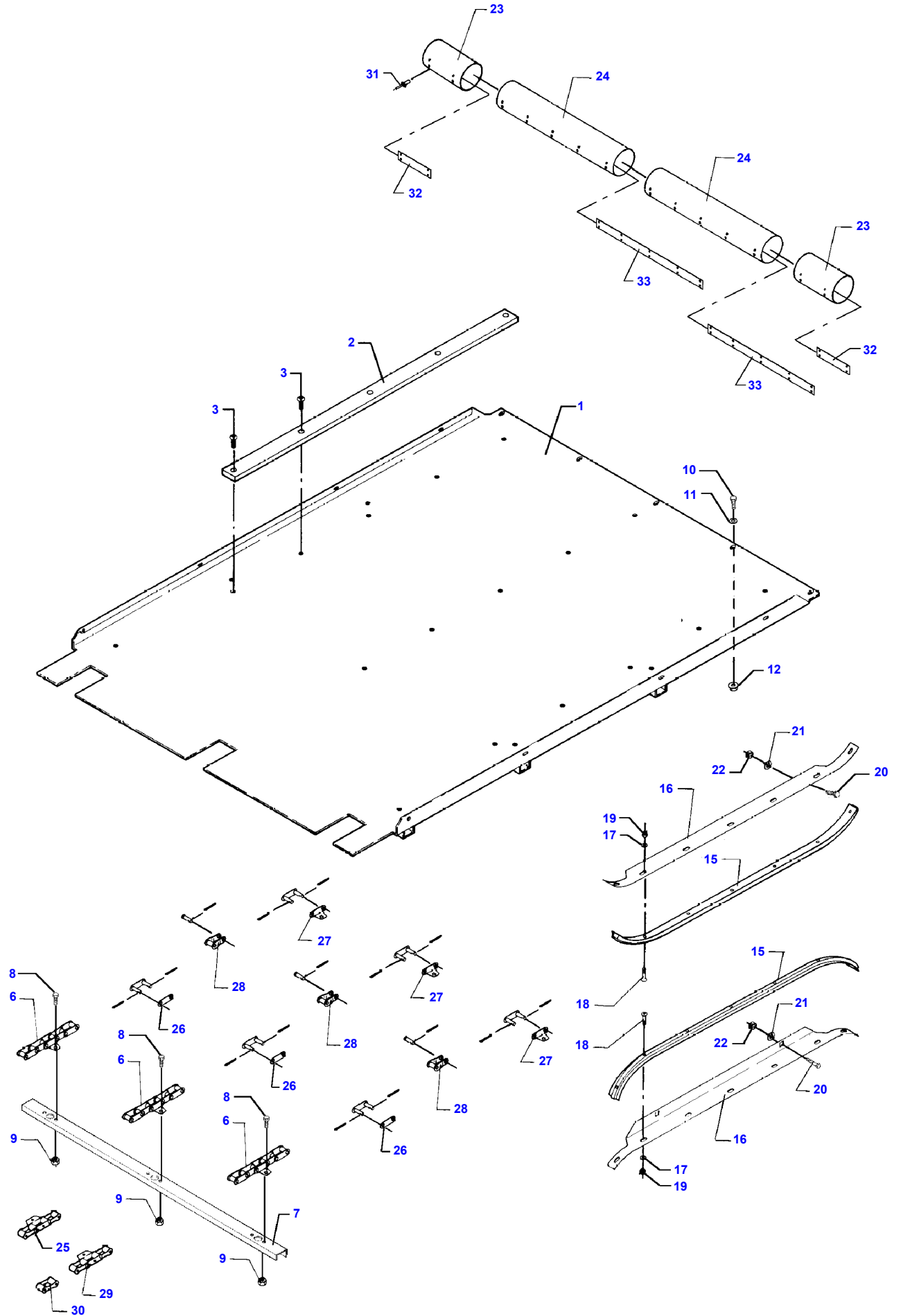
FOOTNOTE [B] OPTIONAL EQUIPMENT

MF 7250/7252 COMBINE - 1637400
D-ZCZA-005-A



Item	Part Number	Qty	Description	Comments
1	D28284017	2	Bearing	
3	D41623300	2	Bearing Ball	
4	D42515900	1	Circlip	
5	D40434400	5	Screw	
7	D20400426	12	Washer	
8	D41087700	12	Locknut	
9	D40694100	12	Screw	
10	D40632000	2	Stud	
11	D28284038	2	Insert	
12	D42504300	1	Circlip	
13	D43107900	1	Key	
14	D28284021	1	Bearing	
15	D40433300	3	Screw Metric	
16	D28181284	16	Washer	
17	D41087900	8	Locknut	
18	D28284020	1	Bearing	
19	D43002600	2	Greaser	
20	D28284026	2	Pin	
21	D28284019	2	Stop	
22	D42618800	2	Pin	
23	D41446200	2	Split Pin	
25	D28283544	1	Sprocket	
26	D28284033	1	Spacer	
27	D28780516	1	Inductive Taker	
28	D41622600	1	Bearing Ball	
29	D20400419	1	Washer	
30	D28780514	1	Sensor	
31	D28284030	1	Shaft	
32	D43107500	1	Key	
33	D28784233	1	Retainer	
41	D28281304	2	Sprocket	(31)
42	D43162000	3	Gib Key	(31)
43	D28282198	1	Flange	

MF 7250/7252 COMBINE - 1637400
D-ZCZB-005-A

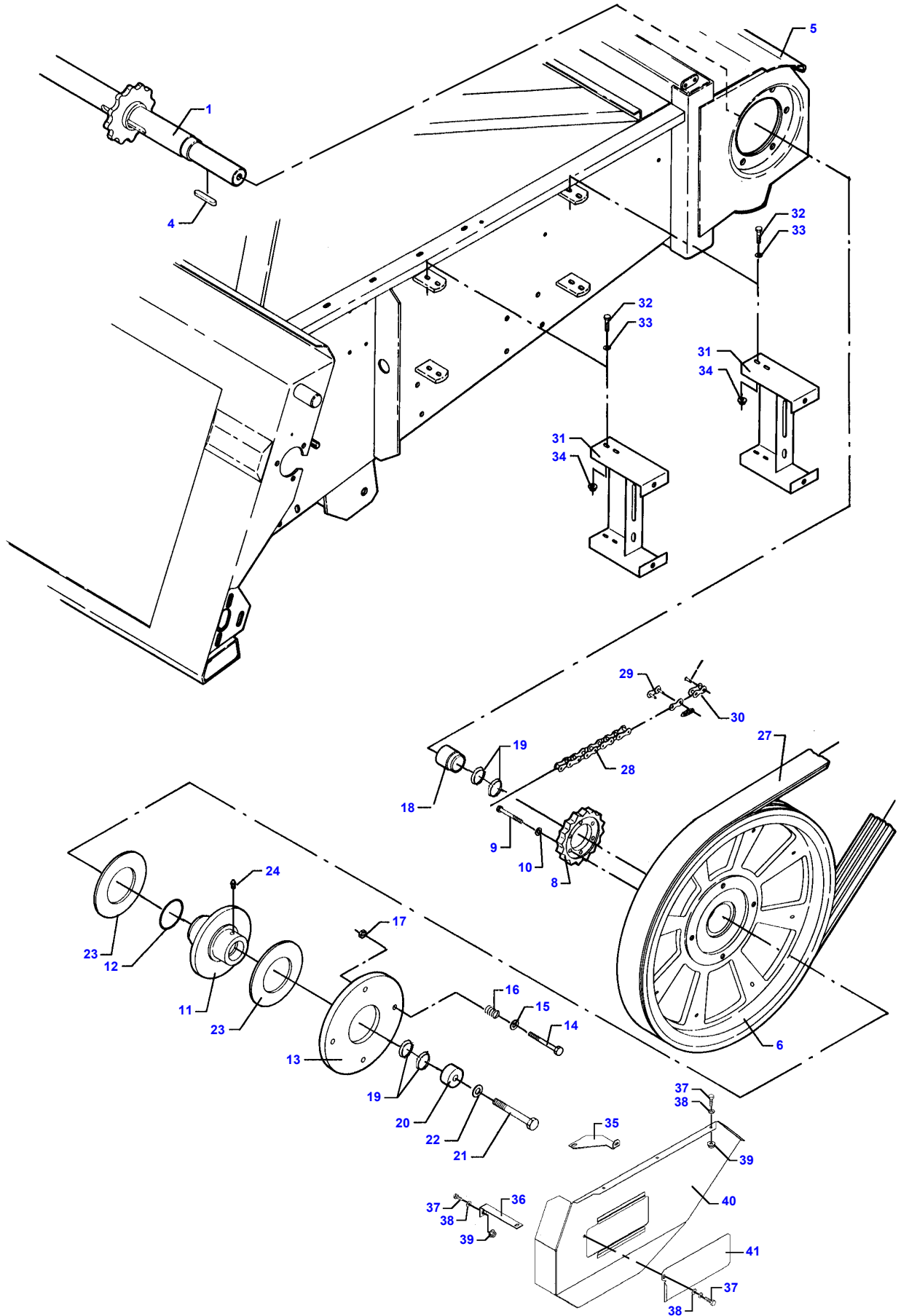


D-ZCZB-005-A

Feeder Chain And Protective Plates

Item	Part Number	Qty	Description	Comments
1	D28282084	1	Plate	
2	D28281247	3	Guide	
3	D40685000	20	Screw	
6	D28282092	1	Chain	
	D28280302	3	Chain	(6)
7	D28282155	20	Support	(6)
8	D40404900	X	Hex. Sock. Screw	(6)
9	D41087500	X	Locknut	(6)
10	D40404900	8	Hex. Sock. Screw	
11	D20400506	8	Washer	
12	D41013500	5	Nut	
15	D28281557	2	Rail	
	D28280540	2	Rail	(15)
16	D28281315	2	Reinforcement	(15)
17	D20400404	14	Washer	(15)
18	D40600900	14	Screw Metric	(15)
19	1441462X1	14	Locknut	(15)
				Replace and repair. Old not interchangeable with new D41087400
20	D40070100	4	Screw Metric	
21	D20400423	4	Washer	
22	D41010900	4	Nut	
23	D28282066	2	Protector	
24	D28281840	2	Protector	
25	D42351300	1	Chain	
26	D42351400	3	Link	(6)
27	D42351500	1	Link	
28	D42351200	6	Link	(6)
29	D42351600	1	Chain	
30	D42354800	1	Link	
31	D41397200	28	Rivet	
32	D28282209	2	Rivet	
33	D28281870	2	Plate	

MF 7250/7252 COMBINE - 1637400
D-ZCZC-005-A



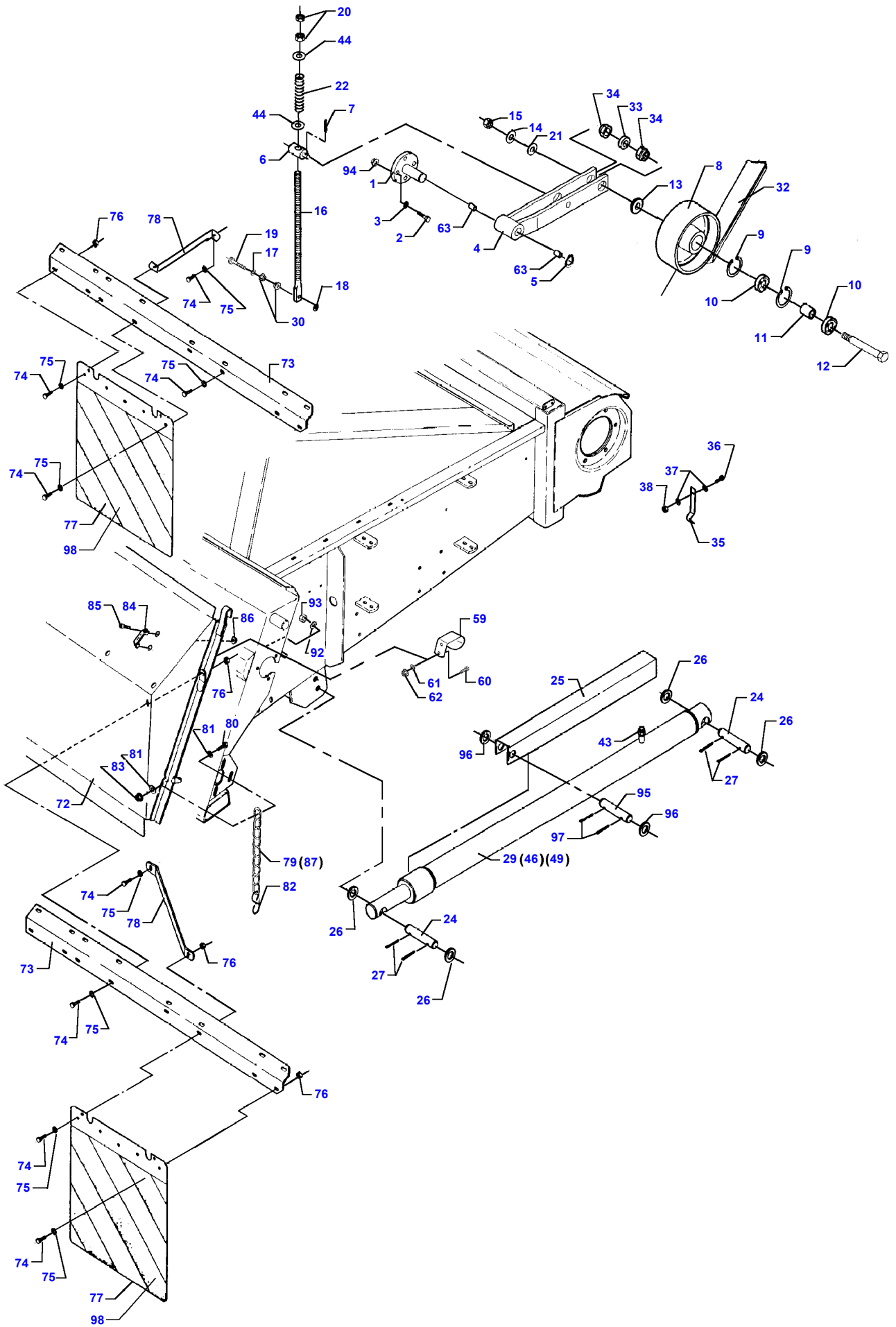
D-ZCZC-005-A

Table Clutch

Item	Part Number	Qty	Description	Comments
1	D28284030	1	Shaft	
4	D43107900	1	Key	
5	D18282179	1	Conveyor	Up to Serial or Engine Number 57185
	D18282260	1	Conveyor	From Serial or Engine Number 57186
6	D28284015	1	Pulley	
8	D28281618	1	Sprocket	[A] Replace and repair. Old not interchangeable with new D28280262
9	D40407900	6	Hex. Sock. Screw	
10	D20400471	6	Washer	
11	D28280118	1	Hub	
12	D45481200	1	O Ring	
13	D28280116	1	Plate	
14	D40429400	4	Screw Metric	
15	D28251025	4	Washer	
16	D28260098	4	Comp.Spring	
17	D41012100	4	Locknut	
18	D28280252	1	Ring	
19	D42596900	2	Tightener	
20	D28280261	1	Ring	
21	D40433200	1	Hex. Sock. Screw	
22	D20400459	1	Washer	
23	D45903400	2	Friction Disc	
24	D43001600	1	Greaser	
27	D41991700	1	Belt	
28	D42329600	1	Chain	
	D42332400	1	Chain	[A]
29	D42367700	1	Connecting Link	
30	D42367800	1	Link	
31	D28284031	2	Bracket	
32	D40405000	8	Hex. Sock. Screw	
33	D20400506	8	Washer	
34	D41013500	8	Nut	
35	D28184433	1	Bracket	
36	D28184326	1	Guard	
37	D40404900	X	Hex. Sock. Screw	
38	D20400506	X	Washer	
39	D41013500	X	Nut	
40	D28184434	1	Guard	
41	D28184441	1	Cover	

FOOTNOTE [A] MAIZE EQUIPMENT

MF 7250/7252 COMBINE - 1637400
D-ZCZD-005-A



D-ZCZD-005-A

Hydraulic Cylinder

Item	Part Number	Qty	Description	Comments
1	D28284010	1	Pivot	
2	D40405100	4	Hex. Sock. Screw	
3	D20400506	4	Washer	
4	D28786659	1	Lever	CPL.
	D28787003	1	Arm	
5	D42502300	1	Circlip	
6	D28780030	1	Pivot	
7	D41405900	1	Pin	
8	D28880196	1	Pulley	
9	D42513700	2	Circlip	
10	D41622700	2	Bearing Ball	
11	D28780007	1	Ring	
12	D28780008	1	Bolt	
13	D28380003	1	Ring	
14	D20400459	1	Washer	
15	D41011100	1	Nut	
16	D28380011	1	Tie Rod	
17	D20400416	1	Washer	
18	D41087600	1	Locknut	
19	D40408300	1	Screw Metric	
20	D41011100	2	Nut	
21	D20400460	1	Washer	
22	D28210881	1	Comp.Spring	
24	D28282040	2	Clevis Pin	
25	D28284049	2	Stop	
26	D20400467	8	Washer	
27	D41410700	8	Split Pin	
28	D28282039	2	Clevis Pin	
29	D45140002	2	Ram	MF 7250
	D45140001	3	Hydraulic, Cylin	MF 7252
30	D41010800	2	Nut	
32	D41991700	1	Belt	
33	D28780776	1	Spacer	
34	D28780777	2	Eccentric	
35	D28260477	2	Retainer	
36	D40402600	2	Hex. Sock. Screw	
37	D20400470	4	Washer	
38	1441462X1	2	Locknut	Replace and repair. Old not interchangeable with new D41087400
43	D45250800	X	Union	
44	D28181284	2	Washer	
45	D45100057	2	Hydraulic, Cylin	PACOMA
46	D45100074	2	Kit, Seal	PACOMA
	D45110023	2	Kit, Joint	PPT
	D45110086	2	Kit, Seal	SERTA
49	D45110087	1	Kit, Seal	SERTA
59	D28181714	2	Hinge	
60	D40404900	4	Hex. Sock. Screw	
61	D20400506	4	Washer	
62	D41013500	4	Nut	
63	D43364800	2	Bush	(4)
64	D20400401	2	Washer	
72	D28181078	1	Shield	
73	D28181073	2	Suspension	[B]
74	D40402600	X	Hex. Sock. Screw	[B]
75	D20400470	X	Washer	[B]
76	D41013400	X	Nut	[B]
77	D28761501	2	Plate	[B]
78	D28181074	2	Stay	[B]
79	D28181230	2	Chain	[B]
80	D40404900	2	Hex. Sock. Screw	[B]
81	D20400506	4	Washer	[B]
82	D42386000	2	Hook	[B]
83	D41087500	2	Locknut	[B]
84	D43386900	2	Handle	[B]
85	D40690300	4	Screw	[B]
86	D41013500	4	Nut	[B]
87	D28181715	2	Chain	
93	D41087300	1	Locknut	[A]
94	D41013500	4	Nut	
95	D28282040	2	Clevis Pin	
96	D20400467	4	Washer	

Massey Ferguson

MF 7250/7252 COMBINE - 1637400

1637400

Hydraulic Cylinder

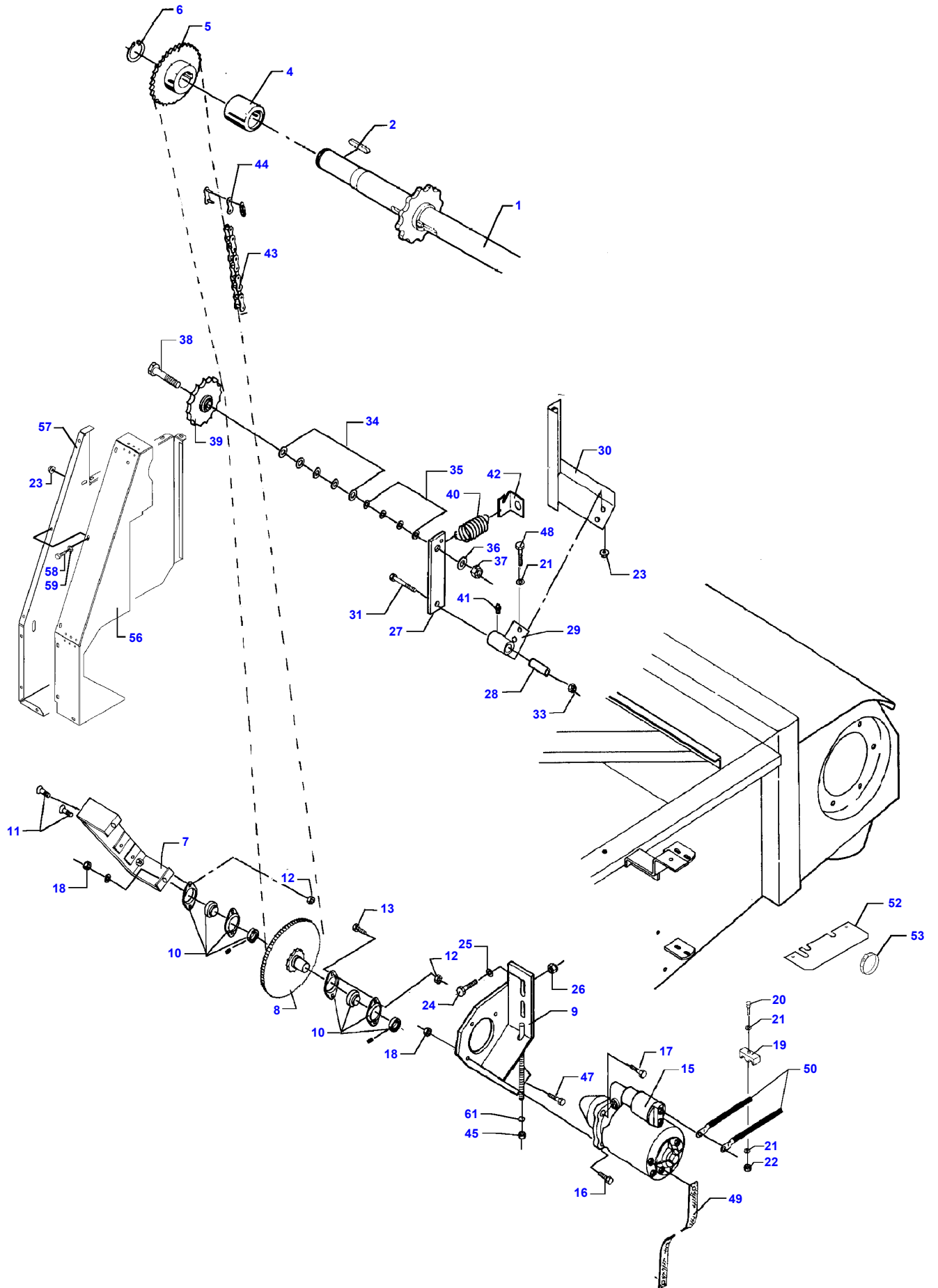
Page003-0005

Item	Part Number	Qty	Description	Comments
97	D41410700	4	Split Pin	
98	D49157500	2	Decal	

FOOTNOTE [A] MAIZE EQUIPMENT

FOOTNOTE [B] OPTIONAL EQUIPMENT

MF 7250/7252 COMBINE - 1637400
D-ZCZE-005-A



D-ZCZE-005-A

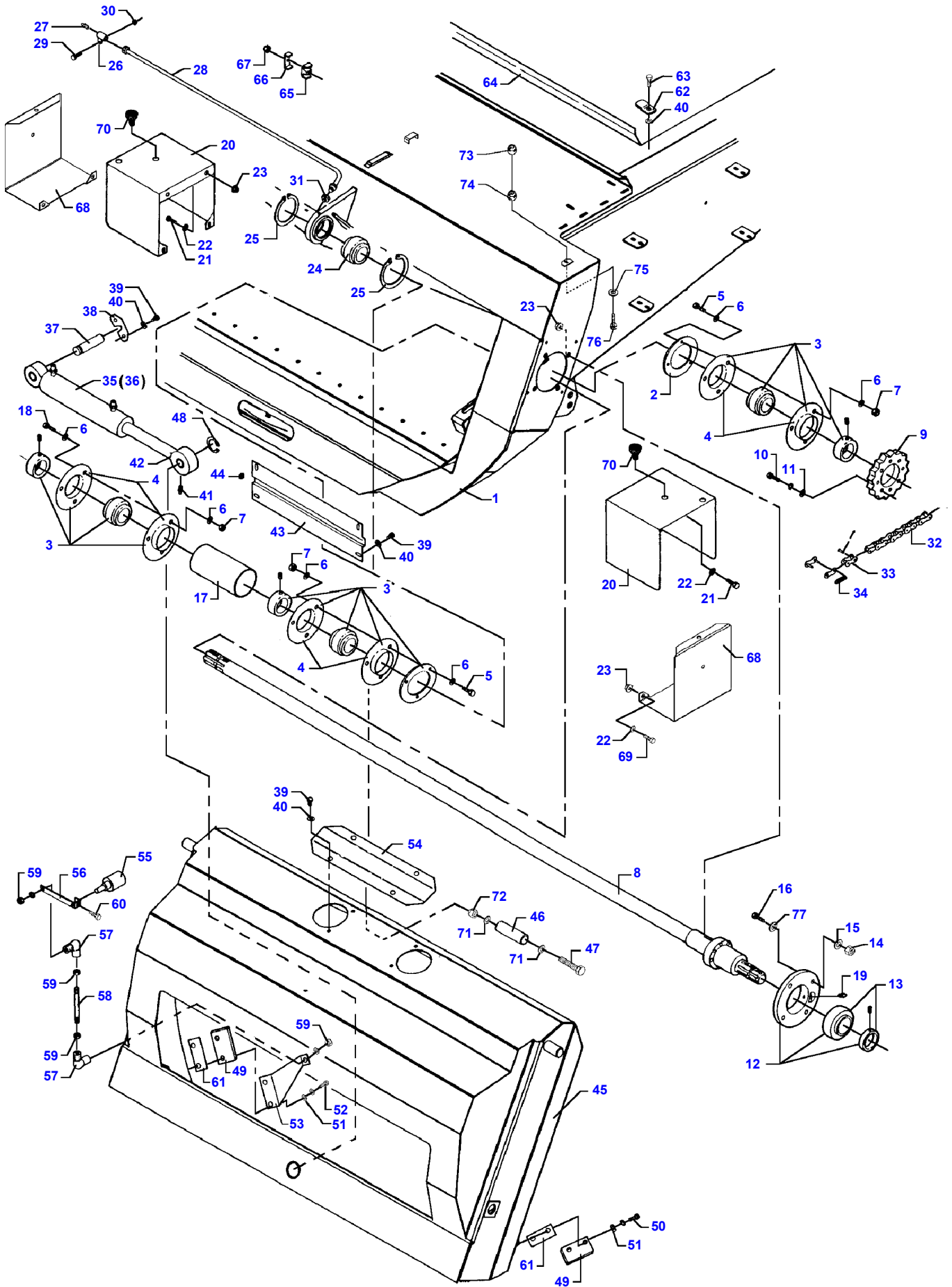
Reversing Device

Item	Part Number	Qty	Description	Comments
1	D28284030	1	Shaft	
2	D43107500	1	Key	
3	D43107900	1	Key	
4	D28284033	1	Spacer	
5	D28283544	1	Sprocket	
6	D42504300	1	Circlip	
7	D28284251	1	Stirrup	
8	D28283515	1	Sprocket	
9	D28283514	1	Bracket	
10	D41713900	2	Bearing	
11	D40603400	2	Screw Metric	
12	D41010800	4	Nut	
13	D40407800	2	Hex. Sock. Screw	
15	D45070088	1	Startermotor	
16	D40407900	2	Hex. Sock. Screw	
17	D40408100	1	Setscrew	
18	D41010800	4	Nut	
19	D45736400	1	Clip	
20	D40422200	1	Screw Metric	
21	D20400470	2	Washer	
22	1441462X1	1	Locknut	Replace and repair. Old not interchangeable with new D41087400
23	D41013500	5	Nut	
24	D40411100	2	Hex. Sock. Screw	
25	D20400446	2	Washer	
26	D41087700	2	Locknut	
27	D28283818	1	Lever	
28	D28283820	1	Bush	
29	D28283823	1	Bearing Carrier	
30	D28283542	1	Support	
31	D40426600	1	Hex. Sock. Screw	
33	D41087600	1	Locknut	
34	D28181284	5	Washer	
35	D20400516	X	Spacer	OPTIONAL
36	D20400462	1	Washer	
37	D41087900	1	Locknut	
38	D40433800	1	Screw	
39	D41712300	1	Tensioner	
40	D28760287	1	Spring	
41	D43001700	1	Greaser	
42	D28283819	1	Retainer	
43	D42333300	1	Chain	
44	D42363100	1	Link	
45	D41087600	1	Locknut	
47	D40407800	1	Hex. Sock. Screw	
48	D40423600	2	Screw Metric	
49	D28760642	1	Earth Strap	
50	D28781887	2	Cable	
51	D41716000	2	Bearing Ball	
52	D28284250	1	Guard	
53	D45728000	1	Clamp	
56	D18184450	1	Guard	[A]
	D28184464	1	Guard	[B]
57	D28284056	1	Guard	
58	D40404900	X	Hex. Sock. Screw	
59	D20400506	X	Washer	
61	D20400416	1	Washer	

FOOTNOTE [A] STANDARD COMBINE

FOOTNOTE [B] AUTO-LEVEL COMBINE

MF 7250/7252 COMBINE - 1637400
D-ZCZG-005-A



D-ZCZG-005-A

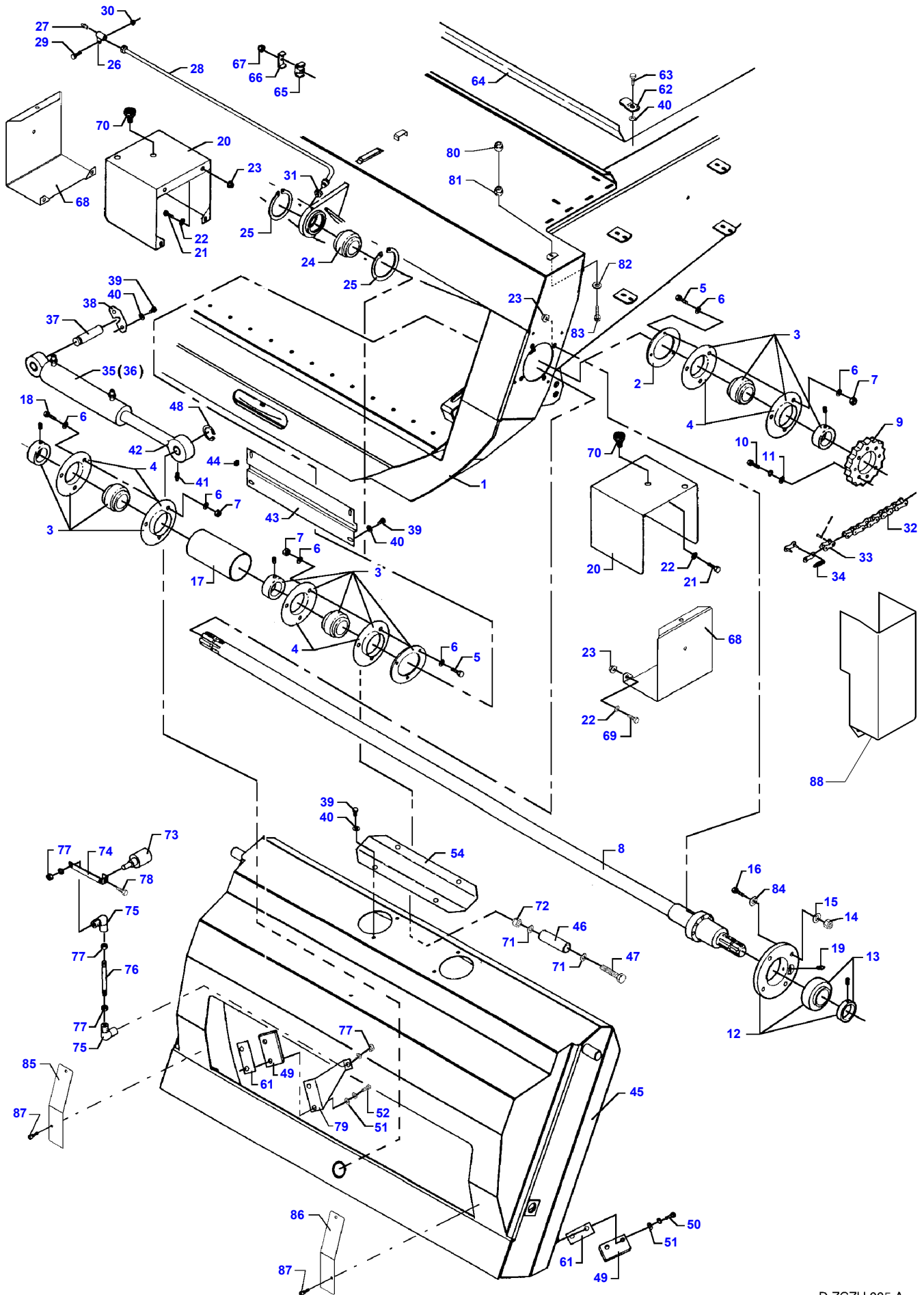
Transmission Auto-Level Combine

Item	Part Number	Qty	Description	Comments
1	D28282179	1	Conveyor	
2	D28284368	2	Shim	
3	D41707800	3	Bearing	
4	D41701700	6	Flange	
5	D40407800	6	Hex. Sock. Screw	
6	D20400507	12	Spacer	
7	D41010800	6	Nut	
8	D28282200	1	Shaft	
9	D28281617	1	Sprocket	
10	D40423600	8	Screw Metric	
11	D20400506	8	Washer	
12	D41715000	1	Bearing	
13	D41713200	1	Bearing Ball	
14	D41087900	4	Locknut	
15	D20400462	4	Washer	
16	D40433200	4	Hex. Sock. Screw	
17	D28282193	1	Guard	
18	D40407700	3	Hex. Sock. Screw	
19	D43004900	1	Grease Nipple	
20	D18281791	2	Pto Guard	Up to Serial or Engine Number 59409
	D28282251	2	Shield	From Serial or Engine Number 59410
21	D40404900	4	Hex. Sock. Screw	
22	D20400506	8	Washer	
23	D41013500	8	Nut	
24	D45698700	1	Toggle	
25	D42514800	2	Circlip	
26	D43009200	1	Bracket	
27	D43002600	1	Greaser	
28	D28780803	1	Tube	
29	D40402600	1	Hex. Sock. Screw	
30	D41013400	1	Nut	
31	D43009500	1	Greaser	
32	D42334600	1	Chain	
33	D42367800	1	Link	
34	D42367700	1	Connecting Link	
35	D45100029	1	Ram	Up to Serial or Engine Number 57067
	D45120073	1	Ram	From Serial or Engine Number 57068
36	D45110085	1	Kit, Seal	
37	D28284399	1	Pin	
38	D28281783	1	Plate	
39	D40404900	X	Hex. Sock. Screw	
40	D20400506	X	Washer	
41	D43001500	1	Greaser	
42	D45698900	1	Toggle	
43	D18281779	1	Cover	
44	D44711900	X	Gasket	Length 0,06 M
45	D18282108	1	Frame	
46	D28281782	1	Pin	
47	D40435100	1	Screw	
48	D42502800	1	Circlip	
49	D18281781	2	Plate	
50	D40410800	2	Screw Metric	
51	D20400426	4	Washer	
52	D40410900	2	Hex. Sock. Screw	
53	D18281787	1	Bracket	
54	D18281792	1	Cover	
55	D28780523	1	Meter	
56	D18281785	1	Rod	
57	D46437300	2	Toggle	
58	D28281784	1	Rod	
59	D41010600	4	Nut	
60	D40402400	1	Hex. Sock. Screw	
61	D28281810	X	Shim	OPTIONAL
62	D18281771	1	Support	
63	D40404700	2	Hex. Sock. Screw	
64	D18282197	1	Shutter	
65	D45739400	3	Support	
66	D28750784	3	Bracket	
67	1441462X1	3	Locknut	Replace and repair. Old not interchangeable with new D41087400
68	D18281838	2	Guard	Up to Serial or Engine Number 59409
	D28282460	2	Shield	From Serial or Engine Number 59410

Massey Ferguson**MF 7250/7252 COMBINE - 1637400****1637400****Transmission Auto-Level Combine****Page003-0007**

Item	Part Number	Qty	Description	Comments
69	D40405300	4	Screw	
70	D43385200	2	Screw	
71	D28280441	2	Washer	
72	D41087900	1	Locknut	
73	1441462X1	1	Locknut	Replace and repair. Old not interchangeable with new D41087400
74	D41013400	1	Nut	
75	D20400404	1	Washer	
76	D40402700	1	Hex. Sock. Screw	
77	D20400461	4	Washer	

MF 7250/7252 COMBINE - 1637400
D-ZCZH-005-A



D-ZCZH-005-A

Item	Part Number	Qty	Description	Comments
1	D28282179	1	Conveyor	
2	D28284368	2	Shim	
3	D41707800	3	Bearing	
4	D41701700	6	Flange	
5	D40407800	6	Hex. Sock. Screw	
6	D20400507	12	Spacer	
7	D41010800	6	Nut	
8	D28282200	1	Shaft	
9	D28281617	1	Sprocket	
10	D40423600	8	Screw Metric	
11	D20400506	8	Washer	
12	D41715000	1	Bearing	
13	D28282197	1	Shutter	
14	D41087900	4	Locknut	
15	D20400462	4	Washer	
16	D40433200	4	Hex. Sock. Screw	
17	D28282193	1	Guard	
18	D40407700	3	Hex. Sock. Screw	
19	D43004900	1	Grease Nipple	
20	D18281791	2	Pto Guard	Up to Serial or Engine Number 59409
	D28282251	2	Shield	From Serial or Engine Number 59410
21	D40404900	4	Hex. Sock. Screw	
22	D20400506	8	Washer	
23	D41013500	8	Nut	
24	D45698700	1	Toggle	
25	D42514800	2	Circlip	
26	D43009200	1	Bracket	
27	D43002600	1	Greaser	
28	D28780803	1	Tube	
29	D40402600	1	Hex. Sock. Screw	
30	D41013400	1	Nut	
31	D43009500	1	Greaser	
32	D42334600	1	Chain	
33	D42367800	1	Link	
34	D42367700	1	Connecting Link	
35	D45100029	1	Ram	Up to Serial or Engine Number 57067
	D45120073	1	Ram	From Serial or Engine Number 57068
36	D45110085	1	Kit, Seal	
37	D28284399	1	Pin	
38	D28281783	1	Plate	
39	D40404900	X	Hex. Sock. Screw	
40	D20400506	X	Washer	
41	D43001500	1	Greaser	
42	D45698900	1	Toggle	
43	D18281779	1	Cover	
44	D44711900	X	Gasket	Length 0,06 M
45	D18282109	1	Frame	
46	D28281782	1	Pin	
47	D40435100	1	Screw	
48	D42502800	1	Circlip	
49	D18281781	2	Plate	
50	D40410800	2	Screw Metric	
51	D20400426	4	Washer	
52	D40410900	2	Hex. Sock. Screw	
54	D18281792	1	Cover	
57	D20400521	2	Spacer	
58	D40404700	2	Hex. Sock. Screw	
59	D40741200	2	Screw	
60	D41013500	2	Nut	
61	D28281810	X	Shim	OPTIONAL
62	D18281771	1	Support	
63	D40404700	2	Hex. Sock. Screw	
64	D18282197	1	Shutter	
65	D45739400	3	Support	
66	D28750784	3	Bracket	
67	1441462X1	3	Locknut	Replace and repair. Old not interchangeable with new D41087400
68	D18281838	2	Guard	Up to Serial or Engine Number 59409
	D28282460	2	Shield	From Serial or Engine Number 59410
69	D40405300	4	Screw	
70	D43385200	2	Screw	
71	D28280441	2	Washer	

Massey Ferguson**MF 7250/7252 COMBINE - 1637400**

1637400

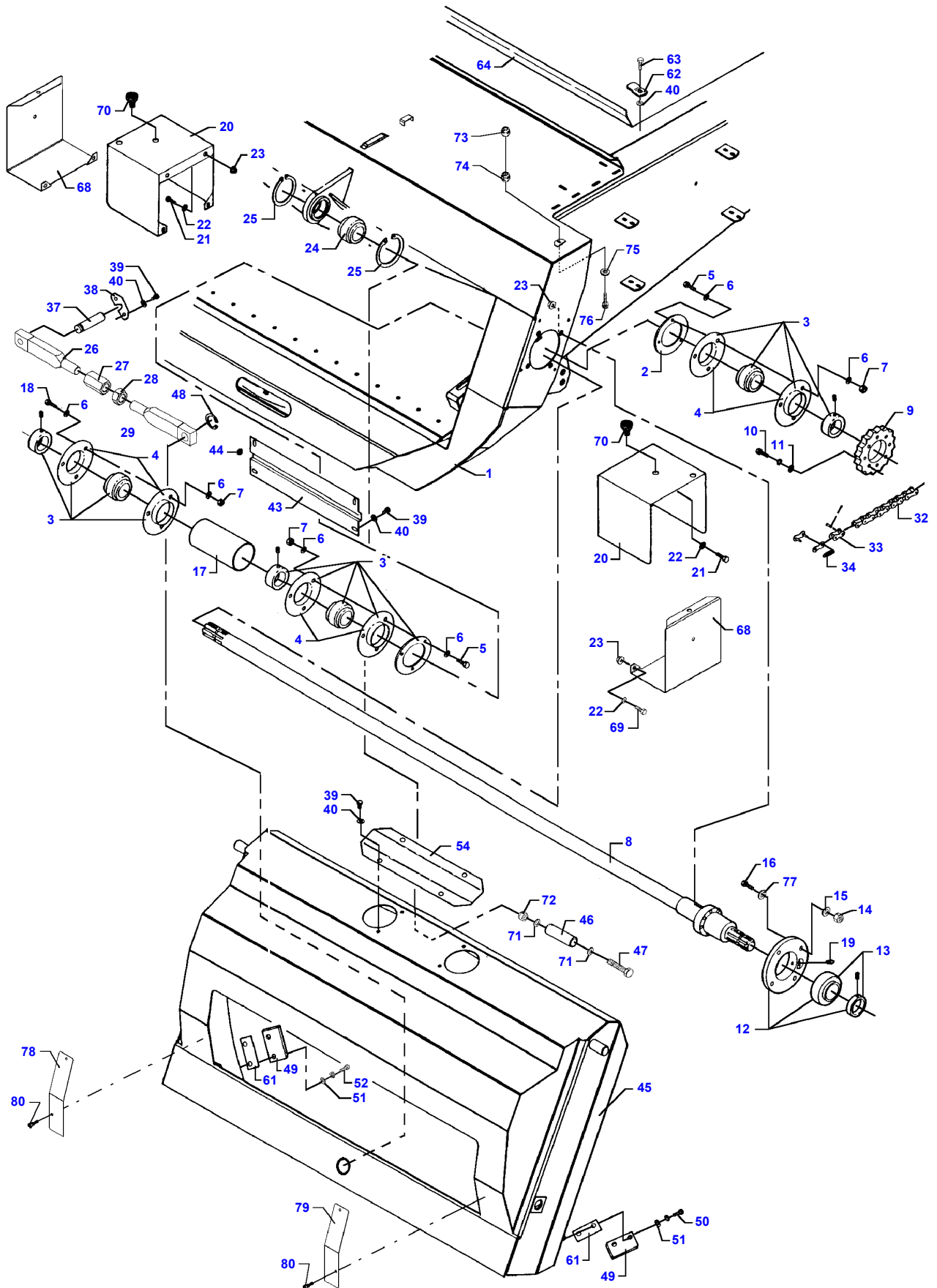
Transmission Auto-Level - Table - M F 7252

Page003-0008

Item	Part Number	Qty	Description	Comments
72	D41087900	1	Locknut	
73	D28780523	1	Meter	
74	D18281785	1	Rod	
75	D46437300	2	Toggle	
76	D28281784	1	Rod	
77	D41010600	2	Nut	
78	D40402400	1	Hex. Sock. Screw	
79	D18281787	1	Bracket	
80	1441462X1	1	Locknut	Replace and repair. Old not interchangeable with new D41087400
81	D41013400	1	Nut	
82	D20400404	1	Washer	
83	D40402700	1	Hex. Sock. Screw	
84	D20400461	4	Washer	
85	D28281878	1	Cover	[A]
86	D28281879	1	Cover	[A]
87	D40685000	4	Screw	[A]
88	D18281983	1	Guard	

FOOTNOTE [A] COVER PLATES ARE USED FOR RYE GRASS ONLY

MF 7250/7252 COMBINE - 1637400
D-ZCZI-005-A

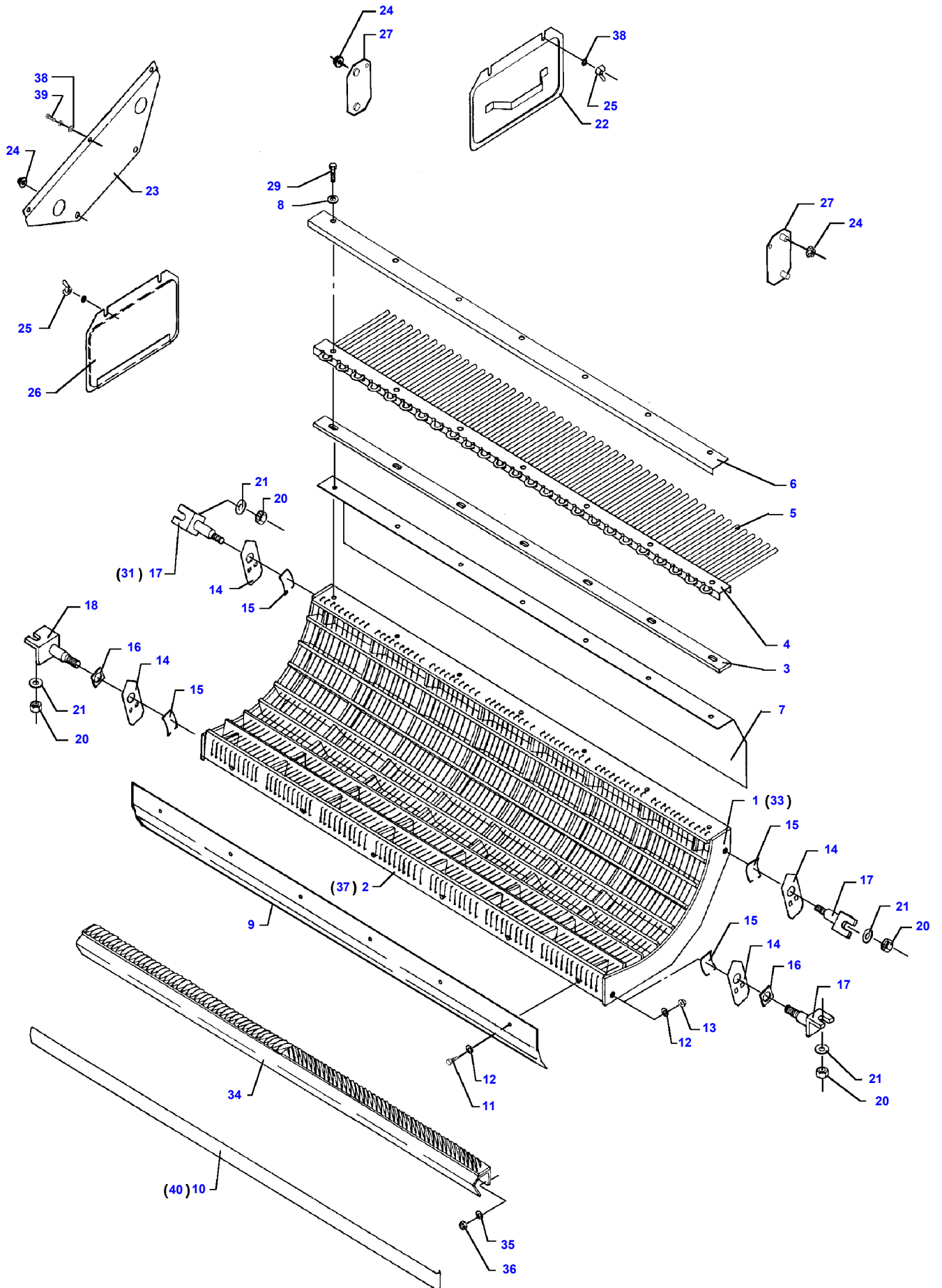


Transmission Std. Combine

Item	Part Number	Qty	Description	Comments
1	D28282179	1	Conveyor	
2	D28284368	2	Shim	
3	D41707800	3	Bearing	
4	D41701700	6	Flange	
5	D40407800	6	Hex. Sock. Screw	
6	D20400507	12	Spacer	
7	D41010800	6	Nut	
8	D28282200	1	Shaft	
9	D28281617	1	Sprocket	
10	D40423600	8	Screw Metric	
11	D20400506	8	Washer	
12	D41715000	1	Bearing	
13	D41713200	1	Bearing Ball	
14	D41087900	4	Locknut	
15	D20400462	4	Washer	
16	D40433200	4	Hex. Sock. Screw	
17	D28282193	1	Guard	
18	D40407700	3	Hex. Sock. Screw	
19	D43004900	1	Grease Nipple	
20	D18281791	2	Pto Guard	Up to Serial or Engine Number 59409
	D28282251	2	Shield	From Serial or Engine Number 59410
21	D40404900	4	Hex. Sock. Screw	
22	D20400506	8	Washer	
23	D41013500	8	Nut	
24	D45698700	1	Toggle	
25	D42514800	2	Circlip	
26	D28281820	1	Link	
27	D28281825	1	Nut	
28	D41043200	1	Nut Metric	
29	D28281819	1	Link	
32	D42334600	1	Chain	
33	D42367800	1	Link	
34	D42367700	1	Connecting Link	
37	D28284399	1	Pin	
38	D28281783	1	Plate	
39	D40404900	X	Hex. Sock. Screw	
40	D20400506	X	Washer	
43	D18281779	1	Cover	
44	D44711900	X	Gasket	Length 0,06 M
45	D18282109	1	Frame	
46	D28281782	1	Pin	
47	D40435100	1	Screw	
48	D42502800	1	Circlip	
49	D18281781	2	Plate	
50	D40410800	2	Screw Metric	
51	D20400426	4	Washer	
52	D40410900	2	Hex. Sock. Screw	
54	D18281792	1	Cover	
61	D28281810	X	Shim	OPTIONAL
62	D18281771	2	Support	
63	D40404700	2	Hex. Sock. Screw	
64	D18282197	1	Shutter	
68	D18281838	2	Guard	Up to Serial or Engine Number 59409
	D28282460	2	Shield	From Serial or Engine Number 59410
69	D40405300	4	Screw	
70	D43385200	2	Screw	
71	D28280441	2	Washer	
72	D41087900	1	Locknut	
73	1441462X1	1	Locknut	Replace and repair. Old not interchangeable with new D41087400
74	D41013400	1	Nut	
75	D20400404	1	Washer	
76	D40402700	1	Hex. Sock. Screw	
77	D20400461	4	Washer	
78	D28281878	1	Cover	[A]
79	D28281879	1	Cover	[A]
80	D40685000	4	Screw	[A]

FOOTNOTE [A] COVER PLATES ARE USED FOR RYE GRASS ONLY

MF 7250/7252 COMBINE - 1637400
D-ZDZA-003-A



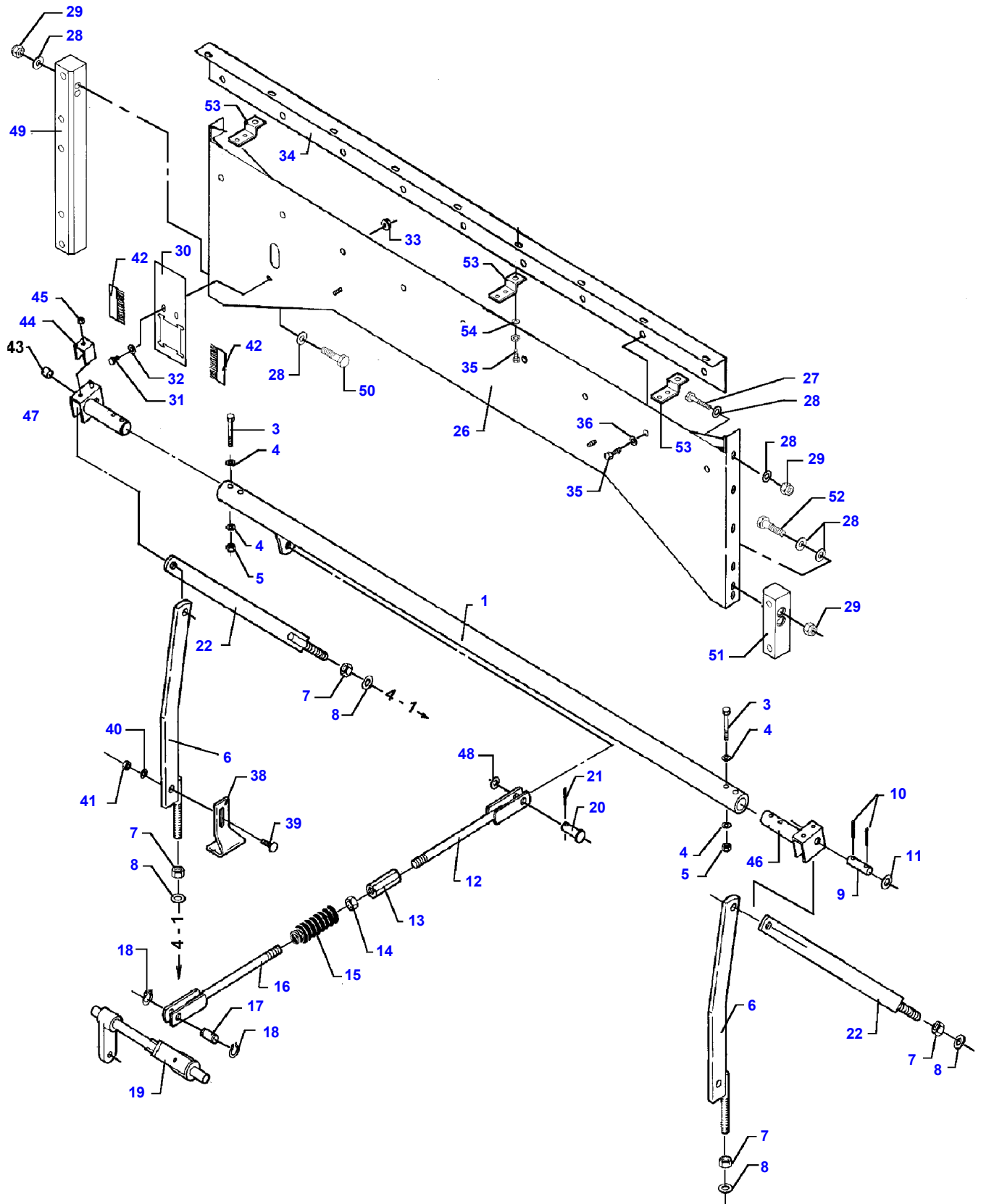
D-ZDZA-003-A

Concave

Item	Part Number	Qty	Description	Comments
1	D28350192	1	Concave	
2	D28350193	X	Wire	
3	D28350260	1	Plate	
4	D28350259	1	Plate	
5	D28350257	25	Tine	
6	D28350261	1	Plate	
7	D28350021	1	Guard	
8	D20400415	7	Washer	
9	D28384014	1	Concave	
10	D28350194	X	Blade	
11	D40407900	6	Hex. Sock. Screw	
12	D20400419	12	Washer	
13	D41087600	6	Locknut	
14	D28350146	4	Plate	
15	D28350031	4	Spring	(14)
16	D28350037	2	Gauge	
17	D28380180	3	Journal	
18	D28384041	1	Journal	
20	D41011100	4	Nut	
21	D28181284	4	Washer	
22	D28150041	1	Cover	
23	D28350125	1	Cover	
24	D41013500	8	Nut	
25	D41057100	4	Wing Nut	
26	D28150509	1	Cover	
27	D28184059	2	Plate	
29	D40425900	7	Screw	
33	D28350274	1	Concave	[A]
34	D28350251	1	Concave	[A] (33)
35	D20400471	6	Washer	[A] (33)
36	D41087600	6	Locknut	[A] (33)
37	D28350258	X	Wire	[A]
38	D20400506	5	Washer	
39	D40404700	1	Hex. Sock. Screw	
40	D28380448	1	Plate	

FOOTNOTE [A] MAIZE EQUIPMENT

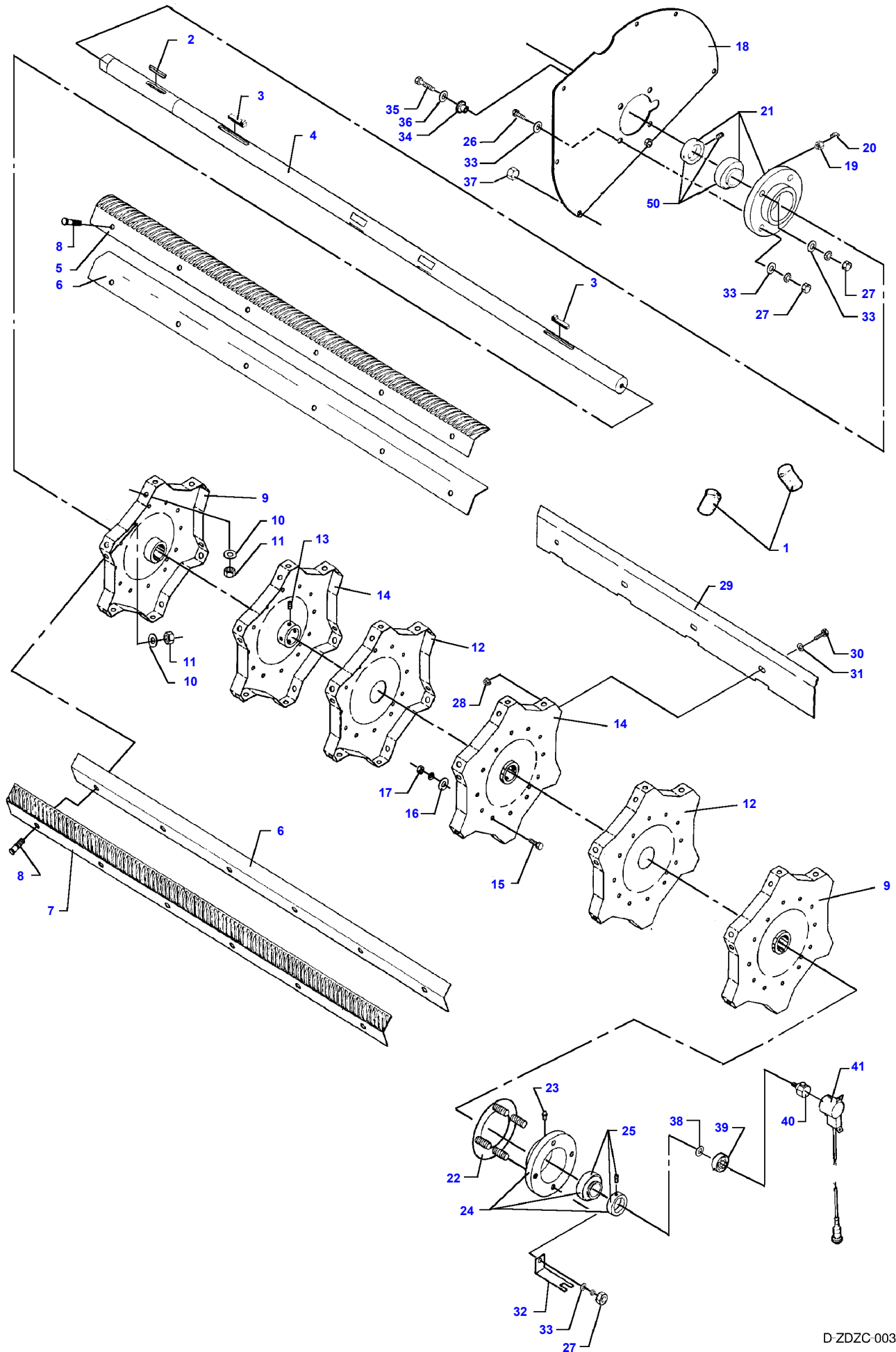
MF 7250/7252 COMBINE - 1637400
D-ZDZB-003-A



Convave Adjustment

Item	Part Number	Qty	Description	Comments
1	D28382026	1	Shaft	
3	D40426300	4	Screw Metric	
4	D20400471	8	Washer	
5	D41087600	4	Locknut	
6	D28384007	2	Suspension	
7	D41011100	8	Nut	
8	D28181284	8	Washer	
9	D28380146	2	Pin	
10	3000197X1	4	Split Pin	
11	D20400518	2	Spacer	
12	D28384013	1	Rod	
13	D28884116	1	Nut	
14	D41011100	1	Nut	
15	D28980861	1	Bellows	
16	D28980634	1	Rod	
17	D28980137	31	Pin	
18	D42501400	2	Circlip	
19	D28980658	1	Shaft	
20	D41486000	1	Clevis Pin	
21	D41408800	1	Split Pin	
22	D28384009	2	Bar	
26	D28182159	1	Plate	
27	D40428300	6	Screw Metric	
28	D20400426	12	Washer	
29	D41087700	6	Locknut	
30	D28184264	1	Plate	
31	D40402400	1	Hex. Sock. Screw	
32	D20400470	1	Washer	
33	D41013400	1	Nut	
34	D28182105	1	Profile	
35	D40407800	15	Hex. Sock. Screw	
36	D20400471	7	Washer	
38	D28384042	1	Strut	
39	D40070300	1	Screw	
40	D20400426	2	Washer	
41	D41087700	1	Locknut	
42	D28180246	2	Brush	
43	D28384050	1	Pin	
44	D28384049	1	Clamp	
45	1441462X1	1	Locknut	Replace and repair. Old not interchangeable with new D41087400
46	D28384047	1	Arm	Left Hand
47	D28384048	1	Arm	Right Hand
48	D20400461	1	Washer	
49	D28184310	1	Reinforcement	Right Hand
50	D40429400	2	Screw Metric	
51	D28184311	1	Reinforcement	Left Hand
52	D40429200	2	Bolt	
53	D28780694	3	Support	
54	D20400416	8	Washer	

MF 7250/7252 COMBINE - 1637400
D-ZDZC-003-A



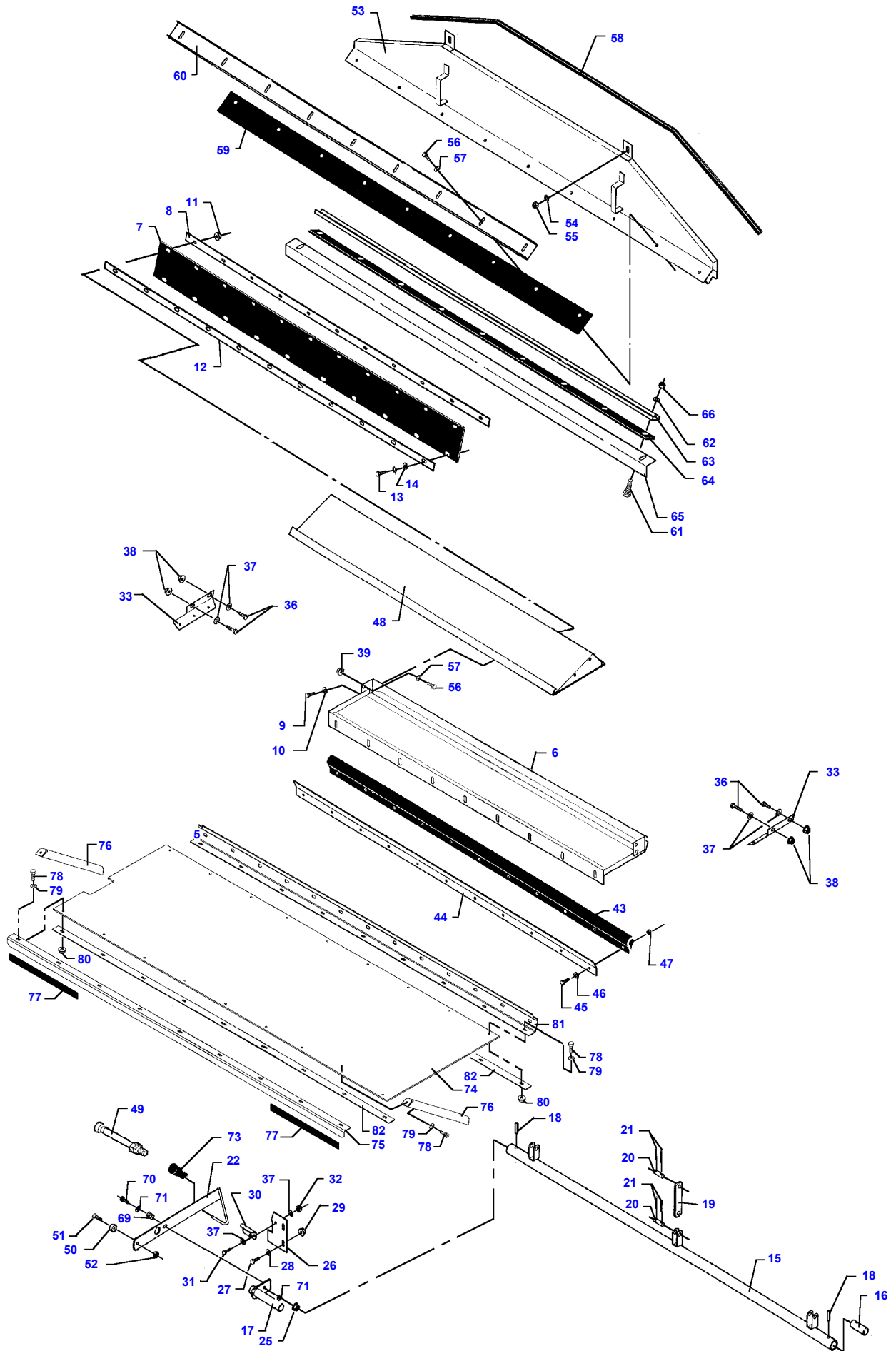
D-ZDZC-003-A

Threshing Drum

Item	Part Number	Qty	Description	Comments
1	D27300181	4	Shutter	
2	D43105000	1	Key	
3	D28350244	1	Threshing Cyl	
	D43154900	2	Gib Key	(3)
4	D28350233	1	Shaft	(3)
5	D28084172	1	Kit, Beater Bar	(3)
6	D28350240	6	Support	(3)
7	D28084172	1	Kit, Beater Bar	(3)
8	D40411100	36	Hex. Sock. Screw	(3)
9	D28350239	2	Plate	(3)
10	D20400424	36	Washer	(3)
11	D41087700	36	Locknut	(3)
12	D28350011	2	Plate	(3)
13	D40633300	8	Pin	(3)
14	D28350238	2	Plate	(3)
15	D40407800	5	Hex. Sock. Screw	(3)
16	D20400415	X	Washer	(3)
				OPTIONAL
	D20400421	X	Washer	(3)
				OPTIONAL
	D20400422	X	Washer	(3)
				OPTIONAL
17	D41010800	5	Nut	(3)
18	D28350236	1	Cover	
19	D43009600	1	Greaser	Diameter 6MM
	D43009900	1	Grease	Diameter 8MM
20	D43002600	1	Greaser	
21	D41715000	1	Bearing	
22	D28350204	1	Ring	
23	D43001500	1	Greaser	
24	D41711000	1	Bearing	
25	D41705700	1	Bearing Ball	
26	D40411000	2	Hex. Sock. Screw	
27	D41010900	4	Nut	
28	D41087600	36	Locknut	[A]
29	D28150660	6	Plate	[A]
30	D40407700	36	Hex. Sock. Screw	[A]
31	D20400415	36	Washer	[A]
32	D28184056	1	Retainer	
33	D20400426	X	Washer	
34	D28350266	2	Bush	
35	D40407900	2	Hex. Sock. Screw	
36	D20400424	2	Washer	
37	D41013500	6	Nut	
38	D20400419	1	Washer	
39	D41622600	1	Bearing Ball	
40	D28780516	1	Inductive Taker	
41	D28780514	1	Sensor	
50	D41713200	1	Bearing Ball	

FOOTNOTE [A] MAIZE EQUIPMENT

MF 7250/7252 COMBINE - 1637400
D-ZDZD-004-A



D-ZDZD-004-A

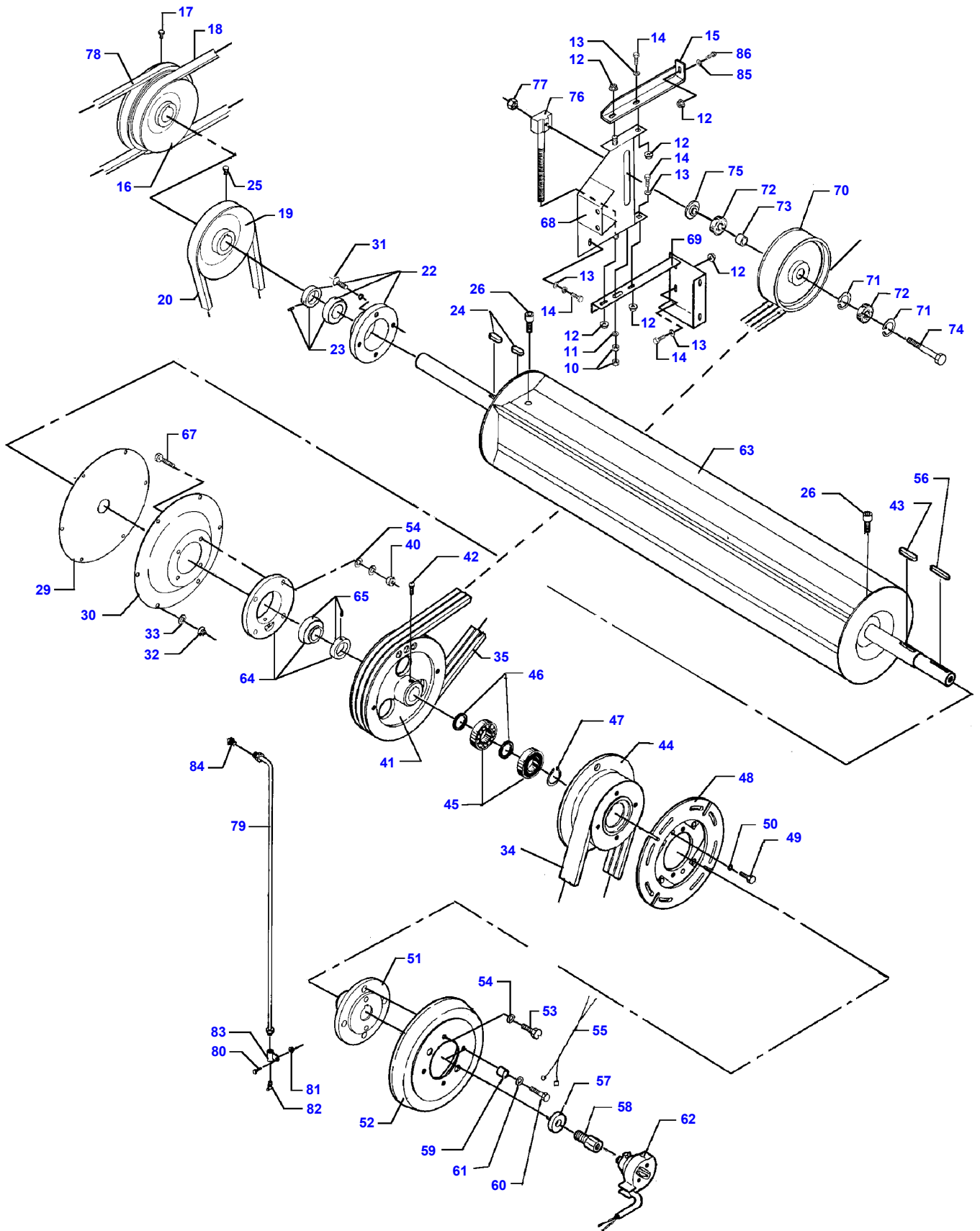
Drum Cover And Stone Trap

Item	Part Number	Qty	Description	Comments
6	D28384016	1	Stone Trap	
7	D28350219	1	Curtain	
8	D28130233	1	Plate	
9	D40402600	11	Hex. Sock. Screw	
10	D20400404	11	Washer	
11	D41013400	11	Nut	
12	D28450539	1	Strip	
13	D40402700	7	Hex. Sock. Screw	
14	D20400470	7	Washer	
15	D28382003	1	Shaft	
16	D28380111	1	Journal	
17	D28380112	1	Support	
18	D42612000	2	Pin	
19	D28380113	3	Strap	
20	D28600299	6	Pin	
21	D41405700	12	Pin	
22	D28380309	1	Lever	
25	1441462X1	1	Locknut	Replace and repair. Old not interchangeable with new D41087400
26	D28380187	1	Stop	
27	D40405000	2	Hex. Sock. Screw	
28	D20400506	2	Washer	
29	D41013500	2	Nut	
30	D28150616	1	Mounting	
31	D40402600	1	Hex. Sock. Screw	
32	1441462X1	1	Locknut	Replace and repair. Old not interchangeable with new D41087400
33	D28384018	2	Plate	
36	D40402700	4	Hex. Sock. Screw	
37	D20400470	6	Washer	
38	D41013400	4	Nut	
39	D41013500	4	Nut	
43	D28350054	1	Joint	
44	D28350055	1	Stop	
45	D40405000	11	Hex. Sock. Screw	
46	D20400506	11	Washer	
47	D41013500	11	Nut	
48	D28384029	1	Plate	[B]
49	D28780365	1	Cable	MF 7252
50	D45010092	1	Magnet	MF 7252
51	D40316600	1	Screw Metric	MF 7252
52	D41010400	1	Nut	MF 7252
53	D28182051	1	Cover	
54	D20400419	2	Washer	
55	D41087600	4	Locknut	
56	D40404900	X	Hex. Sock. Screw	
57	D20400506	X	Washer	
58	D44706600	X	Seal Section	Length 1,500M
59	D28182046	1	Seal	
60	D28182045	1	Rail	
61	D40066800	8	Screw Metric	
62	D20400471	8	Washer	
63	D28182048	1	Rail	
64	D28184086	1	Deflector	
65	D28184346	1	Profile	
66	D41087600	8	Locknut	
69	D22200215	1	Spring	
70	D40421900	1	Bolt	
71	D20400470	2	Washer	
73	D43383800	1	Handle	
74	D28382131	1	Plate	[A]
75	D28382132	1	Angle	[A]
76	D28380174	2	Stay	[A]
77	D44735900	X	Seal Section	[A] Length 0,300M X 2
78	D40402700	18	Hex. Sock. Screw	[A]
79	D20400470	18	Washer	[A]
80	D41013400	18	Nut	[A]
81	D28382129	1	Stop	[A]
82	D28382130	2	Plate	[A]

FOOTNOTE [A] AUTO-LEVEL COMBINE

FOOTNOTE [B] MAIZE EQUIPMENT

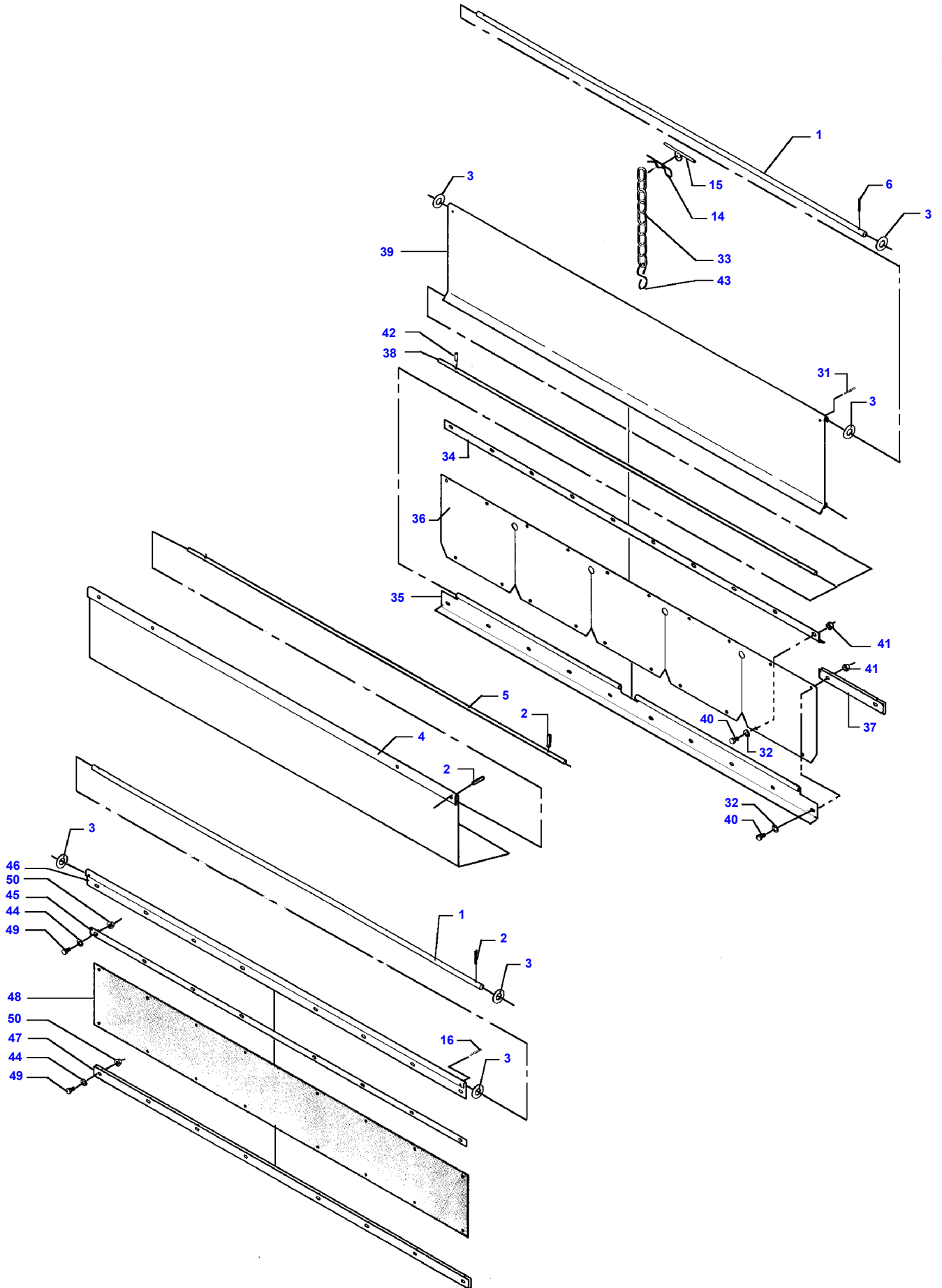
MF 7250/7252 COMBINE - 1637400
D-ZDZE-004-A



Rear Beater

Item	Part Number	Qty	Description	Comments
10	D41010800	2	Nut	
11	D20400419	1	Washer	
12	D41013500	X	Nut	
13	D20400506	X	Washer	
14	D40405000	X	Hex. Sock. Screw	
15	D28784029	1	Bracket	
16	D28384005	1	Pulley	
17	D40407600	1	Hex. Sock. Screw	
18	D41950400	1	Belt	
19	D28784022	1	Pulley	
20	D41987900	1	V Belt	
22	D41714100	2	Bearing Carrier	
23	D41705500	2	Bearing Ball	
24	D43106200	2	Key	
25	D40466200	1	Setscrew	
26	D40697900	2	Screw	
29	D28350137	1	Plate	
30	D28384035	1	Cover	
31	D40693600	4	Screw Metric	
32	D41087500	6	Locknut	
33	D20400506	6	Washer	
34	D41991700	1	Belt	
35	D41934800	1	Kit, Belt	
40	D41010900	4	Nut	
41	D28384036	1	Pulley	
42	D40466700	4	Hex. Sock. Screw	
43	D43107900	1	Key	
44	D28752223	1	Pulley	
45	D41623000	2	Bear. 6207 2rs	
46	D28752226	2	Spacer	
47	D42515000	1	Circlip	
48	D45060300	1	Plate	
49	D40410900	4	Hex. Sock. Screw	
50	D20400426	4	Washer	
51	D28752220	1	Flange	
52	D45060200	1	Magnet	
53	D40410800	4	Screw Metric	
54	D20400446	X	Washer	
55	D28850906	1	Harness	
56	D43105200	1	Key	
57	D28752229	1	Washer	
58	D28752228	1	Screw	
59	D28752227	2	Bush	
60	D40407900	2	Hex. Sock. Screw	
61	D20400471	2	Washer	
62	D28780404	1	Retainer	
63	D28384034	1	Beater	
64	D41715000	1	Bearing	
65	D41713200	1	Bearing Ball	
67	D40411100	4	Hex. Sock. Screw	
68	D28784030	1	Support	
69	D28784031	1	Fitting	
70	D28880196	1	Pulley	
71	D42513700	2	Circlip	
72	D41622700	2	Bearing Ball	
73	D28780007	1	Ring	
74	D28480090	1	Bolt	
75	D28380003	1	Ring	
76	D28384055	1	Bolt	
77	D41087900	1	Locknut	
78	D41950100	1	Belt	
79	D28281479	1	Tube	
80	D40402600	1	Hex. Sock. Screw	
81	1441462X1	1	Locknut	Replace and repair. Old not interchangeable with new D41087400
82	D43002700	1	Greaser	
83	D43009200	1	Bracket	
84	D43009600	1	Greaser	Diameter 6MM
	D43009900	1	Grease	Diameter 8MM
85	D20400408	2	Washer	
86	D40423600	2	Screw Metric	

MF 7250/7252 COMBINE - 1637400
D-ZDZF-003-A

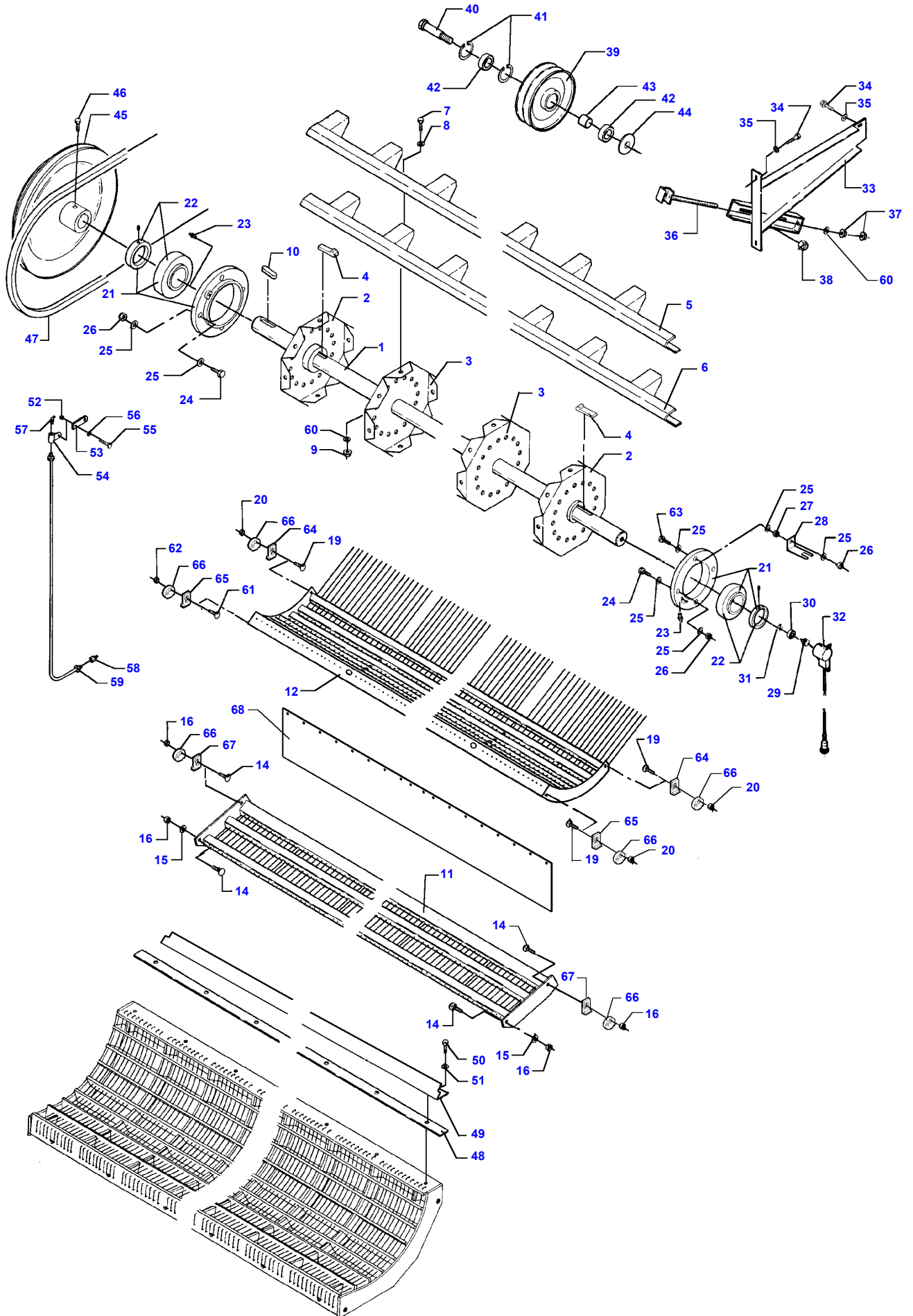


D-ZDZF-003-A

Check Flaps

Item	Part Number	Qty	Description	Comments
1	D28150231	2	Shaft	
2	D41405900	10	Pin	
3	D20400471	4	Washer	
4	D28182031	1	Guard	
5	D28140306	1	Shaft	
6	D44358000	4	Hair Pin	
14	D27100120	1	Hair Pin	
15	D21100341	1	Retainer	
16	D41408800	2	Split Pin	
31	D41410700	2	Split Pin	(32)
32	D28184102	1	Flap	
	D20400470	20	Washer	(32)
33	D28180405	1	Chain	(32)
34	D28151112	1	Anglepiece	(32)
35	D28151113	1	Hinge	(32)
36	D28151114	1	Flap	(32)
37	D28151115	5	Reinforcement	(32)
38	D28151116	1	Rod	(32)
39	D28184101	1	Plate	(32)
40	D40402400	20	Hex. Sock. Screw	(32)
41	D41013400	20	Nut	(32)
42	D41408700	2	Split Pin	(32)
43	D42386000	1	Hook	(32)
44	D28184098	1	Deflector	
	D20400470	16	Washer	(44)
45	D28150729	1	Bracket	(44)
46	D28184099	1	Hinge	(44)
47	D28151122	1	Reinforcement	(44)
48	D28151164	1	Plate	(44)
49	D40402400	16	Hex. Sock. Screw	(44)
50	D41013400	16	Nut	(44)

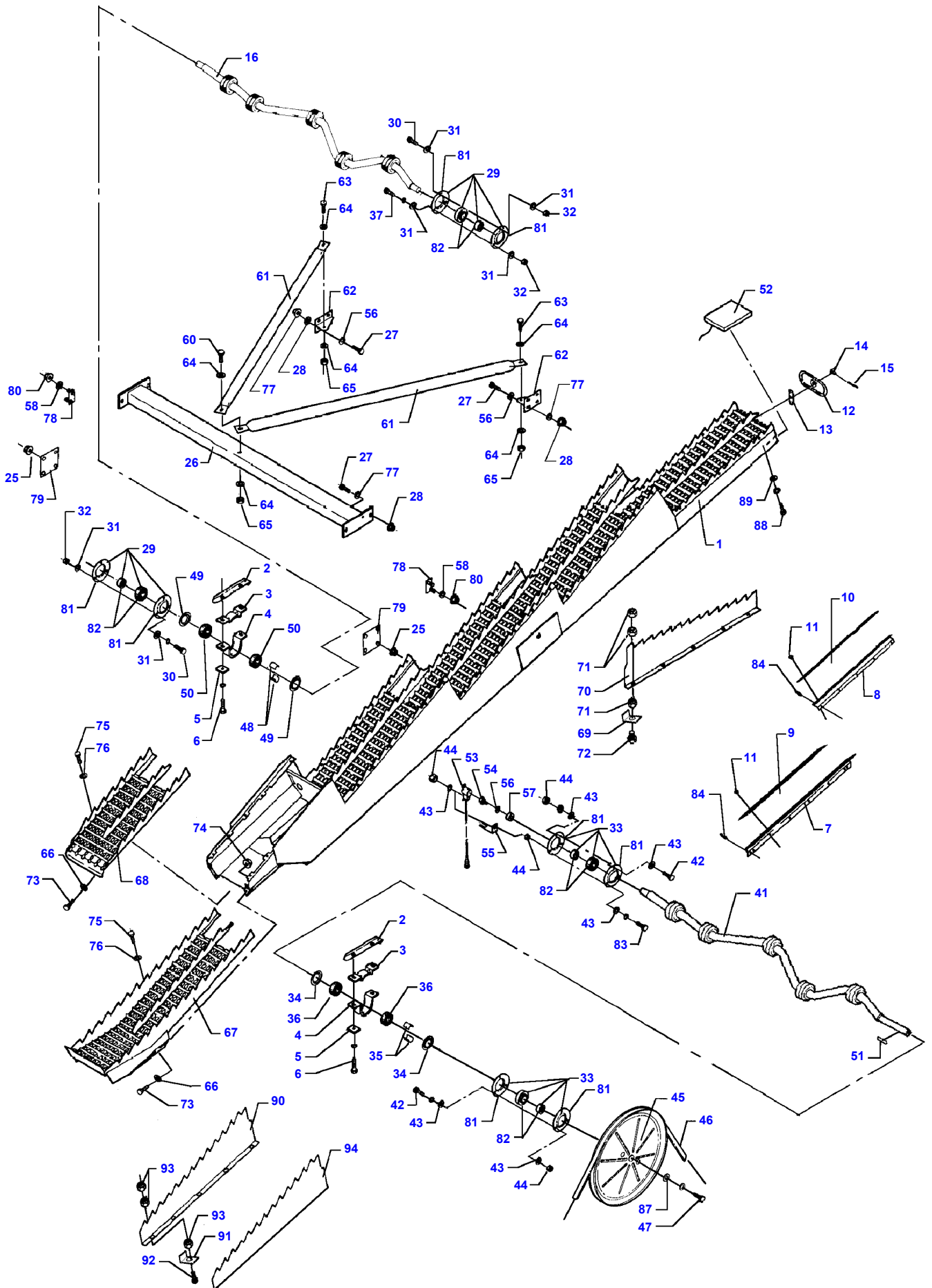
MF 7250/7252 COMBINE - 1637400
D-ZDZG-003-A



D-ZDZG-003-A

Item	Part Number	Qty	Description	Comments
1	D28382112	1	Concave	
	D28382108	1	Shaft	(1)
2	D28380258	2	Crosspiece	(1)
3	D28380256	2	Crosspiece	(1)
4	D43154900	2	Gib Key	(1)
5	D28382106	4	Batt	(1)
6	D28382107	4	Batt	(1)
7	D40407900	32	Hex. Sock. Screw	(1)
8	D20400415	32	Washer	(1)
9	D41087600	32	Locknut	(1)
10	D43107500	1	Key	
11	D28384024	1	Concave	
12	D28382111	1	Separator	
14	D40070300	4	Screw	
15	D20400426	2	Washer	
16	D41010900	4	Nut	
19	D40070300	3	Screw	
20	D41010900	3	Nut	
21	D41711000	2	Bearing	
22	D41705700	2	Bearing Ball	
23	D43001500	2	Greaser	
24	D40411100	7	Hex. Sock. Screw	
25	D20400426	8	Washer	
26	D41087700	8	Locknut	
27	D41010900	1	Nut	
28	D28780749	1	Retainer	
29	D28780516	1	Inductive Taker	
30	D41622600	1	Bearing Ball	
31	D20400419	1	Washer	
32	D28780514	1	Sensor	
33	D28784036	1	Bracket	
34	D40405100	3	Hex. Sock. Screw	
35	D20400506	3	Washer	
36	D28850316	1	Bolt	
37	D41010800	2	Nut	
38	D41087900	1	Locknut	
39	D28384052	1	Pulley	
40	D28384053	1	Bolt	
41	D42513700	2	Circlip	
42	D41622700	2	Bearing Ball	
43	D28384054	1	Spacer	
44	D28380003	1	Ring	
45	D28384006	1	Pulley	
46	D40407800	2	Hex. Sock. Screw	
47	D41982100	1	Belt	
48	D28382119	1	Shim	
49	D28384023	1	Extension	
50	D40407700	7	Hex. Sock. Screw	
51	D20400415	7	Washer	
52	1441462X1	1	Locknut	Replace and repair. Old not interchangeable with new D41087400
53	D28281478	1	Mounting	
54	D43009200	1	Bracket	
55	D40402600	1	Hex. Sock. Screw	
56	D20400404	1	Washer	
57	D43002700	1	Greaser	
58	D43009500	1	Greaser	
59	D28281479	1	Tube	
60	D20400471	33	Washer	(1)
61	D28380357	1	Bolt	
62	D41012100	1	Locknut	
63	D40411300	1	Hex. Sock. Screw	
64	D28380335	2	Guide	
65	D28380339	2	Guide	
66	D28380334	6	Eccentric	
67	D28380342	2	Guide	
68	D28380203	1	Guard	

MF 7250/7252 COMBINE - 1637400
D-ZEZA-004-A



Straw Shaker And Cranks

Item	Part Number	Qty	Description	Comments
1	D28480523	5	Walker	
2	D28480785	10	Support	
3	D28450624	10	Bottom Part	
4	D28480787	10	Upper Frame	
5	D28480784	20	Support	
6	D40411100	20	Hex. Sock. Screw	
7	D28450536	2	Plate	
8	D28480301	2	Plate	
9	D28450637	2	Bush	
10	D28480300	2	Seal	
11	D43427400	48	Fastener	
12	D28450114	5	Cover	
	D28450115	5	Cover	(12)
13	D27400370	5	Spring	(12)
14	D27400371	5	Lock	(12)
15	D41408800	5	Split Pin	(12)
16	D28450238	1	Crankshaft	
25	D41013500	X	Nut	
26	D28482069	1	Crossmember	
27	D40407800	8	Hex. Sock. Screw	
28	D41087600	8	Locknut	
29	D41709600	2	Bearing	
30	D40407700	6	Hex. Sock. Screw	
31	D20400507	12	Spacer	
32	D41010800	6	Nut	
33	D41709600	2	Bearing	
34	D28460184	10	Cover	
35	D28450278	10	Bearing Bush	
36	D41623100	10	Bearing Ball	
37	D40408000	1	Hex. Sock. Screw	
41	D28484007	1	Crankshaft	
42	D40407700	5	Hex. Sock. Screw	
43	D20400507	12	Spacer	
44	D41010800	7	Nut	
45	D28450179	1	Pulley	
46	D41990068	1	V Belt	
48	D28450278	10	Bearing Bush	
49	D28460184	10	Cover	
50	D41623100	10	Bearing Ball	
51	D43104700	1	Key	
52	D45050069	2	Sensor	
53	D28780514	1	Sensor	
54	D28780516	1	Inductive Taker	
55	D28780522	1	Support	
56	D20400419	1	Washer	
57	D41622600	1	Bearing Ball	
58	D20400469	4	Washer	
60	D40411200	1	Hex. Sock. Screw	
61	D28180145	2	Reinforcement	
62	D28180645	2	Bracket	
63	D40411000	2	Hex. Sock. Screw	
64	D20400426	6	Washer	
65	D41087700	3	Locknut	
66	D20400506	X	Washer	
67	D28480514	5	Facing	[A]
68	D28480491	5	Facing	[B]
69	D28480659	10	Retainer	[C]
70	D28480524	5	Raiser	[C]
71	D41010700	30	Nut	[C]
72	D40405300	10	Screw	[C]
73	D40404900	X	Hex. Sock. Screw	
74	D41013500	X	Nut	
75	D40402400	X	Hex. Sock. Screw	
76	D20400404	X	Washer	
77	D20400416	8	Washer	
78	D28184059	2	Plate	
79	D28184058	2	Plate	
80	1441462X1	4	Locknut	Replace and repair. Old not interchangeable with new D41087400
81	D41708800	8	Bearing Flange	
82	D41716000	4	Bearing Ball	
83	D40408000	1	Hex. Sock. Screw	

Straw Shaker And Cranks

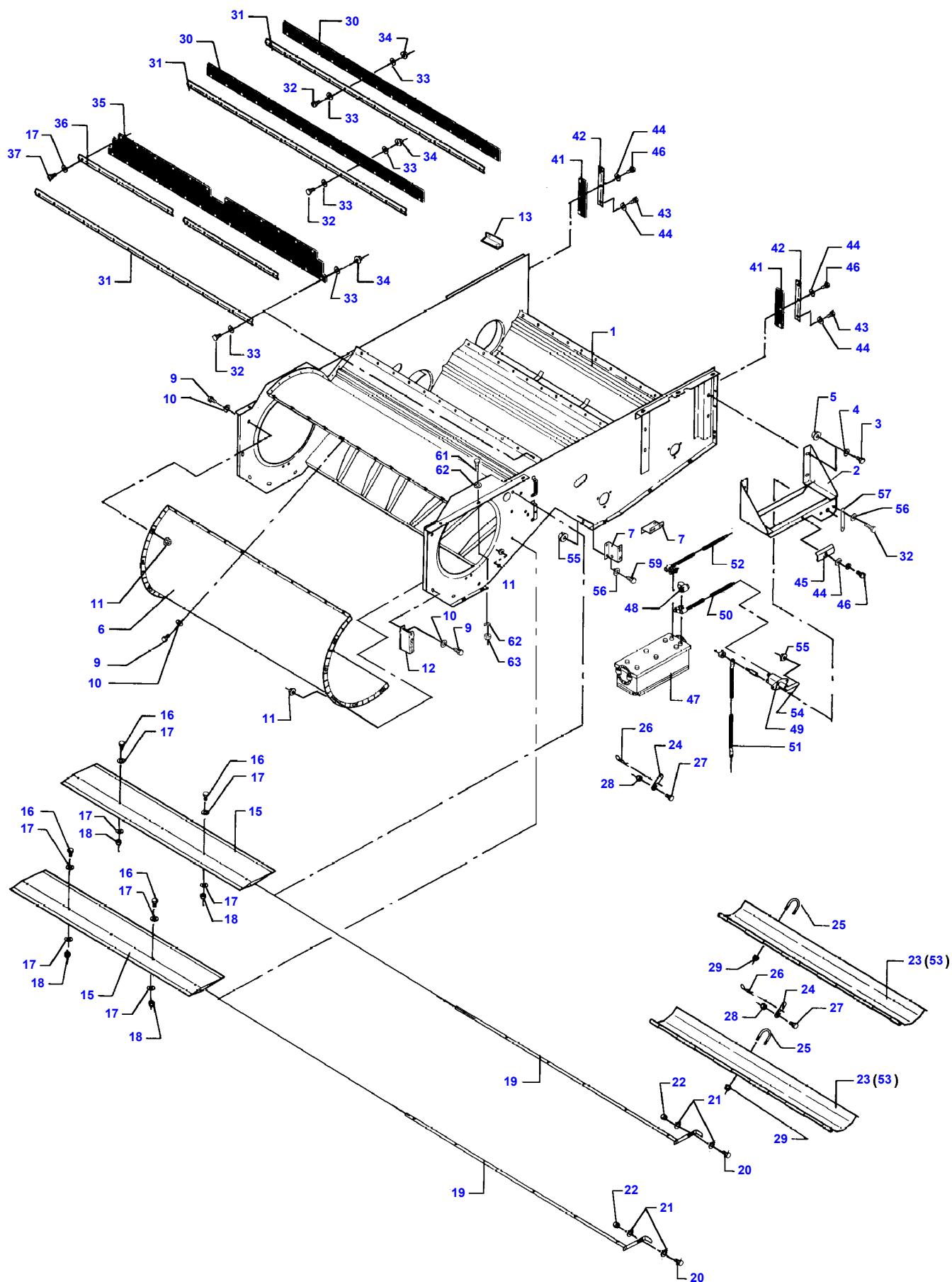
Item	Part Number	Qty	Description	Comments
84	D41397300	22	Rivet	
87	D28480769	1	Rubber	
88	D40402400	6	Hex. Sock. Screw	[C]
89	D20400470	6	Washer	[C]
90	D28480651	5	Ear Lifter	[C]
91	D28480659	20	Retainer	[C]
92	D40405300	20	Screw	[C]
93	D41010700	60	Nut	[C]
94	D28480658	5	Ear Lifter	[C]

FOOTNOTE [A] FOR MACHINES WITHOUT GRAIN SEPARATOR

FOOTNOTE [B] FOR MACHINES WITH GRAIN SEPARATOR

FOOTNOTE [C] OPTIONAL EQUIPMENT

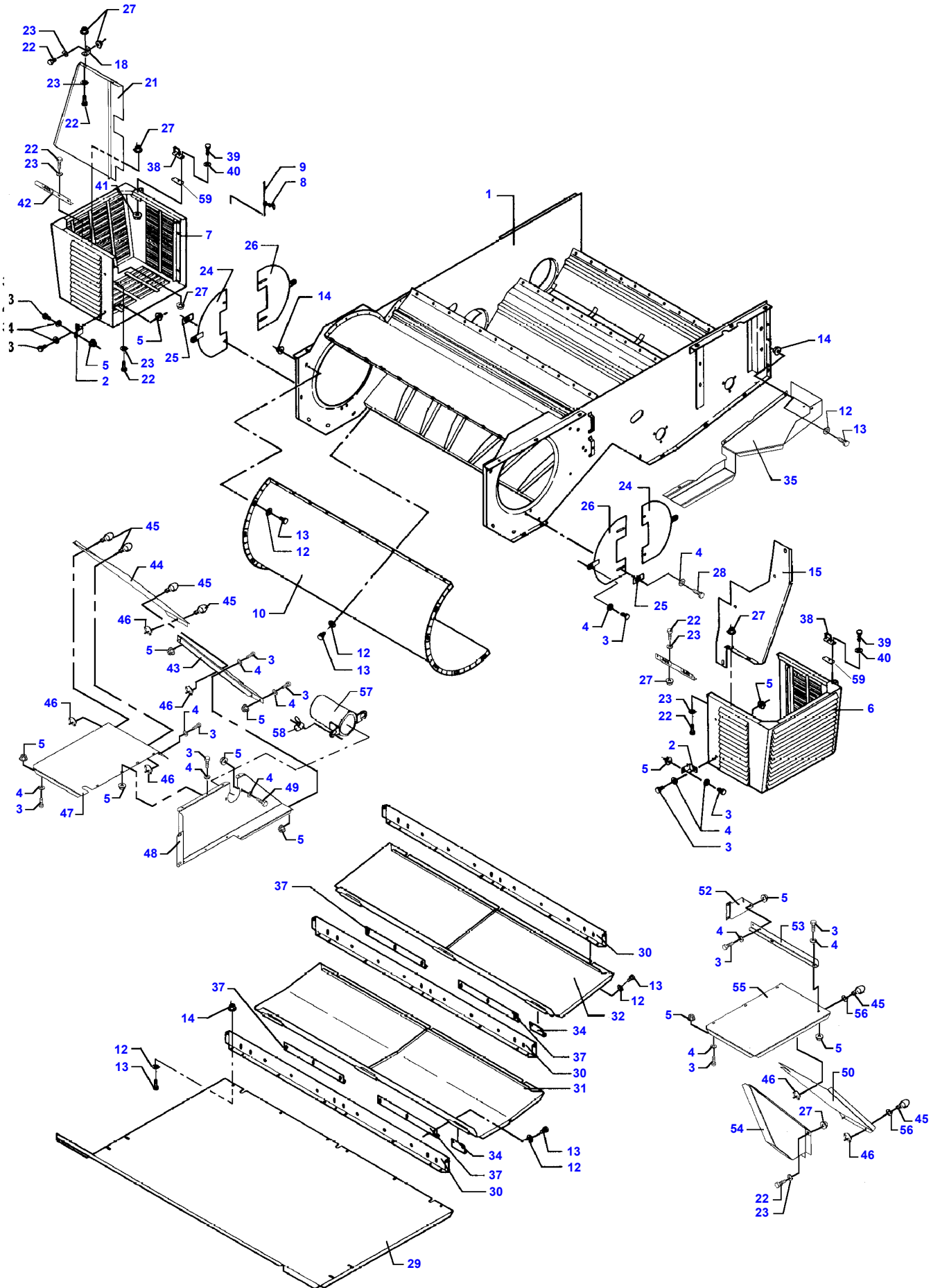
MF 7250/7252 COMBINE - 1637400
D-ZFZA-003-A



Item	Part Number	Qty	Description	Comments
1	D28482014	1	Housing	
2	D28480375	1	Battery Holder	
3	D40404900	4	Hex. Sock. Screw	
4	D20400506	4	Washer	
5	D41013500	4	Nut	
6	D28482026	1	Cover	
7	D28984005	2	Bracket	
9	D40404900	X	Hex. Sock. Screw	
10	D20400506	X	Washer	
11	D41013500	X	Nut	
12	D28784378	1	Pipe	
13	D28780171	1	Hose Clip	
15	D28482010	2	Slide	
16	D40421800	10	Screw Metric	
17	D20400470	30	Washer	
18	1441462X1	10	Locknut	Replace and repair. Old not interchangeable with new D41087400
19	D28482007	2	Shaft	
20	D40404900	2	Hex. Sock. Screw	
21	D20400506	4	Washer	
22	D41087500	2	Locknut	
23	D28482021	2	Shutter	
24	D28560162	6	Lever	
25	D28560165	6	U Bolt	
26	D27100120	6	Hair Pin	
27	D40402700	6	Hex. Sock. Screw	
28	1441462X1	6	Locknut	Replace and repair. Old not interchangeable with new D41087400
29	1441462X1	12	Locknut	Replace and repair. Old not interchangeable with new D41087400
30	D28482017	2	Seal	
31	D28482018	3	Rail	
32	D40402600	38	Hex. Sock. Screw	
33	D20400470	72	Washer	
34	1441462X1	36	Locknut	Replace and repair. Old not interchangeable with new D41087400
35	D28482037	1	Seal	
36	D28482041	1	Rail	
37	D40402700	10	Hex. Sock. Screw	
41	D28480363	2	Seal	
42	D28480362	2	Rail	
43	D40405100	4	Hex. Sock. Screw	
44	D20400506	7	Washer	
45	D28480285	1	Retainer	
46	D40404900	3	Hex. Sock. Screw	
47	D45090098	1	Battery	
48	D45060042	1	Plug	
49	D45059800	1	Switch	
50	D28781896	1	Cable	
51	D28781891	1	Battery Cable	
52	D28780506	1	Cable	
53	D28482079	2	Shutter	[A]
54	D45060055	1	Spanner	
55	D41013400	6	Nut	
56	D20400404	6	Washer	
57	D28480614	1	Support	
59	D40402400	4	Hex. Sock. Screw	
61	D40408000	10	Hex. Sock. Screw	
62	D20400473	20	Washer	
63	D41087600	10	Locknut	

FOOTNOTE [A] OPTIONAL EQUIPMENT FOR PEAS

MF 7250/7252 COMBINE - 1637400
D-ZFZB-005-A



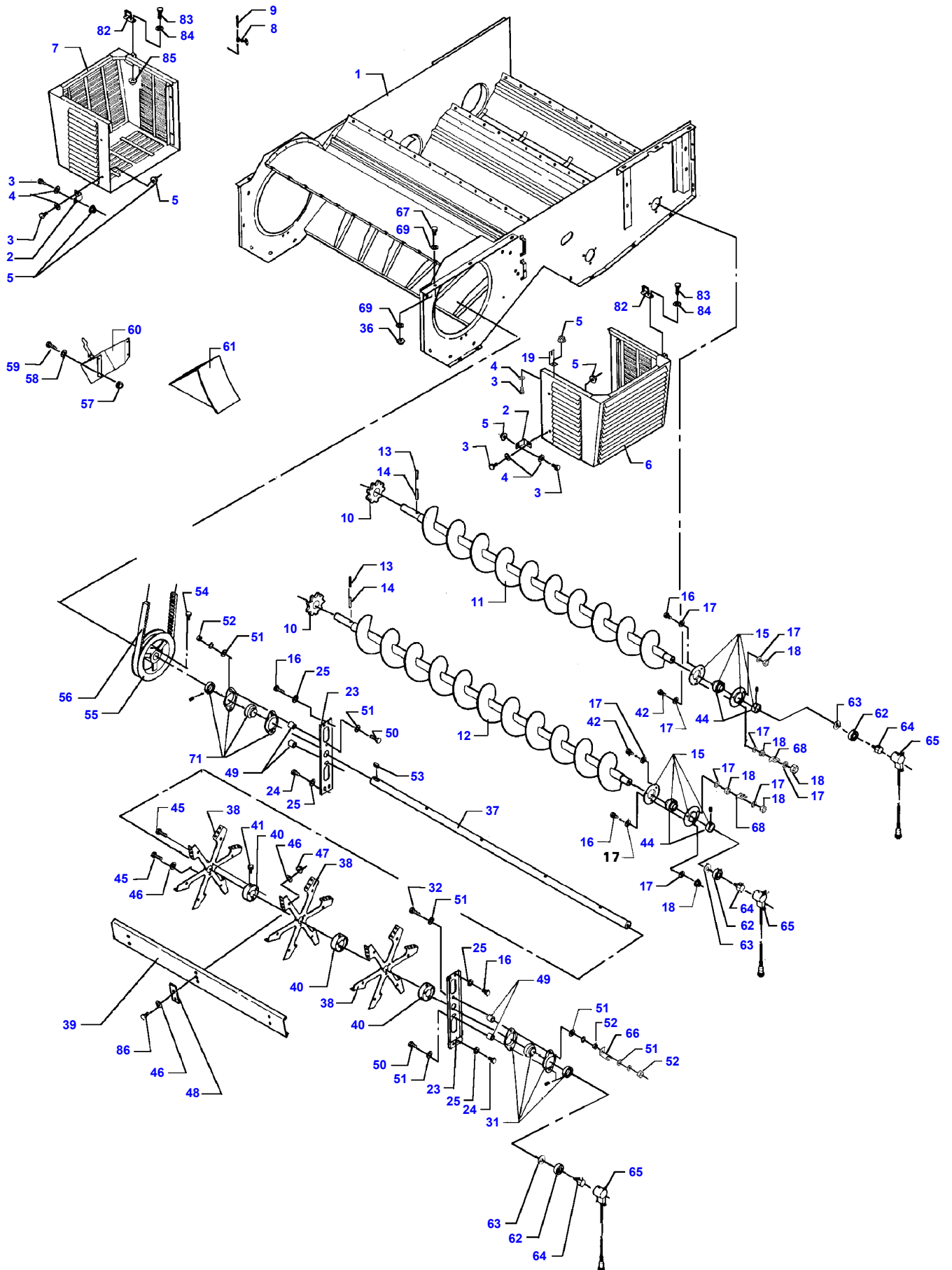
D-ZFZB-005-A

Fan Housing And Guarding

Item	Part Number	Qty	Description	Comments
1	D28482014	1	Housing	
2	D28180829	8	Bracket	
3	D40404900	X	Hex. Sock. Screw	
4	D20400506	X	Washer	
5	D41013500	X	Nut	
6	D28180817	1	Suction Casing	
7	D28180818	1	Suction Casing	
10	D28482026	1	Cover	
12	D20400506	X	Washer	
13	D40404900	X	Hex. Sock. Screw	
14	D41013500	X	Nut	
15	D28184325	1	Guard	[A]
18	D28184323	1	Angle	[A]
21	D28184321	1	Guard	[A]
22	D40402600	X	Hex. Sock. Screw	
23	D20400470	X	Washer	
24	D28480400	2	Cover	[A]
25	D28480396	4	Bracket	[A]
26	D28480399	2	Cover	[A]
27	D41013400	X	Nut	[A]
28	D40405000	4	Hex. Sock. Screw	[A]
29	D28482084	1	Cover	[A]
30	D28482083	3	Profile	[A]
31	D28482075	1	Gate	[A]
32	D28482074	1	Gate	[A]
34	D28480417	6	Hinge	[A]
35	D28484026	1	Cover	
37	D28480478	4	Chock	[A]
38	D28181157	2	Clamp	
39	D40404900	4	Hex. Sock. Screw	
40	D20400506	4	Washer	
41	D41013500	4	Nut	
42	D28184456	1	Fitting	
43	D28184453	1	Support	
44	D28184457	1	Guard	
45	D43427500	X	Pin	
46	D42555500	X	Circlip	
47	D28184452	1	Guard	
48	D28184451	1	Guard	
49	D40405100	2	Hex. Sock. Screw	
50	D28184449	1	Guard	
51	D28184448	1	Fitting	
52	D28184443	1	Bracket	
53	D28184442	1	Shank	
54	D28184444	1	Guard	
55	D28184440	1	Guard	
56	D20400500	X	Spacer	
57	D28380229	X	Tube	
58	D41057300	X	Wing Nut	
59	D28181871	X	Support	

FOOTNOTE [A] OPTIONAL EQUIPMENT

MF 7250/7252 COMBINE - 1637400
D-ZFZC-003-A



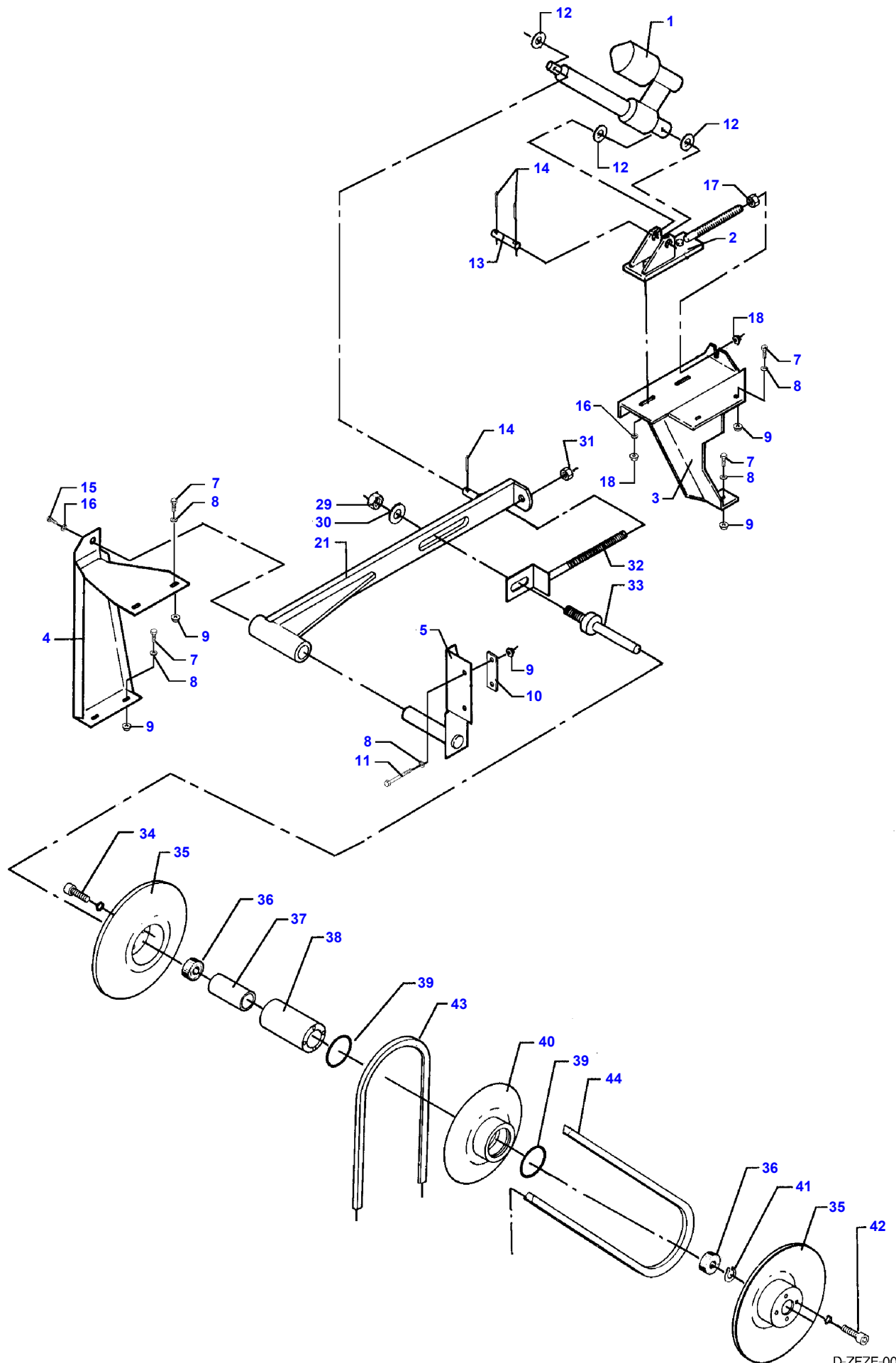
D-ZFZC-003-A

Main Fan Blade And Bottom Auger

Item	Part Number	Qty	Description	Comments
1	D28482014	1	Housing	
2	D28180829	8	Bracket	
3	D40404900	16	Hex. Sock. Screw	
4	D20400506	16	Washer	
5	D41013500	16	Nut	
6	D28180817	1	Suction Casing	
7	D28180818	1	Suction Casing	
10	D28580202	2	Sprocket	
11	D28484003	1	Auger	
12	D28482051	1	Auger	
13	D42610000	2	Pin	
14	D42616300	2	Pin	
15	D41709600	2	Bearing	
16	D40407700	4	Hex. Sock. Screw	
17	D20400471	14	Washer	
18	D41010800	8	Nut	
19	D28780693	1	Retainer	
23	D28480366	2	Stay	
24	D40407600	8	Hex. Sock. Screw	
25	D20400419	8	Washer	
31	D41710100	1	Bearing	
32	D40411600	1	Screw Metric	
36	D41087600	10	Locknut	
37	D28482013	1	Shaft	
38	D28482109	1	Fan	
	D28440130	3	Hub	(38)
39	D28482108	6	Fan	(38)
40	D28480162	3	Bush	(38)
41	D40407800	3	Hex. Sock. Screw	(38)
42	D40408000	2	Hex. Sock. Screw	(38)
44	D41716000	2	Bearing Ball	(38)
45	D40405000	9	Hex. Sock. Screw	(38)
46	D20400506	72	Washer	(38)
47	D41087500	45	Locknut	(38)
48	D28482107	18	Support	(38)
49	D28480172	4	Spacer	
50	D40411400	3	Screw Metric	
51	D20400426	9	Washer	
52	D41010900	2	Nut	
53	D43106200	1	Key	
54	D40407700	2	Hex. Sock. Screw	
55	D28484000	1	Pulley	
56	D41982100	1	Belt	
57	D41013500	4	Nut	[A]
58	D20400506	4	Washer	[A]
59	D40404900	4	Hex. Sock. Screw	[A]
60	D45907500	1	Retainer	[A]
61	D45907000	1	Wedge	[A]
62	D41622600	3	Bearing Ball	
63	D20400419	3	Washer	
64	D28780516	3	Inductive Taker	
65	D28780514	3	Sensor	
66	D28780611	1	Retainer	
67	D40408000	10	Hex. Sock. Screw	
68	D28780522	2	Support	
69	D20400473	20	Washer	
71	D41710100	1	Bearing	
82	D28181157	2	Clamp	
83	D40404900	4	Hex. Sock. Screw	
84	D20400506	4	Washer	
85	D41013500	4	Nut	
86	D40405100	36	Hex. Sock. Screw	

FOOTNOTE [A] OPTIONAL EQUIPMENT

MF 7250/7252 COMBINE - 1637400
D-ZFZE-003-A

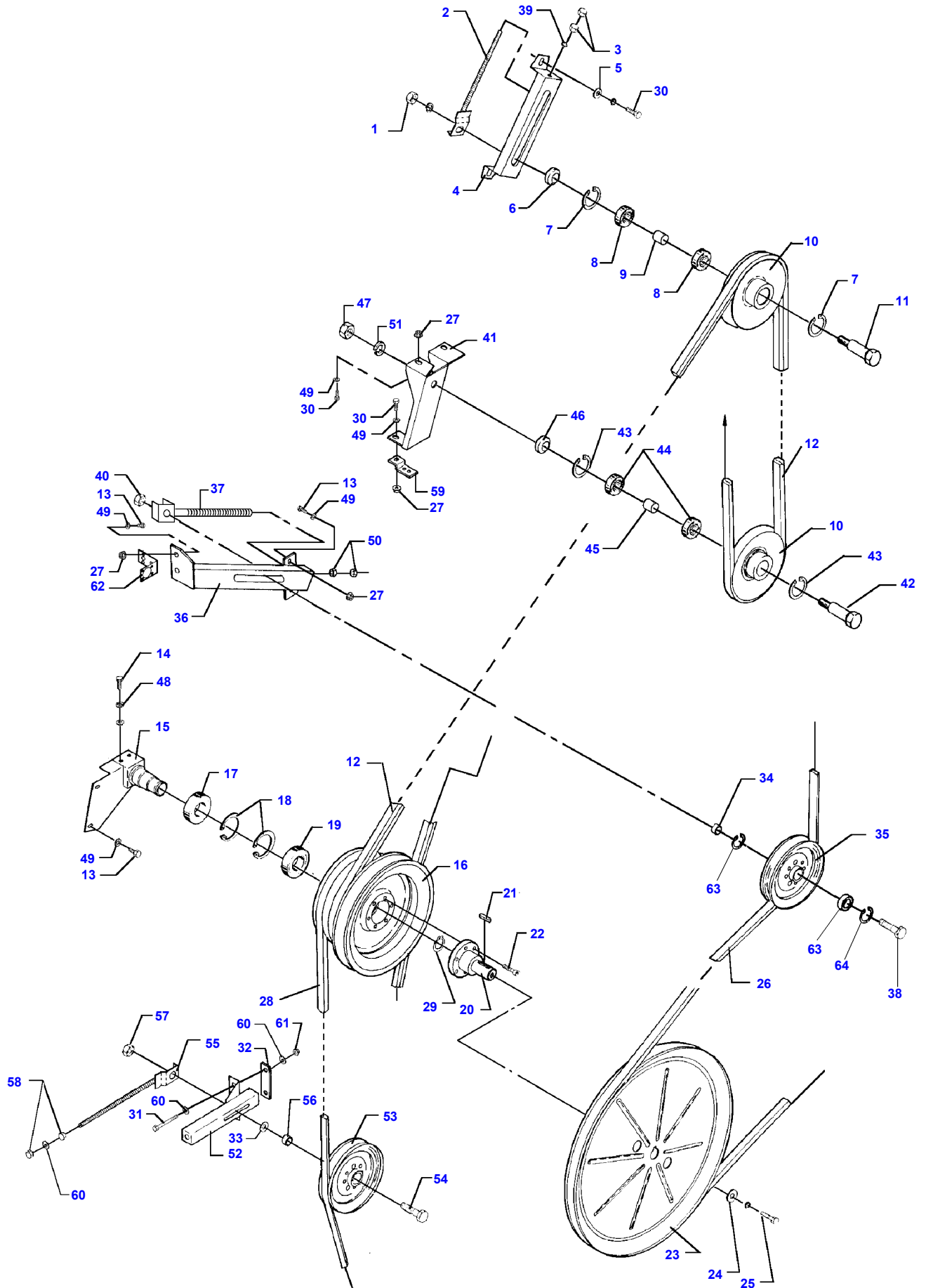


D-ZFZE-003-A

Main Fan Variator

Item	Part Number	Qty	Description	Comments
1	D28780473	1	Ram	
2	D28751092	1	Adjuster	
3	D28784060	1	Bracket	
4	D28784075	1	Bracket	
5	D28784054	1	Pin	
7	D40407000	4	Screw	
8	D20400473	8	Washer	
9	D41092500	4	Nut	
10	D28484023	1	Clamp	
11	D40424300	2	Hex. Sock. Screw	
12	D20400537	2	Spacer	
13	D28751095	1	Pin	
14	D41408800	3	Split Pin	
15	D40407700	1	Hex. Sock. Screw	
16	D20400416	1	Washer	
17	D41010800	1	Nut	
18	D41087600	3	Locknut	
21	D28784057	1	Lever	
29	D41088100	1	Locknut	
30	D20400437	1	Washer	
31	D41087700	1	Locknut	
32	D28750736	1	Bolt	
33	D28750332	1	Pulley	
	D28751067	1	Shaft	(33)
34	D40688400	8	Screw	(33)
35	D28750740	2	Pulley	(33)
36	D41622600	2	Bearing Ball	(33)
37	D28750318	1	Bush	(33)
38	D28750319	1	Bearing Carrier	(33)
39	D45464300	2	O Ring	(33)
40	D28750527	1	Pulley	(33)
41	D42501500	1	Circlip	(33)
42	D40402400	8	Hex. Sock. Screw	(33)
43	D41982100	1	Belt	
44	D41987900	1	V Belt	

MF 7250/7252 COMBINE - 1637400
D-ZFZF-003-A

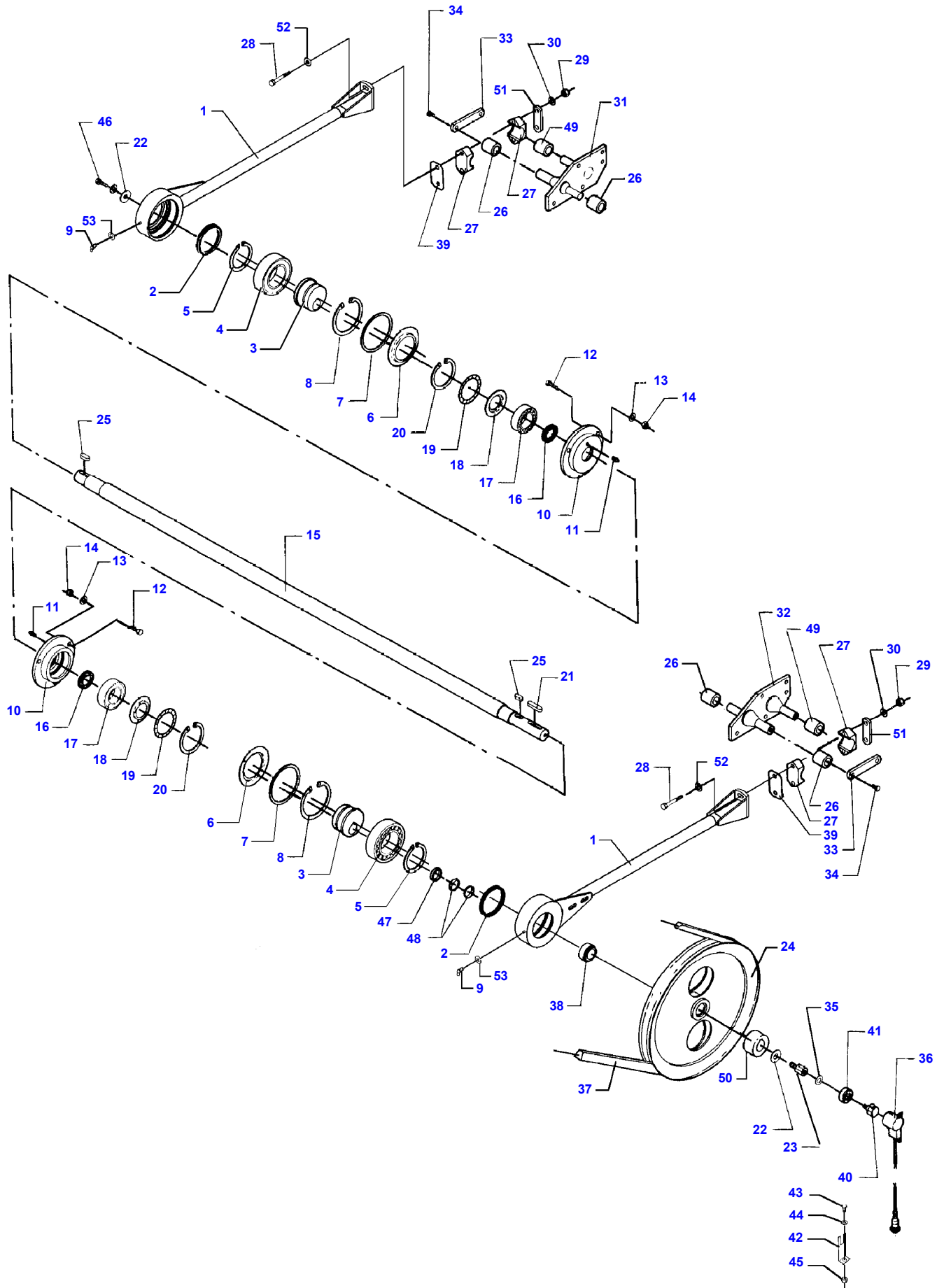


D-ZFZF-003-A

Counter Drive

Item	Part Number	Qty	Description	Comments
1	D41088100	1	Locknut	
2	D28450035	1	Bolt	
3	D41010900	2	Nut	
4	D28450031	1	Bracket	
5	D20400414	2	Washer	
6	D28450032	1	Pipe	
7	D42514000	2	Circlip	
8	D41622800	2	Bearing Ball	
9	D28430213	1	Spacer	
10	D28430211	2	Pulley	
11	D28250370	1	Bolt	
12	D41990068	1	V Belt	
13	D40405000	X	Hex. Sock. Screw	
14	D40426300	2	Screw Metric	
15	D28784021	1	Bracket	
16	D28784019	1	Pulley	
17	D41623100	1	Bearing Ball	
18	D42515400	2	Circlip	
19	D41629800	1	Bearing Ball	
20	D28784017	1	Flange	
21	D43104700	1	Key	
22	D40690400	6	Screw	
23	D28430050	1	Pulley	
24	D28860037	1	Washer	
25	D40411000	1	Hex. Sock. Screw	
26	D41984100	1	V Belt	
27	D41013500	3	Nut	
28	D41982100	1	Belt	
29	D42503300	1	Circlip	
30	D40405100	5	Hex. Sock. Screw	
31	D40426500	2	Screw	
32	D28484023	1	Clamp	
33	D20400518	1	Spacer	
34	D28760163	1	Spacer	
35	D28760574	1	Pulley	Valid from machine/table no, can be used in new as well as in older machines 58241
36	D28784023	1	Tensioner	
37	D28540070	1	Bolt	
38	D28760156	1	Screw	
39	D20400426	1	Washer	
40	D41087900	1	Locknut	
41	D28484021	1	Bracket	
42	D28250370	1	Bolt	
43	D42514000	2	Circlip	
44	D41622800	2	Bearing Ball	
45	D28430213	1	Spacer	
46	D28450032	1	Pipe	
47	D41088100	1	Locknut	
48	D20400416	2	Washer	
49	D20400506	X	Washer	
50	D41010800	2	Nut	
51	D20400522	1	Spacer	
52	D28484008	1	Support	
53	D28752131	1	Pulley	
54	D28761939	1	Bolt	
55	D28540070	1	Bolt	
56	D28760163	1	Spacer	
57	D41087900	2	Locknut	
58	D41010800	2	Nut	
59	D28780694	1	Support	
60	D20400419	4	Washer	
61	D41087600	2	Locknut	
62	D28780381	1	Retainer	
63	D41622700	1	Bearing Ball	Valid from machine/table no, can be used in new as well as in older machines 58241
64	D42513700	2	Circlip	Valid from machine/table no, can be used in new as well as in older machines 58241

MF 7250/7252 COMBINE - 1637400
D-ZFZG-003-B



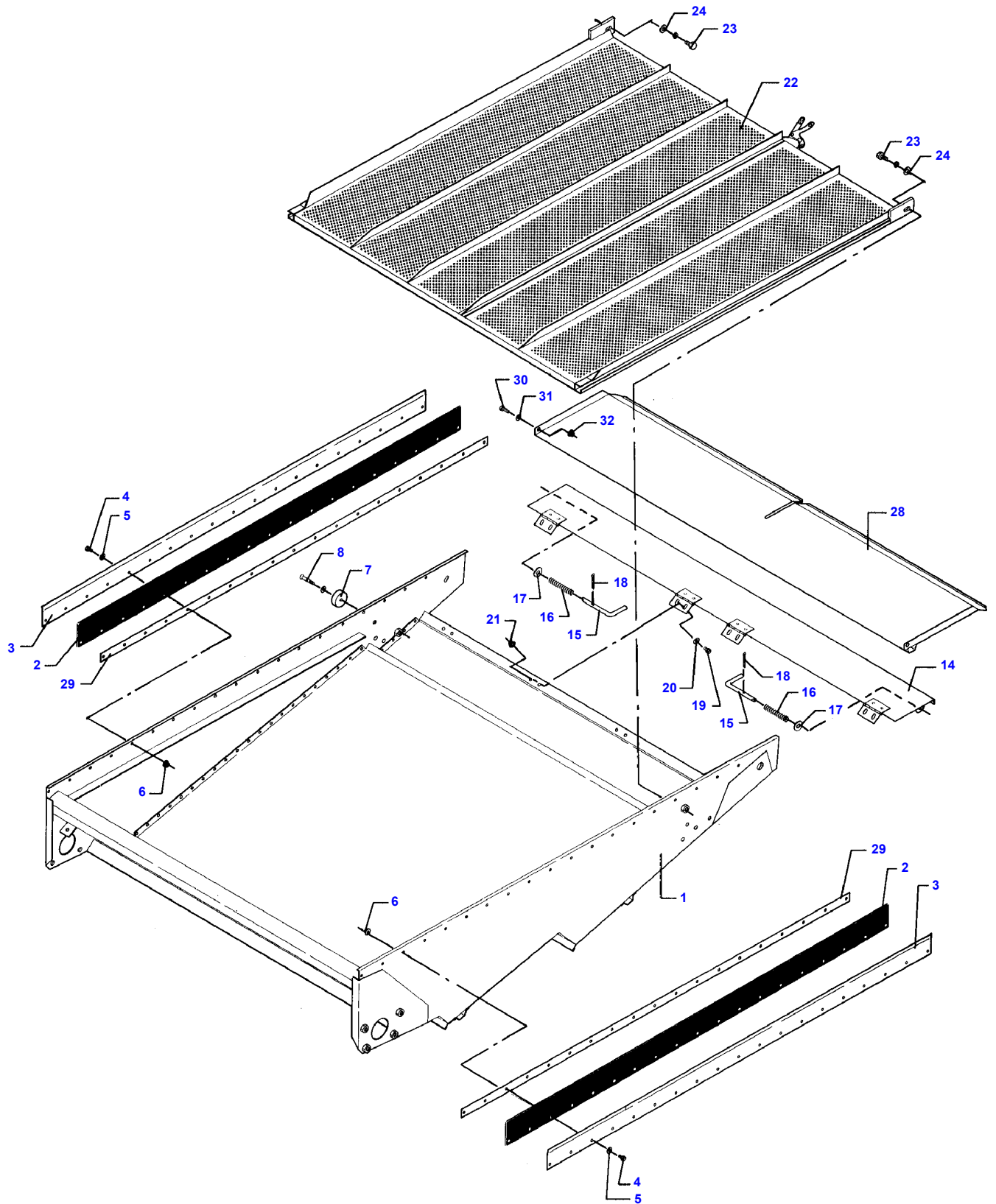
D-ZFZG-003-B

Eccentric Drive

Item	Part Number	Qty	Description	Comments
1	D28480489	2	Connecting Link	
2	D45417000	2	Gasket	
3	D28480265	2	Eccentric	
4	D41616000	2	Bearing Ball	
5	D42505800	2	Circlip	
6	D45426100	2	Seal	
7	D28480267	2	Ring	
8	D42516900	2	Circlip	
9	D43001500	2	Greaser	
10	D28480258	2	Bearing Carrier	
11	D43001500	2	Greaser	
12	D40407800	6	Hex. Sock. Screw	
13	D20400471	6	Washer	
14	D41087600	6	Locknut	
15	D28482006	1	Shaft	
16	D45478900	2	Ring	
17	D41629200	2	Bearing Ball	
18	D45427500	2	Seal	
19	D41679500	2	Spacer	
20	D42515900	2	Circlip	
21	D43105000	1	Key	
22	D25400068	2	Washer	
23	D28780419	1	Threaded Part	
24	D28450603	1	Pulley	
25	D43104600	2	Key	
26	D28480268	4	Bush	
27	D28480270	4	Half Flange	
28	D40439600	4	Hex. Sock. Screw	
29	D41092500	4	Nut	
30	D20400419	4	Washer	
31	D28480088	1	Suspension	Right Hand
32	D28480089	1	Suspension	Left Hand
33	D28480129	2	Link	
34	D40407700	4	Hex. Sock. Screw	
35	D20400419	1	Washer	MF 7252
36	D28780514	1	Sensor	MF 7252
37	D41982100	1	Belt	
38	D28480264	1	Bush	
39	D28480430	X	Chock	[A] OPTIONAL
40	D28780516	1	Inductive Taker	MF 7252
41	D41622600	1	Bearing Ball	MF 7252
42	D28780693	1	Retainer	MF 7252
43	D40404900	1	Hex. Sock. Screw	MF 7252
44	D20400506	1	Washer	MF 7252
45	D41013500	1	Nut	MF 7252
46	D40407700	1	Hex. Sock. Screw	MF 7252
47	D28450604	1	Ring	
48	D42596500	1	Tightener	
49	D28450420	2	Bush	
50	D28484005	1	Bush	
51	D28480571	2	Dog	
52	D41112500	4	Washer	
53	D20400452	2	Washer	OPTIONAL

FOOTNOTE [A] QUANTITY AS REQUIRED

MF 7250/7252 COMBINE - 1637400
D-ZFZH-003-A



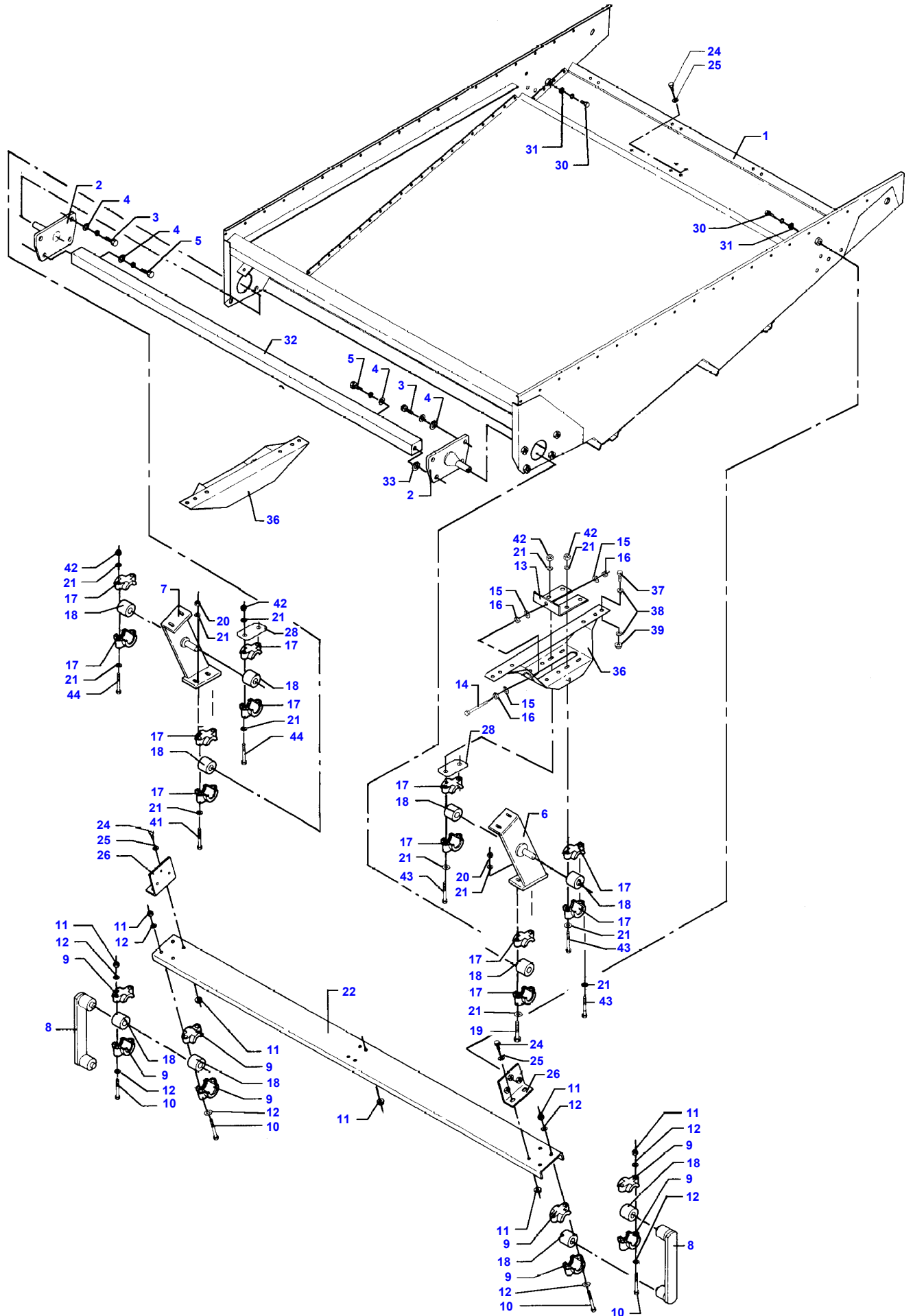
D-ZFZH-003-A

Lower Shaker Shoe And Sieves

Item	Part Number	Qty	Description	Comments
1	D28482105	1	Shoe	
	D28482101	1	Shaker Shoe	(1)
2	D28480541	2	Gasket	(1)
3	D28480540	2	Plate	(1)
4	D40402600	X	Hex. Sock. Screw	(1)
5	D20400470	X	Washer	(1)
7	D28480097	2	Washer	(1)
8	D40601600	2	Screw Metric	(1)
9	D28480496	2	Shim	[A] (1)
14	D28482057	1	Cover	(1)
15	D28480120	2	Lever	(1)
16	D27200158	2	Spring	(1)
17	D20400426	2	Washer	(1)
18	D41405900	2	Pin	(1)
19	D40402400	8	Hex. Sock. Screw	(1)
20	D20400470	8	Washer	(1)
21	D41013400	8	Nut	(1)
22	D28482053	1	Sieve	
	D28482080	1	Sieve	[A] Diameter 5 MM
	D28482081	1	Sieve	[A] Diameter 2,5 MM
23	D40410800	2	Screw Metric	
24	D20400426	2	Washer	
28	D28482093	1	Plate	[A]
30	D40404900	2	Hex. Sock. Screw	[A]
31	D20400500	2	Spacer	[A]
32	D41013500	2	Nut	[A]

FOOTNOTE [A] OPTIONAL EQUIPMENT

MF 7250/7252 COMBINE - 1637400
D-ZFZI-003-B

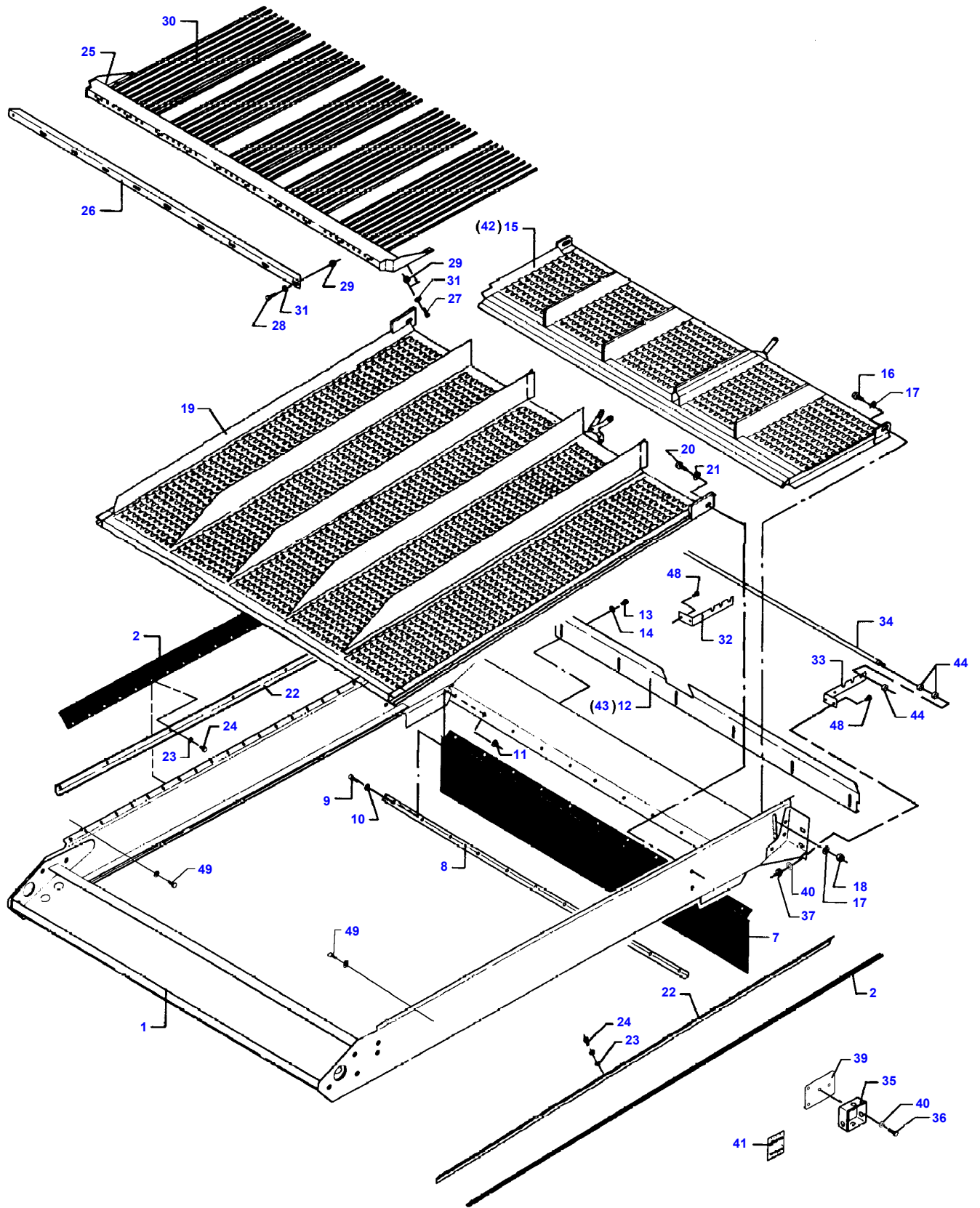


D-ZFZI-003-B

Lower Shaker Shoe And Suspension

Item	Part Number	Qty	Description	Comments
1	D28482101	1	Shaker Shoe	
2	D28480505	2	Support	CPL
	D28480081	2	Bracket	(2)
3	D40410900	6	Hex. Sock. Screw	
4	D20400537	8	Spacer	
5	D40411100	2	Hex. Sock. Screw	
6	D28484020	1	Rockerarm	
	D28484017	1	Rockerarm	(6)
7	D28484019	1	Rockerarm	
	D28484016	1	Rockerarm	(7)
8	D28480069	2	Arm	
9	D28430010	8	Half Flange	
10	D40426500	8	Screw	
11	D41087600	8	Locknut	
12	D20400419	16	Washer	
13	D28484018	1	Adjuster	
14	D40408800	1	Hex. Sock. Screw	
15	D20400419	4	Washer	
16	D41010800	3	Nut	
17	D28430010	12	Half Flange	
18	D28450420	6	Bush	(2)
	D28450420	6	Bush	(6)
	D28450420	6	Bush	(7)
	D28450420	6	Bush	(8)
19	D40426800	6	Screw	
20	D41087600	12	Locknut	
21	D20400419	24	Washer	
22	D28482059	1	Profile	
23	D41013600	8	Nut	
24	D40407700	8	Hex. Sock. Screw	
25	D20400416	16	Washer	
26	D28480114	1	Angle	
28	D28480430	X	Chock	OPTIONAL
30	D40407600	6	Hex. Sock. Screw	
31	D20400419	6	Washer	
32	D28482097	1	Stay	
33	D20400513	X	Spacer	OPTIONAL
36	D28184014	2	Suspension	
37	D40411200	12	Hex. Sock. Screw	
38	D20400446	24	Washer	
39	D41087700	12	Locknut	
41	D40426600	6	Hex. Sock. Screw	
42	D41092500	8	Nut	
43	D40439600	4	Hex. Sock. Screw	
44	D40438900	4	Screw	

MF 7250/7252 COMBINE - 1637400
D-ZFAZ-003-A



D-ZFAZ-003-A

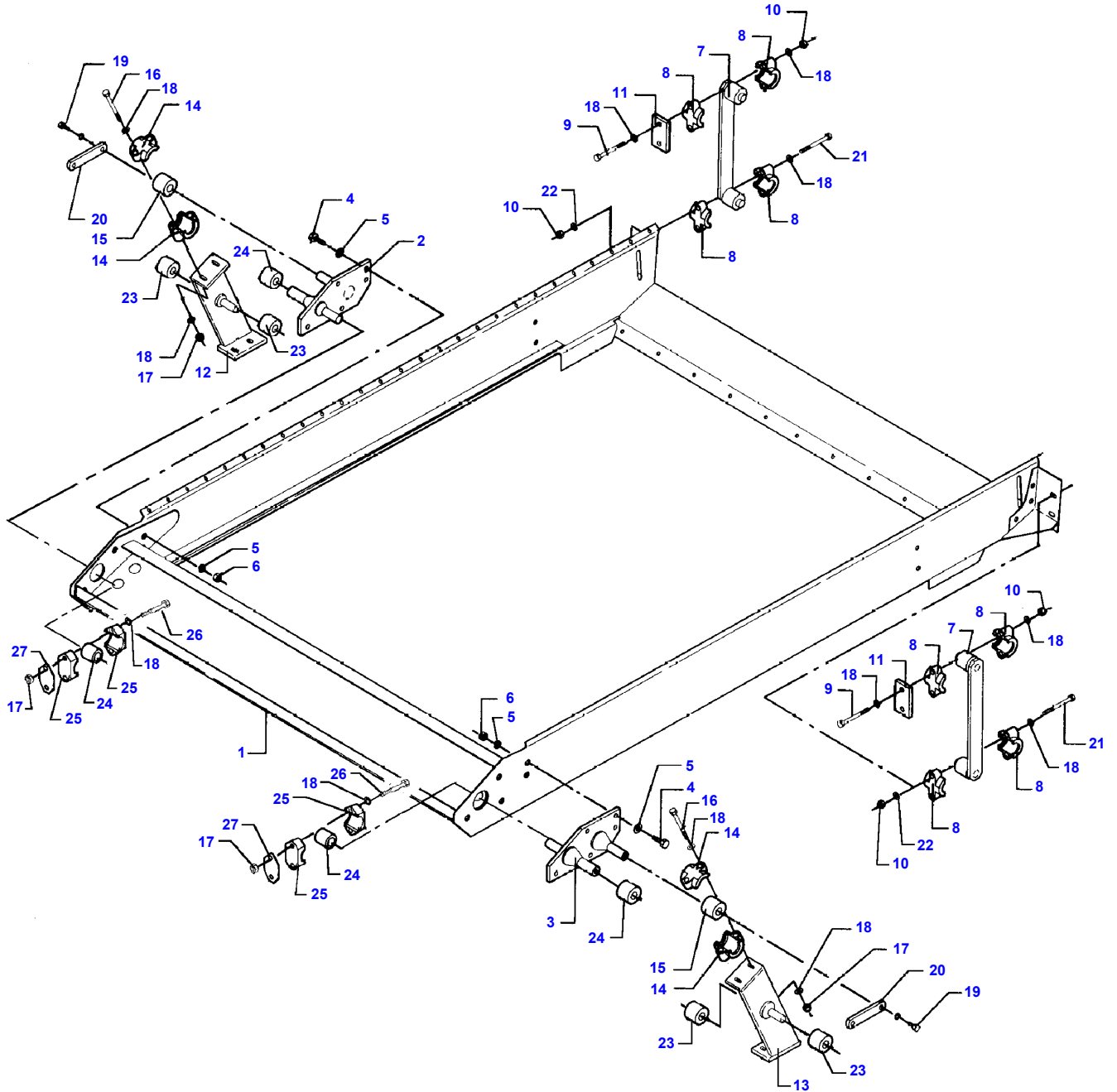
Upper Shaker Shoe And Sieves

Item	Part Number	Qty	Description	Comments
1	D28482106	1	Boot	
	D28482102	1	Shaker Shoe	(1)
2	D28480546	2	Gasket	(1)
7	D28482103	2	Gasket	(1)
8	D28482030	1	Rail	(1)
9	D40405000	11	Hex. Sock. Screw	(1)
10	D20400506	11	Washer	(1)
11	D41013500	11	Nut	(1)
12	D28482034	1	Plate	
13	D40402600	6	Hex. Sock. Screw	
14	D20400470	6	Washer	
15	D28482052	1	Sieve	
	D28482076	1	Sieve	[B]
16	D40410800	2	Screw Metric	
17	D20400426	4	Washer	
18	D41087700	2	Locknut	
19	D28482054	1	Sieve	
	D28482077	1	Sieve	[B]
	D28482099	1	Sieve	[B]
20	D40410800	2	Screw Metric	
21	D20400426	2	Washer	
22	D28480545	2	Rail	(1)
23	D20400470	14	Washer	(1)
24	D40402600	14	Hex. Sock. Screw	(1)
25	D28482087	1	Extension	[B]
26	D28482086	1	Profile	[B]
27	D40404700	6	Hex. Sock. Screw	[B]
28	D40405000	10	Hex. Sock. Screw	[B]
29	D41013500	16	Nut	[B]
30	D28181540	42	Spring	[B]
31	D20400506	16	Washer	[B]
32	D28780774	1	Support	[B]
33	D28780773	1	Support	[B]
34	D45050070	1	Sensor	[B]
35	D28781903	1	Connector	[B]
36	D40402400	4	Hex. Sock. Screw	[B]
37	D40402700	4	Hex. Sock. Screw	[B]
39	D28784136	1	Plate	[B]
40	D20400470	4	Washer	[B]
41	D45062200	1	Printed Circuit	[B]
42	D28482150	1	Control	[A]
43	D28482114	1	Plate	[B]
44	D41012000	6	Nut Metric	[B]
48	D40402600	4	Hex. Sock. Screw	[B]
49	D40688200	2	Screw Metric	

FOOTNOTE [A] OPTIONAL EQUIPMENT STANDARD COMBINE, STANDARD EQUIPMENT AUTO-LEVEL COMBINE,SLOPES

FOOTNOTE [B] OPTIONAL EQUIPMENT

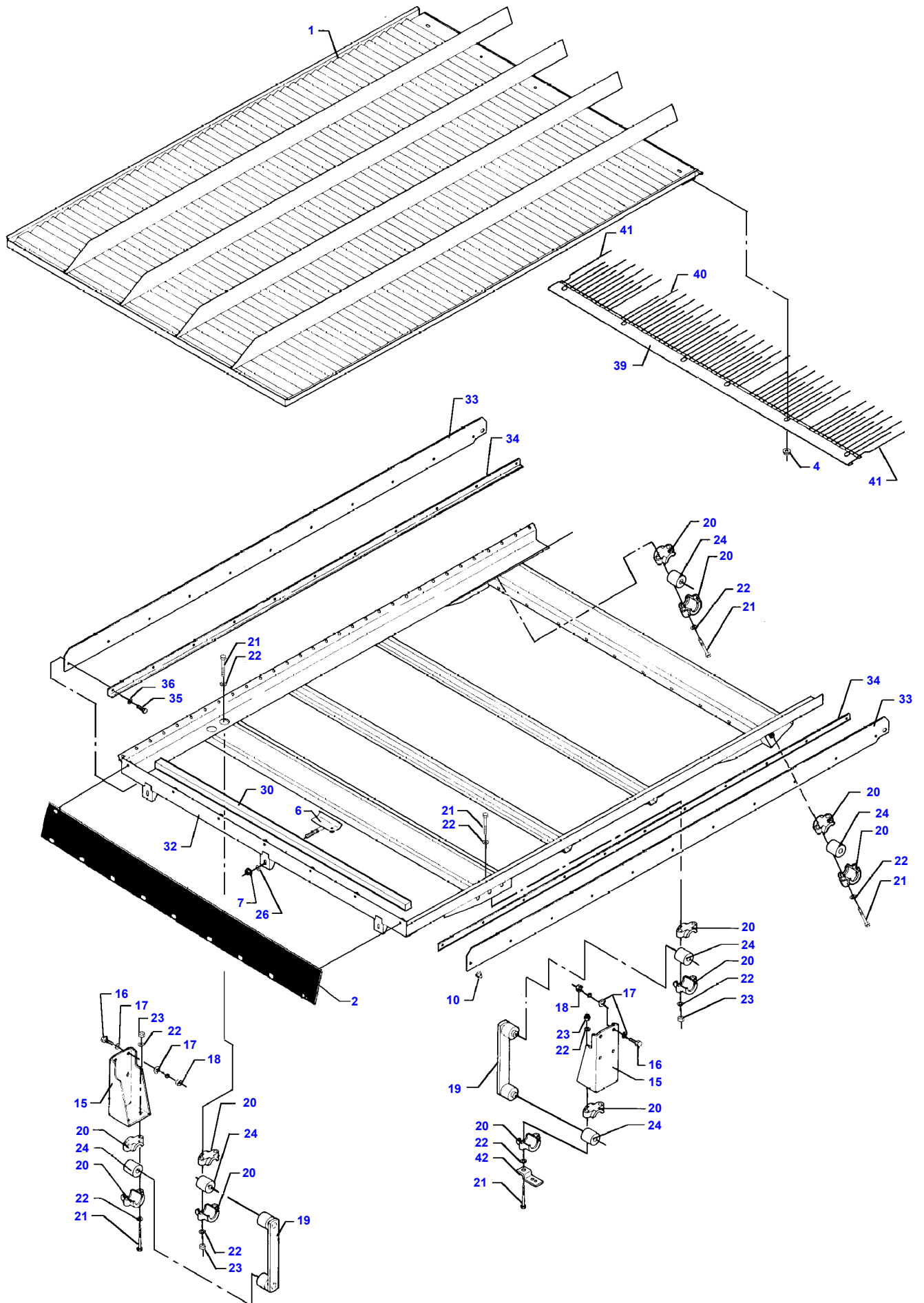
MF 7250/7252 COMBINE - 1637400
D-ZFAA-003-A



Upper Shaker Shoe And Suspension

Item	Part Number	Qty	Description	Comments
1	D28482102	1	Shaker Shoe	
2	D28480088	1	Suspension	
3	D28480089	1	Suspension	
4	D40411000	10	Hex. Sock. Screw	
5	D20400537	20	Spacer	
6	D41087700	10	Locknut	
7	D28480087	2	Arm	
8	D28430010	8	Half Flange	
9	D40426800	4	Screw	
10	D41087600	8	Locknut	
11	D28480235	2	Shim	
12	D28484019	1	Rockerarm	
	D28484016	1	Rockerarm	(12)
13	D28484017	1	Rockerarm	(13)
	D28484020	1	Rockerarm	
14	D28430010	4	Half Flange	
15	D28450420	2	Bush	
16	D40426600	4	Hex. Sock. Screw	
17	D41087600	4	Locknut	
18	D20400419	8	Washer	
19	D40407700	4	Hex. Sock. Screw	
20	D28480129	2	Link	
21	D40426500	4	Screw	
22	D20400507	4	Spacer	
23	D28450420	4	Bush	(12)
	D28450420	4	Bush	(13)
24	D28480268	4	Bush	
25	D28480270	4	Half Flange	
26	D40426500	4	Screw	
27	D28480105	2	Plate	

MF 7250/7252 COMBINE - 1637400
D-ZFAB-004-A

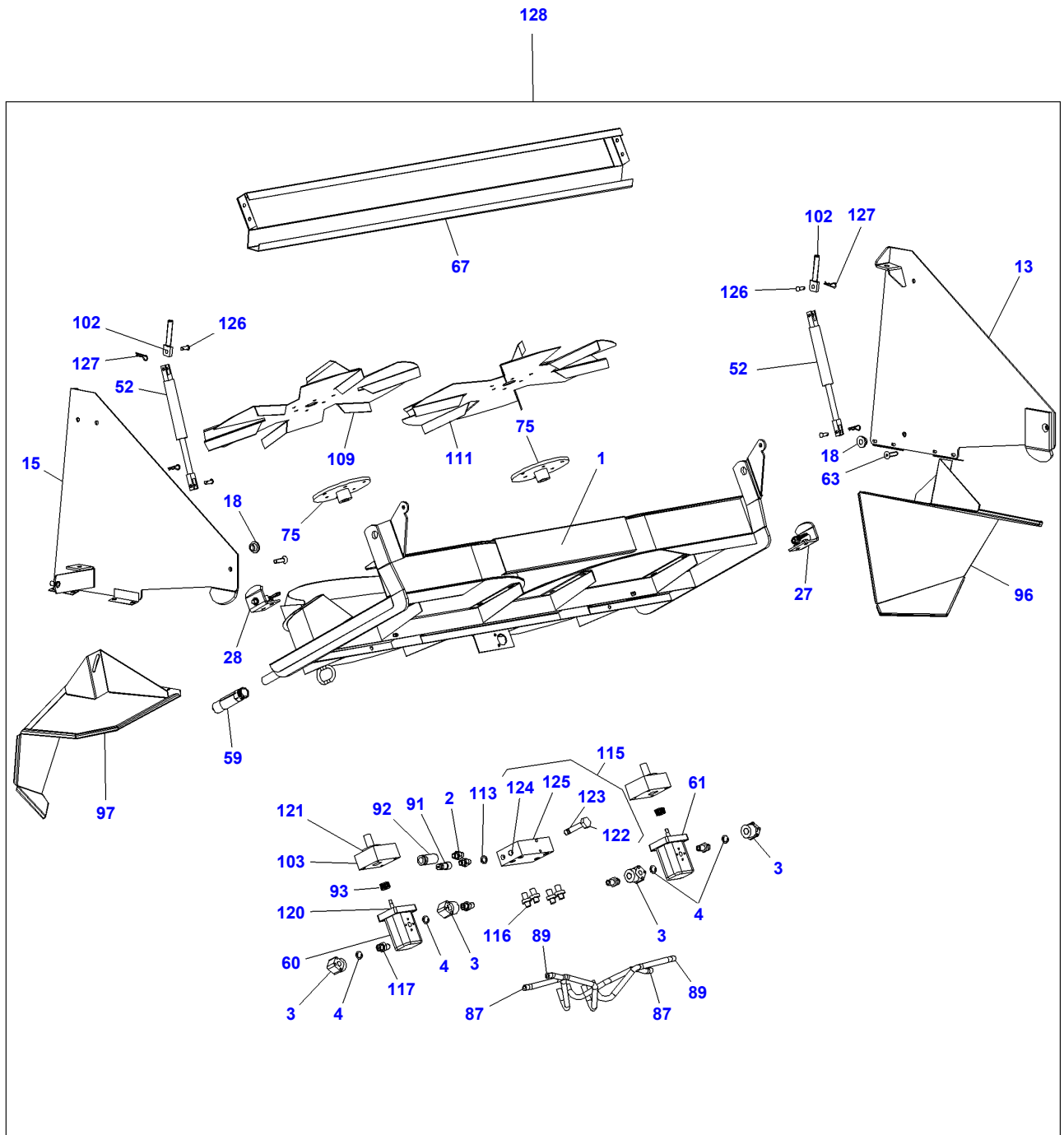


D-ZFAB-004-A

Conveyor Pan And Suspension

Item	Part Number	Qty	Description	Comments
1	D28482112	1	Conveyor	
2	D28350219	1	Curtain	
4	D41013500	6	Nut	
6	D28480012	3	Hook	
7	D41087600	3	Locknut	
15	D28480070	2	Bracket	
16	D40410900	8	Hex. Sock. Screw	
17	D20400426	16	Washer	
18	D41010900	8	Nut	
19	D28480069	2	Arm	
20	D28430010	8	Half Flange	
21	D40426600	12	Hex. Sock. Screw	
22	D41112500	16	Washer	
23	D41087600	8	Locknut	
24	D28450420	6	Bush	(19)
26	D20400419	3	Washer	
30	D44711900	X	Gasket	Length 1,330 M
32	D28482104	1	Frame	
	D28482100	1	Frame	(32)
33	D28480529	2	Gasket	(32)
34	D28480528	2	Rail	(32)
35	D40402600	22	Hex. Sock. Screw	(32)
36	D20400470	22	Washer	(32)
39	D28482118	1	Rake	
40	D28450458	30	Pin	(39)
41	D28482119	2	Pin	(39)
42	D28780694	1	Support	

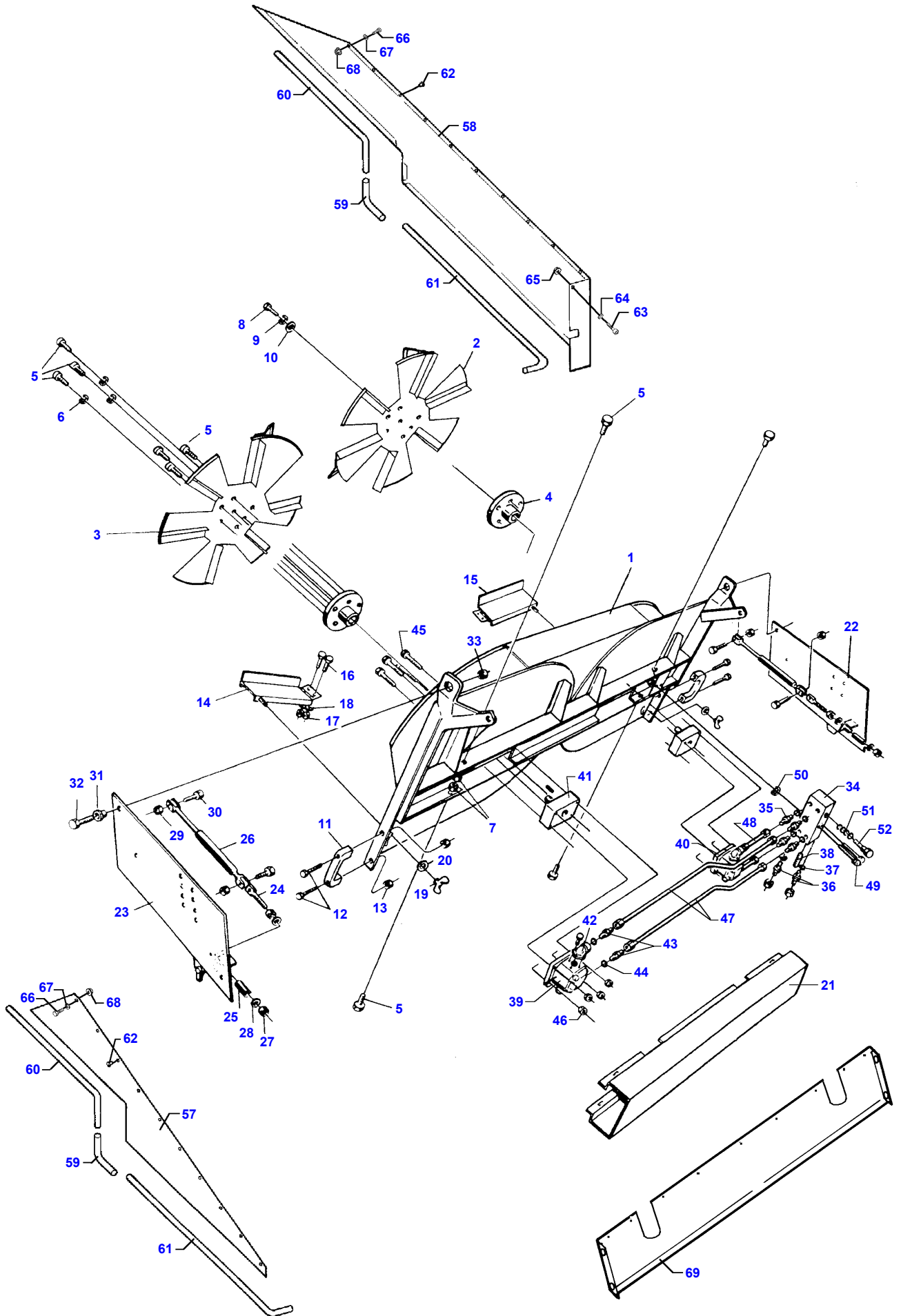
MF 7250/7252 COMBINE - 1637400
D-ZFAC-005-C



D-ZFAC-005-C

Item	Part Number	Qty	Description	Comments
1	D49080124	1	Spreader	Length 1400mm
	D49080125	1	Spreader	Length 1680mm
2	D49080119	2	Adaptor	
3	D49070026	4	Flange	
4	D45483200	4	O Ring	
13	D49080120	1	Plate	
15	D49080121	1	Plate	
18	D49080079	2	Spacer	
27	D49080122	1	Angle	
28	D49080123	1	Angle	
52	D49080126	2	Gas Strut	
59	D49060088	1	Lever	
60	D49070059	1	Hydraulic Motor	
61	D49070060	1	Hydraulic Motor	
63	D40603300	2	Screw Metric	
67	D49070047	1	Cover	Length 1400mm
	D49070048	1	Cover	Length 1680mm
75	D49070008	2	Hub	
87	D49080127	2	Pipe	Length 1400mm
	D49080128	2	Pipe	Length 1680mm
89	D49080129	2	Pipe	Length 1400mm
	D49080130	2	Pipe	Length 1680mm
91	D49080131	1	Belt	
92	D49080132	1	Belt	
93	D49070064	2	Nut	
96	D49070054	1	Plate	
97	D49070053	1	Plate	
102	D49080047	2	Tensioner	
103	D49070025	2	Bearing	
109	D49070037	1	Rotor	Length 1400mm
	D49070044	1	Rotor	Length 1680mm
111	D49070038	1	Rotor	Length 1400mm
	D49070043	1	Rotor	Length 1680mm
113	D49070022	2	Seal	
115	D49070056	1	Pressure Valve	
116	D49080133	4	Union	
117	D49080134	4	Union	
120	D49070065	2	Kit, Seal	
121	D49080138	2	Kit, Seal	
122	D49070068	1	Divider	
123	D49070020	1	Kit, Gasket	
124	D49070069	1	Non Return Valve	
125	D49080135	1	Cover	
126	D49080137	4	Screw	
127	D44358000	4	Hair Pin	
128	D49080107	1	Spreader	CPL - 1680MM
	D49080106	1	Spreader	CPL - 1400MM

MF 7250/7252 COMBINE - 1637400
D-ZFAC-004-A

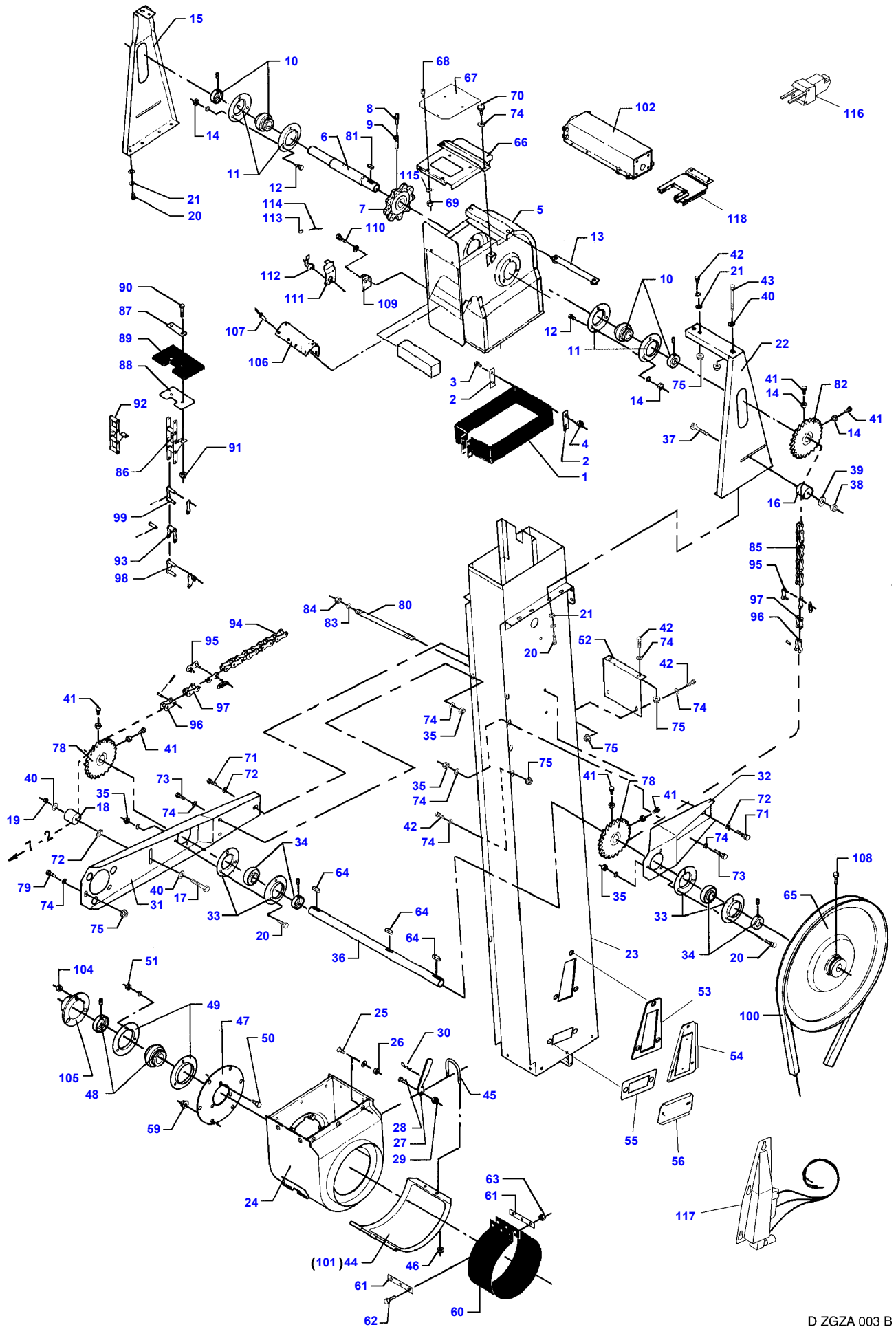


D-ZFAC-004-A

Massey Ferguson**MF 7250/7252 COMBINE - 1637400****1637400****Chaff Spreader - Rekord - UP TO No 57722****Page006-0013**

Item	Part Number	Qty	Description	Comments
1	D49070033	1	Spreader	
	D49070035	1	Fan	
2	D49070037	1	Rotor	Right Hand
3	D49070038	1	Rotor	Left Hand
4	D49070008	2	Hub	
5	D40404700	16	Hex. Sock. Screw	
6	D41100700	12	Spring Washers	
7	D41087500	42	Locknut	
8	D40402600	2	Hex. Sock. Screw	
9	D41100600	2	Spring Washers	
10	D20400470	2	Washer	
11	D43386900	2	Handle	
12	D40688200	4	Screw Metric	
13	D41087500	4	Locknut	
14	D49070009	1	Deflector	Left Hand
15	D49070011	1	Deflector	Right Hand
16	D49070013	4	Guard	
17	1441462X1	4	Locknut	Replace and repair. Old not interchangeable with new D41087400
18	D20400470	4	Washer	
19	D49070028	2	Locknut	M 6
20	D20400470	2	Washer	
21	D49070013	1	Guard	
22	D49070014	1	Plate	Right Hand
23	D49070015	1	Plate	Left Hand
24	D49070016	2	Adjusting Screw	
25	D49070017	2	Tube	
26	D49080049	2	Gas Strut	
27	D41010900	4	Nut	
28	D20400426	4	Washer	
29	D41087500	4	Locknut	
30	D40405000	4	Hex. Sock. Screw	
31	D49080079	2	Spacer	
32	D40428800	2	Hex. Sock. Screw	
33	D41087700	2	Locknut	
34	D49070018	1	Distributor	
35	D45252800	4	Union	
36	D49070031	2	Connector	
37	D49070022	6	Seal	
38	D49070021	1	Non Return Valve	
39	D49070023	1	Hydraulic Motor	Left Hand
	D49070034	1	Kit, Seal	
40	D49070024	1	Hydraulic Motor	Right Hand
41	D49070025	2	Bearing	
42	D49070026	4	Flange	
43	D45252600	4	Union	
44	D49070027	4	Seal	
45	D40422700	8	Hex. Sock. Screw	
46	1441462X1	8	Locknut	Replace and repair. Old not interchangeable with new D41087400
47	D49070029	2	Pipe	Left Hand
48	D49070030	2	Pipe	Right Hand
49	D40423000	2	Screw	
50	1441462X1	2	Locknut	Replace and repair. Old not interchangeable with new D41087400
51	D49070020	1	Kit, Gasket	
52	D49070019	1	Bypass	
57	D28184428	1	Guard	Left Hand
58	D28184429	1	Guard	Right Hand
59	D28184430	2	Pipe	
60	D28184431	2	Pipe	
61	D28184432	2	Pipe	
62	D43427400	X	Fastener	
63	D40685000	1	Screw	
64	D20400413	1	Washer	
65	D41013500	1	Nut	
66	D40688200	2	Screw Metric	
67	D20400404	2	Washer	
68	D41013400	2	Nut	
69	D28880479	1	Plate	

MF 7250/7252 COMBINE - 1637400
D-ZGZA-003-B



D-ZGZA-003-B

Filling Elevator

Item	Part Number	Qty	Description	Comments
1	D28580176	1	Plate	
2	D28530204	2	Plate	
3	D40402600	2	Hex. Sock. Screw	
4	1441462X1	2	Locknut	Replace and repair. Old not interchangeable with new D41087400
5	D28585299	1	Top	Valid from machine/table no, can be used in new as well as in older machines 59088
6	D28580134	1	Shaft	
7	D28580202	1	Sprocket	
8	D42610000	1	Pin	
9	D42616300	1	Pin	
10	D41708500	2	Bearing Ball	
11	D41708700	4	Flange	
12	D40404700	X	Hex. Sock. Screw	
13	D28580094	1	Dog	
14	D41010700	X	Nut	
15	D28585078	1	Bracket	
16	D28550012	1	Support	
17	D40426600	1	Hex. Sock. Screw	
18	D28850317	1	Support	
19	D41087600	1	Locknut	
20	D40405000	X	Hex. Sock. Screw	
21	D20400506	X	Washer	
22	D28584007	1	Holder	
23	D28585150	1	Housing	
24	D28580048	1	Bottom Part	
	D28585290	1	Bottom	[D] Valid from machine/table no, can be used in new as well as in older machines 59088
25	D40600500	10	Screw Metric	
26	1441462X1	10	Locknut	Replace and repair. Old not interchangeable with new D41087400
27	D28560162	1	Lever	
28	D40402700	1	Hex. Sock. Screw	
29	1441462X1	1	Locknut	Replace and repair. Old not interchangeable with new D41087400
30	D27100120	1	Hair Pin	
31	D28584010	1	Bracket	
32	D28584009	1	Support	
33	D41708700	4	Flange	
34	D41713300	2	Bearing Ball	
35	D41010700	X	Nut	
36	D28584030	1	Shaft	
37	D40064300	1	Screw	
38	D41087500	1	Locknut	
39	D20400414	1	Washer	
40	D20400416	4	Washer	
41	D40466900	6	Screw	
42	D40404900	X	Hex. Sock. Screw	
43	D40409400	2	Screw Metric	
44	D28580052	1	Cover	
	D28585291	1	Cover	[C] Valid from machine/table no, can be used in new as well as in older machines 59088
45	D28560165	1	U Bolt	
46	1441462X1	2	Locknut	Replace and repair. Old not interchangeable with new D41087400
47	D28580245	1	Bearing Plate	
48	D41708600	1	Bearing Ball	
49	D41708800	2	Bearing Flange	
50	D40407000	3	Screw	
51	D41010800	3	Nut	
52	D28584018	1	Fitting	
53	D28585138	1	Seal	
54	D28585128	1	Plate	
55	D28585140	1	Seal	
56	D28585133	1	Plate	
59	D41013500	6	Nut	
60	D28480219	1	Plate	

Filling Elevator

Item	Part Number	Qty	Description	Comments
61	D28550247	2	Plate	
62	D40402600	3	Hex. Sock. Screw	
63	1441462X1	3	Locknut	Replace and repair. Old not interchangeable with new D41087400
64	D43103400	3	Key	
65	D28584000	1	Pulley	
66	D28580089	1	Cover	
67	D28580405	1	Cover	
68	D40688000	4	Screw	
68	D40688200	4	Screw Metric	[A]
69	D41013400	4	Nut	
69	1441462X1	4	Locknut	[A] Replace and repair. Old not interchangeable with new D41087400
70	D40423900	2	Hex. Sock. Screw	
71	D40407900	2	Hex. Sock. Screw	
72	D20400415	3	Washer	
73	D40405000	4	Hex. Sock. Screw	
74	D20400506	X	Washer	
75	D41013500	X	Nut	
78	D28584031	2	Sprocket	
79	D40405100	3	Hex. Sock. Screw	
80	D28584029	1	Threaded Part	
81	D43103200	1	Key	
82	D28580228	1	Sprocket	
83	D20400425	2	Washer	
84	D41010900	2	Nut	
85	D42327300	1	Chain	
86	D42350300	1	Chain	(87)
87	D28584008	1	Chain	
87	D28550323	38	Plate	(87)
88	D28550372	38	Plate	(87)
89	D28580137	38	Plate	(87)
90	D40405100	76	Hex. Sock. Screw	(87)
91	D41087500	76	Locknut	(87)
92	D42351300	1	Chain	
93	D42351200	1	Link	
94	D42329000	1	Chain	
95	D42363100	1	Link	
96	D42363200	2	Link	OPTIONAL
97	D42362400	1	Inner Link	
98	D42350400	1	Link	
99	D42351400	1	Link	
100	D41950100	1	Belt	
101	D28580295	1	Cover	[B]
102	D28780630	1	Sensor	[A]
104	D41010800	3	Nut	
105	D28761667	1	Cover	
106	D28580390	1	Plate	
107	D41399800	10	Rivet	
108	D40407700	1	Hex. Sock. Screw	
109	D28580334	1	Hinge	[A]
110	D40688300	2	Screw	[A]
111	D28580335	1	Lock	[A]
111	D28580336	1	Lock	[A] From Serial or Engine Number 57636
112	D43423000	1	Lock	[A]
113	D01906800	X	Wire	[A] Length 0,150 M
114	D43407400	1	Seal	[A]
115	D20400470	4	Washer	[A]
116	D28080924	1	Kit, Flow Contrl	From Serial or Engine Number 56696 Up to Serial or Engine Number 57068 CPL
116	D28080944	1	Kit	From Serial or Engine Number 57069 CPL

Filling Elevator

Item	Part Number	Qty	Description	Comments
116	D28782216	1	Sensor	
116	D44900896	2	Finger	
117	D44900691	1	Moisture Meter	
117	D44900857	1	Wiper Motor	
117	D44900858	1	Housing	
117	D44900859	1	Control Box	
117	D44900895	1	Plate	
118	D28580397	1	Cover	

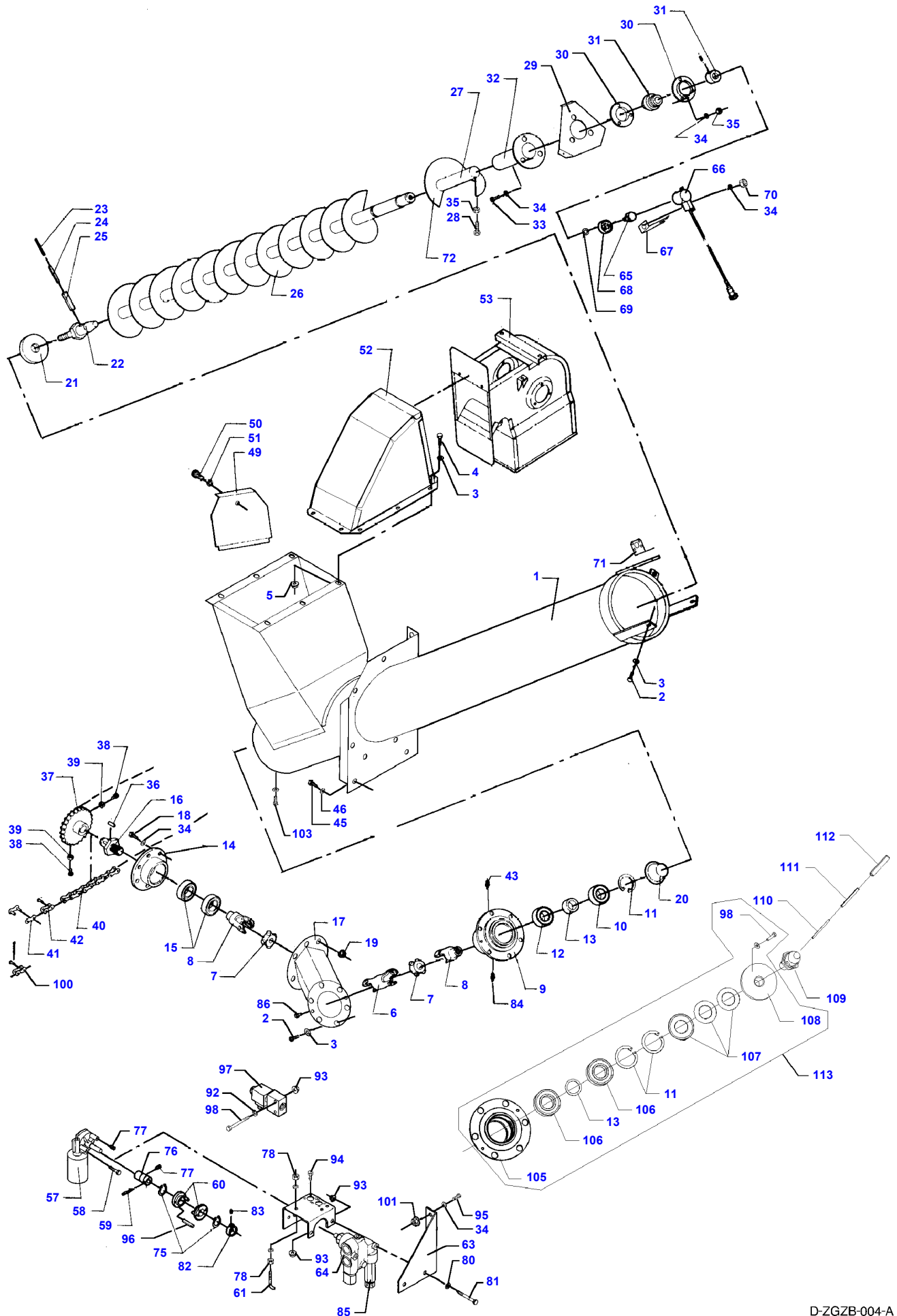
FOOTNOTE [A] OPTIONAL EQUIPMENT FLOW CONTROL

FOOTNOTE [B] OPTIONAL EQUIPMENT FOR PEAS

FOOTNOTE [C] UP TO SERIAL NUMBER 59087ORDER ALSO D28585290

FOOTNOTE [D] UP TO SERIAL NUMBER 59087ORDER ALSO D28585291

MF 7250/7252 COMBINE - 1637400
D-ZGZB-004-A



D-ZGZB-004-A

Filler Pipe

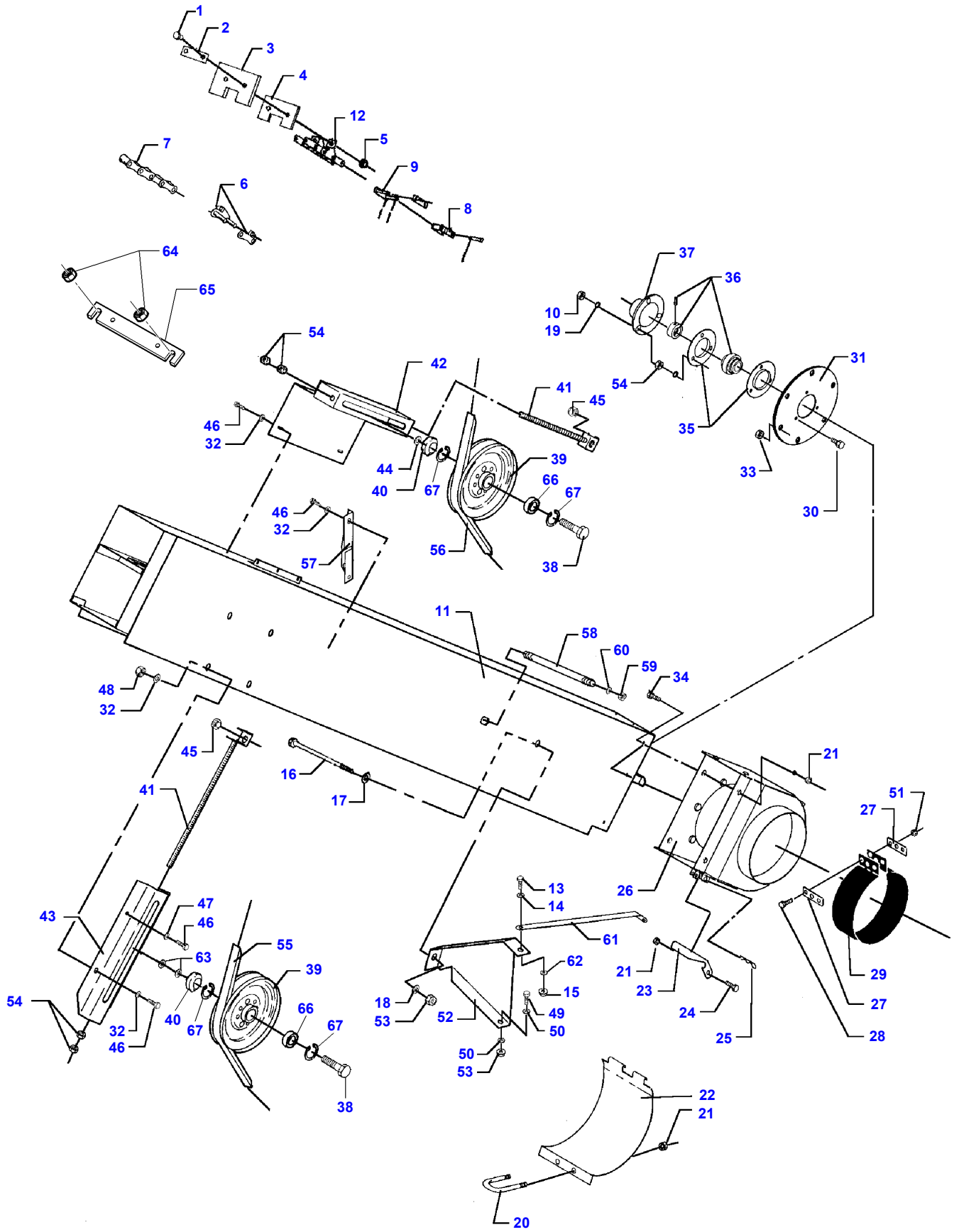
Item	Part Number	Qty	Description	Comments
1	D28884079	1	Spout	
2	D40405100	6	Hex. Sock. Screw	
3	D20400506	X	Washer	
4	D40404900	6	Hex. Sock. Screw	
5	D41013500	X	Nut	
6	D45626500	1	Fork	
7	D45623000	2	Bearing Needle	
8	D28580057	2	Fork	
9	D28580257	1	Bearing Carrier	
10	D41621100	1	Bearing Ball	
11	D42515000	3	Circlip	[A]
12	D41623000	1	Bear. 6207 2rs	
13	D27700245	1	Spacer	
14	D28580027	1	Bearing Assy	
15	D41623000	2	Bear. 6207 2rs	
16	D28580060	1	Stud	
17	D28884056	1	Holder	
18	D40405000	6	Hex. Sock. Screw	
19	D41010700	6	Nut	
20	D28580300	1	Cone	
21	D28580364	1	Washer	
22	D28580251	1	Pin	
23	D42610400	1	Pin	
24	D42616700	1	Pin	
25	D42625600	1	Pin	
26	D28884059	1	Auger	
27	D28850988	1	Section	
28	D40404900	X	Hex. Sock. Screw	
29	D28580301	1	Bearing Plate	
30	D41708700	2	Flange	
31	D41708500	1	Bearing Ball	
32	D28850886	1	Guard	
33	D40405000	2	Hex. Sock. Screw	
	D40405300	1	Screw	
34	D20400506	X	Washer	
35	D41010700	X	Nut	
36	D43103200	1	Key	
37	D28580228	1	Sprocket	
38	D40466900	2	Screw	
39	D41010700	2	Nut	
40	D42329000	1	Chain	
41	D42363100	1	Link	
42	D42362400	1	Inner Link	
43	D40630500	1	Pin	
45	D40405000	11	Hex. Sock. Screw	
46	D20400411	11	Washer	
49	D28580258	1	Trap	
50	D43385200	1	Screw	
51	D20400506	1	Washer	
52	D28584038	1	Spout	
53	D28585299	1	Top	Valid from machine/table no, can be used in new as well as in older machines 59088
57	D28080790	1	Wiper Motor	
58	D28782149	3	Bolt	
59	D42609200	1	Pin	
60	D28780802	2	Washer	
61	D28780801	1	Screw	
62	D41013500	1	Nut	
63	D28984002	1	Bracket	
64	D45110069	1	Flow Regulator	
65	D28780516	1	Inductive Taker	MF 7252
66	D28780514	1	Sensor	MF 7252
67	D28780522	1	Support	MF 7252
68	D41622600	1	Bearing Ball	MF 7252
69	D20400419	1	Washer	MF 7252

Filler Pipe

Item	Part Number	Qty	Description	Comments
70	D41010700	1	Nut	
71	D28780772	1	Retainer	
72	D28850990	1	Spiral	
75	D42502300	2	Circlip	
76	D28981003	1	Union	
77	D43170300	1	Key	
78	D41010600	2	Nut	
79	D28981001	1	Support	
80	D20400506	2	Washer	
81	D40424400	2	Bolt	
82	D28981086	1	Ring	
83	D40632000	1	Stud	
84	D43002500	1	Greaser	
85	D28251484	1	Non Return Valve	
86	D40404500	2	Screw Metric	
92	D20400404	4	Washer	
93	D41013400	3	Nut	
94	D40741200	8	Screw	
95	D40405000	2	Hex. Sock. Screw	
96	D42608700	1	Pin	
97	D45110054	1	Valve	Up to Serial or Engine Number 58300
97	D45110095	1	Pressure Valve	From Serial or Engine Number 58301
98	D40422200	2	Screw Metric	
100	D42363200	1	Link	
101	D41013500	2	Nut	
103	D40410700	1	Screw	
105	D28580413	1	Bearing Housing	[A]
106	D41624100	2	Bearing Assy	[A]
107	D41679900	1	Seal	[A]
108	D28580414	1	Washer	[A]
109	D28580251	1	Pin	[A]
110	D42610400	1	Pin	[A]
111	D42616700	1	Pin	[A]
112	D42625600	1	Pin	[A]
113	D28080904	1	Kit	[A]

FOOTNOTE [A] SEE SERVICE BULLETIN NO.

MF 7250/7252 COMBINE - 1637400
D-ZGZC-003-B



Return Elevator

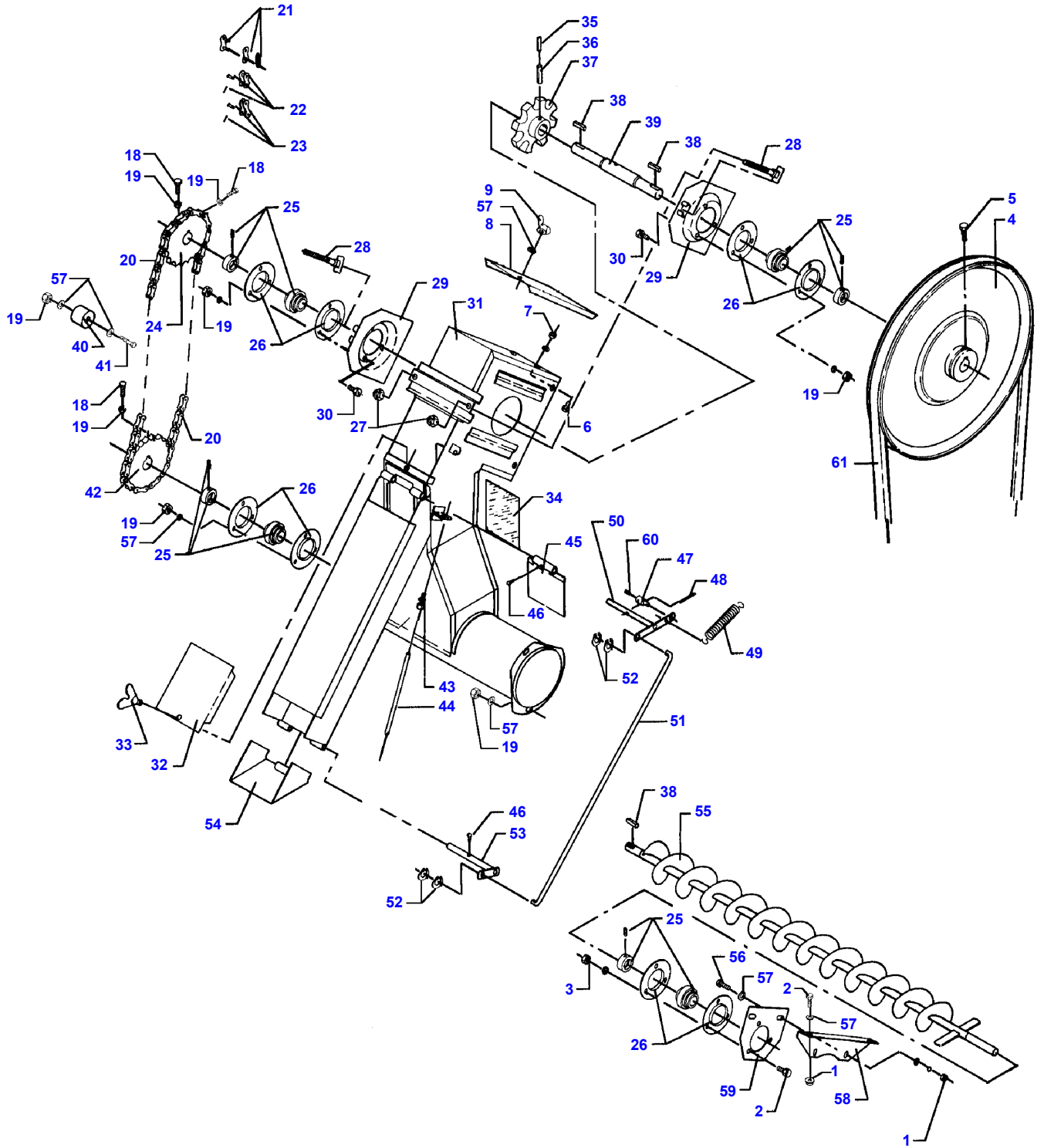
Item	Part Number	Qty	Description	Comments
1	D28584022	1	Chain	
	D40405100	58	Hex. Sock. Screw	(1)
2	D28550323	29	Plate	(1)
3	D28550373	29	Plate	(1)
4	D28550372	29	Plate	(1)
5	D41087500	58	Locknut	(1)
6	D42350400	1	Link	
7	D42351300	1	Chain	
8	D42351200	1	Link	
9	D42351400	1	Link	
10	D41087600	3	Locknut	
11	D28584021	1	Housing	
12	D42350300	1	Chain	
13	D40407000	3	Screw	
14	D20400473	6	Washer	
15	D41092500	3	Nut	
16	D40430100	1	Screw Metric	
17	D20400425	1	Washer	
18	D20400426	1	Washer	
19	D20400471	3	Washer	
20	D28560165	1	U Bolt	
21	1441462X1	X	Locknut	Replace and repair. Old not interchangeable with new D41087400
22	D28550311	1	Cover	
	D28550362	1	Door	[A]
23	D28560162	1	Lever	
24	D40402700	1	Hex. Sock. Screw	
25	D27100120	1	Hair Pin	
26	D28584004	1	Holder	
27	D28480217	2	Plate	
28	D40402400	2	Hex. Sock. Screw	
29	D28480218	1	Plate	
30	D40407000	3	Screw	
31	D28580245	1	Bearing Plate	
32	D20400506	8	Washer	
33	D41013500	6	Nut	
34	D40060500	8	Screw Metric	
35	D41708800	2	Bearing Flange	
36	D41708600	1	Bearing Ball	
37	D28761667	1	Cover	
38	D28761939	2	Bolt	
39	D28760574	2	Pulley	Valid from machine/table no, can be used in new as well as in older machines 58241
40	D28760163	2	Spacer	
41	D28550109	2	Bolt	
42	D28584034	1	Tensioner	
43	D28584032	1	Bracket	
44	D20400518	1	Spacer	
45	D41087900	2	Locknut	
46	D40405000	6	Hex. Sock. Screw	
47	D20400414	2	Washer	
48	D41010700	2	Nut	
49	D40428300	1	Screw Metric	
50	D20400446	2	Washer	
51	1441462X1	2	Locknut	Replace and repair. Old not interchangeable with new D41087400
52	D28584028	1	Bracket	
53	D41087700	2	Locknut	
54	D41010800	7	Nut	
55	D41950400	1	Belt	
56	D41950100	1	Belt	
57	D28184116	1	Bracket	
58	D28584029	1	Threaded Part	
59	D41010900	2	Nut	
60	D20400425	2	Washer	
61	D28580346	1	Brace	
62	D20400416	1	Washer	
63	D20400516	2	Spacer	

Massey Ferguson**MF 7250/7252 COMBINE - 1637400****1637400****Return Elevator****Page007-0003**

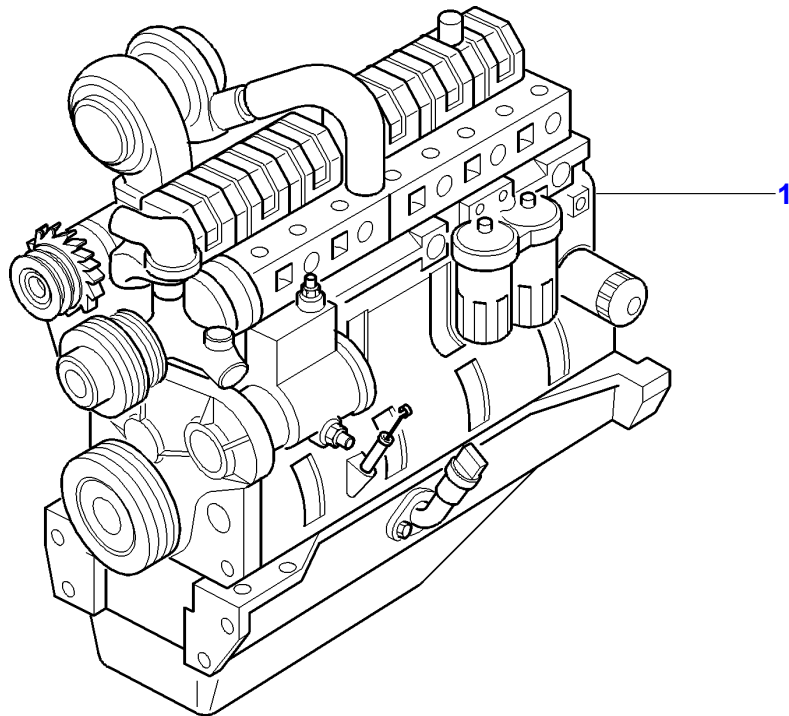
Item	Part Number	Qty	Description	Comments
64	D28580432	2	Nut	Valid from machine/table no, can be used in new as well as in older machines 57799
65	D28580433	1	Plate	Valid from machine/table no, can be used in new as well as in older machines 57799
66	D41622700	2	Bearing Ball	Valid from machine/table no, can be used in new as well as in older machines 58241
67	D42513700	4	Circlip	Valid from machine/table no, can be used in new as well as in older machines 58241

FOOTNOTE [A] OPTIONAL EQUIPMENT FOR PEAS

MF 7250/7252 COMBINE - 1637400
D-ZGZC-004-A



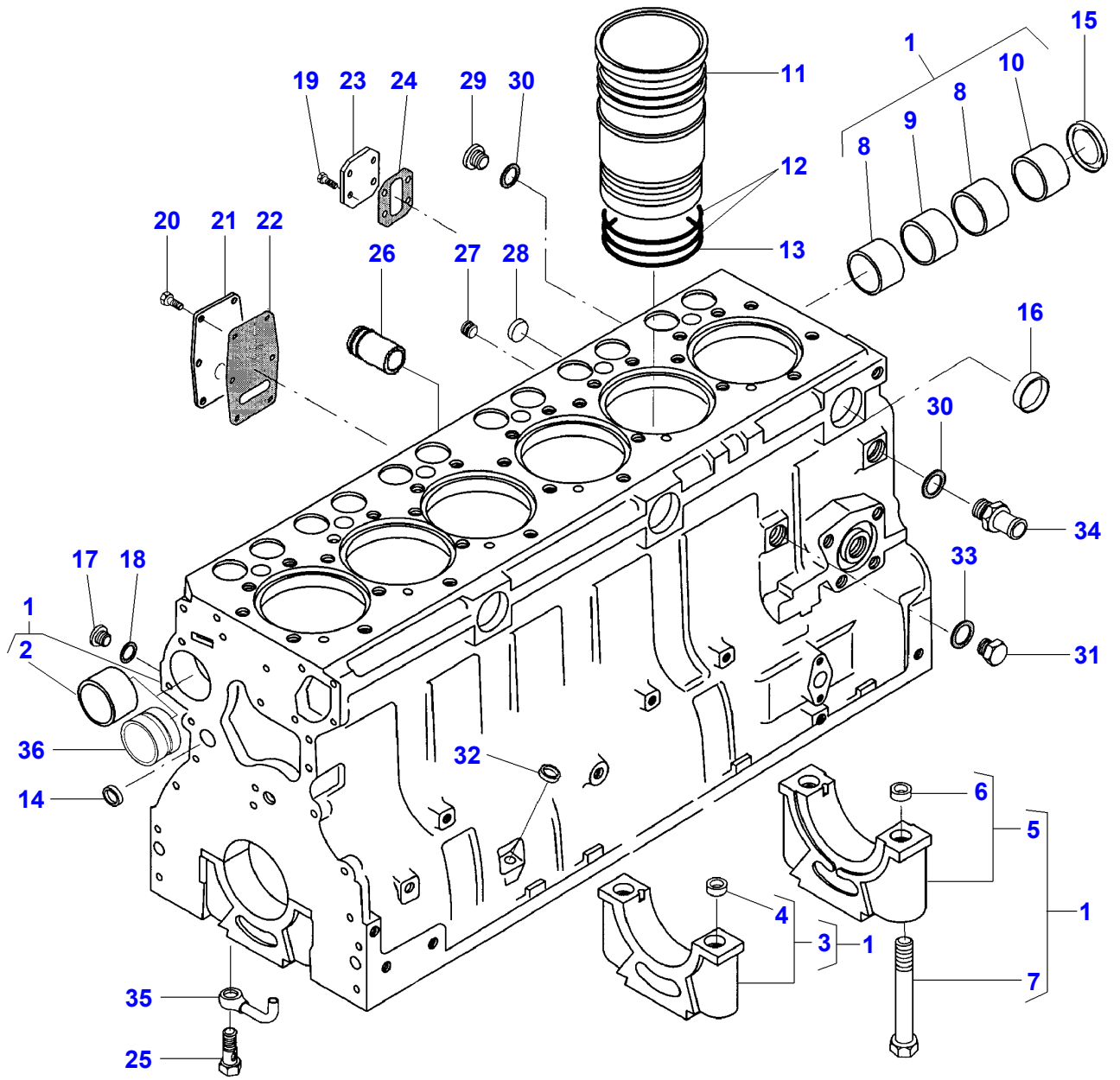
Item	Part Number	Qty	Description	Comments
1	D41013500	4	Nut	
2	D40404900	5	Hex. Sock. Screw	
3	D41010700	3	Nut	
4	D28584001	1	Pulley	
5	D40407800	1	Hex. Sock. Screw	
6	D40060500	8	Screw Metric	
7	1441462X1	8	Locknut	Replace and repair. Old not interchangeable with new D41087400
8	D28550491	1	Cover	
9	D41057300	1	Wing Nut	
18	D40466900	3	Screw	
19	D41010700	12	Nut	
20	D42328400	1	Chain	
24	D28540049	1	Sprocket	
25	D41708500	4	Bearing Ball	
26	D41708700	8	Flange	
27	D41087600	2	Locknut	
28	D28520060	2	Bolt	
29	D28550175	2	Bearing Plate	
30	D40404900	6	Hex. Sock. Screw	
31	D28550501	1	Holder	
32	D28550008	1	Cover	
33	D28440126	1	Wingbolt	
34	D27800292	1	Glass	
35	D42610000	1	Pin	
36	D42616300	1	Pin	
37	D28560008	1	Sprocket	
38	D43103200	3	Key	
39	D28584024	1	Shaft	
40	D28550012	1	Support	
41	D40423900	1	Hex. Sock. Screw	
42	D28550299	1	Sprocket	
43	D46416300	1	Screw	
44	D28750637	1	Bowden Cable	
45	D28550177	1	Cover	
46	D40352100	2	Screw Metric	
47	D28700628	1	Journal	
48	D41402800	1	Pin	
49	D28710853	1	Spring	
50	D28550079	1	Shaft	
51	D28550145	1	Conrod	
52	D42551100	4	Clamp	
53	D28550080	1	Shaft	
54	D28550086	1	Lever	
55	D28550164	1	Auger	
56	D40405000	2	Hex. Sock. Screw	
57	D20400506	X	Washer	
58	D28884025	1	Plate	
59	D28550159	1	Bearing Plate	
60	D40630500	1	Pin	
61	D41950400	1	Belt	



Massey Ferguson**MF 7250/7252 COMBINE - 1637400****1637400****Engine****Page008-0001**

Item	Part Number	Qty	Description	Comments
1	V832757774	1	Engine	620DSEL / MF7250 Up to Serial or Engine Number L1163
	V832760569	1	Engine	MF 7250 From Serial or Engine Number L1164
	V832757775	1	Engine	620DSIEL/MF7252 Up to Serial or Engine Number L1557
	V832760570	1	Engine	MF 7252 From Serial or Engine Number L1558

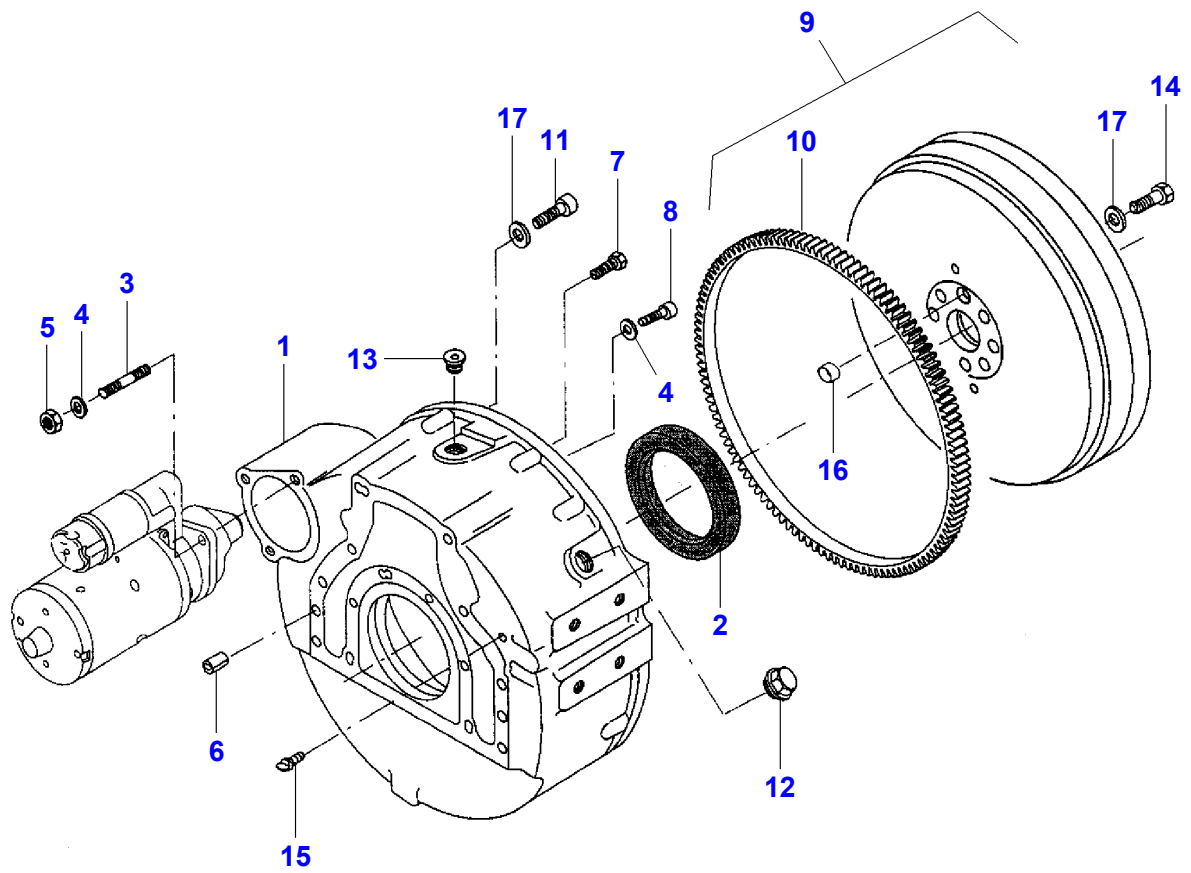
MF 7250/7252 COMBINE - 1637400
D-HB02-007-B



Cylinder Block

Item	Part Number	Qty	Description	Comments
1	V836847275	1	Cylinder Block	MF 7250 Up to Serial or Engine Number L1163
	V836866110	1	Cylinder Block	MF 7250 From Serial or Engine Number L1164
	V836847275	1	Cylinder Block	MF 7252 Up to Serial or Engine Number L1557
	V836866069	1	Bush	MF 7252 From Serial or Engine Number L1558
2	V836322610	1	Bush	(1) Up to Serial or Engine Number L1164
3		6	Bearing Carrier	(1)
4	V836214478	2	Bush	(3)
5		1	Bearing Carrier	(1)
6	V836214478	2	Bush	(5)
7	V529903180	14	Screw	(1)
8	V836852460	2	Bush	(1)
9	V836852459	1	Bush	(1)
10	V836852461	1	Bush	(1)
11	V836647420	6	Liner	
	V836647933	X	Liner	Thickness 9,08MM
	V836647934	X	Liner	Thickness 9,13MM
	V836647935	X	Liner	Thickness 9,23MM
12	V836647502	12	O Ring	
13	V836647503	6	O Ring	
14	V640016016	4	Plug	
15	V836852744	1	Plug	
16	V640016040	3	Plug	
17	V640325110	4	Plug	
18	V615571014	4	Seal	
19	V528801362	4	Screw	
20	V528801380	6	Screw	M8X20
21	V836846444	1	Flange	
22	V836322852	1	Gasket	
23	V836659543	1	Cover	
24	V836659544	1	Gasket	M14X65
25	V836338601	6	Valve	
26	V836647574	1	Pipe	
27	V640025010	1	Plug	
28	V640016018	3	Plug	
29	V640325018	1	Plug	
30	V615881822	2	Seal	
31	V836019756	1	Plug	
32	V640016012	1	Plug	
33	V615881824	1	Seal	
34	V836119837	1	Union	
35	V836846231	6	Pipe	
36	V836866069	1	Bush	(1) From Serial or Engine Number L1164

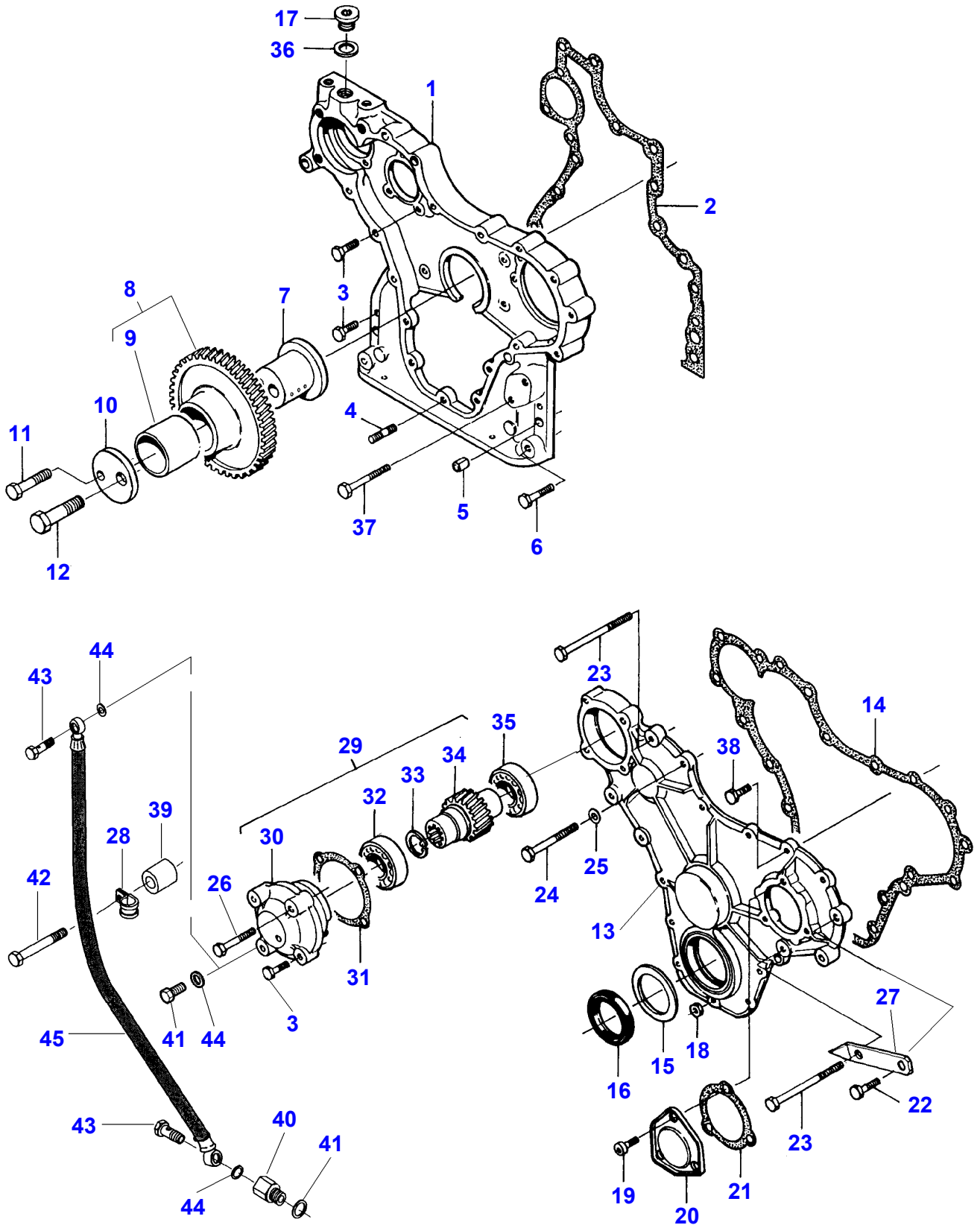
MF 7250/7252 COMBINE - 1637400
D-HB04-005-B



Massey Ferguson**MF 7250/7252 COMBINE - 1637400****1637400****Page008-0003****Flywheel Housing**

Item	Part Number	Qty	Description	Comments
1	V836647440	1	Flywheel Housing	
2	V614500002	1	Seal	
3	V546801800	3	Stud	M10X25
4	V500951000	6	Washer	
5	V504801002	3	Nut	M10
6	V598359850	2	Pin	
7	V528902220	6	Screw	M12X35
8	V581705030	6	Screw	M10X30
9	V836017912	1	Flywheel	
10	V836117970	1	Annular Gear	(9)
11	V581705440	2	Screw	M12X35
12	V640045126	1	Plug	
13	V640325018	1	Plug	
14	V528702230	8	Screw	
15	V836859311	1	Plug	
16	V836659527	1	Sleeve	
17	V500951200	9	Washer	

MF 7250/7252 COMBINE - 1637400
D-HB03-005-B

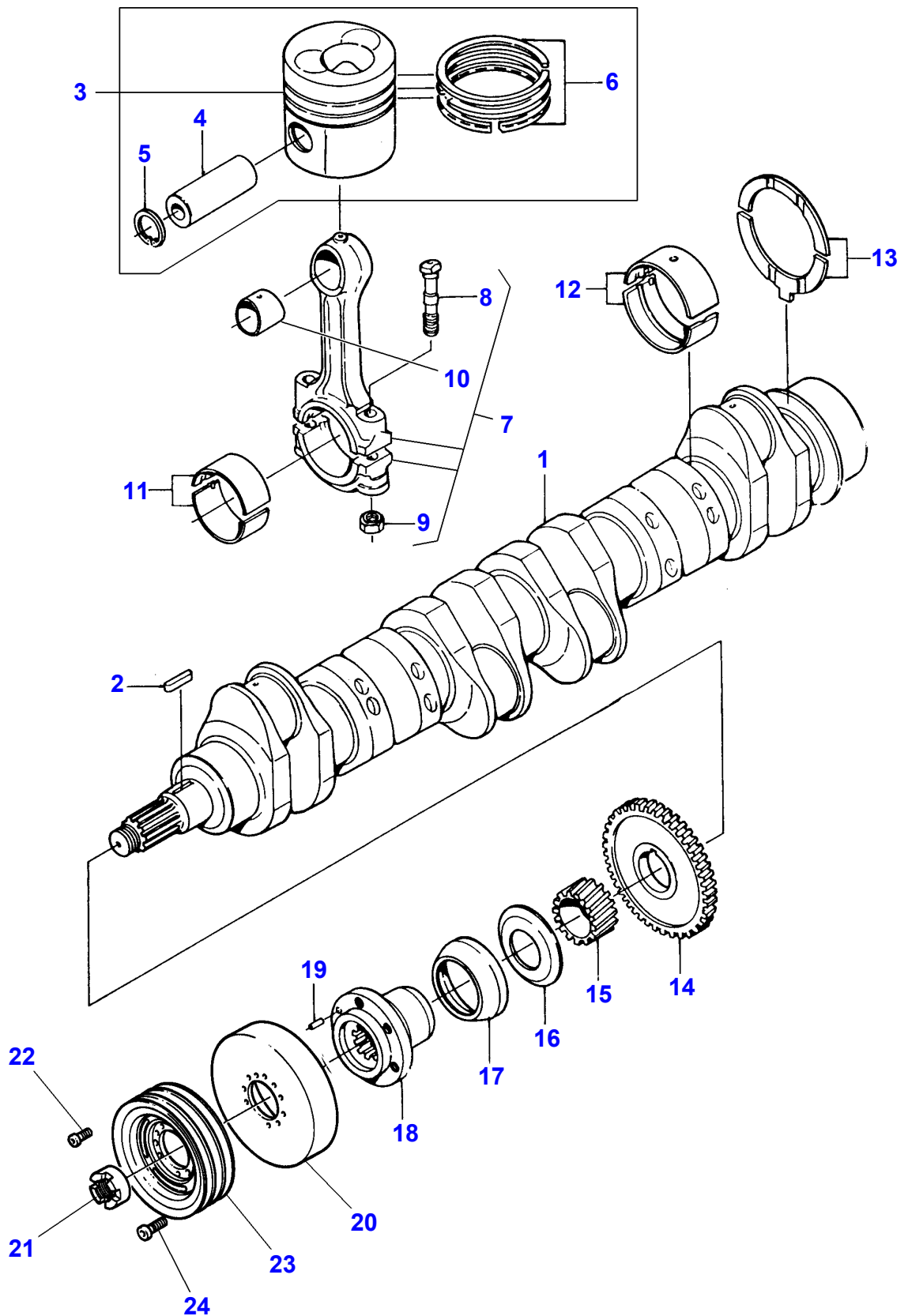


D-HB03-005-B

Item	Part Number	Qty	Description	Comments
1	V836647407	1	Housing	
2	V836647419	1	Gasket	[A]
3	V528801400	9	Screw	
4	V546801380	5	Stud	
5	V598359850	4	Pin	
6	V529801440	2	Screw	
7	V836766127	1	Shaft	
8	V836138354	1	Pinion	
9	V836139039	1	Bush	(8)
10	V836129845	1	Flange	
11	V529801910	1	Screw	
12	V529902720	1	Screw	
13	V836647575	1	Cover	
14	V835336796	1	Gasket	[A]
15	V836129782	1	Chock	
16	V614105880	1	Seal	[A]
17	V640325018	1	Plug	
18	V504800800	5	Nut	
19	V581804570	3	Screw	
20	V836136717	1	Cover	
21	V836129946	1	Gasket	[A]
22	V528801420	3	Screw	
23	V529801500	2	Screw	
24	V529801470	3	Screw	
25	V836120989	1	Washer	
26	V529801460	4	Screw	
27	V836352822	1	Indicator	
28	V602060612	1	Clamp	
29	V836655232	1	Divider	
30	V836655230	1	Bearing Housing	(29)
31	V835336793	1	Joint	
32	V610060096	1	Bearing	(29)
33	V617330031	1	Circlip	(29)
34	V836120880	1	Gear	(29)
35	V610060096	1	Bearing	
36	V615881822	1	Seal	[A]
37	V529801550	1	Screw	
38	V528801380	2	Screw	
39	V836119296	1	Sleeve	
40	V836655233	1	Union	
41	V615571014	1	Seal	
42	V529801460	4	Screw	
43	V835331289	2	Screw	
44	V615870610	4	Seal	
45	V836655234	1	Pipe	

FOOTNOTE [A] INCLUDED IN V836840103

MF 7250/7252 COMBINE - 1637400
D-HB05-005-B

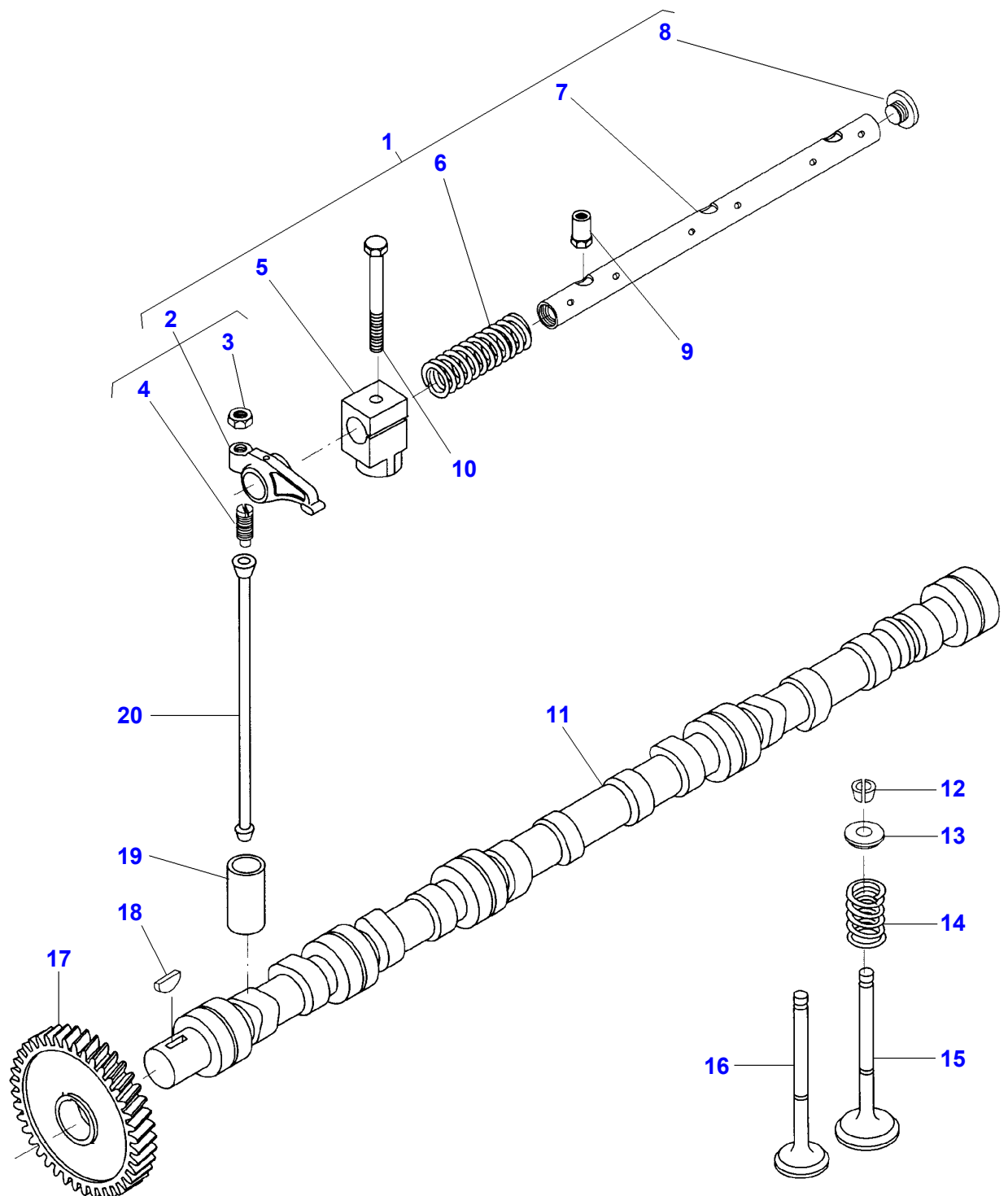


Crankshaft, Pistons And Connecting Rods

Item	Part Number	Qty	Description	Comments
1	V836847352	1	Crankshaft	
2	V603345110	1	Key	
3	V836640073	6	Piston	
4		6	Piston Pin	(3) Not serviced, order REF.3
5		12	Circlip	(3) Not serviced, order REF No3
6	V836640078	1	Kit, Piston Ring	(3)
7	3638612M1		Conrod	2150-2169 G "X"
	V836652104	X	Conrod	2170-2189 G "A"
	V836652105	X	Conrod	2190-2209 G "B"
	V836652106	X	Conrod	2210-2229 G "C"
	V836652107	X	Conrod	2230-2249 G "D"
	V836652108	X	Conrod	2250-2269 G "E"
	V836652109	X	Conrod	2270-2289 G "H"
	V836652110	X	Conrod	2290-2309 G "I"
	V836652111	X	Conrod	2310-2329 G "J"
	V836652112	X	Conrod	2330-2349 G "K"
	V836652113	X	Conrod	2350-2369 G "L"
	V836652114	X	Conrod	2370-2389 G "M"
	V836652115	X	Conrod	2390-2409 G "N"
	V836652116	X	Conrod	2410-2429 G "O"
	V836652117	X	Conrod	2430-2449 G "P"
	V836652118	X	Conrod	2450-2469 G "R"
	V836652119	X	Conrod	2470-2489 G "S"
	V836652120	X	Conrod	2490-2509 G "T"
	V836652121	X	Conrod	2510-2529 G "U"
8	V836646204	12	Screw	(7)
9	V836646205	12	Nut	(7)
10	V836646271	6	Bush	(7)
11	V836110552	6	Bearing	STANDARD Diameter 67,981MM Diameter 68,000MM
	V836112762	6	Bearing	Thickness (-)0,25MM Diameter 67,731MM Diameter 67,750MM
	V836112763	6	Bearing	Thickness (-)0,50MM Diameter 67,481MM Diameter 67,500MM
	V836112765	6	Bearing	Thickness (-)1,00MM Diameter 66,981MM Diameter 67,000MM
	V836112767	6	Bearing	Thickness (-)1,50MM Diameter 66,481MM Diameter 66,500MM
12	V836655514	7	Bearing	STANDARD Diameter 84,985MM Diameter 85,020MM
	V836655536	7	Bearing	Thickness (-)0,25MM Diameter 84-735MM Diameter 84,770MM
	V836655537	7	Bearing	Thickness (-)0,50MM Diameter 84,485MM Diameter 84,520MM
	V836655538	7	Bearing	Repairs and replaces 3637633M91 Thickness (-)1,00MM Diameter 83,985MM Diameter 84,020mm
	V836655539	7	Bearing	Repairs and replaces 3637634M91 Thickness (-)1,50MM Diameter 83,485MM Diameter 83,520MM
13	V836119459	2	Chock	Repairs and replaces 3637632M91 STANDARD
	V836120332	2	Thrust Washer	Replace and repair. Old not interchangeable with new 3637636M1 Thickness (-)0,1MM
	V836120333	2	Thrust Washer	Thickness (-)0,2MM
14	V836119550	1	Pinion	
15	V836122840	1	Pinion	
16	V836129781	1	Slinger	
17	V836136271	1	Bush	
18	V836322586	1	Hub	

Massey Ferguson**MF 7250/7252 COMBINE - 1637400****1637400****Crankshaft, Pistons And Connecting Rods****Page008-0005**

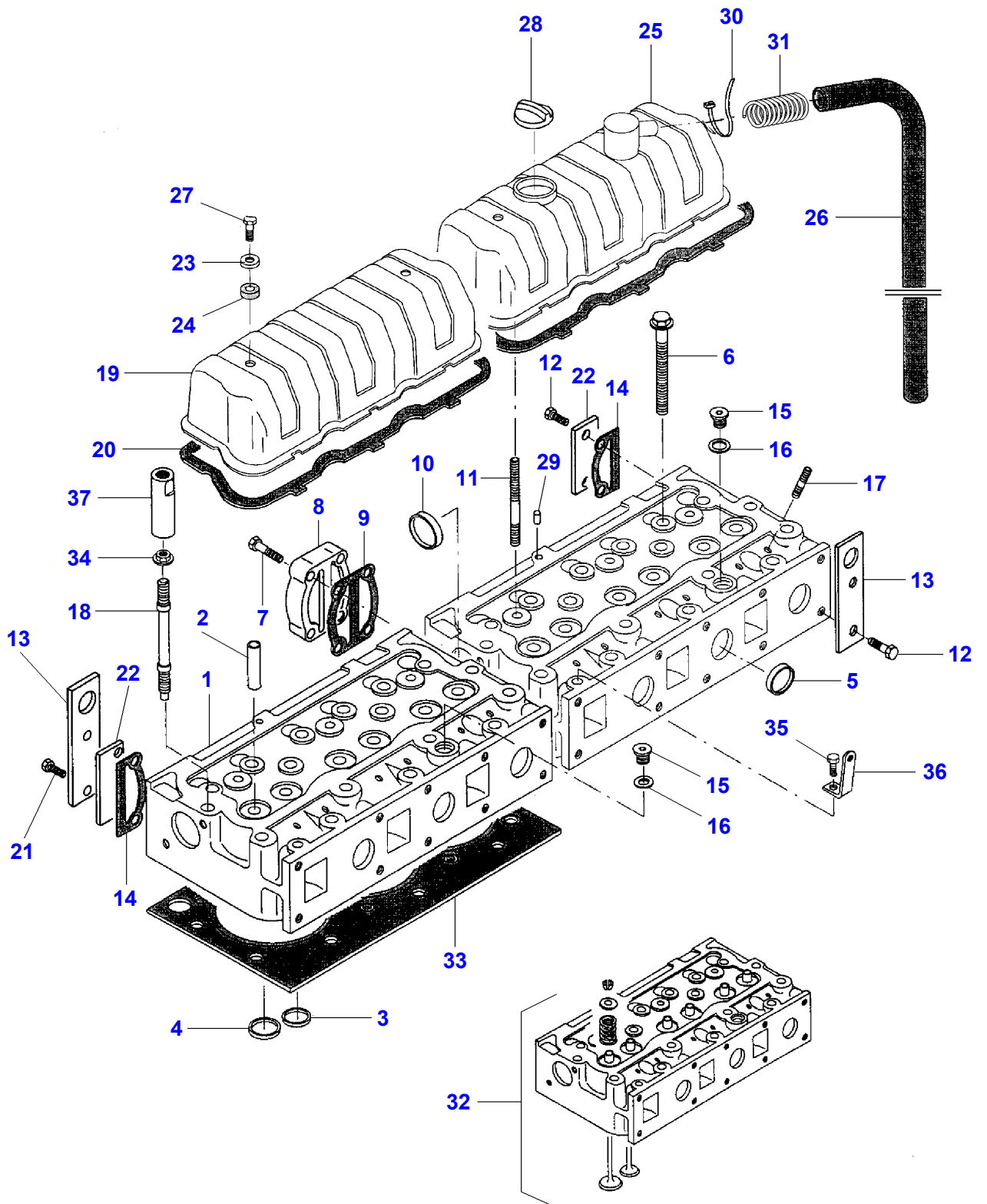
Item	Part Number	Qty	Description	Comments
19	V595954600	1	Pin	
20	V836340689	1	Damper	
21	V836847641	1	Nut	
22	V581804620	3	Screw	
23	V836355024	1	Pulley	
24	V581804640	6	Screw	



Valve Mechanism

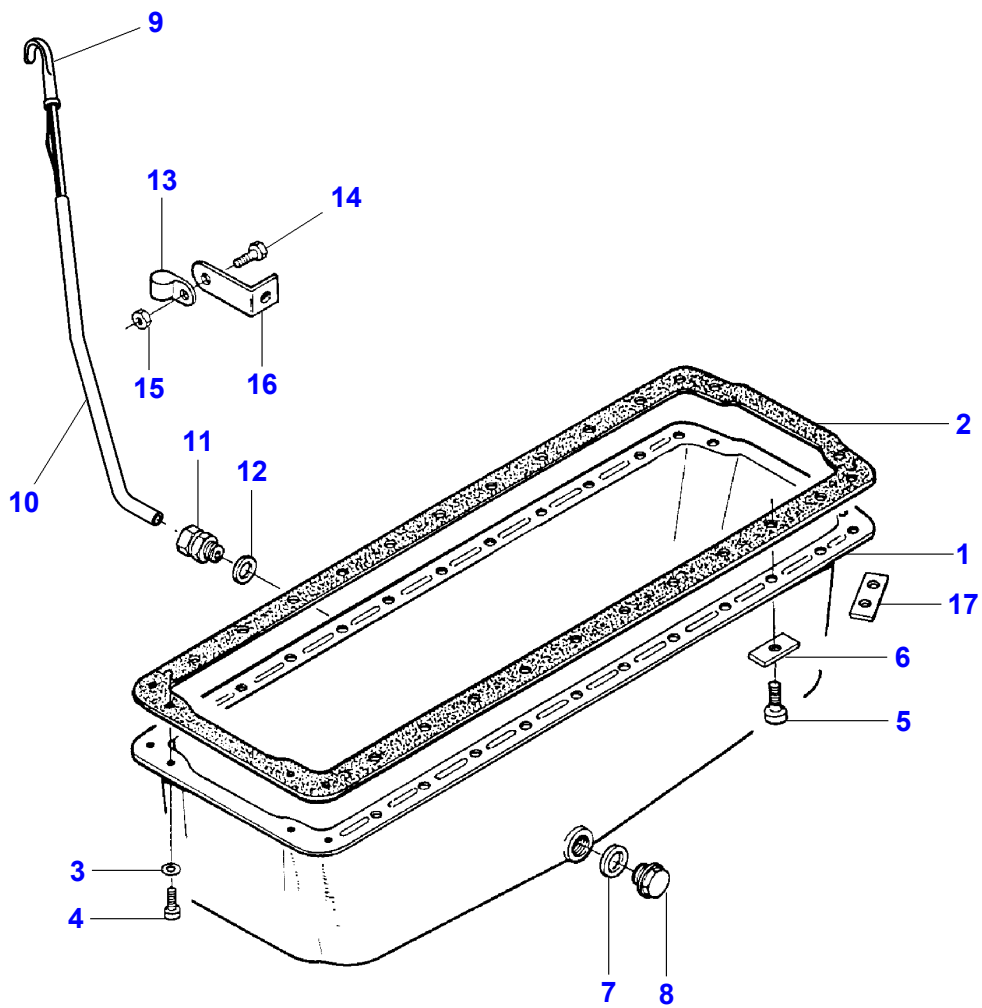
Item	Part Number	Qty	Description	Comments
1	V836655911	2	Rocker Shaft	
2	V836655873	12	Rocker	(1)
3	V512861000	12	Nut	(2)
4	V836655866	12	Screw	(2)
5	V836655869	6	Bracket	(1)
6	V836655884	4	Spring	(1)
7	V836655870	2	Shaft	(1)
8	V836655899	4	Plug	(1)
9	V836655406	4	Nut	
10	V529801910	2	Screw	M10X80
11	V836866054	1	Camshaft	
12	V836646382	24	Cotter	
13	V836646381	12	Cup	
14	V836646380	12	Spring	
15	V836646356	6	Valve Inlet	
16	V836646357	6	Valve Exhaust	
17	V836646389	1	Gear	
18	V603305760	1	Key	
19	V836014264	12	Tappet	
20	V836655867	12	Rod	

MF 7250/7252 COMBINE - 1637400
D-HB08-005-B



Cylinder Head Cover

Item	Part Number	Qty	Description	Comments
1	V836855381	2	Cylinder Head	
2	V836647601	12	Guide	(1)
3	V836647600	6	Pressure Valve	(1)
4	V836647936	6	Pressure Valve	(1)
5	V836647942	10	Plug	(1)
6	V836859104	32	Screw	
7	V528801830	4	Screw	M10X40
8	V836855348	1	Spacer	
9	V836855418	1	Gasket	
10	V640016045	1	Plug	
11	V546801900	4	Stud	M10X75
12	V528801800	4	Screw	M10X45
13	V836859722	2	Plate	Replace and repair. Old not interchangeable with new V836855349
14	V836855417	2	Gasket	
15	V640325018	2	Plug	
16	V615881822	2	Seal	
17	V546901435	12	Stud	M8X40
18	V836859109	2	Stud	
19	V836846448	1	Valve Cover	
20	V836646360	2	Gasket	
21	V528801820	2	Screw	M10X35
22	V836855350	2	Plate	
23	V836119855	4	Washer	
24	V836012841	4	Gasket	
25	V836647210	1	Valve Cover	
26	V836755007	1	Pipe	
27	V528801780	4	Screw	M10X20
28	V836659697	1	Plug	
29	V595959140	2	Pin	
30	V835329746	1	Clamp	
31	V836659103	1	Spring	M10
32	V836640897	2	Cylinder Head	
33	V836664155	2	Head Gasket	
34	V836859110	2	Nut	
35	V528801360	1	Screw	ONLY FOR MF7252
36	V836859726	1	Support	ONLY FOR MF7252
37	V836647835	2	Nut Special	



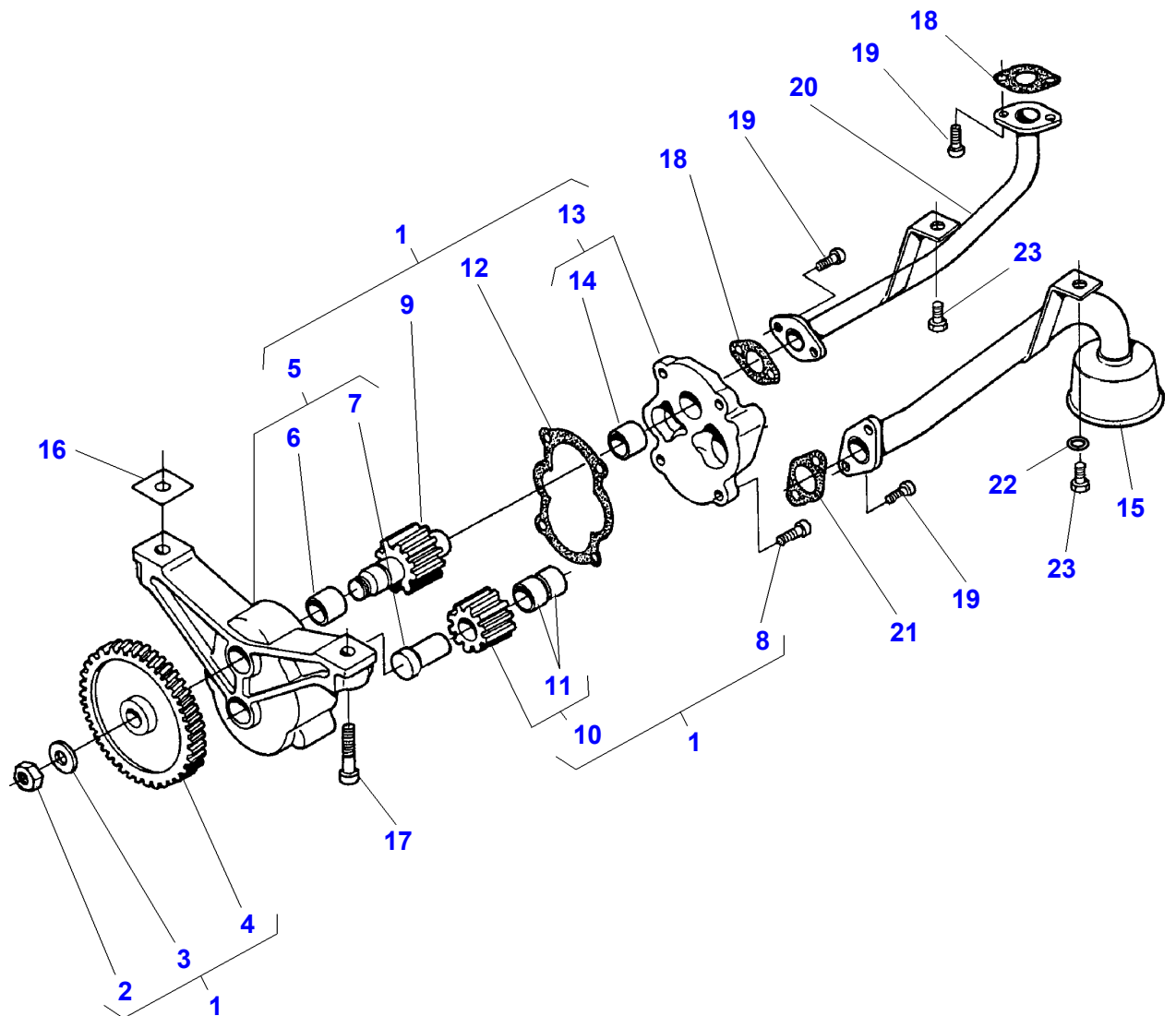
Massey Ferguson**MF 7250/7252 COMBINE - 1637400**

1637400

Lubricating Oil Sump

Page008-0008

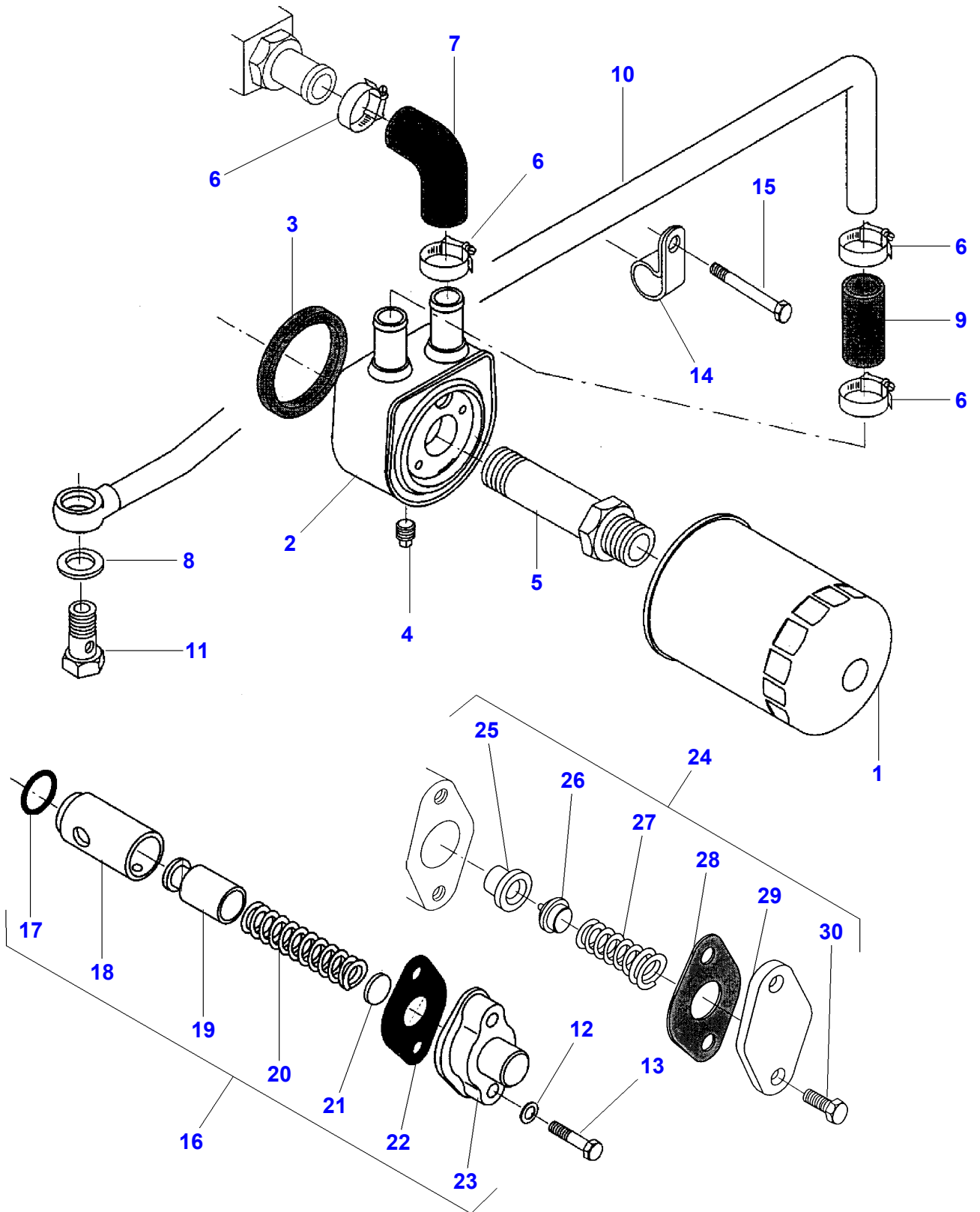
Item	Part Number	Qty	Description	Comments
1	V836347308	1	Sump	
2	V836322538	1	Gasket	
3	V500950800	4	Washer	
4	V581804600	4	Screw	M8X20
5	V581805000	24	Screw	M10X20
6	V836859560	20	Washer	
7	V615882227	1	Gasket	
8	V640045022	1	Plug	
9	V836346298	1	Dipstick	
10	V836859563	1	Pipe	
11	V641086012	1	Union	
12	V615881622	1	Seal	
13	V602060612	1	Clamp	
14	V528801380	1	Screw	M8X20
15	V504800800	1	Nut	M8
16	V836859955	1	Support	
17	V836859561	2	Washer	



Lubricating Oil Pump

Item	Part Number	Qty	Description	Comments
1	V836855300	1	Oil Pump	
2	V504861000	1	Nut	(1)
3	V836122910	1	Washer	(1)
4	V836338667	1	Gear	(1)
5	V836338186	1	Housing	(1)
6	V836322909	1	Bush	(5)
7	V836322906	1	Shaft	(5)
8	V528801380	4	Screw	(1)
9	V836338182	1	Gear	(1)
10	V836338180	1	Gear	(1)
11	V836322909	2	Bush	(10)
12	V836338188	1	Gasket	(1)
13	V836855297	1	Cover	(1)
14	V836322909	1	Bush	(13)
15	V836855674	1	Strainer	
16	V836007871	X	Shim	
17	V581805050	2	Screw	
18	V836008449	2	Gasket	
19	V581804600	6	Screw	
20	V836859666	1	Pipe,Oil	
21	V836338201	1	Gasket	
22	V500150840	1	Washer	
23	V528801362	2	Screw	

MF 7250/7252 COMBINE - 1637400
D-HB12-005-B



D-HB12-005-B

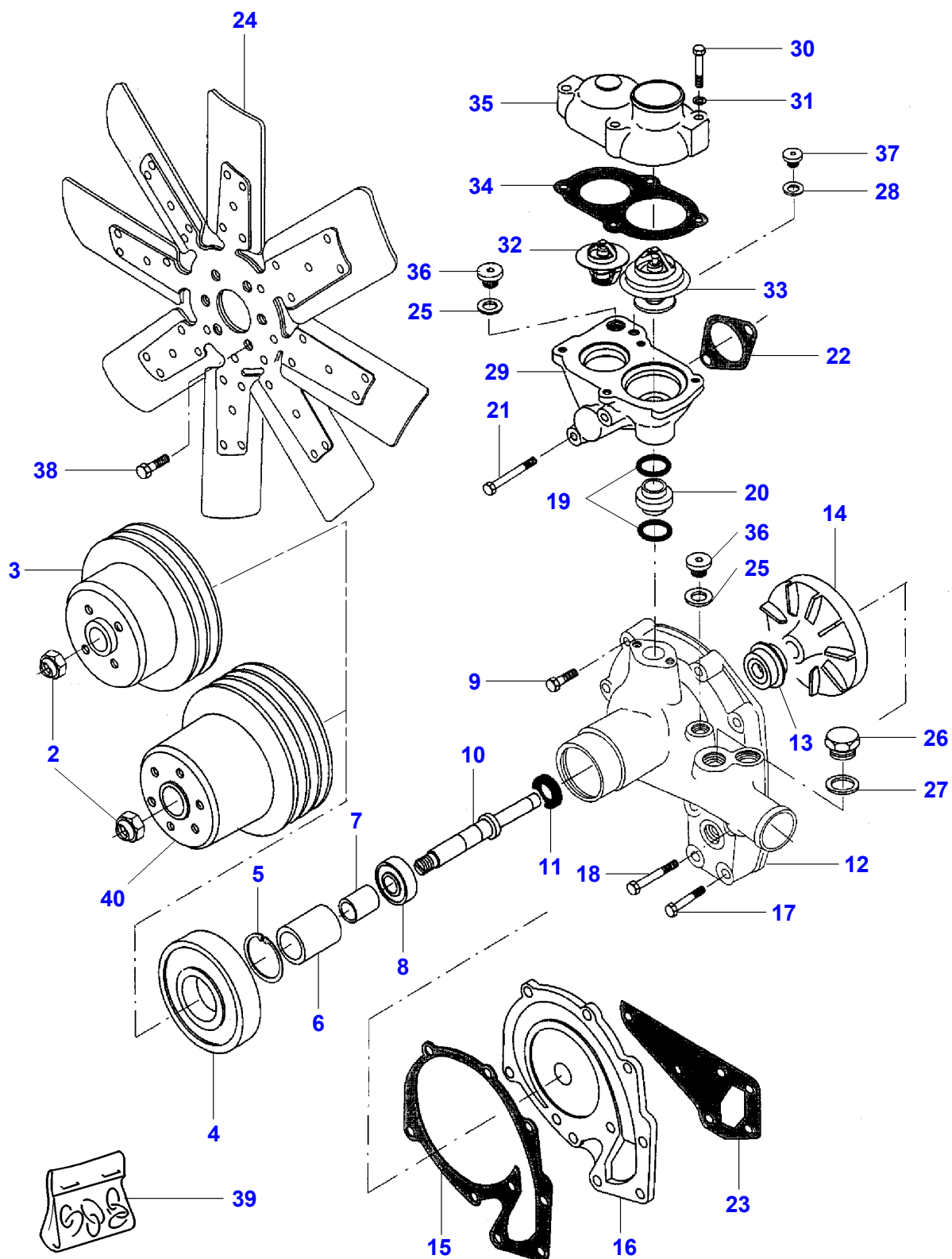
Lubricating Oil Cooler

Item	Part Number	Qty	Description	Comments
1	V836662111	1	Filter	
2	V836859699	1	Oil Cooler	
3	V836862235	1	Ring	(2)
4	V640025006	1	Plug	(2)
5	V836859700	1	Union	
6	V602079516	4	Clamp	
7	V836859899	1	Hose	
8	V615881822	2	Seal	
9	V836129978	1	Hose	
10	V836847929	1	Pipe	
11	V640435015	1	Screw	
12	V500950800	2	Washer	
13	V528801420	2	Screw	M8x65
14	V602074615	1	Clamp	
15	V529801480	1	Screw	
16	V836840851	1	Pressure Valve	[A]
17	V614601524	1	O Ring	(16)
18	V836117834	1	Cylinder	(16)
19	V836338850	1	Piston	(16)
20	V836655246	1	Spring	(16)
21	V836020290	1	Washer	(16)
22	V836322190	1	Gasket	(16)
23	V836129849	1	Cover	(16)
24	V836662130	1	Pressure Valve	[B]
25	V836659521	1	Valve Seat	(24)
26	V836659522	1	Plate	(24)
27	V836864056	1	Spring	(24)
28	V836322190	1	Gasket	(24)
29	V836659524	1	Cover	(24)
30	V528801380	2	Screw	(24) M8x20

FOOTNOTE [A] UP TO SERIAL J 19214

FOOTNOTE [B] FROM SERIAL NUMBER J 19215

MF 7250/7252 COMBINE - 1637400
D-HB45-003-B



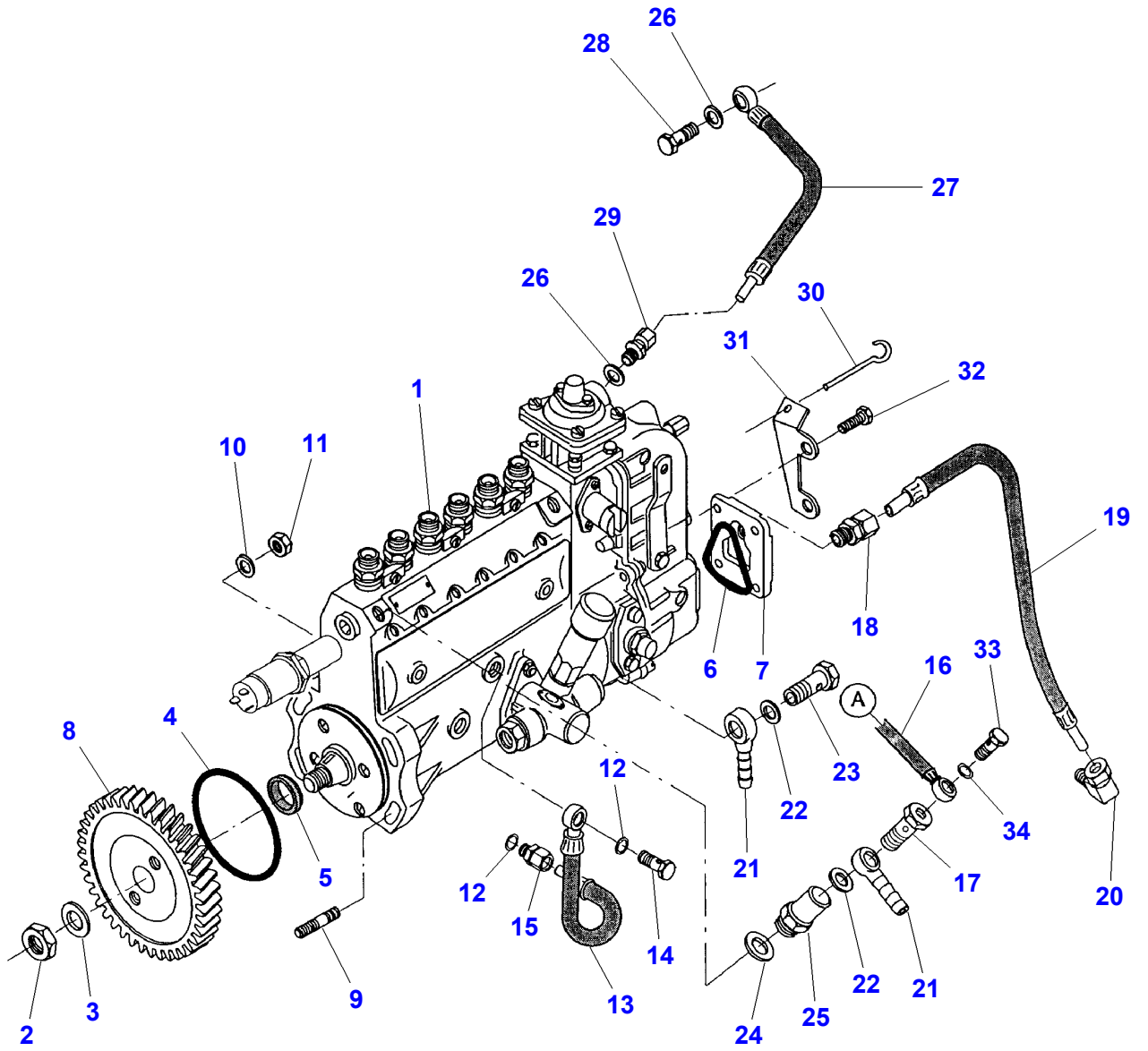
Water Pump, Thermostat And Heat Exchanger

Item	Part Number	Qty	Description	Comments
1	V836864465	1	Pump	Up to Serial or Engine Number L1163 ONLY FOR MF 7250
	V836864477	1	Water Pump	From Serial or Engine Number L1164 ONLY FOR MF 7250
	V836864480	1	Water Pump	ONLY FOR MF 7252
2	V510611602	1	Nut	(1)
3	V836864466	1	Pulley	(1) Up to Serial or Engine Number L1163 ONLY FOR MF 7250
	V836859716	1	Pulley	(1) From Serial or Engine Number L1164 ONLY FOR MF 7250
4	V610060124	1	Bearing	(1)
5	V617330052	1	Circlip	(1)
6	V836336318	1	Sleeve	(1)
7	V836336317	1	Spacer	(1)
8	V610063044	1	Bearing Assy	(1)
9	V529801420	4	Screw	(1) M8x35
10	V836847467	1	Shaft	(1)
11	V614102636	1	Gasket	(1)
12		1	Ram	(1)
13	V835339425	1	Gasket	(1)
14	V836846303	1	Impeller	(1)
15	V836864471	1	Gasket	(1)
16	V836864472	1	Flange	(1)
17	V529801440	2	Screw	M8x45
18	V529801460	3	Screw	M8x55
19	V614602950	2	O Ring	
20	V836855150	1	Pipe	
21	V529801550	2	Screw	M8x100
22	V836646393	1	Gasket	
23	V836846305	1	Gasket	
24	V836340273	1	Fan	
25	V615881822	2	Seal	
26	V640305027	1	Plug	
27	V615892732	1	O Ring	
28	V615881418	1	Seal	
29	V836847888	1	Housing	
30	V529801450	4	Screw	M8x50
31	V500950800	4	Washer	
32	V836015156	1	Thermostat	[B]
33	V836331590	1	Thermostat	[A]
34	V836329632	1	Gasket	
35	V836329631	1	Cover	
36	V640325018	2	Plug	
37	V640325014	1	Plug	
38	V528801810	6	Screw	
39	V836340627	1	Kit, Repair	
40	V836859966	1	Pulley	(1) ONLY FOR MF 7252

FOOTNOTE [A] OPENS AT 83 DEGREES

FOOTNOTE [B] OPENS AT 79 DEGREES

MF 7250/7252 COMBINE - 1637400
D-HB14-005-B



Massey Ferguson**MF 7250/7252 COMBINE - 1637400**

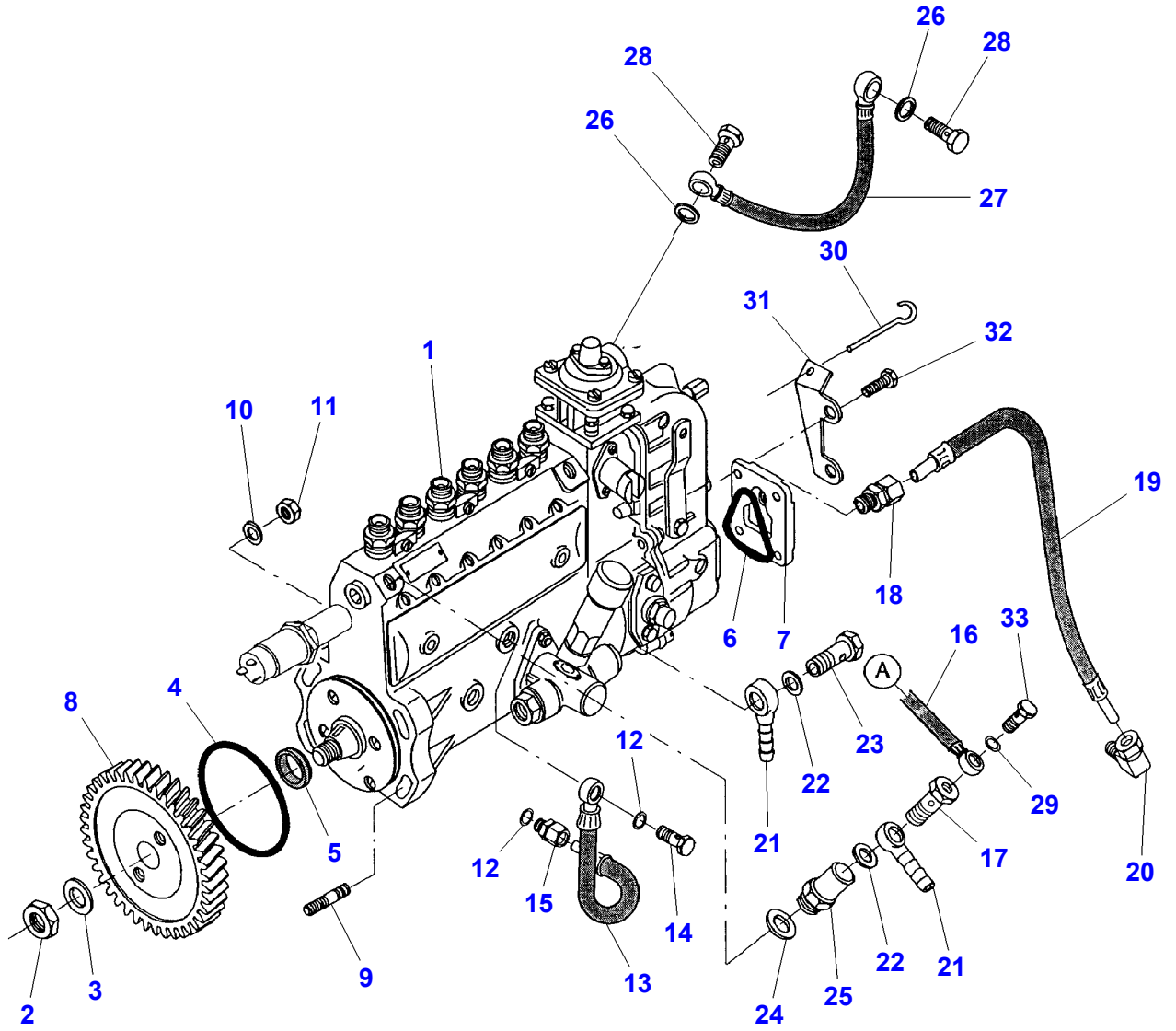
1637400

Injection Pump - ONLY FOR M F 7250

Page008-0012

Item	Part Number	Qty	Description	Comments
1	V836854841	1	Injection Pump	
2	V504611400	1	Nut	(1)
3	V500451402	1	Washer	(1)
4	V614607930	1	O Ring	(1)
5	V614102030	1	Seal	(1)
6	V835339026	1	Gasket	(1)
7	V835331499	1	Cover	(1)
8	V836659290	1	Gear	
9	V546801815	4	Stud	
10	V500151050	4	Washer	
11	V504801002	4	Nut	
12	V615571014	2	Seal	
13	V835346666	1	Pipe	
14	V640435006	1	Screw	
15	V641086006	1	Connection	
16	V836652377	1	Pipe	
17	V835336944	1	Screw	
18	V641016008	1	Union	
19	V835347511	1	Hose	
20	V641176008	1	Elbow Nipple	
21	V640255210	2	Pipe	
22	V615881418	4	Seal	
23	V640435010	1	Screw	
24	V615881420	1	Gasket	
25	V836330959	1	Valve	
26	V615881216	3	Gasket	
27	V836852301	1	Tube	
28	V640435008	1	Screw	
29	V641086008	1	Valve	
30	V836652290	1	Wire	
31	V836652289	1	Support	
32	V528801082	2	Screw	
33	V835331289	6	Screw	
34	V615870610	15	Seal	

MF 7250/7252 COMBINE - 1637400
D-HB14-006-B



Massey Ferguson**MF 7250/7252 COMBINE - 1637400**

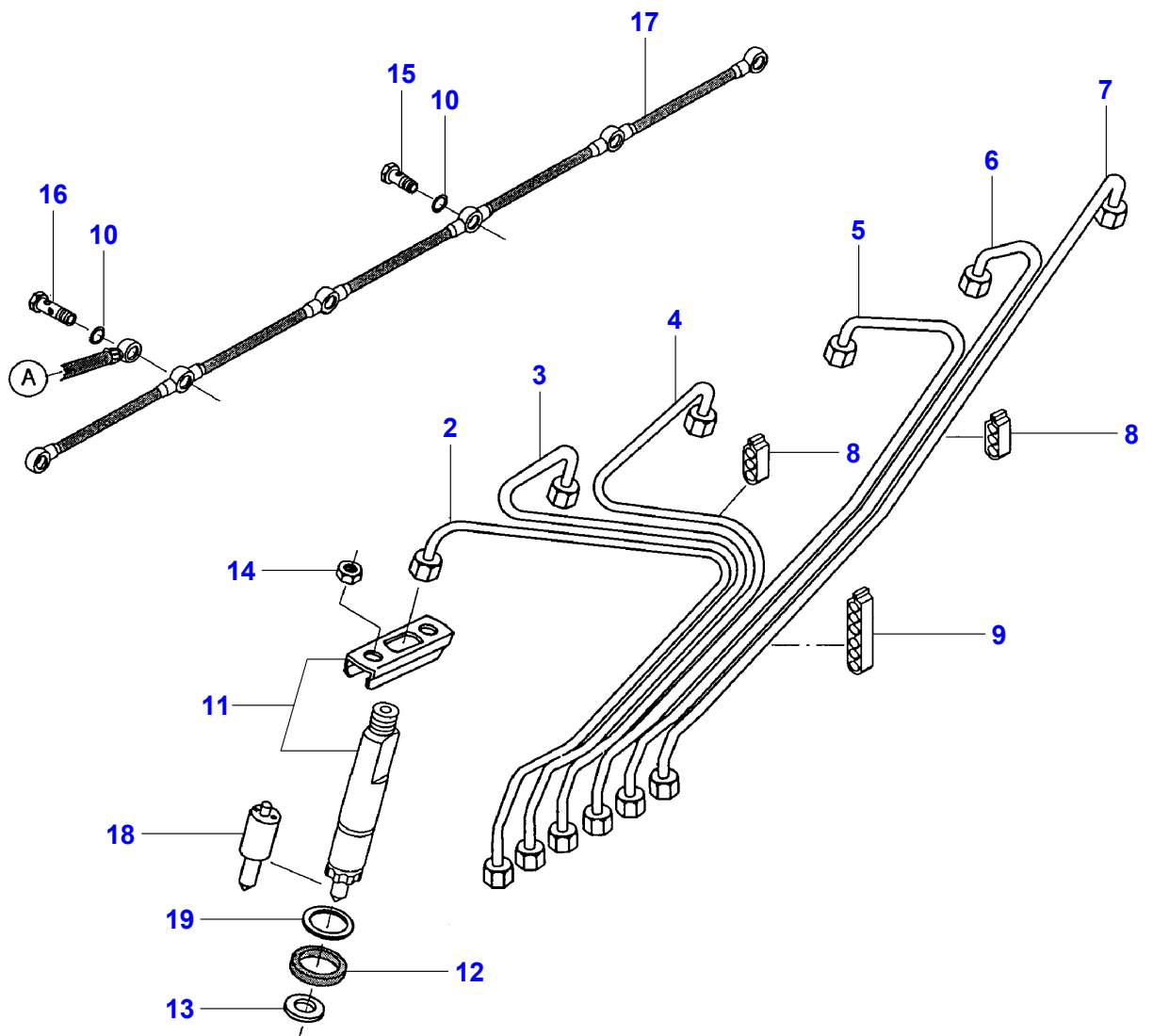
1637400

Injection Pump - ONLY FOR MF 7252

Page008-0013

Item	Part Number	Qty	Description	Comments
1	V836854849	1	Injection Pump	
2	V504611400	1	Nut	(1)
3	V500451402	1	Washer	(1)
4	V614607930	1	O Ring	(1)
5	V614102030	1	Seal	(1)
6	V835339026	1	Gasket	(1)
7	V835331499	1	Cover	(1)
8	V836659290	1	Gear	
9	V546801815	4	Stud	
10	V500151050	4	Washer	
11	V504801002	4	Nut	
12	V615571014	2	Seal	
13	V835346666	1	Pipe	
14	V640435006	1	Screw	
15	V641086006	1	Connection	
16	V836855837	1	Hydr Hose	
17	V836007420	1	Screw	
18	V641016008	1	Union	
19	V835347511	1	Hose	
20	V641176008	1	Elbow Nipple	
21	V640255210	2	Pipe	
22	V615881418	4	Seal	
23	V640435010	1	Screw	
24	V615881420	1	Gasket	
25	V836330959	1	Valve	
26	V615881216	4	Gasket	
27	V836659056	2	Tube	
28	V640435008	1	Screw	
29	V615870610	1	Seal	
30	V836652290	1	Wire	
31	V836652289	1	Support	
32	V528801082	2	Screw	
33	V835331289	6	Screw	

MF 7250/7252 COMBINE - 1637400
D-HB16-005-B



Massey Ferguson**MF 7250/7252 COMBINE - 1637400**

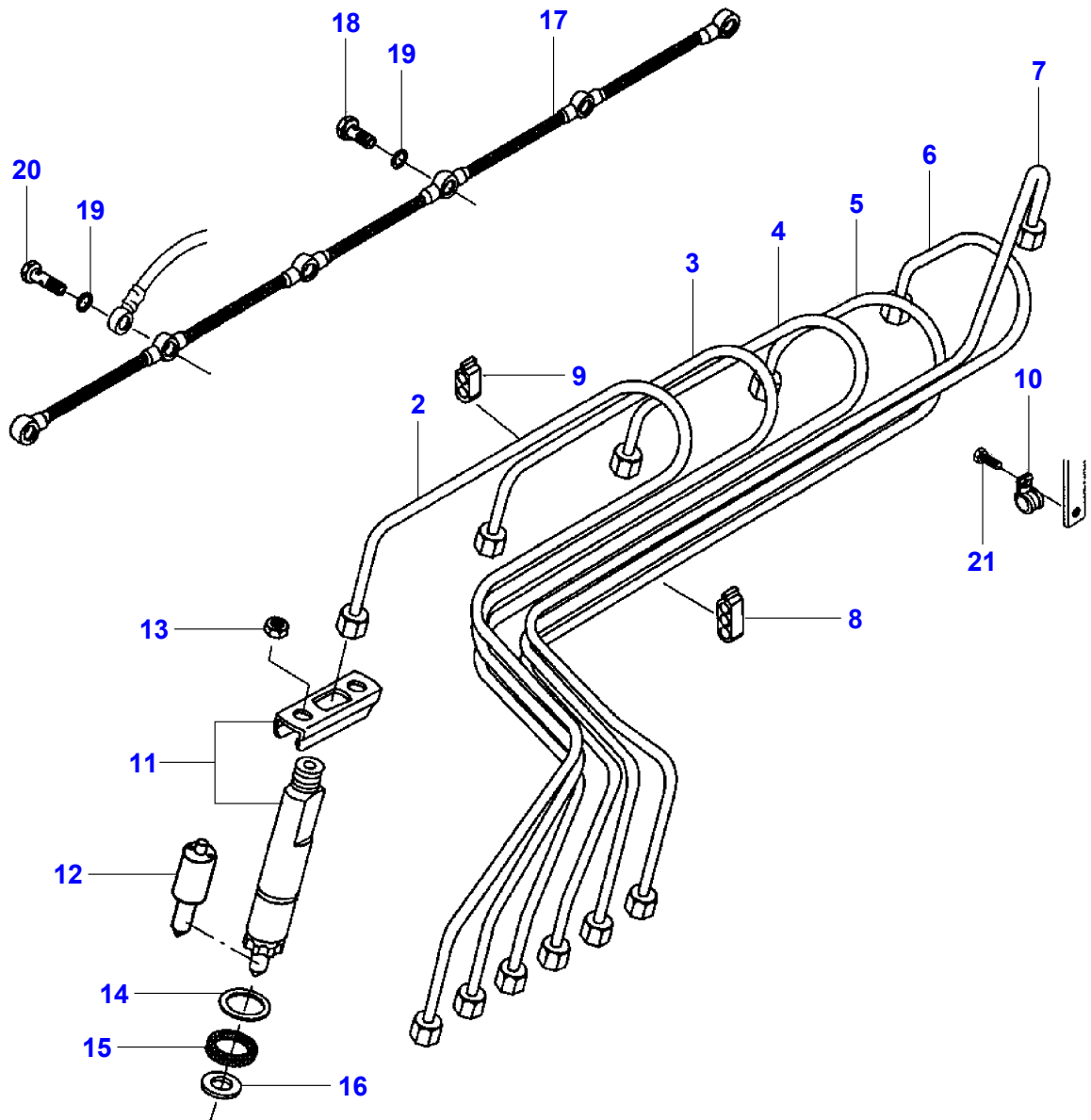
1637400

Fuel Pipings - ONLY FOR M F 7250

Page008-0014

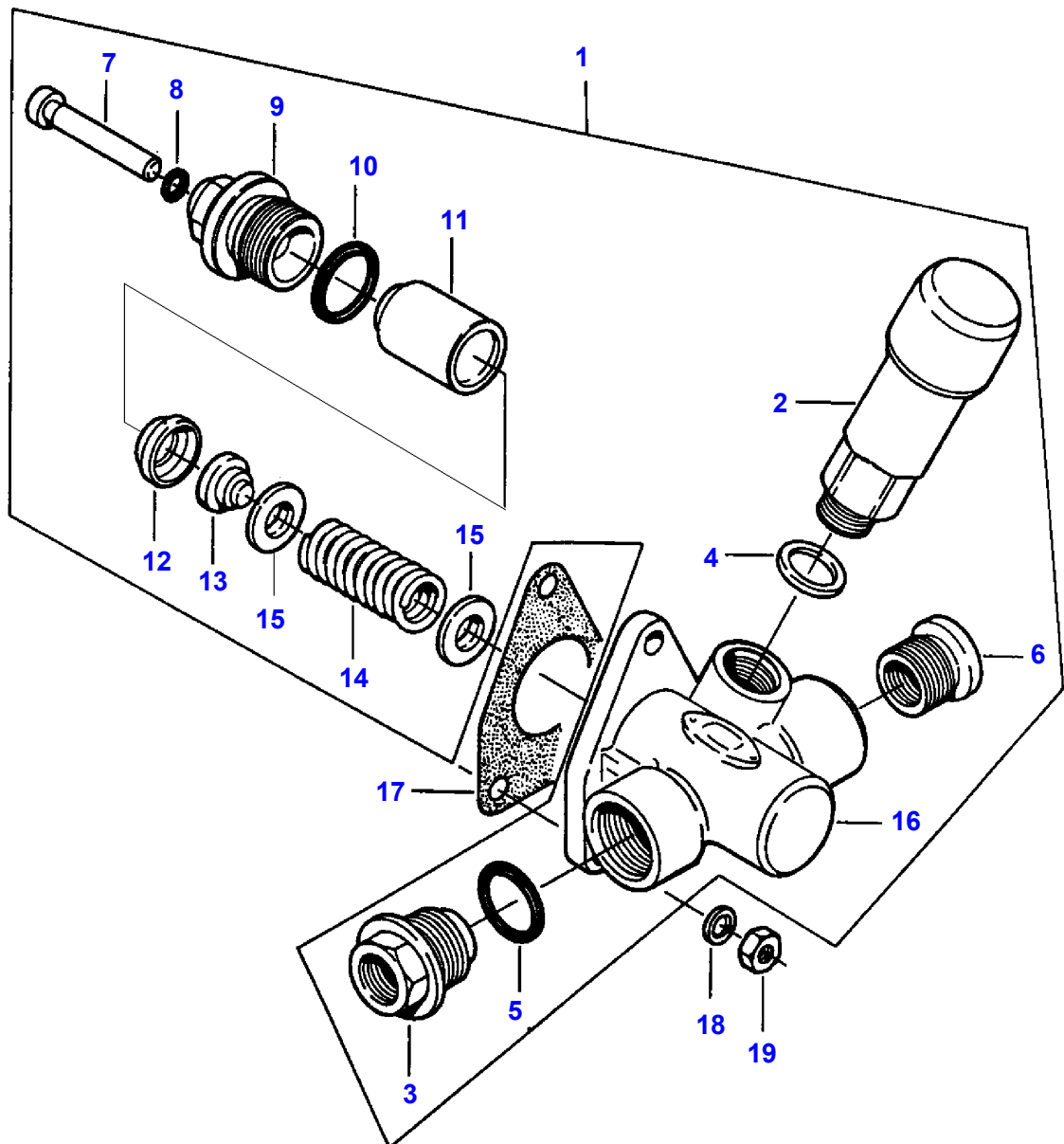
Item	Part Number	Qty	Description	Comments
1	V836852330	1	Kit, Pipe	
2	V836840647	1	Injection Pipe	(1)
3	V836840648	1	Injection Pipe	(1)
4	V836840649	1	Injection Pipe	(1)
5	V836840650	1	Injection Pipe	(1)
6	V836840651	1	Injection Pipe	(1)
7	V836840652	1	Injection Pipe	(1)
8	V836664518	2	Clamp	(1)
9	V836664521	1	Clamp	(1)
10	V615870610	15	Seal	
11	V836639956	6	Atomiser	
12	V835336276	6	Seal	
13	V899901495	6	Washer	
14	V504800800	12	Nut	
15	V835331289	5	Screw	
16	V835336943	1	Screw	
17	V836847522	1	Pipe	
18	V836639957	6	Nozzle	(11)
19	V836652170	6	Washer	

MF 7250/7252 COMBINE - 1637400
D-HB16-006-B



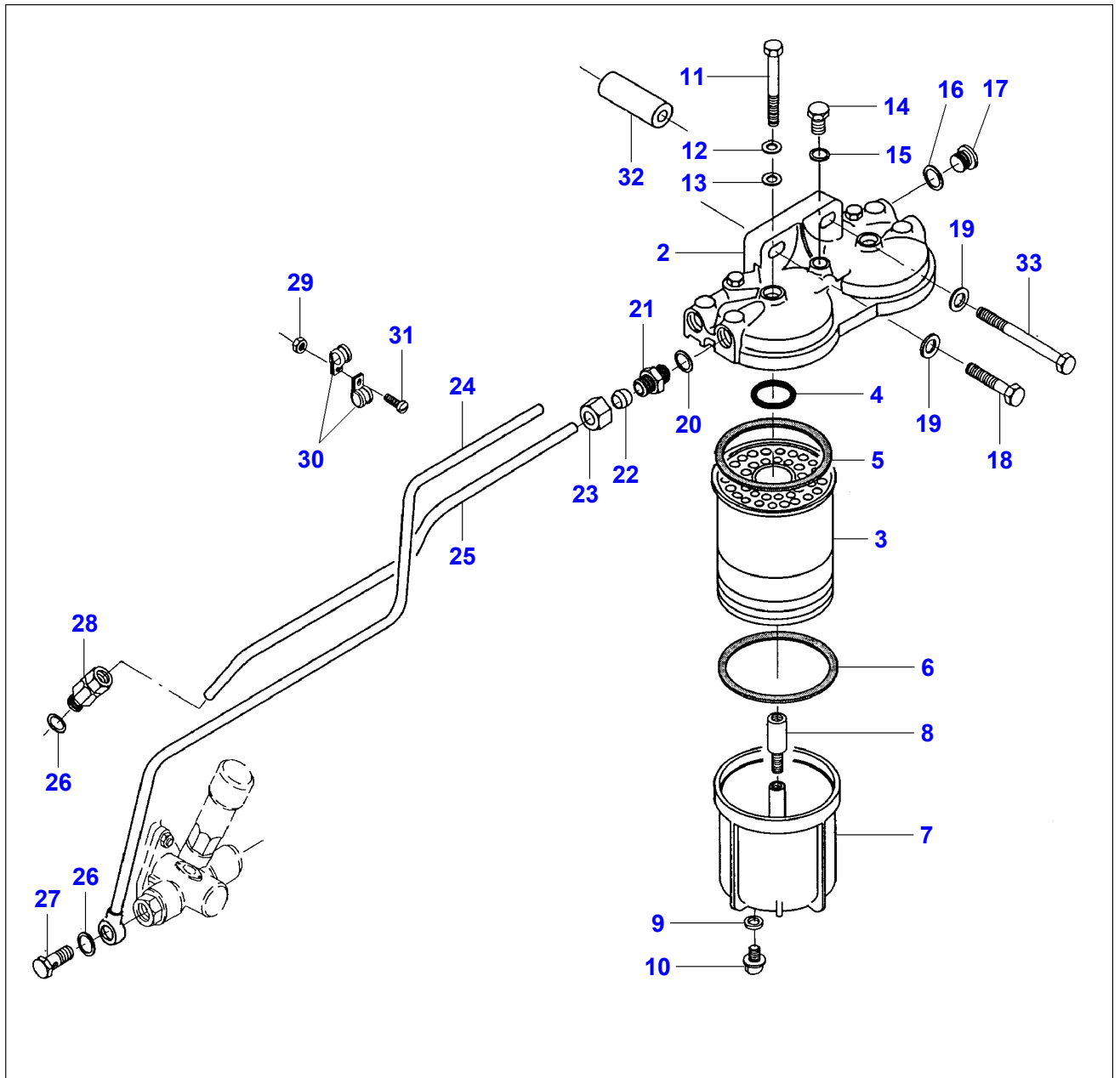
Fuel Pipings - ONLY FOR MF 7252

Item	Part Number	Qty	Description	Comments
1	V836859982	1	Kit, Pipe	
2	V836864000	1	Fuel Pipe	(1)
3	V836864001	1	Fuel Pipe	(1)
4	V836864002	1	Fuel Pipe	(1)
5	V836864003	1	Fuel Pipe	(1)
6	V836864004	1	Fuel Pipe	(1)
7	V836864005	1	Fuel Pipe	(1)
8	V836664518	6	Clamp	(1)
9	V836664517	4	Clamp	(1)
10	V602070605	2	Clamp	(1)
11	V836340034	6	Atomiser	
12	V836339985	6	Nozzle	
13	V504800800	12	Nut	
14	V836652170	6	Washer	
15	V835336276	6	Seal	
16	V899901495	6	Washer	
17	V836847522	1	Pipe	
18	V835331289	5	Screw	
19	V615870610	13	Seal	
20	V835336943	1	Screw	
21	V528800752	2	Screw	



Pump

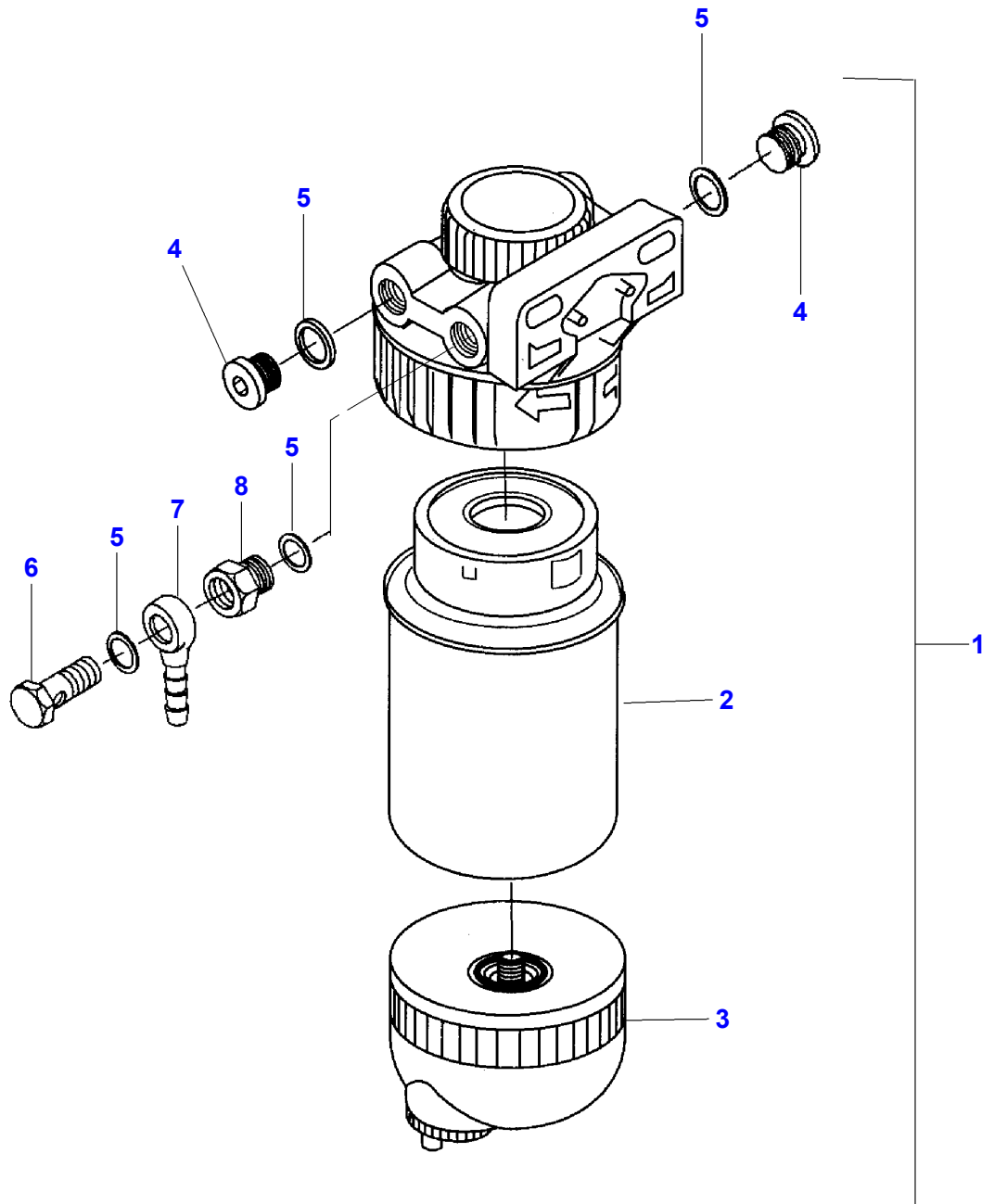
Item	Part Number	Qty	Description	Comments
1	V835340017	1	Pump	
2	V835339884	1	Pump	(1)
3	V835340971	1	Union	(1) M 22 X 1,5
4	V615881620	1	Seal	(1)
5	V835340972	1	O Ring	(1) M22
6	V835340019	1	Union	(1)
7	V835339874	1	Pin	(1)
8	V836139015	1	O Ring	(1)
9	V835339875	1	Body	(1)
10	V835339876	1	O Ring	(1)
11	V835339877	1	Plunger	(1)
12	V835339882	1	Gasket	(1)
13	V835339880	2	Pressure Valve	(1)
14	V835339878	1	Spring	(1)
15	V835339879	2	Washer	(2)
16		1	Housing	(1)
17	V836329194	1	Gasket	
18	V500450602	3	Washer	
19	V504600602	3	Nut	



1

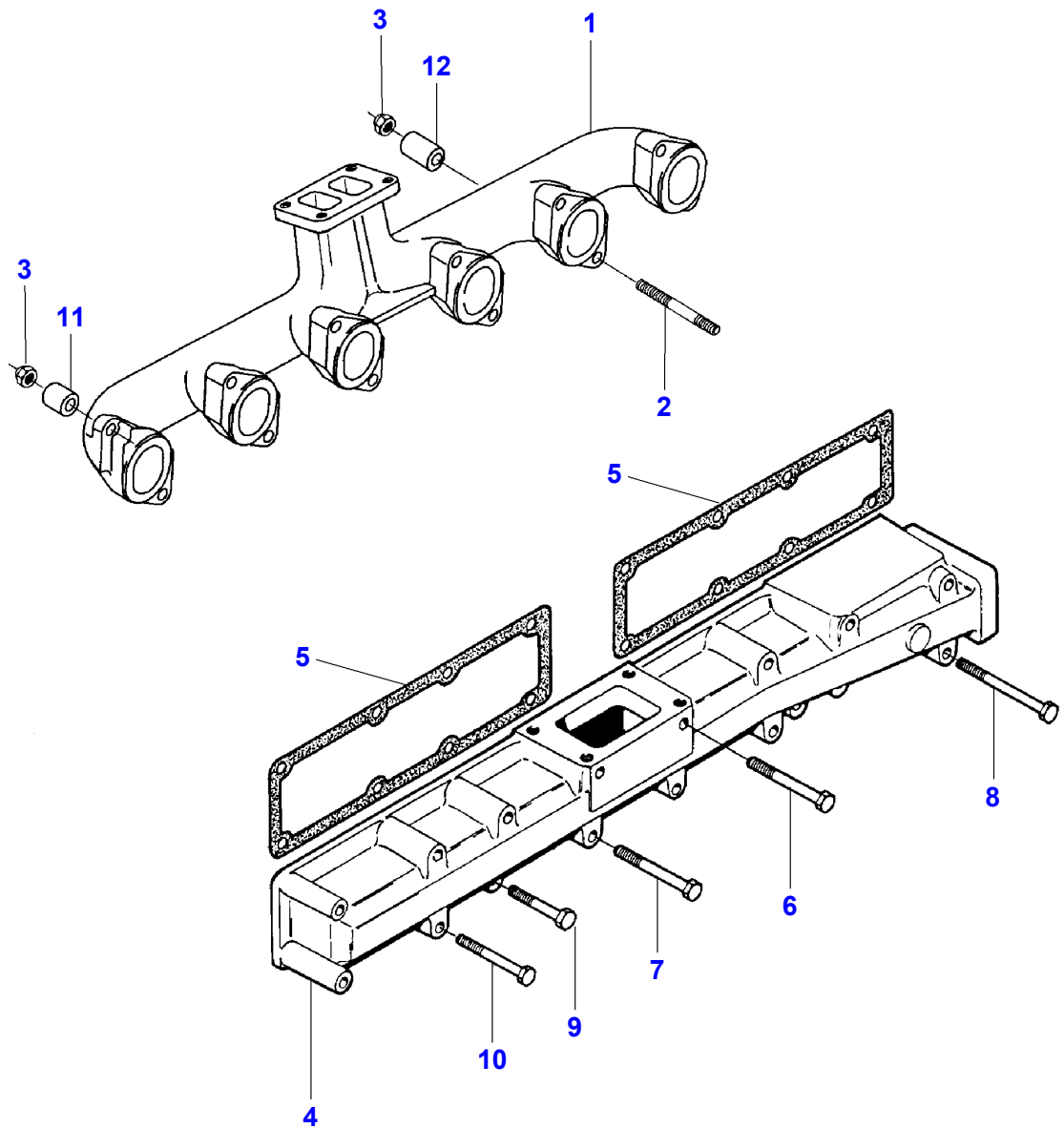
Fuel Filter

Item	Part Number	Qty	Description	Comments
1	V836339370	1	Fuel Filter	
2	V836015959	1	Cover	(1)
3	1896287M91	2	Fuel Element	(1)
4	V836015142	2	O Ring	(3)
5	V835330014	2	Gasket	(3)
6	V835330015	2	Gasket	(3)
7	V836340045	2	Bowl	(1)
8	V836339372	2	Stud	(1)
9	V836015147	2	Gasket	(1)
10	V836015148	2	Plug	(1)
11	V836015149	2	Screw	(1)
12	V836015918	2	Washer	(1)
13	V836015919	2	O Ring	(1)
14	V836015958	1	Screw	(1)
15	V615571014	1	Seal	(1)
16	V615581317	2	Seal	
17	V836117323	2	Plug	
18	V528801420	1	Screw	
19	V500150842	1	Washer	
20	V615581317	2	Seal	
21	V835329832	2	Union	
22	V641596010	2	Olive	
23	V641626010	2	Nut	
24	V836852582	1	Pipe	
25	V836852507	1	Pipe	
26	V615881420	3	Gasket	
27	V640435010	1	Screw	
28	V641086010	1	Union	
29	V504600402	1	Nut	
30	V602068610	2	Clamp	
31	V572502622	1	Screw	
32	V529801550	1	Screw	ONLY OFR MF 7252
33	V836859009	1	Spacer	ONLY FOR MF 7252



Massey Ferguson**MF 7250/7252 COMBINE - 1637400****1637400****Sedimenter****Page008-0018**

Item	Part Number	Qty	Description	Comments
1	V836859713	1	Pre Filter	
2	V836859302	1	Container	(1)
3	V836859713	1	Pre Filter	(1)
4	V640325014	2	Plug	
5	V615881418	7	Seal	
6	V640435010	1	Screw	
7	V640255210	1	Pipe	
8	V836336934	1	Union	



Massey Ferguson**MF 7250/7252 COMBINE - 1637400**

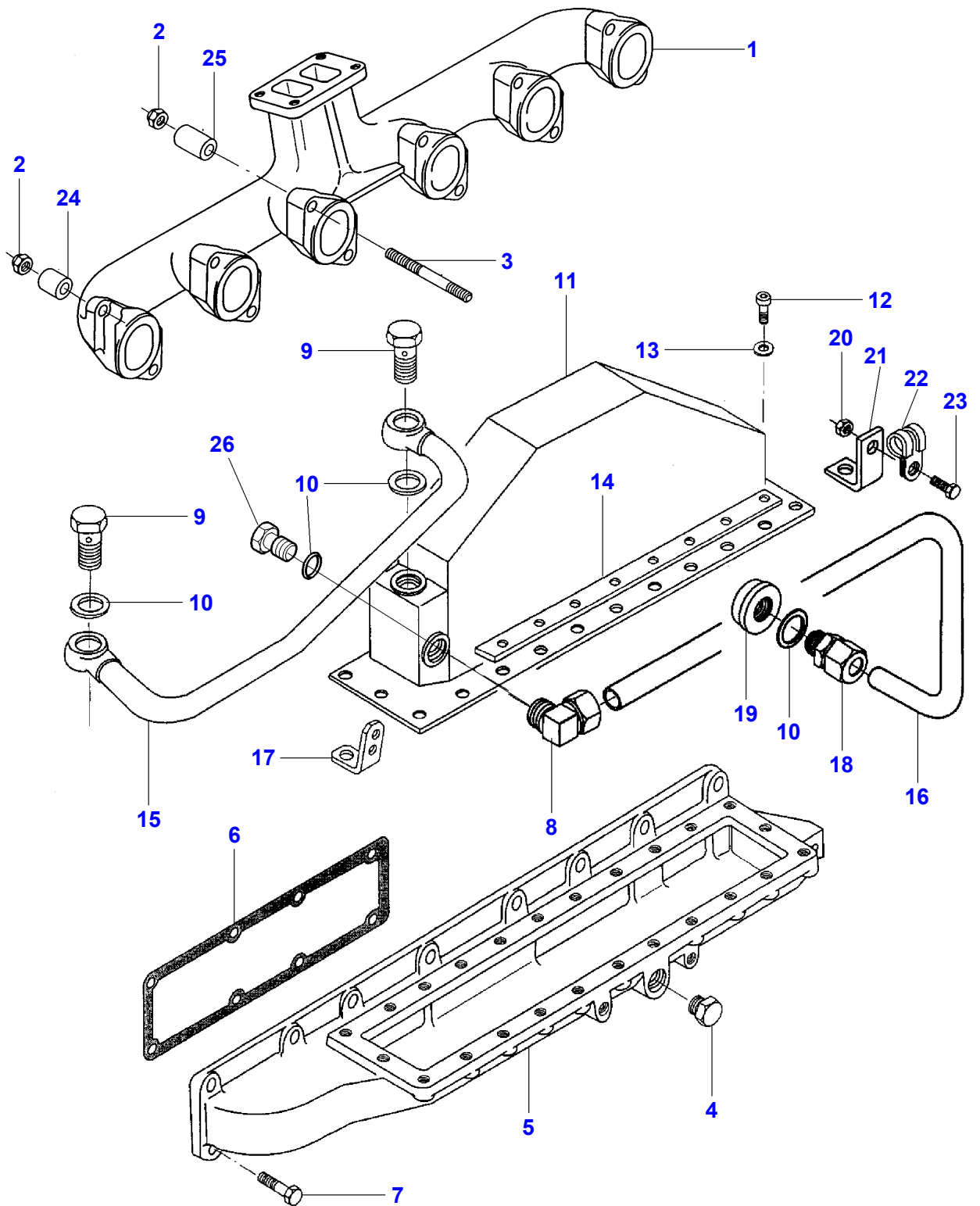
1637400

Turbocharger - Inlet And Exhaust Manifold - ONLY FOR M F 7250

Page008-0019

Item	Part Number	Qty	Description	Comments
1	V836864007	1	Exhaust Manifold	
2	V836859188	12	Bolt	
3	V513601002	12	Nut	
4	V836847493	1	Ind.Manifold	
5	V836847496	2	Gasket	
6	V529801530	4	Screw	M8 X 90
7	V529801470	2	Screw	M8 X 60
8	V529801562	2	Screw	M8 X 110
9	V529801510	7	Screw	M8 X 80
10	V529801520	1	Screw	M8 X 85
11	V836664012	1	Sleeve	Length 33
12	V836664013	10	Sleeve	Length 45

MF 7250/7252 COMBINE - 1637400
D-HB19-006-B



Massey Ferguson**MF 7250/7252 COMBINE - 1637400**

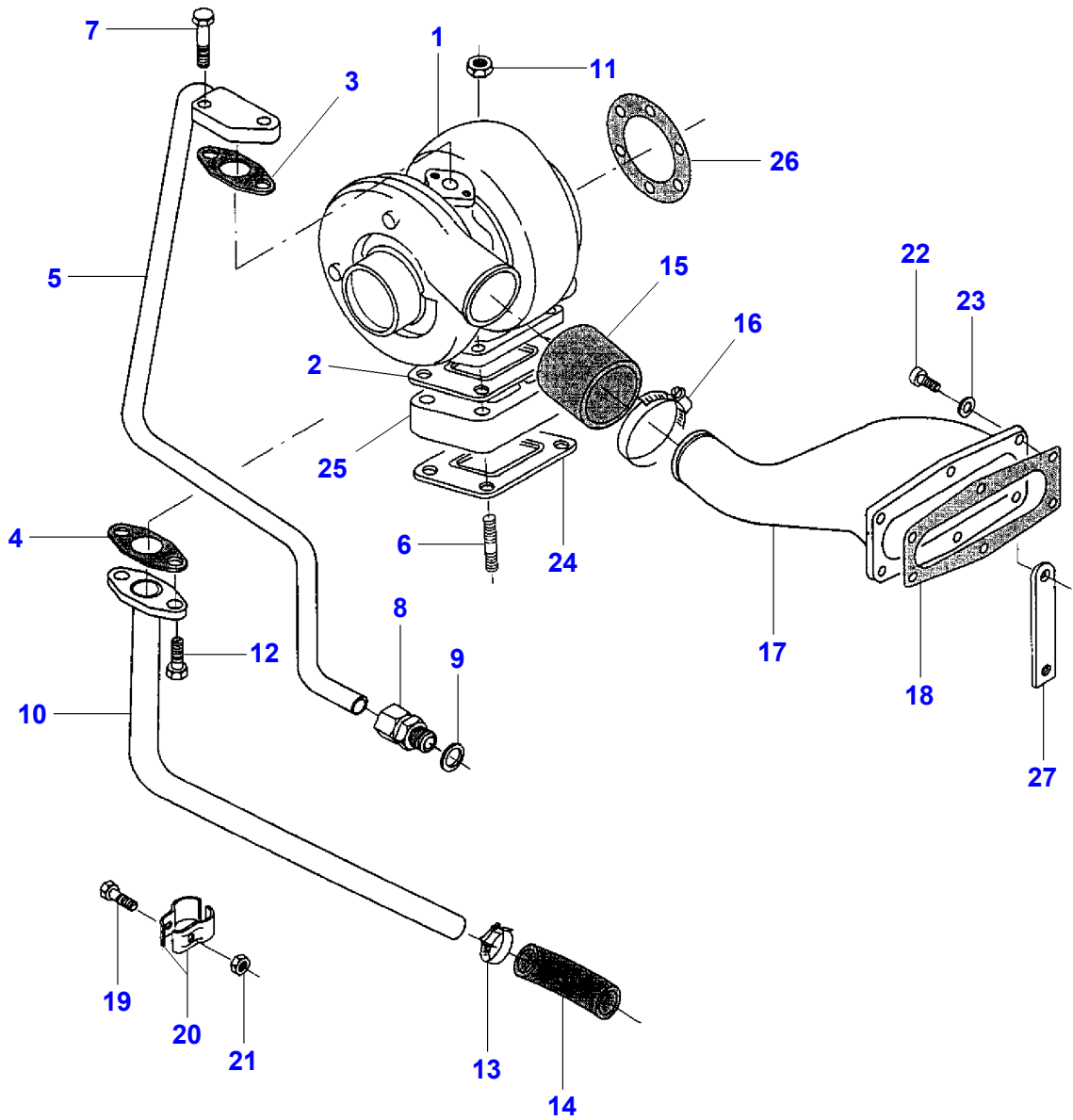
1637400

Turbocharger - Inlet And Exhaust Manifold - ONLY FOR MF 7252

Page008-0020

Item	Part Number	Qty	Description	Comments
1	V836864007	1	Exhaust Manifold	
2	V513601002	12	Nut	M10
3	V836859188	12	Bolt	
4	V836114958	1	Plug	
5	V836855552	1	Ind.Manifold	
6	V836847496	2	Gasket	
7	V528801380	15	Screw	M8X20
8	V641176018	1	Union	
9	V640435018	3	Banjo Fitting	
10	V615882227	6	Gasket	
11	V836859178	1	Intercooler	
12	V581804600	24	Screw	M8X20
13	V500150840	8	Washer	
14	V836859427	2	Plate	
15	V836859415	1	Pipe	
16	V836864188	1	Pipe	
17	V836855774	1	Angle	
18	V641086018	1	Union	
19	V836859711	1	Union	
20	V504800800	1	Nut	
21	V836664124	1	Support	
22	V602074618	1	Clamp	
23	V528801380	1	Screw	
24	V836664012	2	Sleeve	Length 33
25	V836664013	10	Sleeve	Length 45
26	V640045022	1	Plug	

MF 7250/7252 COMBINE - 1637400
D-HB21-005-B



Massey Ferguson**MF 7250/7252 COMBINE - 1637400**

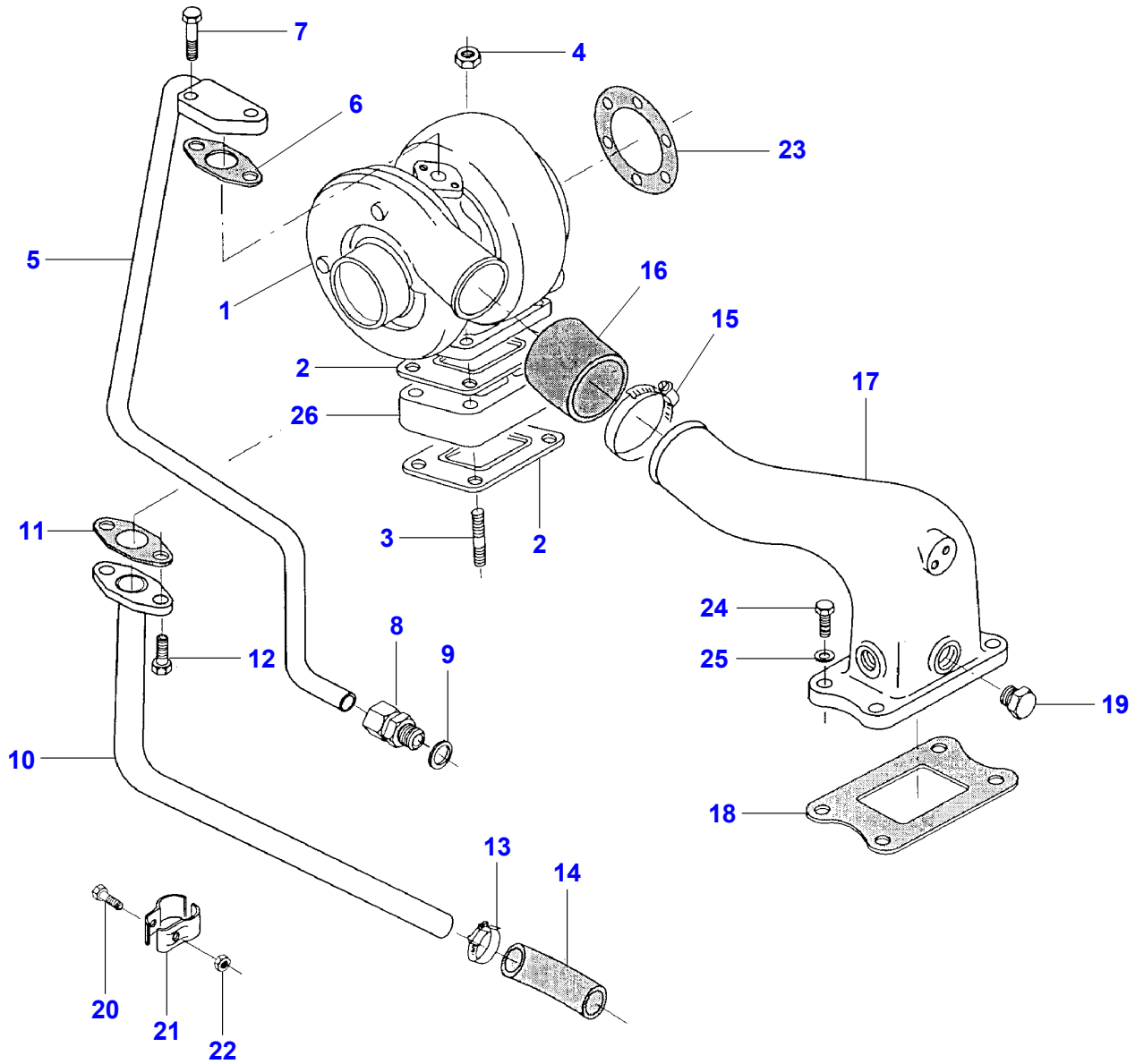
1637400

Turbocharger - ONLY FOR MF 7252

Page008-0021

Item	Part Number	Qty	Description	Comments
1	V836339735	1	Turbocharger	
2	V836316726	1	Gasket	(1)
3	V836308344	1	Joint	(1)
4	V836324580	1	Joint	(1)
5	V836859932	1	Pipe	
6	V546801840	4	Stud	M10X45
7	V528801410	2	Adjusting Screw	M8X30
8	V641086012	1	Union	
9	V615881620	1	Seal	
10	V836859933	1	Pipe	
11	V521601000	4	Nut	
12	V528801380	2	Screw	
13	V602087528	2	Clamp	
14	V836647576	1	Hose	
15	V836859289	1	Hose	
16	V602061668	2	Clamp	
17	V836859211	1	Manifold	
18	V836855744	1	Gasket	
19	V529801112	1	Screw	M6X30
20	V835324324	2	Clamp	
21	V504600602	1	Nut	
22	V581804600	6	Screw	M8X20
23	V500950802	6	Washer	
24	V836316726	1	Gasket	
25	V836855630	1	Bridle	
26	V836338985	1	Gasket	
27	V836859727	1	Support	

MF 7250/7252 COMBINE - 1637400
D-HB20-001-B



Massey Ferguson**MF 7250/7252 COMBINE - 1637400**

1637400

Turbocharger - Pipes - ONLY FOR M F 7250

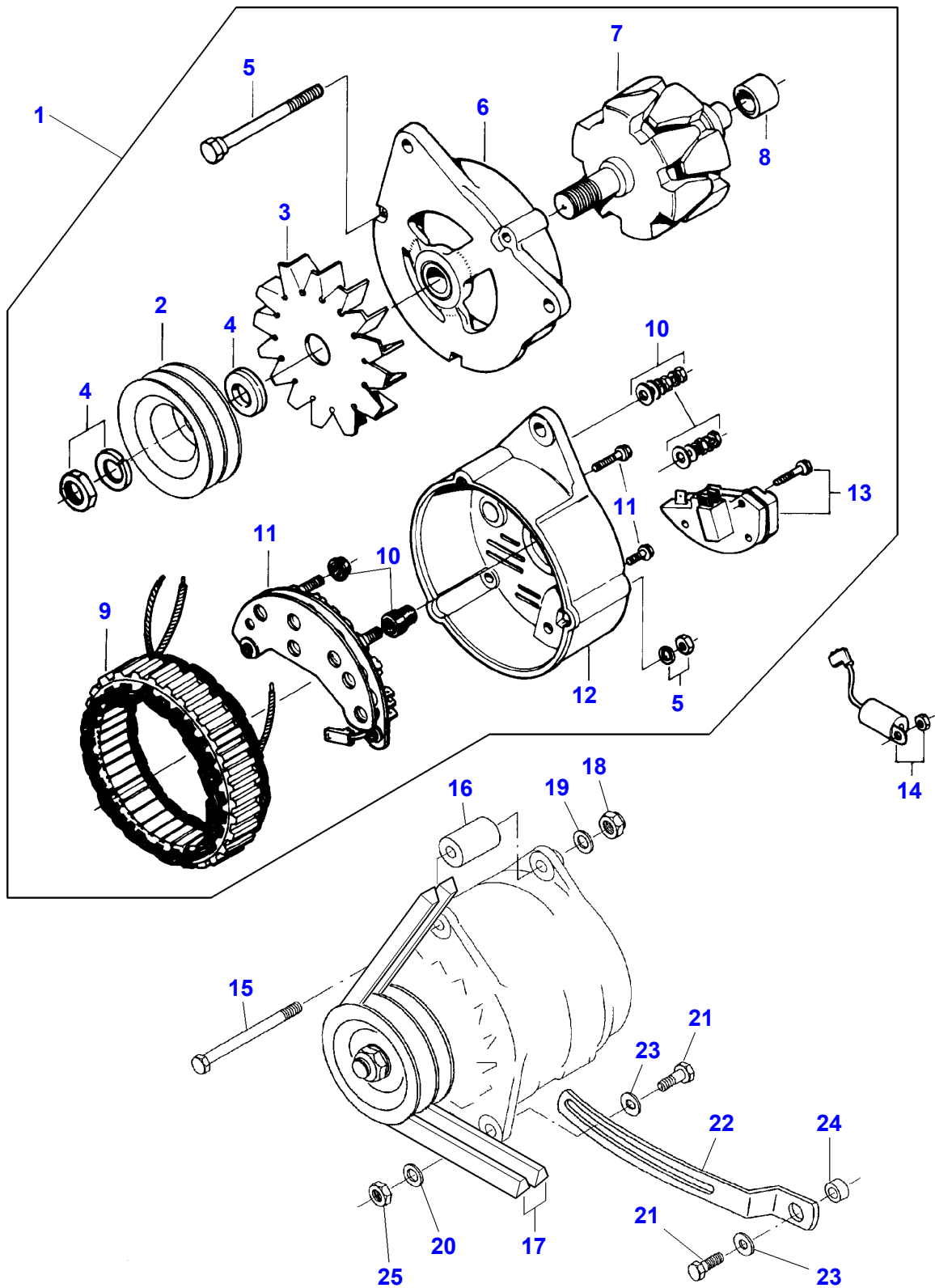
Page008-0022

Item	Part Number	Qty	Description	Comments
1	V836846365	1	Turbocharger	
2	V836316726	2	Gasket	[A]
3	V546801840	4	Stud	
4	V521601000	4	Nut	
5	V836859932	1	Pipe	
6	V836308344	1	Joint	[A]
7	V528801410	2	Adjusting Screw	
8	V641086012	1	Union	
9	V615881620	1	Seal	[B]
10	V836859933	1	Pipe	
11	V836324580	1	Joint	[A]
12	V528801380	2	Screw	
13	V602087528	2	Clamp	
14	V836647576	1	Hose	
15	V602061668	2	Clamp	Repairs and replaces V602083550
16	V836859289	1	Hose	
17	V836847542	1	Pipe	
18	V836847532	1	Gasket	[A]
19	V836114958	1	Plug	
20	V529801112	1	Screw	
21	V835324324	2	Clamp	
22	V504600602	1	Nut	
23	V836338985	1	Gasket	[A]
24	V528801400	4	Screw	
25	V500950800	4	Washer	
26	V836855630	1	Bridle	

FOOTNOTE [A] INCLUDED IN V836840102

FOOTNOTE [B] INCLUDED IN V836840103

MF 7250/7252 COMBINE - 1637400
D-HB24-007-C



D-HB24-007-C

Massey Ferguson**MF 7250/7252 COMBINE - 1637400**

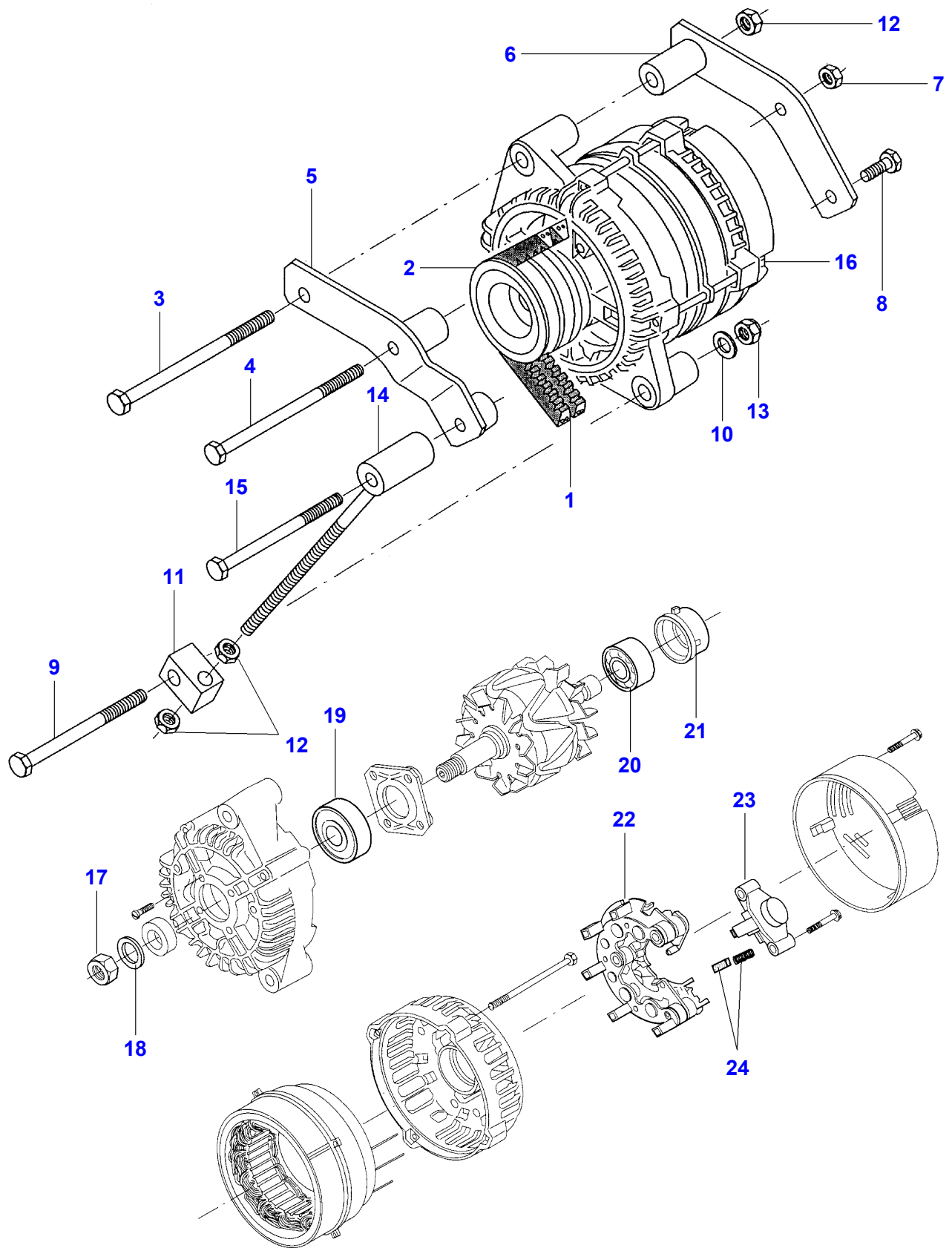
1637400

Alternator - Up To Serial No K 1000 M F 7250/M F 7252

Page008-0023

Item	Part Number	Qty	Description	Comments
1	V836640128	1	Alternator	
2	V836855061	1	Pulley	(1)
3	V835339376	1	Fan	(1)
4	V835339379	1	Parts Pack	(1)
5	V835339380	1	Kit, Bolt	(1)
6	V835339381	1	Bracket	(1)
7		1	Rotor	(1)
8	V835339386	1	Bearing	(1)
9		1	Stator	(1)
10	V835339385	1	Kit, Terminal	(1)
11	V835339384	1	Rectifier	(1)
12	V835339387	1	Bracket	(1)
13	V835339388	1	Regulator	(1)
14	V835339391	1	Capacitor	
15	V529801570	1	Screw	
16	V835347051	1	Sleeve	
17	V684121425	2	Belt	
18	V510600802	1	Nut	
19	V500950800	1	Washer	
20	V500150840	2	Washer	
21	V528801410	2	Adjusting Screw	
22	V836336902	1	Tightener	
23	V836120989	2	Washer	
24	V836128220	1	V Belt	
25	V504800800	1	Nut	

MF 7250/7252 COMBINE - 1637400
D-HB24-008-B



D-HB24-008-B

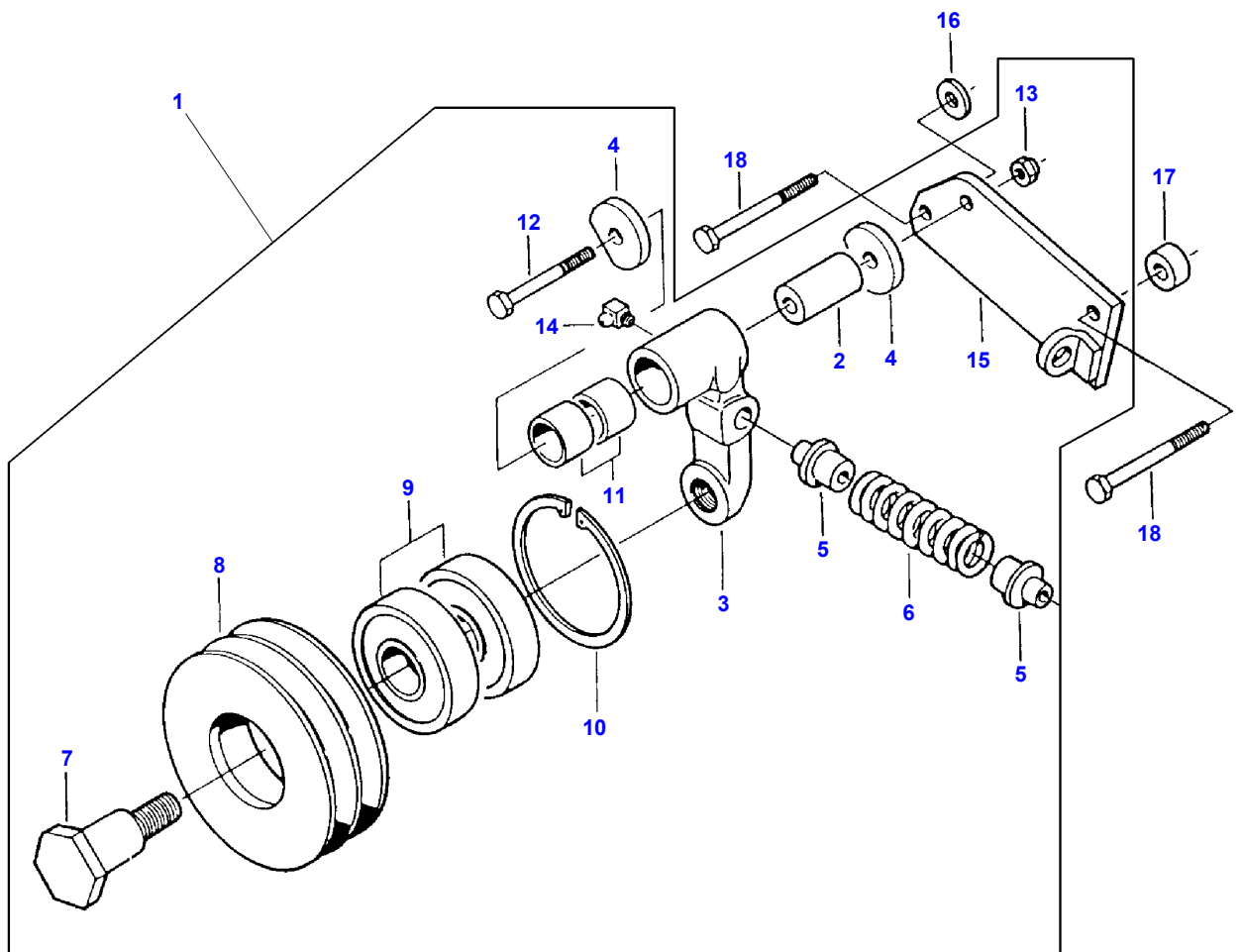
Massey Ferguson**MF 7250/7252 COMBINE - 1637400**

1637400

Alternator - FROM No K 1001 M F 7250 / M F 7252

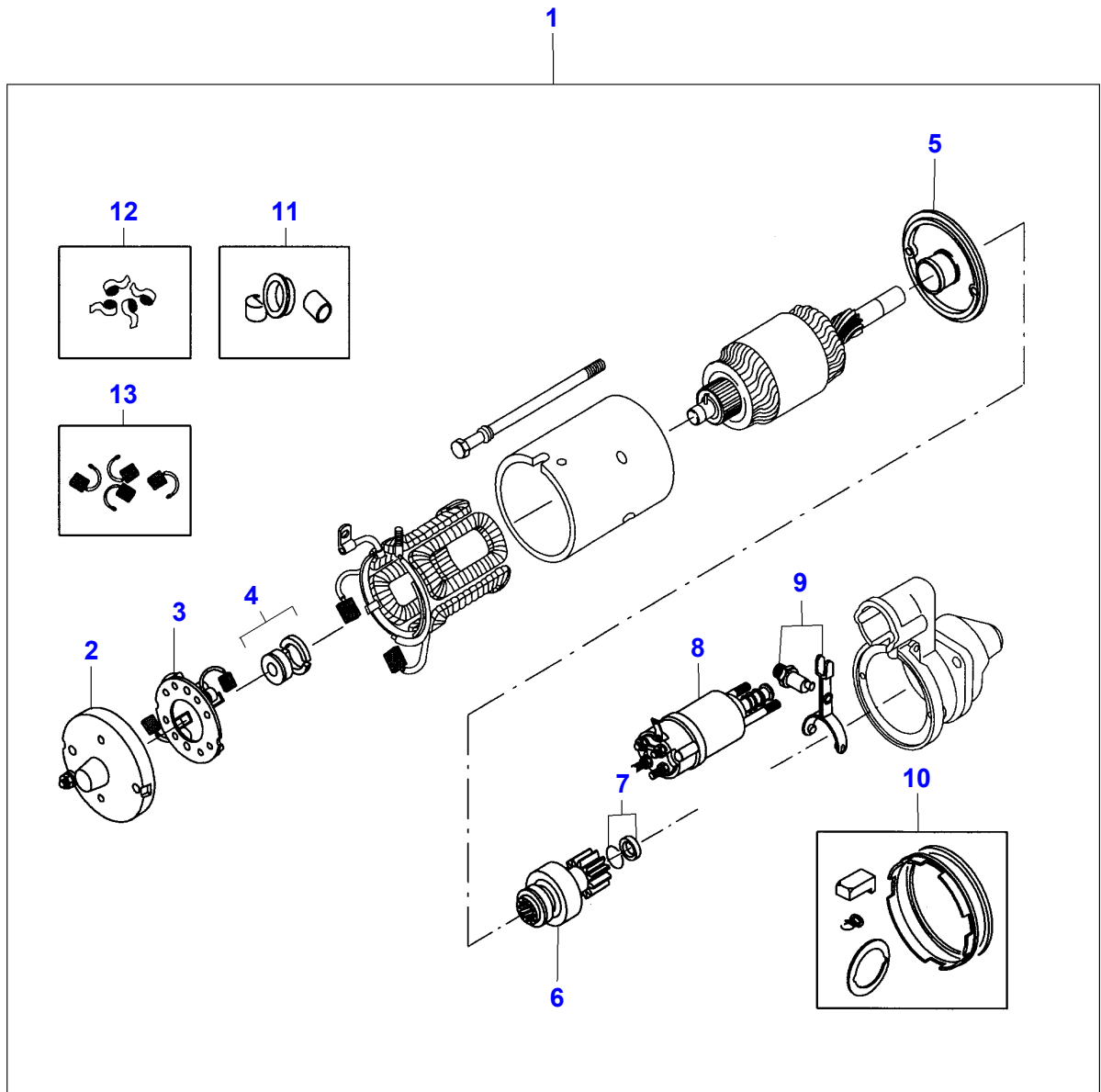
Page008-0024

Item	Part Number	Qty	Description	Comments
1	V684121500	1	Belt	
2	V836864144	1	Pulley	
3	V529801970	1	Screw	M10x120
4	V529801570	1	Screw	M8x120
5	V836864370	1	Fastener	
6	V836864371	1	Fastener	
7	V504800800	1	Nut	M8
8	V528801380	1	Screw	M8x20
9	V529801930	1	Screw	M10x90
10	V500151050	1	Washer	
11	V836359652	1	Block	
12	V504801002	3	Nut	M10
13	V510601002	1	Nut	M10
14	V836859954	1	Tensioner	
15	V529801540	1	Screw	M8x95
16	V836864048	1	Alternator	12V/150A
17	V515601602	1	Nut	(16)
18	V500451602	1	Washer	(16)
19	V836862378	1	Bearing Assy	(16)
20	V836862380	1	Bearing Assy	(16)
21	V836862379	1	Chock	(16)
22	V836862381	1	Rectifier	(16)
23	V836862382	1	Regulator	(16)
24	V836862383	1	Kit, Brush	(16)



Belt Tensioner

Item	Part Number	Qty	Description	Comments
1	V836855977	1	Kit	
2	V836655971	1	Sleeve	(1)
3	V836655796	1	Housing	(1)
4	V836655972	2	Washer	(1)
5	V836352611	2	Spring Plate	(1)
6	V836664123	1	Spring	(1)
7	V835328920	1	Shaft	(1)
8	V835328919	1	Pulley	(1)
9	V610063044	2	Bearing Assy	(1)
10	V617330052	1	Circlip	(1)
11	V836655981	1	Bush	(1)
12	V529801480	2	Screw	(1)
13	V510600802	1	Nut	(1)
14	V644611006	1	Greaser	(1)
15	V836855015	1	Bracket	(1)
16	V835347051	1	Sleeve	
17	V836136876	1	Sleeve	
18	V529801550	2	Screw	



Massey Ferguson**MF 7250/7252 COMBINE - 1637400**

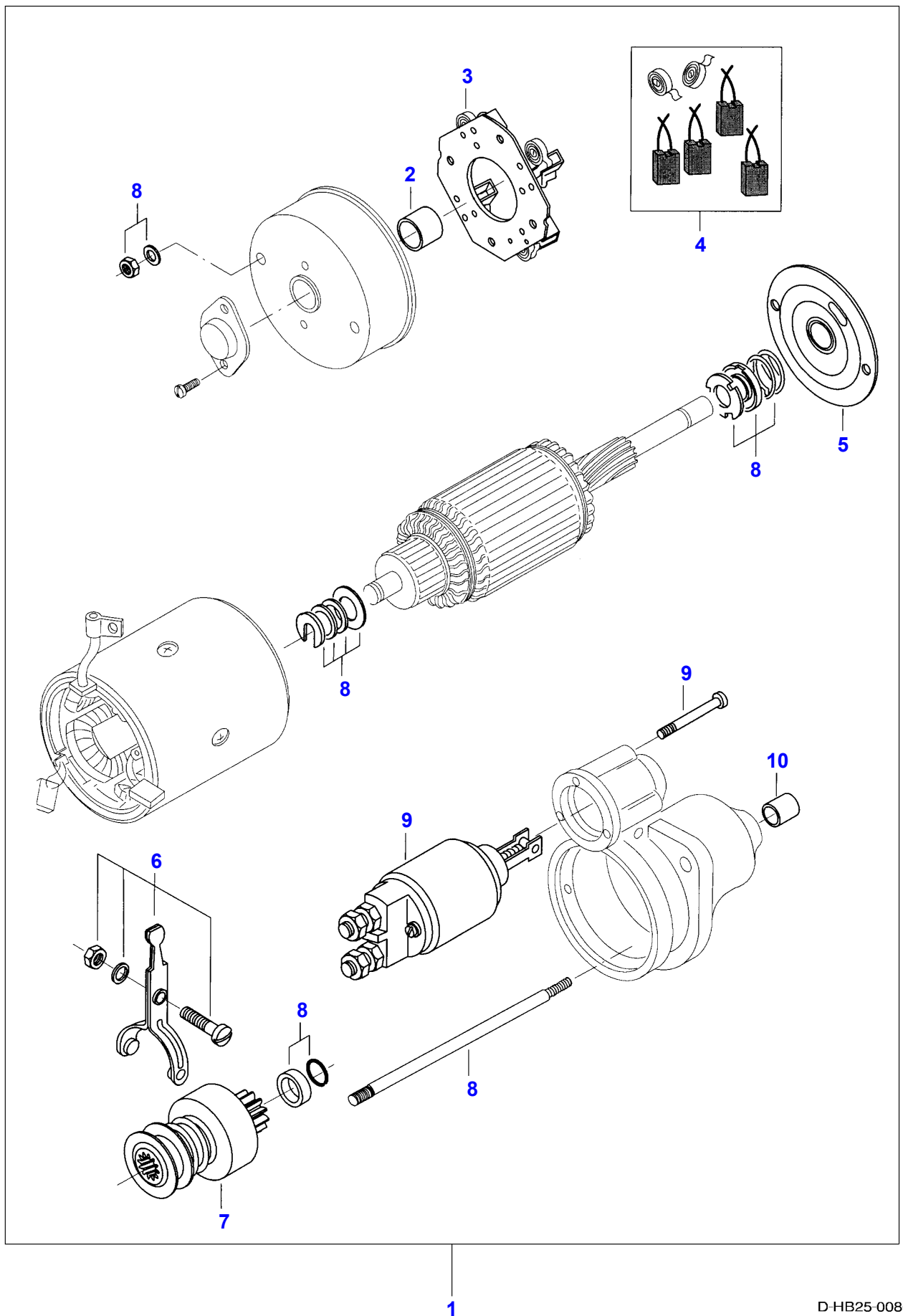
1637400

Starter Motor - UP TO L1163 MF7250 / L1557 MF7252

Page008-0026

Item	Part Number	Qty	Description	Comments
1	V836640938	1	Startermotor	
2	V835331862	1	Flange	(1)
3	V836015847	1	Holder	(1)
4	V836015839	1	Bush	(1)
5	V835331867	1	Flange	(1)
6	V836640947	1	Drive	(1)
7	V835331865	1	Washer	(1)
8	V836640946	1	Solenoid	(1)
9	V835331869	1	Fork	(1)
10	V835331870	1	Kit, Joint	(1)
11	V836015848	1	Kit, Bush	(1)
12	V836015232	1	Kit, Spring	(1)
13	V836015230	1	Kit, Brush	(1)

MF 7250/7252 COMBINE - 1637400
D-HB25-008-B



D-HB25-008-B

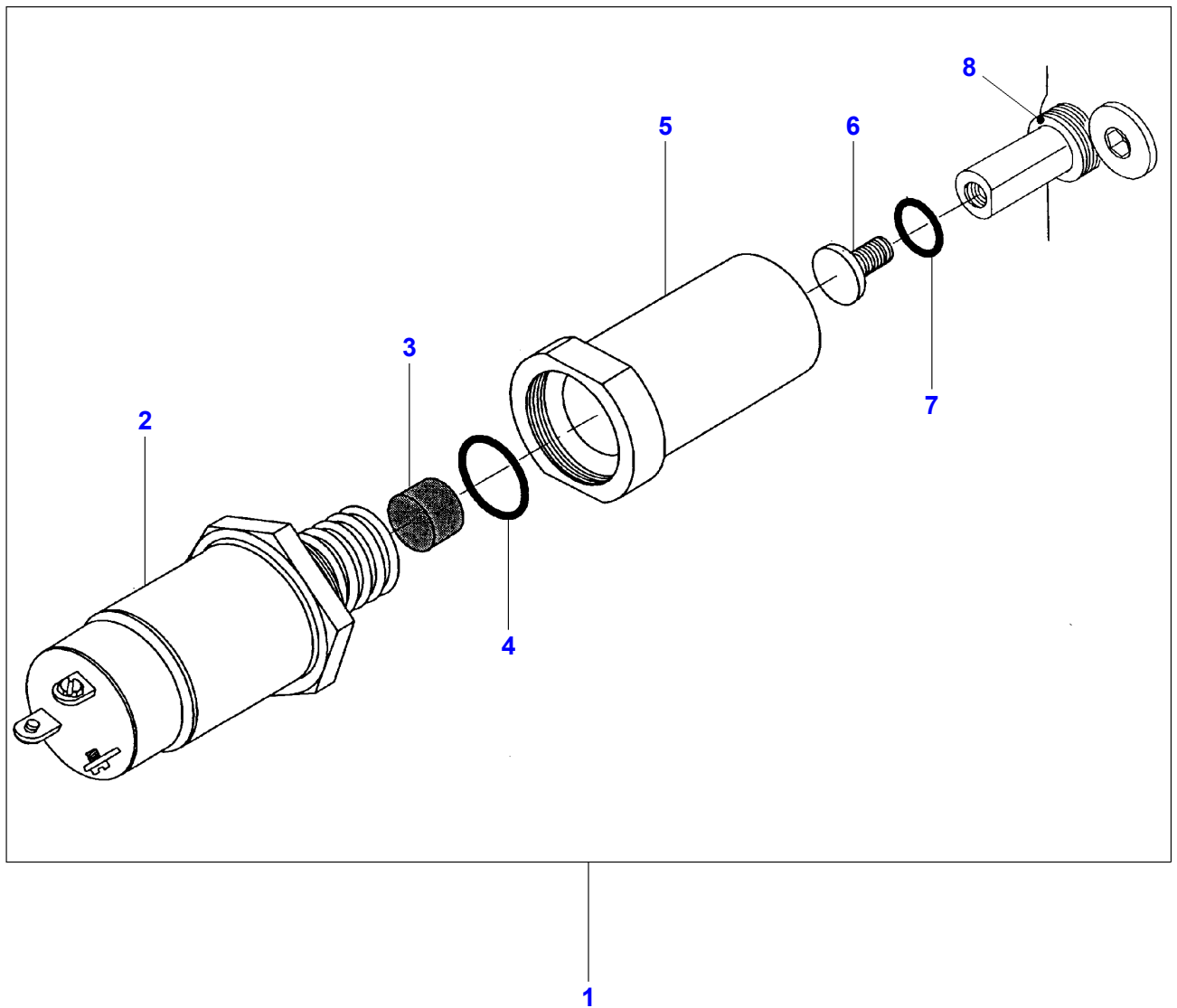
Massey Ferguson**MF 7250/7252 COMBINE - 1637400**

1637400

Starter Motor - FROM L1164 MF 7250 / L1558 MF 7252

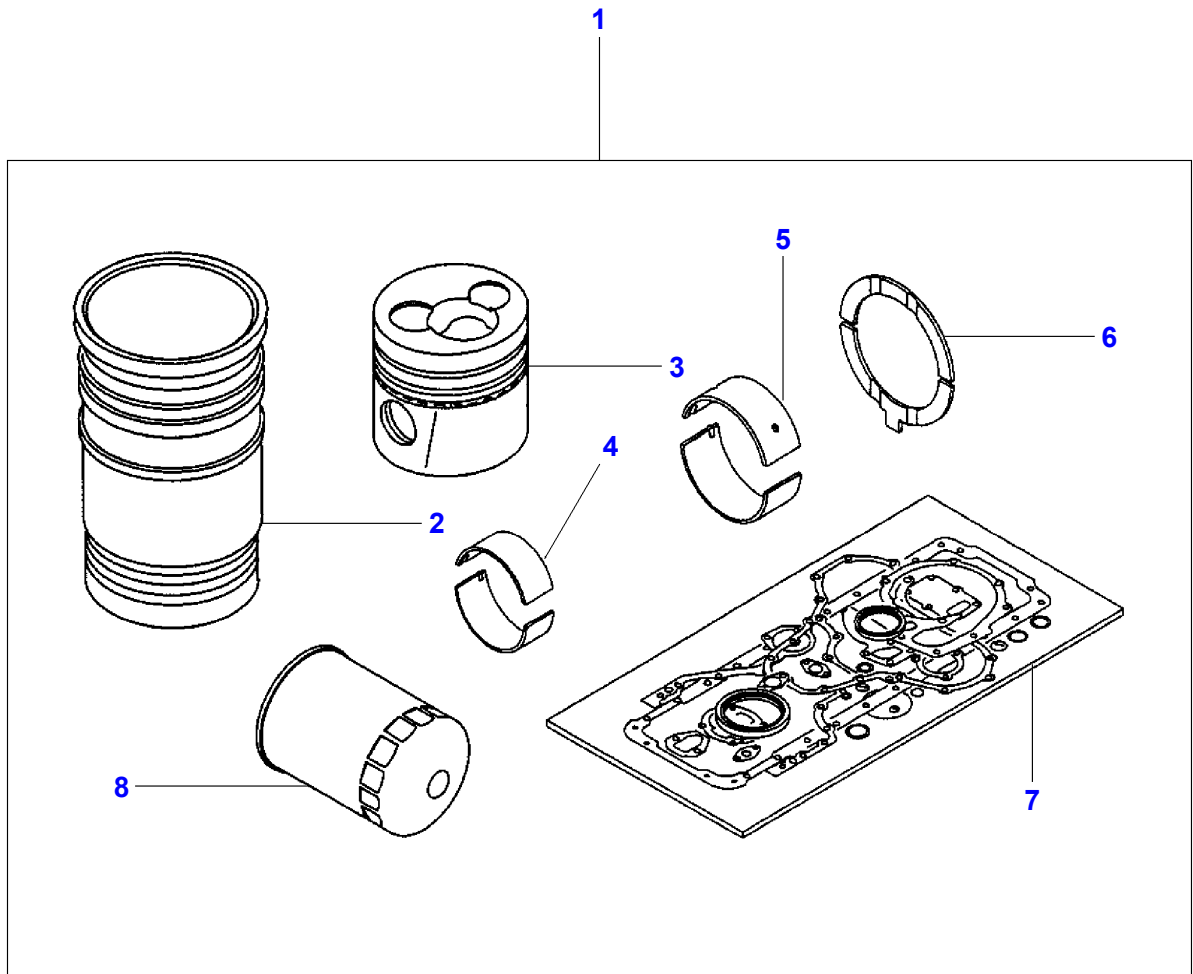
Page008-0027

Item	Part Number	Qty	Description	Comments
1	V836662073	1	Startermotor	12V/3KW
2	V836640951	1	Bush	(1)
3	V836662091	1	Clamp	(1)
4	V836662092	1	Kit, Brush	(1)
5	V836640954	1	Plate	(1)
6	V836640955	1	Kit, Lever	(1)
7	V836662093	1	Drive Gear	(1)
8	V836662094	1	Kit, Gasket	(1)
9	V836640958	1	Solenoid	(1)
10	V836662095	1	Bush	(1)



Massey Ferguson**MF 7250/7252 COMBINE - 1637400****1637400****Stop Magnet****Page008-0028**

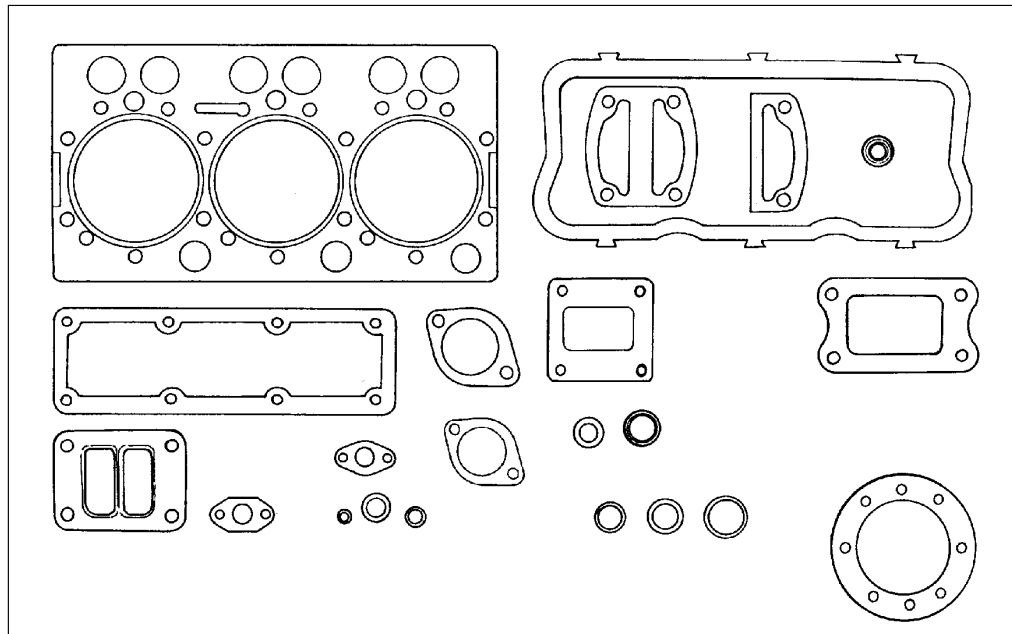
Item	Part Number	Qty	Description	Comments
1	V836652097	1	Magnet	
2	V836640253	1	Solenoid	(1)
3	V836647962	1	Rubber	(1)
4	V614601924	1	O Ring	(1)
5	V836647961	1	Body	(1)
6	V836647960	1	Screw	
7	V614601024	1	O Ring	
8	V835331396	1	Greaser	



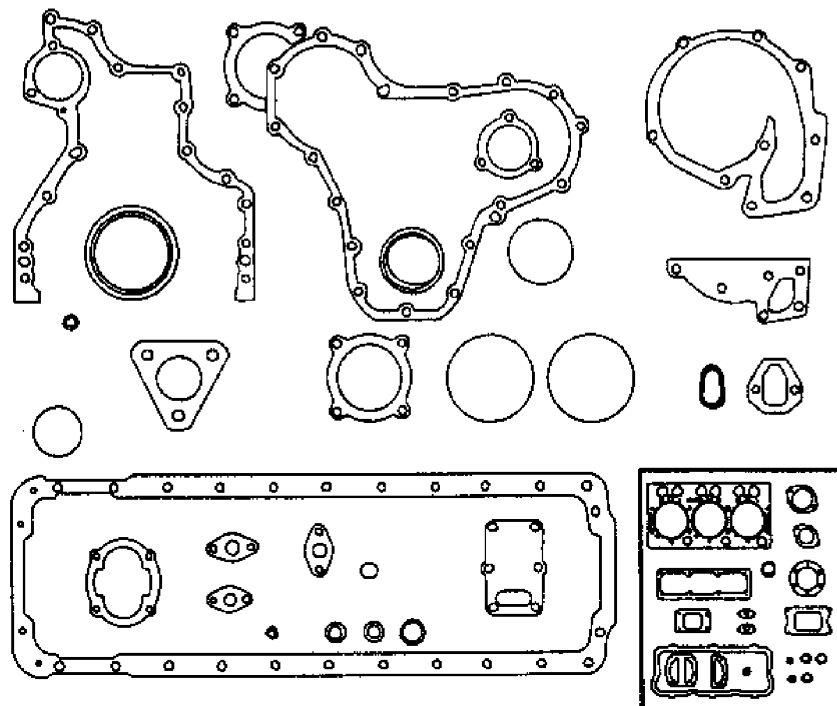
Massey Ferguson**MF 7250/7252 COMBINE - 1637400****1637400****Engine Repair Kits****Page008-0029**

Item	Part Number	Qty	Description	Comments
1	V836840256	1	Kit, Repair	
2	V836647420	6	Liner	(1)
3	V836640073	6	Piston	(1)
4	V836110552	6	Bearing	(1)
5	V836655514	7	Bearing	(1)
6	V836119459	2	Chock	(1)
7	V836840103	1	Kit, Joint	(1)
8	V836662111	1	Filter	(1)

1



2



Massey Ferguson

MF 7250/7252 COMBINE - 1637400

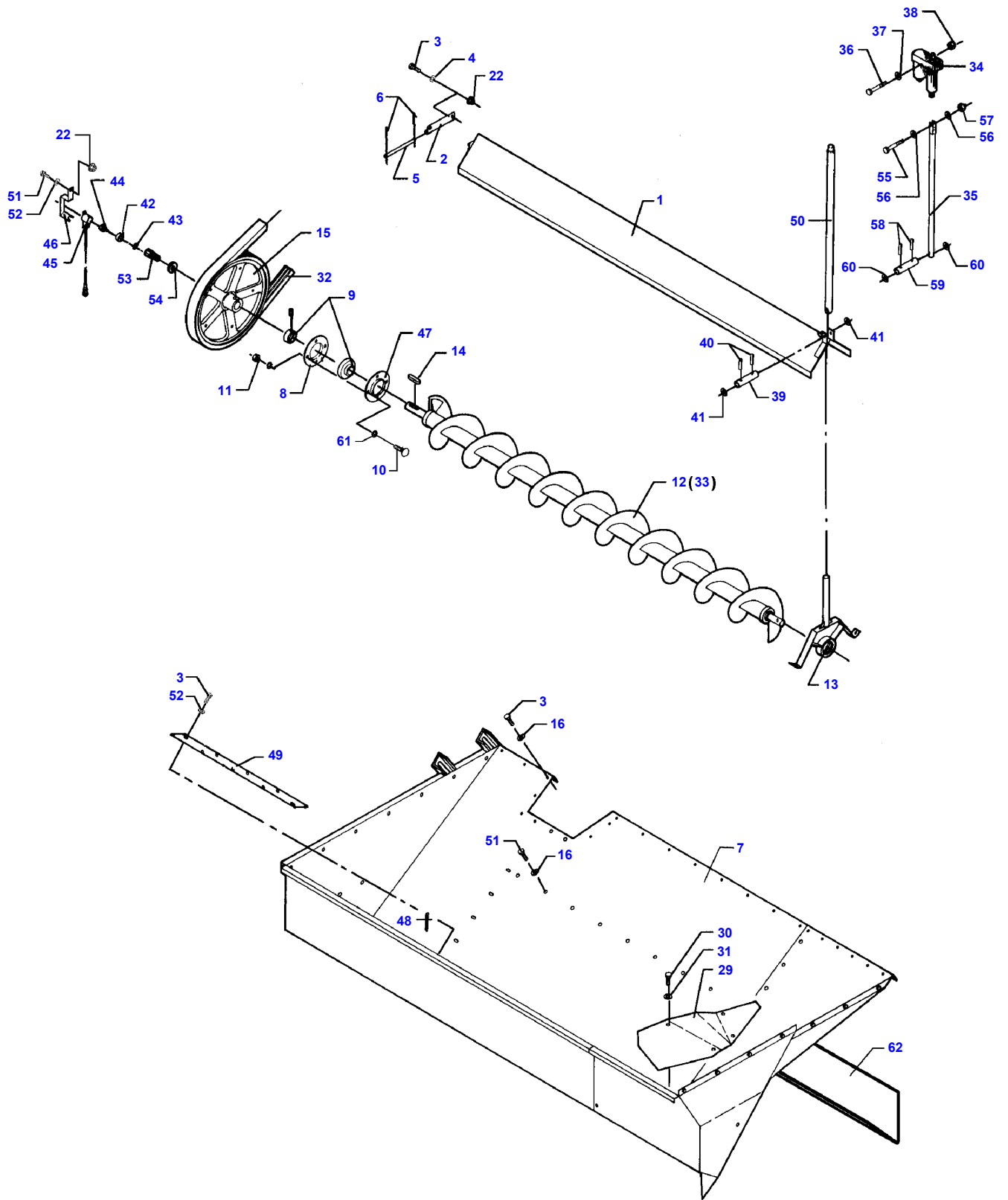
1637400

Joints And Gaskets

Page008-0030

Item	Part Number	Qty	Description
1	V836840103	1	Kit, Joint
2	V836840102		Kit, Joint

MF 7250/7252 COMBINE - 1637400
D-BAAJ-001-A

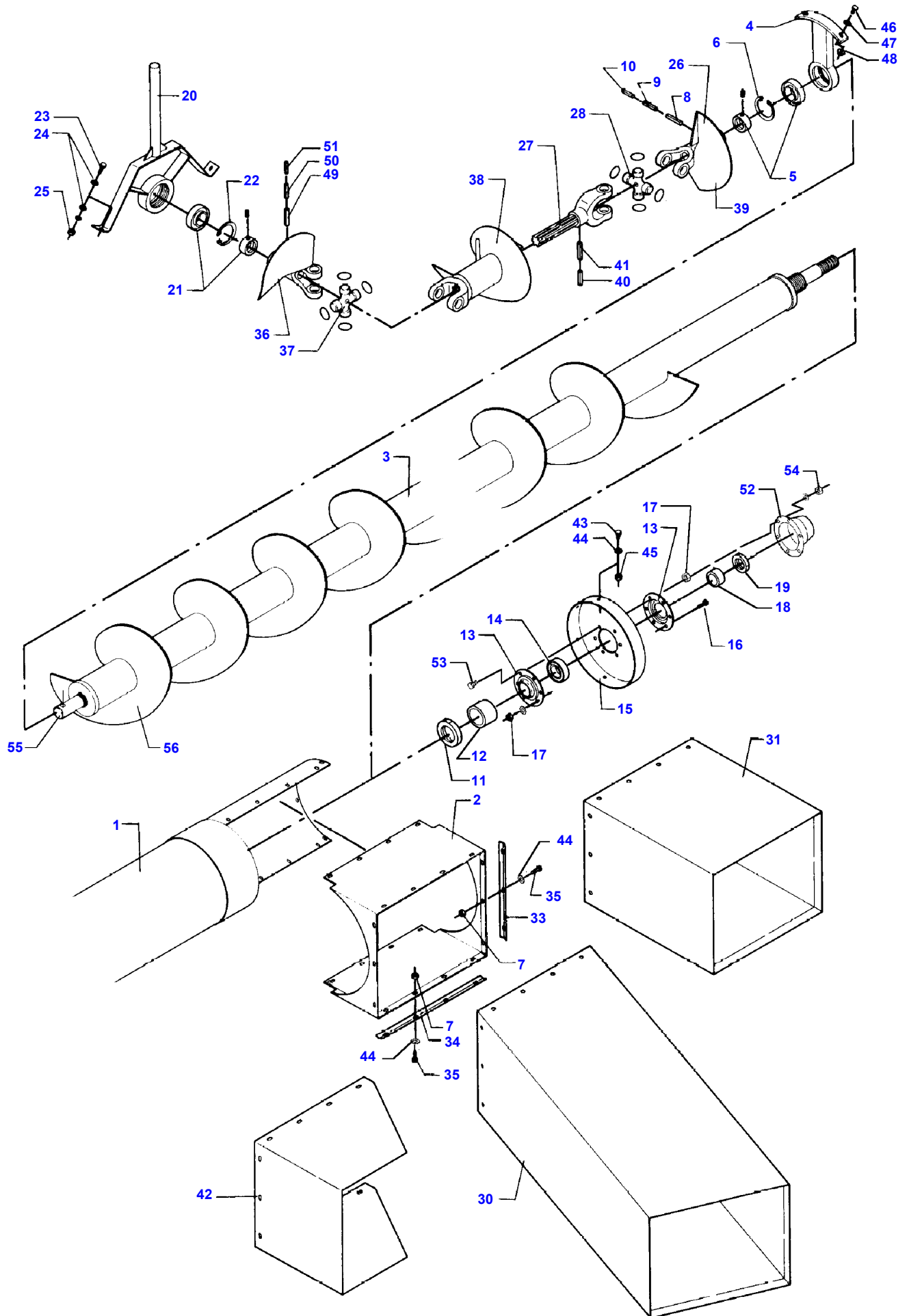


Discharge Auger - Fixed Part

Item	Part Number	Qty	Description	Comments
1	D28884047	1	Plate	
2	D28851231	1	Hinge	
3	D40404900	X	Hex. Sock. Screw	
4	D20400506	2	Washer	
5	D28851230	1	Hinge	
6	D44358000	2	Hair Pin	
7	D28884026	1	Tank	
8	D41711100	1	Flange	
9	D41705500	1	Bearing Ball	
10	D40070200	4	Screw Metric	
11	D41010900	4	Nut	
12	D28884048	1	Auger	
13	D28880230	1	Bracket	
14	D43106700	1	Key	
15	D28480460	1	Pulley	
16	D20400408	X	Washer	
22	D41013500	X	Nut	
29	D28880234	1	Plate	
30	D40402400	4	Hex. Sock. Screw	
31	D20400405	4	Washer	
32	D41979600	1	Belt	
33	D28884049	1	Auger	[A]
34	D28780722	1	Ram	[A]
35	D28882040	1	Rod	[A]
36	D40428800	1	Hex. Sock. Screw	[A]
37	D20400426	4	Washer	[A]
38	D41087700	1	Locknut	[A]
39	D28230632	1	Pin	
40	D41408800	2	Split Pin	
41	D20400471	2	Washer	
42	D41622600	1	Bearing Ball	MF 7252
43	D20400419	1	Washer	MF 7252
44	D28780516	1	Inductive Taker	MF 7252
45	D28780514	1	Sensor	MF 7252
46	D28784138	1	Retainer	MF 7252
47	D41712200	1	Flange	
49	D28884022	1	Cover	
50	D28884105	1	Tube	
51	D40405000	X	Hex. Sock. Screw	
52	D20400414	X	Washer	
53	D28780419	1	Threaded Part	
54	D28752229	1	Washer	
55	D40426100	1	Screw	[A]
56	D20400471	2	Washer	[A]
57	D41087600	1	Locknut	[A]
58	D41408800	2	Split Pin	[A]
59	D28230632	1	Pin	[A]
60	D20400471	2	Washer	[A]
61	D20400459	4	Washer	
62	D28884025	1	Plate	

FOOTNOTE [A] OPTIONAL EQUIPMENT

MF 7250/7252 COMBINE - 1637400
D-ZIYA-002-A



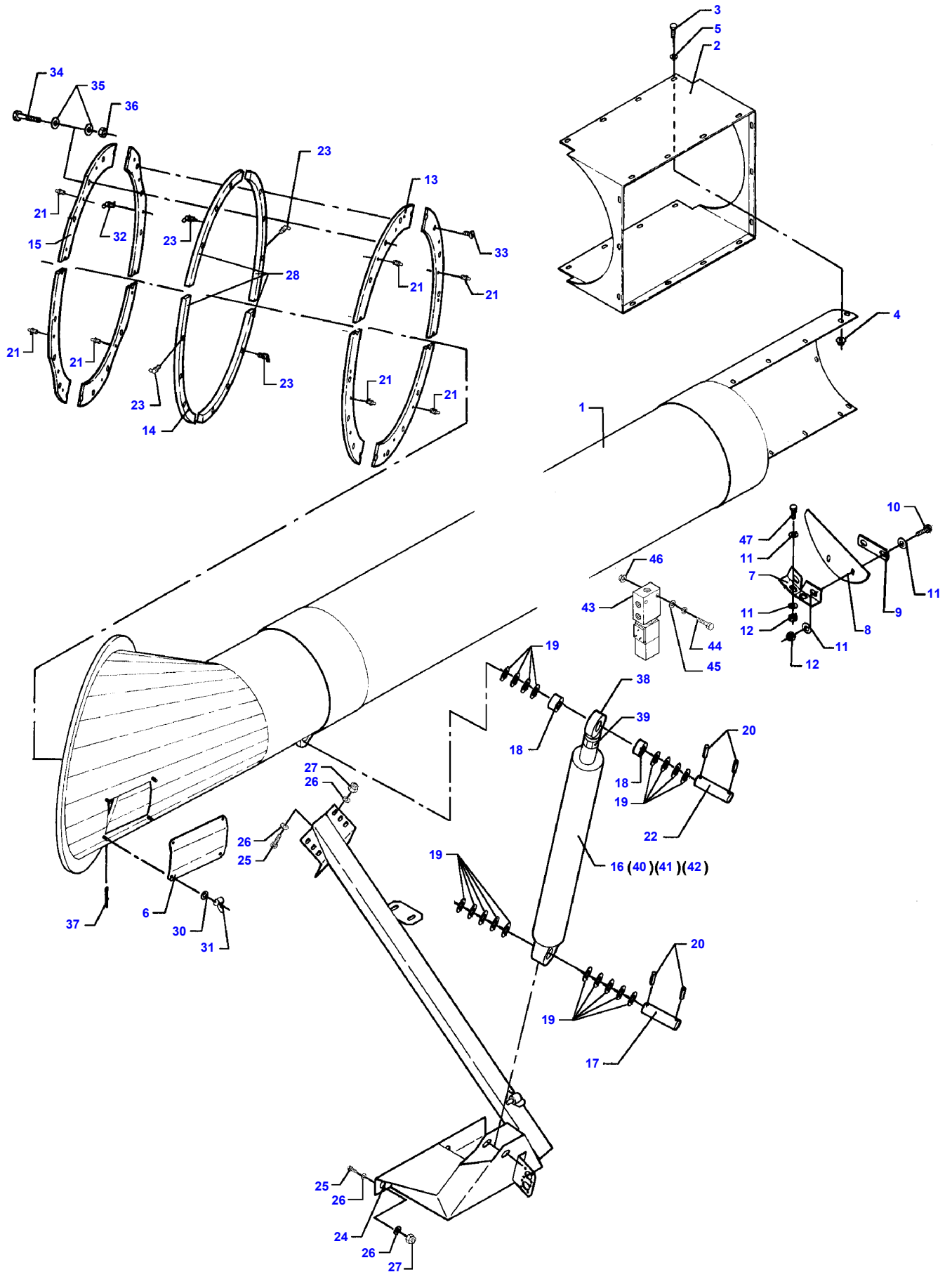
D-ZIYA-002-A

Unloading auger -Swivel part

Item	Part Number	Qty	Description	Comments
1	D28884147	1	Pipe	
2	D18880034	1	Funnel	
3	D28884146	1	Auger	
4	D28880045	1	Bracket	
5	D41663400	1	Bearing Ball	
6	D42515000	1	Circlip	
7	D41013500	14	Nut	
8	D42625400	1	Pin	
9	D42616500	1	Pin	
10	D42610200	1	Pin	
11	D41034400	1	Nut	
12	D28830693	1	Spacer	
13	D28200239	2	Bearing Carrier	
14	D41623000	1	Bear. 6207 2rs	
15	D28880046	1	Plate	
16	D40404900	6	Hex. Sock. Screw	
17	D41010700	6	Nut	
18	D28800328	2	Spacer	
19	D41034100	1	Nut	
20	D28880230	1	Bracket	
21	D41663400	1	Bearing Ball	
22	D42515000	1	Circlip	
23	D40407800	2	Hex. Sock. Screw	
24	D20400473	4	Washer	
25	D41010800	2	Nut	
26	D28880053	1	Yoke	
	D28880051	1	Yoke	(26)
27	D28880052	1	Fork	(26)
28	D45622700	1	Crosspiece	(26)
30	D28880032	1	Canvas	[A]
31	D28880323	1	Canvas	
33	D18880030	2	Rail	
34	D18880031	2	Rail	
35	D40404900	14	Hex. Sock. Screw	
36	D28880083	1	Auger	
	D28850839	1	Yoke	(36)
37	D45622700	1	Crosspiece	(36)
38	D28880073	1	Auger	(36)
39	D28850834	1	Spiral	
40	D42612600	1	Pin	
41	D42618900	1	Pin	
42	D28882044	1	Facing	[A]
43	D40404900	4	Hex. Sock. Screw	
44	D20400506	4	Washer	
45	D41010700	4	Nut	
46	D40405100	2	Hex. Sock. Screw	
47	D20400506	2	Washer	
48	D41013500	2	Nut	
49	D42625600	1	Pin	
50	D42616700	1	Pin	
51	D42610400	1	Pin	
52	D18851122	1	Cap	

FOOTNOTE [A] OPTIONAL EQUIPMENT

MF 7250/7252 COMBINE - 1637400
D-ZIYB-002-A

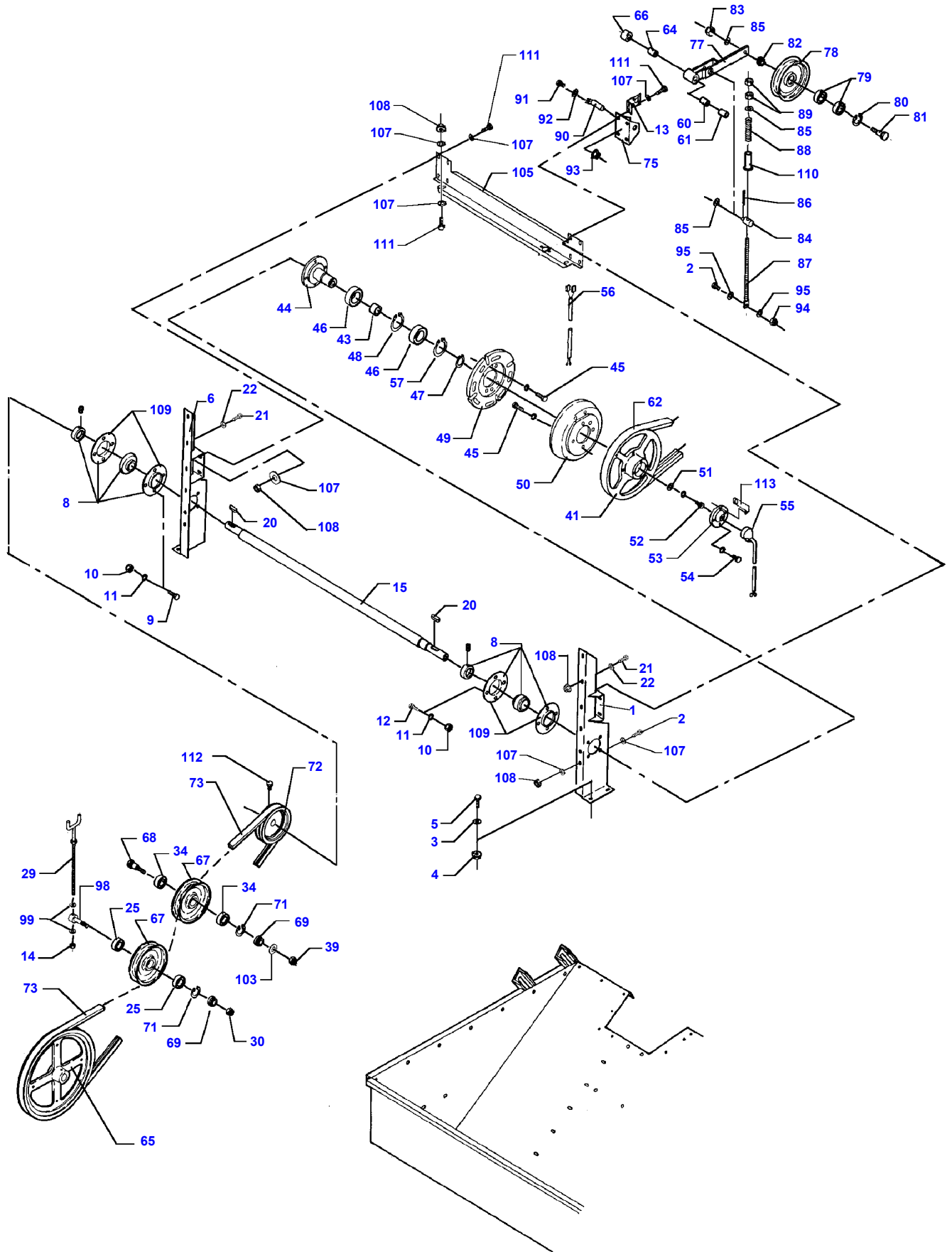


D-ZIYB-002-A

Discharge Auger Pipe

Item	Part Number	Qty	Description	Comments
1	D28884147	1	Pipe	
2	D28880034	1	Funnel	
3	D40404900	8	Hex. Sock. Screw	
4	D41013500	8	Nut	
5	D20400506	8	Washer	
6	D18880366	1	Gate	
7	D28851025	1	Retainer	
8	D28880024	1	Stop	
9	D28851026	1	Plate	
10	D40405100	2	Hex. Sock. Screw	
11	D20400506	4	Washer	
12	D41087500	2	Locknut	
13	D28880398	4	Flange	
14	D28884082	1	Flange	
15	D28880399	4	Flange	
16	D45100065	1	Ram	
17	D28850877	1	Pin	
18	D28850878	2	Spacer	
19	D20400468	X	Washer	
20	D41410700	4	Split Pin	
21	D43001500	7	Greaser	
22	D28750214	1	Clevis Pin	
23	D43001700	4	Greaser	
24	D28884121	1	Bracket	
25	D40428300	11	Screw Metric	
26	D20400446	22	Washer	
27	D41087700	11	Locknut	
28	D28884086	3	Flange	
30	D20400506	4	Washer	
31	D41057300	4	Wing Nut	
32	D43001600	1	Greaser	
33	D40600800	8	Screw Metric	
34	D40411400	13	Screw Metric	
	D40428600	3	Screw Metric	
35	D20400426	32	Washer	
36	D41010900	16	Nut	
37	D41408800	1	Split Pin	
38	D45698500	1	Toggle	
39	D41043000	1	Nut Metric	
40	D45252600	2	Union	PACOMA+PPT
41	D45100023	1	Cylinder Rod	PACOMA
42	D45100079	1	Kit, Seal	PACOMA
	D45110029	1	Kit, Joint	PPT
	D45110088	1	Kit, Seal	SERTA
43	D45110055	1	Pressure Valve	
44	D40422200	2	Screw Metric	
45	D20400404	2	Washer	
46	D41013400	2	Nut	
47	D40405100	2	Hex. Sock. Screw	

MF 7250/7252 COMBINE - 1637400
D-ZIZC-004-A



Unloading Auger - Transmission

Item	Part Number	Qty	Description	Comments
1	D28884007	1	Bracket	
2	D40407800	1	Hex. Sock. Screw	
3	D20400414	X	Washer	
4	D41013500	X	Nut	
5	D40405100	X	Hex. Sock. Screw	
6	D28884006	1	Bracket	
8	D41707900	2	Bearing	
9	D40410900	4	Hex. Sock. Screw	
10	D41010900	8	Nut	
11	D20400426	8	Washer	
12	D40070200	4	Screw Metric	
13	D28780381	1	Retainer	
14	D41087700	1	Locknut	
15	D28884000	1	Shaft	
16	D41707800	1	Bearing	
20	D43104700	2	Key	
21	D40404900	1	Hex. Sock. Screw	
22	D20400414	X	Washer	
25	D41622700	4	Bearing Ball	
29	D28884114	1	Tensioner	
30	D41088100	1	Locknut	
34	D41622700	2	Bearing Ball	
38	D28270068	1	Bolt	
39	D41087900	1	Locknut	
41	D28780019	1	Clutch	
	D28780013	1	Pulley	(41)
43	D28780016	1	Bush	(41)
44	D28780018	1	Hub	(41)
45	D40410700	8	Screw	(41)
46	D41617800	2	Bearing Ball	(41)
47	D42504300	1	Circlip	(41)
48	D42515400	1	Circlip	(41)
49	D45060300	1	Plate	(41)
50	D45060200	1	Magnet	(41)
51	D28780638	1	Washer	
52	D40410900	1	Hex. Sock. Screw	
53	D28780017	1	Cover	
54	D40402600	4	Hex. Sock. Screw	
55	D28780404	1	Retainer	
56	D28851037	1	Harness	
57	D42515400	1	Circlip	(41)
60	D43364000	1	Bush	
61	D43364300	1	Bush	
62	D41990050	1	Belt	
64	D20400530	2	Spacer	
65	D28480460	1	Pulley	
66	D28880489	1	Bush	
67	D28250441	2	Pulley	
68	D28250444	2	Bolt	
69	D28480457	2	Spacer	
71	D42513700	2	Circlip	
72	D28880368	1	Pulley	
73	D41979600	1	Belt	
75	D28880359	1	Support	
77	D28880495	1	Lever	
78	D28250441	1	Pulley	
79	D41622700	2	Bearing Ball	
80	D42513700	1	Circlip	
81	D28250444	1	Bolt	
82	D28480457	1	Spacer	
83	D41087900	1	Locknut	
84	D28780030	1	Pivot	
85	D20400429	3	Washer	
86	D41405900	1	Pin	
87	D28884003	1	Rod	
88	D28210881	1	Comp.Spring	
89	D41011100	2	Nut	
90	D28880360	1	Pin	
91	D40402600	1	Hex. Sock. Screw	
92	D20400404	1	Washer	
93	D41013400	1	Nut	

Massey Ferguson**MF 7250/7252 COMBINE - 1637400**

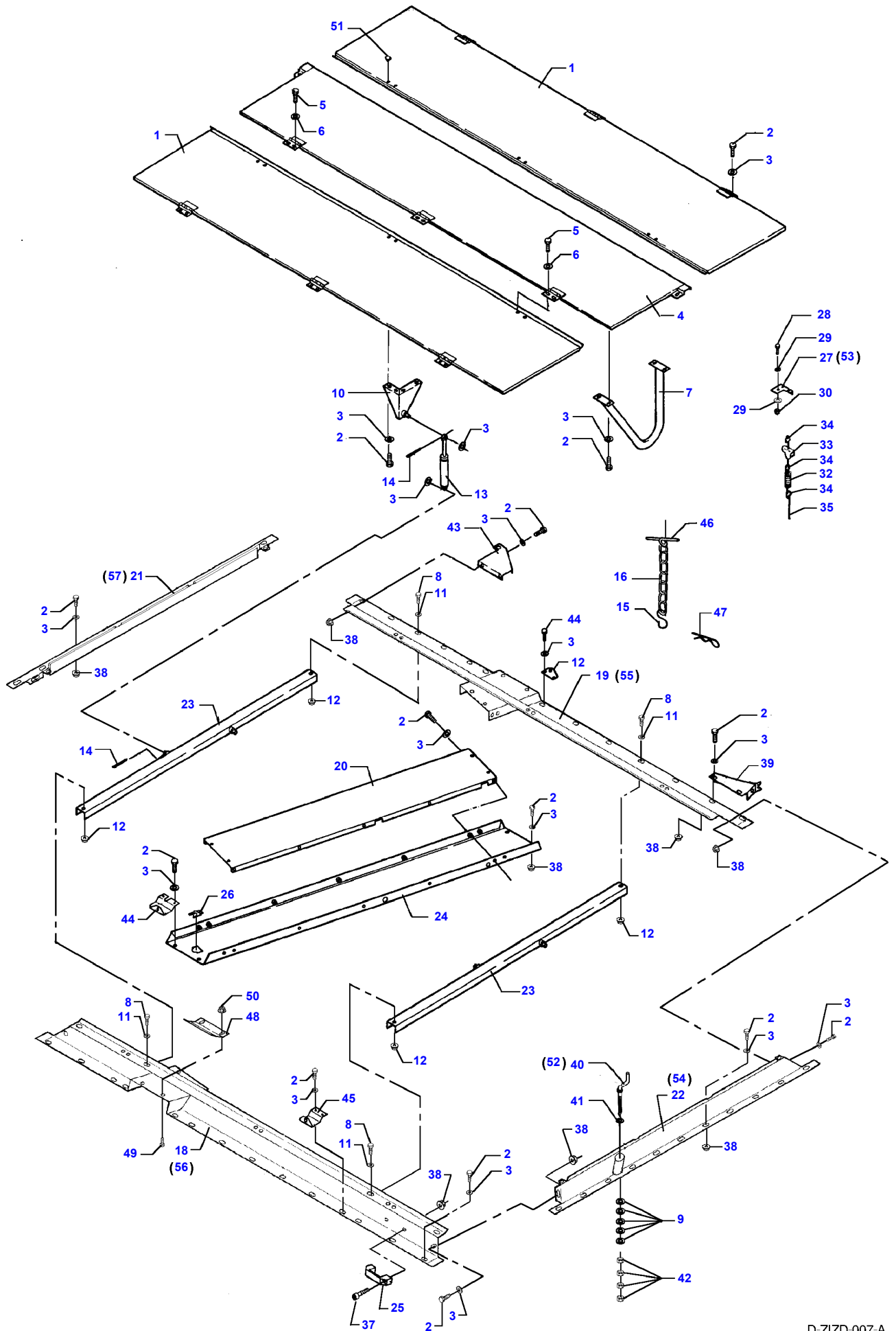
1637400

Unloading Auger - Transmission

Page009-0004

Item	Part Number	Qty	Description	Comments
94	D41087600	1	Locknut	
95	D20400471	2	Washer	
98	D28270068	1	Bolt	
99	D20400426	2	Washer	
103	D28181284	1	Washer	
105	D28884151	1	Crossmember	
106	D40407700	10	Hex. Sock. Screw	
107	D20400416	22	Washer	
108	D41087600	11	Locknut	
109	D41712200	4	Flange	
110	D28780318	1	Guide	
111	D40407900	10	Hex. Sock. Screw	
112	D40466900	2	Screw	
113	D28781301	1	Hook	

MF 7250/7252 COMBINE - 1637400
D-ZIZD-007-A



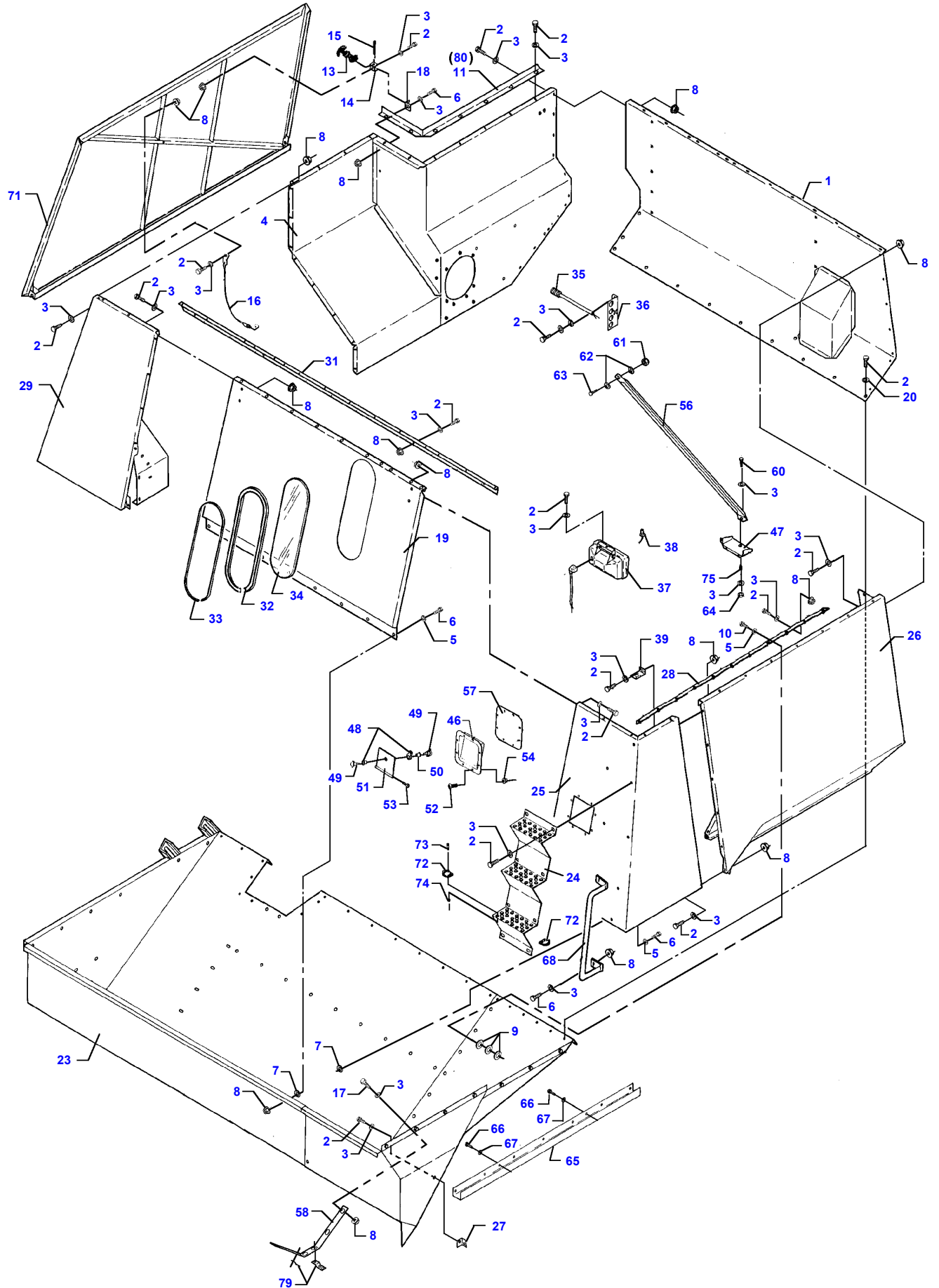
D-ZIZD-007-A

Guards - Grain Tank Top

Item	Part Number	Qty	Description	Comments
1	D28184091	2	Door	
2	D40404900	X	Hex. Sock. Screw	
3	D20400414	X	Washer	
4	D28184097	1	Door	
5	D40402400	6	Hex. Sock. Screw	
6	D20400470	6	Washer	
7	D28884103	1	Stirrup	
8	D40407600	4	Hex. Sock. Screw	
9	D20400461	5	Washer	
10	D28182121	4	Bracket	
11	D20400416	8	Washer	
12	D41087600	4	Locknut	
13	D45061800	4	Gas Strut	
14	D41404400	8	Split Pin	
15	D42386000	1	Hook	
16	D28180405	1	Chain	
17	D28884140	1	Bracket	
18	D18184352	1	Frame	
19	D18184353	1	Frame	
20	D28184355	1	Cover	
21	D18184358	1	Frame	
22	D18184362	1	Frame	
23	D28884093	2	Profile	
24	D28884104	1	Grip	
25	D43386900	1	Handle	
26	D28880287	1	Cover	
27	D28181191	1	Retainer	
28	D40402400	1	Hex. Sock. Screw	
29	D20400453	2	Washer	
30	1441462X1	1	Locknut	Replace and repair. Old not interchangeable with new D41087400
32	D28710049	1	Spring	
33	D43384800	1	Lever	
34	D43407800	3	Bracket	
35	D44714000	X	Rope	Length 0,650M
37	D40690300	2	Screw	
38	D41013500	X	Nut	
39	D28184283	1	Bracket	
40	D28850693	1	Spindle	
41	D28851086	1	Washer	
42	D41011100	4	Nut	
43	D28184189	1	Bracket	MF 7252
	D28184400	1	Bracket	MF 7250
44	D28981174	1	Bracket	Right Hand
45	D28981175	1	Bracket	Left Hand
46	D21100341	1	Retainer	
47	D27100120	1	Hair Pin	
48	D28781079	1	Protective Strip	
49	D40688200	2	Screw Metric	
50	D41013400	2	Nut	
51	D45742500	6	Plug	
52	D28884171	1	Spindle	[A]
53	D28884170	1	Angle	[A]
54	D28884166	1	Frame	[A]
55	D28884165	1	Frame	[A]
56	D28884164	1	Front Frame	[A]
57	D28884136	1	Frame	[A]

FOOTNOTE [A] TANKTOP EXTENSION

MF 7250/7252 COMBINE - 1637400
D-BAAK-001-A



D-BAAK-001-A

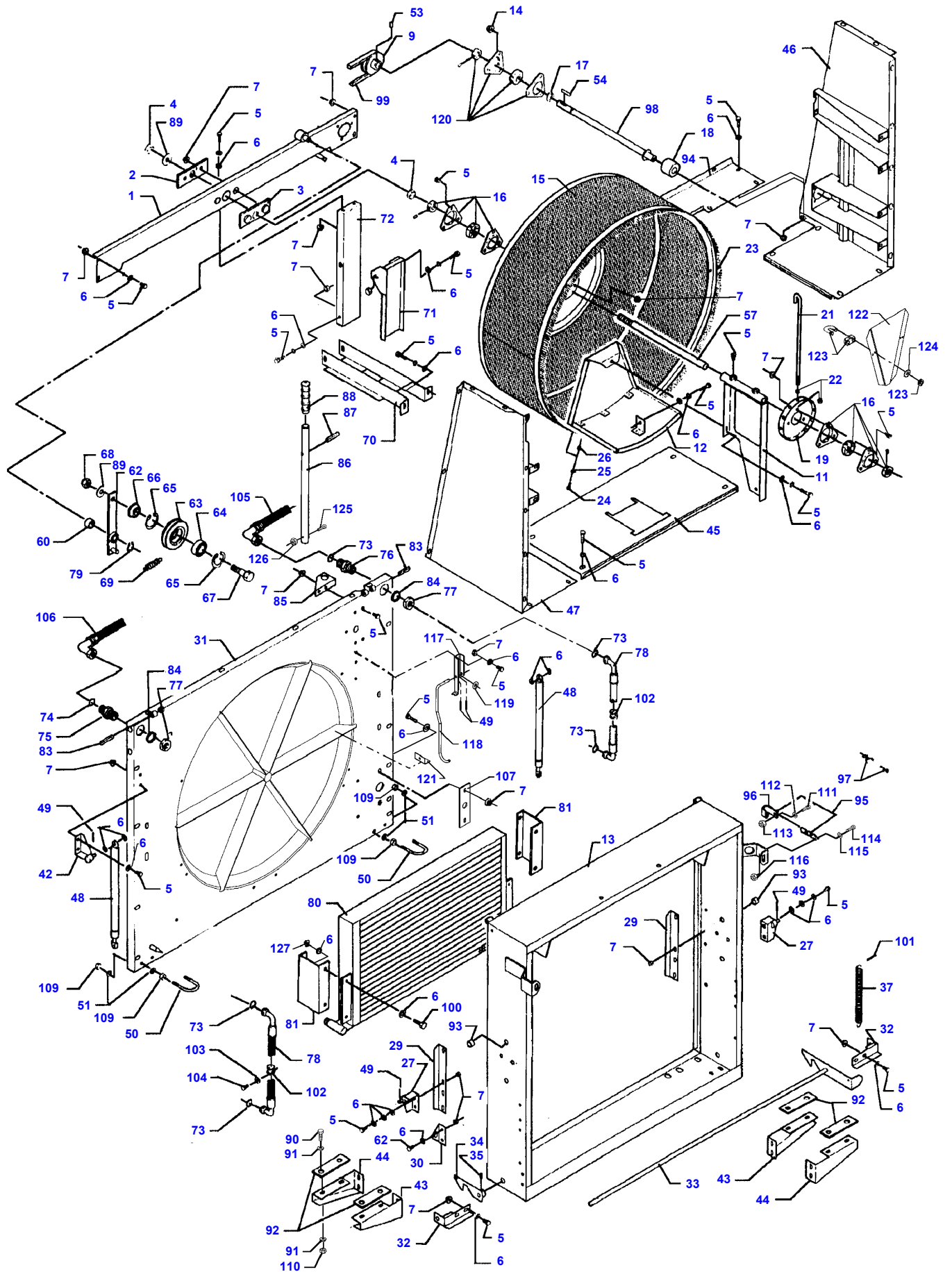
Guard - Grain Tank

Item	Part Number	Qty	Description	Comments
1	D28884085	1	Panel	
2	D40404900	X	Hex. Sock. Screw	
3	D20400506	X	Washer	
4	D28884080	1	Plate	
5	D20400414	X	Washer	
6	D40405000	2	Hex. Sock. Screw	
7	D20400415	X	Washer	
8	D41013500	X	Nut	
9	D20400446	6	Washer	
10	D40405300	2	Screw	
11	D28884128	1	Panel	
13	D44737100	2	Rubber Strap	
14	D28180969	1	Bracket	
15	D41411100	2	Split Pin	
16	D28160688	1	Wire	
17	D40423800	X	Screw Metric	
18	D28830444	1	Bracket	
19	D18884034	1	Plate	
20	D20400408	X	Washer	
23	D28884026	1	Tank	
24	D28182135	1	Ladder	MF 7252 ACC. MF 7250
25	D28884040	1	Guard	
26	D28884072	1	Guard	
27	D28884042	1	Angle	
28	D28884041	1	Reinforcement	
29	D18884067	1	Guard	
31	D28884074	1	Reinforcement	
32	D44708000	X	Seal Section	Length 1,500M
33	D44708400	X	Gasket	Length 1,500M
34	D28181029	1	Glass Pane	
35	D28780531	1	Warn Indicator	
36	D28780748	1	Retainer	
37	D45084700	1	Work Light	[B]
38	D45080200	1	Bulb	[B]
39	D28780381	1	Retainer	
46	D28181052	1	Frame Assy	MF 7252
47	D28181054	1	Support	MF 7252
48	D43429200	1	Housing	MF 7252
49	D43429300	1	Punch	MF 7252
50	D43429400	1	Latch	MF 7252
51	D28181056	1	Trap	MF 7252
52	D40688200	8	Screw Metric	
53	D40741100	2	Screw	MF 7252
54	D41013400	8	Nut	
56	D28884131	1	Reinforcement	MF 7252
57	D18884156	1	Plate	MF 7250
58	D28184412	1	Reinforcement	
60	D40423800	1	Screw Metric	
61	D41087600	1	Locknut	
62	D20400415	2	Washer	
63	D40407800	1	Hex. Sock. Screw	
64	D41087500	1	Locknut	
65	D28880377	1	Profile	
66	D40405100	2	Hex. Sock. Screw	
67	D20400506	2	Washer	
68	D28182116	1	Clip	MF 7252 ACC. MF 7250
71	D28184176	1	Guard	
72	D28181252	2	Support	MF 7252 ACC. MF 7250
73	D40600700	2	Screw Metric	MF 7252 ACC. MF 7250
74	D41013400	2	Nut	MF 7252 ACC. MF 7250
75	D27800277	1	Spring	
79	D28880127	2	Retainer	
80	D28884134	1	Seal	[A]

FOOTNOTE [A] TANKTOP EXTENSION

FOOTNOTE [B] OPTIONAL EQUIPMENT

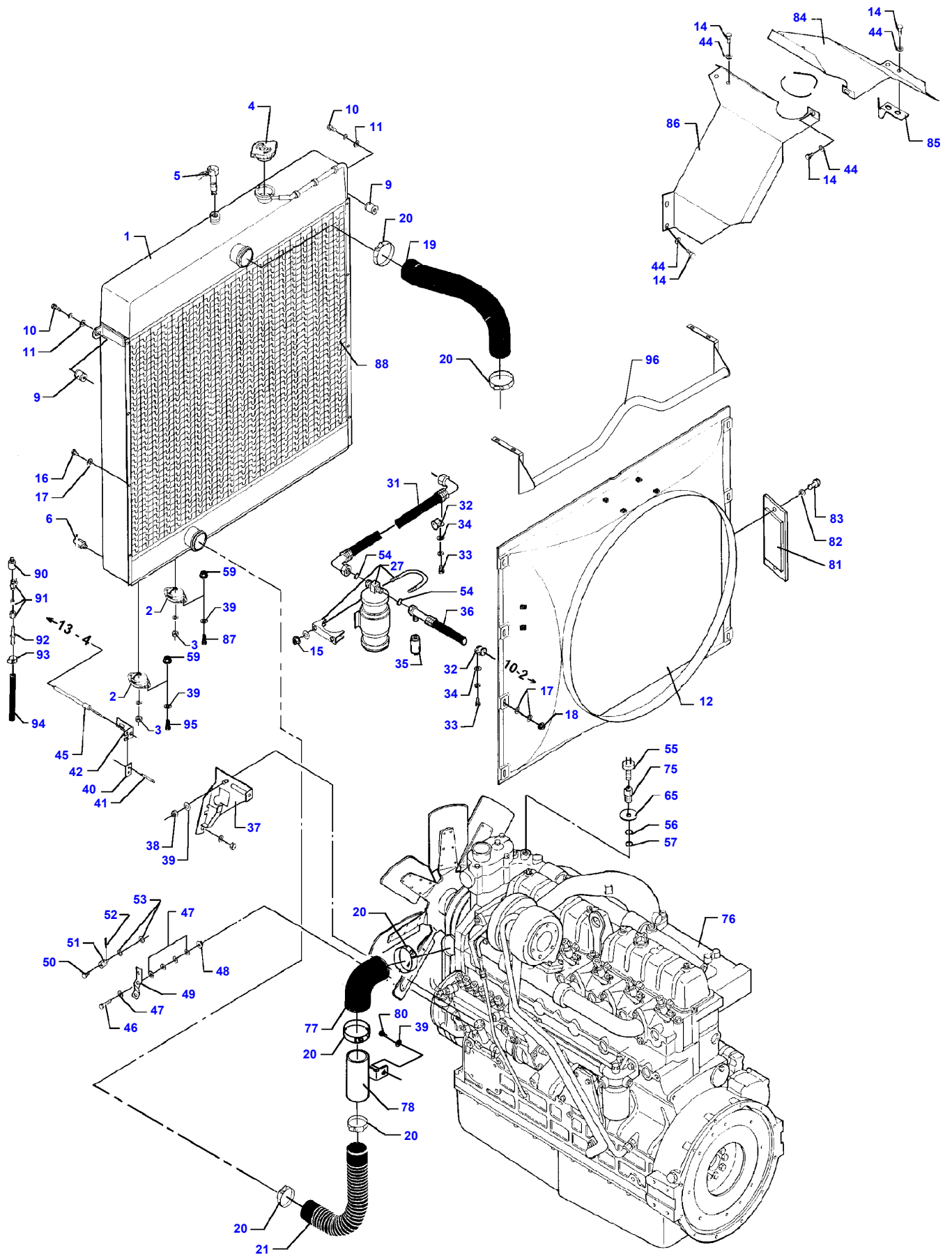
MF 7250/7252 COMBINE - 1637400
D-AZZA-004-A



D-AZZA-004-A

Item	Part Number	Qty	Description	Comments
6	D40422000	1	Screw Metric	
7	D20400404	1	Washer	
8	D28781134	1	Suction Casing	
9	D45269900	4	Connector	
10	D28780533	1	Pipe,Oil	
11	D45739700	1	Support	
12	D28784251	1	Plate	
15	D20400506	X	Washer	
16	D45130030	2	Hydr Hose	
17	D44706600	X	Seal Section	Length 3,450 M
20	D44706600	X	Seal Section	Length 3,750 M
21	D28780912	1	Bracket	
22	D28770432	2	Bearing Carrier	
23	D42502300	1	Circlip	
24	D41622800	2	Bearing Ball	
25	D45254500	1	Union	
26	D40405000	4	Hex. Sock. Screw	
27	D20400506	4	Washer	
28	D41087500	4	Locknut	
29	D28784196	1	Blade	
30	D40407800	4	Hex. Sock. Screw	
31	D41087600	4	Locknut	
32	D28782062	1	Fence	
33	D40404700	2	Hex. Sock. Screw	
34	D20400506	8	Washer	
35	D41013500	6	Nut	
36	D45251500	4	Union	
37	D45264300	4	Connectors	
40	D20400416	8	Washer	
41	D20400439	8	Washer	
44	D41713600	2	Bearing	
47	D28784258	1	Shaft	
48	D28760328	1	Bolt	
49	D42514000	2	Circlip	
50	D41622800	1	Bearing Ball	
51	D28950560	1	Pulley	
52	D28380003	1	Ring	
53	D20400459	1	Washer	
54	D41087900	1	Locknut	
55	D43102200	1	Key	
56	D28784182	1	Pulley	
57	D41990700	1	V Belt	
58	D40404900	X	Hex. Sock. Screw	
59	D40402400	2	Hex. Sock. Screw	
60	D40407900	8	Hex. Sock. Screw	
61	D20400415	8	Washer	
62	D28784259	1	Guard	
63	D28781152	1	Cap	
64	D28781125	1	Lever	
65	D43361000	1	Bush	(64)
67	D28761057	1	Spring	
68	D42501400	1	Circlip	
69	D28784257	1	Fitting	
70	D28781135	1	Angle	
71	D40407400	2	Screw Metric	
72	D20400416	2	Washer	
73	D20400538	1	Washer	
74	D45130037	2	Hydraulic Hose	
75	D28782277	1	Oil Cooler	
76	D28781549	1	Lock	
77	D28781550	1	Lock	
78	D28781548	2	Support	
79	D45742400	2	Plug	
80	D40405000	4	Hex. Sock. Screw	
81	D20400506	4	Washer	
82	1441462X1	X	Locknut	Replace and repair. Old not interchangeable with new D41087400

MF 7250/7252 COMBINE - 1637400
D-AZZB-005-A



D-AZZB-005-A

Item	Part Number	Qty	Description	Comments
1	D28784397	1	Radiator	
2	D28786348	6	Rubber	Valid from machine/table no, can be used in new as well as in older machines 57532
3	D41010800	4	Nut	
4	D46409400	1	Cap	
5	D45073900	1	Switch,Indirect	
6	D46419500	1	Bleeder	
9	D46482000	2	Damper	
10	D40407400	4	Screw Metric	
11	D20400416	4	Washer	
12	D28782100	1	Guard	
14	D40402400	X	Hex. Sock. Screw	
15	D41013400	X	Nut	
16	D40421800	8	Screw Metric	
17	D20400470	24	Washer	
18	1441462X1	8	Locknut	Replace and repair. Old not interchangeable with new D41087400
19	D46449700	1	Hose	
20	D45728500	6	Clamp	
21	D46448700	1	Hose	
27	D45070017	1	Filter	
31	D45080066	1	Hose	
32	D45729800	2	Clamp	
33	D40402400	2	Hex. Sock. Screw	
34	D20400404	2	Washer	
35	D45053700	1	Pressure Switch	R12
	D45070023	1	Switch	R134
36	D45080067	1	Hose	
37	D28751586	1	Support	Up to Serial or Engine Number 57680
	D28786892	1	Support	From Serial or Engine Number 57681
38	D41087500	1	Locknut	
39	D20400506	2	Washer	
40	D28730779	1	Locking Plate	
41	D41405700	1	Pin	
42	D28751582	1	Cable Clamp	From Serial or Engine Number 57680
44	D20400470	2	Washer	
45	D46439300	1	Cable	
46	D40402600	1	Hex. Sock. Screw	
47	D20400453	5	Washer	
48	D41013400	1	Nut	
49	D28786095	1	Arm	Valid from machine/table no, can be used in new as well as in older machines 57681
50	D40402200	1	Hex. Sock. Screw	
51	D28751580	1	Stud	
52	D41402700	1	Pin	
53	D20400404	2	Washer	
54	D45450000	2	O Ring	Replace and repair. Old not interchangeable with new D45450300
55	D44900617	1	Sensor	[A]
	D45029900	1	Indicator	
56	D45201600	2	Packing	
57	D45201800	1	Ring	
59	D41013500	4	Nut	
65	D28780947	1	Washer	
76	V832757774	1	Engine	180 HK Replace and repair. Old not interchangeable with new D46490002
77	D46425300	1	Hose	
78	D28784281	1	Water Hose	
80	D40405300	1	Screw	
81	D28781115	1	Trap	
82	D20400404	2	Washer	
83	D43385100	2	Screw	
84	D28784261	1	Guard	
85	D28784262	1	Fitting	
86	D28784290	1	Guard	
87	D40404900	8	Hex. Sock. Screw	
88	D28784398	1	Radiator	
90	D28752513	1	Adaptor	[A]

Massey Ferguson

MF 7250/7252 COMBINE - 1637400

1637400

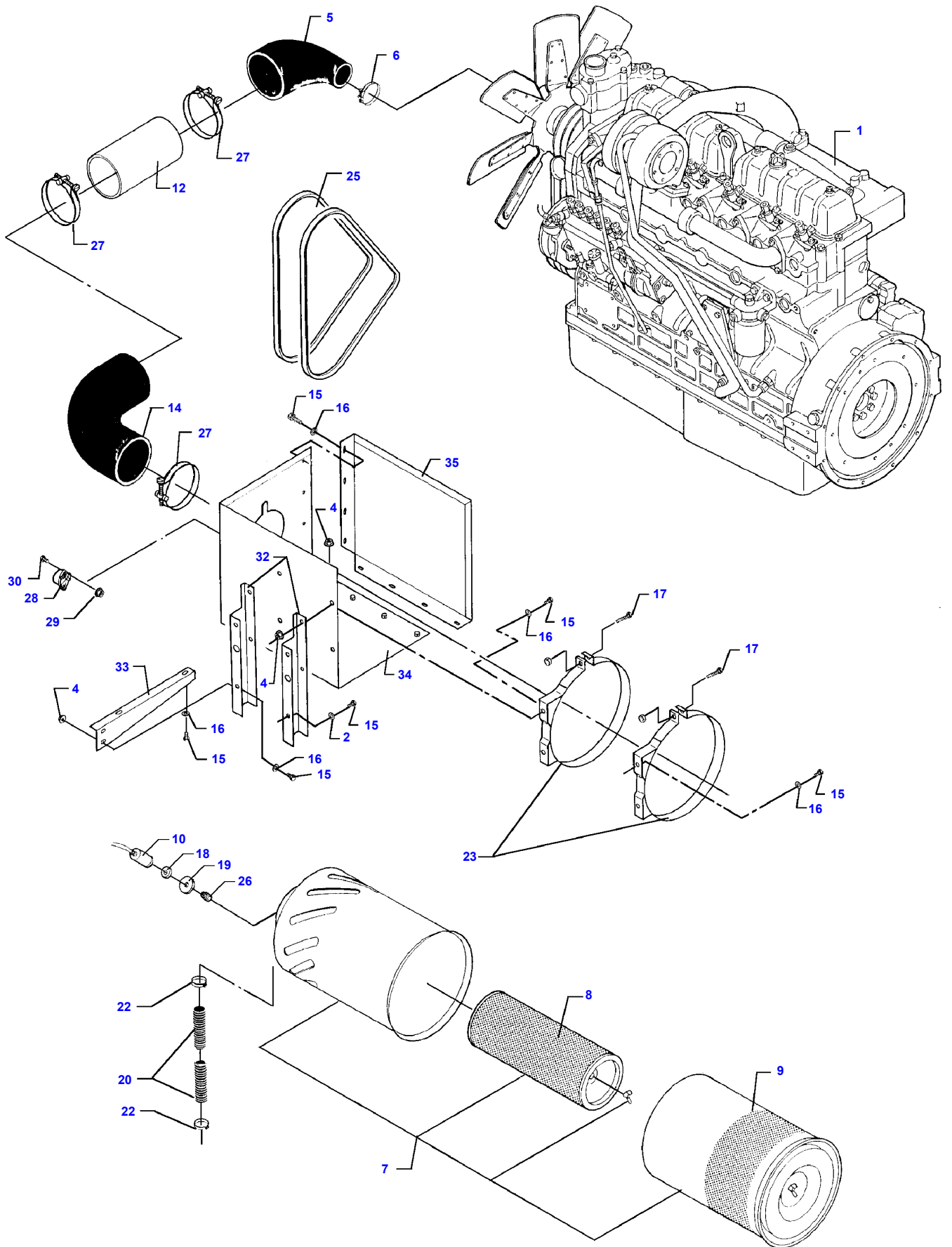
Cooling System And Ventilator Screen - M F 7252

Page010-0002

Item	Part Number	Qty	Description	Comments
91	D46401100	1	Plug	[A]
92	D46418200	1	Adaptor	[A]
93	D45729700	1	Clamp	[A]
94	D28780572	1	Hose	[A]
95	D40405000	4	Hex. Sock. Screw	
96	D28781804	1	Support	

FOOTNOTE [A] OPTIONAL EQUIPMENT

MF 7250/7252 COMBINE - 1637400
D-BAAU-001-A



D-BAAU-001-A

Massey Ferguson**MF 7250/7252 COMBINE - 1637400**

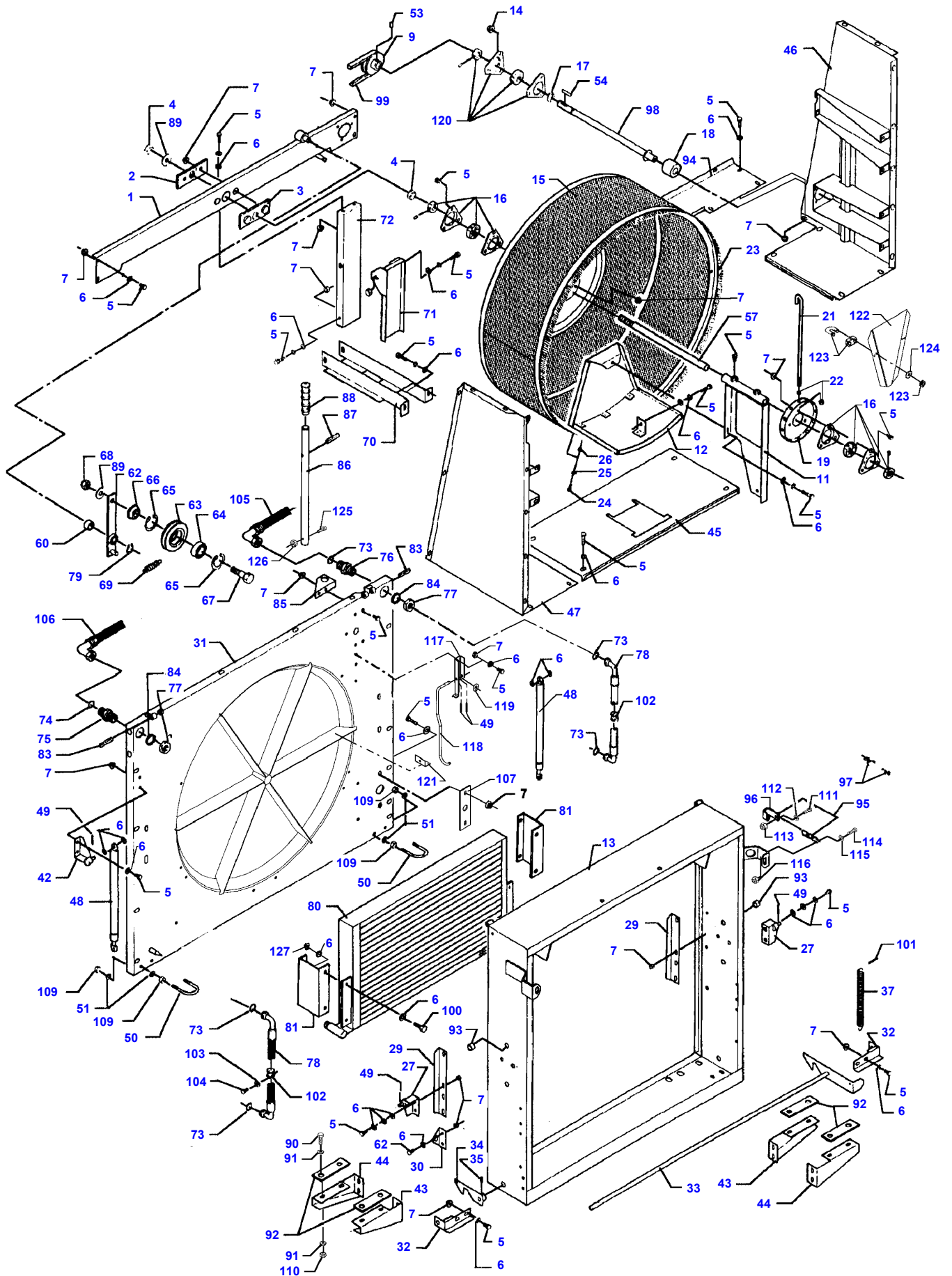
1637400

Air Cleaner - M F 7252

Page010-0003

Item	Part Number	Qty	Description	Comments
1	V832757774	1	Engine	180 HK Replace and repair. Old not interchangeable with new D46490002
2	D20400414	4	Washer	
4	D41013500	X	Nut	
5	D28781166	1	Hose	
6	D45737200	1	Hose Clip	
7	D46442200	1	Air Filter	
8	3580724M1	1	Air Fitr.Element	(7)
9	3580723M1	1	Air Fitr.Element	(7)
10	D28780881	1	Cap	
12	D28784176	1	Tube	
14	D46421300	1	Hose	
15	D40404900	X	Hex. Sock. Screw	
16	D20400506	X	Washer	
17	D40423800	2	Screw Metric	
18	D46442400	1	Indicator	
19	D20400417	1	Washer	
20	D46449100	1	Hose	
22	D45727500	2	Clamp	
23	D46421200	2	Clamp	
25	D41990013	1	Belt	
26	D28780730	1	Holder	
27	D45733700	3	Hose Clip	
28	D45026300	1	Electric Socket	
29	D41010400	2	Nut	
30	D40351800	2	Screw	
32	D28784177	2	Support	
33	D28784178	1	Support	
34	D28780509	1	Guard	
35	D28784179	1	Cover	

MF 7250/7252 COMBINE - 1637400
D-AZZD-005-A



D-AZZD-005-A

Rotary Screen - M F 7252

Item	Part Number	Qty	Description	Comments
1	D28784218	1	Support	
2	D28780966	1	Plate	
3	D28780954	1	Plate	
4	D41011100	2	Nut	
5	D40404900	X	Hex. Sock. Screw	
6	D20400506	X	Washer	
7	D41013500	X	Nut	
8	D28784246	1	Fitting	
9	D28780114	1	Pulley	
11	D28781045	1	Bracket	
12	D28781043	1	Plate	
13	D28781134	1	Suction Casing	
14	D41087500	2	Locknut	
15	D28780905	1	Intake	
	D28780984	1	Strainer	(15)
16	D41713600	3	Bearing	(15)
17	D42501600	1	Circlip	(15)
18	D28450420	1	Bush	(15)
	D28450420	1	Bush	(98)
19	D28780096	1	Hub	(15)
21	D28780094	12	Spoke	(15)
22	D41010600	X	Nut	(15)
23	D28781010	1	Seal	(15)
24	D40351800	10	Screw	(15)
25	D20400400	10	Washer	(15)
26	D41087200	10	Locknut	(15)
27	D28784289	2	Fitting	
29	D28784240	2	Reinforcement	
30	D28784207	1	Fitting	
31	D28781133	1	Plate	
32	D28784197	2	Bracket	
33	D28784200	1	Pawl	
34	D28784202	1	Pawl	
35	D42604900	1	Pin	
37	D28761862	1	Tension Spring	
42	D28784287	1	Fitting	
43	D28784252	2	Support	
44	D28784253	2	Support	
45	D28784231	1	Plate	
46	D28784226	1	Plate	
47	D28784225	1	Plate	
48	D45056700	2	Gas Strut	
49	D41404400	5	Split Pin	
50	D28781204	2	Stirrup	
51	D20400506	X	Washer	
53	D40631000	1	Stud	
54	D43102200	1	Key	
57	D28788537	1	Shaft	Valid from machine/table no, can be used in new as well as in older machines 58952
60	D43361000	1	Bush	(62)
62	D28784190	1	Lever	
63	D28950560	1	Pulley	
64	D41622800	1	Bearing Ball	
65	D42514000	2	Circlip	
66	D28380003	1	Ring	
67	D28760328	1	Bolt	
68	D41087900	1	Locknut	
69	D28761057	1	Spring	
70	D28780786	1	Shroud	
71	D28780779	1	Shroud	
72	D28780783	1	Bracket	
73	D45450100	5	O Ring	Replace and repair. Old not interchangeable with new D45450400
74	D45450000	1	O Ring	Replace and repair. Old not interchangeable with new D45450300
75	D28784084	1	Lead	
76	D28784083	1	Lead	
77	D28784082	2	Nut	
78	D45080059	2	Hose	
79	D42501400	1	Circlip	
80	D28784065	1	Condenser	
81	D28784198	2	Fitting	

Massey Ferguson**MF 7250/7252 COMBINE - 1637400**

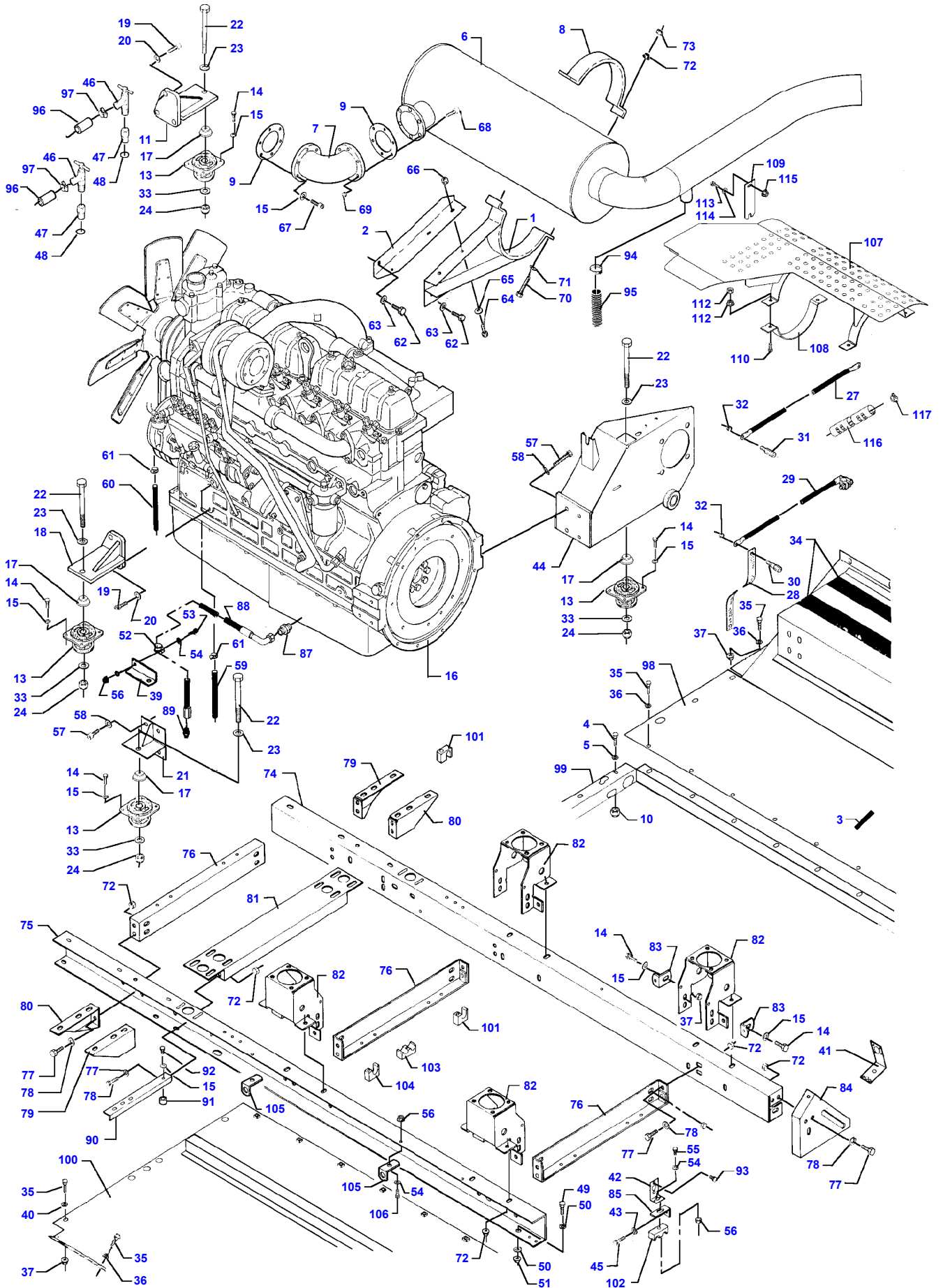
1637400

Page010-0004

Rotary Screen - M F 7252

Item	Part Number	Qty	Description	Comments
82	D40405000	6	Hex. Sock. Screw	
83	D42612600	2	Pin	
84	D44732500	2	Grommet	
85	D28781145	2	Fitting	
86	D28781146	1	Lever	
87	D42609300	2	Pin	
88	D43384000	1	Lever	
89	D20400459	1	Washer	
90	D40407200	8	Hex. Sock. Screw	
91	D20400473	16	Washer	
92	D28781111	4	Shim	
93	D45742900	4	Plug	
94	D28784220	1	Plate	
95	D28781172	1	Chain	
96	D28781173	1	Fitting	(95)
97	D42386200	2	Hook	
98	D28781174	1	Shaft	
99	D41990011	1	Belt	
100	D40405000	8	Hex. Sock. Screw	
101	D41408700	1	Split Pin	
102	D45729800	2	Clamp	
103	D20400404	4	Washer	
104	D40402600	2	Hex. Sock. Screw	
105	D45080064	1	Hose	FREON R134
106	D45080066	1	Hose	
107	D28781198	1	Plate	
109	D41010700	X	Nut	
110	D41092500	8	Nut	
111	D40402600	1	Hex. Sock. Screw	(95)
112	D20400470	1	Washer	(95)
113	1441462X1	1	Locknut	(95) Replace and repair. Old not interchangeable with new D41087400
114	D40402700	1	Hex. Sock. Screw	
115	D20400470	1	Washer	
116	1441462X1	1	Locknut	Replace and repair. Old not interchangeable with new D41087400
117	D28781762	1	Support	
118	D28781761	1	Support	
119	D20400413	1	Washer	
120	D41717100	1	Bearing	
121	D28780440	2	Retainer	
122	D28781763	1	Blade	
123	D43405900	2	Bracket	
124	D20400402	2	Washer	
125	D40423600	1	Screw Metric	
126	D41087500	1	Locknut	
127	D41087500	8	Locknut	

MF 7250/7252 COMBINE - 1637400
D-BAAZ-001-A



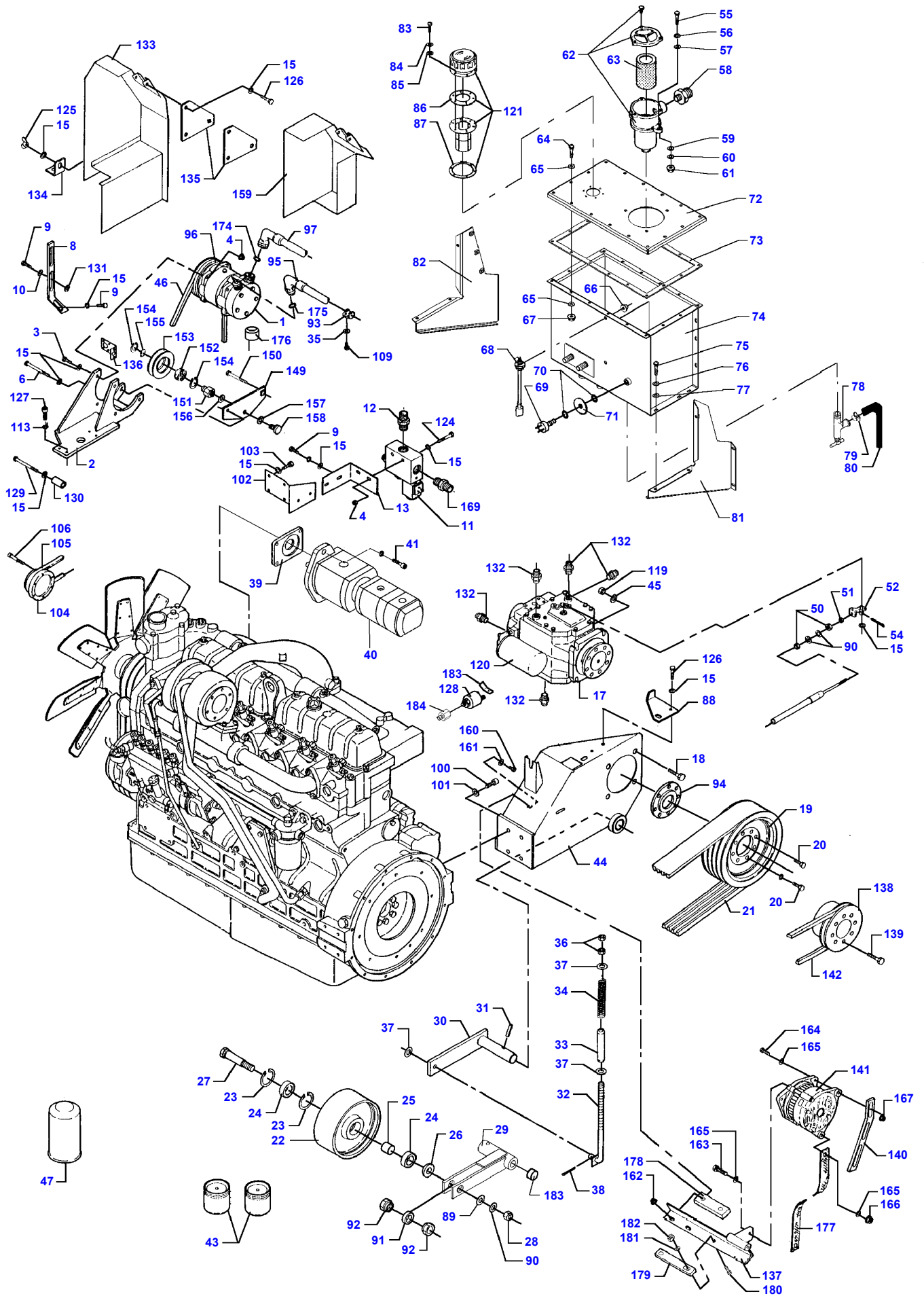
D-BAAZ-001-A

Item	Part Number	Qty	Description	Comments
1	D28787036	1	Bracket	
2	D28782066	1	Stay	
3	D44735900	X	Seal Section	
4	D40405000	X	Hex. Sock. Screw	
5	D20400414	X	Washer	
6	D28782094	1	Silencer	
7	D28784247	1	Exhaust Pipe	
8	D28780147	1	Tensioner	
9	D46443600	2	Gasket	
10	D41013500	X	Nut	
11	D28782040	1	Suspension	
13	D46406600	4	Damper	
14	D40405100	X	Hex. Sock. Screw	
15	D20400506	X	Washer	
16	V832757774	1	Engine	180 HK Replace and repair. Old not interchangeable with new D46490002
17	D28781296	4	Spacer	
18	D28782039	1	Suspension	
19	D40698800	6	Bolt	
20	D20400429	6	Washer	
21	D28770293	1	Suspension	
22	D40434800	4	Screw	
23	D20400433	4	Washer	
24	D41087900	4	Locknut	
27	D28781891	1	Battery Cable	
28	D28760642	1	Earth Strap	
29	D28781928	1	Harness	
30	D28761472	1	Threaded Part	[A]
31	D28761073	1	Threaded Part	
32	D41010700	2	Nut	
33	D28781297	4	Spacer	
34	D44738900	X	Strip	Length 1,80 M
35	D40404900	X	Hex. Sock. Screw	
36	D20400506	X	Washer	
37	D41013500	X	Nut	
39	D28780171	1	Hose Clip	
40	D20400414	X	Washer	
41	D28780381	1	Retainer	
42	D28780772	1	Retainer	
43	D20400470	1	Washer	
44	D28780273	1	Bracket	
45	D40402600	1	Hex. Sock. Screw	
46	D46422300	2	Cock	
47	D28950540	2	Union	
48	D45201800	2	Ring	
49	D40416600	4	Screw Metric	
50	D28181284	8	Washer	
51	D41087900	4	Locknut	
52	D45730400	1	Clamp	
53	D40402400	1	Hex. Sock. Screw	
54	D20400404	5	Washer	
55	D40422000	2	Screw Metric	
56	D41013400	4	Nut	
57	D40693800	8	Screw	
58	D20400426	8	Washer	
59	D28784144	1	Fuel Hose	
60	D28784146	1	Hose	
61	D45729700	2	Clamp	
62	D40410900	2	Hex. Sock. Screw	
63	D20400426	2	Washer	
64	D40407800	2	Hex. Sock. Screw	
65	D20400416	2	Washer	
66	D41087600	2	Locknut	
67	D40690400	6	Screw	
68	D40405100	6	Hex. Sock. Screw	
69	D41010400	6	Nut	
70	D40408600	2	Hex. Sock. Screw	
71	D20400471	2	Washer	
72	D41087600	2	Locknut	
73	D41010800	2	Nut	
74	D28784173	1	Support	

Item	Part Number	Qty	Description	Comments
75	D28784174	1	Support	
76	D28784172	3	Crossmember	
77	D40407800	36	Hex. Sock. Screw	
78	D20400416	36	Washer	
79	D28784252	2	Support	
80	D28784253	2	Support	
81	D28784170	1	Bracket	
82	D28784171	4	Support	
83	D28750930	2	Angle	
84	D28784169	1	Fitting	
85	D28751238	1	Bracket	
87	D45251100	1	Union	
88	D45130033	1	Hydr Hose	
89	D28781170	1	Plug	
90	D28780682	1	Fitting	
91	D28480172	1	Spacer	
92	D40405300	1	Screw	
93	D40741200	2	Screw	
94	D45727500	1	Clamp	
95	D46449100	1	Hose	
96	D44717700	X	Hose	Length 8,600 M
97	D45726800	2	Clamp	
98	D28184380	1	Roof	
99	D28182190	1	Roof	
100	D28184378	1	Roof	
101	D45739500	X	Support	
102	D45739200	X	Support	
103	D45736700	X	Support	
104	D45739700	X	Support	
105	D28984004	2	Retainer	
106	D40402700	2	Hex. Sock. Screw	
107	D28782132	1	Guard	
108	D28784409	2	Stirrup	
109	D28782133	1	Fitting	
110	D40426200	4	Screw	
112	D41010800	8	Nut	
113	D40404900	1	Hex. Sock. Screw	
114	D20400506	1	Washer	
115	D41013500	1	Nut	
116	D28280782	1	Guard	
117	D45728000	1	Clamp	

FOOTNOTE [A] USED AS PER TYPE OF THREAD ON THE ENGINE

MF 7250/7252 COMBINE - 1637400
D-AZYF-002-A



D-AZYF-002-A

Prop. pump and Hydr. pump

Item	Part Number	Qty	Description	Comments
1	D45080062	1	Compressor	FREON R134
	D45000198	1	Kit, Compressor	
2	D28782059	1	Console	
3	D40423600	6	Screw Metric	
4	D41013500	X	Nut	
6	D40425100	1	Screw	
7	D41087500	1	Locknut	
8	D28780603	1	Tensioner	
9	D40405000	3	Hex. Sock. Screw	
10	D20400414	2	Washer	
11	D45110053	1	Bypass	
12	D45251500	2	Union	
13	D28780344	1	Bracket	
15	D20400506	X	Washer	
17	D45161000	1	Hydraulic Pump	[B]
	D45161500	1	Hydraulic Pump	
18	D40411300	4	Hex. Sock. Screw	
19	D28750079	1	Pulley	
20	D40407800	8	Hex. Sock. Screw	
21	D41990055	1	Belt	
22	D28880196	1	Pulley	
23	D42513700	1	Circlip	
24	D41622700	2	Bearing Ball	
25	D28780007	1	Ring	
26	D28380003	1	Ring	
27	D28780008	1	Bolt	
28	D41011100	1	Nut	
29	D28781993	1	Arm	
30	D28780197	1	Arm	
31	D42621900	1	Pin	
32	D28780195	1	Spindle	
33	D28780196	1	Pipe	
34	D28210881	1	Comp.Spring	
35	D20400404	X	Washer	
36	D41010900	2	Nut	
37	D20400423	3	Washer	
38	D41410700	1	Split Pin	
39	D28751567	1	Flange	
40	D45169000	1	Hydraulic Pump	
41	D40690700	4	Screw Metric	
43	1896287M91	2	Fuel Element	
44	D28780273	1	Bracket	
45	D20400446	4	Washer	
46	D41909000	1	Belt	AIR CONDITIONED
	D41990700	1	V Belt	
47	V836662111	1	Filter	
49	D46439000	1	Cable	
50	D41042700	2	Nut	
51	D41018300	1	Nut Unf	
52	D28784148	1	Tensioner	
53	D43367400	1	Bush	(44)
54	D41405900	1	Pin	
55	D40692400	3	Screw	
56	D45715700	3	Washer	
57	D45715600	3	Washer	
58	D45255300	1	Union	
59	D20400507	3	Spacer	
60	D41100800	3	Spring Washers	
61	D41010800	3	Nut	
62	D45165800	1	Seal	
63	D45165900	1	Filter	
64	D40405000	16	Hex. Sock. Screw	
65	D20400506	32	Washer	
66	D41010900	2	Nut	
67	D41087500	16	Locknut	
68	D45080021	1	Dipstick	
69	D45029900	1	Indicator	
70	D45201600	2	Packing	
71	D28780947	1	Washer	
72	D28781818	1	Plate	
73	D28781819	1	Kit, Seal	

Prop. pump and Hydr. pump

Item	Part Number	Qty	Description	Comments
74	D28781816	1	Tank	
74	D28781991	1	Tank	
75	D40476300	8	Screw	
76	D41100700	8	Spring Washers	
77	D20400506	8	Washer	
78	D46422300	1	Cock	
79	D45726800	1	Clamp	
80	D44717700	1	Hose	
81	D28785452	1	Bracket	
82	D28785451	1	Bracket	
83	D40749100	6	Screw Metric	
84	D45715300	6	Washer	
85	D45715100	6	Washer	
86	D45145800	1	Seal	
87	D45103100	1	Gasket	
88	D28780896	1	Reducer	
89	D20400437	1	Washer	
90	D20400459	3	Washer	
91	D28780776	1	Spacer	
92	D28780777	2	Eccentric	
93	D45729800	X	Clamp	
94	D28782031	1	Washer	
95	D45080065	1	Hose	FREON R134
96	D45070016	1	Coupler	(1)
97	D45080064	1	Hose	FREON R134
100	D40693800	4	Screw	
101	D20400446	4	Washer	
102	D28782088	1	Console	
103	D40405000	4	Hex. Sock. Screw	
104	D28784191	1	Pulley	
105	D41990012	1	Belt	MF 7250
105	D41990013	X	Belt	MF 7252 0,5
106	D40691200	6	Screw	
109	D40402600	X	Hex. Sock. Screw	
119	D41087700	4	Locknut	
120	D45144600	1	Oil Filter	
120	D45161300	1	Oil Filter	[B]
121	D45103000	1	Filter	
124	D40424300	X	Hex. Sock. Screw	
125	D41057300	2	Wing Nut	MF 7252
126	D40404900	X	Hex. Sock. Screw	
127	D40692400	2	Screw	
128	D44900586	1	Gauge	[A]
128	D45083000	1	Pressure Switch	
129	D40424500	1	Screw	
130	D28480172	1	Spacer	
131	D20400424	1	Washer	
132	D45251100	5	Union	
133	D28784265	1	Guard	MF 7252
134	D28781135	1	Angle	MF 7252
135	D28781148	2	Fitting	
136	D28780772	1	Retainer	
137	D28781122	1	Bracket	[C]
138	D28781123	1	Pulley	[C]
139	D40427000	8	Hex. Sock. Screw	[C]
140	D28780603	1	Tensioner	[C]
141	D46446700	1	Alternator	[C]
142	D41904200	1	Belt	[C]
149	D28984013	1	Lever	MF 7250
150	D40424900	1	Screw Metric	MF 7250
151	D28950559	1	Support	MF 7250
152	D41628800	1	Bearing Ball	MF 7250
153	D28950560	1	Pulley	MF 7250
154	D42514000	2	Circlip	
155	D42501800	1	Circlip	MF 7250
156	D20400446	1	Washer	MF 7250
157	D20400537	1	Spacer	MF 7250
158	D40410800	1	Screw Metric	MF 7250
159	D28784369	1	Cladding	MF 7250
160	D40408300	2	Screw Metric	[C]

Prop. pump and Hydr. pump

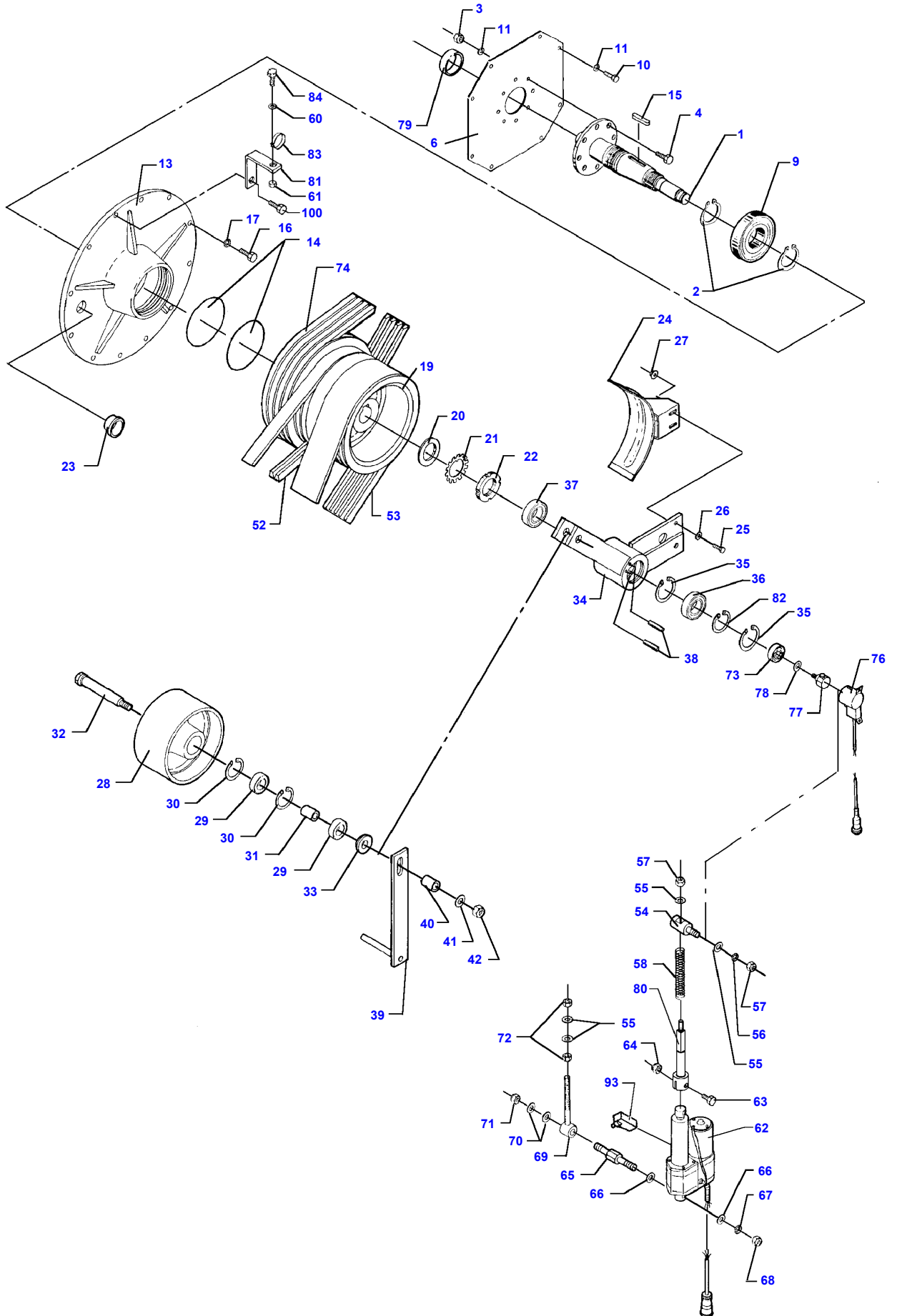
Item	Part Number	Qty	Description	Comments
161	D20400471	2	Washer	[C]
162	D41087600	2	Locknut	[C]
163	D40425100	1	Screw	[C]
164	D40405000	2	Hex. Sock. Screw	[C]
165	D20400506	4	Washer	[C]
166	D41087500	1	Locknut	[C]
167	D41013500	2	Nut	[C]
169	D45255500	1	Fitting	
174	D45450100	1	O Ring	Replace and repair. Old not interchangeable with new D45450400
175	D45450200	1	O Ring	Replace and repair. Old not interchangeable with new D45450500
177	D28760642	1	Earth Strap	
178	D28780002	1	Fitting	
179	D28780001	1	Fitting	
180	D40407800	1	Hex. Sock. Screw	
181	D20400471	1	Washer	
182	D41087600	1	Locknut	
183	D45744200	1	Ferrule	
184	D28786520	1	Nipple	[A]

FOOTNOTE [A] OPTIONAL EQUIPMENT

FOOTNOTE [B] TRANSMISSION SYSTEM FOR 75 CCM

FOOTNOTE [C] OPTIONAL EQUIPM VERTICAL KNIFE

MF 7250/7252 COMBINE - 1637400
D-AZZG-005-A

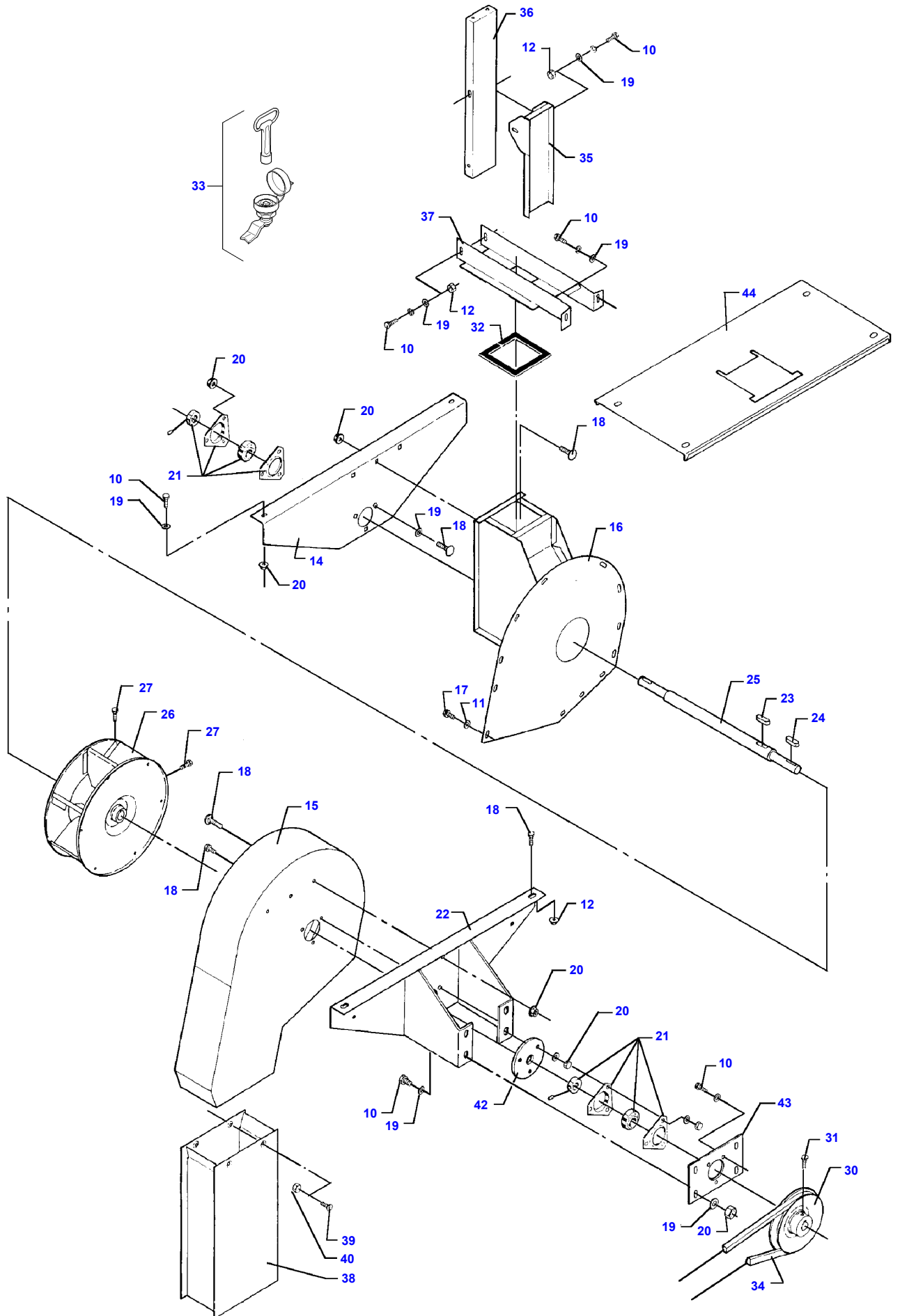


D-AZZG-005-A

Power Take-Off

Item	Part Number	Qty	Description
1	D28751548	1	Shaft
2	D42504800	2	Circlip
3	D41010800	6	Nut
4	D40407700	6	Hex. Sock. Screw
6	D28788539	1	Plate
9	D41629600	1	Bearing Ball
10	D40448300	8	Setscrew
11	D41112500	14	Washer
13	D28730168	1	Bearing Carrier
14	D45470800	2	O Ring
15	D43105000	1	Key
16	D40407800	12	Hex. Sock. Screw
17	D41112500	12	Washer
19	D28784008	1	Pulley
20	D28730018	1	Washer
21	D28710736	1	Lock Washer
22	D28710073	1	Nut
23	D45746700	2	Plug
24	D28784011	1	Protector
25	D40405100	2	Hex. Sock. Screw
26	D20400506	2	Washer
27	D41013500	2	Nut
28	D28880196	1	Pulley
29	D41622700	2	Bearing Ball
30	D42513700	2	Circlip
31	D28780007	1	Ring
32	D28780008	1	Bolt
33	D28380003	1	Ring
34	D28787005	1	Lever
35	D42514500	2	Circlip
36	D41622900	1	Bearing Ball
37	D41623000	1	Bear. 6207 2rs
38	D42605600	2	Pin
39	D28784455	1	Support
40	D28780224	1	Spacer
41	D20400517	1	Spacer
42	D41087900	1	Locknut
52	D41990050	1	Belt
53	D41990053	1	Belt
54	D28780250	1	Pin
55	D20400423	4	Washer
56	D41112300	1	Washer
57	D41087700	2	Locknut
58	D28780182	1	Spring
60	D20400404	1	Washer
61	D41013400	1	Nut
62	D28786908	1	Actuator
63	D40411400	1	Screw Metric
64	D41087700	1	Locknut
65	D28786881	1	Pivot
66	D20400426	2	Washer
67	D41112300	1	Washer
68	D41087700	1	Locknut
69	D28780843	1	Bolt
70	D20400459	2	Washer
71	D41087900	1	Locknut
72	D41010900	2	Nut
73	D41622600	1	Bearing Ball
74	D41990055	1	Belt
76	D28780514	1	Sensor
77	D28780516	1	Inductive Taker
78	D20400419	1	Washer
79	D28720925	1	Clamp
80	D28780247	1	Bolt
81	D28782086	1	Support
82	D42502800	1	Circlip
83	D45728300	1	Clip
84	D40402600	1	Hex. Sock. Screw
93	D45080034	2	Micro Switch
94	D45070035	1	Diode
100	D40407900	1	Hex. Sock. Screw

MF 7250/7252 COMBINE - 1637400
D-AZZH-004-A

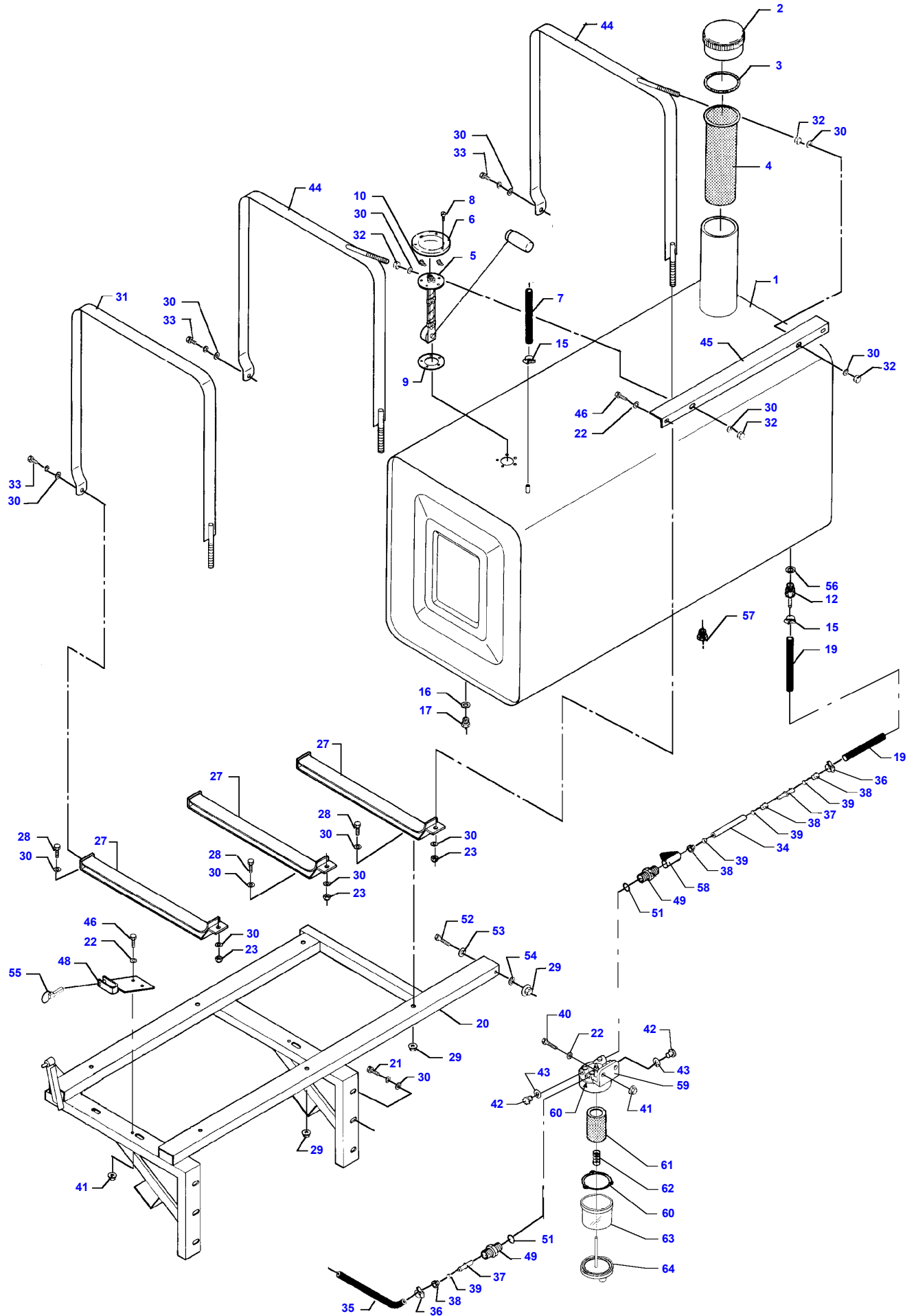


D-AZZH-004-A

Fan Housing - M F 7252

Item	Part Number	Qty	Description	Comments
10	D40404900	X	Hex. Sock. Screw	
11	D20400404	X	Washer	
12	D41013500	X	Nut	
14	D28780151	1	Bracket	
15	D28780573	1	Housing	
16	D28780596	1	Cover	
17	D40402400	13	Hex. Sock. Screw	
18	D40063700	X	Screw Metric	
19	D20400506	X	Washer	
20	D41013500	X	Nut	
21	D41713700	2	Bearing	
22	D28784080	1	Bracket	
23	D43103400	1	Key	
24	D43102200	1	Key	
25	D28784047	1	Shaft	
26	D28780586	1	Fan	
27	D40404900	2	Hex. Sock. Screw	
30	D28780113	1	Pulley	
31	D40404900	1	Hex. Sock. Screw	
32	D44741500	X	Gasket	Length 0,360M
33	D43425200	1	Key	From Serial or Engine Number 57636
	D43425300	1	Nut	From Serial or Engine Number 57636
	D43425400	1	Packing	From Serial or Engine Number 57636
	D43425500	1	O Ring	From Serial or Engine Number 57636
	D43425600	1	Cap	From Serial or Engine Number 57636
	D43425700	1	Rod	From Serial or Engine Number 57636
	D43425800	1	Screw	From Serial or Engine Number 57636
	D43425900	1	Lock	From Serial or Engine Number 57636
34	D41936700	1	Belt	
35	D28780779	1	Shroud	
36	D28780783	1	Bracket	
37	D28780786	1	Shroud	
38	D28780799	1	Exhaust Pipe	
39	D40600500	4	Screw Metric	
40	D41010600	4	Nut	
42	D28782092	1	Plate	
43	D28782004	1	Bearing Carrier	
44	D28784231	1	Plate	

MF 7250/7252 COMBINE - 1637400
D-AZAA-004-A

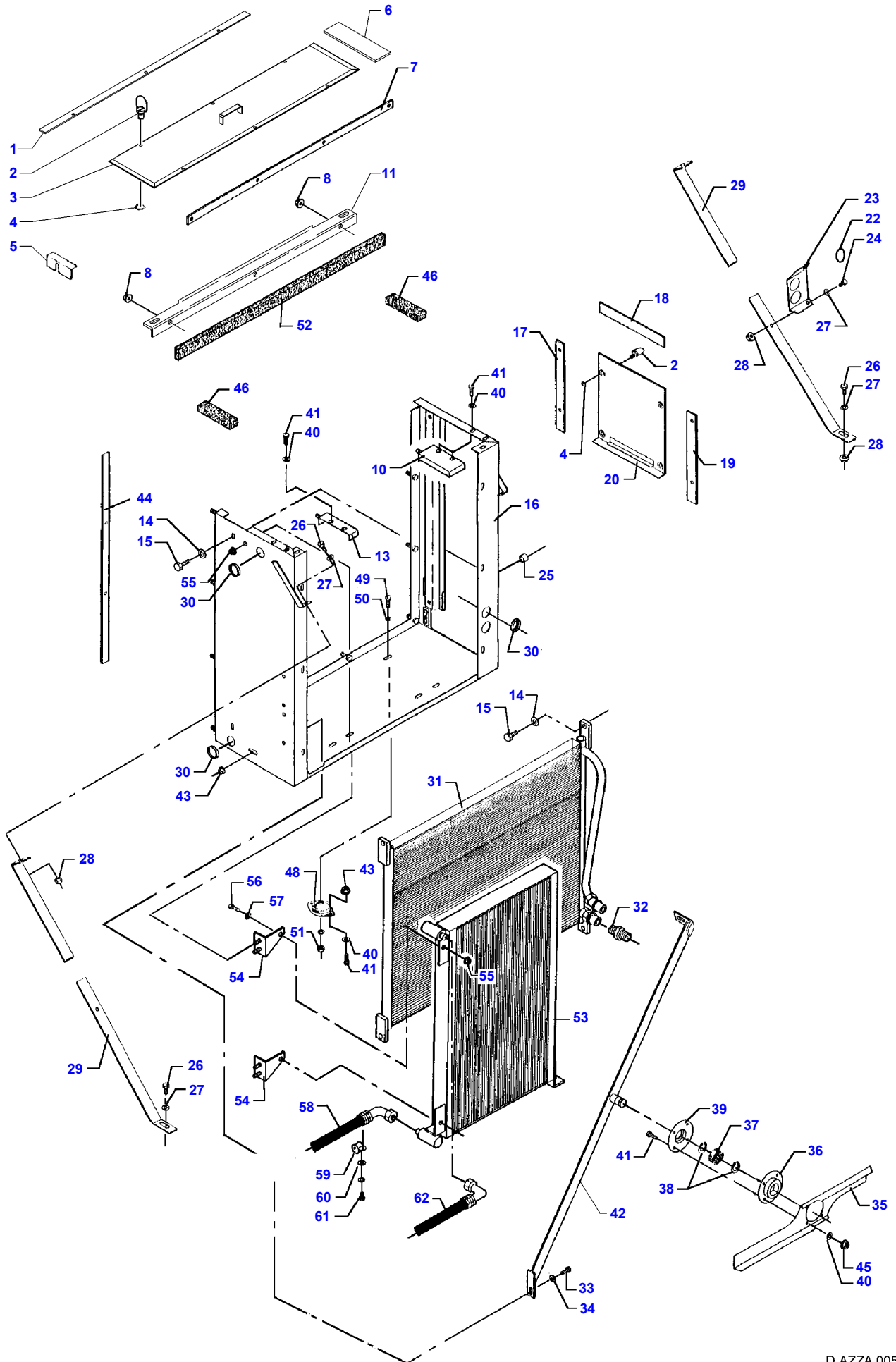


D-AZAA-004-A

Fuel Tank

Item	Part Number	Qty	Description	Comments
1	D28780162	1	Fuel Tank	
2	D46404300	1	Cover	
3	D46404400	1	Packing	
4	D46403500	1	Fuel Filter	
5	D45089900	1	Gauge	
6	D28784157	1	Cover	
7	D28784146	1	Hose	
8	D40420800	5	Screw	
9	D45082500	1	Gasket	
10	D45067500	2	Adaptor	
12	D45716900	1	Adaptor	
15	D45729700	2	Clamp	
16	D45232400	1	Washer	
17	D45236100	1	Plug	
19	D28784145	1	Fuel Hose	
20	D28784095	1	Bracket	
21	D40407700	6	Hex. Sock. Screw	
22	D20400506	6	Washer	
23	D41087600	3	Locknut	
27	D28780472	3	Support	
28	D40407800	9	Hex. Sock. Screw	
29	D41087600	9	Locknut	
30	D20400473	9	Washer	
31	D28780191	1	Clamp	
32	D41010800	4	Nut	
33	D40407700	3	Hex. Sock. Screw	
34	D28781814	1	Spacer	
35	D28784144	1	Fuel Hose	
36	D45729700	2	Clamp	
37	D45716800	2	Union	
38	D46446000	4	Union	
39	D46446300	4	Washer	
40	D40405100	2	Hex. Sock. Screw	
41	D41013500	2	Nut	
42	D46301059	2	Plug	
43	D46300336	2	Washer	
44	D28784142	2	Clip	
45	D28784141	1	Angle	
46	D40405000	X	Hex. Sock. Screw	
48	D28584040	1	Holder	
49	D46446100	2	Union	
51	D46446200	2	Bush	
52	D40408100	1	Setscrew	
53	D20400419	1	Washer	
54	D20400415	5	Washer	
55	D41447300	1	Split Ring	
56	D45233300	1	Packing Ring	
57	D45721600	1	Plug	
58	D45713000	1	Ball	
59	D46446600	1	Filter	
60	D46443300	2	Seal	(59)
61	D28781831	1	Pre Filter	
62	D28781832	1	Spring	
63	D46443100	1	Glass	(59)
64	D46443200	1	Cover	(59)

MF 7250/7252 COMBINE - 1637400
D-AZZA-005-A

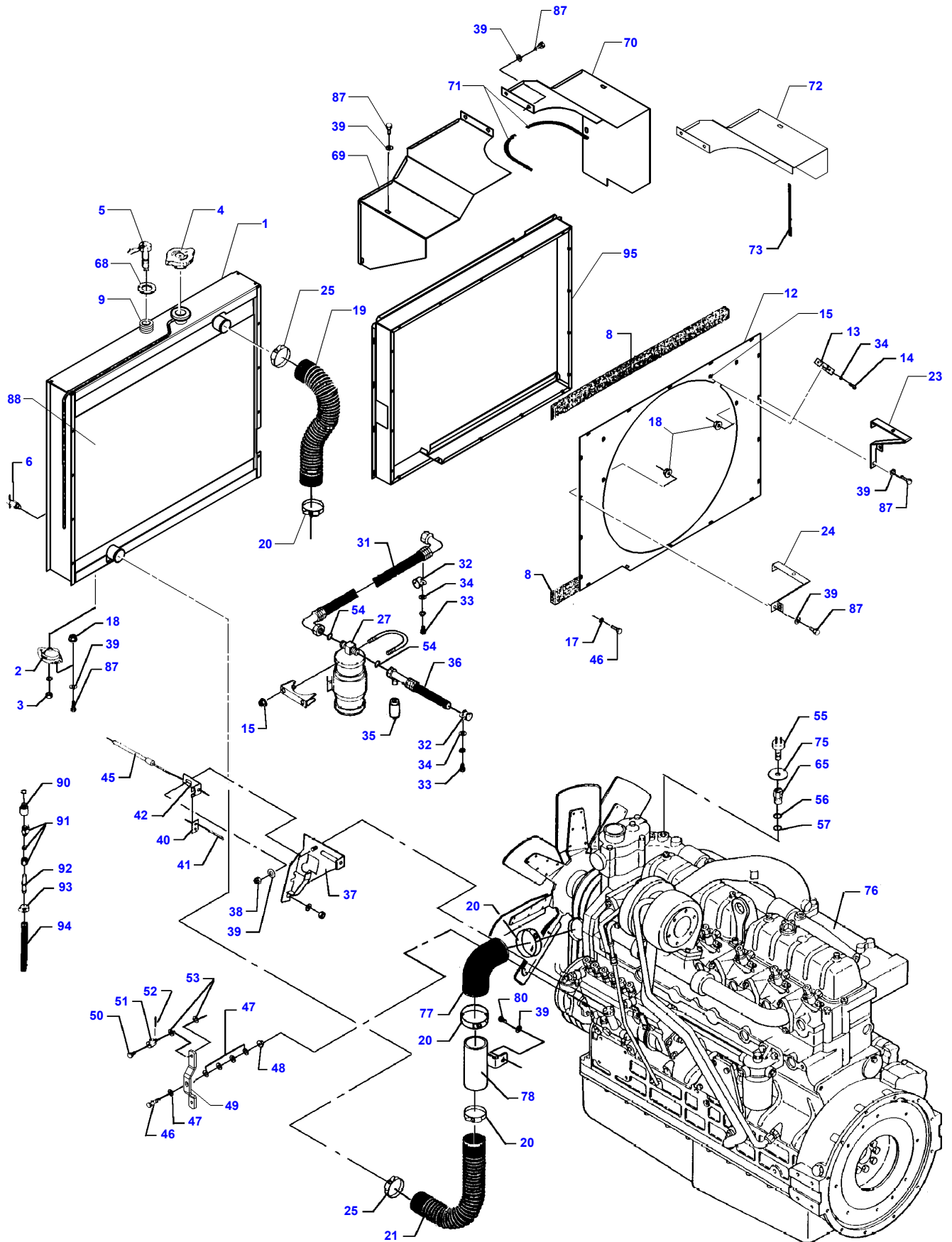


D-AZZA-005-A

Hydraulic Cooler - M F 7250

Item	Part Number	Qty	Description	Comments
1	D28751793	2	Seal Section	Up to Serial or Engine Number 57635
	D28784507	2	Seal Section	From Serial or Engine Number 57636
2	D43427500	8	Pin	
3	D28784324	1	Trap	Up to Serial or Engine Number 57635
	D28784476	1	Trap	From Serial or Engine Number 57636
4	D42555500	8	Circlip	
5	D28751775	1	Angle	
6	D28784321	1	Seal	Up to Serial or Engine Number 57635
	D28784508	1	Seal	From Serial or Engine Number 57636
7	D28751791	2	Seal Section	
8	D41013500	X	Nut	
10	D28784363	1	Plate	Right Hand
11	D28750141	1	Profile	Up to Serial or Engine Number 57635
	D28784478	1	Profile	From Serial or Engine Number 57636
13	D28784364	1	Plate	Left Hand
14	D20400506	4	Washer	
15	D40405100	4	Hex. Sock. Screw	
16	D28784328	1	Channel	Up to Serial or Engine Number 57635
	D28784474	1	Channel	From Serial or Engine Number 57636
17	D28751788	1	Seal Section	
18	D28751787	1	Seal Section	
19	D28751789	1	Seal Section	
20	D28750621	1	Cover	
22	D44732500	2	Grommet	
23	D28752025	1	Bracket	
24	D40404900	1	Hex. Sock. Screw	
25	D45742900	2	Plug	
26	D40405000	4	Hex. Sock. Screw	
27	D20400506	4	Washer	
28	D41013500	4	Nut	
29	D28751757	2	Tensioner	
30	D44732500	4	Grommet	
31	D28750776	1	Radiator	
32	D45254300	1	Connector	
33	D40405000	2	Hex. Sock. Screw	
34	D20400506	2	Washer	
35	D28752280	1	Rotor	
36	D28770432	1	Bearing Carrier	
37	D41622800	1	Bearing Ball	
38	D42502300	1	Circlip	
39	D28560259	1	Felt Ring	
40	D20400506	X	Washer	
41	D40404900	X	Hex. Sock. Screw	
42	D28784315	1	Bracket	Up to Serial or Engine Number 57635
	D28784505	1	Bracket	From Serial or Engine Number 57636
43	D41013500	X	Nut	
44	D28751790	2	Seal Section	
45	D41087500	4	Locknut	
46	D44705100	2	Gasket	Length 0,120 M
48	D28784365	6	Rubber	
49	D40407700	2	Hex. Sock. Screw	
50	D20400416	2	Washer	
51	D41010800	6	Nut	
52	D44705100	X	Gasket	Length 0,770 M
53	D28784314	1	Condenser	
54	D28784313	2	Fitting	
55	D41013500	X	Nut	
56	D40404900	X	Hex. Sock. Screw	
57	D20400506	X	Washer	
58	D45080066	1	Hose	FREON R134
59	D45729800	1	Clamp	
60	D20400404	1	Washer	
61	D40402400	1	Hex. Sock. Screw	
62	D45080064	1	Hose	FREON R134

MF 7250/7252 COMBINE - 1637400
D-AZZB-006-A



D-AZZB-006-A

Item	Part Number	Qty	Description	Comments
1	D28784322	1	Water Cooler	Up to Serial or Engine Number 57635
	D28784486	1	Water Cooler	From Serial or Engine Number 57636
2	D28784365	6	Rubber	
3	D41010800	6	Nut	
4	D46409400	1	Cap	
5	D45073900	1	Switch,Indirect	
6	D46419500	1	Bleeder	
8	D44705100	X	Gasket	Length 1,20 M
9	D28752020	1	Union	
12	D28752297	1	Cowl	Up to Serial or Engine Number 57635
	D28784487	1	Cowl	From Serial or Engine Number 57636
13	D28752110	1	Spacer	Up to Serial or Engine Number 57635
14	D40402300	X	Hex. Sock. Screw	
15	D41013400	X	Nut	
17	D20400404	6	Washer	
18	D41013500	4	Nut	
19	D46448000	1	Hose	
20	D45728500	6	Clamp	
21	D46449400	1	Hose	
22	D45728000	2	Clamp	
23	D28784370	1	Holder	Up to Serial or Engine Number 57635
	D28786768	1	Holder	From Serial or Engine Number 57636
24	D28784371	1	Holder	
25	D45728000	2	Clamp	
27	D45070017	1	Filter	
31	D45080066	1	Hose	FREON R134
32	D45729800	2	Clamp	
33	D40402400	2	Hex. Sock. Screw	
34	D20400404	4	Washer	
35	D45070023	1	Switch	
36	D45080067	1	Hose	FREON R134
37	D28751586	1	Support	Up to Serial or Engine Number 57680
	D28786892	1	Support	From Serial or Engine Number 57681
38	D41087500	1	Locknut	
39	D20400506	X	Washer	
40	D28730779	1	Locking Plate	
41	D41405700	1	Pin	
42	D28751582	1	Cable Clamp	Up to Serial or Engine Number 57680
45	D46439300	1	Cable	
46	D40402600	7	Hex. Sock. Screw	
47	D20400453	5	Washer	
48	D41013400	1	Nut	
49	D28786095	1	Arm	Valid from machine/table no, can be used in new as well as in older machines 57681
50	D40402200	1	Hex. Sock. Screw	
51	D28751580	1	Stud	
52	D41402700	1	Pin	
53	D20400404	2	Washer	
54	D45450000	2	O Ring	Replace and repair. Old not interchangeable with new D45450300
55	D45029900	1	Indicator	
56	D45201600	2	Packing	
57	D45201800	1	Ring	
65	D28780947	1	Washer	
68	D20400448	1	Washer	
69	D28784372	1	Hood	Left Hand Up to Serial or Engine Number 57635
	D28784466	1	Hood	Left Hand From Serial or Engine Number 57636
70	D28784373	1	Hood	Right Hand Up to Serial or Engine Number 57635
	D28784467	1	Hood	Right Hand From Serial or Engine Number 57636
71	D44735900	2	Seal Section	Length 0,250 M
72	D28784468	1	Cladding	[A] Valid from machine/table no, can be used in new as well as in older machines 57636

Massey Ferguson**MF 7250/7252 COMBINE - 1637400**

1637400

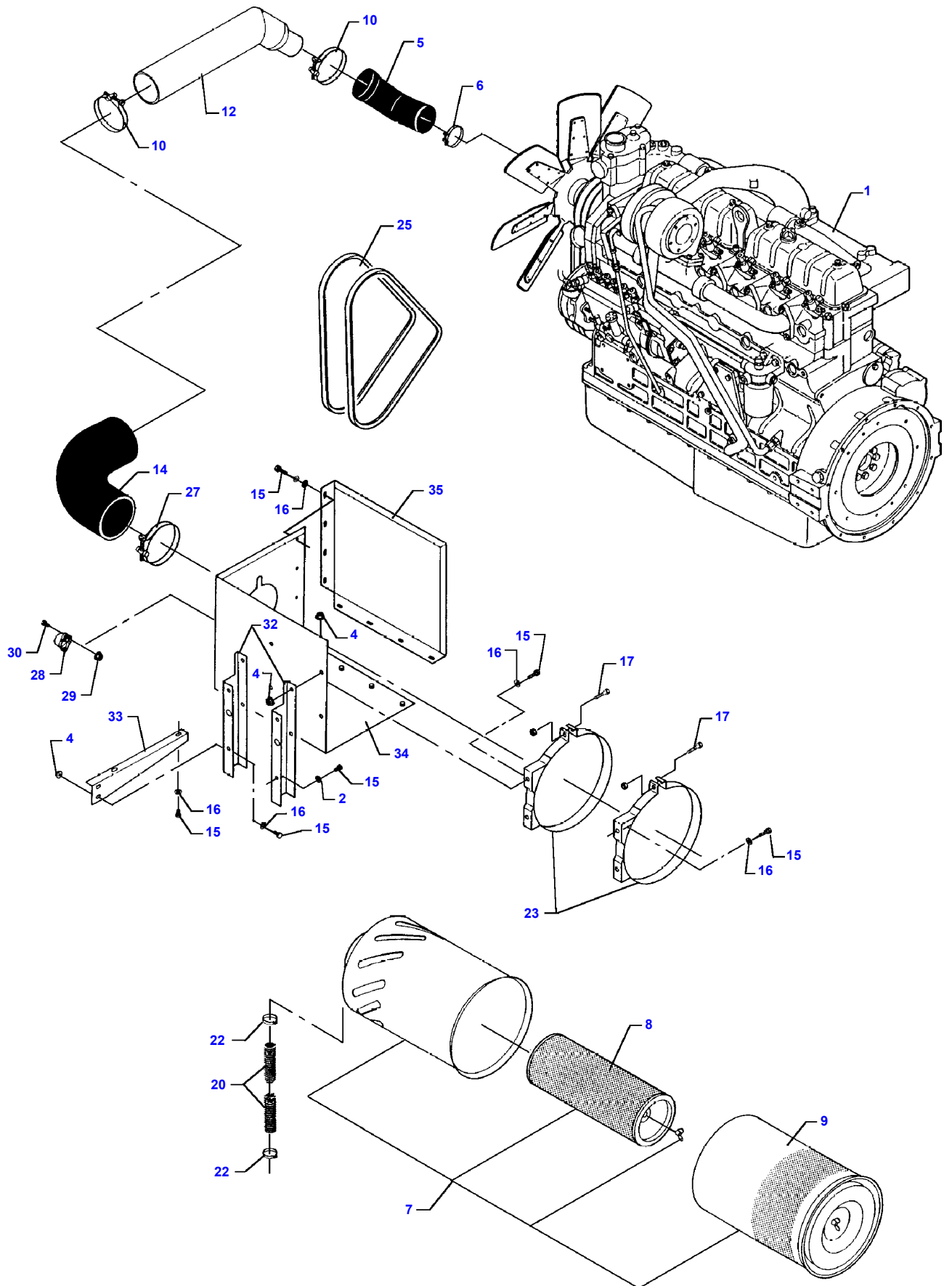
Cooling System And Ventilator Screen - M F 7250

Page010-0011

Item	Part Number	Qty	Description	Comments
73	D44735900	X	Seal Section	[A] Length 0,120 M
75	D28782085	1	Reducer	
76	V832757775	1	Engine	Replace and repair. Old not interchangeable with new D46490001
77	D46425300	1	Hose	
78	D28784281	1	Water Hose	
80	D40405300	1	Screw	
87	D40404900	10	Hex. Sock. Screw	
88	D28784387	1	Radiator	
90	D28752513	1	Adaptor	[B]
91	D46401100	1	Plug	[B]
92	D46418200	1	Adaptor	[B]
93	D45729700	1	Clamp	[B]
94	D28780572	1	Hose	[B]
95	D28784485	1	Panel	From Serial or Engine Number 57636

FOOTNOTE [A] AIR CONDITIONING**FOOTNOTE [B]** OPTIONAL EQUIPMENT

MF 7250/7252 COMBINE - 1637400
D-BAAU-002-A

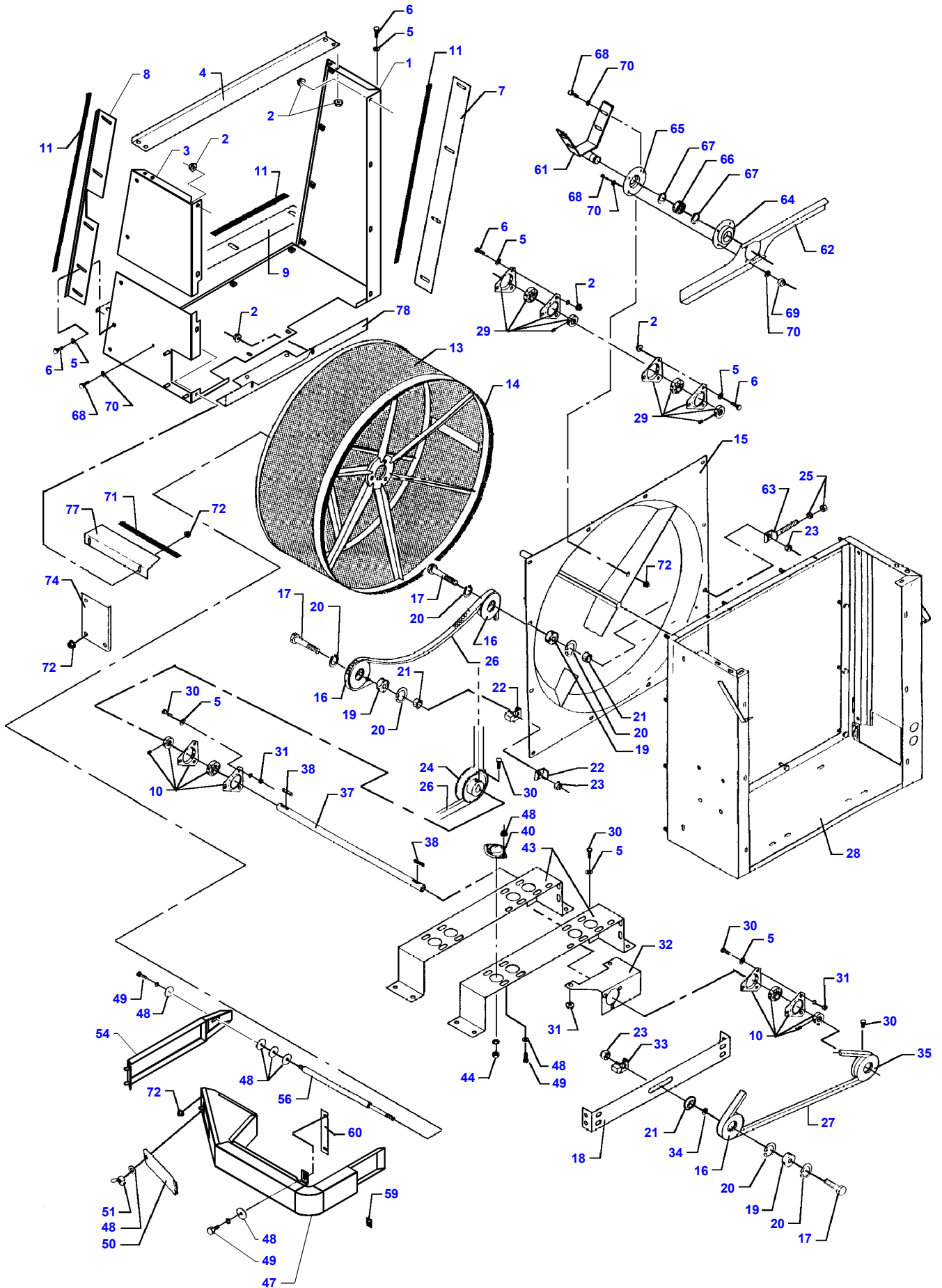


D-BAAU-002-A

Massey Ferguson**MF 7250/7252 COMBINE - 1637400****1637400****Air Cleaner - M F 7250****Page010-0012**

Item	Part Number	Qty	Description	Comments
1	V832757775	1	Engine	Replace and repair. Old not interchangeable with new D46490001
2	D20400414	4	Washer	
4	D41013500	X	Nut	
5	D28751707	1	Hose	
6	D45737200	1	Hose Clip	
7	D46442500	1	Air Filter	
8	D46480034	1	Filter	
9	D46480035	1	Cartridge	
10	D45737300	2	Hose Clip	
12	D28784339	1	Pipe	
14	D46423200	1	Hose	
15	D40404900	X	Hex. Sock. Screw	
16	D20400506	X	Washer	
17	D40423800	2	Screw Metric	
20	D46449100	1	Hose	
22	D45727500	2	Clamp	
23	D46437500	2	Clamp	
25	D41990700	X	V Belt	Up to Serial or Engine Number 57002
	D41904500	X	Belt	From Serial or Engine Number 57003
	D41990700	X	V Belt	From Serial or Engine Number 57161
27	D45737800	1	Hose Clip	
28	D45026300	1	Electric Socket	
29	D41010400	2	Nut	
30	D40351800	2	Screw	
32	D28784177	2	Support	
33	D28784178	1	Support	
34	D28784341	1	Guard	
35	D28784179	1	Cover	

MF 7250/7252 COMBINE - 1637400
D-AZZD-006-A

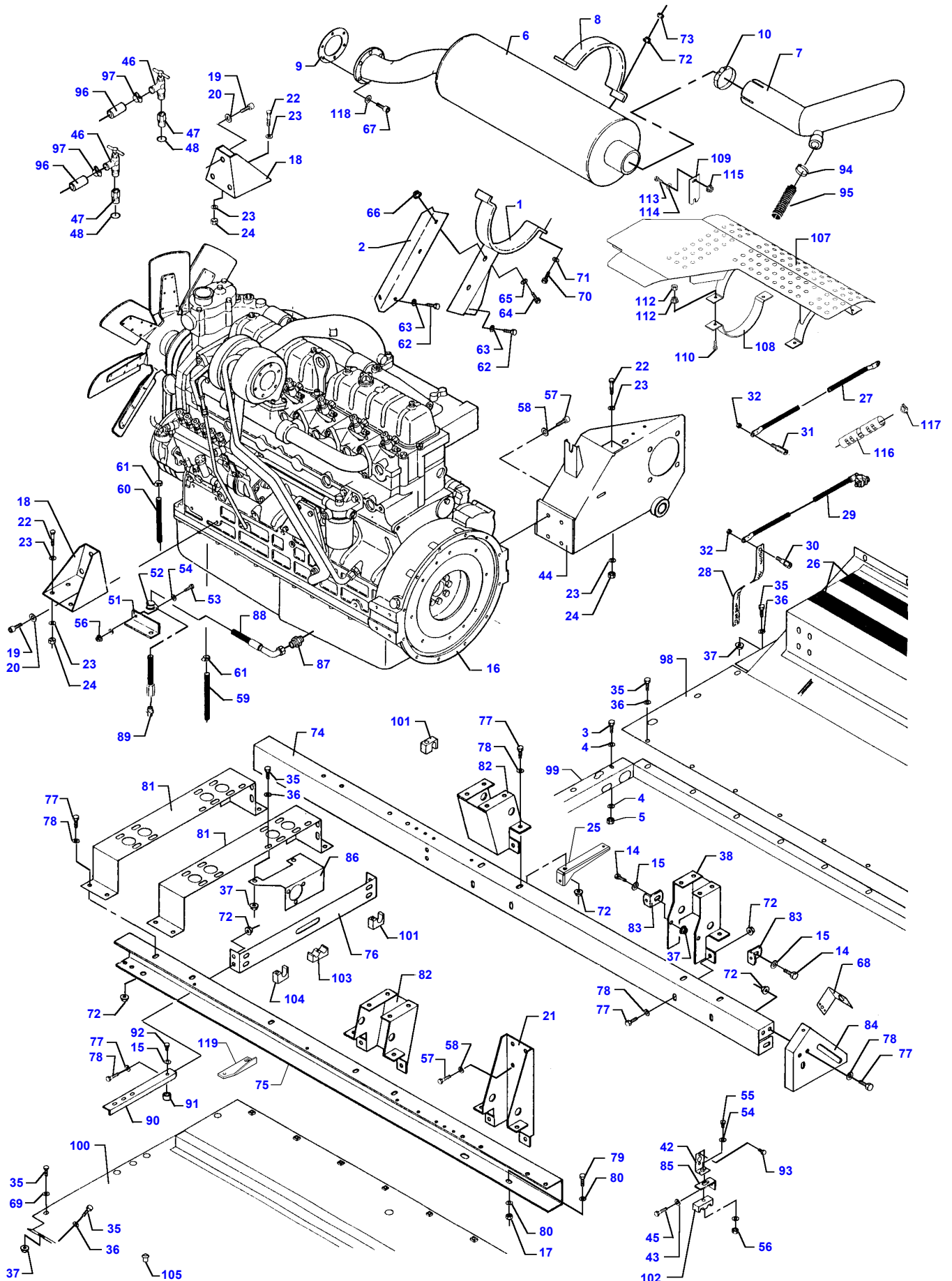


D-AZZD-006-A

Rotary Screen - M F 7250

Item	Part Number	Qty	Description	Comments
1	D28784353	1	Guard	Up to Serial or Engine Number 57635
	D28784496	1	Guard	From Serial or Engine Number 57636
2	D41013500	X	Nut	
3	D28784352	1	Guard	Up to Serial or Engine Number 57635
	D28784494	1	Guard	From Serial or Engine Number 57636
4	D28784346	1	Transverse	
5	D20400506	X	Washer	
6	D40404900	X	Hex. Sock. Screw	
7	D28784343	1	Seal	
8	D28784344	1	Seal	Up to Serial or Engine Number 57635
	D28784497	1	Seal	From Serial or Engine Number 57636
9	D28784345	1	Seal	
10	D41713600	2	Bearing	
11	D44706600	3	Seal Section	Length 0,80 M
13	D28770030	1	Strainer	
14	D28750147	X	Seal	Length 2,2 M
15	D28784327	1	Bearing Plate	
16	D28950560	3	Pulley	
17	D28760328	3	Bolt	
18	D28784172	1	Crossmember	
19	D41622800	3	Bearing Ball	
20	D42514000	6	Circlip	
21	D28380003	2	Ring	
22	D28784360	1	Retainer	
23	D41087900	3	Locknut	
24	D28784182	1	Pulley	
25	D41010800	2	Nut	
26	D41991100	1	Belt	
27	D41990012	1	Belt	
28	D28784328	1	Channel	
29	D41713700	2	Bearing	
30	D40404900	X	Hex. Sock. Screw	
31	D41013500	X	Nut	
32	D28784329	1	Bracket	
33	D28784360	1	Retainer	
34	D20400459	1	Washer	
35	D28751599	2	Pulley	
37	D28784326	1	Shaft	
38	D43102200	2	Key	
40	D28784365	6	Rubber	
43	D28784330	2	Support	
44	D41010800	X	Nut	
47	D28784317	1	Exhaust Pipe	Up to Serial or Engine Number 57635
	D28784490	1	Exhaust Pipe	From Serial or Engine Number 57636
48	D20400506	X	Washer	
49	D40404900	X	Hex. Sock. Screw	
50	D28751774	1	Trap	
51	D41057100	1	Wing Nut	
54	D28770031	1	Nozzle	Up to Serial or Engine Number 57635
	D28784495	1	Nozzle	From Serial or Engine Number 57636
56	D28770027	1	Journal	
59	D44705100	X	Gasket	Length 0,07 M
60	D28752315	1	Spacer	
61	D28770423	1	Bracket	
62	D28752120	1	Rotor	
63	D28752287	1	Bolt	
64	D28770432	1	Bearing Carrier	
65	D28560259	1	Felt Ring	
66	D41622800	1	Bearing Ball	
67	D42502300	2	Circlip	
68	D40404900	X	Hex. Sock. Screw	
69	D41087500	4	Locknut	
70	D20400506	X	Washer	
71	D44706600	X	Seal Section	Length 0,20 M
72	D41013500	X	Nut	
74	D28784351	1	Cover	
75	D41057300	1	Wing Nut	
76	D20400506	3	Washer	
77	D28784362	1	Fitting	
78	D28784350	1	Lock	

MF 7250/7252 COMBINE - 1637400
D-AZZE-006-A



D-AZZE-006-A

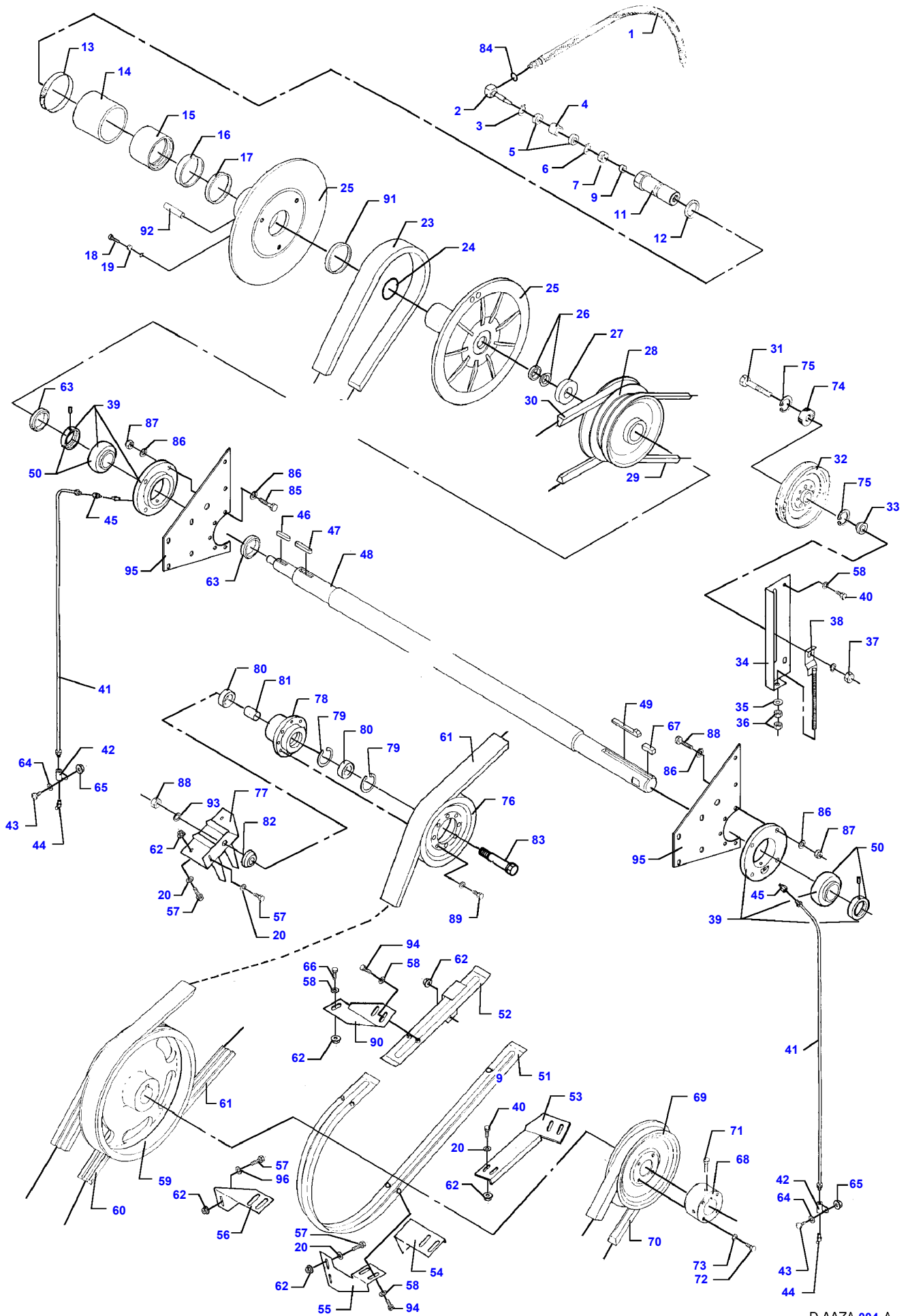
Item	Part Number	Qty	Description	Comments
1	D28787021	1	Bracket	
2	D28782066	1	Stay	
3	D40405000	X	Hex. Sock. Screw	
4	D20400414	X	Washer	
5	D41013500	X	Nut	
6	D28784334	1	Silencer	
7	D28784347	1	Ejector	
8	D28731807	1	Stirrup	
9	D46443600	1	Gasket	
10	D45737100	1	Hose Clip	
14	D40405000	X	Hex. Sock. Screw	
15	D20400506	X	Washer	
16	V832757775	1	Engine	Replace and repair. Old not interchangeable with new D46490001
17	D41087900	4	Locknut	
18	D28784308	2	Suspension	
19	D40698800	6	Bolt	
20	D20400429	6	Washer	
21	D28784309	1	Support	
22	D40407900	12	Hex. Sock. Screw	
23	D20400416	16	Washer	
24	D41087600	12	Locknut	
25	D28784498	1	Bracket	Valid from machine/table no, can be used in new as well as in older machines 57636
26	D44738900	X	Strip	Length 1,80 M
27	D28781891	1	Battery Cable	
28	D28760642	1	Earth Strap	
29	D28781928	1	Harness	
30	D28760746	1	Threaded Part	[A]
	D28761472	1	Threaded Part	[A]
31	D28761073	1	Threaded Part	
32	D41010700	2	Nut	
35	D40404900	X	Hex. Sock. Screw	
36	D20400506	X	Washer	
37	D41013500	X	Nut	
38	D28784311	1	Support	Right Hand
42	D28780772	1	Retainer	
43	D20400470	1	Washer	
44	D28780273	1	Bracket	
45	D40402600	1	Hex. Sock. Screw	
46	D46422300	2	Cock	
47	D28950540	2	Union	
48	D45201800	2	Ring	
51	D28780171	1	Hose Clip	
52	D45730400	1	Clamp	
53	D40402400	1	Hex. Sock. Screw	
54	D20400404	X	Washer	
55	D40422000	2	Screw Metric	
56	D41013400	2	Nut	
57	D40693800	8	Screw	
58	D20400446	8	Washer	
59	D28784144	1	Fuel Hose	
60	D28784146	1	Hose	
61	D45729700	2	Clamp	
62	D40410900	2	Hex. Sock. Screw	
63	D20400426	2	Washer	
64	D40407800	2	Hex. Sock. Screw	
65	D20400471	2	Washer	
66	D41087600	2	Locknut	
67	D40690400	6	Screw	
68	D28780381	1	Retainer	
69	D20400414	X	Washer	
70	D40408600	2	Hex. Sock. Screw	

Engine Bracket - M F 7250

Item	Part Number	Qty	Description	Comments
71	D20400471	2	Washer	
72	D41087600	X	Locknut	
73	D41010800	2	Nut	
74	D28784332	1	Runner	Right Hand
75	D28784333	1	Runner	Left Hand
76	D28784172	1	Crossmember	
77	D40407800	X	Hex. Sock. Screw	
78	D20400416	X	Washer	
79	D40416600	4	Screw Metric	
80	D28181284	8	Washer	
81	D28784330	2	Support	
82	D28784310	2	Support	
83	D28750930	2	Angle	
84	D28784169	1	Fitting	
85	D28751238	1	Bracket	
86	D28784329	1	Bracket	
87	D45251100	1	Union	
88	D45130033	1	Hydr Hose	
89	D28781170	1	Plug	
90	D28780682	1	Fitting	
91	D28480172	1	Spacer	
92	D40405400	1	Hex. Sock. Screw	
93	D40741200	2	Screw	
94	D45727500	1	Clamp	
95	D46449100	1	Hose	
96	D44717700	2	Hose	Length 4,30 M
97	D45726800	2	Clamp	
98	D28184380	1	Roof	
99	D28182190	1	Roof	
100	D28184378	1	Roof	
101	D45739500	X	Support	
102	D45739200	X	Support	
103	D45736700	X	Support	
104	D45739700	X	Support	
105	D45743200	1	Plug	
107	D28784410	1	Guard	
108	D28784412	2	Elbow	
109	D28784411	1	Fitting	
110	D40426200	4	Screw	
112	D41010800	8	Nut	
113	D40404900	1	Hex. Sock. Screw	
114	D20400506	1	Washer	
115	D41013500	1	Nut	
116	D28280782	1	Guard	
117	D45728000	1	Clamp	
118	D20400413	2	Washer	
119	D28784499	1	Bracket	Valid from machine/table no, can be used in new as well as in older machines 57636

FOOTNOTE [A] USED AS PER TYPE OF THREAD ON THE ENGINE

MF 7250/7252 COMBINE - 1637400
D-AAZA-004-A



D-AAZA-004-A

Countershaft

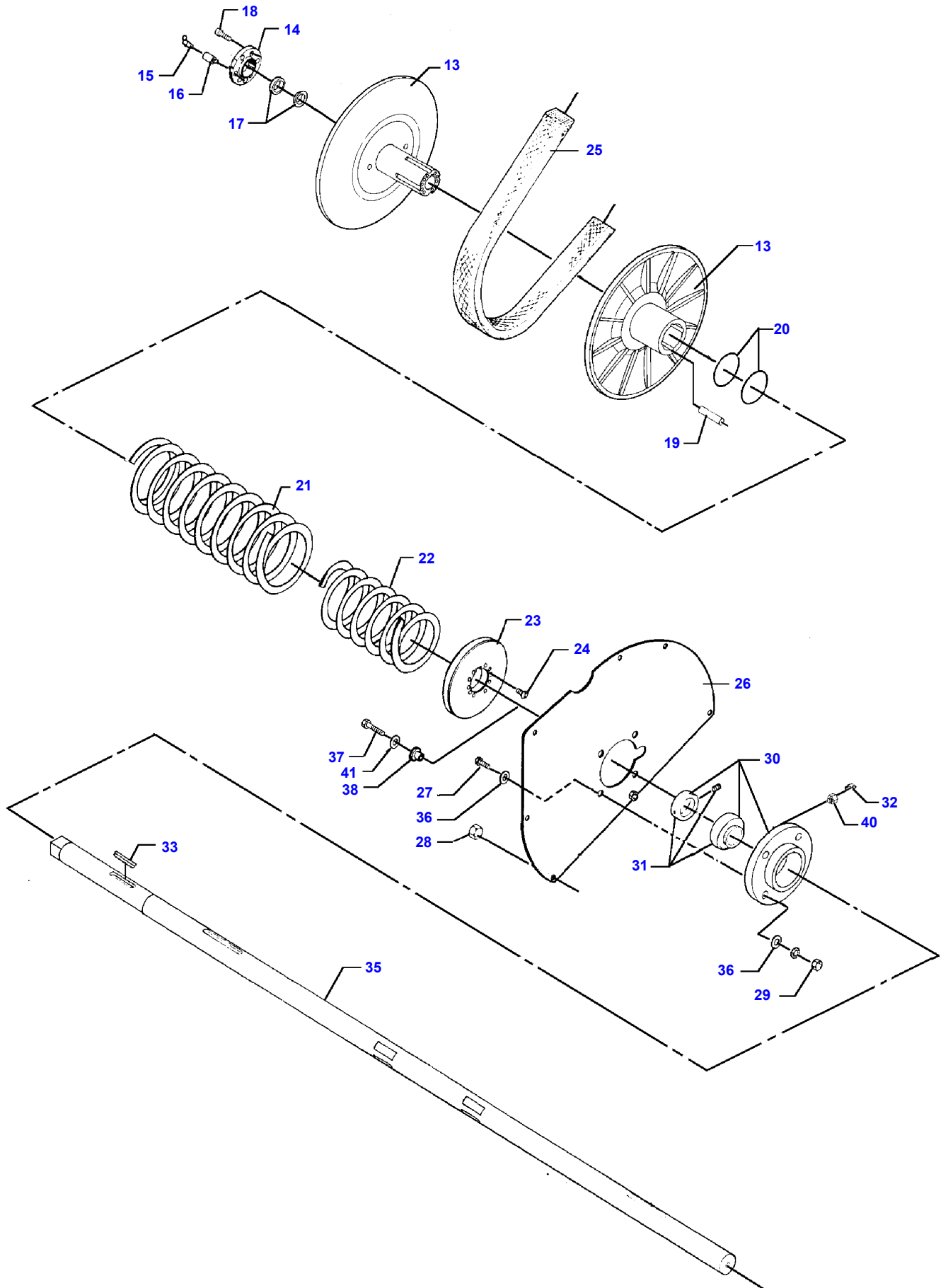
Item	Part Number	Qty	Description	Comments
1	D45136900	1	Hydr Hose	
2	D28761138	1	Clutch	
	D28710334	1	Shaft	(2)
3	D42512000	1	Circlip	(2)
4	D28710333	1	Bush	(2)
5	D41616400	2	Bearing Ball	(2)
6	D42500700	1	Circlip	(2)
7	D28380297	1	Spacer	(2)
9	D45404200	1	Gasket	(2)
11	D28710329	1	Screw	(2)
12	D45420000	1	Seal	(2)
13	D45729300	1	Clamp	
14	D28784390	1	Sleeve	
15	D28784293	1	Ram	
16	D45403800	1	Gasket	
17	D45402400	1	Seal	
18	D28751450	3	Screw	
19	D41012000	3	Nut Metric	
20	D20400414	X	Washer	
23	D41980900	1	Belt	
24	D45464600	1	O Ring	
25	D28080609	X	Epicyclic	
	D28784304	1	Pulley	
26	D42596500	1	Tightener	
27	D28751440	1	Spacer	
28	D28784006	1	Pulley	
29	D41936700	1	Belt	
30	D41982100	1	Belt	[A]
31	D28761939	1	Bolt	
32	D28752130	1	Pulley	
33	D28760163	1	Spacer	
34	D28784032	1	Tensioner	
35	D20400419	1	Washer	
36	D41010800	1	Nut	
37	D41087900	1	Locknut	
38	D28850316	1	Bolt	
39	D41716900	2	Bearing	
40	D40405000	2	Hex. Sock. Screw	
41	D28780803	2	Tube	
42	D43009200	2	Bracket	
43	D40402400	2	Hex. Sock. Screw	
44	D43002600	2	Greaser	
45	D43009600	1	Greaser	Diameter 6MM
	D43009900	1	Grease	Diameter 8MM
46	D43104700	1	Key	
47	D43106400	1	Key	
48	D28784001	1	Countershaft	
49	D43157700	1	Gib Key	
50	D41715900	2	Bearing Ball	
51	D28784255	1	Protector	
52	D28784045	1	Protector	
53	D28784256	1	Fitting	
54	D28784254	1	Fitting	
55	D28784040	1	Support	
56	D28784039	1	Support	
57	D40405300	X	Screw	
58	D20400506	X	Washer	
59	D28750001	1	Pulley	
60	D41934800	1	Kit, Belt	
61	D41990053	1	Belt	
62	D41013500	X	Nut	
63	D28752046	2	Ring	
64	D20400470	X	Washer	
65	D41013400	X	Nut	
66	D40404900	X	Hex. Sock. Screw	
67	D43107500	1	Key	
68	D28752267	1	Hub	
69	D28752253	1	Pulley	
70	D41984100	1	V Belt	
71	D40466500	2	Setscrew	
72	D40407600	4	Hex. Sock. Screw	

Countershaft

Item	Part Number	Qty	Description	Comments
73	D20400471	4	Washer	
74	D41622700	1	Bearing Ball	
75	D42513700	2	Circlip	
76	D28750079	1	Pulley	
77	D28784015	1	Bracket	
78	D28880195	1	Hub	
79	D42513700	2	Circlip	
80	D41622700	2	Bearing Ball	
81	D28780007	1	Ring	
82	D28380003	1	Ring	
83	D28480090	1	Bolt	
84	D45232400	1	Washer	
85	D40411100	4	Hex. Sock. Screw	
86	D20400446	8	Washer	
87	D41087700	8	Locknut	
88	D41087900	1	Locknut	
89	D40407700	8	Hex. Sock. Screw	
90	D28784042	1	Bracket	
91	D45404100	1	Gasket	(25)
92	D42696400	4	Pin	(25)
93	D28181284	1	Washer	
94	D40404700	2	Hex. Sock. Screw	
95	D28184411	2	Reinforcement	
96	D20400408	2	Washer	

FOOTNOTE [A] FOR MACHINES WITH GRAIN SEPARATOR

MF 7250/7252 COMBINE - 1637400
D-AAZB-003-A

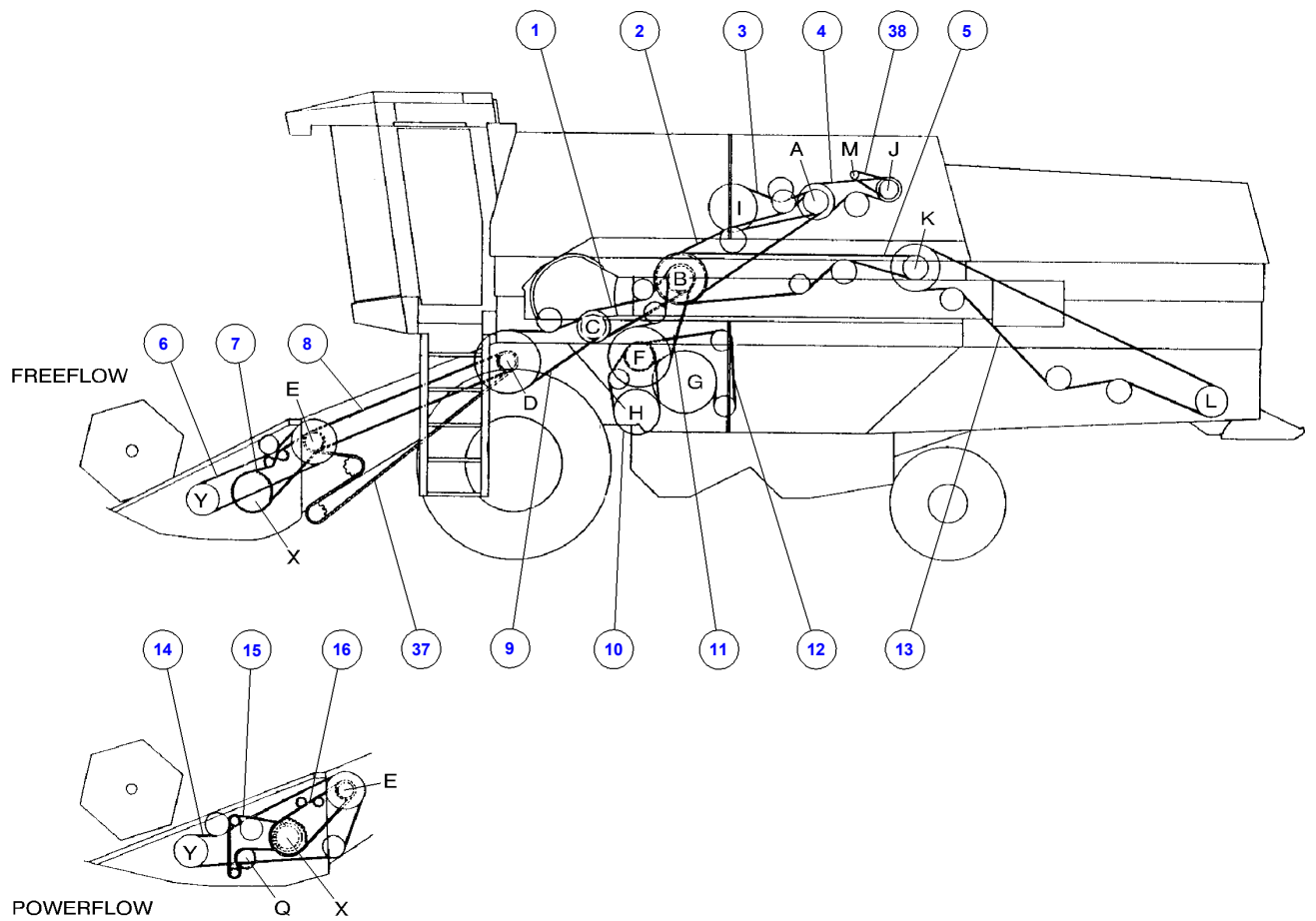


D-AAZB-003-A

Cylinder Transmission

Item	Part Number	Qty	Description	Comments
13	D28384003	1	Variator	
	D28384004	1	Pulley	(13)
14	D28350111	1	Flange	(13)
15	D43001600	1	Greaser	(13)
16	D28350112	1	Connector	(13)
17	D42596700	1	Tightener	(13)
18	D40691100	6	Screw Metric	(13)
19	D42696400	4	Pin	(13)
20	D45467400	2	O Ring	(13)
21	D28350229	1	Spring	(13)
22	D28350228	1	Spring	(13)
23	D28350227	1	Flange	(13)
24	D40689000	10	Screw	(13)
25	D41980900	1	Belt	
26	D28350236	1	Cover	
27	D40411000	4	Hex. Sock. Screw	
28	D41013500	6	Nut	
29	D41010900	4	Nut	
30	D41715000	1	Bearing	
31	D41713200	1	Bearing Ball	
32	D43002600	1	Greaser	
33	D43105000	1	Key	
35	D28350233	1	Shaft	
36	D20400426	8	Washer	
37	D40407900	2	Hex. Sock. Screw	
38	D28350266	2	Bush	
40	D43009600	1	Greaser	
41	D20400424	2	Washer	

MF 7250/7252 COMBINE - 1637400
D-AAZC-005-A

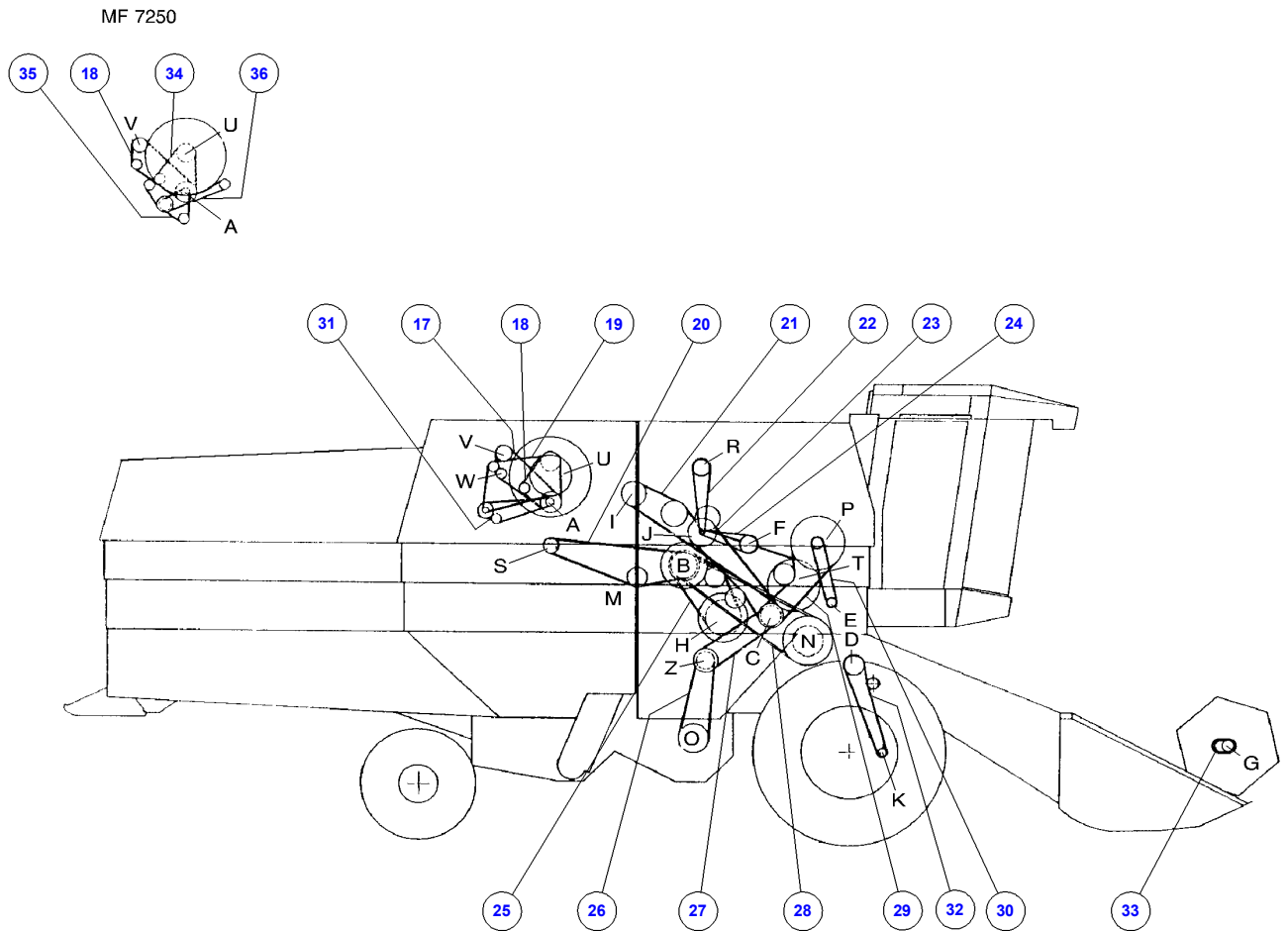


Belt Mounting, Left Side

Item	Part Number	Qty	Description	Comments
1	D41934800	1	Kit, Belt	[B,C]
2	D41990053	1	Belt	[A,B]
3	D41990050	1	Belt	[A,I]
4	D41990055	1	Belt	[A,J]
5	D41942200	2	Belt	[B,K]
	D41943600	2	Belt	[B,K,N]
6	D41985600	1	Belt	[E,Y] FREEFLOW
7	D42329300	1	Chain	[E,X] FREEFLOW
8	D42329600	1	Chain	[E,D] FREEFLOW
	D42334500	1	Chain	[E,D] AUTO-LEVEL MF 7252 FREEFLOW
9	D41991700	1	Belt	[C,D]
10	D41982100	1	Belt	[F,H]
11	D41984100	1	V Belt	[B,F]
12	D41990068	1	V Belt	[F,G]
13	D41978400	1	Belt	[K,L]
	D41990048	1	Belt	[K,L,N]
14	D41986300	1	V Belt	[E,Y] POWERFLOW
15	D42332800	1	Chain	[Q,X] POWERFLOW
16	D42329200	1	Chain	[E,X] POWERFLOW
37	D42332400	1	Chain	[O]
38	D41904200	1	Belt	[J,M] OPTIONAL

- FOOTNOTE [A]** DIESEL ENGINE
FOOTNOTE [B] COUNTER SHAFT
FOOTNOTE [C] REAR BEATER
FOOTNOTE [D] UPPER FEEDER SHAFT
FOOTNOTE [E] INTERMEDIARY FEEDER SHAFT
FOOTNOTE [F] INTERMED. SHAFT
FOOTNOTE [G] STRAW SHAKER CRANK
FOOTNOTE [H] ECCENTRIC SHAFT
FOOTNOTE [I] DISCHARGE AUGER SHAFT
FOOTNOTE [J] TRACTION PUMP
FOOTNOTE [K] INTERMEDIARY DRIVE F. STRAW CHOPPER
FOOTNOTE [L] STRAW CHOPPER
FOOTNOTE [M] ELECTRIK VERTICAL KNIFE
FOOTNOTE [N] REDUCED CHOP SPEED
FOOTNOTE [O] FOR MACH. WITH MAIZ EQUI.AND MACH. WITH MAIZ EQUI. +AUTOLEVEL
FOOTNOTE [Q] BAND ROLLER
FOOTNOTE [X] FEEDER DRUM
FOOTNOTE [Y] KNIFE DRIVE

MF 7250/7252 COMBINE - 1637400
D-AAZD-007-A



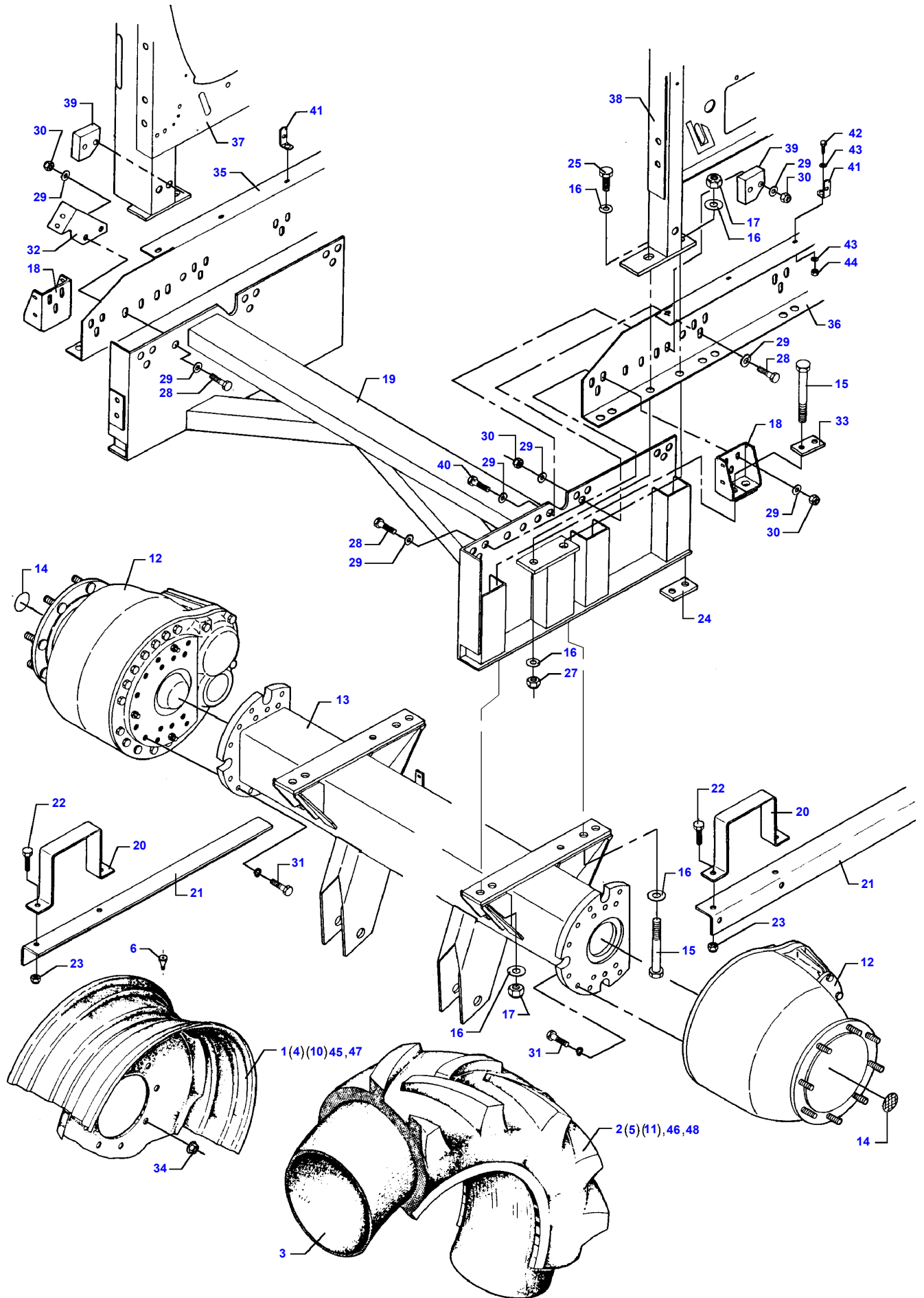
Massey Ferguson
MF 7250/7252 COMBINE - 1637400

Belt Mounting, Right Side

Item	Part Number	Qty	Description	Comments
17	D41990700	1	V Belt	[A,V,W] MF 7252
18	D41909000	1	Belt	[A,U]
19	D41990011	1	Belt	[U] MF 7252
20	D41936700	1	Belt	[B,S] MF 7252
21	D41979600	1	Belt	[I,T]
22	D42327300	1	Chain	[J,R]
24	D42329000	1	Chain	[F,J]
25	D41982100	1	Belt	[B,H]
26	D41982100	1	Belt	[O,Z]
27	D41987900	1	V Belt	[C,Z]
28	D41980900	1	Belt	[B,N]
29	D41950400	1	Belt	[C,P]
30	D42328400	1	Chain	[E,P]
31	D41990013	1	Belt	[A]
	D41990700	1	V Belt	[A] MF 7252
32	D42333300	1	Chain	[D,K]
33	D42325700	1	Chain	[G]
34	D41990700	2	V Belt	[A,U] MF 7250 Up to Serial or Engine Number 57002
	D41904500	1	Belt	[A,U] MF 7250 From Serial or Engine Number 57003
	D41990700	1	V Belt	[A,U] MF 7250 From Serial or Engine Number 57161
35	D41990012	1	Belt	[A] MF 7250
36	D41991100	1	Belt	MF 7250

- FOOTNOTE [A] DIESEL ENGINE
- FOOTNOTE [B] COUNTER SHAFT
- FOOTNOTE [C] REAR BEATER
- FOOTNOTE [D] UPPER FEEDER SHAFT
- FOOTNOTE [E] INTERMEDIARY FEEDER SHAFT
- FOOTNOTE [F] INTERMED.SHAFT
- FOOTNOTE [G] STRAW SHAKER CRANK
- FOOTNOTE [H] GRAIN SEPARATOR
- FOOTNOTE [I] DISCHARGE AUGER SHAFT
- FOOTNOTE [J] COUNTER DRIVE F. FILL ELEVATOR
- FOOTNOTE [K] ELECTRIC REVERSING
- FOOTNOTE [N] THRESHING DRUM
- FOOTNOTE [O] MAIN FAN
- FOOTNOTE [P] RETURN ELEVATOR
- FOOTNOTE [R] FILL ELEVATOR
- FOOTNOTE [S] DUST EXTRACTOR
- FOOTNOTE [T] DISCHARGE AUGER
- FOOTNOTE [U] ROTARY AIR INTAKE
- FOOTNOTE [V] AIR CONDITIONING
- FOOTNOTE [W] ALTERNATOR
- FOOTNOTE [Z] MAIN FAN VARIATOR

MF 7250/7252 COMBINE - 1637400
D-ABZA-005-A



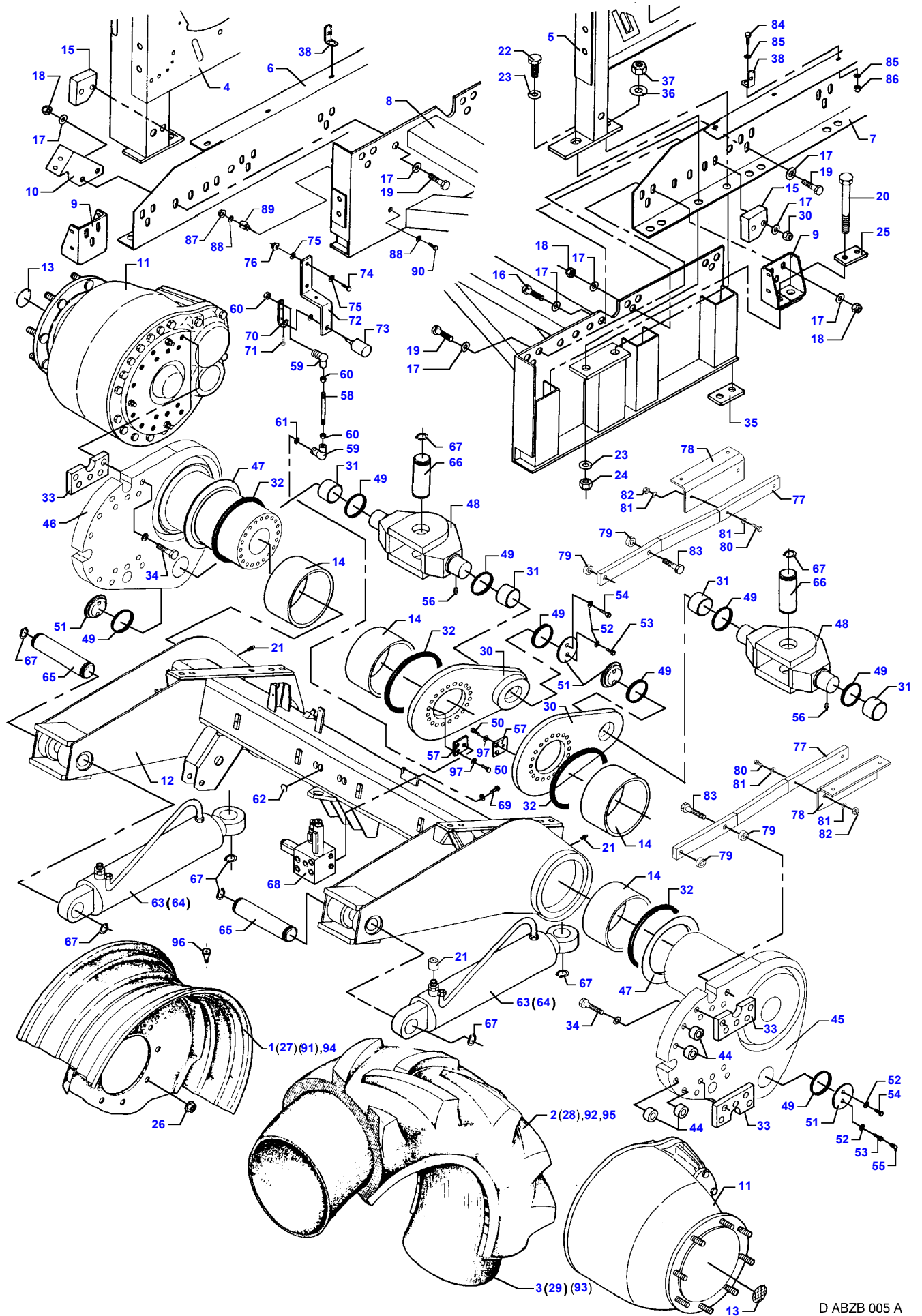
D-ABZA-005-A

Item	Part Number	Qty	Description	Comments
1	D28180124	1	Wheel	
	D28180141	1	Wheel	
	D28180087	1	Rim	
2	D46735000	1	Tyre	
3	D46707800	1	Tyre Tube	
4	D28181684	1	Rim	
	D28181732	1	Wheel	28LR26
	D28181733	1	Wheel	28LR26
5	D46736600	1	Tyre	(4)
6	D46737200	1	Pressure Valve	(4)
	D46737200	1	Pressure Valve	(10)
10	D28181734	1	Wheel	23.1R26
	D28181735	1	Wheel	23.1R26
	D28181685	1	Rim	(10)
11	D46736400	1	Tyre	(10)
12	D28080609	X	Epicyclic	
	D46140043	2	Hub	
13	D28182141	1	Front Axle	
14	D45085400	2	Reflector	
15	D40438300	14	Hex. Sock. Screw	
16	D20400437	12	Washer	
17	D41088100	14	Locknut	
18	D28184011	6	Reinforcement	
19	D28184010	1	Front Axle	
20	D28181115	2	Support	[A]
21	D28181116	2	Reinforcement	[A]
22	D40433200	4	Hex. Sock. Screw	[A]
23	D41087900	4	Locknut	[A]
24	D28181301	2	Clamp	
25	D40436700	2	Hex. Sock. Screw	
27	D41088100	2	Locknut	
28	D40433200	X	Hex. Sock. Screw	
29	D28181284	X	Washer	
30	D41087900	X	Locknut	
31	D40433400	28	Screw Metric	
32	D28283897	1	Bracket	
33	D28181300	6	Clamp	
34	D41021700	16	Nut	
35	D28184003	1	Runner	Right Hand
36	D28184002	1	Runner	Left Hand
37	D28184021	1	Side	Right Hand
38	D28184020	1	Side	Left Hand
39	D28184398	2	Reinforcement	
40	D40433800	X	Screw	
41	D28984004	2	Retainer	
42	D40407000	X	Screw	
43	D20400473	X	Washer	
44	D41092500	X	Nut	
45	D28186071	1	Wheel	[B] Right Hand incl.pos.6/45/46 650/75R32
	D28186072	1	Wheel	[B] Left Hand incl.pos.6/45/46 650/75R32
	D28185816	1	Rim	
46	D46732000	1	Tyre	
47	D28185849	1	Wheel	Right Hand 800/65R32 For France only or any text in French only 6 + 47 + 48
	D28185850	1	Wheel	Left Hand 800/65R32 For France only or any text in French only 6 + 47 + 48
	D28185825	1	Rim	
48	D46732300	1	Tyre	

FOOTNOTE [A] MAIZE EQUIPMENT

FOOTNOTE [B] FOR FRENCH ONLY

MF 7250/7252 COMBINE - 1637400
D-ABZB-005-A



D-ABZB-005-A

Traction Wheels And Final Drives - Auto Level

Item	Part Number	Qty	Description	Comments
1	D28181724	1	Wheel	Left Hand 23.1R26
	D28181725	1	Wheel	Right Hand 23.1R26
	D28181685	1	Rim	(1) DW20AX26
2	D46736400	1	Tyre	(1)
3	D46707800	1	Tyre Tube	(1) 23.1-26
4	D28184021	1	Side	Right Hand
5	D28184020	1	Side	Left Hand
6	D28184003	1	Runner	Right Hand
7	D28184002	1	Runner	Left Hand
8	D28184010	1	Front Axle	
9	D28184011	6	Reinforcement	
10	D28283897	1	Bracket	
11	D46140043	1	Hub	
12	D28182005	1	Front Axle	
13	D45085400	2	Reflector	
14	D43338500	4	Casing	
15	D28184398	2	Reinforcement	
16	D40433800	X	Screw	
17	D28181284	X	Washer	
18	D41087900	X	Locknut	
19	D40433200	X	Hex. Sock. Screw	
20	D40438300	14	Hex. Sock. Screw	
21	D45100001	2	Non Return Valve	
22	D40436700	2	Hex. Sock. Screw	
23	D20400467	X	Washer	
24	D41088100	2	Locknut	
25	D28181300	6	Clamp	
27	D28181720	1	Wheel	Left Hand 28LR26
	D28181721	1	Wheel	Right Hand 28LR26
	D28181684	1	Rim	(27) DW25AX26
28	D46736600	1	Tyre	(27)
29	D46737900	1	Tube	(27) 28.1-26
30	D28181802	2	Arm	
31	D43338600	4	Bush	
32	D45479600	4	Ring	
33	D28181872	4	Spacer	Valid from machine/table no, can be used in new as well as in older machines 58395
34	D40434000	28	Screw	
35	D28181301	2	Clamp	
36	D20400437	12	Washer	
37	D41088100	14	Locknut	
38	D28984004	2	Retainer	
44	D28181873	8	Spacer	Valid from machine/table no, can be used in new as well as in older machines 58395
45	D28181630	1	Flange	Left Hand
46	D28181625	1	Flange	Right Hand
47	D28181652	2	Spacer	
48	D28181799	2	Yoke	
49	D45479200	8	Ring	
50	D40428300	40	Screw Metric	
51	D28181676	4	Cover	
52	D20400471	8	Washer	
53	D40404700	4	Hex. Sock. Screw	
54	D40407700	4	Hex. Sock. Screw	
55	D43001700	2	Greaser	
56	D43001500	1	Greaser	
57	D28181624	2	Bracket	

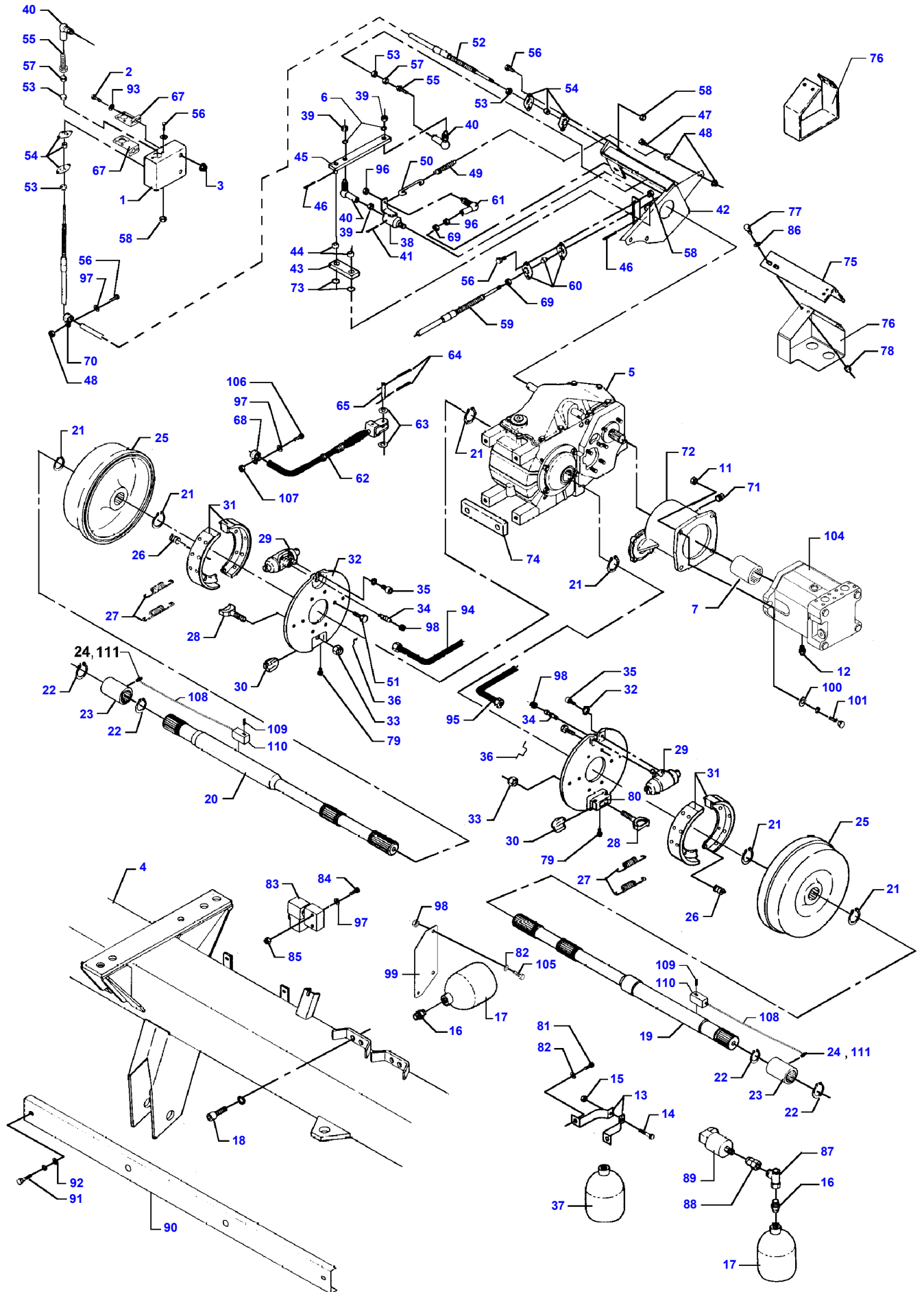
Traction Wheels And Final Drives - Auto Level

Item	Part Number	Qty	Description	Comments
58	D28780446	2	Rod	
59	D46437300	4	Toggle	
60	D41010600	4	Nut	
61	D20400453	2	Washer	
62	D45743900	4	Plug	
63	D45100030	2	Ram	
64	D45110092	2	Kit, Seal	
65	D28181647	2	Bolt	
66	D28181648	2	Bolt	
67	D42504300	8	Circlip	
68	D45110094	1	Pressure Valve	
69	D40405000	2	Hex. Sock. Screw	
70	D28284361	2	Potentiometer	
71	D40402400	2	Hex. Sock. Screw	
72	D28181653	2	Retainer	
73	D28780523	2	Meter	
74	D40407800	4	Hex. Sock. Screw	
75	D20400416	4	Washer	
76	D41087600	4	Locknut	
77	D28181737	2	Scraper	[A]
78	D28181738	2	Scraper	[A]
79	D28181736	4	Wheel	[A]
80	D40408100	4	Setscrew	[A]
81	D20400471	8	Washer	[A]
82	D41087600	4	Locknut	[A]
83	D40434600	4	Hex. Sock. Screw	[A]
84	D40407000	X	Screw	
85	D20400473	X	Washer	
86	D41092500	X	Nut	
87	1441462X1	1	Locknut	Replace and repair. Old not interchangeable with new D41087400
88	D20400453	2	Washer	
89	D45728200	1	Clip	
90	D40402700	1	Hex. Sock. Screw	
91	D28186356	1	Wheel	Right Hand Incl.Pos91/92/93 650/75R32
91	D28186357	1	Wheel	Left Hand Incl.Pos91/92/93 650/75R32
91	D28185816	1	Rim	
92	D46732000	1	Tyre	
93	D43738200	1	Tube	
94	D28185849	1	Wheel	Right Hand 800/65R32 For France only or any text in French only
94	D28185850	1	Wheel	Left Hand 800/65R32 For France only or any text in French only
94	D28185825	1	Rim	(94)
95	D46732300	1	Tyre	(94)
96	D46737200	1	Pressure Valve	(94)
97	D41100900	40	Spring Washers	

FOOTNOTE [A] MAIZE EQUIPMENT

FOOTNOTE [B] FOR FRENCH ONLY

MF 7250/7252 COMBINE - 1637400
D-ABZC-006-A



D-ABZC-006-A

Item	Part Number	Qty	Description	Comments
1	D28980806	1	Bracket	
2	D40407800	2	Hex. Sock. Screw	
3	D41087600	2	Locknut	
4	D28182141	1	Front Axle	
5	D46147500	1	Gearbox	
6	D41101900	2	Spring	
7	D46147800	1	Sleeve	
11	D41087600	4	Locknut	
12	D45251100	1	Union	
13	D28752408	4	Support	
14	D40405600	2	Setscrew	
15	D41087500	2	Locknut	
16	D45250500	2	Union	
17	D45100300	2	Accumulator	
18	D40696500	4	Screw	
19	D46146900	1	Shaft	Left Hand
20	D46147000	1	Shaft	Right Hand
21	D46100351	6	Circlip	
22	D42509500	4	Circlip	
23	D46137100	2	Sleeve	
24	D43001500	2	Greaser	
25	D46145900	2	Drum	
26	D46100564	2	Spring	
27	D46100363	4	Spring	
28	D46100565	2	Bolt	
29	D46100560	2	Hub	
30	D46100568	4	Adjuster	
31	D46100561	4	Brake Caliper	
32	D46146000	2	Plate	
33	D41090100	2	Locknut	
34	D46116400	2	Valve	
35	D40690200	2	Screw Metric	
36	D46100563	4	Retainer	
37	D47000002	1	Accumulator	POWERFLOW
38	D28182108	1	Selector	
39	D41010800	1	Nut	
40	D46436200	3	Toggle	
41	D42609700	1	Pin	
42	D28182114	1	Bracket	
43	D28980354	1	Lever	
44	D43360500	2	Bush	
45	D28980796	1	Arm	
46	D41405900	2	Pin	
47	D40402700	1	Hex. Sock. Screw	
48	D41013400	2	Nut	
49	D28710853	1	Spring	
50	D28181118	1	Stirrup	
51	D41087600	X	Locknut	
52	D46439500	1	Cable	
53	D46434600	4	Nut	
54	D46434800	2	Toggle	
55	D28760913	2	Bolt	
56	D40402600	10	Hex. Sock. Screw	
57	D41010600	2	Nut	
58	D41013400	6	Nut	
59	D46439400	1	Cable	
60	D46431600	1	Toggle	
61	D46437400	1	Toggle	
62	D45920247	1	Cable	
63	D20400507	2	Spacer	
64	D41402800	2	Pin	
65	D28180838	1	Clevis Pin	
67	D28780772	2	Retainer	
68	D45728200	1	Clip	
69	D46431700	2	Nut	
70	D45730400	2	Clamp	
71	D45236500	4	Plug	
72	D46148000	1	Housing	
73	D20400537	2	Spacer	
74	D28182082	2	Shim	
75	D28181224	1	Plate	

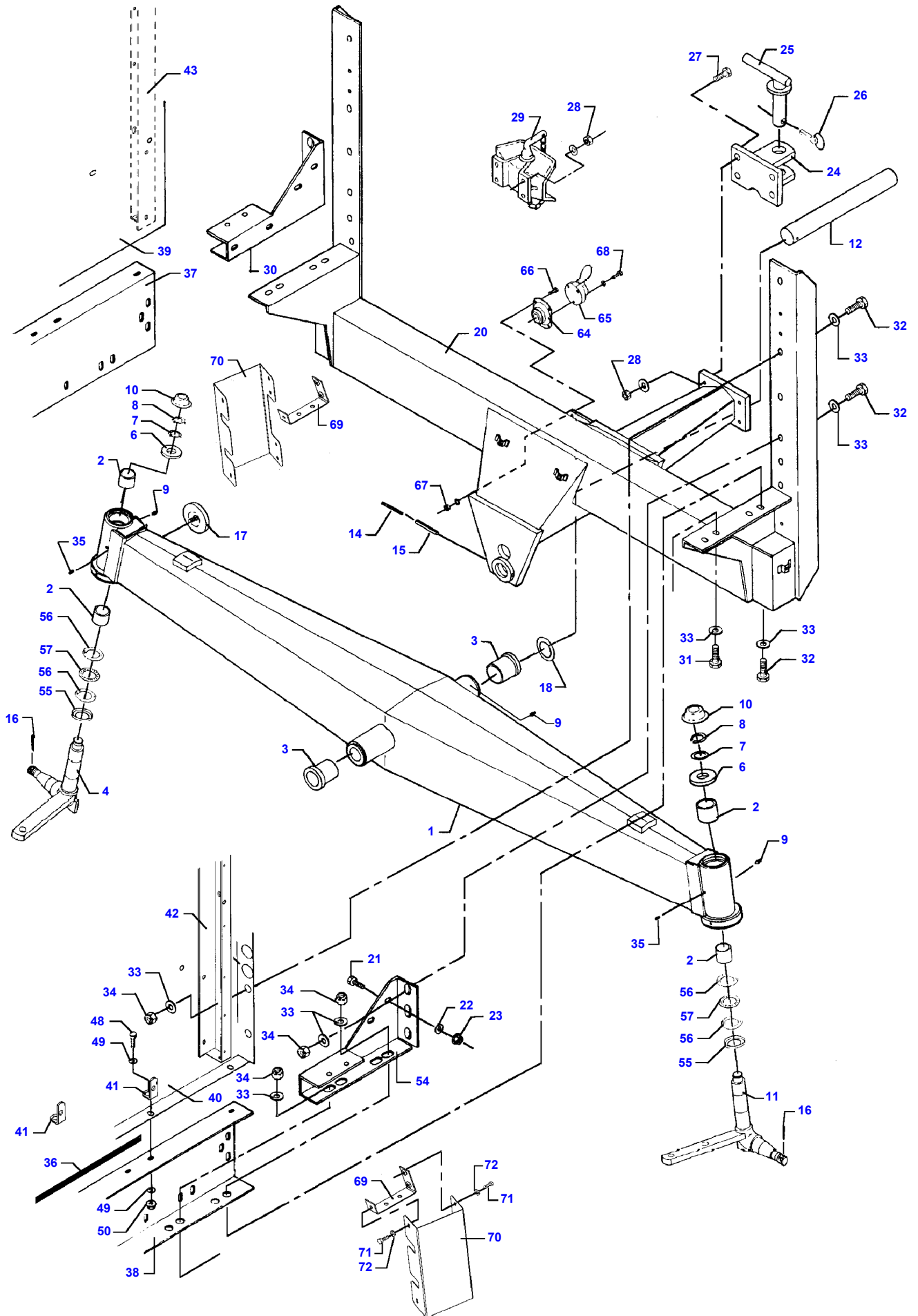
Item	Part Number	Qty	Description	Comments
76	D28181825	1	Guard	
77	D40404900	6	Hex. Sock. Screw	
78	D41013500	6	Nut	
81	D40407600	3	Hex. Sock. Screw	
82	D20400415	3	Washer	
83	D45110054	1	Valve	MF 7250
83	D45110054	2	Valve	MF 7252
84	D40422200	2	Screw Metric	
85	D41013400	2	Nut	
86	D20400506	6	Washer	
87	D45266300	1	Union	[D]
				MF 7252
88	D45277000	1	Connector	[D]
				MF 7252
89	D28781255	1	Sensor	[D]
				MF 7252
90	D28482117	1	Cowl	
91	D40421900	4	Bolt	
92	D20400405	4	Washer	
93	D20400471	2	Washer	
94	D28981336	1	Tube	
94	D28982033	1	Pipe	
95	D28981336	1	Tube	
96	D41010500	1	Nut	
97	D20400470	X	Washer	
98	D45908600	2	Cap	
99	D28782136	1	Plate	
100	D28181284	2	Washer	
101	D40416600	2	Screw Metric	
104	D45164900	1	Hydraulic Motor	
104	D45165000	1	Hydraulic Motor	[B]
105	D40407800	X	Hex. Sock. Screw	
106	D40422200	1	Screw Metric	
107	1441462X1	1	Locknut	Replace and repair. Old not interchangeable with new D41087400
108	D28185803	2	Pipe	[C]
				MF 7252
109	D28185802	2	Housing	[C]
				MF 7252
110	D28185805	2	Housing	[C]
				MF 7252
111	D43001500	2	Greaser	[C]
				MF 7252

FOOTNOTE [B] TRANSMISSION SYSTEM FOR 75 CCM

FOOTNOTE [C] AUTO-LEVEL COMBINE

FOOTNOTE [D] OPTIONAL EQUIPMENT REEL/FIELD PRESSURE ADJUSTMENT

MF 7250/7252 COMBINE - 1637400
D-ABZE-004-A

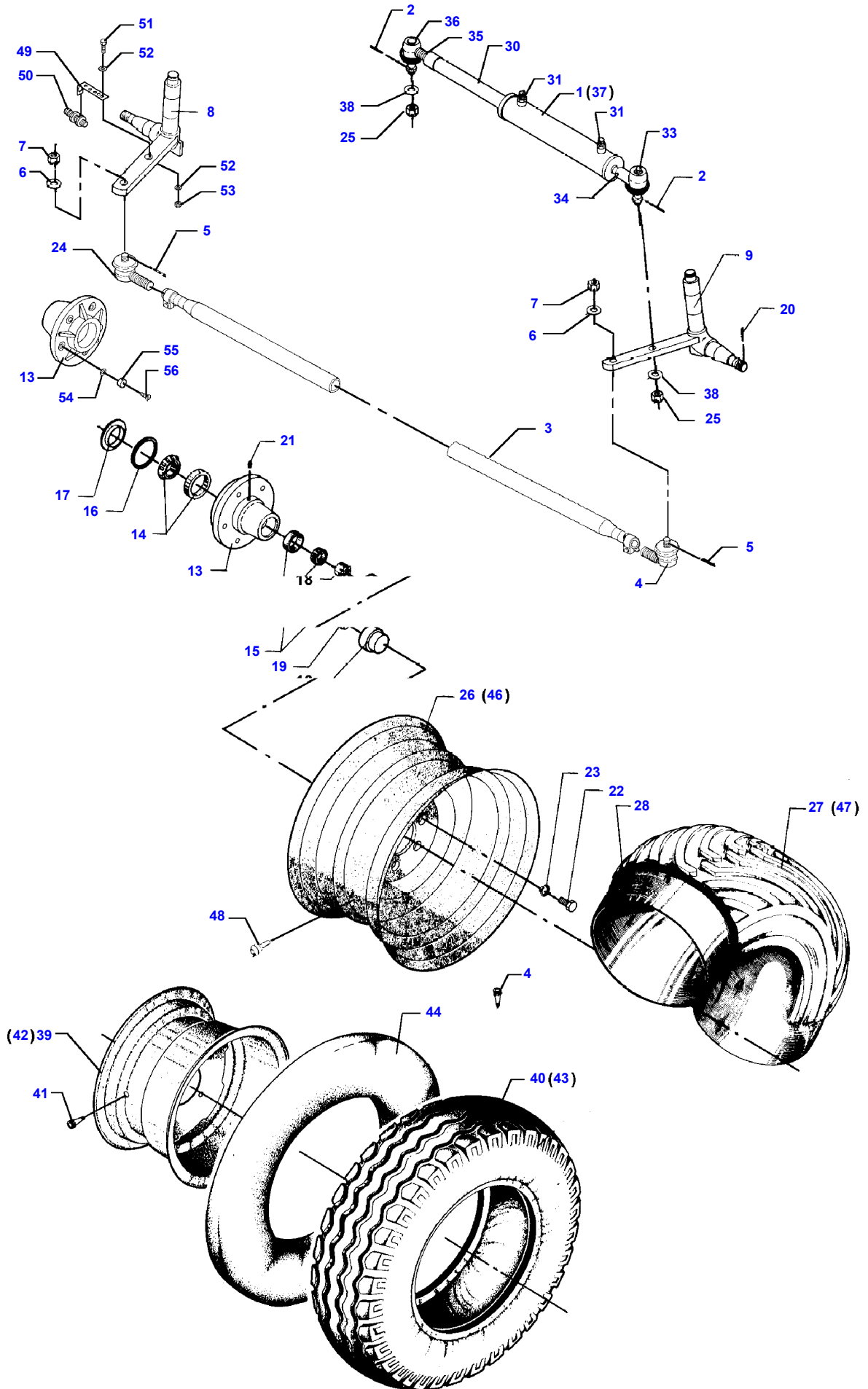


D-ABZE 004-A

Rear Axle

Item	Part Number	Qty	Description	Comments
1	D28182164	1	Rear Axle	
2	D43339500	4	Lining	
3	D28150126	2	Bearing Bush	
4	D46727500	1	Spindle	Right Hand
6	D28150131	2	Washer	
7	D42599000	2	Washer	
8	D42502800	2	Circlip	
9	D43001500	3	Greaser	
10	D45745700	2	Cover	
11	D46727600	1	Spindle	Left Hand
12	D28150587	1	Shaft	
14	D42610400	1	Pin	
15	D42616700	1	Pin	
16	D41415200	2	Pin	
17	D45085600	2	Reflector	
18	D28181550	1	Washer	
20	D28184050	1	Rear Axle	
	D28184341	1	Rear Axle	AUTO-LEVEL
21	D40070300	8	Screw	
22	D20400447	8	Washer	
23	D41087700	8	Locknut	
24	D28150801	1	Hook	
25	D28150802	1	Bolt	
26	D414446200	1	Split Pin	
27	D40430900	4	Screw Metric	
28	D41011000	4	Nut Metric	
29	D45907400	1	Hook	
30	D28184055	1	Bracket	
31	D40433400	4	Screw Metric	
32	D40433200	14	Hex. Sock. Screw	
33	D28181284	36	Washer	
34	D41087900	18	Locknut	
35	D40630900	2	Pin	
36	D44735900	X	Seal Section	Length 0,75 M
37	D28184003	1	Runner	
38	D28184002	1	Runner	
39	D28184045	1	Side	
40	D28184044	1	Side	
41	D28984004	2	Retainer	
42	D28184037	1	Profile	
43	D28184038	1	Profile	
48	D40407000	X	Screw	
49	D20400473	X	Washer	
50	D41092500	X	Nut	
54	D28184054	1	Bracket	
55	D28181618	2	Housing	
56	D41660900	4	Ring	
57	D41660700	2	Bearing Assy	
64	D28780750	1	Bearing Housing	
65	D45005200	1	Electric Socket	
66	D40402400	4	Hex. Sock. Screw	
67	D41010600	4	Nut	
68	D40371600	3	Screw Metric	
69	D28184340	2	Fitting	
70	D28184339	2	Guard	
71	D40476100	6	Hex. Sock. Screw	
72	D20400506	6	Washer	

MF 7250/7252 COMBINE - 1637400
D-ABZF-004-A



D-ABZF-004-A

Rear Wheels

Item	Part Number	Qty	Description	Comments
1	D45100025	1	Ram	
2	D41408900	2	Split Pin	
3	D45907700	1	Bar	
4	D45910100	1	Toggle	
5	D41408800	2	Split Pin	
6	D20400438	2	Washer	
7	D41048800	2	Groove Nut	
8	D46727500	1	Spindle	Right Hand
9	D46727600	1	Spindle	Left Hand
13	D46726400	1	Housing	(8)
	D46726400	1	Housing	(9)
14	D41661700	1	Bearing Taper	(8)
	D41661700	1	Bearing Taper	(9)
15	D41662700	1	Bearing Taper	(8)
	D41662700	1	Bearing Taper	(9)
16	D45408800	1	Gasket	(8)
	D45408800	1	Gasket	(9)
17	D46727300	1	Plate	(8)
	D46727300	1	Plate	(9)
18	D46723300	1	Cover	(8)
	D46723300	1	Cover	(9)
19	D41048200	1	Nut	(8)
	D41048200	1	Nut	(9)
20	D41415200	2	Pin	(8)
	D41415200	2	Pin	(9)
21	D43000300	1	Greaser	(8)
	D43000300	1	Greaser	(9)
22	D46728400	6	Bolt	
23	D41111600	6	Spring Washers	
24	D45907800	1	Toggle	
25	D41054300	2	Nut	
26	D28182146	1	Wheel	Left Hand
	D28182147	1	Wheel	Right Hand
	D28181173	1	Rim	(26)
27	D46734800	1	Tyre	(26)
28	D46738000	1	Hose	(26)
30	D45100092	1	Cylinder Rod	PACOMA
31	D45250800	2	Union	
33	D45934100	1	Joint	
34	D42605100	1	Pin	
35	D41043000	1	Nut Metric	
36	D45934200	1	Joint	
37	D45100078	1	Kit, Joint/Gasket	PACOMA
	D45110018	1	Kit, Joint	PPT
	D45110082	1	Kit, Joint	SERTA
38	D20400438	2	Washer	
39	D28182148	2	Wheel	12.5/80-18
	D28181174	2	Rim	(39)
				11X18
40	D46734300	2	Tyre	(39)
41	D46737200	2	Pressure Valve	(39)
42	D28182144	2	Wheel	15.0/70-18
	D28182142	2	Rim	(42)
				13X18
43	D46733300	2	Tyre	(42)
44	D46738400	2	Hose	(42)
46	D28180127	1	Wheel	Right Hand
				16/70-20
	D28180153	1	Wheel	Left Hand
				16/70-20
	D28180085	1	Rim	(46)
				14X20
47	D46734900	1	Tyre	(46)
48	D46737200	1	Pressure Valve	(46)
49	D28784392	1	Fitting	[A]
50	D45050071	1	Sensor	[A]
51	D40422000	2	Screw Metric	[A]
52	D20400470	4	Washer	[A]
53	1441462X1	2	Locknut	[A]
54	D20400404	1	Washer	Replace and repair. Old not interchangeable with new D41087400 [A]

Massey Ferguson

MF 7250/7252 COMBINE - 1637400

1637400

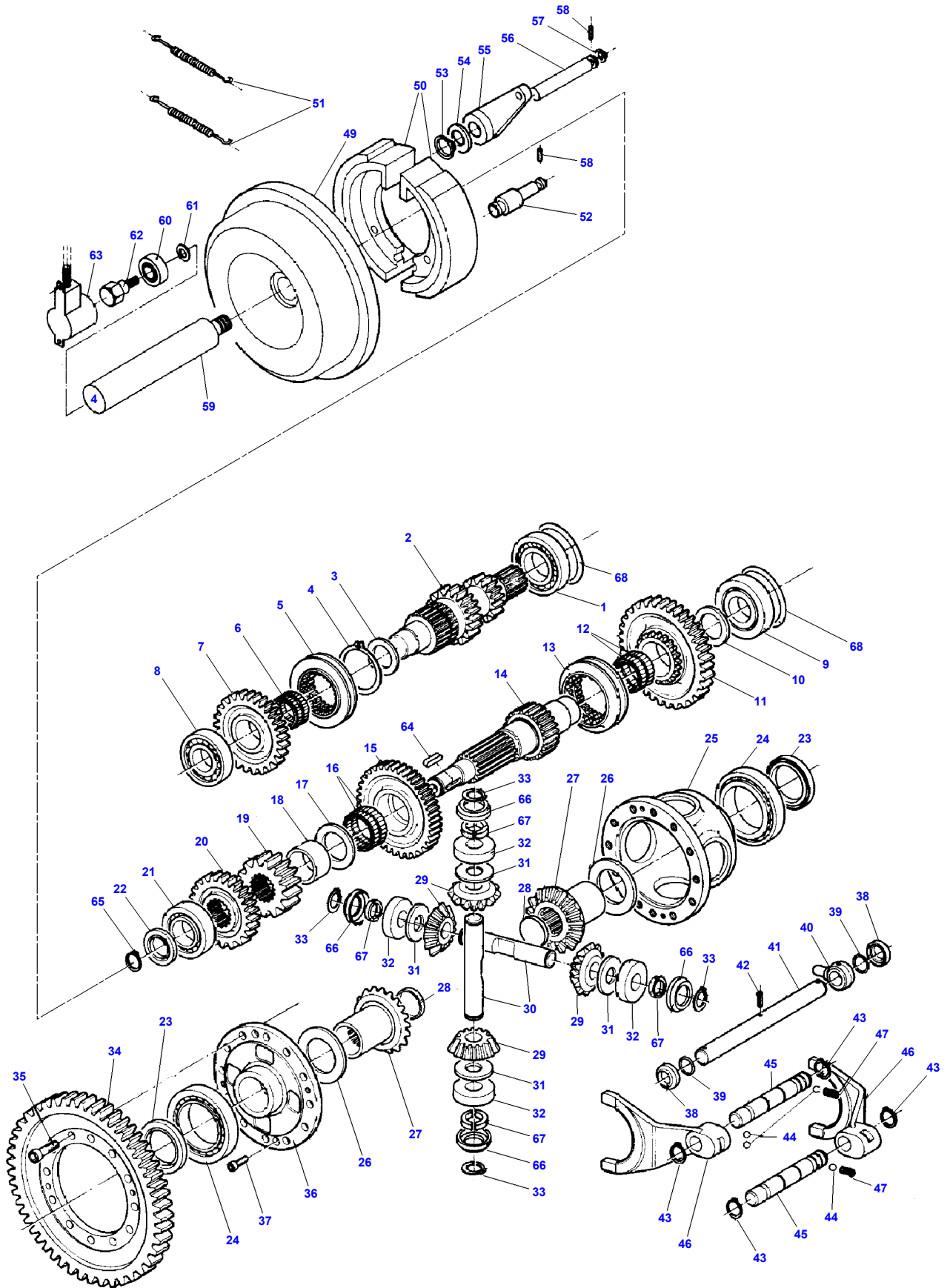
Rear Wheels

Page012-0005

Item	Part Number	Qty	Description	Comments
55	D45010092	1	Magnet	[A]
56	D40316400	1	Screw Metric	[A]

FOOTNOTE [A] OPTIONAL EQUIP. GRAIN LOSS

MF 7250/7252 COMBINE - 1637400
D-ABXZ-002-A



D-ABXZ-002-A

Massey Ferguson

MF 7250/7252 COMBINE - 1637400

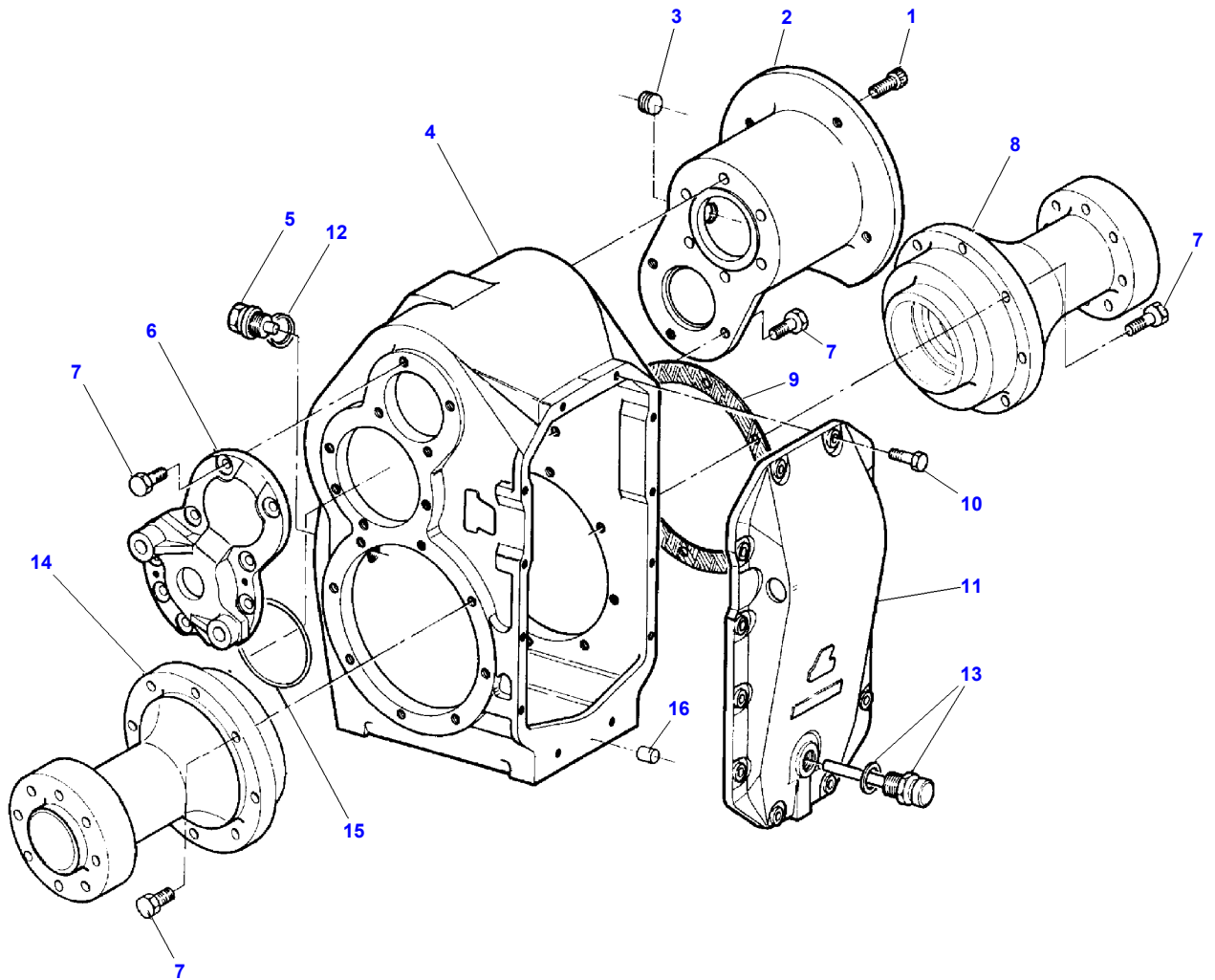
1637400

Gear Box - NO. D46147500 - CB 5220

Page012-0006

Item	Part Number	Qty	Description	Comments
1	D46147500	1	Gearbox	
	D41618500	1	Bearing Ball	
2	D46174000	1	Drive Shaft	
3	D41651300	1	Disc	
4	D42504500	1	Circlip	
5	D46143200	1	Thimble	
6	D41650400	1	Bearing Needle	
7	D46145500	1	Pinion	
8	D41624800	1	Bearing Ball	
9	D41637200	1	Bearing Taper	
10	D41651400	1	Washer	
11	D46142800	1	Gear	
12	D41650300	2	Bearing Needle	
13	D46143100	1	Sleeve	
14	D46143500	1	Shaft	
15	D46174200	1	Pinion	
16	D41650000	2	Bearing Needle	
17	D41651500	1	Washer	
18	D46140005	1	Spacer	
19	D46140004	1	Gear	
20	D46145400	1	Pinion	
21	D41636900	1	Bearing Taper	
22	D45419700	1	Gasket	
23	D45409400	2	Gasket	
25	D46144500	1	Housing	
26	D46144000	2	Ring	
27	D46145000	2	Pinion	
28	D46143900	2	Plug	
29	D46144900	4	Pinion	
30	D46174400	2	Bolt	
31	D46144100	4	Washer	
32	D46145200	4	Ring	
33	D42502000	4	Circlip	
34	D46140003	1	Gear	
35	D40607100	1	Screw	
36	D46144800	1	Flange	
37	D40688400	2	Screw	
38	D45405900	2	Seal	
39	D45462700	2	O Ring	
40	D46100731	1	Hub	
41	D46143800	1	Shaft	
42	D42609700	1	Pin	
43	D46100357	4	Circlip	
44	D46100736	4	Ball	
45	D46143600	2	Shaft	
46	D46142200	2	Shift Fork	
47	D46100735	2	Spring	
48	D28710388	1	Bearing Carrier	
49	D46100662	1	Brake Drum	
50	D46100663	2	Brake Caliper	
51	D46100664	2	Spring	
52	D46100665	1	Pin	
53	D42502300	2	Circlip	
54	D46100667	1	Washer	
55	D46100668	1	Brake Lever	
56	D46100666	1	Pin	
57	D42501200	1	Circlip	
58	D40632200	2	Pin	
59	D28182112	1	Shaft	
60	D41622600	1	Bearing Ball	
61	D20400419	1	Washer	
62	D28780516	1	Inductive Taker	
63	D28780514	1	Sensor	
64	D43103500	1	Key	
65	D42555000	1	Circlip	
66	D46174600	4	Ring	
67	D46174500	8	Bush	
68	D46173300	X	Spacer	OPTIONAL
	D46173400	X	Spacer	OPTIONAL

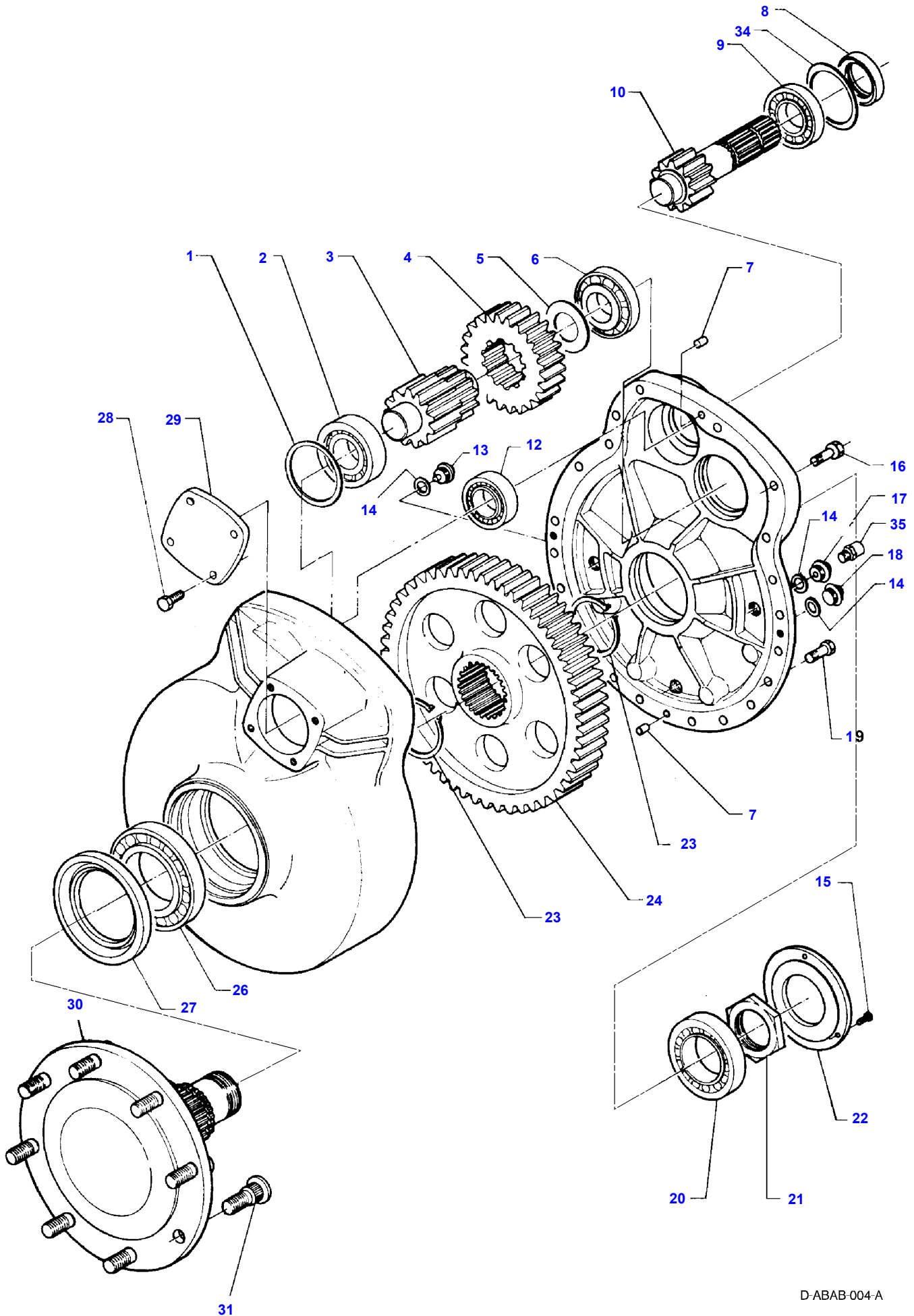
MF 7250/7252 COMBINE - 1637400
D-ABXZ-003-A



Gear Box - Housing

Item	Part Number	Qty	Description	Comments
1	D46147500	1	Gearbox	
	D40692400	6	Screw	
2	D46148000	1	Housing	
3	D45236500	1	Plug	
5	D46100764	1	Plug	
6	D46142000	1	Cover	
7	D40407800	11	Hex. Sock. Screw	
8	D46145800	1	Bearing Carrier	
9	D46144200	1	Disc	Thickness 0,19MM
	D46144300	1	Disc	Thickness 0,25MM
	D46144400	1	Disc	Thickness 0,35MM
10	D40405100	12	Hex. Sock. Screw	
11	D46142300	1	Housing	
12	D45201900	1	Packing	
13	D46141800	1	Plug	
14	D46145700	1	Bearing Carrier	
15	D45482000	1	O Ring	
16	D46134000	2	Pin	

MF 7250/7252 COMBINE - 1637400
D-ABAB-004-A

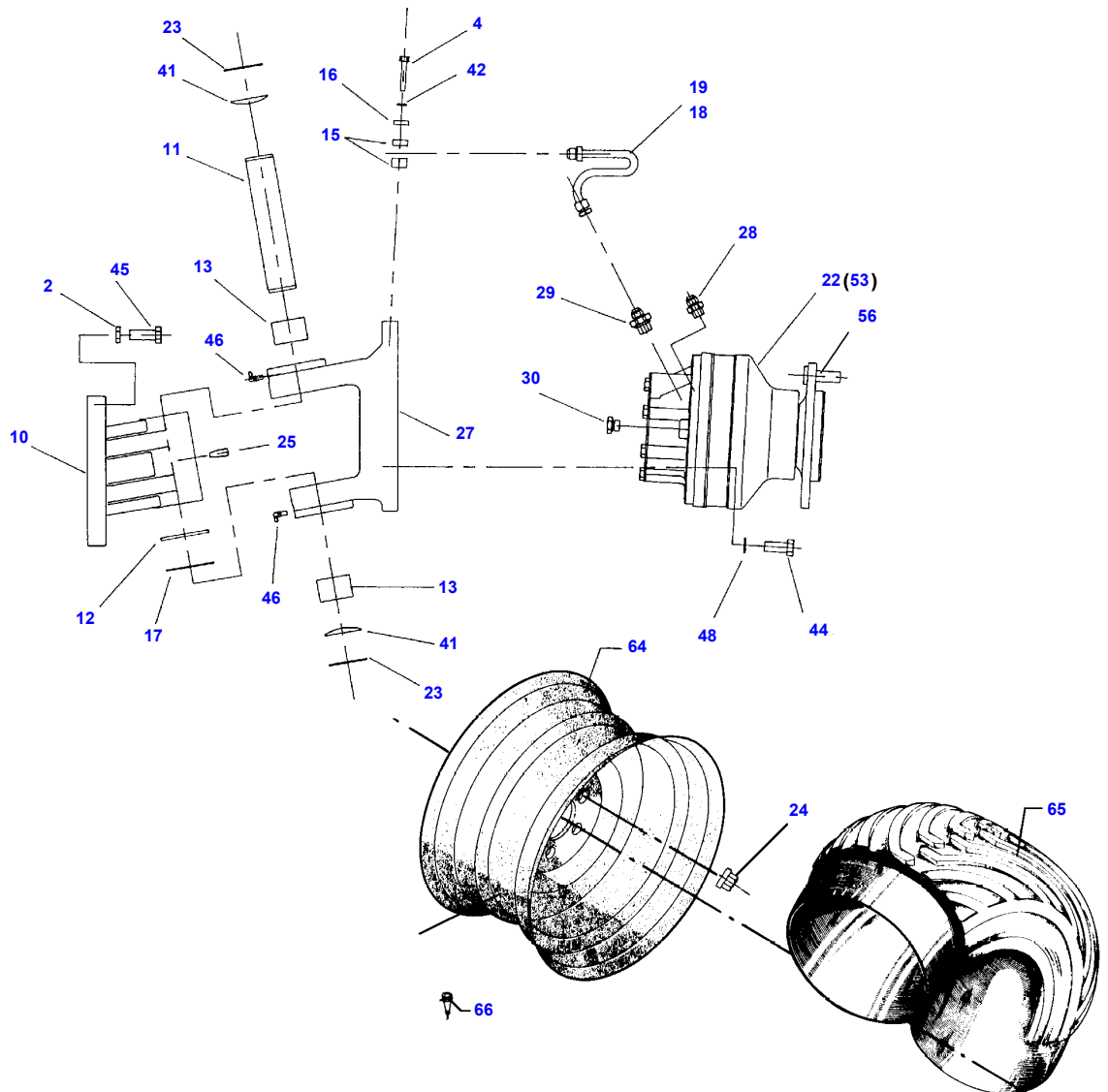
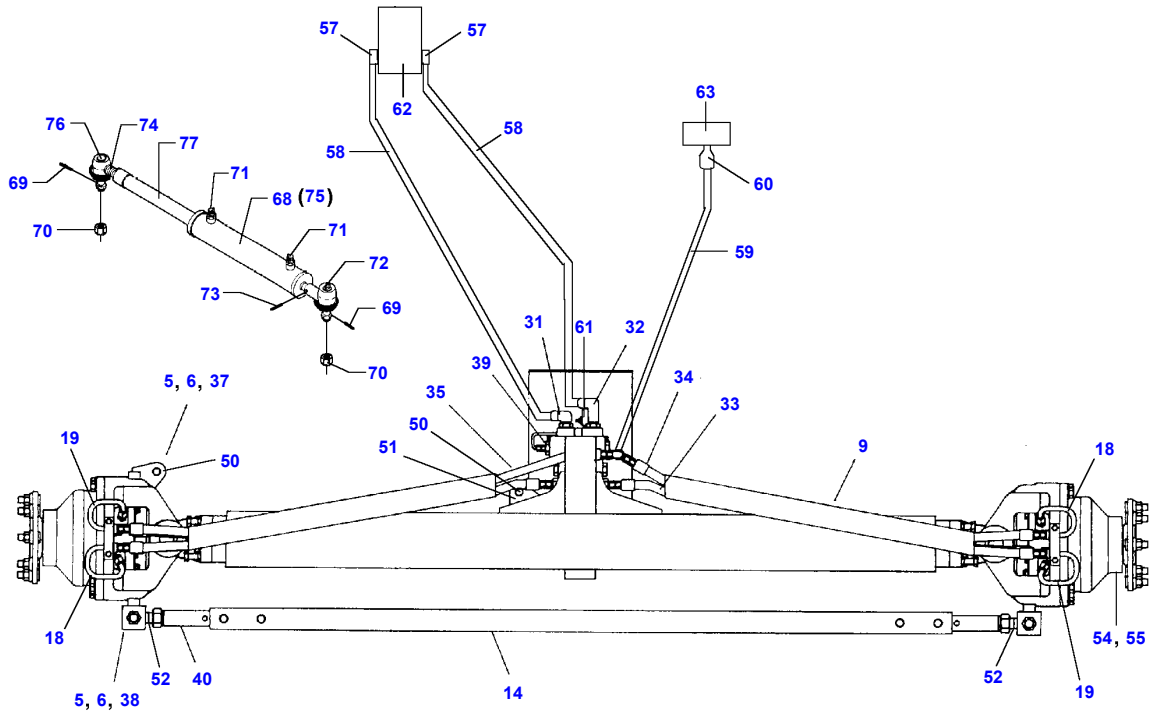


D-ABAB-004-A

Final Drive

Item	Part Number	Qty	Description	Comments
1	D46140300	1	Washer	Thickness 0,20MM
	D46140400	1	Chock	Thickness 0,25MM
	D46140500	1	Chock	Thickness 0,35MM
	D46140600	1	Chock	Thickness 0,50MM
2	D41667900	1	Bearing Roller	
3	D46134900	1	Shaft	
4	D46136500	1	Gear	
5	D46136000	1	Washer	
6	D41668300	1	Bearing Assy	
7	D46134000	2	Pin	
8	D45408700	1	Gasket	
9	D41636800	1	Bearing Taper	
10	D46140001	1	Shaft	
12	D41636600	1	Bearing Taper	
13	D46135400	1	Plug	
14	D45232700	3	O Ring	
15	D40688400	3	Screw	
16	D40428600	5	Screw Metric	
17	D46135300	1	Plug	
18	D45236600	1	Plug	
19	D40411100	16	Hex. Sock. Screw	
20	D41668900	1	Bearing Assy	
21	D46139400	1	Nut	
22	D46141600	1	Cover	
23	D42509200	2	Circlip	
24	D46136100	1	Pinion	
26	D41669400	1	Bearing Assy	
27	D46139900	1	Gasket	
28	D40411000	4	Hex. Sock. Screw	
29	D46140002	1	Cover	
30	D46134100	1	Shaft	
31	D46133900	1	Bolt	
34	D46125700	X	Washer	OPTIONAL
	D46171900	X	Spacer	OPTIONAL
35	D46116500	1	Valve	

MF 7250/7252 COMBINE - 1637400
D-BAAC-001-A



D-BAAC-001-A

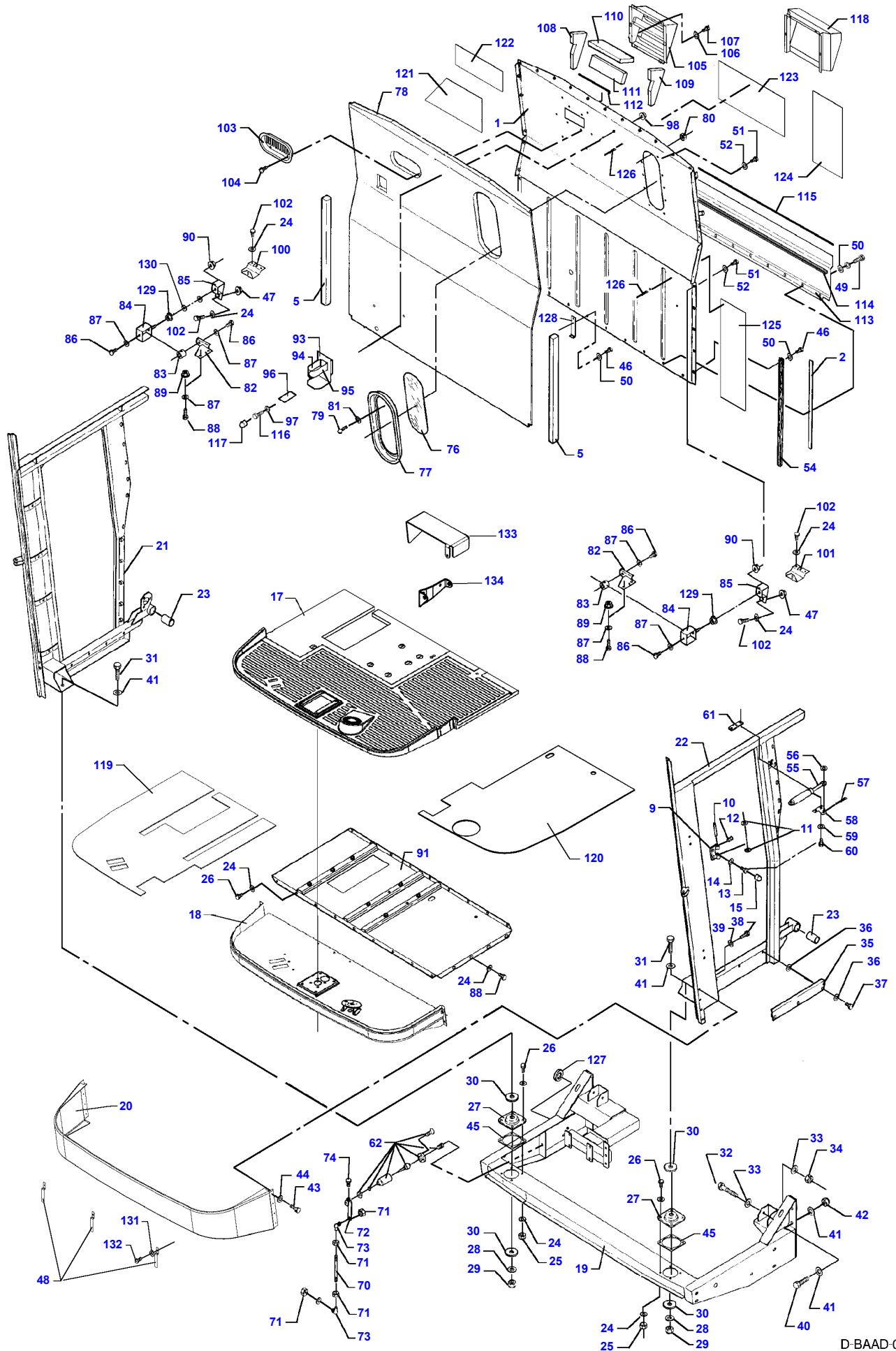
4-Wheel Drive

Item	Part Number	Qty	Description	Comments
1	D49063500	X	Wheel	
5	D49068400	12	Screw	
11	D49066800	2	Shaft	
12	D49067000	2	Thrust Washer	
13	D49066900	4	Bush	
18	D49070092	2	Pipe,Oil	
19	D49070093	2	Pipe,Oil	
22	D49067100	2	Motor	
23	D49068000	4	Ring	
24	D49067700	16	Nut	
33	D49070094	4	Hydraulic Hose	
34	D49070095	1	Hydraulic Hose	
35	D49070096	1	Hydraulic Hose	
37	D49068500	1	Lever	
39	D49067200	1	Valve	
41	D49067900	4	Plug	
50	D49060097	2	Bush	[B]
	D49068600	2	Bush	[A]
51	D49068700	1	Bracket	
52	D49067300	2	Toggle	
53	D49067400	2	Kit, Gasket	
54	D49067500	2	Gasket	
55	D49067600	2	Gasket	
56	D49067800	16	Bolt	
57	D49068200	2	Adaptor	
58	D49070097	2	Hydraulic Hose	
59	D49070098	1	Hydraulic Hose	
60	D28181131	1	Adaptor	
61	D49070099	1	Valve	
62	D45161500	1	Hydraulic Pump	
63	D28780045	1	Oil Tank	
64	D28181817	1	Wheel	500/60-22.5
	D28181818	1	Wheel	500/60-22.5
	D28181127	2	Rim	(64) 16X22.5
65	D46732900	2	Tyre	(64)
66	D46738700	2	Pressure Valve	(64)
68	D45100025	1	Ram	
69	D41408800	2	Split Pin	[A]
	D41408900	2	Split Pin	[B]
70	D41048800	2	Groove Nut	[A]
	D41054300	2	Nut	[B]
71	D45250800	2	Union	
72	D45933500	1	Toggle	[A]
	D45934100	1	Joint	[B]
73	D42605100	1	Pin	
74	D41043000	1	Nut Metric	
75	D45100078	1	Kit,Joint/Gasket	PACOMA
	D45110018	1	Kit, Joint	PPT
	D45110082	1	Kit, Joint	SERTA
76	D45933600	1	Toggle	[A]
	D45934200	1	Joint	[B]
77	D45100092	1	Cylinder Rod	PACOMA

FOOTNOTE [A] BALL JOINT WITH CONE 22

FOOTNOTE [B] BALL JOINT WITH CONE 26

MF 7250/7252 COMBINE - 1637400
D-BAAD-001-A



D-BAAD-001-A

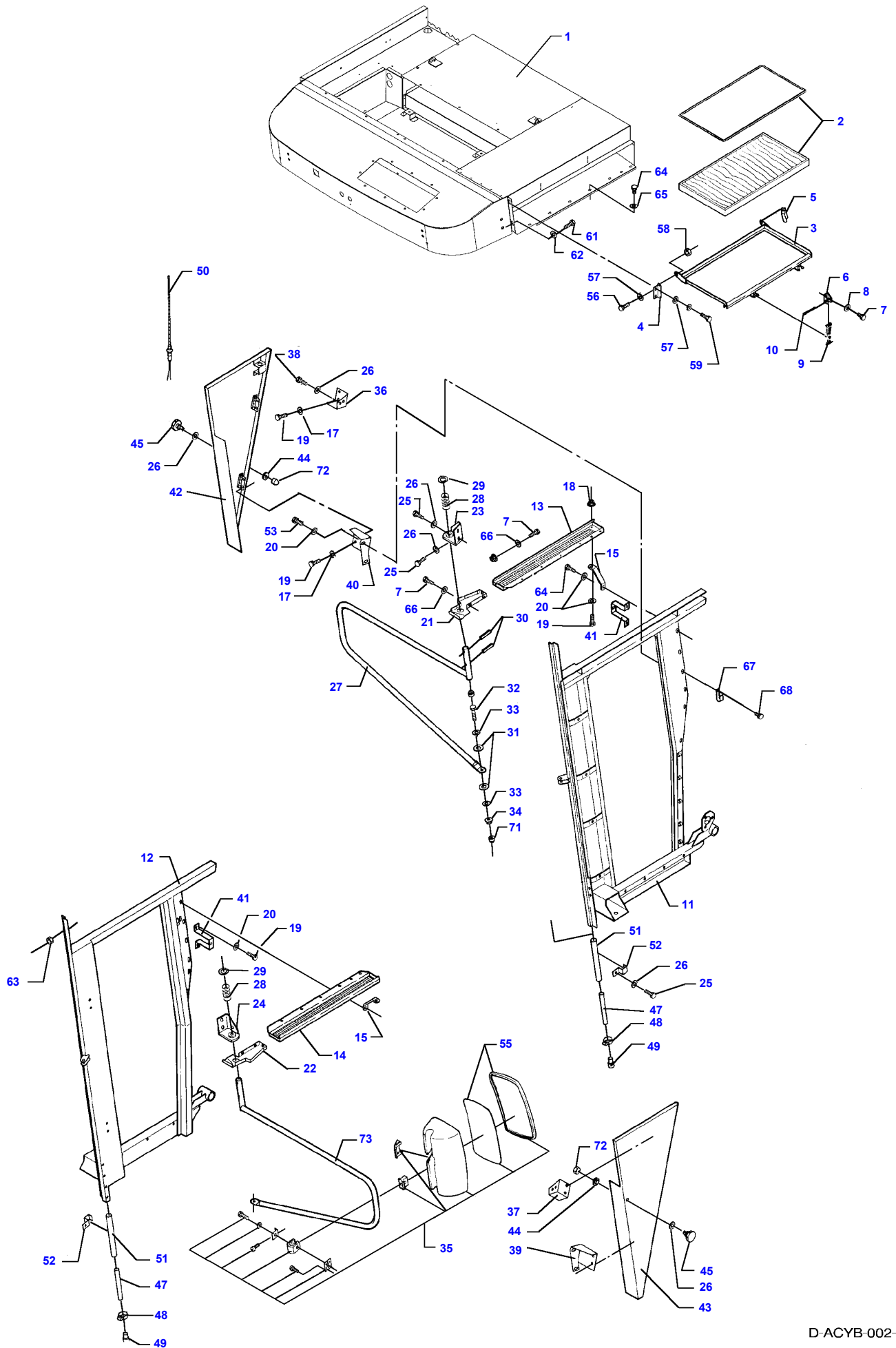
Driver Cabin

Item	Part Number	Qty	Description	Comments
1	D28980576	1	Side	
2	D28980953	5	Strip	
5	D28980853	2	Lining	
9	D28980512	2	Hinge	
10	D42694100	2	Pin	
11	D43406400	4	Washer	
12	D40630100	4	Pin	
13	D40407700	4	Hex. Sock. Screw	
14	D20400419	4	Washer	
15	D45744700	4	Protector	
17	D28985954	1	Mat	
18	D28981601	1	Frame	
19	D28982041	1	Suspension	
20	D28981358	1	Trim	
21	D28981368	1	Frame	Right Hand
22	D28981367	1	Frame	Left Hand
23	D46480600	2	Damper	
24	D20400506	X	Washer	
25	D41087500	8	Locknut	
26	D40405000	8	Hex. Sock. Screw	
27	D46480400	2	Damper	
28	D20400429	2	Washer	
29	D41087800	2	Locknut	
30	D20400460	4	Washer	
31	D40431500	2	Screw Metric	
32	D40437700	2	Screw	
33	D20400441	4	Washer	
34	D41088100	2	Locknut	
35	D28980926	1	Strip	
36	D20400506	6	Washer	
37	D40404900	3	Hex. Sock. Screw	
38	D40407700	6	Hex. Sock. Screw	
39	D20400419	6	Washer	
40	D40431900	2	Screw	
41	D20400430	8	Washer	
42	D41087800	6	Locknut	
43	D40749100	8	Screw Metric	
44	D20400466	8	Washer	
45	D28981388	2	Spacer	
46	D40404900	3	Hex. Sock. Screw	
47	D41013500	X	Nut	
48	D28980509	3	Support	
49	D40404700	9	Hex. Sock. Screw	
50	D20400506	9	Washer	
51	D40402300	27	Hex. Sock. Screw	
52	D20400470	31	Washer	
54	D28760642	1	Earth Strap	
55	D45061800	1	Gas Strut	
56	D20400500	2	Spacer	
57	D41405700	2	Pin	
58	D28980456	1	Bracket	
59	D20400470	3	Washer	
60	D40402600	3	Hex. Sock. Screw	
61	D28980571	1	Threaded Part	
62	D28780523	1	Meter	
70	D28780446	1	Rod	
71	D41010600	4	Nut	
72	D28781019	1	Rod	
73	D46437300	2	Toggle	
74	D40402400	1	Hex. Sock. Screw	
76	D28980222	1	Window	
77	D28981223	1	Frame	
78	D28981224	1	Floor Covering	Up to Serial or Engine Number 59016
	D28981825	1	Floor Covering	From Serial or Engine Number 59017
	D28981826	1	Floor Covering	From Serial or Engine Number 59017
79	D40688000	10	Screw	
80	1441462X1	10	Locknut	Replace and repair. Old not interchangeable with new D41087400
81	D20400404	10	Washer	
82	D28980984	2	Bracket	
83	D46480700	2	Buffer	
84	D28980987	2	Stirrup	

Driver Cabin

Item	Part Number	Qty	Description	Comments
86	D40404700	4	Hex. Sock. Screw	
87	D20400506	4	Washer	
88	D40404900	X	Hex. Sock. Screw	
89	D41013500	4	Nut	
90	D41087600	4	Locknut	
91	D28980647	1	Plate	
93	D28981215	1	Retainer	
94	D28981151	1	Strap	(93)
95	D28981149	1	Strap	(93)
96	D28981150	1	Rubber	(93)
97	D20400404	3	Washer	
98	D41013400	3	Nut	
100	D28981174	1	Bracket	Right Hand
101	D28981175	1	Bracket	Left Hand
102	D40405100	4	Hex. Sock. Screw	
103	D28981222	1	Grille	Up to Serial or Engine Number 59016
104	D40688000	4	Screw	
105	D28981226	1	Fan	Up to Serial or Engine Number 59016
106	D20400453	6	Washer	
107	D40402400	6	Hex. Sock. Screw	
108	D28981232	1	Floor Covering	Right Hand Up to Serial or Engine Number 59016
109	D28981235	1	Floor Covering	Left Hand Up to Serial or Engine Number 59016
110	D28981234	1	Floor Covering	Up to Serial or Engine Number 59016
111	D28981233	1	Floor Covering	Up to Serial or Engine Number 59016
112	D44735300	X	Gasket	Length 0,300 M Up to Serial or Engine Number 59016
113	D28984019	1	Shield	
114	D44719000	X	Strip	
115	D44706600	X	Seal Section	Length 1,500 M
116	D40402400	3	Hex. Sock. Screw	
117	D45744800	3	Protector	
118	D28981327	1	Duct	
119	D28981373	1	Bottom	
120	D28981372	1	Bottom	
121	D28981520	1	Sound Reduction	
122	D28981522	1	Sound Reduction	Up to Serial or Engine Number 59016
122	D28981820	1	Sound Reduction	From Serial or Engine Number 59017
123	D28981523	1	Sound Reduction	
124	D28981521	1	Sound Reduction	
125	D28981524	1	Sound Reduction	
126	D41397400	32	Rivet	
127	D44732300	1	Grommet	
128	D28980468	1	Support	
129	D41010800	2	Nut	
130	D20400416	4	Washer	
131	D20400506	3	Washer	
132	D40404700	3	Hex. Sock. Screw	
133	D28981746	1	Plate	
134	D28981745	1	Clip	

MF 7250/7252 COMBINE - 1637400
D-ACYB-002-A



D-ACYB-002-A

Cab roof and side members

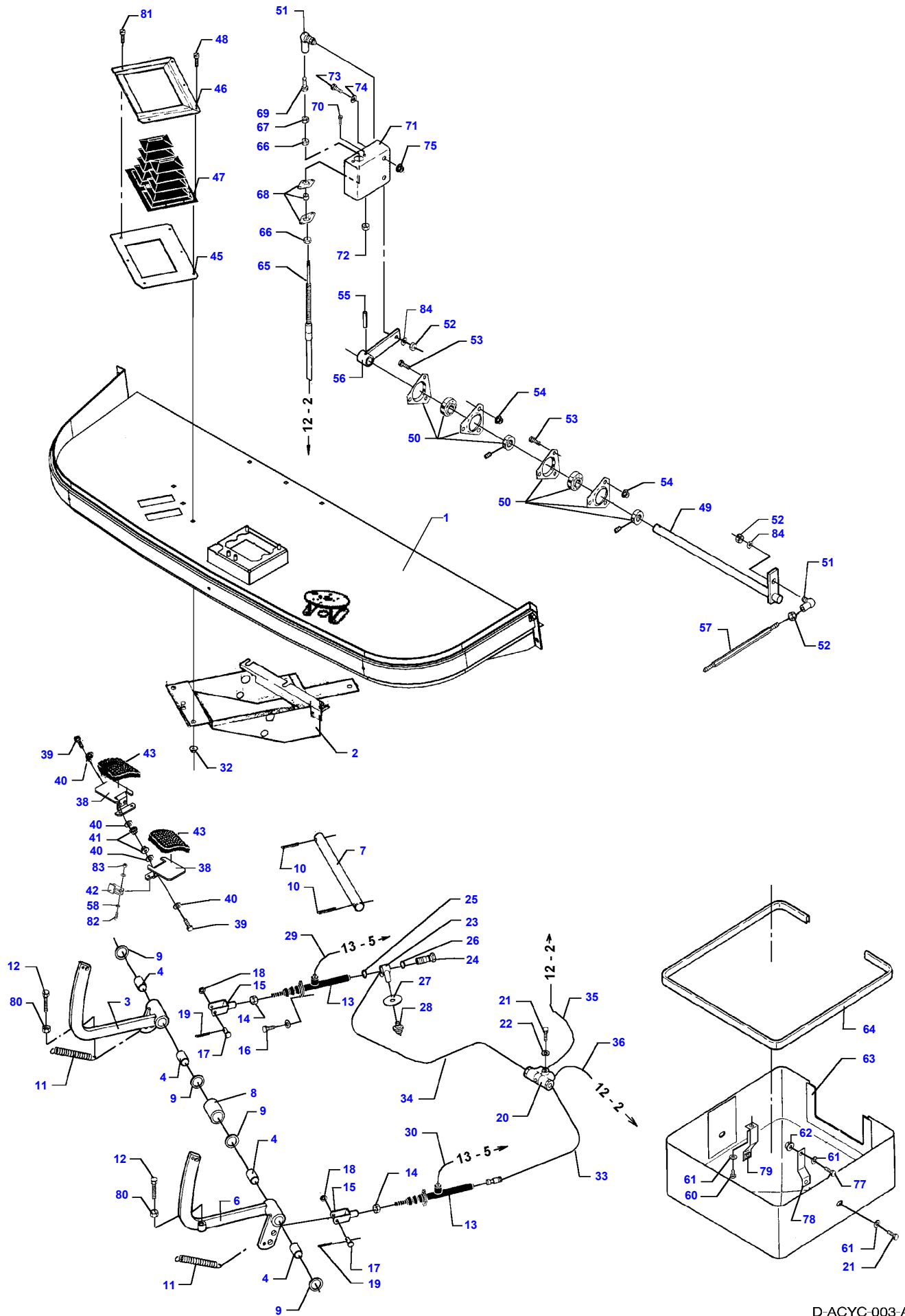
Item	Part Number	Qty	Description	Comments
1	D28981339	1	Roof	Up to Serial or Engine Number 58548
	D28981801	1	Roof	From Serial or Engine Number 58549
2	D28980100	1	Cab Filter	
3	D28981106	1	Frame	
4	D28980713	1	Hinge	
5	D28980714	1	Hinge	
6	D28981118	2	Holder	
7	D40402400	10	Hex. Sock. Screw	
8	D20400470	10	Washer	
9	D44737200	2	Rubber Strap	
10	D41409100	2	Split Pin	
11	D28981368	1	Frame	
12	D28981367	1	Frame	
13	D28980891	1	Intake	Right Hand
14	D28980892	1	Intake	Left Hand
15	D28980890	2	Stay	
17	D20400453	8	Washer	
18	D41013400	1	Nut	
19	D40402400	X	Hex. Sock. Screw	
20	D20400470	X	Washer	
21	D28981496	1	Cover	
22	D28981465	1	Cover	
23	D28980758	1	Bracket	Right Hand
24	D28980757	1	Bracket	Left Hand
25	D40405000	X	Hex. Sock. Screw	
26	D20400506	X	Washer	
27	D28980762	1	Arm	Right Hand
28	D28760286	2	Spring	
29	D20400531	2	Spacer	
30	D42662500	4	Pin	
31	D28980752	4	Washer	
32	D40423600	2	Screw Metric	
33	D20400506	4	Washer	
34	D41087500	2	Locknut	
35	D45086300	2	Mirror	
36	D28981038	1	Hinge	Right Hand
37	D28981037	1	Hinge	Left Hand
38	D40404700	4	Hex. Sock. Screw	
39	D28981040	1	Hinge	Left Hand
40	D28981039	1	Hinge	Right Hand
41	D28981045	2	Support	
42	D28982031	1	Cover	Right Hand
43	D28982032	1	Cover	Left Hand
44	D28981044	2	Washer	
45	D43385300	2	Screw	
47	D45702100	X	Hose	[A] A.C Length 3 M
48	D45039100	2	Cable Tie	[A] A.C
49	D45070044	2	Pressure Valve	[A] A.C
50	D45086600	1	Aerial Long	[A]
51	D45703700	2	Hose	[A] A.C Length 0.6 M
52	D28981051	2	Retainer	[A] A.C
53	D40402400	4	Hex. Sock. Screw	[A] A.C
55	D45083300	1	Glass	
56	D40404900	2	Hex. Sock. Screw	
57	D20400506	6	Washer	
58	D41087500	2	Locknut	
59	D40404700	4	Hex. Sock. Screw	
61	D40407600	4	Hex. Sock. Screw	
62	D20400419	4	Washer	
64	D40749100	8	Screw Metric	
65	D20400466	8	Washer	
66	D20400404	6	Washer	
67	D45058300	1	Hook	

Massey Ferguson**MF 7250/7252 COMBINE - 1637400****1637400****Cab roof and side members****Page013-0002**

Item	Part Number	Qty	Description	Comments
68	D40741200	2	Screw	
71	D45744900	2	Protector	
72	D41013500	2	Nut	
73	D28980762	1	Arm	Left Hand

FOOTNOTE [A] OPTIONAL EQUIPMENT

MF 7250/7252 COMBINE - 1637400
D-ACYC-003-A



D-ACYC-003-A

Brake pedals and gearshift

Item	Part Number	Qty	Description	Comments
1	D28981601	1	Frame	
2	D28981669	1	Bracket	
3	D28985768	1	Brake Pad	Right Hand Valid from machine/table no, can be used in new as well as in older machines 57356
4	D43364800	4	Bush	
6	D28985768	1	Brake Pad	Left Hand Valid from machine/table no, can be used in new as well as in older machines 57356
7	D28981670	1	Shaft	
8	D28740948	1	Spacer	
9	D43319300	4	Bush	
10	D41411100	2	Split Pin	
11	D28800460	2	Spring	
12	D40405100	2	Hex. Sock. Screw	
13	D45908000	2	Ram	
14	D41010800	2	Nut	
15	D45905300	2	Fork Head	
16	D40405000	4	Hex. Sock. Screw	
17	D45905500	2	Bolt	
18	D45905600	2	Washer	
19	D41405700	2	Pin	
20	D45908100	1	Ram	
21	D40404700	3	Hex. Sock. Screw	
22	D20400506	1	Washer	
23	D45908400	1	Connector	
24	D45908500	1	Screw	
25	D45713600	1	Gasket	
26	D45713700	1	Gasket	
27	D28780948	1	Washer	
28	D45908300	1	Switch	
29	D28980948	1	Pipe	Right Hand
30	D28980947	1	Pipe	Left Hand
31	D40063600	6	Screw Metric	
32	D41013500	6	Nut	
33	D28985953	1	Tube	
34	D28985952	1	Tube	Right Hand Up to Serial or Engine Number 57299
	D28985953	1	Tube	Right Hand From Serial or Engine Number 57300
35	D28981336	1	Tube	
36	D28981336	1	Tube	
37	D28981203	1	Brake Pad	
38	D28981203	1	Brake Pad	
39	D40402700	4	Hex. Sock. Screw	
40	D20400404	8	Washer	
41	1441462X1	4	Locknut	Replace and repair. Old not interchangeable with new D41087400
42	D28981584	1	Pawl	
43	D44719500	1	Rubber	
45	D28980777	1	Plate	
46	D28980811	1	Frame	
47	D28751796	1	Bellows	
48	D40742800	3	Screw	
49	D28980801	1	Shaft	
50	D41713600	2	Bearing	
51	D46436200	2	Toggle	
52	D41010800	2	Nut	
53	D40405000	6	Hex. Sock. Screw	
54	D41013500	6	Nut	
55	D42609500	1	Pin	
56	D28980804	1	Arm	
57	D28980805	1	Rod	
58	D20400466	2	Washer	
60	D40404900	1	Hex. Sock. Screw	
61	D20400506	4	Washer	

Massey Ferguson**MF 7250/7252 COMBINE - 1637400**

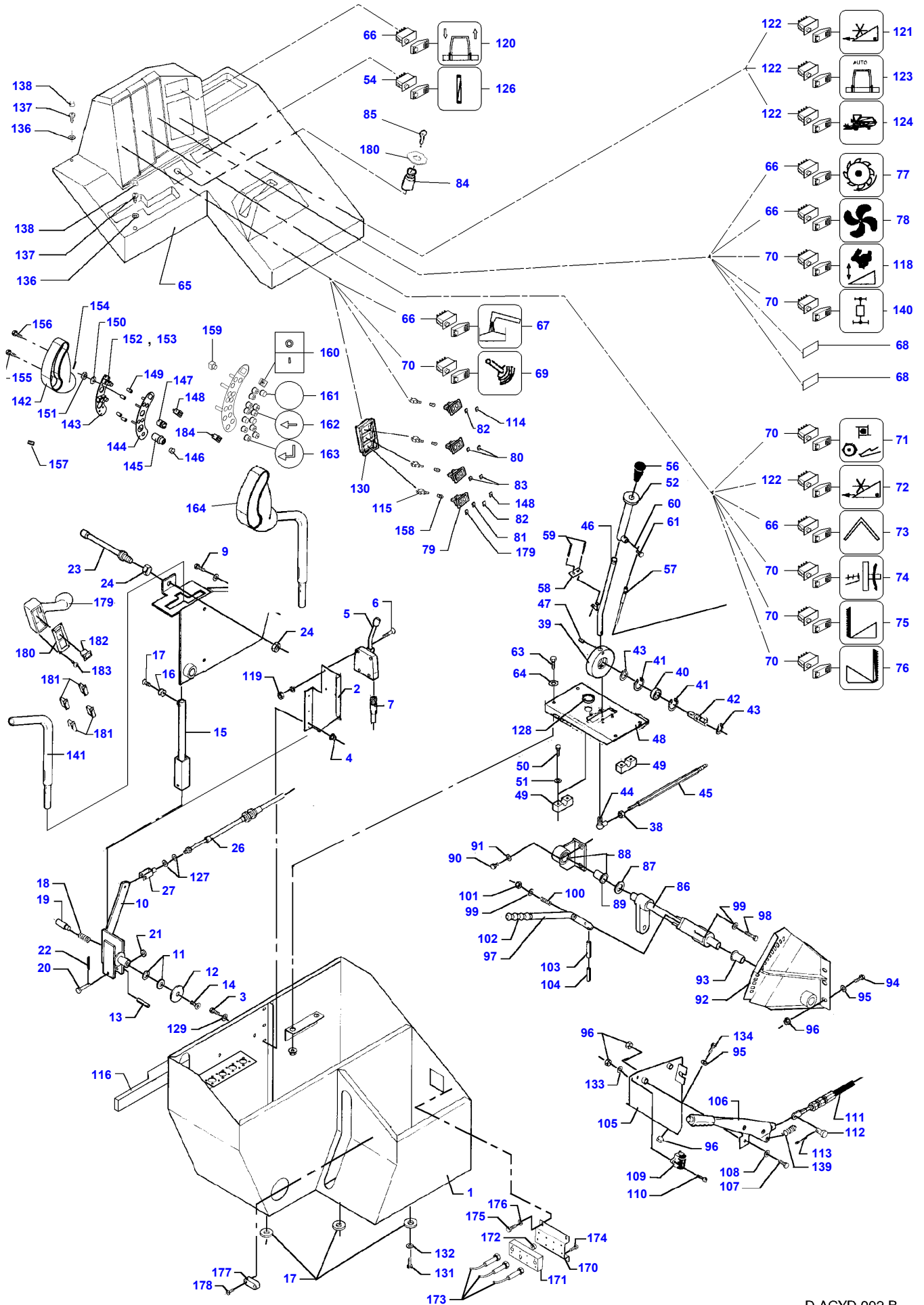
1637400

Brake pedals and gearshift

Page013-0003

Item	Part Number	Qty	Description	Comments
62	D41013500	1	Nut	
63	D28980684	1	Cover	
64	D44735300	X	Gasket	Length 2,000 M
65	D46439500	1	Cable	
66	D46434600	2	Nut	(65)
67	D41010600	1	Nut	(65)
68	D46434800	1	Toggle	
69	D28760913	1	Bolt	
70	D40402600	2	Hex. Sock. Screw	
71	D28980806	1	Bracket	
72	D41013400	2	Nut	
73	D40407800	2	Hex. Sock. Screw	
74	D20400471	2	Washer	
75	D41087600	2	Locknut	
77	D40405000	1	Hex. Sock. Screw	
78	D28981219	1	Bar	
79	D28981220	1	Bar	
80	D41010700	2	Nut	
81	D40742900	2	Screw	
82	D40400900	1	Setscrew	
83	D41087300	1	Locknut	
84	D41101900	X	Spring	

MF 7250/7252 COMBINE - 1637400
D-ACYD-002-B



D-ACYD-002-B

Instrument panel and control box

Item	Part Number	Qty	Description	Comments
1	D28980082	1	Control Box	
2	D28980144	1	Bracket	
3	D40402400	3	Hex. Sock. Screw	
4	D41013400	3	Nut	
5	D46415200	1	Lever	
6	D40317500	4	Screw Metric	
7	D46439300	1	Cable	
8	D28981131	1	Bracket	
9	D40404700	3	Hex. Sock. Screw	
10	D28980094	1	Hub	
11	D43319300	2	Bush	
12	D28750915	1	Brake Disc	
13	D42601000	1	Pin	
14	D40606700	1	Screw	
15	D28981162	1	Handle	
16	D45010092	1	Magnet	
17	D40316400	1	Screw Metric	
18	D28980356	1	Spring	
19	D28980093	1	Plate	
20	D45906000	1	Pin	
21	D45905600	1	Washer	
22	D41405800	1	Split Pin	
23	D28780380	1	Pipe	
24	D41098000	2	Nut	
26	D46439000	1	Cable	
27	D46438700	1	Fork	
38	D41010800	1	Nut	
39	D28980790	1	Bearing Carrier	
40	D41622500	1	Bearing Ball	
41	D42512900	2	Circlip	
42	D28980789	1	Shaft	
43	D42501300	2	Circlip	
44	D46436200	1	Toggle	
45	D28980805	1	Rod	
46	D28980793	1	Lever	
47	D42609000	1	Pin	
48	D28980809	1	Plate	
49	D28980788	2	Retainer	
50	D40405100	4	Hex. Sock. Screw	
51	D20400506	4	Washer	
52	D28981083	1	Selector	
54	D45050054	1	Switch	
56	D43383800	1	Handle	
57	D46439400	1	Cable	
58	D28730779	1	Locking Plate	
59	D41405700	2	Pin	
60	D40630900	1	Pin	
61	D40402200	1	Hex. Sock. Screw	
63	D40407600	4	Hex. Sock. Screw	
64	D20400419	4	Washer	
65	D28981305	1	Cover	
66	D45050004	4	Switch	
67	D45050008	1	Switch	
68	D44900017	2	Cover	
69	D45050009	1	Switch	
70	D45050003	8	Magnet	
71	D45050010	1	Switch	
72	D45050015	1	Switch	
73	D45050014	1	Switch	
74	D45050025	1	Switch	
75	D45050029	1	Switch	
76	D45050030	1	Switch	
77	D45050012	1	Switch	
78	D45050013	1	Switch	
79	D45060014	3	Control Light	
80	D45060013	2	Decal	
81	D45060012	1	Decal	
82	D45063800	1	Plate	
83	D45060011	2	Decal	
84	D45082900	1	Switch, Ignition	
85	D45082700	1	Ignition Key	

Instrument panel and control box

Item	Part Number	Qty	Description	Comments
86	D28980658	1	Shaft	
87	D43319300	1	Bush	
88	D28980640	1	Bearing	
89	D43316200	1	Bush	(88)
90	D40407600	2	Hex. Sock. Screw	
91	D20400419	2	Washer	
92	D28751459	1	Plate	
93	D43317000	1	Bush	(92)
94	D40404900	3	Hex. Sock. Screw	
95	D20400506	X	Washer	
96	D41013500	X	Nut	
97	D28980654	1	Lever	
98	D40422300	1	Hex. Sock. Screw	
99	D20400404	2	Washer	
100	D45666100	1	Spring	
101	1441462X1	1	Locknut	Replace and repair. Old not interchangeable with new D41087400
102	D43389700	1	Handle	
103	D42612000	1	Pin	
104	D42605100	1	Pin	
105	D28980685	1	Brake Lever	
106	D28981671	1	Handle	
107	D40405100	2	Hex. Sock. Screw	
108	D20400506	2	Washer	
109	D45070090	1	Switch	
110	D40352000	2	Screw Metric	
111	D45924400	1	Cable	
112	D45906100	1	Bolt	
113	D41402800	1	Pin	
114	D45063800	1	Plate	
115	D45065800	6	Light	
116	D44739400	1	Gasket	
118	D45050011	1	Switch	
119	D41010500	4	Nut	
120	D45050028	1	Switch	
121	D45050033	1	Switch	
122	D45050006	4	Switch	[A] MF 7252
123	D45050032	1	Switch	[A] MF 7252
124	D45050031	1	Switch	
126	D45050039	1	Switch	
127	D20400459	2	Washer	
128	D44732300	1	Grommet	
129	D20400470	1	Washer	
130	D45060016	1	Frame	
131	D40407800	3	Hex. Sock. Screw	
132	D20400505	3	Spacer	
133	D20400400	2	Washer	
134	D40405000	2	Hex. Sock. Screw	
135	D45745300	3	Plug	
136	D45745100	5	Washer	
137	D40741100	5	Screw	
138	D45746100	5	Plug	
139	D28882045	1	Tension Spring	
140	D45050027	1	Switch	
141		1	Lever	Not serviced, order REF. 164
141		1	Lever	[C] Not serviced, order REF. 164
142		1	Handle	Not serviced, order REF. 164
142		1	Handle	[C] Not serviced, order REF. 164
143		1	Printed Circuit	MF 7252 Up to Serial or Engine Number 58452 Not serviced, order REF. 164
144		1	Printed Circuit	MF 7252 Up to Serial or Engine Number 58452 Not serviced, order REF. 164
145	D28781524	1	Control	MF 7252 Up to Serial or Engine Number 58452
146	D44900440	1	Switch	MF 7252 Up to Serial or Engine Number 58452

Instrument panel and control box

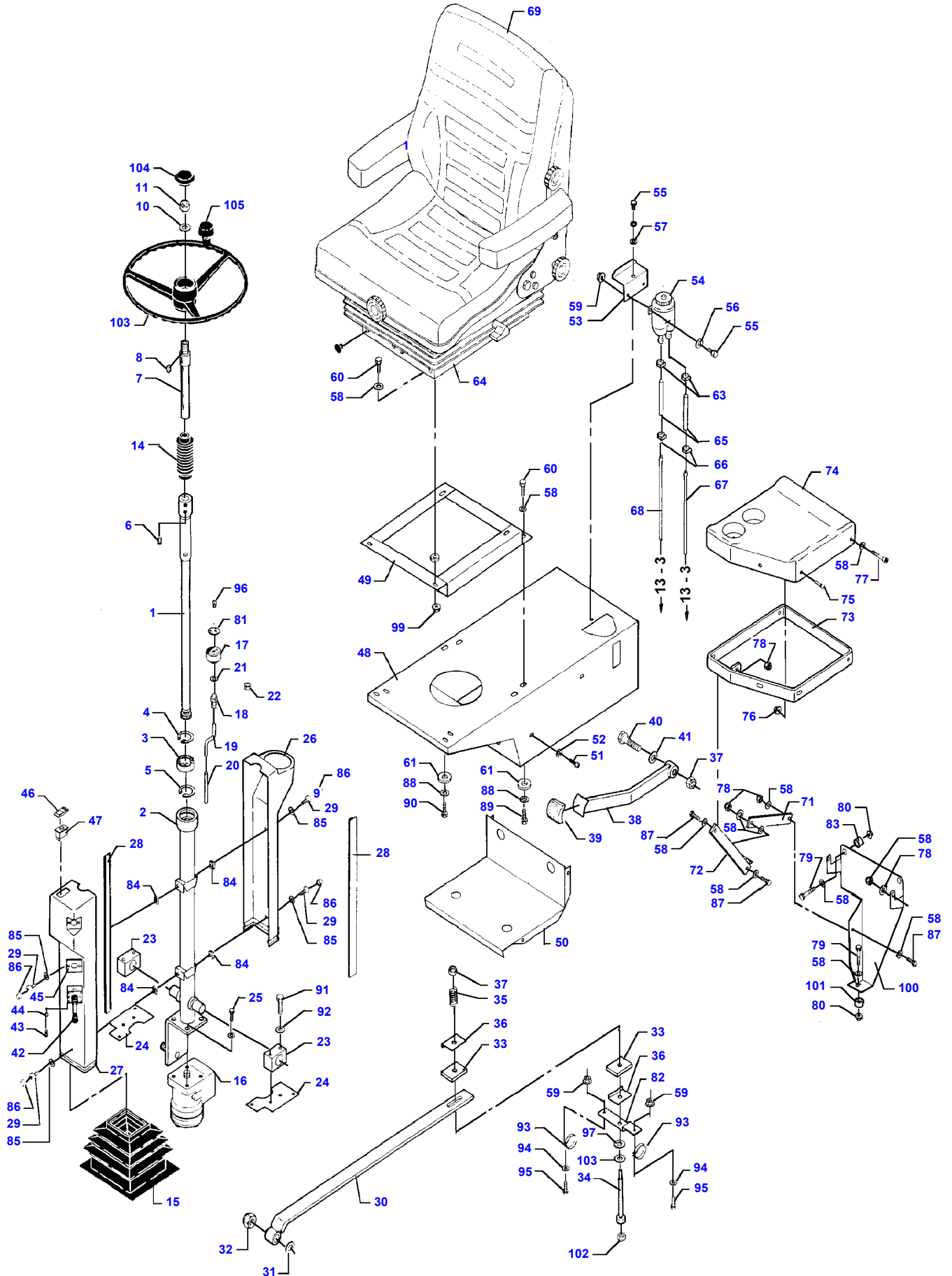
Item	Part Number	Qty	Description	Comments
147	D28781525	1	Switch	MF 7252 Up to Serial or Engine Number 58452
148	D44900122	1	Switch	MF 7252 Up to Serial or Engine Number 58452
149	D45020066	4	Spacer	MF 7252
150	D45020065	4	Washer	MF 7252 Up to Serial or Engine Number 58452
151	D41010400	4	Nut	MF 7252 Up to Serial or Engine Number 58452
152	D44900012	4	Button	MF 7252 Up to Serial or Engine Number 58452
153	D44900002	4	Button	MF 7252 Up to Serial or Engine Number 58452
154	D40631200	1	Pin	MF 7252
155	D40316900	1	Screw	MF 7252
156	D40316700	1	Screw	MF 7252
157	D45060095	X	Connector	
158	D45080500	6	Bulb 12v 1.2w	
159	D44900012	13	Button	From Serial or Engine Number 58453
160	D44900122	1	Switch	From Serial or Engine Number 58453
161	D44900002	3	Button	From Serial or Engine Number 58453
162	D44900836	9	Button	From Serial or Engine Number 58453
163	D44900840	1	Button	From Serial or Engine Number 58453
164	D28981816	1	Handle	
164	D28986719	1	Handle	[C]
170	D28781359	1	Sensor	[B]
170	D28781357	1	Cover	[B] (170)
171	D28781358	1	Block	[B] (170)
172	D28781578	1	Roll	[B] (170)
173	D28781400	3	Sensor	[B] (170)
174	D40351200	8	Screw	[B] (170)
175	D40402300	4	Hex. Sock. Screw	[B]
176	D20400405	4	Washer	[B]
177	D45050019	1	Spirit Level	[B]
178	D40743000	2	Screw	[B]
179	D28980686	1	Handle	MF 7250
179	D28980943	1	Handle	MF 7250
180	D28980659	1	Plate	MF 7250
181	D45060029	4	Switch	MF 7250
182	D45060030	1	Switch	MF 7250
183	D40740200	4	Screw	MF 7250
184	D44900440	1	Switch	
185	D28981724		Plate	

FOOTNOTE [A] OPTIONAL EQUIPMENT

FOOTNOTE [B] AUTO-LEVEL COMBINE

FOOTNOTE [C] ELECTRIC FORWARD SPEED CONTROL

MF 7250/7252 COMBINE - 1637400
D-ACYE-002-A



Operator seat and steering arrangement

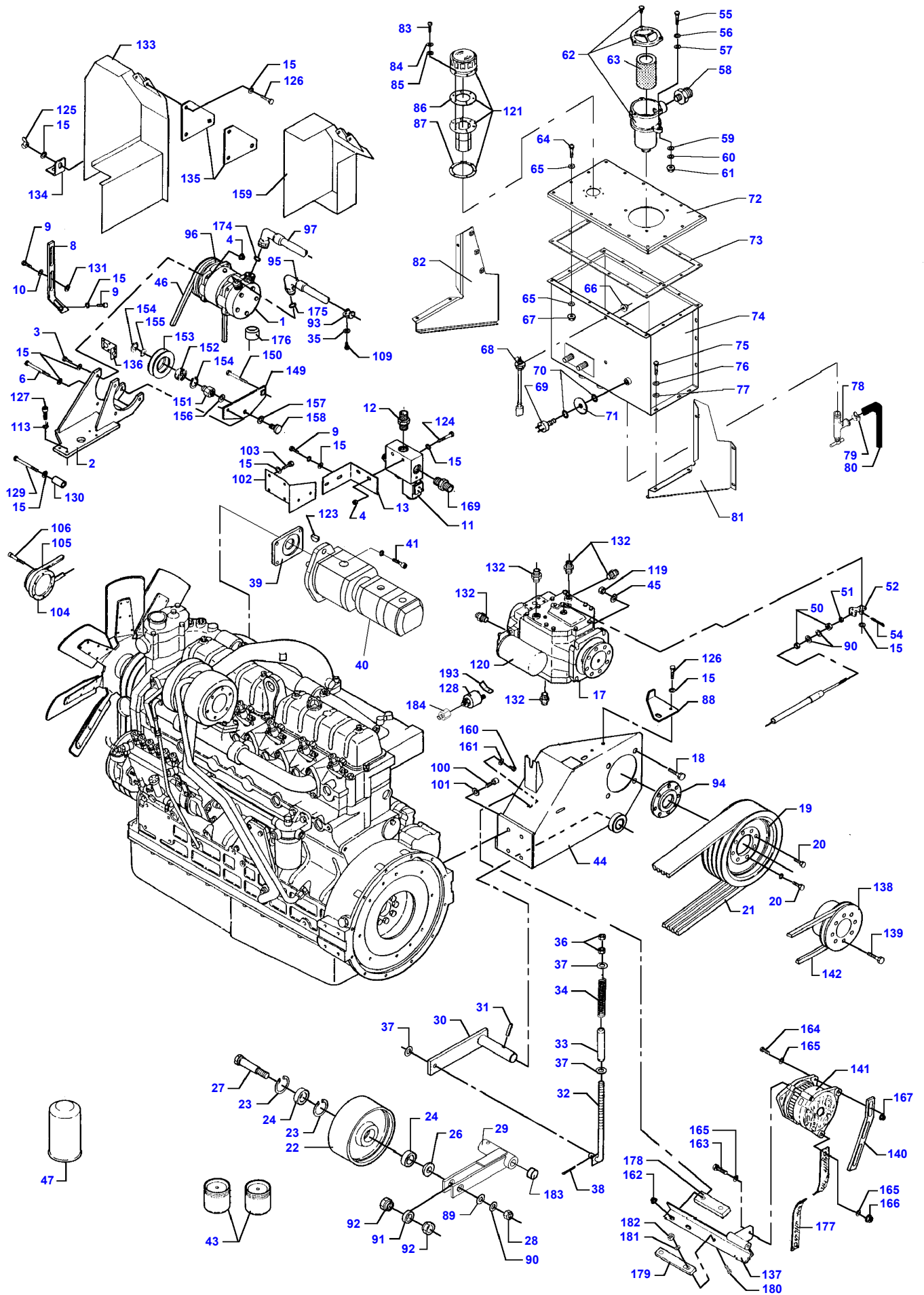
Item	Part Number	Qty	Description	Comments
1	D28980608	1	Shaft	
2	D28981103	1	Steering	
3	D41616900	1	Bearing Ball	
4	D42513700	1	Circlip	
5	D42502300	1	Circlip	
6	D40609000	2	Pin	
7	D28760755	1	Journal	
8	D43101100	1	Key	
10	D20400428	X	Washer	OPTIONAL
11	D41091200	1	Locknut	
14	D46437900	1	Bellows	
15	D28980671	1	Bellows	
16	D45156700	1	Steer. Orbitrol	
17	D45083100	1	Manometer	
18	D45276800	1	Connector	
19	D28980410	1	Pipe,Oil	
20	D45130024	1	Hydr Hose	
21	D45276900	1	Packing Ring	
23	D28980604	2	Bearing Carrier	
24	D28980593	2	Plate	
25	D40407600	4	Hex. Sock. Screw	
26	D28981514	1	Cover	MF 7252
	D28981527	1	Cover	MF 7250
27	D28981381	1	Cover	
28	D28981101	2	Guide	
29	D40742000	4	Screw	
30	D28980612	1	Rod	
31	D20400429	1	Washer	
32	D41087800	1	Locknut	
33	D28980605	2	Brake Lining	
34	D28981241	1	Lever	
35	D28981027	1	Spring	
36	D28980609	2	Guide	
37	D41087800	2	Locknut	
38	D28980616	1	Pedal	
39	D44719900	1	Rubber	
40	D40414500	1	Screw	
41	D20400429	1	Washer	
42	D45019600	1	Switch	
43	D40351900	2	Screw Metric	
44	D20400400	2	Washer	
45	D28980199	1	Reinforcement	
46	D45050007	1	Switch	
47	D45050003	1	Magnet	
48	D28981142	1	Bracket	
49	D28981139	1	Frame Assy	GRAMMER
50	D28980737	1	Shelf	
51	D40740700	4	Screw	
52	D20400466	4	Washer	
53	D28980736	1	Bracket	
54	D45908200	1	Container	
55	D40402400	3	Hex. Sock. Screw	
56	D20400453	2	Washer	
57	D20400470	1	Washer	
58	D20400506	X	Washer	
59	D41013400	4	Nut	
60	D40404900	4	Hex. Sock. Screw	
63	D45730800	2	Clip	
64	D45939800	1	Spring Carrier	GRAMMER
65	D28980949	2	Hose	
66	D45730800	2	Clip	
67	D28980948	1	Pipe	Right Hand
68	D28980947	1	Pipe	Left Hand
69	D45939700	1	Seat	GRAMMER
71	D28980693	1	Link	[A] MF 7252
72	D28980690	1	Link	[A] MF 7252
73	D28981099	1	Frame Assy	[A] MF 7252

Operator seat and steering arrangement

Item	Part Number	Qty	Description	Comments
74	D28981505	1	Seat	[A] MF 7252
75	D40688200	3	Screw Metric	[A] MF 7252
76	D41013400	3	Nut	[A] MF 7252
77	D40405100	2	Hex. Sock. Screw	[A] MF 7252
78	D41087500	5	Locknut	[A] MF 7252
79	D40423800	3	Screw Metric	[A] MF 7252
80	D41013500	3	Nut	[A] MF 7252
81	D45070068	1	Glass	
82	D28980942	1	Bar	
83	D28980738	2	Bush	[A] MF 7252
84	D43429600	4	Clip	
85	D45745100	4	Washer	
86	D45746100	4	Plug	
87	D40405000	3	Hex. Sock. Screw	[A] MF 7252
88	D20400505	1	Spacer	
89	D40407700	3	Hex. Sock. Screw	
90	D40407800	3	Hex. Sock. Screw	
91	D40426200	4	Screw	
92	D20400419	4	Washer	
93	D45728300	2	Clip	
94	D20400470	2	Washer	
95	D40402600	2	Hex. Sock. Screw	
96	D45016100	1	Bulb 12v 3w	
97	D20400429	X	Washer	OPTIONAL
100	D28981240	1	Plate	[A] MF 7252
101	D28980738	1	Bush	[A] MF 7252
102	D41087800	1	Locknut	
103	D45940000	1	Steering Wheel	
104	D45940100	1	Cap	
105	D45940200	1	Lever	

FOOTNOTE [A] OPTIONAL EQUI. MF 7250

MF 7250/7252 COMBINE - 1637400
D-ACYF-002-B



D-ACYH-002-B

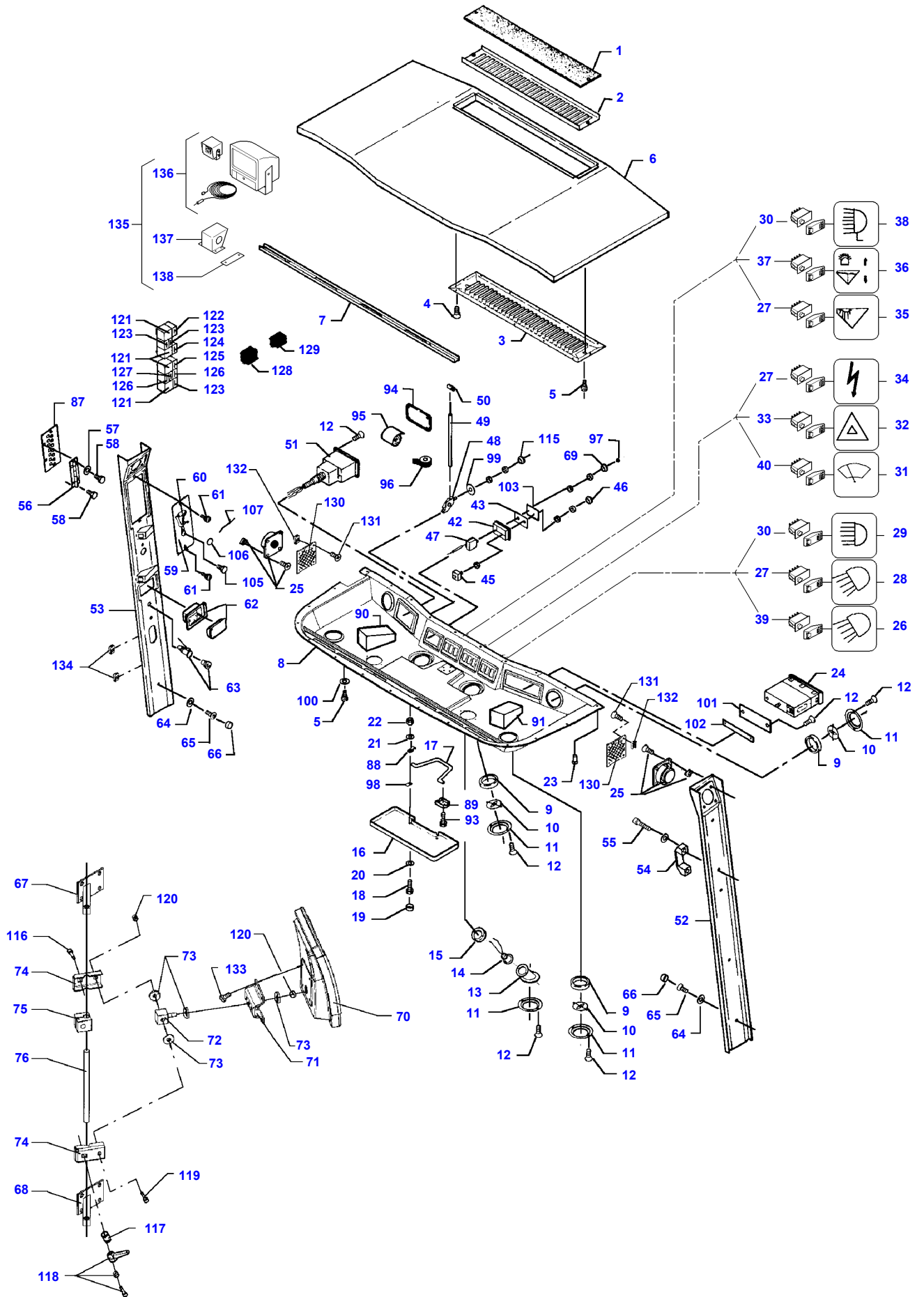
Window panes

Item	Part Number	Qty	Description	Comments
1	D28980561	1	Glass Pane	
2	D28980477	2	Hinge	
3	D28980034	X	Seal Section	Length 3,980 M
4	D28981186	1	Fitting	
5	D28980562	1	Window	
6	D28081587	1	Windscreen	[A]
	D28981592	1	Kit, Repair	[B]
7	D28981601	1	Frame	
12	D45010020	4	Intake	
15	D44737400	X	Seal	Length 4,100 M
22	D28980489	1	Shim	
23	D40402600	3	Hex. Sock. Screw	
24	D28980463	4	Plate	
26	D45744900	X	Protector	
27	D28980478	4	Plate	
28	D28980485	2	Plate	
29	D40601800	6	Screw	
31	D41087500	6	Locknut	
32	D28980322	6	Bush	
33	D28980486	1	Shim	
34	D28980487	1	Shim	
35	D43419100	1	Door Handle	
36	D43418700	1	Spanner	
37	D28980466	2	Washer	
38	D20400506	X	Washer	
39	D40405100	2	Hex. Sock. Screw	
40	D28980461	2	Washer	
41	D28980464	1	Washer	
42	D28980470	1	Bracket	
43	D20400453	4	Washer	
44	1441462X1	2	Locknut	Replace and repair. Old not interchangeable with new D41087400
45	D40421800	2	Screw Metric	
46	D45061800	1	Gas Strut	
47	D20400500	2	Spacer	
48	D41405700	2	Pin	
52	D28980916	1	Bracket	
53	D43419400	1	Bolt	
54	D20400426	3	Washer	
55	D46434600	1	Nut	
56	D40404700	2	Hex. Sock. Screw	
57	D20400506	2	Washer	
58	D43419200	1	Lock	
59	D40601900	2	Screw	
60	D41087500	2	Locknut	
62	D28980322	2	Bush	

FOOTNOTE [A] USE MOUNTING KIT NO 28981592

FOOTNOTE [B] NOTE CONTAINS GLUE OF LTD KEEPING QUALITIES

MF 7250/7252 COMBINE - 1637400
D-ACYG-002-A



D-ACYG-002-A

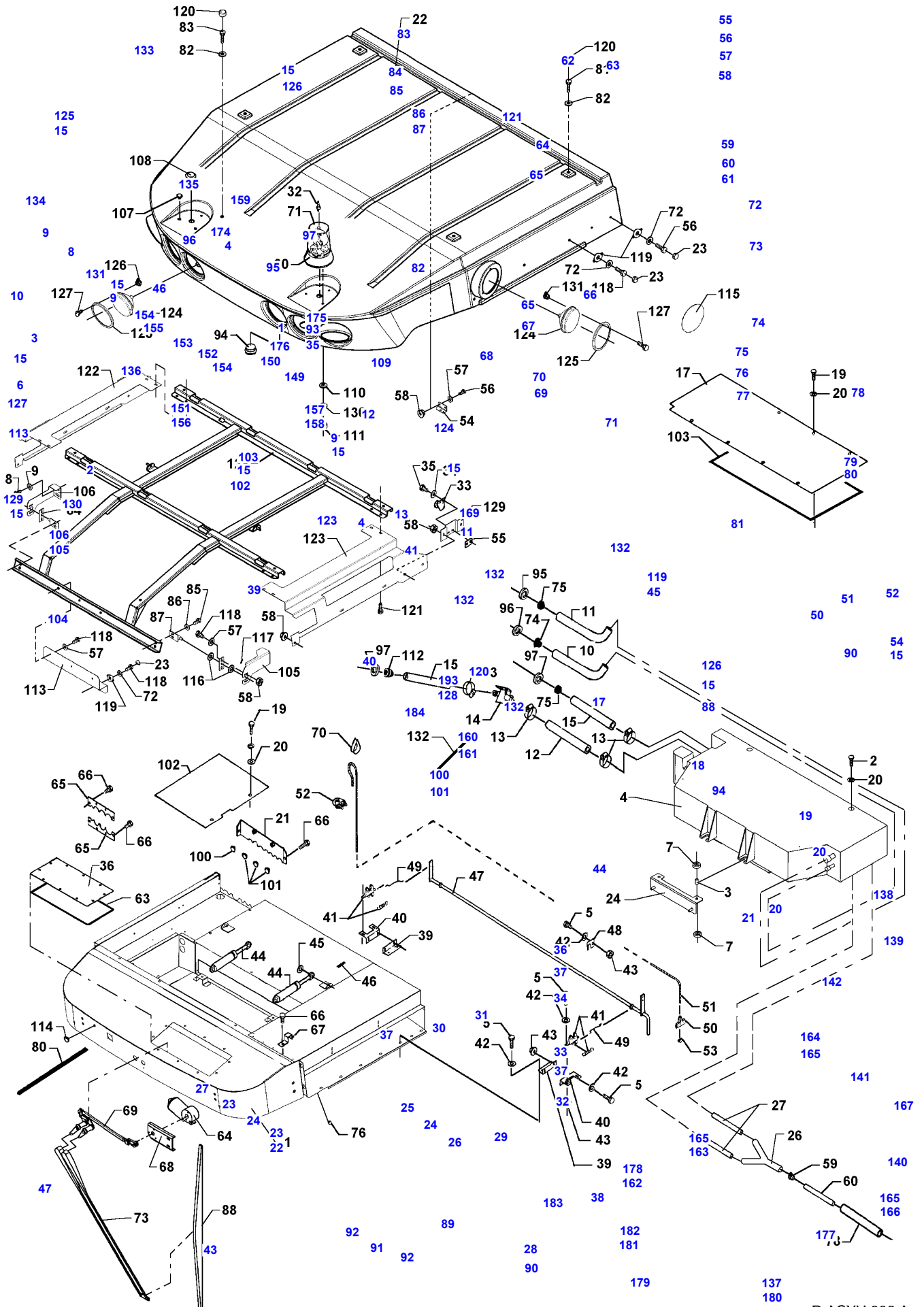
Item	Part Number	Qty	Description	Comments
1	D28980849	1	Filter	
2	D28980923	1	Shutter	
3	D28981508	1	Grate	
4	D40740100	12	Screw	
5	D43385100	4	Screw	
6	D28980855	1	Lining	
7	D28981357	1	Grille	
8	D28981356	1	Panel	
9	D28980554	6	Retainer	
10	D28980553	6	Shutter	
11	D28980555	8	Ring	
12	D40740200	24	Screw	
13	D28980839	2	Holder	
14	D45060001	2	Light	
15	D28980771	2	Cover	
16	D28981507	1	Canopy	
17	D28980664	1	Stirrup	
18	D40400900	2	Setscrew	
19	D45746100	2	Plug	
20	D45745100	2	Washer	
21	D20400466	2	Washer	
22	D41087300	2	Locknut	
23	D45745600	22	Rivet	
24	D28085632	1	Radio	[B] Valid from machine/table no, can be used in new as well as in older machines 57701
	D28080365	1	Instruction Book	
	D45000269		Radio	
	D45086600		Aerial Long	
25	D45090091	1	Speaker	[B]
26	D45050040	X	Light Switch	
27	D45050003	X	Magnet	
28	D45050040	X	Light Switch	
29	D45050017	X	Switch	
30	D45050005	X	Dummy	
31	D45050018	X	Switch	
32	D45050052	X	Switch	
33	D45050051	X	Switch	
34	D45050021	X	Switch	
35	D45050022	X	Switch	
36	D45050023	X	Switch	
37	D45050041	X	Switch	
38	D45050024	X	Switch	
39	D45050049	X	Switch	
40	D45050050	X	Switch	
42	D28980928	1	Frame	
43	D28980436	1	Plate	
45	D45070024	1	Switch	
46	D45070026	1	Button	
47	D45093000	1	Thermostat	[B]
48	D45070025	1	Adjuster	[B]
49	D45070027	1	Cable	[B]
50	D45070028	1	Bracket	[B]
51	D28981536	1	Printer	[B]
	D28981575	1	Printer	[B]
52	D28981535	1	Cover	Left Hand
53	D28980483	1	Cover	Right Hand
55	D40690300	2	Screw	
56	D28980772	1	Hinge	
58	D40402300	4	Hex. Sock. Screw	
59	D28981529	1	Cover	
60	D45059600	1	Hammer	
61	D43385100	2	Screw	
62	D45060024	1	Ashtray	
63	D45060037	1	Lighter	
64	D45745100	6	Washer	
65	D40352300	6	Screw Metric	
66	D45746100	6	Plug	
67	D28981042	1	Suspension	
68	D28980764	1	Suspension	

Item	Part Number	Qty	Description	Comments
69	D45070026	1	Button	[B] A C
70	D28985811	1	Terminal	From Serial or Engine Number 56886
71	D28981328	1	Fitting	
72	D28981330	1	Threaded Part	
73	D28981331	4	Washer	
74	D28981332	2	Clamp	
75	D28980501	1	Fitting	
76	D28981360	1	Rod	
87	D28980775	1	Panel	
88	D28980665	2	Retainer	
89	D45060031	1	Support	
90	D28980977	1	Gasket	
91	D28980976	1	Gasket	
93	D40351400	3	Screw	
94	D28981509	1	Plate	
95	D45010063	1	Paper	[B]
96	D45010062	1	Ribbon	[B]
97	D45745300	1	Plug	
98	D28981143	2	Support	
99	D49189000	1	Decal	[B]
100	D20400404	2	Washer	
101	D28981510	1	Plate	
102	D28981511	1	Plate	
103	D49187900	1	Decal	[B]
105	D40741200	2	Screw	
106	D43407400	1	Seal	
107	D01906800	X	Wire	Length 0,150 M
115	D45070026	1	Button	[A]
116	D40072200	1	Screw	
117	D28980748	1	Bush	
118	D43387500	1	Lever	
119	D40438800	1	Screw	
120	D41017500	2	Locknut	
121	D45060021	4	Relay	
122	D45010094	1	Diode	
123	D45010073	3	Fuse	
124	D45010070	1	Fuse	
125	D45010071	1	Fuse	
126	D45010072	2	Fuse	
127	D45010069	1	Fuse	
128	D45010068	X	Case Assy	
129	D45010076	X	Fuse Holder	
130	D45090093	2	Plate	
131	D40740000	8	Screw	
132	D43429500	8	Clip	
133	D40689500	4	Screw	
134	D44900071	2	Clip	
135	D28085634	1	Reversing Camera	
136	D45000270	1	Reversing Camera	(135)
136	D45000271	1	Reversing Camera	EXTRA
137	D28985245	1	Support	(135)
138	D28985175	1	Plate	(135)

FOOTNOTE [A] ACCESSORY,HEATING

FOOTNOTE [B] OPTIONAL EQUIPMENT

MF 7250/7252 COMBINE - 1637400
D-ACYH-002-A



D-ACYH-002-A

Cab roof and air-conditioning

Item	Part Number	Qty	Description	Comments
1	D28981339	1	Roof	
2	D40423700	4	Screw Metric	
3	D28981587	1	Spacer	
4	D45080055	1	Air Conditioner	
5	D40402400	X	Hex. Sock. Screw	
6	D20400470	4	Washer	
7	D45080096	8	Damper	
8	D40407700	4	Hex. Sock. Screw	
9	D20400419	4	Washer	
10	D45080051	1	Hose	
11	D45080052	1	Hose	
12	D44717700	X	Hose	[C] Length 0,050 M
13	D45726800	4	Clamp	[C]
14	D45070008	1	Valve	[C]
15	D44717700	2	Hose	[C] Length 4,650 M
17	D28981123	1	Door	
18	D45000167	1	Map	[E] (4)
19	D40404700	X	Hex. Sock. Screw	
20	D20400506	X	Washer	
21	D28981112	1	Plate	
22	D28981463	1	Roof	
23	D45748500	13	Cap	
24	D28981448	1	Fitting	
26	D45080094	2	Hose	
27	D45702100	4	Hose	
28	D40741400	X	Screw	
29	D45080200	8	Bulb	MF 7252
30	D45050200	1	Rotating Light	
	D45060046	1	Rotating Light	[D]
31	D40402600	3	Hex. Sock. Screw	
32	D45081000	1	Bulb	
33	D43419700	2	Pin	
34	D20400466	4	Washer	
35	D40400900	4	Setscrew	
36	D28981364	1	Cover	
37	D40402600	14	Hex. Sock. Screw	
38	D20400470	28	Washer	
39	D28980933	2	Elbow	
40	D28980932	2	Bracket	
41	D43419800	2	Lock	
42	D20400404	X	Washer	
43	D41013400	8	Nut	
44	D45061901	2	Gas Strut	
45	D20400506	4	Washer	
46	D41405900	4	Pin	
47	D28980880	1	Rod	
48	D28980876	3	Bar	
49	D28980881	2	Rod	
50	D43384800	1	Lever	
51	D44719400	X	String	Length 2,600 M
52	D43405900	1	Bracket	
53	D43407800	1	Bracket	
54	D28981498	1	Bracket	Up to Serial or Engine Number 57141
	D28781710	1	Bracket	From Serial or Engine Number 57142
55	D28980993	2	Gauge	
56	D40402600	6	Hex. Sock. Screw	
57	D20400470	13	Washer	
58	D41013400	16	Nut	
59	D28980863	2	Bush	
60	D45702100	2	Hose	A.C Length 3 M
63	D44709600	X	Seal Section	Length 0,8M
64	D45080042	1	Wiper Motor	
65	D28981145	2	Locking Plate	
66	D40749100	6	Screw Metric	
67	D28980970	2	Retainer	
68	D28985184	1	Bracket	
69	D45080044	1	Wiper	

Cab roof and air-conditioning

Item	Part Number	Qty	Description	Comments
70	D43408800	1	Thimble	
71	D45050100	1	Glass	LUCAS - 60840628
71	D45060047	1	Glass	H.CHRISTENSEN 170492
71	D45080012	1	Glass	[B]
72	D20400453	13	Washer	
73	D45080048	1	Wiper Arm	
74	D44733100	1	Bush	
75	D44733100	3	Bush	
76	D44719100	2	Rivet	
77	D45744600	1	Plug	
78	D28980991	2	Hose	[A] A.C
80	D28980967	6	Gasket	
81	D40423600	4	Screw Metric	
82	D45713900	6	Gasket	
83	D40405000	2	Hex. Sock. Screw	
84	D28981495	2	Fitting	
85	D40404900	4	Hex. Sock. Screw	
86	D20400506	4	Washer	
87	D28981494	2	Bracket	
88	D45080049	2	Wiper Blade	
89	D43386900	2	Handle	
90	D40690300	4	Screw	
91	D41013500	4	Nut	
92	D43385100	3	Screw	
93	D28981425	1	Hinge	
94	D45745500	2	Plug	
95	D44732600	1	Grommet	[A] A.C
96	D44732800	1	Grommet	[A] A.C
97	D44732700	2	Grommet	[C]
98	D44731100	1	Grommet	[C]
100	D45744000	1	Plug	
101	D44731900	3	Grommet	
102	D28981124	1	Trap	
103	D44705200	X	Seal Section	Length 4,000 M
104	1441462X1	17	Locknut	Replace and repair. Old not interchangeable with new D41087400
105	D28981469	1	Hinge	Left Hand
106	D28981468	1	Hinge	Right Hand
107	D45744100	3	Plug	
108	D45744500	1	Plug	
109	D20400453	3	Washer	
110	D20400466	3	Washer	
111	D41010400	3	Nut	
112	D44732900	1	Grommet	
113	D28981578	1	Bracket	
114	D44731900	1	Grommet	
115	D28984030	2	Plate	MF 7250
116	D20400507	4	Spacer	
117	D41405900	2	Pin	
118	D40402400	8	Hex. Sock. Screw	
119	D45749200	13	Washer	
120	D45744800	6	Protector	
121	D40685000	8	Screw	
122	D28981580	1	Stay	Right Hand
123	D28981579	1	Stay	Left Hand
124	D45080002	8	Headlamp	
125	D28981482	8	Muff	
126	D43429800	18	Clip	
127	D40740500	24	Screw	
128	D28981478	1	Frame	
129	D28980873	2	Plate	
130	D41100300	3	Washer	
131	D43429900	6	Clip	
132	D45925100	X	Cable	

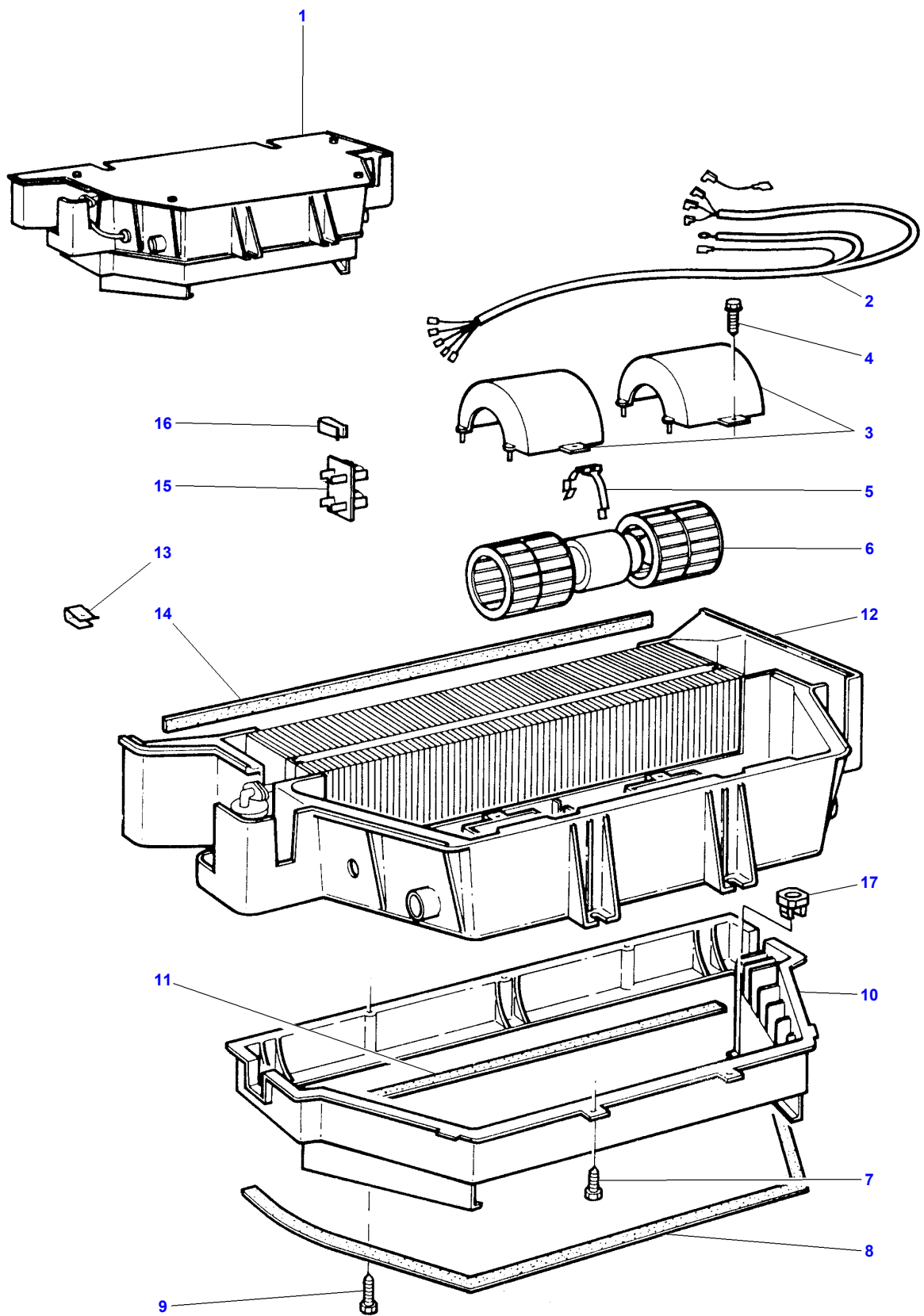
FOOTNOTE [A] OPTIONAL EQUIPMENT

FOOTNOTE [B] ORANGE BASE HELLA

FOOTNOTE [C] ACCESSORY,HEATING

Item	Part Number	Qty	Description	Comments
FOOTNOTE	[D]		ONLY FOR SWITZERLAND	
FOOTNOTE	[E]		NOT ILLUSTRATED	

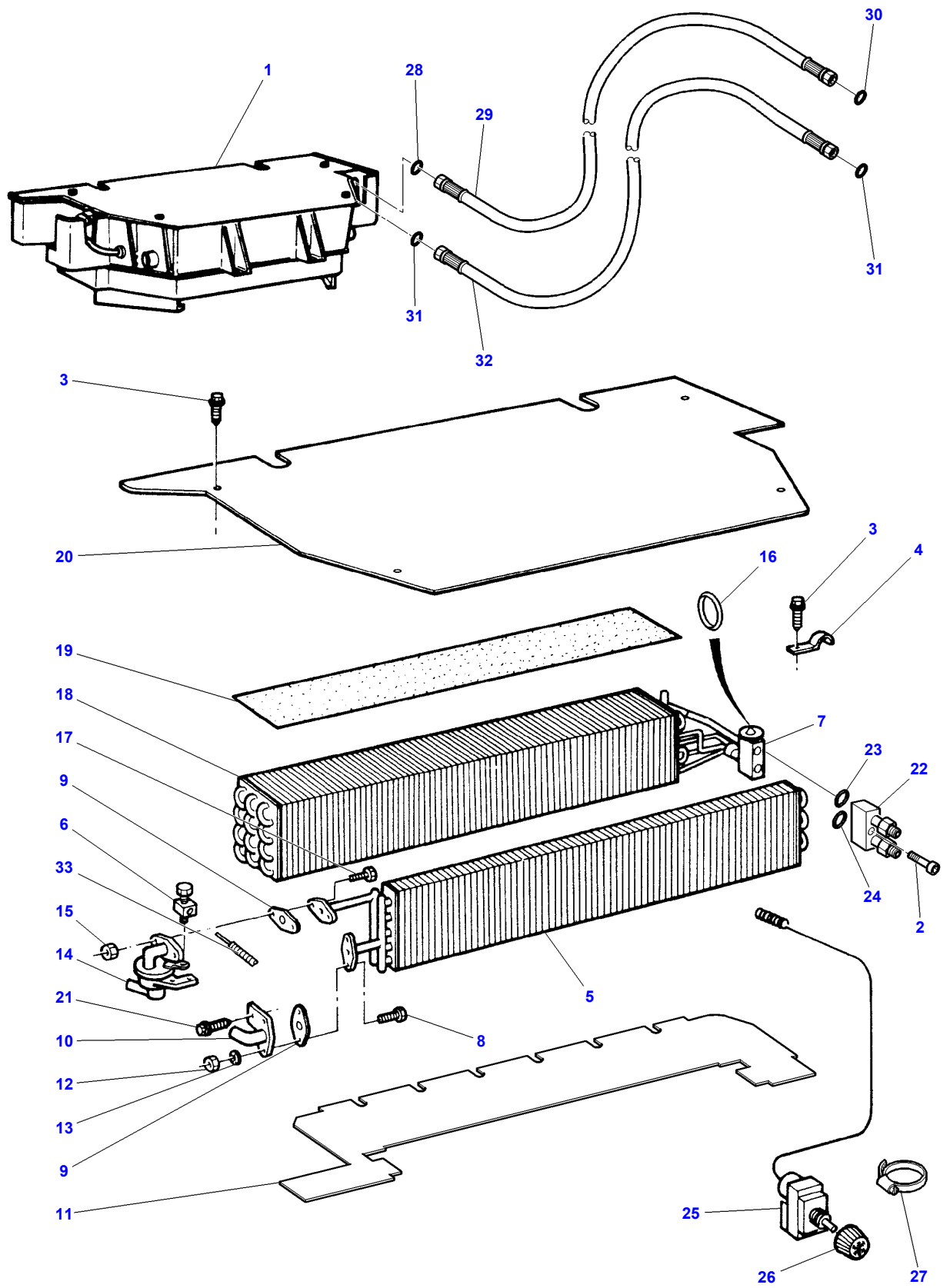
MF 7250/7252 COMBINE - 1637400
D-ACYL-001-B



Massey Ferguson**MF 7250/7252 COMBINE - 1637400****1637400****Page013-0009****Air Conditioner**

Item	Part Number	Qty	Description	Comments
1	D45080055	1	Air Conditioner	
2	3902318M91	1	Harness	(1)
3	3310833M1	2	Cover	(1)
4	3310837M1	4	Screw	(1)
5	3902320M1	1	Strap	(1)
6	3310831M91	1	Motor	(1)
7	3310837M1	6	Screw	(1)
8	3902322M1	1	Foam	(1)
9	3310841M1	3	Screw	(1)
10	3310840M1	1	Housing	(1)
11	3310843M1	1	Foam	(1)
12	3310825M1	1	Housing	(1)
13	3310842M1	9	Strap	(1)
14	3310849M1	1	Foam	(1)
15	3304510M92	1	Resistor	(1)
16	3310834M1	1	Strap	(1)
17	3583649M1	1	Nut Special	(1)

MF 7250/7252 COMBINE - 1637400
D-ACYL-003-A

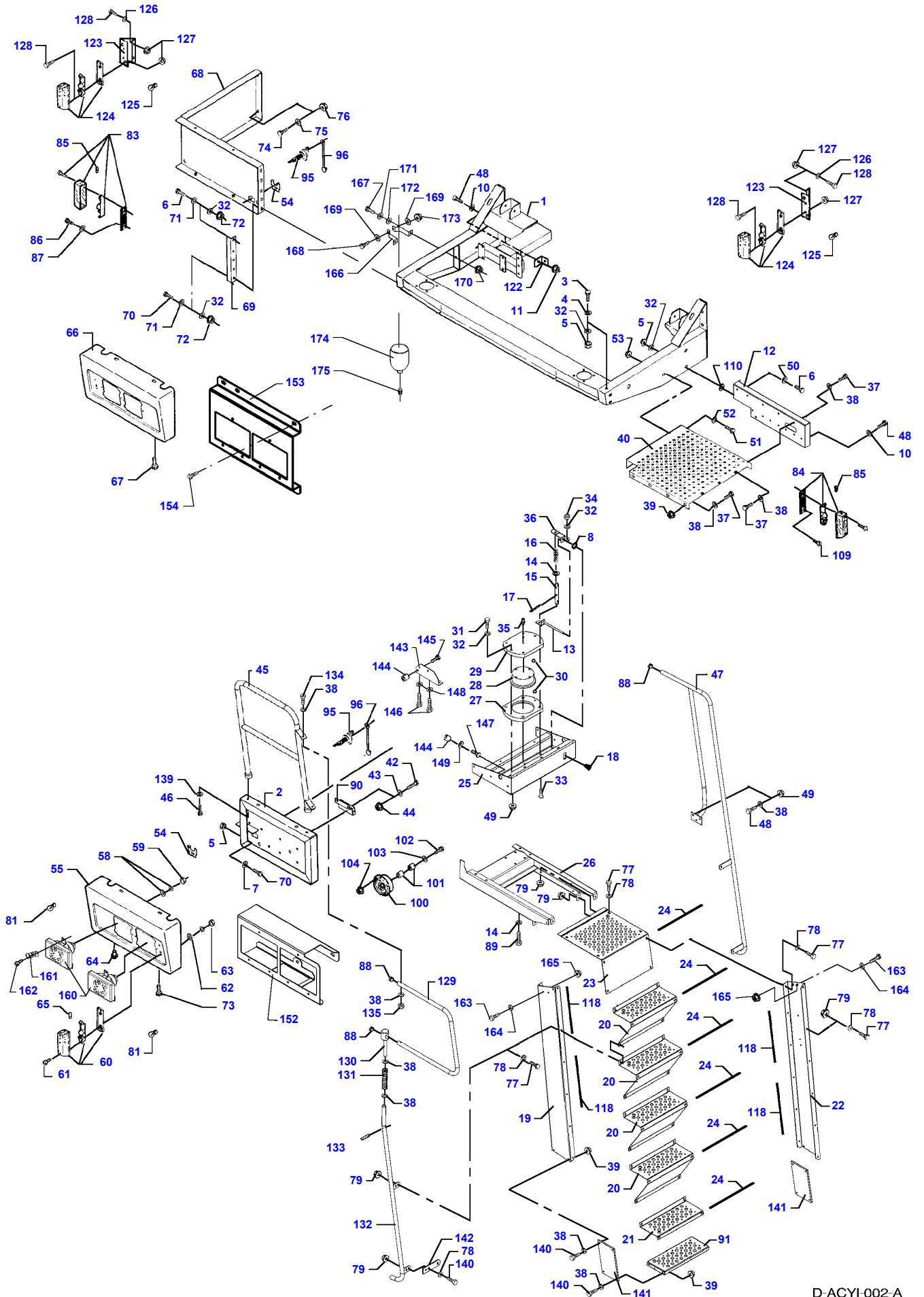


D-ACYL-003-A

Air Conditioner

Item	Part Number	Qty	Description	Comments
1	D45080055	1	Air Conditioner	
2	3015257X1	2	Screw Metric	(1) M6X55
3	3310837M1	6	Screw	(1)
4	3310836M1	1	Strap	(1)
5	3310827M92	1	Radiator	(1)
6	3311579M91	1	Union	(1)
7	3902334M91	1	Regulator	(1)
8	3902089M1	2	Screw	(1)
9	3902327M1	2	Gasket	(1)
10	3310946M1	1	Elbow	(1)
11	3902329M2	1	Plate	(1)
12	3902090M1	2	Nut	(1)
13	3902090M1	2	Nut	(1)
14	3310945M1	1	Cock	(1)
15	3902090M1	2	Nut	(1)
16	3902499M1	1	Gasket	(1) Diameter 6,7MM
	3902500M1	3	Gasket	(1) Diameter 13,4MM
17	3902089M1	2	Screw	(1)
18	3902331M91	1	Evaporator	(1)
19	3902332M1	1	Foam	(1)
20	3310839M1	1	Plate	(1)
21	3902089M1	2	Screw	(1)
22	3902549M91	1	Connection	(1)
23	3902550M1	1	O Ring	(1) Diameter 6,7X1,8MM
24	3902551M1	1	O Ring	(1) Diameter 13,4X2,4MM
25	D45093000	1	Thermostat	
26	D45070026	1	Button	
27	3000483X1	2	Clamp	
28	1634704M1	1	Gasket	
29	D45080051	1	Hose	
30	D45450100	1	O Ring	
31	D45450200	2	O Ring	
32	D45080052	1	Hose	
33	3902212M1	1	Cable	

MF 7250/7252 COMBINE - 1637400
D-ACYI-002-A



D-ACYI-002-A

Platform and ladder

Item	Part Number	Qty	Description	Comments
1	D28982041	1	Suspension	
2	D18982053	1	Plate	Left Hand
3	D40407900	1	Hex. Sock. Screw	
4	D20400420	3	Washer	
5	D41087600	1	Locknut	
6	D40407800	3	Hex. Sock. Screw	
7	D20400419	2	Washer	
8	D44731100	1	Grommet	
9	D40404900	8	Hex. Sock. Screw	
10	D20400506	X	Washer	
11	D41013500	4	Nut	
12	D18984021	1	Runner	
13	D28981272	1	Lever	
14	D20400426	3	Washer	
15	D28981263	1	Pin	
16	D28210500	1	Spring	
17	D41408900	1	Split Pin	
18	D43383900	1	Lever	
19	D28981267	1	Plate	Left Hand
20	D18981265	4	Step	
21	D28981270	1	Step	
22	D28981266	1	Support	Right Hand
23	D18981268	1	Step	
24	D44738900	X	Strip	Length 6 X 0,340M
25	D18981298	1	Bracket	
26	D18981261	1	Suspension	
27	D18981258	1	Flange	
28	D18981257	1	Flange	
29	D18981259	1	Flange	
30	D41648300	76	Ball	
31	D40408300	2	Screw Metric	
32	D20400416	6	Washer	
33	D40067600	4	Screw	
34	D41087600	4	Locknut	
35	D43002700	1	Greaser	
36	D28981262	1	Support	
37	D40404900	X	Hex. Sock. Screw	
38	D20400506	X	Washer	
39	D41013500	X	Nut	
40	D28982024	1	Plate	
42	D40404900	2	Hex. Sock. Screw	
43	D20400506	2	Washer	
44	D41013500	2	Nut	
45	D28982005	1	Rail	
46	D40407600	2	Hex. Sock. Screw	
47	D28981314	1	Tube	
48	D40405000	X	Hex. Sock. Screw	
49	D41013500	X	Nut	
50	D20400416	3	Washer	
51	D40402600	X	Hex. Sock. Screw	
52	D20400404	X	Washer	
53	D41013400	X	Nut	
54	D28980980	2	Cover	
55	D28982054	1	Shield	MF 7252
	D28984025	1	Shield	MF 7250
				Left Hand
58	D20400400	16	Washer	
59	D41010400	8	Nut	
60	D45080007	2	Light	
61	D40351400	4	Screw	
62	D20400400	4	Washer	
63	D41010400	4	Nut	
64	D43385200	3	Screw	
65	D45080600	X	Bulb 12v 21w Sbc	
66	D28982055	1	Shield	MF 7252
	D28984026	1	Shield	MF 7250
				Right Hand
67	D43385200	4	Screw	
68	D18184062	1	Platform	Right Hand
69	D28980986	1	Support	
70	D40407700	4	Hex. Sock. Screw	

Platform and ladder

Item	Part Number	Qty	Description	Comments
71	D20400419	5	Washer	
72	D41087600	5	Locknut	
73	D40404700	1	Hex. Sock. Screw	
74	D40404900	2	Hex. Sock. Screw	
75	D20400414	2	Washer	
76	D41013500	2	Nut	
77	D40404900	X	Hex. Sock. Screw	
78	D20400506	X	Washer	
79	D41013500	X	Nut	
81	D45080800	4	Bulb H/L 45/40w	[C]
81	D45081100	4	Bulb	[D]
83	D45077500	1	Flasher	Right Hand
84	D45077600	1	Flasher	Left Hand
85	D45080600	2	Bulb 12v 21w Sbc	
86	D40400300	2	Screw Metric	
87	D20400400	2	Washer	
88	D45744200	3	Ferrule	
89	D40410900	4	Hex. Sock. Screw	
90	D28980995	1	Stop	
91	D28981269	1	Step	[B]
95	D45068200	2	Electric Socket	
96	D45068300	2	Dustcap	
100	D45019500	1	Horn	
101	D28480172	2	Spacer	
102	D40423900	1	Hex. Sock. Screw	
103	D20400506	1	Washer	
104	D41013500	1	Nut	
109	D40742000	2	Screw	
110	D20400415	1	Washer	
111	D40400900	3	Setscrew	
112	D20400466	6	Washer	
113	D41087300	3	Locknut	
114	D40410900	1	Hex. Sock. Screw	
115	D20400426	2	Washer	
116	D41087700	1	Locknut	
118	D44735900	X	Seal Section	Length 4 X 0,425M
119	D40433800	1	Screw	
120	D20400459	2	Washer	
121	D41087900	1	Locknut	
122	D28780772	1	Retainer	[A]
123	D28781364	2	Bracket	
124	D45080005	2	Lamp	
125	D45081300	2	Bulb	
126	D20400466	2	Washer	
127	D41087300	4	Locknut	
128	D40400700	6	Hex. Sock. Screw	
129	D28981309	1	Handle	
130	D28981311	1	Trunnion	
131	D25400086	1	Spring	
132	D28981312	1	Tube	
133	D42612000	1	Pin	
134	D40423800	2	Screw Metric	
135	D41087500	2	Locknut	
139	D20400420	2	Washer	
140	D40405100	8	Hex. Sock. Screw	
141	D28981271	2	Gasket	[B]
142	D28981318	2	Support	[E]
143	D18981341	1	Fitting	
144	D46482000	2	Damper	
145	D40603100	1	Screw	
146	D40476100	2	Hex. Sock. Screw	
147	D40407600	1	Hex. Sock. Screw	
148	D20400413	2	Washer	
149	D20400471	1	Washer	
152	D28981436	1	Retainer	
153	D28981437	1	Retainer	
154	D43385200	3	Screw	
160	D45080006	2	Head Lamp Ass Rh	MF 7250
160	D45080006	4	Head Lamp Ass Rh	MF 7252
160	D45080009	2	Head Lamp Ass Lh	MF 7250
160	D45080009	4	Head Lamp Ass Lh	MF 7252

Platform and ladder

Item	Part Number	Qty	Description	Comments
161	D45080008	12	Spring	MF 7252
161	D45080008	6	Spring	MF 7250
162	D45080011	12	Screw	MF 7252
162	D45080011	6	Screw	MF 7250
163	D40404900	4	Hex. Sock. Screw	
164	D20400506	4	Washer	
165	D41013500	4	Nut	
166	D28752408	4	Support	AUTO-LEVEL
167	D40407900	3	Hex. Sock. Screw	AUTO-LEVEL
168	D40424300	2	Hex. Sock. Screw	AUTO-LEVEL
169	D20400413	4	Washer	AUTO-LEVEL
170	D41010800	3	Nut	AUTO-LEVEL
171	D20400415	6	Washer	AUTO-LEVEL
172	D41100800	6	Spring Washers	AUTO-LEVEL
173	D41087500	2	Locknut	AUTO-LEVEL
174	D45148500	2	Accumulator	AUTO-LEVEL
175	D45250500	2	Union	AUTO-LEVEL

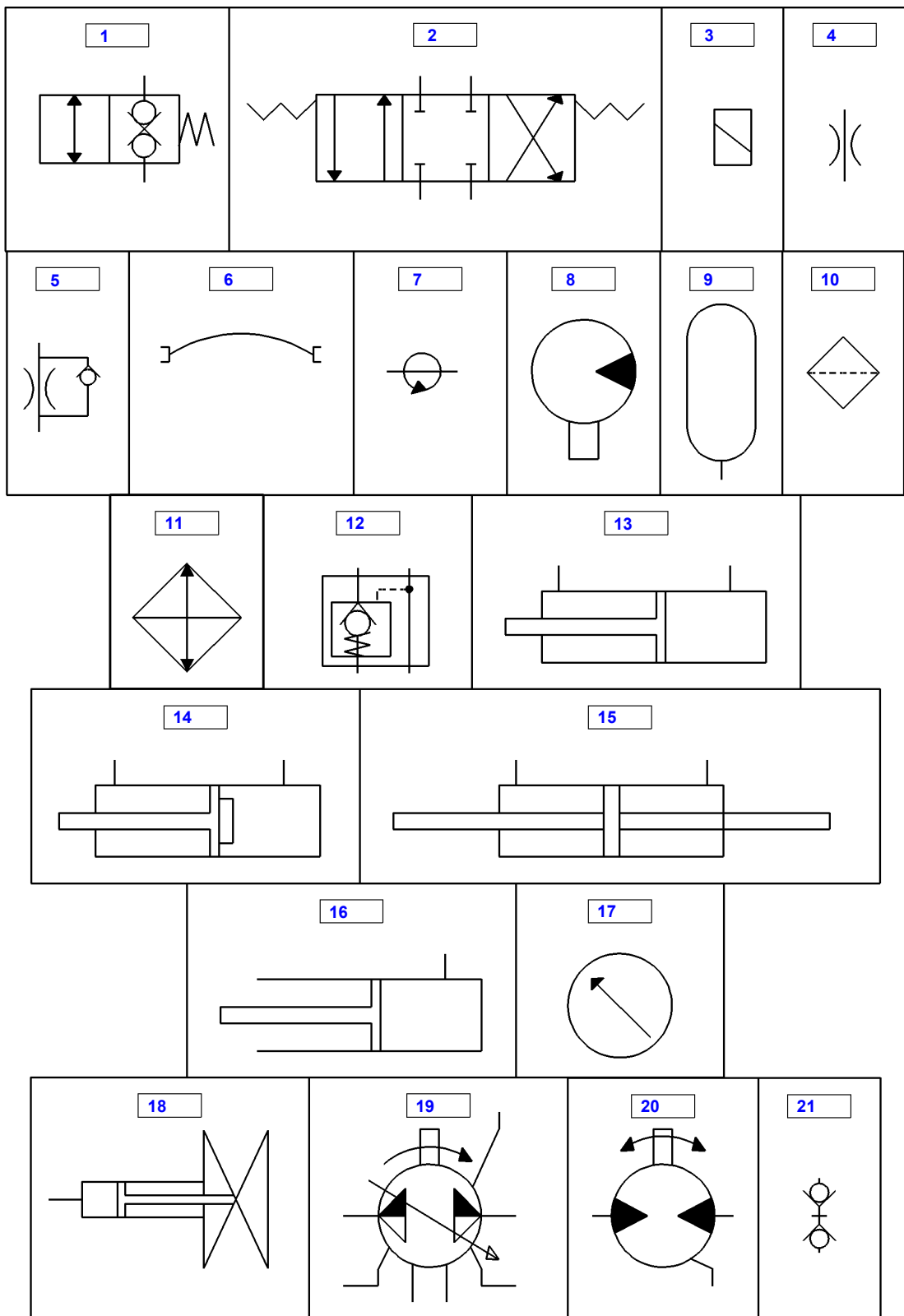
FOOTNOTE [A] OPTIONAL EQUIPMENT STANDARD COMBINE, STANDARD EQUIPMENT AUTO-LEVEL
COMBINE,SLOPES

FOOTNOTE [B] AUTO-LEVEL COMBINE

FOOTNOTE [C] FOR SYMMETRIC LIGHT

FOOTNOTE [D] FOR ASSYMMETRIC LIGHT

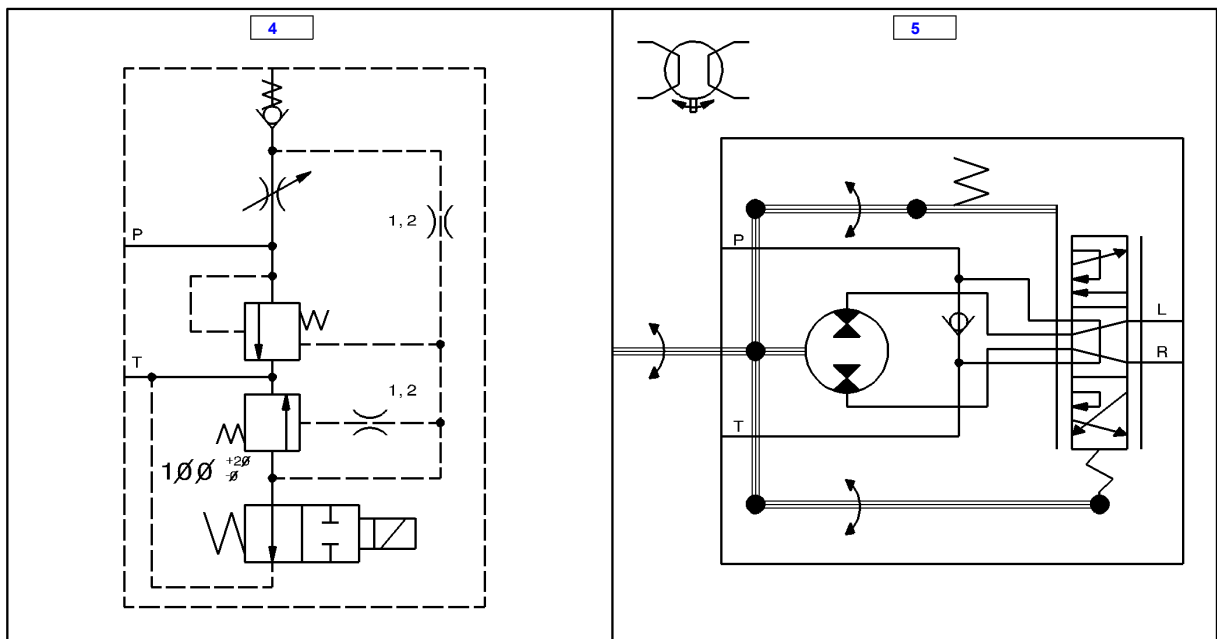
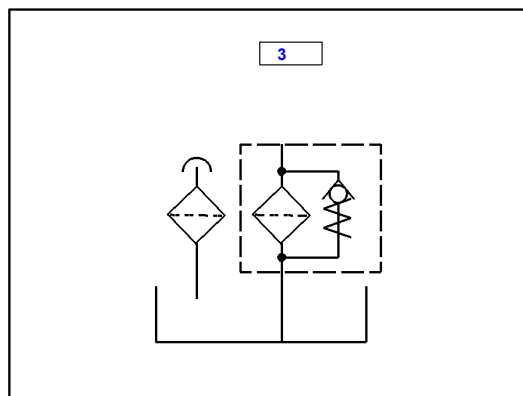
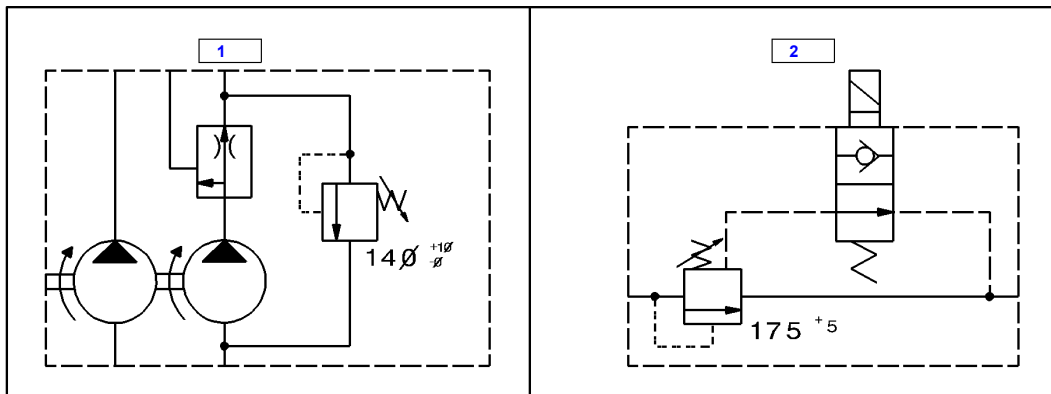
FOOTNOTE [E] FOR TRACTION WHEELS 30- 5LR32



Hydraulic symbols

Item	Qty	Description	Comments
1	X	Pressure Valve	2/2 VENTIL
2	X	Pressure Valve	4/3 VENTIL
3	X	Coil	MAGNETSPOLE
4	X	Regulator	DROVLESKIVE
5	X	Regulator	DROLESKIVE.EN VE
6	X	Hydraulic Hose	HYDR. SLANGE
7	X	Clutch	DREJEFORBINDELSE
8	X	Hydraulic Motor	HYDR. MOTOR
9	X	Accumulator	AKKUMLATOR
10	X	Filter	OLIEFILTER
11	X	Radiator	KOLER
12	X	Non Return Valve	KONTRAVENTIL
13	X	Hydraulic, Cylin	DOBBELTV.CYLIND.
14	X	Hydraulic, Cylin	DOBBELTV. YLIND.
15	X	Steering Cyl	STYRE CYLINDER
16	X	Hydraulic, Cylin	ENKELTVIRKENDE
17	X	Manometer	MANOMETER
18	X	Variator	CYLINDERVARIATOR
19	X	Hydraulic Pump	FREMDRIFTSPUMPE
20	X	Hydraulic Motor	FREMDRIFTSMOTOR
21	X	Coupling	LYNKOBLING

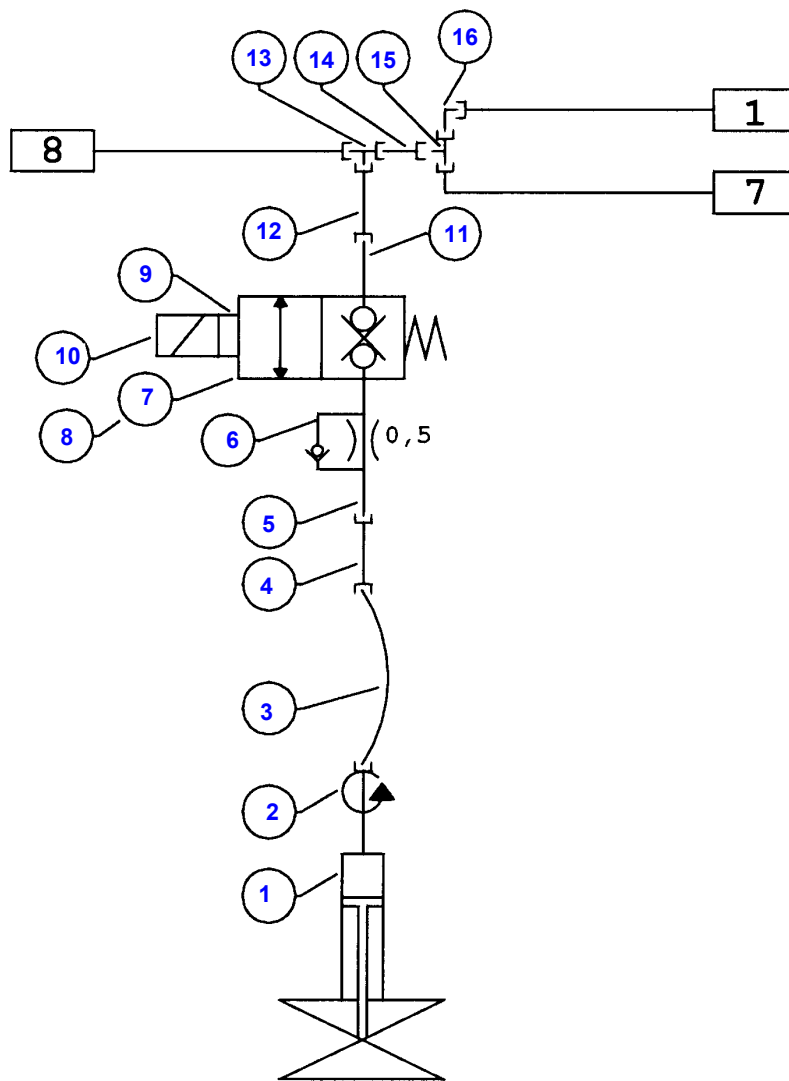
MF 7250/7252 COMBINE - 1637400
D-ADZA-001-A



D-ADZA-001-A

Hydraulic symbols

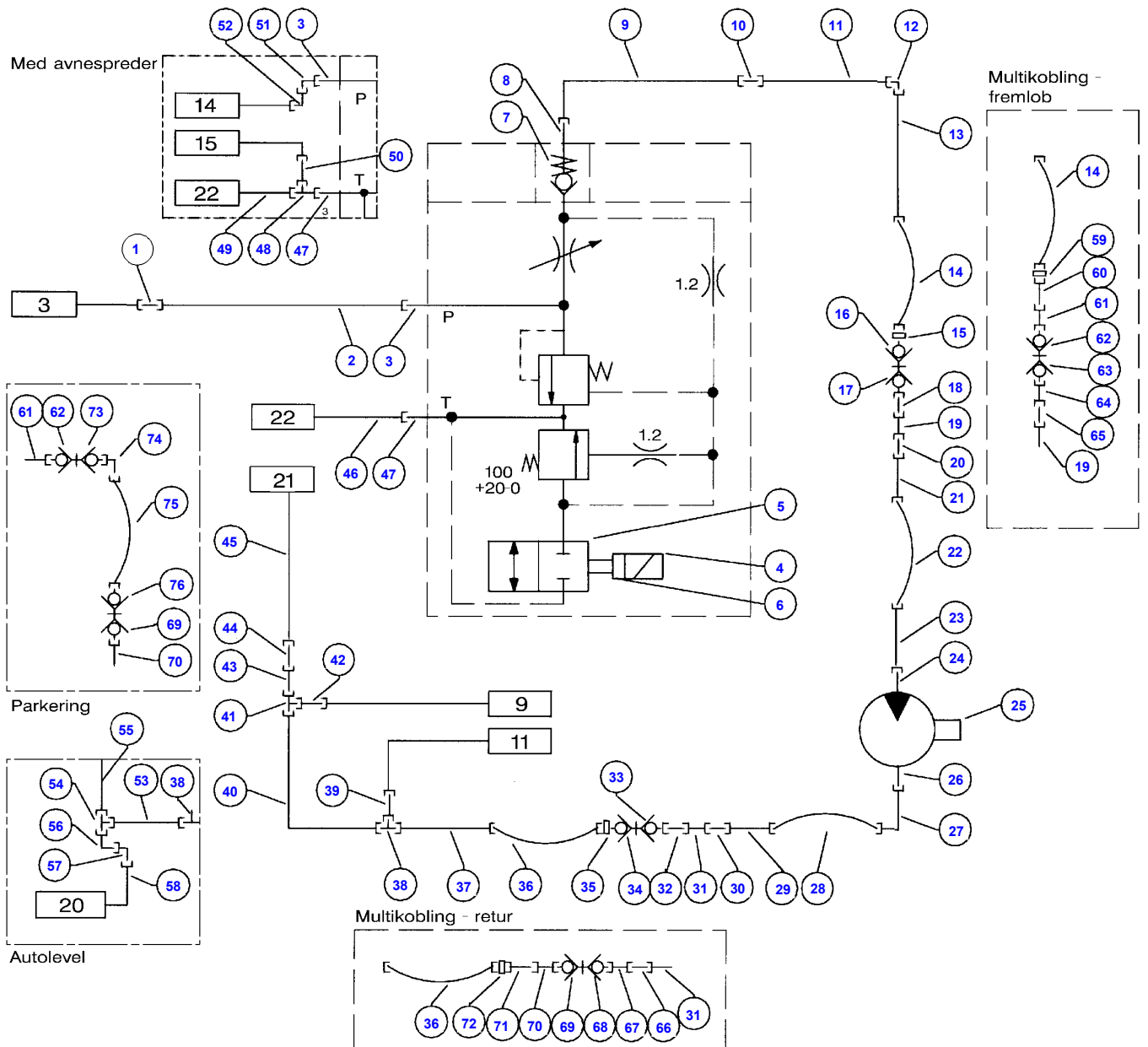
Item	Qty	Description	Comments
1	X	Hydraulic Pump	HJALPEHYDRAULIK PUMPE
2	X	Pressure Valve	OVERTRYK BYPASSVENTIL
3	X	Oil Tank	HYDRAULIKOLIETAN
4	X	Divider	FLOWDIVIDER
5	X	Valve Block	STYREORBITROL



Hydraulics - Cylindervariator

Item	Part Number	Qty	Description	Comments
1	D28784304	1	Pulley	
2	D28761138	1	Clutch	
3	D45136900	1	Hydr Hose	
4	D28780423	1	Pipe,Oil	
5	D45252600	2	Union	
6	D28780700	1	Washer	
7	D45110054	1	Valve	Up to Serial or Engine Number 58300
	D45110095	1	Pressure Valve	From Serial or Engine Number 58301
8	D45110014	1	Kit, Joint	
9	D45110065	1	Mandrel	
10	D45110064	1	Coil	
11	D45252600	2	Union	
12	D28784120	1	Pipe	
13	D45266100	1	Union	
14	D45272100	1	Connector	
15	D45266200	1	Union	
16	D45258400	1	Union	

MF 7250/7252 COMBINE - 1637400
D-ADZF-003-B

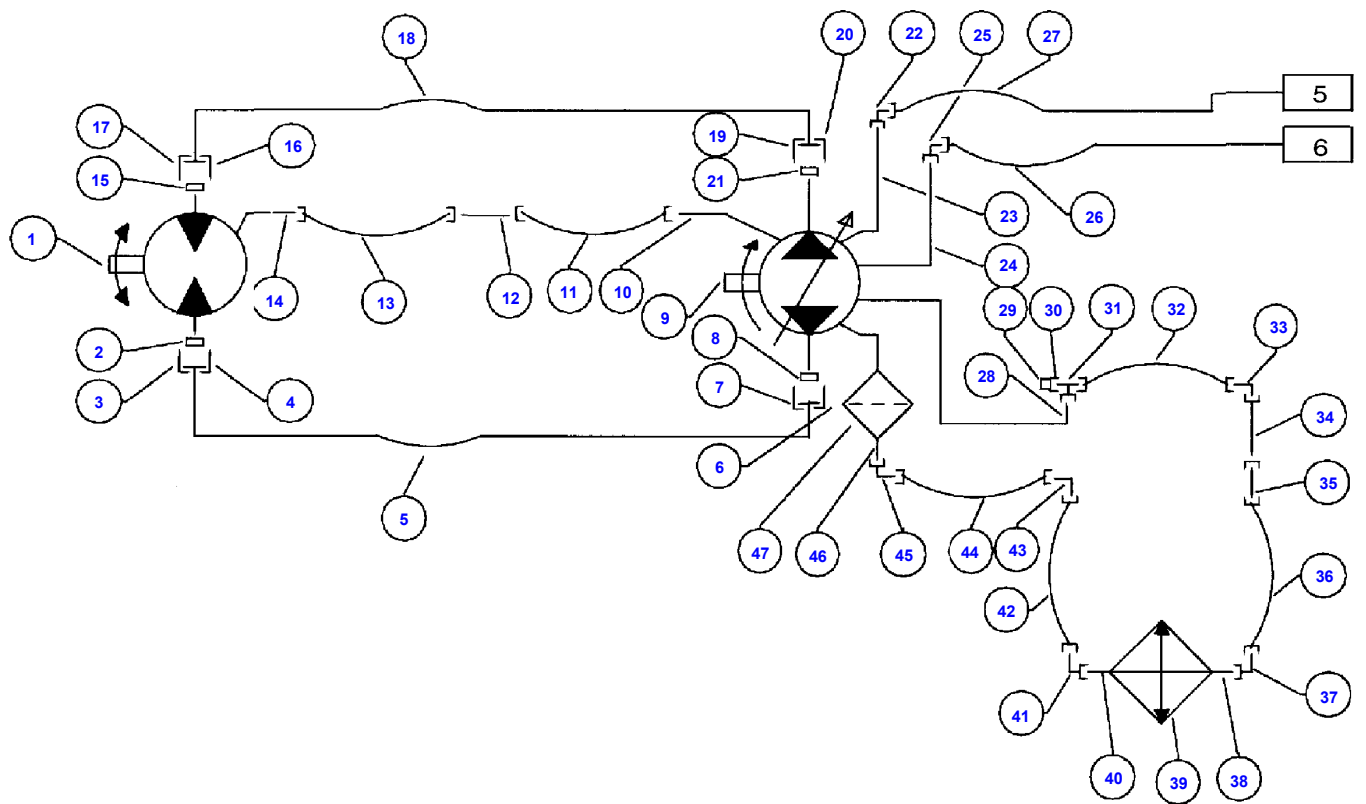


Hydraulics - Reel Speed

Item	Part Number	Qty	Description	Comments
1	D45254900	1	Union	
2	D28784119	1	Pipe	
3	D45253400	1	Union	
4	D45110043	1	Solenoid	
5	D45110060	1	Pressure Valve	
6	D45110069	1	Flow Regulator	
7	D28251484	1	Non Return Valve	
8	D45250700	1	Union	
9	D28784101	1	Pipe	
10	D45254100	1	Union	
11	D28784100	1	Pipe,Oil	
12	D45258400	1	Union	
13	D28784111	1	Pipe	
14	D45130053	1	Hydr Hose	
15	D45462200	1	O Ring	
16	D45135400	1	Union	
17	D45135300	1	Union	
18	D45250700	1	Union	18' - 5,56M
19	D28785584	1	Pipe	FREEFLOW
20	D45254900	1	Union	
21	D28785895	1	Pipe	12' - 3,72M
	D28785896	1	Pipe	14' - 4,34M
	D28785897	1	Pipe	16' - 4,95M
	D28785898	1	Pipe	18' - 5,56M
22	D45130013	1	Hydr Hose	
23	D28280676	1	Pipe,Oil	
24	D45250700	1	Union	
25	D45120018	1	Hydraulic Motor	
26	D45250700	1	Union	
27	D28280677	1	Pipe,Oil	
28	D45130013	1	Hydr Hose	
29	D28785895	1	Pipe	12' - 3,72M
	D28785896	1	Pipe	14' - 4,34M
	D28785897	1	Pipe	16' - 4,95M
	D28785898	1	Pipe	18' - 5,56M
30	D45254900	1	Union	
31	D28785584	1	Pipe	
32	D45250700	1	Union	
33	D45135400	1	Union	
34	D45135300	1	Union	
35	D45462200	1	O Ring	
36	D45130053	1	Hydr Hose	
37	D28784105	1	Pipe	
38	D45256200	1	Union	
39	D45272100	1	Connector	
40	D28784106	1	Pipe	
41	D45266200	1	Union	
42	D45272200	1	Union	
43	D45272500	1	Union	
44	D45254300	1	Connector	
45	D28784109	1	Pipe	
46	D28784118	1	Pipe	
47	D45251500	1	Union	
48	D45266600	1	Union	
49	D28784295	1	Pipe,Oil	
50	D45272000	1	Connector	
51	D45264100	1	Union	
52	D45264100	1	Union	
53	D28784417	1	Pipe	
54	D45256200	1	Union	
55	D28784416	1	Pipe	
56	D45264100	1	Union	
57	D45264100	1	Union	
58	D28782137	1	Pipe	
59	D45201800	1	Ring	Up to Serial or Engine Number 57002
	D45462200	1	O Ring	From Serial or Engine Number 57003
60	D45278100	1	Connector	Up to Serial or Engine Number 57002
	D28786627	1	Connection	From Serial or Engine Number 57003
61	D28786626	1	Pipe	
62	D45140035	1	Coupling	
	D45149100	1	O Ring	

Hydraulics - Reel Speed

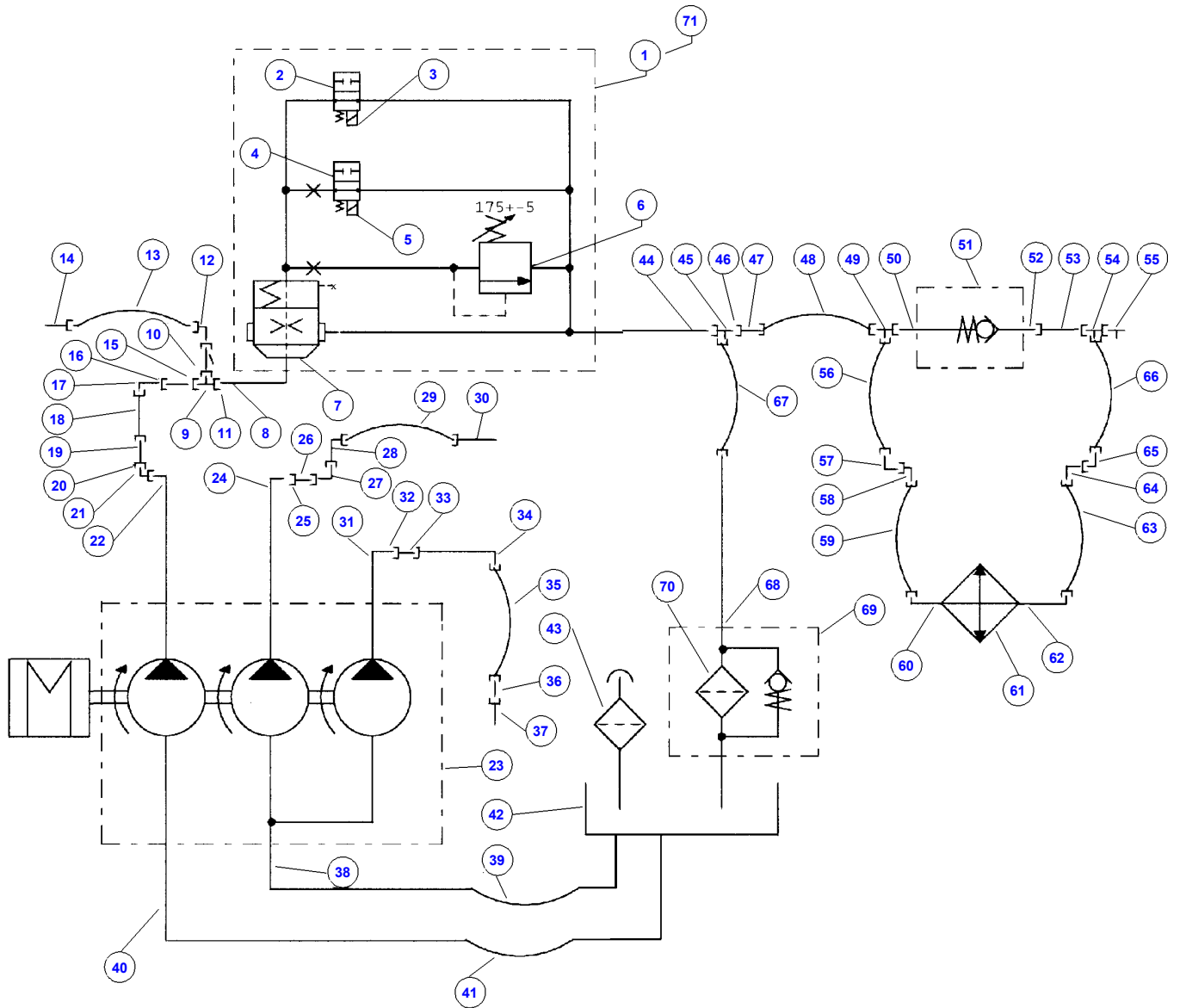
Item	Part Number	Qty	Description	Comments
63	D45140034	1	Coupling	
64	D28785879	1	Pipe	
65	D45254900	1	Union	
66	D45254900	1	Union	
67	D28785880	1	Pipe	
68	D45140034	1	Coupling	
69	D45140035	1	Coupling	
69	D45149100	1	O Ring	
70	D28786626	1	Pipe	
71	D45278100	1	Connector	Up to Serial or Engine Number 57002
71	D28786627	1	Connection	From Serial or Engine Number 57003
72	D45201800	1	Ring	Up to Serial or Engine Number 57002
72	D45462200	1	O Ring	From Serial or Engine Number 57003
73	D45140034	1	Coupling	
74	D45264100	1	Union	
75	D45140036	1	Hydr Hose	
76	D45140034	1	Coupling	



Item	Part Number	Qty	Description	Comments
1	D45165000	1	Hydraulic Motor	[A]
2	D45463900	1	O Ring	
3	D45160800	1	Flange	
4	D45160800	1	Flange	
5	D45130009	1	Hydr Hose	
6	D45160800	1	Flange	
7	D45160800	1	Flange	
8	D45463900	1	O Ring	
9	D45161000	1	Hydraulic Pump	
10	D45251100	1	Union	
11	D45128300	1	Hydr Hose	
12	D28784112	1	Pipe	
13	D45130600	1	Hose	
14	D45251100	1	Union	
15	D45463900	1	O Ring	
16	D45160800	1	Flange	
17	D45160800	1	Flange	
18	D45130009	1	Hydr Hose	
19	D45160800	1	Flange	
20	D45160800	1	Flange	
21	D45463900	1	O Ring	
22	D45264200	1	Union	
23	D45251100	1	Union	
24	D45251100	1	Union	
25	D45264200	1	Union	
26	D45130050	1	Hose	
27	D45130050	1	Hose	
28	D45251100	1	Union	
29	D45219900	1	Plug	
30	D45204800	1	Union Nut	
31	D45267200	1	Union	
32	D45130022	1	Hydr Hose	
33	D45269900	1	Connector	
34	D28780533	1	Pipe,Oil	
35	D45254500	1	Union	
36	D45130030	1	Hydr Hose	
37	D45264300	1	Connectors	
38	D45251500	1	Union	
39	D28782277	1	Oil Cooler	
40	D45251500	1	Union	
41	D45264300	1	Connectors	
42	D45130030	1	Hydr Hose	
43	D45269900	1	Connector	
44	D45130022	1	Hydr Hose	
45	D45264200	1	Union	
46	D45251100	1	Union	
47	D45161300	1	Oil Filter	

FOOTNOTE [A] TRANSMISSION SYSTEM FOR 75 CCM

MF 7250/7252 COMBINE - 1637400
D-ADZH-005-B



Item	Part Number	Qty	Description	Comments
1	D45110070	X	Block	
2	D45120005	X	Distributor	
3	D45110064	X	Coil	
4	D45120004	X	Bypass	
5	D45110064	X	Coil	
6	D45120003	X	Pressure Valve	
7	D45120002	X	Pressure Valve	
8	D45251500	X	Union	
9	D45266600	X	Union	
10	D45211300	X	Union	
11	D45272800	X	Union	
12	D28780342	X	Pipe,Oil	
13	D45132500	X	Hydr Hose	
14	D28782009	X	Pipe,Oil	
15	D45211300	X	Union	
16	D45272700	X	Union	
17	D45264200	X	Union	
18	D28782446	X	Pipe	
19	D45272700	X	Union	
20	D45211300	X	Union	
21	D45264300	X	Connectors	
22	D45239800	X	Connector	
23	D45169000	X	Hydraulic Pump	
24	D45239800	X	Connector	
25	D45211300	X	Union	
26	D45272800	X	Union	
27	D45264300	X	Connectors	Up to Serial or Engine Number 57759
	D45264100	X	Union	From Serial or Engine Number 57760
28	D28780655	X	Pipe,Oil	
29	D45132500	X	Hydr Hose	
30	D28782010	X	Pipe,Oil	
31	D45239800	X	Connector	
32	D45211300	X	Union	
33	D45272600	X	Union	
34	D45264000	X	Union	
35	D45130016	X	Hydr Hose	
36	D45254100	X	Union	
37	D28782008	X	Pipe,Oil	
38	D28885062	X	Connector	
39	D28782310	X	Hose	
40	D28885062	X	Connector	
41	D28784446	X	Hose	
42	D28781816	X	Tank	
43	D45103000	X	Filter	
44	D45255500	X	Fitting	
45	D45266800	X	Fitting	
46	D45234400	X	Union	
47	D45273100	X	Reducer	
48	D45130039	X	Hydraulic Hose	
49	D45266600	X	Union	
50	D45255600	X	Union	
51	D45110097	X	Bypass	
52	D45255600	X	Union	
53	D28782141	X	Pipe	
54	D45266600	X	Union	
55	D45256400	X	Union	
56	D45130038	X	Hydraulic Hose	
57	D45269900	X	Connector	
58	D45264300	X	Connectors	
59	D45130037	X	Hydraulic Hose	
60	D45251500	X	Union	
61	D28782277	X	Oil Cooler	
62	D45251500	X	Union	
63	D45130037	X	Hydraulic Hose	
64	D45269900	X	Connector	
65	D45264300	X	Connectors	
66	D45130039	X	Hydraulic Hose	
67	D45130045	X	Hose	
68	D45255300	X	Union	
69	D45165800	X	Seal	
70	D45165900	X	Filter	

Massey Ferguson

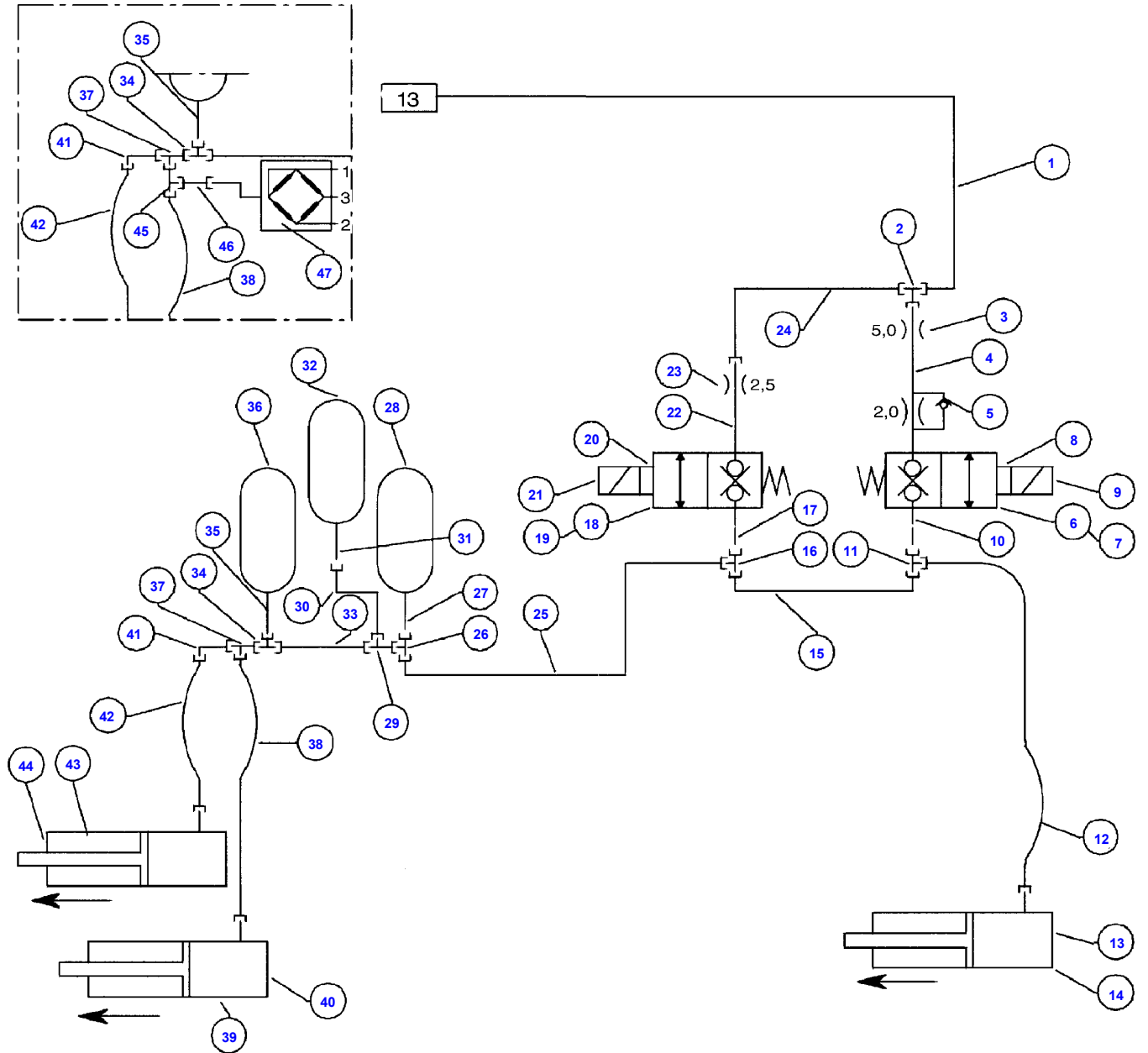
MF 7250/7252 COMBINE - 1637400

1637400

Hydraulics - Pump And Main Valve - M F 7252

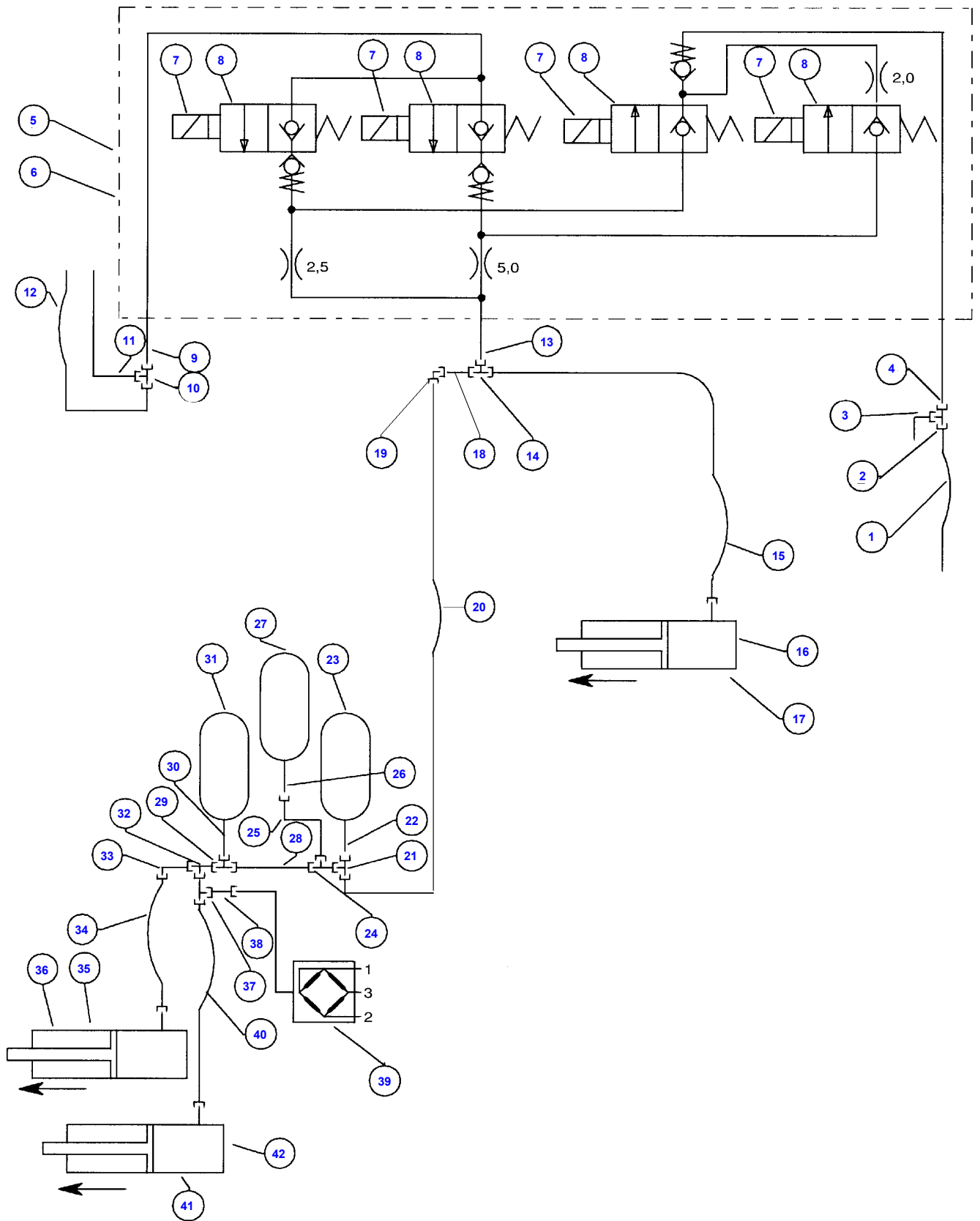
Page014-0006

Item	Part Number	Qty	Description	Comments
71	D45120001	X	Kit, Seal	



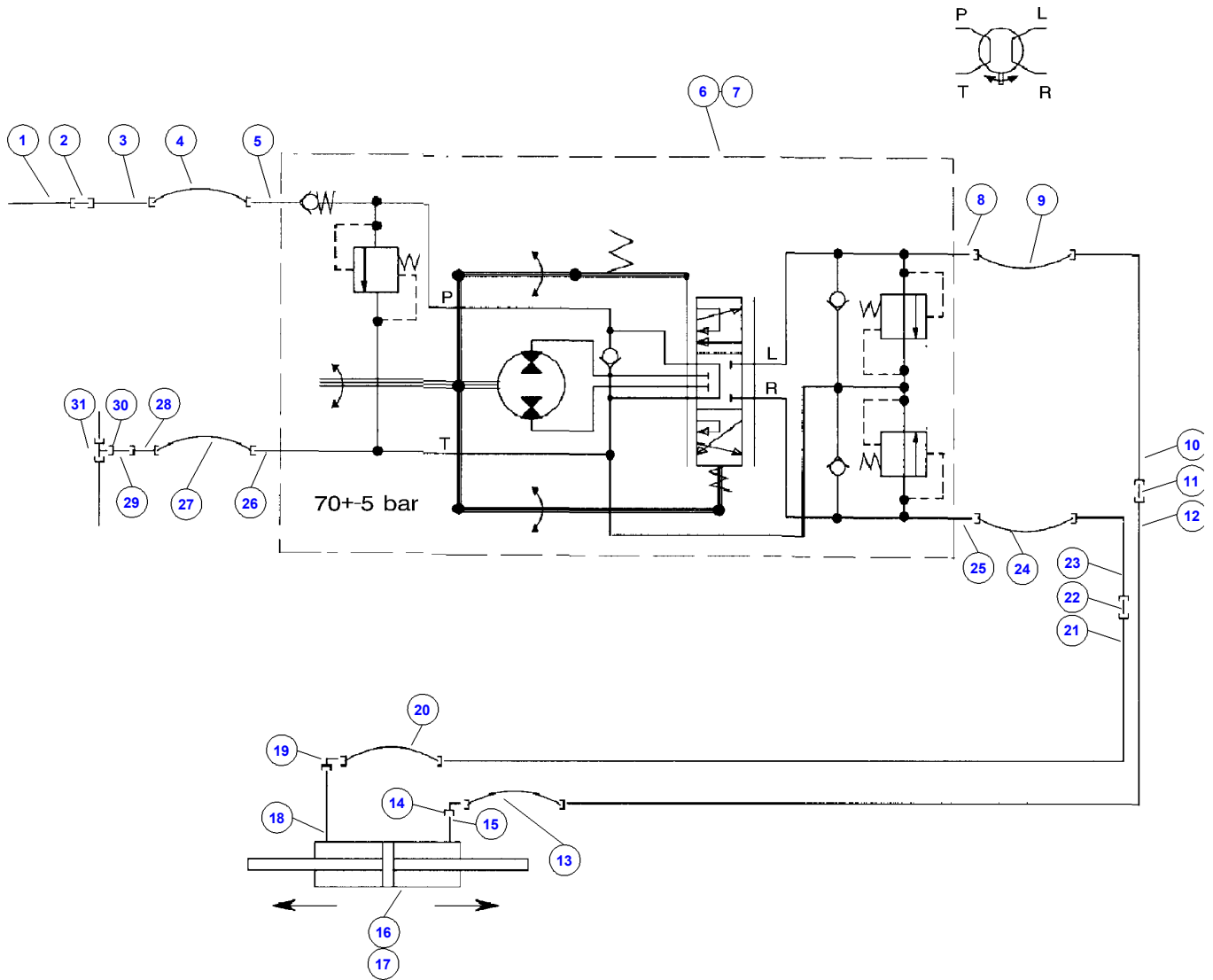
Item	Part Number	Qty	Description
1	D28784102	1	Tube
2	D45267300	1	Union
3	D28780712	1	Washer
4	D45255200	1	Connector
5	D28780319	1	Washer
6	D45110054	1	Valve
7	D45110014	1	Kit, Joint
8	D45110065	1	Mandrel
9	D45110064	1	Coil
10	D45250800	1	Union
11	D45266300	1	Union
12	D45130028	1	Hydr Hose
13	D45140001	1	Hydraulic, Cylin
14	D45110086	1	Kit, Seal
15	D28711881	1	Pipe,Oil
16	D45266300	1	Union
17	D45250800	1	Union
18	D45110054	1	Valve
19	D45110014	1	Kit, Joint
20	D45110065	1	Mandrel
21	D45110064	1	Coil
22	D45255200	1	Connector
23	D28780711	1	Washer
24	D28782032	1	Pipe,Oil
25	D28782493	1	Pipe,Oil
26	D45266300	1	Union
27	D45250500	1	Union
28	D45100300	1	Accumulator
29	D45266300	1	Union
30	D28711881	1	Pipe,Oil
31	D45250500	1	Union
32	D45100300	1	Accumulator
33	D28782135	1	Pipe
34	D45267100	1	Union
35	D45250500	1	Union
36	D45100300	1	Accumulator
37	D45266300	1	Union
38	D45130028	1	Hydr Hose
39	D45140001	1	Hydraulic, Cylin
40	D45110086	1	Kit, Seal
41	D45264000	1	Union
42	D45130028	1	Hydr Hose
43	D45140001	1	Hydraulic, Cylin
44	D45110086	1	Kit, Seal
45	D45266300	1	Union
46	D45277000	1	Connector
47	D28781255	1	Sensor

MF 7250/7252 COMBINE - 1637400
D-ADAZ-006-B



Item	Part Number	Qty	Description	Comments
1	D45130043	1	Hydr Hose	
2	D45266200	1	Union	
3	D28782440	1	Pipe,Oil	
4	D45253400	1	Union	
5	D45120023	1	Pressure Valve	CPL.
6	D45120024	1	Kit, Gasket	
7	D45110064	4	Coil	
8	D45120026	4	Carrier	
9	D45253400	1	Union	
10	D45266200	1	Union	
11	D28782444	1	Pipe,Oil	
12	D45170043	1	Hydr Hose	
13	D45253400	1	Union	
14	D45267100	1	Union	
15	D45130028	1	Hydr Hose	
16	D45140001	1	Hydraulic, Cylin	
17	D45110086	1	Kit, Seal	
18	D28780331	1	Pipe,Oil	
19	D45264000	1	Union	
20	D45130007	1	Hydr Hose	
21	D45266300	1	Union	
22	D45250500	1	Union	
23	D45100300	1	Accumulator	
24	D45266300	1	Union	
25	D28711881	1	Pipe,Oil	
26	D45250500	1	Union	
27	D45100300	1	Accumulator	
28	D28782135	1	Pipe	
29	D45267100	1	Union	
30	D45250500	1	Union	
31	D45100300	1	Accumulator	
32	D45266300	1	Union	
33	D45264000	1	Union	
34	D45130028	1	Hydr Hose	
35	D45140001	1	Hydraulic, Cylin	
36	D45110086	1	Kit, Seal	
37	D45266300	1	Union	
38	D45277000	1	Connector	
39	D28781255	1	Sensor	
40	D45130028	1	Hydr Hose	
41	D45140001	1	Hydraulic, Cylin	
42	D45110086	1	Kit, Seal	

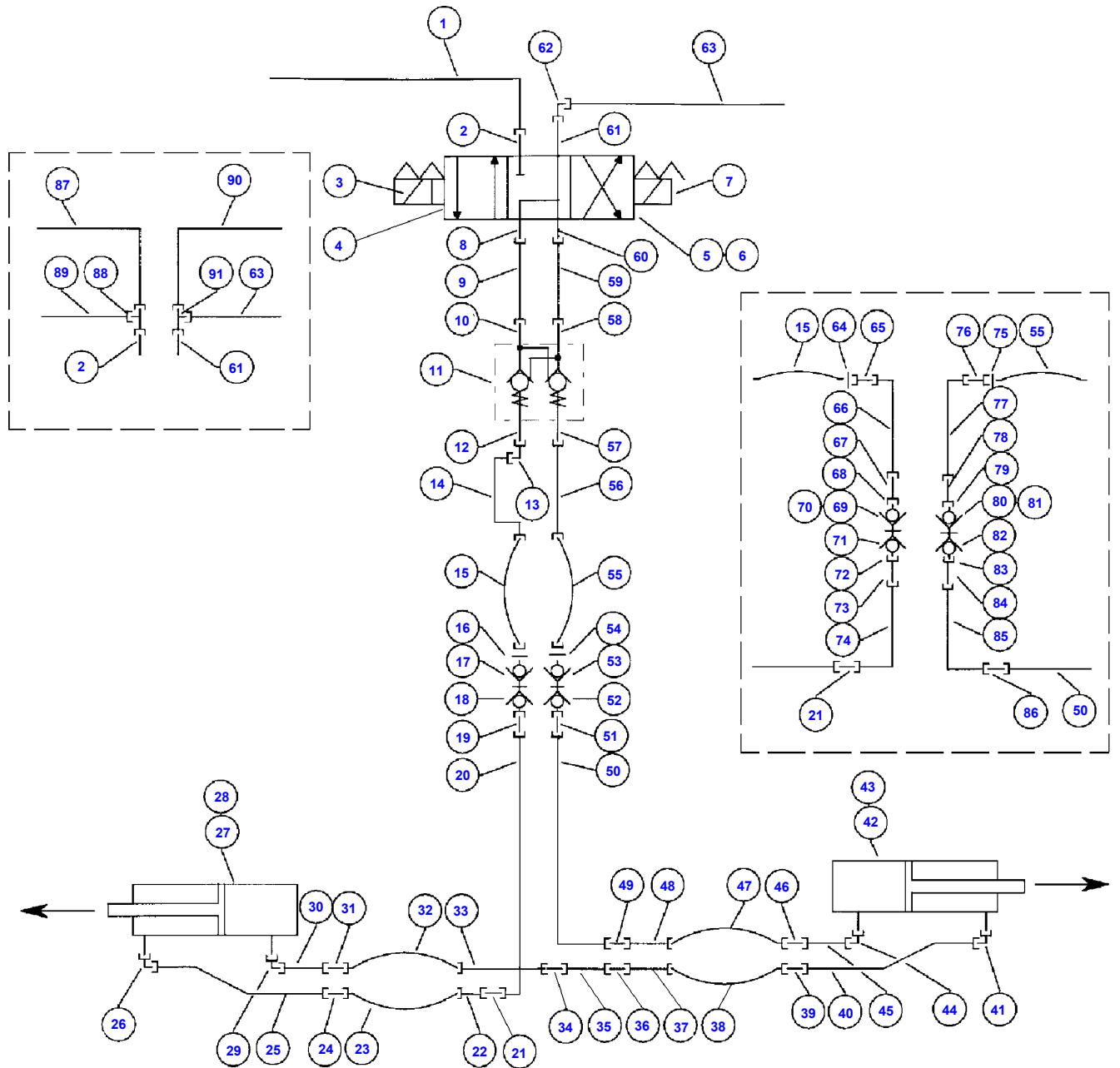
MF 7250/7252 COMBINE - 1637400
D-ADAA-004-B



Hydraulics - Steering Gear

Item	Part Number	Qty	Description	Comments
1	D28782008	1	Pipe,Oil	
2	D45254100	1	Union	
3	D28784110	1	Pipe	
4	D45130026	1	Hydr Hose	
5	D45130026	1	Hydr Hose	
6	D45166700	1	Valve	
7	D45114000	1	Kit, Joint	DANFOSS
8	D45130026	1	Hydr Hose	
9	D45130026	1	Hydr Hose	
10	D28784097	1	Pipe	
11	D45254100	1	Union	
12	D28784099	1	Pipe	
13	D45124400	1	Hydr Hose	
14	D45264000	1	Union	
15	D45250800	1	Union	
16	D45100025	1	Ram	
17	D45110082	1	Kit, Joint	
18	D45250800	1	Union	
19	D45264000	1	Union	
20	D45124400	1	Hydr Hose	
21	D28784098	1	Pipe	
22	D45254100	1	Union	
23	D28784097	1	Pipe	
24	D45130026	1	Hydr Hose	
25	D45130026	1	Hydr Hose	
26	D45130026	1	Hydr Hose	
27	D45130026	1	Hydr Hose	
28	D28711881	1	Pipe,Oil	
29	D45272200	1	Union	
30	D45204500	1	Union Nut	
31	D45266200	1	Union	

MF 7250/7252 COMBINE - 1637400
D-ADZC-004-B



Massey Ferguson

MF 7250/7252 COMBINE - 1637400

1637400

Hydraulic - Reel Fore/Aft. - Up To N. 939226

Page014-0010

Item	Part Number	Qty	Description	Comments
1	D28784121	1	Pipe	
2	D45252600	1	Union	
3	D45110064	1	Coil	
4	D45110096	1	Distributor	
5	D45110095	1	Pressure Valve	
6	D45110015	1	Gasket	
7	D45110064	1	Coil	
8	D45252600	1	Union	
9	D28780988	1	Pipe,Oil	
10	D45252600	1	Union	
11	D45110098	1	Pressure Valve	
12	D45252600	1	Union	
13	D45263900	1	Union	
14	D28784421	1	Pipe	
15	D45130054	1	Hydr Hose	
16	D45232400	1	Washer	
17	D45138800	1	Union	
18	D45138900	1	Union	
19	D45252800	1	Union	
20	D28785583	1	Pipe	
21	D45254000	1	Union	
22	D28787056	1	Pipe,Oil	25'-7,66M
	D28283826	1	Tube	22'-6,77M
	D28283436	1	Pipe,Oil	20'-6,16M
	D28283437	1	Pipe,Oil	18'-5,56M
	D28283438	1	Pipe,Oil	16'-4,95M
	D28283439	1	Pipe,Oil	14'-4,34M
23	D45130017	1	Hydr Hose	
24	D45254000	1	Union	
25	D28283571	1	Pipe,Oil	POWER FLOW
	D28281207	1	Pipe,Oil	FREEFLOW
26	D45263900	1	Union	JUST TO CYLINDER D45100028
27	D45100028	1	Cylinder	
	D45140011	1	Cylinder	25'-7,66M
	D45140011	1	Cylinder	From Serial or Engine Number 939560 20'-6,16M 22'-6,77M
28	D45110084	1	Kit, Seal	
	D45140015	1	Kit, Gasket	
29	D45263900	1	Union	JUST TO CYLINDER D45100028
30	D28283572	1	Pipe,Oil	POWER FLOW
	D28281208	1	Pipe,Oil	FREEFLOW
31	D45254000	1	Union	
32	D45130017	1	Hydr Hose	
33	D28787056	1	Pipe,Oil	25'-7,66M
	D28283826	1	Tube	22'-6,77M
	D28283436	1	Pipe,Oil	20'-6,16M
	D28283437	1	Pipe,Oil	18'-5,56M
	D28283438	1	Pipe,Oil	16'-4,95M
	D28283439	1	Pipe,Oil	14'-4,34M
34	D45254000	1	Union	
35	D28785586	1	Pipe	
36	D45254000	1	Union	
37	D28787057	1	Pipe,Oil	25'-7,66M
	D28785622	1	Pipe	22'-6,77M
	D28283826	1	Tube	20'-6,16M
	D28283436	1	Pipe,Oil	18'-5,56M
	D28283437	1	Pipe,Oil	16'-4,95M
	D28283438	1	Pipe,Oil	14'-4,34M
	D28283439	1	Pipe,Oil	12'-3,72M
38	D45130017	1	Hydr Hose	
39	D45254000	1	Union	
40	D28283571	1	Pipe,Oil	POWERFLOW
	D28281207	1	Pipe,Oil	FREEFLOW
41	D45263900	1	Union	JUST FOR CYLIN. D45100027
42	D45100027	1	Cylinder	
	D45140014	1	Cylinder	25'-7,60M

Massey Ferguson**MF 7250/7252 COMBINE - 1637400**

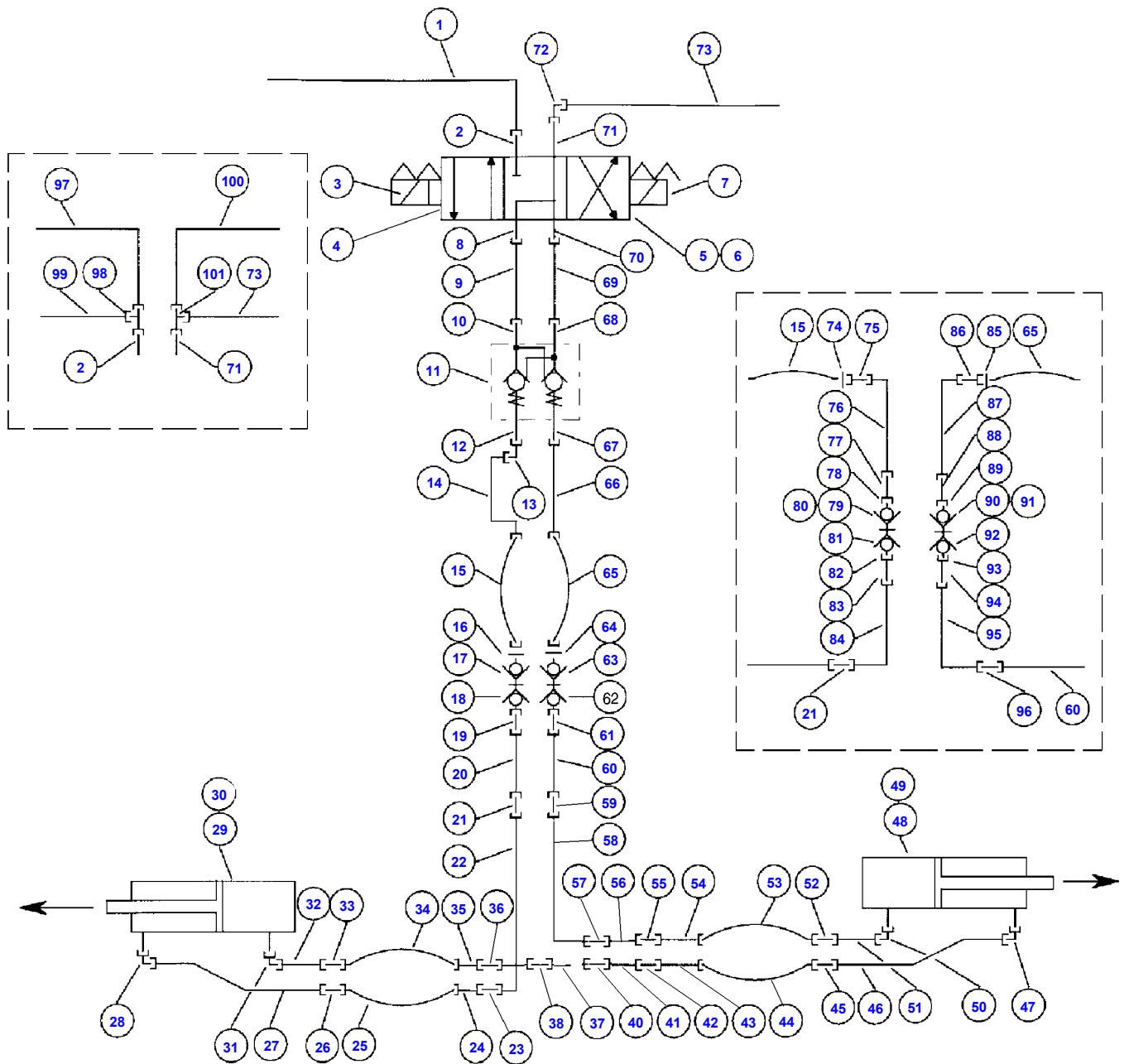
1637400

Hydraulic - Reel Fore/Aft. - Up To N. 939226

Page014-0010

Item	Part Number	Qty	Description	Comments
42	D45140014	1	Cylinder	20'-6,16M 22'-6,77M
43	D45110083	1	Kit, Seal	
43	D45140016	1	Kit, Gasket	
44	D45263900	1	Union	JUST FOR CYLIN. D45100027
45	D28283572	1	Pipe,Oil	
45	D28281208	1	Pipe,Oil	
46	D45254000	1	Union	
47	D45130017	1	Hydr Hose	
48	D28787057	1	Pipe,Oil	25'-7,60M
48	D28785622	1	Pipe	22'-6,77M
48	D28283826	1	Tube	20'-6,16M
48	D28283436	1	Pipe,Oil	184-6,56M
48	D28283437	1	Pipe,Oil	16'-4,95M
48	D28283438	1	Pipe,Oil	14'-4,34M
48	D28283439	1	Pipe,Oil	3,72M
49	D45254000	1	Union	
50	D28785585	1	Pipe	
51	D45252800	1	Union	
52	D45138900	1	Union	
53	D45138800	1	Union	
54	D45232400	1	Washer	
55	D45130054	1	Hydr Hose	
56	D28784123	1	Pipe	
57	D45252600	1	Union	
58	D45252600	1	Union	
59	D28780988	1	Pipe,Oil	
60	D45252600	1	Union	
61	D45252600	1	Union	
62	D45263900	1	Union	
63	D28784124	1	Pipe	
64	D45232400	1	Washer	
65	D45278000	1	Connector	
66	D28786625	1	Pipe	
67	D45272100	1	Connector	
68	D45204500	1	Union Nut	
69	D45140035	1	Coupling	
70	D45149100	1	O Ring	
71	D45140034	1	Coupling	
72	D45204500	1	Union Nut	
73	D45272100	1	Connector	
74	D28785876	1	Pipe	
75	D45232400	1	Washer	
76	D45278000	1	Connector	
77	D28786625	1	Pipe	
78	D45272100	1	Connector	
79	D45204500	1	Union Nut	
80	D45140035	1	Coupling	
81	D45149100	1	O Ring	
82	D45140034	1	Coupling	
83	D45204500	1	Union Nut	
84	D45272100	1	Connector	
85	D28785878	1	Pipe	
86	D45254000	1	Union	
87	D28781250	1	Pipe	
88	D45266100	1	Union	
89	D28781254	1	Pipe,Oil	
90	D28781251	1	Pipe,Oil	
91	D45266100	1	Union	

MF 7250/7252 COMBINE - 1637400
D-ADZC-005-B



Item	Part Number	Qty	Description	Comments
1	D28784121	1	Pipe	
2	D45252600	1	Union	
3	D45110064	1	Coil	
4	D45110096	1	Distributor	
5	D45110095	1	Pressure Valve	
6	D45110015	1	Gasket	
7	D45110064	1	Coil	
8	D45252600	1	Union	
9	D28780988	1	Pipe,Oil	
10	D45252600	1	Union	
11	D45110098	1	Pressure Valve	
12	D45252600	1	Union	
13	D45263900	1	Union	
14	D28784421	1	Pipe	
15	D45130054	1	Hydr Hose	
16	D45232400	1	Washer	
17	D45138800	1	Union	
18	D45138900	1	Union	
19	D45252800	1	Union	
20	D28785583	1	Pipe	
21	D45254000	1	Union	
22	D28283826	1	Tube	Up to Serial or Engine Number 939226
23	D45254000	1	Union	Up to Serial or Engine Number 939226
24	D28785621	1	Pipe	Up to Serial or Engine Number 939226
25	D45130017	1	Hydr Hose	
26	D45254000	1	Union	
27	D28283571	1	Pipe,Oil	POWER FLOW
	D28281207	1	Pipe,Oil	FREEFLOW
28	D45263900	1	Union	ONLY FOR CYLIN. D45100028
29	D45100028	1	Cylinder	
	D45140011	1	Cylinder	25'-7,60M
	D45140011	1	Cylinder	From Serial or Engine Number 939560
				20'-6,16M
				22'-6,77M
30	D45110084	1	Kit, Seal	FOR CYLINDER D45100028
	D45140015	1	Kit, Gasket	FOR CYLINDER D45140011
31	D45263900	1	Union	ONLY FOR CYLIN. D45100028
32	D28283572	1	Pipe,Oil	FREEFLOW
	D28281208	1	Pipe,Oil	POWERFLOW
33	D45254000	1	Union	
34	D45130017	1	Hydr Hose	
35	D28785621	1	Pipe	Up to Serial or Engine Number 939226
36	D45254000	1	Union	Up to Serial or Engine Number 939226
37	D28283826	1	Tube	Up to Serial or Engine Number 939226
38	D45254000	1	Union	Up to Serial or Engine Number 939226
39	D28785586	1	Pipe	Up to Serial or Engine Number 939226
40	D45254000	1	Union	Up to Serial or Engine Number 939226
41	D28785622	1	Pipe	Up to Serial or Engine Number 939226
42	D45254000	1	Union	Up to Serial or Engine Number 939226
43	D28785621	1	Pipe	Up to Serial or Engine Number 939226
44	D45130017	1	Hydr Hose	
45	D45254000	1	Union	
46	D28283571	1	Pipe,Oil	POWER FLOW
	D28281207	1	Pipe,Oil	FREEFLOW
47	D45263900	1	Union	ONLY FOR CYLIN. D45100027
48	D45100027	1	Cylinder	
	D45140014	1	Cylinder	25'-7,60M
	D45140014	1	Cylinder	From Serial or Engine Number 939560
				20'-6,16M
				22'-6,77M
49	D45110083	1	Kit, Seal	FOR CYLINDERS D45100027 AND D45100050
	D45140016	1	Kit, Gasket	FOR CYLINDER D45140014

Massey Ferguson**MF 7250/7252 COMBINE - 1637400**

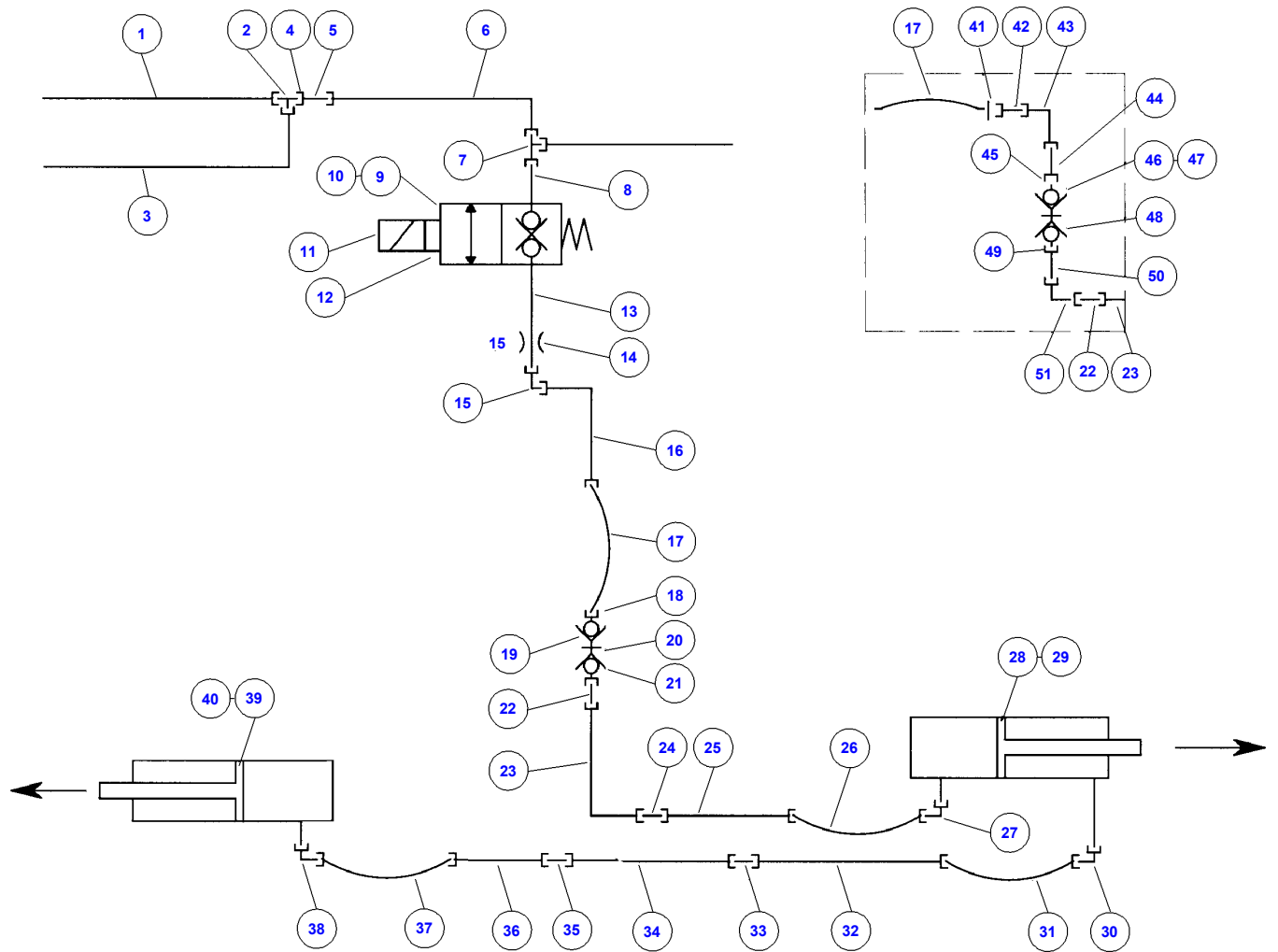
1637400

Hydraulic - Reel Fore/Aft. - FROM 939227

Page014-0011

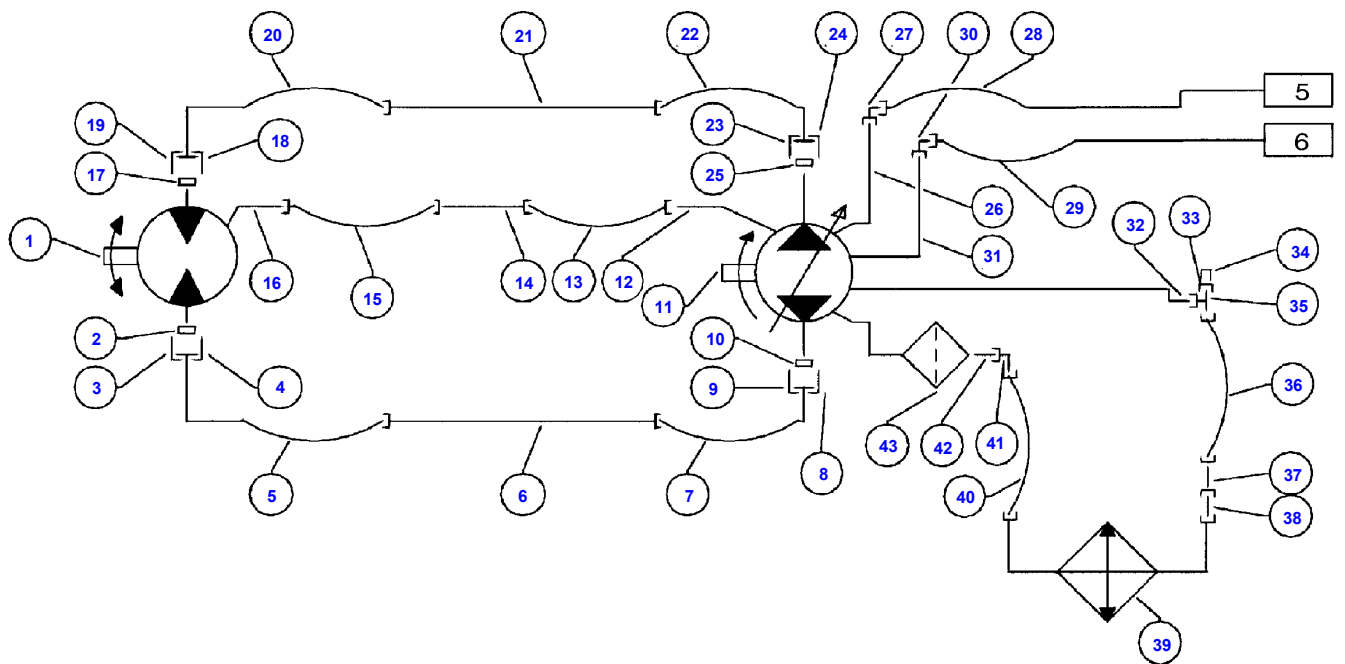
Item	Part Number	Qty	Description	Comments
50	D45263900	1	Union	ONLY FOR CYLIN. D45100027
51	D28283572	1	Pipe,Oil	POWER FLOW
51	D28281208	1	Pipe,Oil	FREEFLOW
52	D45254000	1	Union	
53	D45130017	1	Hydr Hose	
54	D28785621	1	Pipe	Up to Serial or Engine Number 939226
55	D45254000	1	Union	Up to Serial or Engine Number 939226
56	D28785622	1	Pipe	Up to Serial or Engine Number 939226
57	D45254000	1	Union	Up to Serial or Engine Number 939226
58	D28785585	1	Pipe	Up to Serial or Engine Number 939226
59	D45254000	1	Union	Up to Serial or Engine Number 939226
60	D28283826	1	Tube	Up to Serial or Engine Number 939226
61	D45252800	1	Union	
62	D45138900	1	Union	
63	D45138800	1	Union	
64	D45232400	1	Washer	
65	D45130054	1	Hydr Hose	
66	D28784123	1	Pipe	
67	D45252600	1	Union	
68	D45252600	1	Union	
69	D28780988	1	Pipe,Oil	
70	D45252600	1	Union	
71	D45252600	1	Union	
72	D45263900	1	Union	
73	D28784124	1	Pipe	
74	D45232400	1	Washer	
75	D45278000	1	Connector	
76	D28786625	1	Pipe	
77	D45272100	1	Connector	
78	D45204500	1	Union Nut	
79	D45140035	1	Coupling	
80	D45149100	1	O Ring	
81	D45140034	1	Coupling	
82	D45204500	1	Union Nut	
83	D45272100	1	Connector	
84	D28785876	1	Pipe	
85	D45232400	1	Washer	
86	D45278000	1	Connector	
87	D28786625	1	Pipe	
88	D45272100	1	Connector	
89	D45204500	1	Union Nut	
90	D45140035	1	Coupling	
91	D45149100	1	O Ring	
92	D45140034	1	Coupling	
93	D45204500	1	Union Nut	
94	D45272100	1	Connector	
95	D28785878	1	Pipe	
96	D45254000	1	Union	
97	D28781250	1	Pipe	
98	D45266100	1	Union	
99	D28781254	1	Pipe,Oil	
100	D28781251	1	Pipe,Oil	
101	D45266100	1	Union	

MF 7250/7252 COMBINE - 1637400
D-ADZB-004-B

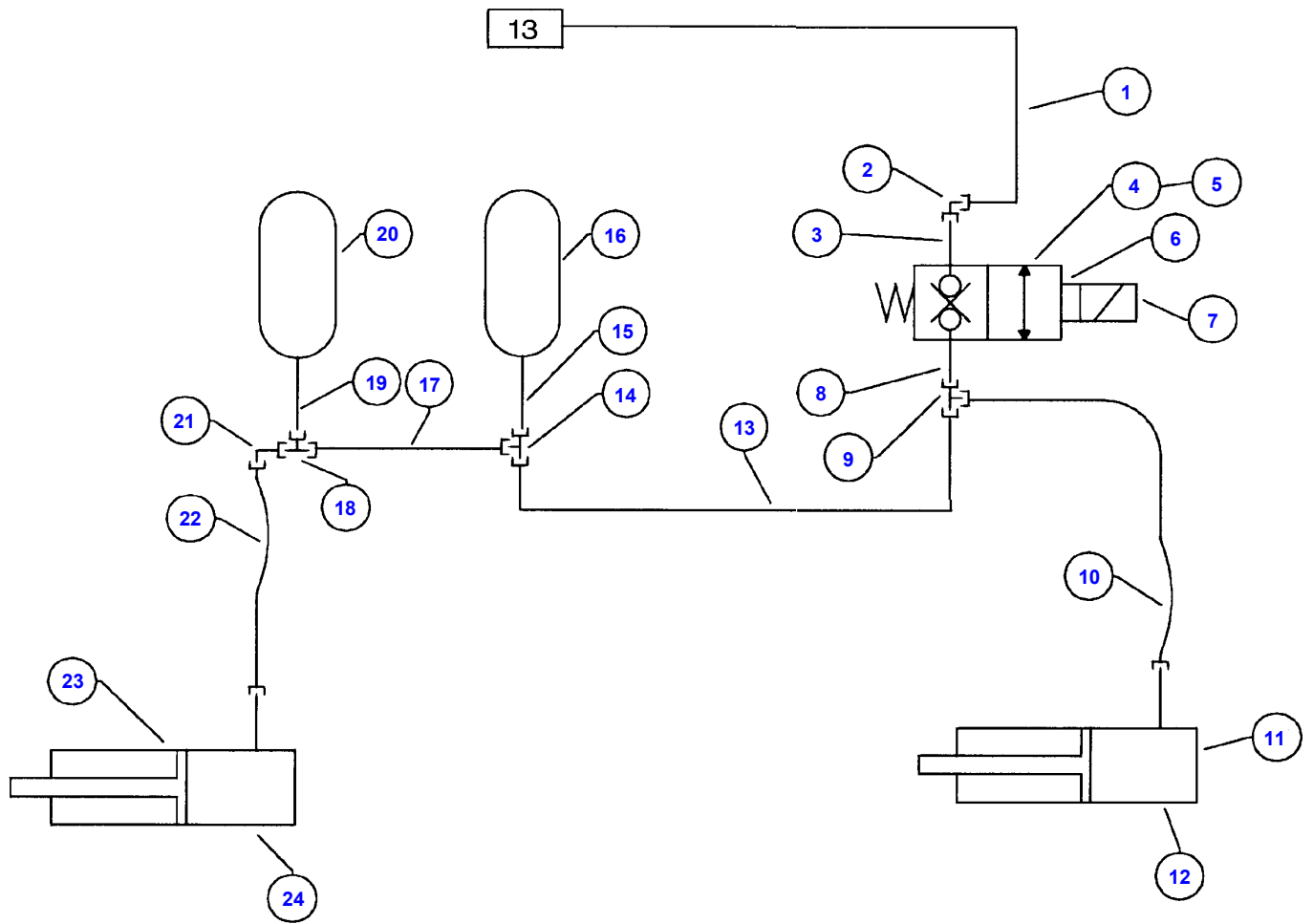


Hydraulics - Reel Up/Down

Item	Part Number	Qty	Description	Comments
1	D28784418	1	Pipe	
2	D45256200	1	Union	
3	D28784103	1	Pipe	
4	D45204500	1	Union Nut	
5	D45272100	1	Connector	
6	D28784107	1	Pipe	
7	D45166100	1	Hydraulic Pump	
8	D45252600	1	Union	
9	D45110054	1	Valve	
10	D45110014	1	Kit, Joint	
11	D45110064	1	Coil	
12	D45110065	1	Mandrel	
13	D45252600	1	Union	
14	D28781055	1	Washer	
15	D45263900	1	Union	
16	D28784122	1	Pipe	
17	D45130054	1	Hydr Hose	
18	D45232400	1	Washer	
19	D45138900	1	Union	
20	D45110017	1	Gasket	
21	D45138800	1	Union	
22	D45252800	1	Union	
23	D28785585	1	Pipe	
24	D45254000	1	Union	
25	D28787057	1	Pipe,Oil	25' - 7,60M
	D28785622	1	Pipe	22' - 6,77M
	D28283826	1	Tube	20' - 6,16M
	D28283436	1	Pipe,Oil	18' - 5,56M
	D28283437	1	Pipe,Oil	16' - 4,95M
	D28283438	1	Pipe,Oil	14' - 4,34M
	D28283439	1	Pipe,Oil	12' - 3,72M
26	D45130029	1	Hydr Hose	POWERFLOW
	D45130017	1	Hydr Hose	FREEFLOW
27	D45263900	1	Union	
28	D45100066	1	Cylinder	
29	D45110089	1	Kit, Seal	
30	D45263900	1	Union	
31	D45130029	1	Hydr Hose	POWERFLOW
	D45130017	1	Hydr Hose	FREEFLOW
32	D28787057	1	Pipe,Oil	25' - 7,60M
	D28785622	1	Pipe	22' - 6,77M
	D28283826	1	Tube	20' - 6,16M
	D28283436	1	Pipe,Oil	18' - 5,56M
	D28283437	1	Pipe,Oil	16' - 4,95M
	D28283438	1	Pipe,Oil	14' - 4,34 M
	D28283439	1	Pipe,Oil	12' - 3,72M
33	D45254000	1	Union	
34	D28785586	1	Pipe	
35	D45254000	1	Union	
36	D28787056	1	Pipe,Oil	25' - 7,60M
	D28283826	1	Tube	20' - 6,16M
	D28283436	1	Pipe,Oil	18' - 5,56M
	D28283437	1	Pipe,Oil	16' - 4,95M
	D28283438	1	Pipe,Oil	14' - 4,34M
	D28283439	1	Pipe,Oil	12' - 3,72M
37	D45130029	1	Hydr Hose	POWERFLOW
	D45130017	1	Hydr Hose	FREEFLOW
38	D45263900	1	Union	
39	D45100067	1	Cylinder	
40	D45110090	1	Kit, Seal	
41	D45232400	1	Washer	
42	D45278000	1	Connector	
43	D28786625	1	Pipe	
44	D45272100	1	Connector	
45	D45204500	1	Union Nut	
46	D45140035	1	Coupling	
47	D45149100	1	O Ring	
48	D45140034	1	Coupling	
49	D45204500	1	Union Nut	
50	D45272100	1	Connector	
51	D28785877	1	Pipe	



Item	Part Number	Qty	Description
1	D45164900	1	Hydraulic Motor
2	D45463300	1	O Ring
3	D45159000	1	Flange
4	D45159000	1	Flange
5	D45132200	1	Hydr Hose
6	D28784114	1	Pipe
7	D45132200	1	Hydr Hose
8	D45159000	1	Flange
9	D45159000	1	Flange
10	D45463300	1	O Ring
11	D45161500	1	Hydraulic Pump
12	D45251100	1	Union
13	D45128300	1	Hydr Hose
14	D28784112	1	Pipe
15	D45130600	1	Hose
16	D45251100	1	Union
17	D45463300	1	O Ring
18	D45159000	1	Flange
19	D45159000	1	Flange
20	D45132200	1	Hydr Hose
21	D28784115	1	Pipe
22	D45132200	1	Hydr Hose
23	D45159000	1	Flange
24	D45159000	1	Flange
25	D45463300	1	O Ring
26	D45251100	1	Union
27	D45264200	1	Union
28	D45130050	1	Hose
29	D45130050	1	Hose
30	D45264200	1	Union
31	D45251100	1	Union
32	D45251100	1	Union
33	D45204800	1	Union Nut
34	D45219900	1	Plug
35	D45267200	1	Union
36	D45130600	1	Hose
37	D28784361	1	Pipe,Oil
38	D45254300	1	Connector
39	D28750776	1	Radiator
40	D45130600	1	Hose
41	D45264200	1	Union
42	D45251100	1	Union
43	D45144600	1	Oil Filter



Massey Ferguson**MF 7250/7252 COMBINE - 1637400**

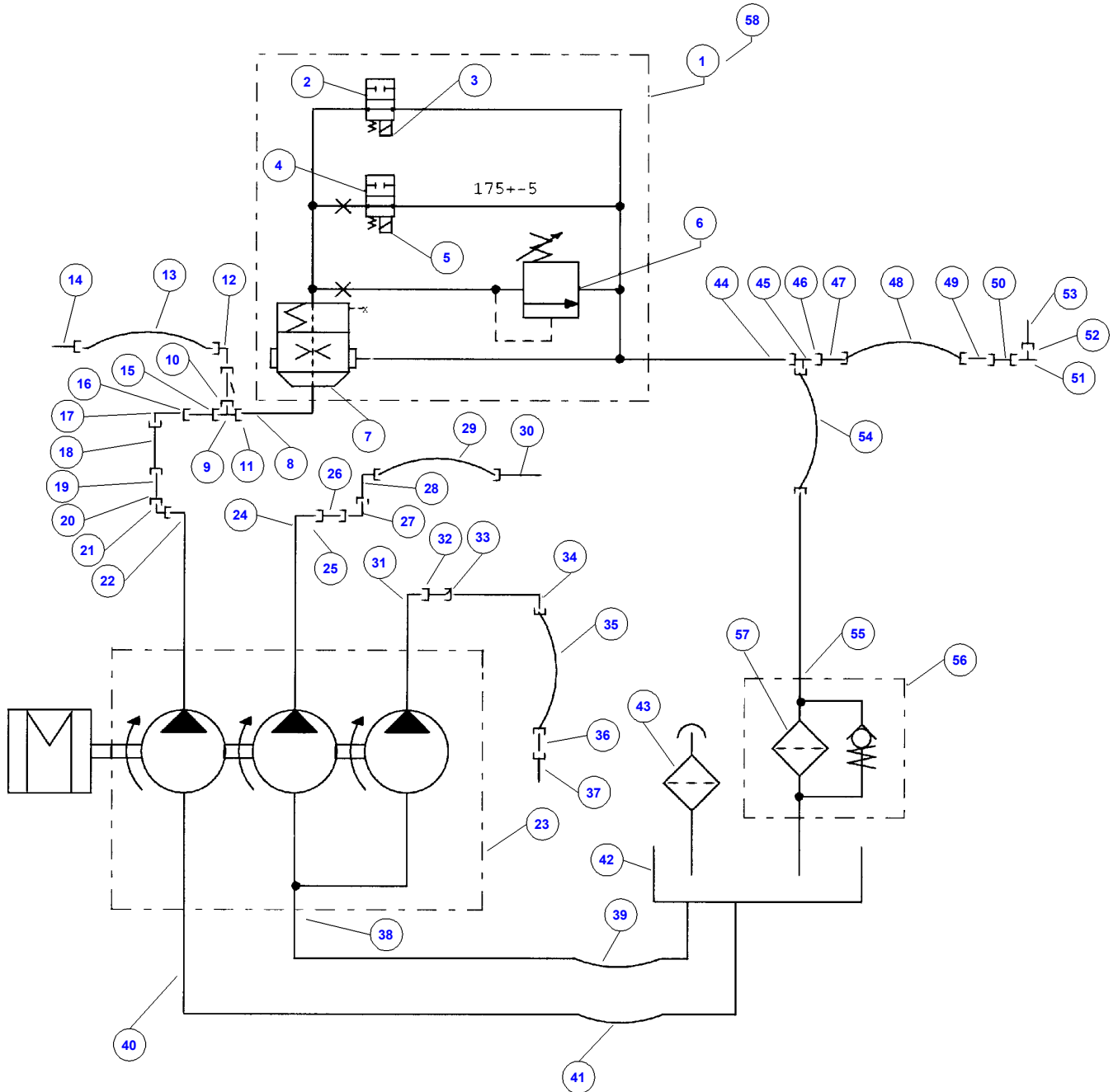
1637400

Hydraulics - Table Up/Down - M F 7250

Page014-0014

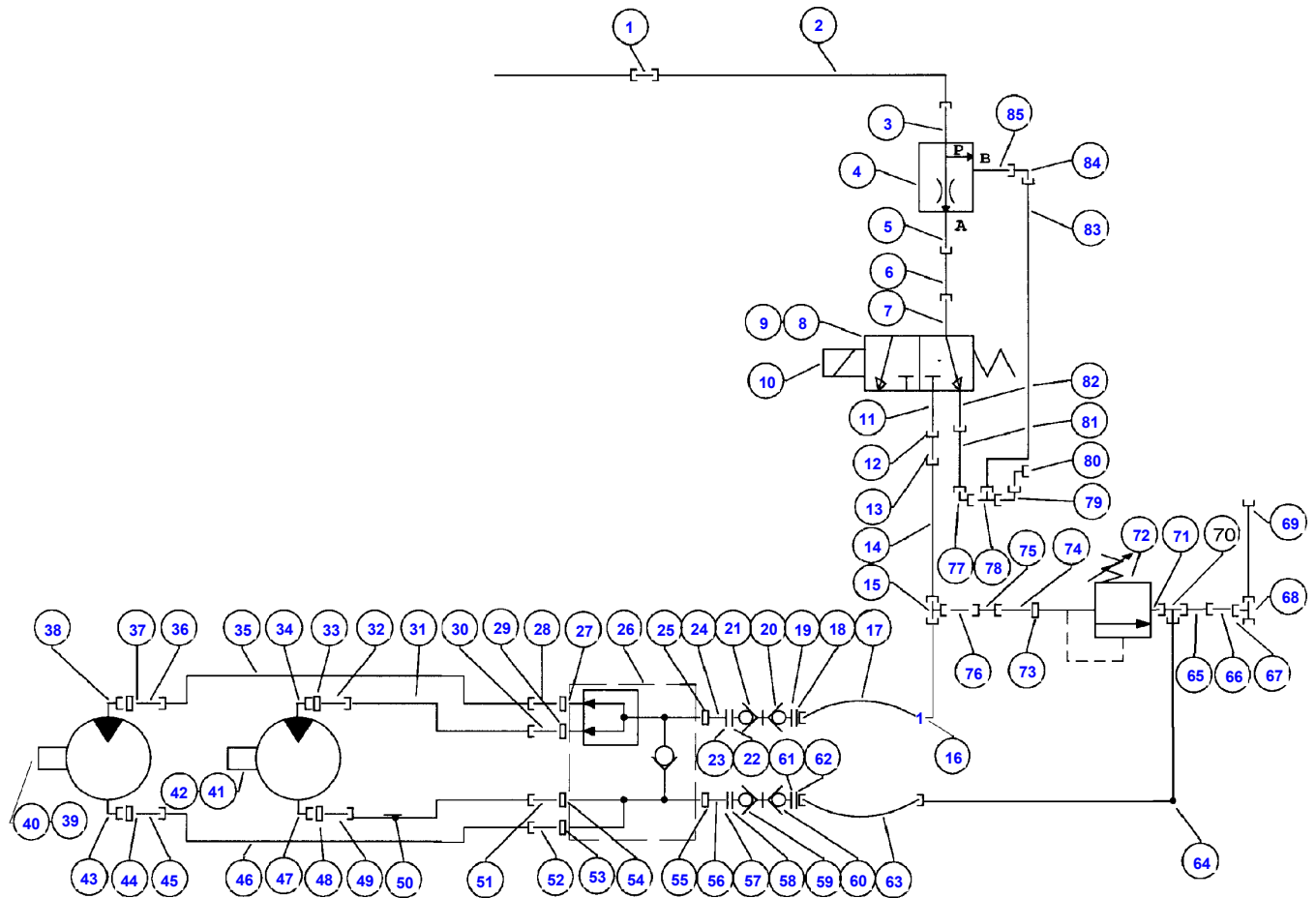
Item	Part Number	Qty	Description	Comments
1	D28784102	X	Tube	
2	D45264100	X	Union	
3	D45255200	X	Connector	
4	D45110054	X	Valve	
5	D45110014	X	Kit, Joint	
6	D45110065	X	Mandrel	
7	D45110064	X	Coil	
8	D45250800	X	Union	
9	D45266300	X	Union	
10	D45130028	X	Hydr Hose	
11	D45140002	X	Ram	
12	D45110087	X	Kit, Seal	
13	D28784388	X	Pipe	
14	D45236300	X	Plug	
15	D45250500	X	Union	
16	D45100300	X	Accumulator	
17	D28730695	X	Pipe	Diameter 12mm
18	D45267100	X	Union	
19	D45250500	X	Union	
20	D45100300	X	Accumulator	
21	D45264000	X	Union	
22	D45130028	X	Hydr Hose	
23	D45140002	X	Ram	
24	D45110087	X	Kit, Seal	

MF 7250/7252 COMBINE - 1637400
D-ADZH-006-B



Item	Part Number	Qty	Description	Comments
1	D45110070	X	Block	
2	D45120005	X	Distributor	
3	D45110064	X	Coil	
4	D45120004	X	Bypass	
5	D45110064	X	Coil	
6	D45120003	X	Pressure Valve	
7	D45120002	X	Pressure Valve	
8	D45251500	X	Union	
9	D45266600	X	Union	
10	D45211300	X	Union	
11	D45272800	X	Union	
12	D28780342	X	Pipe,Oil	
13	D45132500	X	Hydr Hose	
14	D28782009	X	Pipe,Oil	
15	D45211300	X	Union	
16	D45272700	X	Union	
17	D45264200	X	Union	
18	D28782446	X	Pipe	
19	D45272700	X	Union	
20	D45211300	X	Union	
21	D45264300	X	Connectors	
22	D45239800	X	Connector	
23	D45169000	X	Hydraulic Pump	
	D45167400	X	Kit, Gasket	
24	D45239800	X	Connector	
25	D45211300	X	Union	
26	D45272800	X	Union	
27	D45264300	X	Connectors	Up to Serial or Engine Number 57759
	D45264100	X	Union	From Serial or Engine Number 57760
28	D28780655	X	Pipe,Oil	
29	D45132500	X	Hydr Hose	
30	D28782010	X	Pipe,Oil	
31	D45239800	X	Connector	
32	D45211300	X	Union	
33	D45272600	X	Union	
34	D45264000	X	Union	
35	D45130016	X	Hydr Hose	
36	D45254100	X	Union	
37	D28782008	X	Pipe,Oil	
38	D28885062	X	Connector	
39	D28782310	X	Hose	
40	D28885062	X	Connector	
41	D28784446	X	Hose	
42	D28781816	X	Tank	
43	D45103000	X	Filter	
44	D45255500	X	Fitting	
45	D45266800	X	Fitting	
46	D45234400	X	Union	
47	D45273100	X	Reducer	
48	D45130038	X	Hydraulic Hose	
49	D45254500	X	Union	
50	D28782420	X	Pipe,Oil	
51	D45256400	X	Union	
52	D45211300	X	Union	
53	D45272000	X	Connector	
54	D45130045	X	Hose	
55	D45255300	X	Union	
56	D45165800	X	Seal	
57	D45165900	X	Filter	
58	D45120001	X	Kit, Seal	

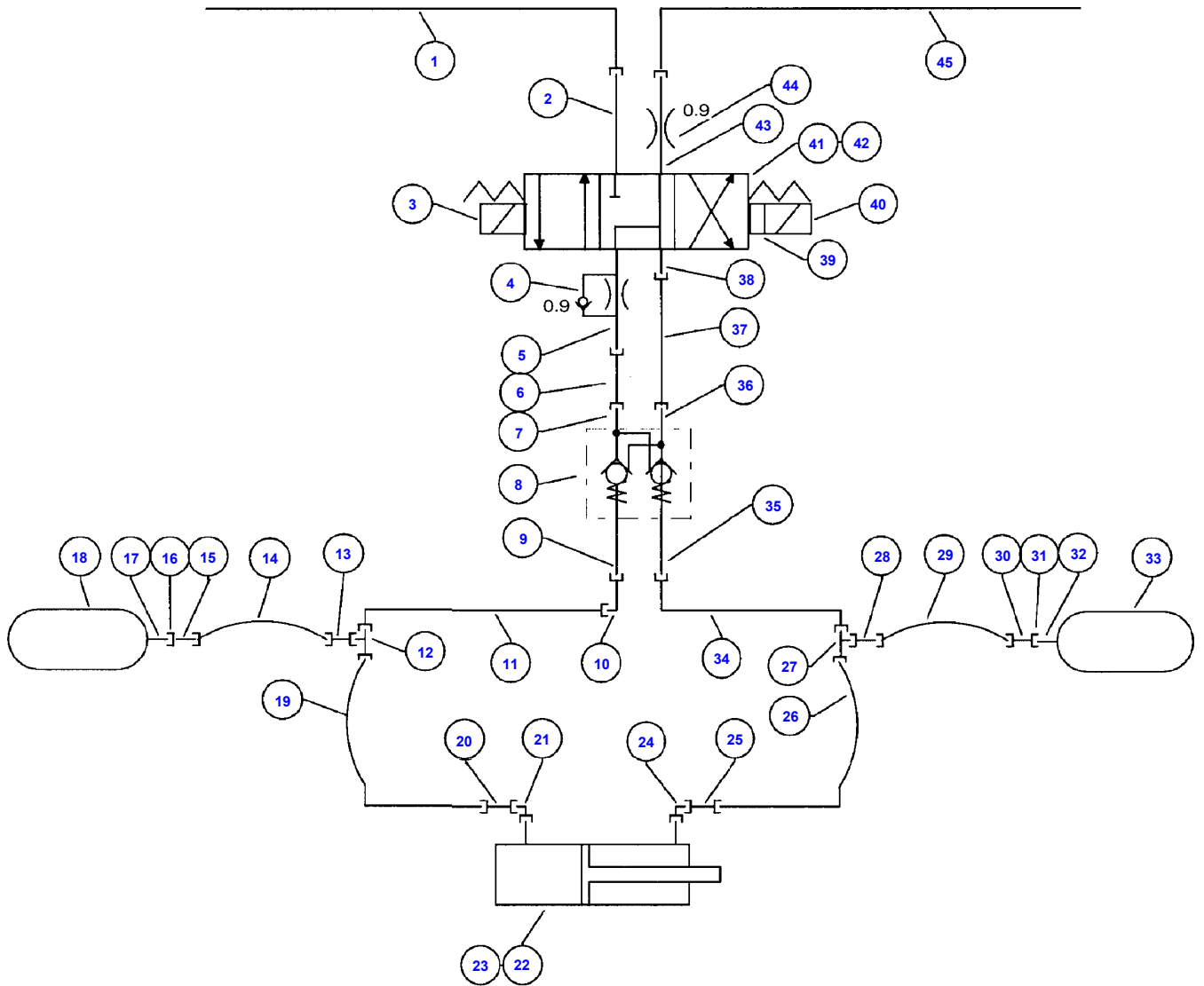
MF 7250/7252 COMBINE - 1637400
D-ADAC-004-B



Item	Part Number	Qty	Description	Comments
1	D45254900	1	Union	
2	D28784296	1	Pipe,Oil	
3	D45250900	1	Union	
4	D45110068	1	Pressure Valve	
5	D45250900	1	Union	
6	D28781030	1	Pipe,Oil	
7	D45250700	1	Union	
8	D45110039	1	Valve	
9	D45110012	1	Kit, Joint	
10	D45110064	1	Coil	
11	D45250700	1	Union	
12	D45204500	1	Union Nut	
13	D45272100	1	Connector	
14	D28784297	1	Pipe,Oil	
15	D45266900	1	Connector	
16	D28784298	1	Pipe,Oil	
17	D45130020	1	Hydr Hose	
18	D45232400	1	Washer	
19	D45461300	1	O Ring	
20	D45135000	1	Union	
21	D45134900	1	Union	
22	D45461300	1	O Ring	
23	D45232400	1	Washer	
24	D49070031	1	Connector	
25	D49070022	1	Seal	
26	D49070018	1	Distributor	
27	D49070022	1	Seal	
28	D45252800	1	Union	
29	D49070022	1	Seal	
30	D45252800	1	Union	
31	D49070030	1	Pipe	
32	D45252600	1	Union	
33	D49070027	1	Seal	
34	D49070026	1	Flange	
35	D49070029	1	Pipe	
36	D45252600	1	Union	
37	D49070027	1	Seal	
38	D49070026	1	Flange	
39	D49080103	1	Hydraulic Motor	
40	D49080105	1	Kit, Seal	From Serial or Engine Number 87125
	D49070034	1	Kit, Seal	Up to Serial or Engine Number 87124
41	D49080104	1	Hydraulic Motor	
42	D49080105	1	Kit, Seal	From Serial or Engine Number 87125
	D49070034	1	Kit, Seal	Up to Serial or Engine Number 87124
43	D49070026	1	Flange	
44	D49070027	1	Seal	
45	D45252600	1	Union	
46	D49070029	1	Pipe	
47	D49070026	1	Flange	
48	D49070027	1	Seal	
49	D45252600	1	Union	
50	D49070030	1	Pipe	
51	D45252800	1	Union	
52	D45252800	1	Union	
53	D49070022	1	Seal	
54	D49070022	1	Seal	
55	D49070022	1	Seal	
56	D49070031	1	Connector	
57	D45461300	1	O Ring	
58	D45232400	1	Washer	
59	D45135000	1	Union	
60	D45134900	1	Union	
61	D45461300	1	O Ring	
62	D45232400	1	Washer	
63	D45130020	1	Hydr Hose	
64	D28784299	1	Pipe,Oil	
65	D28784300	1	Pipe,Oil	
66	D45272000	1	Connector	
67	D45211300	1	Union	
68	D45266600	1	Union	
69	D28784295	1	Pipe,Oil	

Item	Part Number	Qty	Description	Comments
70	D45266100	1	Union	
71	D45252600	1	Union	
72	D45110036	1	Valve	
73	D45420200	1	Seal	
74	D45252600	1	Union	
75	D28780423	1	Pipe,Oil	
76	D45254000	1	Union	
77	D45264100	1	Union	
78	D45266200	1	Union	
79	D45264100	1	Union	
80	D45264100	1	Union	
81	D28780655	1	Pipe,Oil	
82	D45250700	1	Union	
83	D28781031	1	Pipe	
84	D45264100	1	Union	
85	D45250900	1	Union	

MF 7250/7252 COMBINE - 1637400
D-ADZE-004-B



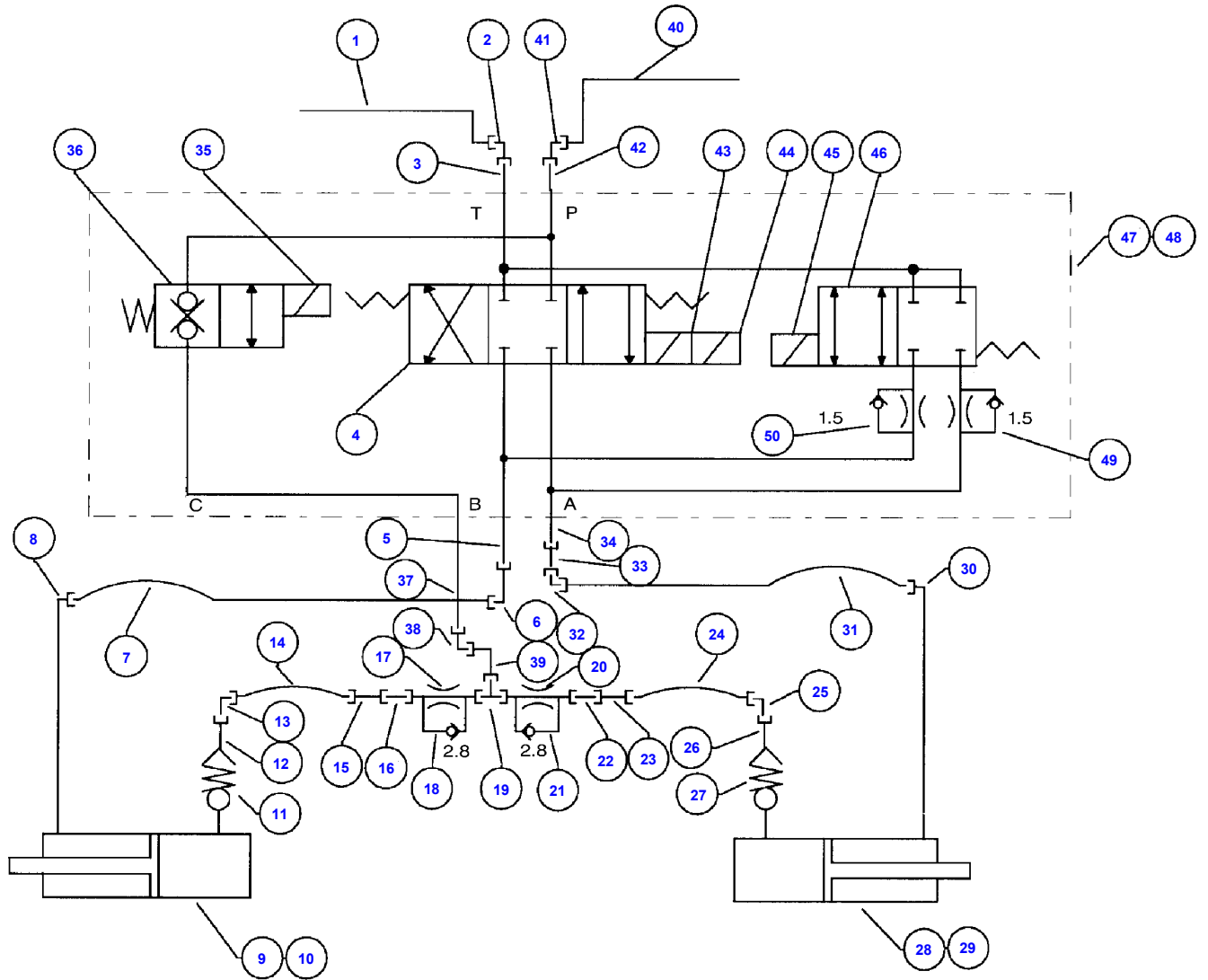
Massey Ferguson**MF 7250/7252 COMBINE - 1637400**

1637400

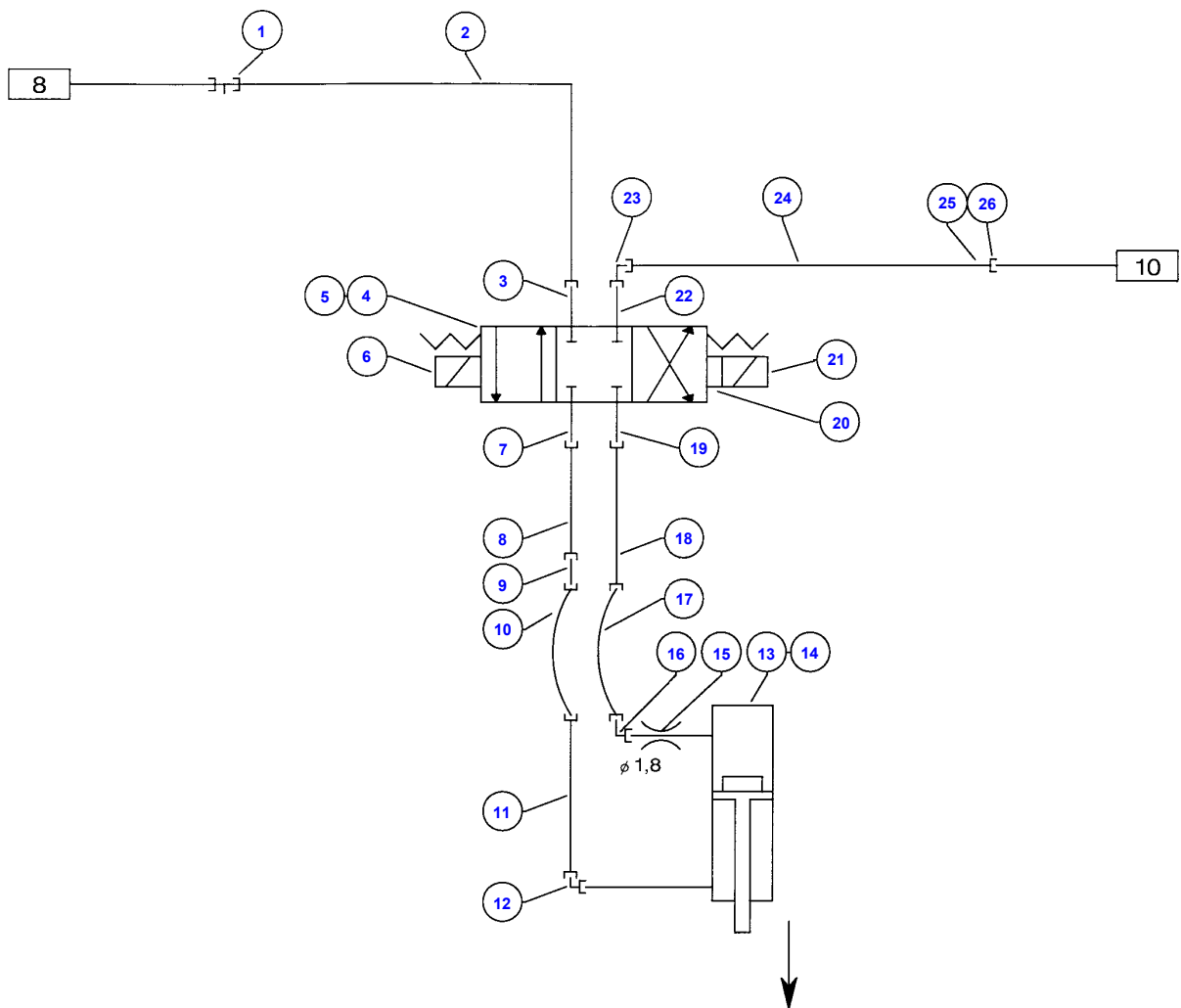
Auto Level Combine - Table - MF 7252

Page014-0017

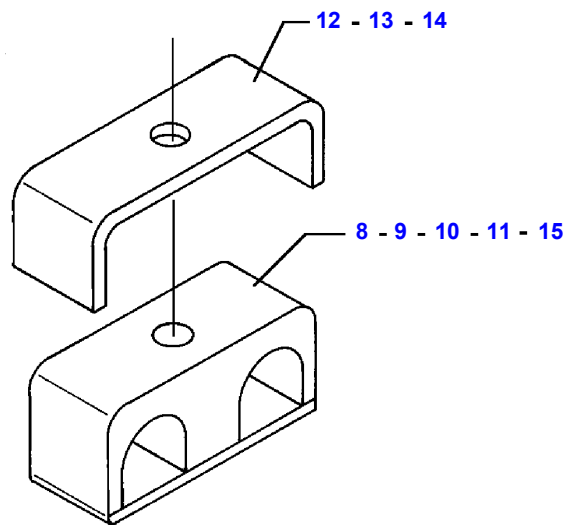
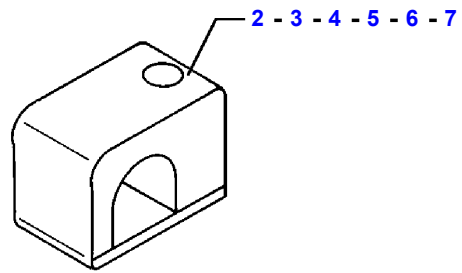
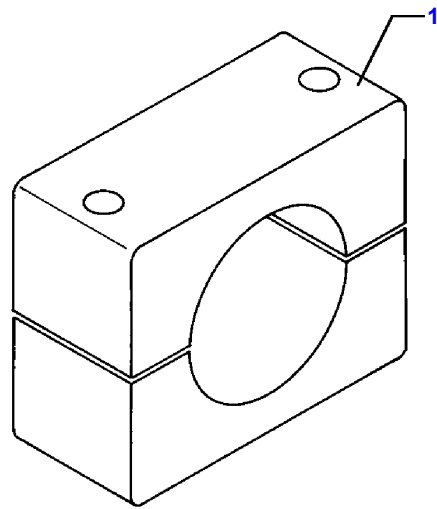
Item	Part Number	Qty	Description	Comments
1	D28781254	1	Pipe,Oil	
2	D45252600	1	Union	
3	D45110064	1	Coil	
4	D28780488	1	Washer	
5	D28181678	1	Union	
6	D28784438	1	Pipe,Oil	
7	D45252600	1	Union	
8	D45110098	1	Pressure Valve	
9	D45252600	1	Union	
10	D45263900	1	Union	
11	D28784440	1	Pipe	
12	D45266100	1	Union	
13	D28280653	1	Pipe,Oil	
14	D45123600	1	Hydr Hose	
15	D45272300	1	Connector	
16	D45201100	1	Union	
17	D45250500	1	Union	
18	D45148500	1	Accumulator	
19	D45130024	1	Hydr Hose	
20	D28280653	1	Pipe,Oil	
21	D45263900	1	Union	
22	D45100029	1	Ram	Up to Serial or Engine Number 57067
	D45120073	1	Ram	From Serial or Engine Number 57068
23	D45110085	1	Kit, Seal	
24	D45263900	1	Union	
25	D28280653	1	Pipe,Oil	
26	D45130024	1	Hydr Hose	
27	D45266100	1	Union	
28	D28280653	1	Pipe,Oil	
29	D45123600	1	Hydr Hose	
30	D45272300	1	Connector	
31	D45201100	1	Union	
32	D45250500	1	Union	
33	D45148500	1	Accumulator	
34	D28784439	1	Pipe	
35	D45252600	1	Union	
36	D45252600	1	Union	
37	D28784437	1	Pipe	
38	D45252600	1	Union	
39	D45110096	1	Distributor	
40	D45110064	1	Coil	
41	D45110095	1	Pressure Valve	
42	D45110015	1	Gasket	
43	D45252600	1	Union	
44	D28780720	1	Washer	
45	D28781251	1	Pipe,Oil	



Item	Part Number	Qty	Description
1	D28782440	1	Pipe,Oil
2	D45264100	1	Union
3	D45255200	1	Connector
4	D45110066	1	Parts Pack
5	D45250800	1	Union
6	D45264000	1	Union
7	D45130007	1	Hydr Hose
8	D45264000	1	Union
9	D45100300	1	Accumulator
10	D45110092	1	Kit, Seal
11	D45100001	1	Non Return Valve
12	D45235200	1	Nipple
13	D45265000	1	Connector
14	D45132300	1	Hydr Hose
15	D28711881	1	Pipe,Oil
16	D45250800	1	Union
17	D28780316	1	Washer
18	D28181683	1	Connector
19	D45256100	1	Union
20	D28780316	1	Washer
21	D28181683	1	Connector
22	D45250800	1	Union
23	D28711881	1	Pipe,Oil
24	D45132300	1	Hydr Hose
25	D45265000	1	Connector
26	D45235200	1	Nipple
27	D45100001	1	Non Return Valve
28	D45100030	1	Ram
29	D45110092	1	Kit, Seal
30	D45264000	1	Union
31	D45130007	1	Hydr Hose
32	D45258600	1	Union
33	D28711881	1	Pipe,Oil
34	D45250800	1	Union
35	D45110064	1	Coil
36	D45120005	1	Distributor
37	D45250800	1	Union
38	D45264000	1	Union
39	D28182301	1	Hydr.Hose Assy.
40	D28782444	1	Pipe,Oil
41	D45264000	1	Union
42	D45250800	1	Union
43	D45110064	1	Coil
44	D45110064	1	Coil
45	D45110064	1	Coil
46	D45120006	1	Distributor
47	D45110094	1	Pressure Valve
48	D45120008	1	Seal
49	D45120007	1	Pressure Valve
50	D45120007	1	Pressure Valve



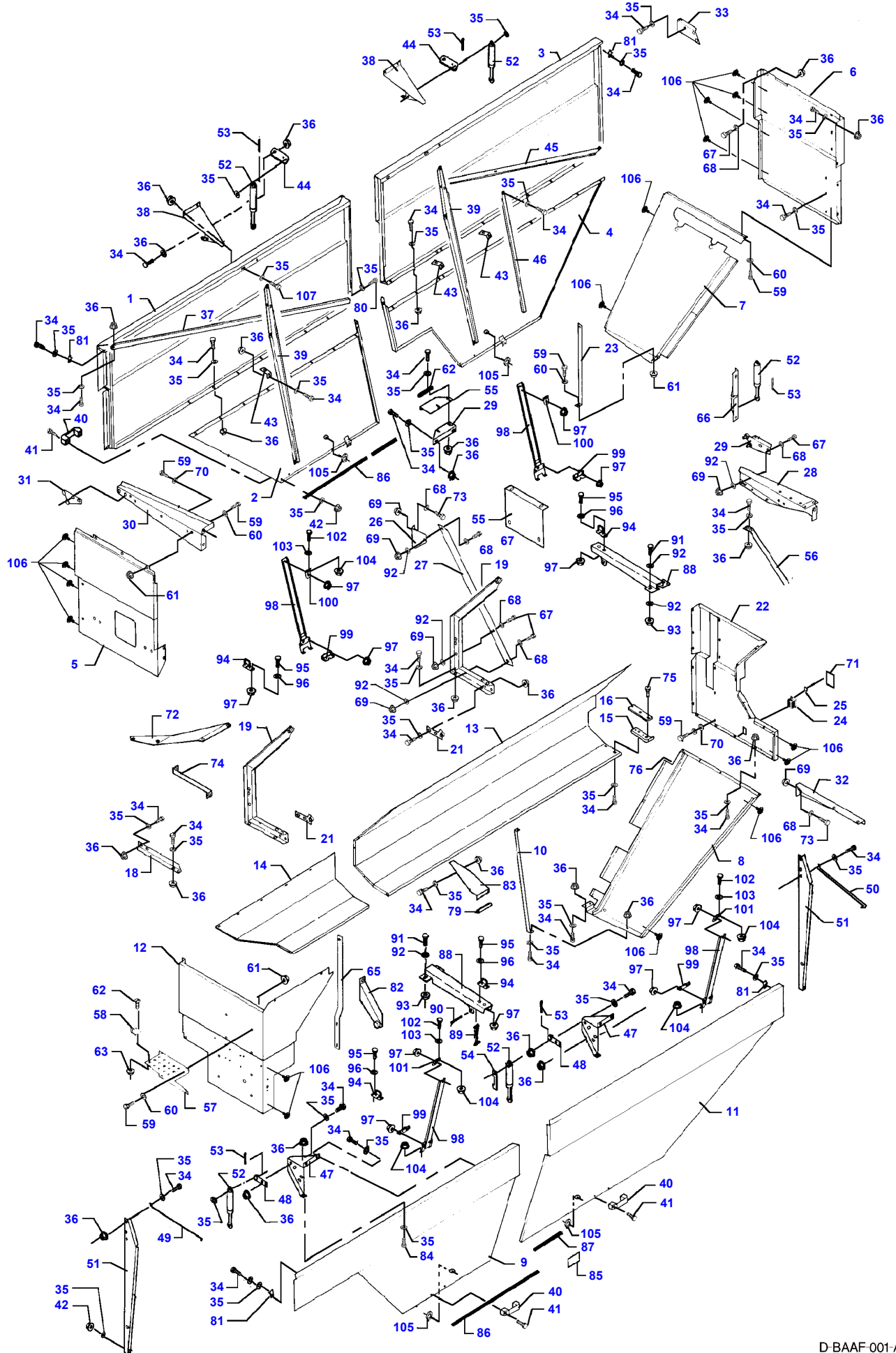
Item	Part Number	Qty	Description
1	D45266100	1	Union
2	D28784116	1	Pipe
3	D45252600	1	Union
4	D45110055	1	Pressure Valve
5	D45110015	1	Gasket
6	D45110064	1	Coil
7	D45252600	1	Union
8	D28780679	1	Pipe,Oil
9	D45254000	1	Union
10	D45130029	1	Hydr Hose
11	D28780425	1	Pipe,Oil
12	D45263900	1	Union
13	D45100065	1	Ram
14	D45110088	1	Kit, Seal
15	D28780324	1	Washer
16	D45263900	1	Union
17	D45130029	1	Hydr Hose
18	D28780680	1	Pipe,Oil
19	D45252600	1	Union
20	D45110066	1	Parts Pack
21	D45110064	1	Coil
22	D45252600	1	Union
23	D45263900	1	Union
24	D28784117	1	Pipe
25	D45272000	1	Connector
26	D45211300	1	Union



Pipe Support

Item	Part Number	Qty	Description
1	D45737900	X	Support
2	D45738700	X	Support
3	D45739900	X	Bridle
4	D45739800	X	Clip
5	D45739600	X	Support
6	D45739500	X	Support
7	D45739700	X	Support
8	D45739100	X	Support
9	D45739400	X	Support
10	D45739200	X	Support
11	D45736600	X	Support
12	D28750783	X	Reinforcement
13	D28750784	X	Bracket
14	D28250656	X	Arm
15	D45736400	X	Clip

MF 7250/7252 COMBINE - 1637400
D-BAAF-001-A



D-BAAF-001-A

Lower Guarding

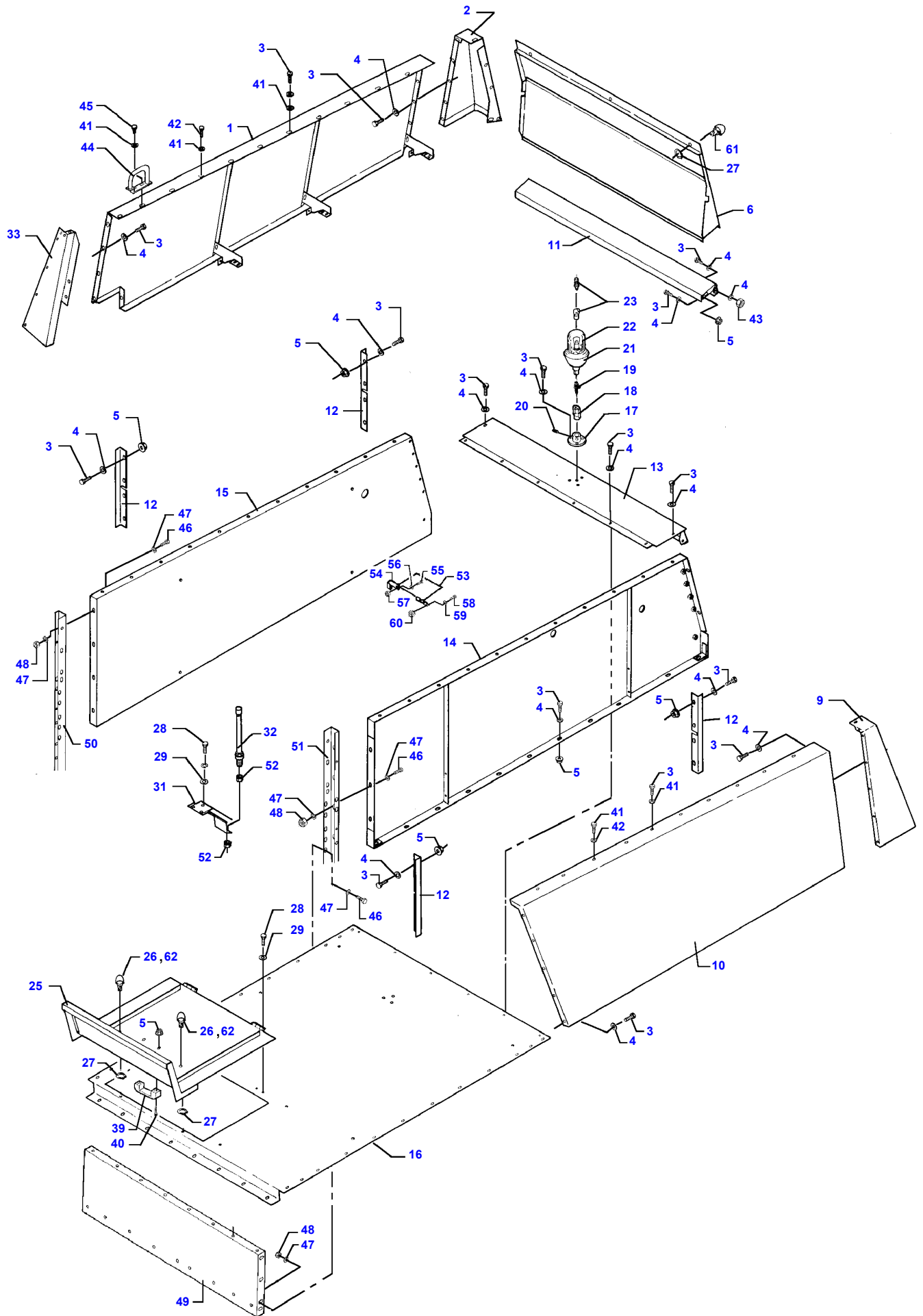
Item	Part Number	Qty	Description	Comments
1	D28184105	1	Guard	
2	D28184327	1	Plate	
3	D28184137	1	Guard	
4	D18184328	1	Guard	
5	D18184104	1	Plate	
6	D28184103	1	Guard	
7	D28184296	1	Panel	
8	D28184219	1	Shield	
9	D18184330	1	Plate	
10	D28184295	1	Stay	
11	D18184329	1	Guard	
12	D28184067	1	Guard	Left Hand
13	D28184204	1	Cowl	
14	D18184281	1	Guard	
15	D18181034	1	Stop	
16	D28181033	1	Stop	
18	D28184293	1	Stay	
19	D28184071	2	Bracket	
21	D28184259	2	Hinge	
22	D18184460	1	Plate	
23	D28184297	1	Support	
24	D45050003	1	Magnet	[A]
25	D45050040	1	Light Switch	[A]
26	D28184201	1	Bracket	
27	D28184202	1	Stay	
28	D28184066	1	Bracket	
29	D28184081	1	Bracket	
30	D28884073	1	Bracket	
31	D28184085	1	Bracket	
32	D28184203	1	Stay	
33	D28184082	1	Bracket	
34	D40405000	X	Hex. Sock. Screw	
35	D20400506	X	Washer	
36	D41013500	X	Nut	
37	D28184117	1	Reinforcement	
38	D28184118	2	Support	
39	D28184119	2	Stay	
40	D43386900	4	Handle	
41	D40690300	8	Screw	
42	D41013500	8	Nut	
43	D28184114	3	Angle	
44	D28180739	2	Bracket	
45	D28184159	1	Stay	
46	D28184277	1	Stay	
47	D28184248	2	Bracket	
48	D28184249	2	Bracket	
49	D28184291	1	Stay	
50	D28184292	1	Stay	
51	D28184247	2	Stay	
52	D45056600	X	Gas Strut	
53	D41404400	X	Split Pin	
54	D28181190	1	Ratchet	
55	D28584018	1	Fitting	
56	D28184191	1	Stay	
57	D28181251	1	Step	
58	D28181252	2	Support	
59	D40404900	X	Hex. Sock. Screw	
60	D20400506	X	Washer	
61	D41013500	X	Nut	
62	D40600700	2	Screw Metric	
63	D41013400	2	Nut	
65	D28184113	1	Stay	
66	D28184116	1	Bracket	
67	D40407700	X	Hex. Sock. Screw	
68	D20400419	X	Washer	
69	D41087600	X	Locknut	
70	D20400414	X	Washer	
71	D44900017	1	Cover	
72	D28184415	1	Fitting	
73	D40407800	X	Hex. Sock. Screw	
74	D28184420	1	Fitting	

Lower Guarding

Item	Part Number	Qty	Description	Comments
76	D44735900	X	Seal Section	Length 0,100 M
77	D28184276	1	Support	
78	D28180733	1	Stay	
79	D44706600	X	Seal Section	Length 0,110 M
80	D40405100	1	Hex. Sock. Screw	
81	D28184166	4	Locking Plate	
82	D28184239	1	Bracket	
83	D28184382	1	Support	
84	D40685000	2	Screw	
85	D45084600	2	Reflector	
86	D44735900	2	Seal Section	Length 2 A 1M
87	D44735900	X	Seal Section	Length 0,350 M
88	D28180830	2	Support	
91	D40407700	4	Hex. Sock. Screw	
92	D20400416	4	Washer	
93	D41087600	4	Locknut	
94	D28181157	4	Clamp	
95	D40404900	8	Hex. Sock. Screw	
96	D20400506	8	Washer	
97	D41013500	X	Nut	
98	D28181154	4	Bracket	
99	D43419900	4	Lock	
100	D28181159	2	Support	
101	D28181203	2	Support	
102	D40688200	X	Screw Metric	
103	D20400404	X	Washer	
104	D41013400	X	Nut	
105	D44732700	4	Grommet	
106	D45742200	12	Plug	
107	D40684800	1	Screw	

FOOTNOTE [A] OPTIONAL EQUIPMENT

MF 7250/7252 COMBINE - 1637400
D-BAAG-001-A



D-BAAG-001-A

Straw Nose

Item	Part Number	Qty	Description	Comments
1	D28184212	1	Panel	
2	D28184192	1	Corner	
3	D40404900	X	Hex. Sock. Screw	
4	D20400506	X	Washer	
5	D41013500	X	Nut	
6	D28184179	1	Shutter	
9	D28184193	1	Corner	
10	D28184200	1	Panel	
11	D28184169	1	Support	
12	D28184139	4	Fitting	
13	D28184154	1	Roof	
14	D28184151	1	Plate	
15	D28184152	1	Plate	
16	D28184180	1	Plate	
17	D18950553	1	Bracket	
18	D45051300	1	Retainer	
19	D45068200	1	Electric Socket	
20	D40630900	2	Pin	
21	D45051200	1	Lamp	
22	D45051900	1	Glass	[A]
	D45060043	1	Glass	[B]
	D45060044	1	Glass	[C]
	D45080012	1	Glass	[D]
	D45085700	1	Glass	
23	D45006200	1	Bulb	
	D45081000	1	Bulb	
25	D28184271	1	Shutter	
26	D43427200	2	Pin	
27	D42555500	5	Circlip	
28	D40402400	X	Hex. Sock. Screw	
29	D20400404	X	Washer	
31	D28784158	1	Alarm	
32	D28780365	1	Cable	MF 7252
	D28780380	1	Pipe	MF 7250
33	D28184370	1	Guard	
39	D43386900	1	Handle	
40	D40690300	2	Screw	
41	D20400414	X	Washer	
42	D40423600	8	Screw Metric	
43	D41010700	2	Nut	
44	D28981031	1	Safety Frame	
45	D40405100	X	Hex. Sock. Screw	
46	D40407000	X	Screw	
47	D20400473	X	Washer	
48	D41092500	X	Nut	
49	D28182078	1	Stay	
50	D28184038	1	Profile	Right Hand
51	D28184037	1	Profile	Left Hand
52	D41098000	X	Nut	
53	D28781172	1	Chain	
54	D28781173	1	Fitting	(53)
55	D40402600	1	Hex. Sock. Screw	(53)
56	D20400470	1	Washer	(53)
57	1441462X1	1	Locknut	Replace and repair. Old not interchangeable with new D41087400
58	D40402600	1	Hex. Sock. Screw	
59	D20400470	3	Washer	
60	1441462X1	1	Locknut	Replace and repair. Old not interchangeable with new D41087400
61	D43427500	3	Pin	
62	D43427300	1	Spring	

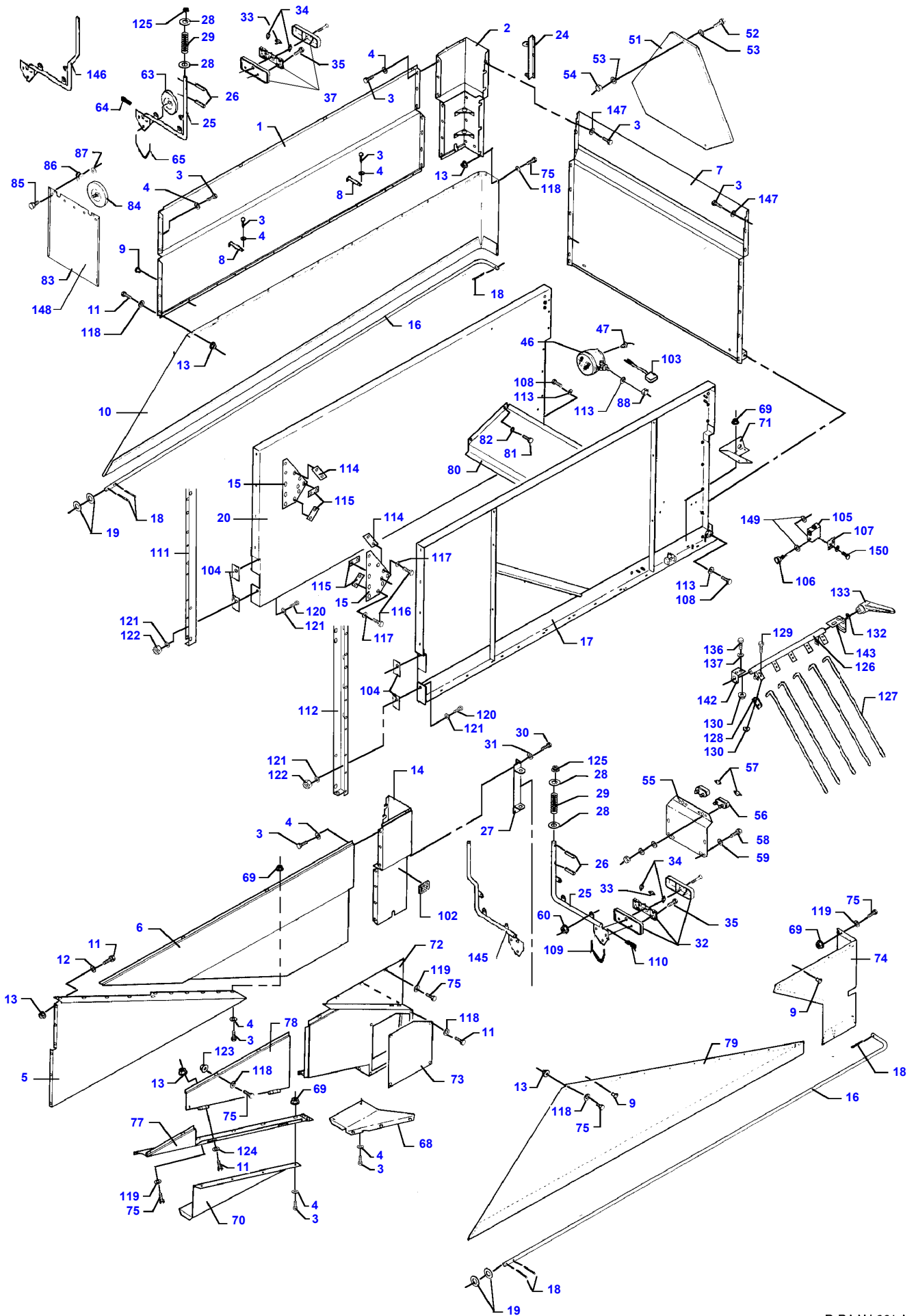
FOOTNOTE [A] HELLA WITH METAL BOTTOM

FOOTNOTE [B] AEB 590

FOOTNOTE [C] OPTILUX AND HELLA WITH PLAST BOTTOM

FOOTNOTE [D] HELLA WITH PLAST BOTTOM, ORANGE.

MF 7250/7252 COMBINE - 1637400
D-BAAH-001-A



D-BAAH-001-A

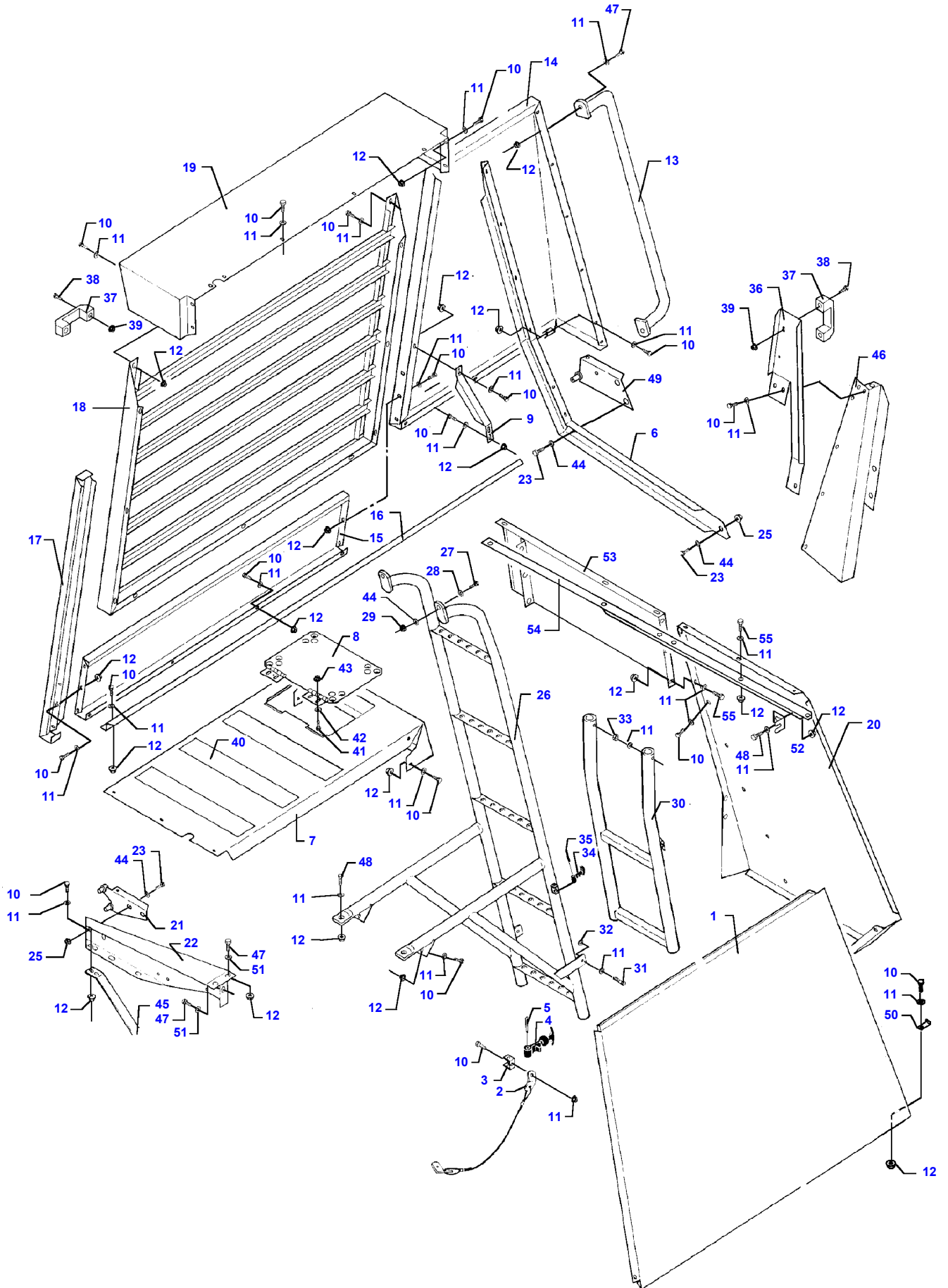
Item	Part Number	Qty	Description	Comments
1	D28184195	1	Panel	
2	D28184187	1	Side	
3	D40404900	X	Hex. Sock. Screw	
4	D20400506	X	Washer	
5	D28184232	1	Shield	
6	D28184231	1	Shield	
7	D28184164	1	Panel	
8	D28184196	2	Bracket	
9	D43427400	X	Fastener	
10	D28184253	1	Curtain	
11	D40402400	X	Hex. Sock. Screw	
12	D20400470	X	Washer	
13	D41013400	X	Nut	
14	D28184186	1	Cover	
15	D28184410	2	Plate	
16	D28184255	2	Tube	
17	D28184160	1	Shield	
18	D41405800	X	Split Pin	
19	D20400516	X	Spacer	
20	D28184165	1	Panel	
23	D45077100	1	Rh Rear Lamp	Left Hand
24	D28784164	1	Support	
25	D28780816	2	Arm	
26	D42612300	4	Pin	
27	D28784163	1	Bracket	
28	D20400467	4	Washer	
29	D28760286	2	Spring	
30	D40404900	X	Hex. Sock. Screw	
31	D20400506	X	Washer	
32	D45077300	1	Lh Rear Lamp	
33	D45080700	2	Bulb 12v 10w	
34	D45080600	4	Bulb 12v 21w Sbc	
35	D40400700	4	Hex. Sock. Screw	
37	D45077100	1	Rh Rear Lamp	
46	D45060045	1	Work Light	[A]
47	D45080200	1	Bulb	[A]
51	D45084500	1	Reflector	
52	D40400900	3	Setscrew	
53	D20400401	6	Washer	
54	D41087300	3	Locknut	
55	D28752224	1	Licence Plate	
56	D45085500	2	Lamp	
57	D45080900	2	Bulb	
58	D40402600	3	Hex. Sock. Screw	
59	D20400470	3	Washer	
60	D41013400	X	Nut	
68	D28184332	1	Plate	
69	D41013500	X	Nut	
70	D28184333	1	Cover	
71	D28184241	1	Bracket	
72	D28184338	1	Panel	
73	D28184331	1	Shutter	
74	D28184245	1	Canvas	
75	D40685000	X	Screw	
76	D40404700	X	Hex. Sock. Screw	
77	D28184336	1	Panel	
78	D28184335	1	Shutter	
79	D28184246	1	Curtain	
80	D28880464	1	Deflector	REKORD
81	D40404900	4	Hex. Sock. Screw	
82	D20400400	4	Washer	
83	D28761501	2	Plate	
84	D45085600	2	Reflector	
85	D40402600	8	Hex. Sock. Screw	
86	D45729800	2	Clamp	
87	D41013400	4	Nut	
88	D41087600	1	Locknut	
102	D45084600	1	Reflector	
103	D45070041	1	Fuse	[A]
104	D28180785	X	Plate	OPTIONAL
105	D28781903	1	Connector	

Item	Part Number	Qty	Description	Comments
106	D45068200	1	Electric Socket	
107	D28780326	1	Plate	
108	D40407800	2	Hex. Sock. Screw	
109	D44735900	X	Seal Section	Length 0,215 M
110	D45020001	X	Hose	Length 0,150 M
111	D28184038	1	Profile	Right Hand
112	D28184037	1	Profile	Left Hand
113	D20400416	2	Washer	
114	D28181087	2	Tensioner	
115	D28181086	4	Tensioner	
116	D40407900	12	Hex. Sock. Screw	
117	D20400473	12	Washer	
118	D20400404	X	Washer	
119	D20400413	X	Washer	
120	D40433300	4	Screw Metric	
121	D28181284	8	Washer	
122	D41087900	4	Locknut	
123	D43428200	3	Nut	
124	D20400405	X	Washer	
125	D45745000	2	Plug	
126	D28084083	1	Deflector	
126	D28181623	1	Tube	(126)
127	D28181046	5	Spring Wire	(126)
128	D28181537	5	Clamp	(126)
129	D40063700	10	Screw Metric	(126)
130	D41013500	X	Nut	(126)
132	D20400423	2	Washer	(126)
133	D43387500	1	Lever	(126)
136	D40405000	X	Hex. Sock. Screw	(126)
137	D20400506	X	Washer	(126)
142	D28180018	1	Fitting	[B] (126) REKORD
142	D28181620	1	Fitting	(126)
143	D28180019	1	Locking Plate	[B] (126) REKORD
143	D28181621	1	Locking Plate	(126)
145	D18781214	1	Arm	MF 7252AL
146	D18781215	1	Arm	MF 7252AL
147	D20400411	16	Washer	
148	D49157500	2	Decal	
149	D20400519	2	Washer	
150	D40402700	2	Hex. Sock. Screw	

FOOTNOTE [A] OPTIONAL EQUIPMENT

FOOTNOTE [B] OPTIONAL EQUIPM CHAFF SPREADER

MF 7250/7252 COMBINE - 1637400
D-AEZA-005-A

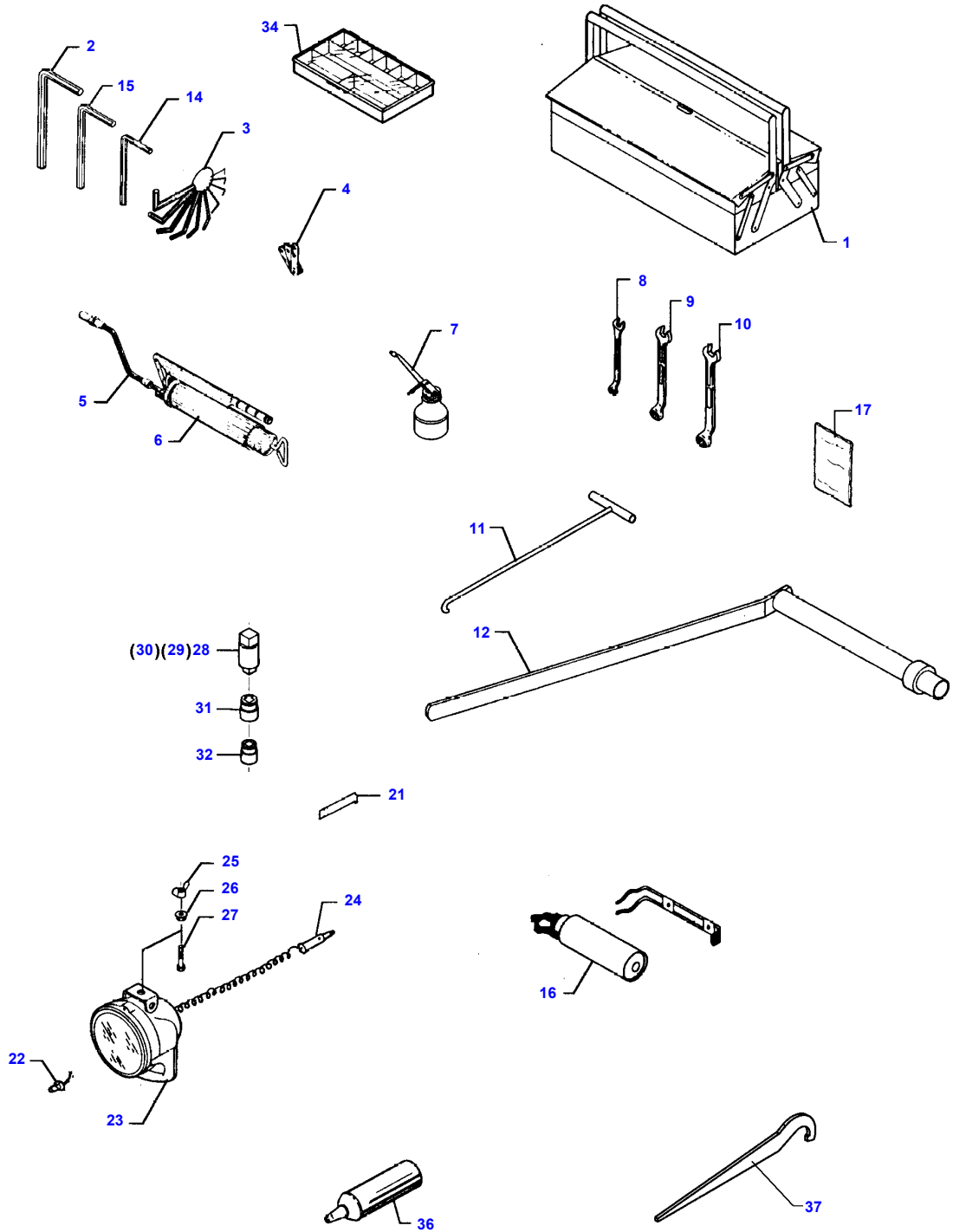


D-AEZA-005-A

Top Rh Guard And Ladder - Engine

Item	Part Number	Qty	Description	Comments
1	D28184229	1	Plate	
2	D28160688	2	Wire	
3	D28180969	2	Bracket	
4	D44737100	2	Rubber Strap	
5	D41411100	2	Split Pin	
6	D28184079	1	Bracket	
7	D18184080	1	Step	Replace and repair. Old not interchangeable with new D28184080
8	D28184285	1	Cover	
9	D28184298	1	Support	
10	D40405000	X	Hex. Sock. Screw	
11	D20400506	X	Washer	
12	D41013500	X	Nut	
13	D28752355	1	Lever	
14	D28184290	1	Panel	MF 7252
	D28184401	1	Angle	MF 7250 Right Hand
15	D28184073	1	Guard	MF 7252
	D28184403	1	Guard	MF 7250
16	D18184077	1	Profile	
17	D18184074	1	Guard	MF 7252
	D28184399	1	Guard	MF 7250
18	D28784280	1	Grille	
19	D28784275	1	Grille	
20	D28184205	1	Shield	
21	D28184081	1	Bracket	
22	D28184066	1	Bracket	
23	D40407700	3	Hex. Sock. Screw	
24	D20400419	2	Washer	
25	D41087600	3	Locknut	
26	D28184225	1	Ladder	
27	D40407800	2	Hex. Sock. Screw	
28	D20400507	2	Spacer	
29	D41087600	2	Locknut	
30	D28151081	1	Step	
31	D40423900	2	Hex. Sock. Screw	
32	D20400500	2	Spacer	
33	D41087500	2	Locknut	
34	D44737200	1	Rubber Strap	
35	D41411100	1	Split Pin	
36	D28184262	1	Pillar	
37	D43386900	1	Handle	
38	D40690300	2	Screw	
39	D41013500	2	Nut	
40	D44738900	X	Strip	Length 1,440 M
41	D40402400	4	Hex. Sock. Screw	
42	D20400470	4	Washer	
43	D41013400	4	Nut	
44	D20400416	3	Washer	
45	D28184191	1	Stay	
46	D28184370	1	Guard	
47	D40405100	2	Hex. Sock. Screw	
48	D40405000	2	Hex. Sock. Screw	
49	D28184082	1	Bracket	
50	D28181263	1	Locking Plate	
51	D20400414	3	Washer	
52	D28830444	1	Bracket	
53	D28184268	1	Panel	
54	D28184273	1	Stay	
55	D40404900	9	Hex. Sock. Screw	

MF 7250/7252 COMBINE - 1637400
D-AFZA-003-A



Tools - Paint

Item	Part Number	Qty	Description	Comments
1	D43712600	1	Tool Box	
2	D43705500	1	Allen Key	(8)
3	D43705100	1	Kit	(8)
4	D27300186	1	Feeler Guage	(8)
5	D43709800	1	Hose	
6	D43709700	1	Grease Gun	
7	D43710300	1	Oil Can	
8	D28530184	1	Tool Bag	
	D43707700	1	Spanner	(8)
9	D43707800	1	Spanner	(8)
10	D43707900	1	Spanner	(8)
11	D28530187	1	Tool	
12	D28380136	1	Key	
14	D43705500	1	Allen Key	
15	D43715200	1	Spanner	(8)
16	D43713400	1	Extinguisher	6 KG
	D43714200	1	Extinguisher	2 KG
17	D28580181	1	Bag	
21	D28780689	1	Spring	
22	D28761343	1	Work Light	
	D45080200	1	Bulb	(22)
23	D28761343	1	Work Light	(22)
24	D45026600	1	Intake	(22)
25	D41057200	1	Nut	(22)
26	D41010800	1	Nut	(22)
27	D40408300	1	Screw Metric	(22)
28	D28151359	1	Connector	
	D28151358	1	Connector	(28)
29	D28151357	1	Spring	(28)
30	D41647600	1	Ball	(28)
31	D43709600	1	Key	
32	D43708900	1	Key	
34	D28780770	1	Parts Pack	
36	D49208700	1	Grease	
37	D28280440	1	Tool	

NO ILLUSTRATED
NON ILLUSTRE
NICHT ABGEBILDET
NO ILLUSTRADO
EJ ILLUSTRERET

WIRING HARNESS DV2 +

Item	Part Number	Qty	Description	Comments
1	D28752249	X	Wiring Harness	[A]
2	D28850906	X	Harness	[B]
3	D28280613	X	Harness	[C]
4	D28780365	X	Cable	[D]
5	D45010092	X	Magnet	[D]
6	D28782408	X	Harness	[E]
7	D28782384	X	Wiring Harness	[F]
				Up to Serial or Engine Number 58137
	D28782529	X	Harness	[F]
				From Serial or Engine Number 58138
8	D28782422	X	Carrier	[G]
9	D28781929	X	Cable	[H]
10	D28781896	X	Cable	[I]
11	D28780613	X	Wiring Harness	[J]
12	D28780641	X	Harness	Left Hand
13	D28781363	X	Harness	[K]
14	D28781887	X	Cable	[L]
15	D28780964	X	Harness	[M]

FOOTNOTE [A] REGISTRATION PLATE LIGHT

FOOTNOTE [B] FOR MAGNET

FOOTNOTE [C] CUTTING TABLE

FOOTNOTE [D] FOR STRAW ALARM

FOOTNOTE [E] FRONT LIGHT

FOOTNOTE [F] CAB

FOOTNOTE [G] FOR CAB

FOOTNOTE [H] BATTERY CABLE

FOOTNOTE [I] MAIN SWITCH CABLE

FOOTNOTE [J] WORK LIGHT (CAB ROOF)

FOOTNOTE [K] A.C. CLUTCH

FOOTNOTE [L] ENGINE CABLE, REVERSE DRIVE

FOOTNOTE [M] HARVEST FUNCTION, FRONT

NO ILLUSTRATED
NON ILLUSTRÉ
NICHT ABGEBILDET
NO ILLUSTRADO
EJ ILLUSTRERET

WIRING HARNESS DV2 +

Item	Part Number	Qty	Description	Comments
1	D28781188	X	Harness	[A] Up to Serial or Engine Number 58874
	D28782725	X	Harness	[A] From Serial or Engine Number 58875
2	D28781189	X	Harness	[B]
3	D28780987	X	Harness	[C]
4	D28781018	X	Harness	[D]
5	D46442400	X	Indicator	[E]
6	D28781608	X	Harness	[F,L]
7	D28781612	X	Harness	[G,L]
8	D28781657	X	Harness	[H,L]
9	D28781658	X	Harness	[I,L]
10	D28781190	X	Harness	[J,L]
11	D28781191	X	Harness	[K,L] Up to Serial or Engine Number 58874
	D28782726	X	Harness	[K,L] From Serial or Engine Number 58875
12	D28781192	X	Harness	[J,L]
13	D28781585	X	Harness	[M,L]
14	D28782563	X	Harness	[N]

FOOTNOTE [A] FOR ELECTRIC BOX, RIGHT

FOOTNOTE [B] FOR ELECTRIC BOX, CUTTING TABLE

FOOTNOTE [C] LIGHT BAR

FOOTNOTE [D] MONITORING 3

FOOTNOTE [E] SERVICE INDICATOR

FOOTNOTE [F] CHAFF SPREADER

FOOTNOTE [G] FORWARD SPEED CONTROL

FOOTNOTE [H] RETURNS VOLUME

FOOTNOTE [I] STRAW CHOPPER VIBRATION SENSOR

FOOTNOTE [J] TABLE, RIGHT

FOOTNOTE [K] ELECTRIC BOX, RIGHT

FOOTNOTE [L] OPTIONAL EQUIPMENT

FOOTNOTE [M] OPTIONAL EXTRA -ELECTIC SIEVE

FOOTNOTE [N] GRAIN TANK

NO ILLUSTRATED
NON ILLUSTRE
NICHT ABGEBILDET
NO ILLUSTRADO
EJ ILLUSTRERET

WIRING HARNESS DV2 +

Item	Part Number	Qty	Description	Comments
1	D28781638	X	Harness	[A]
2	D28782456	X	Harness	[B]
3	D28785864	X	Harness	[C]
4	D28782342	X	Harness	[D]
5	D28782363	X	Harness	[E]
6	D28782381	X	Harness	[F]
7	D28781999	X	Harness	[G]
8	D28785949	X	Cable	+
9	D28784448	X	Harness	[H]
10	D28784449	X	Harness	[I]
11	D28980996	X	Wiring Harness	[J]
12	D28781584	X	Harness	[K]
13	D28781478	X	Harness	[L]
14	D28782051	X	Harness	[M]
15	D28781729	X	Harness	[N]
16	D28786063	X	Harness	[O]

FOOTNOTE [A] COM-UNIT
FOOTNOTE [B] POWER RH+LH
FOOTNOTE [C] STEERING COLUMN
FOOTNOTE [D] REAR LIGHT
FOOTNOTE [E] FOR ENGINE
FOOTNOTE [F] DEFLECTORS
FOOTNOTE [G] FOR MULTI-FUNCTION LEVER
FOOTNOTE [H] FOR STD ELECTRIC BOX
FOOTNOTE [I] FOR AL ELECTRIC BOX
FOOTNOTE [J] FOR RADIO CPL.
FOOTNOTE [K] INTERIOR CAB
FOOTNOTE [L] 4 WD
FOOTNOTE [M] CUTTING HEIGHT
FOOTNOTE [N] STRAW HOOD
FOOTNOTE [O] ROTATING LIGHT

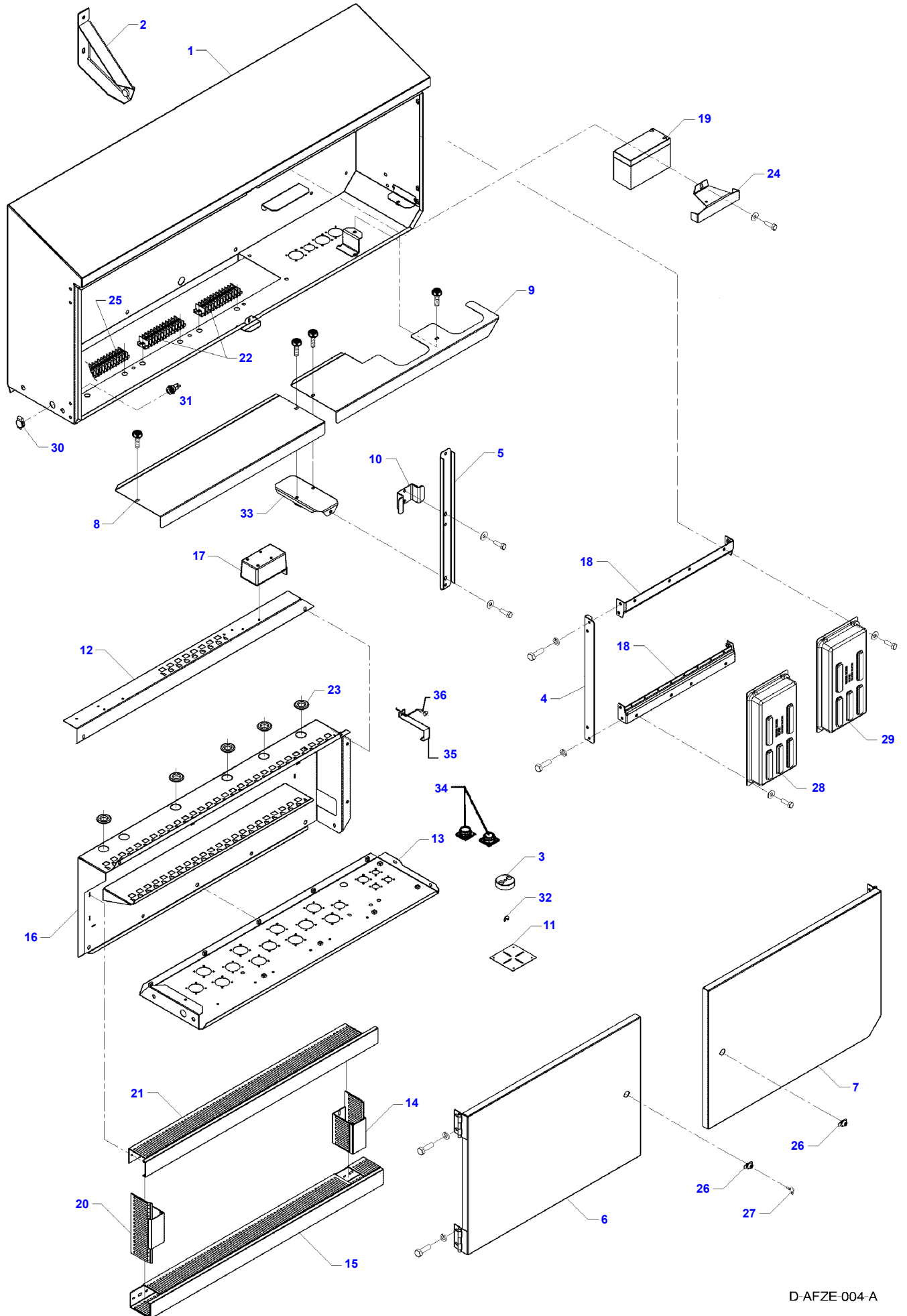
NO ILLUSTRATED
NON ILLUSTRE
NICHT ABGEBILDET
NO ILLUSTRADO
EJ ILLUSTRERET

WIRING HARNESS DV2 +

Item	Part Number	Qty	Description	Comments
1	D28782360	X	Harness	[A]
2	D28782380	X	Harness	[B]
3	D28782382	X	Wiring Harness	[C]
4	D28781805	X	Harness	[D]
5	D28781806	X	Harness	[E]
6	D28781807	X	Pointer	[F]
7	D28781928	X	Harness	[G]
8	D28782264	X	Harness	[H]
9	D28782361	X	Wiring Harness	[I]
10	D28782364	X	Harness	[J] Up to Serial or Engine Number 58874
	D28782724	X	Harness	[J] From Serial or Engine Number 58875
11	D28782369	X	Harness	[K]
12	D28782385	X	Harness	[L]
13	D28782406	X	Wiring Harness	[M]
14	D28782407	X	Wiring Harness	[N]

FOOTNOTE [A] AL POWER
FOOTNOTE [B] FRONT AXLE LEVELLING
FOOTNOTE [C] REVERSING LAMP
FOOTNOTE [D] PREHEATER
FOOTNOTE [E] TIMER RELAY
FOOTNOTE [F] PILOT LAMP
FOOTNOTE [G] FOR ENGINE
FOOTNOTE [H] ELECTRICAL ROTARY SCREEN
FOOTNOTE [I] RH JOBCOMPUTER, AL
FOOTNOTE [J] ELECTRICAL GEARSHIFT 7200
FOOTNOTE [K] FOR ELECTRIC CONCAVE
FOOTNOTE [L] FOR CAB
FOOTNOTE [M] RH JOBCOMPUTER, STD
FOOTNOTE [N] LH JOBCOMPUTER, STD

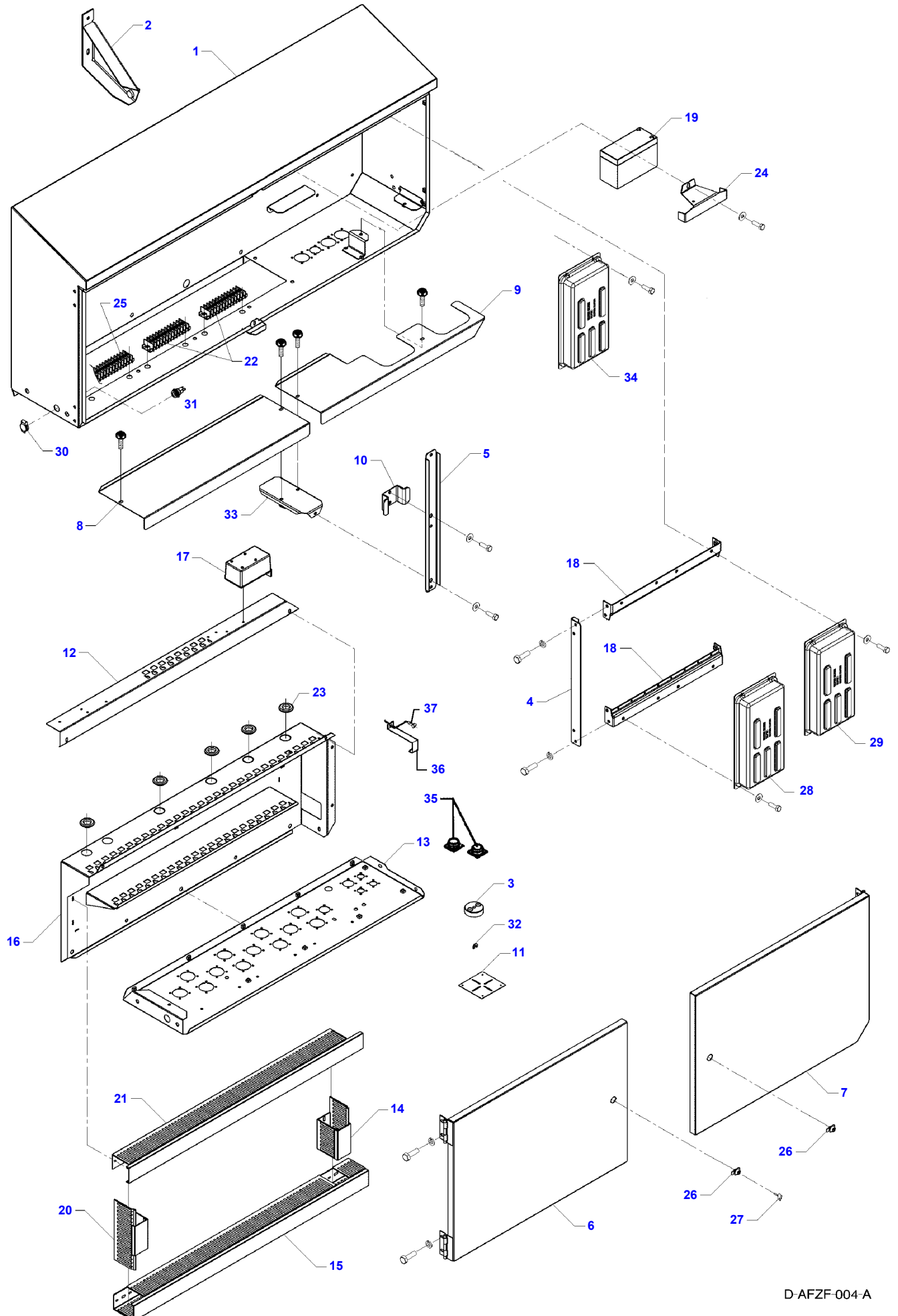
MF 7250/7252 COMBINE - 1637400
D-AFZE-004-A



D-AFZE-004-A

Item	Part Number	Qty	Description	Comments
1	D28785868	1	Box	
2	D28184471	1	Bracket	
3	D28780351	1	Screw	
4	D28785881	1	Bracket	
5	D28785882	1	Plate	
6	D28785883	1	Cover	
7	D28785885	1	Cover	
8	D28785888	1	Cover	
9	D28785889	1	Cover	
10	D28785911	1	Bracket	
11	D28785921	1	Cover	
12	D28785874	1	Rail	
13	D28785871	1	Plate	
14	D28785873	1	Case Assy	
15	D28785872	1	Case Assy	
16	D28785869	1	Plate	
17	D28781617	1	Box	
18	D28781628	2	Bracket	
19	D44900050	1	Battery	
20	D28780527	1	Fence	
21	D28781180	1	Duct	
22	D45010096	2	Rail	
23	D44732700	5	Grommet	
24	D28781769	1	Support	
25	D45010099	1	Rail	
26	D43423000	2	Lock	
27	D43423100	1	Spanner	
28	D28782233	1	Computer	Right Hand
29	D28782557	1	Computer	Left Hand
30	D45068300	1	Dustcap	
31	D45068200	1	Electric Socket	
32	D45010097	9	Wire	
33	D28785887	1	Bracket	
34	D28781298	1	Relay	SOFT-START
	D45010006	2	Plug	SOFT-START
35	D28781347	1	Fitting	SOFT-START
36	D40740100	1	Screw	SOFT-START

MF 7250/7252 COMBINE - 1637400
D-AFZF-004-A

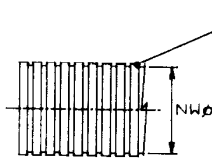
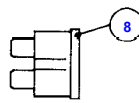
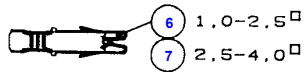
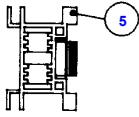
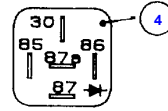
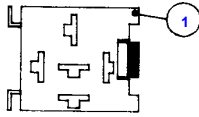


D-AFZF-004-A

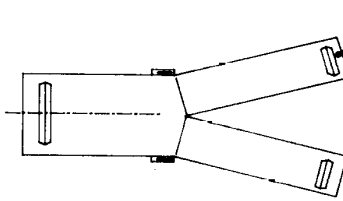
Electric Box - Auto Level Combine

Item	Part Number	Qty	Description	Comments
1	D28785868	1	Box	
2	D28184471	1	Bracket	
3	D28780351	1	Screw	
4	D28785881	1	Bracket	
5	D28785882	1	Plate	
6	D28785883	1	Cover	
7	D28785885	1	Cover	
8	D28785888	1	Cover	
9	D28785889	1	Cover	
10	D28785911	1	Bracket	
11	D28785921	1	Cover	
12	D28785874	1	Rail	
13	D28785871	1	Plate	
14	D28785873	1	Case Assy	
15	D28785872	1	Case Assy	
16	D28785869	1	Plate	
17	D28781617	1	Box	
18	D28781628	2	Bracket	
19	D44900050	1	Battery	
20	D28780527	1	Fence	
21	D28781180	1	Duct	
22	D45010096	2	Rail	
23	D44732700	5	Grommet	
24	D28781769	1	Support	
25	D45010099	1	Rail	
26	D43423000	2	Lock	
27	D43423100	1	Spanner	
28	D28782233	1	Computer	Right Hand
29	D28782557	1	Computer	Left Hand
30	D45068300	1	Dustcap	
31	D45068200	1	Electric Socket	
32	D45010097	9	Wire	
33	D28785887	1	Bracket	
34	D28782418	1	Computer	AUTO-LEVEL
35	D28781298	1	Relay	SOFT-START
	D45010006	2	Plug	SOFT-START
36	D28781347	1	Fitting	SOFT-START
37	D40740100	1	Screw	SOFT-START

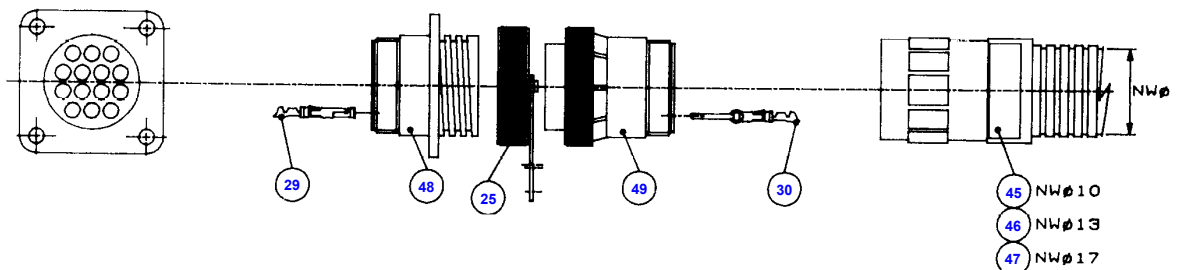
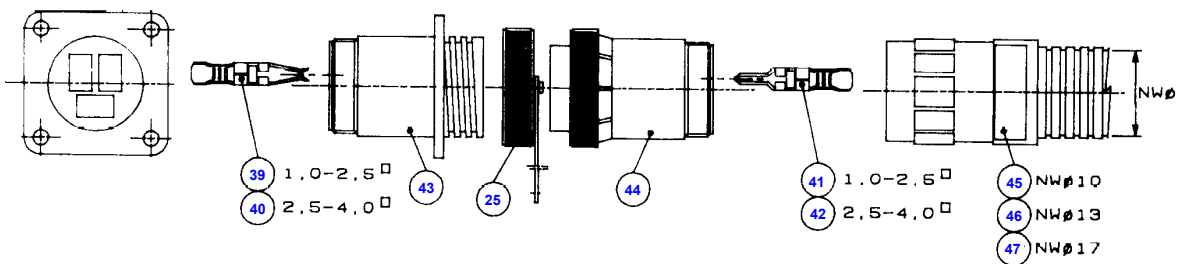
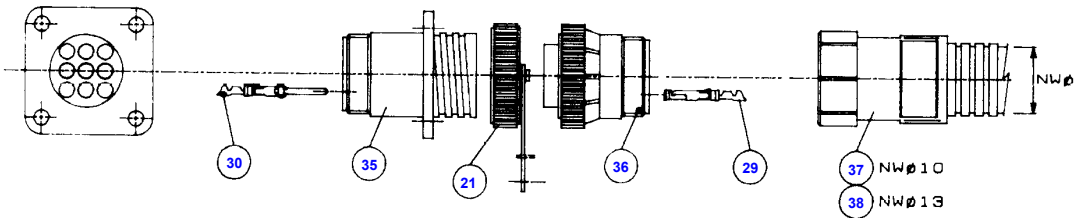
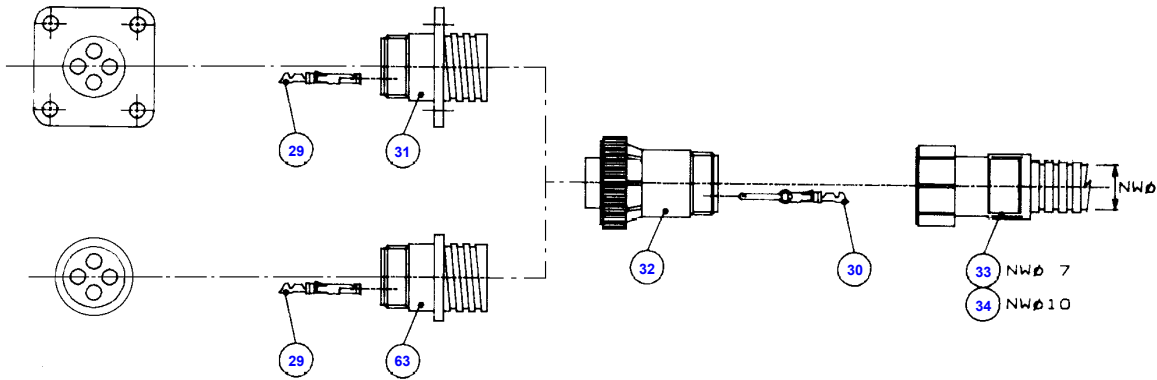
MF 7250/7252 COMBINE - 1637400
D-AFZG-003-A



- 10 NWφ: 7
- 11 NWφ: 10
- 12 NWφ: 13
- 13 NWφ: 17
- 14 NWφ: 22
- 15 NWφ: 29



- 16 NWφ: 10-10-10
- 17 NWφ: 13-13-10
- 18 NWφ: 17-10-10
- 19 NWφ: 17-13-10
- 20 NWφ: 17-17-10
- 22 NWφ: 22-17-13
- 23 NWφ: 22-17-17
- 24 NWφ: 22-22-10
- 26 NWφ: 22-22-17
- 27 NWφ: 22-22-22
- 28 NWφ: 29-22-22

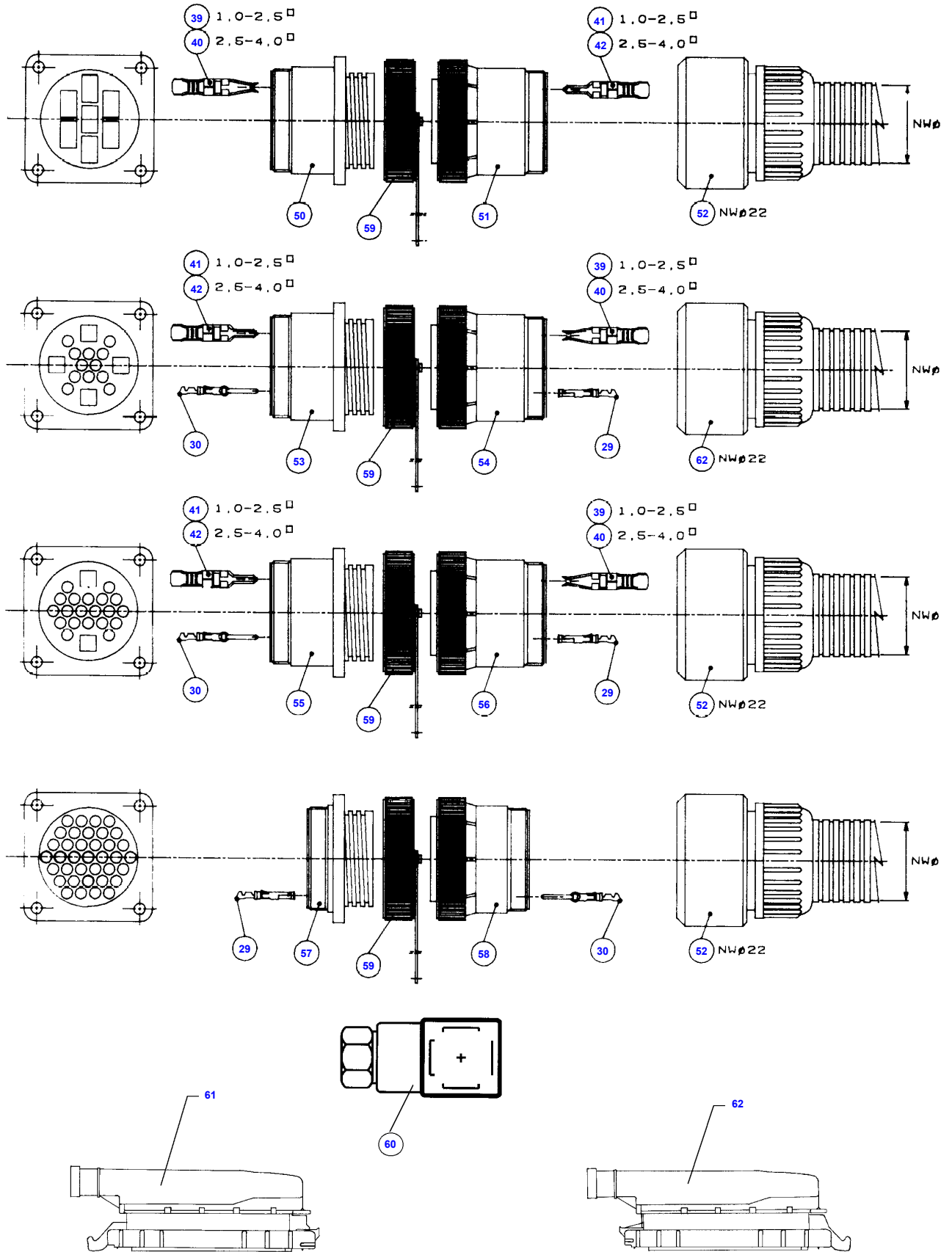


D-AFZG-003-A

Electrical Parts

Item	Part Number	Qty	Description	Comments
1	D45010068	X	Case Assy	
4	D45070089	X	Relay	
5	D45010076	X	Fuse Holder	
6	D45010027	X	Connector	
7	D45010028	X	Connector	
8	D45010069	X	Fuse	5 AMP
	D45010070	X	Fuse	7,5 AMP
	D45010071	X	Fuse	10 AMP
	D45010072	X	Fuse	15 AMP
	D45010073	X	Fuse	20 AMP
	D45010074	X	Fuse	25 AMP
	D45010075	X	Fuse	30 AMP
10	D28782170	X	Sheath	Length 5 M
11	D28782165	X	Sheath	Length 15 M
13	D28782166	X	Sheath	Length 15 M
14	D28782167	X	Sheath	Length 10 M
15	D28782168	X	Sheath	Length 10 M
16	D45020010	X	Connector	
17	D45020019	X	Rear Landside	
18	D45020011	X	Connector	
19	D45020022	X	Connector	
20	D45020012	X	Connector	
21	D45010082	X	Cover	
22	D45020023	X	Connector	
23	D45020015	X	Connector	
24	D45020013	X	Connector	
25	D45010083	X	Cover	
26	D45020014	X	Connector	
27	D45020016	X	Connector	
28	D45020017	X	Connector	
29	D45060094	X	Connector	
30	D45060093	X	Connector	
31	D45010006	X	Plug	SOFT-START
32	D45010005	X	Intake	
33	D45010040	X	Connector	
34	D45010041	X	Union	
35	D45010042	X	Plug	
36	D45010043	X	Intake	
37	D45010037	X	Connector	
38	D45010038	X	Union	
39	D45010024	X	Connector	
40	D45010026	X	Connector	
41	D45010023	X	Connector	
42	D45010025	X	Connector	
43	D45010011	X	Plug	
44	D45010012	X	Plug	
45	D28780339	X	Gasket	
	D45020080	X	Union	
	D45020090	X	Gasket	
46	D45010056	X	Connection	
47	D45010047	X	Union	
48	D45010009	X	Intake	
49	D45010010	X	Intake	
63	D45030078	1	Intake	

MF 7250/7252 COMBINE - 1637400
D-AFZG-004-B



Electrical Parts

Item	Part Number	Qty	Description
29	D45060094	X	Connector
30	D45060093	X	Connector
39	D45010024	X	Connector
40	D45010026	X	Connector
41	D45010023	X	Connector
42	D45010025	X	Connector
50	D45010013	X	Intake
51	D45010014	X	Intake
52	D28780306	X	Union
	D45020082	X	Union
	D45020092	X	Gasket
53	D45010018	X	Intake
54	D45010017	X	Plug
55	D45010020	X	Intake
56	D45010019	X	Plug
57	D45010007	X	Intake
58	D45010008	X	Intake
59	D45010080	X	Cover
60	D45010034	X	Plug
61	D45043800	X	Housing
62	D45043900	X	Housing

MF 7250/7252 COMBINE - 1637400
D-AFYI-002-A

Pos.nr. Pos.No. Pos.nr. No.Pos.	Koder Code Code Code
1	DLR 01
2	DLR 02
3	DLR 03
3	DLR 04
3	DLR 05
3	DLR 06
3	DLR 07
3	DLR 08
3	DVR 01
3	DVR 02
3	DVR 03
3	DVR 04
3	DVR 05
3	DVR 07
3	DVR 09
3	DVR 13
3	DVR 14
3	DVR 19
3	DVR 20
3	DVR 21
3	DVR 22
3	DVR 23
3	DVR 24
3	DVR 37
3	DVR 38
3	HOR 01
3	HOR 04
3	HOR 05
3	HOR 07
3	HOR 08
3	HOR 09
3	HOR 10
3	HOR 11
3	HOR 12
3	HOR 13
3	HOR 14
3	HOR 15
3	HOR 16
3	HOR 17
3	HOR 18
3	HOR 19
3	HOR 20
3	HOR 21
3	HOR 22
3	HOR 23
3	HOR 24
3	HOR 25
3	HOR 26
3	HOR 27
3	HOR 28
3	HOR 29
3	HOR 30
3	HOR 32
3	HOR 32
3	HOR 34
3	HOR 35
3	HOR 36
3	HOR 37
3	HOR 38
4	HOR 39
3	ILR 01
3	ILR 03
3	ILR 04
3	ILR 06
3	ILR 08

Pos.nr. Pos.No. Pos.nr. No.Pos.	Koder Code Code Code
5	DLS 01
6	DLS 02
7	DLS 03
7	DLS 04
7	DLS 05
7	DLS 06
8	DLS 07
8	DLS 08
8	DLS 09
8	DLS 10
8	DLS 11
7	DVS 01
7	DVS 02
6	DVS 03
9	DVS 04
9	DVS 05
7	DVS 06
8	DVS 07
8	DVS 13
8	DVS 16
9	DVS 17
9	DVS 18
8	DVS 20
8	DVS 22
8	DVS 23
8	DVS 24
8	DVS 30
9	HOS 01
10	HOS 02
8	HOS 03
8	HOS 05
8	HOS 06
8	HOS 07
8	HOS 08
8	HOS 09
8	HOS 10
8	HOS 11
8	HOS 12
8	HOS 13
7	HOS 14
6	HOS 15
10	HOS 16
6	HOS 17
11	HOS 18
10	HOS 19
8	HOS 20
8	HOS 21
8	HOS 22
8	HOS 23
12	ILS 03
12	ILS 04
8	ILS 07
8	ILS 08
7	ILS 09

Pos.nr. Pos.No. Pos.nr. No.Pos.	Koder Code Code Code
13	DVD 21
14	HOD 03
14	HOD 05
14	HOD 06
14	HOD 07
14	HOD 08
14	HOD 09
14	HOD 10
14	HOD 11
14	HOD 12
14	HOD 13
14	HOD 14
14	HOD 15
14	HOD 16
14	HOD 18
14	HOD 21
14	HOD 25
14	HOD 26
14	HOD 27
14	HOD 28
14	HOD 29
14	DVD 01
14	DVD 02
14	DVD 03
14	DVD 04
14	DVD 06
14	DVD 07
14	DVD 08
14	DVD 09
14	DVD 18
14	DVD 19

Electrical components for electric box

Item	Part Number	Qty	Description	Comments
1	D45088800	X	Relay	
2	D45086800	X	Relay	
3	D45070089	X	Relay	
4	D44900786	X	Relay	
5	D45010069	X	Fuse	5 A
6	D45010073	X	Fuse	20 A
7	D45010072	X	Fuse	15 A
8	D45010069	X	Fuse	5 A
9	D45010075	X	Fuse	30 A
10	D45010071	X	Fuse	10 A
11	D45010074	X	Fuse	25 A
12	D45010070	X	Fuse	7,5 A
13	D44900589	X	Diode	STPS 12045TV
14	D45010094	X	Diode	

NO ILLUSTRATED
NON ILLUSTRE
NICHT ABGEBILDET
NO ILLUSTRADO
EJ ILLUSTRERET

Item	Part Number	Qty	Description	Comments
2	D28785399	X	Harness	CL 066 C 192-1/DL 03 + CL 066 C 191-1/DL 04+ CL 069 C 192-4/DL 03 CL 069 C 191-4/DL 04
3	D28785578	X	Harness	CL 137 C 173-1/ILL16 CL 138 C 173-2/ILL17 CL139 C 173-3/ILL16 CL 140 C 173-4/ILL17
4	D28785912	X	Harness	CL 146 C 105-10/C102-2 CL 147 C 105-10/C102-8 CL 148 C 105-15/C102-1 CL 149 C 105-15/C102-9 CL 231 C 105-1/C103-2 CL 232 C 105-1/C103-8 CL 233 C 105-7/C103-1 CL 234 C 105-7/C103-9 CL 235 C 105-6/C103-3 CL 236 C 105-5/C103-4 CL 237 C 105-4/C103-5 CL 238 C 105-11/C102-5 CL 239 C 105-12/C102-4 CL 240 C 105-13:C102-3
5	D28786836	X	Harness	[A] CL 289 CAP05-18/C124-1 [A] CL 290 CAP05-16/C124-2 [A] CL 291 CAP05-27/C124-6 [A] CL 292 CAP05-19/C124-5 [A] CL 293 CAP05-19/C124-5 [A] CL 294 CAP05-34/C124-7 [A] CL 295 CAP05-34/C125-7 [A] CL 296 CAP05-011/C125-1 [A] CL 297 CAP05-10/C125-2

Item	Part Number	Qty	Description	Comments
5				[A] CL 298 CAP05-26/C125-6
6	D28786835	X	Harness	[B] CL 299 CAP05-05/C129-1
6	D28786836	X	Harness	[B] CL 299 CAP05-05/C129-1
6	D28786835	X	Harness	[B] CL 300 CAP05-04/C129-2
6	D28786836	X	Harness	[B] CL 300 CAP05-04/C129-2
6	D28786835	X	Harness	[B] CL 301 CAP05-25/C129-6
6	D28786836	X	Harness	[B] CL 301 CAP05-25/C129-6
6	D28786835	X	Harness	[B] CL 302 CAP05-20/C129-5
6	D28786836	X	Harness	[B] CL 302 CAP05-20/C129-5
6	D28786835	X	Harness	[B] CL 303 CAP05-20/C130-5
6	D28786836	X	Harness	[B] CL 303 CAP05-20/C130-5
6	D28786835	X	Harness	[B] CL 304 CAP05-33/C129-7
6	D28786836	X	Harness	[B] CL 304 CAP05-33/C129-7
6	D28786835	X	Harness	[B] CL 305 CAP05-33/C130-7
6	D28786836	X	Harness	[B] CL 305 CAP05-033/C130-7
6	D28786835	X	Harness	[B] CL 306 CAP05-02/C130-1
6	D28786836	X	Harness	[B] CL 306 CAP05-02/C130-1
6	D28786835	X	Harness	[B] CL 307 CAP05-01/C130-2
6	D28786836	X	Harness	[B] CL 307 CAP05-01/C130-2
6	D28786835	X	Harness	[B] CL 308 CAP05-24/C130-6
6	D28786836	X	Harness	[B] CL 308 CAP05-24/C130-6

FOOTNOTE [A] 6+8 SW

FOOTNOTE [B] 5+6+8+ SW

NO ILLUSTRATED
NON ILLUSTRÉ
NICHT ABGEBILDET
NO ILLUSTRADO
EJ ILLUSTRERET

Item	Part Number	Qty	Description	Comments
1	D28782359	X	Harness	[B] CR 109 CRP01-11/C199-3
2	.	.	.	CR 111 C25-3/DVR30-86
3	.	.	.	CR 112 C25-4/DVR31-86
4	.	.	.	CR 123 DVM02-30/C98-30
5	.	.	.	CR 124 DVM02-30/C98-30
6	.	.	.	CR 125 W66/C98-61
7	D28782359	X	Harness	[B] CR 126 CRP01-35/C199-4
8	D28782489	X	Harness	CR 133 CRP04-32/C175-1 CR 134 CRP04-3/C175-2 CR 135 CRP04-9/C175-3 CR 136 CRP03-30/C175-4 CR 137 CRP03-19/c175-5 CR 138 CRP04-11/C175-6 CR 139 CRP04-4/C175-13 CR 140 CRP04-33/C175-14
9	D28782488	X	Harness	[C] CR 141 CRP05-4/C79-5
	D28786575	X	Harness	[C] CR 142 CRP05-5/C79-6 [C] CR 143 C79-2/C80-1 [C] CR 144 C79-5/C80-2 [C] 145 c79-6/C80-3 [C] CR 146 C79-4/C80-4
10	.	.	.	CR 146 W33/HOM13-31
12	.	.	.	CR 148 DVR 31-85/W33
13	.	.	.	CR 149 DVR30-85/W33
14	.	.	.	CR 150 DVR30-30/C46-1
15	.	.	.	CR 151 DVR31-30/C46-7
16	.	.	.	CR 178 C175-6/C76-1
17	.	.	.	CR 179 C71-3/C76-2
18	.	.	.	CR 180 C71-2/C76-3
19	D28785449	X	Harness	[A] CR 212 C66-5/C91-2 [A] CR 212 C66-5/C91-2

Item	Part Number	Qty	Description	Comments
19	.	.		[A] CR 213 C66-9/C91-3
19	.	.		[A] CR 214 C66-7/C92-1
19	.	.		[A] CR 215 C66-6/C92-2
19	.	.		[A] CR 216 C66-2/C92-3
19	.	.		[A] CR 217 C66-3/C64-3
19	.	.		[A] CR 218 C66-4/C64-4
19	.	.		[A] CR 224 C66-1/C91-1
20	.	.		[D] CR 225-233 C66-1/C66-1
21	.	.		[D] CR 226-234 C66-5/C66-5
22	.	.		[D] CR 227-235 C66-9/C66-9
23	.	.		[D] CR 228-236 C66-2/C66-2
24	.	.		[D] CR 229-237 C66-6/C66-6
25	.	.		[D] CR230-238 C66-7/C66-7
26	.	.		[D] CR231-239 C66-3/C66-3
27	.	.		[D] CR 232-240 C66-4/C66-4
28	.	.		CR 241 C175-1/C71-3
29	.	.		CR 242 C175-2/C71-2
30	.	.		CR 243 C175-14/C71-1
31	.	.		CR 244 C199-3/C79-1
32	.	.		CR 245 C199-4/C79-2
33	.	.		CR 246 DVS19-1/W32
34	.	.		CR 247 DVS19-2/W32
35	.	.		CR 248 DVR30-87/W32
36	.	.		CR 249 DVR30-87A/W33
37	.	.		CR 250 DVR30-87/W32

FOOTNOTE [A] POWERFLOW

FOOTNOTE [B] COMP POWER

FOOTNOTE [C] YIELD MICRO TRACK

FOOTNOTE [D] SKB. MULTIFUNKTIONS KOBLING

NO ILLUSTRATED
NON ILLUSTRE
NICHT ABGEBILDET
NO ILLUSTRADO
EJ ILLUSTRERET

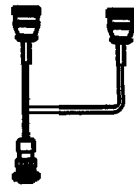
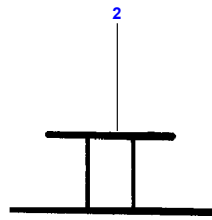
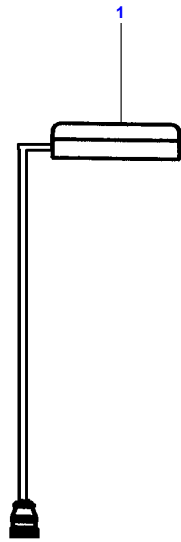
Item	Part Number	Qty	Description	Comments
1	D28782363	X	Harness	EM 001 DVM03+/C14-22
2	.	.	.	EM 002 DVM02-50/C14-1
3	.	.	.	EM 003 DVG0161/C14-6
4	.	.	.	EM 004 DVF02/C19-3
5	.	.	.	EM 007 DVG02-16W66/C14-
6	.	.	.	EM 008 C14-20/C19-4
7	.	.	.	EM 009 DVM0231DVM03GND
8	.	.	.	EM 012 C14-5/DNF21-2W
9	D28784448	X	Harness	[A] EM 013 C14-20/W3GND
	D28784449	X	Harness	[B] EM 013 C14-20/W3GND
10	D28781363	X	Harness	EM 017 C19-3/DVF05 AIR CONDIT.
11		X	.	EM 018 DVK01-1/DVF05 AIR CONDIT.
12		X	.	EM 019 C19-4/DVK01-2 AIR CONDIT.
13		X	.	EM 080 DVK14/DVM02-50
14		X	.	EM 081 DNF21/C68-5
15		X	.	EM 082 DVG01-31DVM02-31
16		X	.	EM 083 DVR35-86/W67

FOOTNOTE [A] STANDARD

FOOTNOTE [B] AUTO LEVEL

NO ILLUSTRATED
NON ILLUSTRE
NICHT ABGEBILDET
NO ILLUSTRADO
EJ ILLUSTRERET

Item	Part Number	Qty	Description	Comments
1		.	.	KV35 C50-B+/STB+
2	D28786574	X	Harness	SHIELD C79-4/C79-4 R00 EXTERN 1100 TO RA-YIELD
3		.	.	WHITE C79-9/C79-9 R00 EXTERN1100 V TO RA-YIELD
4		.	.	YELLOW C79-1/C79-1 R00 EXTERN1100V Alternative TO RA-YIELD
5		.	.	GREEN C79-3/C79-3 R00 EXTERN1100V TO RA-YIELD
6		.	.	BROWN C79-2/C79-2 R00 EXTERN 110V TO RA-YIELD
7	D28782533	X	Harness	W2/W2+12V
8	D28782533	X	Harness	W11/W11
9	D28782533	X	Harness	W4/W4 GND
10	D28782533	X	Harness	W4/GND
11	D28782533	X	Harness	W5/W5 GND
12	D28782533	X	Harness	W12/W12
13	D28782533	X	Harness	W12/BAT+12V



Massey Ferguson

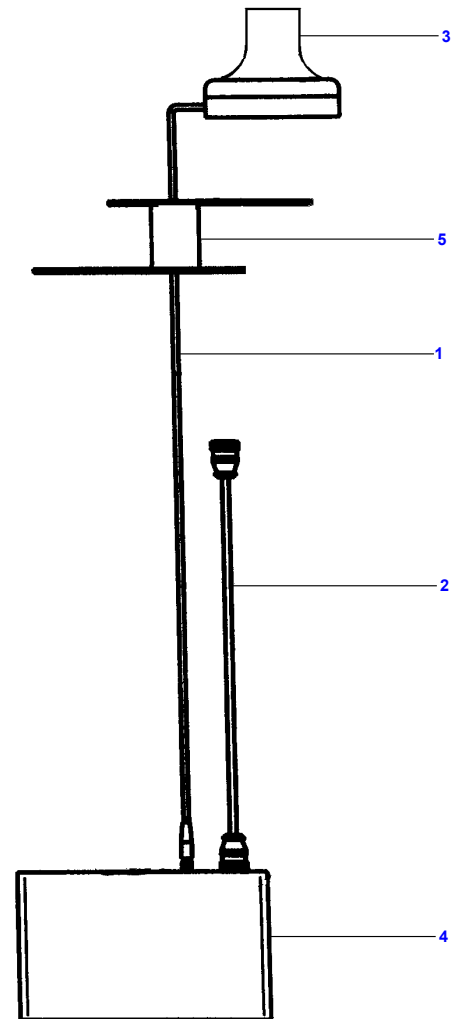
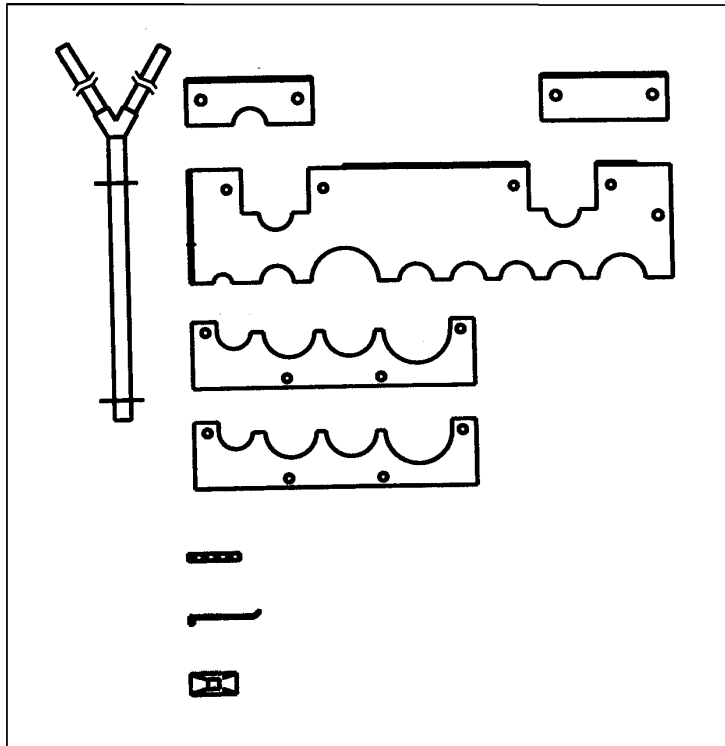
MF 7250/7252 COMBINE - 1637400

1637400

Mobil GPS Receiver Antenna

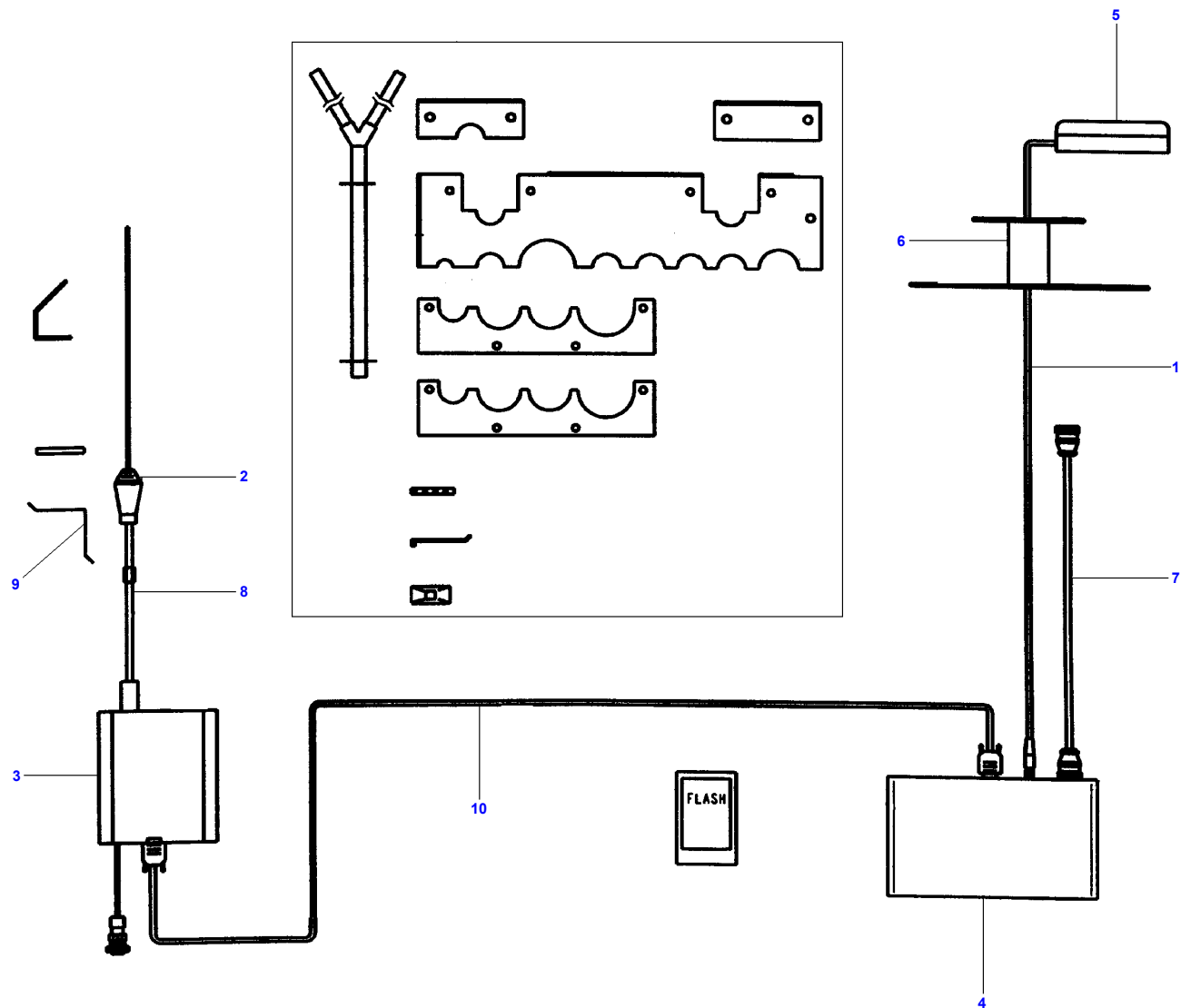
Page016-0020

Item	Part Number	Qty	Description
1	D44900827	1	Antenna
2	D28782545	1	Cable



Massey Ferguson**MF 7250/7252 COMBINE - 1637400****1637400****Mobil Landstar DGPS****Page016-0021**

Item	Part Number	Qty	Description	Comments
1	D44900729	1	Cable	AGCO COMMUNIT
	D44900731	2	Adaptor	DVII COMUNIT
	D44900351	1	Cable	DVII COMUNIT
2	D28781727	1	Harness	AGCO COMUNIT
	D28781638	1	Harness	DVII COMUNIT
3	D44900347	1	Antenna	
4	D28789380	1	Com Unit	AGCO COMUNIT
	D28981822	1	Floor Covering	DVII COMUNIT
5	D28782215	1	Antenna	



Massey Ferguson**MF 7250/7252 COMBINE - 1637400****1637400****Mobil rds DGPS****Page016-0022**

Item	Part Number	Qty	Description	Comments
1	D44900731	2	Adaptor	AGCO COMUNIT
	D44900729	1	Cable	AGCO CUMUNIT
	D44900351	1	Cable	DVII COMUNIT
2	D45086600	1	Aerial Long	
3	D28781669	1	Kit Gps	
4	D28789379	1	Com Unit	
	D28080050	1	Modem	
5	D44900189	1	Antenna	
6	D28780444	1	Bracket	
	D44730500	2	Grommet	DVII COMUNIT
7	D28781638	1	Harness	
	D28781727	1	Harness	AGCO COMUNIT
8	D45060039	1	Cable	
9	D28780709	1	Bracket	
10	D44900763	1	Cable	

Item	Part Number	Qty	Description	Comments
9	D28250441	1	Pulley	
10	D41622700	2	Bearing Ball	
11	D42513700	1	Circlip	
12	D28880495	1	Lever	
13	D28780030	1	Pivot	
14	D20400429	2	Washer	
15	D41405900	1	Pin	
16	D28380011	1	Tie Rod	
17	D28210881	1	Comp.Spring	
18	D28181284	1	Washer	
19	D41011100	2	Nut	
20	D28250444	1	Bolt	
21	D28880354	1	Spacer	
22	D41087900	1	Locknut	
23	D28884012	1	Pulley	
24	D42515000	2	Circlip	
25	D41623000	2	Bear. 6207 2rs	
26	D28880254	1	Spacer	
27	D28884175	1	Support	
28	D28884030	1	Support	
29	D40405000	X	Hex. Sock. Screw	
30	D20400506	X	Washer	
31	D41087600	X	Locknut	
32	D28880261	1	Bolt	
33	D28851036	1	Disc	
34	D41088100	1	Locknut	
35	D42502300	1	Circlip	
36	D20400471	1	Washer	
37	D41087600	1	Locknut	
38	D28250441	1	Pulley	
39	D41622700	2	Bearing Ball	
40	D42513700	1	Circlip	
41	D28250444	1	Bolt	
42	D28880354	1	Spacer	
43	D28880495	1	Lever	
44	D28780030	1	Pivot	
45	D20400426	2	Washer	
46	D41405900	1	Pin	
47	D28884141	1	Tensioner	
48	D28210881	1	Comp.Spring	
49	D28181284	3	Washer	
50	D41011100	2	Nut	
51	D41087900	1	Locknut	
52	D42502300	1	Circlip	
53	D41087500	X	Locknut	
55	D28884125	1	Support	
56	D41942200	2	Belt	
57	D41978400	1	Belt	
58	D28250441	1	Pulley	
59	D41622700	2	Bearing Ball	
60	D42513700	1	Circlip	
61	D28250444	1	Bolt	
62	D28880354	1	Spacer	
63	D28884133	1	Bracket	
64	D41087900	1	Locknut	
66	D41622700	2	Bearing Ball	
67	D42513700	1	Circlip	
68	D28480822	1	Pulley	
70	D28884027	1	Support	
71	D28250444	1	Bolt	
72	D28480457	1	Spacer	
73	D41087900	1	Locknut	
74	D40405000	X	Hex. Sock. Screw	
75	D41013500	3	Nut	
76	D28884031	1	Pulley	
77	D43107500	1	Key	
78	D40407800	4	Hex. Sock. Screw	
79	D20400419	4	Washer	
80	D20400459	4	Washer	
81	D20400414	X	Washer	
82	D20400522	1	Spacer	

Massey Ferguson**MF 7250/7252 COMBINE - 1637400**

1637400

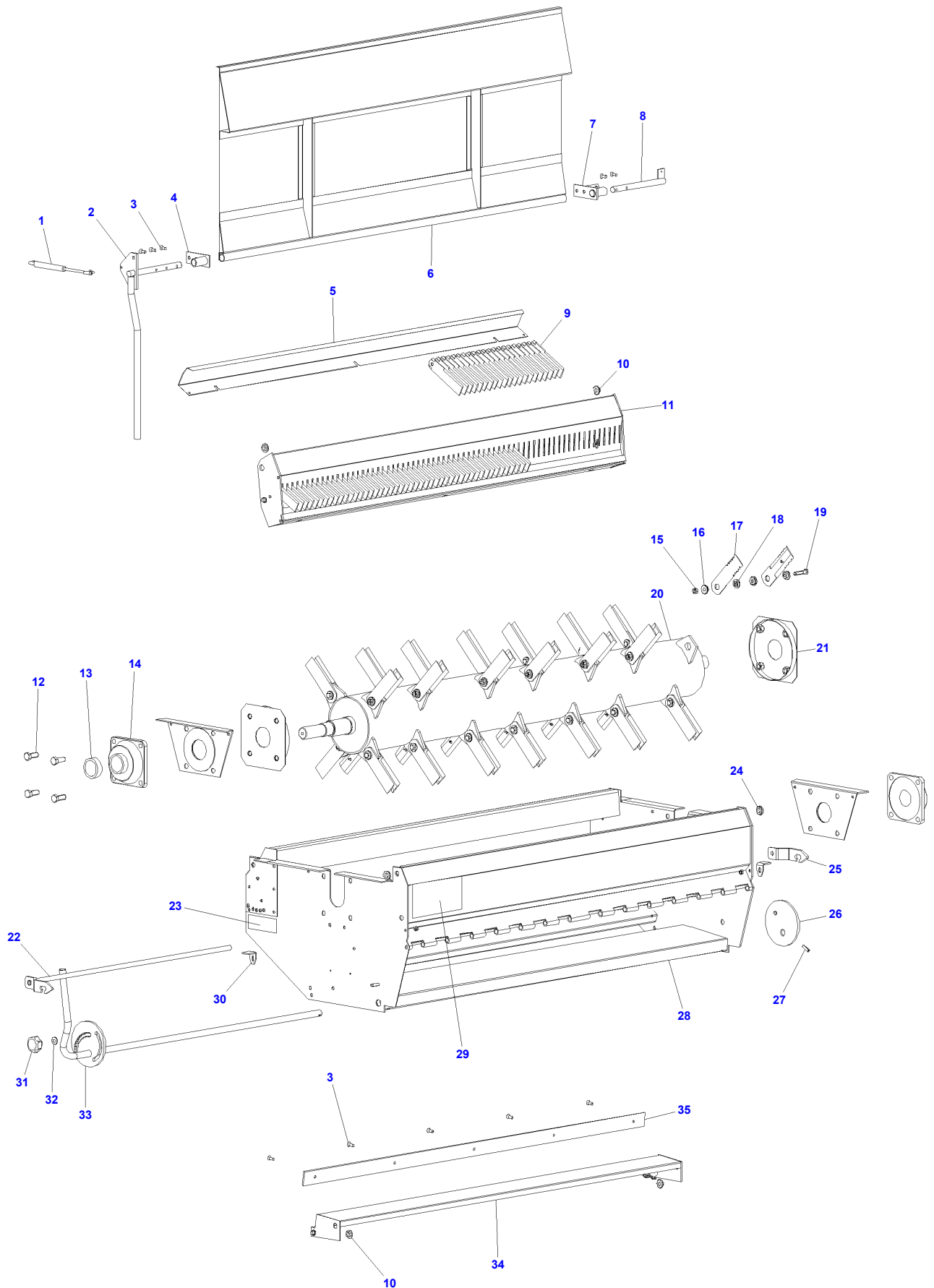
Counter Drive - Straw Chopper - UP TO No 58009

Page017-0001

Item	Part Number	Qty	Description	Comments
83	D43364300	2	Bush	(12)
83	D43364300	2	Bush	(43)
84	D43364000	2	Bush	(12)
84	D43364000	2	Bush	(43)
85	D28880489	1	Bush	
86	D20400530	2	Spacer	
87	D40408000	1	Hex. Sock. Screw	
88	D20400416	2	Washer	
89	D41087600	4	Locknut	
90	D40404900	4	Hex. Sock. Screw	
91	D28884153	1	Pulley	[A]
92	D41943600	2	Belt	[A]
93	D41990048	1	Belt	[A]
94	D28880469	1	Fitting	
95	D28880471	1	Yoke	
96	D20400441	X	Washer	OPTIONAL
97	D40405100	X	Hex. Sock. Screw	
98	D42513700	1	Circlip	

FOOTNOTE [A] MAIZE EQUIPMENT

MF 7250/7252 COMBINE - 1637400
D-AGZA-009-B

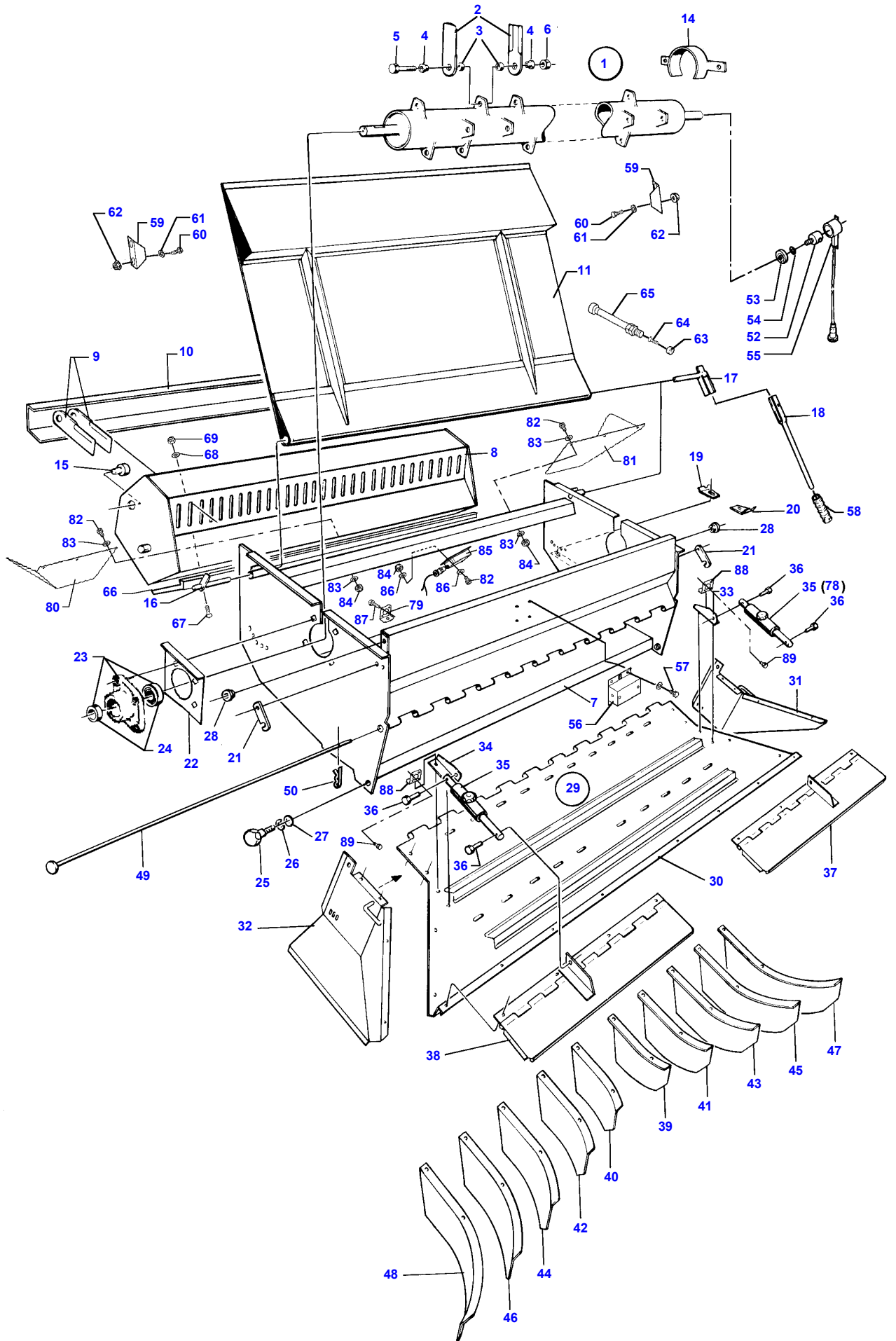


D-AGZA-009-B

Item	Part Number	Qty	Description	Comments
1	D49070141	1	Ram	
2	D49060022	1	Lever	
3	D40603300	10	Screw Metric	
4	D49060020	1	Bearing	
5	D49070500	1	Plate	
6	D49070142	1	Deflector	
7	D49060021	1	Bearing	
8	D49060023	1	Deflector	
9	D49005700	56	Knife	
10	D49073400	4	Bush	
11	D49070147	1	Bar	
12	D40411000	8	Hex. Sock. Screw	
13	D41701900	2	Bearing Ball	
14	D41703000	2	Bearing	
15	D41092500	28	Nut	
16	D49080067	56	Insert	
17	D49080066	56	Knife	
18	D49017100	56	Bush	
19	D40438600	28	Screw	
20	D49070153	1	Cylinder	
	D49070154	1	Cylinder	[A]
21	D49060009	2	Guard	
22	D49060012	1	Shaft	
23	D49070144	2	Decal	
24	D49071600	2	Bush	
25	D49060013	1	Hook	
26	D49060016	1	Washer	
27	D42615800	1	Pin	
28	D49070151	1	Straw Chopper	
29	D49070143	1	Decal	
30	D49060014	2	Stop	
31	D43386000	1	Handle	
32	D49060017	1	Cone	
33	D49060015	1	Lever	
34	D49070158	1	Transverse	
35	D49070159	1	Transverse	

FOOTNOTE [A] WITH TOOTHING

MF 7250/7252 COMBINE - 1637400
D-AGZA-007-A



D-AGZA-007-A

Massey Ferguson

MF 7250/7252 COMBINE - 1637400

1637400

Straw Chopper - Rekord - Up to Serial or Engine Number 90618

Page017-0003

Item	Part Number	Qty	Description	Comments
1	D49069500	1	Straw Chopper	
	D49074900	1	Drum	(1)
2	D49074600	56	Knife	(1)
	D49080066	56	Knife	(1)
3	D49017100	56	Bush	(1)
4	D49080067	56	Insert	(1)
5	D40439200	28	Screw	(1)
6	D41092500	28	Nut	(1)
7	D49075100	1	Housing	(1)
8	D49074500	1	Bar	(1)
9	D49005700	57	Knife	(1)
10	D49070400	1	Plate	(1)
11	D49070600	1	Flap	(1)
14	D49080076	2	Shield	(1)
15	D49073400	2	Bush	(1)
16	D49070900	1	Axle	(1)
17	D49071000	1	Axle	(1)
18	D49071100	1	Lever	(1)
19	D49071200	1	Stop	(1)
20	D49071300	1	Stop	(1)
21	D49071400	2	Hook	(1)
22	D49075300	2	Strut	(1)
23	D41703000	2	Bearing	(1)
24	D41701900	2	Bearing Ball	(1)
25	D49070800	2	Screw	(1)
26	D41100900	2	Spring Washers	(1)
27	D20400423	2	Washer	(1)
28	D49071600	2	Bush	(1)
29	D49069300	1	Hood	
	D28080607	X	Hood	(29)
30	D49071900	1	Plate	(29)
31	D49072100	1	Plate	(29)
32	D49072200	1	Plate	(29)
33	D49072300	1	Bracket	(29)
34	D49072400	1	Bracket	(29)
35	D49072500	2	Kit, Adjuster	(29)
36	D49072600	1	Bolt	(29)
37	D49074700	1	Guide	(29)
				Right Hand
38	D49074800	1	Guide	(29)
				Left Hand
39	D49080091	1	Wing	(29)
				Right Hand
40	D49080092	1	Wing	(29)
				Left Hand
41	D49080093	1	Wing	(29)
				Right Hand
42	D49080094	1	Wing	(29)
				Left Hand
43	D49080095	1	Wing	(29)
				Right Hand
44	D49080096	1	Wing	(29)
				Left Hand
45	D49080057	1	Wing	(29)
				Right Hand
46	D49080058	1	Wing	(29)
				Left Hand
49	D49083100	1	Spreader	(29)
50	D44358000	1	Hair Pin	(29)
52	D28780516	1	Inductive Taker	
53	D41622600	1	Bearing Ball	
54	D20400419	1	Washer	
55	D28780514	1	Sensor	
56	D28780852	1	Indicator	[B] MF 7252
57	D40689000	4	Screw	[B]
58	D43384000	1	Lever	
59	D28880098	2	Bracket	
60	D40407600	4	Hex. Sock. Screw	
61	D20400471	4	Washer	
62	D41087600	4	Locknut	

Massey Ferguson**MF 7250/7252 COMBINE - 1637400**

1637400

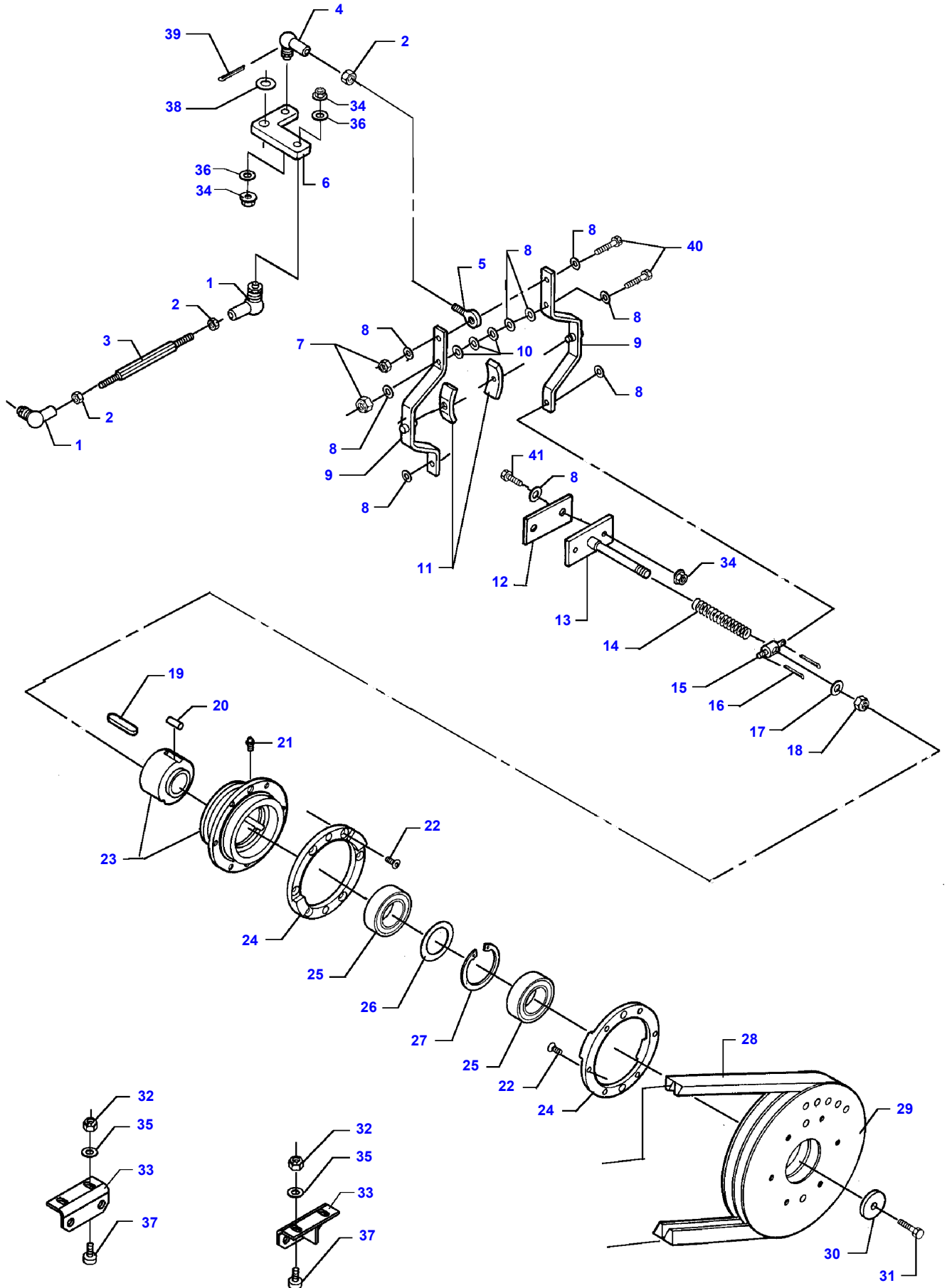
Straw Chopper - Rekord - Up to Serial or Engine Number 90618

Page017-0003

Item	Part Number	Qty	Description	Comments
63	D45010092	1	Magnet	
64	D40316400	1	Screw Metric	
65	D28780365	1	Cable	
66	D49075700	1	Stop	OPTIONAL
66	D49076100	1	Stop	(66) OPTIONAL
67	D40603300	3	Screw Metric	(66) OPTIONAL
68	D20400420	3	Washer	(66) OPTIONAL
69	D41087600	3	Locknut	(66) OPTIONAL
78	D28781672	2	Ram	MF 7252 OPTIONAL
79	D28780381	1	Retainer	MF 7252 OPTIONAL
80	D28181760	1	Plate	
81	D28181761	1	Plate	
82	D40402600	10	Hex. Sock. Screw	
83	D20400453	12	Washer	
84	1441462X1	10	Locknut	Replace and repair. Old not interchangeable with new D41087400
85	D28080089	1	Buzzer	MF 7252
86	D20400470	8	Washer	MF 7252
87	D40741200	4	Screw	
88	D28781056	1	Retainer	MF 7252 OPTIONAL
89	D40740400	8	Screw	

FOOTNOTE [B] CHOPPER VIBRATION MONITOR

MF 7250/7252 COMBINE - 1637400
D-AGZD-003-A



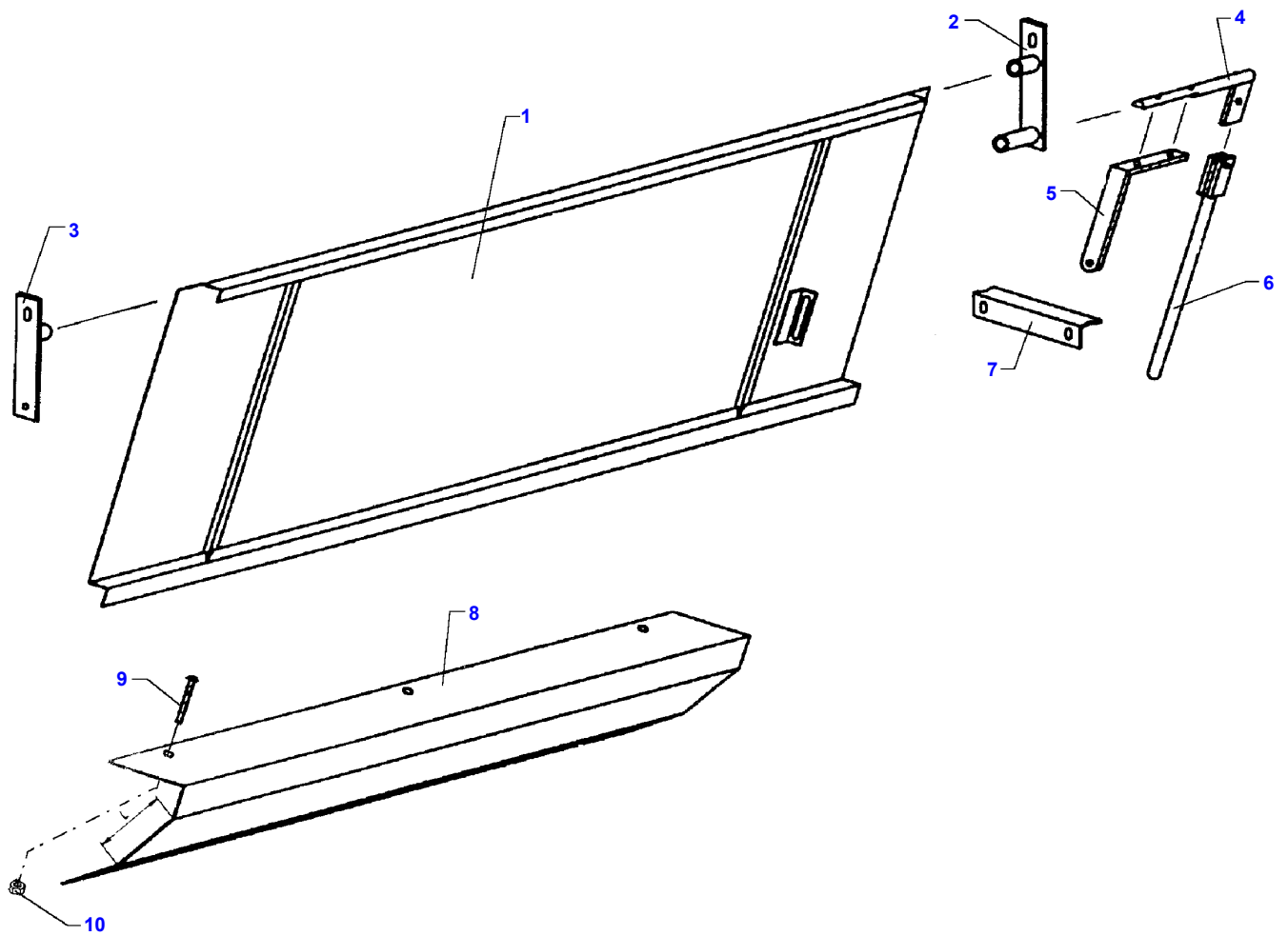
D-AGZD-003-A

Straw Chopper Clutch - Rekord

Item	Part Number	Qty	Description	Comments
1	D46436200	2	Toggle	
2	D41010800	4	Nut	
3	D28880206	1	Rod	
4	D46436200	1	Toggle	
5	D45697900	1	Toggle	
6	D28880205	1	Arm	
7	D41087600	2	Locknut	
8	D20400471	10	Washer	
9	D28880214	2	Lever	
10	D20400419	3	Washer	
11	D28880262	2	Block	
12	D28880391	1	Shim	
13	D28880208	1	Retainer	
14	D25400086	1	Spring	
15	D28880207	1	Pin	
16	D41405900	2	Pin	
17	D20400426	1	Washer	
18	D41087700	1	Locknut	
19	D43106200	1	Key	
20	D42694900	4	Pin	
21	D43001500	1	Greaser	
22	D40608800	4	Screw Metric	
23	D28880201	1	Hub	
24	D28880199	2	Coupling	
25	D41623100	2	Bearing Ball	
26	D42599200	1	Disc	
27	D42515400	1	Circlip	
28	D41978400	1	Belt	
	D41990048	1	Belt	[A]
29	D28880264	1	Pulley	
30	D28880472	1	Washer	
31	D40466500	1	Setscrew	
32	D41087700	4	Locknut	
33	D28180744	2	Plate	
34	D41010800	4	Nut	
35	D20400426	4	Washer	
36	D41101900	X	Spring	
37	D40066800	4	Screw Metric	
38	D20400537	1	Spacer	
39	D41405900	1	Pin	
40	D40425900	2	Screw	
41	D40408000	2	Hex. Sock. Screw	

FOOTNOTE [A] REDUCED CHOP SPEED

MF 7250/7252 COMBINE - 1637400
D-AGZE-003-A

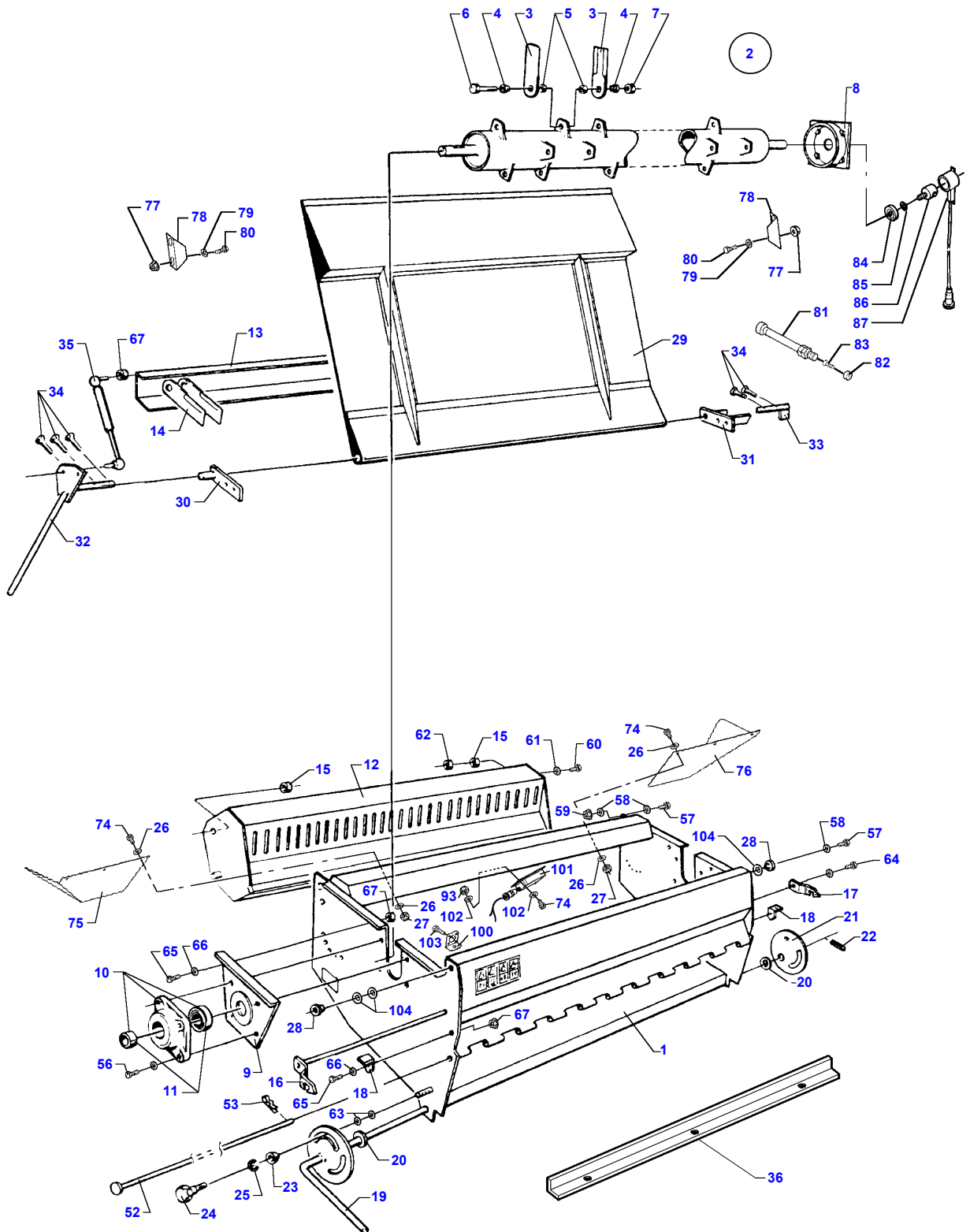


D-AGZE-003-A

Massey Ferguson**MF 7250/7252 COMBINE - 1637400****1637400****Straw Chopper - Rekord - Maize Equipment****Page017-0005**

Item	Part Number	Qty	Description	Comments
1	D49074100	1	Plate	
2	D49073600	1	Support	
3	D49073500	1	Support	
4	D49073700	1	Shaft	
5	D49073800	1	Arm	
6	D49071100	1	Lever	
7	D49073900	1	Stop	
8	D49076600	1	Guard	Length 1,400 M
	D49076500	1	Shield	Length 1,680 M
9	D40068000	3	Screw	
10	D41087600	3	Locknut	

MF 7250/7252 COMBINE - 1637400
D-AGZA-005-A



Item	Part Number	Qty	Description	Comments
1	D49070106	1	Chopper	
	D49070105	1	Chopper	
	D49070112	1	Housing	
2	D49070113	1	Rotor	
	D49070114	1	Rotor	
3	D49080066	68	Knife	(2)
	D49074600	68	Knife	(2)
4	D49080067	68	Insert	(2)
5	D49017100	68	Bush	(2)
6	D40438600	34	Screw	(2)
7	D41092500	34	Nut	(2)
8	D49060009	2	Guard	
9	D49060010	2	Reinforcement	
10	D41703000	2	Bearing	
11	D41701900	2	Bearing Ball	
12	D49070116	1	Knife	
13	D49070500	1	Plate	
14	D49005700	68	Knife	
15	D49073400	2	Bush	
16	D49070117	1	Shaft	
17	D49060013	1	Hook	
18	D49060014	2	Stop	
19	D49070118	1	Lever	
20	D20400468	2	Washer	
21	D49060016	1	Washer	
22	D42615800	1	Pin	
23	D49060017	1	Cone	
24	D43386000	1	Handle	
25	D41101900	1	Spring	
26	D20400453	X	Washer	
27	1441462X1	X	Locknut	Replace and repair. Old not interchangeable with new D41087400
28	D49071600	2	Bush	
29	D49060054	1	Plate	
30	D49060020	1	Bearing	Left Hand
31	D49060021	1	Bearing	Right Hand
32	D49060022	1	Lever	
33	D49060023	1	Deflector	
34	D40601500	5	Screw Metric	
35	D45070067	1	Gas Strut	
36	D49060008	1	Kit	
53	D44358000	1	Hair Pin	
56	D40411000	8	Hex. Sock. Screw	
57	D40416500	4	Screw Metric	
58	D20400433	6	Washer	
59	D41087900	2	Locknut	
60	D40407800	2	Hex. Sock. Screw	
61	D20400416	2	Washer	
62	D41087600	2	Locknut	
63	D20400416	2	Washer	
64	D40410900	1	Hex. Sock. Screw	
74	D40402600	X	Hex. Sock. Screw	
75	D28181760	X	Plate	
76	D28181761	X	Plate	
77	D41087600	4	Locknut	
78	D28880098	2	Bracket	
79	D20400471	4	Washer	
80	D40407600	4	Hex. Sock. Screw	
81	D28780365	1	Cable	
82	D45010092	1	Magnet	
83	D40316400	1	Screw Metric	
84	D41622600	1	Bearing Ball	
85	D20400419	1	Washer	
86	D28780516	1	Inductive Taker	
87	D28780514	X	Sensor	
89	D28781684	2	End	[B]
90	D28781683	2	End	[B]
94	D28781056	2	Retainer	[B]
100	D28780381	1	Retainer	[B]
101	D28080089	1	Buzzer	[A]
102	D20400470	8	Washer	[A]
103	D40741200	4	Screw	

Massey Ferguson

MF 7250/7252 COMBINE - 1637400

1637400

Straw Chopper - Rekord - From Serial or Engine Number 90619

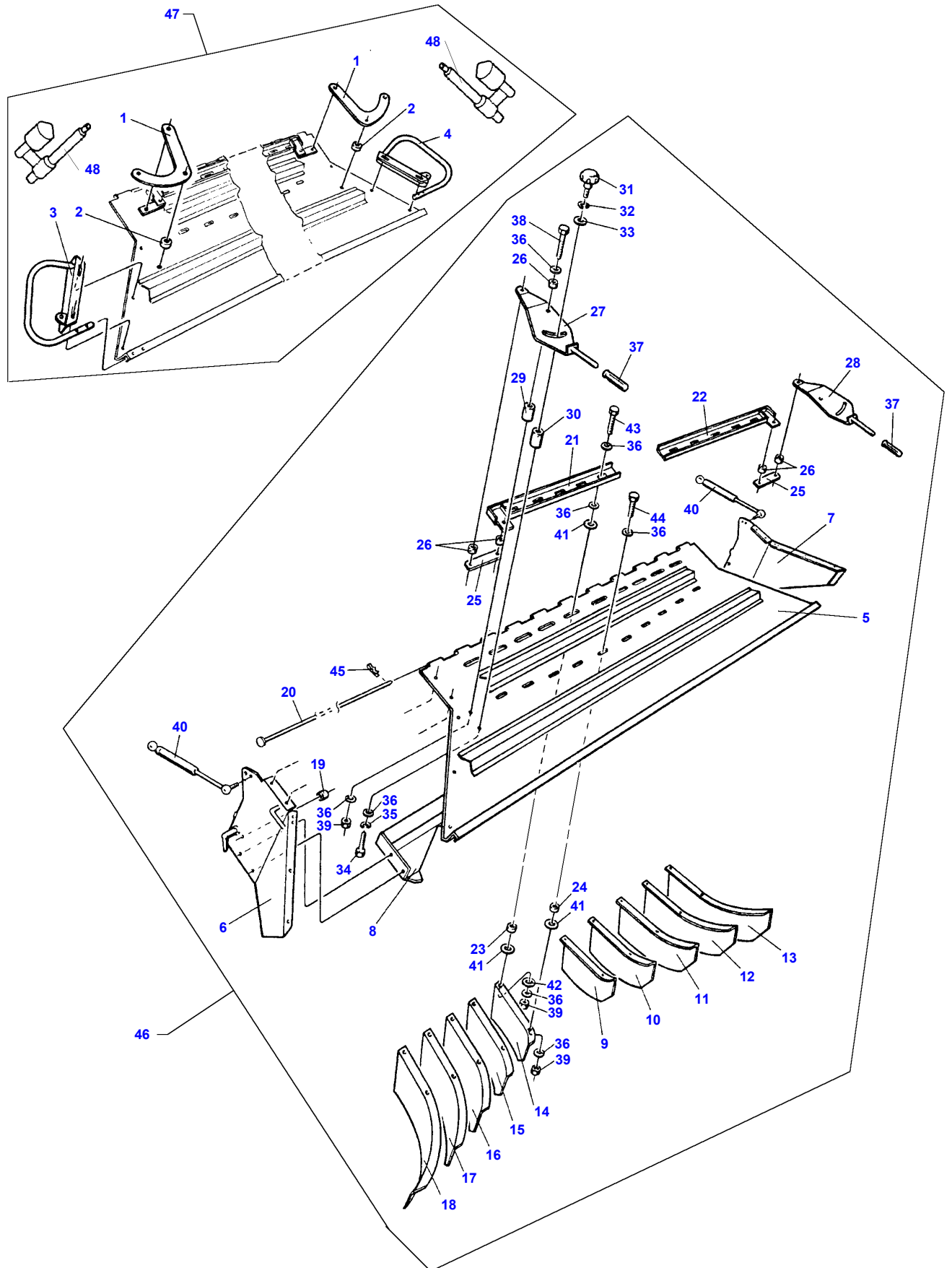
Page017-0006

Item	Part Number	Qty	Description	Comments
104	D20400516	3	Spacer	

FOOTNOTE [A] CHOPPER VIBRATION MONITOR

FOOTNOTE [B] OPTIONAL EQUIPMENT

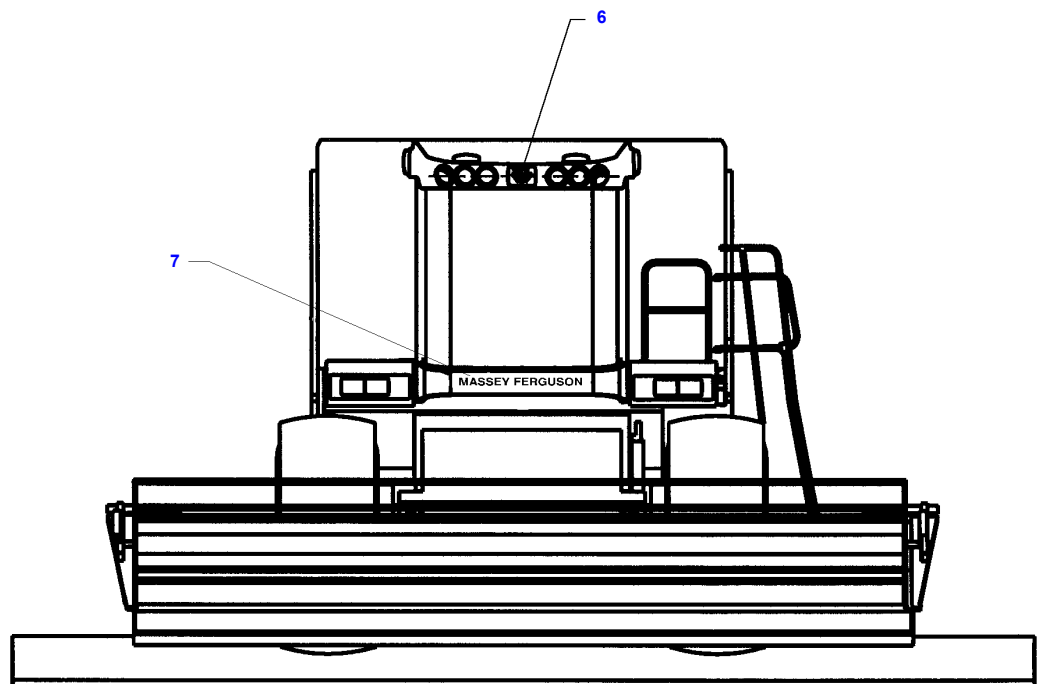
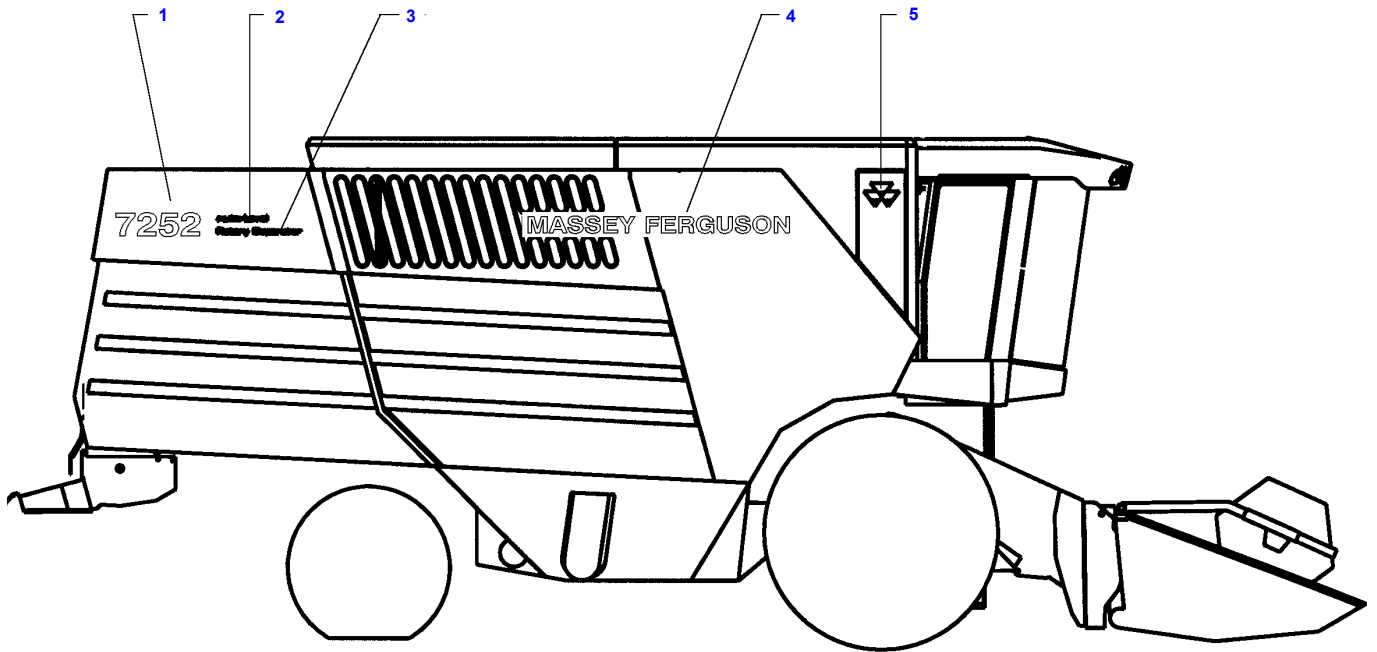
MF 7250/7252 COMBINE - 1637400
D-AGZB-003-A



D-AGZB-003-A

Item	Part Number	Qty	Description	Comments
1	D49060056	2	Arm	
2	D49060057	2	Spacer	
3	D49060058	1	Clamp	Left Hand
4	D49060059	1	Clamp	Right Hand
5	D49070120	1	Plate	
6	D49060025	1	Plate	Left Hand
7	D49060026	1	Plate	Right Hand
8	D49070121	1	Reinforcement	
9	D49060064	1	Deflector	Right Hand
10	D49060066	1	Deflector	Right Hand
11	D49060068	1	Deflector	Right Hand
12	D49060070	1	Deflector	Right Hand
13	D49060072	1	Deflector	Right Hand
14	D49060065	1	Deflector	Left Hand
15	D49060067	1	Deflector	Left Hand
16	D49060069	1	Deflector	Left Hand
17	D49060071	1	Deflector	Left Hand
18	D49060073	1	Deflector	Left Hand
19	D49060038	2	Bush	
20	D49070122	2	Rod	
21	D49060077	1	Guide	Left Hand
22	D49060076	1	Guide	Right Hand
23	D49060078	10	Bush	
24	D49060079	10	Bush	
25	D49060080	2	Link	
26	D49060081	6	Bush	
27	D49060083	1	Lever	Left Hand
28	D49060082	1	Lever	Right Hand
29	D49060084	2	Bush	
30	D49060085	2	Threaded Bush	
31	D49070800	2	Screw	
32	D41100900	2	Spring Washers	
33	D20400426	2	Washer	
34	D40404900	2	Hex. Sock. Screw	
35	D41100700	2	Spring Washers	
36	D20400414	56	Washer	
37	D49060088	2	Lever	
38	D40424100	X	Bolt	
39	D41087500	22	Locknut	
40	D45070067	2	Gas Strut	
41	D49060086	30	Washer	
42	D49060087	10	Washer	
43	D40423600	10	Screw Metric	
44	D40405000	10	Hex. Sock. Screw	
45	D44358000	1	Hair Pin	
46	D49070131	1	Hood	
47	D49060052	1	Kit	
48	D28782530	2	Ram	Valid from machine/table no, can be used in new as well as in older machines 57897

MF 7250/7252 COMBINE - 1637400
D-AHZA-004-A



Decal, front and right side

Item	Part Number	Qty	Description	Comments
1	D49129500	2	Decal	MF 7252
	D49129600	2	Decal	MF 7250
2	D49130007	2	Decal	AUTO-LEVEL
3	D49130008	2	Decal	ROTARY
4	D49127700	2	Decal	
5	D49130002	1	Decal	MF
6	D49100121	1	Decal	
7	D49120002	1	Decal	
14	D49160400	1	Decal	[A]
17	D49100150	1	Decal	[B]
18	D49100160	1	Decal	[C]
19	D49100182	1	Decal	[D]
22	D49100161	1	Decal	
23	D49100162	1	Decal	[E] FREEFLOW
24	D49100149	X	Decal	[F]
25	D49180900	1	Decal	
26	D49100189	1	Decal	
	D49121800	1	Decal	
	D49122900	1	Decal	
	D49124200	1	Decal	
	D49126200	1	Decal	
	D49195600	1	Decal	
	D49195700	1	Decal	
	D49195800	1	Decal	
	D49195900	1	Decal	
	D49196000	1	Decal	
27	D49100188	1	Decal	
	D49151900	1	Decal	
	D49152000	1	Decal	
	D49152100	1	Decal	
	D49152200	1	Decal	
	D49152300	1	Decal	
28	D49100009	1	Decal	[A]
29	D49196100		Decal	
	D49196200		Decal	
30	D49113300	1	Decal	[H]

FOOTNOTE [A] EQUIPMENT REQUIRED AND APPROVED BY THE TOV AUTHORITIES

FOOTNOTE [B] FOR MACHINE CPL

FOOTNOTE [C] FOR TABLE

FOOTNOTE [D] WARNING BEFORE START

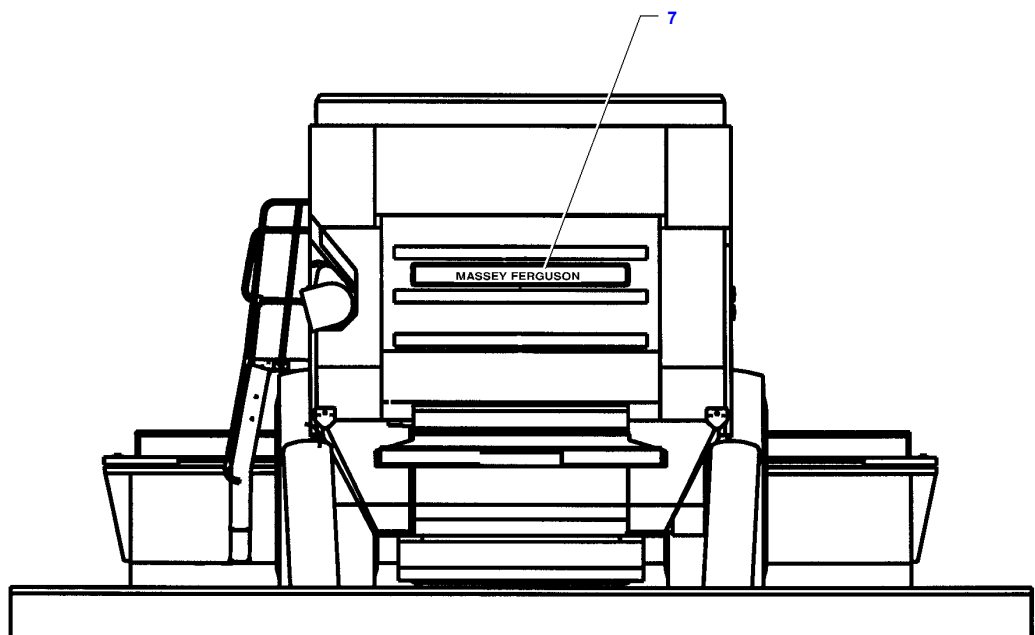
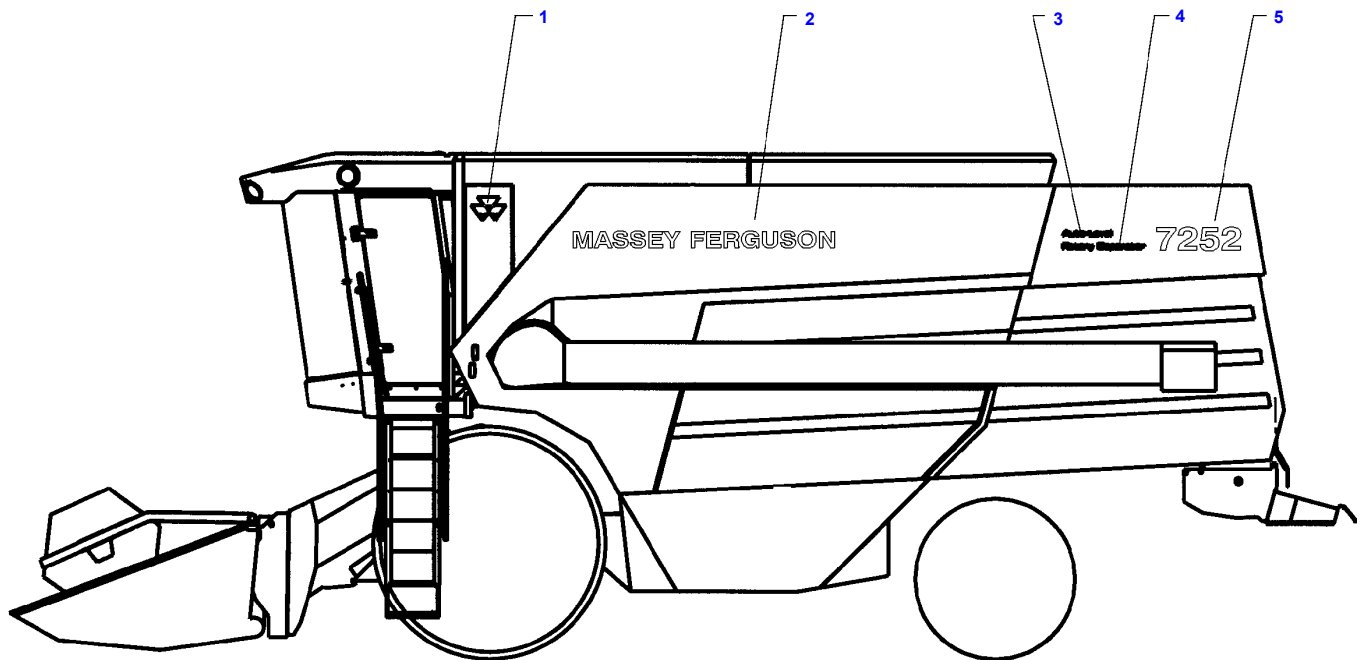
FOOTNOTE [E] WARNING SENSORS TABLE

FOOTNOTE [F] WARNING BEFORE REPAIR

FOOTNOTE [G] TO BATTERY

FOOTNOTE [H] "KEEP OFF"

MF 7250/7252 COMBINE - 1637400
D-AHZB-004-A



Massey Ferguson**MF 7250/7252 COMBINE - 1637400****1637400****Decal, rear and left side****Page018-0002**

Item	Part Number	Qty	Description	Comments
1	D49127900	1	Decal	MF
2	D49127700	2	Decal	
3	D49130007	2	Decal	AUTO-LEVEL
4	D49130008	2	Decal	ROTARY
5	D49129500	2	Decal	MF 7252
	D49129600	2	Decal	MF 7250
6	D49100120	1	Decal	MF
7	D49160400	2	Decal	[A]
8	D49150300	1	Decal	[A]

FOOTNOTE [A] EQUIPMENT REQUIRED AND APPROVED BY THE TOV AUTHORITIES