

7200 / 8200 Grain Headers Parts Catalog

PUBLICATION INFORMATION

Description

PUBLICATION FORM NUMBER: 700728793C

PUBLICATION DATE: OCTOBER 2007

LAST ILLUSTRATION PAGE: 288

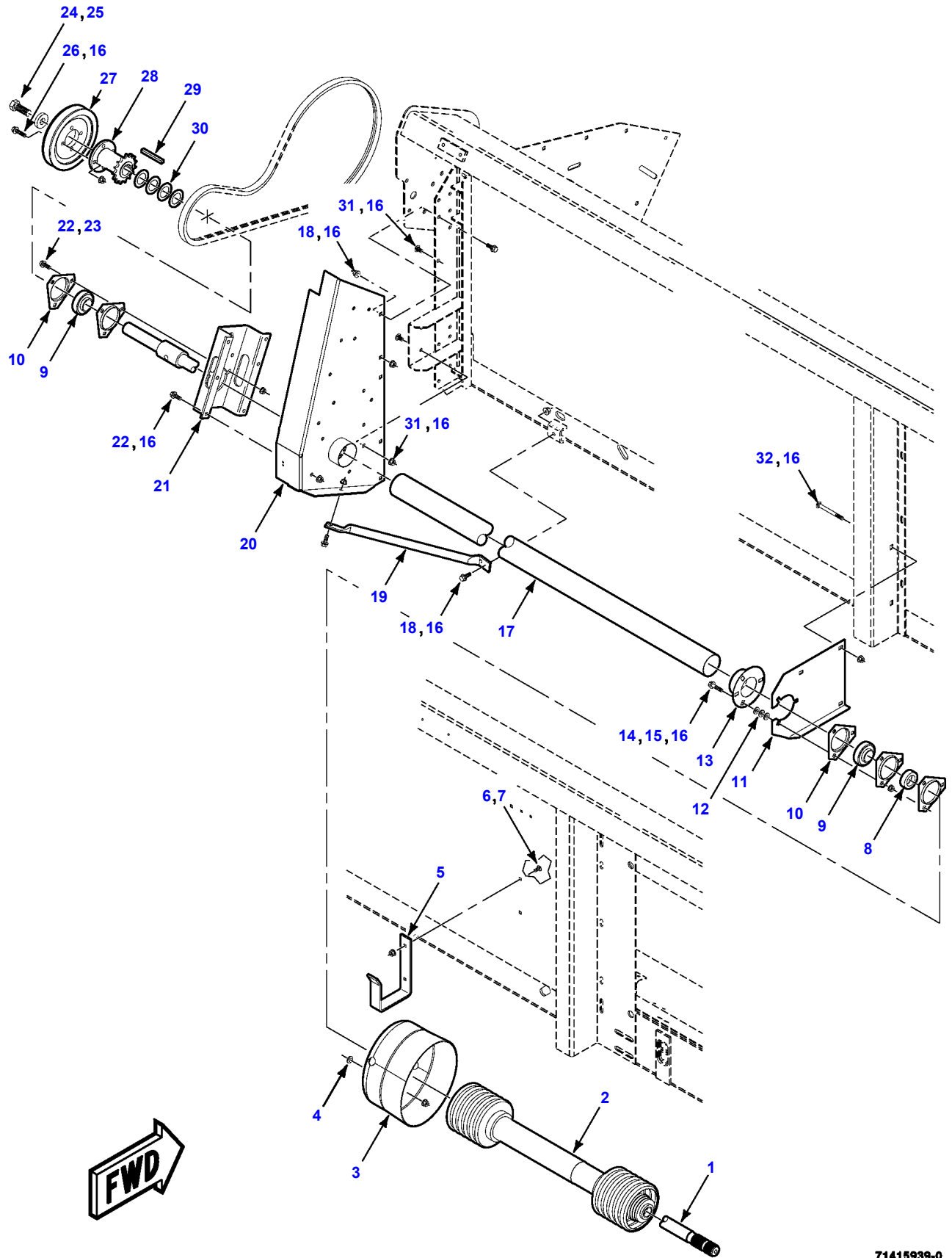
Page Title	Page Number
PUBLICATION INFORMATION	0
DRIVES - HEADER DRIVE (20 FOOT)	12
DRIVES - HEADER DRIVE (25 FOOT)	14
DRIVES - HEADER DRIVE (30 FOOT)	16
DRIVES - HEADER DRIVE (35 FOOT)	18
DRIVES - DRIVELINE ASSEMBLY (CATEGORY 2), (71371914 DRIVELINE ASSEMBLY)	20
DRIVES - DRIVELINE ASSEMBLY (CATEGORY 3), (71416174 DRIVELINE ASSEMBLY)	22
DRIVES - SICKLE DRIVE (RIGID)	24
DRIVES - SICKLE DRIVE (FLEX)	26
DRIVES - GEARBOX AND FLYWHEEL ASSEMBLY, (71404762 GEARBOX AND FLYWHEEL ASSEMBLY)	30
DRIVES - AUGER DRIVE	32
DRIVES - CLUTCH ASSEMBLY, (71406201 CLUTCH ASSEMBLY)	34
DRIVES - REEL DRIVE	36
SICKLE - SICKLE AND GUARD MOUNTING-STANDARD, (25 FOOT RIGID)	38
SICKLE - SICKLE AND GUARD MOUNTING-STANDARD, (30 FOOT RIGID)	40
SICKLE - SICKLE AND GUARD MOUNTING-STANDARD, (35 FOOT RIGID)	42
SICKLE - SICKLE AND GUARD MOUNTING-AUSTRALIAN, (25 FOOT RIGID)	44
SICKLE - SICKLE AND GUARD MOUNTING-AUSTRALIAN, (30 FOOT RIGID)	46
SICKLE - SICKLE AND GUARD MOUNTING-AUSTRALIAN, (35 FOOT RIGID)	48
SICKLE - SICKLE AND GUARD MOUNTING-STANDARD, (20 FOOT FLEX)	50
SICKLE - SICKLE AND GUARD MOUNTING-STANDARD, (25 FOOT FLEX)	52
SICKLE - SICKLE AND GUARD MOUNTING-STANDARD, (30 FOOT FLEX)	54
SICKLE - SICKLE AND GUARD MOUNTING-STANDARD, (35 FOOT FLEX)	56
SICKLE - SICKLE AND GUARD MOUNTING-SHUMACHER, (20 FOOT FLEX)	58
SICKLE - SICKLE AND GUARD MOUNTING-SHUMACHER, (25 FOOT FLEX)	60
SICKLE - SICKLE AND GUARD MOUNTING-SHUMACHER, (30 FOOT FLEX)	62
SICKLE - SICKLE AND GUARD MOUNTING-SHUMACHER, (35 FOOT FLEX)	64
SICKLE - SICKLE AND GUARD MOUNTING-AUSTRALIAN, (20 FOOT FLEX)	66
SICKLE - SICKLE AND GUARD MOUNTING-AUSTRALIAN, (25 FOOT FLEX)	68
SICKLE - SICKLE AND GUARD MOUNTING-AUSTRALIAN, (30 FOOT FLEX)	70
SICKLE - SICKLE AND GUARD MOUNTING-AUSTRALIAN, (35 FOOT FLEX)	72
SICKLE - SICKLE ASSEMBLY-STANDARD (20 FOOT), (71416267 SICKLE ASSEMBLY-W/HEAD)	74
SICKLE - SICKLE ASSEMBLY-STANDARD (25 FOOT), (71416261 SICKLE ASSEMBLY-W/HEAD)	76
SICKLE - SICKLE ASSEMBLY-STANDARD (30 FOOT), (71415127 SICKLE ASSEMBLY-W/HEAD)	78
SICKLE - SICKLE ASSEMBLY-STANDARD (35 FOOT), (71415394 SICKLE ASSEMBLY-W/HEAD)	80
SICKLE - SICKLE ASSEMBLY-REDUCED WEIGHT (20 FOOT), (71416316 SICKLE ASSEMBLY-W/HEAD)	82
SICKLE - SICKLE ASSEMBLY-REDUCED WEIGHT (25 FOOT), (71416268 SICKLE ASSEMBLY-W/HEAD)	84
SICKLE - SICKLE ASSEMBLY-REDUCED WEIGHT (30 FOOT), (71416221 SICKLE ASSEMBLY-W/HEAD)	86
SICKLE - SICKLE ASSEMBLY-REDUCED WEIGHT (35 FOOT), (71404755 SICKLE ASSEMBLY-W/HEAD)	88
SICKLE - SICKLE ASSEMBLY-SCHUMACHER (20 FOOT), (71416336 SICKLE ASSEMBLY)	90
SICKLE - SICKLE ASSEMBLY-SCHUMACHER (25 FOOT), (71415784 SICKLE ASSEMBLY)	92
SICKLE - SICKLE ASSEMBLY-SCHUMACHER (30 FOOT), (71415781 SICKLE ASSEMBLY)	94
SICKLE - SICKLE ASSEMBLY-SCHUMACHER (35 FOOT), (71415764 SICKLE ASSEMBLY)	96

TABLE OF CONTENT

ELECTRICAL - ELECTRICAL CONTROL HARNESS	98
ELECTRICAL - FORE AND AFT REEL-ELECTRIC	100
ELECTRICAL - LIGHTS AND MOUNTING	102
ELECTRICAL - SMARTRAC SENSOR MOUNTING (RIGID)	104
AUGERS - AUGER FINGER MOUNTING, (CENTER FINGER)	106
AUGERS - AUGER FINGER MOUNTING (20 FOOT), (FULL FINGER)	108
AUGERS - AUGER FINGER MOUNTING (25 FOOT), (FULL FINGER)	110
AUGERS - AUGER FINGER MOUNTING (30 FOOT), (FULL FINGER)	112
AUGERS - AUGER FINGER MOUNTING (35 FOOT), (FULL FINGER)	114
AUGERS - SHAFT-FINGER, 4 INCH CRANK	116
AUGERS - FLIGHT WEIGHT MOUNTING	118
AUGERS - CENTER AUGER EXTENSION MOUNTING	120
REELS - REEL ARM MOUNTING	122
REELS - REEL MOUNTING	124
REELS - BAT REEL (25 FOOT)	126
REELS - BAT REEL (30 FOOT)	128
REELS - BAT REEL (35 FOOT)	130
REELS - PICKUP REEL-20 FOOT (HARTCARTER)	132
REELS - PICKUP REEL-20 FOOT, (HARTCARTER), (Continued)	134
REELS - PICKUP REEL-20 FOOT, (HARTCARTER), (Continued)	136
REELS - PICKUP REEL-25 FOOT (HARTCARTER)	138
REELS - PICKUP REEL-25 FOOT, (HARTCARTER), (Continued)	140
REELS - PICKUP REEL-25 FOOT, (HARTCARTER), (Continued)	142
REELS - PICKUP REEL-30 FOOT (HARTCARTER)	144
REELS - PICKUP REEL-30 FOOT, (HARTCARTER), (Continued)	146
REELS - PICKUP REEL-30 FOOT, (HARTCARTER), (Continued)	148
REELS - PICKUP REEL-35 FOOT (HARTCARTER)	150
REELS - PICKUP REEL-35 FOOT, (HARTCARTER), (Continued)	152
REELS - PICKUP REEL-35 FOOT, (HARTCARTER), (Continued)	154
FRAME AND SHIELDS - HOUSING-LEFT, 20 FOOT	156
FRAME AND SHIELDS - HOUSING-RIGHT, 20 FOOT	158
FRAME AND SHIELDS - HOUSING-LEFT, 25 FOOT	160
FRAME AND SHIELDS - HOUSING-RIGHT, 25 FOOT	162
FRAME AND SHIELDS - HOUSING-LEFT, 30 FOOT	164
FRAME AND SHIELDS - HOUSING-RIGHT, 30 FOOT	166
FRAME AND SHIELDS - HOUSING-LEFT, 35 FOOT	168
FRAME AND SHIELDS - HOUSING-RIGHT, 35 FOOT	170
FRAME AND SHIELDS - END PANELS	172
FRAME AND SHIELDS - DIVIDER MOUNTING-LEFT (RIGID)	174
FRAME AND SHIELDS - DIVIDER MOUNTING-RIGHT (RIGID)	176
FRAME AND SHIELDS - DIVIDER MOUNTING-LEFT (FLEX)	178
FRAME AND SHIELDS - DIVIDER MOUNTING-RIGHT (FLEX)	180
FRAME AND SHIELDS - DIVIDER-LEFT	182
FRAME AND SHIELDS - DIVIDER-RIGHT	184
FRAME AND SHIELDS - STABILIZER MOUNTING (FLEX), (20 FOOT)	186
FRAME AND SHIELDS - STABILIZER MOUNTING (FLEX), (25 FOOT)	188
FRAME AND SHIELDS - STABILIZER MOUNTING (FLEX), (30 FOOT)	190
FRAME AND SHIELDS - STABILIZER MOUNTING (FLEX), (35 FOOT)	192
FRAME AND SHIELDS - TILT ARMS (FLEX)	194
FRAME AND SHIELDS - REEL DRIVE SHIELDS	196
FRAME AND SHIELDS - SHIELDS-LEFT	198
FRAME AND SHIELDS - SHIELDS-RIGHT	200
FRAME AND SHIELDS - ROCK GUARD MOUNTING, 25 FOOT (RIGID)	202
FRAME AND SHIELDS - ROCK GUARD MOUNTING, 30 FOOT (RIGID)	204
FRAME AND SHIELDS - ROCK GUARD MOUNTING, 35 FOOT (RIGID)	206
FRAME AND SHIELDS - CUTTERBAR-RIGID (25 FOOT)	208

FRAME AND SHIELDS - CUTTERBAR-RIGID (30 FOOT)	210
FRAME AND SHIELDS - CUTTERBAR-RIGID (35 FOOT)	212
FRAME AND SHIELDS - FEATHER SHEET HOLD DOWN MOUNTING, (20 FOOT FLEX)	214
FRAME AND SHIELDS - FEATHER SHEET HOLD DOWN MOUNTING, (25 FOOT FLEX)	216
FRAME AND SHIELDS - FEATHER SHEET HOLD DOWN MOUNTING, (30 FOOT FLEX)	218
FRAME AND SHIELDS - FEATHER SHEET HOLD DOWN MOUNTING, (35 FOOT FLEX)	220
FRAME AND SHIELDS - HEADER FEATHER SHEET MOUNTING (20 FOOT), (FLEX)	222
FRAME AND SHIELDS - HEADER FEATHER SHEET MOUNTING (25 FOOT), (FLEX)	224
FRAME AND SHIELDS - HEADER FEATHER SHEET MOUNTING (30 FOOT), (FLEX)	226
FRAME AND SHIELDS - HEADER FEATHER SHEET MOUNTING (35 FOOT), (FLEX)	228
FRAME AND SHIELDS - HEADER HEIGHT CONTROL-LEFT	230
FRAME AND SHIELDS - HEADER HEIGHT CONTROL-RIGHT	232
FRAME AND SHIELDS - HEADER HEIGHT CONTROL SHAFT (20 FOOT), (FLEX)	234
FRAME AND SHIELDS - HEADER HEIGHT CONTROL SHAFT (25 FOOT), (FLEX)	236
FRAME AND SHIELDS - HEADER HEIGHT CONTROL SHAFT (30 FOOT), (FLEX)	238
FRAME AND SHIELDS - HEADER HEIGHT CONTROL SHAFT (35 FOOT), (FLEX)	240
FRAME AND SHIELDS - FLOAT PAD MOUNTING, FLEX (20 FOOT)	242
FRAME AND SHIELDS - FLOAT PAD MOUNTING, FLEX (25 FOOT)	244
FRAME AND SHIELDS - FLOAT PAD MOUNTING, FLEX (30 FOOT)	246
FRAME AND SHIELDS - FLOAT PAD MOUNTING, FLEX (35 FOOT)	248
FRAME AND SHIELDS - PLASTIC SKIDS (20 FOOT), (FLEX)	250
FRAME AND SHIELDS - PLASTIC SKIDS (25 FOOT), (FLEX)	252
FRAME AND SHIELDS - PLASTIC SKIDS (30 FOOT), (FLEX)	254
FRAME AND SHIELDS - PLASTIC SKIDS (35 FOOT), (FLEX)	256
HYDRAULICS - HYDRAULIC REEL DRIVE	258
HYDRAULICS - VALVE-COUPLER	260
HYDRAULICS - HYDRAULIC	262
HYDRAULICS - CYLINDER-REEL LIFT (MASTER), (71415082 CYLINDER ASSEMBLY-MASTER)	264
HYDRAULICS - CYLINDER-REEL LIFT (SLAVE), (71415083 CYLINDER ASSEMBLY-SLAVE)	266
DECALS AND KITS - HEADER DECALS AND LOCATION	268
DECALS AND KITS - HEADER DECALS AND LOCATION	270
DECALS AND KITS - WING DIVIDER KIT, (71408024 WING DIVIDER KIT)	272
DECALS AND KITS - DIVIDER SUPPORT	274
DECALS AND KITS - WING-INNER	276
DECALS AND KITS - WING-OUTER	278
DECALS AND KITS - SINGLE POINT HYDRAULIC KIT (PERMANENT), (71411594 SINGLE POINT HYDRAULIC KIT)	280
DECALS AND KITS - SINGLE POINT HYDRAULIC KIT (TEMPORARY), (71411596 SINGLE POINT HYDRAULIC KIT)	282
DECALS AND KITS - ORBITAL REEL KIT (20 FOOT), (71422982 ORBITAL REEL KIT)	284
DECALS AND KITS - ORBITAL REEL KIT (25, 30 AND 35 FOOT), (71422983 ORBITAL REEL KIT)	286
RECOMMENDED DEALER STOCK - RECOMMENDED DEALER STOCK	288

7200 / 8200 GRAIN HEADERS



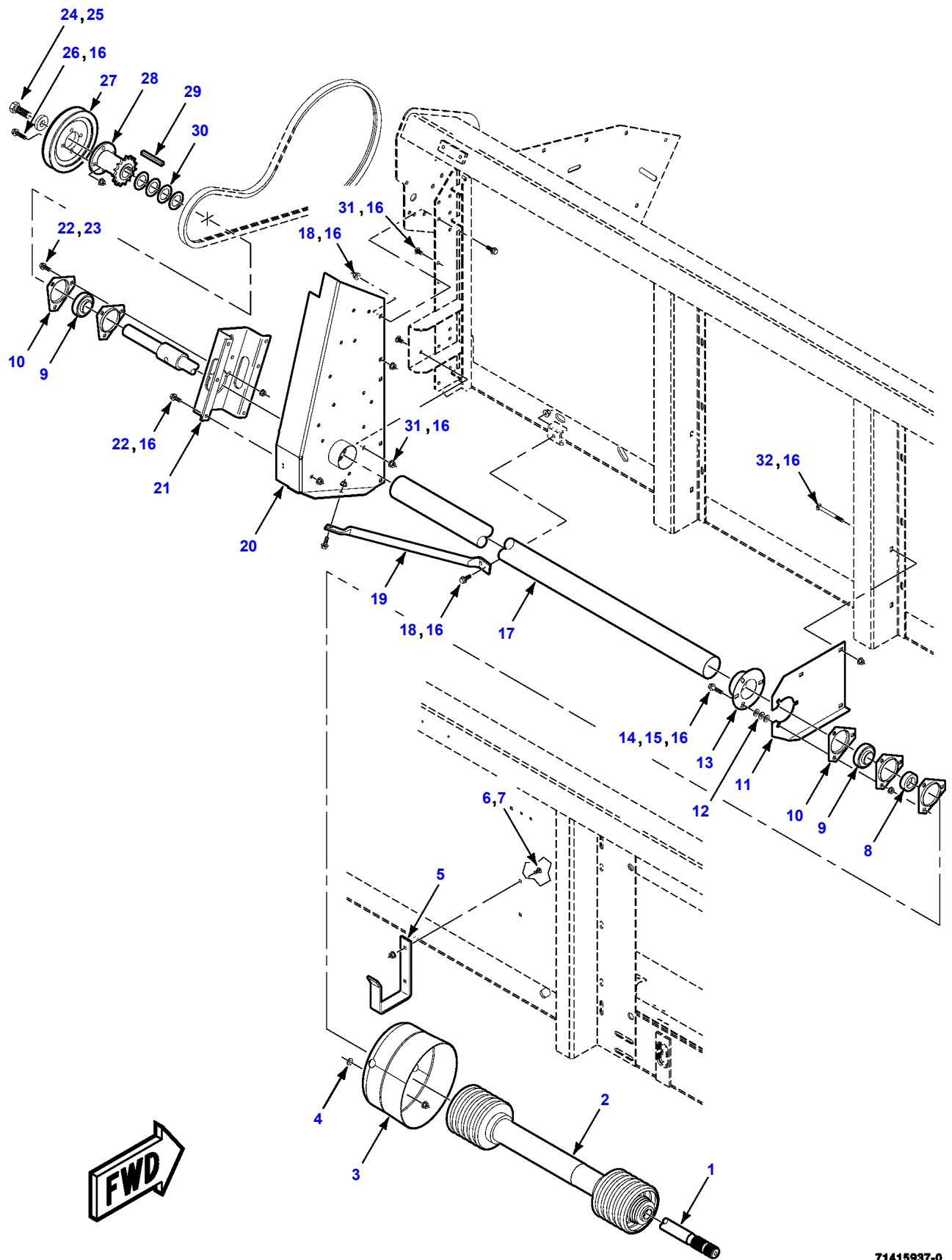
71415939-0

DRIVES - HEADER DRIVE (20 FOOT)

Item	Part Number	Qty	Description
1	71416335	1	SHAFT ASSEMBLY
2	71371914	1	DRIVELINE ASSEMBLY (CAT 2) (WITHOUT CENTER ZERK)
	71416174	1	DRIVELINE ASSEMBLY (CAT 3) (WITH CENTER ZERK)
3	71354266	1	SHIELD-PTO END
4	70917378	3	WASHER-WIDE PLAIN, 3/8
5	71375790B	1	BRACKET-PTO STORAGE
6	7700461	2	BOLT-CARRIAGE, 5/16-18 X 3/4
7	Y704726	2	NUT-LOCK, FLANGE, 5/16-18
8	K3999	1	LOCK COLLAR, 1-3/8 I.D.
9	K4037	2	BEARING-SPHERICAL, LESS COLLAR
10	71192243	5	FLANGE-BEARING
11	71415489	1	SUPPORT-BEARING, DRIVE SHAFT
12	Y705533	9	WASHER-PLAIN, 3/8
13	71415490	1	SUPPORT WA-SHIELD
14	700711084	3	SCREW-FLANGE, GR8, 3/8-16 X 1-1/2
15	700711238	3	NUT-FLANGE, 3/8-16
16	Y704734	25	NUT-TOP LOCK, FLANGE, 3/8-16
17	71416334	1	SHIELD-DRIVE SHAFT
18	7703424	5	SCREW-FLANGE, 3/8-16 X 1
19	71415493	1	BRACE-DRIVE SHAFT PLATE
20	71415502	1	PLATE WA-DRIVE SHAFT
21	71415485	1	SUPPORT-BEARING, OUTER DRIVE
22	7883382	9	SCREW-FLANGE, 3/8-16 X 1
23	704247	3	NUT-LOCK, FLANGE, 3/8-16
24	700717362	1	CAPSCREW, GR8, 3/4-16 X 2
25	71404268	1	WASHER-SPECIAL, 3/4
26	7773104	4	SCREW-FLANGE, 3/8-16 X 1-1/2
27	71415906	1	SHEAVE-SICKLE DRIVE (RIGID)
	71415133	1	SHEAVE-SICKLE DRIVE (FLEX)
28	71415487	1	SPROCKET WA
29	360119X1	1	KEY, 3/8 X 3-1/4
30	Y740530	4	BUSHING-NARROW RIM, 1-3/8 X 18 GAUGE
31	7770456	5	BOLT-CARRIAGE, 3/8-16 X 3/4
32	70930374	2	BOLT-CARRIAGE, 3/8-16 X 4

71415939-0

PR: t07c13m36a0001



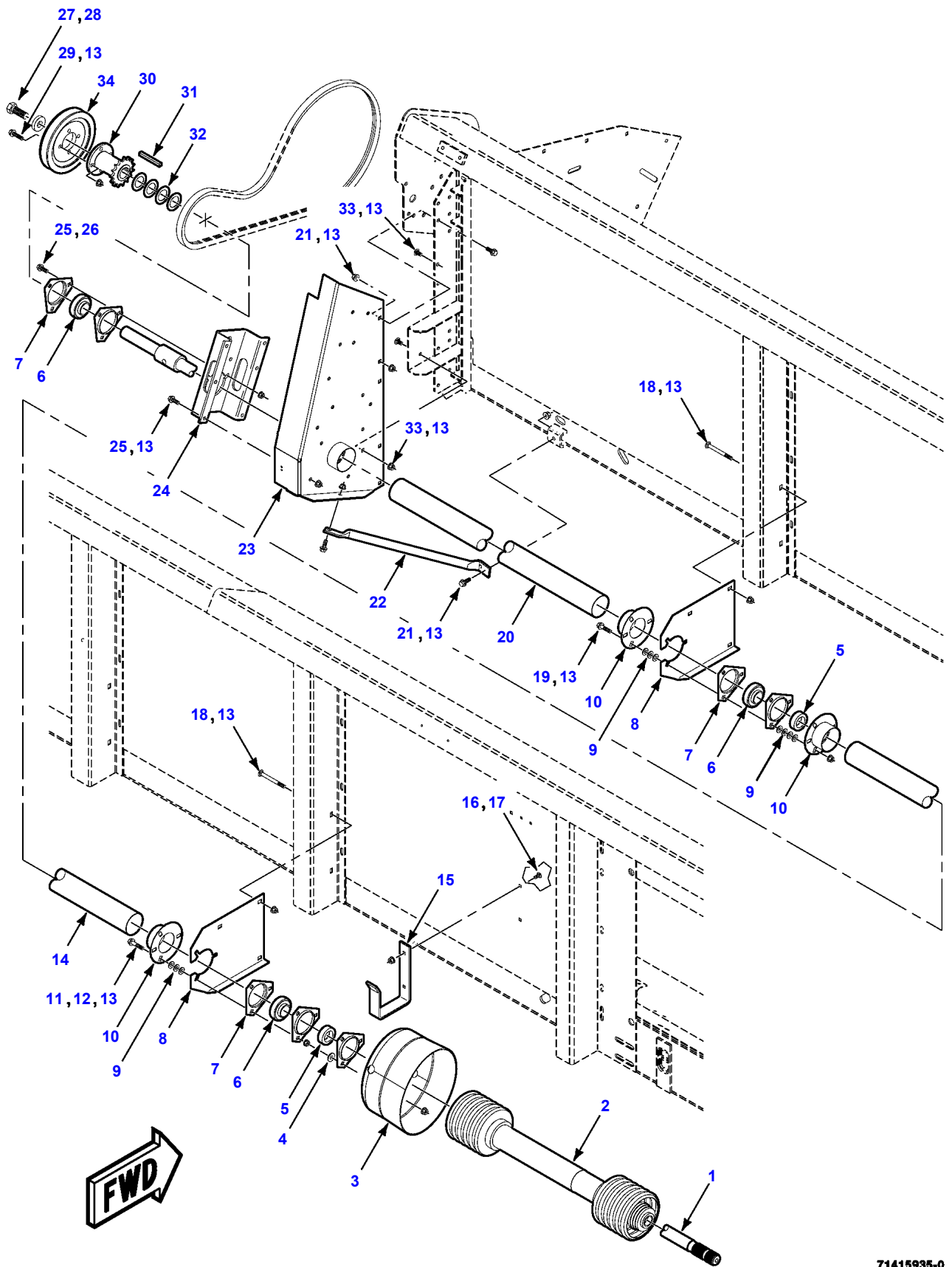
71415937-0

DRIVES - HEADER DRIVE (25 FOOT)

Item	Part Number	Qty	Description
1	71416292	1	SHAFT ASSEMBLY
2	71371914	1	DRIVELINE ASSEMBLY (CAT 2) (WITHOUT CENTER ZERK)
	71416174	1	DRIVELINE ASSEMBLY (CAT 3) (WITH CENTER ZERK)
3	71354266	1	SHIELD-PTO END
4	70917378	3	WASHER-WIDE PLAIN, 3/8
5	71375790B	1	BRACKET-PTO STORAGE
6	7700461	2	BOLT-CARRIAGE, 5/16-18 X 3/4
7	Y704726	2	NUT-LOCK, FLANGE, 5/16-18
8	K3999	1	LOCK COLLAR, 1-3/8 I.D.
9	K4037	2	BEARING-SPHERICAL, LESS COLLAR
10	71192243	5	FLANGE-BEARING
11	71415489	1	SUPPORT-BEARING, DRIVE SHAFT
12	Y705533	9	WASHER-PLAIN, 3/8
13	71415490	1	SUPPORT WA-SHIELD
14	700711084	3	SCREW-FLANGE, GR8, 3/8-16 X 1-1/2
15	700711238	3	NUT-FLANGE, 3/8-16
16	Y704734	25	NUT-TOP LOCK, FLANGE, 3/8-16
17	71416291	1	SHIELD-DRIVE SHAFT
18	7703424	5	SCREW-FLANGE, 3/8-16 X 1
19	71415493	1	BRACE-DRIVE SHAFT PLATE
20	71415502	1	PLATE WA-DRIVE SHAFT
21	71415485	1	SUPPORT-BEARING, OUTER DRIVE
22	7883382	9	SCREW-FLANGE, 3/8-16 X 1
23	704247	3	NUT-LOCK, FLANGE, 3/8-16
24	700717362	1	CAPSCREW, GR8, 3/4-16 X 2
25	71404268	1	WASHER-SPECIAL, 3/4
26	7773104	4	SCREW-FLANGE, 3/8-16 X 1-1/2
27	71415906	1	SHEAVE-SICKLE DRIVE (RIGID)
	71415133	1	SHEAVE-SICKLE DRIVE (FLEX)
28	71415487	1	SPROCKET WA
29	360119X1	1	KEY, 3/8 X 3-1/4
30	Y740530	4	BUSHING-NARROW RIM, 1-3/8 X 18 GAUGE
31	7770456	5	BOLT-CARRIAGE, 3/8-16 X 3/4
32	70930374	2	BOLT-CARRIAGE, 3/8-16 X 4

71415937-0

PR: t07c13m36a0002



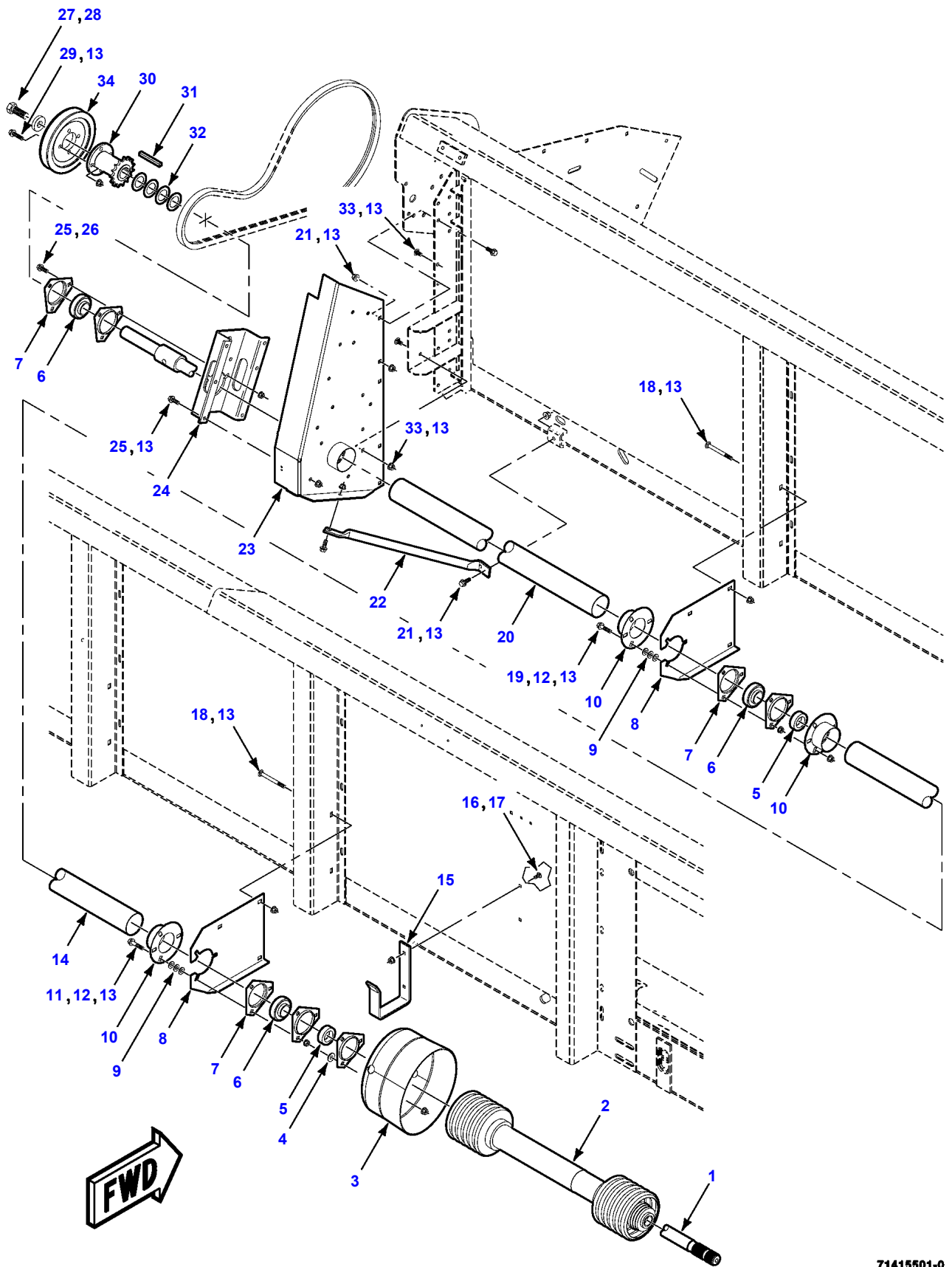
71415935-0

DRIVES - HEADER DRIVE (30 FOOT)

Item	Part Number	Qty	Description
1	71415535	1	SHAFT ASSEMBLY
2	71371914	1	DRIVELINE ASSEMBLY (CAT 2) (WITHOUT CENTER ZERK)
	71416174	1	DRIVELINE ASSEMBLY (CAT 3) (WITH CENTER ZERK)
3	71354266	1	SHIELD-PTO END
4	70917378	3	WASHER-WIDE PLAIN, 3/8
5	K3999	2	LOCK COLLAR, 1-3/8 I.D.
6	K4037	3	BEARING-SPHERICAL, LESS COLLAR
7	71192243	7	FLANGE-BEARING
8	71415489	2	SUPPORT-BEARING, DRIVE SHAFT
9	Y705533	30	WASHER-PLAIN, 3/8
10	71415490	3	SUPPORT WA-SHIELD
11	700711134	3	SCREW-FLANGE, GR8, 3/8-16 X 1-3/4
12	700711238	3	NUT-FLANGE, 3/8-16
13	Y704734	30	NUT-TOP LOCK, FLANGE, 3/8-16
14	71415495	1	SHIELD-SHAFT
15	71375790B	1	BRACKET-PTO STORAGE
16	7700461	2	BOLT-CARRIAGE, 5/16-18 X 3/4
17	Y704726	2	NUT-LOCK, FLANGE, 5/16-18
18	70930374	4	BOLT-CARRIAGE, 3/8-16 X 4
19	700711084	3	SCREW-FLANGE, GR8, 3/8-16 X 1-1/2
20	71415539	1	SHIELD-DRIVE SHAFT
21	7703424	5	SCREW-FLANGE, 3/8-16 X 1
22	71415493	1	BRACE-DRIVE SHAFT PLATE
23	71415502	1	PLATE WA-DRIVE SHAFT
24	71415485	1	SUPPORT-BEARING, OUTER DRIVE
25	7883382	9	SCREW-FLANGE, 3/8-16 X 1
26	704247	3	NUT-LOCK, FLANGE, 3/8-16
27	700717362	1	CAPSCREW GR8 NON PLATED, 3/4-16 X 2
28	71404268	1	WASHER-SPECIAL, 3/4
29	7773104	4	SCREW-FLANGE, 3/8-16 X 1-1/2
30	71415487	1	SPROCKET WA
31	360119X1	1	KEY, 3/8 X 3-1/4
32	Y740530	4	BUSHING-NARROW RIM, 1-3/8 X 18 GAUGE
33	7770456	5	BOLT-CARRIAGE, 3/8-16 X 3/4
34	71415906	1	SHEAVE-SICKLE DRIVE (RIGID)
	71415133	1	SHEAVE-SICKLE DRIVE (FLEX)

71415935-0

PR: t07c13m36a0003



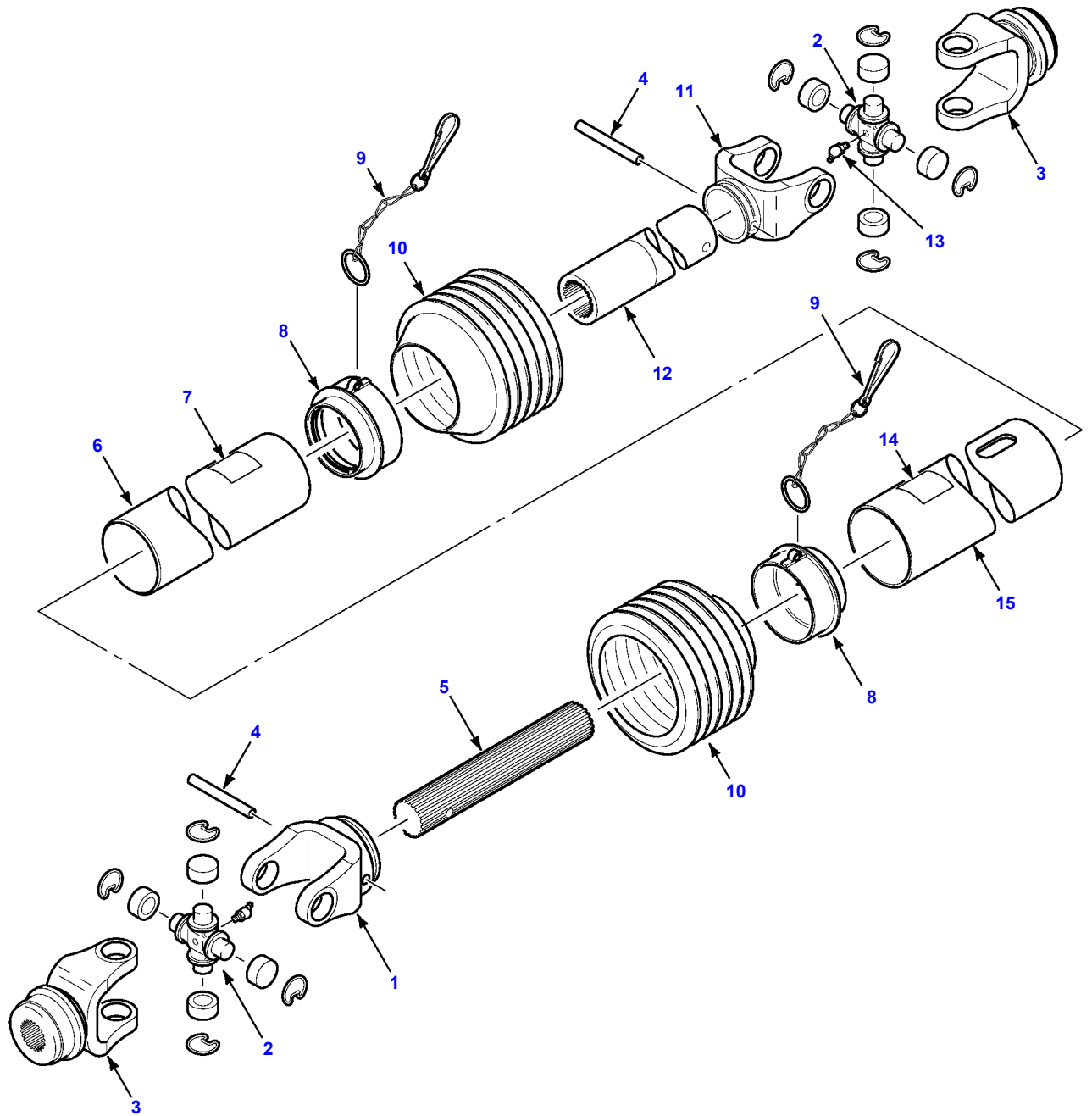
71415501-0

DRIVES - HEADER DRIVE (35 FOOT)

Item	Part Number	Qty	Description
1	71415498	1	SHAFT ASSEMBLY
2	71416174	1	DRIVELINE ASSEMBLY (CAT 3) (WITH CENTER ZERK)
3	71354266	1	SHIELD-PTO END
4	70917378	3	WASHER-WIDE PLAIN, 3/8
5	K3999	2	LOCK COLLAR, 1-3/8 I.D.
6	K4037	3	BEARING-SPHERICAL, LESS COLLAR
7	71192243	7	FLANGE-BEARING
8	71415489	2	SUPPORT-BEARING, DRIVE SHAFT
9	Y705533	18	WASHER-PLAIN, 3/8
10	71415490	3	SUPPORT WA-SHIELD
11	700711134	3	SCREW-FLANGE, GR8, 3/8-16 X 1-3/4
12	700711238	6	NUT-FLANGE, 3/8-16
13	Y704734	30	NUT-TOP LOCK, FLANGE, 3/8-16
14	71415495	1	SHIELD-SHAFT
15	71375790B	1	BRACKET-PTO STORAGE
16	7700461	2	BOLT-CARRIAGE, 5/16-18 X 3/4
17	Y704726	2	NUT-LOCK, FLANGE, 5/16-18
18	70930374	4	BOLT-CARRIAGE, 3/8-16 X 4
19	700711084	3	SCREW-FLANGE, GR8, 3/8-16 X 1-1/2
20	71415492	1	SHIELD-DRIVE SHAFT
21	7703424	5	SCREW-FLANGE, 3/8-16 X 1
22	71415493	1	BRACE-DRIVE SHAFT PLATE
23	71415502	1	PLATE WA-DRIVE SHAFT
24	71415485	1	SUPPORT-BEARING, OUTER DRIVE
25	7883382	9	SCREW-FLANGE, 3/8-16 X 1
26	704247	3	NUT-LOCK, FLANGE, 3/8-16
27	700717362	1	CAPSCREW GR8 NON PLATED, 3/4-16 X 2
28	71404268	1	WASHER-SPECIAL, 3/4
29	7773104	4	SCREW-FLANGE, 3/8-16 X 1-1/2
30	71415487	1	SPROCKET WA
31	360119X1	1	KEY, 3/8 X 3-1/4
32	Y740530	4	BUSHING-NARROW RIM, 1-3/8 X 18 GAUGE
33	7770456	5	BOLT-CARRIAGE, 3/8-16 X 3/4
34	71415906	1	SHEAVE-SICKLE DRIVE (RIGID)
	71415133	1	SHEAVE-SICKLE DRIVE (FLEX)

71415501-0

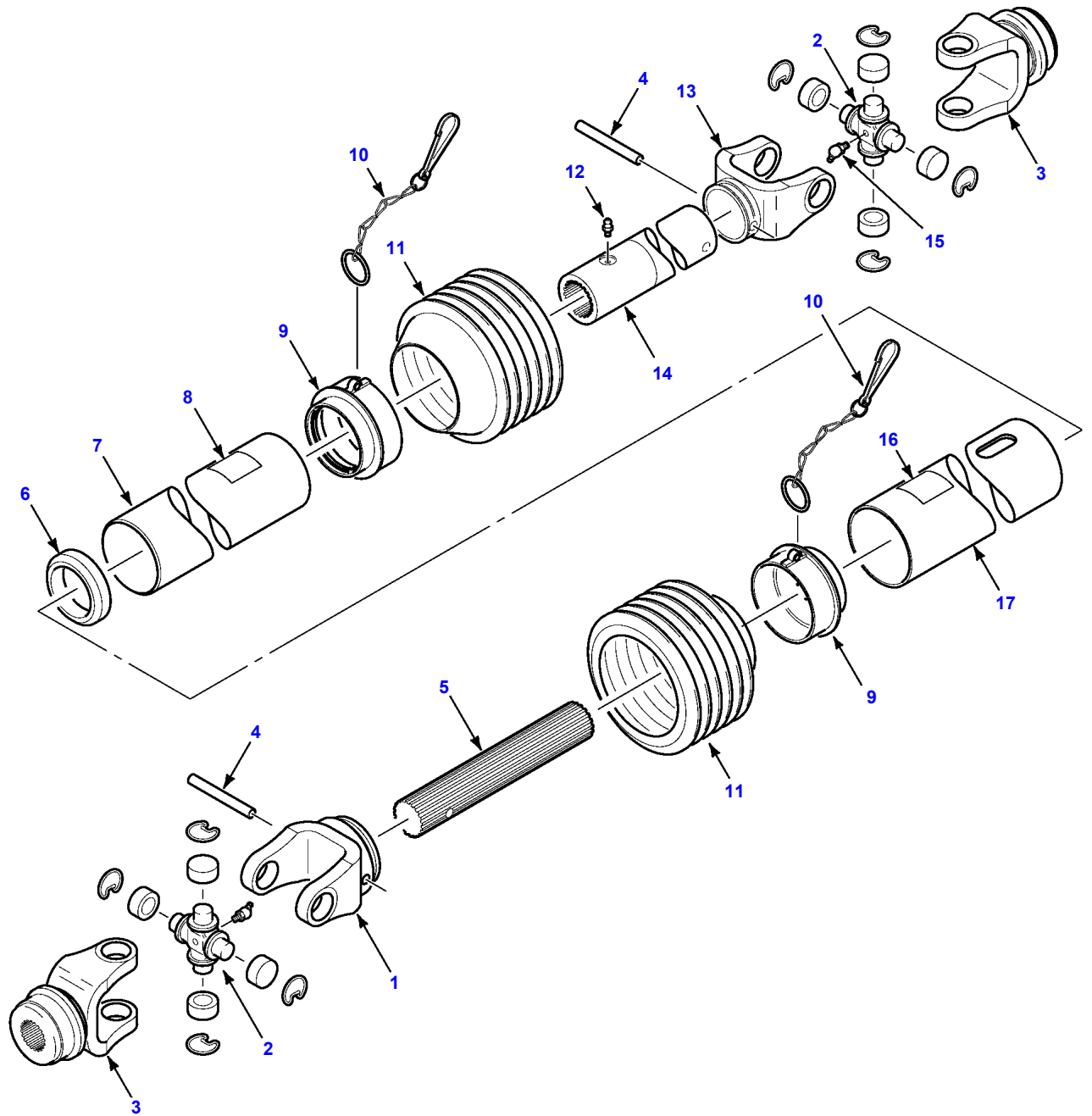
PR: t06d06n18d0001



71371914-0

Item	Part Number	Qty	Description
	71371914	1	DRIVELINE ASSEMBLY
1	71359627	1	YOKE-INBOARD
2	71358188	2	CROSS AND BEARING KIT
3	71374218	2	YOKE ASSEMBLY
4	71359163	2	SLOTTED SPRING PIN
5	71359162	1	SHAFT-INNER PROFILE
6	71359164	1	SHIELD-INNER, TUBE
7	700708583	1	SAFETY DECAL-INNER
8	71359168	2	BEARING RING
9	71382485	2	CHAIN-SAFETY
10	71374219	2	CONE-7 RIB
11	71359626	1	YOKE-INNER
12	71359161	1	SHAFT-OUTER PROFILE
13	1120697	2	ZERK, M8 X 67-1/2 DEGREE
14	700707960	1	SAFETY DECAL-OUTER
15	71359165	1	SHIELD-TUBE, OUTER

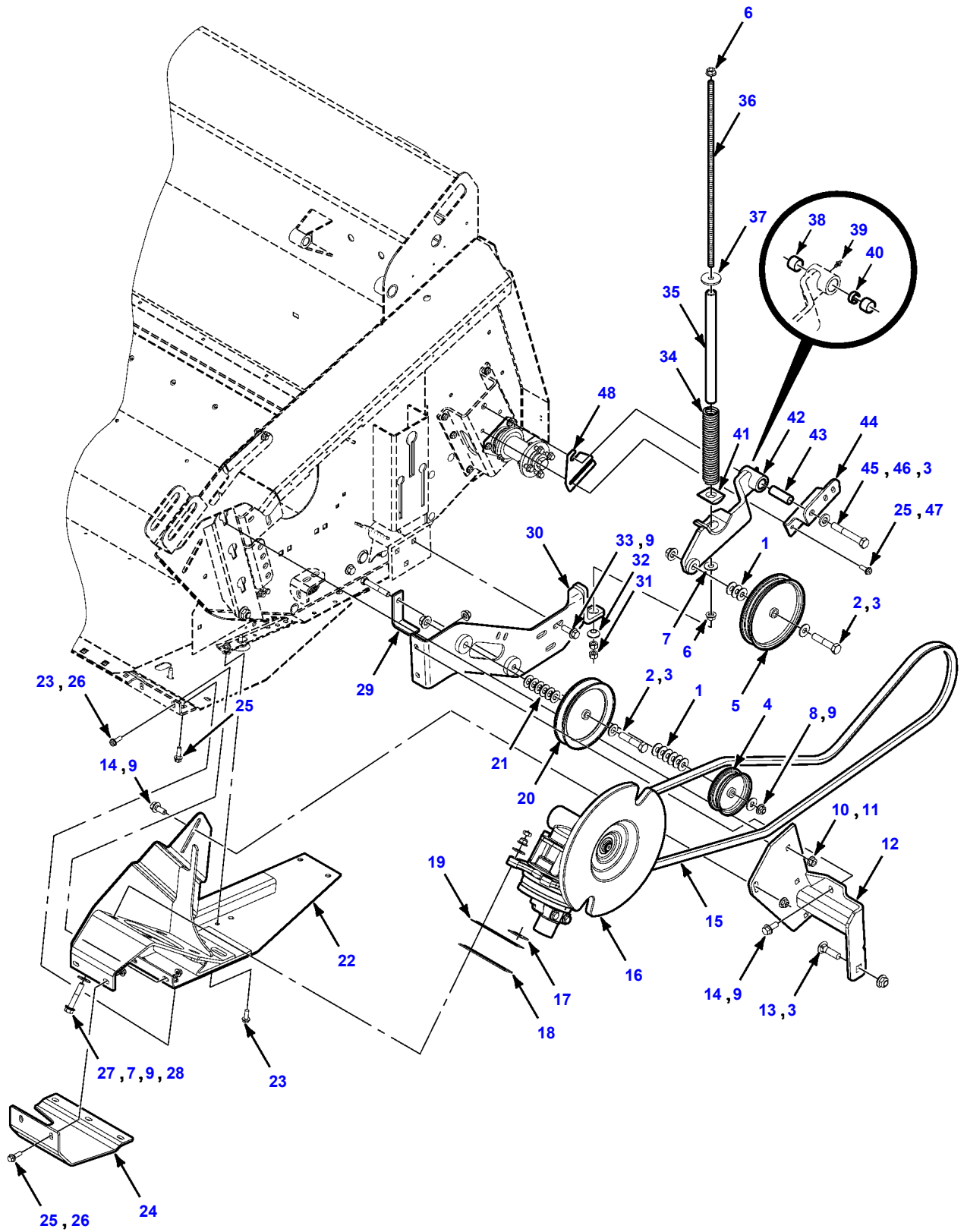
71371914-0
PR: t07c13m36a0004



71416174-0

Item	Part Number	Qty	Description
	71416174	1	DRIVELINE ASSEMBLY
1	6582538	1	YOKE-INBOARD
2	6580149	2	CROSS AND BEARING KIT
	1120697	1	ZERK, M8 X 67-1/2 DEGREE
3	71385982	2	YOKE ASSEMBLY
	71374220	1	COLLAR REPAIR KIT
4	763847	2	SLOTTED SPRING PIN
5	71417006	1	SHAFT-INNER PROFILE
6	700706769	1	BEARING-SUPPORT
7	71417008	1	SHIELD-INNER, TUBE
8	700708583	1	SAFETY DECAL-INNER
9	6581954	2	BEARING RING
10	71382485	2	CHAIN-SAFETY
11	3735900M1	2	CONE-7 RIB
12	700707556	1	ZERK-STRAIGHT
13	6582539	1	YOKE-INNER
14	71417009	1	SHAFT-OUTER PROFILE
15	1120697	2	ZERK, M8 X 67-1/2 DEGREE
16	700707960	1	SAFETY DECAL-OUTER
17	71417007	1	SHIELD-TUBE, OUTER

71416174-0
PR: t06d06n18d0002



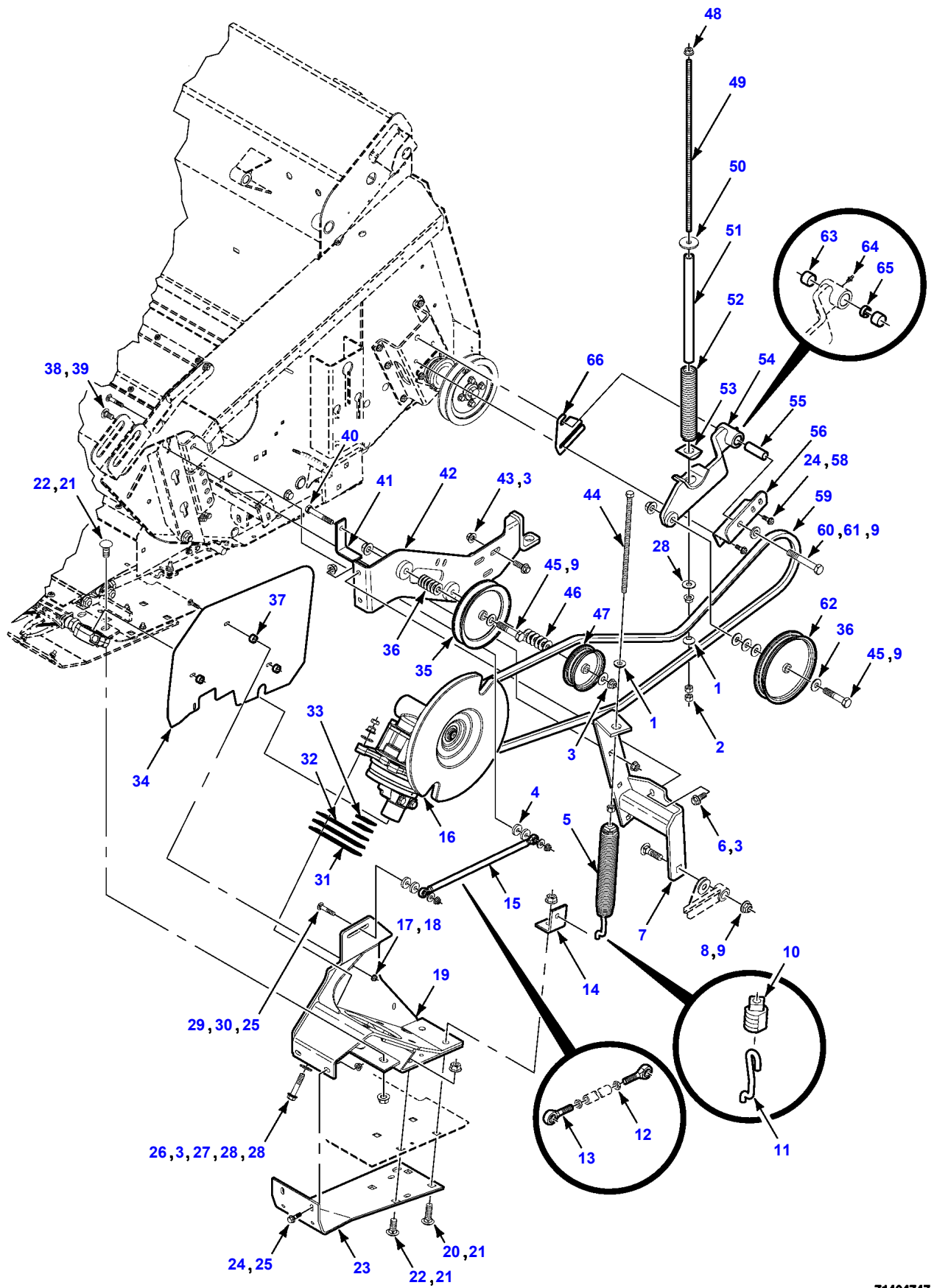
71404800-0

DRIVES - SICKLE DRIVE (RIGID)

Item	Part Number	Qty	Description
1	70918431	11	WASHER-WIDE PLAIN, 1/2
2	70923111	2	CAPSCREW, 5/8-11 X 3
3	700703922	4	NUT-LOCK, FLANGE, 5/8-11
4	71415685	1	IDLER
5	71415425	1	IDLER-FLAT
6	700714586	2	NUT-FLANGE, 1/2-13
7	700711557	9	WASHER-PLAIN, 1/2
8	70923191	1	CAPSCREW, 1/2-13 X 3-1/4
9	Y704742	11	NUT-TOP LOCK, FLANGE, 1/2-13
10	70931363	3	BOLT-CARRIAGE, SHORT NECK, 1/2-13 X 1
11	704254	3	NUT-LOCK, FLANGE, 1/2-13
12	71415901	1	SUPT WA-LEFT DIVIDER
13	70926675	1	BOLT-CARRIAGE, 5/8-11 X 2-1/4
14	700710984	3	SCREW-FLANGE, GR8, 1/2-13 X 1-1/4
15	71415428	1	V-BELT
16	71404762	1	GEAR BOX W/FLYWHEEL ASSEMBLY
17	700101221	AR	SHIM, .120 THICK
18	700161385	AR	SHIM, .120 THICK
19	700161386	AR	SHIM, .060 THICK
20	71307305	1	IDLER-V
21	70918268	7	WASHER-NARROW PLAIN, 5/8
22	71415842	1	MOUNT WA-SCH, RIGID
23	7883382	5	SCREW-FLANGE, 3/8-16 X 1
24	71417094	1	SHOE-WOBBLE BOX
25	7883408	7	SCREW-FLANGE, GR8, 3/8-16 X 1-1/4
26	Y704734	5	NUT-TOP LOCK, FLANGE, 3/8-16
27	700711133	4	SCREW-FLANGE, GR8, 1/2-13 X 2-3/4
28	704056	4	NUT-HALF, 1/2-13
29	71415686	1	GUIDE-BELT
30	71404741	1	IDLER WA
31	704031	2	NUT, 1/2-13
32	70301781	1	WASHER-PIVOT
33	8701237	3	SCREW-FLANGE, GR8, 1/2-13 X 1-1/2
34	71356067	1	SPRING-COMP, SICKLE DRIVE
35	71404481	1	SPACER-SPRING
36	71404482	1	ROD-DAMPENER
37	70923094	1	1/2 WIDE PLAIN WASHER
38	71356060	2	BUSHING-IDLER PIVOT
39	70914687	1	ZERK, 1/4-28
40	71197117	1	SPACER
41	71356058	1	BLOCK-PIVOT
42	71404750	1	ARM ASSEMBLY-IDLER
	71356060	2	BUSHING-IDLER PIVOT
	70914687	1	ZERK, 1/4-28
	71197117	1	SPACER
43	71356061	1	SHAFT-IDLER PIVOT
44	71415853	1	BRACE WA-PIVOT
45	75120904	1	CAPSCREW, 5/8-11 X 4-1/2
46	Y705582	1	WASHER-PLAIN, 5/8
47	704247	2	NUT-LOCK, FLANGE, 3/8-16
48	71417115	AR	SHIM-IDLER

71404800-0

PR: t07c13m36a0005



71404747-0

DRIVES - SICKLE DRIVE (FLEX)

Item	Part Number	Qty	Description
1	70301781	3	WASHER-PIVOT
2	704031	3	NUT, 1/2-13
3	Y704742	15	NUT-TOP LOCK, FLANGE, 1/2-13
4	71341521	4	SPACER, STABILIZER
5	71417095	1	SPRING ASSEMBLY
	71350543	1	PLUG-SPRING
	71415419	1	ROD-SPRING
6	700710984	2	SCREW-FLANGE, GR8, 1/2-13 X 1-1/4
7	71404734	1	SUPPORT WA-LEFT, DIVIDER
8	70926675	1	BOLT-CARRIAGE, 5/8-11 X 2-1/4
9	700703922	7	NUT-LOCK, FLANGE, 5/8-11
10	71350543	1	PLUG-SPRING
11	71415419	1	ROD-SPRING
12	70918403	2	NUT-HALF, 3/8-24
13	71415223	2	BALL JOINT
14	71415408	1	ANCHOR
15	71415221	1	STABILIZER ASSEMBLY
	70918403	1	NUT-HALF, 3/8-24
	71415223	1	BALL JOINT
16	71404762	1	GEAR BOX W/FLYWHEEL ASSEMBLY
17	7700107	3	BOLT-CARRIAGE, 5/16-18 X 1-1/4
18	Y704726	3	NUT-LOCK, FLANGE, 5/16-18
19	71404730	1	MOUNT WA-SCH, FLEX
20	7870165	2	BOLT-CARRIAGE, 5/8-11 X 2
21	7704919	6	NUT-FLANGE, 5/8-11
22	70921703	4	BOLT-CARRIAGE, 5/8-11 X 1-1/2
23	71404463	1	SHOE-WOBBLE BOX
24	7883408	4	SCREW-FLANGE, GR8, 3/8-16 X 1-1/4
25	Y704734	4	NUT-TOP LOCK, FLANGE, 3/8-16
26	700710849	4	SCREW-FLANGE, GR8, 1/2-13 X 2-1/2
27	700710414	4	NUT-HALF, 1/2-13
28	700711557	17	WASHER-PLAIN, 1/2
29	7700073	2	BOLT-CARRIAGE, 3/8-16 X 2
30	700717523	2	WASHER-PLAIN, 13/32 X 1 X 1/8
31	700161385	AR	SHIM, .120 THICK
32	700161386	1	SHIM, .060 THICK
33	700101221	AR	SHIM, .120 THICK
34	71404466	1	FILLER-LEFT, FRONT CUTTER BAR
35	71307305	1	IDLER-V
36	70918268	11	WASHER-NARROW PLAIN, 5/8
37	6255350	3	SPACER
38	70931363	3	BOLT-CARRIAGE, SHORT NECK, 1/2-13 X 1
39	704254	3	NUT-LOCK, FLANGE, 1/2-13
40	70923191	1	CAPSCREW, 1/2-13 X 3-1/4
41	71415686	1	GUIDE-BELT
42	71404741	1	IDLER WA
43	8701237	8	SCREW-FLANGE, GR8, 1/2-13 X 1-1/2
44	7773427	1	CAPSCREW-FULL THREAD, 1/2-13 X 12
45	70923111	5	CAPSCREW, 5/8-11 X 3
46	70918431	7	WASHER-WIDE PLAIN, 1/2
47	71415685	1	IDLER
48	700714586	2	NUT-FLANGE, 1/2-13
49	71404482	1	ROD-DAMPENER
50	70923094	1	1/2 WIDE PLAIN WASHER
51	71404481	1	SPACER-SPRING
52	71356067	1	SPRING-COMP, SICKLE DRIVE
53	71356058	1	BLOCK-PIVOT
54	71404750	1	ARM ASSEMBLY-IDLER
	71356060	2	BUSHING-IDLER PIVOT
	70914687	1	ZERK, 1/4-28
	71197117	1	SPACER
55	71356061	1	SHAFT-IDLER PIVOT
56	71415853	1	BRACE WA-PIVOT
58	704247	2	NUT-LOCK, FLANGE, 3/8-16
59	71415428	1	V-BELT
60	75120904	1	CAPSCREW, 5/8-11 X 4-1/2
61	Y705582	1	WASHER-PLAIN, 5/8
62	71415425	1	IDLER-FLAT
63	71356060	2	BUSHING-IDLER PIVOT
64	70914687	1	ZERK, 1/4-28
65	71197117	1	SPACER

Massey Ferguson

7200 / 8200 GRAIN HEADERS

00728793

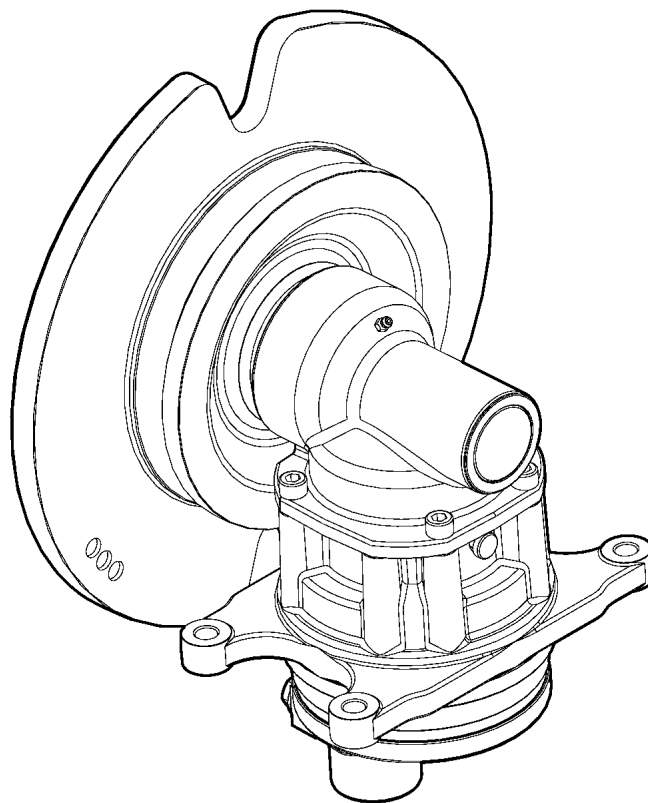
DRIVES - SICKLE DRIVE (FLEX)

Page26

Item	Part Number	Qty	Description
66	71417115	AR	SHIM-IDLER

71404747-0
PR: t06d06n18d0003

- 1
- 2
- 3
- 4
- 5
- 6
- 7
- 8
- 9
- 10
- 11
- 12
- 13
- 14
- 15
- 16
- 17

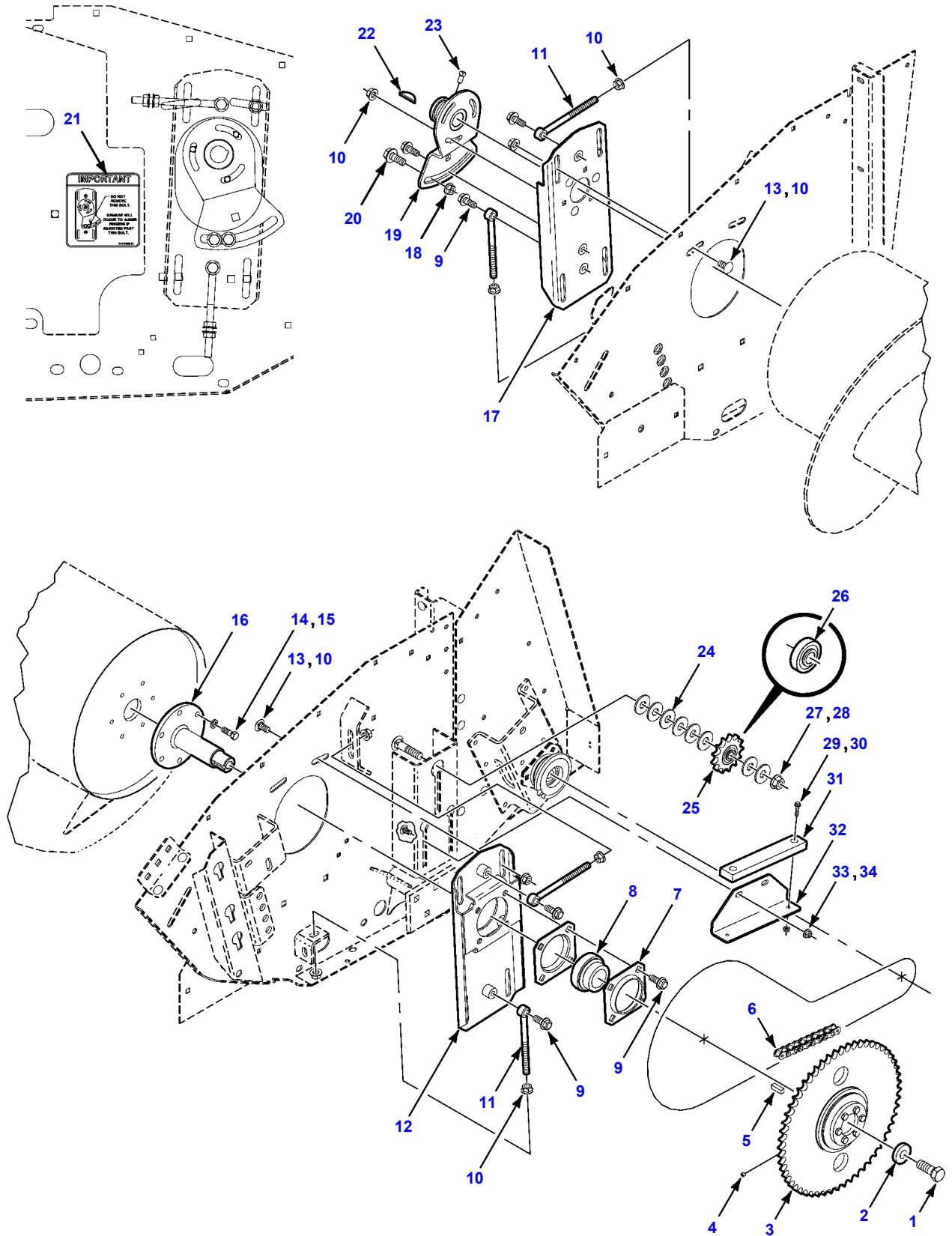


71404762-0

Item	Part Number	Qty	Description
	71404762	1	GEARBOX AND FLYWHEEL ASSEMBLY
1	71404476	1	GEARBOX-SCH WITHOUT FLYWHEEL
2	71404761	1	FLYWHEEL/PULLEY
3	71416424	1	HEAD BEARING, 27mm, W/BOLTS and RING
4	71416425	1	KIT-CRANK SHAFT HALF, 27mm
5	71416426	1	KIT-BEARING, 3208
6	71416427	1	KIT-BEARING PAIR, 85mm
7	71416428	1	ROTOR-85MV
8	71416429	1	KEY-10 X 8 X 40, DIN 6885
9	71416430	1	BALL BEARING, DIN 625-6018-2RS
10	71416431	1	HOUSING
11	71416432	1	VENT FILTER
12	71416433	1	KIT-BEVEL GEAR PAIR
13	71416434	4	BOLT-DIN 912-M10 X 20-12.9
14	71416435	1	HOUSING-ANGLE HEAD
15	71416436	1	ZERK M6
16	71416437	1	DRIVE AXLE
17	71416438	1	FASTENING WASHER

71404762-0

PR: t06d06n18d0004



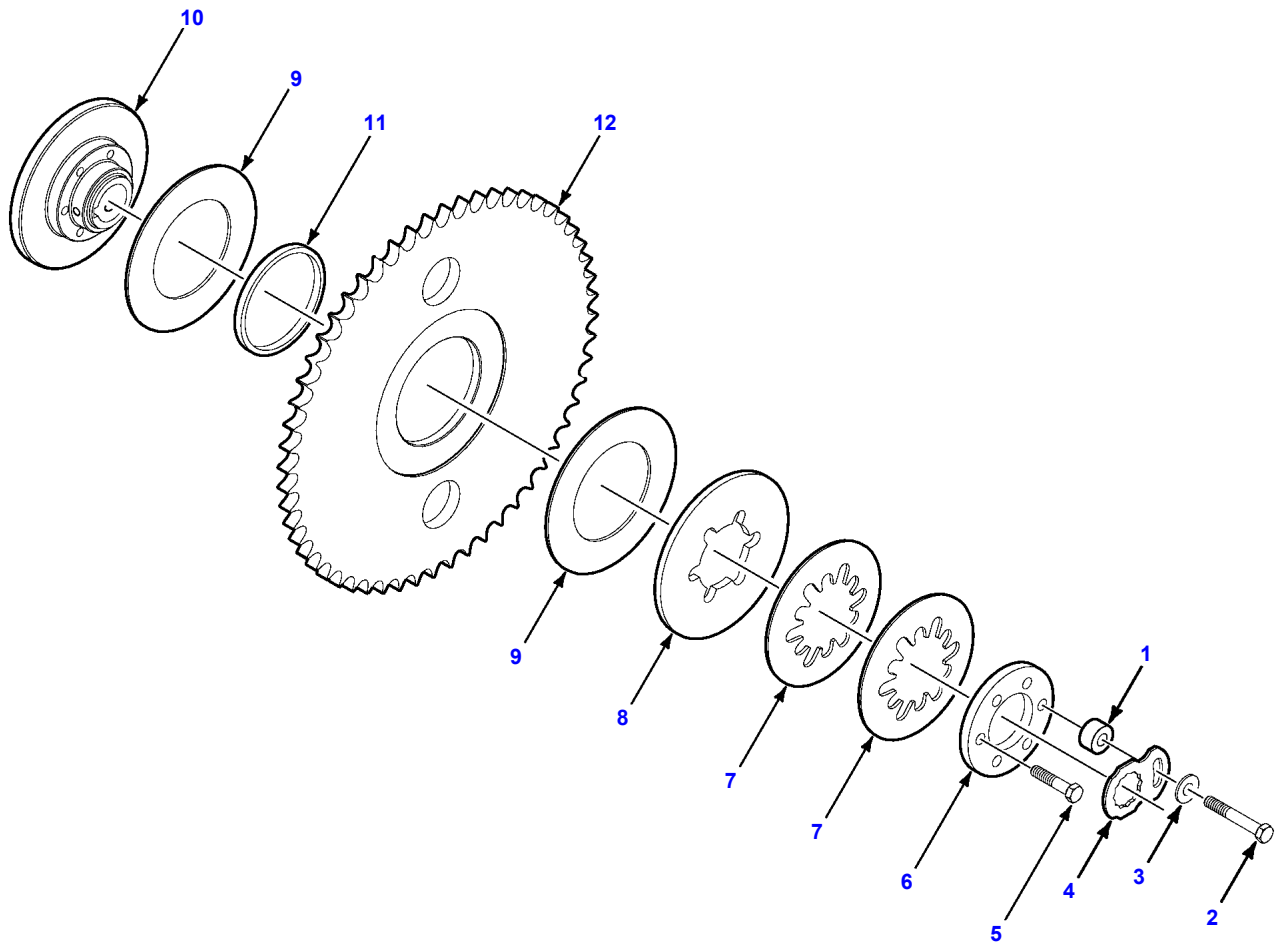
71415708-0

DRIVES - AUGER DRIVE

Item	Part Number	Qty	Description
1	700728702	1	3/4-16 X 3 CAPSCREW-FULL THREAD GR8
	79021668	1	THREADLOCK SEALANT-HEAVY DUTY
2	71417065	1	WASHER-SPECIAL
3	71406201	1	CLUTCH ASSEMBLY-AUGER
4	69773	2	5/16-18 X 5/16 SETSCREW-SOCKET NL
5	700728703	1	3/8 KEY
6	71415715	1	CHAIN-ROLLER, No. 60 (114 Pitches)
7	71130258	2	FLANGE-BEARING
8	70539158	1	BEARING-SPHERICAL
9	700710984	9	SCREW-FLANGE, GR8, 1/2-13 X 1-1/4
10	700714586	19	NUT-FLANGE, 1/2-13
11	71415358	4	ROD ADJUSTER
12	71417038	1	SUPPORT WA-LEFT
13	70931363	8	BOLT-CARRIAGE, SHORT NECK, 1/2-13 X 1
14	Y704734	2	NUT-TOP LOCK, FLANGE, 3/8-16
	79021668	1	THREADLOCK SEALANT-HEAVY DUTY
15	70918199	2	WASHER-SPRING, 7/16
16	71417064	1	SHAFT-GUDGEON
17	71417040	1	SUPPORT WA-RIGHT
18	704254	1	NUT-LOCK, FLANGE, 1/2-13 [A]
19	71415713	1	FLANGE WA-AUGER ADJ
20	7771272	1	SCREW-FLANGE, 1/2-13 X 3/4 [A]
21	71417088	1	DECAL-IMPORTANT [A]
22	700707139	1	KEY-WOODRUFF, 1/4 X 2-1/8
23	70920469	2	SET-SCREW, SQUARE HEAD, 3/8-16 X 3/4
24	70918432	8	WASHER-PLAIN, 5/8
25	71137120	1	SPROCKET ASSEMBLY SEP'R
	71126056	1	BEARING
26	71126056	1	BEARING
27	70933955	1	BOLT-CARRIAGE, 5/8-11 X 2-3/4
28	7774862	1	NUT-FLANGE, 5/8-18
29	7883283	2	SCREW-FLANGE, 1/4-20 X 1
30	1703354	2	NUT-TOP LOCK, FLANGE, 1/4-20
31	71415367	1	SLIDE-CHAIN
32	71415366	1	BRACKET-SLIDE
33	7770456	2	BOLT-CARRIAGE, 3/8-16 X 3/4
34	Y704734	2	NUT-TOP LOCK, FLANGE, 3/8-16

[A] FOR USE WITH FULL FINGERED AUGERS
ONLY

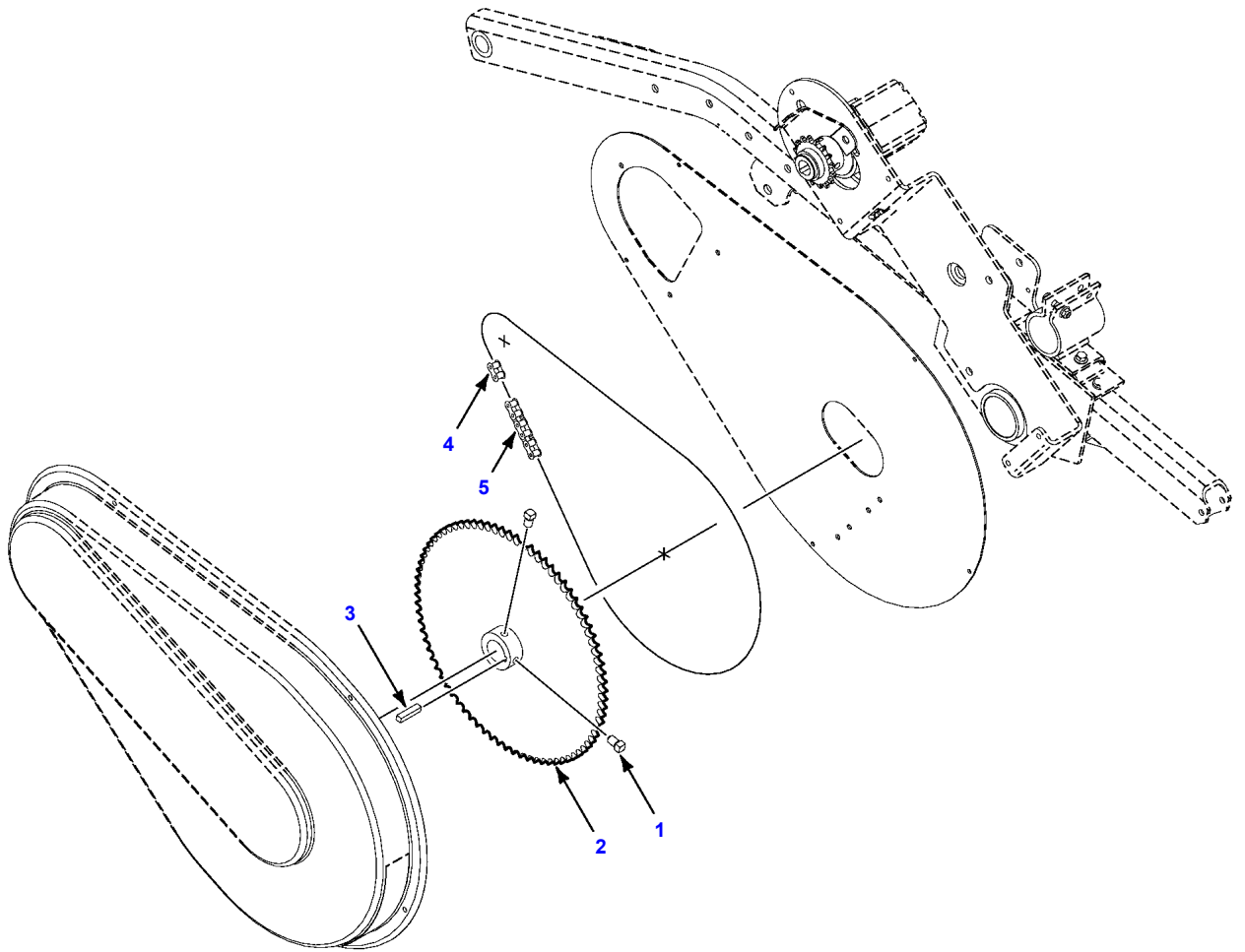
71415708-0
PR: t06d06n18d0005



71406201-0

Item	Part Number	Qty	Description
	71406201	1	CLUTCH ASSEMBLY
1	71419901	1	SPACER
2	70921972	1	CAPSCREW, 3/8-16 X 2-1/2
3	700702916	1	WASHER-PLAIN, 3/8
4	71419902	1	LOCK BRACKET
5	70921971	5	CAPSCREW, 3/8-16 X 1-3/4
6	71370459	1	RING-LOAD AUGER
7	71323992	2	SPRING-SLIP CLUTCH
8	71323169	1	PLATE-THRUST
9	71323170	2	DISC-CLUTCH
10	71404264	1	HUB-AUGER, CLUTCH
11	71377768	1	RING-SPROCKET, BEARING
12	71390982	1	SPROCKET-60A 59 TOOTH

71406201-0
PR: t06d06n18d0006

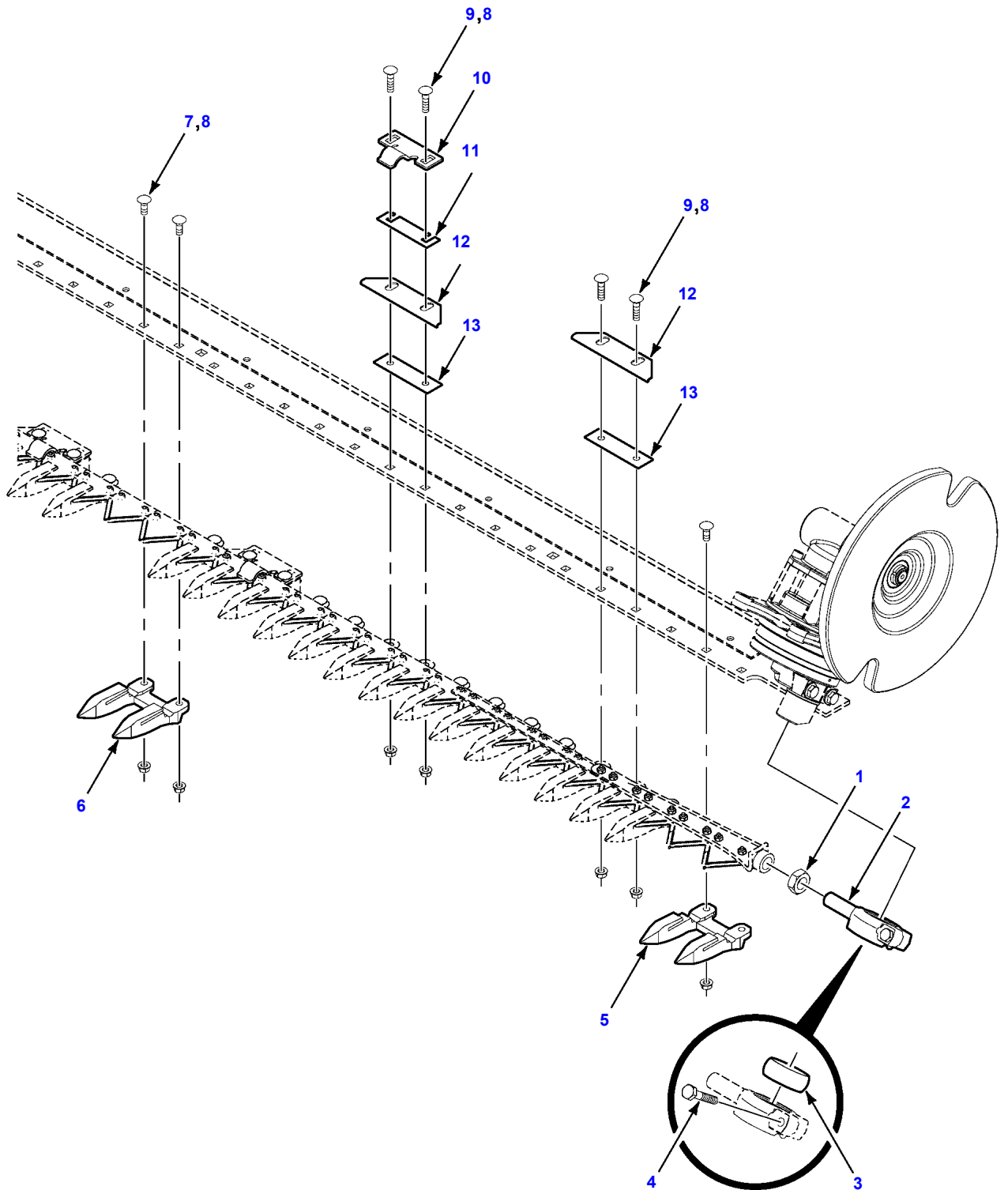


71415304-1

DRIVES - REEL DRIVE

Item	Part Number	Qty	Description
1	70923056	2	1/2-13 X 3/4 SETSCREW-SQUARE HEAD NON PLATED
2	71415309	1	SPROCKET WA-No. 50, 80 TOOTH
3	70918168	1	3/8 X 1-3/4 KEY
4	70913682	1	LINK-CONNECTOR, No. 50 R/C
5	71415312	1	CHAIN-ROLLER No. 50 (105 Pitches)

71415304-1
PR: t06d06n18d0007

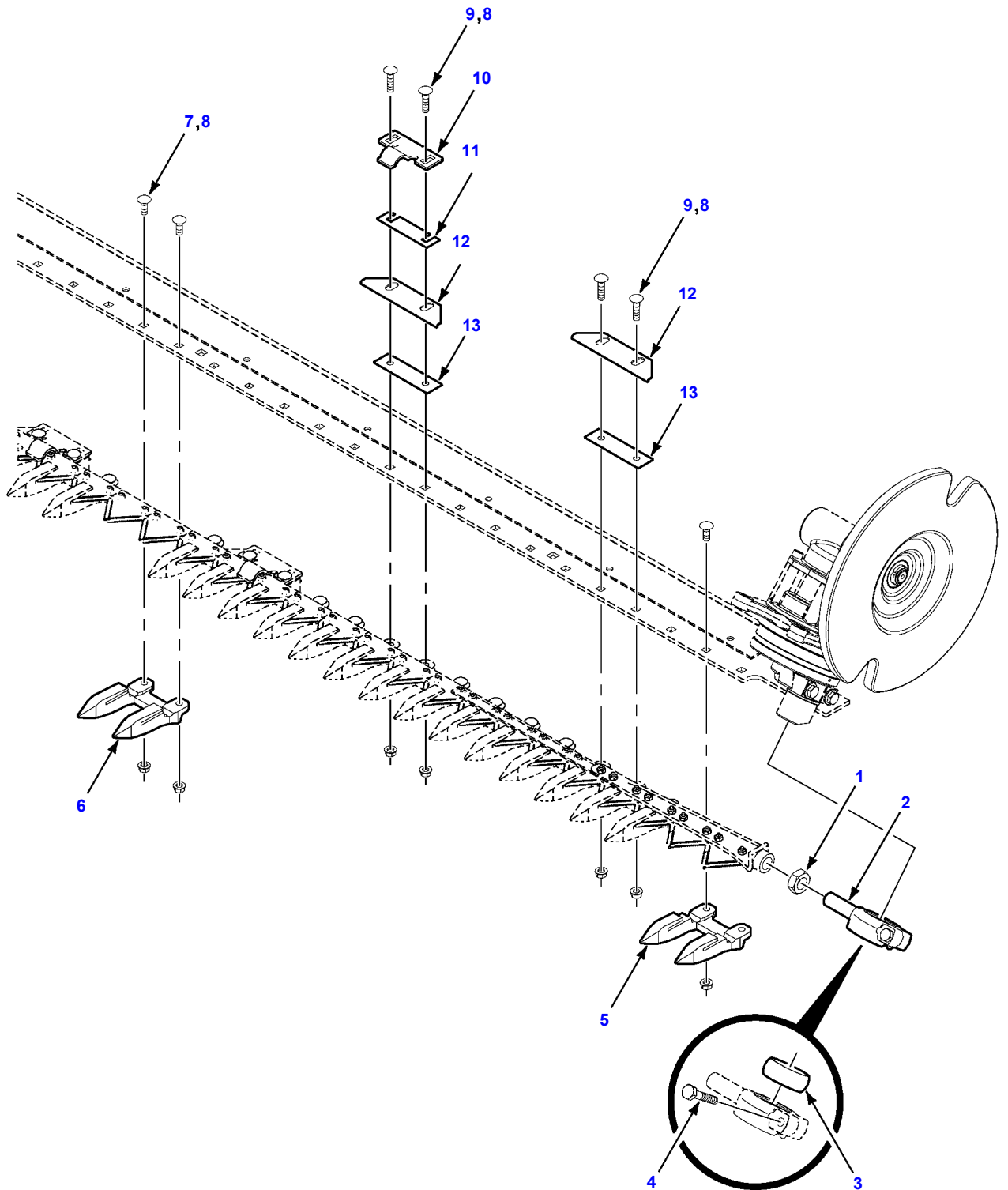


71416481-0

Item	Part Number	Qty	Description
1	7774391	1	NUT-HALF, 7/8-14
2	71404784	1	BEARING BLOCK ASSEMBLY
	700719594	1	BUSHING-NYLON
	7703259	1	CAPSCREW, M12 X 1.75 X 50
3	700719594	1	BUSHING-NYLON
4	7703259	1	CAPSCREW, M12 X 1.75 X 50
5	71415131	1	GUARD-SICKLE, SHORT TANG
6	71386962	49	GUARD-SICKLE, DOUBLE HEAT TREATED
7	70923220	60	BOLT-CARRIAGE, 3/8-16 X 1-1/4
8	704247	100	NUT-LOCK, FLANGE, 3/8-16
9	768036	40	BOLT-CARRIAGE, 3/8-16 X 1-1/2
10	71346158	19	HOLD DOWN CLIP
11	71148214	19	SHIM
12	71116532	20	WEARING PLATE
13	71134082	20	SPACER-SICKLE CLIPS

71416481-0

PR: t07c13m36a0006

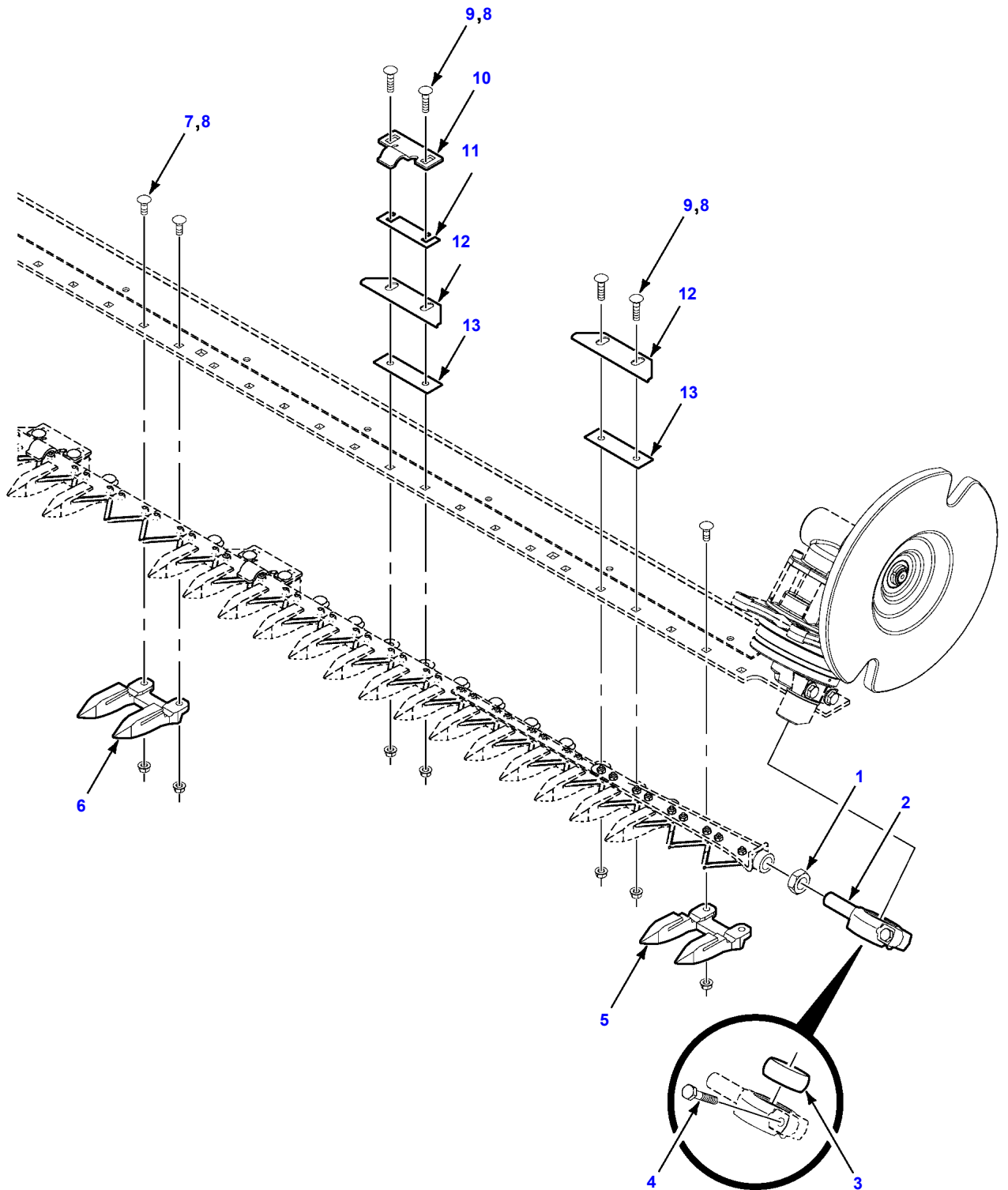


71416478-0

Item	Part Number	Qty	Description
1	7774391	1	NUT-HALF, 7/8-14
2	71404784	1	BEARING BLOCK ASSEMBLY
	700719594	1	BUSHING-NYLON
	7703259	1	CAPSCREW, M12 X 1.75 X 50
3	700719594	1	BUSHING-NYLON
4	7703259	1	CAPSCREW, M12 X 1.75 X 50
5	71415131	1	GUARD-SICKLE, SHORT TANG
6	71386962	59	GUARD-SICKLE, DOUBLE HEAT TREATED
7	70923220	66	BOLT-CARRIAGE, 3/8-16 X 1-1/4
8	704247	120	NUT-LOCK, FLANGE, 3/8-16
9	768036	54	BOLT-CARRIAGE, 3/8-16 X 1-1/2
10	71346158	26	HOLD DOWN CLIP
11	71148214	26	SHIM
12	71116532	27	WEARING PLATE
13	71134082	27	SPACER-SICKLE CLIPS

71416478-0

PR: t07c13m36a0007



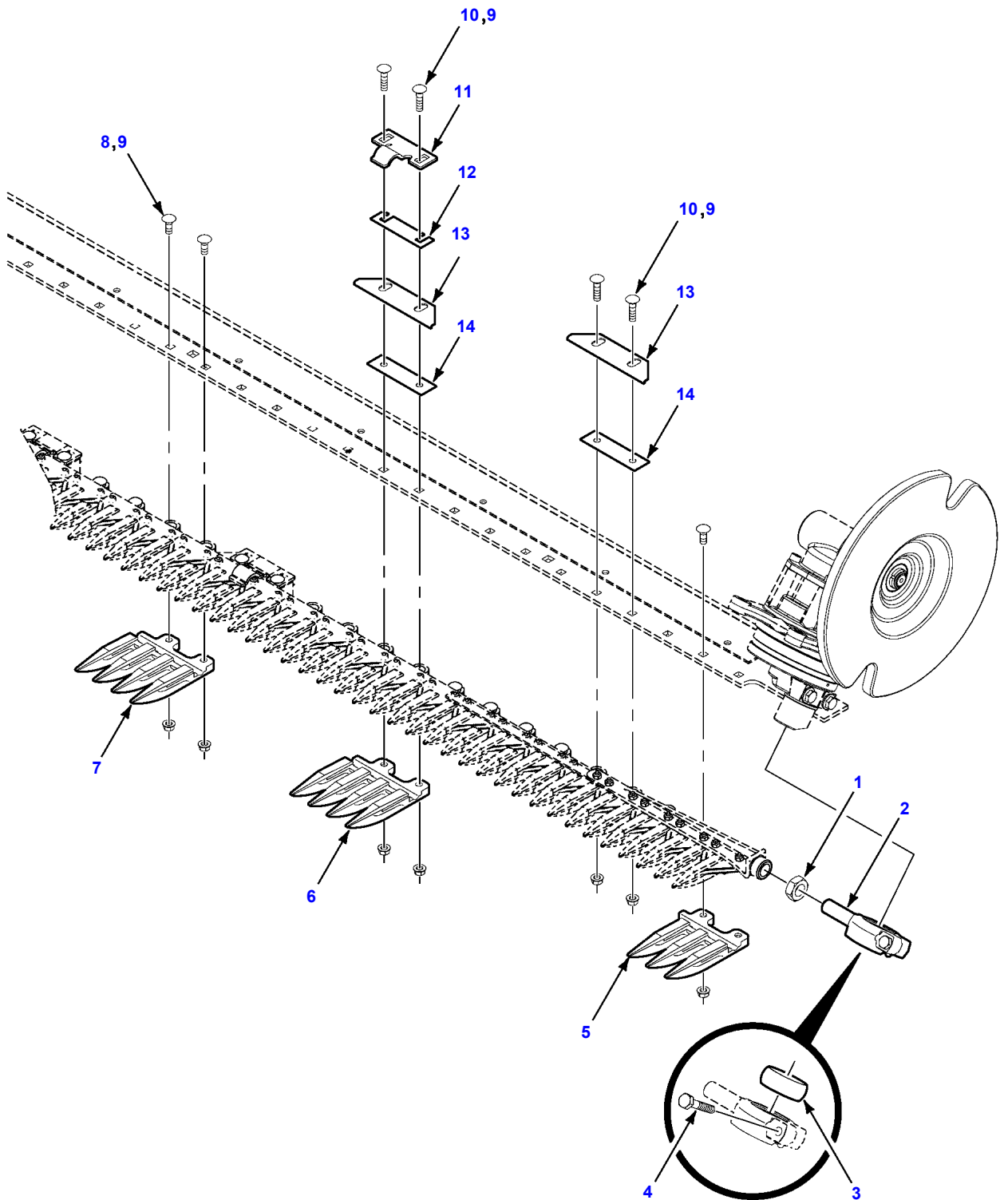
71416416-0

SICKLE - SICKLE AND GUARD MOUNTING-STANDARD, (35 FOOT RIGID)

Item	Part Number	Qty	Description
1	7774391	1	NUT-HALF, 7/8-14
2	71404784	1	BEARING BLOCK ASSEMBLY
	700719594	1	BUSHING-NYLON
	7703259	1	CAPSCREW, M12 X 1.75 X 50
3	700719594	1	BUSHING-NYLON
4	7703259	1	CAPSCREW, M12 X 1.75 X 50
5	71415131	1	GUARD-SICKLE, SHORT TANG
6	71386962	69	GUARD-SICKLE, DOUBLE HEAT TREATED
7	70923220	78	BOLT-CARRIAGE, 3/8-16 X 1-1/4
8	704247	140	NUT-LOCK, FLANGE, 3/8-16
9	768036	62	BOLT-CARRIAGE, 3/8-16 X 1-1/2
10	71346158	30	HOLD DOWN CLIP
11	71148214	30	SHIM
12	71116532	31	WEARING PLATE
13	71134082	31	SPACER-SICKLE CLIPS

71416416-0

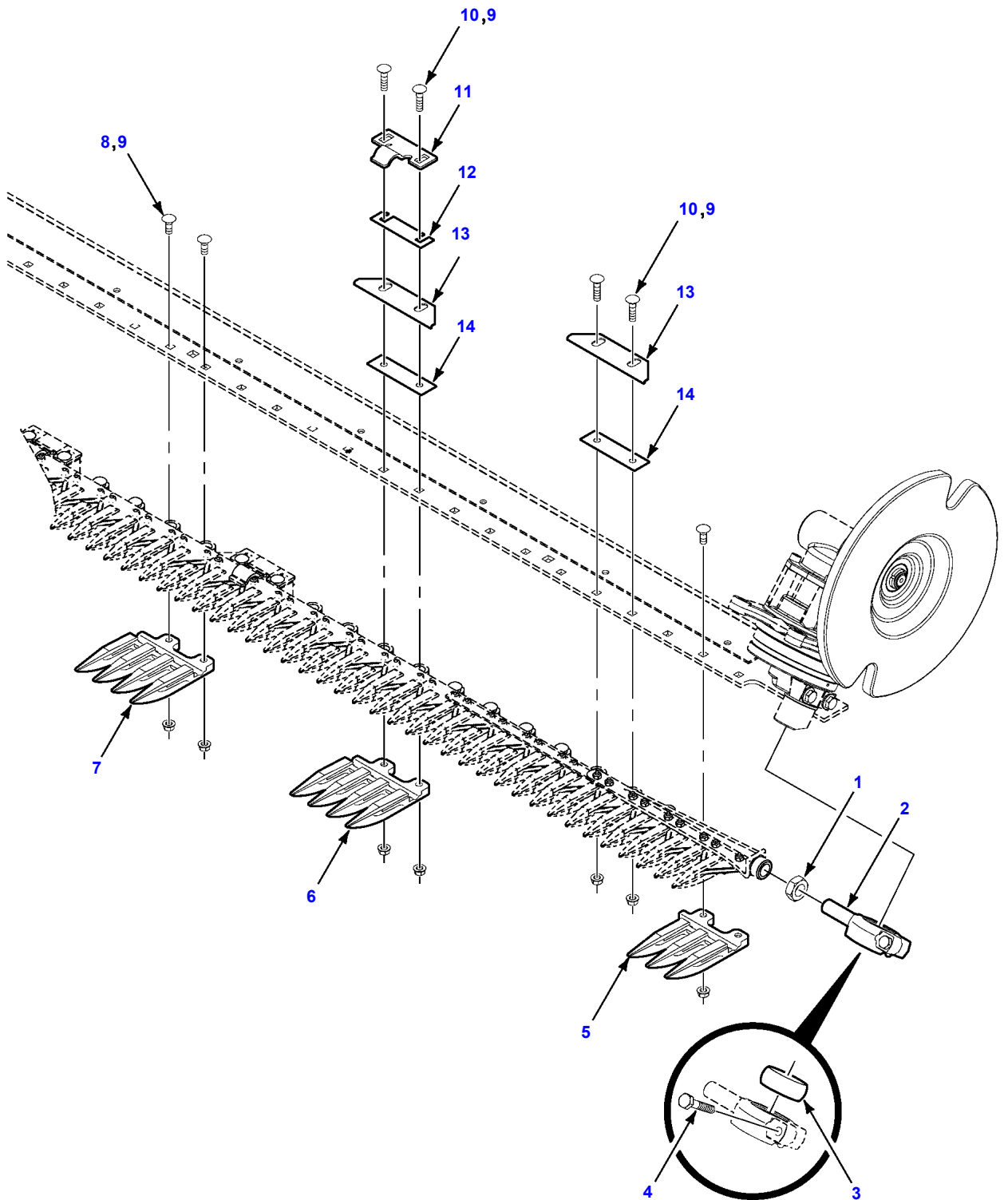
PR: t07c13m36a0008



71416483-0

Item	Part Number	Qty	Description
1	7774391	1	NUT-HALF, 7/8-14
2	71404784	1	BEARING BLOCK ASSEMBLY
	700719594	1	BUSHING-NYLON
	7703259	1	CAPSCREW, M12 X 1.75 X 50
3	700719594	1	BUSHING-NYLON
4	7703259	1	CAPSCREW, M12 X 1.75 X 50
5	71324872	1	GUARD-SICKLE, LEFT END
6	71324871	22	GUARD-SICKLE
7	71315500	27	GUARD-SICKLE
8	70923220	57	BOLT-CARRIAGE, 3/8-16 X 1-1/4
9	704247	100	NUT-LOCK, FLANGE, 3/8-16
10	768036	43	BOLT-CARRIAGE, 3/8-16 X 1-1/2
11	71346158	21	HOLD DOWN CLIP
12	71148214	21	SHIM
13	71116532	22	WEARING PLATE
14	71134082	22	SPACER-SICKLE CLIPS

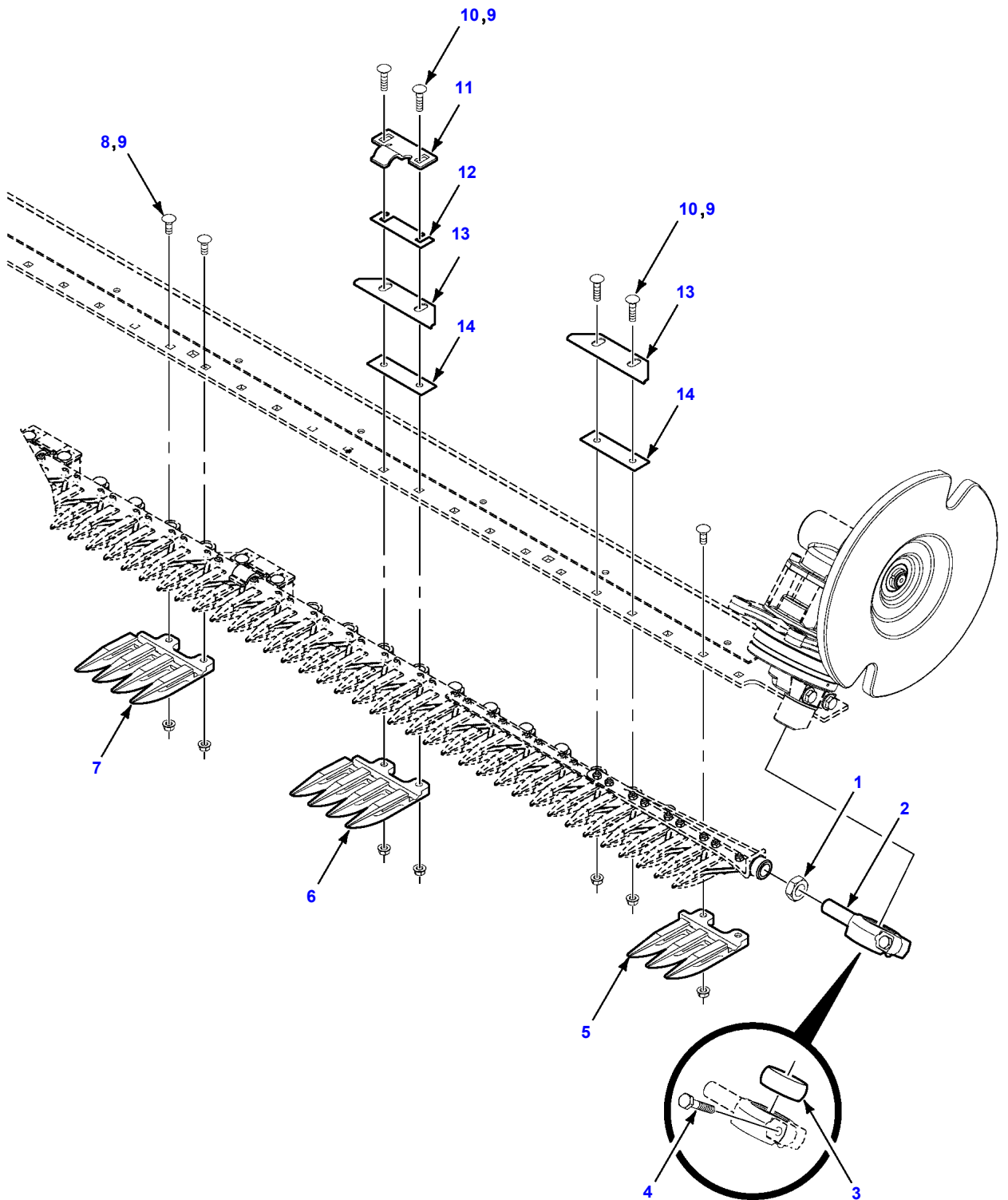
71416483-0
PR: t07c13m36a0009



71416478-0

Item	Part Number	Qty	Description
1	7774391	1	NUT-HALF, 7/8-14
2	71404784	1	BEARING BLOCK ASSEMBLY
	700719594	1	BUSHING-NYLON
	7703259	1	CAPSCREW, M12 X 1.75 X 50
3	700719594	1	BUSHING-NYLON
4	7703259	1	CAPSCREW, M12 X 1.75 X 50
5	71324872	1	GUARD-SICKLE, LEFT END
6	71324871	27	GUARD-SICKLE
7	71315500	32	GUARD-SICKLE
8	70923220	66	BOLT-CARRIAGE, 3/8-16 X 1-1/4
9	704247	120	NUT-LOCK, FLANGE, 3/8-16
10	768036	54	BOLT-CARRIAGE, 3/8-16 X 1-1/2
11	71346158	26	HOLD DOWN CLIP
12	71148214	26	SHIM
13	71116532	27	WEARING PLATE
14	71134082	27	SPACER-SICKLE CLIPS

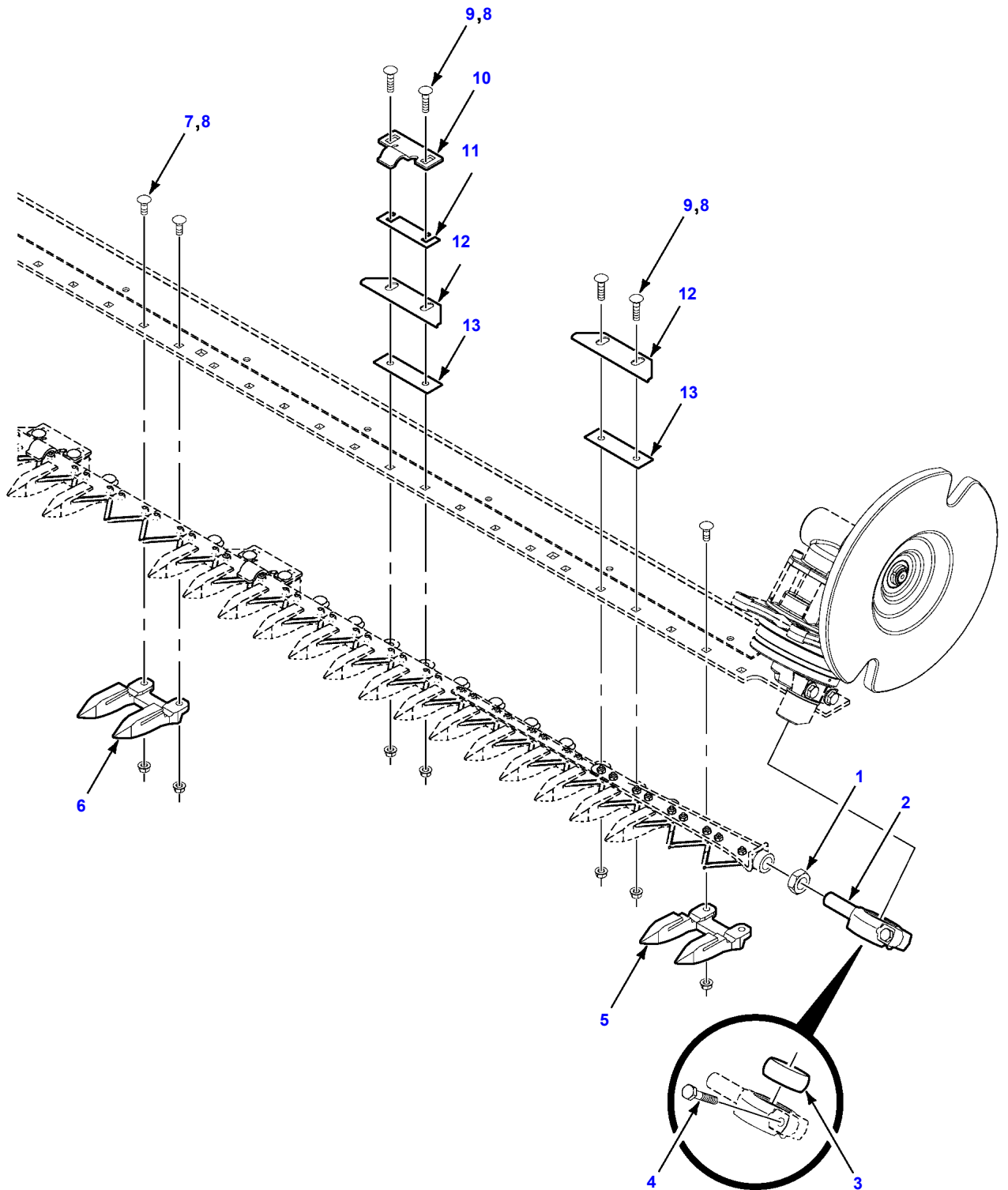
71416479-0
PR: t07c13m36a0010



71416417-0

Item	Part Number	Qty	Description
1	7774391	1	NUT-HALF, 7/8-14
2	71404784	1	BEARING BLOCK ASSEMBLY
	700719594	1	BUSHING-NYLON
	7703259	1	CAPSCREW, M12 X 1.75 X 50
3	700719594	1	BUSHING-NYLON
4	7703259	1	CAPSCREW, M12 X 1.75 X 50
5	71324872	1	GUARD-SICKLE, LEFT END
6	71324871	32	GUARD-SICKLE
7	71315500	37	GUARD-SICKLE
8	70923220	78	BOLT-CARRIAGE, 3/8-16 X 1-1/4
9	704247	140	NUT-LOCK, FLANGE, 3/8-16
10	768036	62	BOLT-CARRIAGE, 3/8-16 X 1-1/2
11	71346158	30	HOLD DOWN CLIP
12	71148214	30	SHIM
13	71116532	31	WEARING PLATE
14	71134082	31	SPACER-SICKLE CLIPS

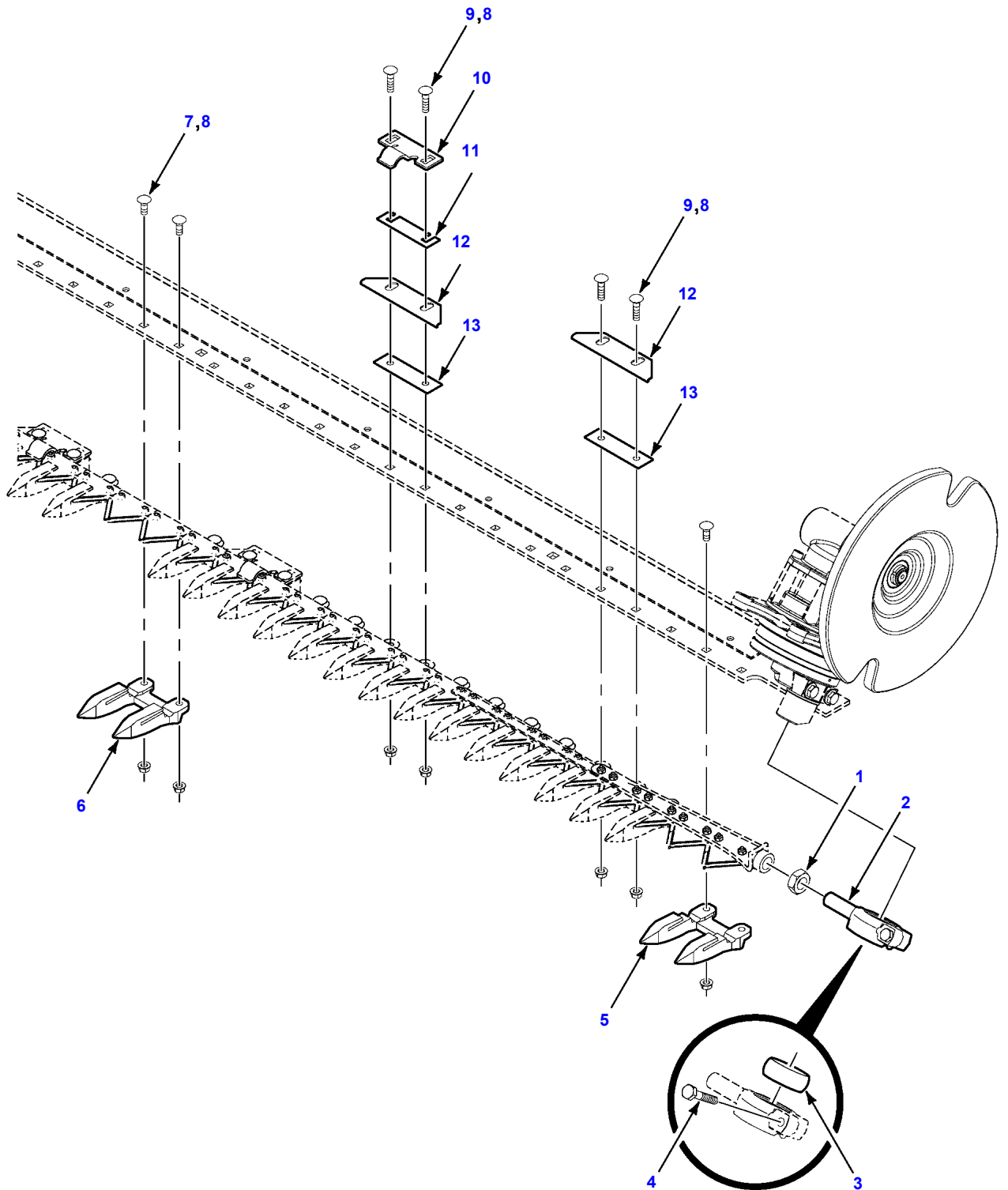
71416417-0
PR: t07c13m36a0011



71416489-0

Item	Part Number	Qty	Description
1	7774391	1	NUT-HALF, 7/8-14
2	71404784	1	BEARING BLOCK ASSEMBLY
	700719594	1	BUSHING-NYLON
	7703259	1	CAPSCREW, M12 X 1.75 X 50
3	700719594	1	BUSHING-NYLON
4	7703259	1	CAPSCREW, M12 X 1.75 X 50
5	71415131	1	GUARD-SICKLE, SHORT TANG
6	71386962	39	GUARD-SICKLE, DOUBLE HEAT TREATED
7	68759	42	BOLT-CARRIAGE, 3/8-16 X 1
8	704247	80	NUT-LOCK, FLANGE, 3/8-16
9	768036	38	BOLT-CARRIAGE, 3/8-16 X 1-1/2
10	71346158	18	HOLD DOWN CLIP
11	71148214	18	SHIM
12	71116532	19	WEARING PLATE
13	71134082	19	SPACER-SICKLE CLIPS

71416469-0
PR: t07c13m36a0012



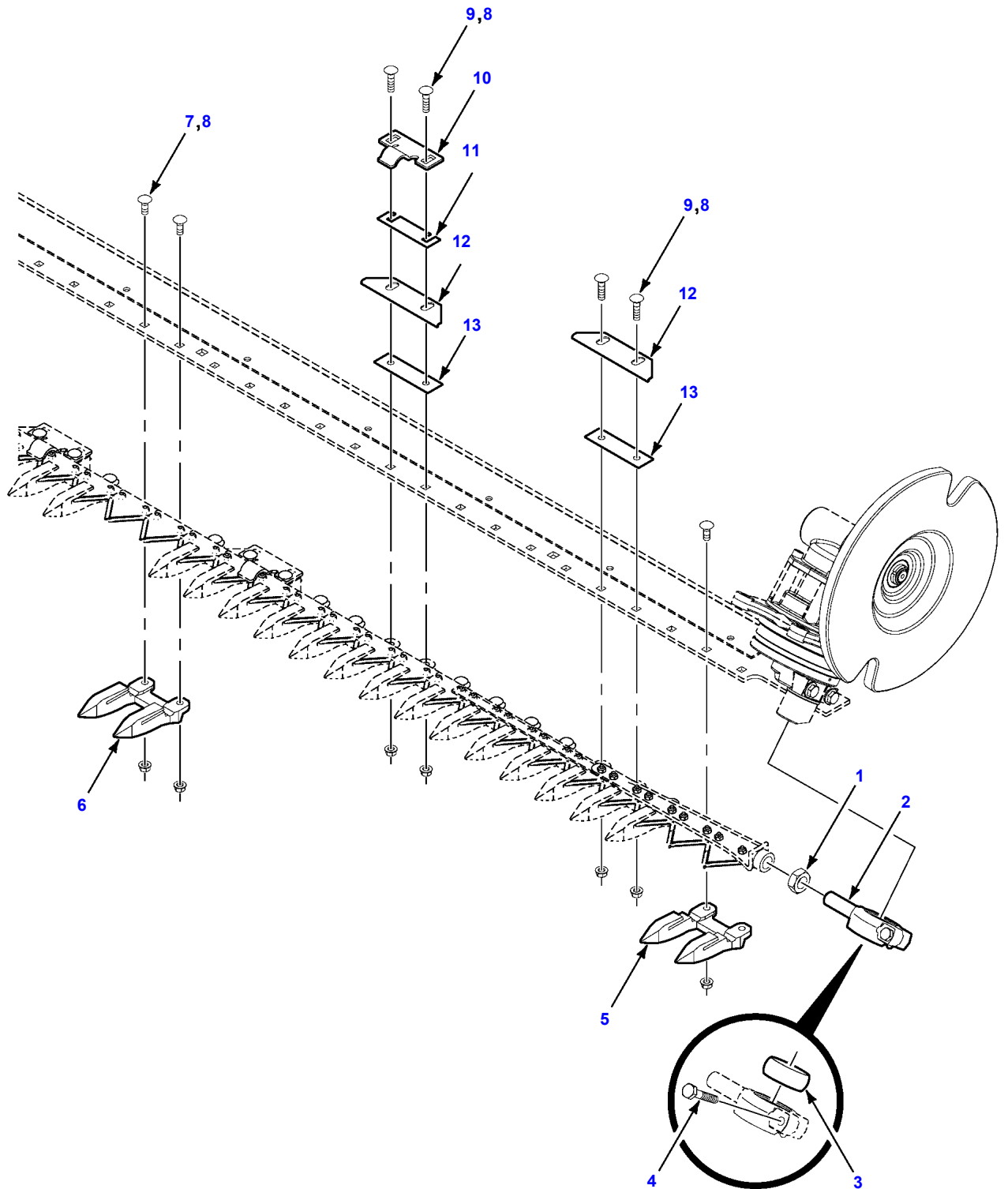
71416488-0

SICKLE - SICKLE AND GUARD MOUNTING-STANDARD, (25 FOOT FLEX)

Item	Part Number	Qty	Description
1	7774391	1	NUT-HALF, 7/8-14
2	71404784	1	BEARING BLOCK ASSEMBLY
	700719594	1	BUSHING-NYLON
	7703259	1	CAPSCREW, M12 X 1.75 X 50
3	700719594	1	BUSHING-NYLON
4	7703259	1	CAPSCREW, M12 X 1.75 X 50
5	71415131	1	GUARD-SICKLE, SHORT TANG
6	71386962	49	GUARD-SICKLE, DOUBLE HEAT TREATED
7	68759	60	BOLT-CARRIAGE, 3/8-16 X 1
8	704247	100	NUT-LOCK, FLANGE, 3/8-16
9	768036	40	BOLT-CARRIAGE, 3/8-16 X 1-1/2
10	71346158	19	HOLD DOWN CLIP
11	71148214	19	SHIM
12	71116532	20	WEARING PLATE
13	71134082	20	SPACER-SICKLE CLIPS

71416468-0

PR: t07c13m36a0013

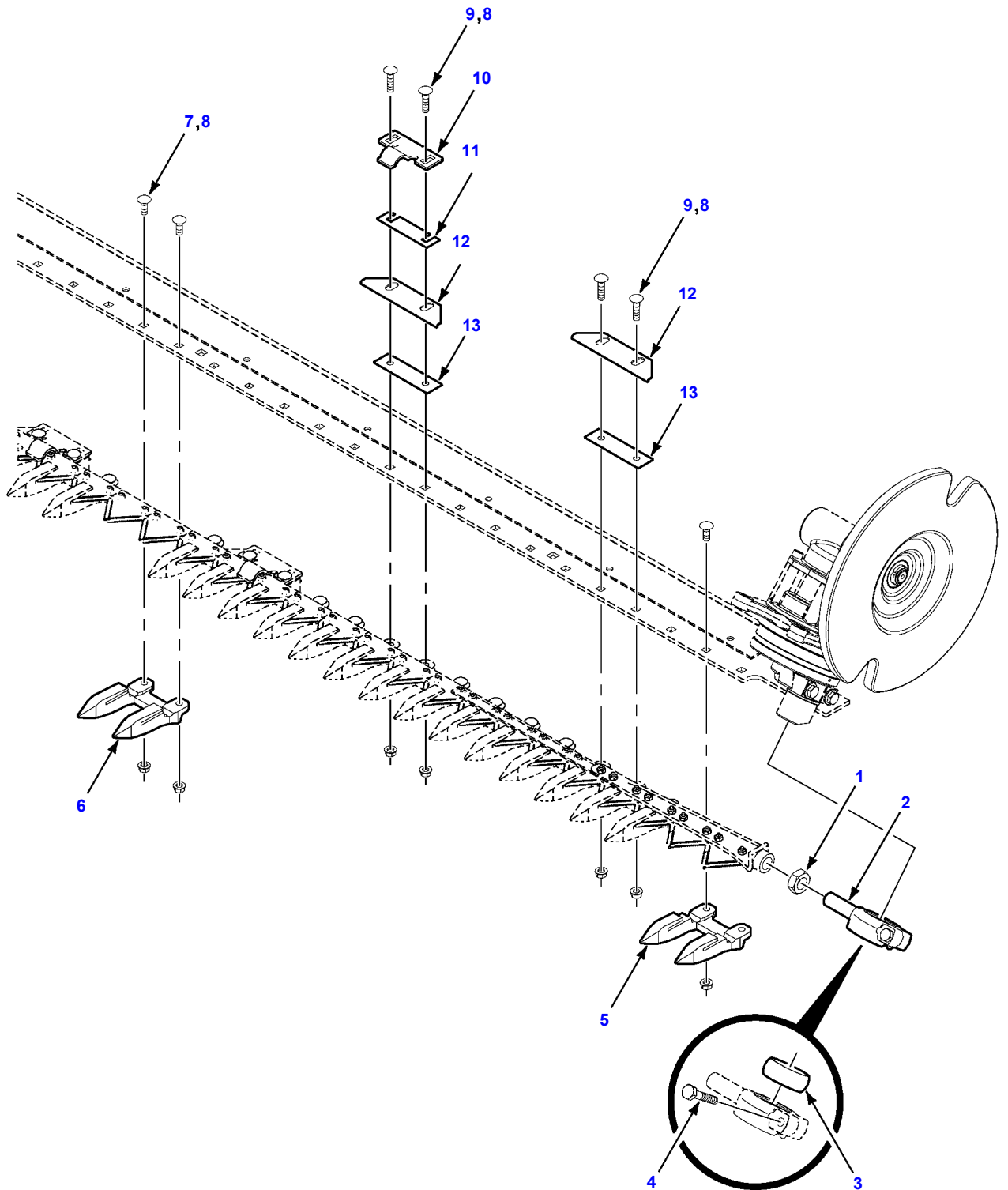


71416487-0

Item	Part Number	Qty	Description
1	7774391	1	NUT-HALF, 7/8-14
2	71404784	1	BEARING BLOCK ASSEMBLY
	700719594	1	BUSHING-NYLON
	7703259	1	CAPSCREW, M12 X 1.75 X 50
3	700719594	1	BUSHING-NYLON
4	7703259	1	CAPSCREW, M12 X 1.75 X 50
5	71415131	1	GUARD-SICKLE, SHORT TANG
6	71386962	59	GUARD-SICKLE, DOUBLE HEAT TREATED
7	68759	66	BOLT-CARRIAGE, 3/8-16 X 1
8	704247	120	NUT-LOCK, FLANGE, 3/8-16
9	768036	54	BOLT-CARRIAGE, 3/8-16 X 1-1/2
10	71346158	26	HOLD DOWN CLIP
11	71148214	26	SHIM
12	71116532	27	WEARING PLATE
13	71134082	27	SPACER-SICKLE CLIPS

71416467-0

PR: t07c13m36a0014

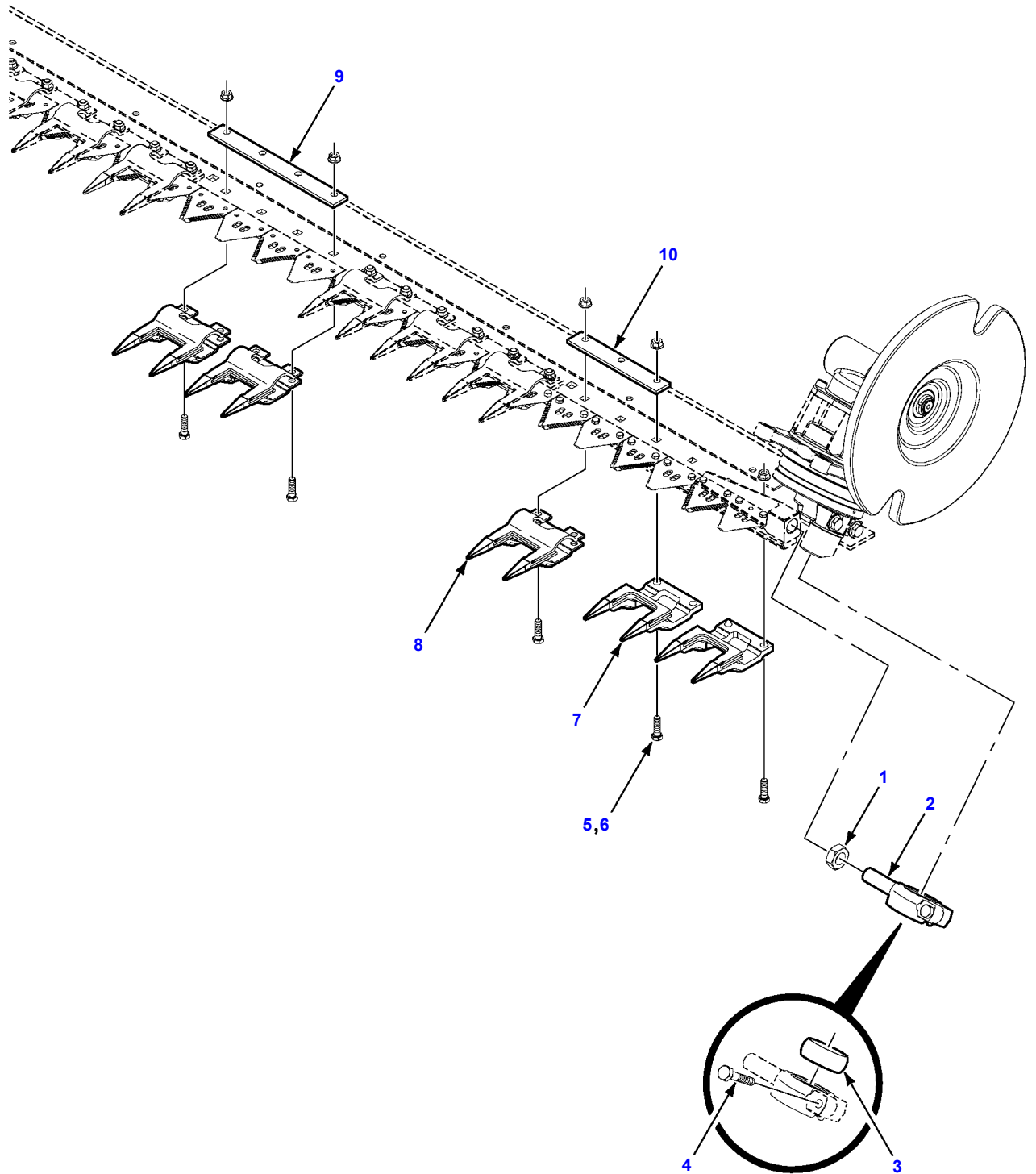


71416410-0

Item	Part Number	Qty	Description
1	7774391	1	NUT-HALF, 7/8-14
2	71404784	1	BEARING BLOCK ASSEMBLY
	700719594	1	BUSHING-NYLON
	7703259	1	CAPSCREW, M12 X 1.75 X 50
3	700719594	1	BUSHING-NYLON
4	7703259	1	CAPSCREW, M12 X 1.75 X 50
5	71415131	1	GUARD-SICKLE, SHORT TANG
6	71386962	69	GUARD-SICKLE, DOUBLE HEAT TREATED
7	68759	78	BOLT-CARRIAGE, 3/8-16 X 1
8	704247	140	NUT-LOCK, FLANGE, 3/8-16
9	768036	62	BOLT-CARRIAGE, 3/8-16 X 1-1/2
10	71346158	30	HOLD DOWN CLIP
11	71148214	30	SHIM
12	71116532	31	WEARING PLATE
13	71134082	31	SPACER-SICKLE CLIPS

71416410-0

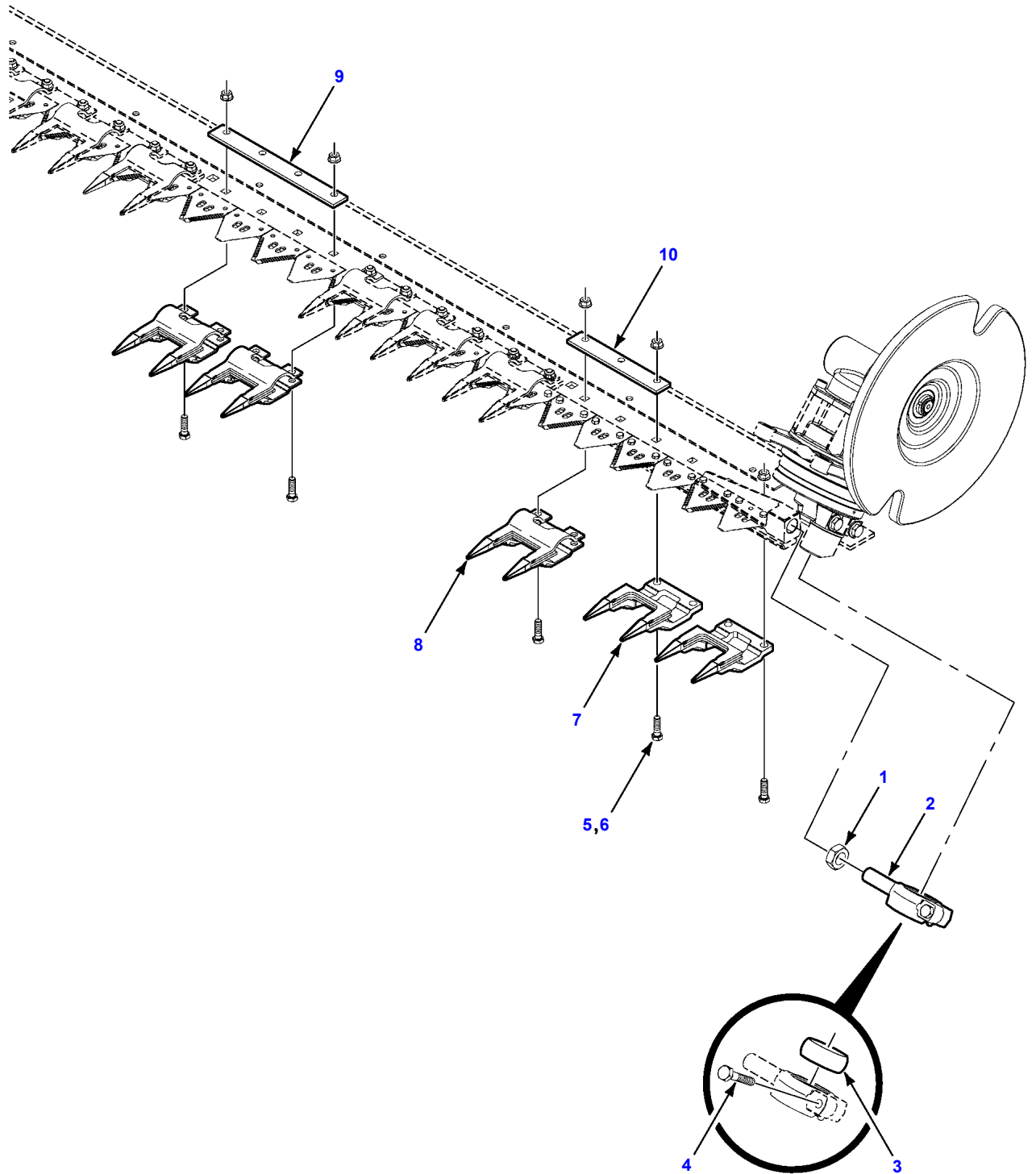
PR: t06d06n18d0008



71416477-0

Item	Part Number	Qty	Description
1	7774391	1	NUT-HALF, 7/8-14
2	71404784	1	BEARING BLOCK ASSEMBLY
	700719594	1	BUSHING-NYLON
	7703259	1	CAPSCREW, M12 X 1.75 X 50
3	700719594	1	BUSHING-NYLON
4	7703259	1	CAPSCREW, M12 X 1.75 X 50
5	70920415	80	CAPSCREW, 3/8-16 X 1-1/4
6	704247	80	NUT-LOCK, FLANGE, 3/8-16
7	71386905	2	GUARD-LEFT
8	71386906	37	GUARD-STANDARD, SHUMACHER
9	71386908	8	SPACER-GUARD, 4 HOLE
10	71386909	15	SPACER-GUARD, 3 HOLE

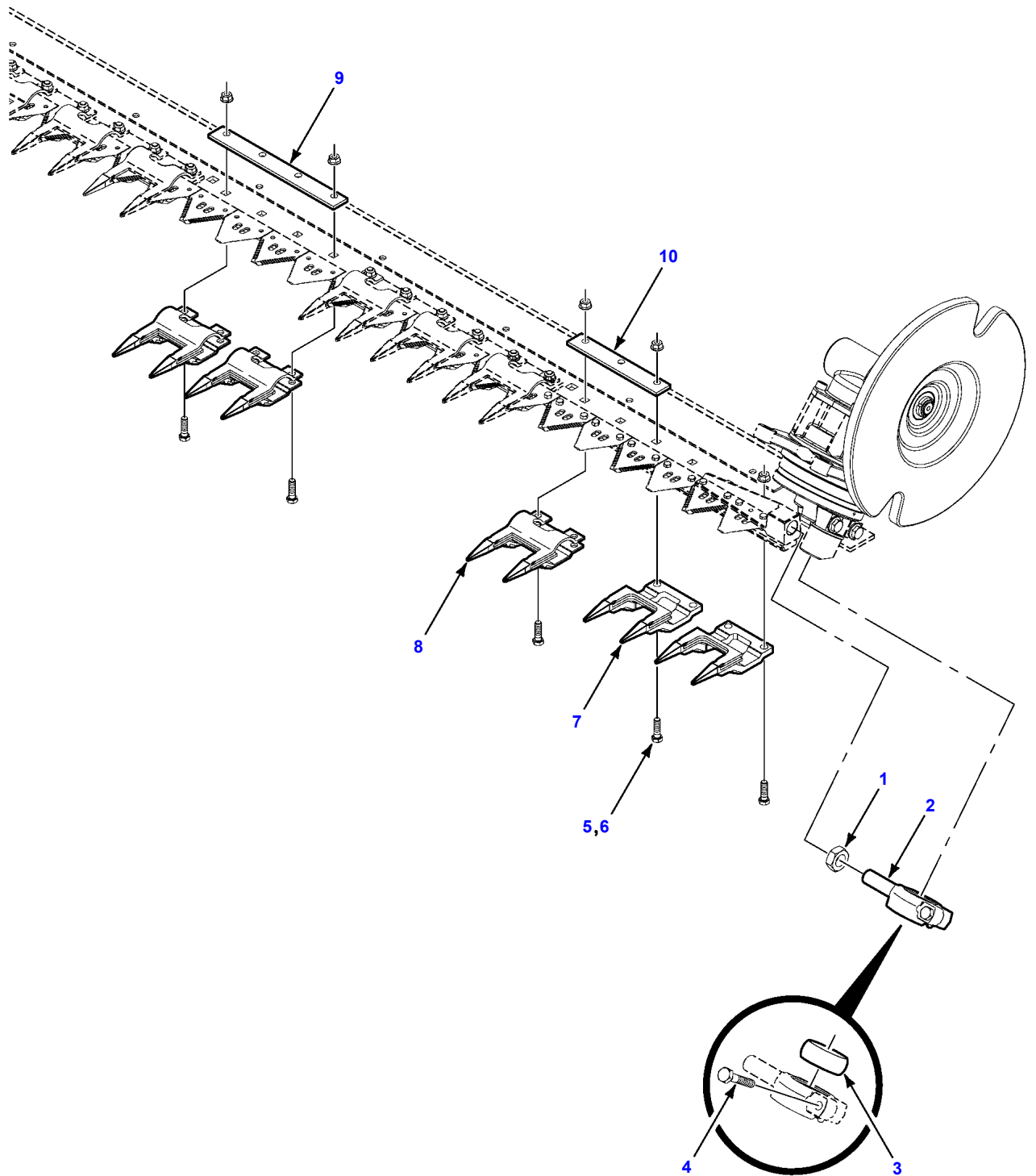
71416477-0
PR: t07c13m36a0015



71416472-0

Item	Part Number	Qty	Description
1	7774391	1	NUT-HALF, 7/8-14
2	71404784	1	BEARING BLOCK ASSEMBLY
	700719594	1	BUSHING-NYLON
	7703259	1	CAPSCREW, M12 X 1.75 X 50
3	700719594	1	BUSHING-NYLON
4	7703259	1	CAPSCREW, M12 X 1.75 X 50
5	70920415	100	CAPSCREW, 3/8-16 X 1-1/4
6	704247	100	NUT-LOCK, FLANGE, 3/8-16
7	71386905	2	GUARD-LEFT
8	71386906	45	GUARD-STANDARD, SHUMACHER
9	71386908	11	SPACER-GUARD, 4 HOLE
10	71386909	18	SPACER-GUARD, 3 HOLE

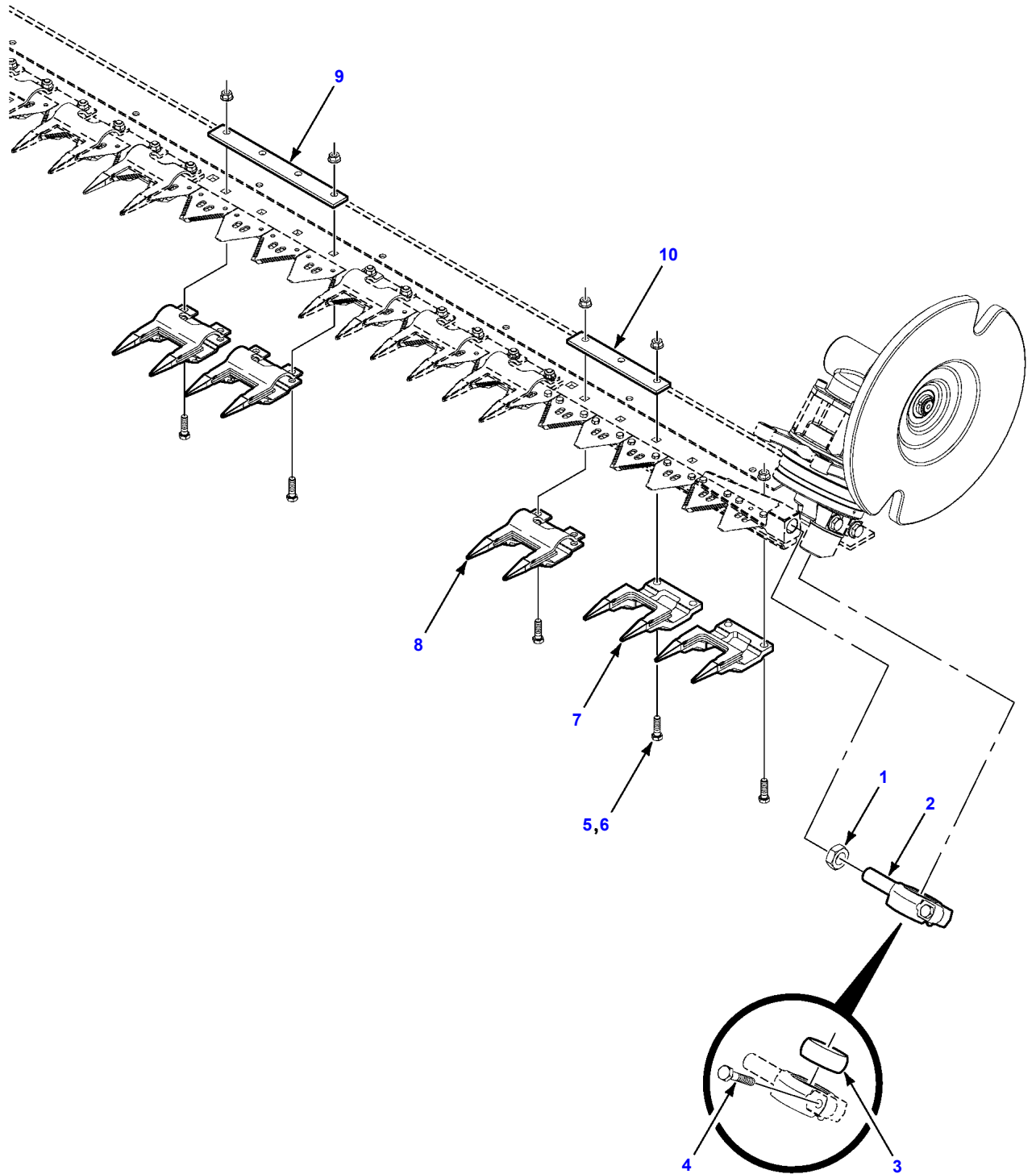
71416472-0
PR: t07c13m36a0016



71416466-0

Item	Part Number	Qty	Description
1	7774391	1	NUT-HALF, 7/8-14
2	71404784	1	BEARING BLOCK ASSEMBLY
	700719594	1	BUSHING-NYLON
	7703259	1	CAPSCREW, M12 X 1.75 X 50
3	700719594	1	BUSHING-NYLON
4	7703259	1	CAPSCREW, M12 X 1.75 X 50
5	70920415	120	CAPSCREW, 3/8-16 X 1-1/4
6	704247	120	NUT-LOCK, FLANGE, 3/8-16
7	71386905	2	GUARD-LEFT
8	71386906	56	GUARD-STANDARD, SHUMACHER
9	71386908	15	SPACER-GUARD, 4 HOLE
10	71386909	19	SPACER-GUARD, 3 HOLE

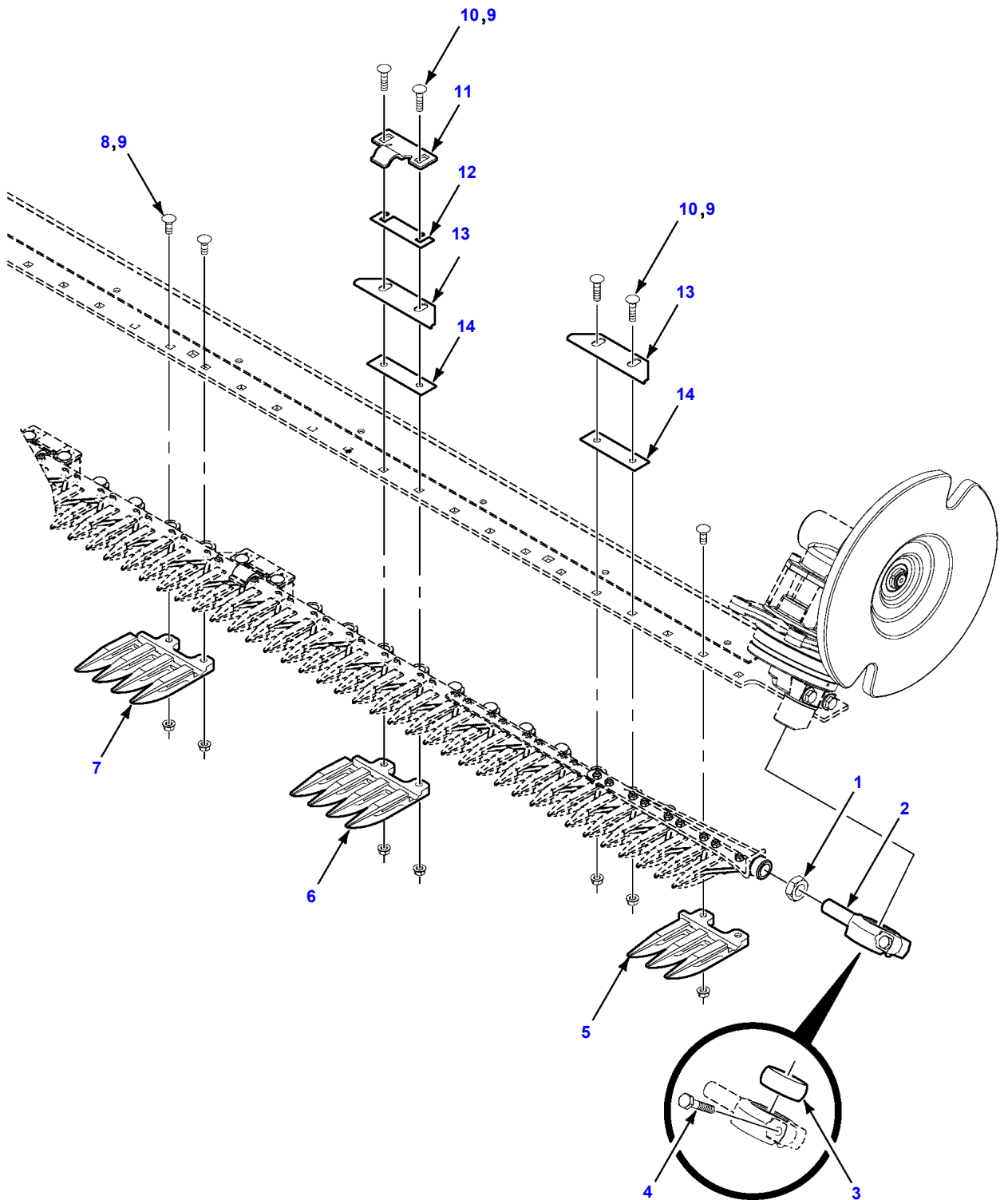
71416466-0
PR: t07c13m36a0017



71416412-0

Item	Part Number	Qty	Description
1	7774391	1	NUT-HALF, 7/8-14
2	71404784	1	BEARING BLOCK ASSEMBLY
	700719594	1	BUSHING-NYLON
	7703259	1	CAPSCREW, M12 X 1.75 X 50
3	700719594	1	BUSHING-NYLON
4	7703259	1	CAPSCREW, M12 X 1.75 X 50
5	70920415	140	CAPSCREW, 3/8-16 X 1-1/4
6	704247	140	NUT-LOCK, FLANGE, 3/8-16
7	71386905	2	GUARD-LEFT
8	71386906	66	GUARD-STANDARD, SHUMACHER
9	71386908	17	SPACER-GUARD, 4 HOLE
10	71386909	23	SPACER-GUARD, 3 HOLE

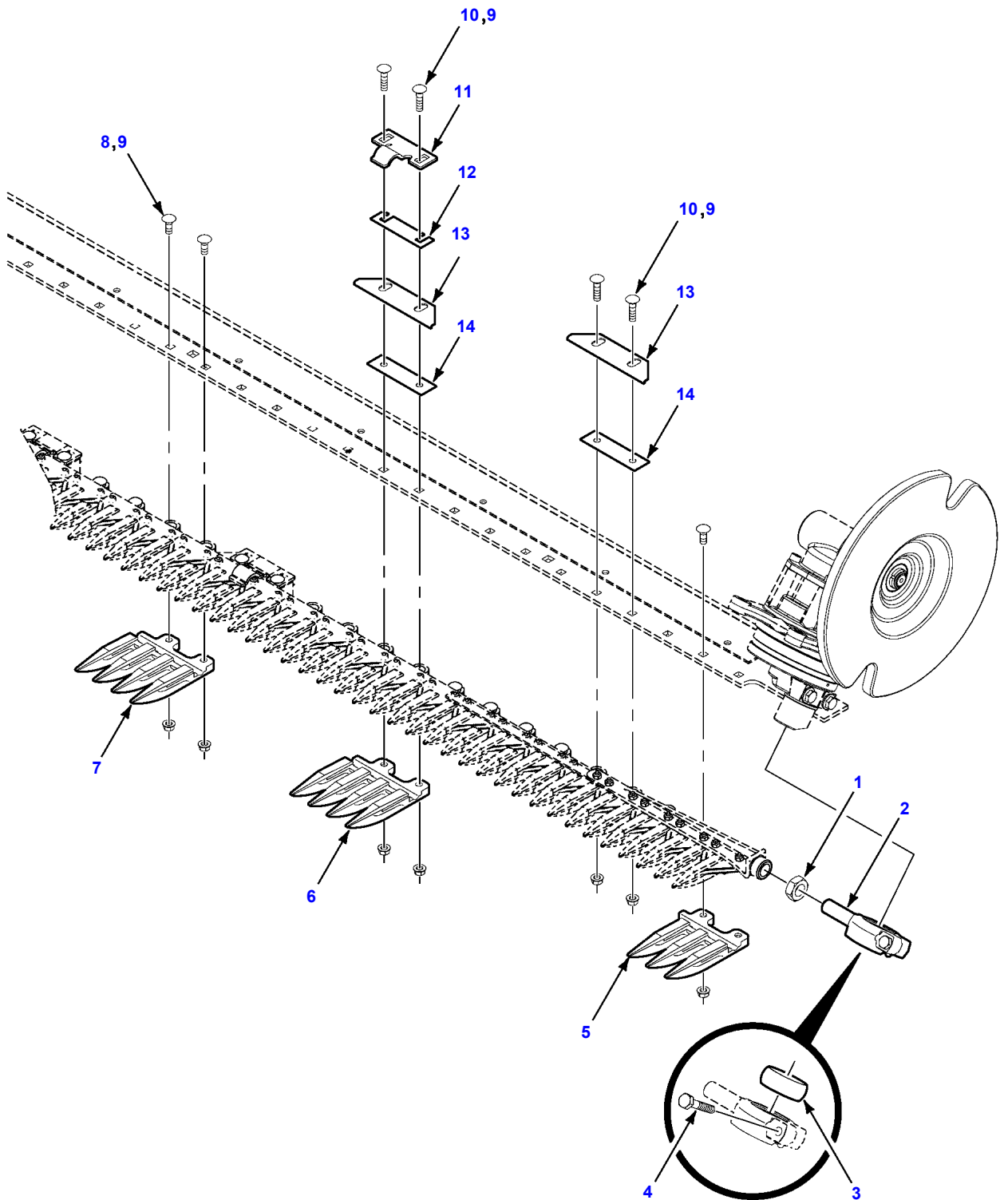
71416412-0
PR: t06d06n18d0009



71416476-0

Item	Part Number	Qty	Description
1	7774391	1	NUT-HALF, 7/8-14
2	71404784	1	BEARING BLOCK ASSEMBLY
	700719594	1	BUSHING-NYLON
	7703259	1	CAPSCREW, M12 X 1.75 X 50
3	700719594	1	BUSHING-NYLON
4	7703259	1	CAPSCREW, M12 X 1.75 X 50
5	71324872	1	GUARD-SICKLE, LEFT END
6	71324871	18	GUARD-SICKLE
7	71315500	21	GUARD-SICKLE
8	68759	42	BOLT-CARRIAGE, 3/8-16 X 1
9	704247	80	NUT-LOCK, FLANGE, 3/8-16
10	768036	38	BOLT-CARRIAGE, 3/8-16 X 1-1/2
11	71346158	18	HOLD DOWN CLIP
12	71148214	18	SHIM
13	71116532	19	WEARING PLATE
14	71134082	19	SPACER-SICKLE CLIPS

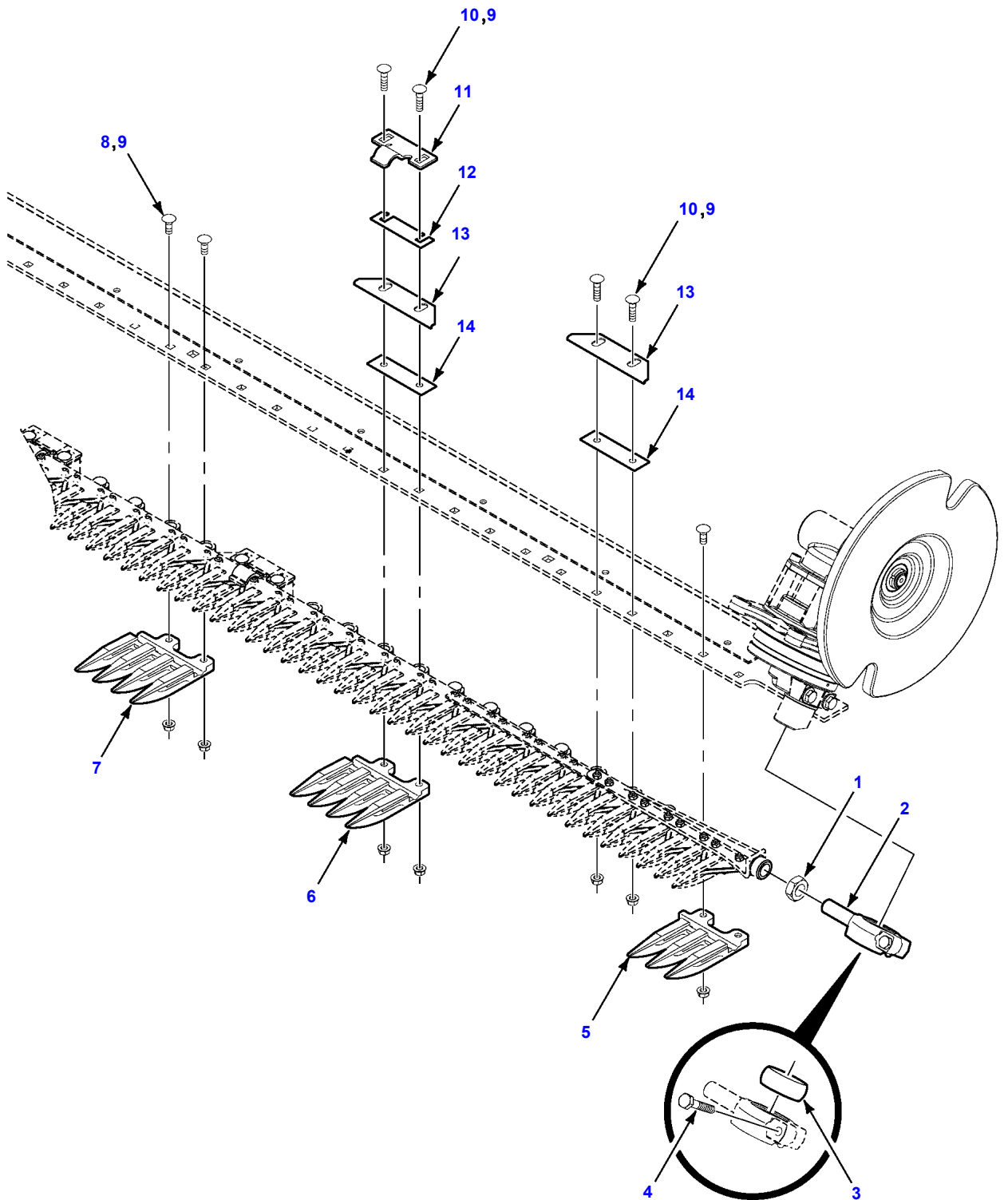
71416476-0
PR: t07c13m36a0018



71416475-0

Item	Part Number	Qty	Description
1	7774391	1	NUT-HALF, 7/8-14
2	71404784	1	BEARING BLOCK ASSEMBLY
	700719594	1	BUSHING-NYLON
	7703259	1	CAPSCREW, M12 X 1.75 X 50
3	700719594	1	BUSHING-NYLON
4	7703259	1	CAPSCREW, M12 X 1.75 X 50
5	71324872	1	GUARD-SICKLE, LEFT END
6	71324871	22	GUARD-SICKLE
7	71315500	27	GUARD-SICKLE
8	68759	57	BOLT-CARRIAGE, 3/8-16 X 1
9	704247	100	NUT-LOCK, FLANGE, 3/8-16
10	768036	43	BOLT-CARRIAGE, 3/8-16 X 1-1/2
11	71346158	21	HOLD DOWN CLIP
12	71148214	21	SHIM
13	71116532	22	WEARING PLATE
14	71134082	22	SPACER-SICKLE CLIPS

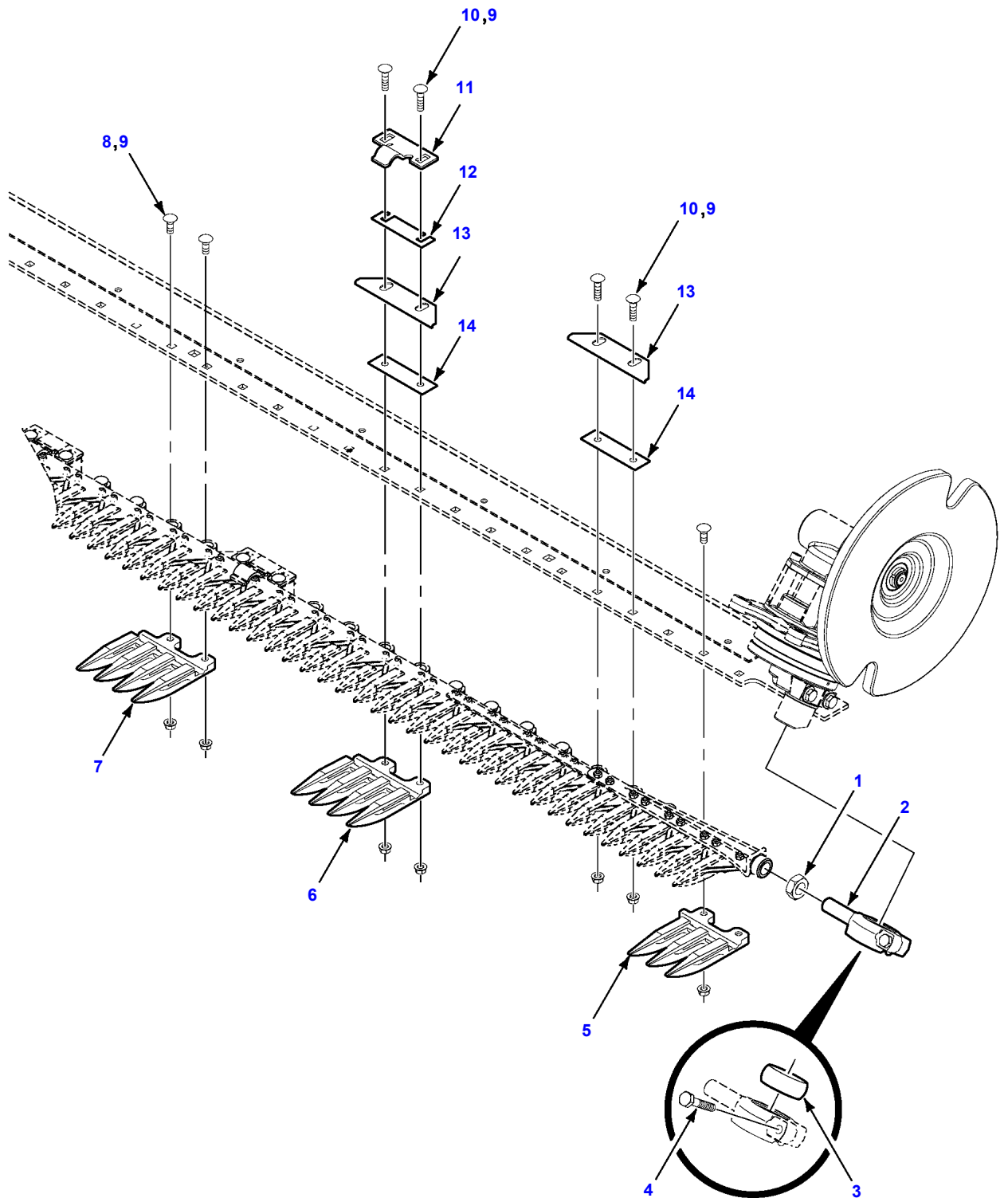
71416475-0
PR: t07c13m36a0019



71416474-0

Item	Part Number	Qty	Description
1	7774391	1	NUT-HALF, 7/8-14
2	71404784	1	BEARING BLOCK ASSEMBLY
	700719594	1	BUSHING-NYLON
	7703259	1	CAPSCREW, M12 X 1.75 X 50
3	700719594	1	BUSHING-NYLON
4	7703259	1	CAPSCREW, M12 X 1.75 X 50
5	71324872	1	GUARD-SICKLE, LEFT END
6	71324871	27	GUARD-SICKLE
7	71315500	32	GUARD-SICKLE
8	68759	66	BOLT-CARRIAGE, 3/8-16 X 1
9	704247	120	NUT-LOCK, FLANGE, 3/8-16
10	768036	54	BOLT-CARRIAGE, 3/8-16 X 1-1/2
11	71346158	26	HOLD DOWN CLIP
12	71148214	26	SHIM
13	71116532	27	WEARING PLATE
14	71134082	27	SPACER-SICKLE CLIPS

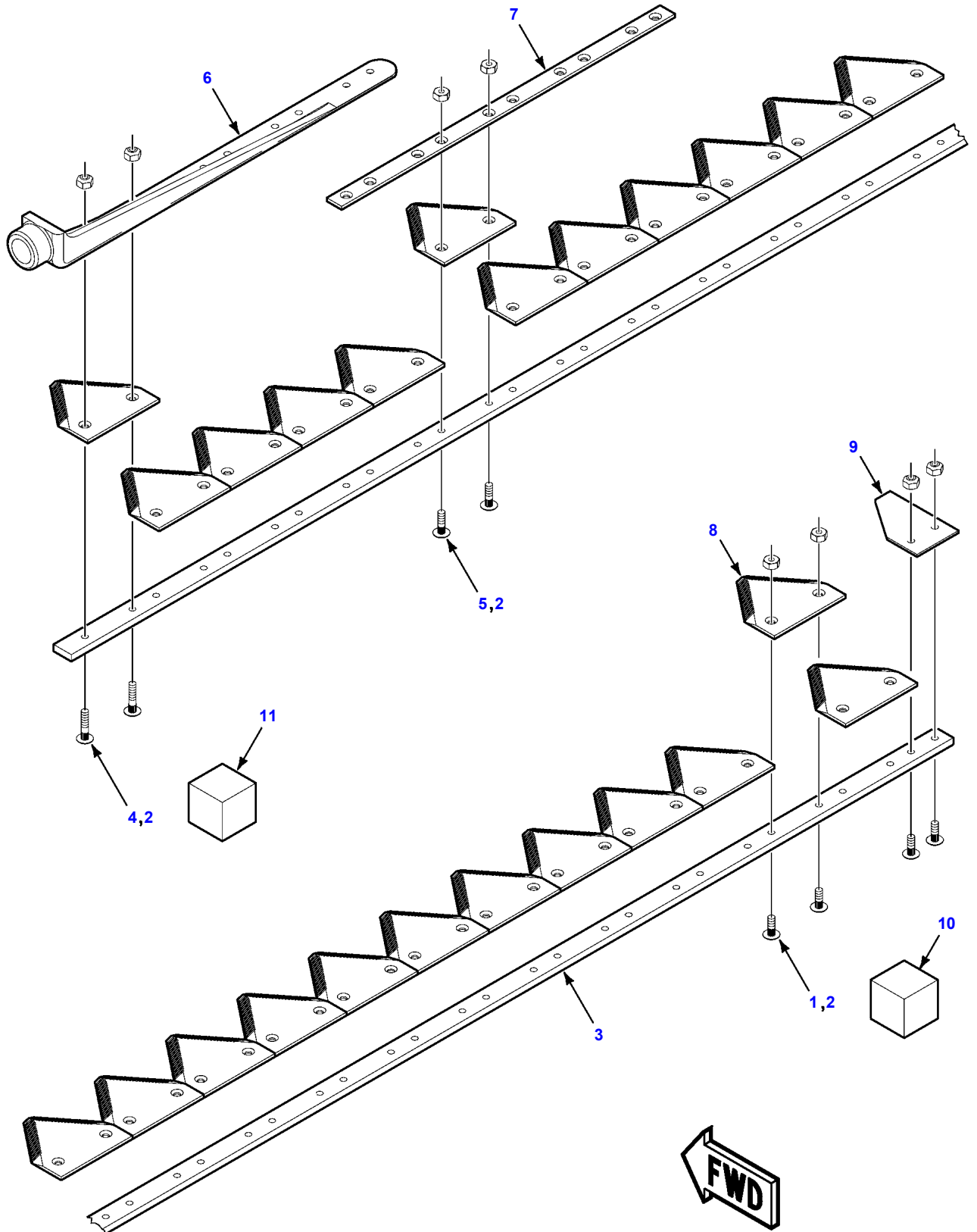
71416474-0
PR: t07c13m36a0020



71416411-0

Item	Part Number	Qty	Description
1	7774391	1	NUT-HALF, 7/8-14
2	71404784	1	BEARING BLOCK ASSEMBLY
	700719594	1	BUSHING-NYLON
	7703259	1	CAPSCREW, M12 X 1.75 X 50
3	700719594	1	BUSHING-NYLON
4	7703259	1	CAPSCREW, M12 X 1.75 X 50
5	71324872	1	GUARD-SICKLE, LEFT END
6	71324871	32	GUARD-SICKLE
7	71315500	37	GUARD-SICKLE
8	68759	78	BOLT-CARRIAGE, 3/8-16 X 1
9	704247	140	NUT-LOCK, FLANGE, 3/8-16
10	768036	62	BOLT-CARRIAGE, 3/8-16 X 1-1/2
11	71346158	30	HOLD DOWN CLIP
12	71148214	30	SHIM
13	71116532	31	WEARING PLATE
14	71134082	31	SPACER-SICKLE CLIPS

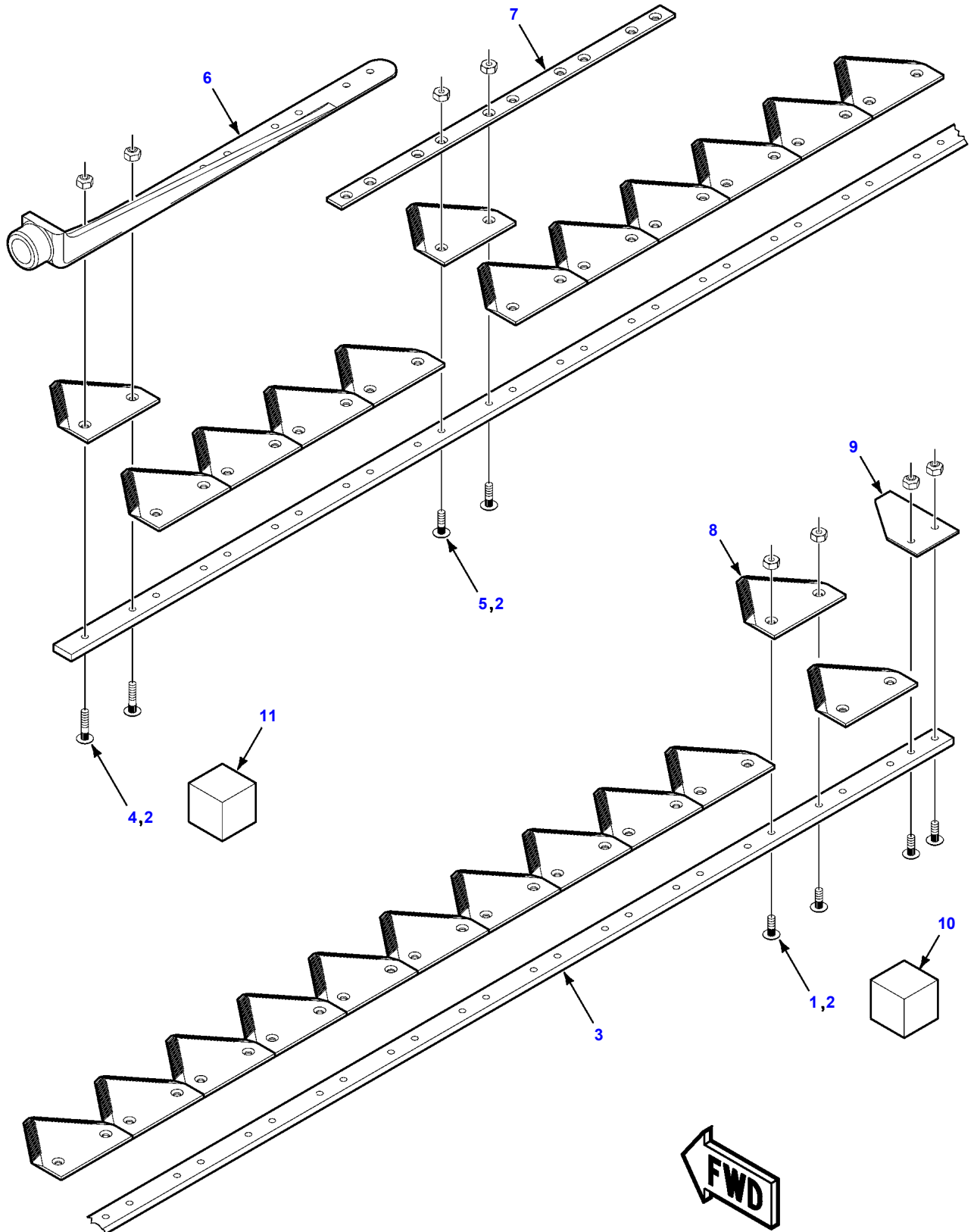
71416411-0
PR: t06d06n18d0010



71416267-0

Item	Part Number	Qty	Description
	71416267	1	SICKLE ASSEMBLY-W/HEAD
	71416266	1	SICKLE ASSEMBLY-W/O HEAD
1	700708646	143	BOLT-RIBBED, No. 12-24 X 5/8
2	373839X1	160	NUT-LOCK, No. 12-24
3	71416265	1	KNIFE BACK-SICKLE, 20 FOOT
4	700705519	9	No. 12-24 X 1 BOLT-RIBBED NECK
5	700715170	8	BOLTS AND NUTS, No. 12-24 X 3/4
6	71415128	1	HEAD-SICKLE
7	71391979	1	BAR-REINFORCEMENT
8	71351135	79	SECTION-SICKLE, HEAVY DUTY
9	71351139	1	SECTION-BLANK
10	700705296	AR	BOLTS AND NUTS, No. 12-24 X 5/8 (50 BOLTS AND NUTS PER BOX)
11	700705297	AR	BOLTS AND NUTS, No. 12-24 X 1 (25 BOLTS AND NUTS PER BOX)

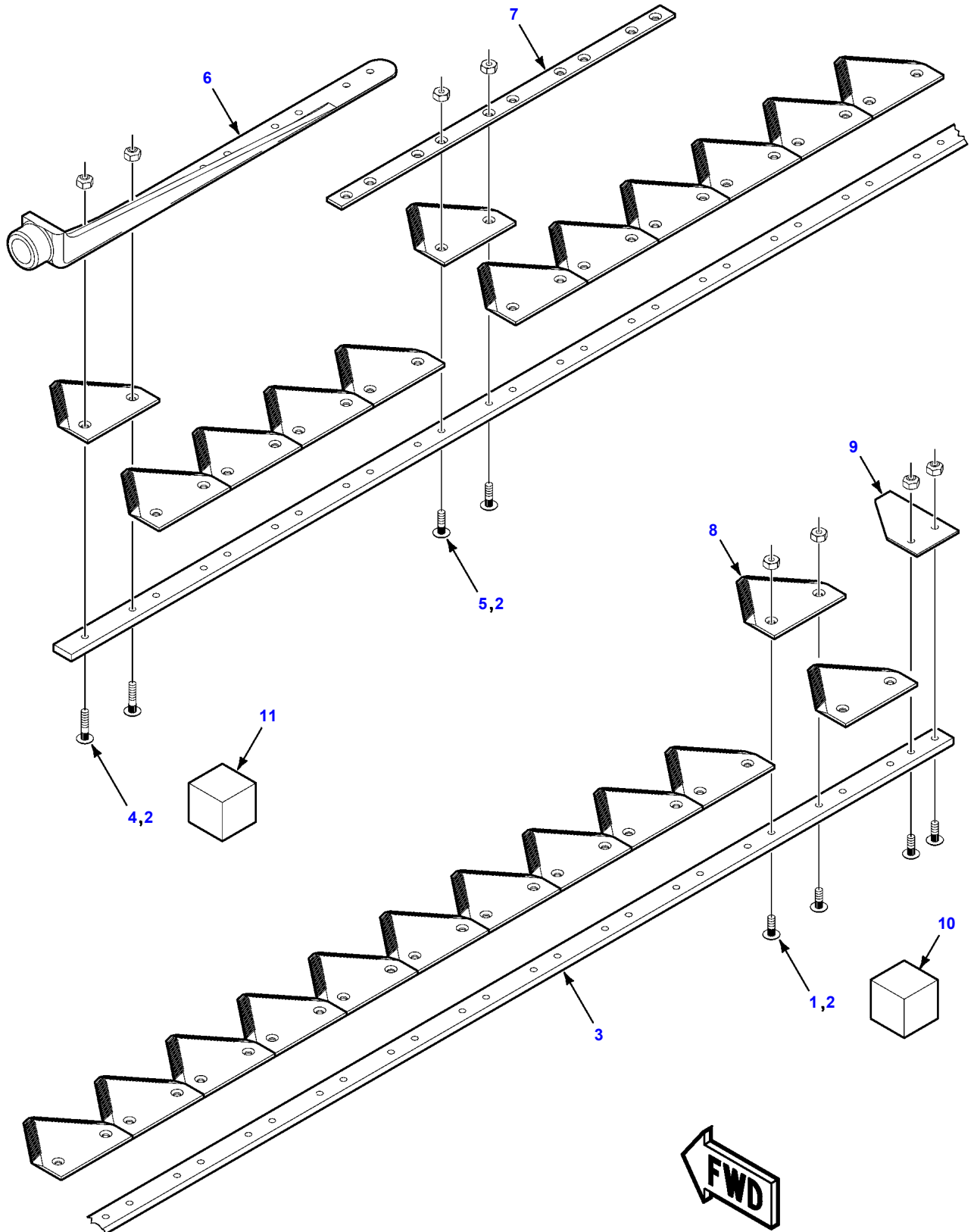
71416267-0
PR: t07c13m36a0021



71416261-0

Item	Part Number	Qty	Description
	71416261	1	SICKLE ASSEMBLY-W/HEAD
	71416260	1	SICKLE ASSEMBLY-W/O HEAD
1	700708646	183	BOLT-RIBBED, No. 12-24 X 5/8
2	373839X1	200	NUT-LOCK, No. 12-24
3	71416259	1	KNIFE BACK-SICKLE, 25 FOOT
4	700705519	9	No. 12-24 X 1 BOLT-RIBBED NECK
5	700715170	8	BOLTS AND NUTS, No. 12-24 X 3/4
6	71415128	1	HEAD-SICKLE
7	71391979	1	BAR-REINFORCEMENT
8	71351135	99	SECTION-SICKLE, HEAVY DUTY
9	71351139	1	SECTION-BLANK
10	700705296	AR	BOLTS AND NUTS, No. 12-24 X 5/8 (50 BOLTS AND NUTS PER BOX)
11	700705297	AR	BOLTS AND NUTS, No. 12-24 X 1 (25 BOLTS AND NUTS PER BOX)

71416261-0
PR: t07c13m36a0022

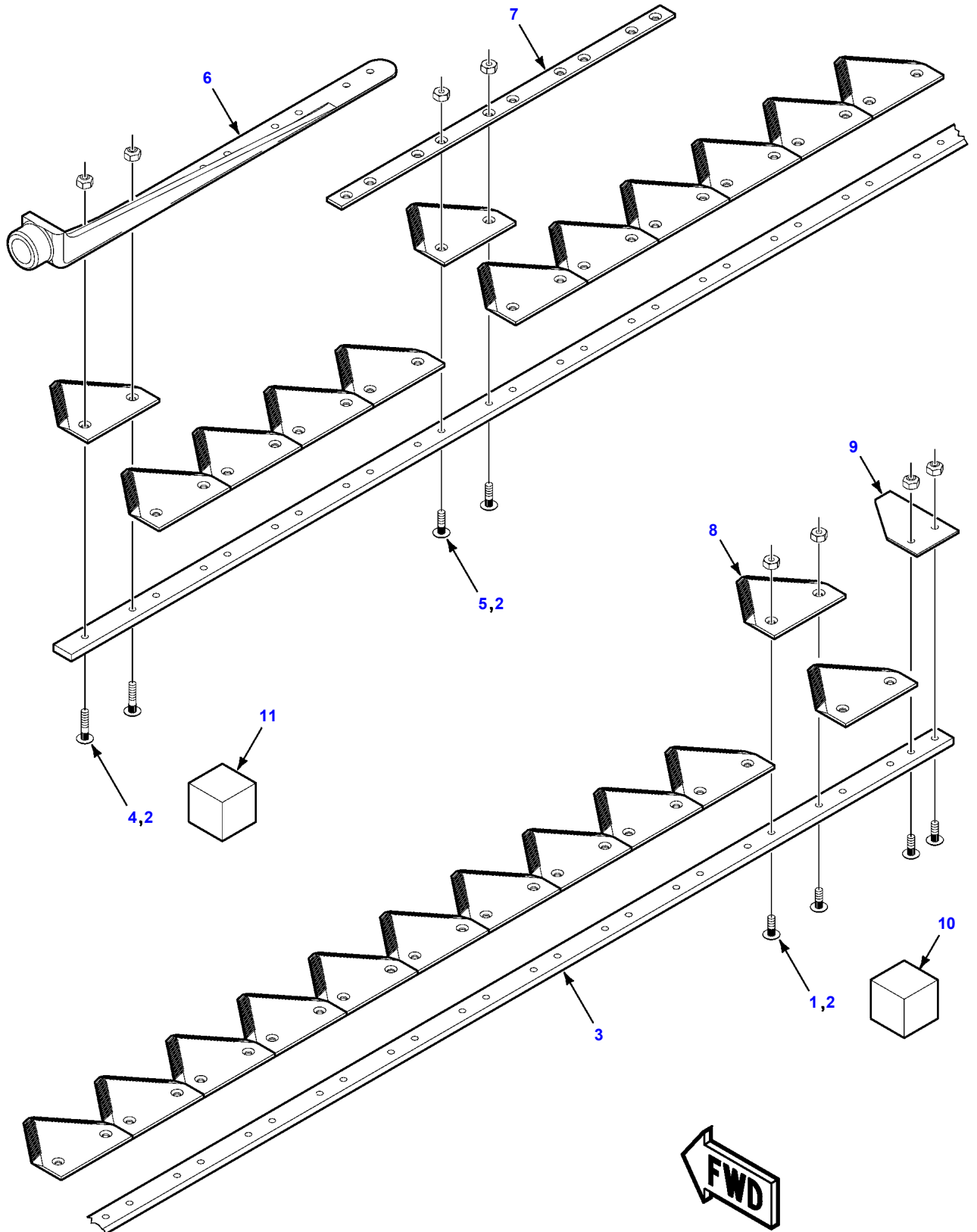


71415127-0

Item	Part Number	Qty	Description
	71415127	1	SICKLE ASSEMBLY-W/HEAD
	71415129	1	SICKLE ASSEMBLY-W/O HEAD
1	700708646	223	BOLT-RIBBED, No. 12-24 X 5/8
2	373839X1	240	NUT-LOCK, No. 12-24
3	71415130	1	KNIFE BACK-SICKLE, 30 FOOT
4	700705519	9	No. 12-24 X 1 BOLT-RIBBED NECK
5	700715170	8	BOLTS AND NUTS, No. 12-24 X 3/4
6	71415128	1	HEAD-SICKLE
7	71391979	1	BAR-REINFORCEMENT
8	71351135	119	SECTION-SICKLE, HEAVY DUTY
9	71351139	1	SECTION-BLANK
10	700705296	AR	BOLTS AND NUTS, No. 12-24 X 5/8 (50 BOLTS AND NUTS PER BOX)
11	700705297	AR	BOLTS AND NUTS, No. 12-24 X 1 (25 BOLTS AND NUTS PER BOX)

71415127-0

PR: t07c13m36a0023

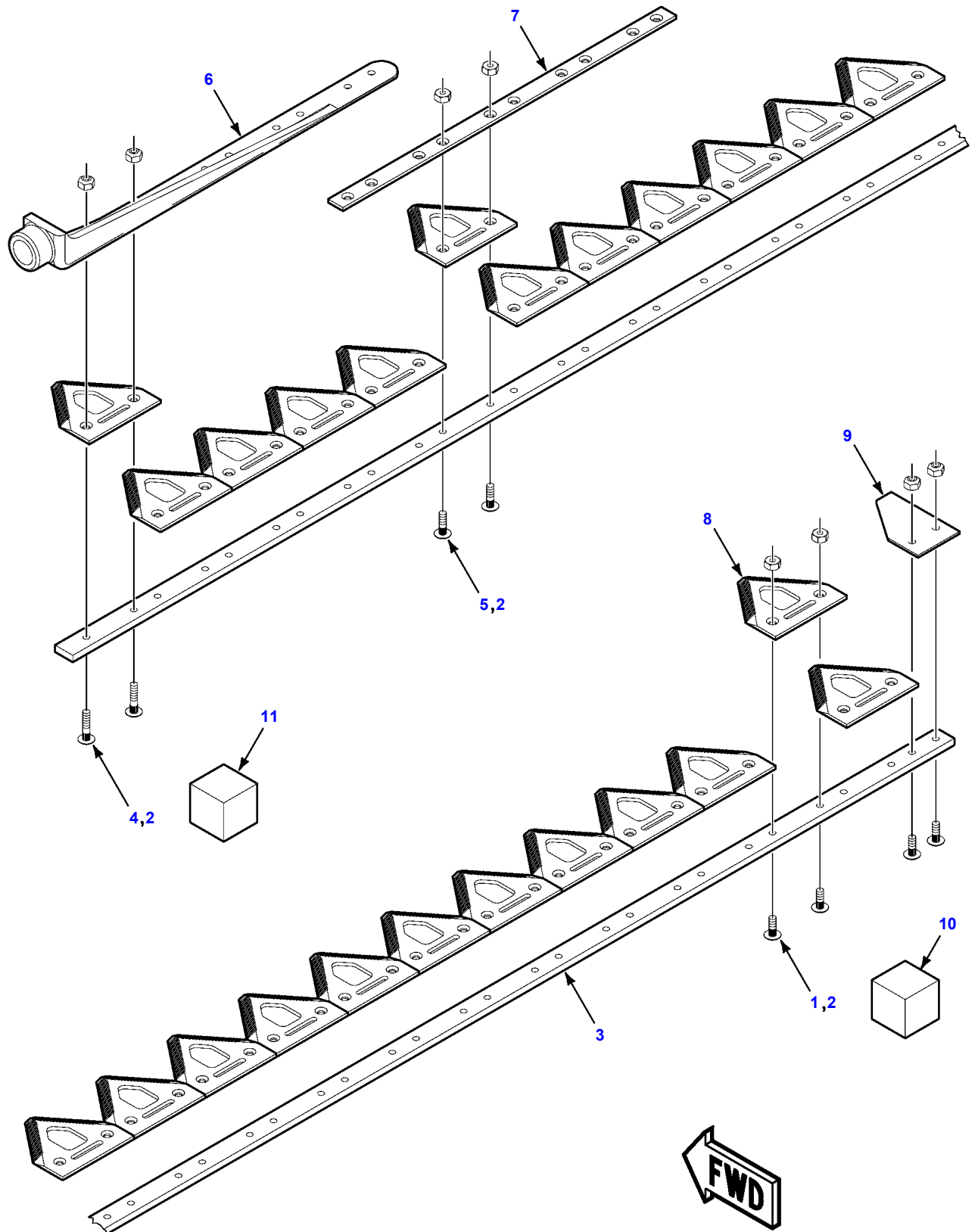


71415394-0

Item	Part Number	Qty	Description
	71415394	1	SICKLE ASSEMBLY-W/HEAD
	71415395	1	SICKLE ASSEMBLY-W/O HEAD
1	700708646	263	BOLT-RIBBED, No. 12-24 X 5/8
2	373839X1	280	NUT-LOCK, No. 12-24
3	71415396	1	KNIFE BACK-SICKLE, 35 FOOT
4	700705519	9	No. 12-24 X 1 BOLT-RIBBED NECK
5	700715170	8	BOLTS AND NUTS, No. 12-24 X 3/4
6	71415128	1	HEAD-SICKLE
7	71391979	1	BAR-REINFORCEMENT
8	71351135	139	SECTION-SICKLE, HEAVY DUTY
9	71351139	1	SECTION-BLANK
10	700705296	AR	BOLTS AND NUTS, No. 12-24 X 5/8 (50 BOLTS AND NUTS PER BOX)
11	700705297	AR	BOLTS AND NUTS, No. 12-24 X 1 (25 BOLTS AND NUTS PER BOX)

71415394-0

PR: t06d06n18d0011

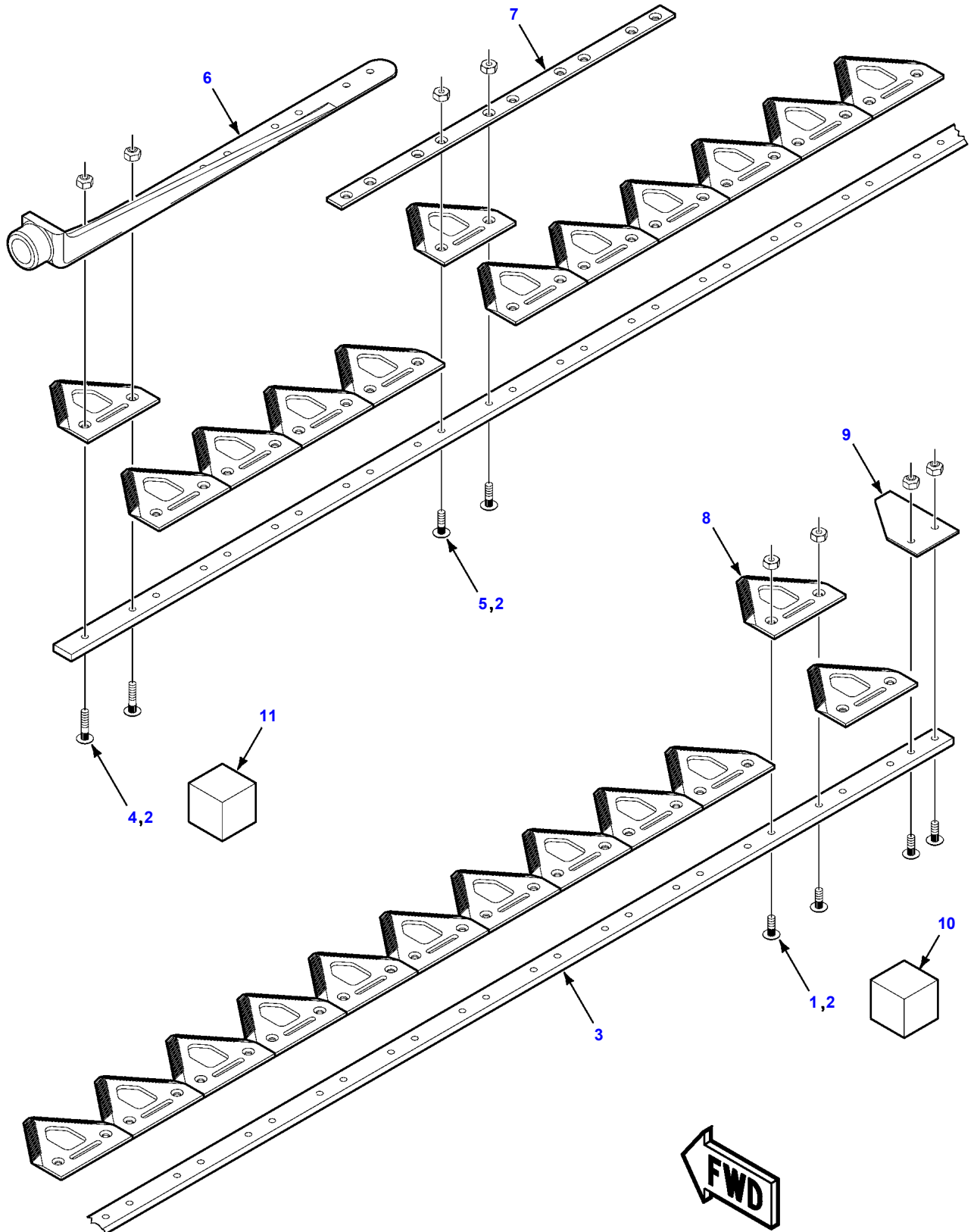


71416316-0

Item	Part Number	Qty	Description
	71416316	1	SICKLE ASSEMBLY-W/HEAD
	71416315	1	SICKLE ASSEMBLY-W/O HEAD
1	700708646	143	BOLT-RIBBED, No. 12-24 X 5/8
2	373839X1	160	NUT-LOCK, No. 12-24
3	71416265	1	KNIFE BACK-SICKLE, 20 FOOT
4	700705519	9	No. 12-24 X 1 BOLT-RIBBED NECK
5	700715170	8	BOLTS AND NUTS, No. 12-24 X 3/4
6	71415128	1	HEAD-SICKLE
7	71391979	1	BAR-REINFORCEMENT
8	71404754	79	SECTION-SICKLE, REDUCED WEIGHT
9	71351139	1	SECTION-BLANK
10	700705296	AR	BOLTS AND NUTS, No. 12-24 X 5/8 (50 BOLTS AND NUTS PER BOX)
11	700705297	AR	BOLTS AND NUTS, No. 12-24 X 1 (25 BOLTS AND NUTS PER BOX)

71416316-0

PR: t07c13m36a0024

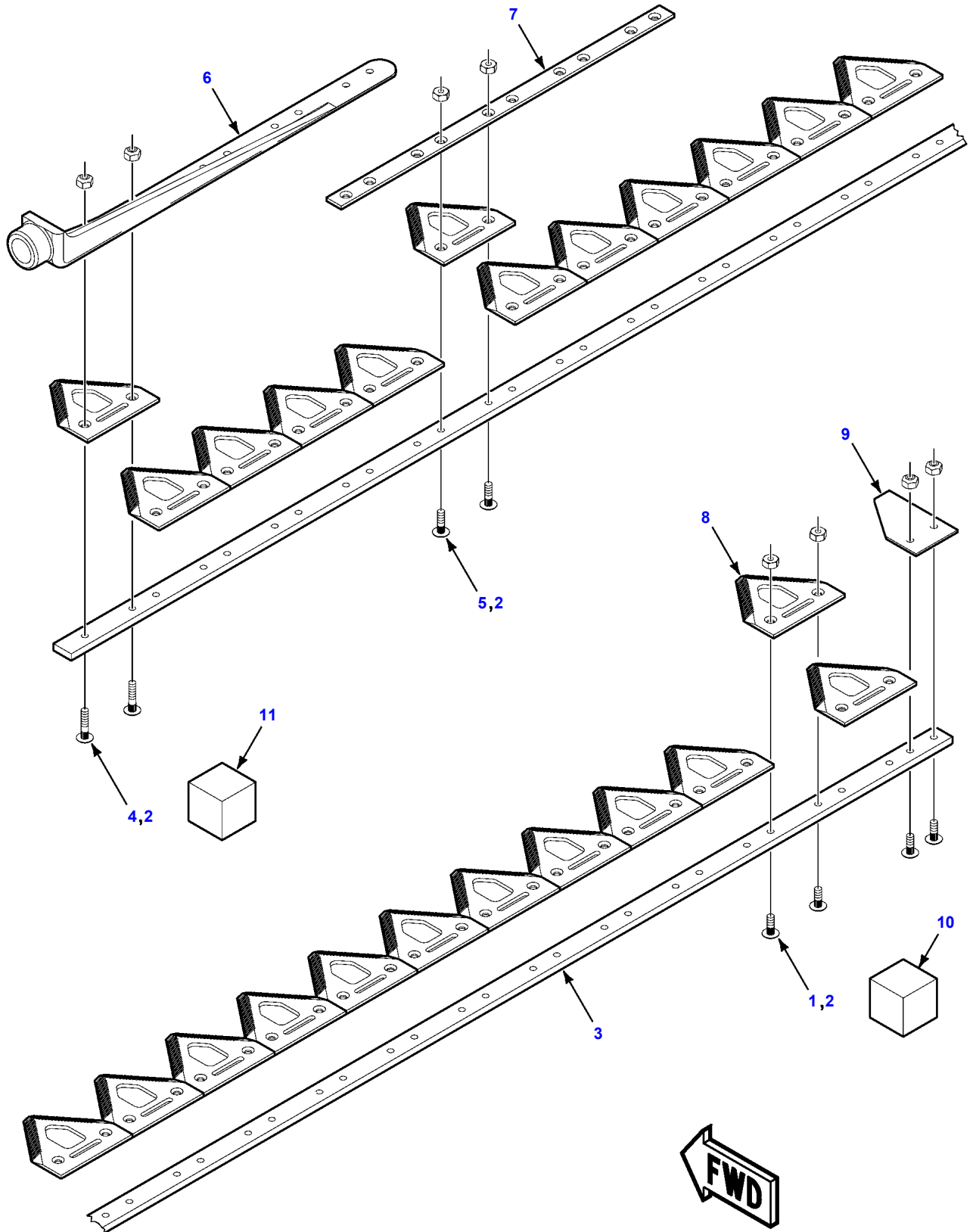


71416268-0

Item	Part Number	Qty	Description
	71416268	1	SICKLE ASSEMBLY-W/HEAD
	71416269	1	SICKLE ASSEMBLY-W/O HEAD
1	700708646	183	BOLT-RIBBED, No. 12-24 X 5/8
2	373839X1	200	NUT-LOCK, No. 12-24
3	71416259	1	KNIFE BACK-SICKLE, 25 FOOT
4	700705519	9	No. 12-24 X 1 BOLT-RIBBED NECK
5	700715170	8	BOLTS AND NUTS, No. 12-24 X 3/4
6	71415128	1	HEAD-SICKLE
7	71391979	1	BAR-REINFORCEMENT
8	71404754	99	SECTION-SICKLE, REDUCED WEIGHT
9	71351139	1	SECTION-BLANK
10	700705296	AR	BOLTS AND NUTS, No. 12-24 X 5/8 (50 BOLTS AND NUTS PER BOX)
11	700705297	AR	BOLTS AND NUTS, No. 12-24 X 1 (25 BOLTS AND NUTS PER BOX)

71416268-0

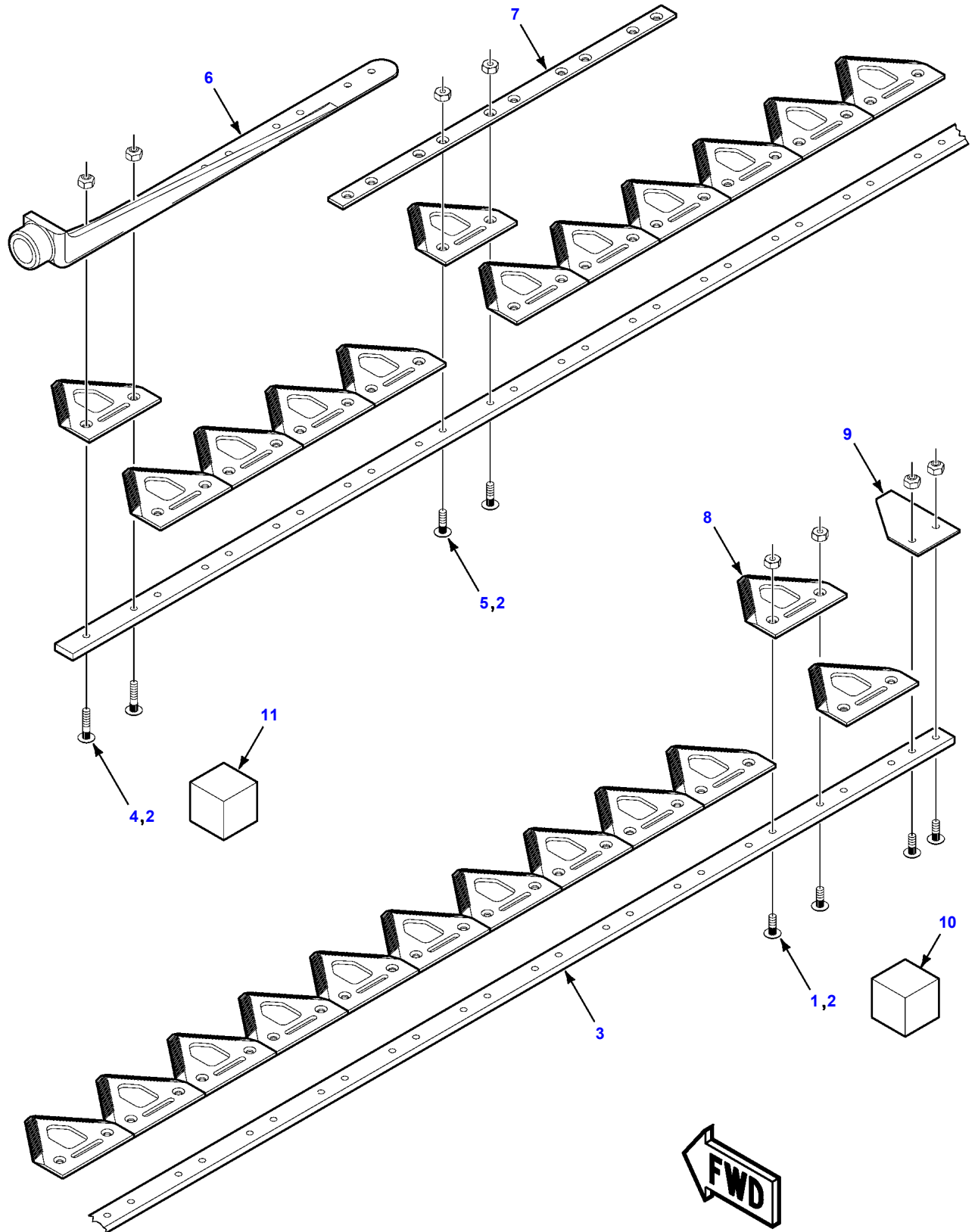
PR: t07c13m36a0025



71416221-0

Item	Part Number	Qty	Description
	71416221	1	SICKLE ASSEMBLY-W/HEAD
	71416222	1	SICKLE ASSEMBLY-W/O HEAD
1	700708646	223	BOLT-RIBBED, No. 12-24 X 5/8
2	373839X1	240	NUT-LOCK, No. 12-24
3	71415130	1	KNIFE BACK-SICKLE, 30 FOOT
4	700705519	9	No. 12-24 X 1 BOLT-RIBBED NECK
5	700715170	8	BOLTS AND NUTS, No. 12-24 X 3/4
6	71415128	1	HEAD-SICKLE
7	71391979	1	BAR-REINFORCEMENT
8	71404754	119	SECTION-SICKLE, REDUCED WEIGHT
9	71351139	1	SECTION-BLANK
10	700705296	AR	BOLTS AND NUTS, No. 12-24 X 5/8 (50 BOLTS AND NUTS PER BOX)
11	700705297	AR	BOLTS AND NUTS, No. 12-24 X 1 (25 BOLTS AND NUTS PER BOX)

71416221-0
PR: t07c13m36a0026

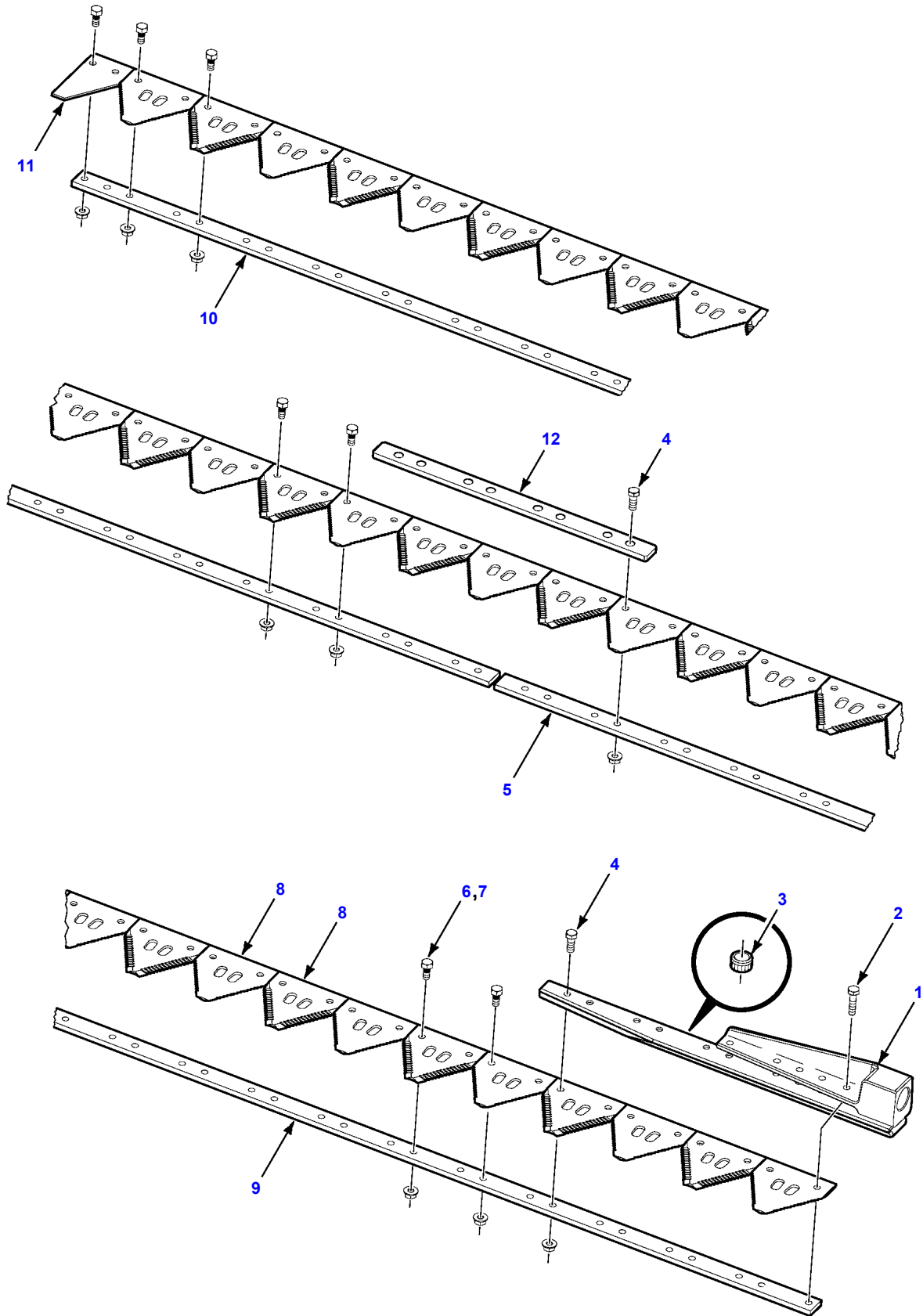


71404755-0

Item	Part Number	Qty	Description
	71404755	1	SICKLE ASSEMBLY-W/HEAD
	71404756	1	SICKLE ASSEMBLY-W/O HEAD
1	700708646	263	BOLT-RIBBED, No. 12-24 X 5/8
2	373839X1	280	NUT-LOCK, No. 12-24
3	71415396	1	KNIFE BACK-SICKLE, 35 FOOT
4	700705519	9	No. 12-24 X 1 BOLT-RIBBED NECK
5	700715170	8	BOLTS AND NUTS, No. 12-24 X 3/4
6	71415128	1	HEAD-SICKLE
7	71391979	1	BAR-REINFORCEMENT
8	71404754	139	SECTION-SICKLE, REDUCED WEIGHT
9	71351139	1	SECTION-BLANK
10	700705296	AR	BOLTS AND NUTS, No. 12-24 X 5/8 (50 BOLTS AND NUTS PER BOX)
11	700705297	AR	BOLTS AND NUTS, No. 12-24 X 1 (25 BOLTS AND NUTS PER BOX)

71404755-0

PR: t06d06n18d0012

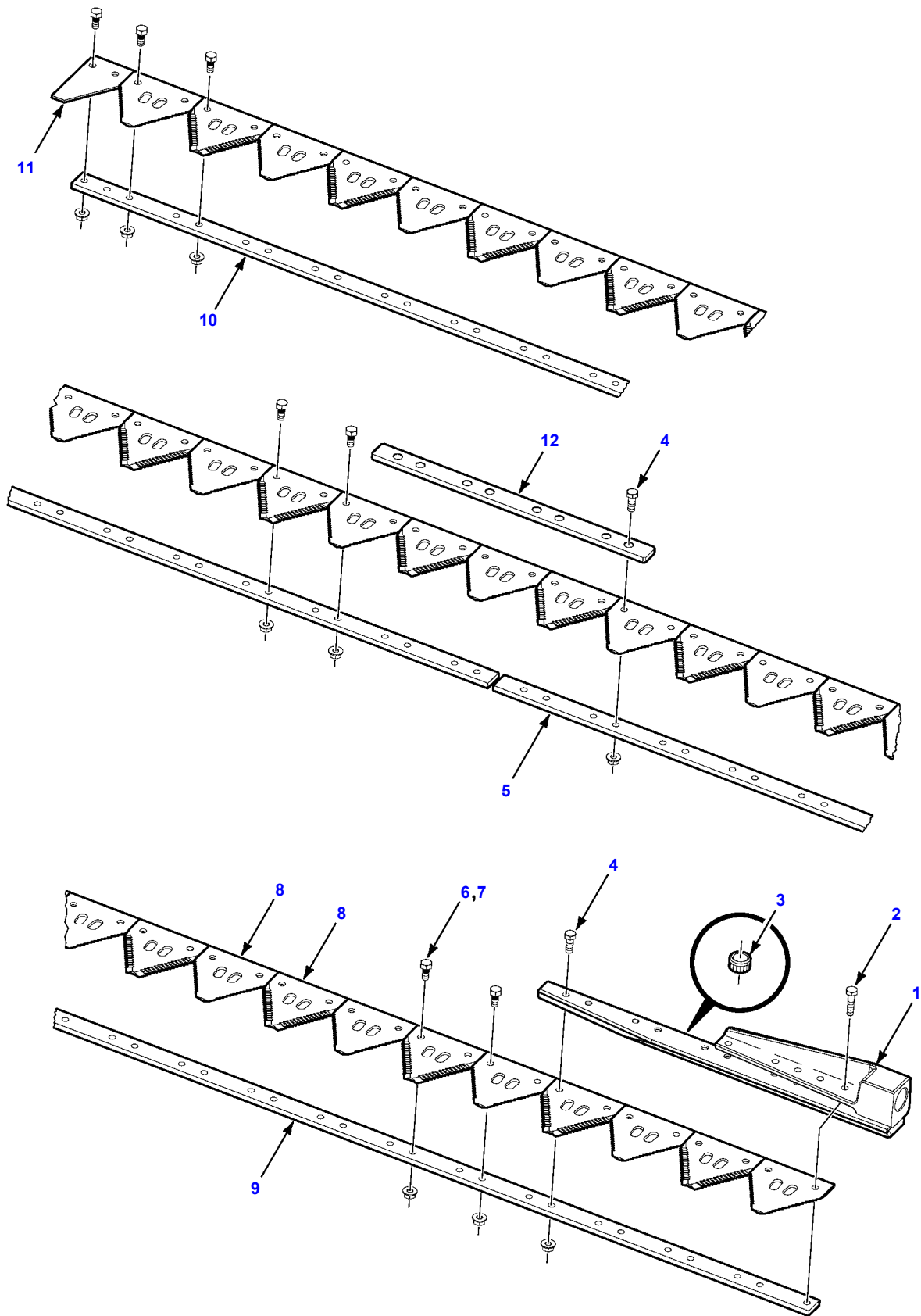


71416336-0

Item	Part Number	Qty	Description
	71416336	1	SICKLE ASSEMBLY
1	71409174	1	KNIFEHEAD ASSEMBLY
	71409158	10	NUT-INSERT
2	70950450	5	CAPSCREW, FULL-THREAD, M6 X 1.0 X 25, CLASS 8.8
3	71409158	10	NUT-INSERT
4	71386951	20	BOLT-SICKLE M6 X 18
5	71386920	1	KNIFEBACK-MIDDLE
6	71386952	137	BOLT-SICKLE M6 X 16
7	71386953	137	NUT-LOCK M6
8	71386924	79	SECTION-SICKLE
9	71415761	1	KNIFEBACK-LEFT
10	71415762	1	KNIFEBACK-RIGHT
11	71386923	1	HALF-SECTION-SICKLE
12	71386922	2	SPLICE-KNIFEBACK

71416336-0

PR: t07c13m36a0027

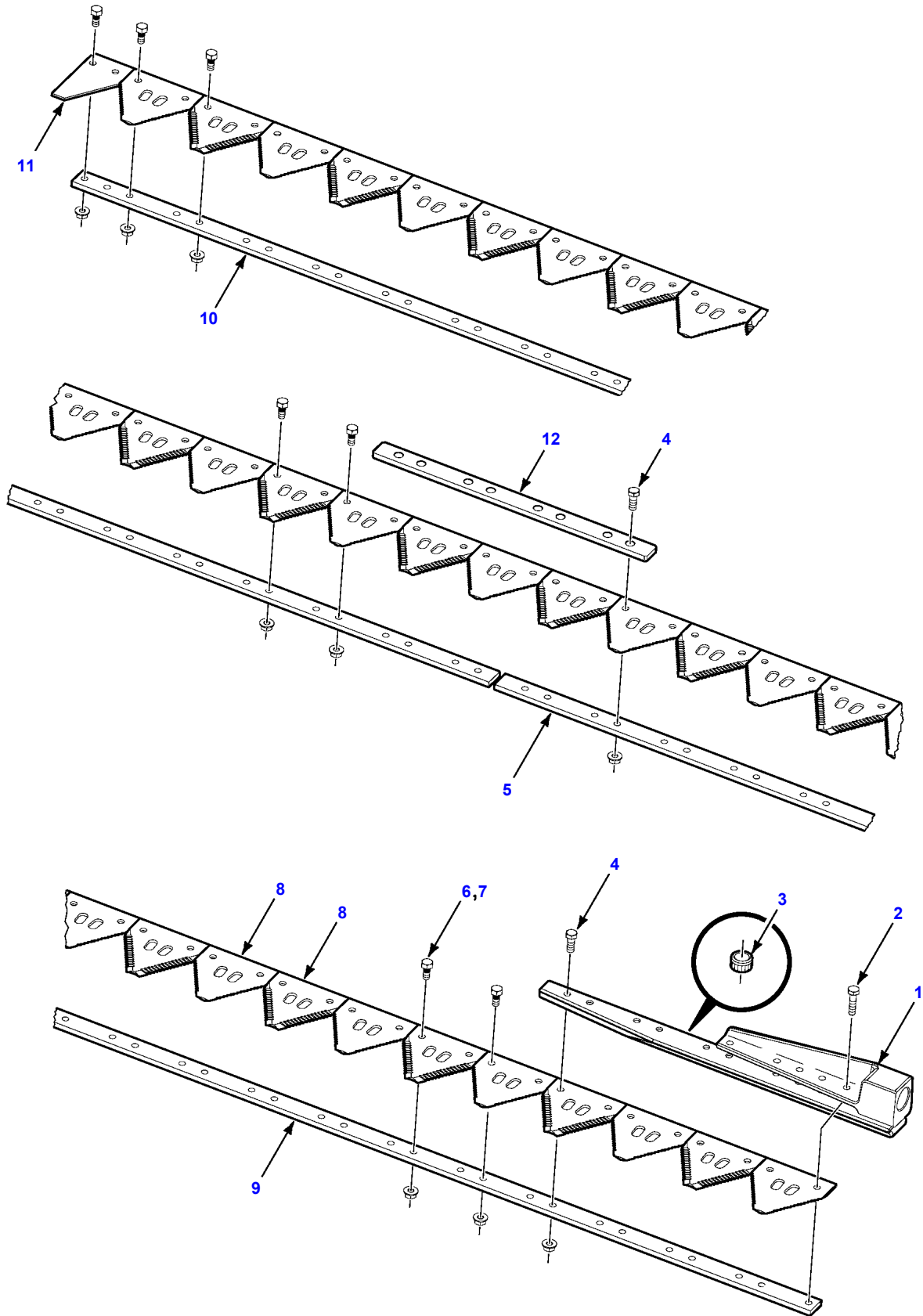


71415784-0

Item	Part Number	Qty	Description
	71415784	1	SICKLE ASSEMBLY
1	71409174	1	KNIFEHEAD ASSEMBLY
	71409158	10	NUT-INSERT
2	70950450	5	CAPSCREW, FULL-THREAD, M6 X 1.0 X 25, CLASS 8.8
3	71409158	10	NUT-INSERT
4	71386951	28	BOLT-SICKLE M6 X 18
5	71386920	2	KNIFEBACK-MIDDLE
6	71386952	167	BOLT-SICKLE M6 X 16
7	71386953	167	NUT-LOCK M6
8	71386924	99	SECTION-SICKLE
9	71415761	1	KNIFEBACK-LEFT
10	71417090	1	KNIFEBACK-RIGHT
11	71386923	1	HALF-SECTION-SICKLE
12	71386922	3	SPLICE-KNIFEBACK

71415784-0

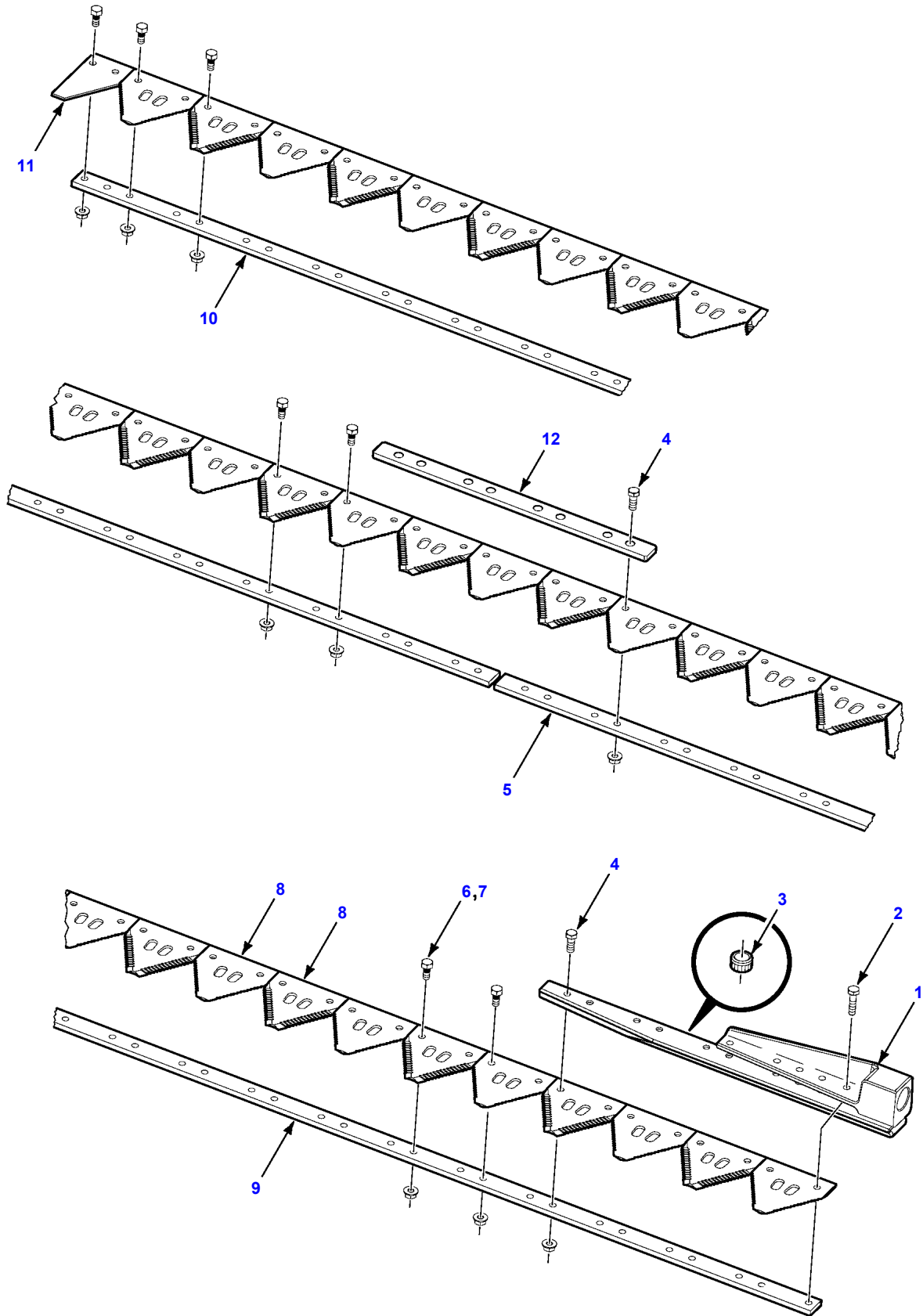
PR: t07c13m36a0028



71415781-0

Item	Part Number	Qty	Description
	71415781	1	SICKLE ASSEMBLY
1	71409174	1	KNIFEHEAD ASSEMBLY
	71409158	10	NUT-INSERT
2	70950450	5	CAPSCREW, FULL-THREAD, M6 X 1.0 X 25, CLASS 8.8
3	71409158	10	NUT-INSERT
4	71386951	28	BOLT-SICKLE M6 X 18
5	71386920	2	KNIFEBACK-MIDDLE
6	71386952	207	BOLT-SICKLE M6 X 16
7	71386953	207	NUT-LOCK M6
8	71386924	119	SECTION-SICKLE
9	71415761	1	KNIFEBACK-LEFT
10	71417091	1	KNIFEBACK-RIGHT
11	71386923	1	HALF-SECTION-SICKLE
12	71386922	3	SPLICE-KNIFEBACK

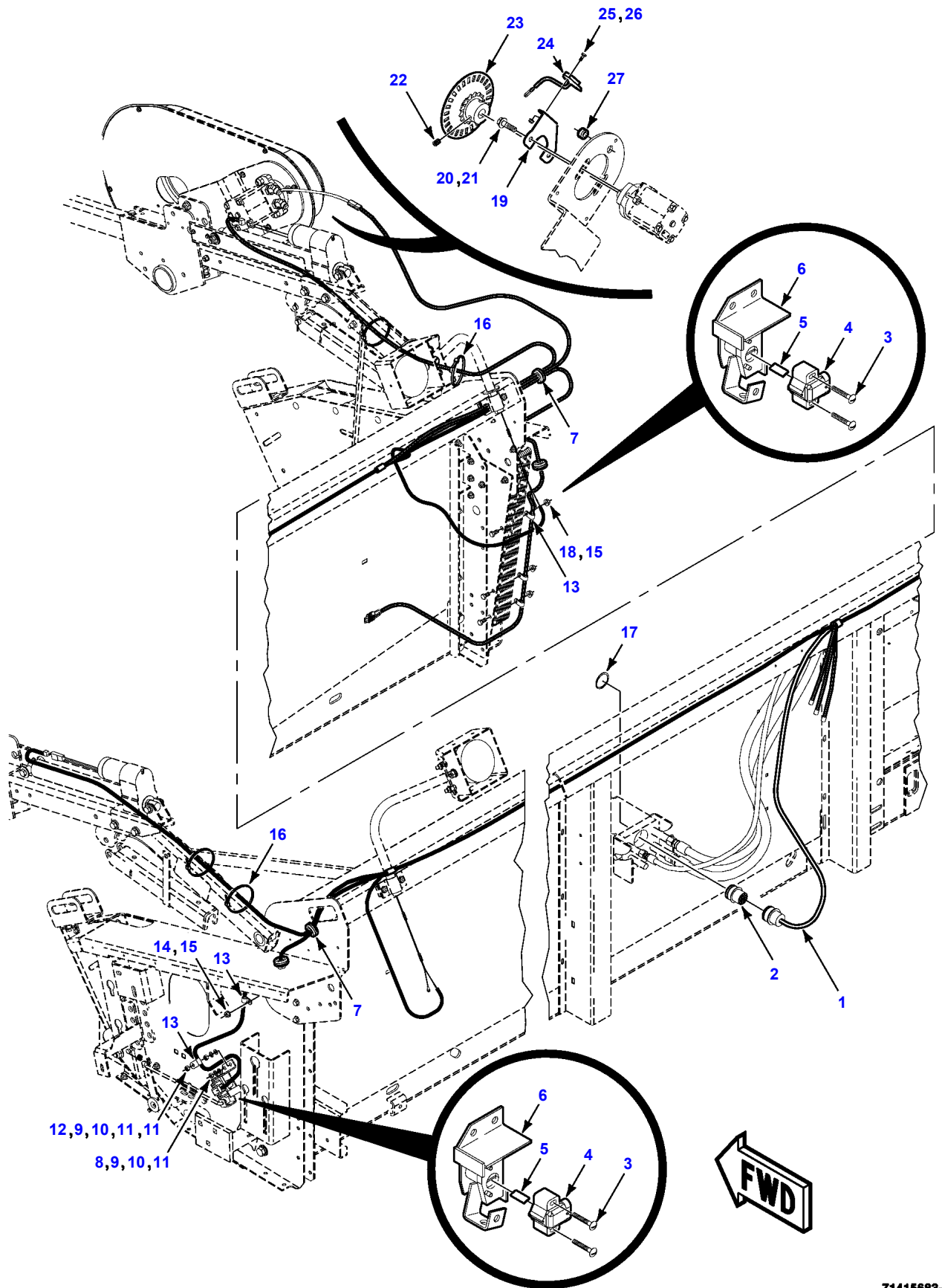
71415781-0
PR: t07c13m36a0029



71415764-0

Item	Part Number	Qty	Description
	71415764	1	SICKLE ASSEMBLY
1	71409174	1	KNIFEHEAD ASSEMBLY
	71409158	10	NUT-INSERT
2	70950450	5	CAPSCREW, FULL-THREAD, M6 X 1.0 X 25, CLASS 8.8
3	71409158	10	NUT-INSERT
4	71386951	36	BOLT-SICKLE M6 X 18
5	71386920	3	KNIFEBACK-MIDDLE
6	71386952	240	BOLT-SICKLE M6 X 16
7	3019123X1	240	NUT-LOCK M6
8	71386924	139	SECTION-SICKLE
9	71415761	1	KNIFEBACK-LEFT
10	71415762	1	KNIFEBACK-RIGHT
11	71386923	1	HALF-SECTION-SICKLE
12	71386922	4	SPLICE-KNIFEBACK

71415764-0
PR: t06d06n18d0013

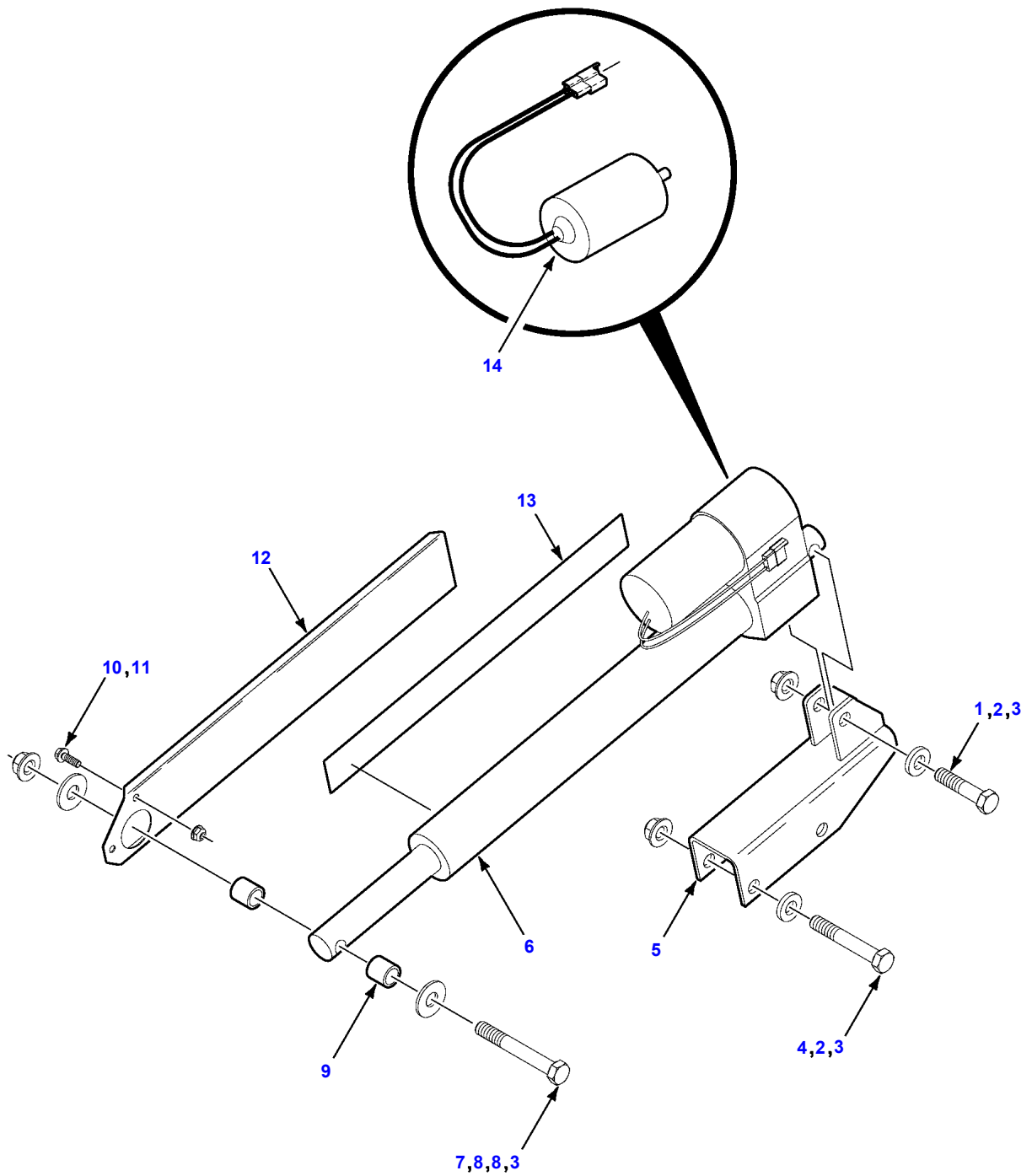


71415683-0

Item	Part Number	Qty	Description
1	71402763	1	HARNESS ASSEMBLY-HEADER
2	71410925	1	RECEPTACLE CONNECTOR
3	70918151	4	SCREW-MACHINE, TRUSS HEAD, NO. 10-32 X 1-1/4
4	71376825	2	SENSOR-POSITION
5	71382607	2	TAB
6	71415552	2	SWITCH-BRACKET
7	70937658	4	GROMMET
8	7700461	1	BOLT-CARRIAGE, 5/16-18 X 3/4
9	70917356	2	WASHER-SPRING, 5/16
10	70933988	2	5/16 NUT-SPEED, PUSH ON
11	Y704015	3	NUT, 5/16-18
12	7700107	1	BOLT-CARRIAGE, 5/16-18 X 1-1/4
13	70926917	6	CLAMP-LINE
14	7770456	1	BOLT-CARRIAGE, 3/8-16 X 3/4
15	704247	4	NUT-LOCK, FLANGE, 3/8-16
16	70935468	4	TIE-CABLE, 27-1/2
17	71410557	1	SNAP RING-EXTERNAL
18	70921965	3	CAPSCREW, 3/8-16 X 3/4
19	71415500	1	BRACKET-SENSOR
20	7883432	2	SCREW-FLANGE, GR8, 1/2-13 X 1-3/4
21	704031	2	NUT, 1/2-13
22	70911255	1	SETSCREW-SOCKET, 1/2-13 X 3/4
23	71415457	1	SPROCKET WA-SENSOR
24	71391021	1	SENSOR ASSEMBLY
25	70921959	2	CAPSCREW, 1/4-20 X 5/8
26	1703354	2	NUT-TOP LOCK, FLANGE, 1/4-20
27	70925425	1	GROMMET-RUBBER

71415683-0

PR: t06d06n18d0014

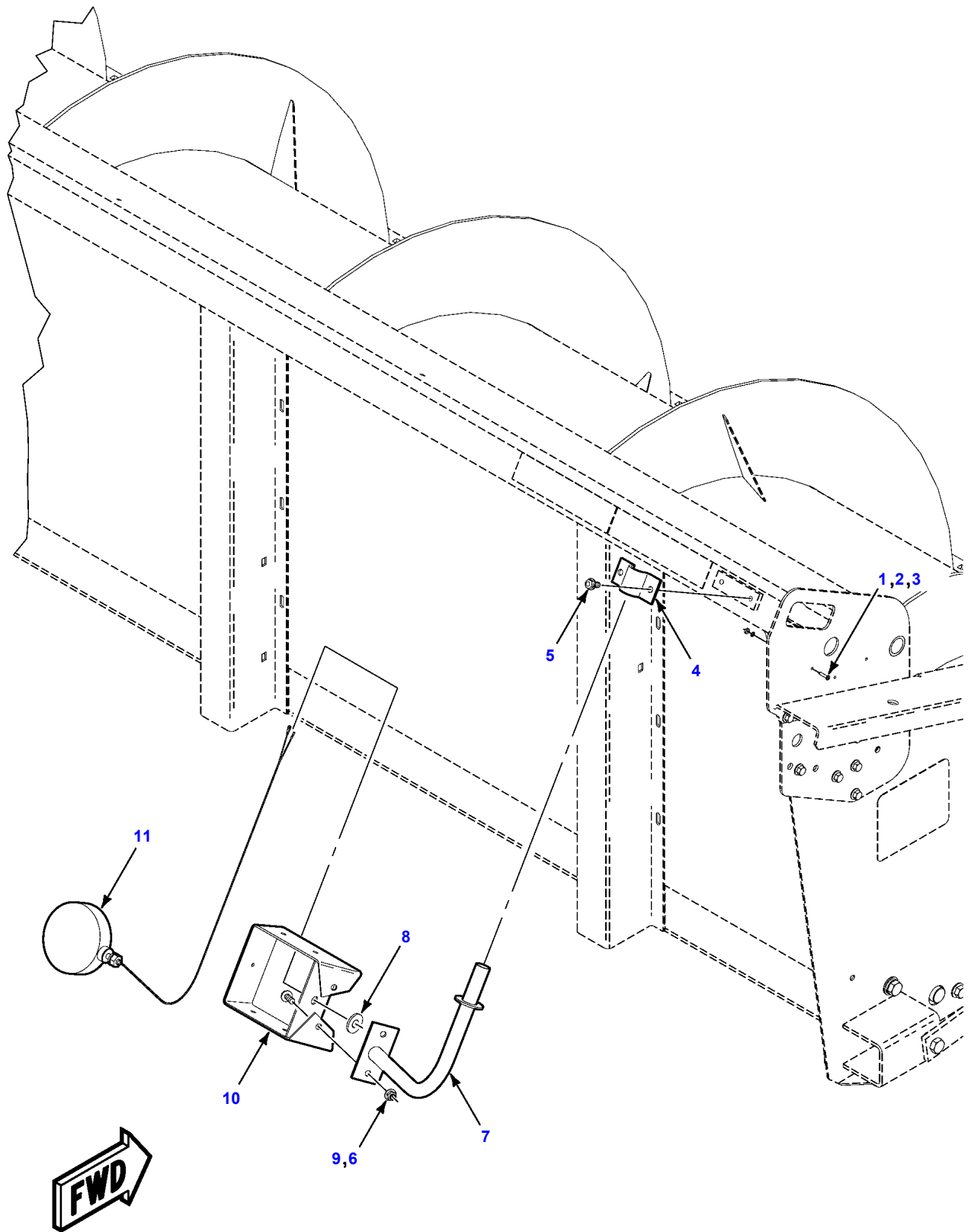


71415911-0

Item	Part Number	Qty	Description
1	70922645	2	CAPSCREW, 1/2-13 X 2-1/4
2	705541	6	WASHER-PLAIN, 1/2
3	Y704742	8	NUT-TOP LOCK, FLANGE, 1/2-13
4	70923191	4	CAPSCREW, 1/2-13 X 3-1/4
5	71415142	2	CHANNEL WA-ACTUATOR BASE
6	71412654	2	ACTUATOR ASSEMBLY-ELECTRIC
	71406229	1	MOTOR-ACTUATOR
7	7701600	2	CAPSCREW, 1/2-13 X 3-3/4
8	70918431	4	WASHER-WIDE PLAIN, 1/2
9	71415146	4	SPACER
10	7883275	4	SCREW-FLANGE, 1/4-20 X 3/4
11	1703354	4	NUT-TOP LOCK, FLANGE, 1/4-20
12	71416408	1	INDICATOR-REEL POSITION, LEFT
	71417026	1	INDICATOR-REEL POSITION, RIGHT
13	71365741	2	DECAL REEL POSITION
14	71406229	1	MOTOR ASSEMBLY-ACTUATOR

71415911-0

PR: t07c13m36a0030



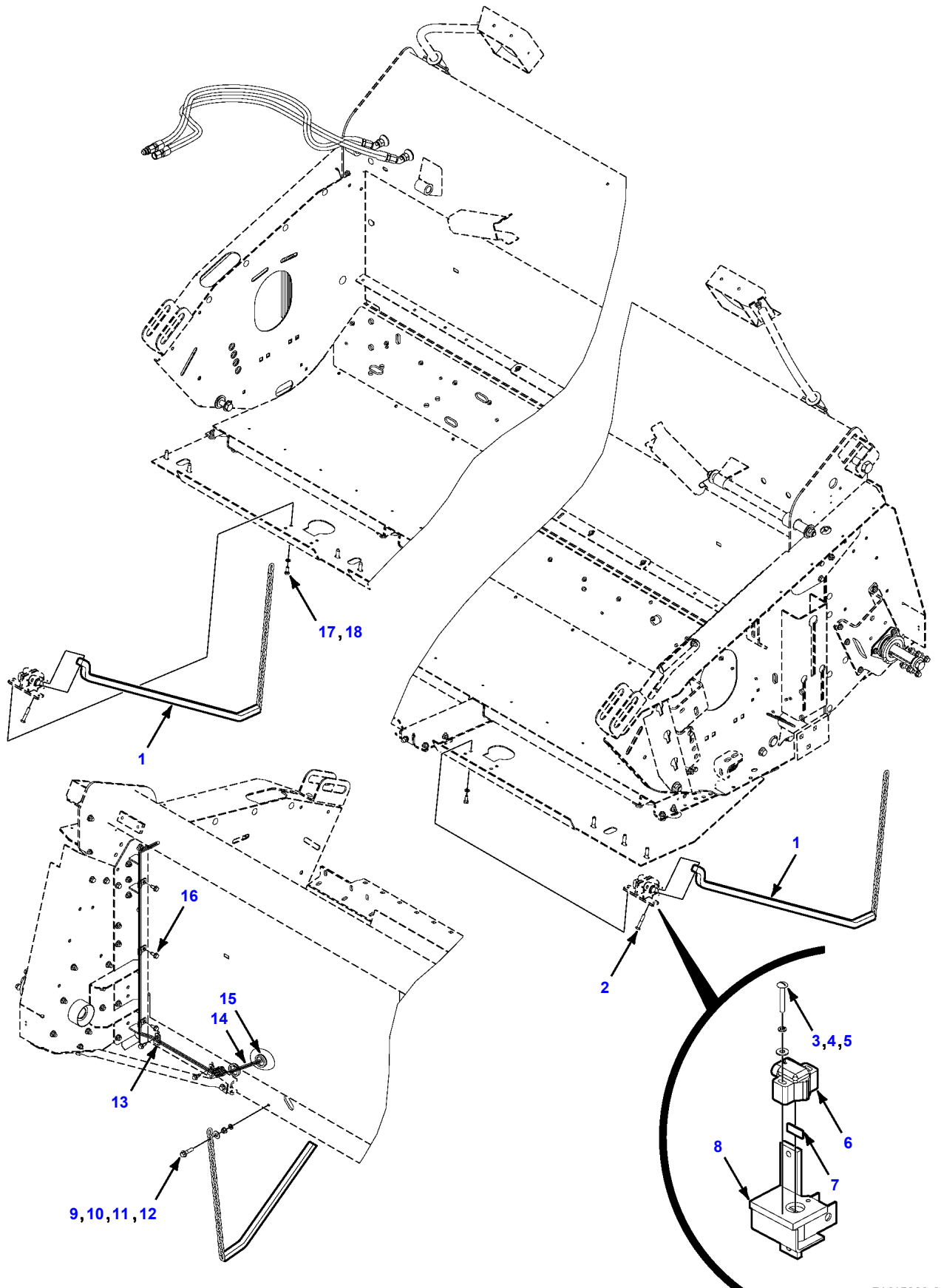
71415512-0

ELECTRICAL - LIGHTS AND MOUNTING

Item	Part Number	Qty	Description
1	70937280	2	SCREW-SELF-TAPPING, PINHEAD, NO. 8-32 X 3/4
2	70917489	2	WASHER-LOCK, INTERNAL TOOTH, NO. 8
3	704494	2	NUT, No. 8-32
4	71415522	2	CLAMP LAMP POST
5	7883374	4	SCREW-FLANGE, 3/8-16 X 3/4
6	Y704734	4	NUT-TOP LOCK, FLANGE, 3/8-16
7	71415514	2	POST WA-LAMP
8	70917378	2	WASHER-WIDE PLAIN, 3/8
9	7883382	4	SCREW-FLANGE, 3/8-16 X 1
10	71415517	2	BRACKET WA-LAMP
11	71415520	2	LAMP ASSEMBLY-CLEARANCE FLASHING
	71193862	2	LENS-AMBER
	1018729M1	1	BULB-LAMP

71415512-0

PR: t06d06n18d0016



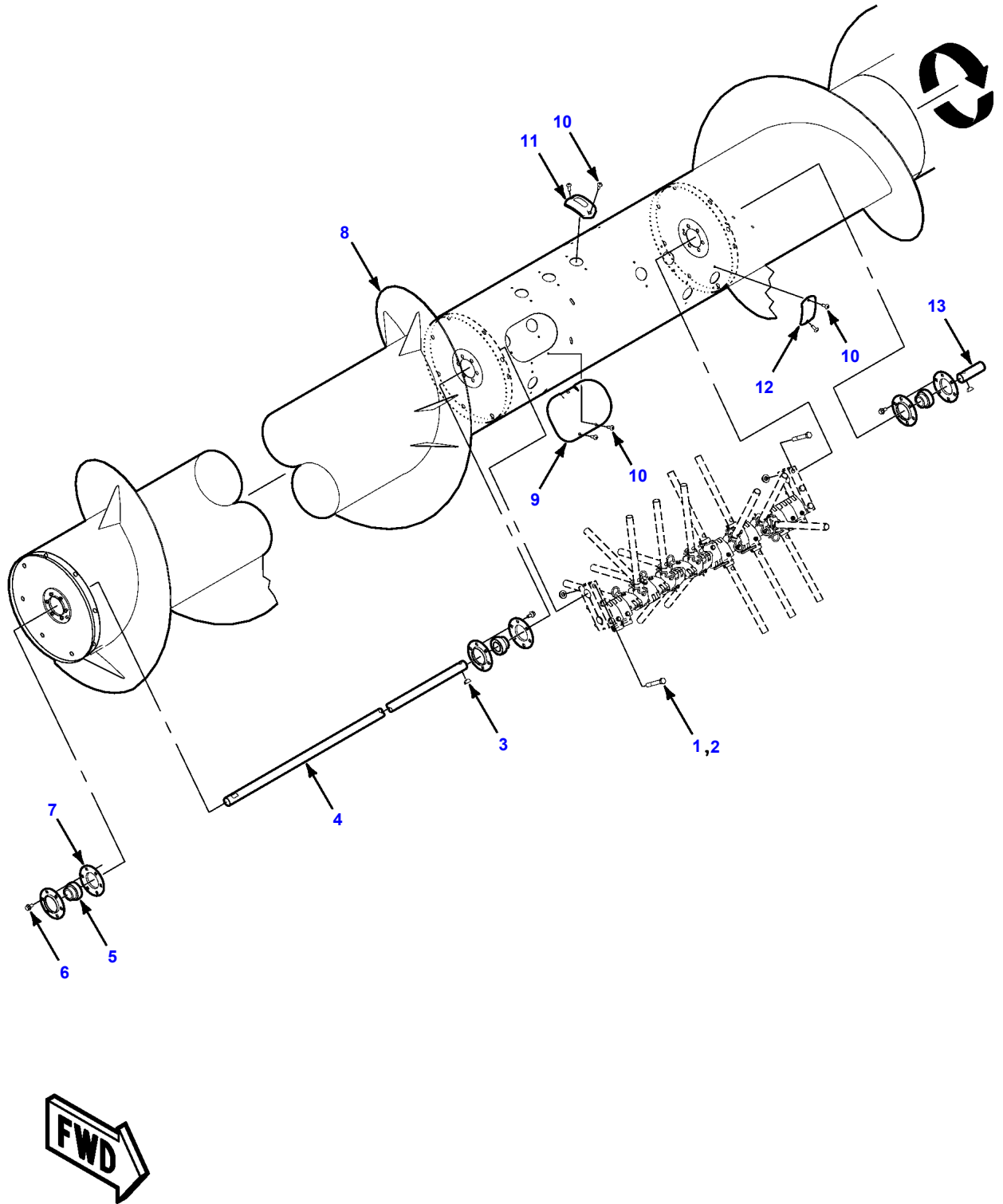
71415920-0

ELECTRICAL - SMARTRAC SENSOR MOUNTING (RIGID)

Item	Part Number	Qty	Description
1	71386844	2	GROUND WA-SENSOR
2	70922127	2	CAPSCREW, 5/16-18 X 1-3/4
3	70918151	2	SCREW-MACHINE, TRUSS HEAD, NO. 10-32 X 1-1/4
4	705004	2	WASHER-SPRING, No. 10
5	70917380	2	WASHER-PLAIN, No. 10
6	71376825	1	POSITION SENSOR
7	71382607	1	TAB
8	71376258	1	BRACKET WA-SWITCH
9	70930598	2	SCREW-SELF-TAPPING, 3/8-16 X 1-1/2
10	70917378	2	WASHER-WIDE PLAIN, 3/8
11	704247	2	NUT-LOCK, FLANGE, 3/8-16
12	70916965	2	WASHER-SPRING, 3/8
13	70926917	10	CLAMP-LINE
14	71375738	2	HARNESS-SENSOR
15	70937658	4	GROMMET
16	701953	10	SCREW-SELF-TAPPING, 5/16-18 X 3/4
17	70921332	4	CAPSCREW, 5/16-18 X 3/4
18	70917356	4	WASHER-SPRING, 5/16

71415920-0

PR: t07c13m36a0031



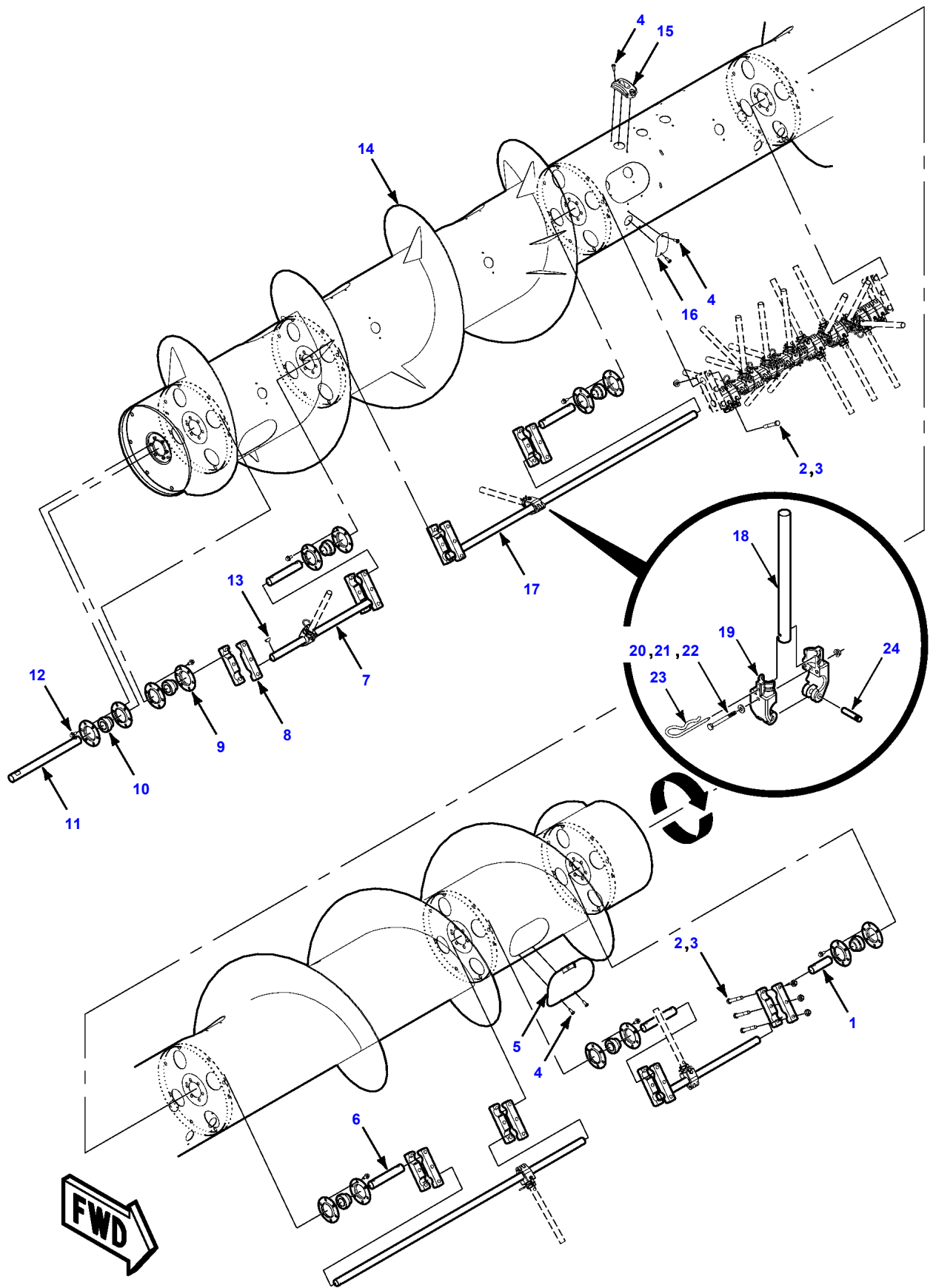
71416340-0

AUGERS - AUGER FINGER MOUNTING, (CENTER FINGER)

Item	Part Number	Qty	Description
1	70920990	2	CAPSCREW, 1/2-13 X 3-1/2
2	Y704742	2	NUT-TOP LOCK, FLANGE, 1/2-13
3	29780X	2	KEY-WOODRUFF, No. 15
4	71416343	1	SHAFT-CONVEYOR, 25 FOOT
	71415301	1	SHAFT-CONVEYOR, 30 FOOT
	71415739	1	SHAFT-CONVEYOR, 35 FOOT
5	71308984	3	BEARING-SPHERICAL
6	7703432	18	SCREW-FLANGE, 3/8-16 X 3/4
7	71369864	6	FLANGE-BEARING
8	71416341	1	AUGER WA-25 FOOT
	71415266	1	AUGER WA-30 FOOT
	71415742	1	AUGER WA-35 FOOT
9	71404707	2	COVER-CONVEYOR
10	71335690	46	SCREW-SELF-TAPPING, TRUSS HEAD, 5/16-18 X 3/4
11	71404699	17	GUIDE-FINGER
12	71324692	2	COVER-FINGER HOLE
13	71415399	1	SHAFT-LEFT, CONVEYOR CRANK

71416340-0

PR: t07c13m36a0032



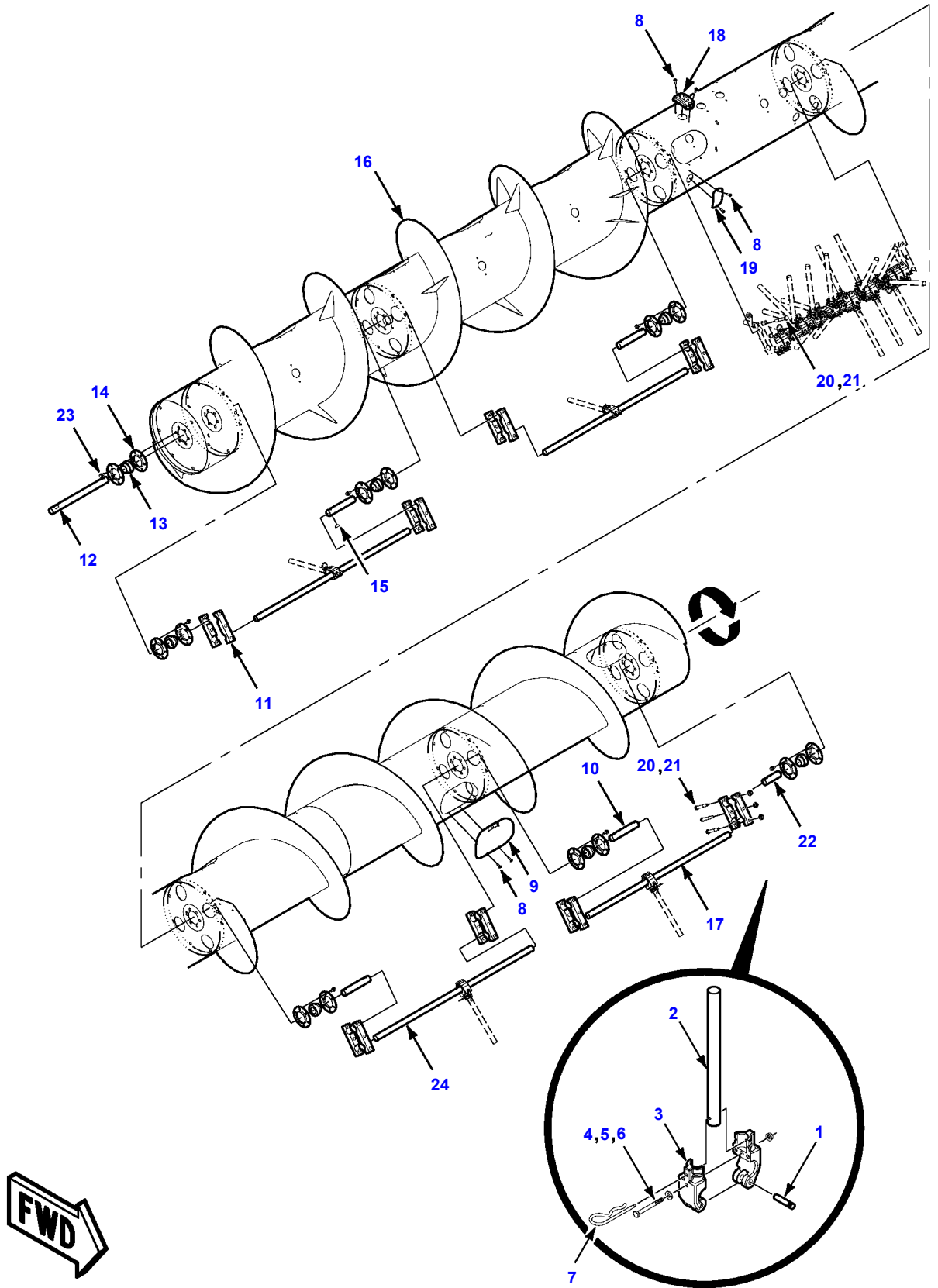
71416237-0

AUGERS - AUGER FINGER MOUNTING (20 FOOT), (FULL FINGER)

Item	Part Number	Qty	Description
1	71415399	1	SHAFT-LEFT, CONVEYOR CRANK
2	70920990	26	CAPSCREW, 1/2-13 X 3-1/2
3	Y704742	26	NUT-TOP LOCK, FLANGE, 1/2-13
4	71335690	90	SCREW-SELF-TAPPING, TRUSS HEAD, 5/16-18 X 3/4
5	71404707	12	COVER-CONVEYOR
6	71417051	4	SHAFT-AUGER CRANK
7	71416344	2	SHAFT-LONG, AUGER
8	71402753	16	CRANK FINGER-4 INCH
9	71369864	14	FLANGE-BEARING
10	71308984	7	BEARING-SPHERICAL
11	71417005	1	SHAFT-RIGHT, AUGER CRANK
12	7703432	42	SCREW-FLANGE, 3/8-16 X 3/4
13	29780X	18	KEY-WOODRUFF, No. 15
14	71417146	1	AUGER WA-20 FOOT
	71416243	1	FLIGHTING-LEFT, 20 FOOT
	71416242	1	FLIGHTING-RIGHT, 20 FOOT
15	71404699	29	GUIDE-FINGER
16	71324692	4	COVER-FINGER HOLE
17	71416209	2	SHAFT-LONG, AUGER
18	71417097	12	FINGER-AUGER, TUBE
19	71407263	24	RETAINING-FINGER
20	70923282	12	CAPSCREW, 1/4-20 X 2-1/2
21	353769X1	12	WASHER-PLAIN, 1/4
22	1703354	12	NUT-TOP LOCK, FLANGE, 1/4-20
23	9650920W1	12	PIN-HAIR, COTTER SPECIAL
24	71407265	12	PIN-KNURLED

71416237-0

PR: t07c13m36a0033



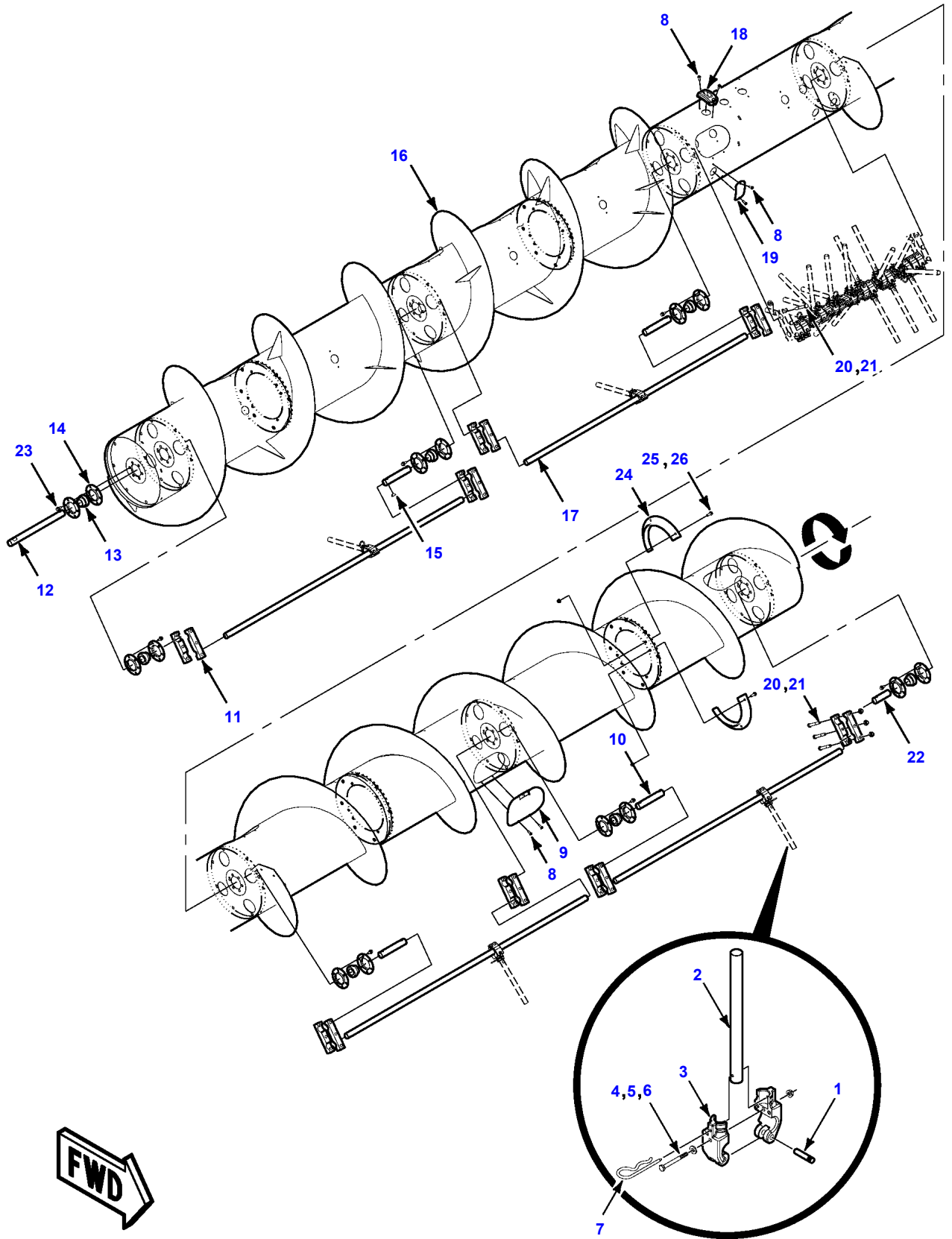
71416216-0

AUGERS - AUGER FINGER MOUNTING (25 FOOT), (FULL FINGER)

Item	Part Number	Qty	Description
1	71407265	20	PIN-KNURLED
2	71417097	20	FINGER-AUGER, TUBE
3	71407263	40	RETAINING-FINGER
4	70923282	20	CAPSCREW, 1/4-20 X 2-1/2
5	353769X1	20	WASHER-PLAIN, 1/4
6	1703354	20	NUT-TOP LOCK, FLANGE, 1/4-20
7	9650920W1	20	PIN-HAIR, COTTER SPECIAL
8	71335690	106	SCREW-SELF-TAPPING, TRUSS HEAD, 5/16-18 X 3/4
9	71404707	16	COVER-CONVEYOR
10	71417051	4	SHAFT-AUGER CRANK
11	71402753	16	CRANK FINGER-4 INCH
12	71417005	1	SHAFT-RIGHT, AUGER CRANK
13	71308984	7	BEARING-SPHERICAL
14	71369864	14	FLANGE-BEARING
15	29780X	18	KEY-WOODRUFF, No. 15
16	71417144	1	AUGER WA-25 FOOT
	71416218	1	FLIGHTING-LEFT, 25 FOOT
	71416219	1	FLIGHTING-RIGHT, 25 FOOT
17	71416210	2	SHAFT-LONG, AUGER
18	71404699	33	GUIDE-FINGER
19	71324692	4	COVER-FINGER HOLE
20	70920990	26	CAPSCREW, 1/2-13 X 3-1/2
21	Y704742	26	NUT-TOP LOCK, FLANGE, 1/2-13
22	71415399	1	SHAFT-LEFT, CONVEYOR CRANK
23	7703432	42	SCREW-FLANGE, 3/8-16 X 3/4
24	71416209	1	SHAFT-LONG, AUGER

71416216-0

PR: t07c13m36a0034



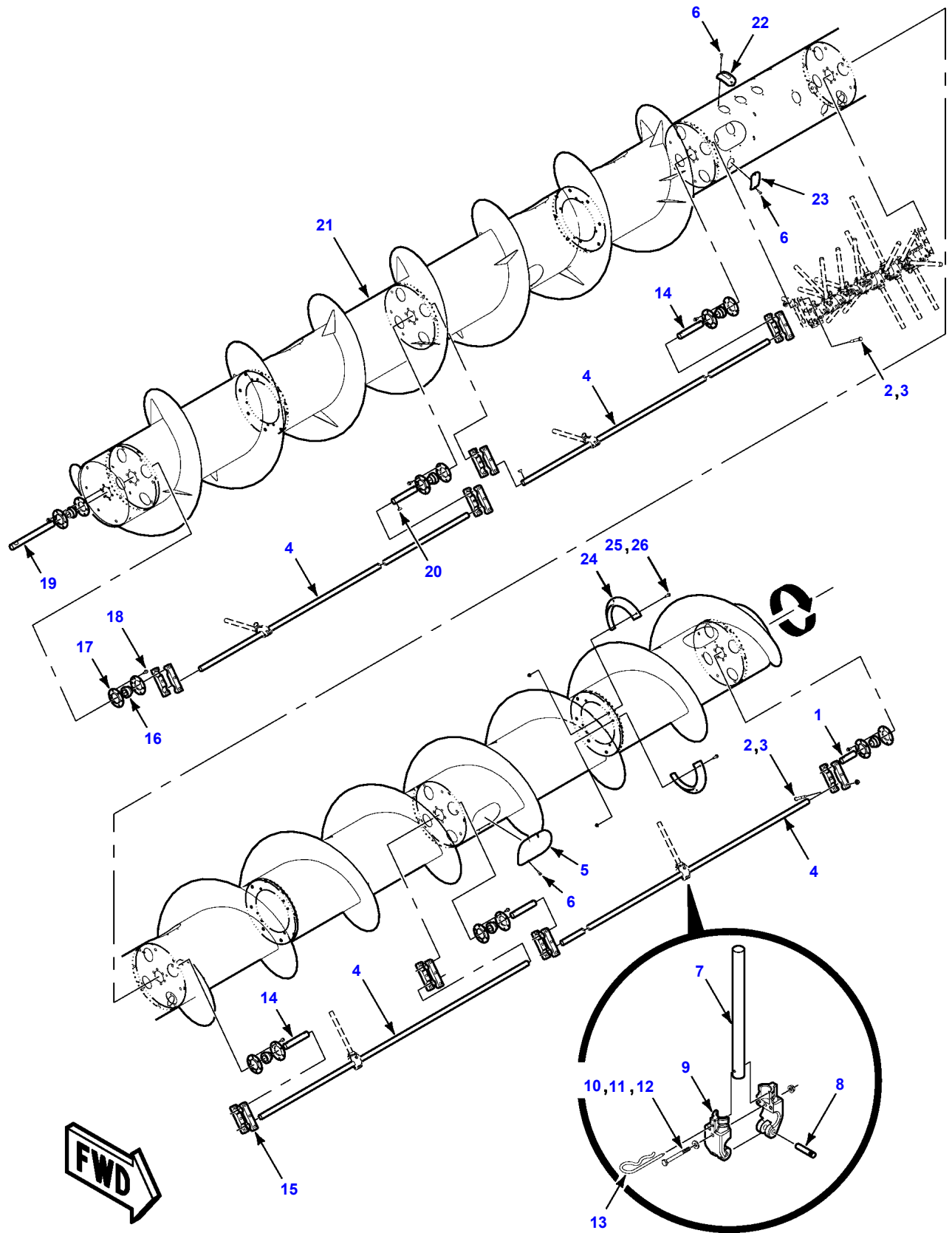
71415721-0

AUGERS - AUGER FINGER MOUNTING (30 FOOT), (FULL FINGER)

Item	Part Number	Qty	Description
1	71407265	20	PIN-KNURLED
2	71417097	20	FINGER-AUGER, TUBE
3	71407263	40	RETAINING-FINGER
4	70923282	20	CAPSCREW, 1/4-20 X 2-1/2
5	353769X1	20	WASHER-PLAIN, 1/4
6	1703354	20	NUT-TOP LOCK, FLANGE, 1/4-20
7	9650920W1	20	PIN-HAIR, COTTER SPECIAL
8	71335690	118	SCREW-SELF-TAPPING, TRUSS HEAD, 5/16-18 X 3/4
9	71404707	18	COVER-CONVEYOR
10	71417051	4	SHAFT-AUGER CRANK
11	71402753	16	CRANK FINGER-4 INCH
12	71417005	1	SHAFT-RIGHT, AUGER CRANK
13	71308984	7	BEARING-SPHERICAL
14	71369864	14	FLANGE-BEARING
15	29780X	18	KEY-WOODRUFF, No. 15
16	71417142	1	AUGER WA-30 FOOT
	71415723	1	FLIGHTING-LEFT, 30 FOOT
	71415724	1	FLIGHTING-RIGHT, 30 FOOT
17	71415725	4	SHAFT-LONG, AUGER
18	71404699	37	GUIDE-FINGER
19	71324692	4	COVER-FINGER HOLE
20	70920990	26	CAPSCREW, 1/2-13 X 3-1/2
21	Y704742	26	NUT-TOP LOCK, FLANGE, 1/2-13
22	71415399	1	SHAFT-LEFT, CONVEYOR CRANK
23	7703432	42	SCREW-FLANGE, 3/8-16 X 3/4
24	71417087	8	RING-SUPPORT
25	7883382	24	SCREW-FLANGE, 3/8-16 X 1
26	Y704734	24	NUT-TOP LOCK, FLANGE, 3/8-16

71415721-0

PR: t07c13m36a0035



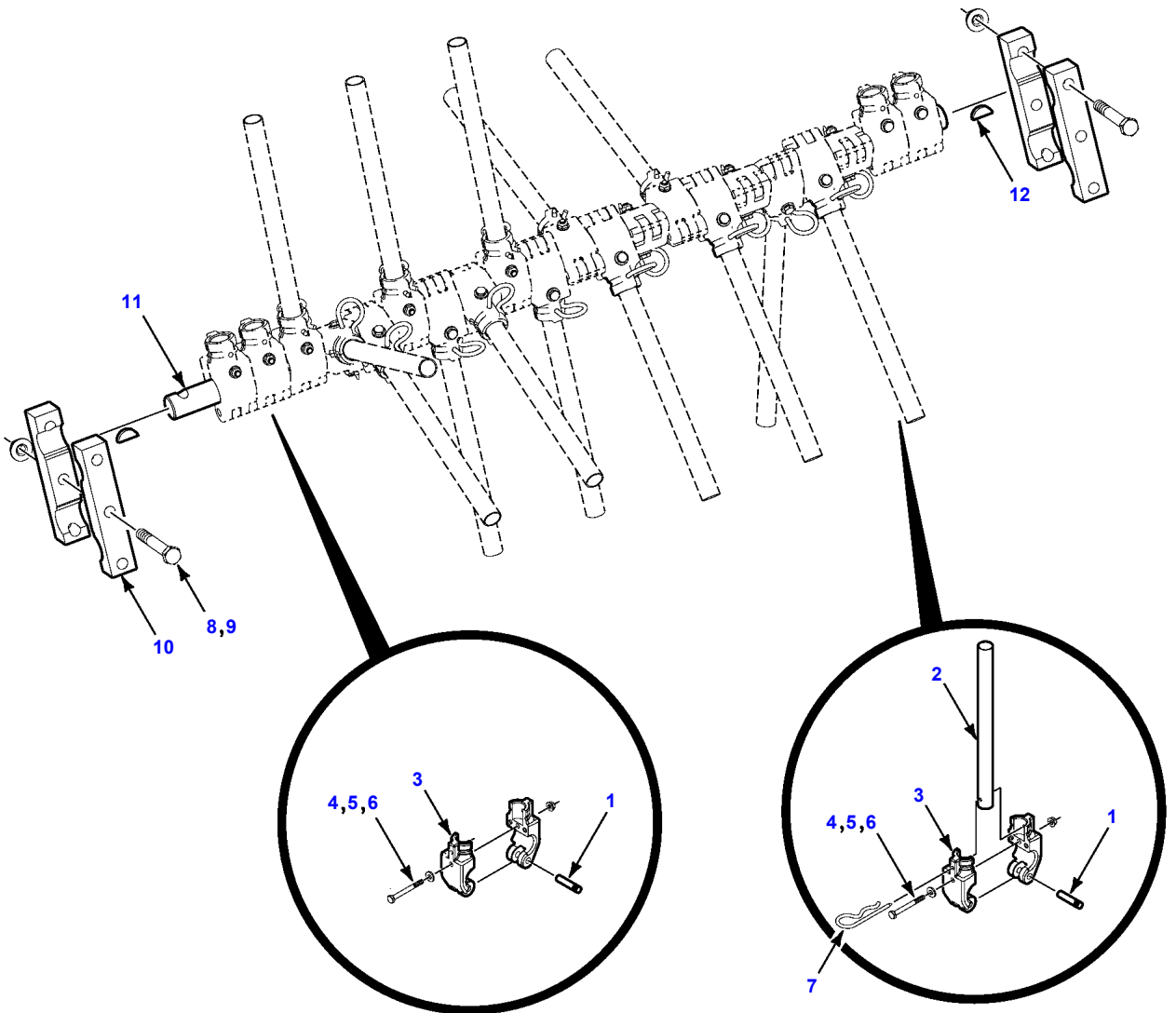
71416181-2

AUGERS - AUGER FINGER MOUNTING (35 FOOT), (FULL FINGER)

Item	Part Number	Qty	Description
1	71415399	1	SHAFT-LEFT, CONVEYOR CRANK
2	70920990	26	CAPSCREW, 1/2-13 X 3-1/2
3	Y704742	26	NUT-TOP LOCK, FLANGE, 1/2-13
4	71415392	4	LONG SHAFT-AUGER
5	71404707	20	COVER-CONVEYOR
6	71335690	134	SCREW-SELF-TAPPING, TRUSS HEAD, 5/16-18 X 3/4
7	71417097	26	FINGER-AUGER, TUBE
8	71407265	26	PIN-KNURLED
9	71407263	52	RETAINING-FINGER
10	70923282	26	CAPSCREW, 1/4-20 X 2-1/2
11	353769X1	26	WASHER-PLAIN, 1/4
12	1703354	26	NUT-TOP LOCK, FLANGE, 1/4-20
13	9650920W1	26	PIN-HAIR, COTTER SPECIAL
14	71417051	4	SHAFT-AUGER CRANK
15	71402753	16	CRANK FINGER-4 INCH
16	71308984	7	BEARING-SPHERICAL
17	71369864	14	FLANGE-BEARING
18	7703432	42	SCREW-FLANGE, 3/8-16 X 3/4
19	71417005	1	SHAFT-RIGHT, AUGER CRANK
20	29780X	18	KEY-WOODRUFF, No. 15
21	71417140	1	AUGER WA-35 FOOT
	71415701	1	FLIGHTING-LEFT, 35 FOOT
	71415700	1	FLIGHTING-RIGHT, 35 FOOT
22	71404699	43	GUIDE-FINGER
23	71324692	4	COVER-FINGER HOLE
24	71417087	8	RING-SUPPORT
25	7883382	24	SCREW-FLANGE, 3/8-16 X 1
26	Y704734	24	NUT-TOP LOCK, FLANGE, 3/8-16

71416181-2

PR: t06d06n18d0017

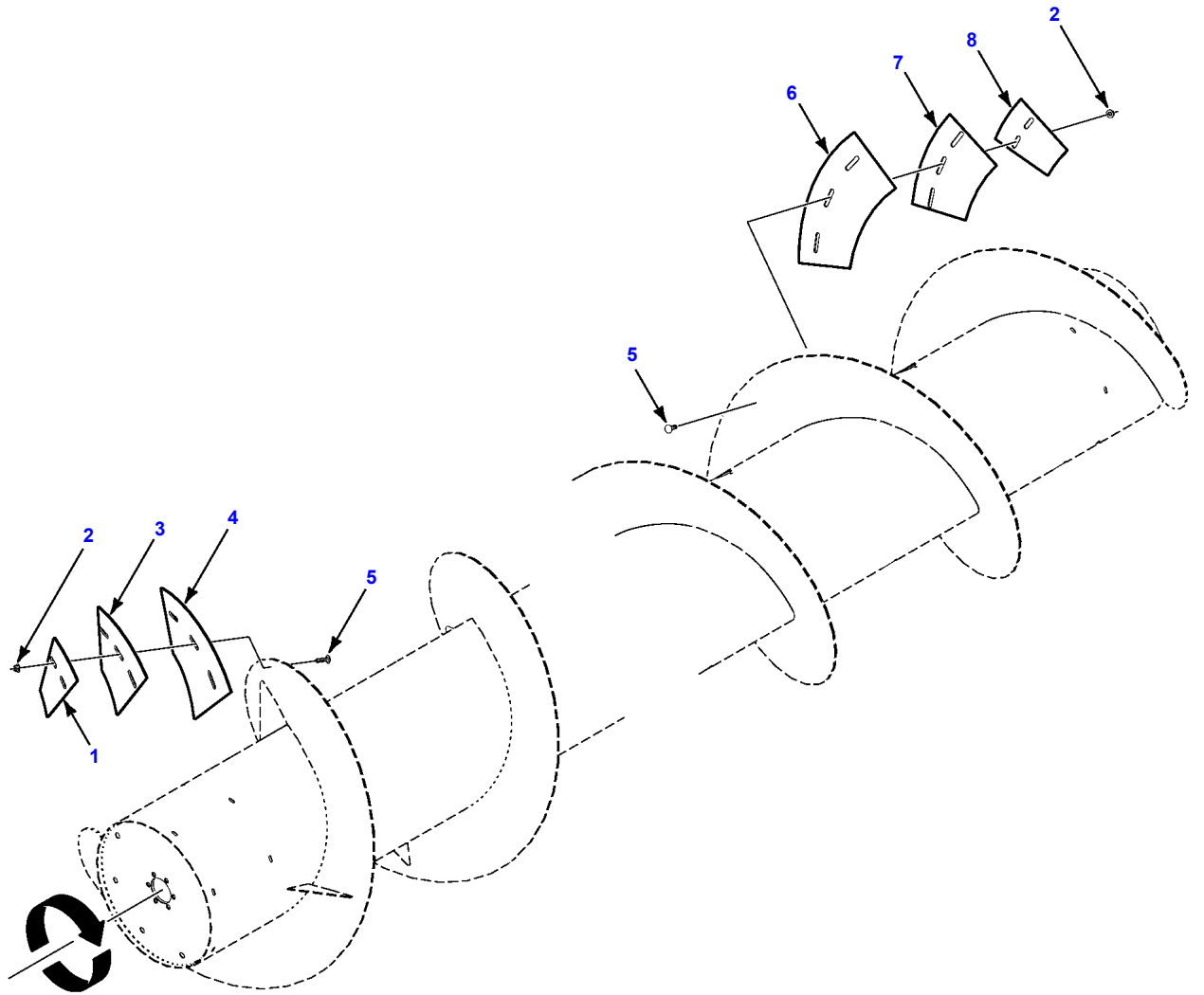


71416175-0

AUGERS - SHAFT-FINGER, 4 INCH CRANK

Item	Part Number	Qty	Description
1	71407265	21	PIN-KNURLED
2	71417097	17	FINGER-AUGER, TUBE
3	71407263	42	RETAINING-FINGER
4	70923282	21	CAPSCREW, 1/4-20 X 2-1/2
5	353769X1	21	WASHER-PLAIN, 1/4
6	1703354	21	NUT-TOP LOCK, FLANGE, 1/4-20
7	9650920W1	17	PIN-HAIR, COTTER SPECIAL
8	70920990	4	CAPSCREW, 1/2-13 X 3-1/2
9	Y704742	4	NUT-TOP LOCK, FLANGE, 1/2-13
10	71402753	4	CRANK FINGER-4 INCH
11	71415453	1	SHAFT-FINGER-RETAINER
12	29780X	2	KEY-WOODRUFF, No. 15

71416175-0
PR: t06d06n18d0018

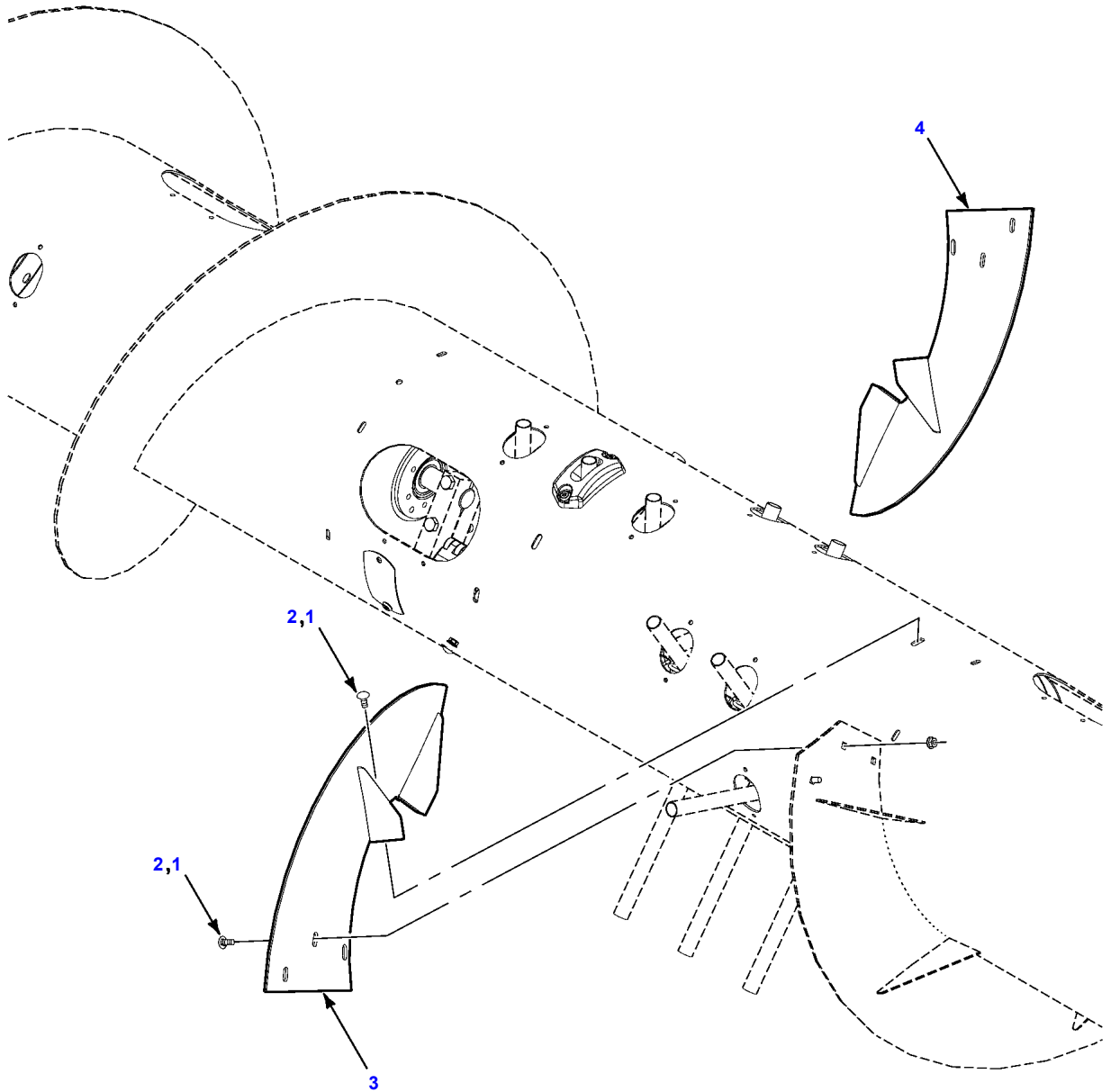


71416181-1

AUGERS - FLIGHT WEIGHT MOUNTING

Item	Part Number	Qty	Description
1	71417010	AR	FLIGHT-WEIGHT, RIGHT
2	Y704734	AR	NUT-TOP LOCK, FLANGE, 3/8-16
3	71417011	AR	FLIGHT-WEIGHT, RIGHT
4	71417004	AR	FLIGHT-WEIGHT, RIGHT
5	70922786	AR	BOLT-CARRIAGE, 3/8-16 X 1
	70923220	4	BOLT-CARRIAGE, 3/8-16 X 1-1/4
6	71417012	AR	FLIGHT-WEIGHT, LEFT
7	71417013	AR	FLIGHT-WEIGHT, LEFT
8	71417014	AR	FLIGHT-WEIGHT, LEFT

71416181-1
PR: t06d06n18d0019

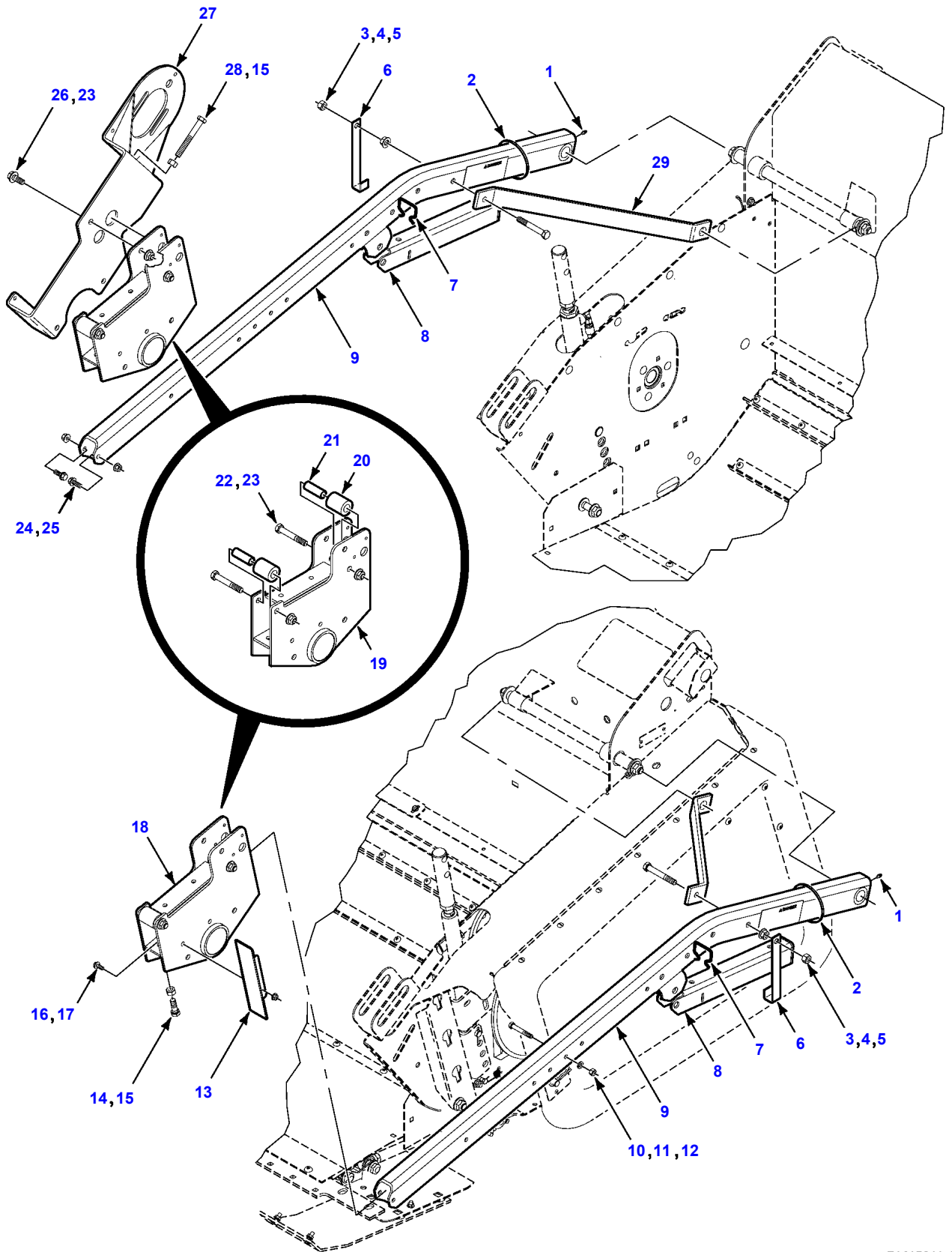


71416182-0

AUGERS - CENTER AUGER EXTENSION MOUNTING

Item	Part Number	Qty	Description
1	70931277	10	NUT-LOCK, FLANGE, 5/16-18
2	7700461	10	BOLT-CARRIAGE, 5/16-18 X 3/4
3	71415697	1	EXTENSION WA-30 INCH, LEFT
4	71415699	1	EXTENSION WA-30 INCH, RIGHT

71416182-0
PR: t06d06n18d0020



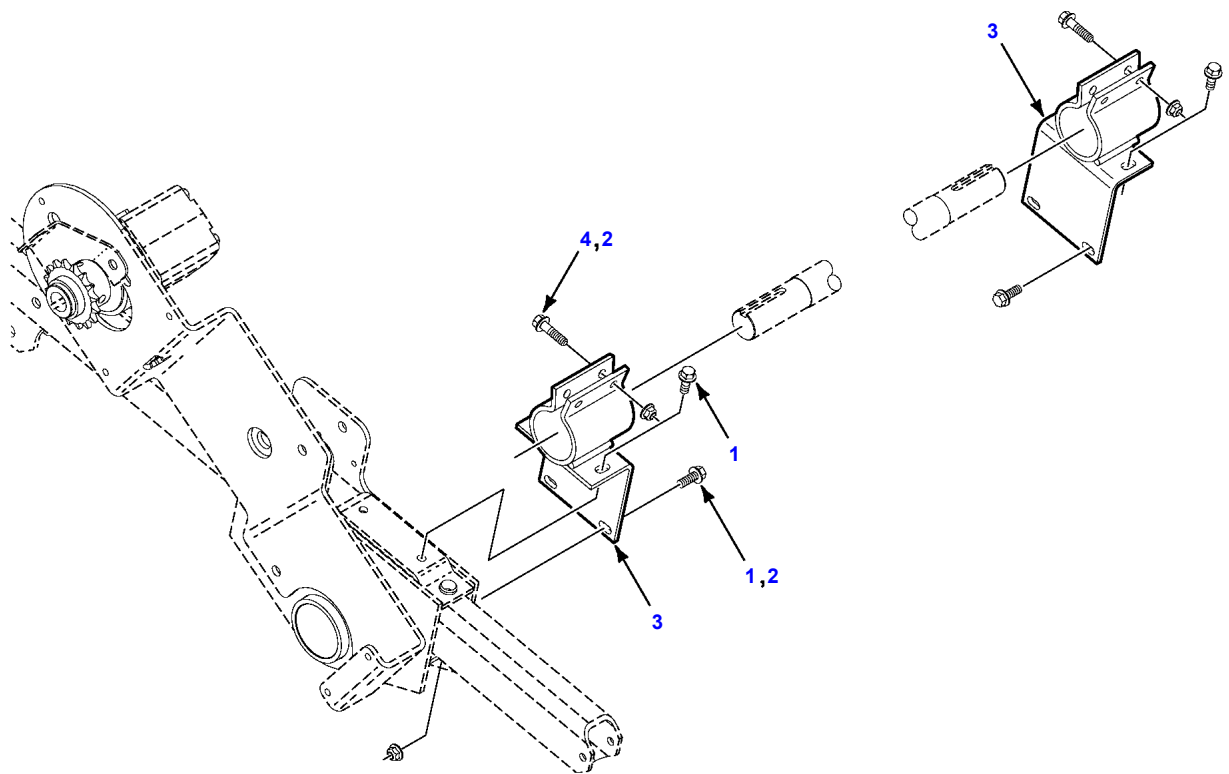
71415912-2

REELS - REEL ARM MOUNTING

Item	Part Number	Qty	Description
1	13811X	2	ZERK, 1/4-28 X 17/32
2	3619622M1	3	TIE-CABLE, 15-1/4
3	70920990	2	CAPSCREW, 1/2-13 X 3-1/2
4	Y704288	2	NUT-CENTER LOCK, 1/2-13
5	700714586	2	NUT-FLANGE, 1/2-13
6	71415454	2	LATCH-RAM STOP
7	71353111	2	SPRING-WIRE RETAINER
8	71415191	2	STOP WA-RAM
9	71415595	2	ARM ASSEMBLY-REEL
	71415838	1	DECAL-DANGER
10	70921972	2	CAPSCREW, 3/8-16 X 2-1/2
11	70916965	2	WASHER-SPRING, 3/8
12	70916950	2	NUT, 3/8-16
13	71404783	1	BRACKET ASSEMBLY-DECAL
	700717403	1	REFLECTOR-YELLOW
14	701235	4	CAPSCREW, 1/2-13 X 1-1/2
15	704031	5	NUT, 1/2-13
16	7883325	2	SCREW-FLANGE, 5/16-18 X 3/4
17	Y704726	2	NUT-LOCK, FLANGE, 5/16-18
18	71417024	2	CARRIER ASSEMBLY-REEL, ROLLER
	71417025	1	CARRIER WA-REEL
	71417027	2	ROLLER-REEL, SUPPORT
	71417028	2	SPACER
	70923191	2	CAPSCREW, 1/2-13 X 3-1/4
	Y704742	2	NUT-TOP LOCK, FLANGE, 1/2-13
19	71417025	1	CARRIER WA-REEL
20	71417027	2	ROLLER-REEL, SUPPORT
21	71417028	2	SPACER
22	70923191	2	CAPSCREW, 1/2-13 X 3-1/4
23	Y704742	5	NUT-TOP LOCK, FLANGE, 1/2-13
24	7883382	4	SCREW-FLANGE, 3/8-16 X 1
25	Y704734	4	NUT-TOP LOCK, FLANGE, 3/8-16
26	700710984	3	SCREW-FLANGE, GR8, 1/2-13 X 1-1/4
27	71415511	1	MOUNTING WA-REEL MOTOR
28	873455	1	CAPSCREW-FULL THREAD, 1/2-13 X 4
29	71415600	2	BRACE-REEL ARM

71415912-2

PR: t07c13m36a0036

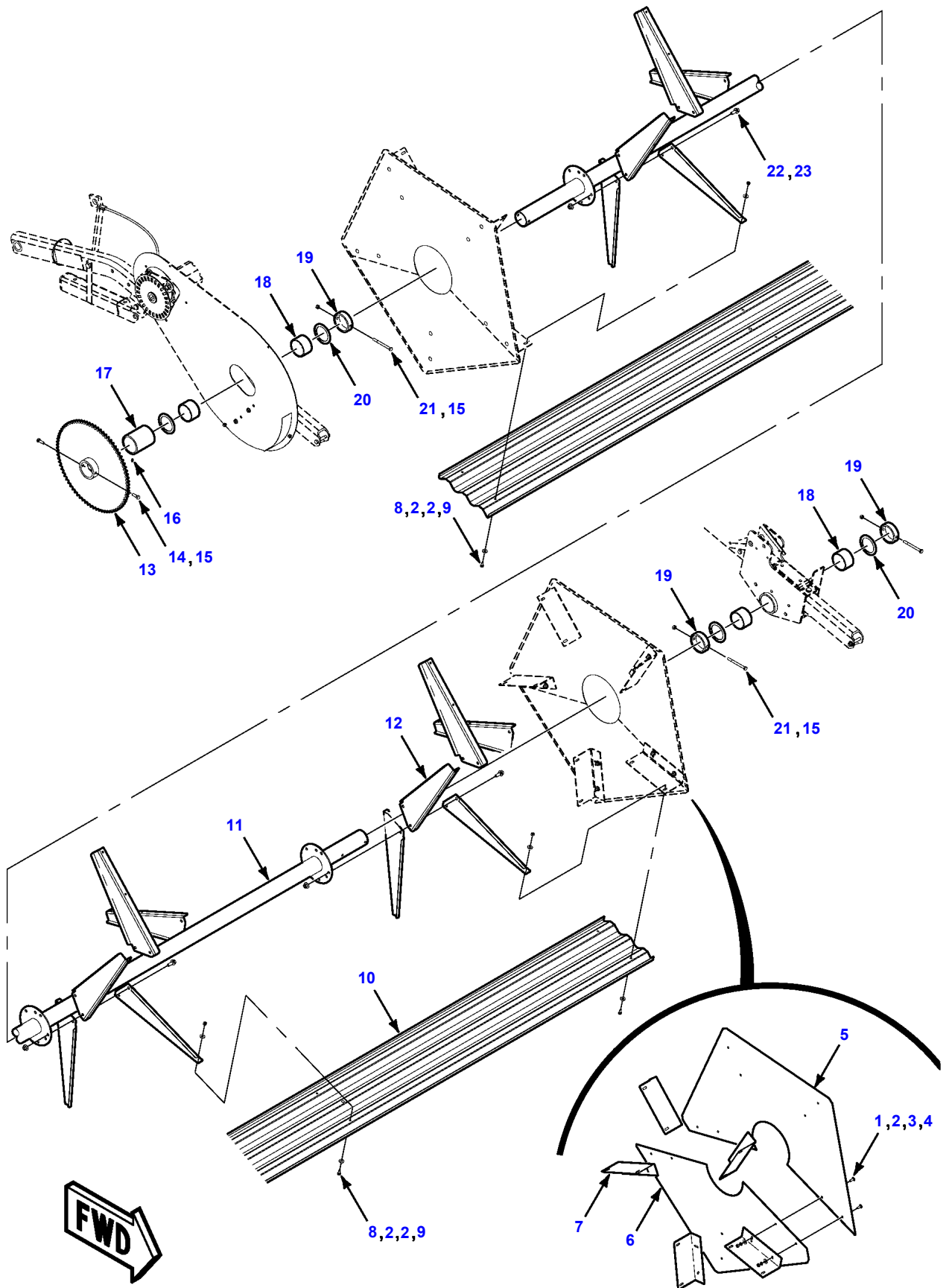


71415304-2

REELS - REEL MOUNTING

Item	Part Number	Qty	Description
1	7703424	8	SCREW-FLANGE, 3/8-16 X 1
2	Y704734	8	NUT-TOP LOCK, FLANGE, 3/8-16
3	71415305	2	CLAMP WA-MOUNTING
4	700711084	4	SCREW-FLANGE, GR8, 3/8-16 X 1-1/2

71415304-2
PR: t06d06n18d0022



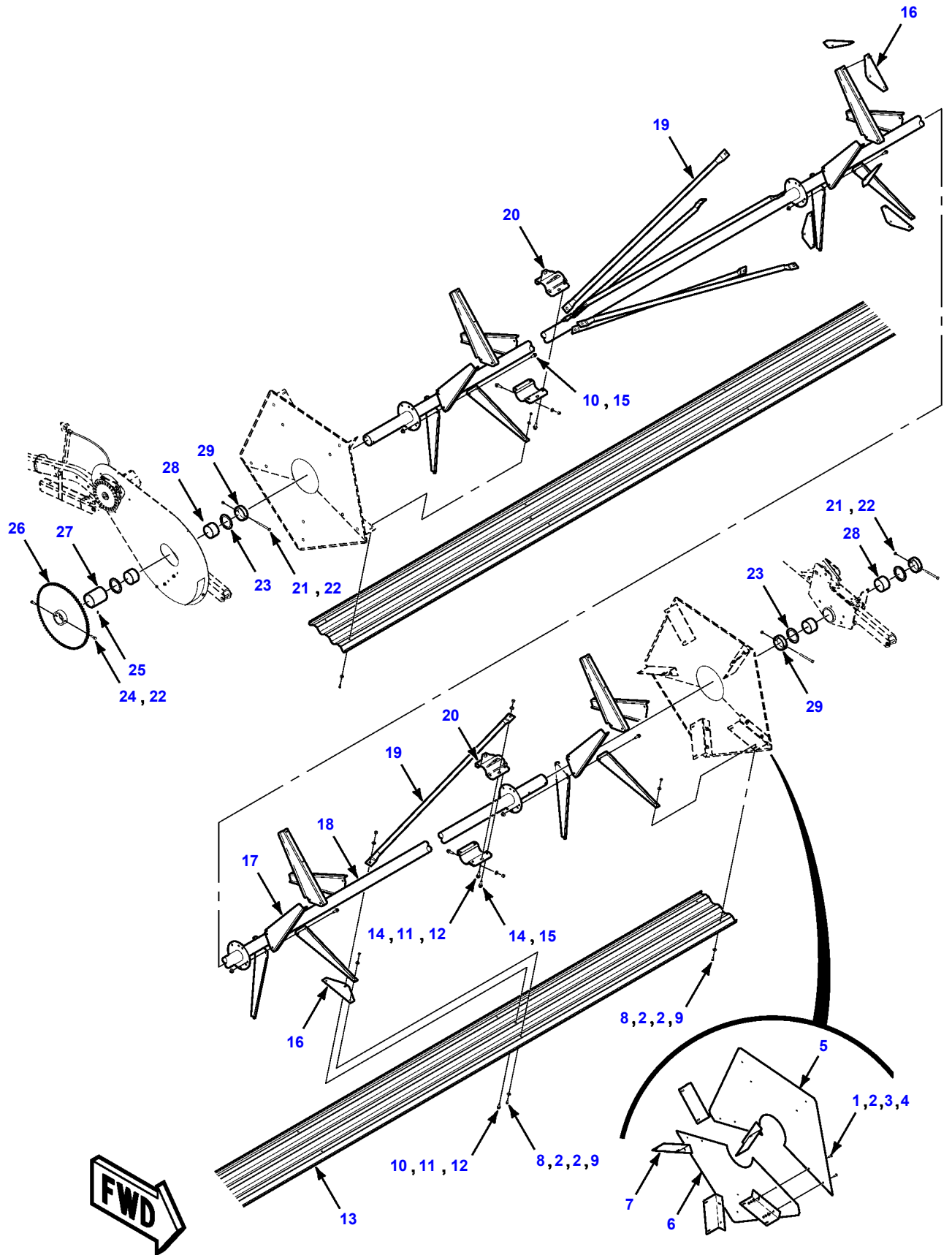
71 416 494-0

REELS - BAT REEL (25 FOOT)

Item	Part Number	Qty	Description
1	70931317	10	1/4-20 X 3/4 BOLT-CARRIAGE
2	70917377	130	WASHER-PLAIN, 1/4
3	705012	10	WASHER-SPRING, 1/4
4	70916622	10	NUT, 1/4-20
5	71376062	1	SHIELD-REEL END, LARGER
6	71376061	1	SHIELD-REEL END, SMALLER
7	71376060	5	BRACKET-REEL, LEFT
	71376067	5	BRACKET-REEL END, RIGHT
8	70921959	60	CAPSCREW, 1/4-20 X 5/8
9	31752	60	NUT-CONE LOCK, 1/4-20
10	71416256	5	BAT REEL-25 FOOT
11	71416255	1	SHAFT WA-REEL
12	71386970	30	ARM-REEL, PITCHED BAT
13	71371903	1	SPROCKET WA-72 TOOTH
14	70921333	2	CAPSCREW, 5/16-18 X 1
15	70923362	5	NUT-CENTER LOCK, 5/16-18
16	70914687	2	ZERK, 1/4-28
17	71415604	1	SPACER-REEL
18	71316764	4	BEARING-REEL SHAFT
19	71328520	3	STOP-REEL
20	71376069	4	WASHER-REEL
21	70925690	3	CAPSCREW, 5/16-18 X 3-1/2
22	7703424	30	SCREW-FLANGE, 3/8-16 X 1
23	70928352	30	NUT-FLANGE, 3/8-16

71416494-0

PR: t07c13m36a0037



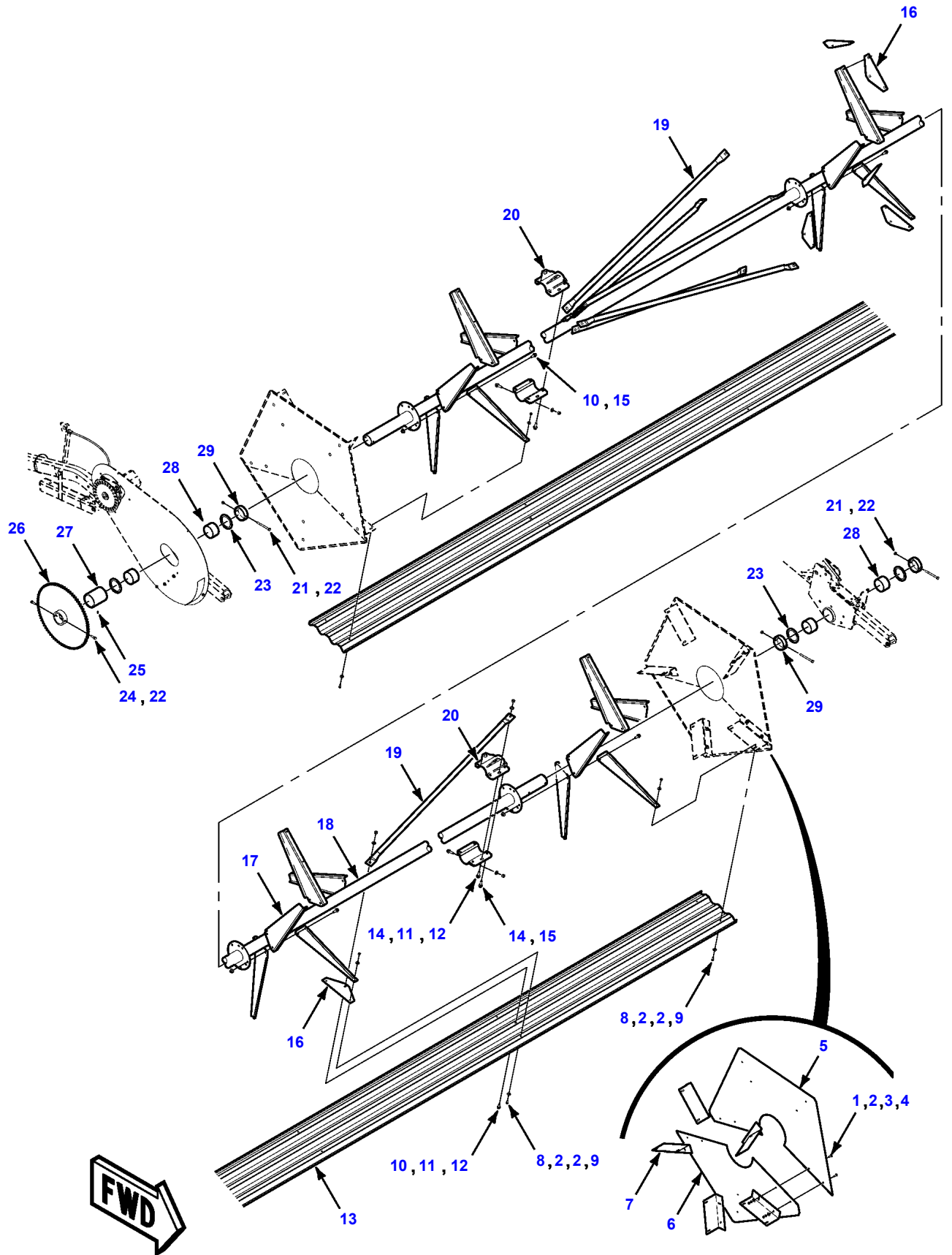
71 416 495-0

REELS - BAT REEL (30 FOOT)

Item	Part Number	Qty	Description
1	70931317	10	1/4-20 X 3/4 BOLT-CARRIAGE
2	70917377	150	WASHER-PLAIN, 1/4
3	705012	10	WASHER-SPRING, 1/4
4	70916622	10	NUT, 1/4-20
5	71376062	1	SHIELD-REEL END, LARGER
6	71376061	1	SHIELD-REEL END, SMALLER
7	71376060	5	BRACKET-REEL, LEFT
8	70921959	70	CAPSCREW, 1/4-20 X 5/8
9	31752	70	NUT-CONE LOCK, 1/4-20
10	7703424	45	SCREW-FLANGE, 3/8-16 X 1
11	70918266	20	WASHER-NARROW PLAIN, 3/8
12	10163	20	NUT-CENTER LOCK, 3/8-16
13	71416251	5	BAT REEL
14	7771470	18	SCREW-FLANGE, 3/8-16 X 1-1/4
15	70928352	43	NUT-FLANGE, 3/8-16
16	71328837	10	PLATE REEL BACKUP
17	71386970	35	ARM-REEL, PITCHED BAT
18	71416250	1	SHAFT WA-REEL
19	71328519	10	BRACE-REEL
20	71328830	4	HUB WA-REEL BRACE
21	70925690	3	CAPSCREW, 5/16-18 X 3-1/2
22	70923362	5	NUT-CENTER LOCK, 5/16-18
23	71376069	4	WASHER-REEL
24	70921333	2	CAPSCREW, 5/16-18 X 1
25	70914687	2	ZERK, 1/4-28
26	71371903	1	SPROCKET WA-72 TOOTH
27	71415604	1	SPACER-REEL
28	71316764	4	BEARING-REEL SHAFT
29	71328520	3	STOP-REEL

71416495-0

PR: t07c13m36a0038



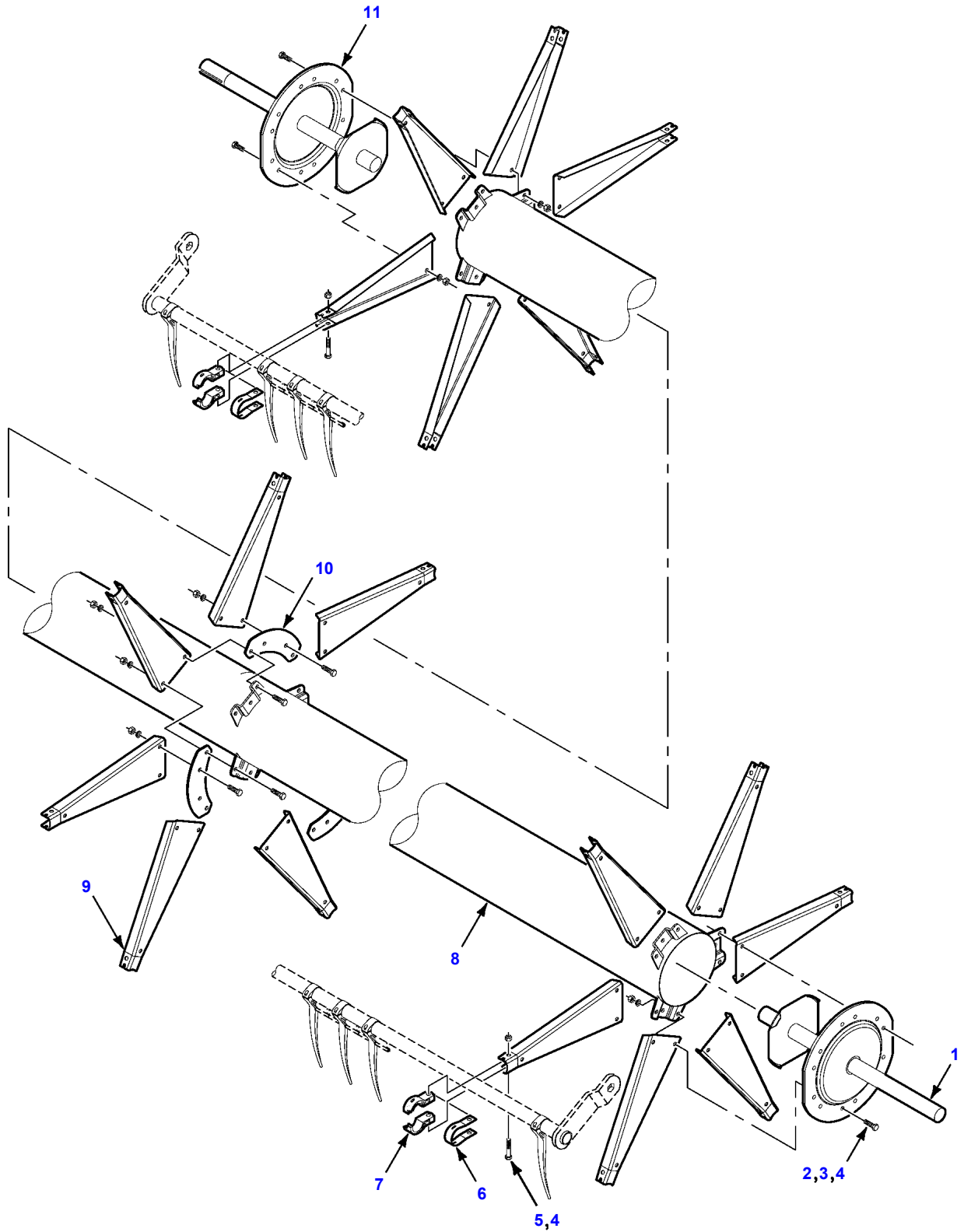
71 415 767-0

REELS - BAT REEL (35 FOOT)

Item	Part Number	Qty	Description
1	70931317	10	1/4-20 X 3/4 BOLT-CARRIAGE
2	70917377	170	WASHER-PLAIN, 1/4
3	705012	10	WASHER-SPRING, 1/4
4	70916622	10	NUT, 1/4-20
5	71376062	1	SHIELD-REEL END, LARGER
6	71376061	1	SHIELD-REEL END, SMALLER
7	71376060	5	BRACKET-REEL, LEFT
8	70921959	80	CAPSCREW, 1/4-20 X 5/8
9	31752	80	NUT-CONE LOCK, 1/4-20
10	7703424	50	SCREW-FLANGE, 3/8-16 X 1
11	70918266	20	WASHER-NARROW PLAIN, 3/8
12	10163	20	NUT-CENTER LOCK, 3/8-16
13	71415605	5	BAT REEL
14	7771470	18	SCREW-FLANGE, 3/8-16 X 1-1/4
15	70928352	48	NUT-FLANGE, 3/8-16
16	71328837	10	PLATE REEL BACKUP
17	71386970	40	ARM-REEL, PITCHED BAT
18	71415607	1	SHAFT WA-REEL
19	71328519	10	BRACE-REEL
20	71328830	4	HUB WA-REEL BRACE
21	70925690	3	CAPSCREW, 5/16-18 X 3-1/2
22	70923362	5	NUT-CENTER LOCK, 5/16-18
23	71376069	4	WASHER-REEL
24	70921333	2	CAPSCREW, 5/16-18 X 1
25	70914687	2	ZERK, 1/4-28
26	71371903	1	SPROCKET WA-72 TOOTH
27	71415604	1	SPACER-REEL
28	71316764	4	BEARING-REEL SHAFT
29	71328520	3	STOP-REEL

71415767-0

PR: t07c13m36a0039

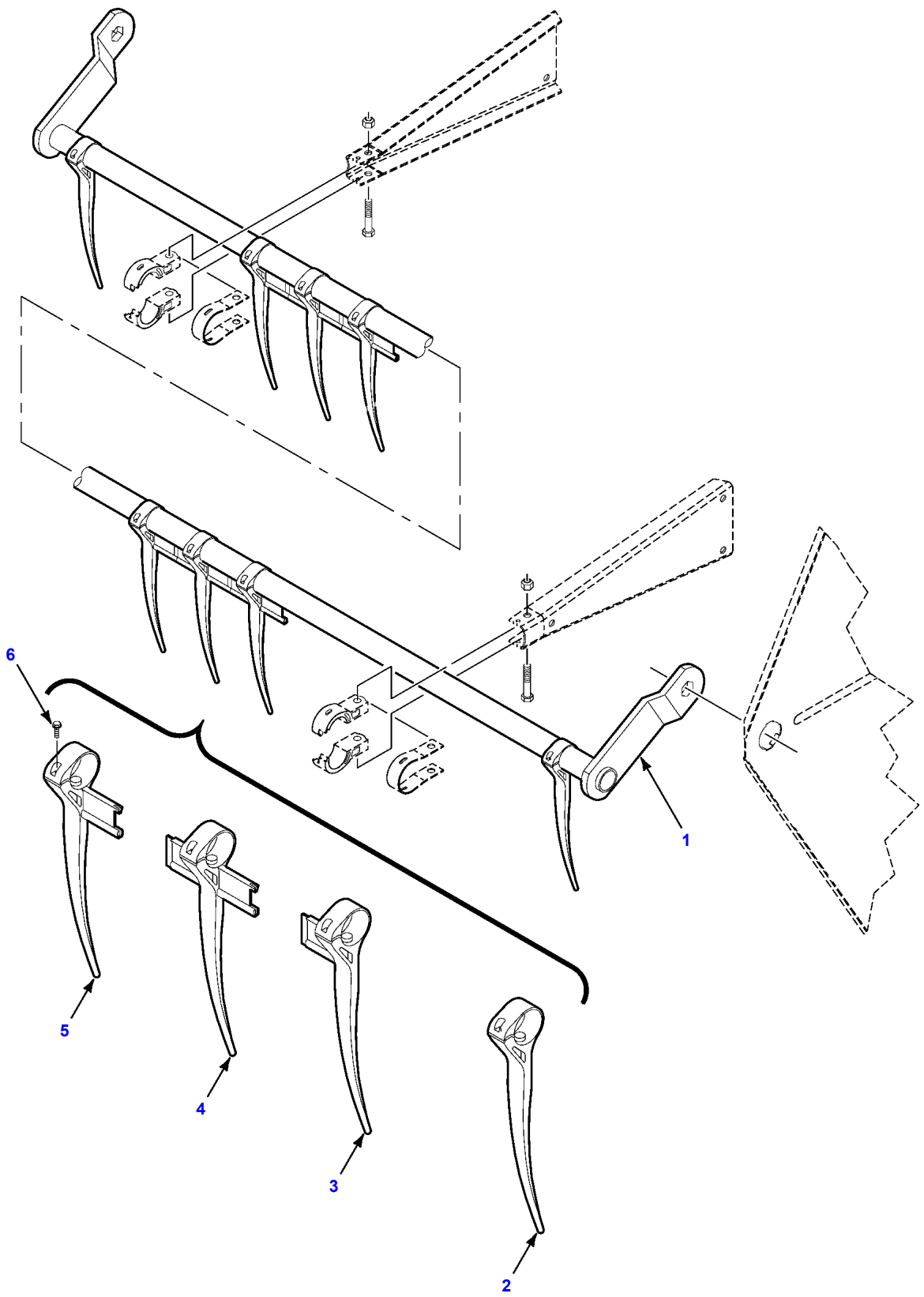


71 388 793-1

Item	Part Number	Qty	Description
1	71417083	1	SHAFT-DRIVEN
2	7702319	60	CAPSCREW, FULL-THREAD, M10 X 1.5 X 35, CLASS 8.8
3	700708367	60	WASHER-LOCK, M10
4	PZND2084V	90	NUT-LOCK, M10 X 1.5
5	7703218	30	CAPSCREW, FULL THREAD, M10 X 1.5 X 50, CLASS 8.8
6	71367255	30	STRAP-BEARING
7	71367256	60	BEARING-HALF, REEL ARM
8	71389114	1	SHAFT-CENTER
9	71367257	30	REEL ARM
10	71389103	9	PLATES-ANCHOR
11	700722051	1	SHAFT-DRIVING

71388793-1

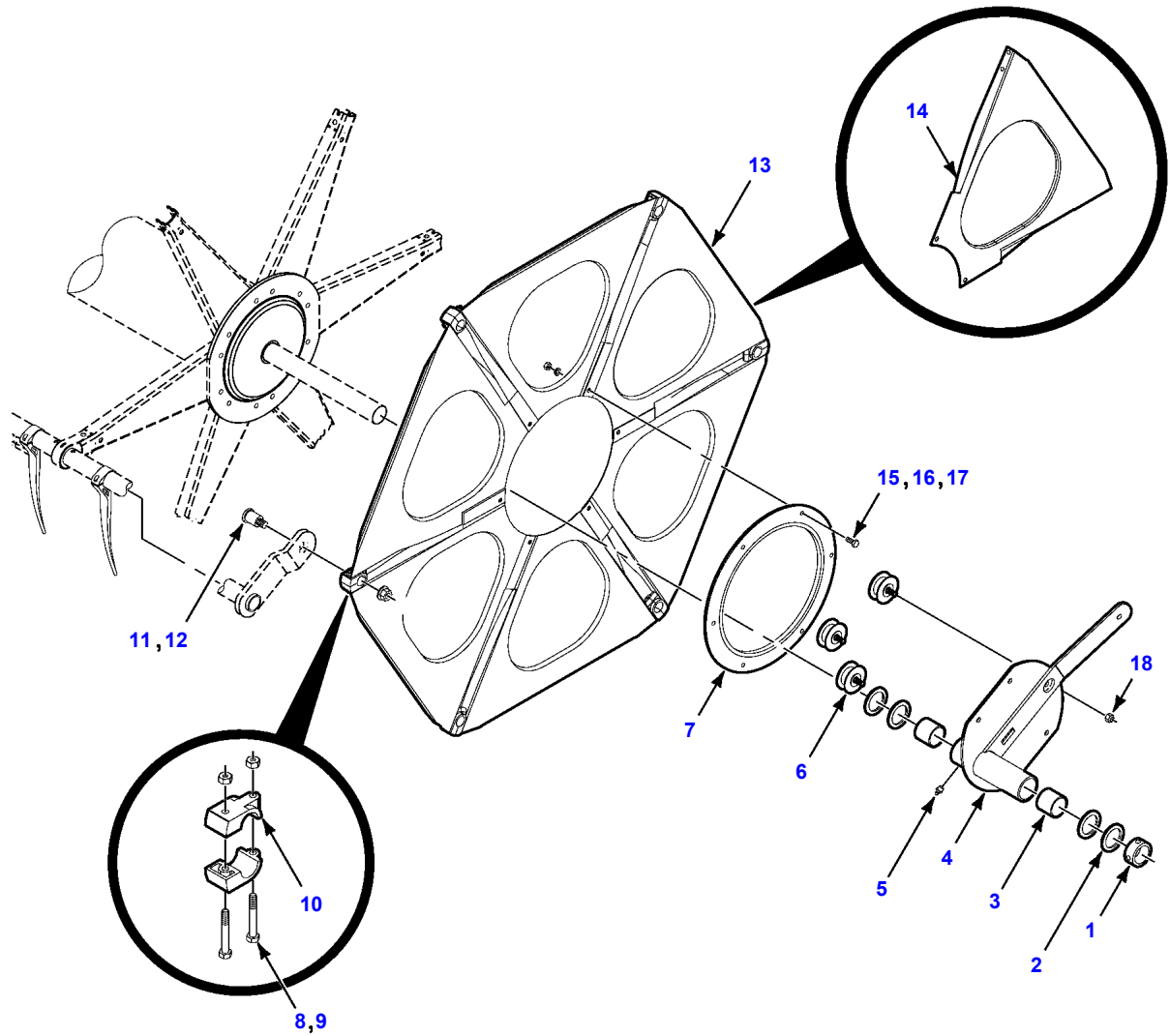
PR: t07c13m36a0040



71 388 793-2

Item	Part Number	Qty	Description
1	71389122	6	TUBE-BAT WA
2	71389109	21	FINGER
3	71389107	12	FINGER-BAT, LEFT
4	71389106	195	FINGER-BAT, FULL
5	71389108	15	FINGER-BAT, RIGHT
6	70951293	243	SCREW-SELF-TAPPING, M3.5 X 1.3 X 16

71388793-2
PR: t07c13m36a0041

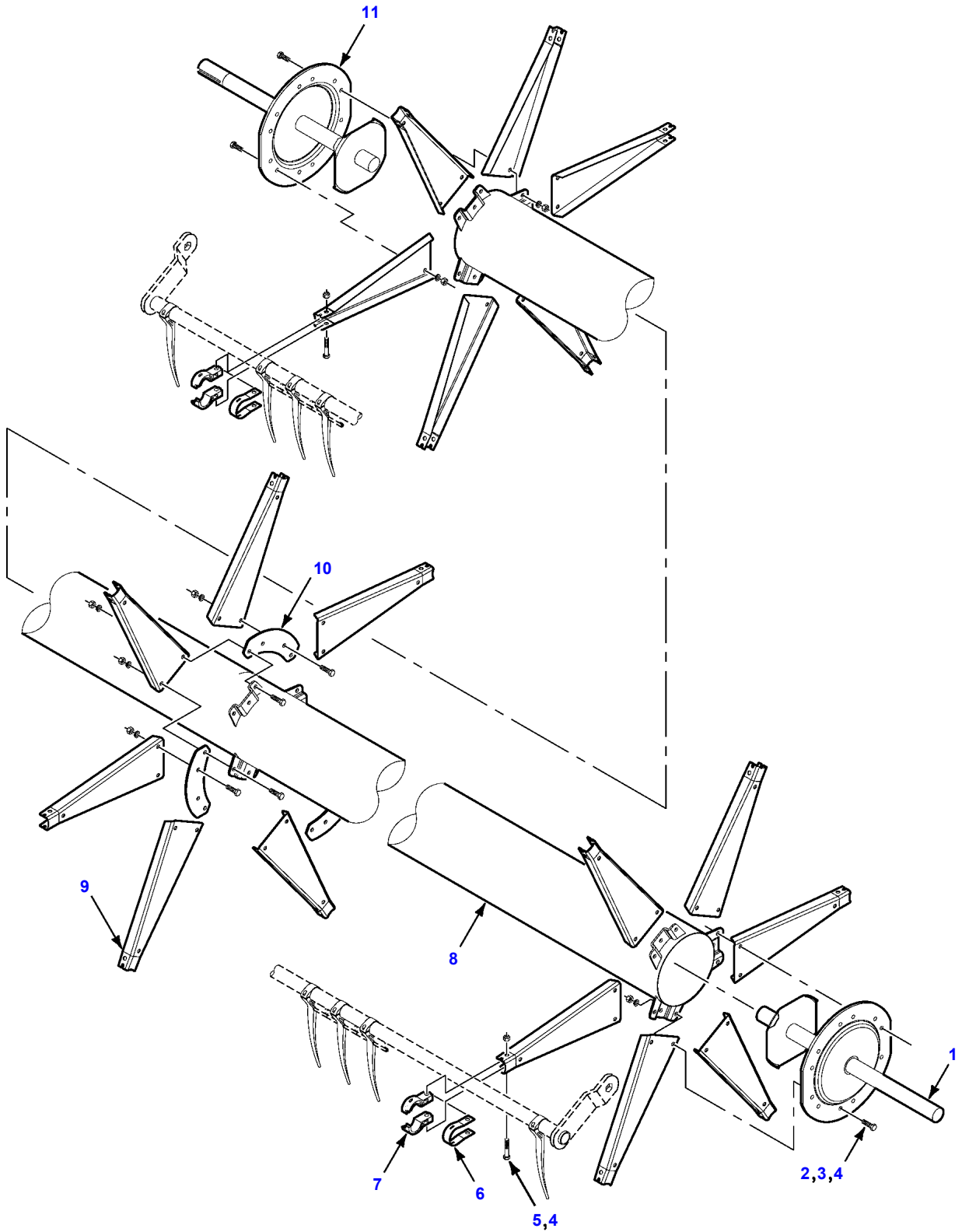


71 388 793-3

Item	Part Number	Qty	Description
1	71368521	2	COLLAR-LOCK
2	71404790	8	WASHER-FLAT, SPECIAL
3	71141320	4	BEARING-OILITE
4	71404789	2	FRAME ASSEMBLY-ROLLER
	71141320	2	BEARING-OILITE
5	70914465	2	ZERK, 1/8-27
6	71368702	AR	ROLLER-BALL BEARING
7	71407271	2	RING-CONTROL, ECCENTRIC
8	7772544	24	CAPSCREW, FULL THREAD, M6 X 1 X 45, CLASS 8.8
9	7704703	24	NUT, M6 X 1.0, CLASS 8
10	71407270	24	BEARING BLOCK
11	71368520	12	M12 X 1.75 X 50 SCREW
12	70950946	12	M12 LOCK NUT
13	71404509	2	SHIELD ASSEMBLY-END, ECCENTRIC
	71407271	1	RING-CONTROL, ECCENTRIC
	7772544	12	CAPSCREW, FULL THREAD, M6 X 1 X 45, CLASS 8.8
	7704703	12	NUT, M6 X 1.0, CLASS 8
	71407270	12	BEARING BLOCK
	71407272	6	SHIELD
14	71407272	12	SHIELD
15	1441456X1	12	SCREW-COUNTERSUNK, M8 X 1.25 X 20
16	1177981	12	WASHER-LOCK, M8
17	1702893	12	NUT, M8 X 1.25
18	700711876	AR	NUT-LOCK, M10 X 1.5

71388793-3

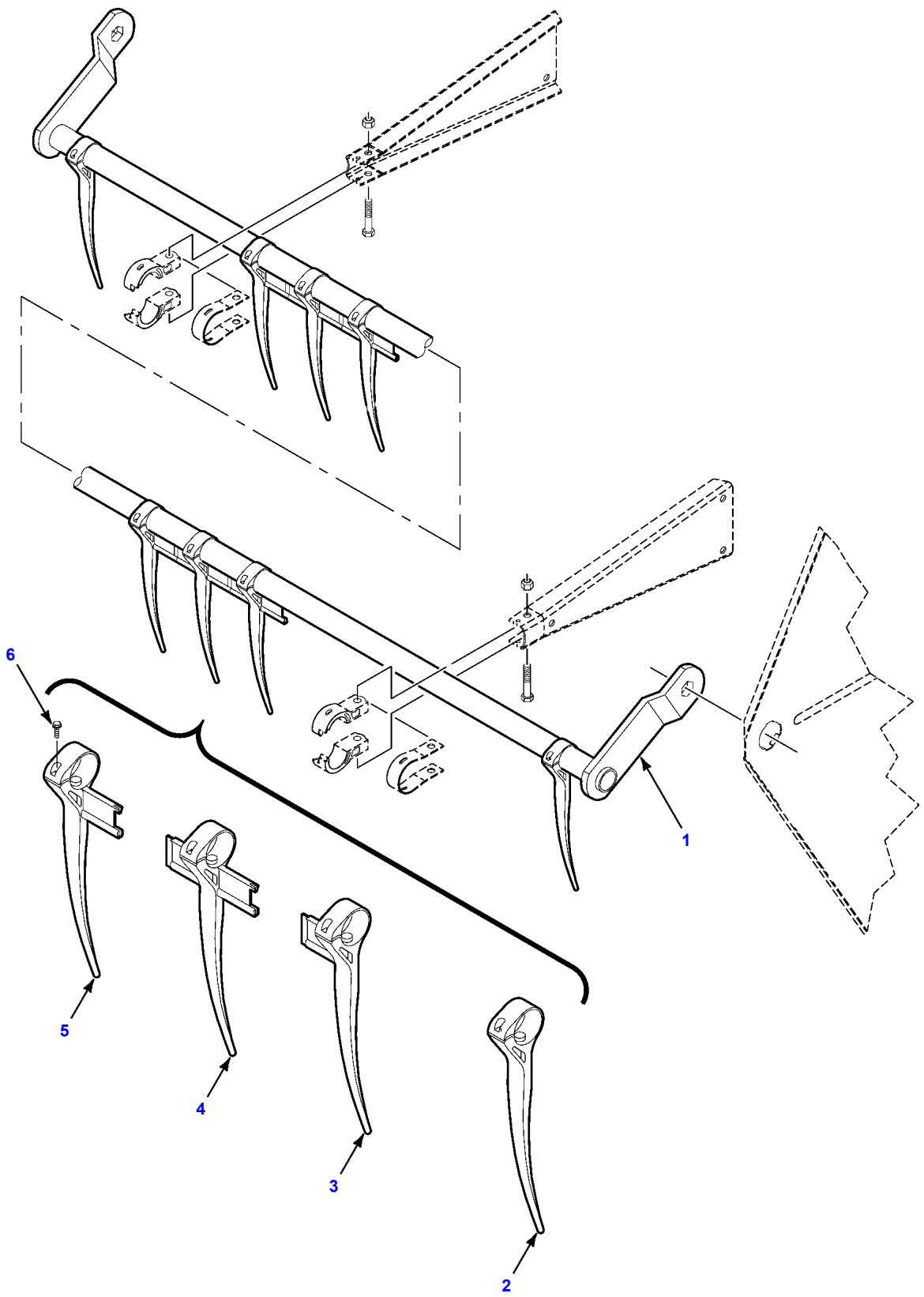
PR: t07c13m36a0042



71 388 795-1

Item	Part Number	Qty	Description
1	71417083	1	SHAFT-DRIVEN
2	7702319	84	CAPSCREW, FULL-THREAD, M10 X 1.5 X 35, CLASS 8.8
3	700708367	84	WASHER-LOCK, M10
4	PZND2084V	126	NUT-LOCK, M10 X 1.5
5	7703218	42	CAPSCREW, FULL THREAD, M10 X 1.5 X 50, CLASS 8.8
6	71367255	42	STRAP-BEARING
7	71367256	84	BEARING-HALF, REEL ARM
8	71389112	1	SHAFT-CENTER
9	71367257	42	REEL ARM
10	71389103	15	PLATES-ANCHOR
11	71417082	1	SHAFT-DRIVING

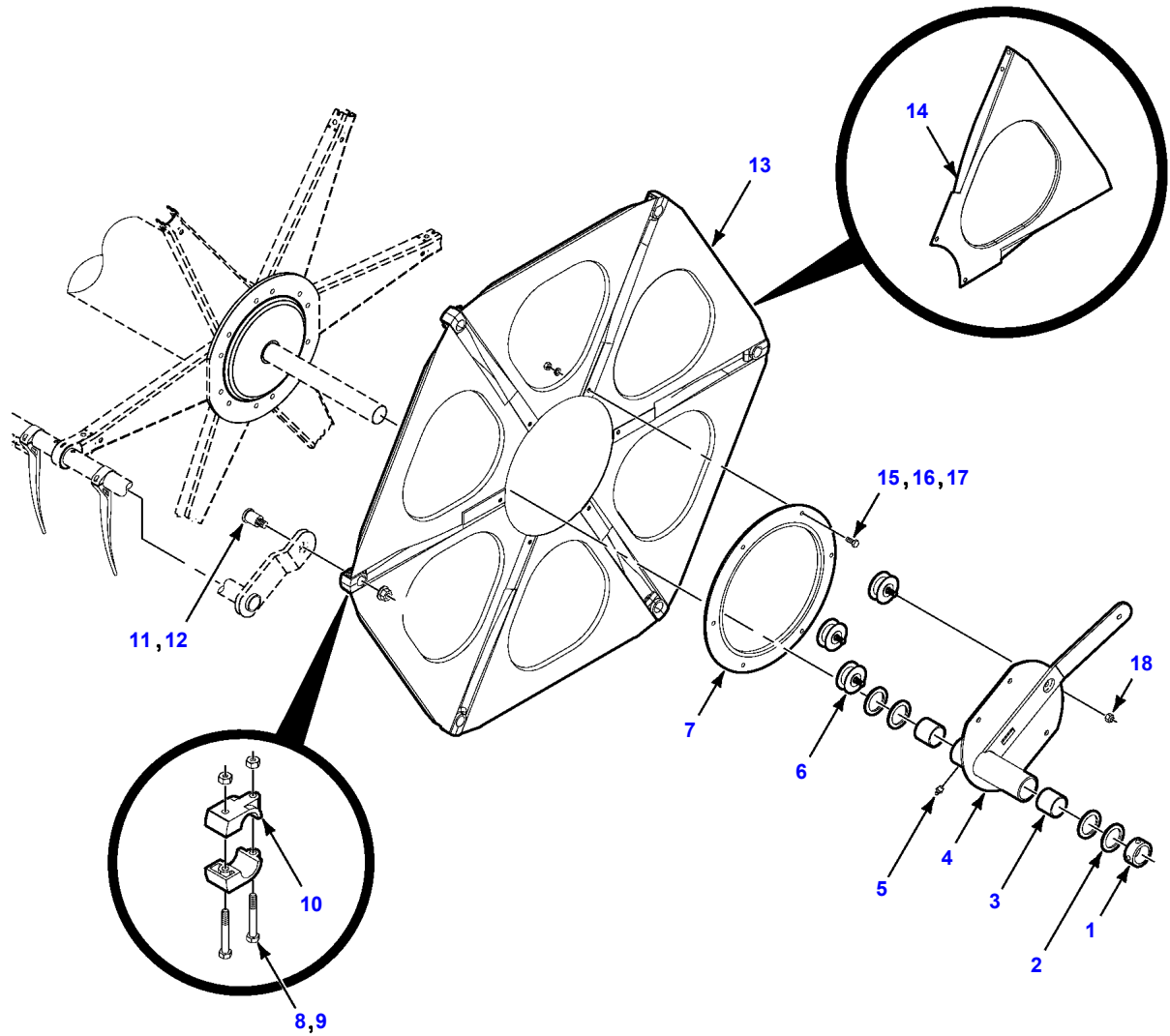
71388795-1
PR: t07c13m36a0043



71 388 795-2

Item	Part Number	Qty	Description
1	71389120	6	TUBE-BAT WA
2	71389109	24	FINGER
3	71389107	15	FINGER-BAT, LEFT
4	71389106	249	FINGER-BAT, FULL
5	71389108	15	FINGER-BAT, RIGHT
6	70951293	303	SCREW-SELF-TAPPING, M3.5 X 1.3 X 16

71388795-2
PR: t07c13m36a0044

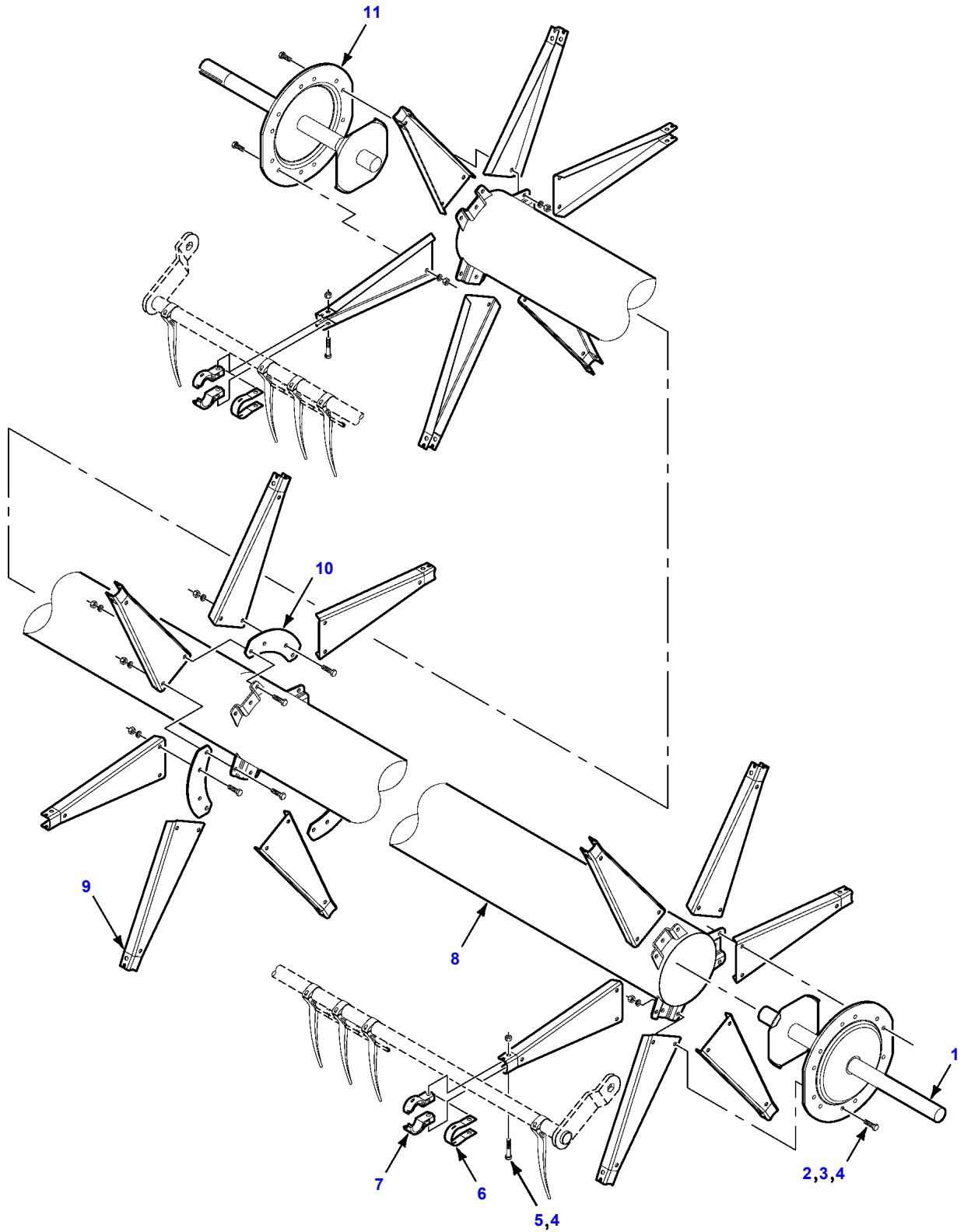


71 388 795-3

Item	Part Number	Qty	Description
1	71368521	2	COLLAR-LOCK
2	71404790	8	WASHER-FLAT, SPECIAL
3	71141320	4	BEARING-OILITE
4	71404789	2	FRAME ASSEMBLY-ROLLER
	71141320	2	BEARING-OILITE
5	70914465	2	ZERK, 1/8-27
6	71368702	AR	ROLLER-BALL BEARING
7	71407271	2	RING-CONTROL, ECCENTRIC
8	7772544	24	CAPSCREW, FULL THREAD, M6 X 1 X 45, CLASS 8.8
9	7704703	24	NUT, M6 X 1.0, CLASS 8
10	71407270	24	BEARING BLOCK
11	71368520	12	M12 X 1.75 X 50 SCREW
12	70950946	12	M12 LOCK NUT
13	71404509	2	SHIELD ASSEMBLY-END, ECCENTRIC
	71407271	1	RING-CONTROL, ECCENTRIC
	7772544	12	CAPSCREW, FULL THREAD, M6 X 1 X 45, CLASS 8.8
	7704703	12	NUT, M6 X 1.0, CLASS 8
	71407270	12	BEARING BLOCK
	71407272	6	SHIELD
14	71407272	12	SHIELD
15	1441456X1	12	SCREW-COUNTERSUNK, M8 X 1.25 X 20
16	1177981	12	WASHER-LOCK, M8
17	1702893	12	NUT, M8 X 1.25
18	700711876	AR	NUT-LOCK, M10 X 1.5

71388795-3

PR: t07c13m36a0045

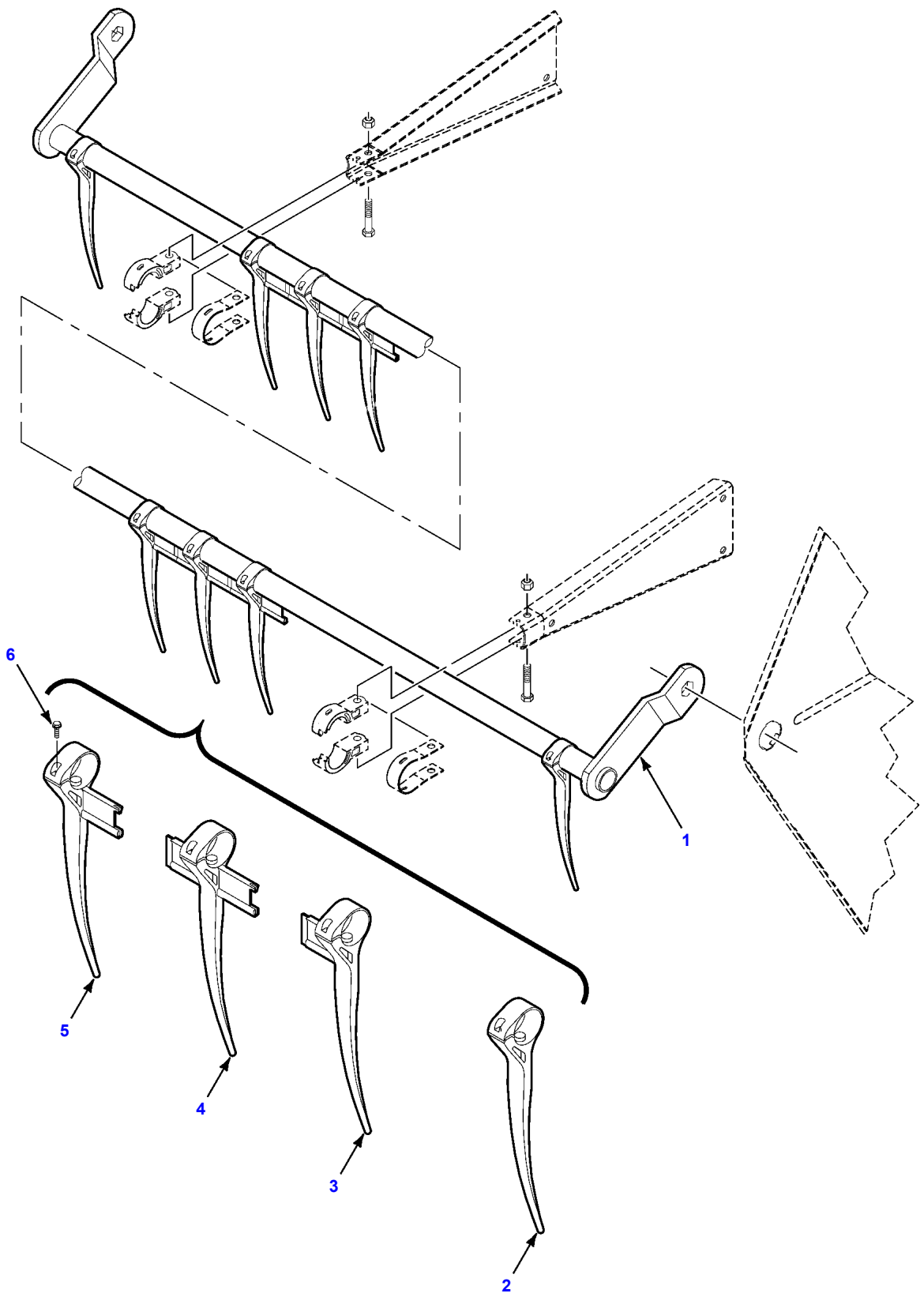


71 388 797-1

Item	Part Number	Qty	Description
1	71417083	1	SHAFT-DRIVEN
2	7702319	84	CAPSCREW, FULL-THREAD, M10 X 1.5 X 35, CLASS 8.8
3	700708367	84	WASHER-LOCK, M10
4	PZND2084V	126	NUT-LOCK, M10 X 1.5
5	7703218	42	CAPSCREW, FULL THREAD, M10 X 1.5 X 50, CLASS 8.8
6	71367255	42	STRAP-BEARING
7	71367256	84	BEARING-HALF, REEL ARM
8	71389110	1	SHAFT-CENTER
9	71367257	42	REEL ARM
10	71389103	15	PLATES-ANCHOR
11	71417082	1	SHAFT-DRIVING

71388797-1

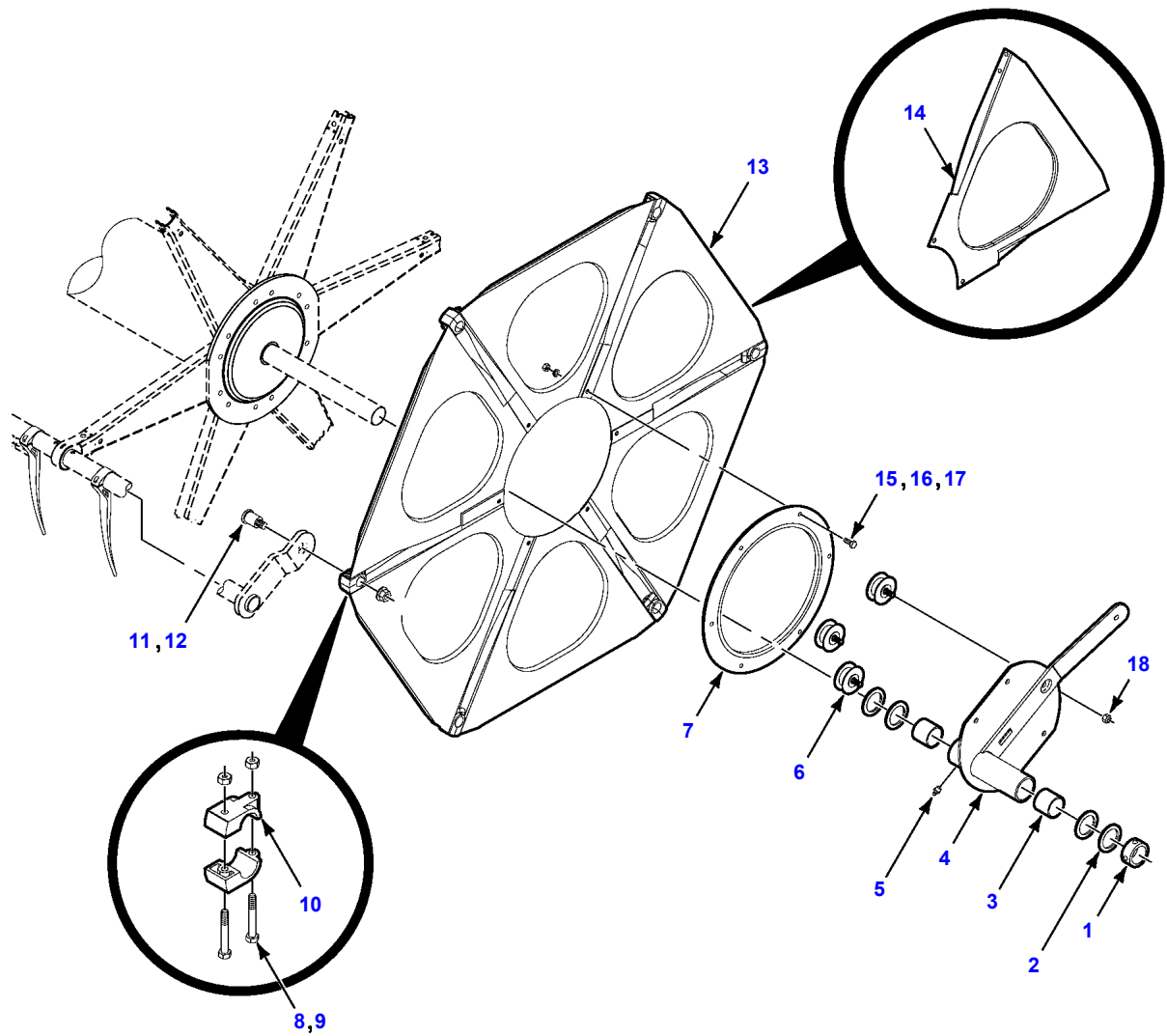
PR: t07c13m36a0046



71 388 797-2

Item	Part Number	Qty	Description
1	71389118	6	TUBE-BAT WA
2	71389109	24	FINGER
3	71389107	18	FINGER-BAT, LEFT
4	71389106	303	FINGER-BAT, FULL
5	71389108	18	FINGER-BAT, RIGHT
6	70951293	363	SCREW-SELF-TAPPING, M3.5 X 1.3 X 16

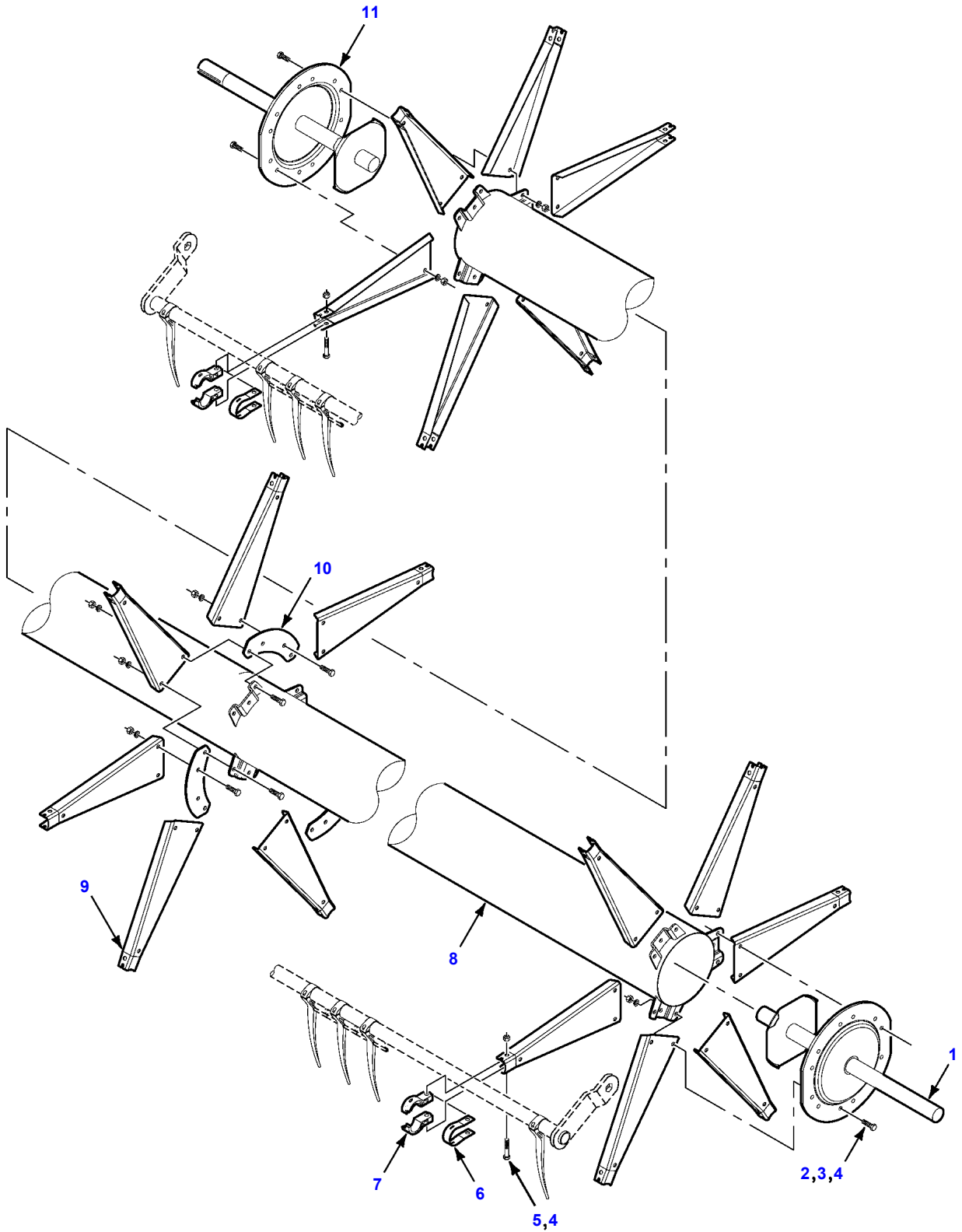
71388797-2
PR: t07c13m36a0047



Item	Part Number	Qty	Description
1	71368521	2	COLLAR-LOCK
2	71404790	8	WASHER-FLAT, SPECIAL
3	71141320	4	BEARING-OILITE
4	71404789	2	FRAME ASSEMBLY-ROLLER
	71141320	2	BEARING-OILITE
5	70914465	2	ZERK, 1/8-27
6	71368702	AR	ROLLER-BALL BEARING
7	71407271	2	RING-CONTROL, ECCENTRIC
8	7772544	24	CAPSCREW, FULL THREAD, M6 X 1 X 45, CLASS 8.8
9	7704703	24	NUT, M6 X 1.0, CLASS 8
10	71407270	24	BEARING BLOCK
11	71368520	12	M12 X 1.75 X 50 SCREW
12	70950946	12	M12 LOCK NUT
13	71404509	2	SHIELD ASSEMBLY-END, ECCENTRIC
	71407271	1	RING-CONTROL, ECCENTRIC
	7772544	12	CAPSCREW, FULL THREAD, M6 X 1 X 45, CLASS 8.8
	7704703	12	NUT, M6 X 1.0, CLASS 8
	71407270	12	BEARING BLOCK
	71407272	6	SHIELD
14	71407272	12	SHIELD
15	1441456X1	12	SCREW-COUNTERSUNK, M8 X 1.25 X 20
16	1177981	12	WASHER-LOCK, M8
17	1702893	12	NUT, M8 X 1.25
18	700711876	AR	NUT-LOCK, M10 X 1.5

71388797-3

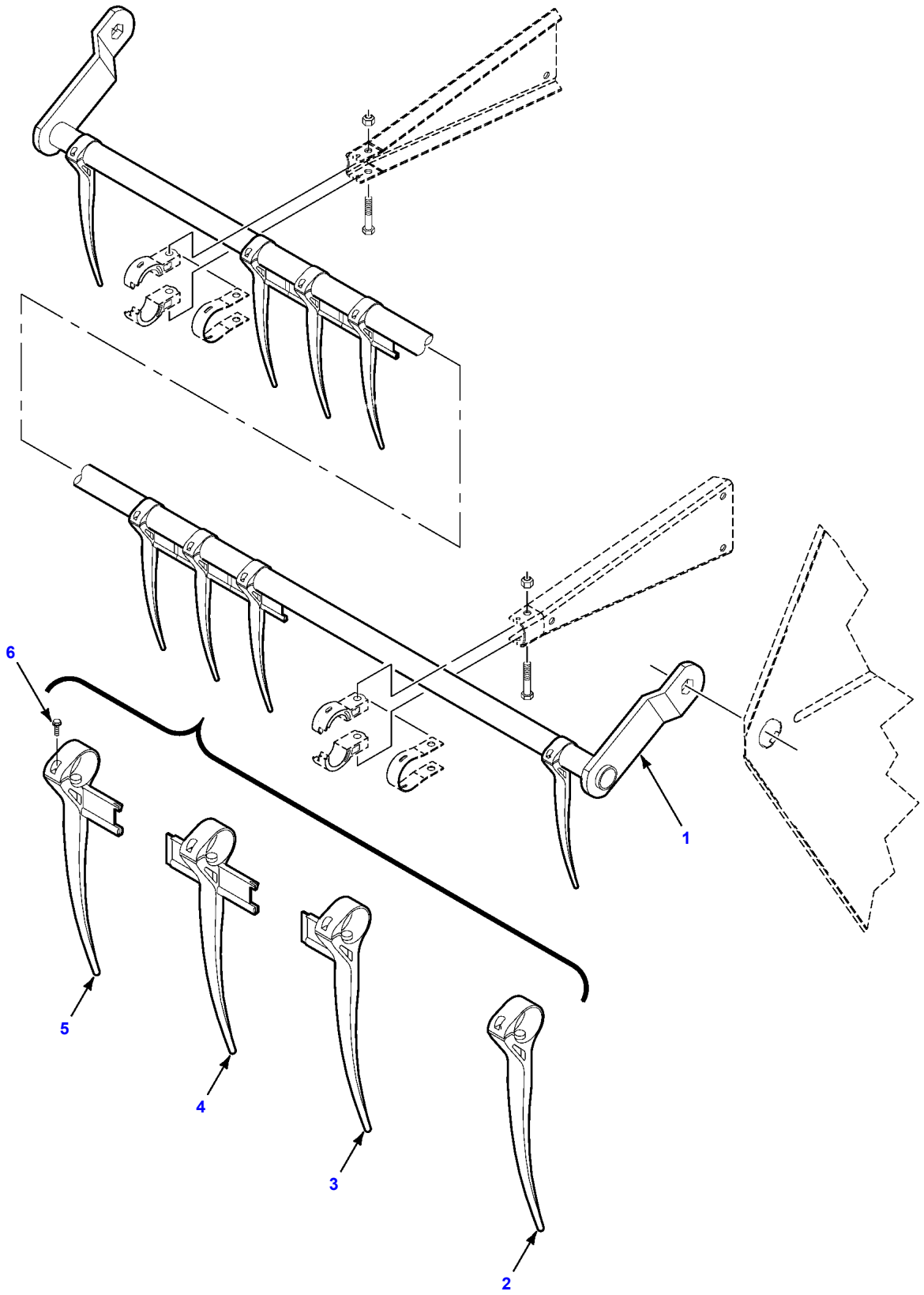
PR: t07c13m36a0048



700 953 393-1

Item	Part Number	Qty	Description
1	71404512	1	SHAFT-DRIVEN
2	7702319	96	CAPSCREW, FULL-THREAD, M10 X 1.5 X 35, CLASS 8.8
3	700708367	96	WASHER-LOCK, M10
4	PZND2084V	144	NUT-LOCK, M10 X 1.5
5	7703218	48	CAPSCREW, FULL THREAD, M10 X 1.5 X 50, CLASS 8.8
6	71367255	48	STRAP-BEARING
7	71367256	96	BEARING-HALF, REEL ARM
8	71404791	1	SHAFT-CENTER
9	71417075	48	REEL ARM
10	71389103	18	PLATES-ANCHOR
11	71404511	1	SHAFT-DRIVING

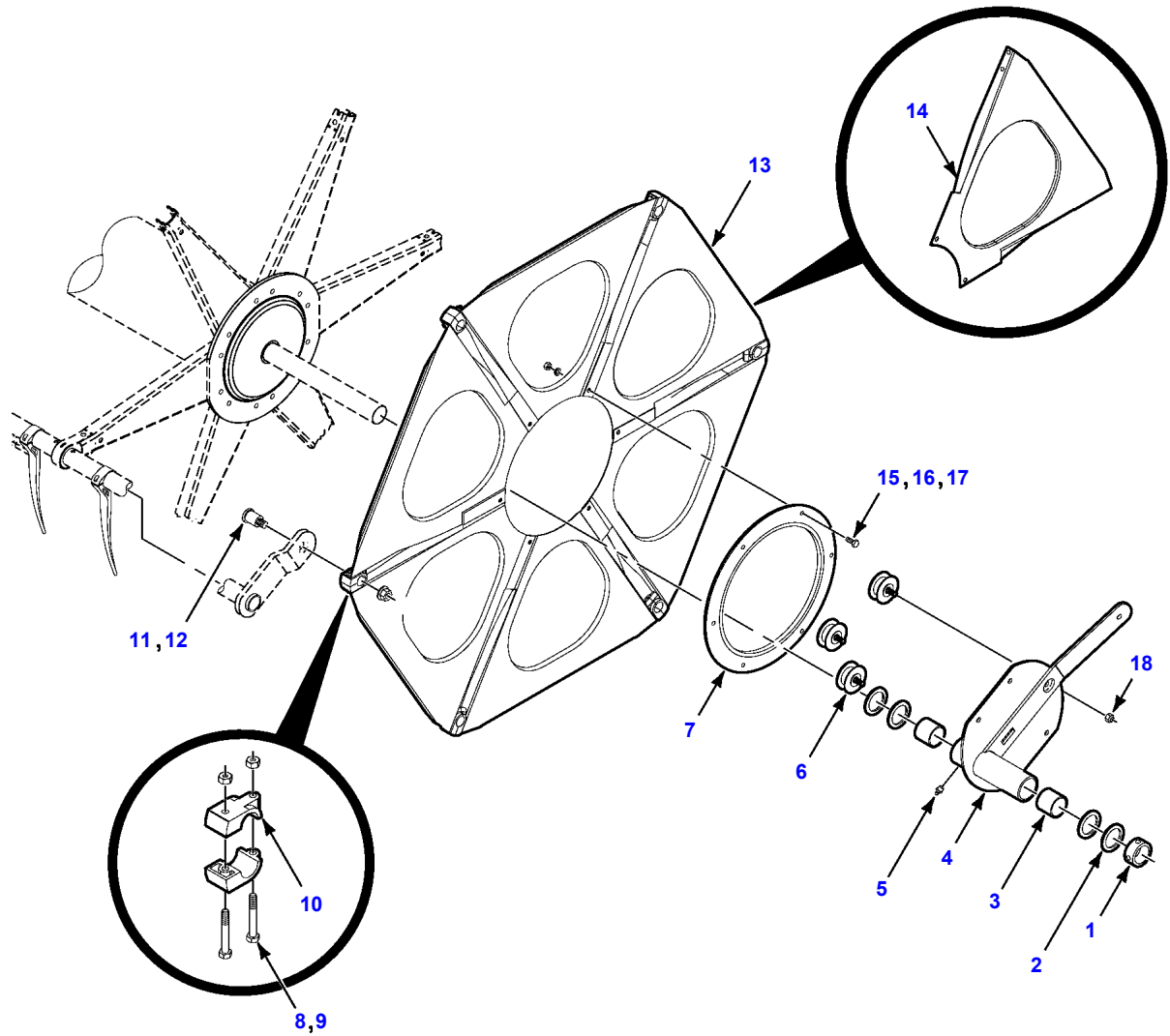
700953393-1
PR: t06d06n18d0023



700 953 393-2

Item	Part Number	Qty	Description
1	71404792	6	TUBE-BAT WA
2	71389109	24	FINGER
3	71389107	21	FINGER-BAT, LEFT
4	71389106	354	FINGER-BAT, FULL
5	71389108	21	FINGER-BAT, RIGHT
6	70951293	420	SCREW-SELF-TAPPING, M3.5 X 1.3 X 16

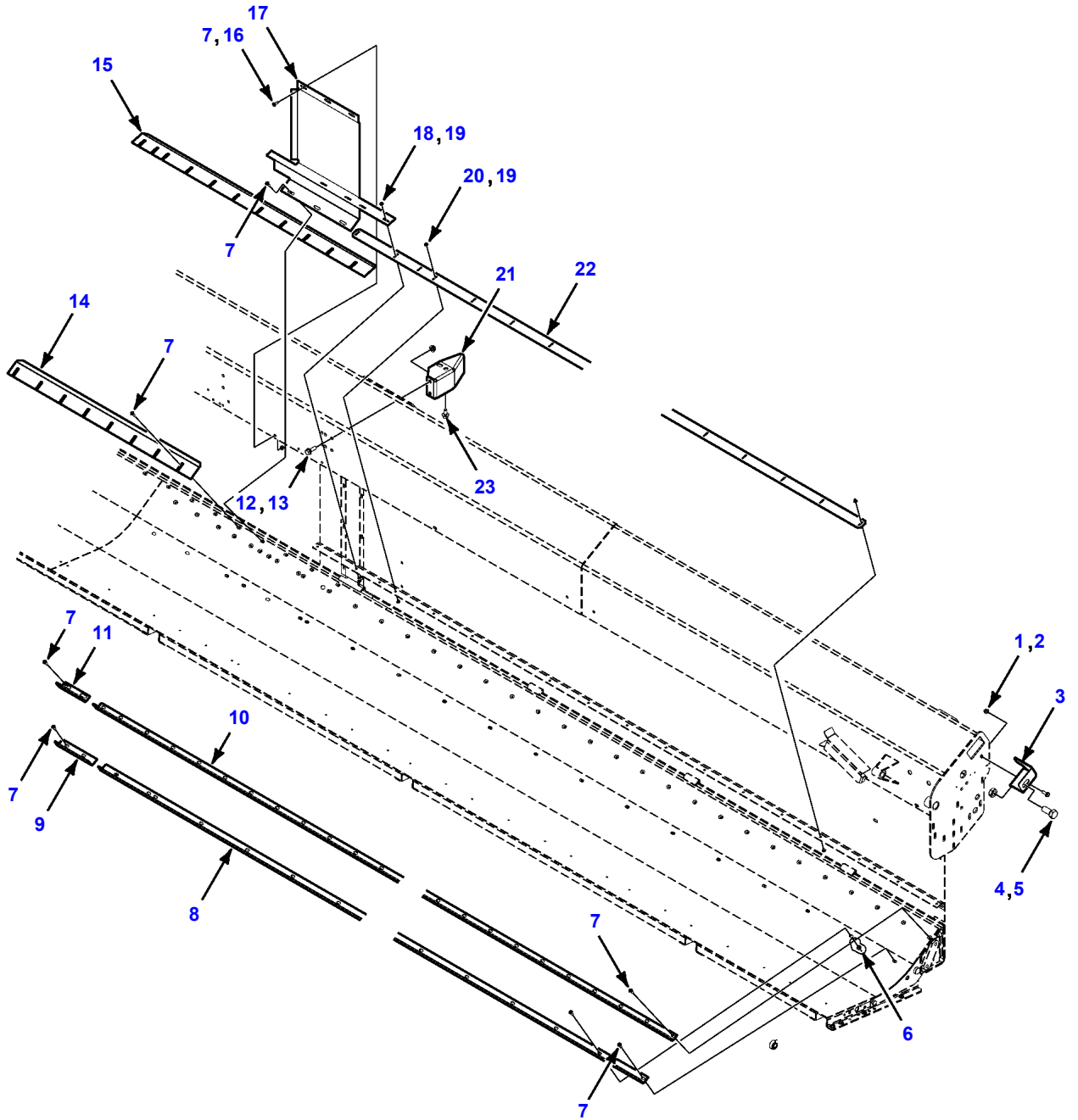
700953393-2
PR: t06d06n18d0024



Item	Part Number	Qty	Description
1	71368521	2	COLLAR-LOCK
2	71404790	8	WASHER-FLAT, SPECIAL
3	71141320	4	BEARING-OILITE
4	71404789	2	FRAME ASSEMBLY-ROLLER
	71141320	2	BEARING-OILITE
5	70914465	2	ZERK, 1/8-27
6	71368702	AR	ROLLER-BALL BEARING
7	71407271	2	RING-CONTROL, ECCENTRIC
8	7772544	24	CAPSCREW, FULL THREAD, M6 X 1 X 45, CLASS 8.8
9	7704703	24	NUT, M6 X 1.0, CLASS 8
10	71407270	24	BEARING BLOCK
11	71368520	12	M12 X 1.75 X 50 SCREW
12	70950946	12	M12 LOCK NUT
13	71404509	2	SHIELD ASSEMBLY-END, ECCENTRIC
	71407271	1	RING-CONTROL, ECCENTRIC
	7772544	12	CAPSCREW, FULL THREAD, M6 X 1 X 45, CLASS 8.8
	7704703	12	NUT, M6 X 1.0, CLASS 8
	71407270	12	BEARING BLOCK
	71407272	6	SHIELD
14	71407272	12	SHIELD
15	1441456X1	12	SCREW-COUNTERSUNK, M8 X 1.25 X 20
16	1177981	12	WASHER-LOCK, M8
17	1702893	12	NUT, M8 X 1.25
18	700711876	AR	NUT-LOCK, M10 X 1.5

700953393-3

PR: t06d06n18d0025

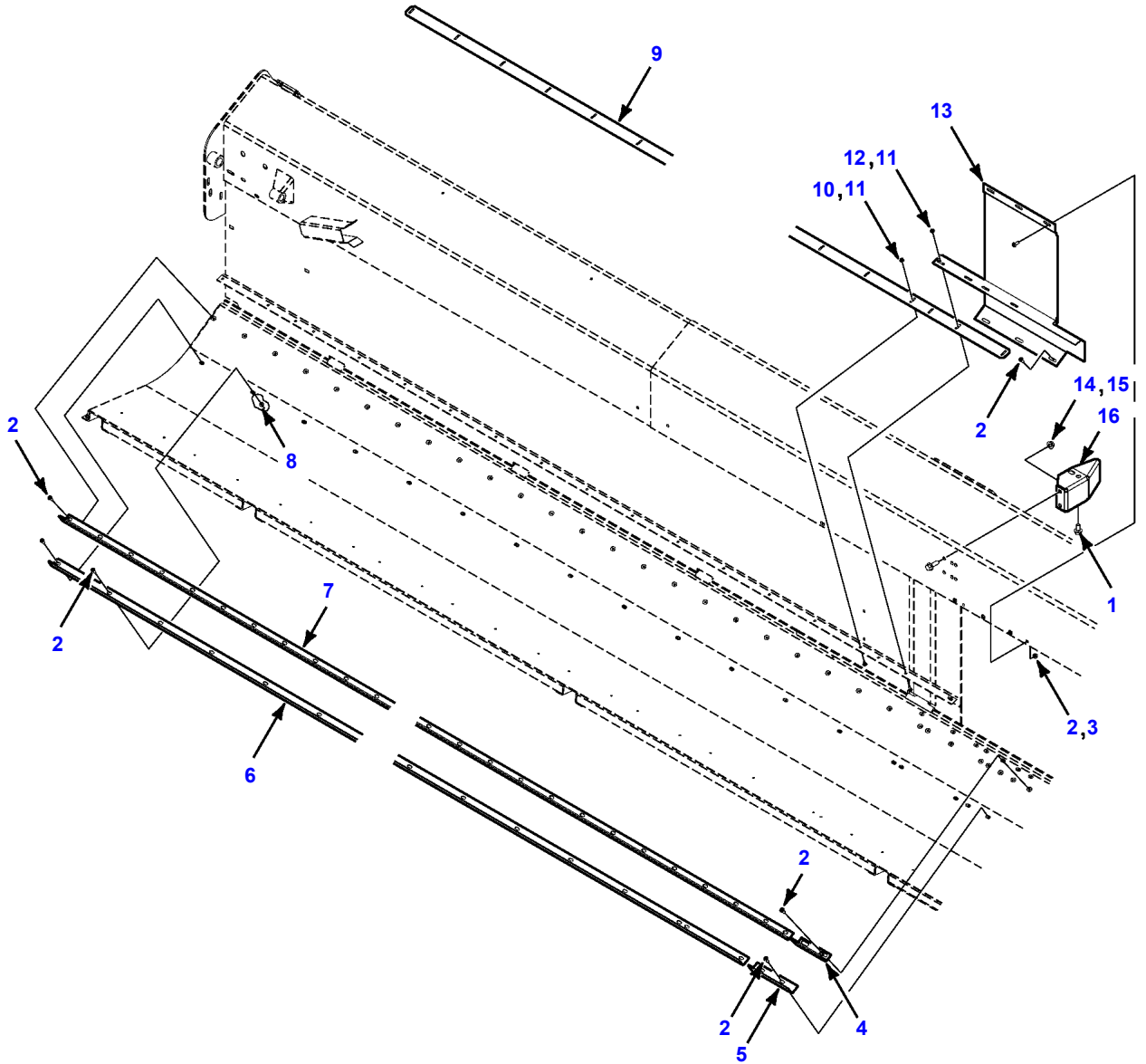


71416062-1

Item	Part Number	Qty	Description
1	7883382	1	SCREW-FLANGE, 3/8-16 X 1
2	Y704734	1	NUT-TOP LOCK, FLANGE, 3/8-16
3	71417035	1	BRACKET-STORAGE, SICKLE
4	700703384	1	CAPSCREW, 7/8-14 X 2
5	7774391	1	NUT-HALF, 7/8-14
6	70931277	7	NUT-LOCK, FLANGE, 5/16-18
7	71335690	48	SCREW-SELF-TAPPING, TRUSS HEAD, 5/16-18 X 3/4
8	71416326	1	RETARDER-ANGLE LEFT FRONT 20 FOOT
9	71415533	1	ANGLE-RETARDER, EXTENSION, FRONT
10	71416324	1	ANGLE-RETARDER-LEFT REAR 20 FOOT
11	71415532	1	ANGLE-RETARDER EXTENSION
12	8701237	2	SCREW-FLANGE, GR8, 1/2-13 X 1-1/2
13	Y704742	2	NUT-TOP LOCK, FLANGE, 1/2-13
14	71404728	1	STRIP-SEAL, FEEDER HOUSING
15	71415531	1	STRIP-SEAL, FEEDER HOUSING
16	Y704726	3	NUT-LOCK, FLANGE, 5/16-18
17	71404722	1	CLOSE-UP WA, LEFT
18	70931317	2	BOLT-CARRIAGE, 1/4-20 X 3/4
19	70931209	8	NUT-LOCK, FLANGE, 1/4-20
20	364941X1	6	BOLT-CARRIAGE, 1/4-20 X 1/2
21	71415530	1	GUIDE
22	71416323	1	STRIPPER-ADJUSTABLE, 20 FOOT
23	7883424	2	SCREW-FLANGE, GR8, 1/2-13 X 1

71416062-1

PR: t07c13m36a0049

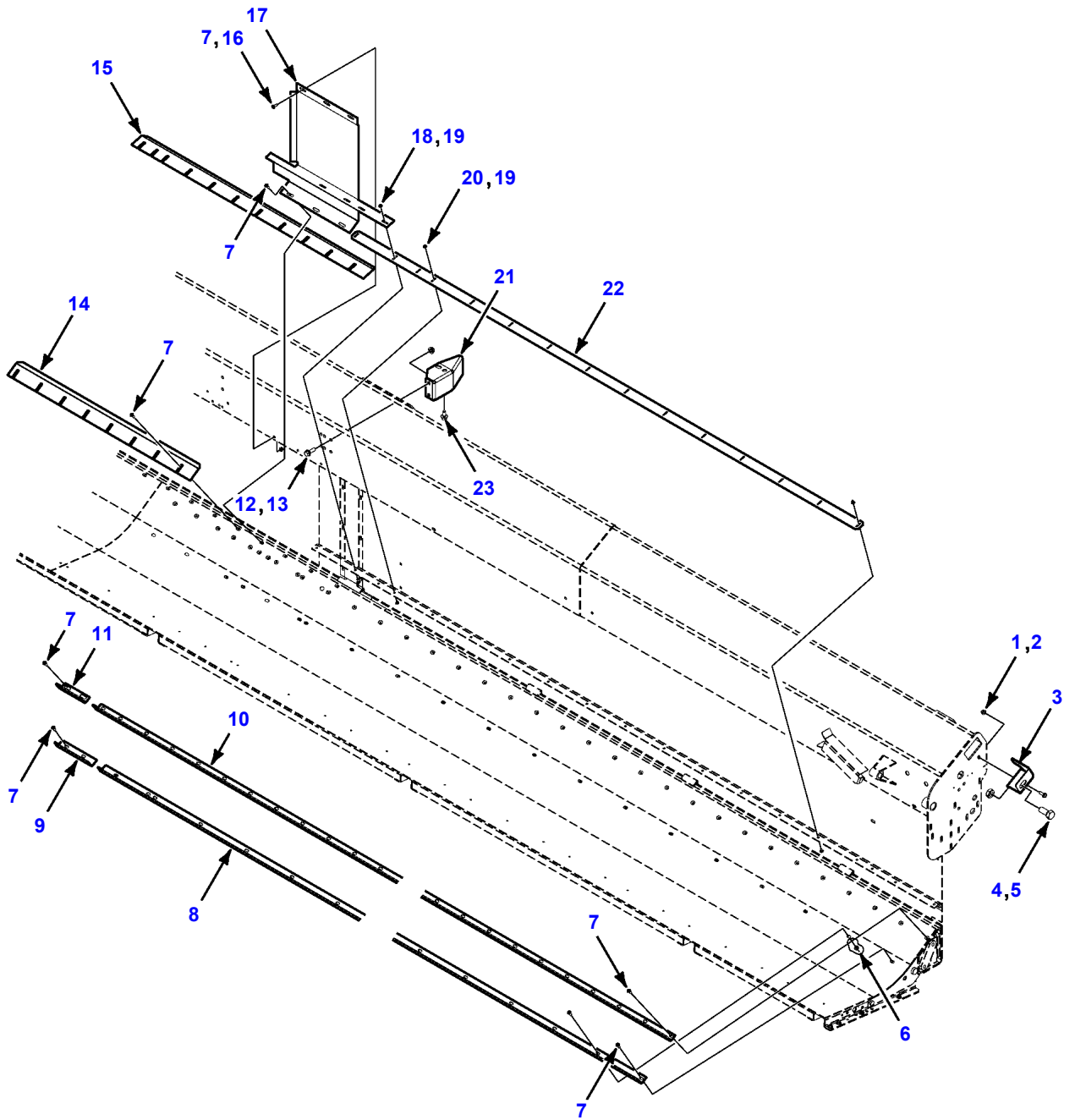


71416062-2

Item	Part Number	Qty	Description
1	7883424	2	SCREW-FLANGE, GR8, 1/2-13 X 1
2	71335690	37	SCREW-SELF-TAPPING, TRUSS HEAD, 5/16-18 X 3/4
3	Y704726	3	NUT-LOCK, FLANGE, 5/16-18
4	71415532	1	ANGLE-RETARDER EXTENSION
5	71415533	1	ANGLE-RETARDER, EXTENSION, FRONT
6	71416327	1	RETARDER-ANGLE RIGHT FRONT 20 FOOT
7	71416325	1	ANGLE RETARDER-RIGHT REAR, 20 FOOT
8	70931277	7	NUT-LOCK, FLANGE, 5/16-18
9	71416323	1	STRIPPER-ADJUSTABLE, 20 FOOT
10	364941X1	6	BOLT-CARRIAGE, 1/4-20 X 1/2
11	70931209	8	NUT-LOCK, FLANGE, 1/4-20
12	70931317	2	BOLT-CARRIAGE, 1/4-20 X 3/4
13	71404726	1	CLOSE-UP WA, RIGHT
14	8701237	2	SCREW-FLANGE, GR8, 1/2-13 X 1-1/2
15	Y704742	2	NUT-TOP LOCK, FLANGE, 1/2-13
16	71415530	1	GUIDE

71416062-2

PR: t07c13m36a0050

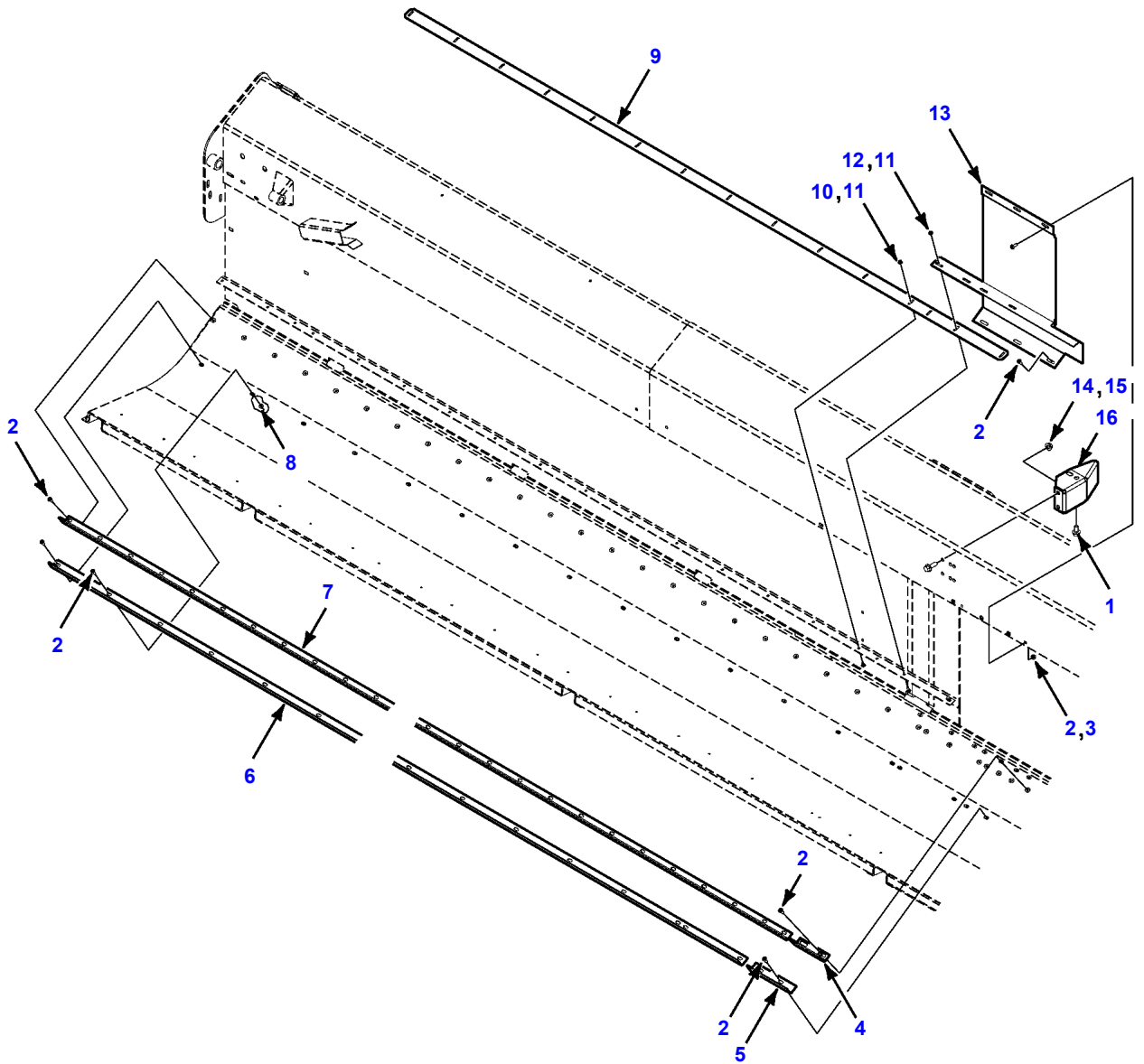


71416800-1

Item	Part Number	Qty	Description
1	7883382	1	SCREW-FLANGE, 3/8-16 X 1
2	Y704734	1	NUT-TOP LOCK, FLANGE, 3/8-16
3	71417035	1	BRACKET-STORAGE, SICKLE
4	700703384	1	CAPSCREW, 7/8-14 X 2
5	7774391	1	NUT-HALF, 7/8-14
6	70931277	11	NUT-LOCK, FLANGE, 5/16-18
7	71335690	56	SCREW-SELF-TAPPING, TRUSS HEAD, 5/16-18 X 3/4
8	71416233	1	RETARDER-ANGLE LEFT FRONT 25 FOOT
9	71415533	1	ANGLE-RETARDER, EXTENSION, FRONT
10	71416231	1	ANGLE-RETARDER-LEFT REAR 25 FOOT
11	71415532	1	ANGLE-RETARDER EXTENSION
12	8701237	2	SCREW-FLANGE, GR8, 1/2-13 X 1-1/2
13	Y704742	2	NUT-TOP LOCK, FLANGE, 1/2-13
14	71404728	1	STRIP-SEAL, FEEDER HOUSING
15	71415531	1	STRIP-SEAL, FEEDER HOUSING
16	Y704726	3	NUT-LOCK, FLANGE, 5/16-18
17	71404722	1	CLOSE-UP WA, LEFT
18	70931317	2	BOLT-CARRIAGE, 1/4-20 X 3/4
19	70931209	11	NUT-LOCK, FLANGE, 1/4-20
20	364941X1	9	BOLT-CARRIAGE, 1/4-20 X 1/2
21	71415530	1	GUIDE
22	71416235	1	STRIPPER-ADJUSTABLE, 25 FOOT
23	7883424	2	SCREW-FLANGE, GR8, 1/2-13 X 1

71416600-1

PR: t07c13m36a0051



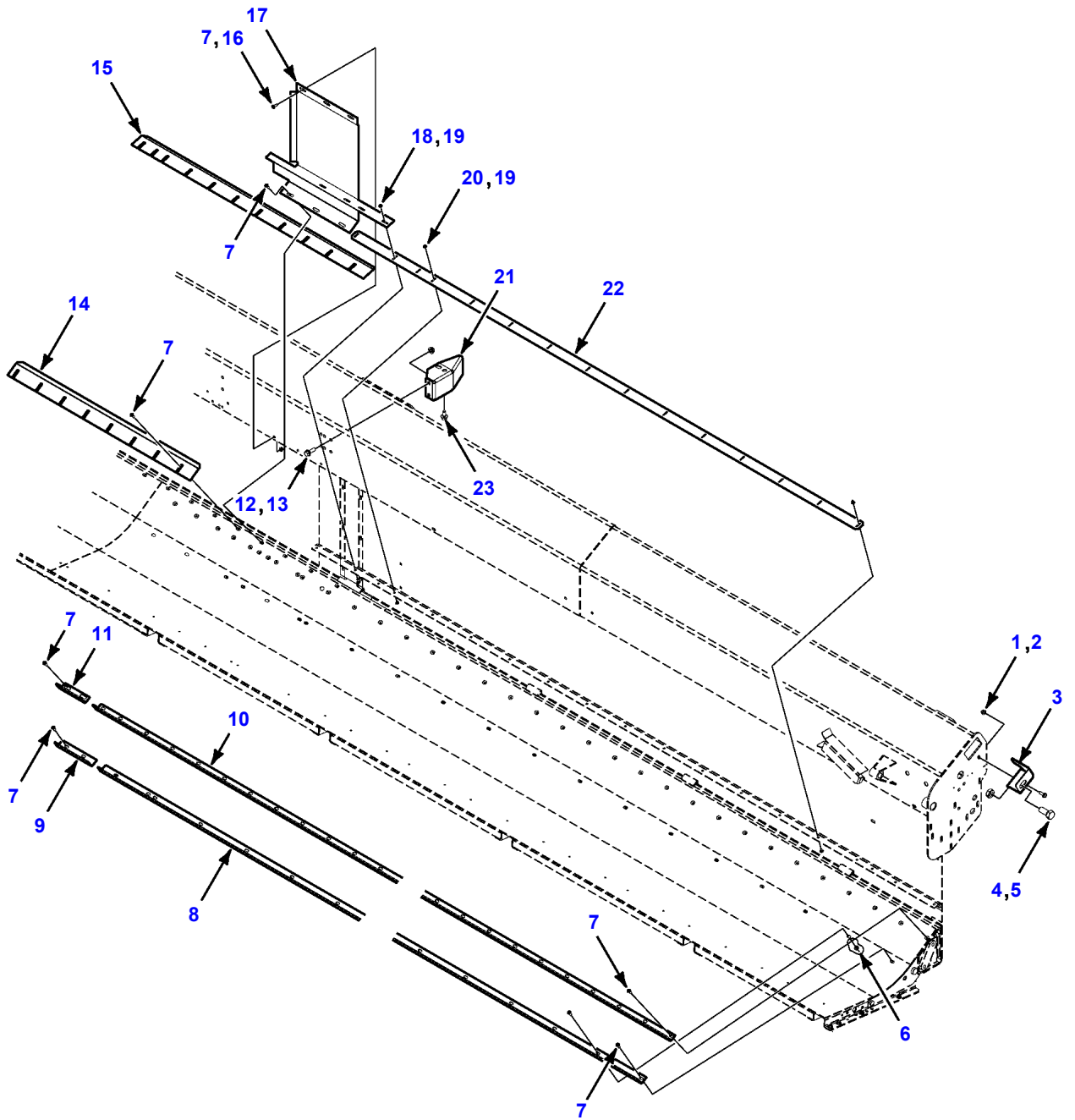
71416600-2

FRAME AND SHIELDS - HOUSING-RIGHT, 25 FOOT

Item	Part Number	Qty	Description
1	7883424	2	SCREW-FLANGE, GR8, 1/2-13 X 1
2	71335690	45	SCREW-SELF-TAPPING, TRUSS HEAD, 5/16-18 X 3/4
3	Y704726	3	NUT-LOCK, FLANGE, 5/16-18
4	71415532	1	ANGLE-RETARDER EXTENSION
5	71415533	1	ANGLE-RETARDER, EXTENSION, FRONT
6	71416234	1	RETARDER-ANGLE RIGHT FRONT 25 FOOT
7	71416232	1	ANGLE RETARDER-RIGHT REAR, 25 FOOT
8	70931277	10	NUT-LOCK, FLANGE, 5/16-18
9	71416235	1	STRIPPER-ADJUSTABLE, 25 FOOT
10	364941X1	9	BOLT-CARRIAGE, 1/4-20 X 1/2
11	70931209	11	NUT-LOCK, FLANGE, 1/4-20
12	70931317	2	BOLT-CARRIAGE, 1/4-20 X 3/4
13	71404726	1	CLOSE-UP WA, RIGHT
14	8701237	2	SCREW-FLANGE, GR8, 1/2-13 X 1-1/2
15	Y704742	2	NUT-TOP LOCK, FLANGE, 1/2-13
16	71415530	1	GUIDE

71416600-2

PR: t07c13m36a0052

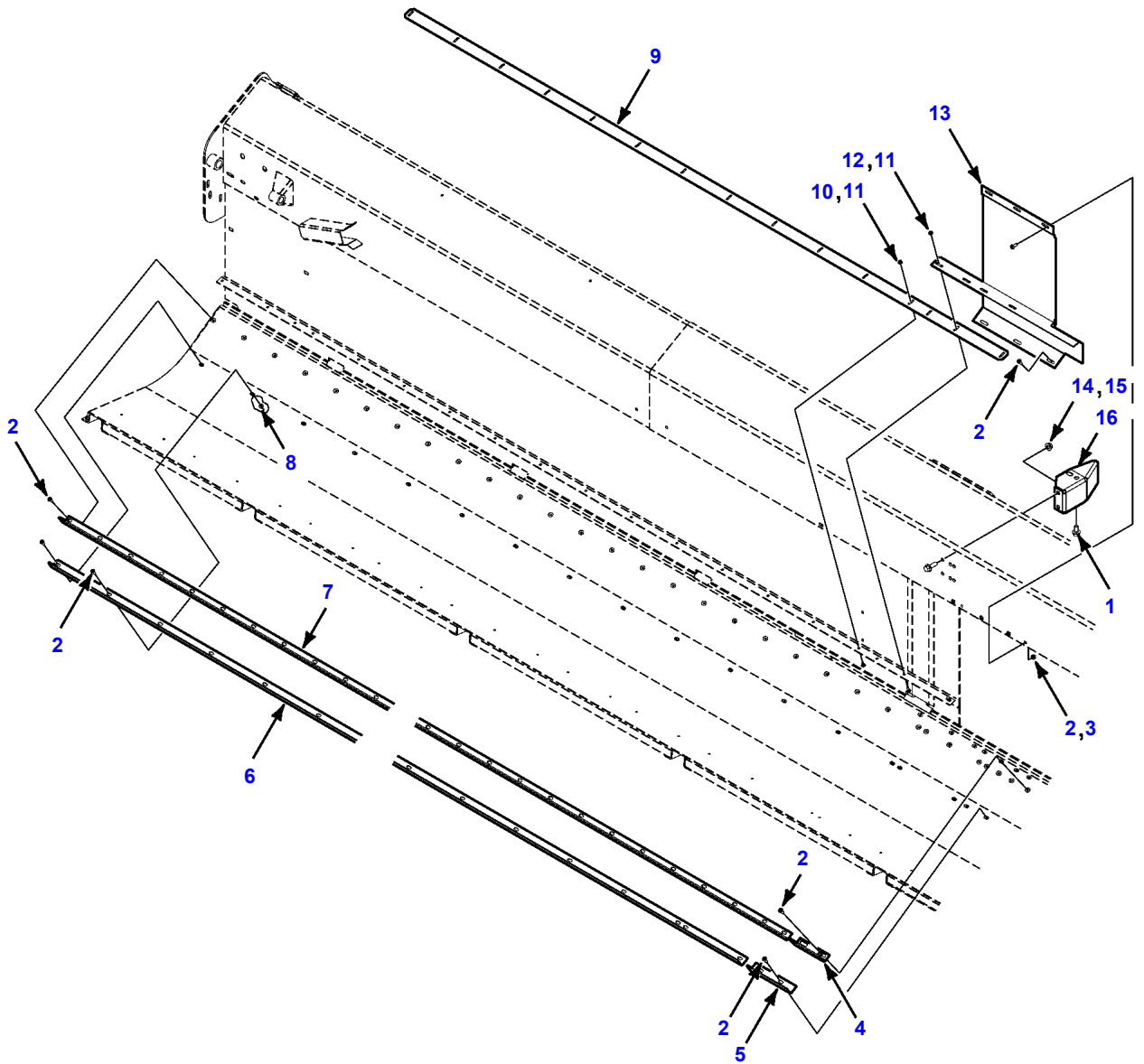


71415998-1

Item	Part Number	Qty	Description
1	7883382	1	SCREW-FLANGE, 3/8-16 X 1
2	Y704734	1	NUT-TOP LOCK, FLANGE, 3/8-16
3	71417035	1	BRACKET-STORAGE, SICKLE
4	700703384	1	CAPSCREW, 7/8-14 X 2
5	7774391	1	NUT-HALF, 7/8-14
6	70931277	12	NUT-LOCK, FLANGE, 5/16-18
7	71335690	64	SCREW-SELF-TAPPING, TRUSS HEAD, 5/16-18 X 3/4
8	71415540	1	RETARDER-ANGLE LEFT FRONT 30 FOOT
9	71415533	1	ANGLE-RETARDER, EXTENSION, FRONT
10	71415544	1	ANGLE-RETARDER-LEFT REAR 30 FOOT
11	71415532	1	ANGLE-RETARDER EXTENSION
12	8701237	2	SCREW-FLANGE, GR8, 1/2-13 X 1-1/2
13	Y704742	2	NUT-TOP LOCK, FLANGE, 1/2-13
14	71404728	1	STRIP-SEAL, FEEDER HOUSING
15	71415531	1	STRIP-SEAL, FEEDER HOUSING
16	Y704726	3	NUT-LOCK, FLANGE, 5/16-18
17	71404722	1	CLOSE-UP WA, LEFT
18	70931317	2	BOLT-CARRIAGE, 1/4-20 X 3/4
19	70931209	15	NUT-LOCK, FLANGE, 1/4-20
20	364941X1	13	BOLT-CARRIAGE, 1/4-20 X 1/2
21	71415530	1	GUIDE
22	71415543	1	STRIPPER-ADJUSTABLE, 30 FOOT
23	7883424	2	SCREW-FLANGE, GR8, 1/2-13 X 1

71415998-1

PR: t07c13m36a0053



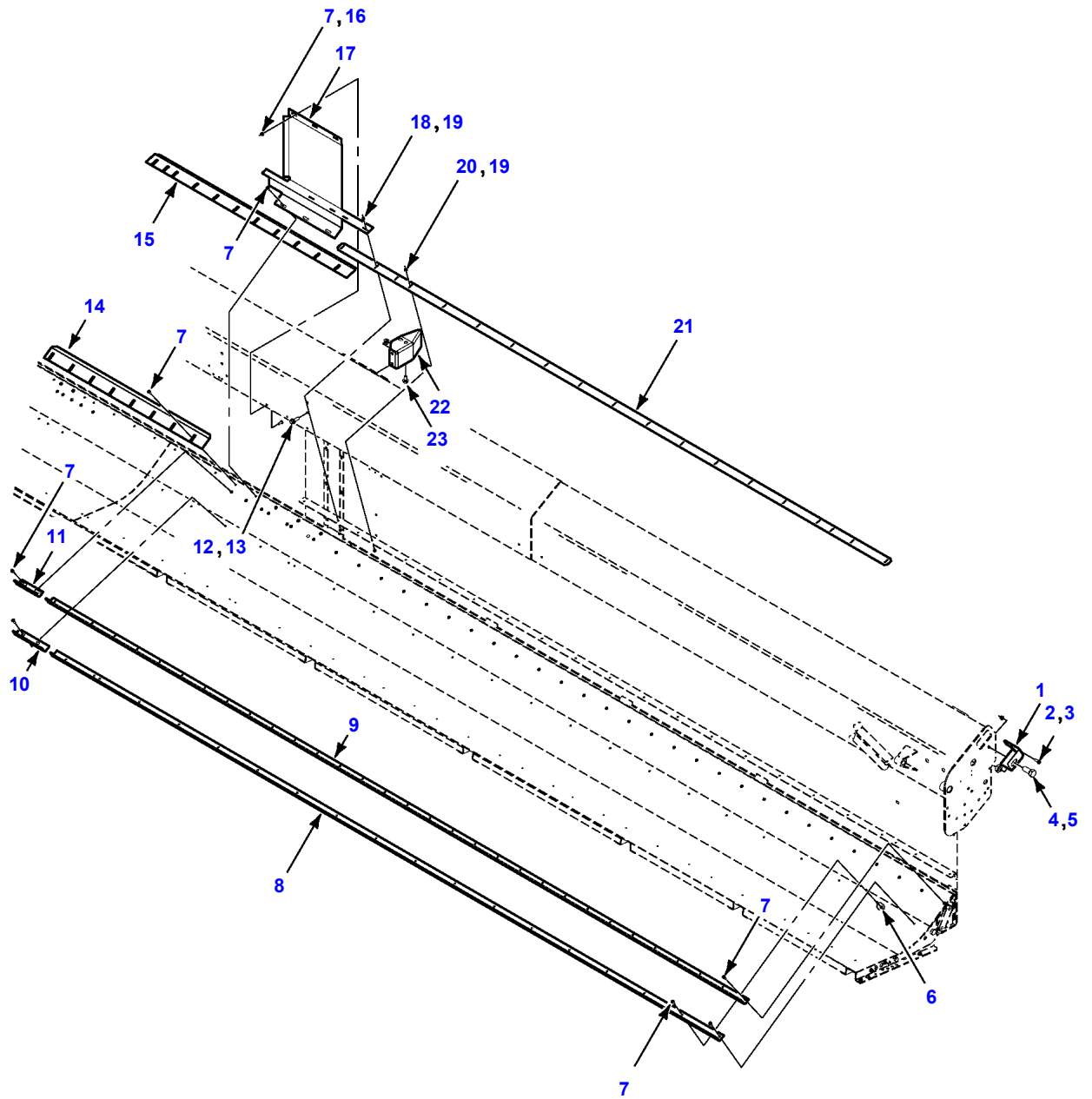
71415998-2

FRAME AND SHIELDS - HOUSING-RIGHT, 30 FOOT

Item	Part Number	Qty	Description
1	7883424	2	SCREW-FLANGE, GR8, 1/2-13 X 1
2	71335690	53	SCREW-SELF-TAPPING, TRUSS HEAD, 5/16-18 X 3/4
3	Y704726	3	NUT-LOCK, FLANGE, 5/16-18
4	71415532	1	ANGLE-RETARDER EXTENSION
5	71415533	1	ANGLE-RETARDER, EXTENSION, FRONT
6	71415541	1	RETARDER-ANGLE RIGHT FRONT 30 FOOT
7	71415542	1	ANGLE RETARDER-RIGHT REAR, 30 FOOT
8	70931277	12	NUT-LOCK, FLANGE, 5/16-18
9	71415543	1	STRIPPER-ADJUSTABLE, 30 FOOT
10	364941X1	13	BOLT-CARRIAGE, 1/4-20 X 1/2
11	70931209	15	NUT-LOCK, FLANGE, 1/4-20
12	70931317	2	BOLT-CARRIAGE, 1/4-20 X 3/4
13	71404726	1	CLOSE-UP WA, RIGHT
14	8701237	2	SCREW-FLANGE, GR8, 1/2-13 X 1-1/2
15	Y704742	2	NUT-TOP LOCK, FLANGE, 1/2-13
16	71415530	1	GUIDE

71415998-2

PR: t07c13m36a0054

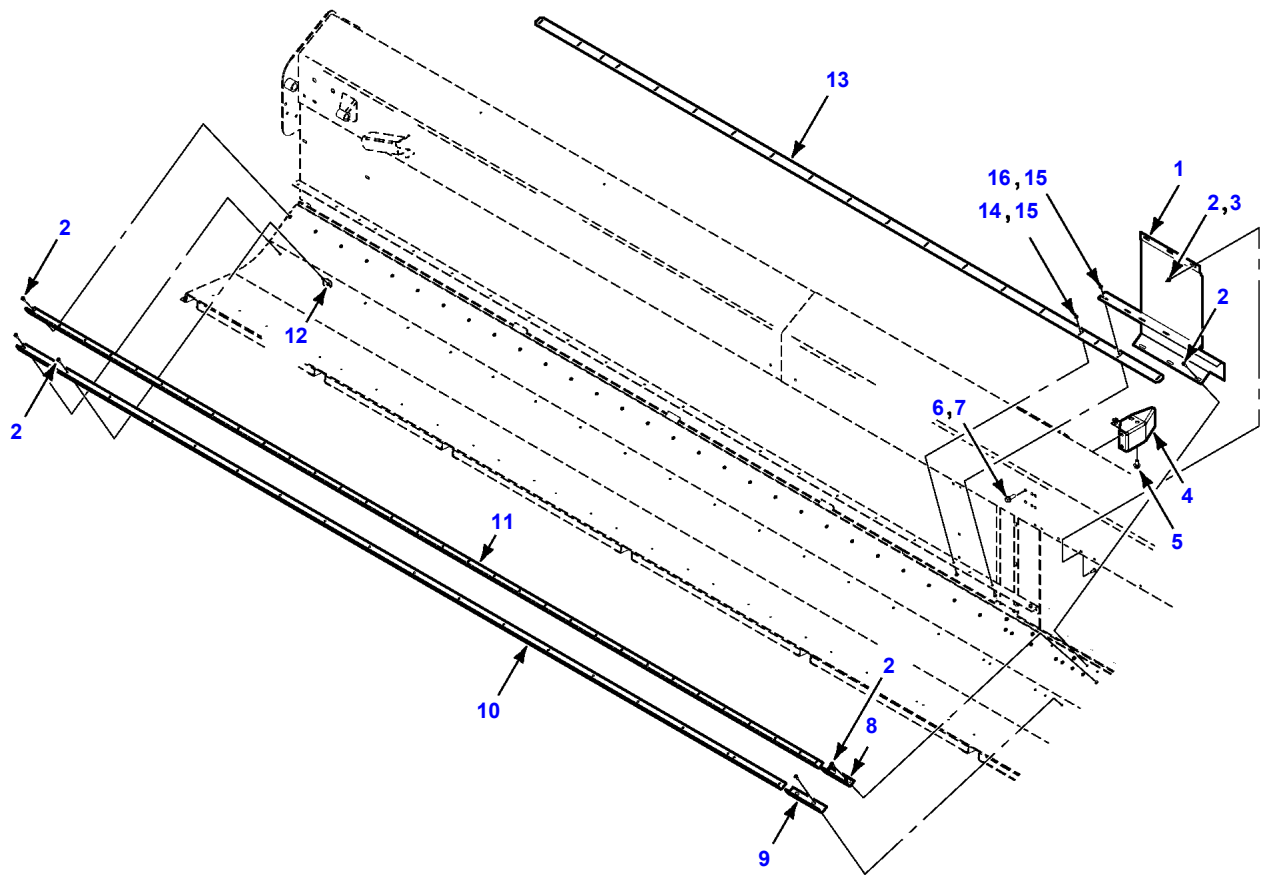


71415524-1

Item	Part Number	Qty	Description
1	71417035	1	BRACKET-STORAGE, SICKLE
2	7883382	1	SCREW-FLANGE, 3/8-16 X 1
3	Y704734	1	NUT-TOP LOCK, FLANGE, 3/8-16
4	700703384	1	CAPSCREW, 7/8-14 X 2
5	7774391	1	NUT-HALF, 7/8-14
6	70931277	14	NUT-LOCK, FLANGE, 5/16-18
7	71335690	72	SCREW-SELF-TAPPING, TRUSS HEAD, 5/16-18 X 3/4
8	71415527	1	RETARDER-ANGLE LEFT, FRONT 35 FOOT
9	71415525	1	ANGLE-RETARDER-LEFT REAR 35 FOOT
10	71415533	1	ANGLE-RETARDER, EXTENSION, FRONT
11	71415532	1	ANGLE-RETARDER EXTENSION
12	8701237	2	SCREW-FLANGE, GR8, 1/2-13 X 1-1/2
13	Y704742	2	NUT-TOP LOCK, FLANGE, 1/2-13
14	71404728	1	STRIP-SEAL, FEEDER HOUSING
15	71415531	1	STRIP-SEAL, FEEDER HOUSING
16	Y704726	3	NUT-LOCK, FLANGE, 5/16-18
17	71404722	1	CLOSE-UP WA, LEFT
18	70931317	3	BOLT-CARRIAGE, 1/4-20 X 3/4
19	70931209	18	NUT-LOCK, FLANGE, 1/4-20
20	364941X1	15	BOLT-CARRIAGE, 1/4-20 X 1/2
21	71415529	1	STRIPPER-ADJUSTABLE, 35 FOOT
22	71415530	1	GUIDE
23	7883424	2	SCREW-FLANGE, GR8, 1/2-13 X 1

71415524-1

PR: t06d06n18d0026

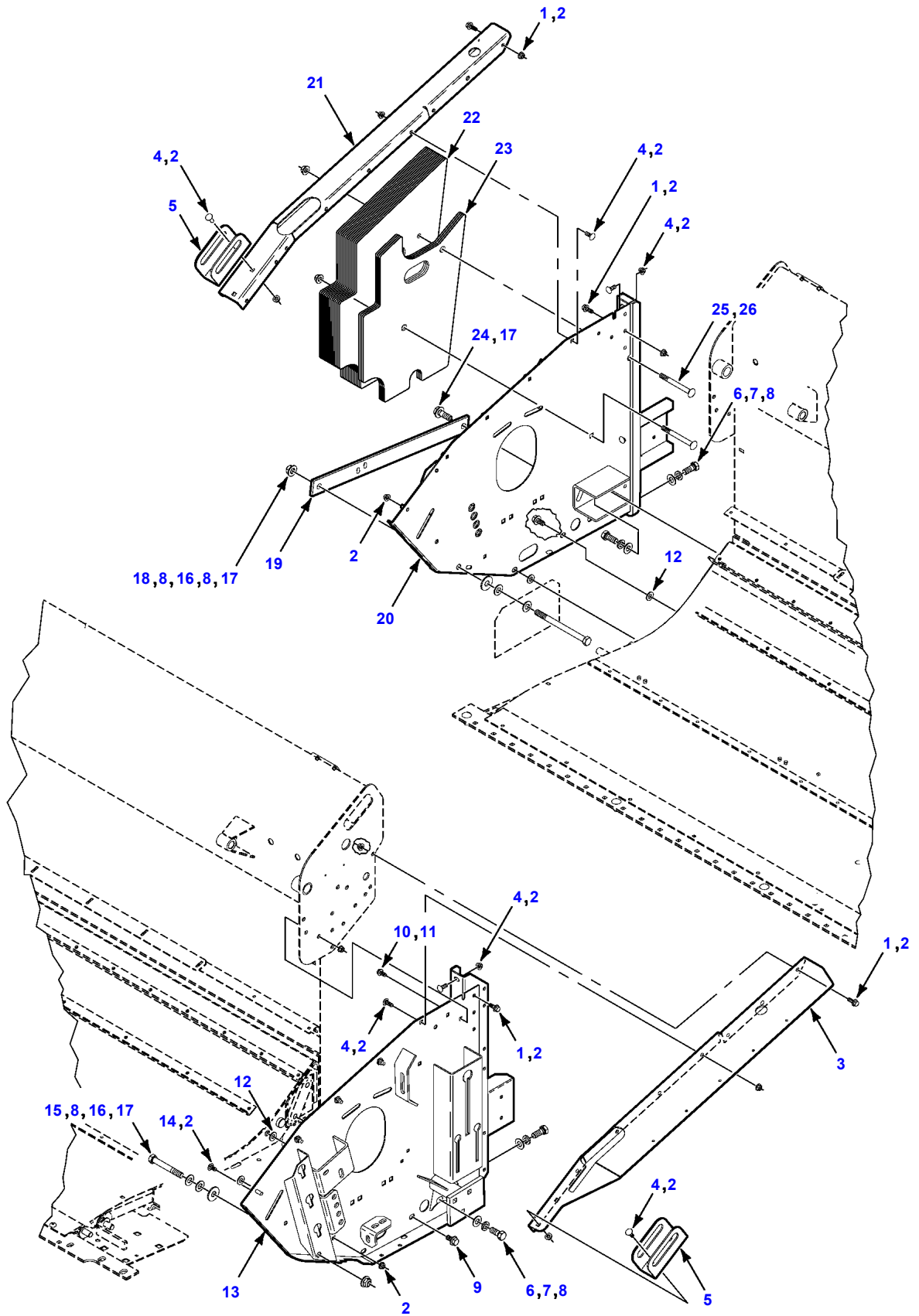


71415524-2

FRAME AND SHIELDS - HOUSING-RIGHT, 35 FOOT

Item	Part Number	Qty	Description
1	71404726	1	CLOSE-UP WA, RIGHT
2	71335690	61	SCREW-SELF-TAPPING, TRUSS HEAD, 5/16-18 X 3/4
3	Y704726	3	NUT-LOCK, FLANGE, 5/16-18
4	71415530	1	GUIDE
5	7883424	2	SCREW-FLANGE, GR8, 1/2-13 X 1
6	8701237	2	SCREW-FLANGE, GR8, 1/2-13 X 1-1/2
7	Y704742	2	NUT-TOP LOCK, FLANGE, 1/2-13
8	71415532	1	ANGLE-RETARDER EXTENSION
9	71415533	1	ANGLE-RETARDER, EXTENSION, FRONT
10	71415528	1	RETARDER-ANGLE, RIGHT FRONT 35 FOOT
11	71415526	1	ANGLE RETARDER-RIGHT REAR, 35 FOOT
12	70931277	14	NUT-LOCK, FLANGE, 5/16-18
13	71415529	1	STRIPPER-ADJUSTABLE, 35 FOOT
14	364941X1	15	BOLT-CARRIAGE, 1/4-20 X 1/2
15	70931209	18	NUT-LOCK, FLANGE, 1/4-20
16	70931317	3	BOLT-CARRIAGE, 1/4-20 X 3/4

71415524-2
PR: t06d06n18d0027

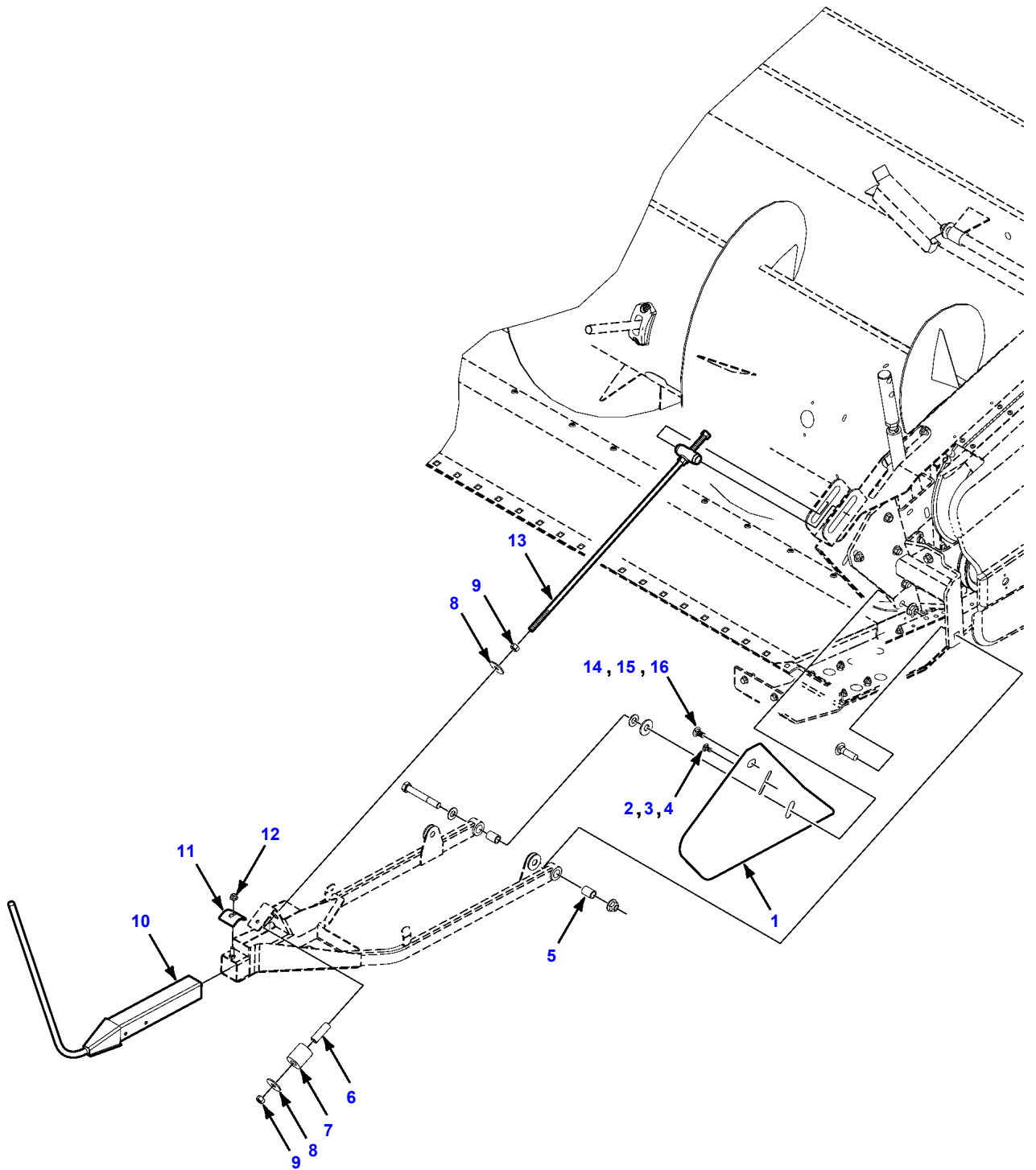


71415095-0

Item	Part Number	Qty	Description
1	7703424	39	SCREW-FLANGE, 3/8-16 X 1
2	Y704734	60	NUT-TOP LOCK, FLANGE, 3/8-16
3	71415851	1	REINF-LEFT
4	68759	18	BOLT-CARRIAGE, 3/8-16 X 1
5	71415140	2	CHANNEL
6	70924744	8	CAPSCREW, 5/8-11 X 1-1/2
7	70917373	8	WASHER-SPRING, 5/8
8	70918268	11	WASHER-NARROW PLAIN, 5/8
9	7701592	2	SCREW-FLANGE, 1/2-13 X 1
10	7883374	2	SCREW-FLANGE, 3/8-16 X 3/4
11	700711238	2	NUT-FLANGE, 3/8-16
12	Y705624	4	WASHER-NARROW PLAIN, 1/2
13	71415096	1	PAN END WA-LEFT
14	7770456	1	BOLT-CARRIAGE, 3/8-16 X 3/4
15	75120904	1	CAPSCREW, 5/8-11 X 4-1/2
16	70918432	2	WASHER-PLAIN, 5/8
17	700703922	3	NUT-LOCK, FLANGE, 5/8-11
18	70929498	1	CAPSCREW, 5/8-11 X 8
19	71415137	1	BRACE-DIVIDER, RIGHT
20	71415116	1	END WA-PAN, R FLEX
21	71415852	1	REINF-RIGHT
22	71404764	13	WEIGHT-OUTBOARD
23	71404763	3	WEIGHT
24	700710148	1	SCREW-FLANGE, GR8, 5/8-11 X 1-3/4
25	70929237	2	BOLT-CARRIAGE, 1/2-13 X 5
26	Y704742	2	NUT-TOP LOCK, FLANGE, 1/2-13

71415095-0

PR: t06d06n18d0028

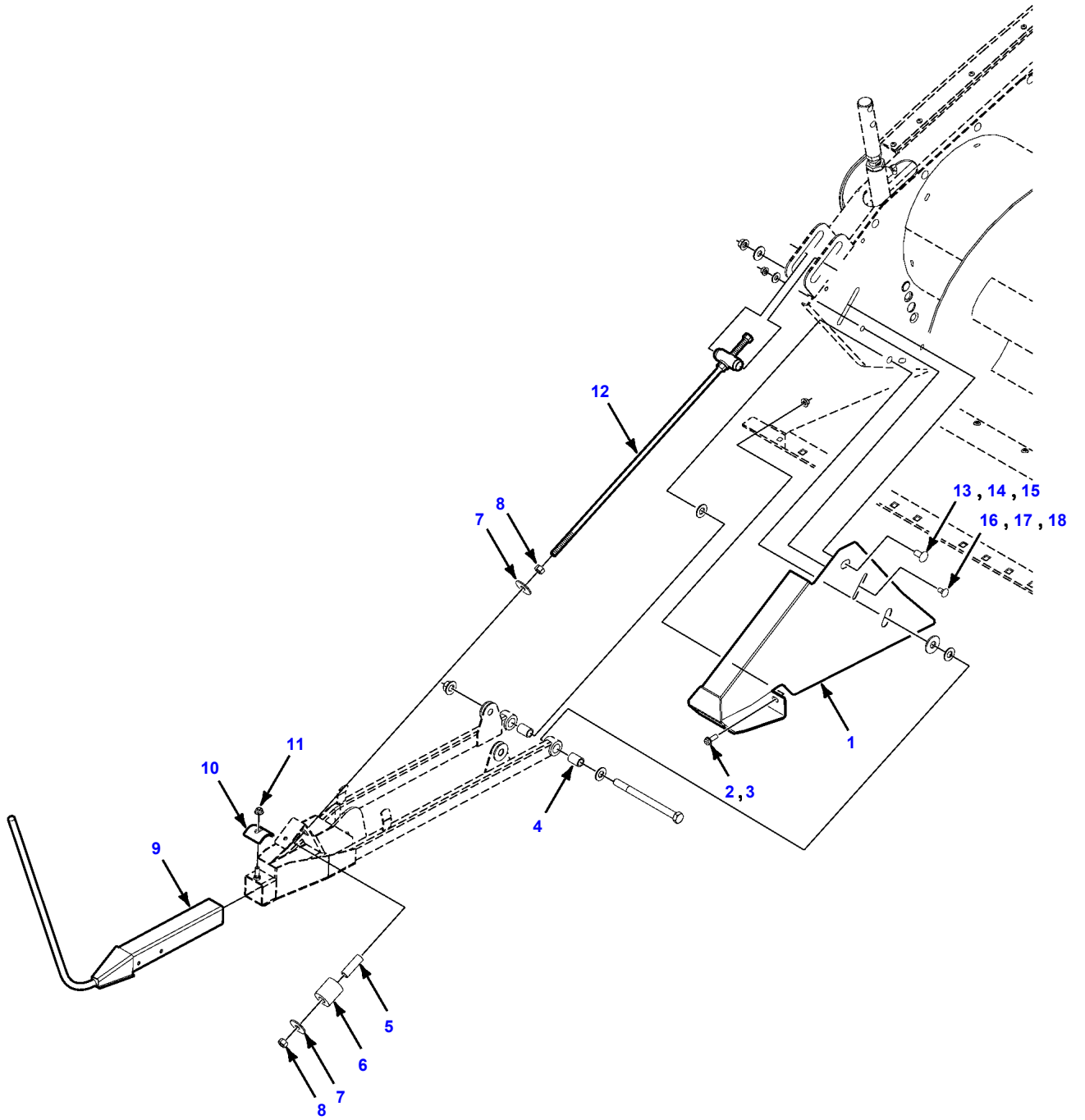


71408177-1

Item	Part Number	Qty	Description
1	71417003	1	SHIELD-DIVIDER, LEFT
2	7770456	1	BOLT-CARRIAGE, 3/8-16 X 3/4
3	70917378	1	WASHER-WIDE PLAIN, 3/8
4	704247	1	NUT-LOCK, FLANGE, 3/8-16
5	71415220	2	SPACER-HUB
6	71415228	1	TUBE
7	71415224	1	BUSHING-DIVIDER SUPPORT
8	70920309	2	1/2 WIDE PLAIN WASHER
9	704031	2	NUT, 1/2-13
10	71417020	1	DIVIDER WA-ROD
11	71415215	1	PLATE-CLAMP
12	Y704734	1	NUT-TOP LOCK, FLANGE, 3/8-16
13	71415225	1	SUPPORT WA-DIVIDER
14	70931363	1	BOLT-CARRIAGE, SHORT NECK, 1/2-13 X 1
15	70918431	1	WASHER-WIDE PLAIN, 1/2
16	704254	1	NUT-LOCK, FLANGE, 1/2-13

71408177-1

PR: t07c13m36a0055



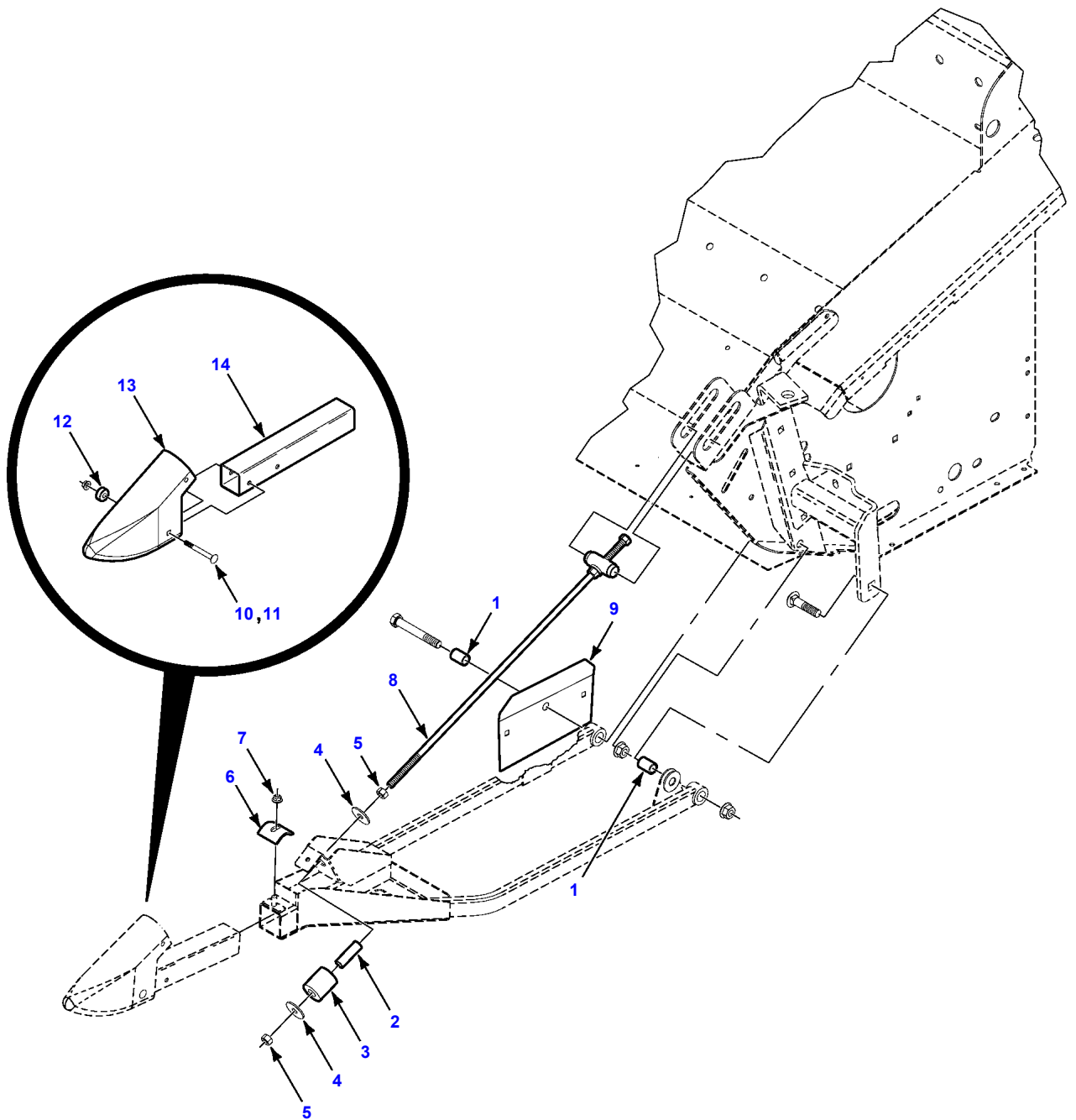
71408177-2

FRAME AND SHIELDS - DIVIDER MOUNTING-RIGHT (RIGID)

Item	Part Number	Qty	Description
1	71416377	1	SKID WA-RH RIGID
2	7883382	2	SCREW-FLANGE, 3/8-16 X 1
3	700710916	2	NUT-TOP LOCK, FLANGE, 3/8-16
4	71415220	2	SPACER-HUB
5	71415228	1	TUBE
6	71415224	1	BUSHING-DIVIDER SUPPORT
7	70920309	2	1/2 WIDE PLAIN WASHER
8	704031	2	NUT, 1/2-13
9	71417020	1	DIVIDER WA-ROD
10	71415215	1	PLATE-CLAMP
11	Y704734	1	NUT-TOP LOCK, FLANGE, 3/8-16
12	71415225	1	SUPPORT WA-DIVIDER
13	70931363	1	BOLT-CARRIAGE, SHORT NECK, 1/2-13 X 1
14	70918431	1	WASHER-WIDE PLAIN, 1/2
15	704254	1	NUT-LOCK, FLANGE, 1/2-13
16	7770456	1	BOLT-CARRIAGE, 3/8-16 X 3/4
17	70917378	1	WASHER-WIDE PLAIN, 3/8
18	704247	1	NUT-LOCK, FLANGE, 3/8-16

71408177-2

PR: t07c13m36a0056

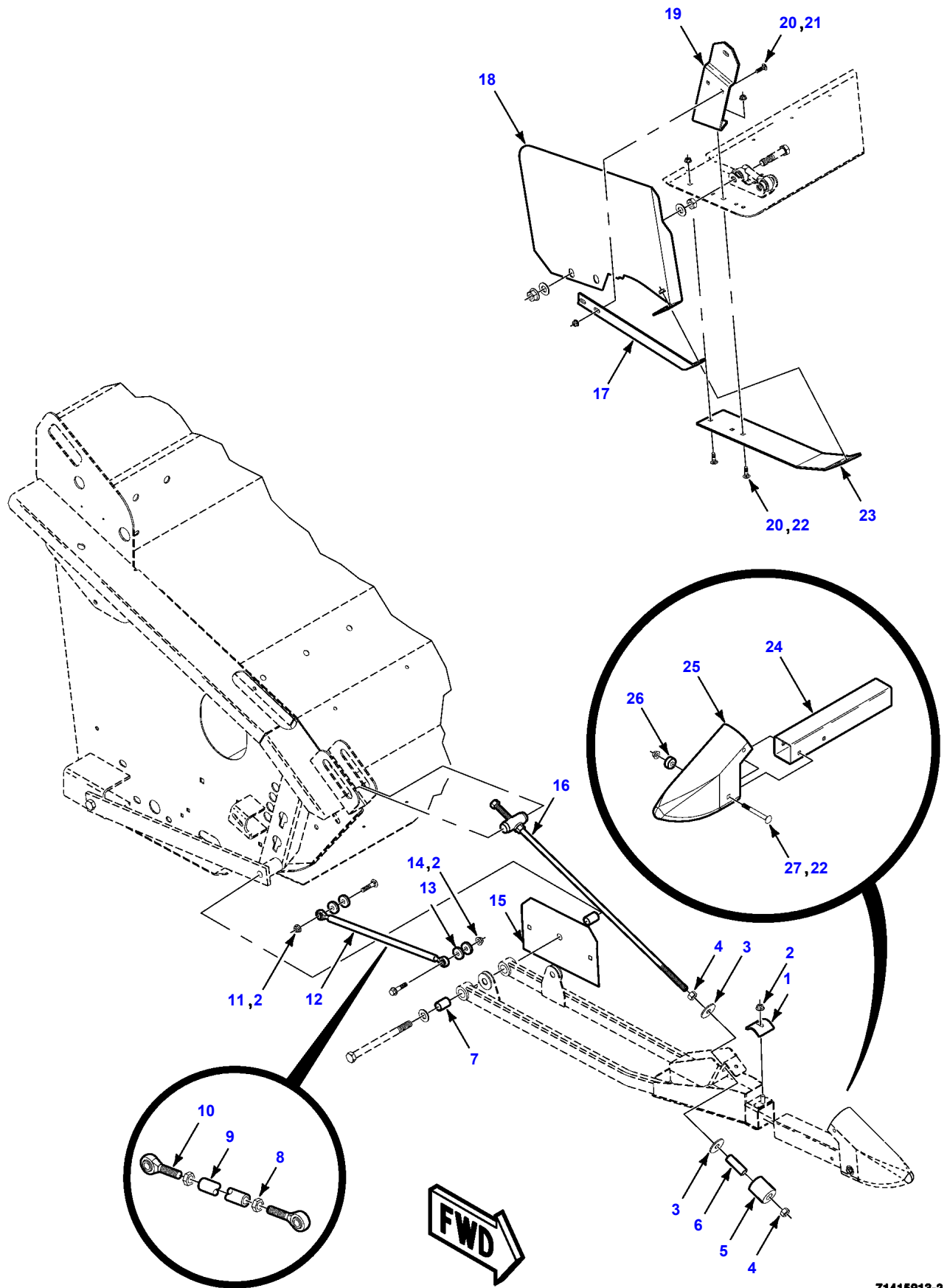


71415913-1

Item	Part Number	Qty	Description
1	71415220	2	SPACER-HUB
2	71415228	1	TUBE
3	71415224	1	BUSHING-DIVIDER SUPPORT
4	70920309	2	WASHER-PLAIN, 1/2
5	704031	2	NUT, 1/2-13
6	71415215	1	PLATE-CLAMP
7	Y704734	1	NUT-TOP LOCK, FLANGE, 3/8-16
8	71415225	1	SUPPORT ASSEMBLY-DIVIDER
9	71415138	1	FILLER-FLOATING CUTTER BAR
10	70931804	1	BOLT-CARRIAGE, 5/16-18 X 3
11	70931277	1	NUT-LOCK, FLANGE, 5/16-18
12	71415258	1	SPACER-DIVIDER POINT
13	71402902	1	POINT-WING
14	71404654	1	TUBE-STUB DIVIDER

71415913-1

PR: t07c13m36a0057

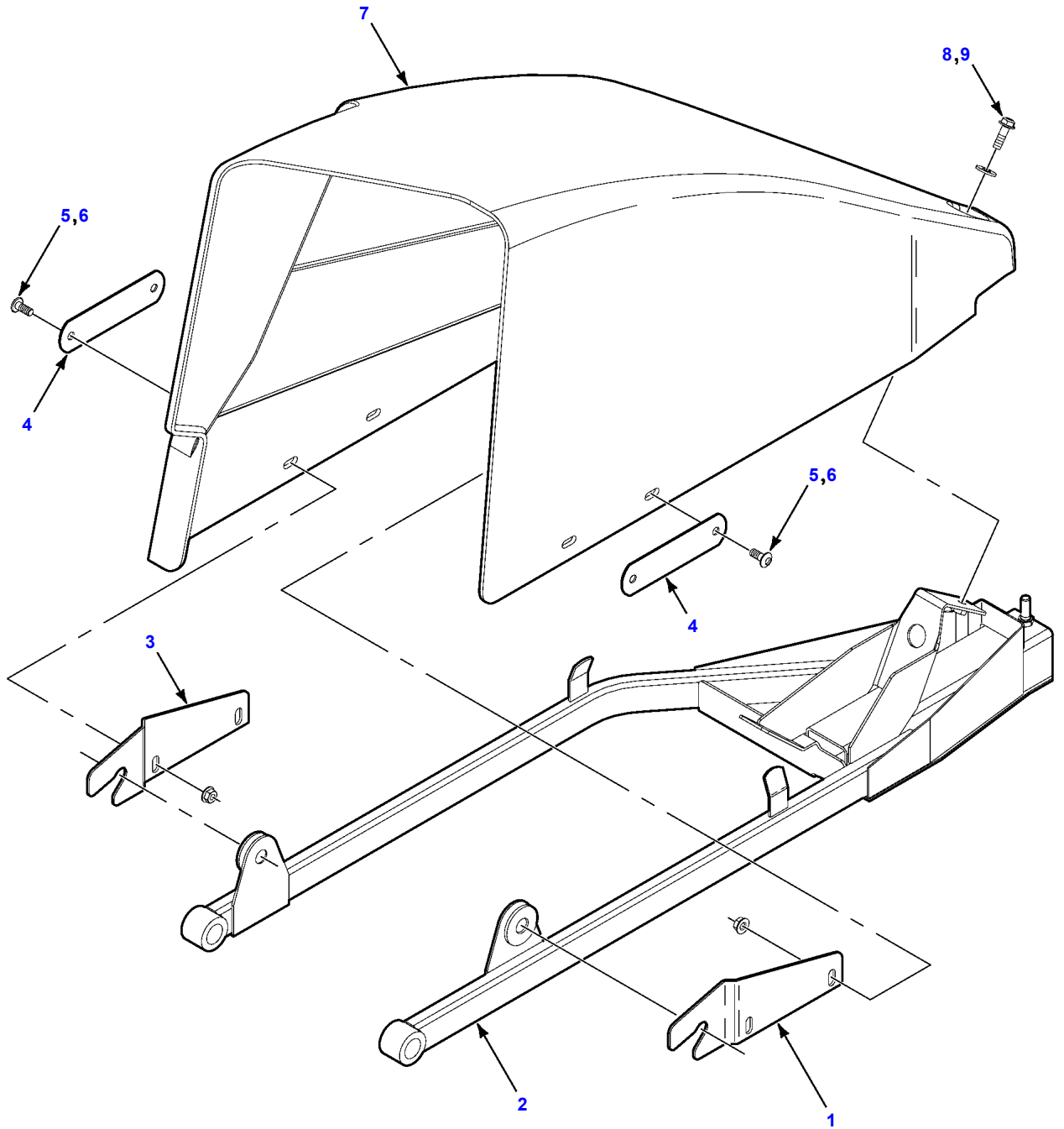


71415913-2

Item	Part Number	Qty	Description
1	71415215	1	PLATE-CLAMP
2	Y704734	3	NUT-TOP LOCK, FLANGE, 3/8-16
3	70920309	2	WASHER-PLAIN, 1/2
4	704031	2	NUT, 1/2-13
5	71415224	1	BUSHING-DIVIDER SUPPORT
6	71415228	1	TUBE
7	71415220	2	SPACER-HUB
8	70918403	2	NUT-HALF, 3/8-24
9	71415222	1	LINK-STABILIZER
10	71415223	2	BALL JOINT
11	70922869	1	BOLT-CARRIAGE, 3/8-16 X 1-3/4
12	71415221	1	STABILIZER ASSEMBLY
	70918403	2	NUT-HALF, 3/8-24
	71415222	1	LINK-STABILIZER
	71415223	2	BALL JOINT
13	71341521	4	SPACER-STABILIZER
14	700711134	1	SCREW-FLANGE, GR8, 3/8-16 X 1-3/4
15	71415138	1	FILLER-FLOATING, CUTTER BAR
16	71415225	1	SUPPORT ASSEMBLY-DIVIDER
17	71415219	1	BRACE-RIGHT SKID, FLEX
18	71415217	1	FILLER-RIGHT, FRONT
19	71415218	1	ARM-STABILIZER, RIGHT
20	7700578	7	BOLT-CARRIAGE, 5/16-18 X 1
21	Y704726	2	NUT-LOCK, FLANGE, 5/16-18
22	70931277	6	NUT-LOCK, FLANGE, 5/16-18
23	71415216	1	SHOE-RIGHT
24	71404654	1	TUBE-STUB DIVIDER
25	71402902	1	POINT-WING
26	71415258	1	SPACER-DIVIDER POINT
27	70931804	1	BOLT-CARRIAGE, 5/16-18 X 3

71415913-2

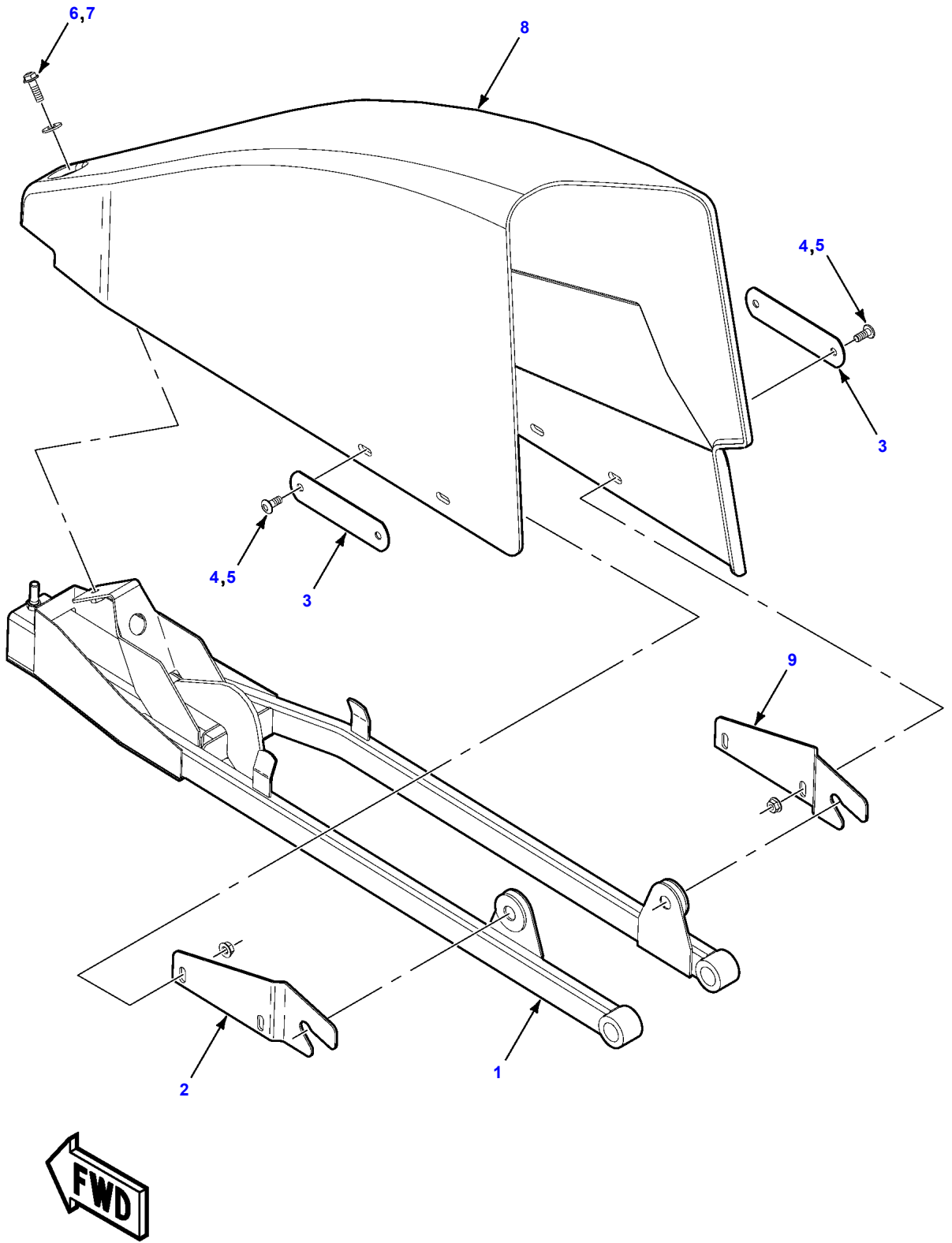
PR: t07c13m36a0058



71415202-0

Item	Part Number	Qty	Description
1	71415213	1	PLATE-LATCH
2	71415203	1	FRAME WA-LEFT, DIVIDER
3	71415211	1	PLATE-LATCH
4	71415212	2	PLATE-BACKER
5	70936460	4	SCREW-TORX, 5/16-18 X 3/4
6	70931277	4	NUT-LOCK, FLANGE, 5/16-18
7	71415210	1	SHIELD-DIVIDER, LEFT
8	7883333	1	SCREW-FLANGE, 5/16-18 X 1
9	70917642	1	WASHER-PLAIN, 5/16

71415202-0
PR: t06d06n18d0031



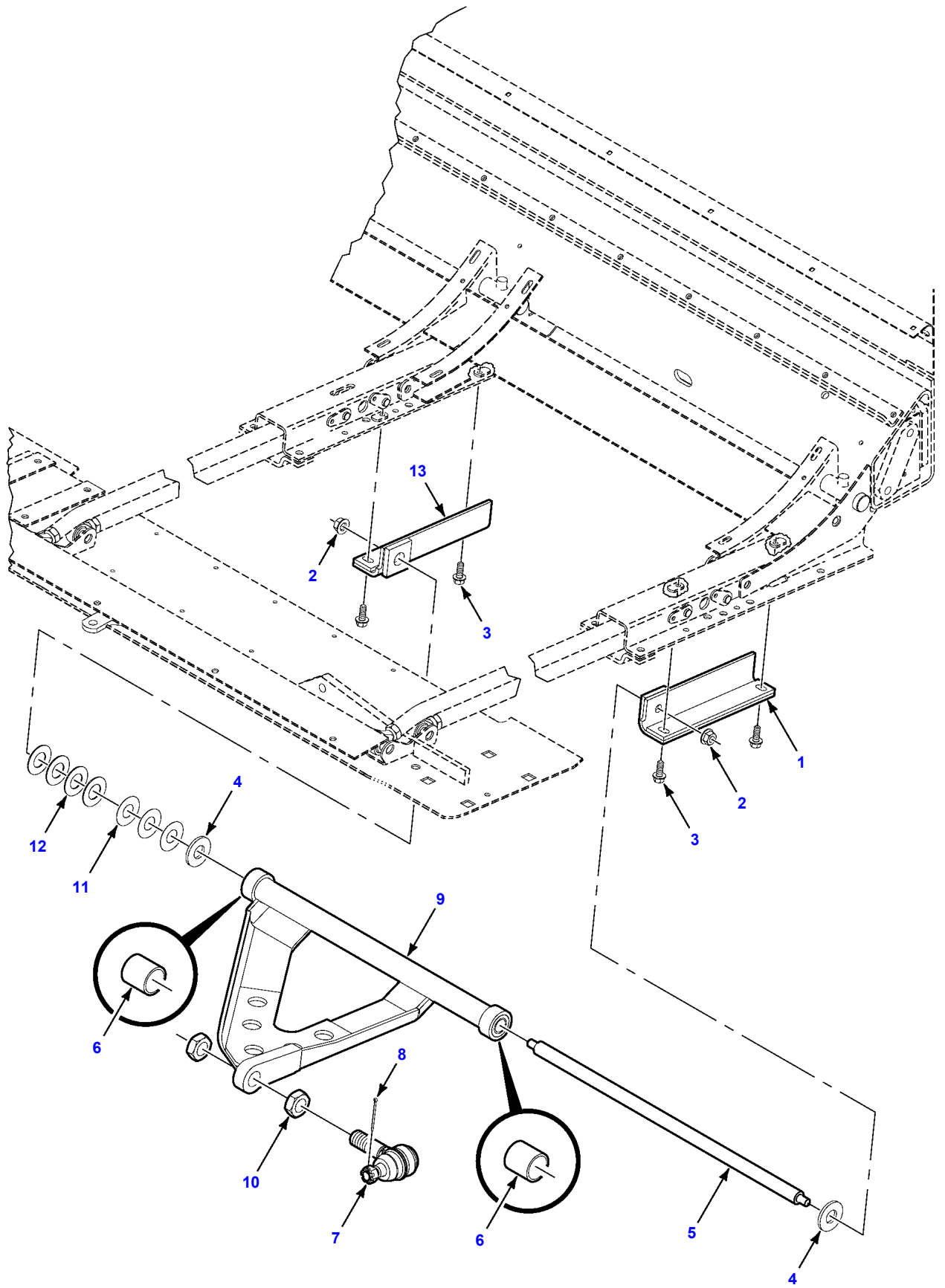
71415229-0

FRAME AND SHIELDS - DIVIDER-RIGHT

Item	Part Number	Qty	Description
1	71415230	1	FRAME WA-RIGHT, DIVIDER
2	71415211	1	PLATE-LATCH
3	71415212	2	PLATE-BACKER
4	70936460	4	SCREW-TORX, 5/16-18 X 3/4
5	70931277	4	NUT-LOCK, FLANGE, 5/16-18
6	7883333	1	SCREW-FLANGE, 5/16-18 X 1
7	70917642	1	WASHER-PLAIN, 5/16
8	71415242	1	SHIELD-DIVIDER, RIGHT
9	71415213	1	PLATE-LATCH

71415229-0

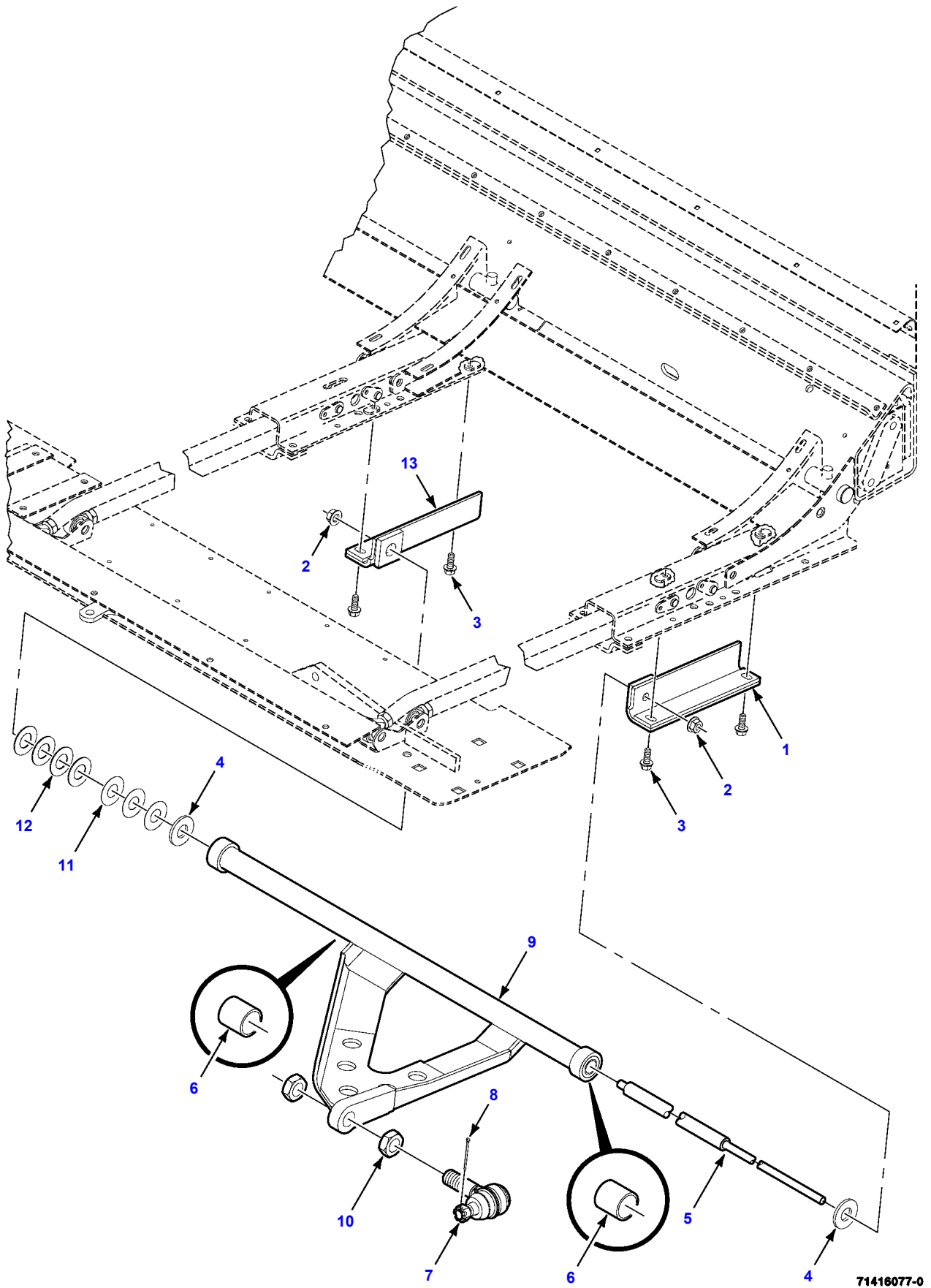
PR: t06d06n18d0032



71415876-0

Item	Part Number	Qty	Description
1	71415371	1	BRACKET WA-STABILIZER, LEFT
2	704254	2	NUT-LOCK, FLANGE, 1/2-13
3	7703424	4	SCREW-FLANGE, 3/8-16 X 1
4	70935086	2	WASHER-PLAIN, 7/8
5	71415377	1	SHAFT-STABILIZER
6	71415390	2	BUSHING-STABILIZER
7	71307394	1	SOCKET ASSEMBLY-RIGHT, STEERING LINK
	70925719	1	PIN-COTTER, 1/8 X 2
	70917423	1	NUT-SLOTTED
	71307396	1	NUT-JAM
	70922887	1	FITTING-LUBE
	71375761	1	BOOT-SOCKET ASSEMBLY
8	70925719	1	PIN-COTTER, 1/8 X 2
9	71415877	1	STABILIZER ASSEMBLY
	71415390	2	BUSHING-STABILIZER
10	71307396	2	1-1/6 NUT-HALF
11	71415391	3	SHIM
12	70919329	AR	WASHER-PLAIN, 1
13	71415375	1	BRACKET WA-STABILIZER, RIGHT

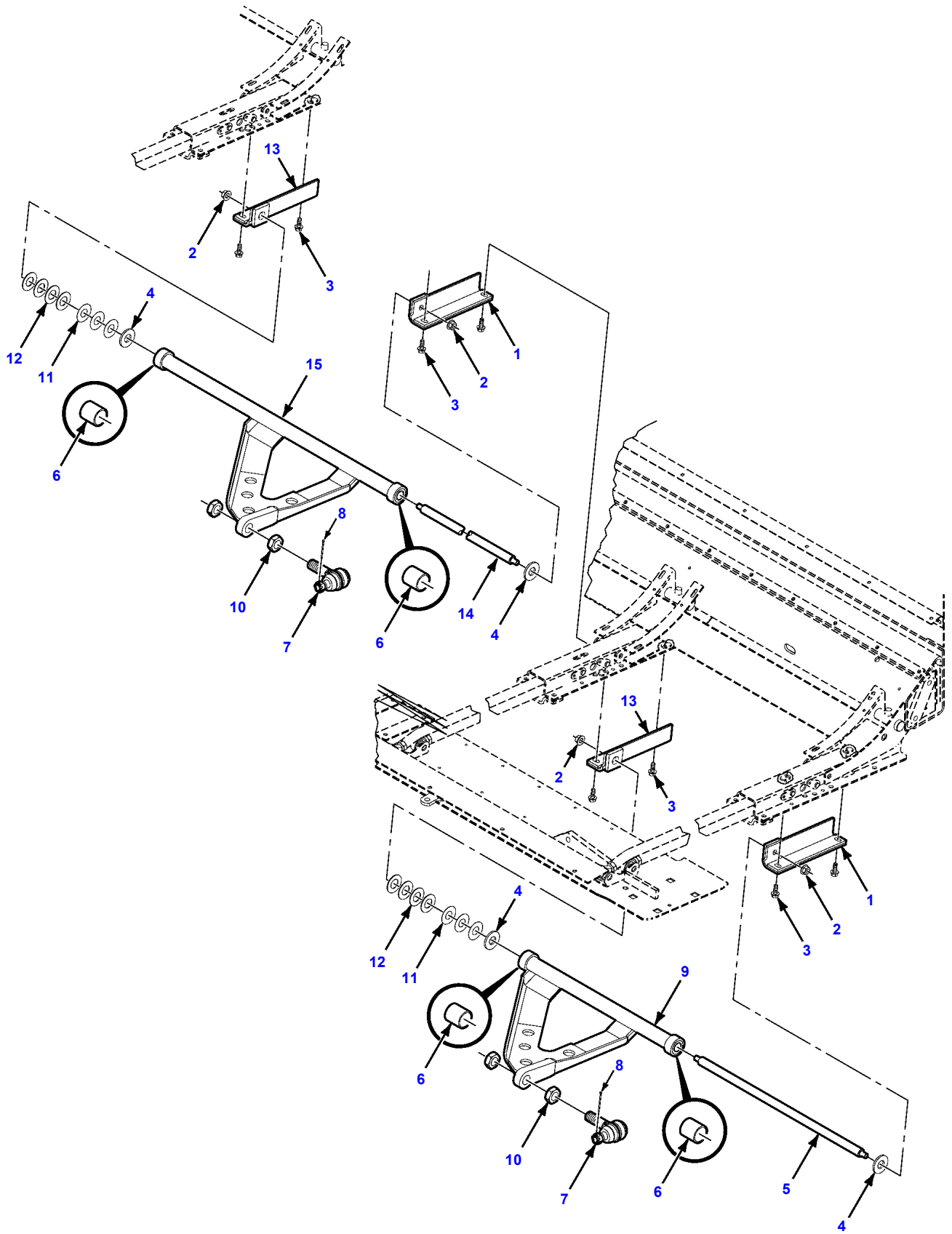
71415876-0
PR: t06d06n18d0033



Item	Part Number	Qty	Description
1	71415371	1	BRACKET WA-STABILIZER, LEFT
2	704254	2	NUT-LOCK, FLANGE, 1/2-13
3	7703424	4	SCREW-FLANGE, 3/8-16 X 1
4	70935086	2	WASHER-PLAIN, 7/8
5	71416226	1	SHAFT-STABILIZER
6	71415390	2	BUSHING-STABILIZER
7	71307394	1	SOCKET ASSEMBLY-RIGHT, STEERING LINK
	70925719	1	PIN-COTTER, 1/8 X 2
	70917423	1	NUT-SLOTTED
	71307396	1	NUT-JAM
	70922887	1	FITTING-LUBE
	71375761	1	BOOT-SOCKET ASSEMBLY
8	70925719	1	PIN-COTTER, 1/8 X 2
9	71416225	1	STABILIZER ASSEMBLY
	71415390	2	BUSHING-STABILIZER
10	71307396	2	1-1/6 NUT-HALF
11	71415391	3	SHIM
12	70919329	AR	WASHER-PLAIN, 1
13	71415375	1	BRACKET WA-STABILIZER, RIGHT

71416077-0

PR: t07c13m36a0059



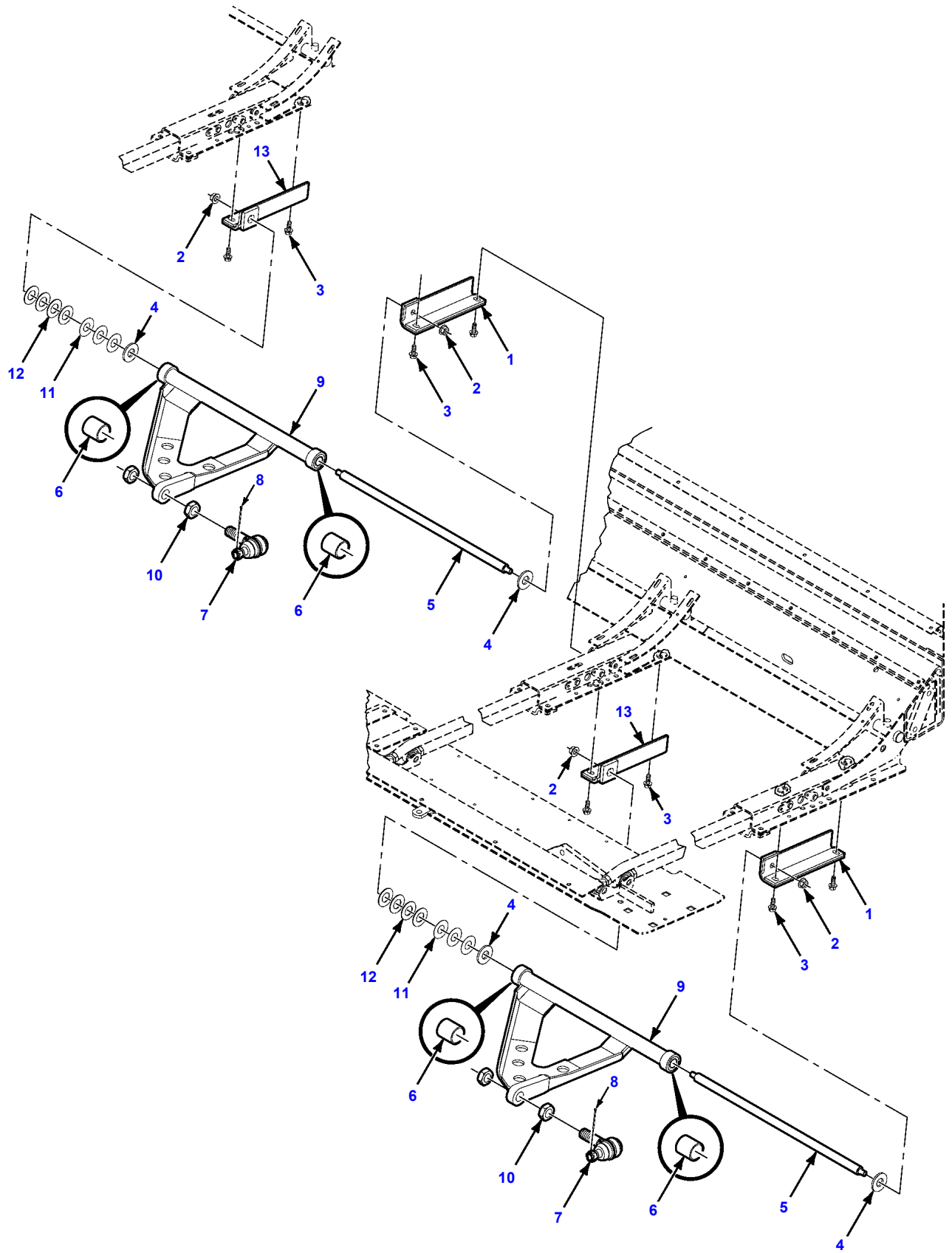
71415986-0

FRAME AND SHIELDS - STABILIZER MOUNTING (FLEX), (30 FOOT)

Item	Part Number	Qty	Description
1	71415371	2	BRACKET WA-STABILIZER, LEFT
2	704254	4	NUT-LOCK, FLANGE, 1/2-13
3	7703424	8	SCREW-FLANGE, 3/8-16 X 1
4	70935086	4	WASHER-PLAIN, 7/8
5	71415377	1	SHAFT-STABILIZER
6	71415390	4	BUSHING-STABILIZER
7	71307394	2	SOCKET ASSEMBLY-RIGHT, STEERING LINK
	70925719	1	PIN-COTTER, 1/8 X 2
	70917423	1	NUT-SLOTTED
	71307396	1	NUT-JAM
	70922887	1	FITTING-LUBE
	71375761	1	BOOT-SOCKET ASSEMBLY
8	70925719	2	PIN-COTTER, 1/8 X 2
9	71415877	1	STABILIZER ASSEMBLY
	71415390	2	BUSHING-STABILIZER
10	71307396	4	1-1/6 NUT-HALF
11	71415391	6	SHIM
12	70919329	AR	WASHER-PLAIN, 1
13	71415375	2	BRACKET WA-STABILIZER, RIGHT
14	71416226	1	SHAFT-STABILIZER
15	71416225	1	STABILIZER ASSEMBLY
	71415390	2	BUSHING-STABILIZER

71415986-0

PR: t07j18i40b0001

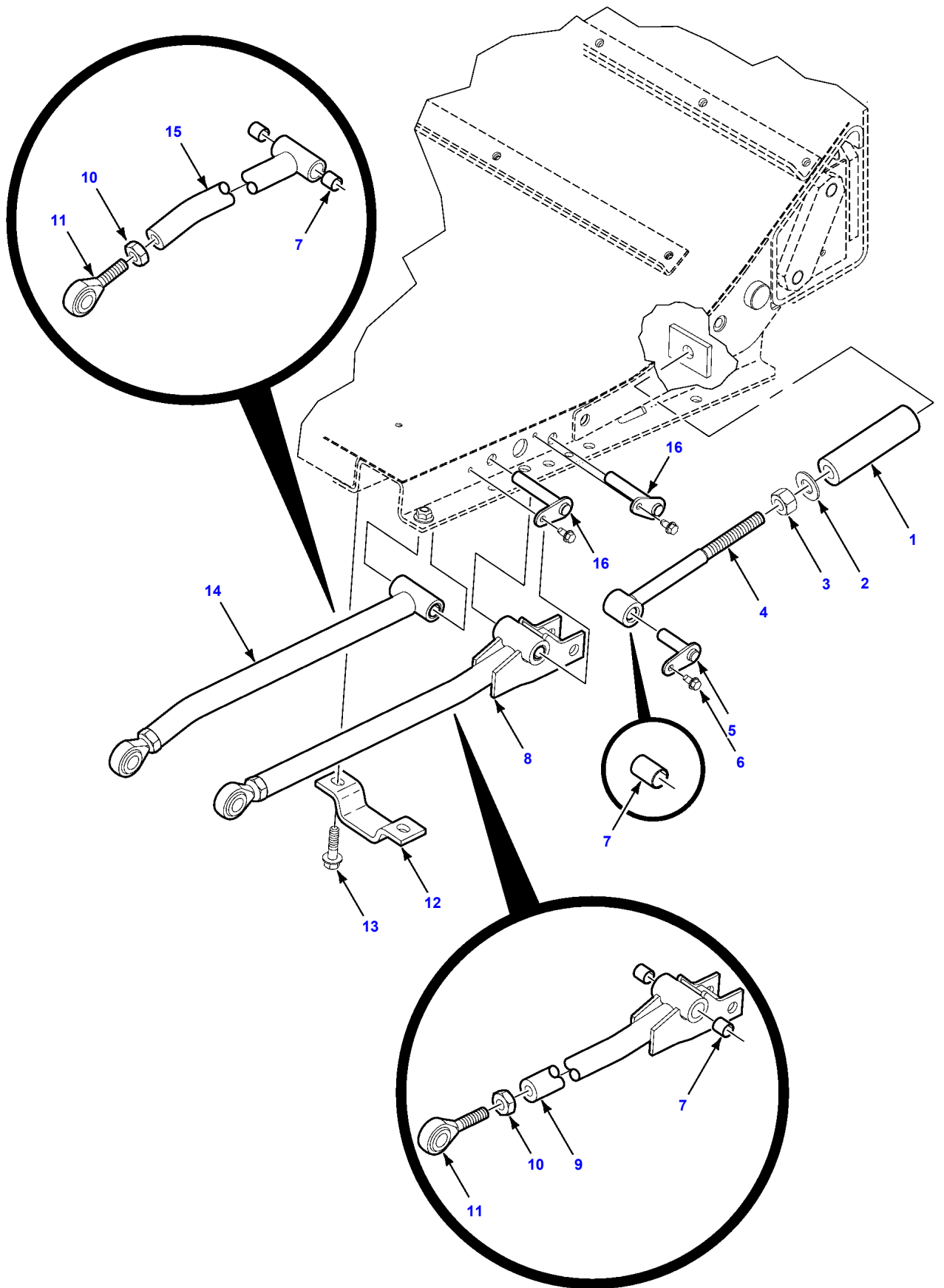


71415687-0

Item	Part Number	Qty	Description
1	71415371	2	BRACKET WA-STABILIZER, LEFT
2	704254	4	NUT-LOCK, FLANGE, 1/2-13
3	7703424	8	SCREW-FLANGE, 3/8-16 X 1
4	70935086	4	WASHER-PLAIN, 7/8
5	71415377	2	SHAFT-STABILIZER
6	71415390	4	BUSHING-STABILIZER
7	71307394	2	SOCKET ASSEMBLY-RIGHT, STEERING LINK
	70925719	1	PIN-COTTER, 1/8 X 2
	70917423	1	NUT-SLOTTED
	71307396	1	NUT-JAM
	70922887	1	FITTING-LUBE
	71375761	1	BOOT-SOCKET ASSEMBLY
8	70925719	2	PIN-COTTER, 1/8 X 2
9	71415877	2	STABILIZER ASSEMBLY
	71415390	2	BUSHING-STABILIZER
10	71307396	4	1-1/6 NUT-HALF
11	71415391	6	SHIM
12	70919329	AR	WASHER-PLAIN, 1
13	71415375	2	BRACKET WA-STABILIZER, RIGHT

71415687-0

PR: t07j18i40b0002

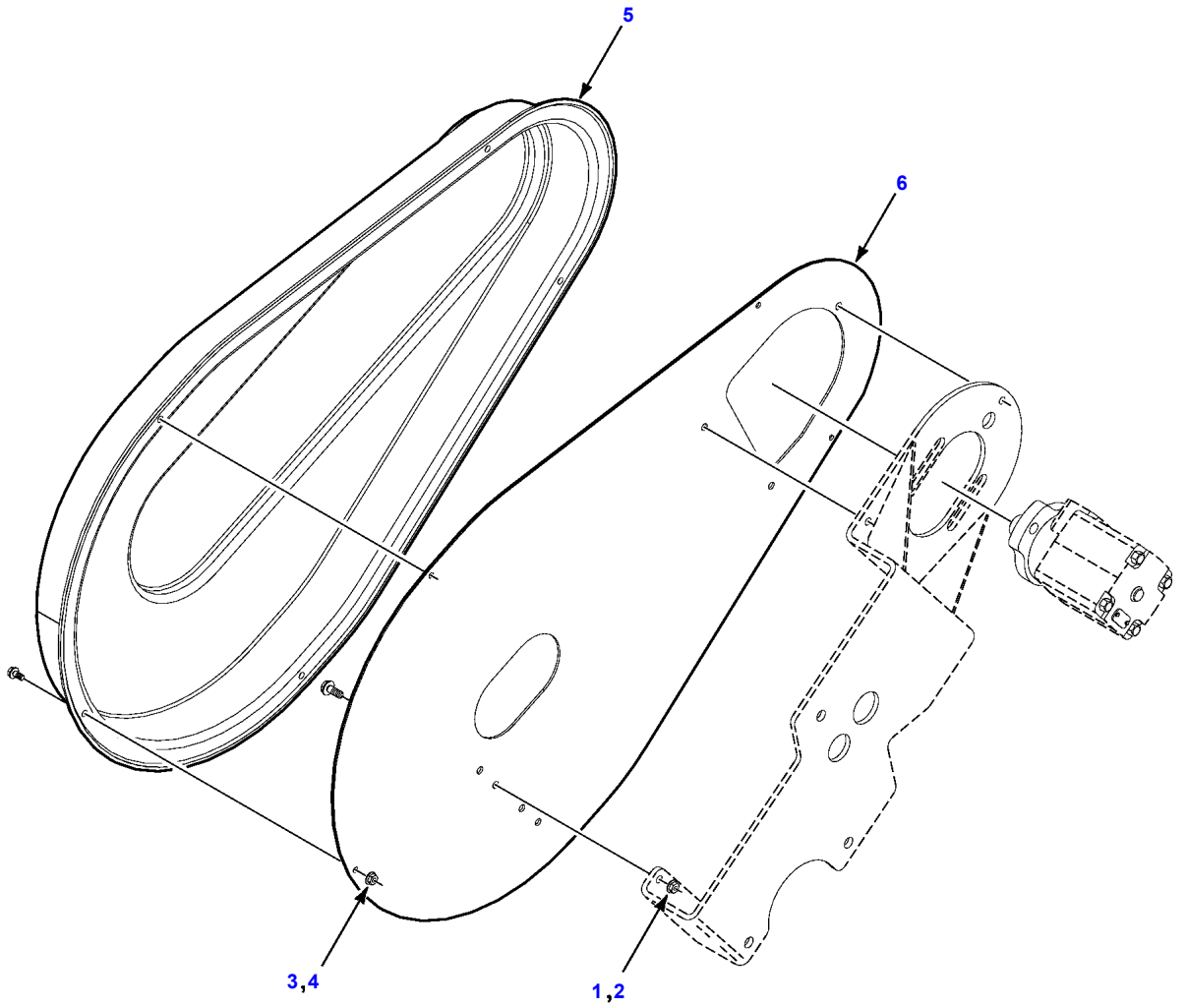


71415315-0

FRAME AND SHIELDS - TILT ARMS (FLEX)

Item	Part Number	Qty	Description
1	71415334	AR	SPRING-FLOAT BAR
2	70918268	AR	WASHER-NARROW PLAIN, 5/8
3	70923353	AR	NUT-LOCK, 5/8-11
4	71415336	AR	GUIDE SPRING ASSEMBLY
	71415327	1	BEARING-JOURNAL
5	71415333	AR	PIN WA
6	365775X1	AR	SCREW-SELF-TAPPING, 1/4-20 X 1/2
7	71415327	AR	BEARING-JOURNAL
8	71415316	AR	LINK ASSEMBLY-LOWER
	71415327	2	BEARING-JOURNAL
	71415317	1	ARM WA-LOWER
	7774359	1	NUT-HALF, 5/8-18
	71415328	1	ROD-END
9	71415317	1	ARM WA-LOWER
10	7774359	2	NUT-HALF, 5/8-18
11	71415328	2	ROD-END
12	71415332	AR	BRACKET-LOCK-UP
13	700711084	AR	SCREW-FLANGE, GR8, 3/8-16 X 1-1/2
14	71415323	AR	LINK ASSEMBLY-STABILIZER
	71415327	2	BEARING-JOURNAL
	7774359	1	NUT-HALF, 5/8-18
	71415328	1	ROD-END
	71415324	1	ARM-STABILIZER WA
15	71415324	1	ARM-STABILIZER WA
16	71415329	AR	PIN WA

71415315-0
PR: t06d06n18d0034



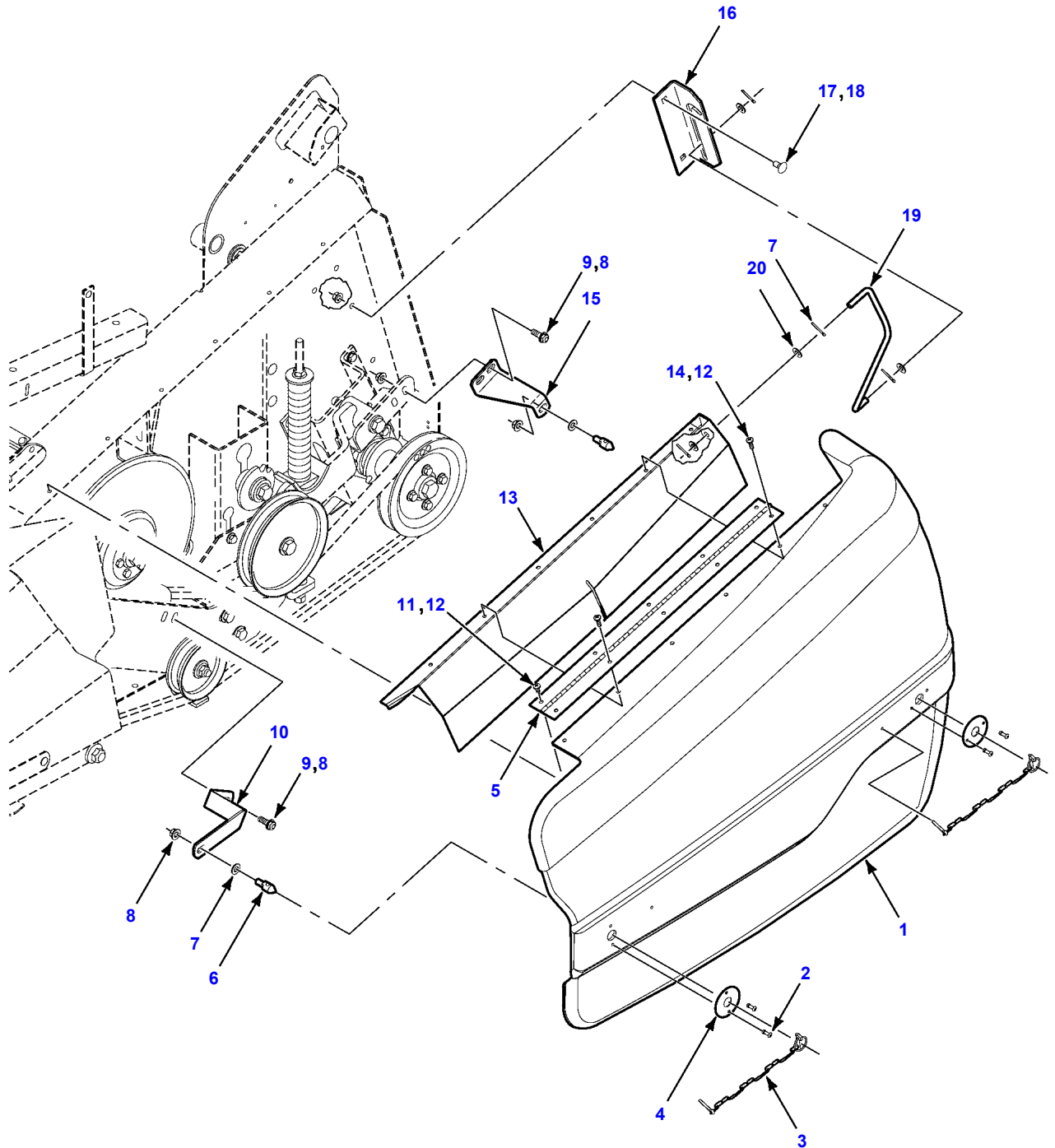
71415912-1

FRAME AND SHIELDS - REEL DRIVE SHIELDS

Item	Part Number	Qty	Description
1	7883325	5	SCREW-FLANGE, 5/16-18 X 3/4
2	Y704726	5	NUT-LOCK, FLANGE, 5/16-18
3	7883267	5	SCREW-FLANGE, 1/4-20 X 1/2
4	70931209	5	NUT-LOCK, FLANGE, 1/4-20
5	71415194	1	SHIELD ASSEMBLY-REEL
	700717403	1	REFLECTOR-YELLOW
6	71415496	1	SHIELD-REEL, INNER

71415912-1

PR: t07c13m36a0060

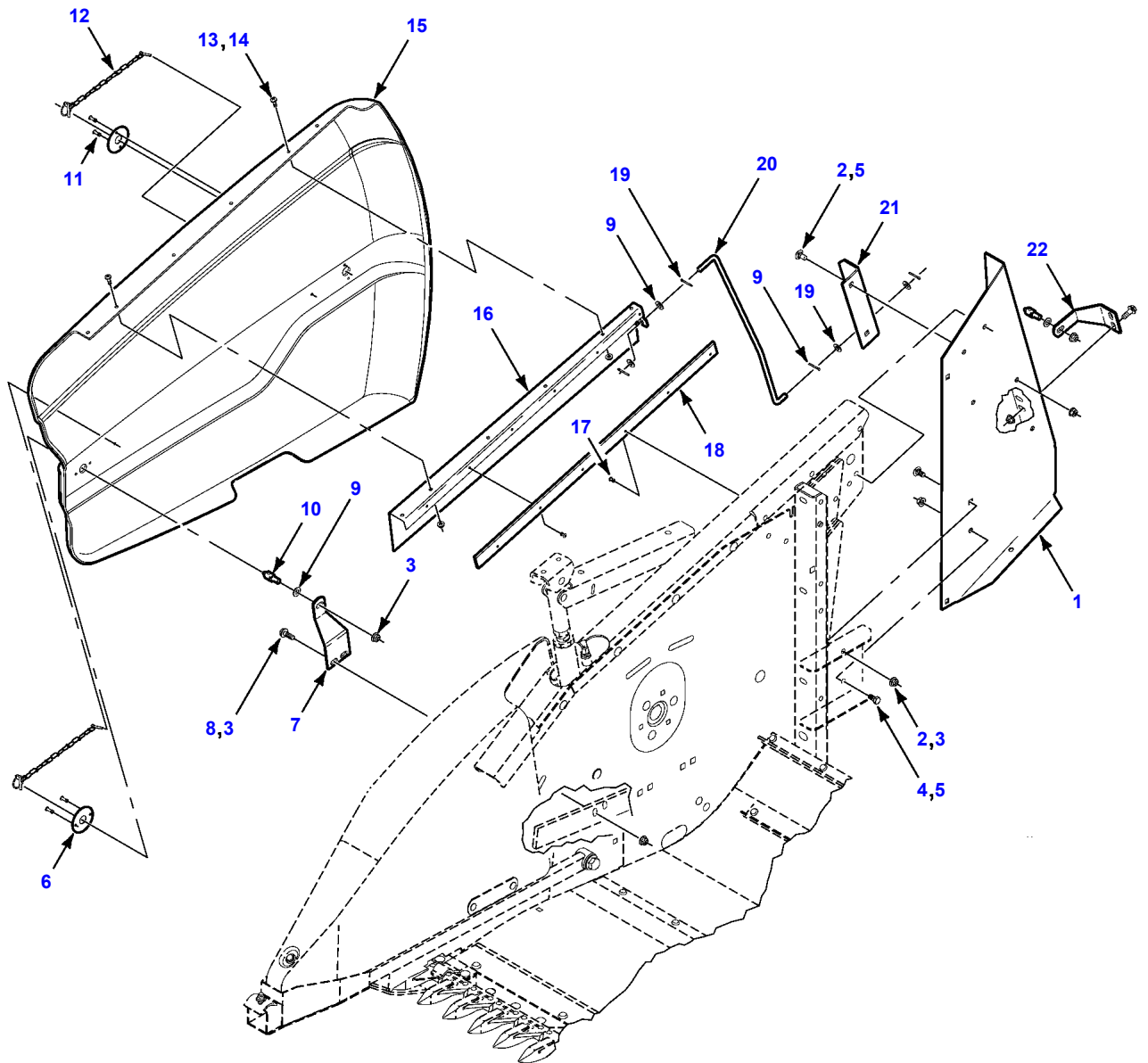


71415870-1

Item	Part Number	Qty	Description
1	71415871	1	SHIELD-HEADER END, LEFT
2	70924283	4	RIVET-POP, .188 X .376-.500
3	863415	2	PIN-KLIK
4	71400739	2	PLATE-PIN, COVER
5	71417029	1	HINGE-END SHIELD
6	1656110W2	2	PIN-CENTER, SHIELD LOCK
7	70918266	6	WASHER-NARROW PLAIN, 3/8
8	Y704734	6	NUT-TOP LOCK, FLANGE, 3/8-16
9	7883382	4	SCREW-FLANGE, 3/8-16 X 1
10	71415857	1	SUPPORT-LATCH, LEFT FRONT
11	700705158	5	SCREW-PAN HEAD, 1/4-20 X 1/2
12	70931209	11	NUT-LOCK, FLANGE, 1/4-20
13	71407724	1	SUPPORT WA-SHIELD, LEFT
14	700711167	6	SCREW, 1/4-20 X 3/4
15	71415858	1	SUPPORT-LATCH, LEFT REAR
16	71415863	1	GUIDE-PROP ROD, LEFT
17	7770456	2	BOLT-CARRIAGE, 3/8-16 X 3/4
18	704247	2	NUT-LOCK, FLANGE, 3/8-16
19	71415865	1	ROD-PROP, SHIELD LEFT
20	70918452	4	PIN-COTTER, 1/8 X 1

71415870-1

PR: t06d06n18d0036



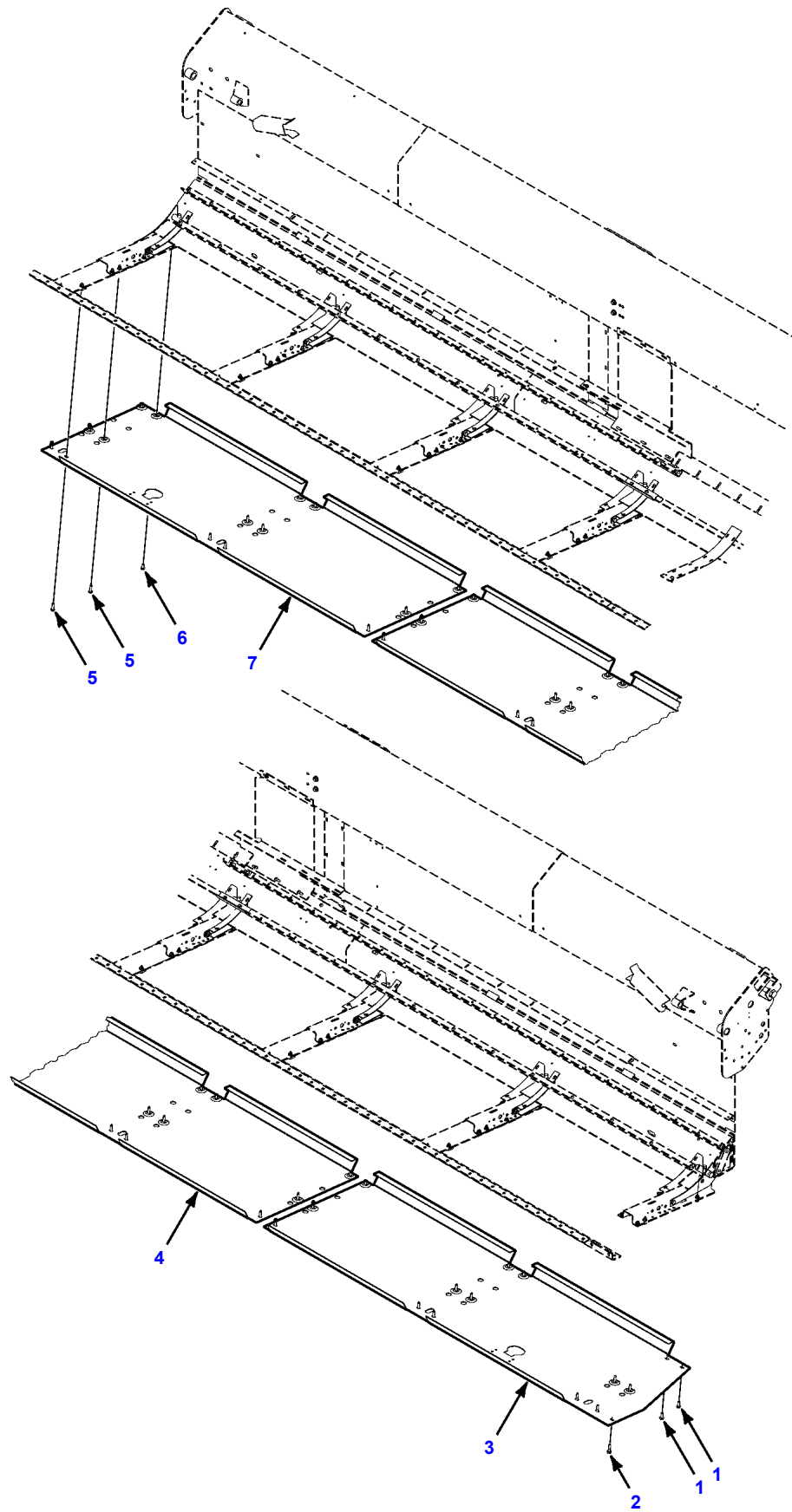
71415870-2

FRAME AND SHIELDS - SHIELDS-RIGHT

Item	Part Number	Qty	Description
1	71415868	1	SUPPORT-RIGHT
2	7770456	3	BOLT-CARRIAGE, 3/8-16 X 3/4
3	Y704734	7	NUT-TOP LOCK, FLANGE, 3/8-16
4	70921965	1	CAPSCREW, 3/8-16 X 3/4
5	704247	3	NUT-LOCK, FLANGE, 3/8-16
6	71400739	2	PLATE-PIN, COVER
7	71415866	1	SUPPORT-LATCH, RIGHT FRONT
8	7883382	4	SCREW-FLANGE, 3/8-16 X 1
9	70918266	10	WASHER-NARROW PLAIN, 3/8
10	1656110W2	2	PIN-CENTER, SHIELD LOCK
11	70924283	4	RIVET-POP, .188 X .376-.500
12	863415	2	PIN-KLIK
13	700711167	6	SCREW, 1/4-20 X 3/4
14	70931209	6	NUT-LOCK, FLANGE, 1/4-20
15	71415872	1	SHIELD-HEADER END, RIGHT
16	71407725	1	SUPPORT WA-SHIELD, RIGHT
17	700717635	12	RIVET-POP, .188 X .250
18	71415869	1	HINGE-END SHIELD RIGHT
19	70918452	8	PIN-COTTER, 1/8 X 1
20	71415865	1	ROD-PROP, SHIELD RIGHT
21	71415864	1	GUIDE-PROP ROD, RIGHT
22	71415867	1	SUPPORT-LATCH, RIGHT REAR

71415870-2

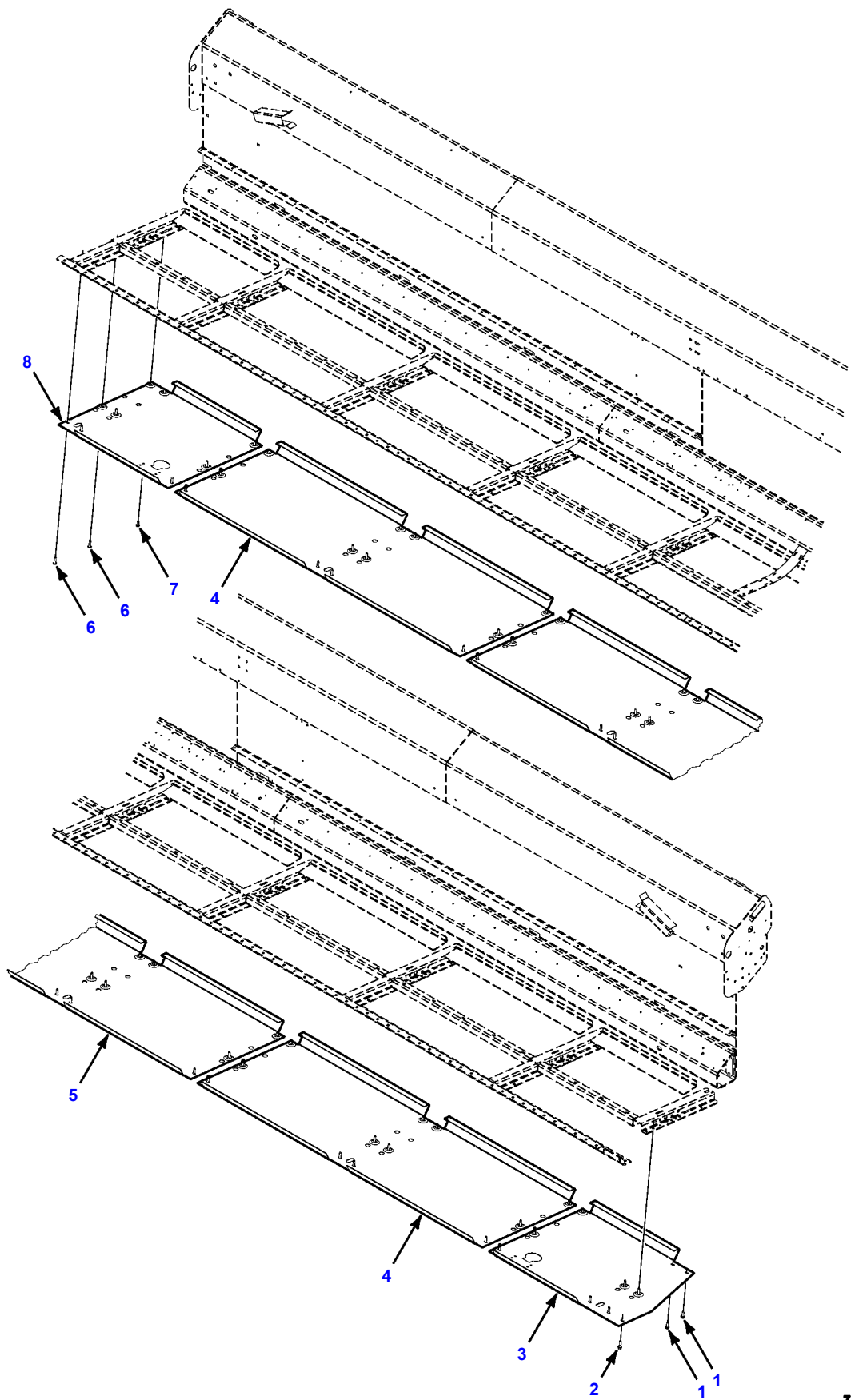
PR: t06d06n18d0037



71416080-0

Item	Part Number	Qty	Description
1	7883382	2	SCREW-FLANGE, 3/8-16 X 1
2	700711084	3	SCREW-FLANGE, GR8, 3/8-16 X 1-1/2
3	71416349	1	GUARD-ROCK, LEFT
4	71415811	1	GUARD-ROCK, CENTER
5	700727221	30	3/8-16 X 1-1/4 THFTS
6	7883374	14	SCREW-FLANGE, 3/8-16 X 3/4
7	71416348	1	GUARD-ROCK, RIGHT

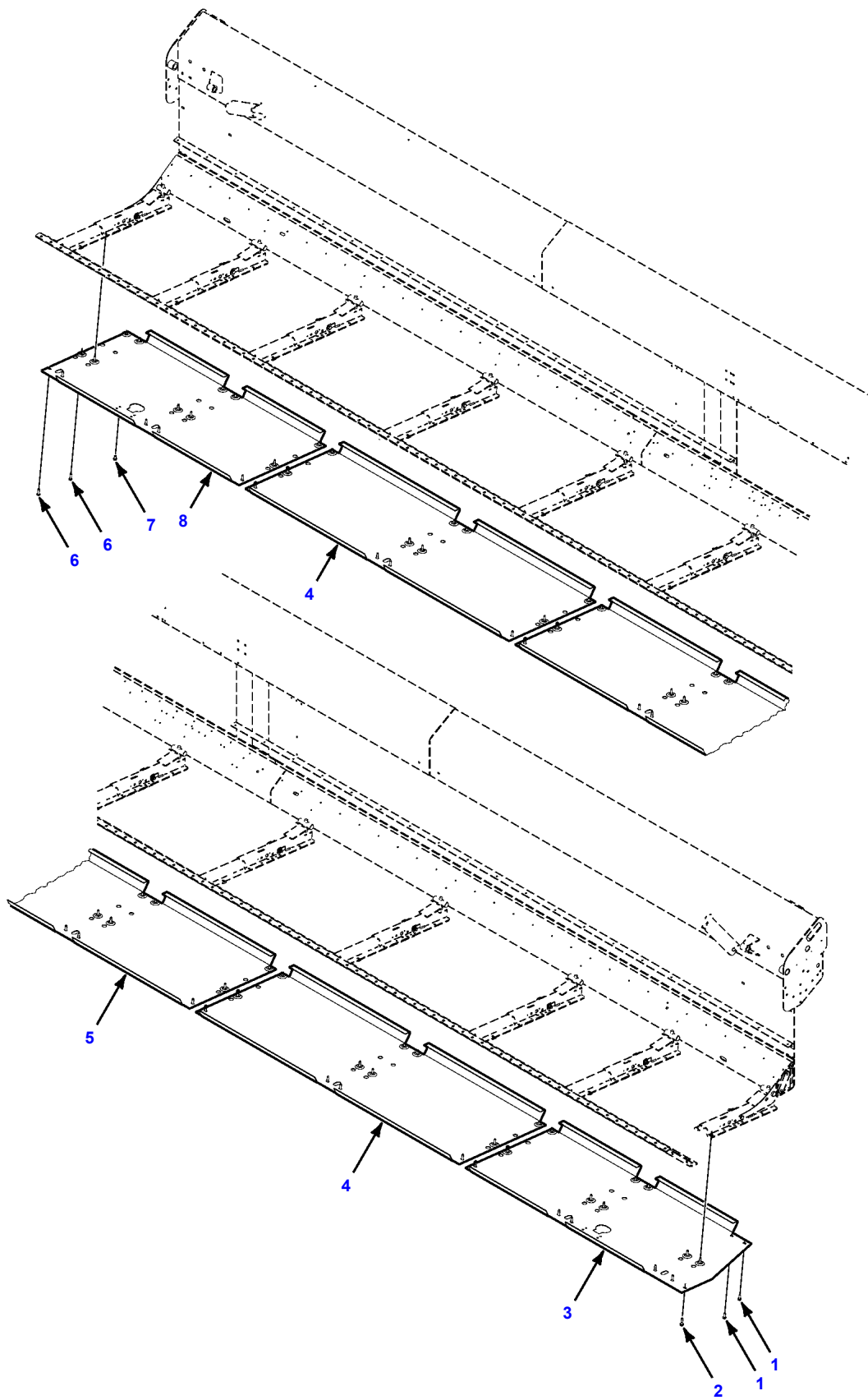
71416080-0
PR: t07c13m36a0061



71416079-0

Item	Part Number	Qty	Description
1	7883382	2	SCREW-FLANGE, 3/8-16 X 1
2	700711084	3	SCREW-FLANGE, GR8, 3/8-16 X 1-1/2
3	71416228	1	GUARD-ROCK, LEFT
4	71415812	2	GUARD-ROCK, INTERMEDIATE
5	71415811	1	GUARD-ROCK, CENTER
6	700727221	38	3/8-16 X 1-1/4 THFTS
7	7883374	18	SCREW-FLANGE, 3/8-16 X 3/4
8	71416227	1	GUARD-ROCK, RIGHT

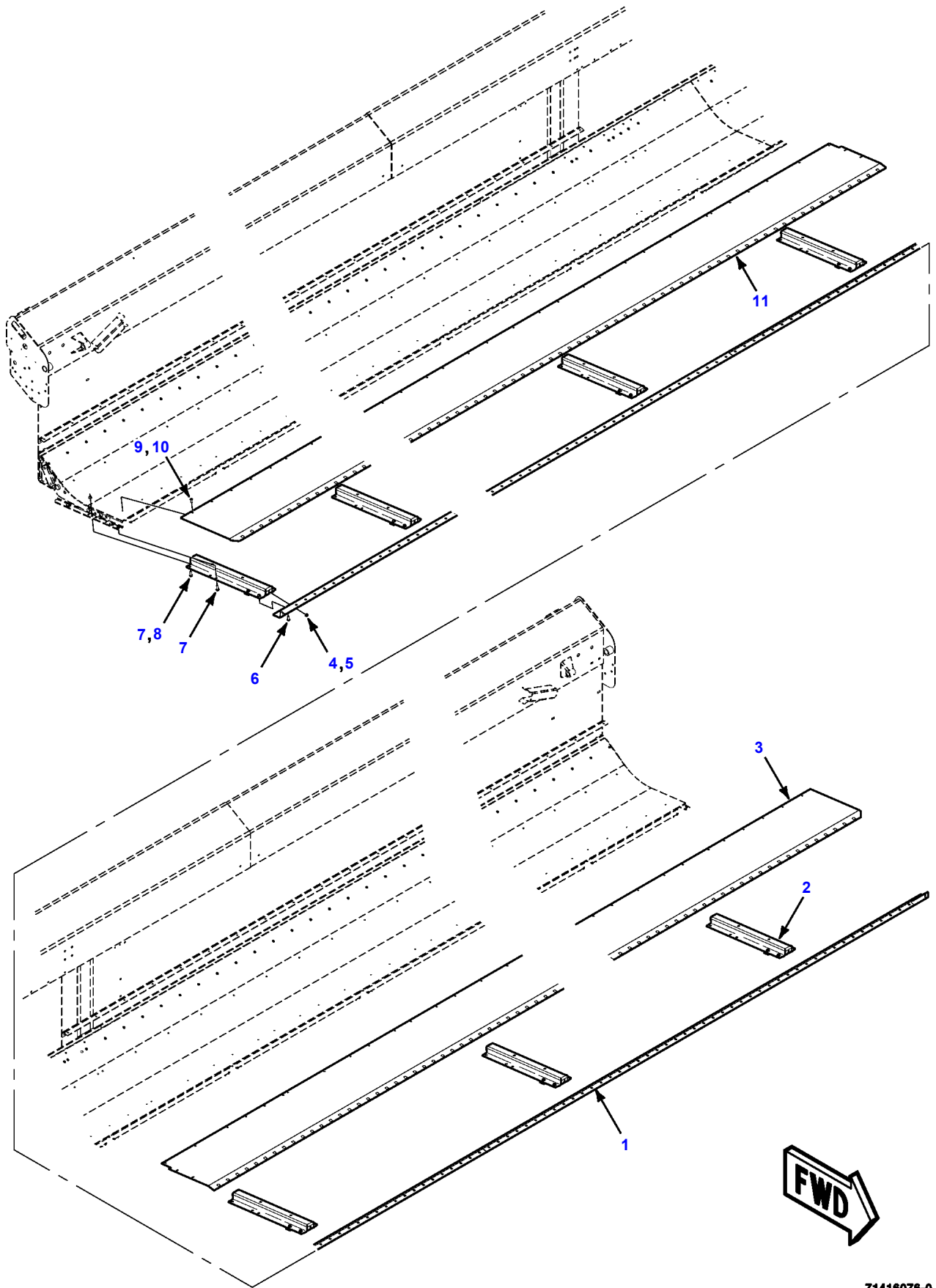
71416079-0
PR: t07c13m36a0062



71404799-0

Item	Part Number	Qty	Description
1	7883382	2	SCREW-FLANGE, 3/8-16 X 1
2	700711084	3	SCREW-FLANGE, GR8, 3/8-16 X 1-1/2
3	71415810	1	GUARD-ROCK, LEFT
4	71415812	2	GUARD-ROCK, INTERMEDIATE
5	71415811	1	GUARD-ROCK, CENTER
6	700727221	48	3/8-16 X 1-1/4 THFTS
7	7883374	22	SCREW-FLANGE, 3/8-16 X 3/4
8	71415809	1	GUARD-ROCK, RIGHT

71404799-0
PR: t07c13m36a0063



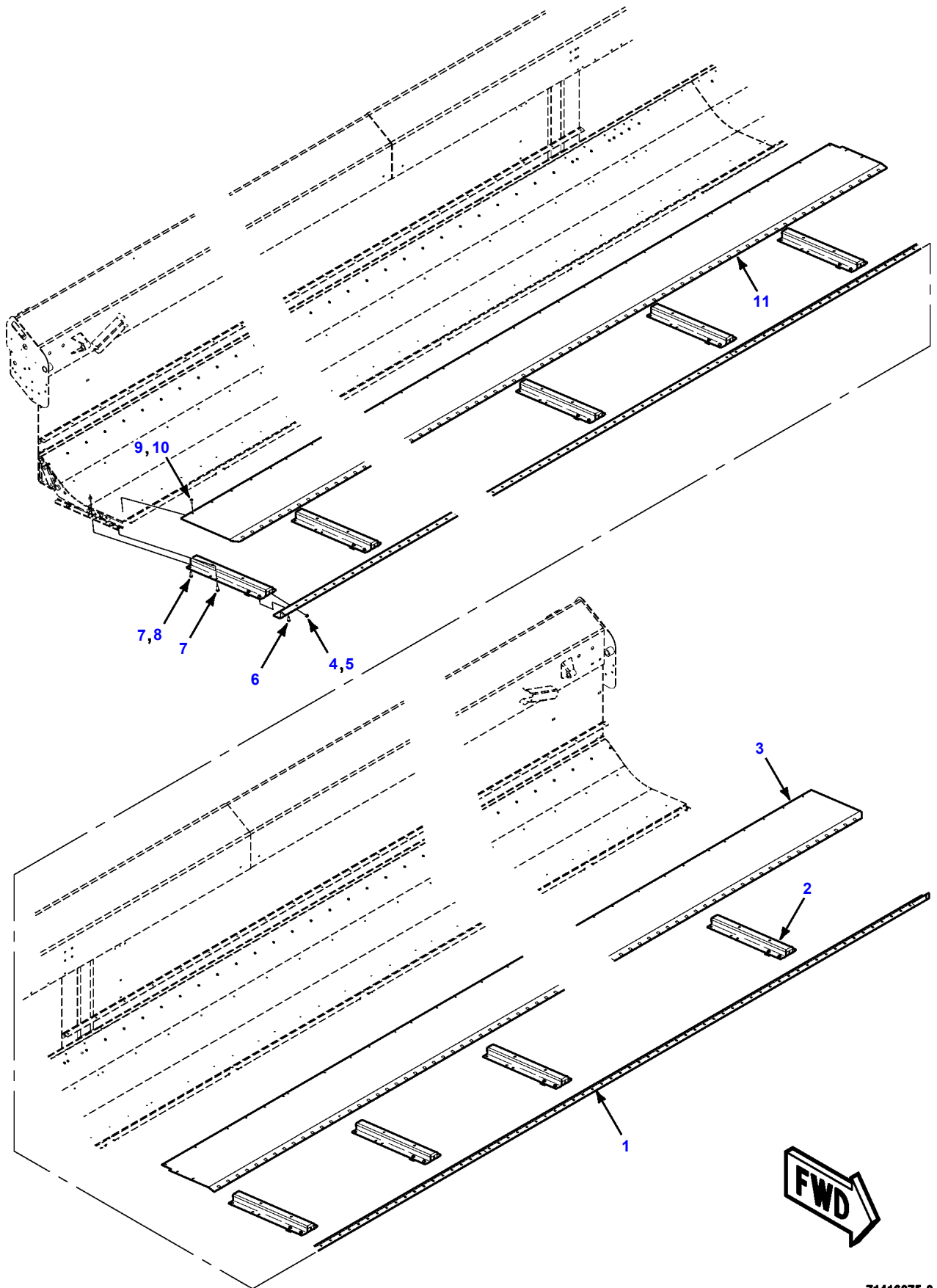
71416076-0

FRAME AND SHIELDS - CUTTERBAR-RIGID (25 FOOT)

Item	Part Number	Qty	Description
1	71416314	1	CUTTERBAR WA-RIGID, 25 FT
2	71415806	7	ARM WA-CUTTERBAR
3	71416312	1	SHEET-TRANS, LEFT
4	704247	7	NUT-LOCK, FLANGE, 3/8-16
5	68759	7	BOLT-CARRIAGE, 3/8-16 X 1
6	700720958	14	SCREW-SELF-TAPPING, TRUSS HEAD, 3/8-16 X 1
7	7883382	28	SCREW-FLANGE, 3/8-16 X 1
8	700710916	14	NUT-TOP LOCK, FLANGE, 3/8-16
9	71335690	42	SCREW-SELF-TAPPING, TRUSS HEAD, 5/16-18 X 3/4
10	70931277	42	NUT-LOCK, FLANGE, 5/16-18
11	71416313	1	SHEET-TRANS, RIGHT

71416076-0

PR: t07c13m36a0064



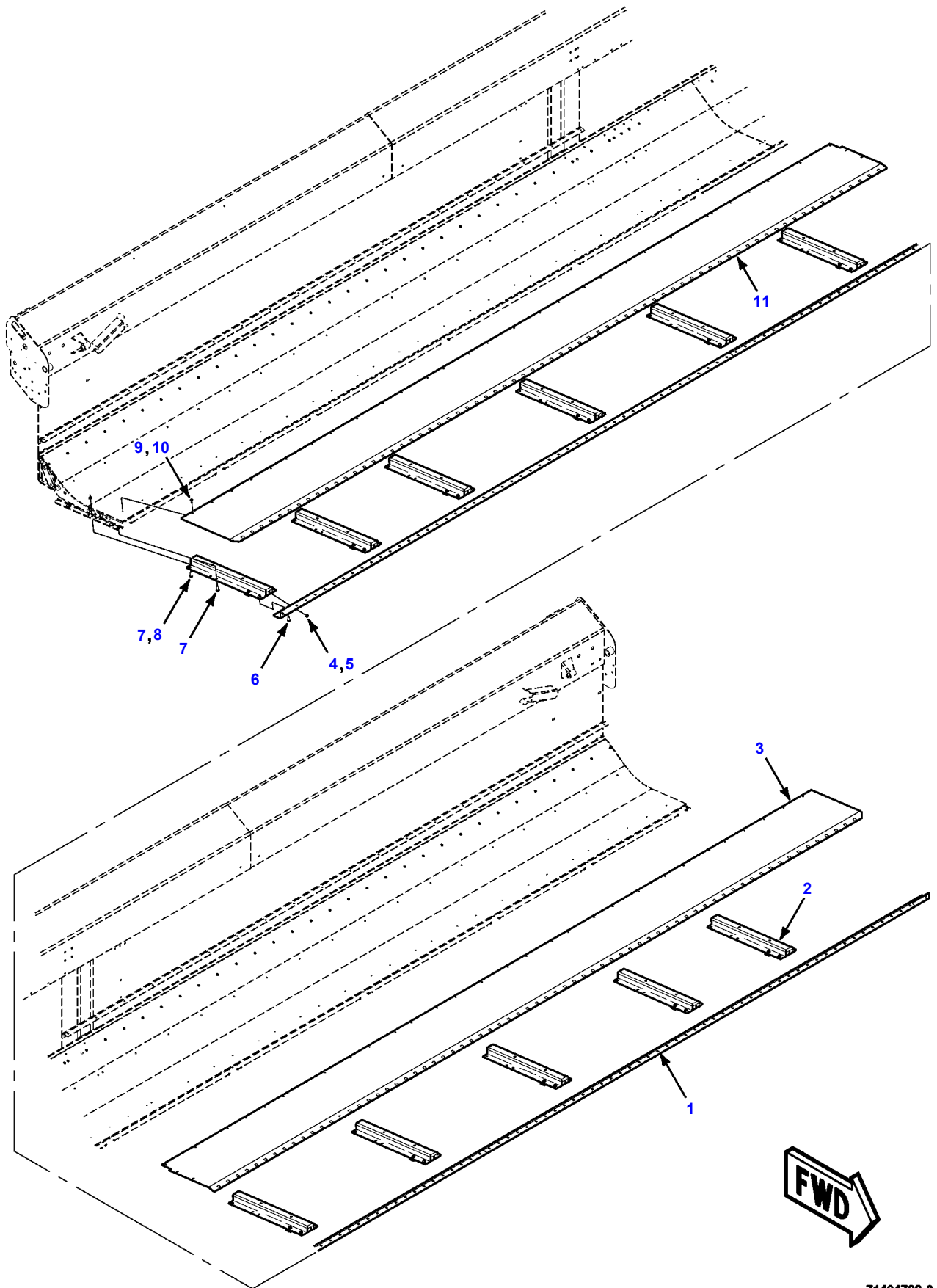
71416075-0

FRAME AND SHIELDS - CUTTERBAR-RIGID (30 FOOT)

Item	Part Number	Qty	Description
1	71416205	1	CUTTERBAR WA-RIGID, 30 FT
2	71415806	9	ARM WA-CUTTERBAR
3	71416203	1	SHEET-TRANS, LEFT
4	704247	9	NUT-LOCK, FLANGE, 3/8-16
5	68759	9	BOLT-CARRIAGE, 3/8-16 X 1
6	700720958	18	SCREW-SELF-TAPPING, TRUSS HEAD, 3/8-16 X 1
7	7883382	36	SCREW-FLANGE, 3/8-16 X 1
8	700710916	18	NUT-TOP LOCK, FLANGE, 3/8-16
9	71335690	50	SCREW-SELF-TAPPING, TRUSS HEAD, 5/16-18 X 3/4
10	70931277	50	NUT-LOCK, FLANGE, 5/16-18
11	71416204	1	SHEET-TRANS, RIGHT

71416075-0

PR: t07c13m36a0065



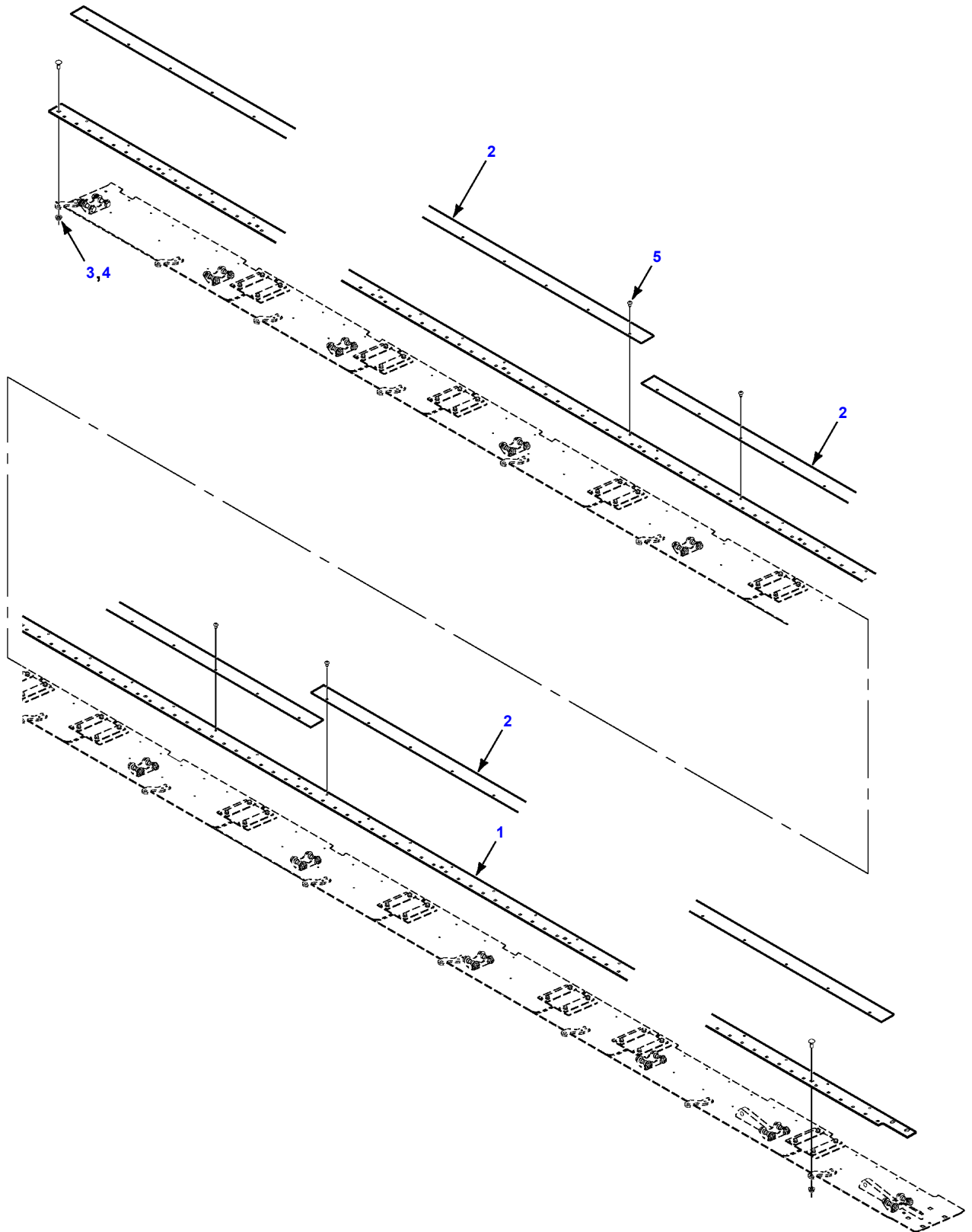
71404798-0

FRAME AND SHIELDS - CUTTERBAR-RIGID (35 FOOT)

Item	Part Number	Qty	Description
1	71415803	1	CUTTERBAR WA-RIGID, 35 FT
2	71415806	11	ARM WA-CUTTERBAR
3	71415807	1	SHEET-TRANS, LEFT
4	704247	11	NUT-LOCK, FLANGE, 3/8-16
5	68759	11	BOLT-CARRIAGE, 3/8-16 X 1
6	700720958	22	SCREW-SELF-TAPPING, TRUSS HEAD, 3/8-16 X 1
7	7883382	44	SCREW-FLANGE, 3/8-16 X 1
8	700710916	22	NUT-TOP LOCK, FLANGE, 3/8-16
9	71335690	60	SCREW-SELF-TAPPING, TRUSS HEAD, 5/16-18 X 3/4
10	70931277	60	NUT-LOCK, FLANGE, 5/16-18
11	71415808	1	SHEET-TRANS, RIGHT

71404798-0

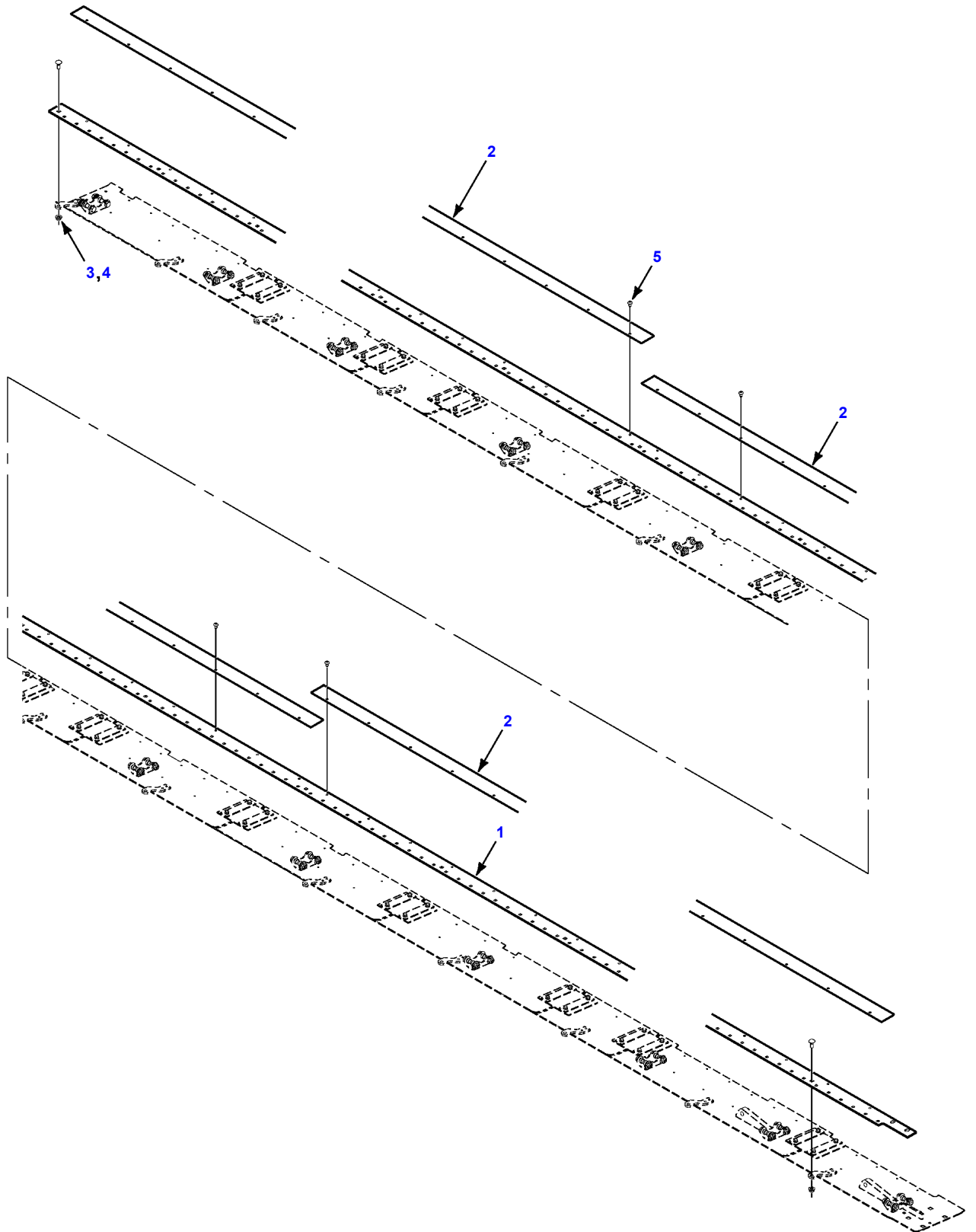
PR: t07c13m36a0066



71416083-0

Item	Part Number	Qty	Description
1	71415692	1	CUTTERBAR-FLEX, 20 FOOT
2	71415691	3	STRAP-HOLD DOWN
3	68619	8	BOLT-CARRIAGE, 1/2-13 X 1-1/4
4	Y704742	8	NUT-TOP LOCK, FLANGE, 1/2-13
5	71335689	24	SCREW-SELF-TAPPING, TRUSS HEAD, 3/8-16 X 3/4

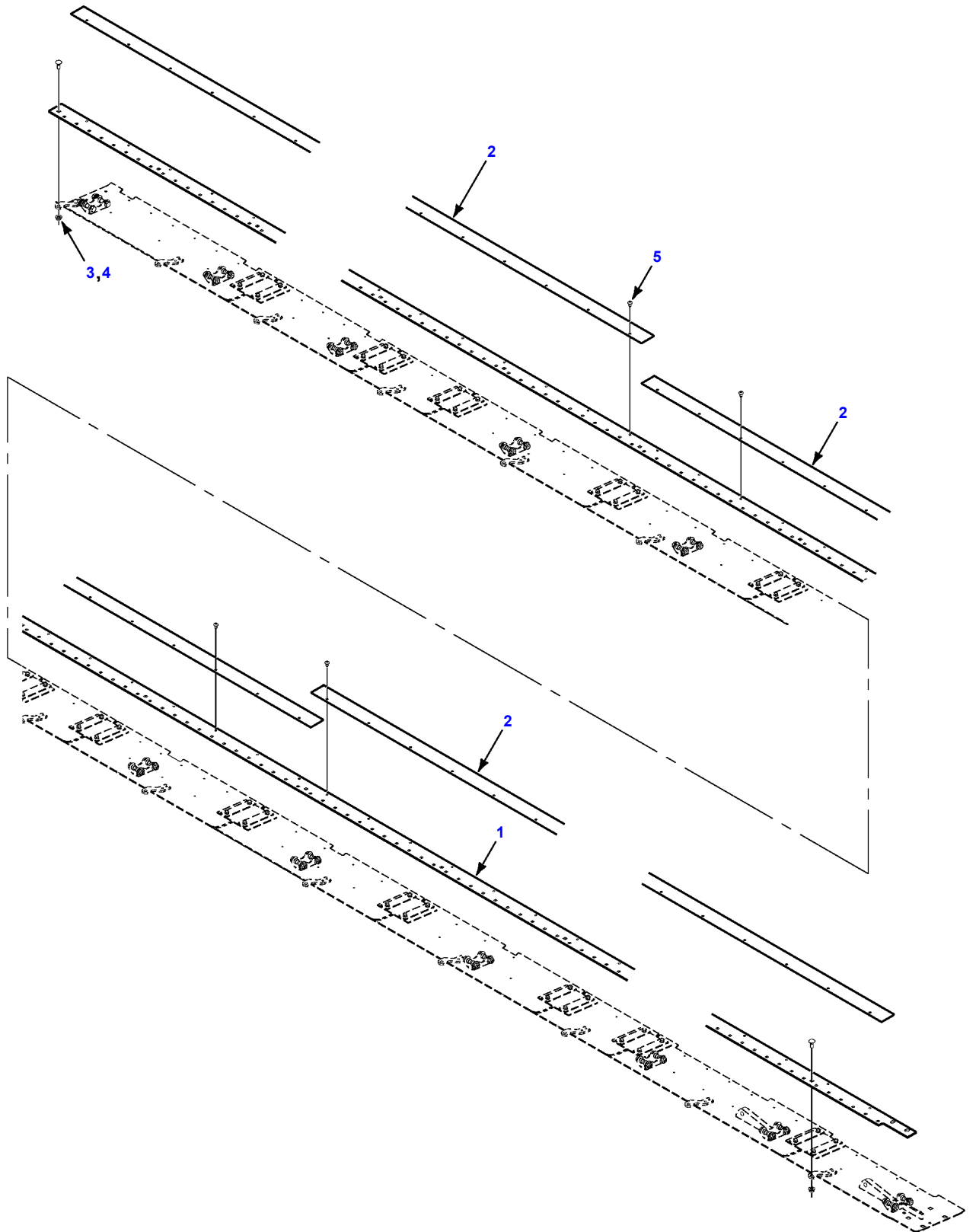
71416083-0
PR: t07c13m36a0067



71416082-0

Item	Part Number	Qty	Description
1	71415641	1	CUTTERBAR-FLEX, 25 FOOT
2	71415640	3	STRAP-HOLD DOWN
3	68619	10	BOLT-CARRIAGE, 1/2-13 X 1-1/4
4	Y704742	10	NUT-TOP LOCK, FLANGE, 1/2-13
5	71335689	30	SCREW-SELF-TAPPING, TRUSS HEAD, 3/8-16 X 3/4

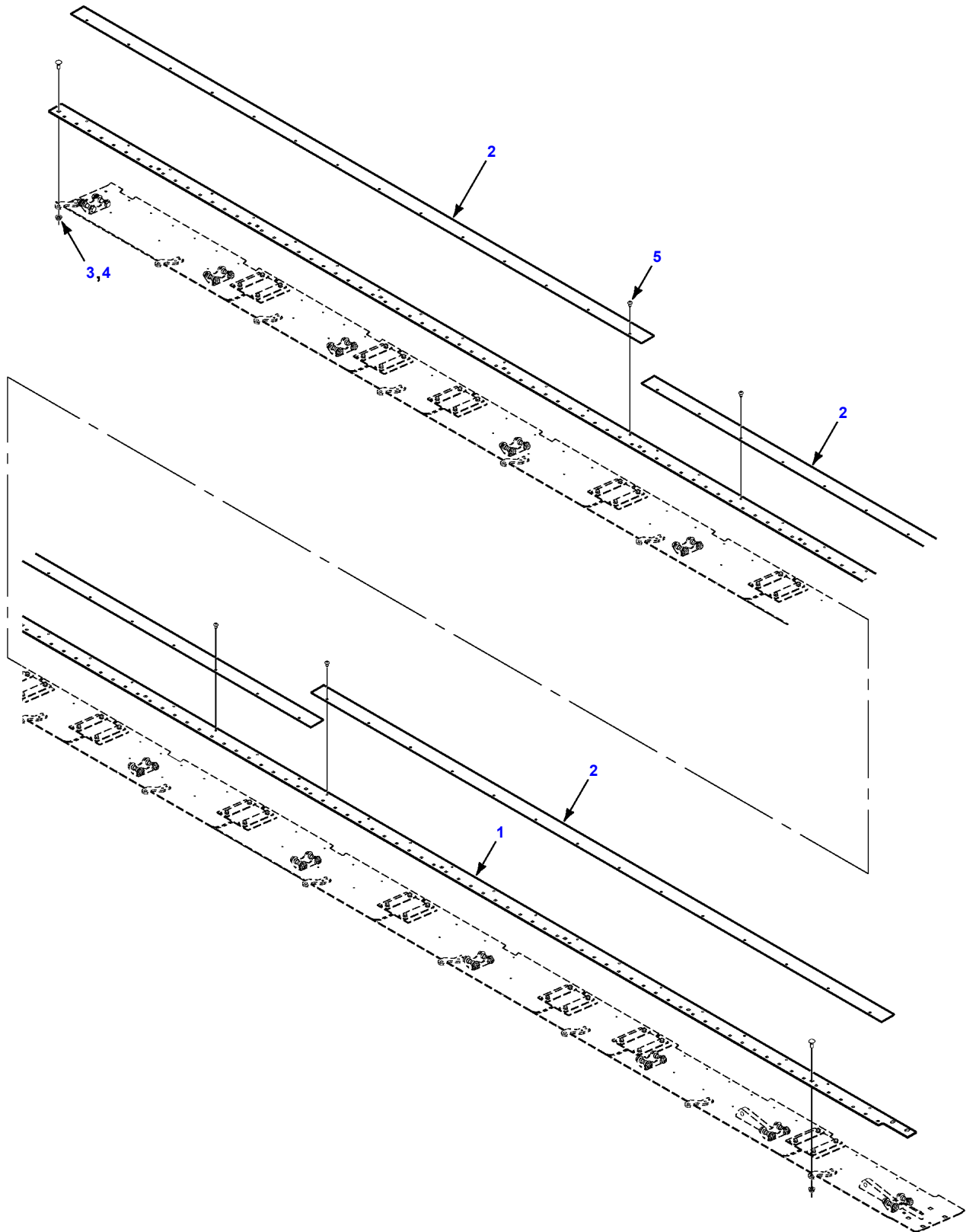
71416082-0
PR: t07c13m36a0068



71416081-0

Item	Part Number	Qty	Description
1	71415578	1	CUTTERBAR-FLEX, 30 FOOT
2	71415579	3	STRAP-HOLD DOWN
3	68619	12	BOLT-CARRIAGE, 1/2-13 X 1-1/4
4	Y704742	12	NUT-TOP LOCK, FLANGE, 1/2-13
5	71335689	36	SCREW-SELF-TAPPING, TRUSS HEAD, 3/8-16 X 3/4

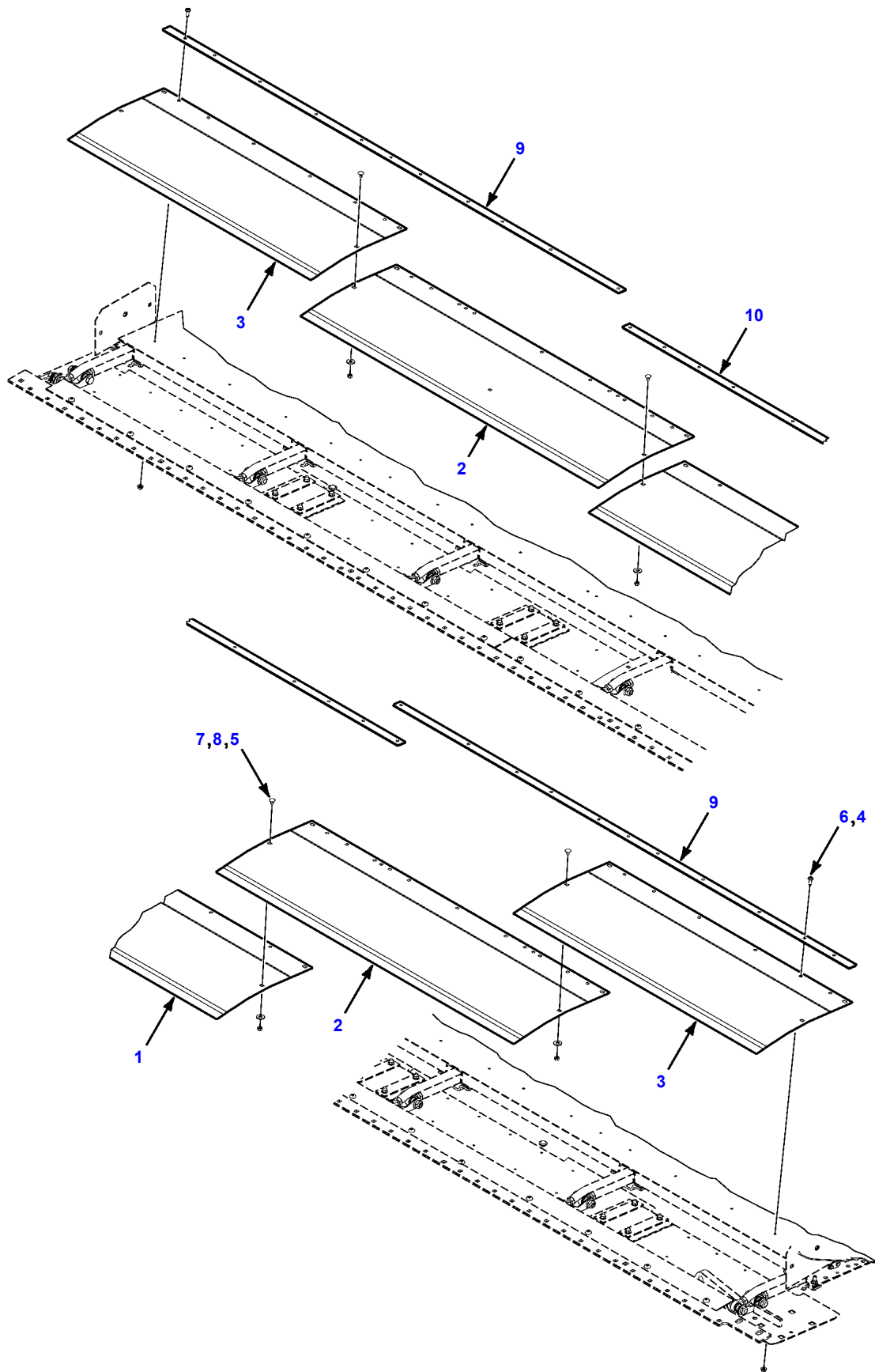
71416081-0
PR: t07c13m36a0069



71415580-0

Item	Part Number	Qty	Description
1	71415581	1	CUTTERBAR-FLEX, 35 FOOT
2	71415582	3	STRAP-HOLD DOWN
3	68619	14	BOLT-CARRIAGE, 1/2-13 X 1-1/4
4	Y704742	14	NUT-TOP LOCK, FLANGE, 1/2-13
5	71335689	42	SCREW-SELF-TAPPING, TRUSS HEAD, 3/8-16 X 3/4

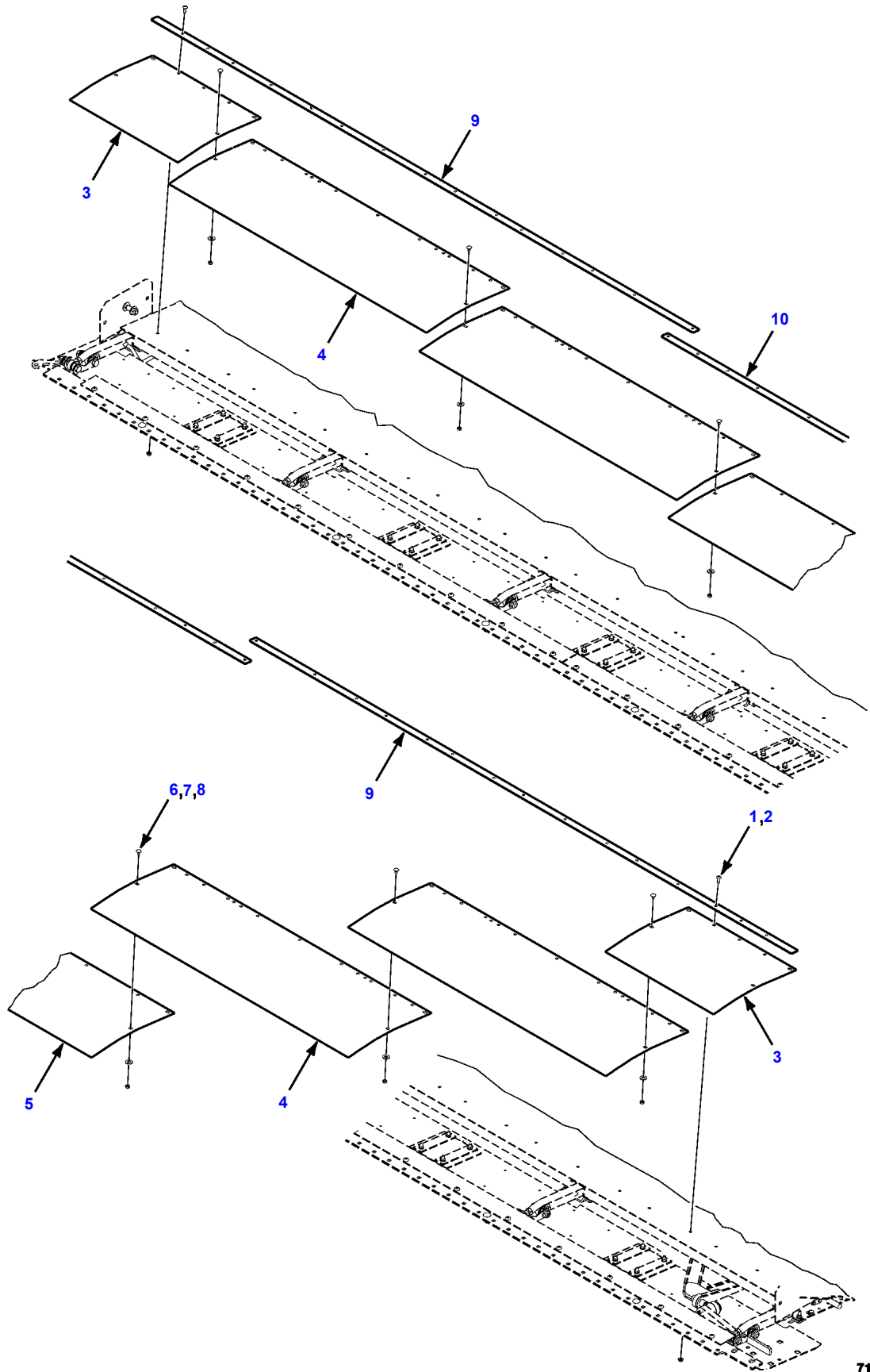
71415580-0
PR: t06d06n18d0038



71416112-0

Item	Part Number	Qty	Description
1	71415573	1	SHEET-FEATHER, CENTER
2	71415574	2	SHEET-FEATHER
3	71416332	2	SHEET-FEATHER
4	70931277	34	NUT-LOCK, FLANGE, 5/16-18
5	70923362	4	NUT-CENTER LOCK, 5/16-18
6	71335690	34	SCREW-SELF-TAPPING, TRUSS HEAD, 5/16-18 X 3/4
7	700708649	4	BOLT-CARRIAGE, 5/16-18 X 1/2
8	70917378	4	WASHER-WIDE PLAIN, 3/8
9	71416331	2	STRAP-F THR, REAR, 20FT
10	71415575	1	STRAP-REAR, CENTER

71416112-0
PR: t07c13m36a0070

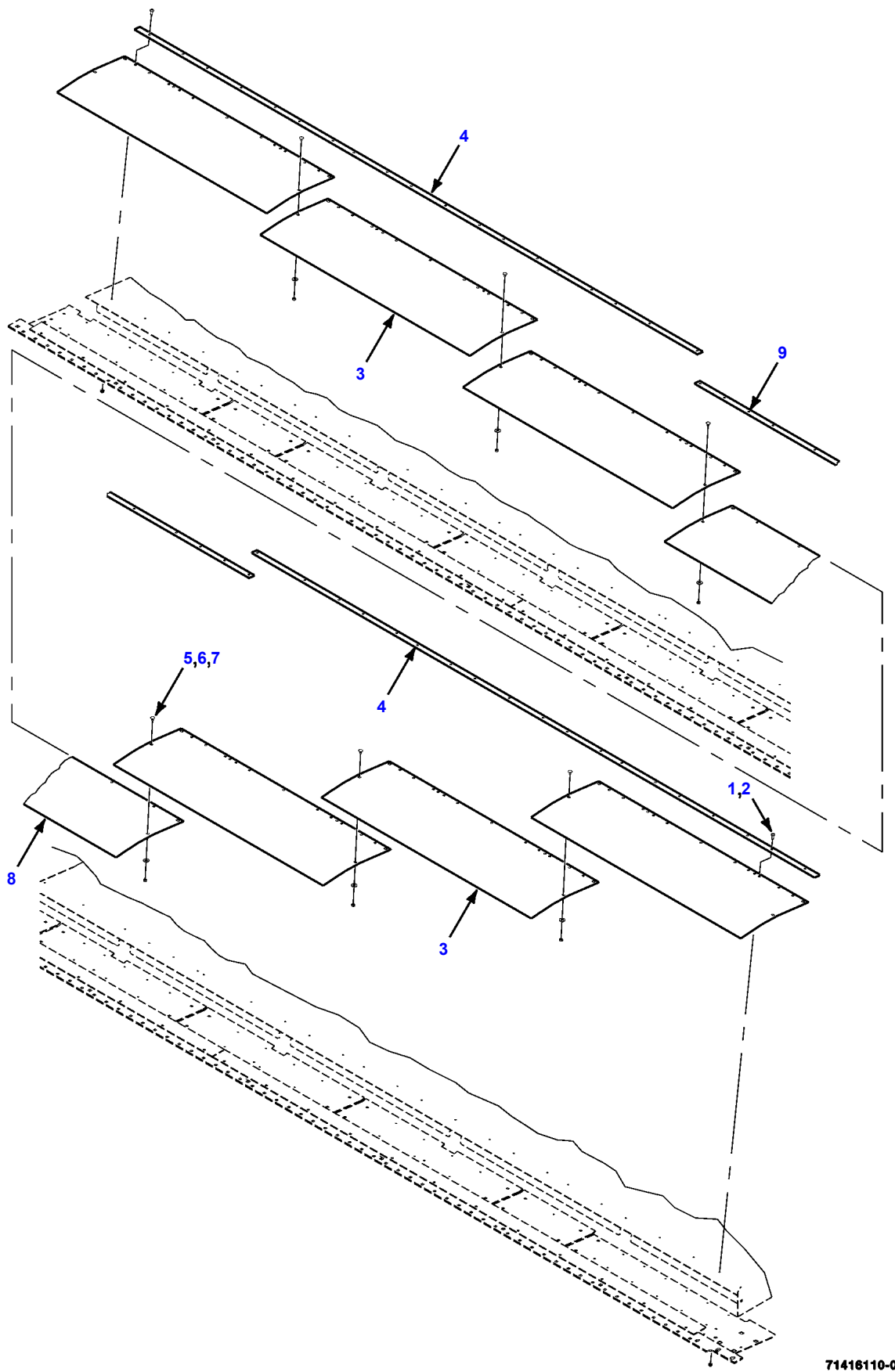


71416111-0

Item	Part Number	Qty	Description
1	71335690	42	SCREW-SELF-TAPPING, TRUSS HEAD, 5/16-18 X 3/4
2	70931277	42	NUT-LOCK, FLANGE, 5/16-18
3	71416317	2	SHEET-FEATHER
4	71415574	4	SHEET-FEATHER
5	71415573	1	SHEET-FEATHER, CENTER
6	700708649	6	BOLT-CARRIAGE, 5/16-18 X 1/2
7	70917378	6	WASHER-WIDE PLAIN, 3/8
8	70923362	6	NUT-CENTER LOCK, 5/16-18
9	71416318	2	STRAP-F THR,REAR, 25FT
10	71415575	1	STRAP-REAR, CENTER

71416111-0

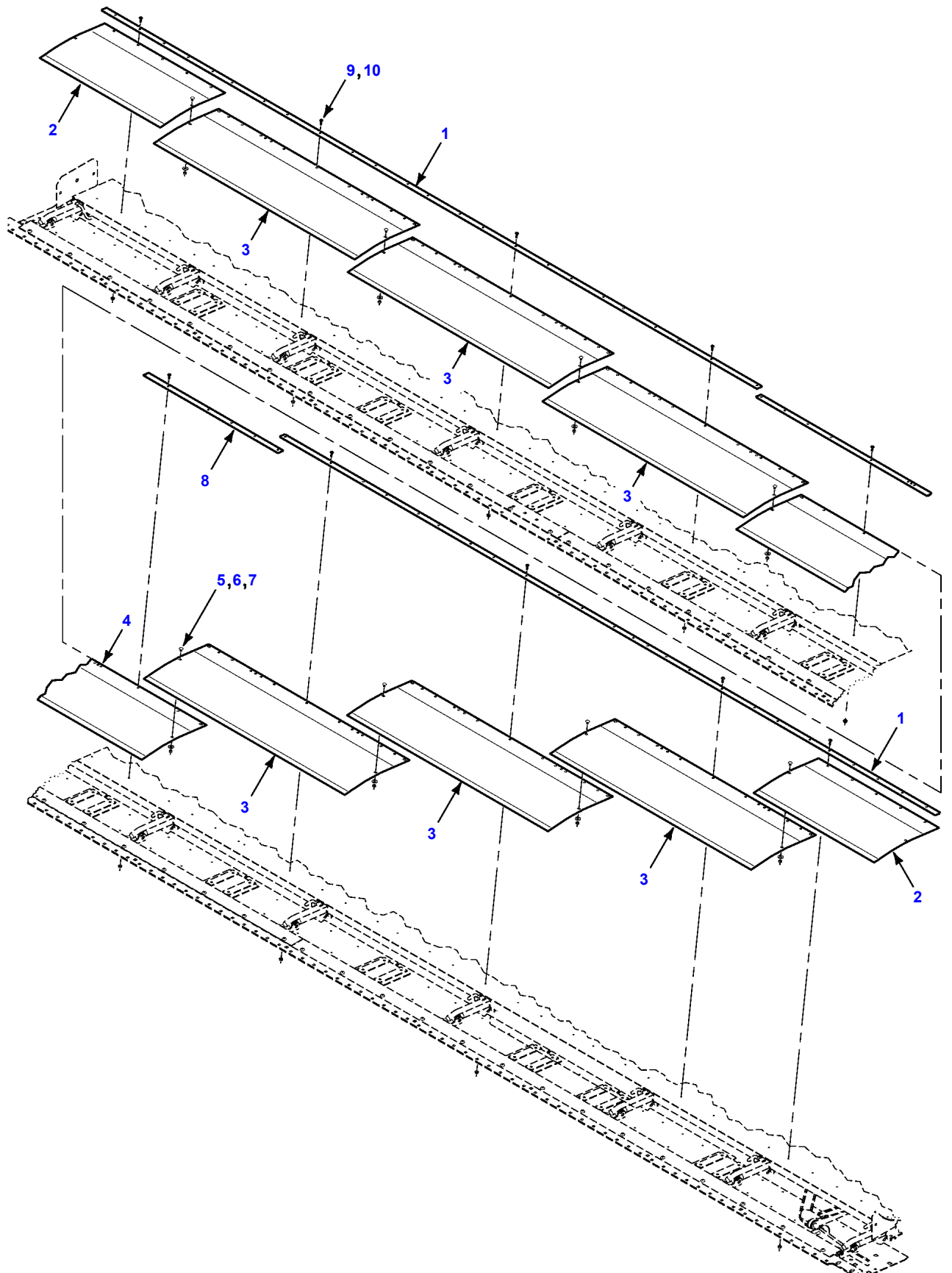
PR: t07c13m36a0071



71416110-0

Item	Part Number	Qty	Description
1	71335690	50	SCREW-SELF-TAPPING, TRUSS HEAD, 5/16-18 X 3/4
2	70931277	50	NUT-LOCK, FLANGE, 5/16-18
3	71415574	6	SHEET-FEATHER
4	71415576	2	STRAP-F THR, REAR, 30FT
5	700708649	6	BOLT-CARRIAGE, 5/16-18 X 1/2
6	70917378	6	WASHER-WIDE PLAIN, 3/8
7	70923362	6	NUT-CENTER LOCK, 5/16-18
8	71415573	1	SHEET-FEATHER, CENTER
9	71415575	1	STRAP-REAR, CENTER

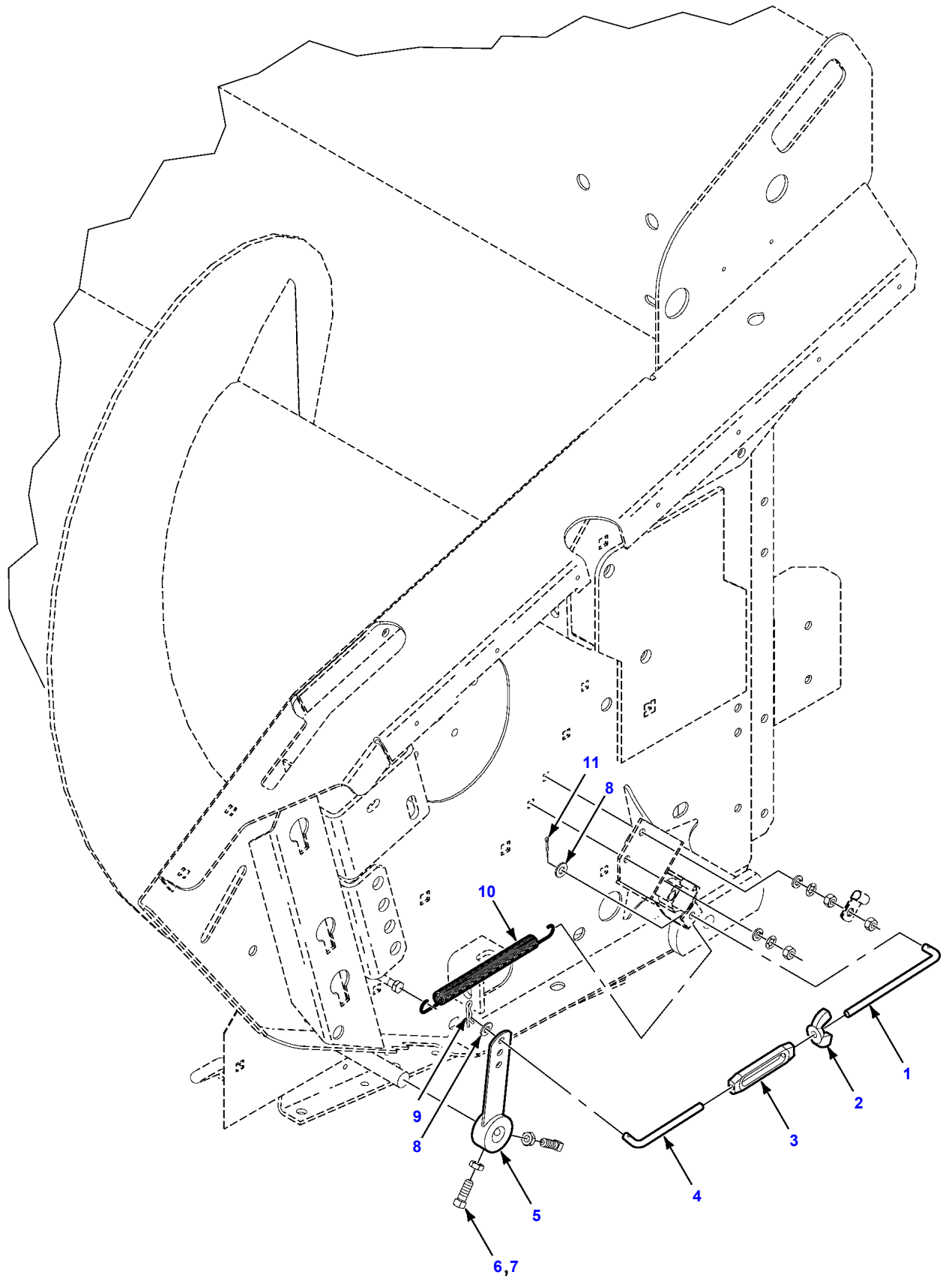
71416110-0
PR: t07c13m36a0072



71415583-0

Item	Part Number	Qty	Description
1	71415584	2	STRAP
2	71415585	2	SHEET-FEATHER
3	71415574	6	SHEET-FEATHER
4	71415573	1	SHEET-FEATHER, CENTER
5	700708649	8	BOLT-CARRIAGE, 5/16-18 X 1/2
6	70917378	8	WASHER-WIDE PLAIN, 3/8
7	70923362	8	NUT-CENTER LOCK, 5/16-18
8	71415575	1	STRAP-CENTER
9	71335690	60	SCREW-SELF-TAPPING, TRUSS HEAD, 5/16-18 X 3/4
10	70931277	60	NUT-LOCK, FLANGE, 5/16-18

71415583-0
PR: t06d06n18d0039

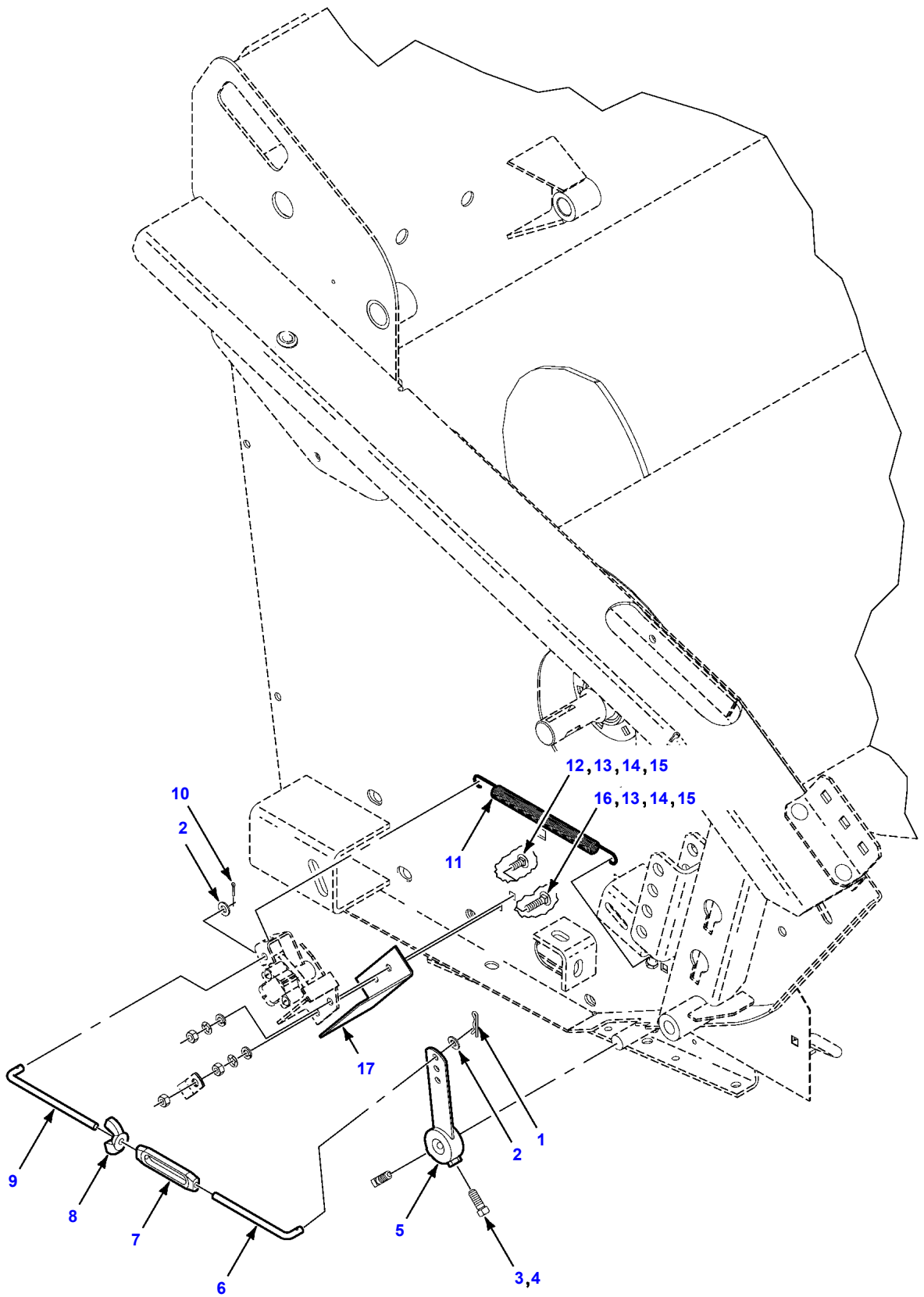


71415546-1

Item	Part Number	Qty	Description
1	71415559	1	ROD-LINKAGE, RIGHT
2	704262	1	5/16-18 WING NUT
3	70923041	1	TURNBUCKLE
4	71415557	1	ROD-LINKAGE, LEFT
5	71415547	1	LEVER WA-HEIGHT ADJUST
6	70923326	2	SETSCREW-SQUARE HEAD NON-PLATED, 3/8-16 X 1
7	70917421	2	NUT-HALF, 3/8-16
8	Y705608	2	WASHER-NARROW PLAIN, 5/16
9	62372	1	PIN-HAIR, COTTER, .072
10	71172928	1	SPRING
11	70919313	1	PIN-COTTER, 3/32 X 1/2

71415546-1

PR: t06d06n18d0040

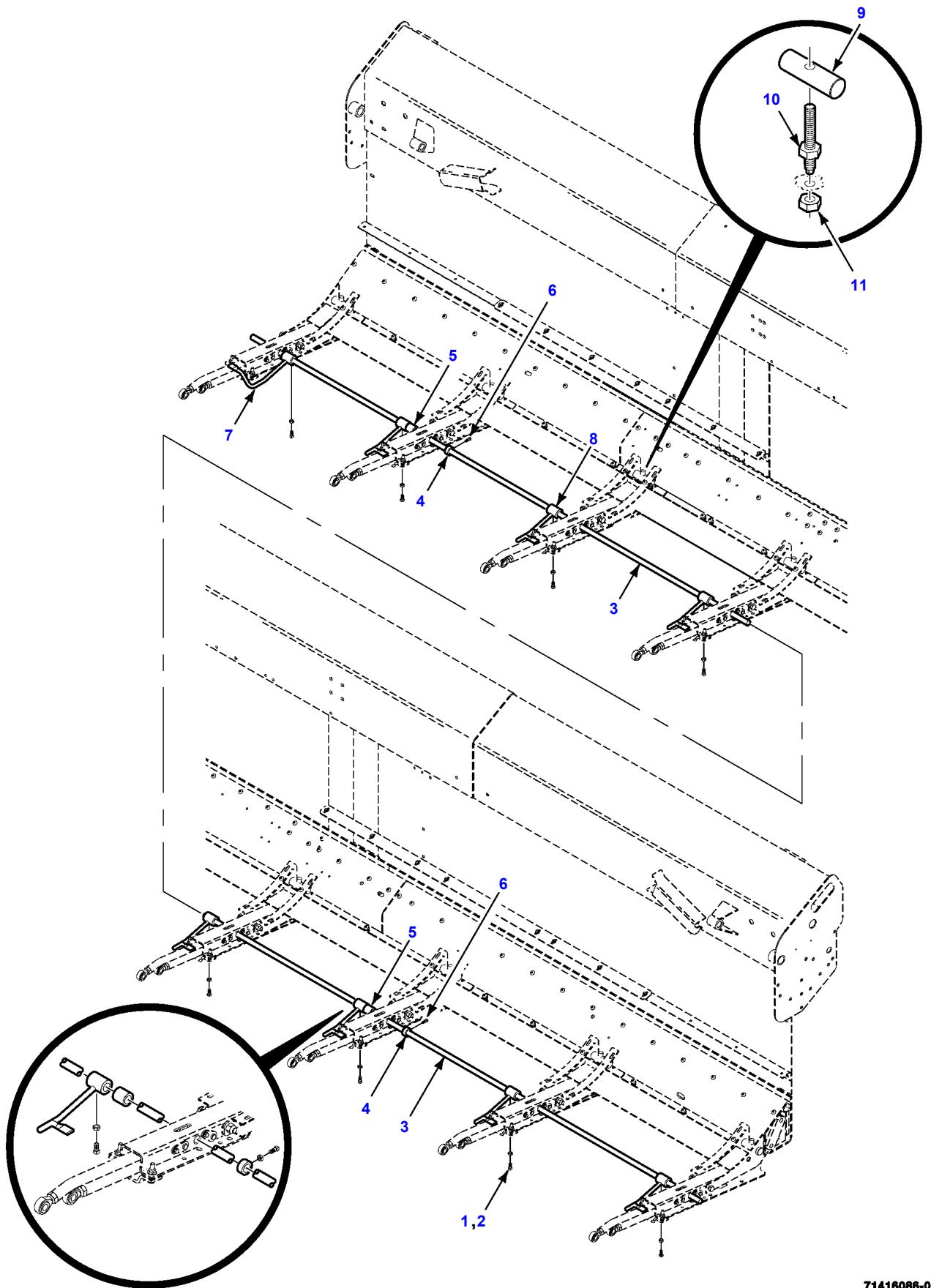


71415546-2

Item	Part Number	Qty	Description
1	62372	1	PIN-HAIR, COTTER, .072
2	Y705608	2	WASHER-NARROW PLAIN, 5/16
3	70923326	2	SETSCREW-SQUARE HEAD NON-PLATED, 3/8-16 X 1
4	70917421	2	NUT-HALF, 3/8-16
5	71415547	1	LEVER WA-HEIGHT ADJUST
6	71415558	1	ROD-LINKAGE, LEFT
7	70923041	1	TURNBUCKLE
8	704262	1	5/16-18 WING NUT
9	71415559	1	ROD-LINKAGE, RIGHT
10	70919313	1	PIN-COTTER, 3/32 X 1/2
11	71172928	1	SPRING
12	7700461	1	BOLT-CARRIAGE, 5/16-18 X 3/4
13	70917356	2	WASHER-SPRING, 5/16
14	70933988	2	5/16 NUT-SPEED, PUSH-ON
15	Y704015	2	NUT, 5/16-18
16	7700107	1	BOLT-CARRIAGE, 5/16-18 X 1-1/4
17	71415550	1	SHIELD

71415546-2

PR: t06d06n18d0041

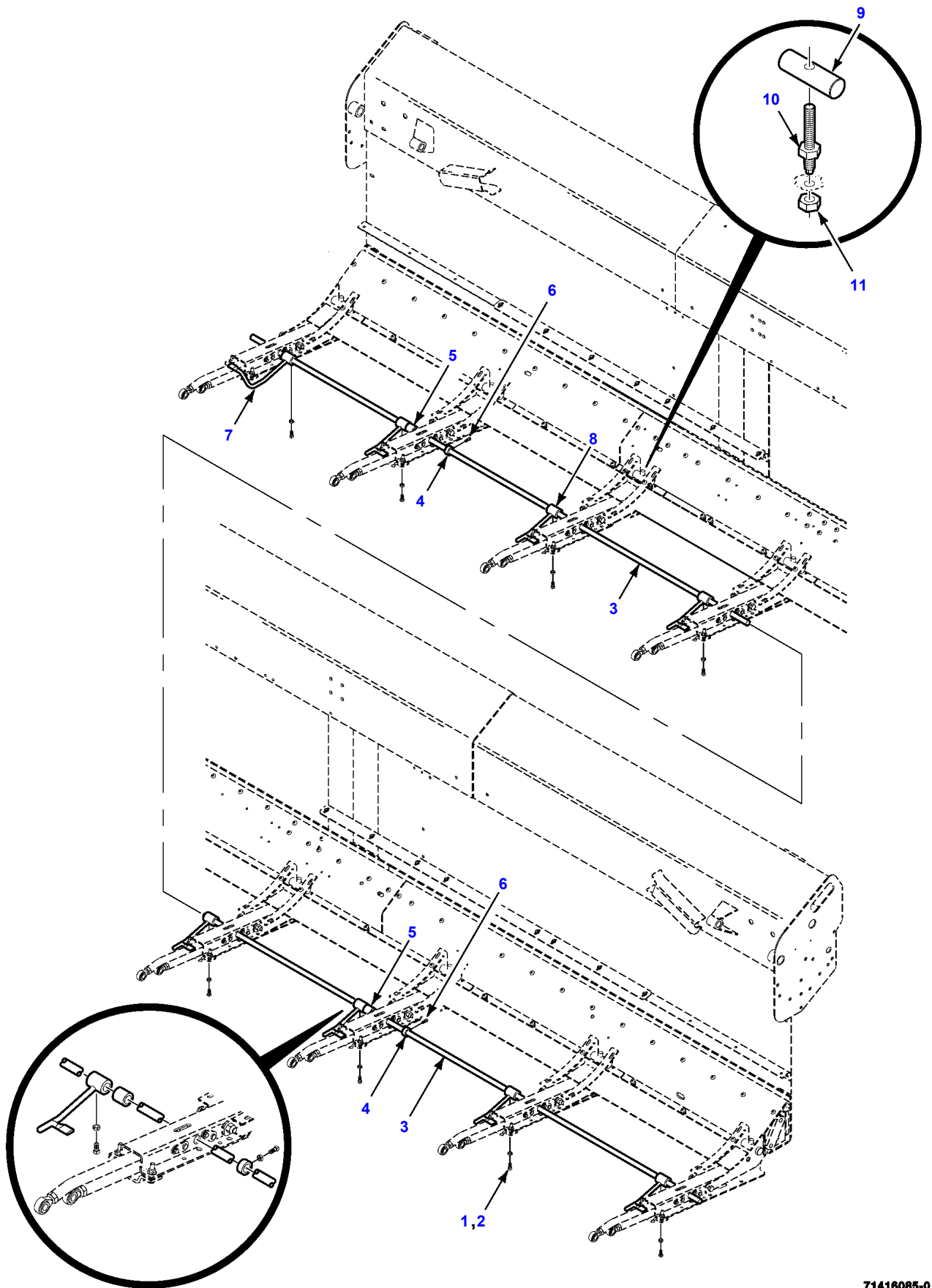


71416086-0

Item	Part Number	Qty	Description
1	70920469	8	SET-SCREW, SQUARE HEAD, 3/8-16 X 3/4
2	70917421	8	NUT-HALF, 3/8-16
3	71416328	2	SHAFT-HEIGHT CONTROL
4	71415179	2	COLLAR-SHAFT
5	71415180	2	SPACER-SHAFT
6	69773	2	5/16-18 X 5/16 SETSCREW-SQUARE HEAD
7	71415184	1	SENSOR ARM WA
8	71415181	7	SENSOR ARM WA
9	71415006	8	BLOCK ADJUSTING
10	71415007	8	DRAWBOLT-TILT ARM
11	70923353	8	NUT-LOCK, 5/8-11

71416086-0

PR: t07c13m36a0073

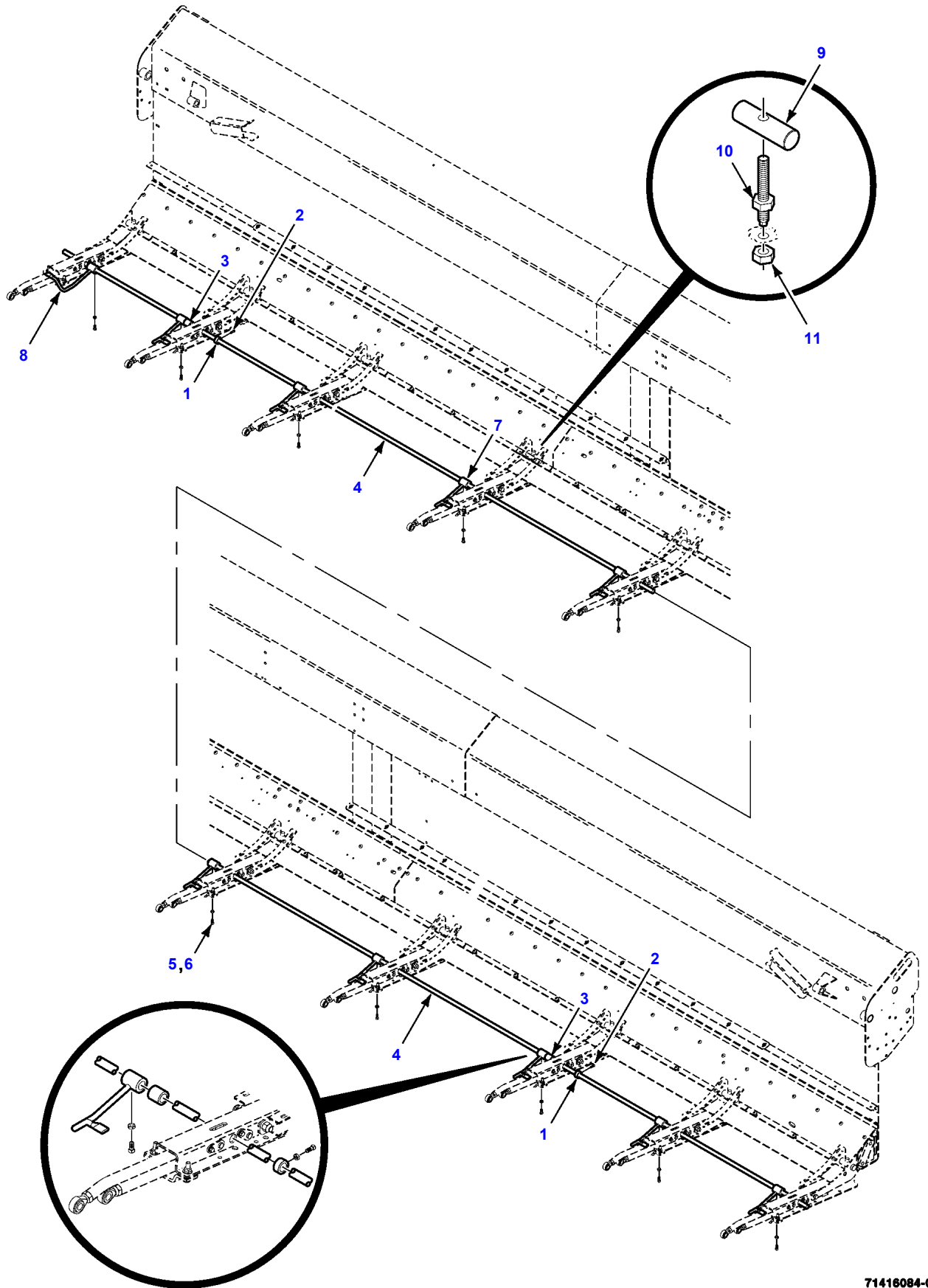


71416085-0

Item	Part Number	Qty	Description
1	70920469	8	SET-SCREW, SQUARE HEAD, 3/8-16 X 3/4
2	70917421	8	NUT-HALF, 3/8-16
3	71416299	2	SHAFT-HEIGHT CONTROL
4	71415179	2	COLLAR-SHAFT
5	71415180	2	SPACER-SHAFT
6	70923122	2	SETSCREW-SQUARE HEAD, 5/16-18 X 3/4
7	71415184	1	SENSOR ARM WA
8	71415181	7	SENSOR ARM WA
9	71415006	8	BLOCK ADJUSTING
10	71415007	8	DRAWBOLT-TILT ARM
11	70923353	8	NUT-LOCK, 5/8-11

71416085-0

PR: t07c13m36a0074

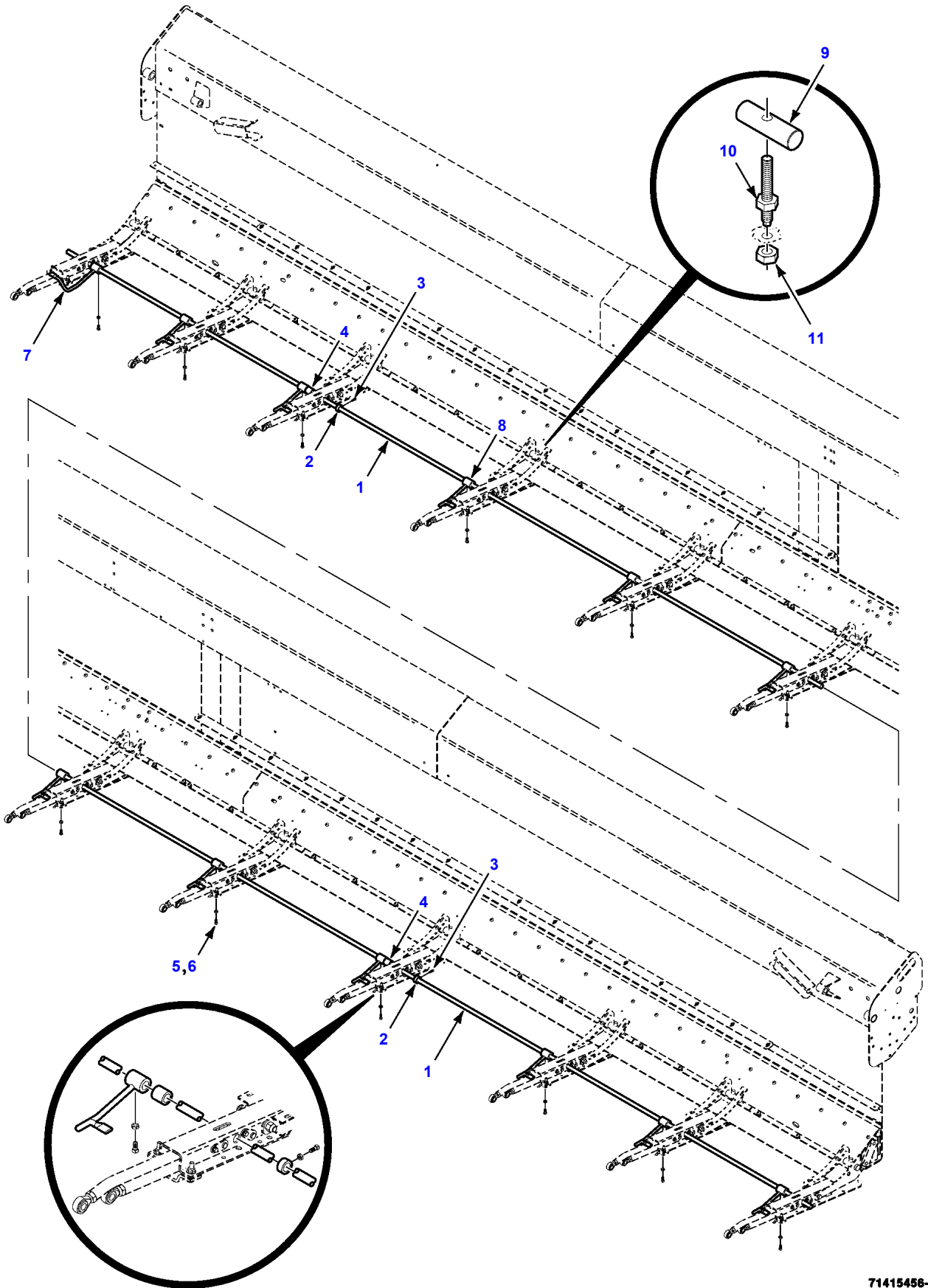


71416084-0

Item	Part Number	Qty	Description
1	71415179	2	COLLAR-SHAFT
2	69773	2	5/16-18 X 5/16 SETSCREW-SQUARE HEAD
3	71415180	2	SPACER-SHAFT
4	71415178	2	SHAFT-HEIGHT CONTROL
5	70920469	10	SET-SCREW, SQUARE HEAD, 3/8-16 X 3/4
6	70917421	10	NUT-HALF, 3/8-16
7	71415181	9	SENSOR ARM WA
8	71415184	1	SENSOR ARM WA
9	71415006	10	BLOCK ADJUSTING
10	71415007	10	DRAWBOLT-TILT ARM
11	70923353	10	NUT-LOCK, 5/8-11

71416084-0

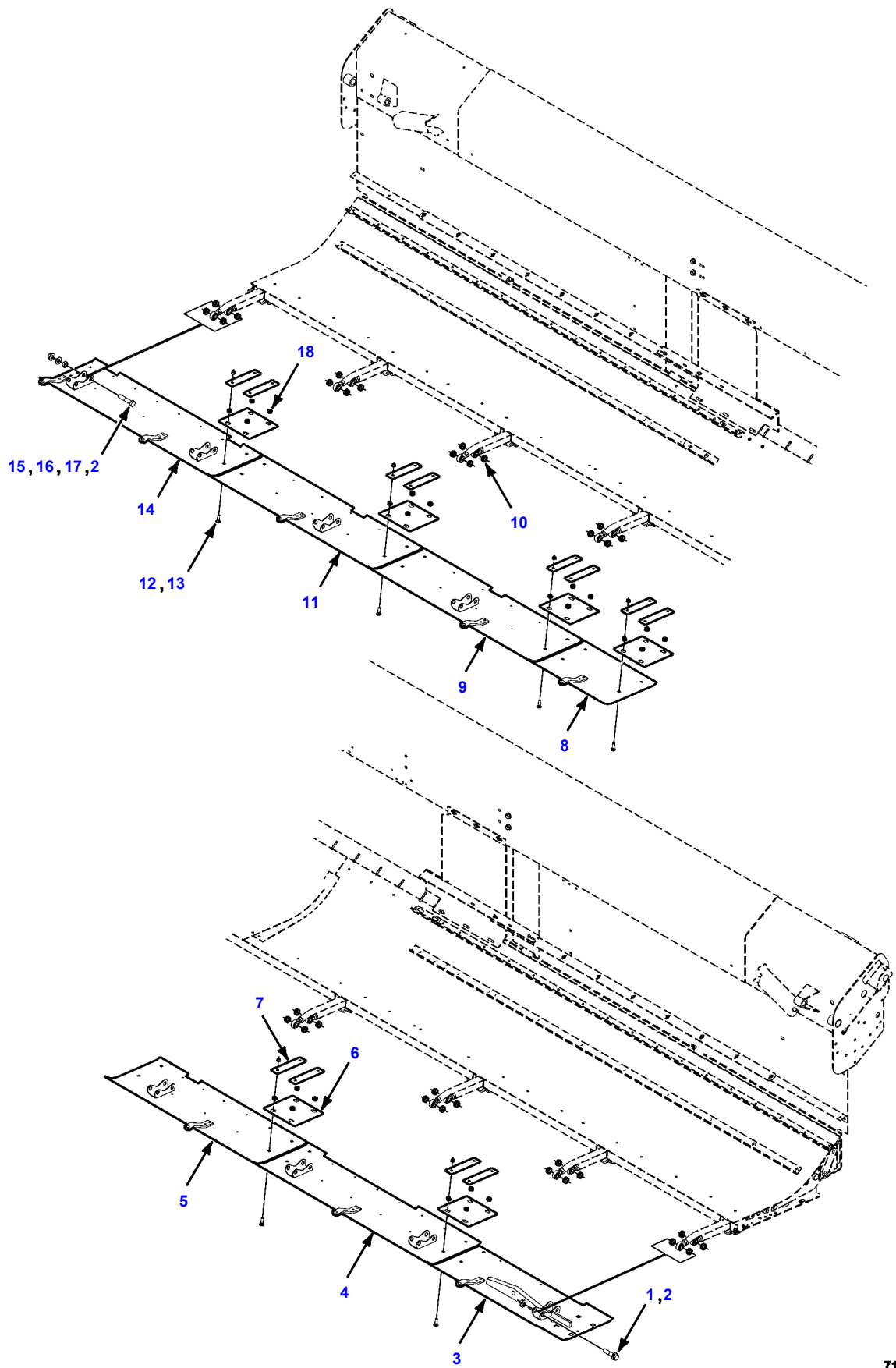
PR: t07c13m36a0075



71415456-0

Item	Part Number	Qty	Description
1	71415455	2	SHAFT-HEIGHT CONTROL
2	71415179	2	COLLAR-SHAFT
3	69773	2	5/16-18 X 5/16 SETSCREW-SQUARE HEAD
4	71415180	2	SPACER-SHAFT
5	70920469	12	SET-SCREW, SQUARE HEAD, 3/8-16 X 3/4
6	70917421	12	NUT-HALF, 3/8-16
7	71415184	1	SENSOR ARM WA
8	71415181	11	SENSOR ARM WA
9	71415006	12	BLOCK ADJUSTING
10	71415007	12	DRAWBOLT-TILT ARM
11	70923353	12	NUT-LOCK, 5/8-11

71415456-0
PR: t06d06n18d0042

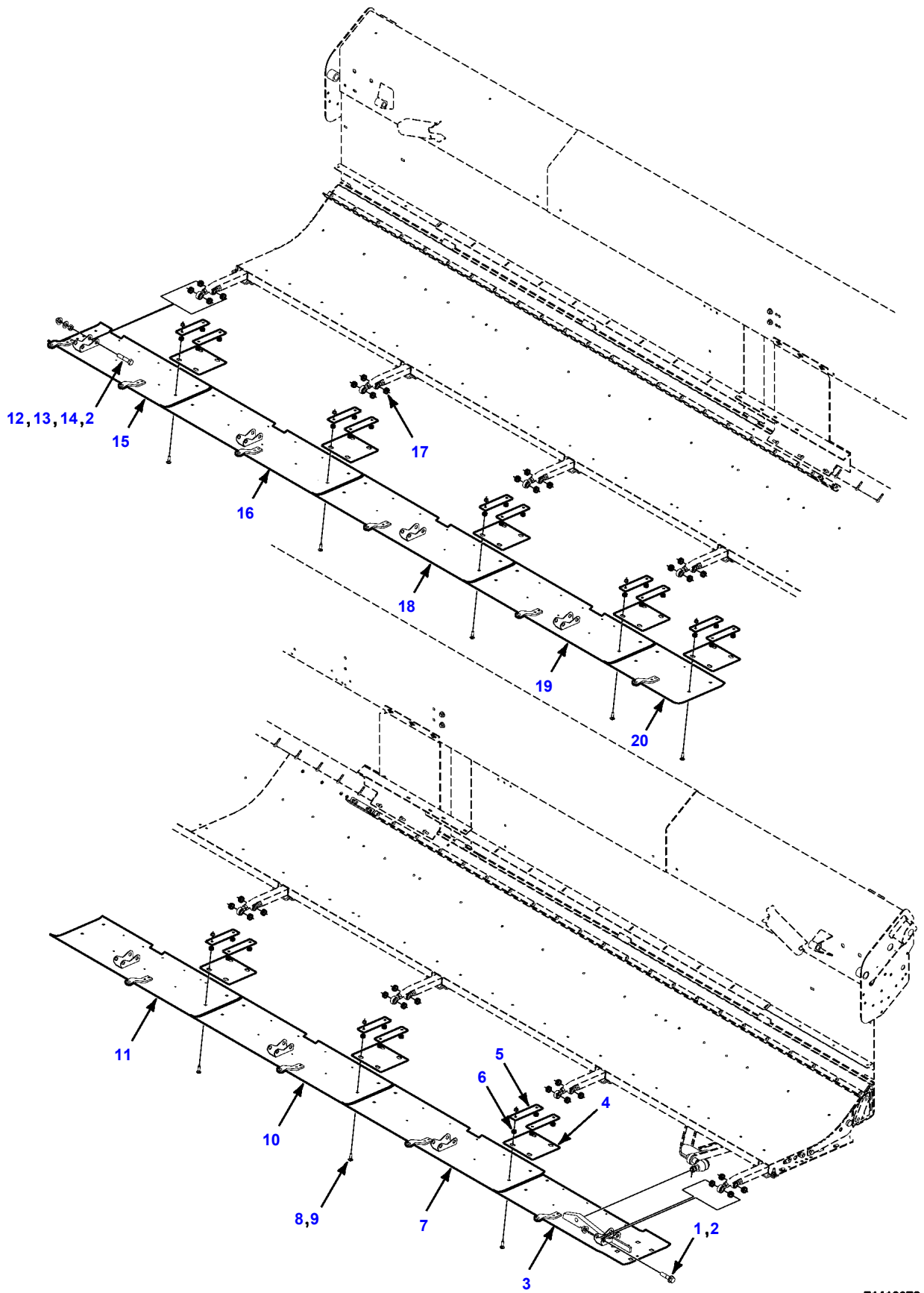


71416074-0

Item	Part Number	Qty	Description
1	700711347	14	SCREW-FLANGE, GR8, 5/8-11 X 2-1/2
2	700703922	16	NUT-LOCK, FLANGE, 5/8-11
3	71415666	1	PLATE WA-SKID
4	71415630	1	PLATE WA-SKID
5	71415636	1	PLATE WA-SKID
6	71415668	6	BRACKET-ATTACH-SKID PLATE
7	71415670	12	STRAP ATTACHING SKID PLATE
8	71415647	1	PLATE ASSEMBLY SKID
9	71415635	1	PLATE WA-SKID
10	71415671	32	SPACER MAIN LINK
11	71415634	1	PLATE WA-SKID
12	70923220	24	BOLT-CARRIAGE, 3/8-16 X 1-1/4
13	704247	24	NUT-LOCK, FLANGE, 3/8-16
14	71415660	1	PAD WA-FLOAT, RIGHT
15	70923111	2	CAPSCREW, 5/8-11 X 3
16	W915240-4	2	NUT-HALF, 5/8-11
17	70918268	2	WASHER-NARROW PLAIN, 5/8
18	71415669	24	SPACE SKID PLATE

71416074-0

PR: t07c13m36a0076

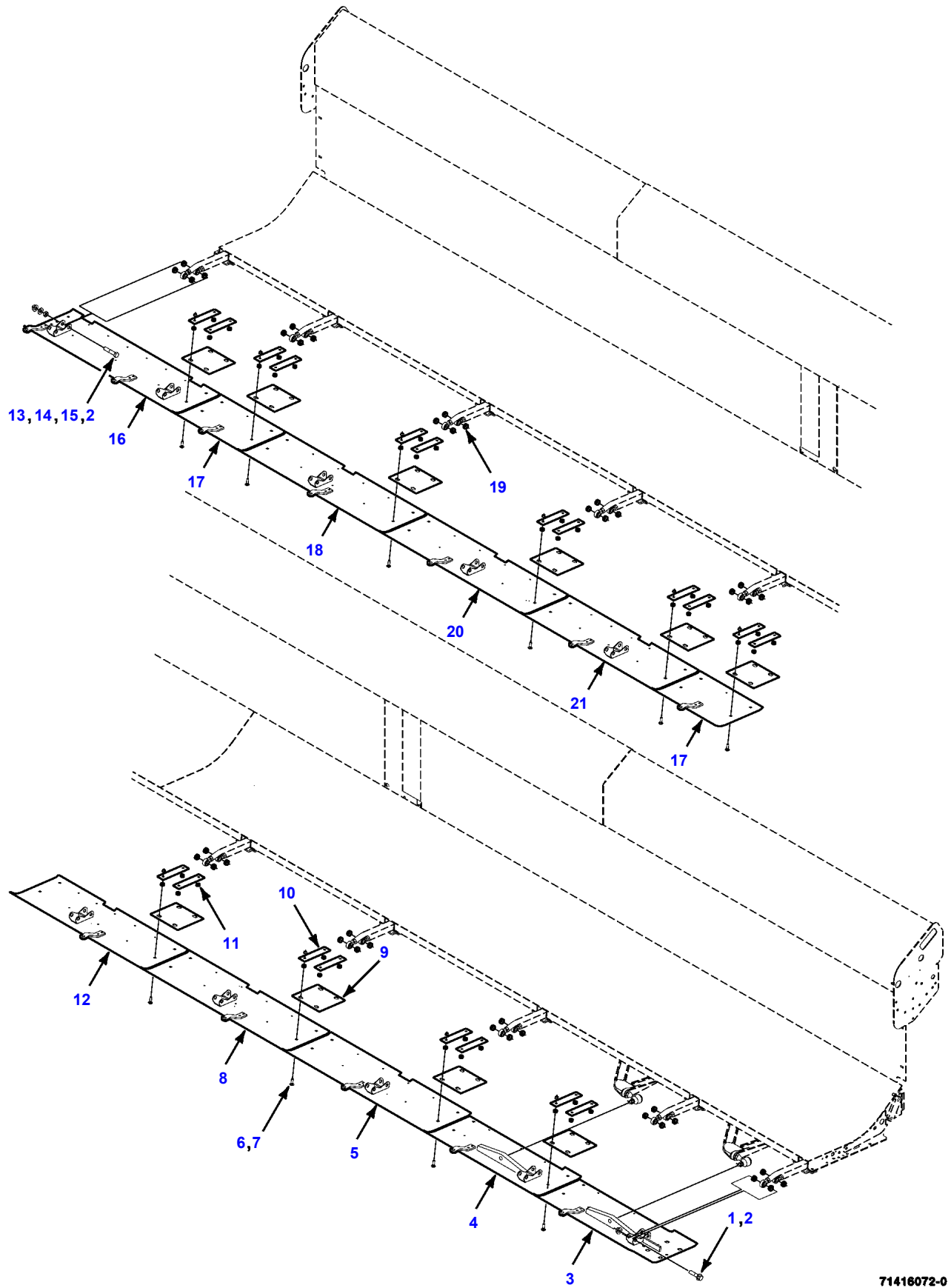


71416073-0

Item	Part Number	Qty	Description
1	700711347	14	SCREW-FLANGE, GR8, 5/8-11 X 2-1/2
2	700703922	30	NUT-LOCK, FLANGE, 5/8-11
3	71415642	1	PLATE WA-SKID
4	71415668	8	BRACKET-ATTACH-SKID PLATE
5	71415670	16	STRAP ATTACHING SKID PLATE
6	71415669	32	SPACE SKID PLATE
7	71415664	1	PLATE WA-SKID, LEFT
8	70923220	32	BOLT-CARRIAGE, 3/8-16 X 1-1/4
9	704247	32	NUT-LOCK, FLANGE, 3/8-16
10	71415662	1	PLATE WA-SKID
11	71415650	1	PLATE WA-SKID
12	70923111	16	CAPSCREW, 5/8-11 X 3
13	W915240-4	16	NUT-HALF, 5/8-11
14	70918268	16	WASHER-NARROW PLAIN, 5/8
15	71415643	1	PLATE ASSEMBLY SKID
16	71415658	1	PLATE WA-SKID, RIGHT
17	71415671	32	SPACER MAIN LINK
18	71415656	1	PLATE WA-SKID
19	71415653	1	PLATE WA-SKID
20	71415647	1	PLATE ASSEMBLY SKID

71416073-0

PR: t07c13m36a0077

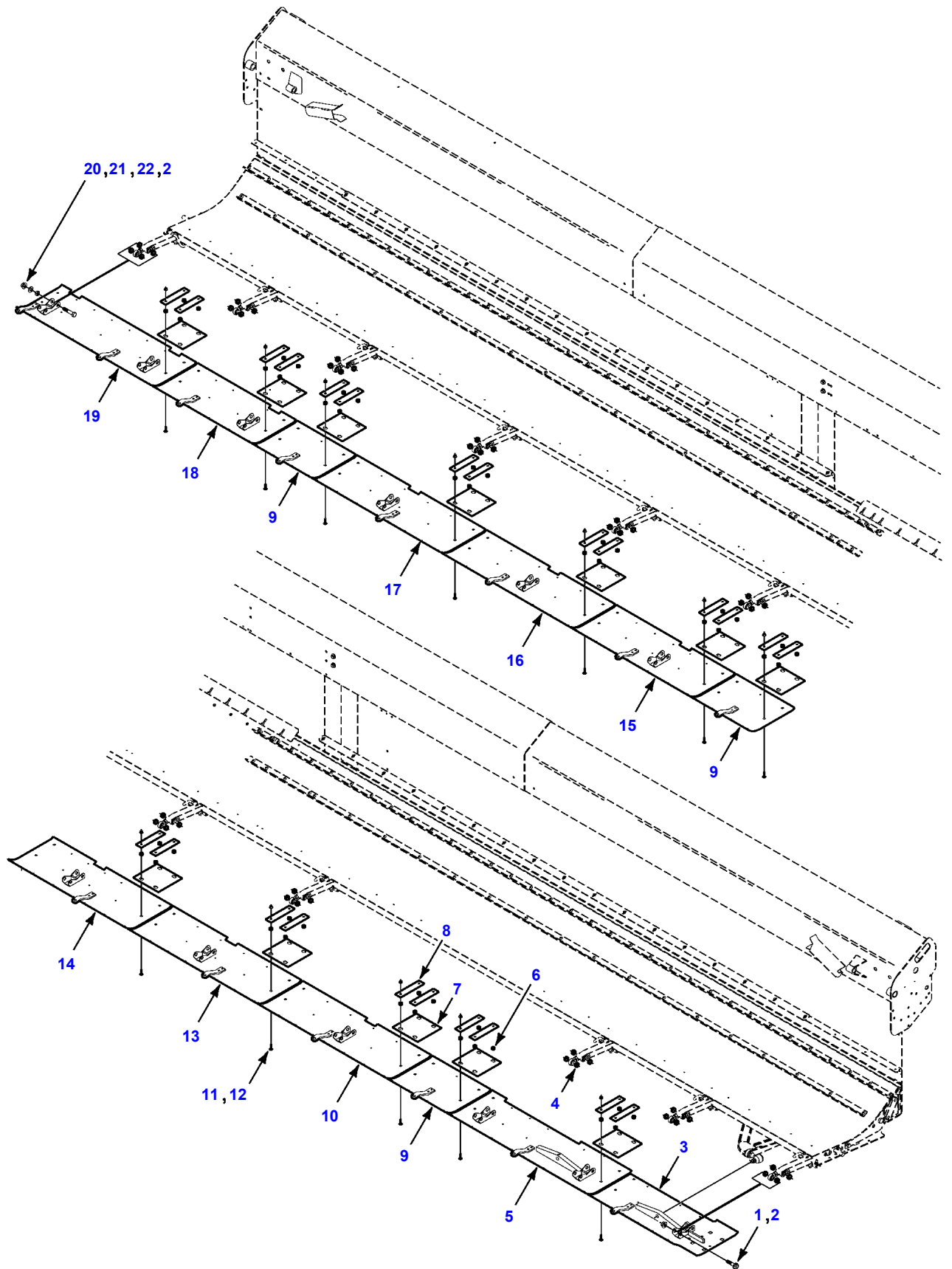


71416072-0

Item	Part Number	Qty	Description
1	700711347	18	SCREW-FLANGE, GR8, 5/8-11 X 2-1/2
2	700703922	20	NUT-LOCK, FLANGE, 5/8-11
3	71415666	1	PLATE WA-SKID
4	71416207	1	PLATE WA-SKID
5	71415664	1	PLATE WA-SKID, LEFT
6	70923220	40	BOLT-CARRIAGE, 3/8-16 X 1-1/4
7	704247	40	NUT-LOCK, FLANGE, 3/8-16
8	71415662	1	PLATE WA-SKID
9	71415668	10	BRACKET-ATTACH-SKID PLATE
10	71415670	20	STRAP ATTACHING SKID PLATE
11	71415669	40	SPACE SKID PLATE
12	71415650	1	PLATE WA-SKID
13	70923111	2	CAPSCREW, 5/8-11 X 3
14	W915240-4	2	NUT-HALF, 5/8-11
15	70918268	2	WASHER-NARROW PLAIN, 5/8
16	71415660	1	PAD WA-FLOAT, RIGHT
17	71415647	2	PLATE ASSEMBLY SKID
18	71415658	1	PLATE WA-SKID, RIGHT
19	71415671	40	SPACER MAIN LINK
20	71415656	1	PLATE WA-SKID
21	71415653	1	PLATE WA-SKID

71416072-0

PR: t07c13m36a0078

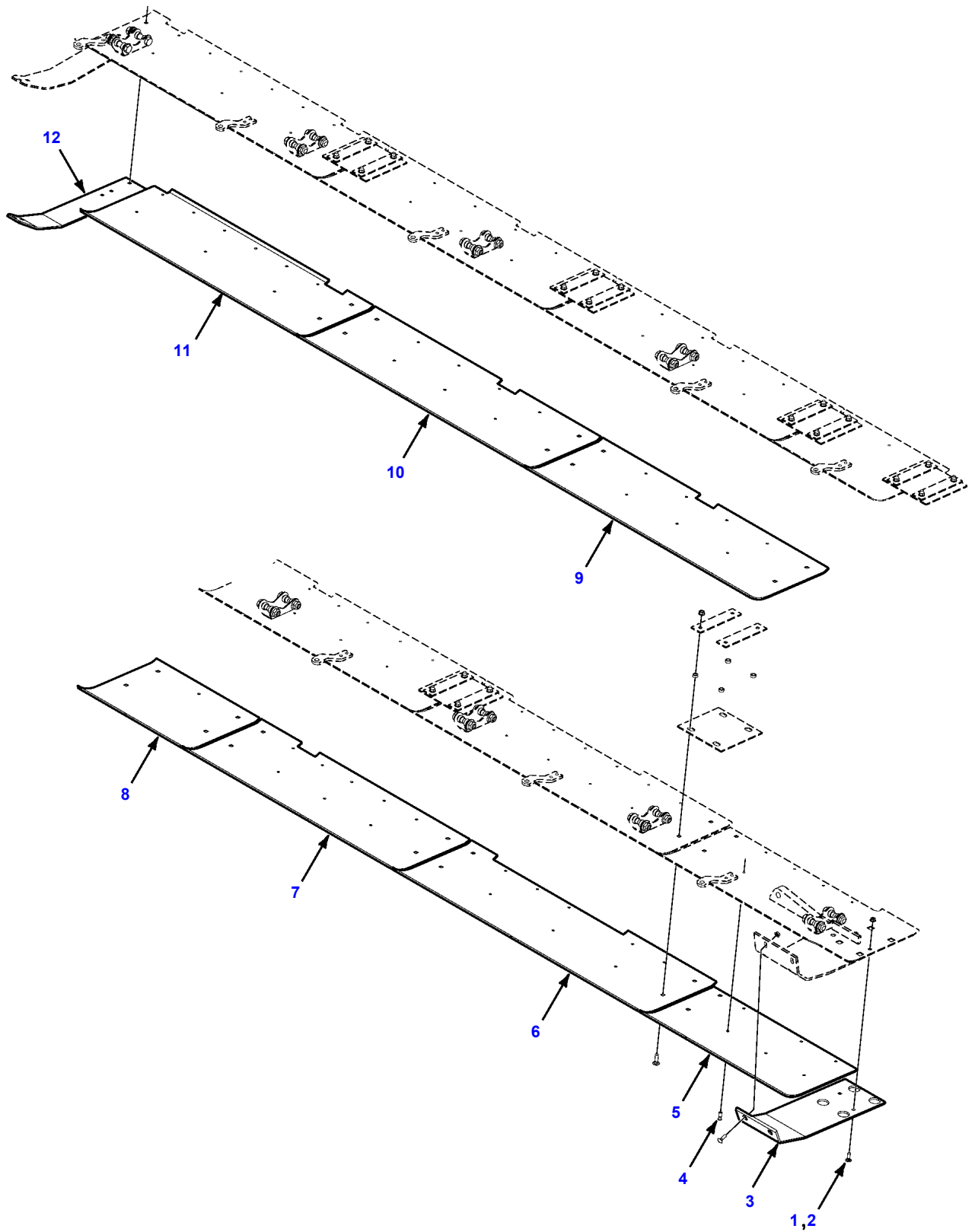


71415676-0

Item	Part Number	Qty	Description
1	700711347	22	SCREW-FLANGE, GR8, 5/8-11 X 2-1/2
2	700703922	24	NUT-LOCK, FLANGE, 5/8-11
3	71415666	1	PLATE WA-SKID
4	71415671	48	SPACER MAIN LINK
5	71415679	1	PAD WA-FLOAT, LEFT
6	71415669	48	SPACE SKID PLATE
7	71415668	12	BRACKET-ATTACH-SKID PLATE
8	71415670	24	STRAP ATTACHING SKID PLAT
9	71415647	3	PLATE ASSEMBLY SKID
10	71415664	1	PLATE WA-SKID, LEFT
11	70923220	48	BOLT-CARRIAGE, 3/8-16 X 1-1/4
12	704247	48	NUT-LOCK, FLANGE, 3/8-16
13	71415662	1	PLATE WA-SKID
14	71415650	1	PLATE WA-SKID
15	71415653	1	PLATE WA-SKID
16	71415656	1	PLATE WA-SKID
17	71415658	1	PLATE WA-SKID, RIGHT
18	71415677	1	PAD WA-FLOAT, RIGHT
19	71415660	1	PAD WA-FLOAT RIGHT, END
20	70923111	2	CAPSCREW, 5/8-11 X 3
21	W915240-4	2	NUT-HALF, 5/8-11
22	70918268	2	WASHER-NARROW PLAIN, 5/8

71415676-0

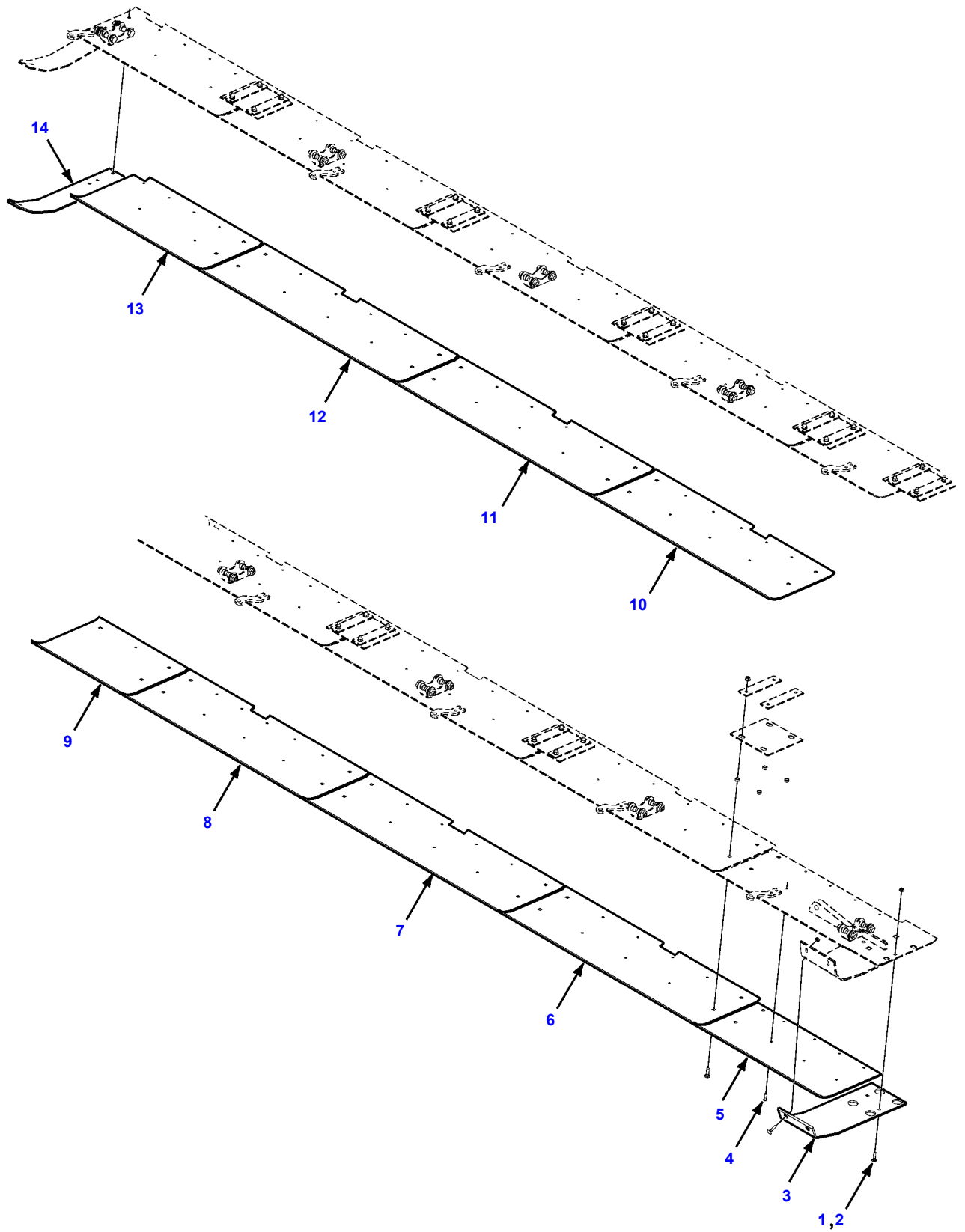
PR: t06d06n18d0043



71416139-0

Item	Part Number	Qty	Description
1	7700578	4	BOLT-CARRIAGE, 5/16-18 X 1
2	70931277	4	NUT-LOCK, FLANGE, 5/16-18
3	71415152	1	SKID-PLASTIC, LEFT
4	700729001	97	RIVET-POP
5	71415158	1	SKID-PLASTIC
6	71415187	1	SKID-PLASTIC
7	71415626	1	SKID-PLASTIC
8	71415159	1	SKID-PLASTIC
9	71415627	1	SKID-PLASTIC
10	71415628	1	SKID-PLASTIC
11	71415160	1	SKID-PLASTIC
12	71415153	1	SKID-PLASTIC, RIGHT

71416139-0
PR: t07c13m36a0079



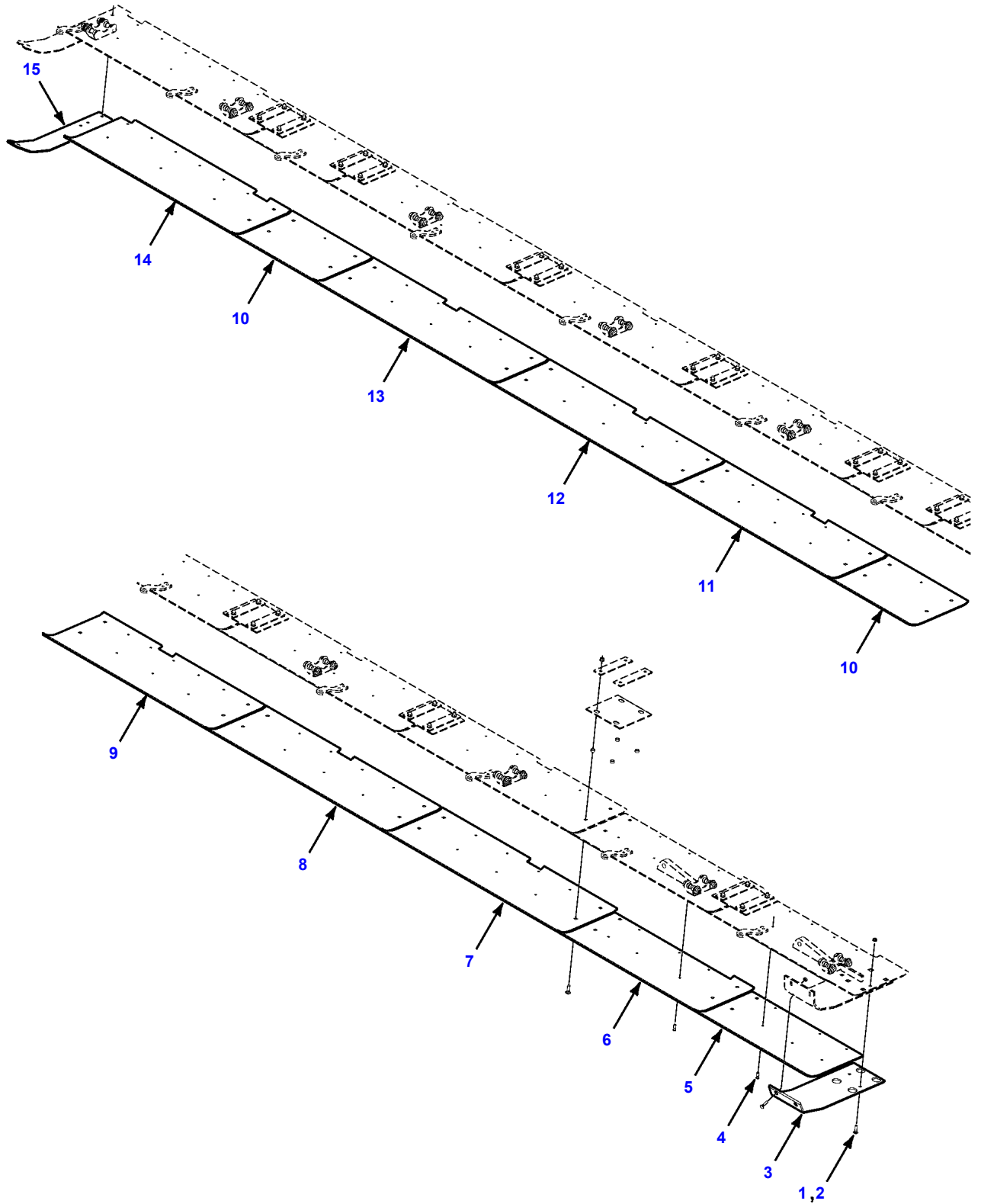
71416138-0

FRAME AND SHIELDS - PLASTIC SKIDS (25 FOOT), (FLEX)

Item	Part Number	Qty	Description
1	7700107	4	BOLT-CARRIAGE, 5/16-18 X 1-1/4
2	70931277	4	NUT-LOCK, FLANGE, 5/16-18
3	71415152	1	SKID-PLASTIC, LEFT
4	700729001	119	RIVET-POP
5	71415732	1	SKID-PLASTIC
6	71415161	1	SKID-PLASTIC
7	71415156	1	SKID-PLASTIC
8	71415154	1	SKID-PLASTIC
9	71415159	1	SKID-PLASTIC
10	71415155	1	SKID-PLASTIC
11	71415157	1	SKID-PLASTIC
12	71415162	1	SKID-PLASTIC
13	71415733	1	SKID-PLASTIC
14	71415153	1	SKID-PLASTIC, RIGHT

71416138-0

PR: t07c13m36a0080

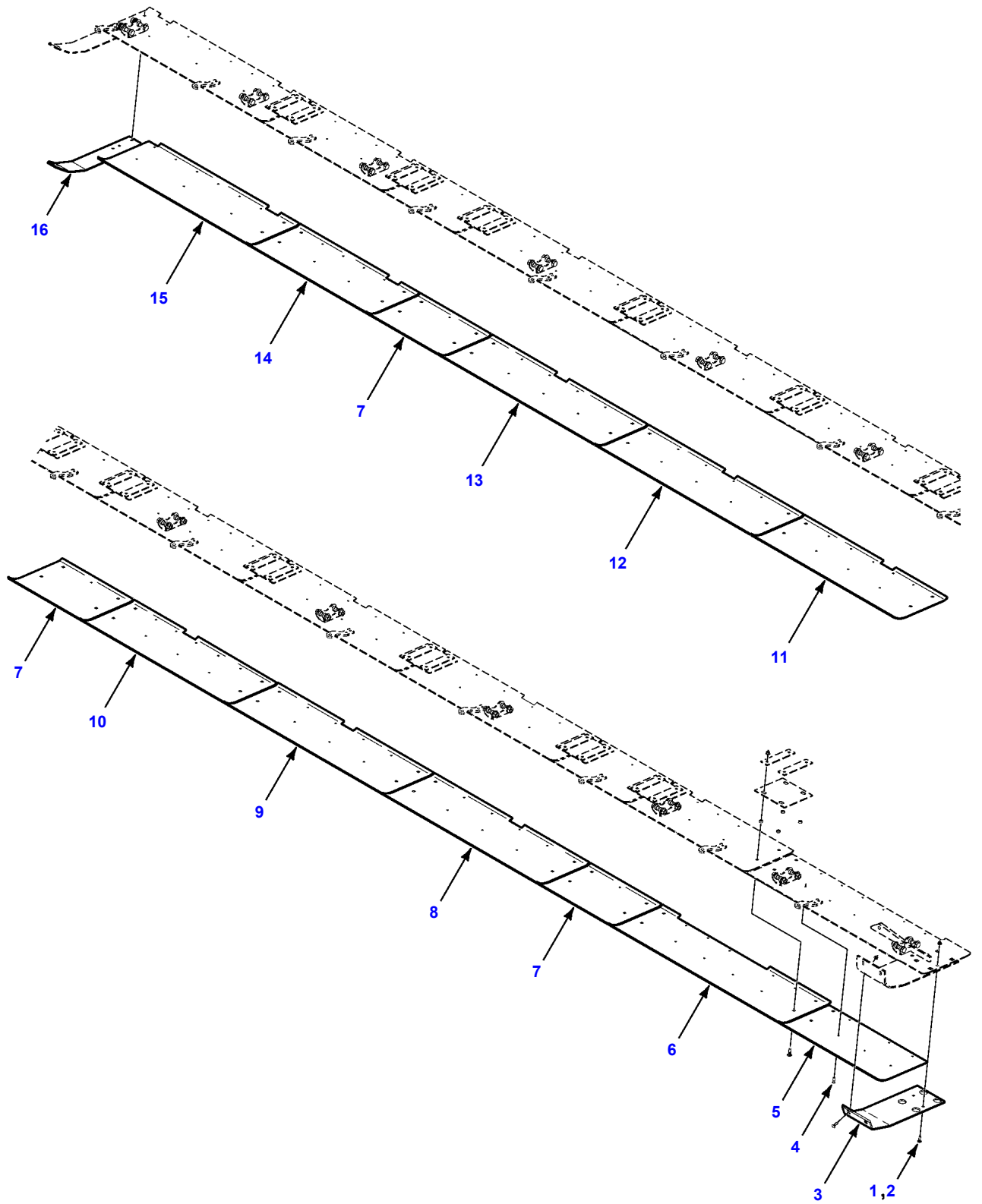


71416137-0

FRAME AND SHIELDS - PLASTIC SKIDS (30 FOOT), (FLEX)

Item	Part Number	Qty	Description
1	7700107	4	BOLT-CARRIAGE, 5/16-18 X 1-1/4
2	70931277	4	NUT-LOCK, FLANGE, 5/16-18
3	71415152	1	SKID-PLASTIC, LEFT
4	700729001	141	RIVET-POP
5	71415158	1	SKID-PLASTIC
6	71416229	1	SKID-PLASTIC, 30FT
7	71415161	1	SKID-PLASTIC
8	71415156	1	SKID-PLASTIC
9	71415154	1	SKID-PLASTIC
10	71415159	2	SKID-PLASTIC
11	71415155	1	SKID-PLASTIC
12	71415157	1	SKID-PLASTIC
13	71415162	1	SKID-PLASTIC
14	71415160	1	SKID-PLASTIC
15	71415153	1	SKID-PLASTIC, RIGHT

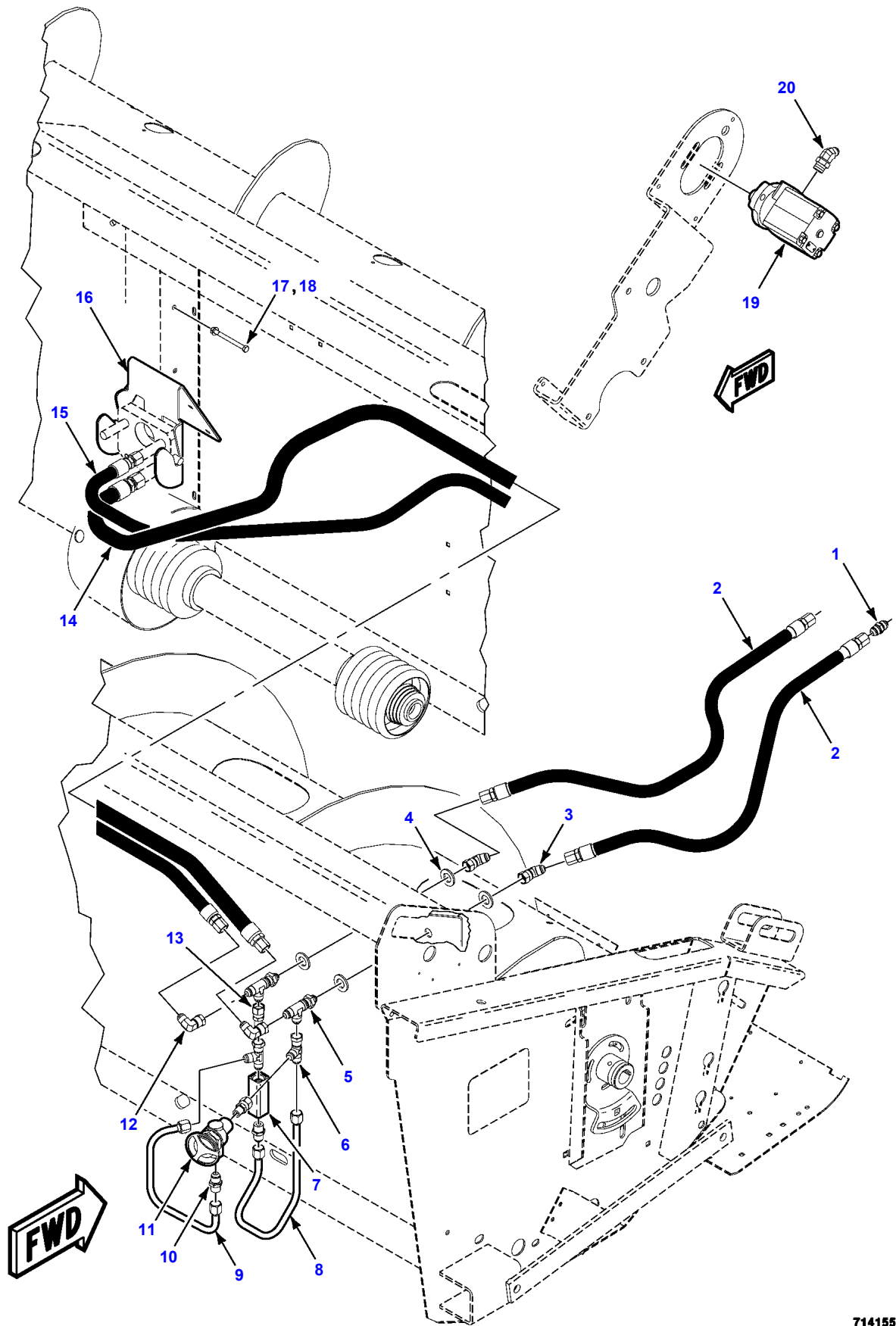
71416137-0
PR: t07c13m36a0081



71415186-0

Item	Part Number	Qty	Description
1	7700107	4	BOLT-CARRIAGE, 5/16-18 X 1-1/4
2	70931277	4	NUT-LOCK, FLANGE, 5/16-18
3	71415152	1	SKID-PLASTIC, LEFT
4	700729001	162	RIVET-POP
5	71415158	1	SKID-PLASTIC
6	71415187	1	SKID-PLASTIC
7	71415159	3	SKID-PLASTIC
8	71415161	1	SKID-PLASTIC
9	71415156	1	SKID-PLASTIC
10	71415154	1	SKID-PLASTIC
11	71415155	1	SKID-PLASTIC
12	71415157	1	SKID-PLASTIC
13	71415162	1	SKID-PLASTIC
14	71415188	1	SKID-PLASTIC
15	71415160	1	SKID-PLASTIC
16	71415153	1	SKID-PLASTIC, RIGHT

71415186-0
PR: t06d06n18d0044



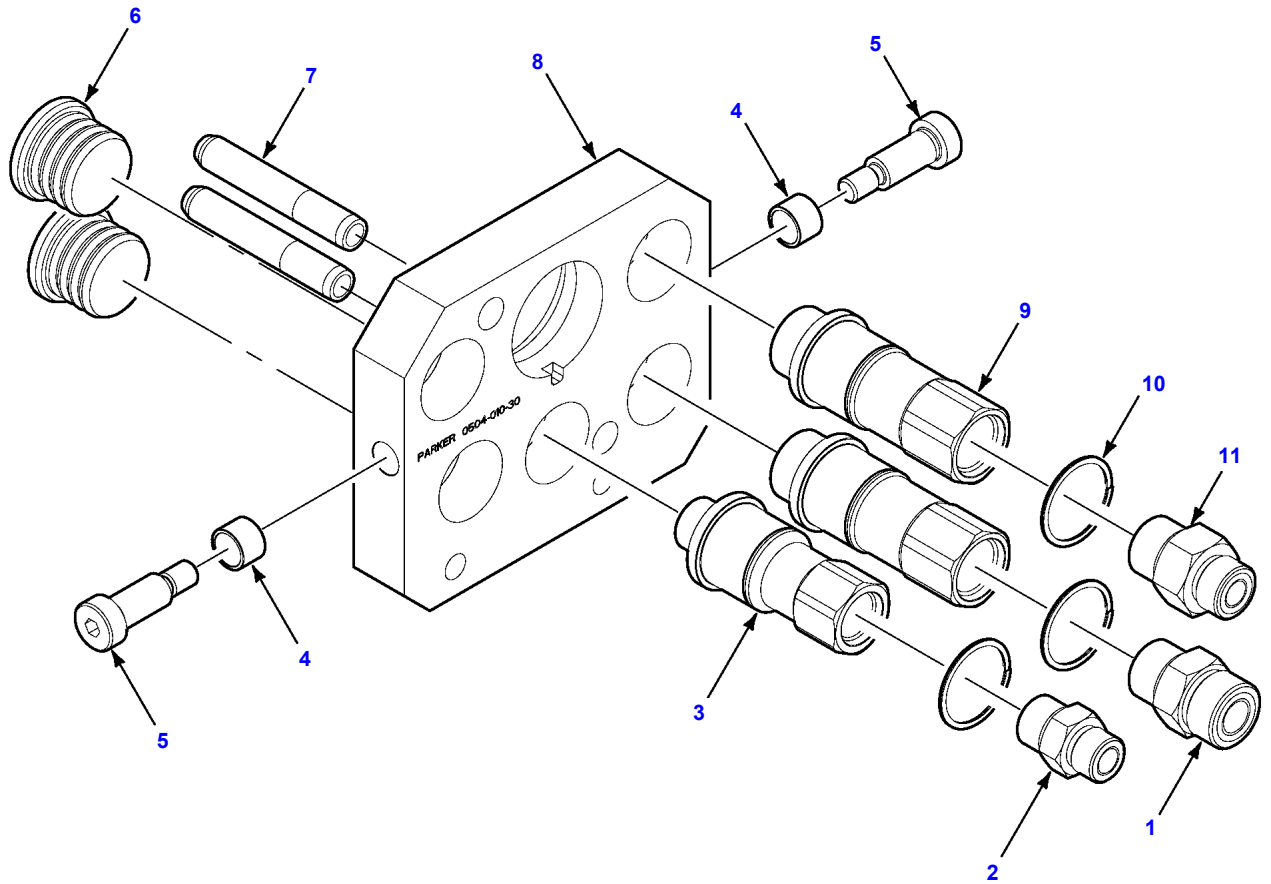
71415570-0

HYDRAULICS - HYDRAULIC REEL DRIVE

Item	Part Number	Qty	Description
1	70919066	1	UNION, 3/4-16
2	71415568	2	HOSE-HYDRAULIC
3	70925018	2	FITTING-HYD, SWIVEL, 45
4	705723	4	WASHER-PLAIN, 3/4
5	70927247	2	FITTING-HYD, TEE-BULKHEAD, RUN
6	70921298	2	TEE-RUN, SWIVEL, 3/4-16
7	71358980	1	CHECK VALVE
8	71415566	1	TUBE ASSEMBLY
9	71415567	1	LINE-STEEL
10	70919128	2	CONNECTOR, 1/2-14 X 3/4-16
11	71338550	1	VALVE, RELIEF
12	70921279	2	ELBOW-SWIVEL, 3/4-16 X 90 Degree
13	70937499	2	ADAPTER-1/2 PIPE THREAD X 3/4 JIC, SWIVEL
14	71416339	1	HOSE-HYDRAULIC (20 FOOT)
	71416298	1	HOSE-HYDRAULIC (25 FOOT)
	71415564	1	HOSE-HYDRAULIC (30 FOOT)
	71412033	1	HOSE-HYDRAULIC (35 FOOT)
15	71416338	1	HOSE-HYDRAULIC (20 FOOT)
	71416297	1	HOSE-HYDRAULIC (25 FOOT)
	71415565	1	HOSE-HYDRAULIC (30 FOOT)
	71412034	1	HOSE-HYDRAULIC (35 FOOT)
16	71412032	1	SUPPORT-HYDRAULIC
17	70926152	2	CAPSCREW, 5/16-18 X 3-3/4
18	Y704726	2	NUT-LOCK, FLANGE, 5/16-18
19	71415523	1	MOTOR-REEL DRIVE
	71398130	1	SEAL KIT
20	70925943	1	FITTING 3/4 JIC X 7/8 ORB
	738450	1	O-RING, .755 I.D.

71415570-0

PR: t06d06n18d0045

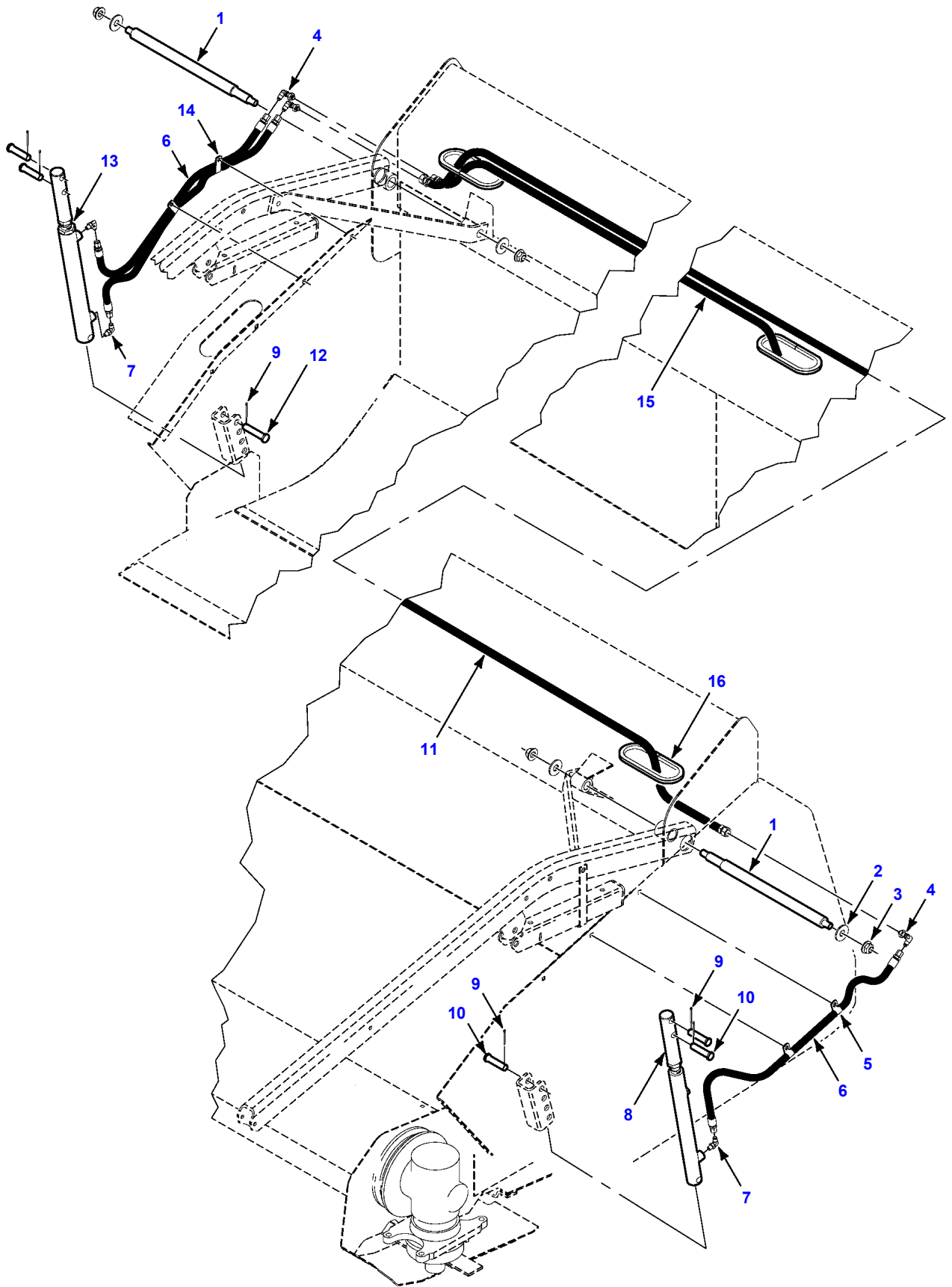


71412110-0

Item	Part Number	Qty	Description
1	71411295	1	FITTING-1OFS-7/8 ORB
	W942306	1	O-RING
	70930357	1	O-RING
2	71411842	1	FITTING-HYDRAULIC 11/16 OFS-3/4 ORB
	70921349	1	O-RING, .644 I.D.
	70924048	1	O-RING
3	71412273	1	CPLR-PARKER 3/8 CART MOBILE
4	71412272	2	BUSHING-PARKER CPLR
5	71411846	2	SCREW-PARKER CPLR HANDLE
6	71412275	2	PLUG-PARKER CPLR MOBILE
7	71412270	2	PIN-GUIDE, PARKER CPLR
8	71412271	1	PLATE-PARKER CPLR MOBILE
9	71412274	2	CPLR-PARKER 1/2 CART MOBILE
10	71412801	3	RING-RETAINING, PARKER
11	71411843	1	FITTING-HYDRAULIC 13/16 OFS-7/8 ORB
	W942306	1	O-RING
	70923841	1	O-RING

71412110-0

PR: t06d06n18d0046

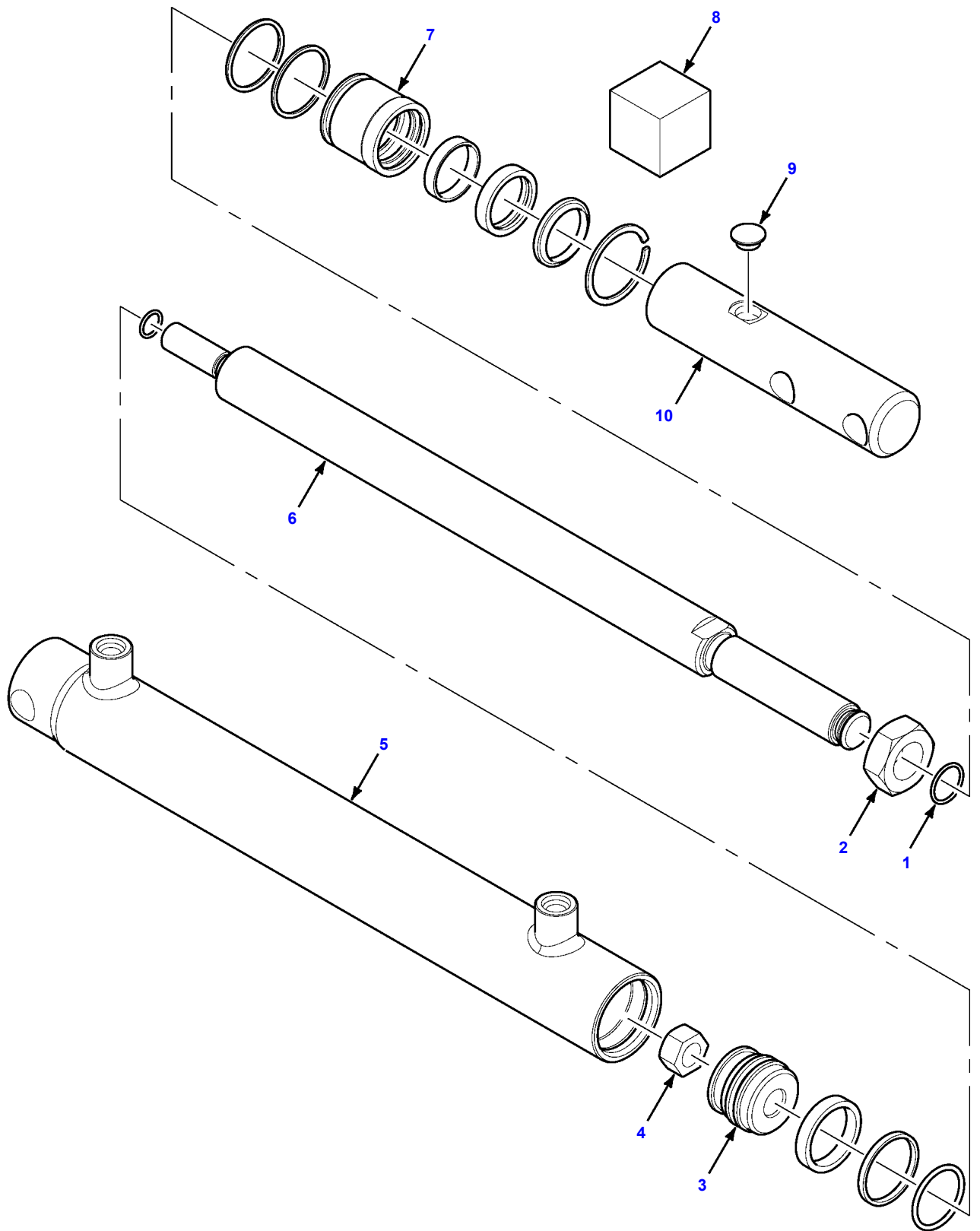


71415081-0

HYDRAULICS - HYDRAULIC

Item	Part Number	Qty	Description
1	71415084	2	SHAFT-REEL SUPPORT
2	70918432	4	WASHER-PLAIN, 5/8
3	700703922	4	NUT-LOCK, FLANGE, 5/8-11
4	70928917	3	FITTING-ELBOW
5	70925097	2	CLAMP-LINE
6	71369199	3	HOSE-HYDRAULIC
7	70922571	3	ELBOW, 7/16-20 X 90 Degree
	7040397	1	O-RING, .351 I.D.
8	71415083	1	CYLINDER ASSEMBLY-REEL LIFT, LEFT
9	70918454	6	PIN-COTTER, 1/8 X 1-1/2
10	63495	5	PIN-CLEVIS, 5/8 X 2-1/2
11	71416330	1	HOSE-HYDRAULIC (20 FOOT)
	71416295	1	HOSE-HYDRAULIC (25 FOOT)
	71415088	1	HOSE-HYDRAULIC (30 FOOT)
	71415589	1	HOSE-HYDRAULIC (35 FOOT)
12	71354497	1	PIN-CLEVIS
13	71415082	1	CYLINDER ASSEMBLY-REEL LIFT, RIGHT
14	70936472	2	CLAMP-LINE
15	71416329	1	HOSE-HYDRAULIC (20 FOOT)
	71416294	1	HOSE-HYDRAULIC (25 FOOT)
	71415588	1	HOSE-HYDRAULIC (30 FOOT)
	71412035	1	HOSE-HYDRAULIC (35 FOOT)
16	71415086	3	TRIM-EDGE

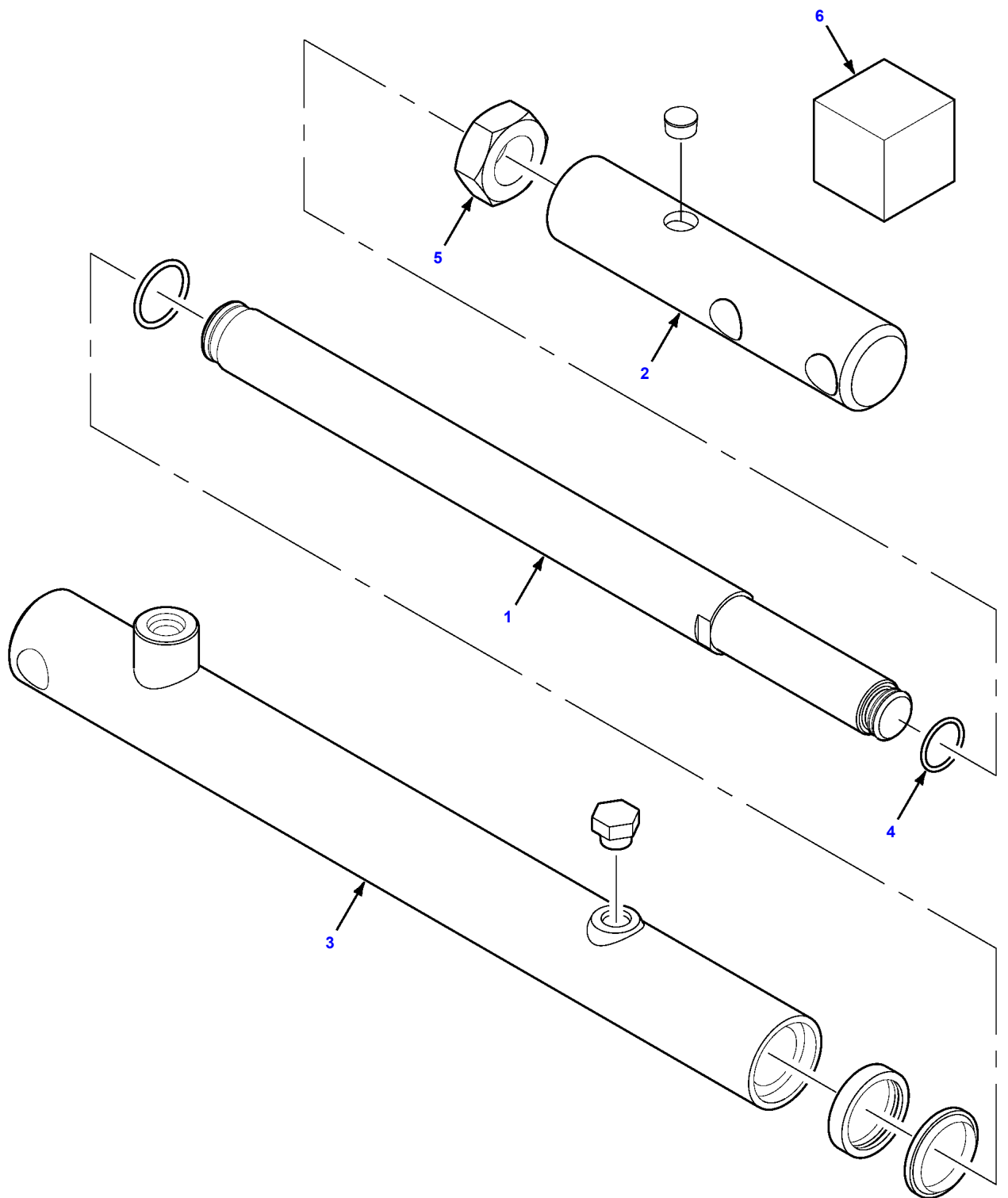
71415081-0
PR: t06d06n18d0047



71415082-0

Item	Part Number	Qty	Description
	71415082	1	CYLINDER ASSEMBLY-MASTER
1	71417062	1	RETAINER RING- .75 INCH ROUND
2	700707418	1	NUT-HALF, 7/8-14
3	71417057	1	PISTON-1.5 BORE
4	71417056	1	NUT-HEX LOCK 9/16-18
5	71417058	1	CYLINDER BODY 1.5 I.D.
6	71417059	1	ROD 1.125 X 18.593
7	700714206	1	GUIDE
8	71417055	1	KIT-SEAL
9	71417061	1	PLUG
10	71417060	1	ROD-MOUNTING

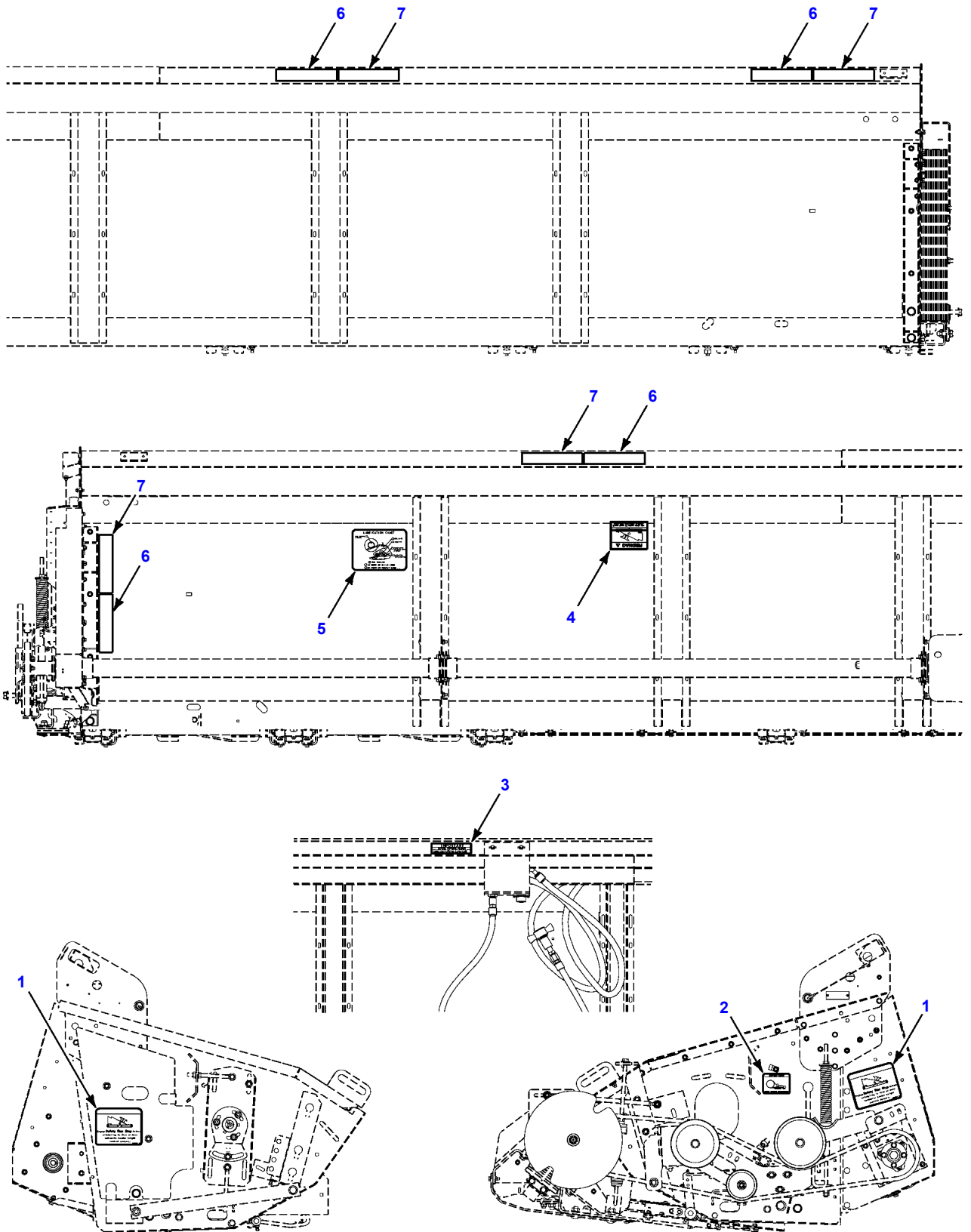
71415082-0
PR: t07c13m36a0082



71415083-0

Item	Part Number	Qty	Description
	71415083	1	CYLINDER ASSEMBLY-SLAVE
1	71370139	1	ROD-PISTON
2	71370145	1	ROD END
3	71370141	1	BARREL
4	71370142	1	RING-RETAINING
5	70920439	1	NUT
6	836522M91	1	KIT-SEAL

71415083-0
PR: t07c13m36a0083

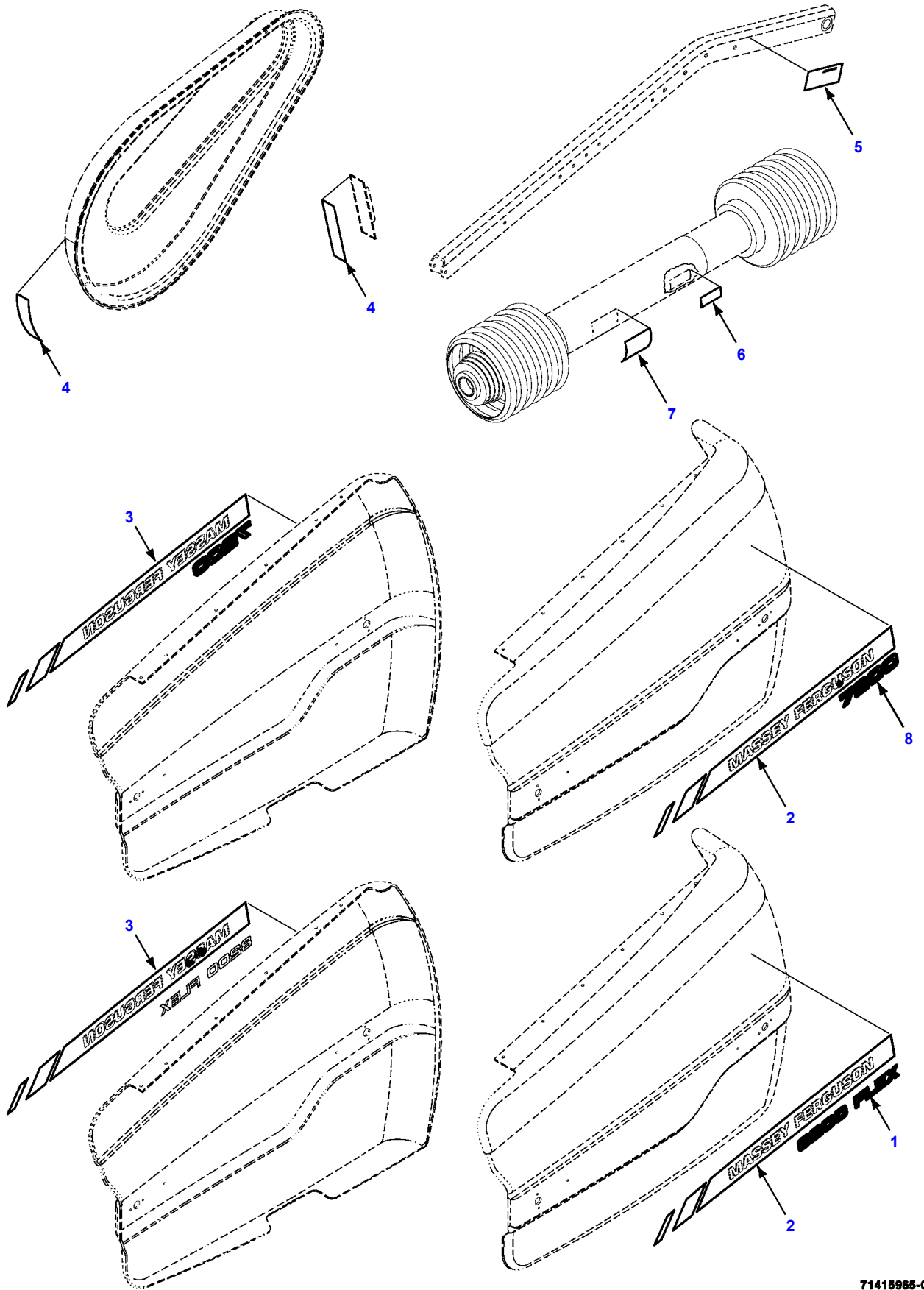


71415189-0

DECALS AND KITS - HEADER DECALS AND LOCATION

Item	Part Number	Qty	Description
1	71350360	2	DECAL-DANGER, SAFETY RAM STOP
2	71417034	1	DECAL-CHAIN ADJUSTMENT
3	71378613	1	DECAL-HEADER
4	111095W1	1	DECAL-DANGER
5	71417033	1	DECAL-LUBE
6	700717404	4	REFLECTOR, RED-ORANGE
7	700717402	4	REFLECTOR-RED

71415189-0
PR: t06d06n18d0048

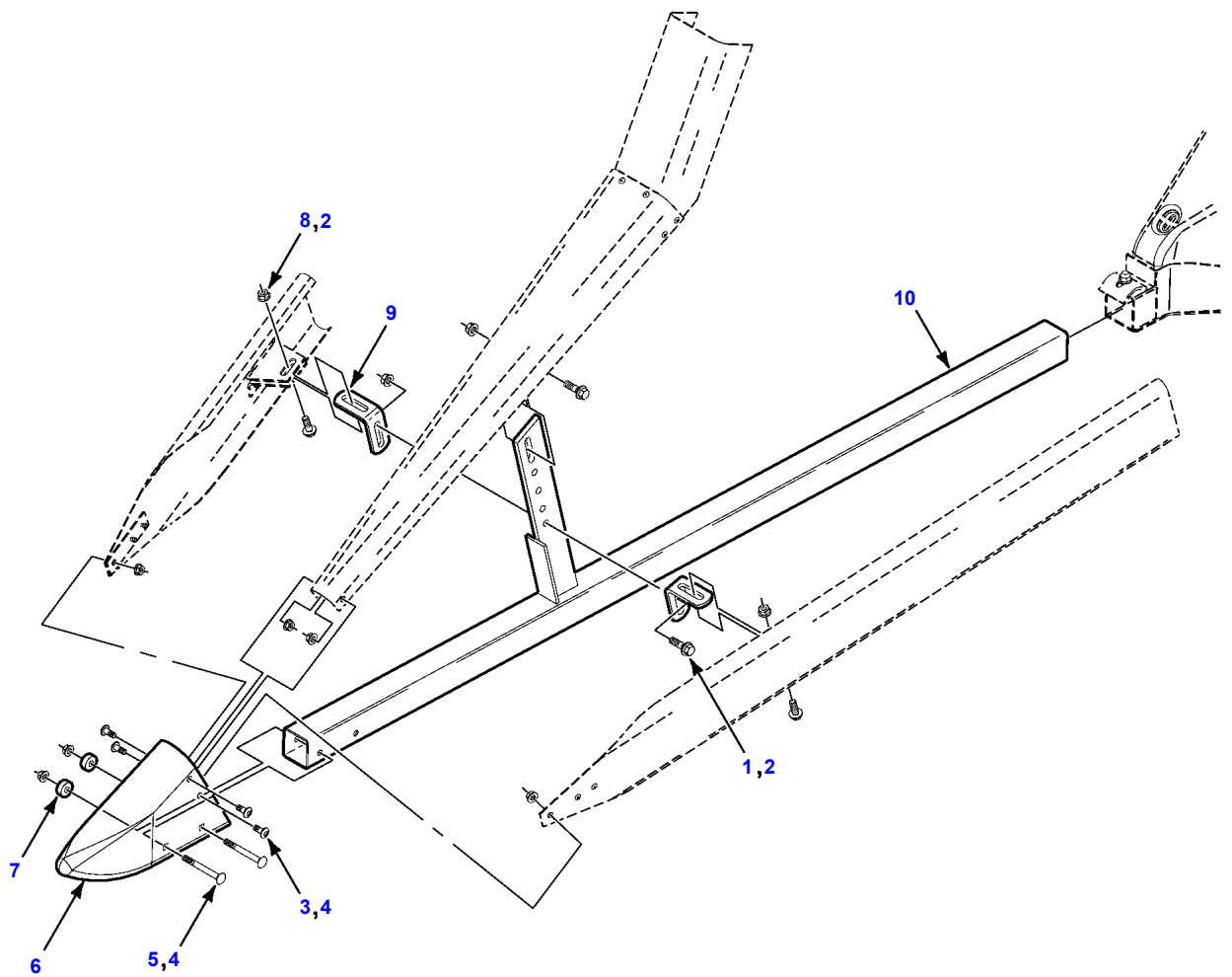


71415985-0

DECALS AND KITS - HEADER DECALS AND LOCATION

Item	Part Number	Qty	Description
1	700729421	2	DECAL-8200 FLEX
2	71416179	2	DECAL-MF, LEFT
3	71416180	2	DECAL-MF, RIGHT
4	700717403	2	REFLECTOR-YELLOW
5	71415838	2	DECAL-DANGER
6	700708583	1	DECAL-DANGER, INNER
7	700707960	1	DECAL-DANGER, OUTER
8	71416389	2	DECAL-MF7200

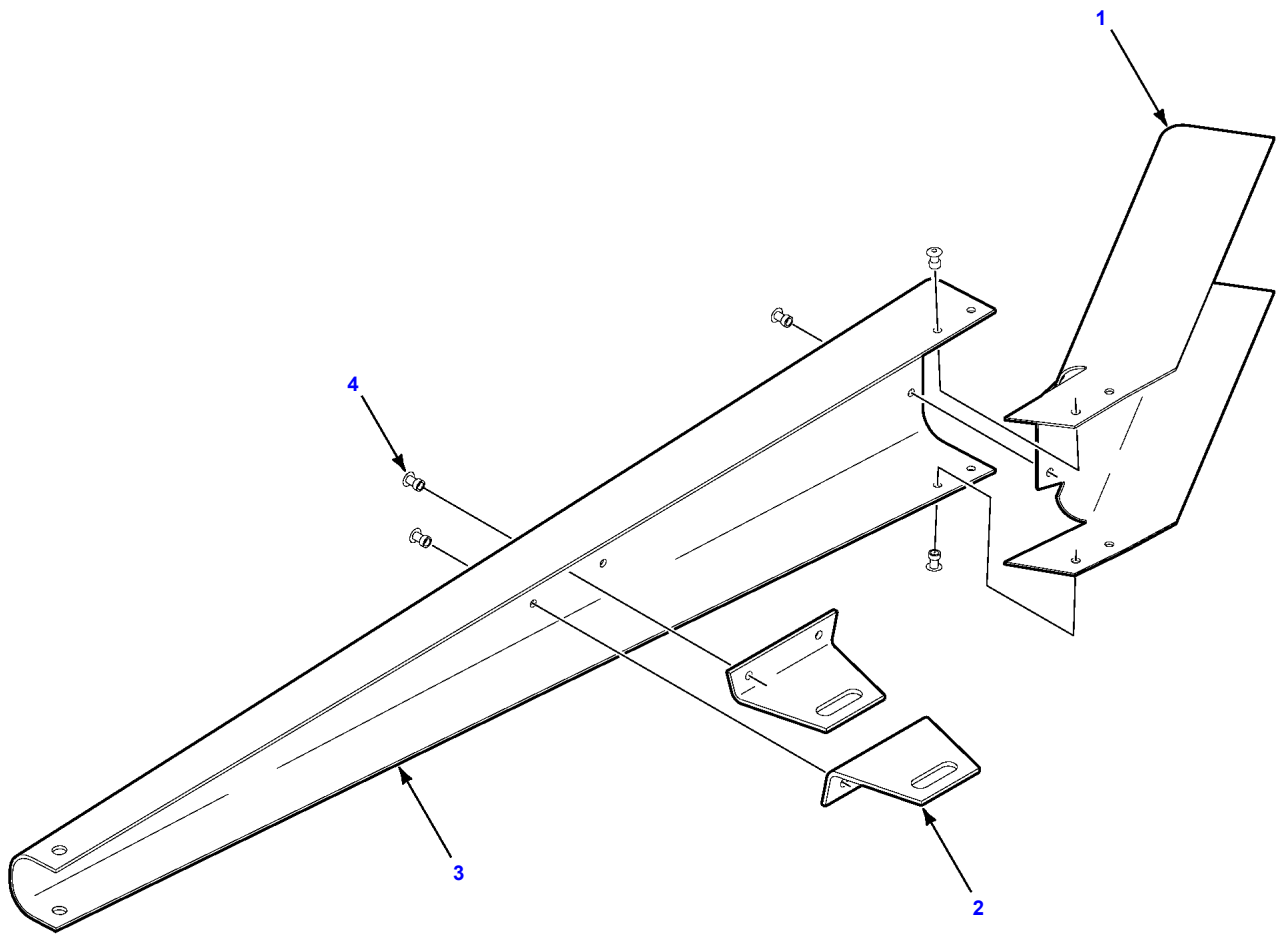
71415965-0
PR: t06d06n18d0049



700953667-0

Item	Part Number	Qty	Description
	71408024	1	WING DIVIDER KIT (WHOLEGOODS ONLY)
1	7883408	4	SCREW-FLANGE, GR8, 3/8-16 X 1-1/4
2	704247	8	NUT-LOCK, FLANGE, 3/8-16
3	70936460	8	SCREW-TORX, 5/16-18 X 3/4
4	70931277	12	NUT-LOCK, FLANGE, 5/16-18
5	70931804	4	BOLT-CARRIAGE, 5/16-18 X 3
6	71415248	2	POINT-WING
7	71415258	4	SPACER-DIVIDER, POINT
8	7883382	4	SCREW-FLANGE, 3/8-16 X 1
9	71415257	4	BRACKET-ANCHOR
10	71415244	2	SUPPORT WA-WING

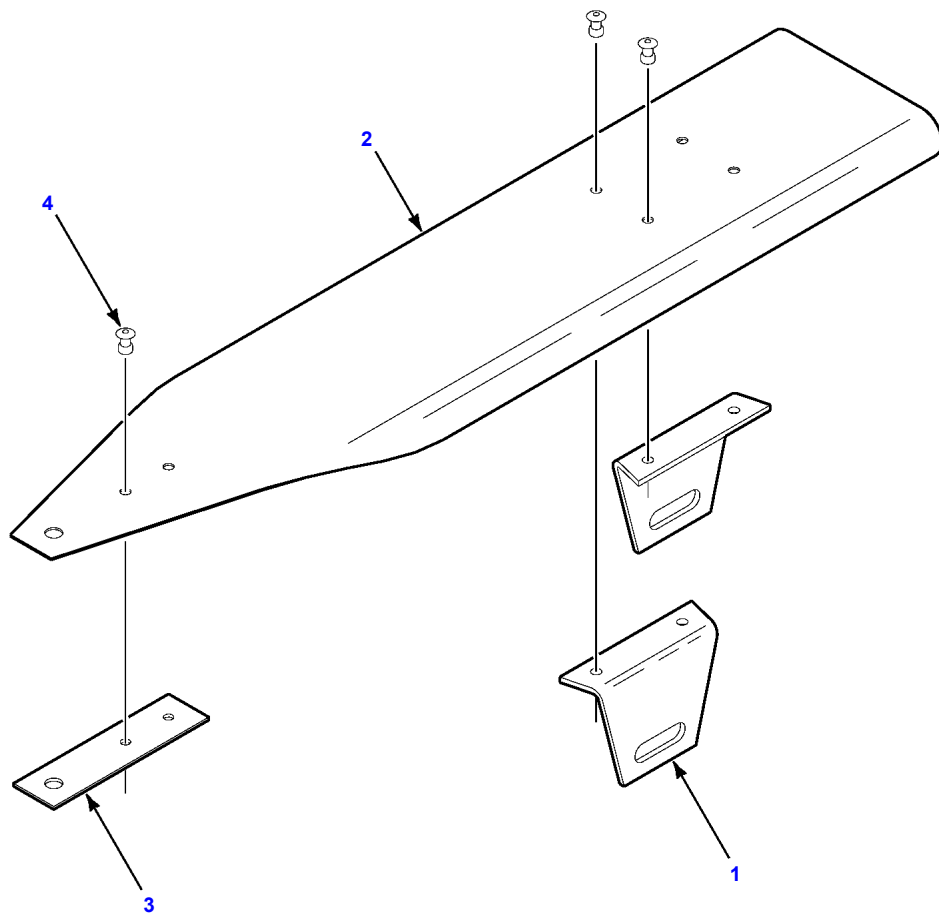
700953667-0
PR: t06d06n18d0050



71415252-0

Item	Part Number	Qty	Description
1	71415254	1	EXTENSION-UPPER, WING
2	71415255	2	BRACKET-ADJUSTMENT
3	71415253	1	WING-UPPER, DIVIDER
4	700717635	10	RIVET-POP

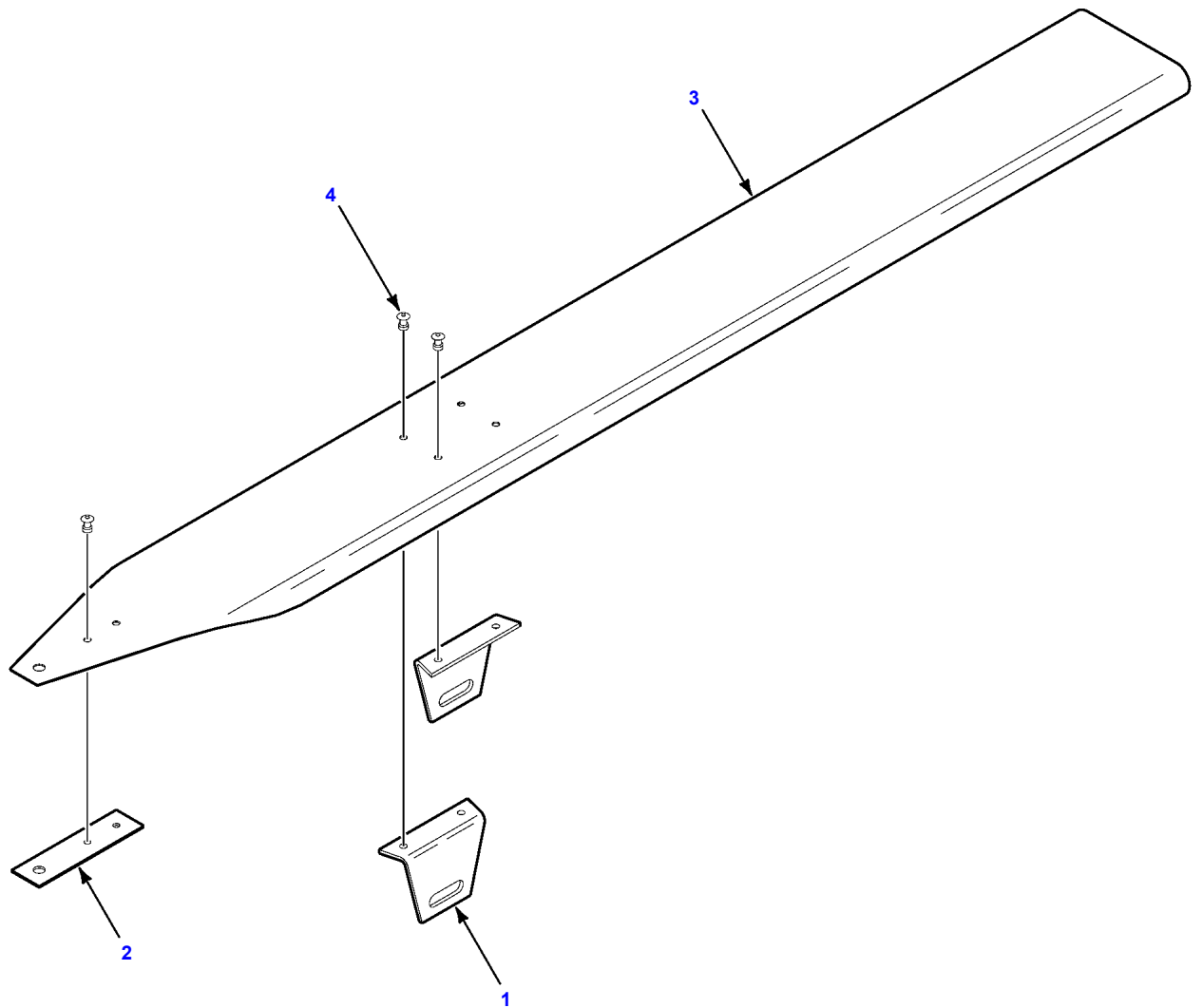
71415252-0
PR: t06d06n18d0051



71415259-0

Item	Part Number	Qty	Description
1	71415255	2	BRACKET-ADJUSTMENT
2	71415260	1	WING-INNER
3	71415261	1	PLATE
4	700717635	6	RIVET-POP

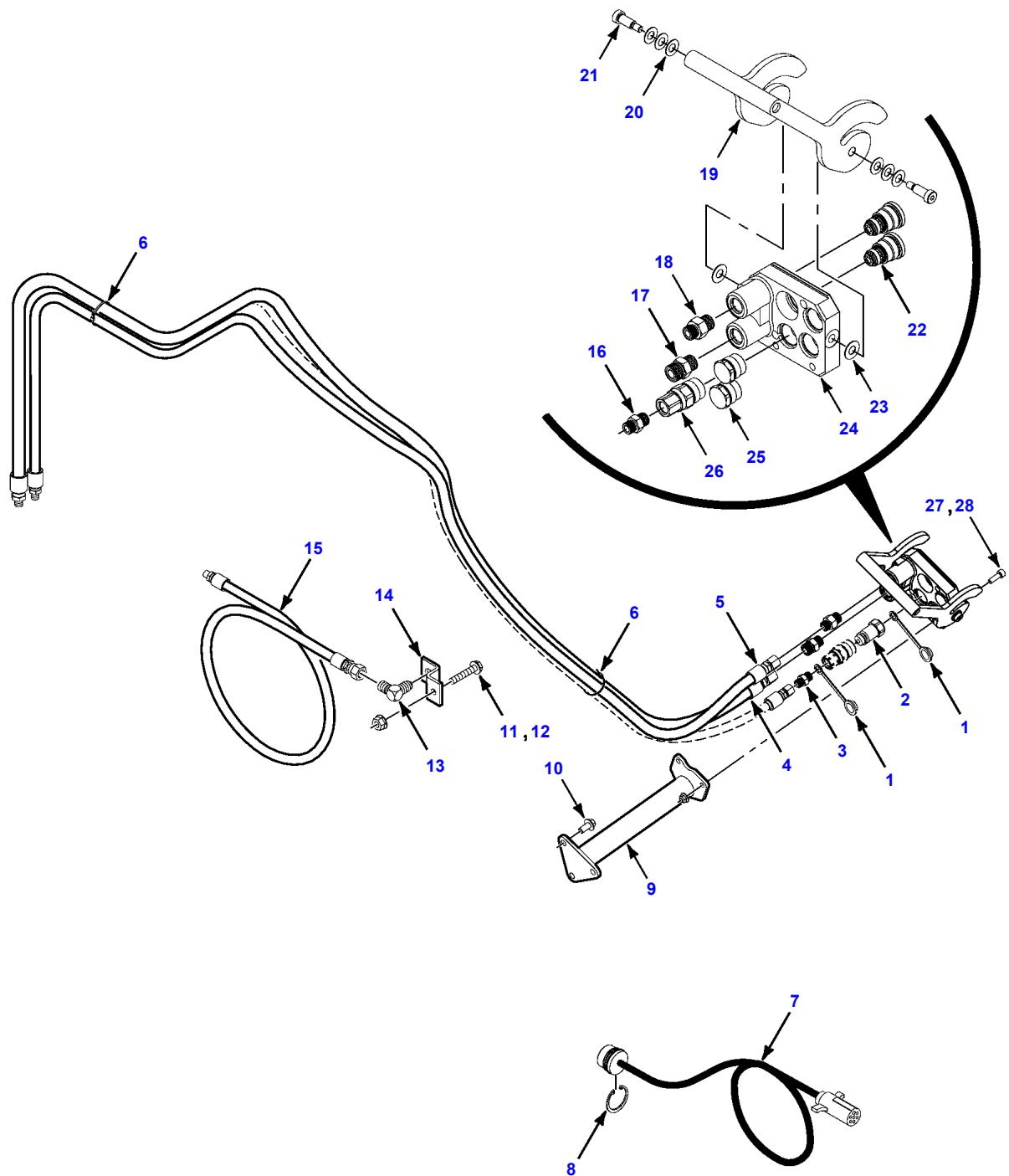
71415259-0
PR: t06d06n18d0052



71415262-0

Item	Part Number	Qty	Description
1	71415255	2	BRACKET-ADJUSTMENT
2	71415261	1	PLATE
3	71415263	1	WING-OUTER
4	700717635	6	RIVET-POP

71415262-0
PR: t06d06n18d0053

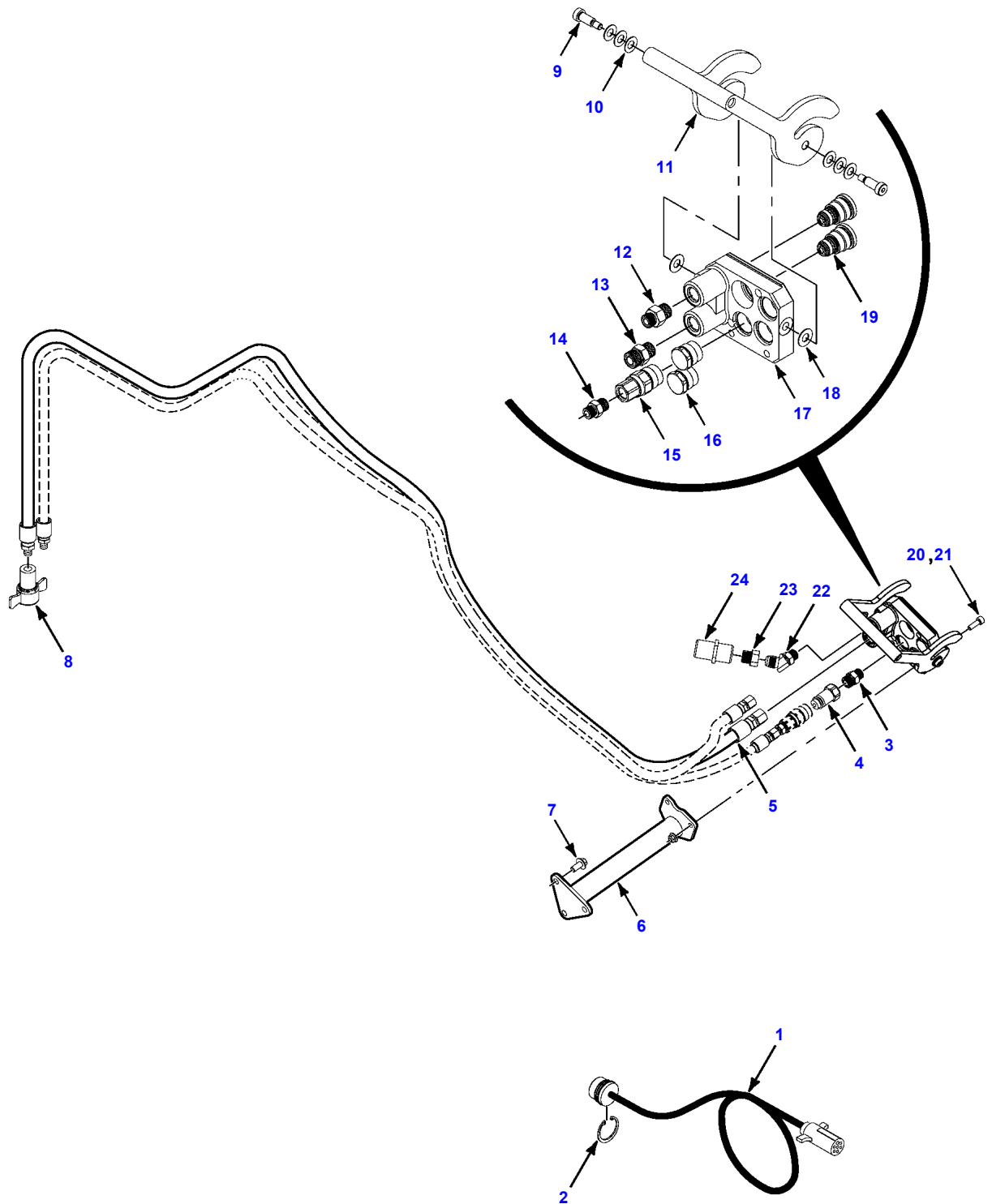


700954572-0

Item	Part Number	Qty	Description
	71411594	1	SINGLE POINT HYDRAULIC KIT (WHOLEGOODS ONLY)
1	71328365	2	DUST COVER
2	71328361	1	COUPLER, HALF
3	70937298	1	CONNECTOR, 1/4-18 X 9/16-18
	70921885	1	O-RING, .468 I.D.
4	700727627	1	HOSE ASM-REEL DRIVE RETURN
5	700727626	1	HOSE ASM-REEL DRIVE
6	3619622M1	2	TIE-CABLE, 15-1/4
7	71410921	1	HARNES-JUMPER
8	71410556	1	RING-SNAP, EXTERNAL
9	71410543	1	MOUNT WA-COUPLER
10	3012179X1	3	M12X1.75X25 FTHFS CL 8.8
11	3012152X1	1	M8 X 1.25 X 20 FTHFS CL 8.8 WASHER-PLAIN
12	3019124X1	1	M8 X 1.25 NUT-FLANGE CL 10
13	70919546	1	ELBOW-90 DEGREE 7/16 JIC X 1/4 PIPE THREAD
14	71354496B	1	BRACKET
15	700728249	1	HOSE ASM
16	71411842	1	STR CONN. 11/16-16 OFS-3/4-16 ORB
	70921349	1	O-RING, .644 I.D.
	70924048	1	O-RING
17	71411295	1	STR. CONN. 1-14 ORS X 7/8-14 ORB MALE
	W942306	1	O-RING
	70930357	1	O-RING
18	71411843	1	STR. CONN.-HYD 13/16-16 OFS-7/8-14 ORB
	W942306	1	O-RING
	70923841	1	O-RING
19	71411849	1	LEVER-PARKER COUPLER
20	71411848	6	WASHER-PARKER CPLR SPRING
21	71411846	2	SCREW-PARKER CPLR HANDLE
22	71418944	2	CPLR-PARKER 1/2 CARTR FIX
23	71411847	2	WASHER-PARKER CPLR FLAT
24	71411315	1	PLATE-PARKER CPLR FIXED
25	71411300	2	PLUG-PARKER CPLR FIXED
26	71411296	1	CPLR-PARKER 3/8 CARTR FIXED
27	3000258X1	2	SCR HX SOC, M10-1.5X40 CL10.9
28	700711876	2	NUT-LOCK, M10 X 1.5

700954572-0

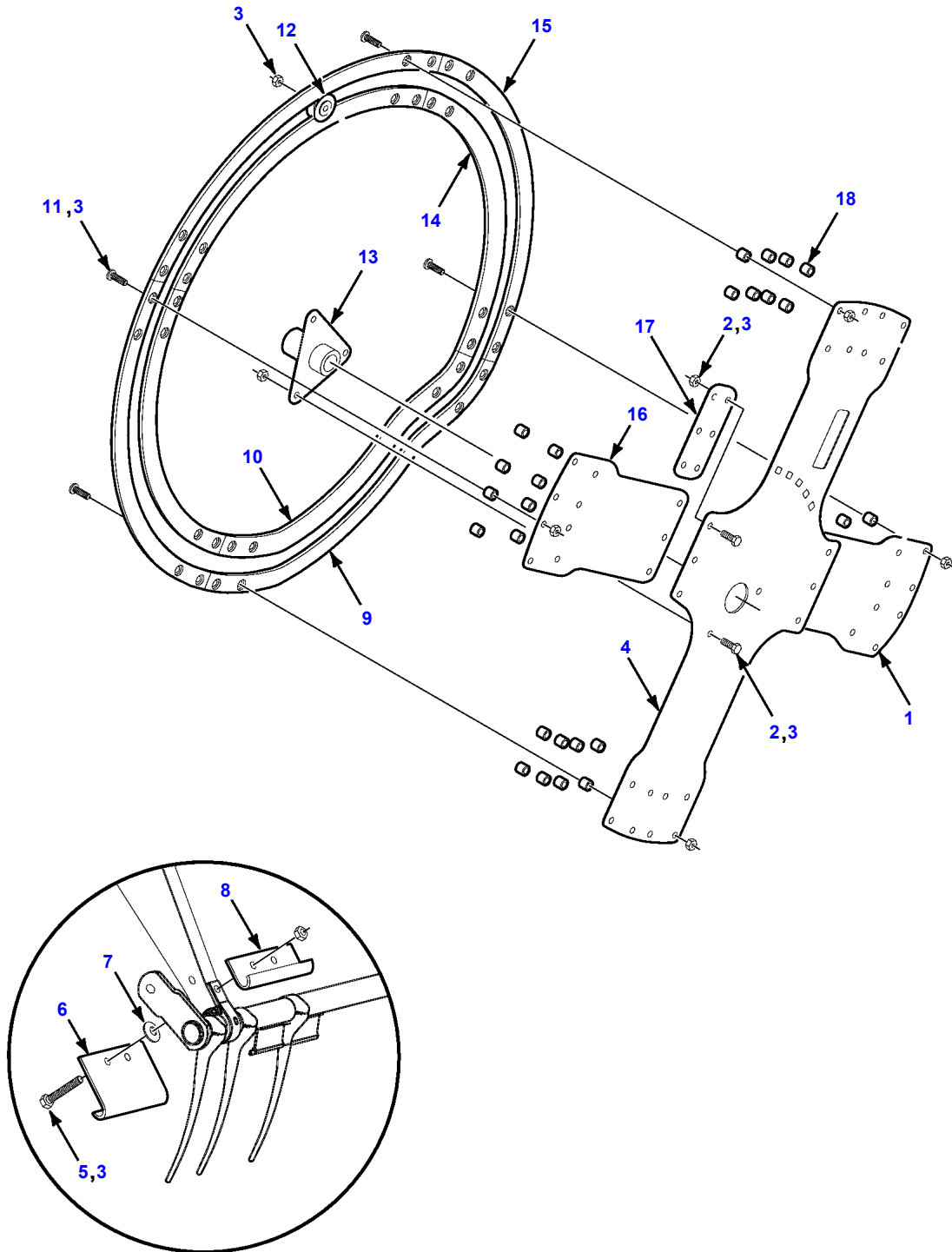
PR: t07j18i40b0003



700954573-0

Item	Part Number	Qty	Description
	71411596	1	SINGLE POINT HYDRAULIC KIT (WHOLEGOODS ONLY)
1	71410921	1	HARNES-JUMPER
2	71410556	1	RING-SNAP, EXTERNAL
3	700728245	1	CONNECTOR-STR. 3/4-16 X 1/4
4	71328361	1	COUPLER, HALF
5	700727629	1	HOSE ASM-REEL DRIVE RETURN
6	71410543	1	MOUNT WA-COUPLER
7	3012179X1	3	M12X1.75X25 FTHFS CL 8.8
8	71358564	1	COUPLING
9	71411846	2	SCREW-PARKER CPLR HANDLE
10	71411848	6	WASHER-PARKER CPLR SPRING
11	71411849	1	LEVER-PARKER COUPLER
12	71411843	1	FITTING-HYD 13/16 OFS-7/8 ORB
	W942306	1	O-RING
	70923841	1	O-RING
13	71411295	1	CONN. 1-14 ORS X 7/8-14 ORB MALE
	W942306	1	O-RING
	70930357	1	O-RING
14	71411842	1	STR CONN. 11/16 OFS-3/4 ORB
	70921349	1	O-RING, .644 I.D.
	70924048	1	O-RING
15	71411296	1	CPLR-PARKER 3/8 CARTR FIXED
16	71411300	2	PLUG-PARKER CPLR FIXED
17	71411315	1	PLATE-PARKER CPLR FIXED
18	71411847	2	WASHER-PARKER CPLR FLAT
19	71418944	2	CPLR-PARKER 1/2 CARTR FIX
20	3000258X1	2	SCR HX SOC, M10-1.5X40 CL10.9
21	700711876	2	NUT-LOCK, M10 X 1.5
22	70921328	1	ELBOW, 7/8-14 X 45 Degree
	738450	1	O-RING, .755 I.D.
23	70937498	1	FITTING-HYDRAULIC
24	71365883	1	COUPLER

700954573-0
PR: t07j18i40b0004



71422976-0

Item	Part Number	Qty	Description
	71422982	1	ORBITAL REEL KIT (WHOLEGOODS ONLY)
1	71412688	1	SUPPORT SECTION-REAR
2	700708349	15	CAPSCREW, FULL-THREAD, M10 X 1.5 X 25, CLASS 8.8
3	70916621	59	NUT, No. 10-24
4	71412686	1	ORBITAL SUPPORT
5	7702327	6	CAPSCREW, M10 X 1.5 X 70, CLASS 8.8
6	71412679	6	STOP-BOTTOM REVERSE
7	71368522	6	WASHER-BELLEVILLE, M12
8	71412678	6	STOP-TOP REVERSE
9	71412685	1	OUTER ACTION SECTION-LEFT
10	71412684	1	INNER ACTION SECTION-LEFT
11	3009455X1	32	FLAT SOCKET HEAD CAP SCREW M10 X 45
12	71368702	6	BEARING-ROLLER
13	71421974	1	HUB ASSEMBLY-LEFT
	70914465	1	ZERK, 1/8-27
	71141320	2	BEARING-OILITE
14	71412680	3	INNER CIRCLE SECTION
15	71412681	3	OUTER CIRCLE SECTION
16	71412687	1	SUPPORT-SECTION-FRONT
17	71412689	2	PLATE-CONNECTING
18	71412677	32	SPACER

71422976-0

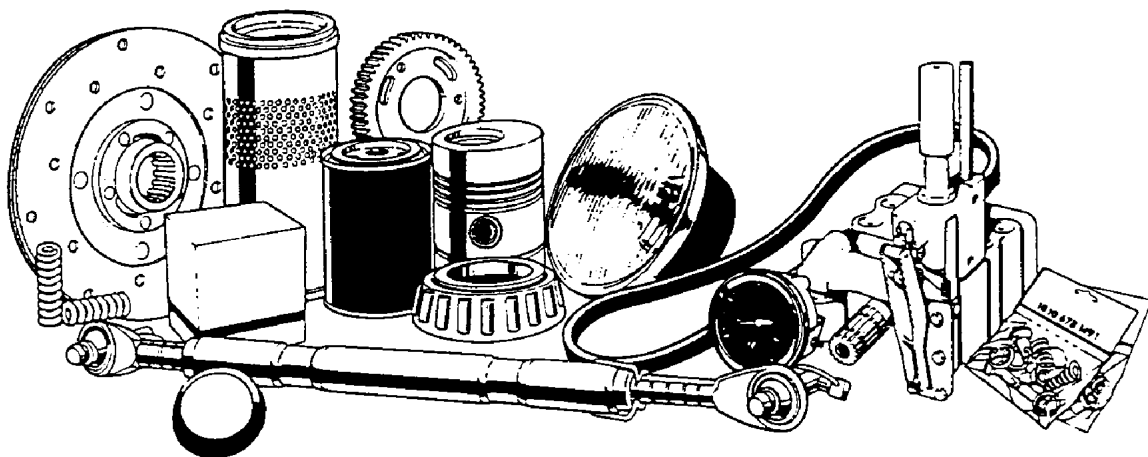
PR: t07j18i40b0005

Item	Part Number	Qty	Description
	71422983	1	ORBITAL REEL KIT (WHOLEGOODS ONLY)
1	3009455X1	64	FLAT SOCKET HEAD CAP SCREW M10 X 45
2	70916621	118	NUT, No. 10-24
3	71412684	1	INNER ACTION SECTION-LEFT
	71412682	1	INNER ACTION SECTION-RIGHT
4	71412685	1	OUTER ACTION SECTION-LEFT
	71412683	1	OUTER ACTION SECTION-RIGHT
5	71421974	1	HUB ASSEMBLY-LEFT
	70914465	1	ZERK, 1/8-27
	71141320	2	BEARING-OILITE
6	7702327	12	CAPSCREW, M10 X 1.5 X 70, CLASS 8.8
7	71412679	12	STOP-BOTTOM REVERSE
8	71368522	12	WASHER-BELLEVILLE, M12
9	71412678	12	STOP-TOP REVERSE
10	71412686	2	ORBITAL SUPPORT
11	71421973	1	HUB ASSEMBLY-RIGHT
	70914465	1	ZERK, 1/8-27
	71141320	2	BEARING-OILITE
12	700708349	30	CAPSCREW, FULL-THREAD, M10 X 1.5 X 25, CLASS 8.8
13	71412689	4	PLATE-CONNECTING
14	71412688	2	SUPPORT SECTION-REAR
15	71412687	2	SUPPORT-SECTION-FRONT
16	71412677	64	SPACER
17	71368702	12	BEARING-ROLLER
18	71412681	6	OUTER CIRCLE SECTION
19	71412680	6	INNER CIRCLE SECTION

71421972-0

PR: t07j18i40b0006

RECOMMENDED DEALER STOCK



Part Number	Qty	Description
71415428	1	V-BELT
71386951	20	BOLT-SICKLE M6 X 18
71386952	100	BOLT-SICKLE M6 X 16
700705297	4	BOLTS AND NUTS
700705296	4	BOLTS AND NUTS
71356060	3	BUSHING-IDLER PIVOT
700719594	1	BUSHING-NYLON
71415312	1	CHAIN-ROLLER
71415715	1	CHAIN-ROLLER
71358188	1	CROSS AND BEARING KIT
71389109	10	FINGER
71417097	15	FINGER-AUGER
71389106	50	FINGER-BAT
71389107	10	FINGER-BAT
71389108	10	FINGER-BAT
71192243	4	FLANGE-BEARING
71369864	2	FLANGE-BEARING
71386905	2	GUARD-LEFT
71324871	10	GUARD-SICKLE
71315500	10	GUARD-SICKLE
71386962	50	GUARD-SICKLE
71415131	1	GUARD-SICKLE
71324872	1	GUARD-SICKLE
71386906	15	GUARD-STANDARD
71386923	2	HALF-SECTION-SICKLE
71415128	1	HEAD-SICKLE
71409174	1	KNIFEHEAD ASSEMBLY
71346158	25	HOLD DOWN CLIP
71417055	1	KIT-SEAL
71398130	1	SEAL KIT
71386953	100	NUT-LOCK M6
71377768	1	RING-SPROCKET
71351139	5	SECTION-BLANK
71404754	100	SECTION-SICKLE
71386924	100	SECTION-SICKLE
71351135	100	SECTION-SICKLE
71391021	1	SENSOR ASSEMBLY
71376825	1	SENSOR-POSITION
71148214	10	SHIM
71416336	1	SICKLE ASSEMBLY
71415784	1	SICKLE ASSEMBLY
71415781	1	SICKLE ASSEMBLY
71415764	1	SICKLE ASSEMBLY
71416315	1	SICKLE ASSEMBLY-W/O HEAD
71416269	1	SICKLE ASSEMBLY-W/O HEAD
71416222	1	SICKLE ASSEMBLY-W/O HEAD
71404756	1	SICKLE ASSEMBLY-W/O HEAD
71416266	1	SICKLE ASSEMBLY-W/O HEAD
71416260	1	SICKLE ASSEMBLY-W/O HEAD
71415129	1	SICKLE ASSEMBLY-W/O HEAD
71415395	1	SICKLE ASSEMBLY-W/O HEAD
71386909	15	SPACER-GUARD
71386908	10	SPACER-GUARD
71137120	1	SPROCKET ASSEMBLY SEP'R
71415487	1	SPROCKET WA
71116532	35	WEARING PLATE

RDL

PR: t06d06n18d0054