

**MASSEY FERGUSON
MF 31 COMBINE - 819726**

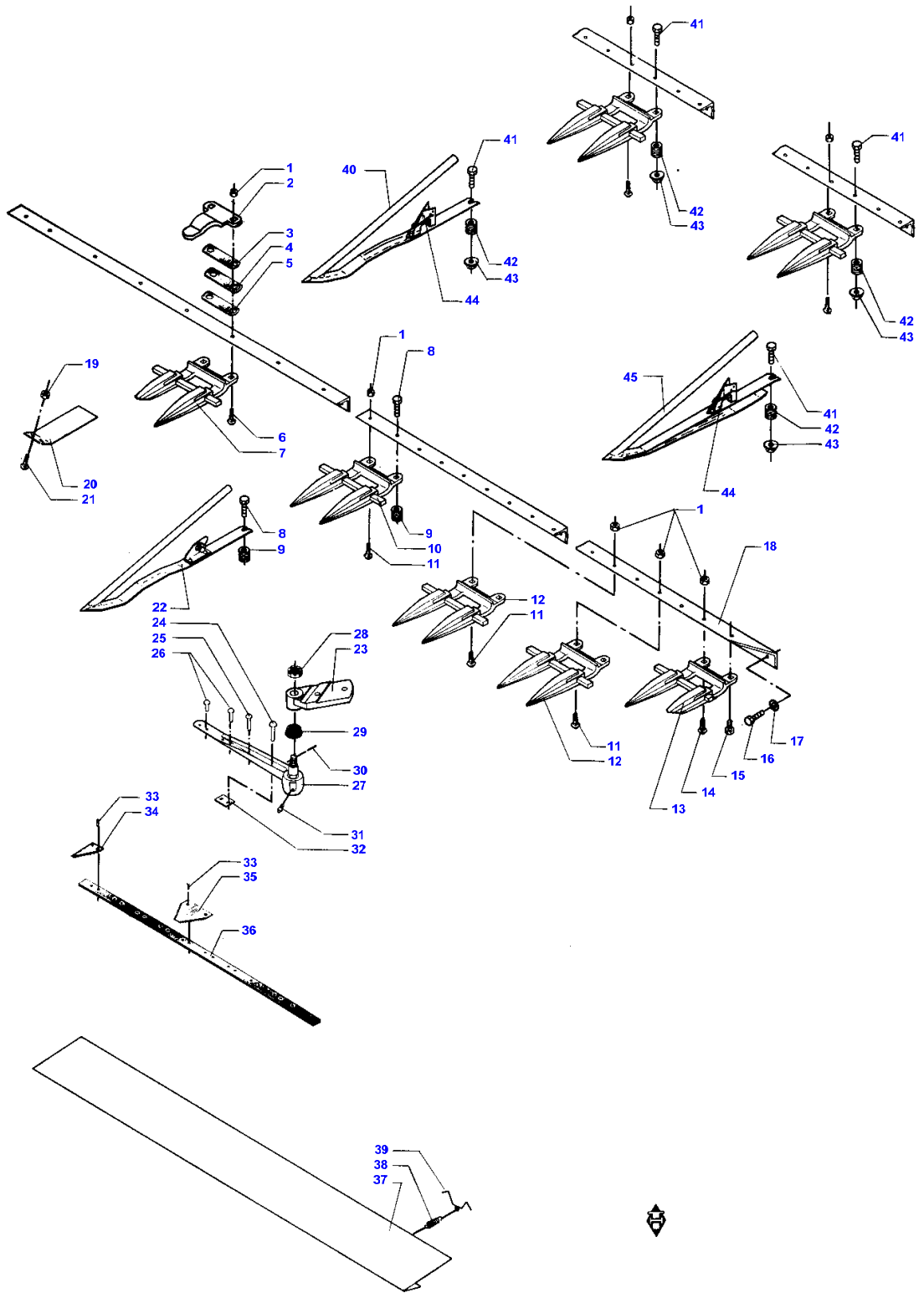
819726

1-1

STRAW DIVIDER

Item	Part Number	Qty	Description	Comments
1	D28230460	2	Divider	
2	D41447300	2	Split Ring	
3	D28251801	1	Point	POS. 2 - 7
	D28251802	1	Point	POS. 2 - 7
4	D41087600	4	Locknut	
5	D20400471	4	Washer	
6	D40066800	4	Screw Metric	
7	D28260226	2	Point	
	D28251622	1	Divider	(F0) POS. 8 - 31 Right Hand
	D28251623	1	Divider	(F1) POS. 8 - 31 Left Hand
8	D28211126	1	Divider	
9	D40063700	2	Screw	
10	D20400471	2	Washer	
11	D28230447	1	Plate	
12	D20400409	2	Washer	
13	D41408700	1	SPLIT PIN	
14	D28230462	1	Rod	
15	D28230457	1	Wing	
16	D27200313	1	Angle	
17	D41010800	1	Nut Metric	
18	D40407900	1	Screw Metric	
19	D27200640	1	Stop	
20	D27300323	1	Locknut	
21	D28230517	1	Support	
22	D40405000	2	Screw Metric	
23	D20400409	2	Washer	
24	D41013500	2	Nut	
	D28230467	1	Mounting	POS. 25 -28
25	D40424400	1	HEXAGON SCREW	
26	D28230468	1	Mounting	
27	D28230471	2	Mounting	
28	D41087500	1	Locknut	
29	D40066700	2	Screw	
30	D28250549	1	Plate	
31	D27200300	1	Pin	
32	D40407700	4	Screw	
33	D28230465	1	Support	Right Hand
	D28230466	1	Support	Left Hand
34	D20400471	4	Washer	
35	D41087600	4	Locknut	
36	D41087700	2	Locknut	
37	D20400426	2	Washer	
38	D28230453	2	Plate	
39	D40070200	2	Screw Metric	
	D28230487	2	Wing	POS. 40 - 53
40	D28230480	1	Wing	
41	D41410600	2	SPLIT PIN	
42	D28230482	1	Support	
43	D27200364	1	Handle	
44	D28230486	1	Pipe	
45	D40021300	1	Screw	
46	D28230488	2	Clutch	
47	D28230473	1	Support	
48	D40407700	2	Screw	
49	D20400518	1	Spacer	
50	D28230472	1	Bracket	
51	D41087600	2	Locknut	
52	D27300323	1	Locknut	
53	D20400426	1	Washer	

(F0)
ON THE RIGHT
(F1)
ON THE LEFT



KNIVES AND FINGERS

Item	Part Number	Qty	Description	Comments
1	D41010800		Nut Metric	
2	D25200899	14	Clip	14'-4,34M
	D25200899	16	Clip	16'-4,95M
	D25200899	18	Clip	18'-5,56M
3	D28210349		Shim	
4	D28210350		Shim	
5	D28230292		Shim	
6	D40551600		Bolt	
7	D28260531	1	Finger	
8	D40425800		Screw	
9	D28230833		Nut	
10	D44102900	25	Finger	14'-4,43M
	D44102900	31	Finger	16'-4,95M
	D44102900	35	Finger	18'-5,56M
11	D40551600		Bolt	
12	D28280821	2	Finger	
13	D44104400	1	Finger	+F.46080
14	D40551500		Bolt	
15	D40407600	1	Screw	
16	D40407800		HEXAGON SCREW	
17	D20400471		Washer	
18	D28230011	1	Bar	14'
	D28230010	1	Bar	16'
	D28230009	1	Bar	18'
19	D41013500	2	Nut	
20	D28230829	1	Guard	
21	D40063700	2	Screw	
22	D49040000	14	Ear Lifter	14'-4,34M
	D49040000	16	Ear Lifter	16'-4,95M
	D49040000	18	Ear Lifter	18'-5,56M
23	D28230227	2	Lever	
	D28230034	1	Blade	14'
				POS. 24 - 36 4,34M
	D28230037	1	Knife	16'
				POS. 24 - 36 4,95M
	D28230040	1	Knife	18'
				POS. 24 - 36 5,56M
24	D41378300	3	Rivet	
25	D41377800	2	Rivet	
26	D41378200	4	Rivet	
27	D44120000	1	Knife Head	POS, 28 - 29
28	D41048700	1	Castle Nut	
29	D44120200	1	Cap	
30	D41406000	1	SPLIT PIN	
31	D43004900	1	Foam	
32	D28230120	1	Spacer	
33	D41377500		Rivet	
34	D44103400	1	Blade	
35	D44100000		Section	
36	D28230008	1	Knife Back	14'-4,34M
	D28230007	1	Knife Back	16'-4,95M
	D28230006	1	Knife Back	18'-5,56M
39	D28230842	1	Guard	(T7) POS. 38 - 39
37	D28230843	1	Guard	(T7) POS. 38 -39
37	D28230844	1	Guard	(S4) POS. 38 - 39
37	D28230845	1	Guard	(S4) POS. 38 - 39
37	D28230842	2	Guard	(T8) POS. 38 - 39
38	D26500317	2	Spring	
39	D28230841	2	Spring	
40	D49040200	14	Ear Lifter	(3) 14' 4,36M
40	D49040200	16	Ear Lifter	(3)

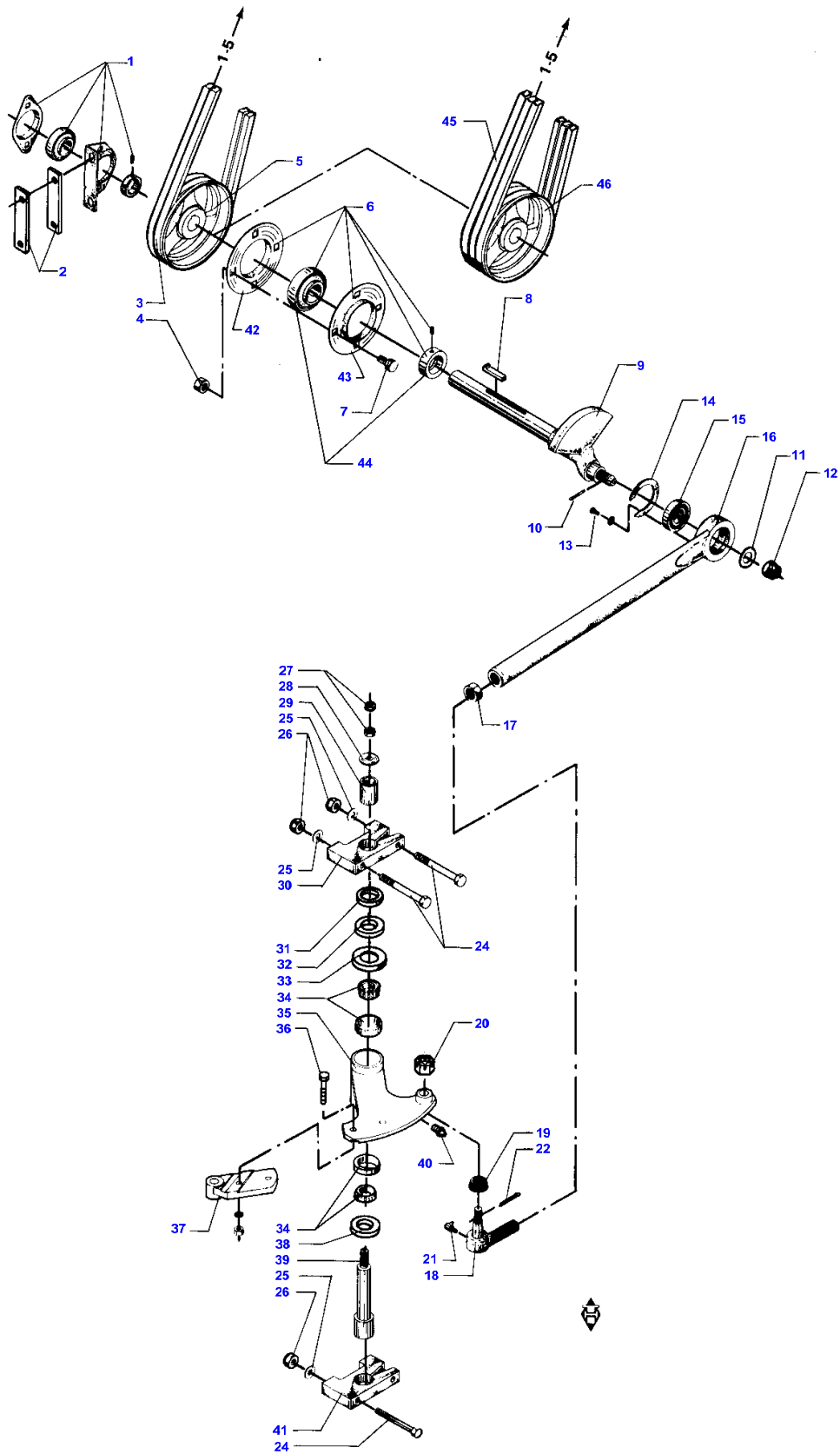
**MASSEY FERGUSON
MF 31 COMBINE - 819726**

819726

1-2

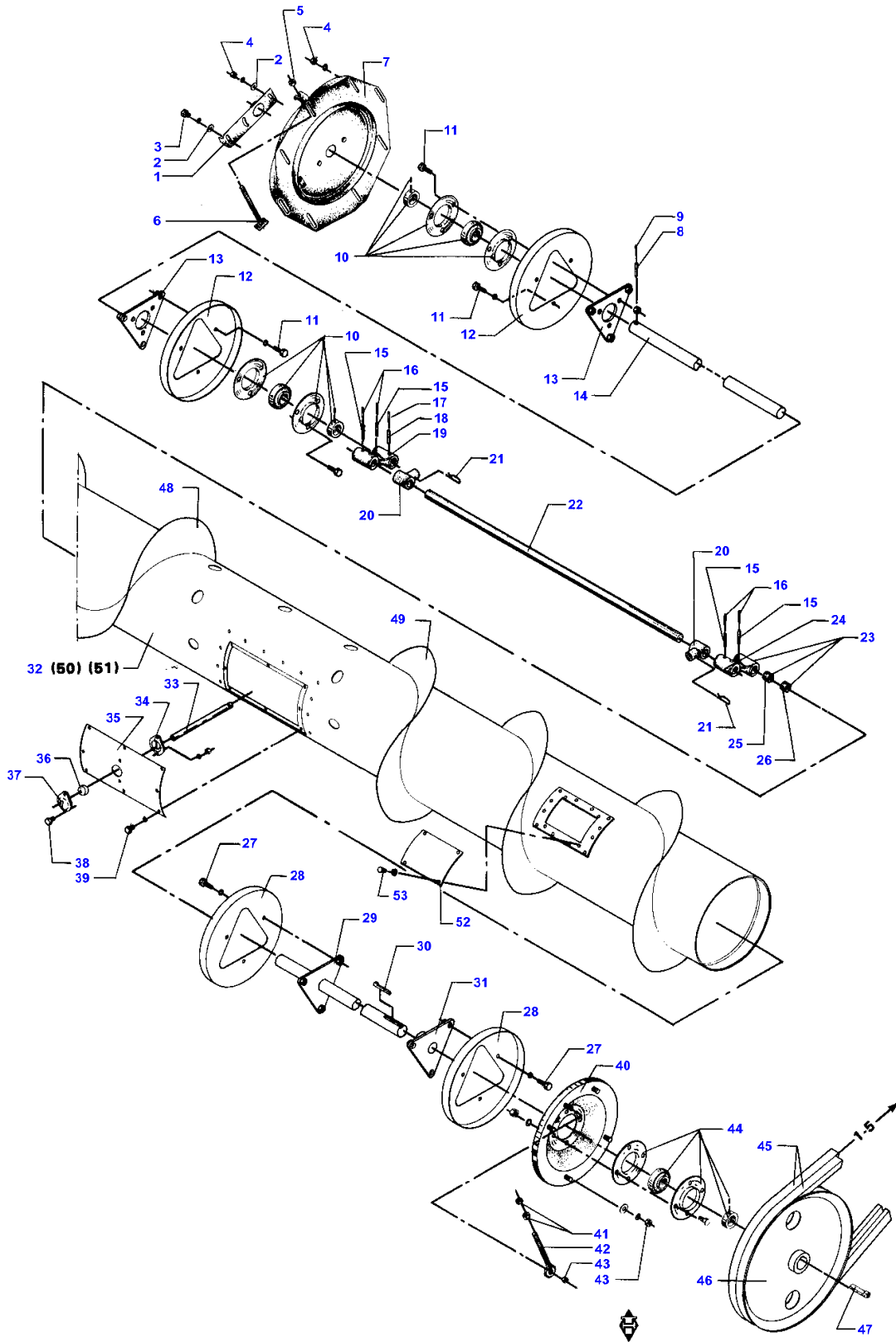
KNIVES AND FINGERS

Item	Part Number	Qty	Description	Comments
40	D49040200	18	Ear Lifter	16' 4,95M (3)
41	D40426100		Screw	18' 5,56M TYPE 2 + 3
42	D49040500		Roller	TYPE 2 + 3
43	D41013600		Nut	
44	D49040400		Spring	TYPE 2 + 3
45	D49040300	14	Ear Lifter	(3) 14' 4,36M
45	D49040300	16	Ear Lifter	(3) 16' 4,95M
45	D49040300	18	Ear Lifter	(3) 18' 5,56M (S4) 16' (T7) 14' (T8) 18' (3) OPTIONAL EQUIPMENT



KNIFE CRANK AND BELLE CRANK

Item	Part Number	Qty	Description	Comments
1	D41707300	1	Bearing	
2	D28211109	2	Shim	
3	D41964300	2	V Belt	(V7)
4	D41087700	4	Locknut	
5	D28250704	1	Pulley	(V7)
6	D41707900	1	Flange	(V7)
7	D40410800	4	HEXAGON SCREW	
8	D43155200	1	Gib Key	(V7)
9	D28250169	1	Arm	(T7)
	D28240124	1	Crankshaft	(T8)
10	D41409100	1	SPLIT PIN	
11	D20400448	1	Washer	
12	D41049100	1	Castle Nut	
	D28230249	1	Pitman	POS. 13 - 21
13	D40402200	3	Screw Metric	
14	D28220084	1	Lock Washer	
15	D41706100	1	Bearing Ball	
16	D28230247	1	Conrod	
17	D28220093	1	Locknut	
18	D44120100	1	Toggle	POS. 19 - 20
19	D44120200	1	Cap	
20	D41048700	1	Castle Nut	
21	D43005100	1	Greaser	
22	D41409000	1	Pin	
24	D40429800	4	HEXAGON SCREW	
25	D20400426	1	Washer	
26	D41087700	1	Locknut	
	D28230231	1	Bellcrank	POS. 27 - 40
27	D41012300	2	HEXAGON SCREW	
28	D28220087	1	Washer	
29	D28250691	1	Bush	
30	D28210913	1	Clamp	
31	D28250690	1	Spacer	
32	D45409100	1	Seal	
33	D28250692	1	Ring	
34	D41667400	2	Bearing Roller	
35	D28230224	1	Crank	
36	D40428300	2	HEXAGON SCREW	
37	D28230227	1	Lever	
38	D45409000	1	Seal	
39	D28220086	1	Shaft	M16
40	D43001500	1	Greaser	
41	D28210913	1	Clamp	
42	D41714700	1	Flange	(T8)
43	D41705600	1	Flange	(T8)
44	D41663700	1	Bearing	(T8)
45	D41963900	3	Belt	(T8)
46	D28250705	1	Pulley	(T8)
				(T8)
				18'
				(V7)
				14' - 16'

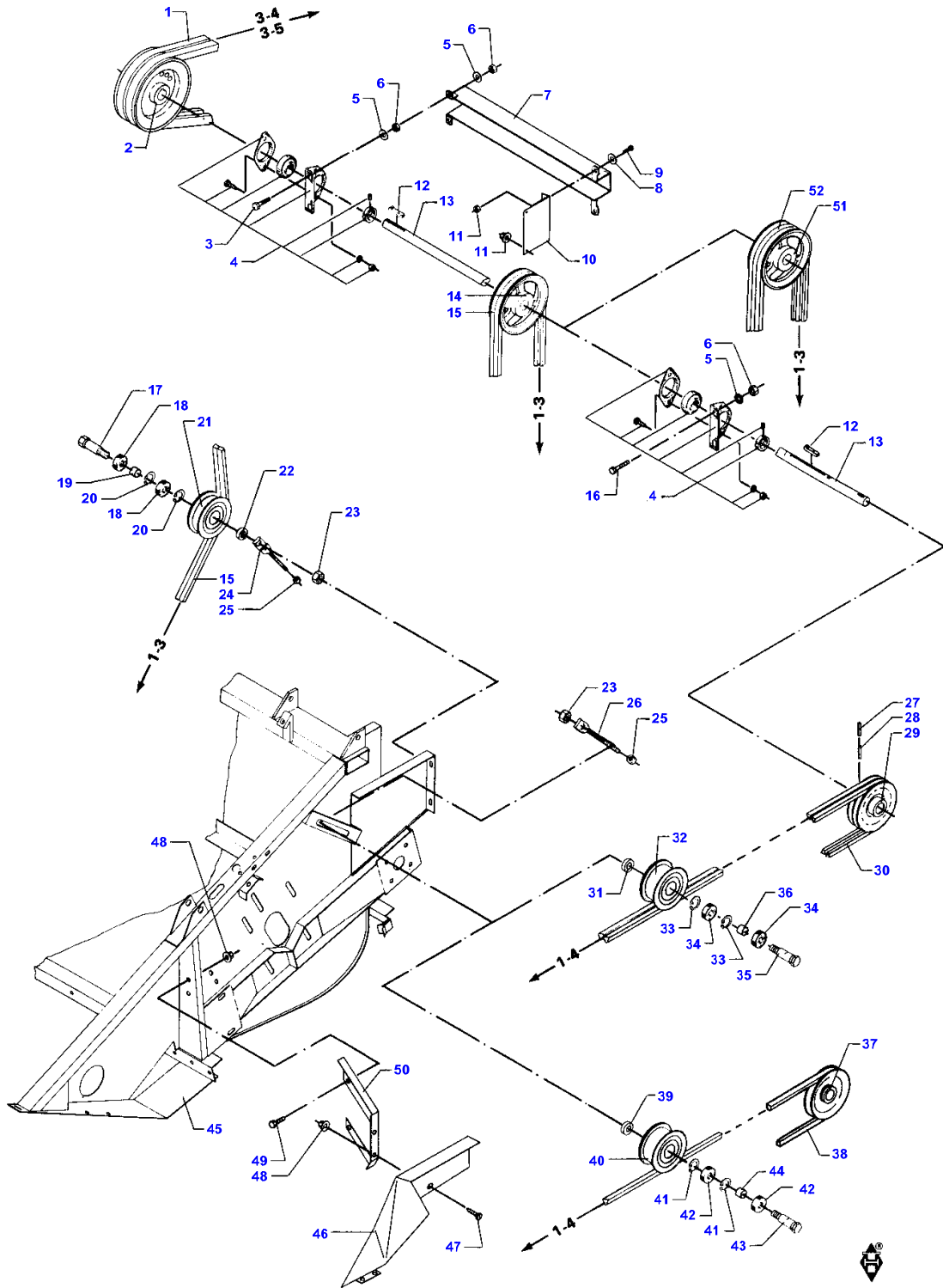


FEEDER DRUM

Item	Part Number	Qty	Description	Comments
1	D28250111	1	Bracket	
2	D20400409		Washer	
3	D40404700	1	Screw Metric	
4	D41013500	2	Nut	
5	D41010800	1	Nut Metric	
6	D28211023	1	Bolt	
7	D28251319	1	Plate	Right Hand F.915608
	D28220110	1	Plate	T.915607
8	D42625300	1	Pin	
9	D42616400	1	Pin	
	D28250381	1	Shaft	POS. 10 - 26
	D28250382	1	Shaft	POS. 10 - 26
	D28250930	1	Shaft	POS. 10 - 26
10	D41707800	2	Flange	
11	D40407700	12	Screw	
12	D28251405	2	Plate	+F.914863
13	D28250107	2	Plate	
14	D28250109	1	Shaft	14'
	D28250251	1	Crankshaft	16'
	D28250252	1	Crankshaft	18'
15	D42616200	4	Pin	
16	D42609900	4	Pin	
17	D42616400	1	Pin	
18	D42625300	1	Pin	
19	D28250385	1	Arm	Right Hand
20	D28250585	15	Support	
21	D28281236	12	Hair Pin	
22	D28200547	1	Shaft	
23	D28250384	1	Arm	(T7) POS. 23 - 26
23	D28230051	1	Arm	(T9) POS. 23 - 26
24	D28250096	1	Arm	Left Hand (T7)
24	D28230050	1	Arm	(T9) Left Hand
25	D43338100	1	Bearing	(T7)
	D43338700	1	Bush	(T9)
26	D43338300	1	Bush	(T7)
	D43338900	1	Bush	(T9)
27	D40407600	6	Screw	
28	D28251405	2	Plate	+F.914863
29	D28250101	1	Drive Shaft	14' POS. 30 - 31
29	D28250247	1	Drive Shaft	16' POS. 30 - 31
29	D28250248	1	Drive Shaft	18' POS. 30 - 31
30	D43154300	1	Gib Key	
31	D28250535	1	Flange	(T7)
	D28250536	1	Flange	16' - 18'
32	D28251363	1	Auger	(T7) POS. 10 - 31
32	D28251365	1	Auger	(S4) POS. 10 - 31
32	D28251367	1	Auger	(T8) POS. 10 - 31
33	D28250566	15	Finger	
34	D28200150	15	Support	
35	D28251302	1	Cover	F.915608
	D28200133	1	Cover	T.915607
36	D28260314	15	Toggle	
37	D28200151	15	Support	
38	D40402400	30	Screw Metric	
39	D40402200	8	Screw Metric	
40	D28210870	1	Plate	(T7)
	D28230103	1	Plate	(T9)
41	D41010800	2	Nut Metric	
42	D28210895	1	Bolt	
43	D41010700	5	Nut Metric	

FEEDER DRUM

Item	Part Number	Qty	Description	Comments
44	D41707800	1	Flange	(T7)
44	D41707900	1	Flange	(T9)
45	D41983500	2	V Belt	(R8) 14' - 16'
45	D41983600	2	Belt	(R8) 18'
45	D41983500	1	V Belt	(R9) 14' - 16'
45	D41983600	2	Belt	(T5) 14' - 16'
46	D28250887	1	Pulley	(R8) 14'
46	D28230198	1	Pulley	(R8) 16' - 18'
46	D28250887	1	Pulley	(R9)
47	D43155200	1	Gib Key	(T7)
47	D43156800	1	Gib Key	(T9)
48	D28251332	1	Spiral	(T7)
48	D28251333	1	Spiral	(S4)
48	D28251334	1	Spiral	(T8)
49	D28251329	1	Spiral	(T7)
49	D28251330	1	Spiral	(S4)
49	D28251331	1	Spiral	(T8)
50	D28251303	1	Tube	
51	D28251337	2	Tube	(T7) 14'
51	D28251342	2	Shell	(S4)
51	D28251341	2	Shell	(T8)
52	D28250412	2	Cover	(T9)
53	D40402200	8	Screw Metric	(R8) FOR TABLES WITH DOUBLE BELT (R9) FOR TABLES WITH SINGLE BELT (S4) 16' (T5) ONLY FOR DRY LANDS (T7) 14' (T8) 18' (T9) 16' - 18'

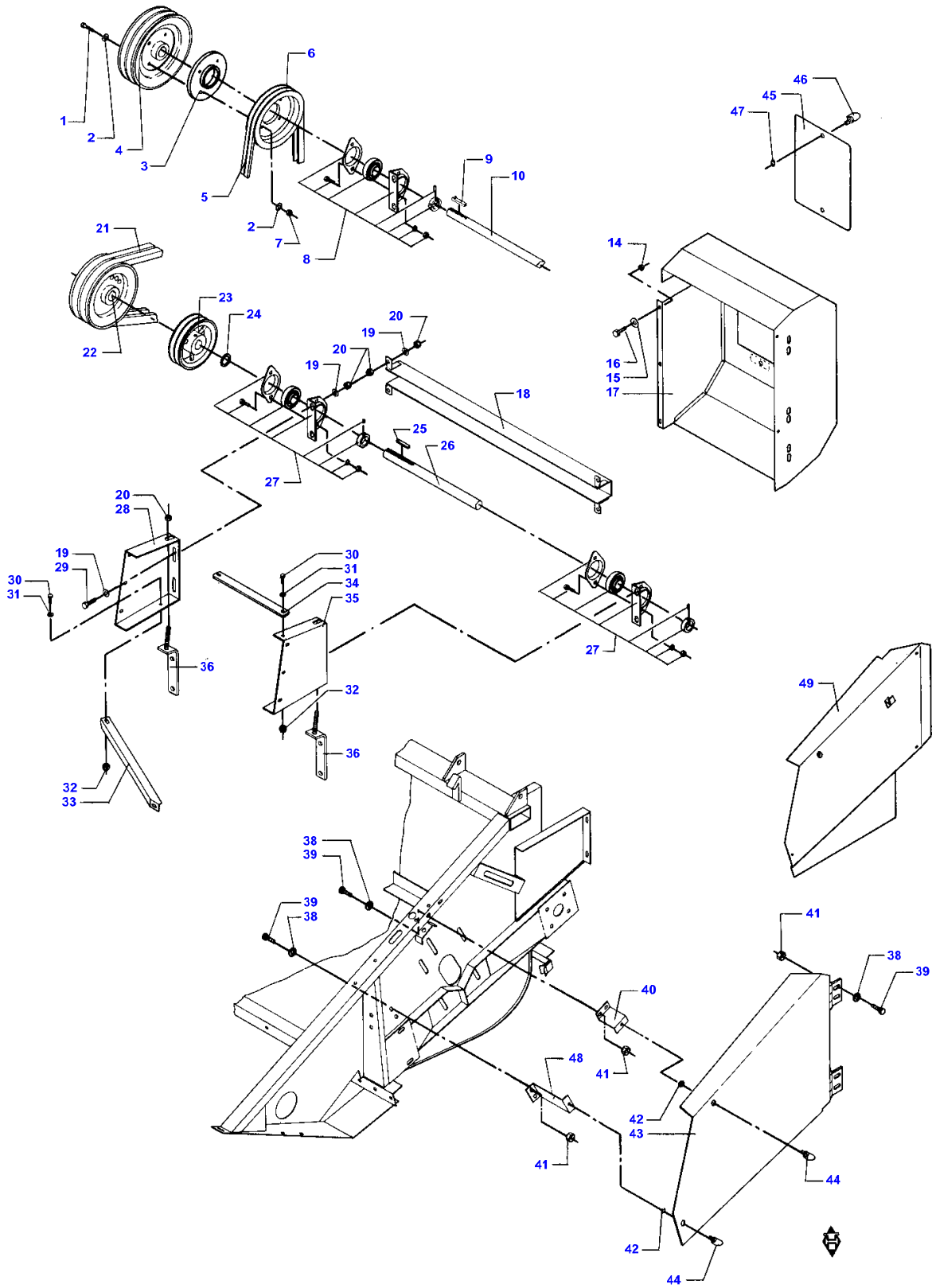


COUNTER SHAFT

Item	Part Number	Qty	Description	Comments
1	D41989400	2	V Belt	F.39275
	D41989200	1	V Belt	T.39274
2	D28250866	1	Pulley	(2) F.911160
2	D28250178	1	Plate	(2) T.911159
3	D40410900	2	Screw	
4	D41707300	2	Bearing	
5	D20400426	6	Washer	
6	D41087700	4	Locknut	
7	D28230441	1	Guard	(T7)
	D28240126	1	Guard	(S4)
	D28250672	1	Guard	(T8)
8	D20400453	2	Washer	
9	D40402400	2	Screw Metric	
10	D28230490	1	Bracket	
11	D41013400	4	Nut	
12	D43155300	2	Gib Key	
13	D28230202	1	Countershaft	16'-4,95M
	D28230203	1	Countershaft	18'-5,56M
	D28250889	1	Countershaft	(R8) 14'-4,34M
13	D28230201	1	Countershaft	(R9) 14',34M
14	D28250440	1	Pulley	(V7)
15	D41963900	2	Belt	(T5)
	D41964300	2	V Belt	(V7)
16	D40428300	2	HEXAGON SCREW	
	D28230246	1	Idler	(T8) POS. 17 - 22
17	D28250370	1	Bolt	(T8)
	D28250233	1	Bolt	(V7)
18	D41622800	2	Ball	(T8)
	D41622700	2	Bearing Ball	(V7)
19	D28230244	1	Ring	(T8)
	D28740028	1	Spacer	(V7)
20	D42514000	2	Circlip	(T8)
	D42513700	2	Circlip	(V7)
21	D28230239	1	Pulley	(T8)
	D28700607	1	Roller	(V7)
22	D28230245	1	Spacer	(T8)
	D28250234	1	Spacer	(V7)
23	D41088100	2	Locknut	
24	D28230266	1	Bolt	
25	D41087700	2	Locknut	
26	D28230267	1	Bolt	
27	D42616700	1	TIGHENING PIN	
28	D42625600	1	Pin	
29	D28230194	1	Pulley	(R8)
30	D41983500	2	V Belt	(R8) 14' - 16'
30	D41983600	2	Belt	(R8) 18'-5,56M
30	D41983600	2	Belt	(T5)
31	D28230245	1	Spacer	(R8)
	D28230246	1	Idler	(R8) POS. 32 - 36
32	D28230239	1	Pulley	(R8)
33	D42514000	2	Circlip	(R8)
34	D41622800	2	Ball	(R8)
35	D28250370	1	Bolt	(R8)
36	D28230244	1	Ring	(R8)
37	D28240034	1	Pulley	(R9)
38	D41983500	1	V Belt	(R9)
39	D28250234	1	Spacer	(R9)
40	D28700607	1	Roller	(R9)
41	D42513700	2	Circlip	(R9)
42	D41622700	2	Bearing Ball	(R9)
43	D28250233	1	Bolt	(R9)
44	D28740028	1	Spacer	(R9)

COUNTER SHAFT

Item	Part Number	Qty	Description	Comments
45	D28250187	1	Housing	14' 4,34M
45	D28250276	1	Housing	16' 4,95M
45	D28250277	1	Housing	18' 5,56M
	D28050909	1	Parts Pack	(T5) POS. 46 - 50
46	D28950448	1	Plate	(T5)
47	D40689800	4	Screw	(T5)
48	D41013600	6	Nut	(T5)
49	D40407700	2	Screw	(T5)
50	D28950447	1	Support	(T5)
51	D28250439	1	Pulley	18'-5,56M
52	D41963900	3	Belt	18'-5,56M (R8) FOR TABLES WITH DOUBLE BELT (R9) FOR TABLES WITH SINGLE BELT (S4) 16' (T5) ONLY FOR DRY LANDS (T7) 14' (T8) 18' (V7) 14' - 16' (2) NO. REFERS TO TABLE NUMBER



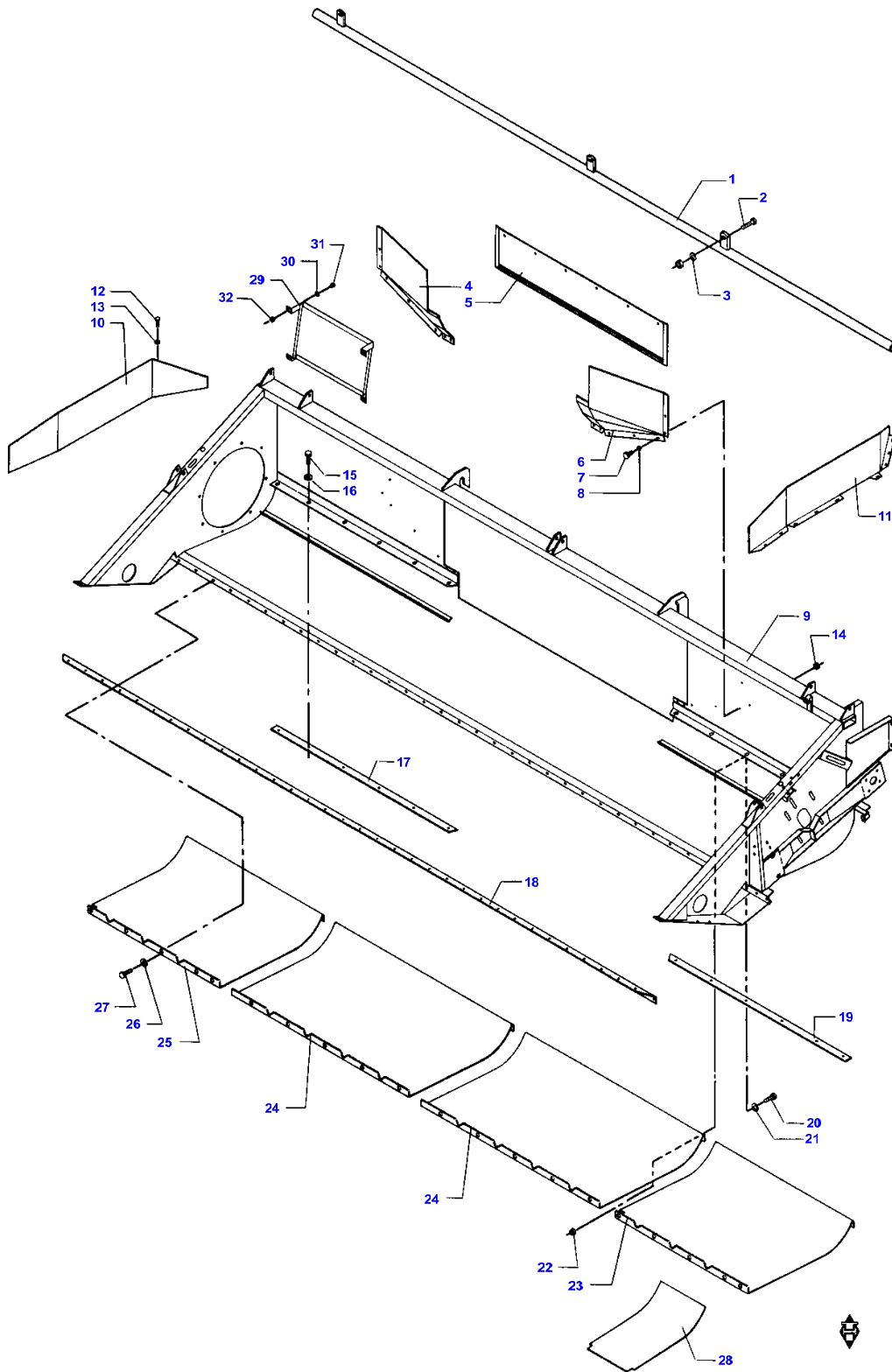
**MASSEY FERGUSON
MF 31 COMBINE - 819726**

819726

1-6

GUARDING AND REDUCING EQUIPMENT

Item	Part Number	Qty	Description	Comments
1	D40408100	4	HEXAGON SCREW	
2	D20400416	8	Washer	
3	D28250678	1	Bridle	
4	D28250867	1	Pulley	
5	D41925200	2	V Belt	
6	D28250681	1	Pulley	
7	D41087600	4	Locknut	
8	D41707300	2	Bearing	
9	D43155300	2	Gib Key	
10	D28250889	1	Countershaft	14'-4,34M (R8)
10	D28230201	1	Countershaft	(R9) 14'-4,34M
10	D28230202	1	Countershaft	16'-4,95M
	D28230203	1	Countershaft	18'-5,56M
14	D41013400	11	Nut	
15	D20400469	5	Washer	
16	D40402400	5	Screw Metric	
17	D28250286	1	Guard	
18	D28250687	1	Guard	(V7)
	D28250671	1	Guard	(T8)
19	D20400426	10	Washer	
20	D41087700	14	Locknut	
21	D41989400	1	V Belt	F.39275
	D41989200	1	V Belt	T.39274
22	D28250866	1	Pulley	F.911160
	D28250718	1	Pulley	T.911159
23	D28250680	1	Pulley	
24	D27700244	1	Spacer	
25	D43104900	1	Key	
26	D28250679	1	Countershaft	
27	D41707300	2	Bearing	
28	D28251518	1	Bracket	
29	D40411400	4	Screw Metric	
30	D40405000	2	Screw Metric	
31	D20400409	2	Washer	
32	D41013500	2	Nut	
34	D28250918	1	Stay	
35	D28250922	1	Bracket	Left Hand
36	D28250919	2	Bracket	
38	D20400404		Washer	
39	D40402400		Screw Metric	
40	D28250435	1	Bracket	
41	D41013400	4	Nut	
42	D42555500	2	Circlip	
43	D28250459	1	Guard	
44	D43427200	2	Pin	
45	D28251577	1	Cover	F.916692
46	D43427200	2	Pin	F.916692
47	D42555500	2	Circlip	F.916692
48	D28250284	1	Bracket	
49	D28250434	1	Guard	
50	D28251722	1	Support	
51	D40411200	3	Setscrew	(R8) FOR TABLES WITH DOUBLE BELT (R9) FOR TABLES WITH SINGLE BELT (T8) 18' (V7) 14' - 16'



WEARING PLATES AND STONE STOP

Item	Part Number	Qty	Description	Comments
1	D28250594	1	Stop	14' POS. 2 - 3
1	D28250595	1	Stop	16' POS. 2 - 3
1	D28250596	1	Stop	18' POS. 2 - 3
2	D40551600	3	Bolt	
3	D20400471	3	Washer	
4	D28250180	1	Guard	Right Hand
5	D28250178	1	Plate	
6	D28250179	1	Guard	Left Hand
7	D40402400	24	Screw Metric	
8	D20400404	25	Washer	
9	D28250187	1	Housing	14' 4,34M
9	D28250276	1	Housing	16' 4,95M
9	D28250277	1	Housing	18' 5,56M
10	D28250885	1	Plate	Right Hand
11	D28250886	1	Plate	Left Hand
12	D40402400	17	Screw Metric	
13	D20400404	34	Washer	
14	D41013400	25	Nut	
15	D40405000		Screw Metric	
16	D20400409		Washer	
17	D28230182	1	Stripper	(T7) Right Hand
17	D28230184	1	Stripper	(S4) Right Hand
17	D28230146	1	Stripper	(T8) Right Hand
18	D28230011	1	Bar	(T7) 14'
18	D28230010	1	Bar	(S4) 16'
18	D28230009	1	Bar	(T8) 18'
19	D28230183	1	Stripper	(T7) Left Hand
19	D28230185	1	Stripper	(S4) Left Hand
19	D28230147	1	Stripper	(T8) Left Hand
20	D40423700		HEXAGON SCREW	
21	D20400409		Washer	
22	D41087500		Locknut	
23	D28250367	1	Wearplate	Left Hand
24	D28250368	2	Wearplate	(X6)
	D28250369	1	Wearplate	14'-4,34M 4'
24	D28250369	3	Wearplate	16'-4,95M 4'
24	D28250369	2	Wearplate	18'-5,56M 4'
25	D28250366	1	Wearplate	Right Hand
26	D20400471		Washer	
27	D40407800		HEXAGON SCREW	
28	D28250838		Wearplate	
29	D28251311	1	Retainer	(T9)
	D28251573	1	Retainer	(T7) F.916283
30	D20400409	4	Washer	
31	D40404900	1	Screw Metric	
32	D41013500	4	Nut	(S4) 16' (T7) 14' (T8)

WEARING PLATES AND STONE STOP

Item	Part Number	Qty	Description	Comments
				18'
				(T9)
				16' - 18'
				(X6)
				14' +18'

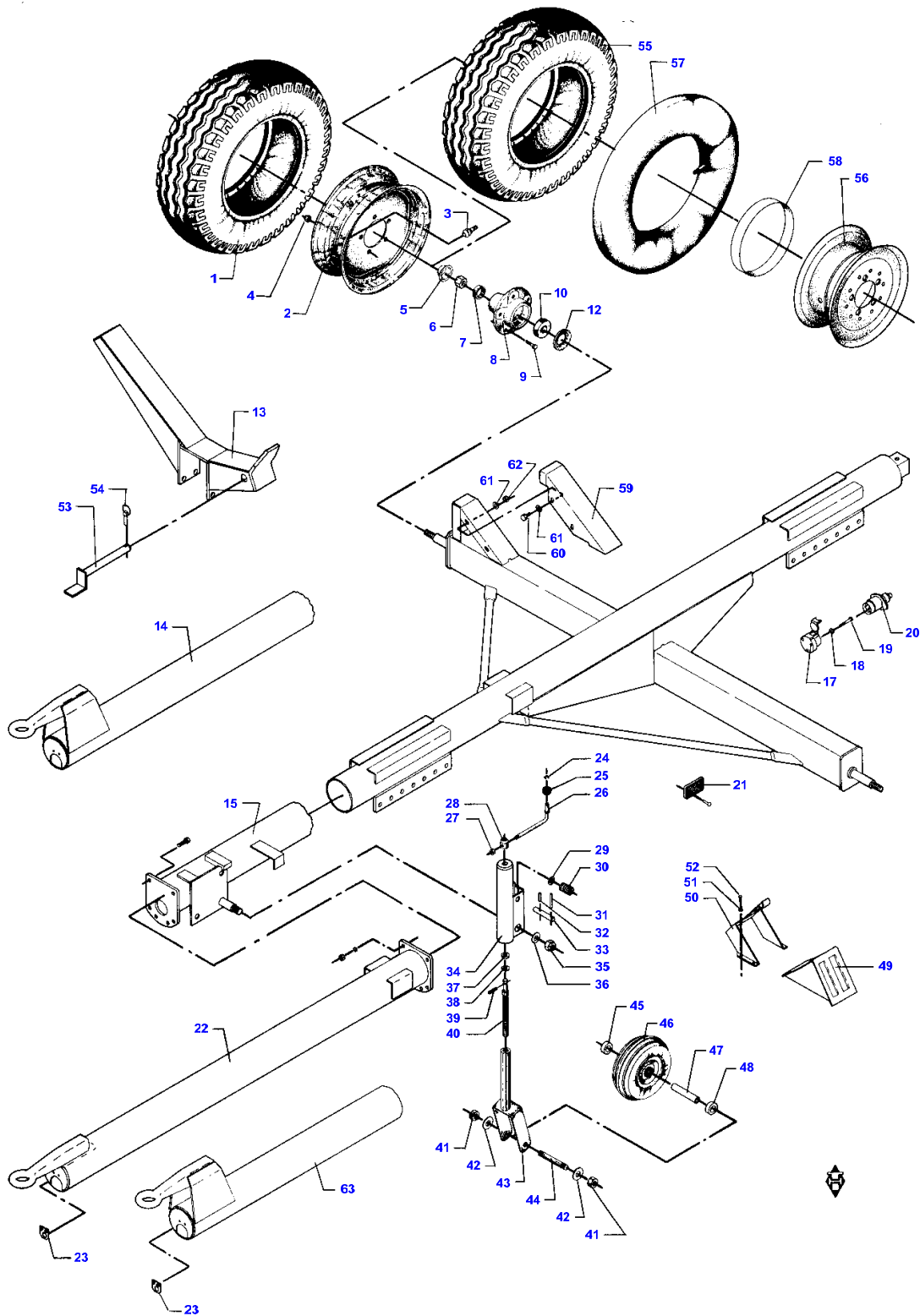


TABLE TRAILER 1

Item	Part Number	Qty	Description	Comments
	D28251103	2	Wheel	(E7) POS. 1 - 3
1	D46704100	2	Tyre	
2	D28251102	2	Rim	
3	D46737200	2	Valve	
4	D41021600	10	Nut	
5	D46723900	2	Cap	
6	D41087900	2	Locknut	
7	D41620900	2	Bearing Ball	
8	D46724000	2	Hub	
9	D40438200	10	Bolt	
10	D41623000	1	Bearing Ball	
12	D41582400	2	Washer	
13	D28251096	2	Bracket	
	D28251113	2	Bracket	(45)
14	D28251628	1	Table	(45)
15	D28251829	1	Table	
17	D45005200	1	Socket	
18	D20400400	3	Washer	
19	D40351600	3	Screw Metric	
20	D45005300	1	Socket	
21	D45084600		Reflector	
22	D28251080	1	Drawbar	(E7)
23	D28250748	1	Support	
24	D20400466	1	Washer	
25	D28200609	1	Ball	
26	D28250327	1	Lever	
27	D4108700	1	Locknut	
28	D28250356	1	Hub	
29	D20400441	1	Washer	
30	D28700136	1	Spring	
31	D42616700	1	TIGHENING PIN	
32	D41410800	1	SPLIT PIN	
33	D28250355	1	Pin	
34	D28251079	1	Pipe	
25	D41088100	1	Locknut	
36	D20400437	1	Washer	
37	D41597100	1	Bearing	
39	D42612000	1	TIGHENING PIN	
40	D28250337	1	Spindle	
41	D41011100	2	HEXAGON SCREW	
42	D20400459	2	Washer	
43	D28250340	1	Pipe	
44	D28250315	1	Shaft	
45	D28250305	1	Spacer	
46	D46721700	1	Wheel	
47	D28250317	1	Bush	
48	D28250305	1	Spacer	
49	D45907200	2	Wedge	
50	D45907300	2	Holder	
51	D20400401	8	Washer	
52	D40741200	8	Screw	
53	D28250759	2	Pin	
54	D41446200	2	Pin	
	D28251112	2	Wheel	(E8) POS. 55 - 58
55	D46705600	2	Tyre	
56	D28251111	2	Rim	
57	D46708800	2	Tube	
58	D46737500	2	Rim	
59	D28251643	1	Plate	(E7)
60	D40410900	4	Screw	
61	D20400426	8	Washer	
62	D41010900	4	Nut Metric	
63	D28251310	1	Drawbar	(E8) (E7) 7.00 X 12 (E8) 6.00E X 9 (45)

MASSEY FERGUSON
MF 31 COMBINE - 819726

819726

TABLE TRAILER 1

1-8

Item	Part Number	Qty	Description	Comments
				ONLY FOR GERMANY, SCHWITZERLAND, AUSTRIA AND HOLLAND

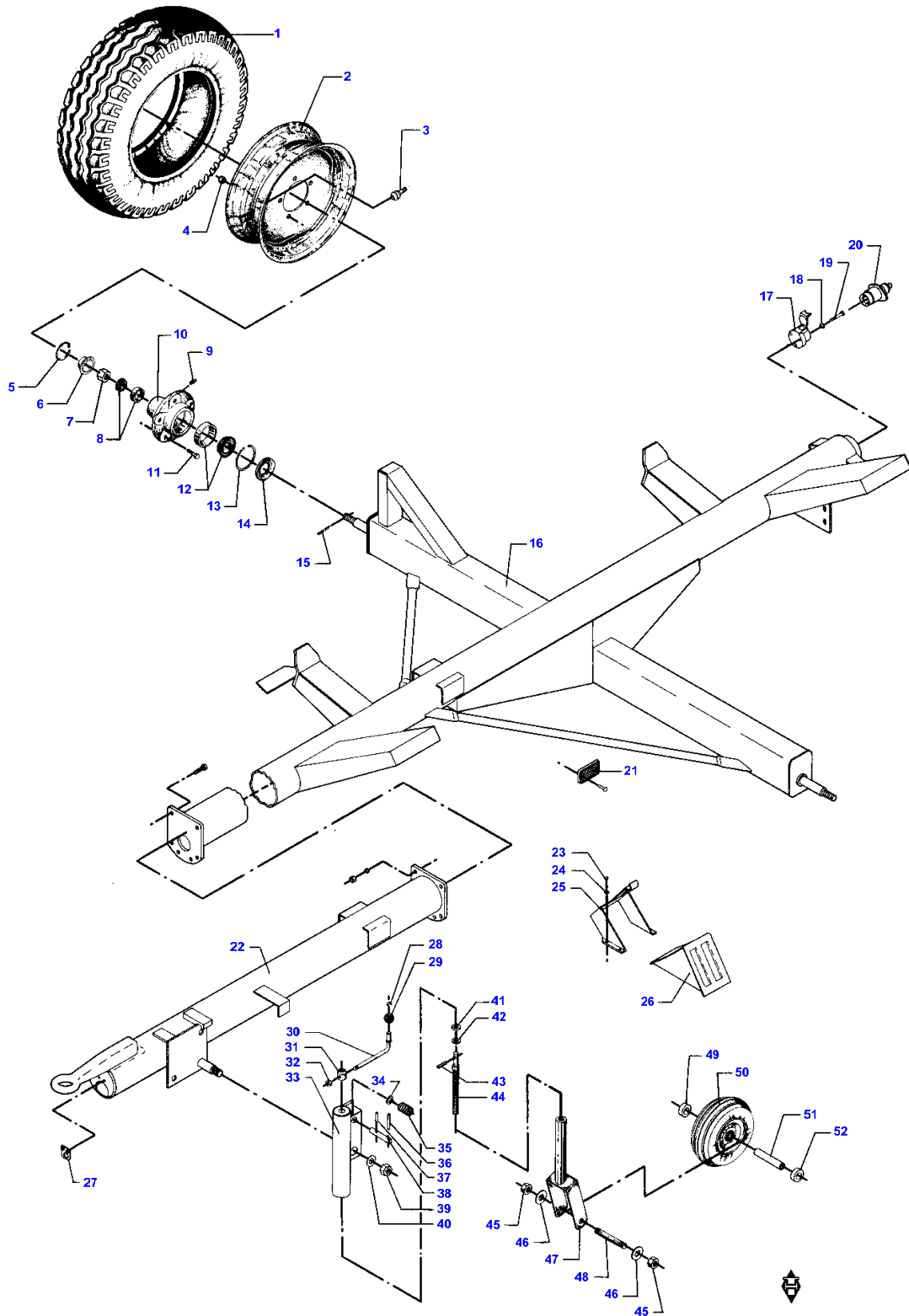
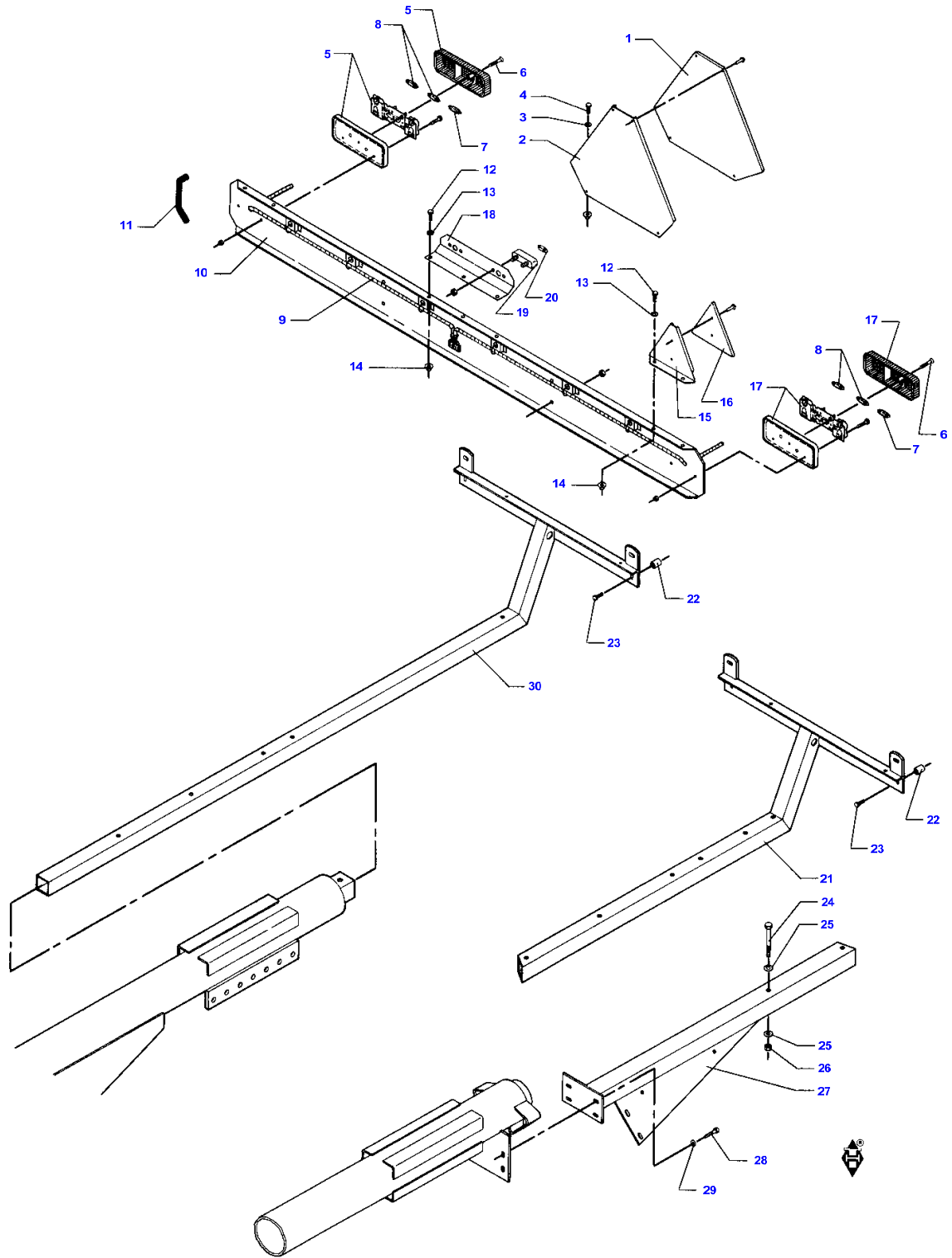


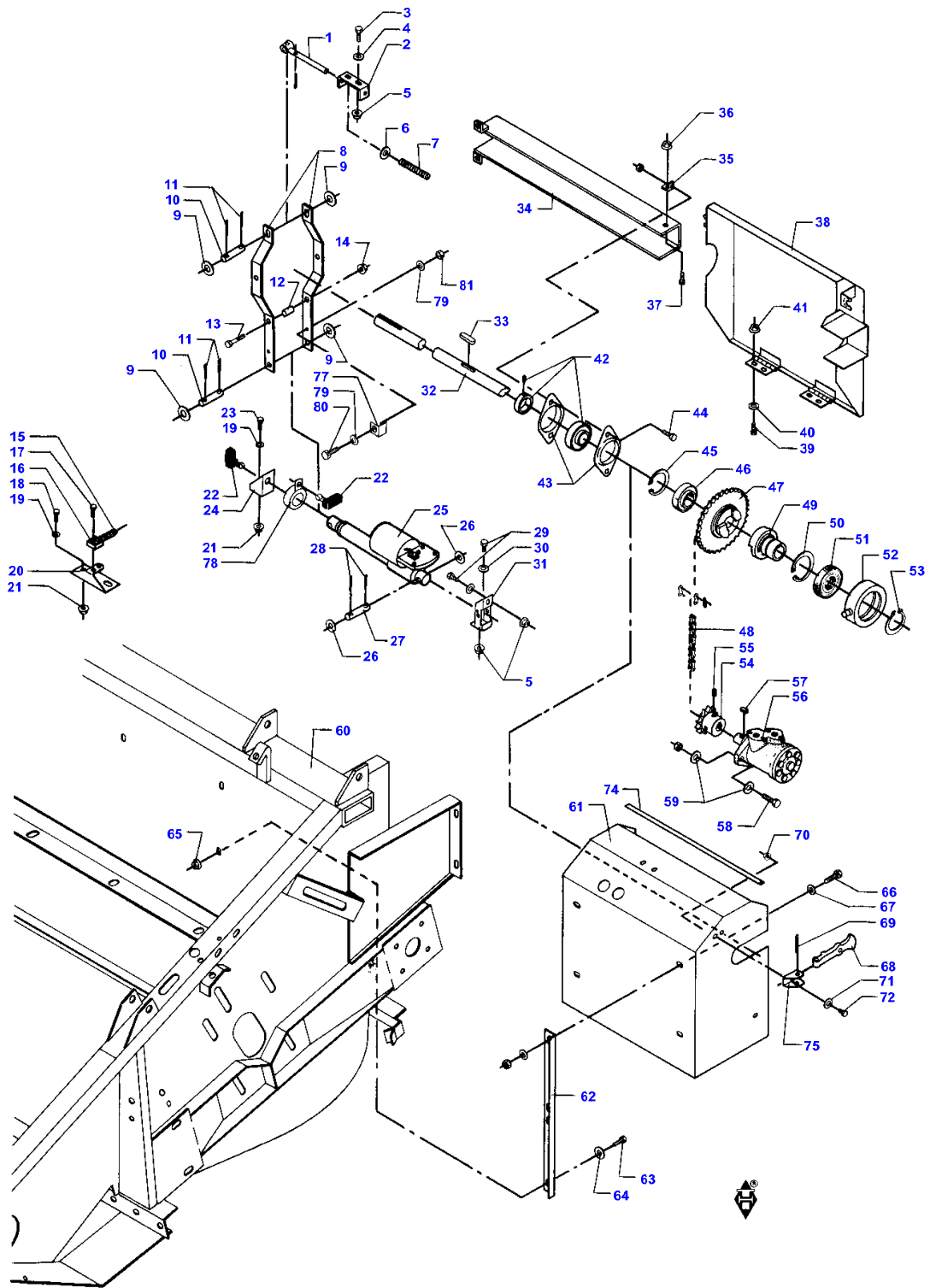
TABLE TRAILER 2

Item	Part Number	Qty	Description	Comments
	D28250792	1	Wheel And Tyre	POS. 1 - 3
1	D46704100	1	Tyre	
2	D28100264	1	Rim	
3	D46737200	1	Valve	
4	D28100259	10	Nut	
5	D20300462	2	Spring	
6	D27100711	2	Cap	
7	D41053100	2	Castle Nut	
8	D41661100	2	Bearing Roller	
9	D43001500	2	Greaser	
10	D28100254	2	Hub	
11	D40445100	10	Setscrew	
12	D41661400	2	Bearing Roller	
13	D28100258	2	Seal	
14	D28100255	2	Retainer	
15	D41410900	2	SPLIT PIN	
16	D28250785	1	Trailer	
17	D45005200	3	Socket	
18	D20400400	3	Washer	
19	D40351600	3	Screw Metric	
20	D45005300	1	Socket	
21	D45084600	6	Reflector	
22	D28250774	1	Extension	
23	D40741200	8	Screw	
24	D20400401	8	Washer	
25	D45907300	2	Holder	
26	D45907200	2	Wedge	
27	D28250748	1	Support	
28	D20400466	1	Washer	
29	D28200609	1	Ball	
30	D28250327	1	Lever	
31	D28250356	1	Hub	
32	D410987700	1	Locknut	
33	D28250350	1	Pipe	
34	D20400441	1	Washer	
35	D28700136	1	Spring	
36	D42161700	1	SPLIT PIN	
37	D41410800	1	SPLIT PIN	
38	D28250355	1	Pin	
39	D41088100	1	Locknut	
40	D20400437	1	Washer	
41	D41597100	1	Bearing	
42	D28210409	1	Ring	
43	D42612000	1	TIGHENING PIN	
44	D28250337	1	Spindle	
45	D41011100	2	HEXAGON SCREW	
46	D20400459	2	Washer	
47	D28250340	1	Pipe	
48	D28250315	1	Shaft	
49	D28250305	1	Spacer	
50	D46721700	1	Wheel	
51	D28250317	1	Bush	
52	D28250305	1	Spacer	



LIGHTENING BRACKET

Item	Part Number	Qty	Description	Comments
1	D45084500	1	Reflector	
2	D28251559	1	Support	
3	D20400404	3	Washer	
4	D40402600	3	Screw Metric	
	D28250777	1	Bracket	POS. 5 - 20
	D28251308	1	Bracket	POS. 5 - 17
5	D45077300	1	Lh Rear Lamp	Right Hand
6	D40400700	4	Screw Metric	
7	D45080700	2	Bulb	
8	D45080600	4	Bulb	
9	D28250776	1	Wiring Harness	
10	D28250772	1	Bracket	
11	D44735900		Seal Section	0,750 M
12	D40402400	7	Screw Metric	
13	D20400470	7	Washer	
14	D41013400	7	Nut	
15	D28250558	2	Retainer	
16	D45083900	2	Reflector	
17	D45077100	1	Rh Rear Lamp	Left Hand
18	D28270086	1	Support	
19	D45085500	2	Lamp	
20	D45080900	2	Bulb	
21	D28250773	1	Bracket	
22	D28251428	4	Spacer	
23	D40405400	4	Screw Metric	
24	D40429200	2	Bolt	
25	D20400423	4	Washer	
26	D41087700	2	Locknut	
27	D28250456	1	Bracket	
28	D40407900	4	Screw Metric	
29	D20400419	8	Washer	
30	D28251617	1	Bracket	

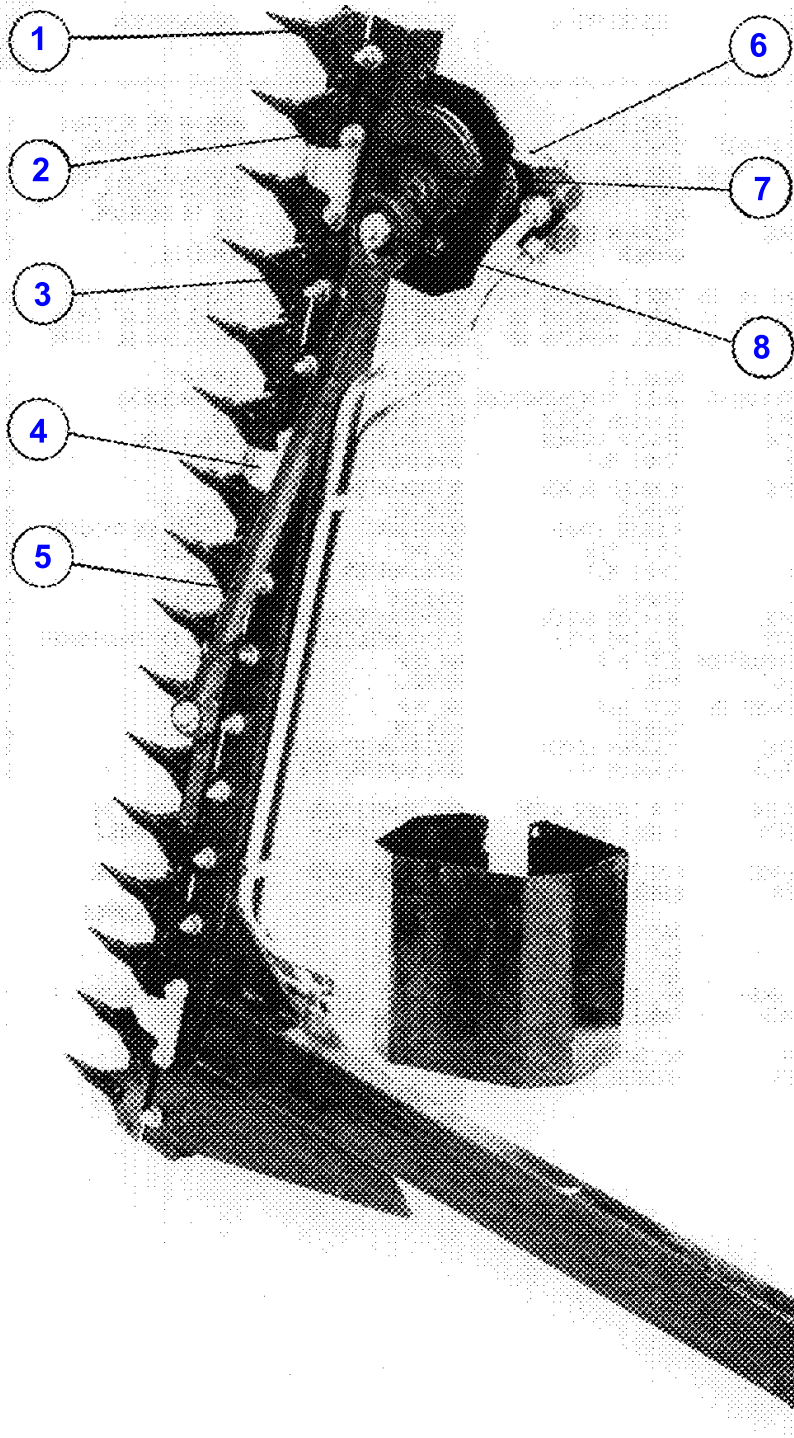


REVERSE DRIVE OF CUTTING TABLE

Item	Part Number	Qty	Description	Comments
1	D28250605	1	Bolt	
2	D28250604	1	Bracket	
3	D40405000	2	Screw Metric	
4	D20400409	2	Washer	
5	D41013500	2	Nut	
6	D20400426	1	Washer	
7	D27200158	1	Spring	
8	D28250619	2	Lever	
9	D20400426	4	Washer	
10	D28250641	2	Pin	
11	D41408800	4	Pin	
12	D28250607	1	Spacer	
13	D40426200	1	HEXAGON SCREW	
14	D41013600	1	Nut	
15	D28250646	1	Spring	(8) T.43140
16	D45004900	1	Switch	(8) T.43140
17	D40350700	1	HEXAGON SCREW	(8) T.43140
18	D40402600	2	Screw Metric	(8) T.43140
19	D20400470	4	Washer	(8) T.43140
20	D28250639	1	Retainer	(8) T.43140
21	D41013400	4	Nut	(8) T343140
22	D45076600	1	Micro Switch	T.43140
	D45076600	2	Micro Switch	F.43141
23	D40402400	2	Screw Metric	
24	D28250608	1	Retainer	
25	D45060800	1	Cylinder	(2)
	D45057700	1	Ram	(2) T.914283
26	D20400426	2	Washer	
28	D28751095	1	Pin	
	D41408800	2	Pin	
29	D40404900	2	Screw Metric	
30	D20400409	2	Washer	
31	D28250610	1	Bracket	
	D41013500	2	Nut	
32	D28250889	1	Countershaft	(R8) 14'-4,34M
32	D28230201	1	Countershaft	(R9) 14'-4,34M
32	D28230202	1	Countershaft	16'-4,95M
	D28230203	1	Countershaft	18'-5,56M
33	D43104900	1	Key	
34	D28251204	1	Guard	(T7) 14'
34	D28251205	1	Guard	(S4) 16'
34	D28251206	1	Guard	(T8) 18'
35	D28250648	2	Clip	
36	D41013500	2	Nut	
37	D40601600	2	Screw Metric	
38	D28250618	1	Guard	
39	D40402400	4	Screw Metric	
40	D20400470	4	Washer	
41	D41013400	4	Nut	
42	D41706700	1	Bearing Ball	
43	D41714400	2	Flange	
44	D40407900	2	Screw Metric	
45	D42515000	1	Circlip	
46	D41663400	1	Bearing Ball	
47	D28250614	1	Sprocket	
48	D42325700	1	Chain	
49	D28250944	1	Dog	

REVERSE DRIVE OF CUTTING TABLE

Item	Part Number	Qty	Description	Comments
50	D42515900	1	Circlip	
51	D41623300	1	Bearing Ball	
52	D28250612	1	Shell	
53	D42504300	1	Circlip	
54	D28650023	1	Drive	
55	D40632200	2	Pin	
56	D45120700	1	Hydraulic Motor	
57	D43103400	1	Key	
58	D40428300	2	HEXAGON SCREW	
59	D20400426	4	Washer	
60	D28250187	1	Housing	(T7) 14'
60	D28250276	1	Housing	(S4) 16'
60	D28250277	1	Housing	(T8) 18'
61	D28250622	1	Bracket	
62	D28250627	2	Angle	
63	D40407800	2	HEXAGON SCREW	
64	D20400511	2	Washer	
65	D41013600	2	Nut	
66	D40411000	4	HEXAGON SCREW	
67	D20400425	4	Washer	
68	D44737100	2	Rubber Strap	
69	D41411100	2	SPLIT PIN	
70	D41013400	4	Nut	
71	D20400470	4	Washer	
72	D40402400	4	Screw Metric	
74	D28251574	1	Gasket	F.916089
75	D28130287	2	Retainer	(8) F.43141
77	D28752108	1	Angle	(8) F.43141
78	D28752112	1	Retainer	(8) F.43141
79	D20400405	2	Washer	(8) F.43141
80	D40400900	1	Setscrew	(8) F.43141
81	D41010500	1	Nut	(8) F.43141 (R8) FOR TABLES WITH DOUBLE BELT (R9) FOR TABLES WITH SINGLE BELT (S4) 16' (T7) 14' (T8) 18' (2) NO. REFERS TO TABLE NUMBER (8) NO. INDICATES MACHINE NO.



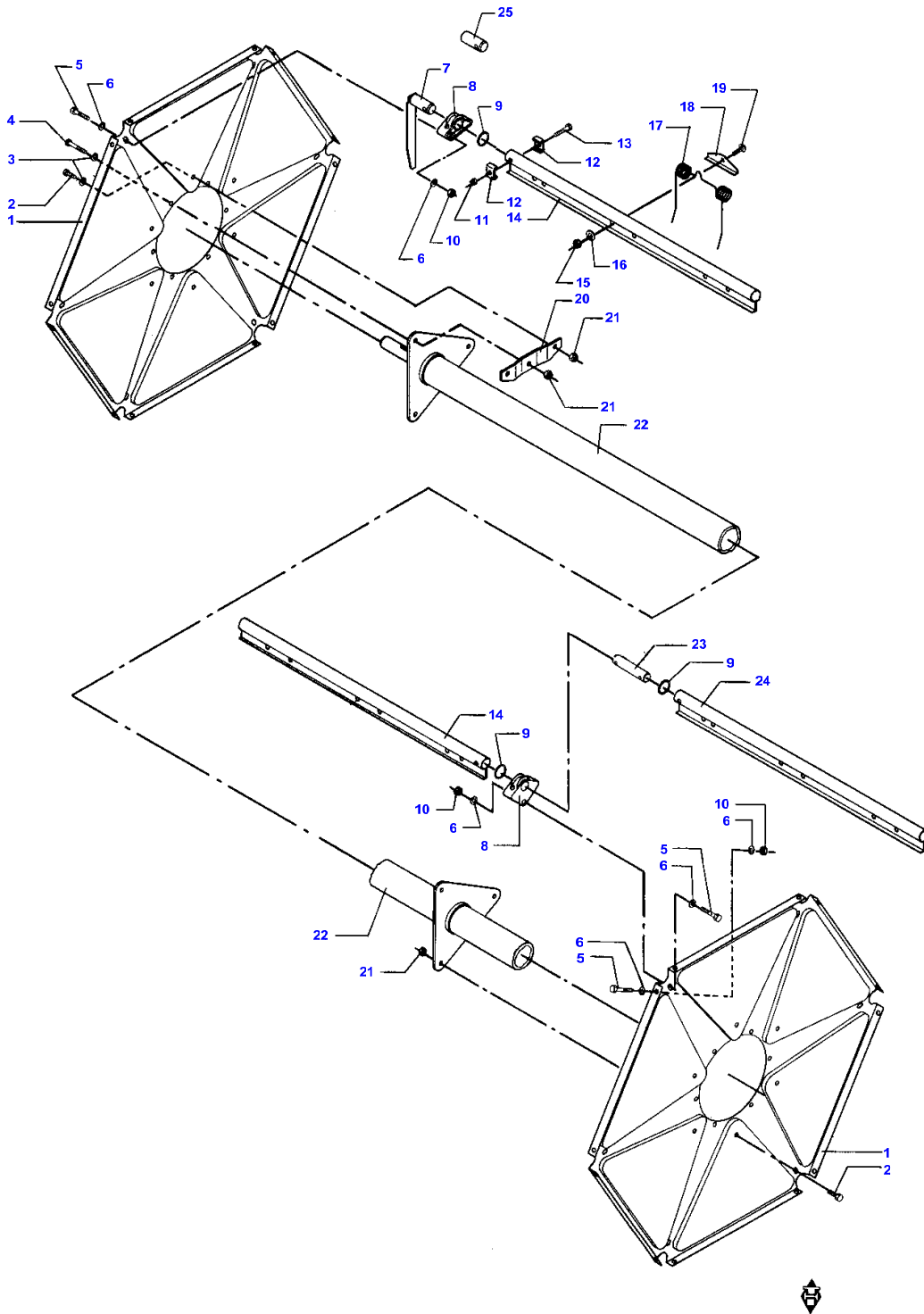
MASSEY FERGUSON
MF 31 COMBINE - 819726

819726

1-12

SIDE KNIFE

Item	Part Number	Qty	Description
	D28050995	1	Blade
	D28050996	1	Blade
1	D44102900		Finger
2	D44100000		Section
3	D44121100		Blade
4	D25200899		Clip
5	D44121500		Arm
6	D44121200		Distributor
7	D44121300		Crank
8	D44121400		Bearing Assy
9	D44122400		Knife Head
10	D44122600		Head



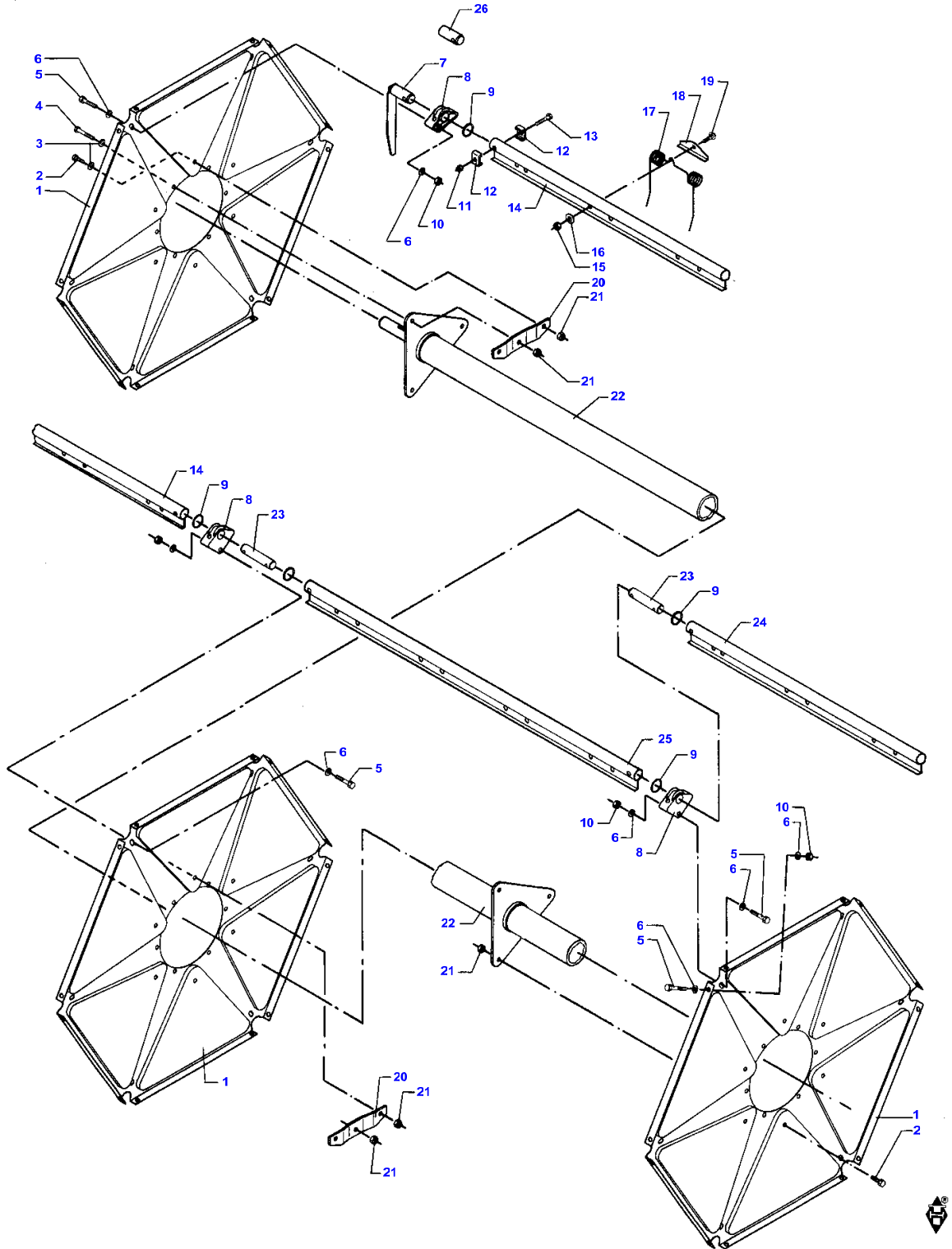
**MASSEY FERGUSON
MF 31 COMBINE - 819726**

819726

2-1A

REEL - 14'

Item	Part Number	Qty	Description	Comments
1	D28660002	4	Plate	
2	D40405000	18	Screw Metric	
3	D20400409	27	Washer	
4	D40404900	9	Screw Metric	
5	D40402600	72	Screw Metric	
6	D20400470		Washer	
7	D28660144	6	Spike	(2) F.915177
8	D28680132	24	Cap	
9	D20400528	24	Spacer	
10	D41087400	72	Locknut	
11	D41087600	24	Locknut	
12	D28660035	24	Divider	
13	D40426000	24	Screw	
14	D28650222	6	Bar	Right Hand
15	D41087500	84	Locknut	
16	D20400409	84	Washer	
17	D28650165	84	Spring	(2) F.915177
17	D28660027	84	Reel Tine	(2) T.915176
18	D28660116	84	Retainer	
19	D40063700	84	Screw	
20	D28660051	9	Dog	
21	D41013500	27	Nut	
22	D28650127	1	Pipe	14'
23	D28660122	6	Pin	
24	D28650221	6	Bar	Left Hand
	D28650119	6	Rake	Left Hand
25	D28660113	6	Clevis Pin	(2) T.915176 (2) NO. REFERS TO TABLE NUMBER

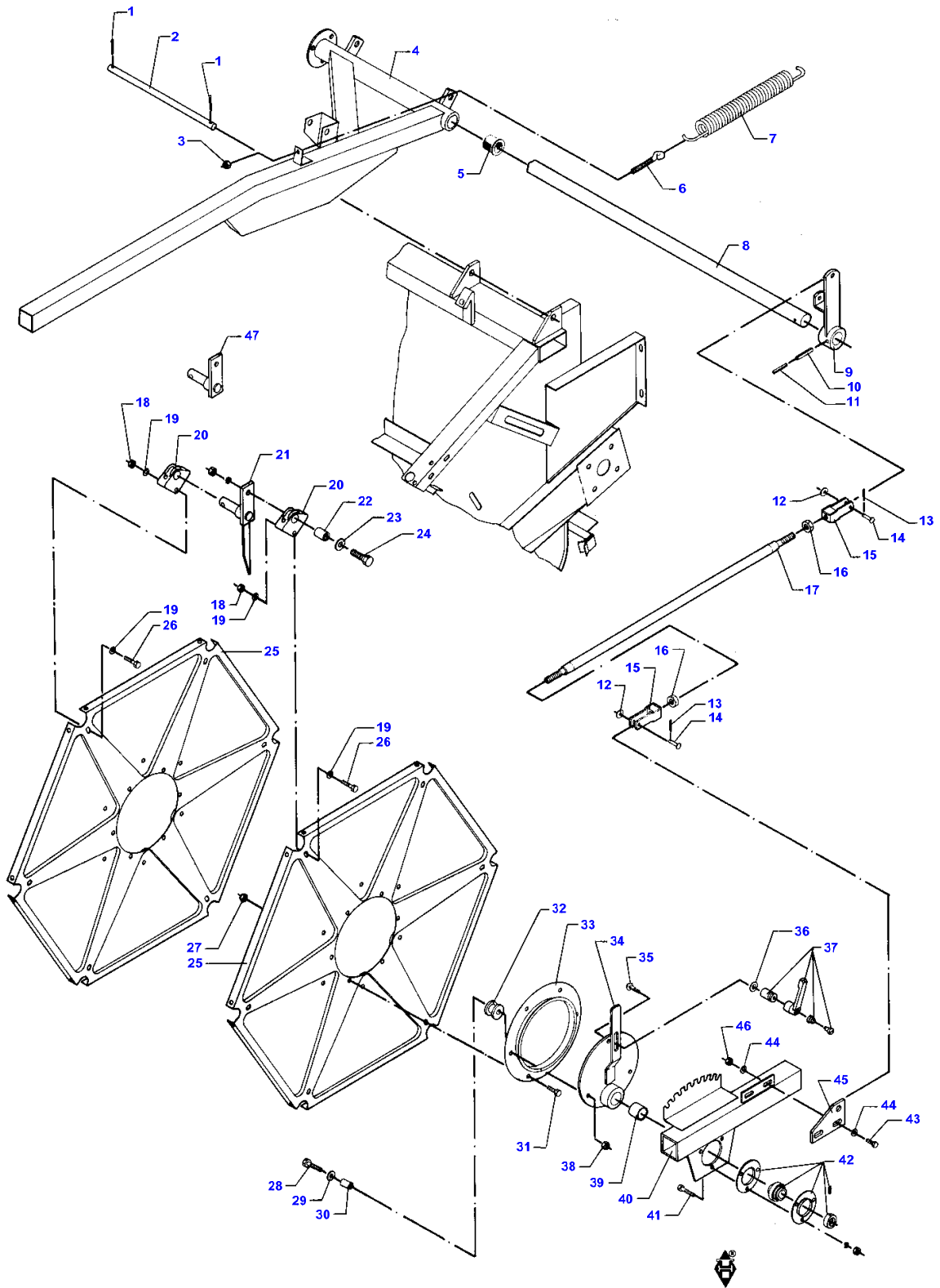


**MASSEY FERGUSON
MF 31 COMBINE - 819726**

**819726
2-1B**

REEL - 16'-18'

Item	Part Number	Qty	Description	Comments
1	D28660002	4	Plate	
2	D40405000	18	Screw Metric	
3	D20400409	27	Washer	
4	D40404900	9	Screw Metric	
5	D40402600	72	Screw Metric	
6	D20400470		Washer	
7	D28660144	6	Spike	(2) F.915177
8	D28680132		Cap	
9	D20400528	24	Spacer	
10	D41087400	72	Locknut	
11	D41087600	24	Locknut	
12	D28660035		Divider	
13	D40426000	24	Screw	
14	D28670009	6	Bar	Right Hand F.914119
14	D28650118	6	Rake	Right Hand (2) T.914118
15	D41087500		Locknut	
16	D20400409		Washer	
17	D28650165		Spring	(2) F.915177
17	D28660027		Reel Tine	(2) T.915176
18	D28660116		Retainer	
19	D50063700		Screw	
20	D28660051		Dog	
21	D41013500	27	Nut	
22	D28650167	1	Pipe	(2) 16' F.914119
22	D28650115	1	Exhaust Pipe	(2) F.914118
22	D28650168	1	Pipe	(2) 18' F.914119
22	D28650116	1	Pipe	(2) T.914118
23	D28660122		Pin	
24	D28670008	6	Bar	Left Hand (T9) F.914119
24	D28650119	6	Rake	Left Hand (S4) T.914118
24	D28650117	6	Bar	Left Hand (T8) T.914118
25	D28650219	6	Bar	(T8) F.914119
25	D28650220	6	Bar	(S4) T.914119
25	D28650164	6	Bar	(S4) T.914118
25	D28650163	6	Bar	(T8) T.914118
26	D28660113	6	Clevis Pin	(2) T.914176 (S4) 16' (T8) 18' (T9) 16' - 18' (2) NO. REFERS TO TABLE NUMBER



**MASSEY FERGUSON
MF 31 COMBINE - 819726**

819726

2-2

REEL SUSPENSION AND ECCENTRIC

Item	Part Number	Qty	Description	Comments
1	D41408800	4	Pin	
2	D28251508	2	Pin	(2) F.915177
2	D28250156	2	Pin	(2) T.915176
3	D41087600	2	Locknut	
4	D28650176	1	Frame	Left Hand (2) F.915177
4	D28650068	1	Frame	(2) 14' T.915176
4	D28650094	1	Frame	(2) T.915176
4	D28650095	1	Frame	(2) T.915176
5	D28630069	2	Bearing Assy	(V7) F.915177
5	D28650100	2	Bearing Bush	(V7) T.915176
5	D28630069	2	Bearing Assy	(T8)
6	D28730622	2	Eye Bolt	
7	D28620057	2	Spring	
8	D28630084	1	Shaft	18'
	D28650097	1	Shaft	14'
	D28650098	1	Shaft	16'
9	D28650055	1	Lever	Left Hand
10	D42625300	1	Pin	
11	D42616400	1	Pin	
12	D45904900	2	Washer	
13	D41408700	2	SPLIT PIN	
	D28630119	1	Tie Rod	POS. 14 - 17
14	D45904700	2	Bolt	
15	D45904500	2	Fork Head	
16	D41010900	2	Nut Metric	
17	D28630118	1	Tie Rod	
18	D41087400		Locknut	
19	D20400470		Washer	
20	D28680132		Cap	
21	D28251317	6	Crank	(2) F.915177
22	D28660142	6	Bush	
23	D20400423	6	Washer	
24	D40428500	6	HEXAGON SCREW	
25	D28660002		Plate	
26	D40402600		Screw Metric	
27	D41013500	6	Nut	
28	D40426000	3	Screw	
29	D20400416	3	Washer	
30	D28660143	3	Bush	
31	D40405000	6	Screw Metric	
32	D28660005	3	Roller	
33	D28660036	1	Ring	
34	D28660103	1	Control Plate	
35	D40070100	1	Screw Metric	
36	D20400426	1	Washer	
37	D43387500	1	Lever	
38	D41013600	3	Nut	
39	D43338200	1	Lining	
40	D28660107	1	Bearing	Left Hand
41	D40407600	3	Screw	
42	D41709600	1	Flange	
43	D40407900	2	Screw Metric	
44	D20400415	4	Washer	
45	D28660114	1	Mounting	
46	D41087600	2	Locknut	
47	D28660110	6	Crank	(2) T.915176 (T8) 18'

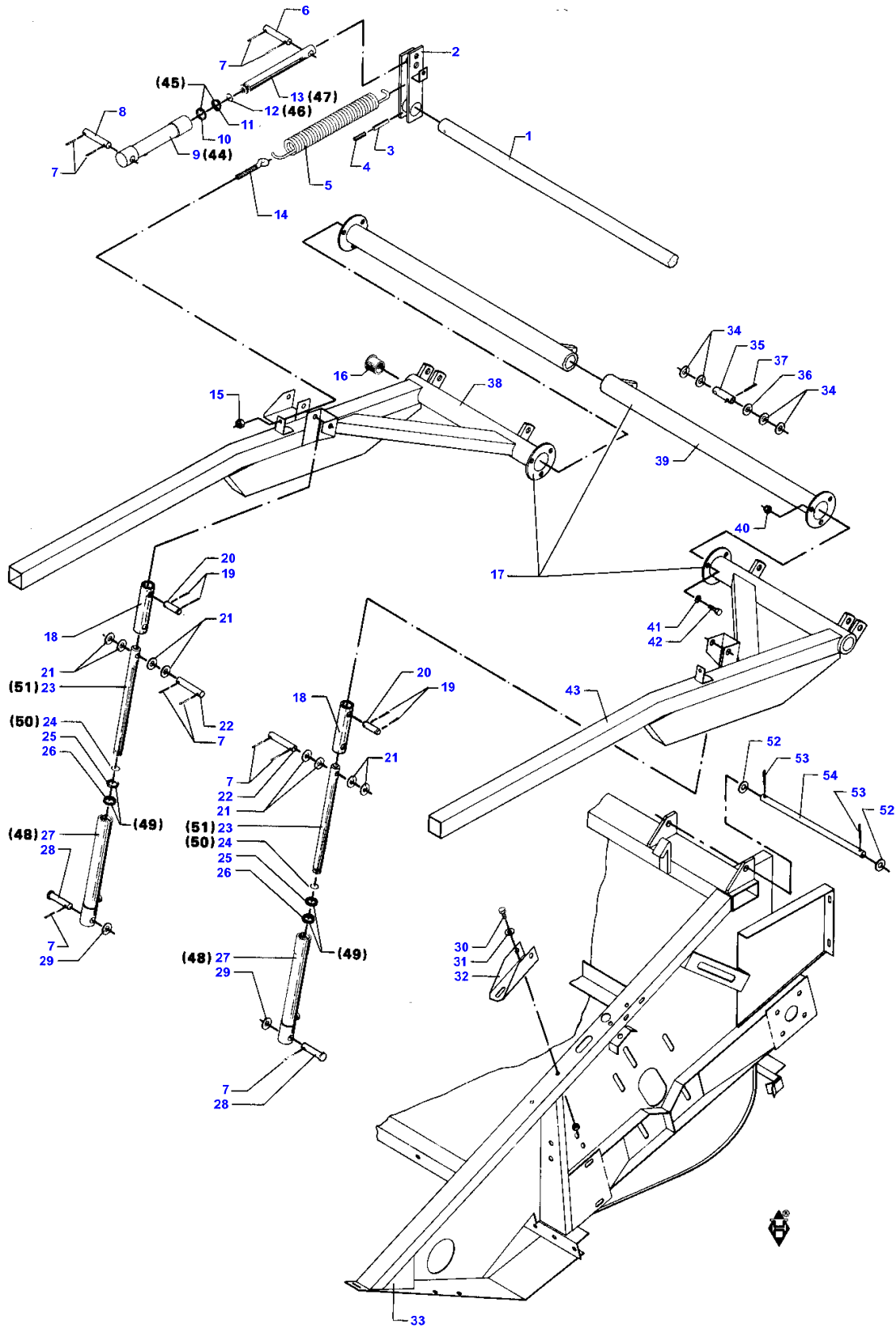
MASSEY FERGUSON
MF 31 COMBINE - 819726

819726

REEL SUSPENSION AND ECCENTRIC

2-2

Item	Part Number	Qty	Description	Comments
				(V7)
				14' - 16'
				(2)
				NO. REFERS TO TABLE NUMBER



**MASSEY FERGUSON
MF 31 COMBINE - 819726**

819726

2-3

REEL SUSPENSION AND HYDRAULIC CYLINDERS

Item	Part Number	Qty	Description	Comments
1	D28650097	1	Shaft	14'
	D28650098	1	Shaft	16'
	D28630084	1	Shaft	18'
2	D28650052	1	Lever	Right Hand
3	D42625300	1	Pin	
4	D42616400	1	Pin	
5	D28620057	1	Spring	
6	D28250182	1	Pin	
7	D41408800	12	Pin	
8	D28250181	1	Pin	
	D28750510	1	Cylinder	(H3) T.915157
9	D28750511	1	Cylinder	T.915157
	D45100071	1	Kit, Seal	POS. 10 - 11
10	D45403400	1	Ring	T.915157
11	D45400500	1	Bush	T.915157
12	D27200967	1	Circlip	T.915157
13	D28750506	1	Piston	T.915157
14	D28730622	1	Eye Bolt	
15	D41087600	1	Locknut	
16	D28630069	2	Bearing Assy	(V7) F.915177
16	D28650100	2	Bearing Bush	(V7) T.915176
16	D28630069	2	Bearing Assy	(T8)
17	D28650068	1	Frame	14' T.918176
17	D28650094	1	Frame	T.915176
	D28650095	1	Frame	T.915176
18	D28650136	2	Extension	(3)
19	D41408800	4	Pin	(3)
20	D28610256	2	Pin	(3)
21	D20400461	8	Washer	
22	D28250176	4	Pin	
	D28750502	2	Cylinder	(H4) T.915062
23	D28750507	2	Piston	T.915062
24	D27200967	2	Circlip	T.915062
	D45100071	1	Kit, Seal	POS. 25 - 26
25	D45400500	2	Bush	T.915062
26	D45403400	2	Ring	T.915062
27	D28750503	2	Cylinder	T.915062
28	D28250430	2	Pin	
29	D20400459	4	Washer	
30	D40407700	4	Screw	
31	D20400409	4	Washer	
32	D28260358	1	Bracket	
33	D28250187	1	Housing	(T7) 14'
33	D28250276	1	Housing	(S4) 16'
33	D28250277	1	Housing	(T8) 18'
34	D28181284	4	Washer	
35	D28250181	1	Pin	
36	D20400518	1	Spacer	
37	D41408800	2	Pin	
38	D28650175	1	Frame	Right Hand F.915177
39	D28650181	1	Cross Shaft	14' F.915177
39	D28650180	1	Cross Shaft	16' F.915177
39	D28650172	1	Cross Shaft	18' F.915177
40	D41087600	6	Locknut	F.915177
41	D20400419	6	Washer	F.915177
42	D40407700	6	Screw	F.915177
43	D28650176	1	Frame	F.915177
44	D45100054	1	Cylinder	(F5)

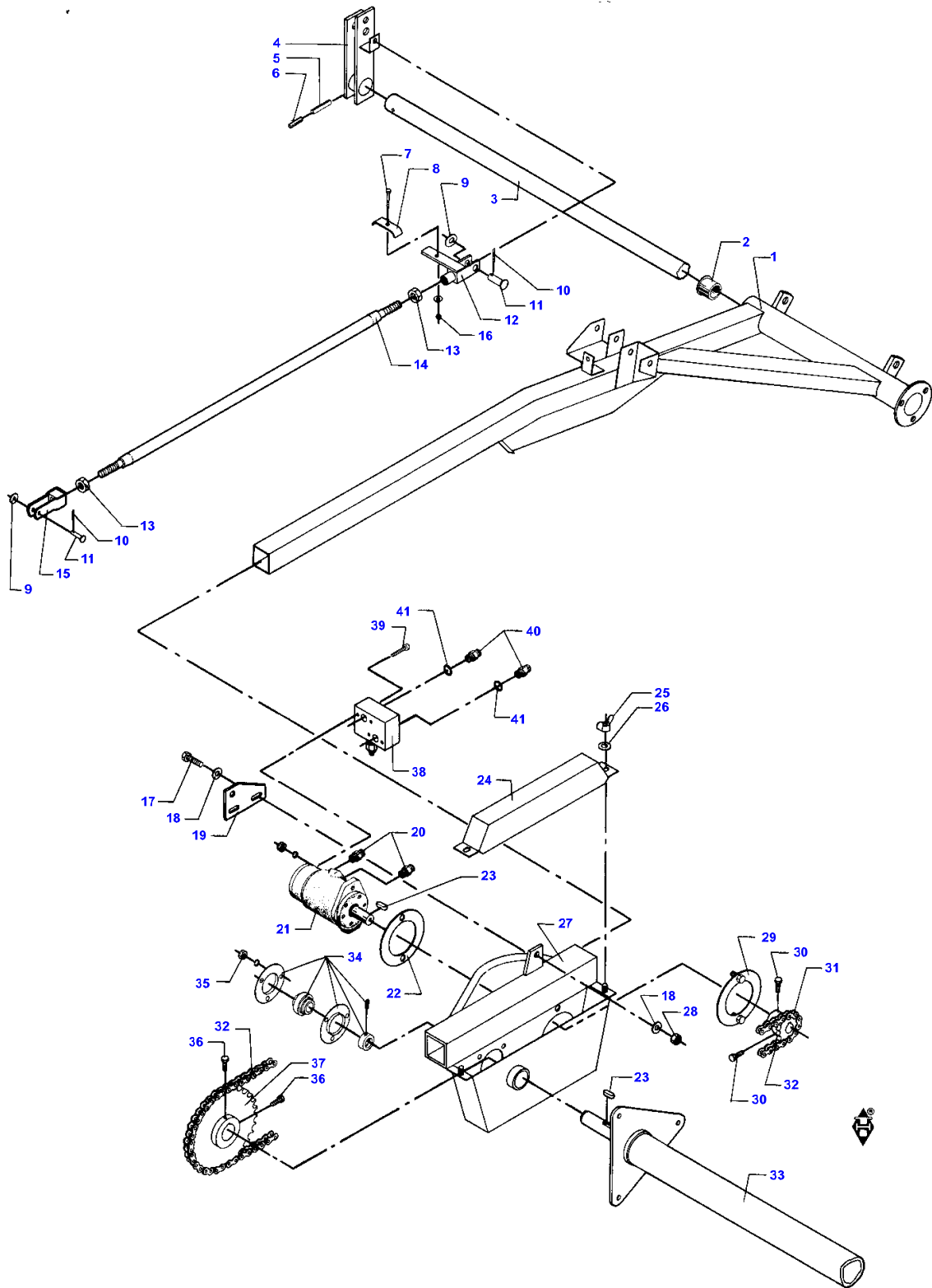
**MASSEY FERGUSON
MF 31 COMBINE - 819726**

819726

2-3

REEL SUSPENSION AND HYDRAULIC CYLINDERS

Item	Part Number	Qty	Description	Comments
				F.915158 25 X 18
45	D45100071	1	Kit, Seal	F.915158
46	D45100093	1	Snpring	F.915158
47	D45100083	1	Piston Rod	F.915158
48	D45100051	2	Cylinder	(F6) F.915063
49	D45100071	2	Kit, Seal	F.915063
50	D45100093	2	Snpring	F.915063
51	D45100081	2	Piston Rod	F.915063
52	D20400518	4	Spacer	
53	D41408800	4	Pin	
54	D28251508	2	Pin	
				(F5) POS. 45 - 47
				(F6) POS. 49 - 51
				(H3) POS. 9 - 13
				(H4) POS. 23 - 27
				(S4) 16'
				(T7) 14'
				(T8) 18'
				(V7) 14' - 16'
				(3) OPTIONAL EQUIPMENT



**MASSEY FERGUSON
MF 31 COMBINE - 819726**

819726

2-4

REEL SUSPENSION AND HYDRAULIC MOTOR

Item	Part Number	Qty	Description	Comments
1	D28650175	1	Frame	(2) F.915177
1	D28650068	1	Frame	(2) 14' T.915176
1	D28650094	1	Frame	(2) T.915176
1	D28650095	1	Frame	(2) T.915176
2	D28630069	1	Bearing Assy	(V7) F.915177
2	D28650100	2	Bearing Bush	(V7) T.915176
2	D28630069	2	Bearing Assy	(T8)
3	D28650097	1	Shaft	14'
	D28650098	1	Shaft	16'
	D28630084	1	Shaft	18'
4	D28650052	1	Lever	Right Hand
5	D42625300	1	Pin	
6	D42616400	1	Pin	
7	D40422000	1	HEXAGON SCREW	
8	D28741194	1	Retainer	
9	D45904900	2	Washer	
10	D41408700	2	SPLIT PIN	
11	D45904700	2	Bolt	
	D28640061	1	Tie Rod	POS. 12 - 15
12	D28640063	1	Fork	
13	D41010900	2	Nut Metric	
14	D28630118	1	Tie Rod	
15	D45904500	1	Fork Head	
16	D41087400	1	Locknut	
17	D40407900	2	Screw Metric	
18	D20400415	4	Washer	
19	D28660114	1	Mounting	
20	D45250700	2	Union	
21	D45120700	1	Hydraulic Motor	
22	D28650101	1	Plate	
23	D43103400	2	Key	
24	D28650060	1	Cover	
25	D41057100	2	Wing Nut	
26	D20400409	2	Washer	
27	D28660106	1	Housing	Right Hand
28	D41087600	2	Locknut	
29	D28650018	1	Plate	
30	D40404900	2	Screw Metric	
31	D28650023	1	Drive	
32	D42325700	1	Chain	
33	D28650127	1	Pipe	14'
	D28650167	1	Pipe	(2) 16' F.914119
33	D28650115	1	Exhaust Pipe	(2) T.914118
33	D28650168	1	Pipe	(2) F.914119 18'
33	D28650116	1		(2) T.914118
34	D41709600	1	Flange	
35	D41010800	3	Nut Metric	
36	D40405100	2	Screw Metric	
37	D28650057	1	Sprocket	Number of teeth/spines 34
38	D45110049	1	Shock Valve	F.915177
39	D40690700	4	Screw Metric	F.915177
40	D45250700	2	Union	F.915177
41	D45463000	2	Ring	F.915177 (T8) 18' (V7) 14' - 16'

MASSEY FERGUSON

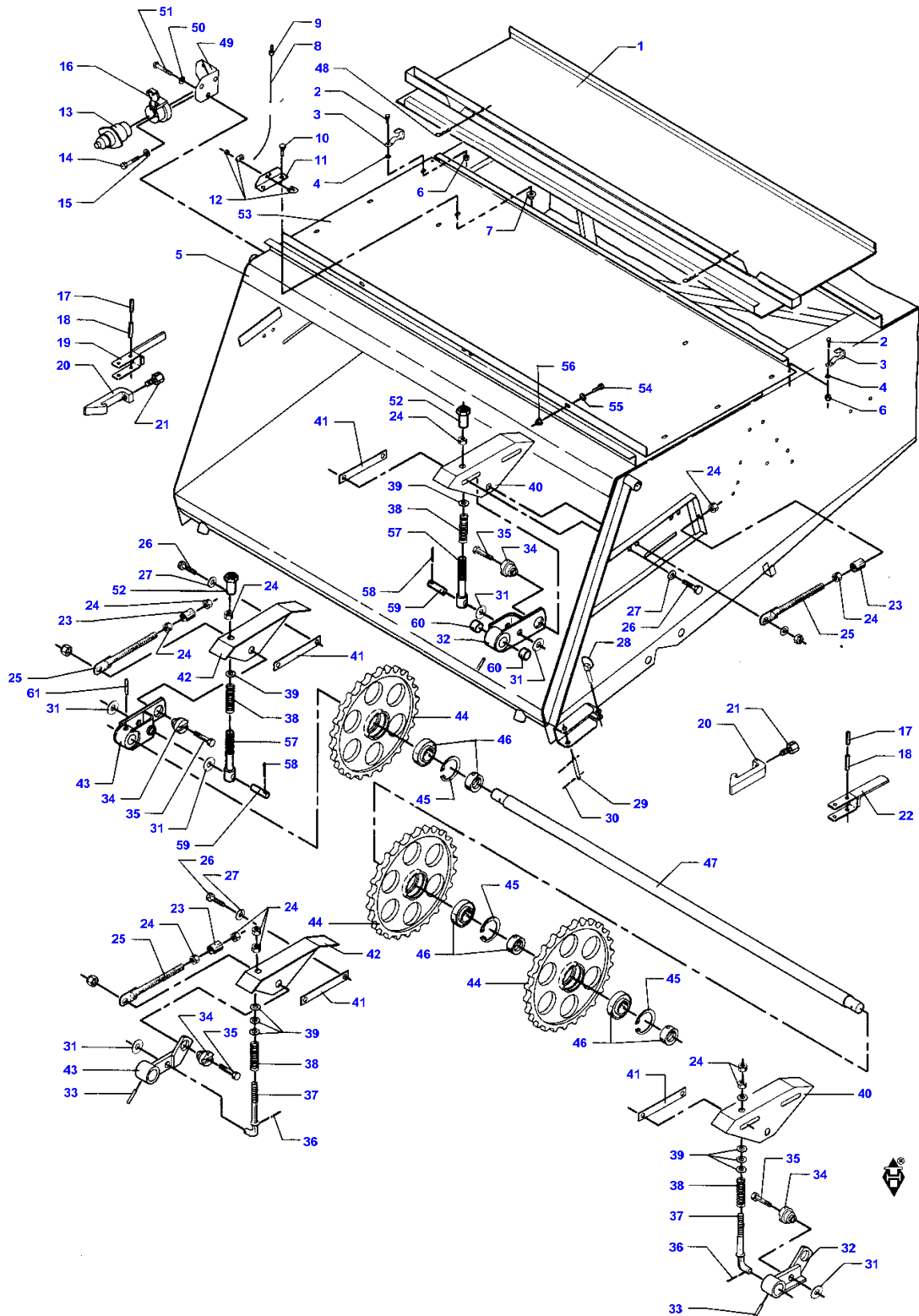
MF 31 COMBINE - 819726

819726

REEL SUSPENSION AND HYDRAULIC MOTOR

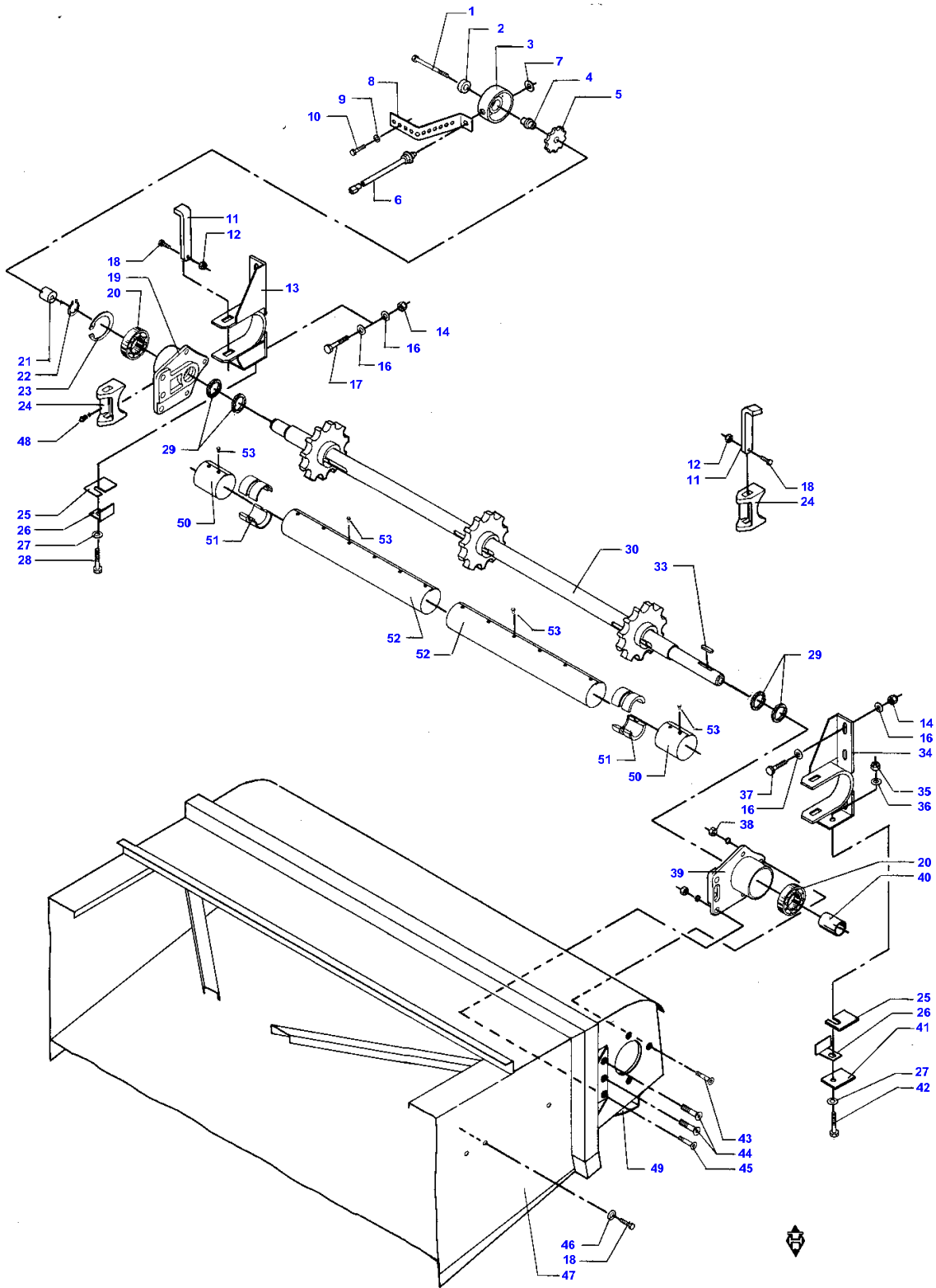
2-4

Item	Part Number	Qty	Description	Comments
				(2) NO. REFERS TO TABLE NUMBER



FEEDER SHAFT, LOWER

Item	Part Number	Qty	Description	Comments
1	D28230209	1	Shutter	
2	D40400700	2	Screw Metric	
3	D27100826	2	Spring	
4	D20400404	2	Washer	
5	D28250727	1	Channel	
6	D41087300	2	Locknut	
7	D41013500	2	Nut	
8	D28761310	1	Cable	INCL. POS. 9
9	D43407800	1	Lock	
10	D40404700	2	Screw Metric	
11	D28761309	1	Bracket	
12	D43405900	1	Lock	
13	D45005300	1	Socket	(F2)
14	D40351600	3	Screw Metric	(F2)
15	D20400400	3	Washer	(F2)
16	D45005200	1	Socket	(F2)
17	D42612300	2	Pin	
18	D42618600	2	TIGHENING PIN	
19	D28230628	1	Handle	
20	D28250389	2	Hook	
21	D28250390	2	Threaded Part	
22	D28230879	1	Handle	
23	D28210947	2	Spacer	
24	D41011000	8	HEXAGON SCREW	
	D28250663	2	Bolt	
26	D40410900	4	Screw	
27	D20400447	4	Washer	
28	D41446200	2	Pin	
29	D28230632	2	Pin	
30	D41408700	4	SPLIT PIN	
31	D20400429	2	Washer	
32	D28250661	1	Lever	T.43910 Left Hand
32	D28251525	1	Support	F.43911
33	D42616300	2	TIGHENING PIN	T.43910
34	D28250654	2	Bearing	
35	D40411400	2	Screw Metric	
36	D41408800	2	Pin	T.43910
37	D28210843	2	Screw	T.43910
38	D28210820	2	Comp.Spring	
39	D20400429	2	Washer	T.43910
	D20400433	2	Washer	F.43911
40	D28250664	1	Support	
41	D28250719	1	Pivot	
42	D28250665	1	Support	
43	D28250660	1	Lever	Right Hand T.43910
43	D28251526	1	Support	F.43911
44	D28250707	3	Sprocket	
45	D42515000	3	Circlip	
46	D41663400	3	Bearing Ball	
47	D28240074	1	Shaft	
48	D27100120	2	Hair Pin	F.40782
49	D28251184	1	Bracket	
50	D20400470	3	Washer	
51	D40402400	3	Screw Metric	
52	D28251548	2	Nut	F.43911
53	D28251506	1	Cowl	F.42645
54	D40404900	8	Screw Metric	F.42645
55	D20400409	8	Washer	F.42645
56	D41013500	8	Nut	F.42645
57	D28251529	2	Bolt	F.43911
58	D41409100	2	SPLIT PIN	F.43911
59	D28251528	2	Pin	F.43911
60	D43375100	2	Bush	F.43911
61	D42616300	1	TIGHENING PIN	F.43911 (F2) F-REVERSE DRIVE



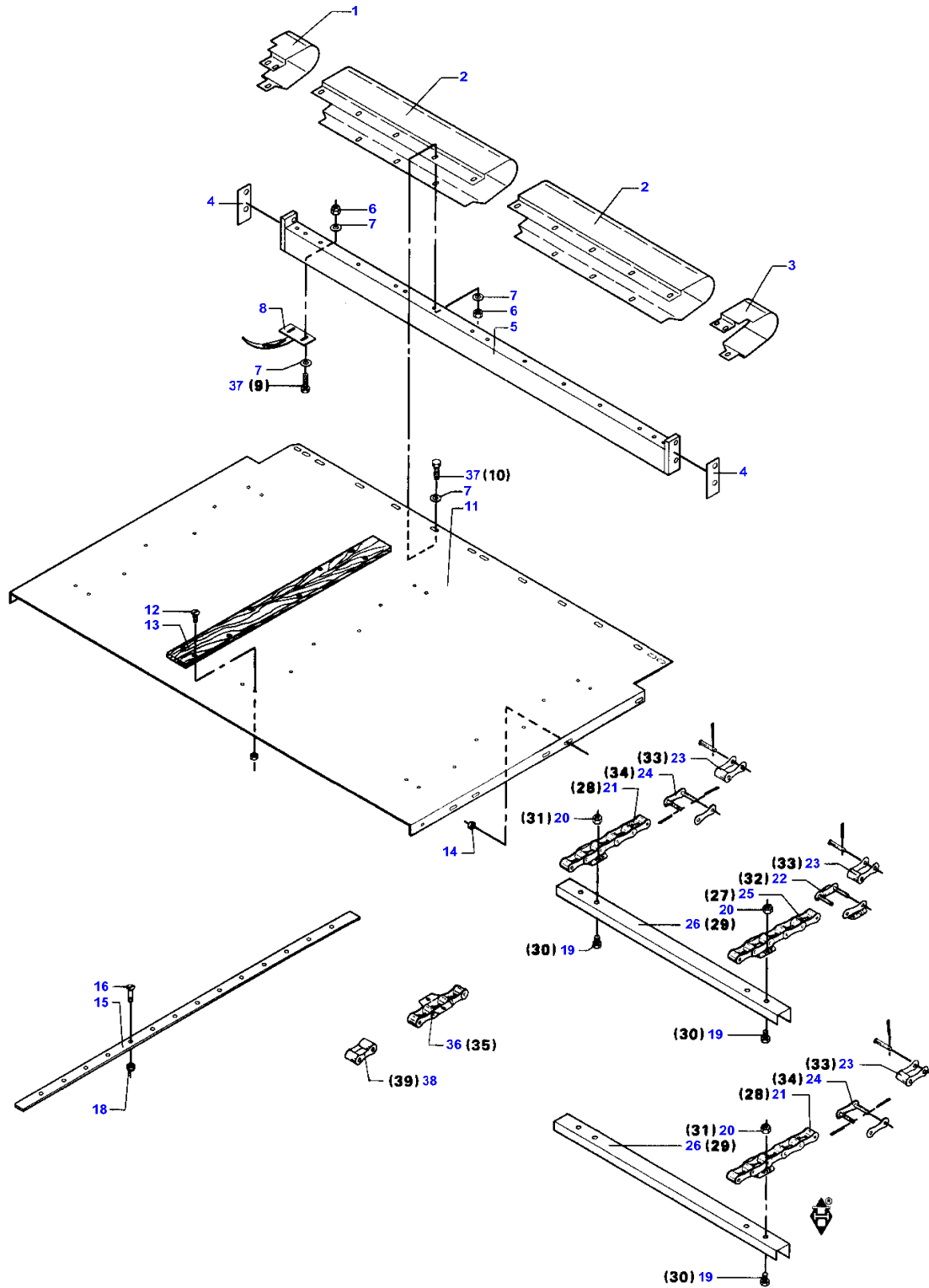
**MASSEY FERGUSON
MF 31 COMBINE - 819726**

819726

3-2

FEEDER SHAFT, UPPER WITH SUSPENSION

Item	Part Number	Qty	Description	Comments
1	D40426300	1	HEXAGON SCREW	(C8)
	D28751814	1	Sensor	(C8)
				POS. 2 - 8
2	D41622600	1	Bearing Ball	(C8)
3	D28751220	1	Retainer	(C8)
4	D28751218	1	Journal	(C8)
5	D28750922	1	Wheel	(C8)
6	D28751812	1	Sensor	(C8)
				INCL. P.7
7	D20400428	1	Washer	(C8)
8	D28751216	1	Rubber Strap	(C8)
9	D20400409	1	Washer	(C8)
10	D40404700	1	Screw Metric	(C8)
11	D28251527	2	Pin	
12	D41087500	2	Locknut	
13	D28250090	1	Bearing	Right Hand
14	D41087800	6	Locknut	
16	D20400430	12	Washer	
17	D40431200	2	Screw Metric	
18	D40405000	2	Screw Metric	
19	D28230004	1	Bearing	Right Hand
20	D41623000	2	Bearing Ball	
21	D28751538	1	Journal	(C8)
22	D42503300	1	Circlip	
23	D42515000	1	Circlip	
24	D28230001	2	Stop	
25	D28250086	10	Shim	
26	D28260385	2	Plate	
27	D20400447	2	Washer	
28	D40428600	1	HEXAGON SCREW	
29	D43501200	4	Felt Ring	
30	D28251751	1	Shaft	
33	D43104900	1	Key	
34	D28250089	1	Bearing	Left Hand
35	D41087700	2	Locknut	
36	D20400447	2	Washer	
37	D40414000	4	HEXAGON SCREW	
38	D41087600	6	Locknut	
39	D28230005	1	Bearing	Left Hand
40	D28250076	1	Spacer	
41	D28150913	1	Shim	
42	D40428800	1	HEXAGON SCREW	
43	D40603400	6	Screw Metric	
44	D40605600	4	Screw Metric	
45	D40605400	2	Screw Metric	
46	D20400409	11	Washer	
47	D28250727	1	Channel	INCL. P. 48
48	D43001700	2	Greaser	F.43574
49	D28250493	1	Plate	
50	D28251805	2	Tube	
51	D28251710	4	Tube	
52	D28251806	2	Tube	
53	D41397400	16	Clamp	(C8)
				UNI-CONTROL



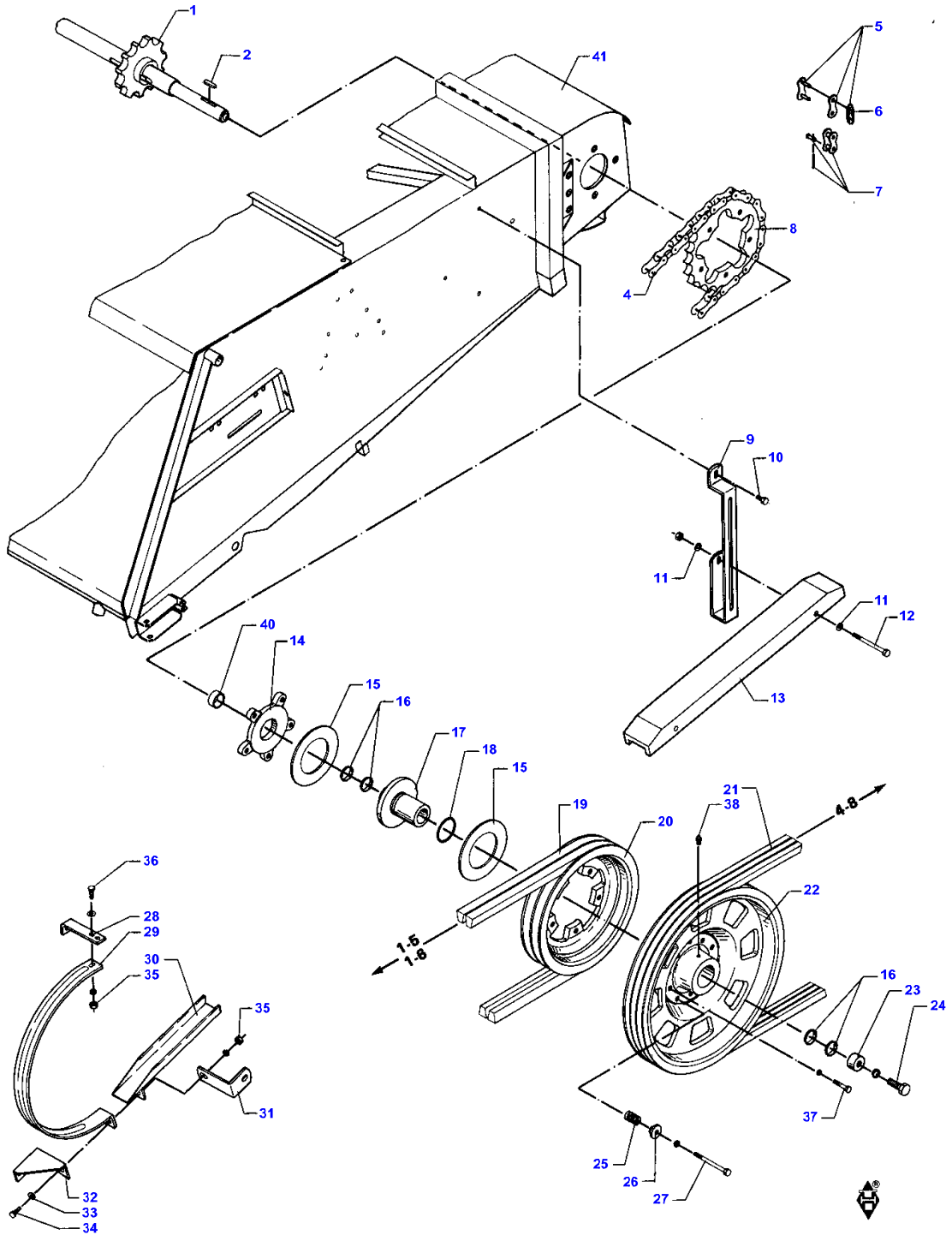
**MASSEY FERGUSON
MF 31 COMBINE - 819726**

819726

3-3

FEEDER CHAIN - PROTECTIVE PLATES

Item	Part Number	Qty	Description	Comments
1	D28230327	1	Guard	Left Hand T.43910
1	D28251534	1	Guard	(84) Right Hand
2	D28230332	2	Guard	T.43910
	D28251536	2	Guard	(84) F.43911
3	D28230328	1	Guard	Right Hand T.43910
3	D28251535	1	Guard	Right Hand (84) F.43911
4	D28230626	4	Shim	
5	D28250056	1	Crossmember	T.43910
	D28251608	1	Crossmember	F.43911
6	D41087500	14	Locknut	T.43910
7	D20400409	34	Washer	T.43910
8	D28250062	3	Deflector	T.43910
	D28251607	3	Deflector	F.43911
9	D40424900	6	Screw Metric	T.43910
10	D40424700	8	HEXAGON SCREW	T.43910
11	D28230084	1	Plate	
12	D40318300	24	Screw Metric	
13	D27210455	3	Rail	
14	D41013500	11	Nut	
15	D28250726	3	Rail	
16	D40600700	18	Screw Metric	
18	D41013400	18	Nut	
	D28250709	1	Chain	POS. 19 - 26
19	D40404900	96	Screw Metric	
20	D41087500	96	Locknut	
21	D28250065	2	Chain	
22	D42351500	1	Link	
23	D42351200	1	Link	
24	D42351400	1	Link	
25	D28270039	1	Chain	
26	D28250845	24	Bar	
	D28250695	1	Chain	(V) POS. 27 - 35
27	D28250506	1	Chain	(V)
28	D28250694	2	Chain	(V)
29	D28251609	24	Bar	(V)
30	D40407600	96	Screw	(V)
31	D41087600	96	Locknut	(V)
32	D42350700	1	Connecting Link	(V)
33	D42350900	1	Cranked Link	(V)
34	D42350800	1	Connecting Link	(V)
35	D42350600	1	Link	(V)
36	D42351600	1	Chain	
37	D40404900	28	Screw Metric	F.43911
38	D42354800	1	Link	
39	D42354900	1	Link	(V) (V) MAIZE EQUIPMENT (84) USED T.46510



**MASSEY FERGUSON
MF 31 COMBINE - 819726**

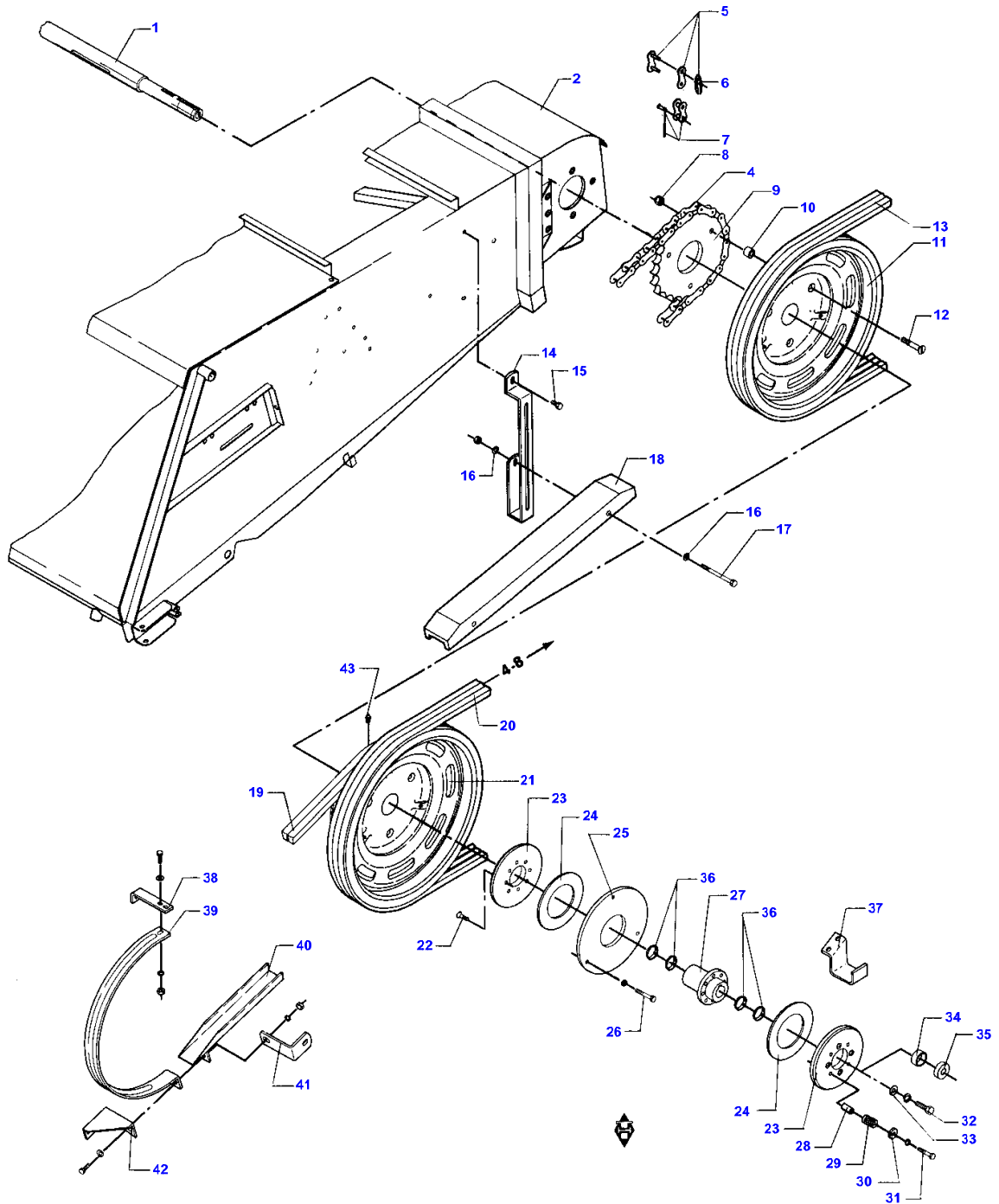
819726

3-4

TABLE CLUTCH (F.39541)

Item	Part Number	Qty	Description	Comments
1	D28250508		Shaft	
2	D43104900	1	Key	
4	D42329500	1	Chain	
5	D42367100	1	Link	
6	D42367600	1	Clip	
7	D42367200	1	Link	
8	D28251024	1	Sprocket	(V)
9	D28250789	1	Bracket	
10	D40407700	4	Screw	
11	D20400471	4	Washer	
12	D40427200	4	Bolt	
13	D28250787	2	Tightener	
14	D28251019	1	Thrust Washer	
15	D45903800	2	Friction Disc	
16	D42596500	2	Bush	
17	D28251283	1	Hub	
18	D45465600	1	O Ring	
19	D41989400	2	V Belt	
20	D28250985	1	Pulley	
21	D41991700	1	Belt	
22	D28251021	1	Pulley	
23	D28251026	1	Ring	
24	D40416600	1	Screw Metric	
25	D28260098	5	Comp.Spring	
26	D28251025	5	Washer	
27	D40429600	5	Screw	
28	D28751944	1	Retainer	T.43456
29	D28751952	1	Band	T.43456
30	D28751951	1	Rail	T.43456
31	D28751131	1	Bracket	T.43456
32	D28751947	1	Bracket	T.43456
33	D20400409	2	Washer	T.43456
34	D40405000	2	Screw Metric	T.43456
35	D41013500	4	Nut	T.43456
36	D40063700	2	Screw	T.43456
37	D40428500	5	HEXAGON SCREW	
38	D43001500	1	Greaser	
40	D28250953	1	Spacer	F.41327
41	D28250727	1	Channel	(V)

MAIZE EQUIPMENT



**MASSEY FERGUSON
MF 31 COMBINE - 819726**

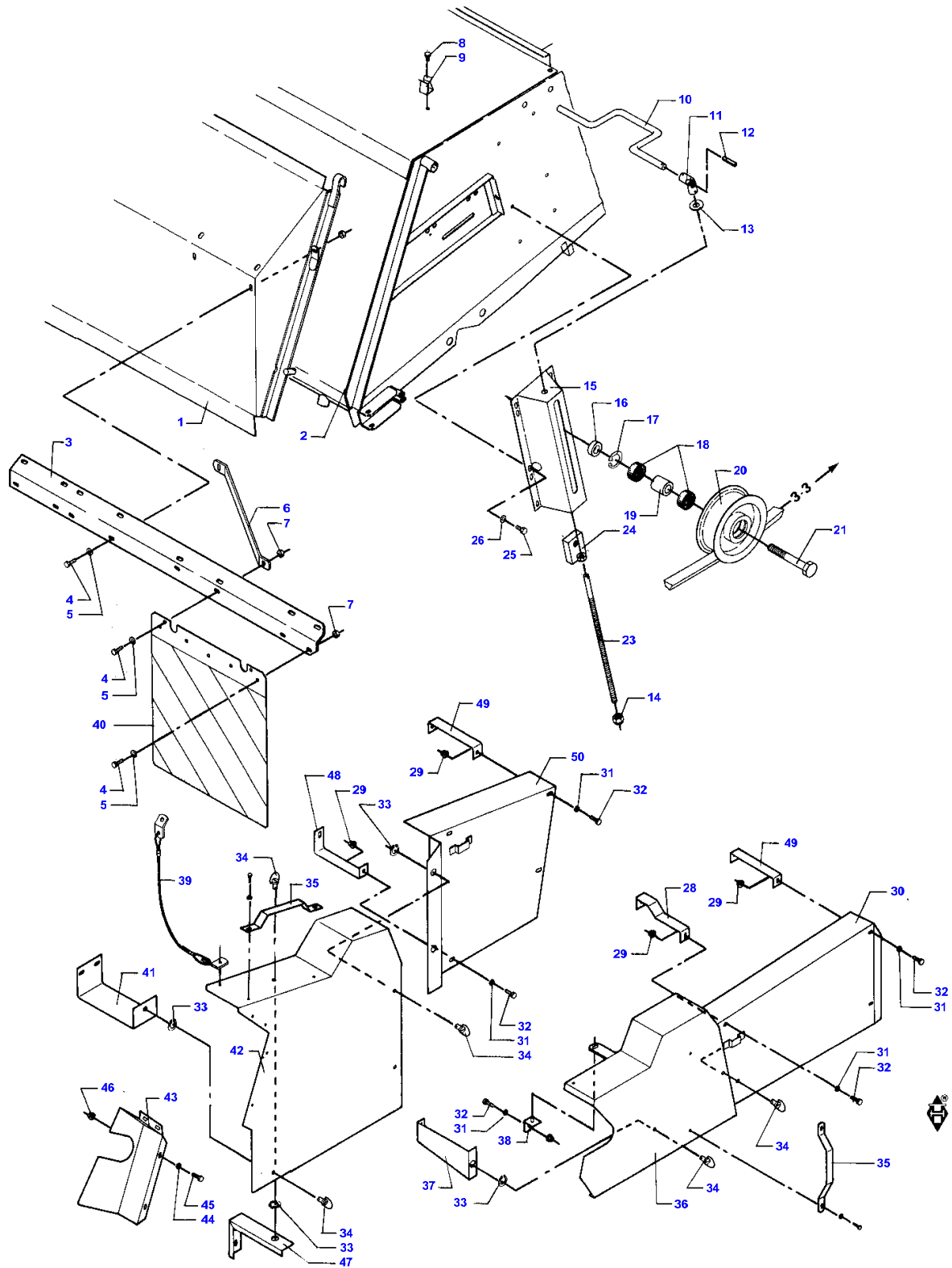
819726

3-5

TABLE CLUTCH (T.39540)

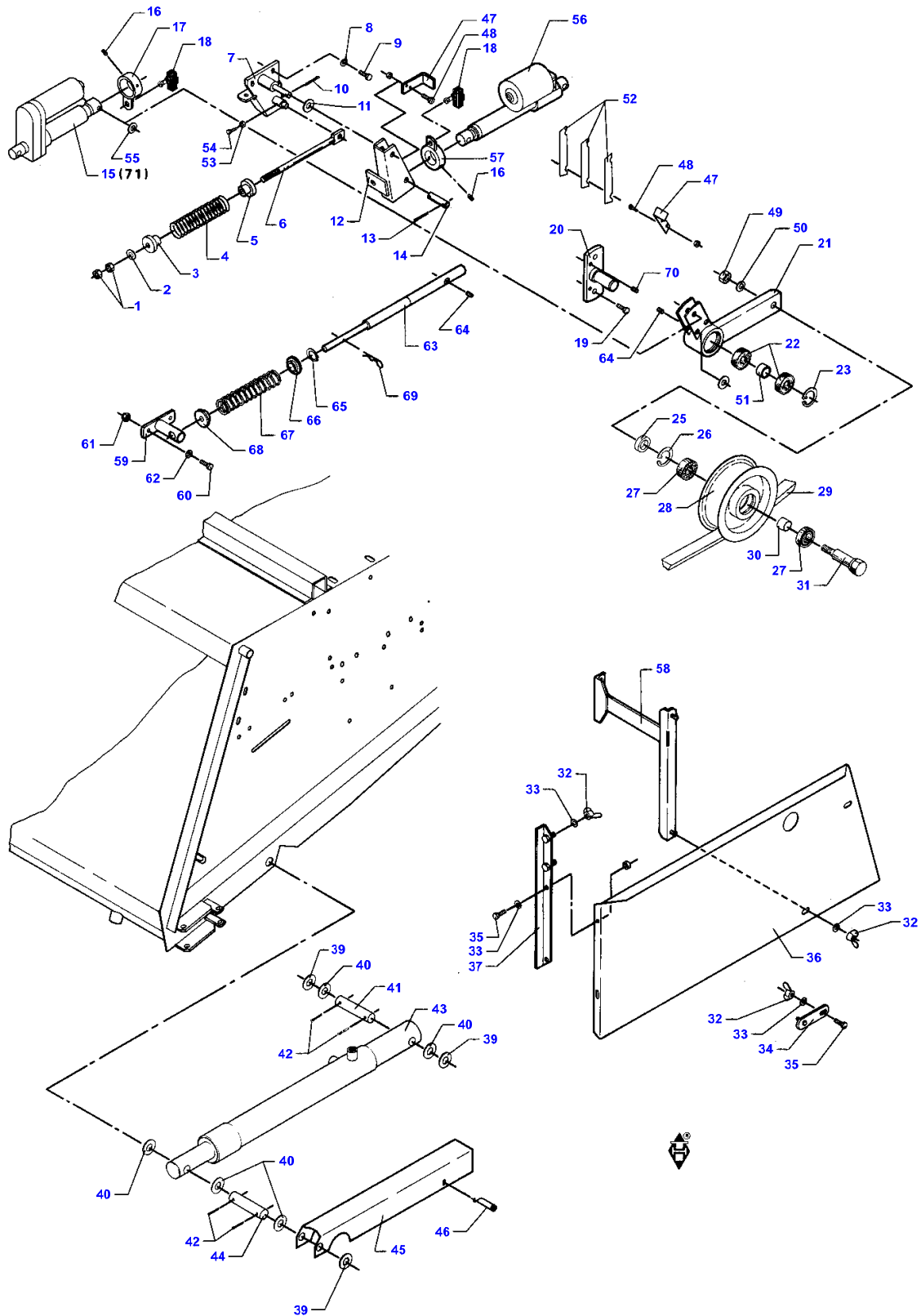
Item	Part Number	Qty	Description	Comments
1	D28250508	1	Shaft	
2	D28250727	1	Channel	
4	D42329500	1	Chain	(V) F.39078
5	D42367100	1	Link	(V) F.39078
6	D42367600	1	Clip	(V) F.39078
7	D42367200	1	Link	(V) F.39078
8	D41087700	3	Locknut	(V) F.39078
9	D28250795	1	Pinion	(V) F.39078
10	D28250794	3	Spacer	(V) F.39078
11	D28250793	1	Pulley	(V) F.39078
12	D40605800	3	Bolt	(V) F.39078
13	D41991700	1	Belt	
14	D28250789	1	Bracket	
15	D40407700	4	Screw	
16	D20400471	4	Washer	
17	D40427200	4	Bolt	
18	D28250787	2	Tightener	
19	D41989200	2	V Belt	
20	D41991700	1	Belt	
21	D28250714	1	Pulley	
22	D40601500	4	Screw	
23	D28250467	2	Thrust Washer	
24	D45903400	2	Friction Disc	
25	D28250471	1	Friction Disc	
26	D40405100	3	Screw Metric	
27	D28250470	1	Hub	
	D28250955	1	Spacer	(V) F.39078
28	D28250469	4	Spacer	
29	D27600029	4	Spring	
30	D28250468	4	Washer	
31	D40424100	4	HEXAGON SCREW	
32	D40410900	1	Screw	
33	D20400425	1	Washer	
34	D28250953	1	Spacer	(V) F.39078
35	D28250954	2	Washer	(V) F.39078
36	D42596500	1	Bush	(V) F.39078
37	D28751931	1	Retainer	
38	D28751944	1	Retainer	
39	D28751952	1	Band	
40	D28751951	1	Rail	
41	D28751131	1	Bracket	
42	D28751947	1	Bracket	
43	D43001500	1	Greaser	

(A)
MAIZE EQUIPMENT



GUARDING

Item	Part Number	Qty	Description	Comments
1	D28150661	1	Guard	
2	D28250727	1	Channel	
3	D28150791	2	Anglepiece	
4	D40402600		Screw Metric	
5	D20400470		Washer	
6	D28150727	2	Stay	
7	D41013400		Nut	
8	D40404700	1	Screw Metric	
9	D28250790	1	Retainer	
10	D28250780	1	Handle	
11	D28810523	1	Universal Joint	
12	D42609300	2	Pin	
13	D28181284	1	Washer	
14	D41087900	1	Locknut	
15	D28250783	1	Bracket	
16	D28731575	1	Bush	
17	D42513400	1	Circlip	
18	D41622600	2	Bearing Ball	
19	D28740881	1	Bush	
20	D28750047	1	Pulley	
21	D28731494	1	Screw	
22	D41989400	2	V Belt	F.39275
	D41989200	2	V Belt	F.39274
23	D28250782	1	Spindle	
24	D28250781	1	Pivot	
25	D40407600	6	Screw	
26	D20400471	6	Washer	
27	D28250738	1	Stay	T.41580
28	D28250837	1	Stay	T.41580
29	D41013500		Nut	
30	D28250739	1	Guard	T.41580
31	D20400409		Washer	
32	D40404900		Screw Metric	
33	D42555500		Circlip	
34	D43427500		Pin	
35	D28130373	1	Handle	
36	D28250744	1	Guard	T.41580
37	D28250741	3	Stay	T.41580
38	D28250742	1	Bracket	T.41580
39	D28160688	1	Wire	
40	D28761501	2	Plate	
41	D28251287	1	Stay	F.41581
42	D28250914	1	Guard	F.41581
43	D28251291	1	Guard	F.41581
44	D20400470	4	Washer	F.41581
45	D40402400	4	Screw Metric	F.41581
46	D41013400	4	Nut	F.41581
47	D28250911	1	Stay	F.41581
48	D28250910	1	Stay	F.41581
49	D28251288	3	Stay	F.41581
50	D28250908	1	Guard	F.41581



**MASSEY FERGUSON
MF 31 COMBINE - 819726**

819726

3-7

HYDRAULIC CYLINDER - EL - CYLINDER

Item	Part Number	Qty	Description	Comments
1	D41010900	2	Nut Metric	T.43456
2	D20400446	1	Washer	T.43456
3	D28751118	1	Thrust Washer	T.43456
4	D28200181	1	Spring	T.43456
5	D28751118	1	Thrust Washer	T.43456
6	D28751123	1	Spindle	T.43456
7	D28751122	1	Bracket	T.43456
8	D20400409	4	Washer	
9	D40404900	4	Screw Metric	T.43456
10	D41410700	2	SPLIT PIN	T.43456
11	D20400426	1	Washer	T.43456
12	D28751128	1	Arm	T.43456
13	D41408800	3	Pin	T.43456
14	D28600127	1	Pin	T.43456
15	D45059400	1	Cylinder	T.42238
16	D40630900	2	Pin	T.42238
17	D28750683	1	Retainer	T.42238
18	D45076600	1	Micro Switch	T.42238
19	D40410800	2	HEXAGON SCREW	
20	D28751943	1	Bracket	
21	D28751936	1	Lever	T.43456
	D28752240	1	Arm	T.43457
22	D41622800	2	Bearing Ball	
23	D42502300	1	Circlip	
25	D28751945	1	Spacer	T.43456
26	D42514000	1	Circlip	T.43456
27	D41622800	2	Bearing Ball	T.43456
28	D28751925	1	Pulley	T.43456
	D28750047	1	Pulley	T.43457
29	D41991700	1	Belt	
30	D28751950	1	Spacer	T.43456
31	D28250447	1	Bolt	T.43456
32	D41057300	4	Wing Nut	
33	D20400409	1	Washer	
34	D28751958	2	Support	T.43456
35	D40404900	1	Screw Metric	T.43456
36	D28151137	1	Guard	F.43457
	D28450343	1	Guard	
37	D28450407	1	Stay	
39	D20400468	4	Washer	
40	D20400467	8	Washer	
41	D28750214	2	Cotter	
42	D41411100	8	Splint	
43	D45100057	2	Ram	(42) F.42206
43	D28751742		Cylinder	(R7) T.42205
43	D28751743		Ram	(R7) T.42205
43	D45100058	2	Ram	(R7)
44	D28750214	2	Cotter	
45	D28752129	2	Housing	F.42151
	D28250330	2	Lock	T.42150
46	D41445500	2	Pin	
47	D28752056	1	Angle	(A2) F.40975
48	D40688200	2	Screw Metric	(A2) F.40975
49	D41087900	1	Locknut	
50	D20400459	1	Washer	
51	D28230881	1	Ring	
52	D28751990	3	Plate	T.43456
53	D41010700	1	Nut Metric	T.43456
54	D40405400	1	Screw Metric	T.43456
55	D20400426	1	Washer	
56	D45060900	1	Cylinder	(A2)
57	D28752112	1	Retainer	(A2)
58	D28151139	1	Bracket	F.43457
59	D28752237	1	Arm	F.43457
60	D40405000	2	Screw Metric	F.43457

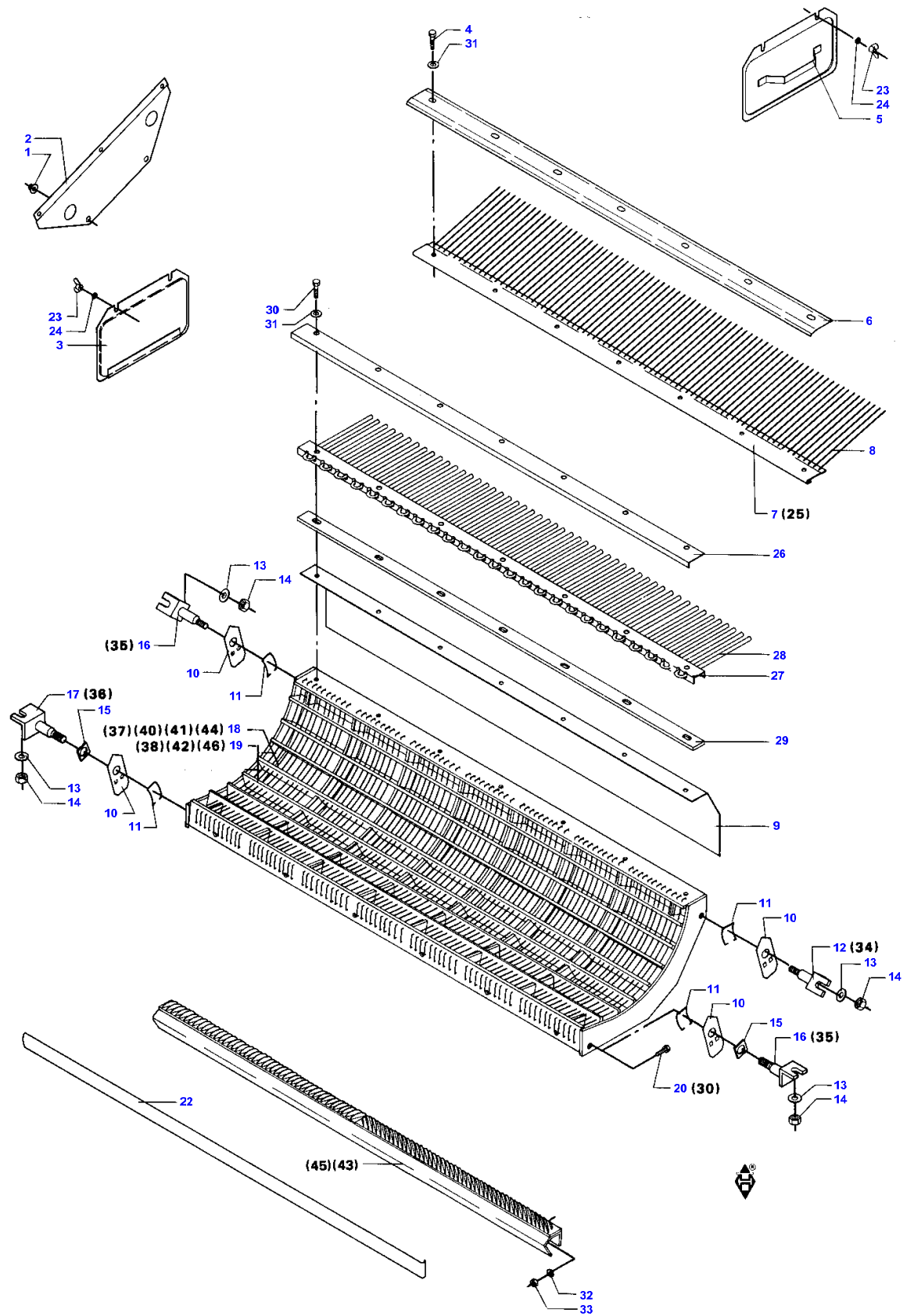
**MASSEY FERGUSON
MF 31 COMBINE - 819726**

819726

3-7

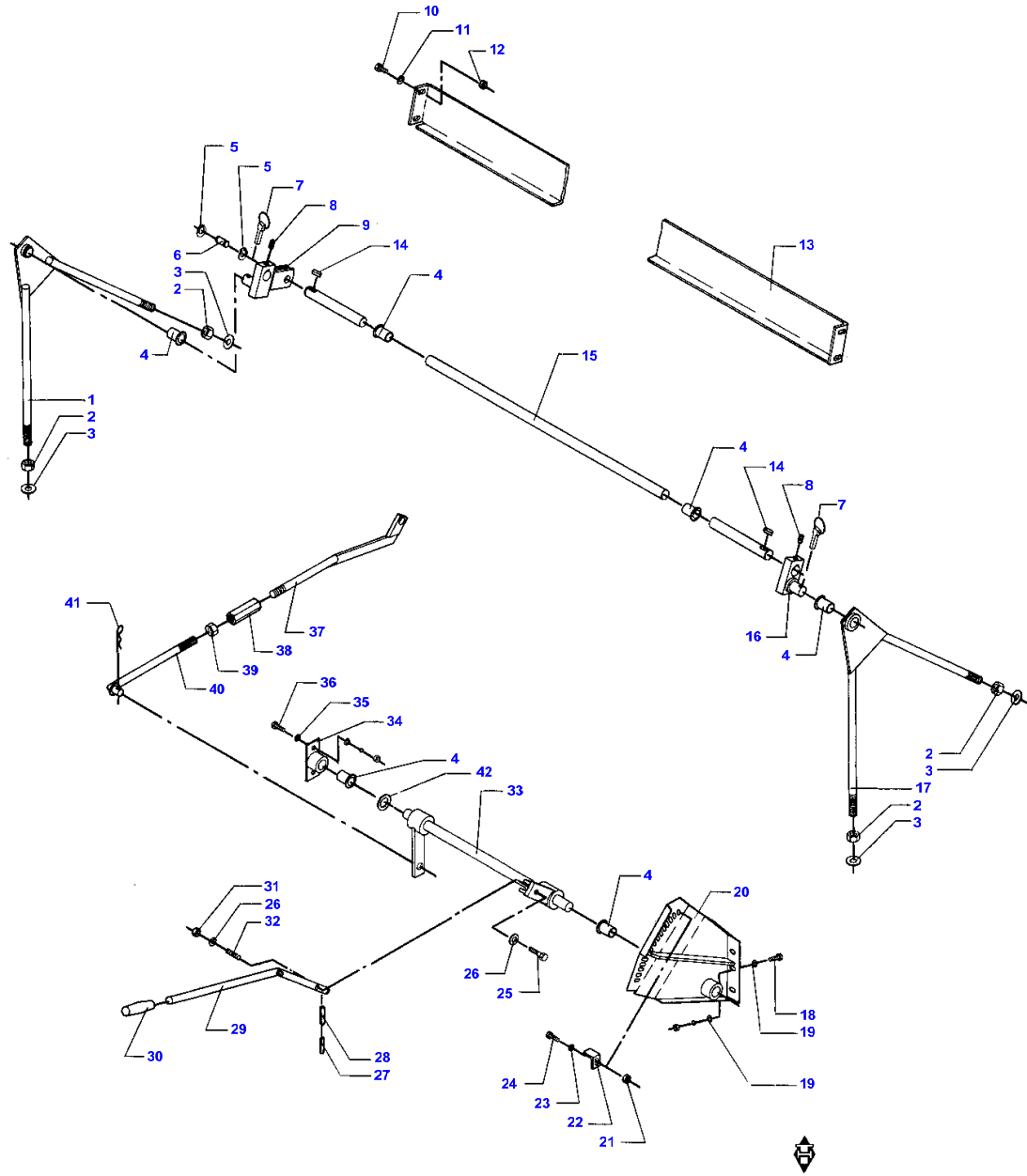
HYDRAULIC CYLINDER - EL - CYLINDER

Item	Part Number	Qty	Description	Comments
61	D41087500	2	Locknut	F.43457
62	D20400409	2	Washer	F.43457
63	D28752247	1	Rod	F.43457
64	D42618600	2	TIGHENING PIN	F.43457
65	D42501800	1	Circlip	F.43457
66	D28752243	1	Guide	F.43457
67	D26810117	1	Spring	F.43457
68	D28752242	1	Guide	F.43457
69	D27100120	1	Hair Pin	F.43457
70	D40633000	2	Pin	F.43457
71	D45066700	1	Wheel	F.42238 (A2) USED F.42238 - T.43456 (R7) SEE PAGE 14-1B (42) SEE PAGE 14 - 1



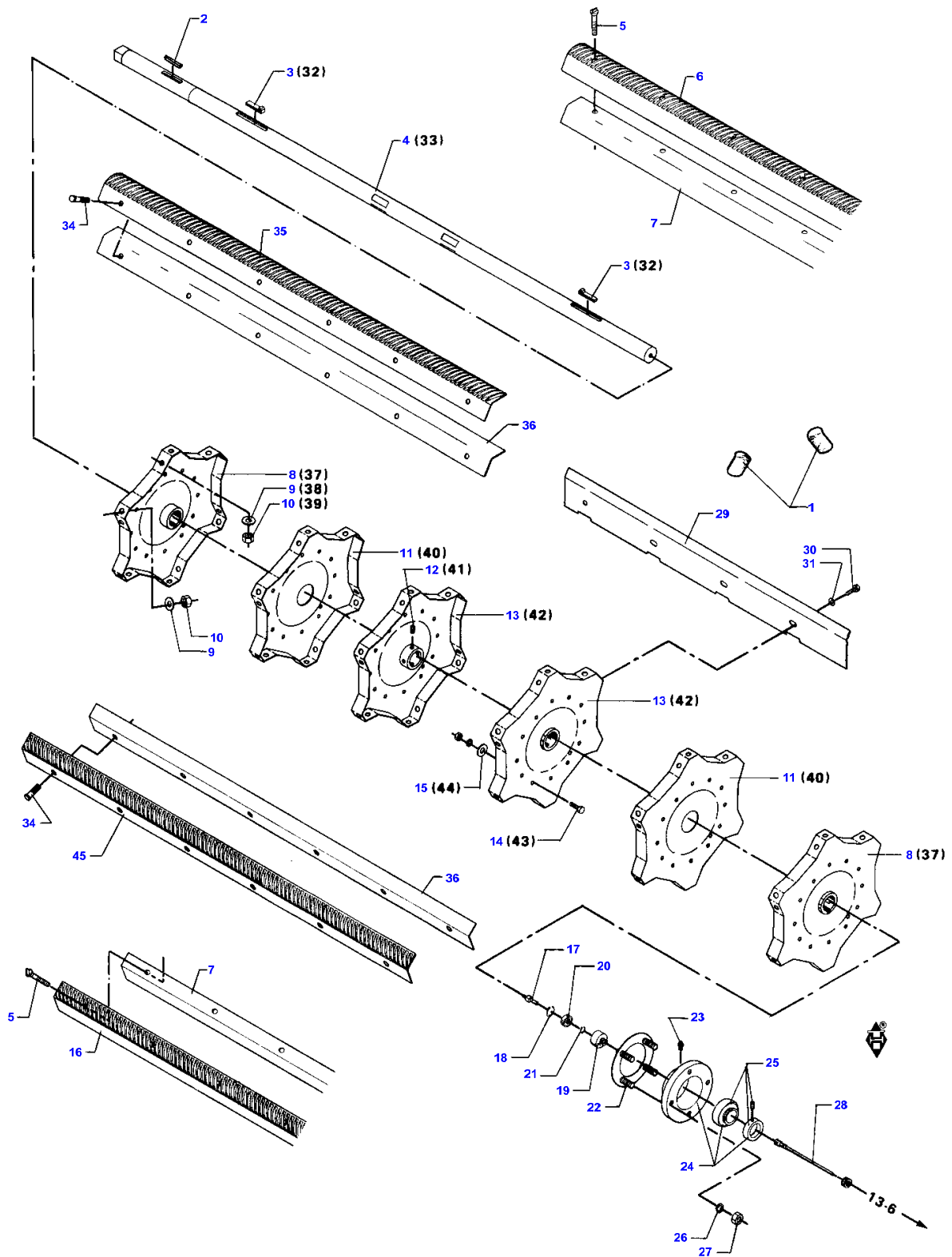
CONCAVE

Item	Part Number	Qty	Description	Comments
1	D41013500		Nut	
2	D28350125	1	Cover	
3	D28150509	1	Cover	Right Hand
4	D40477200	7	Screw	
5	D28150041	1	Cover	Left Hand
6	D28350024	1	Plate	
7	D28350207	1	Extension	INCL. P.8
8	D28350208	38	Tine	
9	D28350021	1	Guard	
10	D28350146	4	Plate	INCL. P.11
11	D28350031	4	Spring	
12	D28350008	1	Journal	
13	D20400459	4	Washer	
14	D41011100	4	HEXAGON SCREW	
15	D28350037	2	Gauge	
16	D28350008	2	Journal	
17	D28350131	1	Pin	
18	D28350192	1	Concave	
19	D28350193	96	Wire	
20	D40407800	6	HEXAGON SCREW	
21	D28350184	1	Guide	
22	D28350194	10	Plate	
23	D41057100	4	Wing Nut	
24	D20400409	4	Washer	
25	D28350161	1	Extension	(V) T.42507
	D28350267	1	Rake	POS. 26-31 (0)
26	D28350261	1	Plate	(V)
27	D28350261	1	Plate	(V)
28	D28350257	25	Tine	(V)
29	D28350260	1	Plate	(V)
30	D40407900	7	Screw Metric	(V)
31	D20400416	7	Washer	(V)
32	D20400471	6	Washer	(V)
33	D41087600	6	Locknut	(V)
34	D28350166	1	Clevis Pin	(V)
35	D28350167	2	Clevis Pin	(V)
36	D28350165	1	Clevis Pin	(V)
37	D28350157	1	Concave	(V)
38	D28350156	79	Wire	(V)
39	D28350160	1	Batt	(V)
40	D28350264	1	Concave	(V)
41	D28350274	1	Concave	(V)
42	D28350258	65	Wire	(V)
43	D28350251	1	Concave	(V)
44	D28350128	1	Concave	(3)
	D28350273	1	Concave	(3)
				JAPAN
45	D28350028	1	Concave	(3)
46	D28350042	97	Wire	(3)
				(0)
				MAIZE EQUIPMENT F.42508
				(V)
				MAIZE EQUIPMENT
				(3)
				OPTIONAL EQUIPMENT



CONCAVE SETTING

Item	Part Number	Qty	Description	Comments
1	D28360078	1	Suspension	
2	D41011100	4	HEXAGON SCREW	
3	D20400459	4	Washer	
4	D43316200	6	Bush	
5	D42501400	2	Circlip	
6	D28350085	1	Journal	
7	D41447300	2	Split Ring	
8	D40632000	2	Pin	
9	D28350109	1	Lever	Right Hand
10	D40407700	4	Screw	
11	D20400419	4	Washer	
12	D41013600	4	Nut	
13	D28350099	1	Guard	
14	D43103100	2	Key	
15	D28350083	1	Shaft	
16	D28350001	1	Lever	Left Hand
17	D28350004	1	Suspension	Left Hand
18	D40404900	3	Screw Metric	
19	D20400409	6	Washer	
20	D28751459	1	Plate	
21	D41013400	1	Nut	
22	D28751370	1	Stop	
23	D20400470	1	Washer	
24	D40402600	1	Screw Metric	
25	D40422300	1	Screw	
26	D20400404	2	Washer	
27	D42605100	1	TIGHENING PIN	
28	D42612000	1	TIGHENING PIN	
29	D28750265	1	Lever	
30	D43389600	1	Knob Assy	
31	D41087400	1	Locknut	
32	D45666100	1	Spring	
33	D28751361	1	Shaft	
34	D28750261	1	Bearing	
35	D20400409	2	Washer	
36	D40404900	2	Screw Metric	
37	D28350094	1	Rod	
38	D28350090	1	Nut	
39	D41011100	1	HEXAGON SCREW	
40	D28350089	1	Screw	
41	D27100120	1	Hair Pin	
42	D43319300	1	Bush	



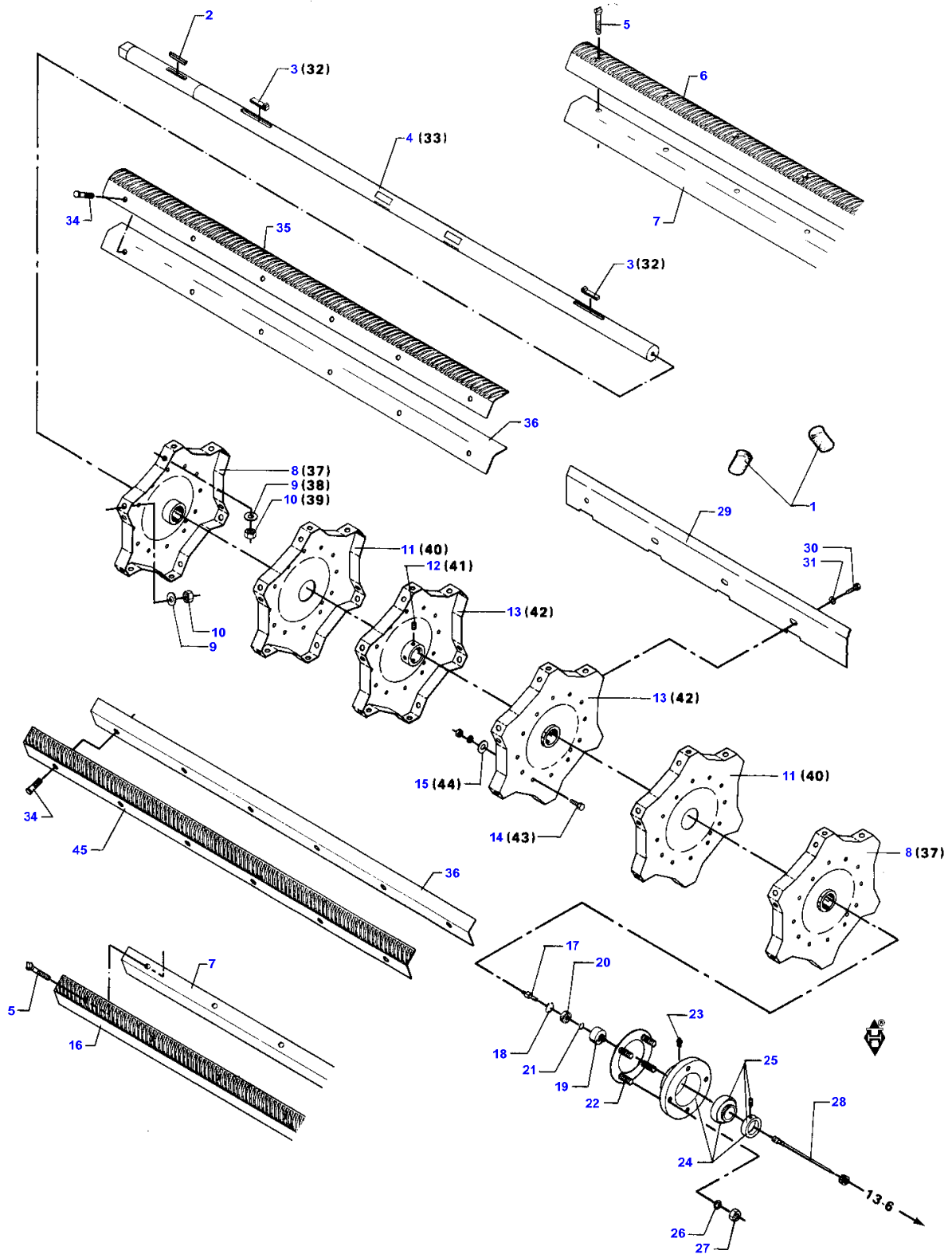
**MASSEY FERGUSON
MF 31 COMBINE - 819726**

819726

4-3A

THRESHING DRUM (F. ENGINE TYPE 611DSL. + PERK. 170HP)

Item	Part Number	Qty	Description	Comments
1	D27300181	4	Shutter	
2	D43105000	1	Key	
	D28350241	1	Beater	(Y3) T.41878
3	D43154900	2	Gib Key	
4	D28350233	1	Shaft	
5	D40557300	36	Bolt	T.41878
6	D28340115	3	Batt	Left Hand T.41878
7	D28350183	6	Support	T.41878
8	D28350239	2	Plate	
9	D20400424	36	Washer	
10	D41080400	36	Locknut	T.41878
11	D28350011	2	Plate	
12	D40633300	8	Pin	
13	D28350238	2	Plate	
14	D40407800		HEXAGON SCREW	(5)
15	D20400415		Washer	(5)
	D20400421		Washer	(5)
	D20400422		Washer	(5)
16	D28340114	3	Batt	Right Hand T.41878
	D28710387	1	Bearing Housing	POS. 17-21
17	D28710389	1	Clevis Pin	
18	D42512400	1	Circlip	
19	D28710388	1	Bearing Housing	
20	D41622300	1	Bearing Ball	
21	D42500700	1	Circlip	
22	D28350204	1	Ring	
23	D43001500	1	Greaser	
24	D41711000	1	Flange	
25	D41705700	1	Bearing Ball	
26	D45461300	4	O Ring	
27	D41010900	4	Nut Metric	
28	D45075300	1	Cable	
29	D28150660	6	Plate	(V)
30	D40407700	36	Screw	(V)
31	D20400415	36	Washer	(V)
	D28350244	1	Beater	(E3) F.41879
32	D43154900	2	Gib Key	
33	D28350233	1	Shaft	
34	D40411100	36	HEXAGON SCREW	F.41879
35	D28350243	3	Beater Bar	Left Hand F.41879
36	D28350240	6	Support	F.41879
37	D28350239	2	Plate	
38	D20400424	36	Washer	
39	D41087700	36	Locknut	F.41879
40	D28350011	2	Plate	
41	D40633300	8	Pin	
42	D28350238	2	Plate	
43	D40407800		HEXAGON SCREW	(5)
44	D20400415		Washer	(5)
	D20400421		Washer	(5)
	D20400422		Washer	(5)
45	D28350242	3	Beater Bar	Right Hand F.41879 (E3) POS. 32 - 45 (V) MAIZE EQUIPMENT (Y3) POS. 3 - 16 (5) OPTIONAL



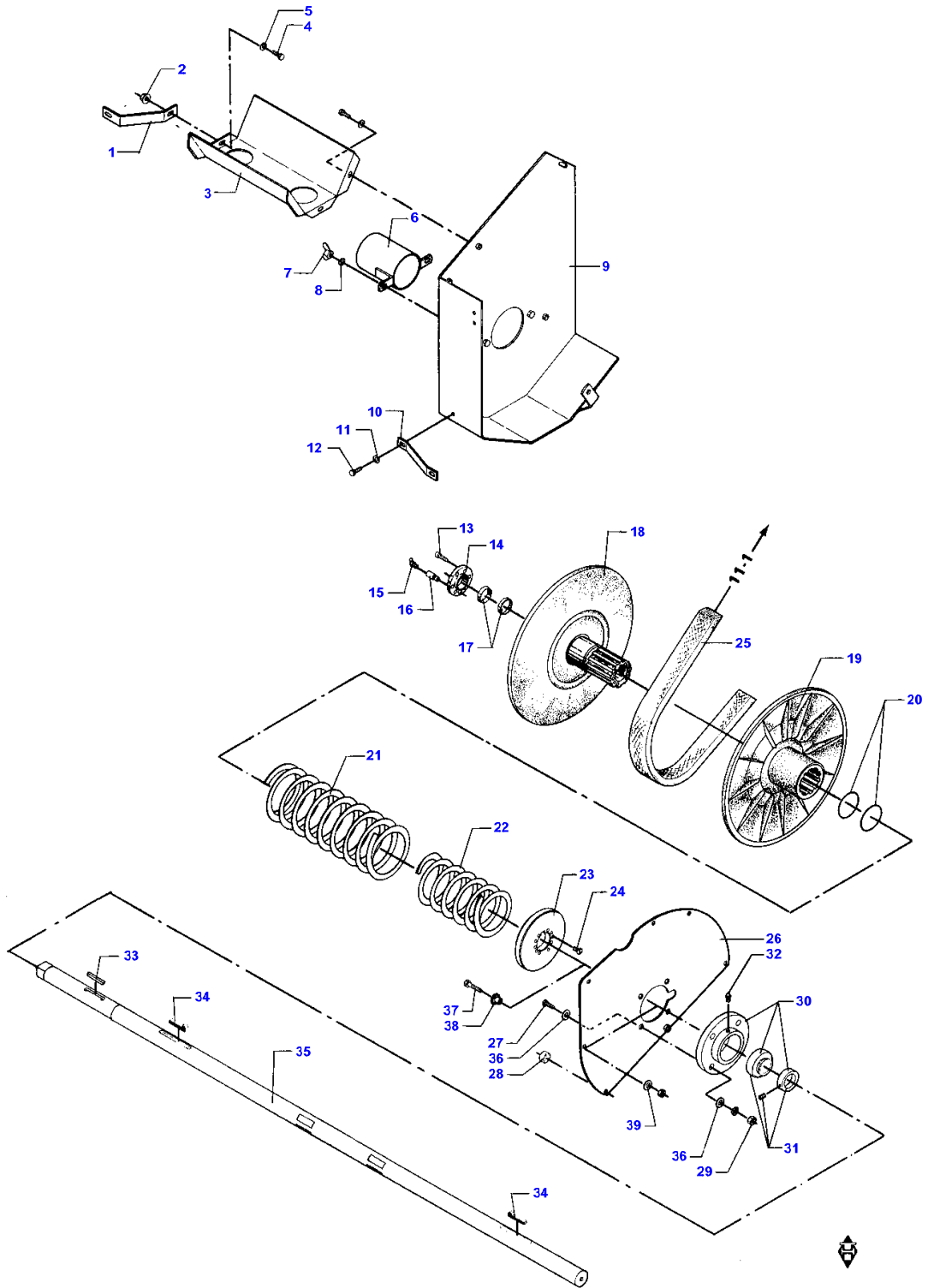
**MASSEY FERGUSON
MF 31 COMBINE - 819726**

819726

4-3B

THRESHING DRUM (FOR PERKINS 153 HP)

Item	Part Number	Qty	Description	Comments
1	D27300181	4	Shutter	
2	D43105000	1	Key	
	D28350190	1	Threshing Cyl	(Y3) T.40974
3	D43154900	2	Gib Key	
4	D28350114	1	Shaft	
5	D40557300	36	Bolt	T.40974
6	D28340115	3	Batt	Left Hand 5.40974
7	D28350183	6	Support	T.40974
8	D28350013	2	Plate	
9	D20400424	36	Washer	
10	D41080400	36	Locknut	T.40974
11	D28350011	2	Plate	
12	D40633300	8	Pin	
13	D28350012	2	Plate	
14	D40407800		HEXAGON SCREW	(5)
15	D20400415		Washer	(5)
	D20400422		Washer	(5)
16	D28340114	3	Batt	Right Hand T.40974
	D28710387	1	Bearing Housing	POS. 17-21
17	D28710389	1	Clevis Pin	
18	D42512400	1	Circlip	
19	D28710388	1	Bearing Housing	
20	D41622300	1	Bearing Ball	
21	D42500700	1	Circlip	
22	D28350204	1	Ring	
23	D43001500	1	Greaser	
24	D41711000	1	Flange	
25	D41705700	1	Bearing Ball	
26	D45461300	4	O Ring	
27	D41010900	4	Nut Metric	
28	D45075300	1	Cable	
29	D28150660	6	Plate	(V)
30	D40407700	36	Screw	(V)
31	D20400415	36	Washer	(V)
	D28350245	1	Threshing Cyl	(E3) F.40975
32	D43154900	2	Gib Key	
33	D28350114	1	Shaft	
34	D40411100	36	HEXAGON SCREW	F.40975
35	D28350243	3	Beater Bar	Left Hand F.40975
36	D28350240	6	Support	F.40975
37	D28350013	2	Plate	
38	D20400424	36	Washer	
39	D41087700	36	Locknut	F.40975
40	D28350011	2	Plate	
41	D40633300	8	Pin	
42	D28350012	2	Plate	
43	D40407800		HEXAGON SCREW	(5)
44	D20400415		Washer	(5)
	D20400421		Washer	(5)
	D20400422		Washer	(5)
45	D28350242	3	Beater Bar	Right Hand F.40975 (E3) POS. 32 - 45 (V) MAIZE EQUIPMENT (Y3) POS. 3 - 16 (5) OPTIONAL



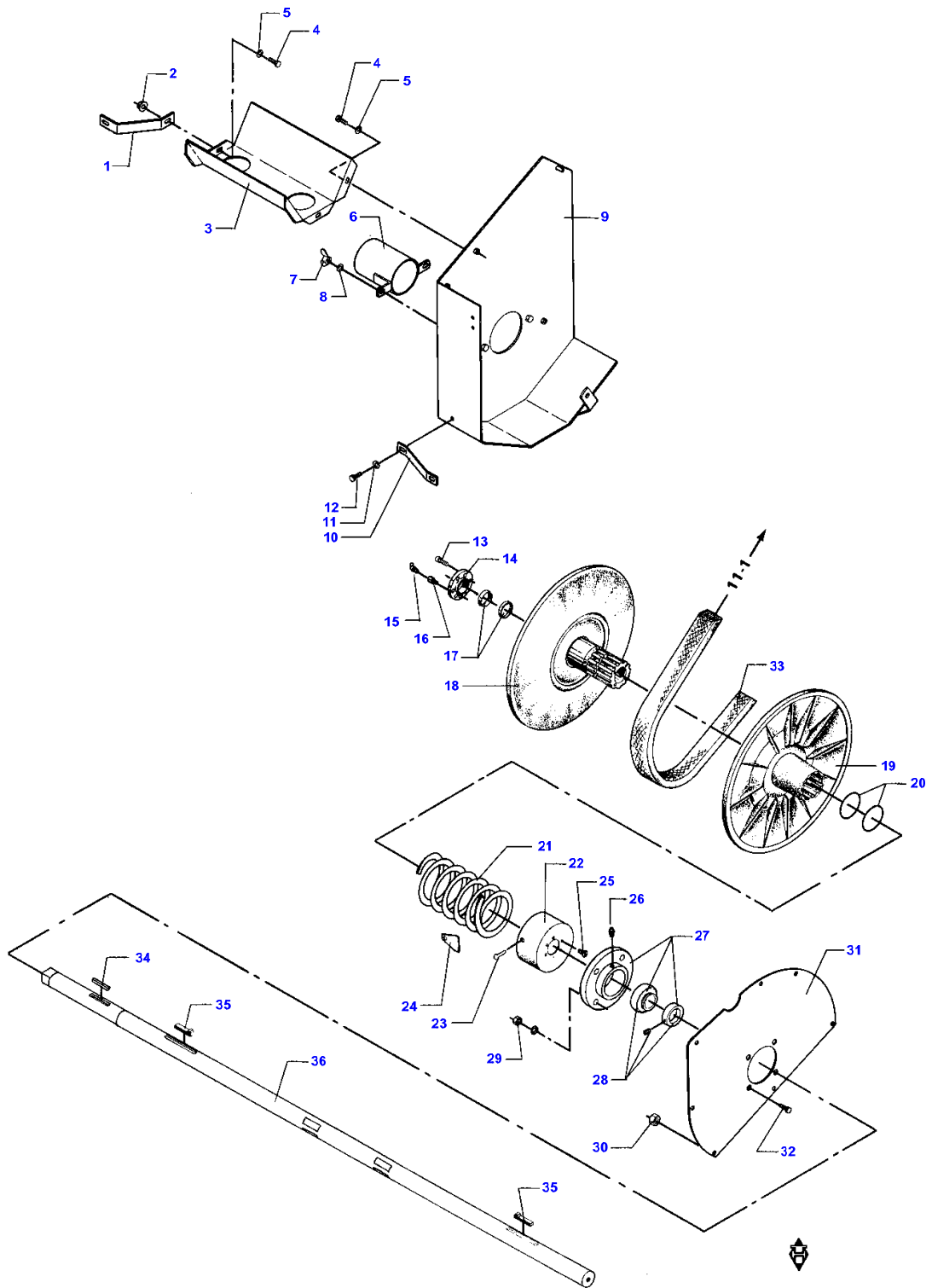
**MASSEY FERGUSON
MF 31 COMBINE - 819726**

819726

4-4

DRUM SELECTOR (F. ENGINE TYPE 611DSL + PERK. 170 HP)

Item	Part Number	Qty	Description	Comments
1	D28150710	1	Bracket	
2	D41013500	1	Nut	
3	D28150706	1	Guard	
4	D40404900	3	Screw Metric	
5	D20400409	3	Washer	
6	D28150724	1	Cover	
7	D41057300	2	Wing Nut	
8	D20400409	2	Washer	
9	D28150700	1	Guard	
10	D28150734	1	Stay	
11	D20400409	1	Washer	
12	D40404900	1	Screw Metric	
	D28350232	1	Pulley	POS. 13-24
13	D40691100	6	Screw Metric	
14	D28350111	1	Flange	
15	D43001600	1	Greaser	
16	D28350112	1	Connector	
17	D42596700	1	Tightener	
18	D28350230	1	Pulley Half	
19	D28350231	1	Pulley Half	
20	D45467400	2	O Ring	
21	D28350229	1	Spring	
22	D28350228	1	Spring	
23	D28350227	1	Flange	
24	D40689000	10	Screw	
25	D41980900	1	Belt	
26	D28350236	1	Cover	
27	D40411100	4	HEXAGON SCREW	
28	D41013500	7	Nut	
29	D41010900	4	Nut Metric	
30	D41715000	1	Bearing	
31	D41713200	1	Bearing Ball	
32	D43005000	1	Grease Nipple	F.39541
	D43001600	1	Greaser	T.39540
33	D43105000	1	Key	
34	D43154900	2	Gib Key	
35	D28350233	1	Shaft	
36	D20400426	8	Washer	
37	D40407900	2	Screw Metric	F.42206
38	D28350266	2	Bush	F.42206
39	D20400424	2	Washer	F.42206



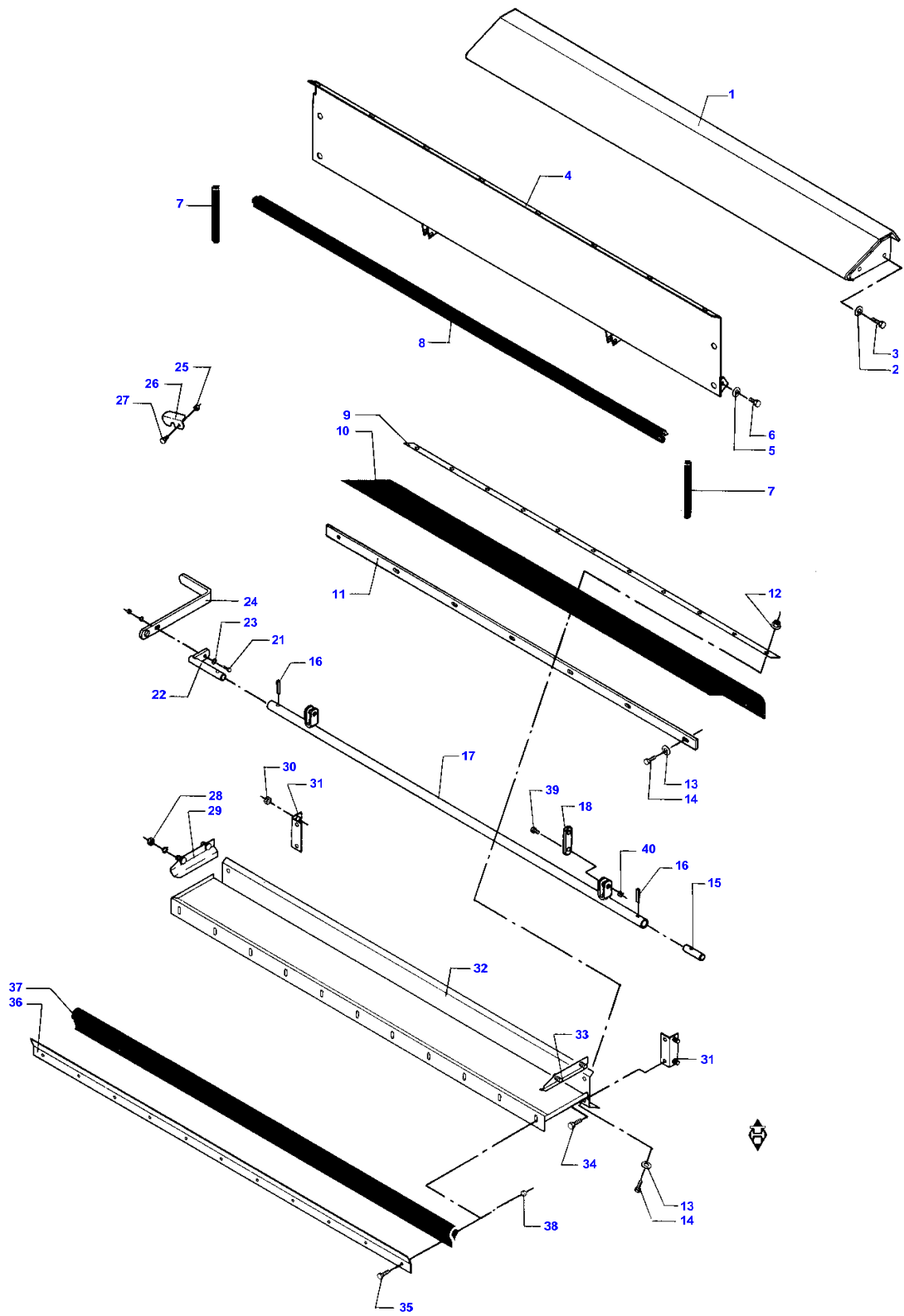
**MASSEY FERGUSON
MF 31 COMBINE - 819726**

819726

4-5

DRUM SELECTOR (FOR PERKINS 153 HP)

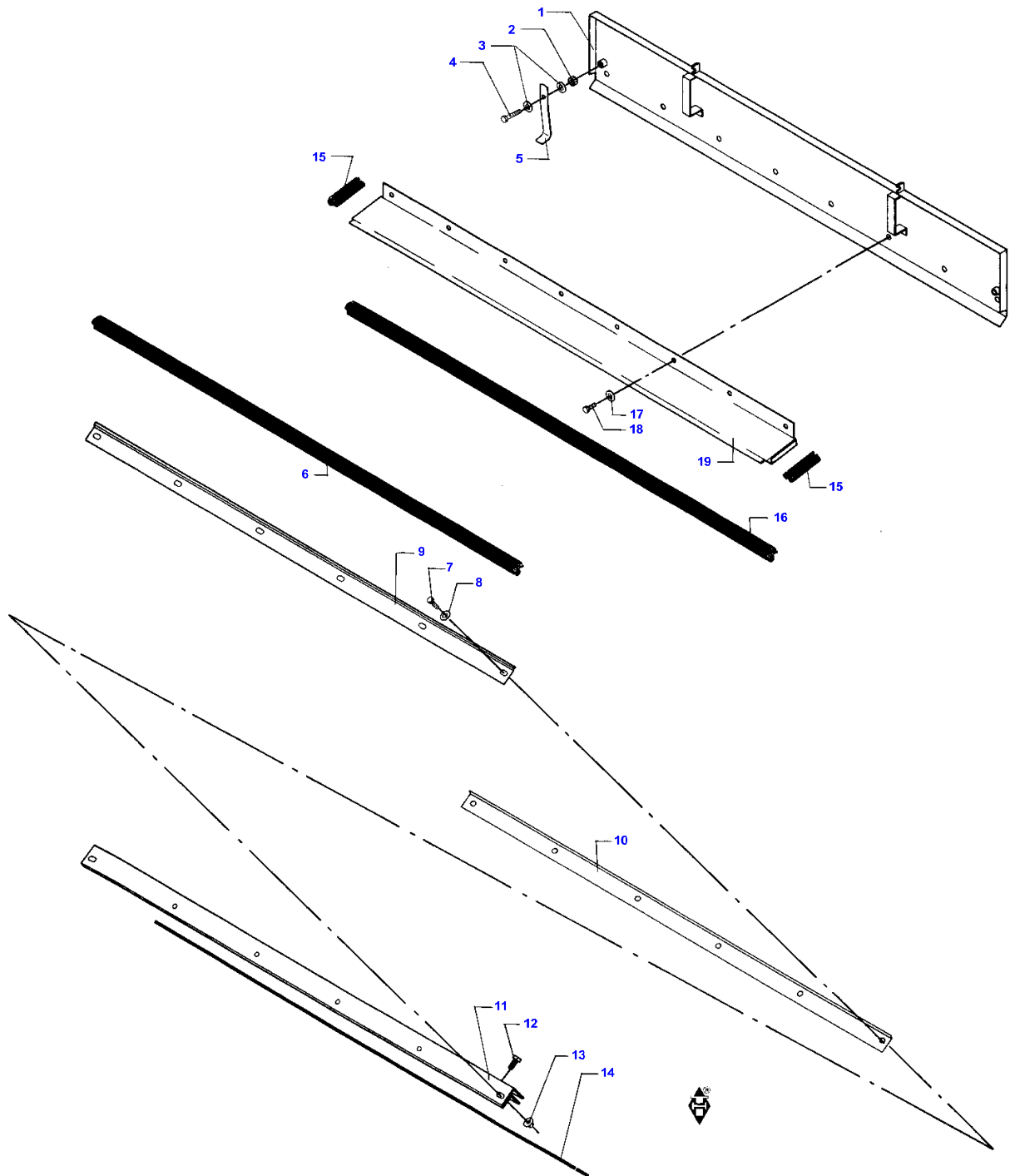
Item	Part Number	Qty	Description	Comments
1	D28150710	1	Bracket	
2	D41013500	1	Nut	
3	D28150706	1	Guard	
4	D40404900	3	Screw Metric	
5	D20400409	3	Washer	
6	D28150724	1	Cover	
7	D41057300	2	Wing Nut	
8	D20400409	2	Washer	
9	D28150700	1	Guard	
10	D28150734	1	Stay	
11	D20400409	1	Washer	
12	D40404900	1	Screw Metric	
	D28751249	1	Pulley	POS. 13-25
13	D40691100	6	Screw Metric	
14	D28350111	1	Flange	
15	D43001600	1	Greaser	
16	D28350112	1	Connector	
17	D42596700	1	Tightener	
18	D28751153	1	Pulley	
19	D28751152	1	Pulley	
20	D45467400	2	O Ring	
21	D28350182	1	Spring	
22	D28360117	1	Spring Housing	POS. 23-24
23	D41343300	3	Rivet	
24	D28700588	3	Spring	
25	D40600700	6	Screw Metric	
26	D43001600	1	Greaser	
27	D41711000	1	Flange	
28	D41705700	1	Bearing Ball	
29	D41010900	4	Nut Metric	
30	D41013500	7	Nut	
31	D28350124	1	Cover	
32	D40410900	4	Screw	
33	D41980900	1	Belt	
34	D43105000	1	Key	
35	D43154900	2	Gib Key	
36	D28350114	1	Shaft	



STONE TRAP

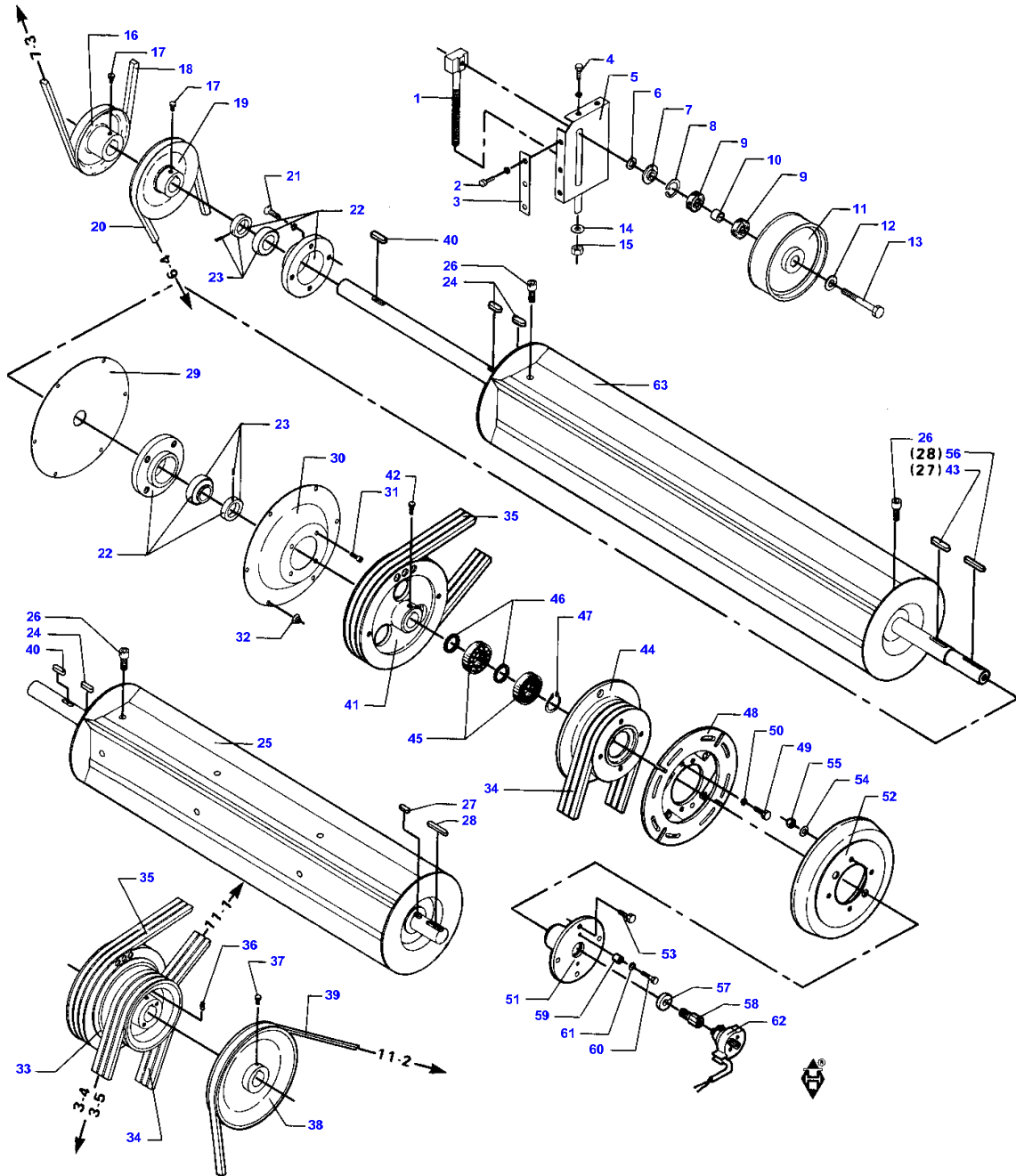
Item	Part Number	Qty	Description	Comments
1	D28350158	1	Tappet Plate	(V)
2	D20400415	4	Washer	(V)
3	D40407700	4	Screw	(V)
4	D28150232	1	Plate	
5	D20400409	4	Washer	
6	D40404900	4	Screw Metric	
7	D44706600	2	Seal Section	0,185 M
8	D44706600	1	Seal Section	1,390 M
9	D28130233	1	Strip	
10	D28350219	1	Curtain	F.39078
	D28350078	1	Seal	T.39077
11	D28450539	1	Strip	F.39078
12	D41013400	11	Nut	
13	D20400470		Washer	
14	D40402600		Screw Metric	
15	D28340037	1	Journal	
16	D42611800	2	TIGHENING PIN	
17	D28350051	1	Shaft	
18	D28350043	2	Strap	
21	D40402400	1	Screw Metric	
22	D28340087	1	Carrier	
23	D20400470	1	Washer	
24	D28340032	1	Handle	
25	D41087400	1	Locknut	
26	D28150616	1	Mounting	
27	D40402600	1	Screw Metric	
28	D41010700	4	Nut Metric	
29	D28350076	1	Seal	Right Hand
30	D41013600	4	Nut	
31	D28350046	2	Angle	
32	D28350059	1	Stone Trap	
33	D28350077	1	Seal	Left Hand
34	D40407600	4	Screw	
35	D40063700	11	Screw	
36	D28350055	1	Stop	
37	D28350054	1	Joint	
38	D41013500	11	Nut	
39	D40407900	4	Screw Metric	
40	D41087600	4	Locknut	(V)

MAIZE EQUIPMENT



DRUM COVER

Item	Part Number	Qty	Description	Comments
1	D28150659	1	Cover	
2	D41010700	2	Nut Metric	
3	D20400409	4	Washer	
4	D40405100	2	Screw Metric	
5	D28150745	2	Handle	
6	D44706600	1	Seal Section	1,390 M
7	D40404900	4	Screw Metric	
8	D20400409	12	Washer	
9	D28150657	1	Plate	
10	D28150814	1	Retainer	
11	D28150656	1	Angle	
12	D40405100	8	Screw Metric	
13	D41013500	4	Nut	
14	D28150029	1	Joint	
15	D44706600	2	Seal Section	0,095 M
16	D44706600	1	Seal Section	1,390 M
17	D20400409	8	Washer	
18	D40404700	8	Screw Metric	
19	D28150031	1	Plate	



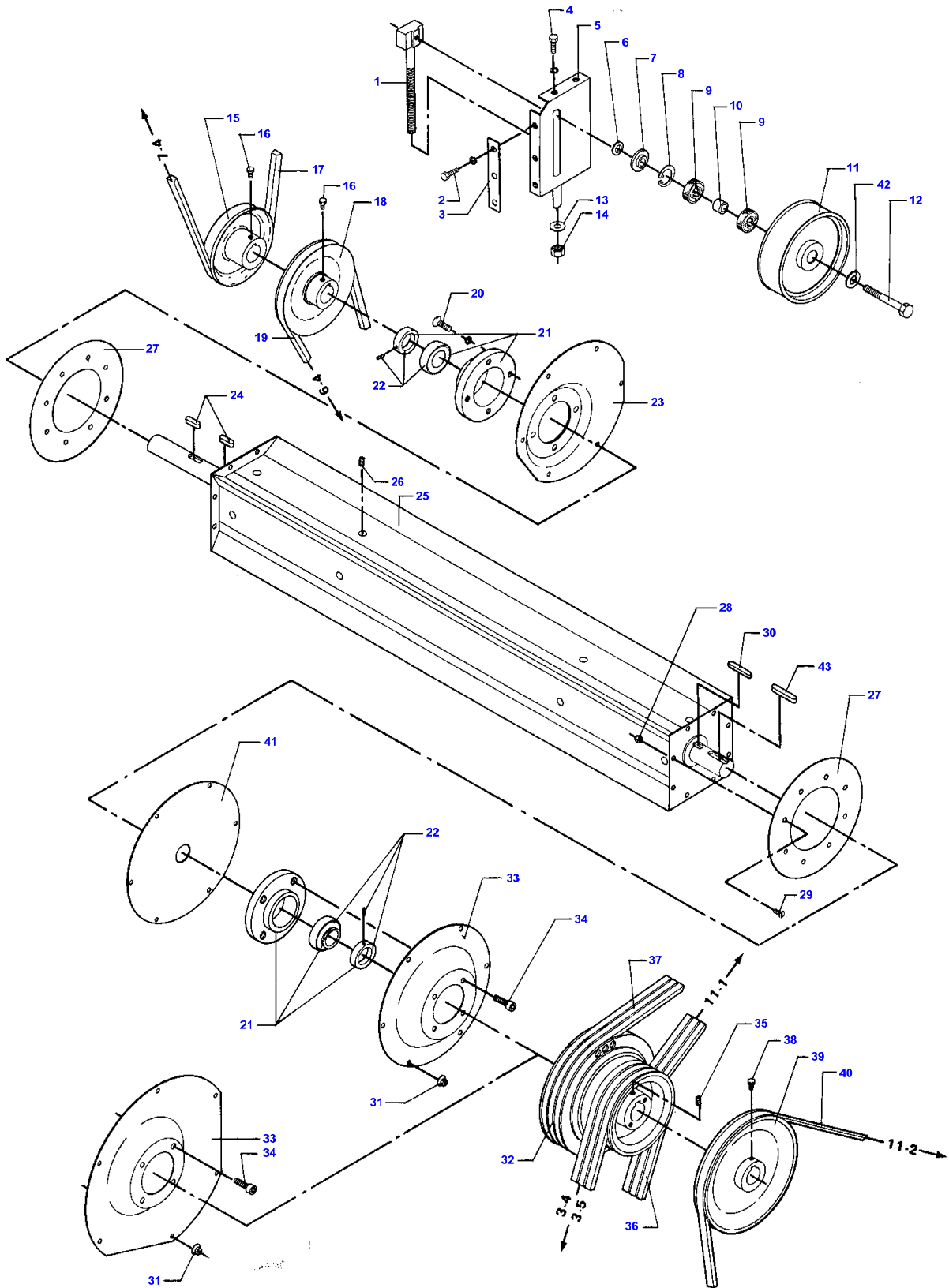
**MASSEY FERGUSON
MF 31 COMBINE - 819726**

819726

4-8A

STRIPPER BEATER WITH PULLEYS (F.40975)

Item	Part Number	Qty	Description	Comments
1	D28741543	1	Spindle	
2	D40426300	3	HEXAGON SCREW	
3	D28750050	1	Shim	
4	D40407700	2	Screw	
5	D28750051	1	Bracket	
6	D20400460	1	Washer	
7	D28731575	1	Bush	
8	D42513400	1	Circlip	
9	D41622600	2	Bearing Ball	
10	D28740881	1	Bush	
11	D28750047	1	Pulley	
12	D25300047	1	Washer	
13	D28731494	1	Screw	
14	D20400426	1	Washer	
15	D41010900	1	Nut Metric	
16	D28751927	1	Pulley	
17	D40466200	2	Setscrew	
18	D41982500	1	Belt	
19	D28784022	1	Pulley	
20	D41987900	1	V Belt	
21	D40693600	4	Screw Metric	
22	D41714100	2	Bearing Housing	INCL. P. 23
23	D41705500	2	Bearing Ball	
24	D43106200	2	Key	
25	D28350139	1	Beater	T.43456
26	D40692500	2	Screw	
27	D43106700	1	Key	T.43456
28	D43106400	1	Key	T.43456
29	D28350137	1	Plate	
30	D28350147	1	Cover	
31	D40693600	4	Screw Metric	
32	D41013500	6	Nut	
33	D28751924	1	Pulley	(56) T.43456
34	D41991700	1	Belt	
35	D41934800	3	Kit, Belt	
36	D40633200	1	Pin	T.43456
37	D40466500	1	Setscrew	T.43456
38	D28751926	1	Pulley	T.43456
39	D41987800	1	V Belt	
40	D43106400	1	Key	F.42395
4	D43106200	1	Key	F.42394
41	D28752221	1	Pulley	F.43457
42	D40466700	4	Screw Metric	F.43457
43	D43105900	1	Key	F.43457
44	D28752223	1	Pulley	F.43457
45	D41623000	2	Bearing Ball	F.43457
46	D28752226	2	Spacer	F.43457
47	D42515000	1	Circlip	F.43457
48	D45060300	1	Plate	F.43457
49	D40410900	4	Screw	F.43457
50	D41010900	4	Nut Metric	F.43457
51	D28752220	1	Flange	F.43457
52	D45060200	1	Magnet	F.43457
53	D40411000	4	HEXAGON SCREW	F.43457
54	D20400446	4	Washer	F.43457
55	D41087700	4	Locknut	F.43457
56	D43105200	1	Key	F.43457
57	D28752229	1	Washer	F.43457
58	D28752228	1	Screw	F.43457
59	D28752227	2	Bush	F.43457
60	D40407900	2	Screw Metric	F.43457
61	D20400471	2	Washer	F.43457
62	D28850856	1	Retainer	F.43457
63	D28350269	1	Beater	F.43457 (56) SEE SERVICE INFORMATION 1987



**MASSEY FERGUSON
MF 31 COMBINE - 819726**

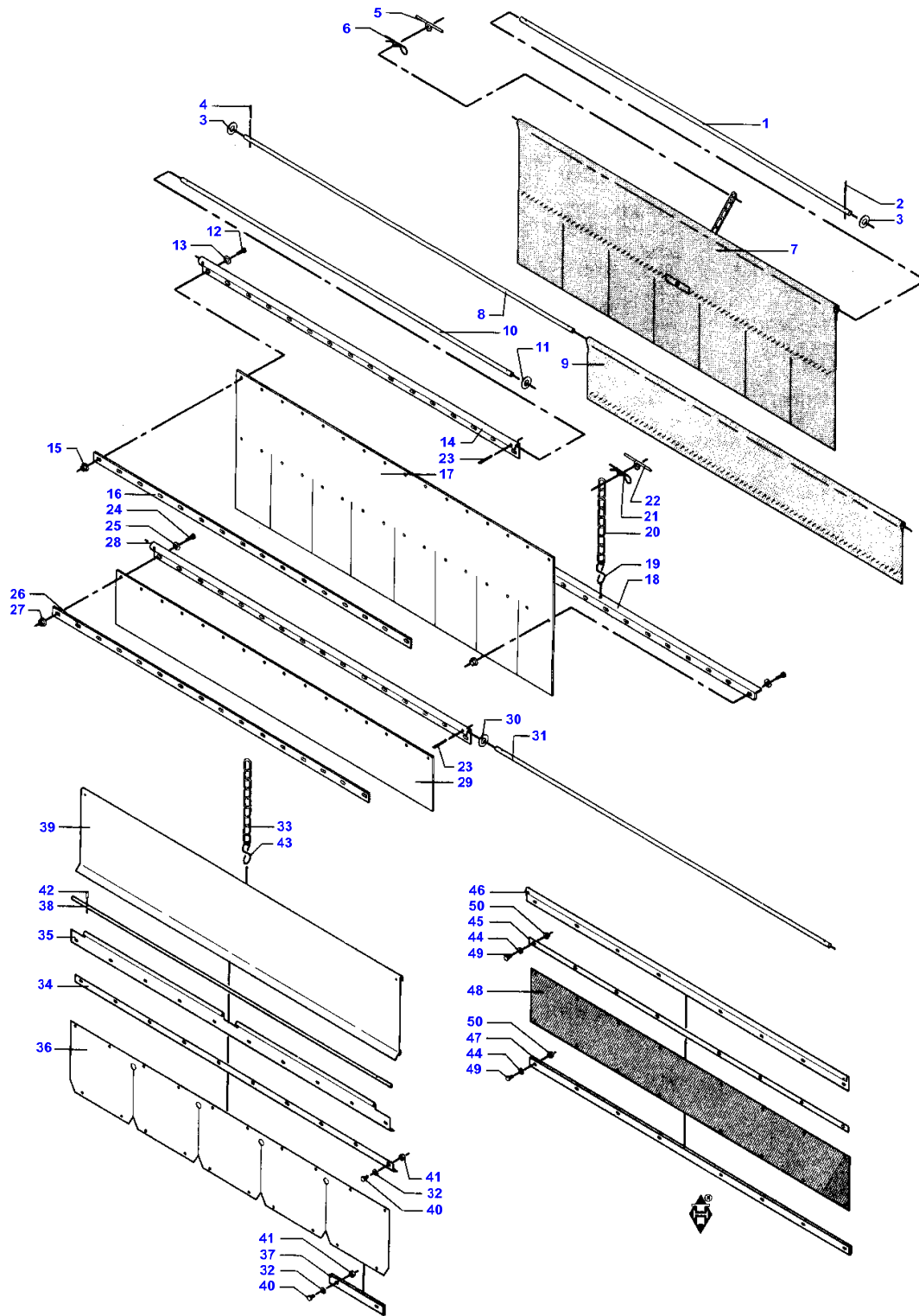
819726

4-8B

STRIPPER BEATER WITH PULLEYS (T.40974)

Item	Part Number	Qty	Description	Comments
1	D28741543	1	Spindle	
2	D40426300	3	HEXAGON SCREW	
3	D28750050	1	Shim	
4	D40407700	2	Screw	
5	D28750051	1	Bracket	
6	D25300047	1	Washer	
7	D28731575	1	Bush	
8	D42513400	1	Circlip	
9	D41622600	2	Bearing Ball	
10	D28740881	1	Bush	
11	D28750047	1	Pulley	
12	D28731494	1	Screw	
13	D20400426	1	Washer	
14	D41010900	1	Nut Metric	
15	D28751927	1	Pulley	
16	D40466200	2	Setscrew	
17	D41982400	1	V Belt	
	D41982500	1	Belt	(T5)
18	D28751928	1	Pulley	
19	D41987900	1	V Belt	
20	D40693600	8	Screw Metric	
21	D41714100	2	Bearing Housing	INCL. P. 22
22	D41705500	2	Bearing Ball	
23	D28150998	1	Cover	T.39540
24	D43106200	1	Key	
25	D28350139	1	Beater	P. 26-29
26	D40639800	10	Pin	
27	D28350178	2	Plate	
28	D41087400	16	Locknut	
29	D40600500	16	Screw	
30	D43106700	1	Key	
31	D41013500	6	Nut	
32	D28751924	1	Pulley	
33	D28350147	1	Cover	F.39541
	D28150999	1	Cover	T.39540
34	D40693600	8	Screw Metric	
35	D40633200	3	Pin	
36	D41991700	1	Belt	
37	D41934800	1	Kit, Belt	
38	D40466500	1	Setscrew	
39	D28751926	1	Pulley	
40	D41987800	1	V Belt	
41	D28350137	1	Plate	F.39541
42	D20400460	1	Washer	
43	D43106400	1	Key	

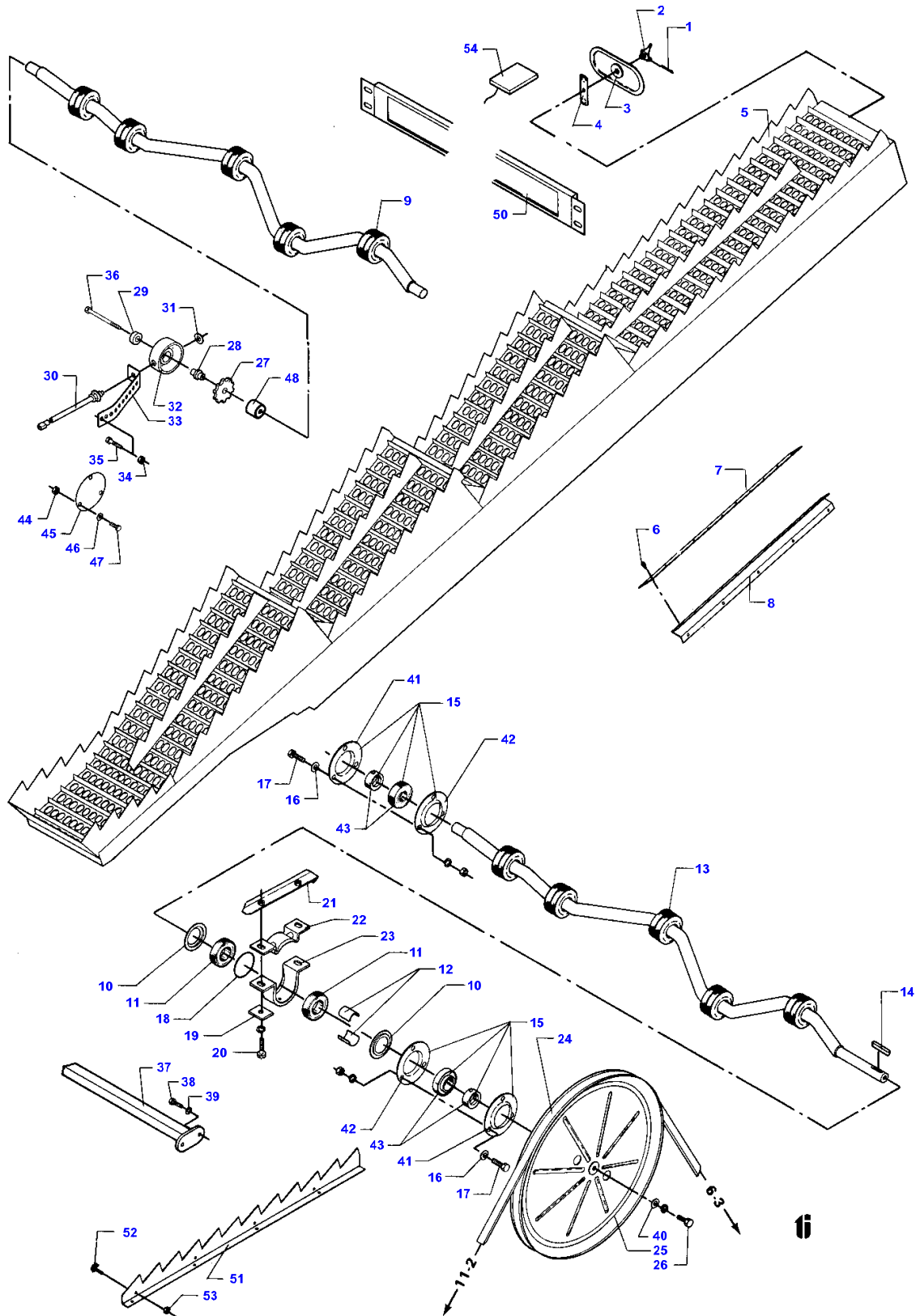
(T5)
ONLY FOR DRY LANDS



CHECK FLAPS

Item	Part Number	Qty	Description	Comments
1	D28140306	1	Shaft	
2	D41405900	2	SPLIT PIN	
3	D20400421	4	Washer	
4	D41405800	2	Pin	
5	D21100341	1	Retainer	
6	D27100120	1	Hair Pin	
7	D28150005	1	Deflector	
8	D28150231	1	Shaft	
9	D28140311	1	Guard	
10	D28140306	1	Shaft	
11	D20400471	2	Washer	
	D28151011	1	Guard	POS. 12-20
12	D40402400	16	Screw Metric	
13	D20400470	16	Washer	
14	D28150733	1	Hinge	
15	D41013400	16	Nut	
16	D28150729	1	Strip	
17	D28151009	1	Plate	
18	D28150730	1	Anglepiece	
19	D42386000	1	Hook	
20	D28140308	1	Chain	
21	D27100120	1	Hair Pin	
22	D21100341	1	Retainer	
23	D41405900	4	SPLIT PIN	
	D28151015	1	Guard	POS. 24-29
24	D40402400	8	Screw Metric	
25	D20400470	8	Washer	
26	D28150729	1	Strip	
27	D41013400	8	Nut	
28	D28150733	1	Hinge	
29	D28151010	1	Canvas	
30	D20400471	2	Washer	
31	D28150231	1	Shaft	
	D28151121	1	Deflector	(R) POS. 32-43
32	D20400470	20	Washer	(R)
33	D28140308	1	Chain	(R)
34	D28151112	1	Anglepiece	(R)
35	D28151113	1	Hinge	(R)
36	D28151114	1	Flap	(R)
37	D28151115	5	Reinforcement	(R)
38	D28151116	1	Rod	(R)
39	D28151118	1	Flap	(R)
40	D40402400	20	Screw Metric	(R)
41	D41013400	20	Nut	(R)
42	D41408700	2	SPLIT PIN	(R)
43	D42386000	1	Hook	(R)
	D28151163	1	Deflector	(R) POS. 44-50
44	D20400470	16	Washer	(R)
45	D28150729	1	Strip	(R)
46	D28150733	1	Hinge	(R)
47	D28151122	1	Reinforcement	(R)
48	D28151164	1	Plate	(R)
49	D40402400	16	Screw Metric	(R)
50	D41013400	16	Nut	(R) (R)

OPTIONAL EQUIPMENT T.43910, STANDARD EQUIPMENT F.4 3911



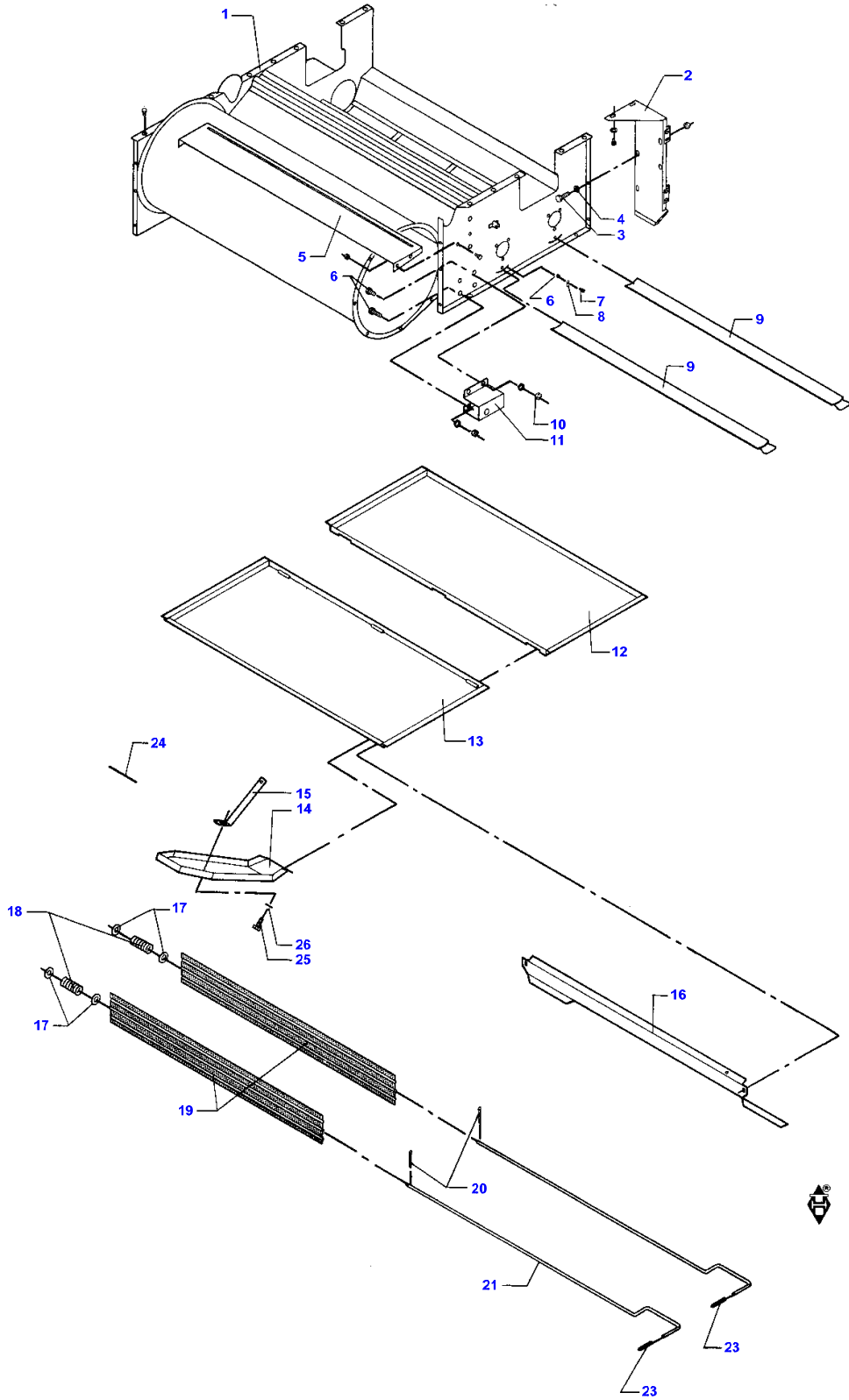
**MASSEY FERGUSON
MF 31 COMBINE - 819726**

819726

5-1

STRAW WALKER AND CRANKS

Item	Part Number	Qty	Description	Comments
	D28450115	5	Cover	POS. 1-4
1	D41408800	5	Pin	
2	D27400371	5	Lock	
3	D28450114	5	Cover	
4	D27400370	5	Spring	
5	D28450439	5	Walker	
6	D43427400	44	Fastener	F.39275
7	D28450535	4	Seal	F.39275
8	D28450536	4	Plate	F.39275
9	D28450238	1	Crankshaft	POS. 10-12
10	D28460184	20	Cover	
11	D41623100	20	Bearing Ball	
12	D28450278	20	Bush	
13	D28484007	1	Crank	POS. 10-12
14	D43104700	1	Key	
15	D41709600	4	Flange	
16	D20400507	12	Spacer	
17	D40407600	12	Screw	
18	D44738100	10	Band	
19	D28450277	20	Dog	
20	D40407900	20	Screw Metric	
21	D28460005	10	Dog	
22	D28450275	10	Bottom Part	T.46389
	D28450624	10	Bottom Part	F.46390
23	D28450276	10	Top	T.43689
	D28450625	10	Holder	F.46390
24	D41990069	1	V Belt	F.40782
	D41990100	1	V Belt	T.40781
25	D28450179	1	Pulley	
26	D40410900	1	Screw	
	D28751813	1	Sensor	(C8)
				POS. 27-33
27	D28750922	1	Wheel	(C8)
28	D28751218	1	Journal	(C8)
29	D41622600	1	Bearing Ball	(C8)
30	D28751812	1	Sensor	(C8)
				INCL. P. 31
31	D20400428	1	Washer	(C8)
32	D28751223	1	Cup	(C8)
33	D28751216	1	Rubber Strap	(C8)
34	D41013400	1	Nut	(C8)
35	D40402600	1	Screw Metric	(C8)
36	D40426300	1	HEXAGON SCREW	(C8)
37	D28150065	1	Brace	
38	D40407800	4	HEXAGON SCREW	
39	D20400471	4	Washer	
40	D20400537	1	Spacer	
41	D41711300	4	Bearing	(T5)
42	D41708800	4	Flange	(T5)
43	D41714500	4	Bearing Ball	(T5)
44	D41013500	6	Nut	
45	D28150638	2	Plate	
46	D20400409	6	Washer	
47	D40404700	6	Screw Metric	
48	D28751538	1	Journal	(C8)
49	D20400507	20	Spacer	
50	D45060060	1	Plate	(3)
51	D28450652	1	Extension	(3)
52	D28480462	4	Bolt	(3)
53	D41087500	4	Locknut	
54	D45060058	2	Sensor	(3)
				(C8)
				UNI-CONTROL
				(T5)
				ONLY FOR DRY LANDS
				(3)
				OPTIONAL EQUIPMENT



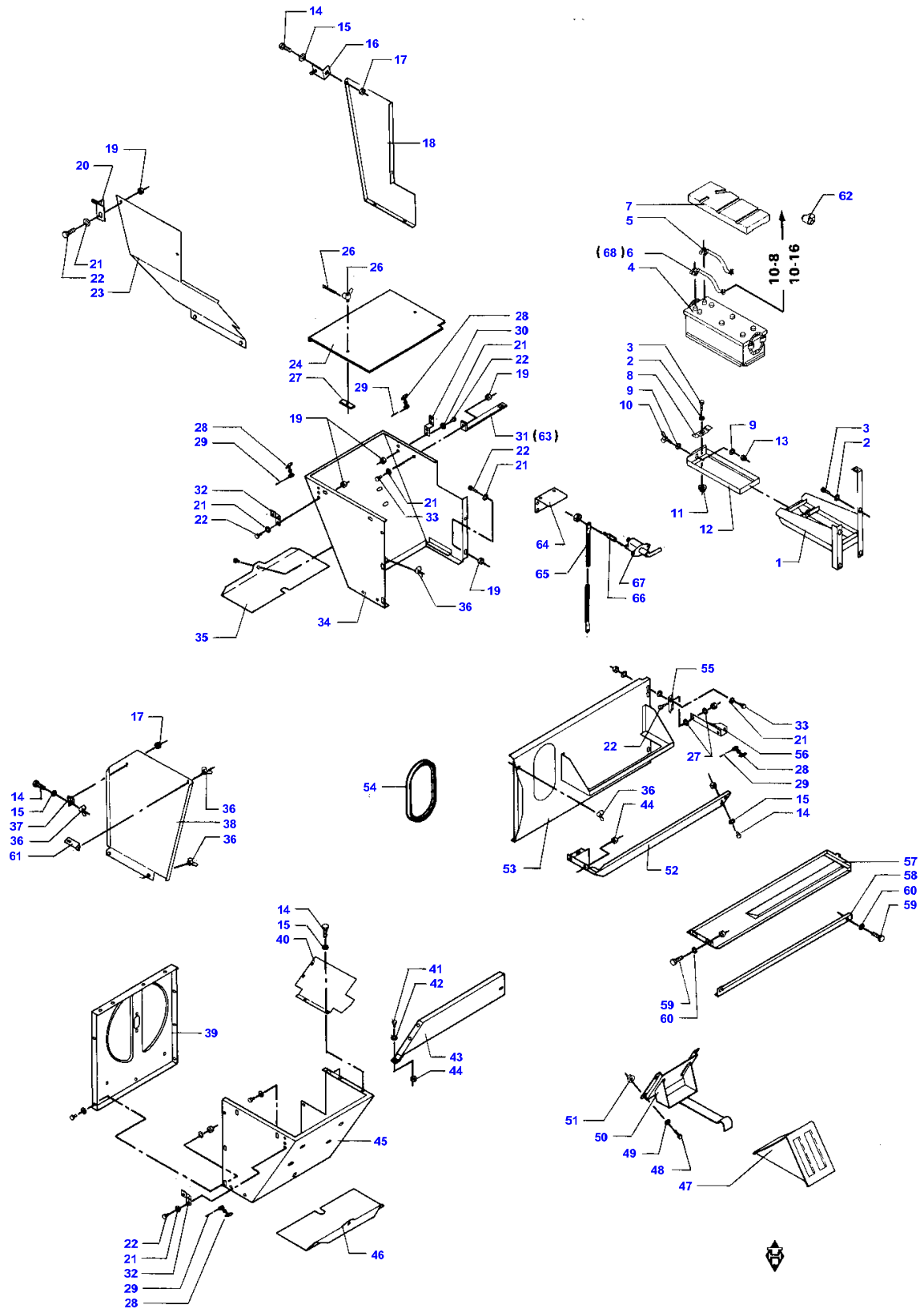
**MASSEY FERGUSON
MF 31 COMBINE - 819726**

819726

6-1

MAIN FAN WITH BOTTOM PLATE AND SHUTTER

Item	Part Number	Qty	Description	Comments
1	D28450009	1	Fan	
2	D28450361	1	Plate	F.40975
	D28450303	1	Sheet Metal	T.40974
3	D40404900		Screw Metric	
4	D20400409		Washer	
5	D28450191	1	Plate	
6	D41087400	2	Locknut	
7	D40402400	2	Screw Metric	
8	D28530202	2	Locking Plate	
9	D28450022	2	Shutter	(4)
	D28450434	2	Shutter	(R3)
10	D41013500	5	Nut	
11	D28450364	1	Bracket	F.40975
	D28450030	1	Console	T.40974
12	D28450316	1	Plate	(V)
13	D28450315	1	Plate	(V)
14	D28450334	1	Guard	(V)
15	D28450333	1	Stay	(V)
16	D28450317	1	Plate	(V)
17	D20400419	4	Washer	
18	D28810721	2	Spring	
19	D28450027	2	Damper	
20	D41405700	2	SPLIT PIN	
21	D28450025	2	Shaft	
23	D43384700	2	Handle	
24	D28450565	1	Plate	(V)
25	D40404900		Screw Metric	(V)
26	D20400409		Washer	(V)
				(R3)
				OPTIONAL EQUIPMENT FOR PEAS
				(V)
				MAIZE EQUIPMENT
				(4)
				STANDARD



**MASSEY FERGUSON
MF 31 COMBINE - 819726**

819726

6-2

GUARDING AT MAIN FAN - ACCUMULATOR

Item	Part Number	Qty	Description	Comments
1	D28450547	1	Support	
2	D20400409	3	Washer	
3	D40404900	3	Screw Metric	
4	D45062100	1	Accumulator	F.39275
	D45002000	1	Battery	T.39274
5	D28752017	1	Cable	F.39275 (-)
5	D28751237	1	Cable	T.39274 (-)
6	D28752018	1	Cable	F.39275 (+)
6	D28751236	1	Cable	T.39274 (+)
7	D28761892	1	Cover	F.39275
	D28761714	1	Cover	T.39274
8	D28450372	1	Fastener	
9	D20400409	2	Washer	
10	D28450382	1	Wingbolt	
11	D41013500	3	Nut	
12	D28450369	1	Support	
13	D41087500	1	Locknut	
14	D40402400		Screw Metric	
15	D20400470		Washer	
16	D28450338	2	Angle	(V)
17	D41013400		Nut	
18	D28450340	1	Guard	(V) Right Hand
19	D41013500	2	Nut	
20	D28150744	1	Angle	(V)
21	D20400409		Washer	
22	D40404700		Screw Metric	
23	D28450341	1	Guard	Right Hand (V)
24	D28450409	1	Plate	Left Hand (3) POS. 25-27
24	D28450410	1	Plate	Right Hand (3) POS. 25-27
25	D27400371	2	Lock	
26	D41408700	2	SPLIT PIN	
27	D27400370	2	Spring	
28	D44737100	4	Rubber Strap	
29	D41411100	4	SPLIT PIN	
30	D28450321	1	Bracket	
31	D28450322	1	Stay	
32	D28450308	2	Bracket	
33	D40404900		Screw Metric	
34	D28450318	1	Guard	Right Hand
35	D28450311	1	Plate	Right Hand
36	D41057300		Wing Nut	
37	D28450336	1	Angle	T.43140 (V)
	D28450581	1	Shank	F.43141
38	D28450399	1	Guard	(V) Left Hand T.43140
38	D28450580	1	Shield	(V) F.43141
39	D28450021	1	Plate	
40	D28450342	1	Guard	Left Hand (V)
41	D40402600		Screw Metric	
42	D20400470		Washer	
43	D28450327	1	Guard	
44	D41013400		Nut	
45	D28450310	1	Guard	Left Hand
46	D28450312	1	Plate	Left Hand
47	D45907000	1	Wedge	
48	D40404900	4	Screw Metric	

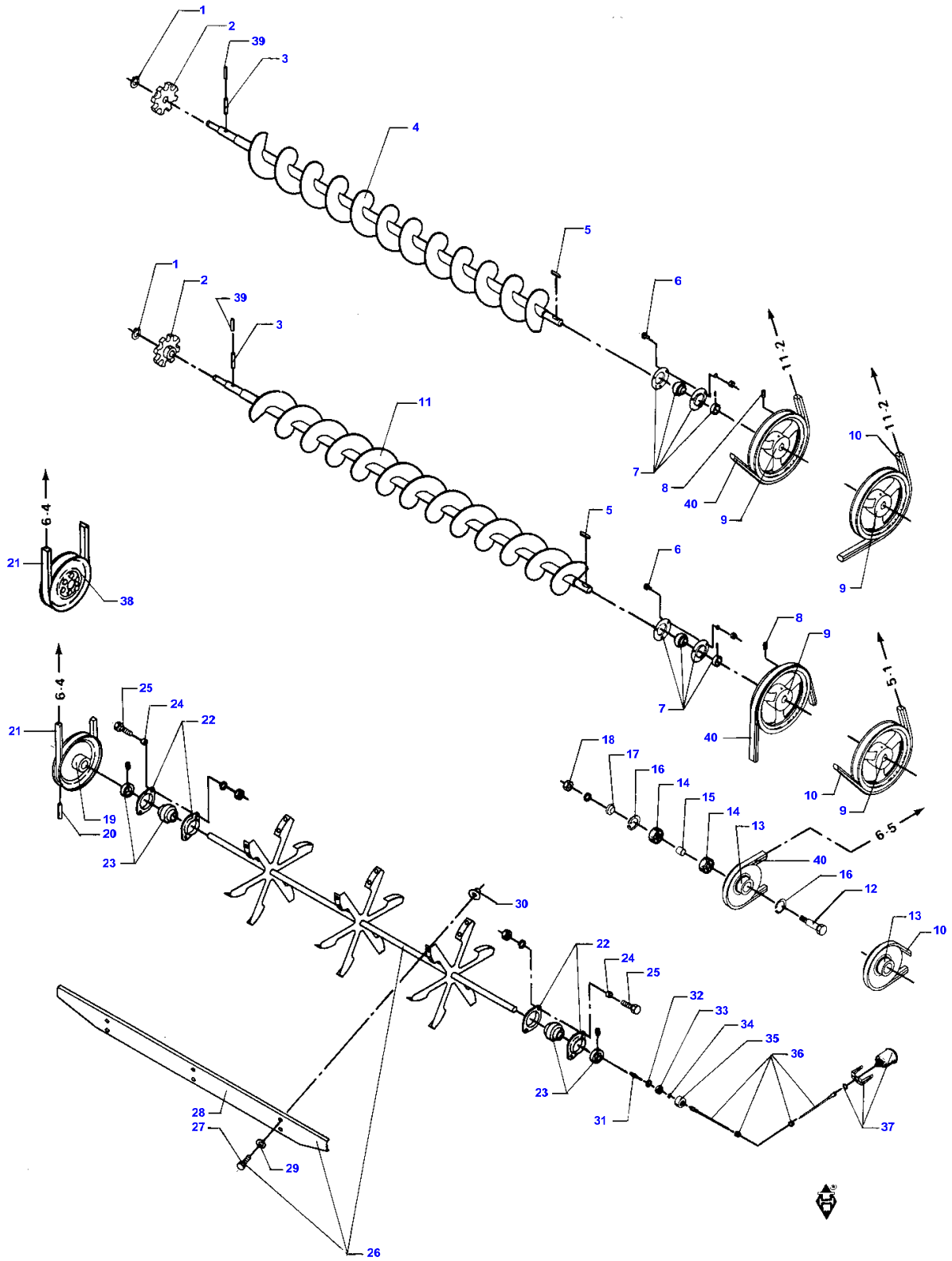
**MASSEY FERGUSON
MF 31 COMBINE - 819726**

819726

6-2

GUARDING AT MAIN FAN - ACCUMULATOR

Item	Part Number	Qty	Description	Comments
49	D20400409	4	Washer	
50	D28761656	1	Retainer	
51	D41013500	4	Nut	
52	D28450299	1	Sheet Metal	T.40974
53	D28450396	1	Guard	F.40975
53	D28450304	1	Guard	T.40974
54	D44735900		Seal Section	0,865 M
55	D28450326	1	Retainer	
56	D28450329	1	Arm	
57	D28450403	1	Flap	F.40975
58	D28450400	1	Stay	F.40975
59	D40404900	4	Screw Metric	F.40975
60	D20400409	4	Washer	F.40975
61	D28450582	1	Shank	(V) F.43141
63	D45060042	1	Plug	+F46000
63	D28450322	1	Stay	(3)
64	D28752517	1	Bracket	(3)
65	D28780515	1	Cable	(3)
66	D45059800	1	Switch	(3)
67	D45060055	1	Spanner	(3)
68	D45060055	1	Spanner	(3) (V) MAIZE EQUIPMENT (3) OPTIONAL EQUIPMENT



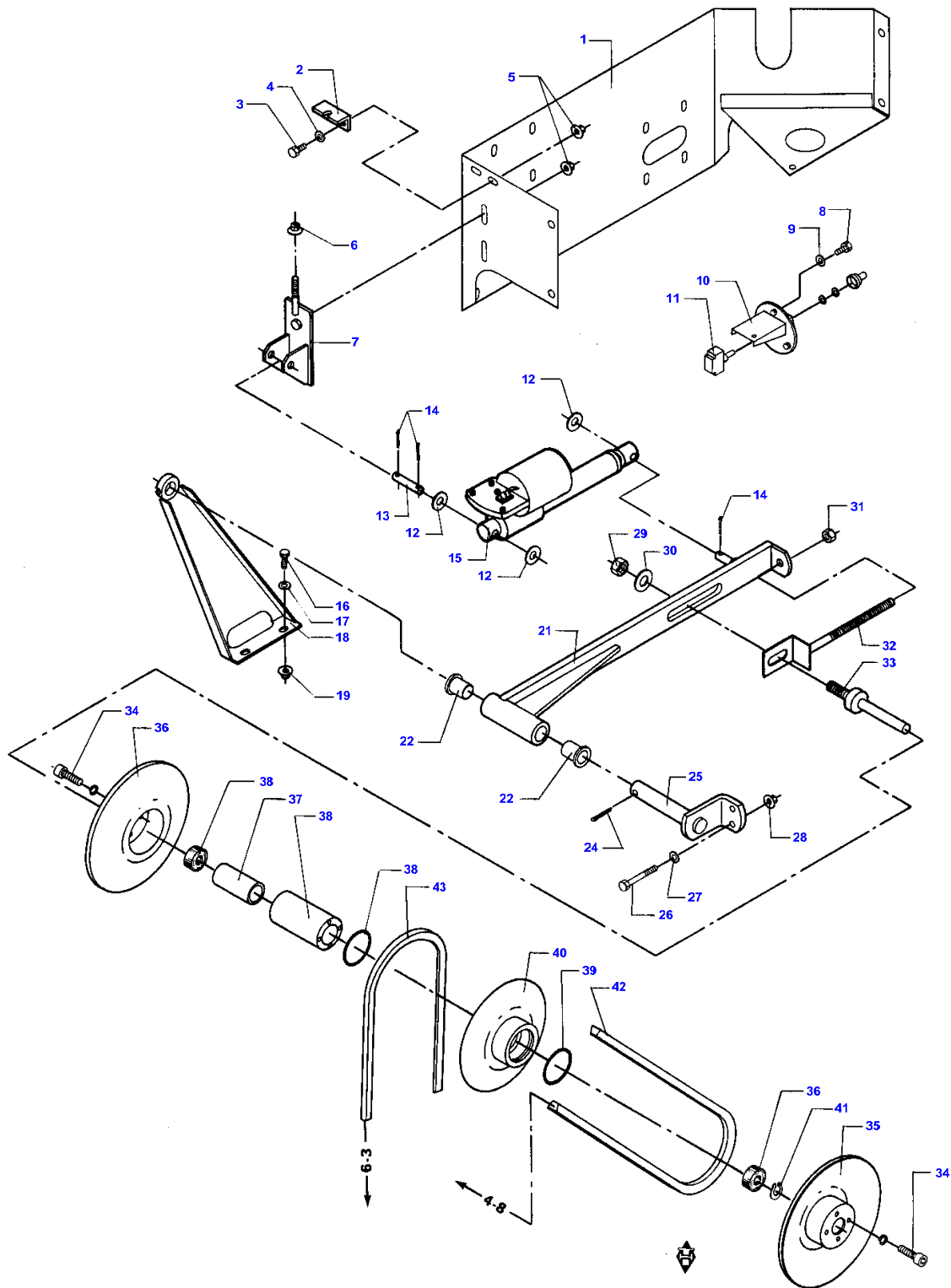
**MASSEY FERGUSON
MF 31 COMBINE - 819726**

819726

6-3

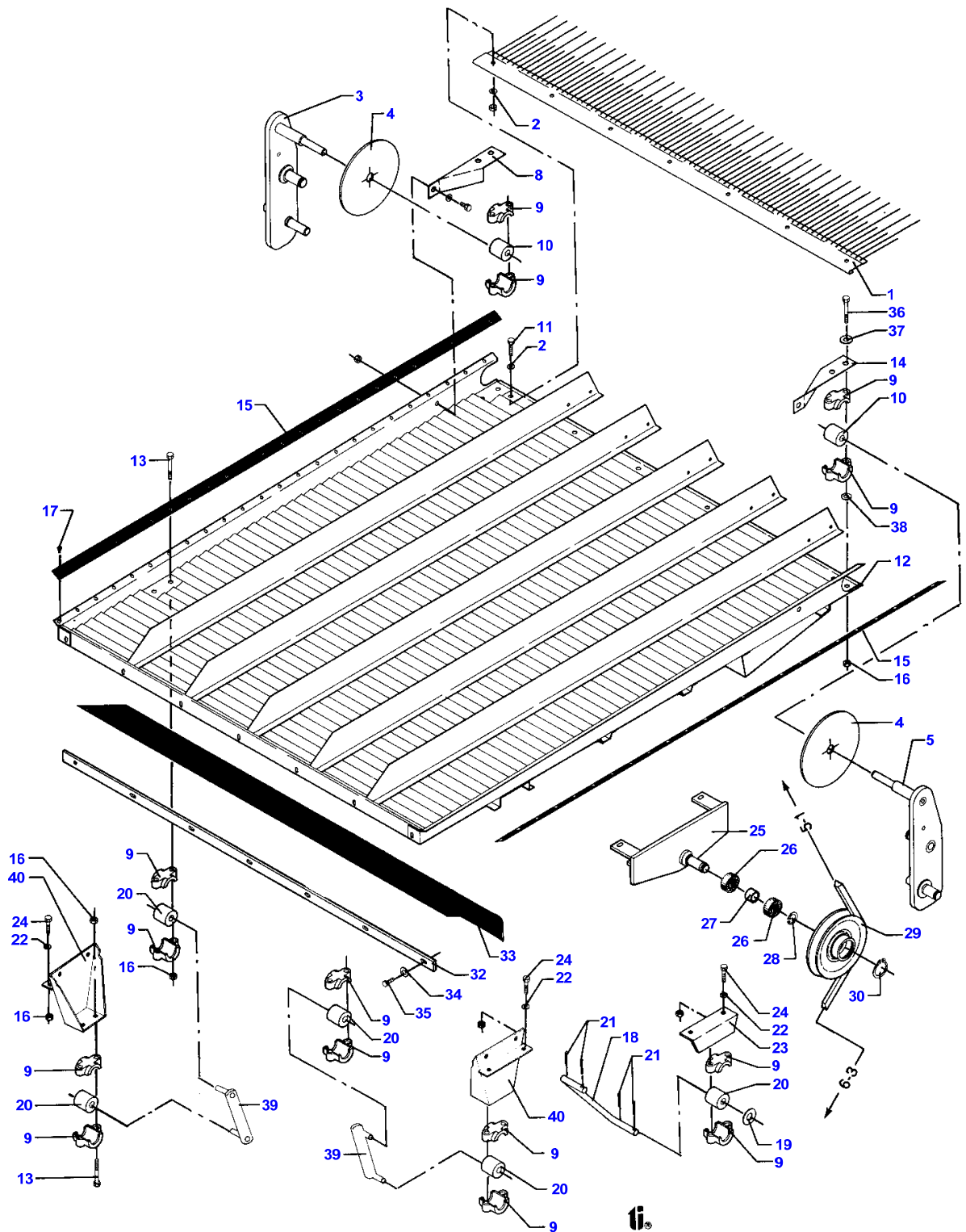
MAIN FAN BLADES, GRAIN AUGER AND RETURN AUGER

Item	Part Number	Qty	Description	Comments
1	D42502300	2	Circlip	
2	D28560008	2	Pinion	Number of teeth/spines 9
3	D42616300	2	TIGHENING PIN	
4	D28550081	1	Auger	
	D28550115	1	Spiral	
5	D43103500	2	Key	
6	D40407600	6	Screw	
7	D41709400	2	Bearing	
8	D40466500	2	Setscrew	
9	D28550095	2	Pulley	
10	D41990100	1	V Belt	T.40974
	D41990300	1	Belt	(T5) T.40974
11	D28550083	1	Auger	
	D28550118	1	Flight	
12	D28250370	1	Bolt	
13	D28430211	1	Pulley	
14	D41622800	2	Bearing Ball	
15	D28430213	1	Spacer	
16	D42514000	2	Circlip	
17	D28450032	1	Pipe	
18	D41088100	1	Locknut	
19	D28450234	1	Pulley	F.39275
20	D42619100	1	Key	
21	D41982200	1	V Belt	F.39541
	D41987900	1	V Belt	T.39540
22	D41714400	4	Flange	
23	D41706700	2	Bearing Ball	
24	D28450418	4	Spacer	
25	D40425800	4	Screw	
26	D28450332	1	Fan	POS. 26-29
27	D40404900	36	Screw Metric	
28	D28450213	6	Fan	T.48106
	D28450653	6	Blade	F.48107
29	D20400409	36	Washer	
30	D41013500	36	Nut	
	D28710387	1	Bearing Housing	POS. 31-35
31	D28710389	1	Clevis Pin	
32	D42512400	1	Circlip	
33	D41622300	1	Bearing Ball	
34	D42500700	1	Circlip	
35	D28710388	1	Bearing Housing	
36	D45070200	1	Cable	
37	D45076100	1	Rev Indicator	
38	D28450456	1	Pulley	T.39274
39	D42610000	2	Pin	
40	D41990069	1	V Belt	F.40975
	D41990400	1	Belt	(T5) F.40975 (T5) ONLY FOR DRY LANDS



MAIN FAN SELECTOR

Item	Part Number	Qty	Description	Comments
1	D28550114	1	Plate	
2	D28751106	1	Angle	
3	D40404900	2	Screw Metric	
4	D20400409	2	Washer	
5	D41013500	2	Nut	
6	D41013600	3	Nut	
7	D28751092	1	Adjuster	
8	D40404900	3	Screw Metric	
9	D20400409	3	Washer	
10	D28751103	1	Support	
11	D45088300	1	Switch,Indirect	
12	D20400426	3	Washer	
13	D28751095	1	Pin	
14	D41408800	3	Pin	
15	D45060600	1	Cylinder	
16	D40405000	2	Screw Metric	
17	D20400409	2	Washer	
18	D28751411	1	Bracket	
19	D41013500	2	Nut	
21	D28751096	1	Lever	INCL. P. 22
22	D43317000	2	Bush	
24	D41409100	1	SPLIT PIN	
25	D28751410	1	Journal	
26	D40426400	2	HEXAGON SCREW	
27	D20400471	2	Washer	
28	D41013600	2	Nut	
29	D41088100	1	Locknut	
30	D20400437	1	Washer	F.43457
	D20400523	1	Spacer	T.43456
31	D41087700	1	Locknut	
32	D28750736	1	Bolt	
	D28750332	1	Pulley	POS. 33-41
33	D28751067	1	Shaft	
34	D40402400	8	Screw Metric	
	D40688400	8	Screw	
35	D28750740	2	Pulley	
36	D41622600	2	Bearing Ball	
37	D28750318	1	Bush	
38	D28750319	1	Bearing Housing	
39	D45464300	2	O Ring	
40	D28750527	1	Pulley	
41	D42501500	1	Circlip	
42	D41987900	1	V Belt	
43	D41982200	1	V Belt	F.39541
	D41987900	1	V Belt	T.39540
	D41982100	1	Belt	(T5) F.39541
44	D41100600	16	Washer	(T5) ONLY FOR DRY LANDS



**MASSEY FERGUSON
MF 31 COMBINE - 819726**

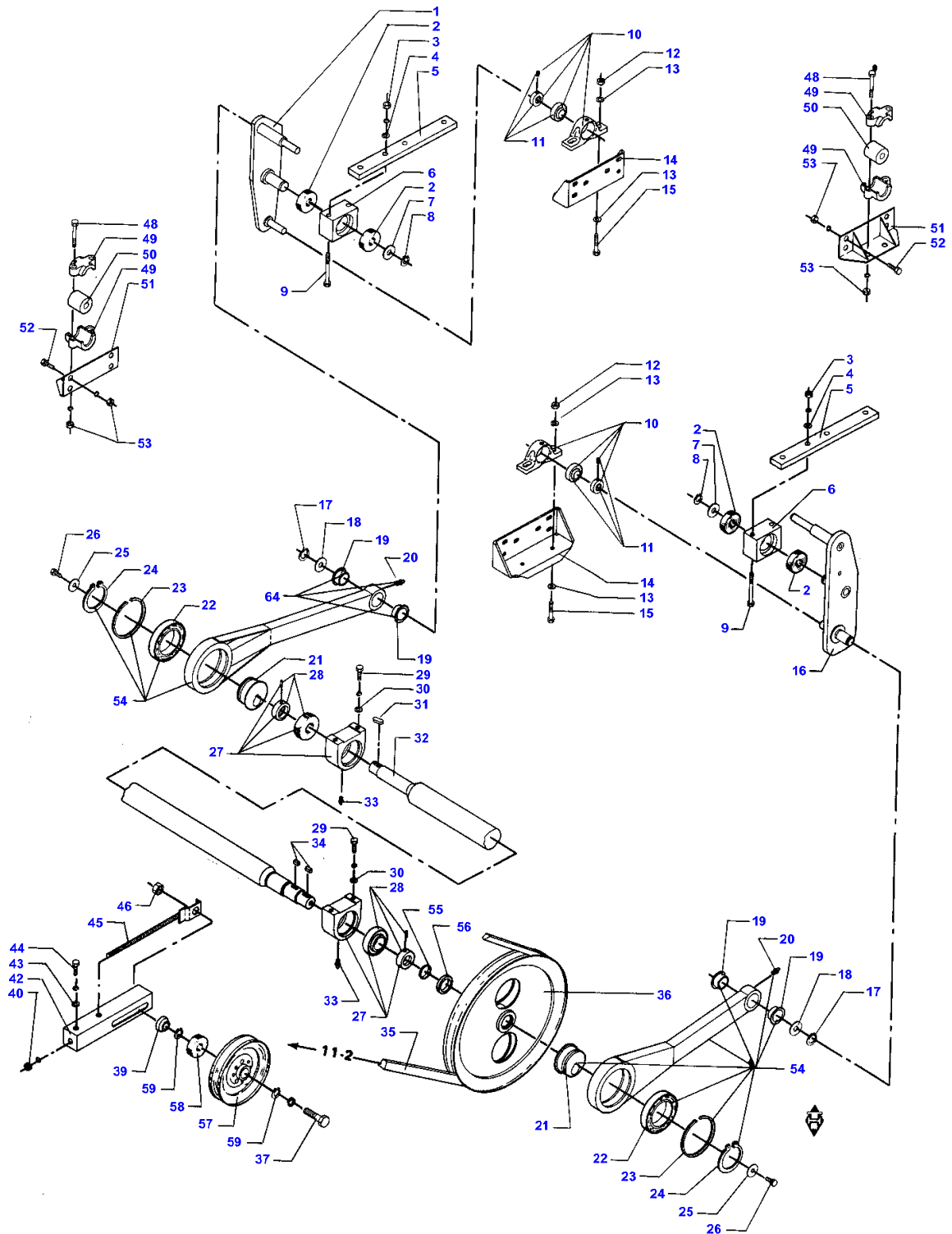
819726

6-5

CONVEYOR PAN WITH SUSPENSION

Item	Part Number	Qty	Description	Comments
1	D28450459	1	Screen	
2	D20400409	14	Washer	
3	D28450595	1	Arm	Right Hand F.39275
3	D28450607	1	Arm	Right Hand T.39294
4	D28450517	2	Seal	
5	D28450594	1	Arm	Left Hand F.39275
5	D28450608	1	Arm	Left Hand T.39274
6	D20400409	2	Washer	
7	D40404700	2	Screw Metric	
8	D28450526	1	Support	Right Hand +F.39275
8	D28450058	1	Bracket	T.39274
9	D28430010		Half Flange	
10	D28450420	2	Bush	
11	D40404900	7	Screw Metric	
12	D28450598	1	Pan	+F.44168
13	D40426600		Screw Metric	
14	D28450527	1	Support	Left Hand F.39275
14	D28450057	1	Bracket	T.39274
15	D28450040	2	Strip	
16	D41087600		Locknut	
17	D43427400	54	Fastener	
18	D28450421	2	Arm	T.45559
19	D28430197	8	Washer	T.45559
20	D28450420	4	Bush	
21	D41408900	8	Pin	T.45559
22	D20400419		Washer	
23	D28450224	2	Support	T.45559
24	D40407900		Screw Metric	
25	D28450568	1	Bracket	F.40782
26	D41622800	2	Bearing Ball	F.40782
27	D28430213	1	Spacer	F.40782
28	D42514000	1	Circlip	F.40782
29	D28430211	1	Pulley	F.40782
30	D42502300	1	Circlip	F.40782
31	D41990069	1	V Belt	F.40782
32	D28450539	1	Strip	
33	D28350078	1	Seal	
34	D20400470	7	Washer	
35	D40402600	7	Screw Metric	
36	D40426800	4	Screw	F.44168
37	D20400416	4	Washer	
38	D20400471	2	Washer	
39	D28450528	2	Arm	F.45560
40	D28450614	2	Bracket	F.45560
42	D41990069	1	V Belt	
	D41990400	1	Belt	(T5) (T5)

ONLY FOR DRY LANDS



**MASSEY FERGUSON
MF 31 COMBINE - 819726**

819726

6-6

CLEANING UNIT DRIVE

Item	Part Number	Qty	Description	Comments
1	D28450595	1	Arm	Right Hand F.39275
1	D28450607	1	Arm	Right Hand T.39274
2	D41617000	4	Bearing Ball	
3	D41087700	4	Locknut	
4	D20400424	4	Washer	F.44611
	D20400447	4	Washer	T.44610
5	D28450412	2	Stiffener	
6	D28450078	2	Bearing Housing	T.44610
	D28450586	2	Bearing Housing	F.44611
7	D42599000	2	Washer	
8	D42502800	2	Circlip	
9	D40429600	4	Screw	F.44611
	D40429800	2	HEXAGON SCREW	T.44610
10	D41712600	2	Bearing Carrier	F.39275
11	D41663600	2	Bearing Ball	F.39275
12	D41087600	4	Locknut	F.39275
13	D20400415	8	Washer	F.39275
14	D28450519	2	Bracket	F.39275
15	D40425900	4	Screw	F.39275
16	D28450594	1	Arm	F.39275 Left Hand
16	D28450608	1	Arm	Left Hand T.39274
17	D42502800	2	Circlip	
18	D42599000	2	Washer	
19	D28430221	4	Bush	
20	D43001700	2	Greaser	
21	D28430227	2	Eccentric	
22	D41617600	2	Bearing Ball	
23	D42543000	2	Circlip	
24	D42505300	2	Circlip	
25	D28450344	2	Washer	T.44610
	D28450605	2	Washer	F.44611
26	D40466600	2	Setscrew	F.44611
	D40466700	2	Screw Metric	T.44610
27	D41713100	2	Bearing Carrier	T.44610
	D41716600	2	Bearing Carrier	F.44611
28	D41663500	2	Bearing Ball	T.44610
	D41663900	2	Bearing Ball	F.44611
29	D40407700	4	Screw	T.44610
	D40466600	4	Setscrew	F.44611
30	D20400447	4	Washer	F.44611
	D20400471	4	Washer	T.44610
31	D43104400	1	Key	
32	D28450085	1	Shaft	T.44610
	D28450602	1	Shaft	F.44611
33	D43005100	1	Greaser	
34	D43104400	2	Key	F.44611
	D43105400	1	Key	T.44610
35	D41982400	1	V Belt	
	D41982500	1	Belt	(T5)
36	D28430230	1	Pulley	T.44610
	D28450603	1	Pulley	F.44611
37	D28760156	1	Screw	
39	D28760163	1	Spacer	
40	D41013600	1	Nut	
42	D28750074	1	Bracket	
43	D20400409	2	Washer	
44	D40405100	2	Screw Metric	
45	D28540070	1	Bolt	
46	D41087900	1	Locknut	
48	D40408800	4	HEXAGON SCREW	T.39274
49	D28430010	4	Half Flange	T.39274
50	D28450420	2	Bush	T.39274
51	D28450076	2	Bracket	T.39274
52	D40407600	8	Screw	T.39274
53	D41087600	1	Locknut	T.39274
54	D28450428	2	Rod Link	POS. 19-24

**MASSEY FERGUSON
MF 31 COMBINE - 819726**

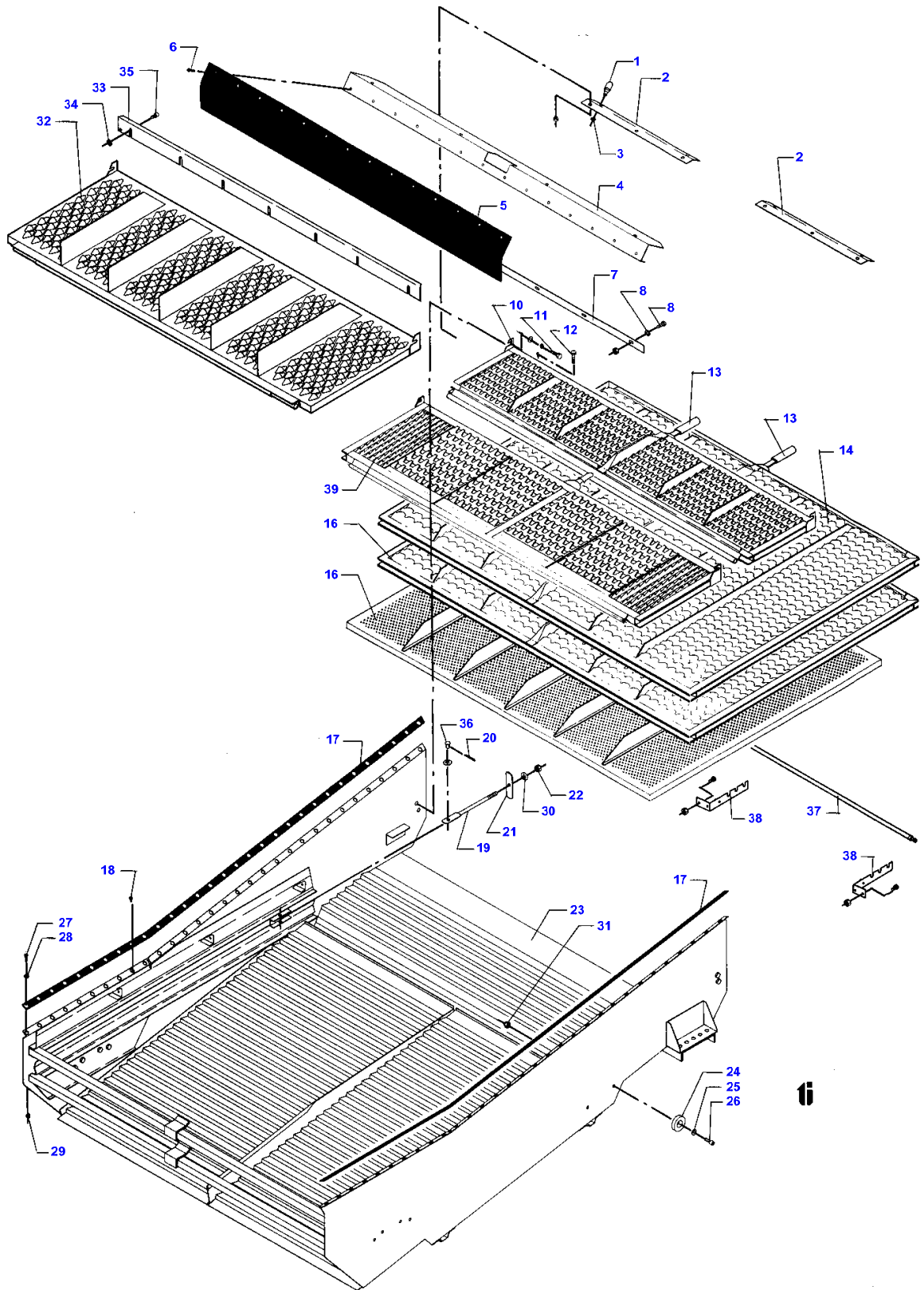
819726

CLEANING UNIT DRIVE

6-6

Item	Part Number	Qty	Description	Comments
55	D28450604	1	Ring	F.44611
56	D42596500	1	Bush	F.44611
	D28752131	1	Roller	POS. 57-59
57	D28752130	1	Roller	
58	D41622700	1	Bearing Ball	
59	D42513700	2	Circlip	

(T5)
ONLY FOR DRY LANDS



CLEANING UNIT, SIEVES

Item	Part Number	Qty	Description	Comments
1	D43427200	4	Pin	
2	D28450205	2	Angle	T.46439
	D28450645	2	Plate	F.46440
3	D42555500	4	Circlip	
4	D28450267	1	Plate	T.46439
	D28450627	1	Plate	F.46440
5	D28450541	1	Seal	(93) F.39078
5	D28450264	1	Seal	T.39077
6	D43427400	14	Fastener	T.46439
7	D28450539	1	Strip	T.46439
8	D20400409	6	Washer	F.46440
	D20400470		Washer	T.46439
9	D40402600		Screw Metric	T.46439
	D40405000	2	Screw Metric	F.46440
10	D28450473	1	Extension	(P7)
	D28450556	1	Extension	(V) Diameter 20
10	D28450562	1	Extension	C.C.M.
11	D40407400	2	HEXAGON SCREW	
12	D40402400	6	Screw Metric	
13	D43389700	2	Handle	
14	D28450470	1	Grille	(P7)
	D28450471	1	Grille	(P5)
15	D28450554	1	Grille	(V) Diameter 20
16	D28450511	1	Grille	Diameter 2,5
	D28450512	1	Grille	Diameter 8
	D28450513	1	Grille	Diameter 10
	D28450514	1	Grille	Diameter 12
	D28450515	1	Grille	Diameter 16
	D28450472	1	Grille	(Z4)
	D28450469	1	Grille	Diameter 5
17	D28450544	2	Strip	
18	D43427400		Fastener	
19	D28450615	2	Stem	+F.45540
20	D41405900	2	SPLIT PIN	
21	D28450619	2	Plate	+F.45540
22	D41087600	2	Locknut	
23	D28450506	1	Shaker	T.46439
	D28450649	1	Shoe	F.46440
24	D28450518	2	Washer	
25	D20400409	2	Washer	
26	D40601600	2	Screw Metric	
27	D40402400	3	Screw Metric	
28	D20400470	3	Washer	
29	D41087400	3	Locknut	
30	D20400471	4	Washer	
31	D41087500	2	Locknut	
32	D28450585	1	Grille	(3)
33	D28450583	4	Plate	
34	D20400409	4	Washer	
35	D43385200	1	Screw	(3)
36	D28450618	2	Pin	+F.45540
37	D45060097	1	Plate	(3)
38	D45060064	2	Support	(3)
39	D28450650	1	Extension	(3)
40	D28450631	1	Rod	F.46440
41	D28450632	1	Lever	F.46440
42	D43385200	6	Screw	F.46440 (P5) GRAEPEL XXXIII 03200 (P7) TOP SIEVE, CLOSZ LANG LAMELLAS (V) MAIZE EQUIPMENT (Z4) BOTTOM SIEVE CLOSZ, SHORT LAMELLAS (3) OPTIONAL EQUIPMENT

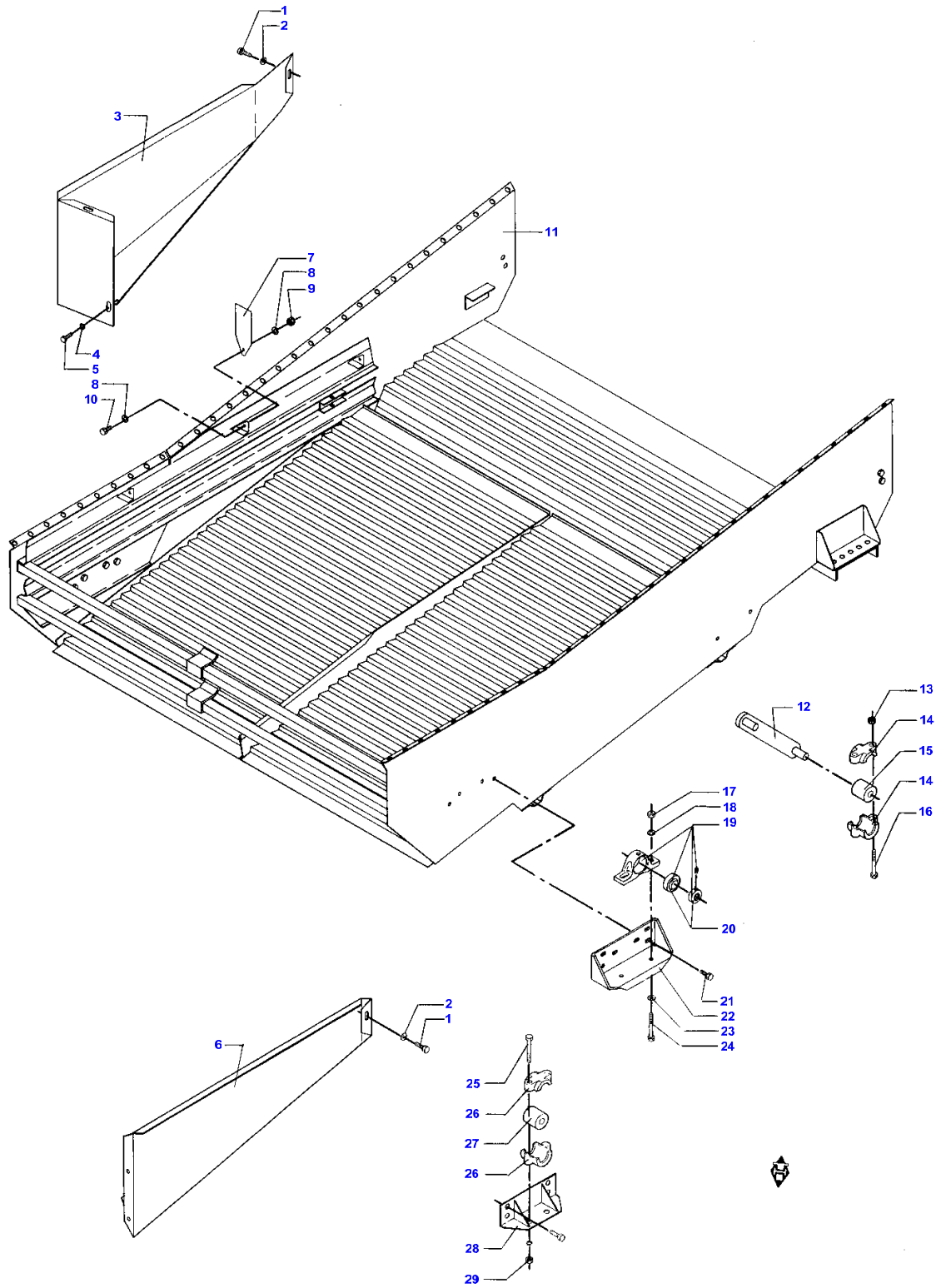
MASSEY FERGUSON
MF 31 COMBINE - 819726

819726

CLEANING UNIT, SIEVES

6-7

Item	Part Number	Qty	Description	Comments
				(93) T.46439



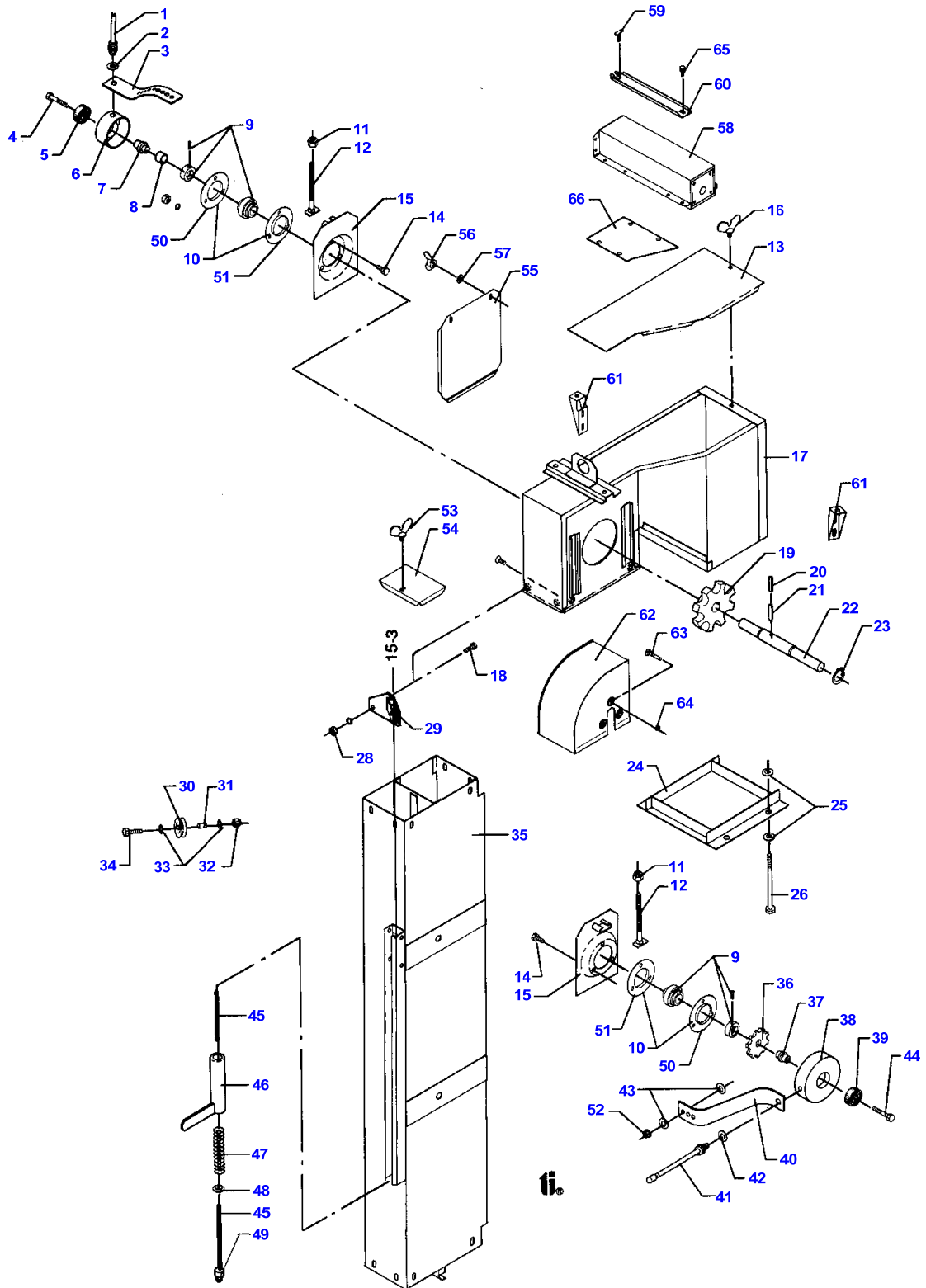
**MASSEY FERGUSON
MF 31 COMBINE - 819726**

819726

6-8

CLEANING UNIT WITH SUSPENSION

Item	Part Number	Qty	Description	Comments
1	D40402400	5	Screw Metric	
2	D20400470	4	Washer	
3	D28150691	1	Guard	Right Hand
4	D20400409	2	Washer	
5	D40404900	2	Screw Metric	
6	D28150693	1	Guard	Left Hand
7	D28450523	6	Plate	
8	D20400404	12	Washer	
9	D41087400	6	Locknut	
10	D40402400	6	Screw Metric	
11	D28450505	1	Strip	T.46439
	D28450649	1	Shoe	F.46440
12	D28450508	2	Arm	INCL. P. 15
13	D41087600	8	Locknut	
14	D28430010	8	Half Flange	
15	D28450420	4	Bush	
16	D40426600	8	Screw Metric	
17	D41087600	4	Locknut	F.39275
18	D20400415	4	Washer	F.39275
19	D41712600	2	Bearing Carrier	F.39275
20	D41663600	2	Bearing Ball	F.39275
21	D40407800	8	HEXAGON SCREW	F.39275
22	D28450519	2	Bracket	F.39275
23	D20400415	4	Washer	F.39275
24	D40425900	4	Screw	F.39275
25	D40408800	4	HEXAGON SCREW	T.39274
26	D28430010	4	Half Flange	T.39274
27	D28450420	2	Bush	T.39274
28	D28450500	2	Bracket	T.39274
29	D41087600	4	Locknut	T.39274



**MASSEY FERGUSON
MF 31 COMBINE - 819726**

819726

7-1

GRAIN ELEVATOR WITH TOP PART

Item	Part Number	Qty	Description	Comments
	D28751363	1	Retainer	(N) POS. 1-8
1	D28751265	1	Sensor	(N) INCL. POS. 2
2	D20400537	2	Spacer	(N)
3	D28751268	1	Rubber Strap	(N)
4	D40408100	1	HEXAGON SCREW	(N)
5	D41622600	1	Bearing Ball	(N)
6	D28751269	1	Cup	(N)
7	D28751362	1	Journal	(N)
8	D28751083	1	Ring	(N)
9	D41708500	2	Bearing Ball	
10	D41708700	4	Flange	
11	D41087600	2	Locknut	
12	D28520060	2	Bolt	
13	D28550232	1	Cover	
14	D40404700	6	Screw Metric	
15	D28550175	2	Bearing Plate	
	D28752180	2	Bearing Plate	(3)
16	D28440126	1	Wingbolt	
17	D28550493	1	Top	+F.46440
	D28550496	1	Top	(3)
18	D40060600	2	Screw Metric	
19	D28560008	1	Pinion	Number of teeth/spines 9
20	D42610000	1	Pin	
21	D42616300	1	TIGHENING PIN	
22	D28550076	1	Shaft	
23	D42502300	1	Circlip	
24	D28550237	1	Frame	
25	D20400423	4	Washer	
26	D40430100	2	HEXAGON SCREW	
27	D40600500	4	Screw	
28	D20400404	2	Washer	
29	D28150484	1	Roller	POS. 30-34
30	D28200495	1	Roller	
31	D28150756	1	Spacer	
32	D41087500	1	Locknut	
33	D20400506	2	Spacer	
34	D40423600	1	HEXAGON SCREW	
35	D28550484	1	Housing	+F.46540
	D28751813	1	Sensor	(C8) POS. 36-42
36	D28750922	1	Wheel	(C8)
37	D28751218	1	Journal	(C8)
38	D28751223	1	Cup	(C8)
39	D41622600	1	Bearing Ball	
40	D28751216	1	Rubber Strap	(C8)
41	D28751812	1	Sensor	(C8) INCL. P.42
42	D20400428	1	Washer	(C8)
43	D20400500	2	Spacer	(C8)
44	D40407900	1	Screw Metric	(C8)
	D28150552	1	Wire	POS. 45-49
45	D43404000		Wire	2,150 M
46	D28150479	1	Spring Housing	
47	D28150538	1	Spring	
48	D28150958	1	Washer	
49	D43407800	1	Lock	
50	D41714600	2	Bridle	(T5)
51	D41708700	2	Flange	(T5)
52	D41087500	1	Locknut	(C8)
53	D28440126	2	Wingbolt	F.46440
54	D28550489	2	Hatch	F.46440
55	D28550490	1	Hatch	F.46440
56	D41057300	2	Wing Nut	F.46440
57	D20400409	2	Washer	
58	D28752204	1	Coupling	(3)
59	D28752184	1	Bolt	(3)
60	D28752188	1	Clamp	(3)
61	D28752189	2	Support	(3)

**MASSEY FERGUSON
MF 31 COMBINE - 819726**

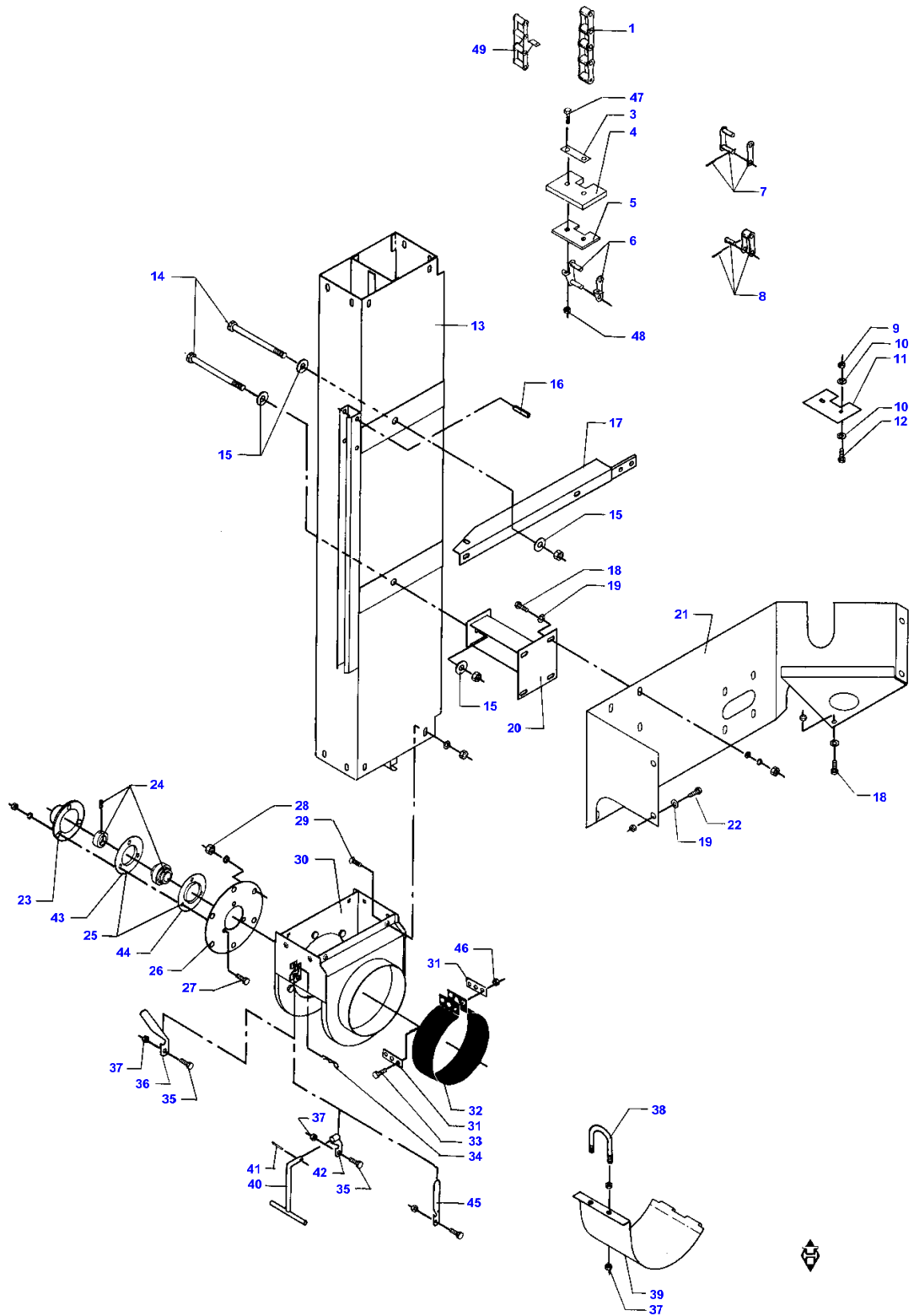
819726

7-1

GRAIN ELEVATOR WITH TOP PART

Item	Part Number	Qty	Description	Comments
62	D28752192	1	Cover	(3)
63	D40064000	6	Screw	
64	D41010700	6	Nut Metric	
65	D43385200	1	Screw	
66	D28752177	1	Plate	

(C8)
UNI-CONTROL
(N)
ELEVATOR CONTROL
(T5)
ONLY FOR DRY LANDS
(3)
OPTIONAL EQUIPMENT



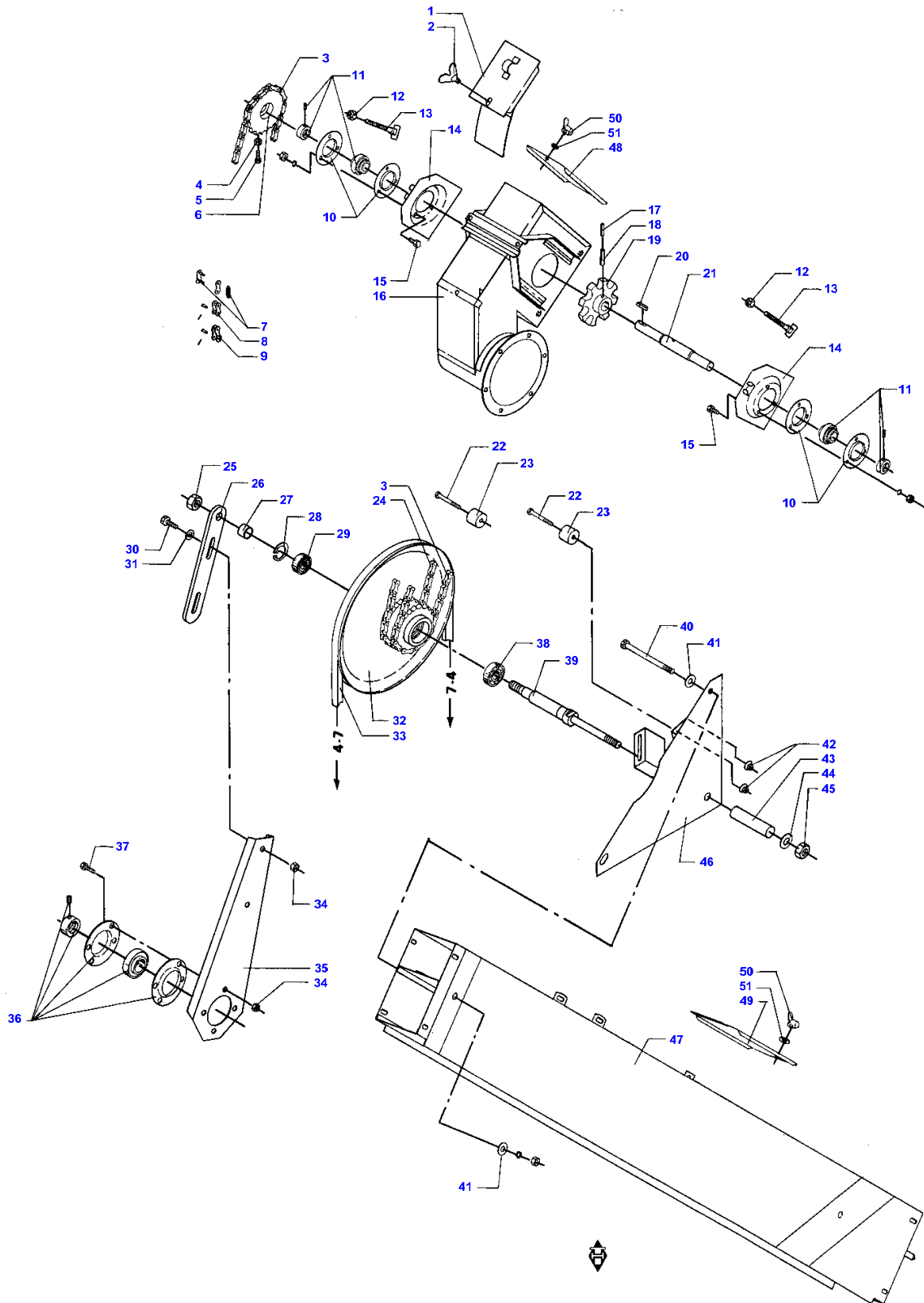
**MASSEY FERGUSON
MF 31 COMBINE - 819726**

819726

7-2

GRAIN ELEVATOR WITH CHAIN AND BOTTOM PART

Item	Part Number	Qty	Description	Comments
1	D42351300		Chain	
	D28550374	1	Chain	POS. 2-5
3	D28550323	22	Plate	
4	D28550373	22	Plate	
5	D28550372	22	Plate	
6	D42350400		Link	
7	D42351400		Link	
8	D42351200		Link	
	D28050628	1	Plate	(3) POS. 9-12
9	D41087400	2	Locknut	(3)
10	D20400404	4	Washer	(3)
11	D28550305	1	Plate	(3)
12	D40402400	2	Screw Metric	(3)
13	D28550484	1	Housing	+F.46440
14	D40430100	2	HEXAGON SCREW	
15	D20400423	4	Washer	
16	D42616200	1	Pin	
17	D28850374	1	Spacer	
18	D40407900		Screw Metric	
19	D20400471		Washer	
20	D28550065	1	Profile	
21	D28550114	1	Plate	
22	D40426300	4	HEXAGON SCREW	
23	D28761667	1	Cover	
24	D41708500	1	Bearing Ball	
25	D41708700	2	Flange	
26	D28550023	1	Bearing Plate	
27	D40404900	3	Screw Metric	
28	D41010700	6	Nut Metric	
29	D40060500	4	Screw Metric	
30	D28550312	1	Bottom Part	
31	D28550247	2	Band	
32	D28550248	1	Plate	
33	D40402400	3	Screw Metric	
34	D27100120	1	Hair Pin	
35	D40402600	1	Screw Metric	
36	D28560162	1	Handle	T.39540
37	D41087400	3	Locknut	
38	D28560165	1	U Bolt	
39	D28550311	1	Cover	(4)
	D28550362	1	Door	(R3)
40	D28550437	1	Handle	F.39541
41	D41405900	1	SPLIT PIN	F.39541
42	D28550436	1	Hook	F.39541
43	D41714600	1	Bridle	(T5)
44	D41708700	1	Flange	(T5)
45	D28550170	1	Lever	(R3)
46	D41087400	3	Locknut	
47	D40405100	44	Screw Metric	
48	D41087500	44	Locknut	
49	D42350300	1	Chain	
				(R3) OPTIONAL EQUIPMENT FOR PEAS (T5) ONLY FOR DRY LANDS (3) OPTIONAL EQUIPMENT (4) STANDARD



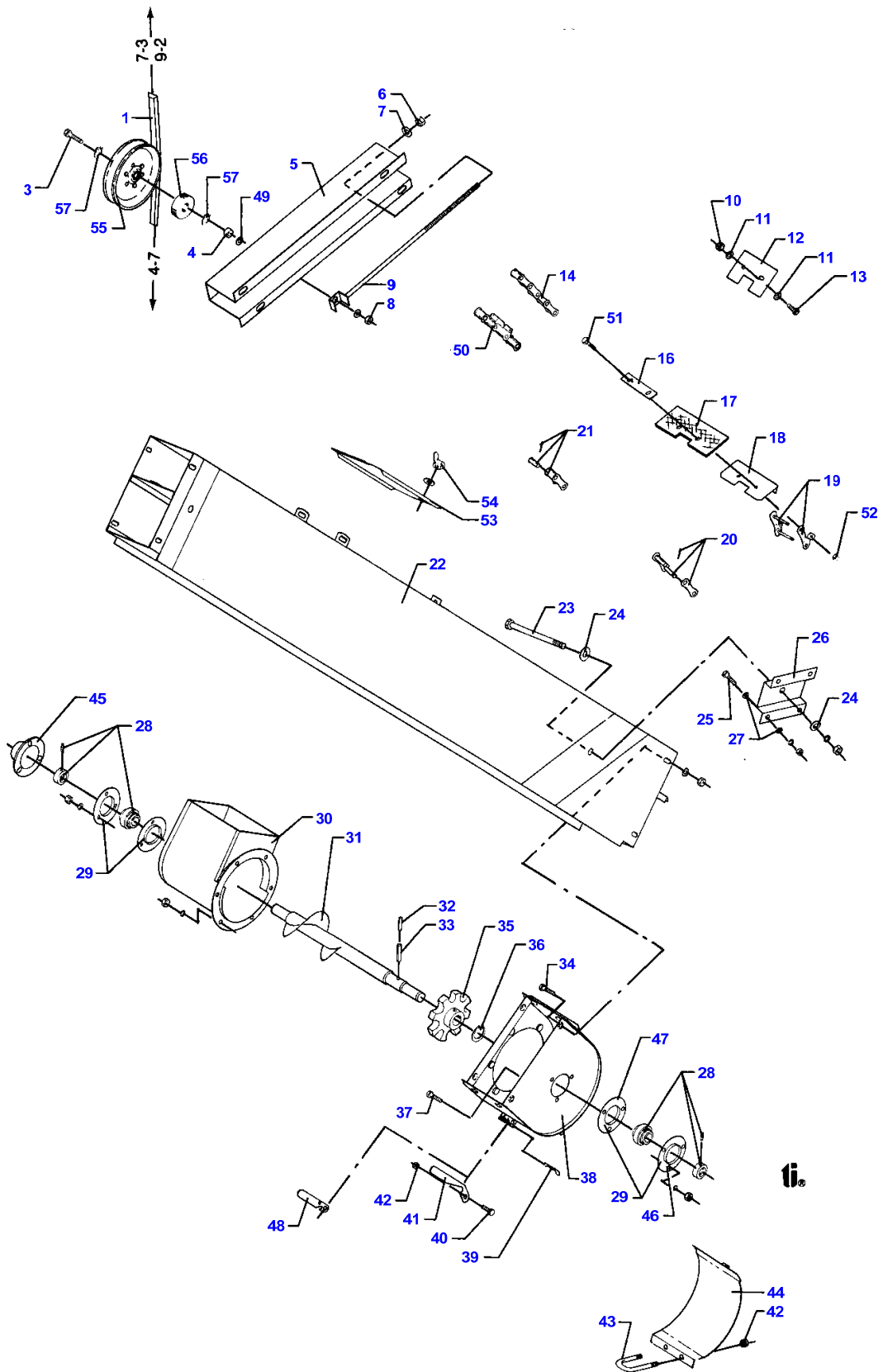
**MASSEY FERGUSON
MF 31 COMBINE - 819726**

819726

7-3

FILLING ELEVATOR WITH TOP PART

Item	Part Number	Qty	Description	Comments
1	D28550288	1	Cover	
2	D28440126	1	Wingbolt	
3	D42328100	1	Chain	
4	D41010700	1	Nut Metric	
5	D40405000	1	Screw Metric	
6	D28550240	1	Sprocket	
7	D42363100		Link	
8	D42362400		Inner Link	
9	D42363200		Link	
10	D41708700	4	Flange	
11	D41708500	4	Bearing Ball	
12	D41087600	2	Locknut	
13	D28520060	2	Bolt	
14	D28550175	2	Bearing Plate	
15	D40404700	6	Screw Metric	
16	D28550499	1	Elbow	+F.46440
17	D42610000	1	Pin	
18	D42616300	1	TIGHENING PIN	
19	D28560008	1	Pinion	Number of teeth/spines 9
20	D43103200	1	Key	
21	D28550075	1	Shaft	
22	D40602100	2	Screw Metric	
23	D28550012	2	Support	
24	D42328200	1	Chain	
25	D41088100	1	Locknut	
26	D28550209	1	Adjuster	
27	D28550236	1	Spacer	
28	D42514000	1	Circlip	
29	D41622800	1	Bearing Ball	
30	D40410900	2	Screw	
31	D20400423	2	Washer	
32	D28550233	1	Pulley	
33	D41982500	1	Belt	+F.45560
34	D41087700	6	Locknut	
35	D28550208	1	Bracket	
36	D41707900	1	Flange	
37	D40410900	6	Screw	
38	D41622900	1	Bearing Ball	
39	D28550234	1	Shaft	
40	D40430100	2	HEXAGON SCREW	
41	D20400423	4	Washer	
42	D41013500	2	Nut	
43	D28550235	1	Spacer	
44	D20400523	1	Spacer	
45	D41088100	1	Locknut	
46	D28550204	1	Plate	
47	D28550486	1	Housing	+F.46440
48	D28550491	1	Cover	F.46440
49	D28550492	1	Cover	F.46440
50	D41057300	2	Wing Nut	F.46440
51	D20400409	2	Washer	



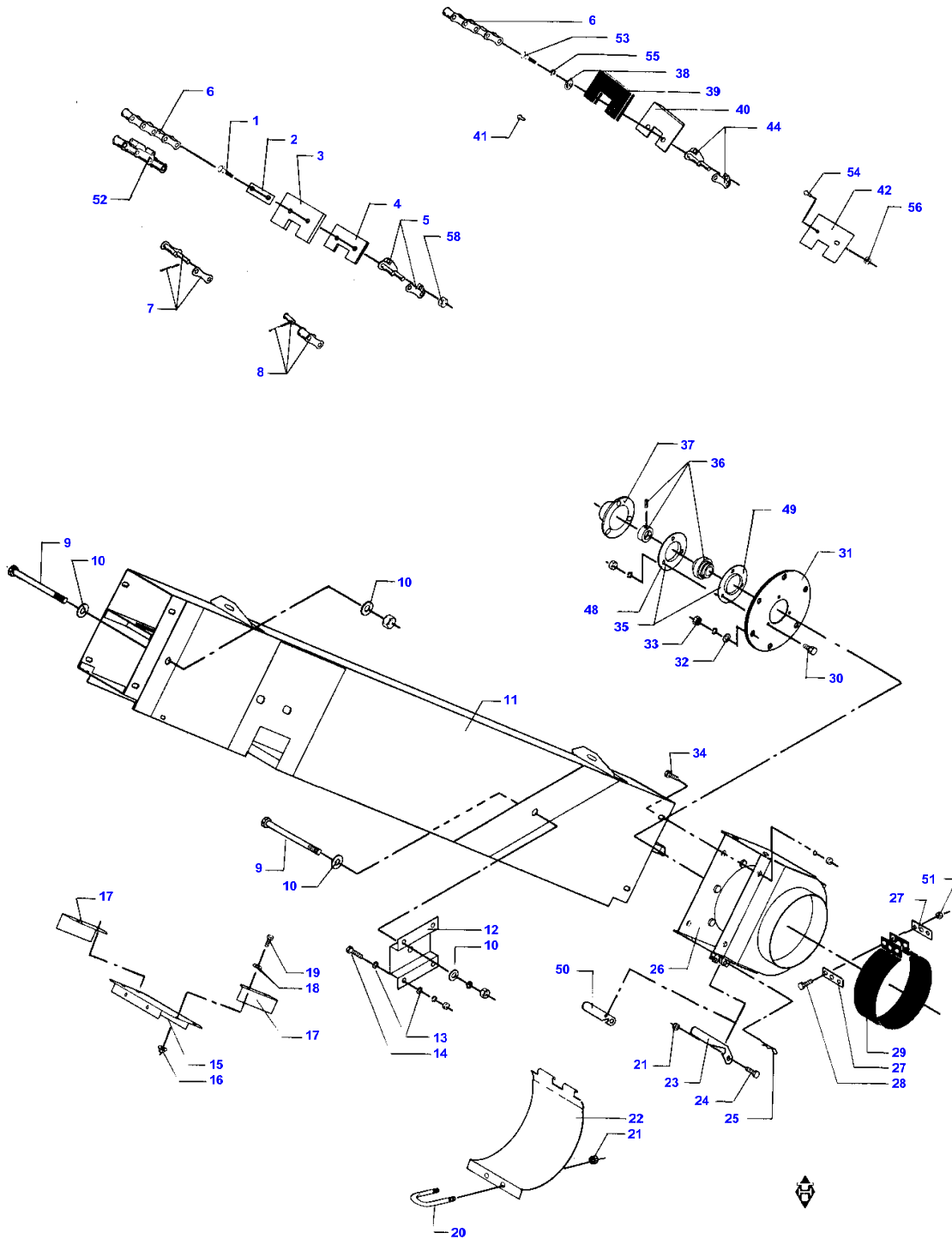
**MASSEY FERGUSON
MF 31 COMBINE - 819726**

819726

7-4

FILLING ELEVATOR WITH CHAIN AND BOTTOM PART

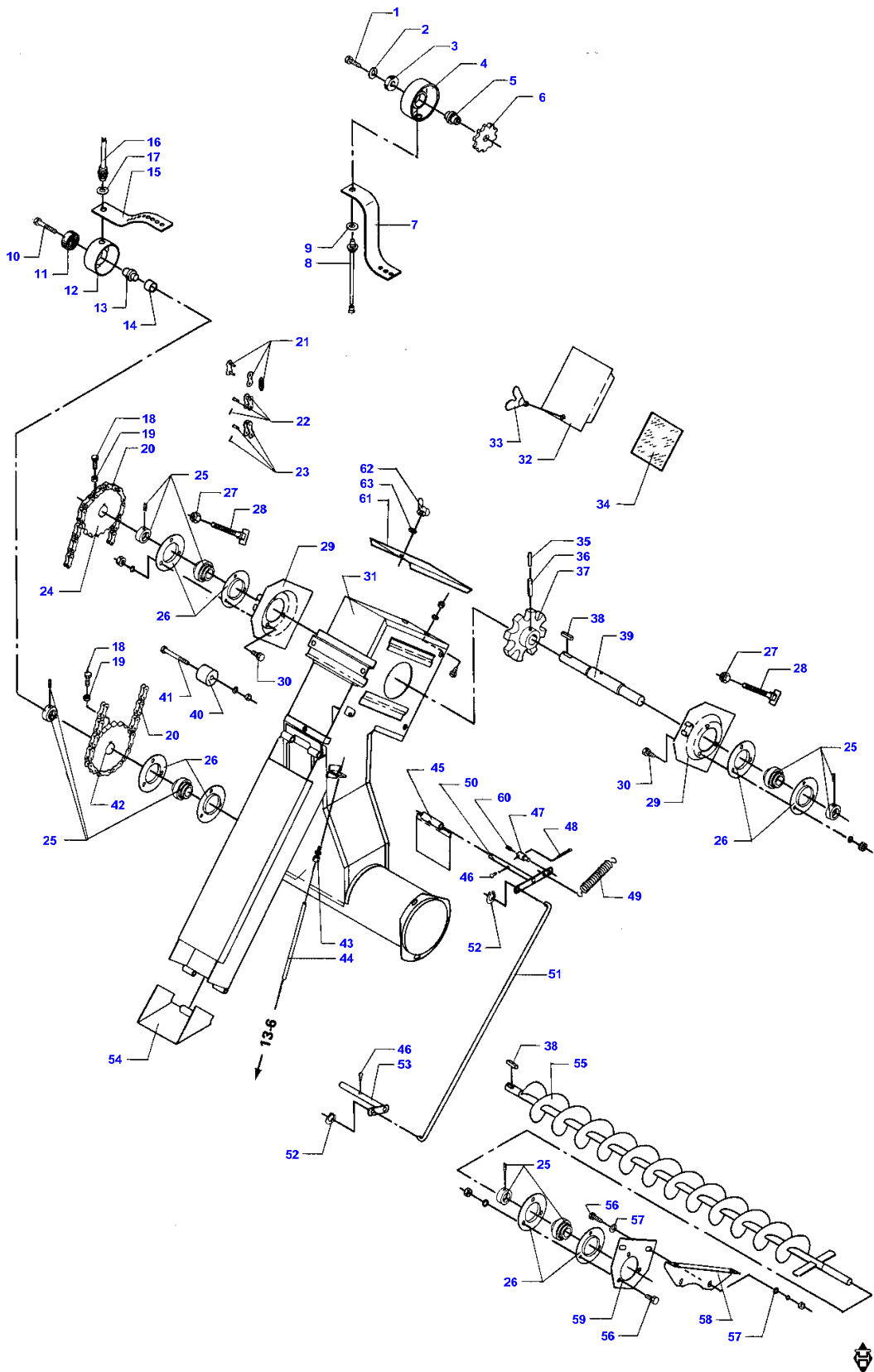
Item	Part Number	Qty	Description	Comments
1	D41982500	1	Belt	
3	D28760156	1	Screw	
4	D28760155	1	Bush	
5	D28550205	1	Bracket	
6	D41087600	1	Locknut	
7	D20400471	1	Washer	
8	D41087800	1	Locknut	
9	D28550210	1	Tightener	
	D28050628	1	Plate	(3) POS. 10-13
10	D41087400	2	Locknut	(3)
11	D20400404	4	Washer	(3)
12	D28550305	1	Plate	(3)
13	D40402400	2	Screw Metric	(3)
14	D42351300		Chain	
	D28550375	1	Chain	POS. 15-18
16	D28550323	37	Plate	
17	D28550373	37	Plate	
18	D28550372	37	Plate	
19	D42350400		Link	
20	D42351400		Link	
21	D42351200		Link	
22	D28550486	1	Housing	+F.46440
23	D40430100	2	HEXAGON SCREW	
24	D20400423	4	Washer	
25	D40407900	4	Screw Metric	
26	D28540120	1	Plate	
27	D20400471	8	Washer	
28	D41708500	2	Bearing Ball	
29	D41708700	4	Flange	
30	D28550333	1	Housing	
31	D28550330	1	Auger	
	D28550329	1	Spiral	
32	D42610000	1	Pin	
33	D42616300	1	TIGHENING PIN	
34	D40600500	4	Screw	
35	D28560008	1	Pinion	Number of teeth/spines 9
36	D42502300	1	Circlip	
37	D40685000	6	Screw Metric	
38	D28550313	1	Bottom Part	
39	D27100120	1	Hair Pin	
40	D40402600	1	Screw Metric	
41	D28560162	1	Handle	
42	D41087400	3	Locknut	
43	D28560165	1	U Bolt	
44	D28550311	1	Cover	(4)
	D28550362	1	Door	(R3)
45	D28761667	1	Cover	
46	D41714600	2	Bridle	(T5)
47	D41708700	2	Flange	(T5)
48	D28550170	1	Lever	(R3)
49	D20400459	1	Washer	
50	D42350300	1	Chain	
51	D40405100	74	Screw Metric	
52	D41087500	74	Locknut	
53	D28550492	1	Cover	F.46440
54	D41057300	1	Wing Nut	F.46440
	D28752131	1	Roller	POS. 56-58
55	D28752130	1	Roller	
56	D41622700	1	Bearing Ball	
57	D42513700	2	Circlip	
				(R3) OPTIONAL EQUIPMENT FOR PEAS (T5) ONLY FOR DRY LANDS (3) OPTIONAL EQUIPMENT (4) STANDARD



RETURN ELEVATOR

Item	Part Number	Qty	Description	Comments
	D28550407	1	Chain	(E4)
1	D40405100	46	Screw Metric	
2	D28550323	23	Plate	
3	D28550373	23	Plate	
4	D28550372	23	Plate	
5	D42350400		Link	
6	D42351300	1	Chain	
7	D42351400		Link	
8	D42351200		Link	
9	D40430100	2	HEXAGON SCREW	
10	D20400423	4	Washer	
11	D28550371	1	Housing	
12	D28540120	1	Plate	
13	D20400471	8	Washer	
14	D40407900	4	Screw Metric	
15	D28550378	1	Cover	
16	D41013400	8	Nut	
17	D28550379	2	Cover	
18	D20400470	8	Washer	
19	D40402400	8	Screw Metric	
20	D28560165	1	U Bolt	
21	D41087400	3	Locknut	
22	D28550311	1	Cover	(4)
	D28550362	1	Door	(R3)
23	D28560162	1	Handle	
24	D40402600	1	Screw Metric	
25	D27100120	1	Hair Pin	
26	D28550312	1	Bottom Part	
27	D28550247	2	Band	
28	D40402400	3	Screw Metric	
29	D28550248	1	Plate	
30	D40404900	3	Screw Metric	
31	D28550023	1	Bearing Plate	
32	D20400409	6	Washer	
33	D41013500	6	Nut	
34	D40060500	8	Screw Metric	
	D40600500	8	Screw	
35	D41708700	2	Flange	
36	D41708500	1	Bearing Ball	
37	D28761667	1	Cover	
44	D42352200		Link	
45	D41708700	1	Flange	(T5)
49	D41714600	1	Bridle	(T5)
50	D28550170	1	Lever	(R3)
51	D41087400	3	Locknut	
52	D42350300	1	Chain	
53	D40402600	44	Screw Metric	
54	D40402400	2	Screw Metric	
55	D41100600	44	Washer	
56	D41087500	46	Locknut	
58	D41087500	46	Locknut	

(E4)
POS. 1 - 4
(R3)
OPTIONAL EQUIPMENT FOR PEAS
(T5)
ONLY FOR DRY LANDS
(4)
STANDARD

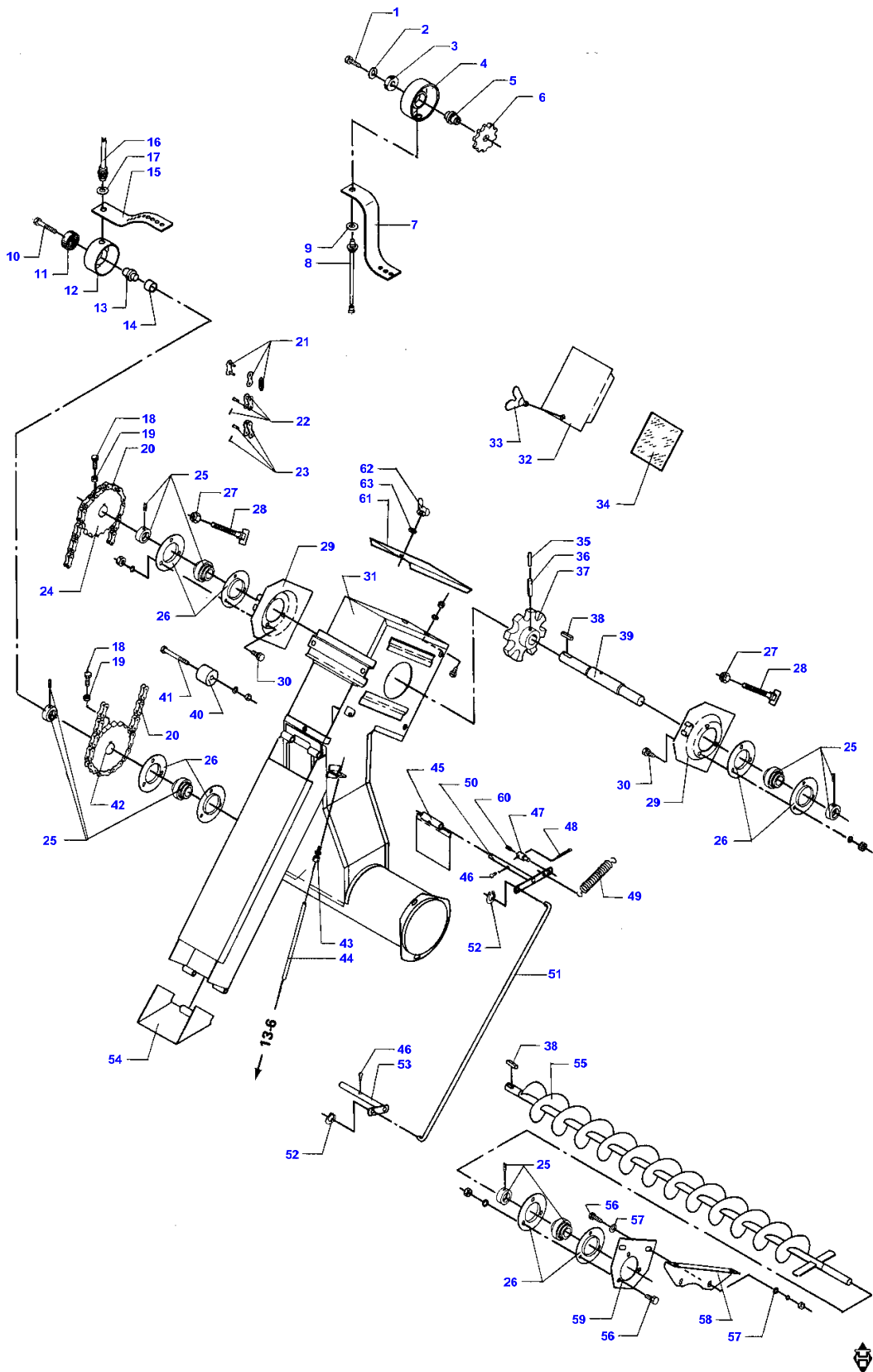


UPPER RETURN AUGER

Item	Part Number	Qty	Description	Comments
1	D40407900	1	Screw Metric	(C8)
2	D20400500	1	Spacer	(C8)
	D28751813	1	Sensor	(C8)
				POS. 3-9
3	D41622600	1	Bearing Ball	(C8)
4	D28751223	1	Cup	(C8)
5	D28751218	1	Journal	(C8)
6	D28750922	1	Wheel	(C8)
7	D28751216	1	Rubber Strap	(C8)
8	D28751812	1	Sensor	(C8)
				INCL. P. 9
9	D20400428	1	Washer	(C8)
10	D40408100	1	HEXAGON SCREW	(N)
	D28751363	1	Retainer	(N)
				POS. 11-17
11	D41622600	1	Bearing Ball	(N)
12	D28751269	1	Cup	(N)
13	D28751362	1	Journal	(N)
14	D28751083	1	Ring	(N)
15	D28751268	1	Rubber Strap	(N)
16	D28751265	1	Sensor	(N)
				INCL. P. 17
17	D20400537	1	Spacer	(N)
18	D40404900	2	Screw Metric	
19	D41010700	2	Nut Metric	
20	D42328400	1	Chain	
21	D42363100		Link	
22	D42362400		Inner Link	
23	D42363200		Link	
24	D28540049	1	Sprocket	
25	D41708500	3	Bearing Ball	
26	D41708700	6	Flange	
27	D41087600	2	Locknut	
28	D28520060	2	Bolt	
29	D28550175	2	Bearing Plate	
30	D40404700	6	Screw Metric	
31	D28550501	1	Holder	+F.46440
32	D28550008	1	Cover	
33	D28440126	1	Wingbolt	
34	D27800292	1	Glass	
35	D42610000	1	Pin	
36	D42616300	1	TIGHENING PIN	
37	D28560008	1	Pinion	Number of teeth/spines 9
38	D43103200	2	Key	
39	D28550075	1	Shaft	
40	D28550012	1	Support	
41	D40423900	1	HEXAGON SCREW	
42	D28550299	1	Sprocket	
43	D46416300	1	Screw	
44	D28750637	1	Bowden Cable	
45	D28550177	1	Cover	
46	D40352100	2	Screw	
47	D28700628	1	Journal	
48	D41402800	1	SPLIT PIN	
49	D28760714	1	Spring	
50	D28550079	1	Shaft	
51	D28550145	1	Conrod	
52	D42551100	2	Clamp	
53	D28550080	1	Shaft	
54	D28550086	1	Rocker	
55	D28550164	1	Auger	
	D28550162	1	Flight	
56	D40404900	5	Screw Metric	
57	D20400409	4	Washer	
58	D28550158	1	Bearing Plate	
59	D28550159	1	Bearing Plate	
60	D40630500	1	Pin	
61	D28550491	1	Cover	F.46440
62	D41057300	1	Wing Nut	F.46440
63	D20400409	1	Washer	

UPPER RETURN AUGER

Item	Part Number	Qty	Description	Comments
				(C8)
				UNI-CONTROL
				(N)
				ELEVATOR CONTROL



**MASSEY FERGUSON
MF 31 COMBINE - 819726**

819726

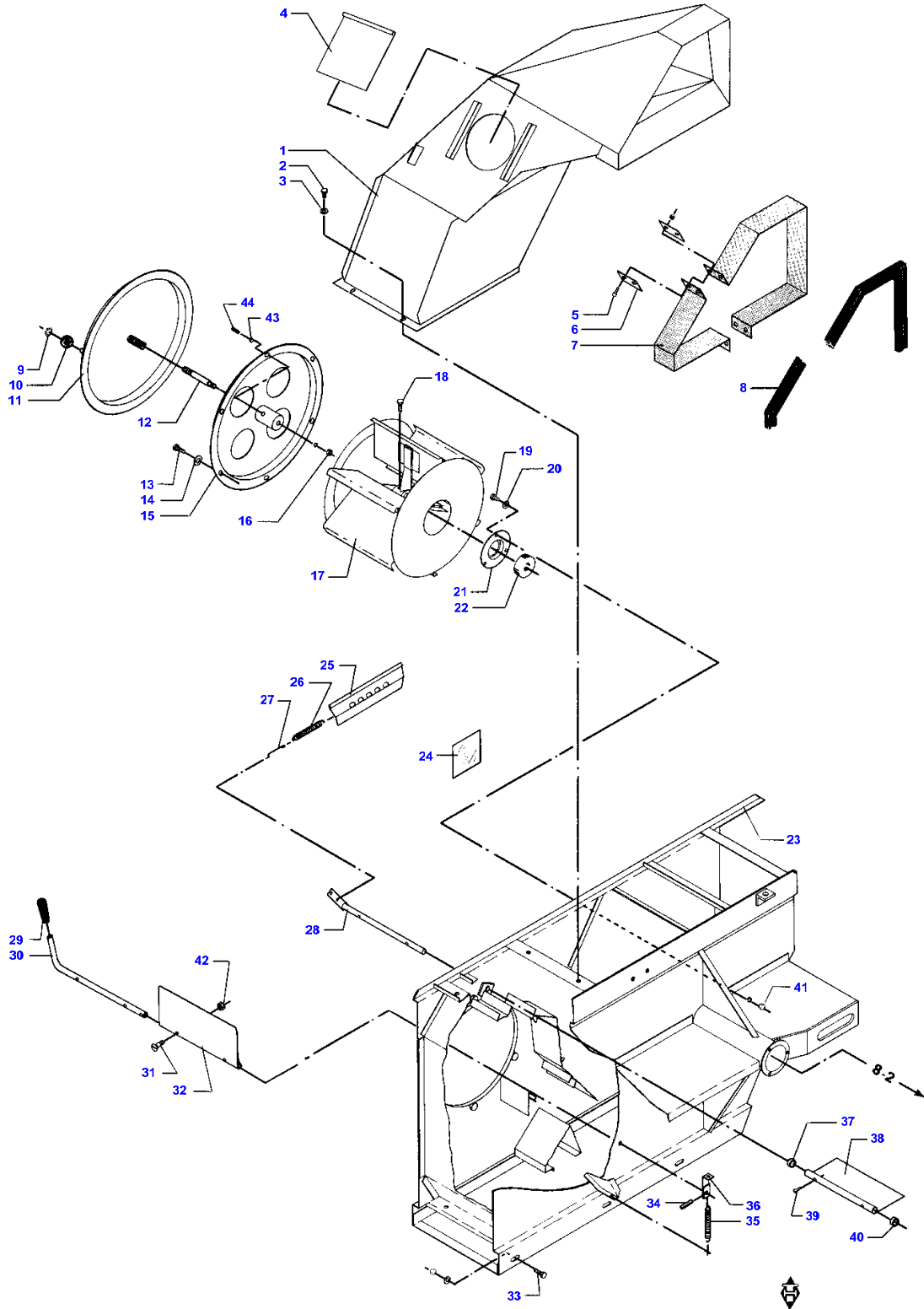
7-6

UPPER RETURN AUGER

Item	Part Number	Qty	Description	Comments
1	D40407900	1	Screw Metric	(C8)
2	D20400500	1	Spacer	(C8)
	D28751813	1	Sensor	(C8)
				POS. 3-9
3	D41622600	1	Bearing Ball	(C8)
4	D28751223	1	Cup	(C8)
5	D28751218	1	Journal	(C8)
6	D28750922	1	Wheel	(C8)
7	D28751216	1	Rubber Strap	(C8)
8	D28751812	1	Sensor	(C8)
				INCL. P. 9
9	D20400428	1	Washer	(C8)
10	D40408100	1	HEXAGON SCREW	(N)
	D28751363	1	Retainer	(N)
				POS. 11-17
11	D41622600	1	Bearing Ball	(N)
12	D28751269	1	Cup	(N)
13	D28751362	1	Journal	(N)
14	D28751083	1	Ring	(N)
15	D28751268	1	Rubber Strap	(N)
16	D28751265	1	Sensor	(N)
				INCL. P. 17
17	D20400537	1	Spacer	(N)
18	D40404900	2	Screw Metric	
19	D41010700	2	Nut Metric	
20	D42328400	1	Chain	
21	D42363100		Link	
22	D42362400		Inner Link	
23	D42363200		Link	
24	D28540049	1	Sprocket	
25	D41708500	3	Bearing Ball	
26	D41708700	6	Flange	
27	D41087600	2	Locknut	
28	D28520060	2	Bolt	
29	D28550175	2	Bearing Plate	
30	D40404700	6	Screw Metric	
31	D28550501	1	Holder	+F.46440
32	D28550008	1	Cover	
33	D28440126	1	Wingbolt	
34	D27800292	1	Glass	
35	D42610000	1	Pin	
36	D42616300	1	TIGHENING PIN	
37	D28560008	1	Pinion	Number of teeth/spines 9
38	D43103200	2	Key	
39	D28550075	1	Shaft	
40	D28550012	1	Support	
41	D40423900	1	HEXAGON SCREW	
42	D28550299	1	Sprocket	
43	D46416300	1	Screw	
44	D28750637	1	Bowden Cable	
45	D28550177	1	Cover	
46	D40352100	2	Screw	
47	D28700628	1	Journal	
48	D41402800	1	SPLIT PIN	
49	D28760714	1	Spring	
50	D28550079	1	Shaft	
51	D28550145	1	Conrod	
52	D42551100	2	Clamp	
53	D28550080	1	Shaft	
54	D28550086	1	Rocker	
55	D28550164	1	Auger	
	D28550162	1	Flight	
56	D40404900	5	Screw Metric	
57	D20400409	4	Washer	
58	D28550158	1	Bearing Plate	
59	D28550159	1	Bearing Plate	
60	D40630500	1	Pin	
61	D28550491	1	Cover	F.46440
62	D41057300	1	Wing Nut	F.46440
63	D20400409	1	Washer	

UPPER RETURN AUGER

Item	Part Number	Qty	Description	Comments
				(C8)
				UNI-CONTROL
				(N)
				ELEVATOR CONTROL



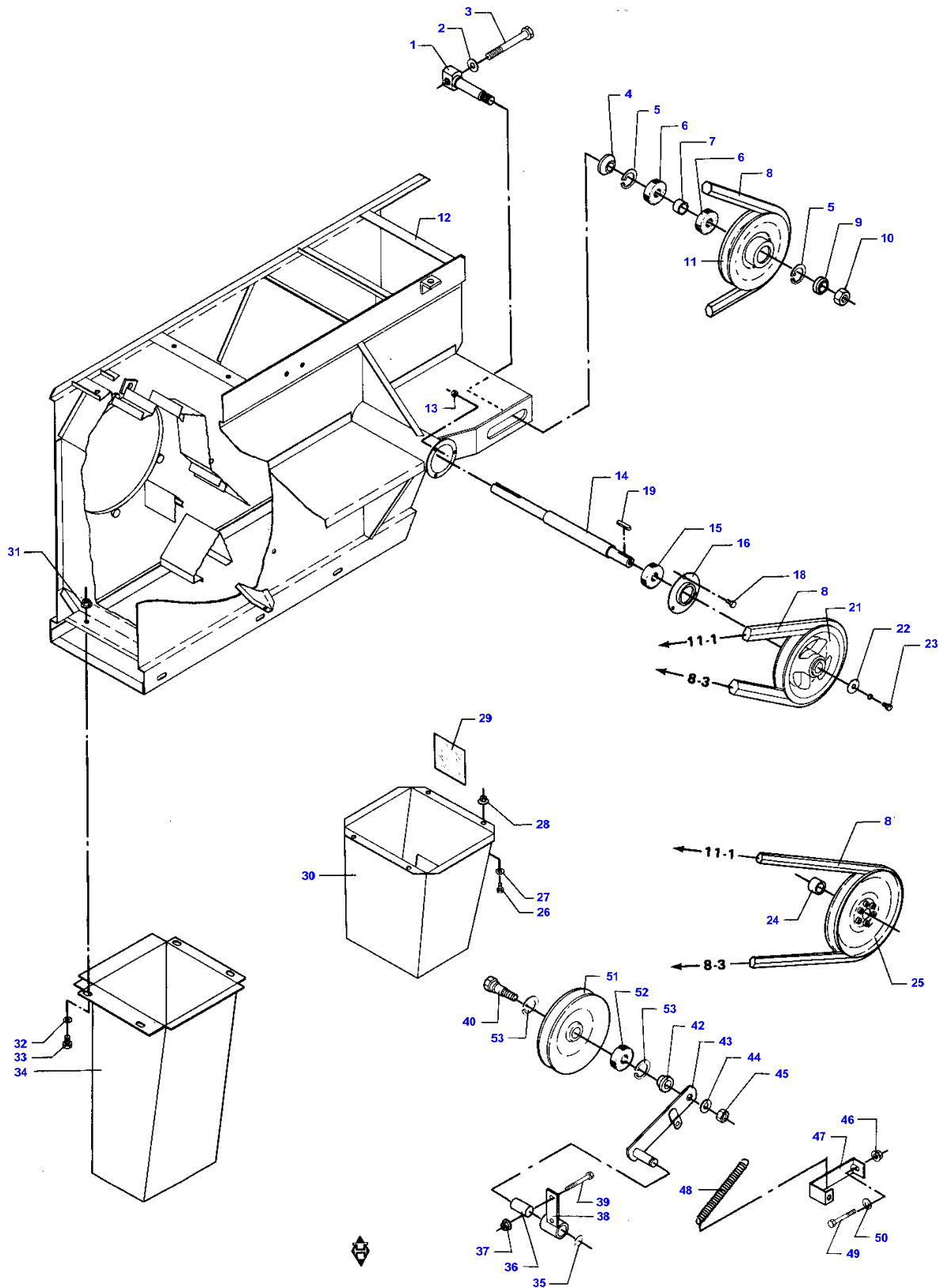
**MASSEY FERGUSON
MF 31 COMBINE - 819726**

819726

8-1

SECOND CLEANER WITH FAN

Item	Part Number	Qty	Description	Comments
1	D28850229	1	Housing	
2	D40402400	4	Screw Metric	
3	D20400404	4	Washer	
4	D27100559	1	Shutter	
5	D40402400	4	Screw Metric	
6	D28530204	4	Plate	
7	D28530205	2	Plate	
8	D44706600		Seal Section	1,000 M
9	D42500700	1	Circlip	
10	D28600209	1	Ball	
11	D28850528	1	Plate	
12	D28850527	1	Bolt	
13	D40688200	6	Screw Metric	
14	D20400404	6	Washer	
15	D28850524	1	Cover	
16	D41010700	1	Nut Metric	
17	D28850176	1	Fan	INCL. P. 18
18	D40404900	2	Screw Metric	
19	D40404900	3	Screw Metric	
20	D20400409	3	Washer	
21	D28850706	1	Cover	
22	D41622800	1	Bearing Ball	
23	D28850512	1	Box	
24	D27800292	2	Glass	
25	D28850485	1	Tensioner	
26	D28850492	1	Tension Spring	
27	D28850483	1	Hook	
28	D28850482	1	Shaft	
29	D43383800	1	Handle	
30	D28850509	1	Shaft	
31	D40317500	2	Screw Metric	
32	D28850466	1	Shutter	
33	D40404900		Screw Metric	
34	D42609000	1	TIGHTENING PIN	
35	D28710049	1	Spring	
36	D28850510	1	Arm	
37	D28850373	2	Spacer	
38	D28850169	1	Shutter	
39	D40352300	2	Screw	
41	D41087500	3	Locknut	
42	D41087300	2	Locknut	
43	D28720865	1	Lock	F.41783
44	D40630900	1	Pin	F.41783



**MASSEY FERGUSON
MF 31 COMBINE - 819726**

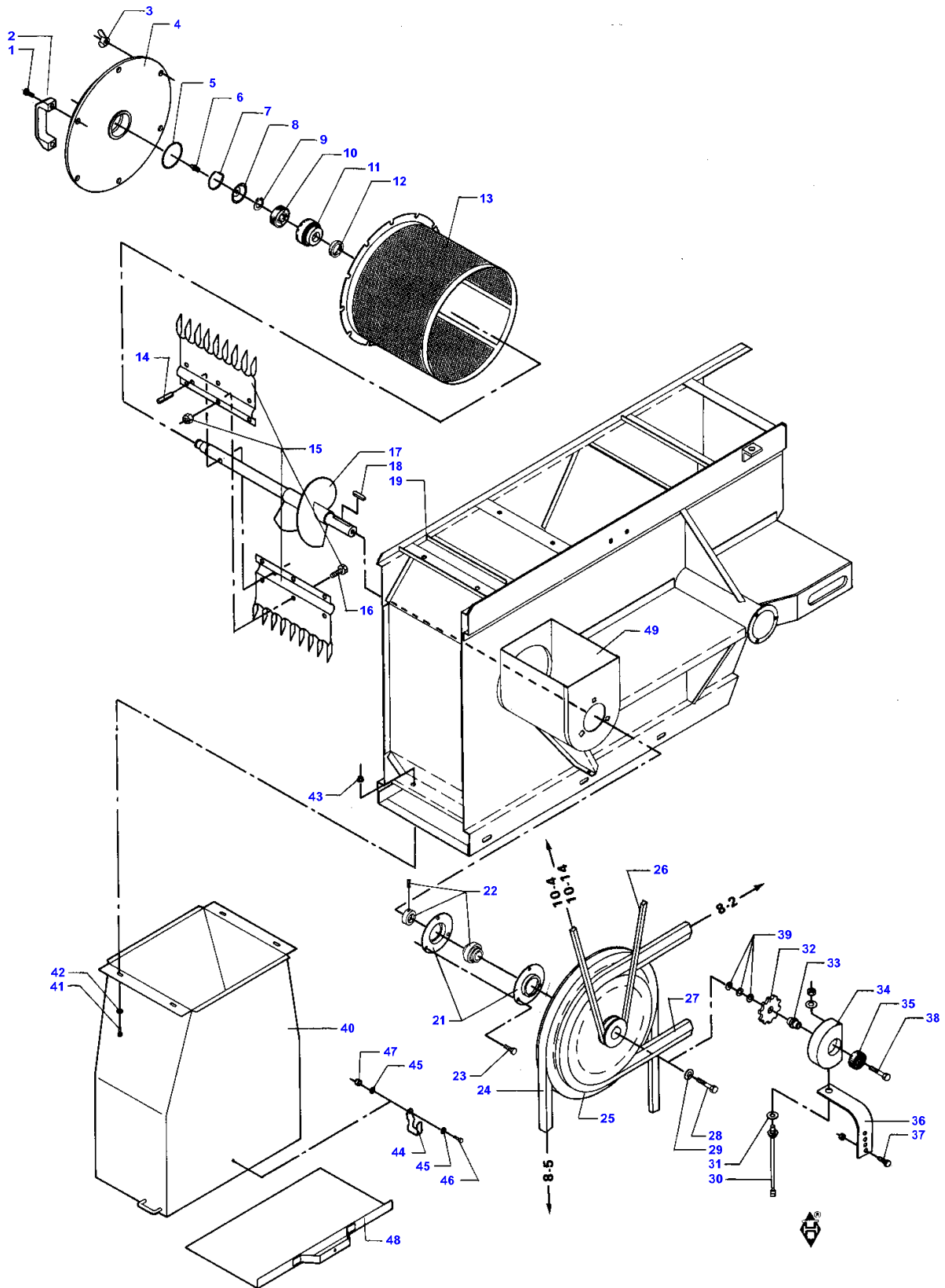
819726

8-2

CLEANER WITH FAN SHAFT AND BELT DRIVE

Item	Part Number	Qty	Description	Comments
1	D28850498	1	Shaft	
2	D20400459	1	Washer	
3	D40418000	1	Screw Metric	
4	D28850535	1	Pipe	
5	D42514000	1	Circlip	
6	D41622800	2	Bearing Ball	
7	D28430213	1	Spacer	
8	D41990069	1	V Belt	
	D41990400	1	Belt	(T5)
9	D28450032	1	Pipe	
10	D41088100	1	Locknut	
11	D28430211	1	Pulley	
12	D28850512	1	Box	
13	D41087500	3	Locknut	
14	D28850472	1	Shaft	
15	D41622800	1	Bearing Ball	
16	D28850706	2	Cover	
18	D40404900	3	Screw Metric	
19	D43103400	1	Key	
21	D28851100	1	Pulley	F.39275
22	D28530027	1	Washer	F.39275
23	D40407700	1	Screw	F.39275
24	D28230881	1	Ring	T.39274
25	D28851028	1	Pulley	T.39274
26	D40402400	4	Screw Metric	
27	D20400404	4	Washer	
28	D41013400	4	Nut	
29	D27800292	2	Glass	
30	D28550328	1	Funnel	
31	D41013400	4	Nut	
32	D20400470	4	Washer	
33	D40402600	4	Screw Metric	
34	D28850924	1	Funnel	
35	D42501800	1	Circlip	
36	D43315600	2	Bush	
37	D41013600	3	Nut	
38	D28851031	1	Bearing Housing	
39	D40426400	1	HEXAGON SCREW	
40	D28760328	1	Bolt	
42	D28760163	1	Spacer	
43	D28851034	1	Lever	
44	D20400433	1	Washer	
45	D41011100	1	HEXAGON SCREW	
46	D41013600	3	Nut	
47	D28851030	1	Retainer	
48	D28760948	1	Tension Spring	
49	D40426400	1	HEXAGON SCREW	
50	D20400471	1	Washer	
	D28752131	1	Roller	POS. 51-53
51	D28752130	1	Roller	
52	D41622700	1	Bearing Ball	
53	D42513700	2	Circlip	

(T5)
ONLY FOR DRY LANDS



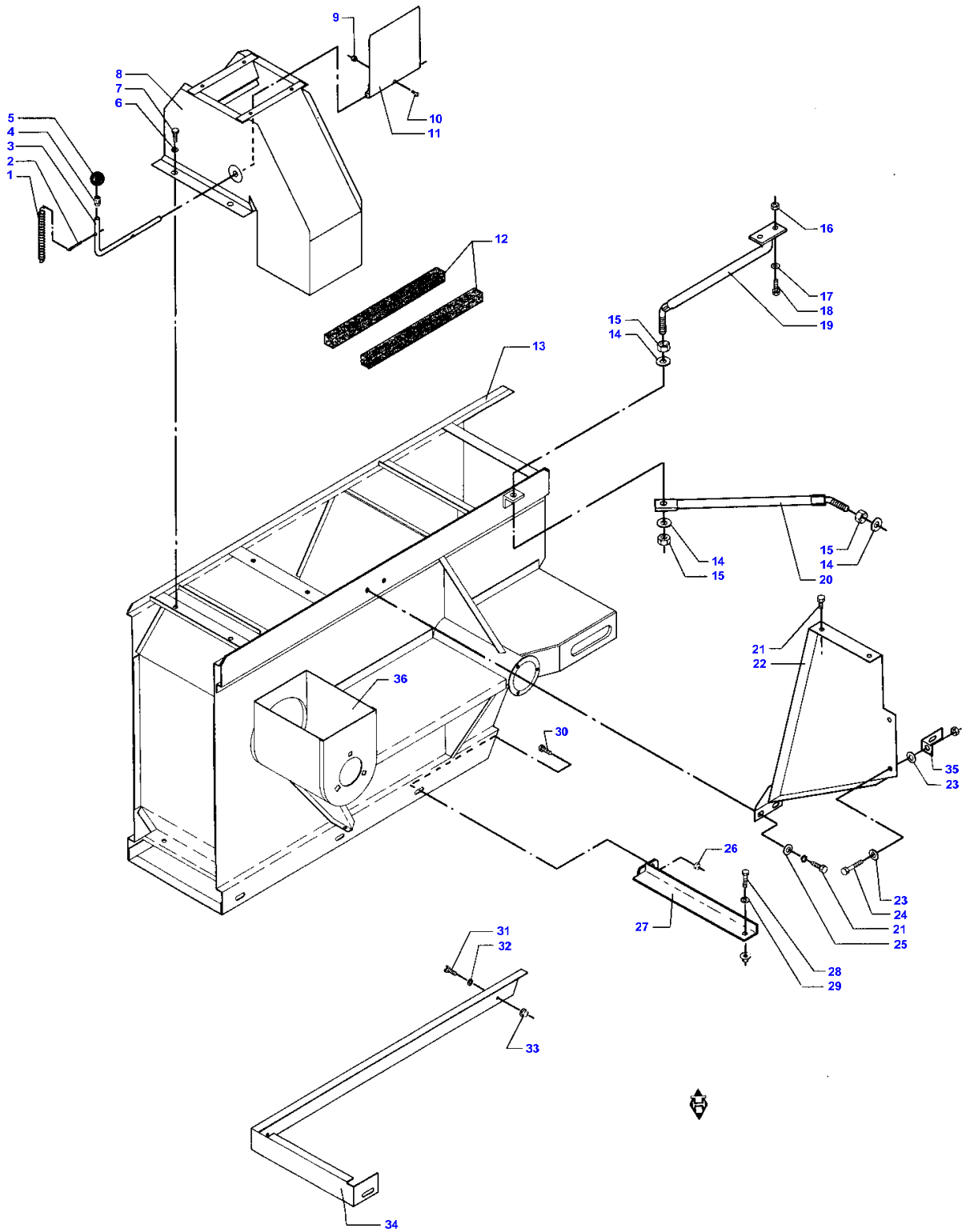
**MASSEY FERGUSON
MF 31 COMBINE - 819726**

819726

8-3

SECOND CLEANER WITH AWNER

Item	Part Number	Qty	Description	Comments
1	D40690300	4	Screw Metric	
2	D43386900	2	Handle	
3	D41057300	6	Wing Nut	
4	D28850531	1	Cover	
6	D43001500	1	Greaser	
7	D20300460	1	Ring	
8	D28850620	1	Bowl	
	D29200153	1	Cover	(T5)
9	D42501800	1	Circlip	
10	D41622700	1	Bearing Ball	
	D41618100	1	Bearing	(T5)
11	D29200152	1	Bearing Housing	
12	D43500900	1	Felt Ring	
13	D28850184	1	Sieve	
	D28850185	1	Sieve	Diameter 2,5
	D28850187	1	Sieve	Diameter 3,5
14	D42618600	1	TIGHENING PIN	
15	D28810631	1	Knife	INCL. P. 16
16	D40407700	6	Screw	
17	D28850476	1	Auger	
	D28850477	1	Spiral	
18	D43104600	1	Key	
19	D28850512	1	Box	
21	D41708800	2	Flange	
22	D41708600	1	Bearing Ball	
23	D40066700	3	Screw	
24	D41929100	1	V Belt	
25	D28850473	1	Pulley	
26	D41912400	1	V Belt	
	D41912300	1	V Belt	(T5)
27	D41990069	1	V Belt	
	D41990400	1	Belt	(T5)
28	D40407700	1	Screw	
29	D28530027	1	Washer	
	D28751815	1	Sensor	(C8) POS. 30-36
30	D28751812	1	Sensor	(C8) INCL. P. 31
31	D20400428	1	Washer	(C8)
32	D28750922	1	Wheel	(C8)
33	D28751218	1	Journal	(C8)
34	D28751224	1	Cup	(C8)
35	D41622600	1	Bearing Ball	(C8)
36	D28751216	1	Rubber Strap	(C8)
37	D40402600	1	Screw Metric	(C8)
38	D40426100	1	Screw	(C8)
39	D28530027	3	Washer	(C8)
	D28850979	1		POS. 40-48
40	D28850978	1	Box	
41	D40402400	4	Screw Metric	
42	D20400470	4	Washer	
43	D41013400	4	Nut	
44	D27100826	1	Spring	
45	D20400404	2	Washer	
46	D40400700	1	Screw Metric	
47	D41087300	1	Locknut	
48	D28850974	1	Plate	
49	D28850453	1	Housing	(C8) UNI-CONTROL (T5) ONLY FOR DRY LANDS



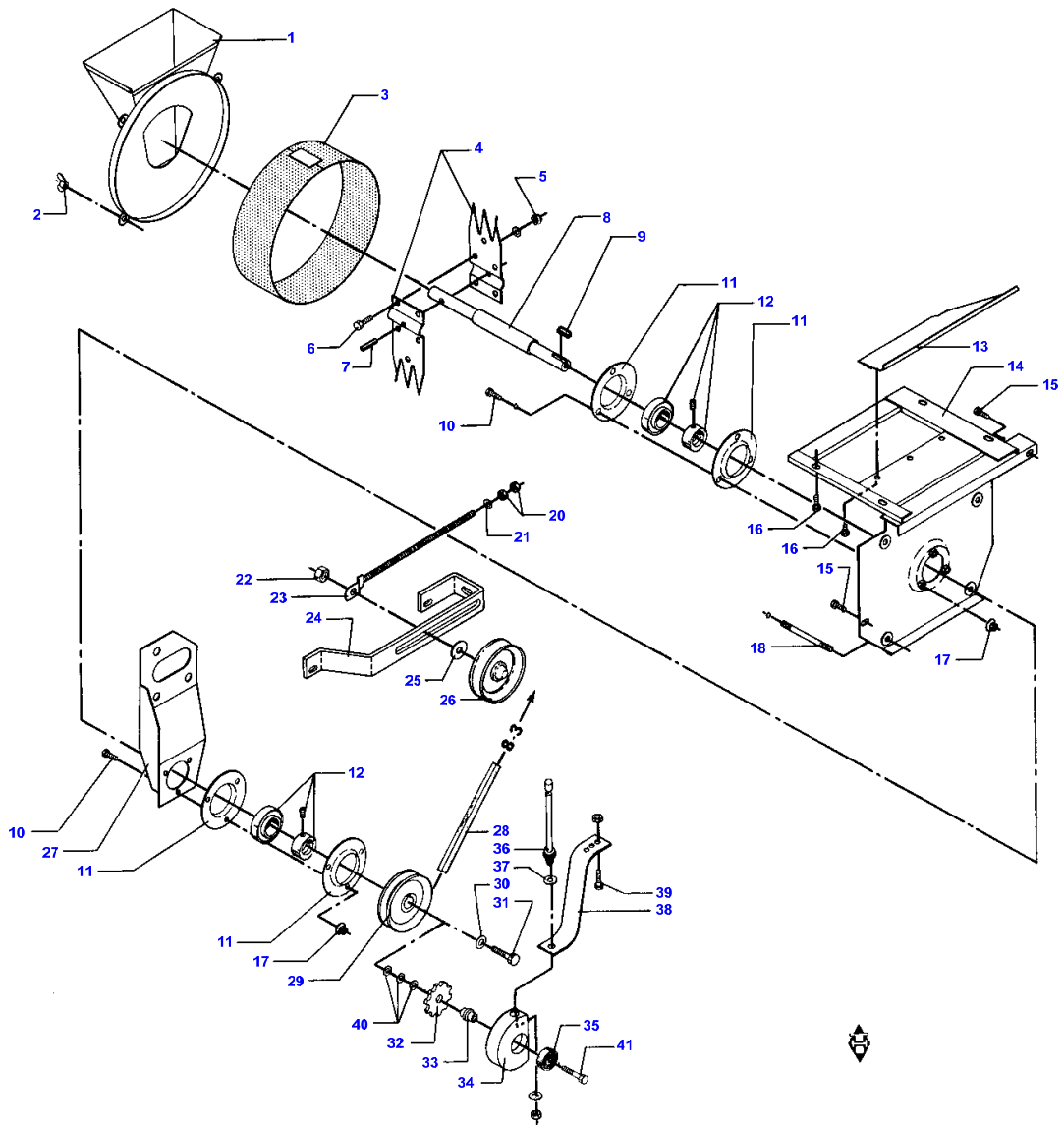
**MASSEY FERGUSON
MF 31 COMBINE - 819726**

819726

8-4

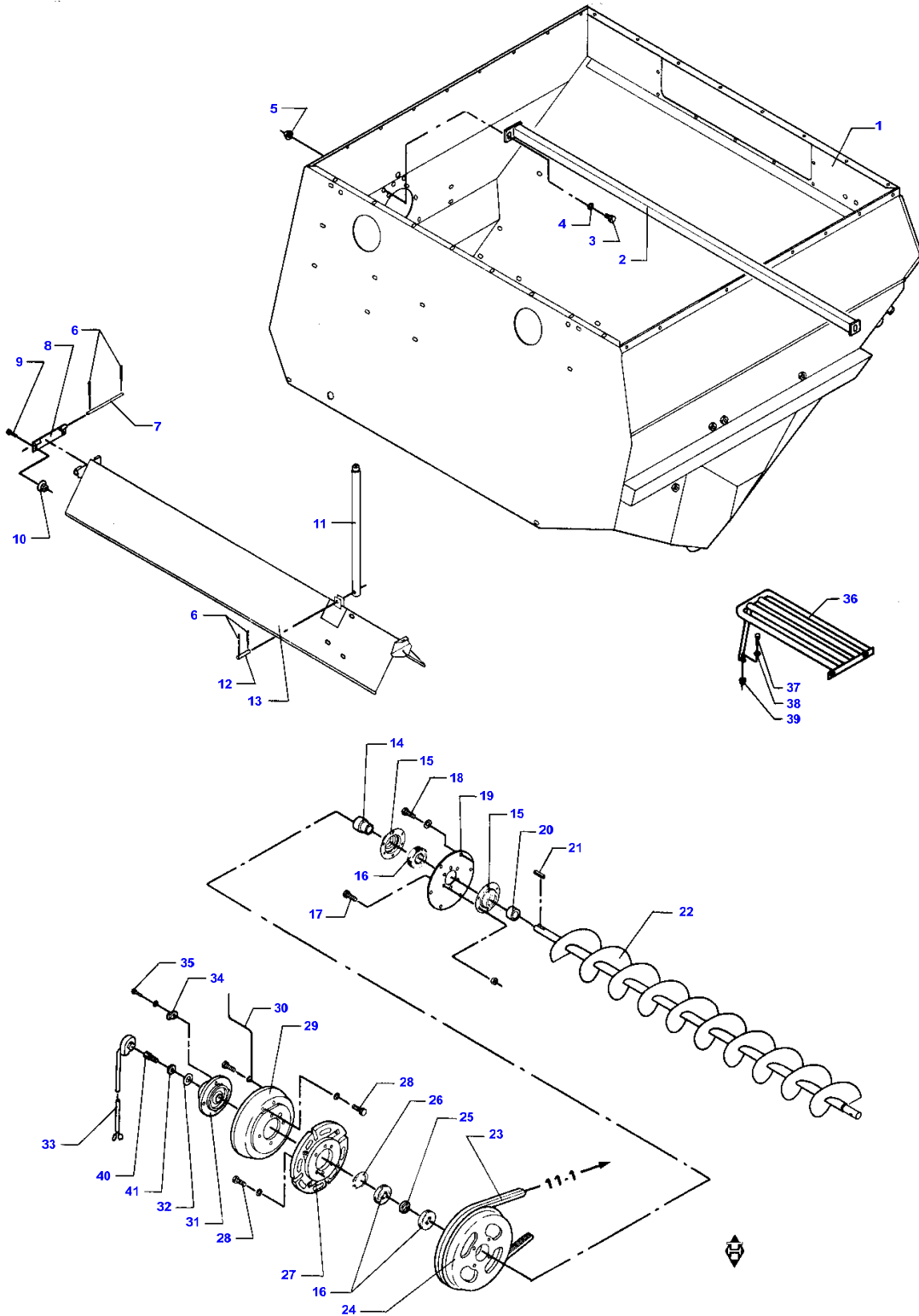
SECOND CLEANER WITH CIRCULATION AND SUSP. STAY

Item	Part Number	Qty	Description
1	D24200440	1	Spring
2	D41410700	1	SPLIT PIN
3	D28850490	1	Lever
4	D43383100	1	Ring
5	D43383000	1	Ball
6	D20400404	2	Washer
7	D40402400	2	Screw Metric
8	D28850493	1	Housing
9	D41087300	1	Locknut
10	D40352500	1	Screw
11	D28850491	1	Shutter
12	D44709600		Seal Section
13	D28850512	1	Box
14	D20400423	3	Washer
15	D41010900	3	Nut Metric
16	D41013500	2	Nut
17	D20400409	2	Washer
18	D40405000	2	Screw Metric
19	D28850283	1	Stay
20	D28850281	1	Stay
21	D40407600	1	Screw
22	D28850280	2	Suspension
23	D20400415	2	Washer
24	D40426400	2	HEXAGON SCREW
25	D20400471	2	Washer
26	D41013500	1	Nut
27	D28850377	1	Stay
28	D40407700	1	Screw
29	D20400471	2	Washer
30	D40405000	1	Screw Metric
31	D40402400	2	Screw Metric
32	D20400404	2	Washer
33	D41013400	2	Nut
34	D28851045	1	Frame
35	D28751238	1	Bracket
36	D28850453	1	Housing



SEED GRINDER

Item	Part Number	Qty	Description	Comments
1	D28850403	1	Side	
2	D41057300	4	Wing Nut	
3	D28850401	1	Chaffer	(3) Diameter 1,5
3	D28850402	1	Chaffer	(3) Diameter 2
3	D28850555	1	Chaffer	(3) Diameter 2,5
3	D28850622	1	Chaffer	(3) Diameter 3,5
3	D28850649	1	Sieve	(4) Diameter 5
4	D28850421	1	Wing	INCL. P. 5-6
5	D41087600	4	Locknut	
6	D40407700	4	Screw	
7	D42618600	1	TIGHENING PIN	
8	D28850560	1	Shaft	
9	D43103400	1	Key	
10	D40404900	3	Screw Metric	
11	D41708700	4	Flange	
12	D41708500	2	Bearing Ball	
13	D28850564	1	Plate	
14	D28850418	1	Side	
15	D40404900		Screw Metric	
16	D40402400		Screw Metric	
17	D41013500	3	Nut	
18	D28850414	4	Bolt	
20	D41010800	2	Nut Metric	
21	D20400416	1	Washer	
22	D41011100	4	HEXAGON SCREW	
23	D28850559	1	Tightener	
24	D28850554	1	Bracket	
25	D20400459	1	Washer	
26	D27600548	1	Pulley	
27	D28850563	1	Bearing Plate	
28	D41929100	1	V Belt	
29	D28800229	1	Pulley	
30	D28530027	1	Washer	
31	D40407700	1	Screw	
32	D28750922	1	Wheel	
	D28751815	1	Sensor	(C8) POS. 32-38
33	D28751218	1	Journal	(C8)
34	D28751224	1	Cup	(C8)
35	D41622600	1	Bearing Ball	(C8)
36	D28751812	1	Sensor	(C8) INCL. P. 37
37	D20400428	1	Washer	(C8)
38	D28751216	1	Rubber Strap	(C8)
39	D40402600	1	Screw Metric	(C8)
40	D20400425	3	Washer	(C8)
41	D40408300	1	Screw Metric	(C8)
				UNI-CONTROL (3) OPTIONAL EQUIPMENT (4) STANDARD



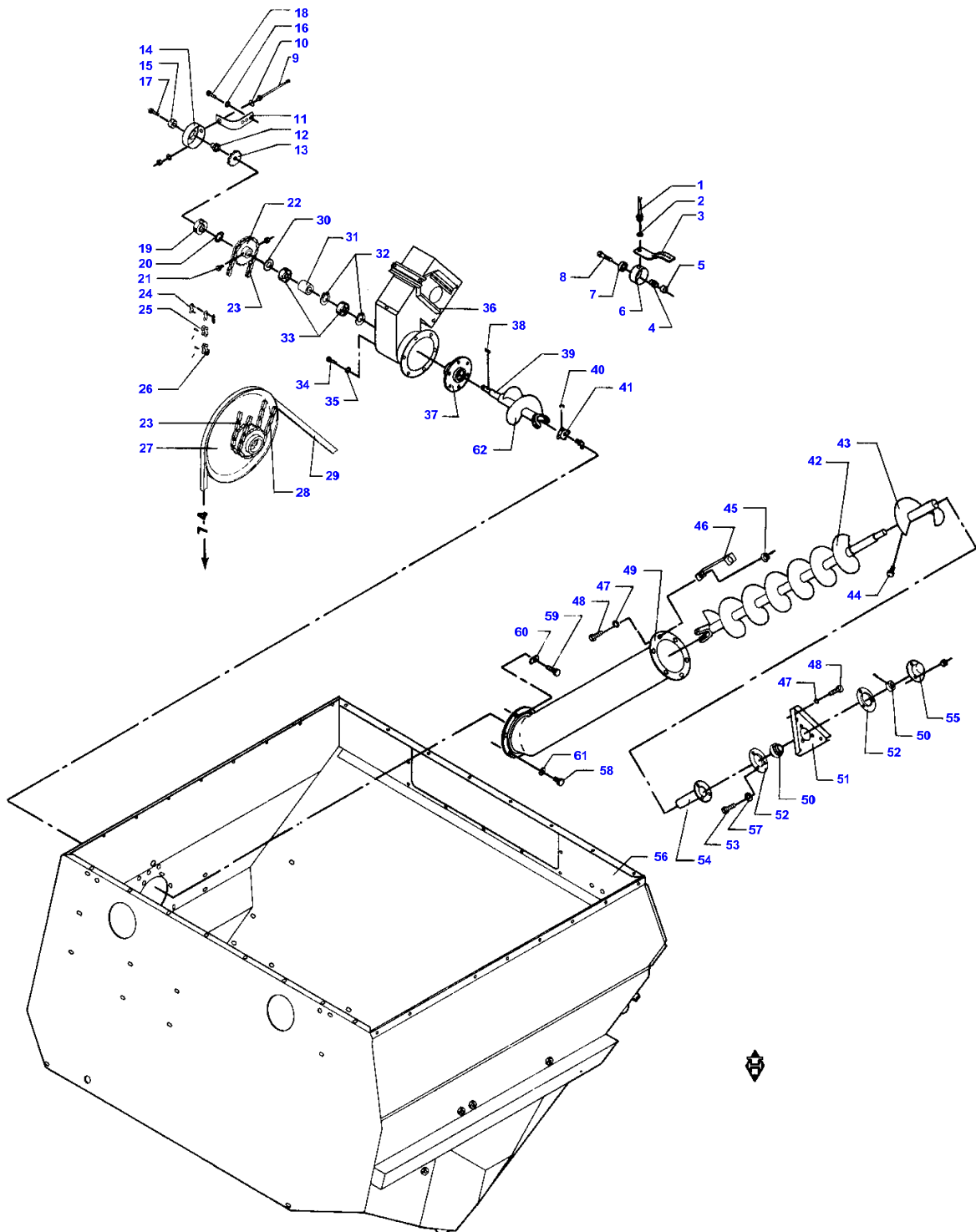
**MASSEY FERGUSON
MF 31 COMBINE - 819726**

819726

9-1

DISCHARGE AUGER, FIXED PART

Item	Part Number	Qty	Description	Comments
1	D28850769	1	Grain Tank	
2	D28850650	1	Crosspiece	
3	D40404900	3	Screw Metric	
4	D20400409	3	Washer	
5	D41013500	3	Nut	
6	D41405900	4	SPLIT PIN	
7	D28851230	1	Hinge	F.48699
8	D28851231	1	Hinge	F.48699
9	D40404900	2	Screw Metric	
10	D41013500	2	Nut	
11	D28850963	1	Tube	
12	D28850692	1	Pin	
13	D28850703	1	Plate	
14	D28850852	1	Spacer	
15	D28200239	2	Bearing Carrier	
16	D41623000	3	Bearing Ball	
17	D40404700	6	Screw Metric	
18	D40407600	6	Screw	
19	D28850851	1	Cover	
20	D28830061	1	Spacer	
21	D43103600	1	Key	
22	D28851121	1	Auger	F.45560
	D28850765	1	Worm	F.45559
	D28850764	1	Spiral	
23	D41936200	1	V Belt	
24	D28850815	1	Pulley	
25	D28850037	1	Spacer	
26	D42515000	1	Circlip	
27	D45060300	1	Plate	
28	D40410800	8	HEXAGON SCREW	
29	D45060200	1	Magnet	
30	D28850906	1	Wire	
31	D28850818	1	Hub	
32	D20400464	1	Washer	T.45559
33	D28850856	1	Retainer	
34	D28850832	1	Plate	
35	D40352100	2	Screw	
36	D28851066	1	Step	F.43574
37	D40405000	1	Screw Metric	F.43574
38	D20400409	1	Washer	F.43574
39	D41013500	1	Nut	F.43574
40	D28752228	1	Screw	F.44611
41	D28752420	1	Washer	F.44611



**MASSEY FERGUSON
MF 31 COMBINE - 819726**

819726

9-2

SPREADER AUGER

Item	Part Number	Qty	Description	Comments
	D28751363	1	Retainer	(N) POS. 1-7
1	D28751265	1	Sensor	(N) INCL. POS. 2
2	D20400537	2	Spacer	(N)
3	D28751268	1	Rubber Strap	(N)
4	D28751362	1	Journal	(N)
5	D28751083	1	Ring	(N)
6	D28751269	1	Cup	(N)
7	D41622600	1	Bearing Ball	(N)
8	D40426000	1	Screw	(N)
	D28751814	1	Sensor	(C8) POS. 9-15
9	D28751812	1	Sensor	(C8) INCL. P. 10
10	D20400428	1	Washer	(C8)
11	D28751216	1	Rubber Strap	(C8)
12	D28751218	1	Journal	(C8)
13	D28750922	1	Wheel	(C8)
14	D28751223	1	Cup	(C8)
15	D41622600	1	Bearing Ball	(C8)
16	D20400414	3	Washer	(C8)
17	D40407900	1	Screw Metric	(C8)
18	D40423900	1	HEXAGON SCREW	(C8)
19	D28700558	1	Nut	
20	D41677800	1	Lock Washer	
21	D40404900	1	Screw Metric	
22	D28540049	1	Sprocket	
23	D42328200	1	Chain	
24	D42363100		Link	
25	D42362400		Inner Link	
26	D42363200		Link	
27	D28550233	1	Pulley	
28	D42328100	1	Chain	
29	D41982500	1	Belt	
30	D20400531	1	Spacer	
31	D28850606	1	Spacer	
	D28851024			
32	D42514100	2	Circlip	
33	D41617000	2	Bearing Ball	
34	D40404900	6	Screw Metric	
35	D20400409	6	Washer	
36	D28550499	1	Elbow	+F.46440
37	D28850604	1	Bearing Housing	
38	D43103200	1	Key	
	D28850991	1	Auger	POS. 39-44
39	D28850775	1	Auger	
40	D45663300	1	Circlip	
41	D45623000	1	Bearing Needle	INCL. P. 40
42	D28850987	1	Worm	
43	D28850988	1	Worm	
	D28850990	1	Flight	
44	D40404700	1	Screw Metric	
45	D41013500	9	Nut	
46	D28850881	3	Spacer	
47	D20400409	9	Washer	
48	D40404900	9	Screw Metric	
49	D28851105	1	Tube	F.44611
50	D41708500	1	Bearing Ball	
51	D28850608	1	Bearing Plate	
52	D41708700	2	Flange	
53	D40423600	3	HEXAGON SCREW	
54	D28850886	1	Guard	
55	D28761667	1	Cover	
56	D28850769	1	Grain Tank	
57	D20400413	3	Washer	
58	D40405000	5	Screw Metric	
59	D40405100	1	Screw Metric	
60	D28851101		Plate	(5)
61	D20400409	5	Washer	

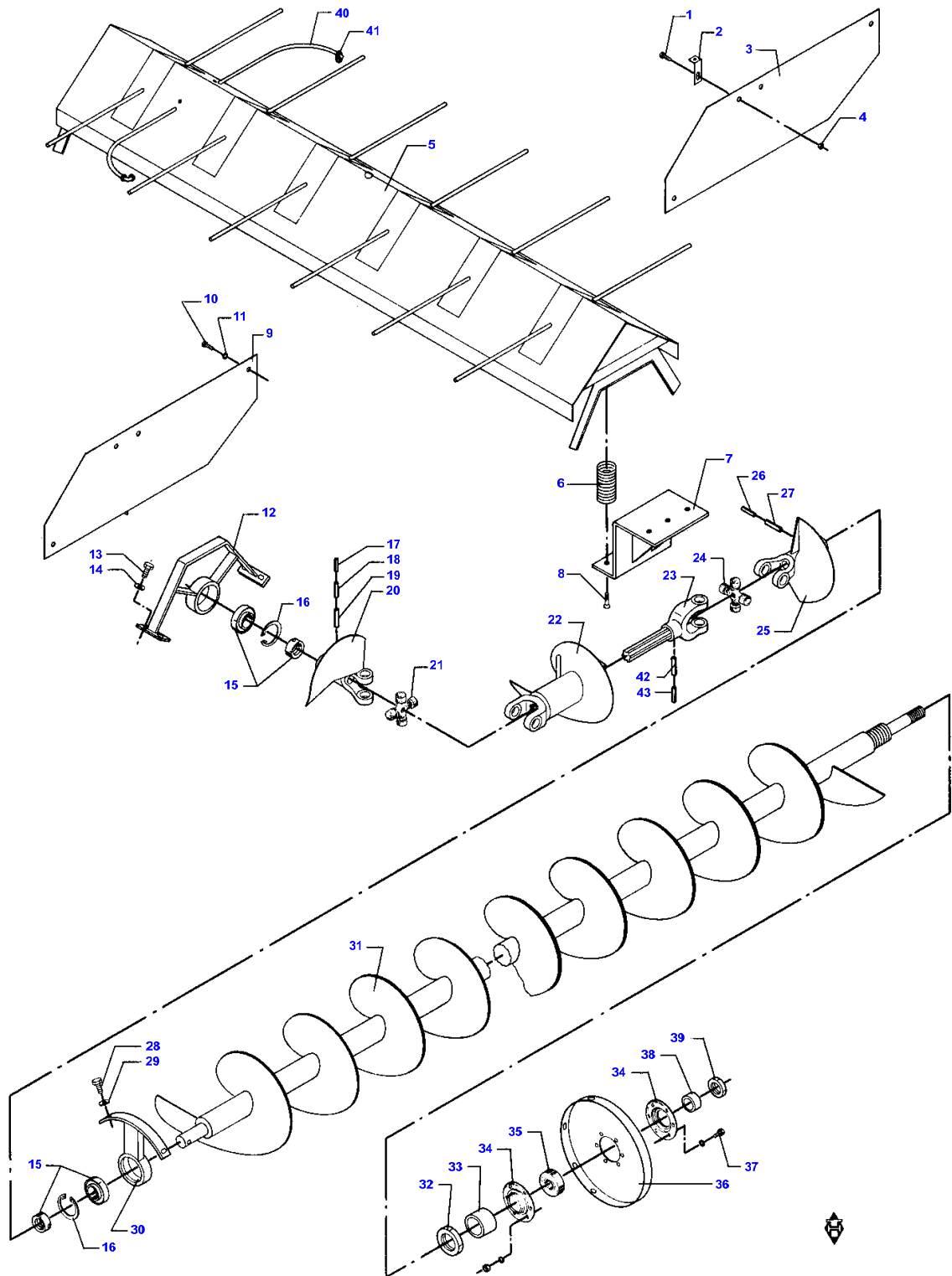
MASSEY FERGUSON
MF 31 COMBINE - 819726

819726

SPREADER AUGER

9-2

Item	Part Number	Qty	Description	Comments
62	D28851099	1	Spiral	(C8) UNI-CONTROL (N) ELEVATOR CONTROL (5) OPTIONAL



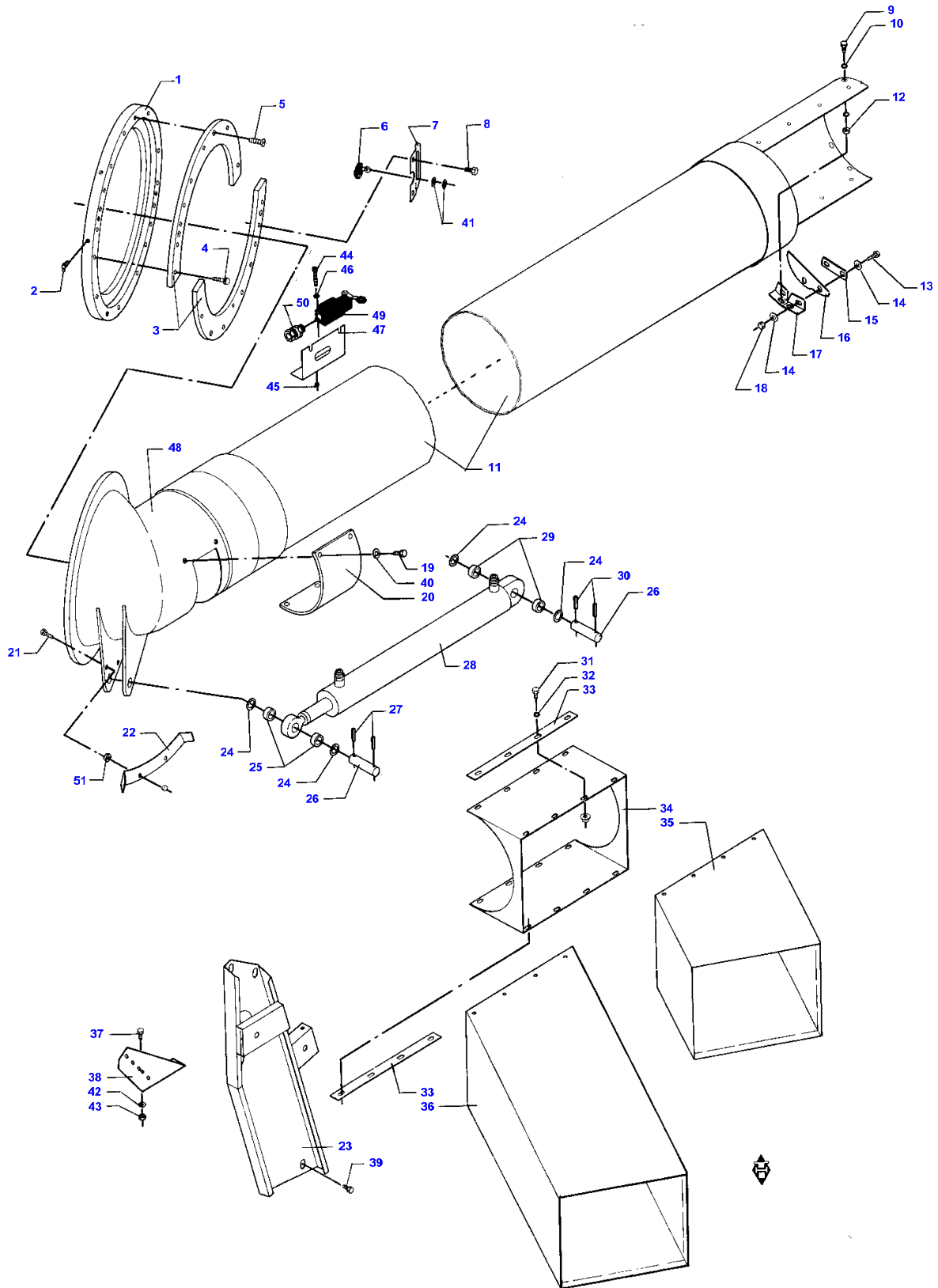
**MASSEY FERGUSON
MF 31 COMBINE - 819726**

819726

9-3

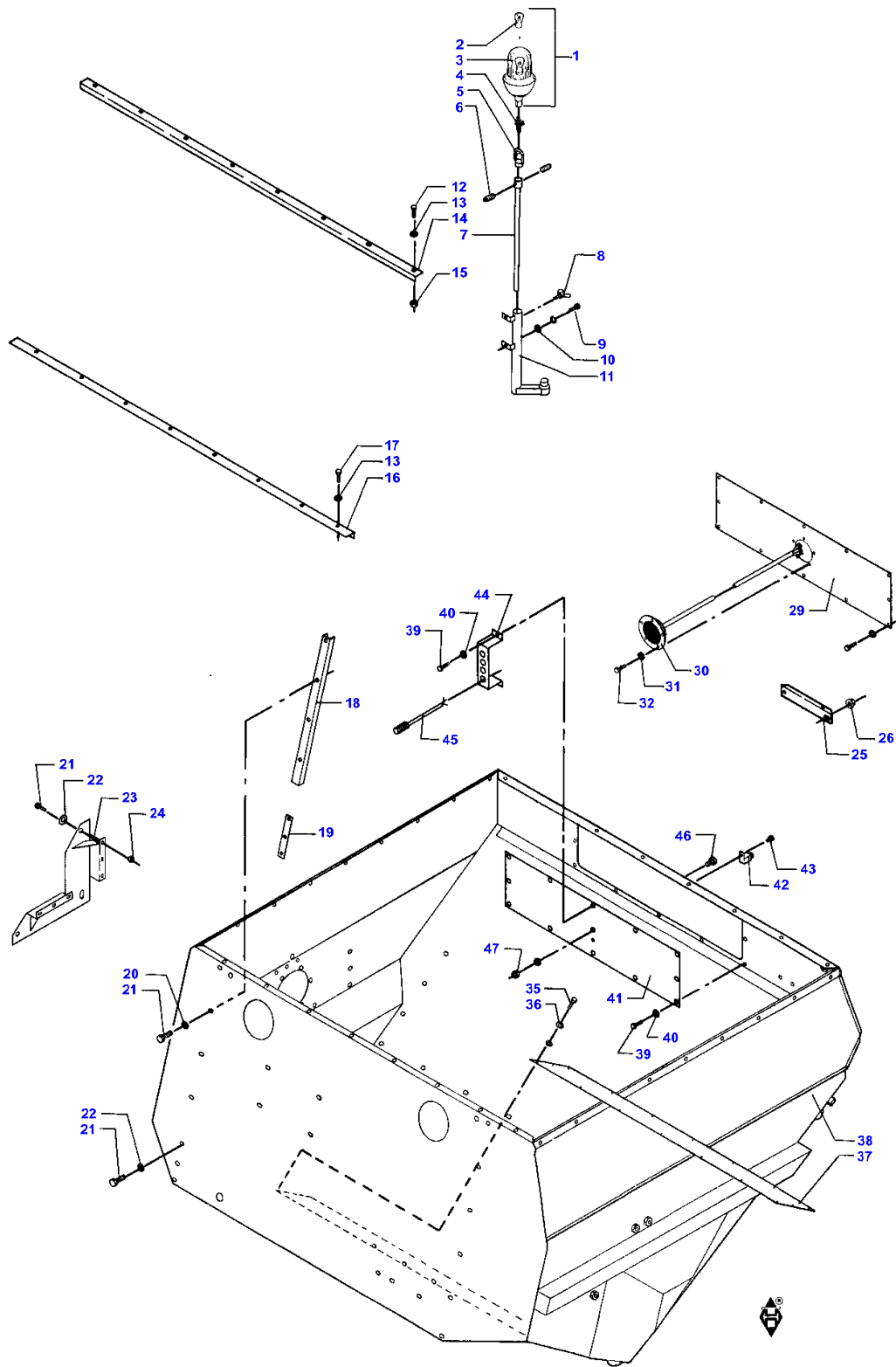
DISCHARGE AUGER, SWIVEL PART - VIBRATION BEAM

Item	Part Number	Qty	Description	Comments
1	D40405000	1	Screw Metric	(3)
2	D28741203	1	Bracket	(3)
3	D28851009	1	Plate	(3)
4	D41013500	1	Nut	(3)
5	D49041500	1	Beam	(3)
				INCL. POS. 6
6	D49041600	4	Spring	(3)
7	D28851015	1	Bracket	(3)
8	D40405000	3	Screw Metric	(3)
				F.41406
8	D40601600	3	Screw Metric	(3)
				T.41405
9	D28850855	1	Plate	
10	D40404900	4	Screw Metric	
11	D20400414	4	Washer	
12	D28850849	1	Bracket	
13	D40407700	4	Screw	
14	D20400471	4	Washer	
15	D41663400	1	Bearing Ball	
16	D42515000	1	Circlip	
17	D42610200	1	TIGHENING PIN	
18	D42616500	1	TIGHENING PIN	
19	D42625400	1	Pin	
	D28850907	1	Auger	POS. 20-22
20	D28850839	1	Yoke	
21	D45622700	1	Crosspiece	
22	D28850752	1	Auger	
	D28850751	1	Flight	
	D28850887	1	Yoke	POS. 23-25
23	D28850922	1	Fork	
24	D45622700	1	Crosspiece	
25	D28850833	1	Yoke	
26	D42616400	1	Pin	
27	D42625300	1	Pin	
28	D40405100	2	Screw Metric	
29	D20400409	2	Washer	
30	D28850808	1	Retainer	
31	D28851023	1	Auger	
	D28851024	1		
32	D41034400	1	Nut	
33	D28830693	1	Spacer	
34	D28200239	2	Bearing Carrier	
35	D41623000	1	Bearing Ball	
36	D28850714	1	Plate	
37	D40404900	6	Screw Metric	
38	D28800328	1	Spacer	
39	D41034100	1	Nut	
40	D45126300	2	Hose	(3)
41	D45269700	2	Union	(3)
42	D42618900	1	TIGHENING PIN	
43	D42612600	1	TIGHENING PIN	
				(3)
				OPTIONAL EQUIPMENT



DISCHARGE AUGER PIPE

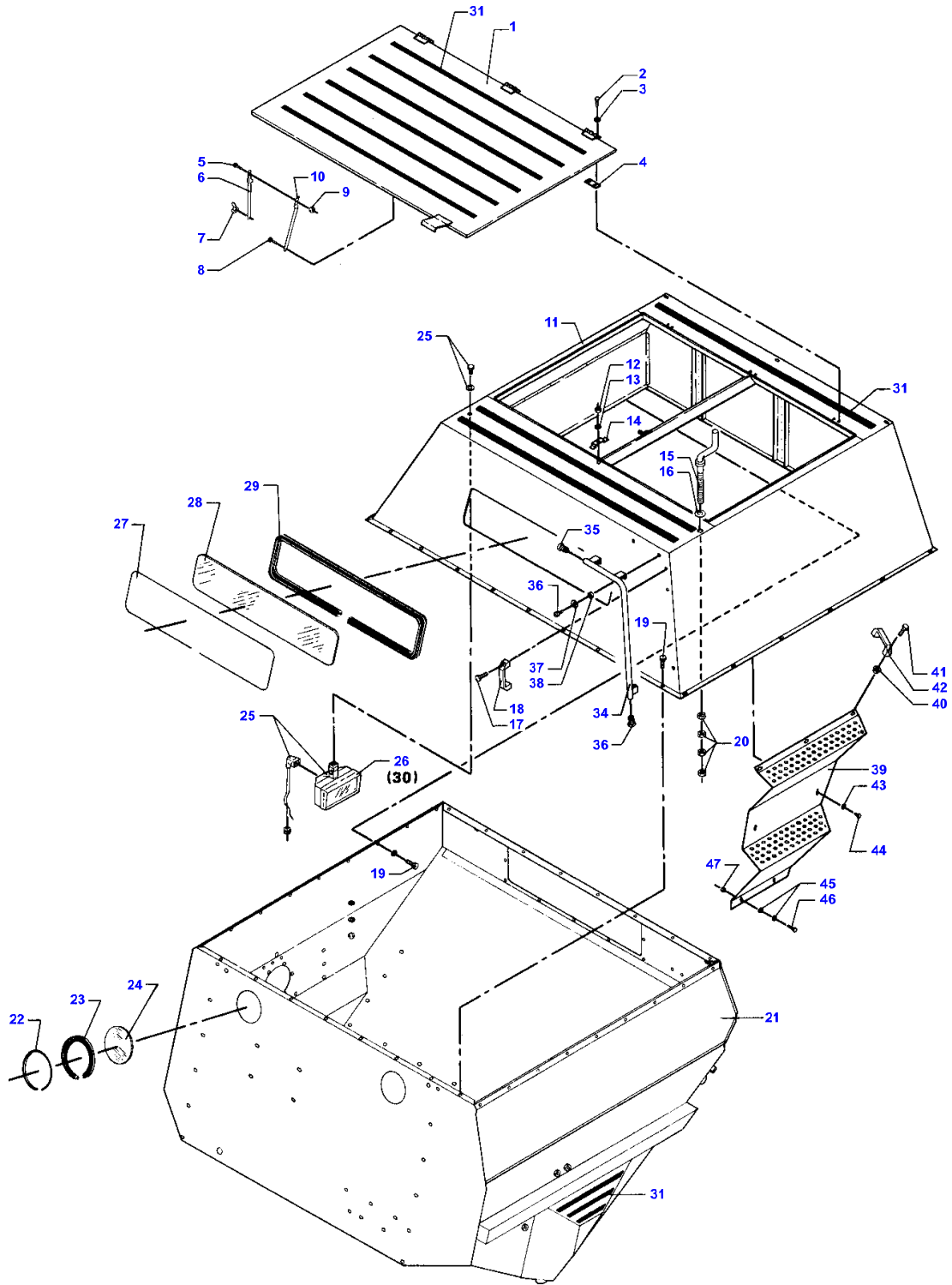
Item	Part Number	Qty	Description	Comments
1	D28850719	1	Flange	
2	D43001500	6	Greaser	
3	D28850718	1	Flange	
4	D40426300	13	HEXAGON SCREW	
5	D40600800	4	Screw Metric	
6	D45076600	1	Micro Switch	T.46440
7	D28850871	1	Retainer	T.46440
8	D40426400	2	HEXAGON SCREW	
9	D40404900		Screw Metric	
10	D20400409		Washer	
11	D28850797	1	Pipe	
12	D41013500		Nut	
13	D40404900	4	Screw Metric	
14	D20400409	8	Washer	
15	D28851026	1	Plate	
16	D28851027	1	Stop	
17	D28851025	1	Retainer	
18	D41087500	4	Locknut	
19	D40407400	4	HEXAGON SCREW	
20	D28850857	1	Cover	
21	D40401000	4	Screw	
22	D28850986	1	Rail	
23	D28751290	1	Bracket	T.39274
24	D20400530	4	Spacer	
25	D28850878	2	Spacer	
26	D28850877	2	Pin	
27	D41411100	2	SPLIT PIN	
28	D45100062	1	Ram	(42) F.42021
28	D28850870	1	Ram	(R7) T.42020
29	D28850878	2	Spacer	
30	D41409300	2	Pin	
31	D40404900	10	Screw Metric	
32	D20400409	10	Washer	
33	D28850853	2	Mounting	
34	D28850846	1	Funnel	
35	D28850850	1	Spout	(C6)
36	D28850959	1	Spout	(C7)
37	D41013600	4	Nut	
38	D28752255	1	Support	F.43141
39	D40407700	4	Screw	
40	D20400471	4	Washer	
41	D28760970	2	Washer	T.46430
42	D20400471	2	Washer	
43	D41013600	2	Nut	
44	D40351700	4	Screw	
45	D41087200	4	Locknut	
46	D20400400	8	Washer	
47	D28851211	1	Bracket	F.46440
48	D28850723	1	Socket	
49	D28851210	1	Switch	F.46440
50	D45020027	1	Connector	F.46440
51	D28851212	1	Bush	F.46440 (C6) SHORT TYPE (C7) OPTIONAL EQUIPMENT - LONG TYPE (R7) SEE PAGE 14-1B (42) SEE PAGE 14-1



SHUTTERS FOR GRAIN TANK - ROTORLAMP

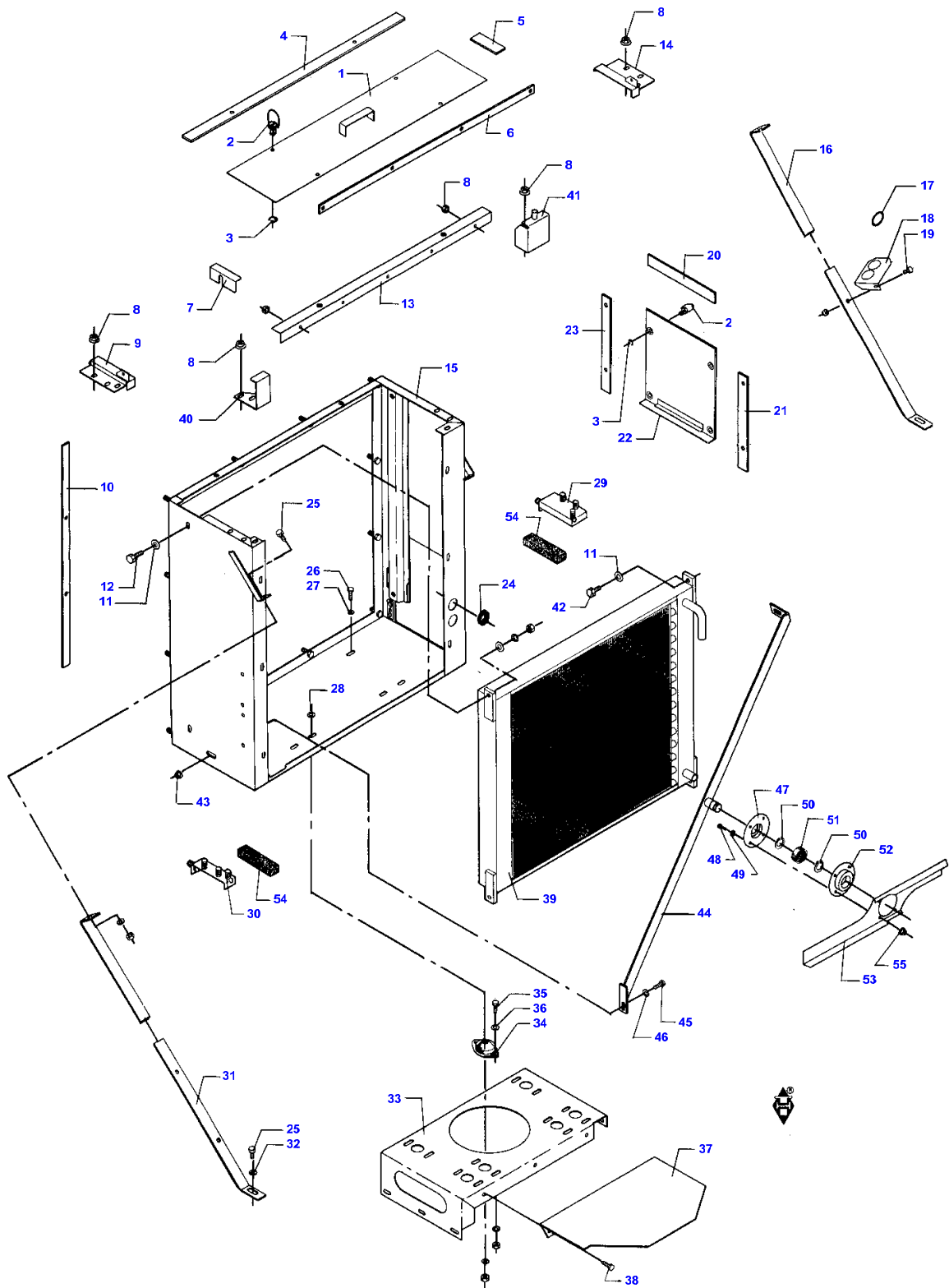
Item	Part Number	Qty	Description	Comments
1	D45051200	1	Lamp	
	D45050300	1	Rotating Light	(04)
2	D45006200	1	Bulb	
	D45081000	1	Bulb	
3	D45051900	1	Glass	(D3)
	D45060043	1	Glass	(D4)
	D45060044	1	Glass	(D5)
	D28950237	1	Retainer	POS. 4-5
4	D45068200	1	Plug	
5	D45051300	1	Retainer	
6	D40630900	2	Pin	
7	D28950556	1	Retainer	
8	D28440126	2	Wingbolt	
9	D40404700	2	Screw Metric	
10	D20400409	1	Washer	
11	D28850823	1	Bracket	
12	D40405000	8	Screw Metric	
13	D20400409	16	Washer	
14	D28850982	1	Stiffener	
15	D41013500	8	Nut	
16	D28850983	1	Stiffener	
17	D40405100	8	Screw Metric	
18	D28851019	2	Stiffener	
19	D28851018	1	Dog	
20	D20400414	8	Washer	
21	D40404900		Screw Metric	
22	D20400409		Washer	
23	D28550252	1	Bracket	
24	D41013500		Nut	
25	D28150931	1	Bracket	
26	D41013500	2	Nut	
29	D28850566	1	Shutter	T.41782
30	D45018000	1	Switch	T.41782
31	D20400466	5	Washer	T.41782
32	D40400700	5	Screw Metric	
35	D40404900	16	Screw Metric	
36	D20400409	16	Washer	
37	D28850060	1	Cover	
38	D28850769	1	Grain Tank	
39	D40404700	24	Screw Metric	
40	D20400409	24	Washer	
41	D28851064	1	Shutter	F.41783
42	D45075200	1	Relay	F.41783
43	D40352100	1	Screw	F.41783
44	D28851062	1	Bracket	F.41783
45	D28851063	1	Switch,Indirect	F.41783
46	D40410700	1	Screw	
47	D41010900	1	Nut Metric	

(04)
ONLY FOR SWITZERLAND
(D3)
HELLA WITH METAL BOTTOM
(D4)
AEB 590
(D5)
OPTILUX WITH PLAST BOTTOM



GRAIN TANK TOP

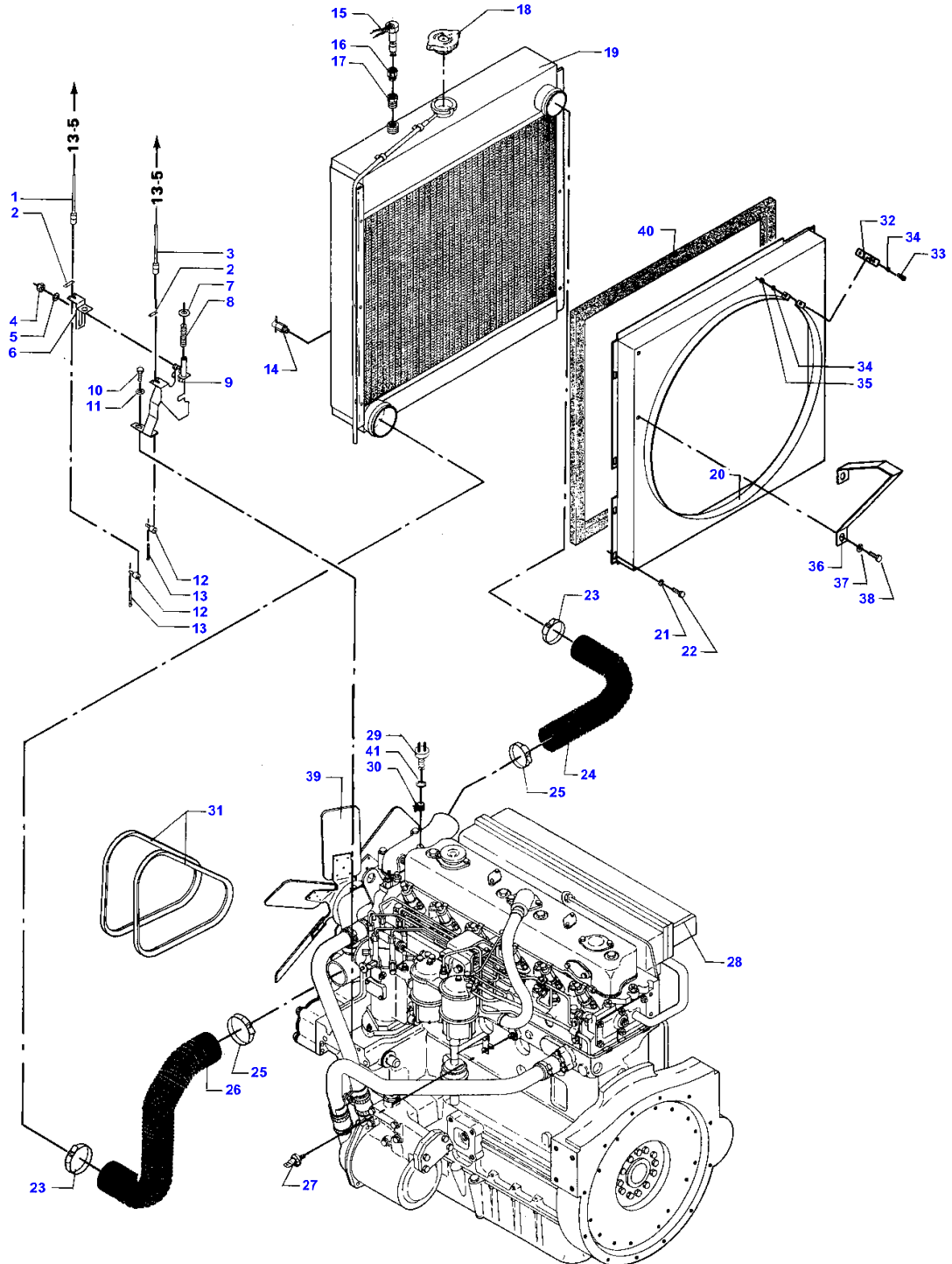
Item	Part Number	Qty	Description	Comments
1	D28850960	1	Cover	
2	D40690300	6	Screw Metric	
3	D20400409	6	Washer	
4	D28850953	3	Dog	
5	D40063700	1	Screw	
6	D28850551	1	Stop	
7	D41057300	1	Wing Nut	
8	D40405000	1	Screw Metric	
9	D41087500	2	Locknut	
10	D28850552	1	Stop	
11	D28850952	1	Top	
12	D41087500	1	Locknut	
13	D20400415	1	Washer	
14	D28160665	1	Clamp	
15	D28850693	1	Spindle	
16	D28851086	1	Washer	
17	D40690300	2	Screw Metric	T.43573
18	D43386900	1	Handle	T.43573
19	D40404900		Screw Metric	
20	D41011100	4	HEXAGON SCREW	
21	D28850769	1	Grain Tank	
22	D44707200		Retainer	
23	D44708000		Seal Section	
24	D28830148	2	Plate	
25	D28950389	1	Wire	INCL. P. 26
26	D45084700	1	Work Light	
27	D44707200		Retainer	
28	D28860145	1	Plate	
29	D44708000		Seal Section	
30	D45080200	1	Bulb	
31	D44738900		Strip	
34	D28851072	1	Rail	F.43574
35	D45744300	2	Plug	F.43574
36	D40405000	3	Screw Metric	F.43574
37	D20400409	3	Washer	F.43574
38	D41013500	3	Nut	F.43574
39	D28851096	1	Step	F.43574
40	D41013500	3	Nut	F.43574
41	D40690300	4	Screw Metric	F.43574
42	D43386900	1	Handle	F.43574
43	D20400405	2	Washer	F.43574
44	D40402300	2	HEXAGON SCREW	F.43574
45	D20400506	4	Spacer	F.43574
46	D40404900	2	Screw Metric	F.43574
47	D41010700	2	Nut Metric	F.43574



SUCTION CHANNEL AND HYDRAULIC COOLER-PERKINS

Item	Part Number	Qty	Description	Comments
1	D28750839	1	Cover	
2	D43427500	8	Pin	
3	D42555500	8	Circlip	
4	D28751793	2	Seal Section	
5	D28751794	2	Seal Section	
6	D28751791	2	Seal Section	
7	D28751775	1	Angle	
8	D41013500		Nut	
9	D28751762	1	Bracket	Left Hand T.42238
10	D28751790	2	Seal Section	
11	D20400409	4	Washer	
12	D40404900	4	Screw Metric	
13	D28750141	1	Profile	
14	D28751795	1	Bracket	T.42238
15	D28751764	1	Channel	
16	D28751901	1	Stay	Right Hand
17	D44732500	2	Grommet	
18	D28752025	1	Bracket	
19	D40404700	1	Screw Metric	
20	D28751787	1	Seal Section	
21	D28751789	1	Seal Section	Left Hand
22	D28750621	1	Cover	
23	D28751788	1	Seal Section	Right Hand
24	D44732500	2	Grommet	
25	D40405000	4	Screw Metric	
26	D40407800	2	HEXAGON SCREW	
27	D20400471	2	Washer	
28	D20400511	6	Washer	
29	D28751664	1	Plate	Right Hand F.42239 T.42238
29	D28750837	1	Plate	T.42238
30	D28751663	1	Plate	Left Hand
31	D28750145	1	Stay	
32	D20400409	2	Washer	
33	D28750560	1	Bracket	
34	D28700549	6	Damper	
35	D40404900	12	Screw Metric	
36	D20400409	12	Washer	
37	D28751905	1	Plate	
38	D40404700	3	Screw Metric	
39	D28750776	1	Radiator	
	D28751351	1	Oil Cooler	(T5)
40	D28150937	1	Bracket	F.42239 Left Hand
41	D28150938	1	Bracket	F.42239 Right Hand
42	D40423600	1	HEXAGON SCREW	F.41123
	D40404900	1	Screw Metric	T.41122
43	D41013500	1	Nut	F.41123
44	D28752127	1	Bracket	F.41123
45	D40405000	1	Screw Metric	F.41123
46	D20400414	1	Washer	F.41123
47	D28560259	1	Bowl	F.41123
48	D40404900	4	Screw Metric	F.41123
49	D20400409	4	Washer	F.41123
50	D42502300	1	Circlip	F.41123
51	D41622800	1	Bearing Ball	F.41123
52	D29200010	1	Bearing Housing	F.41123
53	D28752280	1	Rotor	F.43574
	D28752120	1	Rotor	T.43573
54	D44705100	2	Gasket	0,120 M
55	D41010700	4	Nut Metric	

(T5)
ONLY FOR DRY LANDS



RADIATOR HOSES AND CABLES-PERKINS

Item	Part Number	Qty	Description	Comments
1	D46435400	1	Cable	(K4)
2	D28730779	2	Locking Plate	
3	D46435400	1	Cable	
	D28751335	1	Bracket	POS. 4-9
4	D41087500	2	Locknut	
5	D20400500	2	Spacer	
6	D28751333	1	Retainer	
7	D20400507	1	Spacer	
8	D26600305	1	Spring	
9	D28751334	1	Bracket	
10	D40440500	1	Setscrew	
11	D20400404	1	Washer	
12	D28700639	2	Trunnion	
13	D41402800	2	SPLIT PIN	
14	D46419500	1	Bleeder	
	D28752019	1	Switch	(C8) INCL. P. 15
15	D45073900	1	Switch,Indirect	(C8)
16	D28752020	1	Distance Piece	
17	D45213200	1	Screw	(N)
18	D46409400	1	Cap	
19	D28752039	1	Radiator	F.42239
	D28751822	1	Radiator	T.42238
20	D28752153	1	Guard	(M)
	D28752301	1	Guard	(28) F.43457
20	D28751393	1	Guard	(28) T.42238
20	D28753010	1	Guard	(29) F.43457
20	D28752086	1	Guard	(29) T.43456
21	D20400404	6	Washer	
22	D40402600	6	Screw Metric	
23	D45728500	2	Clamp	
24	D46448200	1	Hose	F.42239
	D46408200	1	Hose	T.42238
25	D45728000	2	Clamp	
26	D46448100	1	Hose	F.42239
	D46414600	1	Hose	T.42238
27	D49907700	1	Gauge	
28	D46492800	1	Engine	(28) F.40975
28	D46492400	1	Engine	(28) T.40974
28	D46492900	1	Engine	(29) F.42248
29	D45029800	1	Sender	
30	D45700000		Band	0,010 M
31	D41999100	2	V Belt	
32	D28752110	1	Spacer	F.42239
	D28751391	1	Bracket	T.42238
33	D40402400	2	Screw Metric	
34	D20400404	4	Washer	
35	D41087400	2	Locknut	
36	D28751859	1	Bracket	F.42239
37	D20400414	2	Washer	F.42239
38	D40404900	2	Screw Metric	F.42239
39	D46301035	1	Blade Fan	(28)
	D46301070	1	Blade Fan	(29) F.42248
40	D44705100		Gasket	2,715 M
41	D45232300	1	Washer	(C8) UNI-CONTROL (K4) THE PART IS HERE USED AS THROTTLE CABLE (M) PERKINS 153 HK USED F.42239 - T.43456 (N)

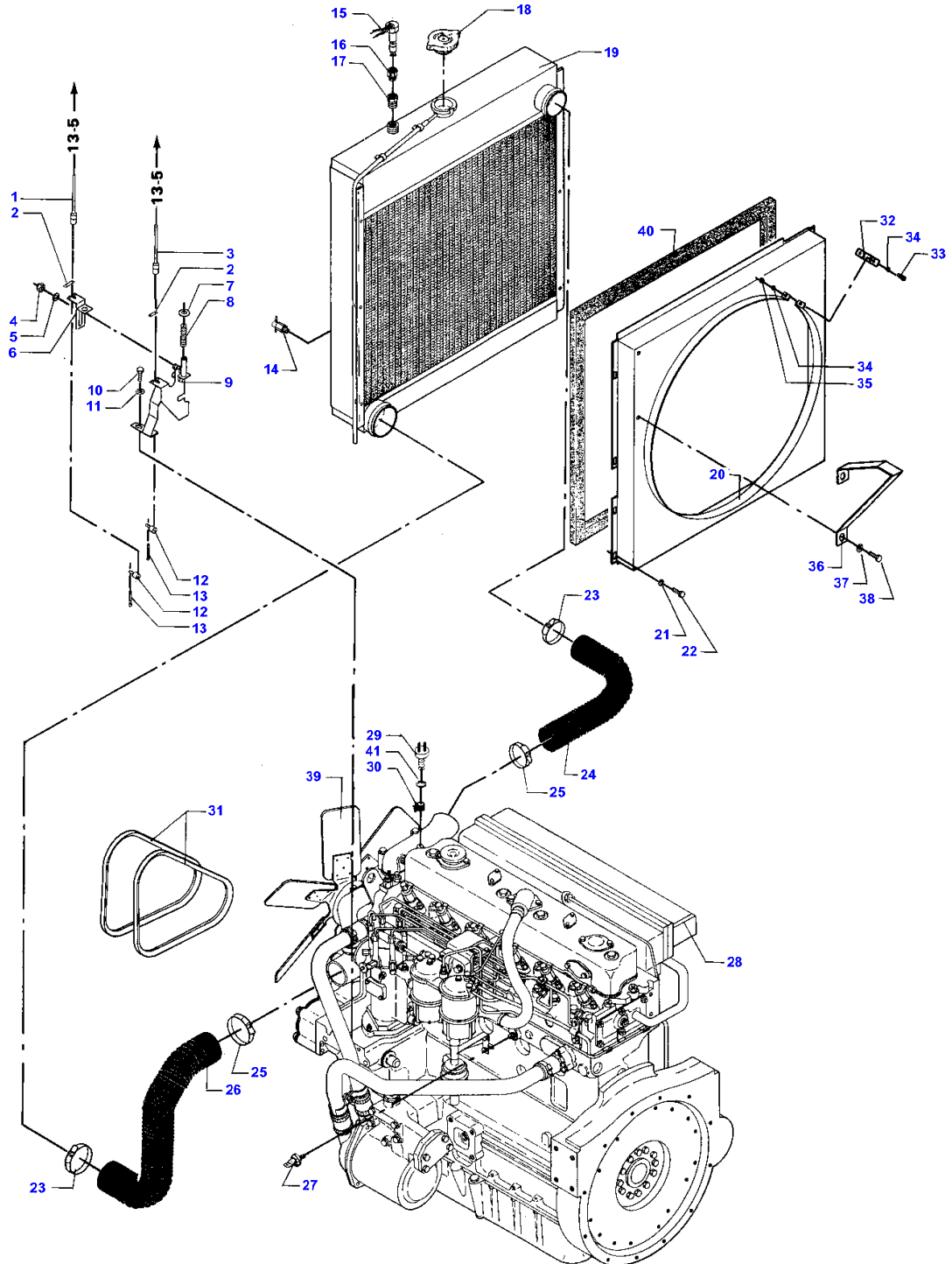
MASSEY FERGUSON
MF 31 COMBINE - 819726

819726

RADIATOR HOSES AND CABLES-PERKINS

10-2

Item	Part Number	Qty	Description	Comments
				ELEVATOR CONTROL (28)
				PERKINS 153 HP (29)
				PERKINS 170 HP



RADIATOR HOSES AND CABLES-PERKINS

Item	Part Number	Qty	Description	Comments
1	D46435400	1	Cable	(K4)
2	D28730779	2	Locking Plate	
3	D46435400	1	Cable	
	D28751335	1	Bracket	POS. 4-9
4	D41087500	2	Locknut	
5	D20400500	2	Spacer	
6	D28751333	1	Retainer	
7	D20400507	1	Spacer	
8	D26600305	1	Spring	
9	D28751334	1	Bracket	
10	D40440500	1	Setscrew	
11	D20400404	1	Washer	
12	D28700639	2	Trunnion	
13	D41402800	2	SPLIT PIN	
14	D46419500	1	Bleeder	
	D28752019	1	Switch	(C8) INCL. P. 15
15	D45073900	1	Switch,Indirect	(C8)
16	D28752020	1	Distance Piece	
17	D45213200	1	Screw	(N)
18	D46409400	1	Cap	
19	D28752039	1	Radiator	F.42239
	D28751822	1	Radiator	T.42238
20	D28752153	1	Guard	(M)
	D28752301	1	Guard	(28) F.43457
20	D28751393	1	Guard	(28) T.42238
20	D28753010	1	Guard	(29) F.43457
20	D28752086	1	Guard	(29) T.43456
21	D20400404	6	Washer	
22	D40402600	6	Screw Metric	
23	D45728500	2	Clamp	
24	D46448200	1	Hose	F.42239
	D46408200	1	Hose	T.42238
25	D45728000	2	Clamp	
26	D46448100	1	Hose	F.42239
	D46414600	1	Hose	T.42238
27	D49907700	1	Gauge	
28	D46492800	1	Engine	(28) F.40975
28	D46492400	1	Engine	(28) T.40974
28	D46492900	1	Engine	(29) F.42248
29	D45029800	1	Sender	
30	D45700000		Band	0,010 M
31	D41999100	2	V Belt	
32	D28752110	1	Spacer	F.42239
	D28751391	1	Bracket	T.42238
33	D40402400	2	Screw Metric	
34	D20400404	4	Washer	
35	D41087400	2	Locknut	
36	D28751859	1	Bracket	F.42239
37	D20400414	2	Washer	F.42239
38	D40404900	2	Screw Metric	F.42239
39	D46301035	1	Blade Fan	(28)
	D46301070	1	Blade Fan	(29) F.42248
40	D44705100		Gasket	2,715 M
41	D45232300	1	Washer	(C8) UNI-CONTROL (K4) THE PART IS HERE USED AS THROTTLE CABLE (M) PERKINS 153 HK USED F.42239 - T.43456 (N)

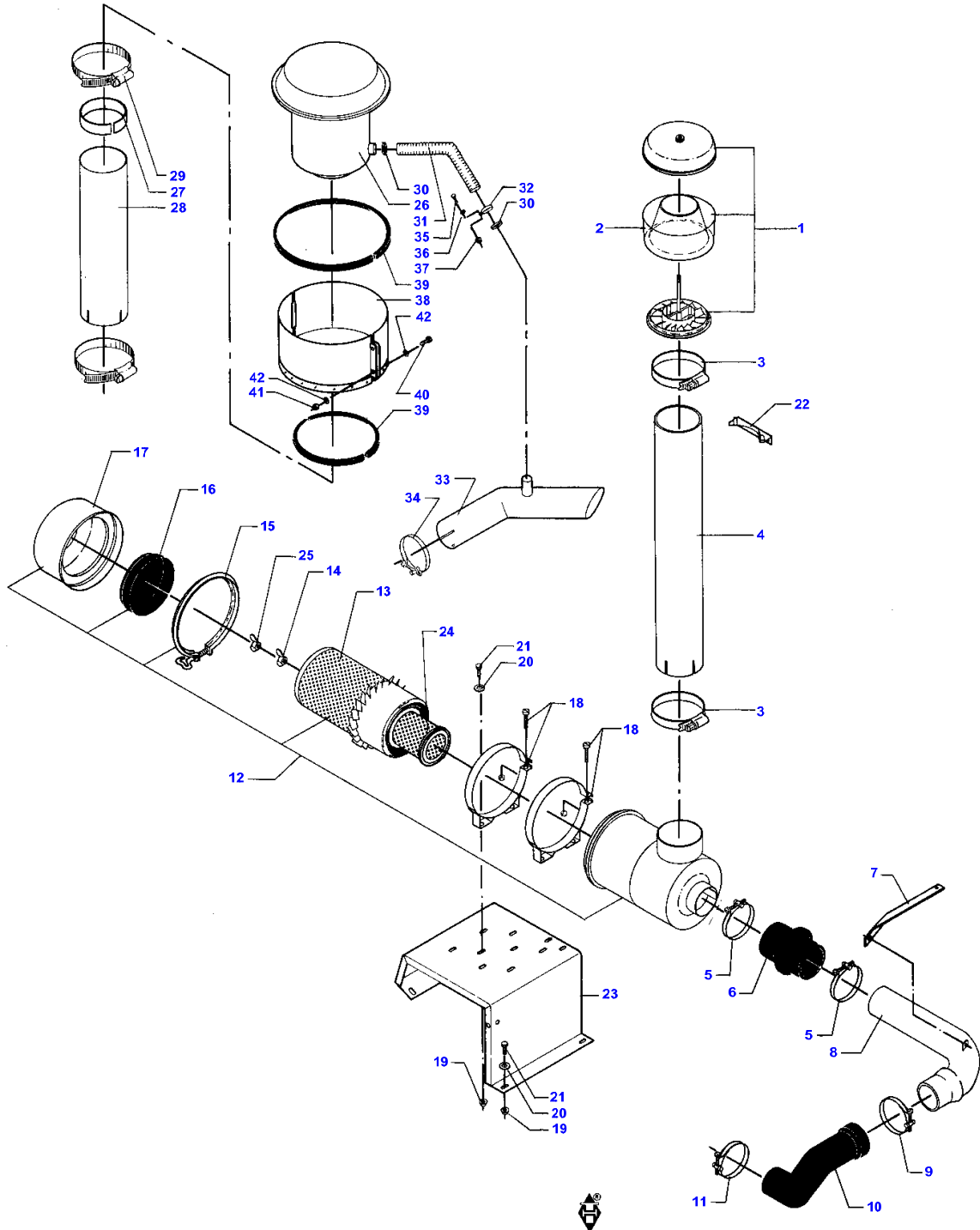
**MASSEY FERGUSON
MF 31 COMBINE - 819726**

819726

RADIATOR HOSES AND CABLES-PERKINS

10-2

Item	Part Number	Qty	Description	Comments
				ELEVATOR CONTROL (28)
				PERKINS 153 HP (29)
				PERKINS 170 HP



**MASSEY FERGUSON
MF 31 COMBINE - 819726**

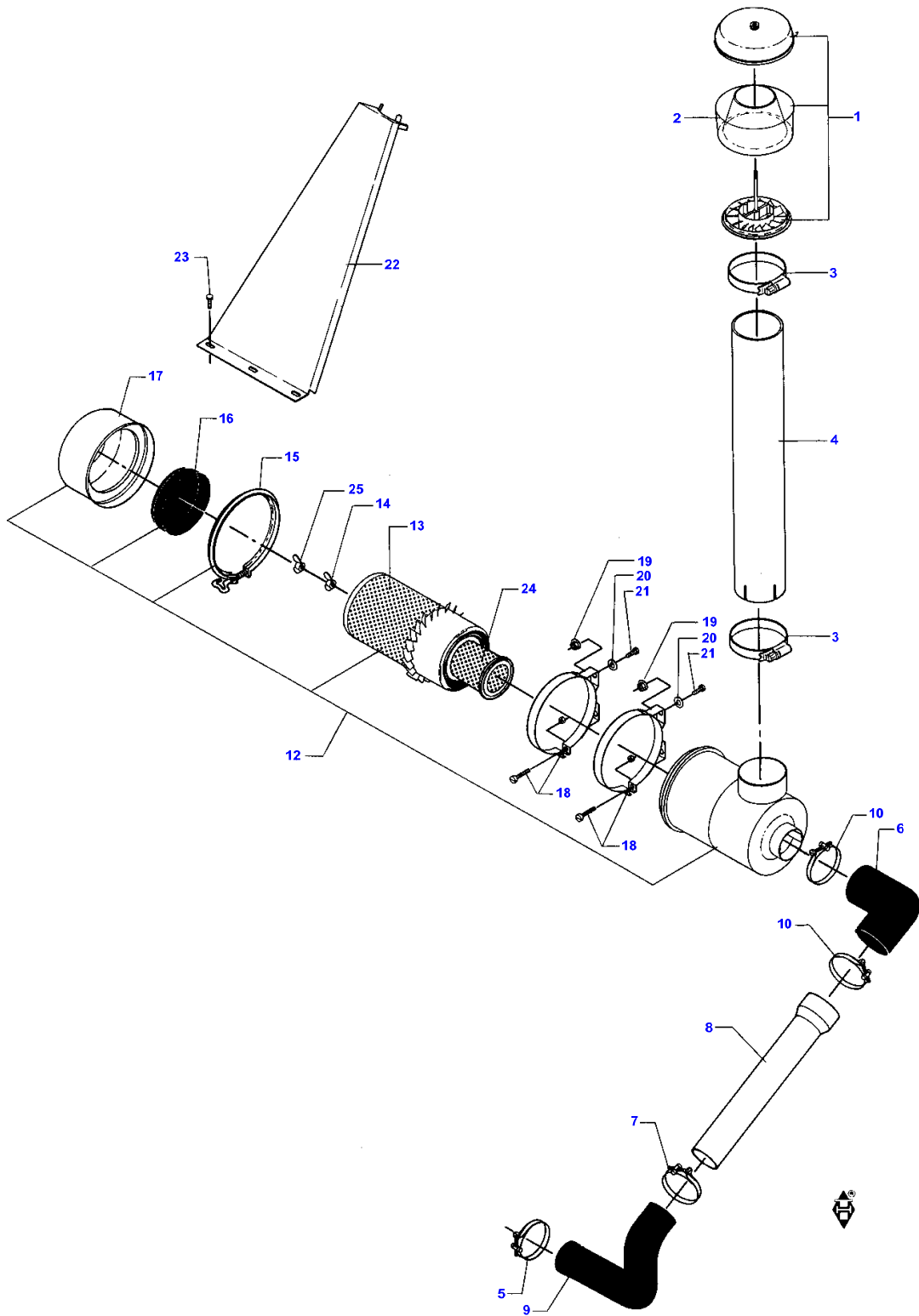
819726

AIR CLEANER (PERKINS - F.42854)

10-3A

Item	Part Number	Qty	Description	Comments
1	D46427900	1	Filter	
2	D46428000	1	Bowl	
3	D45729300	2	Clamp	
4	D28751484	1	Pipe	
5	D45737800	2	Hose Clip	
6	D46429400	1	Pipe	
7	D28752050	1	Stay	
8	D28752051	1	Pipe	
9	D45737300	1	Hose Clip	
10	D28750877	1	Hose	
11	D45737200	1	Hose Clip	
12	D46423600	1	Air Filter	POS. 13-17
13	D46424300	1	Air Fitr.Element	
14	D46426900	1	Wing Nut	
15	D46424400	1	Clip	
16	D46424500	1	Plate	
17	D46424600	1	Bottom	
18	D46422400	2	Band	
19	D41013500	6	Nut	
20	D20400409	6	Washer	
21	D40404900	6	Screw Metric	
22	D28151036	1	Retainer	
23	D28751227	1	Bracket	
24	D46428900	1	Air Fitr.Element	(T5)
25	D46426900	1	Wing Nut	(T5)
26	D46429500	1	Filter	(S)
27	D28752241	1	Bush	(S)
28	D28751484	1	Pipe	(S)
29	D45729300	2	Clamp	(S)
30	D45727500	2	Clamp	(S)
31	D46448300	1	Hose	(S)
32	D45728300	1	Strap	(S)
33	D28752324	1	Ejector	(S)
34	D45728500	1	Clamp	(S)
35	D40402600	1	Screw Metric	(S)
36	D20400470	2	Washer	(S)
37	D41087400	1	Locknut	(S)
38	D28752414	1	Screen	(3)
39	D44735900		Seal Section	(3) 1,6 M
40	D40405000	2	Screw Metric	(S)
41	D41087500	2	Locknut	(S)
42	D20400413	2	Washer	(S)

OPTIONAL EQUIPMENT T.43140, STANDARD EQUIPMENT F.43141
(T5)
ONLY FOR DRY LANDS
(3)
OPTIONAL EQUIPMENT



**MASSEY FERGUSON
MF 31 COMBINE - 819726**

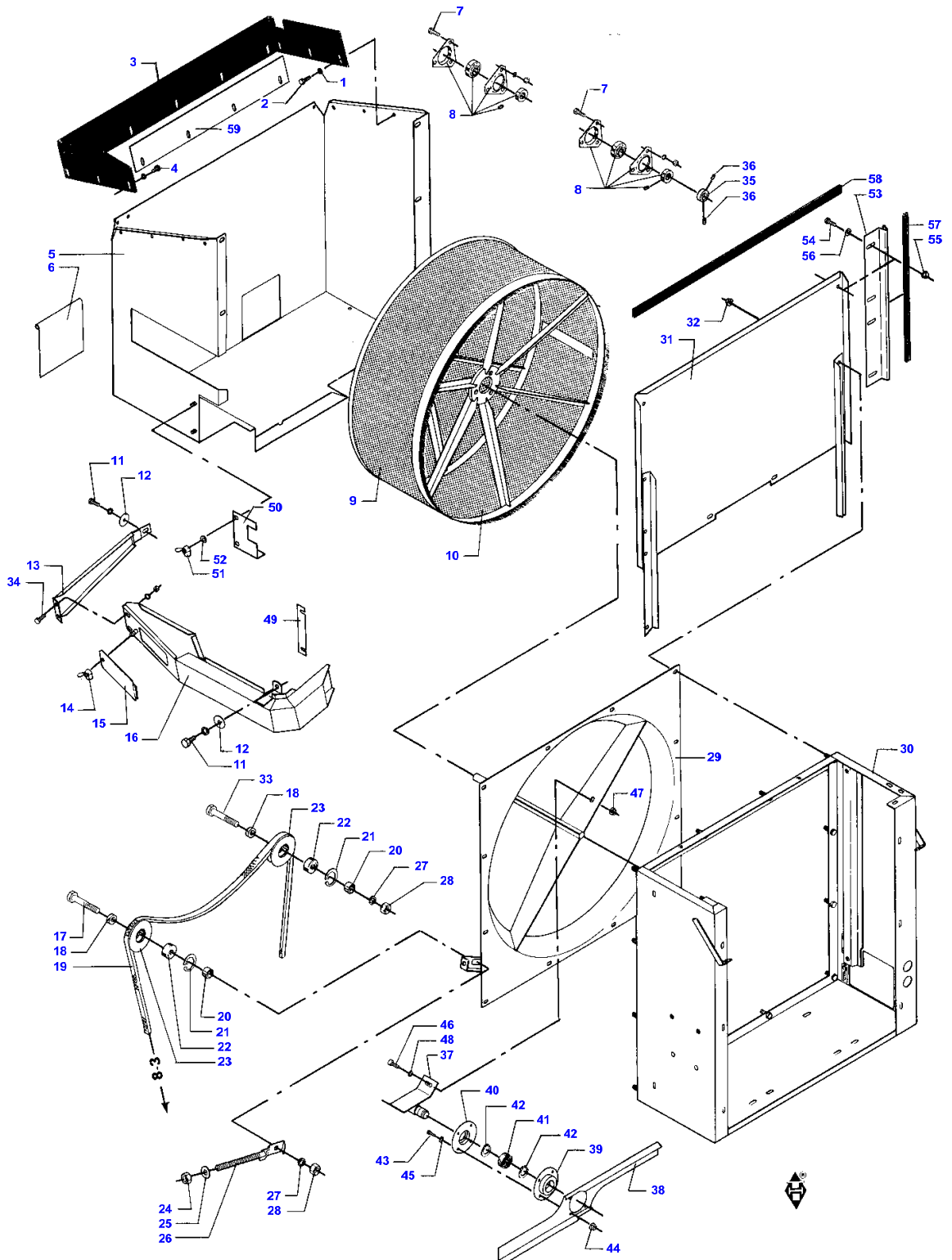
819726

AIR CLEANER (PERKINS - T.42853)

10-3B

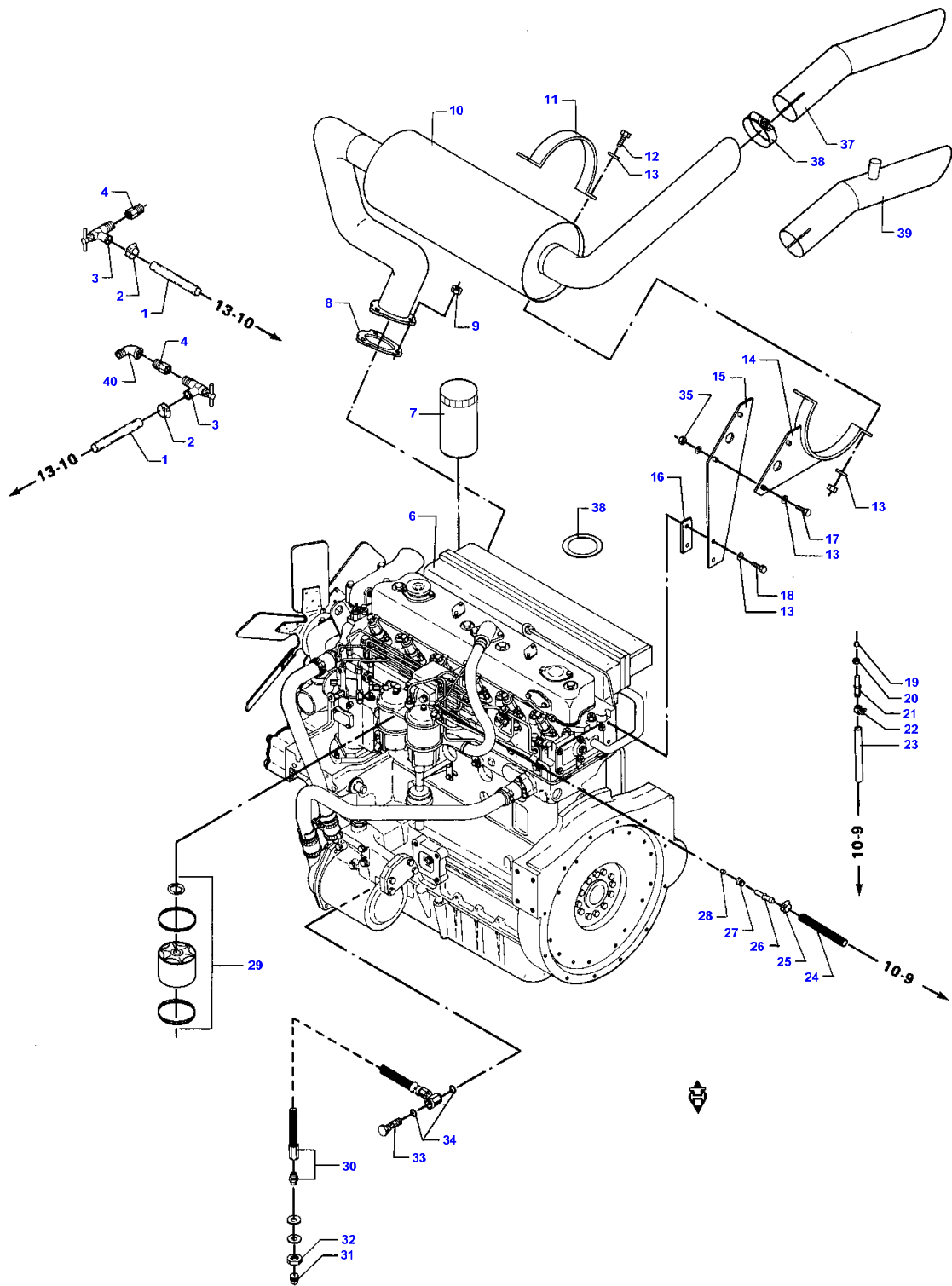
Item	Part Number	Qty	Description	Comments
1	D46427900	1	Filter	INCL. P. 2
2	D46428000	1	Bowl	
3	D45729300	2	Clamp	
4	D28751484	1	Pipe	
5	D45737300	1	Hose Clip	
6	D46423200	1	Hose	
7	D45737200	1	Hose Clip	
8	D28750878	1	Pipe	
9	D28750877	1	Hose	
10	D45737800	2	Hose Clip	
12	D46423600	1	Air Filter	POS. 13-17
13	D46424300	1	Air Fitr.Element	
14	D46426900	1	Wing Nut	
15	D46424400	1	Clip	
16	D46424500	1	Plate	
17	D46424600	1	Bottom	
18	D46422400	2	Band	
19	D41013500	4	Nut	
20	D20400409	4	Washer	
21	D40404700	4	Screw Metric	
22	D28751488	1	Plate	
23	D40405000	3	Screw Metric	
24	D46428900	1	Air Fitr.Element	(T5)
25	D46426900	1	Wing Nut	(T5)

(T5)
ONLY FOR DRY LANDS



STRAINER-PERKINS

Item	Part Number	Qty	Description	Comments
1	D20400469	12	Washer	
2	D40402300	11	HEXAGON SCREW	
3	D28752338	1	Gasket	
4	D40402200	1	Screw Metric	
5	D28752213	1	Guard	
6	D27100559	1	Shutter	
7	D40404900	6	Screw Metric	
8	D41713600	2	Flange	
9	D28752106	1	Strainer	(E9) +F.41581
10	D28750147	3	Seal	2,200 M
11	D40404700	5	Screw Metric	
12	D20400409	3	Washer	
13	D28752136	1	Nozzle	(I)
14	D41057100	1	Wing Nut	
15	D28751774	1	Shutter	
16	D28753007	1	Tube	F.43457
	D28750802	1	Pipe	T.43456
17	D40433600	1	HEXAGON SCREW	
18	D28210046	2	Bush	
19	D41912400	1	V Belt	
	D41912300	1	V Belt	(T5)
20	D28210047	2	Bush	
21	D42513400	2	Circlip	
22	D41622600	2	Bearing Ball	
23	D28750648	2	Pulley	
24	D41010800	1	Nut Metric	
25	D20400419	1	Washer	
26	D28211025	1	Bolt	
27	D20400459	2	Washer	
28	D41087900	2	Locknut	
29	D28750112	1	Bearing Plate	
30	D28751764	1	Channel	
31	D28751428	1	Guard	
32	D41013500	12	Nut	
33	D40433400	1	HEXAGON SCREW	
34	D40402200	2	Screw Metric	
35	D28752133	1	Ring	+ F.41123
36	D40630900	2	Pin	+ F.41123
37	D28752282	1	Support	F.43457
38	D28752120	1	Rotor	F.43457
39	D29200010	1	Bearing Housing	F.43457
40	D28560259	1	Bowl	F.43457
41	D41622800	1	Bearing Ball	F.43457
42	D42502300	2	Circlip	F.43457
43	D40404900	4	Screw Metric	F.43457
44	D41010700	4	Nut Metric	F.43457
45	D20400409	4	Washer	F.43457
46	D40405000	2	Screw Metric	F.43457
47	D41013500	2	Nut	F.43457
48	D20400414	2	Washer	F.43457
49	D28752315	1	Spacer	
50	D28752339	1	Cover	F.44611
51	D41057300	2	Wing Nut	F.44611
52	D20400506	2	Spacer	F.44611
53	D28752341	2	Plate	
54	D40404900	6	Screw Metric	
55	D41013500	6	Nut	
56	D20400506	6	Spacer	
57	D44706600	2	Seal Section	0,65 M
58	D44735300	1	Gasket	0,83 M
59	D28752430	1	Slat	(E9) INCL. POS. 10 (I) USED F.41879 - T.43456 (T5) ONLY FOR DRY LANDS



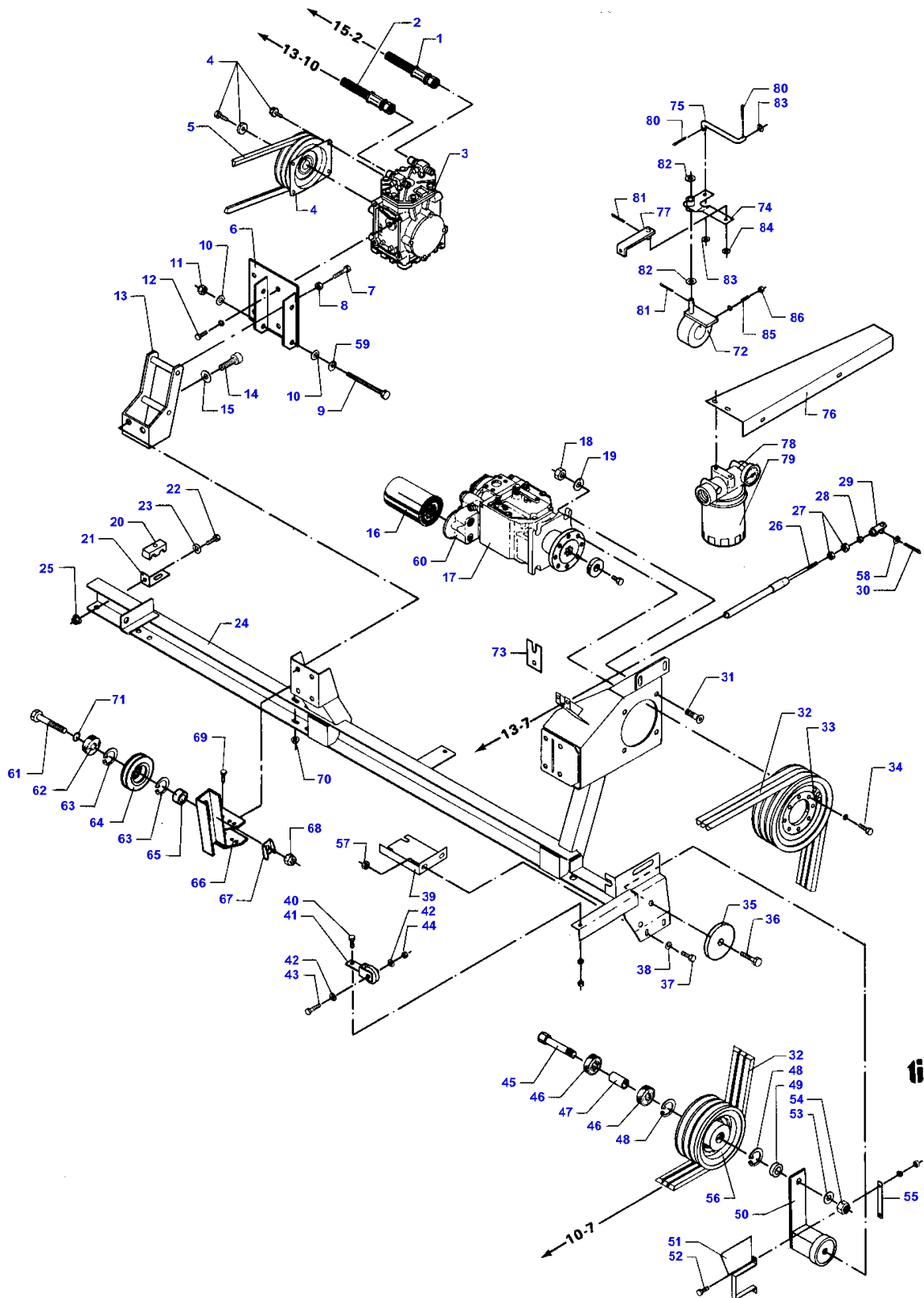
**MASSEY FERGUSON
MF 31 COMBINE - 819726**

819726

10-5

SILENCER AND HOSES-PERKINS

Item	Part Number	Qty	Description	Comments
1	D44717700	2	Hose	(R1) 4,4 M
2	D45726800	2	Clamp	(R1)
3	D46422300	2	Cock	(R1)
4	D45735600	2	Adaptor	(R1)
5	D46301035	1	Blade Fan	
6	D46492800	1	Engine	(28) F.40975
6	D46492400	1	Engine	(28) T.40974
6	D46492900	1	Engine	(29)
7	D46301048	2	Cleaner	
8	D46301064	1	Ring	
9	D41018500	3	HEXAGON SCREW	
10	D28751288	1	Silencer	
11	D28731807	1	Bow Saw	
12	D40423800	2	HEXAGON SCREW	
13	D20400409		Washer	
14	D28751317	1	Retainer	
15	D28751317	1	Retainer	
16	D28750636	1	Shim	
17	D40405000	2	Screw Metric	
18	D40453000	2	HEXAGON SCREW	
19	D45715000	1	Tapered Ring	
20	D28711763	1	Union	
21	D46418200	1	Adaptor	
22	D45729700	1	Clamp	
23	D28731555	1	Hose	
24	D28751387	1	Hose	
25	D45729700	1	Clamp	
26	D46418600	1	Adaptor	
27	D45713500	1	Union Nut	
28	D45714500	1	Ring	
29	D46411100	2	Fuel Filter	
30	D28752070	1	Hose	(25) F.41581
30	D28751056	1	Hose	(25) T.41580
31	D45236100	1	Plug	F.39541
	D45720000	1	Plug	T.39540
	D45232400	1	Washer	
32	D41033900	1	Nut	
33	D28751054	1	Screw	
34	D45480000	2	O Ring	
35	D41013500	2	Nut	
36	D46301071	1	Gasket	(24)
37	D28752156	1	Ejector	(3)
38	D45728500	1	Clamp	(3)
39	D28752324	1	Ejector	(3)
40	D45722600	1	Angle	(R1) FOR AIR-CONDITION (24) FOR TURBO (25) INCL. POS. 31 (28) PERKINS 153 HP (29) PERKINS 170 HP (3) OPTIONAL EQUIPMENT



**MASSEY FERGUSON
MF 31 COMBINE - 819726**

819726

10-6

ENGINE BRACKET, FRONT - PROPULSION PUMP (PERKINS)

Item	Part Number	Qty	Description	Comments
1	D45091300	1	Hose	
2	D45091700	1	Hose	
3	D45054800	1	Compressor	
4	D45054900	1	Clutch	
5	D45055100	1	V Belt	
6	D28950493	1	Plate	
9	D40412900	2	Setscrew	
10	D20400426	4	Washer	
11	D41087700	2	Locknut	
12	D40205100	4	Screw	
13	D28950494	1	Bracket	
14	D40449700		HEXAGON SCREW	
15	D20400461		Washer	
16	D45161300	1	Oil Filter	
17	D45161000	1	Hydraulic Pump	
	D45163300	1	Hydraulic Motor	SAUER
18	D41087700	4	Locknut	
19	D20400446	4	Washer	
20	D45739200	2	Support	
21	D28751238	2	Bracket	
22	D40404900	2	Screw Metric	
23	D20400409	2	Washer	
24	D28751899	1	Bracket	Right Hand
25	D41013500	2	Nut	
26	D46438600	1	Cable	
27	D41018900	2	HEXAGON SCREW	
28	D41018300	1	HEXAGON SCREW	
29	D28761414	1	Tensioner	
30	D41405900	1	SPLIT PIN	
31	D40411300	4	HEXAGON SCREW	
32	D41930200	3	V Belt	
33	D28750943	1	Pulley	
34	D40407700	8	Screw	
35	D28751309	1	Washer	
36	D40416500	1	HEXAGON SCREW	
37	D40407800	4	HEXAGON SCREW	
38	D20400419	4	Washer	
39	D28751193	1	Plate	
40	D40404900	1	Screw Metric	
41	28150477	1	Roller	POS. 42-44
43	D40423600	1	HEXAGON SCREW	
44	D41087500	1	Locknut	
45	D28750166	1	Screw	
46	D41622600	2	Bearing Ball	
47	D28740881	1	Bush	
48	D42513400	2	Circlip	
49	D28751395	1	Spacer	
50	D44360200	1	Tightener	
51	D28752004	1	Plate	T.40974
52	D40402400	2	Screw Metric	T.40974
53	D20400459	1	Washer	
54	D41087900	1	Locknut	T.40974
55	D28750873	1	Dog	
56	D28750169	1	Tightener	
57	D41013600	4	Nut	
58	D20400409	1	Washer	
59	D28950557	1	Washer	
60	D45462100	1	Gasket	(41)
61	D40437400	1	Screw	
62	D41628800	1	Bearing Ball	
63	D42514000	2	Circlip	
64	D28950560	1	Pulley	
65	D28950568	1	Spacer	
66	D28950572	1	Bracket	
67	D28251489	1	Bracket	
68	D41088100	1	Locknut	
69	D40404900	4	Screw Metric	
70	D41013500	4	Nut	
71	D2040041	1	Washer	
72	D28752334	1	Support	SAUER

**MASSEY FERGUSON
MF 31 COMBINE - 819726**

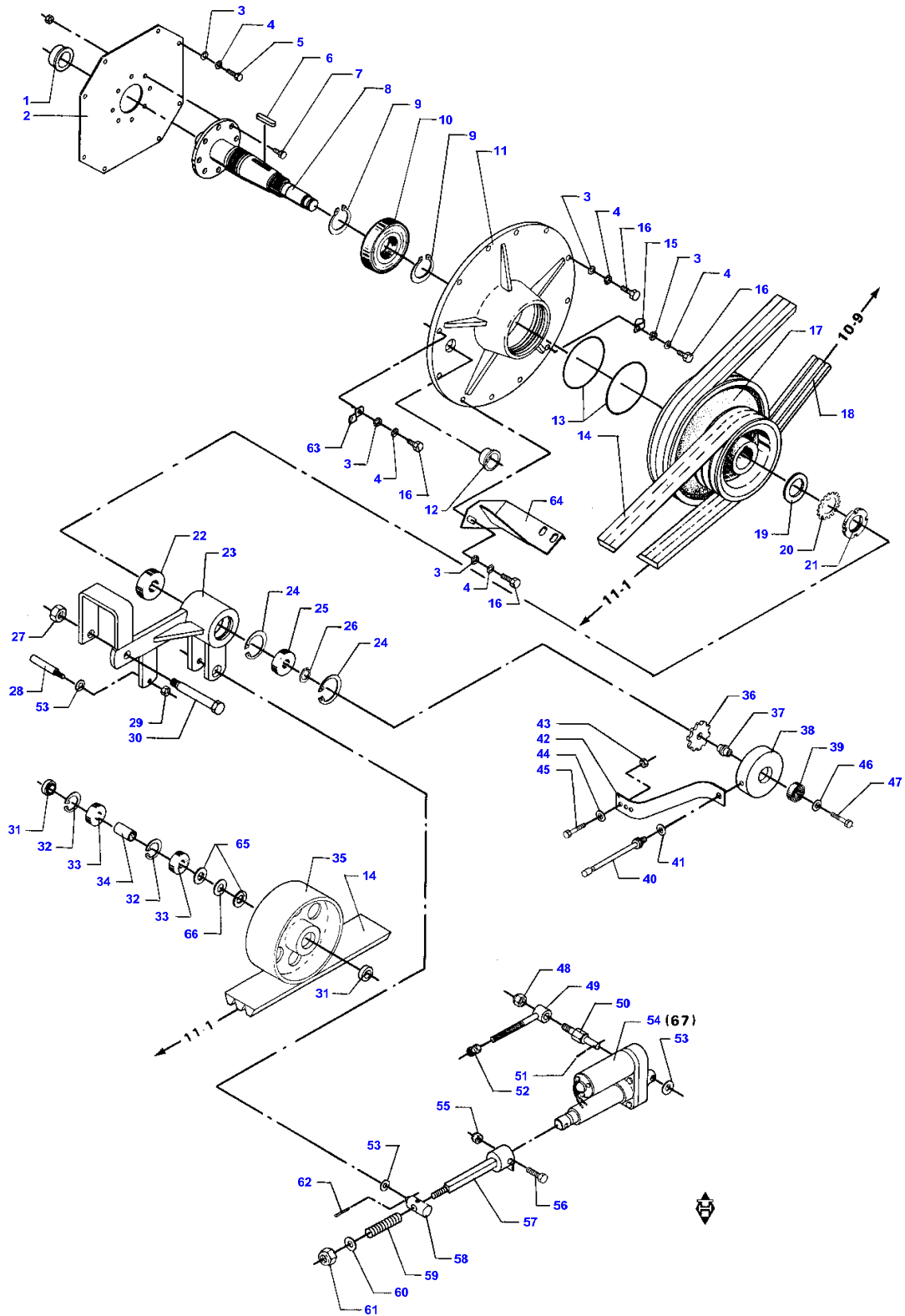
819726

10-6

ENGINE BRACKET, FRONT - PROPULSION PUMP (PERKINS)

Item	Part Number	Qty	Description	Comments
73	D28752361	1	Spacer	SAVER
74	D28752363	1	Pivot	SAVER
75	D28752384	1	Lever	SAVER
76	D28752387	1	Support	SAVER
77	D28752403	1	Support	SAVER
78	D45163500	1	Filter	SAVER
79	D45163600	1	Filter	SAVER
80	D41402800	2	SPLIT PIN	SAVER
81	D41405900	2	SPLIT PIN	SAVER
82	D20400471	2	Washer	SAVER
83	D20400404	2	Washer	SAVER
84	D20400506	1	Spacer	SAVER
85	D40690300	1	Screw Metric	SAVER
86	D41010700	1	Nut Metric	SAVER

(41)
LOCATION BEHIND THE FLANGE



**MASSEY FERGUSON
MF 31 COMBINE - 819726**

819726

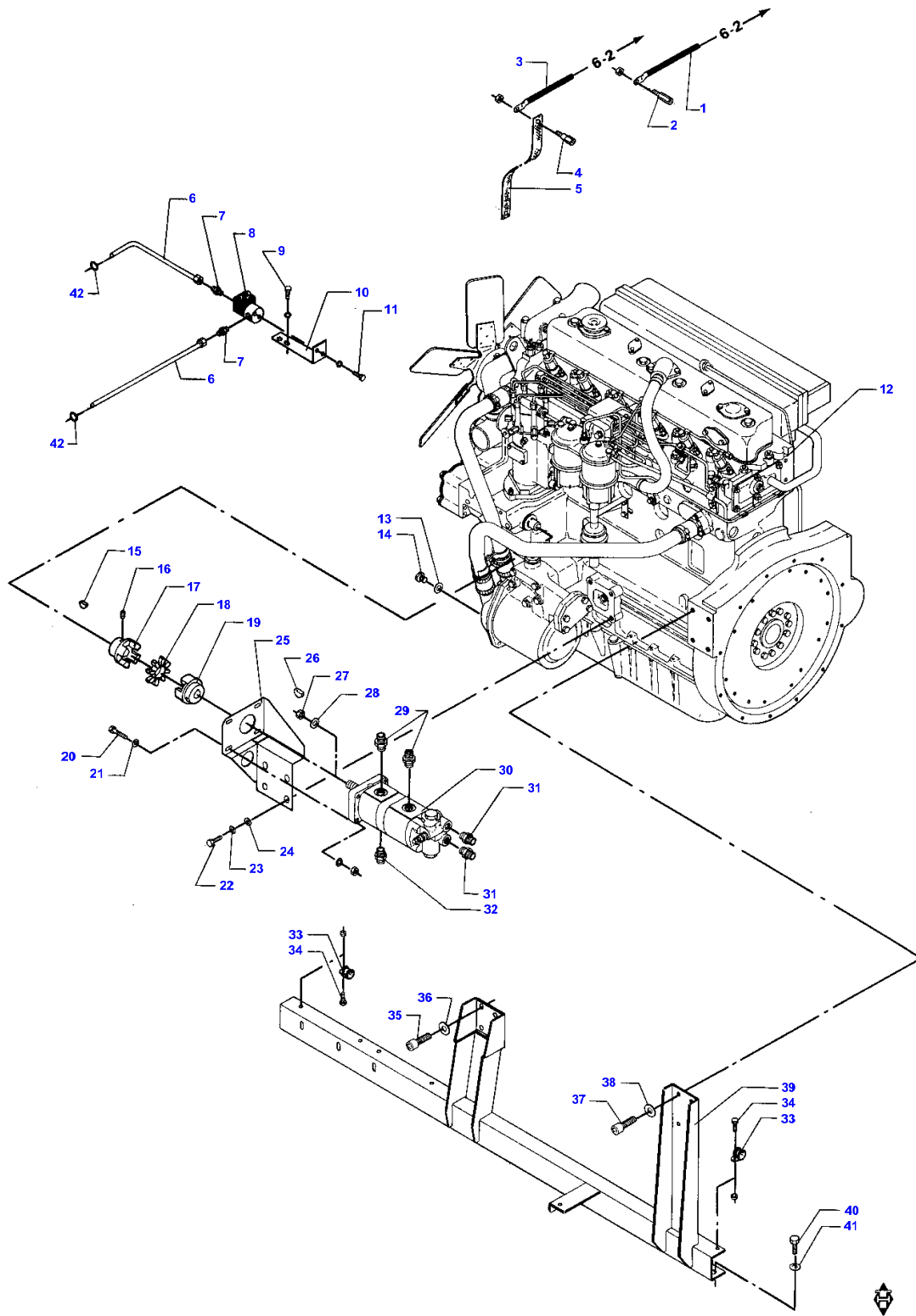
10-7

P.T.O. AND COUPLING AF THRESHING MECHANISM (PERKINS)

Item	Part Number	Qty	Description	Comments
1	D28750013	1	Guide Bush	
2	D28750015	1	Plate	
3	D20400409	8	Washer	
4	D41112000	20	Washer	
5	D40442600	8	Setscrew	
6	D43105000	1	Key	
7	D40407700	8	Screw	
8	D28750018	1	Pto	
9	D42504800	2	Circlip	
10	D41629600	1	Bearing Ball	
11	D28730168	1	Bearing Housing	
12	D45746700	2	Plug	
13	D45470800	2	O Ring	
14	D41993400	1	Belt	(28)
	D41991300	1	Belt	(29)
16	D40447700	12	Setscrew	
17	D28750016	1	Pulley	F.40975
	D28750836	1	Pulley	F.40974
18	D41930200	3	V Belt	
19	D28730018	1	Washer	
20	D28710736	1	Lock Washer	
21	D28710073	1	Nut	
22	D41623000	1	Bearing Ball	
23	D28750042	1	Lever	
24	D42514500	2	Circlip	
25	D41622900	1	Bearing Ball	
26	D42502800	1	Circlip	
27	D41088000	1	Locknut	
28	D28750035	1	Spacer	
29	D41010800	1	Nut Metric	
30	D28750037	1	Screw	
31	D28750035	2	Spacer	
32	D42513700	2	Circlip	
33	D41622700	2	Bearing Ball	
34	D28731808	1	Ring	
35	D28880196	1	Pulley	
	D28751813	1	Sensor	(C8) POS. 36-42
36	D28750922	1	Wheel	(C8)
37	D28751218	1	Journal	(C8)
38	D28715223	1	Cup	(C8)
39	D41622600	1	Bearing Ball	(C8)
40	D28751812	1	Sensor	(C8) INCL. P. 41
41	D20400428	1	Washer	(C8)
42	D28751216	1	Rubber Strap	(C8)
43	D41013500	1	Nut	(C8)
44	D20400409	1	Washer	(C8)
45	D40405100	1	Screw Metric	(C8)
46	D20400425	1	Washer	(C8)
47	D40425800	1	Screw	(C8)
48	D41087700	1	Locknut	
49	D28750027	1	Bolt	
50	D28750028	1	Pin	
51	D41404400	1	Splint	
52	D28750024	1	Nut	
53	D20400537	2	Spacer	
54	D45059400	1	Cylinder	T.39077
	D45061100	1	Cylinder	F.39078
55	D41080500	1	Locknut	
56	D40116600	1	Screw	
57	D28750749	1	Screw	
58	D28750746	1	Trunnion	
59	D25300065	1	Spring	
60	D20400423	1	Washer	
61	D41087700	1	Locknut	
62	D41405900	1	SPLIT PIN	
63	D28110534	1	Retainer	
64	D28750182	1	Retainer	
65	D20400437	2	Washer	

MASSEY FERGUSON**MF 31 COMBINE - 819726****819726****P.T.O. AND COUPLING AF THRESHING MECHANISM (PERKINS)****10-7**

Item	Part Number	Qty	Description	Comments
66	D20400440	1	Washer	
67	D45066700	1	Wheel	
				(C8)
				UNI-CONTROL
				(28)
				PERKINS 153 HP
				(29)
				PERKINS 170 HP



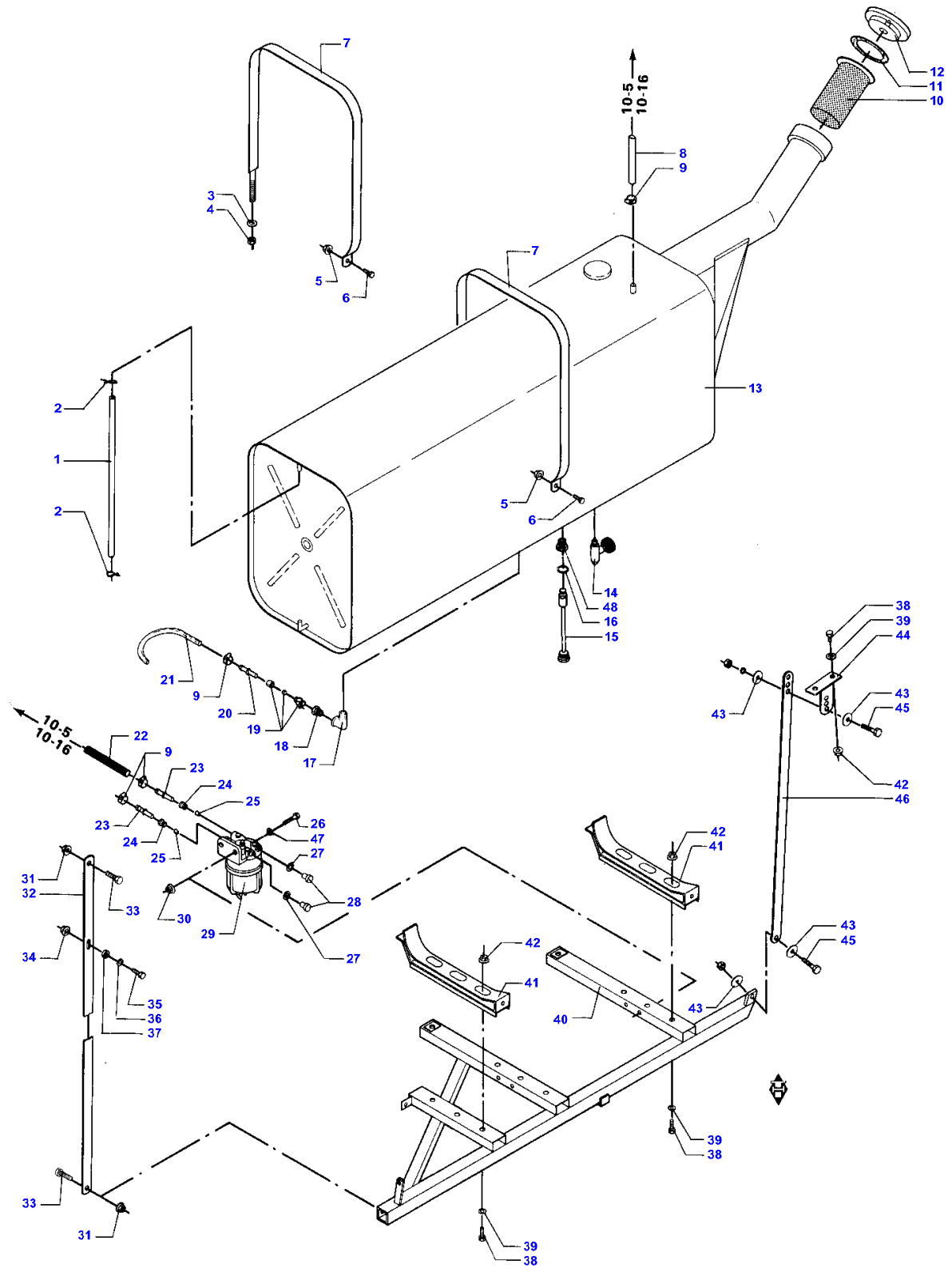
**MASSEY FERGUSON
MF 31 COMBINE - 819726**

819726

10-8

ENGINE BRACKET, REAR - HYDR. PUMP (PERKINS)

Item	Part Number	Qty	Description	Comments
1	D28752018	1	Cable	F.39275 +
1	D28751236	1	Cable	T.39274 +
2	D28761073	1	Threaded Part	
3	D28752017	1	Cable	(-) F.39275
3	D28751237	1	Cable	(-) T.39274
4	D28760746	1	Threaded Part	(J)
	D28761472	1	Threaded Part	(J)
5	D28760642	1	Earth Strap	
6	D44718000	2	Hose	(C8)
7	D45253600	2	Connector	(C8)
8	D45110042	1	Valve	(C8)
9	D40447100	2	Setscrew	(C8)
10	D28751607	1	Bracket	(C8)
11	D40440100	1	Screw Unf	(C8)
12	D46492800	1	Engine	(28) F.40975
12	D46492400	1	Engine	(28) T.40974
12	D46492900	1	Engine	(29)
13	D49915200	1	Washer	
14	D49915100	1	Plug	
15	D49914400	1	Key	
16	D40608300	1	Pin	
17	D28730181	1	Clutch	
18	D46150500	1	Wheel	
19	D28730182	1	Clutch	
20	D40690700	4	Screw Metric	
21	D20400409	4	Washer	
22	D40444200	4	Setscrew	
23	D20400471	2	Washer	
24	D41112300	2	Washer	
25	D28730637	1	Bracket	
26	D43170500	1	Key	
27	D45146100	1	Nut	
28	D45146000	1	Lock Washer	
29	D45251500	2	Union	
30	D45162200	1	Hydraulic Pump	
31	D45250800	2	Union	
32	D45250700	1	Union	
33	D45729800	2	Clamp	
34	D40402400	2	Screw Metric	
35	D40449700	8	HEXAGON SCREW	
36	D20400461	8	Washer	
37	D40446300	4	Screw	
38	D20400426	4	Washer	
39	D28750102	1	Bracket	
40	D40416300	4	HEXAGON SCREW	
41	D20400459	4	Washer	
42	D46301069	2	Gasket	(C8) (C8) UNI-CONTROL (J) USED AS PER TYPE OF THREAD ON THE ENGINE (28) PERKINS 153 HP (29) PERKINS 170 HP



**MASSEY FERGUSON
MF 31 COMBINE - 819726**

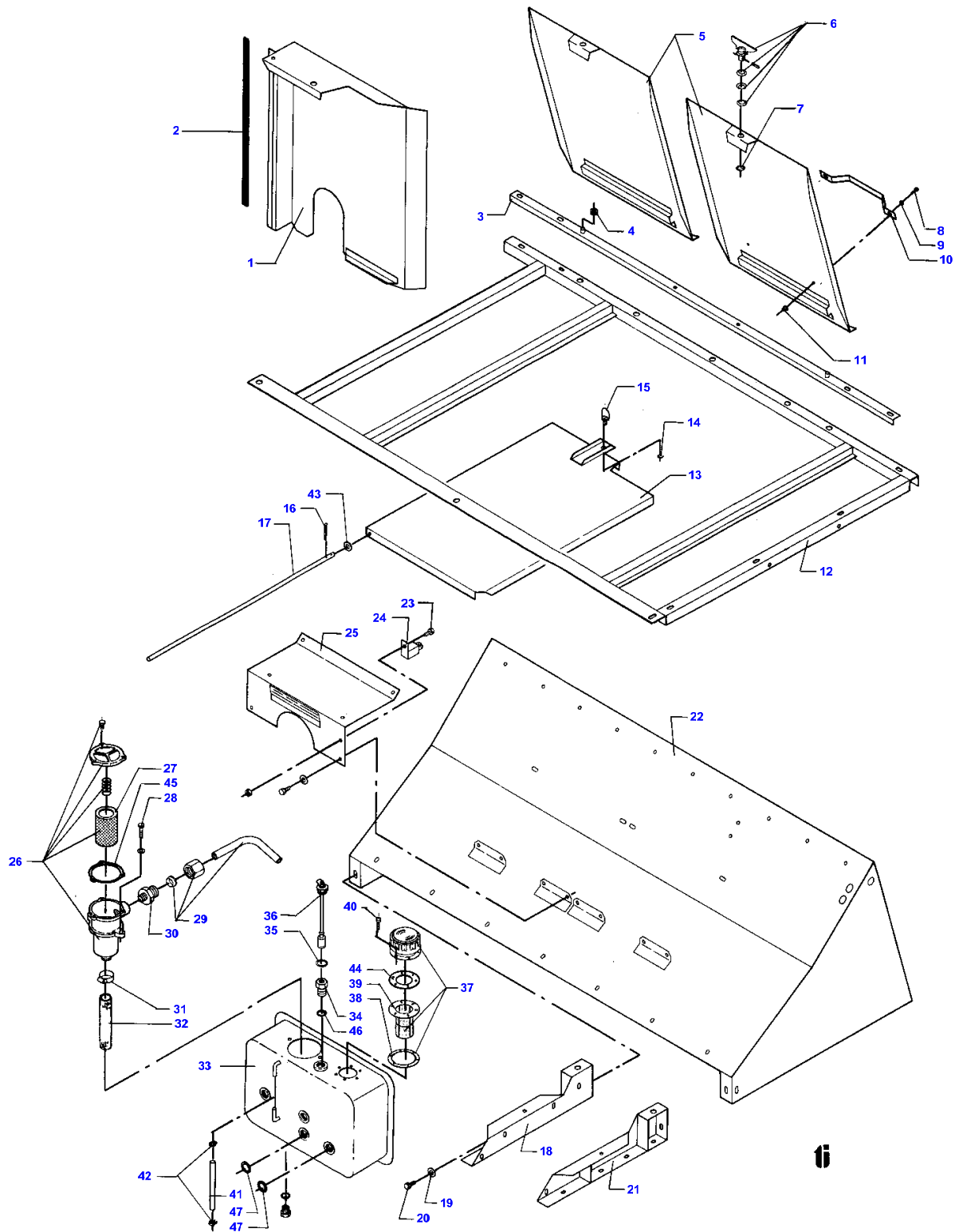
819726

10-9

FUEL TANK (PERKINS + VALMET)

Item	Part Number	Qty	Description	Comments
1	D28751381	1	Hose	
2	D45738900	2	Hose Clip	
3	D20400471	2	Washer	
4	D41010800	2	Nut Metric	
5	D41013500	2	Nut	
6	D40404900	2	Screw Metric	
7	D28751353	2	Clip	
8	D28751387	1	Hose	PERKINS
	D28751712	1	Hose	(T1)
9	D45729700	4	Clamp	
10	D46403500	1	Fuel Filter	
11	D46404400	1	Packing	
12	D46404300	1	Cover	
13	D28751800	1	Fuel Tank	INCL. P. 48
14	D45712800	1	Cock	
15	D45074100	1	Switch	(C8)
16	D45201900	1	Packing	
17	D45722600	1	Angle	
18	D45735600	1	Adaptor	F.39275
	D45725200	1	Adaptor	T.39274
19	D46401100	1	Plug	F.39275
	D46410700	1	Plug	T.39274
20	D46418200	1	Adaptor	
21	D28701528	1	Hose	
22	D28731555	1	Hose	PERKINS
	D28751711	1	Fuel Hose	(T1)
23	D46418200	2	Adaptor	
24	D28711763	2	Union	
25	D45715000	2	Tapered Ring	
26	D40405000	2	Screw Metric	
27	D46300336	2		
28	D46301059			
29	D46301058	1	Trap	
30	D41013500	2	Nut	
31	D41013600	2	Nut	
32	D28750835	2	Stay	
33	D40407700	2	Screw	
34	D41013500	1	Nut	
35	D40405100	1	Screw Metric	
36	D20400409	1	Washer	
37	D28450189	1	Spacer	
38	D40404900	6	Screw Metric	
39	D20400410	6	Washer	
40	D28751942	2	Bracket	
41	D28751360	2	Bracket	
42	D41013500		Nut	
43	D20400471	4	Washer	
44	D28751407	1	Bracket	
45	D40407700	2	Screw	
46	D28751406	1	Stay	
47	D20400413	2	Washer	
48	D45721600	1	Plug	

(C8)
UNI-CONTROL
(T1)
FOR ENGINE TYPE 611 DSL



6

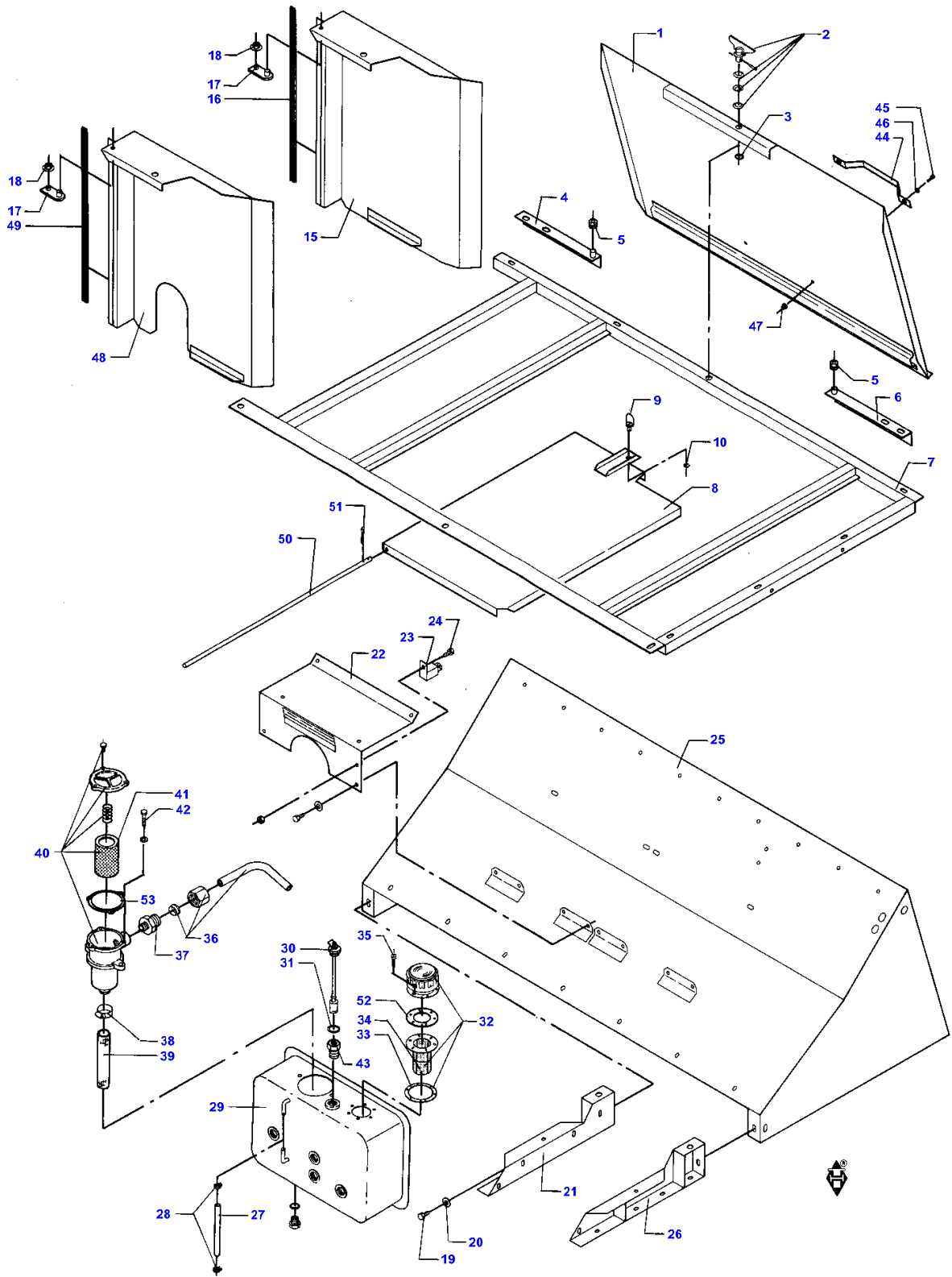
**MASSEY FERGUSON
MF 31 COMBINE - 819726**

819726

OIL TANK - FRAME F. ENGINE COMPARTMENT (PERK. F.42854)

10-10A

Item	Part Number	Qty	Description	Comments
1	D28151075	1	Plate	
2	D44706600		Seal Section	
3	D28150833	1	Profile	F.42841
4	D44731100	4	Grommet	
5	D28151059	2	Plate	F.42841
6	D43428500	2	Pin	
7	D43428600	2	Lock Washer	
8	D40402600	4	Screw Metric	
9	D20400404	4	Washer	
10	D28130373	2	Handle	
11	D41013400	4	Nut	
12	D28150877	1	Frame	
13	D28151072	1	Plate	
14	D42555500	1	Circlip	
15	D43427200	1	Pin	
16	D41402800	2	SPLIT PIN	
19	D20400409	2	Washer	
20	D40404700	2	Screw Metric	
21	D28150968	1	Bracket	
22	D28150966	1	Cover	
23	D40352100	1	Screw	
24	D45075200	1	Relay	(K6)
25	D28151057	1	Step	
26	D45146400	1	Oil Filter	INCL. P. 27
27	D45145300	1	Hydr. Element	
28	D40749300	2	Screw Metric	
29	D28741446	1	Elbow	
30	D45251500	1	Union	
31	D45727000	1	Hose Clip	
32	D28711628	1	Hose	
33	D28751699	1	Hydraulic Tank	
	D28752389	1	Hydraulic Tank	SAUER
34	D45721600	1	Plug	(N)
35	D45201900	1	Packing	(C8)
36	D45074100	1	Switch	(C8)
37	D45103000	1	Filter	POS. 38-39
38	D45103100	1	Gasket	
39	D45103200	1	Filter	
40	D40749100	6	Screw Metric	
41	D28720448	1	Hose	
42	D45738900	2	Hose Clip	
43	D20400413	1	Washer	
44	D45145800	1	Seal	
45	D45145700	1	Kit	
46	D45480500	1	Washer	(N)
47	D45420100	2	Seal	(C8) UNI-CONTROL (K6) FOR STARTING MOTOR (N) ELEVATOR CONTROL



**MASSEY FERGUSON
MF 31 COMBINE - 819726**

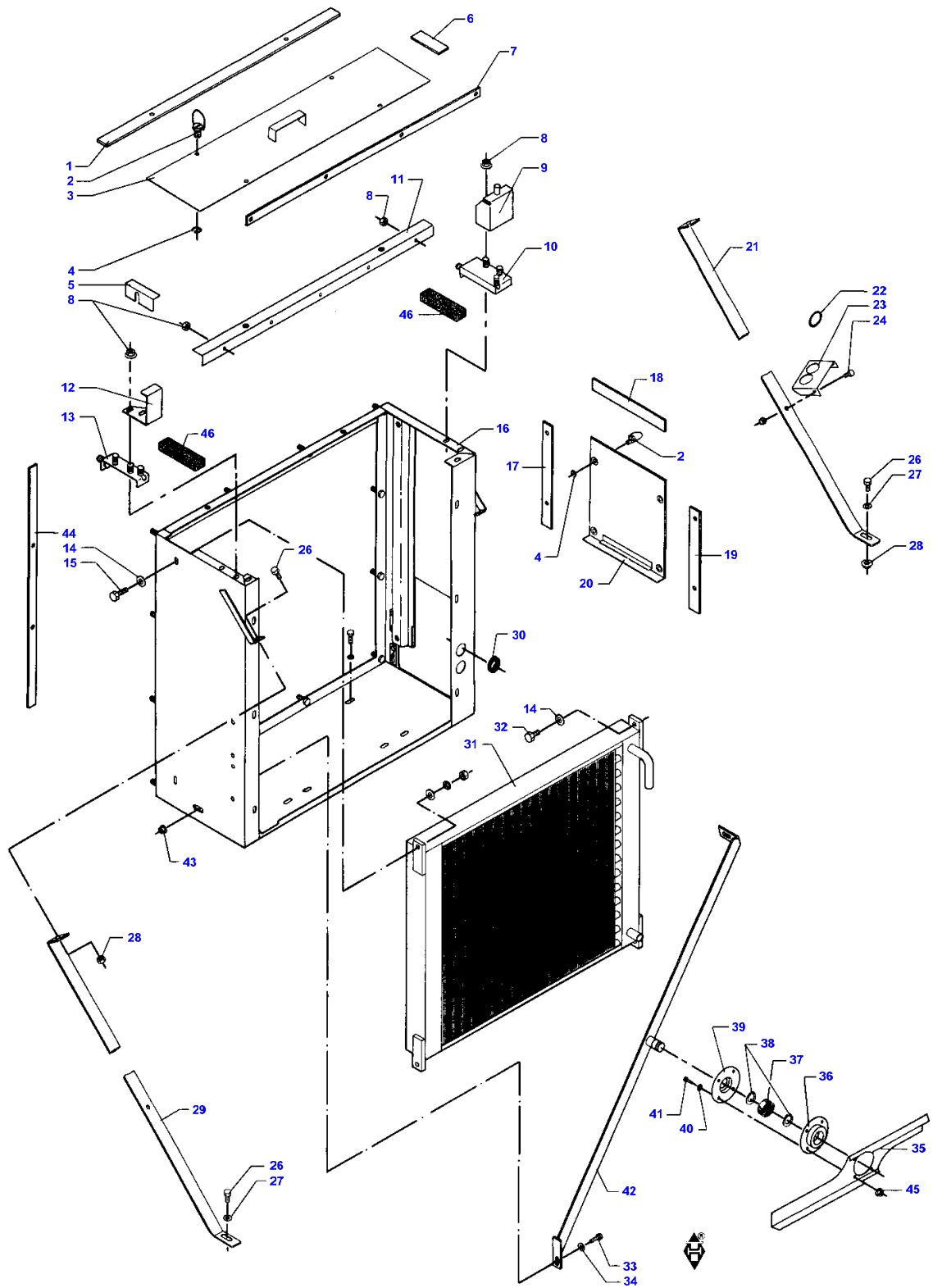
819726

OIL TANK - FRAME F. ENGINE COMPARTMENT (PERK. - T.42853)

10-10B

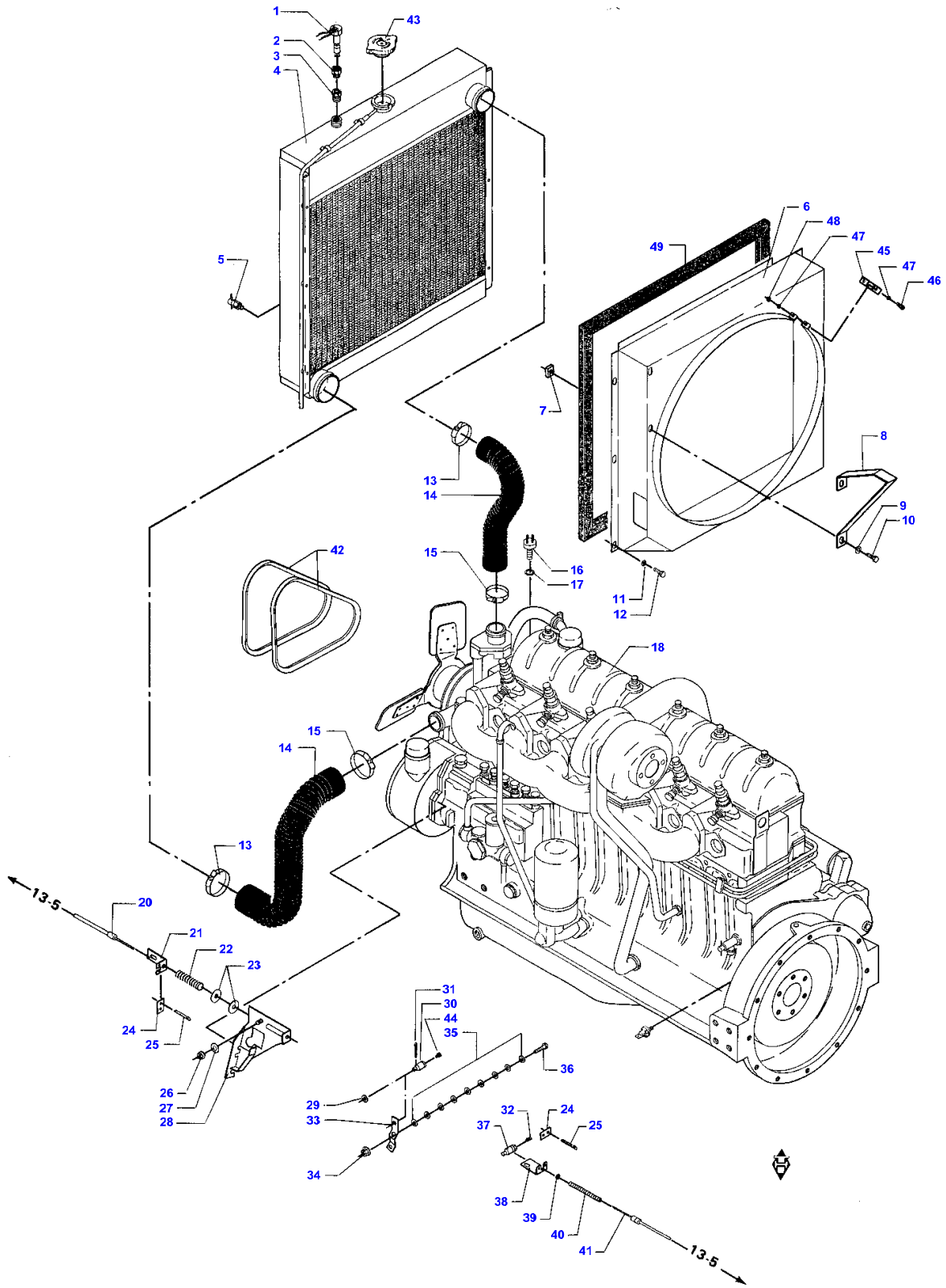
Item	Part Number	Qty	Description	Comments
1	D28150874	1	Plate	T.42840
2	D43428500	1	Pin	
3	D43428600	1	Lock Washer	
4	D28150788	1	Retainer	T.42840
5	D44731100	2	Grommet	
6	D28150789	1	Retainer	T.42840
7	D28150877	1	Frame	
8	D28151072	1	Plate	F.42239
	D28150928	1	Plate	T.42238
9	D43427200	1	Pin	
10	D42555500	1	Circlip	
15	D28150884	1	Plate	T.42238
16	D44706600		Seal Section	T.42238
17	D28150860	1	Retainer	T.42238
18	D41013500	1	Nut	T.42238
19	D40404700	2	Screw Metric	
20	D20400409	2	Washer	
21	D28150970	1	Bracket	Right Hand
22	D28151057	1	Step	
23	D45075200	1	Relay	(K6)
24	D40352100	1	Screw	
25	D28150966	1	Cover	
26	D28150968	1	Bracket	Left Hand
27	D28720448	1	Hose	
28	D45738900	2	Hose Clip	
29	D28751699	1	Hydraulic Tank	
30	D45074100	1	Switch	(C8)
31	D45201900	1	Packing	(C8)
32	D45103000	1	Filter	POS. 33-34
33	D45103100	1	Gasket	
34	D45103200	1	Filter	
35	D40749100	6	Screw Metric	
36	D28741446	1	Elbow	
37	D45251500	1	Union	
38	D45727000	1	Hose Clip	
39	D28711628	1	Hose	
40	D45146400	1	Oil Filter	INCL. P. 41
41	D45145300	1	Hydr. Element	
42	D40749300	2	Screw Metric	
43	D45721600	1	Plug	
44	D28130373	1	Handle	
45	D40402600	2	Screw Metric	
46	D20400404	2	Washer	
47	D41013400	2	Nut	
48	D28151075	1	Plate	F.42239
49	D44706600		Seal Section	F.42239
50	D28150935	1	Pivot	F.42239
51	D41402800	2	SPLIT PIN	F.42239
52	D45145800	1	Seal	
53	D45145700	1	Kit	

(C8)
UNI-CONTROL
(K6)
FOR STARTING MOTOR



SUCTION CHANNEL AND HYDR. COOLER (VALMET)

Item	Part Number	Qty	Description	Comments
1	D28751793	2	Seal Section	
2	D43427500	8	Pin	
3	D28750839	1	Cover	
4	D42555500	8	Circlip	
5	D28751775	1	Angle	
6	D28751794	2	Seal Section	
7	D28751791	2	Seal Section	
8	D41013500	1	Nut	
9	D28150938	1	Bracket	Right Hand
10	D28751664	1	Plate	Right Hand
11	D28750141	1	Profile	
12	D28150937	1	Bracket	Left Hand
13	D28751663	1	Plate	Left Hand
14	D20400409	4	Washer	
15	D40404900	4	Screw Metric	
16	D28751764	1	Channel	
17	D28751788	1	Seal Section	Right Hand
18	D28751787	1	Seal Section	
19	D28751789	1	Seal Section	Left Hand
20	D28750621	1	Cover	
21	D28751900	1	Support	
22	D44732500	2	Grommet	
23	D28752025	1	Bracket	F.43141
24	D40404900	1	Screw Metric	
25	D41013500	1	Nut	
26	D40405000	4	Screw Metric	
27	D20400409	4	Washer	
28	D41013500	4	Nut	
29	D28751757	1	Tensioner	
30	D44732500	2	Grommet	
31	D28750776	1	Radiator	
32	D40404900	1	Screw Metric	T.41326
	D40423600	1	HEXAGON SCREW	F.41327
33	D40405000	1	Screw Metric	F.41327
34	D20400414	1	Washer	F.41327
35	D28752120	1	Rotor	T.43456
	D28752280	1	Rotor	F.43457
36	D29200010	1	Bearing Housing	F.41327
37	D41622800	1	Bearing	F.41327
38	D42502300	1	Circlip	F.41327
39	D28560259	1	Bowl	F.41327
40	D20400409	4	Washer	F.41327
41	D40404900	4	Screw Metric	F.41327
42	D28752127	1	Bracket	F.41327
43	D41013500	1	Nut	F.41327
44	D28751790	1	Seal Section	F.41327
45	D41010700	4	Nut Metric	
46	D44705100	2	Gasket	0,120 M



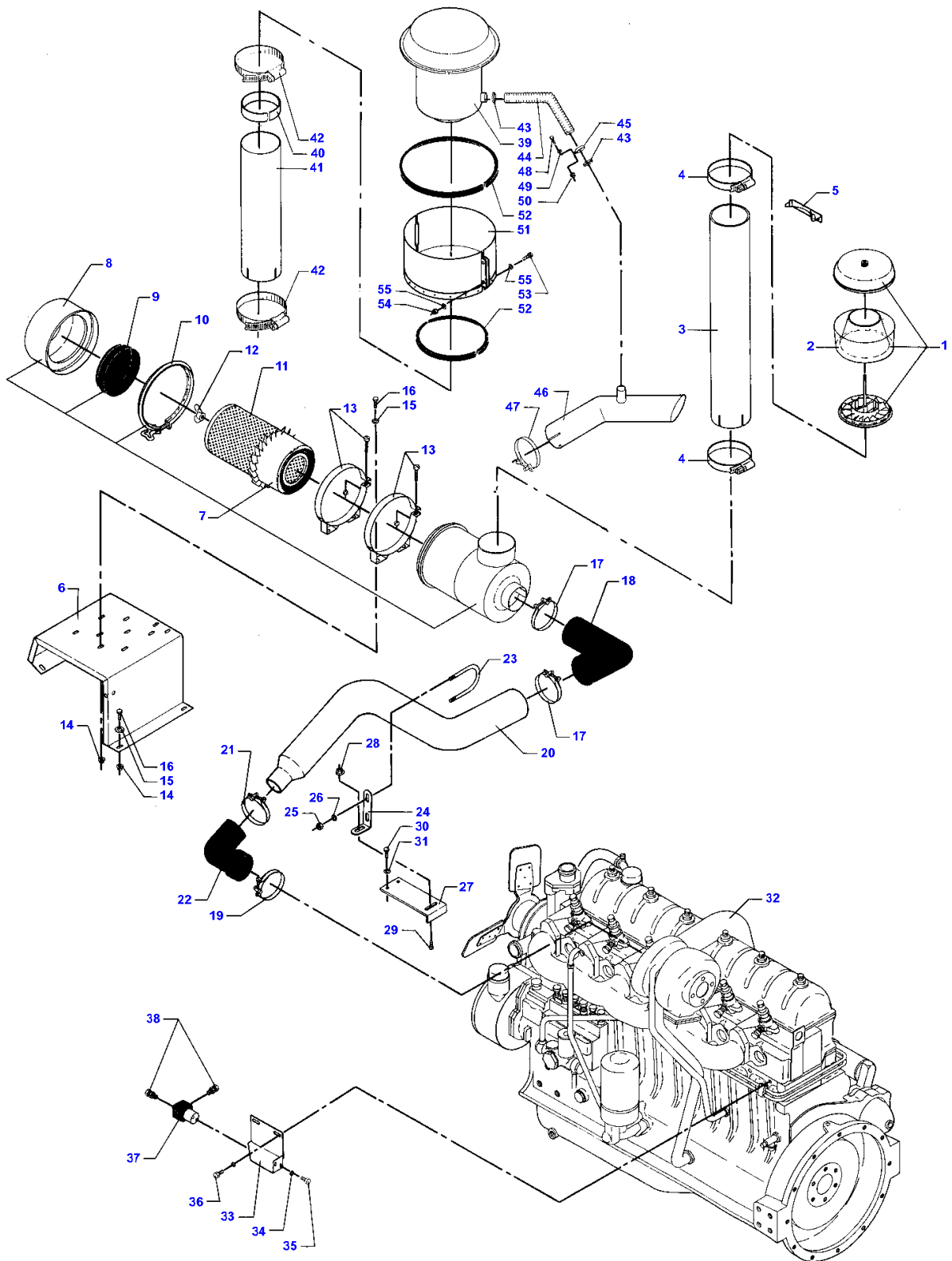
**MASSEY FERGUSON
MF 31 COMBINE - 819726**

819726

RADIATOR HOSES AND CABLES (VALMET)

10-12

Item	Part Number	Qty	Description	Comments
	D28752019	1	Switch	(C8) INCL. POS. 1
1	D45073900	1	Switch,Indirect	(C8)
2	D28752020	1	Distance Piece	(C8)
3	D45213200	1	Screw	(N)
4	D28752039	1	Radiator	
	D28752328	1	Radiator	DANIA
5	D46419500	1	Bleeder	
6	D28752297	1	Cowl	F.43457
	D28751973	1	Shield	T.43456
7	D28751863	2	Nut	
8	D28751859	1	Bracket	
9	D20400409	2	Washer	
10	D40404900	2	Screw Metric	
11	D20400404	6	Washer	
12	D40402600	6	Screw Metric	
13	D45728000	2	Clamp	
14	D46448000	2	Hose	
15	D45728500	2	Clamp	
16	D45029900	1	Indicator	
17	D45700000		Band	0,010 M
18	D46497100			
20	D46435400	2	Cable	(K4)
21	D28751582	1	Retainer	
22	D27200158	1	Spring	
23	D20400471	2	Washer	
24	D28730779	2	Locking Plate	
25	D41405700	4	SPLIT PIN	
26	D41087500	1	Locknut	
27	D20400500	1	Spacer	
28	D28751586	1	Support	
29	D20400470	1	Washer	
30	D28751580	1	Stud	
31	D41402700	1	Pin	
32	D40630100	1	Pin	
33	D28751730	1	Lever	
34	D41013400	1	Nut	
35	D20400453	9	Washer	
36	D40421800	1	HEXAGON SCREW	
37	D46437100	1	Union	
38	D28751883	1	Support	
39	D20400400	1	Washer	
40	D28752002	1	Spring	
41	D46435400	1	Cable	
42	D41990800	2	V Belt	
43	D46409400	1	Cap	
44	D40402200	1	Screw Metric	
45	D28752110	1	Spacer	
46	D40402400	2	Screw Metric	
47	D20400404	4	Washer	
48	D41087400	2	Locknut	
49	D44705100		Gasket	2,715 M (A) UNI-CONTROL (K4) THE PART IS HERE USED AS THROTTLE CABLE (N) ELEVATOR CONTROL



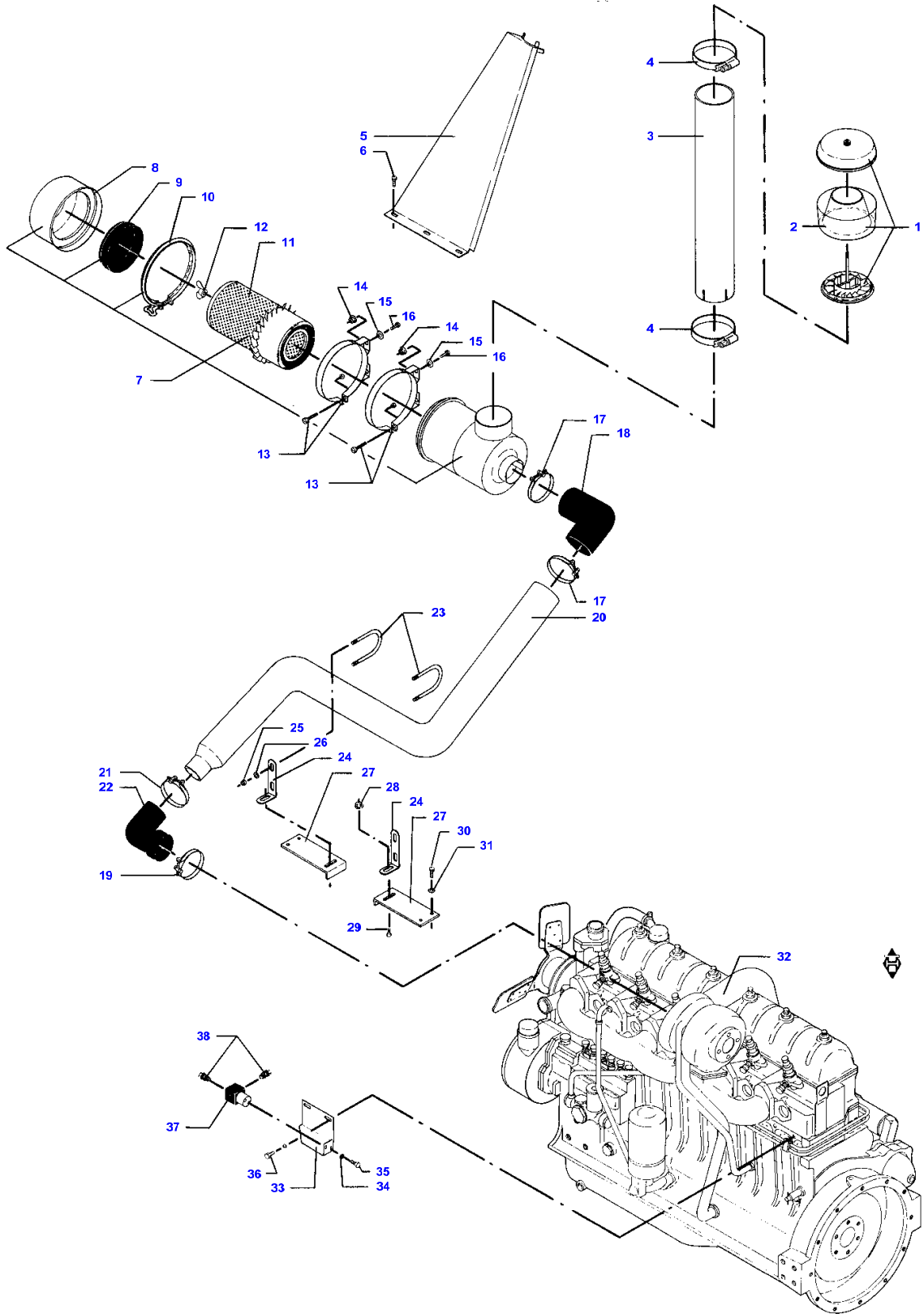
**MASSEY FERGUSON
MF 31 COMBINE - 819726**

819726

AIR CLEANER (VALMET) (F.42854)

10-13A

Item	Part Number	Qty	Description	Comments
1	D46427900	1	Filter	
2	D46428000	1	Bowl	
3	D28751484	1	Pipe	
4	D45729300	2	Clamp	
5	D28151036	1	Retainer	
6	D28751227	1	Bracket	
7	D46423600	1	Air Filter	POS. 8-11
8	D46424600	1	Bottom	
9	D46424500	1	Plate	
10	D46424400	1	Clip	
11	D46424300	1	Air Fitr.Element	
12	D46426900	1	Wing Nut	
13	D46422400	2	Band	
14	D41013500	6	Nut	
15	D20400409	6	Washer	
16	D40404900	6	Screw Metric	
17	D45737300	2	Hose Clip	
18	D46423200	1	Hose	
19	D45737200	1	Hose Clip	
20	D28752100	1	Pipe	
21	D45737800	1	Hose Clip	
22	D28751707	1	Elbow	
23	D28751823	1	Stirrup	
24	D28751717	1	Retainer	
25	D41077400	2	Locknut	
26	D20400470	2	Washer	
27	D28751716	1	Plate	
28	D41013500	1	Nut	
29	D40063700	1	Screw	
30	D40404900	2	Screw Metric	
31	D20400409	2	Washer	
32	D46497100	1	Spacer	
33	D28751610	1	Support	
34	D20400506	2	Spacer	
35	D40440100	2	Screw Unf	
36	D40900022	2	Screw	
37	D45110042	1	Valve	
38	D45253600	2	Connector	
39	D46429500	1	Filter	(3)
40	D28752241	1	Bush	(3)
41	D28751484	1	Pipe	(3)
42	D45729300	2	Clamp	(3)
43	D45727500	2	Clamp	(3)
44	D46448300	1	Hose	(3)
45	D45728300	1	Strap	(3)
46	D28752320	1	Ejector	(3)
47	D45728500	1	Clamp	(3)
48	D40402600	1	Screw Metric	(3)
49	D20400470	2	Washer	(3)
50	D41087400	1	Locknut	(3)
51	D28752414	1	Screen	(3)
52	D44735900		Seal Section	(S) 1,6 M
53	D40405000	2	Screw Metric	(S)
54	D41087500	2	Locknut	(S)
55	D20400413	4	Washer	(S) (S)
OPTIONAL EQUIPMENT T.43140, STANDARD EQUIPMENT F.43141				
(3)				
OPTIONAL EQUIPMENT				



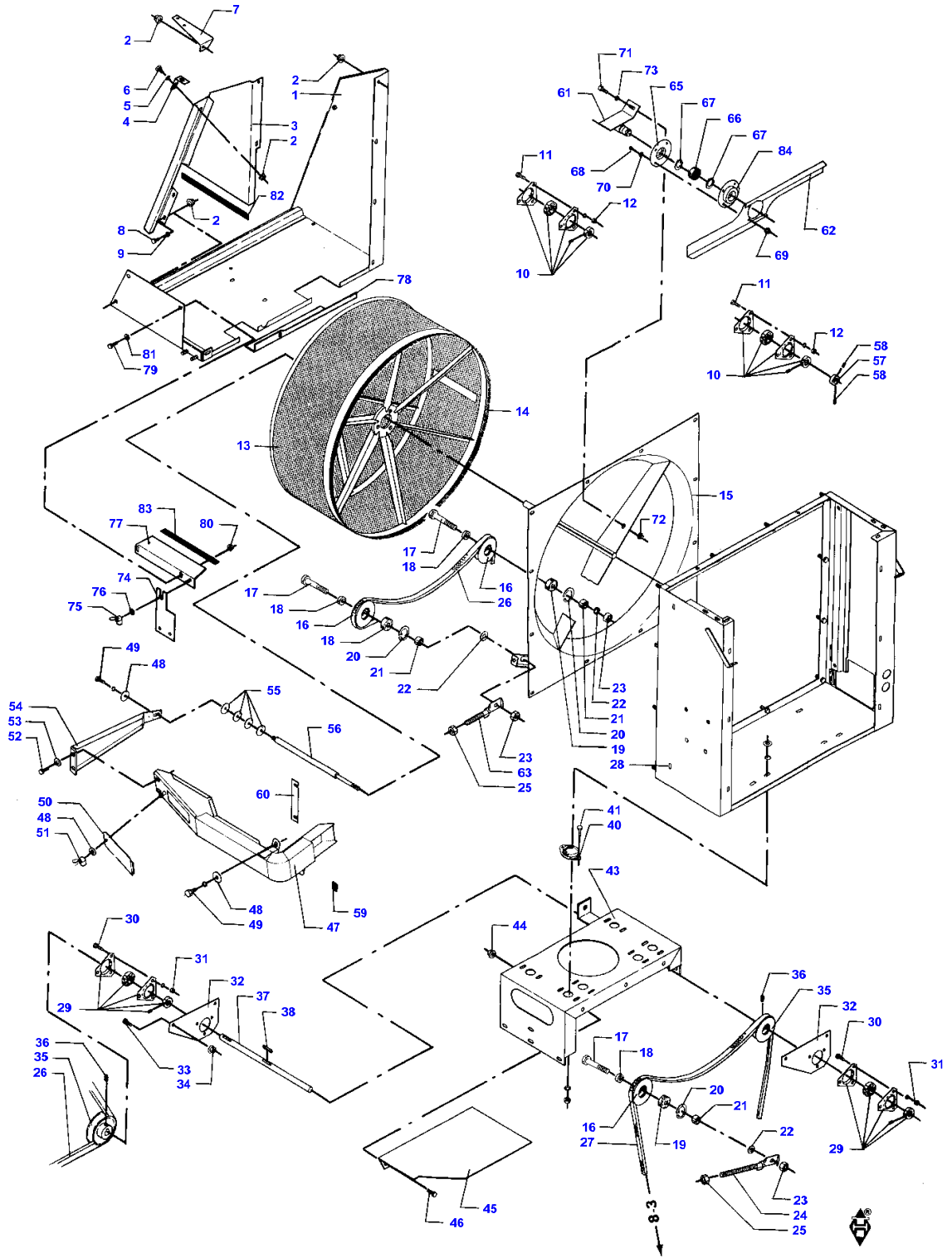
**MASSEY FERGUSON
MF 31 COMBINE - 819726**

819726

AIR CLEANER (VALMET) (T.42853)

10-13B

Item	Part Number	Qty	Description	Comments
1	D46427900	1	Filter	
2	D46428000	1	Bowl	
3	D28751484	1	Pipe	
4	D45729300	2	Clamp	
5	D28751488	1	Plate	
6	D40405000	3	Screw Metric	
7	D46423600	1	Air Filter	POS. 8-11
8	D46424600	1	Bottom	
9	D46424500	1	Plate	
10	D46424400	1	Clip	
11	D46424300	1	Air Fitr.Element	
12	D46426900	1	Wing Nut	
13	D46422400	2	Band	
14	D41013500	4	Nut	
15	D20400409	4	Washer	
16	D40404700	4	Screw Metric	
17	D45737300	2	Hose Clip	
18	D46423200	1	Hose	
19	D45737200	1	Hose Clip	
20	D28751701	1	Tube	
21	D45737800	1	Hose Clip	
22	D28751707	1	Elbow	
23	D28751823	2	Stirrup	
24	D28751717	2	Retainer	
25	D41087400	4	Locknut	
26	D20400470	4	Washer	
27	D28751716	2	Plate	
28	D41013500	2	Nut	
29	D40063700	2	Screw	
30	D40404900	4	Screw Metric	
31	D20400409	4	Washer	
32	D46497100	1		
33	D28751610	1	Support	
34	D20400506	2	Spacer	
35	D40440100	2	Screw Unf	
36	D40900022	2	Screw	
37	D45110042	1	Valve	
38	D45253600	2	Connector	



**MASSEY FERGUSON
MF 31 COMBINE - 819726**

819726

STRAINER AND RADIATOR BRACKET (VALMET)

10-14

Item	Part Number	Qty	Description	Comments
1	D28751678	1	Cowl	
2	D41013500		Nut	
3	D28751687	1	Guard	
4	D28751675	1	Elbow	
5	D20400409	1	Washer	
6	D40404900	1	Screw Metric	
7	D28751685	1	Elbow	
8	D40404700	2	Screw Metric	
9	D20400409	2	Washer	
10	D41713600	2	Flange	
11	D40404900	6	Screw Metric	
12	D41013500	6	Nut	
13	D28752106	1	Strainer	(01) +F.41581
14	D28750147		Seal	2,200MM
15	D28751632	1	Deflector	
16	D28750648	3	Pulley	
17	D40433400	3	HEXAGON SCREW	
18	D28210046	3	Bush	
19	D41622600	3	Bearing Ball	
20	D42513400	3	Circlip	
21	D28210046	3	Bush	
22	D20400459	3	Washer	
23	D41087900	3	Locknut	
24	D28211025	1	Bolt	T.43456
25	D41013600	2	Nut	
26	D41905300	1	Belt	
27	D41911000	1	Belt	
28	D28751764	1	Channel	
29	D41713700	2	Bearing	
30	D40404900	6	Screw Metric	
31	D41013500	6	Nut	
32	D28751628	2	Shield	
33	D40404900	4	Screw Metric	
34	D41013500	4	Nut	
35	D28751599	2	Pulley	
36	D40632200	2	Pin	
37	D28751629	1	Shaft	
38	D43102300	2	Key	
40	D28700549	6	Damper	
41	D40404900	12	Screw Metric	
43	D28751578	1	Support	
44	D41013500	3	Nut	
45	D28751905	1	Plate	
46	D40404900	3	Screw Metric	
47	D28751976			T.43456
	D28752296	1	Washer	F.43457
48	D20400409		Washer	
49	D40404900		Screw Metric	
50	D28751774	1	Shutter	
51	D41057100	1	Wing Nut	
52	D40402200	2	Screw Metric	
53	D20400470	2	Washer	
54	D28752294	1	Nozzle	F.43457
	D28752139	1	Nozzle	(AO)
	D28751645	1		T.41782
55	D20400500	4	Spacer	
56	D28751631	1	Trunnion	
57	D28752133	1	Ring	F.41783
58	D40630900	2	Pin	F.41783
59	D44705100		Gasket	0,070 M
60	D28752315	1	Spacer	
61	D28752282	1	Support	F.43457
62	D28752120	1	Rotor	F.43457
63	D28752287	1	Tensioner	F.43457
64	D29200010	1	Bearing Housing	F.43457
65	D28560259	1	Bowl	
66	D41622800	1	Bearing Ball	F.43457
67	D42502300	2	Circlip	F.43457
68	D40404900	4	Screw Metric	F.43457

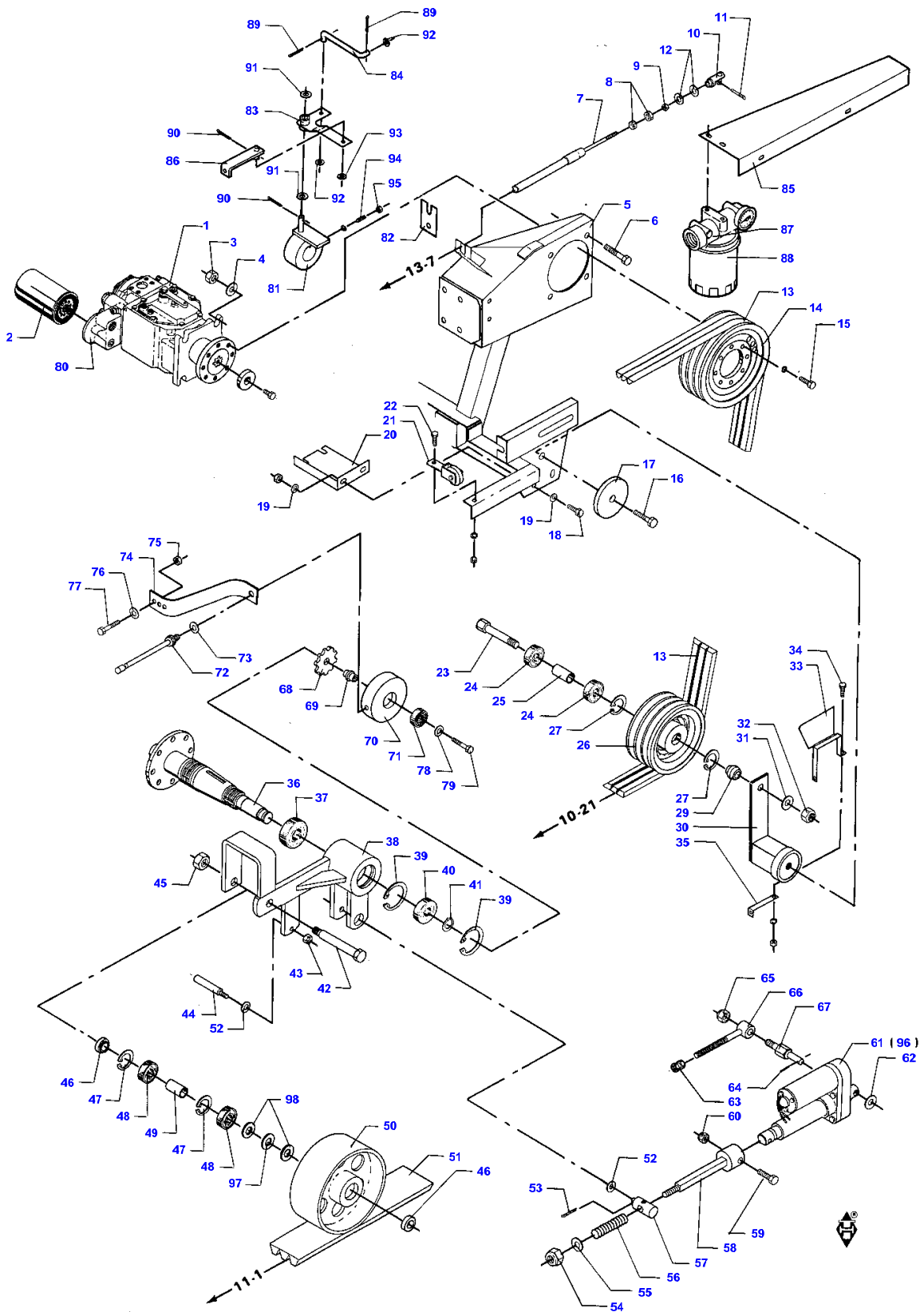
**MASSEY FERGUSON
MF 31 COMBINE - 819726**

819726

STRAINER AND RADIATOR BRACKET (VALMET)

10-14

Item	Part Number	Qty	Description	Comments
69	D41010700	4	Nut Metric	F.43457
70	D20400409	4	Washer	F.43457
71	D40405000	2	Screw Metric	F.43457
72	D41013500	2	Nut	F.43457
73	D20400414	2	Washer	F.43457
74	D28752325	2	Cover	F.43457
75	D41057300	1	Wing Nut	
76	D20400506	3	Spacer	
77	D28752326	1	Support	
78	D28752327	1	Elbow	
79	D40404700	1	Screw Metric	
80	D41013500	1	Nut	
81	D20400506	1	Spacer	
82	D44706600		Seal Section	0,240 M
83	D44735300		Gasket	0,260 M
				(01)
				INCL. POS. 14
				(AO)
				USED F.41783 - T.43140



**MASSEY FERGUSON
MF 31 COMBINE - 819726**

819726

PROP. PUMP - COUPL. OF THRESH. MECHAN. (VALMET).

10-15

Item	Part Number	Qty	Description	Comments
1	D45161000	1	Hydraulic Pump	
	D45163300	1	Hydraulic Motor	SAUER
2	D45161300	1	Oil Filter	
3	D41087700	4	Locknut	
4	D20400446	4	Washer	
5	D28751592	1	Support	
6	D40411300	4	HEXAGON SCREW	
7	D46438600	1	Cable	
8	D41018900	2	HEXAGON SCREW	
9	D41018300	1	HEXAGON SCREW	
10	D28761414	1	Tensioner	
11	D41405900	1	SPLIT PIN	
12	D20400409	2	Washer	
13	D41930200	3	V Belt	
14	D28750943	1	Pulley	
15	D40407700	8	Screw	
16	D40416500	1	HEXAGON SCREW	
17	D28751309	1	Washer	
18	D40407800	4	HEXAGON SCREW	
19	D20400419	4	Washer	
20	D28751193	1	Plate	
21	D28150477	1	Roller	
22	D40404900	1	Screw Metric	
23	D28750166	1	Screw	
24	D41622600	2	Bearing Ball	
25	D28740881	1	Bush	
26	D28750169	1	Tightener	
27	D42513400	1	Circlip	
29	D28751395	1	Spacer	
30	D44360200	1	Tightener	
31	D20400459	1	Washer	
32	D41087900	1	Locknut	
33	D28750873	1	Dog	T.40974
34	D40402400	2	Screw Metric	T.40974
35	D28752004	1	Plate	T.40974
36	D28751548	1	Shaft	
37	D41623000	1	Bearing Ball	
38	D28750042	1	Lever	
39	D42514500	2	Circlip	
40	D41622900	1	Bearing Ball	
41	D42502800	1	Circlip	
42	D28750037	1	Screw	
43	D41010800	1	Nut Metric	
44	D28750036	1	Clevis Pin	
45	D41088000	1	Locknut	
46	D28750035	2	Spacer	
47	D42513700	2	Circlip	
48	D41622700	2	Bearing Ball	
49	D28731803	1	Indicator	
50	D28880196	1	Pulley	
51	D41991300	1	Belt	
52	D20400537	1	Spacer	
53	D41405900	1	SPLIT PIN	
54	D41087700	1	Locknut	
55	D20400423	1	Washer	
56	D25300065	1	Spring	
57	D28750746	1	Trunnion	
58	D28750749	1	Screw	
59	D40116600	1	Screw	
60	D41080500	1	Locknut	
61	D45059400	1	Cylinder	T.39077
	D45061100	1	Cylinder	F.39078
62	D20400537	1	Spacer	
63	D28750024	1	Nut	
64	D41404400	1	SPLIT PIN	
65	D41087700	1	Locknut	
66	D28750027	1	Bolt	
67	D28750028	1	Pin	
	D28751813	1	Sensor	(C8) POS. 68-74

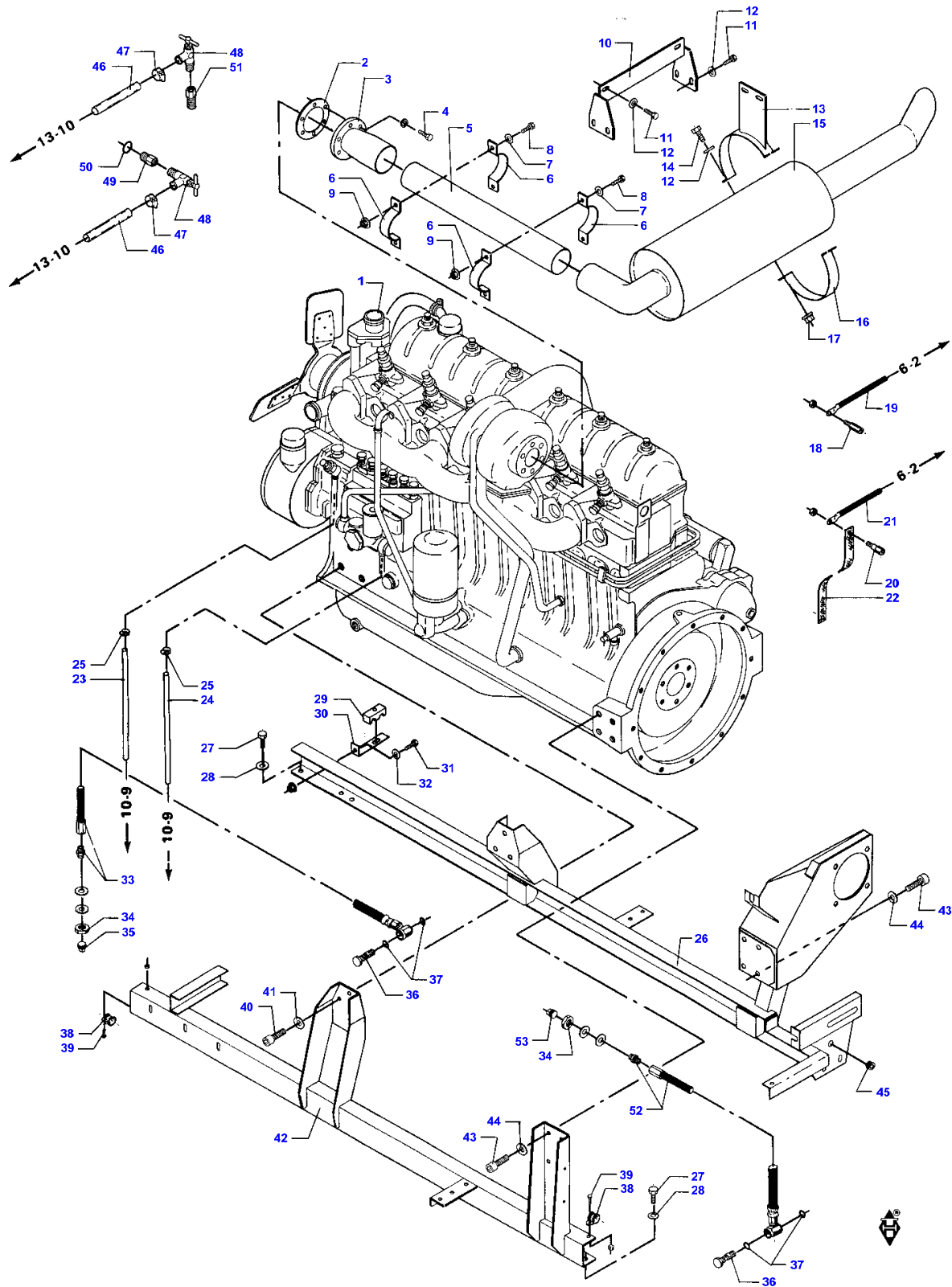
**MASSEY FERGUSON
MF 31 COMBINE - 819726**

819726

PROP. PUMP - COUPL. OF THRESH. MECHAN. (VALMET).

10-15

Item	Part Number	Qty	Description	Comments
68	D28750922	1	Wheel	(C8)
69	D28751218	1	Journal	(C8)
70	D28751223	1	Cup	(C8)
71	D41622600	1	Bearing Ball	(C8)
72	D28751812	1	Sensor	(C8)
				INCL. P. 73
73	D20400428	1	Washer	(C8)
74	D28751216	1	Rubber Strap	(C8)
75	D41013500	1	Nut	(C8)
76	D20400409	1	Washer	(C8)
77	D40405100	1	Screw Metric	(C8)
78	D20400425	1	Washer	(C8)
79	D40425800	1	Screw	(C8)
80	D45462100	1	Gasket	(41)
81	D28752334	1	Support	SAVER
82	D28752361	1	Spacer	SAVER
83	D28752363	1	Pivot	SAVER
84	D28752384	1	Lever	SAVER
85	D28752387	1	Support	SAVER
86	D28752403	1	Support	SAVER
87	D45163500	1	Filter	SAVER
88	D45163600	1	Filter	SAVER
89	D41402800	2	SPLIT PIN	SAVER
90	D41405900	2	SPLIT PIN	SAVER
91	D20400471	2	Washer	SAVER
92	D20400404	2	Washer	SAVER
93	D20400506	1	Spacer	SAVER
94	D40690300	1	Screw Metric	SAVER
95	D41010700	1	Nut Metric	SAVER
96	D45066700	1	Wheel	
97	D20400437	2	Washer	
98	D20400440	1	Washer	
				(C8)
				UNI-CONTROL
				(41)
				LOCATION BEHIND THE FLANGE



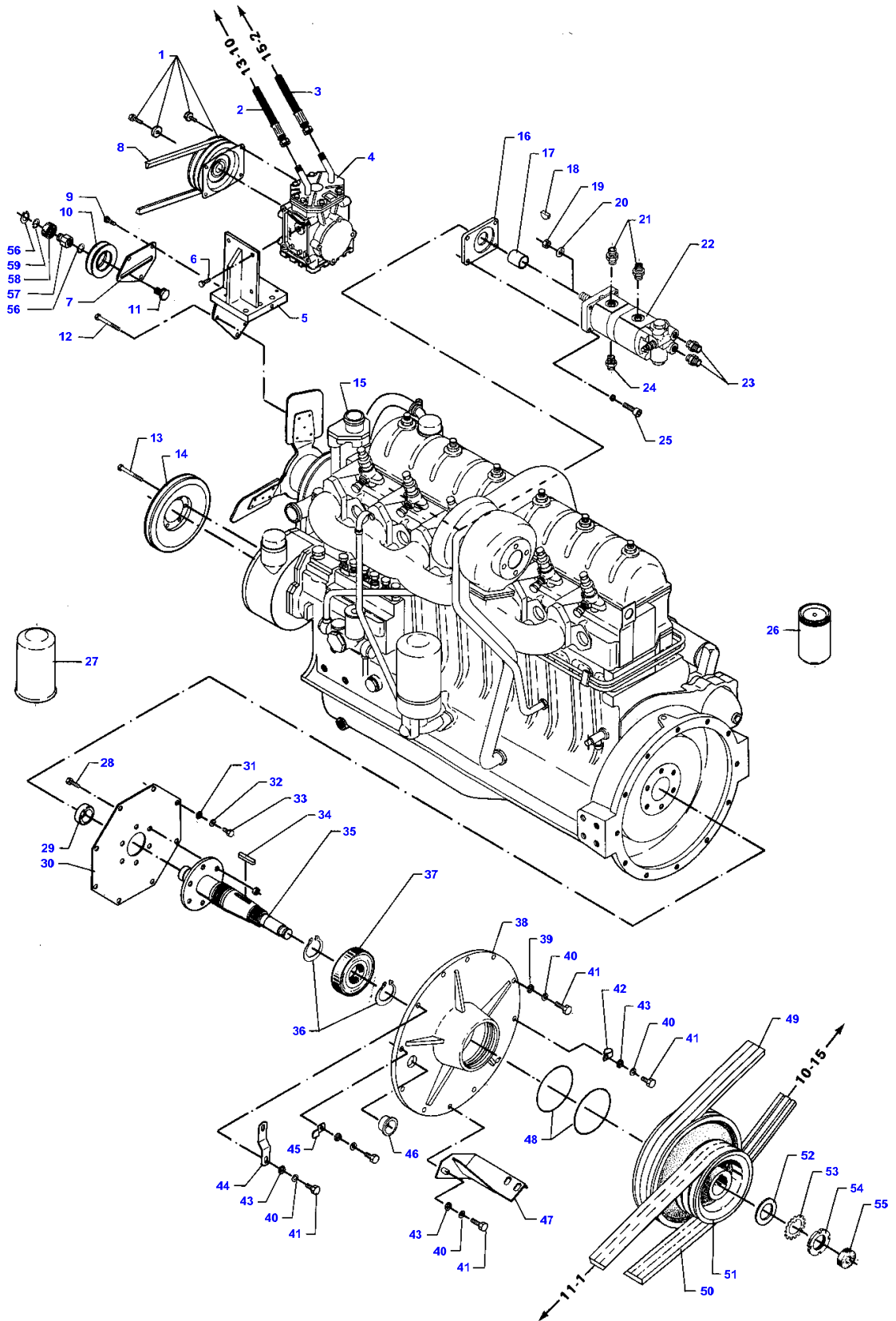
**MASSEY FERGUSON
MF 31 COMBINE - 819726**

819726

10-16

ENGINE BRACKET AND SILENCER (VALMET)

Item	Part Number	Qty	Description	Comments
1	D46497100	1		
2	D46443600	1	Gasket	
3	D28751590	1	Union	T.43935
	D28752422	1	Gasket	F.45936
4	D40405000	6	Screw Metric	
5	D28751745	1	Cable	
6	D28751744	4	Elbow	
7	D20400409	4	Washer	
8	D40405000	4	Screw Metric	
9	D41013500	4	Nut	
10	D28751752	1	Support	
11	D40404900		Screw Metric	
12	D20400409		Washer	
13	D28751753	2	Tensioner	
14	D40405400	4	Screw Metric	
15	D28751773	1	Exhauster	
16	D28731807	2	Bow Saw	
17	D41013500	4	Nut	
18	D28761073	1	Threaded Part	
19	D28752018	1	Cable	(+)
20	D28760746	1	Threaded Part	(J)
	D28761472	1	Threaded Part	(J)
21	D28752017	1	Cable	(-)
22	D28760642	1	Earth Strap	
23	D28751712	1	Hose	
24	D28751711	1	Fuel Hose	
25	D45729700	2	Clamp	
26	D28751592	1	Support	
27	D40416300	4	HEXAGON SCREW	
28	D20400459	4	Washer	
29	D45739200	2	Support	
30	D28751902	2	Bracket	
31	D40404900	2	Screw Metric	
32	D20400409	2	Washer	
33	D28751598	1	Hose	(26) T.41580
34	D41033900	1	Nut	
35	D45236100	1	Plug	
	D45232400	1	Washer	
36	D28751625	1	Screw	
37	D45480000	2	O Ring	
38	D45729800		Clamp	
39	D40402400		Screw Metric	
40	D40465900	6	Screw	
41	D20400429	6	Washer	
42	D28751593	1	Support	
43	D40466400	4	Screw	
44	D20400426	4	Washer	
45	D44732300	1	Grommet	
46	D44717700		Hose	(R1) 4,4 M
47	D45726800	2	Clamp	(R1)
48	D46422300	2	Cock	(R1)
49	D28950540	1	Union	(R1)
50	D45201800	1	Ring	(R1)
51	D28950539	1	Screw	(R1)
52	D28752069	1	Hose	(27) F.41581
53	D45236100	1	Plug	
	D45232400	1	Washer	
				(J) USED AS PER TYPE OF THREAD ON THE ENGINE (R1) FOR AIR-CONDITION (26) INCL. POS. 35 (27) INCL. POS. 53



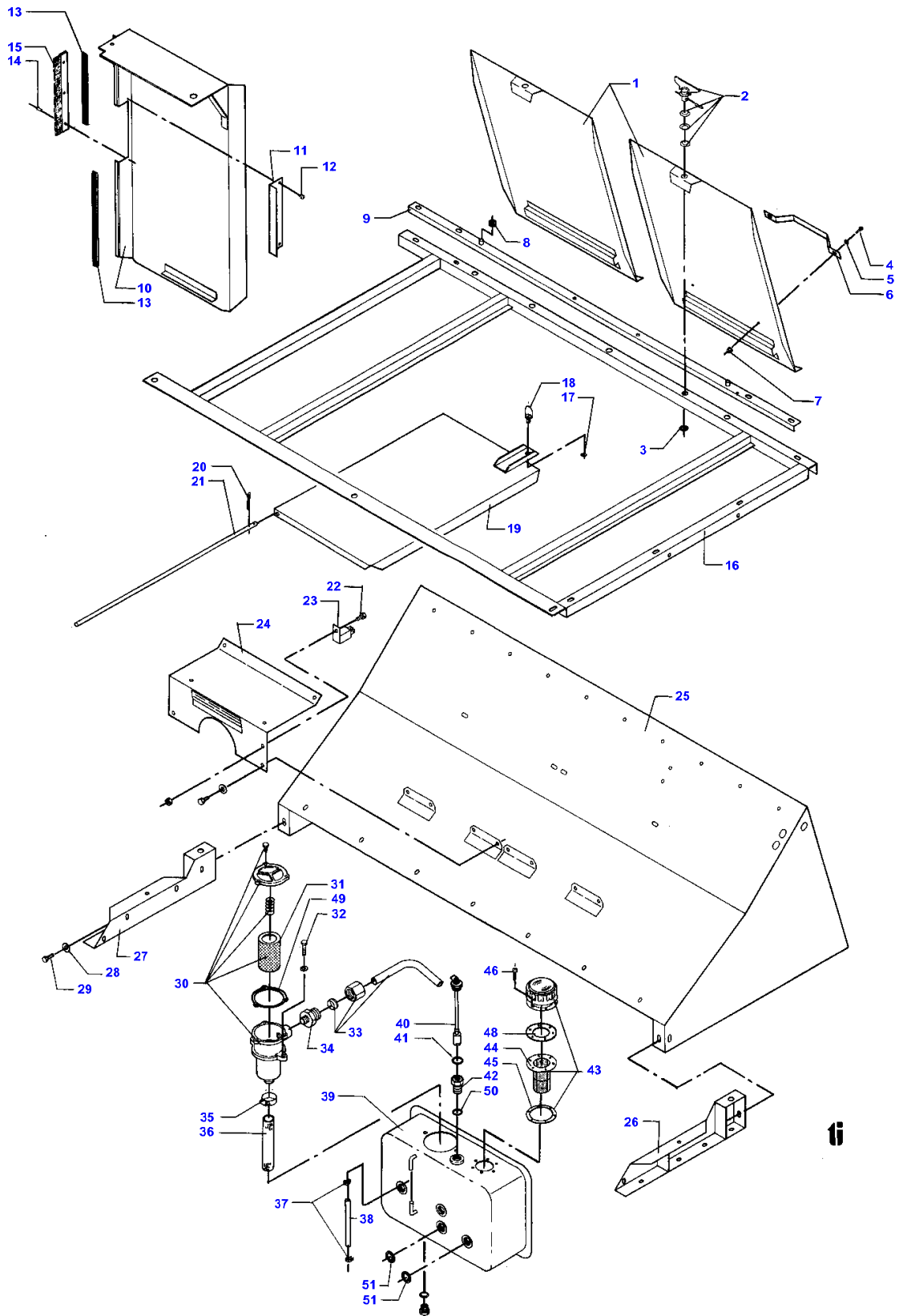
**MASSEY FERGUSON
MF 31 COMBINE - 819726**

819726

P.T.O. AND HYDRAULIC PUMP (VALMET)

10-17

Item	Part Number	Qty	Description
1	D45054900	1	Clutch
2	D45091700	1	Hose
3	D45091300	1	Hose
4	D45054800	1	Compressor
	D45055500	1	Seal
5	D28950538	1	Support
6	D40205200	4	Screw
7	D28950564	1	Plate
8	D41991100	1	Belt
9	D40404900	3	Screw Metric
10	D28950560	1	Pulley
11	D28950558	1	Pin
12	D40424500	3	Screw
13	D40424300	6	Bolt
14	D28950510	1	Pulley
15	D46497100	1	
16	D28751567	1	Flange
17	D45110041	1	Pinion
18	D43170500	1	Key
19	D45146100	1	Nut
20	D45146100	1	Nut
21	D45251500	2	Union
22	D45162200	1	Hydraulic Pump
23	D45250800	2	Union
24	D45250700	1	Union
25	D40690700	4	Screw Metric
26	D46446900	1	Filter
27	D46447000	1	Filter
28	D40407700	6	Screw
29	D28720925	1	Clamp
30	D28720927	1	Disc
31	D41112000	8	Washer
32	D20400409	8	Washer
33	D40448300	8	Setscrew
34	D43105000	1	Key
35	D28751548	1	Shaft
36	D42504800	2	Circlip
37	D41629600	1	Bearing Ball
38	D28730168	1	Bearing Housing
39	D41112000	12	Washer
40	D20400507	12	Spacer
41	D40407800	12	HEXAGON SCREW
42	D28810678	1	Retainer
43	D41112000	12	Washer
44	D28751718	1	Retainer
45	D28110534	1	Retainer
46	D45746700	2	Plug
47	D28750182	1	Retainer
48	D45470800	2	O Ring
49	D41930200	3	V Belt
50	D41991300	1	Belt
51	D28750836	1	Pulley
	D28750836	1	Pulley
52	D28730018	1	Washer
53	D28710736	1	Lock Washer
54	D28710073	1	Nut
55	D41623000	1	Bearing Ball
56	D42514000	2	Circlip
57	D28950559	1	Support
58	D41628800	1	Bearing Ball
59	D42501800	1	Circlip



ti

**MASSEY FERGUSON
MF 31 COMBINE - 819726**

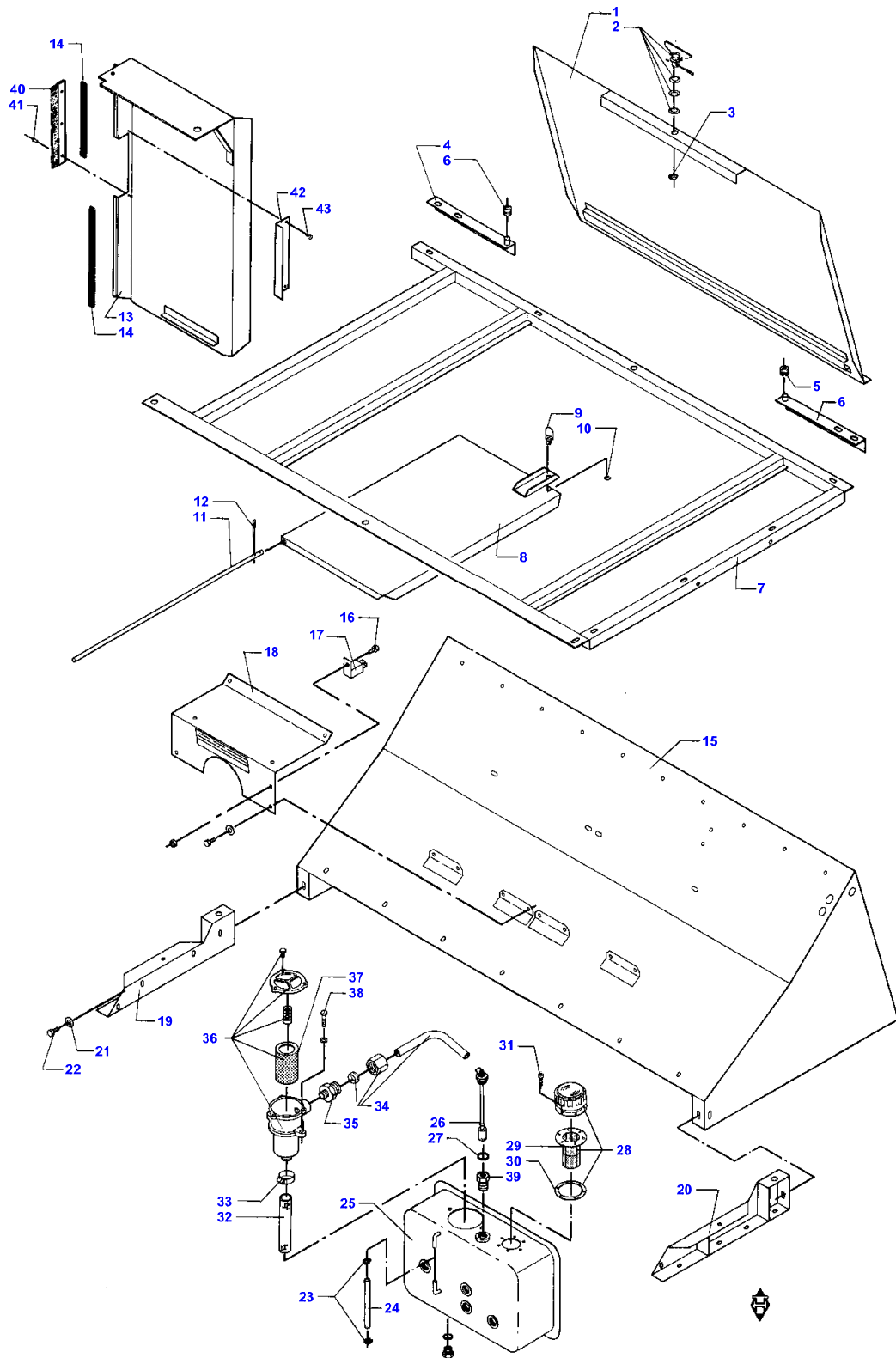
819726

FRAME F. ENGINE COMPARTMENT (VALMET) (F.42854)

10-18A

Item	Part Number	Qty	Description	Comments
1	D28151059	2	Plate	
2	D43428500	2	Pin	
3	D43428600	2	Lock Washer	
4	D40402600	4	Screw Metric	
5	D20400404	4	Washer	
6	D28130373	2	Handle	
7	D41013400	4	Nut	
8	D44731100	4	Grommet	
9	D28150833	1	Profile	
10	D28150934	1	Rod	POS. 11-12
11	D28151106	1		
12	D40741100	2	Screw	
13	D44706600		Seal Section	
14	D41399800	2	Rivet	
15	D28751465	1	Brush	
16	D28150877	2	Frame	
17	D42555500	1	Circlip	
18	D43427200	1	Pin	
19	D28150933	1	Plate	
20	D41402800	2	SPLIT PIN	
21	D28150935	1	Pivot	
22	D40352100	1	Screw	
23	D45075200	1	Relay	(K6)
24	D28151057	1	Step	
25	D28150966	1	Cover	
26	D28150968	1	Bracket	Right Hand
27	D28150970	1	Bracket	Left Hand
28	D20400409	2	Washer	
29	D40404700	2	Screw Metric	
30	D45146400	1	Oil Filter	INCL. P. 31
31	D45145300	1	Hydr. Element	
32	D40749300	2	Screw Metric	
33	D28741446	1	Elbow	
34	D45251500	1	Union	
35	D45727000	1	Hose Clip	
36	D28711628	1	Hose	
37	D45738900	2	Hose Clip	
38	D28720448	1	Hose	
39	D28751699	1	Hydraulic Tank	
	D28752389	1	Hydraulic Tank	SAUER
40	D45074100	1	Switch	(C8)
41	D45201900	1	Packing	(C8)
42	D45721600	1	Plug	
43	D45103000	1	Filter	POS. 44-45
44	D45103200	1	Filter	
45	D45103100	1	Gasket	
46	D40749100	6	Screw Metric	
47	D20400413	1	Washer	
48	D45145800	1	Seal	
49	D45145700	1	Kit	
50	D45480500	1	Washer	(N)
51	D45420100	2	Seal	(N)

(C8)
UNI-CONTROL
(K6)
FOR STARTING MOTOR
(N)
ELEVATOR CONTROL



**MASSEY FERGUSON
MF 31 COMBINE - 819726**

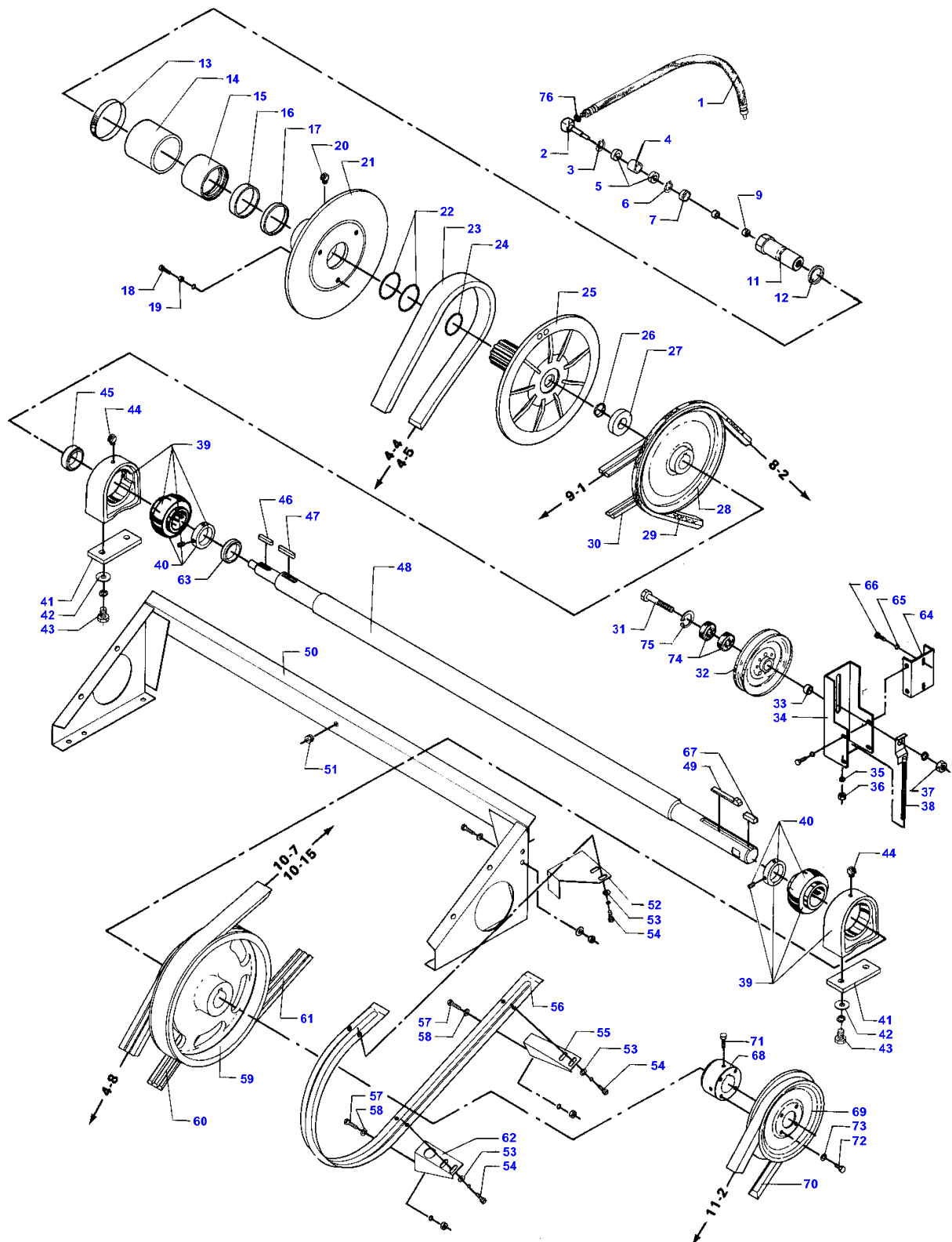
819726

FRAME F. ENGINE COMPARTMENT (VALMET) (T.42853)

10-18B

Item	Part Number	Qty	Description	Comments
1	D28150874	1	Plate	
2	D43428500	1	Pin	
3	D43428600	1	Lock Washer	
4	D28150788	1	Retainer	
5	D44731100	2	Grommet	
6	D28150789	1	Retainer	
7	D28150877	1	Frame	
8	D28150933	1	Plate	
9	D43427200	1	Pin	
10	D42555500	1	Circlip	
11	D28150935	1	Pivot	
12	D41402800	2	SPLIT PIN	
13	D28150934	1	Rod	POS. 42-43
14	D44706600		Seal Section	0,650 M
15	D28150966	1	Cover	
16	D40352100	1	Screw	
17	D45075200	1	Relay	(K6)
18	D28151057	1	Step	
19	D28150970	1	Bracket	Right Hand
20	D28150968	1	Bracket	Left Hand
21	D20400409	2	Washer	
22	D40404700	2	Screw Metric	
23	D45738900	2	Hose Clip	
24	D28720448	1	Hose	
25	D28751699	1	Hydraulic Tank	
26	D45074100	1	Switch	(C8)
27	D45201900	1	Packing	(C8)
28	D45103000	1	Filter	POS. 29-30
29	D45103200	1	Filter	
30	D45103100	1	Gasket	
31	D40749100	6	Screw Metric	
32	D28711628	1	Hose	
33	D45727000	1	Hose Clip	
34	D28741446	1	Elbow	
35	D45251500	1	Union	
36	D45146400	1	Oil Filter	
37	D45145300	1	Hydr. Element	
38	D40749300	2	Screw Metric	
39	D45721600	1	Plug	
40	D28751465	1	Brush	
41	D41399800	2	Rivet	
44	D45145800	1	Seal	
45	D45145700	1	Kit	

(C8)
UNI-CONTROL
(K6)
FOR STARTING MOTOR



COUNTER SHAFT WITH SELECTOR

Item	Part Number	Qty	Description	Comments
1	D45136900	1	Hydr Hose	
	D28761138	1	Clutch	POS. 2-12
2	D28710334	1	Shaft	
3	D42512000	1	Circlip	
4	D28710333	1	Bush	
5	D41615100	2	Bearing Ball	
6	D42500700	1	Circlip	
7	D28380297	1	Spacer	
9	D45410500	2	Ring	
11	D28710329	1	Screw	
12	D45420000	1	Seal	
13	D45729300	1	Clamp	
14	D28711000	1	Pipe	
15	D28710344	1	Cylinder	
16	D45411000	1	Ring	
17	D45400400	1	Ring	
18	D28751450	3	Screw	
19	D41012000	3	Nut Metric	
20	D43001500	1	Greaser	
21	D28751226	1	Pulley Half	
22	D45467400	2	O Ring	
23	D41980900	1	Belt	
24	D45464600	1	O Ring	
25	D28751439	1	Pulley Half	
26	D42596500	1	Bush	
27	D28751440	1	Spacer	
28	D28750057	1	Pulley	(28)
	D28752044	1	Pulley	(30)
29	D41990069	1	V Belt	
	D41990400	1	Belt	(T5)
30	D41936200	1	V Belt	
31	D28250444	1	Bolt	
32	D28250441	1	Roller	
33	D28250445	1	Spacer	
34	D28752114	1	Bracket	(R4) + F.40901
34	D28750078	1	Bracket	T.40900
35	D20400419	1	Washer	
36	D41010800	1	Nut Metric	
37	D41011100	1	HEXAGON SCREW	
38	D28550109	1	Bolt	
39	D41713000	2	Bearing	(28)
	D41715700	2	Bearing Assy	(30)
40	D41713200	2	Bearing Ball	(28)
	D41715900	2	Bearing Assy	(30)
41	D28750614	2	Shim	
42	D20400518	4	Spacer	
43	D40416500	4	HEXAGON SCREW	
44	D43005100	2	Greaser	
45	D28752045	1	Bush	(30)
46	D43104700	1	Key	
47	D43106400	1	Key	
48	D28751215	1	Countershaft	(28)
	D28752043	1	Countershaft	(30)
49	D43157700	1	Gib Key	
50	D28850985	1	Bracket	
51	D44732400	1	Bush	
52	D28750187	1	Retainer	
53	D20400409		Washer	
54	D40404700		Screw Metric	
55	D28750182	1	Retainer	
56	D28750189	1	Band	
57	D40407600	4	Screw	
58	D20400471	4	Washer	
59	D28750001	1	Pulley	
60	D41934800	1	Kit, Belt	
61	D41991300	1	Belt	(30)
	D41993400	1	Belt	(28)
62	D28750181	1	Retainer	
63	D28752046	1	Ring	(30)

**MASSEY FERGUSON
MF 31 COMBINE - 819726**

819726

11-1

COUNTER SHAFT WITH SELECTOR

Item	Part Number	Qty	Description	Comments
64	D28752117	1	Retainer	F.40901
65	D20400419	6	Washer	F.40901
66	D40407700	1	Screw	F.40901
67	D43107500	1	Key	F.43574
68	D28752267	1	Hub	F.43574
69	D28752253	1	Pulley	F.43574
70	D41988000	1	V Belt	F.43574
71	D40466500	2	Setscrew	F.43574
72	D40407600	4	Screw	F.43574
73	D20400471	4	Washer	F.43574
74	D41622700		Bearing Ball	
75	D42513700		Circlip	
76	D45232400	1	Washer	

(R4)

UP TO 40900 INC - USE THE PART TOGETHER WITH 28752 117

(T5)

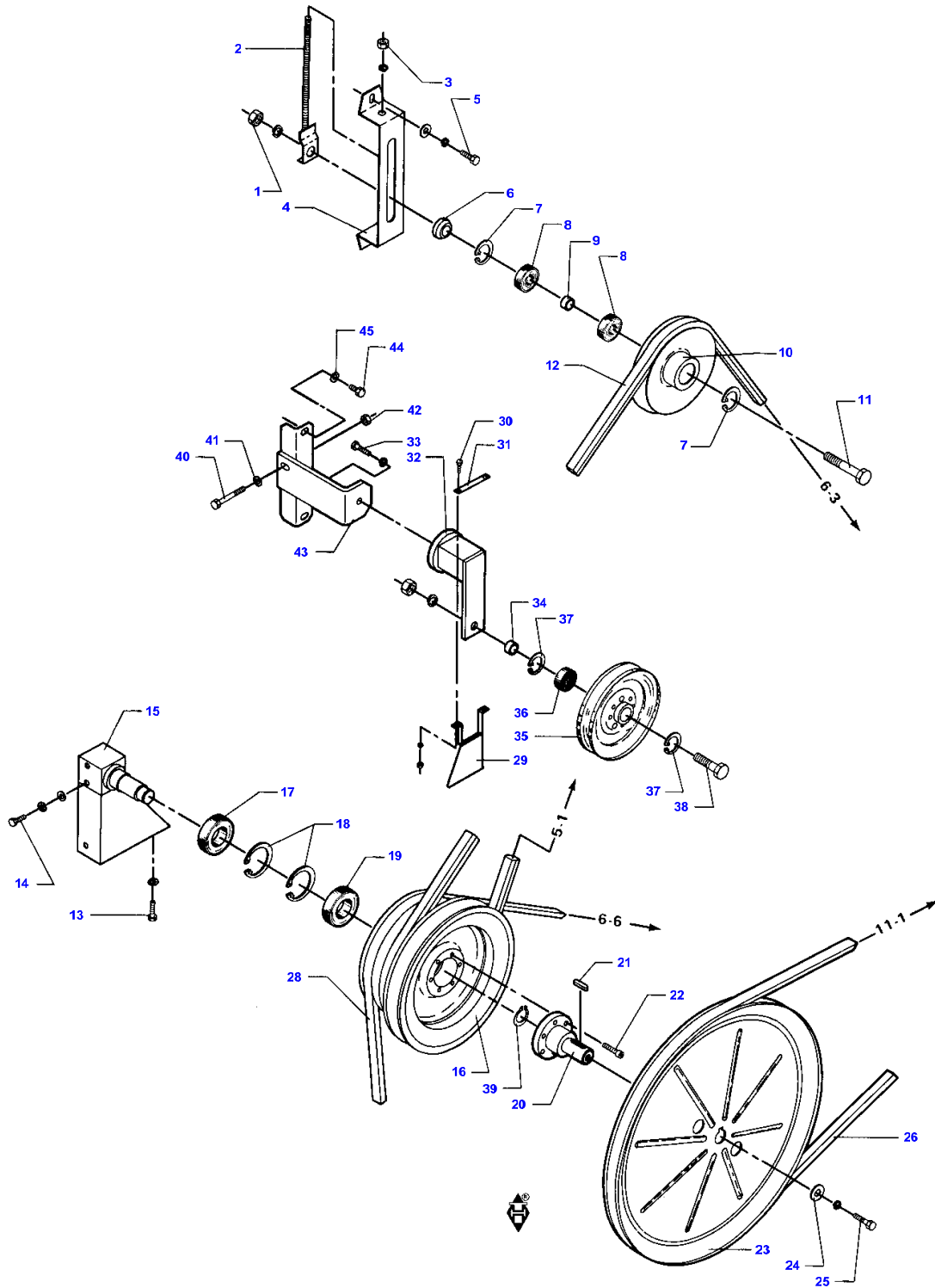
ONLY FOR DRY LANDS

(28)

PERKINS 153 HP

(30)

FOR ENGINE TYPE 611 DSL + PERK. 170 HP.



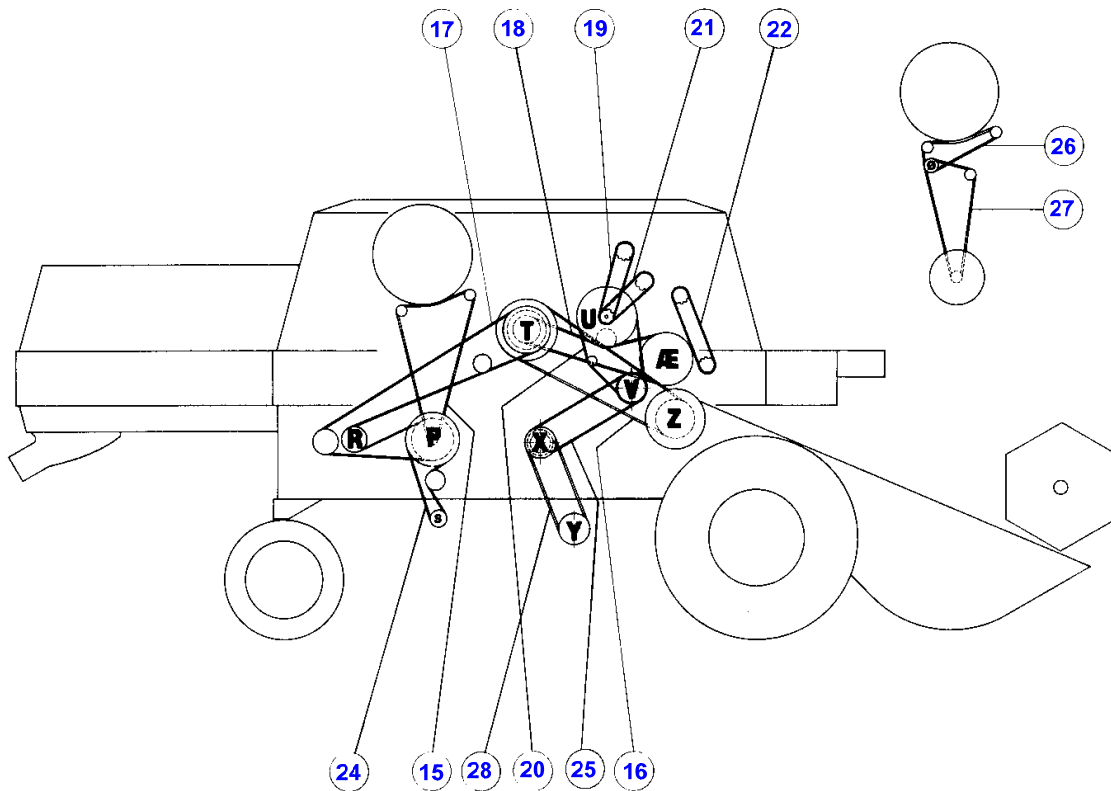
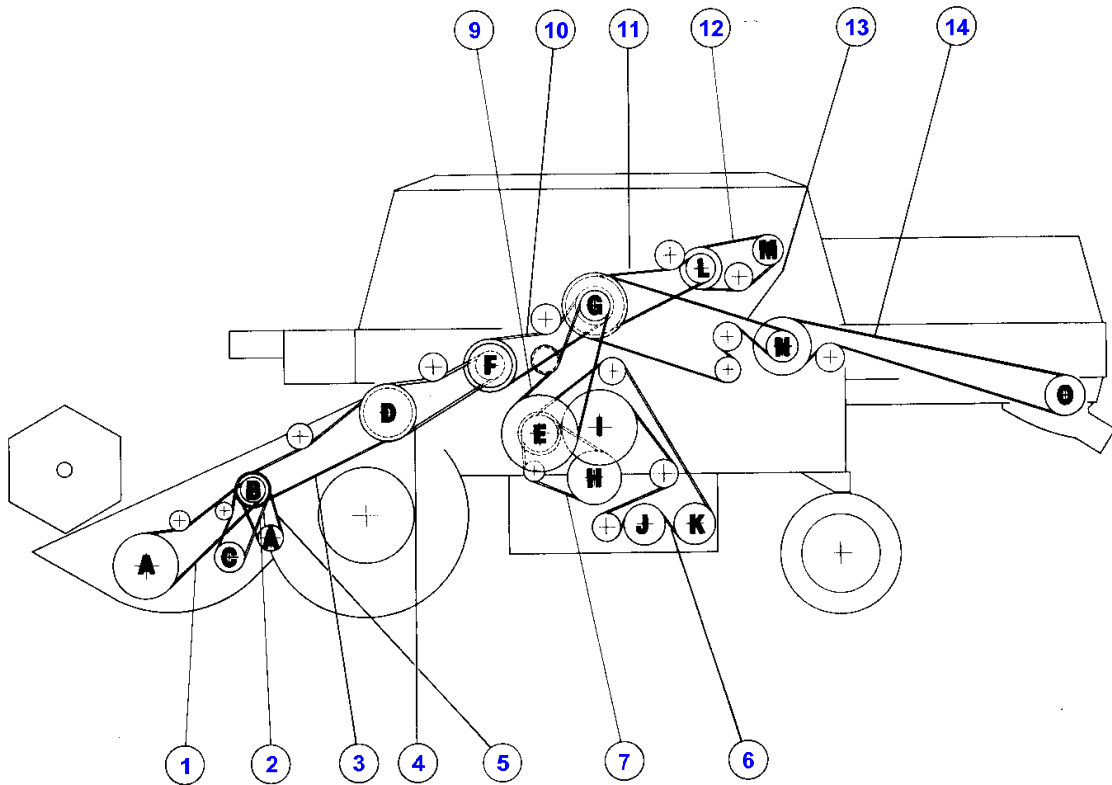
**MASSEY FERGUSON
MF 31 COMBINE - 819726**

819726

11-2

COUNTER DRIVE FOR CLEANING UNIT AND SHAKERS

Item	Part Number	Qty	Description	Comments
1	D41088100	1	Locknut	
2	D28450035	1	Bolt	
3	D41010900	1	Nut Metric	
4	D28450031	1	Bracket	
5	D40407600	2	Screw	
6	D28450032	1	Pipe	
7	D42514000	2	Circlip	
8	D41622800	2	Bearing Ball	
9	D28430213	1	Spacer	
10	D28430211	1	Pulley	
11	D28250370	1	Bolt	
12	D41990069	1	V Belt	F.40975
	D41990100	1	V Belt	T.40974
	D41990400	1	Belt	(T5) F.40975
12	D41990300	1	Belt	(T5) T.40974
13	D40407400	1	HEXAGON SCREW	
14	D40426300	3	HEXAGON SCREW	
15	D28751467	1	Holder	
16	D28751894	1	Pulley	POS. 17-19
17	D41623100	1	Bearing Ball	
18	D42515400	2	Circlip	
19	D41629800	1	Bearing Ball	
20	D28752012	1	Flange	(P) F.39078
20	D28730343	1	Flange	T.39077
21	D43104700	1	Key	
22	D40607900	6	Screw Metric	
23	D28430050	1	Pulley	
24	D20400425	1	Washer	
25	D40411000	1	HEXAGON SCREW	
26	D41987800	1	V Belt	
	D41988000	1	V Belt	F.43911
28	D41982400	1	V Belt	
	D41982500	1	Belt	(T5)
29	D28752257	1	Plate	F.43911
	D28752001	1	Plate	F.39078
	D28750724	1	Plate	T.39077
30	D40402400	2	Screw Metric	
31	D28750723	1	Dog	
32	D28750212	1	Tensioner	
33	D40410800	1	HEXAGON SCREW	
34	D28760155	1	Bush	
	D28752131	1	Roller	(ZO) T.43456
35	D28760159	1	Pulley	F.43911
	D28752130	1	Roller	T.43456
36	D41622700	1	Bearing Ball	F.41327
37	D42513700	1	Circlip	F.41327
38	D28760156	1	Screw	
39	D42503300	1	Circlip	
40	D40426500	1	Screw	F.43911
41	D20400471	1	Washer	F.43911
42	D41013600	1	Nut	F.43911
43	D28752246	1	Bracket	F.43911
44	D40477000	2	Screw	F.43911
45	D20400471	2	Washer	F.43911
				(P) USED F.39078-T.43910 (T5) ONLY FOR DRY LANDS (ZO) POS. 35-37

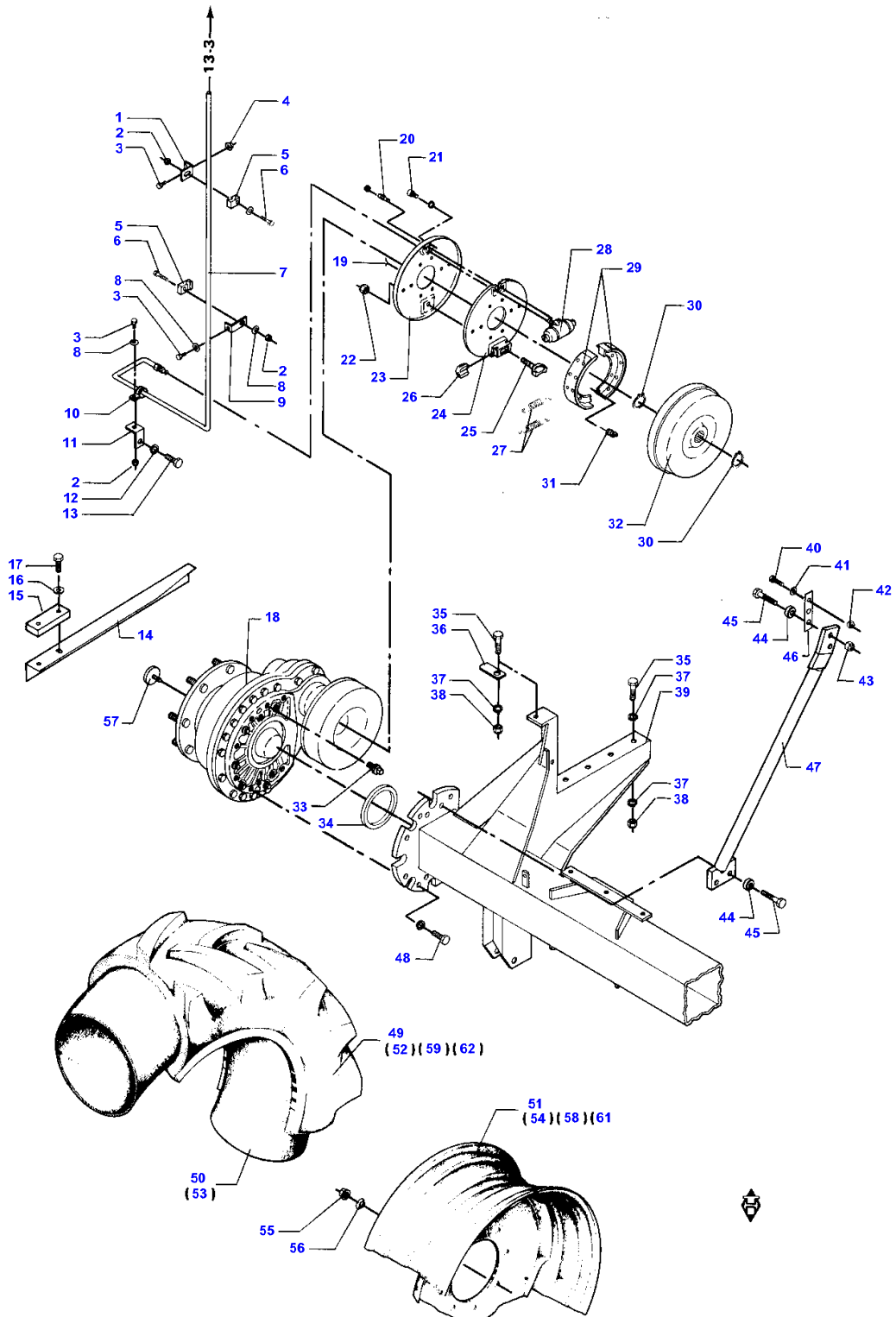


BELT MOUNTING

Item	Part Number	Qty	Description	Comments
1	D41983500	1	V Belt	(R9)
	D41983500	2	V Belt	(R8)
	D41983600	2	Belt	(T8)
	D41983600	2	Belt	(T5)
2	D41963900	3	Belt	(T8)
	D41963900	2	Belt	(T5)
				14' - 16'
2	D41964300	2	V Belt	
3	D41989400	1	V Belt	F.39275
	D41989200	2	V Belt	T.39274
4	D41991700	1	Belt	
7	D41982400	1	V Belt	T.45559
	D41982500	1	Belt	F.45560
8	D41990069	1	V Belt	F.40975
	D41990100	1	V Belt	T.40974
	D41990400	1	Belt	(T5)
				F.40975
8	D41990300	1	Belt	(T5)
				T.40974
9	D41987800	1	V Belt	
	D41988000	1	V Belt	F.43911
10	D41934800	1	Kit, Belt	
11	D41991300	1	Belt	(30)
	D41993400	1	Belt	(28)
12	D41930200	3	V Belt	
13	D41942100	2	V Belt	
14	D41987600	1	V Belt	
15	D41912400	1	V Belt	PERKINS
	D41912300	1	V Belt	(T5)
16	D41980900	1	Belt	
17	D41990069	1	V Belt	
	D41990400	1	Belt	(T5)
18	D41936200	1	V Belt	
19	D42328100	1	Chain	
20	D41982500	1	Belt	
21	D42328200	1	Chain	
22	D42328400	1	Chain	
24	D41929100	1	V Belt	
25	D41987900	1	V Belt	
26	D41905300	1	Belt	(T1)
27	D41911000	1	Belt	(T1)
28	D41982200	1	V Belt	F.39541
	D41982100	1	Belt	(T5)
				T.39540
28	D41987900	1	V Belt	T.39540
				(R8)
				FOR TABLES WITH DOUBLE BELT
				(R9)
				FOR TABLES WITH SINGLE BELT
				(T1)
				FOR ENGINE TYPE 611 DSL
				(T5)
				ONLY FOR DRY LANDS
				(T8)
				18'
				(28)
				PERKINS 153 HP
				(30)
				FOR ENGINE TYPE 611 DSL + PERK. 170 HP.
A			Drum	
B			Countershaft	
C			Crankshaft	
D			Feeder	
E			Shaft	
F			Stripper	
G			Transmission	
H			Shaft	
I			Crank	
J			Auger	
K			Auger	

BELT MOUNTING

Item	Part Number	Qty	Description	Comments
L			Engine	
M			Hydraulic Pump	
N			Drive	
O			Straw Chopper	
P			Shaft	
R			Shaft	
S			Grinder	
T			Selector	
U			Auger	
V			Beater	
X			Selector	
Y			Fan	
Z			Drum	
AE			Auger	
0			Radiator	
A*			Reducer	



DRIVING WHEELS AND SIDE PINIONS ON THE RIGHT

Item	Part Number	Qty	Description	Comments
1	D28150925	1	Hinge	
2	D41087400		Locknut	
3	D40402600		Screw Metric	
4	D41013400		Nut	
5	D45738700	2	Support	
6	D40421800		HEXAGON SCREW	
7	D28151342	1	Brake Hose	COBRA
	D28751480	1	Pipe	ZF
8	D20400470		Washer	
9	D28751238	1	Bracket	
10	D45729400	1	Clamp	ZF
11	D28150929	1	Retainer	ZF
12	D28181284	1	Washer	
13	D40416600	10	Screw Metric	
14	D28150741	1	Scraper	(V)
15	D28151030	1	Spacer	(V)
16	D20400446	2	Washer	(V)
17	D40428600	2	HEXAGON SCREW	(V)
18	D46116200	1	Final Drive	ZF
				Right Hand
18	D46136900	1	Final Drive	COBRA
19	D46100563	2	Retainer	
20	D46116400	1	Valve	ZF
21	D40690200	2	Screw Metric	ZF
22	D41090100	1	Locknut	ZF
23	D46100566	1	Lock Washer	ZF
24	D46100562	1	Plate	ZF
25	D46100568	1	Adjuster	ZF
26	D46100565	1	Bolt	ZF
27	D46100363	2	Spring	ZF
28	D46100560	1	Hub	ZF
29	D46100561	2	Brake Shoe	ZF
30	D46100403	2	Circlip	ZF
31	D46100564	1	Spring	ZF
32	D46100567	1	Brake Drum	ZF
33	D46116500	1	Valve	
34	D28140370	1	Ring	ZF
35	D40433400	6	HEXAGON SCREW	
36	D28350115	1	Stop	
37	D28181284	11	Washer	
38	D41087900	6	Locknut	
39	D28150921	1	Front Axle	ZF
	D28151327	1	Front Axle	COBRA
40	D40414000	1	HEXAGON SCREW	
41	D20400430	1	Washer	
42	D41087800	1	Locknut	
43	D41087900	2	Locknut	
44	D28151003	5	Spacer	
45	D40433600	5	HEXAGON SCREW	
46	D28151004	1	Dog	
47	D28151005	1	Support	ZF
	D28151335	1	Support	COBRA
48	D40416600	10	Screw Metric	
	D28151175	1	Wheel	POS. 49-51 23.1-26
50	D46707800	1	Tube	
51	D28151173	1	Rim	
	D28151178	1	Wheel	(95) POS. 52-54
52	D46734500	1	Tyre	
54	D28151176	1	Rim	
55	D41020000	8	Nut	
56	D41110300	8	Washer	
57	D45085400	1	Reflector	
	D28151379	1	Wheel	231R.26 Right Hand POS. 58-60
58	D28151173	1	Rim	
59	D46736400	1	Tyre	
60	D46737200	1	Valve	

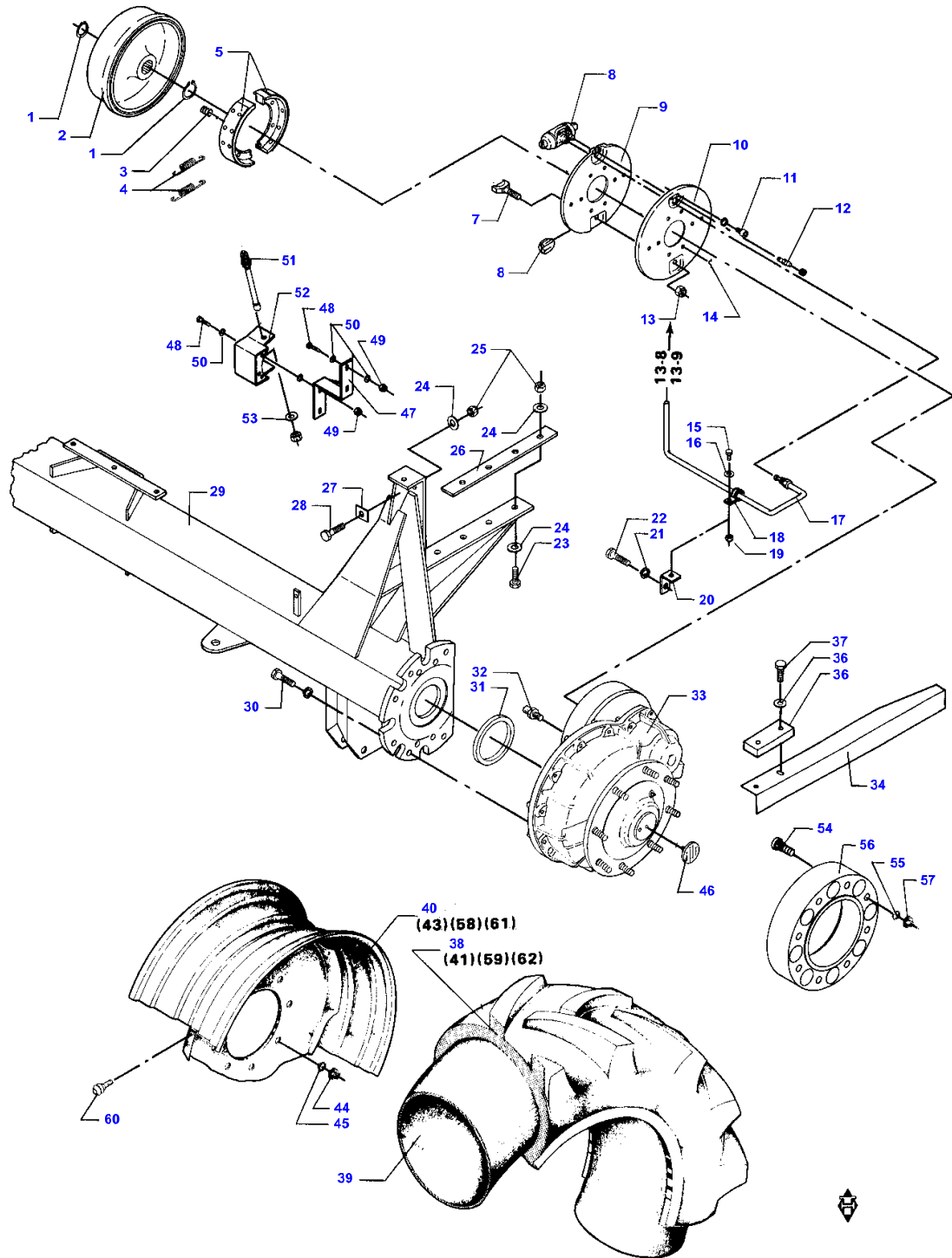
MASSEY FERGUSON
MF 31 COMBINE - 819726

819726

12-1

DRIVING WHEELS AND SIDE PINIONS ON THE RIGHT

Item	Part Number	Qty	Description	Comments
	D28151381	1	Wheel	Right Hand POS. 61-62
61	D28151324	1	Rim	
62	D46736600	1	Tyre	(V) MAIZE EQUIPMENT (94) COBRA (95) ZF



DRIVING WHEELS AND SIDE PINIONS ON THE LEFT

Item	Part Number	Qty	Description	Comments
1	D46100403	2	Circlip	ZF
2	D46100567	1	Brake Drum	ZF
3	D46100564	2	Spring	ZF
4	D46100363	2	Spring	ZF
5	D46100561	2	Brake Shoe	ZF
6	D46100565	1	Bolt	ZF
7	D46100568	2	Adjuster	ZF
8	D46100560	1	Hub	ZF
9	D46100562	1	Plate	ZF
10	D46100566	1	Lock Washer	ZF
11	D40690200	2	Screw Metric	ZF
12	D46116400	1	Valve	ZF
13	D41090100	1	Locknut	ZF
14	D46100563	2	Retainer	ZF
15	D40402600	1	Screw Metric	
16	D20400470	1	Washer	
17	D28151341	1	Brake Hose	COBRA Left Hand
17	D28751481	1	Pipe	ZF Left Hand
18	D45729400	1	Clamp	ZF
19	D41087400	1	Locknut	
20	D28150929	1	Retainer	ZF
21	D28181284	1	Washer	
22	D40416600	10	Screw Metric	
23	D40433600	4	HEXAGON SCREW	
24	D28181284	10	Washer	
25	D41087900	6	Locknut	
26	D28150912	1	Shim	
27	D28150914	2	Washer	
28	D40433400	2	HEXAGON SCREW	
29	D28150921	1	Front Axle	ZF
29	D28151327	1	Front Axle	COBRA
30	D40416600	10	Screw Metric	
31	D28140370	1	Ring	
32	D46116500	1	Valve	
33	D46116300	1	Final Drive	Left Hand ZF
33	D46136900	1	Final Drive	COBRA
34	D28150740	1	Anglepiece	Left Hand (V)
35	D28151030	1	Spacer	(V)
36	D20400446	2	Washer	(V)
37	D40428600	2	HEXAGON SCREW	(V)
37	D28151174	1	Wheel	23.1-26 POS. 38-40
39	D46707800	1	Tube	
40	D28151173	1	Rim	
40	D28151177	1	Wheel	28.1-26 (95) POS. 41-43
43	D28151176	1	Rim	
44	D41020000	8	Nut	
45	D41110300	8	Washer	
46	D45085400	1	Reflector	
47	D28151181	1	Bracket	COBRA
48	D40405100	4	Screw Metric	COBRA
49	D41087500	4	Locknut	COBRA
50	D20400409	8	Washer	COBRA
51	D28751812	1	Sensor	(C8)
52	D28751875	1	Bracket	
53	D20400428	1	Washer	
54	D46113300	8	Bolt	(3)
55	D41110300	8	Washer	(3)
56	D28151064	1	Spacer	(3)
57	D41020000	8	Nut	(3)
57	D28151378	1	Wheel	23.1R26 Left Hand POS. 58-60
58	D28151378	1	Wheel	

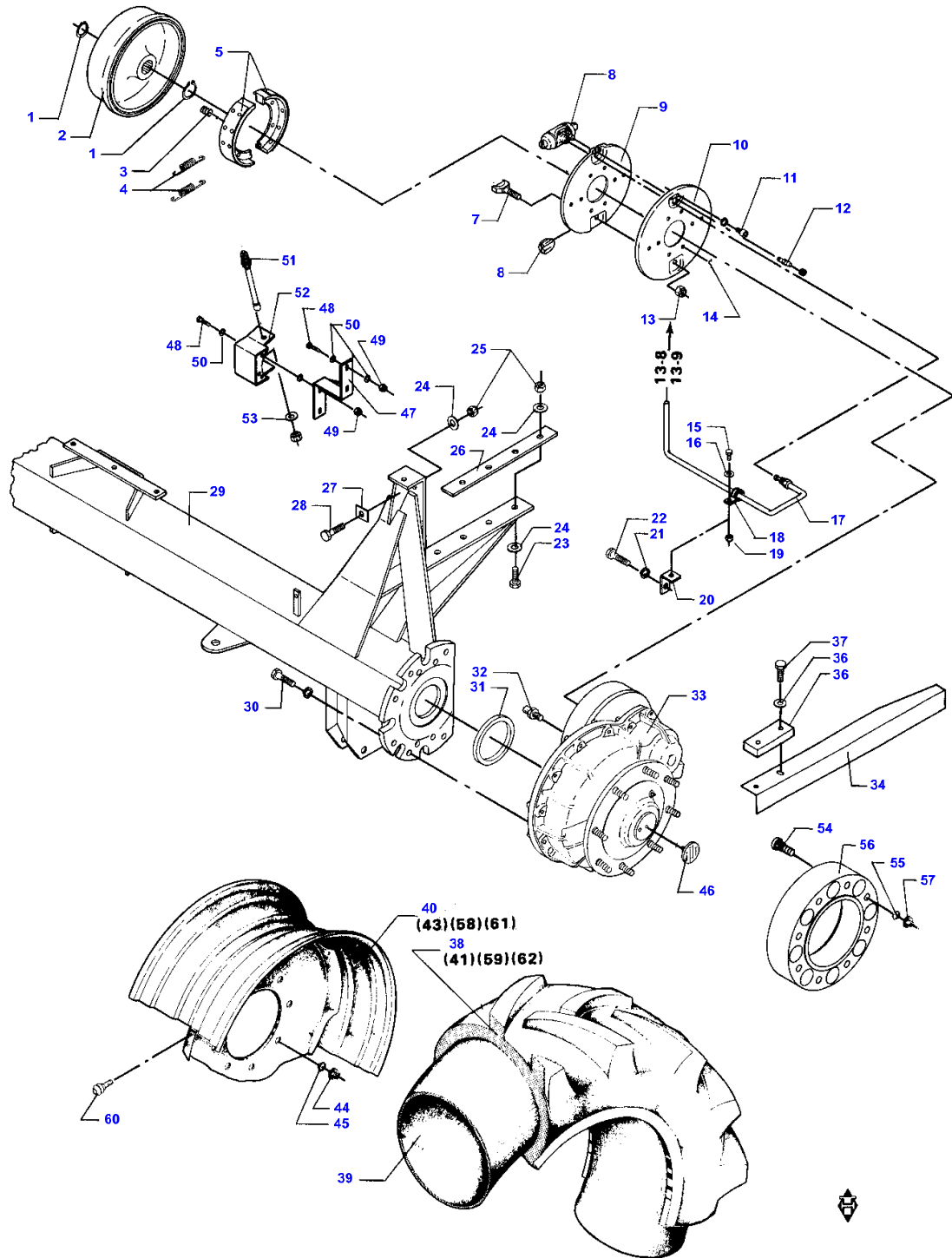
MASSEY FERGUSON
MF 31 COMBINE - 819726

819726

12-2

DRIVING WHEELS AND SIDE PINIONS ON THE LEFT

Item	Part Number	Qty	Description	Comments
59	D46736400	1	Tyre	
60	D46737200	1	Valve	
	D28151380	1	Wheel	28LR26 Left Hand (94) POS. 61-62
61	D28151324	1	Rim	
62	D46736600	1	Tyre	(C8) UNI-CONTROL (V) MAIZE EQUIPMENT (3) OPTIONAL EQUIPMENT (94) COBRA (95) ZF



DRIVING WHEELS AND SIDE PINIONS ON THE LEFT

Item	Part Number	Qty	Description	Comments
1	D46100403	2	Circlip	ZF
2	D46100567	1	Brake Drum	ZF
3	D46100564	2	Spring	ZF
4	D46100363	2	Spring	ZF
5	D46100561	2	Brake Shoe	ZF
6	D46100565	1	Bolt	ZF
7	D46100568	2	Adjuster	ZF
8	D46100560	1	Hub	ZF
9	D46100562	1	Plate	ZF
10	D46100566	1	Lock Washer	ZF
11	D40690200	2	Screw Metric	ZF
12	D46116400	1	Valve	ZF
13	D41090100	1	Locknut	ZF
14	D46100563	2	Retainer	ZF
15	D40402600	1	Screw Metric	
16	D20400470	1	Washer	
17	D28151341	1	Brake Hose	COBRA Left Hand
17	D28751481	1	Pipe	ZF Left Hand
18	D45729400	1	Clamp	ZF
19	D41087400	1	Locknut	
20	D28150929	1	Retainer	ZF
21	D28181284	1	Washer	
22	D40416600	10	Screw Metric	
23	D40433600	4	HEXAGON SCREW	
24	D28181284	10	Washer	
25	D41087900	6	Locknut	
26	D28150912	1	Shim	
27	D28150914	2	Washer	
28	D40433400	2	HEXAGON SCREW	
29	D28150921	1	Front Axle	ZF
29	D28151327	1	Front Axle	COBRA
30	D40416600	10	Screw Metric	
31	D28140370	1	Ring	
32	D46116500	1	Valve	
33	D46116300	1	Final Drive	Left Hand ZF
33	D46136900	1	Final Drive	COBRA
34	D28150740	1	Anglepiece	Left Hand (V)
35	D28151030	1	Spacer	(V)
36	D20400446	2	Washer	(V)
37	D40428600	2	HEXAGON SCREW	(V)
37	D28151174	1	Wheel	23.1-26 POS. 38-40
39	D46707800	1	Tube	
40	D28151173	1	Rim	
40	D28151177	1	Wheel	28.1-26 (95) POS. 41-43
43	D28151176	1	Rim	
44	D41020000	8	Nut	
45	D41110300	8	Washer	
46	D45085400	1	Reflector	
47	D28151181	1	Bracket	COBRA
48	D40405100	4	Screw Metric	COBRA
49	D41087500	4	Locknut	COBRA
50	D20400409	8	Washer	COBRA
51	D28751812	1	Sensor	(C8)
52	D28751875	1	Bracket	
53	D20400428	1	Washer	
54	D46113300	8	Bolt	(3)
55	D41110300	8	Washer	(3)
56	D28151064	1	Spacer	(3)
57	D41020000	8	Nut	(3)
57	D28151378	1	Wheel	23.1R26 Left Hand POS. 58-60
58	D28151378	1	Wheel	

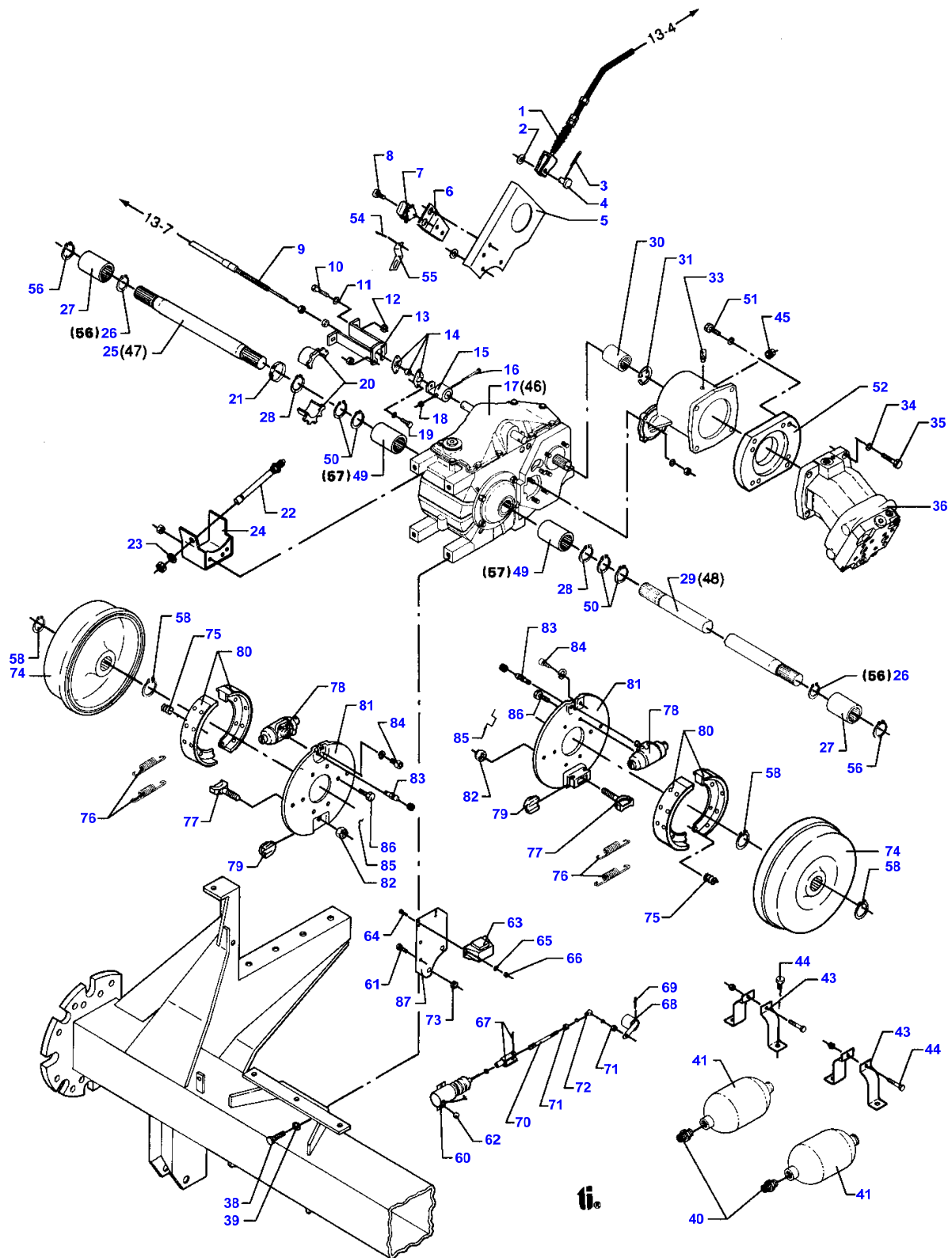
MASSEY FERGUSON
MF 31 COMBINE - 819726

819726

12-2

DRIVING WHEELS AND SIDE PINIONS ON THE LEFT

Item	Part Number	Qty	Description	Comments
59	D46736400	1	Tyre	
60	D46737200	1	Valve	
	D28151380	1	Wheel	28LR26 Left Hand (94) POS. 61-62
61	D28151324	1	Rim	
62	D46736600	1	Tyre	(C8) UNI-CONTROL (V) MAIZE EQUIPMENT (3) OPTIONAL EQUIPMENT (94) COBRA (95) ZF



FRONT AXLE WITH GEARBOX AND SHAFTS

Item	Part Number	Qty	Description	Comments
1	D45924400	1	Cable	
2	D20400507	1	Spacer	
3	D44358000	1	Hair Pin	
4	D45905500	1	Bolt	
5	D28151337	1	Bracket	COBRA
	D28751434	1	Bracket	ZF
6	D28150975	1	Bracket	ZF
	D28151390	1	Bracket	COBRA
7	D45004900	1	Switch	
8	D40352000	2	Screw Metric	
9	D46436300	1	Cable	
10	D40405000	2	Screw Metric	
11	D20400409	2	Washer	
12	D41013500	2	Nut	
13	D28751169	1	Bracket	
14	D46434800	1	Ball Joint	
15	D28751172	1	Retainer	T.48176
	D28752270	1	Retainer	F.48199
16	D40421100	1	Screw Metric	
17	D46116100	1	Gearbox	ZF
	D46138400	1	Transmission	(91) COBRA
17	D46147200	1	Transmission	(92)
18	D41087300	1	Locknut	
19	D40402600	2	Screw Metric	
20	D28750971	1	Wheel	(C8)
21	D45728000	1	Clamp	(C8)
22	D28751812	1	Sensor	(C8) INCL. P. 23
23	D20400428	1	Washer	(C8)
24	D28151315	1	Support	(C8)
25	D28752147	1	Shaft	Right Hand ZF
25	D46138600	1	Axle	Right Hand COBRA
26	D46100403	2	Circlip	ZF
27	D46100402	2	Socket	ZF
28	D46100351	2	Circlip	
29	D28752148	1	Shaft	ZF Left Hand
29	D46138700	1	Axle	COBRA Left Hand
30	D45163700	1	Thimble	SAUER
	D46114200	1	Socket	
31	D46114300	1	Circlip	
32	D41087700	4	Locknut	
33	D46116500	1	Valve	
34	D20400426	4	Washer	
	D20400426	4	Washer	SAUER
35	D40411100	4	HEXAGON SCREW	SAUER
	D40428500	4	HEXAGON SCREW	
36	D45162000	1	Hydraulic Motor	
	D45163400	1	Hydraulic Motor	SAUER
37	D28150921	1	Front Axle	
38	D40416600	4	Screw Metric	
39	D28181284	4	Washer	
40	D45250500	2	Union	
41	D45100300	2	Accumulator	
42	D41013600	3	Nut	
43	D28752408	4	Support	+F.45921
44	D40405400	2	Screw Metric	
45	D46100592	1	Plug	
46	D46114500	1	Gearbox	(57) F.44611
47	D28752210	1	Shaft	Right Hand (57) F.44611
48	D28752211	1	Shaft	Left Hand

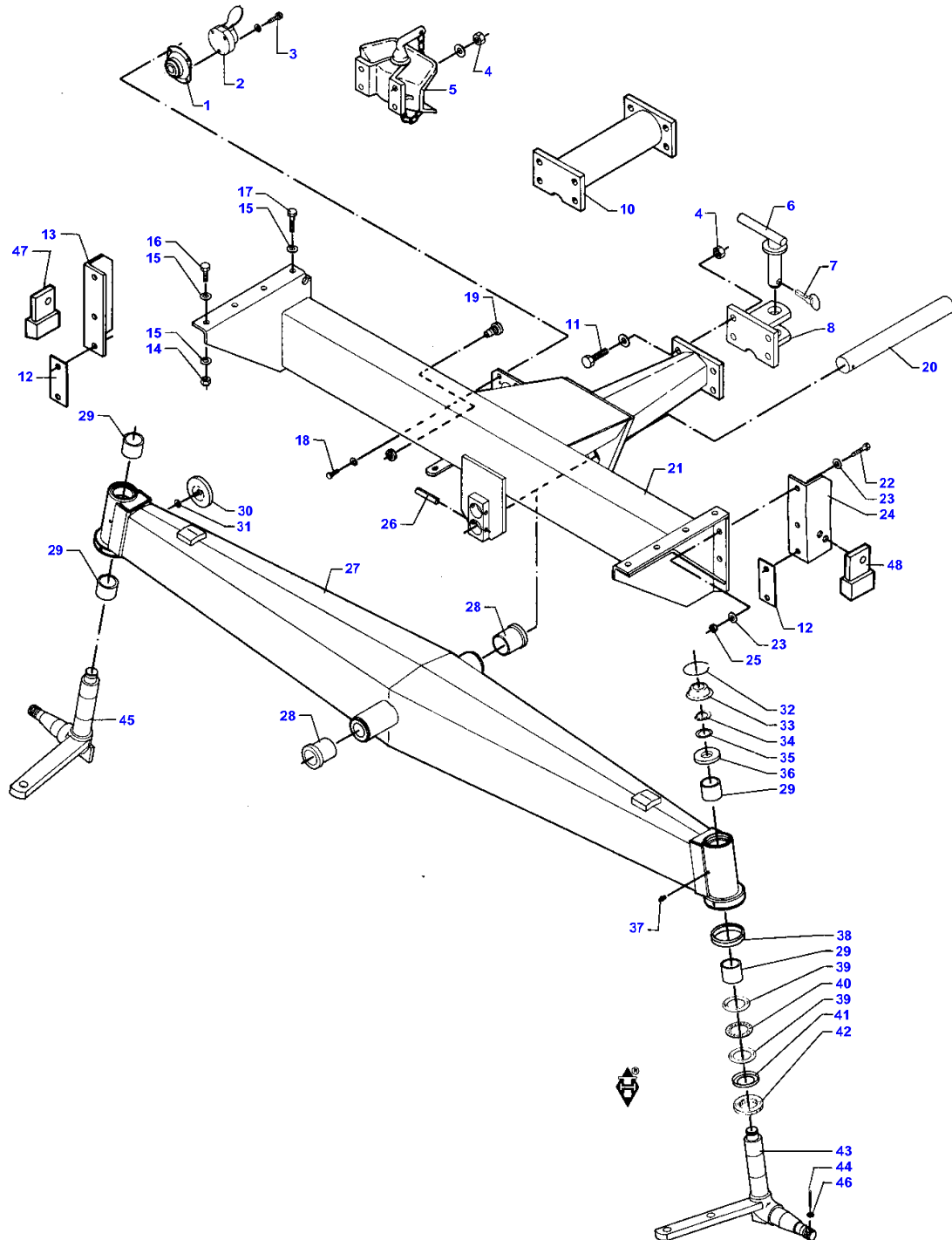
**MASSEY FERGUSON
MF 31 COMBINE - 819726**

819726

12-3

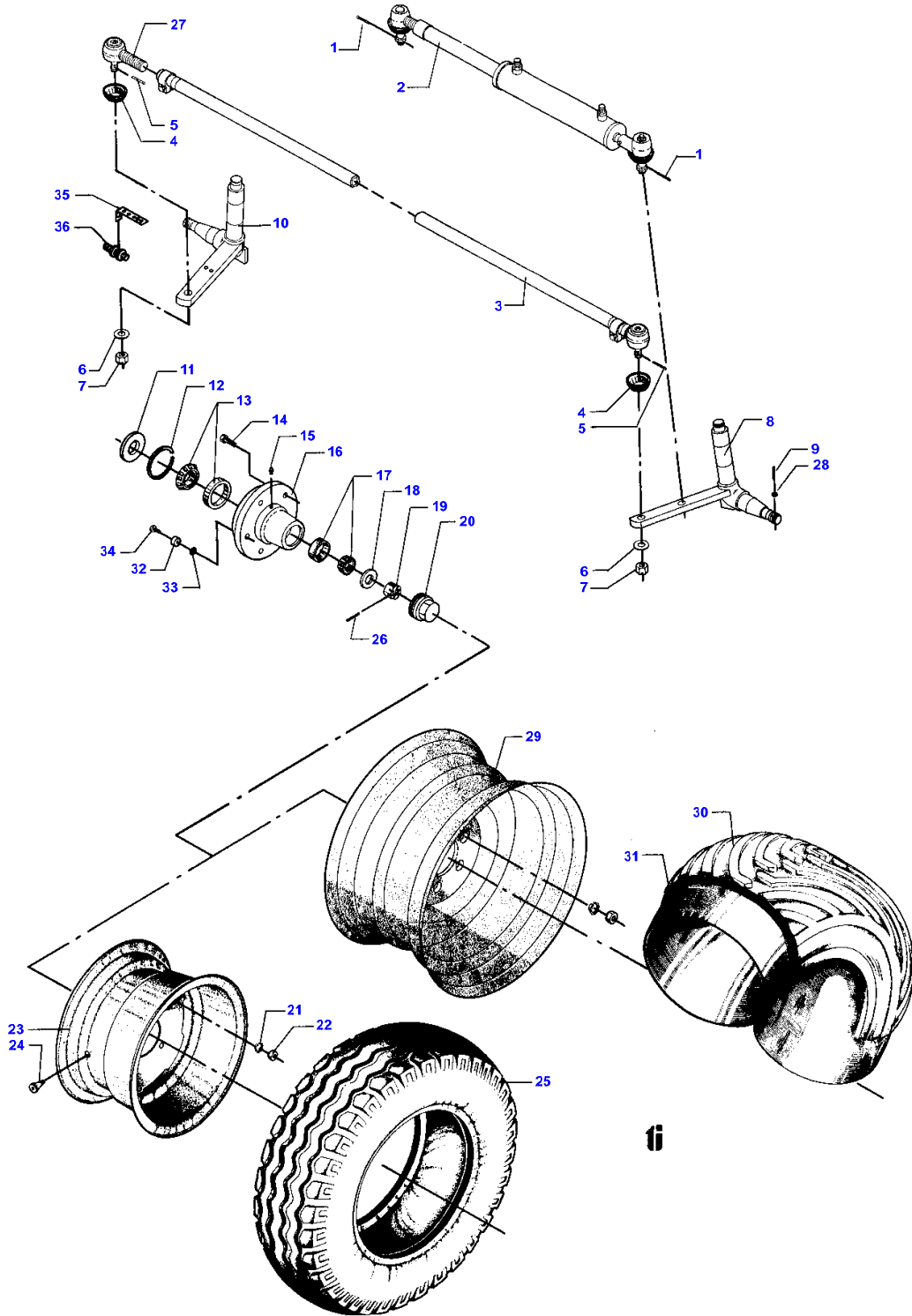
FRONT AXLE WITH GEARBOX AND SHAFTS

Item	Part Number	Qty	Description	Comments
				(57) F.44611
49	D46100402	2	Socket	(57) F.44611
50	D46100351	4	Circlip	(57) F.44611
51	D40411000	4	HEXAGON SCREW	SAUER
52	D28752359	1	Flange	SAUER
53	D41087500	2	Locknut	
54	D41402500	1	Pin	COBRA
55	D28151391	1	Hook	COBRA
56	D42509500	4	Circlip	COBRA
57	D46137100	2	Muff	COBRA
58	D46100351	4	Circlip	COBRA
59	D28151307	1	Support	F.48199
60	D28151105	1	Magnet	F.48199
61	D40402400	2	Screw Metric	F.48199
62	D41087400	2	Locknut	F.48199
63	D45089400	1	Relay	F.48199
64	D40400200	4	Setscrew	F.48199
65	D20400400	4	Washer	F.48199
66	D41010400	4	Nut	F.48199
67	D46438700	1	Fork	F.48199
68	D28151309	1	Lever	F.48199
69	D42609500	1	Pin	F.48199
70	D28151094	1	Rod	F.48199
71	D41010700	1	Nut Metric	F.48199
72	D46437200	1	Elbow	F.48199
73	D41010800	2	Nut Metric	F.48199
74	D46145900	2	Drum	COBRA
75	D46100564	2	Spring	COBRA
76	D46100363	4	Spring	COBRA
77	D46100565	2	Bolt	COBRA
78	D46100560	2	Hub	COBRA
79	D46100568	4	Adjuster	COBRA
80	D46100561	4	Brake Shoe	COBRA
81	D46146000	2	Plate	COBRA
83	D46116400	2	Valve	COBRA
84	D40690200	2	Screw Metric	COBRA
85	D46100563	4	Retainer	COBRA
86	D40410900	10	Screw	COBRA
				(C8) UNI-CONTROL (57) GEARBOX WITH DIFFERENTIAL - STYRING DEVICE - OPTIONAL EQUIPMENT (91) USED T.48176 (92) USED F. 48199



REAR AXLE

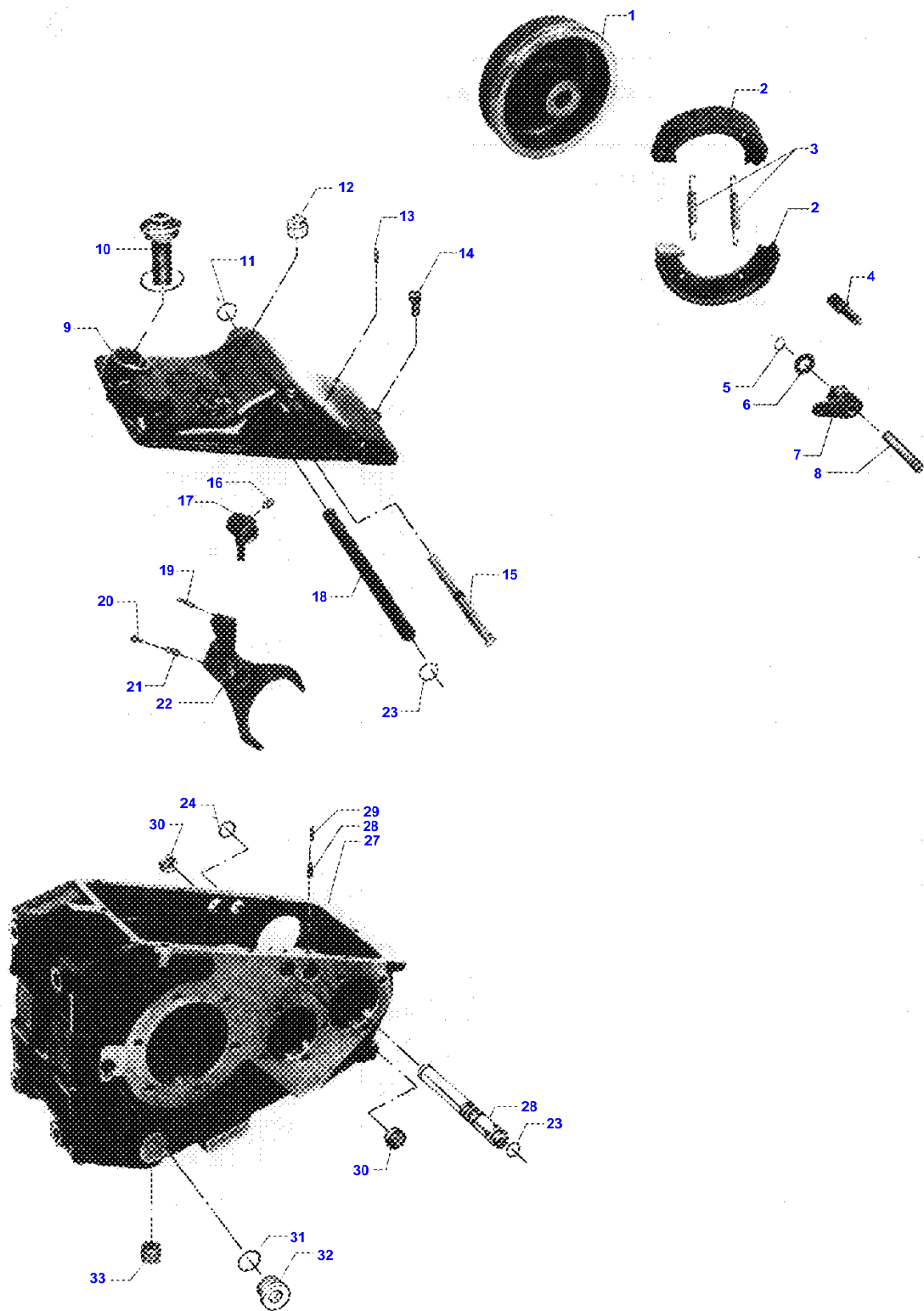
Item	Part Number	Qty	Description	Comments
1	D28751328	1	Bearing Housing	
2	D45005200	1	Socket	
3	D40371600	3	Screw Metric	
4	D41011000	4	HEXAGON SCREW	
5	D45906900	1	Coupling	
6	D28150802	1	Bolt	
7	D41446200	1	Pin	
8	D28150801	1	Fork	
9	D41011000	4	HEXAGON SCREW	
10	D28250786	1	Channel	T.42507
11	D40430900	4	HEXAGON SCREW	
12	D28150620	2	Shim	
13	D28150996	1	Bracket	
14	D41087800	8	Locknut	
15	D20400430		Washer	
16	D40431500	4	Screw Metric	
17	D40431200	4	Screw Metric	
18	D40402400	4	Screw Metric	
19	D45026700	1	Socket	
20	D28150587	1	Shaft	
21	D28150758	1	Casing	
22	D40428500	6	HEXAGON SCREW	
23	D20400447	12	Washer	
24	D28150997	1	Bracket	Left Hand
25	D41087700	6	Locknut	
26	D42616500	1	TIGHENING PIN	
27	D28150890	1	Shaft	(63) POS. 28-29
27	D28151302	1	Shaft	(62) POS. 28-29
28	D28150126	2	Bearing Bush	
29	D43339400	4	Bush	
30	D45085600	2	Reflector	(L2) F.42841
30	D45012600	2	Reflector	T.42840
31	D20400404	2	Washer	
32	D20300462	2	Spring	
33	D27100711	2	Cap	
34	D42502800	2	Circlip	
35	D42599000	2	Washer	
36	D28150131	2	Washer	
37	D43001500	4	Greaser	
38	D45413400	2	Seal	
39	D41667500	4	Washer	
40	D41664200	2	Bearing Assy	
41	D28160696	2	Shell	
42	D28150894	2	Thrust Washer	
43	D28150848	1	Pin	(63)
	D28151299	1	Spindle	(62)
44	D41411100	2	SPLIT PIN	
45	D28150849	1	Steering Knuckle	Right Hand
46	D20400468	2	Washer	
47	D28151146	1	Support	(3)
48	D28151147	1	Support	(3) (L2) ADHESIVE (3) OPTIONAL EQUIPMENT (62) USED F.45488 (63) USED T.45487



fi

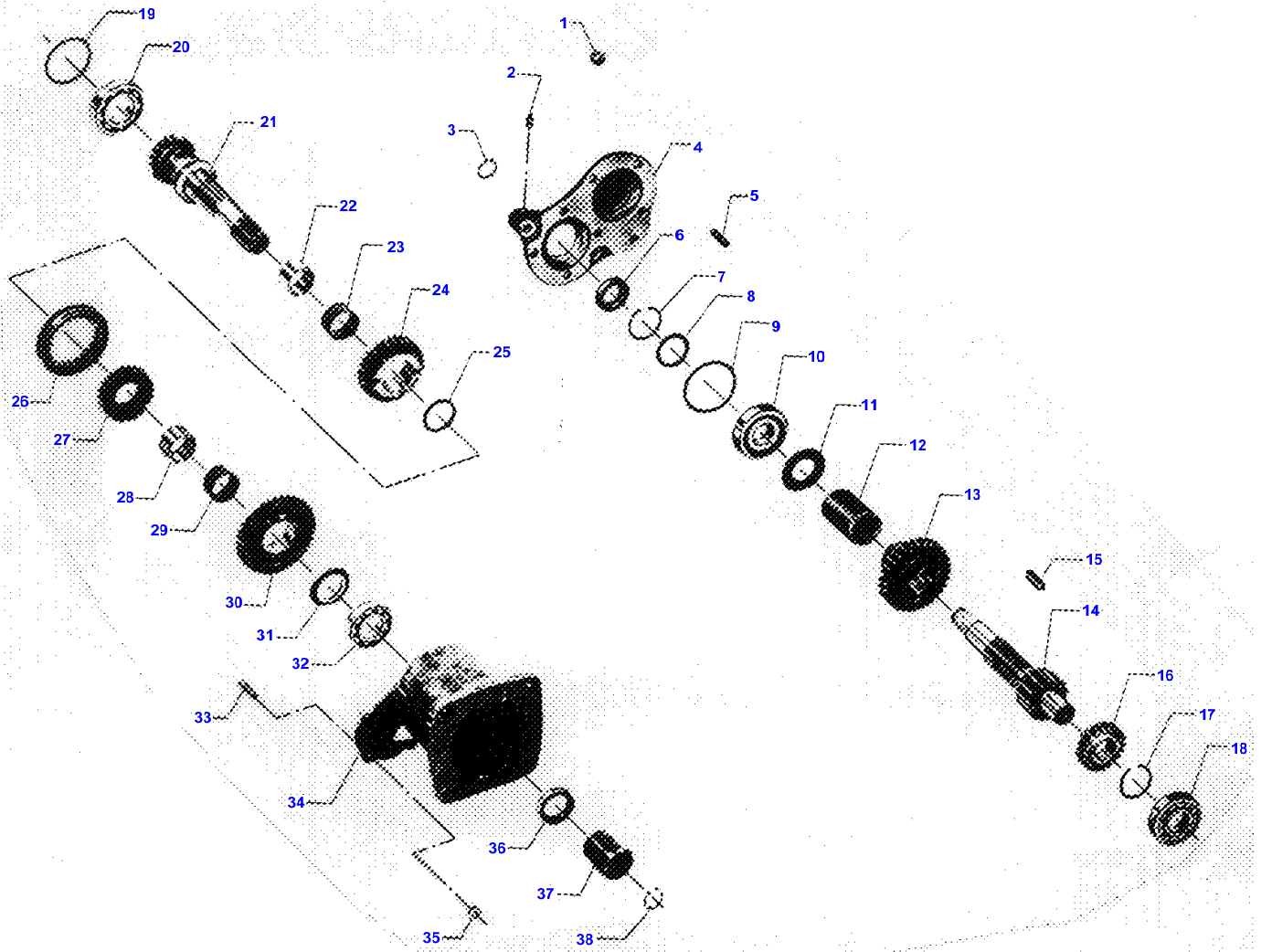
STEERING WHEEL AND STEERING CYLINDER

Item	Part Number	Qty	Description	Comments
1	D41406200	2	Pin	(63)
	D41408900	2	Pin	(62)
2	D28150883	1	Ram	(C3) T.45487
2	D28151301	1	Ram	(62)
3	D45901300	1	Steering Tie Rod	INCL. P. 4
4	D45901500	2	Cap	
5	D41405900	2	SPLIT PIN	
6	D20400429	2	Washer	
7	D41048600	2	Castle Nut	
8	D28150848	1	Pin	(63)
	D28151299	1	Spindle	(62)
9	D41410900	2	SPLIT PIN	
10	D28150849	1	Steering Knuckle	Right Hand
11	D28150895	2	Ring	
12	D45419300	2	Seal	
13	D41661500	2	Bearing Roller	
14	D40438000	10	Bolt	
15	D43001500	2	Greaser	
16	D28150899	2	Hub	
17	D41661200	2	Cup And Cone	
18	D20400467	2	Washer	
19	D41049000	2	Castle Nut	
20	D46722900	2	Cover	
21	D41111600	10	Circlip	
22	D41020200	10	Nut	
	D28151180	2	Wheel	12,5/80-18 POS. 23-25
23	D28151179	2	Rim	
24	D46737200	2	Valve	
25	D46737200	2	Valve	
26	D41410900	1	SPLIT PIN	
27	D45901000	1	Toggle	
28	D20400468	2	Washer	
	D28151151	1	Rim	(3) 400-22, 5/8-404
	D28151159	1	Rim	(3) 400-22, 5/8-404H
29	D28151150	1	Rim	(3)
30	D46734800	1	Tyre	(3)
31	D46738000	1	Tube	(3)
32	D45010092	1	Magnet	(3)
33	D20400404	1	Washer	
34	D40740100	1	Screw	
35	D45060066	1	Support	(3)
36	D45060067	1	Inductive Taker	(3) (C3) SEE PAGE 14 - 1 (3) OPTIONAL EQUIPMENT (62) USED F.45488 (63) USED T.45487



GEAR BOX 1, ZF

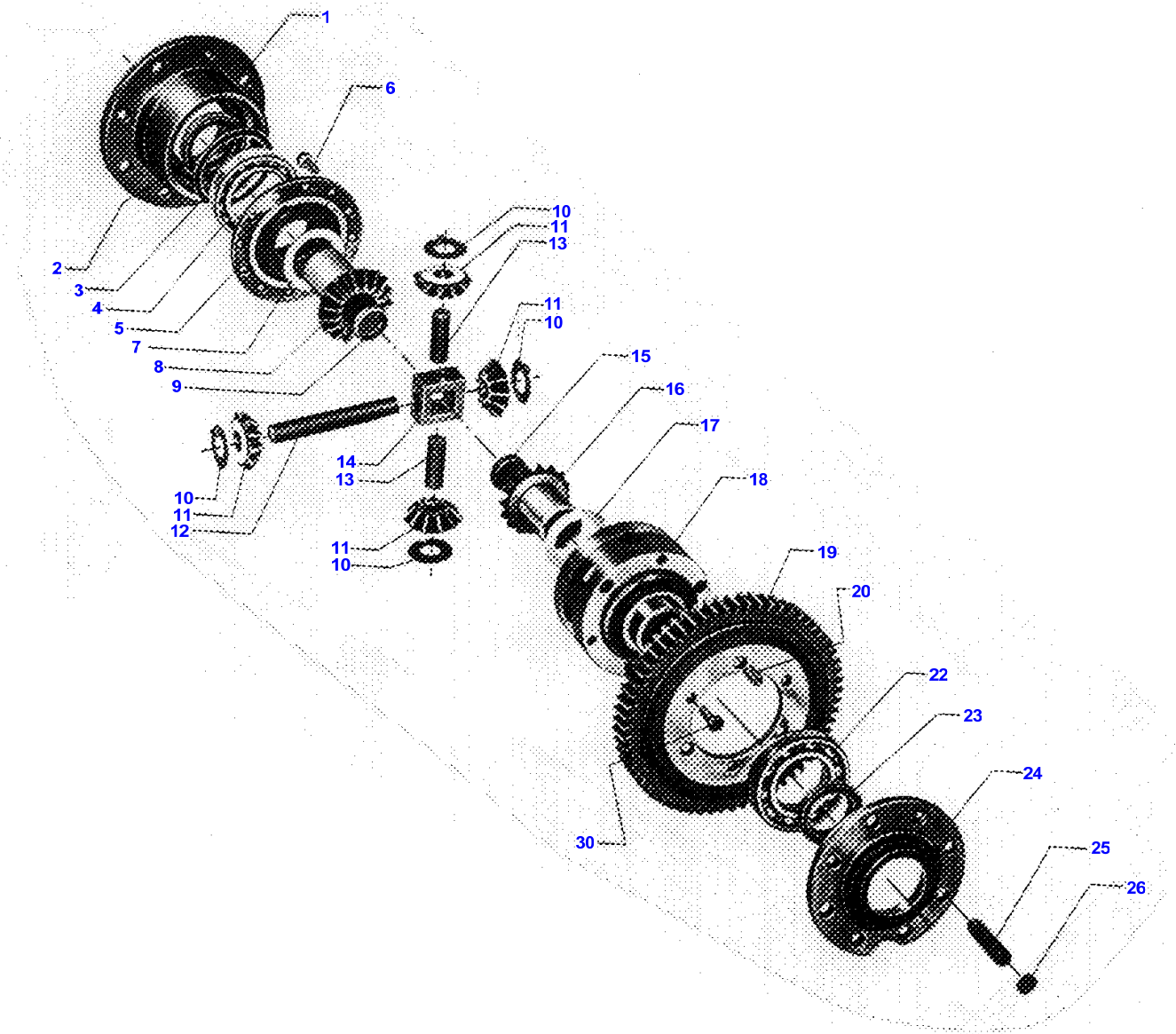
Item	Part Number	Qty	Description
1	D46100662	1	Brake Drum
2	D46100663	1	Brake Shoe
3	D46100622	2	Spring
4	D46100623	1	Bolt
5	D42501200	1	Circlip
6	D46100625	2	Washer
7	D46100626	1	Brake Lever
8	D46100624	1	Bolt
9	D46100069	1	Gasket
10	D46100615	1	Plug
11	D46100055	1	O Ring
13	D46100505	1	Pin
14	D40690400	10	Screw
15	D46100617	1	Shaft
16	D46100157	1	Pin
17	D46100130	1	Shifter
18	D46100616	1	Shaft
19	D42605100	1	TIGHENING PIN
20	D46100132	1	Lock
21	D46100124	1	Spring
22	D46100619	1	Fork
23	D46100055	1	O Ring
24	D46100054	2	O Ring
25	D46100506	1	Pin
26	D42611500	1	TIGHENING PIN
28	D46100618	1	
30	D46100508	2	Ring
31	D45232300	1	Washer
32	D46100579	1	Plug
33	D46100001	1	Plug



GEAR BOX 2, ZF

Item	Part Number	Qty	Description	Comments
1	D46100106	8	Nut Metric	
3	D42555000	2	Clip	
4	D46100610	1	Cover	
5	D46100307	8	Stud	
6	D46100056	1	O Ring	
7	D46100606	1	O Ring	(5)
8	D46100596	1	Spacer	(5)
	D46100597		Spacer	(5)
	D46100598	1	Spacer	(5)
	D46100599	1	Spacer	(5)
	D46100601	1	Spacer	(5)
	D46100602	1	Spacer	(5)
	D46100603	1	Spacer	(5)
	D46100604	1	Spacer	(5)
9	D46100107	1	Nut Metric	(5)
	D46100125	1	Washer	(5)
	D46100295	1	Spacer	(5)
	D46100296	1	Spacer	(5)
	D46100297	1	Spacer	(5)
10	D46100595	1	Bearing Assy	
11	D46100594	1	Spacer	
12	D46100593	1	Bush	
13	D46100609	1	Gear	
14	D46100607	1	Shaft	
15	D46100611	1	Key	
16	D46100608	1	Gear	
17	D46100606	1	O Ring	
18	D46100074	1	Bearing	
19	D46100107	1	Nut Metric	(5)
	D46100125	1	Washer	(5)
	D46100295	1	Spacer	(5)
	D46100296	1	Spacer	(5)
	D46100297	1	Spacer	(5)
20	D41624800	1	Bearing Ball	
21	D46100580	1	Shaft	
22	D46100583	1	Ring	
23	D46100584	1	Bearing Assy	
24	D46100589	1	Gear	
25	D46100587	1	Washer	
26	D46100586	1	Sleeve	
27	D46100585	1	Gear	
28	D46100583	1	Ring	
29	D46100584	1	Bearing Assy	
30	D46100590	1	Gear	
31	D46100582	1	Spacer	
32	D46100581	1	Bearing Assy	
33	D46100487	7	Stud	
34	D46100591	1	Housing	
35	D46100106	7	Nut Metric	
36	D46100588	1	Seal	
37	D46114200	1	Socket	
38	D46114300	1	Circlip	

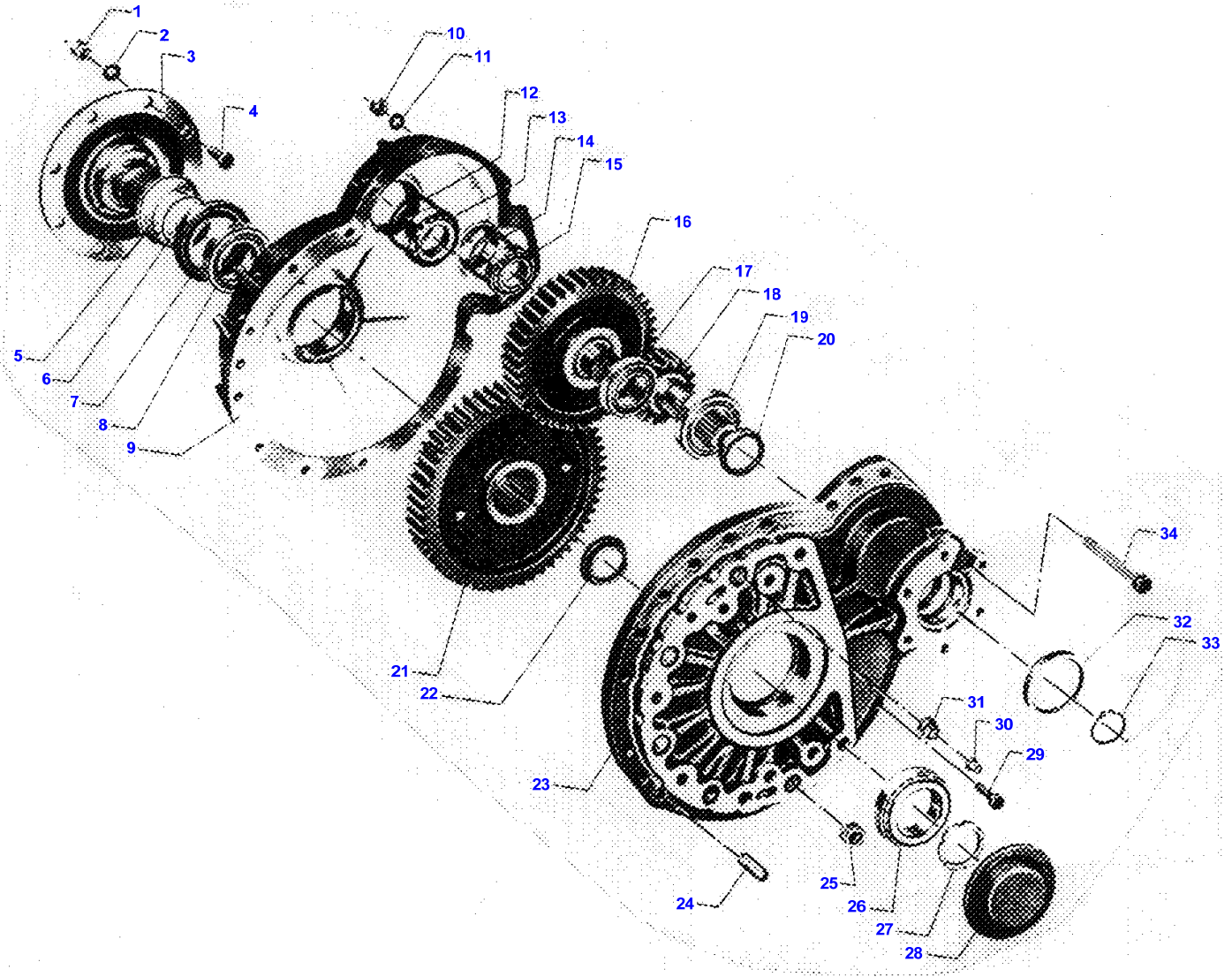
(5)
OPTIONAL



GEAR BOX 3, ZF

Item	Part Number	Qty	Description	Comments
1	D46100635	1	Cover	
2	D46100060	2	Seal	
3	D46100321	1	Washer	(5)
	D46100325	1	Washer	(5)
	D46100326	1	Washer	(5)
	D46100327	1	Washer	(5)
	D46100328	1	Washer	(5)
4	D41613800	1	Bearing Ball	
5	D46100628	1	Cover	
6	D40405000	12	Screw Metric	
7	D46100545	2	Washer	(5)
	D46100546	2	Washer	(5)
8	D46100547	2	Wheel	
9	D46100023	2	Cover	
10	D46100548	4	Washer	
11	D46100555	4	Wheel	
12	D46100630	1	Shaft	
13	D46100629	2	Pin	
14	D46100549	1	Crosspiece	
15	D46100023	2	Cover	
16	D46100547	2	Wheel	
17	D46100545	2	Washer	(5)
	D46100546	2	Washer	(5)
18	D46100627	1	Housing	
19	D40407900	12	Screw Metric	
20	D46100631	1	Gear	
21	D40407000	3	Screw	
22	D46100633	1	Bearing Ball	
23	D46100060	2	Seal	
24	D46100634	1	Cover	
25	D46100636	12	Screw	
26	D41010800	12	Nut Metric	

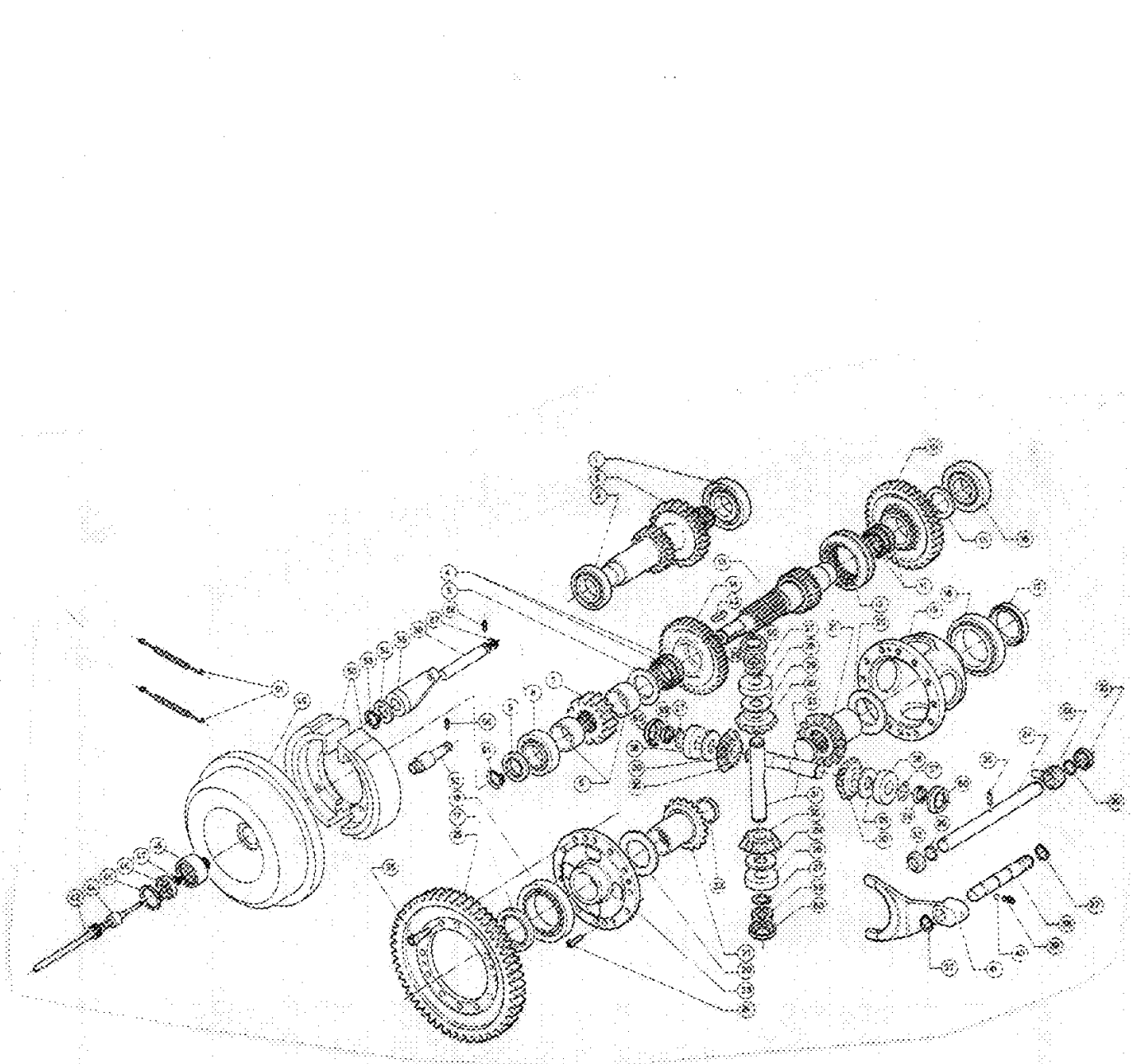
(5)
OPTIONAL



SIDE PINIONS ZF

Item	Part Number	Qty	Description	Comments
1	D41020000	16	Nut	
2	D41110300	16	Washer	
3	D46100658	2	Shaft	
4	D46113300	16	Bolt	
5	D46100651	2	Bush	
6	D46100652	2	O Ring	
7	D46100653	2	Seal	
8	D46100654	2	Bearing Assy	
10	D41011000	2	HEXAGON SCREW	
11	D46100413	2	Washer	
12	D46100642	2	Spacer	(5)
	D46100643	2	Spacer	(5)
	D46100644	2	Spacer	(5)
	D46100645	2	Spacer	(5)
13	D46100646	2	Race	
	D46100647	2	Cone	
14	D46100637	2	Washer	(5)
	D46100638	2	Washer	(5)
	D46100639	2	Washer	(5)
15	D46100084	2	Cone	
	D46100085	2	Race	
16	D46100648	2	Shaft	
17	D46100079	2	Race	
	D46100081	2	Cone	
18	D46100640	2	Shaft	
19	D46100086	2	Race	
	D46100087	2	Cone	
20	D46100222	2	Seal	
21	D46100650	2	Gear	
22	D46100655	2	Bush	
24	D46109000	2	Pin	
25	D46100427	8	Plug	
26	D46100656	2	Bearing Assy	
27	D46100657	2	Nut	
28	D46100365	2	Cover	
29	D40411100	28	HEXAGON SCREW	
30	D46116500	2	Valve	
31	D46100428	2	Plug	
32	D46100641	2	Bush	
33	D46100385	4	Circlip	

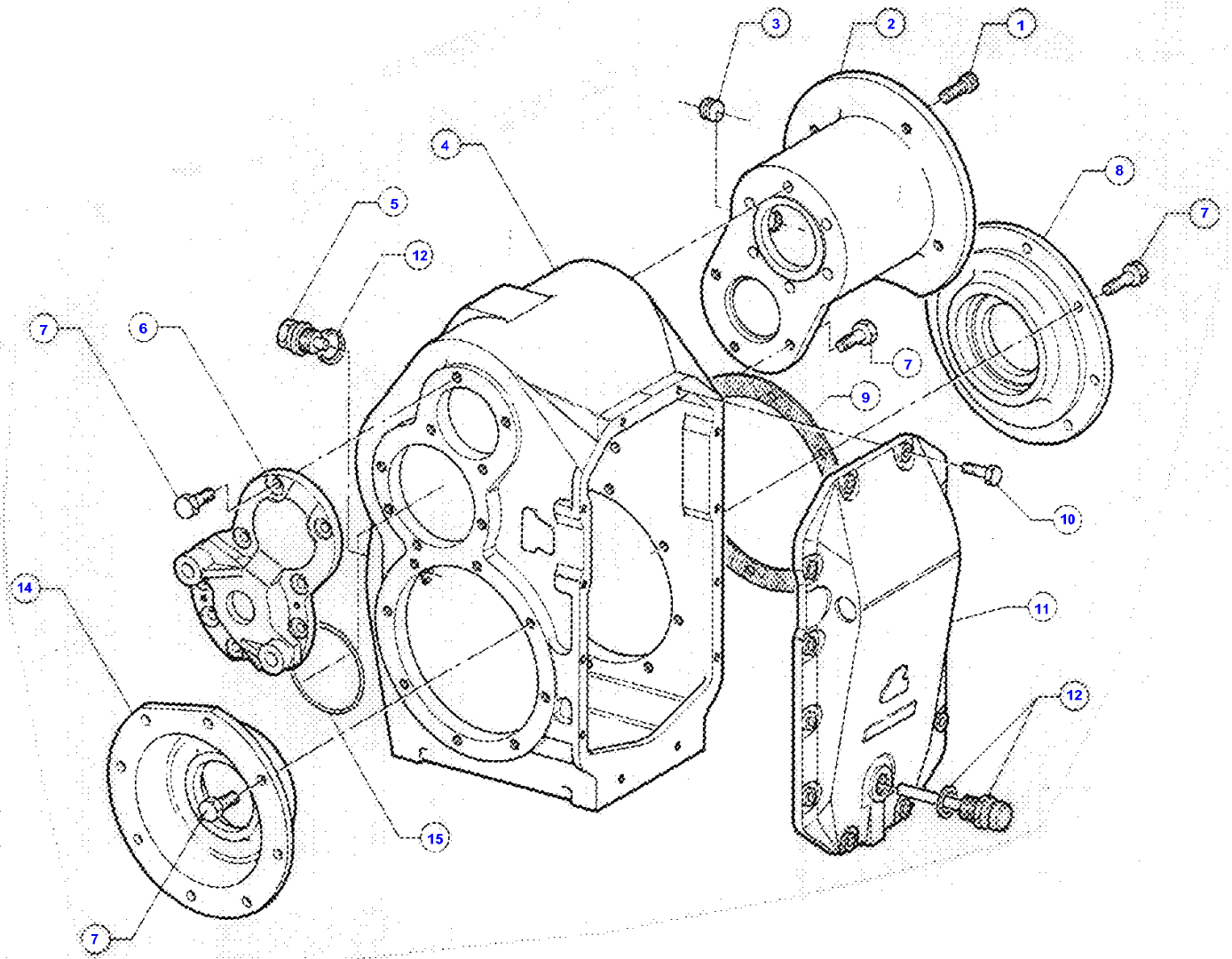
(5)
OPTIONAL



MASSEY FERGUSON
MF 31 COMBINE - 819726
GEAR BOX 2 GEARS, COBRA

819726
12-10

Item	Part Number	Qty	Description	Comments
1	D41624900	1	Bearing Assy	
2	D46143300	1	Shaft	
3	D41618400	1	Bearing Ball	
4	D41650000	2	Bearing Assy	
5	D41651500	1	Washer	
6	D46143700	2	Spacer	
7	D46142500	1	Pinion	
8	D41636900	1	Bearing Carrier	
9	D45419700	1	Seal	
10	D46143000	1	Pinion	
11	D41650300	2	Bearing Assy	
12	D46143100	1	Sleeve	
13	D46143500	1	Shaft	
14	D46142900	1	Pinion	
15	D41651400	1	Washer	
16	D41637200	1	Bearing Carrier	
17	D45409400	2	Seal	
18	D41662000	2	Bearing Assy	
19	D46144500	1	Housing	
20	D46144000	2	Ring	
21	D46145000	2	Pinion	
22	D46143900	2	Plug	
23	D46144800	4	Flange	
24	D40688400	2	Screw	
25	D46142400	1	Pinion	
26	D40607100	12	Screw	
27	D42502000	4	Circlip	46174400
	D42508000	4	Ring	46145100
28	D46145200	4	Ring	
29	D46144100	4	Washer	
30	D46144900	4	Pinion	
31	D46145100	2	Screw	
	D46174400	4	Bolt	
32	D45405900	2	Seal	
33	D46100731	1	Hub	
34	D46143800	1	Shaft	
35	D42609700	1	Pin	
36	D45462700	2	Gasket	
37	D46100357	2	Circlip	
38	D46143600	1	Shaft	
39	D46100735	1	Spring	
40	D46100736	1	Ball	
41	D46142100	1	Fork	
42	D43103500	1	Key	
43	D45070200	1	Cable	
	D28710387	1	Bearing Housing	POS. 44-49
44	D28710389	1	Clevis Pin	
45	D42512400	1	Circlip	
46	D41622300	1	Bearing Ball	
47	D42500700	1	Circlip	
48	D28710388	1	Bearing Housing	
49	D46100662	1	Brake Drum	
50	D46100663	2	Brake Shoe	
51	D46100664	2	Spring	
52	D46100665	1	Pin	
53	D42502300	1	Circlip	
54	D46100667	1	Washer	
55	D46100668	1	Brake Lever	
56	D46100666	1	Pin	
57	D42501200	1	Circlip	
58	D40632200	2	Pin	
59	D46174500	8	Bush	46174400
60	D46174600	4	Ring	46174400
61	D42555000	1	Clip	



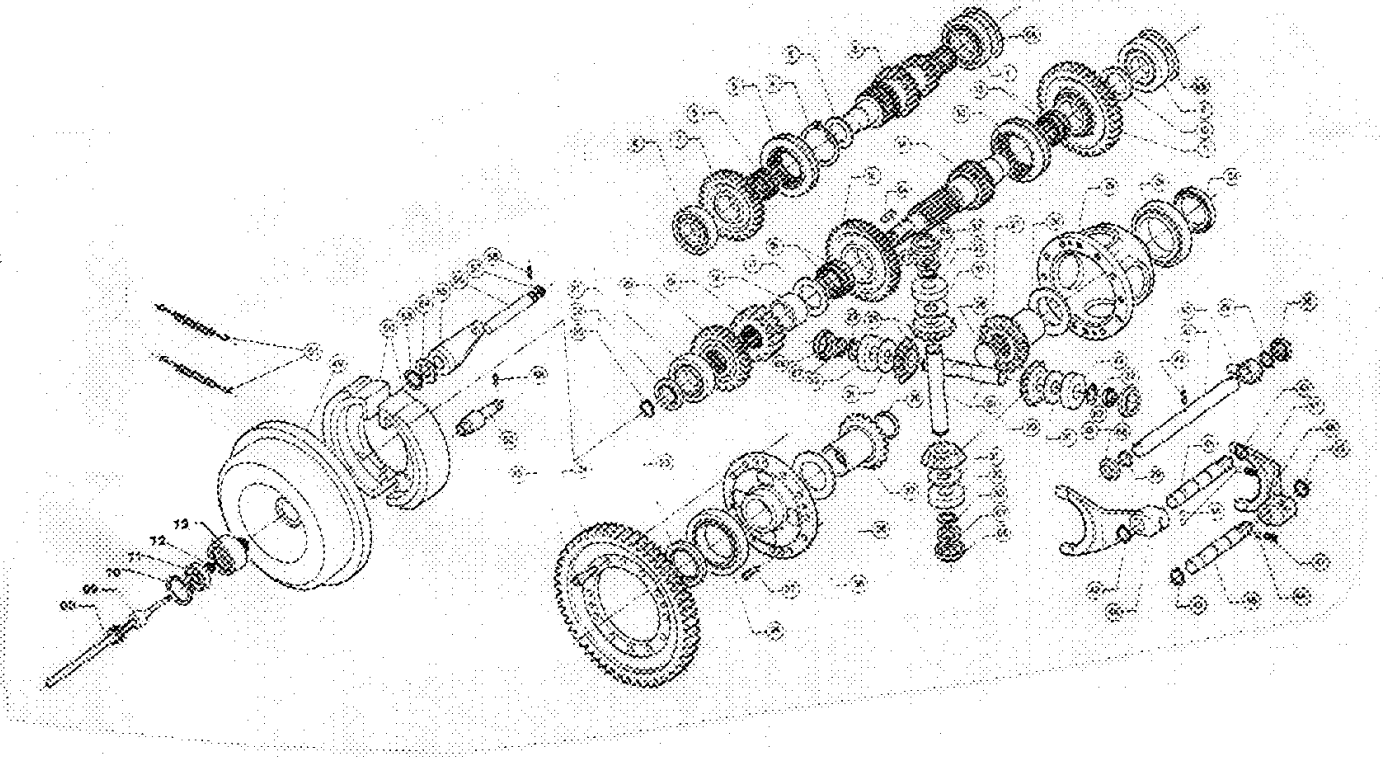
MASSEY FERGUSON
MF 31 COMBINE - 819726

819726

GEAR BOX 2 GEARS, COBRA

12-11

Item	Part Number	Qty	Description	Comments
1	D40692400	6	Screw	
2	D46145300	1	Hub	
3	D45236500	1	Plug	
5	D46100764	1	Plug	
6	D46142000	1	Cover	
7	D40407800	11	HEXAGON SCREW	
9	D46144200	1	Disc	0,19 MM
	D46144300	1	Disc	0,25 MM
	D46144400	1	Disc	0,35 MM
10	D40405100	12	Screw Metric	
11	D46142300	1	Housing	
12	D45201900	1	Packing	
13	D46141800	1	Plug	
15	D45476400	1	O Ring	



**MASSEY FERGUSON
MF 31 COMBINE - 819726**

819726

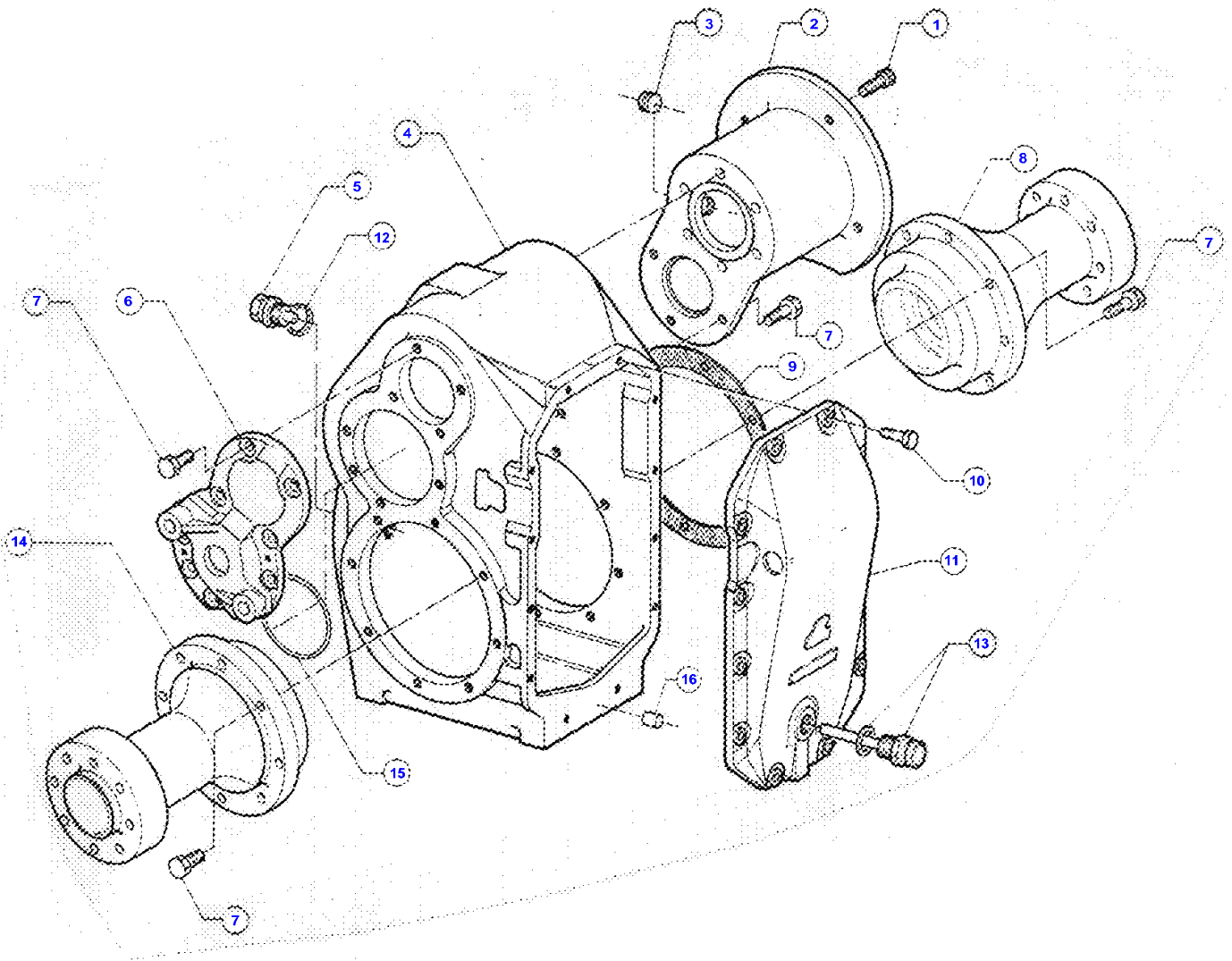
12-12

GEAR BOX 3 GEARS F.48199

Item	Part Number	Qty	Description	Comments
1	D41618500	1	Bearing Ball	
2	D46174000	1	Shaft	
3	D41651300	1	Disc	
4	D42504500	1	Circlip	
5	D46143200	1	Thimble	
6	D41650400	1	Bearing Ball	
7	D46145500	1	Pinion	
8	D41624800	1	Bearing Ball	
9	D41637200	1	Bearing Carrier	
10	D41651400	1	Washer	
11	D46142800	1	Gear	
12	D41650300	2	Bearing Assy	
13	D46143100	1	Sleeve	
14	D46143500	1	Shaft	
15	D46174200	1	Pinion	
16	D41650000	2	Bearing Assy	
17	D41651500	1	Washer	
18	D46174700	1	Spacer	
19	D46174100	1	Pinion	
20	D46145400	1	Pinion	
21	D41636900	1	Bearing Carrier	
22	D45419700	1	Seal	
23	D45409400	2	Seal	
24	D41662000	2	Bearing Assy	
25	D46144500	1	Housing	
26	D46144000	2	Ring	
27	D46145000	2	Pinion	
28	D46143900	2	Plug	
29	D46144900	4	Pinion	
30	D46145100	1	Screw	
	D46174400	2	Bolt	
31	D46144100	4	Washer	
32	D46145200	4	Ring	
33	D42502000	4	Circlip	46174400
	D42508000	4	Ring	46145100
34	D46174300	1	Pinion	
35	D40607100	1	Screw	
36	D46144800	1	Flange	
37	D40688400	2	Screw	
38	D45405900	2	Seal	
39	D45462700	2	Gasket	
40	D46100731	1	Hub	
41	D46143800	1	Shaft	
42	D42609700	1	Pin	
43	D46100357	4	Circlip	
44	D46100736	4	Ball	
45	D46143600	2	Shaft	
46	D46142200	2	Shift Fork	
47	D46100735	2	Spring	
48	D28710388	1	Bearing Housing	
49	D46100662	1	Brake Drum	
50	D46100663	2	Brake Shoe	
51	D46100664	2	Spring	
52	D46100665	1	Pin	
53	D42502300	2	Circlip	
54	D46100667	1	Washer	
55	D46100668	1	Brake Lever	
56	D46100666	1	Pin	
57	D42501200	1	Circlip	
58	D40632200	2	Pin	
60	D45070200	1	Cable	
64	D43103500	1	Key	
65	D42555000	1	Clip	
66	D46174600	4	Ring	46174400
67	D46174500	2	Bush	46174400
68	D46173300		Spacer	
	D46173400		Spacer	
69	D28710387	1	Bearing Housing	POS. 69-73
	D28710389	1	Clevis Pin	
70	D42512400	1	Circlip	

MASSEY FERGUSON**MF 31 COMBINE - 819726****819726****GEAR BOX 3 GEARS F.48199****12-12**

Item	Part Number	Qty	Description	Comments
71	D41622300	1	Bearing Ball	
72	D42500700	1	Circlip	
73	D28710388	1	Bearing Housing	



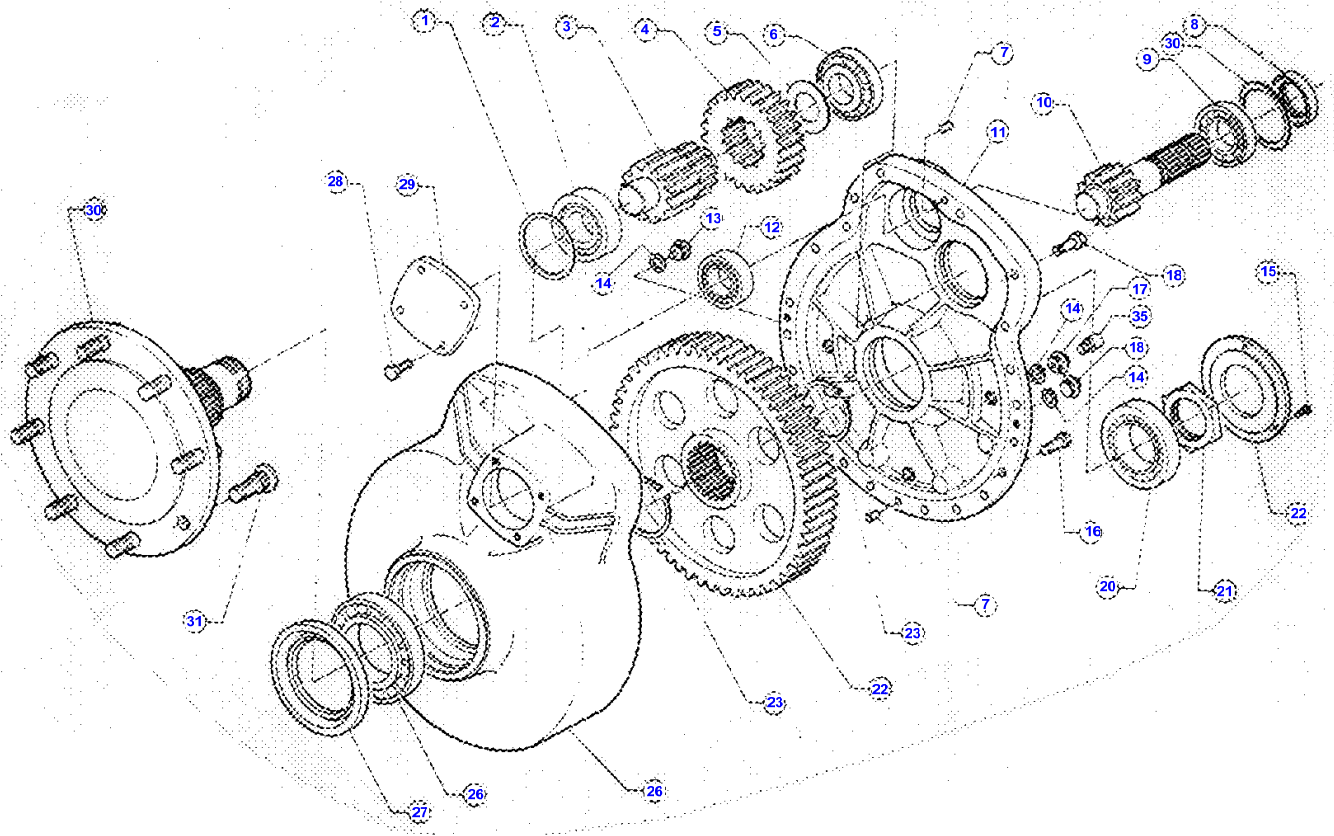
MASSEY FERGUSON
MF 31 COMBINE - 819726

819726

GEAR BOX 3 GEARS F.48199

12-13

Item	Part Number	Qty	Description	Comments
1	D40692400	6	Screw	
2	D46145300	1	Hub	
3	D45236500	1	Plug	
5	D46100764	1	Plug	
6	D46173900	1	Cover	
7	D40407800	11	HEXAGON SCREW	
8	D46145800	1	Bearing Carrier	Left Hand
9	D46144200	1	Disc	0,19 MM
	D46144300	1	Disc	0,25 MM
	D46144400	1	Disc	0,35 MM
10	D40405100	12	Screw Metric	
11	D46142300	1	Housing	
12	D45201900	1	Packing	
13	D46141800	1	Plug	
14	D46145700	1	Bearing Carrier	Right Hand
15	D45482000	1	O Ring	
16	D46134000	2	Pin	



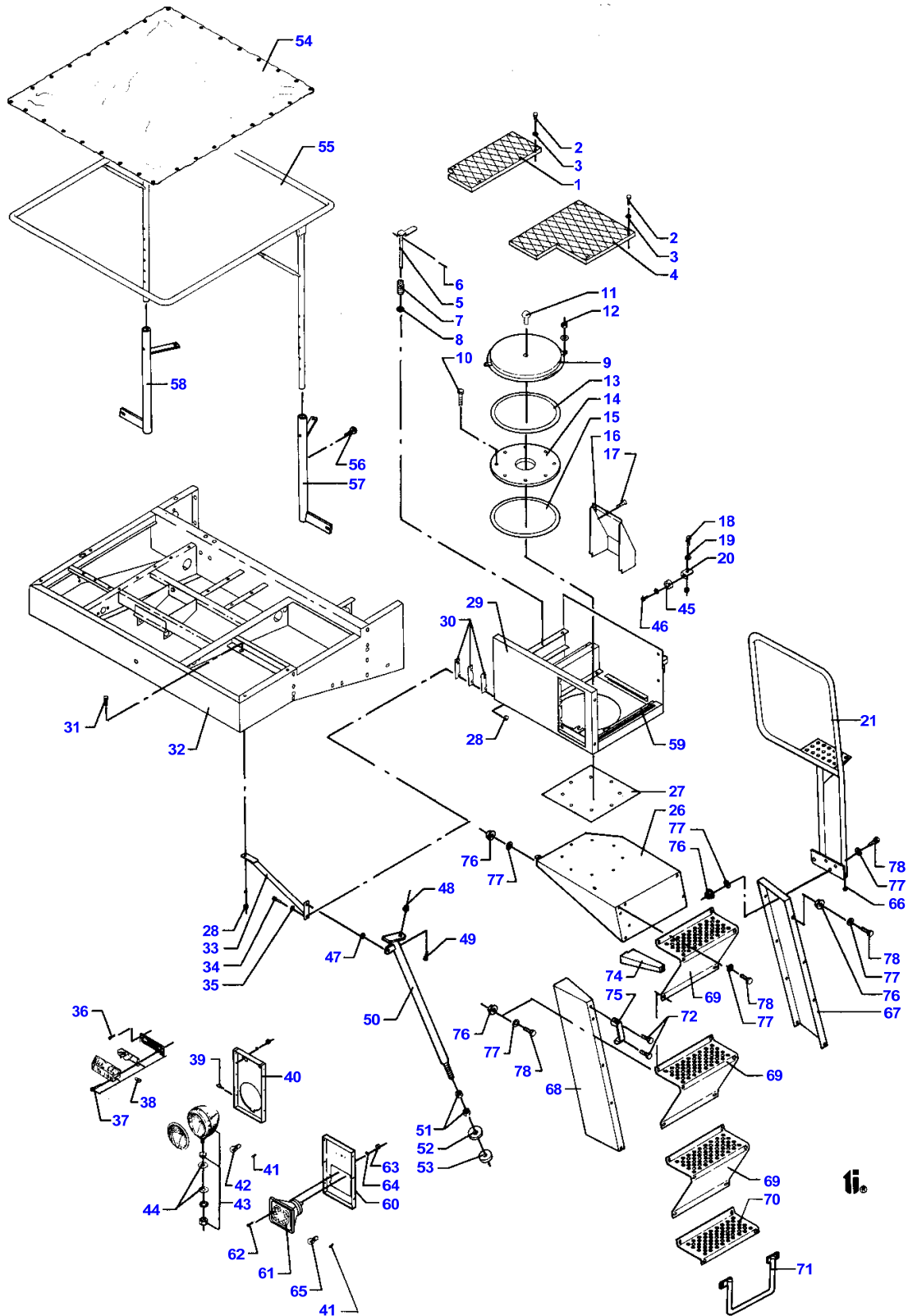
**MASSEY FERGUSON
MF 31 COMBINE - 819726**

819726

SIDE PINIONS COBRA F.45798-T.45802 AND F.47493

12-14

Item	Part Number	Qty	Description	Comments
1	D46140300	1	Washer	0,20 MM
	D46140400	1	Chock	0,25 MM
	D46140500	1	Chock	0,35 MM
	D46140600	1	Chock	0,50 MM
2	D41667900	1	Bearing Assy	
3	D46134900	1	Shaft	
4	D46136500	1	Gear	
5	D46136000	1	Washer	
6	D41668300	1	Bearing Assy	
7	D46134000	2	Pin	
8	D45408700	1	Gasket	
9	D41637100	1	Bearing Assy	
10	D46135500	1	Shaft	
12	D41637000	1	Bearing Assy	
13	D46135400	1	Plug	
14	D45232700	3	Gasket	
15	D40688400	3	Screw	
16	D40428600	5	HEXAGON SCREW	
17	D46135300	1	Plug	
18	D45236600	1	Plug	
19	D40411100	16	HEXAGON SCREW	
20	D41668900	1	Bearing Assy	
21	D46139400	1	Nut	
22	D46141600	1	Cover	
24	D46136100	1	Pinion	
26	D41669400	1	Bearing Assy	
27	D46139900	1	Gasket	
28	D40411000	4	HEXAGON SCREW	
29	D46141700	1	Cover	
30	D46134100	1	Shaft	
31	D46133900	1	Bolt	
34	D46125700		Washer	
	D46171900		Spacer	

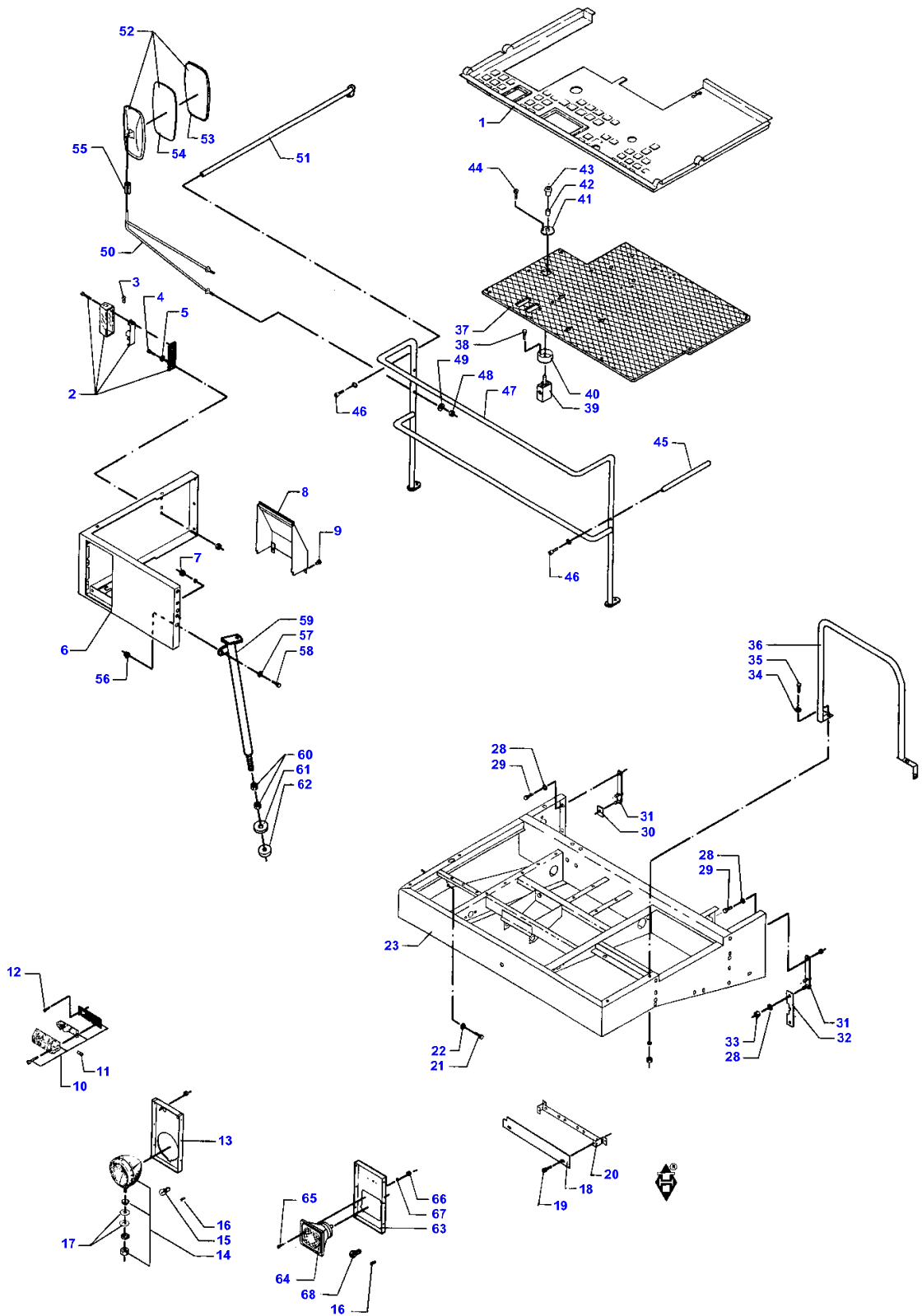


LADDER RAILS

Item	Part Number	Qty	Description	Comments
1	D28750490	1	Plate	
2	D40402600	8	Screw Metric	
3	D20400404	8	Washer	
4	D28750491	2	Plate	
5	D28751016	1	Pawl	
6	D41405900	1	SPLIT PIN	
7	D26600305	1	Spring	
8	D20400507	1	Spacer	
9	D28750989	1	Plate	
10	D40405100	8	Screw Metric	
11	D45741200	1	Plug	
12	D41013500	2	Nut	
13	D28750952	1	Strip	
14	D28750852	1	Flange	
15	D28750906	1	Washer	
16	D28750987	1	Housing	Left Hand
17	D40742000	1	Screw	
18	D40405000	2	Screw Metric	
19	D20400409	2	Washer	
20	D28750930	2	Angle	
21	D28750925	1	Rail	
24	D41013500	8	Nut	
26	D28752447	1	Frame	(3)
27	D28750905	1	Shim	
28	D41013500	3	Nut	
29	D28751988	1	Platform	Left Hand
				F.39078
29	D28750465	1	Platform	Left Hand
				T.39077
30	D28820204	3	Shim	
31	D40405100	1	Screw Metric	
32	D28750288	1	Platform	
33	D28750618	1	Stay	
34	D40423600	3	HEXAGON SCREW	
35	D20400409	3	Washer	
36	D41397300	2	Rivet	
37	D45086100	1	Flasher	F.43574
	D45077900	2	Flasher	T.43573
38	D45080600	2	Bulb	
39	D41397300	12	Rivet	
40	D28751031	2	Box	T.43573
41	D45015600	2	Bulb 12v 4w	
42	D45080400	2	Bulb H/L 45/40w	(B3)
				T.43141
42	D45080800	2	Bulb H/L 45/40w	(B5)
43	D45002500	2	Headlamp	(B2)
				T.43573
43	D45002700	2	Headlamp	(B4)
				T.43573
44	D20400440	4	Washer	
45	D28752407	2	Spacer	F.44844
	D47718300	2	Buffer	T.44843
46	D40352300	2	Screw	
47	D20400415	1	Washer	(3)
48	D41013600	2	Nut	(3)
49	D40407700	2	Screw	(3)
50	D28950465	1	Arm	(3)
				Left Hand
51	D41012300	2	HEXAGON SCREW	(3)
52	D28760192	1	Thrust Washer	(3)
53	D28761385	1	Shim	(3)
54	D28950533	1	Roof	
55	D28960095	1	Frame	
56	D43385200	2	Screw	
57	D28950544	1	Bracket	Left Hand
58	D28950548	1	Bracket	Right Hand
59	D44738900		Strip	
60	D28752089	1	Support	F.43574
61	D45085800	1	Lamp	Right Hand
				(B2)

LADDER RAILS

Item	Part Number	Qty	Description	Comments
61	D45085900	1	Lamp	F.43574 Left Hand (B4)
62	D40316600	1	Screw	F.43574
63	D41010400	1	Nut	F.43574
64	D41100300	1	Washer	F.43574
65	D45081100	1	Bulb	(B3) F.43574
66	D45744200	2	Ferrule	
67	D28752442	1	Frame	Right Hand
68	D28752443	1	Frame	Left Hand
69	D28980614	3	Step	
70	D28980632	1	Step	
71	D28981028	1	Elbow	GB
72	D40690300	1	Screw Metric	
73	D40690400	1	Screw	
74	D28752454	1	Support	
75	D43386900	1	Handle	
76	D41013500	20	Nut	
77	D20400409	20	Washer	
78	D40404900	20	Screw Metric	(B2) ASSYMMETRIC LIGHT-STANDARD (B3) FOR ASSYMMETRIC LIGHT (B4) SYMMETRIC LIGHT ENGLAND (B5) FOR SYMMETRIC LIGHT (3) OPTIONAL EQUIPMENT



**MASSEY FERGUSON
MF 31 COMBINE - 819726**

819726

13-2

BOTTOM PLATES - PLATFORM, RIGHT

Item	Part Number	Qty	Description	Comments
1	D28751797	1	Mat	
2	D45077500	1	Flasher	Right Hand
3	D45080600	1	Bulb	
4	D40352500	2	Screw	
5	D20400420	2	Washer	
6	D28750475	1	Platform	Right Hand
7	D41013500		Nut	
8	D28750457	1	Housing	Right Hand
9	D40402200	2	Screw Metric	
10	D45086100	1	Flasher	F.43574
	D45077900	1	Flasher	T.43573
11	D45080600	1	Bulb	
12	D41397300	4	Rivet	
13	D28751031	1	Box	T.43573
14	D45002500	1	Headlamp	(B2) T.43573
14	D45002700	1	Headlamp	(B4) T.43573
15	D45080400	1	Bulb H/L 45/40w	(B3) T.43141
15	D45080800	1	Bulb H/L 45/40w	(B5)
16	D45015600	1	Bulb 12v 4w	
17	D20400440	2	Washer	
18	D28751702	1	Cover	
19	D43385100	2	Screw	
20	D28751703	1	Support	
21	D40404900	8	Screw Metric	
22	D20400507	8	Spacer	
23	D28750288	1	Platform	
28	D20400424	6	Washer	
29	D40425900	2	Screw	
30	D28151014	1	Shim	
31	D28750635	2	Dog	
32	D28750629	1	Shim	
33	D41010800	6	Nut Metric	
34	D20400471	1	Washer	
35	D40407700	1	Screw	
36	D28750547	1	Rail	(B)
	D28950209	1	Rail	(A)
37	D28751854	1	Plate	
38	D40404700	2	Screw Metric	T.39540
39	D45110044	1	Valve	T.39540
40	D28751890	1	Spacer	T.39540
41	D28751885	1	Flange	T.39540
42	D43383100	1	Ring	T.39540
43	D28751889	1	Pedal	T.39540
44	D40421100	4	Screw Metric	T.39540
45	D28750545	1	Support	
46	D40690900	3	Screw Metric	
47	D28750557	1	Rail	
48	D41087600	4	Locknut	
49	D20400426	4	Washer	
50	D28760739	2	Bracket	
51	D28750546	1	Support	Right Hand
52	D45027400	2	Mirror	POS. 53-54
53	D45083600	2	Retainer	
54	D45083700	2	Glass	
55	D28752141	2	Bush	
56	D41013500	1	Nut	
57	D20400409	1	Washer	(3)
58	D40405100	1	Screw Metric	(3)
59	D28950466	1	Arm	Right Hand (3)
60	D41012300	2	HEXAGON SCREW	(3)
61	D28760192	1	Thrust Washer	(3)
62	D28761385	1	Shim	(3)
63	D28752089	1	Support	F.43574
64	D45085800	1	Lamp	(B2) F.43574 Right Hand

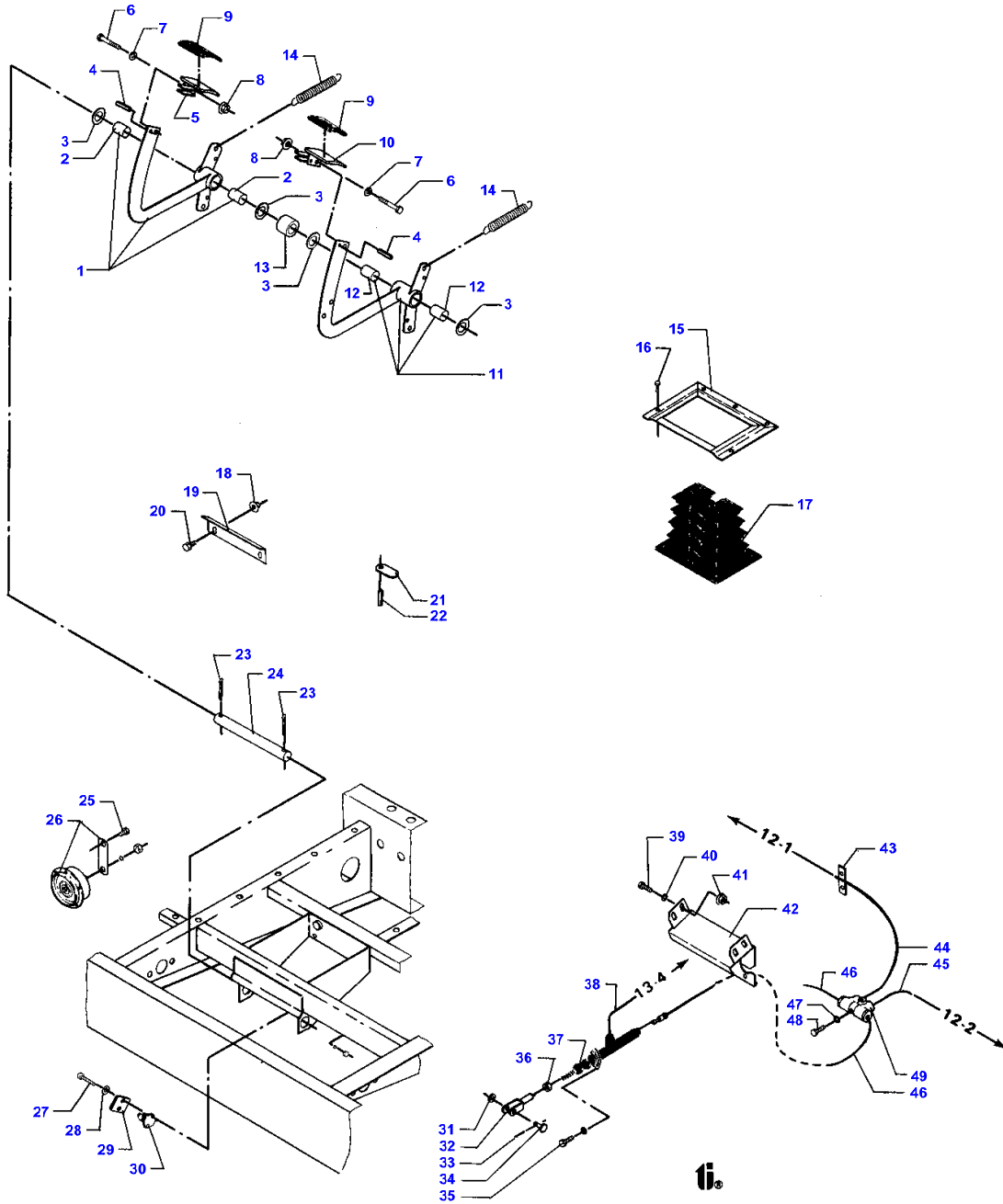
**MASSEY FERGUSON
MF 31 COMBINE - 819726**

819726

13-2

BOTTOM PLATES - PLATFORM, RIGHT

Item	Part Number	Qty	Description	Comments
64	D45085900	1	Lamp	(B4) F.43574 Left Hand
65	D40316600	2	Screw	F.43574
66	D41010400	2	Nut	F.43574
67	D41100300	2	Washer	F.43574
68	D45081100	1	Bulb	(B3) F.43574 (A) FOR MACHINES WITH DRIVER CABIN (B) FOR MACHINES WITHOUT DRIVER CABIN (B2) ASSYMMETRIC LIGHT-STANDARD (B3) FOR ASSYMMETRIC LIGHT (B4) SYMMETRIC LIGHT ENGLAND (B5) FOR SYMMETRIC LIGHT (3) OPTIONAL EQUIPMENT



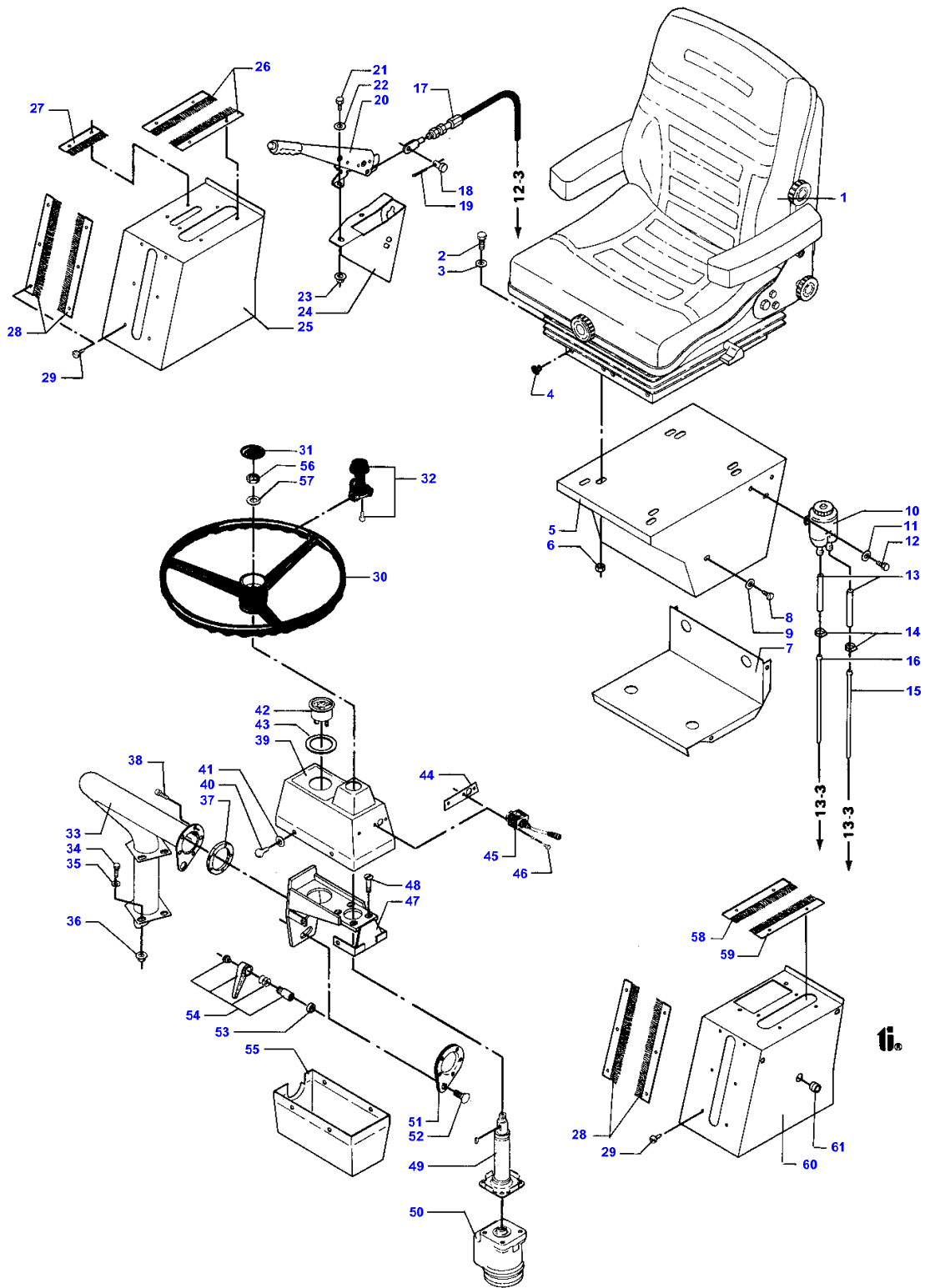
**MASSEY FERGUSON
MF 31 COMBINE - 819726**

819726

13-3

BRAKE PEDALS AND BRAKE CABLES

Item	Part Number	Qty	Description	Comments
1	D28751828	1	Pedal	Right Hand INCL. P. 2
2	D43364800	2	Bush	
3	D43319300	4	Bush	
4	D42609000	2	TIGHENING PIN	
5	D28751844	1	Base Plate	
6	D40405100	2	Screw Metric	
7	D20400409	2	Washer	
8	D41013500	2	Nut	
9	D44719500	2	Rubber	
10	D28751845	1	Base Plate	
11	D28751827	1	Pedal	Left Hand INCL. P. 12
12	D43364800	2	Bush	
13	D28740948	2	Spacer	
14	D28800460	2	Spring	
15	D28751868	1	Frame	
16	D40723300	5	Screw	
17	D28751796	1	Bellows	
18	D41013500	2	Nut	
19	D28750685	1	Plate	
20	D40404900	2	Screw Metric	
21	D28751843	1	Pawl	
22	D42609000	1	TIGHENING PIN	
23	D41411100	2	SPLIT PIN	
24	D28750436	1	Shaft	
25	D40404700	2	Screw Metric	
26	D45019500	1	Horn	
27	D40351600	2	Screw Metric	
28	D20400466	2	Washer	
29	D28750657	5	Shim	(5)
30	D45004900	1	Switch	
31	D45905600	2	Washer	
32	D45905300	2	Fork Head	
33	D41405900	2	SPLIT PIN	
34	D45905500	2	Bolt	
35	D40405000	4	Screw Metric	
36	D41012000	2	Nut Metric	
37	D45908000	2	Cylinder	
38	D28751478	1	Pipe	Right Hand
	D28751479	1	Pipe	Left Hand
39	D40404900	4	Screw Metric	
40	D20400409	4	Washer	
41	D41013500	4	Nut	
42	D28751435	1	Bracket	
43	D28530204	1	Plate	
44	D28151342	1	Brake Hose	COBRA Right Hand
44	D28751480	1	Pipe	ZF Right Hand
45	D28151341	1	Brake Hose	Left Hand COBRA
45	D28751481	1	Pipe	Left Hand ZF
46	D28751477	2	Pipe	
47	D20400409	1	Washer	
48	D40404700	1	Screw Metric	
49	D45908100	1	Cylinder	(5) OPTIONAL



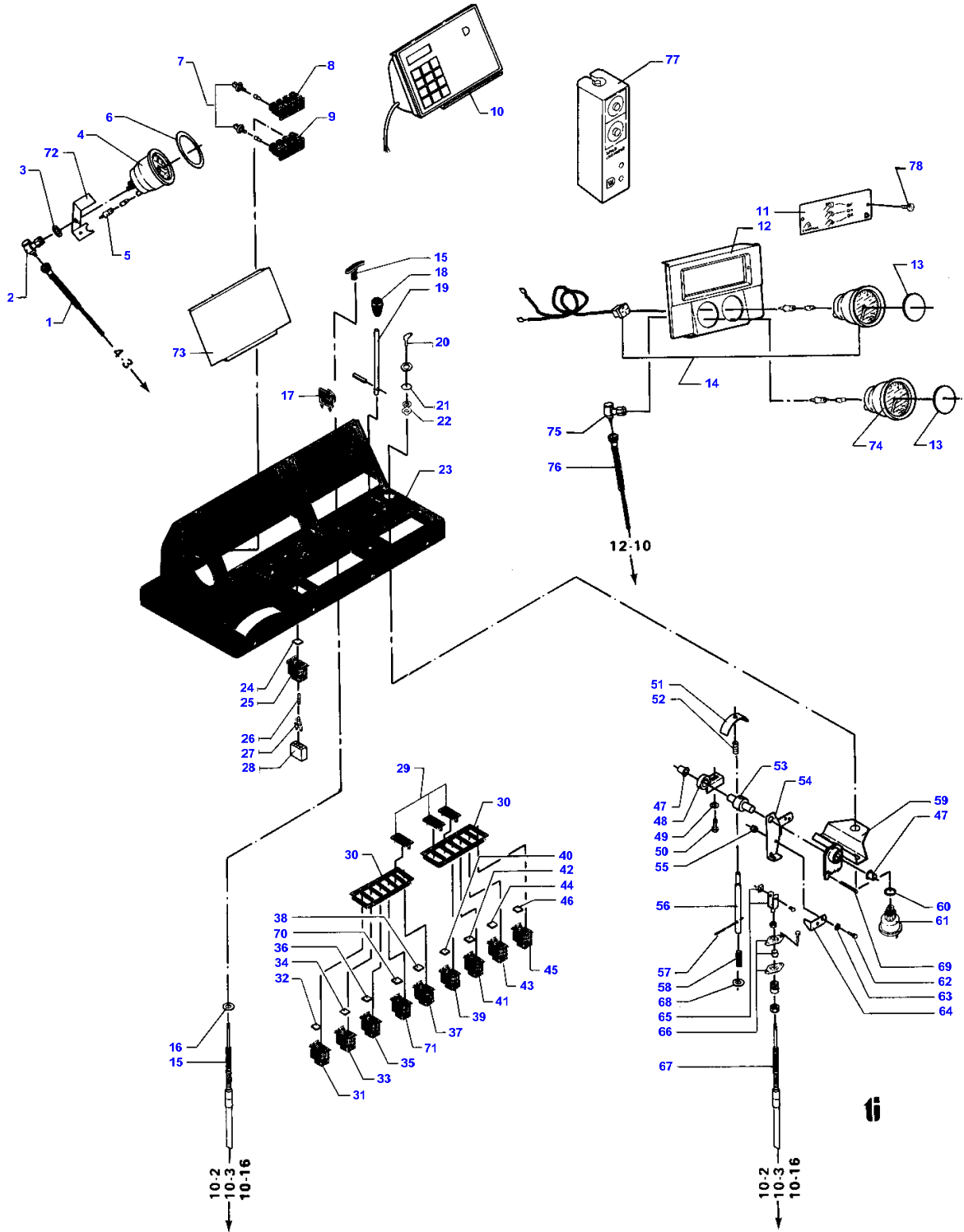
**MASSEY FERGUSON
MF 31 COMBINE - 819726**

819726

13-4

OPERATOR SEAT, STEERING ARRANGEMENT

Item	Part Number	Qty	Description	Comments
1	D45939400	1	Seat	
2	D40404900	4	Screw Metric	
3	D20400409	4	Washer	
4	D45936100	12	Fastener	
5	D28751433	1	Bracket	
6	D41013500	4	Nut	
7	D28751431	1	Shelf	
8	D40741200	4	Screw	
9	D20400466	4	Washer	
10	D45908200	1	Container	
11	D20400453	2	Washer	
12	D40402400	2	Screw Metric	
13	D28751475	2	Brake Hose	
14	D45730700	2	Band	
15	D28751478	1	Pipe	Right Hand
16	D28751479	1	Pipe	Left Hand
17	D45924400	1	Cable	
18	D45905900	1	Journal	
19	D41405900	1	SPLIT PIN	
20	D45924200	1	Handbrake Assy	T.45559
	D45924600	1	Handbrake Assy	F.45560
21	D40404900	2	Screw Metric	
22	D20400409	2	Washer	
23	D41013500	2	Nut	
24	D28752409	1	Bracket	F.45560
25	D28751462	1	Control Box	T.48176
26	D28751464	2	Brush	T.48176
27	D28751463	1	Brush	T.48176
28	D28751465	2	Brush	
29	D40741200	12	Screw	T.48176
30	D45900400	1	Steering Wheel	
31	D45900600	1	Cap	
32	D45900800	1	Handle	
33	D28750566	1	Pipe	
34	D40405000	6	Screw Metric	
35	D20400409	6	Washer	
36	D41013500	6	Nut	
37	D28750568	1	Ring	
38	D40688100	5	Screw Metric	
39	D28751661	1	Instrument Panel	
40	D40688200	4	Screw Metric	
41	D20400453	4	Washer	
42	D45074900	1	Thermometer	
43	D28751881	1	Retainer	
44	D28751763	1	Stay	
45	D45019600	1	Switch	
46	D40351900	3	Screw	
47	D28751660	1	Frame	
48	D40603400	4	Screw Metric	
49	D45114500	1	Steering Column	
50	D45114400	1	Valve Block	+F.48555
51	D28750534	1	Plate	
52	D40070200	1	Screw Metric	
53	D28750367	1	Bush	
54	D43387500	1	Lever	
55	D28751662	1	Instrument Panel	
56	D41042800	1	Nut	
57	D20400438	1	Washer	
58	D28752165	1	Brush	F.48199
59	D28751464	1	Brush	F.48199
60	D28752167	1	Control Box	F.48199
61	D44732000	1	Grommet	F.48199

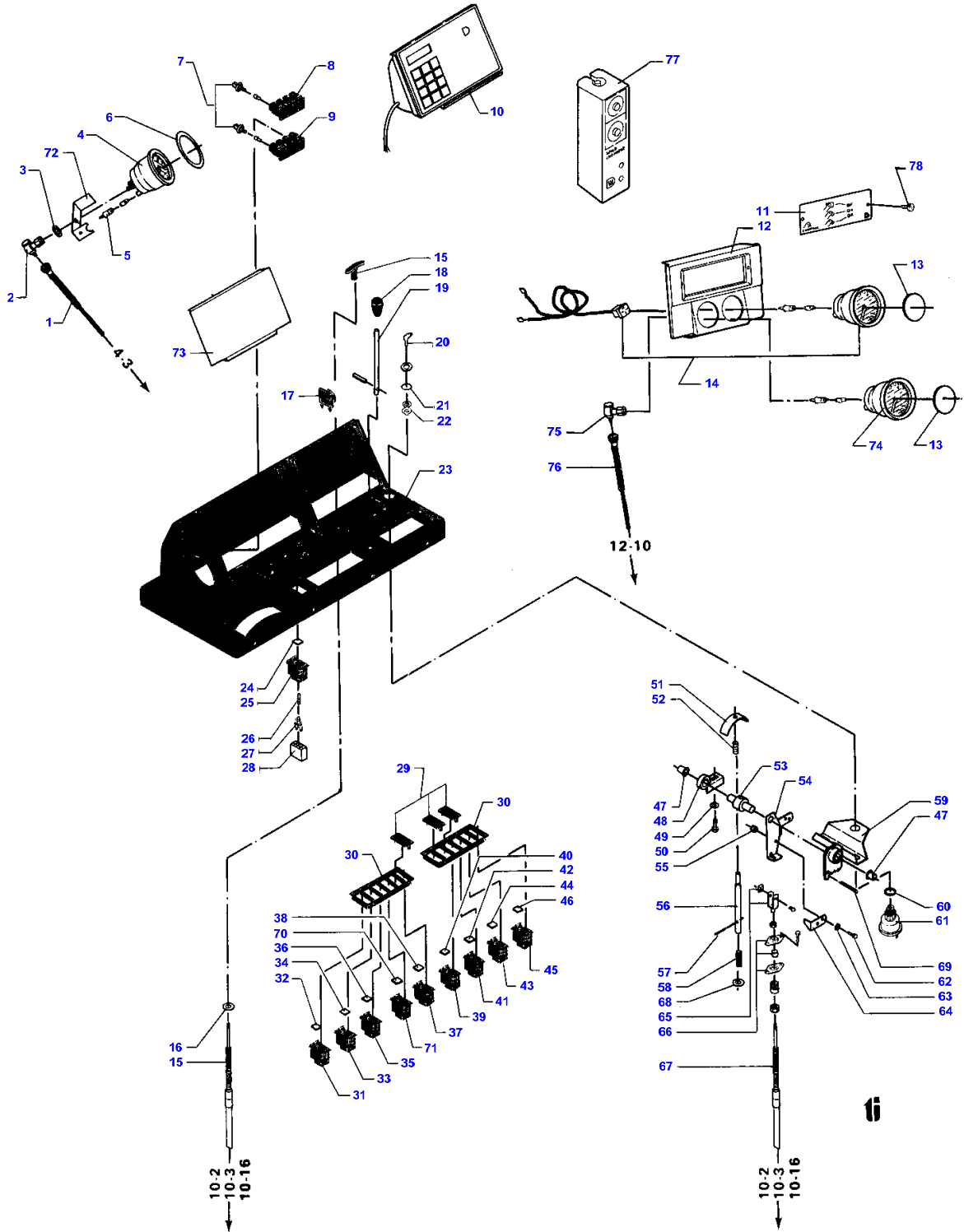


INSTRUMENT PANEL WITH SWITCHES AND CABLES

Item	Part Number	Qty	Description	Comments
1	D45075300	1	Cable	
2	D46108000	1	Angle Drive	
3	D28730607	1	Washer	
4	D45075100	1	Rev Indicator	
5	D45080300	1	Bulb 12v 2w	
6	D28751882	1	Retainer	
7	D45065900	2	Intake	
8	D45084800	1	Lamp	
9	D45084900	1	Lamp	
10	D45062900	1	Control	
	D45074200	1	Control	
11	D28751082	1	Control	
12	D28752061	1	Plate	F.42173
	D28751914	1	Plate	T.42172
13	D45068100	2	Cover	
	D28950194	1	Hourmeter	INCL. P.14
14	D45029600	1	Hourmeter	
15	D46435400	1	Cable	
16	D20400409	2	Washer	
17	D45076400	1	Buzzer	
18	D43383800	1	Handle	
19	D28751511	1	Lever	
20	D46301063	1	Ignition Key	
21	D20400516	1	Spacer	
22	D45028300	1	Cover	
23	D28752216	1	Instrument Panel	+F.43574
24	D28751651	1	Decal	
25	D45065000	1	Switch	(6) F.43141
25	D45066100	1	Switch,Indirect	(6) T.43140
26	D45080500	1	Bulb 12v 1.2w	
27	D45065800	1	Light	
28	D45065700	10	Plug	
29	D45064800	4	Plate	
30	D45064900	2	Frame	
31	D45066100	1	Switch,Indirect	(7)
32	D28751659	1	Decal	(7)
33	D45065000	1	Switch	(9)
34	D28751654	1	Decal	(9)
35	D45063400	1	Switch	(F2)
36	D28751656	1	Decal	(F2)
37	D45063500	1	Switch	(E8)
38	D28751658	1	Decal	(E8)
39	D45065000	1	Switch	(G2)
40	D28751652	1	Decal	(G2)
41	D45063600	1	Switch	(K9)
42	D28751650	1	Decal	(K9)
43	D45065000	1	Switch	(E1)
44	D28751657	1	Decal	(E1)
45	D45063700	1	Switch	(K8)
46	D28751653	1	Decal	(K8)
47	D43315300	2	Bush	
48	D28751533	1	Bearing	
49	D20400409	1	Washer	
50	D40404900	1	Screw Metric	
51	D28751569	1	Seal	
52	D28751571	1	Spring	
53	D28751531	1	Shaft	
54	D28751529	1	Lever	
55	D41087200	1	Locknut	
56	D28751532	1	Pin	
57	D42601100	1	TIGHENING PIN	
58	D26600305	1	Spring	
59	D28751537	1	Bracket	
60	D28751674	1	Washer	
61	D46301062	1	Starting Switch	
62	D40400300	1	HEXAGON SCREW	
63	D20400400	1	Washer	
64	D28751530	1	Angle	

INSTRUMENT PANEL WITH SWITCHES AND CABLES

Item	Part Number	Qty	Description	Comments
65	D46435600	1	Fork	
66	D46431600	1	Flange	
67	D46435400	1	Cable	(K4)
68	D45905600	1	Washer	
69	D42608800	1	Pin	
70	D28950520	1	Decal	(E6)
71	D45065000	1	Switch	(E6)
72	D28752059	1	Bracket	
73	D28752163	1	Plate	F.43574
74	D45076100	1	Rev Indicator	COBRA
75	D46108000	1	Angle Drive	COBRA
76	D45070200	1	Cable	COBRA
77	D45063200	1	Indicator	(3)
78	D40741200	2	Screw	(E6) FOR VIBRATION BEAM (E1) FOR LIGHT IN THE GRAIN TANK (E8) FOR ROTOR FLASHER (F2) F-REVERSE DRIVE (G2) FOR INDICATOR (K4) THE PART IS HERE USED AS THROTTLE CABLE (K8) FOR LIGHT (K9) FOR WARNING-FLASHER (3) OPTIONAL EQUIPMENT (6) F. TABLE CLUTCH (7) F. THRESHING CLUTCH (9) F. DISCHARGE AUGER CLUTCH

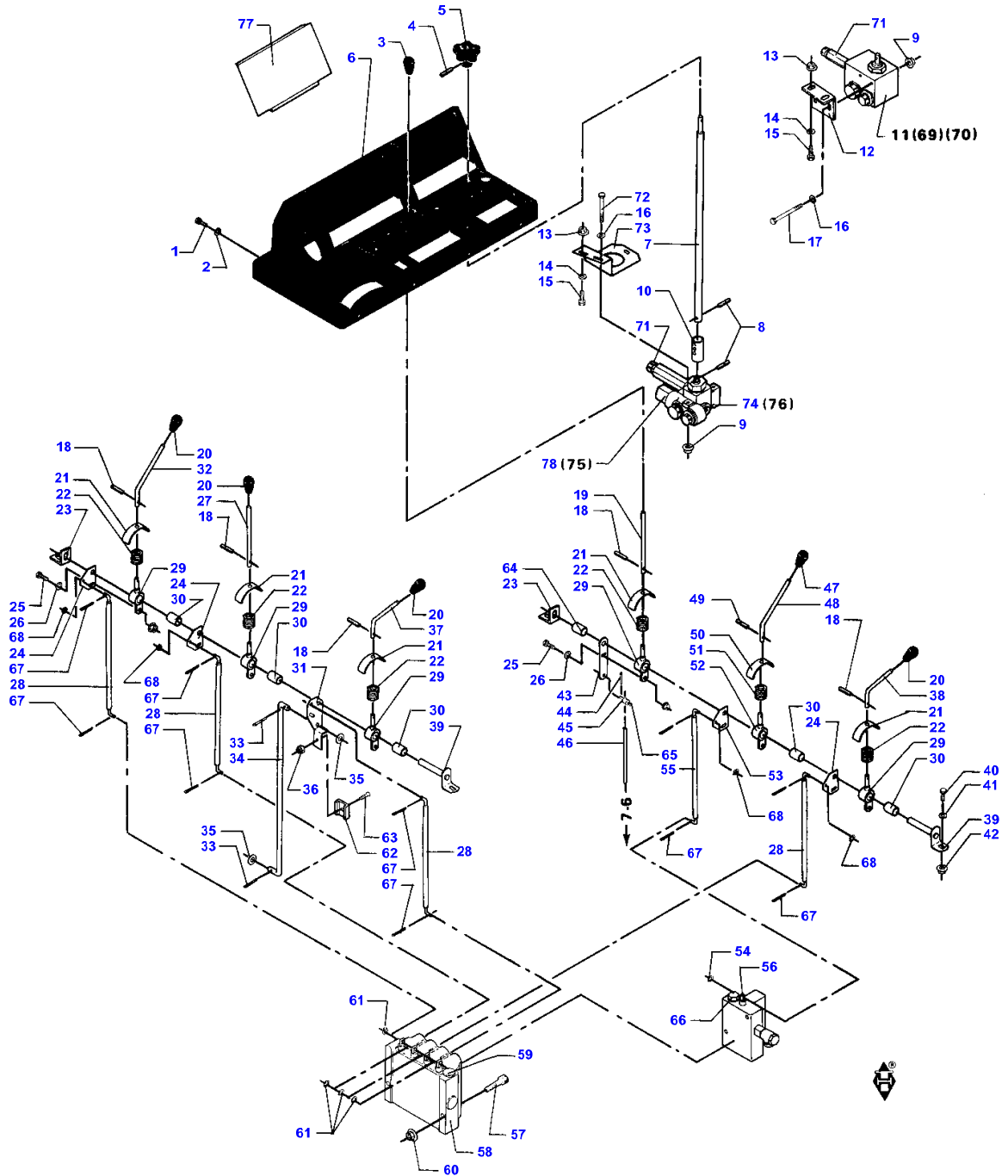


INSTRUMENT PANEL WITH SWITCHES AND CABLES

Item	Part Number	Qty	Description	Comments
1	D45075300	1	Cable	
2	D46108000	1	Angle Drive	
3	D28730607	1	Washer	
4	D45075100	1	Rev Indicator	
5	D45080300	1	Bulb 12v 2w	
6	D28751882	1	Retainer	
7	D45065900	2	Intake	
8	D45084800	1	Lamp	
9	D45084900	1	Lamp	
10	D45062900	1	Control	
	D45074200	1	Control	
11	D28751082	1	Control	
12	D28752061	1	Plate	F.42173
	D28751914	1	Plate	T.42172
13	D45068100	2	Cover	
	D28950194	1	Hourmeter	INCL. P.14
14	D45029600	1	Hourmeter	
15	D46435400	1	Cable	
16	D20400409	2	Washer	
17	D45076400	1	Buzzer	
18	D43383800	1	Handle	
19	D28751511	1	Lever	
20	D46301063	1	Ignition Key	
21	D20400516	1	Spacer	
22	D45028300	1	Cover	
23	D28752216	1	Instrument Panel	+F.43574
24	D28751651	1	Decal	
25	D45065000	1	Switch	(6) F.43141
25	D45066100	1	Switch,Indirect	(6) T.43140
26	D45080500	1	Bulb 12v 1.2w	
27	D45065800	1	Light	
28	D45065700	10	Plug	
29	D45064800	4	Plate	
30	D45064900	2	Frame	
31	D45066100	1	Switch,Indirect	(7)
32	D28751659	1	Decal	(7)
33	D45065000	1	Switch	(9)
34	D28751654	1	Decal	(9)
35	D45063400	1	Switch	(F2)
36	D28751656	1	Decal	(F2)
37	D45063500	1	Switch	(E8)
38	D28751658	1	Decal	(E8)
39	D45065000	1	Switch	(G2)
40	D28751652	1	Decal	(G2)
41	D45063600	1	Switch	(K9)
42	D28751650	1	Decal	(K9)
43	D45065000	1	Switch	(E1)
44	D28751657	1	Decal	(E1)
45	D45063700	1	Switch	(K8)
46	D28751653	1	Decal	(K8)
47	D43315300	2	Bush	
48	D28751533	1	Bearing	
49	D20400409	1	Washer	
50	D40404900	1	Screw Metric	
51	D28751569	1	Seal	
52	D28751571	1	Spring	
53	D28751531	1	Shaft	
54	D28751529	1	Lever	
55	D41087200	1	Locknut	
56	D28751532	1	Pin	
57	D42601100	1	TIGHENING PIN	
58	D26600305	1	Spring	
59	D28751537	1	Bracket	
60	D28751674	1	Washer	
61	D46301062	1	Starting Switch	
62	D40400300	1	HEXAGON SCREW	
63	D20400400	1	Washer	
64	D28751530	1	Angle	

INSTRUMENT PANEL WITH SWITCHES AND CABLES

Item	Part Number	Qty	Description	Comments
65	D46435600	1	Fork	
66	D46431600	1	Flange	
67	D46435400	1	Cable	(K4)
68	D45905600	1	Washer	
69	D42608800	1	Pin	
70	D28950520	1	Decal	(E6)
71	D45065000	1	Switch	(E6)
72	D28752059	1	Bracket	
73	D28752163	1	Plate	F.43574
74	D45076100	1	Rev Indicator	COBRA
75	D46108000	1	Angle Drive	COBRA
76	D45070200	1	Cable	COBRA
77	D45063200	1	Indicator	(3)
78	D40741200	2	Screw	(E6) FOR VIBRATION BEAM (E1) FOR LIGHT IN THE GRAIN TANK (E8) FOR ROTOR FLASHER (F2) F-REVERSE DRIVE (G2) FOR INDICATOR (K4) THE PART IS HERE USED AS THROTTLE CABLE (K8) FOR LIGHT (K9) FOR WARNING-FLASHER (3) OPTIONAL EQUIPMENT (6) F. TABLE CLUTCH (7) F. THRESHING CLUTCH (9) F. DISCHARGE AUGER CLUTCH

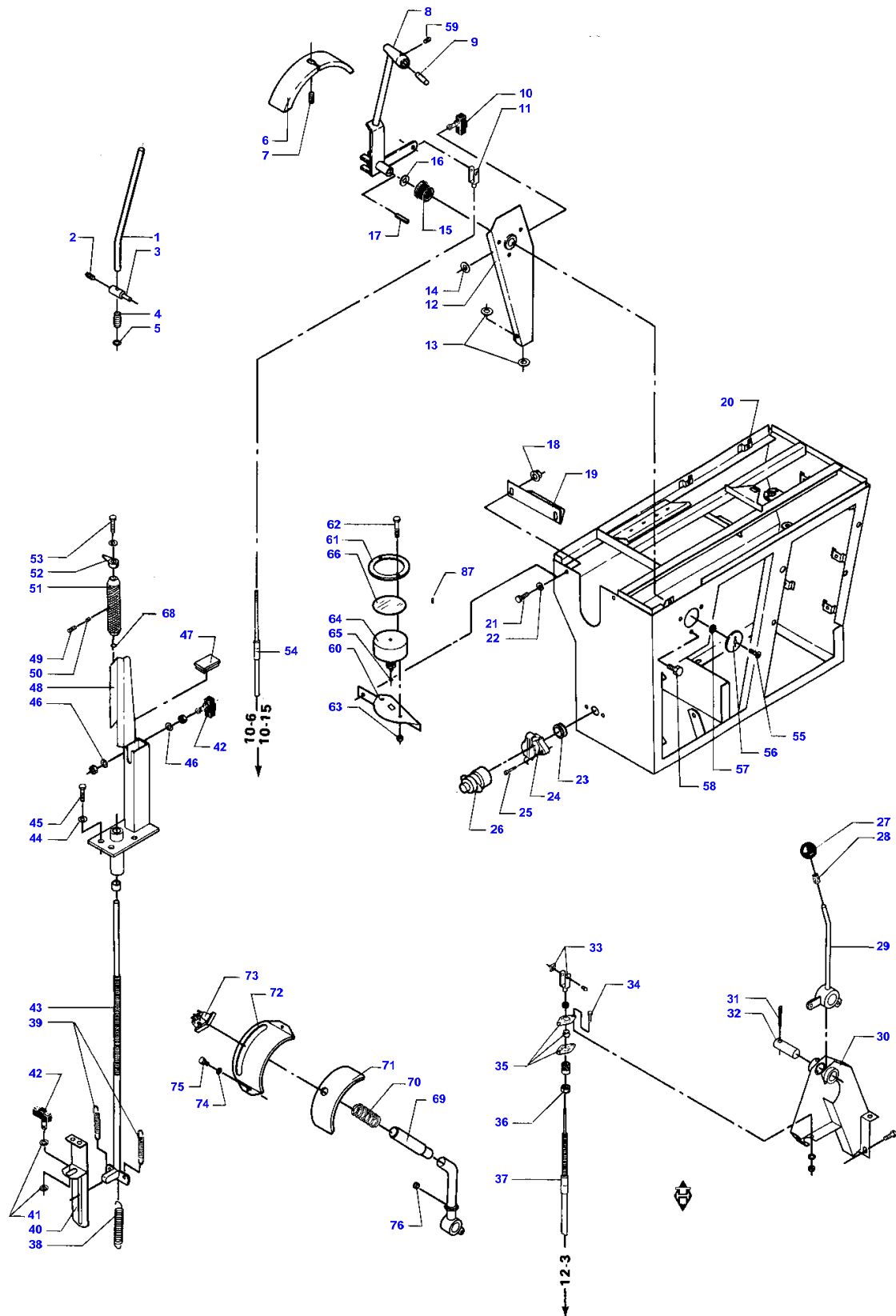


ADJUSTING LEVERS

Item	Part Number	Qty	Description	Comments
1	D40688200	8	Screw Metric	
2	D20400453	8	Washer	
3	D43383800	5	Handle	
4	D42601100	5	TIGHENING PIN	
5	D28751574	1	Lever	
6	D28752216	1	Instrument Panel	+F.43574
7	D28751668	1	Shaft	
8	D42609200	2	TIGHENING PIN	
9	D41013500	2	Nut	
10	D28761789	1	Universal Joint	
11	D45110038	1	Vane	(43) T.42394
12	D28751418	1	Bracket	T.42394
13	D41013600	2	Nut	
14	D20400471	2	Washer	
15	D40407700	2	Screw	
16	D20400409	2	Washer	
17	D40065400	2		T.42394
18	D42600900	5	TIGHENING PIN	
19	D28751511	1	Lever	(KO)
20	D43383800	5	Handle	
21	D28751569	5	Seal	
22	D28751571	5	Spring	
23	D28751507	2	Angle	
24	D28751491	3	Plate	
25	D40402400	5	Screw Metric	
26	D20400470	5	Washer	
27	D28751511	1	Lever	
28	D28751884	4	Conrod	
29	D28751492	5	Hub	
30	D43315300	5	Bush	
31	D28751506	1	Bracket	
32	D28751512	1	Lever	(J7)
33	D41405900	2	TIGHENING PIN	
34	D28751526	1	Lever	
35	D20400471	2	Washer	
36	D41087200	1	Locknut	
37	D28751510	1	Lever	(J9)
38	D28751510	1	Lever	(K1)
39	D28751509	2	Lever	
40	D40404900	4	Screw Metric	
41	D20400409	4	Washer	
42	D41013500	4	Nut	
43	D28751525	1	Bracket	
44	D41402800	1	SPLIT PIN	
45	D28700628	1	Journal	
46	D28750637	1	Bowden Cable	
47	D43383800	1	Handle	F.39541
48	D28751512	1	Lever	F.39541
49	D42600900	1	TIGHENING PIN	F.39541
50	D28751569	1	Seal	F.39541
51	D28751571	1	Spring	F.39541
52	D28751492	1	Hub	F.39541
53	D28751491	1	Plate	F.39541
54	D42551100	1	Clamp	(05)
55	D28752027	1	Lever	F.39541
56	D28752048	1	Valve	F.39541
57	D40424100	2	HEXAGON SCREW	
58	D28751329	1	Valve	T.39540
	D28752047	1	Valve	F.39541
59	D28752119	1	Stud	F.39541
	D45110004	1	Kit, Repair	F.39541
	D45141700	1	Valve	T.39540
	D45110008		Kit, Seal	T.39540
60	D41013500	2	Nut	
61	D42551100	4	Clamp	
62	D28720750	1	Plate	
63	D40316400	1	Screw Metric	
64	D28740881	1	Bush	T.39540
65	D40608900	1	Pin	

ADJUSTING LEVERS

Item	Part Number	Qty	Description	Comments
66	D45110008	1	Kit, Seal	F.39541
66	D45141700	1	Valve	
67	D41440100	10	Pin	
68	D20400466	5	Washer	F.41406
68	D42551100	5	Clamp	T.41405
69	D45110043		Solenoid	(J6) T.42394
70	D45110010		Kit, Seal	(J6) T.42394
71	D28251484	1	Non Return Valve	
72	D40424300	2	Bolt	F.42395
73	D28752146	1	Bracket	F.42395
74	D45110048	1	Distributor	(43) F.42395
75	D45110043		Solenoid	(J6)
76	D45110011		Kit, Seal	(J6) F.42395
77	D28752163	1	Plate	F.43574
78	D45110060	1	Pressure Valve	(05) F.39541-T.41405 (J6) F. FLOW-DIVIDER (J7) REEL UP-DOWN (J9) STUBBLE-HEIGHT ADJUSTMENT (KO) RETURN MATERIAL (K1) DISCHARGE AUGER (43) SEE PAGE 14-3



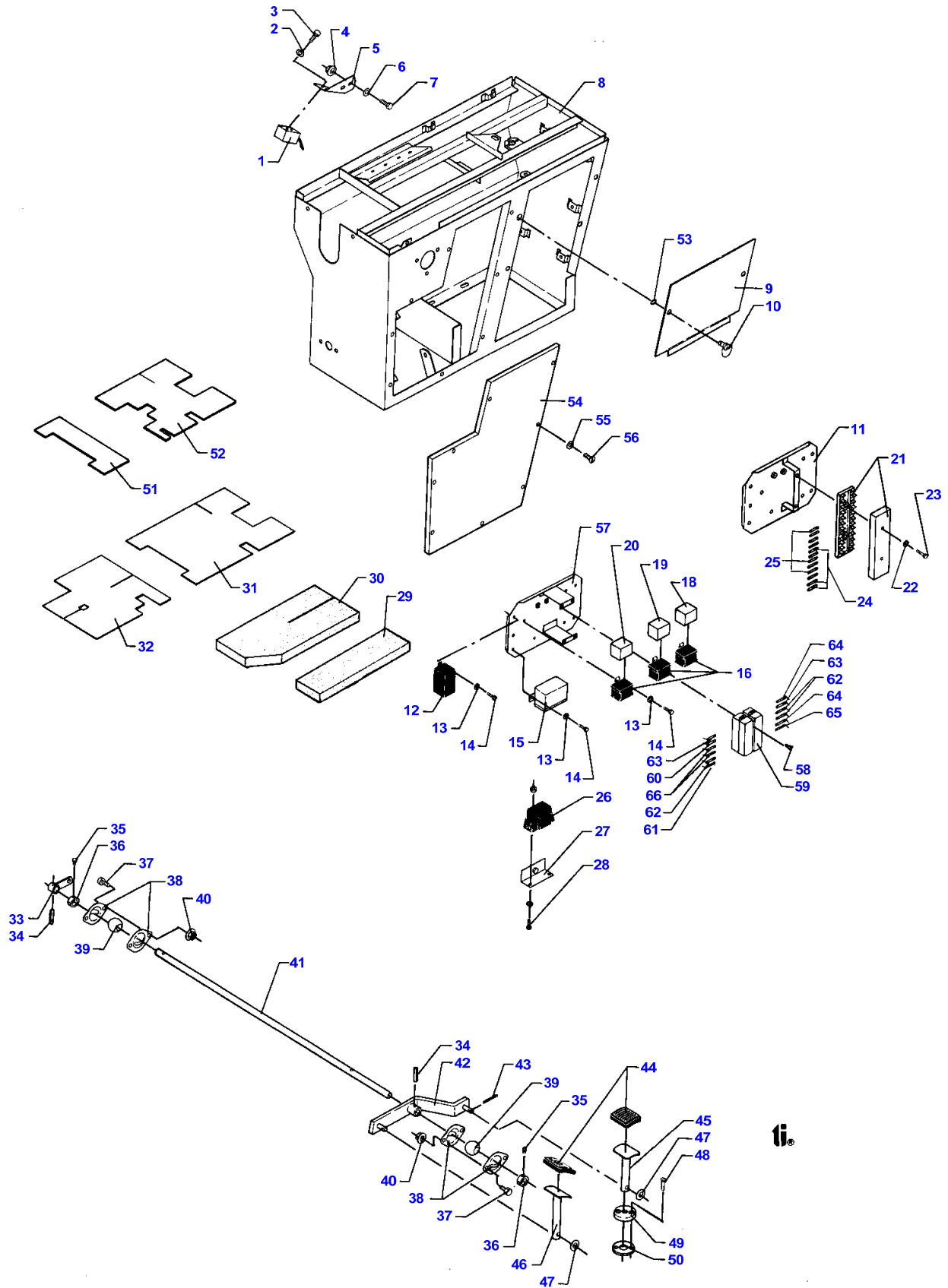
CONTROL BOX 1

Item	Part Number	Qty	Description	Comments
1	D28751540	1	Rod	
2	D40632000	1	Pin	
3	D28750896	1	Guide	
4	D26600305	1	Spring	
5	D20400471	1	Washer	
6	D28751570	1	Seal	
7	D29400102	1	Spring	
8	D28751497	1	Handle	
9	D28750897	1	Button	
10	D45076600	1	Micro Switch	
11	D46438700	1	Fork	
12	D28751502	1	Bracket	
13	D20400518	2	Spacer	
14	D28760970	2	Washer	
15	D43337100	1	Bush	
16	D43319300	1	Bush	
17	D42601000	1	TIGHENING PIN	
18	D41013500	4	Nut	
19	D28751621	1	Stay	
20	D28752041	1	Instrument Box	F.39541
	D28751649	1	Instrument Box	T.39540
21	D40405000	4	Screw Metric	
22	D20400409	4	Washer	
23	D44732300	1	Grommet	
24	D45078800	1	Socket	
25	D40316600	1	Screw	
26	D45078700	1	Plug	(PO)
27	D43383000	1	Ball	
28	D43383100	1	Ring	
29	D28750954	1	Lever	
30	D28750953	1	Bracket	
31	D41411100	1	SPLIT PIN	
32	D28750358	1	Shaft	
33	D46430200	1	Fork Head	
34	D40402400	2	Screw Metric	
35	D46434800	1	Ball Joint	
36	D46434600	1	Nut	
37	D46436300	1	Cable	
38	D28200516	1	Spring	
39	D28710853	2	Spring	
40	D28750978	1	Bracket	
41	D20400537	2	Spacer	
42	D45076600	2	Micro Switch	
43	D28761299	1	Pin	
44	D20400409	2	Washer	
45	D40405000	4	Screw Metric	
46	D28760970	2	Washer	
47	D45743100	1	Plug	
48	D28760771	1	Bearing	T.47005
	D28761970	1	Bearing	F.47006
49	D40630900	1	Pin	T.47005
50	D28720865	1	Lock	T.47005
51	D28750477	1	Nut	T.47005
	D28752459	1	Nut	F.47006
52	D28761298	1	Indicator	
53	D40405000	1	Screw Metric	
54	D46438600	1	Cable	
55	D40608800	1	Screw Metric	
56	D28750915	1	Brake Disc	
57	D43319300	1	Bush	
58	D40685000	3	Screw Metric	
59	D40608900	1	Pin	
60	D28752262	1	Bracket	(3)
61	D28752263	1	Retainer	(3)
62	D40422200	2	HEXAGON SCREW	(3)
63	D41087400	2	Locknut	(3)
64	D45089500	1	Manometer	(3)
65	D45276900	1	Packing Ring	(3)
66	D45070068	1	Window	(3)
67	D45016100	1	Bulb 12v 3w	(3)

CONTROL BOX 1

Item	Part Number	Qty	Description	Comments
68	D45461800	1	Washer	F.47006
69	D28752160	1	Lever	F.48199
70	D29400102	1	Spring	F.48199
71	D28752162	1	Gasket	F.48199
72	D28752161	1	Gasket	F.48199
73	D28752212	1	Switch,Indirect	F.48199
74	D20400453	2	Washer	F.48199
75	D40688200	2	Screw Metric	F.48199
76	D44731100	1	Grommet	F.48199

(PO)
FOR WIRING TO ROOF SECTION
(3)
OPTIONAL EQUIPMENT



CONTROL BOX 2

Item	Part Number	Qty	Description	Comments
1	D45018700	1	Magnet	
2	D20400404	2	Washer	
3	D40366800	2	Screw	
4	D41013400	2	Nut	
5	D28751504	1	Bracket	
6	D20400470	2	Washer	
7	D40402400	2	Screw Metric	
8	D28752041	1	Instrument Box	F.39541
	D28751649	1	Instrument Box	T.39540
9	D28751626	1	Shutter	
10	D43427500	2	Pin	
11	D28751627	1	Bracket	T.47287
12	D45087000	1	Relay	
	D45088800	1	Relay	(45)
13	D20400400		Washer	
14	D40400300		HEXAGON SCREW	
15	D45086800	1	Relay	
16	D45087800	3	Socket	
18	D45075200	1	Relay	
19	D45087700	1	Relay	
20	D45075200	1	Relay	(C8)
21	D45088100	1	Fuse Box	T.47287
23	D40352300	2	Screw	T.47287
24	D45001500	3	Fuse	T.47287
25	D45002400	3	Fuse	T.42238
26	D45088900	2	Relay	F.42239
	D45088700	2	Relay	T.42238
27	D28751998	1	Bracket	
28	D40400200	2	Setscrew	
29	D28950157	1	Seal	
30	D28950158	1	Seal	
31	D28751856	1	Plate	T.39540
32	D28751857	1	Plate	
33	D28750447	1	Lever	
34	D42612000	2	TIGHENING PIN	
35	D40402200	2	Screw Metric	
36	D28430357	2	Ring	
37	D40402400	4	Screw Metric	
38	D28810531	4	Flange	
39	D28810542	2	Bearing Ball	
40	D41013400	4	Nut	
41	D28751851	1	Shaft	
42	D28751853	1	Pedal	
43	D41404400	2	SPLIT PIN	
44	D44719900	2	Rubber	
45	D28751840	1	Pedal	
46	D28751839	1	Pedal	
47	D20400506	2	Spacer	
48	D40600900	6	Screw Metric	
49	D28751848	3	Bearing	
50	D28751999	6	Plate	
51	D28752096	1	Plate	F.39541
52	D28752095	1	Plate	F.39541
53	D42555500	2	Circlip	
54	D28751624	1	Shutter	
55	D20400404	8	Washer	
56	D40688200	8	Screw Metric	
57	D28752458	1	Bracket	F.47304
58	D40740400	4	Screw	F.47304
59	D45060048	2	Fuse Box	F.47304
60	D45010069	1	Fuse	F.47304
61	D45010071	1	Fuse	F.47304
62	D45010072	3	Fuse	F.47304
63	D45010073	2	Fuse	F.47304
64	D45010074	2	Fuse	F.47304
65	D45010075	1	Fuse	F.47304
66	D45010066	2	Gasket	F.47304
			(C8)	
			UNI-CONTROL	
			(45)	

MASSEY FERGUSON
MF 31 COMBINE - 819726

819726

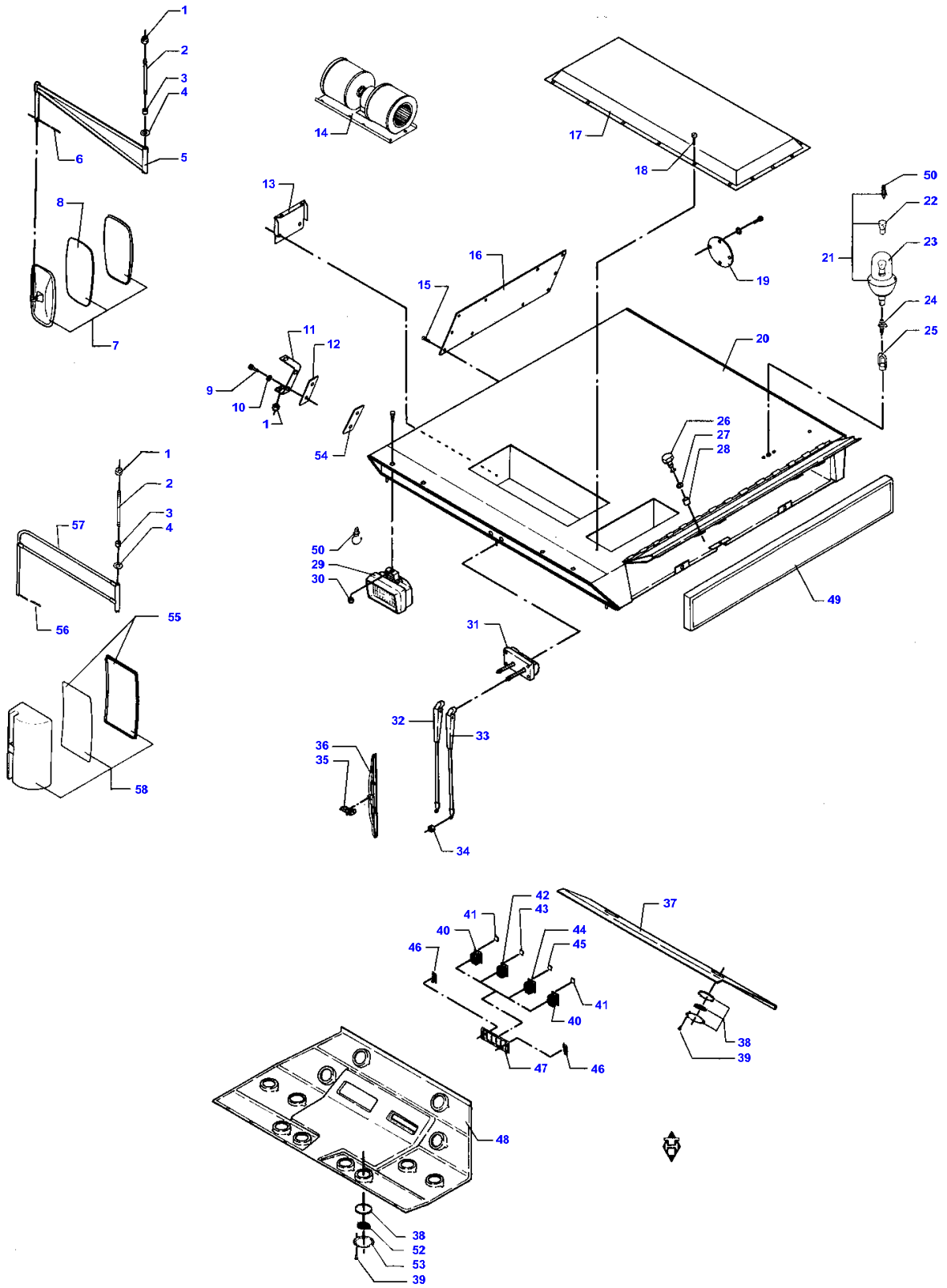
CONTROL BOX 2

13-8

Item Part Number Qty Description

Comments

ONLY FOR GERMANY, SCHWITZERLAND, AUSTRIA AND HOLLAND

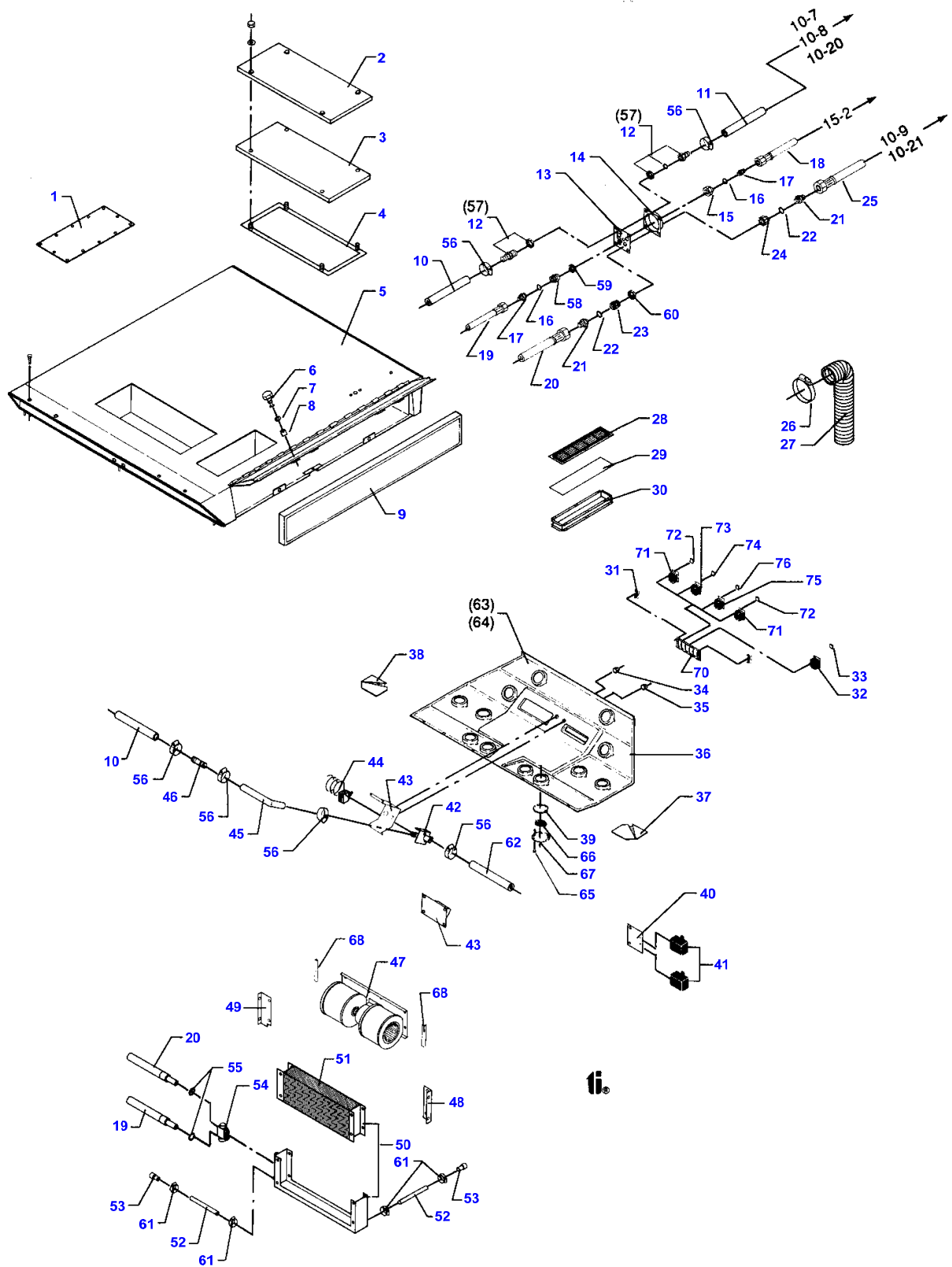


CAB ROOF

Item	Part Number	Qty	Description	Comments
1	D41087500	4	Locknut	
2	D28950190	2	Threaded Part	
3	D44718200	2	Tube	
4	D20400504	2	Washer	
5	D28950188	2	Arm	T.46389
6	D41405800	2	Pin	T.46389
7	D45027400	2	Mirror	T.46389
8	D45083700	2	Glass	T.46389
9	D40405100	4	Screw Metric	
10	D20400409	4	Washer	
11	D28950349	2	Bracket	
12	D28950360	2	Retainer	
13	D28950497	1	Plate	
14	D28950416	1	Fan	T.46064
	D28981035	1	Fan	F.46065
	D45066300	1	Impeller	Right Hand T.46064
14	D45066400	1	Impeller	Left Hand T.46064
15	D41399800	6	Rivet	
16	D28950368	1	Plate	
17	D28950531	1	Duct	
18	D40741200	6	Screw	
19	D28950501	1	Plate	
20	D28950348	1	Roof	T.46064
	D28950580	1	Section	F.46065
21	D45051200	1	Lamp	
22	D45006200	1	Bulb	
	D45081000	1	Bulb	
23	D45051900	1	Glass	(D3)
	D45060043	1	Glass	(D4)
	D45060044	1	Glass	(D5)
	D28950237	1	Retainer	POS. 24-25
24	D45068200	1	Plug	
25	D45051300	1	Retainer	
26	D43428800	2	Handle	
27	D43428600	2	Lock Washer	
28	D28950436	2	Bush	
29	D45084700	5	Work Light	
30	D41087500	5	Locknut	
31	D45064200	1	Wiper Motor	
32	D45064300	1	Wiper Arm	(L1)
33	D45064400	1	Wiper Arm	
34	D45064700	2	Nut	
35	D45064600	1	Adaptor	
36	D45064500	1	Wiper Blade	
37	D28950418	1	Panel	
38	D28980554	14	Retainer	
39	D40740220	28		
40	D45065000	2	Switch	(G7)
41	D45065400	2	Decal	
42	D45065100	1	Switch	(G8)
43	D45065300	1	Decal	
44	D45065200	1	Switch	(G9)
45	D45065500	1	Decal	
46	D45064800	2	Plate	
47	D45064900	1	Frame	
48	D28950417	1	Panel	
49	D28950341	1	Cab Filter	
50	D45081000	1	Bulb	
51	D45080200	5	Bulb	
52	D28980553	14	Shutter	
53	D28950583	1	Stop	F.46390
	D28980555	14	Ring	
55	D45083300	1	Window	F.46390
56	D41405700	2	SPLIT PIN	
57	D28950584	2	Arm	
58	D45086300	2	Mirror	F.46390 (D3) HELLA WITH METAL BOTTOM

CAB ROOF

Item	Part Number	Qty	Description	Comments
				(D4)
				AEB 590
				(D5)
				OPTILUX WITH PLAST BOTTOM
				(G7)
				FOR LAMPS
				(G8)
				FOR WIPER
				(G9)
				FOR FAN
				(L1)
				WITH SPRING



CAB ROOF WITH AIR-CONDITION

Item	Part Number	Qty	Description	Comments
1	D28950532	1	Plate	
2	D28950500	1	Cover	INCL. POS. 3
3	D28950499	1	Insulating Plate	
4	D28950505	1	Frame	
5	D28950348	1	Roof	T.46064
	D28950580	1	Section	F.46065
6	D43428800	2	Handle	
7	D43428600	2	Lock Washer	
8	D28950436	2	Bush	
9	D28950341	1	Cab Filter	
10	D45091800	1	Hose	
11	D44717700	2	Hose	4,4 M
12	D45096900	2	Union	
13	D45095800	1	Plate	
14	D45095900	1	Collar	
15	D45096200	1	Union	
16	D45096600	2	O Ring	
17	D45096400	2	Connector	
18	D45091400		Hydr Hose	
19	D45091600	1	Hose	
20	D45091500	1	Hose	
21	D45096500	2	Connector	
22	D45096700	2	O Ring	
23	D45096100	1	Union	
24	D45096300	1	Union	
25	D45091700	1	Hose	
26	D45095100	1	Clip	
27	D45095000	1	Hose	
28	D45093200	1	Grille	
29	D45093100	1	Cleaner	
30	D45094200	1	Frame	
31	D45064800		Plate	
32	D45065000	1	Switch	
33	D28950522	1	Decal	
34	D45092900	1	Knob	
35	D45092800	1	Knob	
36	D28950417	1	Panel	
37	D28950527	1	Cover	Left Hand
38	D28950526	1	Cover	Right Hand
39	D28980554	14	Retainer	
40	D45094100	1	Plate	T.46064
41	D45093300	2	Relay	
42	D45092400	1	Valve	
43	D28950578	1	Bracket	F.46065
	D45094000	1	Housing	T.46064
44	D45093000	1	Thermostat	
45	D45092300	1	Hose	
46	D45094300	1	Connector	
47	D28950416	1	Fan	T.46064
	D28981035	1	Fan	F.46065
48	D45095300	1	Bracket	
49	D45095400	1	Bracket	
50	D45093800	1	Cooler	
51	D45091900	1	Cooler	
52	D45094500	2	Hose	
53	D45092000	2	Valve	
54	D45092100	1	Valve	
55	D45092200	2	O Ring	
56	D45097000	12	Clip	
57	D45096800	4	Gasket	Diameter 21
	D45098600	2	Gasket	Diameter 13
58	D45096000	1	Coupling	
59	D45097800	1	Nut	
60	D45097900	1	Nut	
61	D45095500	4	Clip	
62	D45097100	1	Hose	
63	D45095600	1	Decal	(G5)
64	D45095700	1	Decal	(G6)
65	D40740200	28	Screw	
66	D28980553	14	Shutter	

MASSEY FERGUSON
MF 31 COMBINE - 819726

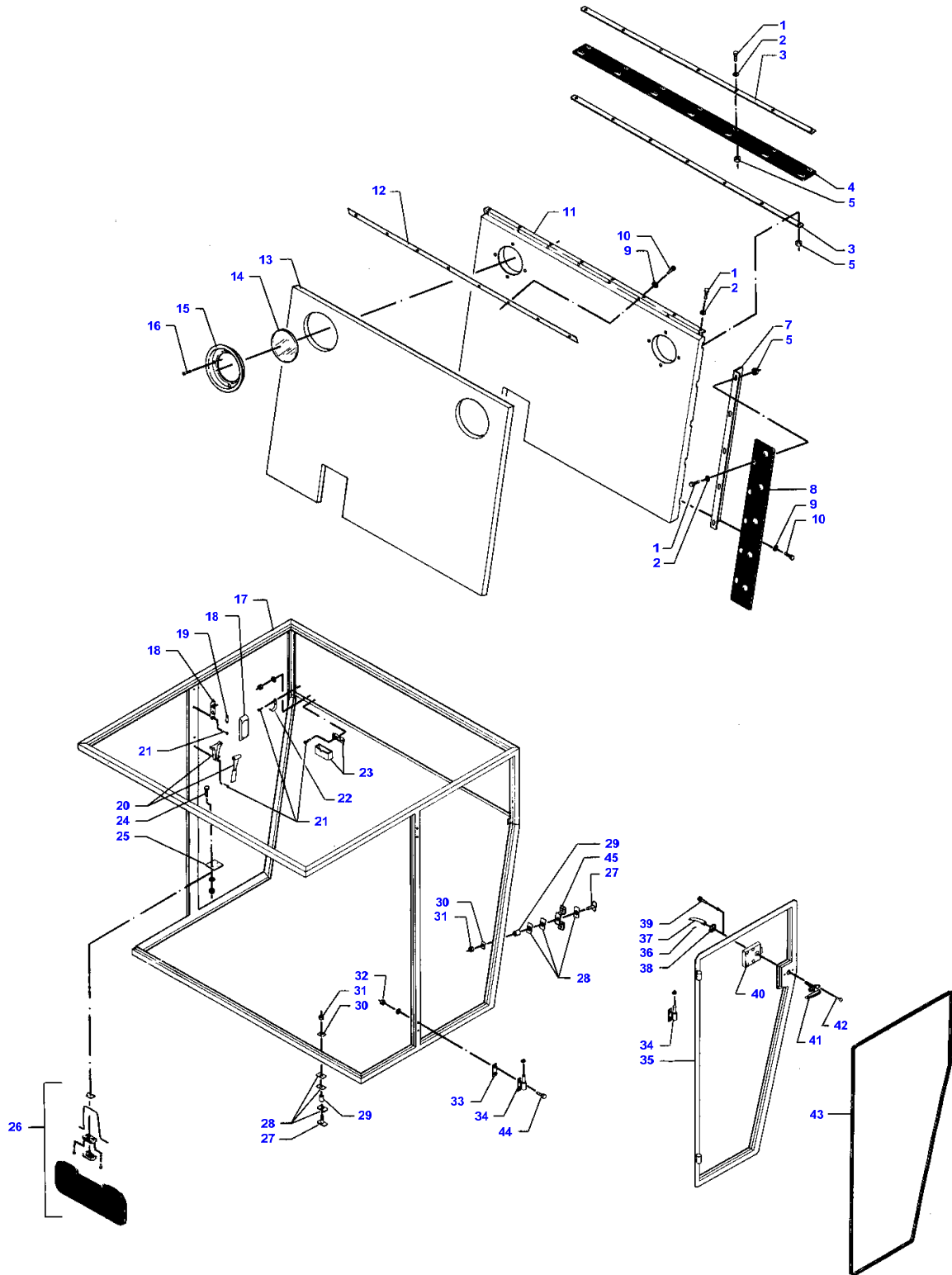
819726

CAB ROOF WITH AIR-CONDITION

13-10

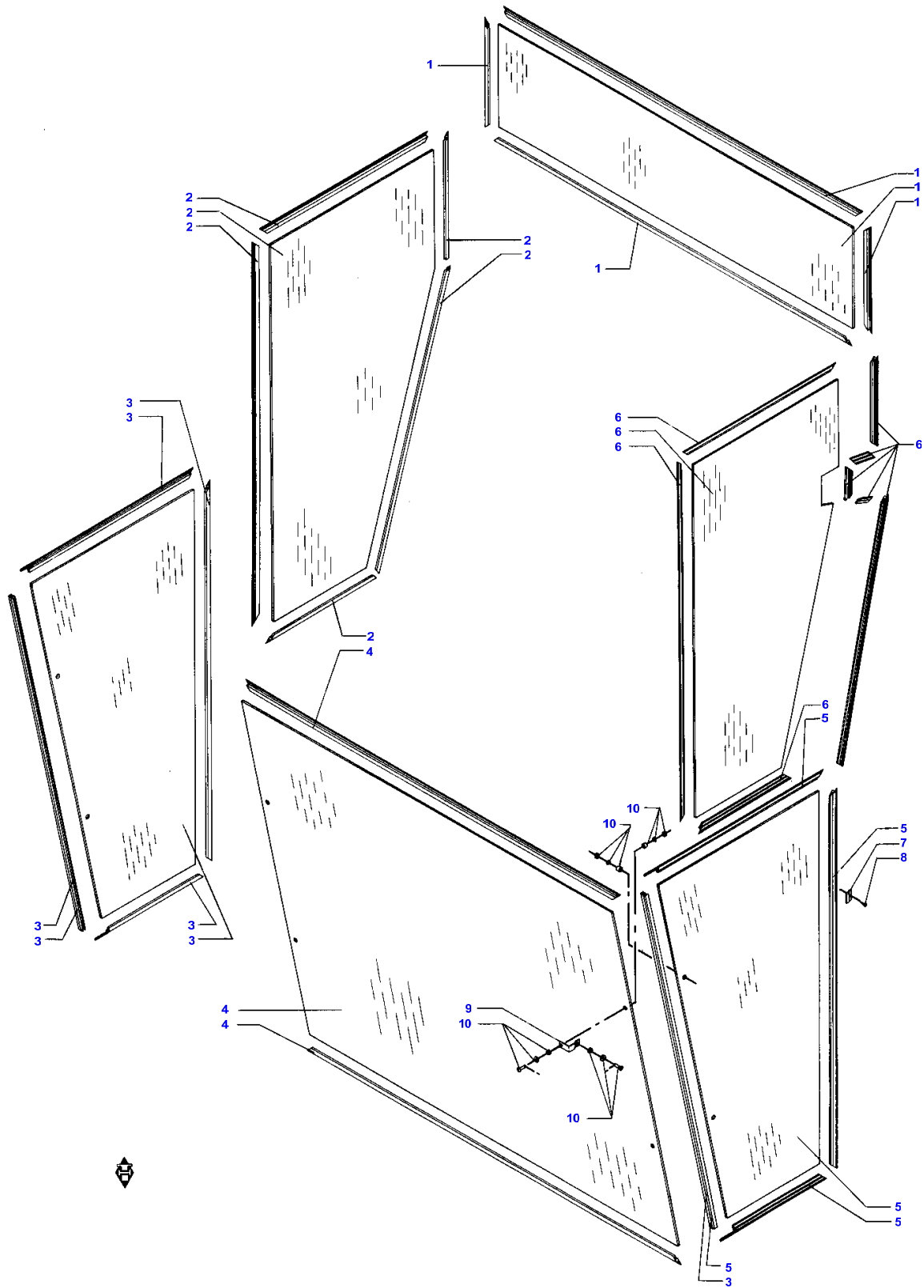
Item	Part Number	Qty	Description	Comments
67	D28980555	14	Ring	
68	D28950579	1	Retainer	F.46065
70	D45064900	1	Frame	
71	D45065000	2	Switch	
72	D45065400	2	Decal	
73	D45065200	1	Switch	
74	D45065500	1	Decal	
75	D45065100	1	Switch	
76	D45065300	1	Decal	

(G5)
AIR CONDITION
(G6)
AIR-COND. + HEAT



DRIVER CABIN

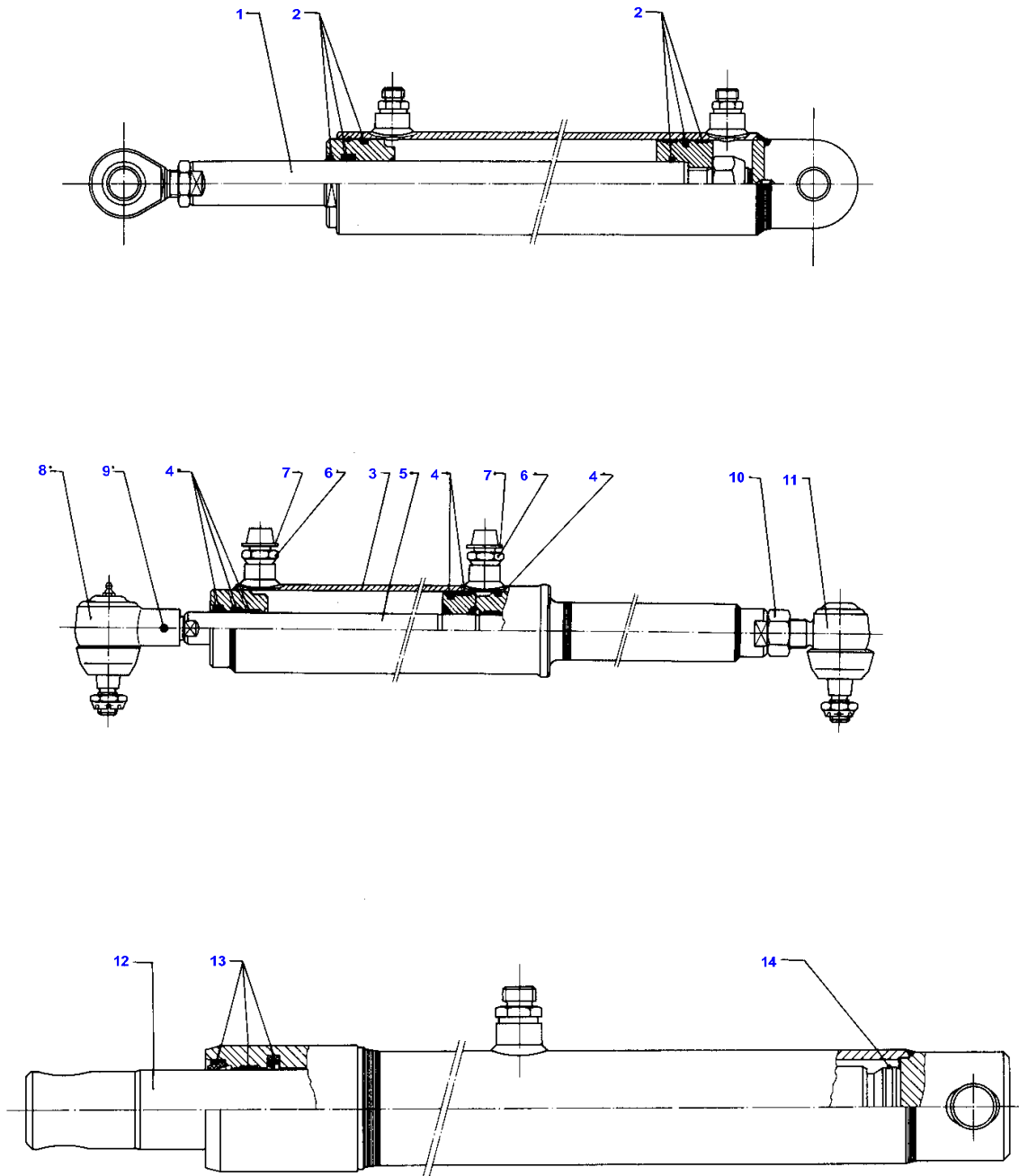
Item	Part Number	Qty	Description	Comments
1	D40402600		Screw Metric	
2	D20400470		Washer	
3	D28950166	2	Slide Rail	
4	D28950479	1	Seal	
5	D41013400		Nut	
7	D28950477	2	Member	
8	D28950478	2	Seal	
9	D20400404		Washer	
10	D40402400		Screw Metric	
11	D28950475	1	Guard	
12	D28950542	1	Strip	
13	D28950483	1	Mat	
14	D28830148	2	Plate	
15	D28950441	2	Frame	
16	D40741200	8	Screw	
17	D28950415	1	Frame	
18	D45058100	1	Light	
19	D45004800	1	Bulb 12v 5w	
20	D45059600	1	Hammer	
21	D40741200		Screw	
22	D45058300	1	Hook	
23	D45058200	1	Ashtray	
24	D40351800	3	Screw Metric	
25	D28950133	1	Bracket	
26	D28950419	1	Visor	
27	D28950137	6	Dog	
28	D28750726		Plate	
29	D28950140	6	Spacer	
30	D28950139	6	Plate	
31	D41010700	6	Nut Metric	
32	D41013500	4	Nut	
33	D28950093		Shim	(5)
34	D28950045	2	Hinge	
35	D28960048	1	Frame	
36	D42601000	1	TIGHENING PIN	
37	D43400200	1	Handle	
38	D43422500	1	Washer	
39	D40400700	4	Screw Metric	
40	D43400000	1	Lock	
41	D28950134	1	Door Handle	
42	D40369800	1	Screw Metric	
43	D44706600		Seal Section	3,920 M
44	D40423600	4	HEXAGON SCREW	
45	D28950476	2	Retainer	(5) OPTIONAL



WINDOW PANES

Item	Part Number	Qty	Description	Comments
	D44735600		Gasket	(F) 12 M
1	D28950054	1	Glass Pane	
2	D28960016	1	Glass Pane	
3	D28960046	1	Glass Pane	Right Hand
	D44735700	2	Moulding	
4	D28050709	1	Windscreen	
5	D28960045	1	Glass Pane	
	D44735600		Gasket	(G) 4 M
6	D28960047	1	Glass Pane	
7	D43427700	22	Clip	
	D43427800	2	Clip	
8	D40741200	24	Screw	
9	D28950084	4	Clip	
10	D43427600	8	Stud Lock	

(F)
FOR CABIN PANES
(G)
FOR DOOR PANE



**MASSEY FERGUSON
MF 31 COMBINE - 819726**

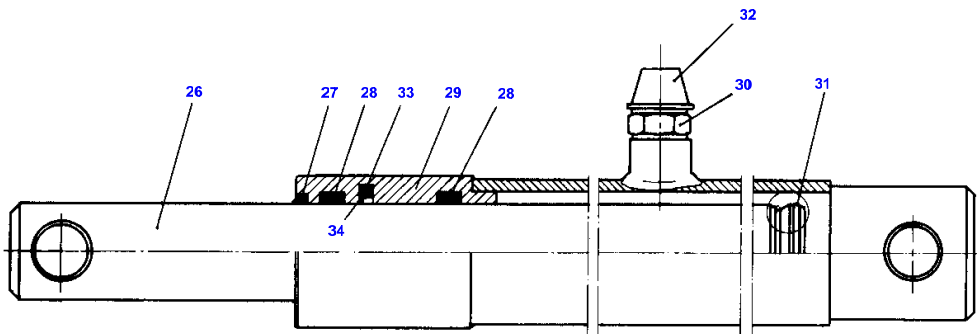
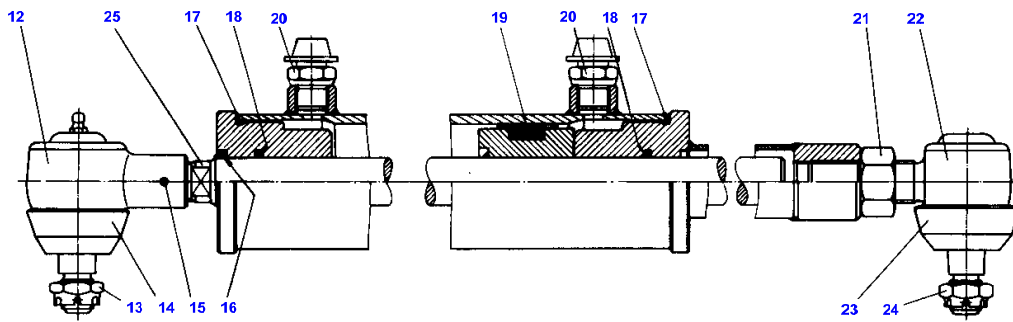
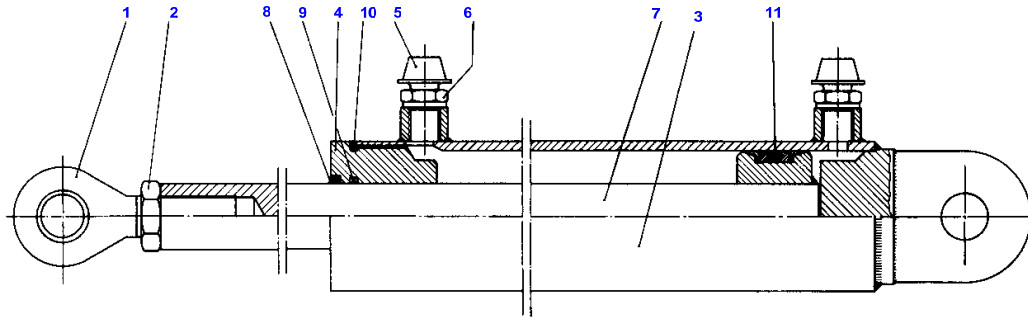
819726

HYDRAULIC CYLINDER - STEERING CYLINDER 1

14-1A

Item	Part Number	Qty	Description	Comments
	D45100062	1	Ram	(31) POS. 1-2
1	D45100090	1	Cylinder Rod	
2	D45100076	1	Kit, Seal	
	D28150883	1	Ram	(61) POS. 3-11
	D28151301	1	Ram	(62) POS. 3-11
3	D45100025	1	Ram	
	D45100064	1	Steering Cyl	POS. 4-5
4	D45100078	1	Kit, Joint/Gasket	PACOMA
	D45110018	1	Kit, Joint	PPT
5	D45100092	1	Cylinder Rod	PACOMA
6	D45250800	2	Union	
7	D45707900	2	Cap	
8	D41049000	1	Castle Nut	F.45488
	D45933100	1	Toggle	T.45487
	D45933500	1	Toggle	F.45488
9	D42605100	1	TIGHENING PIN	
10	D41043000	1	Nut Metric	
11	D41049000	1	Castle Nut	F.45488
	D45933200	1	Toggle	T.45487
	D45933600	1	Toggle	F.45488
	D45100057	2	Ram	(33) F.42206
12	D45100085	1	Piston Rod	
13	D45100074	1	Kit, Seal	
14	D45100096	1	Snapping	

(31)
FOR DISCHARGE AUGER, F.42021. SEE ALSO 14-1B
(33)
FOR TABLE POS. 6-8, SEE ALSO 14-1B.
(61)
USED F.42160-T.45487
(62)
USED F.45488



**MASSEY FERGUSON
MF 31 COMBINE - 819726**

819726

HYDRAULIC CYLINDER - STEERING CYLINDER 2

14-1B

Item	Part Number	Qty	Description	Comments
	D28850870	1	Ram	(37) POS. 1-11
1	D45698500	1	Ball Joint	
2	D41043000	1	Nut Metric	
3	D28850845	1	Barrel	
4	D28850840	1	Head	
5	D45748000	2	Plug	
6	D45252600	2	Union	
7	D28850844	1	Piston Rod	
	D28051001		Kit, Seal	POS. 8-11
8	D45400700	1	Ring	
9	D45402600	1	Seal	
10	D45480600	1	O Ring	(49)
11	D45402300	1	Seal	
	D28150883	1	Ram	(38) POS. 12-25
12	D45933100	1	Toggle	POS. 13-14
13	D41048700	1	Castle Nut	
14	D45933900	1	Cap	
15	D42605100	1	TIGHTENING PIN	
	D28051000		Kit, Seal	POS. 16-19
16	D45400500	1	Bush	
17	D45477900	2	O Ring	
18	D45403400	2	Ring	
19	D45402200	1	Kit,Joint/Gasket	
20	D45250800	2	Union	
21	D41043000	1	Nut Metric	
22	D45933200	1	Toggle	POS. 23-24
23	D45934000	1	Cap	
24	D41048700	1	Castle Nut	
25	D28150876	1	Piston Rod	
	D28751742		Cylinder	(34) T.42205
	D28751743		Ram	(34) T.42205
	D45100058		Ram	(3) POS. 26-34 50 X 600
26	D28750220	1	Piston	
	D28751159	1	Piston	
	D28751980	1	Piston	
27	D45405300	1	Ring	40 MM
	D45405200	1	Ring	45 MM
	D45405700	1	Segment	50 MM
28	D45404500	2	Ring	40 MM
	D45404600	2	Ring	45 MM
	D45404700	2	Segment	50 MM
29	D28751740	1	Cylinder	
	D28751741	1	Cylinder	45/600
	D28751985	1	Ram	
30	D45250800	1	Union	
31	D28750218	1	Spring	40 MM
	D28741088	1	Circlip	45 MM
	D28751983	1	Circlip	50 MM
32	D45748200	1	Plug	
33	D45465100	1	O Ring	40 MM
	D45465400	1	O Ring	45 MM
	D45465500	1	O Ring	50 MM
34	D45405400	1	Ring	40 MM
	D45405100	1	Ring	45 MM
	D45405800	1	Segment	50 MM
				(3) OPTIONAL EQUIPMENT (34) FOR TABLE POS. 26-34, SEE ALSO 14-1A. (37) FOR DISCHARGE AUGER, T.42020, SEE ALSO 14-A1. (38) T.42159, SEE ALSO 14-1A. (49)

MASSEY FERGUSON

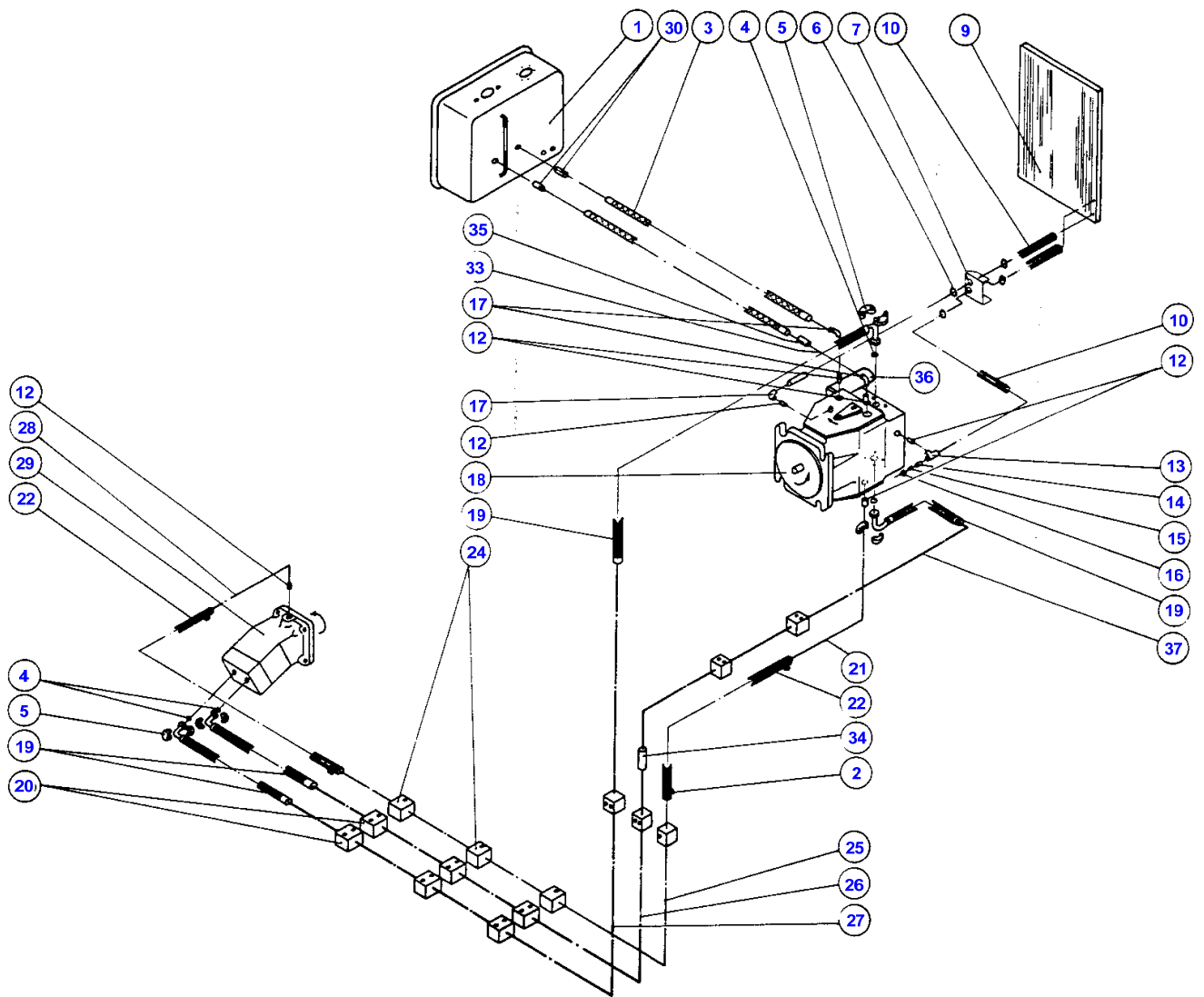
MF 31 COMBINE - 819726

819726

HYDRAULIC CYLINDER - STEERING CYLINDER 2

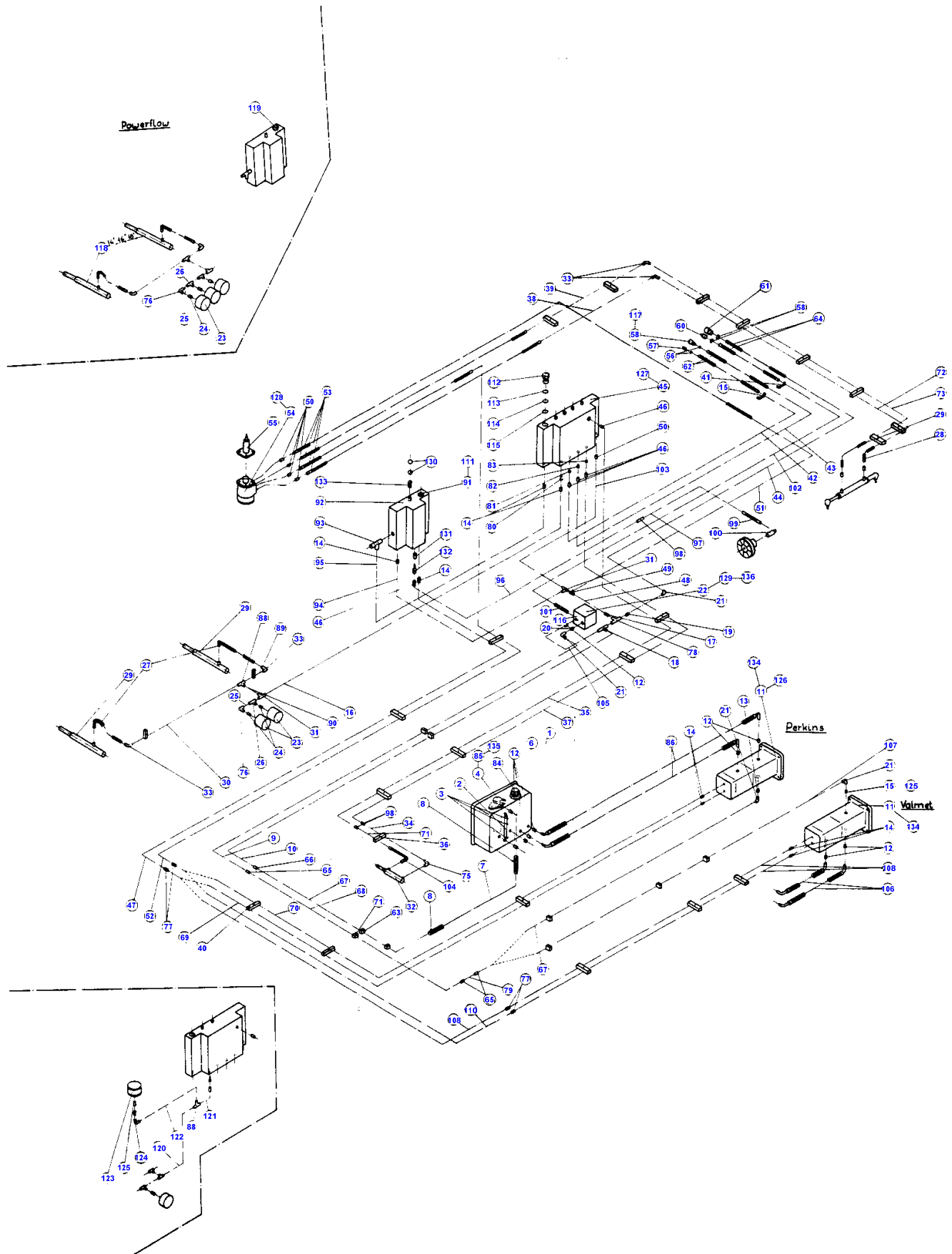
14-1B

Item	Part Number	Qty	Description	Comments
				SEE SERVICE INFORMATION NO. 84/22



PROPULSION HYDRAULIC

Item	Part Number	Qty	Description	Comments
1	D28751699	1	Hydraulic Tank	
2	D45727300	4	Clamp	
3	D45130004	2	Hydr Hose	
4	D45463900	4	O Ring	
5	D45160800	8	Flange	
6	D44732500	4	Grommet	
7	D28752025	1	Bracket	+F.43141
9	D28750776	1	Radiator	
	D28751351	1	Oil Cooler	(T5)
10	D45130600	2	Hose	
12	D45251100	5	Union	
13	D45267200	1	Union	
14	D45219900	1	Plug	
15	D45204800	1	Union Nut	
16	D45201600	1	Packing	
17	D45264200	3	Union	
18	D45161000	1	Hydraulic Pump	
19	D45130003	4	Hydr Hose	
20	D45738200	10	Support	
21	D28751207	1	Pipe	
22	D28741303	2	Hose	
24	D45739500	4	Support	
25	D28751208	1	Pipe	
26	D28751209	1	Pipe	
27	D28751211	1	Pipe	
28	D28751210	1	Pipe	
29	D45162000	1	Hydraulic Motor	
30	D45251500	2	Union	
33	D28751228	1	Pipe	
34	D45254700	1	Connector	
35	D45254300	1	Connector	
36	D45161300	1	Oil Filter	
37	D28751212	1	Pipe	



**MASSEY FERGUSON
MF 31 COMBINE - 819726**

819726

14-3

AUXILIARY HYDRAULIC (F.39980)

Item	Part Number	Qty	Description	Comments
1	D28751699	1	Hydraulic Tank	
2	D28720448	1	Hose	
3	D45738900	3	Hose Clip	
4	D45146400	1	Oil Filter	
6	D28741446	1	Elbow	
7	D28751033	1	Hose	
8	D45727000	2	Hose Clip	
9	D28751637	1	Pipe	
10	D28750397	1	Pipe	
11	D45162200	1	Hydraulic Pump	
12	D45251500	8	Union	
13	D45250700	1	Union	
14	D45250800	6	Union	
15	D28751080	1	Pipe	
16	D28751080	1	Pipe	
17	D45272700	1	Union	
18	D45266600	1	Union	
19	D45272800	1	Union	
20	D45253400	1	Union	
21	D45264100	3	Union	
22	D45110048	1	Distributor	
23	D45100300	3	Accumulator	
24	D45250500	3	Union	
25	D28730695	2	Pipe	
26	D45267100	2	Union	
27	D45126300	2	Hose	
28	D45124400	2	Hose	
29	D45100057	2	Ram	45 X 600
30	D28751064	1	Pipe	
31	D45266300	2	Union	
32	D45100062	1	Ram	
33	D45258600	4	Union	
34	D28751342	1	Pipe	
35	D28750395	1	Pipe	
36	D45739100	6	Support	
37	D28750394	1	Pipe	
38	D28750388	1	Pipe	
39	D28750389	1	Pipe	
40	D45739400	19	Support	
41	D28741194	1	Retainer	
42	D28750401	1	Pipe	
43	D28750400	1	Pipe	
44	D28752031	1	Pipe	
45	D28752047	1	Valve	
46	D45252800	5	Union	
47	D28752038	1	Pipe	
48	D28752032	1	Pipe	
49	D45257800	1	Union	
50	D45252700	5	Union	
51	D28750391	1	Pipe	
52	D28750390	1	Pipe	
53	D45132300	4	Hose	
54	D45114400	1	Valve Block	
55	D45114500	1	Steering Column	
56	D45461300	2	O Ring	
57	D45134900	1	Union	
58	D45135000	1	Union	
59	D45462200	2	O Ring	
60	D45135300	1	Union	
61	D45135400	1	Union	
62	D45131800	2	Hose	
63	D45739600	4	Support	
64	D45132400	2	Hose	
65	D45254900	3	Union	
66	D45254500	1	Union	
67	D28751339	1	Pipe	
68	D28751338	1	Pipe	
69	D28751341	1	Pipe	
70	D28751340	1	Pipe	
71	D45739700	3	Support	

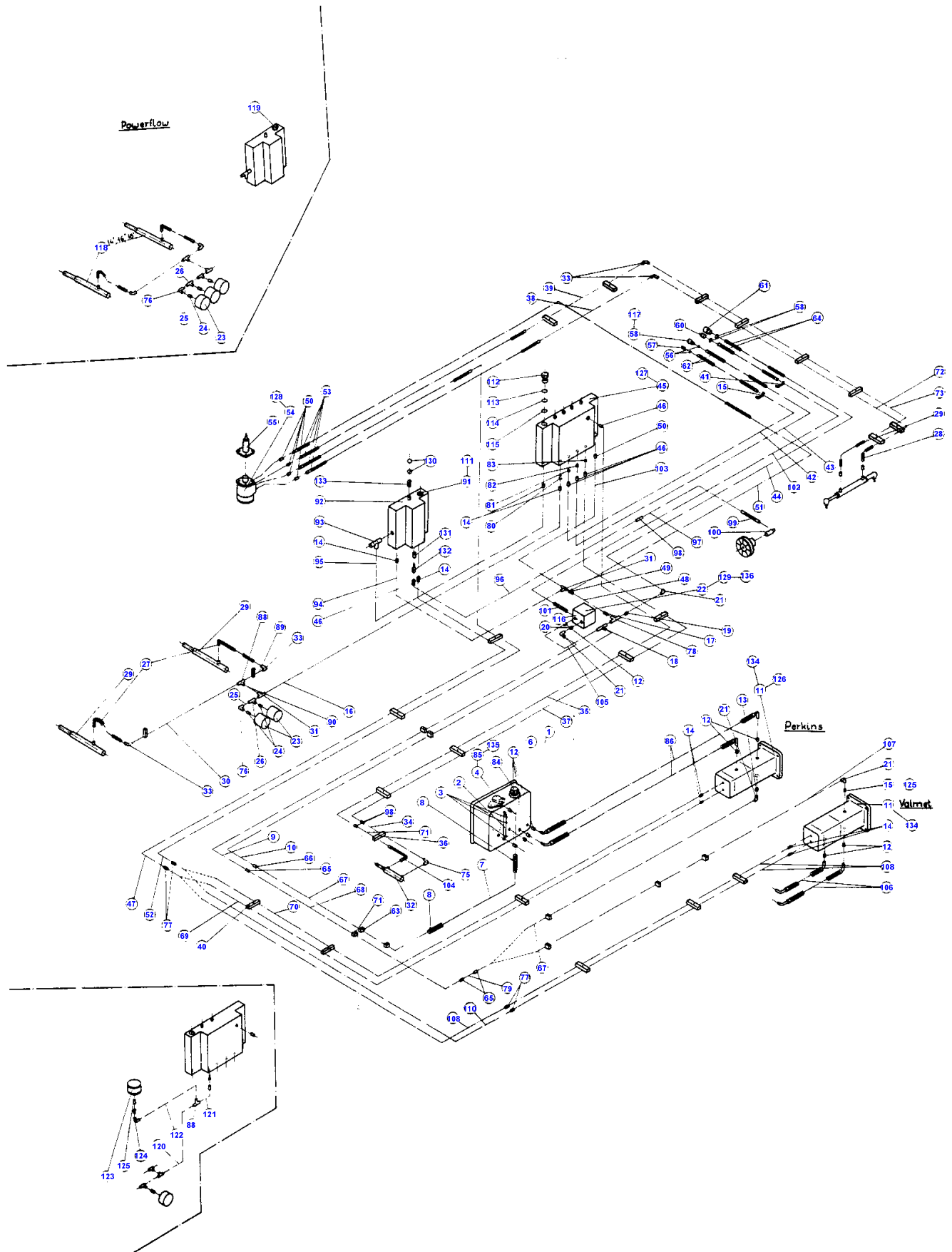
**MASSEY FERGUSON
MF 31 COMBINE - 819726**

819726

14-3

AUXILIARY HYDRAULIC (F.39980)

Item	Part Number	Qty	Description	Comments
72	D28750903	1	Pipe	
73	D28750904	1	Pipe	
74	D28751343	1	Pipe	
75	D45263900	1	Union	
76	D45264000	2	Union	
77	D45254100	4	Union	
78	D45256400	1	Union	
79	D28750609	1	Pipe	
80	D28750774	1	Washer	
81	D45141900	1	Washer	
82	D28750489	1	Washer	
83	D45141400	1	Restrictor	
84	D45103000	1	Filter	
85	D28711628	1	Hose	
86	D45133100	2	Hydr Hose	
87	D28751200	1	Pipe	
88	D45256100	3	Union	
89	D28751065	1	Pipe	
90	D28711881	1	Pipe	
91	D45141700	1	Valve	
92	D28752048	1	Valve	
93	D45267500	1	Union	
94	D28752035	1	Pipe	
95	D28752033	1	Pipe	
96	D28752030	1	Pipe	
97	D28751295	1	Hydr.Hose Assy.	
98	D45254000	3	Union	
99	D45136900	1	Hydr Hose	
100	D28761138	1	Clutch	
101	D28251484	1	Non Return Valve	
102	D28752145	1	Hydr Hose	
103	D28750608	1	Pipe	
104	D45123600	1	Hose	
105	D28751635	1	Pipe	
106	D45130005	2	Hydr.Hose Assy.	
107	D28751832	1	Hydr.Hose Assy.	
108	D28751833	2	Hydr.Hose Assy.	
109	D28751834	1	Hydr.Hose Assy.	
110	D28751835	1	Hydr.Hose Assy.	
111	D45110008	1	Kit, Seal	
112	D28752119	1	Stud	
113	D45480900	1	O Ring	
114	D45481000	1	Bush	
115	D45480800	1	O Ring	
116	D28751485	1	Distributor	
117	D45139200	1	O Ring	
118	D45100058	2	Ram	50 X 600
119	D45110050	1	Valve	
120	D28752271	1	Pipe	
121	D28752272	1	Pipe	
122	D28752273	1	Pipe	
123	D45089500	1	Manometer	
124	D45261000	1	Union	
125	D45272300	1	Connector	
126	D45100015	1	Kit, Joint	
127	D45110004	1	Kit, Repair	
128	D45114000	1	Kit, Joint	
129	D45110011	1	Kit, Seal	
130	D45117100	2	O Ring	
131	D45110051	1	Pressure Valve	
132	D45116800	1	Non Return Valve	
133	D45117400	1	Spring	
134	D45100015	1	Kit, Joint	REXROT
134	D45110006	1	Kit,Joint/Gasket	
135	D45145700	1	Kit	
136	D45110060	1	Pressure Valve	



**MASSEY FERGUSON
MF 31 COMBINE - 819726**

819726

14-3

AUXILIARY HYDRAULIC (F.39980)

Item	Part Number	Qty	Description	Comments
1	D28751699	1	Hydraulic Tank	
2	D28720448	1	Hose	
3	D45738900	3	Hose Clip	
4	D45146400	1	Oil Filter	
6	D28741446	1	Elbow	
7	D28751033	1	Hose	
8	D45727000	2	Hose Clip	
9	D28751637	1	Pipe	
10	D28750397	1	Pipe	
11	D45162200	1	Hydraulic Pump	
12	D45251500	8	Union	
13	D45250700	1	Union	
14	D45250800	6	Union	
15	D28751080	1	Pipe	
16	D28751080	1	Pipe	
17	D45272700	1	Union	
18	D45266600	1	Union	
19	D45272800	1	Union	
20	D45253400	1	Union	
21	D45264100	3	Union	
22	D45110048	1	Distributor	
23	D45100300	3	Accumulator	
24	D45250500	3	Union	
25	D28730695	2	Pipe	
26	D45267100	2	Union	
27	D45126300	2	Hose	
28	D45124400	2	Hose	
29	D45100057	2	Ram	45 X 600
30	D28751064	1	Pipe	
31	D45266300	2	Union	
32	D45100062	1	Ram	
33	D45258600	4	Union	
34	D28751342	1	Pipe	
35	D28750395	1	Pipe	
36	D45739100	6	Support	
37	D28750394	1	Pipe	
38	D28750388	1	Pipe	
39	D28750389	1	Pipe	
40	D45739400	19	Support	
41	D28741194	1	Retainer	
42	D28750401	1	Pipe	
43	D28750400	1	Pipe	
44	D28752031	1	Pipe	
45	D28752047	1	Valve	
46	D45252800	5	Union	
47	D28752038	1	Pipe	
48	D28752032	1	Pipe	
49	D45257800	1	Union	
50	D45252700	5	Union	
51	D28750391	1	Pipe	
52	D28750390	1	Pipe	
53	D45132300	4	Hose	
54	D45114400	1	Valve Block	
55	D45114500	1	Steering Column	
56	D45461300	2	O Ring	
57	D45134900	1	Union	
58	D45135000	1	Union	
59	D45462200	2	O Ring	
60	D45135300	1	Union	
61	D45135400	1	Union	
62	D45131800	2	Hose	
63	D45739600	4	Support	
64	D45132400	2	Hose	
65	D45254900	3	Union	
66	D45254500	1	Union	
67	D28751339	1	Pipe	
68	D28751338	1	Pipe	
69	D28751341	1	Pipe	
70	D28751340	1	Pipe	
71	D45739700	3	Support	

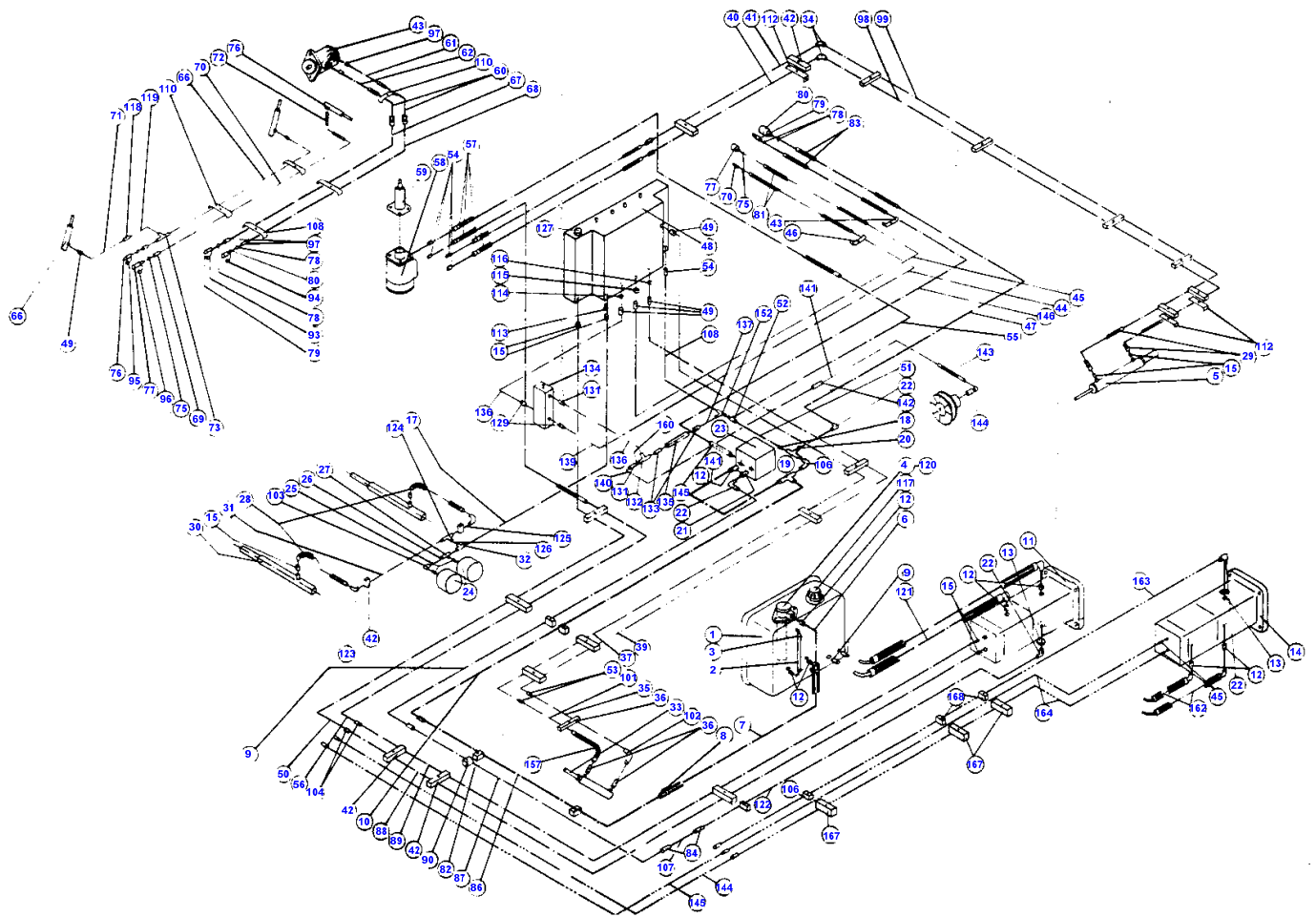
**MASSEY FERGUSON
MF 31 COMBINE - 819726**

819726

14-3

AUXILIARY HYDRAULIC (F.39980)

Item	Part Number	Qty	Description	Comments
72	D28750903	1	Pipe	
73	D28750904	1	Pipe	
74	D28751343	1	Pipe	
75	D45263900	1	Union	
76	D45264000	2	Union	
77	D45254100	4	Union	
78	D45256400	1	Union	
79	D28750609	1	Pipe	
80	D28750774	1	Washer	
81	D45141900	1	Washer	
82	D28750489	1	Washer	
83	D45141400	1	Restrictor	
84	D45103000	1	Filter	
85	D28711628	1	Hose	
86	D45133100	2	Hydr Hose	
87	D28751200	1	Pipe	
88	D45256100	3	Union	
89	D28751065	1	Pipe	
90	D28711881	1	Pipe	
91	D45141700	1	Valve	
92	D28752048	1	Valve	
93	D45267500	1	Union	
94	D28752035	1	Pipe	
95	D28752033	1	Pipe	
96	D28752030	1	Pipe	
97	D28751295	1	Hydr.Hose Assy.	
98	D45254000	3	Union	
99	D45136900	1	Hydr Hose	
100	D28761138	1	Clutch	
101	D28251484	1	Non Return Valve	
102	D28752145	1	Hydr Hose	
103	D28750608	1	Pipe	
104	D45123600	1	Hose	
105	D28751635	1	Pipe	
106	D45130005	2	Hydr.Hose Assy.	
107	D28751832	1	Hydr.Hose Assy.	
108	D28751833	2	Hydr.Hose Assy.	
109	D28751834	1	Hydr.Hose Assy.	
110	D28751835	1	Hydr.Hose Assy.	
111	D45110008	1	Kit, Seal	
112	D28752119	1	Stud	
113	D45480900	1	O Ring	
114	D45481000	1	Bush	
115	D45480800	1	O Ring	
116	D28751485	1	Distributor	
117	D45139200	1	O Ring	
118	D45100058	2	Ram	50 X 600
119	D45110050	1	Valve	
120	D28752271	1	Pipe	
121	D28752272	1	Pipe	
122	D28752273	1	Pipe	
123	D45089500	1	Manometer	
124	D45261000	1	Union	
125	D45272300	1	Connector	
126	D45100015	1	Kit, Joint	
127	D45110004	1	Kit, Repair	
128	D45114000	1	Kit, Joint	
129	D45110011	1	Kit, Seal	
130	D45117100	2	O Ring	
131	D45110051	1	Pressure Valve	
132	D45116800	1	Non Return Valve	
133	D45117400	1	Spring	
134	D45100015	1	Kit, Joint	REXROT
134	D45110006	1	Kit,Joint/Gasket	
135	D45145700	1	Kit	
136	D45110060	1	Pressure Valve	



MASSEY FERGUSON

MF 31 COMBINE - 819726

819726

14-4

AUXILIARY HYDRAULIC (T.39540)

Item	Part Number	Qty	Description	Comments
1	D28751699	1	Hydraulic Tank	
2	D28720448	1	Hose	
3	D45738900	3	Hose Clip	
4	D45146400	1	Oil Filter	
5	D28150883	1	Ram	
6	D28741446	1	Elbow	
7	D28751033	1	Hose	
8	D45727000	2	Hose Clip	
9	D28751637	1	Pipe	
10	D28750397	1	Pipe	
11	D45162200	1	Hydraulic Pump	
12	D45251500	6	Union	
13	D45250700	1	Union	
15	D45250800	8	Union	
16	D28741192	1	Retainer	
17	D28751080	1	Pipe	
18	D45272700	1	Union	
19	D45266600	2	Union	
20	D45272800	1	Union	
21	D45253400	1	Union	
22	D45264100	3	Union	
23	D45110038	1	Vane	
24	D45100300	2	Accumulator	
25	D45250500	2	Union	
26	D28730695	1	Pipe	
27	D45267100	1	Union	
28	D45126300	2	Hose	
29	D45124400	2	Hose	
30	D28751742		Cylinder	(R7)
	D28751743		Ram	(R7)
	D45100058		Ram	(R7)
				50 X 600
31	D28751064	1	Pipe	
32	D45266300	1	Union	
33	D28850870	1	Ram	
34	D45258600	2	Union	
35	D28751342	1	Pipe	
36	D45252600	2	Union	
37	D28750395	1	Pipe	
38	D45739100	4	Support	
39	D28750394	1	Pipe	
40	D28750388	1	Pipe	
41	D28750389	1	Pipe	
42	D45739400	12	Support	
43	D28741194	1	Retainer	
44	D28750401	1	Pipe	
45	D28750400	1	Pipe	
47	D28750403	1	Pipe	
48	D28751329	1	Valve	
49	D45252800	6	Union	
50	D28751638	1	Pipe	
51	D28750393	1	Pipe	
52	D45257800	1	Union	
53	D45254000	2	Union	
54	D45252700	5	Union	
55	D28750391	1	Pipe	
56	D28750390	1	Pipe	
57	D45132300	4	Hose	
58	D45114000	1	Kit, Joint	
59	D45114500	1	Steering Column	
60	D45132500	2	Hose	
61	D28750586	1	Pipe	
62	D28750587	1	Pipe	
63	D45120700	1	Hydraulic Motor	
64	D28750502	2	Cylinder	
66	D28750582	1	Pipe	14'
	D28750709	1	Pipe	16'
	D28750714	1	Pipe	18'
67	D28750960	1	Hydr.Hose Assy.	
	D28750963	1	Pipe	

**MASSEY FERGUSON
MF 31 COMBINE - 819726**

819726

14-4

AUXILIARY HYDRAULIC (T.39540)

Item	Part Number	Qty	Description	Comments
67	D28750966	1	Pipe	
68	D28750961	1	Hydr.Hose Assy.	
68	D28750964	1	Pipe	
68	D28750967	1	Pipe	
70	D28750959	1	Pipe	14'
70	D28750962	1	Pipe	16'
70	D28750965	1	Pipe	18'
71	D28750581	1	Pipe	14'
71	D28750708	1	Pipe	16'
71	D28750713	1	Pipe	18'
72	D45125100	1	Hose	
73	D45266100	1	Union	
74	D28750510	1	Cylinder	
75	D45461300	4	O Ring	
76	D45134900	2	Union	
77	D45135000	2	Union	
77	D45139200		O Ring	
78	D45462200	4	O Ring	
79	D45135300	2	Union	
80	D45135400	2	Union	
81	D45131800	2	Hose	
82	D45739600	3	Support	
83	D45132400	2	Hose	
84	D45254900	3	Union	
85	D45254500	1	Union	
86	D28751339	1	Pipe	
87	D28751338	1	Pipe	
88	D28751341	1	Pipe	
89	D28751340	1	Pipe	
90	D45739700	3	Support	
93	D45133600	1	Cap	
94	D45133700	1	Cap	
95	D45134800	1	Cap	
96	D45134700	1	Cap	
97	D45250700	4	Union	
98	D28750903	1	Pipe	
99	D28750904	1	Pipe	
101	D28751343	1	Pipe	
102	D45263900	1	Union	
103	D45264000	1	Union	
104	D45254100	2	Union	
105	D45258800	1	Union	
107	D28750609	1	Pipe	
108	D28741192	1	Retainer	
110	D28741194	2	Retainer	
112	D28741203	3	Bracket	
113	D28750774	1	Washer	
114	D45141900	1	Washer	
115	D28750489	1	Washer	
116	D45141900	1	Washer	
117	D45103000	1	Filter	
118	D45254000	1	Union	
119	D28750626	1	Pipe	
120	D28711628	1	Hose	
121	D45133100	2	Hydr Hose	
122	D28751200	1	Pipe	
123	D45258600	2	Union	
124	D45256100	1	Union	
125	D28751065	1	Pipe	
126	D28711881	1	Pipe	
127	D45141700	1	Valve	
127	D45110008		Kit, Seal	
129	D45250000	2	Union	
131	D45250100	1	Union	
132	D45266300	2	Union	
133	D45252700	2	Union	
134	D45110044	1	Valve	
135	D45110036	1	Valve	
136	D28751888	1	Pipe	
137	D28751633	1	Pipe	

**MASSEY FERGUSON
MF 31 COMBINE - 819726**

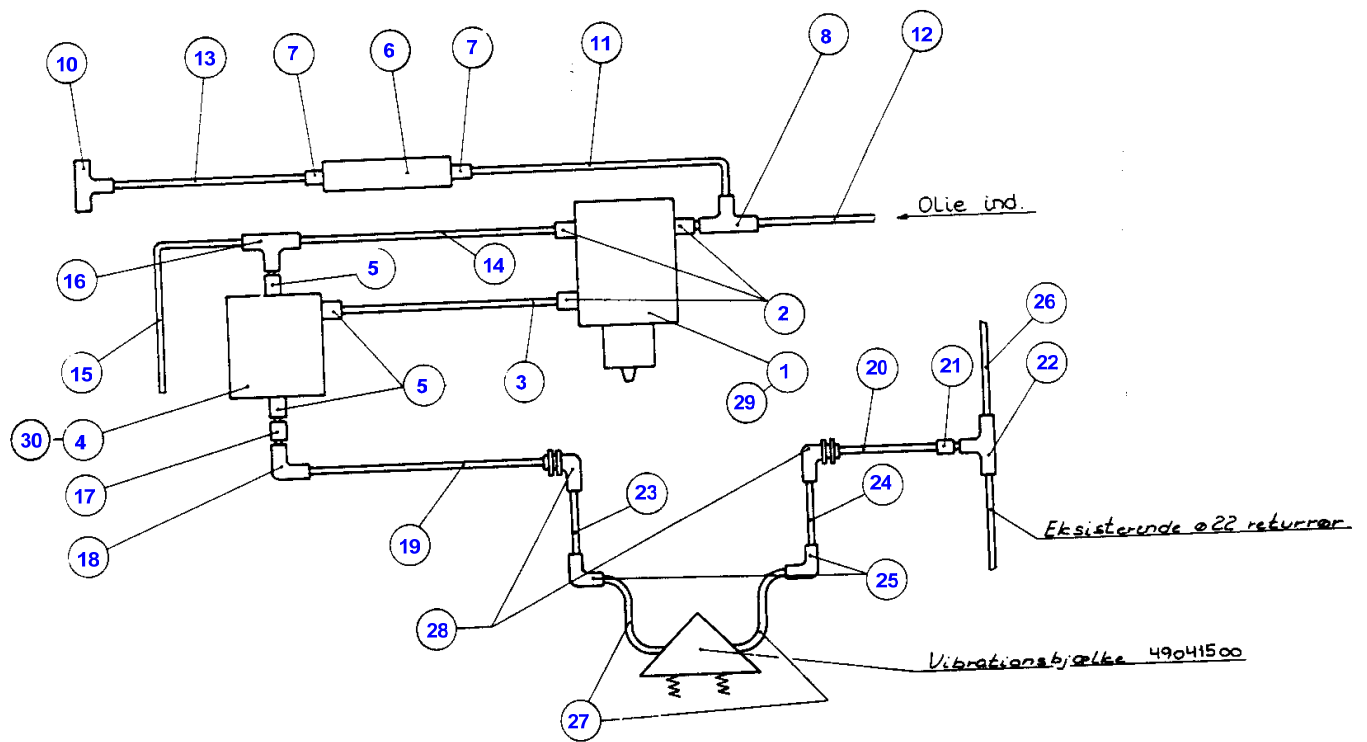
819726

14-4

AUXILIARY HYDRAULIC (T.39540)

Item	Part Number	Qty	Description	Comments
138	D28751886	1	Pipe	
139	D28751887	1	Pipe	
140	D28751636	1	Pipe	
141	D28751295	1	Hydr.Hose Assy.	
142	D45254000	1	Union	
143	D45136900	1	Hydr Hose	
144	D28761138	1	Clutch	
145	D28751383	1	Pressure Valve	
146	D28751639	1	Pipe	
148	D28750608	1	Pipe	
157	D45123600	1	Hose	
160	D28751449	1	Washer	
161	D28751635	1	Pipe	
162	D45130005	2	Hydr.Hose Assy.	(T1)
163	D28751832	1	Hydr.Hose Assy.	(T1)
164	D28751833	2	Hydr.Hose Assy.	(T1)
165	D28751834	1	Hydr.Hose Assy.	(T1)
166	D28751835	1	Hydr.Hose Assy.	(T1)
167	D45739400	3	Support	(T1)
168	D45739600	3	Support	(T1)

(R7)
SEE PAGE 14-1B
(T1)
FOR ENGINE TYPE 611 DSL



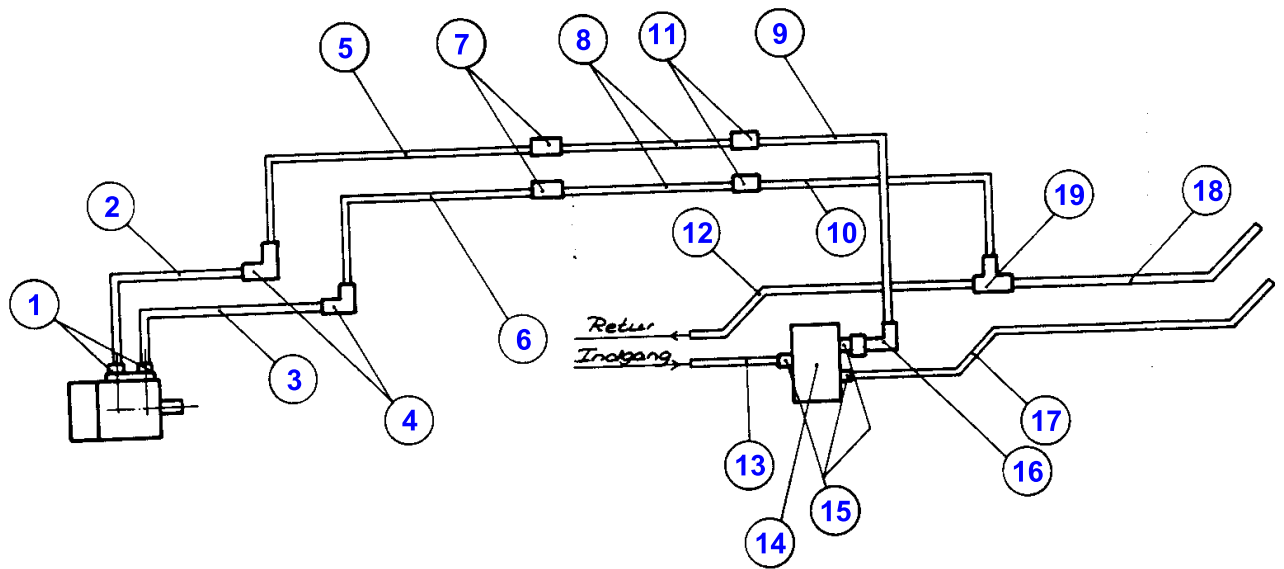
**MASSEY FERGUSON
MF 31 COMBINE - 819726**

819726

14-5

HYDRAULIC FOR VIBRATION BEAM

Item	Part Number	Qty	Description
1	D45110039	1	Valve
2	D45250700	3	Union
3	D28721195	1	Pipe
4	D45110046	1	Valve
5	D45250900	3	Union
6	D45110036	1	Valve
7	D45250700	2	Union
8	D45266200	1	Union
10	D45267300	1	Union
11	D28950550	1	Pipe
12	D28950519	1	Pipe
13	D28950549	1	Pipe
14	D28950521	1	Pipe
15	D28950518	1	Pipe
16	D45267300	1	Union
17	D45272200	1	Union
18	D45264000	1	Union
19	D28950516	1	Pipe
20	D28950517	1	Pipe
21	D45272600	1	Union
22	D45209100	1	Connector
23	D28851010	1	Pipe
24	D28851011	1	Pipe
25	D45258600	2	Union
26	D28950530	1	Pipe
27	D45126300	2	Hose
28	D45269700	2	Union
29	D45110012	1	Kit, Joint



**MASSEY FERGUSON
MF 31 COMBINE - 819726**

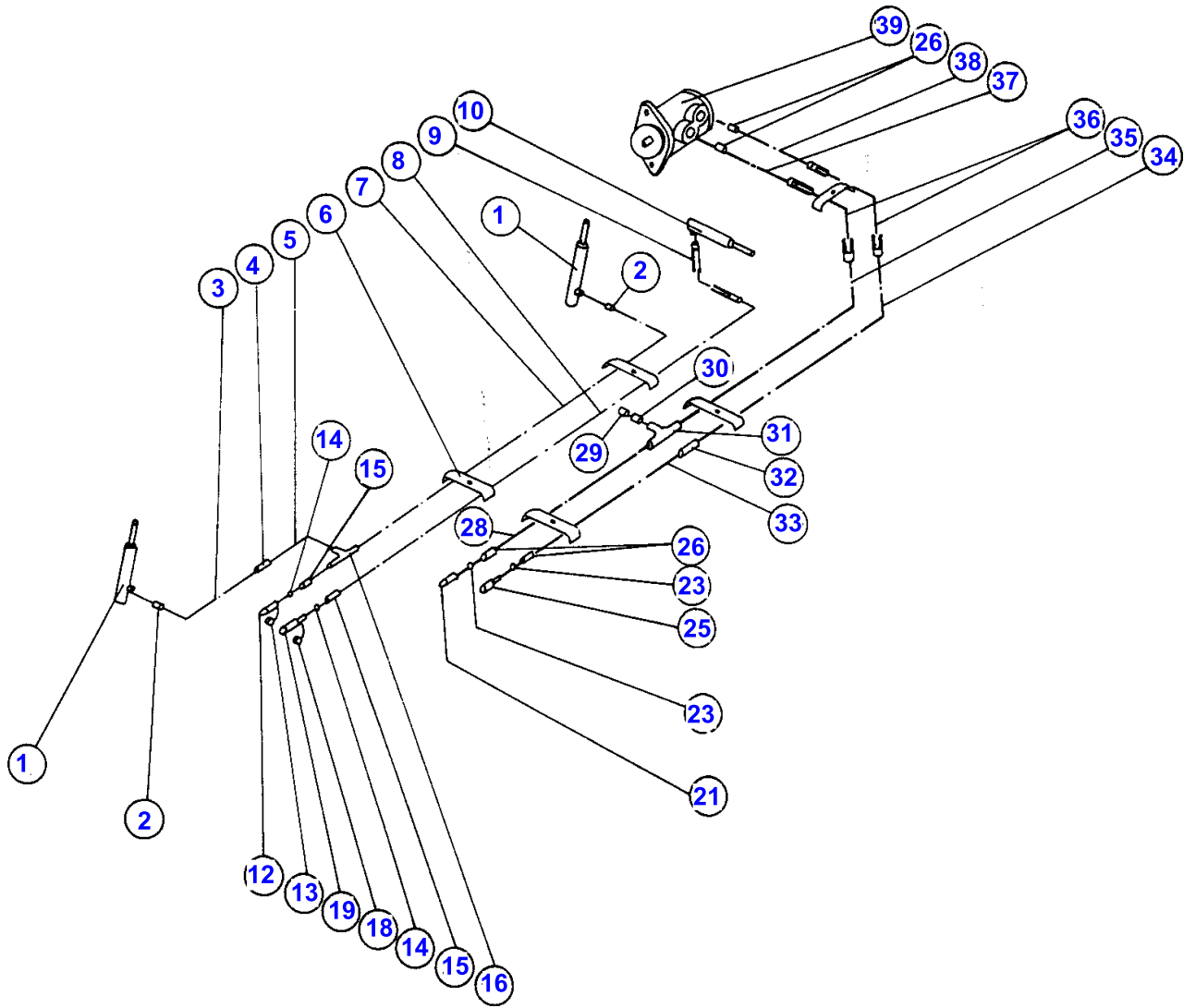
819726

14-6

HYDRAULIC CHART, REVERSE DRIVE

Item	Part Number	Qty	Description	Comments
1	D45250700	2	Union	
2	D28751426	1	Pipe	
3	D28751427	1	Pipe	
4	D45258400	2	Union	
5	D28751424	1	Pipe	
6	D28751425	1	Pipe	
7	D45254900	2	Union	
8	D28752093	2	Tube	(2) F.911391 16'
8	D28752094	2	Hydr Hose	(2) 18' F.911391
8	D28751443	2	Pipe	(2) T.911390
9	D28751422	1	Pipe	
10	D28751423	1	Pipe	
11	D45254900	2	Union	
12	D28751421	1	Pipe	
13	D28751420	1	Pipe	
14	D45110039	1	Valve	
15	D45250700	3	Union	
16	D45264100	1	Union	
17	D28751444	1	Pipe	14'
	D28752091	1	Pipe	16'
	D28752098	1	Pipe	18'
18	D28751445	1	Pipe	14'
	D28752090	1	Pipe	16'
	D28752097	1	Pipe	18'
19	D45256200	1	Union	

(2)
NO. REFERS TO TABLE NUMBER



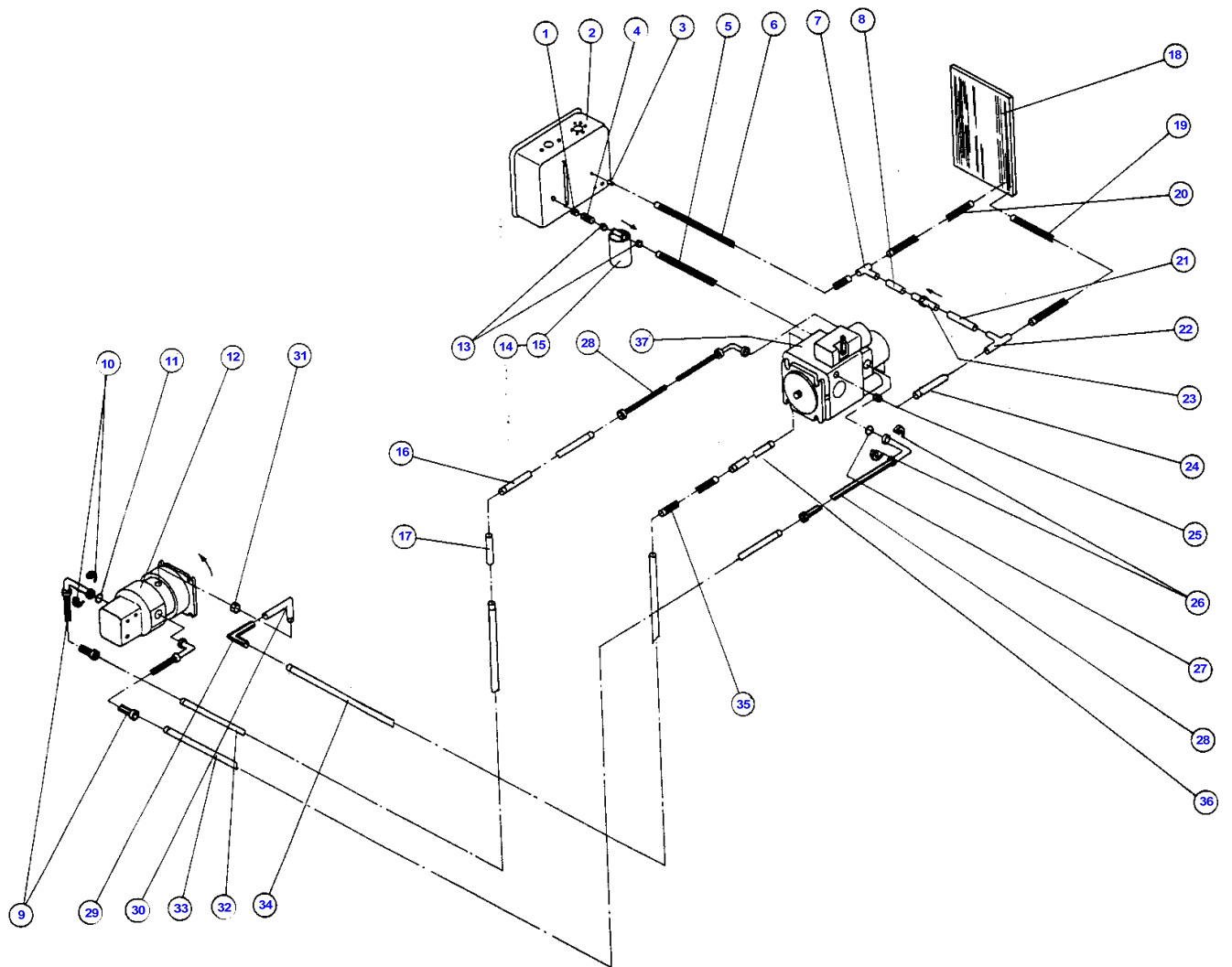
**MASSEY FERGUSON
MF 31 COMBINE - 819726**

819726

14-7

HYDRAULIC - TABLE F.39980

Item	Part Number	Qty	Description	Comments
1	D45100051	2	Cylinder	
2	D45252800	1	Union	
3	D28750575	1	Pipe	12'
	D28750581	1	Pipe	14'
	D28750708	1	Pipe	16'
	D28750713	1	Pipe	18'
4	D45254000	1	Union	
5	D28750626	1	Pipe	
6	D28741194	1	Retainer	
7	D28750576	1	Pipe	12'
	D28750582	1	Pipe	14'
	D28750709	1	Pipe	16'
	D28750714	1	Pipe	18'
8	D28750956	1	Pipe	12'
	D28750959	1	Pipe	14'
	D28750962	1	Pipe	16'
	D28750965	1	Pipe	18'
9	D45125100	1	Hose	
10	D45100054	1	Cylinder	25X18
12	D45134900	1	Union	
13	D45134800	1	Cap	
14	D45461300	2	O Ring	
15	D45252800	2	Union	
16	D45266100	1	Union	
18	D45134700	1	Cap	
19	D45135000	1	Union	
21	D45135300	1	Union	
23	D45462200	2	O Ring	
25	D45135400	1	Union	
26	D45250700	4	Union	
28	D28751421	1	Pipe	
29	D45233500	1	Plug	
30	D45204500	1	Nut	
31	D45256200	1	Union	
32	D45254900	1	Union	
33	D28752092	1	Pipe	
34	D28751444	1	Pipe	14'
	D28751470	1	Pipe	12'
	D28752091	1	Pipe	16'
	D28752098	1	Pipe	18'
35	D28751445	1	Pipe	14'
	D28751471	1	Pipe	12'
	D28752090	1	Pipe	16'
	D28752097	1	Pipe	18'
36	D45132500	2	Hose	
37	D28750587	1	Pipe	
38	D28750586	1	Pipe	
39	D45120700	1	Hydraulic Motor	



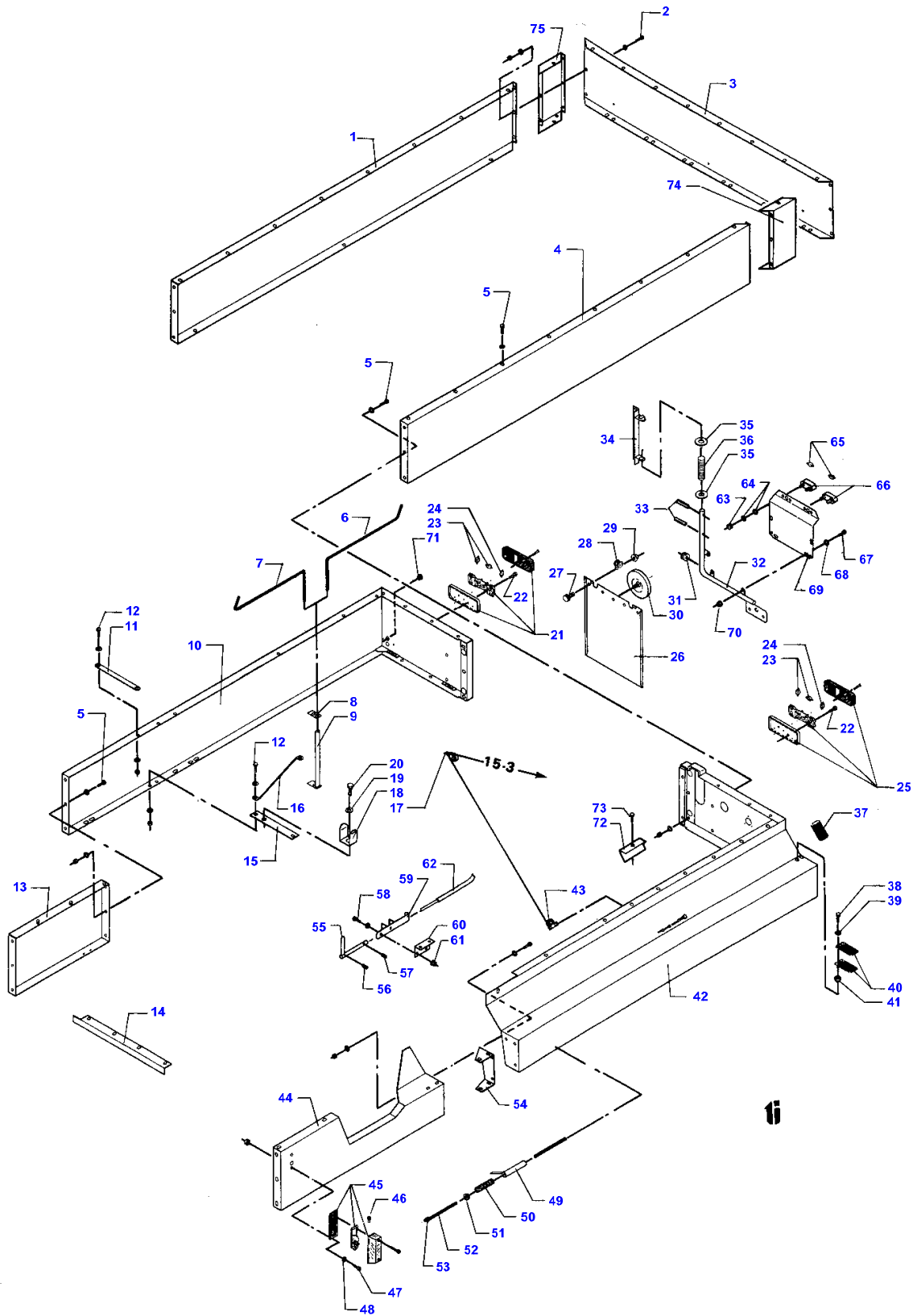
**MASSEY FERGUSON
MF 31 COMBINE - 819726**

819726

14-8

PROPULSION HYDRAULIC SAUER

Item	Part Number	Qty	Description	Comments
1	D28752396	1	Connection	
2	D28752389	1	Hydraulic Tank	
3	D45251500	1	Union	
4	D28752416	1	Hose	
5	D28752390	1	Tube	
6	D45130011	1	Hose	
7	D45256400	1	Union	
8	D28752393	1	Hydr Hose	
9	D45130003	2	Hydr Hose	
10	D45160800	4	Flange	
11	D45463900	1	O Ring	
12	D45163400	1	Hydraulic Motor	
13	D28752396	2	Connection	
14	D45163500	1	Filter	
15	D45163600	1	Filter	
16	D28751212	1	Pipe	
17	D45254700	1	Connector	
18	D28750776	1	Radiator	
19	D45130021	1	Hose	
20	D45130012	1	Hose	
21	D28752392	1	Lead	
22	D45256400	1	Union	
23	D45110056	1	Valve	
24	D28752391	1	Lead	
25	D28752428	2	Union	
26	D45160800	4	Flange	
27	D45463900	1	O Ring	
28	D45130003	2	Hydr Hose	
29	D28751033	1	Hose	
30	D28752395	1	O.I.B.	
31	D28752428	1	Union	
32	D28751209	1	Pipe	
33	D28752406	1	Lead	
34	D28752385	1	O.I.B.	
35	D28752404	1	Hose	1 X 400
36	D28752394	1	O.I.B.	
37	D45163300	1	Hydraulic Motor	



BAND

Item	Part Number	Qty	Description	Comments
1	D28150400	1	Band	Right Hand
2	D40688200	6	Screw Metric	
3	D28150151	1	Band	
4	D28150401	1	Band	Left Hand
5	D40404700		Screw Metric	
6	D28150487	1	Torsion Bar	Right Hand
7	D28150488	1	Torsion Bar	Right Hand
8	D28150493	1	Plate	
9	D28150496	1	Housing	
10	D28150520	1	Band	Right Hand
11	D28150523	1	Stay	
12	D40405000	4	Screw Metric	
13	D28150519	1	Band	Right Hand
14	D28750463	1	Flap	
15	D28150523	1	Stay	
16	D28150522	1	Stay	
17	D28150480	1	Roller	
21	D45077300	1	Lh Rear Lamp	Right Hand
22	D40400700	4	Screw Metric	
23	D45080600	4	Bulb	
24	D45080700	2	Bulb	
25	D45077100	1	Rh Rear Lamp	Left Hand
26	D28761501	2	Plate	
27	D40402400	2	Screw Metric	
28	D45729800	2	Clamp	
29	D41013400	4	Nut	
30	D45085600	2	Reflector	
31	D44731100	2	Grommet	
32	D28780816	1	Arm	
33	D42612300	2	Pin	
34	D28751068	1	Bracket	
	D28751069	1	Bracket	Left Hand
35	D20400467	4	Washer	
36	D28760286	2	Spring	
37	D44706200		Seal	0,15 M
38	D40405000	2	Screw Metric	
39	D20400413	4	Washer	
40	D28150678	2	Support	
41	D41087500	2	Locknut	
42	D28150699	1	Band	Left Hand
43	D28150476	1	Roller	
44	D28150796	1	Band	Left Hand
45	D45077600	1	Flasher	Left Hand
46	D45080600	1	Bulb	
47	D40352500	1	Screw	
48	D20400420	2	Washer	
	D28150553	1	Wire	Left Hand POS. 49-53
49	D28150479	1	Spring Housing	
50	D28150538	1	Spring	
51	D28150958	1	Washer	
52	D43404000		Wire	2,450 M
53	D43407800	1	Lock	
54	D28150932	1	Bracket	(T5)
55	D28950285	1	Hand Lever	(T5)
56	D42612500	1	TIGHENING PIN	(T5)
57	D42612000	1	TIGHENING PIN	(T5)
58	D40404900	2	Screw Metric	(T5)
59	D28950289	1	Support	(T5)
60	D28950378	1	Support	(T5)
61	D41013500	2	Nut	(T5)
62	D46436000	1	Cable	(T5)
63	D41010600	4	Nut	F.43574
64	D20400470	4	Washer	F.43574
65	D45080900	2	Bulb	F.43574
66	D45085500	2	Lamp	F.43574
67	D40402600	3	Screw Metric	F.43574
68	D20400470	3	Washer	F.43574
69	D28752224	1	Plate	F.43574
70	D41013400	3	Nut	

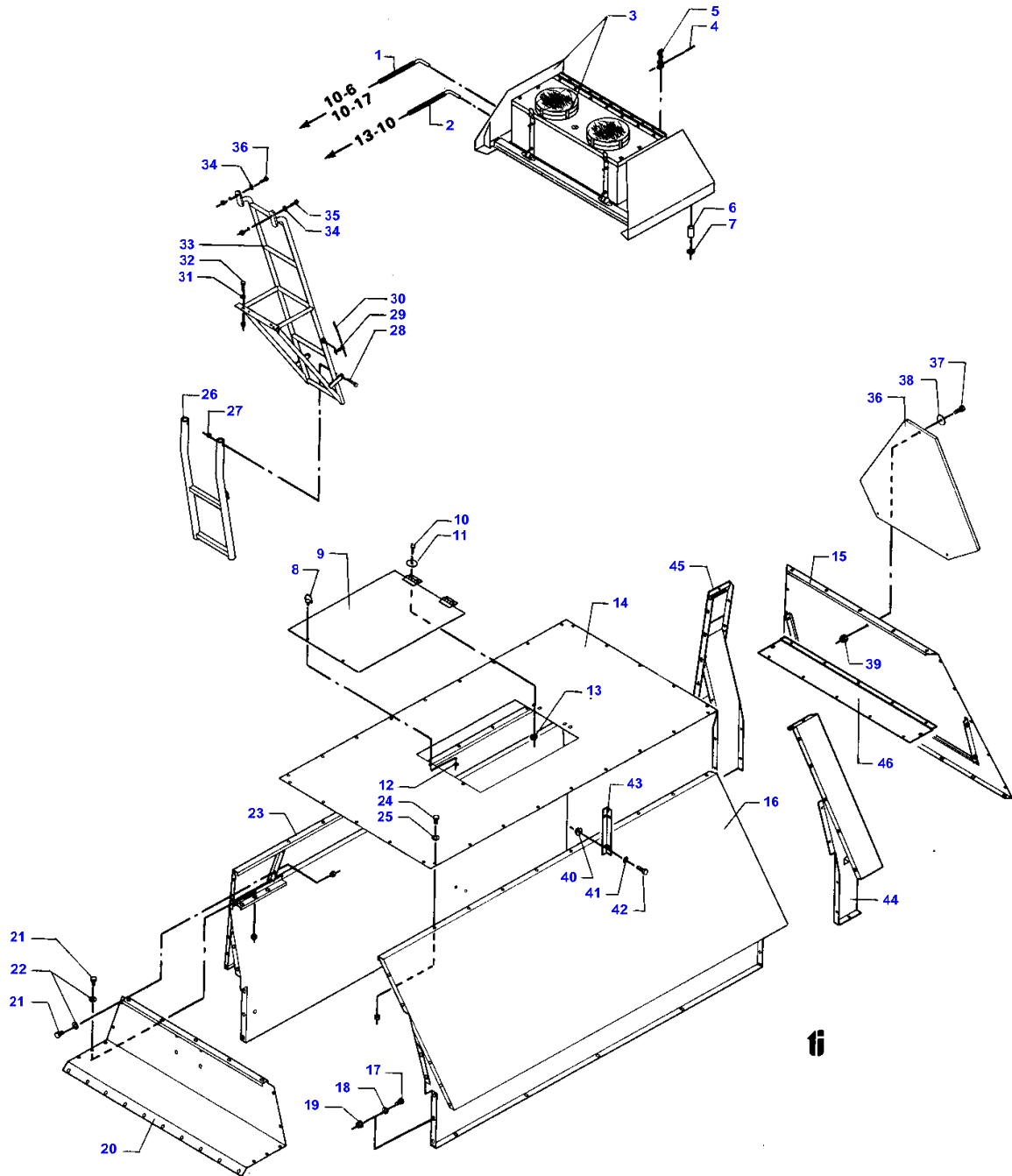
MASSEY FERGUSON
MF 31 COMBINE - 819726

819726

15-1

BAND

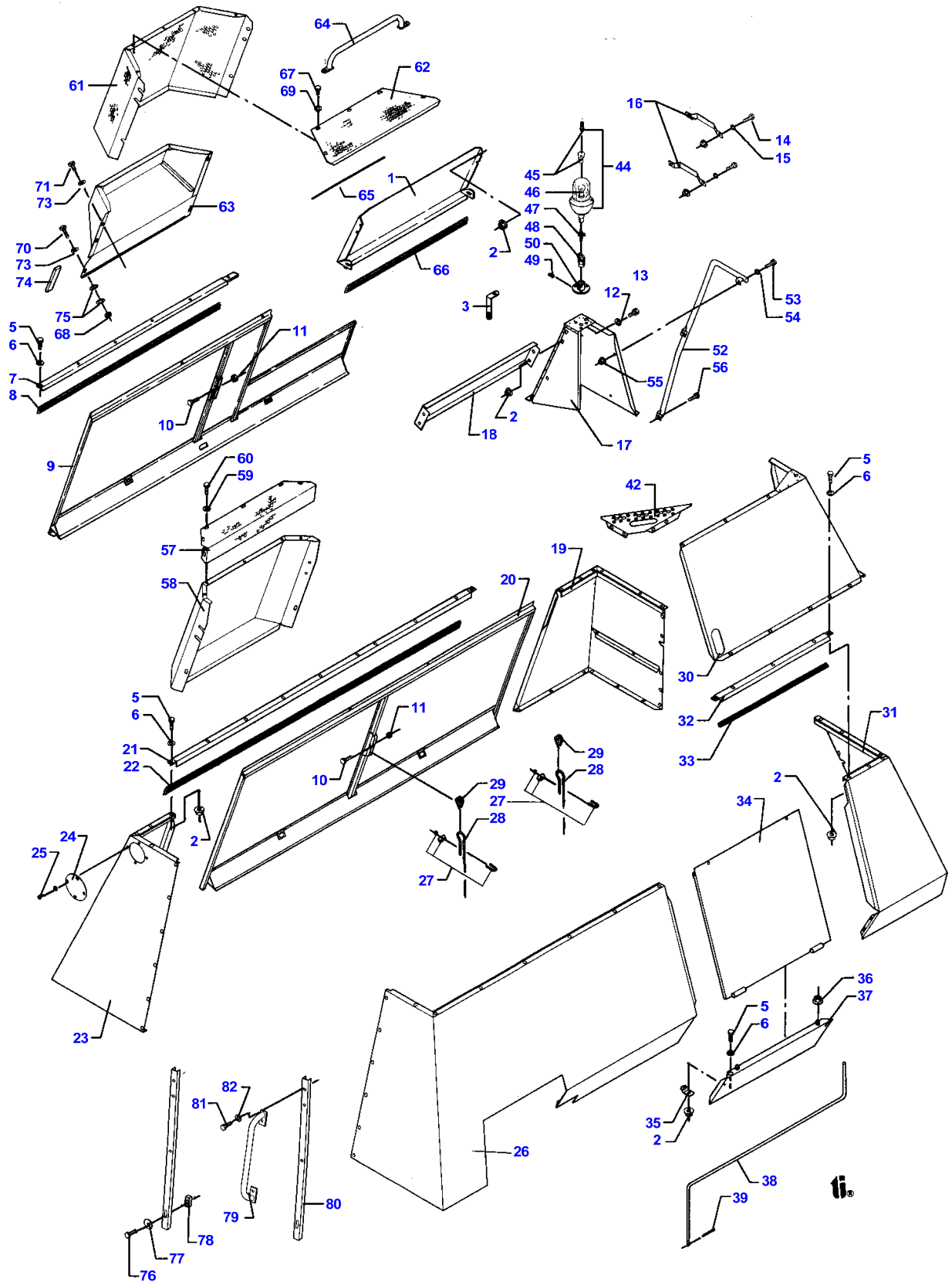
Item	Part Number	Qty	Description	Comments
71	D44719100	4	Rivet	
72	D28151060	1	Reinforcement	
73	D40405000	1	Screw Metric	
74	D28151200	1	Panel	BISO-KLAP
75	D28151199	1	Panel	BISO-KLSP (T5) ONLY FOR DRY LANDS



STRAW NOSE - LADDER

Item	Part Number	Qty	Description	Comments
1	D45091300	1	Hose	
2	D45091400	1	Hydr Hose	
3	D45093500	1	Condenser	(R2)
4	D41411100	2	SPLIT PIN	
5	D44737100	2	Rubber Strap	
6	D28210947	6	Spacer	
7	D28530027	6	Washer	
8	D43427200	4	Pin	
9	D28150137	1	Shutter	
10	D40402400	4	Screw Metric	
11	D20400470	4	Washer	
12	D42555500	2	Circlip	
13	D41013400	4	Nut	
14	D28150419	1	Plate	
15	D28150428	1	Plate	
16	D28151281	1	Panel	Left Hand
17	D40405000		Screw Metric	
18	D20400409		Washer	
19	D41013500		Nut	
20	D28150960	1	Plate	
21	D40407700		Screw	
22	D20400471		Washer	
23	D28151282	1	Panel	Right Hand
24	D40402400	4	Screw Metric	
25	D20400470	4	Washer	
26	D28151081	1	Step	F.43141
	D28150806	1	Step	T.43140
27	D41087500	2	Locknut	
28	D40423700	2	HEXAGON SCREW	
29	D44737200	1	Rubber Strap	
30	D41411100	1	SPLIT PIN	
31	D20400409	2	Washer	
32	D40404900	2	Screw Metric	
33	D28151090	1	Ladder	F.43141
	D28150622	1		T.43140
34	D20400471	2	Washer	
35	D40407800	2	HEXAGON SCREW	
36	D45084500	1	Reflector	
37	D40400900	3	Setscrew	
38	D20400401	6	Washer	
39	D41087300	3	Locknut	
40	D41013600	4	Nut	
41	D20400409	4	Washer	
42	D40404900	4	Screw Metric	
43	D28151252	2	Strap	
44	D28151204	1	Panel	BISO-KLAP
45	D28151205	1	Panel	BISO-KLAP
46	D28151356	1	Panel	BISO-KLAP

(R2)
SEE PAGE 15-5



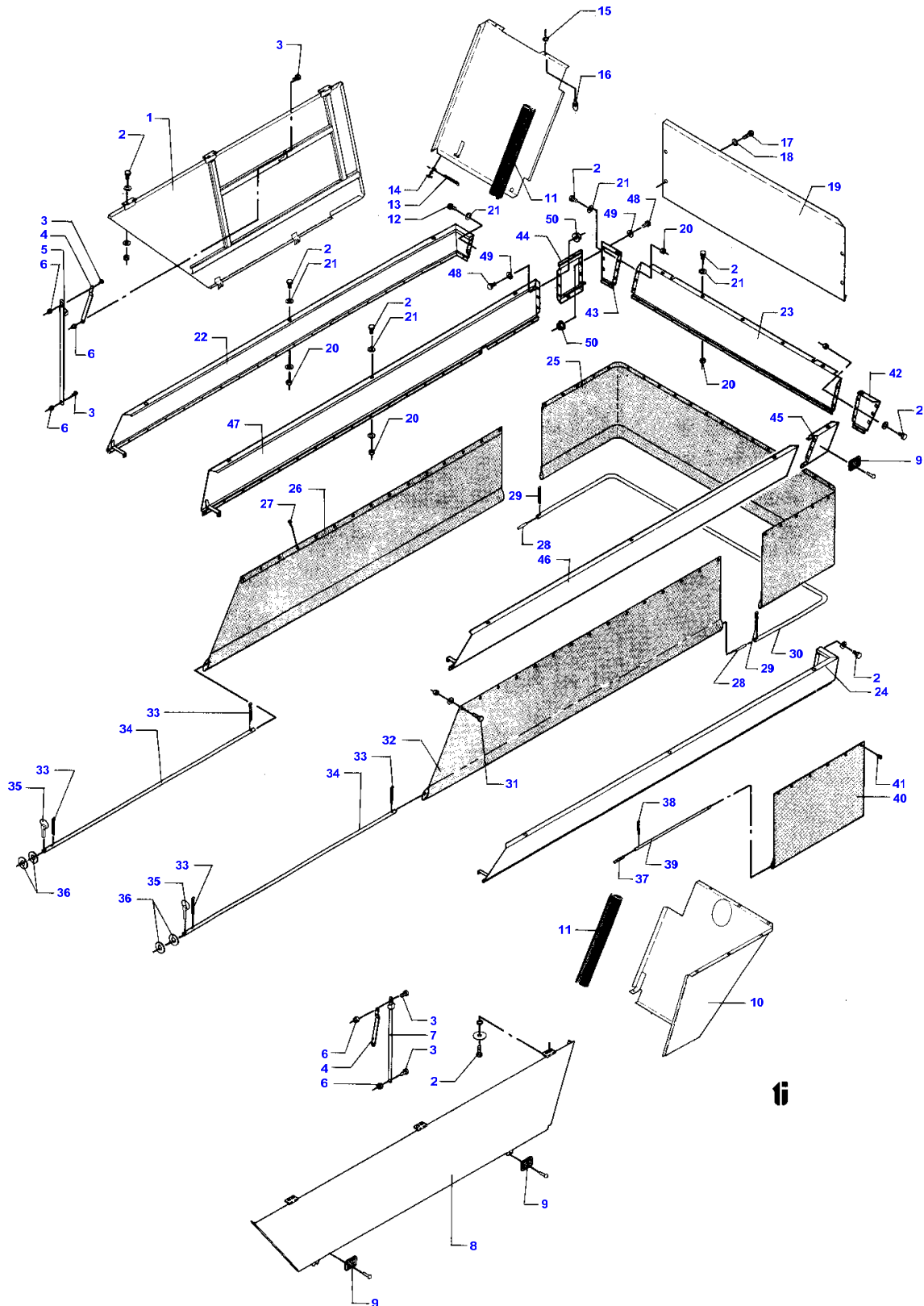
UPPER GUARDING

Item	Part Number	Qty	Description	Comments
1	D28150946	1	Guard	(T1)
2	D41013500		Nut	
3	D28751683	1	Guard	(T1)
5	D40404900		Screw Metric	
6	D20400409		Washer	
7	D28751684	1	Profile	(T1)
8	D44735900		Seal Section	2,220 M
9	D28150950	1	Flap	Right Hand (T1)
10	D40405100	2	Screw Metric	
11	D41087500	2	Locknut	
12	D20400409	2	Washer	
13	D40404900	2	Screw Metric	
14	D40402600	4	Screw Metric	T.43573
15	D20400404	4	Washer	T.43573
16	D28130373	2	Handle	T.43573
17	D28150873	1	Engine	Right Hand
18	D28150930	1	Plate	PERKINS
19	D28150478	1	Guard	
20	D28150499	1	Guard	Right Hand PERKINS
21	D28150473	1	Profile	Right Hand PERKINS
22	D44735900		Seal Section	2,30 M
23	D28150439	1	Guard	
24	D28950541	1	Cover	
25	D40741200	4	Screw	
26	D28150683	1	SIDE PLATE	Left Hand
27	D43407700	2	Wire Box	
28	D43404000		Wire	
29	D28160664	2	Mounting	
30	D28150869	1	Corner	Left Hand
31	D28150684	1	Guard	
32	D28150474	1	Profile	Left Hand
33	D44735900		Seal Section	0,810 M
34	D28150681	1	Guard	Left Hand
35	D28150686	1	Plate	
36	D41013500	2	Nut	
37	D28150790	1	Panel	
38	D28150798	1	Torsion Bar	
39	D41405900	1	SPLIT PIN	
42	D28151124	1	Step	F.43574
44	D45051200	1	Lamp	
	D45050300	1	Rotating Light	(04)
45	D45006200	1	Bulb	
	D45081000	1	Bulb	
46	D45051900	1	Glass	(D3)
	D45060043	1	Glass	(D4)
	D45060044	1	Glass	(D5)
47	D45068200	1	Plug	
48	D45051300	1	Retainer	
49	D40630900	2	Pin	
50	D28950553	1	Console	
51	D44738900		Strip	
52	D28851077	1	Rail	F.43574
53	D40405000	2	Screw Metric	F.43574
54	D20400409	2	Washer	F.43574
55	D41013500	2	Nut	F.43574
56	D40749300	1	Screw Metric	F.43574
57	D28752346	1	Cover	PERKINS
58	D28752347	1	Cowl	PERKINS
59	D20400506	7	Spacer	
60	D40404900	7	Screw Metric	
61	D28752352	1	Guard	(T1)
62	D28752351	1	Cover	(T1)
63	D28752350	1	Guard	(T1)
64	D28752355	1	Handle	(T1)
65	D44735900		Seal Section	0,830 M
66	D44735300		Gasket	0,830 M
67	D40404700	5	Screw Metric	

UPPER GUARDING

Item	Part Number	Qty	Description	Comments
68	D41013500	5	Nut	
69	D20400506	5	Spacer	
70	D40405000	1	Screw Metric	
71	D40404700	4	Screw Metric	
72	D44735300		Gasket	0,810 M
73	D20400506	5	Spacer	
74	D44705100		Gasket	0,175 M
75	D20400414	2	Washer	
76	D40404700	2	Screw Metric	
77	D20400410	2	Washer	
78	D28750725	2	Rubber Section	
79	D28750290	1	Handle	
80	D28750543	2	Profile	
81	D20400409	14	Washer	
82	D40404900	14	Screw Metric	

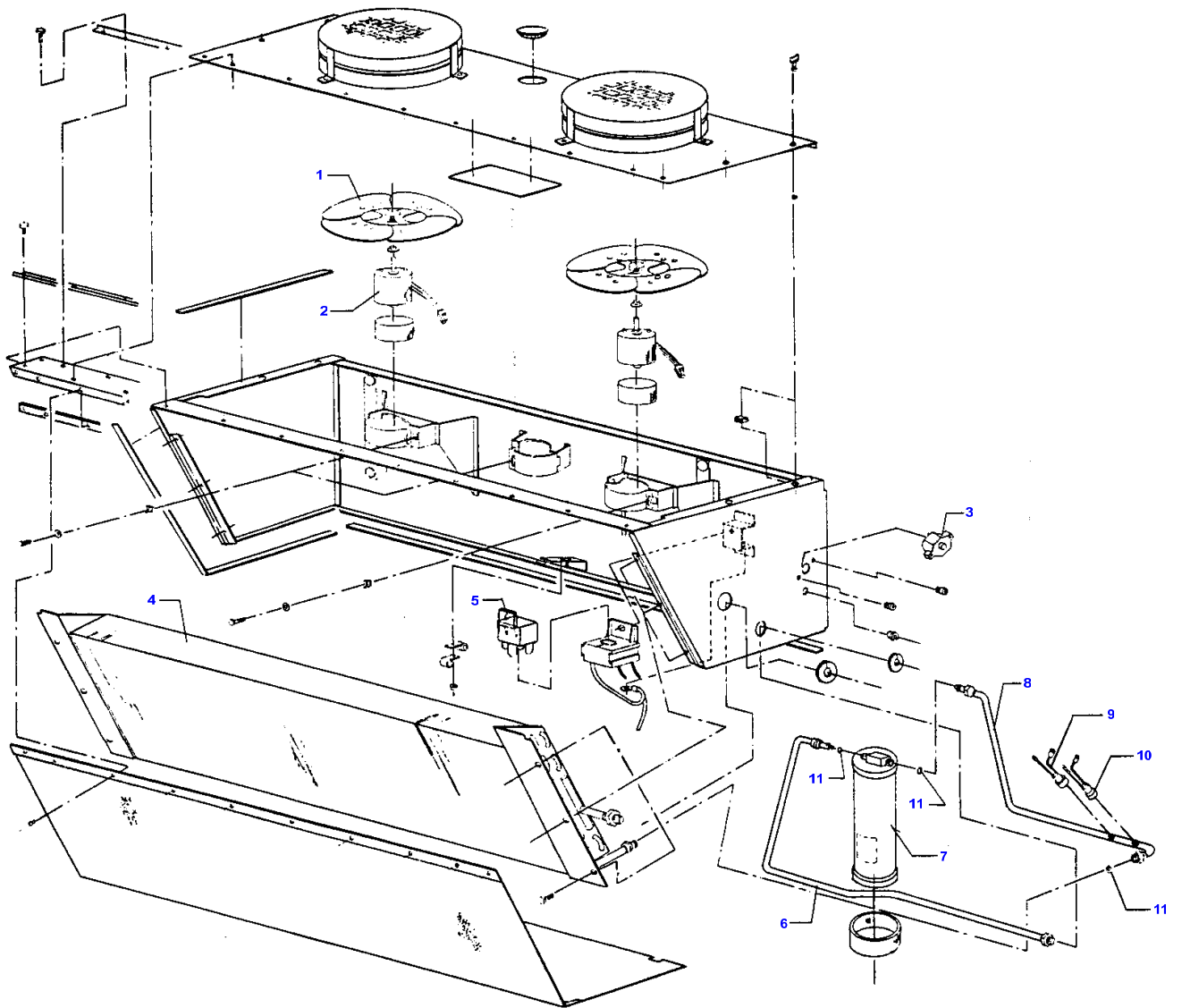
(04)
ONLY FOR SWITZERLAND
(D3)
HELLA WITH METAL BOTTOM
(D4)
AEB 590
(D5)
OPTILUX WITH PLAST BOTTOM
(T1)
FOR ENGINE TYPE 611 DSL



6

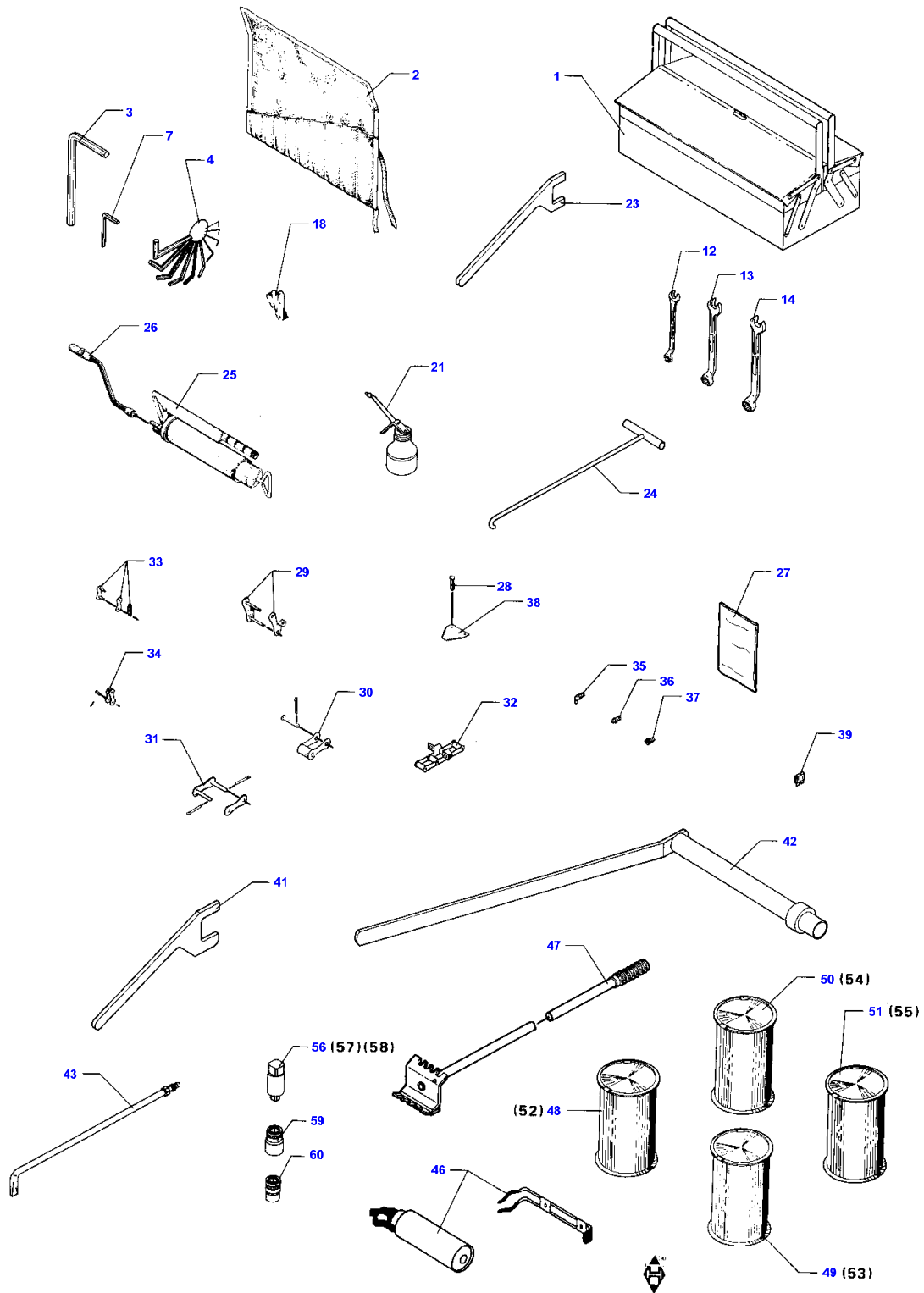
LOWER GUARDING AND WIND GUARDING

Item	Part Number	Qty	Description	Comments
1	D28150628	1	Plate	Right Hand
2	D40402400		Screw Metric	
3	D40405000	7	Screw Metric	
4	D28150262	2	Support	
5	D28150273	11	Support	
6	D41087500	7	Locknut	
7	D28150261	1	Support	
8	D28150811	1	Plate	Left Hand
9	D45084600		Reflector	
10	D28150812	1	Corner	Left Hand
11	D44706600	2	Seal Section	
12	D28150377	1	Plate	Right Hand
13	D41410800	2	SPLIT PIN	
14	D44737200	2	Rubber Strap	
15	D42555500	2	Circlip	
16	D43427500	2	Pin	
17	D20400409	4	Washer	
18	D40404900	4	Screw Metric	
19	D28850310	1	Plate	
20	D41013400		Nut	
21	D20400470		Washer	
22	D28150426	1	Panel	Right Hand T.46039
23	D28150557	1	Panel	
24	D28150427	1	Panel	Left Hand T.46039
25	D28150172	1	Guard	
26	D28150422	1	Guard	Right Hand
27	D43427400		Fastener	
28	D28150175	2	Pin	
29	D41405800	2	Pin	
30	D28150176	1	Rod	
31	D40402400	4	Screw Metric	
32	D28150423	1	Guard	Left Hand
33	D41405800	4	Pin	
34	D28150421	2	Rod	
35	D41447300	2	Split Ring	
36	D20400516	4	Spacer	
	D28050993	1	Kit	POS. 37-41
37	D28150175	2	Pin	
38	D41405900	4	SPLIT PIN	
39	D28151085	2	Pipe	
40	D28151083	1	Guard	Right Hand (F0)
40	D28151084	1	Guard	Left Hand (F1)
41	D43427400	10	Fastener	
42	D28151319	1	Plate	Left Hand F.46040
43	D28151318	1	Plate	Right Hand F.46070
44	D28151321	1	Canvas	Right Hand BISO-KLAP
45	D28151320	1	Canvas	Left Hand BISO-KLAP
46	D28151322	1	Deflector	Left Hand F.46070
47	D28151323	1	Panel	Right Hand F.46040
48	D40402600	12	Screw Metric	
49	D20400470	12	Washer	
50	D41013400	12	Nut	(F0) ON THE RIGHT (F1) ON THE LEFT



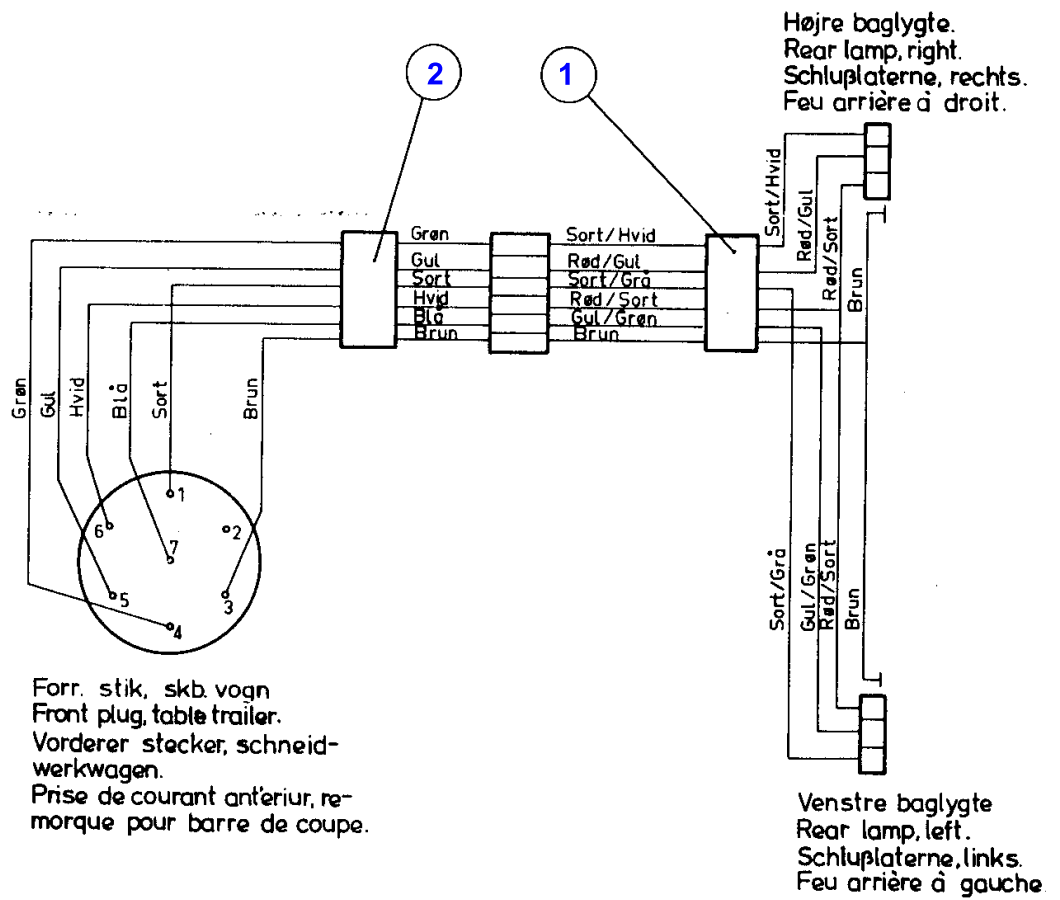
CONDENSER

Item	Part Number	Qty	Description
1	D45090900	2	Fan
2	D45090200	2	Electric Motor
3	D45090600	1	Breaker
4	D45090700	1	Condenser
5	D45090800	1	Relay
6	D45090000	1	Pipe
7	D45091000	1	Filter
8	D45090100	1	Pipe
9	D45090300	1	Switch
10	D45090400	1	Switch
11	D45090500	3	O Ring



TOOLS - PAINT

Item	Part Number	Qty	Description	Comments
1	D43712600	1	Tool Box	
	D28550123	1	Tool Bag	POS. 2-39
2	D28530184	1	Tool Bag	POS. 3-20
3	D43704400	1	Allen Key	
4	D43705100		Kit	
7	D43705500	1	Allen Key	
12	D43707700		Spanner	
13	D43707800	1	Spanner	
14	D43707900	1	Spanner	
18	D27300186	1	Feeler Guage	
21	D43710300	1	Oil Can	
23	D28550181	1	Spanner	
24	D28530187	2	Tool	
25	D43709700	1	Grease Gun	
26	D43709800	1	Hose	
	D28550122	1	Bag	POS. 27-39
27	D43711400	2	Bag	
28	D41377500	20	Rivet	
29	D42350400	1	Link	
30	D42351200	1	Link	
31	D42351400	1	Link	
32	D42351600	1	Chain	
33	D42363100	1	Link	
34	D42363200	1	Link	
35	D43001500	2	Greaser	
36	D43001600	2	Greaser	
37	D43001700	2	Greaser	
38	D44100000	5	Section	
39	D45001900	3	Fuse	8 AMP.
	D45002200	1	Fuse	25 AMP.
41	D28550283	1	Spanner	
42	D28350141	1	Key	
43	D28950323	1	Tube	
46	D43713400		Extinguisher	6KG/KOS
	D43713500		Extinguisher	3KG/KOS
	D43714200		Extinguisher	2KG/KOS
47	D28450569	1	Scraper	F.40975
	D28460139	1	Scraper	T.40974
48	D49201800		Paint Green	3/4L
	D49201900		Paint Green	5L
49	D49200500		Paint Orange	3/4L
	D49200600		Paint Orange	5L
50	D49203400		Paint Brown	3/4L
	D49203600		Paint Brown	5L
51	D49203900		Paint	3/4L
	D49204100		Paint	5L
52	D49206100		Paint Green	
53	D49206000		Paint Orange	
54	D49206200		Aerosol	
55	D49206300		Paint Red	
	D28151359	1	Extension	POS. 56-58
56	D28151358	1	Connector	
57	D28151357	1	Spring	
58	D41647600	1	Ball	
59	D43709300	1	Socket Spanner	
60	D43708900	1	Key	



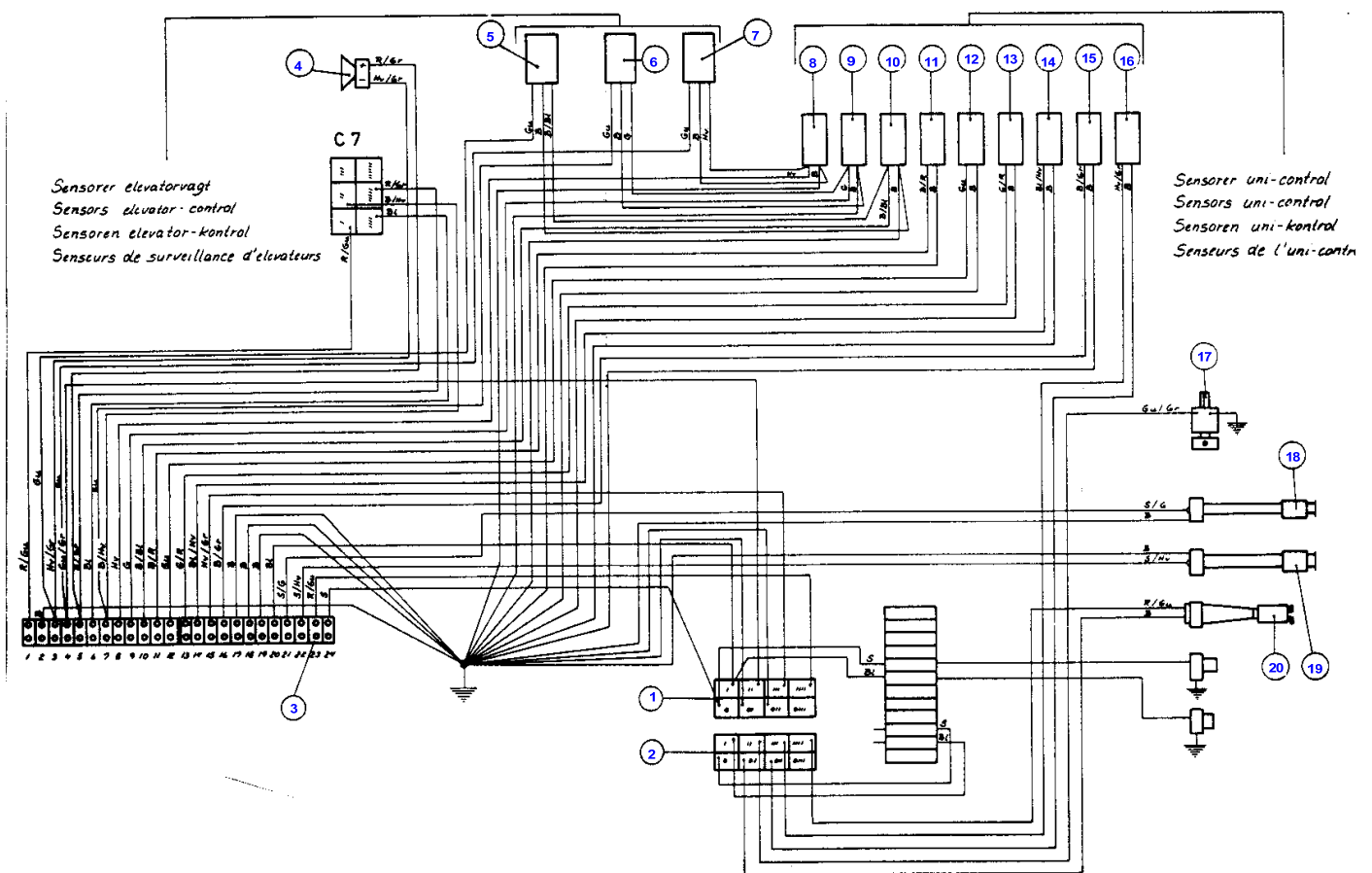
MASSEY FERGUSON
MF 31 COMBINE - 819726

819726

WIRING - TABLE TRAILER

16-4

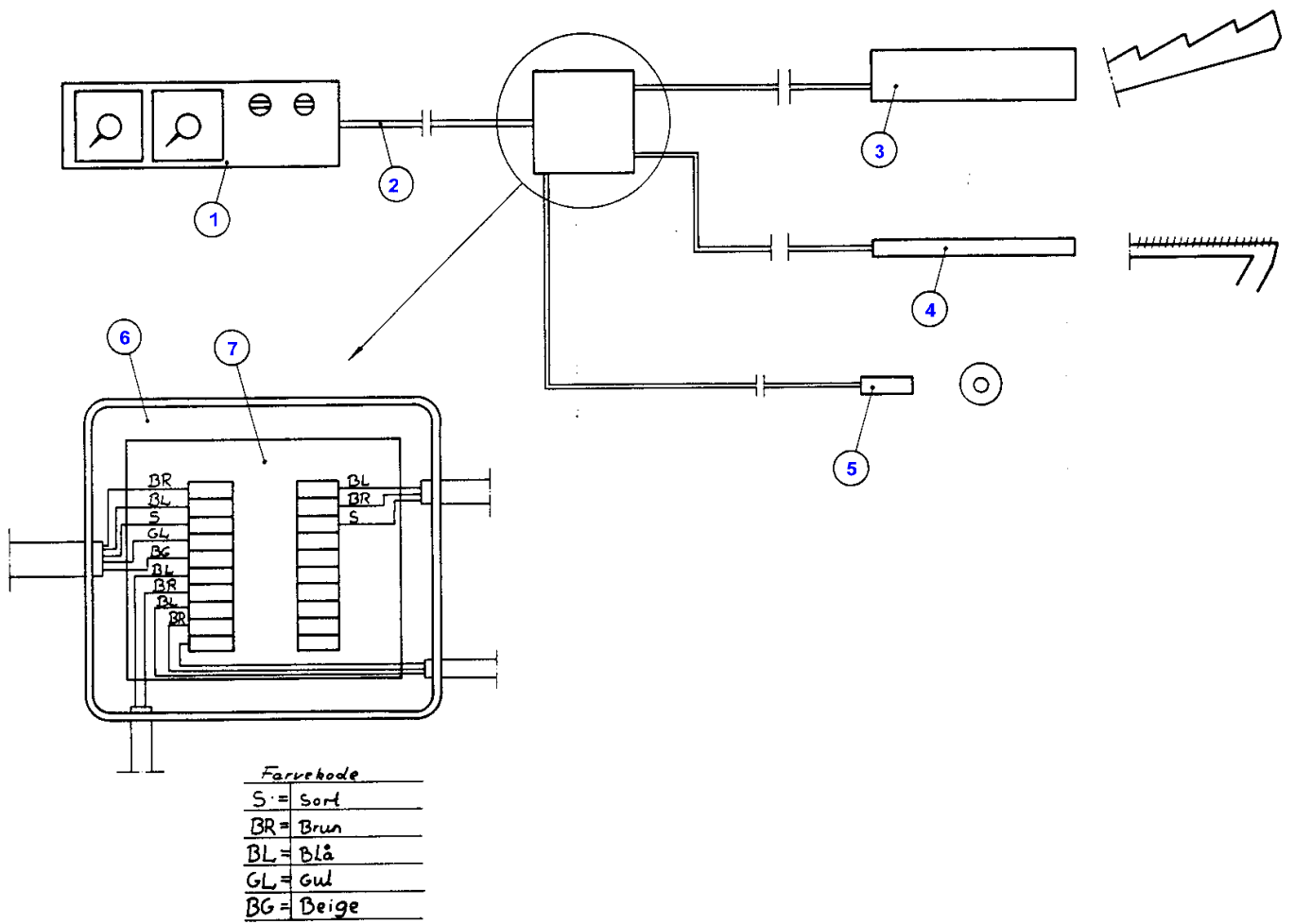
Item	Part Number	Qty	Description
1	D28250776	1	Wiring Harness
2	D28752314	1	Harness



WIRING - UNI-CONTROL

Item	Part Number	Qty	Description	Comments
1	D28751615	1	Harness	
2	D28751602	1	Harness	
3	D45096100	2	Union	
4	D45076400	1	Buzzer	
5	D28751363	1	Retainer	(11)
6	D28751363	1	Retainer	(12)
7	D28751363	1	Retainer	(13)
8	D28751813	1	Sensor	(13)
9	D28751813	1	Sensor	(12)
10	D28751814	1	Sensor	(11)
11	D28751815	1	Sensor	(14)
12	D28751813	1	Sensor	(15)
13	D28751814	1	Sensor	(16)
14	D28751813	1	Sensor	(17)
15	D28751812	1	Sensor	(18)
16	D28751813	1	Sensor	(19)
17	D45110042	1	Valve	(20)
18	D45074100	1	Switch	(21)
19	D45074100	1	Switch	(22)
20	D45073900	1	Switch,Indirect	(23)
21	D45069200	1	Plug	

(11)
FILLING ELEVATOR
(12)
GRAIN ELEVATOR
(13)
RETURN ELEVATOR
(14)
AWNER
(15)
STRAW SHOPPER
(16)
FEED AUGER
(17)
STRAW SHAKER
(18)
MOVEMENT
(19)
POWER TAKE OFF
(20)
ENGINE STOP
(21)
FUEL
(22)
HYDR. OIL
(23)
WATER



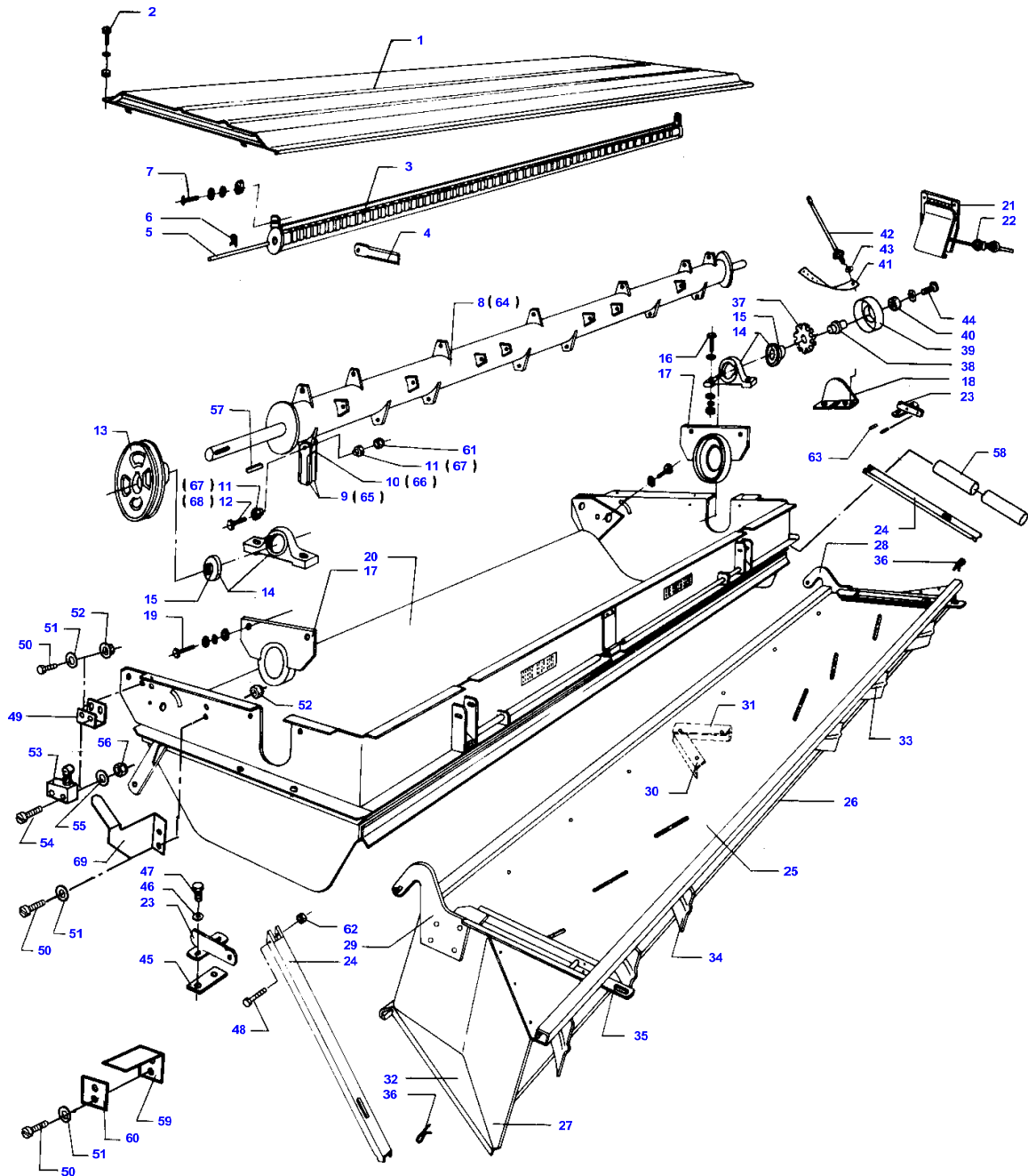
**MASSEY FERGUSON
MF 31 COMBINE - 819726**

819726

16-6

WIRING - GRAIN LOSS MONITOR

Item	Part Number	Qty	Description	Comments
1	D45063200	1	Indicator	(C9)
	D45063300	1	Alarm	(G4)
2	D45060065	1	Harness	
3	D45060058	2	Sensor	(C5)
	D45060059	1	Inductive Taker	(C4)
	D45060060	1	Plate	(C9)
4	D45060096	1	Plate	(G4)
	D45060097	1	Plate	(C9)
5	D45060067	1	Inductive Taker	
6	D45060099	1	Case Assy	
7	D45062200	1	Printed Circuit	(C4) D4000-4000S, D4500, MF24, D4500 DANIA (C5) D3000-3000S, D3000 DANIA (C9) D7200, MF27, D7200 DANIA, D7500, MF29, D7500 DANIA , D8500, MF31, D8500 DANIA (G4) D3000/D3000S, D3000 DANIA, D4500, MF24, D4500 DANIA

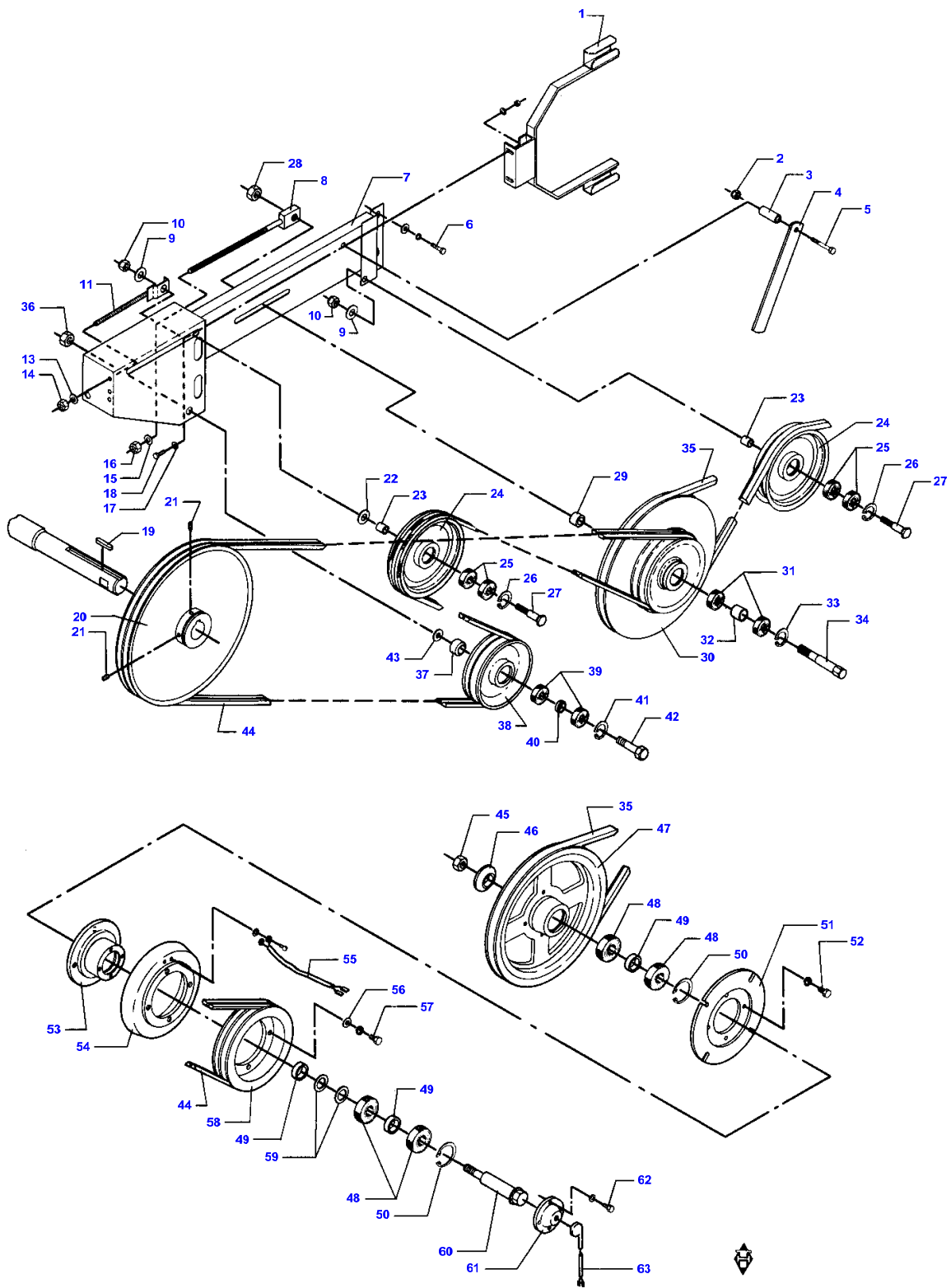


STRAW CHOPPER 1

Item	Part Number	Qty	Description	Comments
1	D49018600	1	Plate	(3)
2	D40402200	2	Screw Metric	
	D28050609	1	Grinder	POS. 3-20
3	D49058400	1	Bar	INCL. P.4-6
4	D49019000	53	Knife	
5	D49057000	1	Rod	
6	D49056700	2	Spring	
7	D40066700	2	Screw	
8	D49058500	1	Drum	POS. 9-12
9	D49018900	56	Knife	3 MM
10	D49055200	56	Bush	3 MM
11	D49055100	56	Bush	3 MM
12	D40439200	28	Screw	3 MM
13	D49018500	1	Pulley	
14	D41702200	2	Block	
15	D41702300	2	Bearing	
16	D40428600	4	HEXAGON SCREW	
17	D49055700	2	Guard	
18	D49055600	2	Plate	
19	D40404700	4	Screw Metric	
20	D49058900	1	Housing	
21	D28850784	1	Alarm System	
22	D28851029	1	Wire	
23	D28850637	2	Locking Plate	(D7)
24	D28850630	2	Rod	(D7)
25	D28850631	1	Sheet Metal	
26	D28850624	1	Plate	
27	D28850632	1	Plate	Right Hand
	D28850633	1	Plate	Left Hand
28	D28850636	1	Plate	Right Hand
29	D28850643	1	Plate	Left Hand
30	D28851092	1	Angle	Left Hand
31	D28851091	1	Angle	Right Hand
32	D28850644	1	Support	Right Hand
	D28850676	1	Support	Left Hand
33	D28850675	3	Guide	Right Hand
34	D28850635	3	Plate	Left Hand
35	D28850642	2	Locking Plate	
36	D27100120	2	Hair Pin	(D7)
	D28751813	1	Sensor	POS. 37-43
37	D28750922	1	Wheel	
38	D28751218	1	Journal	
39	D28751223	1	Cup	
40	D41622600	1	Bearing Ball	
41	D28751216	1	Rubber Strap	
42	D28751812	1	Sensor	INCL. POS. 4
43	D20400428	1	Washer	
44	D40407900	1	Screw Metric	
45	D28850682	2	Threaded Part	(D7) 2 X M8
46	D20400409	4	Washer	(D7)
47	D40404900	4	Screw Metric	(D7)
48	D40421900	2	Bolt	
49	D28851042	1	Bracket	(M6) F.42840
50	D40402400	2	Screw Metric	(M6)
51	D20400470	2	Washer	(M6)
52	D41013400	2	Nut	(M6) T.42840
53	D45076600	1	Micro Switch	(M6)
54	D40351600	2	Screw Metric	(M6) T.42840
55	D20400400	2	Washer	(M6) T.42840
56	D41087200	2	Locknut	(M6)
57	D43105000	1	Key	
58	D49018800	1	Lever	
59	D28851083	1	Spring	(M6) F.42841
60	D28851081	1	Plate	(M6)

STRAW CHOPPER 1

Item	Part Number	Qty	Description	Comments
61	D41089100	28	Nut	F.42841
62	D41087400	2	Locknut	(D7)
63	D41410500	2	Pin	(D7)
64	D49018200	1	Drum	POS. 65-68
65	D49017800	56	Knife	4 MM
66	D49017900	56	Bush	4 MM
67	D49018000	56	Washer	4 MM
68	D40439200	28	Screw	4 MM
69	D28851209	1	Finger	(M6) F.46700 (D7) ONLY FOR STRAW CHOPPER 1 (M6) OPTIONAL EQUIPMENT FOR STRAWCHOPPER (3) OPTIONAL EQUIPMENT



**MASSEY FERGUSON
MF 31 COMBINE - 819726**

819726

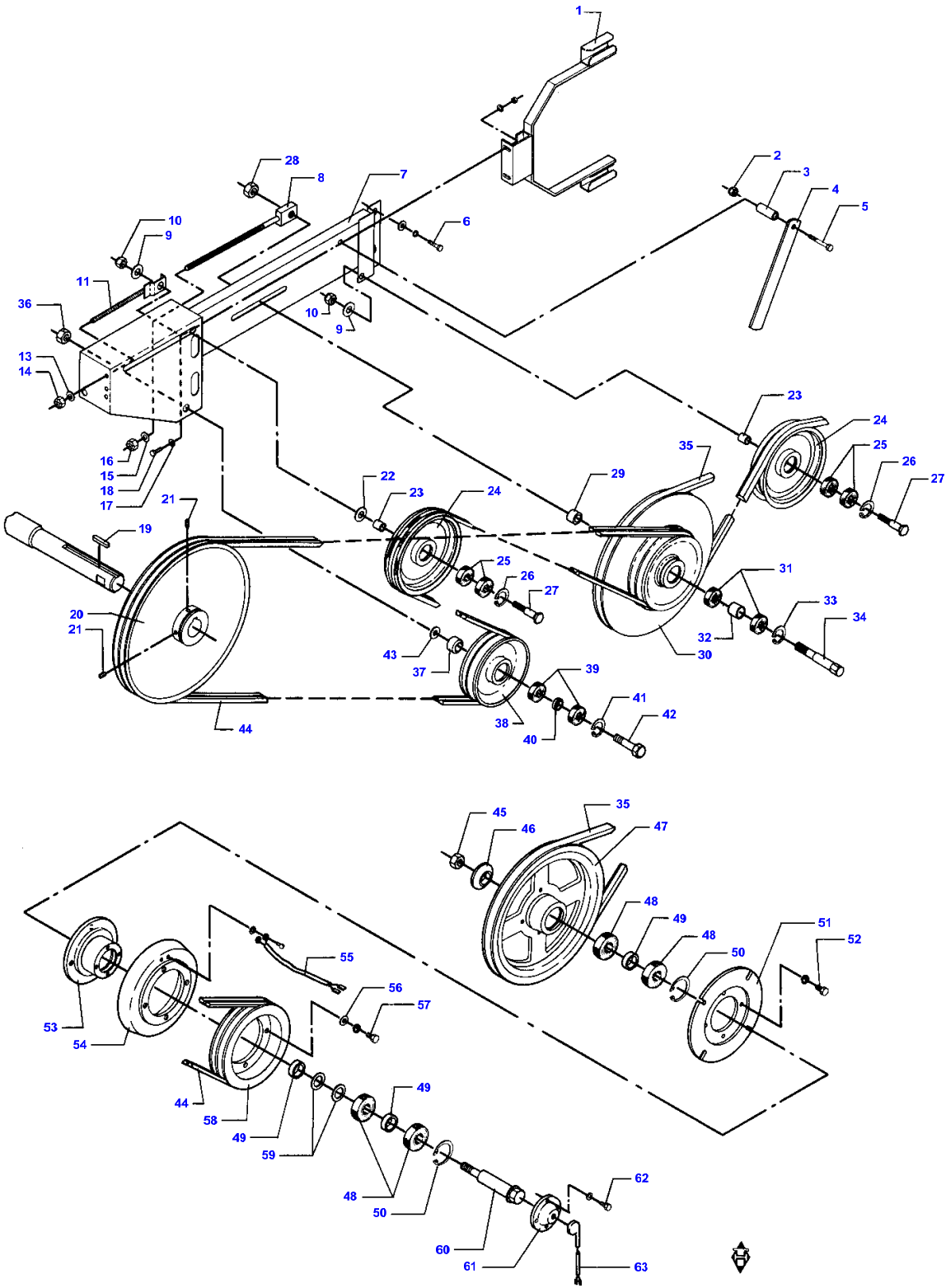
17-2

COUNTER DRIVE FOR STRAW CHOPPER

Item	Part Number	Qty	Description	Comments
1	D28850663	1	Carrier	
2	D41013600	1	Nut	
3	D28851050	1	Bush	
4	D28851051	1	Bar	
5	D40426600	1	Screw Metric	
6	D40407700	4	Screw	
7	D28850393	1	Bracket	
8	D28850387	1	Tightener	
9	D20400459	2	Washer	
10	D41087900	2	Locknut	
11	D28850316	1	Bolt	
13	D20400419	1	Washer	
14	D41010800	1	Nut Metric	
15	D20400423	1	Washer	
16	D41010900	1	Nut Metric	
17	D20400471	2	Washer	
18	D40407700	2	Screw	
19	D43107500	1	Key	
20	D28851084	1	Pulley	
21	D40466500	2	Setscrew	
22	D20400460	1	Washer	(M6)
23	D28250445	2	Spacer	
24	D28250441	2	Roller	
25	D41622700	4	Bearing Ball	
26	D42513700	2	Circlip	
27	D28250444	2	Bolt	
	D28850443	1	Pulley	POS. 28-34
28	D41088100	1	Locknut	
29	D28850442	1	Spacer	
30	D28850276	1	Pulley	
31	D41622800	2	Bearing Ball	
32	D28850547	1	Spacer	
33	D42514000	1	Circlip	
34	D28850537	1	Bolt	
35	D41987600	1	V Belt	(D9)
	D41958600	1	Belt	(D6)
	D28850425	1	Pulley	POS. 36-42
36	D41088100	1	Locknut	
37	D28850374	1	Spacer	
38	D28850381	1	Pulley	
39	D41622800	2	Bearing Ball	
40	D28850382	1	Spacer	
41	D42514000	1	Circlip	
42	D28850445	1	Bolt	
43	D20400437	1	Washer	(M6)
44	D41942100	2	V Belt	
	D28851038	1	Coupling	(M6) POS. 45-62
45	D41088100	1	Locknut	
46	D28851036	1	Disc	
47	D28851003	1	Pulley	
48	D41623000	4	Bearing Ball	
49	D28250075	3	Spacer	
50	D42515000	2	Circlip	
51	D45057900	1	Plate	
52	D40405000	8	Screw Metric	
53	D28851000	1	Hub	
54	D45057800	1	Magnet	
55	D28851037	1	Wire	
56	D20400409	4	Washer	
57	D40405000	8	Screw Metric	
58	D28851002	1	Pulley	
59	D27700249	2	Ring	(5)
60	D28851004	1	Bolt	
61	D28851001	1	Cover	
62	D40402400	4	Screw Metric	
63	D28850856	1	Retainer	(M6) (D6) ONLY FOR FLAP SYSTEM CHOPPER (D9)

MASSEY FERGUSON**MF 31 COMBINE - 819726****819726****COUNTER DRIVE FOR STRAW CHOPPER****17-2**

Item	Part Number	Qty	Description	Comments
				ONLY FOR BISO-FLAP SYSTEM CHOPPER AND REKORD CHOPPER (M6) OPTIONAL EQUIPMENT FOR STRAWCHOPPER (5) OPTIONAL



**MASSEY FERGUSON
MF 31 COMBINE - 819726**

819726

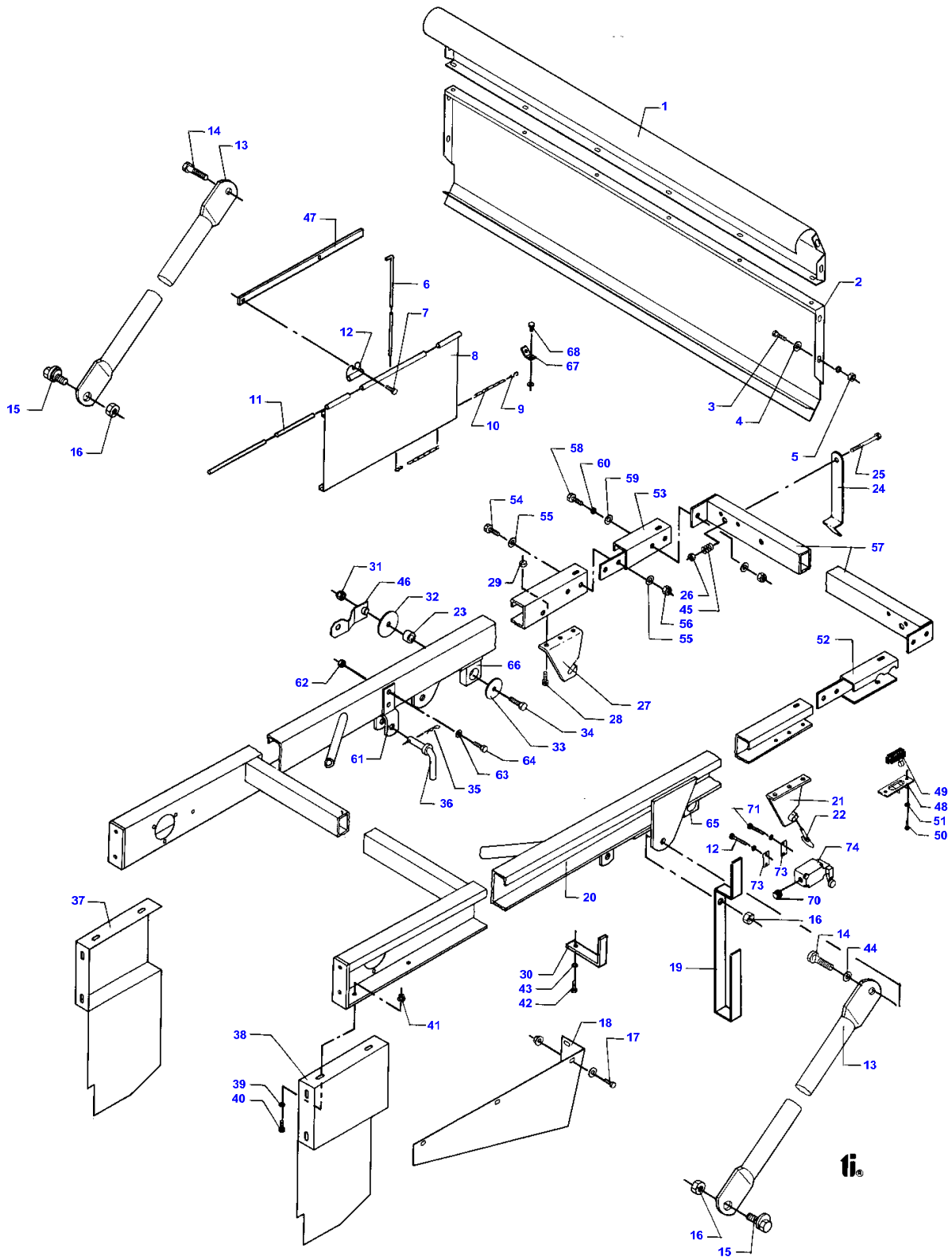
17-2

COUNTER DRIVE FOR STRAW CHOPPER

Item	Part Number	Qty	Description	Comments
1	D28850663	1	Carrier	
2	D41013600	1	Nut	
3	D28851050	1	Bush	
4	D28851051	1	Bar	
5	D40426600	1	Screw Metric	
6	D40407700	4	Screw	
7	D28850393	1	Bracket	
8	D28850387	1	Tightener	
9	D20400459	2	Washer	
10	D41087900	2	Locknut	
11	D28850316	1	Bolt	
13	D20400419	1	Washer	
14	D41010800	1	Nut Metric	
15	D20400423	1	Washer	
16	D41010900	1	Nut Metric	
17	D20400471	2	Washer	
18	D40407700	2	Screw	
19	D43107500	1	Key	
20	D28851084	1	Pulley	
21	D40466500	2	Setscrew	
22	D20400460	1	Washer	(M6)
23	D28250445	2	Spacer	
24	D28250441	2	Roller	
25	D41622700	4	Bearing Ball	
26	D42513700	2	Circlip	
27	D28250444	2	Bolt	
	D28850443	1	Pulley	POS. 28-34
28	D41088100	1	Locknut	
29	D28850442	1	Spacer	
30	D28850276	1	Pulley	
31	D41622800	2	Bearing Ball	
32	D28850547	1	Spacer	
33	D42514000	1	Circlip	
34	D28850537	1	Bolt	
35	D41987600	1	V Belt	(D9)
	D41958600	1	Belt	(D6)
	D28850425	1	Pulley	POS. 36-42
36	D41088100	1	Locknut	
37	D28850374	1	Spacer	
38	D28850381	1	Pulley	
39	D41622800	2	Bearing Ball	
40	D28850382	1	Spacer	
41	D42514000	1	Circlip	
42	D28850445	1	Bolt	
43	D20400437	1	Washer	(M6)
44	D41942100	2	V Belt	
	D28851038	1	Coupling	(M6) POS. 45-62
45	D41088100	1	Locknut	
46	D28851036	1	Disc	
47	D28851003	1	Pulley	
48	D41623000	4	Bearing Ball	
49	D28250075	3	Spacer	
50	D42515000	2	Circlip	
51	D45057900	1	Plate	
52	D40405000	8	Screw Metric	
53	D28851000	1	Hub	
54	D45057800	1	Magnet	
55	D28851037	1	Wire	
56	D20400409	4	Washer	
57	D40405000	8	Screw Metric	
58	D28851002	1	Pulley	
59	D27700249	2	Ring	(5)
60	D28851004	1	Bolt	
61	D28851001	1	Cover	
62	D40402400	4	Screw Metric	
63	D28850856	1	Retainer	(M6) (D6) ONLY FOR FLAP SYSTEM CHOPPER (D9)

MASSEY FERGUSON**MF 31 COMBINE - 819726****819726****COUNTER DRIVE FOR STRAW CHOPPER****17-2**

Item	Part Number	Qty	Description	Comments
				ONLY FOR BISO-FLAP SYSTEM CHOPPER AND REKORD CHOPPER (M6) OPTIONAL EQUIPMENT FOR STRAWCHOPPER (5) OPTIONAL



**MASSEY FERGUSON
MF 31 COMBINE - 819726**

819726

17-3

STRAW CHOPPER SUSPENSION

Item	Part Number	Qty	Description	Comments
1	D28850880	1	Plate	(D7)
2	D28850879	1	Plate	(D7)
3	D40404900	6	Screw Metric	
4	D20400409	6	Washer	
5	D41013500	6	Nut	
	D28150564	1	Guide	POS. 6-12
6	D28100323	5	Stem	
7	D40404900	2	Screw Metric	
8	D28150560	1	Guard	
9	D42386000	2	Hook	
10	D28100327	1	Chain	
11	D28150563	1	Hinge Rod	
12	D28150561	2	Hinge	
13	D28820579	2	Rod	
	D28850397	2	Rod	
14	D40416400	2	Setscrew	
15	D28151148	2	Eccentric	(3)
	D28820439	2	Eccentric	
16	D41011100	4	HEXAGON SCREW	
	D41087900	2	Locknut	(3)
17	D40402400	3	Screw Metric	
18	D28850420	1	Guard	
19	D28851043	1	Retainer	
20	D28150535	1	Frame	T.38623
	D28151029	1	Frame	T.46079
	D28151227	1	Support	F.46080
21	D28850647	1	Plate	Left Hand (D7)
22	D41447300	2	Split Ring	
23	D46480200	4	Bush	(D7)
24	D28850684	1	Spring	(D7)
25	D40426600	1	Screw Metric	
26	D41087600	1	Locknut	
27	D28850648	1	Plate	Right Hand (D7)
28	D40404900	6	Screw Metric	
29	D41013500	6	Nut	
30	D28850678	1	Belt Guide	
31	D41087900	2	Locknut	
32	D20400462	2	Washer	
33	D20400460	2	Washer	
34	D40433400	2	HEXAGON SCREW	
35	D27100120	2	Hair Pin	(D7)
36	D28850536	2	Pin	(D7)
37	D28151045	1	Guard	(D7)
38	D28151044	1	Guard	(D7)
39	D20400409	8	Washer	
40	D40405000	8	Screw Metric	
41	D41013500	8	Nut	
42	D40404900	1	Screw Metric	
43	D20400409	2	Washer	
44	D20400516	2	Spacer	
45	D27800277	1	Spring	(D7)
46	D28851061	2	Bracket	(D7)
47	D28150562	1	Threaded Part	
48	D28851079	1	Support	(96)
49	D45076600	1	Micro Switch	(96)
50	D40402400	2	Screw Metric	(96)
51	D20400470	2	Washer	(96)
52	D28151223	1	Support	(D6) Left Hand
53	D28151224	1	Support	(D6) Right Hand
54	D40411000	4	HEXAGON SCREW	
55	D20400426	8	Washer	
56	D41087700	4	Locknut	
57	D28151221	1	Panel	(D7) F.46080
57	D28151340	1	Support	(D9) F.46080

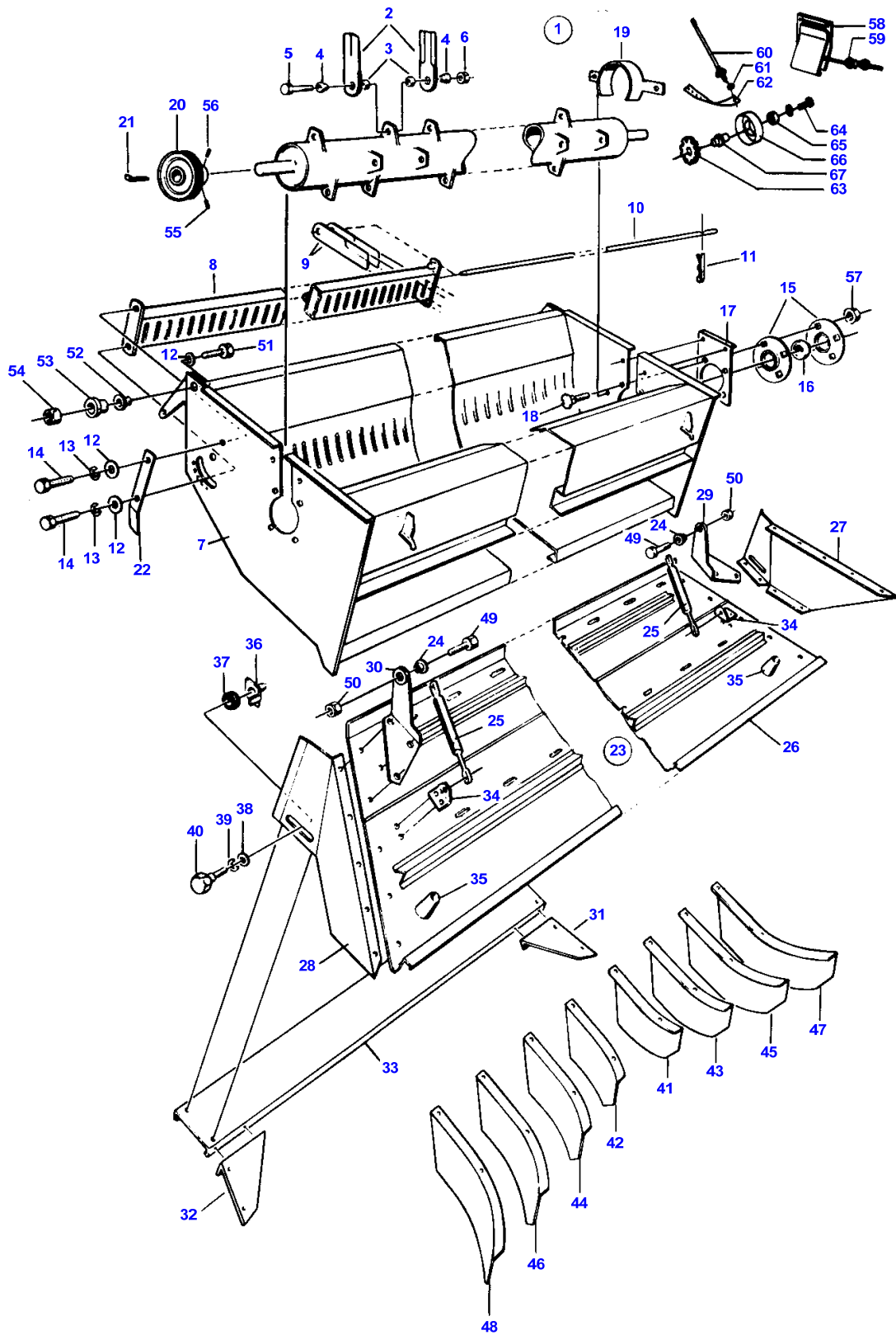
**MASSEY FERGUSON
MF 31 COMBINE - 819726**

819726

17-3

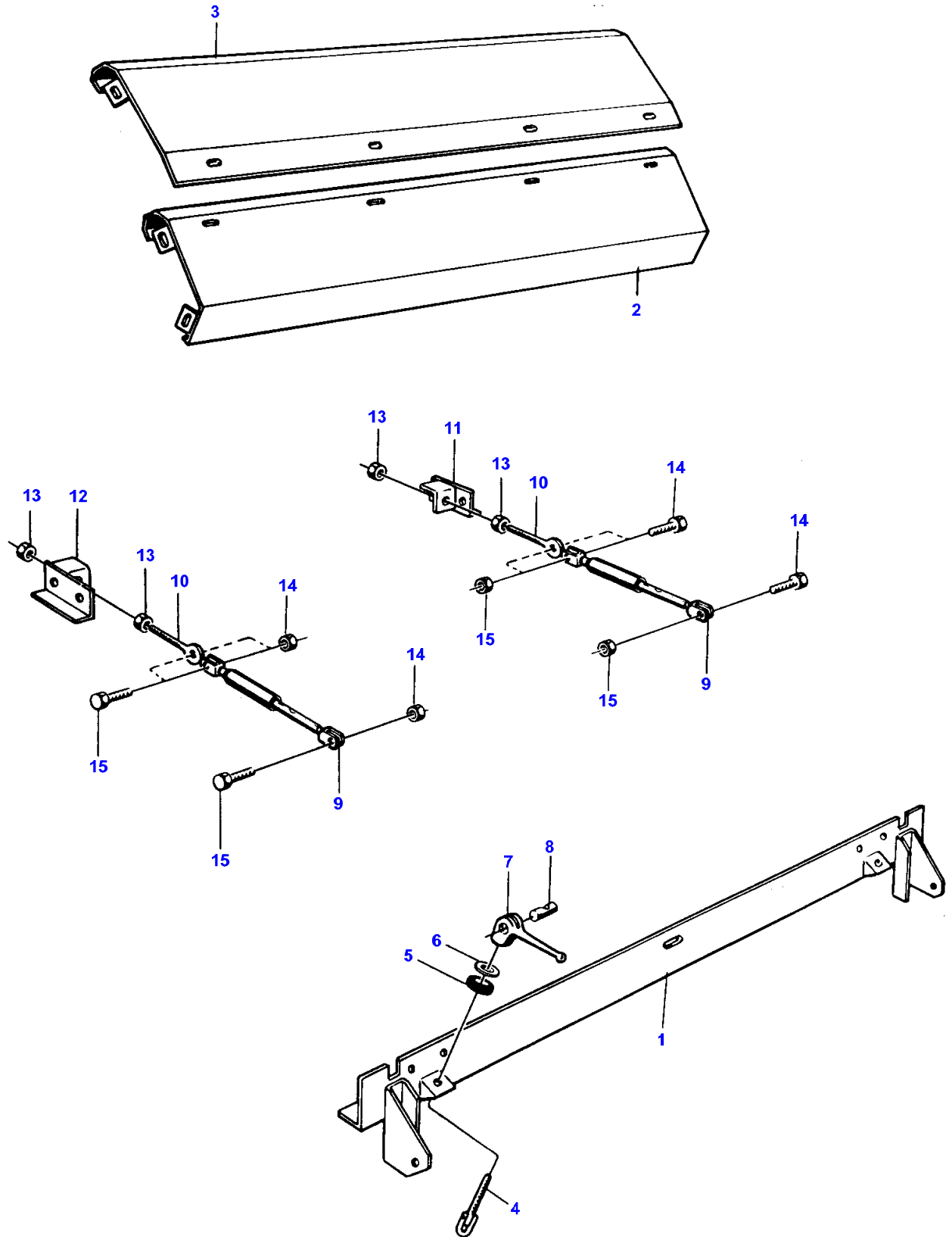
STRAW CHOPPER SUSPENSION

Item	Part Number	Qty	Description	Comments
58	D40410900	4	Screw	
59	D20400426	4	Washer	
61	D28151273	2	Support	(D7) F.46080
62	D41010800	4	Nut Metric	
63	D20400471	4	Washer	
64	D40407700	4	Screw	
65	D28151276	1	Flange	Left Hand (D0)
66	D28151277	1	Flange	Right Hand (D0)
67	D28120328	1	Retainer	
68	D40402400	1	Screw Metric	
70	D28851213	4	Shim	(M6) F.46700
71	D40351700	4	Screw	(M6) F.46700
72	D20400400	8	Washer	(M6) F.46700
74	D28851210	1	Switch	(M6) F.46700 (D0) ONLY FOR REKORD AND STRAW CHOPPER 1 AND 2 (D6) ONLY FOR FLAP SYSTEM CHOPPER (D7) ONLY FOR STRAW CHOPPER 1 (D9) ONLY FOR BISO-FLAP SYSTEM CHOPPER AND REKORD CHOPPER (M6) OPTIONAL EQUIPMENT FOR STRAWCHOPPER (3) OPTIONAL EQUIPMENT (96) USED F.42841-T.46670



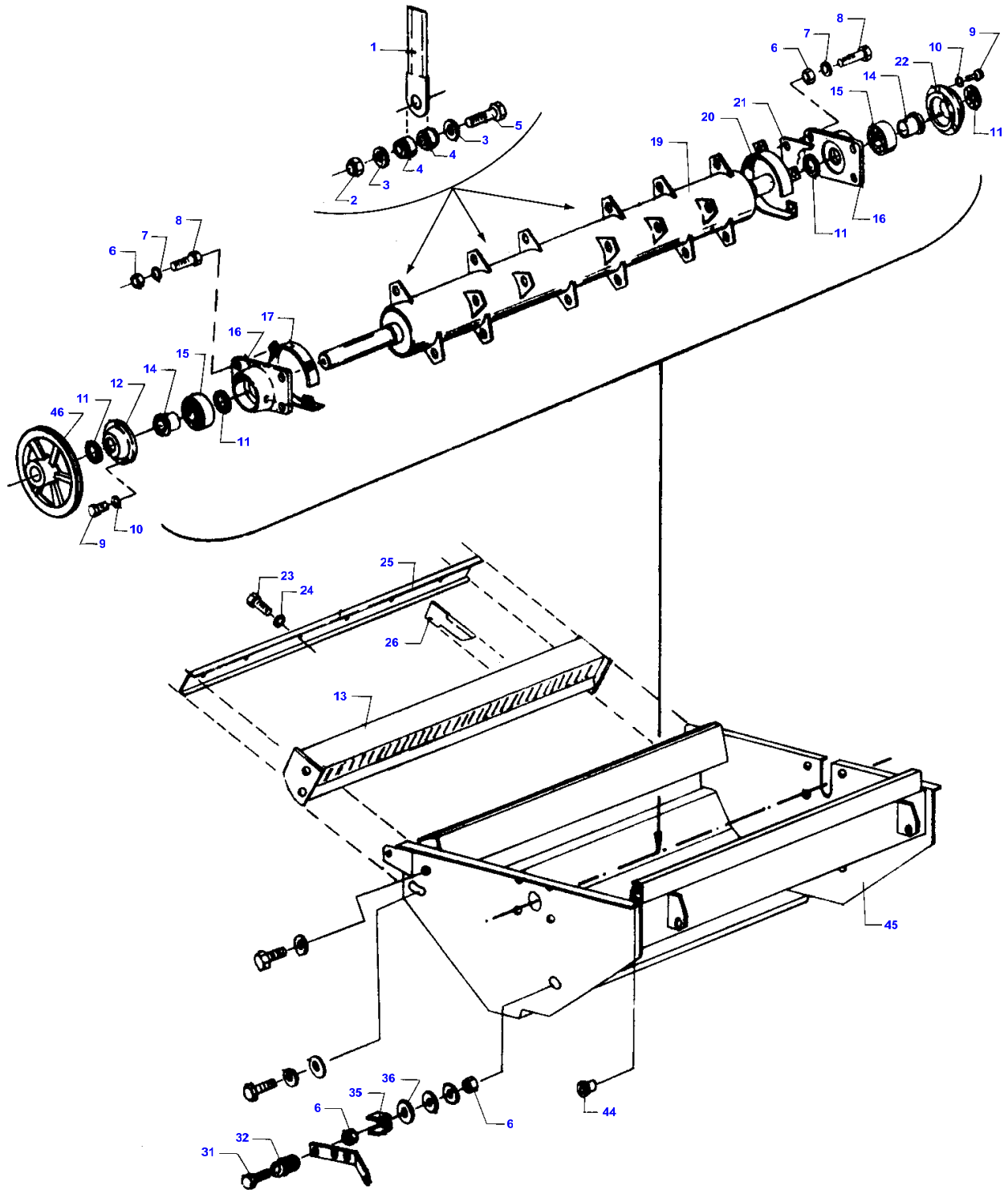
STRAW CHOPPER REKORD

Item	Part Number	Qty	Description	Comments
1	D49080051	1	Blade	
2	D49080066	56	Knife	
3	D49017100	56	Bush	
4	D49080067	56	Insert	
5	D40439200	28	Screw	
6	D41092500	28	Nut	
7	D49080050	1	Case Assy	
8	D49080052	1	Bar	
9	D49005700	56	Blade	
10	D49080053	1	Rod	
11	D44358000	1	Hair Pin	
12	D20400423	6	Washer	
13	D41100900	4	Washer	
14	D40411000	4	HEXAGON SCREW	
15	D41712200	4	Flange	
16	D41702300	2	Bearing	
17	D49080074	2	Reinforcement	
18	D40070200	8	Screw Metric	
19	D49080076	2	Shield	
20	D49080054	1	Pulley	
21	D49017400	1	Gib Key	
22	D49080073	1	Bar	
23	D49080040	2	Hood	
24	D49080079	2	Spacer	
25	D45070067	1	Damper	
26	D49080055	1	Plate	
27	D49080081	1	Shield	Right Hand
28	D49080082	1	Plate	Left Hand
29	D49080083	1	Reinforcement	Right Hand
30	D49080084	1	Hinge	Left Hand
31	D49080085	1	Shield	Right Hand
32	D49080086	1	Plate	Left Hand
33	D49080056	1	Plate	
34	D49080088	2	Support	
35	D49005000	2	Buffer	
36	D49080089	2	Retainer	
37	D49080090	2	Washer	
38	D20400423	2	Washer	
39	D41100900	2	Washer	
40	D49080064	2	Lever	
41	D49080091	1	Distribution	Right Hand
42	D49080092	1	Distribution	Left Hand
43	D49080093	1	Distribution	Right Hand
44	D49080094	1	Distribution	Left Hand
45	D49080095	1	Distribution	Right Hand
46	D49080096	1	Distribution	Left Hand
47	D49080057	1	Deflector	Right Hand
48	D49080058	1	Fin	Left Hand
49	D40410900	2	Screw	
50	D41087700	2	Locknut	
51	D40428600	2	HEXAGON SCREW	
52	D49080059	2	Spacer	
53	D49080060	2	Insert	
54	D41087700	2	Locknut	
55	D40633200	1	Pin	
57	D41087700	8	Locknut	
58	D28850784	1	Alarm System	
59	D28851029	1	Wire	
60	D28751812	1	Sensor	
61	D20400428	1	Washer	
62	D28751216	1	Rubber Strap	
63	D28750922	1	Wheel	
64	D40407900	1	Screw Metric	
65	D41622600	1	Bearing Ball	
66	D28751223	1	Cup	
67	D28751218	1	Journal	



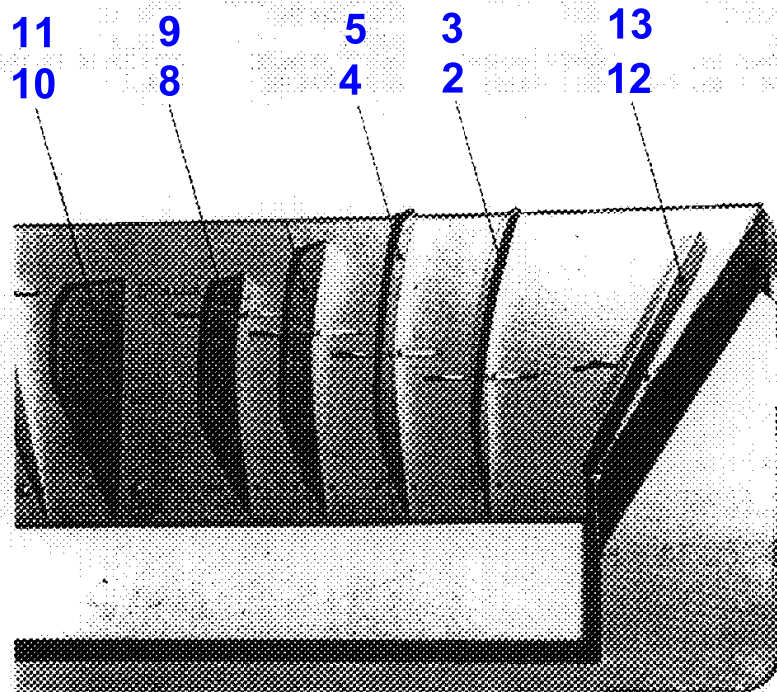
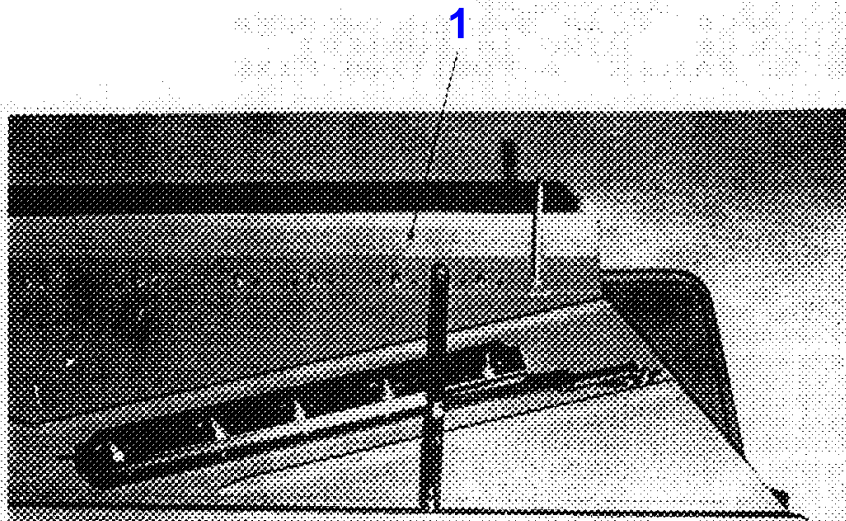
ACCESSORIES REKORD

Item	Part Number	Qty	Description	Comments
1	D49080061	1	Plate	
2	D49080043	1	Deflector	
3	D49080042	1	Deflector	
4	D49080044	2	Bolt	
5	D49080090	2	Washer	
6	D20400425	2	Washer	
7	D49080045	2	Lever	
8	D49080046	2	Stud	
9	D49080049	2	Hydraulic Spring	
10	D49080047	2	Spindle	
11	D49080062	1	Holder	Right Hand
12	D49080063	1	Holder	Left Hand
13	D41010900	4	Nut Metric	
14	D40405000	4	Screw Metric	
15	D41087500	4	Locknut	



STRAW CHOPPER FLAP SYSTEM CHOPPER

Item	Part Number	Qty	Description
1	D49017800	56	Knife
2	D41010800	28	Nut Metric
3	D49018000	56	Washer
4	D49017900	56	Bush
5	D40426000	28	Screw
6	D41010900		Nut Metric
7	D41100900		Washer
8	D40410900		Screw
9	D40402600		Screw Metric
10	D41100600		Washer
11	D49090200		Seal
12	D49090300	2	Cover
13	D49098800	1	Bar
14	D41641100	2	Adaptor
15	D41603800	2	Bearing Ball
16	D49090600	2	Bearing Housing
17	D49090700	1	Guard
19	D49098700	1	Drum
20	D49090900	1	Guard
21	D49091000	1	Plate
22	D49091100	1	Cover
23	D40405100	1	Screw Metric
25	D49098900	1	Plate
26	D49018300	54	Knife
31	D40428800	2	HEXAGON SCREW
32	D49091300	2	Spring
35	D49091600	1	Guide
36	D49091700	2	Spacer
41	D40402400		Screw Metric
42	D41100600		Washer
44	D49092200	2	Bush
45	D49098600	1	Boot
46	D49099200	1	Pulley



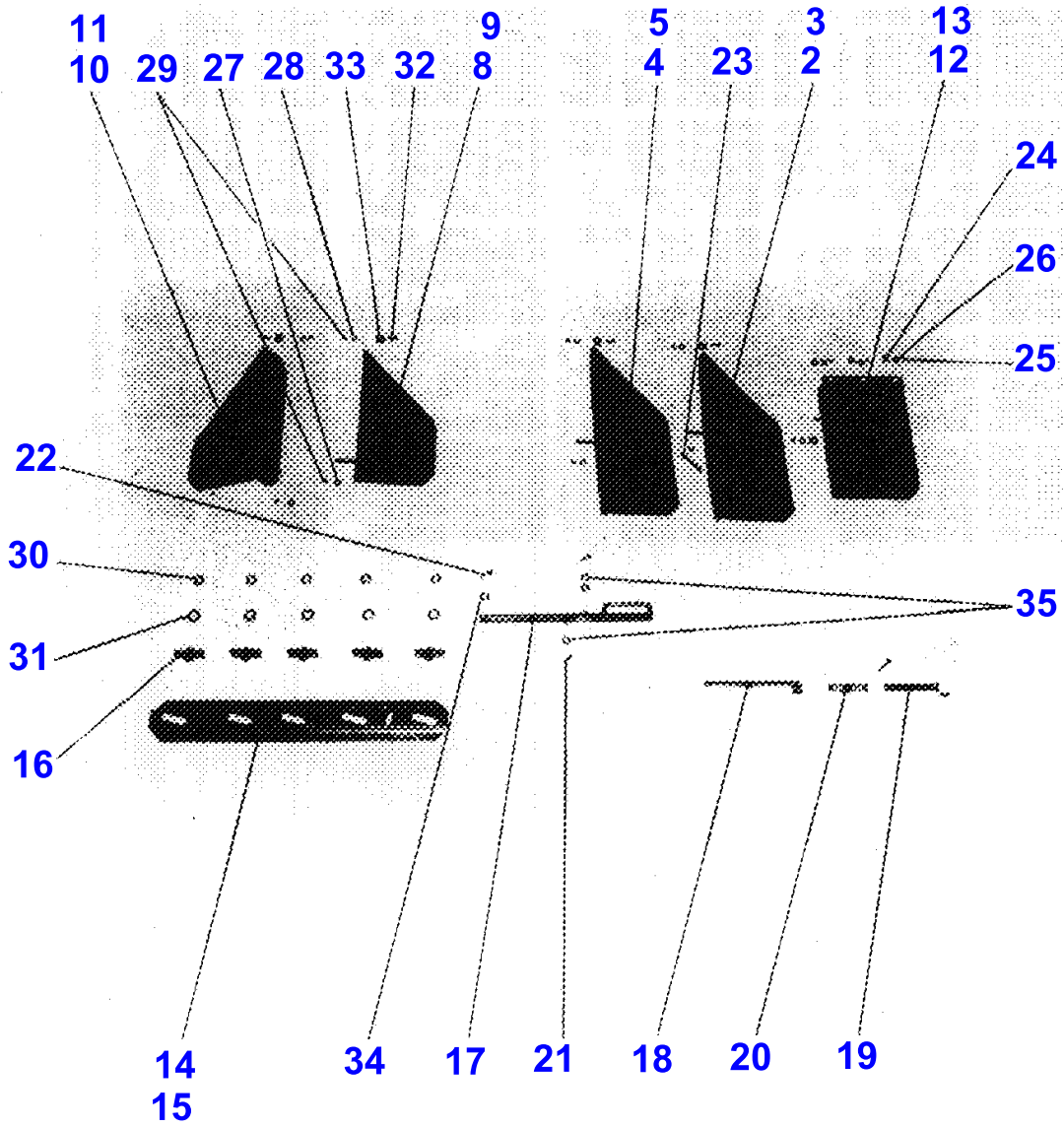
**MASSEY FERGUSON
MF 31 COMBINE - 819726**

819726

DISTRIBUTOR BOX FLAP SYSTEM CHOPPER

17-7A

Item	Part Number	Qty	Description	Comments
1	D49060400	1	Box	
2	D49080010	1	Wing	Left Hand
3	D49080011	1	Wing	Right Hand
4	D49080021	1	Wing	Left Hand
5	D49080022	1	Wing	Right Hand
8	D49080016	1	Wing	Left Hand
9	D49080017	1	Wing	Right Hand
10	D49093100	1	Wing	Left Hand
11	D49093200	1	Wing	Right Hand
12	D49097600	1	Flap	Left Hand
13	D49097700	1	Flap	Right Hand
14	D49097200	1	Shield	Left Hand
15	D49097300	1	Shield	Right Hand
16	D49096900		Screw	
17	D49097000	2	Lever	
18	D49080018	2	Plate	
19	D49080023	2	Pipe	
20	D49080024	2	Spring	
22	D41408800		Pin	
23	D49097100	2	Latch	
24	D40060500		Screw Metric	
25	D41010600		Nut	
29	D41010700		Nut Metric	
30	D41011100		HEXAGON SCREW	
32	D40404900		Screw Metric	



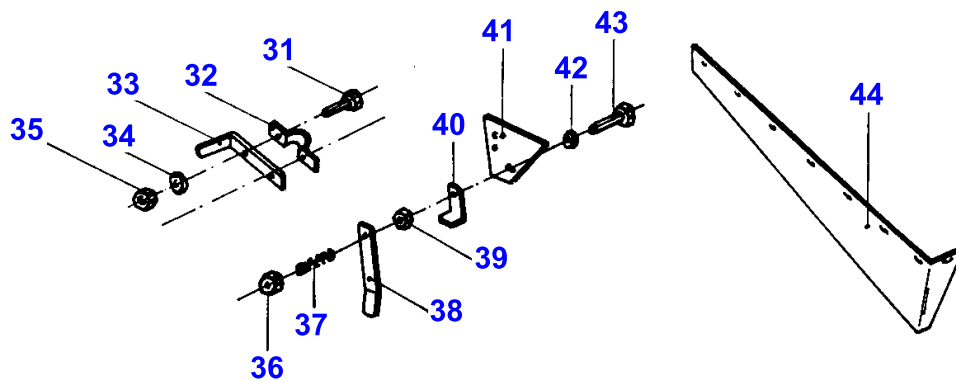
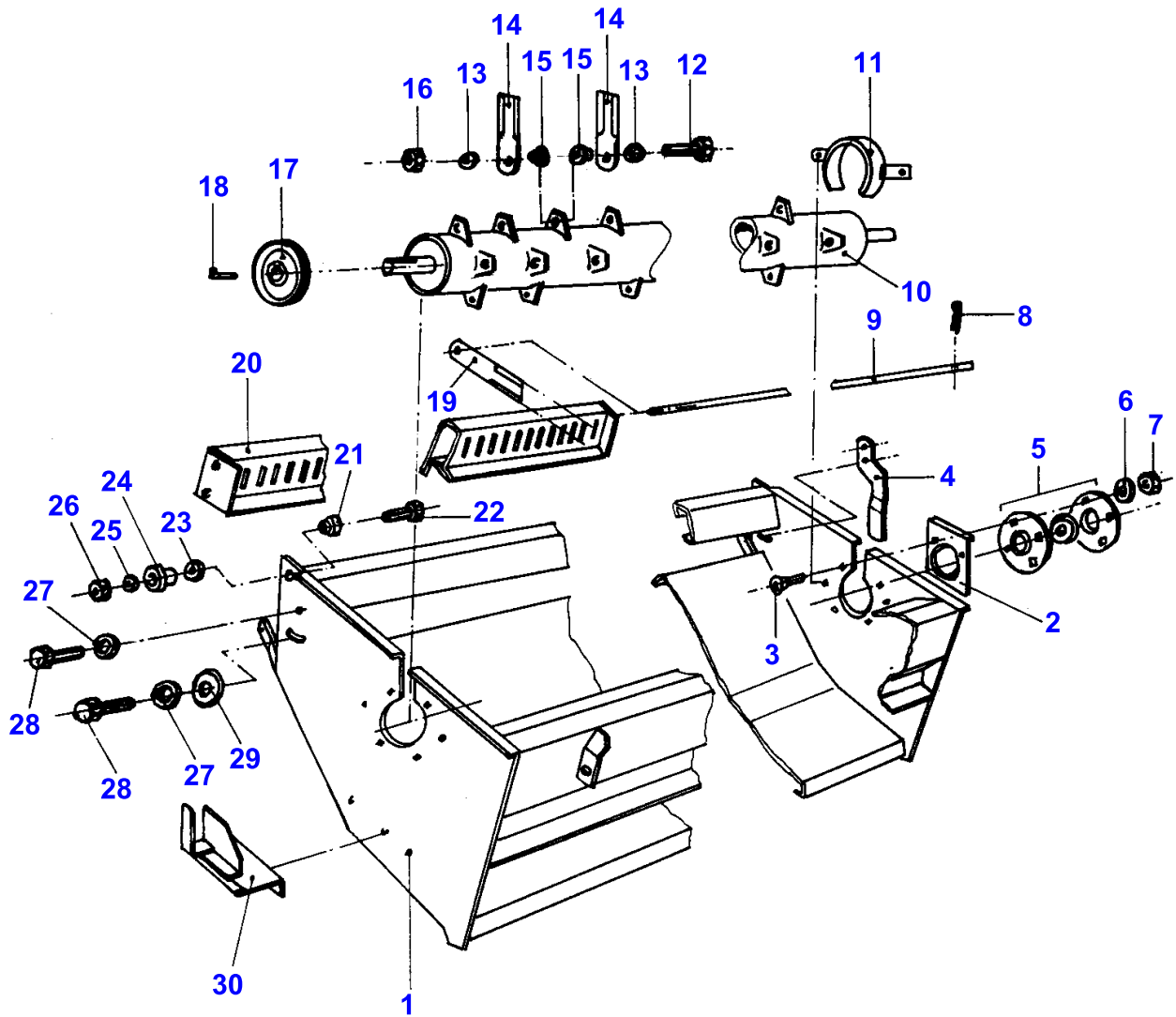
**MASSEY FERGUSON
MF 31 COMBINE - 819726**

819726

DISTRIBUTOR BOX FLAP SYSTEM CHOPPER

17-7B

Item	Part Number	Qty	Description	Comments
1	D49060400	1	Box	
2	D49080010	1	Wing	Left Hand
3	D49080011	1	Wing	Right Hand
4	D49080021	1	Wing	Left Hand
5	D49080022	1	Wing	Right Hand
8	D49080016	1	Wing	Left Hand
9	D49080017	1	Wing	Right Hand
10	D49093100	1	Wing	Left Hand
11	D49093200	1	Wing	Right Hand
12	D49097600	1	Flap	Left Hand
13	D49097700	1	Flap	Right Hand
14	D49097200	1	Shield	Left Hand
15	D49097300	1	Shield	Right Hand
16	D49096900		Screw	
17	D49097000	2	Lever	
18	D49080018	2	Plate	
19	D49080023	2	Pipe	
20	D49080024	1	Spring	
22	D41408800	1	Pin	
23	D49097100	2	Latch	
24	D40060500	1	Screw Metric	
25	D41010600	1	Nut	
29	D41010700	1	Nut Metric	
30	D41011100	1	HEXAGON SCREW	
32	D40404900	1	Screw Metric	



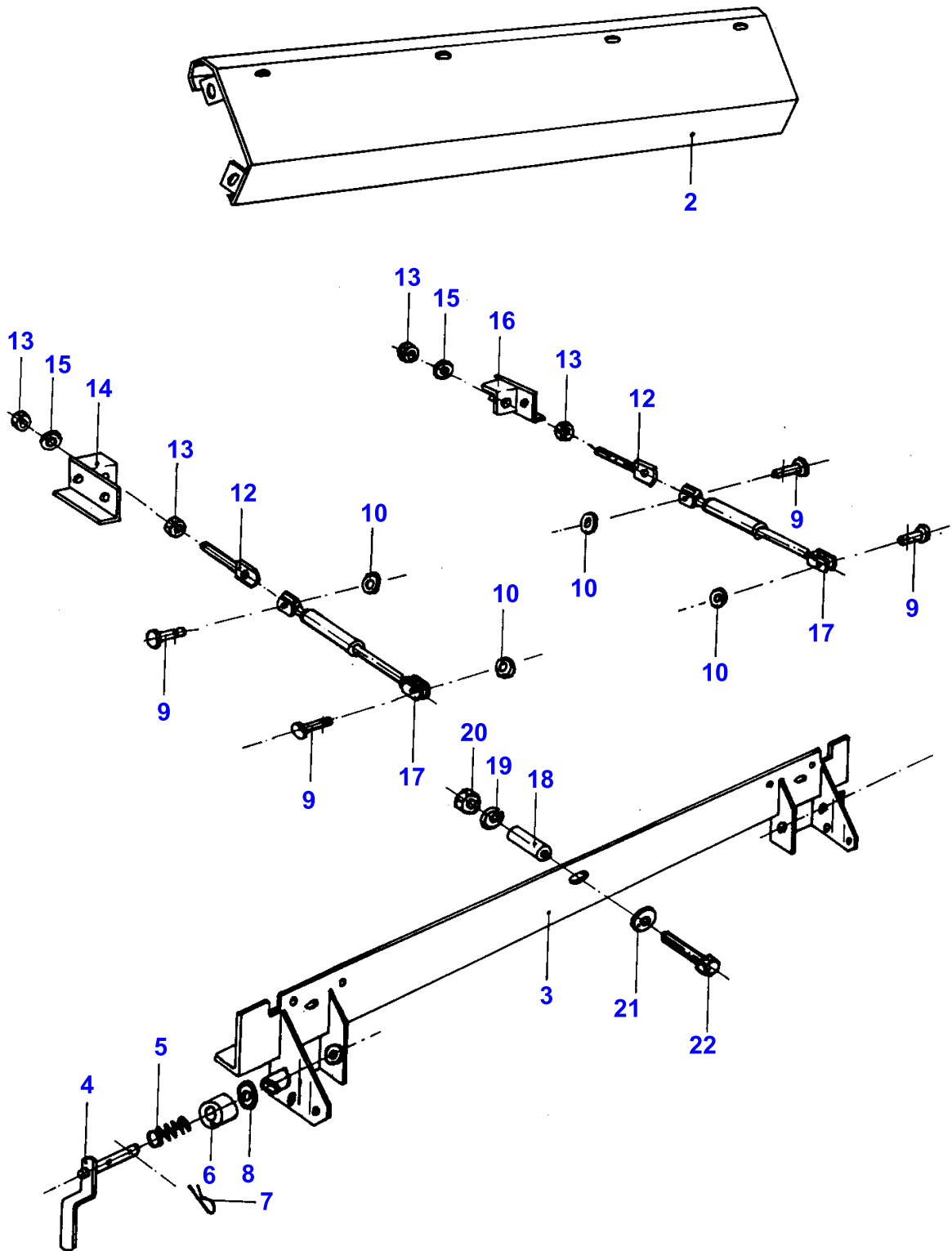
**MASSEY FERGUSON
MF 31 COMBINE - 819726**

819726

STRAW CHOPPER 2

17-8A

Item	Part Number	Qty	Description
1	D49064500	1	Straw Chopper
3	D40070200	4	Screw Metric
5	D41712200	4	Flange
7	D41087700	8	Locknut
8	D44358000	1	Hair Pin
10	D49063800	1	Knife
11	D49080076	2	Shield
12	D40439200	28	Screw
13	D49018000	56	Washer
14	D49017800	28	Knife
15	D49017900	56	Bush
16	D41092500	28	Nut
17	D49062500	1	Pulley
18	D43155100	1	Gib Key
19	D49019000	53	Knife
21	D49080027	2	Insert
22	D40428600	2	HEXAGON SCREW
23	D20400426	2	Washer
24	D49080060	2	Insert
26	D41087700	2	Locknut
28	D40416400		Setscrew
29	D20400459	2	Washer
31	D40405000	2	Screw Metric
36	D41087700	1	Locknut
43	D40411500	1	HEXAGON SCREW
44	D41702300	2	Bearing



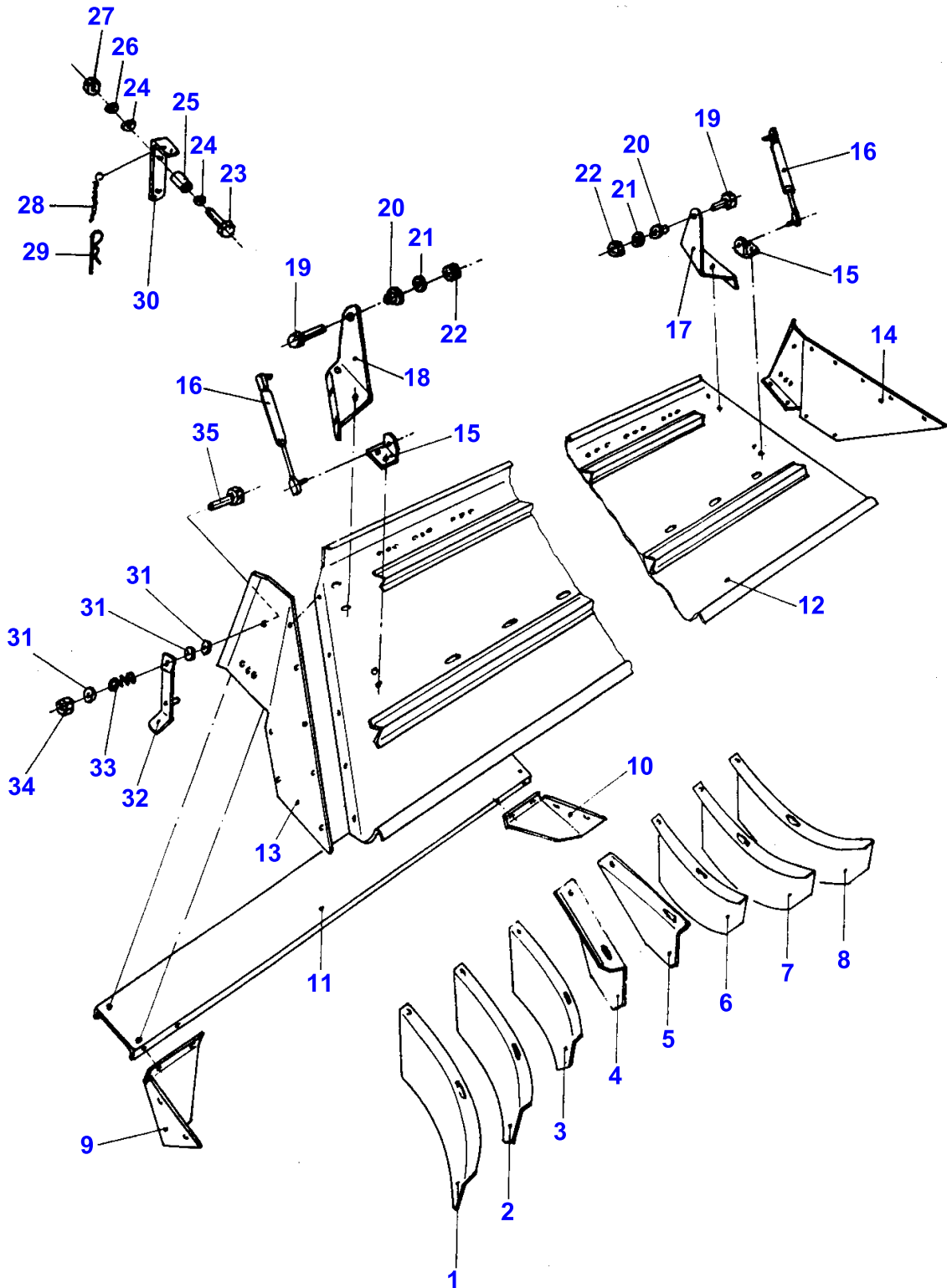
**MASSEY FERGUSON
MF 31 COMBINE - 819726**

819726

STRAW CHOPPER 2

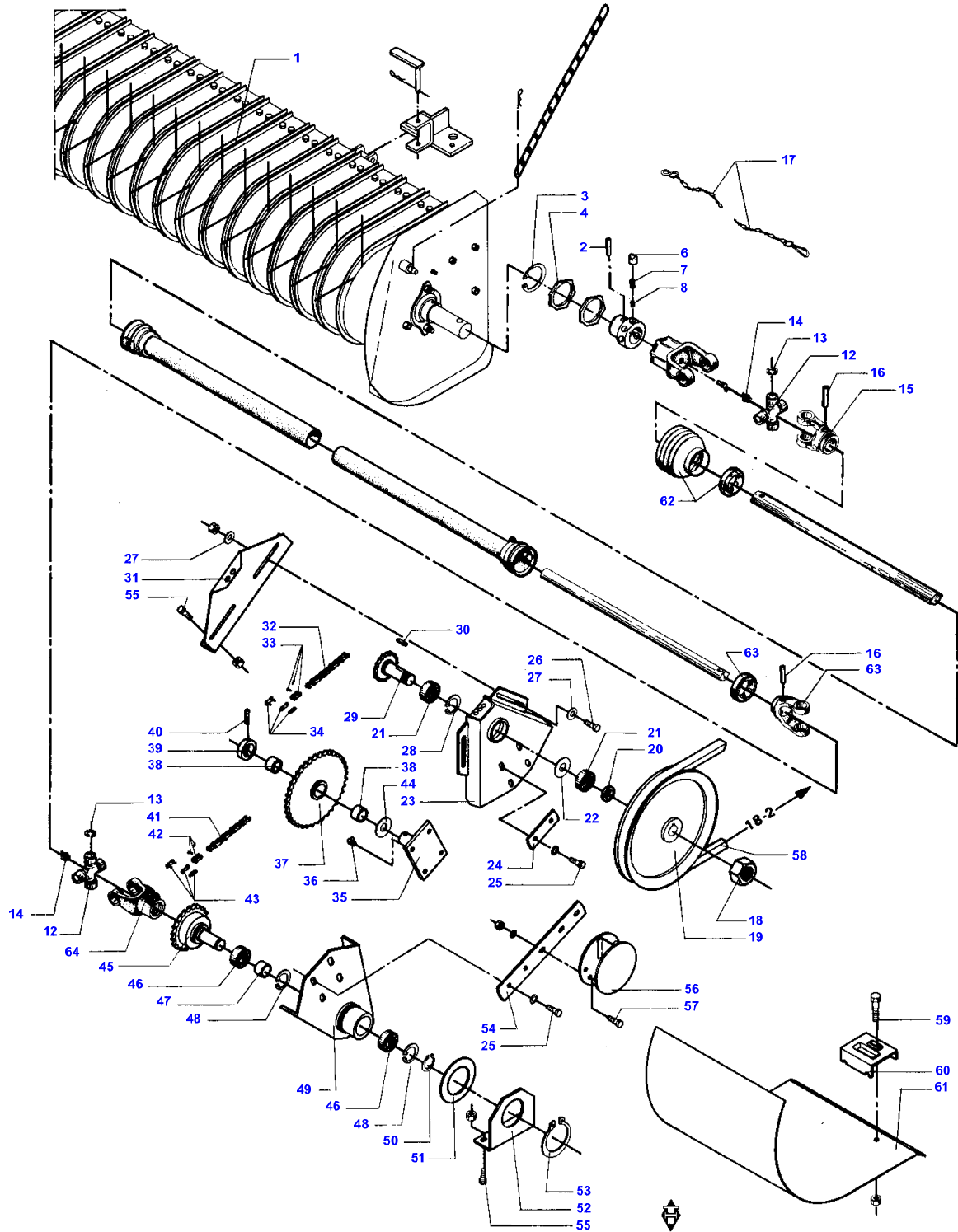
17-8B

Item	Part Number	Qty	Description
2	D49064800	1	Deflector
5	D49080024	2	Spring
7	D44358000	1	Hair Pin
8	D20400459	1	Washer
9	D45905500	4	Bolt
10	D20400416	4	Washer
11	D41405800	4	Pin
12	D49080047	2	Spindle
13	D41010900	2	Nut Metric
17	D49080025	2	Ram
20	D41010700	1	Nut Metric
21	D20400506	1	Spacer
22	D40424100	1	HEXAGON SCREW



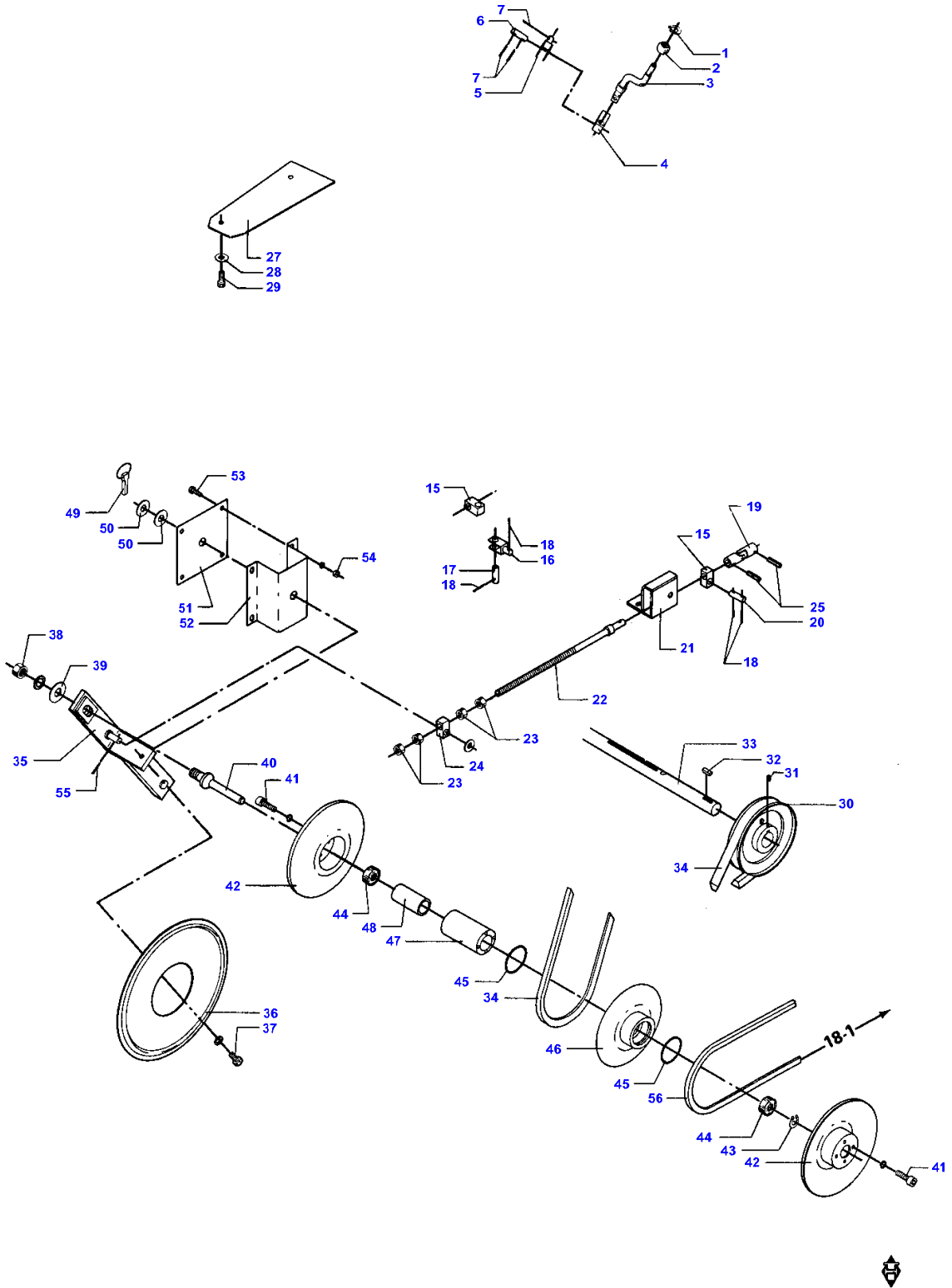
SPREADER HOOD

Item	Part Number	Qty	Description	Comments
1	D49065600	1	Fin	Left Hand
2	D49065400	1	Fin	Left Hand
3	D49065200	1	Wing	Left Hand
4	D49065000	1	Fin	Left Hand
5	D49064900	1	Fin	Right Hand
6	D49065100	1	Wing	Right Hand
7	D49065300	1	Fin	Right Hand
8	D49065500	1	Fin	Right Hand
9	D49065900	1	Shield	Left Hand
10	D49066000	1	Shield	Right Hand
11	D49062400	1	Profile	
12	D49062300	1	Panel	
13	D49065700	1	Plate	Left Hand
14	D49065800	1	Plate	Right Hand
15	D49066100	2	Support	
16	D45070066	2	Damper	
17	D49066700	1	Plate	
18	D49066600	1	Plate	
19	D40416500	2	HEXAGON SCREW	
22	D41011100	2	HEXAGON SCREW	
23	D40422200	1	HEXAGON SCREW	
24	D20400470	2	Washer	
27	D41010600	1	Nut	
29	D27100120	1	Hair Pin	
31	D20400506	1	Spacer	
34	D41087500	1	Locknut	
35	D40405400	1	Screw Metric	



TRANSMISSION 1

Item	Part Number	Qty	Description	Comments
1	D28830592	1	Drum	14'
	D28830591	1	Drum	16'
	D28830590	1	Pickup	18'
2	D42618800	1	TIGHENING PIN	
3	D45602600	1	Shaft	12', 16' (T6)
	D45602500	1	Shaft	14' (T6)
	D45602800	1	Shaft	(T6)
4	D45655400	1	Thrust Washer	
6	D45653100	1	Pawl	
7	D45666100	1	Spring	
8	D45666200	1	Spring	
12	D45623000	2	Bearing Needle	
13	D45663300	8	Circlip	
15	D45627300	1	Fork	
16	D42616300	2	TIGHENING PIN	
17	D45681800	1	Chain	
	D28830471	1	Drive	POS. 18-54
18	D28830497	1	Nut	
19	D28830465	1	Pulley	
20	D28830485	1	Spacer	
21	D41615600	2	Bearing Ball	
22	D20400528	1	Spacer	
23	D28830450	1	Bearing Plate	
24	D28830486	1	Clamp	
25	D40407700	4	Screw	
26	D40407600	2	Screw	
27	D20400471	4	Washer	
28	D42513700	1	Circlip	
29	D28830430	1	Shaft	
30	D43103300	1	Key	
31	D28830439	1	Plate	
32	D42321800	1	Chain	
33	D42361200		Cranked Link	
34	D42361100		Connecting Link	
35	D28830427	1	Shaft	
36	D43001700	1	Greaser	
37	D28830436	1	Sprocket	
38	D43337500	2	Bush	
39	D28830442	1	Collar	
40	D41411300	1	SPLIT PIN	
41	D42325500		Chain	
42	D42363200		Link	
43	D42363100	1	Link	
44	D20400439	1	Washer	
45	D28830433	1	Shaft	
46	D41620900	2	Bearing Ball	
47	D28830224	1	Spacer	
48	D42514000	2	Circlip	
49	D28830451	1	Bearing Plate	
50	D42502300	1	Circlip	
52	D28830475	1	Bracket	
53	D42505300	1	Circlip	
54	D28830441	1	Retainer	
55	D40407700	5	Screw	
56	D28830478	1	Guard	
57	D40404700	1	Screw Metric	
58	D41981900	1	V Belt	
59	D40408600	1	Setscrew	
60	D28830589	1	Dog	
61	D28830584	1	Guard	
62	D45689500	2	Ring	
63	D45627400	1	Yoke	
64	D45627600	1	Yoke	(T6) POS. 4-17 AND POS. 62-64



TRANSMISSION 2

Item	Part Number	Qty	Description	Comments
	D28840292	1	Handle	POS. 1-3
1	D42500700	1	Circlip	
2	D28600209	1	Ball	
3	D28840291	1	Handle	
4	D28600181	1	Block	
5	D28600226	1	Fork	
6	D28830477	1	Shaft	
7	D41408700	3	SPLIT PIN	
	D28850345	1	Control	POS. 15-24
15	D28600181	2	Block	
16	D28600226	1	Fork	
17	D28810682	1	Pin	
18	D41408700	2	SPLIT PIN	
19	D28830464	1	Universal Joint	
20	D28600183	1	Shaft	
21	D28250410	1	Retainer	
22	D28830469	1	Spindle	
23	D41043800	4	Nut	
24	D28600184	1	Block	
25	D42609000	4	TIGHENING PIN	
27	D28830496	1	Plate	
28	D20400409	2	Washer	
29	D40404700	2	Screw Metric	
30	D28830221	1	Pulley	INCL. P. 31
31	D40632000	1	Pin	
32	D43104600	1	Key	
33	D28230201	1	Countershaft	14'-4,34M
	D28230202	1	Countershaft	16'-4,95M
	D28230203	1	Countershaft	18'-5,56M
34	D41983500	1	V Belt	
	D28830487	1	Selector	POS. 35-48
35	D28830488	1	Lever	
36	D28830484	1	Guard	
37	D40407600	1	Screw	
38	D41011300	1	HEXAGON SCREW	
39	D20400467	1	Washer	
	D28750332	1	Pulley	POS. 40-48
40	D28751067	1	Shaft	
41	D40688400	16	Screw	(5)
42	D28750740	2	Pulley	(5)
43	D42501500	1	Circlip	
44	D41622600	2	Bearing Ball	
45	D45464300	2	O Ring	
46	D28750527	1	Pulley	
47	D28750319	1	Bearing Housing	
48	D28750318	1	Bush	
49	D41446200	1	Pin	
50	D20400520		Spacer	(5)
	D20400521		Spacer	(5)
51	D28250407	1	Plate	
52	D28250406	1	Bracket	
53	D40405000	4	Screw Metric	
54	D41087500	4	Locknut	
55	D41408700	1	SPLIT PIN	
56	D41981900	1	V Belt	
				(5) OPTIONAL