

PARTS LIST INDEX

ROW UNIT

15" Seed Opener Disc Blade/Bearing Assembly And Scrapers	P5
Brush-Type Seed Meter	P15
Coulter Mounted Residue Wheels	P26
Covering Discs/Single Press Wheel	P8
Drag Closing Attachment	P11
Finger Pickup Seed Meter	P14
Frame Mounted Coulter W/Residue Wheels	P28
Gauge Wheels	P6
Granular Chemical Banding Options	P19
Granular Chemical Hopper And Hopper Panel Extension	P16
Granular Chemical Meter And Meter Drive	P18
Hopper Support And Meter Drive	P12
Parallel Arms, Mounting Support Plate And Quick Adjustable Down Force Springs	P4
Row Unit Mounted Disc Furrower	P22
Row Unit Mounted No Till Coulter	P21
Row Unit Mounted Residue Wheel	P24
Seed Hopper And Lid	P13
Shank Assembly, Seed Tube And Depth Adjustment	P2
Spring Tooth Incorporator	P20
"V" Closing Wheels	P10

BASE MACHINE

Axle And Transport Lockup	P46
Contact Drive Wheel Assembly	P52
Cylinders	P69
Electrical Components	P90
Front Hitch Assembly	P30
Front Hitch Assembly (Rear Section)	P32
Front Wear Pads, All Sizes	P36
Ground Drive Tire Assembly	P51
Hinge And Wing Assemblies	P44
Hitch And Linkage Assembly	P33
Hose Take-Up, 24 Row 30" And 36 Row 20"	P41
Hydraulic Systems	P84
Junction Block On L.H. Wing	P80
Light/Reflective Decal Brackets And Extensions	P93
Point Row Clutch	P54
Ratchet/Sprocket Assembly	P63
Rear Wear Pads, 24 Row 30" And 36 Row 20"	P37
Row Marker Assemblies	P64
Row Marker Spindle/Hub/Blade	P68
Safety Chain	P30
Seed Rate Transmission And Driveline	P60
Stroke Limiter/Detent Valve Assembly And Linkage	P42
Tower Assembly, 24 Row 30" And 36 Row 20"	P38
Transport Wheel And Hub Assembly	P47
Two-Speed Point Row Clutch	P56
Two-Speed Point Row Clutch Wheel Module Extensions	P58
Valve Block On Front Hitch	P76
Valve Block On L.H. Wing	P79
Valve Block On L.H. And R.H. Wheel Module	P79
Valve Block On R.H. Wing	P78
Valve Block On Tower Assembly	P77
Valves (Stroke Limiter, Detent Lever, Solenoid, Flow Control, Pressure Relief, Check)	P80
Wheel Module Assembly	P48

ELECTRONIC SEED MONITOR

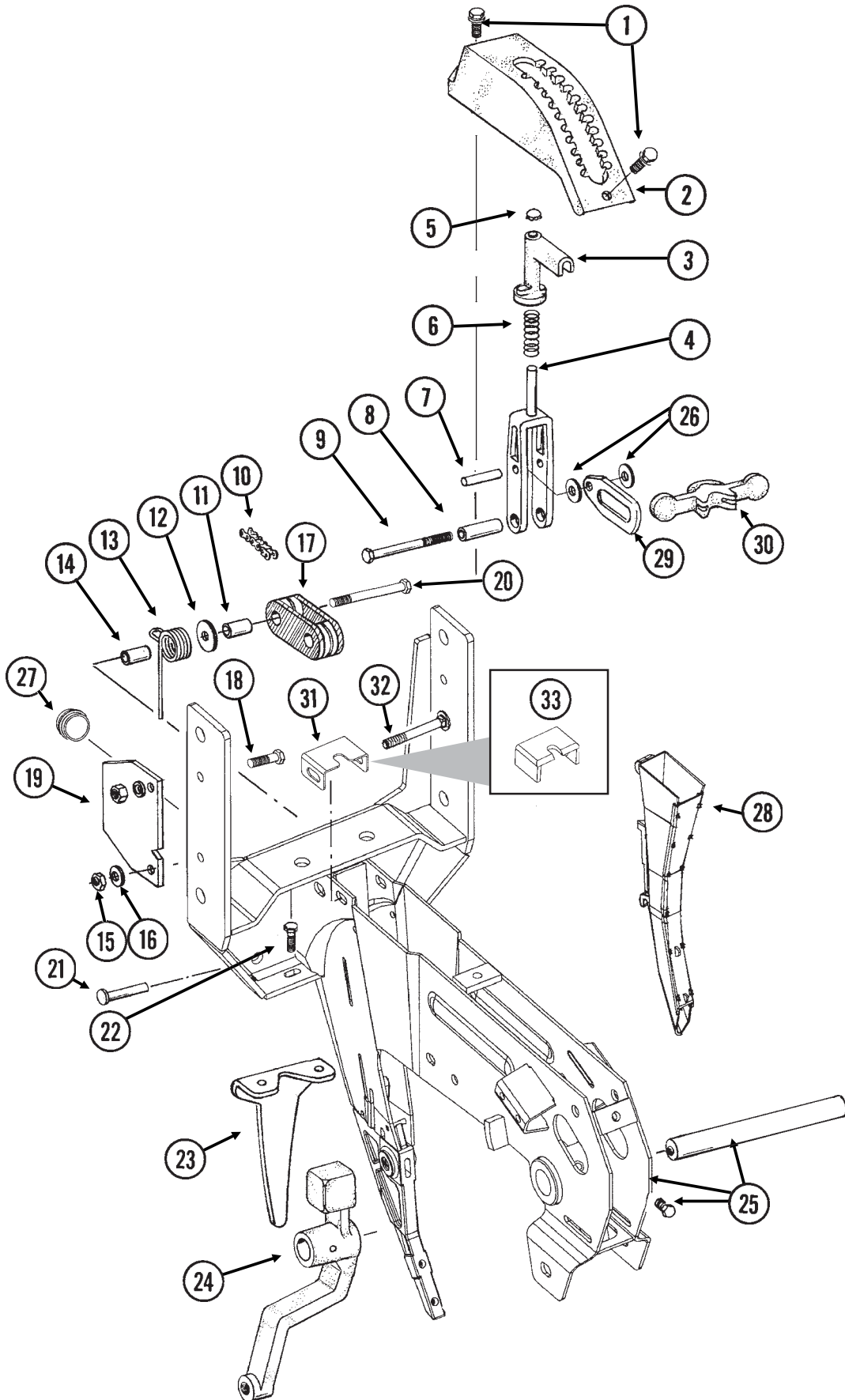
KPM I	P94
KPM II Stack-Mode Electronic Seed Monitor	P96
KPM III Electronic Seed Monitor	P96

FERTILIZER

Liquid Fertilizer Hoses And Fittings	P100
Liquid Fertilizer Piston Pump	P102
Liquid Fertilizer Piston Pump Drive	P98
Liquid Fertilizer Piston Pump Flow Divider	P106
Rear Trailer Hitch, 16 Row 30", 16 Row 38" And 24 Row 30"	P108
Decals, Paint And Miscellaneous	P110
Numerical Index	P113

SHANK ASSEMBLY, SEED TUBE AND DEPTH ADJUSTMENT

(METR29cc)

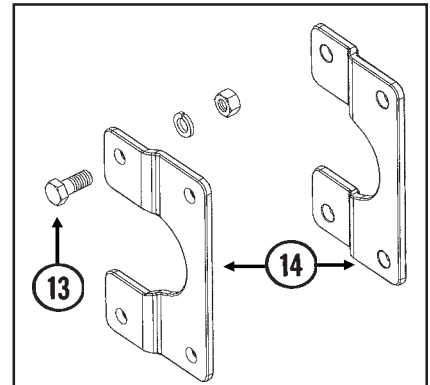
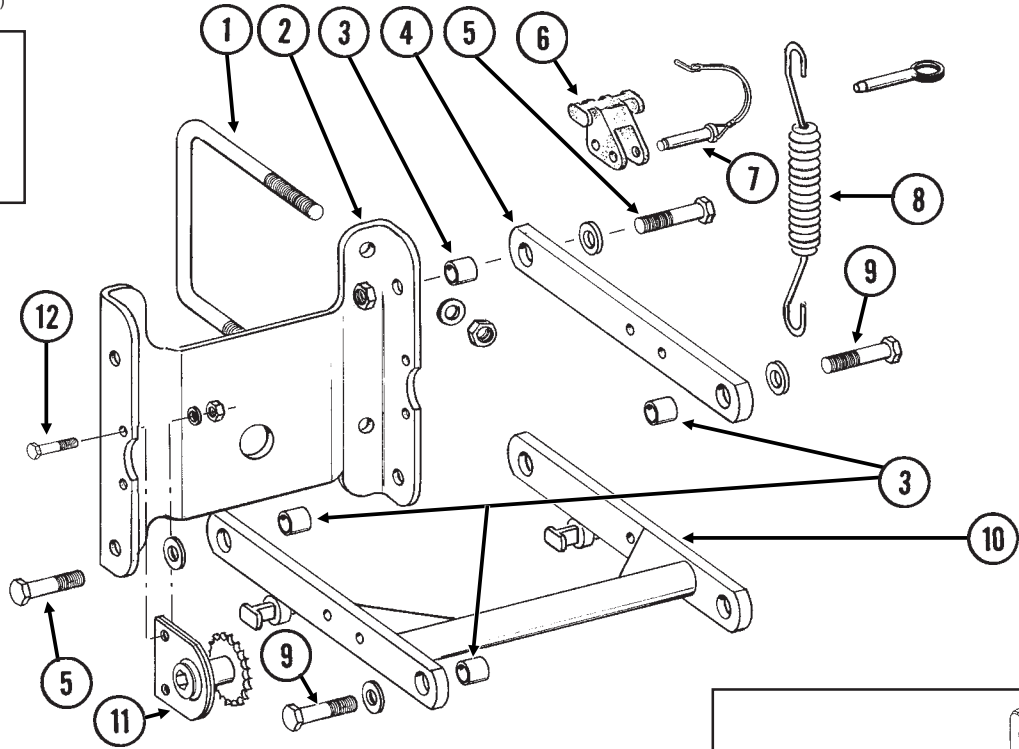
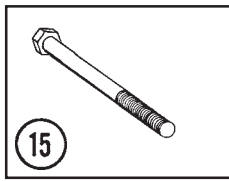


SHANK ASSEMBLY, SEED TUBE AND DEPTH ADJUSTMENT

ITEM	PART NO.	QTY. (Per Row)	DESCRIPTION
1.	G11015	2	Hex Washer Head Cap Screw, $\frac{3}{8}$ "-16 x 1 $\frac{1}{4}$ "
2.	GB0274	1	Cover, Depth Adjustment
3.	GB0266	1	Handle, Depth Adjustment
4.	GB0267	1	Lever, Depth Adjustment
5.	GD3612	1	Cap Plug
6.	GD10993	1	Spring
7.	GD13361	1	Pin, $\frac{3}{8}$ " x 1 $\frac{2}{3}$ "
8.	GD11259	1	Sleeve, $\frac{3}{8}$ " I.D. x $\frac{5}{8}$ " O.D. x 1 $\frac{25}{32}$ " Long
9.	G11008	1	Hex Head Cap Screw, $\frac{3}{8}$ "-24 x 2 $\frac{1}{2}$ ", Grade 8
	G11007	1	Lock Nut, $\frac{3}{8}$ "-24, Grade C
10.	G3303-98	1	Chain, No. 41, 98 Pitch Including Connector Link
	G3303-16	1	Chain, No. 41, 16 Pitch Including Connector Link (Used W/Row Unit Extension Brackets)
	GR0196	1	Connector Link, No. 41
11.	GD1026	1	Sleeve, 1 $\frac{3}{16}$ " Long
12.	G10201	1	Special Washer, $\frac{3}{8}$ " x 1 $\frac{1}{2}$ " O.D.
13.	GD1065	1	Idler Spring
14.	GD7318	1	Sleeve, 1" Long
15.	G10108	1	Lock Nut, $\frac{3}{8}$ "-16
16.	G10210	1	Washer, $\frac{3}{8}$ " USS
17.	GD11962	1	Idler
18.	G10003	3	Hex Head Cap Screw, $\frac{3}{8}$ "-16 x 1 $\frac{1}{2}$ "
	G10108	3	Lock Nut, $\frac{3}{8}$ "-16
19.	GD10867	2	Stop
20.	G10326	1	Hex Head Cap Screw, $\frac{3}{8}$ "-16 x 3 $\frac{3}{4}$ "
21.	G10551	1	Clevis Pin, $\frac{1}{4}$ " x 2 $\frac{1}{2}$ "
	G10669	1	Hair Pin Clip, No. 22
22.	G10312	2	Carriage Bolt, $\frac{5}{16}$ "-18 x $\frac{3}{4}$ "
	G10620	2	Serrated Flange Nut, $\frac{5}{16}$ "-18
23.	GD1033	1	Shield
24.		-	Wheel Arm, See "Gauge Wheels", Pages P6 And P7
25.	GA10157	1	Shank W/Gauge Wheel Pivot Spindle And Set Screw
	GD11001	-	Spindle
	G10438	-	Hex Head Cap Screw, $\frac{1}{2}$ "-13 x $\frac{3}{4}$ "
26.	G10207	2	Washer, $\frac{7}{8}$ " O.D. x $\frac{13}{32}$ " I.D. x .134" (If Applicable)
27.	GD11845	1	Dust Cap
28.			See "KPM I Electronic Seed Monitor" And "KPM II Stack-Mode/KPM III Electronic Seed Monitors", Pages P94-P97
29.	GB0285	1	Collar, Depth Adjustment
30.	GB0265	1	Pivot Link, Depth Adjustment
31.	GD15970	1	Sun Shade
32.	G10304	1	Carriage Bolt, $\frac{3}{8}$ "-16 x 3"
	G10108	1	Lock Nut, $\frac{3}{8}$ "-16
33.	GD16245	-	Sun Shade (Rubber)

PARALLEL ARMS, MOUNTING SUPPORT PLATE AND QUICK ADJUSTABLE DOWN FORCE SPRINGS

RUB021/RUB022(RU78/B0366)

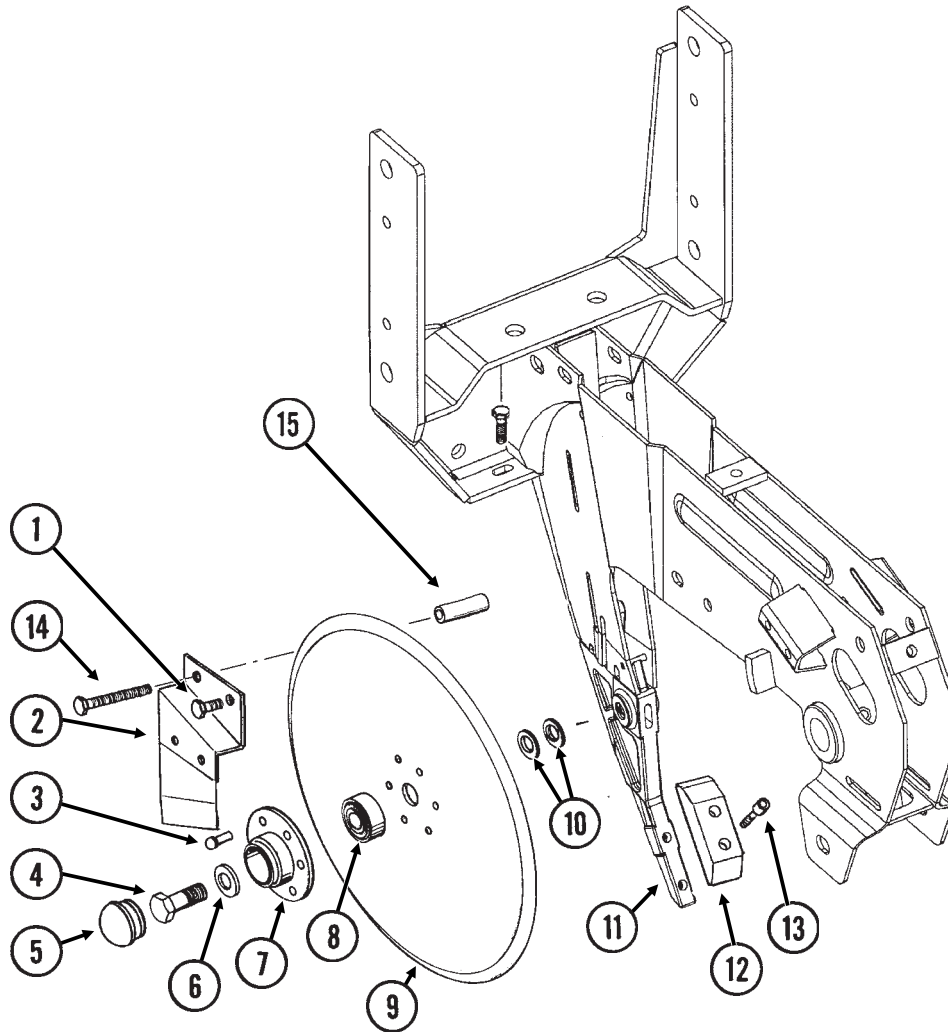


ITEM	PART NO.	QTY. (Per Row)	DESCRIPTION
1.	GD1114 G10230 G10104	2 4 4	U-Bolt, 7" x 7" x 5/8"-11 Lock Washer, 5/8" Hex Nut, 5/8"-11
2.	GD10036	1	Mounting Support Plate
3.	GB0218	4	Bushing, 21/32" I.D. x 7/8" O.D. x 19/32" Long
4.	GD11422	2	Upper Parallel Arm
5.	G10732 GD7805 G10412	4 4 4	Hex Head Cap Screw, 5/8"-18 x 2" Special Washer, 5/8", Hardened Lock Nut, 5/8"-18
6.	GB0186	2	Spring Anchor
7.	GD14217	2	Tab Lock Pin, 7/16" x 1 1/2"
8.	GD8249	2-4	Spring
9.	-	-	See "Hopper Support And Meter Drive", Page P12
10.	GA5651	1	Lower Parallel Arm
11.	GA1720	1	Bearing/Sprocket, 7/8" Hex Bore
12.	G10001 G10229 G10101	2 2 2	Hex Head Cap Screw, 3/8"-16 x 1" Lock Washer, 3/8" Hex Nut, 3/8"-16
13.	G10007 G10230 G10104	4 4 4	Hex Head Cap Screw, 5/8"-11 x 1 1/2" Lock Washer, 5/8" Hex Nut, 5/8"-11
14.	GB0366	2	Extension Bracket
15.	G10152 GD10953 G10230 G10104	- - - -	Hex Head Cap Screw, 5/8"-11 x 9" Square Washer, 5/8" Lock Washer, 5/8" Hex Nut, 5/8"-11

A. G6326X - U-Bolt Package For 7" x 7" Toolbar, Includes: (2) GD1114, (4) G10230, (4) G10104

15" SEED OPENER DISC BLADE/BEARING ASSEMBLY AND SCRAPERS

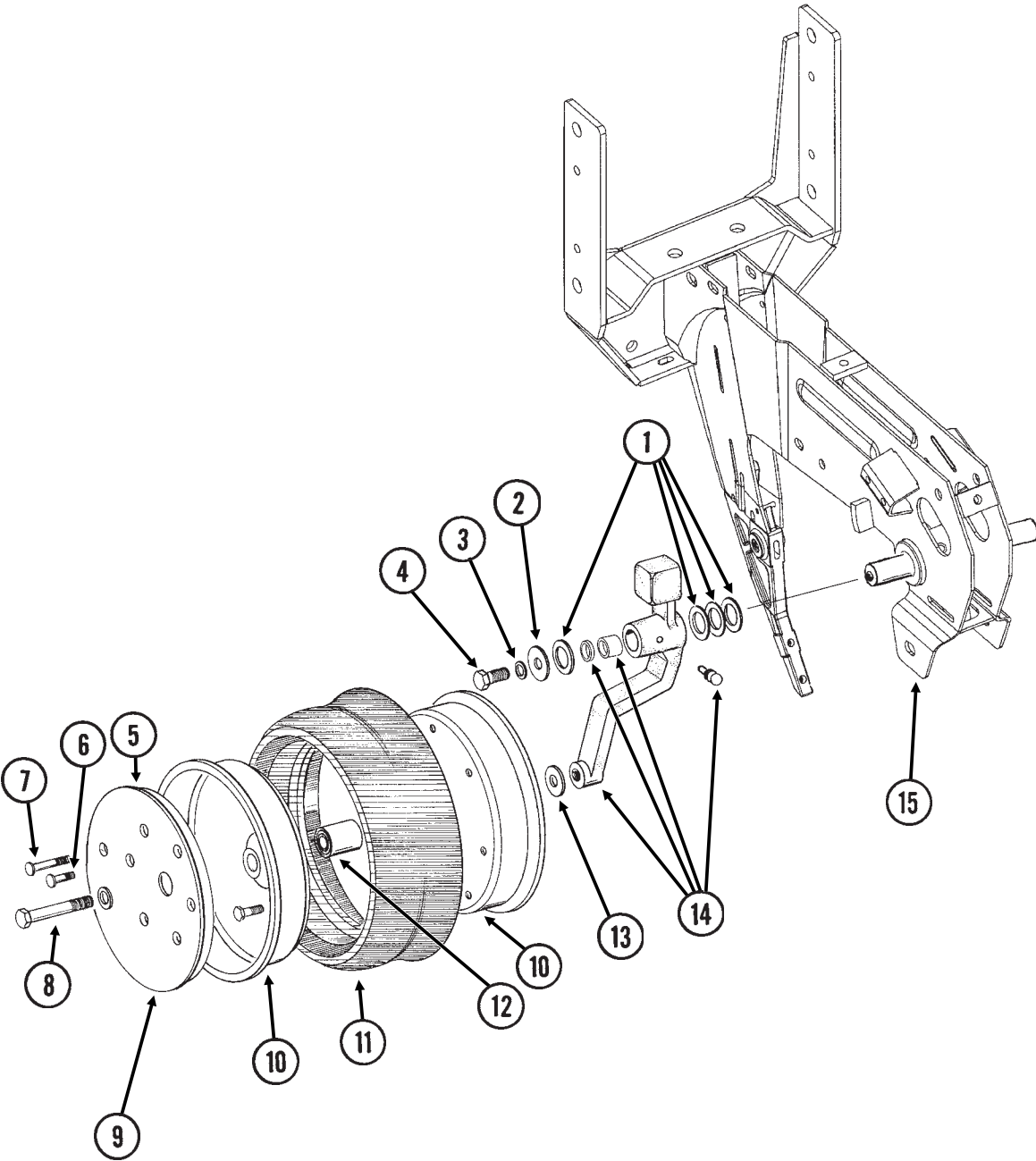
(RU139)



ITEM	PART NO.	QTY. (Per Row)	DESCRIPTION
1.	G10328	2	Hex Head Cap Screw, $\frac{3}{8}$ "-16 x $\frac{5}{8}$ "
	G10622	2	Serrated Flange Nut, $\frac{3}{8}$ "-16
2.	GA2012R	1	Disc Scraper, R.H.
	GA2012L	-	Disc Scraper, L.H. (Shown)
3.	G10427	12	Rivet, $\frac{1}{4}$ " x $\frac{1}{2}$ "
4.	GD11017	1	Special Hex Head Cap Screw, $\frac{5}{8}$ "-11 x $1\frac{1}{2}$ ", L.H. Threads
	G10007	1	Hex Head Cap Screw, $\frac{5}{8}$ "-11 x $1\frac{1}{2}$ "
5.	GD11845	2	Dust Cap
6.	G10204	2	Special Machine Bushing, $\frac{5}{8}$ " x 1" O.D.
7.	GD10473	2	Bearing Housing
8.	GA2014	2	Bearing
9.	GD11306	2	Disc Blade, 3.5 mm x 15"
10.	G10213	-	Machine Bushing, $\frac{5}{8}$ " (.030" Thick)(As Required)
11.		-	See "Shank Assembly", Pages P2 And P3
12.	GB0301	1	Seed Tube Guard/Inner Scraper
13.	G10912	2	Hex Socket Head Cap Screw, $\frac{5}{16}$ "-18 x 1", Grade 8
14.	G10325	1	Hex Head Cap Screw, $\frac{3}{8}$ "-16 x $2\frac{3}{4}$ "
	G10622	1	Serrated Flange Nut, $\frac{3}{8}$ "-16
15.	GD11259	1	Sleeve, $\frac{3}{8}$ " I.D. x $\frac{5}{8}$ " O.D. x $1\frac{25}{32}$ " Long
A.	GA8324	-	Disc Blade/Bearing Assembly, Less Dust Cap (Items 3 And 7-9)

GAUGE WHEELS

(RU140)

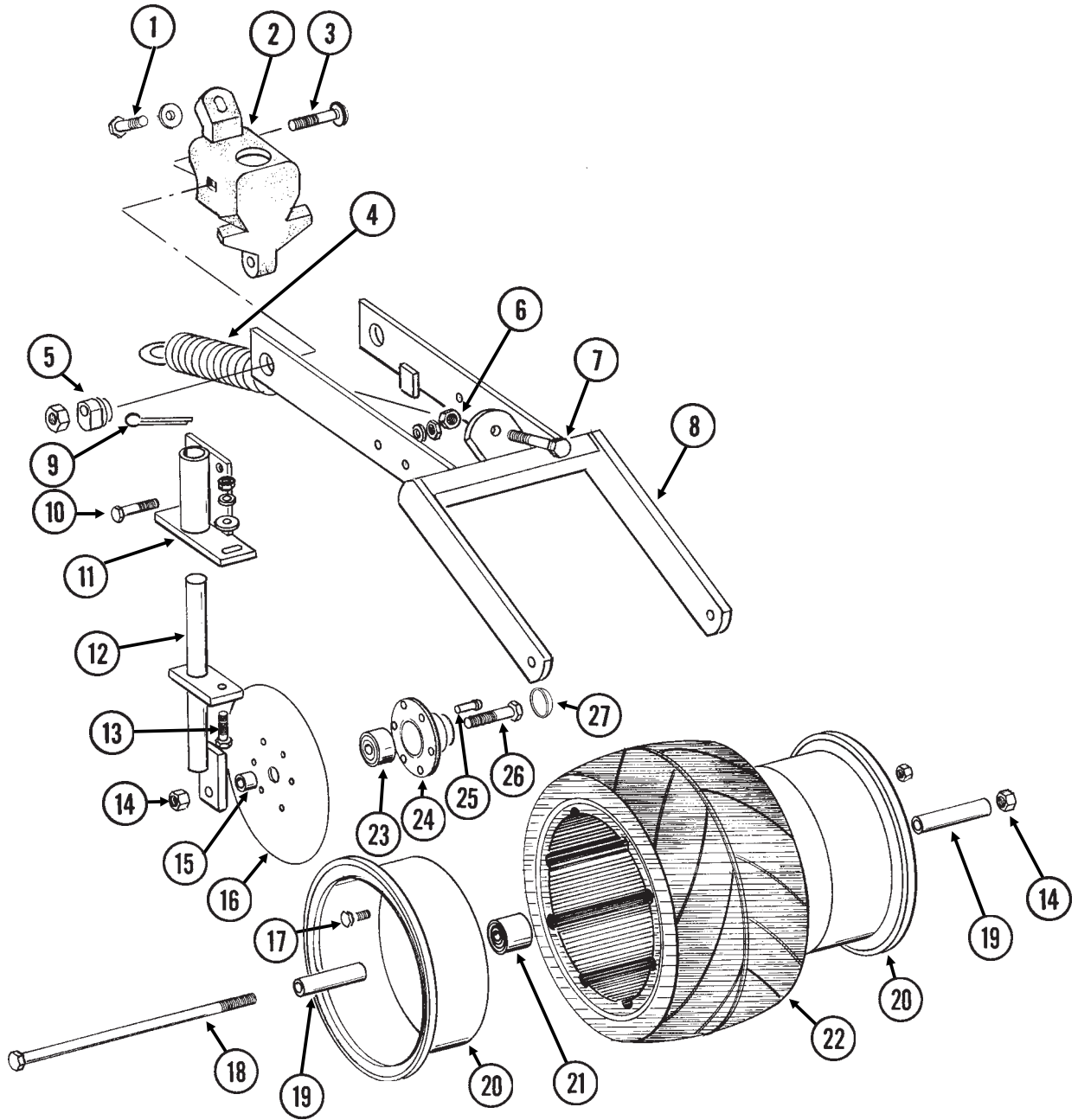


GAUGE WHEELS

ITEM	PART NO.	QTY. (Per Row)	DESCRIPTION
1.	G10940	-	Machine Bushing, 1" (.048" Thick)
2.	G10216	2	Washer, 1/2" USS
3.	G10228	2	Lock Washer, 1/2"
4.	G10014	1	Hex Head Cap Screw, 1/2"-13 x 1"
5.	GD11453	2	Cover
6.	G10338	12	Carriage Bolt, 5/16"-18 x 1 1/4"
	G10620	12	Serrated Flange Nut, 5/16"-18
7.	G10924	8	Carriage Bolt, 5/16"-18 x 1 3/4"
	G10620	8	Serrated Flange Nut, 5/16"-18
8.	G10010	2	Hex Head Cap Screw, 5/8"-11 x 3"
	G10230	2	Lock Washer, 5/8"
9.	G10018	14	Hex Head Cap Screw, 5/16"-18 x 5/8"
	G10109	14	Lock Nut, 5/16"-18, Grade 8
10.	GD11423	4	Half Wheel
11.	GD1086	2	Tire
12.	GA6171	2	Bearing
13.	G10204	2	Special Machine Bushing, 5/8" x 1" O.D.
14.	GA7975	1	Wheel Arm W/Grease Fitting, Bushings And Seals, L.H. (Shown)
	GA7976	1	Wheel Arm W/Grease Fitting, Bushings And Seals, R.H.
	G10640	1	Grease Fitting, 1/4"-28 (Per Arm)
	GB0276	2	Bushing, 1" I.D. x 1 1/4" O.D. x 1" Long (Per Arm)
	GD10991	2	Seal (Per Arm)
15.		-	See "Shank Assembly", Pages P2 And P3
A.	GA7949	-	Gauge Wheel Complete (Items 5-7 And 9-12)

COVERING DISCS/SINGLE PRESS WHEEL

RUA054/RUB026(RU94d)

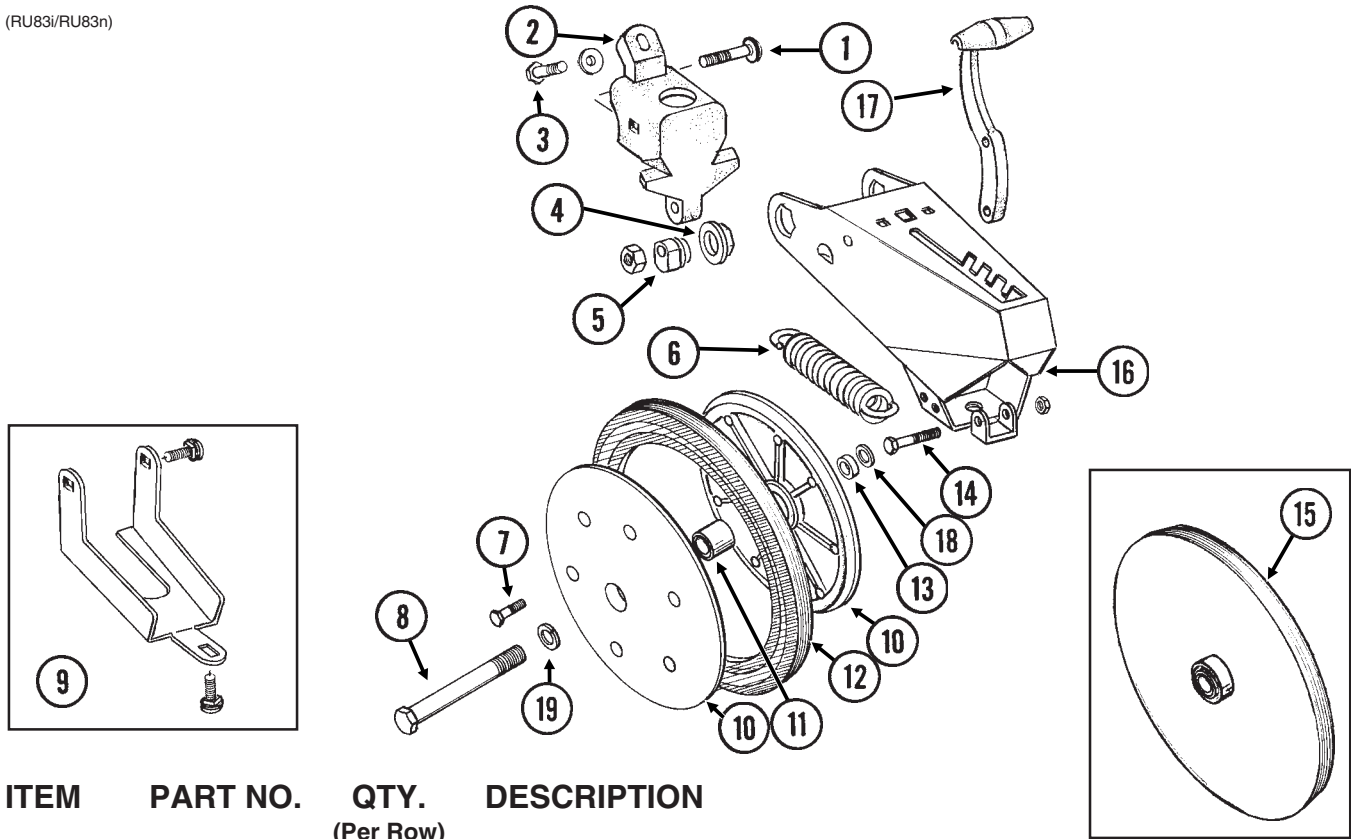


COVERING DISCS/SINGLE PRESS WHEEL

ITEM	PART NO.	QTY. (Per Row)	DESCRIPTION
1.	G10001	1	Hex Head Cap Screw, $\frac{3}{8}$ "-16 x 1"
	G10210	1	Washer, $\frac{3}{8}$ " USS
2.	GB0268	1	Wheel Arm Stop
3.	G10801	2	Carriage Bolt, $\frac{1}{2}$ "-13 x 2 $\frac{1}{4}$ "
	G10315	-	Carriage Bolt, $\frac{1}{2}$ "-13 x 2 $\frac{1}{2}$ " (Used W/Straight Drop In-Furrow Granular Chemical Bracket)
	G10102	2	Hex Nut, $\frac{1}{2}$ "-13
4.	GA2054	1	Spring
5.	GB0239	2	Eccentric Bushing
6.	G10102	1	Hex Nut, $\frac{1}{2}$ "-13
7.	G10015	1	Adjusting Bolt, $\frac{1}{2}$ "-13 x 5"
8.	GA6619	1	Mounting Arm
9.	G10463	2	Cotter Pin, $\frac{1}{4}$ " x 1 $\frac{1}{2}$ "
10.	G10171	4	Hex Head Cap Screw, $\frac{5}{16}$ "-18 x 1 $\frac{1}{4}$ "
	G10232	4	Lock Washer, $\frac{5}{16}$ "
	G10106	4	Hex Nut, $\frac{5}{16}$ "-18
11.	GA6620	2	Bracket
12.	GA6618	2	Mount
13.	G10303	2	Carriage Bolt, $\frac{5}{16}$ "-18 x 1"
	G10219	2	Washer, $\frac{5}{16}$ " USS
	G10232	2	Lock Washer, $\frac{5}{16}$ "
	G10106	2	Hex Nut, $\frac{5}{16}$ "-18
14.	G10107	3	Lock Nut, $\frac{5}{8}$ "-11
15.	GD1109	2	Bushing, $\frac{41}{64}$ " I.D. x $\frac{7}{8}$ " O.D. x $\frac{1}{4}$ " Long
16.	GD9290	2	Disc Blade, 8"
17.	G10018	7	Hex Head Cap Screw, $\frac{5}{16}$ "-18 x $\frac{5}{8}$ "
	G10109	7	Lock Nut, $\frac{5}{16}$ "-18, Grade 8
18.	G10152	1	Hex Head Cap Screw, $\frac{5}{8}$ "-11 x 9"
19.	GD3180-12	2	Sleeve, $\frac{5}{8}$ " I.D. x $\frac{7}{8}$ " O.D. x 2 $\frac{7}{8}$ " Long
20.	GD9562	2	Half Wheel
21.	GA6171	1	Bearing
22.	GD9305	1	Tire
23.	GA2014	2	Bearing
24.	GD10473	2	Bearing Housing
25.	G10427	12	Rivet, $\frac{1}{4}$ " x $\frac{1}{2}$ "
26.	G10006	2	Hex Head Cap Screw, $\frac{5}{8}$ "-11 x 2 $\frac{1}{4}$ "
27.	GD11845	2	Dust Cap
A.	GA6733	-	Single Press Wheel Complete W/Bearing (Items 17 And 20-22)
B.	GA6801	-	Covering Disc Blade Complete W/Bearing (Items 16 And 23-25)

"V" CLOSING WHEELS

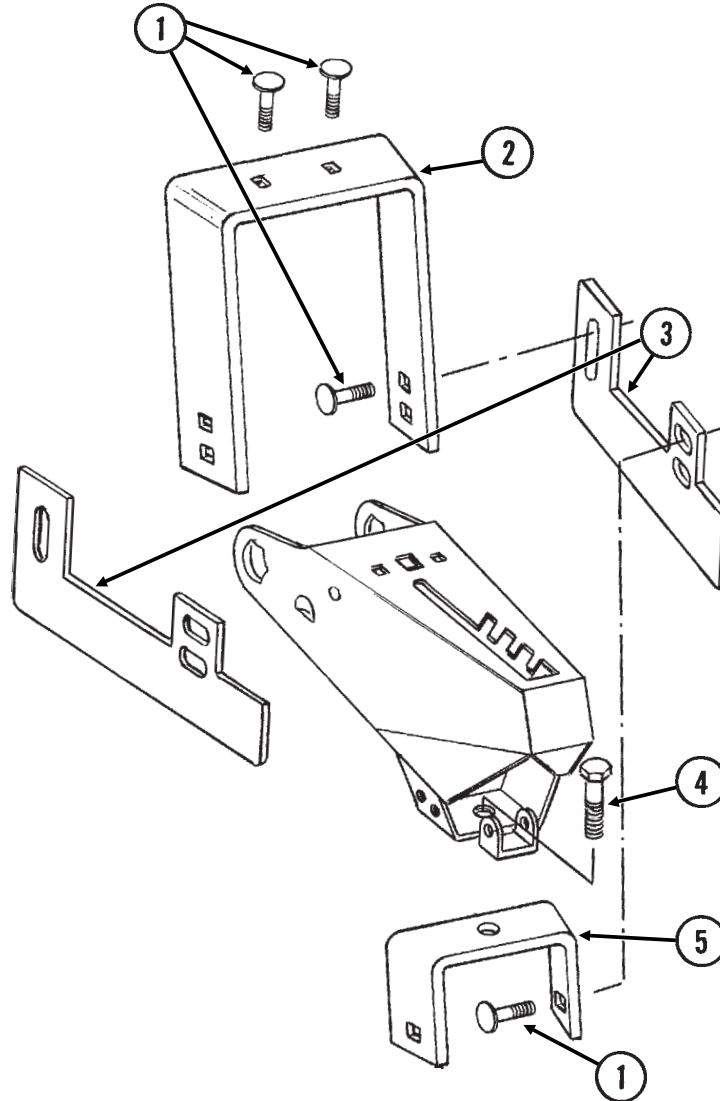
(RU83/RU83n)



ITEM	PART NO.	QTY. (Per Row)	DESCRIPTION
1.	G10801	2	Carriage Bolt, 1/2"-13 x 2 1/4"
	G10315	-	Carriage Bolt, 1/2"-13 x 2 1/2" (Used W/Straight Drop In-Furrow Granular Chemical Bracket)
	G10111	2	Lock Nut, 1/2"-13
2.	GB0268	1	Wheel Arm Stop
3.	G10001	1	Hex Head Cap Screw, 3/8"-16 x 1"
	G10210	1	Washer, 3/8" USS
4.	GB0282	2	Stepped Bushing
5.	GB0239	2	Eccentric Bushing
6.	GD8460	1	Spring
7.	G10064	6	Hex Head Cap Screw, 1/4"-20 x 1"
8.	G10013	2	Hex Head Cap Screw, 5/8"-11 x 3 1/2"
	G10107	2	Lock Nut, 5/8"-11
9.	G1K345	-	Closing Wheel Shield Kit W/Hardware And Instruction
	G10308	2	Carriage Bolt, 3/8"-16 x 3/4"
	G10599	1	Carriage Bolt, 3/8"-16 x 1/4"
	G10210	1	Washer, 3/8" USS
	G10229	3	Lock Washer, 3/8"
	G10101	3	Hex Nut, 3/8"-16
10.	GD9120	4	Nylon Half Wheel
11.	GA6171	2	Bearing
12.	GD1085	2	Rubber Tire, 1" x 12"
13.	GD1109	2	Bushing, 41/64" I.D. x 7/8" O.D. x 1/4" Long
14.	G10133	1	Hex Head Cap Screw, 5/16"-18 x 1 1/2"
	G10109	1	Lock Nut, 5/16"-18, Grade 8
15.	GA6597	-	Cast Iron Closing Wheel W/Bearing
	GA6171	-	Bearing
16.	GA8322	1	Arm
17.	GB0254	1	Lever
18.	GD7805	2	Special Washer, 5/8", Hardened
19.	G10230	2	Lock Washer, 5/8"
A.	GA6434	-	Rubber Closing Wheel Complete W/Bearing (Items 7 And 10-12)

DRAG CLOSING ATTACHMENT

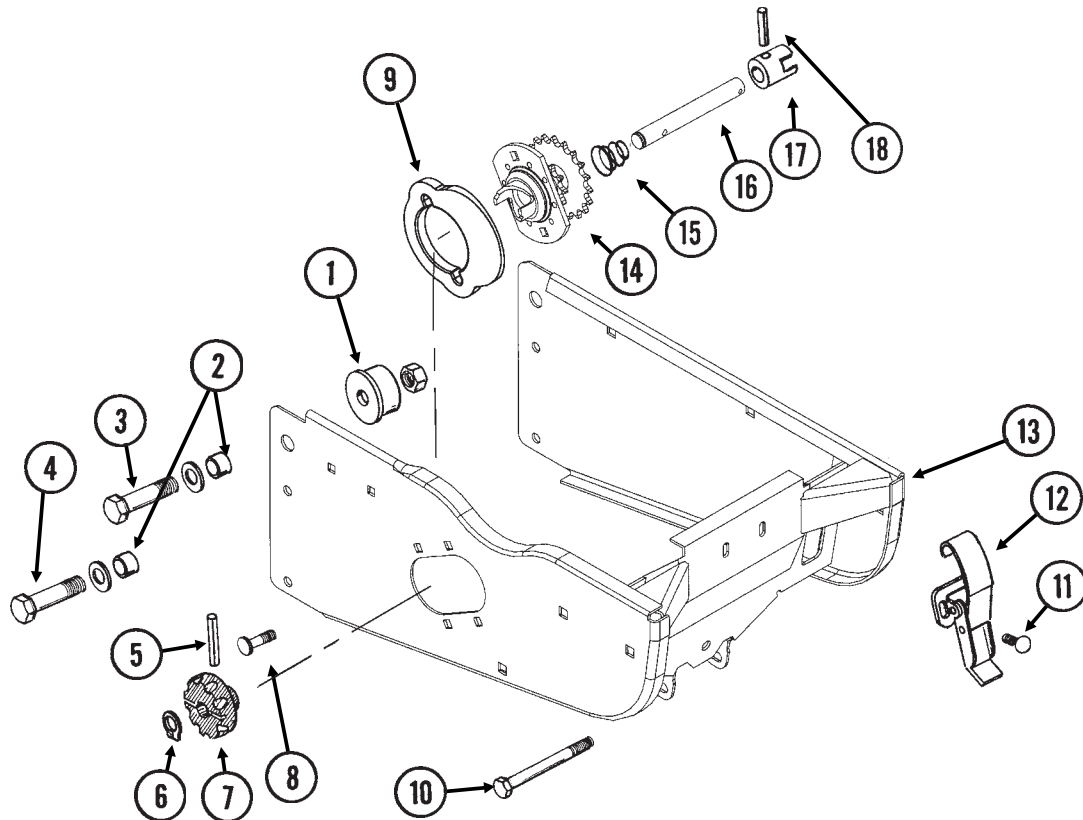
RUB050(RU90c)



ITEM	PART NO.	QTY.	DESCRIPTION
		(Per Row)	
1.	G10599	6	Carriage Bolt, $\frac{3}{8}$ "-16 x 1 $\frac{1}{4}$ "
	G10210	6	Washer, $\frac{3}{8}$ " USS
	G10229	6	Lock Washer, $\frac{3}{8}$ "
	G10101	6	Hex Nut, $\frac{3}{8}$ "-16
2.	GD11508	1	Front Bracket
3.	GD11313	2	Blade
4.	G10007	1	Hex Head Cap Screw, $\frac{5}{8}$ "-11 x 1 $\frac{1}{2}$ "
	G10230	1	Lock Washer, $\frac{5}{8}$ "
	G10104	1	Hex Nut, $\frac{5}{8}$ "-11
5.	GD11509	1	Rear Bracket
A.	G7566X	-	Drag Closing Attachment Complete (Items 1-5)

HOPPER SUPPORT AND METER DRIVE

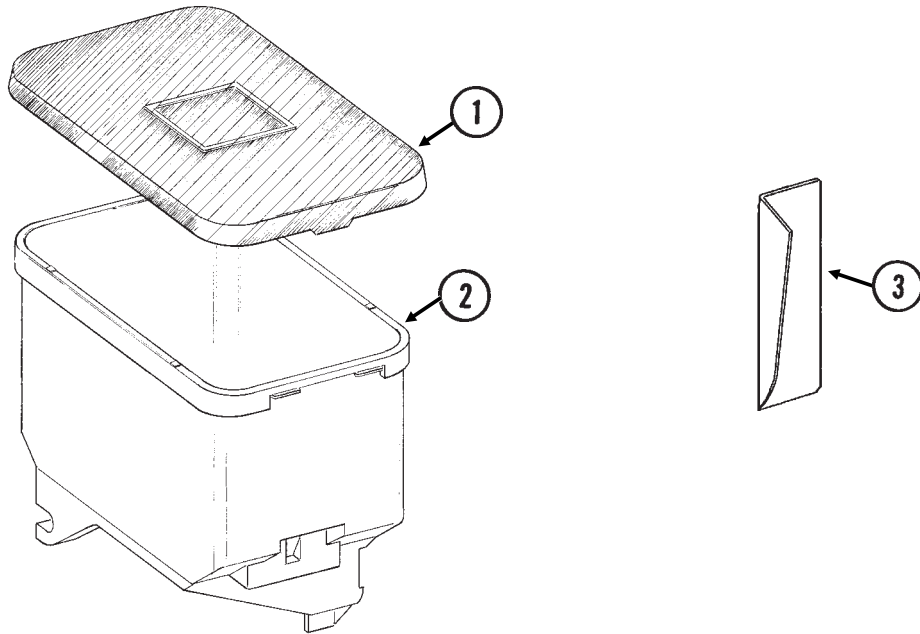
(METR22d)



ITEM	PART NO.	QTY. (Per Row)	DESCRIPTION
1.	GB0314	2	Hopper Mount
2.	GB0218	4	Bushing, $2\frac{1}{32}$ " I.D. x $7\frac{7}{8}$ " O.D. x $1\frac{19}{32}$ " Long
3.	G10752	2	Hex Head Cap Screw, $\frac{5}{8}$ "-18 x $2\frac{1}{4}$ "
	GD7805	2	Special Washer, $\frac{5}{8}$ ", Hardened
	G10412	2	Lock Nut, $\frac{5}{8}$ "-18
4.	G10751	2	Hex Head Cap Screw, $\frac{5}{8}$ "-18 x $1\frac{3}{4}$ "
	GD7805	2	Special Washer, $\frac{5}{8}$ ", Hardened
	G10412	2	Lock Nut, $\frac{5}{8}$ "-18
5.	G10602	1	Spring Pin, $\frac{1}{4}$ " x $1\frac{1}{2}$ "
6.	G10567	1	External Retaining Ring, $\frac{5}{8}$ "
7.	GD11239	1	Knob
8.	G10338	2	Carriage Bolt, $\frac{5}{16}$ "-18 x $1\frac{1}{4}$ "
	G10620	2	Serrated Flange Nut, $\frac{5}{16}$ "-18
9.	GB0331	1	Clutch Adapter Plate
10.	G10061	1	Hex Head Cap Screw, $\frac{3}{8}$ "-16 x $3\frac{1}{2}$ "
	G10210	2	Washer, $\frac{3}{8}$ " USS
	G10108	1	Lock Nut, $\frac{3}{8}$ "-16
11.	G10309	2	Carriage Bolt, $\frac{1}{4}$ "-20 x $\frac{5}{8}$ ", Grade 2
	G10621	2	Serrated Flange Nut, $\frac{1}{4}$ "-20
12.	GA2007	1	Hopper Hold Down Latch
13.	GA10155	1	Hopper Support
14.	GA10137	1	Double Sprocket And Bearing, Drive Clutch, 11/19 Tooth
15.	GD11413	1	Spring
16.	GD15747	1	Shaft
17.	GB0278	1	Coupler
18.	G10546	1	Spring Pin, $\frac{3}{16}$ " x $1\frac{1}{4}$ "
A.	GA10151	-	Meter Drive Assembly Complete (Items 5-7 And 14-18)

SEED HOPPER AND LID

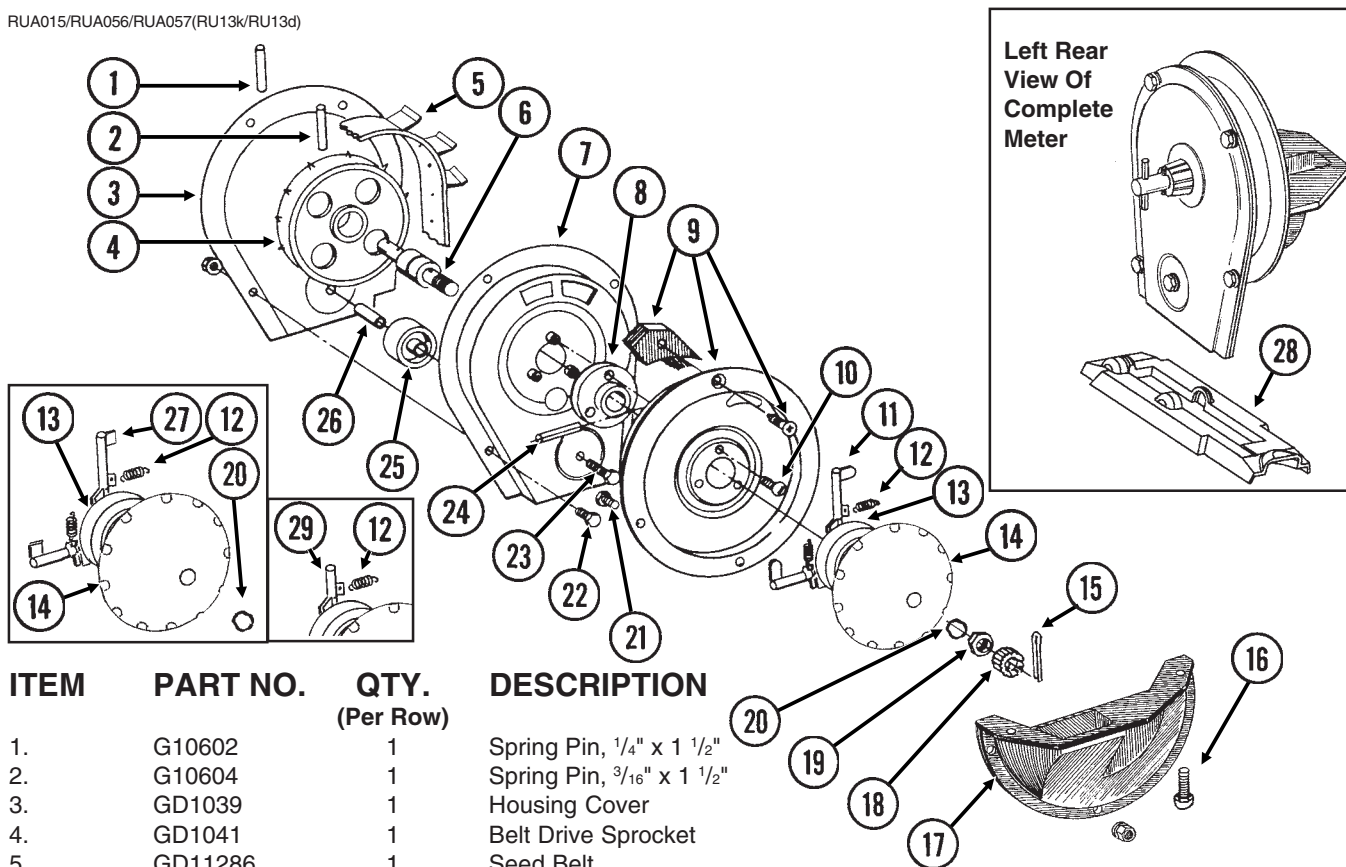
(RU87e/RU87a)



ITEM	PART NO.	QTY. (Per Row)	DESCRIPTION
1.	GD11279	1	Lid
2.	GA9714	1	Seed Hopper, Reinforced
3.	GD11747	1	Seed Reserve Baffle

FINGER PICKUP SEED METER

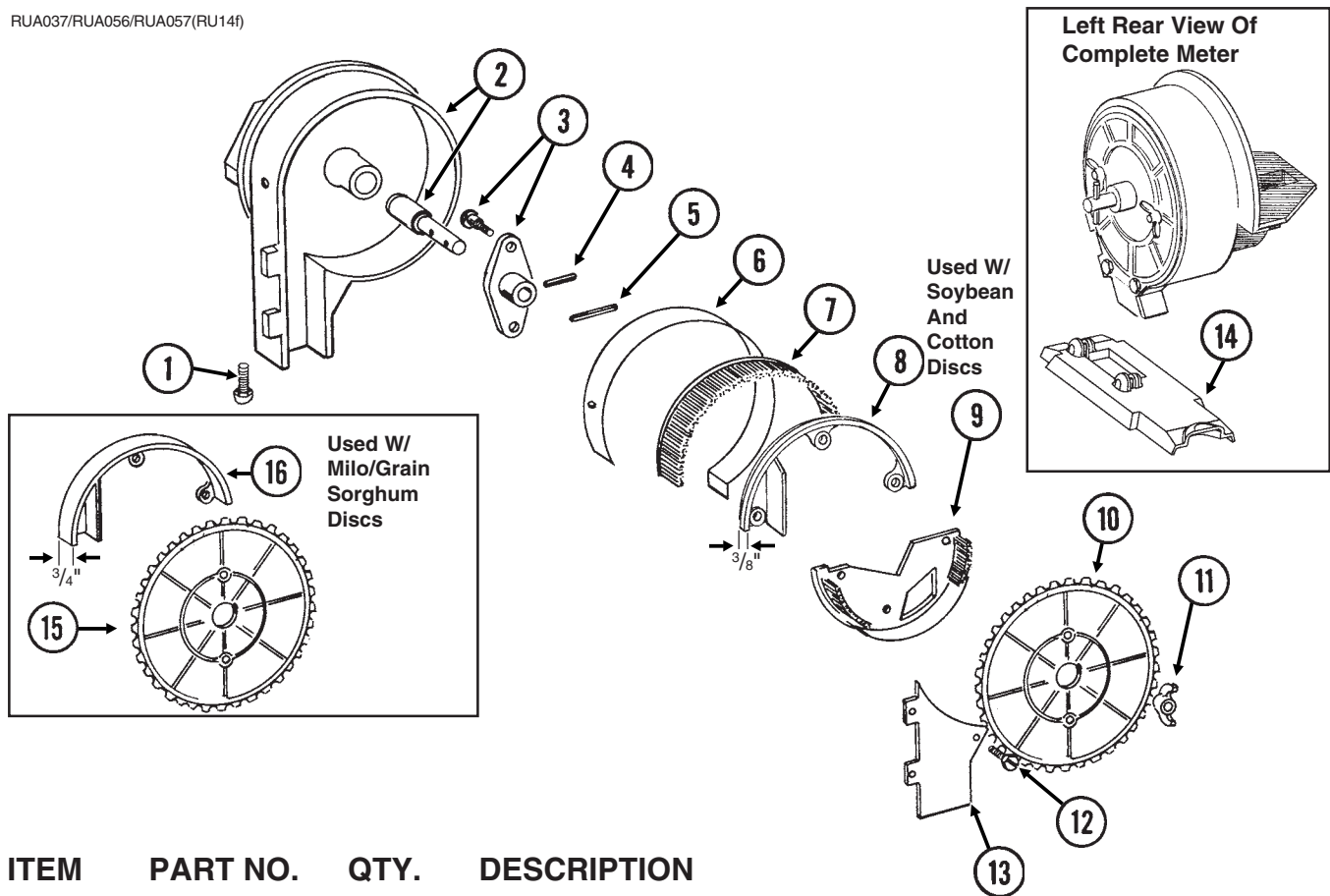
RUA015/RUA056/RUA057(RU13k/RU13d)



ITEM	PART NO.	QTY. (Per Row)	DESCRIPTION
1.	G10602	1	Spring Pin, 1/4" x 1 1/2"
2.	G10604	1	Spring Pin, 3/16" x 1 1/2"
3.	GD1039	1	Housing Cover
4.	GD1041	1	Belt Drive Sprocket
5.	GD11286	1	Seed Belt
6.	GA2019	1	Bearing
7.	GA2018	1	Conveyor Housing
8.	GB0110	1	Bearing Housing
9.	GR1569	1	Carrier Plate W/Brush And Screw
	GA2020	-	Brush
	G10690	-	Rolling Thread Screw, No. 10 x 3/4"
10.	G10401	3	Slotted Hex Washer Head Screw, No. 10-32 x 5/8"
11.	GD10733	12	Finger, Corn
12.	GD6501	12	Spring
13.	GB0111	1	Cam
14.	GD11528	1	Finger Holder
15.	G10470	1	Cotter Pin, 5/32" x 1"
16.	G11009	2	Locking Thumbscrew, 5/16"-18 x 3/4"
17.	GD11311	1	Seed Baffle
18.	GD1083	1	Cover Nut
19.	G10500	1	Jam Nut, 5/8"-18 UNF
20.	GA8343	1	Wave Washer, 5/8" (Triple Wave)
21.	G10020	3	Hex Head Cap Screw, 1/4"-20 x 5/8"
	G10323	3	Hex Flange Nut, 1/4"-20
22.	G10022	4	Hex Head Cap Screw, 1/4"-20 x 1/2"
	G10621	4	Serrated Flange Nut, 1/4"-20
23.	G10021	1	Hex Head Cap Screw, 1/4"-20 x 1 1/2"
	G10621	1	Serrated Flange Nut, 1/4"-20
24.	G10603	1	Spring Pin, 1/4" x 1 1/4"
25.	GD1042	1	Idler
26.	GB0120	1	Bushing, 17/64" I.D. x 1 1/32" Long
27.	GD10226	12	Finger, Oil Sunflower
28.	GD15698	1	Shank Cover, Finger Pickup Seed Meter
29.	GD11787	-	Half Rate Blank Finger
A.	GR1487	-	Finger Assembly, Corn (Items 11-14 And 20)
B.	GR1327	-	Finger Assembly, Oil Sunflower (Items 12-14, 20 And 27)

BRUSH-TYPE SEED METER

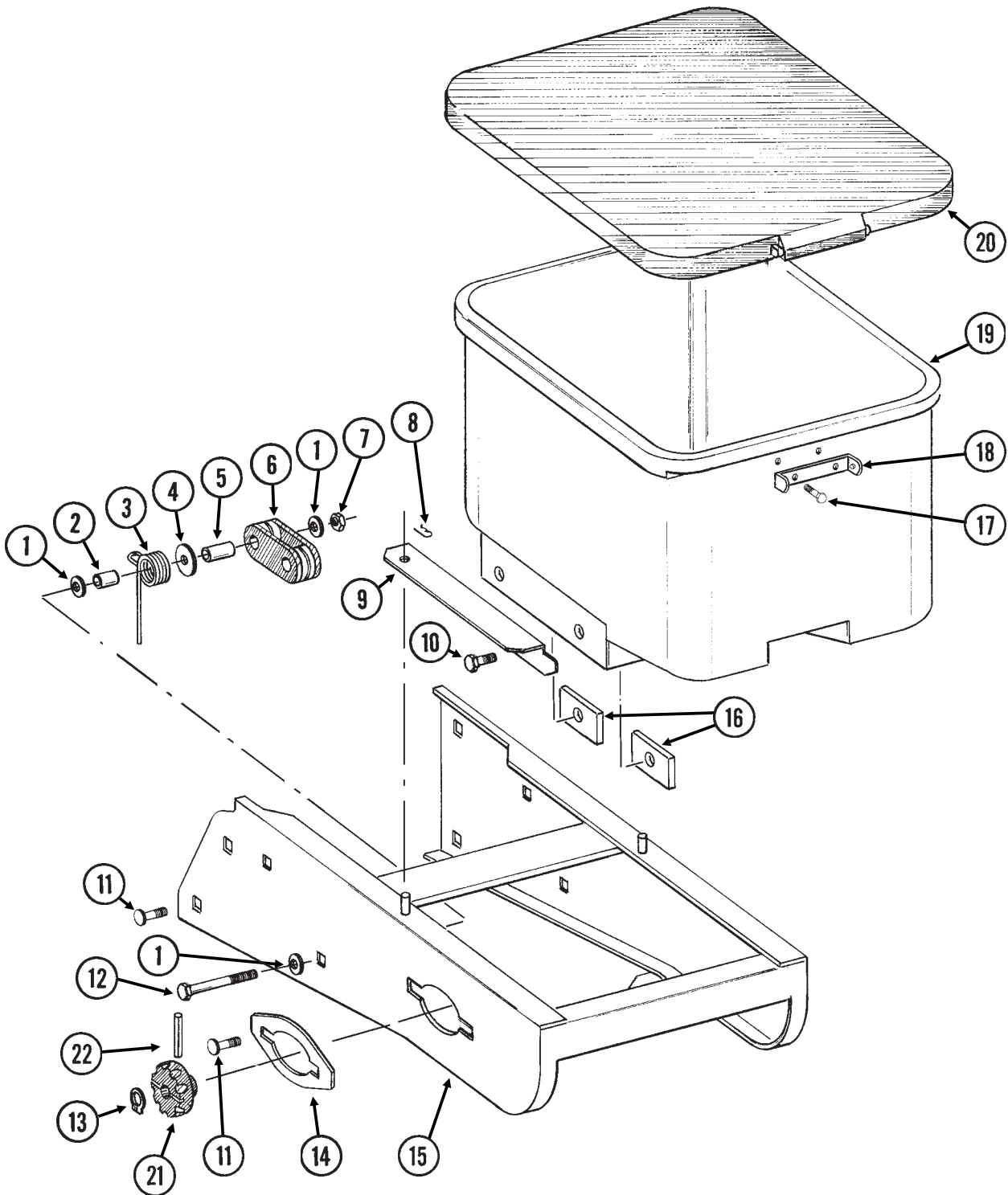
RUA037/RUA056/RUA057(RU14f)



ITEM	PART NO.	QTY.	DESCRIPTION
		(Per Row)	
1.	G11009	2	Locking Thumbscrew, $\frac{5}{16}$ "-18 x $\frac{3}{4}$ "
2.	GA6027	1	Housing W/Bearing
	GA5698	-	Bearing
3.	GA6038	1	Hub W/Shoulder Bolts
	GD1755	-	Shoulder Bolt, $\frac{1}{4}$ "-20 (2 Used)
4.	G10603	1	Spring Pin, $\frac{1}{4}$ " x $1\frac{1}{4}$ "
5.	G10602	1	Spring Pin, $\frac{1}{4}$ " x $1\frac{1}{2}$ "
6.	GD8778	1	Wear Strip
7.	GA5699	1	Upper Brush
8.	GD11122	1	Upper Brush Retainer (Used W/Soybean And Cotton Discs)
9.	GA5834	1	Lower Brush
10.	GA5794	-	Seed Disc, Soybean, 60 Cell, Black Color-Coded
	GA6184	-	Seed Disc, Specialty Soybean, 48 Cell, Dark Blue Color-Coded
	GA5796	-	Seed Disc, Cotton, Acid-Delinted, 30 Cell, White Color-Coded
	GA6168	-	Seed Disc, Large Cotton, Acid-Delinted, 36 Cell, Tan Color-Coded
	GA6478	-	Seed Disc, High-Rate Cotton, Acid-Delinted, 48 Cell, Light Green Color-Coded
	GA6182	-	Seed Disc, Hill-Drop Cotton, Acid-Delinted, 12 Cell, Brown Color-Coded
	GA7255	-	Seed Disc, Small Hill-Drop Cotton, Acid-Delinted, 12 Cell, Dark Green Color-Coded
11.	G10531	2	Wing Nut W/Nylon Insert, $\frac{1}{4}$ "-20
12.	G11151	9	Hex Washer Head Screw, No. 10-24 x $\frac{1}{2}$ "
	G10634	-	Slotted Tap Screw, No. 10-24 x $\frac{5}{8}$ " (Use As Required)
13.	GD7878	1	Cover
14.	GD15699	1	Shank Cover, Brush-Type Seed Meter
15.	GA5982	-	Seed Disc, Small Milo/Grain Sorghum, 30 Cell, Red Color-Coded
	GA6187	-	Seed Disc, Large Milo/Grain Sorghum, 30 Cell, Light Blue Color-Coded
	GA5795	-	Seed Disc, High-Rate Small Milo/Grain Sorghum, 60 Cell, Red Color-Coded
	GA6633	-	Seed Disc, High-Rate Large Milo/Grain Sorghum, 60 Cell, Yellow Color-Coded
16.	GD8237	-	Upper Brush Retainer (Used W/Milo/Grain Sorghum Discs)

GRANULAR CHEMICAL HOPPER AND HOPPER PANEL EXTENSION

(METR14d)

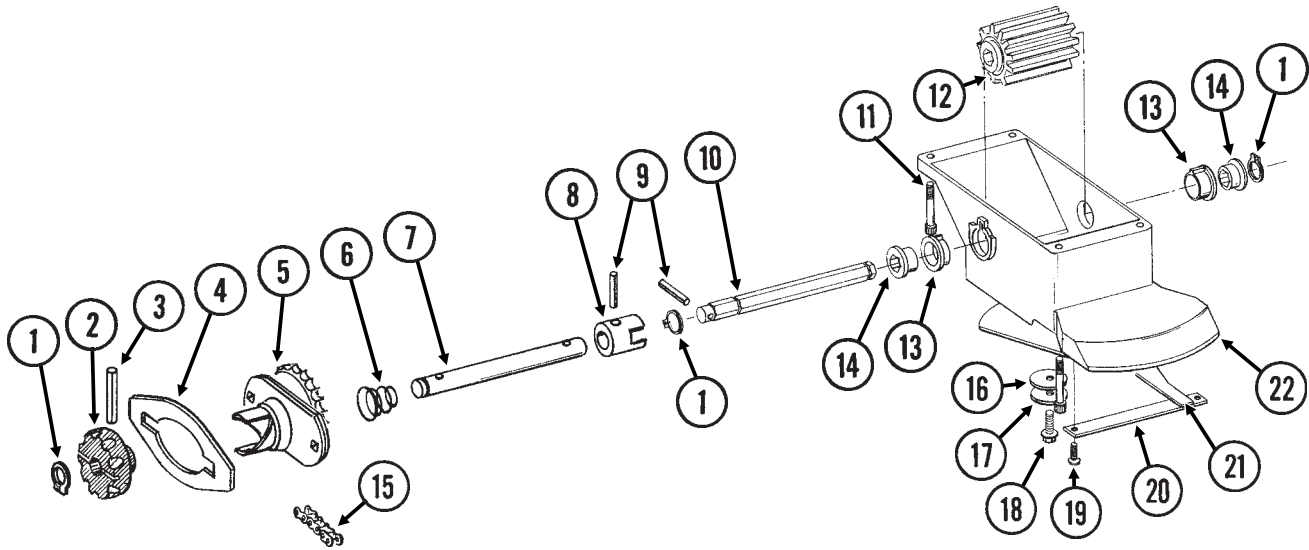


GRANULAR CHEMICAL HOPPER AND HOPPER PANEL EXTENSION

ITEM	PART NO.	QTY. (Per Row)	DESCRIPTION
1.	G10210	3	Washer, $\frac{3}{8}$ " USS
2.	GD2971-10	1	Sleeve, $\frac{9}{16}$ " Long
3.	GD11219	1	Spring
4.	G10201	1	Special Washer, $\frac{3}{8}$ " x 1 $\frac{1}{2}$ " O.D.
5.	GD1026	1	Sleeve, 1 $\frac{3}{16}$ " Long
6.	GD11962	1	Idler
7.	G10108	1	Lock Nut, $\frac{3}{8}$ "-16
8.	G10670	2	Hair Pin Clip, No. 3
9.	GD1059L	1	Support, L.H. (Shown)
	GD1059R	1	Support, R.H.
10.	G10002	4	Hex Head Cap Screw, $\frac{3}{8}$ "-16 x $\frac{3}{4}$ "
	G10229	4	Lock Washer, $\frac{3}{8}$ "
11.	G10312	8	Carriage Bolt, $\frac{5}{16}$ "-18 x $\frac{3}{4}$ "
	G10620	8	Serrated Flange Nut, $\frac{5}{16}$ "-18
12.	G10325	1	Hex Head Cap Screw, $\frac{3}{8}$ "-16 x 2 $\frac{3}{4}$ "
13.	G10567	3	External Retaining Ring, $\frac{5}{8}$ "
14.	GD11305	1	Plate
15.	A10759	1	Hopper Panel Extension (Non-Stock Item) (Sub Wholegoods Order Code 700-01099)
16.	GD11424	4	Block
17.	G10023	2	Hex Head Cap Screw, $\frac{1}{4}$ "-20 x $\frac{3}{4}$ "
	G10621	2	Serrated Flange Nut, $\frac{1}{4}$ "-20
18.	GD1060	1	Hinge
19.	GA8371	1	Hopper
20.	GA4444	1	Lid
21.	GD11239	1	Knob
22.	G10602	1	Spring Pin, $\frac{1}{4}$ " x 1 $\frac{1}{2}$ "

GRANULAR CHEMICAL METER AND METER DRIVE

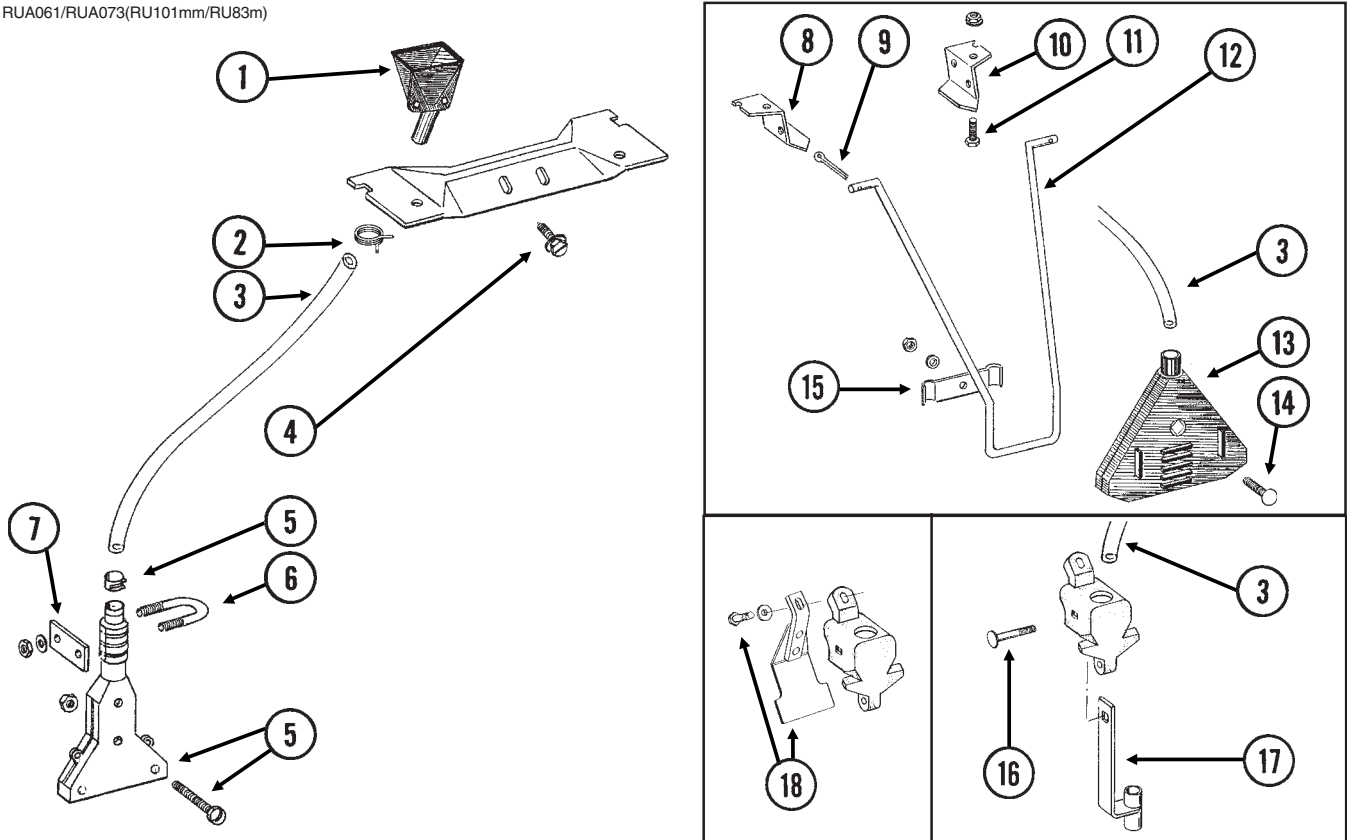
RUA051/RUB028(RU91a)



ITEM	PART NO.	QTY. (Per Row)	DESCRIPTION
1.	G10567	3	External Retaining Ring, 5/8"
2.	GD11239	1	Knob
3.	G10602	1	Spring Pin, 1/4" x 1 1/2"
4.		-	See "Granular Chemical Hopper And Hopper Panel Extension", Pages P16 And P17
5.	GA8364	1	Sprocket And Bearing, Drive Clutch, 24 Tooth
6.	GD11413	1	Spring
7.	GD11240	1	Shaft
8.	GB0278	1	Coupler
9.	G10546	2	Spring Pin, 3/16" x 1 1/4"
10.	GD11297	1	Shaft
11.	G10921	4	Hex Socket Head Cap Screw, No. 10-24 x 7/8"
	G10257	4	Lock Washer, No. 10
12.	GD7148	1	Feed Roller, Hex Bore
13.	GB0115	2	Bearing
14.	GD7258	2	Hex Bushing
15.	G3303-114	1	Chain, No. 41, 114 Pitch Including Connector Link
	GR0196	1	Connector Link, No. 41
16.	G10660	1	Wave Washer, 1/2"
17.	G10209	1	Washer, 1/4" USS
18.	G10570	1	Slotted Hex Self-Tapping Screw, 1/4"-20 x 3/4"
19.	G11073	2	Slotted Hex Self-Tapping Screw, No. 10 x 3/8"
20.	GD1061	1	Support Strap
21.	GD1063	1	Metering Gate
22.	GB0116	1	Granular Housing
A.	GA8326	-	Granular Chemical Meter Complete (Items 1, 9, 10, 12-14 And 16-22)

GRANULAR CHEMICAL BANDING OPTIONS

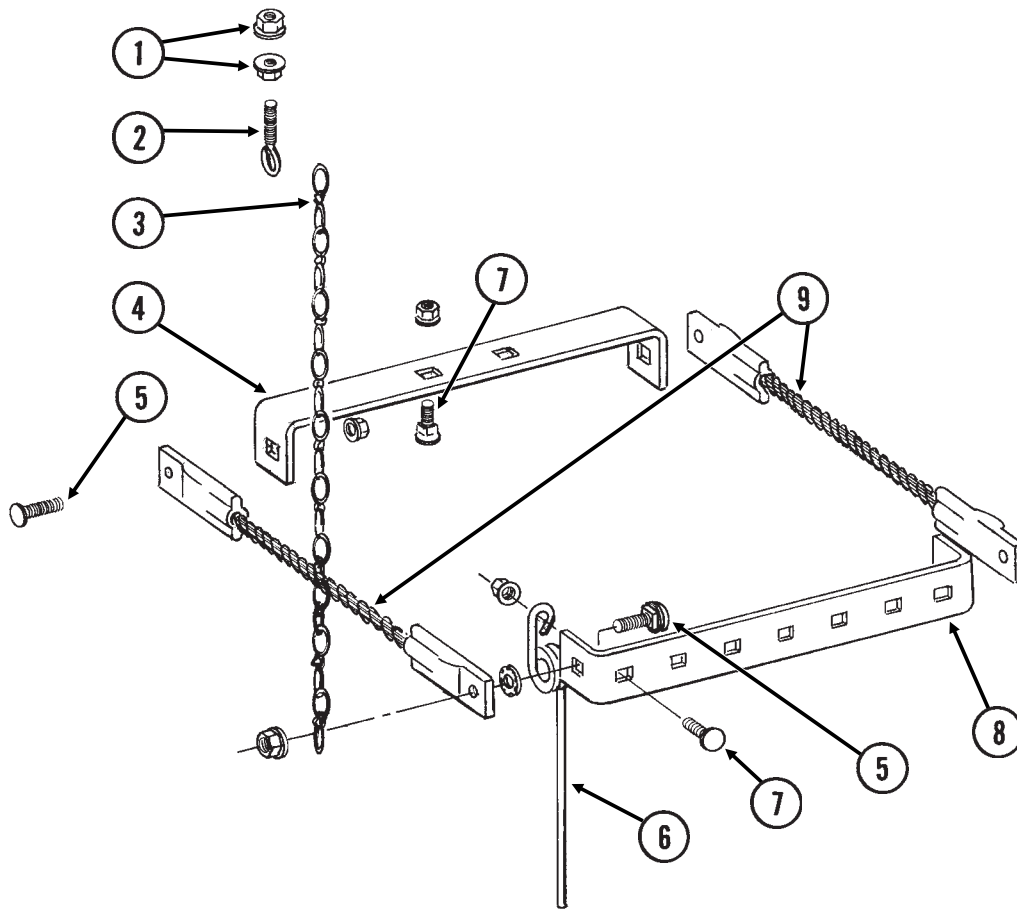
RUA061/RUA073(RU101mm/RU83m)



ITEM	PART NO.	QTY.	DESCRIPTION
1.	GD2423	1	Funnel
2.	GD11209	1	Wire Hose Clamp, 3/4"
3.	GD2947	1	Hose, 7/16" x 28"
4.	G10523	2	Slotted Pan Head Self-Tapping Screw, No. 10 x 1/2"
5.	GA6907	1	Slope-Compensating Bander W/Hardware (4 1/2" Band Width)
	G10864	1	Uni-Clamp
	G10757	2	Pan Head Screw, No. 10-32 x 1 1/4"
	G10758	2	Hex Nut, No. 10-32
6.	GD10963	1	U-Bolt, 1 1/2" x 1 5/16" x 1/4"-20
	G10209	2	Washer, 1/4" USS
	G10110	2	Lock Nut, 1/4"-20, Grade B
7.	GD10984	1	Spacer
8.	GD1115L	-	Hanger Bracket, L.H.
9.	G10452	-	Cotter Pin, 1/8" x 1/2"
10.	GD1115R	-	Hanger Bracket, R.H.
11.	G10310	-	Carriage Bolt, 1/4"-20 x 3/4", Grade 2
	G10227	-	Lock Washer, 1/4"
	G10103	-	Hex Nut, 1/4"-20
12.	GD1116	-	Hanger
13.	GA2075	-	Diffuser, 14" Band
14.	G10306	-	Carriage Bolt, 3/8"-16 x 2"
	G10229	-	Lock Washer, 3/8"
	G10101	-	Hex Nut, 3/8"-16
15.	GD1118	-	Clamp
16.	G10315	1	Carriage Bolt, 1/2"-13 x 2 1/2" (Replaces Existing 1/2" x 2 1/4" Hardware)
17.	GA6741	1	Bracket (Straight Drop In-Furrow)
18.	G1K385	-	Bander Shield Kit W/Hardware And Instruction
	G10003	1	Hex Head Cap Screw, 3/8"-16 x 1 1/2"
	GD14659	1	Special Washer, 3/8", Hardened

SPRING TOOTH INCORPORATOR

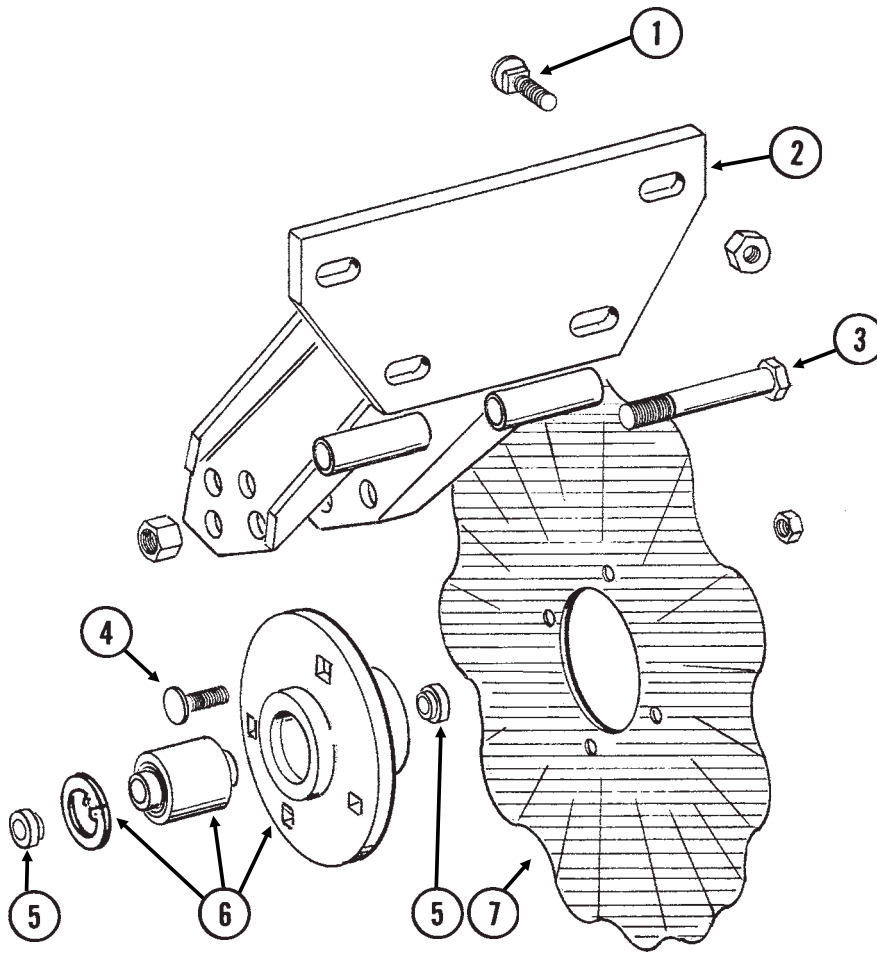
RUA055(RU95)



ITEM	PART NO.	QTY. (Per Row)	DESCRIPTION
1.	G10621	4	Serrated Flange Nut, 1/4"-20
2.	GD2460	2	Eyebolt, 1/4"-20
3.	G3305-01	4	Twin Loop Chain, 9 Links
4.	GD1143	1	Front Bracket
5.	G10305	4	Carriage Bolt, 3/8"-16 x 1"
	G10529	4	External Tooth Lock Washer, 3/8"
	G10622	4	Serrated Flange Nut, 3/8"-16
6.	GD1145	7	Spring Tooth
7.	G10308	9	Carriage Bolt, 3/8"-16 x 3/4"
	G10622	9	Serrated Flange Nut, 3/8"-16
8.	GD1144	1	Rear Bracket
9.	GA2094	2	Cable Assembly

ROW UNIT MOUNTED NO TILL COULTER

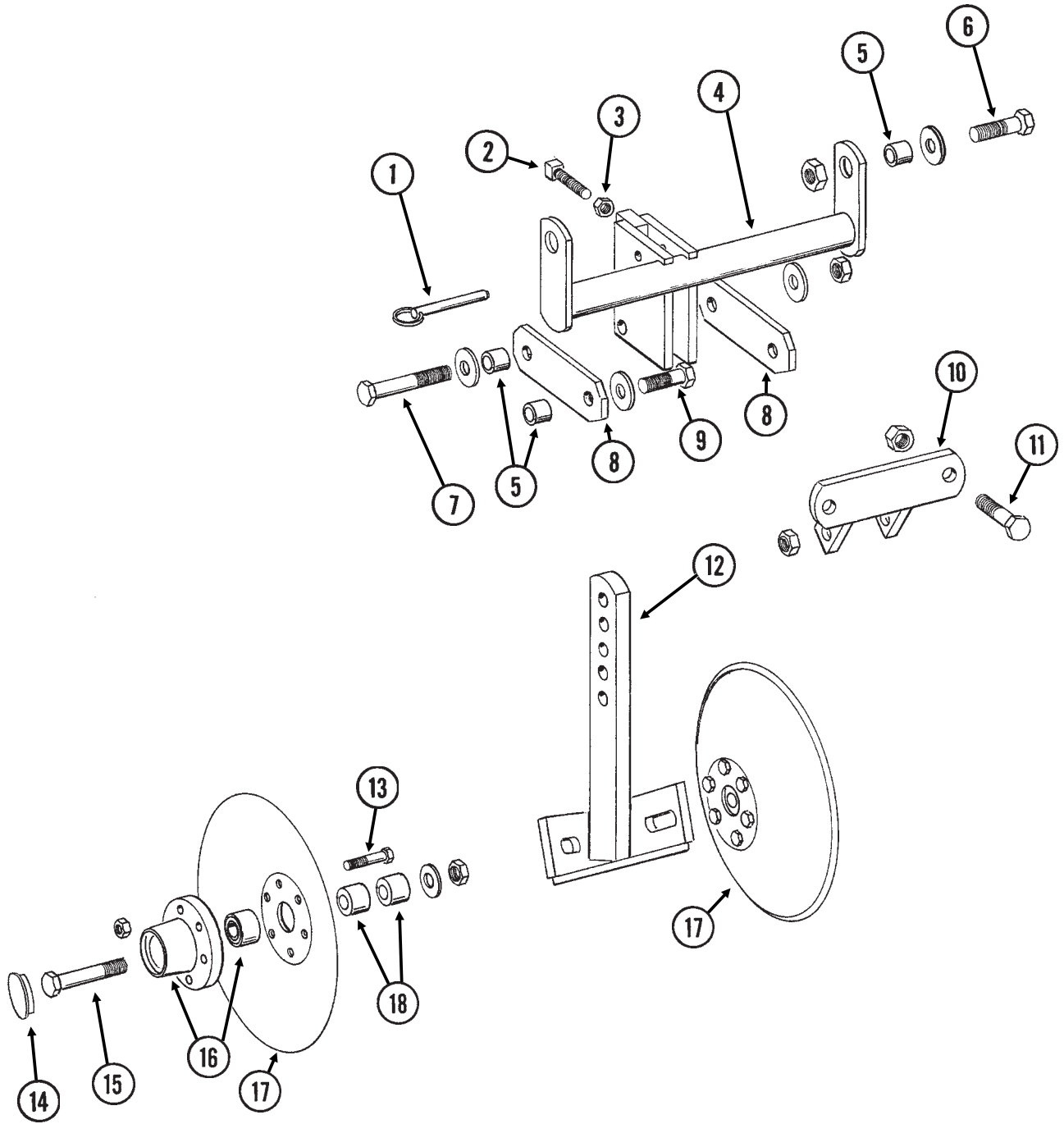
RUA061(RU102/RU102c)



ITEM	PART NO.	QTY.	DESCRIPTION
		(Per Row)	
1.	G10574	4	Carriage Bolt, 1/2"-13 x 1 1/4"
	G10111	4	Lock Nut, 1/2"-13
2.	GA5625	1	Arm
3.	G10036	1	Hex Head Cap Screw, 5/8"-11 x 4"
	G10107	1	Lock Nut, 5/8"-11
4.	G10574	4	Carriage Bolt, 1/2"-13 x 1 1/4"
	G10111	4	Lock Nut, 1/2"-13
5.	GD11677	2	Adapter
6.	GA8641	1	Hub W/Bearing And Retaining Ring
	GA8603	-	Double Row Bearing
	GD11652	-	Retaining Ring, 2 7/16"
7.	GD7803	-	Disc Blade, Fluted, 1", 8 Flutes (Shown)
	GD7804	-	Disc Blade, Bubbled, 1"
	GD9254	-	Disc Blade, Fluted, 3/4", 13 Flutes

ROW UNIT MOUNTED DISC FURROWER

RUA059/RUA058(RU99/RU98g)

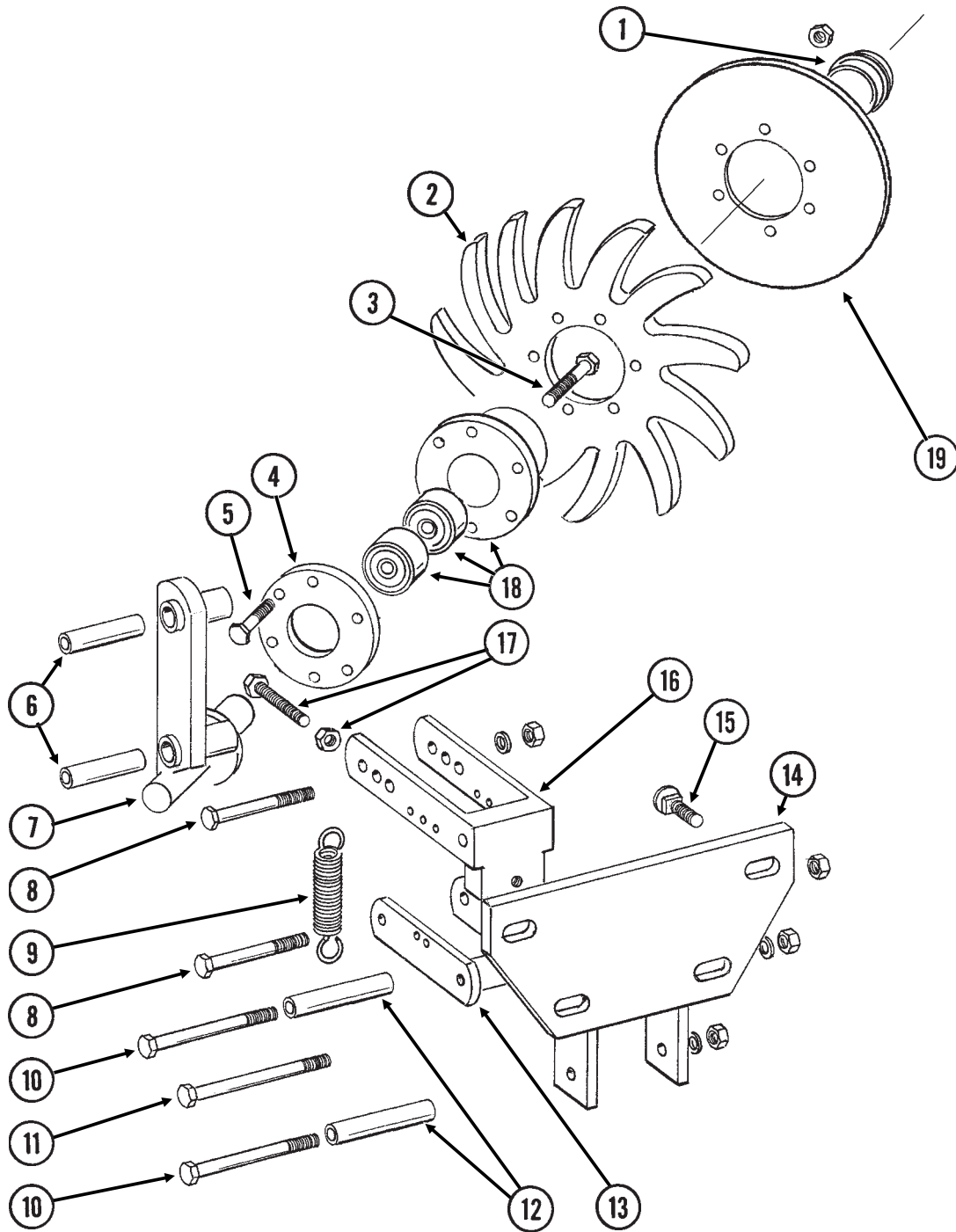


ROW UNIT MOUNTED DISC FURROWER

ITEM	PART NO.	QTY. (Per Row)	DESCRIPTION
1.	G10536	1	Detent Pin, 1/2" x 2 1/2" Grip
2.	G10597	1	Square Head Set Screw, 5/8"-11 x 2 1/4"
3.	G10503	1	Hex Jam Nut, 5/8"-11, Grade 2
4.	GA5719	1	Mounting Bracket
5.	GD7889	6	Bushing, 1" O.D. x 9/16" I.D. x 7/16" Long
6.	G10039	2	Hex Head Cap Screw, 1/2"-13 x 1 3/4"
	G10216	2	Washer, 1/2" USS
	G10111	2	Lock Nut, 1/2"-13
7.	G10585	1	Hex Head Cap Screw, 1/2"-13 x 3 1/4"
	G10216	2	Washer, 1/2" USS
	G10111	1	Lock Nut, 1/2"-13
8.	GD7890	2	Link
9.	G10017	2	Hex Head Cap Screw, 1/2"-13 x 1 1/2"
	G10216	2	Washer, 1/2" USS
	G10111	2	Lock Nut, 1/2"-13
10.	GA5715	1	Anchor
11.	G10017	2	Hex Head Cap Screw, 1/2"-13 x 1 1/2"
	G10111	2	Lock Nut, 1/2"-13
12.	GA5718	1	Support Arm
13.	G10572	6	Truss Head Slotted Machine Screw, 5/16"-18 x 7/8"
	G10106	6	Hex Nut, 5/16"-18
14.	GD1132	2	Dust Cap
15.	G10318	2	Hex Head Cap Screw, 5/8"-11 x 4 1/2"
	GD7805	2	Special Washer, 5/8", Hardened
	G10107	2	Lock Nut, 5/8"-11
16.	GA5654	2	Hub W/Bearings
	GA2014	-	Bearing
17.	GD7823	-	Disc Blade, Solid, 12" (Shown)
	GD8307	-	Disc Blade, Notched, 12"
18.	GD7817-01	2	Spacer, 1 1/16" I.D. x 3/4" Long
	GD7817-04	2	Spacer, 1 1/16" I.D. x 1/2" Long

ROW UNIT MOUNTED RESIDUE WHEEL

(RU103d)

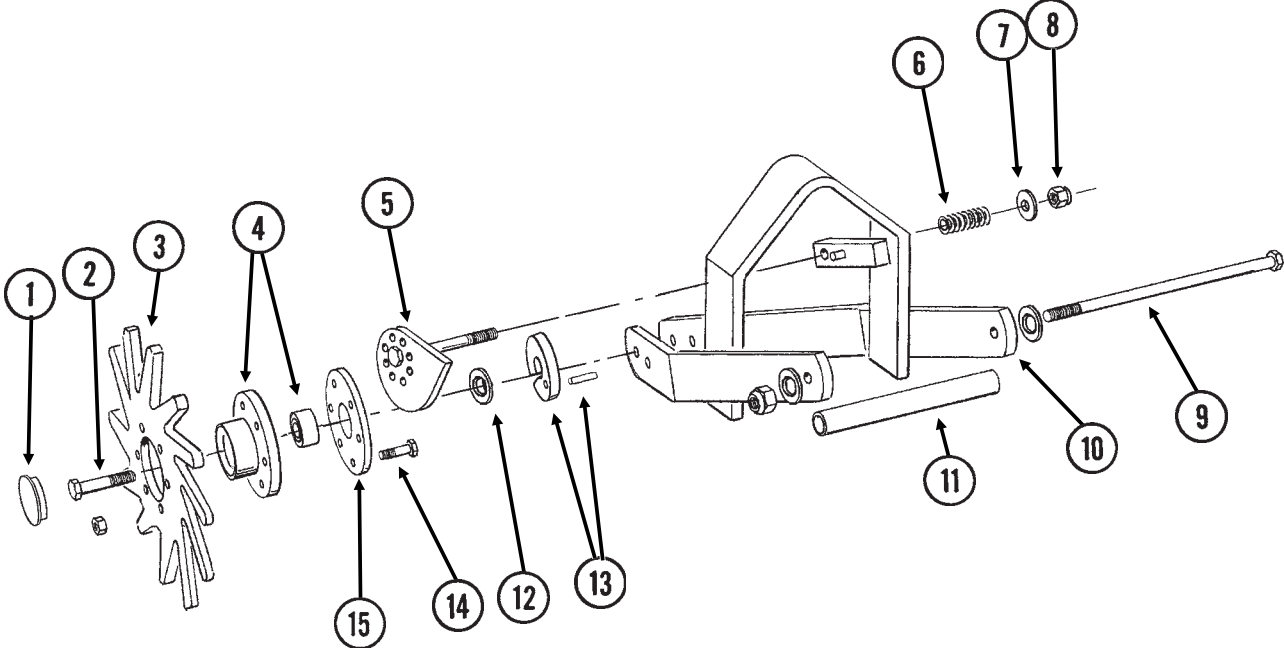


ROW UNIT MOUNTED RESIDUE WHEEL

ITEM	PART NO.	QTY. (Per Row)	DESCRIPTION
1.	GD1132	1	Dust Cap
2.	GD10552	1	Wheel, 12 Tine, $\frac{3}{8}$ " x 12"
3.	G10006	1	Hex Head Cap Screw, $\frac{5}{8}$ "-11 x 2 $\frac{1}{4}$ "
4.	GD9724	1	Backing Plate
5.	G10133	6	Hex Head Cap Screw, $\frac{5}{16}$ "-18 x 1 $\frac{1}{2}$ "
	G10109	6	Lock Nut, $\frac{5}{16}$ "-18, Grade 8
6.	GD9720	2	Spacer, $\frac{1}{2}$ " x 2 $\frac{3}{16}$ " Long
7.	GA6838	1	Wheel Mount
8.	G10033	2	Hex Head Cap Screw, $\frac{1}{2}$ "-13 x 3 $\frac{1}{2}$ "
	G10228	2	Lock Washer, $\frac{1}{2}$ "
	G10102	2	Hex Nut, $\frac{1}{2}$ "-13
9.	GD5857	2	Spring
10.	G10045	2	Hex Head Cap Screw, $\frac{1}{2}$ "-13 x 4 $\frac{1}{2}$ "
	G10228	2	Lock Washer, $\frac{1}{2}$ "
	G10102	2	Hex Nut, $\frac{1}{2}$ "-13
11.	G10348	1	Hex Head Cap Screw, $\frac{1}{2}$ "-13 x 5" (Lockup Bolt)
	G10111	1	Lock Nut, $\frac{1}{2}$ "-13
12.	GD9715	2	Spacer, $\frac{1}{2}$ " x 3" Long
13.	GA6834	1	Lower Link
14.	GA6832	1	Mount
15.	G10574	4	Carriage Bolt, $\frac{1}{2}$ "-13 x 1 $\frac{1}{4}$ "
	G10111	4	Lock Nut, $\frac{1}{2}$ "-13
16.	GA6833	1	Upper Link
17.	G10371	1	Hex Head Cap Screw, $\frac{1}{2}$ "-13 x 3", Full Thread
	G10501	1	Hex Jam Nut, $\frac{1}{2}$ "-13, Grade 2
18.	GA5654	1	Hub W/Bearings
	GA2014	-	Bearing
19.	GD12534	-	Cover
A.	GA7446	-	Wheel Assembly, 12 Tine (Items 2, 4, 5 And 18)

COULTER MOUNTED RESIDUE WHEELS

RUA063(RU104u)

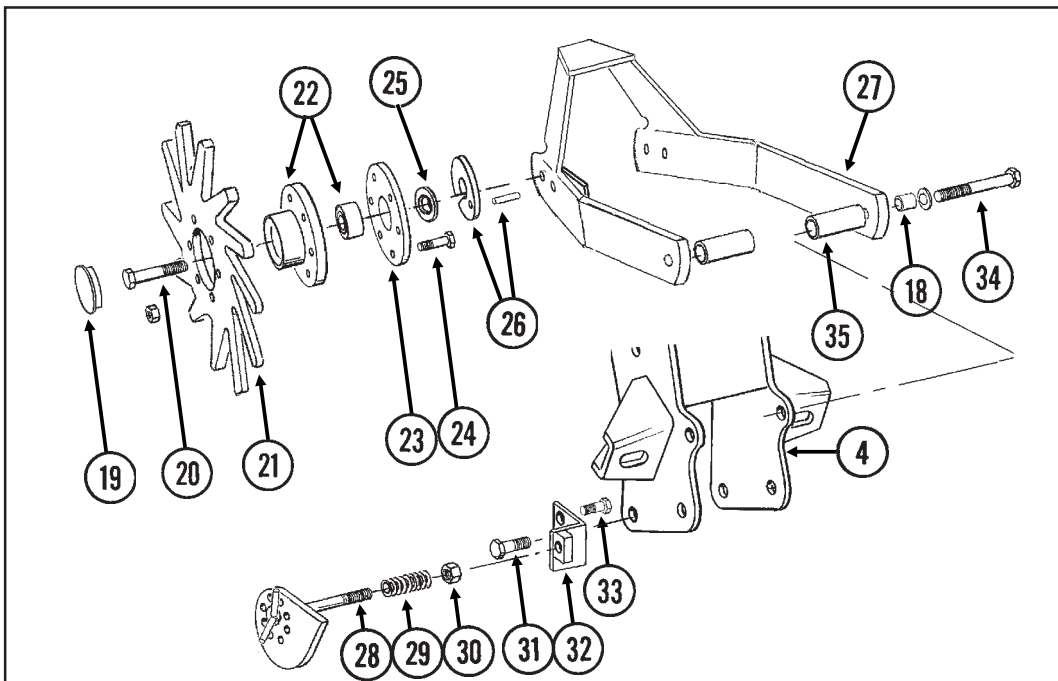
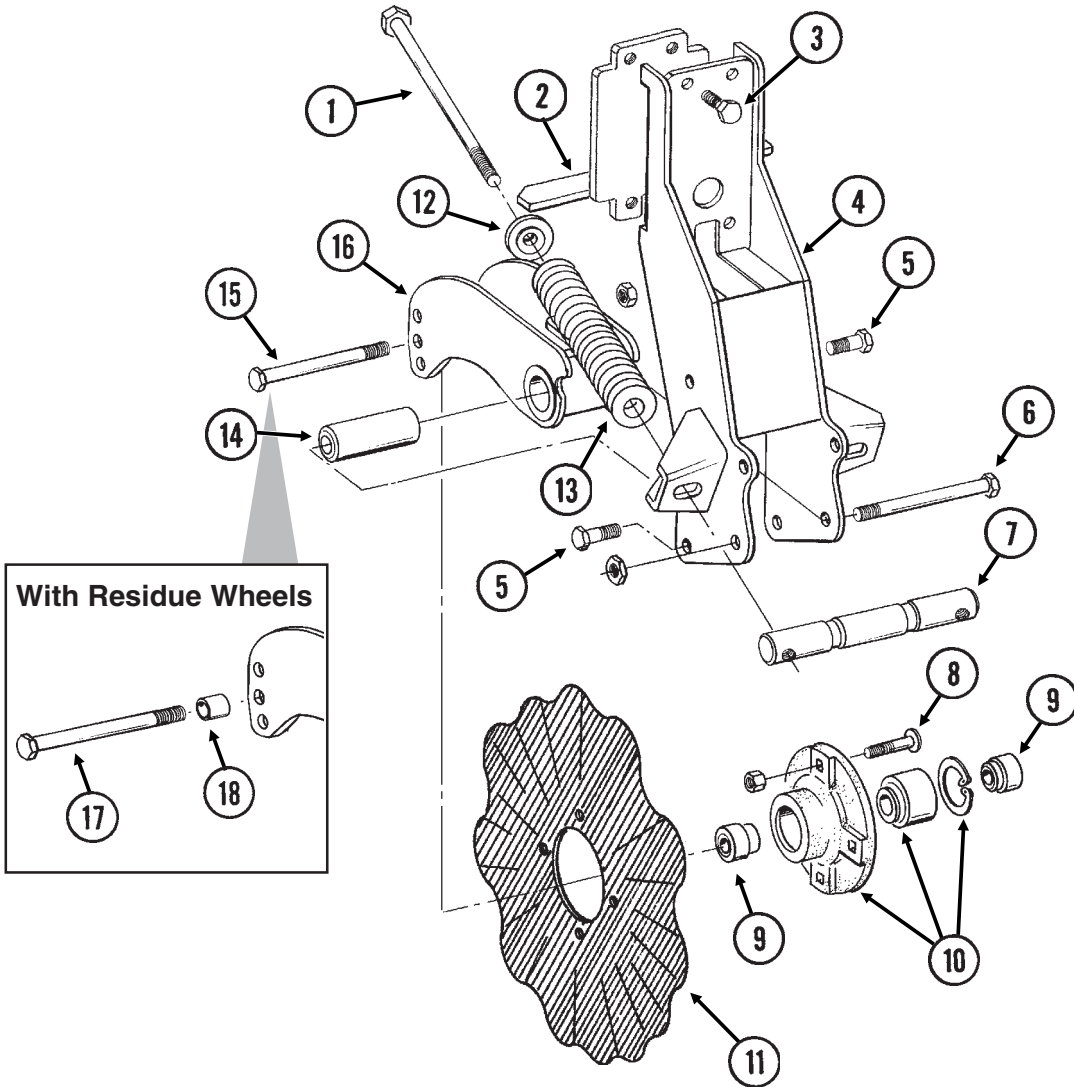


COULTER MOUNTED RESIDUE WHEELS

ITEM	PART NO.	QTY. (Per Row)	DESCRIPTION
1.	GD1132	2	Dust Cap
2.	G10010	2	Hex Head Cap Screw, 5/8"-11 x 3"
	G10503	2	Hex Jam Nut, 5/8"-11, Grade 2
3.	GD10552	2	Wheel, 12 Tine, 3/8" x 12"
4.	GA5654	2	Hub W/Bearings
	GA2014	-	Bearing
5.	GA7412	1	Cam
6.	GD10519	1	Spring
7.	G10206	1	Washer, 1/2" SAE
8.	G10974	1	Lock Nut W/Nylon Insert, 1/2"-13
9.	G11098	1	Hex Head Cap Screw, 1/2"-13 x 9 1/2", Grade 8
	GD14674	2	Special Washer, 1/2", Hardened
	G10974	1	Lock Nut W/Nylon Insert, 1/2"-13
10.	GA7271	1	Mount
11.	GD10526	1	Sleeve, 7 1/2"
12.	G10213	2	Machine Bushing, 5/8" (.030" Thick)
13.	GA8760	2	Weed Guard W/Spring Pin
	G10765	-	Spring Pin, 1/4" x 1"
14.	G10133	12	Hex Head Cap Screw, 5/16"-18 x 1 1/2"
	G10109	12	Lock Nut, 5/16"-18, Grade 8
15.	GD9724	2	Backing Plate
A.	GA7446	-	Wheel Assembly, 12 Tine, R.H. (Items 3, 4, 14 And 15) (Shown)
	GA7445	-	Wheel Assembly, 12 Tine, L.H. (Items 3, 4, 14 And 15)

FRAME MOUNTED COULTER W/RESIDUE WHEELS

(RU135c/RU135g/RU135hh)



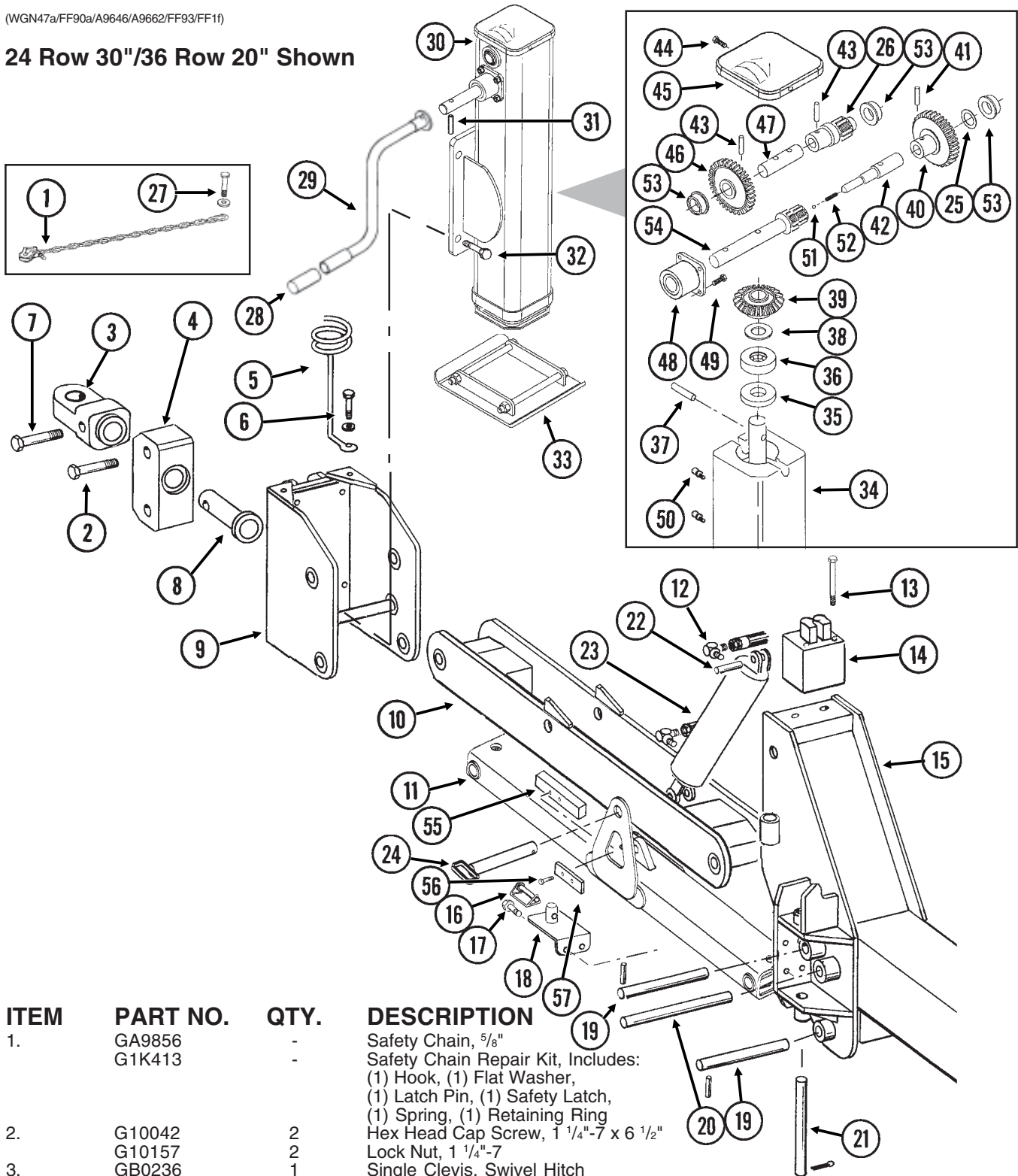
FRAME MOUNTED COULTER W/RESIDUE WHEELS

ITEM	PART NO.	QTY. (Per Row)	DESCRIPTION
1.	G11010	2	Hex Head Cap Screw, 3/4"-10 x 12"
2.	GA9844	1	Plate W/Angle
3.	G10039	4	Hex Head Cap Screw, 1/2"-13 x 1 3/4"
4.	GA9131	1	Coulter Frame
5.	G10007	4	Hex Head Cap Screw, 5/8"-11 x 1 1/2"
	G10107	4	Lock Nut, 5/8"-11
6.	G10400	1	Hex Head Cap Screw, 3/4"-10 x 6 1/2"
	G10112	1	Lock Nut, 3/4"-10
7.	GD12826	1	Spring Anchor Bar
8.	G10574	4	Carriage Bolt, 1/2"-13 x 1 1/4"
	G10111	4	Lock Nut, 1/2"-13
9.	GD12827	2	Adapter
10.	GA8641	1	Hub W/Bearing And Retaining Ring
	GA8603	1	Double Row Bearing
	GD11652	1	Retaining Ring, 2 7/16"
11.	GD7803	1	Disc Blade, Fluted, 1", 8 Flutes (Shown)
	GD7804	-	Disc Blade, Bubbled, 1"
	GD9254	-	Disc Blade, Fluted, 3/4", 13 Flutes
12.	GB0213	2	Spring Seat
13.	GD12817	2	Compression Spring
14.	GD12829	1	Sleeve
15.	G10046	1	Hex Head Cap Screw, 5/8"-11 x 5"
	G10107	1	Lock Nut, 5/8"-11
16.	GA9845	1	Coulter Arm W/Grease Fitting
	G10643	-	Grease Fitting, 45°, 1/4"-28
17.	G10011	1	Hex Head Cap Screw, 5/8"-11 x 5 1/2"
	G10107	1	Lock Nut, 5/8"-11
18.	GB0218	3	Bushing, 21/32" I.D. x 7/8" O.D. x 19/32" Long
19.	GD1132	2	Dust Cap
20.	G10010	2	Hex Head Cap Screw, 5/8"-11 x 3"
	G10503	2	Hex Jam Nut, 5/8"-11, Grade 2
21.	GD10552	2	Wheel, 12 Tine, 3/8" x 12"
22.	GA5654	2	Hub W/Bearings
	GA2014	-	Bearing
23.	GD9724	2	Backing Plate
24.	G10133	12	Hex Head Cap Screw, 5/16"-18 x 1 1/2"
	G10109	12	Lock Nut, 5/16"-18, Grade 8
25.	G10213	2	Machine Bushing, 5/8" (.030" Thick)
26.	GA9862	2	Weed Guard W/Spring Pin
	G10765	-	Spring Pin, 1/4" x 1"
27.	GA9865	1	Mount
28.	GA9861	1	Cam
29.	GD10519	1	Spring
30.	G10974	1	Lock Nut W/Nylon Insert, 1/2"-13
31.	G10005	1	Hex Head Cap Screw, 5/8"-11 x 1 3/4"
	G10107	4	Lock Nut, 5/8"-11
32.	GA9864	1	Support
33.	G10014	1	Hex Head Cap Screw, 1/2"-13 x 1"
	G10102	1	Hex Nut, 1/2"-13
34.	G10011	2	Hex Head Cap Screw, 5/8"-11 x 5 1/2"
	G10205	2	Washer, 5/8" SAE
	G10730	2	Lock Nut W/Nylon Insert, 5/8"-11
35.	GD14170	2	Sleeve, 3"
A.	GA7446	-	Wheel Assembly, 12 Tine, R.H. (Items 21-24) (Shown)
	GA7445	-	Wheel Assembly, 12 Tine, L.H. (Items 21-24)

FRONT HITCH ASSEMBLY/SAFETY CHAIN

(WGN47a/FF90a/A9646/A9662/FF93/FF1f)

24 Row 30"/36 Row 20" Shown



ITEM	PART NO.	QTY.	DESCRIPTION
1.	GA9856 G1K413	- -	Safety Chain, 5/8" Safety Chain Repair Kit, Includes: (1) Hook, (1) Flat Washer, (1) Latch Pin, (1) Safety Latch, (1) Spring, (1) Retaining Ring
2.	G10042	2	Hex Head Cap Screw, 1 1/4"-7 x 6 1/2"
3.	G10157	2	Lock Nut, 1 1/4"-7
4.	GB0236	1	Single Clevis, Swivel Hitch
5.	GA9526	1	Swivel Block W/Grease Fitting
6.	G10643	-	Grease Fitting, 45°, 1/4"-28
7.	GD9349	1	Hose Holder
8.	G10006	1	Hex Head Cap Screw, 5/8"-11 x 2 1/4"
9.	G10230	1	Lock Washer, 5/8"
10.	G10217	1	Washer, 5/8" USS (If Applicable)
11.	G10104	1	Hex Nut, 5/8"-11
12.	G10151	2	Hex Head Cap Screw, 1"-8 x 6"
13.	G10396	2	Lock Nut, 1"-8
14.	GD13377	1	Spindle
15.	GA9459	1	Hitch Cap

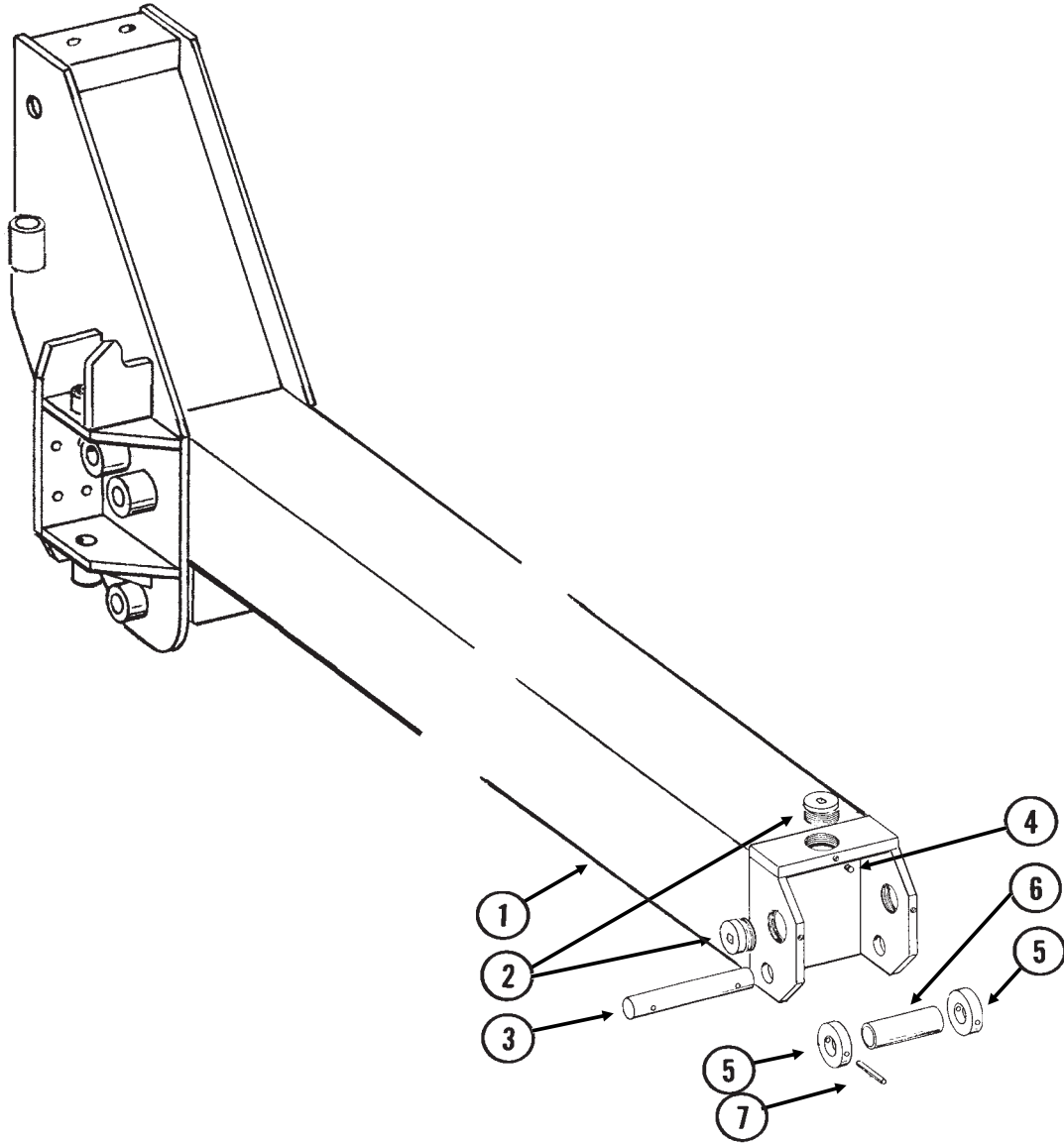
FRONT HITCH ASSEMBLY/SAFETY CHAIN

ITEM	PART NO.	QTY.	DESCRIPTION
10.	GA9894	1	Upper Hitch Link W/Grease Fittings
	G10640	-	Grease Fitting, 1/4"-28
11.	GA10043	1	Lower Hitch Link W/Grease Fittings
	G10640	-	Grease Fitting, 1/4"-28
12.	G6801-08	2	Elbow W/O-Ring, 90°, 3/4"-16 Male JIC To O-Ring
	GR1037	-	O-Ring
13.	G10754	2	Hex Head Cap Screw, 5/16"-18 x 8"
	G10232	2	Lock Washer, 5/16"
	G10106	2	Hex Nut, 5/16"-18
14.		-	See "Valve Block On Front Hitch", Page P76
15.		-	See "Front Hitch Assembly (Rear Section)", Page P32
16.	GD10705	1	Locking Clip Pin, 1/4" x 2 1/2"
17.	G10019	2	Hex Head Cap Screw, 5/16"-18 x 1"
	G10232	2	Lock Washer, 5/16"
	G10106	2	Hex Nut, 5/16"-18
18.	GA9654	1	Handle Mount
19.	GD9464-01	4	Pin, 1 1/2" x 11 1/4"
	G10475	8	Spring Pin, 1/4" x 2 1/4"
20.	GD0671	1	Pin, 1 1/4" x 10 3/4"
	G10460	2	Cotter Pin, 1/4" x 2"
21.	GD4014	2	Pin, 1 1/4" x 12"
	G10460	4	Cotter Pin, 1/4" x 2"
22.	GR0717	2	Pin W/Clip
	GR0193	-	Hair Pin Clip
23.		-	See "Hitch Parallel Linkage Cylinder", Page P75
24.	GA6813	1	Parallel Linkage Lock Pin
	GD14217	1	Tab Lock Pin, 7/16" x 1 1/2"
25.	G11032	1	Shim
26.	GD13605	1	Output Spur Gear
27.	G10494	1	Hex Head Cap Screw, 1 1/4"-7 x 3 1/2"
	GD10646	1	Special Washer
	G10226	1	Washer, 1 1/4" SAE
	G10157	1	Lock Nut, 1 1/4"-7
28.	G11012	1	Cover
29.	GA9655	1	Handle
30.	GA9646	1	2-Speed Jack Assembly, Less Handle And Foot Assembly
31.	G11076	1	Spring Pin, M10 x 50 (Metric)
32.	G10006	4	Hex Head Cap Screw, 5/8"-11 x 2 1/4"
	G10230	4	Lock Washer, 5/8"
	G10104	4	Hex Nut, 5/8"-11
33.	GA9662	1	Jack Foot Assembly W/Hardware
	G11034	-	Hex Head Cap Screw, 1/2"-13 x 7"
	G10111	-	Lock Nut, 1/2"-13
34.	GA9663	1	Lower Leg Assembly
35.	GD13598	1	Collar
36.	GA9665	1	Thrust Bearing
37.	G10840	1	Dowel Pin, 3/8" x 1 3/4"
38.	GD13600	1	Thrust Washer
39.	GD13601	1	Bevel Gear
40.	GD13602	1	Output Cluster Gear
41.	G11030	1	Spring Pin, 3/8" x 1 3/4"
42.	GD13603	1	Output Shaft
43.	G11031	2	Spring Pin, 5/16" x 1 1/2"
44.	G10960	2	Flanged Whiz-Lock Screw, 1/4"-20 x 5/8", No Serration
45.	GD13607	1	Cover
46.	GD13606	1	Input Spur Gear
47.	GD13608	1	Output Shaft
48.	GA9666	1	Shaft Housing
49.	G10019	4	Hex Head Cap Screw, 5/16"-18 x 1"
	G10109	4	Lock Nut, 5/16"-18, Grade 8
50.	G10641	2	Grease Fitting, 1/8" NPT
51.	GD13609	2	Detent Ball
52.	GD13610	1	Detent Spring
53.	GD13604	3	Bushing
54.	GD13611	1	Input Shaft
55.	GD15787	2	Stop Block, 1 1/2" x 8"
56.	GD15785	2	Mount, 1 1/2" x 5 1/2"
57.	G10017	4	Hex Head Cap Screw, 1/2"-13 x 1 1/2"
	G10228	4	Lock Washer, 1/2"
A.	GA9504	-	2-Speed Jack/Mount Sub-Assembly (Items 2-9, 30, 31 And 33)

FRONT HITCH ASSEMBLY (REAR SECTION)

PHA029/PFA057(FF2c)

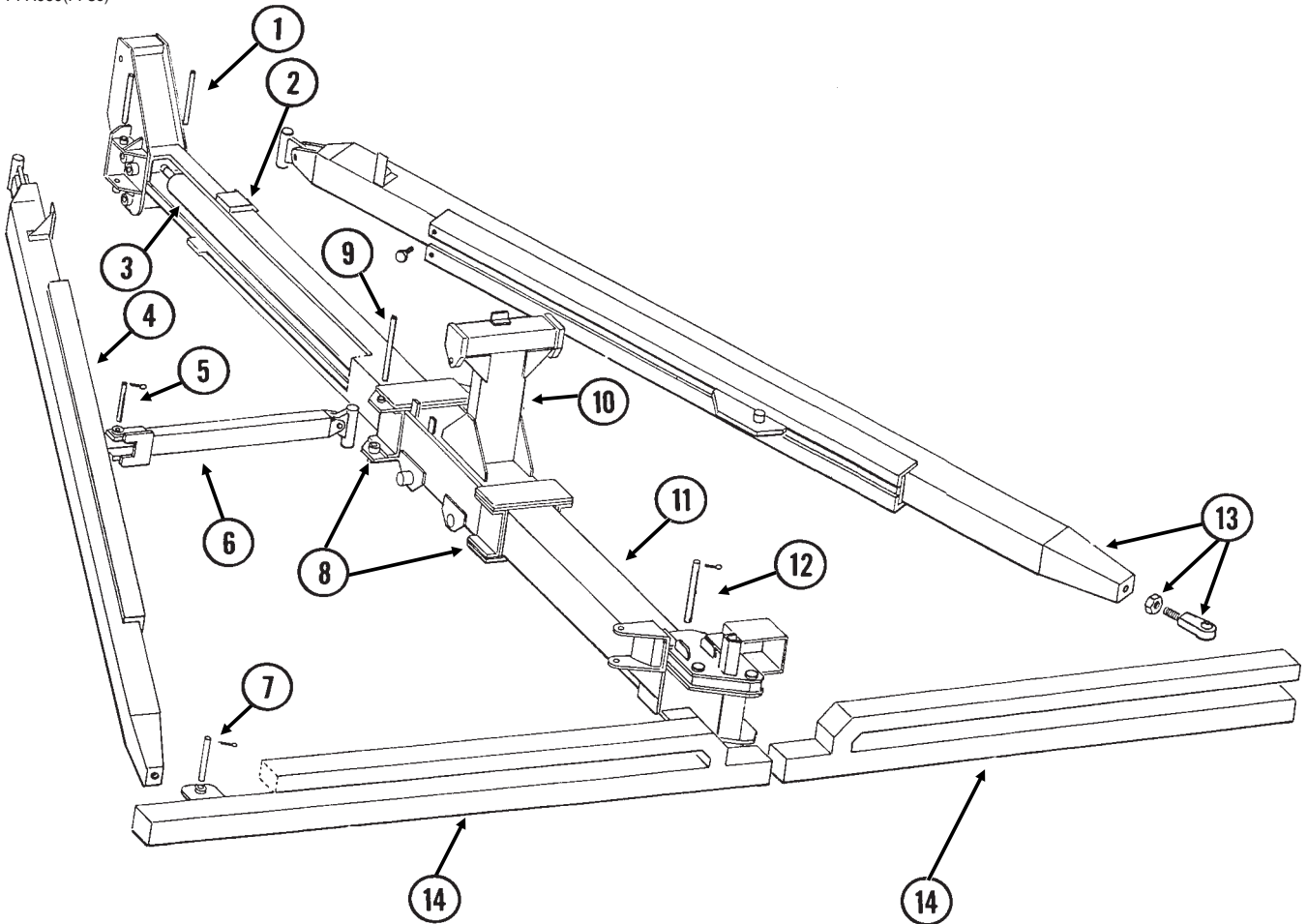
24 Row 30"/36 Row 20" Shown



ITEM	PART NO.	QTY.	DESCRIPTION
1.	A8974	1	Front Hitch, 199 ⁵ / ₈ " , 24 Row 30" And 36 Row 20" (Non-Stock Item)
	A8973	1	Front Hitch, 166 ⁵ / ₈ " , 16 Row 30" , 16 Row 38" , 24 Row 20" And 24 Row 22" (Non-Stock Item)
2.	GD9357	3	Bronze Adjusting Plug
3.	GD9362	1	Mounting Pin
4.	G10760	3	Hex Socket Set Screw, ³ / ₈ "-16 x 1/2"
5.	GD9366	2	Roller
6.	GD9367	1	Sleeve
7.	G10293	2	Spring Pin, ³ / ₈ " x 3"

HITCH AND LINKAGE ASSEMBLY, 24 ROW 30" AND 36 ROW 20"

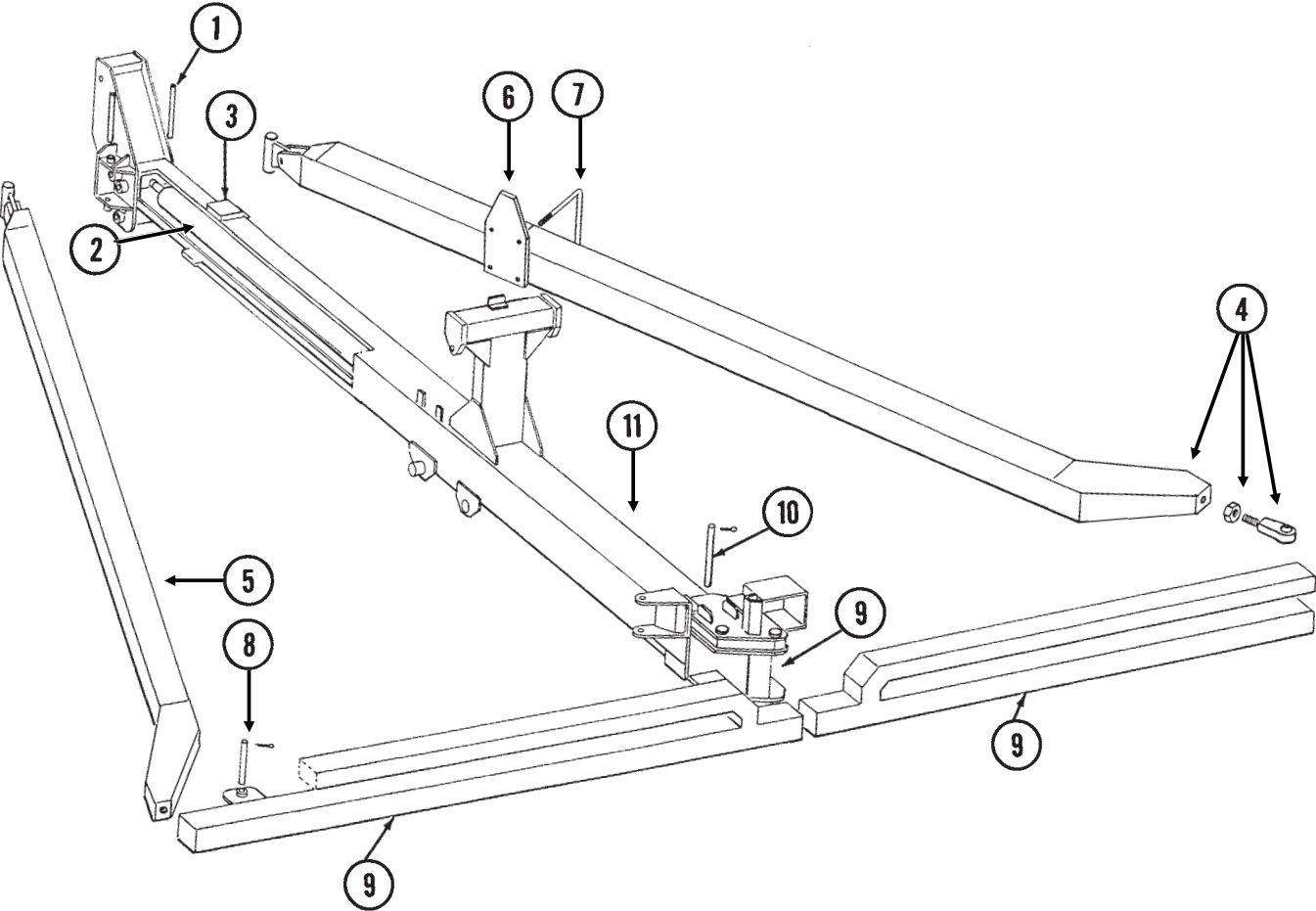
PFA060(FF3c)



ITEM	PART NO.	QTY.	DESCRIPTION
1.		-	See "Front Hitch Assembly", Pages P30 And P31
2.		-	See "Front Wear Pads", Page P36
3.		-	See "Tongue Cylinder", Page P74
4.	GA7453	1	L.H. Draft Link W/Split Locking Nut, Socket Head Screw And Joint
	GD10230	-	Split Locking Nut, 2"-12, Grade 2
	G10831	-	Hex Socket Head Screw, 1/4"-20 x 5/8"
	GA6660	-	Joint
5.	GD9542-03	2	Pin, 1 1/4" x 6 1/8"
	G10460	4	Cotter Pin, 1/4" x 2"
6.	GA6654	2	Axle Link
7.	GD3421	2	Pin, 1 1/4" x 8 3/4"
	G10460	4	Cotter Pin, 1/4" x 2"
8.		-	See "Rear Wear Pads", Page P37
9.	GD9542-02	2	Pin, 1 1/4" x 14 1/2"
	G10460	4	Cotter Pin, 1/4" x 2"
10.		-	See "Tower Assembly", Pages P38 And P39
11.	A6634	1	Rear Hitch (Non-Stock Item)
12.	GD5506	1	Pin, 1 1/4" x 16"
	G10460	2	Cotter Pin, 1/4" x 2"
13.	GA7454	1	R.H. Draft Link W/Split Locking Nut, Socket Head Screw And Joint
	GD10230	-	Split Locking Nut, 2"-12, Grade 2
	G10831	-	Hex Socket Head Screw, 1/4"-20 x 5/8"
	GA6660	-	Joint
14.		-	See "Hinge And Wing Assemblies", Pages P44 And P45

HITCH AND LINKAGE ASSEMBLY, 16 ROW 30", 16 ROW 38", 24 ROW 20" AND 24 ROW 22"

PFA060/PFA061(FF62)

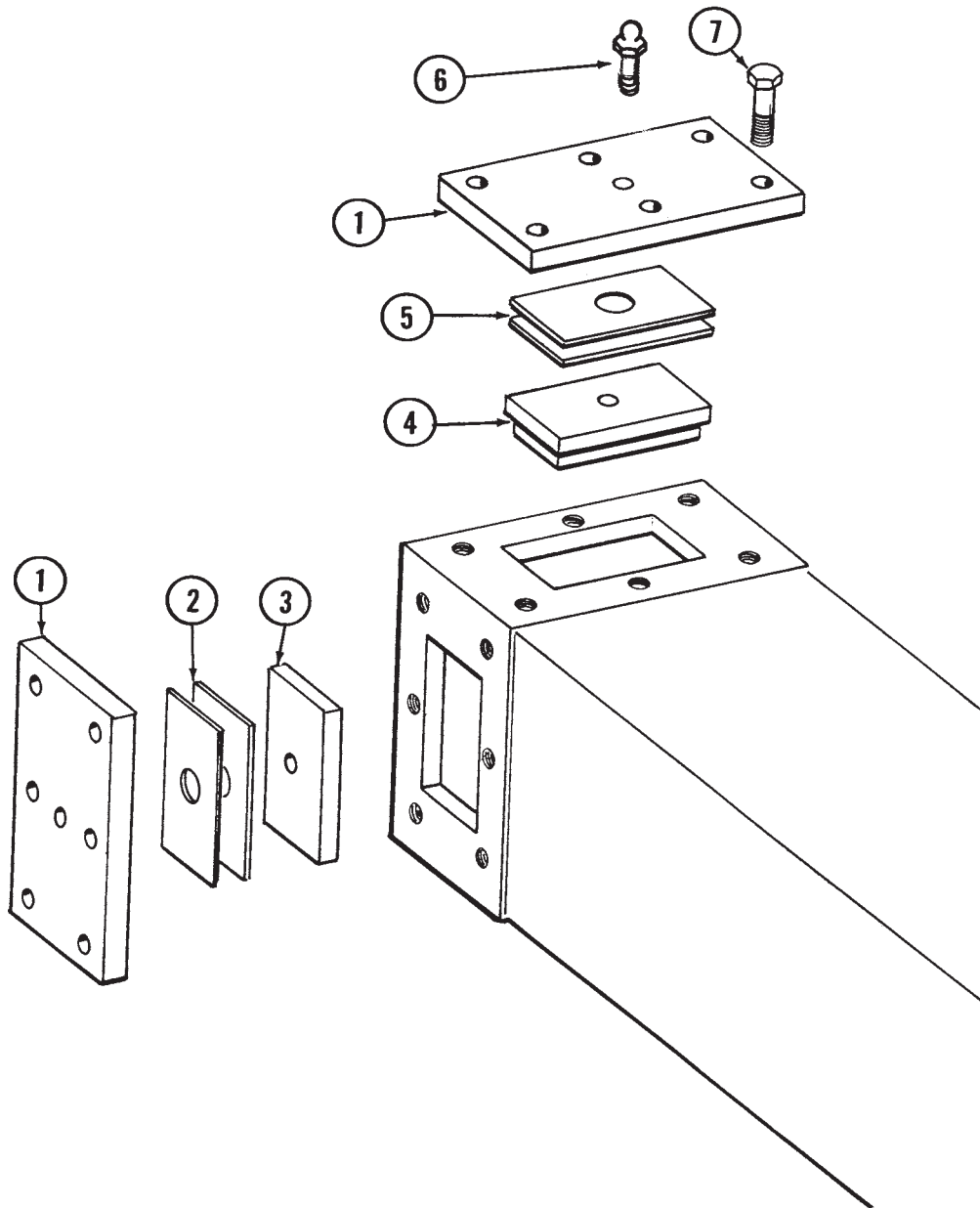


HITCH AND LINKAGE ASSEMBLY, 16 ROW 30", 16 ROW 38", 24 ROW 20" AND 24 ROW 22"

ITEM	PART NO.	QTY.	DESCRIPTION
1.		-	See "Front Hitch Assembly", Pages P30 And P31
2.		-	See "Tongue Cylinder", Page P73
3.		-	See "Front Wear Pads", Page P36
4.	GA7476	1	R.H. Draft Link W/Split Locking Nut, Socket Head Screw And Joint, 16 Row 30", 24 Row 20" And 24 Row 22"
	GA11260	1	R.H. Draft Link W/Split Locking Nut, Socket Head Screw And Joint, 16 Row 38"
	GD10230	-	Split Locking Nut, 2"-12, Grade 2
	G10831	-	Socket Head Screw, 1/4"-20 x 5/8"
	GA6660	-	Joint
5.	GA7475	1	L.H. Draft Link W/Split Locking Nut, Socket Head Screw And Joint, 16 Row 30", 24 Row 20" And 24 Row 22"
	GA11261	1	L.H. Draft Link W/Split Locking Nut, Socket Head Screw And Joint, 16 Row 38"
	GD10230	-	Split Locking Nut, 2"-12, Grade 2
	G10831	-	Socket Head Screw, 1/4"-20 x 5/8"
	GA6660	-	Joint
6.	GA7490	2	Stop
7.	GD1113	4	U-Bolt, 5" x 7" x 5/8"-11
	G10230	8	Lock Washer, 5/8"
	G10104	4	Hex Nut, 5/8"-11
8.	GD3421	2	Pin, 1 1/4" x 8 3/4"
	G10460	4	Cotter Pin, 1/4" x 2"
9.		-	See "Hinge And Wing Assemblies", Pages P44 And P45
10.	GD5506	1	Pin, 1 1/4" x 16"
	G10460	2	Cotter Pin, 1/4" x 2"
11.	A7473	1	Rear Hitch (Non-Stock Item)

FRONT WEAR PADS, ALL SIZES

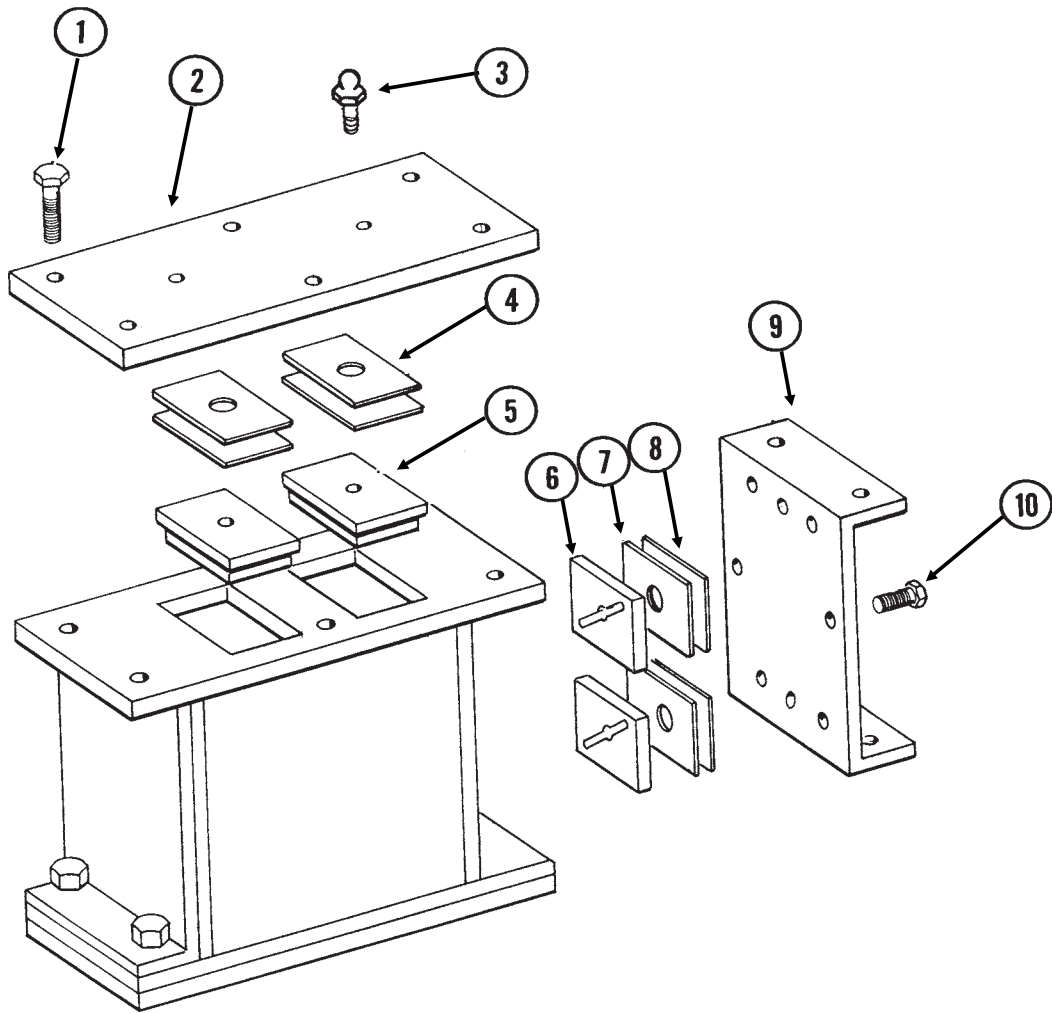
PFA059(FF4a)



ITEM	PART NO.	QTY.	DESCRIPTION
1.	GD9467	4	Cap
2.	GD9465	2	Shim, $\frac{3}{8}$ "
	GD10981	-	Shim, $\frac{1}{4}$ " (As Required)
3.	GD9468	2	Bearing Pad
4.	GA6655	2	Retainer Pad
5.	GD9498	6	Shim, 12 Gauge
6.	G10763	4	Grease Fitting, Extended, $\frac{1}{8}$ "-27
7.	G10007	24	Hex Head Cap Screw, $\frac{5}{8}$ "-11 x 1 $\frac{1}{2}$ "
	G10230	24	Lock Washer, $\frac{5}{8}$ "

REAR WEAR PADS, 24 ROW 30" AND 36 ROW 20"

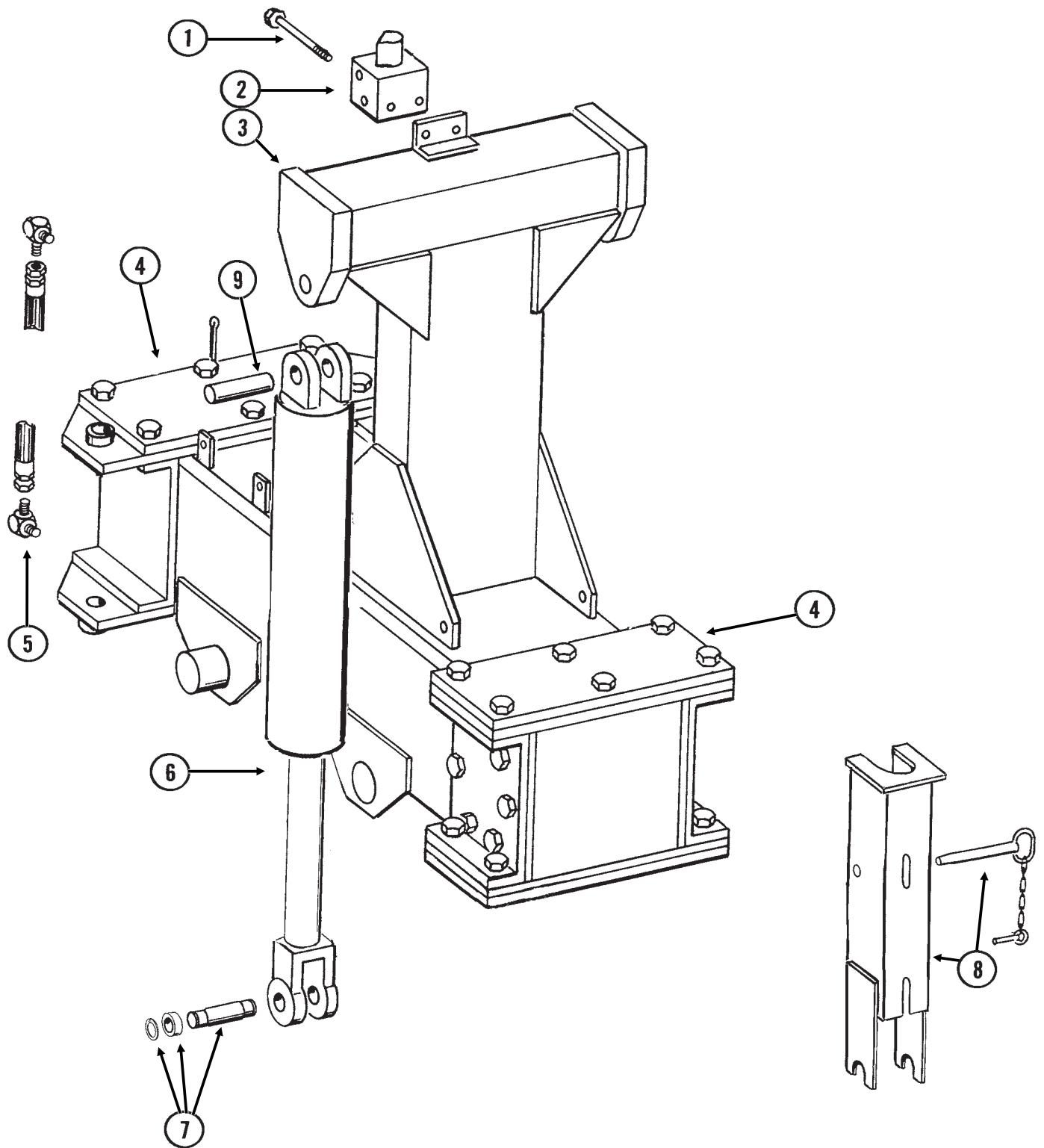
PFA058(FF5a)



ITEM	PART NO.	QTY.	DESCRIPTION
1.	G10802	16	Hex Head Cap Screw, 3/4"-10 x 2 3/4"
	G10231	16	Lock Washer, 3/4"
	G10218	16	Washer, 3/4" USS
	G10105	16	Hex Nut, 3/4"-10
2.	GD9469	4	Retainer
3.	G10763	16	Grease Fitting, Extended, 1/8"-27
4.	GD9498	16	Shim, 12 Gauge
5.	GA6655	8	Retainer Pad
	GD9468	8	Bearing Pad
7.	GD9465	8	Shim, 3/8"
	GD10981	-	Shim, 1/4" (As Required)
8.	GD9498	8	Shim, 12 Gauge
9.	GA6731	4	Retainer
10.	G10025	32	Hex Head Cap Screw, 3/4"-10 x 1 1/2"
	G10231	32	Lock Washer, 3/4"
	G10215	32	Machine Bushing, 3/4", 14 Gauge

TOWER ASSEMBLY, 24 ROW 30" AND 36 ROW 20"

PFA061 (FF6c)

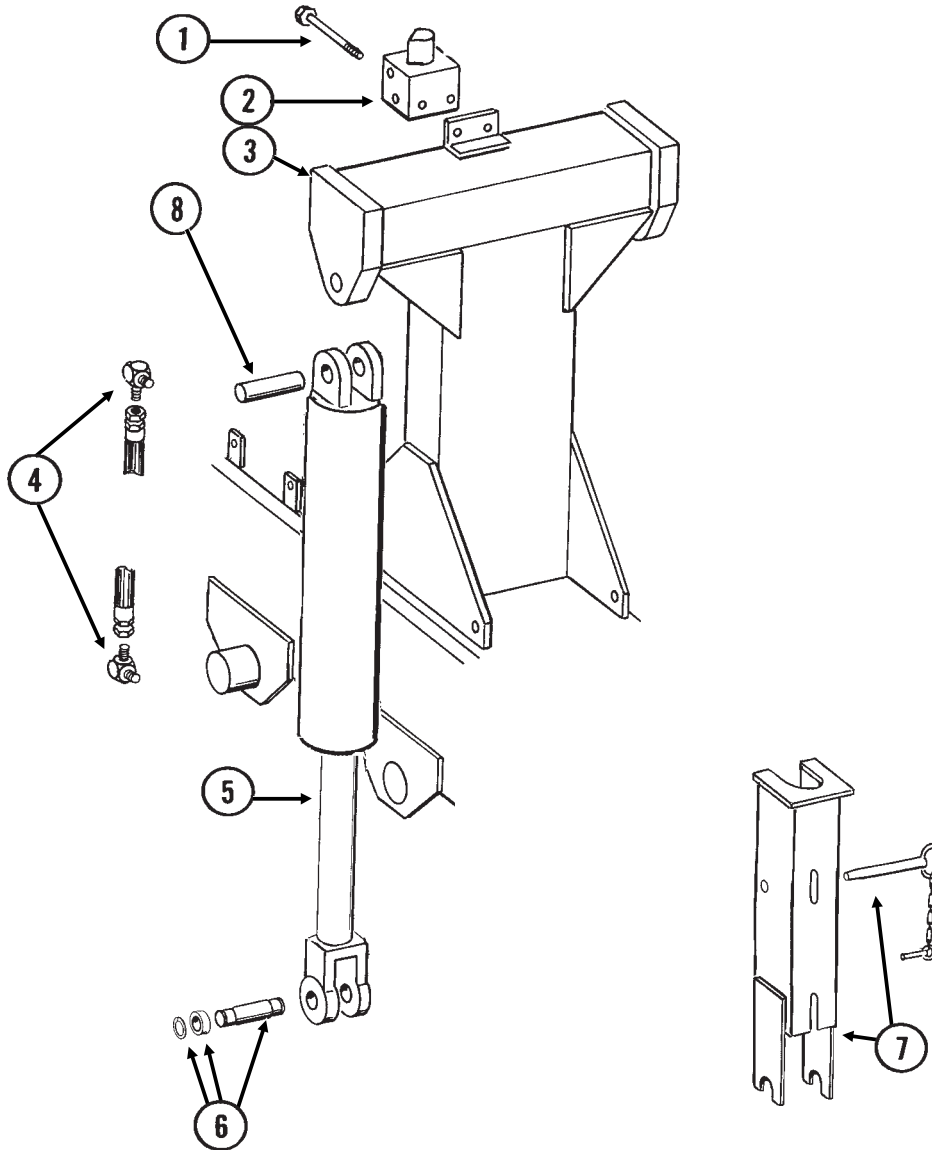


TOWER ASSEMBLY, 24 ROW 30" AND 36 ROW 20"

ITEM	PART NO.	QTY.	DESCRIPTION
1.	G10326	2	Hex Head Cap Screw, $\frac{3}{8}$ "-16 x 3 $\frac{3}{4}$ "
	G10229	2	Lock Washer, $\frac{3}{8}$ "
	G10101	2	Hex Nut, $\frac{3}{8}$ "-16
2.		-	See "Valve Block On Tower Assembly", Page P77
3.	A6639	1	Axle Mount (Non-Stock Item)
4.		-	See "Rear Wear Pads", Page P37
5.	G6801-08	4	Elbow W/O-Ring, 90°, $\frac{3}{4}$ "-16 Male JIC To O-Ring
	GR1037	-	O-Ring
6.		-	See "Slave Cylinder", Page P69
7.	GD12545	2	Pin, 1 $\frac{1}{4}$ " x 5 $\frac{1}{2}$ "
	GD12535	4	Special Bushing, 2" O.D. x 1" I.D. x $\frac{3}{4}$ " Long
	G10982	4	HD External Retaining Ring, 1"
8.	GA8971	1	Cylinder Lockup Bracket W/Pin Assembly
	GA8312	-	Pin W/Lynch Pin, 5 $\frac{1}{2}$ "
9.	GD12585	2	Pin, 1 $\frac{1}{4}$ " x 4 $\frac{1}{2}$ "
	G10460	4	Cotter Pin, $\frac{1}{4}$ " x 2"

TOWER ASSEMBLY, 16 ROW 30", 16 ROW 38", 24 ROW 20" AND 24 ROW 22"

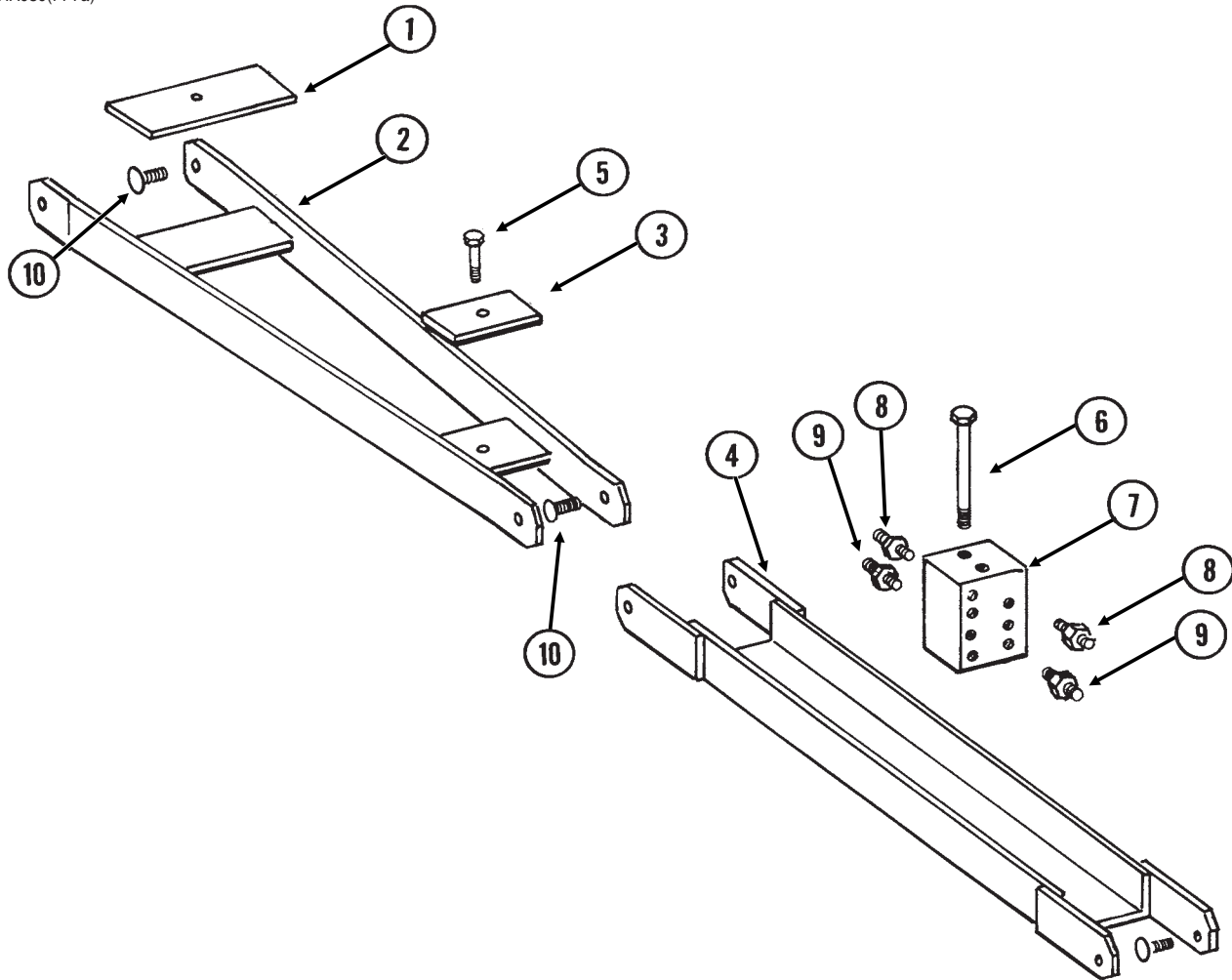
(FF63b)



ITEM	PART NO.	QTY.	DESCRIPTION
1.	G10326	2	Hex Head Cap Screw, $\frac{3}{8}$ "-16 x 3 $\frac{3}{4}$ "
	G10229	2	Lock Washer, $\frac{3}{8}$ "
	G10101	2	Hex Nut, $\frac{3}{8}$ "-16
2.		-	See "Valve Block On Tower Assembly", Page P77
3.		-	See "Hitch And Linkage Assembly", 16 Row 30", 16 Row 38", 24 Row 20" And 24 Row 22", Pages P34 And P35
4.	G6801-08	4	Elbow W/O-Ring, 90°, $\frac{3}{4}$ "-16 Male JIC To O-Ring
	GR1037	-	O-Ring
5.		-	See "Slave Cylinder", Page P69
6.	GD12545	2	Pin, 1 $\frac{1}{4}$ " x 5 $\frac{1}{2}$ "
	GD12535	4	Special Bushing, 2" O.D. x 1" I.D. x $\frac{3}{4}$ " Long
	G10982	4	HD External Retaining Ring, 1"
7.	GA8971	1	Cylinder Lockup Bracket W/Pin Assembly
	GA8312	-	Pin W/Lynch Pin, 5 $\frac{1}{2}$ "
8.	GD12585	2	Pin, 1 $\frac{1}{4}$ " x 4 $\frac{1}{2}$ "
	G10460	4	Cotter Pin, $\frac{1}{4}$ " x 2"

HOSE TAKE-UP, 24 ROW 30" AND 36 ROW 20"

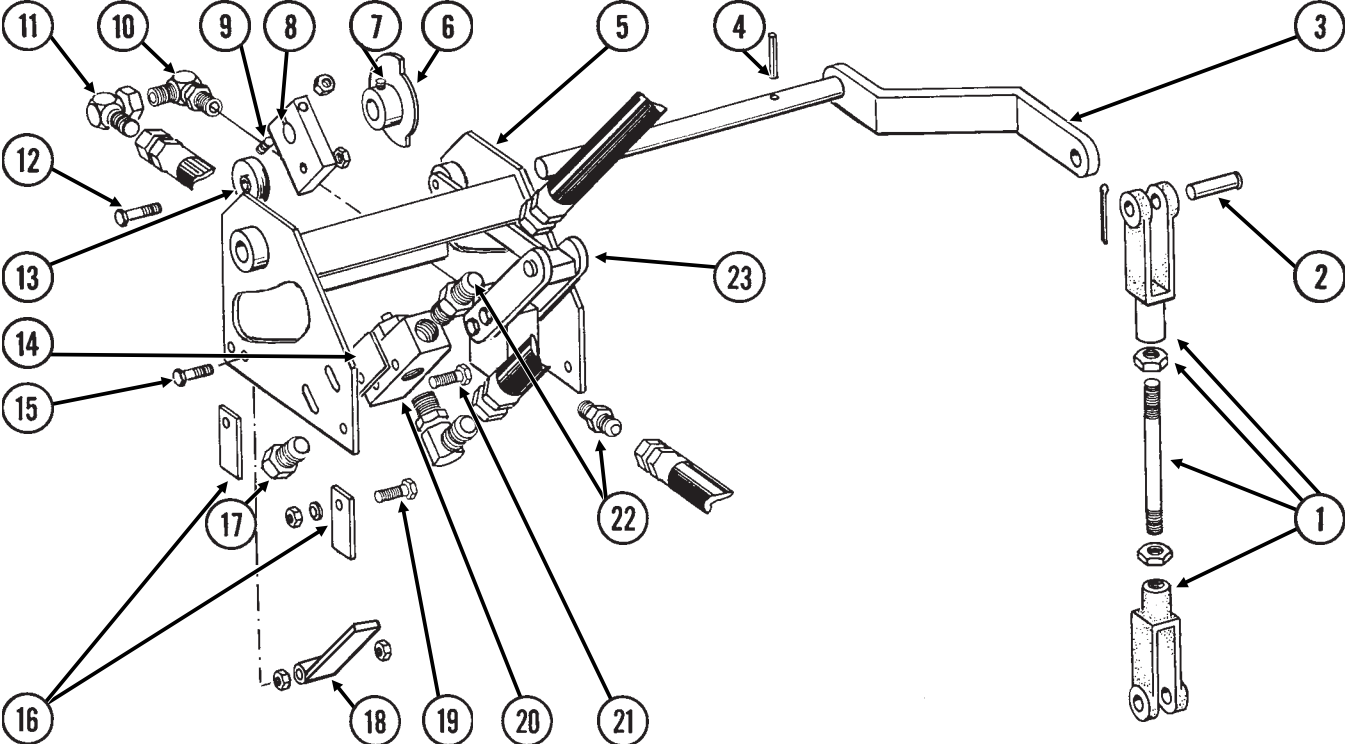
PHA030(FF7a)



ITEM	PART NO.	QTY.	DESCRIPTION
1.	GD11895	1	Spacer, 4" x 8 1/4"
2.	GA6656	1	Front Hose Take-Up
3.	GD11894	1	Spacer, 4" x 5 1/2"
4.	GA6657	1	Rear Hose Take-Up
5.	G10038	2	Hex Head Cap Screw, 1/2"-13 x 3"
	G10111	2	Lock Nut, 1/2"-13
6.	G10756	2	Hex Head Cap Screw, 3/8"-16 x 6"
	G10229	2	Lock Washer, 3/8"
	G10101	2	Hex Nut, 3/8"-16
7.	GD9537	1	Block
8.	G6400-10-08	5	Connector W/O-Ring, 7/8"-14 Male JIC To 3/4"-16 O-Ring
	GR1037	-	O-Ring
9.	G6400-08	7	Connector W/O-Ring, 3/4"-16 Male JIC To O-Ring
	GR1037	-	O-Ring
10.	G10415	6	Carriage Bolt, 5/8"-11 x 2 1/4"
	GB0218	6	Bushing, 21/32" I.D. x 7/8" O.D. x 19/32" Long
	GD7805	6	Special Washer, 5/8", Hardened
	G10107	6	Lock Nut, 5/8"-11

STROKE LIMITER/DETENT VALVE ASSEMBLY AND LINKAGE

PHA031(FF8e)



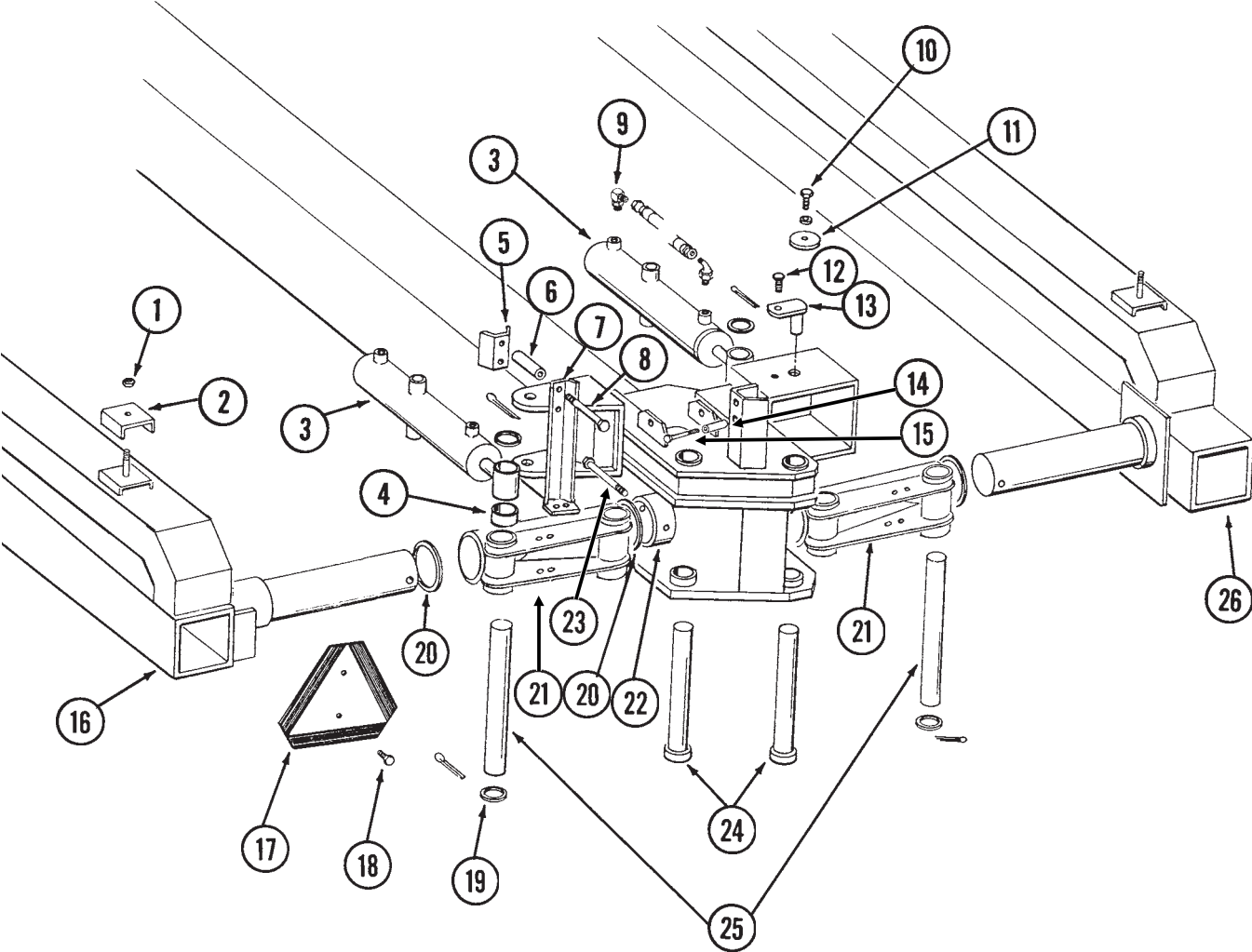
STROKE LIMITER/DETENT VALVE ASSEMBLY AND LINKAGE

ITEM	PART NO.	QTY.	DESCRIPTION
1.	GA6646	1	Rod Assembly
	GD8218	-	Yoke
	GD9499	-	Stud
	G10104	-	Hex Nut, $\frac{5}{8}$ "-11
2.	G10284	2	Clevis Pin, $\frac{1}{2}$ " x $1\frac{1}{2}$ "
	G10451	2	Cotter Pin, $\frac{1}{8}$ " x 1"
3.	GA6685	1	Cam Activator
4.	G10606	1	Spring Pin, $\frac{1}{4}$ " x 2"
5.	GA6687	1	Housing
6.	GA6686	1	Cam
7.	G10120	2	Hex Socket Set Screw, $\frac{3}{8}$ "-16 x $\frac{1}{2}$ "
8.	GD9511	1	Detent Arm
9.	G10048	1	Hex Head Cap Screw, $\frac{3}{8}$ "-16 x 2"
	G10108	1	Lock Nut, $\frac{3}{8}$ "-16
10.	G6801-10-08	1	Elbow W/O-Ring, 90°, $\frac{7}{8}$ "-14 Male JIC To $\frac{3}{4}$ "-16 O-Ring
	GR1037	-	O-Ring
11.	G6500-10	1	Swivel Elbow, 90°, $\frac{7}{8}$ "-14 Male JIC To Female
12.	G10009	1	Hex Head Cap Screw, $\frac{5}{8}$ "-11 x $2\frac{1}{2}$ "
	G10107	1	Lock Nut, $\frac{5}{8}$ "-11
13.	GA2014	1	Bearing
14.	GD10714	-	Spacer
15.	G10048	1	Hex Head Cap Screw, $\frac{3}{8}$ "-16 x 2"
	G10101	2	Hex Nut, $\frac{3}{8}$ "-16
16.		-	See "Hitch And Linkage Assembly", Pages P33-P35
17.	G6408-08	1	Plug W/O-Ring, $\frac{3}{4}$ "-16 O-Ring
	GR1037	-	O-Ring
18.	GA7153	1	Stroke Limiter Arm (If Applicable)
19.	G10004	4	Hex Head Cap Screw, $\frac{3}{8}$ "-16 x $1\frac{1}{4}$ "
	G10229	4	Lock Washer, $\frac{3}{8}$ "
	G10101	4	Hex Nut, $\frac{3}{8}$ "-16
20.		-	See "Stroke Limiter Valve", Page P81
21.	G10069	2	Hex Head Cap Screw, $\frac{5}{16}$ "-18 x $2\frac{1}{4}$ "
	G10620	2	Serrated Flange Nut, $\frac{5}{16}$ "-18
22.	G6400-10-08	1	Connector W/O-Ring, $\frac{7}{8}$ "-14 Male JIC To $\frac{3}{4}$ "-16 O-Ring
	GR1037	-	O-Ring
23.		-	See "Detent Lever Valve", Page P80

HINGE AND WING ASSEMBLIES

PFA062/PFA052(FF9c)

24 Row 30"/36 Row 20" Shown

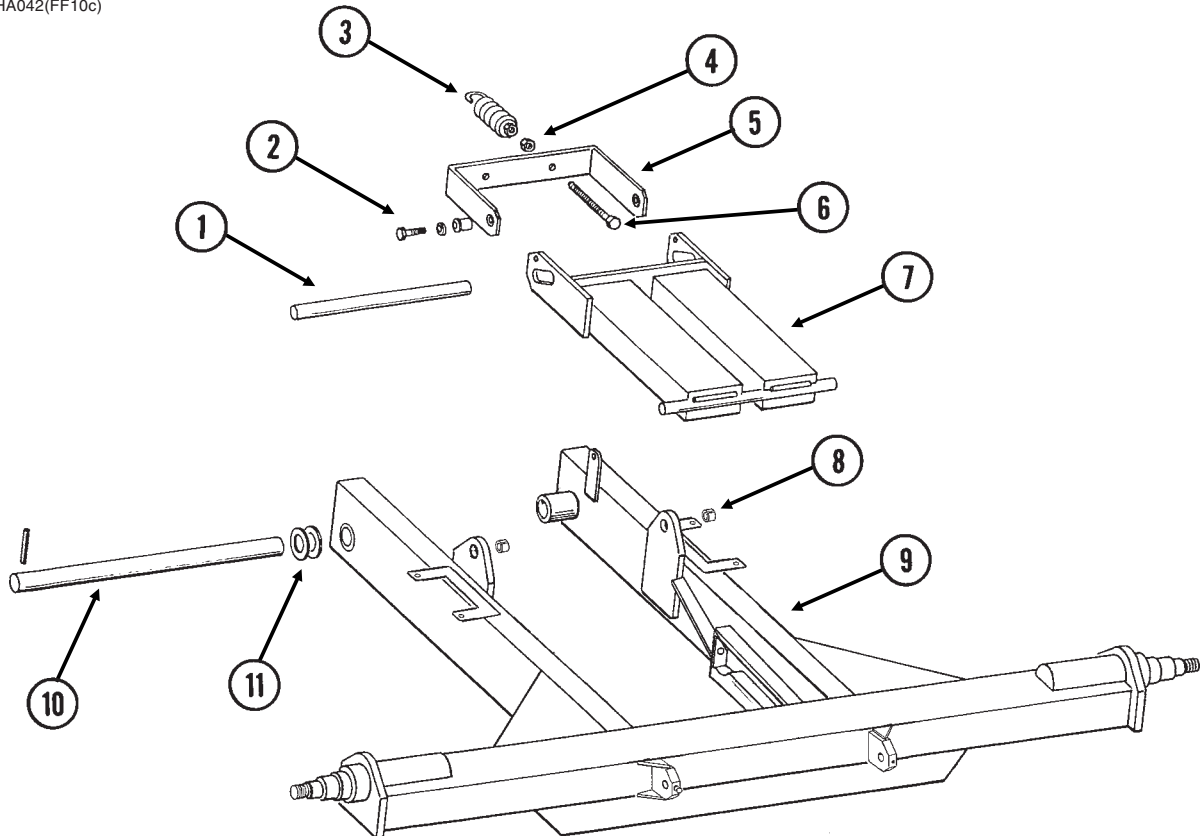


HINGE AND WING ASSEMBLIES

ITEM	PART NO.	QTY.	DESCRIPTION
1.	G10111	-	Lock Nut, 1/2"-13
2.	GD0740	-	Hose Clamp, 3/4" x 4" x 3 1/2"
	GD0776	-	Hose Clamp, 3/4" x 2" x 2 1/2"
3.		-	See "Helper Cylinder", Page P72
4.	GD9727	2	Spacer
5.	GD9361	2	Hose Guide
6.	GD3180-13	4	Sleeve, 5/8" I.D. x 7/8" O.D. x 4" Long
7.	GA6640	1	Bracket
8.	G10011	2	Hex Head Cap Screw, 5/8"-11 x 5 1/2"
	G10230	2	Lock Washer, 5/8"
	G10104	2	Hex Nut, 5/8"-11
9.	G6801-06-08	4	Elbow W/O-Ring, 90°, 9/16"-18 Male JIC To 3/4"-16 O-Ring
	GR1037	-	O-Ring
10.	G10026	2	Hex Head Cap Screw, 3/4"-10 x 2"
	G10231	2	Lock Washer, 3/4"
11.	GD9516	2	Pivot Washer
12.	G10017	4	Hex Head Cap Screw, 1/2"-13 x 1 1/2"
	G10228	4	Lock Washer, 1/2"
	G10102	4	Hex Nut, 1/2"-13
13.	GA6761	4	Pin
14.	GD3180-06	2	Sleeve, 5/8" I.D. x 7/8" O.D. x 1 3/4" Long
15.	G10013	2	Hex Head Cap Screw, 5/8"-11 x 3 1/2"
	G10036	-	Hex Head Cap Screw, 5/8"-11 x 4"
	G10230	2	Lock Washer, 5/8"
	G10104	2	Hex Nut, 5/8"-11
16.	GA9031	1	L.H. Wing, 360", 24 Row 30" And 36 Row 20"
	GA8847	1	L.H. Wing, 270 3/8", 24 Row 22"
	GA11251	1	L.H. Wing, 300 3/8", 16 Row 38"
	GA7459	1	L.H. Wing, 246 3/8", 16 Row 30" And 24 Row 20"
17.	GD2199	1	SMV Sign
18.	G10022	2	Hex Head Cap Screw, 1/4"-20 x 1/2"
	G10227	2	Lock Washer, 1/4"
	G10103	2	Hex Nut, 1/4"-20
19.	G10360	4	Machine Bushing, 2 1/2", 10 Gauge
20.	GD9462	6	Washer
21.	GA8137	-	Knuckle Less Grease Fittings
	G10640	3	Grease Fitting, 1/4"-28
22.	GD9463	2	Washer
23.	G10057	2	Hex Head Cap Screw, 3/4"-10 x 7"
	G10231	2	Lock Washer, 3/4"
	G10105	2	Hex Nut, 3/4"-10
24.	GA8994	-	Vertical Pin
	G10360	-	Machine Bushing, 2 1/2", 10 Gauge (As Required)
	G10359	-	Machine Bushing, 2 1/2", 18 Gauge (As Required)
	GD12692	-	Pin, 3/8" x 3 1/2"
25.	GD9726	2	Pin, 2 1/2" x 13 1/8"
	G10461	4	Cotter Pin, 3/8" x 3"
26.	GA9032	1	R.H. Wing, 357", 24 Row 30" And 36 Row 20"
	GA8848	1	R.H. Wing, 267 3/8", 24 Row 22"
	GA11252	1	R.H. Wing, 297 3/8", 16 Row 38"
	GA7462	1	R.H. Wing, 243 3/8", 16 Row 30" And 24 Row 20"

AXLE AND TRANSPORT LOCKUP

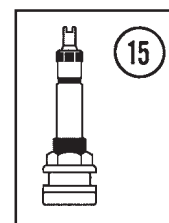
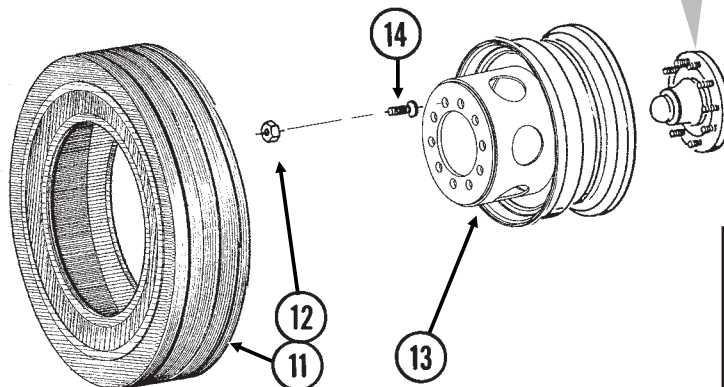
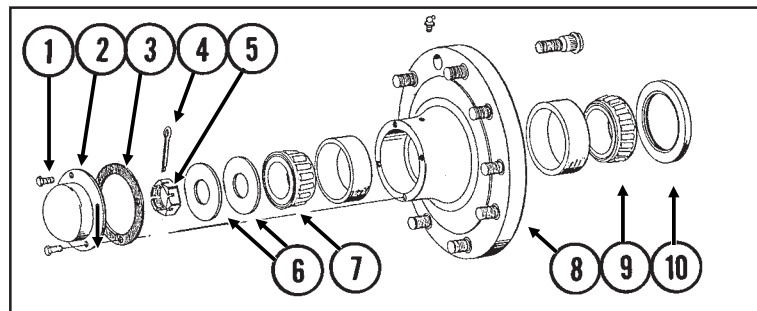
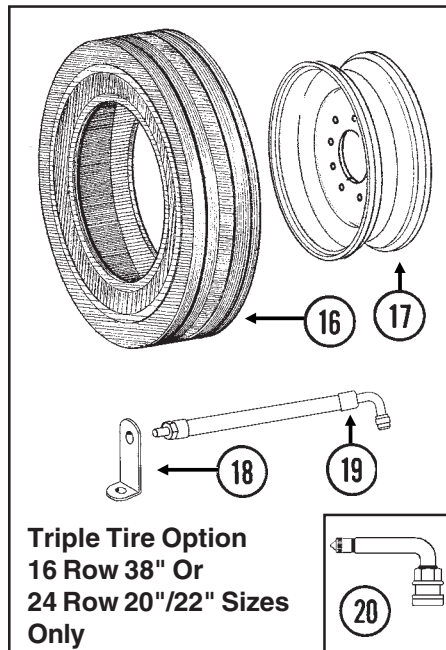
HTA042/PHA042(FF10c)



ITEM	PART NO.	QTY.	DESCRIPTION
1.	GD11783	1	Transport Rod, 1 1/2" x 14 3/4"
2.	G10055	2	Hex Head Cap Screw, 5/8"-11 x 1 1/4"
	GD3180-24	2	Sleeve, 5/8" I.D. x 7/8" O.D. x 3/8" Long
	GD7805	2	Special Washer, 5/8", Hardened
3.	GA2068	2	Spring W/Plug
4.	G10102	2	Hex Nut, 1/2"-13
5.	GA6725	1	Mechanical Trip Actuator
6.	G10015	2	Adjusting Bolt, 1/2"-13 x 5"
7.	GA6658	1	Automatic Safety Lock
8.	GD11751	2	Steel Bushing, 1" Wide
9.	A9024	1	Axle W/Grease Fittings, 86 3/4", 16 Row 30" And 24 Row 30" (Non-Stock Item)
	A9025	-	Axle W/Grease Fittings, 96 3/4", 24 Row 20" And 36 Row 20" (Non-Stock Item)
	A8852	-	Axle W/Grease Fittings, 104 3/4", 16 Row 38" And 24 Row 22" (Non-Stock Item)
	G10640	4	Grease Fitting, 1/4"-28
10.	GD9566-01	1	Pin, 2 1/8" x 31 3/8"
	G10461	2	Cotter Pin, 3/8" x 3"
11.	G10234	4	Machine Bushing, 2 1/8", 10 Gauge

TRANSPORT WHEEL AND HUB ASSEMBLY

HTA002/HTA004/HTA041(FF11d/A7434)



ITEM	PART NO.	QTY. (Per Assy.)	DESCRIPTION
1.	G10376	4	Hex Head Cap Screw, $\frac{5}{16}$ "-18 x $\frac{3}{4}$ "
2.	GD1529	1	Dust Cap
3.	GD1536	1	Seal
4.	G10460	1	Cotter Pin, $\frac{1}{4}$ " x 2"
5.	G10070	1	Slotted Hex Nut, 1 $\frac{1}{4}$ "-12
6.	G10139	2	Washer, 1 $\frac{1}{4}$ " USS
7.	GA0705	1	Outer Bearing
8.	GA5965	1	Hub W/Cups, Grease Fitting And Stud Bolts (10 Bolt)
	GR0322	-	Outer Cup
	GD8532	-	Inner Cup
	G10373	-	Grease Fitting, 45°, $\frac{1}{8}$ "-27
	GR0257	-	Bolt, $\frac{3}{4}$ "-16 x 2 $\frac{1}{2}$ "
9.	GA5987	1	Inner Bearing
10.	GA5988	1	Seal
11.	GD13352	-	Tire, 36" x 16" x 17.5", 14 Ply, Tubeless (Specify Brand*), 16 Row 30", 24 Row 30" And 36 Row 20" (Shown)
	GD13409	-	Tire, 255-70R 22.5" W/O Center Rib, Tubeless (Specify Brand*), 16 Row 38", 24 Row 20" And 24 Row 22"
12.	GD9509	10	Outer Budd Nut
13.	GA6738	-	Rim, 18 $\frac{1}{2}$ " Deep, 16 Row 30" And 24 Row 30"
	GA7448	-	Rim, 16" Deep, 36 Row 20"
	GA7551	-	Rim, 13 $\frac{1}{2}$ " Deep, 16 Row 38", 24 Row 20" And 24 Row 22"
	GA10771	-	Rim, 19 $\frac{1}{2}$ " Deep, 16 Row 38"
14.	GD9508	10	Inner Budd Nut, 2 $\frac{1}{4}$ " Long
	GD12567	-	Inner Budd Nut, 2 $\frac{5}{8}$ " Long
15.	GA7434	1	Valve Stem
16.	GD13409	1	Tire, 255-70R 22.5" W/O Center Rib, Tubeless (Specify Brand*)
17.	GA8955	1	Center Rim Weld
18.	GD12704	1	Bracket
19.	GA9056	1	Air Hose
20.	GA9139	1	Air Hose Elbow, 90°

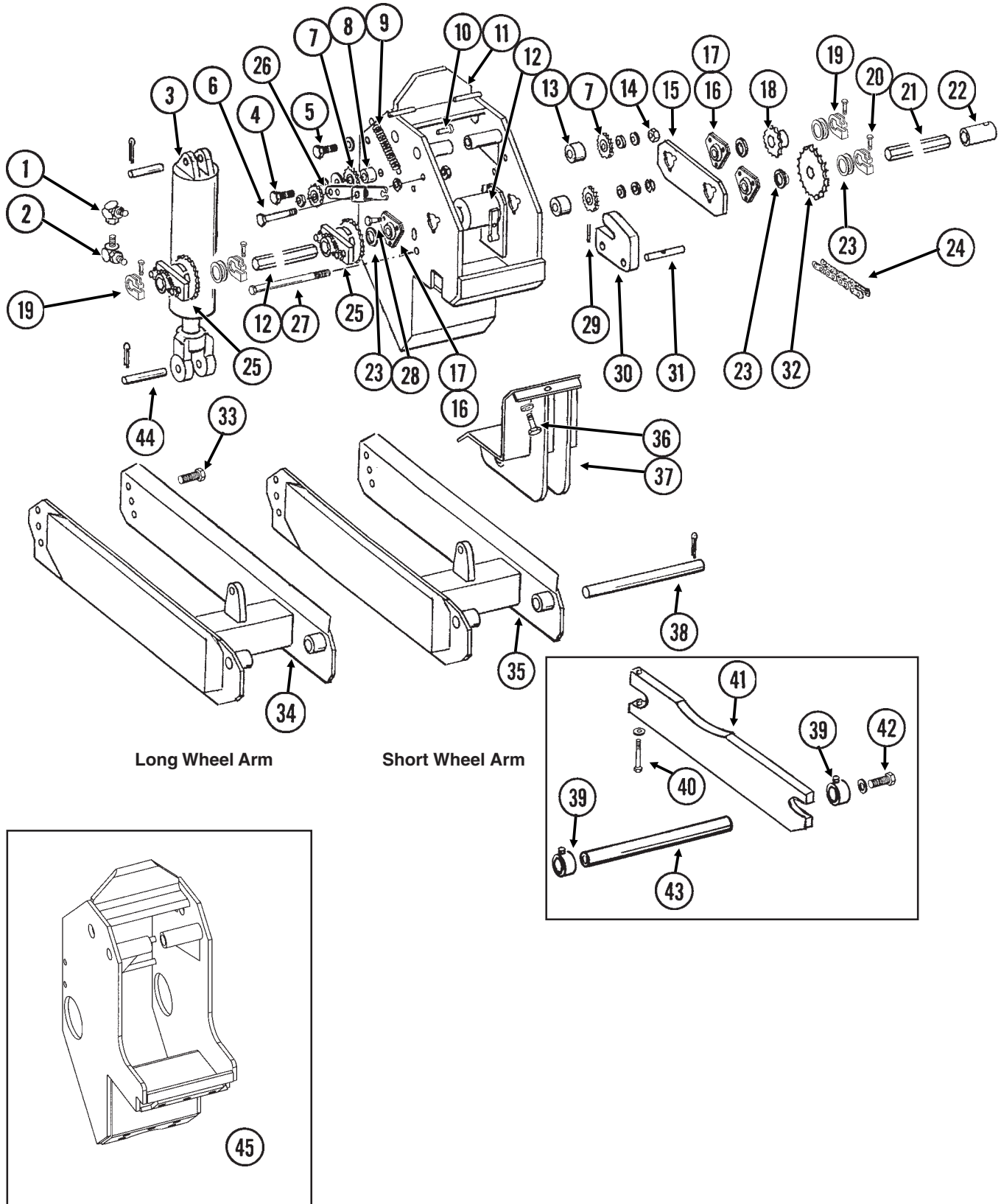
* Specific brand requests will be supplied only as available from current KINZE® Repair Parts stock. If a specific brand requested is not in stock, the brand available will be supplied.

WHEEL MODULE ASSEMBLY

PFA056(FF83d)

R.H. Side Shown

To Transmission →



WHEEL MODULE ASSEMBLY

ITEM	PART NO.	QTY. (Per Machine)	DESCRIPTION
1.	G6502-08	8	Swivel Elbow, 45°, 3/4"-16 Male JIC To Female
2.	G6801-08	8	Elbow W/O-Ring, 90°, 3/4"-16 Male JIC To O-Ring
	GR1037	-	O-Ring
3.		-	See "Master Cylinder", Page P69
4.	G10397	4	Hex Head Cap Screw, 1/2"-13 x 2 3/4"
	G10216	4	Washer, 1/2" USS
	G10111	4	Lock Nut, 1/2"-13
5.		-	See "Contact Drive Wheel Assembly", Pages P52 And P53
6.	G10036	4	Hex Head Cap Screw, 5/8"-11 x 4"
	G10918	8	Machine Bushing, 5/8", 14 Gauge (If Applicable)
	G10104	4	Hex Nut, 5/8"-11
	G10107	4	Lock Nut, 5/8"-11
7.	GA7154	8	Sprocket W/Bearing, 18 Tooth
8.	GB0258	4	Stepped Spacer, 7/8"
9.	GD5857	4	Spring
10.	G10860	4	Retaining Ring, 3/8"
	G10166	4	Clevis Pin, 3/8" x 1 1/2"
11.	A7323	-	Wheel Tower (Non-Stock Item)
12.		-	See "Point Row Clutch", Pages P54 And P55 Or "Two-Speed Point Row Clutch", Pages P56 And P57
13.	GD10637	8	Stepped Spacer, 1/2"
14.	G10053	8	Hex Head Cap Screw, 1/2"-13 x 2 1/2"
	G10235	16	Machine Bushing, 7/8", 14 Gauge
	G10228	8	Lock Washer, 1/2"
	G10102	8	Hex Nut, 1/2"-13
15.	GD9482	2	Plate
16.	G2100-03	-	Bearing, 7/8" Hex Bore, Spherical
17.	G3400-01	-	Flangette
18.	GA5113	-	Sprocket, 28 Tooth
19.	GD11045	-	Lock Clamp
20.	G10130	-	Square Head Machine Bolt, 5/16"-18 x 1 3/4"
	G10923	-	Flange Nut, 5/16"-18, No Serration
21.	GD0914-18	1	Hex Shaft, 7/8" x 18" (No Holes), 16 Row 38"
	GD0914-24	1	Hex Shaft, 7/8" x 24" (No Holes), 24 Row 22", 24 Row 30" And 36 Row 20"
	GD0914-25	1	Hex Shaft, 7/8" x 25" (No Holes), 16 Row 30" And 24 Row 20"
	GD0914-63	1	Hex Shaft, 7/8" x 63" (No Holes), 16 Row 30", 24 Row 20" And 24 Row 30"
	GD0914-72	1	Hex Shaft, 7/8" x 72" (No Holes), 24 Row 22" And 36 Row 20"
	GD0914-81	1	Hex Shaft, 7/8" x 81" (No Holes), 16 Row 38"
22.		-	See "Transmission And Driveline", Pages P60-P62, Item 8
23.	G10233	-	Machine Bushing, 1", 10 Gauge (As Required)
24.	G3310-82	-	Chain, No. 40, 82 Pitch Including Connector Link
	GR0912	-	Connector Link, No. 40
25.		2	See "Ratchet/Sprocket Assembly", Page P63
26.	GA9554	4	Idler W/Sprocket And Hardware, R.H.
	GA7154	-	Sprocket W/Bearing, 18 Tooth
	G10017	-	Hex Head Cap Screw, 1/2"-13 x 1 1/2"
	G10128	-	Machine Bushing, 1/2", 14 Gauge
	G10501	-	Hex Jam Nut, 1/2"-13, Grade 2
27.	G10595	2	Hex Head Cap Screw, 3/8"-16 x 10"
	G10875	2	Hex Head Cap Screw, 3/8"-16 x 11"
	G10203	4	Washer, 3/8" SAE
	G10108	2	Lock Nut, 3/8"-16

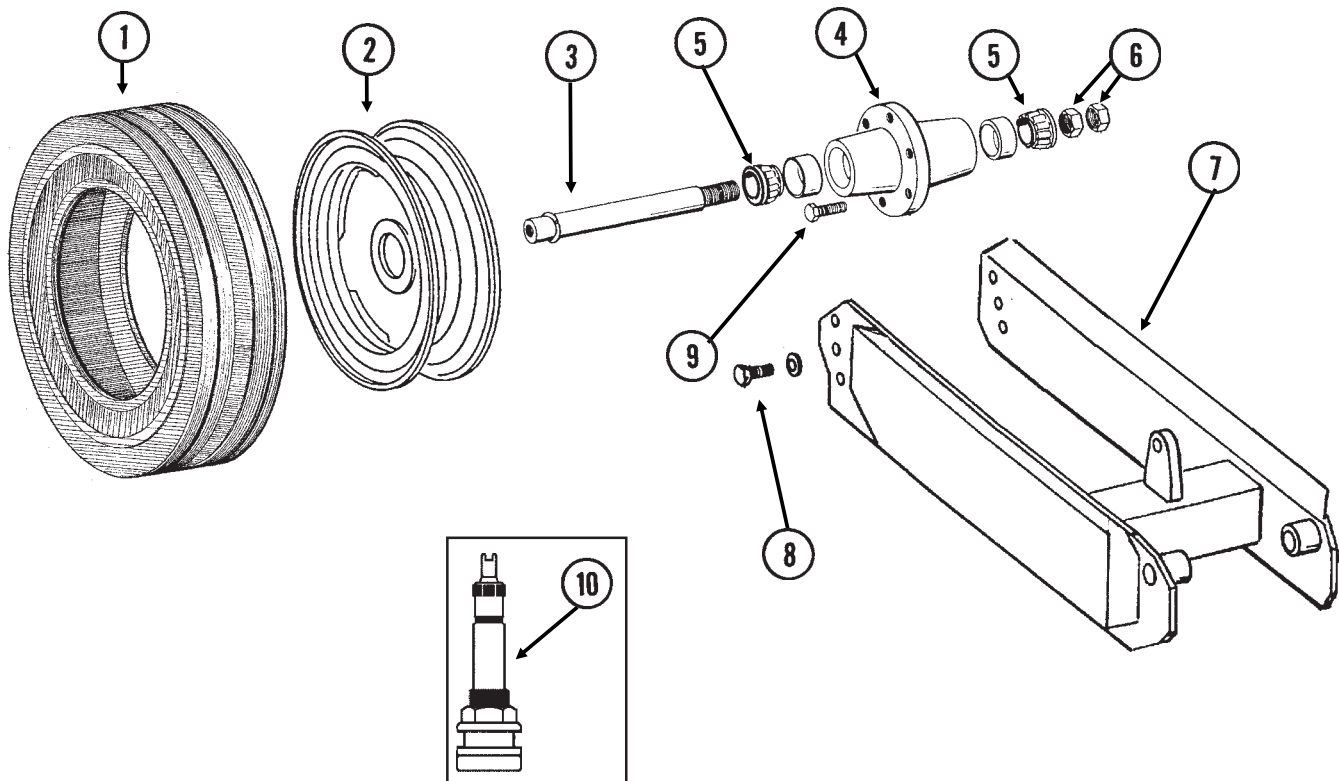
(Continued On Following Page)

WHEEL MODULE ASSEMBLY

ITEM	PART NO.	QTY. (Per Machine)	DESCRIPTION
28.	G10338	6	Carriage Bolt, $\frac{5}{16}$ "-18 x 1 $\frac{1}{4}$ "
	G10303	18	Carriage Bolt, $\frac{5}{16}$ "-18 x 1"
	G10232	24	Lock Washer, $\frac{5}{16}$ "
	G10106	24	Hex Nut, $\frac{5}{16}$ "-18
29.	G10606	4-6	Spring Pin, $\frac{1}{4}$ " x 2"
30.	GD9514	4-6	Cylinder Pivot Mount
31.	GD9515	4-6	Cylinder Anchor Pin, 1" x 6"
32.	GA5194	-	Sprocket, 50 Tooth
33.			See "Ground Drive Tire Assembly", Page P51
34.	GA8715	-	Long Wheel Arm W/Grease Fitting (Inner)
	G10640	-	Grease Fitting, $\frac{1}{4}$ "-28
35.	GA8714	-	Short Wheel Arm W/Grease Fitting (Outer) (Lift Assist For 36 Row 20" Only)
	G10640	-	Grease Fitting, $\frac{1}{4}$ "-28
36.	G10006	-	Hex Head Cap Screw, $\frac{5}{8}$ "-11 x 2 $\frac{1}{4}$ "
	GD7805	-	Special Washer, $\frac{5}{8}$ ", Hardened
	G10230	-	Lock Washer, $\frac{5}{8}$ "
	G10104	-	Hex Nut, $\frac{5}{8}$ "-11
37.	GA7324	4	Bracket W/Grease Fittings
	G10640	-	Grease Fitting, $\frac{1}{4}$ "-28
38.	GD11695	4-6	Pin, 1 $\frac{1}{4}$ " x 13 $\frac{1}{4}$ "
	G10610	8-12	Spring Pin, $\frac{3}{8}$ " x 2"
39.	GD10686	-	Special Lock Collar, Less Set Screws
	G10145	-	Square Head Set Screw, $\frac{5}{16}$ "-18 x $\frac{1}{2}$ "
40.	G10035	-	Hex Head Cap Screw, $\frac{1}{2}$ "-13 x 4"
	G10228	-	Lock Washer, $\frac{1}{2}$ "
41.	GD10316	-	Plate, Special Row Spacing Only
42.	G10017	-	Hex Head Cap Screw, $\frac{1}{2}$ "-13 x 1 $\frac{1}{2}$ "
	G10228	-	Lock Washer, $\frac{1}{2}$ "
43.	GD10317	-	Shaft, Special Row Spacing Only
44.	GD12585	8-10	Pin, 1 $\frac{1}{4}$ " x 4 $\frac{1}{2}$ "
	G10460	16-20	Cotter Pin, $\frac{1}{4}$ " x 2"
45.	A11070	-	Wheel Tower (Center Wheel Module On 36 Row 20" Only) (Non-Stock Item)
A.	G1K269	-	Lock Clamp Kit (Items 19 And 20)

GROUND DRIVE TIRE ASSEMBLY

PFA056/PTD057(FF13e/A7434)

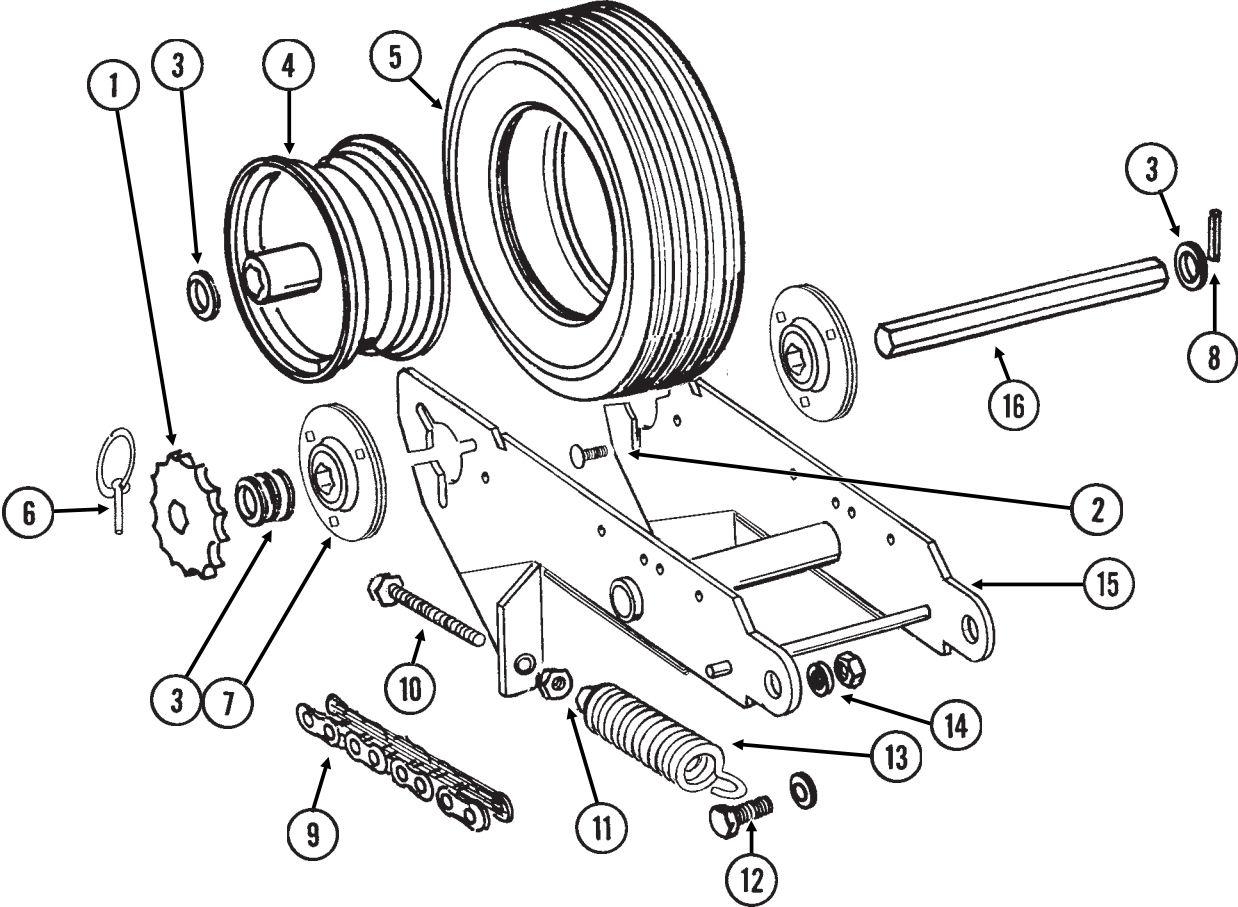


ITEM	PART NO.	QTY. (Per Assy.)	DESCRIPTION
1.	GD13409	-	Tire, 255-70R 22.5" W/O Center Rib, Tubeless (Specify Brand*)
2.	GA9619	-	Rim, 5.5" x 22.5"
3.	GA4376	1	Spindle W/Round External Retaining Ring, 10"
	GD11490	-	Round External Retaining Ring
4.	GA2148	1	Hub W/Cups, 6 Bolt
	GR0434	-	Cup
5.	GA0895	2	Bearing
6.	G11081	2	Hex Jam Nut, 1 1/2"-12, Grade 2
7.		-	See "Wheel Module Assembly", Pages P48-P50
8.	G10026	2	Hex Head Cap Screw, 3/4"-10 x 2"
	G10231	2	Lock Washer, 3/4"
9.	GR0270	6	Lug Bolt, 9/16"-18
10.	GA7434	-	Valve Stem
A.	GA9620	-	Tire And Rim Assembly W/O Center Rib (Items 1, 2 And 10) (Specify Brand*)
B.	GA4377	-	Hub And Spindle Assembly (Items 3-6)

* Specific brand requests will be supplied only as available from current KINZE® Repair Parts stock. If a specific brand requested is not in stock, the brand available will be supplied.

CONTACT DRIVE WHEEL ASSEMBLY

(FF43e)



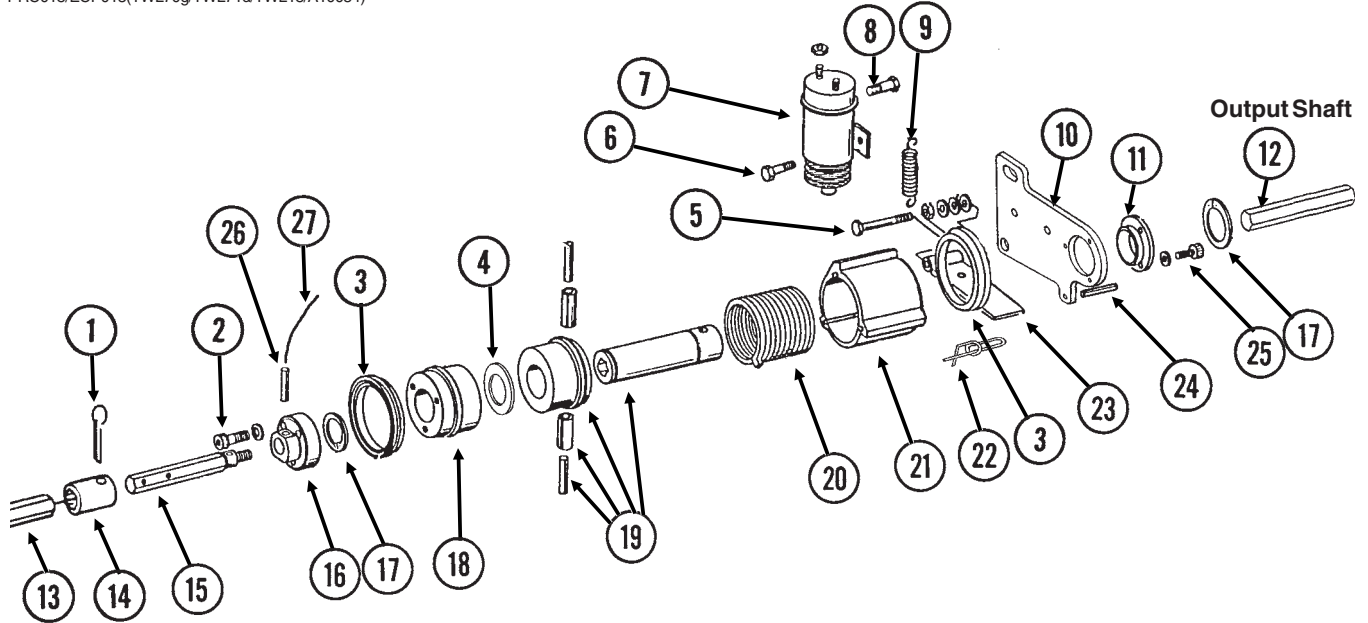
CONTACT DRIVE WHEEL ASSEMBLY

ITEM	PART NO.	QTY. (Per Assy.)	DESCRIPTION
1.	GA5114	1	Sprocket, 30 Tooth
	GA5105	-	Sprocket, 15 Tooth, Half Rate (2 To 1) Drive
2.	G10303	6	Carriage Bolt, $\frac{5}{16}$ "-18 x 1"
	G10232	6	Lock Washer, $\frac{5}{16}$ "
	G10106	6	Hex Nut, $\frac{5}{16}$ "-18
3.	G10233	-	Machine Bushing, 1", 10 Gauge (As Required)
4.	GA3553	1	Rim, 3.75" x 8"
5.	GD4700	1	Tire, 4.80" x 8", 6 Ply, Rib Implement (Specify Brand*)
	GD4701	-	Valve Stem
6.	GD2558	1	Lynch Pin, $\frac{1}{4}$ "
7.	GA9846	2	Flanged Bearing, $\frac{7}{8}$ " Hex Bore
8.	G10602	2	Spring Pin, $\frac{1}{4}$ " x 1 $\frac{1}{2}$ "
9.	G3310-152	1	Chain, No. 40, 152 Pitch Including Connector Link
	G3310-144	-	Chain, No. 40, 144 Pitch Including Connector Link, Half Rate (2 To 1) Drive
	GR0912	-	Connector Link, No. 40
10.	G10890	2	Hex Head Adjusting Bolt, $\frac{1}{2}$ "-13 x 4", Grade 2
11.	G10501	2	Hex Jam Nut, $\frac{1}{2}$ "-13, Grade 2
12.	G10008	2	Hex Head Cap Screw, $\frac{5}{8}$ "-11 x 2"
	G10235	4	Machine Bushing, $\frac{7}{8}$ ", 14 Gauge
	GD7805	2	Special Washer, $\frac{5}{8}$ ", Hardened
	G10107	2	Lock Nut, $\frac{5}{8}$ "-11
13.	GA2068	2	Spring W/Plug
14.	GB0218	2	Bushing, $\frac{21}{32}$ " I.D. x $\frac{7}{8}$ " O.D. x $\frac{19}{32}$ " Long
15.	GA7372	1	Wheel Arm
16.	GD6775	1	Hex Shaft, $\frac{7}{8}$ " x 11 $\frac{3}{4}$ " (2 Holes)
A.	GA3552	-	Tire And Rim Assembly (Items 4 And 5) (Specify Brand*)

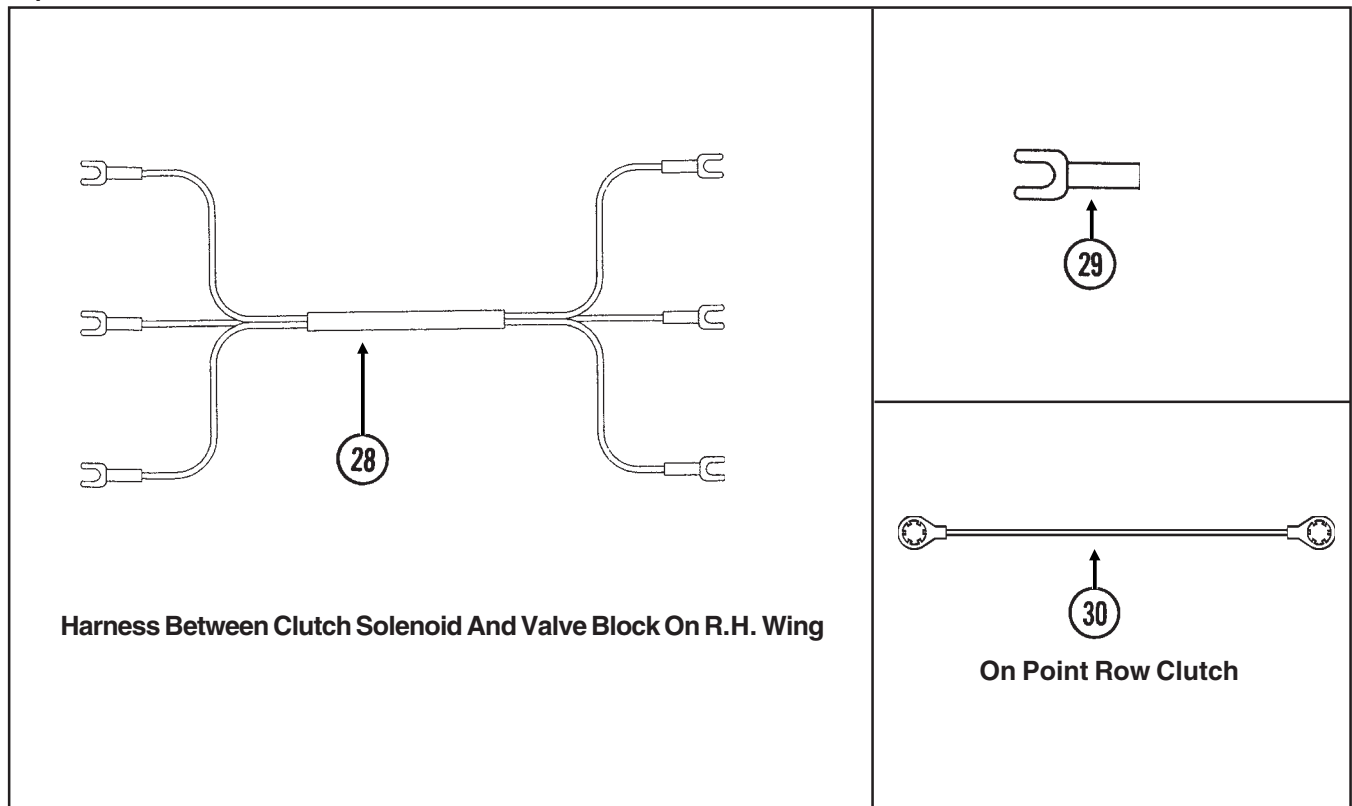
* Specific brand requests will be supplied only as available from current KINZE® Repair Parts stock. If a specific brand requested is not in stock, the brand available will be supplied. Different brand tires may have different diameters. Change in tire brand may affect rates. Field checks are recommended after any change in contact tires.

POINT ROW CLUTCH

PRC018/ECP013(TWL70g/TWL71d/TWL18/A10054)



Input Shaft



ITEM	PART NO.	QTY.	DESCRIPTION
------	----------	------	-------------

(Per Assy.)

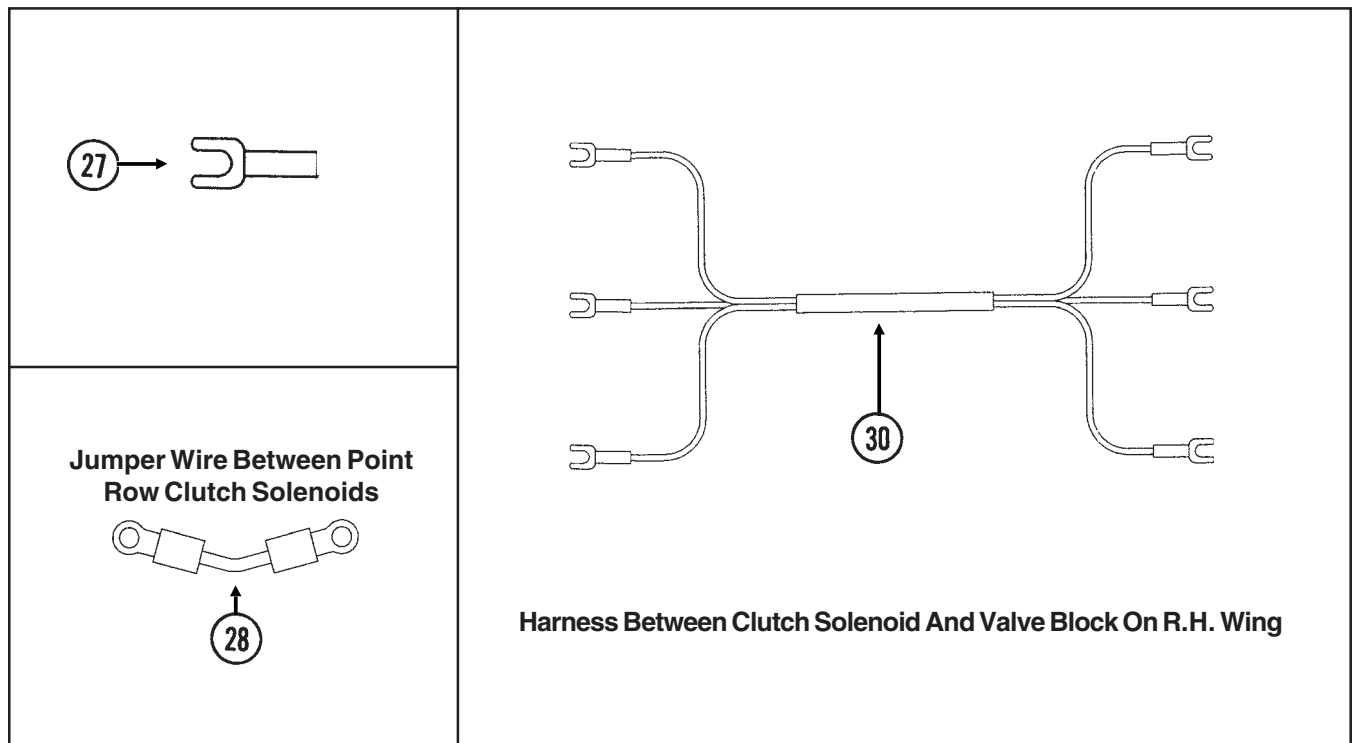
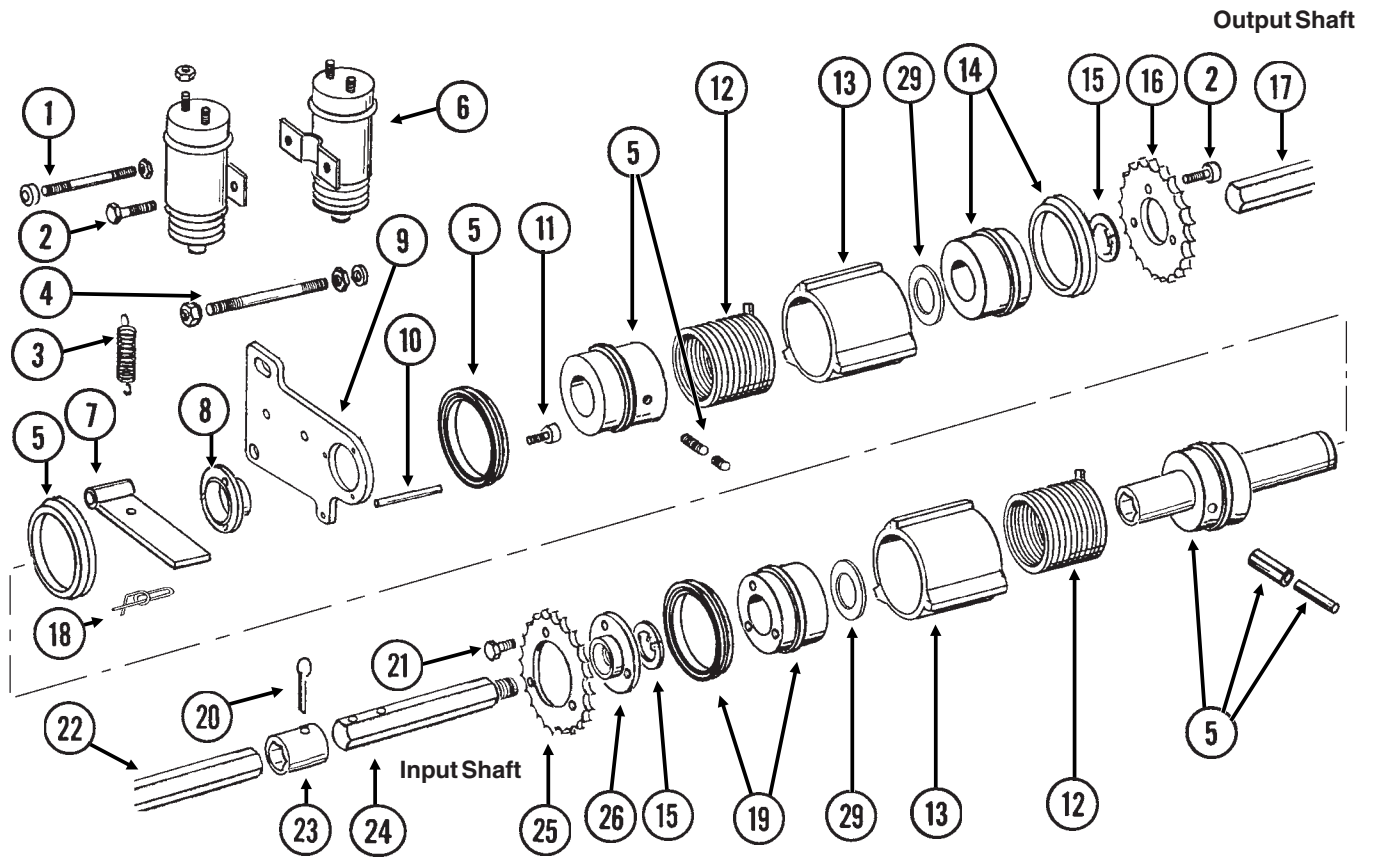
- | | | | |
|----|---------|---|-------------------------------------|
| 1. | G10460 | 1 | Cotter Pin, 1/4" x 2" |
| 2. | G10374 | 3 | Hex Socket Head Screw, 1/4"-20 x 1" |
| | G10227 | 3 | Lock Washer, 1/4" |
| 3. | GD14512 | 2 | V-Ring Seal |
| 4. | GD14513 | 1 | Felt Washer |

POINT ROW CLUTCH

ITEM	PART NO.	QTY. (Per Assy.)	DESCRIPTION
5.	G10049	1	Hex Head Cap Screw, $\frac{3}{8}$ "-16 x 2 $\frac{1}{2}$ "
	G10101	1	Hex Nut, $\frac{3}{8}$ "-16
	G10203	1	Washer, $\frac{3}{8}$ " SAE
	G10229	2	Lock Washer, $\frac{3}{8}$ "
	G10497	1	Hex Jam Nut, $\frac{3}{8}$ "-16, Grade 2
6.	G10023	1	Hex Head Cap Screw, $\frac{1}{4}$ "-20 x $\frac{3}{4}$ "
	G10227	1	Lock Washer, $\frac{1}{4}$ "
	G10103	1	Hex Nut, $\frac{1}{4}$ "-20
7.	GA8393	1	Solenoid Complete
	GR1306	1	Snap Ring
	GR1303	1	Spring
	GR1304	1	Boot
	GR1305	1	Plunger
8.	G10900	1	Hex Socket Head Cap Screw, $\frac{1}{4}$ "-20 x 1 $\frac{3}{4}$ ", Grade 8
	G10227	1	Lock Washer, $\frac{1}{4}$ "
	G10103	2	Hex Nut, $\frac{1}{4}$ "-20
9.	GD10123	1	Spring
10.	GD10103	1	Mounting Plate
11.	GD9667	1	Bushing
12.	GD0914-10	1	Hex Shaft, $\frac{7}{8}$ " x 10" (No Holes)
13.	GD0914-32	1	Hex Shaft, $\frac{7}{8}$ " x 32" (No Holes), 24 Row 30"
	GD0914-40	-	Hex Shaft, $\frac{7}{8}$ " x 40" (No Holes), 16 Row 30" And 24 Row 20"
	GD0914-38	-	Hex Shaft, $\frac{7}{8}$ " x 38" (No Holes), 16 Row 38"
	GD0914-44	-	Hex Shaft, $\frac{7}{8}$ " x 44" (No Holes), 24 Row 22"
	GD0914-42	-	Hex Shaft, $\frac{7}{8}$ " x 42" (No Holes), 36 Row 20"
14.	GD7867	1	Coupler, 3"
15.	GD10068	1	Input Shaft, R.H. Threads
16.	GD10070	1	Coupler W/R.H. Threads
17.	G10496	2	External Inverted Snap Ring, 1 $\frac{1}{2}$ "
18.	GD10104	1	Input Hub
19.	GA7137	1	Hub/Sleeve Assembly W/Spring Pins
	G10765	-	Spring Pin, $\frac{1}{4}$ " x 1"
	G10804	-	Spring Pin, $\frac{5}{32}$ " x $\frac{7}{8}$ "
20.	GD9671	-	Spring, L.H.
21.	GD10102	1	Stop Collar
22.	GD11120	1	Rue Ring Cotter, $\frac{5}{16}$ "
23.	GD10510	1	Actuator Arm
24.	G10859	1	Spring Pin, $\frac{3}{16}$ " x 2 $\frac{1}{4}$ "
25.	G10253	3	Hex Socket Head Screw, No. 10-32 x $\frac{1}{2}$ "
	G10257	3	Lock Washer, No. 10
26.	G10546	1	Spring Pin, $\frac{3}{16}$ " x 1 $\frac{1}{4}$ "
27.	GD13524-01	1	Lock Wire, 10", Stainless Steel
28.	GA9479	1	Wiring Harness, 228", R.H. Side Of Machine, 16 Row 30", 16 Row 38", 24 Row 20", 24 Row 22" And 24 Row 30"
	GA9483	-	Wiring Harness, 252", R.H. Side Of Machine, 36 Row 20"
	GA9512	-	Wiring Harness, 492", L.H. Side Of Machine, All Sizes
29.	G10996	-	Fork Terminal
30.	GA10054	-	Ground Cable, Green
A.	GA7111	-	Point Row Clutch Assembly, L.H. (Items 2-11, 15-27 And 30)

TWO-SPEED POINT ROW CLUTCH

PRC023(FF47b/A7274/A10054)

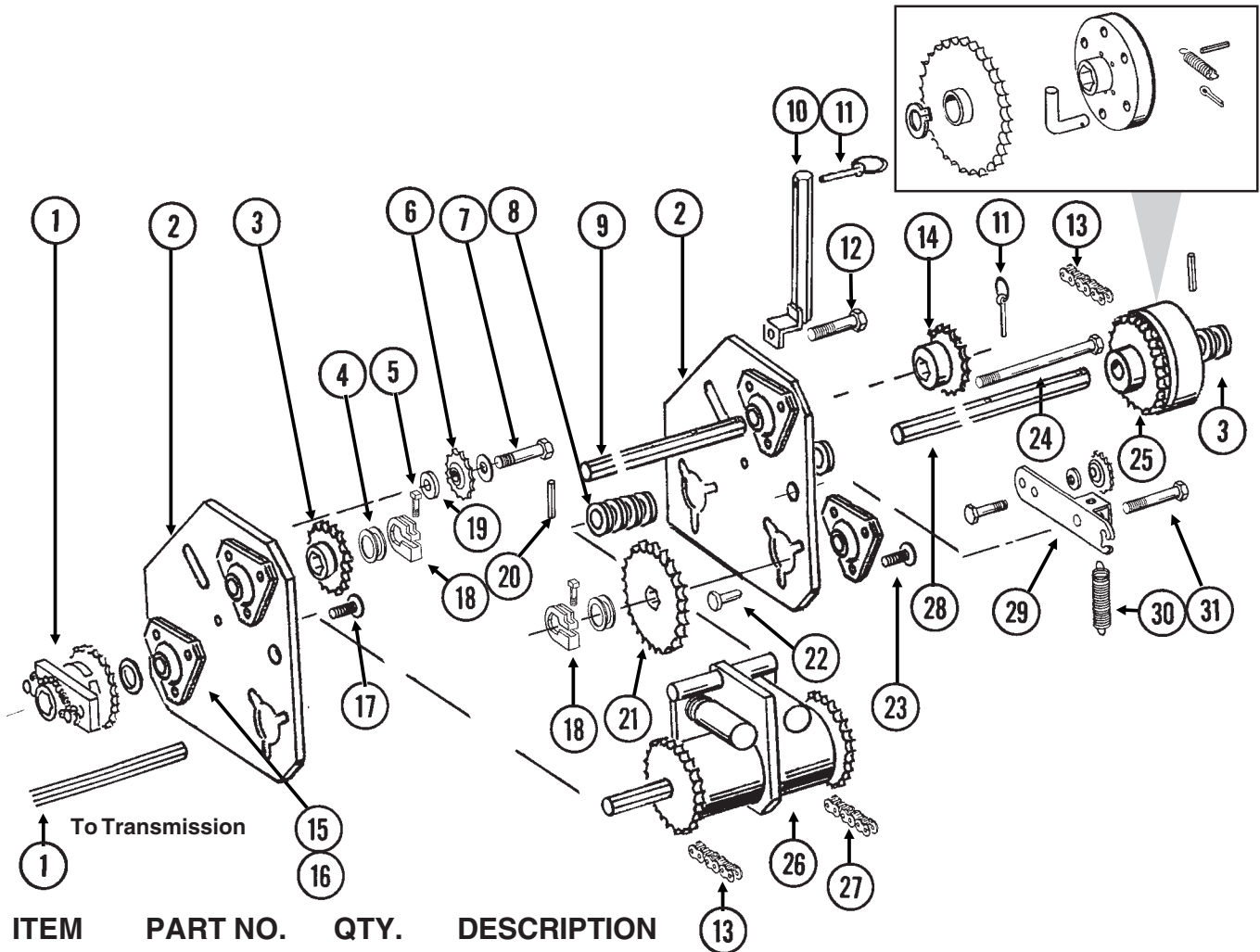


TWO-SPEED POINT ROW CLUTCH

ITEM	PART NO.	QTY. (Per Assy.)	DESCRIPTION
1.	GD10635	1	Threaded Rod, 1/4"-20 x 3 1/2"
	G10103	2	Hex Nut, 1/4"-20
	G10227	2	Lock Washer, 1/4"
	GD10282	2	Allen Nut, 1/4"-20
2.	G10023	4	Hex Head Cap Screw, 1/4"-20 x 3/4"
	G10227	4	Lock Washer, 1/4"
	G10103	1	Hex Nut, 1/4"-20
3.	GD10123	2	Spring
4.	GD10636	1	Threaded Rod, 3/8"-16 x 4 1/4"
	G10108	2	Lock Nut, 3/8"-16
	G10229	2	Lock Washer, 3/8"
	G10101	2	Hex Nut, 3/8"-16
5.	GA7463	1	Hub/Sleeve Assembly W/Seals, Sleeve, Pins And Screws
	GD10120	-	Seal
	GD10584	-	Sleeve
	G10873	-	Hex Socket Set Screw, 5/16"-18 x 3/4"
	G10872	-	Hex Socket Set Screw, 5/16"-18 x 1/4"
	G10804	-	Spring Pin, 5/32" x 7/8"
	G10765	-	Spring Pin, 1/4" x 1"
6.	GA8393	2	Solenoid Complete
	GR1306	-	Snap Ring
	GR1303	-	Spring
	GR1304	-	Boot
	GR1305	-	Plunger
7.	GD10510	2	Actuator Arm
8.	GD10586	1	Bushing
9.	GD10103	1	Mounting Plate
10.	G10859	1	Spring Pin, 3/16" x 2 1/4"
11.	G10876	3	Hex Socket Head Screw, No. 10-32 x 1/4"
12.	GD9671	2	Spring, L.H.
	GD9672	-	Spring, R.H.
13.	GD10585	2	Stop Collar
14.	GA9572	1	Hub W/Seal
	GD10120	-	Seal
15.	G10496	2	External Inverted Snap Ring, 1 1/2"
16.	GD10579	1	Output Sprocket, 28 Tooth
17.	GD0914-10	1	Hex Shaft, 7/8" x 10" (No Holes)
18.	GD11120	2	Rue Ring Cotter, 5/16"
19.	GA9571	1	Hub W/Seal
	GD10120	-	Seal
20.	G10460	1	Cotter Pin, 1/4" x 2"
21.	G10374	3	Hex Socket Head Screw, 1/4"-20 x 1"
	GD10588	3	Key
22.	GD0914-32	1	Hex Shaft, 7/8" x 32" (No Holes), 24 Row 30"
	GD0914-40	-	Hex Shaft, 7/8" x 40" (No Holes), 16 Row 30" And 24 Row 20"
	GD0914-38	-	Hex Shaft, 7/8" x 38" (No Holes), 16 Row 38"
	GD0914-44	-	Hex Shaft, 7/8" x 44" (No Holes), 24 Row 22"
	GD0914-42	-	Hex Shaft, 7/8" x 42" (No Holes), 36 Row 20"
23.	GD7867	1	Coupler, 3"
24.	GD10068	1	Input Shaft, R.H. Threads
25.	GD10578	1	Input Sprocket, 28 Tooth
26.	GD10638	1	Coupler W/R.H. Threads
27.	G10996	-	Fork Terminal
28.	GA7274	1	Jumper Wire W/Ring Terminals, 2 3/16"
29.	GD14513	2	Felt Washer
30.	GA9479	1	Wiring Harness, 228", R.H. Side Of Machine, 16 Row 30", 16 Row 38", 24 Row 20", 24 Row 22" And 24 Row 30"
	GA9483	-	Wiring Harness, 252", R.H. Side Of Machine, 36 Row 20"
	GA9512	-	Wiring Harness, 516", L.H. Side Of Machine, All Sizes

TWO-SPEED POINT ROW CLUTCH WHEEL MODULE EXTENSIONS

(FF48c)



ITEM	PART NO.	QTY. (Per Assy.)	DESCRIPTION
1.		-	See "Wheel Module Assembly", Pages P48-P50
2.	GD10327	2	Extension Plate
3.	GA5113	1	Sprocket, 28 Tooth
4.	G10233	1	Machine Bushing, 1", 10 Gauge
5.	G10130	1	Square Head Machine Bolt, $\frac{5}{16}$ "-18 x 1 $\frac{3}{4}$ "
	G10923	1	Flange Nut, $\frac{5}{16}$ "-18, No Serration
6.	GA7154	1	Sprocket W/Bearing, 18 Tooth
7.	G10053	1	Hex Head Cap Screw, $\frac{1}{2}$ "-13 x 2 $\frac{1}{2}$ "
	G10168	1	Machine Bushing, $\frac{1}{2}$ ", 7 Gauge
	G10206	3	Washer, $\frac{1}{2}$ " SAE
	G10228	1	Lock Washer, $\frac{1}{2}$ "
	G10102	1	Hex Nut, $\frac{1}{2}$ "-13
8.	G10233	-	Machine Bushing, 1", 10 Gauge (As Required)
9.	GD10547	1	Jack Shaft, $\frac{7}{8}$ " x 13"
10.	GA7313	1	Sprocket Storage Rod
11.	GD2558	2	Lynch Pin, $\frac{1}{4}$ "
12.	G10037	1	Hex Head Cap Screw, $\frac{1}{2}$ "-13 x 1 $\frac{1}{4}$ "
	G10216	1	Washer, $\frac{1}{2}$ " USS
	G10228	1	Lock Washer, $\frac{1}{2}$ "
	G10102	1	Hex Nut, $\frac{1}{2}$ "-13
13.	G3310-68	2	Chain, No. 40, 68 Pitch Including Connector Link
	GR0912	-	Connector Link, No. 40
	GR0911	-	Offset Link, No. 40

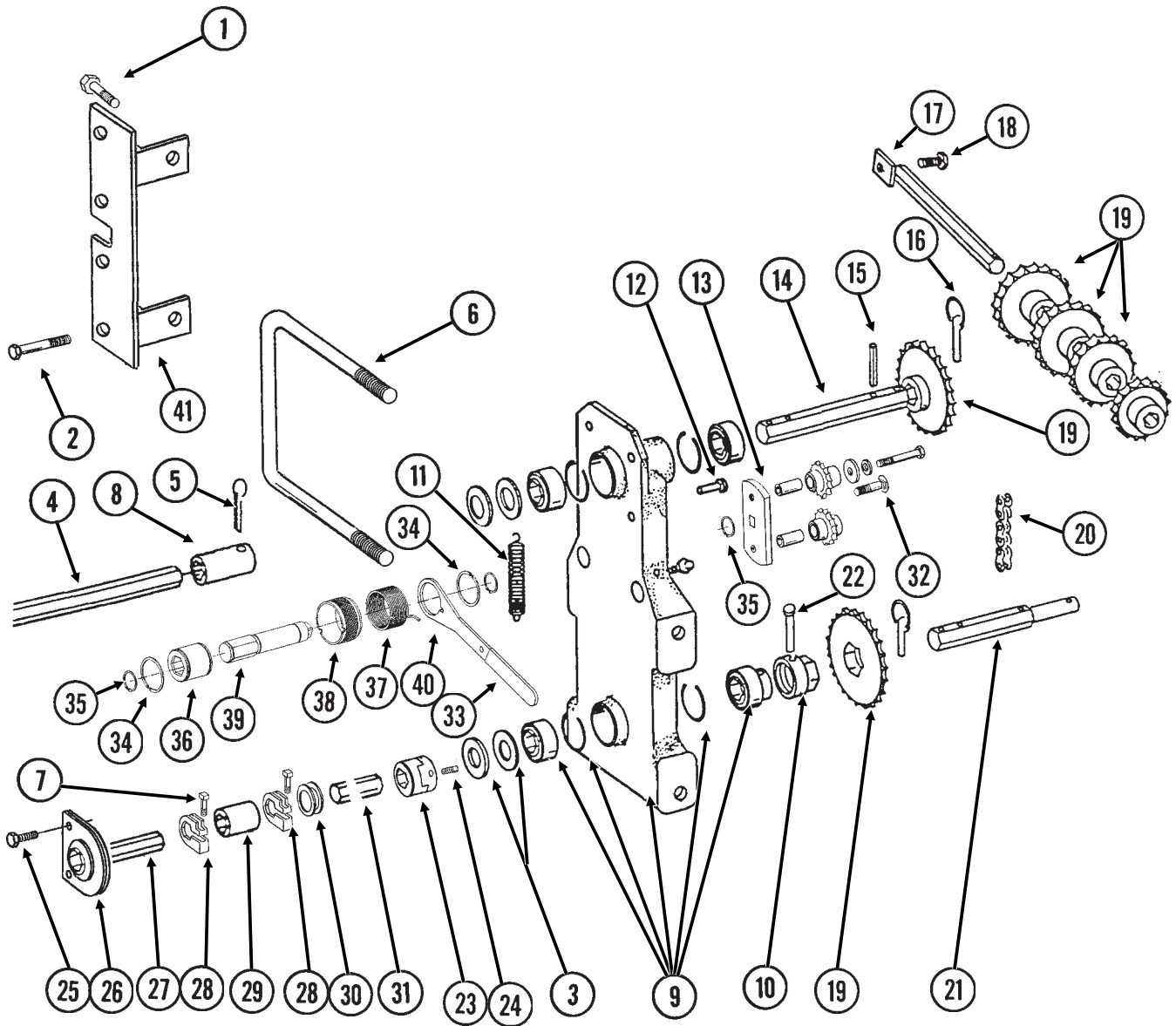
TWO-SPEED POINT ROW CLUTCH WHEEL MODULE EXTENSIONS

ITEM	PART NO.	QTY. (Per Assy.)	DESCRIPTION
14.	GA5105	1	Sprocket, 15 Tooth
	GA5106	1	Sprocket, 17 Tooth
	GA5109	-	Sprocket, 24 Tooth
	GA5112	1	Sprocket, 27 Tooth
	GA5108	-	Sprocket, 23 Tooth (From Transmission)
	GA5110	-	Sprocket, 25 Tooth (From Transmission)
	GA5111	-	Sprocket, 26 Tooth (From Transmission)
15.	G3400-01	-	Flangette
16.	G2100-03	-	Bearing, 7/8" Hex Bore, Spherical
17.	G10338	3	Carriage Bolt, 5/16"-18 x 1 1/4"
	G10232	3	Lock Washer, 5/16"
	G10106	3	Hex Nut, 5/16"-18
18.	GD11045	1	Lock Clamp
19.	GD10637	1	Stepped Spacer, 1/2"
20.	G10602	2	Spring Pin, 1/4" x 1 1/2"
21.	GA5194	1	Sprocket, 50 Tooth
22.	G10408	1	Clevis Pin, 5/16" x 3/4"
	G10409	1	Retaining Ring, 5/16"
23.	G10302	9	Carriage Bolt, 5/16"-18 x 7/8"
	G10232	9	Lock Washer, 5/16"
	G10221	-	Washer, 5/16" SAE
	G10106	9	Hex Nut, 5/16"-18
24.	G10595	1	Hex Head Cap Screw, 3/8"-16 x 10"
	G10108	1	Lock Nut, 3/8"-16
25.	GA7321	-	Overrunning Sprocket Assembly, L.H.
	G10430	1	External Retaining Ring, 1 1/4"
	GD1255	6	L-Pin
	G10546	6	Spring Pin, 3/16" x 1 1/4"
	G10470	6	Cotter Pin, 5/32" x 1"
	GD10366	6	Spring
	GA7317	1	Block
	GA7319	1	Sprocket W/Bushing, 30 Tooth
26.		-	See "Two-Speed Point Row Clutch", Pages P56 And P57
27.	G3310-82	1	Chain, No. 40, 82 Pitch Including Connector Link
	GR0912	-	Connector Link, No. 40
	GR0911	-	Offset Link, No. 40
28.	GD10548	1	Output Shaft, 7/8" x 12"
29.	GA9919	1	Idler W/Sprocket And Hardware, R.H.
	GA7154	-	Sprocket W/Bearing, 18 Tooth
	G10017	-	Hex Head Cap Screw, 1/2"-13 x 1 1/2"
	G10128	-	Machine Bushing, 1/2", 14 Gauge
	G10501	-	Hex Jam Nut, 1/2"-13, Grade 2
30.	GD5857	2	Spring
31.	G10036	1	Hex Head Cap Screw, 5/8"-11 x 4"
	G10205	1	Washer, 5/8" SAE
	G10107	1	Lock Nut, 5/8"-11
	G10104	1	Hex Nut, 5/8"-11
A.	G1K269	-	Lock Clamp Kit (Items 5 And 18)

SEED RATE TRANSMISSION AND DRIVELINE

(FF42g)

R.H. Side Shown



SEED RATE TRANSMISSION AND DRIVELINE

ITEM	PART NO.	QTY. (Per Assy.)	DESCRIPTION
1.	G10008	2	Hex Head Cap Screw, 5/8"-11 x 2"
	G10230	2	Lock Washer, 5/8"
	G10104	2	Hex Nut, 5/8"-11
2.	G10028	4	Hex Head Cap Screw, 3/4"-10 x 3"
	G10231	4	Lock Washer, 3/4"
	G10105	2	Hex Nut, 3/4"-10
3.	G10233	4	Machine Bushing, 1", 10 Gauge
4.		-	See "Wheel Module Assembly", Pages P48-P50
5.	G10460	1	Cotter Pin, 1/4" x 2"
6.	GD1114	1	U-Bolt, 7" x 7" x 5/8"-11
	G10107	2	Lock Nut, 5/8"-11
7.	G10130	2	Square Head Machine Bolt, 5/16"-18 x 1 3/4"
	G10923	2	Flange Nut, 5/16"-18, No Serration
8.	GD7867	1	Coupler, 3"
9.	GA5629	1	Transmission Plate W/Bearings, Grease Fittings And Retaining Rings
	GA5116	3	Bearing, 7/8" Hex Bore, Cylindrical
	GA5624	1	Special Bearing, 7/8" Hex Bore x 1.6"
	GD6551	4	Ring
	G10640	-	Grease Fitting, 1/4"-28
10.	GD7127	1	Shear Coupler
11.	GD5857	1	Spring
12.	G10478	1	Clevis Pin, 5/16" x 1"
	G10409	1	Retaining Ring, 5/16"
13.	GA7336	1	Idler W/Bolt-On Sprockets
	GD7426	-	Sprocket, 12 Tooth
	GD1026	-	Sleeve, 1 3/16" Long
	G10210	-	Washer, 3/8" USS
	G10229	-	Lock Washer, 3/8"
	G10047	-	Hex Head Cap Screw, 3/8"-16 x 1 3/4"
	GD5835	1	Shaft, 7/8" x 7"
14.	GD5835	1	Shaft, 7/8" x 7"
15.	G10602	3	Spring Pin, 1/4" x 1 1/2"
16.	GD2558	3	Lynch Pin, 1/4"
17.	GA5146	1	Sprocket Storage Rod
18.	G10017	1	Hex Head Cap Screw, 1/2"-13 x 1 1/2"
	G10228	1	Lock Washer, 1/2"
	G10102	1	Hex Nut, 1/2"-13
19.	GA5106	1	Sprocket, 17 Tooth
	GA5107	1	Sprocket, 19 Tooth
	GA5108	2	Sprocket, 23 Tooth
	GA5109	1	Sprocket, 24 Tooth
	GA5110	1	Sprocket, 25 Tooth
	GA5111	1	Sprocket, 26 Tooth
	GA5112	1	Sprocket, 27 Tooth
	GA5113	1	Sprocket, 28 Tooth
20.	G3310-80	1	Chain, No. 40, 80 Pitch Including Connector Link
	GR0912	-	Connector Link, No. 40
21.	GD7822	1	Shaft, 7/8" x 7"
22.	G10821	1	Clevis Pin, 3/16" x 2"
	G10455	1	Cotter Pin, 1/16" x 1/2"
23.	GB0287	2	Coupler
24.	G10131	4	Square Head Set Screw, 5/16"-18 x 3/4"

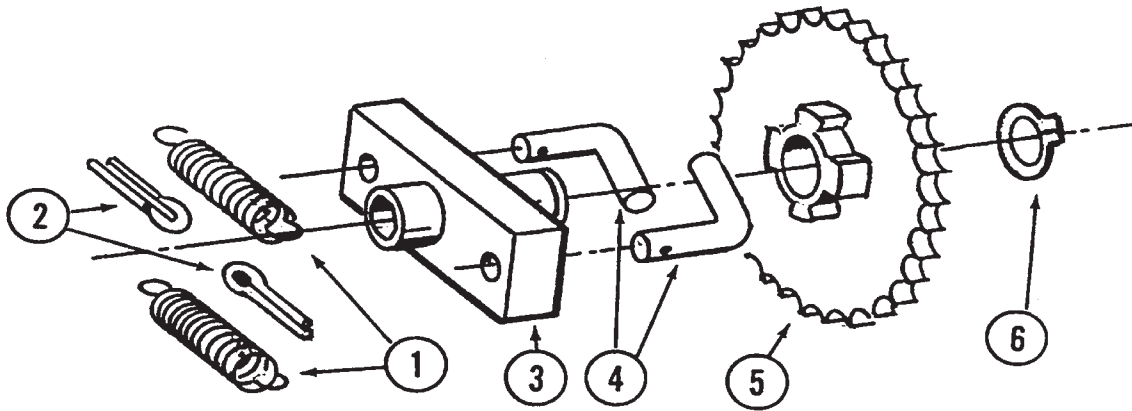
(Continued On Following Page)

SEED RATE TRANSMISSION AND DRIVELINE

ITEM	PART NO.	QTY. (Per Assy.)	DESCRIPTION
25.	G10004	2	Hex Head Cap Screw, $\frac{3}{8}$ "-16 x 1 $\frac{1}{4}$ "
	G10229	2	Lock Washer, $\frac{3}{8}$ "
	G10101	2	Hex Nut, $\frac{3}{8}$ "-16
26.	GA2180	1	Hanger Bearing, $\frac{7}{8}$ " Hex Bore, 16 Row 30" And 36 Row 20" Only
27.	GD0914-152	1	Hex Shaft, $\frac{7}{8}$ " x 152" (No Holes), L.H. Side, 24 Row 30" And 36 Row 20"
	GD0914-224	-	Hex Shaft, $\frac{7}{8}$ " x 224" (No Holes), L.H. Side, 24 Row 20" And 16 Row 30"
	GD0914-140	-	Hex Shaft, $\frac{7}{8}$ " x 140" (No Holes), L.H. Side, 16 Row 38"
	GD0914-123	-	Hex Shaft, $\frac{7}{8}$ " x 123" (No Holes), L.H. Side, 24 Row 22"
	GD0914-152	1	Hex Shaft, $\frac{7}{8}$ " x 152" (No Holes), R.H. Side, 24 Row 30" And 36 Row 20"
	GD0914-234	-	Hex Shaft, $\frac{7}{8}$ " x 234" (No Holes), R.H. Side, 24 Row 20" And 16 Row 30"
	GD0914-145	-	Hex Shaft, $\frac{7}{8}$ " x 145" (No Holes), R.H. Side, 16 Row 38"
	GD0914-128	-	Hex Shaft, $\frac{7}{8}$ " x 128" (No Holes), R.H. Side, 24 Row 22"
28.	GD11045	2	Lock Clamp
29.	GD1719	1	Coupler, 4", 16 Row 38", 24 Row 22", 24 Row 30" And 36 Row 20" Only
30.	G10233	1	Machine Bushing, 1", 10 Gauge
31.	GD0914-208	-	Hex Shaft, $\frac{7}{8}$ " x 208" (No Holes), R.H. Side, 36 Row 20"
	GD0914-198	-	Hex Shaft, $\frac{7}{8}$ " x 198" (No Holes), L.H. Side, 36 Row 20"
	GD0914-198	1	Hex Shaft, $\frac{7}{8}$ " x 198" (No Holes), R.H. And L.H. Sides, 24 Row 30"
	GD0914-128	-	Hex Shaft, $\frac{7}{8}$ " x 128" (No Holes), R.H. Side, 24 Row 22"
	GD0914-123	-	Hex Shaft, $\frac{7}{8}$ " x 123" (No Holes), L.H. Side, 24 Row 22"
	GD0914-145	-	Hex Shaft, $\frac{7}{8}$ " x 145" (No Holes), R.H. Side, 16 Row 38"
	GD0914-140	-	Hex Shaft, $\frac{7}{8}$ " x 140" (No Holes), L.H. Side, 16 Row 38"
32.	G11100	1	Hex Socket Button Head Cap Screw, $\frac{1}{4}$ "-20 x $\frac{1}{2}$ ", Grade 8
	G10227	1	Lock Washer, $\frac{1}{4}$ "
	G10209	1	Washer, $\frac{1}{4}$ " USS
33.	G11078	1	Vinyl Cap
34.	G10496	2	External Inverted Snap Ring, 1 $\frac{1}{2}$ "
35.	G11075	3	External Inverted Snap Ring, $\frac{7}{8}$ "
36.	GD14432	1	Sleeve, 1 $\frac{1}{4}$ "
37.	GD14413	-	Torsion Spring, L.H. (Shown)
	GD14414	1	Torsion Spring, R.H.
38.	GD14430	1	Release Collar, Gold, R.H. (Shown)
	GD14429	-	Release Collar, Silver, L.H.
39.	GD14427	1	Tightener Shaft, 4 $\frac{7}{8}$ "
40.	GD14431	1	Handle
41.	GA9524	-	Mount, 36 Row 20" Only (Shown)
	GA11358	-	Mount, R.H., 16 Row 38" Only
	GA11359	-	Mount, L.H., 16 Row 38" Only
A.	G1K269	-	Lock Clamp Kit (Items 7 And 28)
B.	G1K378	1	Wrap Spring Wrench Replacement Kit, Gold Collar, R.H. (Items 32-40) (Shown)
	G1K379	-	Wrap Spring Wrench Replacement Kit, Silver Collar, L.H. (Items 32-40)

RATCHET/SPROCKET ASSEMBLY

PTD016(TWL12)

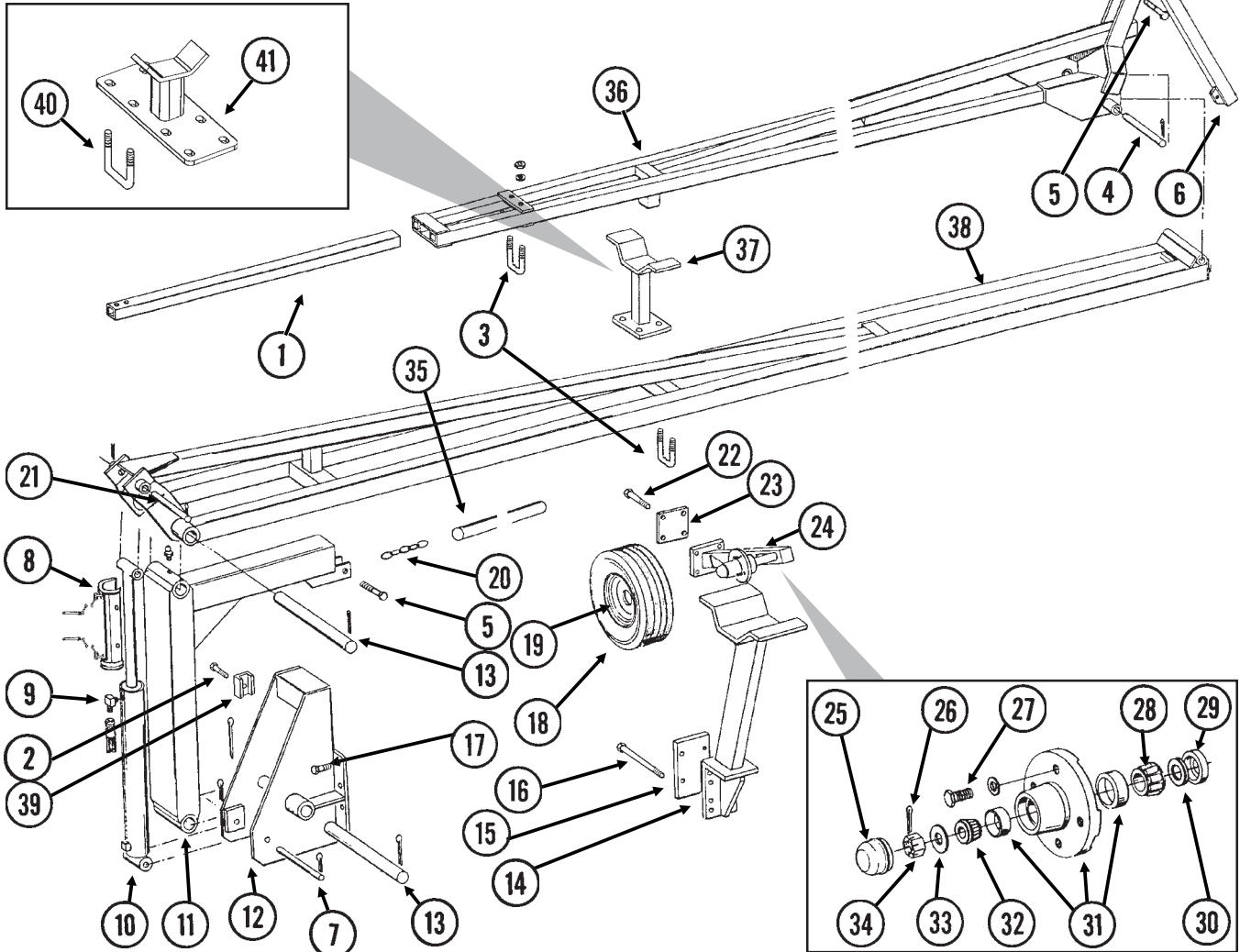


ITEM	PART NO.	QTY. (Per Assy.)	DESCRIPTION
1.	GD1256	2	Spring
2.	G10464	2	Cotter Pin, $\frac{3}{16}$ " x 1"
3.	GA0378	1	Block And Hub Assembly
4.	GD1255	2	L-Pin
5.	GA5165	1	Sprocket, 30 Tooth
6.	G10430	1	External Retaining Ring, 1 $\frac{1}{4}$ "
A.	GA5164	-	Ratchet/Sprocket Assembly (Items 1-6)

ROW MARKER ASSEMBLY, 16 ROW 38", 24 ROW 22", 24 ROW 30" AND 36 ROW 20"

(FF18/FF101)

L.H. Side Shown



ITEM	PART NO.	QTY.	DESCRIPTION
		(Per Assy.)	
1.	GD0453-07	1	Extension Tube, 45", 24 Row 30" And 36 Row 20"
	GD0453-11	1	Extension Tube, 35", 24 Row 22"
2.	G10048	1	Hex Head Cap Screw, 3/8"-16 x 2"
	G10210	1	Washer, 3/8" USS
	G10229	1	Lock Washer, 3/8"
	G10101	1	Hex Nut, 3/8"-16
3.	GD2721	1-3	U-Bolt, 2" x 2" x 1/2"-13
	G10228	2-6	Lock Washer, 1/2"
	G10102	2-6	Hex Nut, 1/2"-13
4.	GD0704	1	Pin, 1 1/4" x 14"
	G10460	2	Cotter Pin, 1/4" x 2"
5.	G10033	3	Hex Head Cap Screw, 1/2"-13 x 3 1/2"
	G10038	-	Hex Head Cap Screw, 1/2"-13 x 3"
	G10581	-	Hex Head Cap Screw, 1/2"-13 x 2 1/4"
	G10111	3	Lock Nut, 1/2"-13
6.	GA6860	1	Bracket
7.	GD10186	1	Pin, 1 1/4" x 9 1/2"
	G10979	-	Special Washer, 1 1/4" (If Applicable)
	G10460	2	Cotter Pin, 1/4" x 2"
8.	GA8172	1	Safety Lockup W/Detent Pins, 20"
	G10536	-	Detent Pin, 1/2" x 2 1/2" Grip

ROW MARKER ASSEMBLY, 16 ROW 38", 24 ROW 22", 24 ROW 30" AND 36 ROW 20"

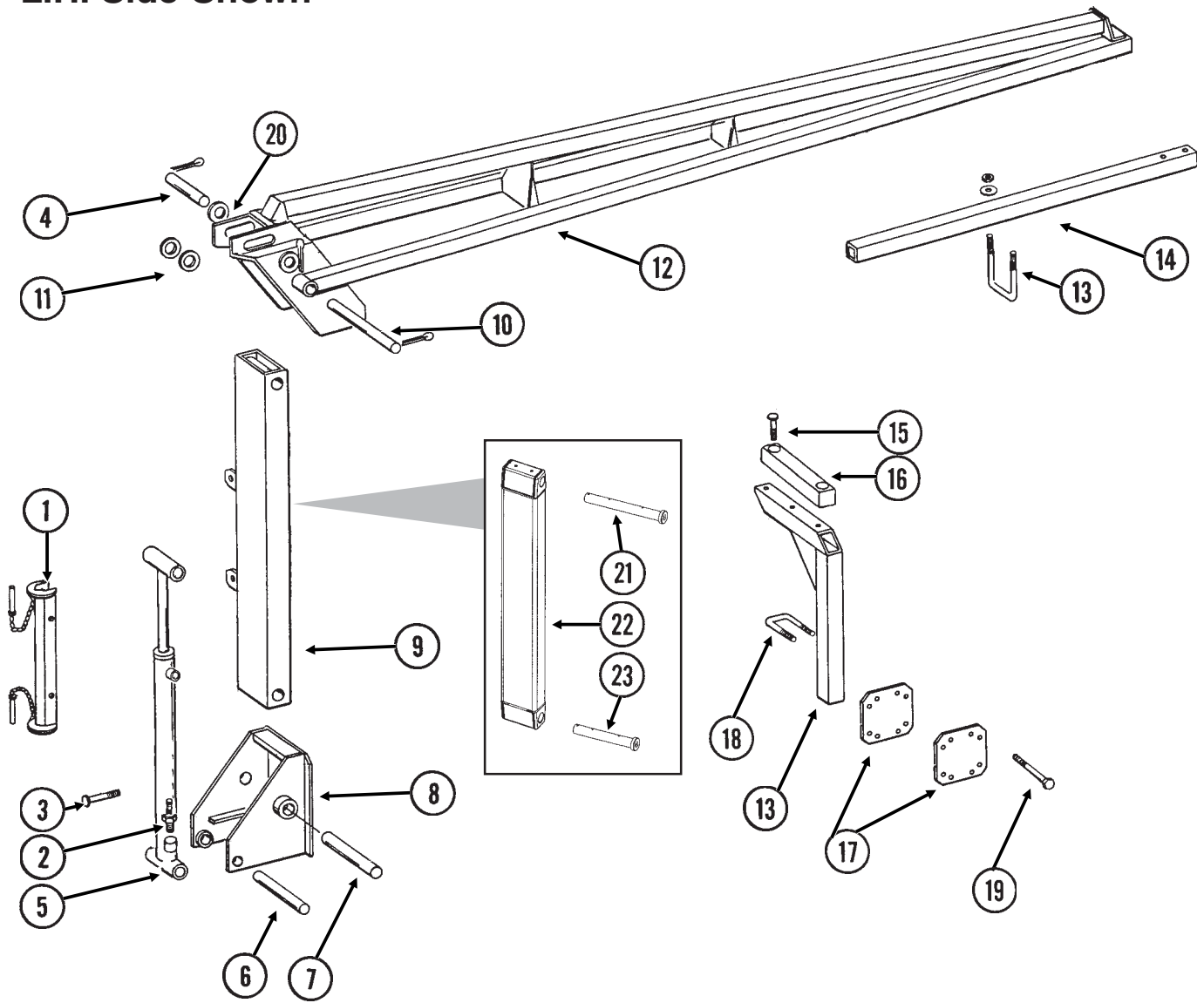
ITEM	PART NO.	QTY. (Per Assy.)	DESCRIPTION
9.	G6801-08	-	Elbow W/O-Ring, 90°, 3/4"-16 Male JIC To O-Ring
	G6400-08	-	Connector W/O-Ring, 3/4"-16 Male JIC To O-Ring
	GR1037	-	O-Ring
10.		-	See "Row Marker Cylinder", Page P71
11.	GA6870	1	Arm, First Stage
12.	GA4031	1	Mount W/Grease Fittings
	G10640	-	Grease Fitting, 1/4"-28
13.	GD0677	2	Pin, 2 1/8" x 15 3/4"
	G10461	4	Cotter Pin, 3/8" x 3"
14.	GA6720	1	Tire Support
15.	GD9622	1	Plate, 5 1/2" x 7 1/4"
16.	G10152	4	Hex Head Cap Screw, 5/8"-11 x 9"
	G10217	4	Washer, 5/8" USS
	G10230	4	Lock Washer, 5/8"
	G10104	4	Hex Nut, 5/8"-11
17.	G10027	8	Hex Head Cap Screw, 3/4"-10 x 2 1/2"
	G10028	-	Hex Head Cap Screw, 3/4"-10 x 3"
	G10026	-	Hex Head Cap Screw, 3/4"-10 x 2"
	G10231	8	Lock Washer, 3/4"
	G10105	6	Hex Nut, 3/4"-10
18.	GD0841	1	Tube Type Tire, 16" x 6.5" x 8" (Specify Brand*)
	GD1364	1	Tube (Not Shown)
19.	GA0246	1	Rim, T8 x 5.38" x 4"
20.	G3302-05	1	Coil Chain, No. 9/0, 79 Links
21.	GD9964	1	Pin, 1 1/4" x 10 1/2"
	G10979	-	Special Washer, 1 1/4" (If Applicable)
	G10460	2	Cotter Pin, 1/4" x 2"
22.	G10063	8	Hex Head Cap Screw, 3/8"-16 x 4"
	G10210	-	Washer, 3/8" USS (As Required)
	G10229	8	Lock Washer, 3/8"
	G10101	8	Hex Nut, 3/8"-16
23.	GD0692	2	Mounting Plate, 5" x 4"
24.	GA0160R	1	Support, R.H.
	GA0160L	-	Support, L.H. (Shown)
25.	GD0840	1	Dust Cap
26.	G10544	1	Cotter Pin, 5/32" x 1"
27.	G10722	4	Hex Head Cap Screw, 1/2"-20 x 1"
	G10228	4	Lock Washer, 1/2"
28.	GA0245	1	Bearing
29.	GA0243	1	Grease Seal
30.	GA0899	1	Rubber Seal
31.	GA0167	1	Hub W/Cups
	GR0151	-	Outer Cup
	GR0150	-	Inner Cup
32.	GA0257	1	Bearing
33.	G10724	1	Washer, 5/8" SAE
34.	G10725	1	Slotted Hex Nut, 5/8"-18
35.	GD10674-01	1	Nylon Cover, 141"
36.	GA9103	1	Arm W/Grease Fittings, Third Stage, 117", 24 Row 30" And 36 Row 20"
	GA9555	-	Arm W/Grease Fittings, Third Stage, 65", 16 Row 38" And 24 Row 22"
	G10640	-	Grease Fitting, 1/4"-28
37.	GA9101	1	Stop Weld, 24 Row 22", 24 Row 30" And 36 Row 20"
38.	GA9102	1	Arm W/Grease Fittings, Second Stage, 185", 16 Row 38", 24 Row 30" And 36 Row 20"
	GA9612	-	Arm W/Grease Fittings, Second Stage, 136", 24 Row 22"
	G10640	-	Grease Fitting, 1/4"-28
39.	GD0776	1	Hose Clamp, 3/4" x 2" x 2 1/2"
40.	GD1138	8	U-Bolt, 2 1/2" x 2 1/2" x 1/2"-13, 16 Row 38"
	G10228	16	Lock Washer, 1/2"
	G10102	16	Hex Nut, 1/2"-13
41.	GA11354	1	Stop Weld, 16 Row 38"
A.	GA0542	-	Tire And Rim Assembly (Items 18 And 19)

* Specific brand requests will be supplied only as available from current KINZE® Repair Parts stock. If a specific brand requested is not in stock, the brand available will be supplied.

ROW MARKER ASSEMBLY, 16 ROW 30" AND 24 ROW 20"

(MKR16c/A11591)

L.H. Side Shown

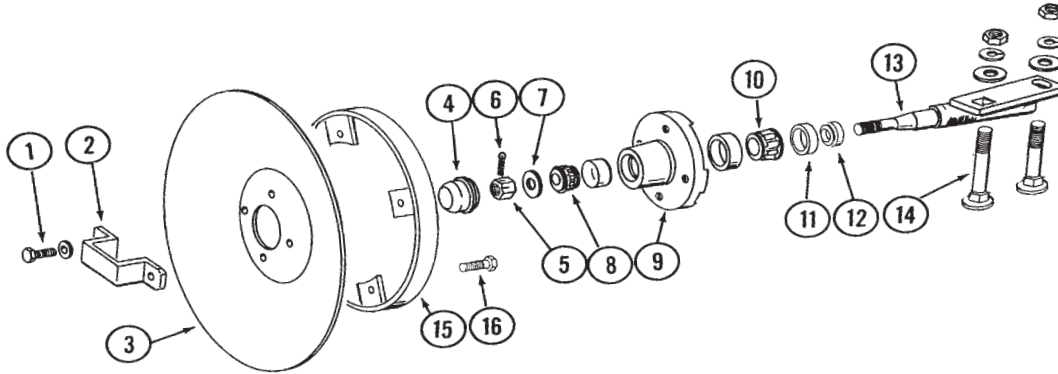


ROW MARKER ASSEMBLY, 16 ROW 30" AND 24 ROW 20"

ITEM	PART NO.	QTY. (Per Assy.)	DESCRIPTION
1.	GA8170	1	Safety Lockup W/Detent Pins, 19 3/8"
	G10536	-	Detent Pin, 1/2" x 2 1/2" Grip
2.	G6801-08	-	Elbow W/O-Ring, 90°, 3/4"-16 Male JIC To O-Ring
	GR1037	-	O-Ring
	G6400-08-04	-	Connector W/O-Ring, 3/4"-16 Male JIC To 7/16"-20 O-Ring
	GR1465	-	O-Ring
3.	G10879	6	Flanged 12 Point Bolt, 5/8"-11 x 2", Special Hardened
	G10230	6	Lock Washer, 5/8"
	G10104	5	Hex Nut, 5/8"-11
4.	GD1701	1	Pin, 1 1/4" x 6 1/2"
	G10460	2	Cotter Pin, 1/4" x 2"
5.		-	See "Row Marker Cylinder", Page P71
6.	GD0652	1	Pin, 1 1/4" x 9 1/2"
	G10979	-	Special Washer, 1 1/4" (If Applicable)
	G10460	2	Cotter Pin, 1/4" x 2"
7.	GD7209	1	Pin, 1 1/4" x 11 1/2"
	G10049	1	Hex Head Cap Screw, 3/8"-16 x 2 1/2"
	G10108	1	Lock Nut, 3/8"-16
8.	GA4877	1	Mount
9.	GA4878	1	Arm W/Grease Fittings, First Stage, R.H.
	GA4983	-	Arm W/Grease Fittings, First Stage, L.H.
	G10641	-	Grease Fitting, 1/8" NPT
10.	GD0737	1	Pin, 1 1/4" x 13 1/4"
	G10460	2	Cotter Pin, 1/4" x 2"
11.	G10979	-	Special Washer, 1 1/4" (If Applicable)
	G10159	-	Machine Bushing, 1 1/4", 10 Gauge
	G10322	-	Machine Bushing, 1 1/4", 18 Gauge
12.	GA7118	-	Arm, Second Stage, 172 1/4"
13.	GD2721	3	U-Bolt, 2" x 2" x 1/2"-13
	G10228	6	Lock Washer, 1/2"
	G10102	6	Hex Nut, 1/2"-13
14.	GD0453-03	-	Extension Tube, 50"
15.	G10017	2	Hex Head Cap Screw, 1/2"-13 x 1 1/2"
	G10206	2	Washer, 1/2" SAE
	G10111	2	Lock Nut, 1/2"-13
16.	GA9088	1	Molded Stop, 12 1/4" Long
17.	GD10645	2	Bar
18.	GA7562	1	Stand, 38"
19.	G10152	4	Hex Head Cap Screw, 5/8"-11 x 9"
	G10230	4	Lock Washer, 5/8"
	G10104	4	Hex Nut, 5/8"-11
20.	G10226	2	Washer, 1 1/4" SAE
	G10322	2	Machine Bushing, 1 1/4", 18 Gauge
21.	GA11768	-	Pin W/Grease Fitting, 1 1/4" x 13"
	G10640	-	Grease Fitting, 1/4"-28
	G10463	-	Cotter Pin, 1/4" x 1 1/2"
22.	GA11569	-	Arm, First Stage, L.H. (Shown)
	GA11568	-	Arm, First Stage, R.H.
23.	GA11769	-	Pin W/Grease Fitting, 1 1/4" x 11 1/2"
	G10640	-	Grease Fitting, 1/4"-28
	G10463	-	Cotter Pin, 1/4" x 1 1/2"

ROW MARKER SPINDLE/HUB/BLADE

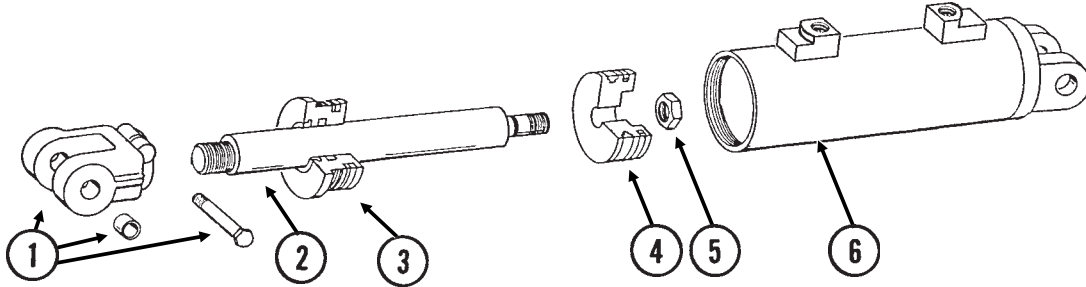
MKR020(MKR4)



ITEM	PART NO.	QTY. (Per Assy.)	DESCRIPTION
1.	G10722	4	Hex Head Cap Screw, 1/2"-20 x 1"
	G10228	4	Lock Washer, 1/2"
2.	GD2597	1	Retainer
3.	GD0746	1	Disc Blade, Solid, 16" (Shown)
	GD10283	-	Disc Blade, Notched, 16" (Optional)
4.	GD0840	1	Dust Cap
5.	G10725	1	Slotted Hex Nut, 5/8"-18
6.	G10544	1	Cotter Pin, 5/32" x 1"
7.	G10724	1	Washer, 5/8" SAE
8.	GA0257	1	Bearing
9.	GA0167	1	Hub W/Cups
	GR0151	-	Outer Cup
	GR0150	-	Inner Cup
10.	GA0245	1	Bearing
11.	GA0243	1	Grease Seal
12.	GA0899	1	Rubber Seal
13.	GA1677	1	Spindle, L.H. (Shown)
	GA1676	-	Spindle, R.H.
14.	G10844	2	Carriage Bolt, 1/2"-13 x 3 1/2"
	G10168	2	Machine Bushing, 1/2", 7 Gauge
	G10228	2	Lock Washer, 1/2"
	G10102	2	Hex Nut, 1/2"-13
15.	GA5853	1	Depth Band
16.	G10019	4	Hex Head Cap Screw, 5/16"-18 x 1"
	G10109	4	Lock Nut, 5/16"-18, Grade 8
A.	GA1679	-	Hub And Spindle Assembly, L.H. (Items 1, 2, 5-11 And 13-15)
	GA1678	-	Hub And Spindle Assembly, R.H. (Items 1, 2, 5-11 And 13-15)

MASTER CYLINDER, ALL SIZES

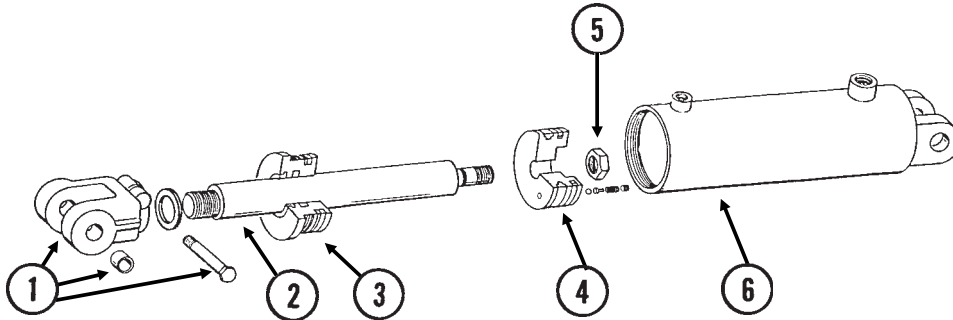
(CYL33d)



ITEM	PART NO.	QTY.	DESCRIPTION
1.	GA8130	1	Clevis W/Bushings, Hex Head Cap Screw And Hex Nut
	GD11751	2	Steel Bushing, 1" Wide
	G10939	1	Hex Head Cap Screw, $\frac{3}{8}$ "-16 x 2 $\frac{1}{4}$ "
	G10101	1	Hex Nut, $\frac{3}{8}$ "-16
2.	GD12521	1	Rod
3.	GD12522	1	Gland
4.	GD12525	1	Piston
5.	G10958	1	Lock Nut, 1"-14
6.	A8927	1	Barrel (Non-Stock Item)
A.	GA8928	-	Cylinder Complete, 4 $\frac{1}{2}$ " x 10" <i>(Part Number Stamped On Barrel)</i>
B.	GR1530	-	Seal Kit, Includes: (1) Wiper, (1) U-Cup, (2) O-Rings, (1) BU Ring, (2) Cast Iron Rings, (1) Seal, (1) Energizer

SLAVE CYLINDER, ALL SIZES

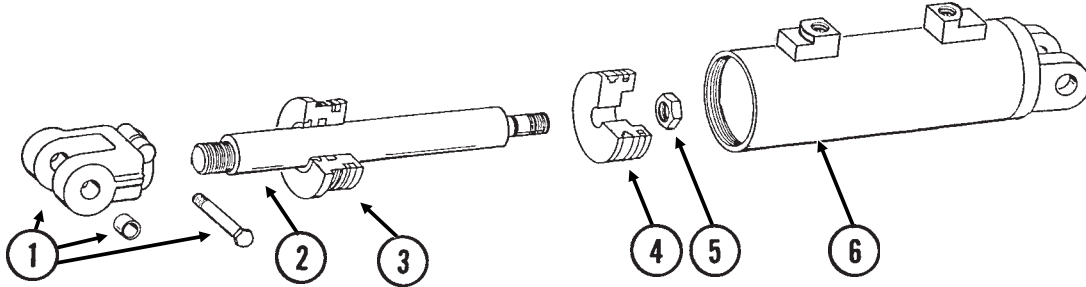
CYL055(CYL15d)



ITEM	PART NO.	QTY.	DESCRIPTION
1.	GA8130	1	Clevis W/Bushings, Hex Head Cap Screw And Hex Nut
	GD11751	2	Steel Bushing, 1" Wide
	G10939	1	Hex Head Cap Screw, $\frac{3}{8}$ "-16 x 2 $\frac{1}{4}$ "
	G10101	1	Hex Nut, $\frac{3}{8}$ "-16
2.	GD12564	1	Rod
3.	GD12572	1	Gland
4.	GA8962	1	Piston W/Rephasing Valve
	GR1169	-	Rephasing Valve Replacement Kit (Set Screw, Guide, 2 Springs And Ball)
5.	G10958	1	Lock Nut, 1"-14
6.	A8960	1	Barrel (Non-Stock Item)
A.	GA8961	-	Cylinder Complete, 4 $\frac{3}{4}$ " x 20" <i>(Part Number Stamped On Barrel)</i>
B.	GR1546	-	Seal Kit, Includes: (1) Wiper, (1) U-Cup, (2) O-Rings, (1) BU Ring, (2) Cast Iron Rings, (1) Seal, (1) Energizer

ASSIST CYLINDER, 36 ROW 20"

(CYL33d)



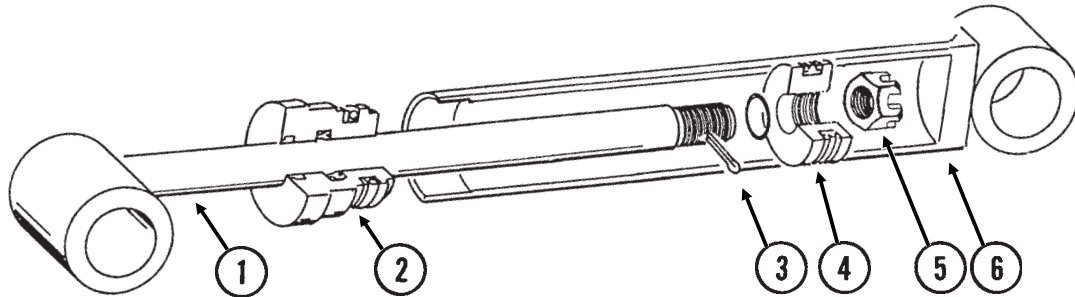
ITEM	PART NO.	QTY.	DESCRIPTION
1.	GA8130	1	Clevis W/Bushings, Hex Head Cap Screw And Hex Nut
	GD11751	2	Steel Bushing, 1" Wide
	G10939	1	Hex Head Cap Screw, $\frac{3}{8}$ "-16 x 2 $\frac{1}{4}$ "
	G10101	1	Hex Nut, $\frac{3}{8}$ "-16
2.	GD16202	1	Rod
3.	GD11984	1	Gland
4.	GD16200	1	Piston
5.	G10958	1	Lock Nut, 1"-14
6.	A11072	1	Barrel (Non-Stock Item)
A.	GA11073	-	Cylinder Complete, 3" x 10" (<i>Part Number Stamped On Barrel</i>)
B.	GR1740	-	Seal Kit, Includes: (1) Wiper, (1) U-Cup, (2) O-Rings, (1) BU Ring, (2) Cast Iron Rings, (1) Seal, (1) Energizer

ROW MARKER (Cushion) CYLINDER, 16 ROW 30" AND 24 ROW 20"

(CYL03b)

$\frac{3}{4}$ "-16 O-Ring Port

$\frac{7}{16}$ "-20 O-Ring Port

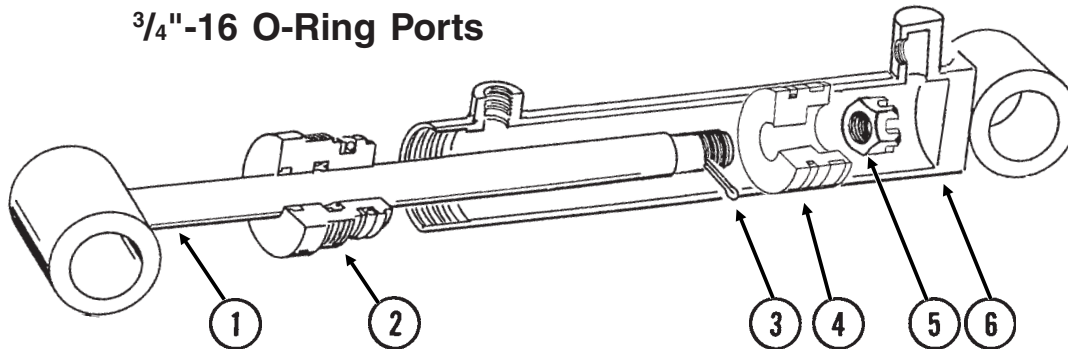


ITEM	PART NO.	QTY.	DESCRIPTION
1.	GA8871	1	Rod Assembly
2.	GD10207	1	Gland
3.	G10827	1	Cotter Pin, $\frac{1}{8}$ " x $1 \frac{3}{4}$ "
4.	GD11983	1	Piston
5.	G10962	1	Slotted Hex Nut, $\frac{7}{8}$ "-14
6.	A7524	1	Barrel (Non-Stock Item)
A.	GA8895	-	Cylinder Complete, $2 \frac{1}{2}$ " x $20 \frac{1}{16}$ " (Part Number Stamped On Barrel)
B.	GR1521	-	Seal Kit, Includes: (1) T-Seal, (2) O-Rings, (1) BU Ring, (1) Cast Iron Ring, (1) Wiper, (1) U-Cup

ROW MARKER (Cushion) CYLINDER, 16 ROW 38", 24 ROW 22", 24 ROW 30" AND 36 ROW 20"

(CYL032d)

$\frac{3}{4}$ "-16 O-Ring Ports

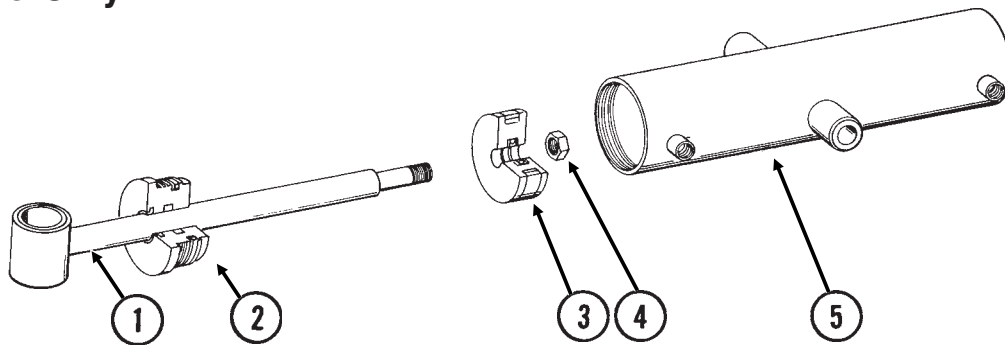


ITEM	PART NO.	QTY.	DESCRIPTION
1.	GA8948	1	Rod Assembly
2.	GD12548	1	Gland
3.	G10984	1	Cotter Pin, $\frac{3}{16}$ " x $2 \frac{1}{2}$ "
4.	GD12550	1	Piston
5.	G10983	1	Slotted Hex Nut, $1 \frac{1}{8}$ "-12
6.	A8950	1	Barrel (Non-Stock Item)
A.	GA8951	-	Cylinder Complete, $3 \frac{1}{2}$ " x 20 " (Part Number Stamped On Barrel)
B.	GR1532	-	Seal Kit, Includes: (2) O-Rings, (1) U-Cup, (1) Wiper, (1) T-Seal, (1) BU Ring, (1) Cast Iron Ring

HELPER CYLINDER, ALL SIZES

(CYL17a)

R.H. Side Only

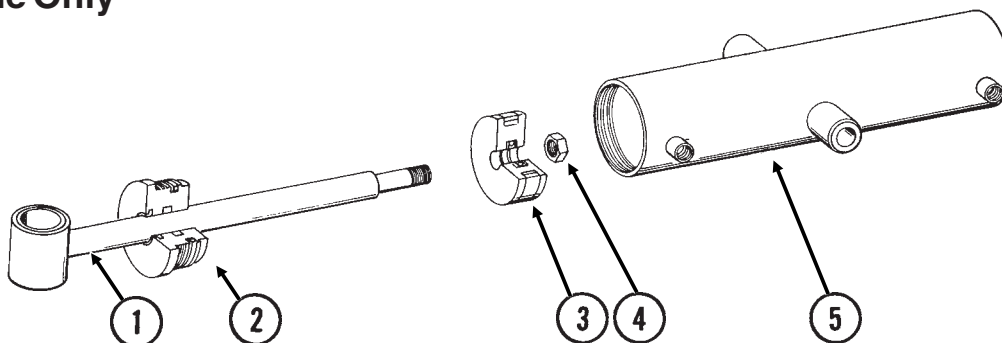


ITEM	PART NO.	QTY.	DESCRIPTION
1.	GA8910	1	Rod Assembly W/Grease Fitting
	G10640	-	Grease Fitting, 1/4"-28
2.	GD11988	1	Gland
3.	GD11997	1	Piston
4.	G10958	1	Lock Nut, 1"-14
5.	A8300	1	Barrel (Non-Stock Item)
A.	GA8906	-	Cylinder Complete, 4" x 13 5/8" (<i>Part Number Stamped On Barrel</i>)
B.	GR1525	-	Seal Kit, Includes: (2) O-Rings, (1) BU Ring, (1) U-Cup, (1) Wiper, (1) T-Seal

HELPER CYLINDER, ALL SIZES

CYL055(CYL17a)

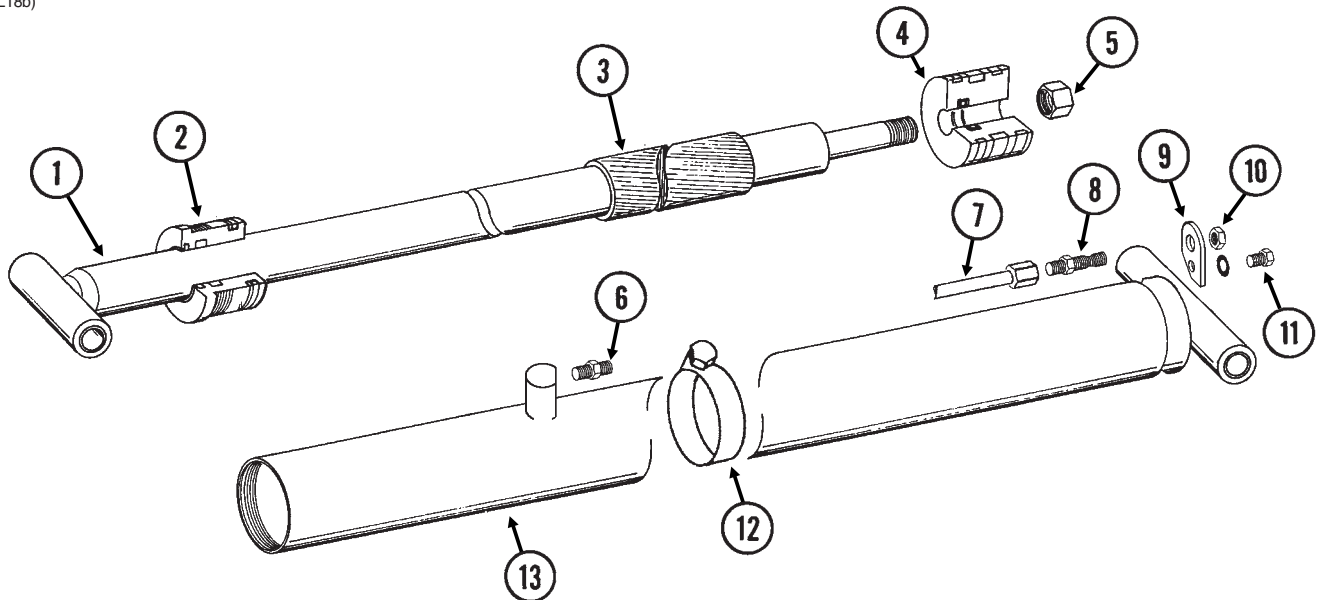
L.H. Side Only



ITEM	PART NO.	QTY.	DESCRIPTION
1.	GA8907	1	Rod Assembly W/Grease Fitting
	G10640	-	Grease Fitting, 1/4"-28
2.	GD11988	1	Gland
3.	GD11997	1	Piston
4.	G10958	1	Lock Nut, 1"-14
5.	A6852	1	Barrel (Non-Stock Item)
A.	GA8905	-	Cylinder Complete, 4" x 15 5/32" (<i>Part Number Stamped On Barrel</i>)
B.	GR1525	-	Seal Kit, Includes: (2) O-Rings, (1) BU Ring, (1) U-Cup, (1) Wiper, (1) T-Seal

TONGUE CYLINDER, 16 ROW 30", 16 ROW 38", 24 ROW 20" AND 24 ROW 22"

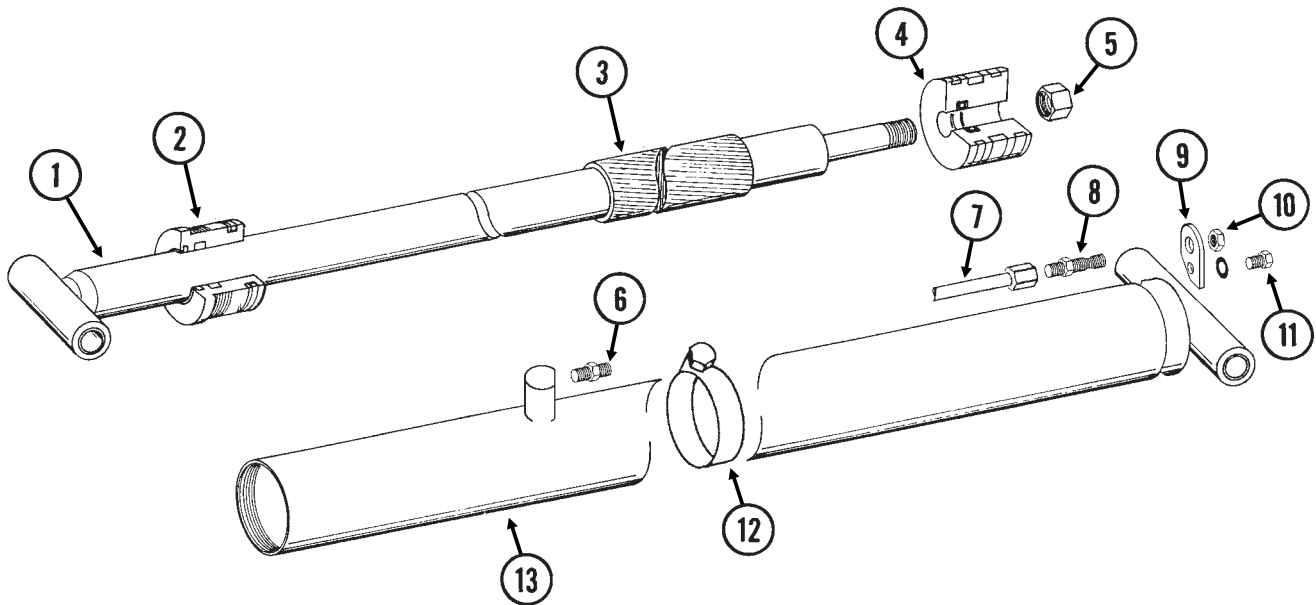
(CYL18b)



ITEM	PART NO.	QTY.	DESCRIPTION
1.	GA9576	1	Rod Assembly
2.	GD13448	1	Gland
3.	GD13453	1	Spacer
4.	GD13449	1	Piston
5.	G10972	1	Lock Nut, 1 1/4"-12
6.	G6400-08-04	1	Connector W/O-Ring, 3/4"-16 Male JIC To 7/16"-20 O-Ring
	GR1465	-	O-Ring
7.	GA10145	1	Steel Hydraulic Line, 145 15/16"
8.	G2700-08	1	Bulkhead Tube Union, 3/4"-16 Male JIC
9.	GD13643	1	Bracket
10.	G306-08	1	Lock Nut, 3/4"-16
11.	G10328	1	Hex Head Cap Screw, 3/8"-16 x 5/8"
	G10229	1	Lock Washer, 3/8"
12.	G11089	1	Hose Clamp
13.	GA9578	1	Barrel
A.	GA9579	-	Cylinder Complete, 4" x 132 1/2" (Part Number Stamped On Barrel)
B.	GR1599	-	Seal Kit, Includes: (2) O-Rings, (1) BU Ring, (3) Wear Rings, (1) Piston Seal, (1) U-Cup, (1) Wiper, (1) Expander

TONGUE CYLINDER, 24 ROW 30" AND 36 ROW 20"

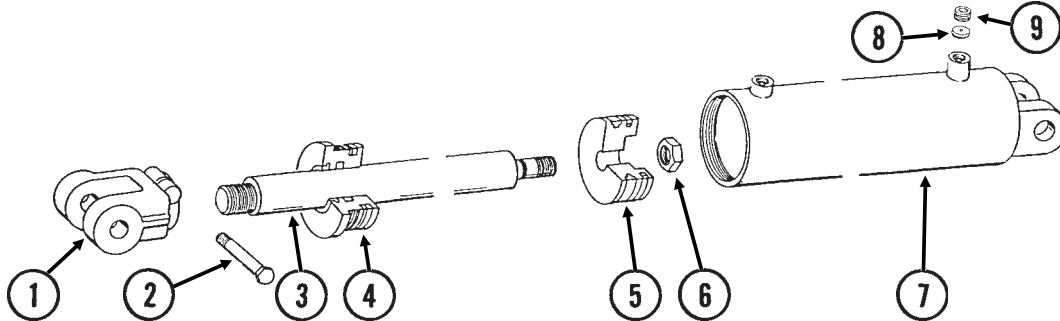
(CYL18b)



ITEM	PART NO.	QTY.	DESCRIPTION
1.	GA9580	1	Rod Assembly
2.	GD13448	1	Gland
3.	GD13456	1	Spacer
4.	GD13449	1	Piston
5.	G10972	1	Lock Nut, 1 1/4"-12
6.	G2700-08	1	Bulkhead Tube Union, 3/4"-16 Male JIC
7.	GA10146	1	Steel Hydraulic Line, 178 1/4"
8.	G6400-08-04	1	Connector W/O-Ring, 3/4"-16 Male JIC To 7/16"-20 O-Ring
	GR1465	-	O-Ring
9.	GD13643	1	Bracket
10.	G306-08	1	Lock Nut, 3/4"-16
11.	G10328	1	Hex Head Cap Screw, 3/8"-16 x 5/8"
	G10229	1	Lock Washer, 3/8"
12.	G11089	1	Hose Clamp
13.	GA9582	1	Barrel
A.	GA9583	-	Cylinder Complete, 4" x 162" (<i>Part Number Stamped On Barrel</i>)
B.	GR1599	-	Seal Kit, Includes: (2) O-Rings, (1) BU Ring, (3) Wear Rings, (1) Piston Seal, (1) U-Cup, (1) Wiper, (1) Expander

HITCH PARALLEL LINKAGE CYLINDER, ALL SIZES

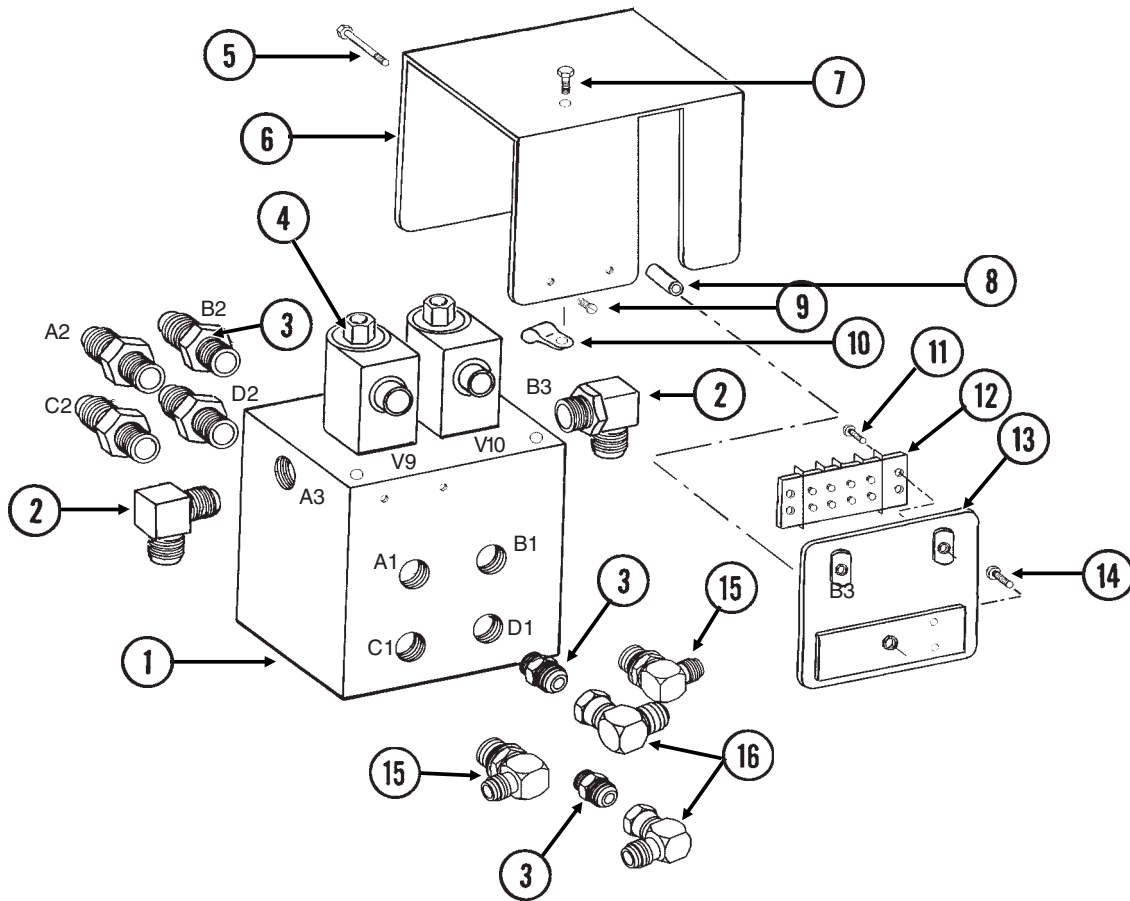
(CYL15c)



ITEM	PART NO.	QTY.	DESCRIPTION
1.	GD11951	1	Clevis
2.	G10939	1	Hex Head Cap Screw, $\frac{3}{8}$ "-16 x 2 $\frac{1}{4}$ "
	G10108	1	Lock Nut, $\frac{3}{8}$ "-16
3.	GD12580	1	Rod
4.	GD14244	1	Gland
5.	GD14223	1	Piston
6.	G10969	1	Lock Nut, $\frac{7}{8}$ "-14
7.	A8969	1	Barrel (Non-Stock Item)
8.	GD12589	1	Orifice Plate
9.	G10987	1	Hollow Lock Screw, $\frac{3}{4}$ "-16 x $\frac{3}{8}$ "
A.	GA9941	-	Cylinder Complete, 3 $\frac{1}{2}$ " x 20" <i>(Part Number Stamped On Barrel)</i>
B.	GR1638	-	Seal Kit, Includes: (1) T-Seal, (2) O-Rings, (1) BU Ring, (1) U-Cup, (1) Wiper, (1) Wear Ring

VALVE BLOCK ON FRONT HITCH

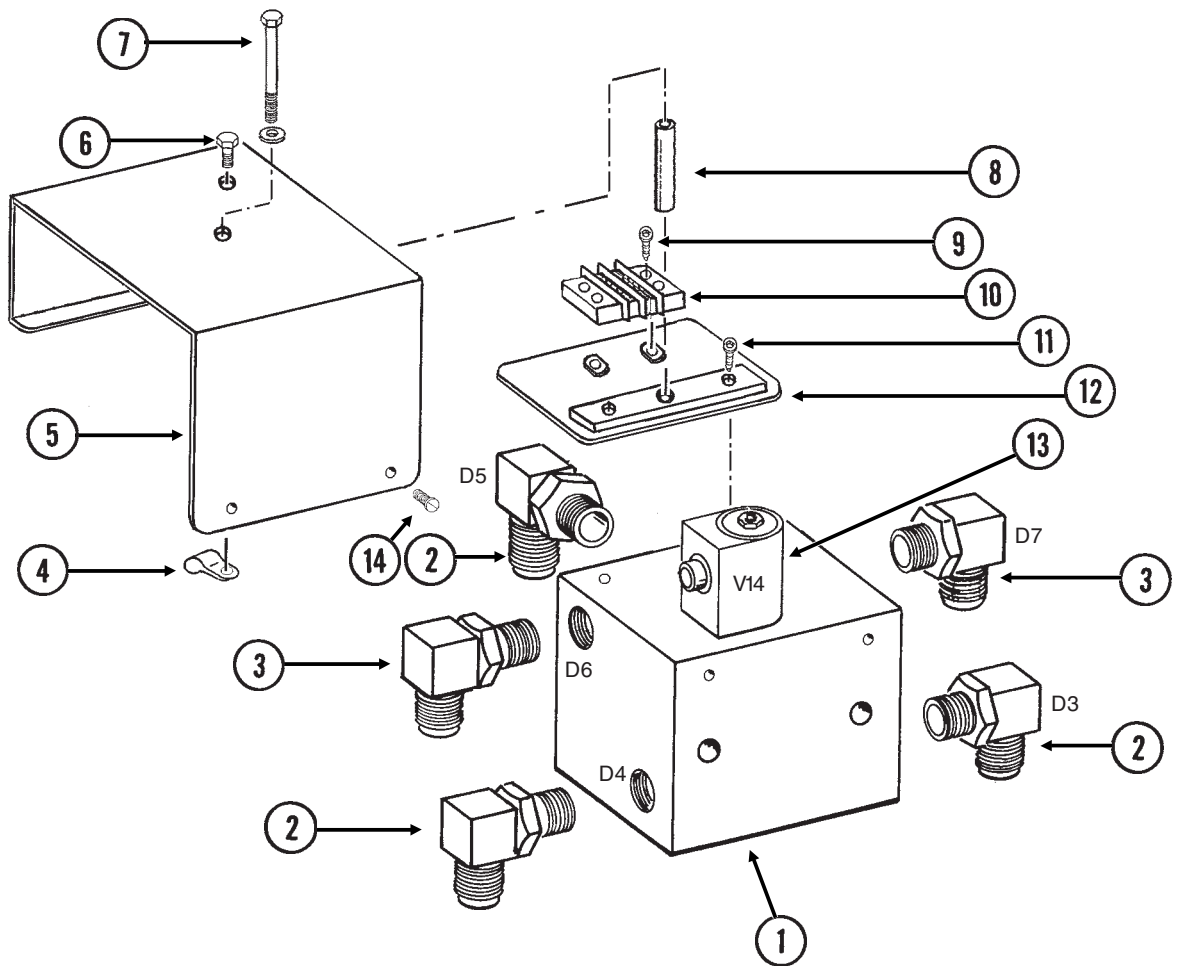
(FF19c)



ITEM	PART NO.	QTY.	DESCRIPTION
1.	GD9531	1	Block
2.	G6801-08	2	Elbow W/O-Ring, 90°, 3/4"-16 Male JIC To O-Ring
	GR1037	-	O-Ring
3.	G6400-10-08	6	Connector W/O-Ring, 7/8"-14 Male JIC To 3/4"-16 O-Ring
	GR1037	-	O-Ring
4.		-	See "Solenoid Valve (G1K276)", Page P82
5.	G10133	1	Hex Head Cap Screw, 5/16"-18 x 1 1/2"
	G10232	1	Lock Washer, 5/16"
6.	GD13365	1	Cover
7.	G10054	1	Hex Head Cap Screw, 5/16"-18 x 1/2"
	G10232	1	Lock Washer, 5/16"
	G10106	1	Hex Nut, 5/16"-18
8.	GD8066-02	1	Sleeve, 1" Long
9.	G10977	2	Phillips Pan Head Machine Screw, No. 10-24 x 1/2", Stainless Steel
10.	GD13348	1	Insulated Clamp, 11/16"
11.	G11067	2	Phillips Pan Head Machine Screw, No. 8-32 x 3/4", Stainless Steel
12.	GA9510	1	Terminal Strip W/Screws, No. 6, 4 Terminal
	GR1635	-	Screw, No. 6-32 x 1/4"
13.	GA9518	1	Terminal Strip Mount
14.	G11066	2	Phillips Pan Head Machine Screw, No. 10-24 x 3/4", Stainless Steel
15.	G6801-10-08	2	Elbow W/O-Ring, 90°, 7/8"-14 Male JIC To 3/4"-16 O-Ring
	GR1037	-	O-Ring
16.	G6500-10	2	Swivel Elbow, 90°, 7/8"-14 Male JIC To Female

VALVE BLOCK ON TOWER ASSEMBLY

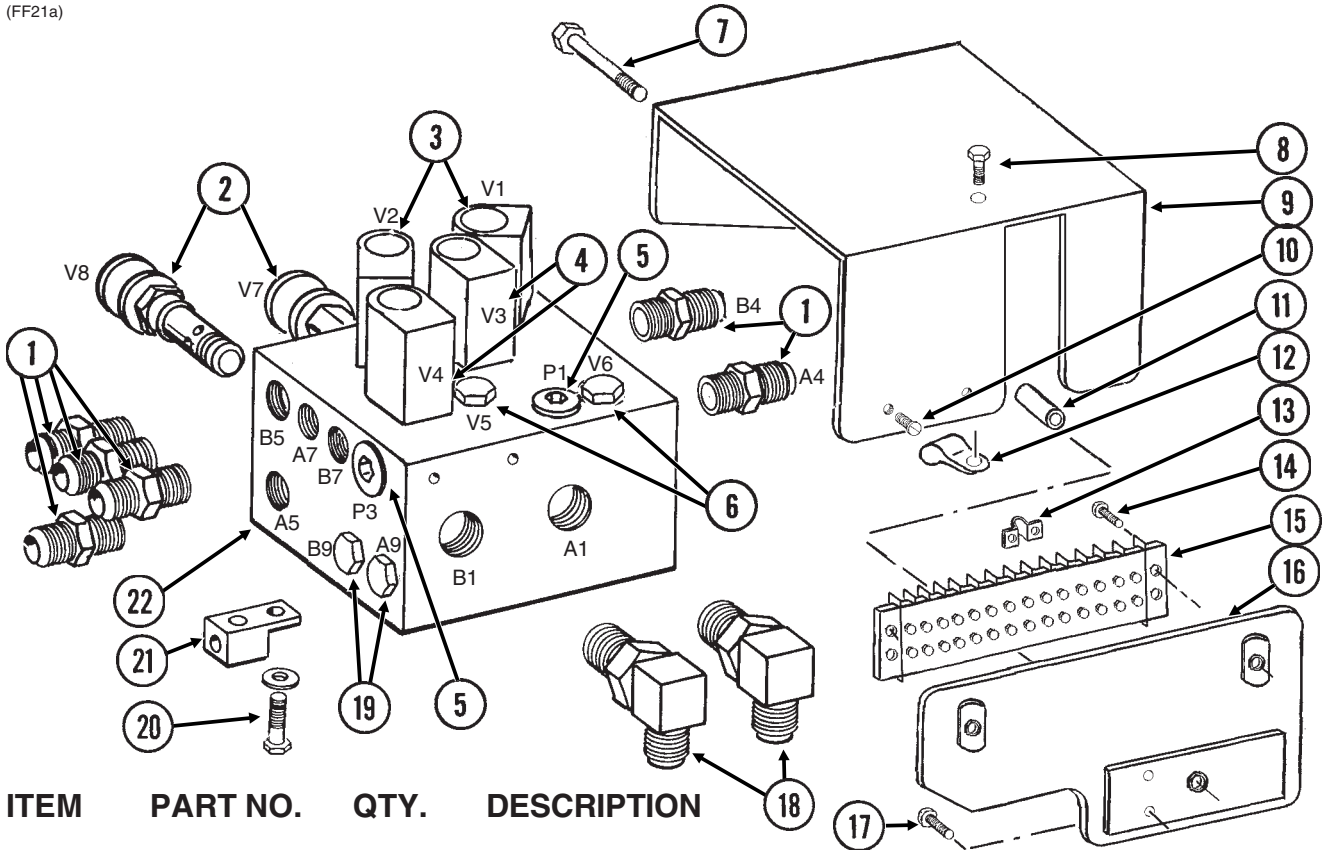
(FF20a)



ITEM	PART NO.	QTY.	DESCRIPTION
1.	GD9536	1	Block
2.	G6801-10-08	3	Elbow W/O-Ring, 90°, 7/8"-14 Male JIC To 3/4"-16 O-Ring
	GR1037	-	O-Ring
3.	G6801-08	2	Elbow W/O-Ring, 90°, 3/4"-16 Male JIC To O-Ring
	GR1037	-	O-Ring
4.	GD13348	1	Insulated Clamp, 11/16"
5.	GD13366	1	Cover
6.	G10054	1	Hex Head Cap Screw, 5/16"-18 x 1/2"
	G10232	1	Lock Washer, 5/16"
	G10106	1	Hex Nut, 5/16"-18
7.	G10583	1	Hex Head Cap Screw, 5/16"-18 x 2 3/4"
	G10232	1	Lock Washer, 5/16"
8.	GD8066-03	1	Sleeve, 2 5/16" Long
9.	G11067	2	Phillips Pan Head Machine Screw, No. 8-32 x 3/4", Stainless Steel
10.	GA9511	1	Terminal Strip W/Screws, No. 6, 2 Terminal
	GR1635	-	Screw, No. 6-32 x 1/4"
11.	G11066	2	Phillips Pan Head Machine Screw, No. 10-24 x 3/4", Stainless Steel
12.	GA9519	1	Terminal Strip Mount
13.		-	See "Solenoid Valve (G1K275)", Page P82
14.	G10977	2	Phillips Pan Head Machine Screw, No. 10-24 x 1/2", Stainless Steel

VALVE BLOCK ON R.H. WING

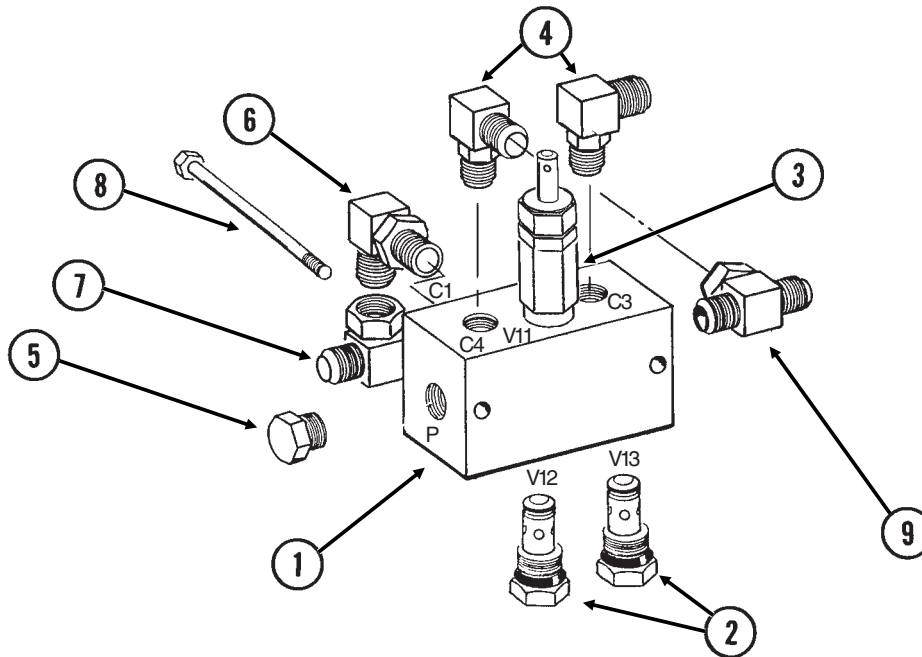
(FF21a)



ITEM	PART NO.	QTY.	DESCRIPTION
1.	G6400-08 GR1037	6 -	Connector W/O-Ring, $\frac{3}{4}$ "-16 Male JIC To O-Ring O-Ring
2.		-	See "Flow Control Valve", Page P83
3.		-	See "Solenoid Valve (G1K275)", Page P82
4.		-	See "Solenoid Valve (G1K276)", Page P82
5.	G6408-H06-O GR1045	5 -	Hex Socket Head Plug W/O-Ring, $\frac{9}{16}$ "-18 O-Ring O-Ring
6.	G6408-10 GR1466	2 -	Plug W/O-Ring, $\frac{7}{8}$ "-14 O-Ring O-Ring
7.	G10133	1	Hex Head Cap Screw, $\frac{5}{16}$ "-18 x $1\frac{1}{2}$ "
	G10232	2	Lock Washer, $\frac{5}{16}$ "
8.	G10054	1	Hex Head Cap Screw, $\frac{5}{16}$ "-18 x $1\frac{1}{2}$ "
	G10232	1	Lock Washer, $\frac{5}{16}$ "
	G10106	1	Hex Nut, $\frac{5}{16}$ "-18
9.	GD13146	1	Cover
10.	G10977	2	Phillips Pan Head Machine Screw, No. 10-24 x $\frac{1}{2}$ ", Stainless Steel
11.	GD8066-02	1	Sleeve, 1" Long
12.	GD13348	1	Insulated Clamp, $1\frac{1}{16}$ "
13.	GD13310	1	Jumper, $\frac{7}{16}$ "
14.	G11067	2	Phillips Pan Head Machine Screw, No. 8-32 x $\frac{3}{4}$ ", Stainless Steel
15.	GA9097	1	Terminal Strip W/Screws, No. 6, 14 Terminal
	GR1635	-	Screw, No. 6-32 x $\frac{1}{4}$ "
16.	GA9095	1	Terminal Strip, Mount
17.	G11066	2	Phillips Pan Head Machine Screw, No. 10-24 x $\frac{3}{4}$ ", Stainless Steel
18.	G6801-10 GR1466	2 -	Elbow W/O-Ring, 90°, $\frac{7}{8}$ "-14 Male JIC To O-Ring O-Ring
19.	G6408-08 GR1037	6 -	Plug W/O-Ring, $\frac{3}{4}$ "-16 O-Ring O-Ring
20.	G10019	1	Hex Head Cap Screw, $\frac{5}{16}$ "-18 x 1"
	G10043	1	Hex Head Cap Screw, $\frac{5}{16}$ "-18 x $\frac{3}{4}$ "
	G10232	2	Lock Washer, $\frac{5}{16}$ "
21.	GA3584	1	Ground Clamp
22.	GD9533	1	Block

VALVE BLOCK ON L.H. WING

VB030(FF22c)



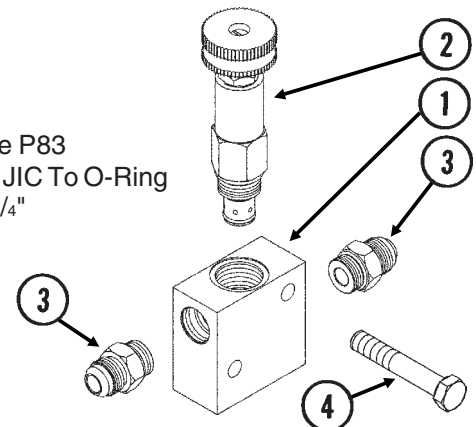
ITEM	PART NO.	QTY.	DESCRIPTION
1.	GD9535	1	Block
2.		-	See "Check Valve", Page P83
3.		-	See "Pressure Relief Valve", Page P83
4.	G6801-08	2	Elbow W/O-Ring, 90°, 3/4"-16 Male JIC To O-Ring
	GR1037	-	O-Ring
5.	G6408-06	1	Plug W/O-Ring, 9/16"-18 O-Ring
	GR1045	-	O-Ring
6.	G6801-10-08	1	Elbow W/O-Ring, 90°, 7/8"-14 Male JIC To 3/4"-16 O-Ring
	GR1037	-	O-Ring
7.	G6600-10	1	Swivel Tee, 7/8"-14 JIC
8.	G10746	2	Hex Head Cap Screw, 1/4"-20 x 2 3/4"
	G10227	2	Lock Washer, 1/4"
	G10103	2	Hex Nut, 1/4"-20
9.	G6600-08	1	Swivel Tee, 3/4"-16 JIC

VALVE BLOCK ON L.H AND R.H. WHEEL MODULE

36 Row 20" Only

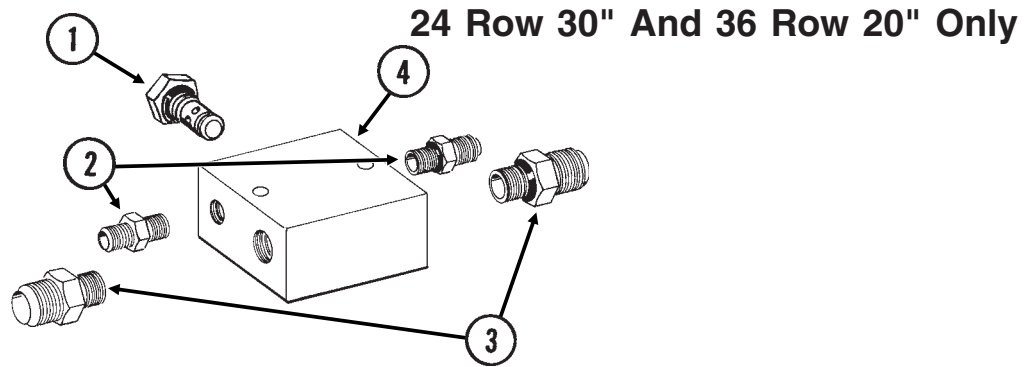
(FF103)

ITEM	PART NO.	QTY.	DESCRIPTION
1.	GA12113	1	Block
2.		-	See "Pressure Relief Valve", Page P83
3.	G6400-08	1	Connector W/O-Ring, 3/4"-16 Male JIC To O-Ring
4.	G10939	2	Hex Head Cap Screw, 3/8"-16 x 2 1/4"
	G10229	2	Lock Washer, 3/8"
	G10101	2	Hex Nut, 3/8"-16



JUNCTION BLOCK - LOCATED ON L.H. WING

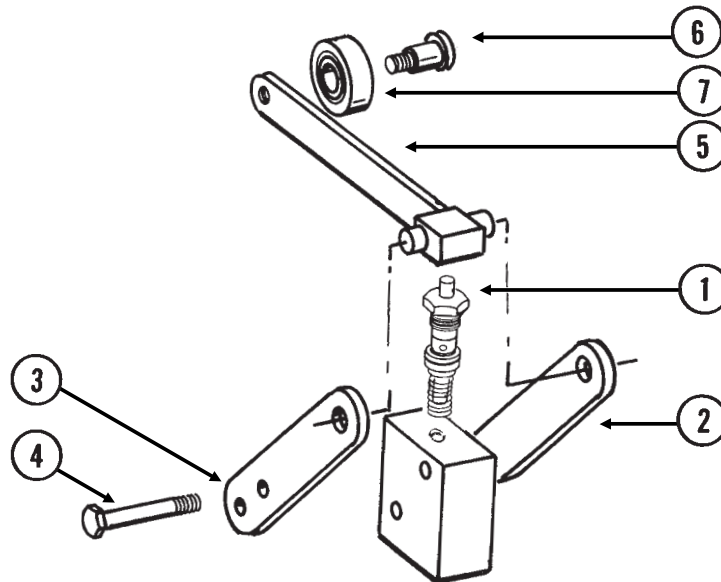
VVB038(HYD31a)



ITEM	PART NO.	QTY.	DESCRIPTION
1.		-	See "Check Valve", Page P83
2.	G6400-04	2	Connector W/O-Ring, $\frac{7}{16}$ "-20 Male JIC To O-Ring
	GR1465	-	O-Ring
3.	G6400-10	2	Connector W/O-Ring, $\frac{7}{8}$ "-14 Male JIC To O-Ring
	GR1466	-	O-Ring
4.	GD13447	1	Block

DETENT LEVER VALVE

VVB033(FF24)

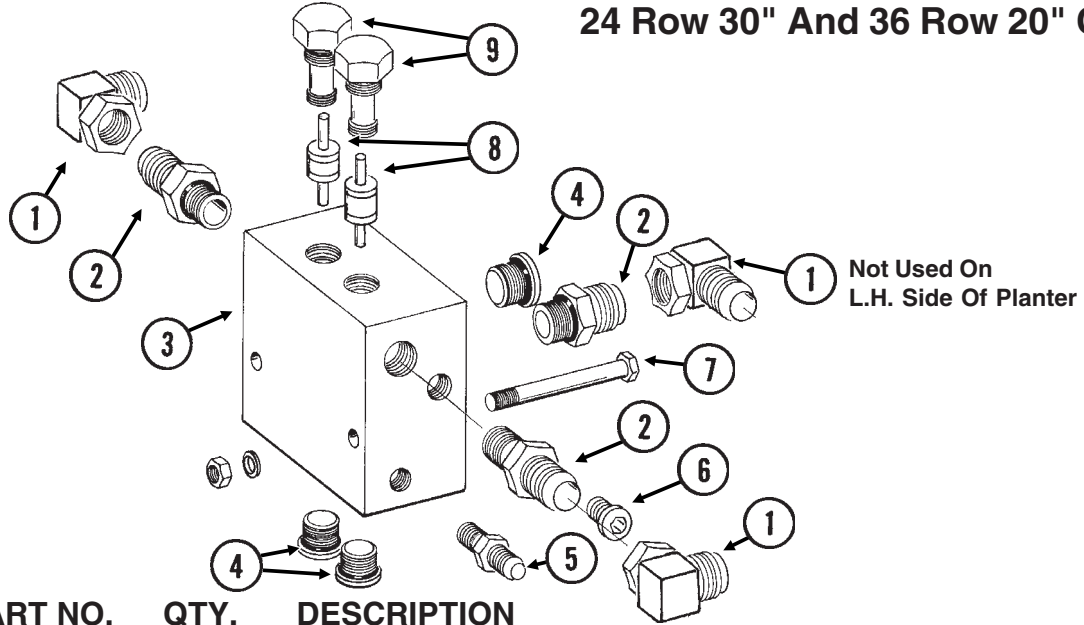


ITEM	PART NO.	QTY.	DESCRIPTION
1.	GR1254	1	Valve
2.	GR1259	1	Bar
3.	GR1255	1	Bar
4.	G10060	2	Hex Head Cap Screw, $\frac{5}{16}$ "-18 x 2 $\frac{1}{2}$ "
	G10232	2	Lock Washer, $\frac{5}{16}$ "
	G10106	2	Hex Nut, $\frac{5}{16}$ "-18
5.	GR1256	1	Arm
6.	GR1258	1	Socket Shoulder Screw, $\frac{1}{2}$ "
7.	GR1257	1	Stainless Steel Bushing
A.	GA6782	-	Detent Lever Valve Complete
B.	GR1260	-	Seal Kit (For GR1254 Valve), Includes: (2) BU Rings, (3) O-Rings

PILOT OPERATED CHECK VALVE

VVB039(HYD30)

24 Row 30" And 36 Row 20" Only

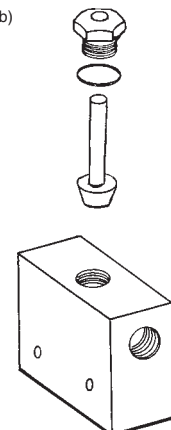


ITEM	PART NO.	QTY.	DESCRIPTION
1.	G6500-08	2-3	Swivel Elbow, 90°, 3/4"-16 Male JIC To Female
	G6502-08	-	Swivel Elbow, 45°, 3/4"-16 Male JIC To Female
2.	G6400-08	3	Connector W/O-Ring, 3/4"-16 Male JIC To O-Ring
	GR1037	-	O-Ring
3.	GR1455	1	Block (Non-Stock Item)
4.	GR1047	3	Hex Socket Plug W/O-Ring
	GR1037	-	O-Ring
5.	G6400-04	1	Connector W/O-Ring, 7/16"-20 Male JIC To O-Ring
	GR1465	-	O-Ring
6.	GR1034	1	Hex Socket Plug W/O-Ring
	GR1035	-	O-Ring
7.	G10062	1	Hex Head Cap Screw, 3/8"-16 x 3"
	G10229	1	Lock Washer, 3/8"
	G10101	1	Hex Nut, 3/8"-16
8.	GR1457	2	Pilot Piston (Non-Stock Item)
9.	GR1456	2	Cartridge (Non-Stock Item)
A.	GA8409	-	Pilot Operated Check Valve (Items 3, 4, 6, 8 And 9)
B.	GR1458	-	Seal Kit, Includes: (2) Cartridge Seal Kits, (5) O-Rings, (2) BU Rings

STROKE LIMITER VALVE

ITEM	PART NO.	QTY.	DESCRIPTION
A.	GA8127	-	Stroke Limiter Valve Complete <i>(Part Number Stamped On Valve Block)</i>
B.	G1K255	-	Repair Kit, Includes: (1) Adapter, (1) Poppet, (1) Seal Kit W/O-Rings And BU Ring

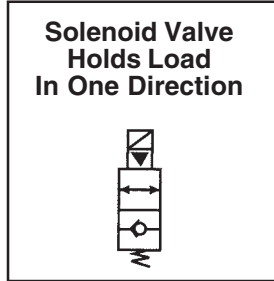
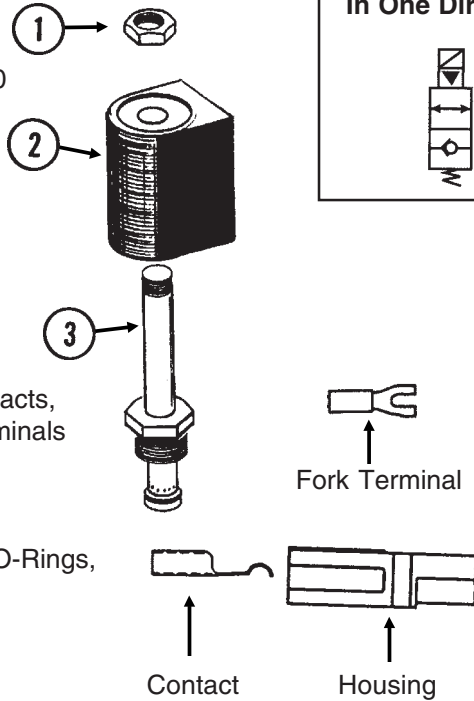
(FF23b)



SOLENOID VALVE (G1K275)

VVB019(TWL27c/TWL18/PLTR75c/A9481)

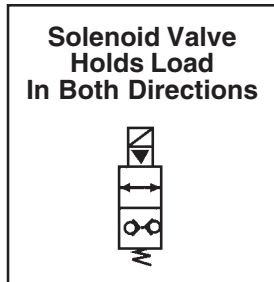
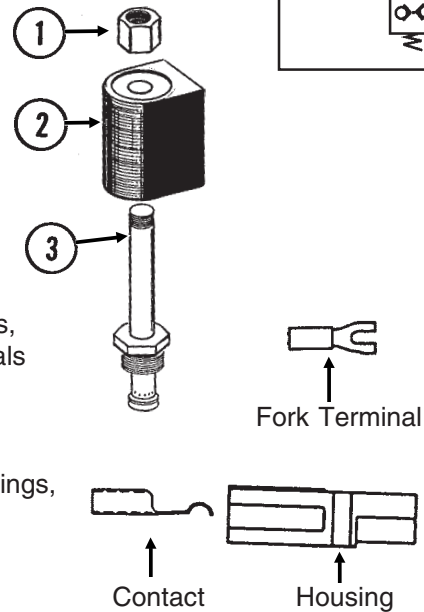
ITEM	PART NO.	QTY.	DESCRIPTION
1.	GR0761	1	Special Hex Nut, 1/2"-20
2.	G1K274	1	Coil Kit W/Contacts, Housings And Fork Terminals
	GD9529	2	Housing, Black
	GD9530	2	Contact
	G10996	2	Fork Terminal
3.	GR0763	1	Cartridge
A.	G1K275	-	Solenoid Valve Kit W/Solenoid Valve, Contacts, Housings And Fork Terminals
	GD9529	2	Housing, Black
	GD9530	2	Contact
	G10996	2	Fork Terminal
B.	GR0764	-	Seal Kit, Includes: (2) O-Rings, (1) BU Ring



SOLENOID VALVE (G1K276)

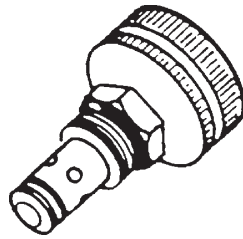
VVB019(FF25/TWL18/PLTR75c)

ITEM	PART NO.	QTY.	DESCRIPTION
1.	GR1322	1	Special Hex Nut, 1/2"-20
2.	G1K274	1	Coil Kit W/Contacts, Housings And Fork Terminals
	GD9529	2	Housing, Black
	GD9530	2	Contact
	G10996	2	Fork Terminal
3.	GR1321	1	Cartridge
A.	G1K276	-	Solenoid Valve Kit W/Solenoid Valve, Contacts, Housings And Fork Terminals
	GD9529	2	Housing, Black
	GD9530	2	Contact
	G10996	2	Fork Terminal
B.	GR0764	-	Seal Kit, Includes: (2) O-Rings, (1) BU Ring



FLOW CONTROL VALVE

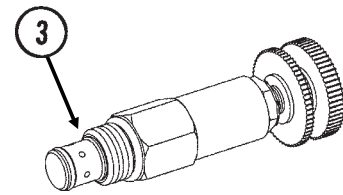
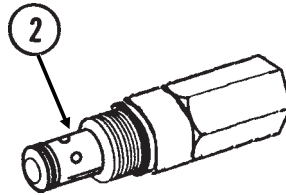
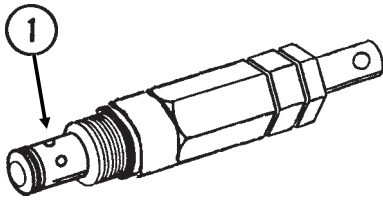
VVB020(TWL28)



ITEM	PART NO.	QTY.	DESCRIPTION
A.	GA3413	-	Flow Control Valve
B.	GR0764	-	Seal Kit, Includes: (2) O-Rings, (1) BU Ring

PRESSURE RELIEF VALVE

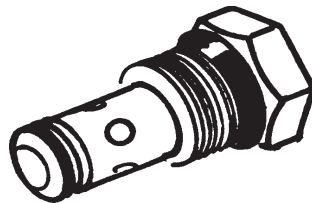
VVB020(FF46/FF46a/FF104)



ITEM	PART NO.	QTY.	DESCRIPTION
1.	GA8844	-	Pressure Relief Valve, 1750 PSI
	GR1515	-	Seal Kit, Includes: (2) O-Rings, (1) BU Ring
2.	GA10140	-	Pressure Relief Valve, 550 PSI
	GR0764	-	Seal Kit, Includes: (2) O-Rings, (1) BU Ring
3.	GA3407	-	Pressure Relief Valve, 1000 PSI
	GR0764	-	Seal Kit, Includes: (2) O-Rings, (1) BU Ring

CHECK VALVE

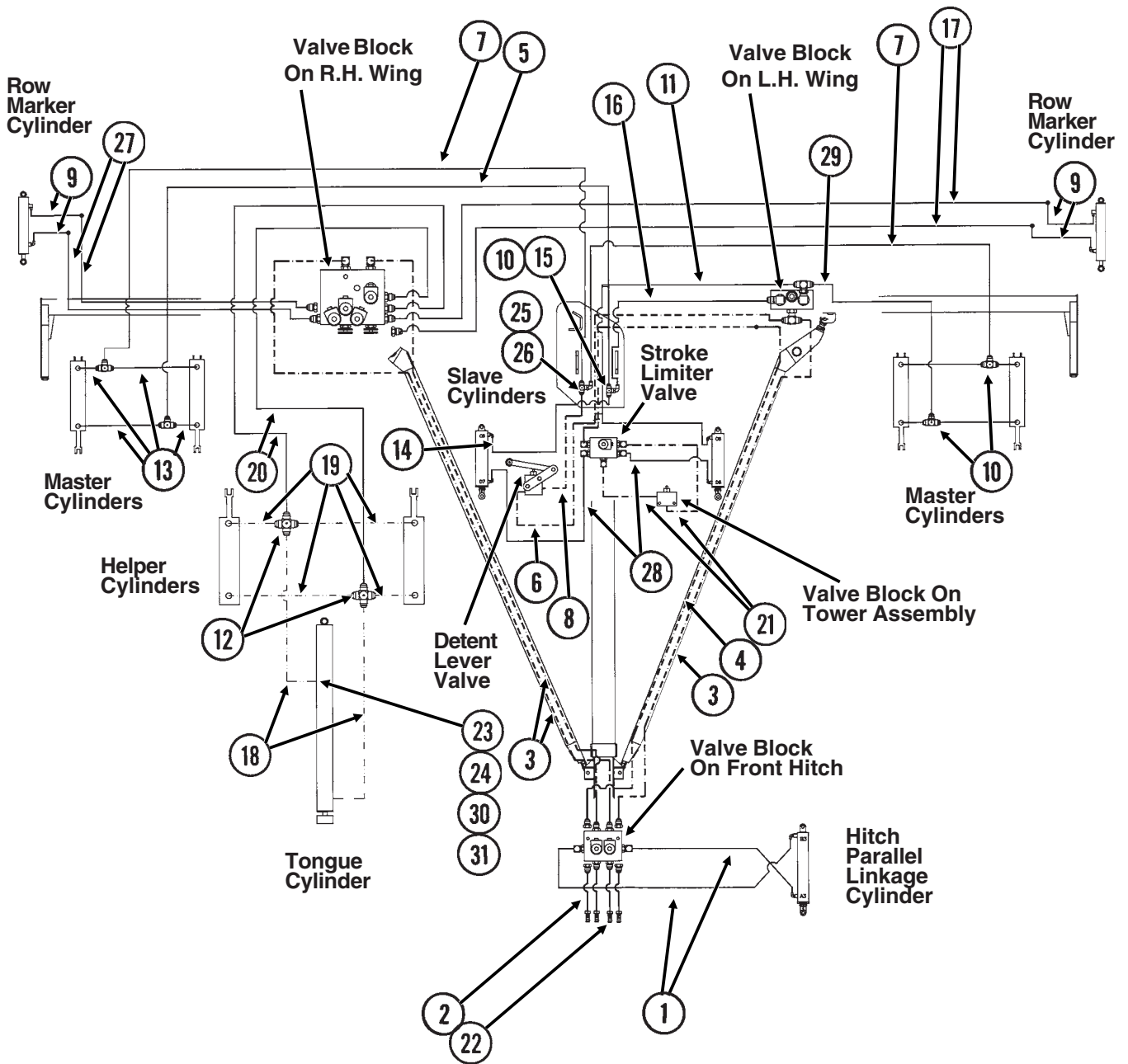
VVB020(TWL30)



ITEM	PART NO.	QTY.	DESCRIPTION
A.	GA4293	-	Check Valve
B.	GR0764	-	Seal Kit, Includes: (2) O-Rings, (1) BU Ring

HYDRAULIC SYSTEM, 16 ROW 30", 16 ROW 38", 24 ROW 20" AND 24 ROW 22"

(FF97a)



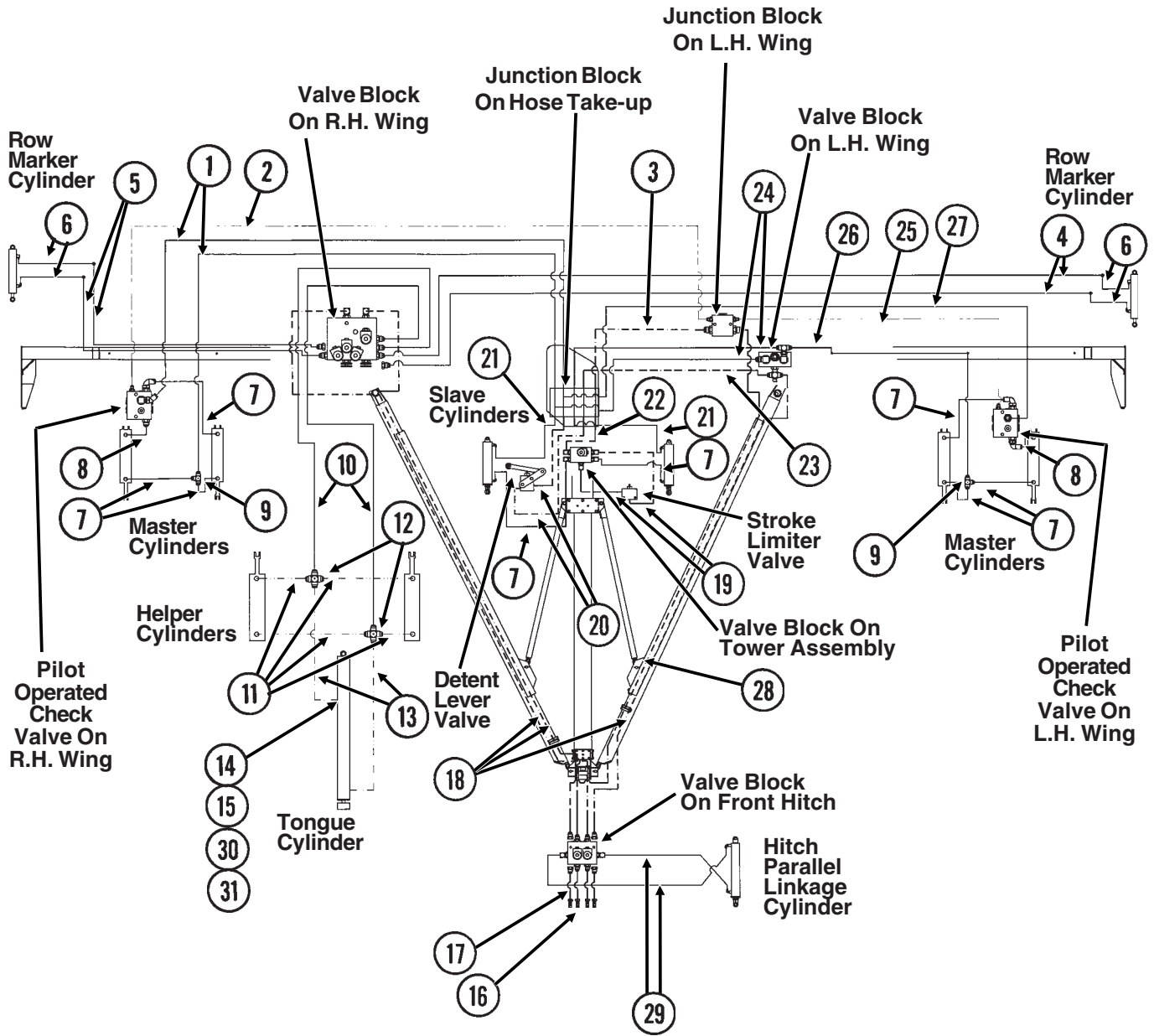
HYDRAULIC SYSTEM, 16 ROW 30", 16 ROW 38", 24 ROW 20" AND 24 ROW 22"

ITEM	PART NO.	QTY.	DESCRIPTION
1.	*A1044	2	Hose Assembly, 3/8" x 34"
2.	*A1412	4	Hose Assembly, 1/2" x 130"
3.	*A1499	3	Hose Assembly, 1/2" x 280"
4.	*A1498	1	Hose Assembly, 1/2" x 452"
5.	*A1089	1	Hose Assembly, 3/8" x 240", 16 Row 30" And 24 Row 20"
	*A3185	-	Hose Assembly, 3/8" x 284", 16 Row 38"
	*A3141	-	Hose Assembly, 3/8" x 260", 24 Row 22"
6.	*A1487	1	Hose Assembly, 1/2" x 150"
7.	*A3196	2	Hose Assembly, 3/8" x 240", 16 Row 30" And 24 Row 20"
	*A3276	-	Hose Assembly, 3/8" x 284", 16 Row 38"
	*A3212	-	Hose Assembly, 3/8" x 260", 24 Row 22"
8.	*A1404	1	Hose Assembly, 1/2" x 41"
9.	*A1072	4	Hose Assembly, 3/8" x 48"
10.	G2603-08	5	Tee, 3/4"-16 Male JIC
11.	*A1049	1	Hose Assembly, 3/8" x 160"
12.	G2650-06	2	Cross, 9/16"-18 Male JIC
13.	*A3119	8	Hose Assembly, 3/8" x 36", 16 Row 30" And 24 Row 20"
	*A3175	-	Hose Assembly, 3/8" x 38", 16 Row 38" And 24 Row 22"
14.	*A1020	1	Hose Assembly, 3/8" x 48"
15.	G6500-08	1	Swivel Elbow, 90°, 3/4"-16 Male JIC To Female
16.	*A1010	1	Hose Assembly, 3/8" x 120"
17.	*A3197	2	Hose Assembly, 3/8" x 388", 16 Row 30" And 24 Row 20"
	*A3104	-	Hose Assembly, 3/8" x 442", 16 Row 38"
	*A3213	-	Hose Assembly, 3/8" x 412", 24 Row 22"
18.	*A1146	2	Hose Assembly, 1/4" x 12"
19.	*A1189	4	Hose Assembly, 1/4" x 36"
20.	*A3195	2	Hose Assembly, 3/8" x 136"
21.	*A1424	2	Hose Assembly, 1/2" x 30"
22.	GD4086	4	ISO Coupler
23.	G6400-06-08	1	Connector W/O-Ring, 9/16"-18 Male JIC To 3/4"-16 O-Ring
	GR1037	-	O-Ring
24.	G6502-06	2	Swivel Elbow, 45°, 9/16"-18 Male JIC To Female
25.	G2603-10	1	Tee, 7/8"-14 Male JIC
26.	G6500-10	1	Swivel Elbow, 90°, 7/8"-14 Male JIC To Female
27.	*A3199	2	Hose Assembly, 3/8" x 132", 16 Row 30" And 24 Row 20"
	*A1028	-	Hose Assembly, 3/8" x 186", 16 Row 38"
	*A3114	-	Hose Assembly, 3/8" x 156", 24 Row 22"
28.	*A3119	2	Hose Assembly, 3/8" x 36"
29.	*A1010	1	Hose Assembly, 3/8" x 120", 16 Row 30" And 24 Row 20"
	*A1078	-	Hose Assembly, 3/8" x 174", 16 Row 38"
	*A1013	-	Hose Assembly, 3/8" x 150", 24 Row 22"
30.	*G6500-06	1	Swivel Elbow, 90°, 9/16"-18 Male JIC To Female
31.	G2406-08-06	1	Reducer, 3/4"-16 Female JIC To 9/16"-18 Male JIC

* Hydraulic hose is not stocked by KINZE® Repair Parts, but can be made available on a special order basis. Call for quote.

HYDRAULIC SYSTEM, 24 ROW 30"

(FF98a)



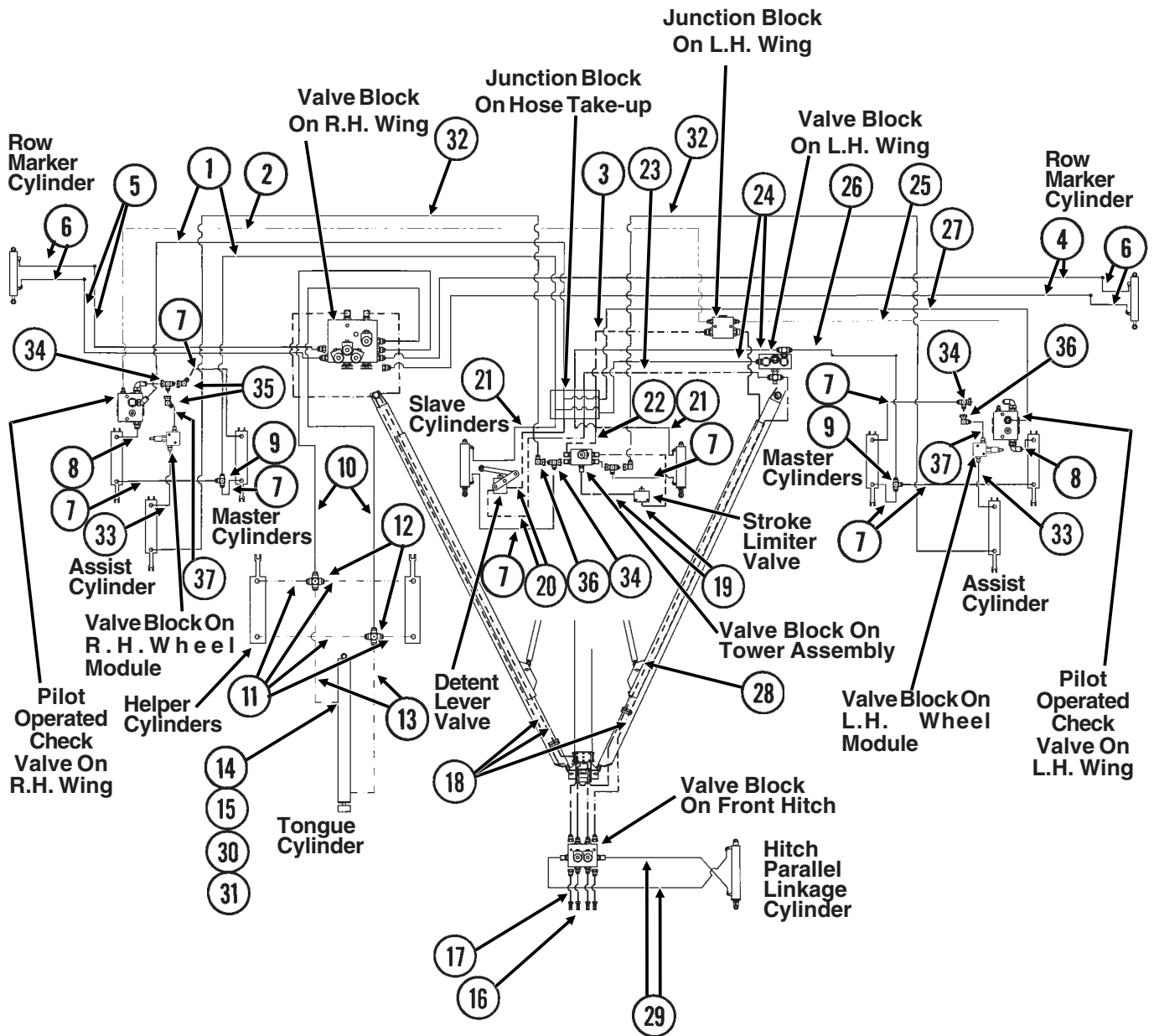
HYDRAULIC SYSTEM, 24 ROW 30"

ITEM	PART NO.	QTY.	DESCRIPTION
1.	*A1051	2	Hose Assembly, 3/8" x 360"
2.	*A8501	1	Hose Assembly, 3/16" x 426"
3.	*A1475	1	Hose Assembly, 1/2" x 108"
4.	*A3178	2	Hose Assembly, 3/8" x 536"
5.	*A3109	2	Hose Assembly, 3/8" x 222"
6.	*A1072	4	Hose Assembly, 3/8" x 48"
7.	*A3119	8	Hose Assembly, 3/8" x 36"
8.	*A3119	2	Hose Assembly, 3/8" x 36"
9.	G2603-08	2	Tee, 3/4"-16 Male JIC
10.	*A3179	2	Hose Assembly, 3/8" x 152"
11.	*A1189	4	Hose Assembly, 1/4" x 36"
12.	G2650-06	2	Cross, 9/16"-18 Male JIC
13.	*A1146	2	Hose Assembly, 1/4" x 12"
14.	G6400-06-08	1	Connector W/O-Ring, 9/16"-18 Male JIC To 3/4"-16 O-Ring
	GR1037	-	O-Ring
15.	G6502-06	2	Swivel Elbow, 45°, 9/16"-18 Male JIC To Female
16.	GD4086	4	ISO Coupler
17.	*A1412	4	Hose Assembly, 1/2" x 130"
18.	*A1485	3	Hose Assembly, 1/2" x 330"
19.	*A1424	2	Hose Assembly, 1/2" x 30"
20.	*A1465	2	Hose Assembly, 1/2" x 84"
21.	*A3140	2	Hose Assembly, 3/8" x 94"
22.	*A1421	1	Hose Assembly, 1/2" x 107"
23.	*A1487	1	Hose Assembly, 1/2" x 150"
24.	*A1026	2	Hose Assembly, 3/8" x 152"
25.	*A1038	1	Hose Assembly, 3/8" x 370"
26.	*A3161	1	Hose Assembly, 3/8" x 210"
27.	*A8500	1	Hose Assembly, 3/16" x 260"
28.	*A8208	1	Hose Assembly, 1/2" x 374"
29.	*A1044	2	Hose Assembly, 3/8" x 34"
30.	*G6500-06	1	Swivel Elbow, 90°, 9/16"-18 Male JIC To Female
31.	G2406-08-06	1	Reducer, 3/4"-16 Female JIC To 9/16"-18 Male JIC

* Hydraulic hose is not stocked by KINZE® Repair Parts, but can be made available on a special order basis. Call for quote.

HYDRAULIC SYSTEM, 36 ROW 20"

(FF98b)



HYDRAULIC SYSTEM, 36 ROW 20"

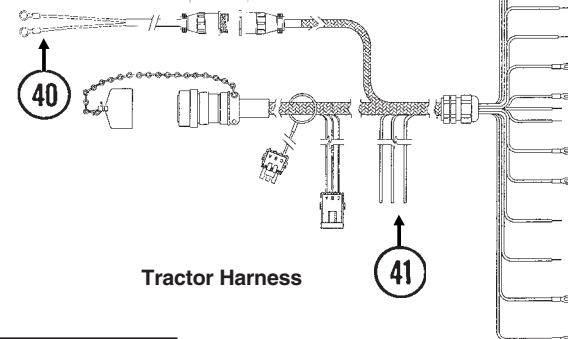
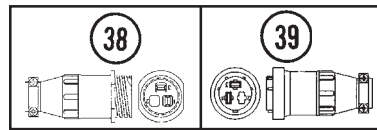
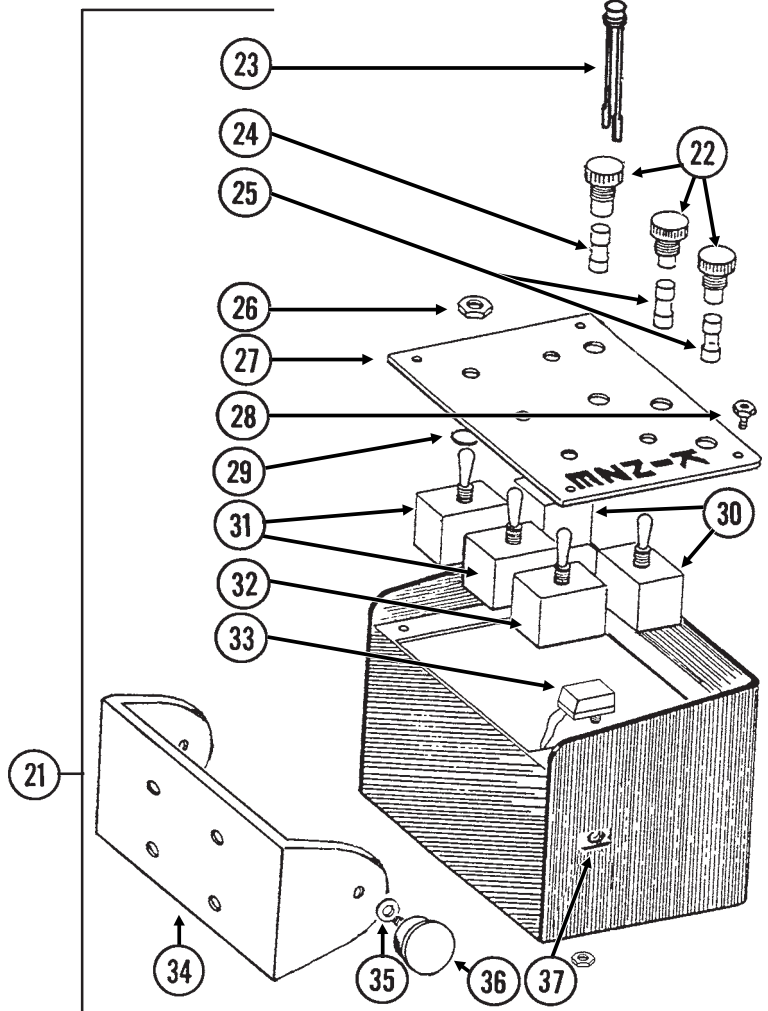
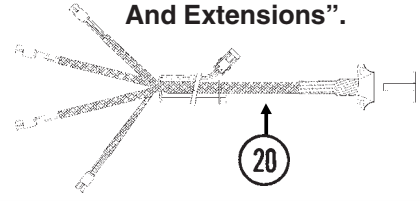
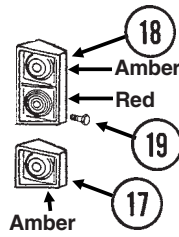
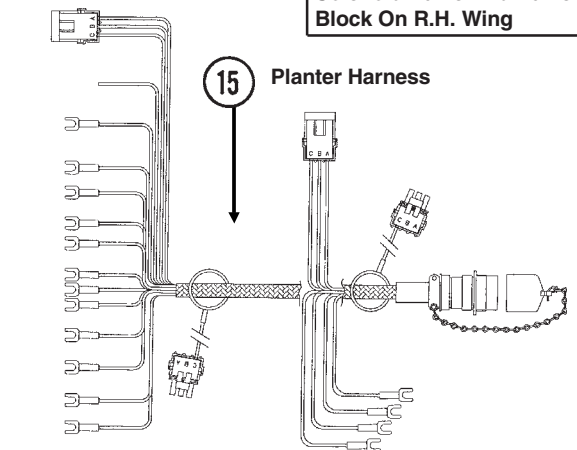
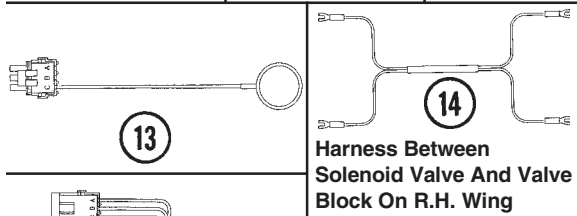
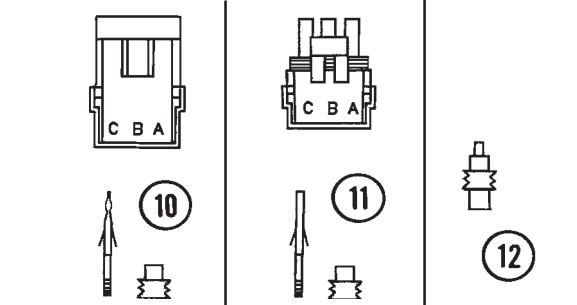
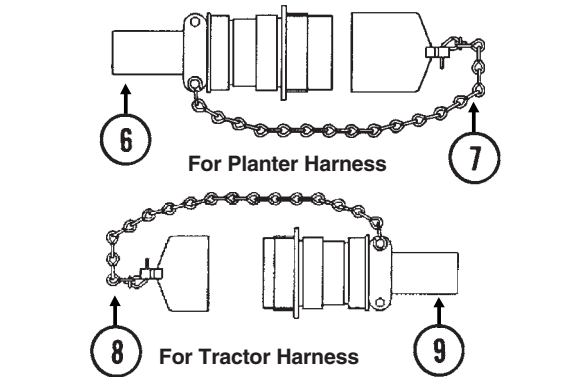
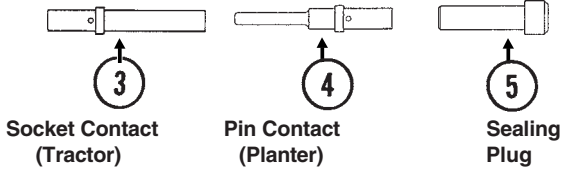
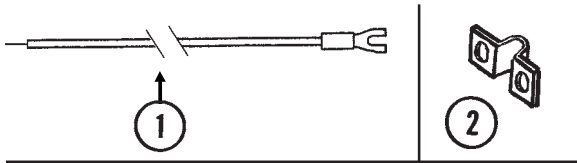
ITEM	PART NO.	QTY.	DESCRIPTION
1.	*A1038	2	Hose Assembly, 3/8" x 370"
2.	*A8503	1	Hose Assembly, 3/16" x 436"
3.	*A1475	1	Hose Assembly, 1/2" x 108"
4.	*A3178	2	Hose Assembly, 3/8" x 536"
5.	*A3109	2	Hose Assembly, 3/8" x 222"
6.	*A1072	4	Hose Assembly, 3/8" x 48"
7.	*A3119	8	Hose Assembly, 3/8" x 36"
8.	*A1019	2	Hose Assembly, 3/8" x 44"
9.	G2603-08	2	Tee, 3/4"-16 Male JIC
10.	*A3179	2	Hose Assembly, 3/8" x 152"
11.	*A1189	4	Hose Assembly, 1/4" x 36"
12.	G2650-06	2	Cross, 9/16"-18 Male JIC
13.	*A1146	2	Hose Assembly, 1/4" x 12"
14.	G6400-06-08	1	Connector W/O-Ring, 9/16"-18 Male JIC To 3/4"-16 O-Ring
	GR1037	-	O-Ring
15.	G6502-06	2	Swivel Elbow, 45°, 9/16"-18 Male JIC To Female
16.	GD4086	4	ISO Coupler
17.	*A1412	4	Hose Assembly, 1/2" x 130"
18.	*A1485	3	Hose Assembly, 1/2" x 330"
19.	*A1424	2	Hose Assembly, 1/2" x 30"
20.	*A1465	2	Hose Assembly, 1/2" x 84"
21.	*A3140	2	Hose Assembly, 3/8" x 94"
22.	*A1421	1	Hose Assembly, 1/2" x 107"
23.	*A1487	1	Hose Assembly, 1/2" x 150"
24.	*A1026	2	Hose Assembly, 3/8" x 152"
25.	*A3197	1	Hose Assembly, 3/8" x 388"
26.	*A1057	1	Hose Assembly, 3/8" x 216"
27.	*A8502	1	Hose Assembly, 3/16" x 270"
28.	*A8208	1	Hose Assembly, 1/2" x 374"
29.	*A1044	2	Hose Assembly, 3/8" x 34"
30.	*G6500-06	1	Swivel Elbow, 90°, 9/16"-18 Male JIC To Female
31.	G2406-08-06	1	Reducer, 3/4"-16 Female JIC To 9/16"-18 Male JIC
32.	*A3275	2	Hose Assembly, 3/8" x 490"
33.	*A1098	2	Hose Assembly, 3/8" x 26"
34.	G6602-08	4	Swivel Tee, 3/4"-16 JIC
35.	G6502-08	2	Swivel Elbow, 45°, 3/4"-16 Male JIC To Female
36.	G6500-08	3	Swivel Elbow, 90°, 3/4"-16 Male JIC To Female
37.	*A3122	2	Hose Assembly, 3/8" x 10 1/2"

* Hydraulic hose is not stocked by KINZE® Repair Parts, but can be made available on a special order basis. Call for quote.

ELECTRICAL COMPONENTS

(A9481/TWL26e/FF27b/FF27c/A9102a/ELC14/ELC3a/ELC5c/MTR27a/ELC8/ELC11a/FF29a/ELC4/TWL20f/ELC10c/ELC34/ELC35)

See page P93 for "Light/ Reflective Decal Brackets And Extensions".



ELECTRICAL COMPONENTS

ITEM	PART NO.	QTY.	DESCRIPTION
1.	GA9481	-	Jumper Wire W/Fork Terminal, 13"
	G10996	-	Fork Terminal
2.	GD13310	-	Jumper, 7/16"
3.	GD8740	-	Socket Contact, No. 14
4.	GD8741	-	Pin Contact, No. 14
5.	GD8739	-	Sealing Plug, No. 12
6.	GA6109	1	Connector W/Cable Clamp, 23 Pin Capacity
7.	GA7862	-	Dust Cap W/Chain
8.	GA7863	-	Dust Cap W/Chain
9.	GA6108	1	Connector W/Cable Clamp, 23 Socket Capacity
10.	G1K248	-	3-Pin Female Connector Kit (Black), Includes: (3) 3-Pin Female Housings, (9) Pin Contacts, (9) Seals
11.	G1K252	-	3-Pin Male Connector Kit (Black), Includes: (3) 3-Pin Male Housings, (9) Socket Contacts, (9) Seals
12.	GD11089	-	Sealing Plug
13.	GA8047	-	Dust Plug (Black)
14.	GA9513	1	Wiring Harness, 312", From Valve Block On R.H. Wing To Tower Assembly
15.	GA9496	1	Wiring Harness W/Dust Cap, 468"
16.	GA7399	-	Harness Extension W/Dust Caps, 180"
17.	GA6701	1	Single Amber Light Assembly
	GR1204	-	Amber Lens
	GR1206	-	Rubber Grommet (2)
	GR1207	-	Lamp Unit
	GR1208	-	Bulb
18.	GA6699	1	Double Light Assembly
	GA6700	1	Double Light Assembly (Shown)
	GR1203	-	Red Lens
	GR1204	-	Amber Lens
	GR1205	-	Cover
	GR1206	-	Rubber Grommet (4)
	GR1207	-	Lamp Unit
	GR1208	-	Bulb
19.	G10064	8	Hex Head Cap Screw, 1/4"-20 x 1"
	G10857	8	Hex Head Cap Screw, 1/4"-20 x 1 1/4"
	G10110	16	Lock Nut, 1/4"-20, Grade B
20.	GA9502	1	Wiring Harness W/7 Terminal Female Connector, 659" (4 Light Connections)
	GA5385	-	7 Terminal Female Connector
21.	G7633X	-	Backlit Control Console Assembly W/Mounting Brackets, Short Harness W/Dust Cap And Power Cable (Shown)
	G7639X	-	Backlit Control Console Assembly W/Mounting Brackets, Short Harness W/Dust Cap And Power Cable, Planters Equipped With Two-Speed Point Row Clutches
22.	GA2612	3-5	Fuse Holder W/Spade, 1 33/50"
23.	GA7077	1-4	Indicator Light
24.	GD2829	1-2	Fuse, 15 Amp, Type AGC
25.	GD10243	2-6	Fuse, MDL 10 Amp Delay Action
26.	GR1363	5	Hex Face Nut, 15/32"-32
	GR1364	5	Internal Tooth Lock Washer, 15/32"

(Continued On Following Page)

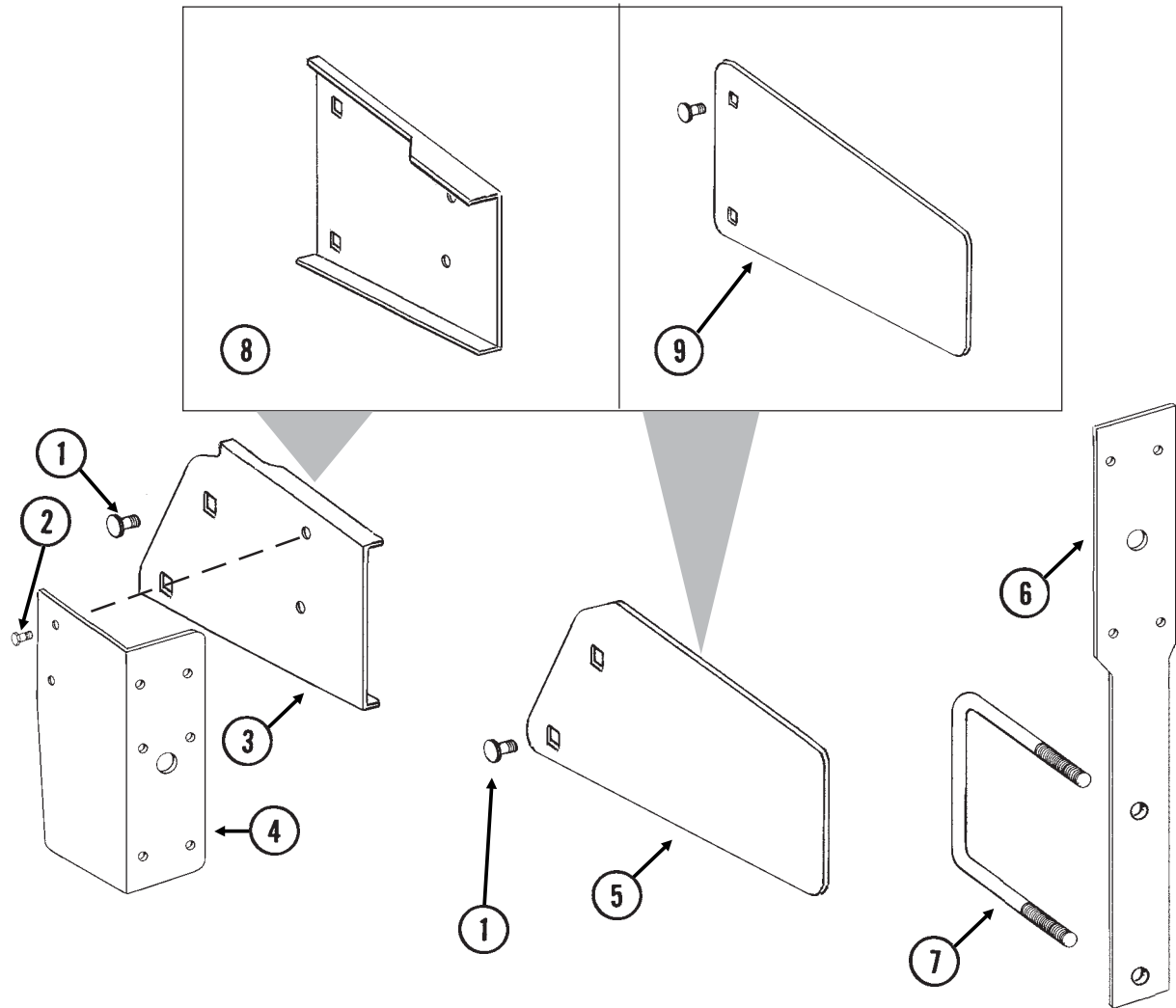
ELECTRICAL COMPONENTS

ITEM	PART NO.	QTY.	DESCRIPTION
27.	GA8734	1	Cover Plate (Shown)
	GA8735	-	Cover Plate, Planters Equipped With Two-Speed Point Row Clutches
28.	GR1292	4	Pan Head Screw, No. 8-32 x 1/2"
29.	GD3860	-	O-Ring (If Applicable)
30.	GA2528	2	Switch, 3 Position Toggle, On-Off-On
31.	GA6978	2	Switch, 3 Position Toggle, Momentary On-Off-Momentary On
32.	GA6977	1-2	Switch, 2 Position Toggle, On-Off
33.	GA8731	1	Switch, Push Button W/Transformer
34.	GD9896	1	Mounting Bracket
35.	G10211	4	Washer, 1/4" SAE
36.	GA6975	2	Knob
37.	GR1290	2	Cage Nut, 1/4"-20
38.	G1K267	-	Power Lead Adapter Connector Kit, Includes: (1) 3-Pin Connector, (1) Cable Clamp, (3) Male Terminal Pins
39.	G1K268	-	Console Cable Connector Kit, Includes: (1) 3-Pin Connector, (1) Cable Clamp, (1) Lock Ring, (3) Female Terminal Pins
40.	GA7856	1	Power Lead Adapter
41.	GA8729	1	Wiring Harness W/Dust Cap And Power Cable

NOTE: See "Point Row Clutch" or "Two-Speed Point Row Clutch" for R.H. and L.H. Wiring Harness for the point row clutches. See "KPM I Electronic Seed Monitor" or "KPM II Stack-Mode/KPM III Electronic Seed Monitors" for those components.

LIGHT/REFLECTIVE DECAL BRACKETS AND EXTENSIONS

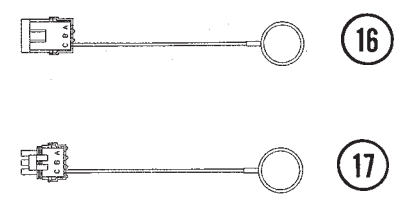
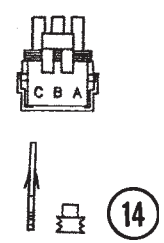
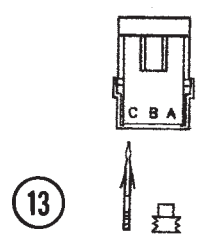
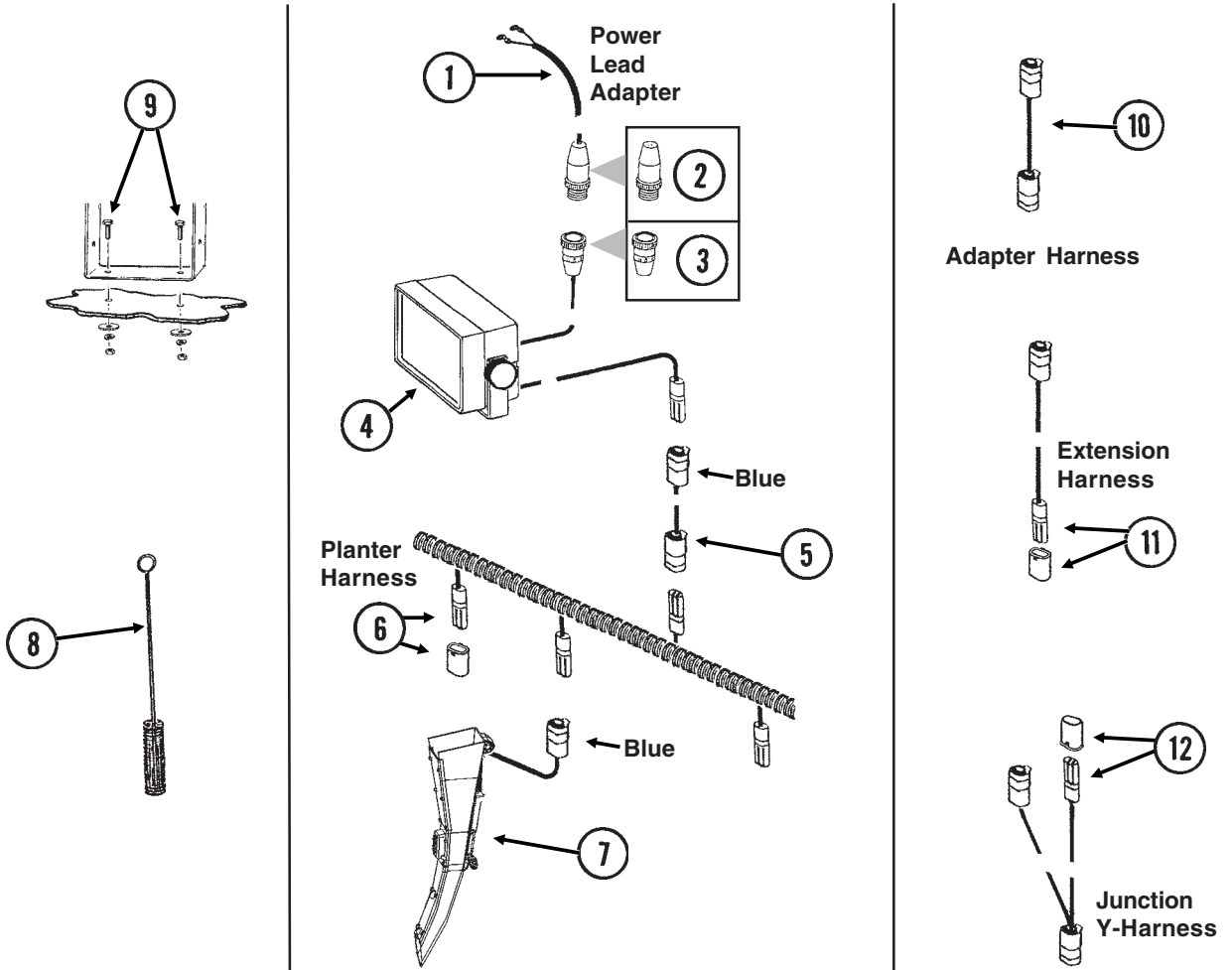
(RU130b/RU129/RU133/RU132/RU130a/RU131/RU129a/RU132a)



ITEM	PART NO.	QTY.	DESCRIPTION
1.	G10312	-	Carriage Bolt, $\frac{5}{16}$ "-18 x $\frac{3}{4}$ "
	G10620	-	Serrated Flange Nut, $\frac{5}{16}$ "-18
2.	G10064	-	Hex Head Cap Screw, $\frac{1}{4}$ "-20 x 1"
	G10227	-	Lock Washer, $\frac{1}{4}$ "
	G10103	-	Hex Nut, $\frac{1}{4}$ "-20
3.	GD15968	1	Light Mount Extension
4.	GD12725	1	Bracket (L.H. Wing)
	GD12724	1	Bracket (R.H. Wing) (Shown)
5.	GD15967	1	Reflective Decal Bracket
6.	GD13358	2	Light Bracket
7.	GD1114	2	U-Bolt, 7" x 7" x $\frac{5}{8}$ "-11
	G10230	4	Lock Washer, $\frac{5}{8}$ "
	G10104	4	Hex Nut, $\frac{5}{8}$ "-11
8.	GD12723	1	Light Mount Extension
9.	GD12710	1	Reflective Decal Bracket

KPM I ELECTRONIC SEED MONITOR

(MTR46b)



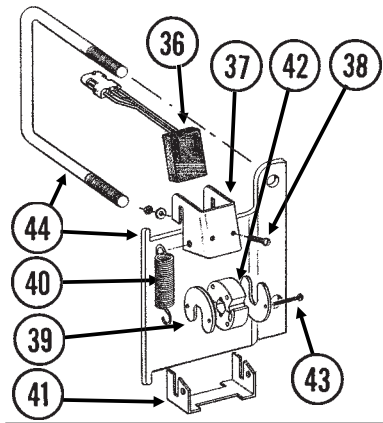
KPM I ELECTRONIC SEED MONITOR

ITEM	PART NO.	QTY.	DESCRIPTION
1.	GA7856	1	Power Lead Adapter
2.	G1K267	-	Power Lead Adapter Connector Kit, Includes: (1) Cable Clamp, (1) 3-Pin Connector, (3) Male Terminal Pins
3.	G1K268	-	Console Cable Connector Kit, Includes: (1) Cable Clamp, (1) 3-Pin Connector, (1) Lock Ring, (3) Female Terminal Pins
4.	GA10570	1	KPM I Backlit Console W/Mounting Bracket, Fuse Holder And Fuse, Power Lead Adapter (Item 1), Brush (Item 10) And Dust Plug (Item 16)
	GR1390	-	Mounting Bracket, KPM I
	GR1392	-	Console Mounting Bracket Hardware Package (Includes 2 Knobs And 1/4" Hardware)
	GA10601	-	Fuse Holder
	GD7639	-	Fuse
5.		-	Included In Tractor/Planter Wiring Harnesses, See Items 15 And 41, Pages P90 And P91
6.	GA7850	-	Planter Harness W/Dust Caps, 8 Row (12 Connectors)
	GA7851	-	Planter Harness W/Dust Caps, 12 Row (16 Connectors)
	GA8050	-	Planter Harness W/Dust Caps, 18 Row (22 Connectors)
	GD11993	-	Dust Cap
7.	GA10901	-	Seed Tube W/Computerized Sensor (Shown)
	GR1629	-	Sensor Only
	GA10940	-	Seed Tube (With Holes For Sensor Installation)
8.	GR0594	-	Brush
9.	G10022	2	Hex Head Cap Screw, 1/4"-20 x 1/2"
	G10211	2	Washer, 1/4" SAE
	G10227	2	Lock Washer, 1/4"
	G10103	2	Hex Nut, 1/4"-20
10.	GA7857	-	Adapter Harness, 1'
11.	GA7854	-	Extension Harness W/Dust Cap, 15'
	GA7855	-	Extension Harness W/Dust Cap, 30'
	GD11993	-	Dust Cap
12.	GA7853	-	Junction Y-Harness W/Dust Cap
	GD11993	-	Dust Cap
13.	G1K248	-	3-Pin Female Connector Kit (Black), Includes: (3) 3-Pin Female Housings, (9) Pin Contacts, (9) Seals
	G1K362	-	3-Pin Female Connector Kit (Blue), Includes: (3) 3-Pin Female Housings, (9) Pin Contacts, (9) Seals
14.	G1K252	-	3-Pin Male Connector Kit (Black), Includes: (3) 3-Pin Male Housings, (9) Socket Contacts, (9) Seals
	G1K363	-	3-Pin Male Connector Kit (Blue), Includes: (3) 3-Pin Male Housings, (9) Socket Contacts, (9) Seals
15.	GD11089	-	Sealing Plug
16.	GA8046	-	Dust Plug (Black)
	GA9978	-	Dust Plug (Blue)
17.	GA8047	-	Dust Plug (Black)
	GA9979	-	Dust Plug (Blue)

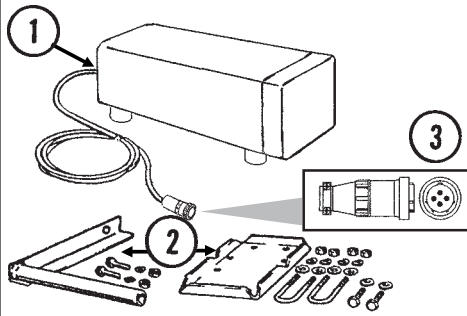
KPM II STACK-MODE/KPM III ELECTRONIC SEED MONITORS

(MTR43jj/A10901a)

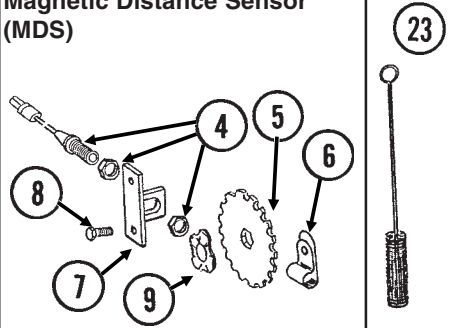
Shaft Rotation Sensor



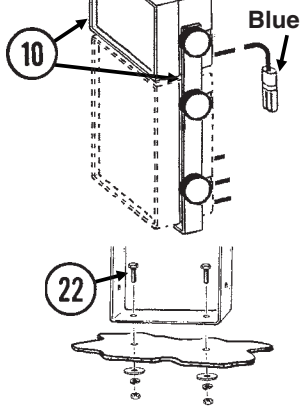
Radar Distance Sensor



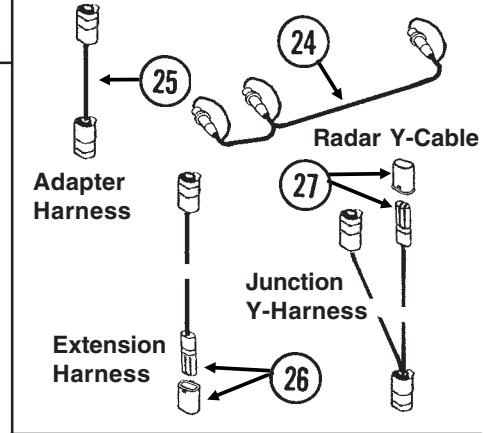
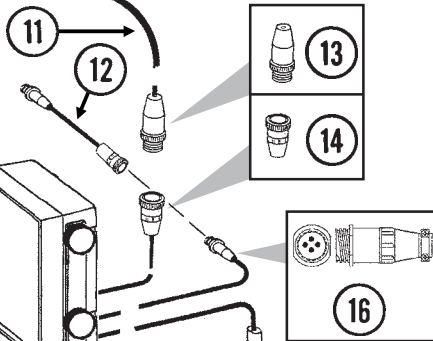
Magnetic Distance Sensor (MDS)



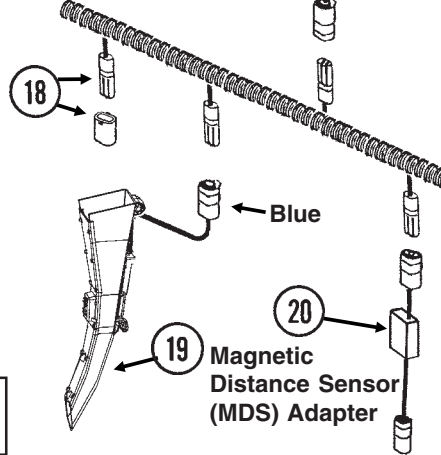
SMM



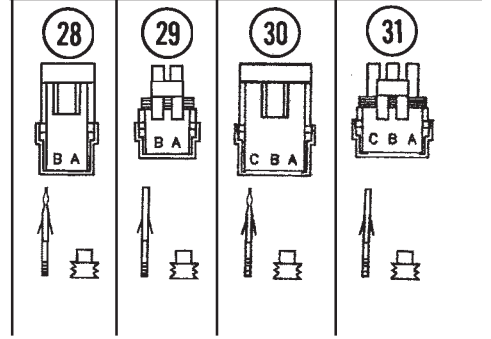
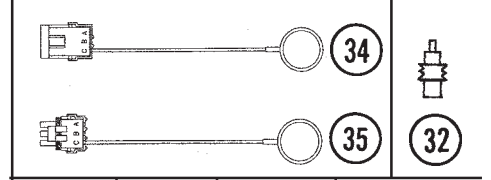
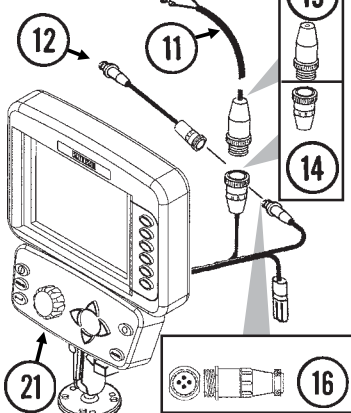
Power Lead Adapter



Planter Harness



KPM III



ITEM	PART NO.	QTY.	DESCRIPTION
------	----------	------	-------------

1.	GA7858	-	Radar Distance Sensor W/20' Cable
2.	GA8026	-	Radar Sensor Pipe/Mounting Bracket Package
3.	G1K323	-	4-Pin Connector Kit W/Female Housing, (4) Pins And (1) Cable Clamp
4.	GA5600	1	Magnetic Distance Sensor
5.	GD8751	-	Magnetic Distance Sensor Pulse Wheel
6.	GD6291	-	Insulated Clamp, 3/8"
7.	GD8770	1	Bracket
8.	G10001	2	Hex Head Cap Screw, 3/8"-16 x 1"
	G10229	2	Lock Washer, 3/8"
	G10101	2	Hex Nut, 3/8"-16
9.	GD8771	1	Spring Wave Washer
10.	GA9857	1	SMM Backlit Console W/Mounting Bracket And Dust Plug (Item 34)
	GR1631	-	Mounting Bracket, KPM II Stack-Mode And SMM Consoles
	GR1632	-	Console Mounting Bracket Hardware Package (Includes 2 Knobs And 1/4" Hardware)
11.	GA7856	1	Power Lead Adapter

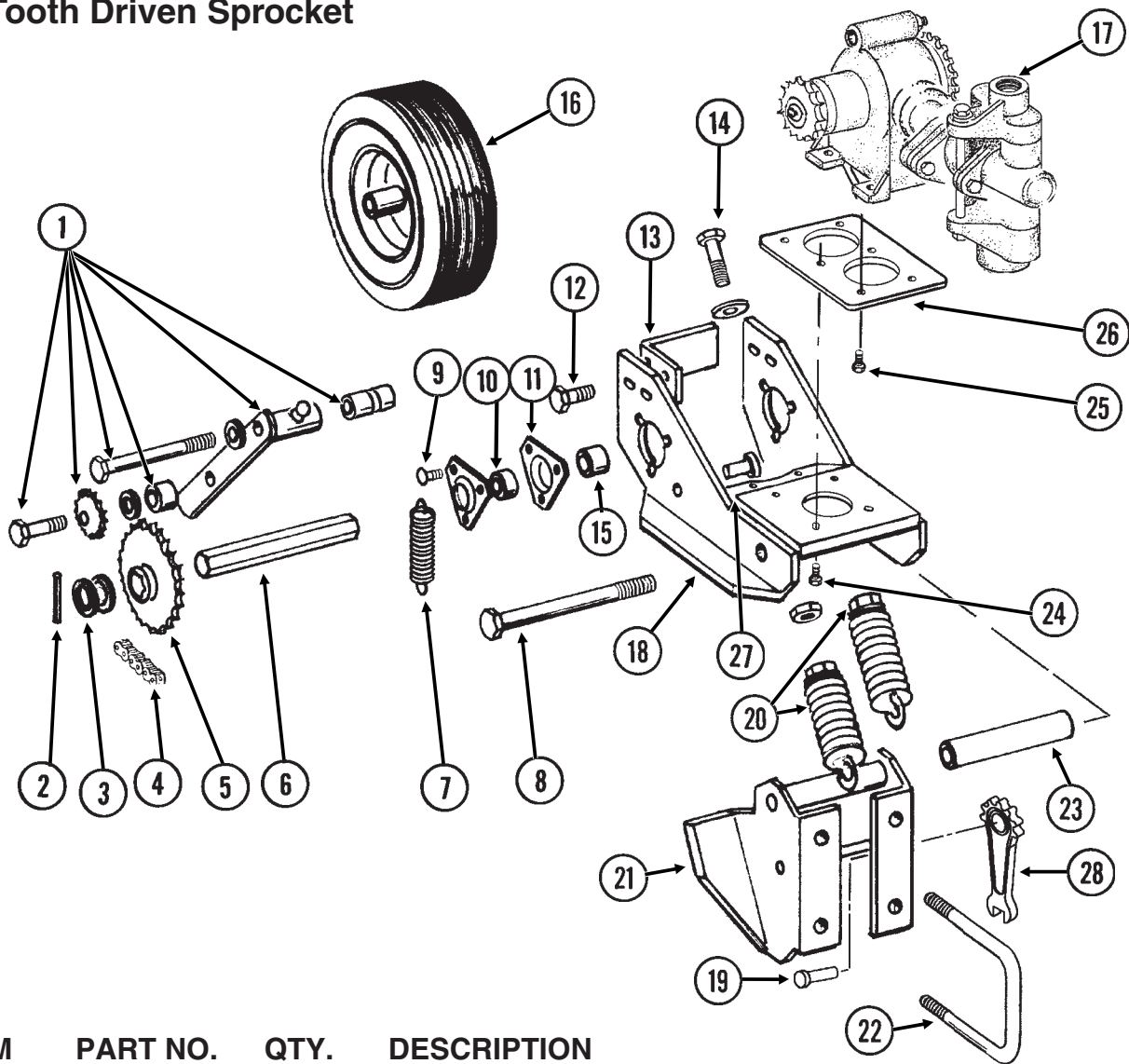
KPM II STACK-MODE/KPM III ELECTRONIC SEED MONITORS

ITEM	PART NO.	QTY.	DESCRIPTION
12.	GA9144	-	Monitor/Radar Adapter, 10"
13.	G1K267	-	Power Lead Adapter Connector Kit, Includes: (1) Cable Clamp, (1) 3-Pin Connector, (3) Male Terminal Pins
14.	G1K268	-	Console Cable Connector Kit, Includes: (1) Cable Clamp, (1) 3-Pin Connector, (1) Lock Ring, (3) Female Terminal Pins
15.	GA10575	-	KPM II Backlit Console W/Mounting Bracket, Fuse Holder And Fuse, Power Lead Adapter (Item 11), Brush (Item 23), Dust Plug (Item 34) And Monitor/Radar Adapter, 10" (Item 12)
	GR1391	-	Mounting Bracket, KPM II
	GR1393	-	Console Mounting Bracket Hardware Package (Includes 4 Knobs And 1/4" Hardware)
	GA10601	-	Fuse Holder
	GD7639	-	Fuse
16.	G1K322	-	4-Pin Connector Kit W/Male Housing, (4) Female Socket Contacts And (1) Cable Clamp
17.		-	Included In Tractor/Planter Wiring Harnesses, See Items 15 And 41 On Pages P90 And P91
18.	GA8021	-	Planter Harness W/Dust Caps, 4 Row (7 Connectors)
	GA8022	-	Planter Harness W/Dust Caps, 6 Row (9 Connectors)
	GA7850	-	Planter Harness W/Dust Caps, 8 Row (12 Connectors)
	GD11993	-	Dust Cap
19.	GA10901	-	Seed Tube W/Computerized Sensor (Shown)
	GR1629	-	Sensor Only
	GA10940	-	Seed Tube (With Holes For Sensor Installation)
20.	GA7859	1	Magnetic Distance Sensor Adapter (Analog To Digital)
21.	GA11039	1	KPM III Backlit Console W/Brush (Item 23), Dust Plug (Item 34), Mounting Bracket Assembly, Console Mounting Bracket Hardware And Power Harness
	GR1761	-	Mounting Bracket Assembly, Includes: (2) Mounting Brackets, (2) Connector Halves, (1) Compression Spring, (1) Tension Knob, (1) 1/4"-20 x 1 3/4" Hex Head Cap Screw, (1) 1/4" Plastic Washer, (1) 1/4" Steel Washer
	GR1762	-	Console Mounting Bracket Hardware Package, Includes: (3) No. 10-32 x 5/8" Hex Socket Pan Head Screws, (3) 1/4" Lock Washers
	GR1764	-	Power Harness
22.	G10022	2	Hex Head Cap Screw, 1/4"-20 x 1/2"
	G10211	2	Washer, 1/4" SAE
	G10227	2	Lock Washer, 1/4"
	G10103	2	Hex Nut, 1/4"-20
23.	GR0594	-	Brush
24.	GR0586	1	Radar Y-Cable (Used To Connect Radar Distance Sensor For Multiple Functions)
25.	GA7857	-	Adapter Harness, 1'
26.	GA7854	-	Extension Harness W/Dust Cap, 15'
	GA7855	-	Extension Harness W/Dust Cap, 30'
	GD11993	-	Dust Cap
27.	GA7853	-	Junction Y-Harness W/Dust Cap
	GD11993	-	Dust Cap
28.	G1K321	-	2-Pin Female Connector Kit (Black), Includes: (3) 2-Pin Female Housings, (6) Pin Contacts, (6) Seals
29.	G1K320	-	2-Pin Male Connector Kit (Black), Includes: (3) 2-Pin Male Housings, (6) Socket Contacts, (6) Seals
30.	G1K248	-	3-Pin Female Connector Kit (Black), Includes: (3) 3-Pin Female Housings, (9) Pin Contacts, (9) Seals
	G1K362	-	3-Pin Female Connector Kit (Blue), Includes: (3) 3-Pin Female Housings, (9) Pin Contacts, (9) Seals
31.	G1K252	-	3-Pin Male Connector Kit (Black), Includes: (3) 3-Pin Male Housings, (9) Socket Contacts, (9) Seals
	G1K363	-	3-Pin Male Connector Kit (Blue), Includes: (3) 3-Pin Male Housings, (9) Socket Contacts, (9) Seals
32.	GD11089	-	Sealing Plug
33.	G1K249	-	Acre Counter Switch Kit
34.	GA8046	-	Dust Plug (Black)
	GA9978	-	Dust Plug (Blue)
35.	GA8047	-	Dust Plug (Black)
	GA9979	-	Dust Plug (Blue)
36.	GR1415	1	Rotation Sensor
37.	GD11169	1	Mount
38.	G10757	2	Pan Head Screw, No. 10-32 x 1 1/4"
	G10243	2	Washer, No. 10 SAE
	G10758	2	Hex Nut, No. 10-32
39.	GD11474	2	Cover
40.	GD5857	2	Spring
41.	GD11170	1	Spring Mount
42.	GR1414	1	Actuator
43.	G10927	2	Pan Head Machine Screw, No. 8-32 x 1 1/4", Stainless Steel
	G10931	2	Lock Washer, No. 8, Internal/External, Stainless Steel
	G10928	2	Hex Nut, No. 8-32, Stainless Steel
44.	G1K364	-	Rotation Sensor Mount Kit, Includes: (2) Mounts, (2) GD11721 5" x 7" U-Bolts, (4) G10228 Lock Washers, (4) G10102 Hex Nuts, (1) Instruction
45.	GA5549	1	Magnetic Distance Sensor Pulse Wheel
A.	GA6147	-	Magnetic Distance Sensor And Mounting Package (Items 4-9)

LIQUID FERTILIZER PISTON PUMP DRIVE, 16, 24 AND 36 ROW

(FF571)

40 Tooth Drive Sprocket And 18 Tooth Driven Sprocket



ITEM	PART NO.	QTY.	DESCRIPTION
		(Per Assy.)	
1.	GA7244	1	Idler W/Sprocket, Bushing, Spacer And Hardware
	GA7154	-	Sprocket W/Bearing, 18 Tooth
	GD7889	-	Bushing, 1" O.D. x $\frac{9}{16}$ " I.D x $\frac{7}{16}$ " Long
	G10581	-	Hex Head Cap Screw, $\frac{1}{2}$ "-13 x 2 $\frac{1}{4}$ "
	G10216	-	Washer, $\frac{1}{2}$ " USS
	G10228	-	Lock Washer, $\frac{1}{2}$ "
	G10102	-	Hex Nut, $\frac{1}{2}$ "-13
	G10830	-	Hex Head Cap Screw, $\frac{5}{8}$ "-11 x 7 $\frac{1}{2}$ "
	G10205	-	Washer, $\frac{5}{8}$ " SAE
	G10230	-	Lock Washer, $\frac{5}{8}$ "
	G10104	-	Hex Nut, $\frac{5}{8}$ "-11
	GD10254	-	Spacer, 2 $\frac{3}{4}$ "
	G10640	-	Grease Fitting, $\frac{1}{4}$ "-28
2.	G10602	2	Spring Pin, $\frac{1}{4}$ " x 1 $\frac{1}{2}$ "
3.	G10233	5	Machine Bushing, 1", 10 Gauge

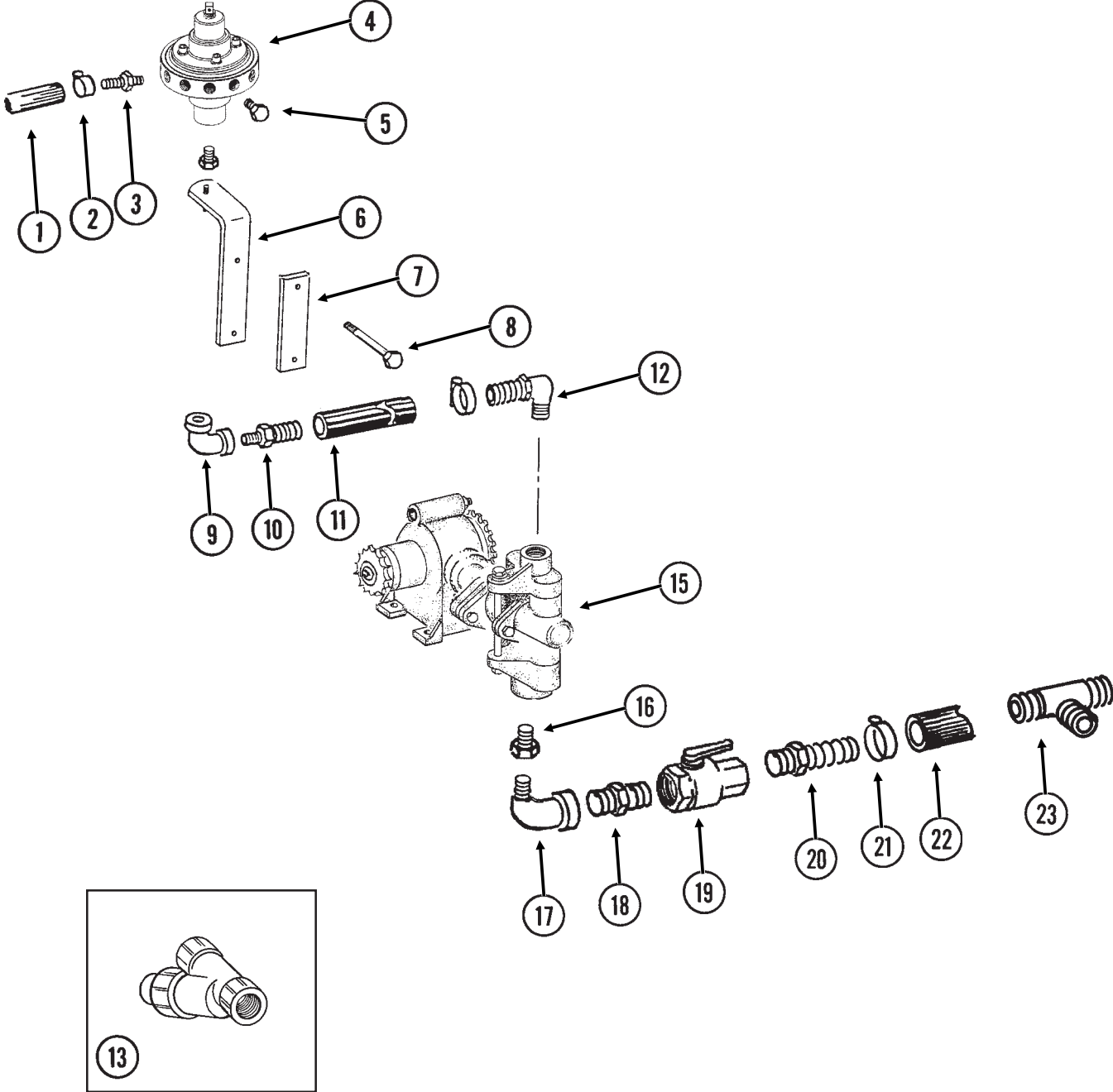
LIQUID FERTILIZER PISTON PUMP DRIVE, 16, 24 AND 36 ROW

ITEM	PART NO.	QTY.	DESCRIPTION
		(Per Assy.)	
4.	G3310-91	1	Chain, No. 40, 91 Pitch Including Connector Link And Offset Link
	GR0912	-	Connector Link, No. 40
	GR0911	-	Offset Link, No. 40
5.	GA7180	1	Sprocket, 40 Tooth
6.	GD6825-11.25	1	Hex Shaft, 7/8" x 11 1/4" (2 Holes)
7.	GD5857	1	Spring
8.	G10093	1	Hex Head Cap Screw, 5/8"-11 x 8 1/2"
	G10230	1	Lock Washer, 5/8"
	G10104	1	Hex Nut, 5/8"-11
9.	G10302	6	Carriage Bolt, 5/16"-18 x 7/8"
	G10221	6	Washer, 5/16" SAE
	G10232	6	Lock Washer, 5/16"
	G10106	6	Hex Nut, 5/16"-18
10.	G2100-03	2	Bearing, 7/8" Hex Bore, Spherical
11.	G3400-01	4	Flangette
12.	G10004	2	Hex Head Cap Screw, 3/8"-16 x 1 1/4"
	G10210	4	Washer, 3/8" USS
	G10229	2	Lock Washer, 3/8"
	G10101	2	Hex Nut, 3/8"-16
13.	GD11556	1	Scraper
14.	G10053	2	Hex Head Cap Screw, 1/2"-13 x 2 1/2"
	G10216	2	Washer, 1/2" USS
	G10102	2	Hex Nut, 1/2"-13
15.	GD10200	2	Sleeve, 3/4" Long
16.	GA5090	-	Tire And Rim Assembly (Specify Brand*)
	GD5753	1	Tire, 4.10" x 6" (Specify Brand*)
	GD5752	1	Inner Tube
17.		-	See "Liquid Fertilizer Piston Pump", Pages P104-P107
18.	GA7246	1	Base Mount
19.	G10478	2	Clevis Pin, 5/16" x 1"
	G10409	2	Retaining Ring, 5/16"
	G10670	1	Hair Pin Clip, No. 3
20.	GA2068	2	Spring W/Plug
21.	GA7245	1	Pump Mount W/Grease Fitting
	G10641	-	Grease Fitting, 1/8" NPT
22.	GD11289	2	U-Bolt, 7" x 4" x 5/8"-11
	G10230	4	Lock Washer, 5/8"
	G10104	4	Hex Nut, 5/8"-11
23.	GD10244-01	1	Sleeve, 7 1/16"
24.	G10062	4	Hex Head Cap Screw, 3/8"-16 x 3"
	G10229	4	Lock Washer, 3/8"
	G10101	4	Hex Nut, 3/8"-16
25.	G10003	4	Hex Head Cap Screw, 3/8"-16 x 1 1/2"
	G10210	4	Washer, 3/8" USS
	GR1122	4	Mounting Pad
	G10229	4	Lock Washer, 3/8"
	G10101	4	Hex Nut, 3/8"-16
26.	GD11554	1	Pump Mount
27.	G10478	2	Clevis Pin, 5/16" x 1"
	G10409	2	Retaining Ring, 5/16"
28.			See "Liquid Fertilizer Piston Pump (Crankcase Assembly)", Pages 104 And P105

* Specific brand requests will be supplied only as available from current KINZE® Repair Parts stock. If a specific brand requested is not in stock, the brand available will be supplied. Different brand tires may have different diameters. Change in tire brand may affect rates. Field checks are recommended after any change in contact tires.

LIQUID FERTILIZER HOSES AND FITTINGS, 16, 24 AND 36 ROW

(FF84c)



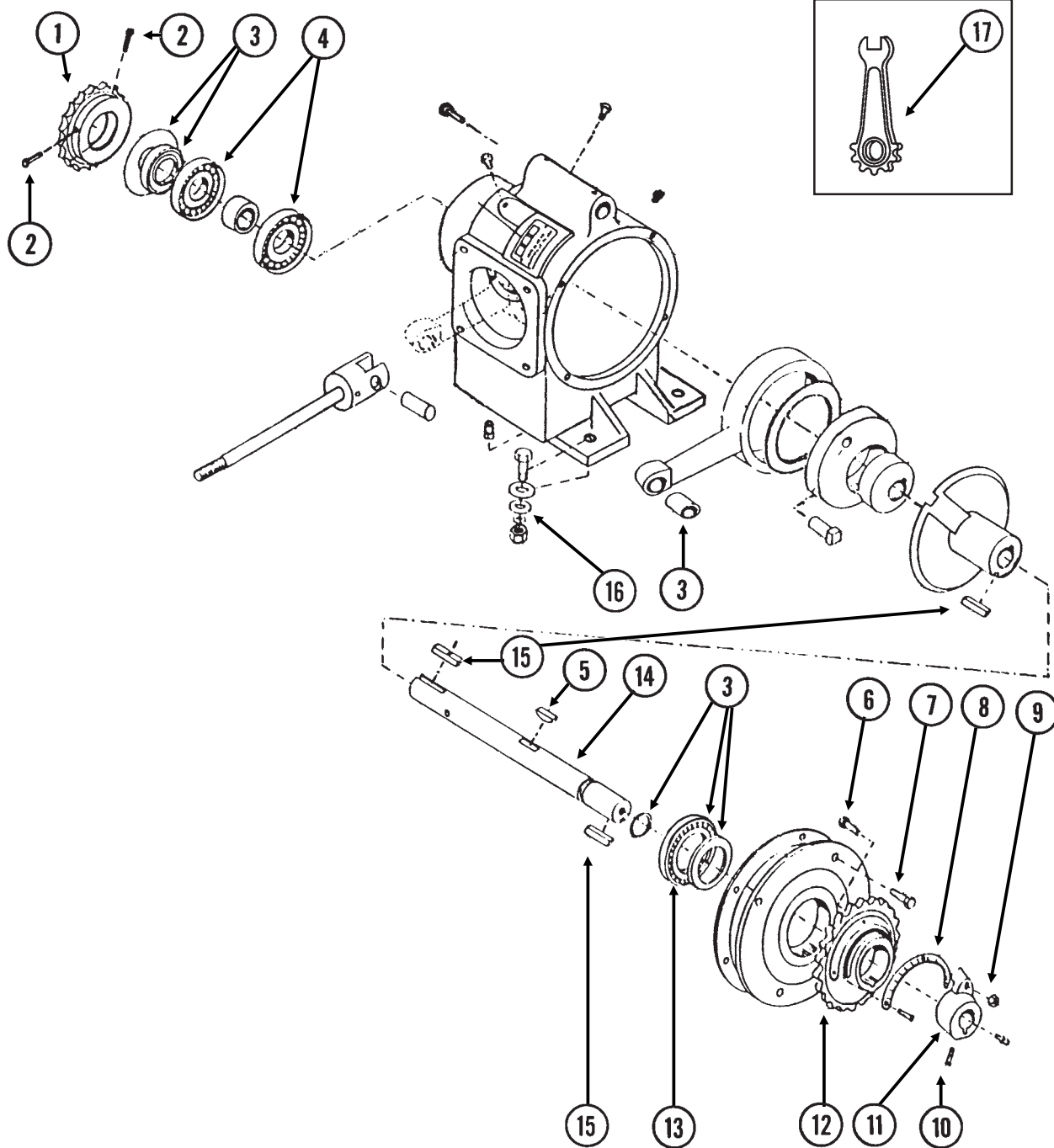
LIQUID FERTILIZER HOSES AND FITTINGS, 16, 24 AND 36 ROW

ITEM	PART NO.	QTY.	DESCRIPTION
1.	G4301-07	1	Hose, $\frac{3}{8}$ " x 200', 16 Row
	G4301-08	-	Hose, $\frac{3}{8}$ " x 250', 24 And 36 Row
	G4301-04	-	Hose, $\frac{3}{8}$ " x 100', 36 Row
2.	G10681	-	Hose Clamp, No. 6
3.	GD11700	18-24	Adapter, $\frac{1}{4}$ " NPT To $\frac{3}{8}$ " Barb
4.		-	See "Liquid Fertilizer Piston Pump Flow Divider", Pages P106 And P107
5.	G10292	-	Pipe Plug, $\frac{1}{4}$ " NPT
6.	GA6527	2	Support, $\frac{3}{4}$ " NPT
7.	GD10248	2	Bar
8.	G10152	2	Hex Head Cap Screw, $\frac{5}{8}$ "-11 x 9"
	G10230	2	Lock Washer, $\frac{5}{8}$ "
	G10104	2	Hex Nut, $\frac{5}{8}$ "-11
9.	G10733	2	Elbow, 90°, $\frac{3}{4}$ " Female NPT
10.	G10734	2	Adapter, $\frac{3}{4}$ " NPT To Barb
11.	G4205-08	2	Hose, $\frac{3}{4}$ " x 150"
12.	G10896	-	Elbow, 90°, 1" NPT To $\frac{3}{4}$ " Barb
13.	GA3893	1	Strainer Complete
	GR0880	-	Screen, No. 40 Mesh
	GR0881	-	Gasket
	GR0882	-	Y-Body
	GR0883	-	End Cap
14.	G10995	-	Reducing Bushing, 1" Male NPT To $\frac{3}{4}$ " Female, Stainless Steel
15.		-	See "Liquid Fertilizer Piston Pump", Pages P104-P107
16.	G10615	2	Reducing Bushing, 1 $\frac{1}{2}$ " Male NPT To 1 $\frac{1}{4}$ " Female
17.	G10887	2	Elbow, 90°, 1 $\frac{1}{4}$ " Male NPT To Female
18.	G10619	2	Close Nipple, 1 $\frac{1}{4}$ " NPT
19.	GA4976	2	Shutoff Valve, 1 $\frac{1}{4}$ " NPT
	GR1015	-	Body O-Ring
	GR1016	-	Stem O-Ring
	GR1017	-	Teflon Seat
	GR1018	-	Ball
	GR1019	-	Handle
20.	G10626	4	Adapter, 1 $\frac{1}{4}$ " NPT To Barb
21.	G10674	2	Hose Clamp, No. 24
22.	G4200-01	1	Hose, 1 $\frac{1}{4}$ " x 22'
23.	G10633	1	Tee, 1 $\frac{1}{4}$ " Barb

LIQUID FERTILIZER PISTON PUMP (Crankcase Assembly) Uses 18 Tooth Sprocket

JB-L4400-991/CCU077(FRTZ172b)

Model LM-2455-R



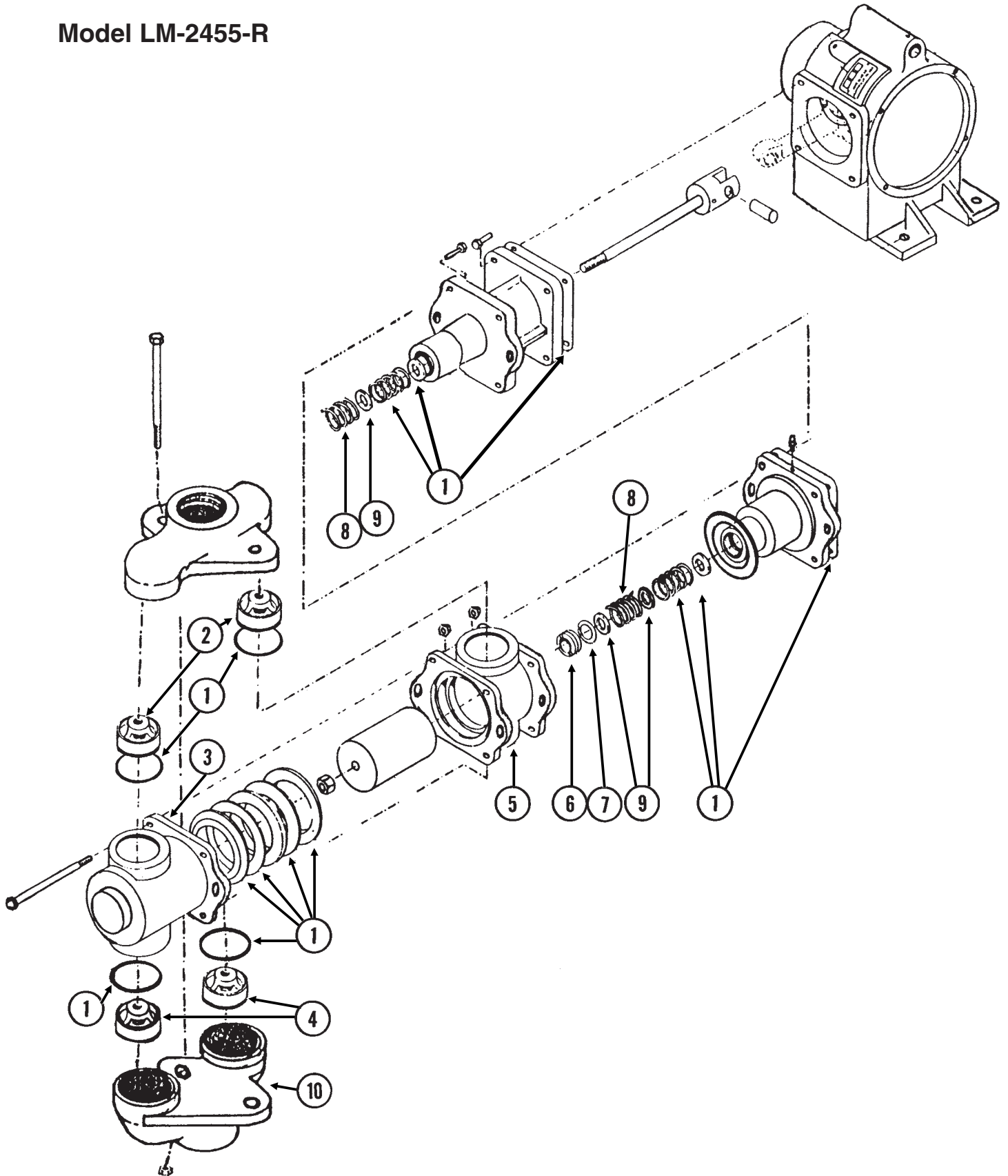
LIQUID FERTILIZER PISTON PUMP (Crankcase Assembly) Uses 18 Tooth Sprocket

ITEM	PART NO.	QTY.	DESCRIPTION
1.	GR1389	1	Sprocket, 18 Tooth
2.	G10688	2	Square Head Set Screw, $\frac{3}{8}$ "-16 x $\frac{5}{8}$ "
3.	GR1425	1	Repair Kit, Includes Item 1 On Pages P104 And P105
4.	GR1427	2	Bearing
5.	GR1420	1	Woodruff Key, $\frac{3}{8}$ "-16 x 1 $\frac{3}{4}$ "
6.	GR1167	1	Square Head Cap Screw, $\frac{3}{8}$ "-16 x 1 $\frac{3}{4}$ "
7.	G10043	4	Hex Head Cap Screw, $\frac{5}{16}$ "-18 x $\frac{3}{4}$ "
8.	GR1168	1	Scale
9.	G10108	1	Lock Nut, $\frac{3}{8}$ "-16
10.	G10693	3	Hex Socket Head Set Screw, $\frac{5}{16}$ "-18 x $\frac{3}{8}$ "
11.	GR1165	1	Arm
12.	GR1114	1	Flange
13.	GR1116	1	Bearing
14.	GR1421	1	Crankshaft
15.	GR1118	2	Setting Arm Key
16.		-	See "Liquid Fertilizer Piston Pump Drive", Pages P98 And P99
17.	GR1424	1	Adjustment Wrench
A.	GA8069	-	Piston Pump Complete W/18 Tooth Sprocket (LM-2455-R), Includes Crankcase Assembly On This Page And Cylinder Assembly On Pages P104 And P105

LIQUID FERTILIZER PISTON PUMP (Cylinder Assembly) Uses 18 Tooth Sprocket

JB-L2190-991(FRTZ171)

Model LM-2455-R



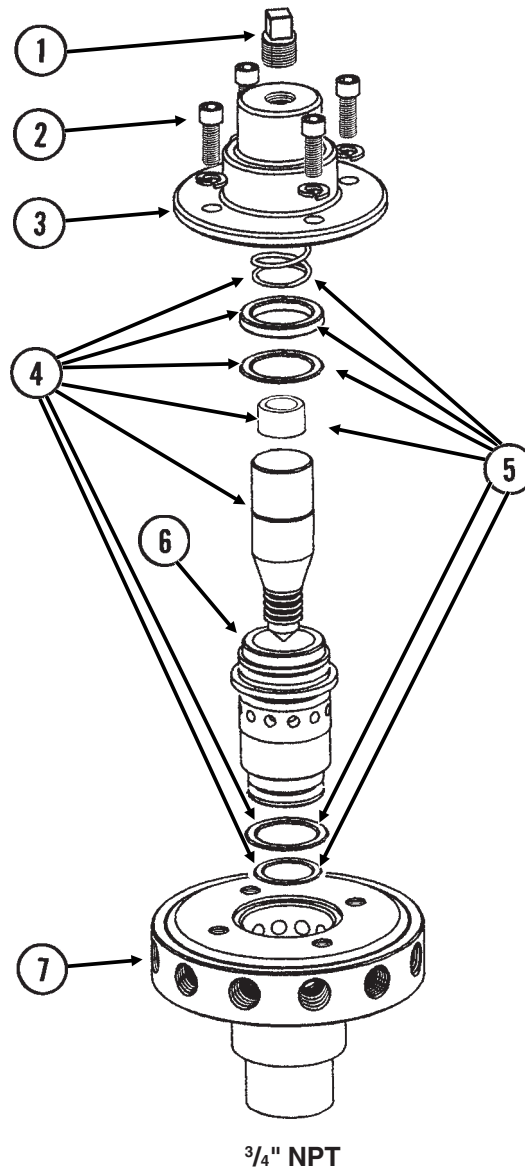
LIQUID FERTILIZER PISTON PUMP (Cylinder Assembly) Uses 18 Tooth Sprocket

ITEM	PART NO.	QTY.	DESCRIPTION
1.	GR1425	1	Repair Kit, Includes Item 3 On Pages P102 And P103
2.	GR1144	2	Discharge Valve
3.	GR1423	1	Outboard Cylinder
4.	GR1142	2	Suction Valve
5.	GR1422	1	Inboard Cylinder
6.	GR1134	1	Stuffing Box Insert
7.	GR1133	1	Retaining Ring
8.	GR1130	2	Packing Spring
9.	GR1129	3	Washer
10.	GR1451	1	Suction Manifold

LIQUID FERTILIZER PISTON PUMP FLOW DIVIDER, 16 AND 24 ROW

(FRTZ202c)

Model FD-1200 Flow Divider, 12 Outlet

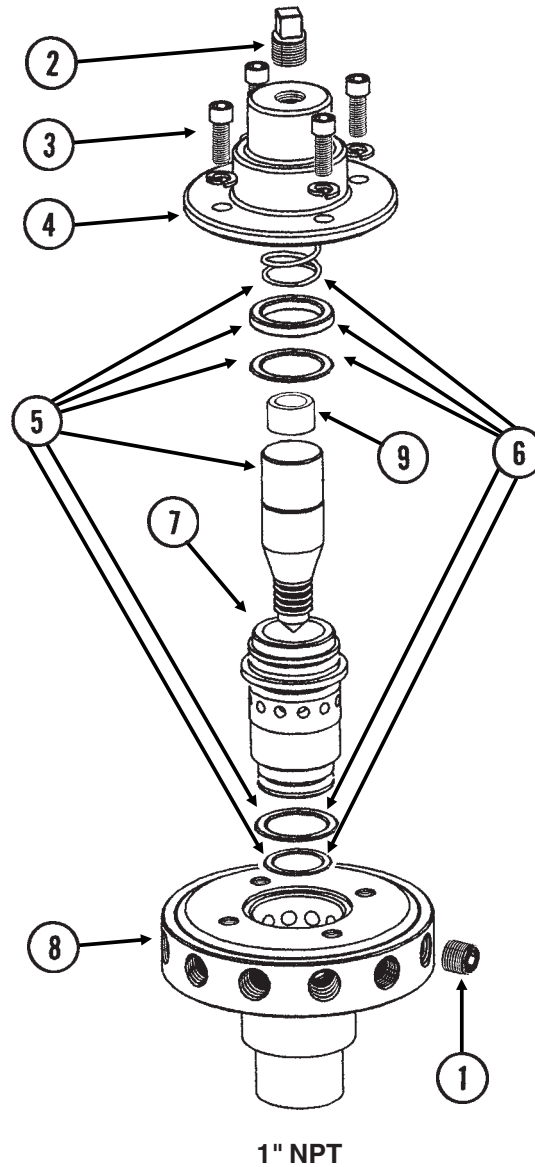


ITEM	PART NO.	QTY.	DESCRIPTION
1.	GR1543	1	Plug
2.	GR1542	4	Hex Socket Head Screw, 1/4"-20 x 3/4", Stainless Steel
	GR1541	4	Lock Washer, 1/4", Stainless Steel
3.	GR1540	1	Cap
4.	GR1544	1	Needle Assembly W/Seal Kit (Item 22)
5.	GR1545	1	Seal Kit, Includes: (3) O-Rings, (1) Seal, (1) Spring, (1) Stainless Steel Sleeve
6.	GR1535	1	Sleeve
7.	GR1533	1	Body, 12 Outlets
A.	GA8931	1	Liquid Fertilizer Piston Pump Flow Divider Complete, 12 Outlet (Model FD-1200)

LIQUID FERTILIZER PISTON PUMP FLOW DIVIDER, 36 ROW

JB-L2190-991(PT40b/FRTZ202d)

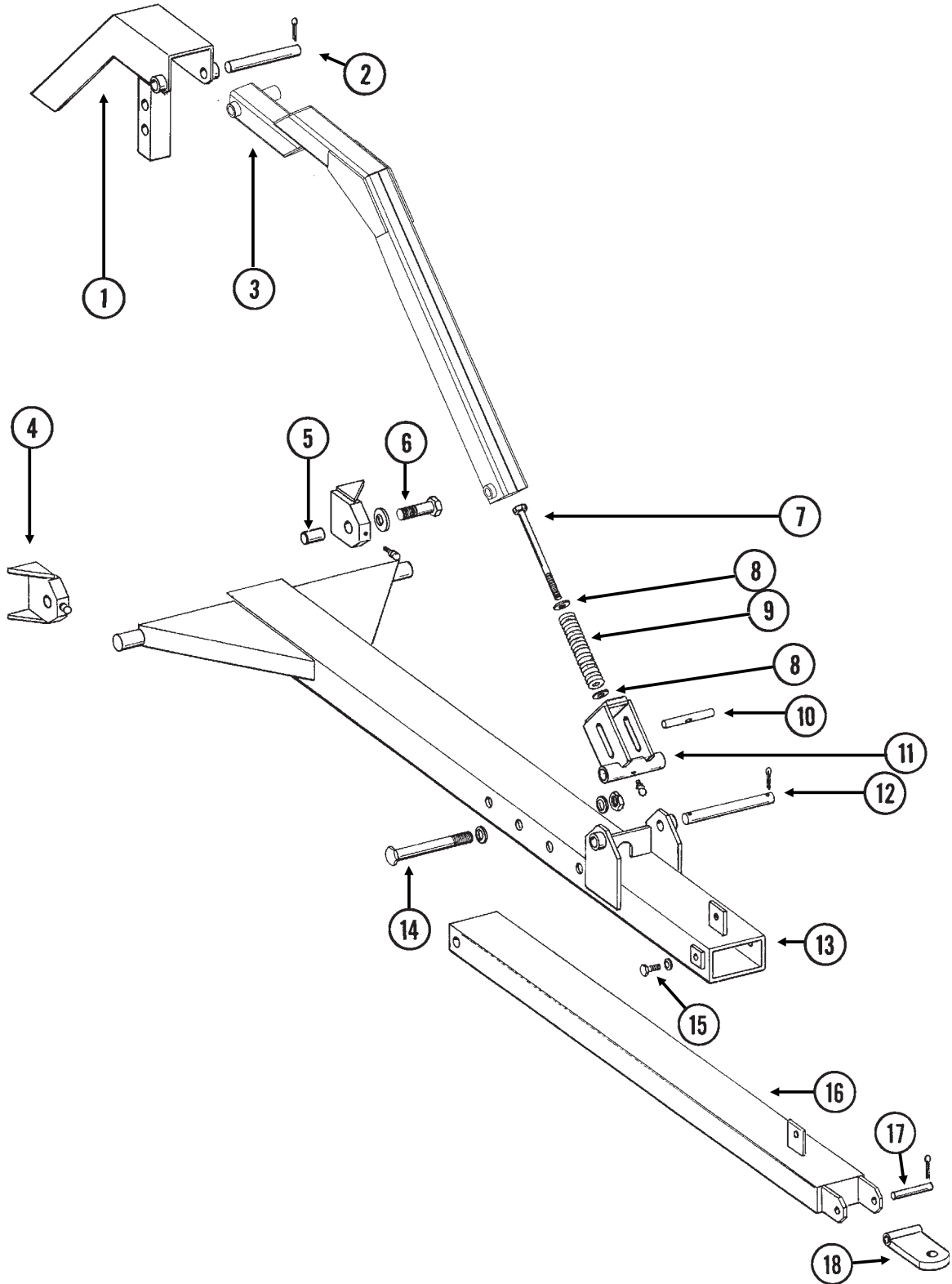
Model FD-2000 Flow Divider, 20 Outlet



ITEM	PART NO.	QTY.	DESCRIPTION
1.	G10350	4	Hex Socket Head Plug, 1/4" NPT, Stainless Steel
2.	GR1543	1	Plug
3.	GR1542	4	Hex Socket Head Screw, 1/4"-20 x 3/4", Stainless Steel
	GR1541	4	Lock Washer, 1/4", Stainless Steel
4.	GR1566	1	Cap
5.	GR1567	1	Needle Assembly W/Seal Kit (Item 7)
6.	GR1568	1	Seal Kit, Includes: (3) O-Rings, (1) Seal, (1) Spring
7.	GR1561	1	Sleeve
8.	GR1559	1	Body, 20 Outlets
9.	GR1574	1	Sleeve, 1" O.D. x 1/2" Long, Stainless Steel
A.	GA9407	1	Liquid Fertilizer Piston Pump Flow Divider Complete, 20 Outlet (Model FD-2000)

REAR TRAILER HITCH, 16 ROW 30", 16 ROW 38" AND 24 ROW 30"

(FF96)



REAR TRAILER HITCH, 16 ROW 30", 16 ROW 38" AND 24 ROW 30"

ITEM	PART NO.	QTY.	DESCRIPTION
1.	A7252	1	Link Mount (Non-Stock Item)
2.	GD3547	1	Pin, 1 1/4" x 12 3/4"
	G10460	2	Cotter Pin, 1/4" x 2"
3.	GA9408	1	Top Link W/Grease Fitting, 16 Row 30", 16 Row 38" And 24 Row 30"
	G10640	-	Grease Fitting, 1/4"-28
4.		-	See "Axle And Transport Lockup", Page P46
5.	GD10297	2	Bushing, 1 3/4"
6.	G10837	2	Hex Head Cap Screw, 7/8"-9 x 3"
	G10330	2	Lock Washer, 7/8"
7.	GD7907	1	Special Bolt
8.	GB0213	2	Spring Seat
9.	GD10273	1	Compression Spring
10.	GD10296	1	Pin, 1 1/4" x 5 1/2"
11.	GA7258	1	Side Link W/Grease Fitting
	G10641	-	Grease Fitting, 1/8" NPT
12.	GD1702	1	Pin, 1 1/4" x 10 1/4"
	G10460	2	Cotter Pin, 1/4" x 2"
13.	GA7254	1	Front Hitch
14.	G10838	1	Hex Head Cap Screw, 1"-8 x 8 1/2"
	G10200	2	Washer, 1" USS
	G10396	1	Lock Nut, 1"-8
15.	G10055	2	Hex Head Cap Screw, 5/8"-11 x 1 1/4"
	G10230	2	Lock Washer, 5/8"
16.	GA7256	1	Rear Hitch
17.	GD8839	1	Pin, 1 1/4" x 6 1/4"
	G10460	2	Cotter Pin, 1/4" x 2"
18.	GA6177	1	Clevis W/Grease Fitting
	G10640	-	Grease Fitting, 1/4"-28

DECALS, PAINT AND MISCELLANEOUS

WARNING

ALWAYS USE SAFETY PINS IN TRANSPORT POSITION

7100-2

1

WARNING

TO AVOID INJURY -- STAND CLEAR--KEEP OTHERS AWAY WHEN RAISING OR LOWERING MARKERS. BEFORE TRANSPORTING PLANTER FULLY EXTEND HYDRAULIC CYLINDERS AND INSTALL LOCKING PINS WHERE PROVIDED.

7100-42

2

WARNING

TO AVOID INJURY -- ALWAYS LOWER PLANTER UNITS TO THE GROUND BEFORE UNHITCHING PLANTER. TONGUE CAN RAISE SUDDENLY.

7100-43

3

WARNING

1. Read and understand the Operator's Manual.
2. Stop the tractor engine before leaving the operator's platform.
3. Keep riders off the machine.
4. Make certain everyone is clear of the machine before starting the tractor engine and operating.
5. Keep all shields in place.
6. Never lubricate, adjust, unplug or service the machine with tractor engine running.
7. Wait for all movement to stop before servicing.
8. Keep hands, feet and clothing away from moving parts.
9. Use flashing warning lights when operating on highways except when prohibited by law.

7100-46

4

KINZE

5

WARNING

USE SAFETY CHAINS PROVIDED. TOW ONLY WITH FARM TRACTOR.

7100-302

6

WARNING

NEVER WALK UNDER OR WORK ON PLANTER WHEN IT IS RAISED WITHOUT SUPPORTING THE FRAMES WITH ADDITIONAL SUPPORTS.

7100-68

7

WARNING

TO AVOID INJURY ALWAYS USE HYDRAULIC CYLINDER SAFETY LOCKOUT CHANNELS WHEN TRANSPORTING PLANTER ON THE ROAD. AFTER USE RETURN TO STORAGE LOCATION.

7100-43

8

DANGER

THIS PLANTER IS DESIGNED TO BE DRIVEN BY GROUND TIRES ONLY. THE USE OF HYDRAULIC, ELECTRIC OR PTO DRIVES MAY CREATE SERIOUS SAFETY HAZARDS TO YOU AND THE PEOPLE NEARBY. IF YOU INSTALL SUCH DRIVES YOU MUST FOLLOW ALL APPROPRIATE SAFETY STANDARDS AND PRACTICES TO PROTECT YOU AND OTHERS NEAR THIS PLANTER FROM INJURY.

7100-89

9

WARNING

THIS MACHINE HAS BEEN DESIGNED AND BUILT WITH YOUR SAFETY IN MIND. DO NOT MAKE ANY ALTERATIONS OR CHANGES TO THIS MACHINE. ANY ALTERATION TO THE DESIGN OR CONSTRUCTION MAY CREATE SAFETY HAZARDS.

7100-90

10



11



12

WARNING

AGRICULTURAL CHEMICALS CAN BE DANGEROUS. IMPROPER SELECTION OR USE CAN SERIOUSLY INJURE PERSONS, ANIMALS, PLANTS, SOIL OR OTHER PROPERTY. BE SAFE. SELECT THE RIGHT CHEMICAL FOR THE JOB. HANDLE WITH CARE. FOLLOW THE INSTRUCTIONS ON THE CONTAINER LABEL AND OF THE EQUIPMENT MANUFACTURER.

7100-115

13



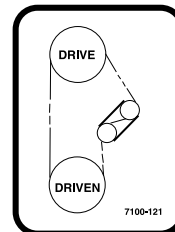
14

DANGER

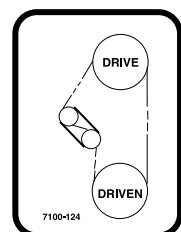
SERIOUS INJURY OR DEATH CAN RESULT FROM CONTACT WITH ELECTRICAL LINES. USE CARE TO AVOID CONTACT WITH ELECTRIC LINES WHEN MOVING OR OPERATING THIS MACHINE.

7100-117

15



16



17

USE 1 TABLESPOON POWDERED GRAPHITE WITH EACH HOPPER FILL OF SEED. SEED TREATMENT, FOREIGN MATERIAL, DIRT, OR SEED CHAFF MAY CAUSE GRADUAL REDUCTION OF SEED POPULATION. REFER TO MANUAL FOR MAINTENANCE AND CARE.

7100-153

18

MARKER SPEED CONTROL

SEE MANUAL FOR PROPER ADJUSTMENT

7100-160

19

ROTATE KNURLED COLLAR ON WRAP SPRING TIGHTENER TO RELEASE SPRING TENSION

7100-295

20

ROTATION

7100-192

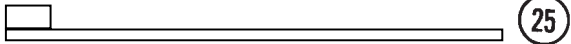
21



22

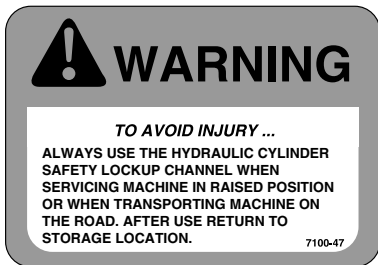
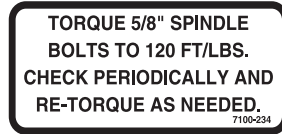
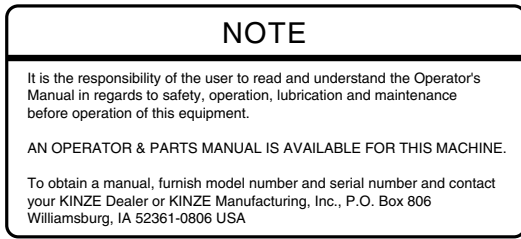
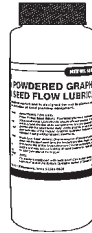
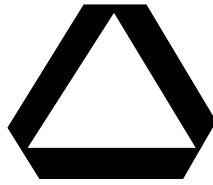
DECALS, PAINT AND MISCELLANEOUS

KINZE 3700 ⁽²³⁾



TRANSMISSION RATE REDUCTION		
DRIVE	DRIVEN	% REDUCTION IN POPULATION
15	30	50
17	30	43
23*	30	23
24	30	20
25*	30	17
26*	30	13
27	30	10

* Use sprockets off seed drive transmission
7180-214



ITEM	PART NO.	QTY.	DESCRIPTION
1.	G7100-02	1	Decal, Warning
2.	G7100-42	4	Decal, Warning
3.	G7100-43	1	Decal, Warning
4.	G7100-46	1	Decal, Warning
5.	G7100-54	1	Decal, KINZE®, 4 3/16" x 17 3/16"
6.	G7100-302	1	Decal, Warning
7.	G7100-68	2	Decal, Warning
8.	G7100-83	2	Decal, Warning (1 Per Marker Lockup)
9.	G7100-89	4	Decal, Danger
10.	G7100-90	1	Decal, Warning
11.	G7100-110	-	Decal, Grease Weekly

(Continued)

DECALS, PAINT AND MISCELLANEOUS

ITEM	PART NO.	QTY.	DESCRIPTION
12.	G7100-111	-	Decal, Oil Daily
13.	G7100-115	-	Decal, Warning (1 Per Granular Chemical Hopper)
14.	G7100-116	-	Decal, Grease Daily
15.	G7100-117	1	Decal, Danger
16.	G7100-121	1	Decal, Transmission, R.H.
17.	G7100-124	1	Decal, Transmission, L.H.
18.	G7100-153	-	Decal, Information (1 Per Brush-Type Seed Meter)
19.	G7100-160	-	Decal, Flow Control
20.	G7100-295	-	Decal, Spring Tension Release
21.	G7100-192	-	Decal, Point Row Clutch Rotation
22.	G7100-247	-	Decal, Logo, 4 ³ / ₈ " x 4 ¹ / ₂ " (2 Per Row Unit)
	G7100-252	-	Decal, Logo, 3 ¹ / ₂ " x 3 ⁵ / ₈ " (Hopper Panel Extension)
23.	G7100-246	2	Decal, 3700
24.	G7100-197	1	Decal, Warning
25.	GD1512	-	Tie Strap, 7 ¹ / ₂ "
	GD2117	-	Tie Strap, 14 ¹ / ₂ "
26.	G7100-214	1	Decal, Two-Speed Point Row Clutch Rate Reduction
27.	GD2199	1	SMV Sign
28.	GR0146MPP	-	Powdered Graphite, Twenty-Four 1 Pound Containers
29.	GR1570MPP	-	Talc Lubricant, Four 8 Pound Containers
30.	GR0155MPP	-	Blue Paint, Twelve Aerosol Cans
31.	G7100-219	-	Decal, Warning
32.	G7100-217	-	Decal, Note
33.	G7100-234	-	Decal, Bolt Torque
34.	GD10057-01	-	Hose Identification Sleeve, Red AA
	GD10057-02	-	Hose Identification Sleeve, Red BB
	GD10057-03	-	Hose Identification Sleeve, Blue AA
	GD10057-04	-	Hose Identification Sleeve, Blue BB
35.	G7100-47	4	Decal, Warning
36.	G7100-258	-	Reflective Decal, Red, 1 ¹ / ₂ " x 9", Rectangular (If Applicable)
	G7100-259	-	Reflective Decal, Amber, 1 ¹ / ₂ " x 9", Rectangular (If Applicable)
	G7100-260	-	Reflective Decal, Orange, 1 ¹ / ₂ " x 9", Rectangular (If Applicable)
37.	G7100-261	-	Reflective Decal, Red, 1 ³ / ₄ " x 9", Die-Cut (If Applicable)
	G7100-262	-	Reflective Decal, Amber, 1 ³ / ₄ " x 9", Die-Cut (If Applicable)
	G7100-263	-	Reflective Decal, Orange, 1 ³ / ₄ " x 9", Die-Cut (If Applicable)
38.	GM0196	-	Operator & Parts Manual, Model 3700 (Mechanical Seed Metering System)

NUMERICAL INDEX

Part No.	Page	Part No.	Page	Part No.	Page
A1010	P85	A6634	P33	G10049	P55, P67
A1013	P85	A6639	P39	G10053	P49, P58, P99
A1019	P89	A6852	P72	G10054	P76, P77, P78
A1020	P85	A7252	P109	G10055	P46, P109
A1026	P87, P89	A7323	P49	G10057	P45
A1028	P85	A7473	P35	G10060	P80
A1038	P87, P89	A7524	P71	G10061	P12
A1044	P85, P87, P89	A8300	P72	G10062	P81, P99
A1049	P85	A8852	P46	G10063	P65
A1051	P87	A8927	P69	G10064	P10, P91, P93
A1057	P89	A8950	P71	G10069	P43
A1072	P85, P87, P89	A8960	P69	G10070	P47
A1078	P85	A8969	P75	G10093	P99
A1089	P85	A8973	P32	G10101	P4, P10, P11, P19, P39, P40, P41, P43, P55, P57, P62, P64, P65, P69, P70, P79, P81, P96, P99
A1098	P89	A8974	P32	G10102	P9, P25, P29, P45, P46, P49, P58, P61, P64, P65, P67, P68, P98, P99
A1146	P85, P87, P89	A9024	P46	G10103	P19, P45, P55, P57, P79, P93, P95, P97
A1189	P85, P87, P89	A9025	P46	G10104	P4, P11, P30, P31, P35, P43, P45, P49, P50, P59, P61, P65, P67, P93, P98, P99, P101
A1404	P85	G10001	P4, P9, P10, P96	G10105	P37, P45, P61, P65
A1412	P85, P87, P89	G10002	P17	G10106	P9, P23, P31, P50, P53, P59, P76, P77, P78, P80, P99
A1421	P87, P89	G10003	P3, P19, P99	G10107	P9, P10, P21, P23, P29, P41, P43, P49, P53, P59, P61
A1424	P85, P87, P89	G10004	P43, P62, P99	G10108	P3, P12, P17, P43, P49, P57, P59, P67, P75, P103
A1465	P87, P89	G10005	P29	G10109	P7, P9, P10, P25, P27, P29, P31, P68
A1475	P87, P89	G10006	P9, P25, P30, P31, P50	G10110	P19, P91
A1485	P87, P89	G10007	P4, P5, P11, P29, P36	G10111	P10, P21, P23, P25, P29, P31, P41, P45, P49, P64, P67
A1487	P85, P87, P89	G10008	P53, P61	G10112	P29
A1498	P85	G10009	P43	G10120	P43
A1499	P85	G10010	P7, P27, P29	G10128	P49, P59
A3104	P85	G10011	P29, P45	G10130	P49, P58, P61
A3109	P87, P89	G10013	P10, P45	G10131	P61
A3114	P85	G10014	P7, P29	G10133	P10, P25, P27, P29, P76, P78
A3119	P85, P87, P89	G10015	P9, P46	G10139	P47
A3122	P89	G10017	P23, P31, P45, P49, P50, P59, P61, P67	G10145	P50
A3140	P87, P89	G10018	P7, P9	G10151	P30
A3141	P85	G10019	P31, P68, P78	G10152	P4, P9, P65, P67, P101
A3161	P87	G10020	P14		
A3175	P85	G10021	P14		
A3178	P87, P89	G10022	P14, P45, P95, P97		
A3179	P87, P89	G10023	P17, P55, P57		
A3185	P85	G10025	P37		
A3195	P85	G10026	P45, P51, P65		
A3196	P85	G10027	P65		
A3197	P85, P89	G10028	P61, P65		
A3199	P85	G10033	P25, P64		
A3212	P85	G10035	P50		
A3213	P85	G10036	P21, P45, P49, P59		
A3275	P89	G10037	P58		
A3276	P85	G10038	P41, P64		
A8208	P87, P89	G10039	P23, P29		
A8500	P87	G10042	P30		
A8501	P87	G10043	P78, P103		
A8502	P89	G10045	P25		
A8503	P89	G10046	P29		
A10759	P17	G10047	P61		
A11070	P50	G10048	P43, P64		
A11072	P70				

NUMERICAL INDEX

Part No.	Page	Part No.	Page	Part No.	Page
G10157	P30, P31	G10257	P18, P55	G10496	P55, P57, P62
G10159	P67	G10284	P43	G10497	P55
G10166	P49	G10292	P101	G10500	P14
G10168	P58, P68	G10293	P32	G10501	P25, P49, P53, P59
G10171	P9	G10302	P59, P99	G10503	P23, P27, P29
G10200	P109	G10303	P9, P50, P53	G10523	P19
G10201	P3, P17	G10304	P3	G10529	P20
G10203	P49, P55	G10305	P20	G10531	P15
G10204	P5, P7	G10306	P19	G10536	P23, P64, P67
G10205	P29, P59, P98	G10308	P10, P20	G10544	P65, P68
G10206	P27, P58, P67	G10309	P12	G10546	P12, P18, P55, P59
G10207	P3	G10310	P19	G10551	P3
G10209	P18, P19, P62	G10312	P3, P17, P93	G10567	P12, P17, P18
G10210	P3, P9, P10, P11, P12, P17, P61, P64, P65, P99	G10315	P9, P10, P19	G10570	P18
G10211	P92, P95, P97	G10318	P23	G10572	P23
G10213	P5, P27, P29	G10322	P67	G10574	P21, P25, P29
G10215	P37	G10323	P14	G10581	P64, P98
G10216	P7, P23, P49, P58, P98, P99	G10325	P5, P17	G10583	P77
G10217	P30, P65	G10326	P3, P39, P40	G10585	P23
G10218	P37	G10328	P5, P73, P74	G10595	P49, P59
G10219	P9	G10330	P109	G10597	P23
G10221	P59, P99	G10338	P7, P12, P50, P59	G10599	P10, P11
G10226	P31, P67	G10348	P25	G10602	P12, P14, P15, P17, P18, P53, P59, P61, P98
G10227	P19, P45, P54, P55, P57, P62, P79, P93, P95, P97	G10350	P107	G10603	P14, P15
G10228	P7, P25, P31, P45, P49, P50, P58, P61, P64, P65, P67, P68, P98	G10359	P45	G10604	P14
G10229	P4, P10, P11, P17, P19, P39, P40, P41, P43, P55, P57, P61, P62, P64, P65, P73, P74, P79, P81, P96, P99	G10360	P45	G10606	P43, P50
G10230	P4, P7, P10, P11, P30, P31, P35, P36, P45, P50, P61, P65, P67, P93, P98, P99, P101, P109	G10371	P25	G10610	P50
G10231	P37, P45, P51, P61, P65	G10373	P47	G10615	P101
G10232	P9, P31, P50, P53, P59, P76, P77, P78, P80, P99	G10374	P54, P57	G10619	P101
G10233	P49, P53, P58, P61, P62, P98	G10376	P47	G10620	P3, P7, P12, P17, P43, P93
G10234	P46	G10396	P30, P109	G10621	P12, P14, P17, P20
G10235	P49, P53	G10397	P49	G10622	P5, P20
G10243	P97	G10400	P29	G10626	P101
G10253	P55	G10401	P14	G10633	P101
		G10408	P59	G10634	P15
		G10409	P59, P61, P99	G10640	P7, P31, P45, P46, P50, P61, P65, P67, P72, P98, P109
		G10412	P4, P12	G10641	P31, P67, P99, P109
		G10415	P41	G10643	P29, P30
		G10427	P5, P9	G10660	P18
		G10430	P59, P63	G10669	P3
		G10438	P3	G10670	P17, P99
		G10451	P43	G10674	P101
		G10452	P19	G10681	P101
		G10455	P61	G10688	P103
		G10460	P31, P33, P35, P39, P40, P47, P50, P54, P57, P61, P64, P65, P67, P109	G10690	P14
		G10461	P45, P46, P65	G10693	P103
		G10463	P9, P67	G10722	P65, P68
		G10464	P63	G10724	P65, P68
		G10470	P14, P59	G10725	P65, P68
		G10475	P31	G10732	P4
		G10478	P61, P99		
		G10494	P31		

NUMERICAL INDEX

Part No.	Page	Part No.	Page	Part No.	Page
G10733	P101	G10983	P71	G3302-05	P65
G10734	P101	G10984	P71	G3303-114	P18
G10746	P79	G10987	P75	G3303-16	P3
G10751	P12	G10995	P101	G3303-98	P3
G10752	P12	G10996	P55, P57, P82, P91	G3305-01	P20
G10754	P31	G11007	P3	G3310-144	P53
G10756	P41	G11008	P3	G3310-152	P53
G10757	P19, P97	G11009	P14, P15	G3310-68	P58
G10758	P19, P97	G11010	P29	G3310-80	P61
G10760	P32	G11012	P31	G3310-82	P49, P59
G10763	P36, P37	G11015	P3	G3310-91	P99
G10765	P27, P29, P55, P57	G11030	P31	G3400-01	P49, P59, P99
G10801	P9, P10	G11031	P31	G4200-01	P101
G10802	P37	G11032	P31	G4205-08	P101
G10804	P55, P57	G11034	P31	G4301-04	P101
G10821	P61	G11066	P76, P77, P78	G4301-07	P101
G10827	P71	G11067	P76, P77, P78	G4301-08	P101
G10830	P98	G11073	P18	G6326X	P4
G10831	P33, P35	G11075	P62	G6400-04	P80, P81
G10837	P109	G11076	P31	G6400-06-08	P85, P87, P89
G10838	P109	G11078	P62	G6400-08	P41, P65, P78, P79, P81
G10840	P31	G11081	P51	G6400-08-04	P67, P73, P74
G10844	P68	G11089	P73, P74	G6400-10	P80
G10857	P91	G11098	P27	G6400-10-08	P41, P43, P76
G10859	P55, P57	G11100	P62	G6408-06	P79
G10860	P49	G11151	P15	G6408-08	P43, P78
G10864	P19	G1K248	P91, P95, P97	G6408-10	P78
G10872	P57	G1K249	P97	G6408-H06-O	P78
G10873	P57	G1K252	P91, P95, P97	G6500-06	P85, P87, P89
G10875	P49	G1K255	P81	G6500-08	P81, P85, P89
G10876	P57	G1K267	P92, P95, P97	G6500-10	P43, P76, P85
G10879	P67	G1K268	P92, P95, P97	G6502-06	P85, P87, P89
G10887	P101	G1K269	P50, P59, P62	G6502-08	P49, P81, P89
G10890	P53	G1K274	P82	G6600-08	P79
G10896	P101	G1K275	P82	G6600-10	P79
G10900	P55	G1K276	P82	G6602-08	P89
G10912	P5	G1K320	P97	G6801-06-08	P45
G10918	P49	G1K321	P97	G6801-08	P31, P39, P40, P49, P65, P67, P76, P77, P79
G10921	P18	G1K322	P97	G6801-10	P78
G10923	P49, P58, P61	G1K323	P96	G6801-10-08	P43, P76, P77, P79
G10924	P7	G1K345	P10	G7100-02	P111
G10927	P97	G1K362	P95, P97	G7100-110	P111
G10928	P97	G1K363	P95, P97	G7100-111	P112
G10931	P97	G1K364	P97	G7100-115	P112
G10939	P69, P70, P75, P79	G1K378	P62	G7100-116	P112
G10940	P7	G1K379	P62	G7100-117	P112
G10958	P69, P70, P72	G1K385	P19	G7100-121	P112
G10960	P31	G1K413	P30	G7100-124	P112
G10962	P71	G2100-03	P49, P59, P99	G7100-153	P112
G10969	P75	G2406-08-06	P85, P87, P89	G7100-160	P112
G10972	P73, P74	G2603-08	P85, P87, P89	G7100-192	P112
G10974	P27, P29	G2603-10	P85	G7100-197	P112
G10977	P76, P77, P78	G2650-06	P85, P87, P89		
G10979	P64, P65, P67	G2700-08	P73, P74		
G10982	P39, P40	G306-08	P73, P74		

NUMERICAL INDEX

Part No.	Page	Part No.	Page	Part No.	Page
G7100-214	P112	GA11073	P70	GA5110	P59, P61
G7100-217	P112	GA11251	P45	GA5111	P59, P61
G7100-219	P112	GA11252	P45	GA5112	P59, P61
G7100-234	P112	GA11260	P35	GA5113	P49, P58, P61
G7100-246	P112	GA11261	P35	GA5114	P53
G7100-247	P112	GA11354	P65	GA5116	P61
G7100-252	P112	GA11358	P62	GA5146	P61
G7100-258	P112	GA11359	P62	GA5164	P63
G7100-259	P112	GA11568	P67	GA5165	P63
G7100-260	P112	GA11569	P67	GA5194	P50, P59
G7100-261	P112	GA11768	P67	GA5385	P91
G7100-262	P112	GA11769	P67	GA5549	P97
G7100-263	P112	GA12113	P79	GA5600	P96
G7100-295	P112	GA1676	P68	GA5624	P61
G7100-302	P111	GA1677	P68	GA5625	P21
G7100-42	P111	GA1678	P68	GA5629	P61
G7100-43	P111	GA1679	P68	GA5651	P4
G7100-46	P111	GA1720	P4	GA5654	P23, P25, P27, P29
G7100-47	P112	GA2007	P12	GA5698	P15
G7100-54	P111	GA2012L	P5	GA5699	P15
G7100-68	P111	GA2012R	P5	GA5715	P23
G7100-83	P111	GA2014	P5, P9, P23, P25, P27, P29, P43	GA5718	P23
G7100-89	P111	GA2018	P14	GA5719	P23
G7100-90	P111	GA2019	P14	GA5794	P15
G7566X	P11	GA2020	P14	GA5795	P15
G7633X	P91	GA2054	P9	GA5796	P15
G7639X	P91	GA2068	P46, P53, P99	GA5834	P15
GA0160L	P65	GA2075	P19	GA5853	P68
GA0160R	P65	GA2094	P20	GA5965	P47
GA0167	P65, P68	GA2148	P51	GA5982	P15
GA0243	P65, P68	GA2180	P62	GA5987	P47
GA0245	P65, P68	GA2528	P92	GA5988	P47
GA0246	P65	GA2612	P91	GA6027	P15
GA0257	P65, P68	GA3407	P83	GA6038	P15
GA0378	P63	GA3413	P83	GA6108	P91
GA0542	P65	GA3552	P53	GA6109	P91
GA0705	P47	GA3553	P53	GA6147	P97
GA0895	P51	GA3584	P78	GA6168	P15
GA0899	P65, P68	GA3893	P101	GA6171	P7, P9, P10
GA10043	P31	GA4031	P65	GA6177	P109
GA10054	P55	GA4293	P83	GA6182	P15
GA10137	P12	GA4376	P51	GA6184	P15
GA10140	P83	GA4377	P51	GA6187	P15
GA10145	P73	GA4444	P17	GA6434	P10
GA10146	P74	GA4877	P67	GA6478	P15
GA10151	P12	GA4878	P67	GA6527	P101
GA10155	P12	GA4976	P101	GA6597	P10
GA10157	P3	GA4983	P67	GA6618	P9
GA10570	P95	GA5090	P99	GA6619	P9
GA10575	P97	GA5105	P53, P59	GA6620	P9
GA10601	P95, P97	GA5106	P59, P61	GA6633	P15
GA10771	P47	GA5107	P61	GA6640	P45
GA10901	P95, P97	GA5108	P59, P61	GA6646	P43
GA10940	P95, P97	GA5109	P59, P61	GA6654	P33
GA11039	P97			GA6655	P36, P37

NUMERICAL INDEX

Part No.	Page	Part No.	Page	Part No.	Page
GA6656	P41	GA7434	P47, P51	GA8734	P92
GA6657	P41	GA7445	P27, P29	GA8735	P92
GA6658	P46	GA7446	P25, P27, P29	GA8760	P27
GA6660	P33, P35	GA7448	P47	GA8844	P83
GA6685	P43	GA7453	P33	GA8847	P45
GA6686	P43	GA7454	P33	GA8848	P45
GA6687	P43	GA7459	P45	GA8871	P71
GA6699	P91	GA7462	P45	GA8895	P71
GA6700	P91	GA7463	P57	GA8905	P72
GA6701	P91	GA7475	P35	GA8906	P72
GA6720	P65	GA7476	P35	GA8907	P72
GA6725	P46	GA7490	P35	GA8910	P72
GA6731	P37	GA7551	P47	GA8928	P69
GA6733	P9	GA7562	P67	GA8931	P106
GA6738	P47	GA7850	P95	GA8948	P71
GA6741	P19	GA7850	P97	GA8951	P71
GA6761	P45	GA7851	P95	GA8955	P47
GA6782	P80	GA7853	P95, P97	GA8961	P69
GA6801	P9	GA7854	P95, P97	GA8962	P69
GA6813	P31	GA7855	P95, P97	GA8971	P39, P40
GA6832	P25	GA7856	P92, P95, P96	GA8994	P45
GA6833	P25	GA7857	P95, P97	GA9031	P45
GA6834	P25	GA7858	P96	GA9032	P45
GA6838	P25	GA7859	P97	GA9056	P47
GA6860	P64	GA7862	P91	GA9088	P67
GA6870	P65	GA7863	P91	GA9095	P78
GA6907	P19	GA7949	P7	GA9097	P78
GA6975	P92	GA7975	P7	GA9101	P65
GA6977	P92	GA7976	P7	GA9102	P65
GA6978	P92	GA8022	P97	GA9103	P65
GA7077	P91	GA8026	P96	GA9131	P29
GA7111	P55	GA8046	P95, P97	GA9139	P47
GA7118	P67	GA8047	P91, P95, P97	GA9144	P97
GA7137	P55	GA8050	P95	GA9407	P107
GA7153	P43	GA8069	P103	GA9408	P109
GA7154	P49, P58, P59, P98	GA8127	P81	GA9459	P30
GA7180	P99	GA8130	P69, P70	GA9479	P55, P57
GA7244	P98	GA8137	P45	GA9481	P91
GA7245	P99	GA8170	P67	GA9483	P55, P57
GA7246	P99	GA8172	P64	GA9496	P91
GA7254	P109	GA8312	P39, P40	GA9502	P91
GA7255	P15	GA8322	P10	GA9504	P31
GA7256	P109	GA8324	P5	GA9510	P76
GA7258	P109	GA8326	P18	GA9511	P77
GA7271	P27	GA8343	P14	GA9512	P55, P57
GA7274	P57	GA8364	P18	GA9513	P91
GA7313	P58	GA8371	P17	GA9518	P76
GA7317	P59	GA8393	P55, P57	GA9519	P77
GA7319	P59	GA8409	P81	GA9524	P62
GA7321	P59	GA8603	P21, P29	GA9526	P30
GA7324	P50	GA8641	P21, P29	GA9554	P49
GA7336	P61	GA8714	P50	GA9555	P65
GA7372	P53	GA8715	P50	GA9571	P57
GA7399	P91	GA8729	P92	GA9572	P57
GA7412	P27	GA8731	P92	GA9576	P73

NUMERICAL INDEX

Part No.	Page	Part No.	Page	Part No.	Page
GA9578.....	P73	GB0331.....	P12	GD10244-01.....	P99
GA9579.....	P73	GB0366.....	P4	GD10248.....	P101
GA9580.....	P74	GD0453-03.....	P67	GD10254.....	P98
GA9582.....	P74	GD0453-07.....	P64	GD1026.....	P3, P17, P61
GA9583.....	P74	GD0453-11.....	P64	GD10273.....	P109
GA9612.....	P65	GD0652.....	P67	GD10282.....	P57
GA9619.....	P51	GD0671.....	P31	GD10283.....	P68
GA9620.....	P51	GD0677.....	P65	GD10296.....	P109
GA9646.....	P31	GD0692.....	P65	GD10297.....	P109
GA9654.....	P31	GD0704.....	P64	GD10316.....	P50
GA9655.....	P31	GD0737.....	P67	GD10317.....	P50
GA9662.....	P31	GD0740.....	P45	GD10327.....	P58
GA9663.....	P31	GD0746.....	P68	GD1033.....	P3
GA9665.....	P31	GD0776.....	P45, P65	GD10366.....	P59
GA9666.....	P31	GD0840.....	P65, P68	GD1039.....	P14
GA9714.....	P13	GD0841.....	P65	GD1041.....	P14
GA9844.....	P29	GD0914-10.....	P55, P57	GD1042.....	P14
GA9845.....	P29	GD0914-123.....	P62	GD10473.....	P5, P9
GA9846.....	P53	GD0914-128.....	P62	GD10510.....	P55, P57
GA9856.....	P30	GD0914-140.....	P62	GD10519.....	P27, P29
GA9857.....	P96	GD0914-145.....	P62	GD10526.....	P27
GA9861.....	P29	GD0914-152.....	P62	GD10547.....	P58
GA9862.....	P29	GD0914-18.....	P49	GD10548.....	P59
GA9864.....	P29	GD0914-198.....	P62	GD10552.....	P25, P27, P29
GA9865.....	P29	GD0914-208.....	P62	GD10578.....	P57
GA9894.....	P31	GD0914-224.....	P62	GD10579.....	P57
GA9919.....	P59	GD0914-234.....	P62	GD10584.....	P57
GA9941.....	P75	GD0914-24.....	P49	GD10585.....	P57
GA9978.....	P95, P97	GD0914-25.....	P49	GD10586.....	P57
GA9979.....	P95, P97	GD0914-32.....	P55, P57	GD10588.....	P57
GB0110.....	P14	GD0914-38.....	P55, P57	GD1059L.....	P17
GB0111.....	P14	GD0914-40.....	P55, P57	GD1059R.....	P17
GB0115.....	P18	GD0914-42.....	P55, P57	GD1060.....	P17
GB0116.....	P18	GD0914-44.....	P55, P57	GD1061.....	P18
GB0120.....	P14	GD0914-63.....	P49	GD1063.....	P18
GB0186.....	P4	GD0914-72.....	P49	GD10635.....	P57
GB0213.....	P109	GD0914-81.....	P49	GD10636.....	P57
GB0218.....	P4, P12, P29, P41, P53	GD10036.....	P4	GD10637.....	P49, P59
GB0236.....	P30	GD10057-01.....	P112	GD10638.....	P57
GB0239.....	P9, P10	GD10057-02.....	P112	GD10645.....	P67
GB0254.....	P10	GD10057-03.....	P112	GD10646.....	P31
GB0258.....	P49	GD10057-04.....	P112	GD1065.....	P3
GB0265.....	P3	GD10068.....	P55, P57	GD10674-01.....	P65
GB0266.....	P3	GD10070.....	P55	GD10686.....	P50
GB0267.....	P3	GD10102.....	P55	GD10705.....	P31
GB0268.....	P9, P10	GD10103.....	P55, P57	GD10714.....	P43
GB0274.....	P3	GD10104.....	P55	GD10733.....	P14
GB0276.....	P7	GD10120.....	P57	GD1083.....	P14
GB0278.....	P12, P18	GD10123.....	P55, P57	GD1085.....	P10
GB0282.....	P10	GD10186.....	P64	GD1086.....	P7
GB0285.....	P3	GD10200.....	P99	GD10867.....	P3
GB0287.....	P61	GD10207.....	P71	GD10953.....	P4
GB0301.....	P5	GD10226.....	P14	GD10963.....	P19
GB0314.....	P12	GD10230.....	P33, P35, P91	GD10981.....	P36, P37
		GD10243.....	P91	GD10984.....	P19

NUMERICAL INDEX

Part No.	Page	Part No.	Page	Part No.	Page
GD10991	P7	GD11845	P3, P5, P9	GD13602	P31
GD10993	P3	GD11894	P41	GD13603	P31
GD11001	P3	GD11895	P41	GD13604	P31
GD11017	P5	GD11951	P75	GD13605	P31
GD11045	P49, P59, P62	GD11962	P3, P17	GD13606	P31
GD11089	P91, P95, P97	GD11983	P71	GD13607	P31
GD1109	P9, P10	GD11984	P70	GD13608	P31
GD11120	P55, P57	GD11988	P72	GD13609	P31
GD11122	P15	GD11993	P95, P97	GD13610	P31
GD1113	P35	GD11997	P72	GD13611	P31
GD1114	P4, P61, P93	GD12521	P69	GD1364	P65
GD1115L	P19	GD12522	P69	GD13643	P73, P74
GD1115R	P19	GD12525	P69	GD14170	P29
GD1116	P19	GD12534	P25	GD14217	P4, P31
GD11169	P97	GD12535	P39, P40	GD14223	P75
GD11170	P97	GD12545	P39, P40	GD14244	P75
GD1118	P19	GD12548	P71	GD14413	P62
GD11209	P19	GD1255	P59, P63	GD14414	P62
GD11219	P17	GD12550	P71	GD14427	P62
GD11239	P12, P17, P18	GD1256	P63	GD14429	P62
GD11240	P18	GD12564	P69	GD14430	P62
GD11259	P3, P5	GD12567	P47	GD14431	P62
GD11279	P13	GD12572	P69	GD14432	P62
GD11286	P14	GD12580	P75	GD14512	P54
GD11289	P99	GD12585	P39, P40, P50	GD14513	P54, P57
GD11297	P18	GD12589	P75	GD14659	P19
GD11305	P17	GD12692	P45	GD14674	P27
GD11306	P5	GD12704	P47	GD1512	P112
GD11311	P14	GD12710	P93	GD1529	P47
GD11313	P11	GD12723	P93	GD1536	P47
GD1132	P23, P25, P27, P29	GD12724	P93	GD15698	P14
GD1138	P65	GD12725	P93	GD15699	P15
GD11413	P12, P18	GD12817	P29	GD15747	P12
GD11422	P4	GD12826	P29	GD15785	P31
GD11423	P7	GD12827	P29	GD15787	P31
GD11424	P17	GD12829	P29	GD15967	P93
GD1143	P20	GD13146	P78	GD15968	P93
GD1144	P20	GD13310	P78, P91	GD15970	P3
GD1145	P20	GD13348	P76, P77, P78	GD16200	P70
GD11453	P7	GD13352	P47	GD16202	P70
GD11474	P97	GD13358	P93	GD16245	P3
GD11490	P51	GD13361	P3	GD1701	P67
GD11508	P11	GD13365	P76	GD1702	P109
GD11509	P11	GD13366	P77	GD1719	P62
GD11528	P14	GD13377	P30	GD1755	P15
GD11554	P99	GD13409	P47, P51	GD2117	P112
GD11556	P99	GD13447	P80	GD2199	P45, P112
GD11652	P21, P29	GD13448	P73, P74	GD2423	P19
GD11677	P21	GD13449	P73, P74	GD2460	P20
GD11695	P50	GD13453	P73	GD2558	P53, P58, P61
GD11700	P101	GD13456	P74	GD2597	P68
GD11747	P13	GD13524-01	P55	GD2721	P64, P67
GD11751	P46, P69, P70	GD13598	P31	GD2829	P91
GD11783	P46	GD13600	P31	GD2947	P19
GD11787	P14	GD13601	P31	GD2971-10	P17

NUMERICAL INDEX

Part No.	Page	Part No.	Page	Part No.	Page
GD3180-06	P45	GD8770	P96	GR0151	P65, P68
GD3180-12	P9	GD8771	P96	GR0155MPP	P112
GD3180-13	P45	GD8778	P15	GR0193	P31
GD3180-24	P46	GD8839	P109	GR0196	P3, P18
GD3421	P33, P35	GD9120	P10	GR0257	P47
GD3547	P109	GD9254	P21, P29	GR0270	P51
GD3612	P3	GD9290	P9	GR0322	P47
GD3860	P92	GD9305	P9	GR0434	P51
GD4014	P31	GD9349	P30	GR0586	P97
GD4086	P85, P87, P89	GD9357	P32	GR0594	P95, P97
GD4700	P53	GD9361	P45	GR0717	P31
GD4701	P53	GD9362	P32	GR0761	P82
GD5506	P33, P35	GD9366	P32	GR0763	P82
GD5752	P99	GD9367	P32	GR0764	P82, P83
GD5753	P99	GD9462	P45	GR0880	P101
GD5835	P61	GD9463	P45	GR0881	P101
GD5857	P25, P49, P59, P61, P97, P99	GD9464-01	P31	GR0882	P101
GD6291	P96	GD9465	P36, P37	GR0883	P101
GD6501	P14	GD9467	P36	GR0911	P58, P59, P99
GD6551	P61	GD9468	P36, P37	GR0912	P49, P53, P58, P59, P61, P99
GD6775	P53	GD9469	P37	GR1015	P101
GD6825-11.25	P99	GD9482	P49	GR1016	P101
GD7127	P61	GD9498	P36, P37	GR1017	P101
GD7148	P18	GD9499	P43	GR1018	P101
GD7209	P67	GD9508	P47	GR1019	P101
GD7258	P18	GD9509	P47	GR1034	P81
GD7318	P3	GD9511	P43	GR1035	P81
GD7426	P61	GD9514	P50	GR1037	P31, P39, P40, P41, P43, P45, P49, P65, P67, P76, P77, P78, P79, P81, P85, P87, P89
GD7639	P95, P97	GD9515	P50	GR1045	P78, P79
GD7803	P21, P29	GD9516	P45	GR1047	P81
GD7804	P21, P29	GD9529	P82	GR1114	P103
GD7805	P4, P10, P12, P23, P41, P46, P50, P53	GD9530	P82	GR1116	P103
GD7817-01	P23	GD9531	P76	GR1118	P103
GD7817-04	P23	GD9533	P78	GR1122	P99
GD7822	P61	GD9535	P79	GR1129	P105
GD7823	P23	GD9536	P77	GR1130	P105
GD7867	P55, P57, P61	GD9537	P41	GR1133	P105
GD7878	P15	GD9542-02	P33	GR1134	P105
GD7889	P23, P98	GD9542-03	P33	GR1142	P105
GD7890	P23	GD9562	P9	GR1144	P105
GD7907	P109	GD9566-01	P46	GR1165	P103
GD8066-02	P76, P78	GD9622	P65	GR1167	P103
GD8066-03	P77	GD9667	P55	GR1168	P103
GD8218	P43	GD9671	P55, P57	GR1169	P69
GD8237	P15	GD9672	P57	GR1203	P91
GD8249	P4	GD9715	P25	GR1204	P91
GD8307	P23	GD9720	P25	GR1205	P91
GD8460	P10	GD9724	P25, P27, P29	GR1206	P91
GD8532	P47	GD9726	P45	GR1207	P91
GD8739	P91	GD9727	P45	GR1208	P91
GD8740	P91	GD9896	P92		
GD8741	P91	GD9964	P65		
GD8751	P96	GM0196	P112		
		GR0146MPP	P112		
		GR0150	P65, P68		

NUMERICAL INDEX

Part No.	Page	Part No.	Page	Part No.	Page
GR1254.....	P80	GR1559.....	P107		
GR1255.....	P80	GR1561.....	P107		
GR1256.....	P80	GR1566.....	P107		
GR1257.....	P80	GR1567.....	P107		
GR1258.....	P80	GR1568.....	P107		
GR1259.....	P80	GR1569.....	P14		
GR1260.....	P80	GR1570MPP.....	P112		
GR1290.....	P92	GR1574.....	P107		
GR1292.....	P92	GR1599.....	P73, P74		
GR1303.....	P55, P57	GR1629.....	P95, P97		
GR1304.....	P55, P57	GR1631.....	P96		
GR1305.....	P55, P57	GR1632.....	P96		
GR1306.....	P55, P57	GR1635.....	P76, P77, P78		
GR1321.....	P82	GR1638.....	P75		
GR1322.....	P82	GR1740.....	P70		
GR1327.....	P14	GR1761.....	P97		
GR1363.....	P91	GR1762.....	P97		
GR1364.....	P91	GR1764.....	P97		
GR1389.....	P103				
GR1390.....	P95				
GR1391.....	P97				
GR1392.....	P95				
GR1393.....	P97				
GR1414.....	P97				
GR1415.....	P97				
GR1420.....	P103				
GR1421.....	P103				
GR1422.....	P105				
GR1423.....	P105				
GR1424.....	P103				
GR1425.....	P103, P105				
GR1427.....	P103				
GR1451.....	P105				
GR1455.....	P81				
GR1456.....	P81				
GR1457.....	P81				
GR1458.....	P81				
GR1465.....	P67, P73, P74, P80, P81				
GR1466.....	P78, P80				
GR1487.....	P14				
GR1515.....	P83				
GR1521.....	P71				
GR1525.....	P72				
GR1530.....	P69				
GR1532.....	P71				
GR1533.....	P106				
GR1535.....	P106				
GR1540.....	P106				
GR1541.....	P106, P107				
GR1542.....	P106, P107				
GR1543.....	P106, P107				
GR1544.....	P106				
GR1545.....	P106				
GR1546.....	P69				

NUMERICAL INDEX

Part No.	Page	Part No.	Page	Part No.	Page