

PARTS LIST INDEX

ROW UNIT

15" Seed Opener Disc Blade/Bearing Assembly And Scrapers	P5
Brush-Type Seed Meter	P15
Coulter Mounted Residue Wheels	P28
Covering Discs/Single Press Wheel	P8
Drag Closing Attachment	P11
Finger Pickup Seed Meter	P14
Frame Mounted Coulter W/Residue Wheels	P30
Gauge Wheels	P6
Granular Chemical Banding Options	P19
Granular Chemical Hopper And Hopper Panel Extension	P16
Granular Chemical Meter And Meter Drive	P18
Hopper Support And Meter Drive	P12
Parallel Arms, Mounting Support Plate And Quick Adjustable Down Force Springs	P4
Row Unit Mounted Bed Leveler	P22
Row Unit Mounted Disc Furrower	P24
Row Unit Mounted No Till Coulter	P21
Row Unit Mounted Residue Wheel	P26
Seed Hopper And Lid	P13
Shank Assembly, Seed Tube And Depth Adjustment	P2
Spring Tooth Incorporator	P20
"V" Closing Wheels	P10

BASE MACHINE

Contact Wheel And Arm Assembly	P40
Cylinders	P57
Electrical Components	P64
Frame Assembly	P34
Hitch And Safety Chain	P32
Hydraulic Wing Fold	P36
Hydraulic System	P62
Hydraulic Wing Fold Selector Valve	P61
Point Row Clutch	P42
Point Row Clutch Electrical Components	P44
Row Marker Assembly	P54
Row Marker Sequencing/Flow Control Valve	P60
Row Marker Spindle/Hub/Blade	P56
Seed Rate Transmission Assembly And Driveline	P52
Transport And Ground Drive Wheel Assembly	P38
Two-Speed Point Row Clutch	P46
Two-Speed Point Row Clutch Electrical Components	P48
Two-Speed Point Row Clutch Drive	P50

ELECTRONIC SEED MONITOR

KPM I Electronic Seed Monitor	P66
KPM II Stack-Mode Electronic Seed Monitor	P68
KPM III Electronic Seed Monitor	P68

FERTILIZER

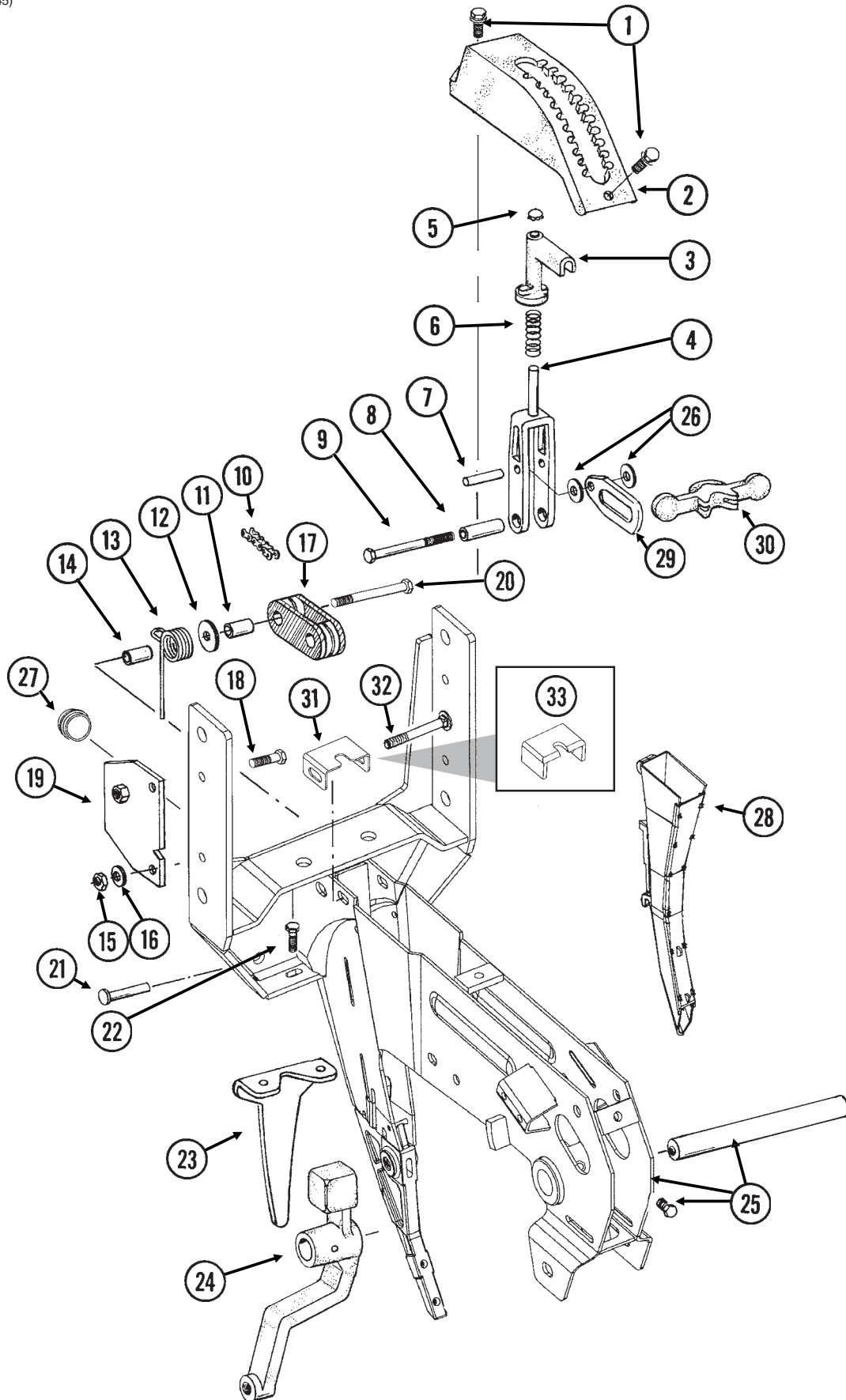
Fertilizer Openers, Mounts And Attachments	P70
Liquid Fertilizer	P76

Decals, Paint And Miscellaneous	P90
---------------------------------------	-----

Numerical Index	P93
-----------------------	-----

SHANK ASSEMBLY, SEED TUBE AND DEPTH ADJUSTMENT

(METR29cc/D16245)

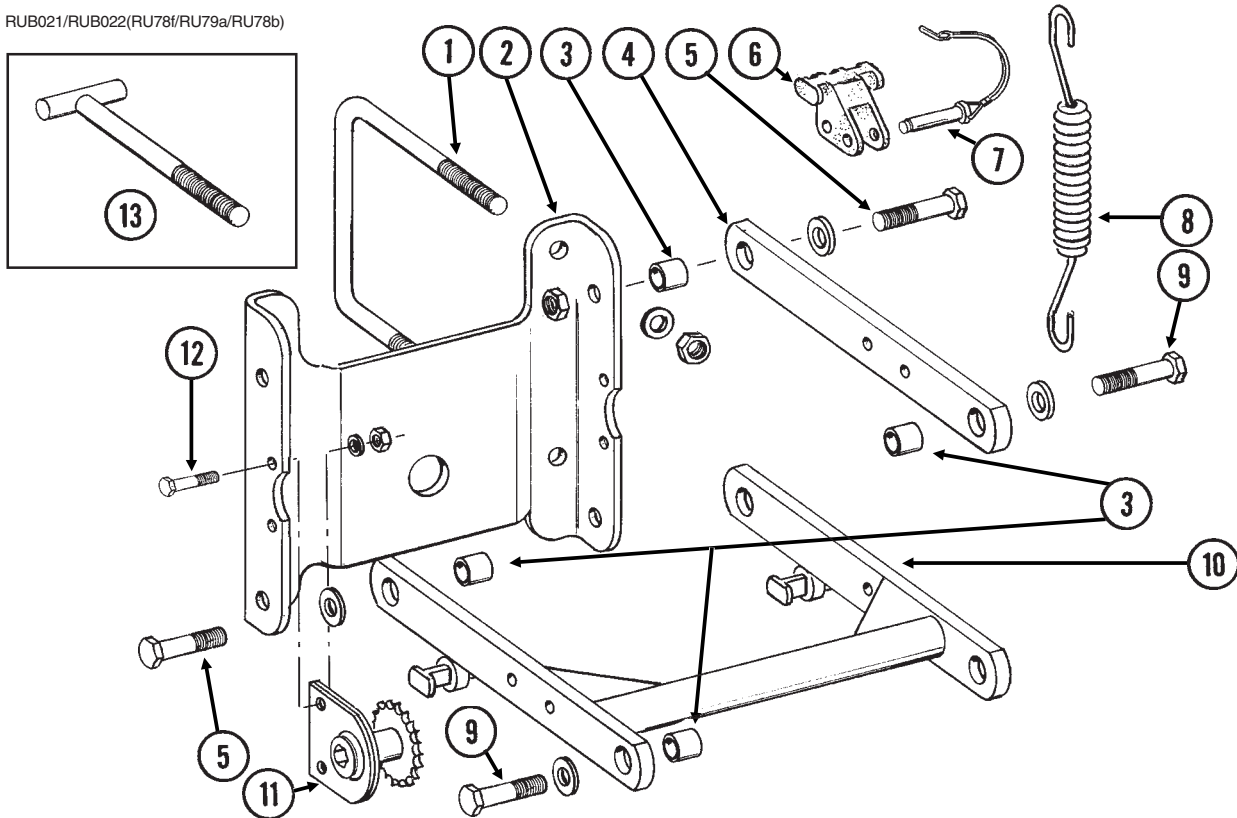


SHANK ASSEMBLY, SEED TUBE AND DEPTH ADJUSTMENT

ITEM	PART NO.	QTY. (Per Row)	DESCRIPTION
1.	G11015	2	Hex Washer Head Cap Screw, 3/8"-16 x 1 1/4"
2.	GB0274	1	Cover, Depth Adjustment
3.	GB0266	1	Handle, Depth Adjustment
4.	GB0267	1	Lever, Depth Adjustment
5.	GD3612	1	Cap Plug
6.	GD10993	1	Spring
7.	GD13361	1	Pin, 3/8" x 1 2/3"
8.	GD11259	1	Sleeve, 3/8" I.D. x 5/8" O.D. x 1 25/32" Long
9.	G11008	1	Hex Head Cap Screw, 3/8"-24 x 2 1/2", Grade 8
	G11007	1	Lock Nut, 3/8"-24, Grade C
10.	G3303-98	1	Chain, No. 41, 98 Pitch Including Connector Link
	GR0196	1	Connector Link, No. 41
11.	GD1026	1	Sleeve, 1 3/16" Long
12.	G10201	1	Special Washer, 3/8" x 1 1/2" O.D.
13.	GD1065	1	Idler Spring
14.	GD7318	1	Sleeve, 1" Long
15.	G10108	1	Lock Nut, 3/8"-16
16.	G10210	1	Washer, 3/8" USS
17.	GD11962	1	Idler
18.	G10003	3	Hex Head Cap Screw, 3/8"-16 x 1 1/2"
	G10108	3	Lock Nut, 3/8"-16
19.	GD10867	2	Stop
20.	G10326	1	Hex Head Cap Screw, 3/8"-16 x 3 3/4"
21.	G10551	1	Clevis Pin, 1/4" x 2 1/2"
	G10669	1	Hair Pin Clip, No. 22
22.	G10312	2	Carriage Bolt, 5/16"-18 x 3/4"
	G10620	2	Serrated Flange Nut, 5/16"-18
23.	GD1033	1	Shield
24.		-	See "Gauge Wheels", Pages P6 And P7
25.	GA10157	1	Shank W/Gauge Wheel Pivot Spindle And Set Screw
	GD11001	-	Spindle
	G10438	-	Hex Head Cap Screw, 1/2"-13 x 3/4"
26.	G10207	2	Washer, 7/8" O.D. x 13/32" I.D. x .134" (If Applicable)
27.	GD11845	1	Dust Cap
28.			See "KPM I Electronic Seed Monitor" And "KPM II Stack-Mode/KPM III Electronic Seed Monitors", Pages P66-P69
29.	GB0285	1	Collar, Depth Adjustment
30.	GB0265	1	Pivot Link, Depth Adjustment
31.	GD15970	1	Sun Shade
32.	G10304	1	Carriage Bolt, 3/8"-16 x 3"
	G10108	1	Lock Nut, 3/8"-16
33.	GD16245	-	Sun Shade (Rubber)

PARALLEL ARMS, MOUNTING SUPPORT PLATE AND QUICK ADJUSTABLE DOWN FORCE SPRINGS

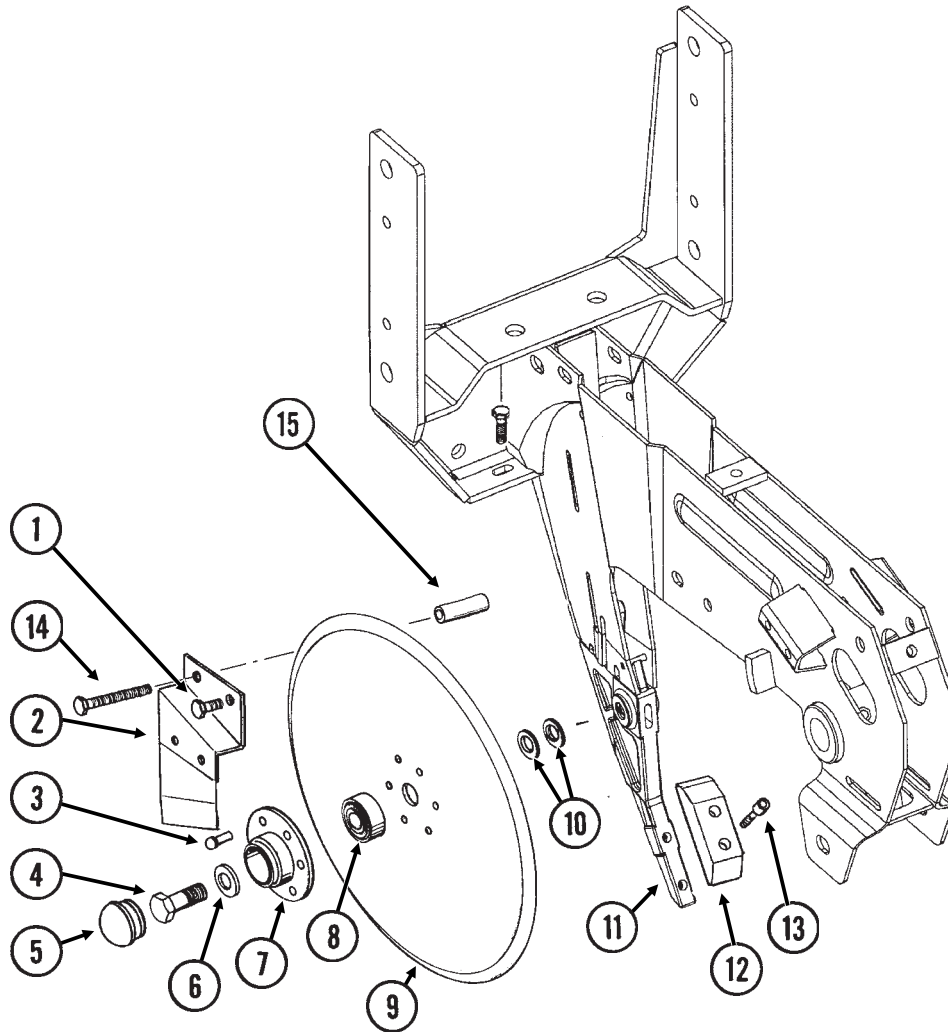
RUB021/RUB022(RU78f/RU79a/RU78b)



ITEM	PART NO.	QTY. (Per Row)	DESCRIPTION
1.	GD1114	2	U-Bolt, 7" x 7" x 5/8"-11
	G10230	4	Lock Washer, 5/8"
	G10104	4	Hex Nut, 5/8"-11
2.	GD10036	1	Mounting Support Plate
3.	GB0218	4	Bushing, 21/32" I.D. x 7/8" O.D. x 19/32" Long
4.	GD11422	2	Upper Parallel Arm
5.	G10732	4	Hex Head Cap Screw, 5/8"-18 x 2"
	GD7805	4	Special Washer, 5/8", Hardened
	G10412	4	Lock Nut, 5/8"-18
6.	GB0186	2	Spring Anchor
7.	GD14217	2	Tab Lock Pin, 7/16" x 1 1/2"
8.	GD8249	2-4	Spring
9.		-	See "Hopper Support And Meter Drive", Page P12
10.	GA5651	1	Lower Parallel Arm
11.	GA1720	1	Bearing/Sprocket, 7/8" Hex Bore
12.	G10001	2	Hex Head Cap Screw, 3/8"-16 x 1"
	G10229	2	Lock Washer, 3/8"
	G10101	2	Hex Nut, 3/8"-16
13.	GA8140	-	T-Bolt, 5/8"-11 x 7"
	G10230	-	Lock Washer, 5/8"
	G10104	-	Hex Nut, 5/8"-11
A.	G6326X	-	U-Bolt Package For 7" x 7" Toolbar, Includes: (2) GD1114, (4) G10230, (4) G10104

15" SEED OPENER DISC BLADE/BEARING ASSEMBLY AND SCRAPERS

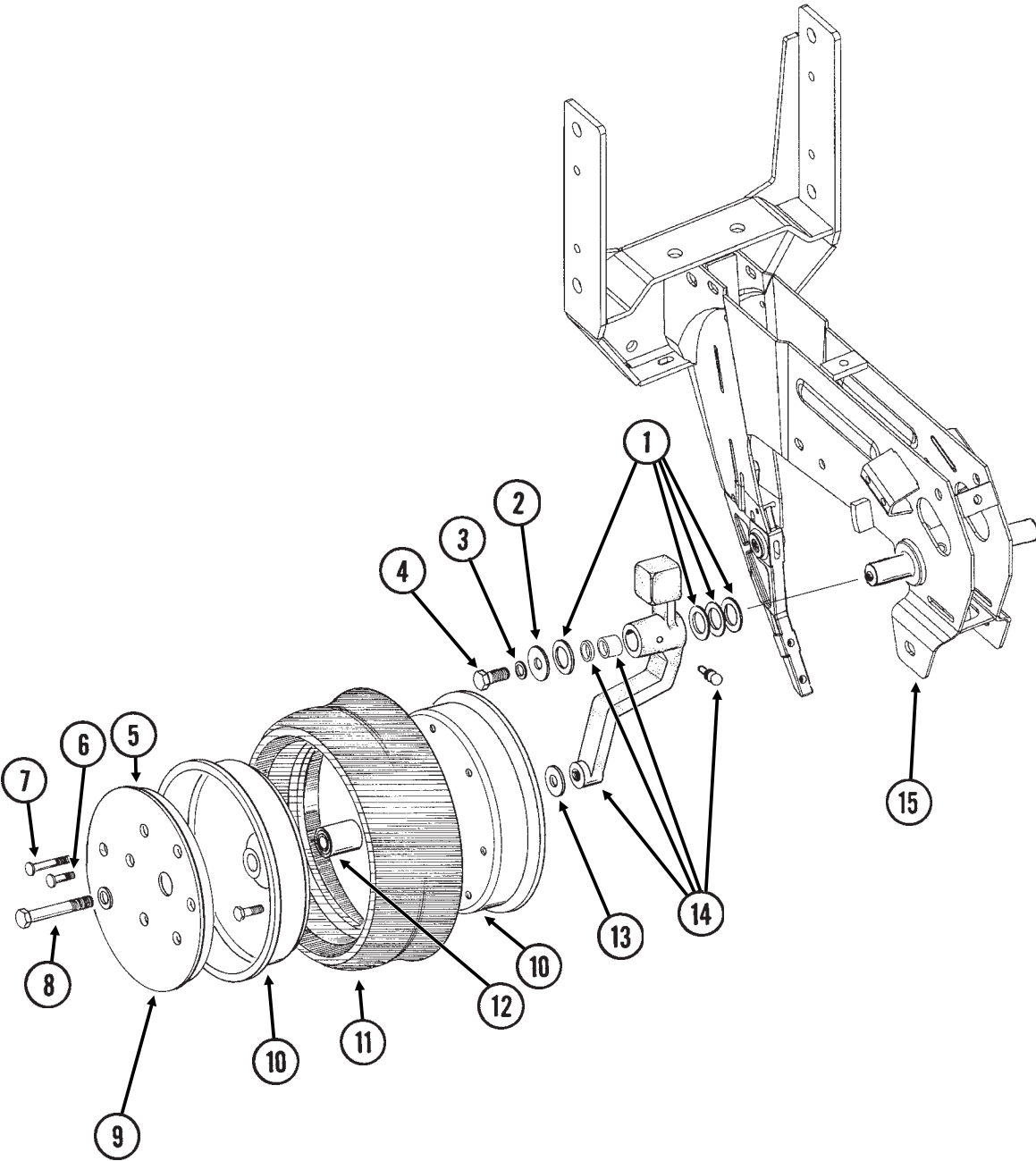
(RU139)



ITEM	PART NO.	QTY. (Per Row)	DESCRIPTION
1.	G10328	2	Hex Head Cap Screw, $\frac{3}{8}$ "-16 x $\frac{5}{8}$ "
	G10622	2	Serrated Flange Nut, $\frac{3}{8}$ "-16
2.	GA2012R	1	Disc Scraper, R.H.
	GA2012L	-	Disc Scraper, L.H. (Shown)
3.	G10427	12	Rivet, $\frac{1}{4}$ " x $\frac{1}{2}$ "
4.	GD11017	1	Special Hex Head Cap Screw, $\frac{5}{8}$ "-11 x $1\frac{1}{2}$ ", L.H. Threads
	G10007	1	Hex Head Cap Screw, $\frac{5}{8}$ "-11 x $1\frac{1}{2}$ "
5.	GD11845	2	Dust Cap
6.	G10204	2	Special Machine Bushing, $\frac{5}{8}$ " x 1" O.D.
7.	GD10473	2	Bearing Housing
8.	GA2014	2	Bearing
9.	GD11306	2	Disc Blade, 3.5 mm x 15"
10.	G10213	-	Machine Bushing, $\frac{5}{8}$ " (.030" Thick)(As Required)
11.		-	See "Shank Assembly", Pages P2 And P3
12.	GB0301	1	Seed Tube Guard/Inner Scraper
13.	G10912	2	Hex Socket Head Cap Screw, $\frac{5}{16}$ "-18 x 1", Grade 8
14.	G10325	1	Hex Head Cap Screw, $\frac{3}{8}$ "-16 x $2\frac{3}{4}$ "
	G10622	1	Serrated Flange Nut, $\frac{3}{8}$ "-16
15.	GD11259	1	Sleeve, $\frac{3}{8}$ " I.D. x $\frac{5}{8}$ " O.D. x $1\frac{25}{32}$ " Long
A.	GA8324	-	Disc Blade/Bearing Assembly, Less Dust Cap (Items 3 And 7-9)

GAUGE WHEELS

(RU140)

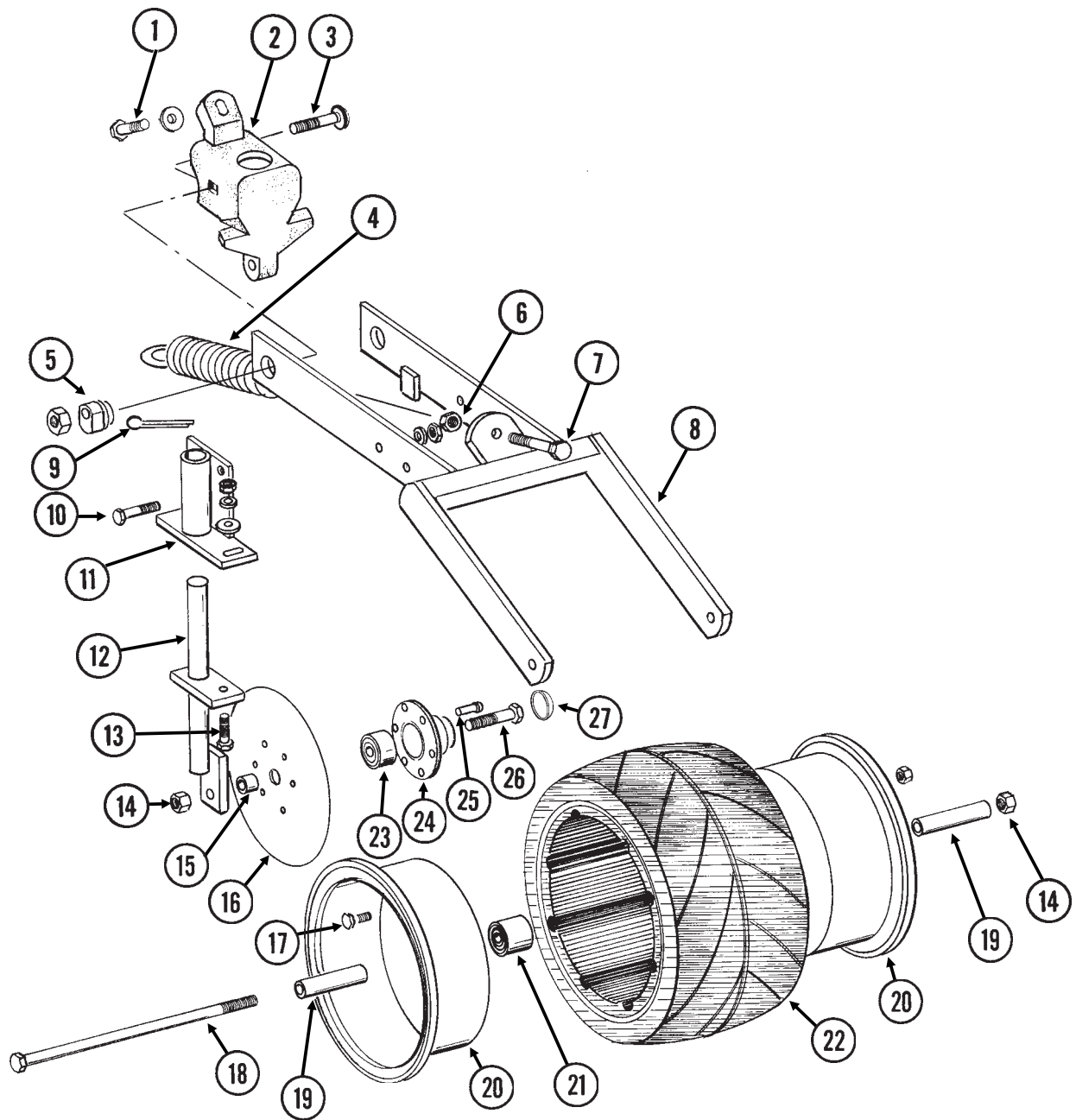


GAUGE WHEELS

ITEM	PART NO.	QTY. (Per Row)	DESCRIPTION
1.	G10940	-	Machine Bushing, 1" (.048" Thick)
2.	G10216	2	Washer, 1/2" USS
3.	G10228	2	Lock Washer, 1/2"
4.	G10014	1	Hex Head Cap Screw, 1/2"-13 x 1"
5.	GD11453	2	Cover
6.	G10338	12	Carriage Bolt, 5/16"-18 x 1 1/4"
	G10620	12	Serrated Flange Nut, 5/16"-18
7.	G10924	8	Carriage Bolt, 5/16"-18 x 1 3/4"
	G10620	8	Serrated Flange Nut, 5/16"-18
8.	G10010	2	Hex Head Cap Screw, 5/8"-11 x 3"
	G10230	2	Lock Washer, 5/8"
9.	G10018	14	Hex Head Cap Screw, 5/16"-18 x 5/8"
	G10109	14	Lock Nut, 5/16"-18, Grade 8
10.	GD11423	4	Half Wheel
11.	GD1086	2	Tire
12.	GA6171	2	Bearing
13.	G10204	2	Special Machine Bushing, 5/8" x 1" O.D.
14.	GA7975	1	Wheel Arm W/Grease Fitting, Bushings And Seals, L.H. (Shown)
	GA7976	1	Wheel Arm W/Grease Fitting, Bushings And Seals, R.H.
	G10640	1	Grease Fitting, 1/4"-28 (Per Arm)
	GB0276	2	Bushing, 1" I.D. x 1 1/4" O.D. x 1" Long (Per Arm)
	GD10991	2	Seal (Per Arm)
15.		-	See "Shank Assembly", Pages P2 And P3
A.	GA7949	-	Gauge Wheel Complete (Items 5-7 And 9-12)
B.	G1K296	-	Gauge Wheel Arm Bushing And Seal Driver Kit, Includes: (1) Seal Driver, (1) Bushing Driver, (1) Instruction

COVERING DISCS/SINGLE PRESS WHEEL

RUA054/RUB026(RU94d)

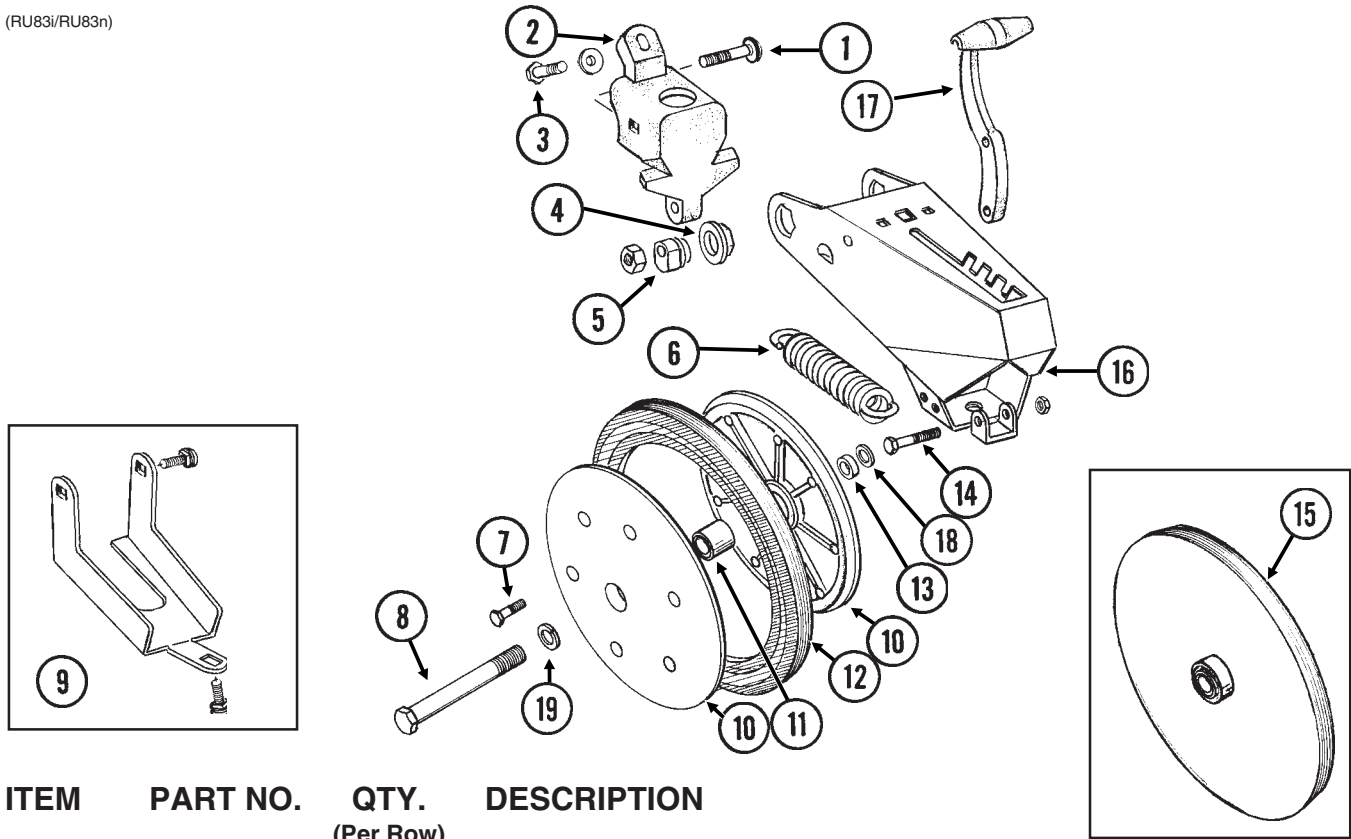


COVERING DISCS/SINGLE PRESS WHEEL

ITEM	PART NO.	QTY. (Per Row)	DESCRIPTION
1.	G10001	1	Hex Head Cap Screw, $\frac{3}{8}$ "-16 x 1"
	G10210	1	Washer, $\frac{3}{8}$ " USS
2.	GB0268	1	Wheel Arm Stop
3.	G10801	2	Carriage Bolt, $\frac{1}{2}$ "-13 x 2 $\frac{1}{4}$ "
	G10315	-	Carriage Bolt, $\frac{1}{2}$ "-13 x 2 $\frac{1}{2}$ " (Used W/Straight Drop In-Furrow Granular Chemical Bracket)
	G10102	2	Hex Nut, $\frac{1}{2}$ "-13
4.	GA2054	1	Spring
5.	GB0239	2	Eccentric Bushing
6.	G10102	1	Hex Nut, $\frac{1}{2}$ "-13
7.	G10015	1	Adjusting Bolt, $\frac{1}{2}$ "-13 x 5"
8.	GA6619	1	Mounting Arm
9.	G10463	2	Cotter Pin, $\frac{1}{4}$ " x 1 $\frac{1}{2}$ "
10.	G10171	4	Hex Head Cap Screw, $\frac{5}{16}$ "-18 x 1 $\frac{1}{4}$ "
	G10232	4	Lock Washer, $\frac{5}{16}$ "
	G10106	4	Hex Nut, $\frac{5}{16}$ "-18
11.	GA6620	2	Bracket
12.	GA6618	2	Mount
13.	G10303	2	Carriage Bolt, $\frac{5}{16}$ "-18 x 1"
	G10219	2	Washer, $\frac{5}{16}$ " USS
	G10232	2	Lock Washer, $\frac{5}{16}$ "
	G10106	2	Hex Nut, $\frac{5}{16}$ "-18
14.	G10107	3	Lock Nut, $\frac{5}{8}$ "-11
15.	GD1109	2	Bushing, $\frac{41}{64}$ " I.D. x $\frac{7}{8}$ " O.D. x $\frac{1}{4}$ " Long
16.	GD9290	2	Disc Blade, 8"
17.	G10018	7	Hex Head Cap Screw, $\frac{5}{16}$ "-18 x $\frac{5}{8}$ "
	G10109	7	Lock Nut, $\frac{5}{16}$ "-18, Grade 8
18.	G10152	1	Hex Head Cap Screw, $\frac{5}{8}$ "-11 x 9"
19.	GD3180-12	2	Sleeve, $\frac{5}{8}$ " I.D. x $\frac{7}{8}$ " O.D. x 2 $\frac{7}{8}$ " Long
20.	GD9562	2	Half Wheel
21.	GA6171	1	Bearing
22.	GD9305	1	Tire
23.	GA2014	2	Bearing
24.	GD10473	2	Bearing Housing
25.	G10427	12	Rivet, $\frac{1}{4}$ " x $\frac{1}{2}$ "
26.	G10006	2	Hex Head Cap Screw, $\frac{5}{8}$ "-11 x 2 $\frac{1}{4}$ "
27.	GD11845	2	Dust Cap
A.	GA6733	-	Single Press Wheel Complete W/Bearing (Items 17 And 20-22)
B.	GA6801	-	Covering Disc Blade Complete W/Bearing (Items 16 And 23-25)

"V" CLOSING WHEELS

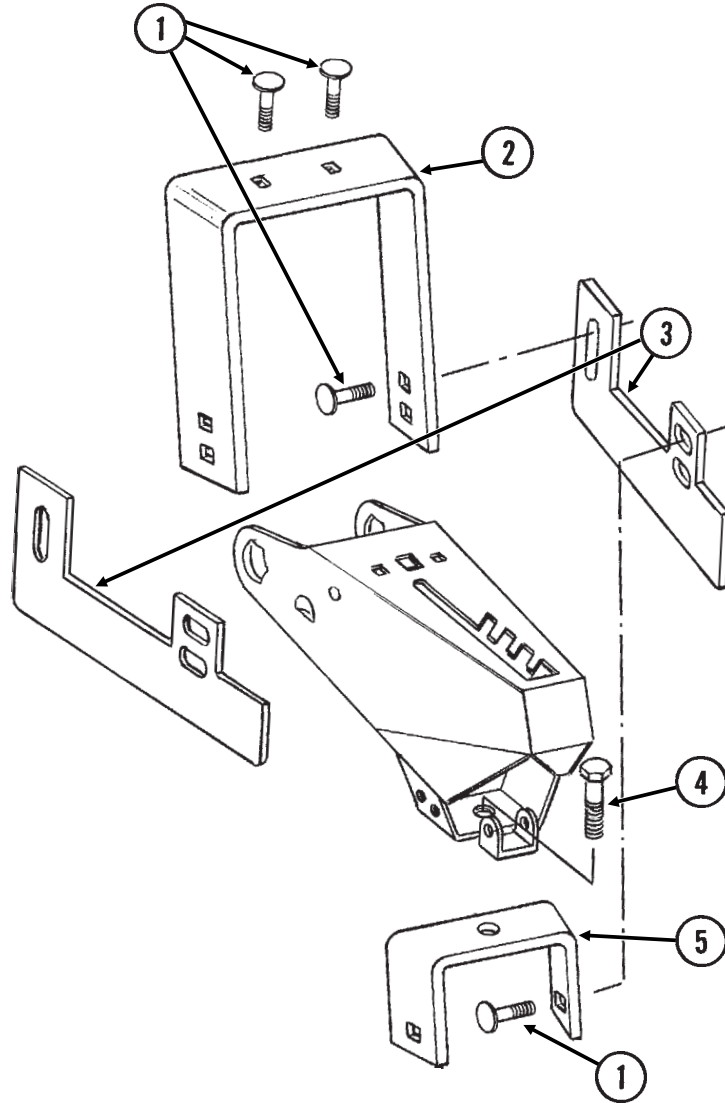
(RU83/RU83n)



ITEM	PART NO.	QTY. (Per Row)	DESCRIPTION
1.	G10801	2	Carriage Bolt, 1/2"-13 x 2 1/4"
	G10315	-	Carriage Bolt, 1/2"-13 x 2 1/2" (Used W/Straight Drop In-Furrow Granular Chemical Bracket)
	G10111	2	Lock Nut, 1/2"-13
2.	GB0268	1	Wheel Arm Stop
3.	G10001	1	Hex Head Cap Screw, 3/8"-16 x 1"
	G10210	1	Washer, 3/8" USS
4.	GB0282	2	Stepped Bushing
5.	GB0239	2	Eccentric Bushing
6.	GD8460	1	Spring
7.	G10064	6	Hex Head Cap Screw, 1/4"-20 x 1"
8.	G10013	2	Hex Head Cap Screw, 5/8"-11 x 3 1/2"
	G10107	2	Lock Nut, 5/8"-11
9.	G1K345	-	Closing Wheel Shield Kit W/Hardware And Instruction
	G10308	2	Carriage Bolt, 3/8"-16 x 3/4"
	G10599	1	Carriage Bolt, 3/8"-16 x 1 1/4"
	G10210	1	Washer, 3/8" USS
	G10229	3	Lock Washer, 3/8"
	G10101	3	Hex Nut, 3/8"-16
10.	GD9120	4	Nylon Half Wheel
11.	GA6171	2	Bearing
12.	GD1085	2	Rubber Tire, 1" x 12"
13.	GD1109	2	Bushing, 41/64" I.D. x 7/8" O.D. x 1/4" Long
14.	G10133	1	Hex Head Cap Screw, 5/16"-18 x 1 1/2"
	G10109	1	Lock Nut, 5/16"-18, Grade 8
15.	GA6597	-	Cast Iron Closing Wheel W/Bearing
	GA6171	-	Bearing
16.	GA8322	1	Arm
17.	GB0254	1	Lever
18.	GD7805	2	Special Washer, 5/8", Hardened
19.	G10230	2	Lock Washer, 5/8"
A.	GA6434	-	Rubber Closing Wheel Complete W/Bearing (Items 7 And 10-12)

DRAG CLOSING ATTACHMENT

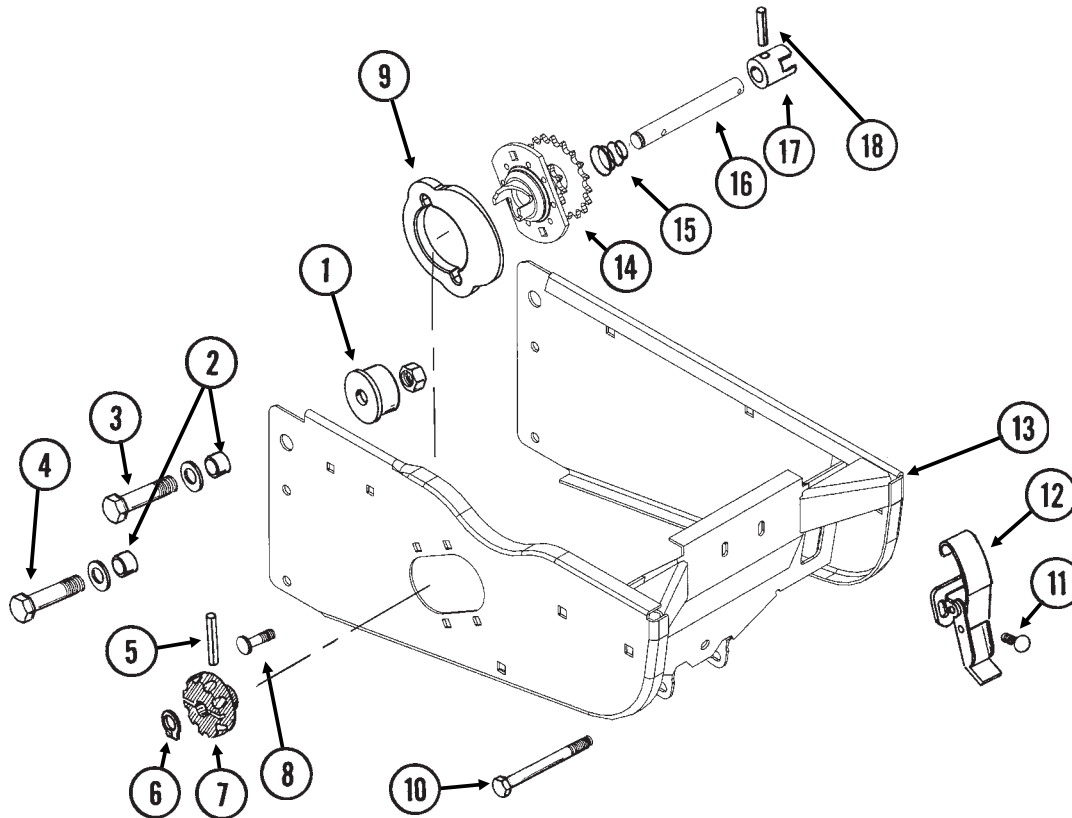
RUB050(RU90c)



ITEM	PART NO.	QTY.	DESCRIPTION
		(Per Row)	
1.	G10599	6	Carriage Bolt, 3/8"-16 x 1 1/4"
	G10210	6	Washer, 3/8" USS
	G10229	6	Lock Washer, 3/8"
	G10101	6	Hex Nut, 3/8"-16
2.	GD11508	1	Front Bracket
3.	GD11313	2	Blade
4.	G10007	1	Hex Head Cap Screw, 5/8"-11 x 1 1/2"
	G10230	1	Lock Washer, 5/8"
	G10104	1	Hex Nut, 5/8"-11
5.	GD11509	1	Rear Bracket
A.	G7566X	-	Drag Closing Attachment Complete (Items 1-5)

HOPPER SUPPORT AND METER DRIVE

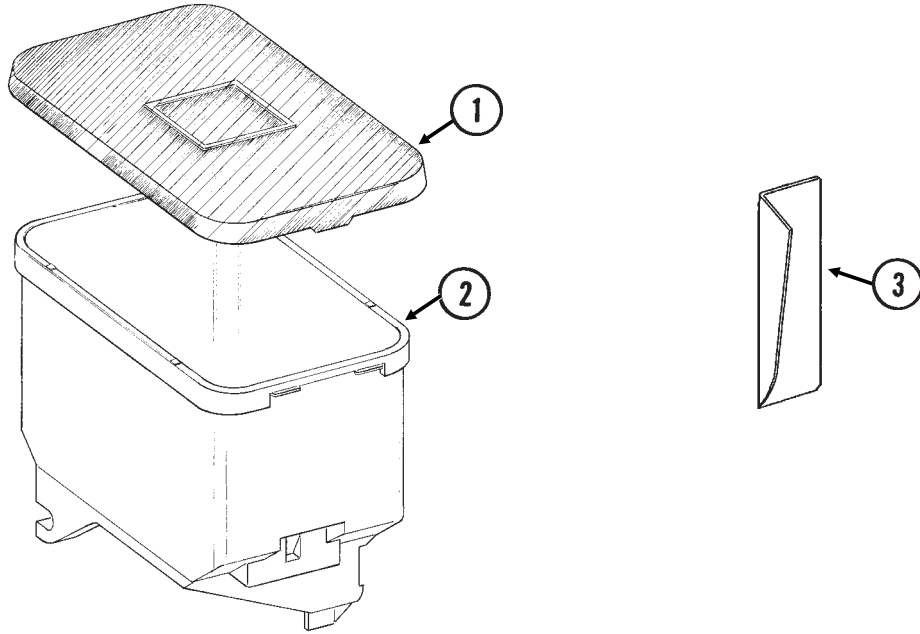
(METR22d)



ITEM	PART NO.	QTY. (Per Row)	DESCRIPTION
1.	GB0314	2	Hopper Mount
2.	GB0218	4	Bushing, $2\frac{1}{32}$ " I.D. x $\frac{7}{8}$ " O.D. x $\frac{19}{32}$ " Long
3.	G10752	2	Hex Head Cap Screw, $\frac{5}{8}$ "-18 x $2\frac{1}{4}$ "
	GD7805	2	Special Washer, $\frac{5}{8}$ ", Hardened
	G10412	2	Lock Nut, $\frac{5}{8}$ "-18
4.	G10751	2	Hex Head Cap Screw, $\frac{5}{8}$ "-18 x $1\frac{3}{4}$ "
	GD7805	2	Special Washer, $\frac{5}{8}$ ", Hardened
	G10412	2	Lock Nut, $\frac{5}{8}$ "-18
5.	G10602	1	Spring Pin, $\frac{1}{4}$ " x $1\frac{1}{2}$ "
6.	G10567	1	External Retaining Ring, $\frac{5}{8}$ "
7.	GD11239	1	Knob
8.	G10338	2	Carriage Bolt, $\frac{5}{16}$ "-18 x $1\frac{1}{4}$ "
	G10620	2	Serrated Flange Nut, $\frac{5}{16}$ "-18
9.	GB0331	1	Clutch Adapter Plate
10.	G10061	1	Hex Head Cap Screw, $\frac{3}{8}$ "-16 x $3\frac{1}{2}$ "
	G10210	2	Washer, $\frac{3}{8}$ " USS
	G10108	1	Lock Nut, $\frac{3}{8}$ "-16
11.	G10309	2	Carriage Bolt, $\frac{1}{4}$ "-20 x $\frac{5}{8}$ ", Grade 2
	G10621	2	Serrated Flange Nut, $\frac{1}{4}$ "-20
12.	GA2007	1	Hopper Hold Down Latch
13.	GA10155	1	Hopper Support
14.	GA10137	1	Double Sprocket And Bearing, Drive Clutch, 11/19 Tooth
15.	GD11413	1	Spring
16.	GD15747	1	Shaft
17.	GB0278	1	Coupler
18.	G10546	1	Spring Pin, $\frac{3}{16}$ " x $1\frac{1}{4}$ "
A.	GA10151	-	Meter Drive Assembly, 11/19 Tooth (Items 5-7 And 14-18)

SEED HOPPER AND LID

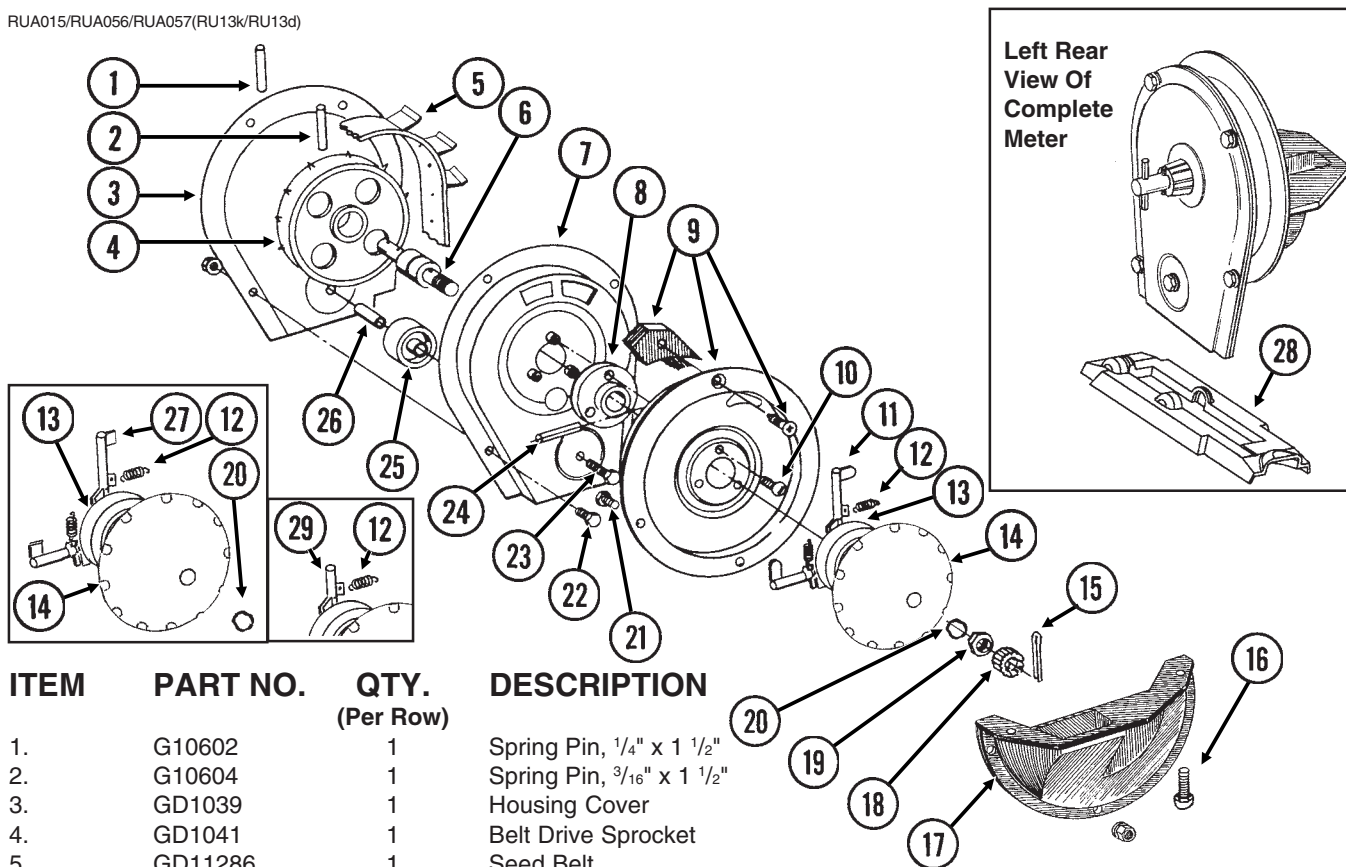
(RU87e/RU87a)



ITEM	PART NO.	QTY. (Per Row)	DESCRIPTION
1.	GD11279	1	Lid
2.	GA9714	1	Seed Hopper, Reinforced
3.	GD11747	1	Seed Reserve Baffle

FINGER PICKUP SEED METER

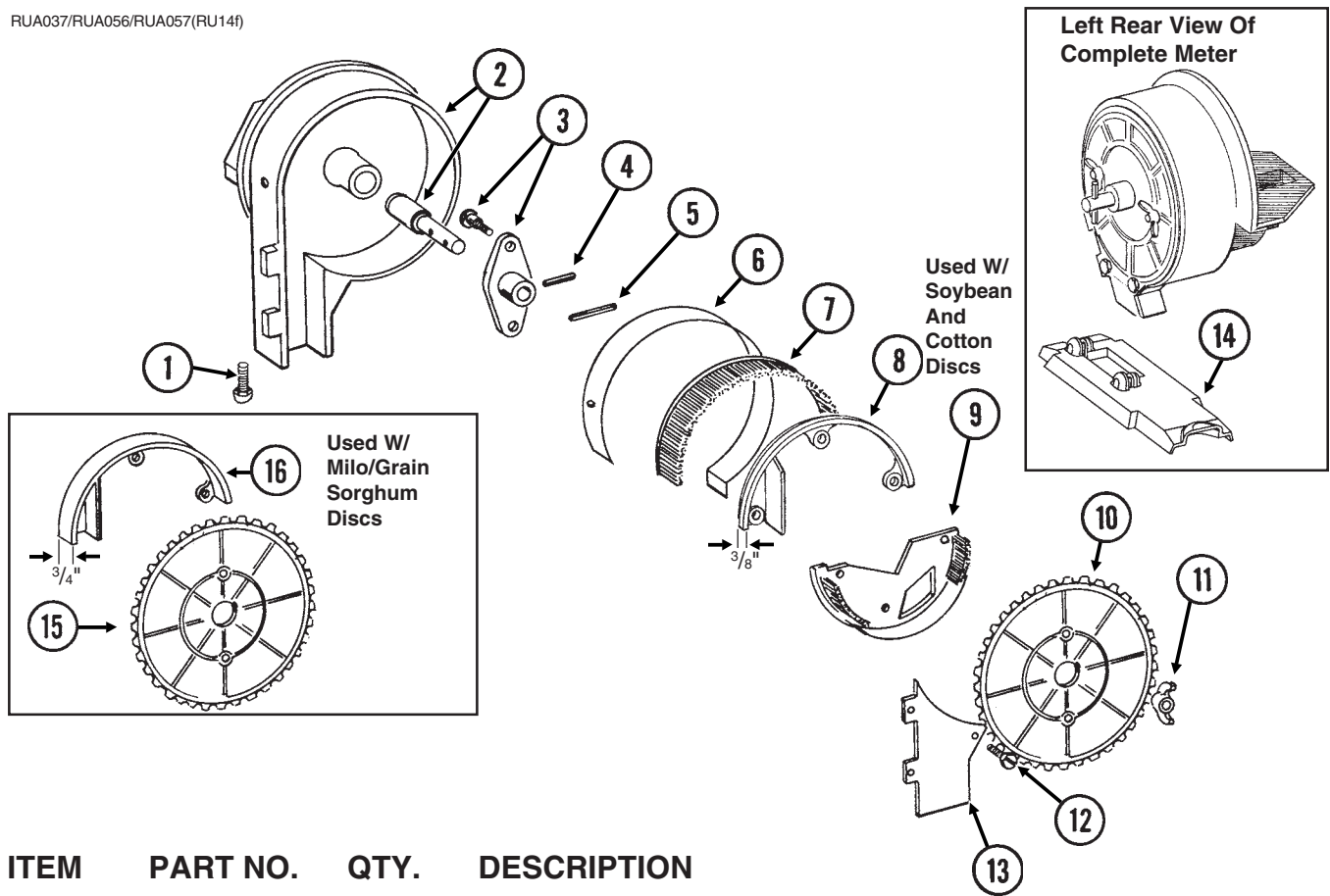
RUA015/RUA056/RUA057(RU13k/RU13d)



ITEM	PART NO.	QTY. (Per Row)	DESCRIPTION
1.	G10602	1	Spring Pin, 1/4" x 1 1/2"
2.	G10604	1	Spring Pin, 3/16" x 1 1/2"
3.	GD1039	1	Housing Cover
4.	GD1041	1	Belt Drive Sprocket
5.	GD11286	1	Seed Belt
6.	GA2019	1	Bearing
7.	GA2018	1	Conveyor Housing
8.	GB0110	1	Bearing Housing
9.	GR1569	1	Carrier Plate W/Brush And Screw
	GA2020	-	Brush
	G10690	-	Rolling Thread Screw, No. 10 x 3/4"
10.	G10401	3	Slotted Hex Washer Head Screw, No. 10-32 x 5/8"
11.	GD10733	12	Finger, Corn
12.	GD6501	12	Spring
13.	GB0111	1	Cam
14.	GD11528	1	Finger Holder
15.	G10470	1	Cotter Pin, 5/32" x 1"
16.	G11009	2	Locking Thumbscrew, 5/16"-18 x 3/4"
17.	GD11311	1	Seed Baffle
18.	GD1083	1	Cover Nut
19.	G10500	1	Jam Nut, 5/8"-18 UNF
20.	GA8343	1	Wave Washer, 5/8" (Triple Wave)
21.	G10020	3	Hex Head Cap Screw, 1/4"-20 x 5/8"
	G10323	3	Hex Flange Nut, 1/4"-20, No Serrations
22.	G10022	4	Hex Head Cap Screw, 1/4"-20 x 1/2"
	G10621	4	Serrated Flange Nut, 1/4"-20
23.	G10021	1	Hex Head Cap Screw, 1/4"-20 x 1 1/2"
	G10621	1	Serrated Flange Nut, 1/4"-20
24.	G10603	1	Spring Pin, 1/4" x 1 1/4"
25.	GD1042	1	Idler
26.	GB0120	1	Bushing, 17/64" I.D. x 1 1/32" Long
27.	GD10226	12	Finger, Oil Sunflower
28.	GD15698	1	Shank Cover, Finger Pickup Seed Meter
29.	GD11787	-	Half Rate Blank Finger
A.	GR1487	-	Finger Assembly, Corn (Items 11-14 And 20)
B.	GR1327	-	Finger Assembly, Oil Sunflower (Items 12-14, 20 And 27)

BRUSH-TYPE SEED METER

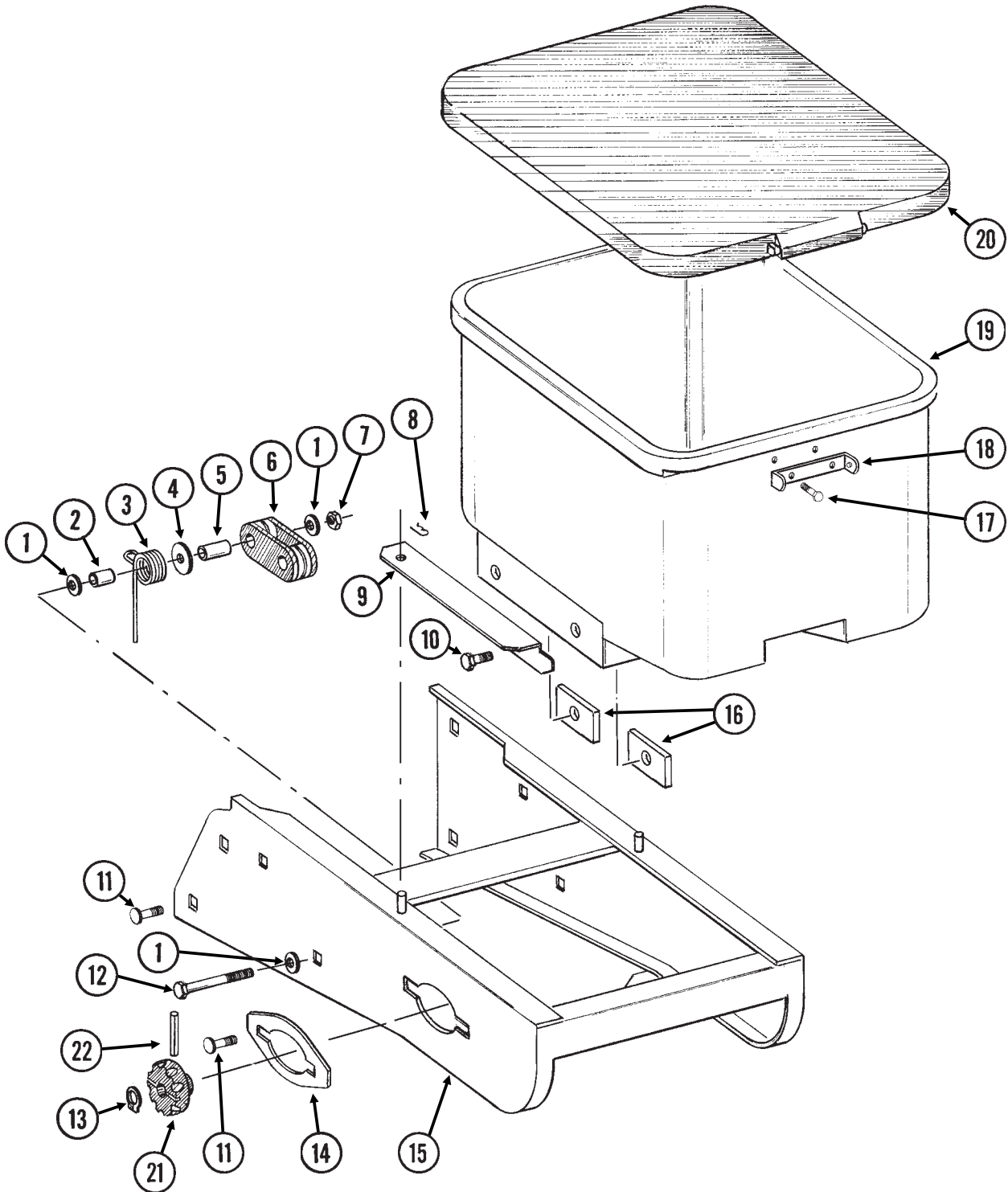
RUA037/RUA056/RUA057(RU14f)



ITEM	PART NO.	QTY.	DESCRIPTION
(Per Row)			
1.	G11009	2	Locking Thumbscrew, $\frac{5}{16}$ "-18 x $\frac{3}{4}$ "
2.	GA6027	1	Housing W/Bearing
	GA5698	-	Bearing
3.	GA6038	1	Hub W/Shoulder Bolts
	GD1755	-	Shoulder Bolt, $\frac{1}{4}$ "-20 (2 Used)
4.	G10603	1	Spring Pin, $\frac{1}{4}$ " x $1\frac{1}{4}$ "
5.	G10602	1	Spring Pin, $\frac{1}{4}$ " x $1\frac{1}{2}$ "
6.	GD8778	1	Wear Strip
7.	GA5699	1	Upper Brush
8.	GD11122	1	Upper Brush Retainer (Used W/Soybean And Cotton Discs)
9.	GA5834	1	Lower Brush
10.	GA5794	-	Seed Disc, Soybean, 60 Cell, Black Color-Coded
	GA6184	-	Seed Disc, Specialty Soybean, 48 Cell, Dark Blue Color-Coded
	GA5796	-	Seed Disc, Cotton, Acid-Delinted, 30 Cell, White Color-Coded
	GA6168	-	Seed Disc, Large Cotton, Acid-Delinted, 36 Cell, Tan Color-Coded
	GA6478	-	Seed Disc, High-Rate Cotton, Acid-Delinted, 48 Cell, Light Green Color-Coded
	GA6182	-	Seed Disc, Hill-Drop Cotton, Acid-Delinted, 12 Cell, Brown Color-Coded
	GA7255	-	Seed Disc, Small Hill-Drop Cotton, Acid-Delinted, 12 Cell, Dark Green Color-Coded
11.	G10531	2	Wing Nut W/Nylon Insert, $\frac{1}{4}$ "-20
12.	G11151	9	Hex Washer Head Screw, No. 10-24 x $\frac{1}{2}$ "
	G10634	-	Slotted Tap Screw, No. 10-24 x $\frac{5}{8}$ " (Use As Required)
13.	GD7878	1	Cover
14.	GD15699	1	Shank Cover, Brush-Type Seed Meter
15.	GA5982	-	Seed Disc, Small Milo/Grain Sorghum, 30 Cell, Red Color-Coded
	GA6187	-	Seed Disc, Large Milo/Grain Sorghum, 30 Cell, Light Blue Color-Coded
	GA5795	-	Seed Disc, High-Rate Small Milo/Grain Sorghum, 60 Cell, Red Color-Coded
	GA6633	-	Seed Disc, High-Rate Large Milo/Grain Sorghum, 60 Cell, Yellow Color-Coded
16.	GD8237	-	Upper Brush Retainer (Used W/Milo/Grain Sorghum Discs)

GRANULAR CHEMICAL HOPPER AND HOPPER PANEL EXTENSION

(METR14d)

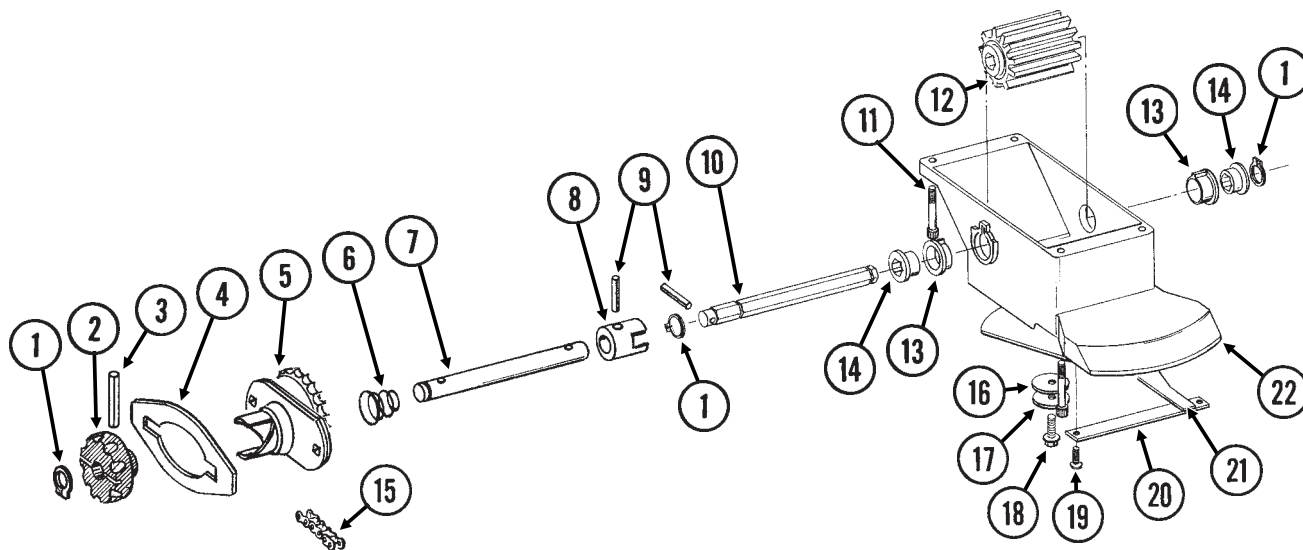


GRANULAR CHEMICAL HOPPER AND HOPPER PANEL EXTENSION

ITEM	PART NO.	QTY. (Per Row)	DESCRIPTION
1.	G10210	3	Washer, $\frac{3}{8}$ " USS
2.	GD2971-10	1	Sleeve, $\frac{9}{16}$ " Long
3.	GD11219	1	Spring
4.	G10201	1	Special Washer, $\frac{3}{8}$ " x 1 $\frac{1}{2}$ " O.D.
5.	GD1026	1	Sleeve, 1 $\frac{3}{16}$ " Long
6.	GD11962	1	Idler
7.	G10108	1	Lock Nut, $\frac{3}{8}$ "-16
8.	G10670	2	Hair Pin Clip, No. 3
9.	GD1059L	1	Support, L.H. (Shown)
	GD1059R	1	Support, R.H.
10.	G10002	4	Hex Head Cap Screw, $\frac{3}{8}$ "-16 x $\frac{3}{4}$ "
	G10229	4	Lock Washer, $\frac{3}{8}$ "
11.	G10312	8	Carriage Bolt, $\frac{5}{16}$ "-18 x $\frac{3}{4}$ "
	G10620	8	Serrated Flange Nut, $\frac{5}{16}$ "-18
12.	G10325	1	Hex Head Cap Screw, $\frac{3}{8}$ "-16 x 2 $\frac{3}{4}$ "
13.	G10567	3	External Retaining Ring, $\frac{5}{8}$ "
14.	GD11305	1	Plate
15.	A10759	1	Hopper Panel Extension (Non-Stock Item) (Sub Wholegoods Order Code 700-01099)
16.	GD11424	4	Block
17.	G10023	2	Hex Head Cap Screw, $\frac{1}{4}$ "-20 x $\frac{3}{4}$ "
	G10621	2	Serrated Flange Nut, $\frac{1}{4}$ "-20
18.	GD1060	1	Hinge
19.	GA8371	1	Hopper
20.	GA4444	1	Lid
21.	GD11239	1	Knob
22.	G10602	1	Spring Pin, $\frac{1}{4}$ " x 1 $\frac{1}{2}$ "

GRANULAR CHEMICAL METER AND METER DRIVE

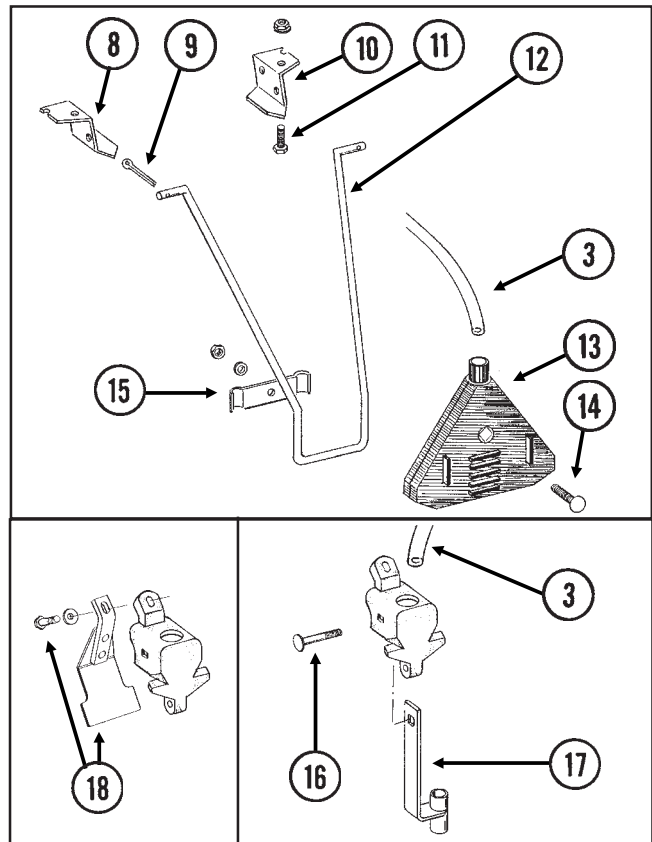
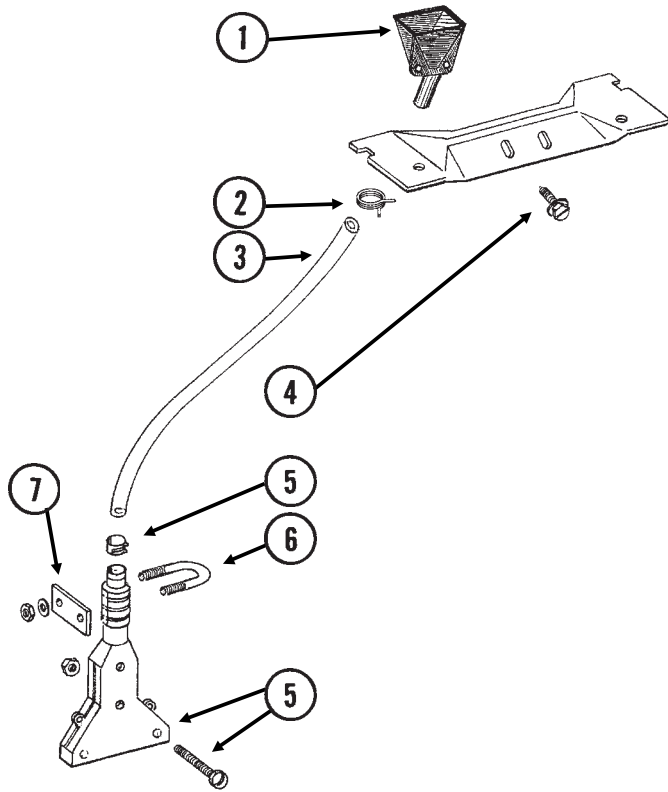
RUA051/RUB028(RU91a)



ITEM	PART NO.	QTY. (Per Row)	DESCRIPTION
1.	G10567	3	External Retaining Ring, 5/8"
2.	GD11239	1	Knob
3.	G10602	1	Spring Pin, 1/4" x 1 1/2"
4.		-	See "Granular Chemical Hopper And Hopper Panel Extension", Pages P16 And P17
5.	GA8364	1	Sprocket And Bearing, Drive Clutch, 24 Tooth
6.	GD11413	1	Spring
7.	GD11240	1	Shaft
8.	GB0278	1	Coupler
9.	G10546	2	Spring Pin, 3/16" x 1 1/4"
10.	GD11297	1	Shaft
11.	G10921	4	Hex Socket Head Cap Screw, No. 10-24 x 7/8"
	G10257	4	Lock Washer, No. 10
12.	GD7148	1	Feed Roller, Hex Bore
13.	GB0115	2	Bearing
14.	GD7258	2	Hex Bushing
15.	G3303-114	1	Chain, No. 41, 114 Pitch Including Connector Link
	GR0196	1	Connector Link, No. 41
16.	G10660	1	Wave Washer, 1/2"
17.	G10209	1	Washer, 1/4" USS
18.	G10570	1	Slotted Hex Self-Tapping Screw, 1/4"-20 x 3/4"
19.	G11073	2	Slotted Hex Self-Tapping Screw, No. 10 x 3/8"
20.	GD1061	1	Support Strap
21.	GD1063	1	Metering Gate
22.	GB0116	1	Granular Housing
A.	GA8326	-	Granular Chemical Meter Complete (Items 1, 9, 10, 12-14 And 16-22)

GRANULAR CHEMICAL BANDING OPTIONS

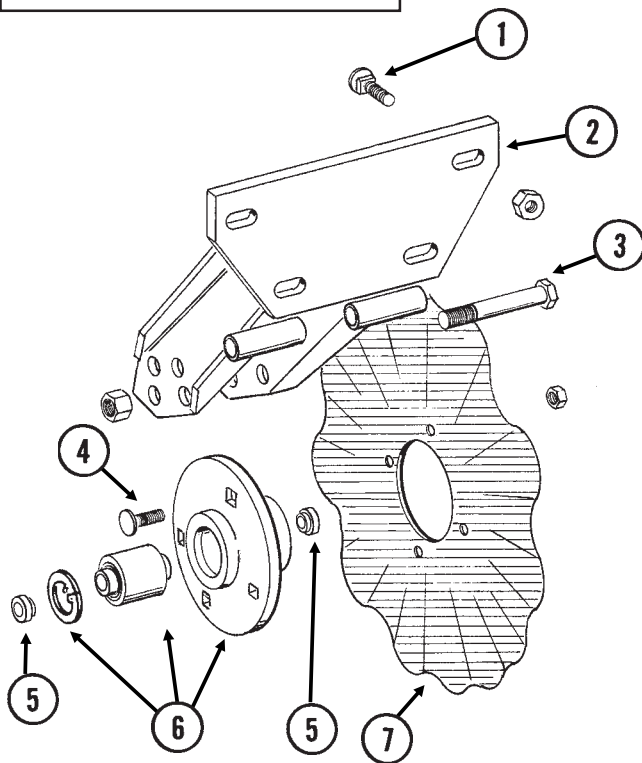
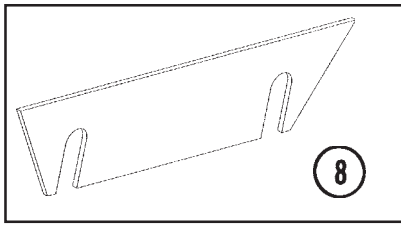
RUA061/RUA073(RU101mm/RU83m)



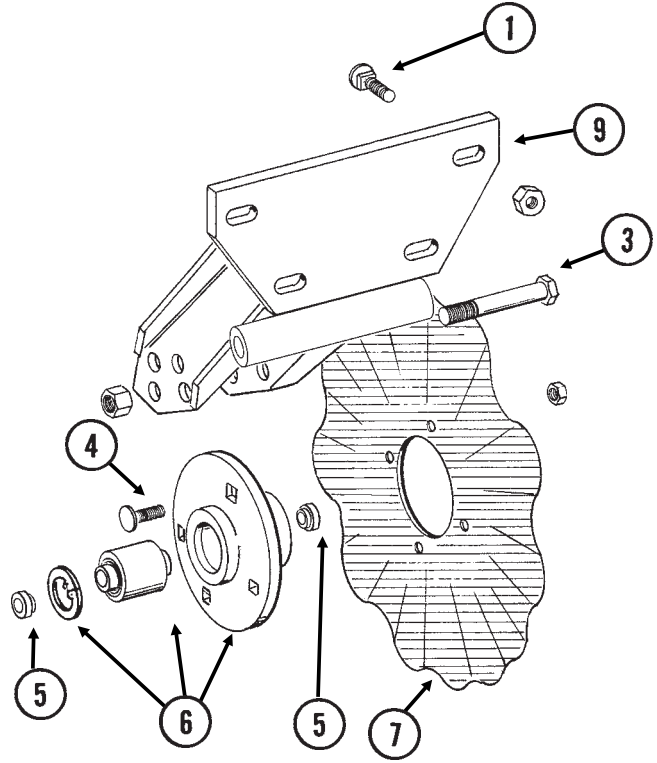
ITEM	PART NO.	QTY.	DESCRIPTION
1.	GD2423	1	Funnel
2.	G11209	1	Wire Hose Clamp, 3/4"
3.	GD2947	1	Hose, 7/16" x 28"
4.	G10523	2	Slotted Pan Head Self-Tapping Screw, No. 10 x 1/2"
5.	GA6907	1	Slope-Compensating Bander W/Hardware (4 1/2" Band Width)
	G10864	1	Uni-Clamp
	G10757	2	Pan Head Screw, No. 10-32 x 1 1/4"
	G10758	2	Hex Nut, No. 10-32
6.	GD10963	1	U-Bolt, 1 1/2" x 1 5/16" x 1/4"-20
	G10209	2	Washer, 1/4" USS
	G10110	2	Lock Nut, 1/4"-20, Grade B
7.	GD10984	1	Spacer
8.	GD1115L	-	Hanger Bracket, L.H.
9.	G10452	-	Cotter Pin, 1/8" x 1/2"
10.	GD1115R	-	Hanger Bracket, R.H.
11.	G10310	-	Carriage Bolt, 1/4"-20 x 3/4", Grade 2
	G10227	-	Lock Washer, 1/4"
	G10103	-	Hex Nut, 1/4"-20
12.	GD1116	-	Hanger
13.	GA2075	-	Diffuser, 14" Band
14.	G10306	-	Carriage Bolt, 3/8"-16 x 2"
	G10229	-	Lock Washer, 3/8"
	G10101	-	Hex Nut, 3/8"-16
15.	GD1118	-	Clamp
16.	G10315	1	Carriage Bolt, 1/2"-13 x 2 1/2" (Replaces Existing 1/2" x 2 1/4" Hardware)
17.	GA6741	1	Bracket (Straight Drop In-Furrow)
18.	G1K385	-	Bander Shield Kit W/Hardware And Instruction
	G10003	1	Hex Head Cap Screw, 3/8"-16 x 1 1/2"
	GD14659	1	Special Washer, 3/8", Hardened

ROW UNIT MOUNTED NO TILL COULTER

(D14398/RU102c/RU152)



STYLE A

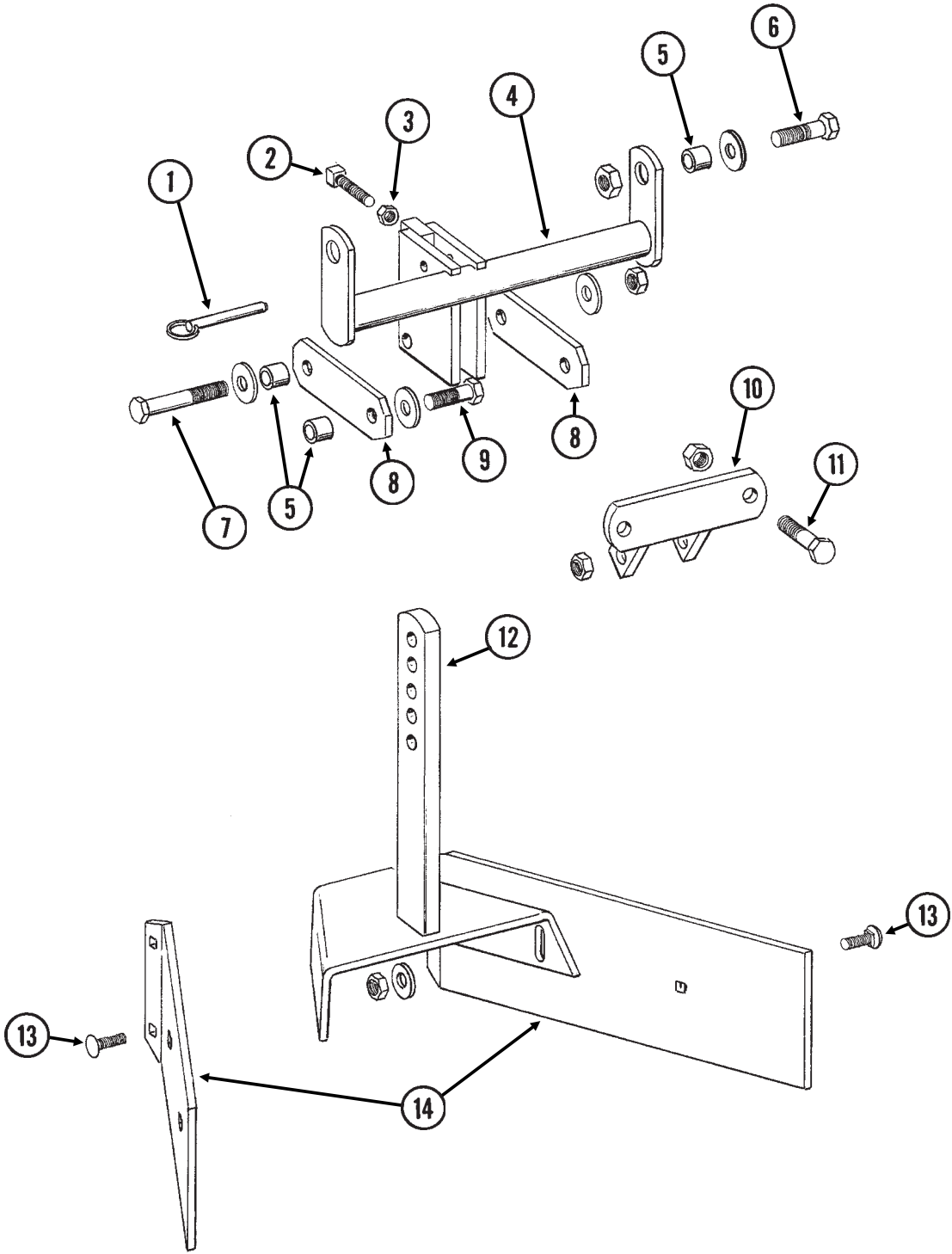


STYLE B

ITEM	PART NO.	QTY.	DESCRIPTION
		(Per Row)	
1.	G10574	4	Carriage Bolt, 1/2"-13 x 1 1/4"
	G10111	4	Lock Nut, 1/2"-13
2.	GA5625	1	Arm (Style A)
3.	G10036	1	Hex Head Cap Screw, 5/8"-11 x 4"
	G10107	1	Lock Nut, 5/8"-11
4.	G10574	4	Carriage Bolt, 1/2"-13 x 1 1/4"
	G10111	4	Lock Nut, 1/2"-13
5.	GD11677	2	Adapter
6.	GA8641	1	Hub W/Bearing And Retaining Ring
	GA8603	-	Bearing, Double Row
	GD11652	-	Retaining Ring, 2 7/16"
7.	GD7803	-	Disc Blade, Fluted, 1", 8 Flutes (Shown)
	GD7804	-	Disc Blade, Bubbled, 1"
	GD9254	-	Disc Blade, Fluted, 3/4", 13 Flutes
8.	GD14398	-	Spacer
9.	GA11520	1	Arm (Style B)

ROW UNIT MOUNTED BED LEVELER

RUA059/RUA060(RU99/RU100)

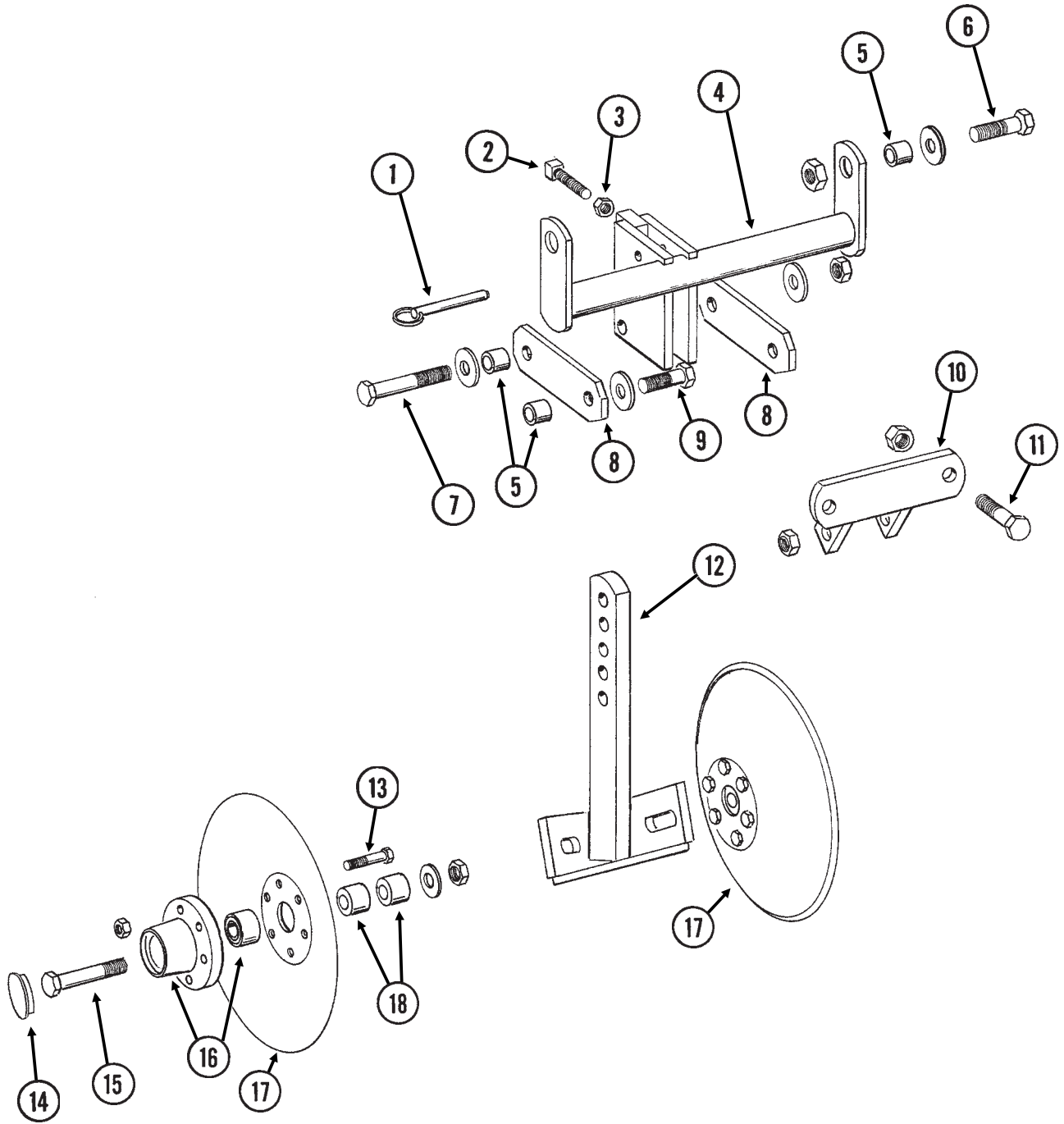


ROW UNIT MOUNTED BED LEVELER

ITEM	PART NO.	QTY. (Per Row)	DESCRIPTION
1.	G10536	1	Detent Pin, 1/2" x 2 1/2" Grip
2.	G10597	1	Square Head Set Screw, 5/8"-11 x 2 1/4"
3.	G10503	1	Hex Jam Nut, 5/8"-11, Grade 2
4.	GA5719	1	Mounting Bracket
5.	GD7889	6	Bushing, 1" O.D. x 9/16" I.D. x 7/16" Long
6.	G10039	2	Hex Head Cap Screw, 1/2"-13 x 1 3/4"
	GD14674	2	Special Washer, 1/2", Hardened
	G10111	2	Lock Nut, 1/2"-13
7.	G10585	1	Hex Head Cap Screw, 1/2"-13 x 3 1/4"
	G10216	2	Washer, 1/2" USS
	G10111	1	Lock Nut, 1/2"-13
8.	GD7890	2	Link
9.	G10017	2	Hex Head Cap Screw, 1/2"-13 x 1 1/2"
	G10216	2	Washer, 1/2" USS
	G10111	2	Lock Nut, 1/2"-13
10.	GA5715	1	Anchor
11.	G10017	2	Hex Head Cap Screw, 1/2"-13 x 1 1/2"
	G10111	2	Lock Nut, 1/2"-13
12.	GA5892	1	Leveler
13.	G10303	6	Carriage Bolt, 5/16"-18 x 1"
	G10219	4	Washer, 5/16" USS
	G10109	6	Lock Nut, 5/16"-18, Grade 8
14.	GD8266	2	Blade

ROW UNIT MOUNTED DISC FURROWER

RUA059/RUA058(RU99/RU98g)

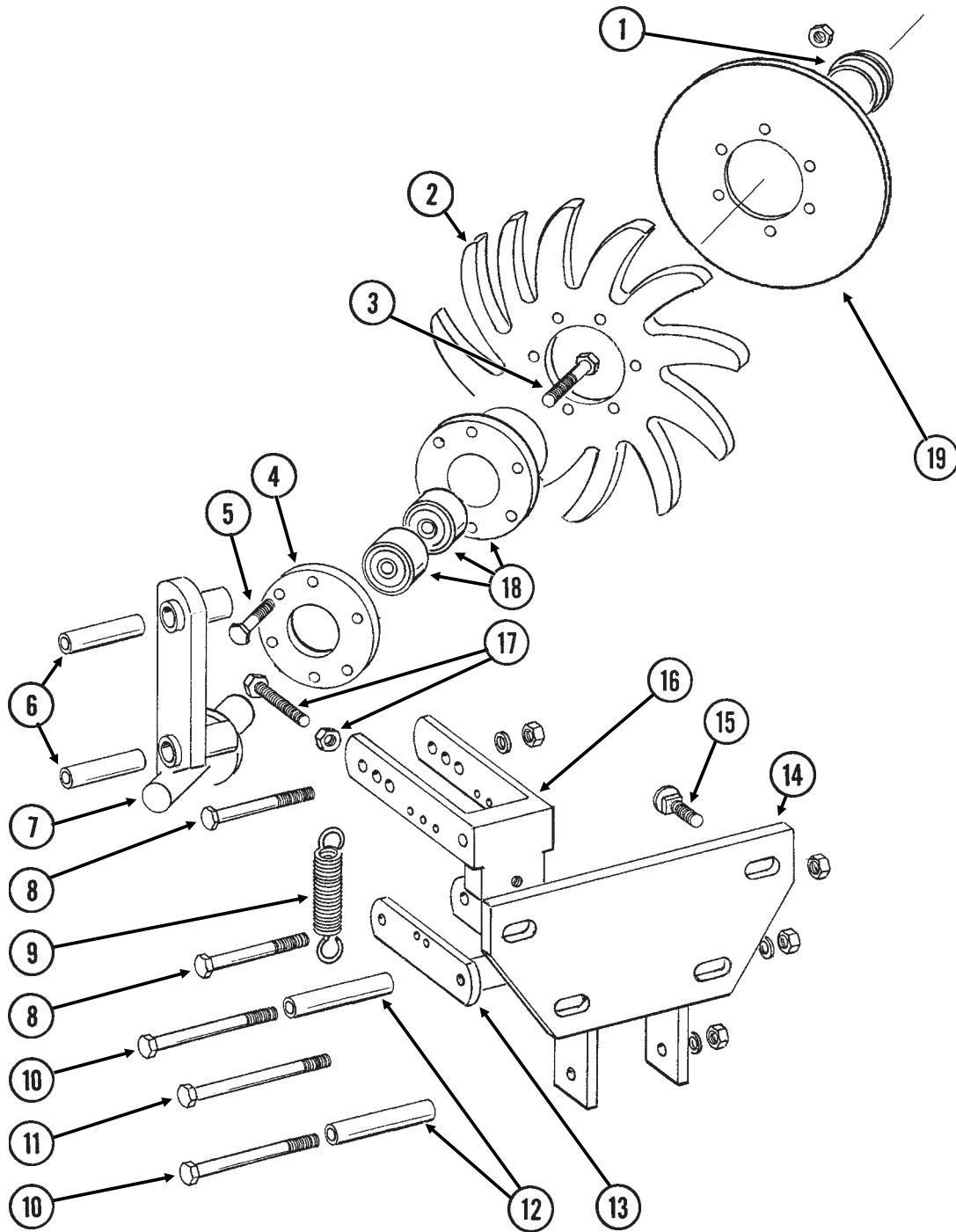


ROW UNIT MOUNTED DISC FURROWER

ITEM	PART NO.	QTY. (Per Row)	DESCRIPTION
1.	G10536	1	Detent Pin, 1/2" x 2 1/2" Grip
2.	G10597	1	Square Head Set Screw, 5/8"-11 x 2 1/4"
3.	G10503	1	Hex Jam Nut, 5/8"-11, Grade 2
4.	GA5719	1	Mounting Bracket
5.	GD7889	6	Bushing, 1" O.D. x 9/16" I.D. x 7/16" Long
6.	G10039	2	Hex Head Cap Screw, 1/2"-13 x 1 3/4"
	GD14674	2	Special Washer, 1/2", Hardened
	G10111	2	Lock Nut, 1/2"-13
7.	G10585	1	Hex Head Cap Screw, 1/2"-13 x 3 1/4"
	G10216	2	Washer, 1/2" USS
	G10111	1	Lock Nut, 1/2"-13
8.	GD7890	2	Link
9.	G10017	2	Hex Head Cap Screw, 1/2"-13 x 1 1/2"
	G10216	2	Washer, 1/2" USS
	G10111	2	Lock Nut, 1/2"-13
10.	GA5715	1	Anchor
11.	G10017	2	Hex Head Cap Screw, 1/2"-13 x 1 1/2"
	G10111	2	Lock Nut, 1/2"-13
12.	GA5718	1	Support Arm
13.	G10572	6	Truss Head Slotted Machine Screw, 5/16"-18 x 7/8"
	G10106	6	Hex Nut, 5/16"-18
14.	GD1132	2	Dust Cap
15.	G10318	2	Hex Head Cap Screw, 5/8"-11 x 4 1/2"
	GD7805	2	Special Washer, 5/8", Hardened
	G10107	2	Lock Nut, 5/8"-11
16.	GA5654	2	Hub W/Bearings
	GA2014	-	Bearing
17.	GD7823	-	Disc Blade, Solid, 12" (Shown)
	GD8307	-	Disc Blade, Notched, 12"
18.	GD7817-01	2	Spacer, 1 1/16" I.D. x 3/4" Long
	GD7817-04	2	Spacer, 1 1/16" I.D. x 1/2" Long

ROW UNIT MOUNTED RESIDUE WHEEL

(RU103d)



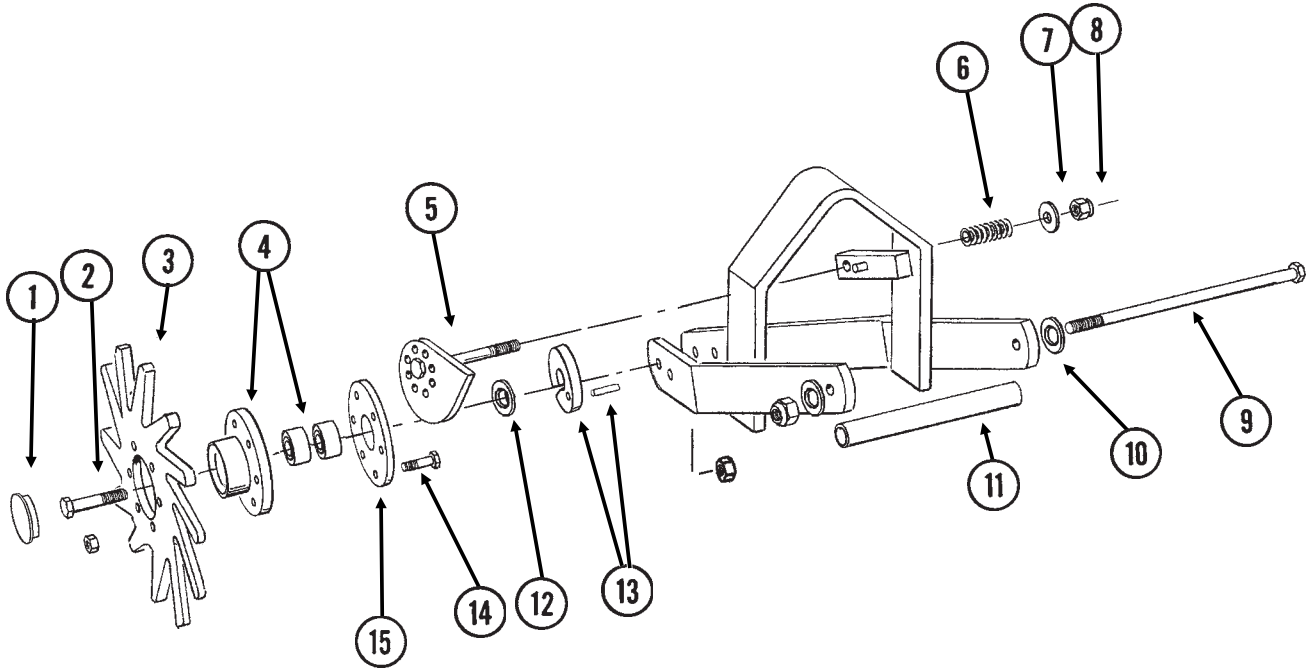
ROW UNIT MOUNTED RESIDUE WHEEL

ITEM	PART NO.	QTY.	DESCRIPTION
		(Per Row)	
1.	GD1132	1	Dust Cap
2.	GD10552	1	Wheel, 12 Tine, $\frac{3}{8}$ " x 12"
3.	G10006	1	Hex Head Cap Screw, $\frac{5}{8}$ "-11 x 2 $\frac{1}{4}$ "
4.	GD9724	1	Backing Plate
5.	G10133	6	Hex Head Cap Screw, $\frac{5}{16}$ "-18 x 1 $\frac{1}{2}$ "
	G10109	6	Lock Nut, $\frac{5}{16}$ "-18, Grade 8
6.	GD9720	2	Spacer, $\frac{1}{2}$ " x 2 $\frac{3}{16}$ " Long
7.	GA6838	1	Wheel Mount
8.	G10033	2	Hex Head Cap Screw, $\frac{1}{2}$ "-13 x 3 $\frac{1}{2}$ "
	G10228	2	Lock Washer, $\frac{1}{2}$ "
	G10102	2	Hex Nut, $\frac{1}{2}$ "-13
9.	GD5857	2	Spring
10.	G10045	2	Hex Head Cap Screw, $\frac{1}{2}$ "-13 x 4 $\frac{1}{2}$ "
	G10228	2	Lock Washer, $\frac{1}{2}$ "
	G10102	2	Hex Nut, $\frac{1}{2}$ "-13
11.	G10348	1	Hex Head Cap Screw, $\frac{1}{2}$ "-13 x 5" (Lockup Bolt)
	G10111	1	Lock Nut, $\frac{1}{2}$ "-13
12.	GD9715	2	Spacer, $\frac{1}{2}$ " x 3" Long
13.	GA6834	1	Lower Link
14.	GA6832	1	Mount
15.	G10574	4	Carriage Bolt, $\frac{1}{2}$ "-13 x 1 $\frac{1}{4}$ "
	G10111	4	Lock Nut, $\frac{1}{2}$ "-13
16.	GA6833	1	Upper Link
17.	G10371	1	Hex Head Cap Screw, $\frac{1}{2}$ "-13 x 3", Full Thread
	G10501	1	Hex Jam Nut, $\frac{1}{2}$ "-13, Grade 2
18.	GA5654	1	Hub W/Bearings
	GA2014	-	Bearing
19.	GD12534	-	Cover
A.	GA7446	-	Wheel Assembly, 12 Tine, R.H. (Items 2, 4, 5 And 18)

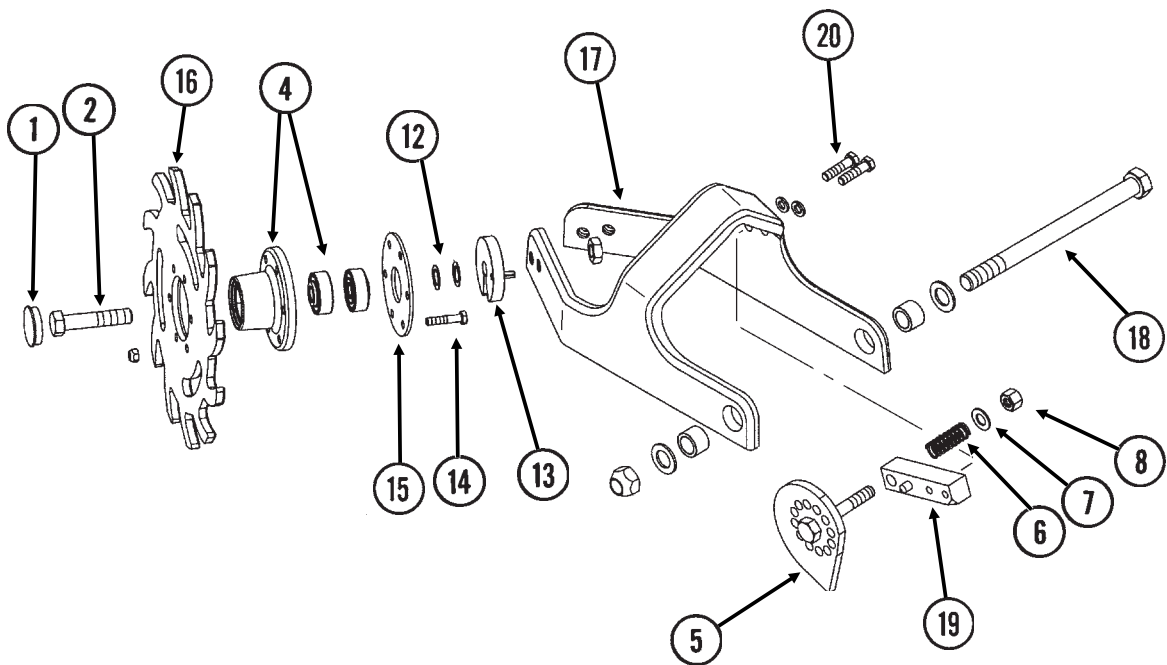
COULTER MOUNTED RESIDUE WHEELS

(RU104uuu/RU153)

STYLE A - Used With Style A Row Unit Mounted No Till Coulter



STYLE B - Used With Style B Row Unit Mounted No Till Coulter

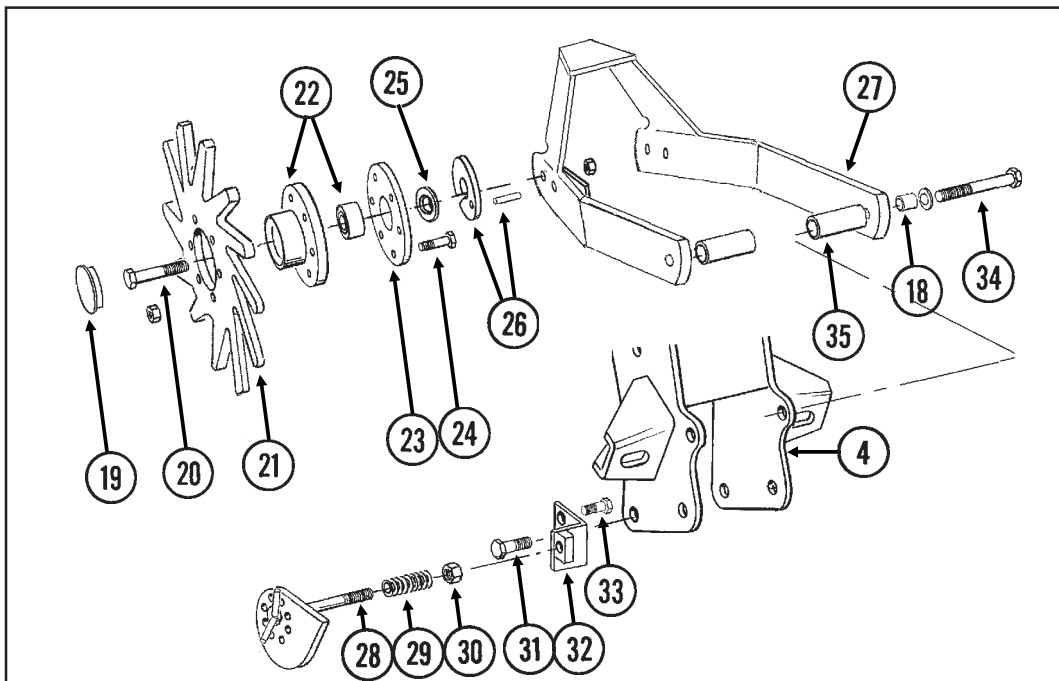
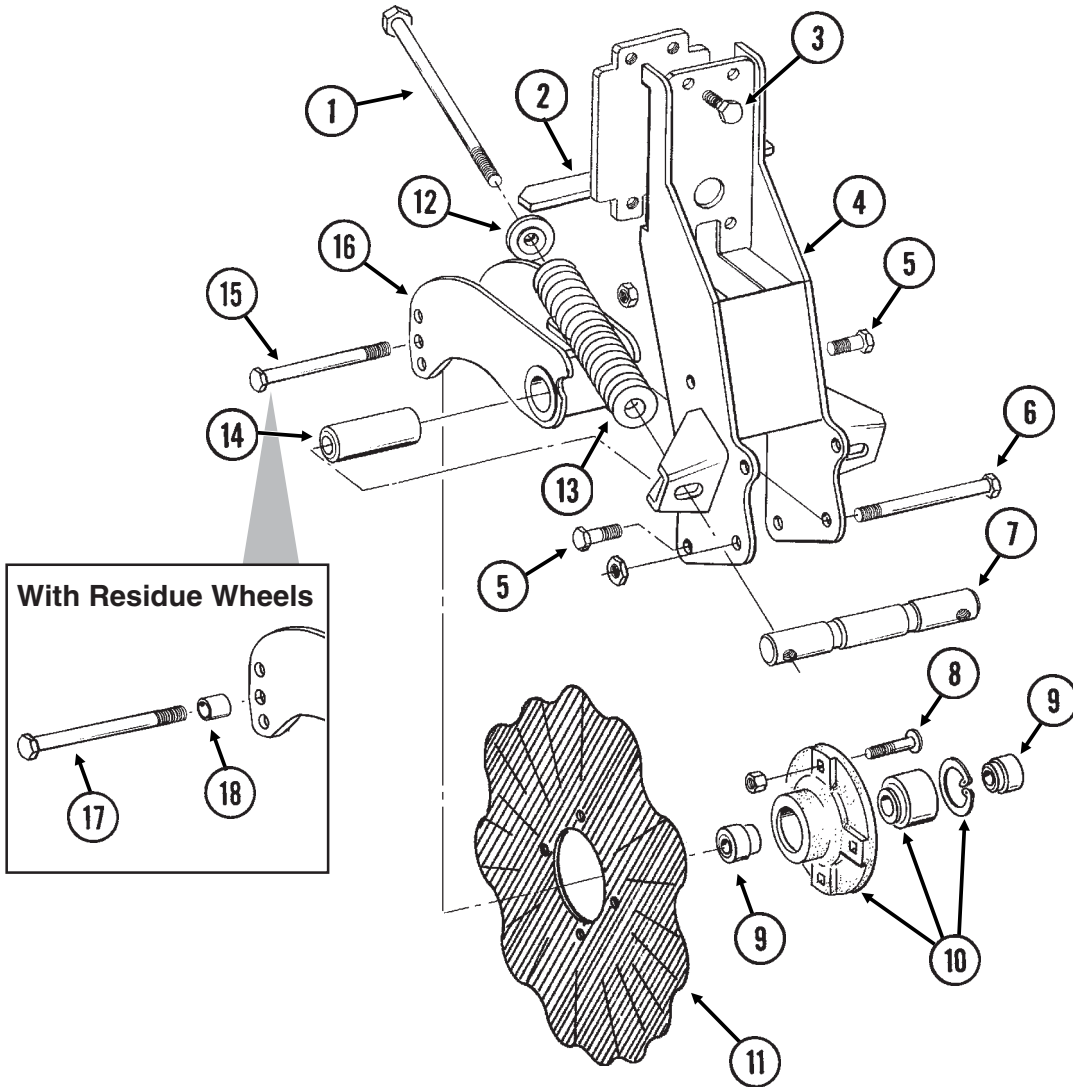


COULTER MOUNTED RESIDUE WHEELS

ITEM	PART NO.	QTY. (Per Row)	DESCRIPTION
1.	GD1132	2	Dust Cap
2.	G10010	2	Hex Head Cap Screw, 5/8"-11 x 3"
	G10503	2	Hex Jam Nut, 5/8"-11, Grade 2
3.	GD10552	2	Wheel, 12 Tine, 3/8" x 12"
4.	GA5654	2	Hub W/Bearings
	GA2014	-	Bearing
5.	GA7412	1	Cam
6.	GD10519	1	Spring
7.	G10206	1	Washer, 1/2" SAE
8.	G10974	1	Lock Nut W/Nylon Insert, 1/2"-13
9.	G11098	1	Hex Head Cap Screw, 1/2"-13 x 9 1/2", Grade 8
	GD14674	2	Special Washer, 1/2", Hardened
	G10974	1	Lock Nut W/Nylon Insert, 1/2"-13
10.	GA7271	1	Mount
11.	GD10526	1	Sleeve, 7 1/2"
12.	G10213	2-4	Machine Bushing, 5/8" (.030" Thick)
13.	GA8760	2	Weed Guard W/Spring Pin
	G10765	-	Spring Pin, 1/4" x 1"
14.	G10133	12	Hex Head Cap Screw, 5/16"-18 x 1 1/2"
	G10109	12	Lock Nut, 5/16"-18, Grade 8
15.	GD9724	2	Backing Plate
16.	GB0387	2	Wheel, 12 Tine, 3/8" x 12"
17.	GB0401	1	Mount
18.	G11236	1	Hex Head Cap Screw, 3/4"-10 x 10 1/2"
	GB0383	2	Bushing, 1 1/8" O.D. x 25/32" I.D. x 3/4" Long
	G10194	2	Washer, 3/4" SAE
	G11228	1	Lock Nut, 3/4"-10
19.	GA12256	1	Locking Pin
20.	G10003	2	Hex Head Cap Screw, 3/8"-16 x 1 1/2"
	G10229	2	Lock Washer, 3/8"
A.	GA7446	-	Wheel Assembly, 12 Tine, R.H. (Items 3, 4, 14 And 15) (Shown)
	GA7445	-	Wheel Assembly, 12 Tine, L.H. (Items 3, 4, 14 And 15)
B.	GA12236	-	Wheel Assembly, 12 Tine, R.H. (Items 4, 14, 15 And 16) (Shown)
	GA12235	-	Wheel Assembly, 12 Tine, L.H. (Items 4, 14, 15 And 16)

FRAME MOUNTED COULTER W/RESIDUE WHEELS

(RU135c/RU135g/RU135hh)

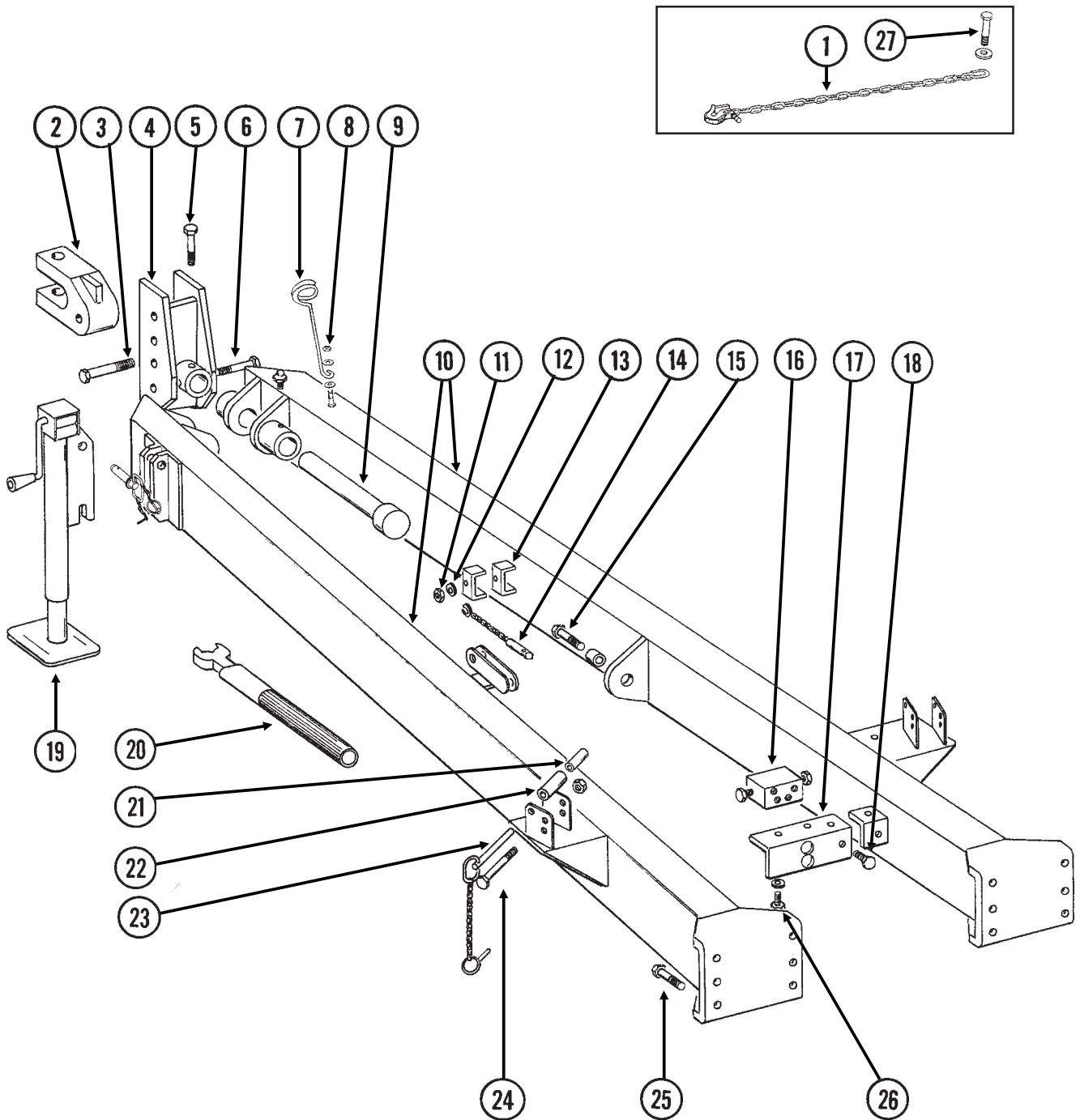


FRAME MOUNTED COULTER W/RESIDUE WHEELS

ITEM	PART NO.	QTY. (Per Row)	DESCRIPTION
1.	G11010	2	Hex Head Cap Screw, $\frac{3}{4}$ "-10 x 12"
2.	GA9844	1	Plate W/Angle
3.	G10039	4	Hex Head Cap Screw, $\frac{1}{2}$ "-13 x 1 $\frac{3}{4}$ "
4.	GA9131	1	Coulter Frame
5.	G10007	4	Hex Head Cap Screw, $\frac{5}{8}$ "-11 x 1 $\frac{1}{2}$ "
	G10107	4	Lock Nut, $\frac{5}{8}$ "-11
6.	G10400	1	Hex Head Cap Screw, $\frac{3}{4}$ "-10 x 6 $\frac{1}{2}$ "
	G10112	1	Lock Nut, $\frac{3}{4}$ "-10
7.	GD12826	1	Spring Anchor Bar
8.	G10574	4	Carriage Bolt, $\frac{1}{2}$ "-13 x 1 $\frac{1}{4}$ "
	G10111	4	Lock Nut, $\frac{1}{2}$ "-13
9.	GD12827	2	Adapter
10.	GA8641	1	Hub W/Bearing And Retaining Ring
	GA8603	1	Bearing, Double Row
	GD11652	1	Retaining Ring, 2 $\frac{7}{16}$ "
11.	GD7803	1	Disc Blade, Fluted, 1", 8 Flutes (Shown)
	GD7804	-	Disc Blade, Bubbled, 1"
	GD9254	-	Disc Blade, Fluted, $\frac{3}{4}$ ", 13 Flutes
12.	GB0213	2	Spring Seat
13.	GD12817	2	Compression Spring
14.	GD12829	1	Sleeve
15.	G10046	1	Hex Head Cap Screw, $\frac{5}{8}$ "-11 x 5"
	G10107	1	Lock Nut, $\frac{5}{8}$ "-11
16.	GA9845	1	Coulter Arm W/Grease Fitting
	G10643	-	Grease Fitting, 45°, $\frac{1}{4}$ "-28
17.	G10011	1	Hex Head Cap Screw, $\frac{5}{8}$ "-11 x 5 $\frac{1}{2}$ "
	G10107	1	Lock Nut, $\frac{5}{8}$ "-11
18.	GB0218	3	Bushing, $\frac{21}{32}$ " I.D. x $\frac{7}{8}$ " O.D. x $\frac{19}{32}$ " Long
19.	GD1132	2	Dust Cap
20.	G10010	2	Hex Head Cap Screw, $\frac{5}{8}$ "-11 x 3"
	G10503	2	Hex Jam Nut, $\frac{5}{8}$ "-11, Grade 2
21.	GD10552	2	Wheel, 12 Tine, $\frac{3}{8}$ " x 12"
22.	GA5654	2	Hub W/Bearings
	GA2014	-	Bearing
23.	GD9724	2	Backing Plate
24.	G10133	12	Hex Head Cap Screw, $\frac{5}{16}$ "-18 x 1 $\frac{1}{2}$ "
	G10109	12	Lock Nut, $\frac{5}{16}$ "-18, Grade 8
25.	G10213	2	Machine Bushing, $\frac{5}{8}$ " (.030" Thick)
26.	GA9862	2	Weed Guard W/Spring Pin
	G10765	-	Spring Pin, $\frac{1}{4}$ " x 1"
27.	GA9865	1	Mount
28.	GA9861	1	Cam
29.	GD10519	1	Spring
30.	G10974	1	Lock Nut W/Nylon Insert, $\frac{1}{2}$ "-13
31.	G10005	1	Hex Head Cap Screw, $\frac{5}{8}$ "-11 x 1 $\frac{3}{4}$ "
	G10107	4	Lock Nut, $\frac{5}{8}$ "-11
32.	GA9864	1	Support
33.	G10014	1	Hex Head Cap Screw, $\frac{1}{2}$ "-13 x 1"
	G10102	1	Hex Nut, $\frac{1}{2}$ "-13
34.	G10011	2	Hex Head Cap Screw, $\frac{5}{8}$ "-11 x 5 $\frac{1}{2}$ "
	G10205	2	Washer, $\frac{5}{8}$ " SAE
	G10730	2	Lock Nut W/Nylon Insert, $\frac{5}{8}$ "-11
35.	GD14170	2	Sleeve, 3"
A.	GA7446	-	Wheel Assembly, 12 Tine, R.H. (Items 21-24) (Shown)
	GA7445	-	Wheel Assembly, 12 Tine, L.H. (Items 21-24)

HITCH AND SAFETY CHAIN

PHA041(WGN47a/EF32c)

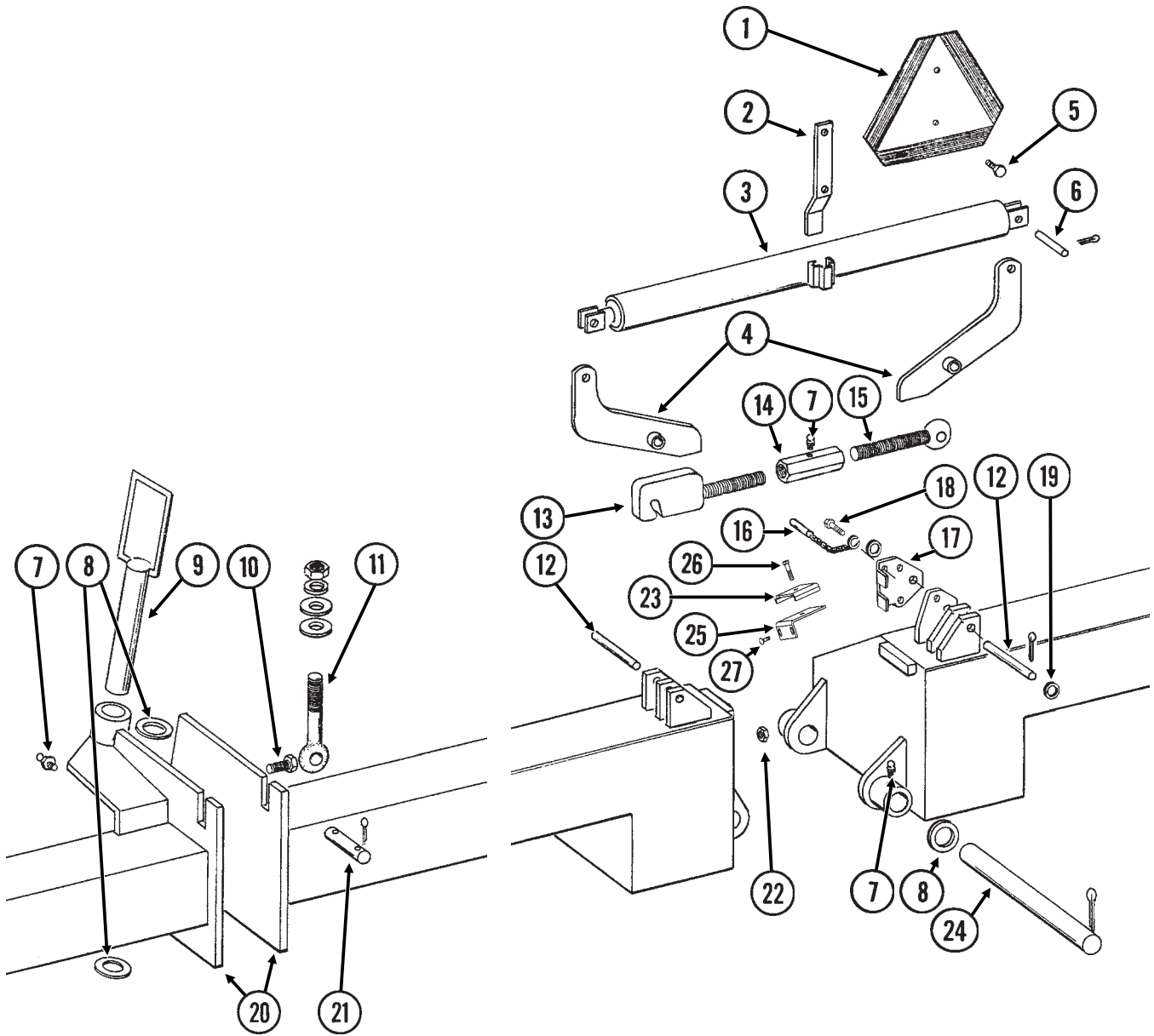


HITCH AND SAFETY CHAIN

ITEM	PART NO.	QTY.	DESCRIPTION
1.	GA4774	1	Safety Chain, 3/8"
	G1K411	-	Safety Chain Repair Kit, Includes: (1) Hook, (1) Flat Washer, (1) Latch Pin, (1) Safety Latch, (1) Spring, (1) Retaining Ring
2.	GB0156	1	Clevis
3.	G10169	1	Hex Head Cap Screw, 1 1/4"-7 x 6"
	G10157	1	Lock Nut, 1 1/4"-7
4.	GA8097	1	Hitch Cap
5.	G10036	1	Hex Head Cap Screw, 5/8"-11 x 4"
	G10230	1	Lock Washer, 5/8"
	G10104	1	Hex Nut, 5/8"-11
6.	G10011	1	Hex Head Cap Screw, 5/8"-11 x 5 1/2"
	G10230	1	Lock Washer, 5/8"
	G10104	1	Hex Nut, 5/8"-11
7.	GD8260	1	Hose Holder
8.	G10217	2	Washer, 5/8" USS
	G10107	1	Lock Nut, 5/8"-11
9.	GA5755	1	Pin, 2 1/8" x 14"
10.	A8048	1	Hitch W/Grease Fittings (Includes Items 4-7 And 11) (Non-Stock Item)
	G10641	-	Grease Fitting, 1/8" NPT
11.	G10108	3	Lock Nut, 3/8"-16
12.	G10210	-	Washer, 3/8" USS
13.	GD5875	6	Hose Clamp, 9/16" x 2 1/2" x 2"
14.	GA8318	1	Detent Pin W/Chain
15.	G10028	1	Hex Head Cap Screw, 3/4"-10 x 3"
	GB0169	1	Bushing
	G10112	1	Lock Nut, 3/4"-10
16.		-	See "Row Marker Sequencing/Flow Control Valve", Page P60
17.	GD7976	1	Bracket
18.	G10019	2	Hex Head Cap Screw, 5/16"-18 x 1"
	G10232	2	Lock Washer, 5/16"
	G10106	2	Hex Nut, 5/16"-18
19.	GA4994	1	Jack Assembly Complete
	GA4995	-	Detent Pin Assembly
	GR0517	-	Pin
	GR0516	-	Crank Assembly
	GR0515	-	Bevel Gear Set, Includes: (2) Bevel Gears, (1) Gear Pin, (1) Groove Pin
20.	GA6798	1	Wrench
21.	GD3180-23	-	Sleeve, 5/8" I.D. x 7/8" O.D. x 3 3/16" Long
22.	GD2734-13	-	Sleeve, 1 1/4" O.D. x 3 1/8" Long
23.	GA8312	-	Pin W/Lynch Pin, 5 1/2"
24.	G10011	-	Hex Head Cap Screw, 5/8"-11 x 5 1/2"
	G10107	2	Lock Nut, 5/8"-11
25.	G10028	12	Hex Head Cap Screw, 3/4"-10 x 3"
	G10231	12	Lock Washer, 3/4"
	G10105	12	Hex Nut, 3/4"-10
26.	G10001	2	Hex Head Cap Screw, 3/8"-16 x 1"
	G10210	2	Washer, 3/8" USS
27.	G11058	1	Hex Head Cap Screw, 1 1/4"-7 x 3"
	GD10646	1	Special Washer
	G10226	1	Washer, 1 1/4" SAE
	G10157	1	Lock Nut, 1 1/4"-7

FRAME ASSEMBLY

PHA0078/PFA079(EF34/EF33bb)

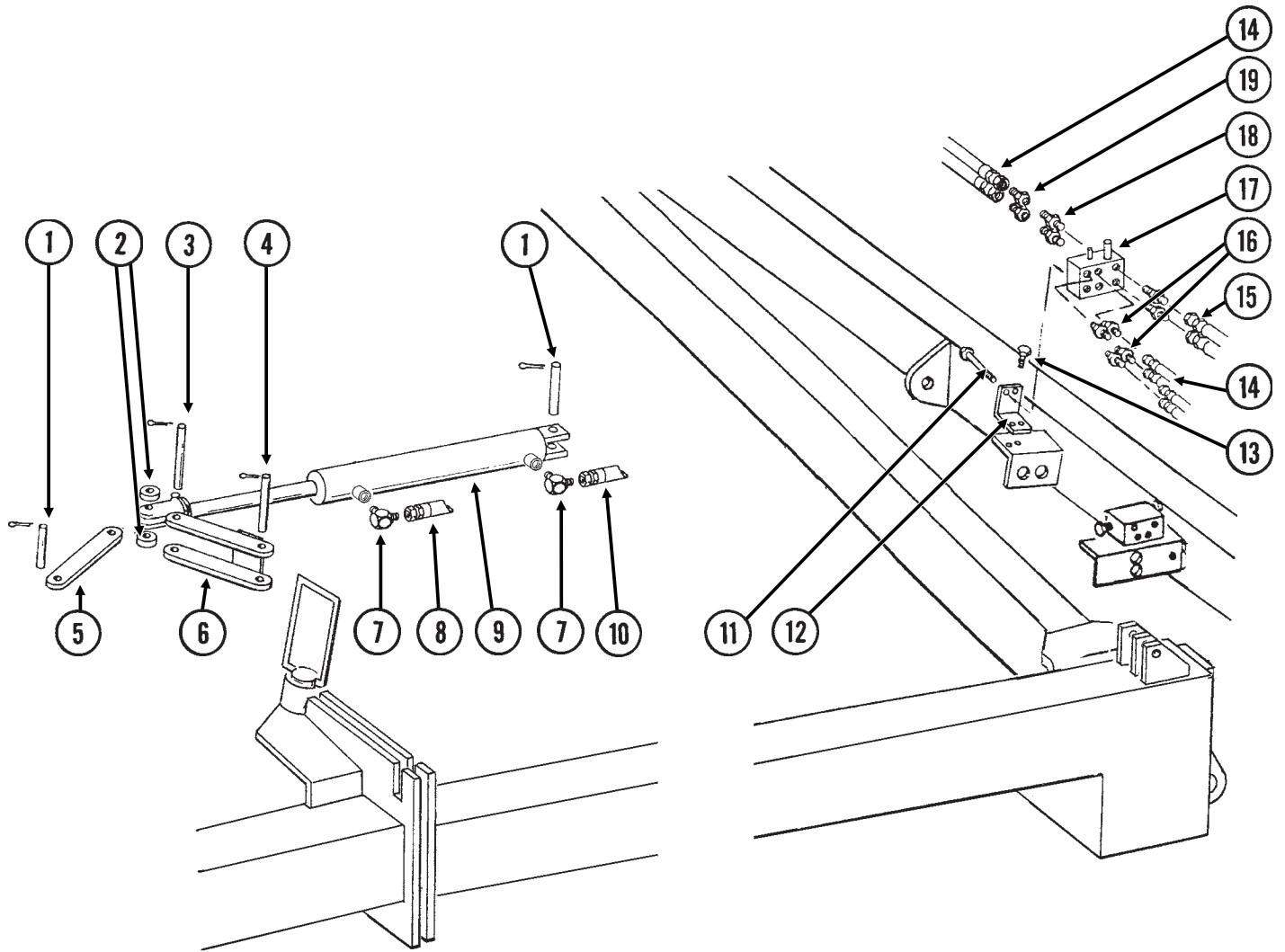


FRAME ASSEMBLY

ITEM	PART NO.	QTY.	DESCRIPTION
1.		-	See "Decals, Paint And Miscellaneous", Pages P90 And P91
2.	GD2200	1	Spade
3.	GA7513	1	Spring Canister W/Mounting Hardware (Includes Items 3 And 6)
4.	GA6055	2	Arm
5.	G10023	2	Hex Head Cap Screw, 1/4"-20 x 3/4"
	G10110	2	Lock Nut, 1/4"-20, Grade B
6.	GD3311	2	Pin, 7/8" x 3 1/8"
	G10457	4	Cotter Pin, 5/32" x 1 1/2"
7.	G10640	4	Grease Fitting, 1/4"-28
8.	G10404	4	Machine Bushing, 3 1/8" x 2 1/8" x 3/16"
9.	GA8033	2	Pin
10.	G10007	2	Hex Head Cap Screw, 5/8"-11 x 1 1/2"
	G10230	2	Lock Washer, 5/8"
11.	GD3373	2	Eyebolt
	G10139	4	Washer, 1 1/4" USS
	G10236	2	Lock Washer, 1 1/4"
	GD9688	2	Special Nut, 1 1/4"-7
12.	GD11298	2	Pin, 7/8" x 6 9/16"
	G10457	4	Cotter Pin, 5/32" x 1 1/2"
13.	GA8335	1	Hook
14.	GD7972	1	Turnbuckle
15.	GD3373	1	Eyebolt
16.	GA7022	1	Detent Pin W/Chain
17.	GD11300	1	Lockup
18.	G10017	1	Hex Head Cap Screw, 1/2"-13 x 1 1/2"
	G10228	1	Lock Washer, 1/2"
	G10102	1	Hex Nut, 1/2"-13
19.	G10235	-	Machine Bushing, 7/8", 14 Gauge
20.	A8116	1	Frame, 8 Row 36"/38", 303" (Includes Items 7-10, 12, 16, 19 And 21)
			(Non-Stock Item)
	A8036	-	Frame, 12 Row 30", 351 1/2" (Includes Items 7-10, 12, 16, 19 And 21)
			(Non-Stock Item)
21.	GD3311	2	Pin, 7/8" x 3 1/8"
	G10457	4	Cotter Pin, 5/32" x 1 1/2"
22.	G10108	2	Lock Nut, 3/8"-16
23.	GD14534	-	Hose Clamp, 3/4" x 4" x 4 1/2"
24.	GD7948	1	Shaft, 2 1/8" x 20"
	G10461	2	Cotter Pin, 3/8" x 3"
25.	GD17046	1	Mount
26.	G10581	1	Hex Head Cap Screw, 1/2"-13 x 2 1/4"
	G10111	1	Lock Nut, 1/2"-13
27.	G10599	2	Carriage Bolt, 3/8"-16 x 1 1/4"
	G10622	2	Serrated Flange Nut, 3/8"-16

HYDRAULIC WING FOLD

PFA063(EF42b)



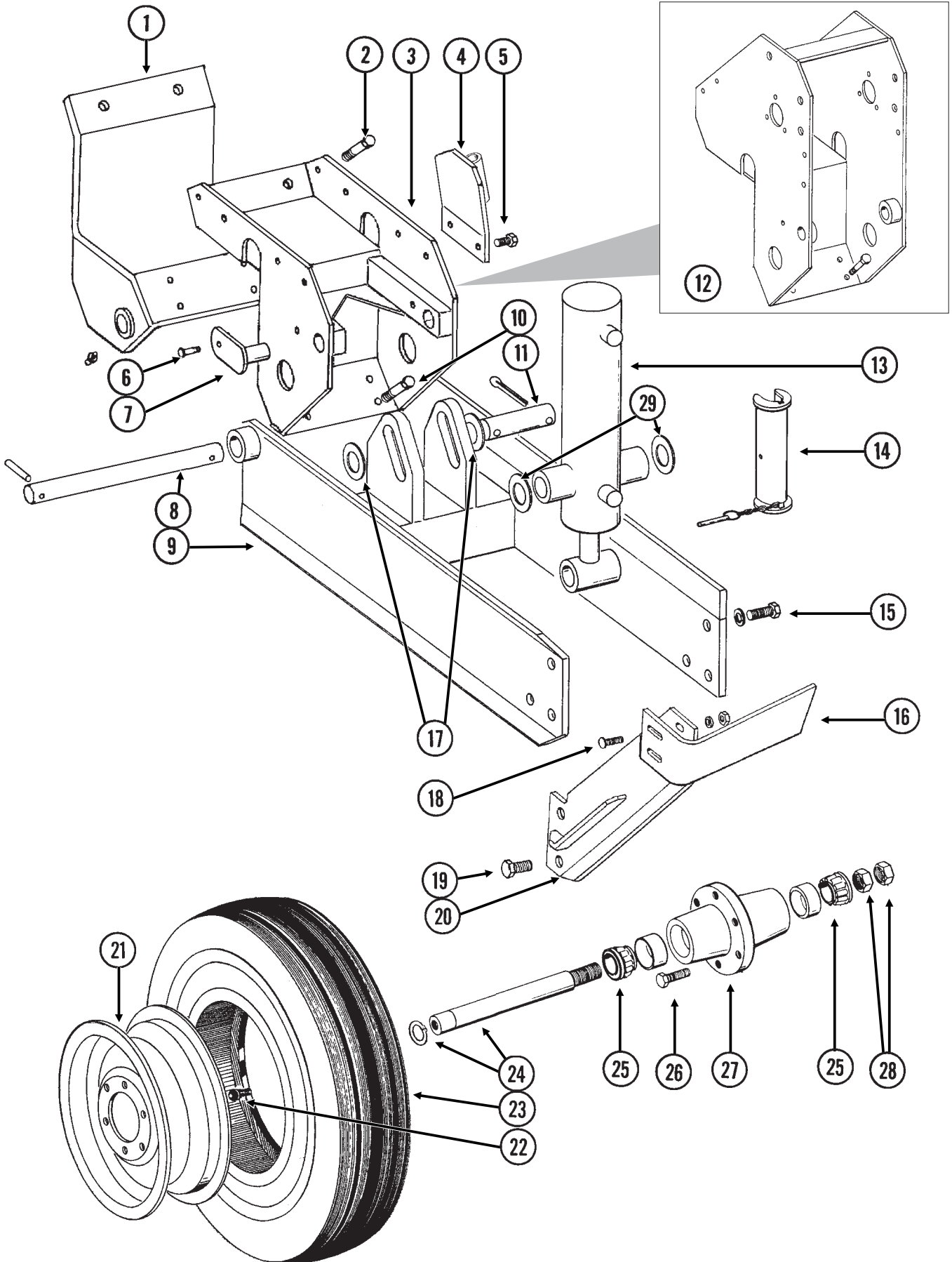
HYDRAULIC WING FOLD

ITEM	PART NO.	QTY.	DESCRIPTION
1.	GD9762	4	Pin, 1" x 3 1/2"
	G10463	8	Cotter Pin, 1/4" x 1 1/2"
2.	GD5900-12	4	Sleeve, 3/8"
3.	GD9591	2	Pin, 1" x 5 3/4"
	G10463	8	Cotter Pin, 1/4" x 1 1/2"
4.	GD11177	2	Pin, 1" x 7 1/4"
	G10463	8	Cotter Pin, 1/4" x 1 1/2"
5.	GD9589	2	Link
6.	GA6800	2	Link
7.	G6801-06-08	4	Elbow W/O-Ring, 90°, 9/16"-18 Male JIC To 3/4"-16 O-Ring
	GR1037	-	O-Ring
8.	*A1168	2	Hose Assembly, 1/4" x 120"
9.		-	See "Hydraulic Wing Fold Cylinder", Page P59
10.	*A1106	2	Hose Assembly, 1/4" x 130"
11.	G10580	2	Hex Head Cap Screw, 1/4"-20 x 3"
	G10227	2	Lock Washer, 1/4"
	G10103	2	Hex Nut, 1/4"-20
12.	GD9699	1	Mounting Angle
13.	G10064	2	Hex Head Cap Screw, 1/4"-20 x 1"
	G10227	2	Lock Washer, 1/4"
	G10103	2	Hex Nut, 1/4"-20
14.		-	See "Hydraulic System", Pages P62 And P63
15.	*A3180	2	Hose Assembly, 3/8" x 25"
16.	G6400-06	4	Connector W/O-Ring, 9/16"-18 Male JIC To O-Ring
	GR1045	-	O-Ring
17.		-	See "Hydraulic Wing Fold Selector Valve", Page P61
18.	G6400-08-06	4	Connector W/O-Ring, 3/4"-16 Male JIC To 9/16"-18 O-Ring
	GR1045	-	O-Ring
19.	G2406-08-06	2	Reducer, 3/4"-16 Female JIC To 9/16"-18 Male JIC

* Hydraulic hose is not stocked by KINZE® Repair Parts, but can be made available on a special order basis. Call for quote.

TRANSPORT AND GROUND DRIVE WHEEL ASSEMBLY

(EF35c/EF35g/EF38c)



TRANSPORT AND GROUND DRIVE WHEEL ASSEMBLY

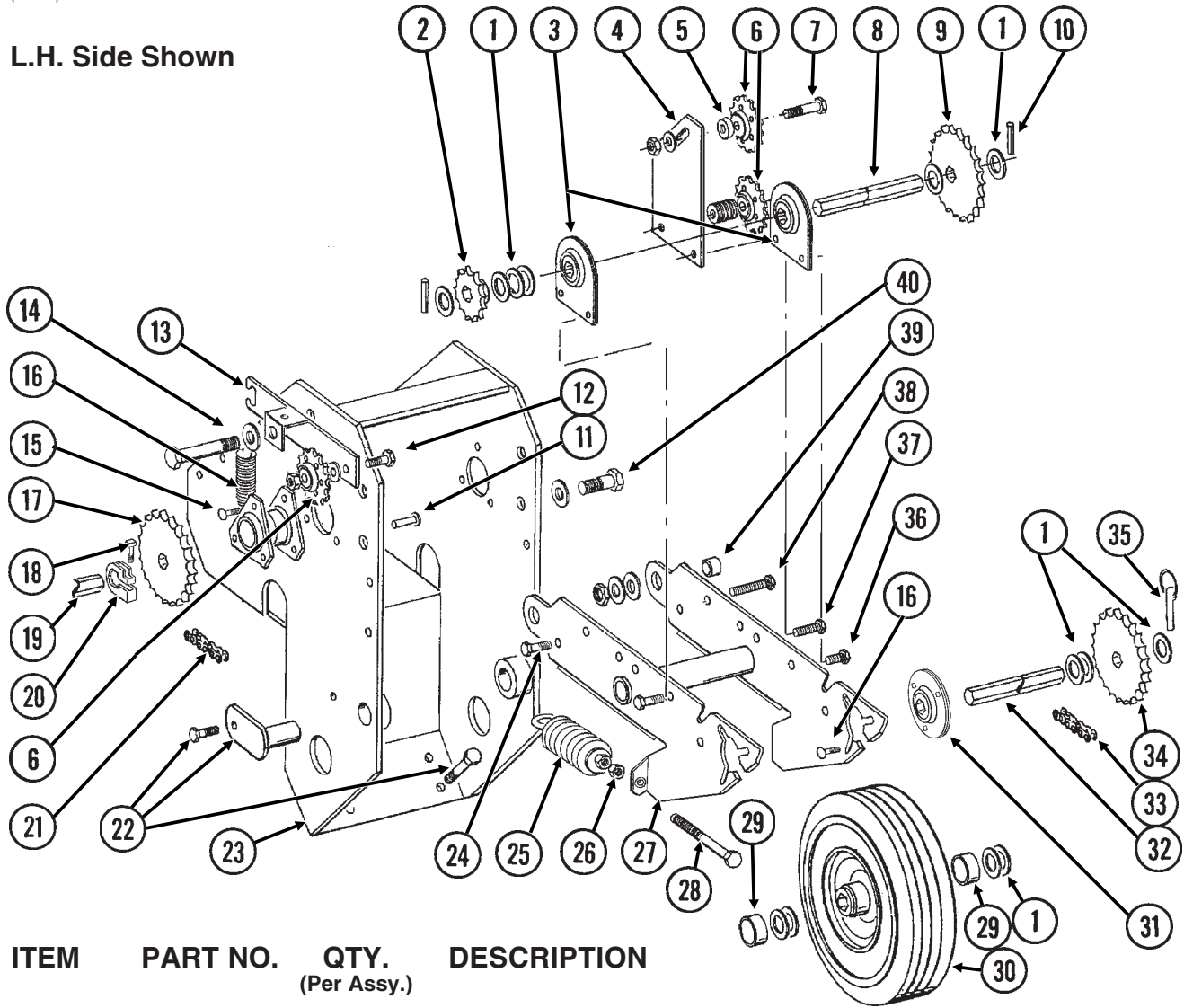
ITEM	PART NO.	QTY. (Per Assy.)	DESCRIPTION
1.	GA9877	1	Clamp W/Grease Fittings
	G10640	-	Grease Fitting, 1/4"-28
2.	G10009	2	Hex Head Cap Screw, 5/8"-11 x 2 1/2"
	G10230	2	Lock Washer, 5/8"
	G10104	2	Hex Nut, 5/8"-11
3.	GA5122	1	Wheel Tower Clamp
4.	GA8134	1	Lockup Mount
5.	G10004	2	Hex Head Cap Screw, 3/8"-16 x 1 1/4"
	G10229	2	Lock Washer, 3/8"
	G10101	2	Hex Nut, 3/8"-16
6.	G10581	2	Hex Head Cap Screw, 1/2"-13 x 2 1/4"
	G10111	2	Lock Nut, 1/2"-13
7.	GA5121	2	Pin, 2 1/8"
8.	GD11695	1	Pin, 1 1/4" x 13 1/4"
	G10610	2	Spring Pin, 3/8" x 2"
9.	GA8839	1	Arm
10.	G10008	4	Hex Head Cap Screw, 5/8"-11 x 2"
	GD7805	4	Special Washer, 5/8", Hardened
	G10230	4	Lock Washer, 5/8"
	G10104	4	Hex Nut, 5/8"-11
11.	GD5841	1	Pin, 1 1/4" x 5 5/8"
	G10460	2	Cotter Pin, 1/4" x 2"
12.		-	See "Contact Drive Wheel And Arm Assembly", Pages P40 And P41
13.		-	See "Master/Slave/Assist Cylinders", Pages P57 And P58
14.	GA9870	1	Lockup W/Pin
15.	G10026	2	Hex Head Cap Screw, 3/4"-10 x 2"
	G10231	2	Lock Washer, 3/4"
16.	GD12543	1	Scraper
17.	G10226	2	Washer, 1 1/4" SAE
18.	G10636	4	Carriage Bolt, 1/2"-13 x 1 1/2"
	G10228	4	Lock Washer, 1/2"
	G10216	4	Washer, 1/2" USS
	G10102	4	Hex Nut, 1/2"-13
19.	G10025	2	Hex Head Cap Screw, 3/4"-10 x 1 1/2"
	G10231	2	Lock Washer, 3/4"
	G10105	2	Hex Nut, 3/4"-10
20.	GA7376	1	Scraper Mount
21.	GA2142	1	Rim, 5.50" x 20"
22.	GA7434	1	Valve Stem
23.	GD13401	-	Tire, 7.50" x 20", 8 Ply Tubeless W/O Center Rib (Specify Brand*)
24.	GA2558	1	Spindle W/Round External Retaining Ring, 9 1/2"
	GD11490	-	Round External Retaining Ring
25.	GA0895	2	Bearing
26.	GR0270	6	Lug Bolt, 9/16"-18
27.	GA2148	1	Hub W/Cups, 6 Bolt
	GR0434	-	Cup
28.	G11081	2	Hex Jam Nut, 1 1/2"-12, Grade 2
29.	G10159	2	Machine Bushing, 1 1/4", 10 Gauge (As Required)
A.	GA2147	-	Hub And Spindle Assembly (Items 24, 25 And 27-28)
B.	GA7409	-	Scraper Assembly (Items 16 And 18-20)

* Specific brand requests will be supplied only as available from current KINZE® Repair Parts stock. If a specific brand requested is not in stock, the brand available will be supplied.

CONTACT WHEEL AND ARM ASSEMBLY

(EF38h)

L.H. Side Shown



ITEM	PART NO.	QTY. (Per Assy.)	DESCRIPTION
1.	G10233	-	Machine Bushing, 1", 10 Gauge
2.	GA5105	1	Sprocket, 15 Tooth, See "Two-Speed Point Row Clutch Drive", Pages P50 And P51 (If Applicable)
3.	GA2180	2	Hanger Bearing, 7/8" Hex Bore
4.	GD11125	1	Bar
5.	GD11158	1	Spacer, 3/4" O.D. x 9/16" Long (If Applicable)
	GD9229	2	Spacer, 1 1/4" O.D. x 1/2" Long (If Applicable)
6.	GA7154	3	Sprocket W/Bearing, 18 Tooth
7.	G10397	1	Hex Head Cap Screw, 1/2"-13 x 2 3/4"
	G10168	1	Machine Bushing, 1/2", 7 Gauge
	G10128	-	Machine Bushing, 1/2", 14 Gauge (As Required)
	G10111	1	Lock Nut, 1/2"-13
8.	GD6825-12.75	1	Hex Shaft, 7/8" x 12 3/4" (2 Holes)
9.	GA5114	1	Sprocket, 30 Tooth
10.	G10602	3	Spring Pin, 1/4" x 1 1/2"
11.	G10478	1	Clevis Pin, 5/16" x 1"
	G10409	1	Retaining Ring, 5/16"
12.	G10017	1	Hex Head Cap Screw, 1/2"-13 x 1 1/2"
	G10128	1	Machine Bushing, 1/2", 14 Gauge
	G10501	1	Hex Jam Nut, 1/2"-13, Grade 2
13.	GA9553	1	Idler W/Sprocket And Hardware, L.H.
	GA9554	1	Idler W/Sprocket And Hardware, R.H. (Shown)
	GA7154	-	Sprocket W/Bearing, 18 Tooth
	G10017	-	Hex Head Cap Screw, 1/2"-13 x 1 1/2"
	G10128	-	Machine Bushing, 1/2", 14 Gauge
	G10501	-	Hex Jam Nut, 1/2"-13, Grade 2

CONTACT WHEEL AND ARM ASSEMBLY

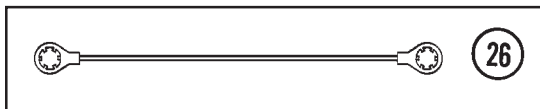
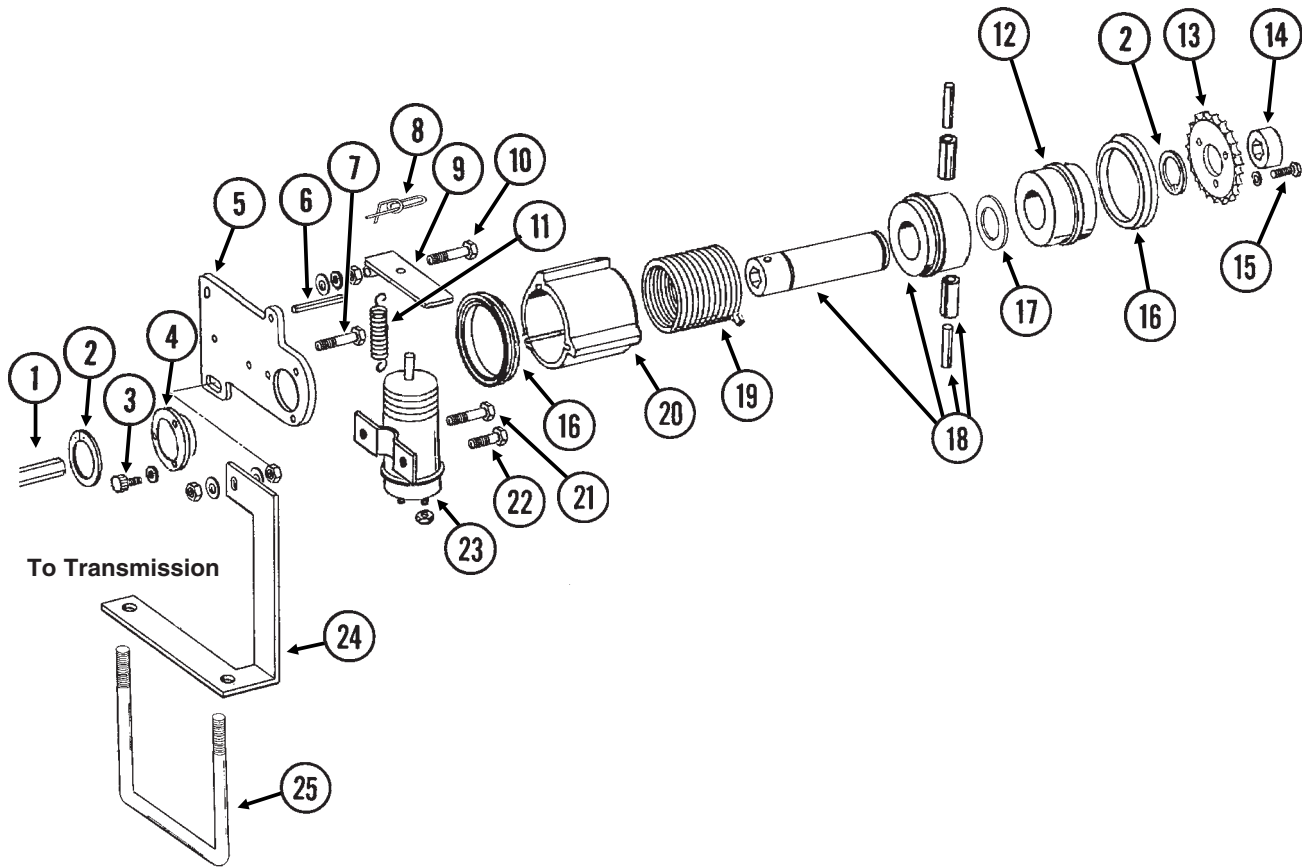
ITEM	PART NO.	QTY. (Per Assy.)	DESCRIPTION
14.	G10013	1	Hex Head Cap Screw, 5/8"-11 x 3 1/2"
	G10036	1	Hex Head Cap Screw, 5/8"-11 x 4"
	G10205	1	Washer, 5/8" SAE
	G10107	1	Lock Nut, 5/8"-11
	G10104	1	Hex Nut, 5/8"-11
15.	G10303	-	Carriage Bolt, 5/16"-18 x 1"
	G10232	-	Lock Washer, 5/16"
	G10106	-	Hex Nut, 5/16"-18
16.	GD5857	1	Spring
17.	GA5202	1	Sprocket, 34 Tooth, See "Point Row Clutch", Pages P42 And P43 (If Applicable)
18.	G10130	1	Square Head Machine Bolt, 5/16"-18 x 1 3/4"
	G10923	1	Flange Nut, 5/16"-18, No Serration
19.		-	See "Seed Rate Transmission Assembly And Driveline", Pages P52 And P53
20.	GD11045	1	Lock Clamp
21.	G3310-74	1	Chain, No. 40, 74 Pitch Including Connector Link, See "Two-Speed Point Row Clutch Drive", Pages P50 And P51 (If Applicable)
	GR0912	-	Connector Link, No. 40
22.		-	See "Transport And Ground Drive Wheel Assembly", Pages P38 And P39
23.	GA8041	1	Wheel Tower
24.	G10055	2	Hex Head Cap Screw, 5/8"-11 x 1 1/4" (Stop Bolt)
	G10107	2	Lock Nut, 5/8"-11
25.	GA2068	2	Spring W/Plug
26.	G10501	2	Hex Jam Nut, 1/2"-13, Grade 2
27.	GA8042	1	Arm
28.	G10890	2	Hex Head Adjusting Bolt, 1/2"-13 x 4", Grade 2
29.	GD11157	2	Spacer, 1 1/2" O.D. x 5/8" Long
30.	GA5090	1	Tire And Rim Assembly (Specify Brand*)
	GD5753	-	Tire, 4.10" x 6" (Specify Brand*)
	GD5752	-	Inner Tube
	GA5089	-	Rim, 3.25" x 6" (Sub GA5090)
31.	GA9846	-	Flanged Bearing, 7/8" Hex Bore
32.	GD6825-11.625	1	Hex Shaft, 7/8" x 11 5/8" (2 Holes)
33.	G3310-102	1	Chain, No. 40, 102 Pitch Including Connector Link, See "Two-Speed Point Row Clutch Drive", Pages P50 And P51 (If Applicable)
	G3310-94	-	Chain, No. 40, Used With Half Rate (2 To 1) Drive
	GR0912	-	Connector Link, No. 40
34.	GA5114	1	Sprocket, 30 Tooth, Standard Rate Drive, See "Two-Speed Point Row Clutch Drive", Pages P50 And P51 (If Applicable)
	GA5105	-	Sprocket, 15 Tooth, Half Rate (2 To 1) Drive
35.	GD2558	1	Lynch Pin, 1/4"
36.	G10001	3	Hex Head Cap Screw, 3/8"-16 x 1"
	G10229	3	Lock Washer, 3/8"
	G10101	3	Hex Nut, 3/8"-16
37.	G10004	1	Hex Head Cap Screw, 3/8"-16 x 1 1/4"
	G10229	1	Lock Washer, 3/8"
	G10101	1	Hex Nut, 3/8"-16
38.	G10053	1	Hex Head Cap Screw, 1/2"-13 x 2 1/2"
	G10128	-	Machine Bushing, 1/2", 14 Gauge (As Required)
	G10111	1	Lock Nut, 1/2"-13
39.	GB0218	2	Bushing, 2 1/32" I.D. x 7/8" O.D. x 1 9/32" Long
40.	G10751	2	Hex Head Cap Screw, 5/8"-18 x 1 3/4"
	G10235	6	Machine Bushing, 7/8", 14 Gauge
	GD7805	2	Special Washer, 5/8", Hardened
	G10412	2	Lock Nut, 5/8"-18
A.	G1K269	-	Lock Clamp Kit (Items 18 And 20)

* Specific brand requests will be supplied only as available from current KINZE® Repair Parts stock. If a specific brand requested is not in stock, the brand available will be supplied. Different brand tires may have different diameters. Change in tire brands may affect rates. Field checks are recommended after any change in contact tires.

POINT ROW CLUTCH

(EF40f)

L.H. Side Shown

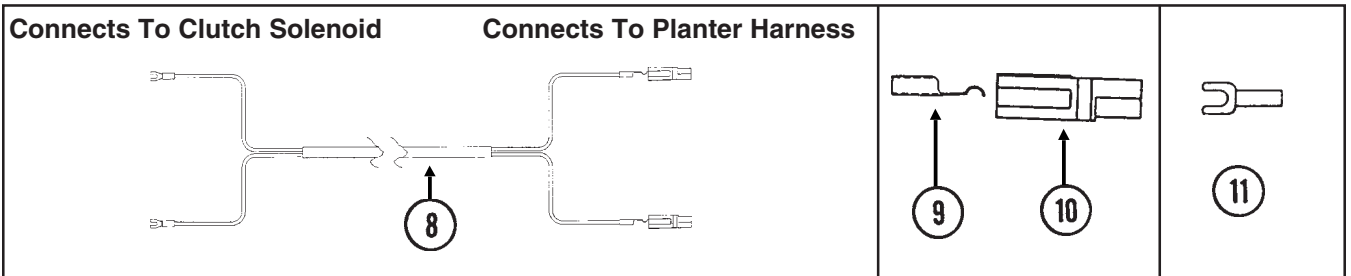
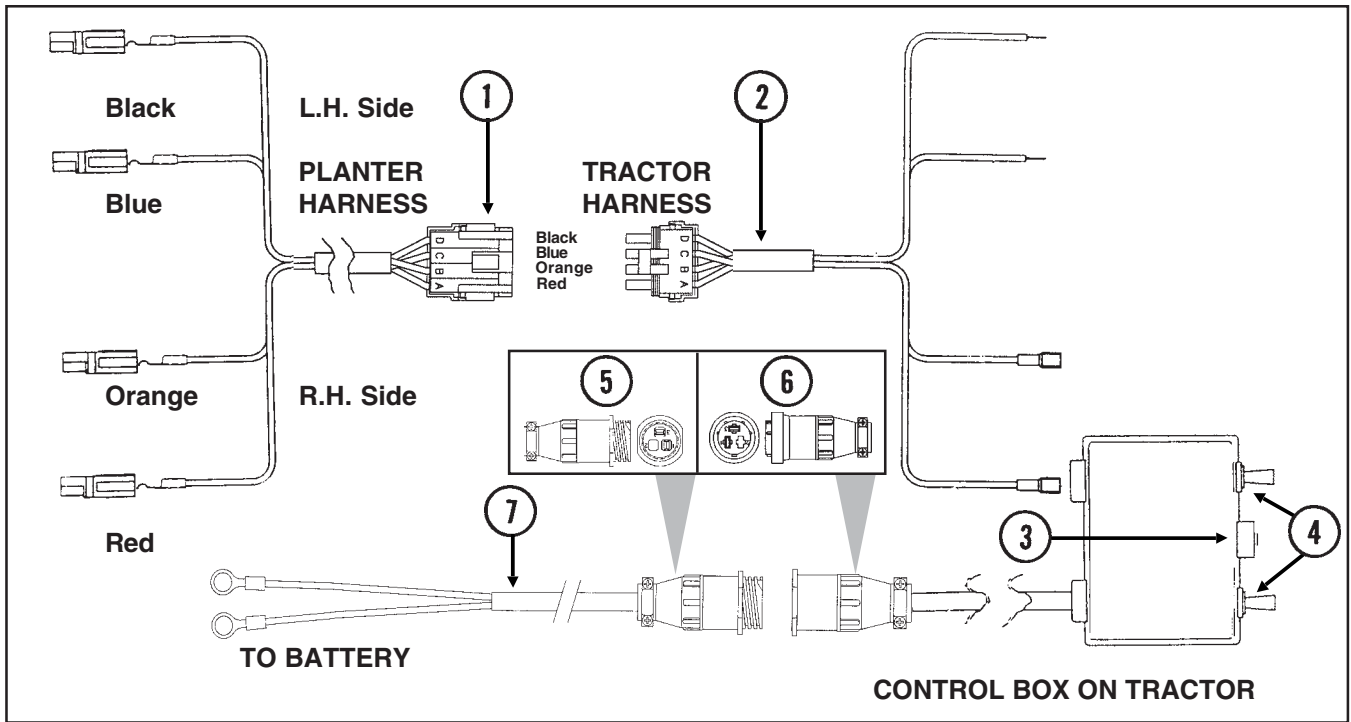


POINT ROW CLUTCH

ITEM	PART NO.	QTY. (Per Assy.)	DESCRIPTION
1.		-	See "Seed Rate Transmission Assembly And Driveline", Pages P52 And P53
2.	G10496	2	External Inverted Snap Ring, 1 1/2"
3.	G10253	3	Hex Socket Head Screw, No. 10-32 x 1/2"
	G10257	3	Lock Washer, No. 10
4.	GD9667	1	Bushing
5.	GD10103	1	Mounting Plate
6.	G10859	1	Spring Pin, 3/16" x 2 1/4"
7.	G10325	1	Hex Head Cap Screw, 3/8"-16 x 2 3/4"
	G10203	2	Washer, 3/8" SAE
	G10101	2	Hex Nut, 3/8"-16
8.	GD11120	1	Rue Ring Cotter, 5/16"
9.	GD10510	1	Actuator Arm
10.	G10049	1	Hex Head Cap Screw, 3/8"-16 x 2 1/2"
	G10101	1	Hex Nut, 3/8"-16
	G10203	1	Washer, 3/8" SAE
	G10229	2	Lock Washer, 3/8"
	G10497	1	Hex Jam Nut, 3/8"-16, Grade 2
11.	GD10123	1	Spring
12.	GD10104	1	Input Hub
13.	GD10525	1	Sprocket, 34 Tooth
14.	GD10200	1	Sleeve, 3/4" Long
15.	G10023	3	Hex Head Cap Screw, 1/4"-20 x 3/4"
	G10227	3	Lock Washer, 1/4"
16.	GD14512	2	V-Ring Seal
17.	GD14513	1	Felt Washer
18.	GA7137	1	Hub/Sleeve Assembly W/Spring Pins
	G10804	-	Spring Pin, 5/32" x 7/8"
	G10765	-	Spring Pin, 1/4" x 1"
19.	GD9672	1	Spring, R.H.
	GD9671	-	Spring, L.H.
20.	GD10102	1	Stop Collar
21.	G10900	1	Hex Socket Head Cap Screw, 1/4"-20 x 1 3/4", Grade 8
	G10227	1	Lock Washer, 1/4"
	G10103	2	Hex Nut, 1/4"-20
22.	G10023	1	Hex Head Cap Screw, 1/4"-20 x 3/4"
	G10227	1	Lock Washer, 1/4"
	G10103	1	Hex Nut, 1/4"-20
23.	GA8393	1	Solenoid Complete
	GR1306	1	Snap Ring
	GR1303	1	Spring
	GR1304	1	Boot
	GR1305	1	Plunger
24.	GD10528	-	Bracket, R.H. (Shown)
	GD10529	1	Bracket, L.H.
25.	GD7145	1	U-Bolt, 7" x 7" x 1/2"-13
	G10111	2	Lock Nut, 1/2"-13
26.	GA10054	1	Ground Cable, Green
A.	GA7418	-	Point Row Clutch Assembly, R.H. (R.H. Side Of Machine) (Items 2-6, 8-13, 15-23 And 26)
B.	GA7417	-	Point Row Clutch Assembly, L.H. (L.H. Side Of Machine) (Items 2-6, 8-13, 15-23 And 26)

POINT ROW CLUTCH ELECTRICAL COMPONENTS

(EF10b/ELC34/ELC35/EF10c/SFP6/TWL18/TWL76)

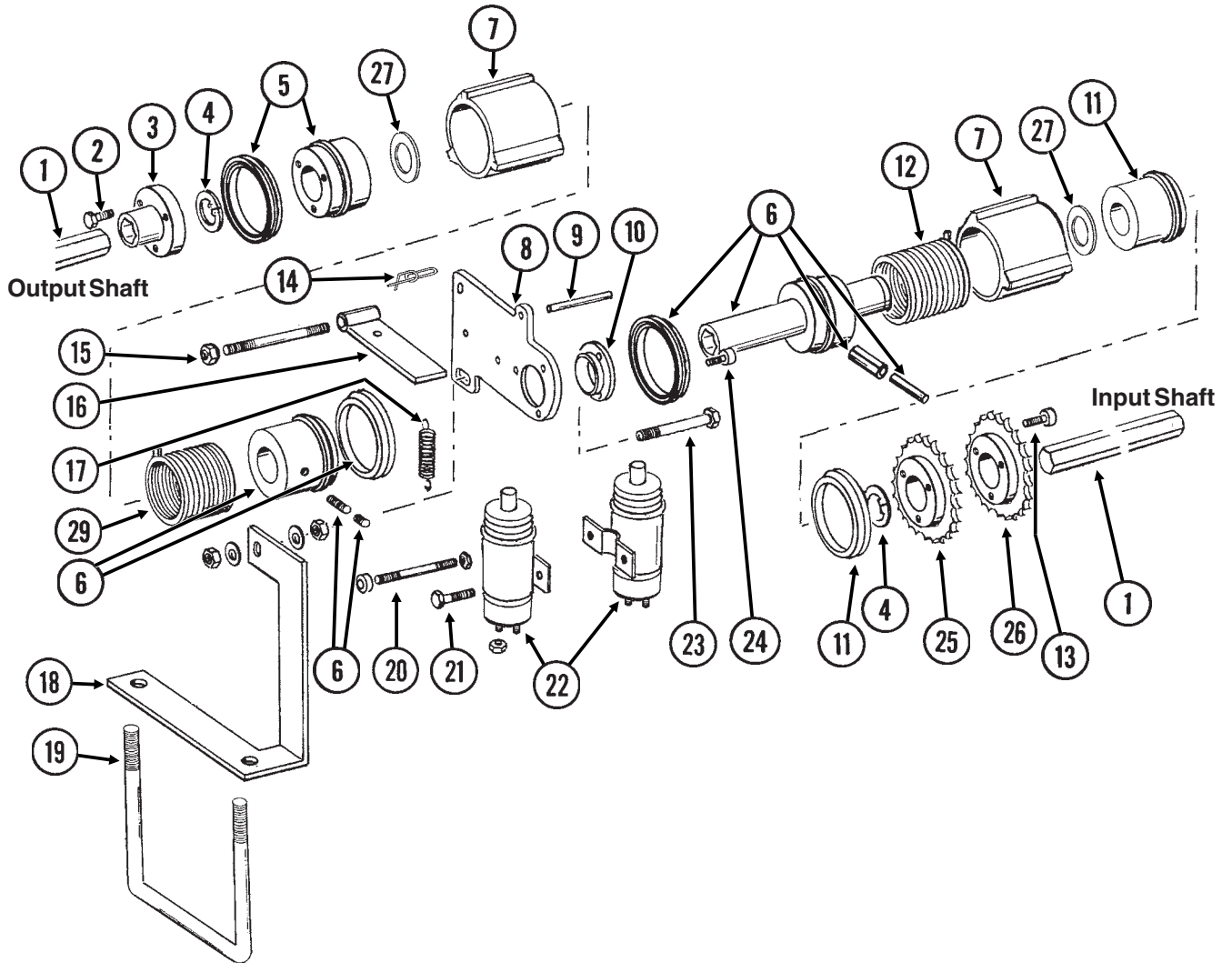


POINT ROW CLUTCH ELECTRICAL COMPONENTS

ITEM	PART NO.	QTY. (Per Assy.)	DESCRIPTION
1.	GR1446	-	Harness W/4-Pin Connector, 194"
	GA8328	-	4-Pin Connector W/Female Housing, 4 Seals And 4 Pin Contacts
2.	GR1447	-	Harness W/4-Pin Connector, 152"
	GA8329	-	4-Pin Connector W/Male Housing, 4 Seals And 4 Socket Contacts
3.	GA7165	-	Circuit Breaker, 12 Amp
4.	GA7144	-	Two-Position Switch
5.	G1K267	-	Power Lead Adapter Connector Kit, Includes: (1) 3-Pin Connector, (1) Cable Clamp, (3) Male Terminal Pins
6.	G1K268	-	Console Cable Connector Kit, Includes: (1) 3-Pin Connector, (1) Cable Clamp, (1) Lock Ring, (3) Female Terminal Pins
7.	GA7856	1	Power Lead Adapter
8.	GA7212	1	Wiring Harness, 192"
9.	GD9530	-	Contact
10.	GD9529	-	Housing, Black
	GD12726	-	Housing, Red
11.	G10996	-	Fork Terminal

TWO-SPEED POINT ROW CLUTCH

(EF50d/A7274)



Jumper Wire Between Point Row
Clutch Solenoids



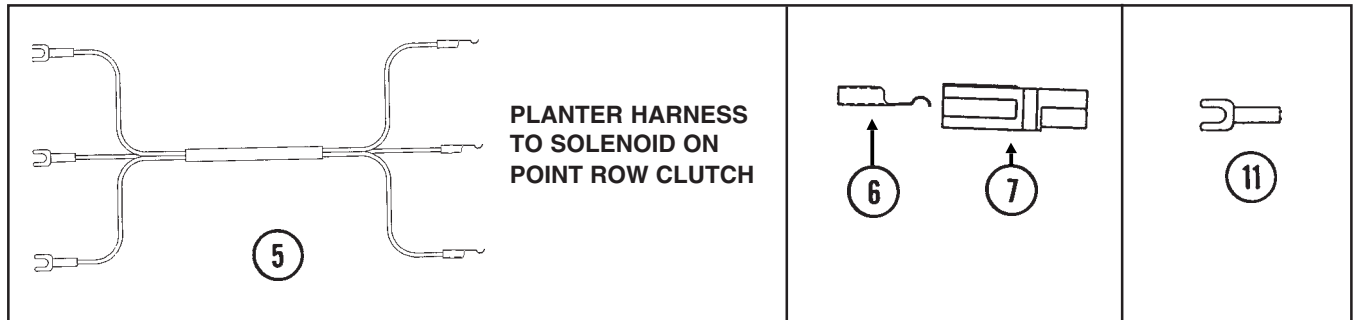
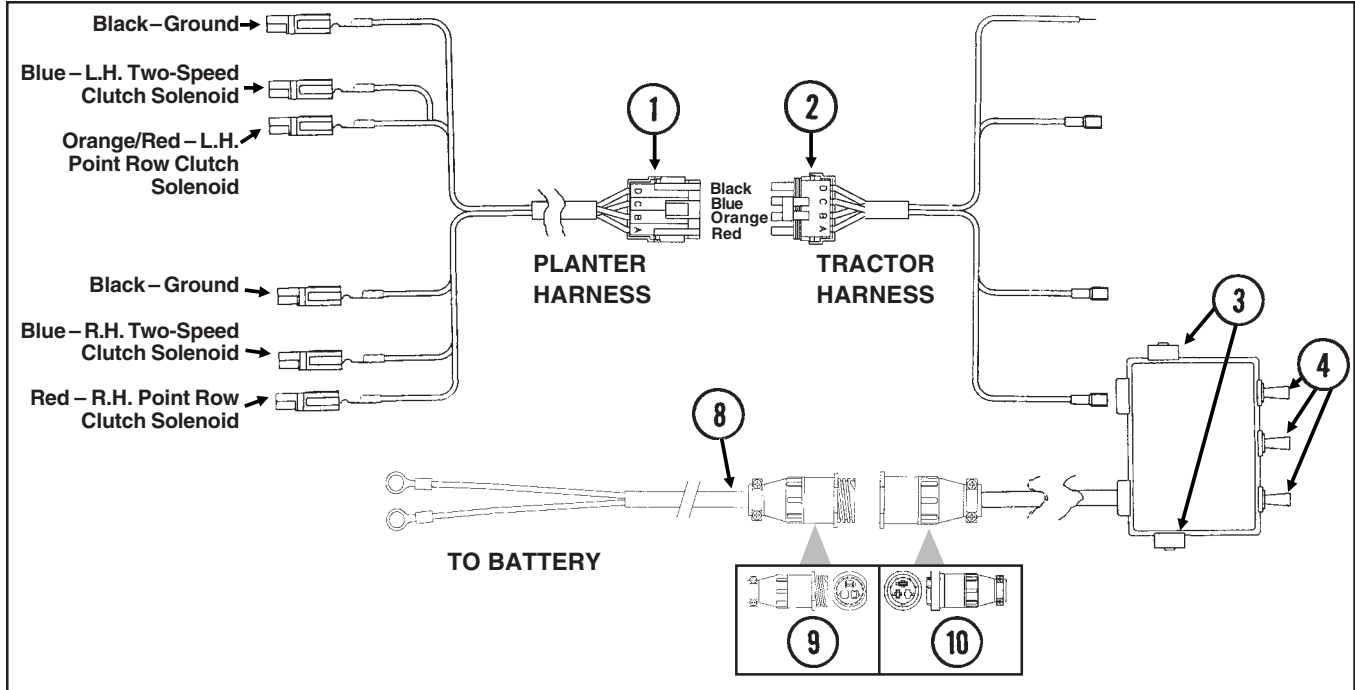
28

TWO-SPEED POINT ROW CLUTCH

ITEM	PART NO.	QTY.	DESCRIPTION
		(Per Assy.)	
1.		-	See "Two-Speed Point Row Clutch Drive", Pages P50 And P51
2.	G10374	3	Hex Socket Head Screw, 1/4"-20 x 1"
3.	GA9068	1	Hex Coupler
4.	G10496	2	External Inverted Snap Ring, 1 1/2"
5.	GA9572	1	Hub W/Seal
	GD10120	-	Seal
6.	GA7463	1	Hub/Sleeve Assembly W/Seals, Sleeve, Pins And Screws
	GD10120	-	Seal
	GD10584	-	Sleeve
	G10873	-	Hex Socket Set Screw, 5/16"-18 x 3/4"
	G10872	-	Hex Socket Set Screw, 5/16"-18 x 1/4"
	G10804	-	Spring Pin, 5/32" x 7/8"
	G10765	-	Spring Pin, 1/4" x 1"
7.	GD10585	2	Stop Collar
8.	GD10103	1	Mounting Plate
9.	G10859	1	Spring Pin, 3/16" x 2 1/4"
10.	GD10586	1	Bushing
11.	GA9571	1	Hub W/Seal
	GD10120	-	Seal
12.	GD9672	-	Spring, R.H.
13.	G10638	3	Hex Head Cap Screw, 1/4"-20 x 2"
	G10227	3	Lock Washer, 1/4"
14.	GD11120	2	Rue Ring Cotter, 5/16"
15.	GD10636	1	Threaded Rod, 3/8"-16 x 4 1/4"
	G10108	2	Lock Nut, 3/8"-16
	G10229	2	Lock Washer, 3/8"
	G10101	2	Hex Nut, 3/8"-16
16.	GD10510	2	Actuator Arm
17.	GD10123	2	Spring
18.	GD10528	1	Bracket, R.H. (Shown)
	GD10529	-	Bracket, L.H.
19.	GD7145	1	U-Bolt, 7" x 7" x 1/2"-13
	G10128	2	Machine Bushing, 1/2", 14 Gauge
	G10111	2	Lock Nut, 1/2"-13
20.	GD10635	1	Threaded Rod, 1/4"-20 x 3 1/2"
	G10103	2	Hex Nut, 1/4"-20
	G10227	2	Lock Washer, 1/4"
	GD10282	2	Allen Nut, 1/4"-20
21.	G10023	1	Hex Head Cap Screw, 1/4"-20 x 3/4"
	G10227	1	Lock Washer, 1/4"
	G10103	1	Hex Nut, 1/4"-20
22.	GA8393	2	Solenoid Complete
	GR1306	-	Snap Ring
	GR1303	-	Spring
	GR1304	-	Boot
	GR1305	-	Plunger
23.	G10172	1	Hex Head Cap Screw, 3/8"-16 x 5"
	G10101	1	Hex Nut, 3/8"-16
	G10210	2	Washer, 3/8" USS
	G10108	1	Lock Nut, 3/8"-16
24.	G10876	3	Hex Socket Head Screw, No. 10-32 x 1/4"
25.	GD10672	1	Input Sprocket, 30 Tooth
26.	GD10673	1	Sprocket, 34 Tooth
27.	GD14513	2	Felt Washer
28.	GA7274	1	Jumper Wire W/Ring Terminals, 2 3/16" (Between Solenoids)
29.	GD9671	-	Spring, L.H.

TWO-SPEED POINT ROW CLUTCH ELECTRICAL COMPONENTS

(SFP46d/SFP46e/TWL71a/TWL76/TWL18/TWL76)

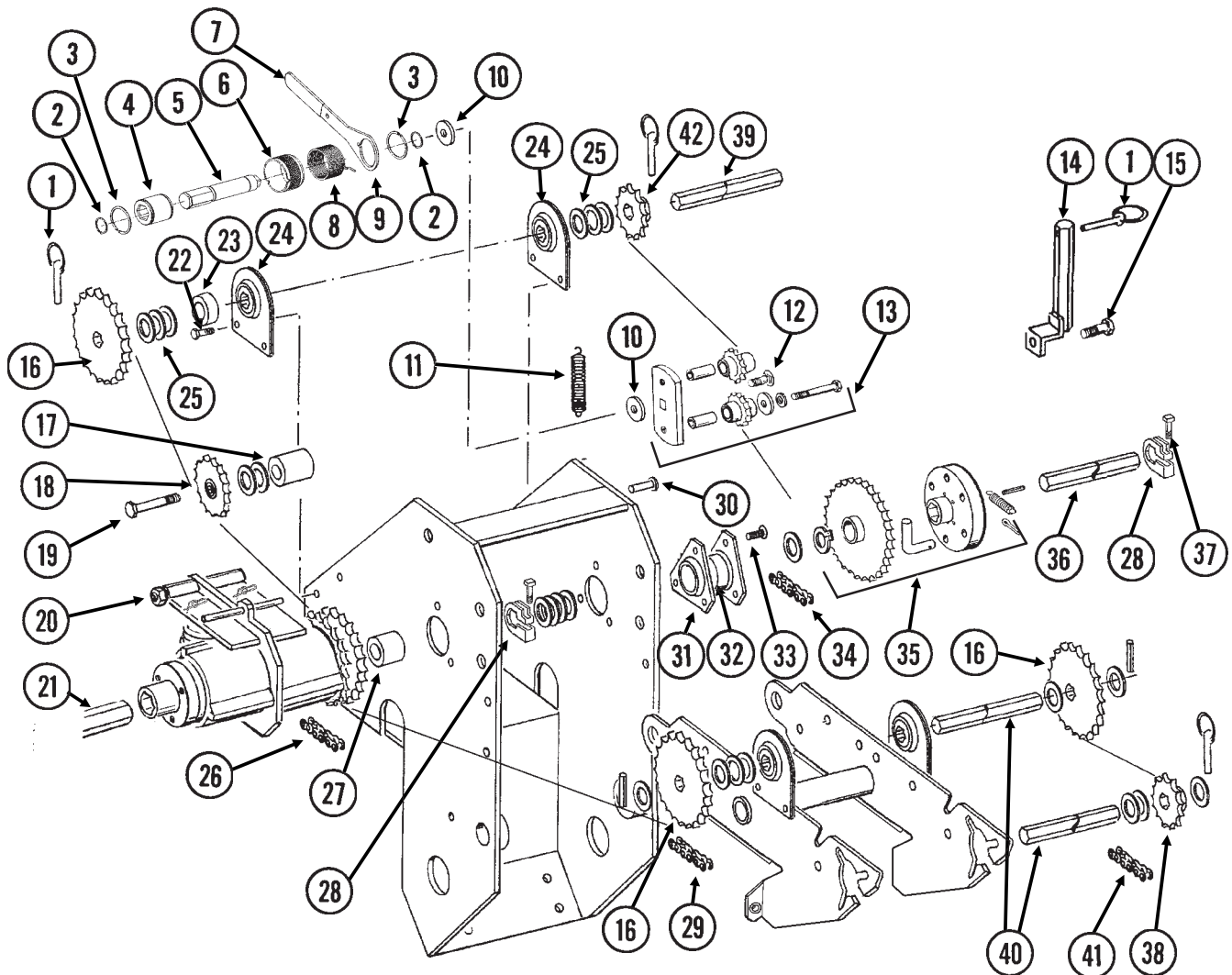


TWO-SPEED POINT ROW CLUTCH ELECTRICAL COMPONENTS

ITEM	PART NO.	QTY. (Per Assy.)	DESCRIPTION
1.	GR1448	-	Harness W/4-Pin Connector, 60"
	GA8328	-	4-Pin Connector W/Female Housing, 4 Seals And 4 Pin Contacts
2.	GR1449	-	Harness W/4-Pin Connector, 152"
	GA8329	-	4-Pin Connector W/Male Housing, 4 Seals And 4 Socket Contacts
3.	GA7165	2	Circuit Breaker, 12 Amp
4.	GA7144	3	Two-Position Switch
5.	GA7577	1	Wiring Harness, 288"
6.	GD9530	-	Contact
7.	GD9529	-	Housing, Black
	GD12726	-	Housing, Red
8.	GA7856	1	Power Lead Adapter
9.	G1K267	-	Power Lead Adapter Connector Kit, Includes: (1) 3-Pin Connector, (1) Cable Clamp, (3) Male Terminal Pins
10.	G1K268	-	Console Cable Connector Kit, Includes: (1) 3-Pin Connector, (1) Cable Clamp, (1) Lock Ring, (3) Female Terminal Pins
11.	G10996	-	Fork Terminal

TWO-SPEED POINT ROW CLUTCH DRIVE

(EF51n)



ITEM PART NO. QTY. DESCRIPTION

(Per Assy.)

ITEM	PART NO.	QTY.	DESCRIPTION
1.	GD2558	3	Lynch Pin, 1/4"
2.	G10496	2	External Inverted Snap Ring, 1 1/2"
3.	G11075	2	External Inverted Snap Ring, 7/8"
4.	GD14432	1	Sleeve, 1 1/4"
5.	GD14426	1	Tightener Shaft, 3 3/8"
6.	GD14429	-	Release Collar, Silver, L.H. (Shown)
	GD14430	1	Release Collar, Gold, R.H.
7.	G11078	1	Vinyl Cap
8.	GD14414	1	Torsion Spring, R.H. (Shown)
	GD14413	-	Torsion Spring, L.H.
9.	GD14431	1	Handle
10.	G10235	2	Machine Bushing, 7/8", 14 Gauge
11.	GD5857	1	Spring
12.	G11100	1	Hex Socket Button Head Cap Screw, 1/4"-20 x 1/2", Grade 8
	G10227	1	Lock Washer, 1/4"
	G10209	1	Washer, 1/4" USS
13.	GA7336	1	Idler W/Bolt-On Sprockets
	GD7426	-	Sprocket, 12 Tooth
	GD1026	-	Sleeve, 1 3/16" Long
	G10210	-	Washer, 3/8" USS
	G10229	-	Lock Washer, 3/8"
	G10047	-	Hex Head Cap Screw, 3/8"-16 x 1 3/4"
14.	GA7313	1	Sprocket Storage Rod

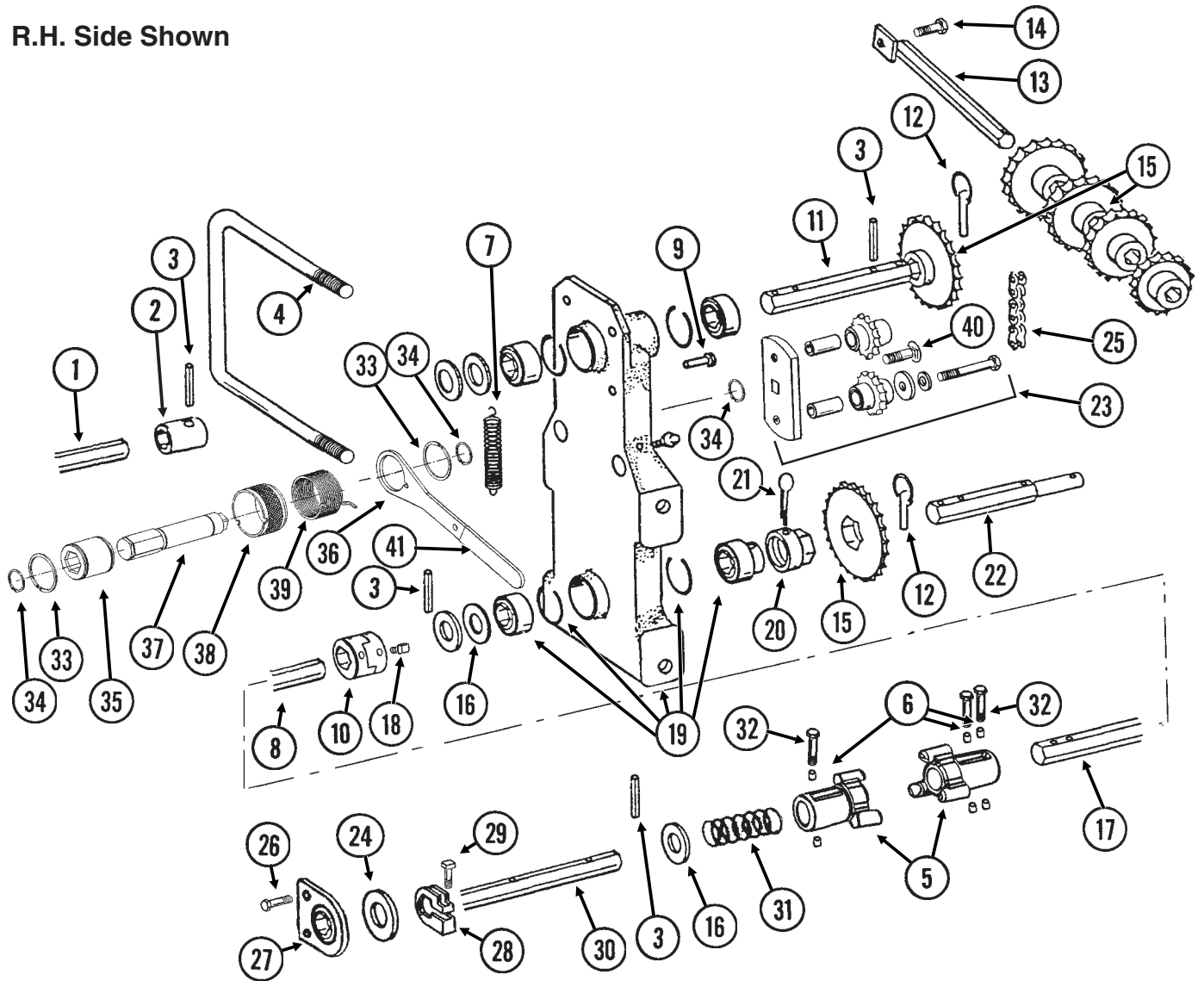
TWO-SPEED POINT ROW CLUTCH DRIVE

ITEM	PART NO.	QTY.	DESCRIPTION
		(Per Assy.)	
15.	G10017	1	Hex Head Cap Screw, 1/2"-13 x 1 1/2"
	G10228	1	Lock Washer, 1/2"
	G10102	1	Hex Nut, 1/2"-13
16.	GA5114	3	Sprocket, 30 Tooth
17.	GD11213	1	Spacer, 1 1/4" O.D. x 1 3/4" Long
18.	GA7154	1	Sprocket W/Bearing, 18 Tooth
19.	G10035	1	Hex Head Cap Screw, 1/2"-13 x 4"
	G10216	1	Washer, 1/2" USS
	G10128	2	Machine Bushing, 1/2", 14 Gauge
	G10111	1	Lock Nut, 1/2"-13
20.		-	See "Two-Speed Point Row Clutch", Pages P46 And P47
21.	GD0914-6.25	1	Hex Shaft, 7/8" x 6 1/4" (No Holes), 12 Row 30"
	GD0914-21.5	-	Hex Shaft, 7/8" x 21 1/2" (No Holes), 8 Row 36"/38"
22.	G10001	4	Hex Head Cap Screw, 3/8"-16 x 1"
	G10229	4	Lock Washer, 3/8"
	G10101	4	Hex Nut, 3/8"-16
23.	GD11157	1	Spacer, 1 1/2" O.D. x 5/8" Long
24.	GA2180	2	Hanger Bearing, 7/8" Hex Bore
25.	G10233	10	Machine Bushing, 1", 10 Gauge
26.	G3310-76	1	Chain, No. 40, 76 Pitch Including Connector Link
	GR0912	-	Connector Link, No. 40
27.	GD5900-25	1	Sleeve, 2"
28.	GD11045	2	Lock Clamp
	G10233	4	Machine Bushing, 1", 10 Gauge
29.	G3310-80	1	Chain, No. 40, 80 Pitch Including Connector Link
	GR0912	-	Connector Link, No. 40
30.	G10478	1	Clevis Pin, 5/16" x 1"
	G10409	1	Retaining Ring, 5/16"
31.	G3400-01	2	Flangette
32.	G2100-03	1	Bearing, 7/8" Hex Bore, Spherical
33.	G10303	3	Carriage Bolt, 5/16"-18 x 1"
	G10232	3	Lock Washer, 5/16"
	G10219	3	Washer, 5/16" USS (As Required)
	G10106	3	Hex Nut, 5/16"-18
34.	G3310-68	1	Chain, No. 40, 68 Pitch Including Connector Link
	G3310-06	-	Chain, No. 40, 6 Pitch Including Connector Link
	GR0912	-	Connector Link, No. 40
35.	GA7320	1	Overrunning Sprocket Assembly, R.H.
	GA7321	-	Overrunning Sprocket Assembly, L.H.
	G10430	1	External Retaining Ring, 1 1/4"
	GD1255	6	L-Pin
	G10546	6	Spring Pin, 3/16" x 1 1/4"
	G10470	6	Cotter Pin, 5/32" x 1"
	GD10366	6	Spring
	GA7317	1	Block
	GA7319	1	Sprocket W/Bushing, 30 Tooth
36.	GD0914-20	1	Hex Shaft, 7/8" x 20" (No Holes)
37.	G10130	2	Square Head Machine Bolt, 5/16"-18 x 1 3/4"
	G10923	2	Flange Nut, 5/16"-18, No Serration
38.	GA5105	1	Sprocket, 15 Tooth
39.	GD6825-14.5	1	Hex Shaft, 7/8" x 14 1/2" (2 Holes)
40.		-	See "Contact Wheel And Arm Assembly", Pages P40 And P41
41.	G3310-92	1	Chain, No. 40, 92 Pitch Including Connector Link
	GR0912	-	Connector Link, No. 40
42.	GA5105	1	Sprocket, 15 Tooth
	GA5106	1	Sprocket, 17 Tooth
	GA5109	1	Sprocket, 24 Tooth
	GA5112	1	Sprocket, 27 Tooth
	GA5108	1	Sprocket, 23 Tooth (From Transmission)
	GA5110	1	Sprocket, 25 Tooth (From Transmission)
	GA5111	1	Sprocket, 26 Tooth (From Transmission)
A.	G1K269	-	Lock Clamp Kit (Items 23 And 34)
B.	G1K381	-	Wrap Spring Wrench Replacement Kit, Silver Collar, L.H. (Items 2-10 And 12) (Shown)
	G1K380	1	Wrap Spring Wrench Replacement Kit, Gold Collar, R.H. (Items 2-10 And 12)

SEED RATE TRANSMISSION ASSEMBLY AND DRIVELINE

(EF45h)

R.H. Side Shown



ITEM	PART NO.	QTY.	DESCRIPTION
		(Per Assy.)	
1.	GD0914-20 GD0914-35	2 -	Hex Shaft, 7/8" x 20" (No Holes), 12 Row 30" Hex Shaft, 7/8" x 35" (No Holes), 8 Row 36"/38", See "Two-Speed Point Row Clutch Drive", Pages P50 And P51 (If Applicable)
2.	GD5961	1	Coupler, 2 1/4"
3.	G10602	-	Spring Pin, 1/4" x 1 1/2"
4.	GD1114 G10230	1 2	U-Bolt, 7" x 7" x 5/8"-11 Lock Washer, 5/8"
	G10104	2	Hex Nut, 5/8"-11
5.	GB0283	2	Coupler
6.	GD11395	6	Bushing, 1/2"
7.	GD5857	1	Spring
8.	GD12616-66 GD12616-78	2 2	Hex Shaft, 7/8" x 66" (2 Holes), 8 Row 36"/38" Hex Shaft, 7/8" x 78" (2 Holes), 12 Row 30"
9.	G10478 G10409	1 1	Clevis Pin, 5/16" x 1" Retaining Ring, 5/16"
10.	GB0287	2	Coupler
11.	GD5835	1	Shaft, 7/8" x 7"
12.	GD2558	3	Lynch Pin, 1/4"
13.	GA5146	1	Sprocket Storage Rod

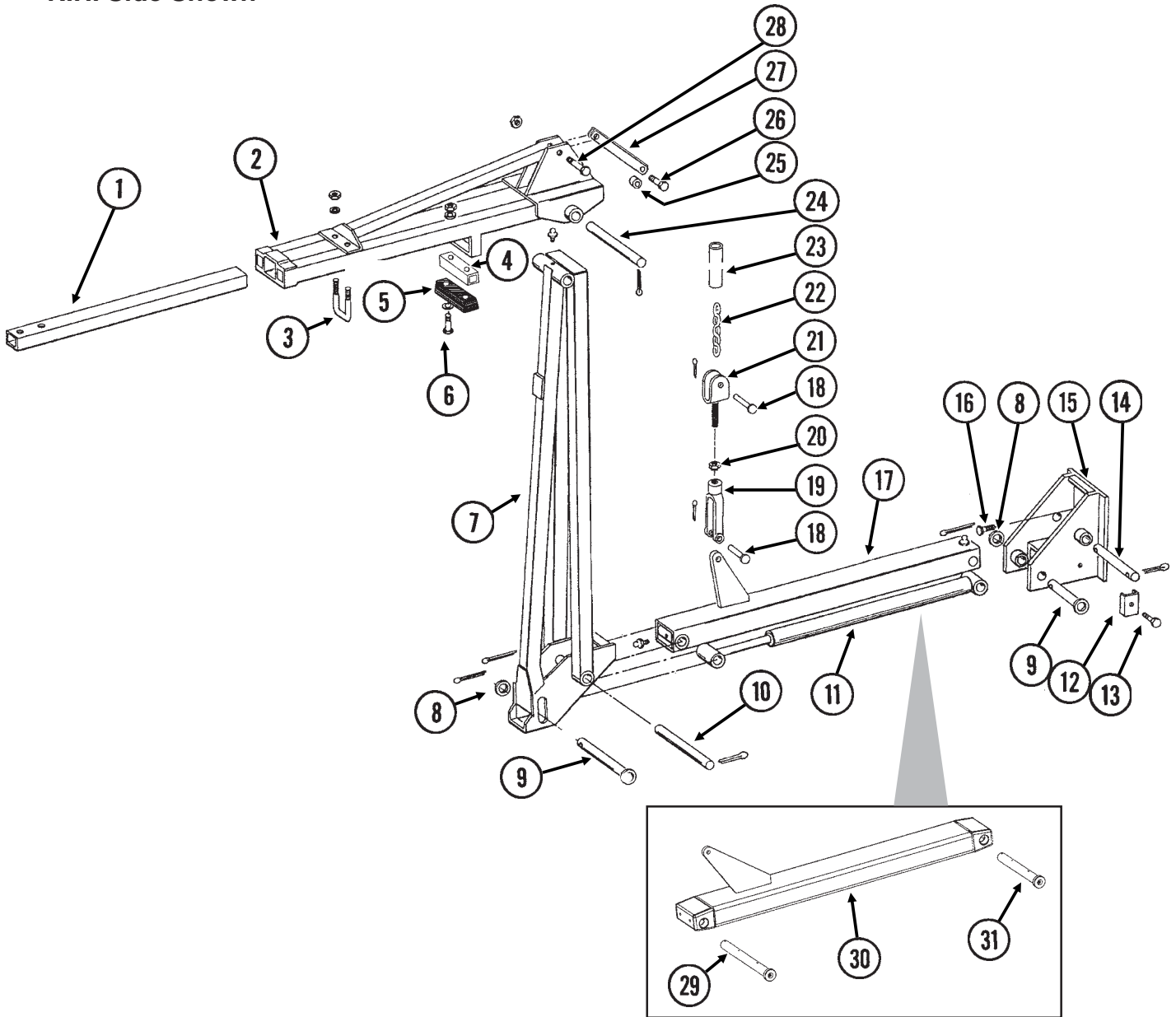
SEED RATE TRANSMISSION ASSEMBLY AND DRIVELINE

ITEM	PART NO.	QTY. (Per Assy.)	DESCRIPTION
14.	G10017	1	Hex Head Cap Screw, 1/2"-13 x 1 1/2"
	G10527	1	Lock Washer, 1/2", Internal/External
	G10111	1	Lock Nut, 1/2"-13
15.	GA5106	1	Sprocket, 17 Tooth
	GA5107	1	Sprocket, 19 Tooth
	GA5108	2	Sprocket, 23 Tooth
	GA5109	1	Sprocket, 24 Tooth
	GA5110	1	Sprocket, 25 Tooth
	GA5111	1	Sprocket, 26 Tooth
	GA5112	1	Sprocket, 27 Tooth
	GA5113	1	Sprocket, 28 Tooth
16.	G10233	4	Machine Bushing, 1", 10 Gauge
17.	GD11393-66	2	Hex Shaft, 7/8" x 66" (3 Holes), 8 Row 36"/38"
	GD11393-78	-	Hex Shaft, 7/8" x 78" (3 Holes), 12 Row 30"
18.	G10131	4	Square Head Set Screw, 5/16"-18 x 3/4"
19.	GA5629	1	Transmission Plate W/Bearings, Grease Fittings And Retaining Rings
	GA5116	3	Bearing, 7/8" Hex Bore, Cylindrical
	GA5624	1	Special Bearing, 7/8" Hex Bore x 1.6"
	GD6551	4	Ring
	G10640	-	Grease Fitting, 1/4"-28
20.	GD7127	1	Shear Coupler
21.	G10462	1	Cotter Pin, 3/16" x 2"
22.	GD7822	1	Shaft, 7/8" x 7"
23.	GA7336	1	Idler W/Bolt-On Sprockets
	GD7426	-	Sprocket, 12 Tooth
	GD1026	-	Sleeve, 1 3/16" Long
	G10210	-	Washer, 3/8" USS
	G10229	-	Lock Washer, 3/8"
	G10047	-	Hex Head Cap Screw, 3/8"-16 x 1 3/4"
24.	G10226	1	Washer, 1 1/4" SAE
25.	G3310-80	1	Chain, No. 40, 80 Pitch Including Connector Link
	GR0912	-	Connector Link, No. 40
26.	G10004	-	Hex Head Cap Screw, 3/8"-16 x 1 1/4"
	G10229	-	Lock Washer, 3/8"
	G10101	1	Hex Nut, 3/8"-16
27.	GA2180	2	Hanger Bearing, 7/8" Hex Bore
28.	GD11045	-	Lock Clamp
29.	G10130	-	Square Head Machine Bolt, 5/16"-18 x 1 3/4"
	G10923	-	Flange Nut, 5/16"-18, No Serration
30.	GD11394-63	1	Hex Shaft, 7/8" x 63" (2 Holes), L.H., 8 Row 36"/38"
	GD11394-73	1	Hex Shaft, 7/8" x 73" (2 Holes), R.H., 8 Row 36"/38"
	GD11394-79	-	Hex Shaft, 7/8" x 79" (2 Holes), L.H., 12 Row 30"
	GD11394-90	-	Hex Shaft, 7/8" x 90" (2 Holes), R.H., 12 Row 30"
31.	GD2962	2	Spring
32.	G10880	3	Hex Head Cap Screw, 1/4"-20 x 2 1/4"
	G10110	3	Lock Nut, 1/4"-20, Grade B
33.	G10496	2	External Inverted Snap Ring, 1 1/2"
34.	G11075	3	External Inverted Snap Ring, 7/8"
35.	GD14432	1	Sleeve, 1 1/4"
36.	GD14431	1	Handle
37.	GD14427	1	Tightener Shaft, 4 7/8"
38.	GD14430	1	Release Collar, Gold, R.H. (Shown)
	GD14429	-	Release Collar, Silver, L.H.
39.	GD14413	-	Torsion Spring, L.H. (Shown)
	GD14414	1	Torsion Spring, R.H.
40.	G11100	1	Hex Socket Button Head Cap Screw, 1/4"-20 x 1/2", Grade 8
	G10227	1	Lock Washer, 1/4"
	G10209	1	Washer, 1/4" USS
41.	G11078	1	Vinyl Cap
A.	G1K269	-	Lock Clamp Kit (Items 28 And 29)
B.	G1K378	1	Wrap Spring Wrench Replacement Kit, Gold Collar, R.H. (Items 33-41) (Shown)
	G1K379	-	Wrap Spring Wrench Replacement Kit, Silver Collar, L.H. (Items 33-41)

ROW MARKER ASSEMBLY

(MKR22gg)

R.H. Side Shown



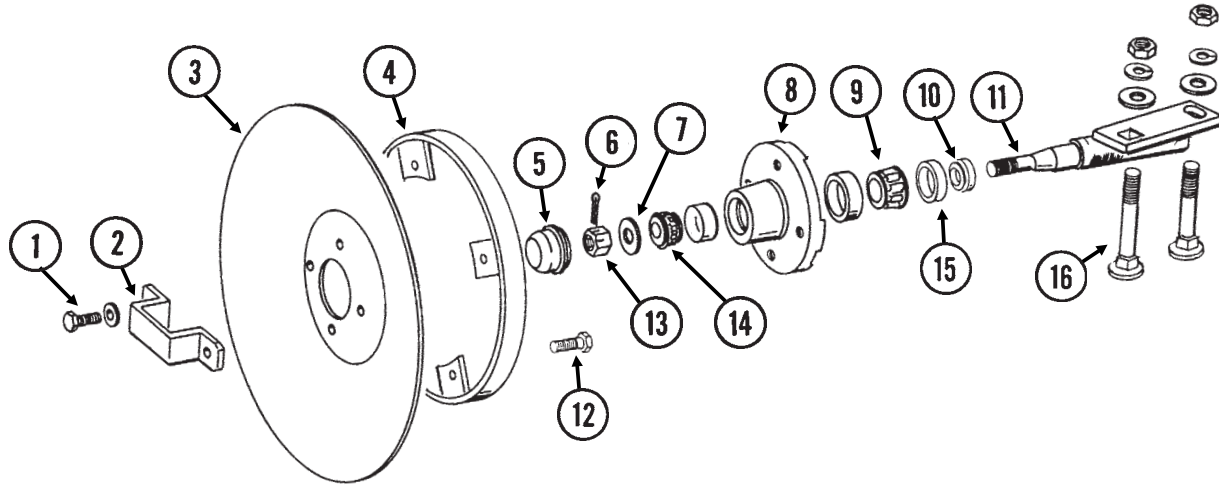
TEM	PART NO.	QTY.	DESCRIPTION
		(Per Assy.)	
1.	GD0453-02	1	Extension Tube, 40", 8 Row 36"/38"
	GD0453-03	-	Extension Tube, 50", 12 Row 30"
2.	GA8120	1	Arm, Third Stage, 19 1/2", 8 Row 36"/38"
	GA8075	-	Arm, Third Stage, 35", 12 Row 30"
3.	GD2721	1	U-Bolt, 2" x 2" x 1/2"-13
	G10228	2	Lock Washer, 1/2"
	G10102	2	Hex Nut, 1/2"-13

ROW MARKER ASSEMBLY

ITEM	PART NO.	QTY. (Per Assy.)	DESCRIPTION
4.	GD11141	1	Spacer, 8 Row 36"/38" Only
5.	GA9145	1	Molded Stop, 6 1/4" Long
6.	G10047	2	Hex Head Cap Screw, 3/8"-16 x 1 3/4"
	G10809	-	Hex Head Cap Screw, 3/8"-16 x 3 1/4"
	G10210	2	Washer, 3/8" USS
	G10108	2	Lock Nut, 3/8"-16
7.	GA8119	1	Arm W/Grease Fitting, Second Stage, 60", 8 Row 36"/38"
	GA8076	-	Arm W/Grease Fitting, Second Stage, 72", 12 Row 30"
	G10641	-	Grease Fitting, 1/8" NPT
8.	G10226	3	Washer, 1 1/4" SAE
9.	GD15386	2	Pin, 1 1/4" x 7 5/8"
	G10460	2	Cotter Pin, 1/4" x 2"
10.	GD3214	1	Pin, 1 1/4" x 12 1/4"
	G10460	2	Cotter Pin, 1/4" x 2"
11.		-	See "Row Marker Cylinder", Page P58
12.	GD5875	1	Hose Clamp, 9/16" x 2 1/2" x 2"
13.	G10133	1	Hex Head Cap Screw, 5/16"-18 x 1 1/2"
	G10232	1	Lock Washer, 5/16"
	G10106	1	Hex Nut, 5/16"-18
14.	GD0652	1	Pin, 1 1/4" x 9 1/2"
	G10460	2	Cotter Pin, 1/4" x 2"
15.	GA8073	1	Mount
16.	G10879	4	Flanged 12 Point Bolt, 5/8"-11 x 2", Special Hardened
	G10230	2	Lock Washer, 5/8"
	G10104	2	Hex Nut, 5/8"-11
17.	GA8074	1	Arm W/Grease Fittings, First Stage
	G10641	-	Grease Fitting, 1/8" NPT
18.	G10560	2	Clevis Pin, 1/2" x 1 3/4"
	G10451	-	Cotter Pin, 1/8" x 1"
19.	GD8218	1	Yoke
20.	G10503	1	Hex Jam Nut, 5/8"-11, Grade 2
21.	GD11115	1	Plain Yoke
22.	G3302-08	1	Coil Chain, No. 9/0, 24 Links, 8 Row 36"/38"
	G3302-07	1	Coil Chain, No. 9/0, 28 Links, 12 Row 30"
23.	GD10674-03	1	Chain Cover, 48", 8 Row 36"/38"
	GD10674-02	-	Chain Cover, 56", 12 Row 30"
24.	GD2697	1	Pin, 7/8" x 11"
	G10463	2	Cotter Pin, 1/4" x 1 1/2"
25.	GD2971-11	1	Sleeve, 1 7/8" Long
26.	G10049	1	Hex Head Cap Screw, 3/8"-16 x 2 1/2"
	G10210	1	Washer, 3/8" USS
	G10108	1	Lock Nut, 3/8"-16
27.	GA8072	1	Linkage, 10"
28.	G10862	1	Hex Head Cap Screw, 5/8"-11 x 3 1/4"
	G10107	2	Lock Nut, 5/8"-11
29.	GA11766	-	Pin W/Grease Fitting, 1 1/4" x 11 13/16"
	G10640	-	Grease Fitting, 1/4"-28
	G10463	1	Cotter Pin, 1/4" x 1 1/2"
30.	GA11592	-	Arm, First Stage
31.	GA11767	-	Pin W/Grease Fitting, 1 1/4" x 9 1/2"
	G10640	-	Grease Fitting, 1/4"-28
	G10463	1	Cotter Pin, 1/4" x 1 1/2"

ROW MARKER SPINDLE/HUB/BLADE

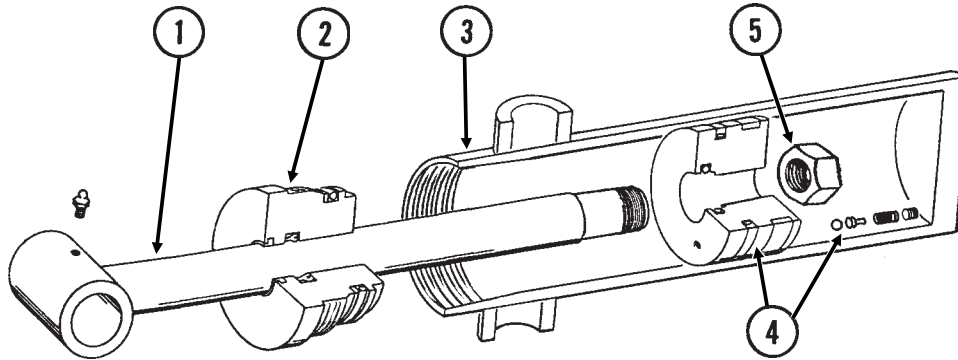
MKR020(MKR4a)



ITEM	PART NO.	QTY. (Per Assy.)	DESCRIPTION
1.	G10722	4	Hex Head Cap Screw, 1/2"-20 x 1"
	G10228	4	Lock Washer, 1/2"
2.	GD2597	1	Retainer
3.	GD0746	1	Disc Blade, Solid, 16" (Shown)
	GD10283	-	Disc Blade, Notched, 16" (Optional)
4.	GA5853	1	Depth Band
5.	GD0840	1	Dust Cap
6.	G10544	1	Cotter Pin, 5/32" x 1"
7.	G10724	1	Washer, 5/8" SAE
8.	GA0167	1	Hub W/Cups, 4 Bolt
	GR0151	-	Outer Cup
	GR0150	-	Inner Cup
9.	GA0245	1	Bearing
10.	GA0899	1	Rubber Seal
11.	GA1677	1	Spindle, L.H. (Shown)
	GA1676	-	Spindle, R.H.
12.	G10019	4	Hex Head Cap Screw, 5/16"-18 x 1"
	G10109	4	Lock Nut, 5/16"-18, Grade 8
13.	G10725	1	Slotted Hex Nut, 5/8"-18
14.	GA0257	1	Bearing
15.	GA0243	1	Grease Seal
16.	G10844	2	Carriage Bolt, 1/2"-13 x 3 1/2"
	G10168	2	Machine Bushing, 1/2", 7 Gauge
	G10228	2	Lock Washer, 1/2"
	G10102	2	Hex Nut, 1/2"-13
A.	GA1679	-	Hub And Spindle Assembly, L.H. (Items 1, 2, 5-11 And 13-15)
	GA1678	-	Hub And Spindle Assembly, R.H. (Items 1, 2, 5-11 And 13-15)

MASTER LIFT CYLINDER

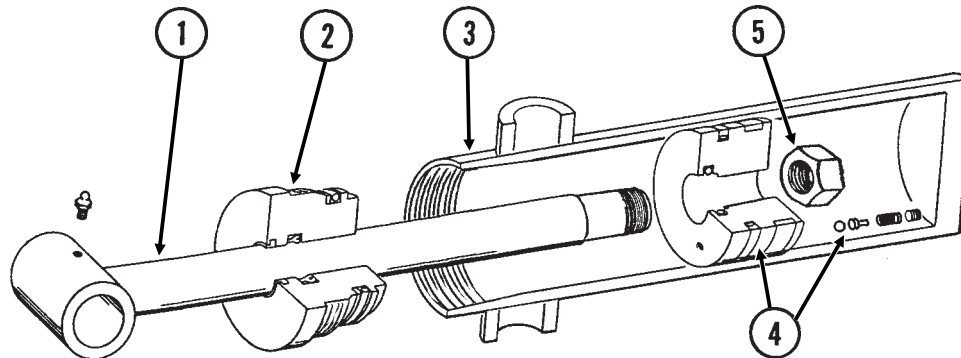
CYL038(CYL1a)



ITEM	PART NO.	QTY.	DESCRIPTION
1.	GA8912	1	Rod Assembly W/Grease Fitting
	G10640	-	Grease Fitting, 1/4"-28
2.	GD12507	1	Gland
3.	A4295	1	Barrel (Non-Stock Item)
4.	GA8916	1	Piston W/Rephasing Valve
	GR1169	-	Rephasing Valve Replacement Kit (Includes Set Screw, Guide, 2 Springs And Ball)
5.	G10958	1	Lock Nut, 1"-14
A.	GA8917	-	Cylinder Complete, 3 1/2" x 8" (Part Number Stamped On Barrel)
B.	GR1528	-	Seal Kit, Includes: (1) Wear Ring, (2) O-Rings, (1) BU Ring, (1) U-Cup, (1) Wiper, (1) T-Seal

SLAVE LIFT CYLINDER

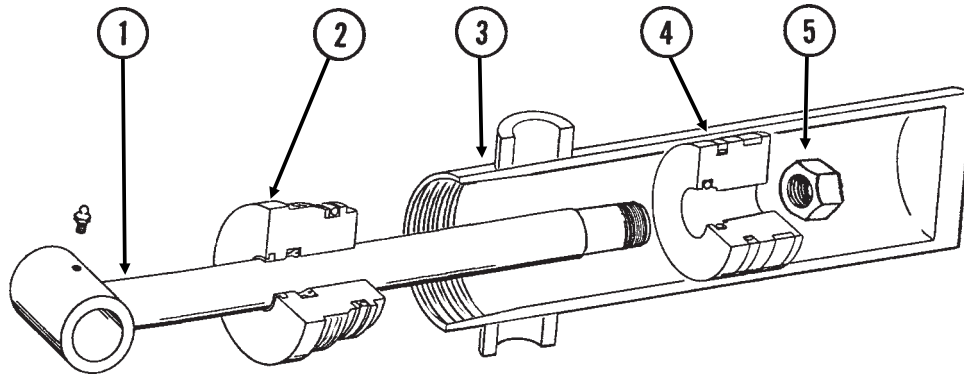
CYL038(CYL1a)



ITEM	PART NO.	QTY.	DESCRIPTION
1.	GA8912	1	Rod Assembly W/Grease Fitting
	G10640	-	Grease Fitting, 1/4"-28
2.	GD12505	1	Gland
3.	A7538	1	Barrel (Non-Stock Item)
4.	GA8914	1	Piston W/Rephasing Valve
	GR1169	-	Rephasing Valve Replacement Kit (Includes Set Screw, Guide, 2 Springs And Ball)
5.	G10958	1	Lock Nut, 1"-14
A.	GA8915	-	Cylinder Complete, 3 1/4" x 8" (Part Number Stamped On Barrel)
B.	GR1527	-	Seal Kit, Includes: (1) Wear Ring, (1) T-Seal, (2) O-Rings, (1) BU Ring, (1) U-Cup, (1) Wiper

ASSIST CYLINDER

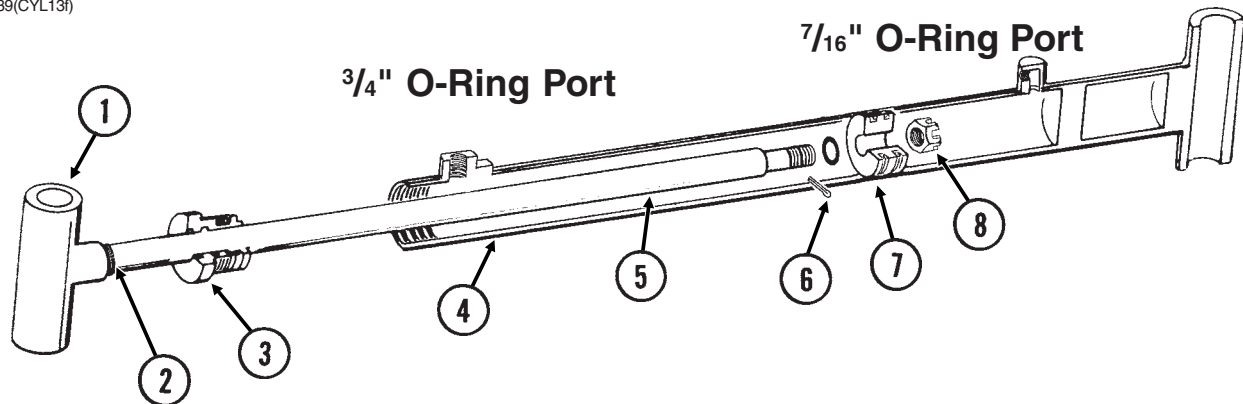
CYL026(CYL4e)



ITEM	PART NO.	QTY.	DESCRIPTION
1.	GA8912	1	Rod Assembly W/Grease Fitting
	G10640	-	Grease Fitting, 1/4"-28
2.	GD12505	1	Gland
3.	A7538	1	Barrel (Non-Stock Item)
4.	GD12504	1	Piston
5.	G10958	1	Lock Nut, 1"-14
A.	GA8913	-	Cylinder Complete, 3 1/4" x 8" <i>(Part Number Stamped On Barrel)</i>
B.	GR1527	-	Seal Kit, Includes: (1) Wear Ring, (1) T-Seal, (2) O-Rings, (1) BU Ring, (1) U-Cup, (1) Wiper

ROW MARKER (CUSHION) CYLINDER

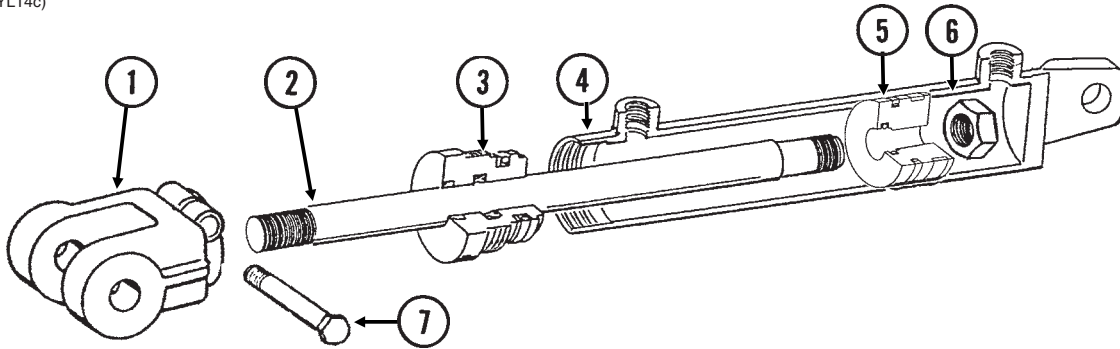
CYL039(CYL13f)



ITEM	PART NO.	QTY.	DESCRIPTION
1.	GD14308	1	Threaded Sleeve End
2.	G10526	4	Machine Bushing, 1" (.048" Thick)
3.	GD10207	1	Gland
4.	A8836	1	Barrel (Non-Stock Item)
5.	GD14529	1	Rod
6.	G10827	1	Cotter Pin, 1/8" x 1 3/4"
7.	GD11983	1	Piston
8.	G10962	1	Slotted Hex Nut, 7/8"-14
A.	GA10123	-	Cylinder Complete, 2 1/2" x 20 1/16" <i>(Part Number Stamped On Barrel)</i>
B.	GR1521	-	Seal Kit, Includes: (1) T Seal, (2) O-Rings, (1) BU Ring, (1) U-Cup, (1) Wiper, (1) Cast Iron Ring

HYDRAULIC WING FOLD CYLINDER

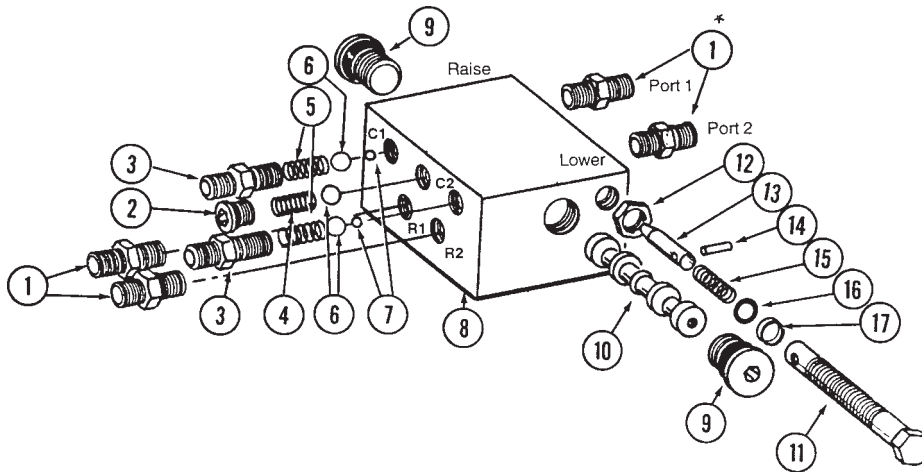
CYL032(CYL14c)



ITEM	PART NO.	QTY.	DESCRIPTION
1.	GD11950	1	Clevis
2.	GD12501	1	Rod
3.	GD11999	1	Gland
4.	A6524	1	Barrel (Non-Stock Item)
5.	GD12502	1	Piston
6.	G10958	1	Lock Nut, 1"-14
7.	G10939	1	Hex Head Cap Screw, 3/8"-16 x 2 1/4"
	G10108	1	Lock Nut, 3/8"-16
A.	GA8911	-	Cylinder Complete, 3" x 16" (<i>Part Number Stamped On Barrel</i>)
B.	GR1526	-	Seal Kit, Includes: (1) Wear Ring, (1) T-Seal, (2) O-Rings, (1) BU Ring, (1) U-Cup, (1) Wiper

ROW MARKER SEQUENCING/FLOW CONTROL VALVE

VVB025(PT9a)

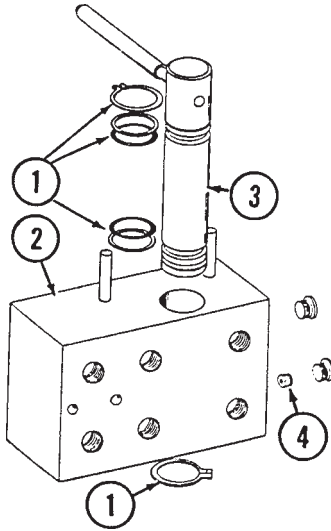


ITEM	PART NO.	QTY.	DESCRIPTION
1.	*G6400-06	4	Connector W/O-Ring, 9/16"-18 Male JIC To O-Ring
	GR1045	-	O-Ring
2.	GR1034	1	Hex Socket Plug W/O-Ring
	GR1035	-	O-Ring
3.	GR1032	2	Port Adapter W/O-Ring
	GR1045	-	O-Ring
4.	GR1033	1	Detent Spring
5.	GR1036	2	Spring
6.	GR1044	3	7/16" Check Ball
7.	GR1043	2	1/4" Steel Ball
8.		-	Valve Body (Non-Stock Item)
9.	GR1047	2	Hex Socket Plug W/O-Ring
	GR1037	-	O-Ring
10.		-	Spool (Non-Stock Item)
11.	GR1042	2	Adjustment Screw
12.	GR1048	2	Hex Jam Nut, 1/2"-20
13.	GR1038	2	Needle
14.	GR1039	2	Spring Pin
15.	GR1046	2	Compression Spring
16.	GR1040	2	O-Ring
17.	GR1041	2	Teflon BU Ring
A.	GA5552	-	Valve Assembly Complete (Items 1-17)
B.	GA5572	-	Flow Control Portion Only (Items 11-17)

*Not used on machines with 3/8" hoses.

HYDRAULIC WING FOLD SELECTOR VALVE

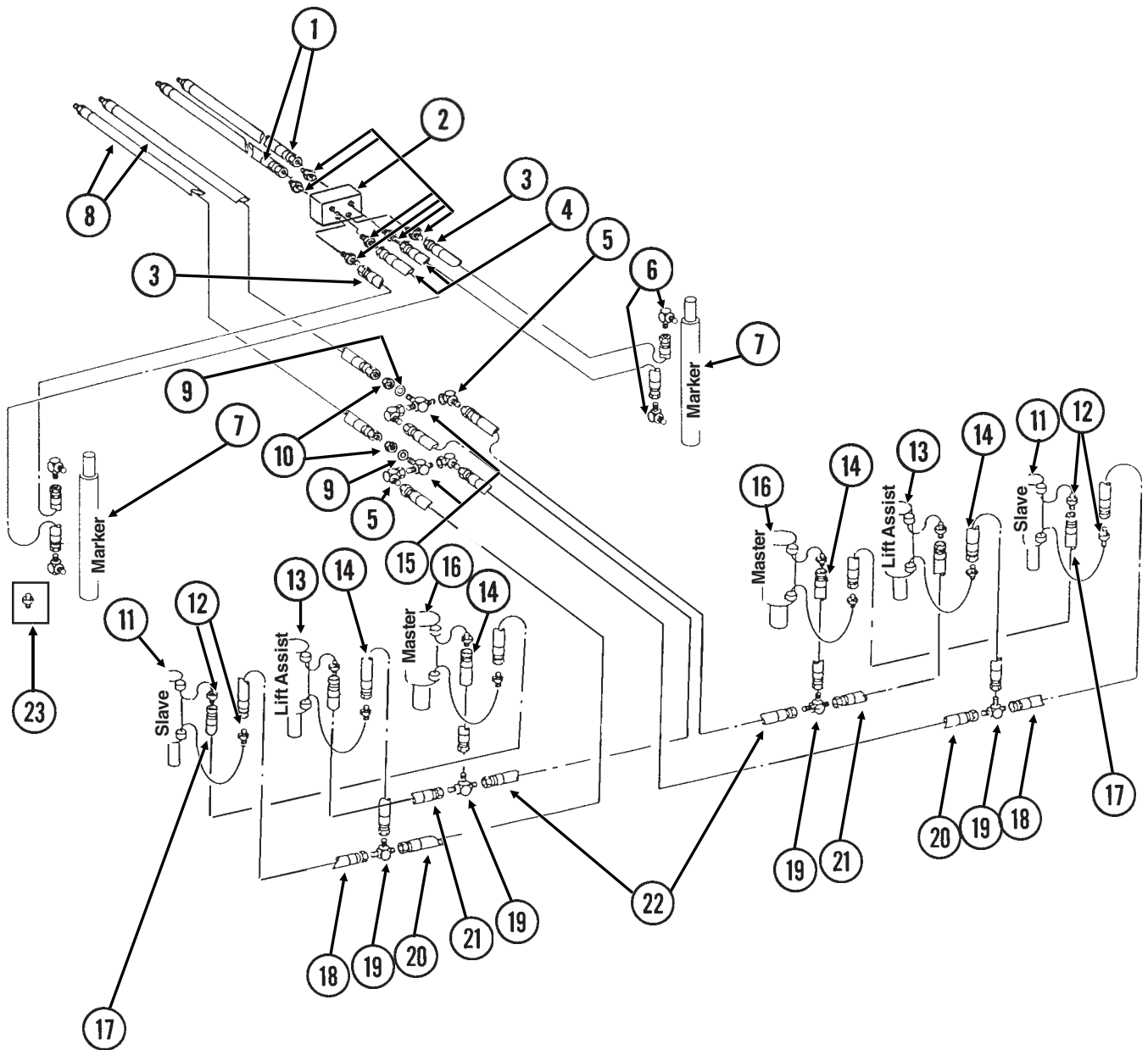
VVB028(EF8)



ITEM	PART NO.	QTY.	DESCRIPTION
1.	GR1096	-	Seal Kit, Includes: (2) Retaining Rings, (2) O-Rings, (2) BU Rings
2.	R1176	-	Block (Non-Stock Item)
3.	GR1177	1	Spool W/Handle
4.	GR1178	1	Restrictor
A.	GA6438	-	Valve Assembly (Items 1-4)

HYDRAULIC SYSTEM

PHS036(EF9g)



HYDRAULIC SYSTEM

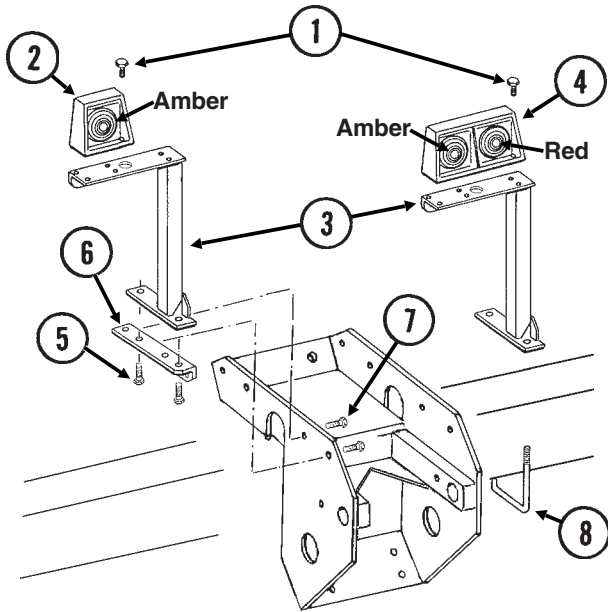
ITEM	PART NO.	QTY.	DESCRIPTION
1.	*A3202	2	Hose Assembly, $\frac{3}{8}$ " x 172", 8 Row 36"/38" And 12 Row 30"
2.		-	See "Row Marker Sequencing/Flow Control Valve", Page P60 And "Hitch And Safety Chain", Pages P32 And P33
3.	*A12008	2	Hose Assembly, $\frac{3}{8}$ " x 233", 8 Row 36"/38"
	*A12010	-	Hose Assembly, $\frac{3}{8}$ " x 259", 12 Row 30"
4.	*A12007	2	Hose Assembly, $\frac{3}{8}$ " x 217", 8 Row 36"/38"
	*A12009	-	Hose Assembly, $\frac{3}{8}$ " x 244", 12 Row 30"
5.	G6500-08	4	Swivel Elbow, 90°, $\frac{3}{4}$ "-16 Male JIC To Female
6.	G6801-08	2-4	Elbow W/O-Ring, 90°, $\frac{3}{4}$ "-16 Male JIC To O-Ring
	GR1037	-	O-Ring
7.		-	See "Row Marker Cylinder", Page P58
8.	*A3130	2	Hose Assembly, $\frac{3}{8}$ " x 173", 8 Row 36"/38" And 12 Row 30"
9.	G10215	2	Machine Bushing, $\frac{3}{4}$ ", 14 Gauge
10.	G306-08	2	Lock Nut, $\frac{3}{4}$ "-16
11.		-	See "Slave Lift Cylinder", Page P57
12.	G6400-08	12	Connector W/O-Ring, $\frac{3}{4}$ "-16 Male JIC To O-Ring
	GR1037	-	O-Ring
13.		-	See "Assist Cylinder", Page P58
14.	*A1000	4	Hose Assembly, $\frac{3}{8}$ " x 15"
15.	G2703-08	2	Bulkhead Tee, $\frac{3}{4}$ "-16 Male JIC
16.		-	See "Master Lift Cylinder", Page P57
17.	*A1024	2	Hose Assembly, $\frac{3}{8}$ " x 116", 8 Row 36"/38"
	*A3114	-	Hose Assembly, $\frac{3}{8}$ " x 156", 12 Row 30"
18.	*A1055	2	Hose Assembly, $\frac{3}{8}$ " x 66", 8 Row 36"/38"
	*A1010	-	Hose Assembly, $\frac{3}{8}$ " x 120", 12 Row 30"
19.	G2603-08	4	Tee, $\frac{3}{4}$ "-16 Male JIC
20.	*A3136	2	Hose Assembly, $\frac{3}{8}$ " x 100", 8 Row 36"/38"
	*A3176	-	Hose Assembly, $\frac{3}{8}$ " x 86", 12 Row 30"
21.	*A1021	2	Hose Assembly, $\frac{3}{8}$ " x 56", 8 Row 36"/38"
	*A1020	-	Hose Assembly, $\frac{3}{8}$ " x 48", 12 Row 30"
22.	*A3128	2	Hose Assembly, $\frac{3}{8}$ " x 52", 8 Row 36"/38"
	*A1020	-	Hose Assembly, $\frac{3}{8}$ " x 48", 12 Row 30"
23.	G6400-08-04	2	Connector W/O-Ring, $\frac{3}{4}$ "-16 Male JIC To $\frac{7}{16}$ "-20 O-Ring
	GR1045	-	O-Ring

* Hydraulic hose is not stocked by KINZE® Repair Parts, but can be made available on a special order basis. Call for quote.

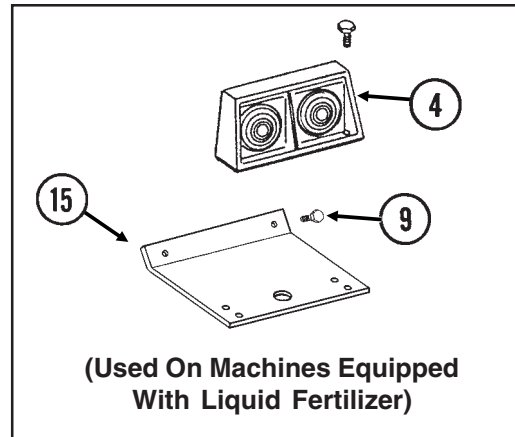
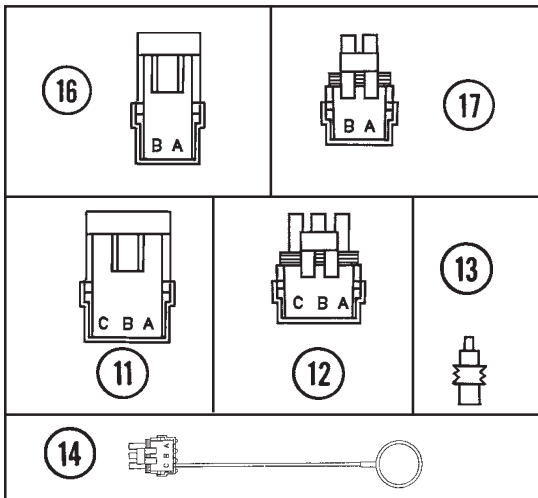
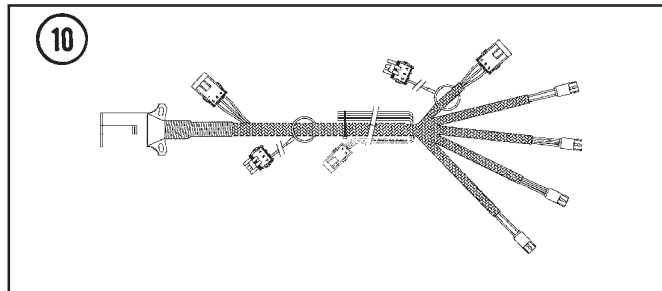
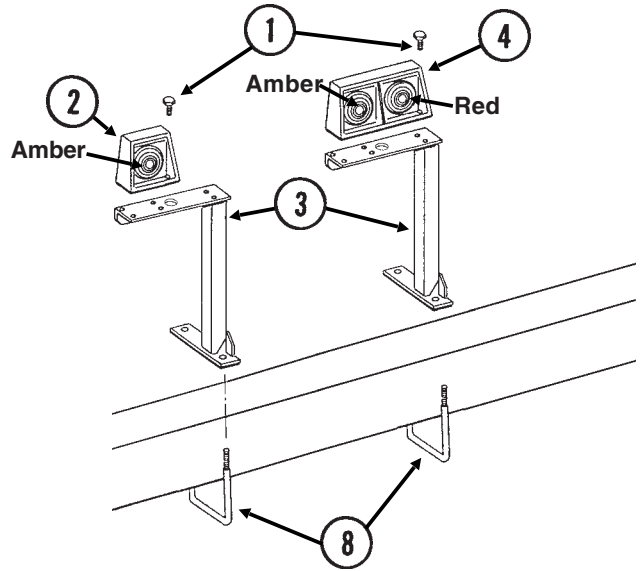
ELECTRICAL COMPONENTS

(EF64c/INS7d/ELC9/MTR27a/A9206a)

8 Row 36"/38"



12 Row 30"

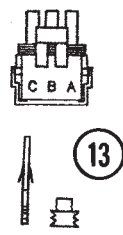
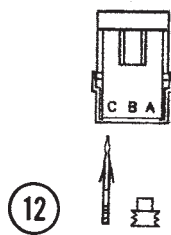
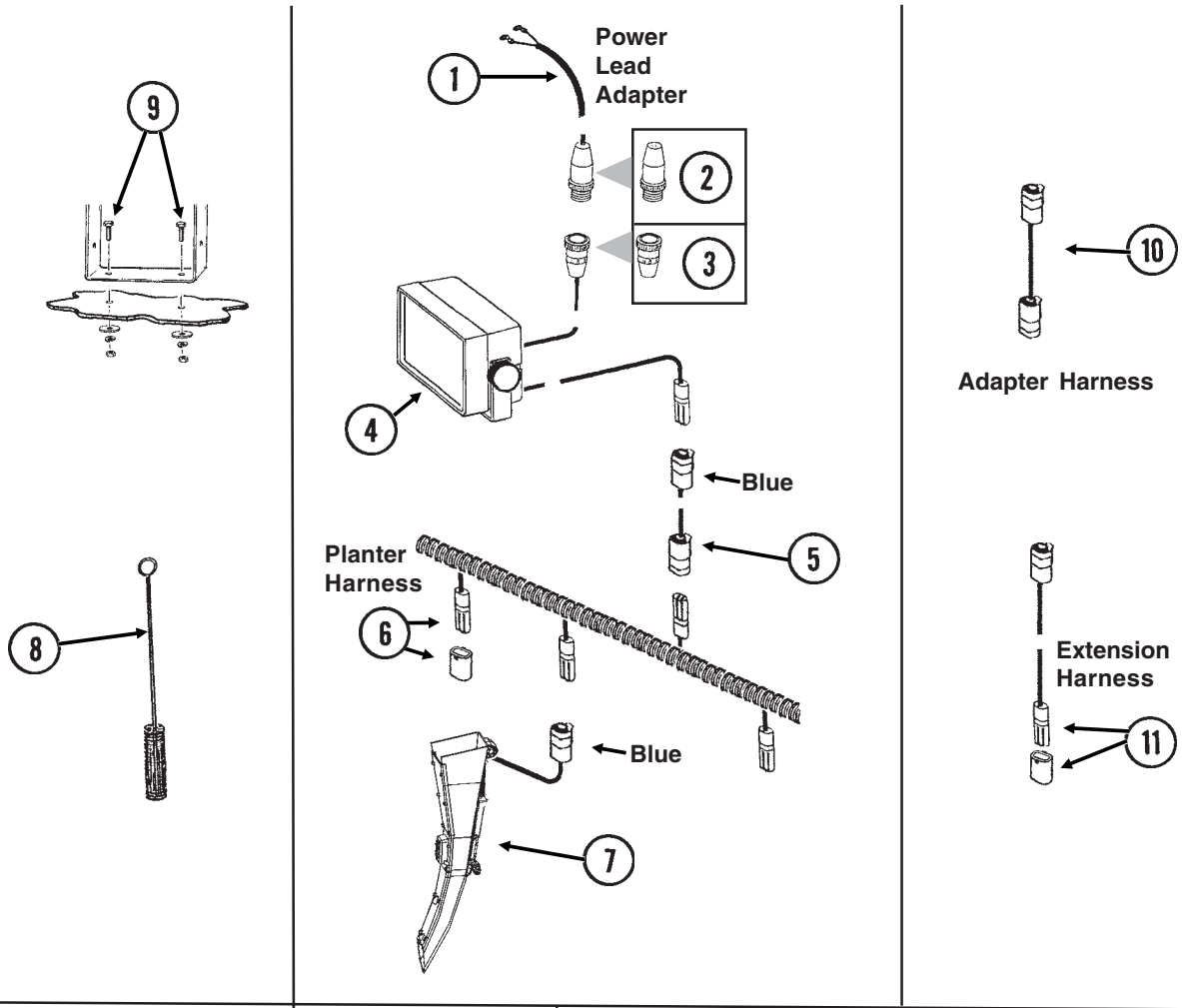


ELECTRICAL COMPONENTS

ITEM	PART NO.	QTY.	DESCRIPTION
1.	G10064	8	Hex Head Cap Screw, 1/4"-20 x 1"
	G10209	8	Washer, 1/4" USS
	G10110	8	Lock Nut, 1/4"-20, Grade B
2.	GA6701	2	Single Amber Light Assembly
	GR1204	-	Amber Lens
	GR1206	-	Rubber Grommet (2)
	GR1207	-	Lamp Unit
	GR1208	-	Bulb
3.	GA6824	-	Bracket, R.H.
	GA6823	1	Bracket, L.H. (Shown)
4.	GA6700	1	Double Light Assembly
	GA6699	1	Double Light Assembly
	GR1203	-	Red Lens
	GR1204	-	Amber Lens
	GR1205	-	Cover
	GR1206	-	Rubber Grommet (4)
	GR1207	-	Lamp Unit
	GR1208	-	Bulb
5.	G10017	4	Hex Head Cap Screw, 1/2"-13 x 1 1/2"
	G10228	4	Lock Washer, 1/2"
	G10102	4	Hex Nut, 1/2"-13
6.	GD11285	2	Angle
7.	G10003	4	Hex Head Cap Screw, 3/8"-16 x 1 1/2"
	G10229	4	Lock Washer, 3/8"
	G10101	4	Hex Nut, 3/8"-16
8.	GD7145	2-4	U-Bolt, 7" x 7" x 1/2"-13
	G10228	4-8	Lock Washer, 1/2"
	G10102	4-8	Hex Nut, 1/2"-13
9.	G10209	4	Washer, 1/4" USS
	G10110	4	Lock Nut, 1/4"-20, Grade B
	G10023	4	Hex Head Cap Screw, 1/4"-20 x 3/4"
10.	GA9207	-	Wiring Harness W/7 Terminal Female Connector, 329" (4 Light Connections)
	GA5385	-	7 Terminal Female Connector
11.	G1K248	-	3-Pin Female Connector Kit (Black), Includes: (3) 3-Pin Female Housings, (9) Pin Contacts, (9) Seals
12.	G1K252	-	3-Pin Male Connector Kit (Black), Includes: (3) 3-Pin Male Housings, (9) Socket Contacts, (9) Seals
13.	GD11089	-	Sealing Plug
14.	GA8047	-	Dust Plug (Black)
15.	GA9209	2	Light Bracket
16.	G1K321	-	2-Pin Female Connector Kit (Black), Includes: (3) 2-Pin Female Housings, (6) Pin Contacts, (6) Seals
17.	G1K320	-	2-Pin Male Connector Kit (Black), Includes: (3) 2-Pin Male Housings, (6) Socket Contacts, (6) Seals

KPM I ELECTRONIC SEED MONITOR

(MTR46bb)



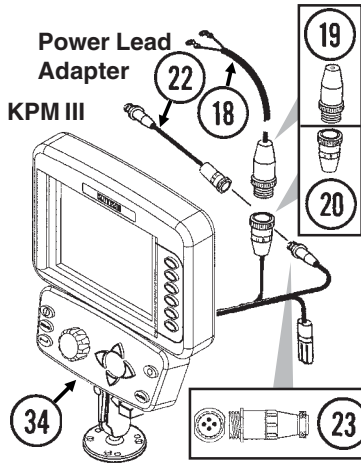
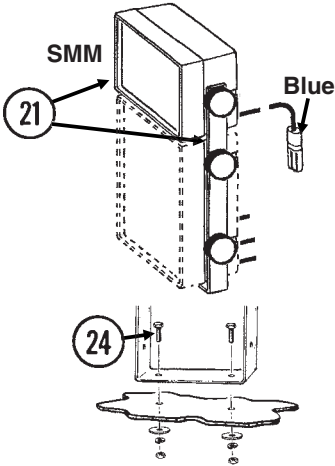
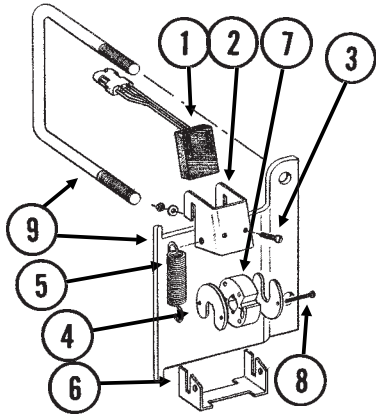
KPM I ELECTRONIC SEED MONITOR

ITEM	PART NO.	QTY.	DESCRIPTION
1.	GA7856	1	Power Lead Adapter
2.	G1K267	-	Power Lead Adapter Connector Kit, Includes: (1) Cable Clamp, (1) 3-Pin Connector, (3) Male Terminal Pins
3.	G1K268	-	Console Cable Connector Kit, Includes: (1) Cable Clamp, (1) 3-Pin Connector, (1) Lock Ring, (3) Female Terminal Pins
4.	GA10570	1	KPM I Backlit Console W/Mounting Bracket, Fuse Holder And Fuse, Power Lead Adapter (Item 11), Brush (Item 23) And Dust Plug (Item 34)
	GR1390	-	Mounting Bracket, KPM I
	GR1392	-	Console Mounting Bracket Hardware Package (Includes 2 Knobs And 1/4" Hardware)
	GA10601	-	Fuse Holder
	GD7639	-	Fuse
5.		-	See Light Wiring Harness, Item 10 On Pages P64 And P65
6.	GA7850	-	Planter Harness W/Dust Caps, 8 Row (12 Connectors)
	GA7851	-	Planter Harness W/Dust Caps, 12 Row (16 Connectors)
	GD11993	-	Dust Cap
7.	GA10901	-	Seed Tube W/Computerized Sensor (Shown)
	GR1629	-	Sensor Only
	GA10940	-	Seed Tube (With Holes For Sensor Installation)
8.	GR0594	-	Brush
9.	G10022	2	Hex Head Cap Screw, 1/4"-20 x 1/2"
	G10211	2	Washer, 1/4" SAE
	G10227	2	Lock Washer, 1/4"
	G10103	2	Hex Nut, 1/4"-20
10.	GA7857	-	Adapter Harness, 1'
11.	GA7854	-	Extension Harness W/Dust Cap, 15'
	GA7855	-	Extension Harness W/Dust Cap, 30'
	GD11993	-	Dust Cap
12.	G1K248	-	3-Pin Female Connector Kit (Black), Includes: (3) 3-Pin Female Housings, (9) Pin Contacts, (9) Seals
	G1K362	-	3-Pin Female Connector Kit (Blue), Includes: (3) 3-Pin Female Housings, (9) Pin Contacts, (9) Seals
13.	G1K252	-	3-Pin Male Connector Kit (Black), Includes: (3) 3-Pin Male Housings, (9) Socket Contacts, (9) Seals
	G1K363	-	3-Pin Male Connector Kit (Blue), Includes: (3) 3-Pin Male Housings, (9) Socket Contacts, (9) Seals
14.	GD11089	-	Sealing Plug
15.	GA8046	-	Dust Plug (Black)
	GA9978	-	Dust Plug (Blue)
16.	GA8047	-	Dust Plug (Black)
	GA9979	-	Dust Plug (Blue)

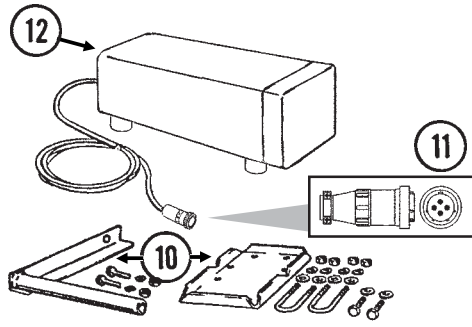
KPM II STACK-MODE/KPM III ELECTRONIC SEED MONITORS

(MTR43nn)

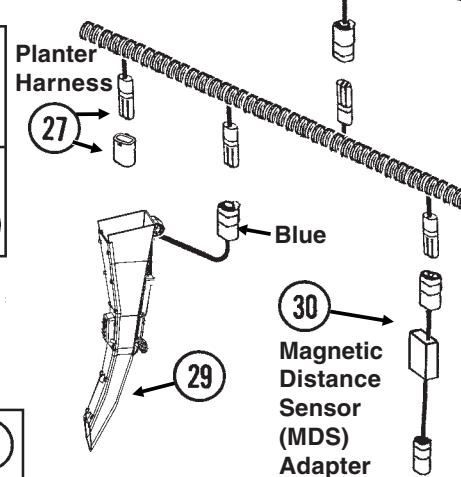
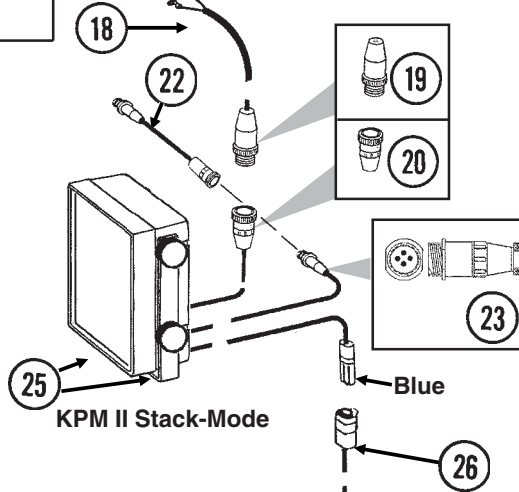
Shaft Rotation Sensor



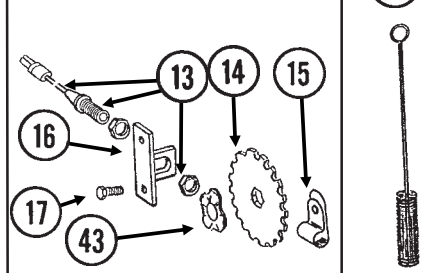
Radar Distance Sensor



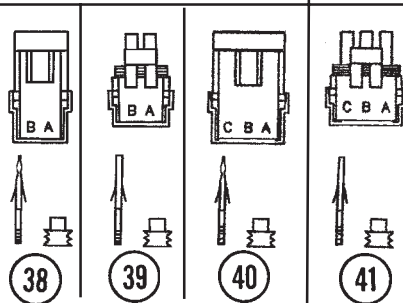
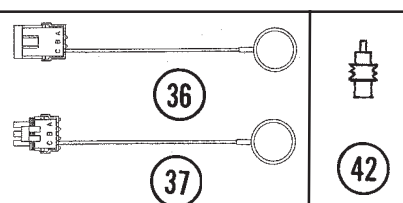
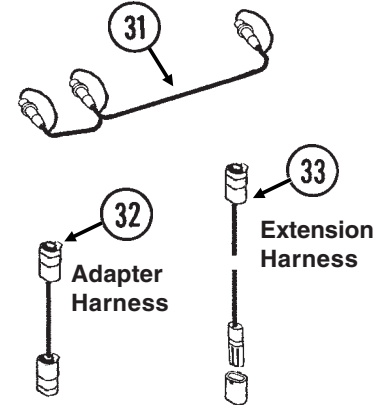
Power Lead Adapter



Magnetic Distance Sensor (MDS)



Radar Y-Cable



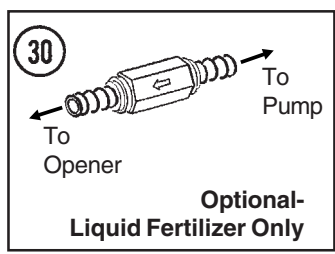
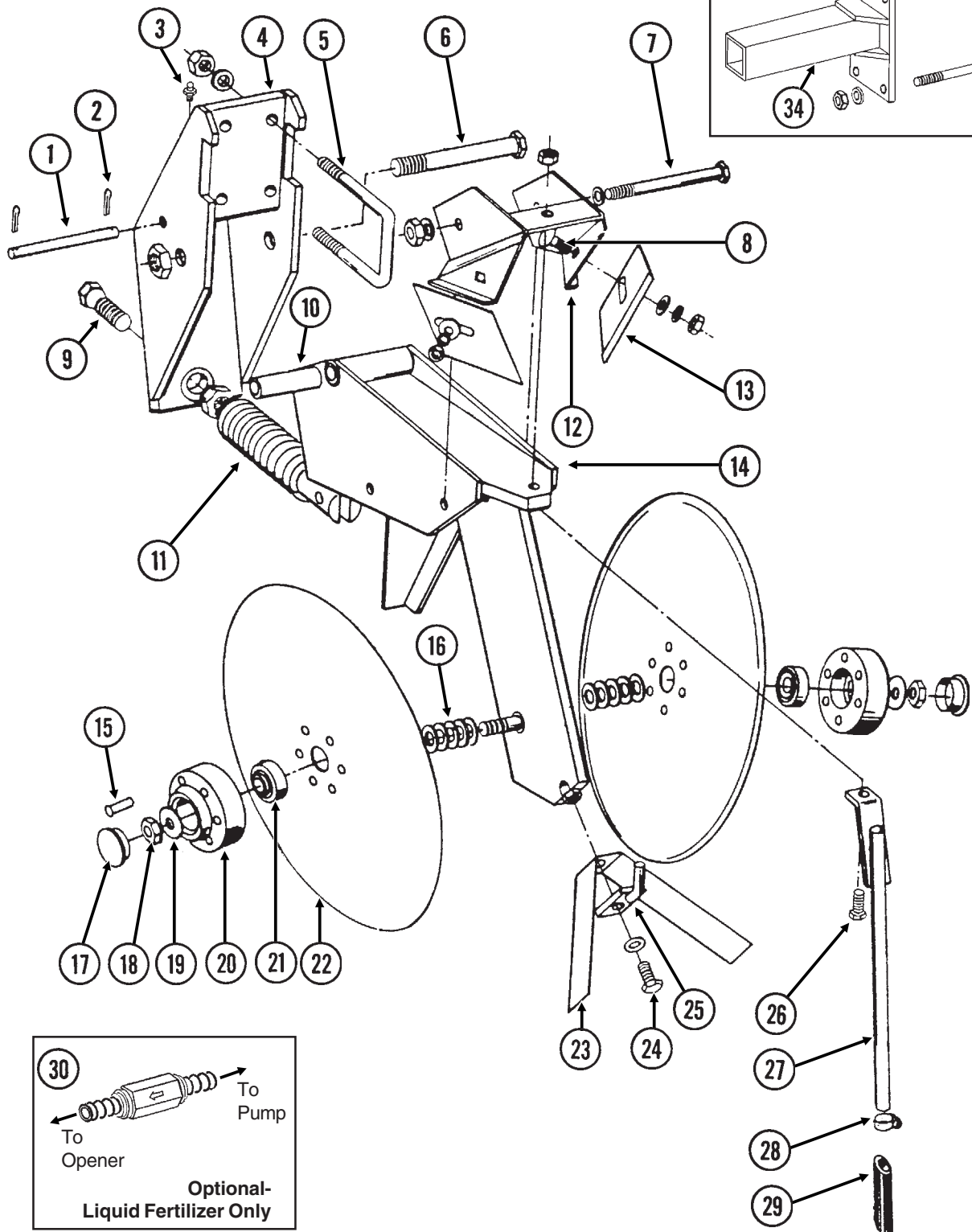
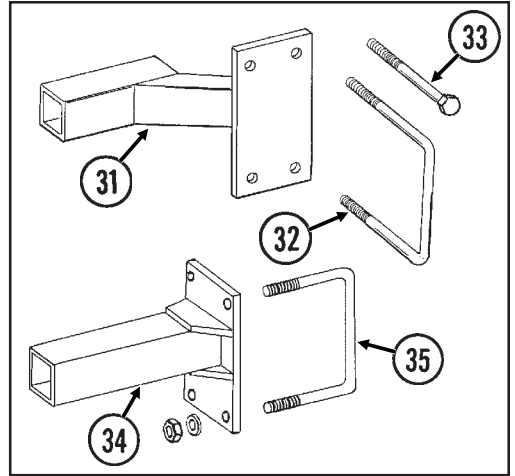
ITEM	PART NO.	QTY.	DESCRIPTION
1.	GR1415	1	Rotation Sensor
2.	GD11169	1	Mount
3.	G10757	2	Pan Head Screw, No. 10-32 x 1 1/4"
	G10243	2	Washer, No. 10 SAE
	G10758	2	Hex Nut, No. 10-32
4.	GD11474	2	Cover
5.	GD5857	2	Spring
6.	GD11170	1	Spring Mount
7.	GR1414	1	Actuator
8.	G10927	2	Pan Head Machine Screw, No. 8-32 x 1 1/4", Stainless Steel
	G10931	2	Lock Washer, No. 8, Internal/External, Stainless Steel
	G10928	2	Hex Nut, No. 8-32, Stainless Steel
9.	G1K364	-	Rotation Sensor Mount Kit, Includes: (2) Mounts, (2) GD11721 5" x 7" U-Bolts, (4) G10228 Lock Washers, (4) G10102 Hex Nuts, (1) Instruction
10.	GA8026	-	Radar Sensor Pipe/Mounting Bracket Package
11.	G1K323	-	4-Pin Connector Kit W/Female Housing, Includes: (4) Pins, (1) Cable Clamp
12.	GA7858	-	Radar Distance Sensor W/20' Cable

KPM II STACK-MODE/KPM III ELECTRONIC SEED MONITORS

ITEM	PART NO.	QTY.	DESCRIPTION
13.	GA5600	1	Magnetic Distance Sensor
14.	GD8751	-	Magnetic Distance Sensor Pulse Wheel
15.	GD6291	-	Insulated Clamp, 3/8"
16.	GD8770	1	Bracket
17.	G10001	2	Hex Head Cap Screw, 3/8"-16 x 1"
	G10229	2	Lock Washer, 3/8"
	G10101	2	Hex Nut, 3/8"-16
18.	GA7856	1	Power Lead Adapter
19.	G1K267	-	Power Lead Adapter Connector Kit, Includes: (1) 3-Pin Connector, (1) Cable Clamp, (3) Male Terminal Pins
20.	G1K268	-	Console Cable Connector Kit, Includes: (1) 3-Pin Connector, (1) Cable Clamp, (1) Lock Ring, (3) Female Terminal Pins
21.	GA9857	1	SMM Backlit Console W/Mounting Bracket And Dust Plug (Item 36)
	GR1631	-	Mounting Bracket, KPM II Stack-Mode And SMM Consoles
	GR1632	-	Console Mounting Bracket Hardware Package (Includes 2 Knobs And 1/4" Hardware)
22.	GA9144	-	Monitor/Radar Adapter Cable, 10"
23.	G1K322	-	4-Pin Connector Kit W/Male Housing, Includes: (4) Female Socket Contacts, (1) Cable Clamp
24.	G10022	2	Hex Head Cap Screw, 1/4"-20 x 1/2"
	G10211	2	Washer, 1/4" SAE
	G10227	2	Lock Washer, 1/4"
	G10103	2	Hex Nut, 1/4"-20
25.	GA10575	-	KPM II Backlit Console W/Mounting Bracket, Fuse Holder And Fuse, Power Lead Adapter (Item 18), Brush (Item 28), Dust Plug (Item 36) And Monitor/Radar Adapter, 10" (Item 22)
	GR1391	-	Mounting Bracket, KPM II
	GR1393	-	Console Mounting Bracket Hardware Package (Includes 4 Knobs And 1/4" Hardware)
	GA10601	-	Fuse Holder
	GD7639	-	Fuse
26.		-	See Light Wiring Harness, Item 10 On Pages P64 And P65
27.	GA7850	1	Planter Harness W/Dust Caps, 8 Row (12 Connectors)
	GA7851	-	Planter Harness W/Dust Caps, 12 Row (16 Connectors)
	GD11993	-	Dust Cap
28.	GR0594	-	Brush
29.	GA10901	-	Seed Tube W/Computerized Sensor
	GR1629	-	Sensor Only
	GA10940	-	Seed Tube (With Holes For Sensor Installation)
30.	GA7859	1	Magnetic Distance Sensor Adapter (Analog To Digital)
31.	GR0586	1	Radar Y-Cable (Used To Connect Radar Distance Sensor For Multiple Functions)
32.	GA7857	-	Adapter Harness, 1'
33.	GA7854	-	Extension Harness W/Dust Cap, 15'
	GA7855	-	Extension Harness W/Dust Cap, 30'
	GD11993	-	Dust Cap
34.	GA11039	1	KPM III Backlit Console W/Brush (Item 28), Dust Plug (Item 36), Mounting Bracket Assembly, Console Mounting Bracket Hardware And Power Harness
	GA12403	-	Mounting Bracket Assembly, Includes: (2) Mounting Brackets, (2) Connector Halves, (1) Compression Spring, (1) Tension Knob, (1) 1/4"-20 x 1 3/4" Hex Head Cap Screw, (1) 1/4" Plastic Washer, (1) 1/4" Steel Washer
	GR1762	-	Console Mounting Bracket Hardware Package, Includes: (3) No. 10-32 x 5/8" Hex Socket Pan Head Plated Screws, (3) No. 10 Lock Washers
	GR1764	-	Power Harness
35.	G1K249	-	Acre Counter Switch Kit
36.	GA8046	-	Dust Plug (Black)
	GA9978	-	Dust Plug (Blue)
37.	GA8047	-	Dust Plug (Black)
	GA9979	-	Dust Plug (Blue)
38.	G1K321	-	2-Pin Female Connector Kit (Black), Includes: (3) 2-Pin Female Housings, (6) Pin Contacts, (6) Seals
39.	G1K320	-	2-Pin Male Connector Kit (Black), Includes: (3) 2-Pin Male Housings, (6) Socket Contacts, (6) Seals
40.	G1K248	-	3-Pin Female Connector Kit (Black), Includes: (3) 3-Pin Female Housings, (9) Pin Contacts, (9) Seals
	G1K362	-	3-Pin Female Connector Kit (Blue), Includes: (3) 3-Pin Female Housings, (9) Pin Contacts, (9) Seals
41.	G1K252	-	3-Pin Male Connector Kit (Black), Includes: (3) 3-Pin Male Housings, (9) Socket Contacts, (9) Seals
	G1K363	-	3-Pin Male Connector Kit (Blue), Includes: (3) 3-Pin Male Housings, (9) Socket Contacts, (9) Seals
42.	GD11089	-	Sealing Plug
43.	GD8771	1	Spring Wave Washer
A.	GA6147	-	Magnetic Distance Sensor And Mounting Package (Items 13-17 And 43)

DOUBLE DISC FERTILIZER OPENER

(FRTZ175d/FRTZ168c/FRTZ208)

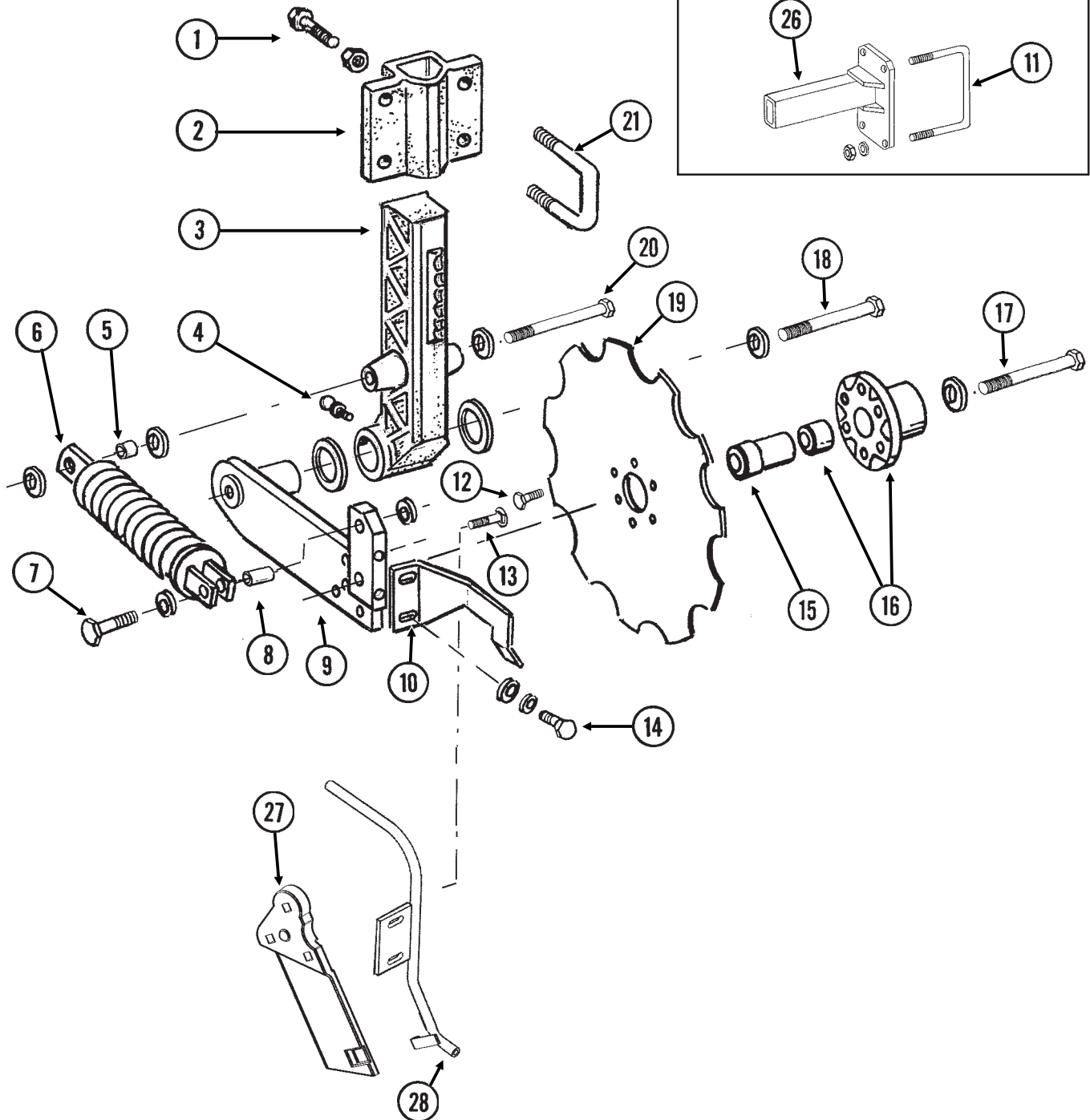
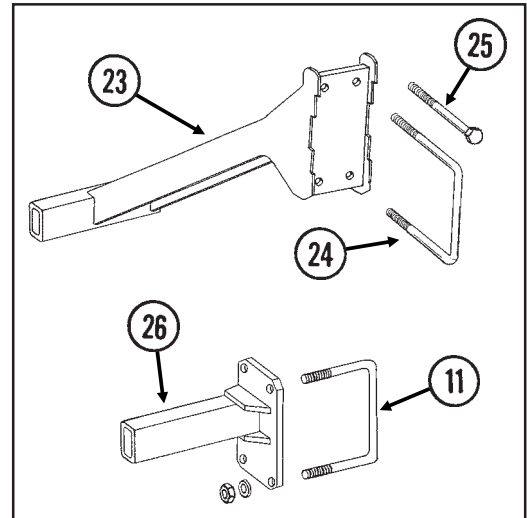


DOUBLE DISC FERTILIZER OPENER

ITEM	PART NO.	QTY.	DESCRIPTION
(Per Assy.)			
1.	GD1657	1	Lockup Pin
2.	G10451	2	Cotter Pin, 1/8" x 1"
3.	G10938	1	Grease Fitting, 1/4"-28, Taper Threads
4.	GA8483	1	Bracket
5.	GD1138	2	U-Bolt, 2 1/2" x 2 1/2" x 1/2"-13
	G10228	4	Lock Washer, 1/2"
	G10102	4	Hex Nut, 1/2"-13
6.	G10046	1	Hex Head Cap Screw, 5/8"-11 x 5"
	G10107	1	Lock Nut, 5/8"-11
7.	G10045	1	Hex Head Cap Screw, 1/2"-13 x 4 1/2"
	G10111	1	Lock Nut, 1/2"-13
8.	G10305	2	Carriage Bolt, 3/8"-16 x 1"
	G10210	2	Washer, 3/8" USS
	G10229	2	Lock Washer, 3/8"
	G10101	2	Hex Nut, 3/8"-16
9.	GD0962	1	Hex Head Adjusting Bolt, 5/8"-18 x 3 1/4"
	G10499	1	Hex Jam Nut, 5/8"-18, Grade 2
10.	GD0487	1	Bushing, 41/64" I.D. x 3 1/2" Long
11.	GA0328	1	Spring
12.	GA0810	1	Scraper Mount
13.	GD1673	2	Scraper
14.	GA9195	1	Shank
15.	G10542	12	Rivet, 1/4" x 1 5/16"
16.	G10213	-	Machine Bushing, 5/8" (.030" Thick)
17.	GD1132	2	Dust Cap
18.	G10503	1	Hex Jam Nut, 5/8"-11, Grade 2
	G10504	1	Hex Jam Nut, 5/8"-11, L.H. Threads, Grade 2
19.	G10204	2	Special Machine Bushing, 5/8" x 1" O.D.
20.	GB0134	2	Hub
21.	GA2014	2	Bearing
22.	GD11306	2	Disc Blade, 3.5 mm x 15"
23.	GD2589	1	Inner Scraper
24.	G10019	1	Hex Head Cap Screw, 5/16"-18 x 1"
	G10232	1	Lock Washer, 5/16"
25.	GA0312	1	Mount
26.	G10133	1	Hex Head Cap Screw, 5/16"-18 x 1 1/2"
	G10221	1	Washer, 5/16" SAE
	G10109	1	Lock Nut, 5/16"-18, Grade 8
27.	GA8685	-	Drop Tube, Liquid Fertilizer
28.	G10681	-	Hose Clamp, No. 6
29.	GD11705	-	Extension
30.	GA8983	-	Check Valve, Low Rate
31.	GA8081	1	Opener Mount, L.H. (Shown)
	GA8080	-	Opener Mount, R.H.
32.	GD1114	2	U-Bolt, 7" x 7" x 5/8"-11
	G10230	4	Lock Washer, 5/8"
	G10104	4	Hex Nut, 5/8"-11
33.	G10152	-	Hex Head Cap Screw, 5/8"-11 x 9"
	G10230	-	Lock Washer, 5/8"
	G10104	-	Hex Nut, 5/8"-11
34.	GA8099	1	Opener Mount, L.H. (Shown)
	GA8098	-	Opener Mount, R.H.
35.	GD11132	2	U-Bolt, 4" x 7" x 1/2"-13
	G10228	4	Lock Washer, 1/2"
	G10102	4	Hex Nut, 1/2"-13
A.	GA8845	-	Disc Blade And Bearing Assembly (Items 15 And 20-22)

NOTCHED SINGLE DISC FERTILIZER OPENER

(FRTZ208/EF71/FRTZ209zz)

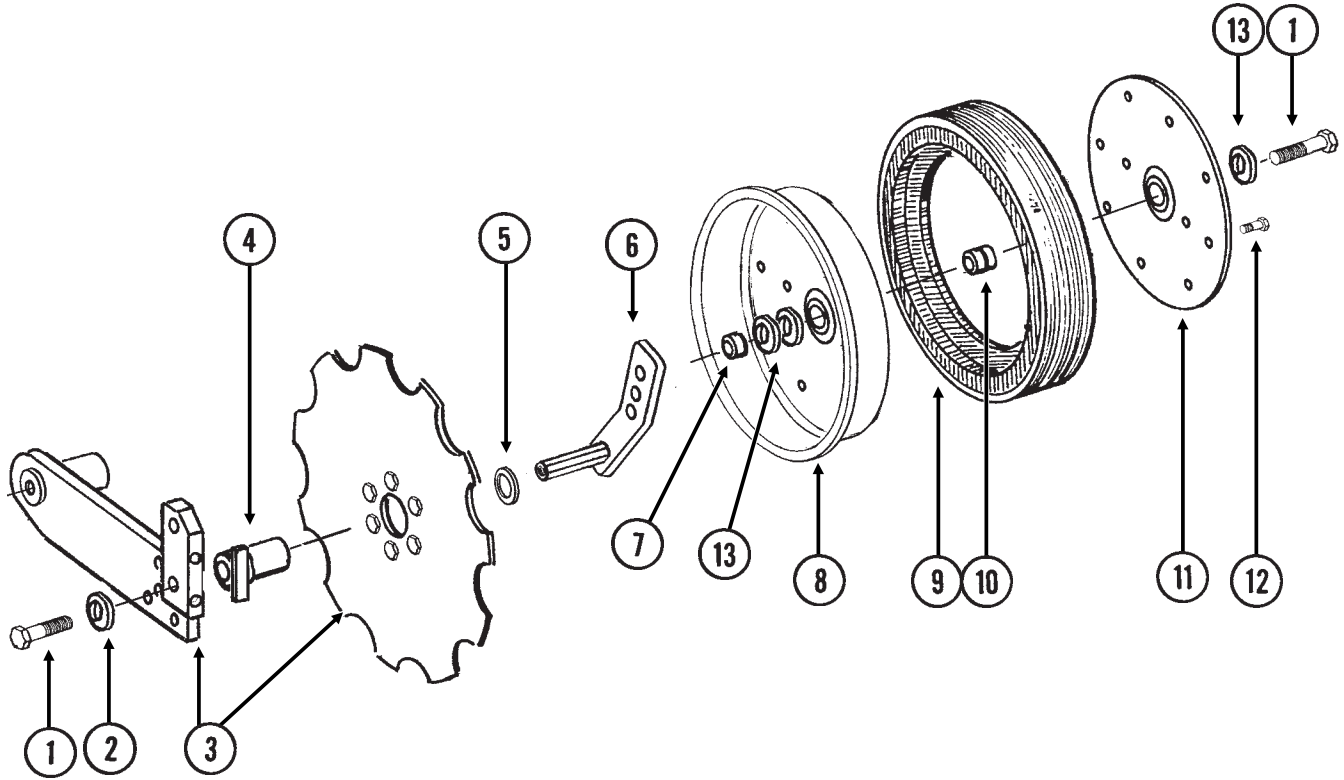


NOTCHED SINGLE DISC FERTILIZER OPENER

ITEM	PART NO.	QTY.	DESCRIPTION
(Per Assy.)			
1.	G10017	3	Hex Head Cap Screw, 1/2"-13 x 1 1/2"
	G10102	3	Hex Nut, 1/2"-13
2.	GB0297	1	Mount
3.	GB0296	1	Arm, 13 1/2"
4.	G10640	1	Grease Fitting, 1/4"-28
5.	GD12685	1	Bushing, 3/4" O.D. x 1/2" Long
6.	GA6966	1	Compression Spring Assembly
7.	G10047	1	Hex Head Cap Screw, 3/8"-16 x 1 3/4"
	G10210	2	Washer, 3/8" USS
	G10108	1	Lock Nut, 3/8"-16
8.	GD1026	1	Sleeve, 1 3/16" Long
9.	GA9433	1	Pivot Arm, L.H. (Shown)
	GA9434	-	Pivot Arm, R.H.
10.	GD11557	1	Scraper, L.H. (Shown)
	GD11558	-	Scraper, R.H.
11.	GD11132	-	U-Bolt, 4" x 7" x 1/2"-13
	G10228	-	Lock Washer, 1/2"
	G10102	-	Hex Nut, 1/2"-13
	G10002	6	Hex Head Cap Screw, 3/8"-16 x 3/4"
13.	G10306	3	Carriage Bolt, 3/8"-16 x 2"
	G10108	3	Lock Nut, 3/8"-16
14.	G10991	2	Hex Head Cap Screw, 5/16"-18 x 7/8"
	G10232	2	Lock Washer, 5/16"
	G10219	6	Washer, 5/16" USS
15.	GD12679	1	Stepped Spacer, 3" Long
16.	GA9437	1	Hub W/Bearing
	GA8603	-	Bearing, Double Row
17.	G10011	1	Hex Head Cap Screw, 5/8"-11 x 5 1/2"
	GD12677	1	Washer, 1 1/2" O.D., 7 Gauge, Hardened
	G10107	1	Lock Nut, 5/8"-11
18.	G10046	1	Hex Head Cap Screw, 5/8"-11 x 5"
	G10217	1	Washer, 5/8" USS
	G10450	2	Machine Bushing, 1 1/2", 18 Gauge (As Required)
	G10107	1	Lock Nut, 5/8"-11
19.	GD12676	1	Disc Blade, Notched, 16 3/4"
20.	G10871	1	Hex Head Cap Screw, 1/2"-13 x 6"
	G10206	3	Washer, 1/2" SAE
	G10111	1	Lock Nut, 1/2"-13
21.	GD13287	2	U-Bolt, 1 1/2" x 2 1/2" x 1/2"-13
	G10228	4	Lock Washer, 1/2"
	G10102	4	Hex Nut, 1/2"-13
22.	GA8983	-	Check Valve, Low Rate
23.	GA9457	-	Opener Mount, L.H. (Shown)
	GA9456	-	Opener Mount, R.H.
24.	GD1114	-	U-Bolt, 7" x 7" x 5/8"-11
	G10230	-	Lock Washer, 5/8"
	G10104	-	Hex Nut, 5/8"-11
25.	G10152	-	Hex Head Cap Screw, 5/8"-11 x 9"
	G10230	-	Lock Washer, 5/8"
	G10104	-	Hex Nut, 5/8"-11
26.	GA9454	-	Opener Mount, R.H. (Shown)
	GA9455	-	Opener Mount, L.H.
27.	GB0323	1	Knife, L.H. (Shown)
	GB0322	-	Knife, R.H.
28.	GA11397	-	Drop Tube, L.H., Liquid Fertilizer (Shown)
	GA11398	1	Drop Tube, R.H., Liquid Fertilizer

DEPTH/GAUGE WHEEL ATTACHMENT FOR NOTCHED SINGLE DISC FERTILIZER OPENER

(FRTZ256)

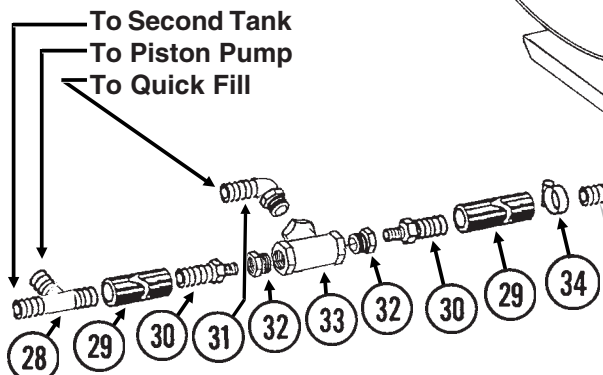
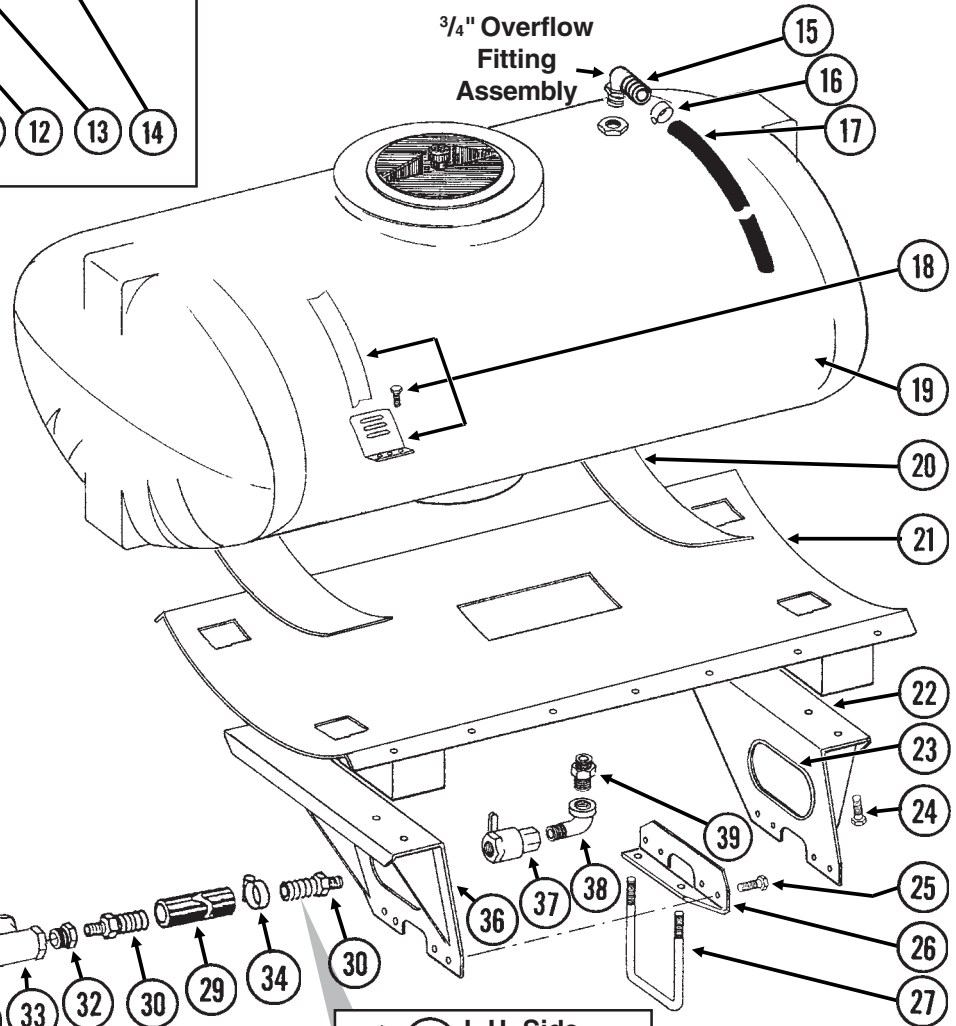
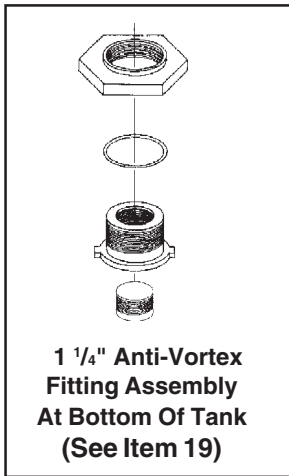
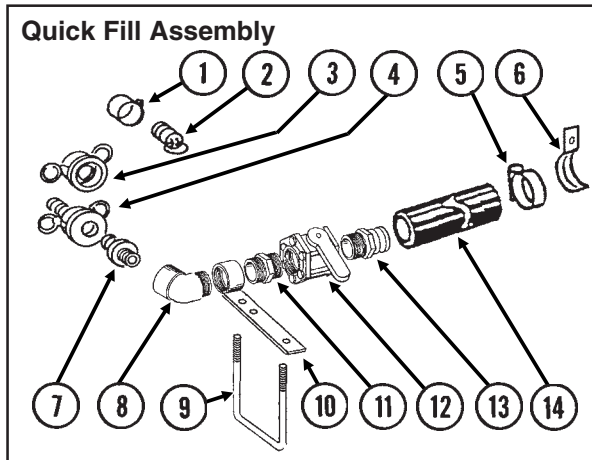


DEPTH/GAUGE WHEEL ATTACHMENT FOR NOTCHED SINGLE DISC FERTILIZER OPENER

ITEM	PART NO.	QTY. (Per Assy.)	DESCRIPTION
1.	G10010	2	Hex Head Cap Screw, $\frac{5}{8}$ "-11 x 3"
2.	GD7805	1	Special Washer, $\frac{5}{8}$ ", Hardened
3.		-	See "Notched Single Disc Fertilizer Opener", Pages P72 And P73
4.	GA9472	1	Blade Mount
5.	G10233	1	Machine Bushing, 1", 10 Gauge
6.	GA10037	1	Wheel Mount, L.H. (Shown)
	GA10036	1	Wheel Mount, R.H.
7.	GD13309	1	Spacer
8.	GD11423	1	Half Wheel
9.	GD11953	1	Offset Tire
10.	GA6171	1	Bearing
11.	GD11954	1	Half Wheel Cover, Nylon
12.	G10961	11	Flanged Whiz Lock Screw, $\frac{5}{16}$ "-18 x $\frac{3}{4}$ ", No Serration
	G10620	11	Serrated Flange Nut, $\frac{5}{16}$ "-18
13.	G10204	-	Special Machine Bushing, $\frac{5}{8}$ " x 1" O.D. (As Required)
A.	GA8877	-	Gauge Wheel Complete (Items 8-12)

LIQUID FERTILIZER TANKS, SADDLES, SADDLE MOUNTS AND HOSES

(FRTZ170)/FRTZ170L/PT51)



ITEM PART NO. QTY. DESCRIPTION

1.	G10672	1	Hose Clamp, No. 28
2.	GD10777	1	Dust Plug, 2" Male Cam Lock
3.	GD3622	1	Adapter, 2" Female NPT To Cam Lock
4.	GD3951	1	Dust Cap, 2" Cam Lock
5.	G10676	2	Hose Clamp, No. 36, Stainless Steel
6.	GD11235	1	Hose Clamp, 2" (If Applicable)
7.	GD3623	1	Adapter, 2" Male NPT To Cam Lock
8.	G10889	1	Elbow, 45°, 2" Male NPT To Female
9.	GD1114	1	U-Bolt, 7" x 7" x 5/8"-11
	G10230	2	Lock Washer, 5/8"
	G10104	2	Hex Nut, 5/8"-11

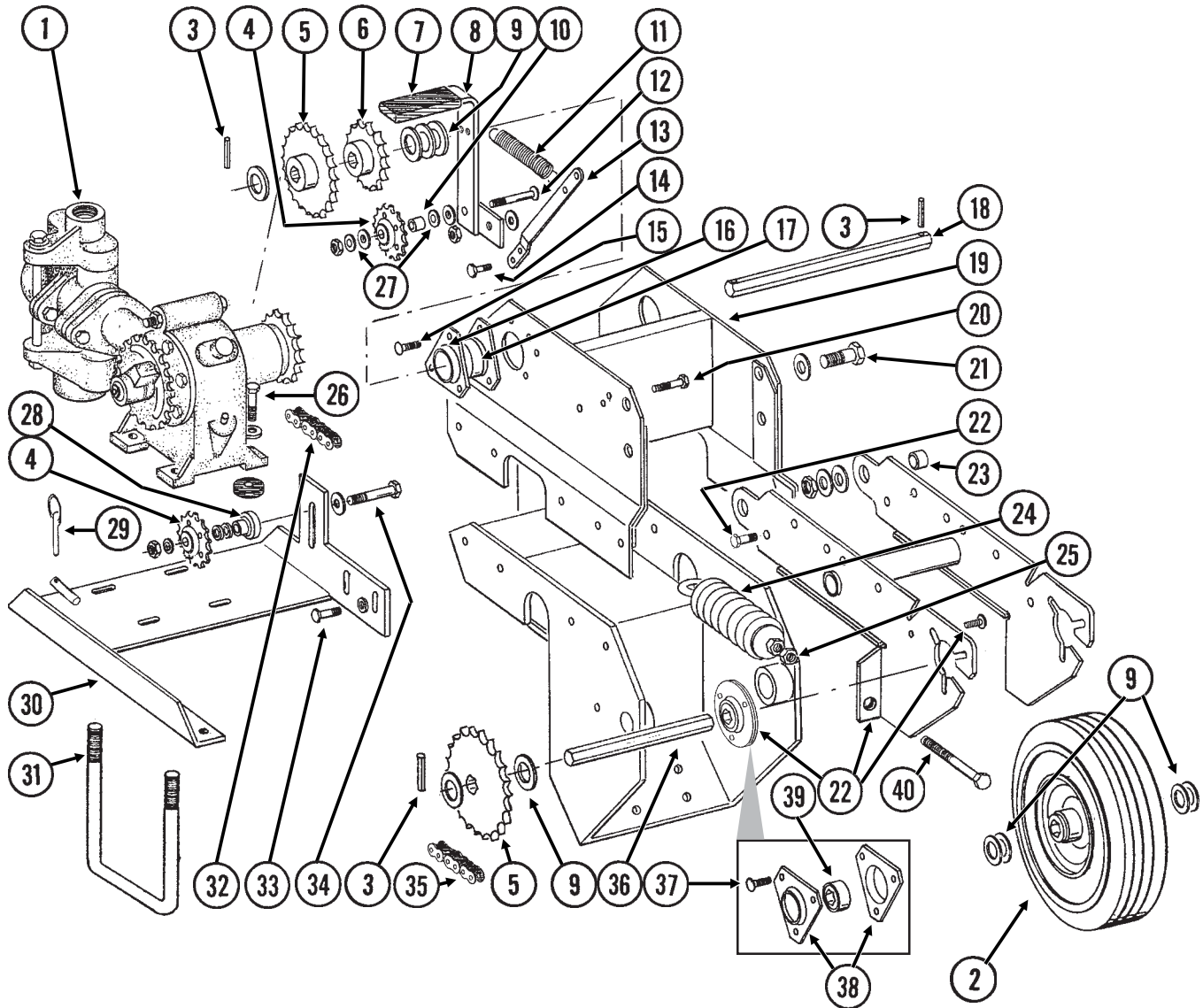
35 L.H. Side Of Planter (If Applicable)

LIQUID FERTILIZER TANKS, SADDLES, SADDLE MOUNTS AND HOSES

ITEM	PART NO.	QTY.	DESCRIPTION
10.	GA8082	1	Quick Fill Mount, 2" NPT
11.	G10623	1	Close Nipple, 2" NPT
12.	GA2660	1	Shutoff Valve, 2" NPT
13.	G10628	1	Adapter, 2" NPT To Barb
14.	G4201-04	1	Hose, 2" x 15'
15.	G10917	2	Elbow, 90°, 3/4" NPT To Barb
16.	G10278	2	Hose Clamp, No. 16
17.	G4205-11	-	Hose, 3/4" x 72" (One Per Tank)
18.	GA8114	2	Tank Mounting Hardware Package, Includes: (2) Straps, (4) Anchors, (8) Hex Head Tap Bolts, (8) Lock Nuts
	G10485	-	Hex Head Tap Bolt, 3/8"-16 x 5"
	G10901	-	Lock Nut W/Nylon Insert, 3/8"-16
19.	GA9910	2	Tank W/Lid And Fittings, 200 Gallon
	GR1678	1	Lid W/Vent, 8" (Top Of Tank)
	GR0513	-	3/4" Polypropylene Fitting Assembly (Overflow Fitting, Nut, Bushing And O-Ring) (Top Of Tank)
	GR1397	-	Overflow Fitting
	GR1435	-	1 1/4" Anti-Vortex Fitting Assembly (Anti-Vortex Fitting, Nut, Bushing And O-Ring) (Bottom Of Tank)
	GR1396	-	Anti-Vortex Fitting
20.	GD1862	-	Pad, 8" x 14'
21.	GA8088	2	Tank Saddle
22.	GA8086	2	Saddle Mount, R.H.
23.	G4425-01	4	Molding, 3/16" x 26"
24.	G10017	16	Hex Head Cap Screw, 1/2"-13 x 1 1/2"
	G10216	32	Washer, 1/2" USS
	G10228	16	Lock Washer, 1/2"
	G10102	16	Hex Nut, 1/2"-13
25.	G10004	16	Hex Head Cap Screw, 3/8"-16 x 1 1/4"
	G10229	16	Lock Washer, 3/8"
	G10101	16	Hex Nut, 3/8"-16
26.	GA8156	1	Bracket, R.H., 8 Row Only
	GA8155	-	Bracket, L.H., 8 Row Only (Shown)
27.	GD1114	1	U-Bolt, 7" x 7" x 5/8"-11 (8 Row Only)
	G10230	2	Lock Washer, 5/8"
	G10104	2	Hex Nut, 5/8"-11
28.	G10633	1	Tee, 1 1/4" Barb
29.	G4200-09	1	Hose, 1 1/4" x 12'
30.	G10626	3-4	Adapter, 1 1/4" NPT To Barb
31.	G10630	1	Elbow, 90°, 2" NPT To Barb
32.	G10616	2	Reducing Bushing, 2" Male NPT To 1 1/4" Female
33.	G10888	1	Tee, 2" Female NPT
34.	G10674	10	Hose Clamp, No. 24
35.	G10629	1	Elbow, 90°, 1 1/4" NPT To Barb
36.	GA8087	2	Saddle Mount, L.H.
37.	GA4976	2	Shutoff Valve, 1 1/4" NPT
	GR1015	-	Body O-Ring
	GR1016	-	Stem O-Ring
	GR1017	-	Teflon Seal
	GR1018	-	Ball
	GR1019	-	Handle
38.	G10887	2	Elbow, 90°, 1 1/4" Male NPT To Female
39.	G10619	3	Close Nipple, 1 1/4" NPT

LIQUID FERTILIZER PISTON PUMP DRIVE

(FRTZ167K/FRTZ167J)



ITEM	PART NO.	QTY.	DESCRIPTION
1.		-	See "Liquid Fertilizer Piston Pump", Pages P84-P89
2.	GA5090	1	Tire And Rim Assembly (Specify Brand*)
	GD5753	-	Tire, 4.10" x 6" (Specify Brand*)
	GD5752	-	Inner Tube
3.	G10602	4	Spring Pin, 1/4" x 1 1/2"
4.	GA7154	2	Sprocket W/Bearing, 18 Tooth
5.	GA5202	2	Sprocket, 34 Tooth
6.	GA5109	1	Sprocket, 24 Tooth
7.	GD5827	1	Cover
8.	GA8084	1	Arm
9.	G10233	9	Machine Bushing, 1", 10 Gauge
10.	GD11963-01	1	Spacer, 11/16"
11.	GD5857	1	Spring
12.	G10306	1	Carriage Bolt, 3/8"-16 x 2"
	G10203	2	Washer, 3/8" SAE
	G10108	1	Lock Nut, 3/8"-16
13.	GD5860	1	Bar

LIQUID FERTILIZER PISTON PUMP DRIVE

ITEM	PART NO.	QTY.	DESCRIPTION
14.	G10023	2	Hex Head Cap Screw, 1/4"-20 x 3/4"
	G10227	2	Lock Washer, 1/4"
	G10103	2	Hex Nut, 1/4"-20
15.	G10303	6	Carriage Bolt, 5/16"-18 x 1"
	G10232	6	Lock Washer, 5/16"
	G10106	6	Hex Nut, 5/16"-18
16.	G3400-01	4	Flangette
17.	G2100-03	2	Bearing, 7/8" Hex Bore, Spherical
18.	GD6825-12.25	1	Hex Shaft, 7/8" x 12 1/4" (2 Holes)
19.	GA5118	1	Mount
20.	G10001	1	Hex Head Cap Screw, 3/8"-16 x 1"
	G10370	1	Machine Bushing, 3/8", 22 Gauge
	G10229	1	Lock Washer, 3/8"
	GD5756	1	Special Nut, 3/8"-16
21.	G10751	2	Hex Head Cap Screw, 5/8"-18 x 1 3/4"
	G10235	6	Machine Bushing, 7/8", 14 Gauge
	GD7805	2	Special Washer, 5/8", Hardened
	G10412	2	Lock Nut, 5/8"-18
22.	A7370	1	Arm W/Flanged Bearings And Hardware (Non-Stock Item) (Sub G1K253)
	G10303	6	Carriage Bolt, 5/16"-18 x 1"
	G10232	6	Lock Washer, 5/16"
	G10106	6	Hex Nut, 5/16"-18
	GA9846	-	Flanged Bearing, 7/8" Hex Bore
	G10055	2	Hex Head Cap Screw, 5/8"-11 x 1 1/4" (Stop Bolt)
	G10107	2	Lock Nut, 5/8"-11
23.	GB0218	2	Bushing, 21/32" I.D. x 7/8" O.D. x 19/32" Long
24.	GA2068	1	Spring W/Plug
25.	G10501	2	Hex Jam Nut, 1/2"-13, Grade 2
26.	G10003	4	Hex Head Cap Screw, 3/8"-16 x 1 1/2"
	G10210	4	Washer, 3/8" USS
	GR1122	4	Mounting Pad
	G10229	4	Lock Washer, 3/8"
	G10101	4	Hex Nut, 3/8"-16
27.	G10207	2	Washer, 7/8" O.D. x 13/32" I.D. x .134"
28.	GB0258	1	Stepped Spacer, 7/8"
29.	GD2558	1	Lynch Pin, 1/4"
30.	GA8168	1	Pump Mount
31.	GD7145	1	U-Bolt, 7" x 7" x 1/2"-13
	G10228	2	Lock Washer, 1/2"
	G10102	2	Hex Nut, 1/2"-13
32.	G3310-66	1	Chain, No. 40, 66 Pitch Including Connector Link
	GR0912	-	Connector Link, No. 40
33.	G10003	8	Hex Head Cap Screw, 3/8"-16 x 1 1/2"
	G10210	2	Washer, 3/8" USS
	G10229	8	Lock Washer, 3/8"
	G10101	8	Hex Nut, 3/8"-16

(Continued)

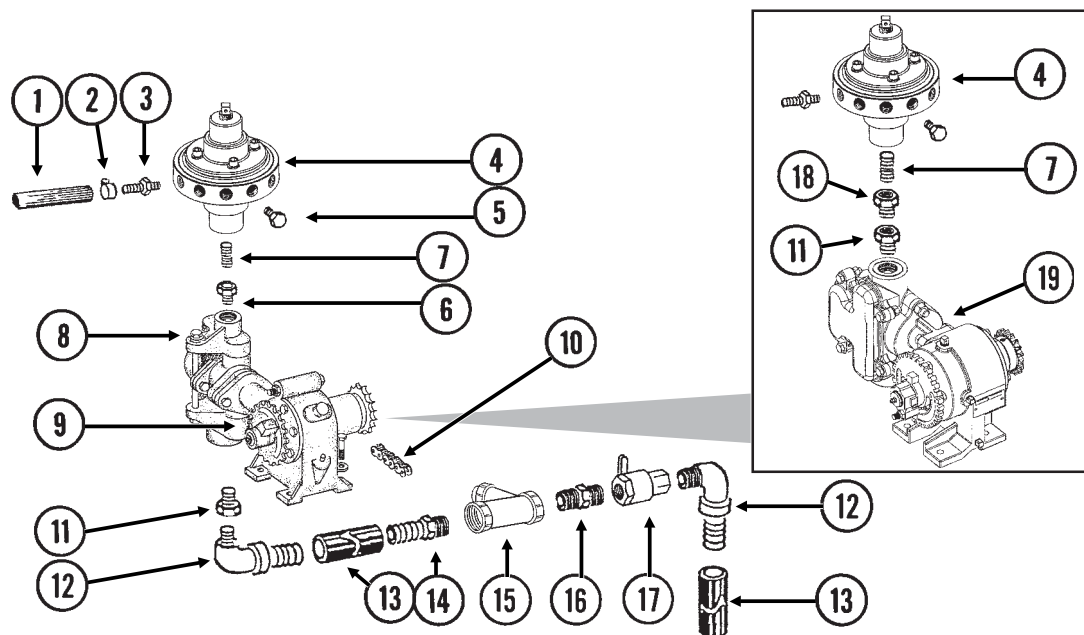
LIQUID FERTILIZER PISTON PUMP DRIVE

ITEM	PART NO.	QTY.	DESCRIPTION
34.	G10053	1	Hex Head Cap Screw, 1/2"-13 x 2 1/2"
	G10216	2	Washer, 1/2" USS
	G10228	1	Lock Washer, 1/2"
	G10102	1	Hex Nut, 1/2"-13
35.	G3310-139	1	Chain, No. 40, 139 Pitch Including Connector Link And Offset Link
	GR0912	-	Connector Link, No. 40
	GR0911	-	Offset Link, No. 40
36.	GD6825-10.375	1	Hex Shaft, 7/8" x 10 3/8" (2 Holes)
37.	G10303	6	Carriage Bolt, 5/16"-18 x 1"
	G10219	6	Washer, 5/16" USS
	G10232	6	Lock Washer, 5/16"
	G10106	6	Hex Nut, 5/16"-18
38.	G3400-01	4	Flangette
39.	G2100-03	2	Bearing, 7/8" Hex Bore, Spherical
40.	G10890	2	Hex Head Adjusting Bolt, 1/2"-13 x 4", Grade 2
A.	G1K253	-	Contact Wheel Arm Replacement Kit (Items 3, 22, 25, 36 And 40)

* Specific brand requests will be supplied only as available from current KINZE® Repair Parts stock. If a specific brand requested is not in stock, the brand available will be supplied. Different brand tires may have different diameters. Change in tire brands may affect rates. Field checks are recommended after any change in contact tires.

LIQUID FERTILIZER FLOW DIVIDER MOUNT AND HOSES

(FRTZ176k/FRTZ176ii)

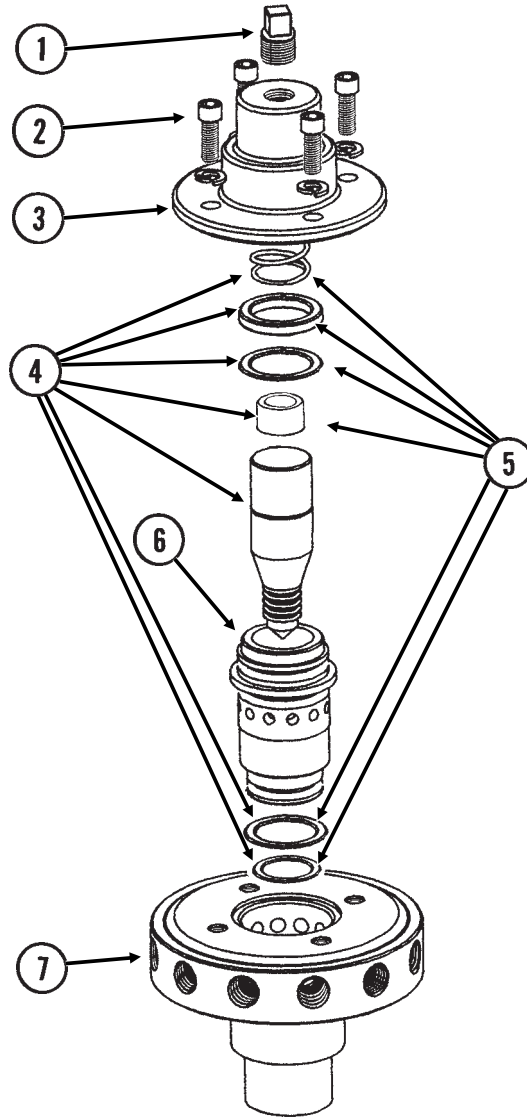


ITEM	PART NO.	QTY.	DESCRIPTION
1.	G4301-06	1	Hose, 3/8" x 160'
2.	G10681	24	Hose Clamp, No. 6
3.	GD11700	12	Adapter, 1/4" NPT To 3/8" Barb
4.	-	-	See "Liquid Fertilizer Piston Pump Flow Divider", Pages P82 And P83
5.	G10292	-	Plug, 1/4" NPT
6.	G10995	1	Reducing Bushing, 1" Male NPT To 3/4" Female, Stainless Steel
7.	G10994	1	Close Nipple, 3/4" NPT, Stainless Steel
8.	-	-	See "Liquid Fertilizer Piston Pump (Cylinder Assembly)", Pages P86 And P87
9.	-	-	See "Liquid Fertilizer Piston Pump (Crankcase Assembly)", Pages P84 And P85
10.	-	-	See "Liquid Fertilizer Piston Pump Drive", Pages P78-P80
11.	G10615	1-2	Reducing Bushing, 1 1/2" Male NPT To 1 1/4" Female
12.	G10629	2	Elbow, 90°, 1 1/4" NPT To Barb
13.	-	-	Hose, 1 1/4", See "Liquid Fertilizer Tanks, Saddles, Saddle Mounts And Hoses", Pages P76 And P77
14.	G10626	1	Adapter, 1 1/4" NPT To Barb
15.	GA3893	1	Strainer Complete
	GR0880	-	Screen, No. 40 Mesh
	GR0881	-	Gasket
	GR0882	-	Y-Body
	GR0883	-	End Cap
16.	G10619	1	Close Nipple, 1 1/4" NPT
17.	GA4976	2	Shutoff Valve, 1 1/4" NPT
	GR1015	-	Body O-Ring
	GR1016	-	Stem O-Ring
	GR1017	-	Teflon Seal
	GR1018	-	Ball
	GR1019	-	Handle
18.	G10737	1	Reducing Bushing, 1 1/4" Male NPT To 3/4" Female
19.	-	-	See "Liquid Fertilizer Piston Pump", Pages P88 And P89

LIQUID FERTILIZER PISTON PUMP FLOW DIVIDER

(FRTZ202c)

Model FD-1200 Flow Divider, 12 Outlet



3/4" NPT

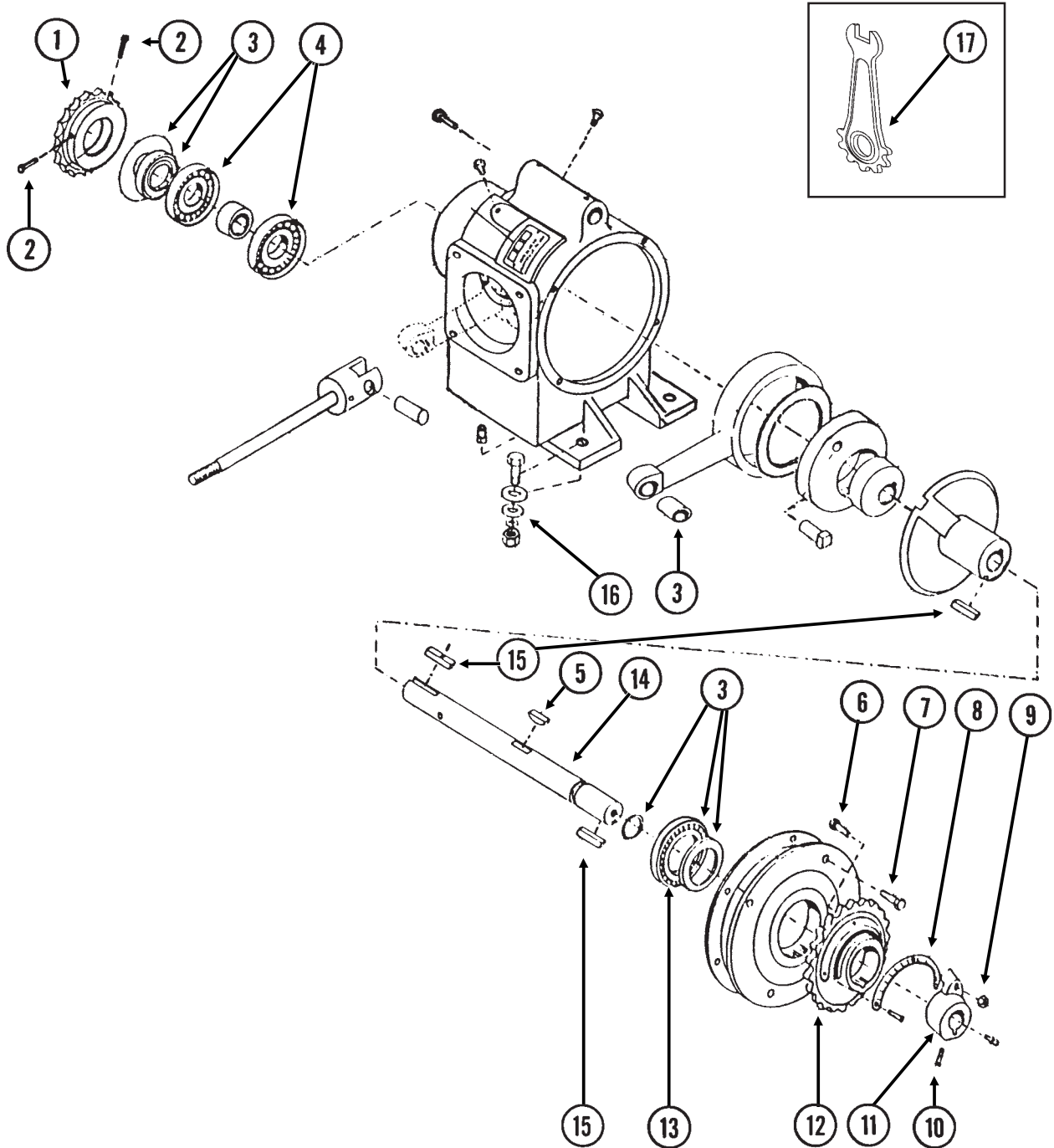
LIQUID FERTILIZER PISTON PUMP FLOW DIVIDER

ITEM	PART NO.	QTY.	DESCRIPTION
1.	GR1543	1	Plug
2.	GR1542	4	Hex Socket Head Screw, 1/4"-20 x 3/4"
	GR1541	4	Lock Washer, 1/4", Stainless Steel
3.	GR1540	1	Cap
4.	GR1544	1	Needle Assembly W/Seal Kit (Item 22)
5.	GR1545	1	Seal Kit, Includes: (3) O-Rings, (1) Seal, (1) Spring, (1) Stainless Steel Sleeve
6.	GR1535	1	Sleeve
7.	GR1533	1	Body (12 Outlets)
A.	GA8931	1	Liquid Fertilizer Piston Pump Flow Divider Complete, 12 Outlet (Model FD-1200)

LIQUID FERTILIZER PISTON PUMP (Crankcase Assembly) Uses 18 Tooth Sprocket

JB-L4400-991/CCU077(FRTZ172a/GR1424a)

Model LM-2455-R



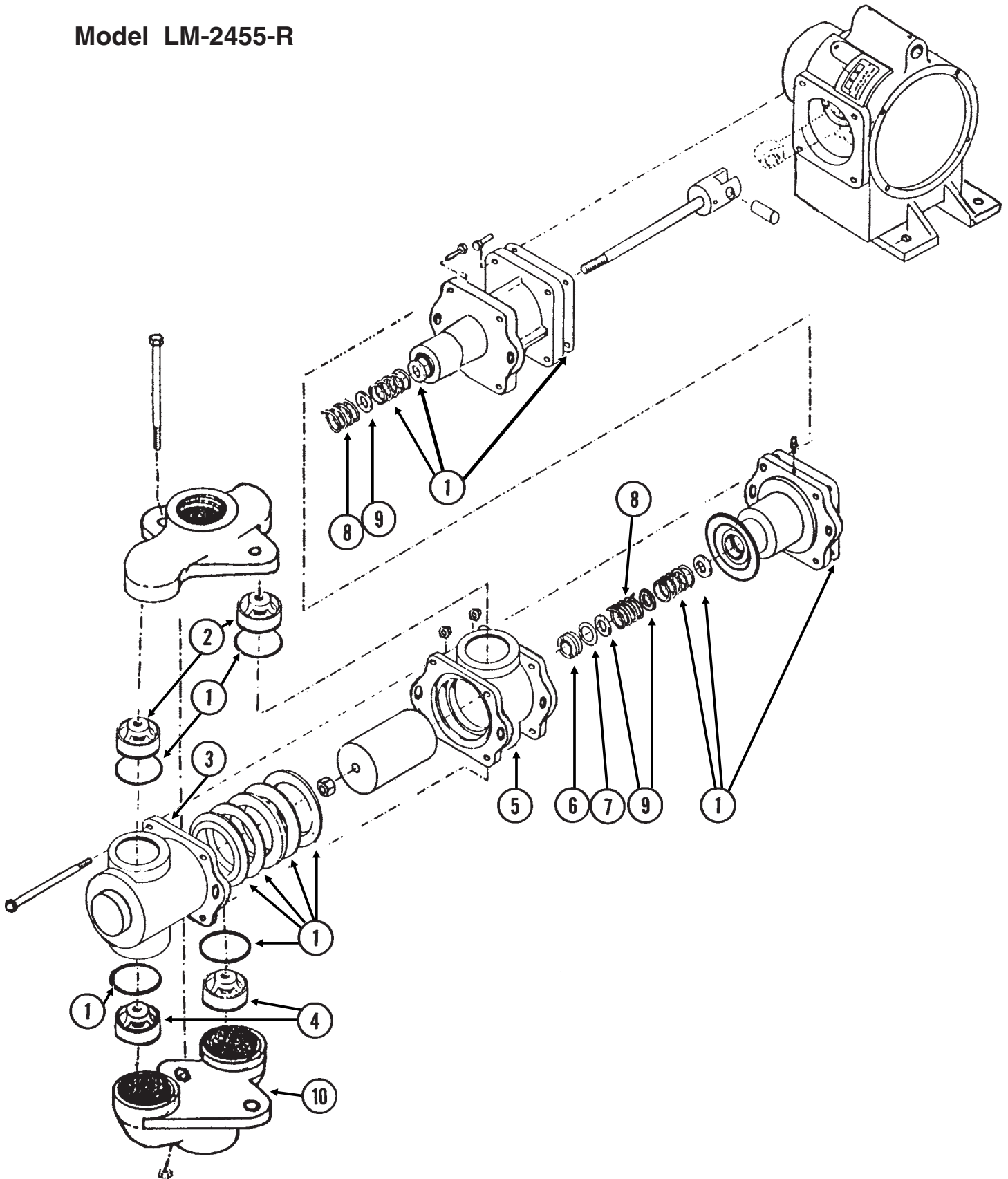
LIQUID FERTILIZER PISTON PUMP (Crankcase Assembly) Uses 18 Tooth Sprocket

ITEM	PART NO.	QTY.	DESCRIPTION
1.	GR1389	1	Sprocket, 18 Tooth
2.	G10688	2	Square Head Set Screw, $\frac{3}{8}$ "-16 x $\frac{5}{8}$ "
3.	GR1425	1	Repair Kit, Includes Item 1 On Pages P86 And P87
4.	GR1427	2	Bearing
5.	GR1420	1	Woodruff Key, $\frac{3}{8}$ "-16 x 1 $\frac{3}{4}$ "
6.	GR1167	1	Square Head Cap Screw, $\frac{3}{8}$ "-16 x 1 $\frac{3}{4}$ "
7.	G10043	4	Hex Head Cap Screw, $\frac{5}{16}$ "-18 x $\frac{3}{4}$ "
8.	GR1168	1	Scale
9.	G10108	1	Lock Nut, $\frac{3}{8}$ "-16
10.	G10693	3	Hex Socket Head Set Screw, $\frac{5}{16}$ "-18 x $\frac{3}{8}$ "
11.	GR1165	1	Arm
12.	GR1114	1	Flange
13.	GR1116	1	Bearing
14.	GR1421	1	Crankshaft
15.	GR1118	2	Setting Arm Key
16.		-	See "Liquid Fertilizer Piston Pump Drive", Pages P78-P80
17.	GR1424	1	Adjustment Wrench
A.	GA8069	-	Piston Pump Complete W/18 Tooth Sprocket (Model LM-2455-R), Includes Crankcase Assembly On This Page And Cylinder Assembly On Pages P86 And P87

LIQUID FERTILIZER PISTON PUMP (Cylinder Assembly) Uses 18 Tooth Sprocket

JB-L2190-991(FRTZ171)

Model LM-2455-R



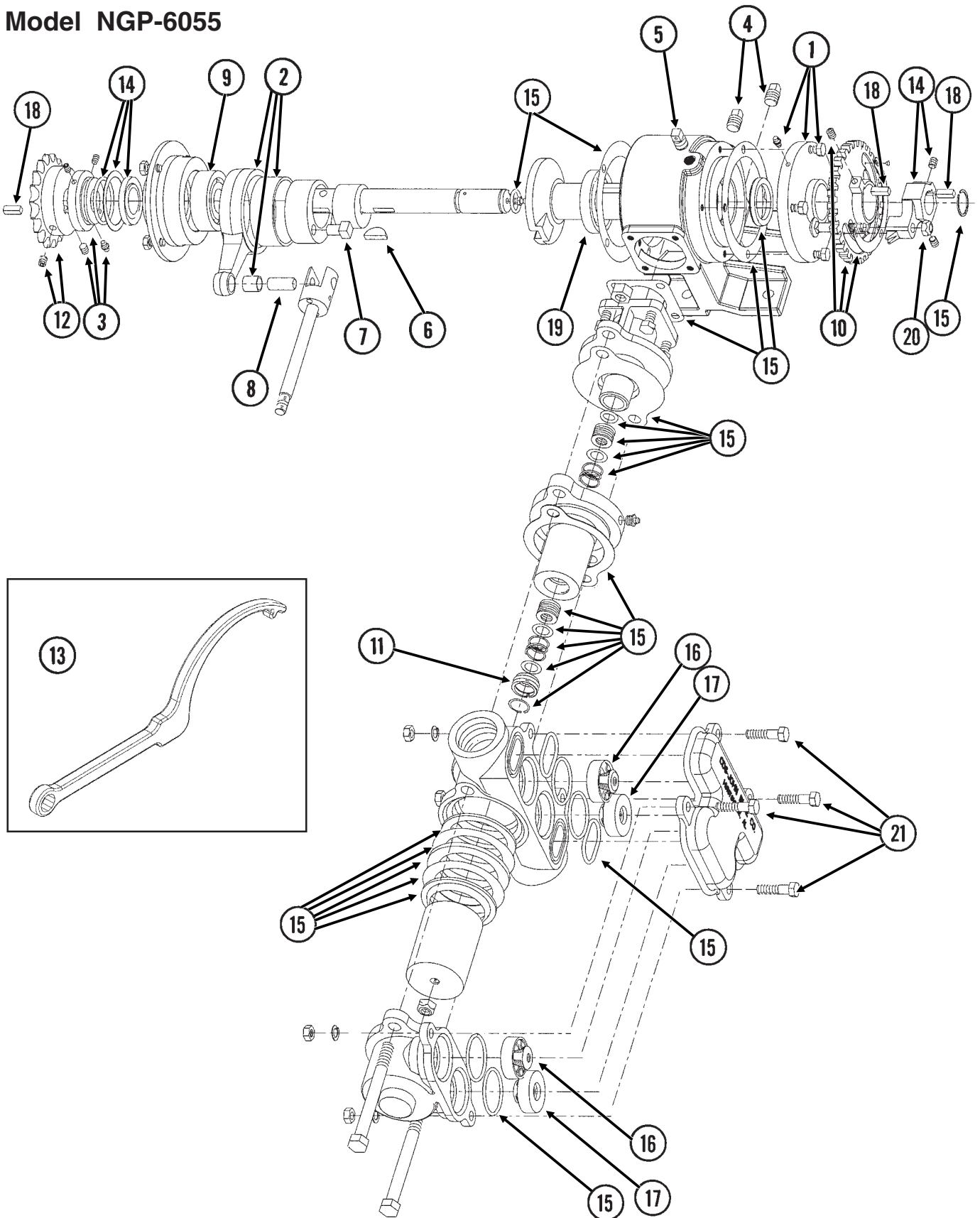
LIQUID FERTILIZER PISTON PUMP (Cylinder Assembly) Uses 18 Tooth Sprocket

ITEM	PART NO.	QTY.	DESCRIPTION
1.	GR1425	1	Repair Kit, Includes Item 3 On Pages P84 And P85
2.	GR1144	2	Discharge Valve
3.	GR1423	1	Outboard Cylinder
4.	GR1142	2	Suction Valve
5.	GR1422	1	Inboard Cylinder
6.	GR1134	1	Stuffing Box Insert
7.	GR1133	1	Retaining Ring
8.	GR1130	2	Packing Spring
9.	GR1129	3	Washer
10.	GR1451	1	Suction Manifold

LIQUID FERTILIZER PISTON PUMP Uses 18 Tooth Sprocket

(A12335a/GR1808)

Model NGP-6055

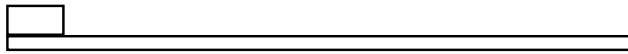


LIQUID FERTILIZER PISTON PUMP

Uses 18 Tooth Sprocket

ITEM	PART NO.	QTY.	DESCRIPTION
1.	GR1804	1	Flange Cover Assembly
	G10991	4	Hex Head Cap Screw, $\frac{5}{16}$ "-18 x $\frac{7}{8}$ "
2.	GR1802	1	Connecting Rod Assembly
3.	GR1801	1	Spacer Assembly
	G10693	3	Hex Socket Set Screw, $\frac{5}{16}$ "-18 x $\frac{3}{8}$ "
4.	GR1123	2	Plug
5.	GR1543	1	Vent Plug
6.	GR1112	1	Woodruff Key
7.	GR1120	1	Eccentric Pin
8.	GR1124	1	Pin
9.	GR1104	1	Bearing
10.	GR1805	1	Setting Hub Assembly
11.	GR1134	1	Stuffing Box Insert
12.	GR1389	1	Sprocket, 18 Tooth
13.	GR1808	1	Adjustment Wrench
14.	GR1806	1	Setting Pointer Assembly
15.	GR1795	1	Repair Kit, Includes: (6) Gaskets, (9) O-Rings, (4) Washers, (1) Retaining Ring, (2) Oil Seals, (1) Snap Ring, (1) Thrust Washer, (1) Rod Bushing, (2) Flange Plunger Packings, (2) Packing Springs, (2) Rod Vee Packing Sets
16.	GR1799	2	Discharge Valve Assembly
17.	GR1797	2	Suction Valve Assembly
18.	GR1118	3	Setting Arm Key
19.	GR1116	1	Bearing
20.	G10306	1	Carriage Bolt, $\frac{3}{8}$ "-16 x 2"
	G10108	1	Lock Nut, $\frac{3}{8}$ "-16
21.	G10003	4	Hex Head Head Cap Screw, $\frac{3}{8}$ "-16 x 1 $\frac{1}{2}$ "
	G10210	4	Washer, $\frac{3}{8}$ " USS
	G10229	4	Lock Washer, $\frac{3}{8}$ "
	G10101	4	Hex Nut, $\frac{3}{8}$ "-16
A.	GA12330	-	Piston Pump Complete W/18 Tooth Sprocket (Model NGP-6055)

DECALS, PAINT AND MISCELLANEOUS



1

ROTATE KNURLED COLLAR ON WRAP SPRING TIGHTENER TO RELEASE SPRING TENSION

7100-295

2

WARNING

TO AVOID INJURY -- STAND CLEAR--KEEP OTHERS AWAY WHEN RAISING OR LOWERING MARKERS. BEFORE TRANSPORTING PLANTER FULLY EXTEND HYDRAULIC CYLINDERS AND INSTALL LOCKING PINS WHERE PROVIDED.

7100-42

3

WARNING

1. Read and understand the Operator's Manual.
2. Stop the tractor engine before leaving the operator's platform.
3. Keep riders off the machine.
4. Make certain everyone is clear of the machine before starting the tractor engine and operating.
5. Keep all shields in place.
6. Never lubricate, adjust, unplug or service the machine with tractor engine running.
7. Wait for all movement to stop before servicing.
8. Keep hands, feet and clothing away from moving parts.
9. Use flashing warning lights when operating on highways except when prohibited by law.

7100-46

4

WARNING

TO AVOID INJURY ... ALWAYS USE THE HYDRAULIC CYLINDER SAFETY LOCKUP CHANNEL WHEN SERVICING MACHINE IN RAISED POSITION OR WHEN TRANSPORTING MACHINE ON THE ROAD. AFTER USE RETURN TO STORAGE LOCATION.

7100-47

5

KINZE

6

WARNING

USE SAFETY CHAINS PROVIDED. TOW ONLY WITH FARM TRACTOR.

7100-382

7

WARNING

RAISE PLANTER COMPLETELY AND INSTALL CYLINDER LOCKUPS BEFORE FOLDING. FOLD ON LEVEL GROUND. SECURE WINGS WITH SAFETY LATCHES BEFORE TOWING IN FOLDED POSITION.

7100-66

8

WARNING

ALWAYS LATCH WINGS AND INSTALL TRANSPORT PINS IN LATCHES BEFORE TRANSPORTING. WINGS MAY SWING OUT IF NOT PROPERLY LATCHED.

7100-71

9

DANGER

THIS PLANTER IS DESIGNED TO BE DRIVEN BY GROUND TIRES ONLY. THE USE OF HYDRAULIC, ELECTRIC OR PTO DRIVES MAY CREATE SERIOUS SAFETY HAZARDS TO YOU AND THE PEOPLE NEARBY. IF YOU INSTALL SUCH DRIVES YOU MUST FOLLOW ALL APPROPRIATE SAFETY STANDARDS AND PRACTICES TO PROTECT YOU AND OTHERS NEAR THIS PLANTER FROM INJURY.

7100-89

10

WARNING

THIS MACHINE HAS BEEN DESIGNED AND BUILT WITH YOUR SAFETY IN MIND. DO NOT MAKE ANY ALTERATIONS OR CHANGES TO THIS MACHINE. ANY ALTERATION TO THE DESIGN OR CONSTRUCTION MAY CREATE SAFETY HAZARDS.

7100-90

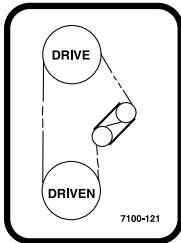
11

WARNING

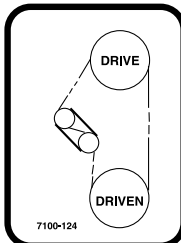
AGRICULTURAL CHEMICALS CAN BE DANGEROUS. IMPROPER SELECTION OR USE CAN SERIOUSLY INJURE PERSONS, ANIMALS, PLANTS, SOIL OR OTHER PROPERTY. BE SAFE. SELECT THE RIGHT CHEMICAL FOR THE JOB. HANDLE WITH CARE. FOLLOW THE INSTRUCTIONS ON THE CONTAINER LABEL AND OF THE EQUIPMENT MANUFACTURER.

7100-115

12



13



14



15

USE 1 TABLESPOON POWDERED GRAPHITE WITH EACH HOPPER FILL OF SEED. SEED TREATMENT, FOREIGN MATERIAL, DIRT, OR SEED CHAFF MAY CAUSE GRADUAL REDUCTION OF SEED POPULATION. REFER TO MANUAL FOR MAINTENANCE AND CARE.

7100-153

16

TORQUE 5/8" SPINDLE BOLTS TO 120 FT/LBS. CHECK PERIODICALLY AND RE-TORQUE AS NEEDED.

7100-234

17

3200

18



19

Econo • Fold

7100-178

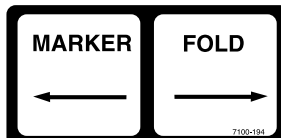
20



22

KINZE 3200

21



23

WARNING

SPRING UNDER PRESSURE DO NOT DISASSEMBLE

7100-24

24

DECALS, PAINT AND MISCELLANEOUS

TRANSMISSION RATE REDUCTION		
DRIVE	DRIVEN	% REDUCTION IN ROTATION
15	30	50
17	30	43
23 ¹	30	23
24	30	20
25 ¹	30	17
26 ¹	30	13
27	30	10

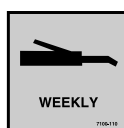
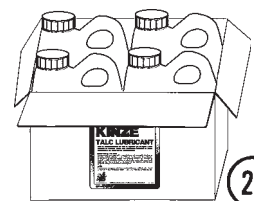
* Use sprockets off seed drive transmission 750-011

NOTE

It is the responsibility of the user to read and understand the Operator's Manual in regards to safety, operation, lubrication and maintenance before operation of this equipment.

AN OPERATOR & PARTS MANUAL IS AVAILABLE FOR THIS MACHINE.

To obtain a manual, furnish model number and serial number and contact your KINZE Dealer or KINZE Manufacturing, Inc., P.O. Box 806 Williamsburg, IA 52361-0806 USA



ITEM	PART NO.	QTY.	DESCRIPTION
1.	GD1162	-	Tie Strap, 28"
	GD1512	-	Tie Strap, 7 1/2"
	GD2117	-	Tie Strap, 14 1/2"
	GD2984	-	Tie Strap, 34"
2.	G7100-295	-	Decal, Spring Tension Release
3.	G7100-42	4	Decal, Warning
4.	G7100-46	1	Decal, Warning
5.	G7100-47	4	Decal, Warning
6.	G7100-54	2	Decal, KINZE®, 4 3/16" x 17 3/16"
7.	G7100-302	1	Decal, Warning
8.	G7100-66	2	Decal, Warning
9.	G7100-71	2	Decal, Warning
10.	G7100-89	2	Decal, Danger
11.	G7100-90	1	Decal, Warning
12.	G7100-115	-	Decal, Warning (1 Per Granular Chemical Hopper)
13.	G7100-121	1	Decal, Transmission, R.H.
14.	G7100-124	1	Decal, Transmission, L.H.
15.	G7100-247	-	Decal, Logo, 4 3/8" x 4 1/2" (2 Per Row Unit)
	G7100-252	-	Decal, Logo, 3 1/2" x 3 5/8" (Hopper Panel Extension)
16.	G7100-153	-	Decal, Information (1 Per Brush-Type Seed Meter)
17.	G7100-234	1	Decal, Bolt Torque
18.	G7100-242	2	Decal, 3200
19.	GD2199	1	SMV Sign
20.	G7100-178	1	Decal, Econo-Fold®, 3/4" x 3"
21.	G7100-293	-	Decal, KINZE® 3200
22.	G7100-192	-	Decal, Point Row Clutch Rotation
23.	G7100-194	-	Decal, Optional Hydraulic Fold Selector Valve
24.	G7100-24	1	Decal, Warning
25.	G7100-214	1	Decal, Two-Speed Point Row Clutch Rate Reduction
26.	G7100-217	1	Decal, Note
27.	GR0146MPP	-	Powdered Graphite, Twenty-Four 1 Pound Containers
28.	GR1570MPP	-	Talc Lubricant, Four 8 Pound Containers
29.	GR0155MPP	-	Blue Paint, Twelve Aerosol Cans
30.	G7100-116	1	Decal, Grease Daily
31.	G7100-110	1	Decal, Grease Weekly
32.	G7100-258	-	Reflective Decal, Red, 1 1/2" x 9", Rectangular (If Applicable)
	G7100-259	-	Reflective Decal, Amber, 1 1/2" x 9", Rectangular (If Applicable)
	G7100-260	-	Reflective Decal, Orange, 1 1/2" x 9", Rectangular (If Applicable)
33.	G7100-261	-	Reflective Decal, Red, 1 3/4" x 9", Die-Cut (If Applicable)
	G7100-262	-	Reflective Decal, Amber, 1 3/4" x 9", Die-Cut (If Applicable)
	G7100-263	-	Reflective Decal, Orange, 1 3/4" x 9", Die-Cut (If Applicable)
34.	GM0192	-	Operator & Parts Manual, Model 3200 (Mechanical Seed Metering)

NUMERICAL INDEX

Part No.	Page	Part No.	Page	Part No.	Page
A1000	P63	G10033	P27	G10201	P3, P17
A1010	P63	G10035	P51	G10203	P43, P78
A1020	P63	G10036	P21, P33, P41	G10204	P5, P7, P71, P75
A1021	P63	G10039	P23, P25, P31	G10205	P31, P41
A1024	P63	G10043	P85	G10206	P29, P73
A1055	P63	G10045	P27, P71	G10207	P3, P79
A10759	P17	G10046	P31, P71, P73	G10209	P18, P19, P50, P53, P65
A1106	P37	G10047	P50, P53, P55, P73	G10210	P3, P9, P10, P11, P12, P17, P33, P47, P50, P53, P55, P71, P73, P79, P89
A1168	P37	G10049	P43, P55	G10211	P67, P69
A12007	P63	G10053	P41, P80	G10213	P5, P29, P31, P71
A12008	P63	G10055	P41, P79	G10215	P63
A12009	P63	G10061	P12	G10216	P7, P23, P25, P39, P51, P77, P80
A12010	P63	G10064	P10, P37, P65	G10217	P33, P73
A3114	P63	G10101	P4, P10, P11, P19, P39, P41, P43, P47, P51, P53, P65, P69, P71, P77, P79, P89	G10219	P9, P23, P51, P73, P80
A3128	P63	G10102	P9, P27, P31, P35, P39, P51, P54, P56, P65, P71, P73, P77, P79, P80	G10221	P71
A3130	P63	G10103	P19, P37, P43, P47, P67, P69, P79	G10226	P33, P39, P53, P55
A3136	P63	G10104	P4, P11, P33, P39, P41, P52, P55, P71, P73, P76, P77	G10227	P19, P37, P43, P47, P50, P53, P67, P69, P79
A3176	P63	G10105	P33, P39	G10228	P7, P27, P35, P39, P51, P54, P56, P65, P71, P73, P77, P79, P80
A3180	P37	G10106	P9, P25, P33, P41, P51, P55, P79, P80	G10229	P4, P10, P11, P17, P19, P39, P41, P43, P47, P50, P51, P53, P65, P69, P71, P77, P79, P89
A3202	P63	G10107	P9, P10, P21, P25, P31, P33, P41, P55, P71, P73, P79	G10230	P4, P7, P10, P11, P33, P35, P39, P52, P55, P71, P73, P76, P77
A4295	P57	G10108	P3, P12, P17, P33, P35, P47, P55, P59, P73, P78, P85, P89	G10231	P33, P39
A6524	P59	G10109	P7, P9, P10, P23, P27, P29, P31, P56, P71	G10232	P9, P33, P41, P51, P55, P71, P73, P79, P80
A7370	P79	G10110	P19, P35, P53, P65	G10233	P40, P51, P53, P75, P78
A7538	P57, P58	G10111	P10, P21, P23, P25, P27, P31, P35, P39, P40, P41, P43, P47, P51, P53, P71, P73	G10235	P35, P41, P50, P79
A8036	P35	G10112	P31, P33	G10236	P35
A8048	P33	G10128	P40, P41, P47, P51	G10243	P68
A8116	P35	G10130	P41, P51, P53	G10253	P43
A8836	P58	G10131	P53	G10257	P18, P43
G10001	P4, P9, P10, P33, P41, P51, P69, P79	G10133	P10, P27, P29, P31, P55, P71	G10278	P77
G10002	P17, P73	G10139	P35	G10292	P81
G10003	P3, P19, P65, P79, P89	G10152	P9, P71, P73	G10303	P9, P23, P41, P51, P79, P80
G10004	P39, P41, P53, P77	G10157	P33	G10304	P3
G10005	P31	G10159	P39	G10305	P20, P71
G10006	P9, P27	G10168	P40, P56	G10306	P19, P73, P78, P89
G10007	P5, P11, P31, P35	G10169	P33		
G10008	P39	G10171	P9		
G10009	P39	G10172	P47		
G10010	P7, P29, P31, P75				
G10011	P31, P33, P73				
G10013	P10, P41				
G10014	P7, P31				
G10015	P9				
G10017	P23, P25, P35, P40, P51, P53, P65, P73, P77				
G10018	P7, P9				
G10019	P33, P56, P71				
G10020	P14				
G10021	P14				
G10022	P14, P67, P69				
G10023	P17, P35, P43, P47, P65, P79				
G10025	P39				
G10026	P39				
G10028	P33				

NUMERICAL INDEX

Part No.	Page	Part No.	Page	Part No.	Page
G10308	P10, P20	G10570	P18	G10827	P58
G10309	P12	G10572	P25	G10844	P56
G10310	P19	G10574	P21, P27, P31	G10859	P43, P47
G10312	P3, P17	G10580	P37	G10862	P55
G10315	P9, P10, P19	G10581	P35, P39	G10864	P19
G10318	P25	G10585	P23, P25	G10871	P73
G10323	P14	G10597	P23, P25	G10872	P47
G10325	P5, P17, P43	G10599	P10, P11, P35	G10873	P47
G10326	P3	G10602	P12, P14, P15, P17, P18, P40, P52, P78	G10876	P47
G10328	P5	G10603	P14, P15	G10879	P55
G10338	P7, P12	G10604	P14	G10880	P53
G10348	P27	G10610	P39	G10887	P77
G10370	P79	G10615	P81	G10888	P77
G10371	P27	G10616	P77	G10889	P76
G10374	P47	G10619	P77, P81	G10890	P41, P80
G10397	P40	G10620	P3, P7, P12, P17, P75	G10900	P43
G10400	P31	G10621	P12, P14, P17, P20	G10901	P77
G10401	P14	G10622	P5, P20, P35	G10912	P5
G10404	P35	G10623	P77	G10917	P77
G10409	P40, P51, P52	G10626	P77, P81	G10921	P18
G10412	P4, P12, P41, P79	G10628	P77	G10923	P41, P51, P53
G10427	P5, P9	G10629	P77, P81	G10924	P7
G10430	P51	G10630	P77	G10927	P68
G10438	P3	G10633	P77	G10928	P68
G10450	P73	G10634	P15	G10931	P68
G10451	P55, P71	G10636	P39	G10938	P71
G10452	P19	G10638	P47	G10939	P59
G10457	P35	G10640	P7, P35, P39, P53, P55, P55, P57, P58, P73	G10940	P7
G10460	P39, P55	G10641	P33, P55	G10958	P57, P58, P59
G10461	P35	G10643	P31	G10961	P75
G10462	P53	G10660	P18	G10962	P58
G10463	P9, P37, P55	G10669	P3	G10974	P29, P31
G10470	P14, P51	G10670	P17	G10991	P73, P89
G10478	P40, P51, P52	G10672	P76	G10994	P81
G10485	P77	G10674	P77	G10995	P81
G10496	P43, P47, P50, P53	G10676	P76	G10996	P45, P49
G10497	P43	G10681	P71, P81	G11007	P3
G10499	P71	G10688	P85	G11008	P3
G10500	P14	G10690	P14	G11009	P14, P15
G10501	P27, P40, P41, P79	G10693	P85, P89	G11010	P31
G10503	P23, P25, P29, P31, P55, P71	G10722	P56	G11015	P3
G10504	P71	G10724	P56	G11058	P33
G10523	P19	G10725	P56	G11073	P18
G10526	P58	G10732	P4	G11075	P50, P53
G10527	P53	G10737	P81	G11078	P50, P53
G10529	P20	G10751	P12	G11081	P39
G10531	P15	G10751	P41, P79	G11098	P29
G10536	P23	G10752	P12	G11100	P50, P53
G10536	P25	G10757	P19, P68	G11151	P15
G10542	P71	G10758	P19, P68	G11209	P19
G10544	P56	G10765	P29, P31, P43, P47	G1K248	P65
G10546	P12, P18, P51	G10801	P9, P10	G1K248	P67, P69
G10551	P3	G10804	P43, P47	G1K249	P69
G10560	P55	G10809	P55	G1K252	P65, P67, P69
G10567	P12, P17, P18			G1K253	P80
				G1K267	P45, P49, P67, P69

NUMERICAL INDEX

Part No.	Page	Part No.	Page	Part No.	Page
G1K268	P45, P49, P67, P69	G7100-153	P91	GA11767	P55
G1K269	P41, P51, P53	G7100-178	P91	GA12330	P89
G1K296	P7	G7100-192	P91	GA12403	P69
G1K320	P65, P69	G7100-194	P91	GA1676	P56
G1K321	P65, P69	G7100-214	P91	GA1677	P56
G1K322	P69	G7100-217	P91	GA1678	P56
G1K323	P68	G7100-234	P91	GA1679	P56
G1K345	P10	G7100-24	P91	GA1720	P4
G1K362	P67, P69	G7100-242	P91	GA2007	P12
G1K363	P67, P69	G7100-247	P91	GA2012L	P5
G1K364	P68	G7100-252	P91	GA2012R	P5
G1K378	P53	G7100-258	P91	GA2014	P5, P9, P25, P27, P29, P31, P71
G1K379	P53	G7100-259	P91	GA2018	P14
G1K380	P51	G7100-260	P91	GA2019	P14
G1K381	P51	G7100-261	P91	GA2020	P14
G1K385	P19	G7100-262	P91	GA2054	P9
G1K411	P33	G7100-263	P91	GA2068	P41, P79
G2100-03	P51, P79, P80	G7100-293	P91	GA2075	P19
G2406-08-06	P37	G7100-295	P91	GA2094	P20
G2603-08	P63	G7100-302	P91	GA2142	P39
G2703-08	P63	G7100-42	P91	GA2147	P39
G306-08	P63	G7100-46	P91	GA2148	P39
G3302-07	P55	G7100-47	P91	GA2180	P40, P51, P53
G3302-08	P55	G7100-54	P91	GA2558	P39
G3303-114	P18	G7100-66	P91	GA2660	P77
G3303-98	P3	G7100-71	P91	GA3893	P81
G3305-01	P20	G7100-89	P91	GA4444	P17
G3310-06	P51	G7100-90	P91	GA4774	P33
G3310-102	P41	G7566X	P11	GA4976	P77, P81
G3310-139	P80	GA0167	P56	GA4994	P33
G3310-66	P79	GA0243	P56	GA4995	P33
G3310-68	P51	GA0245	P56	GA5089	P41
G3310-74	P41	GA0257	P56	GA5090	P41, P78
G3310-76	P51	GA0312	P71	GA5105	P40, P41, P51
G3310-80	P51, P53	GA0328	P71	GA5106	P51, P53
G3310-92	P51	GA0810	P71	GA5107	P53
G3310-94	P41	GA0895	P39	GA5108	P51, P53
G3400-01	P51, P79, P80	GA0899	P56	GA5109	P51, P53, P78
G4200-09	P77	GA10036	P75	GA5110	P51, P53
G4201-04	P77	GA10037	P75	GA5111	P51, P53
G4205-11	P77	GA10054	P43	GA5112	P51, P53
G4301-06	P81	GA10123	P58	GA5113	P53
G4425-01	P77	GA10137	P12	GA5114	P40, P41, P51
G6326X	P4	GA10151	P12	GA5116	P53
G6400-06	P37, P60	GA10155	P12	GA5118	P79
G6400-08	P63	GA10157	P3	GA5121	P39
G6400-08-04	P63	GA10570	P67	GA5122	P39
G6400-08-06	P37	GA10575	P69	GA5146	P52
G6500-08	P63	GA10601	P67, P69	GA5202	P41, P78
G6801-06-08	P37	GA10901	P67, P69	GA5385	P65
G6801-08	P63	GA10940	P67, P69	GA5552	P60
G7100-110	P91	GA11039	P69	GA5572	P60
G7100-115	P91	GA11397	P73	GA5600	P69
G7100-116	P91	GA11398	P73	GA5624	P53
G7100-121	P91	GA11592	P55	GA5625	P21
G7100-124	P91	GA11766	P55		

NUMERICAL INDEX

Part No.	Page	Part No.	Page	Part No.	Page
GA5629	P53	GA7271	P29	GA8134	P39
GA5651	P4	GA7274	P47	GA8140	P4
GA5654	P25, P27, P29, P31	GA7313	P50	GA8155	P77
GA5698	P15	GA7317	P51	GA8156	P77
GA5699	P15	GA7319	P51	GA8168	P79
GA5715	P23, P25	GA7320	P51	GA8312	P33
GA5718	P25	GA7321	P51	GA8318	P33
GA5719	P23, P25	GA7336	P50, P53	GA8322	P10
GA5755	P33	GA7376	P39	GA8324	P5
GA5794	P15	GA7409	P39	GA8326	P18
GA5795	P15	GA7412	P29	GA8328	P45, P49
GA5796	P15	GA7417	P43	GA8329	P45, P49
GA5834	P15	GA7418	P43	GA8335	P35
GA5853	P56	GA7434	P39	GA8343	P14
GA5892	P23	GA7445	P29, P31	GA8364	P18
GA5982	P15	GA7446	P27, P29, P31	GA8371	P17
GA6027	P15	GA7463	P47	GA8393	P43, P47
GA6038	P15	GA7513	P35	GA8483	P71
GA6055	P35	GA7577	P49	GA8603	P21, P31, P73
GA6147	P69	GA7850	P67	GA8641	P21, P31
GA6168	P15	GA7850	P69	GA8685	P71
GA6171	P7, P9, P10, P75	GA7851	P67, P69	GA8760	P29
GA6182	P15	GA7854	P67, P69	GA8839	P39
GA6184	P15	GA7855	P67, P69	GA8845	P71
GA6187	P15	GA7856	P45, P49, P67, P69	GA8877	P75
GA6434	P10	GA7857	P67, P69	GA8911	P59
GA6438	P61	GA7858	P68	GA8912	P57, P58
GA6478	P15	GA7859	P69	GA8913	P58
GA6597	P10	GA7949	P7	GA8914	P57
GA6618	P9	GA7975	P7	GA8915	P57
GA6619	P9	GA7976	P7	GA8916	P57
GA6620	P9	GA8026	P68	GA8917	P57
GA6633	P15	GA8033	P35	GA8931	P83
GA6699	P65	GA8041	P41	GA8983	P71, P73
GA6700	P65	GA8042	P41	GA9068	P47
GA6701	P65	GA8046	P67, P69	GA9131	P31
GA6733	P9	GA8047	P65, P67, P69	GA9144	P69
GA6741	P19	GA8069	P85	GA9145	P55
GA6798	P33	GA8072	P55	GA9195	P71
GA6800	P37	GA8073	P55	GA9207	P65
GA6801	P9	GA8074	P55	GA9209	P65
GA6823	P65	GA8075	P54	GA9433	P73
GA6824	P65	GA8076	P55	GA9434	P73
GA6832	P27	GA8080	P71	GA9437	P73
GA6833	P27	GA8081	P71	GA9454	P73
GA6834	P27	GA8082	P77	GA9455	P73
GA6838	P27	GA8084	P78	GA9456	P73
GA6907	P19	GA8086	P77	GA9457	P73
GA6966	P73	GA8087	P77	GA9472	P75
GA7022	P35	GA8088	P77	GA9553	P40
GA7137	P43	GA8097	P33	GA9554	P40
GA7144	P45, P49	GA8098	P71	GA9571	P47
GA7154	P40, P51, P78	GA8099	P71	GA9572	P47
GA7165	P45, P49	GA8114	P77	GA9714	P13
GA7212	P45	GA8119	P55	GA9844	P31
GA7255	P15	GA8120	P54	GA9845	P31

NUMERICAL INDEX

Part No.	Page	Part No.	Page	Part No.	Page
GA9846	P41, P79	GD10104	P43	GD11120	P43, P47
GA9857	P69	GD10120	P47	GD11122	P15
GA9861	P31	GD10123	P43, P47	GD11125	P40
GA9862	P31	GD10200	P43	GD11132	P71, P73
GA9864	P31	GD10207	P58	GD1114	P4, P52, P71
GA9865	P31	GD10226	P14		P73, P76, P77
GA9870	P39	GD1026	P3, P17, P50, P53, P73	GD11141	P55
GA9877	P39	GD10282	P47	GD11157	P41, P51
GA9910	P77	GD10283	P56	GD11158	P40
GA9978	P67, P69	GD1033	P3	GD1115L	P19
GA9979	P67, P69	GD10366	P51	GD1115R	P19
GB0110	P14	GD1039	P14	GD1116	P19
GB0111	P14	GD1041	P14	GD11169	P68
GB0115	P18	GD1042	P14	GD11170	P68
GB0116	P18	GD10473	P5, P9	GD11177	P37
GB0120	P14	GD10510	P43, P47	GD1118	P19
GB0134	P71	GD10519	P29, P31	GD11213	P51
GB0156	P33	GD10525	P43	GD11219	P17
GB0169	P33	GD10526	P29	GD11235	P76
GB0186	P4	GD10528	P43, P47	GD11239	P12, P17, P18
GB0218	P4, P12, P31, P41, P79	GD10529	P43	GD11240	P18
GB0239	P9, P10	GD1052	P47	GD11259	P3, P5
GB0254	P10	GD10552	P27, P29, P31	GD11279	P13
GB0258	P79	GD10584	P47	GD11285	P65
GB0265	P3	GD10585	P47	GD11286	P14
GB0266	P3	GD10586	P47	GD11297	P18
GB0267	P3	GD1059L	P17	GD11298	P35
GB0268	P9, P10	GD1059R	P17	GD11300	P35
GB0274	P3	GD1060	P17	GD11305	P17
GB0276	P7	GD1061	P18	GD11306	P5, P71
GB0278	P12, P18	GD1063	P18	GD11311	P14
GB0282	P10	GD10635	P47	GD11313	P11
GB0283	P52	GD10636	P47	GD1132	P25, P27, P29, P31, P71
GB0285	P3	GD10646	P33	GD1138	P71
GB0287	P52	GD1065	P3	GD11393-66	P53
GB0296	P73	GD10672	P47	GD11393-78	P53
GB0297	P73	GD10673	P47	GD11394-63	P53
GB0301	P5	GD10674-02	P55	GD11394-73	P53
GB0314	P12	GD10674-03	P55	GD11394-79	P53
GB0322	P73	GD10733	P14	GD11394-90	P53
GB0323	P73	GD10777	P76	GD11395	P52
GB0331	P12	GD1083	P14	GD11413	P12, P18
GD0453-02	P54	GD1085	P10	GD11422	P4
GD0453-03	P54	GD1086	P7	GD11423	P7, P75
GD0487	P71	GD10867	P3	GD11424	P17
GD0652	P55	GD10963	P19	GD1143	P20
GD0746	P56	GD10984	P19	GD1144	P20
GD0840	P56	GD10991	P7	GD1145	P20
GD0914-20	P51, P52	GD10993	P3	GD11453	P7
GD0914-21.5	P51	GD11001	P3	GD11474	P68
GD0914-35	P52	GD11017	P5	GD11490	P39
GD0914-6.25	P51	GD11045	P41, P51, P53	GD11508	P11
GD0962	P71	GD11089	P65, P67, P69	GD11509	P11
GD10036	P4	GD11109	P10	GD11528	P14
GD10102	P43	GD11109	P9	GD11557	P73
GD10103	P43, P47	GD11115	P55	GD11558	P73

NUMERICAL INDEX

Part No.	Page	Part No.	Page	Part No.	Page
GD1162	P91	GD14659	P19	GD6825-12.75	P40
GD11652	P21, P31	GD14674	P23, P25, P29	GD6825-14.5	P51
GD11677	P21	GD1512	P91	GD7127	P53
GD11695	P39	GD15386	P55	GD7145	P43, P47, P65, P79
GD11700	P81	GD15698	P14	GD7148	P18
GD11705	P71	GD15699	P15	GD7258	P18
GD11747	P13	GD15747	P12	GD7318	P3
GD11787	P14	GD15970	P3	GD7426	P50, P53
GD11845	P3, P5, P9	GD16245	P3	GD7639	P67, P69
GD11950	P59	GD1657	P71	GD7803	P21, P31
GD11953	P75	GD1673	P71	GD7804	P21, P31
GD11954	P75	GD17046	P35	GD7805	P4, P10, P12, P25, P39, P4, P75, P79
GD11962	P3, P17	GD1755	P15	GD7817-01	P25
GD11963-01	P78	GD1862	P77	GD7817-04	P25
GD11983	P58	GD2117	P91	GD7822	P53
GD11993	P67, P69	GD2199	P91	GD7823	P25
GD11999	P59	GD2200	P35	GD7878	P15
GD12501	P59	GD2423	P19	GD7889	P23, P25
GD12502	P59	GD2460	P20	GD7890	P23, P25
GD12504	P58	GD2558	P41, P50, P52, P79	GD7948	P35
GD12505	P57, P58	GD2589	P71	GD7972	P35
GD12507	P57	GD2597	P56, P55	GD7976	P33
GD12534	P27	GD2721	P54	GD8218	P55
GD12543	P39	GD2734-13	P33	GD8237	P15
GD1255	P51	GD2947	P19	GD8249	P4
GD12616-66	P52	GD2962	P53	GD8260	P33
GD12616-78	P52	GD2971-10	P17	GD8266	P23
GD12676	P73	GD2971-11	P55	GD8307	P25
GD12677	P73	GD2984	P91	GD8460	P10
GD12679	P73	GD3180-12	P9	GD8751	P69
GD12685	P73	GD3180-23	P33	GD8770	P69
GD12726	P45, P49	GD3214	P55	GD8771	P69
GD12817	P31	GD3311	P35	GD8778	P15
GD12826	P31	GD3373	P35	GD9120	P10
GD12827	P31	GD3612	P3	GD9229	P40
GD12829	P31	GD3622	P76	GD9254	P21, P31
GD13287	P73	GD3623	P76	GD9290	P9
GD13309	P75	GD3951	P76	GD9305	P9
GD13361	P3	GD5752	P41, P78	GD9529	P45, P49
GD13401	P39	GD5753	P41, P78	GD9530	P45, P49
GD14170	P31	GD5756	P79	GD9562	P9
GD14217	P4	GD5827	P78	GD9589	P37
GD14308	P58	GD5835	P52	GD9591	P37
GD14398	P21	GD5841	P39	GD9667	P43
GD14413	P50, P53	GD5857	P27, P41, P50, P52, P68, P78	GD9671	P43, P47
GD14414	P50, P53	GD5860	P78	GD9672	P43, P47
GD14426	P50	GD5875	P33, P55	GD9688	P35
GD14427	P53	GD5900-12	P37	GD9699	P37
GD14429	P50, P53	GD5900-25	P51	GD9715	P27
GD14430	P50, P53	GD6291	P69	GD9720	P27
GD14431	P50, P53	GD6501	P14	GD9724	P27, P29, P31
GD14432	P50, P53	GD6551	P53	GD9762	P37
GD14512	P43	GD6825-10.375	P80	GM0192	P91
GD14513	P43, P47	GD6825-11.625	P41	GR0146MPP	P91
GD14529	P58	GD6825-12.25	P79	GR0150	P56
GD14534	P35				

NUMERICAL INDEX

Part No.	Page	Part No.	Page	Part No.	Page
GR0151	P56	GR1142	P87	GR1629	P67, P69
GR0155MPP	P91	GR1144	P87	GR1631	P69
GR0196	P18	GR1165	P85	GR1632	P69
GR0196	P3	GR1167	P85	GR1678	P77
GR0270	P39	GR1168	P85	GR1762	P69
GR0434	P39	GR1169	P57	GR1764	P69
GR0513	P77	GR1177	P61	GR1795	P89
GR0515	P33	GR1178	P61	GR1797	P89
GR0516	P33	GR1203	P65	GR1799	P89
GR0517	P33	GR1204	P65	GR1801	P89
GR0586	P69	GR1205	P65	GR1802	P89
GR0594	P67, P69	GR1206	P65	GR1804	P89
GR0880	P81	GR1207	P65	GR1805	P89
GR0881	P81	GR1208	P65	GR1806	P89
GR0882	P81	GR1303	P43, P47	GR1808	P89
GR0883	P81	GR1304	P43, P47	R1176	P61
GR0911	P80	GR1305	P43, P47		
GR0912	P41, P51, P53, P79, P80	GR1306	P43, P47		
GR1015	P77, P81	GR1327	P14		
GR1016	P77, P81	GR1389	P85, P89		
GR1017	P77, P81	GR1390	P67		
GR1018	P77, P81	GR1391	P69		
GR1019	P77, P81	GR1392	P67		
GR1032	P60	GR1393	P69		
GR1033	P60	GR1396	P77		
GR1034	P60	GR1397	P77		
GR1035	P60	GR1414	P68		
GR1036	P60	GR1415	P68		
GR1037	P37, P60	GR1420	P85		
GR1038	P60	GR1421	P85		
GR1039	P60	GR1422	P87		
GR1040	P60	GR1423	P87		
GR1041	P60	GR1424	P85		
GR1042	P60	GR1425	P85, P87		
GR1043	P60	GR1427	P85		
GR1044	P60	GR1435	P77		
GR1045	P37, P60, P63	GR1446	P45		
GR1046	P60	GR1447	P45		
GR1047	P60	GR1448	P49		
GR1048	P60	GR1449	P49		
GR1096	P61	GR1451	P87		
GR1104	P89	GR1487	P14		
GR1112	P89	GR1521	P58		
GR1114	P85	GR1526	P59		
GR1116	P85	GR1527	P57, P58		
GR1116	P89	GR1528	P57		
GR1118	P85, P89	GR1533	P83		
GR1120	P89	GR1535	P83		
GR1122	P79	GR1540	P83		
GR1123	P89	GR1541	P83		
GR1124	P89	GR1542	P83		
GR1129	P87	GR1543	P83, P89		
GR1130	P87	GR1544	P83		
GR1133	P87	GR1545	P83		
GR1134	P87, P89	GR1569	P14		
		GR1570MPP	P91		

NUMERICAL INDEX

Part No.	Page	Part No.	Page	Part No.	Page