

PARTS LIST INDEX

ROW UNIT

15" Seed Opener Disc Blade/Bearing Assembly And Scrapers	P5
Coulter Mounted Residue Wheels	P28
Covering Discs/Single Press Wheel	P8
Drag Closing Attachment	P11
Frame Mounted Coulter W/Residue Wheels	P30
Gauge Wheels	P6
Granular Chemical Banding Options	P19
Granular Chemical Hopper And Hopper Panel Extension	P16
Granular Chemical Meter And Meter Drive	P18
Hopper Support And Meter Drive	P12
Parallel Arms, Mounting Support Plate And Quick Adjustable Down Force Springs	P4
Row Unit Mounted Bed Leveler	P22
Row Unit Mounted Disc Furrower	P24
Row Unit Mounted No Till Coulter	P21
Row Unit Mounted Residue Wheel	P26
Seed Hopper And Lid	P13
Seed Meter	P14
Shank Assembly, Seed Tube And Depth Adjustment	P2
Spring Tooth Incorporator	P20
"V" Closing Wheels	P10

EDGEVAC® SYSTEM

Digital Vacuum Gauge, Analog Vacuum Gauge And Vacuum Fan Assembly ..	P32
Manifolds And Distribution Hoses	P38
Optional Flow Control Needle Valve Components	P36
Vacuum Fan Hydraulic Components	P34
Vacuum Fan Hydraulic Motor Assembly	P36
Vacuum Fan Motor Valve Block Assembly (Located Below Vacuum Fan Assembly)	P37

BASE MACHINE

Contact Drive Wheel Assembly	P44
Cylinders	P62
Electrical Components	P68
Front Mounted Drive Wheel	P50
Ground Drive Wheel Assembly	P42
Module Drive	P48
Point Row Clutch	P52
Point Row Clutch Electrical Components	P54
Row Marker Assemblies	P56
Row Marker Hydraulic System	P66
Row Marker Sequencing/Flow Control Valve	P64
Row Marker Spindle/Hub/Blade	P60
Seed Rate Transmission And Module Drive Assembly	P46
Toolbar Assembly	P40

ELECTRONIC SEED MONITOR

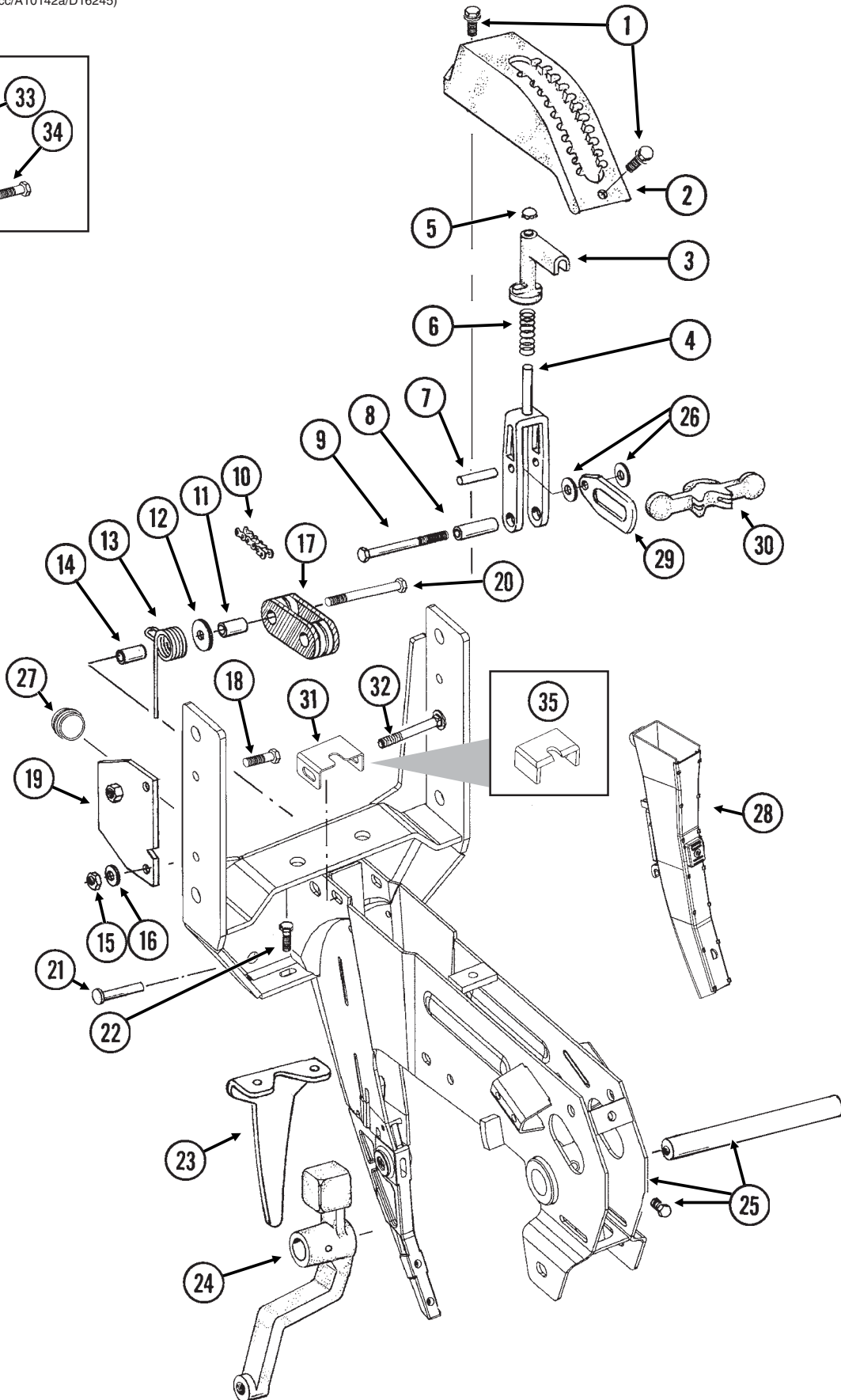
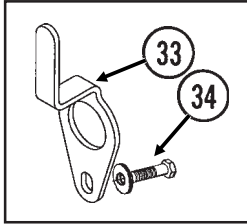
KPM I Electronic Seed Monitor	P70
KPM II Stack-Mode Electronic Seed Monitor	P72
KPM III Electronic Seed Monitor	P72

Decals, Paint And Miscellaneous	P74
---------------------------------------	-----

Numerical Index	P77
-----------------------	-----

SHANK ASSEMBLY, SEED TUBE AND DEPTH ADJUSTMENT

(D17014/METR29cc/A10142a/D16245)

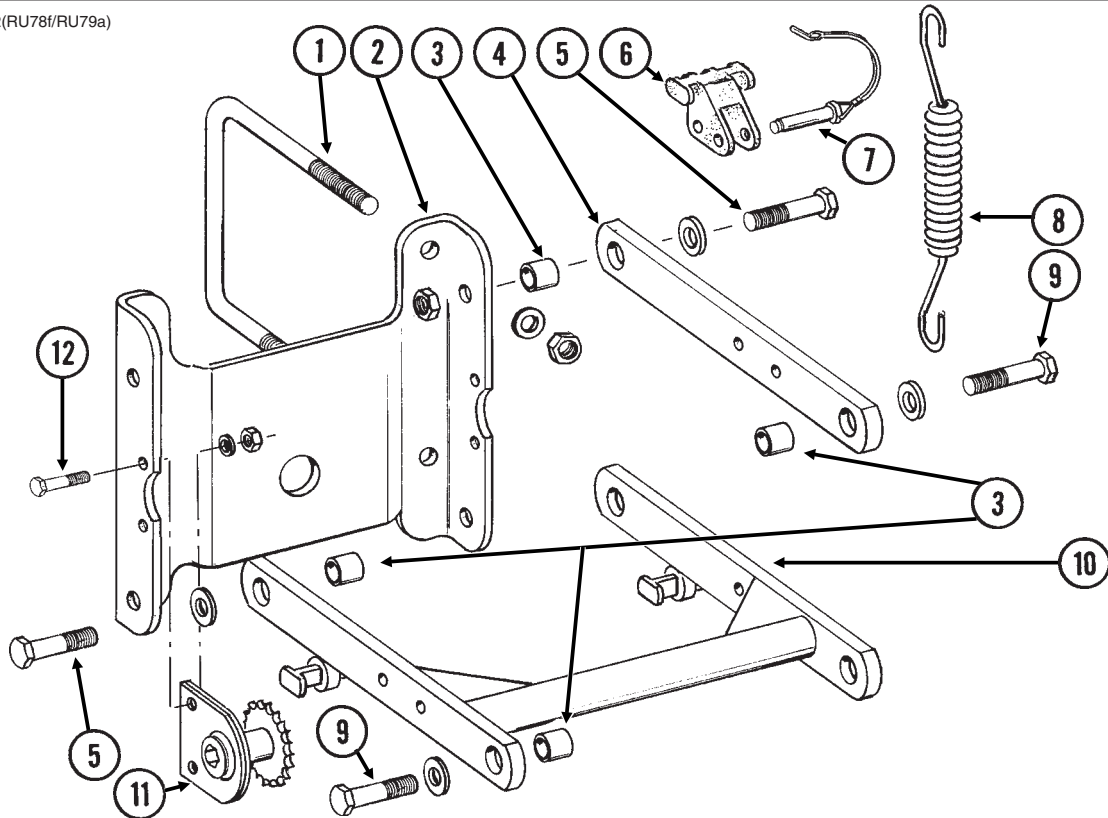


SHANK ASSEMBLY, SEED TUBE AND DEPTH ADJUSTMENT

ITEM	PART NO.	QTY. (Per Row)	DESCRIPTION
1.	G11015	2	Hex Washer Head Cap Screw, 3/8"-16 x 1 1/4"
2.	GB0274	1	Cover, Depth Adjustment
3.	GB0266	1	Handle, Depth Adjustment
4.	GB0267	1	Lever, Depth Adjustment
5.	GD3612	1	Cap Plug
6.	GD10993	1	Spring
7.	GD13361	1	Pin, 3/8" x 1 2/3"
8.	GD11259	1	Sleeve, 3/8" I.D. x 5/8" O.D. x 1 25/32" Long
9.	G11008	1	Hex Head Cap Screw, 3/8"-24 x 2 1/2", Grade 8
	G11007	1	Lock Nut, 3/8"-24, Grade C
10.	G3303-104	1	Chain, No. 41, 104 Pitch Including Connector Link
	GR0196	1	Connector Link, No. 41
11.	GD1026	1	Sleeve, 1 3/16" Long
12.	G10201	1	Special Washer, 3/8" x 1 1/2" O.D.
13.	GD1065	1	Idler Spring
14.	GD7318	1	Sleeve, 1" Long
15.	G10108	1	Lock Nut, 3/8"-16
16.	G10210	1	Washer, 3/8" USS
17.	GD11962	1	Idler
18.	G10003	3	Hex Head Cap Screw, 3/8"-16 x 1 1/2"
	G10108	3	Lock Nut, 3/8"-16
19.	GD10867	2	Stop
20.	G10326	1	Hex Head Cap Screw, 3/8"-16 x 3 3/4"
21.	G10551	1	Clevis Pin, 1/4" x 2 1/2"
	G10669	1	Hair Pin Clip, No. 22
22.	G10312	2	Carriage Bolt, 5/16"-18 x 3/4"
	G10620	2	Serrated Flange Nut, 5/16"-18
23.	GD1033	1	Shield
24.		-	Wheel Arm, See "Gauge Wheels", Pages P6 And P7
25.	GA10157	1	Shank W/Gauge Wheel Pivot Spindle And Set Screw
	GD11001	-	Spindle
	G10438	-	Hex Head Cap Screw, 1/2"-13 x 3/4"
26.	G10207	2	Washer, 7/8" O.D. x 13/32" I.D. x .134" (If Applicable)
27.	GD11845	1	Dust Cap
28.			See "KPM I Electronic Seed Monitor" And "KPM II Stack-Mode/KPM III Electronic Seed Monitors", Pages P70-P73
29.	GB0285	1	Collar, Depth Adjustment
30.	GB0265	1	Pivot Link, Depth Adjustment
31.	GD15970	1	Sun Shade
32.	G10304	1	Carriage Bolt, 3/8"-16 x 3"
	G10108	1	Lock Nut, 3/8"-16
33.	GD17014	1	Hose Guide
34.	G10047	1	Hex Head Cap Screw, 3/8"-16 x 1 3/4"
	G10203	2-3	Washer, 3/8" SAE
	G10108	1	Lock Nut, 3/8"-16
35.	GD16245	-	Sun Shade (Rubber)

PARALLEL ARMS, MOUNTING SUPPORT PLATE AND QUICK ADJUSTABLE DOWN FORCE SPRINGS

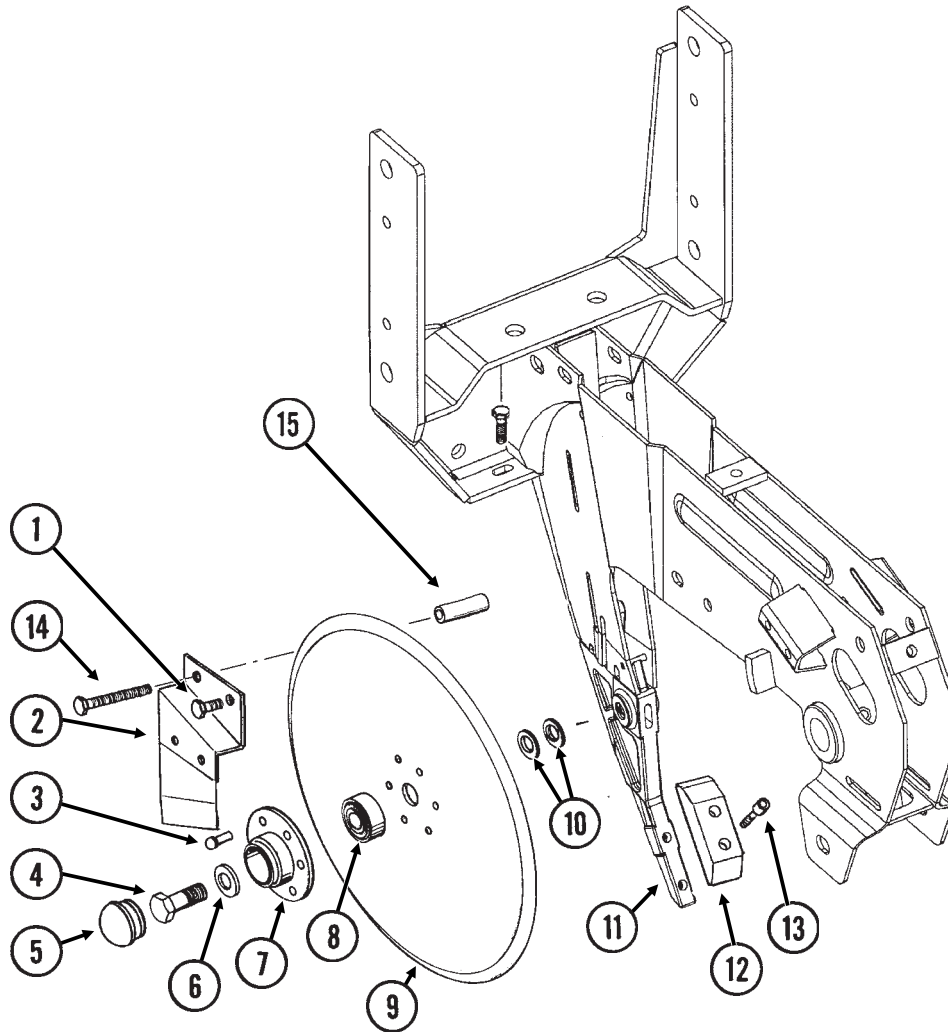
RUB021/RUB022(RU78/RU79a)



ITEM	PART NO.	QTY. (Per Row)	DESCRIPTION
1.	GD1114	2	U-Bolt, 7" x 7" x 5/8"-11
	G10230	4	Lock Washer, 5/8"
	G10104	4	Hex Nut, 5/8"-11
2.	GD10036	1	Mounting Support Plate
3.	GB0218	4	Bushing, 2 1/32" I.D. x 7/8" O.D. x 19/32" Long
4.	GD11422	2	Upper Parallel Arm
5.	G10732	4	Hex Head Cap Screw, 5/8"-18 x 2"
	GD7805	4	Special Washer, 5/8", Hardened
	G10412	4	Lock Nut, 5/8"-18
6.	GB0186	2	Spring Anchor
7.	GD14217	2	Tab Lock Pin, 7/16" x 1 1/2"
8.	GD8249	2-4	Spring
9.		-	See "Hopper Support And Meter Drive", Page P12
10.	GA5651	1	Lower Parallel Arm
11.	GA1720	1	Bearing/Sprocket, 7/8" Hex Bore
12.	G10001	2	Hex Head Cap Screw, 3/8"-16 x 1"
	G10229	2	Lock Washer, 3/8"
	G10101	2	Hex Nut, 3/8"-16
A.	G6326X	-	U-Bolt Package For 7" x 7" Toolbar, Includes: (2) GD1114, (4) G10230, (4) G10104

15" SEED OPENER DISC BLADE/BEARING ASSEMBLY AND SCRAPERS

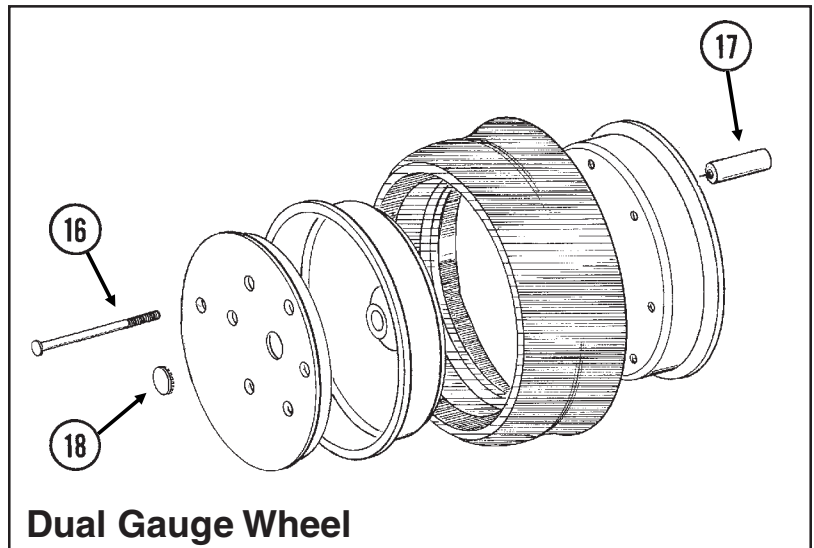
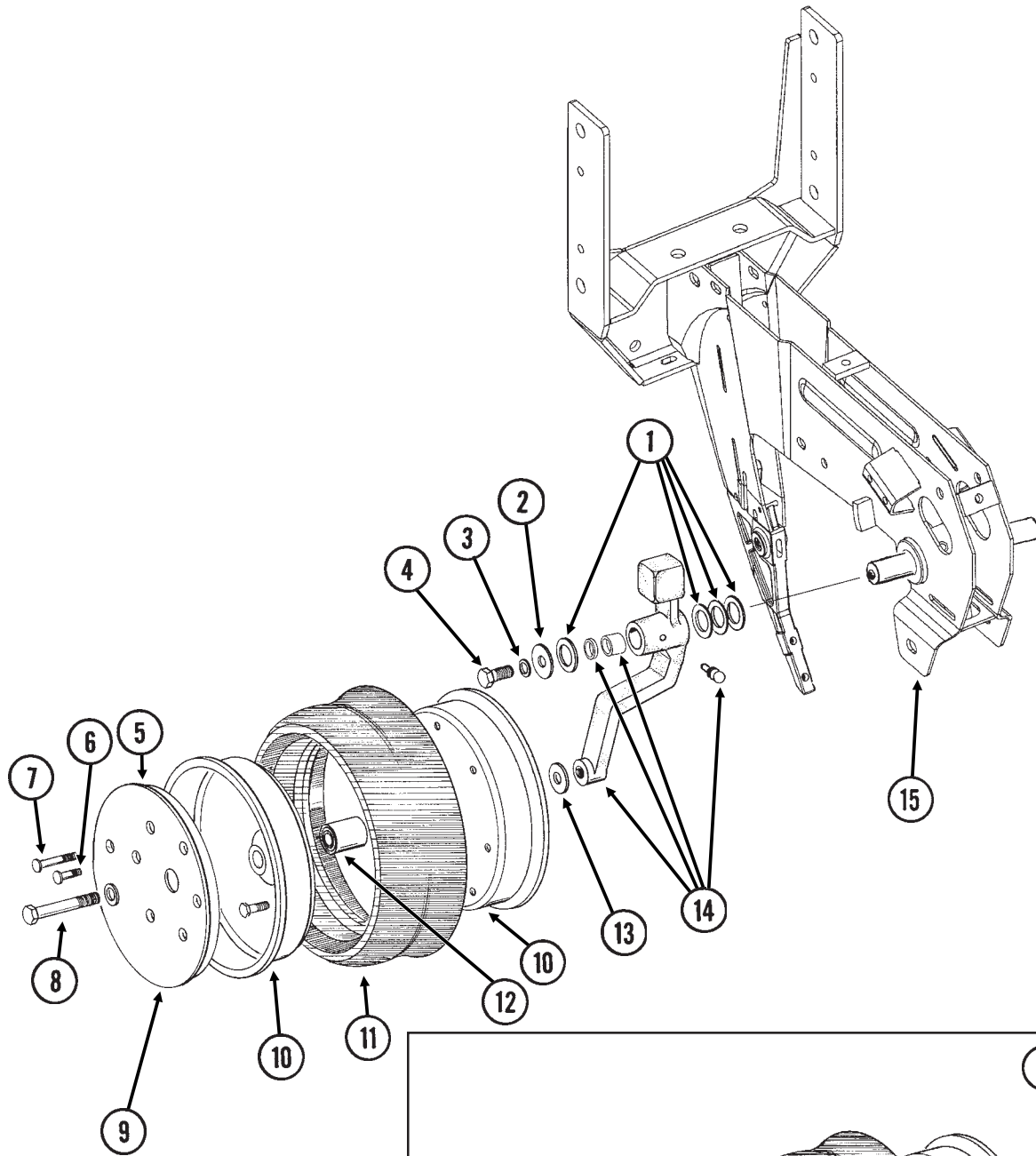
(RU139)



ITEM	PART NO.	QTY. (Per Row)	DESCRIPTION
1.	G10328	2	Hex Head Cap Screw, $\frac{3}{8}$ "-16 x $\frac{5}{8}$ "
	G10622	2	Serrated Flange Nut, $\frac{3}{8}$ "-16
2.	GA2012R	1	Disc Scraper, R.H.
	GA2012L	-	Disc Scraper, L.H. (Shown)
3.	G10427	12	Rivet, $\frac{1}{4}$ " x $\frac{1}{2}$ "
4.	GD11017	1	Special Hex Head Cap Screw, $\frac{5}{8}$ "-11 x 1 $\frac{1}{2}$ ", L.H. Threads
	G10007	1	Hex Head Cap Screw, $\frac{5}{8}$ "-11 x 1 $\frac{1}{2}$ "
5.	GD11845	2	Dust Cap
6.	G10204	2	Special Machine Bushing, $\frac{5}{8}$ " x 1" O.D.
7.	GD10473	2	Bearing Housing
8.	GA2014	2	Bearing
9.	GD11306	2	Disc Blade, 3.5 mm x 15"
10.	G10213	-	Machine Bushing, $\frac{5}{8}$ " (.030" Thick)(As Required)
11.		-	See "Shank Assembly", Pages P2 And P3
12.	GB0301	1	Seed Tube Guard/Inner Scraper
13.	G10912	2	Hex Socket Head Cap Screw, $\frac{5}{16}$ "-18 x 1", Grade 8
14.	G10325	1	Hex Head Cap Screw, $\frac{3}{8}$ "-16 x 2 $\frac{3}{4}$ "
	G10622	1	Serrated Flange Nut, $\frac{3}{8}$ "-16
15.	GD11259	1	Sleeve, $\frac{3}{8}$ " I.D. x $\frac{5}{8}$ " O.D. x 1 $\frac{25}{32}$ " Long
A.	GA8324	-	Disc Blade/Bearing Assembly, Less Dust Cap (Items 3 And 7-9)

GAUGE WHEELS

(RU140)

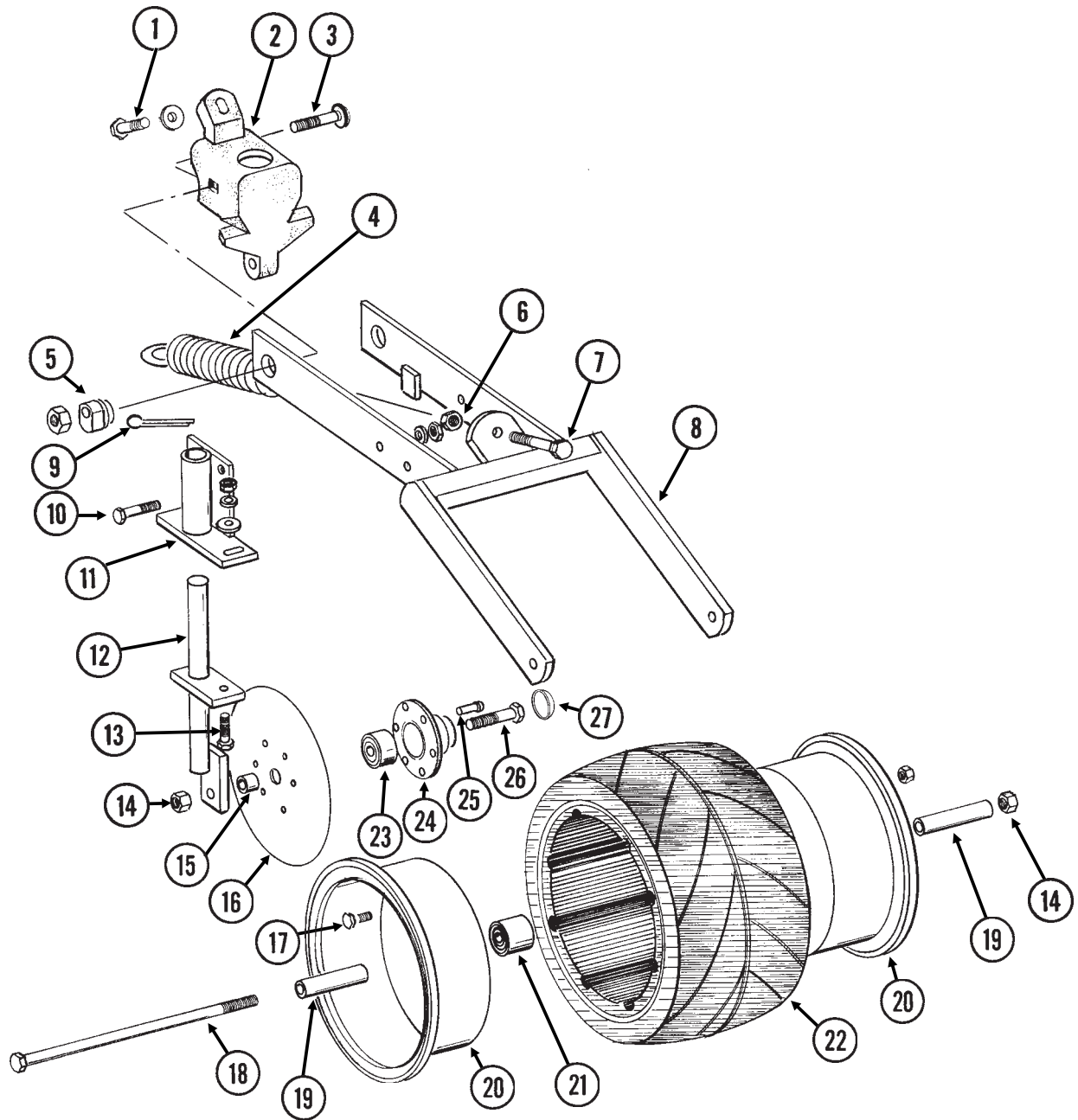


GAUGE WHEELS

ITEM	PART NO.	QTY. (Per Row)	DESCRIPTION
1.	G10940	-	Machine Bushing, 1" (.048" Thick)
2.	G10216	2	Washer, 1/2" USS
3.	G10228	2	Lock Washer, 1/2"
4.	G10014	1	Hex Head Cap Screw, 1/2"-13 x 1"
5.	GD11453	2	Cover
6.	G10338	12	Carriage Bolt, 5/16"-18 x 1 1/4"
	G10620	12	Serrated Flange Nut, 5/16"-18
7.	G10924	8	Carriage Bolt, 5/16"-18 x 1 3/4"
	G10620	8	Serrated Flange Nut, 5/16"-18
8.	G10010	2	Hex Head Cap Screw, 5/8"-11 x 3"
	G10230	2	Lock Washer, 5/8"
9.	G10018	14	Hex Head Cap Screw, 5/16"-18 x 5/8"
	G10109	14	Lock Nut, 5/16"-18, Grade 8
10.	GD11423	4	Half Wheel
11.	GD1086	2	Tire
12.	GA6171	2	Bearing
13.	G10204	2	Special Machine Bushing, 5/8" x 1" O.D.
14.	GA7975	1	Wheel Arm W/Grease Fitting, Bushings And Seals, L.H. (Shown)
	GA7976	1	Wheel Arm W/Grease Fitting, Bushings And Seals, R.H.
	G10640	1	Grease Fitting, 1/4"-28 (Per Arm)
	GB0276	2	Bushing, 1" I.D. x 1 1/4" O.D. x 1" Long (Per Arm)
	GD10991	2	Seal (Per Arm)
15.		-	See "Shank Assembly", Pages P2 And P3
16.	G10944	8	Carriage Bolt, 5/16"-18 x 6" (Replaces Item 7)
	G10620	8	Serrated Flange Nut, 5/16"-18
17.	GD8811	8	Dual Gauge Wheel Sleeve, 4 1/8"
18.	GD11936	1	Plug, 1 1/8"
A.	GA7949	-	Gauge Wheel Complete (Items 5-7 And 9-12)

COVERING DISCS/SINGLE PRESS WHEEL

RUA054/RUB026(RU94d)

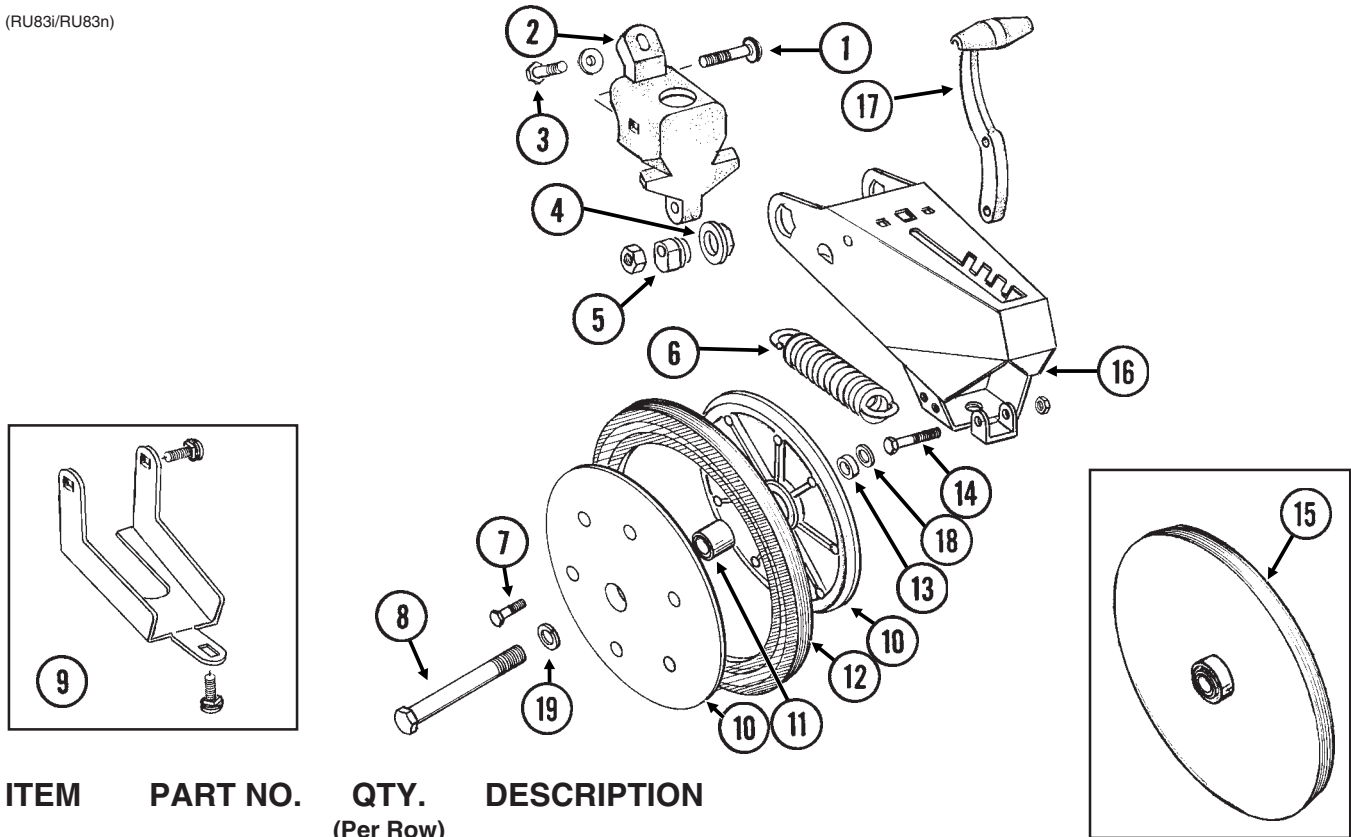


COVERING DISCS/SINGLE PRESS WHEEL

ITEM	PART NO.	QTY. (Per Row)	DESCRIPTION
1.	G10001	1	Hex Head Cap Screw, $\frac{3}{8}$ "-16 x 1"
	G10210	1	Washer, $\frac{3}{8}$ " USS
2.	GB0268	1	Wheel Arm Stop
3.	G10801	2	Carriage Bolt, $\frac{1}{2}$ "-13 x 2 $\frac{1}{4}$ "
	G10315	-	Carriage Bolt, $\frac{1}{2}$ "-13 x 2 $\frac{1}{2}$ " (Used W/Straight Drop In-Furrow Granular Chemical Bracket)
	G10102	2	Hex Nut, $\frac{1}{2}$ "-13
4.	GA2054	1	Spring
5.	GB0239	2	Eccentric Bushing
6.	G10102	1	Hex Nut, $\frac{1}{2}$ "-13
7.	G10015	1	Adjusting Bolt, $\frac{1}{2}$ "-13 x 5"
8.	GA6619	1	Mounting Arm
9.	G10463	2	Cotter Pin, $\frac{1}{4}$ " x 1 $\frac{1}{2}$ "
10.	G10171	4	Hex Head Cap Screw, $\frac{5}{16}$ "-18 x 1 $\frac{1}{4}$ "
	G10232	4	Lock Washer, $\frac{5}{16}$ "
	G10106	4	Hex Nut, $\frac{5}{16}$ "-18
11.	GA6620	2	Bracket
12.	GA6618	2	Mount
13.	G10303	2	Carriage Bolt, $\frac{5}{16}$ "-18 x 1"
	G10219	2	Washer, $\frac{5}{16}$ " USS
	G10232	2	Lock Washer, $\frac{5}{16}$ "
	G10106	2	Hex Nut, $\frac{5}{16}$ "-18
14.	G10107	3	Lock Nut, $\frac{5}{8}$ "-11
15.	GD1109	2	Bushing, $\frac{41}{64}$ " I.D. x $\frac{7}{8}$ " O.D. x $\frac{1}{4}$ " Long
16.	GD9290	2	Disc Blade, 8"
17.	G10018	7	Hex Head Cap Screw, $\frac{5}{16}$ "-18 x $\frac{5}{8}$ "
	G10109	7	Lock Nut, $\frac{5}{16}$ "-18, Grade 8
18.	G10152	1	Hex Head Cap Screw, $\frac{5}{8}$ "-11 x 9"
19.	GD3180-12	2	Sleeve, $\frac{5}{8}$ " I.D. x $\frac{7}{8}$ " O.D. x 2 $\frac{7}{8}$ " Long
20.	GD9562	2	Half Wheel
21.	GA6171	1	Bearing
22.	GD9305	1	Tire
23.	GA2014	2	Bearing
24.	GD10473	2	Bearing Housing
25.	G10427	12	Rivet, $\frac{1}{4}$ " x $\frac{1}{2}$ "
26.	G10006	2	Hex Head Cap Screw, $\frac{5}{8}$ "-11 x 2 $\frac{1}{4}$ "
27.	GD11845	2	Dust Cap
A.	GA6733	-	Single Press Wheel Complete W/Bearing (Items 17 And 20-22)
B.	GA6801	-	Covering Disc Blade Complete W/Bearing (Items 16 And 23-25)

"V" CLOSING WHEELS

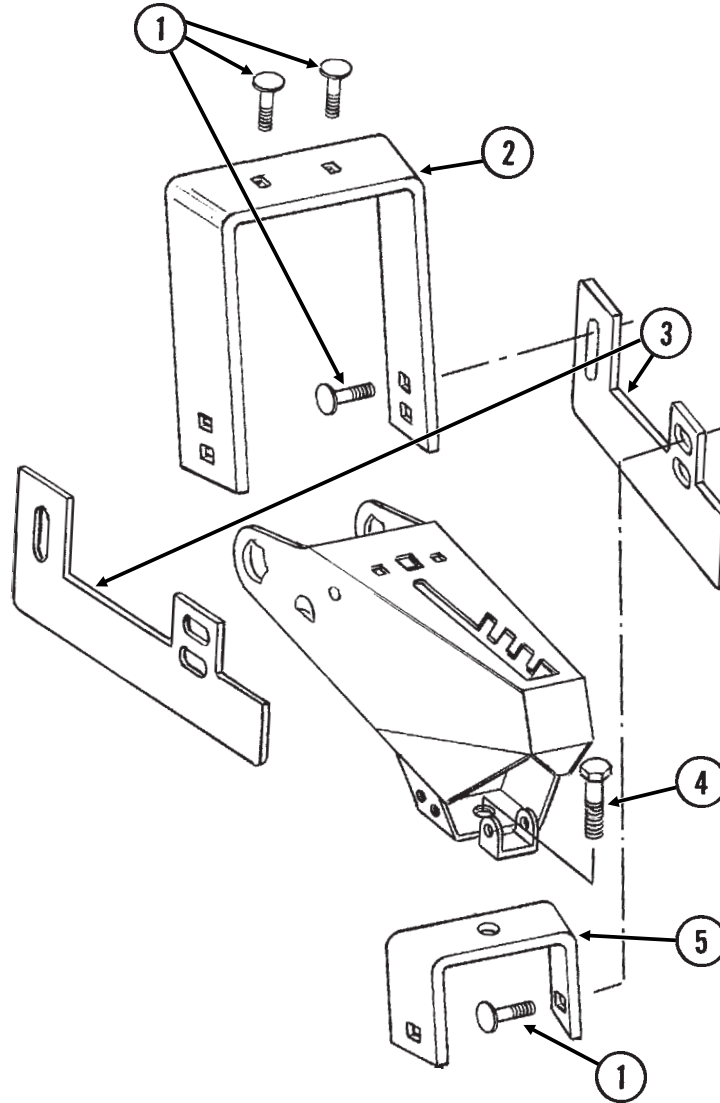
(RU83i/RU83n)



ITEM	PART NO.	QTY. (Per Row)	DESCRIPTION
1.	G10801	2	Carriage Bolt, 1/2"-13 x 2 1/4"
	G10315	-	Carriage Bolt, 1/2"-13 x 2 1/2" (Used W/Straight Drop In-Furrow Granular Chemical Bracket)
	G10111	2	Lock Nut, 1/2"-13
2.	GB0268	1	Wheel Arm Stop
3.	G10001	1	Hex Head Cap Screw, 3/8"-16 x 1"
	G10210	1	Washer, 3/8" USS
4.	GB0282	2	Stepped Bushing
5.	GB0239	2	Eccentric Bushing
6.	GD8460	1	Spring
7.	G10064	6	Hex Head Cap Screw, 1/4"-20 x 1"
8.	G10013	2	Hex Head Cap Screw, 5/8"-11 x 3 1/2"
	G10107	2	Lock Nut, 5/8"-11
9.	G1K345	-	Closing Wheel Shield Kit W/Hardware And Instruction
	G10308	2	Carriage Bolt, 3/8"-16 x 3/4"
	G10599	1	Carriage Bolt, 3/8"-16 x 1 1/4"
	G10210	1	Washer, 3/8" USS
	G10229	3	Lock Washer, 3/8"
	G10101	3	Hex Nut, 3/8"-16
10.	GD9120	4	Nylon Half Wheel
11.	GA6171	2	Bearing
12.	GD1085	2	Rubber Tire, 1" x 12"
13.	GD1109	2	Bushing, 41/64" I.D. x 7/8" O.D. x 1/4" Long
14.	G10133	1	Hex Head Cap Screw, 5/16"-18 x 1 1/2"
	G10109	1	Lock Nut, 5/16"-18, Grade 8
15.	GA6597	-	Cast Iron Closing Wheel W/Bearing
	GA6171	-	Bearing
16.	GA8322	1	Arm
17.	GB0254	1	Lever
18.	GD7805	2	Special Washer, 5/8", Hardened
19.	G10230	2	Lock Washer, 5/8"
A.	GA6434	-	Rubber Closing Wheel Complete W/Bearing (Items 7 And 10-12)

DRAG CLOSING ATTACHMENT

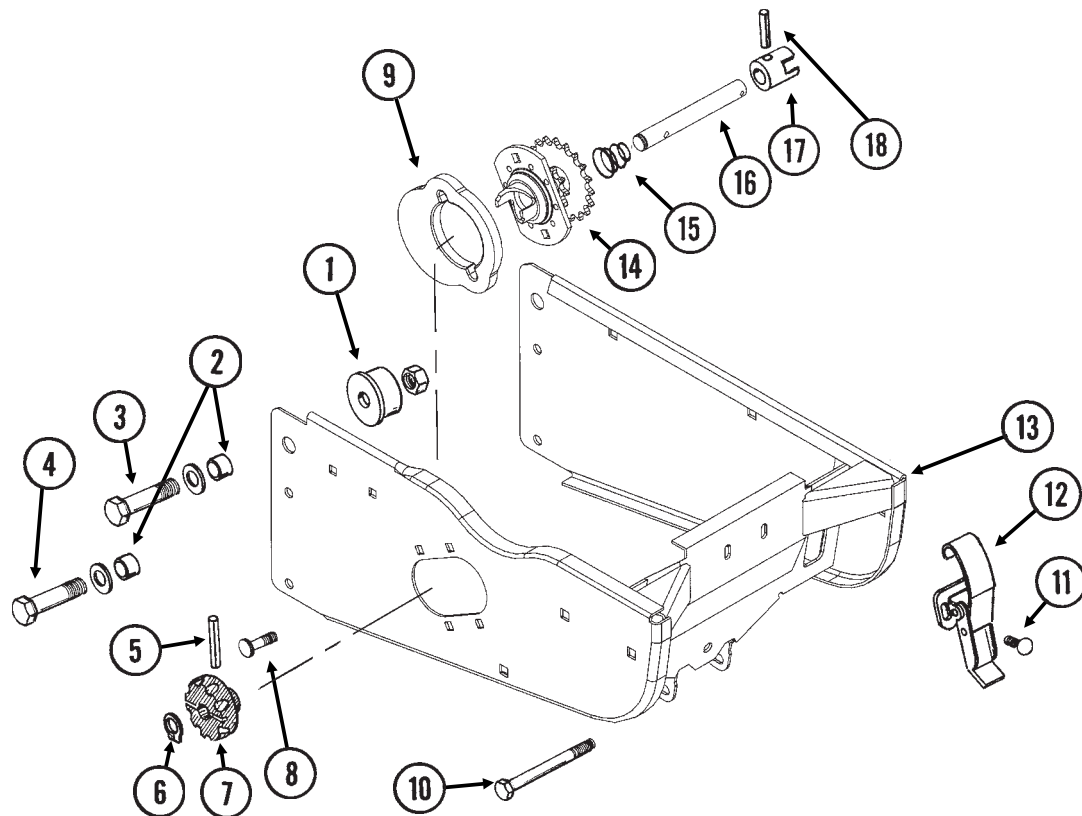
RUB050(RU90c)



ITEM	PART NO.	QTY.	DESCRIPTION
		(Per Row)	
1.	G10599	6	Carriage Bolt, $\frac{3}{8}$ "-16 x 1 $\frac{1}{4}$ "
	G10210	6	Washer, $\frac{3}{8}$ " USS
	G10229	6	Lock Washer, $\frac{3}{8}$ "
	G10101	6	Hex Nut, $\frac{3}{8}$ "-16
2.	GD11508	1	Front Bracket
3.	GD11313	2	Blade
4.	G10007	1	Hex Head Cap Screw, $\frac{5}{8}$ "-11 x 1 $\frac{1}{2}$ "
	G10230	1	Lock Washer, $\frac{5}{8}$ "
	G10104	1	Hex Nut, $\frac{5}{8}$ "-11
5.	GD11509	1	Rear Bracket
A.	G7566X	-	Drag Closing Attachment Complete (Items 1-5)

HOPPER SUPPORT AND METER DRIVE

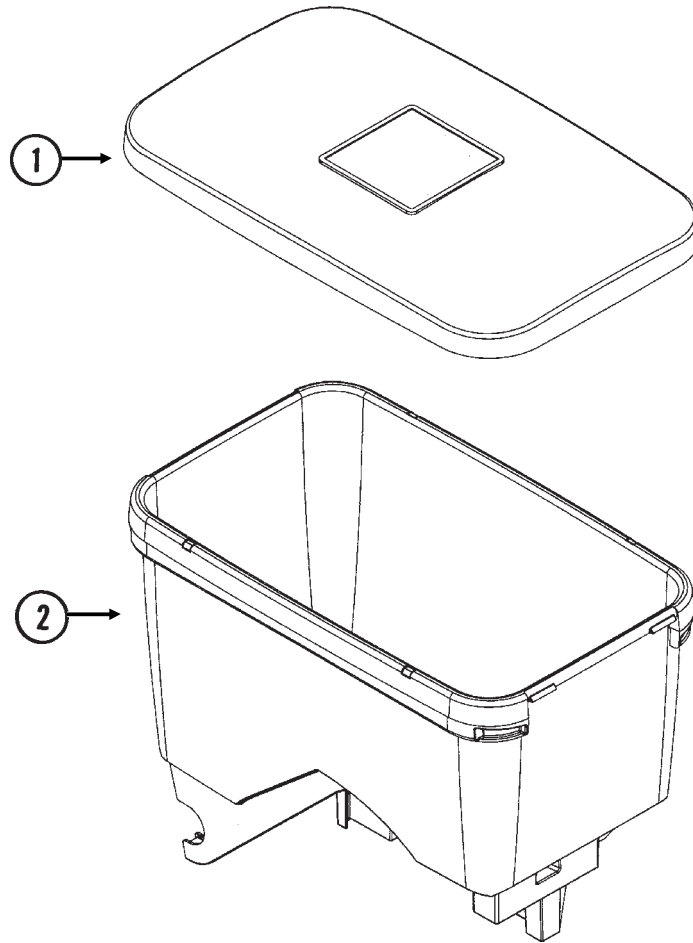
(METR22)



ITEM	PART NO.	QTY. (Per Row)	DESCRIPTION
1.	GB0314	2	Hopper Mount
2.	GB0218	4	Bushing, $2\frac{1}{32}$ " I.D. x $7\frac{7}{8}$ " O.D. x $1\frac{19}{32}$ " Long
3.	G10752	2	Hex Head Cap Screw, $\frac{5}{8}$ "-18 x $2\frac{1}{4}$ "
	GD7805	2	Special Washer, $\frac{5}{8}$ ", Hardened
	G10412	2	Lock Nut, $\frac{5}{8}$ "-18
4.	G10751	2	Hex Head Cap Screw, $\frac{5}{8}$ "-18 x $1\frac{3}{4}$ "
	GD7805	2	Special Washer, $\frac{5}{8}$ ", Hardened
	G10412	2	Lock Nut, $\frac{5}{8}$ "-18
5.	G10602	1	Spring Pin, $\frac{1}{4}$ " x $1\frac{1}{2}$ "
6.	G10567	1	External Retaining Ring, $\frac{5}{8}$ "
7.	GD11239	1	Knob
8.	G10338	2	Carriage Bolt, $\frac{5}{16}$ "-18 x $1\frac{1}{4}$ "
	G10620	2	Serrated Flange Nut, $\frac{5}{16}$ "-18
9.	GB0331	1	Clutch Adapter Plate
10.	G10061	1	Hex Head Cap Screw, $\frac{3}{8}$ "-16 x $3\frac{1}{2}$ "
	G10210	2	Washer, $\frac{3}{8}$ " USS
	G10108	1	Lock Nut, $\frac{3}{8}$ "-16
11.	G10309	2	Carriage Bolt, $\frac{1}{4}$ "-20 x $\frac{5}{8}$ ", Grade 2
	G10621	2	Serrated Flange Nut, $\frac{1}{4}$ "-20
12.	GA2007	1	Hopper Hold Down Latch
13.	GA10155	1	Hopper Support
14.	GA10137	1	Double Sprocket And Bearing, Drive Clutch, 11/19 Tooth
15.	GD11413	1	Spring
16.	GD15747	1	Shaft
17.	GB0278	1	Coupler
18.	G10546	1	Spring Pin, $\frac{3}{16}$ " x $1\frac{1}{4}$ "
A.	GA10151	-	Meter Drive Assembly, 11/19 Sprocket (Items 5-7 And 14-18)

SEED HOPPER AND LID

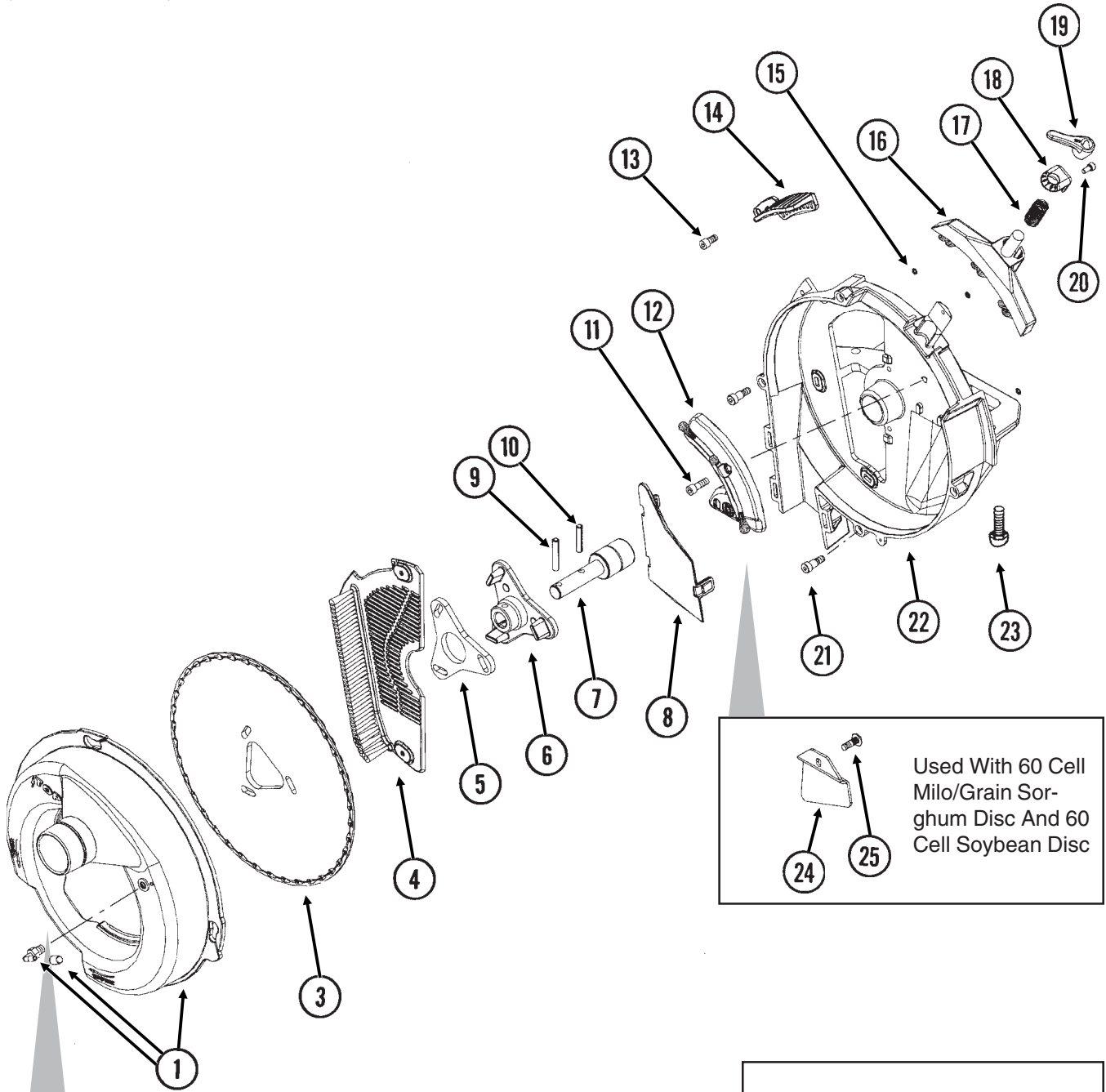
(METR12)




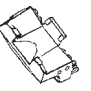
ITEM	PART NO.	QTY.	DESCRIPTION
1.	GD11279	1	Lid
2.	GA10634	1	Seed Hopper

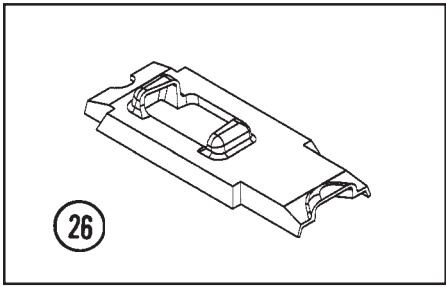
SEED METER

(METR69/METR65/A12133)



Used With 60 Cell Milo/Grain Sorghum Disc And 60 Cell Soybean Disc

	<p>2 Used With 60 Cell Milo/Grain Sorghum Disc</p>
	<p>27 Used With 20 Cell Hill-Drop Acid-Delinted Cotton Disc And 54 Cell Acid-Delinted Cotton/ Small Dry Edible Bean Disc</p>

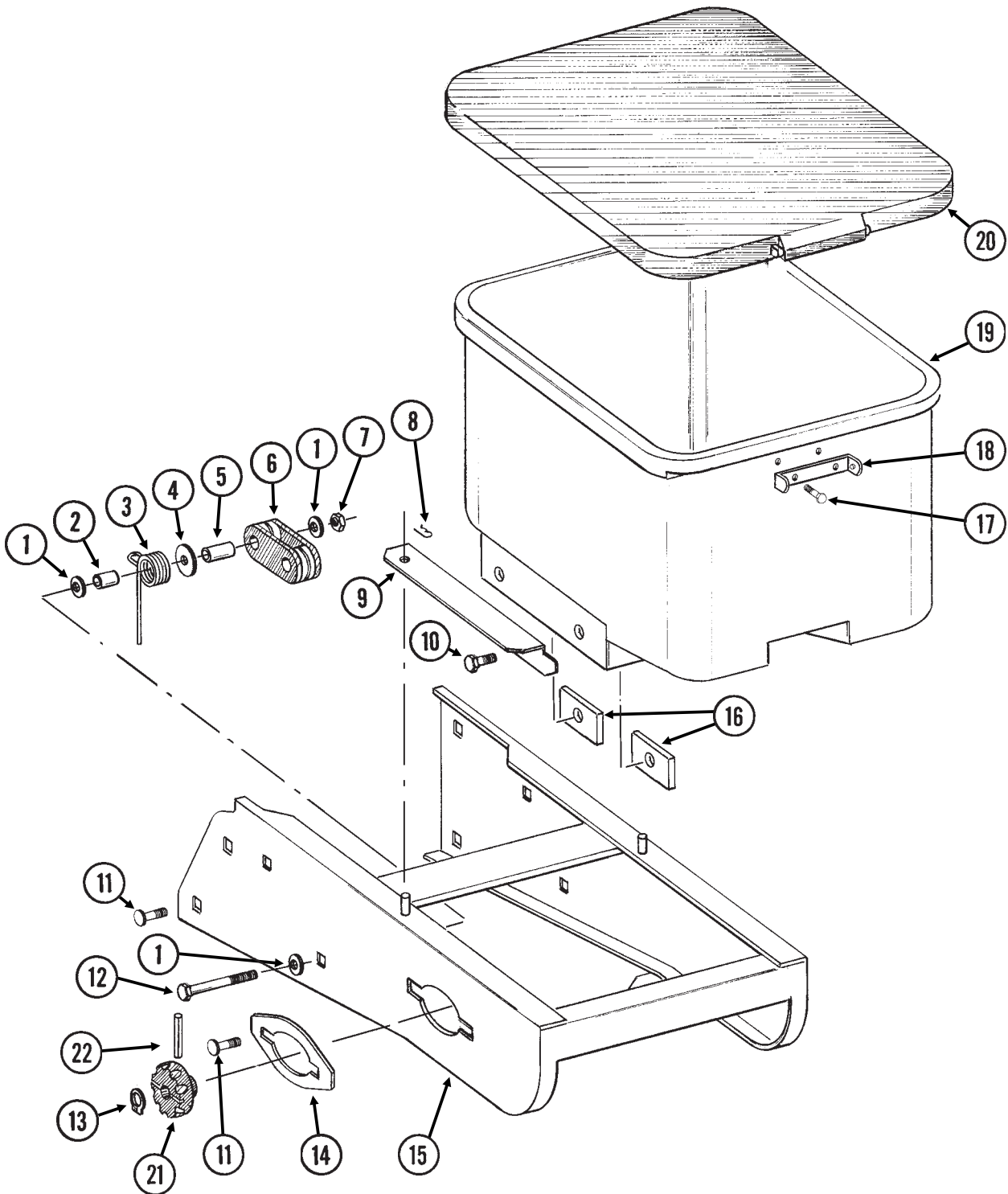


SEED METER

ITEM	PART NO.	QTY.	DESCRIPTION
1.	GA11911	1	Vacuum Cover W/Elbow And Cap
	GD17099	-	³ / ₁₆ " Hose Barb Elbow
	GD17152	-	Cap
2.	GA12133	1	Cleanout Brush (Used With 60 Cell Milo/Grain Sorghum Disc)
3.	GD17049	-	Seed Disc, Corn/Popcorn, 39 Cell, Light Blue Color-Coded
	GD17048	-	Seed Disc, Low-Rate Corn/Popcorn, 24 Cell, Light Green Color-Coded
	GD14467	-	Seed Disc, Soybean, 60 Cell, Black Color-Coded
	GD14468	-	Seed Disc, High-Rate Soybean, 120 Cell, Dark Blue Color-Coded
	GD17050	-	Seed Disc, Milo/Grain Sorghum, 60 Cell, Yellow Color-Coded
	GD17187	-	Seed Disc, Hill-Drop Cotton, Acid-Delinted, 3 Seeds Per Cell, 20 Cell, Brown Color-Coded
	GD17186	-	Seed Disc, Cotton, Acid-Delinted/Small Dry Edible Bean, 54 Cell, Dark Green Color-Coded
	GD14477	-	Seed Disc, Large Dry Edible Bean, 54 Cell, Tan Color-Coded
4.	GD17028	1	Wall Brush/Vent
5.	GD17021	1	Foam Spacer
6.	GB0328	1	Mount
7.	GA5698	1	Bearing
8.	GD14541	1	Discharge Cover
9.	G10602	1	Spring Pin, ¹ / ₄ " x 1 ¹ / ₂ "
10.	G10603	1	Spring Pin, ¹ / ₄ " x 1 ¹ / ₄ "
11.	G11213	1	Hex Socket Head Cap Screw, ¹ / ₄ "-20 x ³ / ₄ "
12.	GA11935	1	Crowder Brush
13.	G10260	1	Hex Socket Head Cap Screw, ¹ / ₄ "-20 x ¹ / ₂ "
14.	GD17047	1	Air Inlet Screen
15.	GD17162	3	Push Nut, ¹ / ₈ " I.D.
16.	GA10755	1	Singulator Brush
17.	GD14592	1	Spring
18.	GB0358	1	Cap
19.	GD15663	1	Brush Adjustment Lever
20.	G11173	1	Hex Socket Head Cap Screw, No. 10-24 x ³ / ₈ ", Stainless Steel
21.	G11172	4	Hex Socket Head Shoulder Screw, ¹ / ₄ "-20 x ³ / ₈ ", Stainless Steel
22.	GB0319	1	Housing
23.	G11009	2	Locking Thumbscrew, ⁵ / ₁₆ "-18 x ³ / ₄ "
24.	GD17104	1	Seed Baffle (Used With 60 Cell Milo/Grain Sorghum Disc And 60 Cell Soybean Disc)
25.	G11210	1	Rib Neck Bolt, ¹ / ₄ "-20 x ³ / ₄ "
	G10323	1	Hex Flange Nut, ¹ / ₄ "-20
26.	GD15700	1	Shank Cover, EdgeVac [®] Meter
27.	GA12154	-	Cleanout Brush W/Ball-Type Ejector (Used With 20 Cell Hill-Drop Acid-Delinted Cotton Disc And 54 Cell Acid-Delinted Cotton/Small Dry Edible Bean Disc)

GRANULAR CHEMICAL HOPPER AND HOPPER PANEL EXTENSION

(METR14d)

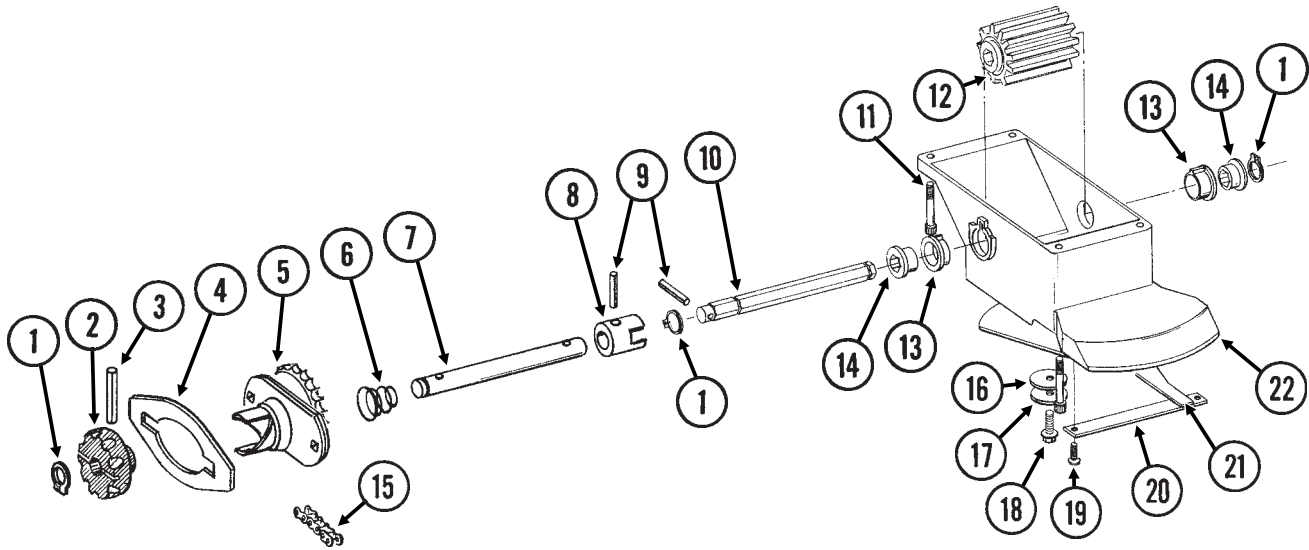


GRANULAR CHEMICAL HOPPER AND HOPPER PANEL EXTENSION

ITEM	PART NO.	QTY. (Per Row)	DESCRIPTION
1.	G10210	3	Washer, $\frac{3}{8}$ " USS
2.	GD2971-10	1	Sleeve, $\frac{9}{16}$ " Long
3.	GD11219	1	Spring
4.	G10201	1	Special Washer, $\frac{3}{8}$ " x 1 $\frac{1}{2}$ " O.D.
5.	GD1026	1	Sleeve, 1 $\frac{3}{16}$ " Long
6.	GD11962	1	Idler
7.	G10108	1	Lock Nut, $\frac{3}{8}$ "-16
8.	G10670	2	Hair Pin Clip, No. 3
9.	GD1059L	1	Support, L.H. (Shown)
	GD1059R	1	Support, R.H.
10.	G10002	4	Hex Head Cap Screw, $\frac{3}{8}$ "-16 x $\frac{3}{4}$ "
	G10229	4	Lock Washer, $\frac{3}{8}$ "
11.	G10312	8	Carriage Bolt, $\frac{5}{16}$ "-18 x $\frac{3}{4}$ "
	G10620	8	Serrated Flange Nut, $\frac{5}{16}$ "-18
12.	G10325	1	Hex Head Cap Screw, $\frac{3}{8}$ "-16 x 2 $\frac{3}{4}$ "
13.	G10567	3	External Retaining Ring, $\frac{5}{8}$ "
14.	GD11305	1	Plate
15.	A10759	1	Hopper Panel Extension (Non-Stock Item) (Sub Wholegoods Order Code 700-01099)
16.	GD11424	4	Block
17.	G10023	2	Hex Head Cap Screw, $\frac{1}{4}$ "-20 x $\frac{3}{4}$ "
	G10621	2	Serrated Flange Nut, $\frac{1}{4}$ "-20
18.	GD1060	1	Hinge
19.	GA8371	1	Hopper
20.	GA4444	1	Lid
21.	GD11239	1	Knob
22.	G10602	1	Spring Pin, $\frac{1}{4}$ " x 1 $\frac{1}{2}$ "

GRANULAR CHEMICAL METER AND METER DRIVE

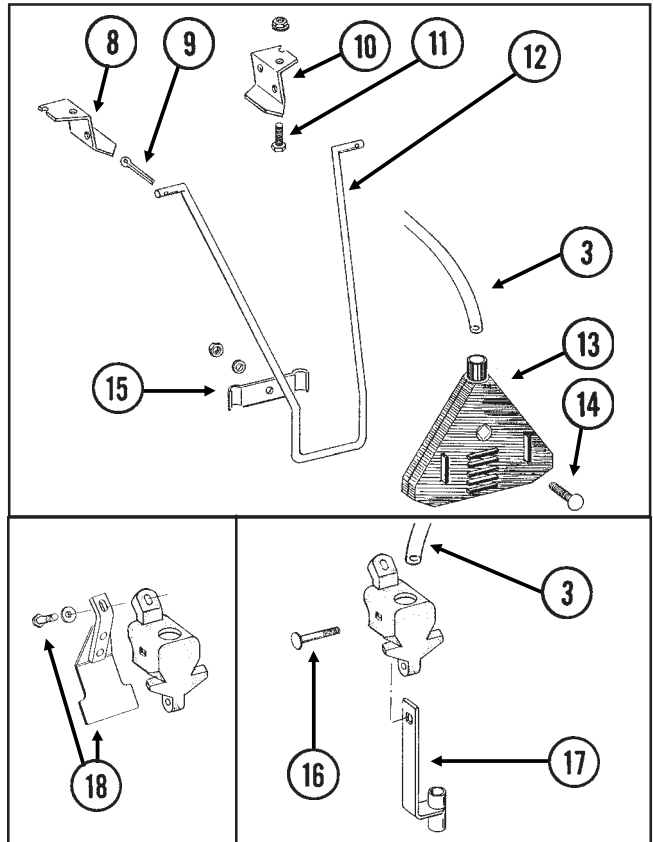
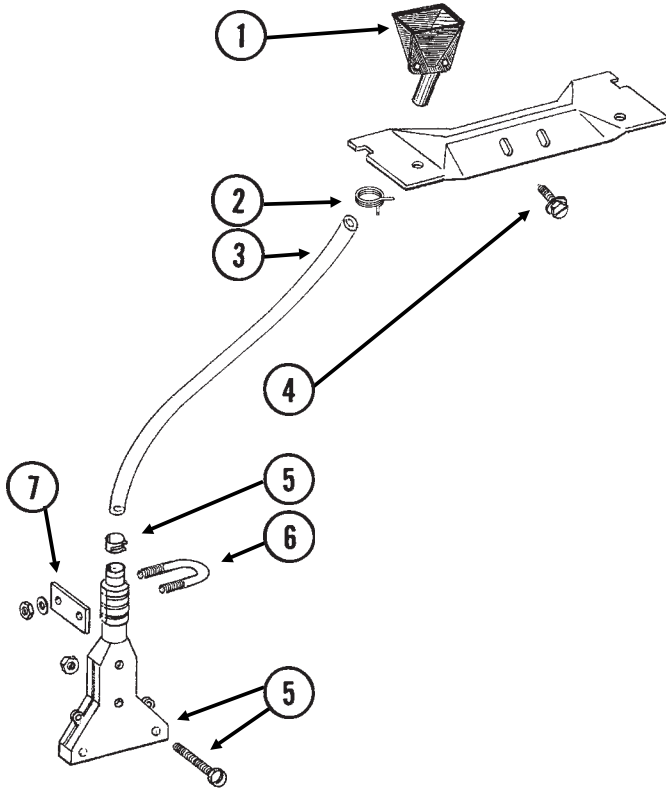
RUA051/RUB028(RU91a)



ITEM	PART NO.	QTY. (Per Row)	DESCRIPTION
1.	G10567	3	External Retaining Ring, $\frac{5}{8}$ "
2.	GD11239	1	Knob
3.	G10602	1	Spring Pin, $\frac{1}{4}$ " x $1 \frac{1}{2}$ "
4.		-	See "Granular Chemical Hopper And Hopper Panel Extension", Pages P16 And P17
5.	GA8364	1	Sprocket And Bearing, Drive Clutch, 24 Tooth
6.	GD11413	1	Spring
7.	GD11240	1	Shaft
8.	GB0278	1	Coupler
9.	G10546	2	Spring Pin, $\frac{3}{16}$ " x $1 \frac{1}{4}$ "
10.	GD11297	1	Shaft
11.	G10921	4	Hex Socket Head Cap Screw, No. 10-24 x $\frac{7}{8}$ "
	G10257	4	Lock Washer, No. 10
12.	GD7148	1	Feed Roller, Hex Bore
13.	GB0115	2	Bearing
14.	GD7258	2	Hex Bushing
15.	G3303-108	1	Chain, No. 41, 108 Pitch Including Connector Link
	GR0196	1	Connector Link, No. 41
16.	G10660	1	Wave Washer, $\frac{1}{2}$ "
17.	G10209	1	Washer, $\frac{1}{4}$ " USS
18.	G10570	1	Slotted Hex Self-Tapping Screw, $\frac{1}{4}$ "-20 x $\frac{3}{4}$ "
19.	G11073	2	Slotted Hex Self-Tapping Screw, No. 10 x $\frac{3}{8}$ "
20.	GD1061	1	Support Strap
21.	GD1063	1	Metering Gate
22.	GB0116	1	Granular Housing
A.	GA8326	-	Granular Chemical Meter Complete (Items 1, 9, 10, 12-14 And 16-22)

GRANULAR CHEMICAL BANDING OPTIONS

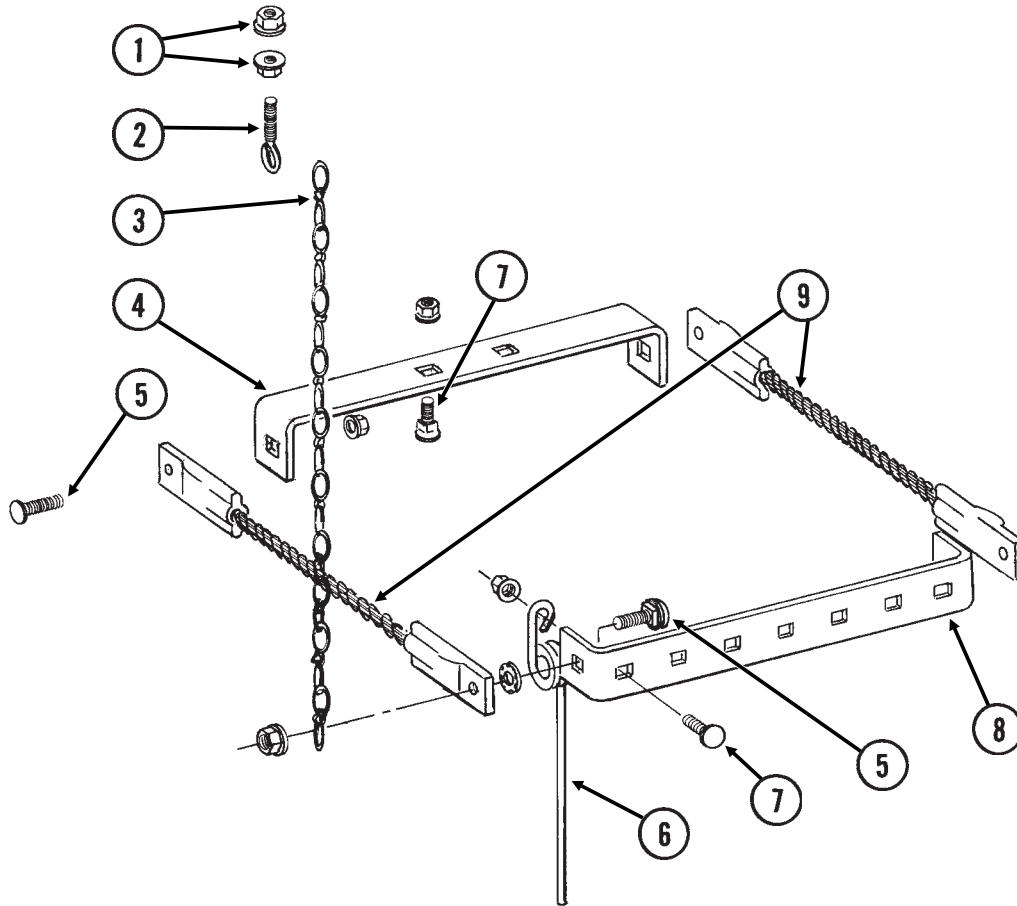
RUA061/RUA073(RU101mm/RU83m)



ITEM	PART NO.	QTY.	DESCRIPTION
1.	GD2423	1	Funnel
2.	G11209	1	Wire Hose Clamp, 3/4"
3.	GD2947	1	Hose, 7/16" x 28"
4.	G10523	2	Slotted Pan Head Self-Tapping Screw, No. 10 x 1/2"
5.	GA6907	1	Slope-Compensating Bander W/Hardware (4 1/2" Band Width)
	G10864	1	Uni-Clamp
	G10757	2	Pan Head Screw, No. 10-32 x 1 1/4"
	G10758	2	Hex Nut, No. 10-32
6.	GD10963	1	U-Bolt, 1 1/2" x 1 5/16" x 1/4"-20
	G10209	2	Washer, 1/4" USS
	G10110	2	Lock Nut, 1/4"-20, Grade B
7.	GD10984	1	Spacer
8.	GD1115L	-	Hanger Bracket, L.H.
9.	G10452	-	Cotter Pin, 1/8" x 1/2"
10.	GD1115R	-	Hanger Bracket, R.H.
11.	G10310	-	Carriage Bolt, 1/4"-20 x 3/4", Grade 2
	G10227	-	Lock Washer, 1/4"
	G10103	-	Hex Nut, 1/4"-20
12.	GD1116	-	Hanger
13.	GA2075	-	Diffuser, 14" Band
14.	G10306	-	Carriage Bolt, 3/8"-16 x 2"
	G10229	-	Lock Washer, 3/8"
	G10101	-	Hex Nut, 3/8"-16
15.	GD1118	-	Clamp
16.	G10315	1	Carriage Bolt, 1/2"-13 x 2 1/2" (Replaces Existing 1/2" x 2 1/4" Hardware)
17.	GA6741	1	Bracket (Straight Drop In-Furrow)
18.	G1K385	-	Bander Shield Kit W/Hardware And Instruction
	G10003	1	Hex Head Cap Screw, 3/8"-16 x 1 1/2"
	GD14659	1	Special Washer, 3/8", Hardened

SPRING TOOTH INCORPORATOR

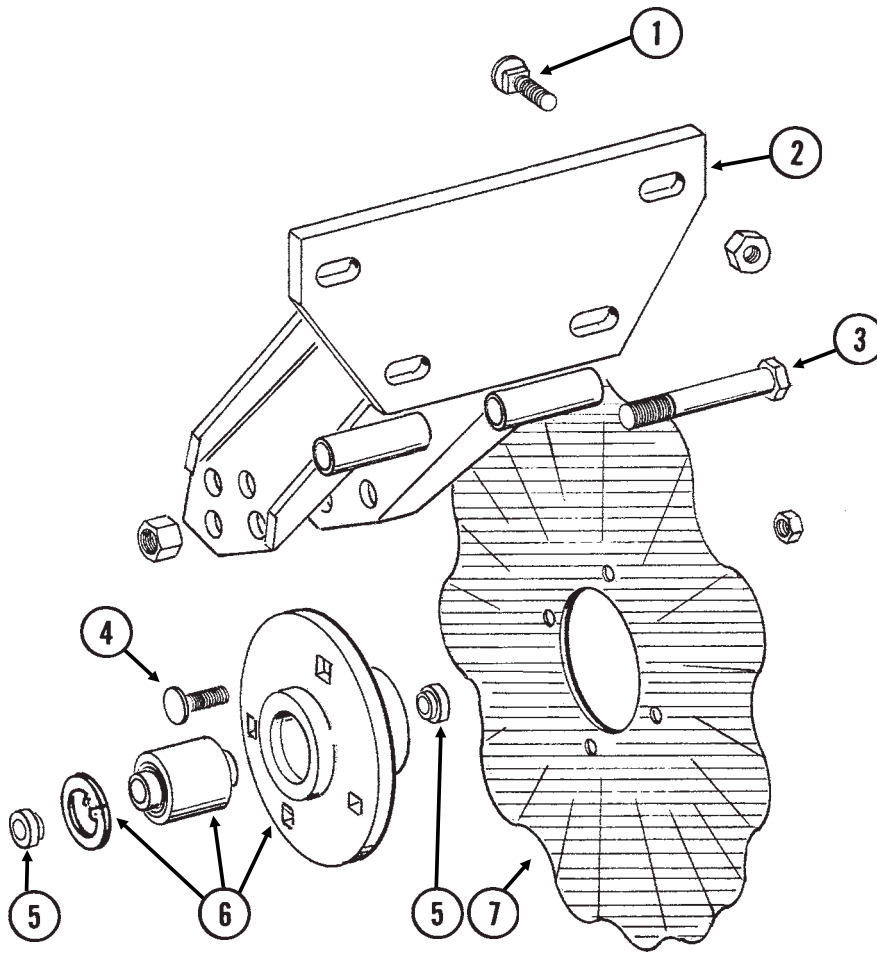
RUA055(RU95)



ITEM	PART NO.	QTY. (Per Row)	DESCRIPTION
1.	G10621	4	Serrated Flange Nut, 1/4"-20
2.	GD2460	2	Eyebolt, 1/4"-20
3.	G3305-01	4	Twin Loop Chain, 9 Links
4.	GD1143	1	Front Bracket
5.	G10305	4	Carriage Bolt, 3/8"-16 x 1"
	G10529	4	External Tooth Lock Washer, 3/8"
	G10622	4	Serrated Flange Nut, 3/8"-16
6.	GD1145	7	Spring Tooth
7.	G10308	9	Carriage Bolt, 3/8"-16 x 3/4"
	G10622	9	Serrated Flange Nut, 3/8"-16
8.	GD1144	1	Rear Bracket
9.	GA2094	2	Cable Assembly

ROW UNIT MOUNTED NO TILL COULTER

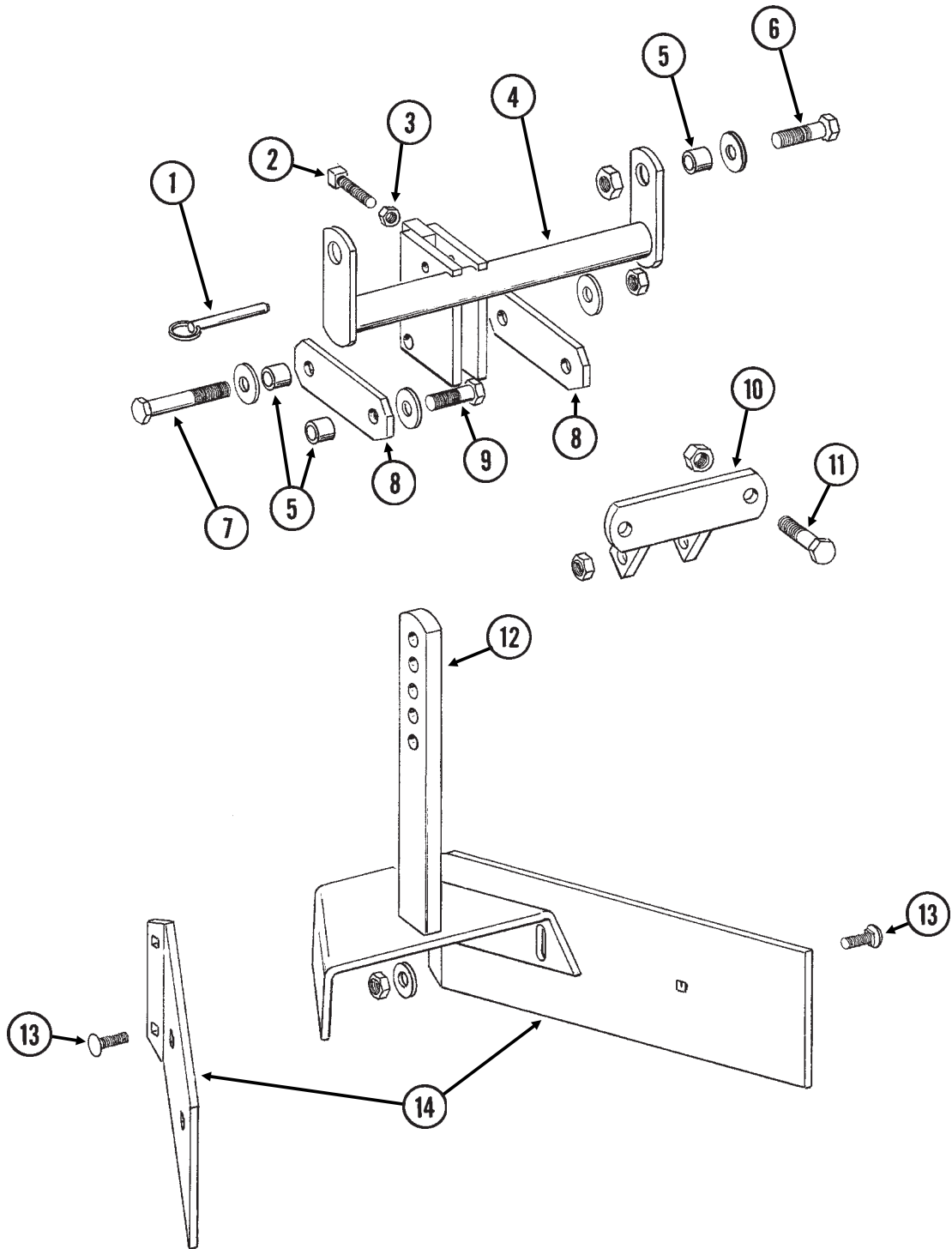
RUA061(RU102/RU102c)



ITEM	PART NO.	QTY.	DESCRIPTION
		(Per Row)	
1.	G10574	4	Carriage Bolt, 1/2"-13 x 1 1/4"
	G10111	4	Lock Nut, 1/2"-13
2.	GA5625	1	Arm
3.	G10036	1	Hex Head Cap Screw, 5/8"-11 x 4"
	G10107	1	Lock Nut, 5/8"-11
4.	G10574	4	Carriage Bolt, 1/2"-13 x 1 1/4"
	G10111	4	Lock Nut, 1/2"-13
5.	GD11677	2	Adapter
6.	GA8641	1	Hub W/Bearing And Retaining Ring
	GA8603	-	Double Row Bearing
	GD11652	-	Retaining Ring, 2 7/16"
7.	GD7803	-	Disc Blade, Fluted, 1", 8 Flutes (Shown)
	GD7804	-	Disc Blade, Bubbled, 1"
	GD9254	-	Disc Blade, Fluted, 3/4", 13 Flutes

ROW UNIT MOUNTED BED LEVELER

RUA059/RUA060(RU99/RU100)

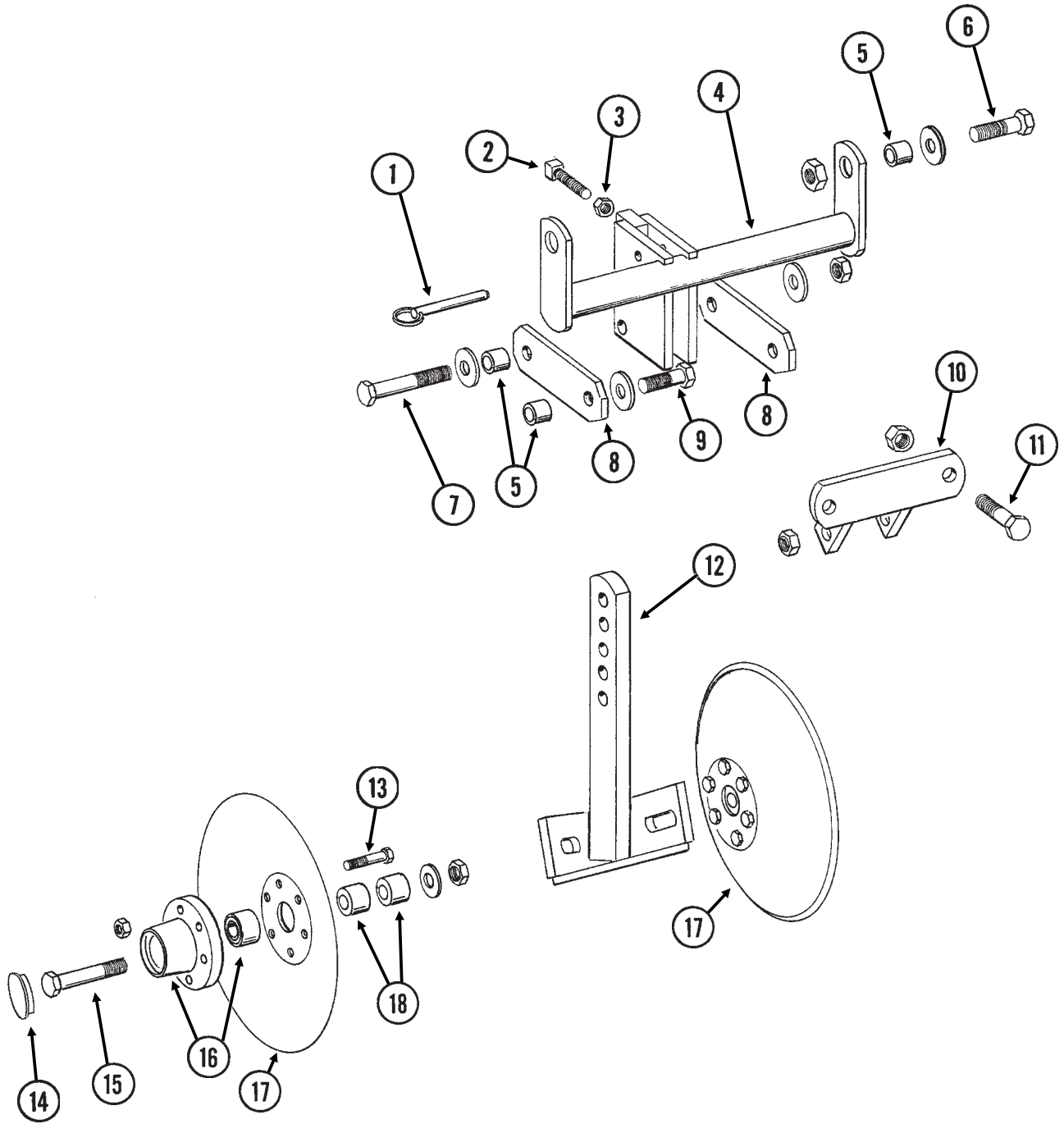


ROW UNIT MOUNTED BED LEVELER

ITEM	PART NO.	QTY. (Per Row)	DESCRIPTION
1.	G10536	1	Detent Pin, 1/2" x 2 1/2" Grip
2.	G10597	1	Square Head Set Screw, 5/8"-11 x 2 1/4"
3.	G10503	1	Hex Jam Nut, 5/8"-11, Grade 2
4.	GA5719	1	Mounting Bracket
5.	GD7889	6	Bushing, 1" O.D. x 9/16" I.D. x 7/16" Long
6.	G10039	2	Hex Head Cap Screw, 1/2"-13 x 1 3/4"
	G10216	2	Washer, 1/2" USS
	G10111	2	Lock Nut, 1/2"-13
7.	G10585	1	Hex Head Cap Screw, 1/2"-13 x 3 1/4"
	G10216	2	Washer, 1/2" USS
	G10111	1	Lock Nut, 1/2"-13
8.	GD7890	2	Link
9.	G10017	2	Hex Head Cap Screw, 1/2"-13 x 1 1/2"
	G10216	2	Washer, 1/2" USS
	G10111	2	Lock Nut, 1/2"-13
10.	GA5715	1	Anchor
11.	G10017	2	Hex Head Cap Screw, 1/2"-13 x 1 1/2"
	G10111	2	Lock Nut, 1/2"-13
12.	GA5892	1	Leveler
13.	G10303	6	Carriage Bolt, 5/16"-18 x 1"
	G10219	4	Washer, 5/16" USS
	G10109	6	Lock Nut, 5/16"-18, Grade 8
14.	GD8266	2	Blade

ROW UNIT MOUNTED DISC FURROWER

RUA059/RUA058(RU99/RU98g)

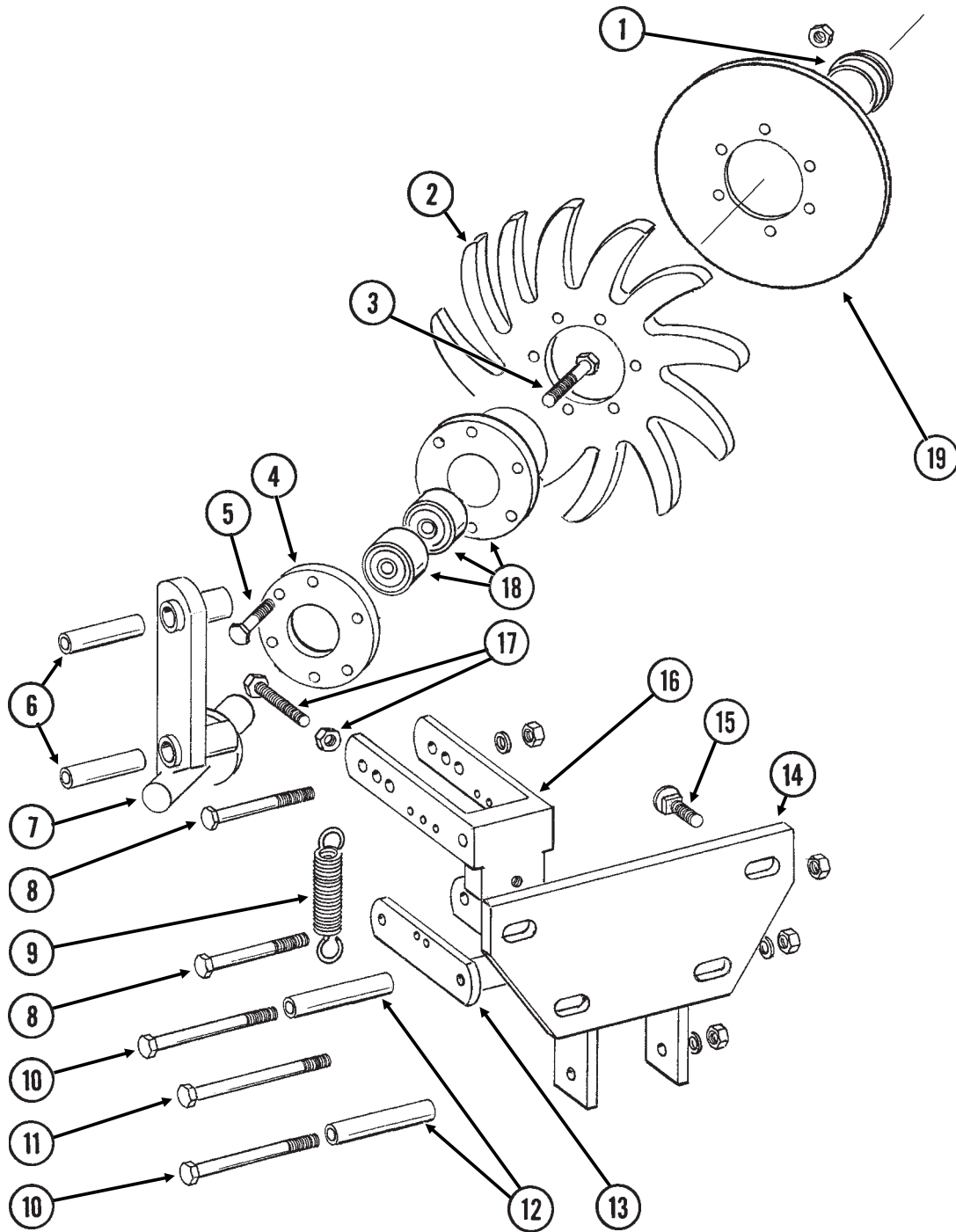


ROW UNIT MOUNTED DISC FURROWER

ITEM	PART NO.	QTY. (Per Row)	DESCRIPTION
1.	G10536	1	Detent Pin, 1/2" x 2 1/2" Grip
2.	G10597	1	Square Head Set Screw, 5/8"-11 x 2 1/4"
3.	G10503	1	Hex Jam Nut, 5/8"-11, Grade 2
4.	GA5719	1	Mounting Bracket
5.	GD7889	6	Bushing, 1" O.D. x 9/16" I.D. x 7/16" Long
6.	G10039	2	Hex Head Cap Screw, 1/2"-13 x 1 3/4"
	G10216	2	Washer, 1/2" USS
	G10111	2	Lock Nut, 1/2"-13
7.	G10585	1	Hex Head Cap Screw, 1/2"-13 x 3 1/4"
	G10216	2	Washer, 1/2" USS
	G10111	1	Lock Nut, 1/2"-13
8.	GD7890	2	Link
9.	G10017	2	Hex Head Cap Screw, 1/2"-13 x 1 1/2"
	G10216	2	Washer, 1/2" USS
	G10111	2	Lock Nut, 1/2"-13
10.	GA5715	1	Anchor
11.	G10017	2	Hex Head Cap Screw, 1/2"-13 x 1 1/2"
	G10111	2	Lock Nut, 1/2"-13
12.	GA5718	1	Support Arm
13.	G10572	6	Truss Head Slotted Machine Screw, 5/16"-18 x 7/8"
	G10106	6	Hex Nut, 5/16"-18
14.	GD1132	2	Dust Cap
15.	G10318	2	Hex Head Cap Screw, 5/8"-11 x 4 1/2"
	GD7805	2	Special Washer, 5/8", Hardened
	G10107	2	Lock Nut, 5/8"-11
16.	GA5654	2	Hub W/Bearings
	GA2014	-	Bearing
17.	GD7823	-	Disc Blade, Solid, 12" (Shown)
	GD8307	-	Disc Blade, Notched, 12"
18.	GD7817-01	2	Spacer, 11/16" I.D. x 3/4" Long
	GD7817-04	2	Spacer, 11/16" I.D. x 1/2" Long

ROW UNIT MOUNTED RESIDUE WHEEL

(RU103d)

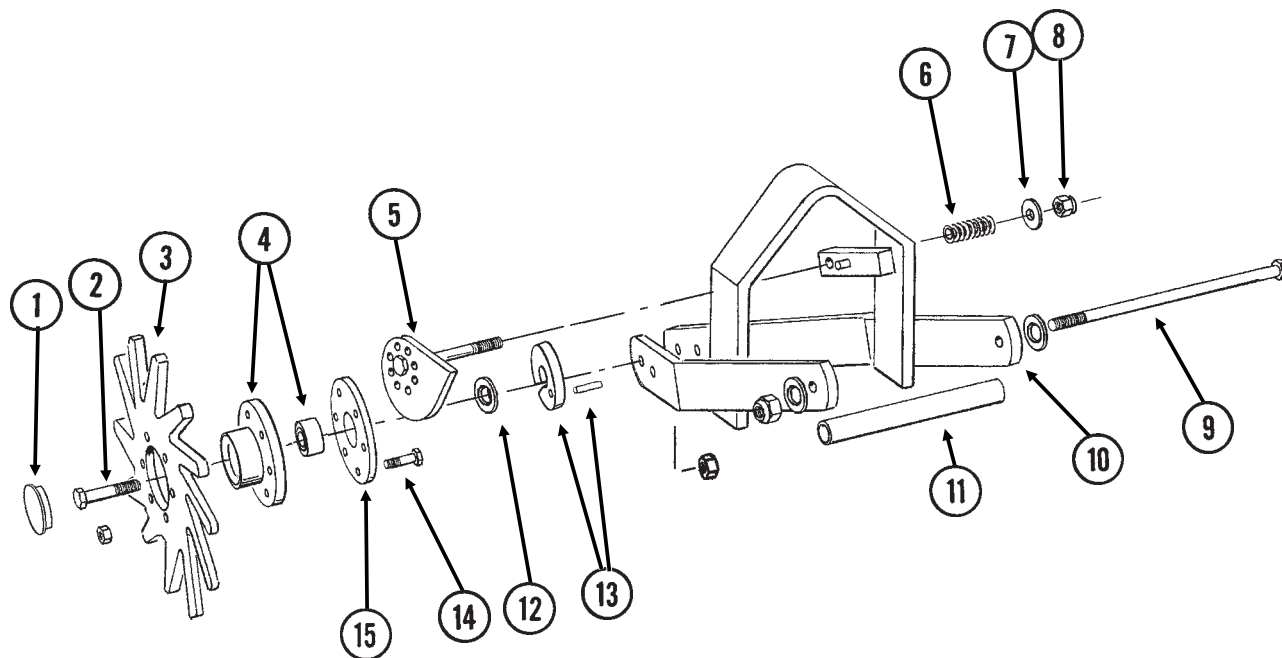


ROW UNIT MOUNTED RESIDUE WHEEL

ITEM	PART NO.	QTY. (Per Row)	DESCRIPTION
1.	GD1132	1	Dust Cap
2.	GD10552	1	Wheel, 12 Tine, $\frac{3}{8}$ " x 12"
3.	G10006	1	Hex Head Cap Screw, $\frac{5}{8}$ "-11 x 2 $\frac{1}{4}$ "
4.	GD9724	1	Backing Plate
5.	G10133	6	Hex Head Cap Screw, $\frac{5}{16}$ "-18 x 1 $\frac{1}{2}$ "
	G10109	6	Lock Nut, $\frac{5}{16}$ "-18, Grade 8
6.	GD9720	2	Spacer, $\frac{1}{2}$ " x 2 $\frac{3}{16}$ " Long
7.	GA6838	1	Wheel Mount
8.	G10033	2	Hex Head Cap Screw, $\frac{1}{2}$ "-13 x 3 $\frac{1}{2}$ "
	G10228	2	Lock Washer, $\frac{1}{2}$ "
	G10102	2	Hex Nut, $\frac{1}{2}$ "-13
9.	GD5857	2	Spring
10.	G10045	2	Hex Head Cap Screw, $\frac{1}{2}$ "-13 x 4 $\frac{1}{2}$ "
	G10228	2	Lock Washer, $\frac{1}{2}$ "
	G10102	2	Hex Nut, $\frac{1}{2}$ "-13
11.	G10348	1	Hex Head Cap Screw, $\frac{1}{2}$ "-13 x 5" (Lockup Bolt)
	G10111	1	Lock Nut, $\frac{1}{2}$ "-13
12.	GD9715	2	Spacer, $\frac{1}{2}$ " x 3" Long
13.	GA6834	1	Lower Link
14.	GA6832	1	Mount
15.	G10574	4	Carriage Bolt, $\frac{1}{2}$ "-13 x 1 $\frac{1}{4}$ "
	G10111	4	Lock Nut, $\frac{1}{2}$ "-13
16.	GA6833	1	Upper Link
17.	G10371	1	Hex Head Cap Screw, $\frac{1}{2}$ "-13 x 3", Full Thread
	G10501	1	Hex Jam Nut, $\frac{1}{2}$ "-13, Grade 2
18.	GA5654	1	Hub W/Bearings
	GA2014	-	Bearing
19.	GD12534	-	Cover
A.	GA7446	-	Wheel Assembly, 12 Tine (Items 2, 4, 5 And 18)

COULTER MOUNTED RESIDUE WHEELS

RUA063(RU104uu)

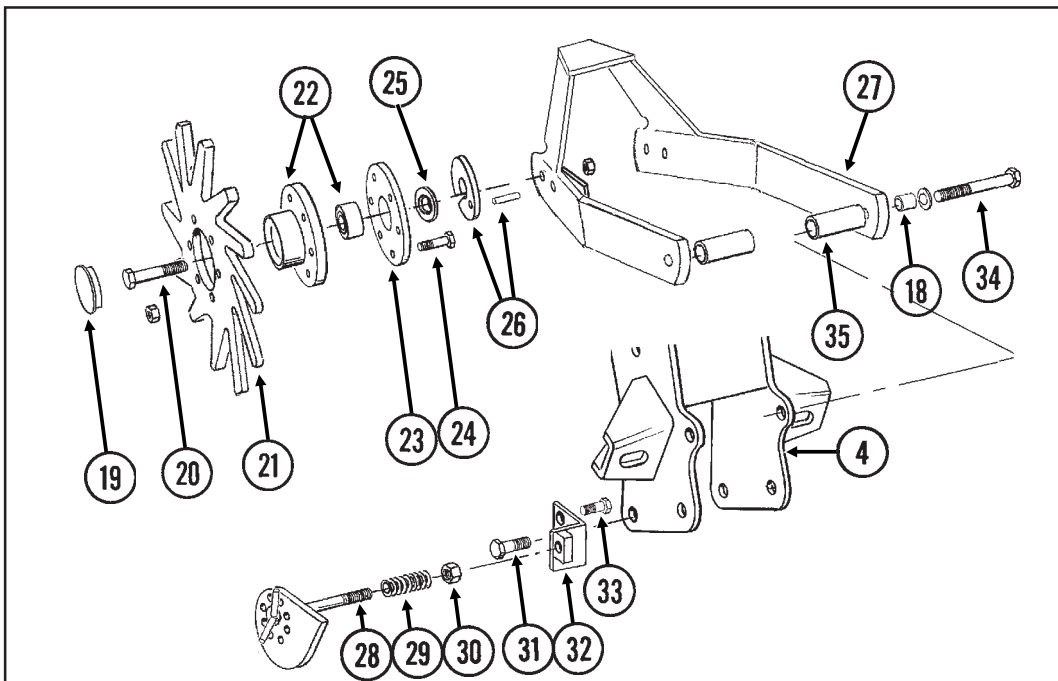
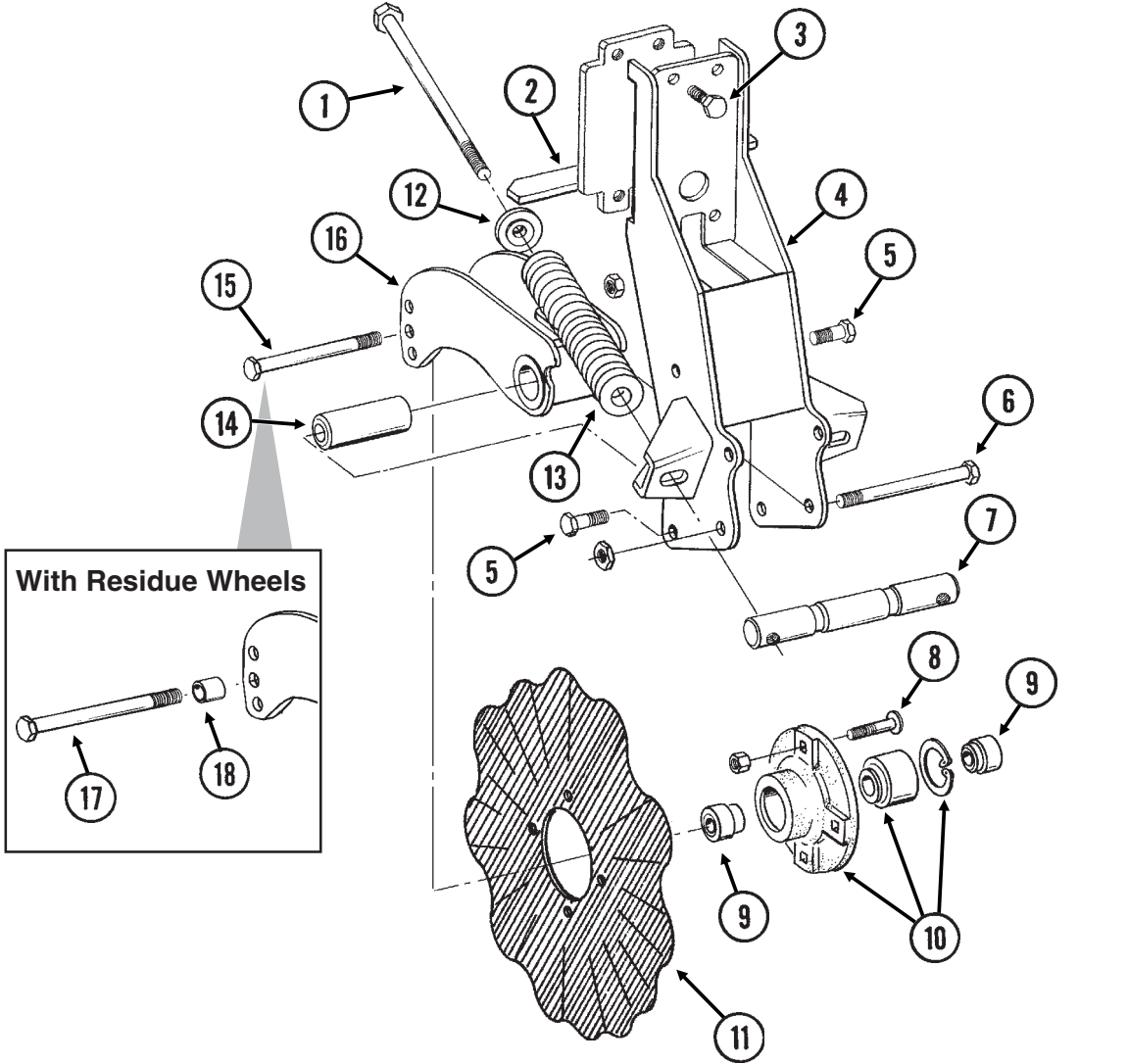


COULTER MOUNTED RESIDUE WHEELS

ITEM	PART NO.	QTY. (Per Row)	DESCRIPTION
1.	GD1132	2	Dust Cap
2.	G10010	2	Hex Head Cap Screw, 5/8"-11 x 3"
	G10503	2	Hex Jam Nut, 5/8"-11, Grade 2
3.	GD10552	2	Wheel, 12 Tine, 3/8" x 12"
4.	GA5654	2	Hub W/Bearings
	GA2014	-	Bearing
5.	GA7412	1	Cam
6.	GD10519	1	Spring
7.	G10206	1	Washer, 1/2" SAE
8.	G10974	1	Lock Nut W/Nylon Insert, 1/2"-13
9.	G11098	1	Hex Head Cap Screw, 1/2"-13 x 9 1/2", Grade 8
	GD14674	2	Special Washer, 1/2", Hardened
	G10974	1	Lock Nut W/Nylon Insert, 1/2"-13
10.	GA7271	1	Mount
11.	GD10526	1	Sleeve, 7 1/2"
12.	G10213	2	Machine Bushing, 5/8" (.030" Thick)
13.	GA8760	2	Weed Guard W/Spring Pin
	G10765	-	Spring Pin, 1/4" x 1"
14.	G10133	12	Hex Head Cap Screw, 5/16"-18 x 1 1/2"
	G10109	12	Lock Nut, 5/16"-18, Grade 8
15.	GD9724	2	Backing Plate
A.	GA7446	-	Wheel Assembly, 12 Tine, R.H. (Items 3, 4, 14 And 15) (Shown)
	GA7445	-	Wheel Assembly, 12 Tine, L.H. (Items 3, 4, 14 And 15)

FRAME MOUNTED COULTER W/RESIDUE WHEELS

(RU135c/RU135g/RU135hh)

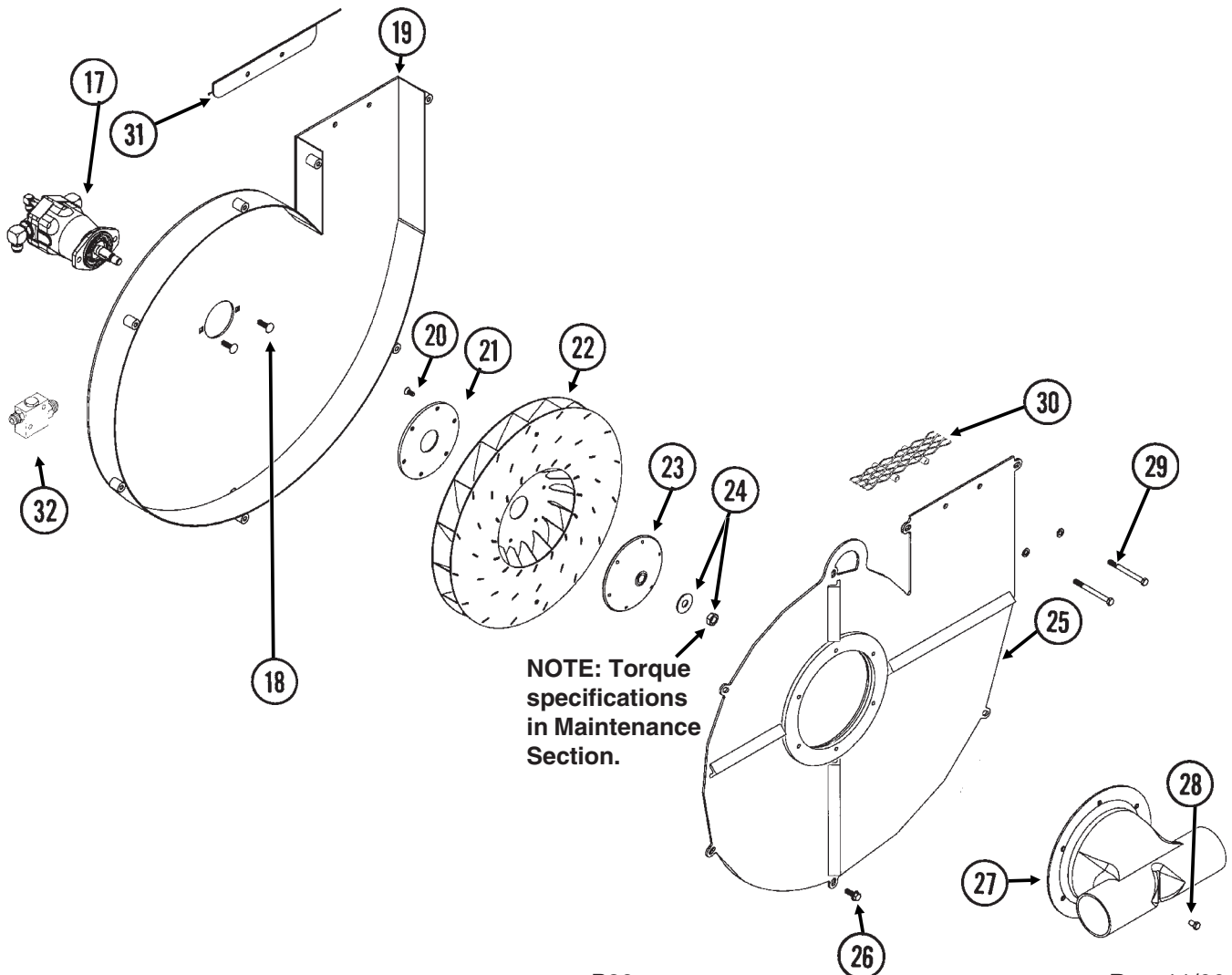
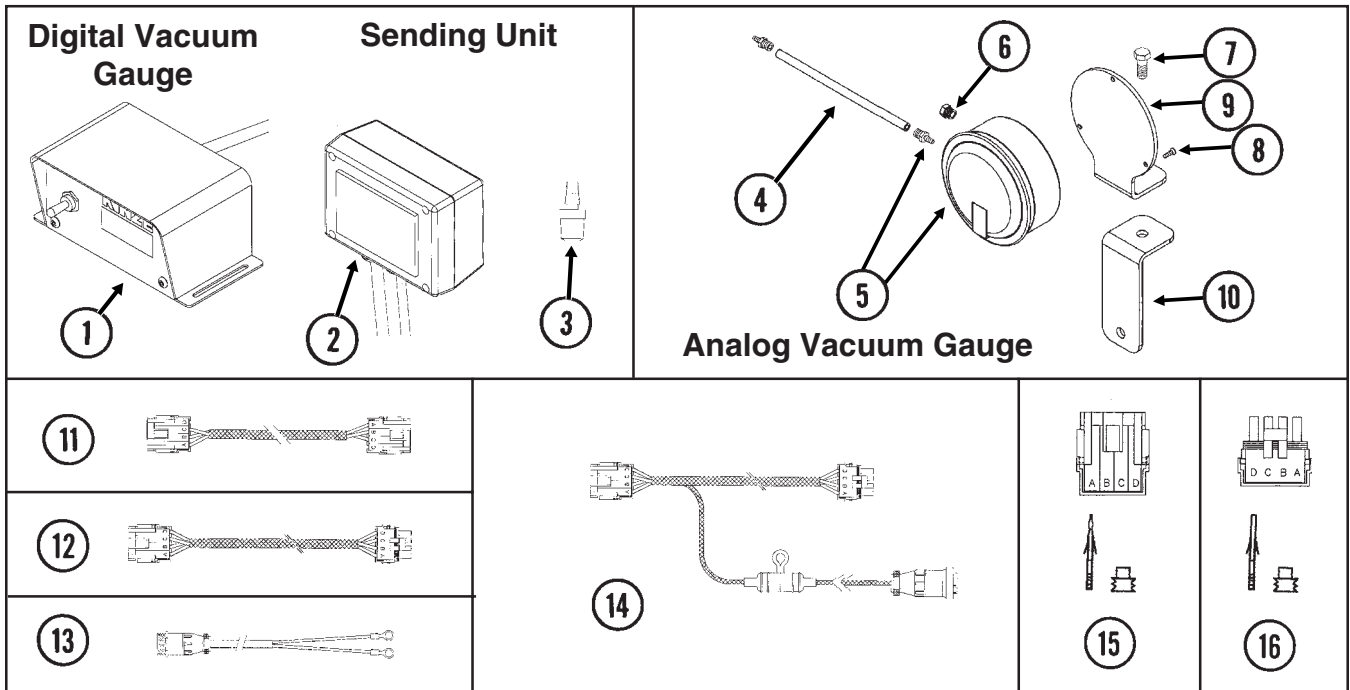


FRAME MOUNTED COULTER W/RESIDUE WHEELS

ITEM	PART NO.	QTY. (Per Row)	DESCRIPTION
1.	G11010	2	Hex Head Cap Screw, 3/4"-10 x 12"
2.	GA9844	1	Plate W/Angle
3.	G10039	4	Hex Head Cap Screw, 1/2"-13 x 1 3/4"
4.	GA9131	1	Coulter Frame
5.	G10007	4	Hex Head Cap Screw, 5/8"-11 x 1 1/2"
	G10107	4	Lock Nut, 5/8"-11
6.	G10400	1	Hex Head Cap Screw, 3/4"-10 x 6 1/2"
	G10112	1	Lock Nut, 3/4"-10
7.	GD12826	1	Spring Anchor Bar
8.	G10574	4	Carriage Bolt, 1/2"-13 x 1 1/4"
	G10111	4	Lock Nut, 1/2"-13
9.	GD12827	2	Adapter
10.	GA8641	1	Hub W/Bearing And Retaining Ring
	GA8603	1	Double Row Bearing
	GD11652	1	Retaining Ring, 2 7/16"
11.	GD7803	1	Disc Blade, Fluted, 1", 8 Flutes (Shown)
	GD7804	-	Disc Blade, Bubbled, 1"
	GD9254	-	Disc Blade, Fluted, 3/4", 13 Flutes
12.	GB0213	2	Spring Seat
13.	GD12817	2	Compression Spring
14.	GD12829	1	Sleeve
15.	G10046	1	Hex Head Cap Screw, 5/8"-11 x 5"
	G10107	1	Lock Nut, 5/8"-11
16.	GA9845	1	Coulter Arm W/Grease Fitting
	G10643	-	Grease Fitting, 45°, 1/4"-28
17.	G10011	1	Hex Head Cap Screw, 5/8"-11 x 5 1/2"
	G10107	1	Lock Nut, 5/8"-11
18.	GB0218	3	Bushing, 21/32" I.D. x 7/8" O.D. x 19/32" Long
19.	GD1132	2	Dust Cap
20.	G10010	2	Hex Head Cap Screw, 5/8"-11 x 3"
	G10503	2	Hex Jam Nut, 5/8"-11, Grade 2
21.	GD10552	2	Wheel, 12 Tine, 3/8" x 12"
22.	GA5654	2	Hub W/Bearings
	GA2014	-	Bearing
23.	GD9724	2	Backing Plate
24.	G10133	12	Hex Head Cap Screw, 5/16"-18 x 1 1/2"
	G10109	12	Lock Nut, 5/16"-18, Grade 8
25.	G10213	2	Machine Bushing, 5/8" (.030" Thick)
26.	GA9862	2	Weed Guard W/Spring Pin
	G10765	-	Spring Pin, 1/4" x 1"
27.	GA9865	1	Mount
28.	GA9861	1	Cam
29.	GD10519	1	Spring
30.	G10974	1	Lock Nut W/Nylon Insert, 1/2"-13
31.	G10005	1	Hex Head Cap Screw, 5/8"-11 x 1 3/4"
	G10107	4	Lock Nut, 5/8"-11
32.	GA9864	1	Support
33.	G10014	1	Hex Head Cap Screw, 1/2"-13 x 1"
	G10102	1	Hex Nut, 1/2"-13
34.	G10011	2	Hex Head Cap Screw, 5/8"-11 x 5 1/2"
	G10205	2	Washer, 5/8" SAE
	G10730	2	Lock Nut W/Nylon Insert, 5/8"-11
35.	GD14170	2	Sleeve, 3"
A.	GA7446	-	Wheel Assembly, 12 Tine, R.H. (Items 21-24) (Shown)
	GA7445	-	Wheel Assembly, 12 Tine, L.H. (Items 21-24)

DIGITAL VACUUM GAUGE, ANALOG VACUUM GAUGE AND VACUUM FAN ASSEMBLY

(A11154/A11156/GR1736/A10765/A11158/A11699/A7856/A11155/A8329/METR23bb)

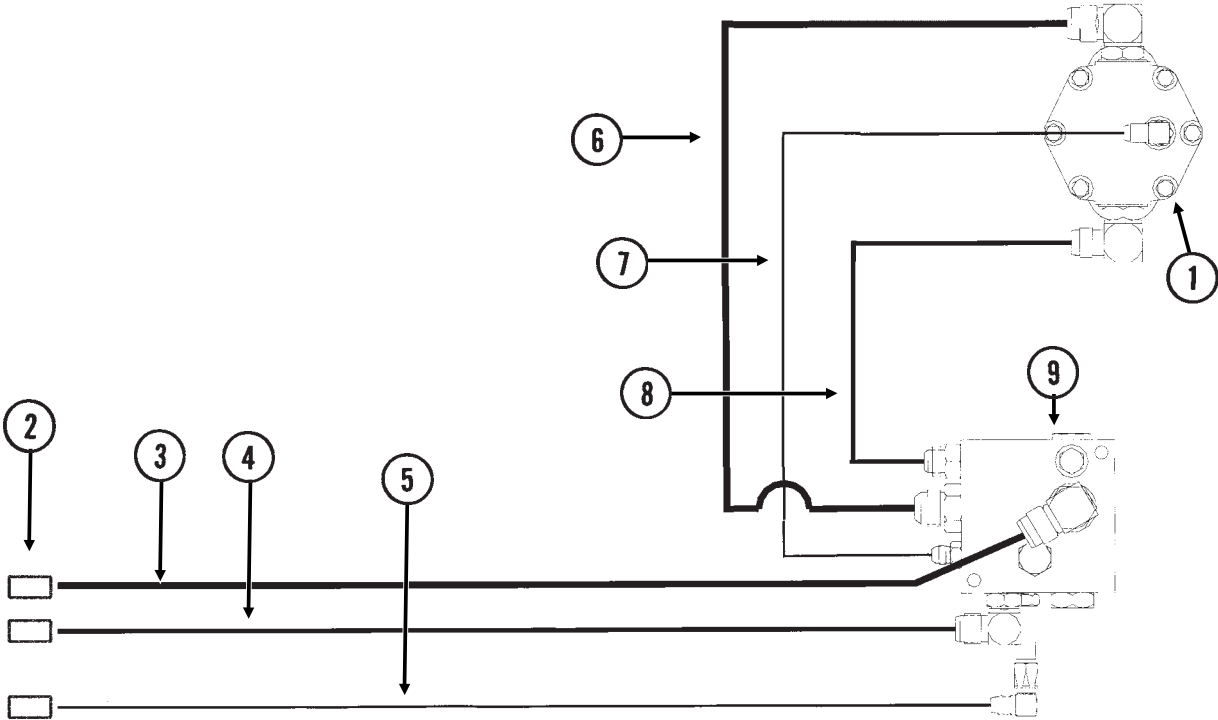


DIGITAL VACUUM GAUGE, ANALOG VACUUM GAUGE AND VACUUM FAN ASSEMBLY

ITEM	PART NO.	QTY.	DESCRIPTION
		(Per Assy.)	
1.	GA11154	1	Digital Vacuum Gauge W/4-Pin Connector
2.	GA11156	1	Sending Unit W/1/4" Tubing And Harness W/4-Pin Male Connector
	GD16224-01	-	Tubing, 1/4" x 45"
	GA11175	-	Strain Relief
3.	GR1736	1	Hose Barb, 3/16" To 1/8" NPT
4.	GD15849-02	1	Clear Tube, 5/16" O.D. x 3/16" I.D. x 120"
5.	GA10765	1	Analog Vacuum Gauge W/Hose Barb
	GR1777	-	Hose Barb, 1/8" NPT To 3/16" Barb
6.	GA10799	1	Breather, 1/8" Male NPT
7.	G10001	1	Hex Head Cap Screw, 3/8"-16 x 1"
	G10108	1	Lock Nut, 3/8"-16
8.	G11215	3	Hex Socket Head Cap Screw, No. 6-32 x 3/8", Grade 8
9.	GD15804	1	Mount
10.	GD15803	1	Support
11.	GA11157	1	Harness, 120"
12.	GA11699	-	Extension Harness, 180"
13.	GA7856	-	Power Lead Adapter
14.	GA11155	1	Harness W/Fuse Holder And Fuse, 132"
	GD14258	-	Fuse Holder
	GD14660	-	Fuse, 2 Amp Delay Action
	G1K268	-	Console Cable Connector Kit, Includes: (1) 3-Pin Connector, (1) Cable Clamp, (1) Lock Ring, (3) Female Terminal Pins
15.	GA8328	-	4-Pin Connector W/Female Housing, 4 Seals And 4 Pin Contacts
16.	GA8329	-	4-Pin Connector W/Male Housing, 4 Seals And 4 Sockets
17.		-	See "Vacuum Fan Hydraulic Motor Assembly", Page P36
18.	G10599	2	Carriage Bolt, 3/8"-16 x 1 1/4"
	G10229	2	Lock Washer, 3/8"
	G10101	2	Hex Nut, 3/8"-16
19.	GA10148	1	Shroud
20.	G11133	6	Hex Socket Head Cap Screw, 5/16"-18 x 3/4", Grade 8
21.	GD15789	1	Backing Plate
22.	GA10635	1	Impeller
23.	GD15790	1	Hub
24.	G10205	1	Washer, 5/8" SAE
	G10499	1	Hex Jam Nut, 5/8"-18, Grade 2
25.	GA10752	1	Cover
26.	G11124	7	Whiz Lock Bolt, 3/8"-18 x 1"
27.	GD14536	1	Manifold
28.	G11123	6	Whiz Lock Bolt, 3/8"-16 x 3/4"
29.	G10063	2	Hex Head Cap Screw, 3/8"-16 x 4"
	G10203	2	Washer, 3/8" SAE
	G10108	2	Lock Nut, 3/8"-16
30.	GA11987	1	Screen
31.	GD15863	1	Discharge Deflector
32.		-	See "Vacuum Fan Motor Valve Block (Located Below Vacuum Fan Assembly)", Page P37
A.	GA10143	-	Vacuum Fan Assembly (Items 17-26 And 29-31)

VACUUM FAN HYDRAULIC COMPONENTS

(A11154/A11156/GR1736/A10765/A11158/A11699/A7856/A11155/A8329/METR23bb)



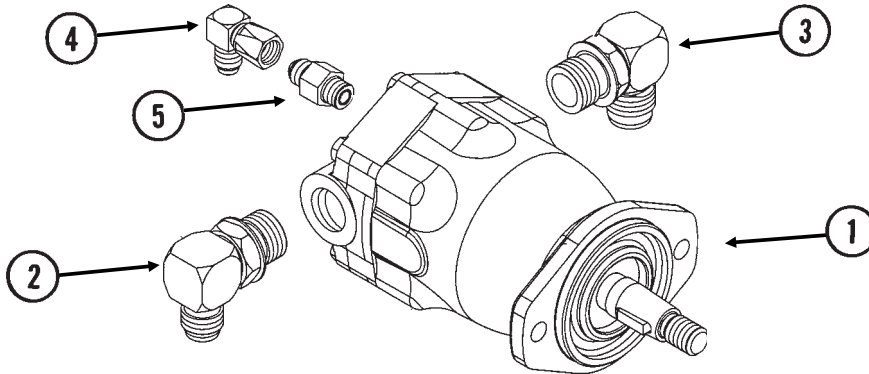
VACUUM FAN HYDRAULIC COMPONENTS

ITEM	PART NO.	QTY. (Per Assy.)	DESCRIPTION
1.		-	See "Vacuum Fan Hydraulic Motor Assembly", Page P36
2.	GD4086	3	ISO Coupler
3.	*A3337	1	Hose Assembly, $\frac{3}{4}$ " x 60"
4.	*A8247	1	Hose Assembly, $\frac{1}{2}$ " x 60"
5.	*A3266	1	Hose Assembly, $\frac{3}{8}$ " x 60"
6.	*A3367	1	Hose Assembly, $\frac{3}{4}$ " x 21"
7.	*A3292	1	Hose Assembly, $\frac{3}{8}$ " x 23"
8.	*A8273	1	Hose Assembly, $\frac{1}{2}$ " x 21"
9.		-	See "Vacuum Fan Motor Valve Block Assembly (Located Below Vacuum Fan Assembly)", Page P37

* Hydraulic hose is not stocked by KINZE® Repair Parts, but can be made available on a special order basis. Call for quote.

VACUUM FAN HYDRAULIC MOTOR ASSEMBLY

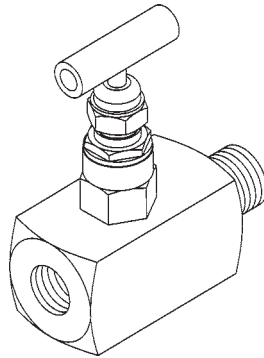
(METR21a)



ITEM	PART NO.	QTY.	DESCRIPTION
1.	GA10149	1	Hydraulic Motor
	GR1734	-	Seal Kit
2.	G6801-10-12	1	Elbow W/O-Ring, 90°, 7/8"-14 Male JIC To 1 1/16"-12 O-Ring
	GR1467	-	O-Ring
3.	G6801-12	1	Elbow W/O-Ring, 90°, 1 1/8"-12 Male JIC To O-Ring
	GR1467	-	O-Ring
4.	G6500-06	1	Swivel Elbow, 90°, 9/16"-18 Male JIC To Female
5.	G6400-06	1	Connector W/O-Ring, 9/16"-18 Male JIC To O-Ring
	GR1045	-	O-Ring

OPTIONAL FLOW CONTROL NEEDLE VALVE KIT

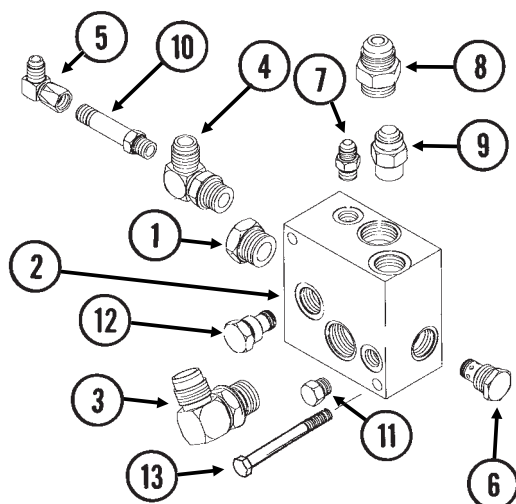
(A11650)



ITEM	PART NO.	QTY.	DESCRIPTION
1.	G1K426	-	Needle Valve Kit W/Instructions

VACUUM FAN MOTOR VALVE BLOCK ASSEMBLY (Located Below Vacuum Fan Assembly)

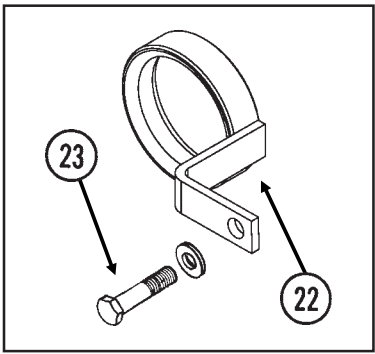
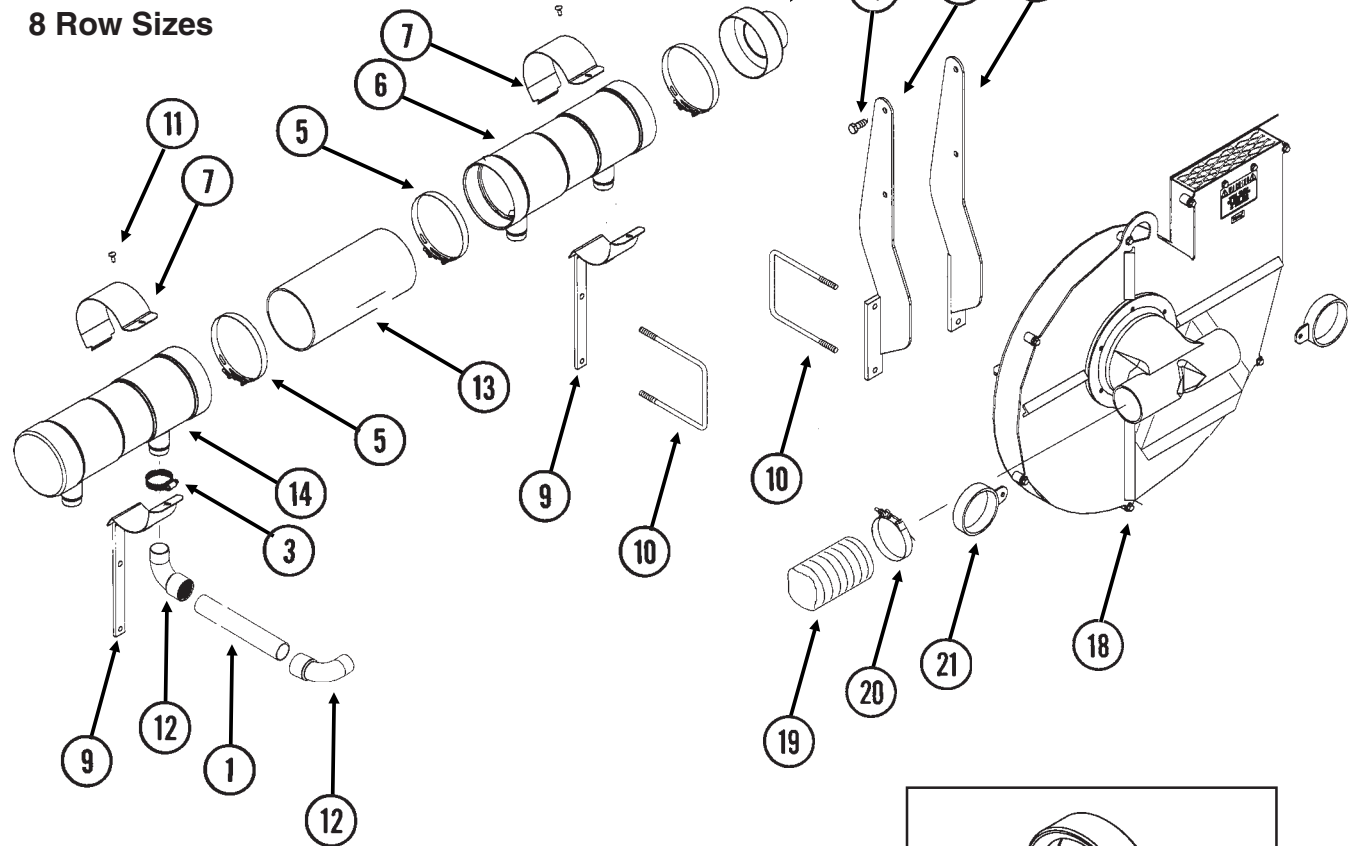
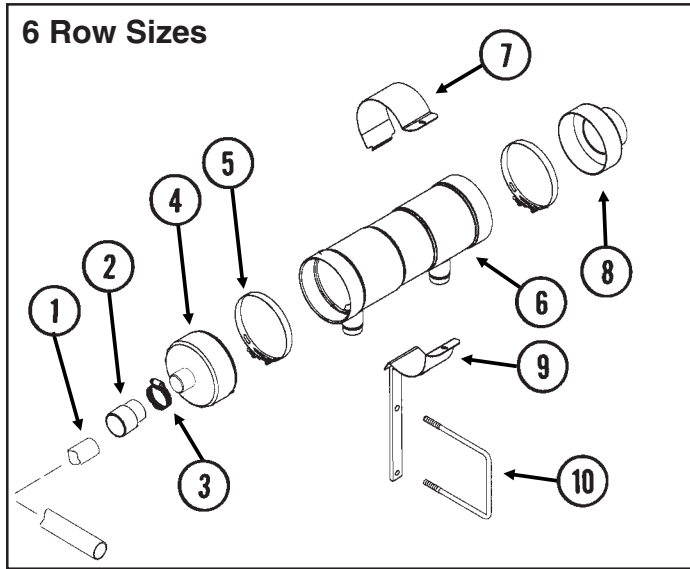
(A11060a)



ITEM	PART NO.	QTY.	DESCRIPTION
1.	G6408-12 GR1467	1 -	Plug W/O-Ring, 1 1/16"-12 O-Ring
2.	GD16188	1	Valve Block
3.	G6801-12 GR1467	1 -	Elbow W/O-Ring, 90°, 1 1/16"-12 Male JIC To O-Ring
4.	G6801-10 GR1466	1 -	Elbow W/O-Ring, 90°, 7/8"-14 Male JIC To O-Ring
5.	G6500-06	1	Swivel Elbow, 90°, 9/16"-18 Male JIC To Female
6.	GA4293	1	Check Valve
7.	G6400-06 GR1045	1 -	Connector W/O-Ring, 9/16"-18 Male JIC To O-Ring
8.	G6400-12 GR1467	1 -	Connector W/O-Ring, 1 1/16"-12 Male JIC To O-Ring
9.	G6400-10 GR1466	1 -	Connector W/O-Ring, 7/8"-14 Male JIC To O-Ring
10.	G6400-L-06 GR1045	1 -	Long Connector W/O-Ring, 9/16"-18 Male JIC To O-Ring
11.	G6408-06 GR1045	1 -	Plug W/O-Ring, 9/16"-18 O-Ring
12.	GA11934	1	Relief Valve Cartridge
13.	G10038 G10216 G10228 G10102	2 2 2 2	Hex Head Cap Screw, 1/2"-13 x 3" Washer, 1/2" USS Lock Washer, 1/2" Hex Nut, 1/2"-13

MANIFOLDS AND DISTRIBUTION HOSES

(MT37a/METR36a)

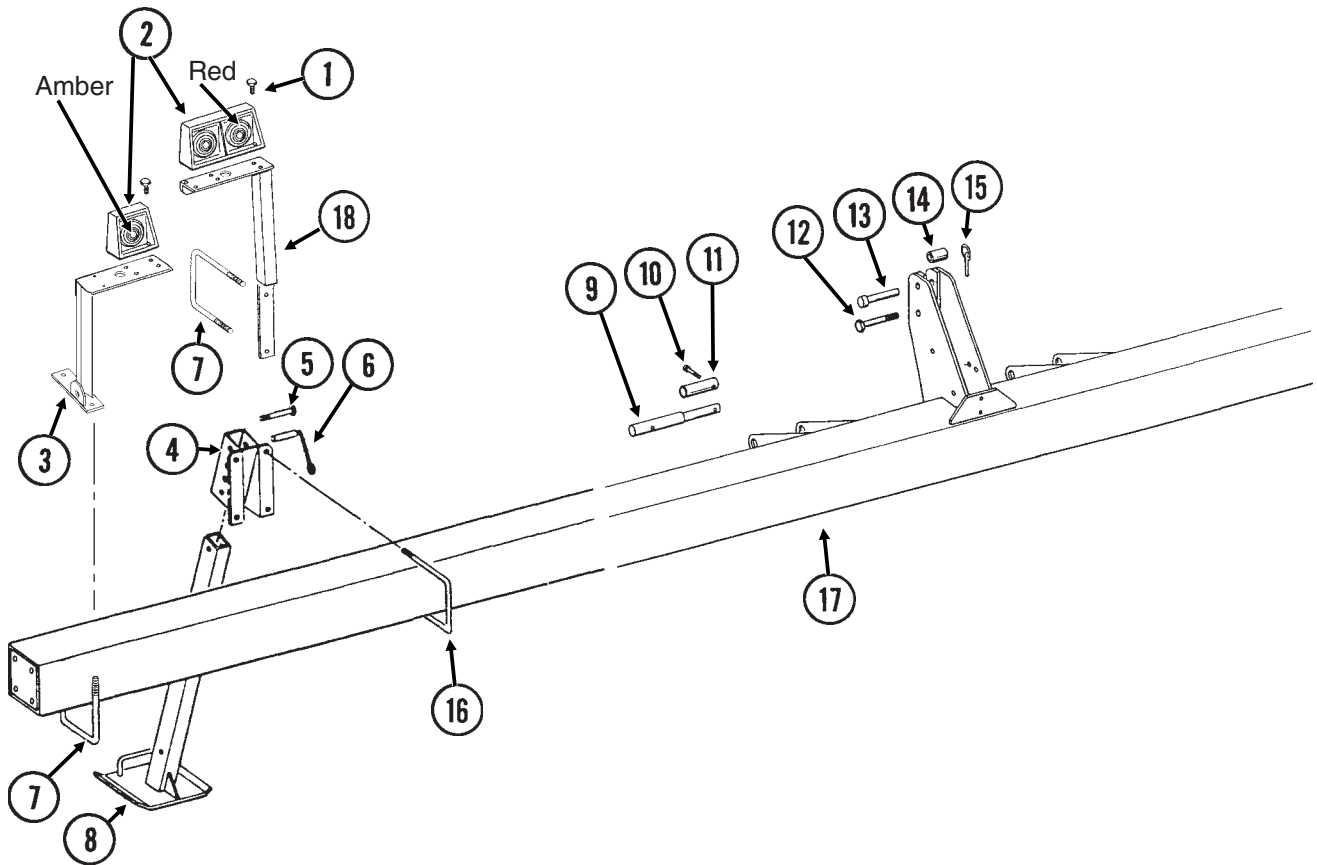


MANIFOLDS AND DISTRIBUTION HOSES

ITEM	PART NO.	QTY.	DESCRIPTION
1.	GD15792-10	-	Hose, 2" x 60"
	GD15792-15	-	Hose, 2" x 120"
2.	GD14627	2	Coupler, 2", 6 Row 36"/38"/40"
3.	G10676	2	Hose Clamp, No. 36
4.	GA11065	2	End Cap, 2"
5.	G11145	4-6	T-Bolt Clamp, 7"
6.	GD15799	2	Manifold, 19 1/2" Long (Open Both Ends)
7.	GD15854	2-4	Clamp
8.	GA11061	1	End, 4"
9.	GA10808	2-4	Mount
10.	GD7145	4-6	U-Bolt, 7" x 7" x 1/2"-13
	G10228	8-12	Lock Washer, 1/2"
	G10102	8-12	Hex Nut, 1/2"-13
11.	G10312	2-4	Carriage Bolt, 5/16"-18 x 3/4"
	G10620	2-4	Serrated Flange Nut, 5/16"-18
12.	GD14626	-	Elbow, 90°, 2"
13.	GD15856-01	2	Pipe, 6" x 14", 8 Row 30"
	GD15856-02	-	Pipe, 6" x 20", 8 Row 36"/38"/40"
14.	GD15850	2	Manifold, 21" (Open One End)
15.	G10037	4	Hex Head Cap Screw, 1/2"-13 x 1 1/4"
	G10228	4	Lock Washer, 1/2"
	G10102	4	Hex Nut, 1/2"-13
16.	GA10767	1	Mount, L.H.
17.	GA10768	1	Mount, R.H.
18.		-	See "Digital Vacuum Gauge, Analog Vacuum Gauge And Vacuum Fan Assembly", Pages P32 And P33 And "Decals, Paint And Miscellaneous", Pages P74-P76
19.	GD15791-03	2	Hose, 4" x 46"
20.	G11137	4	T-Bolt Clamp, 4 1/4"
21.	GA11062	2	Guide, 4"
22.	GA10824	2	Hose Protector
23.	G10038	2	Hex Head Cap Screw, 1/2"-13 x 3" (At Transmission Assembly)
	G10216	2	Washer, 1/2" USS
	G10228	2	Lock Washer, 1/2"
	G10102	2	Hex Nut, 1/2"-13
	G10104	2	Hex Nut, 5/8"-11 (At U-Bolt On Row Unit)

TOOLBAR ASSEMBLY

(MT40)

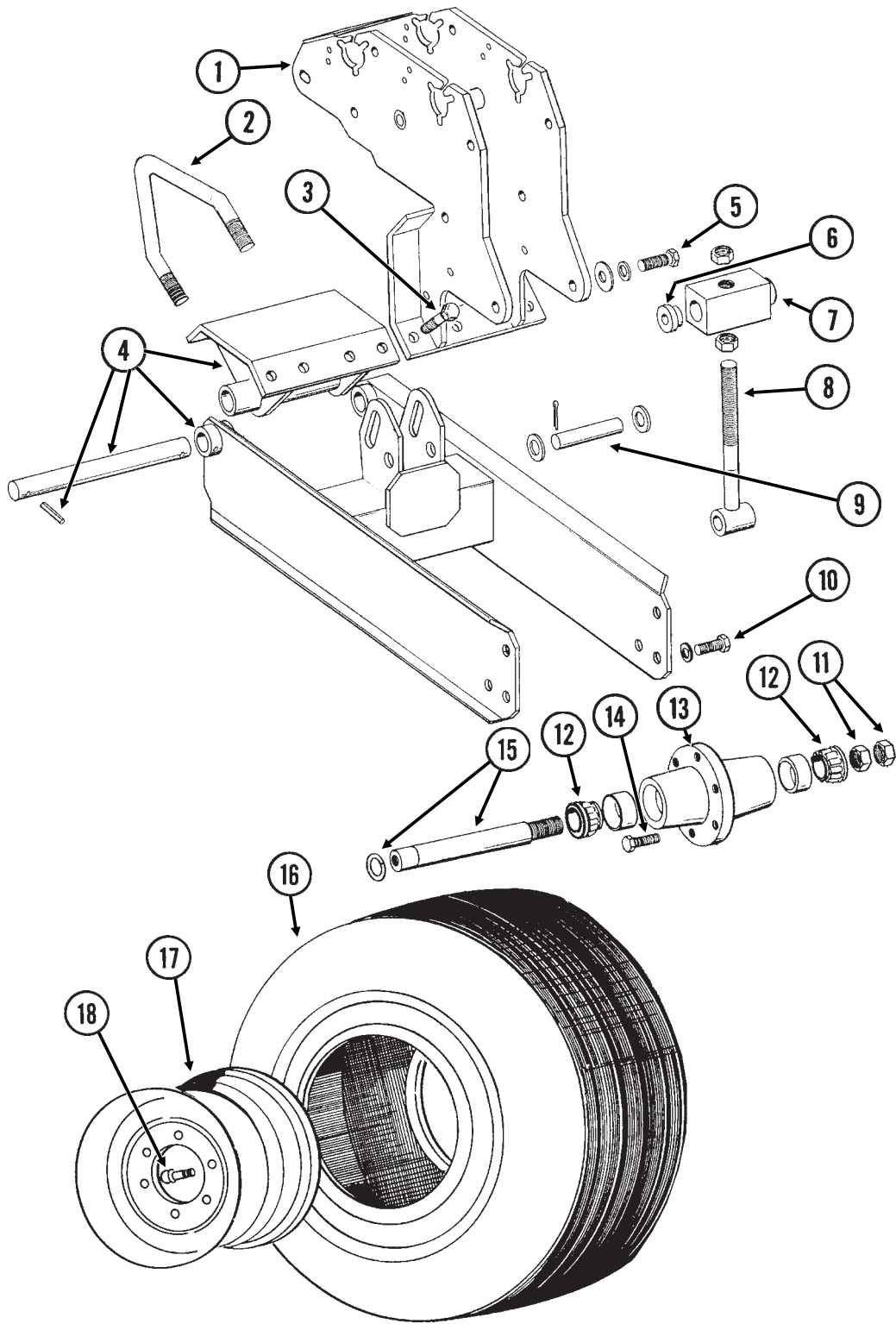


TOOLBAR ASSEMBLY

ITEM	PART NO.	QTY.	DESCRIPTION
1.	G10064	16	Hex Head Cap Screw, 1/4"-20 x 1"
	G10209	16	Washer, 1/4" USS
	G10110	16	Lock Nut, 1/4"-20, Grade B
2.			See "Electrical Components", Pages P68 And P69
3.	GA6824	1	Bracket, R.H. (Shown)
	GA6823	1	Bracket, L.H.
4.	GA4707	2	Mount
5.	G10016	2	Hex Head Cap Screw, 1/2"-13 x 2"
	G10111	2	Lock Nut, 1/2"-13
6.	GA4733	2	Detent Pin W/Chain
7.	GD7145	4	U-Bolt, 7" x 7" x 1/2"-13
	G10228	8	Lock Washer, 1/2"
	G10102	8	Hex Nut, 1/2"-13
8.	GA4732	2	Parking Stand
9.	GD9750	2	Pin, 11 3/4" Long
10.	G10048	4	Hex Head Cap Screw, 3/8"-16 x 2"
	G10108	4	Lock Nut, 3/8"-16
11.	GD9749	2	Bushing, 3 3/4"
12.	G10678	1	Hex Head Cap Screw, 1"-8 x 5 1/2" (Category 2)
	G10396	1	Lock Nut, 1"-8
13.	GA6078	1	Pin, 1" x 4 1/2" (Category 3N And 3)
14.	GD8701	1	Bushing, 2"
15.	GD2557	3	Lynch Pin, 7/16"
16.	GD1114	4	U-Bolt, 7" x 7" x 5/8"-11
	G10230	8	Lock Washer, 5/8"
	G10104	8	Hex Nut, 5/8"-11
17.	A6911	-	Toolbar, 7" x 7" x 180", 6 Row 30" (Non-Stock Item)
	A6912	-	Toolbar, 7" x 7" x 230", 6 Row 36"/38"/40" (Non-Stock Item)
	A6913	-	Toolbar, 7" x 7" x 240", 8 Row 30" (Non-Stock Item)
	A6914	-	Toolbar, 7" x 7" x 310", 8 Row 36"/38"/40" (Non-Stock Item)
18.	GA10781	1	Bracket, L.H. (Shown)
	GA10782	1	Bracket, R.H.

GROUND DRIVE WHEEL ASSEMBLY

PLA029/PLA028/PTD085/HTA014/PLA05(SFP10c/SFP14b)



GROUND DRIVE WHEEL ASSEMBLY

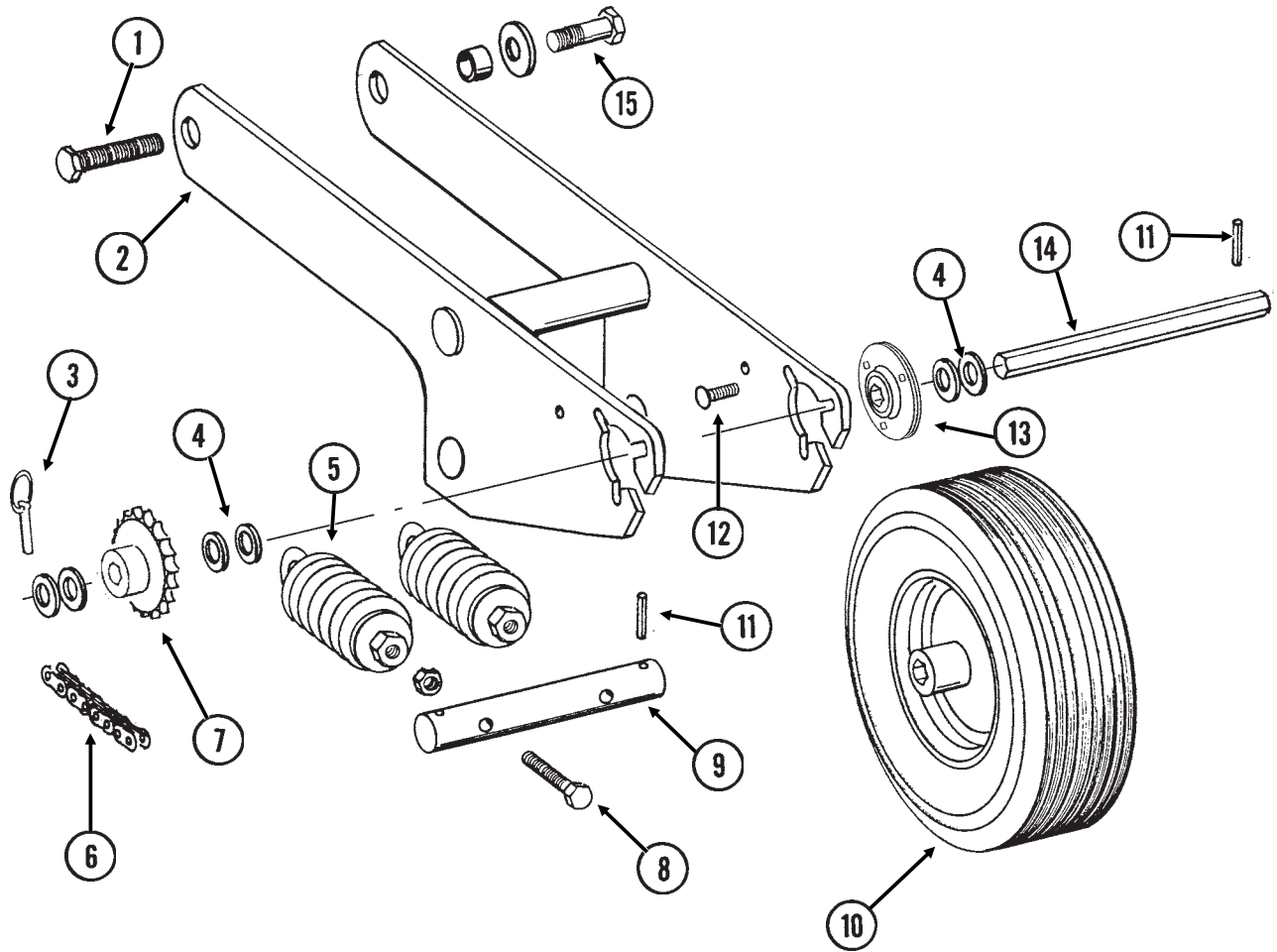
ITEM	PART NO.	QTY.	DESCRIPTION
		(Per Assy.)	
1.		-	See "Seed Rate Transmission And Module Drive Assembly", Pages P46 And P47
2.	GD8175	2	U-Bolt, 7" x 7" x 5/8"-11 (Diamond)
	GD7805	4	Special Washer, 5/8", Hardened
	G10230	4	Lock Washer, 5/8"
	G10104	4	Hex Nut, 5/8"-11
3.	G10005	4	Hex Head Cap Screw, 5/8"-11 x 1 3/4"
	GD7805	4	Special Washer, 5/8", Hardened
	G10230	4	Lock Washer, 5/8"
	G10104	4	Hex Nut, 5/8"-11
4.	GA7294	1	Arm W/Pin, Lower Clamp And Spring Pins
	GD5804	1	Pin, 1 1/4" x 12"
	GA7295	1	Clamp W/Grease Fittings
	G10641	-	Grease Fitting, 1/8" NPT
	G10610	-	Spring Pin, 3/8" x 2"
5.	G10026	2	Hex Head Cap Screw, 3/4"-10 x 2"
	G10194	2	Washer, 3/4" SAE
	G10231	2	Lock Washer, 3/4"
6.	GD10403	2	Concentric Spacer
7.	GD10328	1	Adjustment Block
8.	GA4705	1	Adjusting Screw
	G10117	2	Hex Nut, 1"-8
9.	GD7041	1	Pin, 1" x 4"
	G10082	2	Washer, 1" SAE
	G10459	2	Cotter Pin, 3/16" x 1 1/2"
10.	G10026	2	Hex Head Cap Screw, 3/4"-10 x 2"
	G10231	2	Lock Washer, 3/4"
11.	G11081	-	Hex Jam Nut, 1 1/2"-12, Grade 2
12.	GA0895	2	Bearing
13.	GA2148	1	Hub W/Cups, 6 Bolt
	GR0434	-	Cup
14.	GR0270	6	Lug Bolt, 9/16"-18
15.	GA2558	1	Spindle W/Round External Retaining Ring, 9 1/2"
	GD11490	-	Round External Retaining Ring
16.	GD0844	1	Tire, 7.60" x 15", 8 Ply (Specify Brand*)
17.	GA5196	1	Wheel W/Valve Protector, 5" x 15"
18.	GD1166	1	Valve Stem
A.	GA2147	-	Hub And Spindle Assembly (Items 11, 12, 13 And 15)
B.	GA10660	-	Ground Drive And Contact Wheel Assembly, R.H. (Items 1-18 On This Page, Items 2-15 On Pages P44 And P45, Items 1-10 And 12-40 On Pages P46 And P47 and Items 2-20 On Pages P48 And P49)
	GA10661	-	Ground Drive And Contact Wheel Assembly, L.H. (Items 1-18 On This Page, Items 2-15 On Pages P44 And P45, Items 1-10 And 12-40 On Pages P46 And P47 and Items 2-20 On Pages P48 And P49)

* Specific brand requests will be supplied only as available from current KINZE® Repair Parts stock. If a specific brand requested is not in stock, the brand available will be supplied.

CONTACT DRIVE WHEEL ASSEMBLY

PLA027(SFP9dd)

R.H. Side Shown



CONTACT DRIVE WHEEL ASSEMBLY

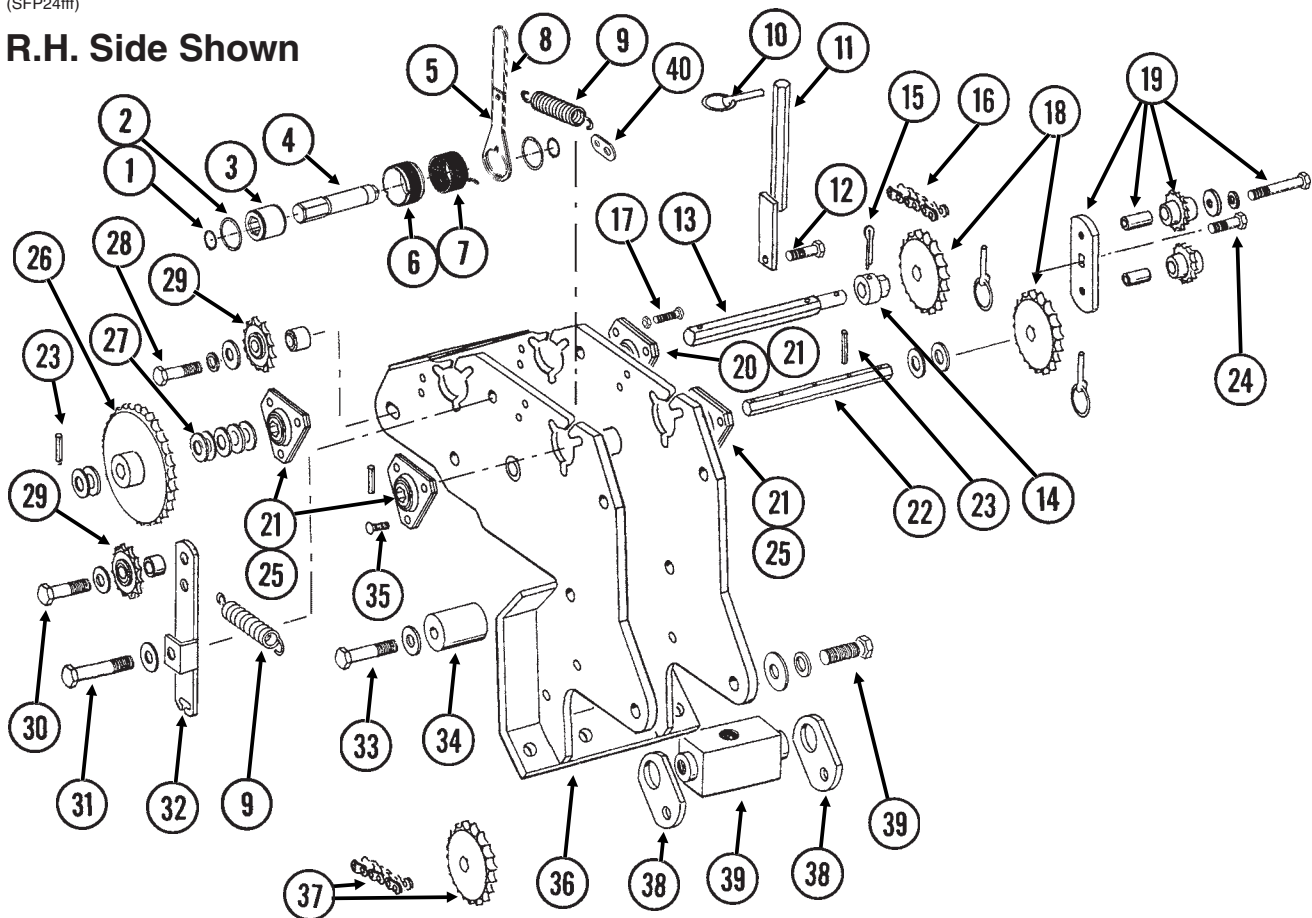
ITEM	PART NO.	QTY. (Per Assy.)	DESCRIPTION
1.		-	See "Module Drive", Pages P48 And P49 (Item 7)
2.	GA7297	1	Arm
3.	GD2558	1	Lynch Pin, 1/4"
4.	G10233	-	Machine Bushing, 1", 10 Gauge
5.	GA2068	2	Spring W/Plug
6.	G3310-218	1	Chain, No. 40, 218 Pitch Including Connector Link (Used With 15 And 19 Tooth Sprockets)
	G3310-224	1	Chain, No. 40, 224 Pitch Including Connector Link (Used With 30 Tooth Sprocket)
	GR0912	-	Connector Link, No. 40
7.	GA5105	-	Sprocket, 15 Tooth
	GA5107	-	Sprocket, 19 Tooth
	GA5114	1	Sprocket, 30 Tooth
8.	G10861	2	Hex Head Cap Screw, 1/2"-13 x 5", Full Thread
	G10206	2	Washer, 1/2" SAE
	G10501	2	Hex Jam Nut, 1/2"-13, Grade 2
9.	GD10329	1	Shaft
10.	GA5090	1	Tire And Rim Assembly (Specify Brand*)
	GD5753	1	Tire, 4.10" x 6" (Specify Brand*)
	GD5752	1	Inner Tube
11.	G10602	2	Spring Pin, 1/4" x 1 1/2"
12.	G10303	6	Carriage Bolt, 5/16"-18 x 1"
	G10232	6	Lock Washer, 5/16"
	G10106	6	Hex Nut, 5/16"-18
13.	GA9846	-	Flanged Bearing, 7/8" Hex Bore
14.	GD10332	1	Shaft, 7/8" x 11"
15.	G10005	1	Hex Head Cap Screw, 5/8"-11 x 1 3/4"
	GD7805	1	Special Washer, 5/8", Hardened
	GD3180-15	1	Sleeve, 5/8" I.D. x 7/8" O.D. x 15/32" Long
	G10107	1	Lock Nut, 5/8"-11

* Specific brand requests will be supplied only as available from current KINZE® Repair Parts stock. If a specific brand requested is not in stock, the brand available will be supplied. Different brand tires may have different diameters. Change in tire brand may affect rates. Field checks are recommended after any change in contact tires.

SEED RATE TRANSMISSION AND MODULE DRIVE ASSEMBLY

(SFP24fff)

R.H. Side Shown



ITEM	PART NO.	QTY.	DESCRIPTION
		(Per Assy.)	
1.	G11075	2	External Inverted Snap Ring, 7/8"
2.	G10496	2	External Inverted Snap Ring, 1 1/2"
3.	GD14432	1	Sleeve, 1 1/4"
4.	GD14426	1	Tightener Shaft, 3 3/8"
5.	GD14431	1	Handle
6.	GD14430	1	Release Collar, Gold, R.H. (Shown)
	GD14429	-	Release Collar, Silver, L.H.
7.	GD14414	1	Torsion Spring, R.H. (Used In L.H. Wrap Spring Wrench)
	GD14413	-	Torsion Spring, L.H. (Shown) (Used In R.H. Wrap Spring Wrench)
8.	G11078	1	Vinyl Cap
9.	GD5857	2	Spring
10.	GD2558	3	Lynch Pin, 1/4"
11.	GA11052	1	Sprocket Storage Rod
12.	G10037	1	Hex Head Cap Screw, 1/2"-13 x 1 1/4"
	G10216	1	Washer, 1/2" USS
	G10111	1	Lock Nut, 1/2"-13
13.	GD10336	1	Shaft, 7/8" x 11"
14.	GD7127	1	Shear Coupler
15.	G10462	1	Cotter Pin, 3/16" x 2"
16.	G3310-68	1	Chain, No. 40, 68 Pitch Including Connector Link
	GR0912	-	Connector Link, No. 40
17.	G10338	1	Carriage Bolt, 5/16"-18 x 1 1/4"
	G10232	1	Lock Washer, 5/16"
	G10106	1	Hex Nut, 5/16"-18
	G10109	1	Lock Nut, 5/16"-18, Grade 8

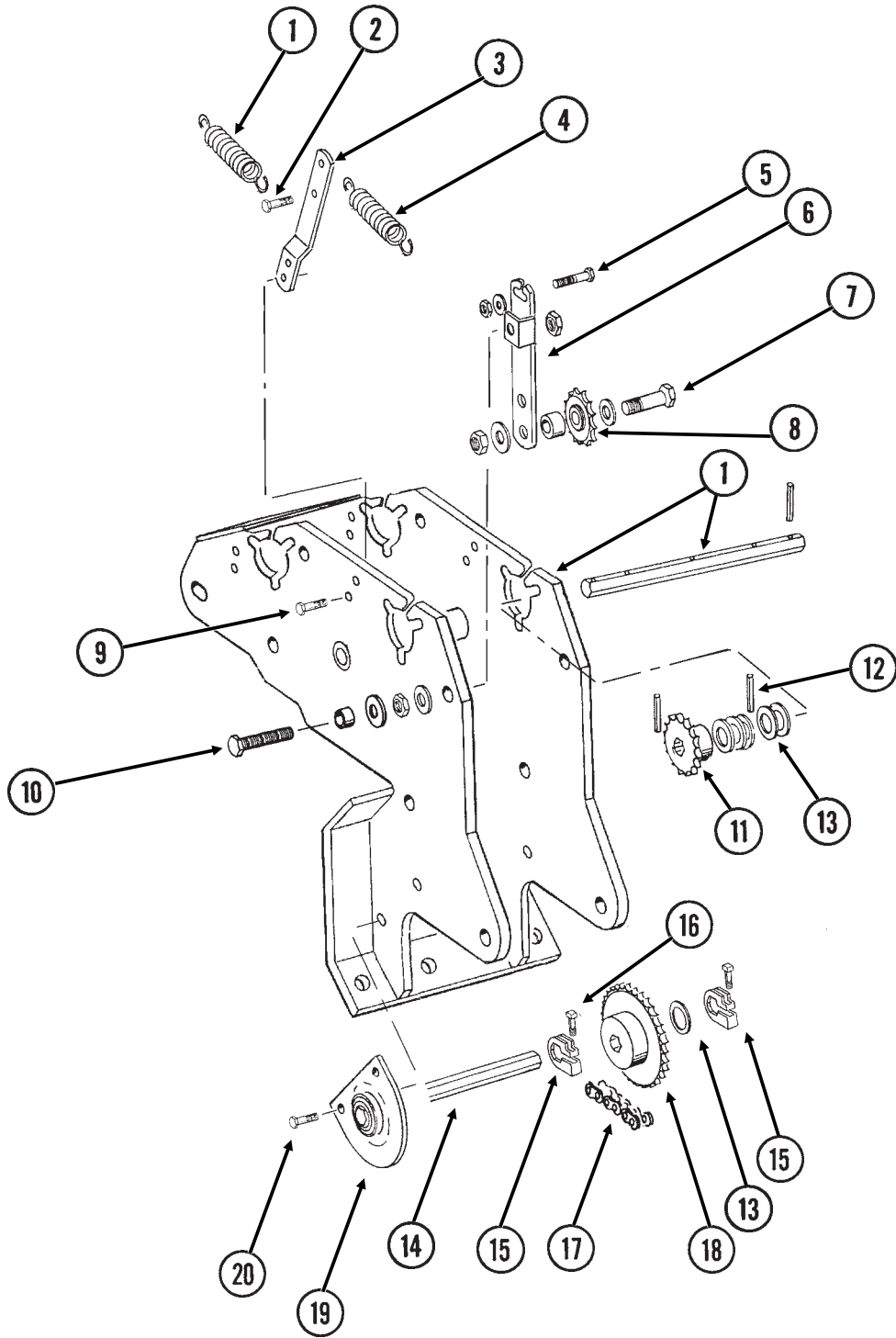
SEED RATE TRANSMISSION AND MODULE DRIVE ASSEMBLY

ITEM	PART NO.	QTY.	DESCRIPTION
		(Per Assy.)	
18.	GA5105	1	Sprocket, 15 Tooth
	GA5106	1	Sprocket, 17 Tooth
	GA5107	2	Sprocket, 19 Tooth
	GA5108	2	Sprocket, 23 Tooth
	GA5109	1	Sprocket, 24 Tooth
	GA5110	1	Sprocket, 25 Tooth
	GA5111	1	Sprocket, 26 Tooth
	GA5112	1	Sprocket, 27 Tooth
	GA5113	1	Sprocket, 28 Tooth
19.	GA7336	1	Idler W/Bolt-On Sprockets
	GD7426	-	Sprocket, 12 Tooth
	GD1026	-	Sleeve, 1 ³ / ₁₆ " Long
	G10210	-	Washer, ³ / ₈ " USS
	G10229	-	Lock Washer, ³ / ₈ "
	G10047	-	Hex Head Cap Screw, ³ / ₈ "-16 x 1 ³ / ₄ "
20.	GA5548	1	Special Bearing
21.	G3400-01	4	Flangette
22.	GD10337	1	Shaft, ⁷ / ₈ " x 10 ¹ / ₂ "
23.	G10602	7	Spring Pin, ¹ / ₄ " x 1 ¹ / ₂ "
24.	G11100	1	Hex Socket Button Head Cap Screw, ¹ / ₄ "-20 x ¹ / ₂ ", Grade 8
	G10227	1	Lock Washer, ¹ / ₄ "
	G10209	1	Washer, ¹ / ₄ " USS
25.	G2100-03	3	Bearing, ⁷ / ₈ " Hex Bore, Spherical
26.	GA5202	1	Sprocket, 34 Tooth, See "Point Row Clutch", Pages P52 And P53, For Machines Equipped With Point Row Clutches
27.	G10233	-	Machine Bushing, 1", 10 Gauge (As Required)
28.	G10038	1	Hex Head Cap Screw, ¹ / ₂ "-13 x 3"
	G10128	1	Machine Bushing, ¹ / ₂ ", 14 Gauge
	GB0258	1	Stepped Spacer, ⁷ / ₈ "
	G10216	1	Washer, ¹ / ₂ " USS
	G10228	1	Lock Washer, ¹ / ₂ "
	G10102	1	Hex Nut, ¹ / ₂ "-13
29.	GA7154	2	Sprocket W/Bearing, 18 Tooth
30.	G10581	1	Hex Head Cap Screw, ¹ / ₂ "-13 x 2 ¹ / ₄ "
	G10128	1	Machine Bushing, ¹ / ₂ ", 14 Gauge
	GD7889	1	Bushing, 1" O.D. x ⁹ / ₁₆ " I.D. x ⁷ / ₁₆ " Long
	G10228	1	Lock Washer, ¹ / ₂ "
	G10102	1	Hex Nut, ¹ / ₂ "-13
31.	G10036	1	Hex Head Cap Screw, ⁵ / ₈ "-11 x 4"
	GD7805	1	Special Washer, ⁵ / ₈ ", Hardened
	G10503	1	Hex Jam Nut, ⁵ / ₈ "-11, Grade 2
	G10107	1	Lock Nut, ⁵ / ₈ "-11
32.	GD13422	1	Idler Arm, R.H. Side Of Planter (Shown)
	GD13394	-	Idler Arm, L.H. Side Of Planter
33.	G10033	1	Hex Head Cap Screw, ¹ / ₂ "-13 x 3 ¹ / ₂ "
	G10206	1	Washer, ¹ / ₂ " SAE
	G10228	1	Lock Washer, ¹ / ₂ "
	G10102	1	Hex Nut, ¹ / ₂ "-13
34.	GD10407	1	Chain Support
35.	G10303	12	Carriage Bolt, ⁵ / ₁₆ "-18 x 1"
	G10232	12	Lock Washer, ⁵ / ₁₆ "
	G10106	12	Hex Nut, ⁵ / ₁₆ "-18
36.	GA10063	1	Module
37.	-	-	See "Contact Drive Wheel Assembly", Page P44 And P45
38.	GD15696	2	Strap
39.	-	-	See "Ground Drive Wheel Assembly", Pages P42 And P43
40.	GD14595	1	Spring Tension Link
A.	G1K380	1	Wrap Spring Wrench Replacement Kit, Gold Collar, R.H. (Items 1-8 And 24) (Shown)
	G1K381	-	Wrap Spring Wrench Replacement Kit, Silver Collar, L.H. (Items 1-8 And 24)

MODULE DRIVE

(SFP25hh)

R.H. Side Shown



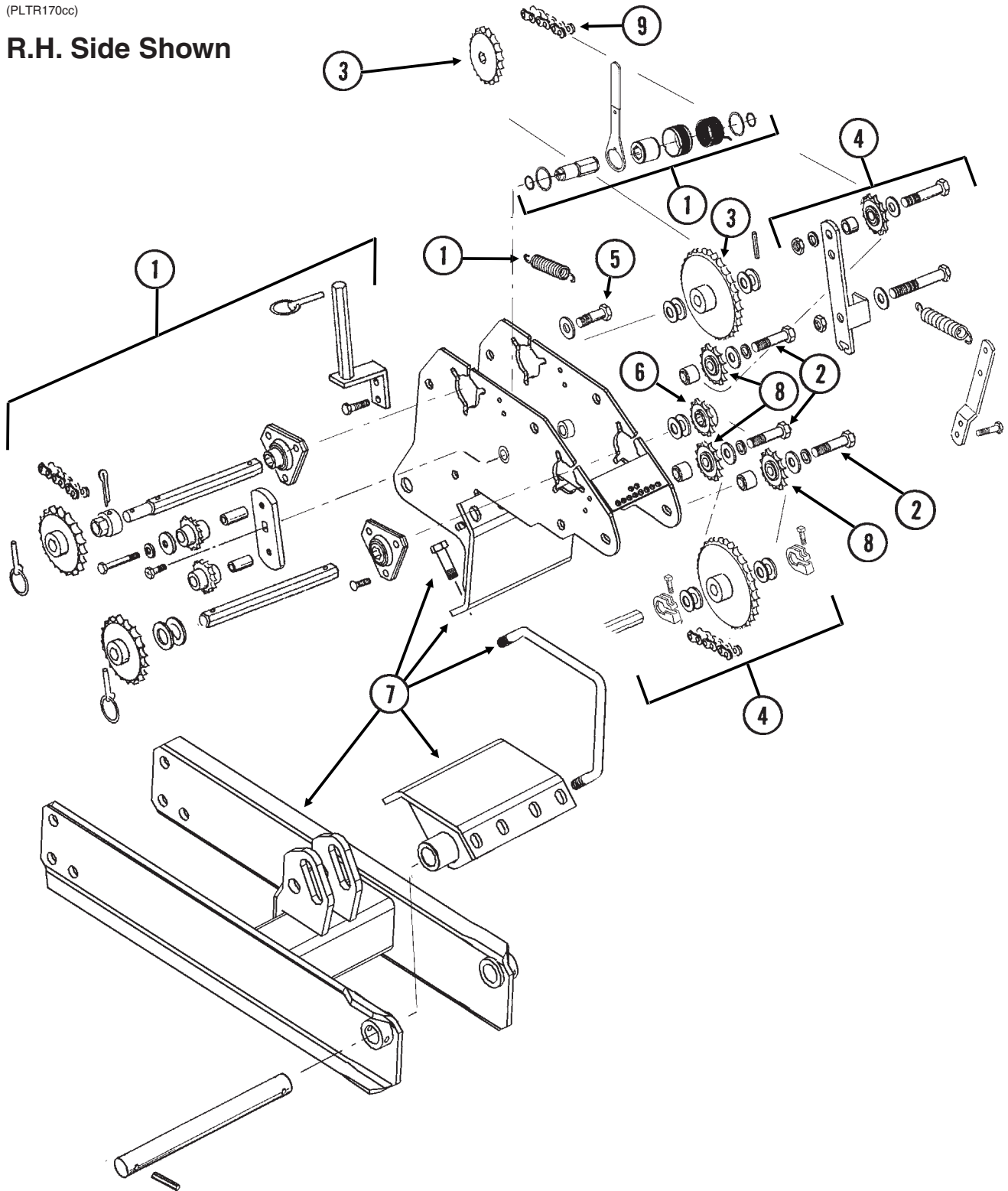
MODULE DRIVE

ITEM	PART NO.	QTY.	DESCRIPTION
		(Per Assy.)	
1.		-	See "Seed Rate Transmission And Module Drive Assembly", Pages P46 And P47
2.	G10040	1	Hex Head Cap Screw, 1/4"-20 x 1 3/4"
	G10103	1	Hex Nut, 1/4"-20
3.	GD5860	1	Bar
4.	GD5857	1	Spring
5.	G10069	1	Hex Head Cap Screw, 5/16"-18 x 2 1/4"
	G10219	1	Washer, 5/16" USS
	G10106	1	Hex Nut, 5/16"-18
6.	GD13394	-	Idler Arm, R.H. Side Of Planter (Shown)
	GD13422	1	Idler Arm, L.H. Side Of Planter
7.	G10581	1	Hex Head Cap Screw, 1/2"-13 x 2 1/4"
	G10128	1	Machine Bushing, 1/2", 14 Gauge
	GD7889	1	Bushing, 1" O.D. x 9/16" I.D. x 7/16" Long
	G10228	1	Lock Washer, 1/2"
	G10102	1	Hex Nut, 1/2"-13
8.	GA7154	1	Sprocket W/Bearing, 18 Tooth
9.	G10064	1	Hex Head Cap Screw, 1/4"-20 x 1"
	G10227	1	Lock Washer, 1/4"
	G10103	1	Hex Nut, 1/4"-20
10.	G11028	1	Hex Head Cap Screw, 5/8"-11 x 4 1/2", Full Thread
	GD7805	1	Special Washer, 5/8", Hardened
	GD3180-15	1	Sleeve, 5/8" I.D. x 7/8" O.D. x 15/32" Long
	G10104	1	Hex Nut, 5/8"-11
	G10205	1	Washer, 5/8" SAE
	G10107	1	Lock Nut, 5/8"-11
11.	GA5105	1	Sprocket, 15 Tooth
12.	G10602	7	Spring Pin, 1/4" x 1 1/2"
13.	G10233	1	Machine Bushing, 1", 10 Gauge
14.	GD0914-66	-	Hex Shaft, 7/8" x 66", 6 Row 30" (No Holes) (Two Per Planter)
	GD0914-86	-	Hex Shaft, 7/8" x 86", 6 Row 36"/38"/40" (No Holes) (Two Per Planter)
	GD0914-96	-	Hex Shaft, 7/8" x 96", 8 Row 30" (No Holes) (Two Per Planter)
	GD0914-126	-	Hex Shaft, 7/8" x 126", 8 Row 36"/38"/40" (No Holes) (Two Per Planter)
15.	GD11045	2	Lock Clamp
16.	G10130	2	Square Head Machine Bolt, 5/16"-18 x 1 3/4"
	G10923	2	Flange Nut, 5/16"-18, No Serration
17.	G3310-75	1	Chain, No. 40, 75 Pitch Including Connector Link And Offset Link
	GR0912	-	Connector Link, No. 40
	GR0911	-	Offset Link, No. 40
18.	GA5114	1	Sprocket, 30 Tooth
19.	GA2180	1	Hanger Bearing, 7/8" Hex Bore
20.	G10004	2	Hex Head Cap Screw, 3/8"-16 x 1 1/4"
	G10210	2	Washer, 3/8" USS
	G10229	2	Lock Washer, 3/8"
	G10101	2	Hex Nut, 3/8"-16
A.	G1K269	-	Lock Clamp Kit (Items 15 And 16)

FRONT MOUNTED DRIVE WHEEL

(PLTR170cc)

R.H. Side Shown



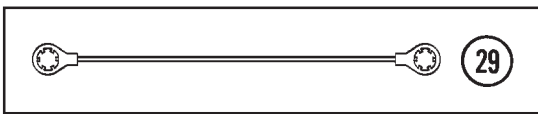
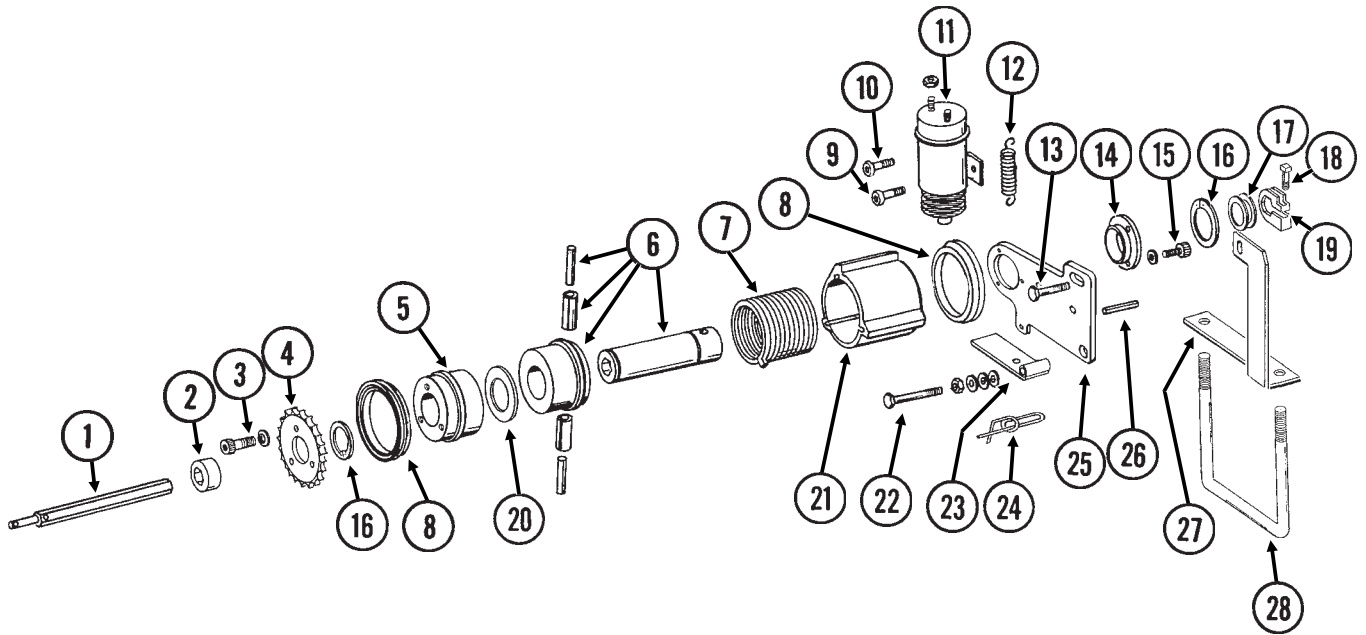
FRONT MOUNTED DRIVE WHEEL

ITEM	PART NO.	QTY. (Per Assy.)	DESCRIPTION
1.		-	See "Seed Rate Transmission And Module Drive Assembly", Pages P46 And P47
2.	G10397	3	Hex Head Cap Screw, 1/2"-13 x 2 3/4"
	G10128	3	Machine Bushing, 1/2", 14 Gauge
	G10216	3	Washer, 1/2" USS
	GB0258	3	Stepped Spacer, 7/8"
	G10228	3	Lock Washer, 1/2"
	G10102	3	Hex Nut, 1/2"-13
3.		-	See "Contact Drive Wheel Assembly", Pages P44 And P45
4.		-	See "Module Drive", Pages P48 And P49
5.	G10005	2	Hex Head Cap Screw, 5/8"-11 x 1 3/4"
	GD7805	2	Special Washer, 5/8", Hardened
	GD3180-15	2	Sleeve, 5/8" I.D. x 7/8" O.D. x 15/32" Long
	G10107	2	Lock Nut, 5/8"-11
6.	GA5105	1	Sprocket, 15 Tooth
7.		-	See "Ground Drive Wheel Assembly", Pages P42 And P43
8.	GA7154	2	Sprocket W/Bearing, 18 Tooth
9.	G3310-204	1	Chain, No. 40, 204 Pitch Including Connector Link
	GR0912	-	Connector Link, No. 40
A.	G1K377	-	Front Drive Wheel Conversion Package (Items 2, 5 And 8 On This Page, Items 15 And 16 On Pages P48 And P49 And Items 26 And 27 On Pages P74-P76)

POINT ROW CLUTCH

PRC019/PRC020(SFP5d/A10054)

**R.H. Point Row Clutch Shown
(Used On L.H. Side Of Planter)**

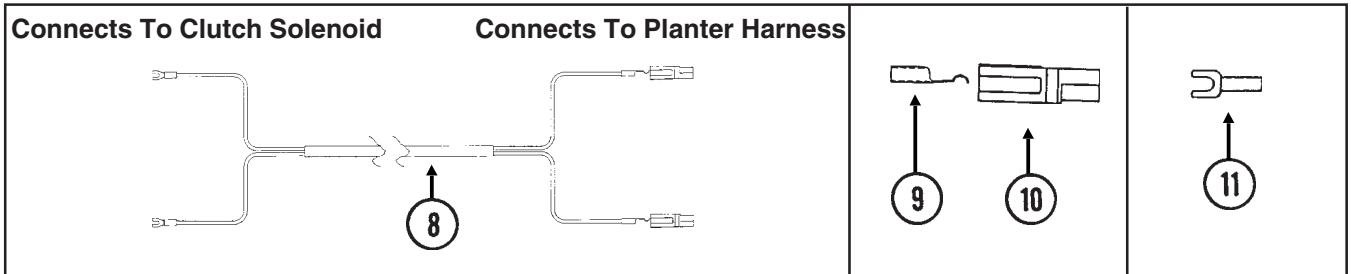
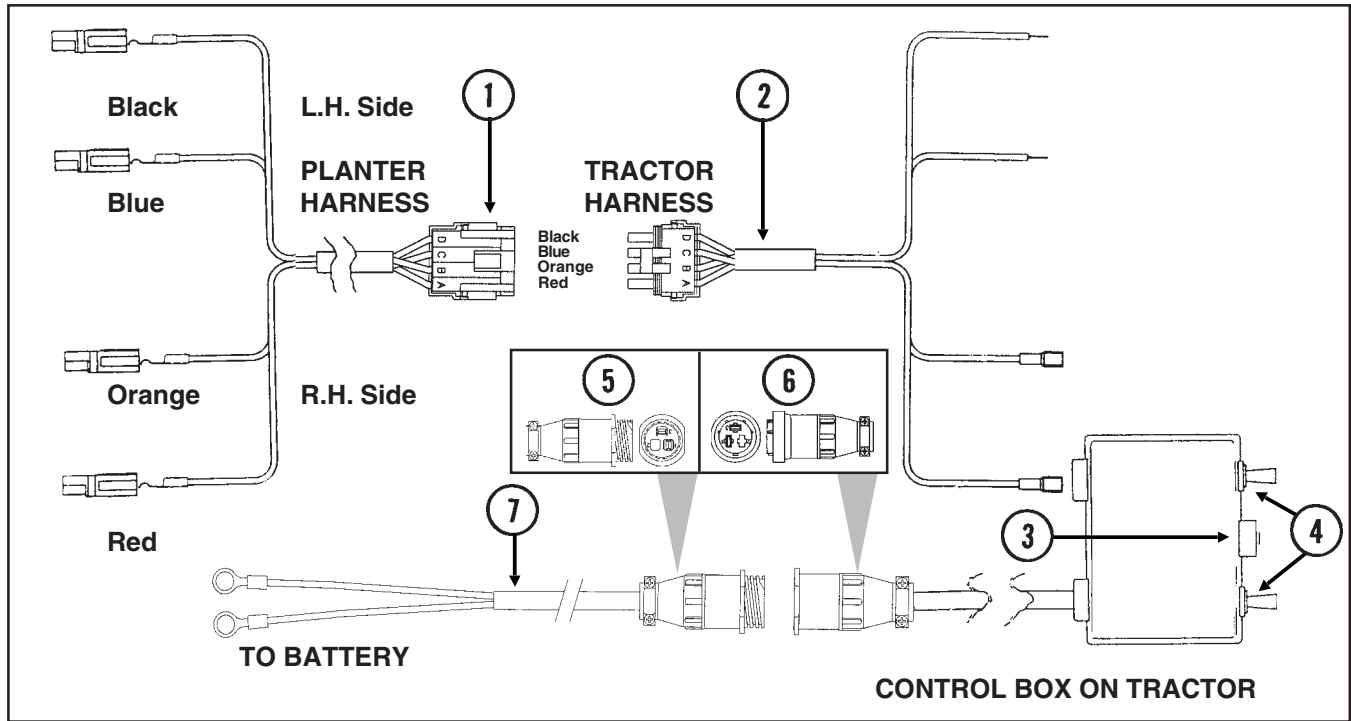


POINT ROW CLUTCH

ITEM	PART NO.	QTY. (Per Assy.)	DESCRIPTION
1.	GD10527	1	Input Shaft, 7/8" x 15 1/2"
2.	GD10200	1	Sleeve, 3/4" Long
3.	G10023	3	Hex Head Cap Screw, 1/4"-20 x 3/4"
	G10227	3	Lock Washer, 1/4"
4.	GD10525	1	Sprocket, 34 Tooth
5.	GD10104	1	Input Hub
6.	GA7137	1	Hub/Sleeve Assembly W/Spring Pins
	G10804	-	Spring Pin, 5/32" x 7/8"
	G10765	-	Spring Pin, 1/4" x 1"
7.	GD9672	1	Spring, R.H. (Shown)
	GD9671	-	Spring, L.H.
8.	GD14512	2	V-Ring Seal
9.	G10900	1	Hex Socket Head Cap Screw, 1/4"-20 x 1 3/4", Grade 8
	G10227	1	Lock Washer, 1/4"
	G10103	2	Hex Nut, 1/4"-20
10.	G10023	1	Hex Head Cap Screw, 1/4"-20 x 3/4"
	G10227	1	Lock Washer, 1/4"
	G10103	1	Hex Nut, 1/4"-20
11.	GA8393	1	Solenoid Complete
	GR1306	1	Snap Ring
	GR1303	1	Spring
	GR1304	1	Boot
	GR1305	1	Plunger
12.	GD10123	1	Spring
13.	G10003	1	Hex Head Cap Screw, 3/8"-16 x 1 1/2"
	G10203	2	Washer, 3/8" SAE
	G10101	1	Hex Nut, 3/8"-16
14.	GD9667	1	Bushing
15.	G10253	3	Hex Socket Head Screw, No. 10-32 x 1/2"
	G10257	3	Lock Washer, No. 10
16.	G10496	2	External Inverted Snap Ring, 1 1/2"
17.	G10233	-	Machine Bushing, 1", 10 Gauge
18.	G10130	-	Square Head Machine Bolt, 5/16"-18 x 1 3/4"
	G10923	-	Flange Nut, 5/16"-18, No Serration
19.	GD11045	-	Lock Clamp
20.	GD14513	1	Felt Washer
21.	GD10102	1	Stop Collar
22.	G10049	1	Hex Head Cap Screw, 3/8"-16 x 2 1/2"
	G10101	1	Hex Nut, 3/8"-16
	G10203	1	Washer, 3/8" SAE
	G10229	2	Lock Washer, 3/8"
	G10497	1	Hex Jam Nut, 3/8"-16, Grade 2
23.	GD10510	1	Actuator Arm
24.	GD11120	1	Rue Ring Cotter, 5/16"
25.	GD10103	1	Mounting Plate
26.	G10859	1	Spring Pin, 3/16" x 2 1/4"
27.	GD10529	1	Bracket, L.H. (Shown)
	GD10528	-	Bracket, R.H.
28.	GD7145	1	U-Bolt, 7" x 7" x 1/2"-13
	G10111	2	Lock Nut, 1/2"-13
29.	GA10054	1	Ground Cable, Green
A.	G1K269	-	Lock Clamp Kit (Items 18 And 19)
B.	GA7418	-	Point Row Clutch Assembly, R.H. (Shown) (Items 3-12, 14-16, 20-26 And 29)
	GA7417	-	Point Row Clutch Assembly, L.H. (Items 3-12, 14-16, 20-26 And 29)

POINT ROW CLUTCH ELECTRICAL COMPONENTS

(EF10b/ELC34/ELC35/EF10c/SFP6/TWL18/TWL76)



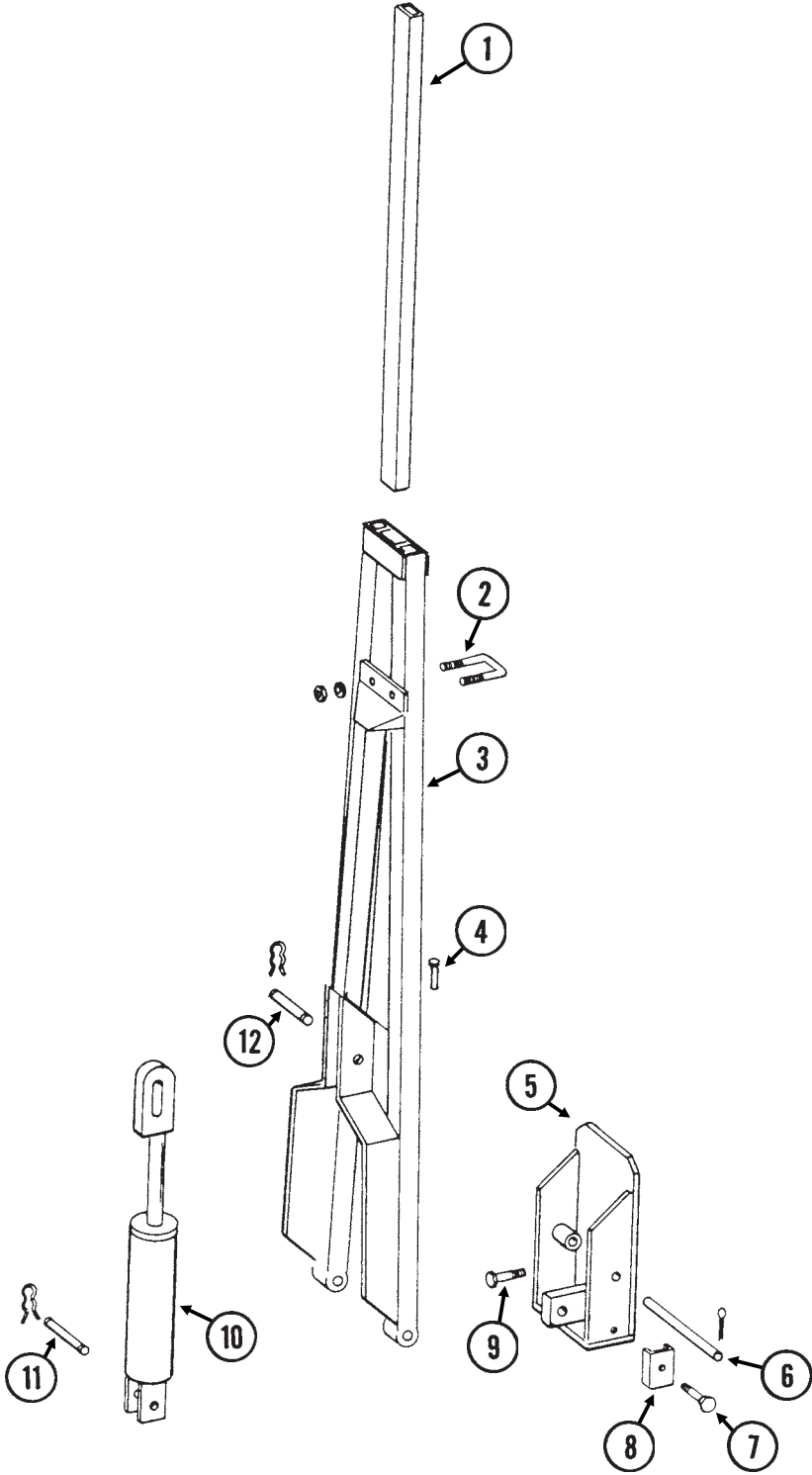
POINT ROW CLUTCH ELECTRICAL COMPONENTS

ITEM	PART NO.	QTY. (Per Assy.)	DESCRIPTION
1.	GR1450	-	Harness W/4-Pin Connector, 60"
	GA8328	-	4-Pin Connector W/Female Housing, 4 Seals And 4 Pin Contacts
2.	GR1447	-	Harness W/4-Pin Connector, 152"
	GA8329	-	4-Pin Connector W/Male Housing, 4 Seals And 4 Socket Contacts
3.	GA7165	-	Circuit Breaker, 12 Amp
4.	GA7144	-	Two Position Switch
5.	G1K267	-	Power Lead Adapter Connector Kit, Includes: (1) 3-Pin Connector, (1) Cable Clamp, (3) Male Terminal Pins
6.	G1K268	-	Console Cable Connector Kit, Includes: (1) 3-Pin Connector, (1) Cable Clamp, (1) Lock Ring, (3) Female Terminal Pins
7.	GA7856	1	Power Lead Adapter
8.	GA7416	1	Wiring Harness, 288"
9.	GD9530	-	Contact
10.	GD9529	-	Housing, Black
	GD12726	-	Housing, Red
11.	G10996	-	Fork Terminal

ROW MARKER ASSEMBLY, CONVENTIONAL

6 ROW 30"

MKR010(MKR1a)



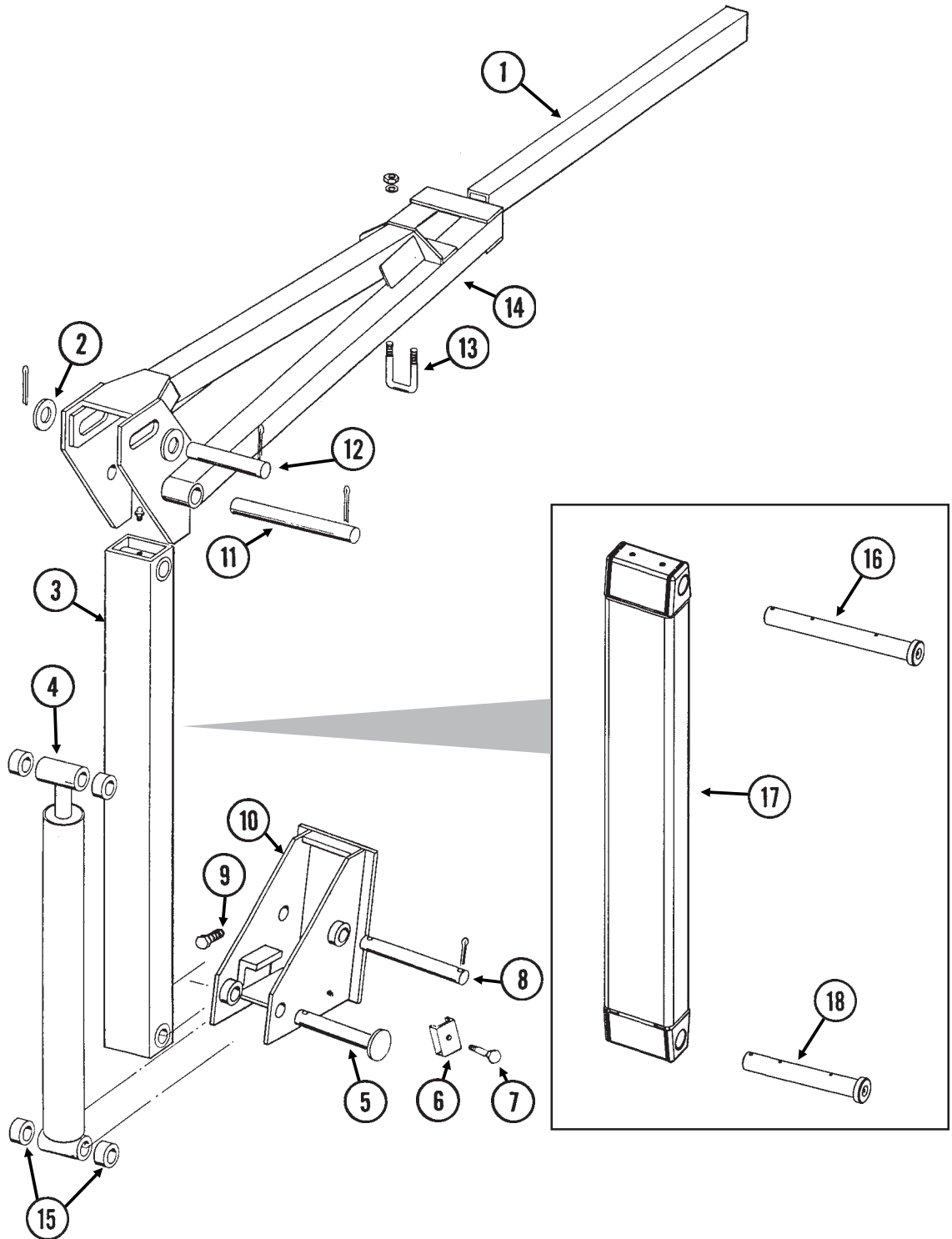
ROW MARKER ASSEMBLY, CONVENTIONAL

6 ROW 30"

ITEM	PART NO.	QTY. (Per Assy.)	DESCRIPTION
1.	GD0453-02	1	Extension Tube, 40"
2.	GD2721	1	U-Bolt, 2" x 2" x 1/2"-13
	G10228	2	Lock Washer, 1/2"
	G10102	2	Hex Nut, 1/2"-13
3.	GA5183	-	Arm W/Grease Fittings, 58 1/2"
	G10640	-	Grease Fitting, 1/4"-28
4.	GD0462	1	Safety Lockup Pin
	G10670	1	Hair Pin Clip, No. 3
	G10187	1	Spring Pin, 5/32" x 2"
5.	GA5178	-	Mount W/Grease Fittings
	G10640	-	Grease Fitting, 1/4"-28
6.	GD0438	1	Pin, 13 1/2"
	G10460	2	Cotter Pin, 1/4" x 2"
7.	G10133	1	Hex Head Cap Screw, 5/16"-18 x 1 1/2"
	G10232	1	Lock Washer, 5/16"
	G10106	1	Hex Nut, 5/16"-18
8.	GD5892	1	Hose Clamp, 5/8" x 1 1/2" x 1 1/2"
9.	G10008	4	Hex Head Cap Screw, 5/8"-11 x 2"
	G10230	4	Lock Washer, 5/8"
10.		-	See "Row Marker Cylinder", Page P62
11.	GR0367	1	Pin, 1" x 2 7/8"
	GR0193	2	Hair Pin Clip
12.	GR0375	1	Pin, 1" x 3 1/2"
	GR0193	2	Hair Pin Clip

ROW MARKER ASSEMBLY, TWO-FOLD LOW PROFILE 6 ROW 36"/38"/40", 8 ROW 30" AND 8 ROW 36"/38"/40"

MKR006/MKR009(MKR2/A11591)



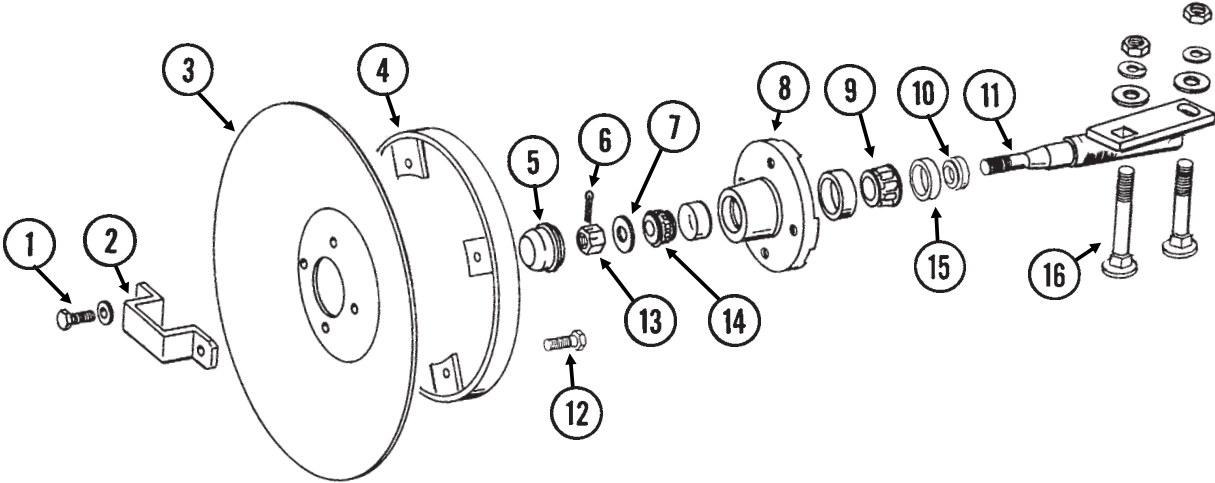
ROW MARKER ASSEMBLY, TWO-FOLD LOW PROFILE

6 ROW 36"/38"/40", 8 ROW 30" AND 8 ROW 36"/38"/40"

ITEM	PART NO.	QTY. (Per Assy.)	DESCRIPTION
1.	GD0453-04	1	Extension Tube, 60", 6 Row 36"/38"/40"
	GD0453-03	-	Extension Tube, 50", 8 Row 30"
	GD0453-08	-	Extension Tube, 65", 8 Row 36"/38"/40"
2.	G10226	2	Washer, 1 1/4" SAE
3.	GA5173	1	Arm W/Grease Fittings, First Stage
	G10641	-	Grease Fitting, 1/8" NPT
4.		-	See "Row Marker Cylinder", Page P63
5.	GD15386	1	Pin, 1 1/4" x 7 5/8"
	G10460	1	Cotter Pin, 1/4" x 2"
6.	GD5875	1	Hose Clamp, 9/16" x 2 1/2" x 2"
7.	G10133	1	Hex Head Cap Screw, 5/16"-18 x 1 1/2"
	G10232	1	Lock Washer, 5/16"
	G10106	1	Hex Nut, 5/16"-18
	G10228	2	Lock Washer, 1/2"
	G10102	2	Hex Nut, 1/2"-13
	G10102	2	Hex Nut, 1/2"-13
8.	GD0652	1	Pin, 1 1/4" x 9 1/2"
	G10460	2	Cotter Pin, 1/4" x 2"
9.	G10879	4	Flanged 12 Point Bolt, 5/8"-11 x 2", Special Hardened
10.	GA5130	1	Mount
11.	GD3214	1	Pin, 1 1/4" x 12 1/4"
	G10460	2	Cotter Pin, 1/4" x 2"
12.	GD2161	1	Pin, 1 1/4" x 8 1/4"
	G10460	2	Cotter Pin, 1/4" x 2"
13.	GD2721	1	U-Bolt, 2" x 2" x 1/2"-13
14.	GA5190	1	Arm, Second Stage, 35", 6 Row 36"/38"/40"
	GA5188	-	Arm, Second Stage, 46", 8 Row 30"
	GA5192	-	Arm, Second Stage, 67", 8 Row 36"/38"/40"
15.	GD0752-41	-	Sleeve, 1" (If Applicable)
16.	GA11766	-	Pin W/Grease Fitting, 1 1/4" x 11 13/16"
	G10640	-	Grease Fitting, 1/4"-28
17.	GA11591	-	Arm, First Stage
18.	GA11767	-	Pin W/Grease Fitting, 1 1/4" x 9 1/2"
	G10640	-	Grease Fitting, 1/4"-28

ROW MARKER SPINDLE/HUB/BLADE

MKR020(MKR4)



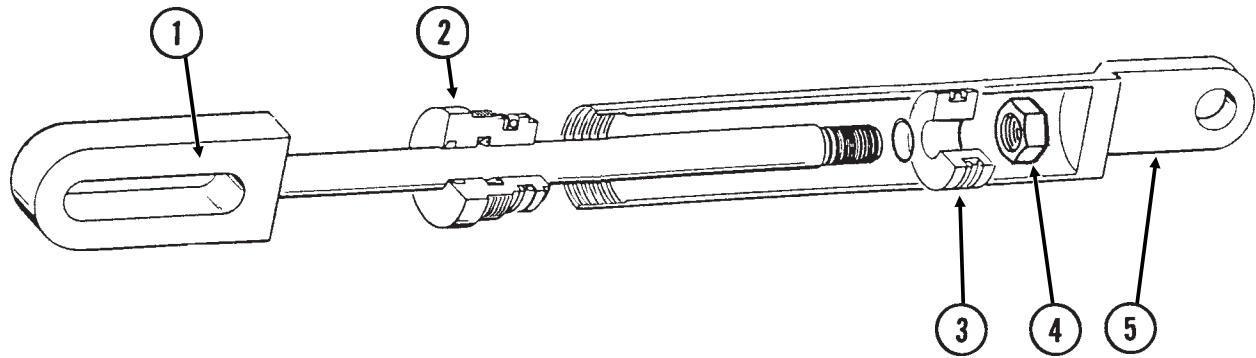
ROW MARKER SPINDLE/HUB/BLADE

ITEM	PART NO.	QTY. (Per Assy.)	DESCRIPTION
1.	G10722	4	Hex Head Cap Screw, 1/2"-20 x 1"
	G10228	4	Lock Washer, 1/2"
2.	GD2597	1	Retainer
3.	GD0746	1	Disc Blade, Solid, 16" (Shown)
	GD10283	-	Disc Blade, Notched, 16" (Optional)
4.	GA5853	1	Depth Band
5.	GD0840	1	Dust Cap
6.	G10544	1	Cotter Pin, 5/32" x 1"
7.	G10724	1	Washer, 5/8" SAE
8.	GA0167	1	Hub W/Cups, 4 Bolt
	GR0151	-	Outer Cup
	GR0150	-	Inner Cup
9.	GA0245	1	Bearing
10.	GA0899	1	Rubber Seal
11.	GA1677	1	Spindle, L.H. (Shown)
	GA1676	-	Spindle, R.H.
12.	G10019	4	Hex Head Cap Screw, 5/16"-18 x 1"
	G10109	4	Lock Nut, 5/16"-18, Grade 8
13.	G10725	1	Slotted Hex Nut, 5/8"-18
14.	GA0257	1	Bearing
15.	GA0243	1	Grease Seal
16.	G10844	2	Carriage Bolt, 1/2"-13 x 3 1/2"
	G10168	2	Machine Bushing, 1/2", 7 Gauge
	G10228	2	Lock Washer, 1/2"
	G10102	2	Hex Nut, 1/2"-13
A.	GA1679	-	Hub And Spindle Assembly, L.H. (Items 1, 2, 5-11 And 13-15)
	GA1678	-	Hub And Spindle Assembly, R.H. (Items 1, 2, 5-11 And 13-15)

ROW MARKER CYLINDER

6 ROW 30"

CYL030(CYL2c)



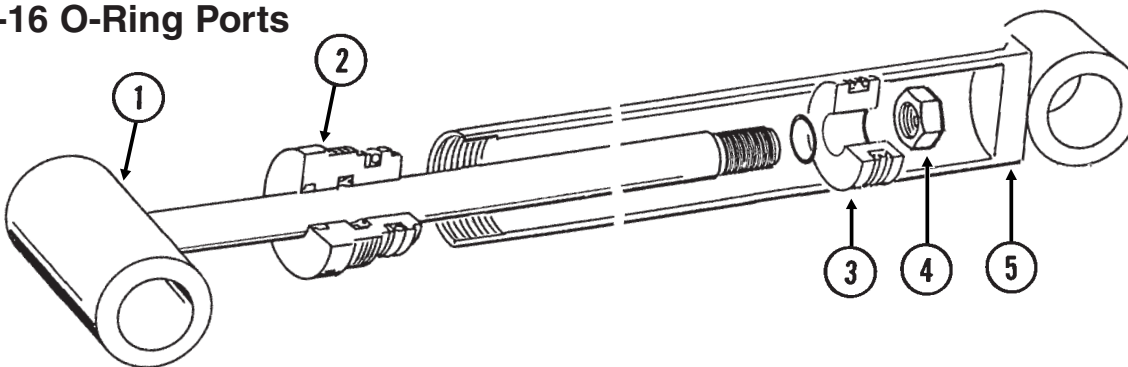
ITEM	PART NO.	QTY.	DESCRIPTION
1.	GA8918	1	Rod Assembly
2.	GD12510	1	Gland
3.	GD12511	1	Piston
4.	G10967	1	Lock Nut, $\frac{3}{4}$ "-16
5.	A8775	1	Barrel (Non-Stock Item)
A.	GA8919	-	Cylinder Complete, 2" x 8" (<i>Part Number Stamped On Barrel</i>)
B.	GR1529	-	Seal Kit, Includes: (1) T-Seal, (2) O-Rings, (1) BU Ring, (2) U-Cups, (1) Wiper, (1) IS511 Instruction

ROW MARKER CYLINDER

6 ROW 36"/38"/40", 8 ROW 30" AND 8 ROW 36"/38"/40"

CYL039(CYL3e)

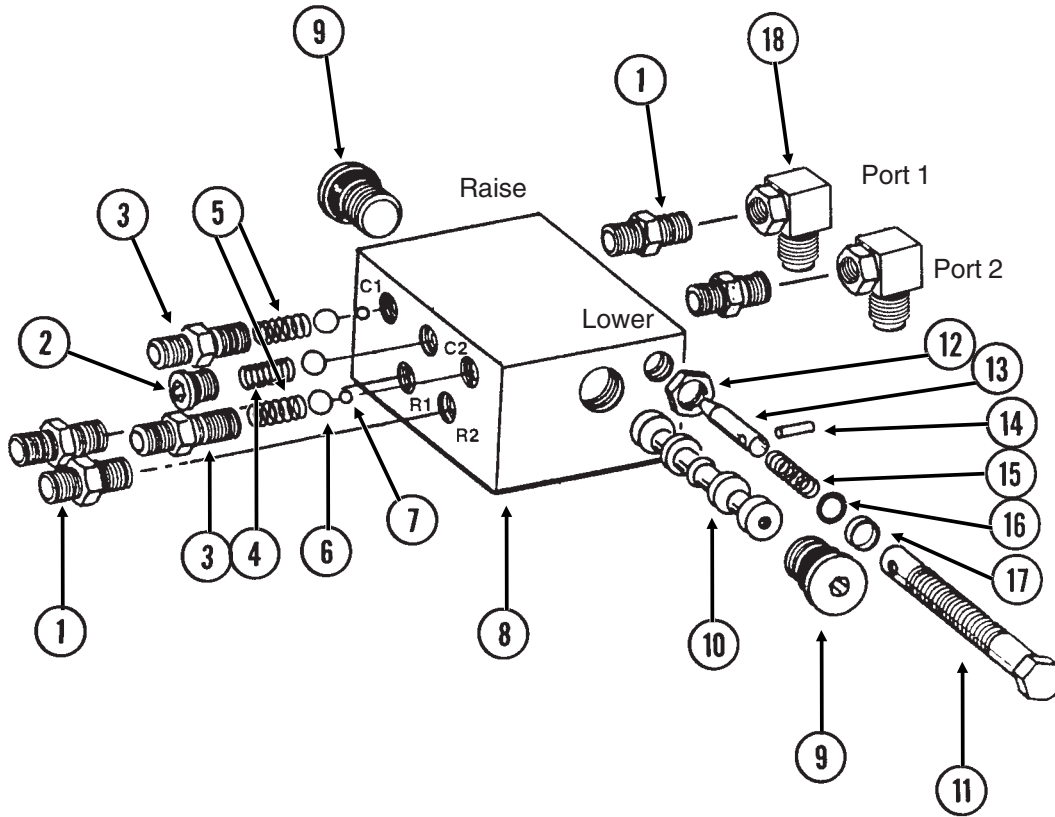
3/4"-16 O-Ring Ports



ITEM	PART NO.	QTY.	DESCRIPTION
1.	GA9440	1	Rod Assembly
2.	GD12510	1	Gland
3.	GD12511	1	Piston
4.	G10967	1	Lock Nut, 3/4"-16
5.	A9442	1	Barrel (Non-Stock Item)
A.	GA9443	-	Cylinder Complete, 2" x 20 1/16" <i>(Part Number Stamped On Barrel)</i>
B.	GR1529	-	Seal Kit, Includes: (1) T-Seal, (2) O-Rings, (1) BU Ring, (2) U-Cups, (1) Wiper, (1) IS511 Instruction

ROW MARKER SEQUENCING/FLOW CONTROL VALVE

VVB025(PT9cc)



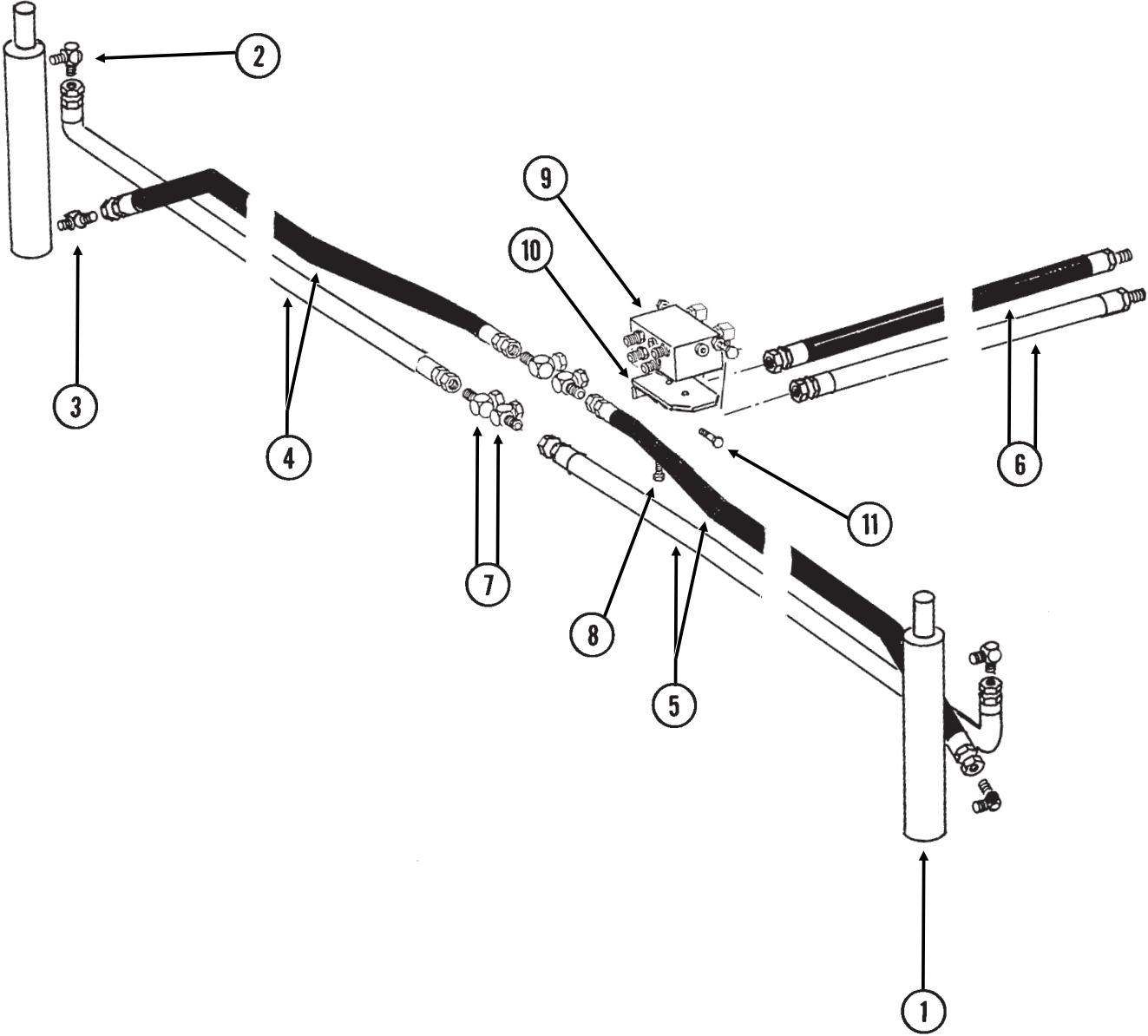
ROW MARKER SEQUENCING/FLOW CONTROL VALVE

ITEM	PART NO.	QTY.	DESCRIPTION
1.	*G6400-06	4	Connector W/O-Ring, $\frac{9}{16}$ "-18 Male JIC To O-Ring
	GR1045	-	O-Ring
2.	GR1034	1	Hex Socket Plug W/O-Ring
	GR1035	-	O-Ring
3.	GR1032	2	Port Adapter W/O-Ring
	GR1045	-	O-Ring
4.	GR1033	1	Detent Spring
5.	GR1036	2	Spring
6.	GR1044	3	$\frac{7}{16}$ " Check Ball
7.	GR1043	2	$\frac{1}{4}$ " Steel Ball
8.		-	Valve Body (Non-Stock Item)
9.	GR1047	2	Hex Socket Plug W/O-Ring
	GR1037	-	O-Ring
10.		-	Spool (Non-Stock Item)
11.	GR1042	2	Adjustment Screw
12.	GR1048	2	Hex Jam Nut, $\frac{1}{2}$ "-20
13.	GR1038	2	Needle
14.	GR1039	2	Spring Pin
15.	GR1046	2	Compression Spring
16.	GR1040	2	O-Ring
17.	GR1041	2	Teflon BU Ring
18.	G6801-06	2	Elbow W/O-Ring, 90°, $\frac{9}{16}$ "-18 Male JIC To O-Ring
	GR1045	-	O-Ring
A.	GA5552	-	Valve Assembly Complete (Items 1-17)
B.	GA5572	-	Flow Control Portion Only (Items 11-17)

*Not used on sizes with $\frac{3}{8}$ " hoses.

ROW MARKER HYDRAULIC SYSTEM

PHS034(MT19d)



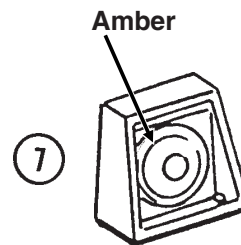
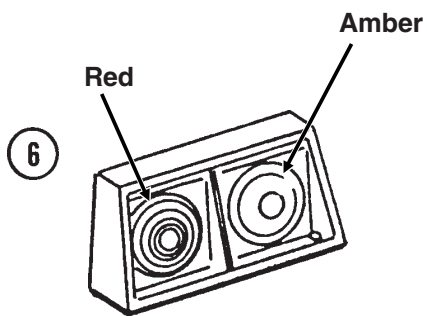
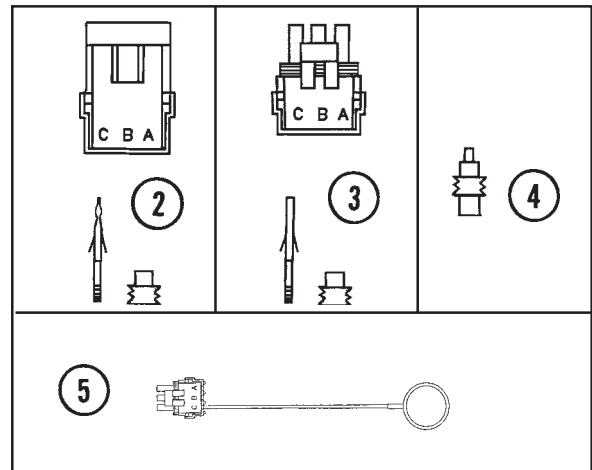
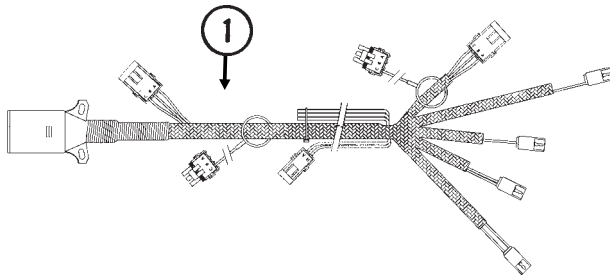
ROW MARKER HYDRAULIC SYSTEM

ITEM	PART NO.	QTY.	DESCRIPTION
1.		-	See "Row Marker Cylinder", Pages P62 And P63
2.	G6801-06-08	2	Elbow W/O-Ring, 90°, 9/16"-18 Male JIC To 3/4"-16 O-Ring, 6 Row 30"
	GR1037	-	O-Ring
	G6801-08	-	Elbow W/O-Ring, 90°, 3/4"-16 Male JIC To O-Ring, 6 Row 36"/38"/40" And 8 Row 30"/36"/38"/40"
	GR1037	-	O-Ring
3.	G6801-06-08	2	Elbow W/O-Ring, 90°, 9/16"-18 Male JIC To 3/4"-16 O-Ring, 6 Row 30"
	GR1037	-	O-Ring
	G6400-08	-	Connector W/O-Ring, 3/4"-16 Male JIC To O-Ring, 6 Row 36"/38"/40" And 8 Row 30"/36"/38"/40"
	GR1037	-	O-Ring
	G6400-08-04	-	Connector W/O-Ring, 3/4"-16 Male JIC To 7/16"-20 O-Ring 6 Row 36"/38"/40" And 8 Row 30"/36"/38"/40"
	GR1465	-	O-Ring
4.	*A1106	-	Hose Assembly, 1/4" x 130", 6 Row 30"
	*A3114	-	Hose Assembly, 3/8" x 156", 6 Row 36"/38"/40"
	*A1049	-	Hose Assembly, 3/8" x 160", 8 Row 30"
	*A3154	-	Hose Assembly, 3/8" x 196", 8 Row 36"/38"/40"
5.	*A1168	-	Hose Assembly, 1/4" x 120", 6 Row 30"
	*A3115	-	Hose Assembly, 3/8" x 146", 6 Row 36"/38"/40"
	*A1013	-	Hose Assembly, 3/8" x 150", 8 Row 30"
	*A1028	-	Hose Assembly, 3/8" x 186", 8 Row 36"/38"/40"
6.	*A3186	2	Hose Assembly, 3/8" x 56"
7.	G6500-06	4	Swivel Elbow, 90°, 9/16"-18 Male JIC To Female, 6 Row 30"
	G6500-08-06	-	Swivel Elbow, 90°, 3/4"-16 Male JIC To 9/16"-18 Female, 6 Row 36"/38"/40" And 8 Row 30"/36"/38"/40"
8.	G10001	2	Hex Head Cap Screw, 3/8"-16 x 1"
	G10229	2	Lock Washer, 3/8"
9.			See "Row Marker Sequencing/Flow Control Valve", Pages P64 And P65
10.	GD10205	1	Mounting Angle
11.	G10017	2	Hex Head Cap Screw, 1/2"-13 x 1 1/2"
	G10111	2	Lock Nut, 1/2"-13

* Hydraulic hose is not stocked by KINZE® Repair Parts, but can be made available on a special order basis. Call for quote.

ELECTRICAL COMPONENTS

PFA043(PT49a/A9507a/MTR27a/ELC8)



See "Toolbar Assembly", pages P40 and P41 for light brackets.

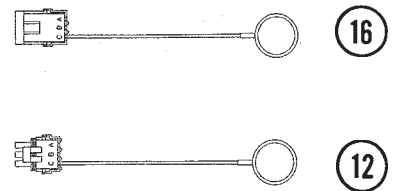
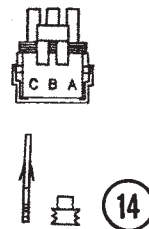
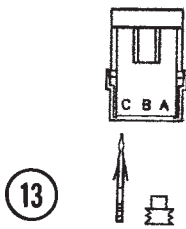
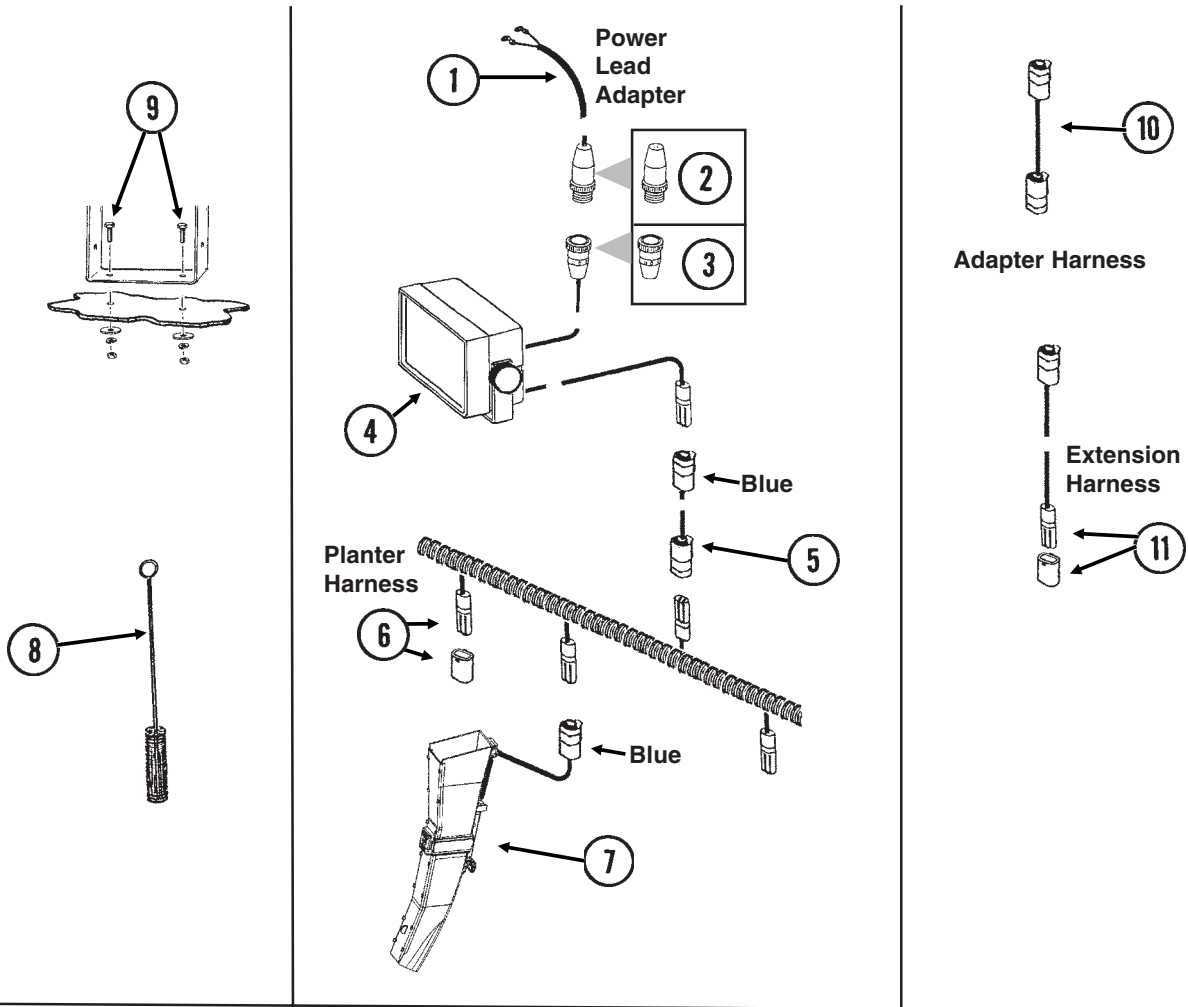
See "Digital Vacuum Gauge, Analog Vacuum Gauge And Vacuum Fan Assembly", pages P32 and P33 for those electrical components.

ELECTRICAL COMPONENTS

ITEM	PART NO.	QTY.	DESCRIPTION
1.	GA9507	-	Wiring Harness W/7 Terminal Female Connector, 186", 6 Row 30" (4 Light Connections)
	GA9509	-	Wiring Harness W/7 Terminal Female Connector, 264", 6 Row 36"/38"/40", 8 Row 30"/36"/38"/40" (4 Light Connections)
	GA5385	-	7 Terminal Female Connector
2.	G1K248	-	3-Pin Female Connector Kit (Black), Includes: (3) 3-Pin Female Housings, (9) Pin Contacts, (9) Seals
3.	G1K252	-	3-Pin Male Connector Kit (Black), Includes: (3) 3-Pin Male Housings, (9) Socket Contacts, (9) Seals
4.	GD11089	-	Sealing Plug
5.	GA8047	-	Dust Plug (Black)
6.	GA6699	1	Double Light Assembly (Shown)
	GA6700	1	Double Light Assembly
	GR1203	-	Red Lens
	GR1204	-	Amber Lens
	GR1205	-	Cover
	GR1206	-	Rubber Grommet (4)
	GR1207	-	Lamp Unit
	GR1208	-	Bulb
7.	GA6701	2	Single Amber Light Assembly
	GR1204	-	Amber Lens
	GR1206	-	Rubber Grommet (2)
	GR1207	-	Lamp Unit
	GR1208	-	Bulb

KPM I ELECTRONIC SEED MONITOR

(MTR46b/A11948)



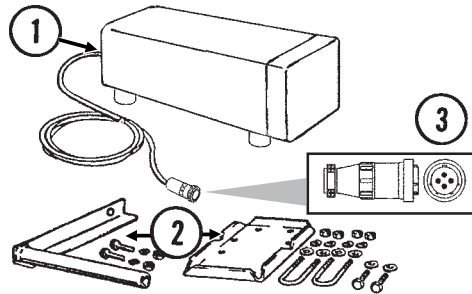
KPM I ELECTRONIC SEED MONITOR

ITEM	PART NO.	QTY.	DESCRIPTION
1.	GA7856	1	Power Lead Adapter
2.	G1K267	-	Power Lead Adapter Connector Kit, Includes: (1) Cable Clamp, (1) 3-Pin Connector, (3) Male Terminal Pins
3.	G1K268	-	Console Cable Connector Kit, Includes: (1) Cable Clamp, (1) 3-Pin Connector, (1) Lock Ring, (3) Female Terminal Pins
4.	GA10570	1	KPM I Backlit Console W/Mounting Bracket, Fuse Holder And Fuse, Power Lead Adapter (Item 11), Brush (Item 23) And Dust Plug (Item 34)
	GR1390	-	Mounting Bracket, KPM I
	GR1392	-	Console Mounting Bracket Hardware Package (Includes 2 Knobs And 1/4" Hardware)
	GA10601	-	Fuse Holder
	GD7639	-	Fuse
5.		-	Included In Light Wiring Harness, See Item 1 On Pages P68 And P69
6.	GA8022	-	Planter Harness W/Dust Caps, 6 Row (9 Connectors)
	GA7850	-	Planter Harness W/Dust Caps, 8 Row (12 Connectors)
	GD11993	-	Dust Cap
7.	GA11948	-	Seed Tube W/Computerized Sensor
	GR1737	-	Sensor Only
	GA11947	-	Seed Tube (With Holes For Sensor Installation)
8.	GR0594	-	Brush
9.	G10022	2	Hex Head Cap Screw, 1/4"-20 x 1/2"
	G10211	2	Washer, 1/4" SAE
	G10227	2	Lock Washer, 1/4"
	G10103	2	Hex Nut, 1/4"-20
10.	GA7857	-	Adapter Harness, 1'
11.	GA7854	-	Extension Harness W/Dust Cap, 15'
	GA7855	-	Extension Harness W/Dust Cap, 30'
	GD11993	-	Dust Cap
12.	GA8047	-	Dust Plug (Black)
	GA9979	-	Dust Plug (Blue)
13.	G1K248	-	3-Pin Female Connector Kit (Black), Includes: (3) 3-Pin Female Housings, (9) Pin Contacts, (9) Seals
	G1K362	-	3-Pin Female Connector Kit (Blue), Includes: (3) 3-Pin Female Housings, (9) Pin Contacts, (9) Seals
14.	G1K252	-	3-Pin Male Connector Kit (Black), Includes: (3) 3-Pin Male Housings, (9) Socket Contacts, (9) Seals
	G1K363	-	3-Pin Male Connector Kit (Blue), Includes: (3) 3-Pin Male Housings, (9) Socket Contacts, (9) Seals
15.	GD11089	-	Sealing Plug
16.	GA8046	-	Dust Plug (Black)
	GA9978	-	Dust Plug (Blue)

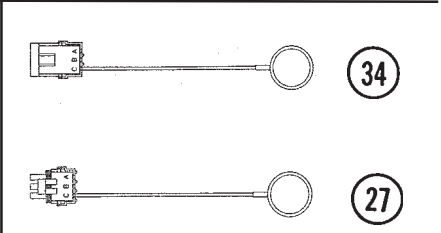
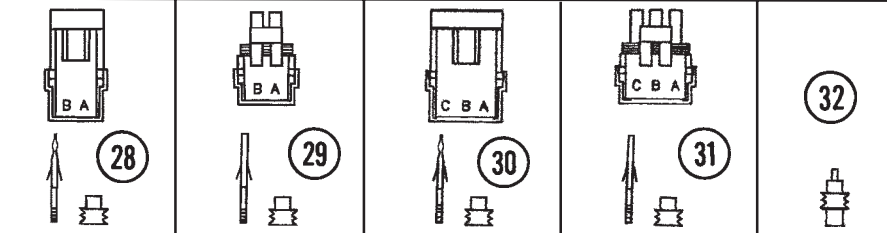
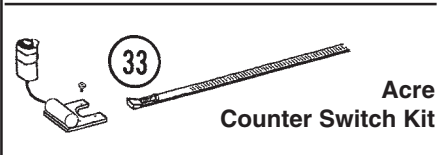
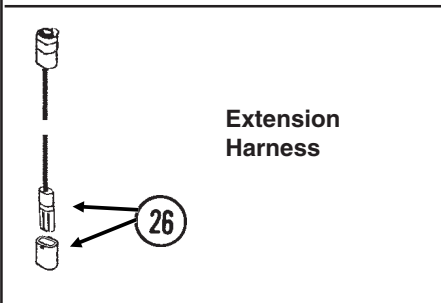
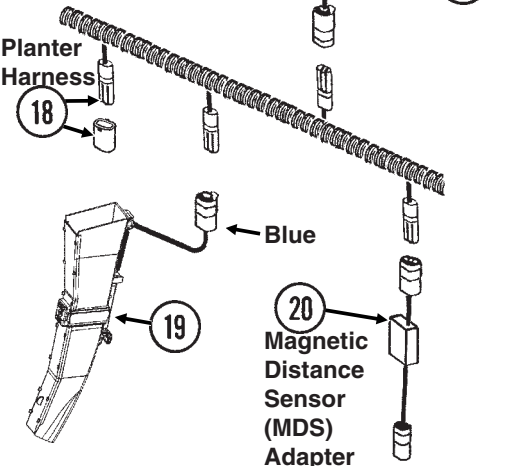
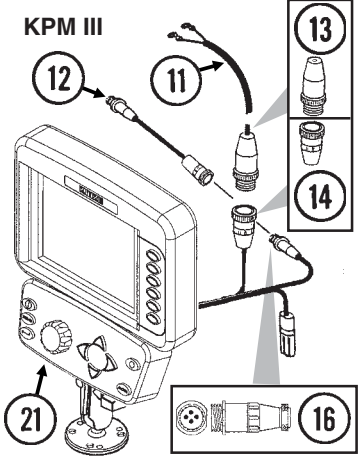
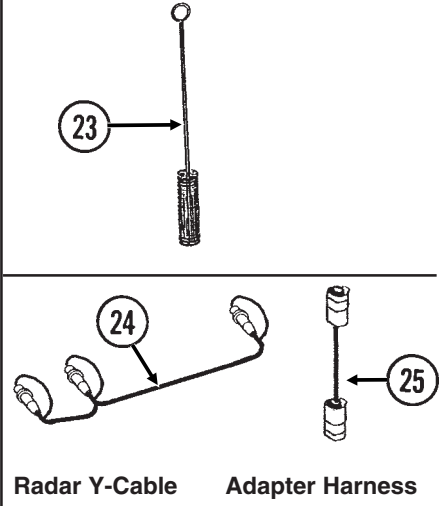
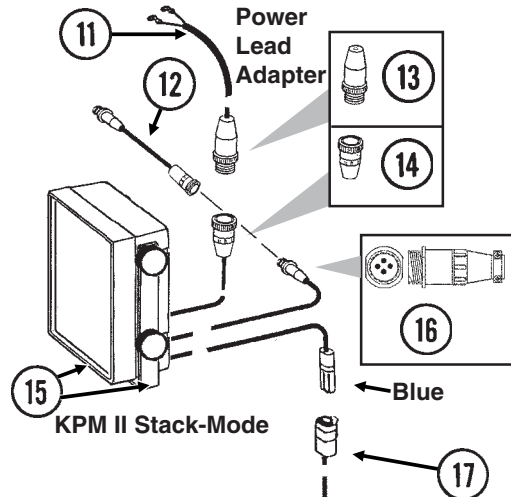
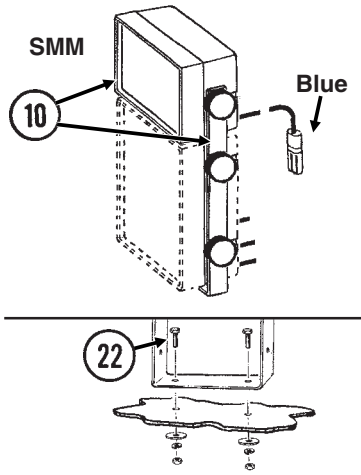
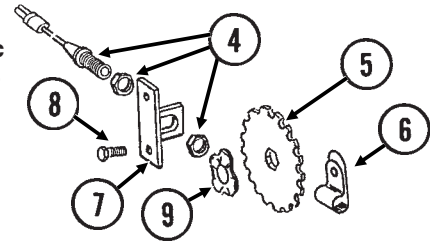
KPM II STACK-MODE/KPM III ELECTRONIC SEED MONITORS

(MTR46c)

Radar Distance Sensor



Magnetic Distance Sensor (MDS)

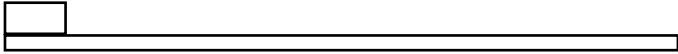


ITEM	PART NO.	QTY.	DESCRIPTION
1.	GA7858	-	Radar Distance Sensor W/20' Cable
2.	GA8026	-	Radar Sensor Pipe/Mounting Bracket Package
3.	G1K323	-	4-Pin Connector Kit W/Female Housing, Includes: (4) Pins And (1) Cable Clamp
4.	GA5600	1	Magnetic Distance Sensor
5.	GD8751	-	Magnetic Distance Sensor Pulse Wheel
6.	GD6291	-	Insulated Clamp, 3/8"
7.	GD8770	1	Bracket
8.	G10001	2	Hex Head Cap Screw, 3/8"-16 x 1"
	G10229	2	Lock Washer, 3/8"
	G10101	2	Hex Nut, 3/8"-16

KPM II STACK-MODE/KPM III ELECTRONIC SEED MONITORS

ITEM	PART NO.	QTY.	DESCRIPTION
9.	GD8771	1	Spring Wave Washer
10.	GA9857	1	SMM Backlit Console W/Mounting Bracket And Dust Plug (Item 36)
	GR1631	-	Mounting Bracket, KPM II Stack-Mode And SMM Consoles
	GR1632	-	Console Mounting Bracket Hardware Package (Includes 2 Knobs And 1/4" Hardware)
11.	GA7856	1	Power Lead Adapter
12.	GA9144	-	Monitor/Radar Adapter Cable, 10"
13.	G1K267	-	Power Lead Adapter Connector Kit, Includes: (1) Cable Clamp, (1) 3-Pin Connector, (3) Male Terminal Pins
14.	G1K268	-	Console Cable Connector Kit, Includes: (1) Cable Clamp, (1) 3-Pin Connector, (1) Lock Ring, (3) Female Terminal Pins
15.	GA10575	-	KPM II Backlit Console W/Mounting Bracket, Fuse Holder And Fuse, Power Lead Adapter (Item 11), Brush (Item 23), Dust Plug (Item 34) And Monitor/Radar Adapter, 10" (Item 12)
	GR1391	-	Mounting Bracket, KPM II
	GR1393	-	Console Mounting Bracket Hardware Package (Includes 4 Knobs And 1/4" Hardware)
	GA10601	-	Fuse Holder
	GD7639	-	Fuse
16.	G1K322	-	4-Pin Connector Kit W/Male Housing, (4) Female Socket Contacts And (1) Cable Clamp
17.		-	Included In Light Wiring Harness, See Item 1 On Pages P68 And P69
18.	GA8022	-	Planter Harness W/Dust Caps, 6 Row (9 Connectors)
	GA7850	-	Planter Harness W/Dust Caps, 8 Row (12 Connectors)
	GD11993	-	Dust Cap
19.	GA11948	-	Seed Tube W/Computerized Sensor
	GR1737	-	Sensor Only
	GA11947	-	Seed Tube (With Holes For Sensor Installation)
20.	GA7859	1	Magnetic Distance Sensor Adapter (Analog To Digital)
21.	GA11039	1	KPM III Backlit Console W/Brush (Item 23), Dust Plug (Item 34), Mounting Bracket Assembly, Console Mounting Bracket Hardware And Power Harness
	GR1761	-	Mounting Bracket Assembly, Includes: (2) Mounting Brackets, (2) Connector Halves, (1) Compression Spring, (1) Tension Knob, (1) 1/4"-20 x 1 3/4" Hex Head Cap Screw, (1) 1/4" Plastic Washer, (1) 1/4" Steel Washer
	GR1762	-	Console Mounting Bracket Hardware Package, Includes: (3) No. 10-32 x 5/8" Hex Socket Pan Head Screws, (3) No. 20 Lock Washers
	GR1764	-	Power Harness
22.	G10022	2	Hex Head Cap Screw, 1/4"-20 x 1/2"
	G10211	2	Washer, 1/4" SAE
	G10227	2	Lock Washer, 1/4"
	G10103	2	Hex Nut, 1/4"-20
23.	GR0594	-	Brush
24.	GR0586	1	Radar Y-Cable (Used To Connect Radar Distance Sensor For Multiple Functions)
25.	GA7857	-	Adapter Harness, 1'
26.	GA7854	-	Extension Harness W/Dust Cap, 15'
	GA7855	-	Extension Harness W/Dust Cap, 30'
	GD11993	-	Dust Cap
27.	GA8047	-	Dust Plug (Black)
	GA9979	-	Dust Plug (Blue)
28.	G1K321	-	2-Pin Female Connector Kit (Black), Includes: (3) 2-Pin Female Housings, (6) Pin Contacts, (6) Seals
29.	G1K320	-	2-Pin Male Connector Kit (Black), Includes: (3) 2-Pin Male Housings, (6) Socket Contacts, (6) Seals
30.	G1K248	-	3-Pin Female Connector Kit (Black), Includes: (3) 3-Pin Female Housings, (9) Pin Contacts, (9) Seals
	G1K362	-	3-Pin Female Connector Kit (Blue), Includes: (3) 3-Pin Female Housings, (9) Pin Contacts, (9) Seals
31.	G1K252	-	3-Pin Male Connector Kit (Black), Includes: (3) 3-Pin Male Housings, (9) Socket Contacts, (9) Seals
	G1K363	-	3-Pin Male Connector Kit (Blue), Includes: (3) 3-Pin Male Housings, (9) Socket Contacts, (9) Seals
32.	GD11089	-	Sealing Plug
33.	G1K249	-	Acre Counter Switch Kit
34.	GA8046	-	Dust Plug (Black)
	GA9978	-	Dust Plug (Blue)
A.	GA6147	-	Magnetic Distance Sensor And Mounting Package (Items 4-9)

DECALS, PAINT AND MISCELLANEOUS



1

WARNING

THIS MACHINE HAS BEEN DESIGNED AND BUILT WITH YOUR SAFETY IN MIND. DO NOT MAKE ANY ALTERATIONS OR CHANGES TO THIS MACHINE. ANY ALTERATION TO THE DESIGN OR CONSTRUCTION MAY CREATE SAFETY HAZARDS.

7100-90

2

DANGER

THIS PLANTER IS DESIGNED TO BE DRIVEN BY GROUND TIRES ONLY. THE USE OF HYDRAULIC, ELECTRIC OR PTO DRIVES MAY CREATE SERIOUS SAFETY HAZARDS TO YOU AND THE PEOPLE NEARBY. IF YOU INSTALL SUCH DRIVES YOU MUST FOLLOW ALL APPROPRIATE SAFETY STANDARDS AND PRACTICES TO PROTECT YOU AND OTHERS NEAR THIS PLANTER FROM INJURY.

7100-89

3

WARNING

TO AVOID INJURY -- STAND CLEAR--KEEP OTHERS AWAY WHEN RAISING OR LOWERING MARKERS. BEFORE TRANSPORTING PLANTER FULLY EXTEND HYDRAULIC CYLINDERS AND INSTALL LOCKING PINS WHERE PROVIDED.

7100-42

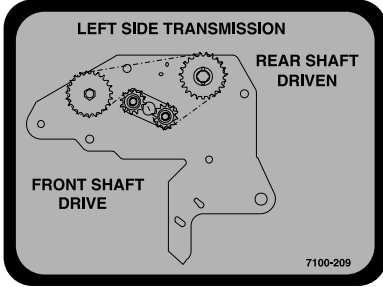
4

WARNING

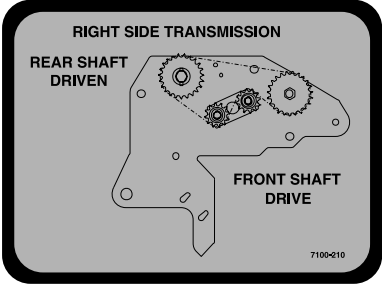
1. Read and understand the Operator's Manual.
2. Stop the tractor engine before leaving the operator's platform.
3. Keep riders off the machine.
4. Make certain everyone is clear of the machine before starting the tractor engine and operating.
5. Keep all shields in place.
6. Never lubricate, adjust, unclog or service the machine with tractor engine running.
7. Wait for all movement to stop before servicing.
8. Keep hands, feet and clothing away from moving parts.
9. Use flashing warning lights when operating on highways except when prohibited by law.

7100-46

5



6



7

KINZE

8

ROTATION

7100-192

9



10

WARNING

AGRICULTURAL CHEMICALS CAN BE DANGEROUS. IMPROPER SELECTION OR USE CAN SERIOUSLY INJURE PERSONS, ANIMALS, PLANTS, SOIL OR OTHER PROPERTY. BE SAFE. SELECT THE RIGHT CHEMICAL FOR THE JOB. HANDLE WITH CARE. FOLLOW THE INSTRUCTIONS ON THE CONTAINER LABEL AND OF THE EQUIPMENT MANUFACTURER.

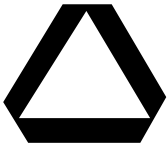
7100-115

11

USE 1 TABLESPOON POWDERED GRAPHITE WITH EACH HOPPER FILL OF SEED. SEED TREATMENT, FOREIGN MATERIAL, DIRT, OR SEED CHAFF MAY CAUSE GRADUAL REDUCTION OF SEED POPULATION. REFER TO MANUAL FOR MAINTENANCE AND CARE.

7100-153

12



13

NOTE

It is the responsibility of the user to read and understand the Operator's Manual in regards to safety, operation, lubrication and maintenance before operation of this equipment.

AN OPERATOR & PARTS MANUAL IS AVAILABLE FOR THIS MACHINE.

To obtain a manual, furnish model number and serial number and contact your KINZE Dealer or KINZE Manufacturing, Inc., P.O. Box 806 Williamsburg, IA 52361-0806 USA

14

3110

15

TORQUE 5/8" SPINDLE BOLTS TO 120 FT/LBS. CHECK PERIODICALLY AND RE-TORQUE AS NEEDED.

7100-234

16

ROTATE KNURLED COLLAR ON WRAP SPRING TIGHTENER TO RELEASE SPRING TENSION

7100-255

17



18



19

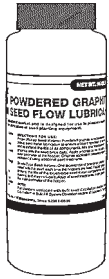


20



21

DECALS, PAINT AND MISCELLANEOUS



22



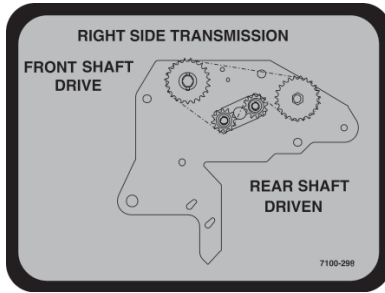
23



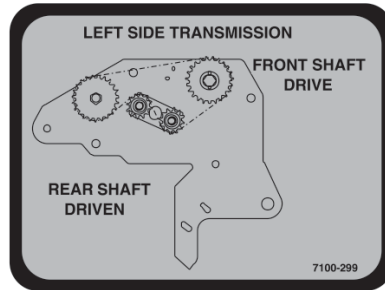
24



25



26



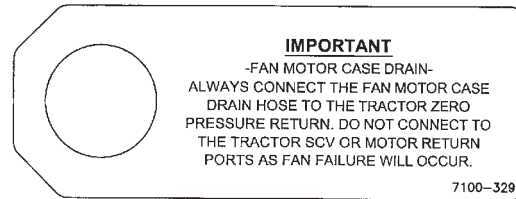
27



28



29



30

ITEM	PART NO.	QTY.	DESCRIPTION
1.	GD1512	-	Tie Strap, 7 1/2"
	GD2117	-	Tie Strap, 14 1/2"
2.	G7100-90	1	Decal, Warning
3.	G7100-89	2-4	Decal, Danger
4.	G7100-42	4	Decal, Warning
5.	G7100-46	1	Decal, Warning
6.	G7100-209	1	Decal, Transmission, L.H. Side
7.	G7100-210	1	Decal, Transmission, R.H. Side
8.	G7100-104	1	Decal, KINZE®, 3" x 12"
9.	G7100-192	-	Decal, Point Row Clutch Rotation
10.	G7100-247	-	Decal, Logo, 4 3/8" x 4 1/2" (2 Per Row Unit)
	G7100-252	-	Decal, Logo, 3 1/2" x 3 5/8" (Hopper Panel Extension)
11.	G7100-115	-	Decal, Warning (1 Per Granular Chemical Hopper)
12.	G7100-153	-	Decal, Information (1 Per Seed Meter)
13.	G7100-36	1	SMV Sign
14.	G7100-217	-	Decal, Note
15.	G7100-297	1	Decal, 3110
16.	G7100-234	-	Decal, Bolt Torque
17.	G7100-295	1	Decal, Spring Tension Release
18.	G7100-111	-	Decal, Oil Daily
19.	G7100-116	-	Decal, Grease Daily
20.	G7100-258	-	Reflective Decal, Red, 1 1/2" x 9", Rectangular (If Applicable)
	G7100-259	-	Reflective Decal, Amber, 1 1/2" x 9", Rectangular (If Applicable)
	G7100-260	-	Reflective Decal, Orange, 1 1/2" x 9", Rectangular (If Applicable)

DECALS, PAINT AND MISCELLANEOUS

ITEM	PART NO.	QTY.	DESCRIPTION
21.	G7100-261	-	Reflective Decal, Red, 1 3/4" x 9", Die-Cut (If Applicable)
	G7100-262	-	Reflective Decal, Amber, 1 3/4" x 9", Die-Cut (If Applicable)
	G7100-263	-	Reflective Decal, Orange, 1 3/4" x 9", Die-Cut (If Applicable)
22.	GR0146MPP	-	Powdered Graphite, Twenty-Four 1 Pound Containers
23.	GR0155MPP	-	Blue Paint, Twelve Aerosol Cans
24.	GR1570MPP	-	Talc Lubricant, Four 8 Pound Containers
25.	GM0183	-	Operator & Parts Manual, Model 3110 (EdgeVac® Seed Metering)
26.	G7100-298	-	Decal, Transmission, R.H. Side (Front Mounted Drive Wheels)
27.	G7100-299	-	Decal, Transmission, L.H. Side (Front Mounted Drive Wheels)
28.	G7100-311	-	Decal, EdgeVac®
29.	G7100-301	-	Decal, Warning
30.	G7100-329	-	Decal, Fan Motor Case Drain

NUMERICAL INDEX

Part No.	Page	Part No.	Page	Part No.	Page
*A1013	P67	G10064	P10, P41, P49	G10229	P4, P10, P11, P17,
*A1028	P67	G10069	P49		P19, P33, P47, P49,
*A1049	P67	G10082	P43		P53, P67, P72
*A1106	P67	G10101	P4, P10, P11, P19,	G10230	P4, P7, P10, P11,
*A1168	P67		P33, P49, P53, P72		P41, P43, P57
*A3114	P67	G10102	P9, P27, P31, P37,	G10231	P43
*A3115	P67		P39, P41, P47, P49,	G10232	P9, P45, P46, P47,
*A3154	P67		P51, P57, P59, P61		P57, P59
*A3186	P67	G10103	P19, P49, P53, P71,	G10233	P45, P47, P49, P53
*A3266	P35		P73	G10253	P53
*A3292	P35	G10104	P4, P11, P39, P41,	G10257	P18, P53
*A3337	P35		P43, P49	G10260	P15
*A3367	P35	G10106	P9, P25, P45, P46,	G10303	P9, P23, P45, P47
*A8247	P35		P47, P49, P57, P59	G10304	P3
*A8273	P35	G10107	P9, P10, P21, P25,	G10305	P20
A10759	P17		P31, P45, P47, P49,	G10306	P19
A6911	P41		P51	G10308	P10, P20
A6912	P41	G10108	P3, P12, P17, P33, P41	G10309	P12
A6913	P41	G10109	P7, P9, P10, P23,	G10310	P19
A6914	P41		P27, P29, P31, P46,	G10312	P3, P17, P39
A8775	P62		P61	G10315	P9, P10, P19
A9442	P63	G10110	P19, P41	G10318	P25
G10001	P4, P9, P10, P33,	G10111	P10, P21, P23, P25,	G10323	P15
	P67, P72		P27, P31, P41, P46,	G10325	P5, P17
G10002	P17		P53, P67	G10326	P3
G10003	P3, P19, P53	G10112	P31	G10328	P5
G10004	P49	G10117	P43	G10338	P7, P12, P46
G10005	P31, P43, P45, P51	G10128	P47, P49, P51	G10348	P27
G10006	P9, P27	G10130	P49, P53	G10371	P27
G10007	P5, P11, P31	G10133	P10, P27, P29, P31,	G10396	P41
G10008	P57		P57, P59	G10397	P51
G10010	P7, P29, P31	G10152	P9	G10400	P31
G10011	P31	G10168	P61	G10412	P4, P12
G10013	P10	G10171	P9	G10427	P5, P9
G10014	P7, P31	G10187	P57	G10438	P3
G10015	P9	G10194	P43	G10452	P19
G10016	P41	G10201	P3, P17	G10459	P43
G10017	P23, P25, P67	G10203	P3, P33, P53	G10460	P57, P59
G10018	P7, P9	G10204	P5, P7	G10462	P46
G10019	P61	G10205	P31, P33, P49	G10463	P9
G10022	P71, P73	G10206	P29, P45, P47	G10496	P46, P53
G10023	P17, P53	G10207	P3	G10497	P53
G10026	P43	G10209	P18, P19, P41, P47	G10499	P33
G10033	P27, P47	G10210	P3, P9, P10, P11,	G10501	P27, P45
G10036	P21, P47		P12, P17, P47, P49	G10503	P23, P25, P29, P31,
G10037	P39, P46	G10211	P71, P73		P47
G10038	P37, P39, P47	G10213	P5, P29, P31	G10523	P19
G10039	P23, P25, P31	G10216	P7, P23, P25, P37,	G10529	P20
G10040	P49		P39, P46, P47, P51	G10536	P23, P25
G10045	P27	G10219	P9, P23, P49	G10544	P61
G10046	P31	G10226	P59	G10546	P12, P18
G10047	P3, P47	G10227	P19, P47, P49, P53,	G10551	P3
G10048	P41		P71, P73	G10567	P12, P17, P18
G10049	P53	G10228	P7, P27, P37, P39,	G10570	P18
G10061	P12		P41, P47, P49, P51,	G10572	P25
G10063	P33		P57, P59, P61	G10574	P21, P27, P31

NUMERICAL INDEX

Part No.	Page	Part No.	Page	Part No.	Page
G10581	P47, P49	G11081	P43	G6801-10	P37
G10585	P23, P25	G11098	P29	G6801-10-12	P36
G10597	P23, P25	G11100	P47	G6801-12	P36, P37
G10599	P10, P11, P33	G11123	P33	G7100-104	P75
G10602	P12, P15, P17, P18, P45, P47, P49	G11124	P33	G7100-111	P75
G10603	P15	G11133	P33	G7100-115	P75
G10610	P43	G11137	P39	G7100-116	P75
G10620	P3, P7, P12, P17, P39	G11145	P39	G7100-153	P75
G10621	P12, P17, P20	G11172	P15	G7100-192	P75
G10622	P5, P20	G11173	P15	G7100-209	P75
G10640	P7, P57, P59	G11209	P19	G7100-210	P75
G10641	P43, P59	G11210	P15	G7100-217	P75
G10643	P31	G11213	P15	G7100-234	P75
G10660	P18	G11215	P33	G7100-247	P75
G10669	P3	G1K248	P69, P71, P73	G7100-252	P75
G10670	P17, P57	G1K249	P73	G7100-258	P75
G10676	P39	G1K252	P69, P71, P73	G7100-259	P75
G10678	P41	G1K267	P55, P71, P73	G7100-260	P75
G10681	P37	G1K268	P33, P55, P71, P73	G7100-261	P76
G10722	P61	G1K269	P49, P53	G7100-262	P76
G10724	P61	G1K320	P73	G7100-263	P76
G10725	P61	G1K321	P73	G7100-295	P75
G10730	P31	G1K322	P73	G7100-297	P75
G10732	P4	G1K323	P72	G7100-298	P76
G10751	P12	G1K345	P10	G7100-299	P76
G10752	P12	G1K362	P71, P73	G7100-301	P76
G10757	P19	G1K363	P71, P73	G7100-311	P76
G10758	P19	G1K377	P51	G7100-329	P76
G10765	P29, P31, P53	G1K380	P47	G7100-36	P75
G10801	P9, P10	G1K381	P47	G7100-42	P75
G10804	P53	G1K385	P19	G7100-46	P75
G10844	P61	G1K426	P36	G7100-89	P75
G10859	P53	G2100-03	P47	G7100-90	P75
G10861	P45	G3303-104	P3	G7566X	P11
G10864	P19	G3303-108	P18	GA0167	P61
G10879	P59	G3305-01	P20	GA0243	P61
G10900	P53	G3310-204	P51	GA0245	P61
G10912	P5	G3310-218	P45	GA0257	P61
G10921	P18	G3310-224	P45	GA0895	P43
G10923	P49, P53	G3310-68	P46	GA0899	P61
G10924	P7	G3310-75	P49	GA10054	P53
G10940	P7	G3400-01	P47	GA10063	P47
G10944	P7	G6326X	P4	GA10137	P12
G10967	P62, P63	G6400-06	P36, P37, P65	GA10143	P33
G10974	P29, P31	G6400-08	P67	GA10148	P33
G10996	P55	G6400-08-04	P67	GA10149	P36
G11007	P3	G6400-10	P37	GA10151	P12
G11008	P3	G6400-12	P37	GA10155	P12
G11009	P15	G6400-L-06	P37	GA10157	P3
G11010	P31	G6408-06	P37	GA10570	P71
G11015	P3	G6408-12	P37	GA10575	P73
G11028	P49	G6500-06	P36, P37, P67	GA10601	P71, P73
G11073	P18	G6500-08-06	P67	GA10634	P13
G11075	P46	G6801-06	P65	GA10635	P33
G11078	P46	G6801-06-08	P67	GA10660	P43
		G6801-08	P67	GA10661	P43

NUMERICAL INDEX

Part No.	Page	Part No.	Page	Part No.	Page
GA10752	P33	GA5090	P45	GA7137	P53
GA10755	P15	GA5105	P45, P47, P49, P51	GA7144	P55
GA10765	P33	GA5106	P47	GA7154	P47, P49, P51
GA10767	P39	GA5107	P45, P47	GA7165	P55
GA10768	P39	GA5108	P47	GA7271	P29
GA10781	P41	GA5109	P47	GA7294	P43
GA10782	P41	GA5110	P47	GA7295	P43
GA10799	P33	GA5111	P47	GA7297	P45
GA10808	P39	GA5112	P47	GA7336	P47
GA10824	P39	GA5113	P47	GA7412	P29
GA11039	P73	GA5114	P45, P49	GA7416	P55
GA11052	P46	GA5130	P59	GA7417	P53
GA11061	P39	GA5173	P59	GA7418	P53
GA11062	P39	GA5178	P57	GA7445	P29, P31
GA11065	P39	GA5183	P57	GA7446	P27, P29, P31
GA11154	P33	GA5188	P59	GA7850	P71, P73
GA11155	P33	GA5190	P59	GA7854	P71, P73
GA11156	P33	GA5192	P59	GA7855	P71, P73
GA11157	P33	GA5196	P43	GA7856	P33, P55, P71, P73
GA11175	P33	GA5202	P47	GA7857	P71, P73
GA11591	P59	GA5385	P69	GA7859	P73
GA11699	P33	GA5548	P47	GA7949	P7
GA11766	P59	GA5552	P65	GA7975	P7
GA11767	P59	GA5572	P65	GA7976	P7
GA11911	P15	GA5600	P72	GA8022	P71, P73
GA11934	P37	GA5625	P21	GA8026	P72
GA11935	P15	GA5651	P4	GA8046	P71, P73
GA11947	P71, P73	GA5654	P25, P27, P29, P31	GA8047	P69, P71, P73
GA11948	P71, P73	GA5698	P15	GA8322	P10
GA11987	P33	GA5715	P23, P25	GA8324	P5
GA12133	P15	GA5718	P25	GA8326	P18
GA12154	P15	GA5719	P23, P25	GA8328	P33, P55
GA1676	P61	GA5853	P61	GA8329	P33, P55
GA1677	P61	GA5892	P23	GA8364	P18
GA1678	P61	GA6078	P41	GA8371	P17
GA1679	P61	GA6147	P73	GA8393	P53
GA1720	P4	GA6171	P7, P9, P10	GA8603	P21, P31
GA2007	P12	GA6171	P10	GA8641	P21, P31
GA2012L	P5	GA6434	P10	GA8760	P29
GA2012R	P5	GA6597	P10	GA8918	P62
GA2014	P5, P9, P25, P27, P29, P31	GA6618	P9	GA8919	P62
GA2054	P9	GA6619	P9	GA9131	P31
GA2068	P45	GA6620	P9	GA9144	P73
GA2075	P19	GA6699	P69	GA9440	P63
GA2094	P20	GA6700	P69	GA9443	P63
GA2147	P43	GA6701	P69	GA9507	P69
GA2148	P43	GA6733	P9	GA9509	P69
GA2180	P49	GA6741	P19	GA9844	P31
GA2558	P43	GA6801	P9	GA9845	P31
GA4293	P37	GA6823	P41	GA9846	P45
GA4444	P17	GA6824	P41	GA9857	P73
GA4705	P43	GA6832	P27	GA9861	P31
GA4707	P41	GA6833	P27	GA9862	P31
GA4732	P41	GA6834	P27	GA9864	P31
GA4733	P41	GA6838	P27	GA9865	P31
		GA6907	P19	GA9978	P71, P73

NUMERICAL INDEX

Part No.	Page	Part No.	Page	Part No.	Page
GA9979	P71, P73	GD10473	P5, P9	GD11677	P21
GB0115	P18	GD10510	P53	GD1170	P37
GB0116	P18	GD10519	P29, P31	GD11845	P3, P5, P9
GB0186	P4	GD10525	P53	GD11936	P7
GB0213	P31	GD10526	P29	GD11962	P3, P17
GB0218	P4, P12, P31	GD10527	P53	GD11993	P71, P73
GB0239	P9, P10	GD10528	P53	GD11993	P71, P73
GB0254	P10	GD10529	P53	GD12510	P62, P63
GB0258	P47, P51	GD10552	P27, P29, P31	GD12511	P62, P63
GB0265	P3	GD1059L	P17	GD12534	P27
GB0266	P3	GD1059R	P17	GD12726	P55
GB0267	P3	GD1060	P17	GD12817	P31
GB0268	P9, P10	GD1061	P18	GD12826	P31
GB0274	P3	GD1063	P18	GD12827	P31
GB0276	P7	GD1065	P3	GD12829	P31
GB0278	P12, P18	GD1085	P10	GD13361	P3
GB0282	P10	GD1086	P7	GD13394	P47, P49
GB0285	P3	GD10867	P3	GD13422	P47, P49
GB0301	P5	GD10963	P19	GD14170	P31
GB0314	P12	GD10984	P19	GD14217	P4
GB0319	P15	GD10991	P7	GD14258	P33
GB0328	P15	GD10993	P3	GD14413	P46
GB0331	P12	GD11001	P3	GD14414	P46
GB0358	P15	GD11017	P5	GD14426	P46
GD0438	P57	GD11045	P49, P53	GD14429	P46
GD0453-02	P57	GD11089	P69, P71, P73	GD14430	P46
GD0453-03	P59	GD1109	P9, P10	GD14431	P46
GD0453-04	P59	GD11120	P53	GD14432	P46
GD0453-08	P59	GD1114	P4, P41	GD14467	P15
GD0462	P57	GD1115L	P19	GD14468	P15
GD0652	P59	GD1115R	P19	GD14477	P15
GD0746	P61	GD1116	P19	GD14512	P53
GD0752-41	P59	GD1118	P19	GD14513	P53
GD0840	P61	GD11219	P17	GD14536	P33
GD0844	P43	GD11239	P12, P17, P18	GD14541	P15
GD0914-126	P49	GD11240	P18	GD14592	P15
GD0914-66	P49	GD11259	P3, P5	GD14595	P47
GD0914-86	P49	GD11279	P13	GD14626	P39
GD0914-96	P49	GD11297	P18	GD14627	P39
GD10036	P4	GD11305	P17	GD14659	P19
GD10102	P53	GD11306	P5	GD14660	P33
GD10103	P53	GD11313	P11	GD14674	P29
GD10104	P53	GD1132	P25, P27, P29, P31	GD1512	P75
GD10123	P53	GD11413	P12, P18	GD15386	P59
GD10200	P53	GD11422	P4	GD15663	P15
GD10205	P67	GD11423	P7	GD15696	P47
GD1026	P3, P17, P47	GD11424	P17	GD15700	P15
GD10283	P61	GD1143	P20	GD15747	P12
GD10328	P43	GD1144	P20	GD15789	P33
GD10329	P45	GD1145	P20	GD15790	P33
GD1033	P3	GD11453	P7	GD15791-03	P39
GD10332	P45	GD11490	P43	GD15792-10	P39
GD10336	P46	GD11508	P11	GD15792-15	P39
GD10337	P47	GD11509	P11	GD15799	P39
GD10403	P43	GD11652	P21, P31	GD15803	P33
GD10407	P47	GD1166	P43	GD15804	P33

NUMERICAL INDEX

Part No.	Page	Part No.	Page	Part No.	Page
GD15849-02	P33	GD7804	P21, P31	GR1038	P65
GD15850	P39	GD7805	P4, P10, P12, P25,	GR1039	P65
GD15854	P39		P43, P45, P47, P49,	GR1040	P65
GD15856-01	P39		P51	GR1041	P65
GD15856-02	P39	GD7817-01	P25	GR1042	P65
GD15863	P33	GD7817-04	P25	GR1043	P65
GD15970	P3	GD7823	P25	GR1044	P65
GD16188	P37	GD7889	P23, P25, P47, P49	GR1045	P36, P37, P65
GD16224-01	P33	GD7890	P23, P25	GR1046	P65
GD16245	P3	GD8175	P43	GR1047	P65
GD17014	P3	GD8249	P4	GR1048	P65
GD17021	P15	GD8266	P23	GR1203	P69
GD17028	P15	GD8307	P25	GR1204	P69
GD17047	P15	GD8460	P10	GR1205	P69
GD17048	P15	GD8701	P41	GR1206	P69
GD17049	P15	GD8751	P72	GR1207	P69
GD17050	P15	GD8770	P72	GR1208	P69
GD17099	P15	GD8771	P73	GR1303	P53
GD17104	P15	GD8811	P7	GR1304	P53
GD17152	P15	GD9120	P10	GR1305	P53
GD17162	P15	GD9254	P21, P31	GR1306	P53
GD17186	P15	GD9290	P9	GR1390	P71
GD17187	P15	GD9305	P9	GR1391	P73
GD2117	P75	GD9529	P55	GR1392	P71
GD2161	P59	GD9530	P55	GR1393	P73
GD2423	P19	GD9562	P9	GR1447	P55
GD2460	P20	GD9667	P53	GR1450	P55
GD2557	P41	GD9671	P53	GR1465	P67
GD2558	P45, P46	GD9672	P53	GR1466	P37
GD2597	P61	GD9715	P27	GR1467	P36, P37
GD2721	P57, P59	GD9720	P27	GR1529	P62, P63
GD2947	P19	GD9724	P27, P29, P31	GR1570MPP	P76
GD2971-10	P17	GD9749	P41	GR1631	P73
GD3180-12	P9	GD9750	P41	GR1632	P73
GD3180-15	P45, P49, P51	GM0183	P76	GR1734	P36
GD3214	P59	GR0146MPP	P76	GR1736	P33
GD3612	P3	GR0150	P61	GR1737	P71, P73
GD4086	P35	GR0151	P61	GR1761	P73
GD5752	P45	GR0155MPP	P76	GR1762	P73
GD5753	P45	GR0193	P57	GR1764	P73
GD5804	P43	GR0196	P3, P18	GR1777	P33
GD5857	P27, P46, P49	GR0270	P43		
GD5860	P49	GR0367	P57		
GD5875	P59	GR0375	P57		
GD5892	P57	GR0434	P43		
GD6279-05	P37	GR0586	P73		
GD6291	P72	GR0594	P71, P73		
GD7041	P43	GR0911	P49		
GD7127	P46	GR0912	P45, P46, P49, P51		
GD7145	P39, P41, P53	GR1032	P65		
GD7148	P18	GR1033	P65		
GD7258	P18	GR1034	P65		
GD7318	P3	GR1035	P65		
GD7426	P47	GR1036	P65		
GD7639	P71, P73	GR1037	P65, P67		
GD7803	P21, P31	GR1037	P67		

NUMERICAL INDEX

Part No.	Page	Part No.	Page	Part No.	Page