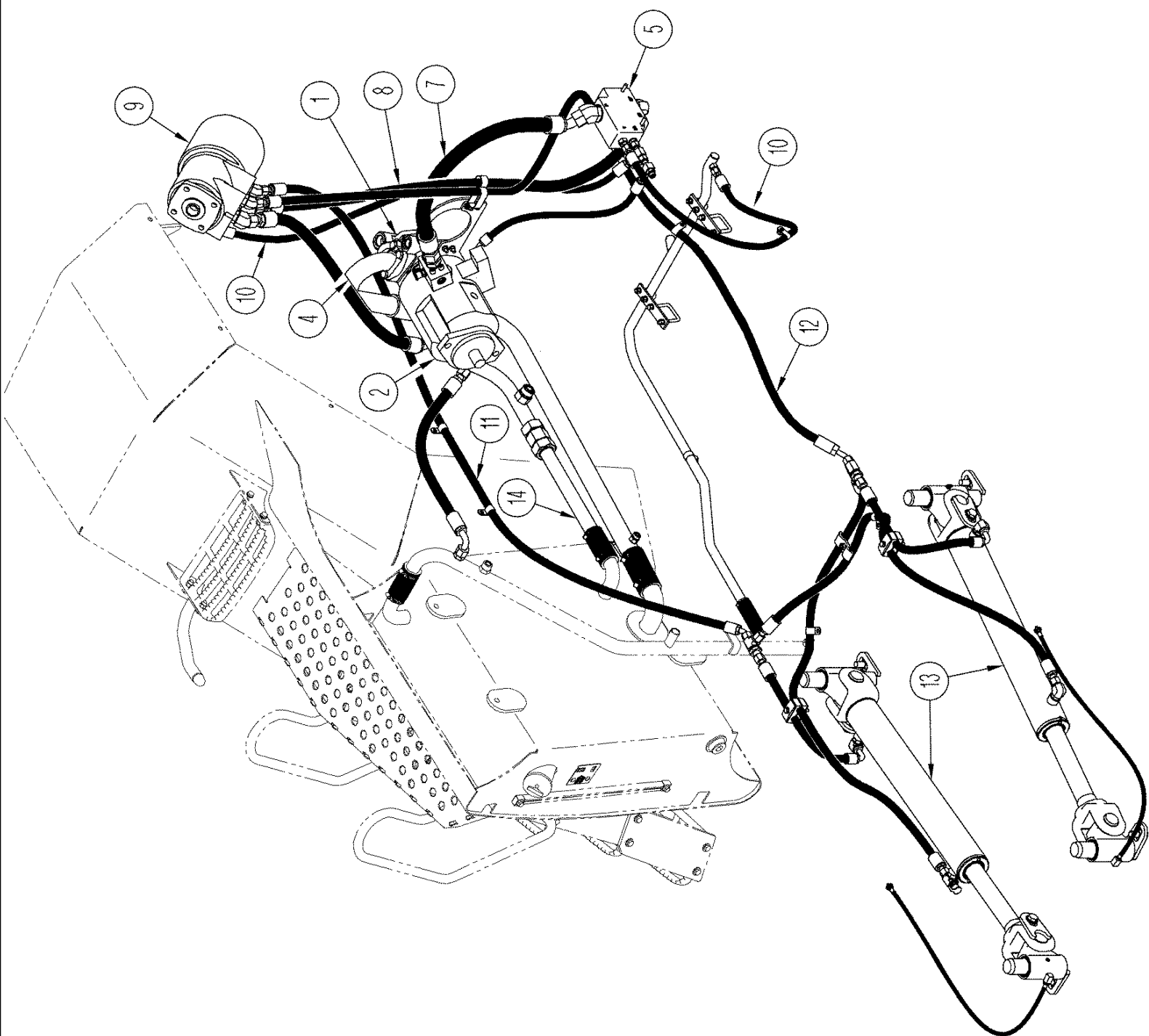
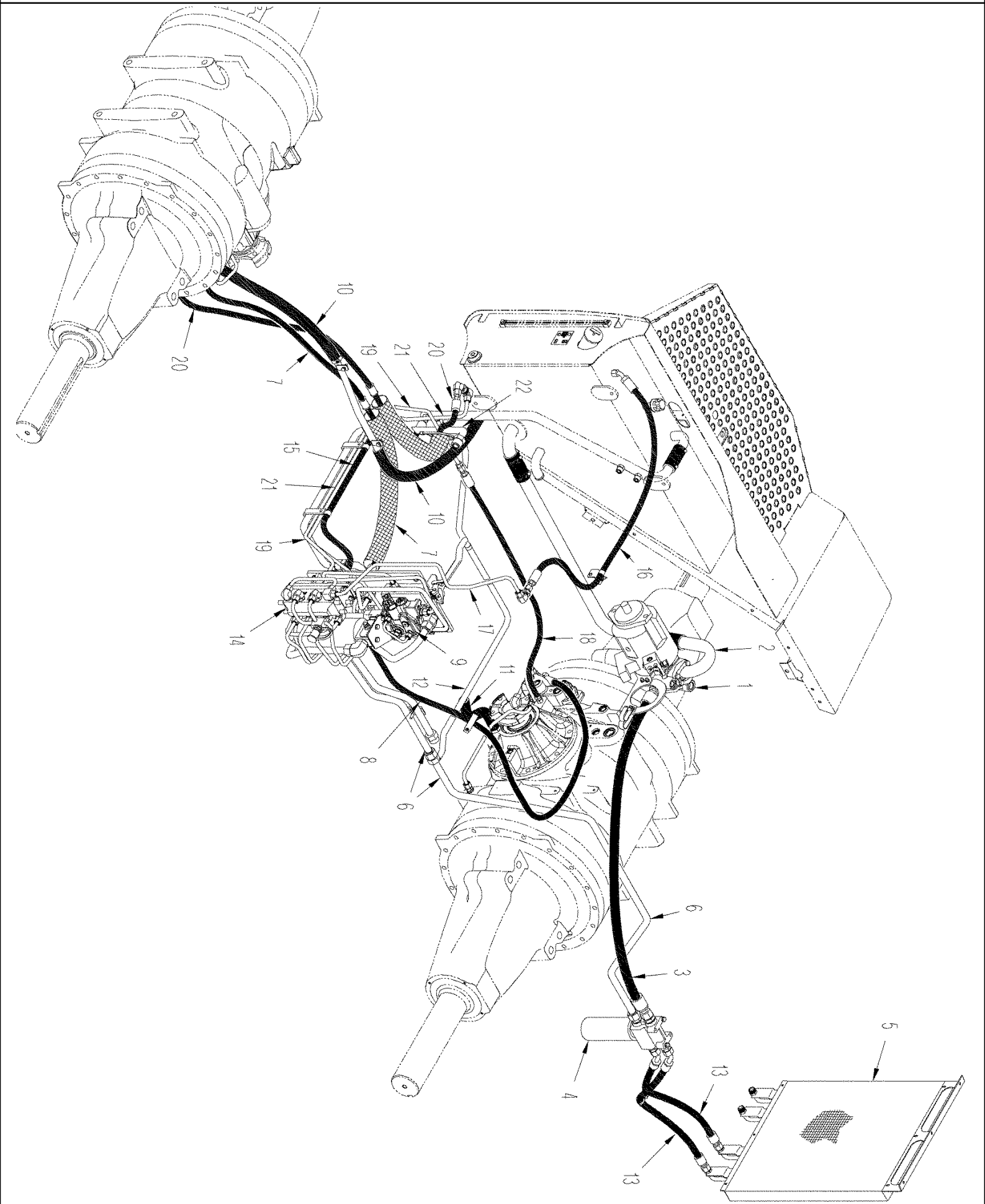


сылка	Номер детали	Кол-во	Описание
1			Hose, Transmission Regulator Valve Supply, See Figure 06-19
2			Hose, Pump To Filter, See Figure 06-19
3			Filter, Left Hand, See Figure 08-04
4			Cooler, Hydraulic Oil, See Figure 08-02
5			Tube, Transmission Pump Supply, See Figure 06-19
6			Hose, Cooler Supply And Outlet, See Figure 08-01
7			Valve Assembly, PTO Control, See Figure 06-52
8			Tube, PTO Valve Pressure Supply, See Figure 06-21
9			Tube, PTO Valve Lube Supply, See Figure 06-21

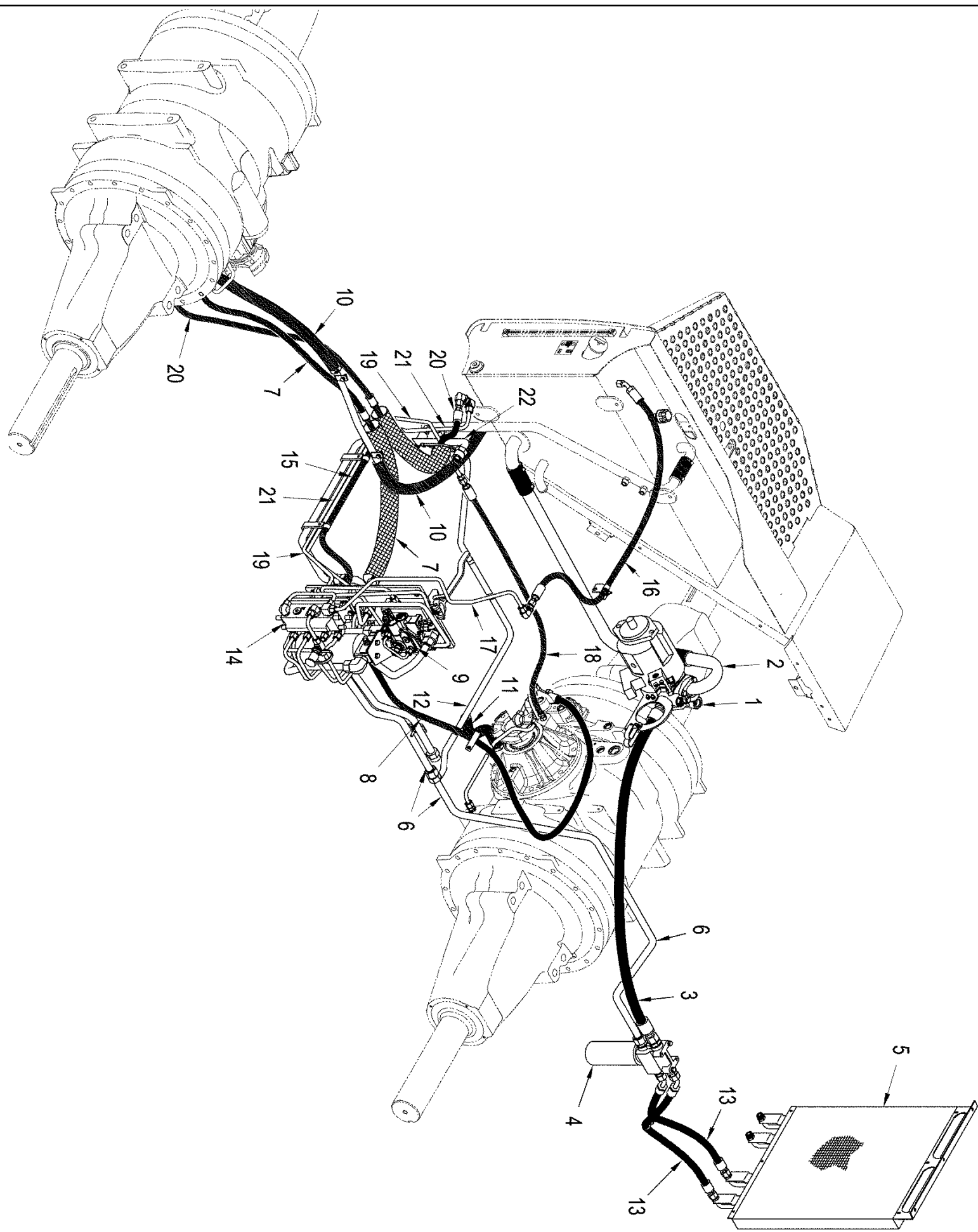


01-03 PICTORIAL INDEX - STEERING CIRCUIT

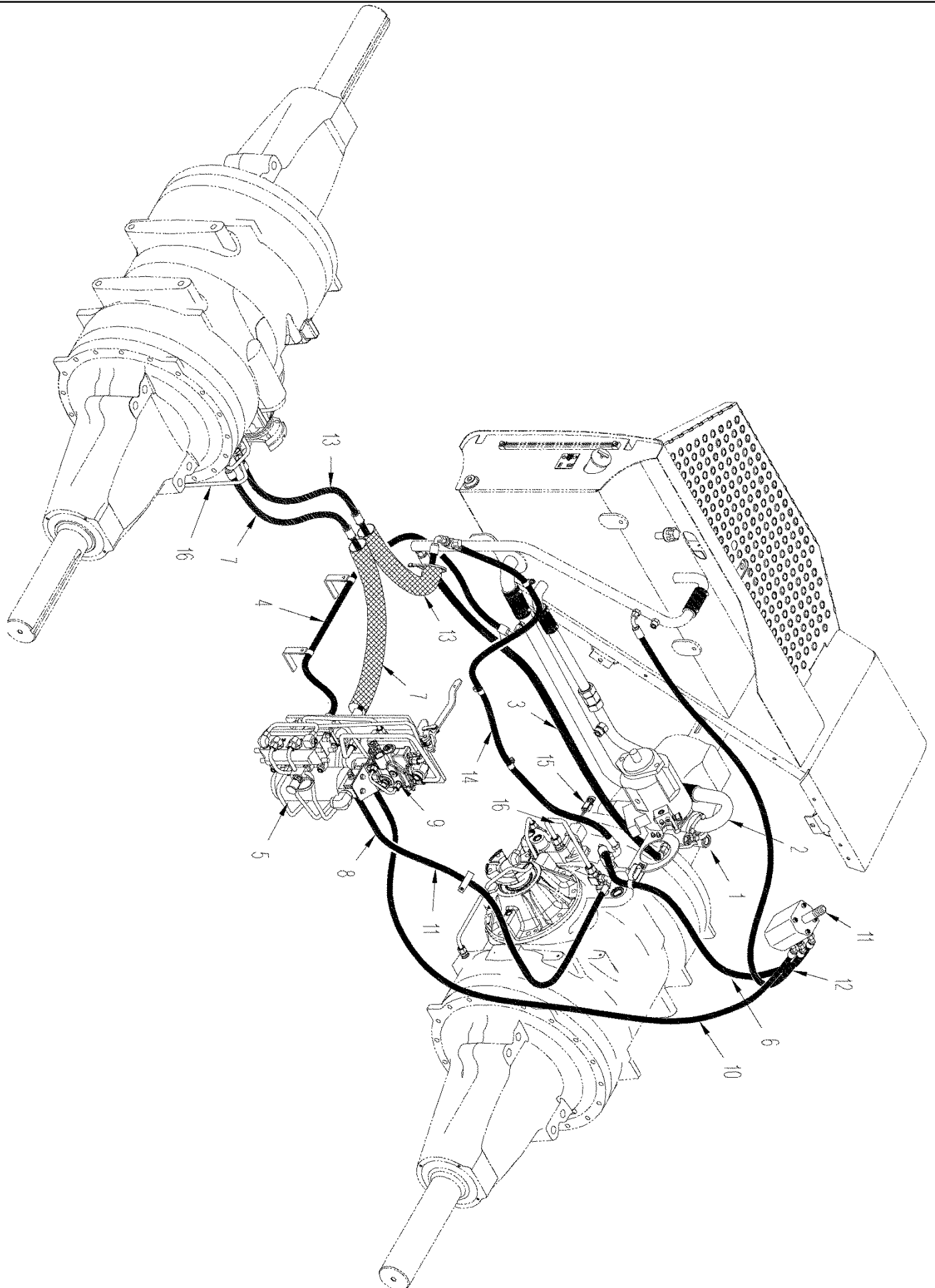
сылка	Номер детали	Кол-во	Описание
1			Pump, Gear, See Figure 08-27
2			Pump, Standard, See Figure 08-22
2			Pump, High Output, Not Illustrated, See Figure 08-26
4			Tube, Gear Pump Supply, See Figure 08-19, 08-20, 08-24
5			Valve, Priority, Standard, See Figure 08-23
5			Valve, Priority, High Output, Not Illustrated, See Figure 08-28
7			Hose, Priority Valve supply, See Figure 08-19, 08-20, 08-24
8			Hose, Steering Control Supply From Priority Valve, See Figure 08-19, 08-20, 08-24
9			Valve, Steering Control, See Figure 05-01
10			Hose, Steering Load Sense, See Figure 05-01
11			Hose, Steering Control To Left-Hand Articulation Cylinder, See Figure 05-01
12			Hose, Steering Control To Right-Hand Articulation Cylinder, See Figure 05-01
13			Cylinder, Articulation, See Figure 05-02
14			Tube, Piston Pump Supply, See Figure 08-19, 08-20, 08-24



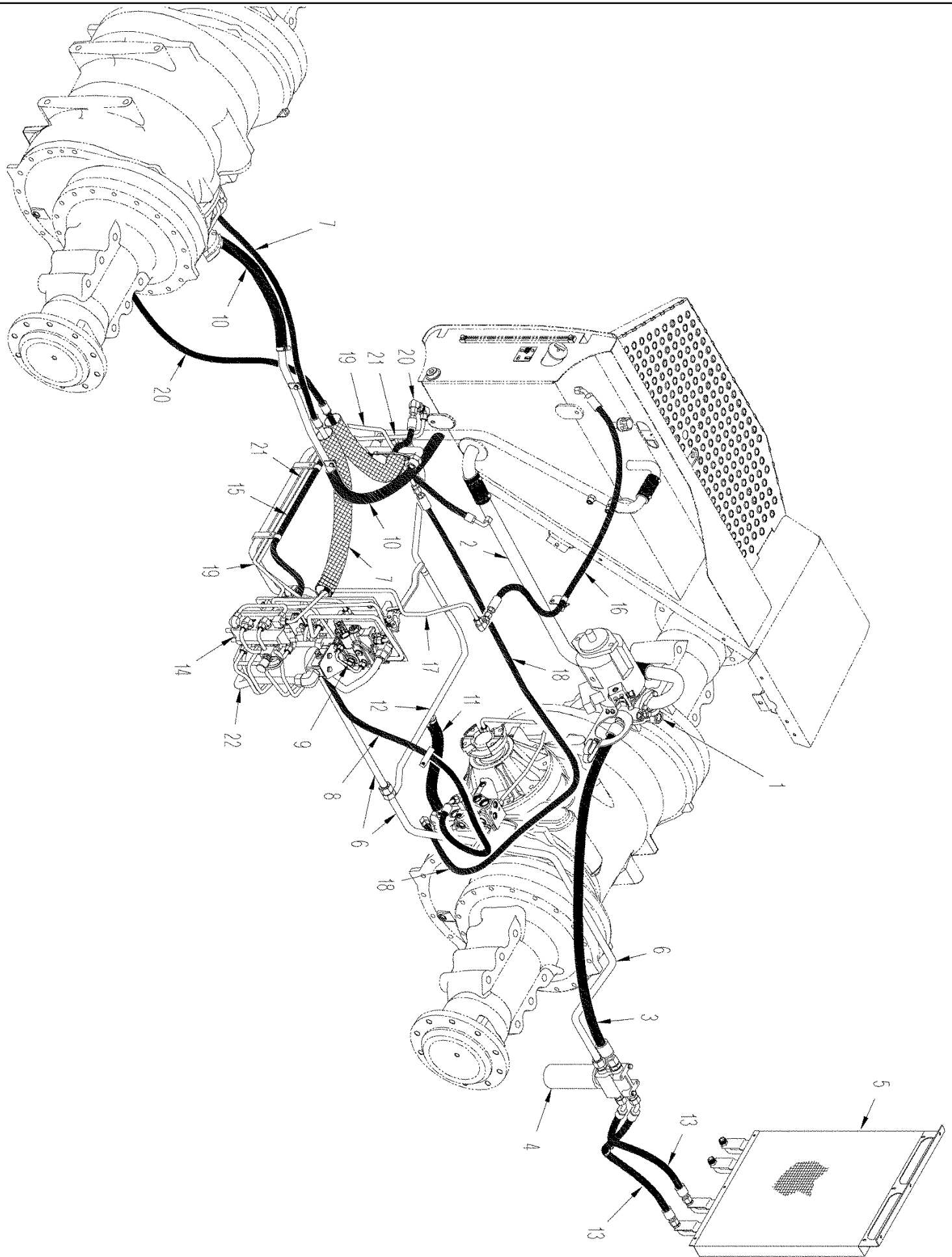
сылка	Номер детали	Кол-во	Описание
1			Pump, Gear, See Figure 08-27
2			Tube, Gear Pump Supply, See Figure 08-20, 08-24
3			Hose, Gear Pump To Filter, See Figure 08-20, 08-24
4			Filter, Right-Hand, See Figure 08-03
5			Cooler, Hydraulic Oil, See Figure 08-02
6			Tube, Filter To Regulator Valve, See Figure 08-08 (02)
7			Hose, Regulator Supply To Rear Axle, See Figure 08-07 (01)
8			Hose, Regulator Valve Supply To Front Axle, See Figure 08-07 (01)
9			Valve, Regulator, See Figure 08-13
10			Hose, Rear Axle Return To Tank, See Figure 08-07 (01)
11			Hose, Front Axle Return to Tank, See Figure 08-07 (01)
12			Tube, Return, See Figure 08-07 (01)
13			Hose, Filter To Cooler, See Figure 08-01
14			Pump, Axle Air / Lube, See Figure 08-07 (01)
15			Hose, Regulator Valve Return To Tank, See Figure 08-07 (01)
16			Hose, Air Supply, See Figure 08-08 (01)
17			Tube, Air Supply, See Figure 08-08 (01)
18			Hose, Front Axle Air / Lube Supply, See Figure 08-08 (01)
19			Tube, Front Axle Air / Lube Supply, See Figure 08-08 (01)
20			Hose, Rear Axle Air / Lube Supply, See Figure 08-08 (01)
21			Tube, Rear Axle Air / Lube Supply, See Figure 08-08 (01)
22			Tube, Charge Return to Filter, See Figure 08-08 (01)



сылка	Номер детали	Кол-во	Описание
1			Pump, Gear, See Figure 08-27
2			Tube, Gear Pump Supply, See Figure 08-20, 08-24
3			Hose, Gear Pump To Filter, See Figure 08-20, 08-24
4			Filter, Right-Hand, See Figure 08-03
5			Cooler, Hydraulic Oil, See Figure 08-02
6			Tube, Filter To Regulator Valve, See Figure 08-08 (02)
7			Hose, Regulator Supply To Rear Axle, See Figure 08-07 (02)
8			Hose, Regulator Valve Supply To Front Axle, See Figure 08-07 (02)
9			Valve, Regulator, See Figure 08-13
10			Hose, Rear Axle Return To Tank, See Figure 08-07 (02)
11			Hose, Front Axle Return to Tank, See Figure 08-07 (02)
12			Tube, Return, See Figure 08-07 (02)
13			Hose, Filter To Cooler, See Figure 08-01
14			Pump, Axle Air / Lube, See Figure 08-07 (02)
15			Hose, Regulator Valve Return To Tank, See Figure 08-07 (02)
16			Hose, Air Supply, See Figure 08-08 (01)
17			Tube, Air Supply, See Figure 08-08 (01)
18			Hose, Front Axle Air / Lube Supply, See Figure 08-08 (01)
19			Tube, Front Axle Air / Lube Supply, See Figure 08-08 (01)
20			Hose, Rear Axle Air / Lube Supply, See Figure 08-08 (01)
21			Tube, Rear Axle Air / Lube Supply, See Figure 08-08 (01)
22			Tube, Charge Return to Filter, See Figure 08-08 (01)



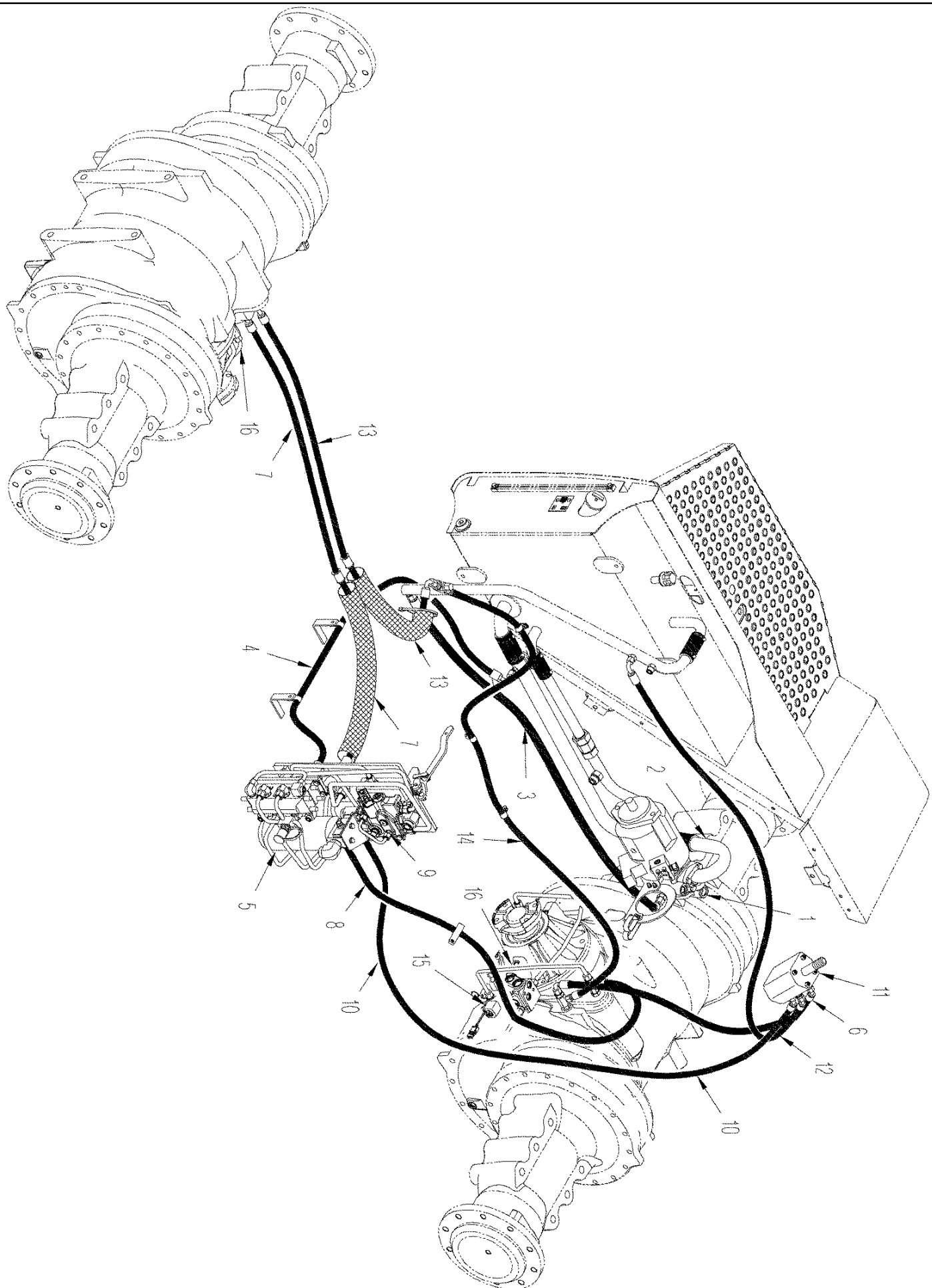
сылка	Номер детали	Кол-во	Описание
1			Pump, Gear, See Figure 08-27
2			Tube, Gear Pump Supply From Tank, See Figure 08-20, 08-24
3			Hose, Gear Pump To Charge Return Tube, See Figure 08-20, 08-24
4			Hose, Tow Valve Supply, See Figure 07-07 (01), 07-08 (01)
5			Fillter, Tow Valve Assembly, See Figure 08-04
6			Hose, Service Brake Line, See Figure 07-06
7			Hose, Tow Valve Supply For Rear Axle Park Brake, See Figure 07-07 (01), 07-08 (01)
8			Hose, Tow Valve Supply For Front Axle Park Brake, See Figure 07-07 (01), 07-08 (01)
9			Valve, Regulator, See Figure 08-13
10			Hose, Regulator Output To Brake Valve, See Figure 07-07 (01), 07-08 (01)
11			Valve, Brake, See Figure 07-02
12			Hose, Brake Valve Return To Tank, See Figure 07-07 (01), 07-08 (01)
13			Hose, Service Brake To Rear Axle, See Figure 07-06
14			Hose, Sevice Brake To Front Axle, See Figure 07-06
15			Solenoid, Differential Lock, See Figure 08-43, Used with Differential Lock Applications
16			Tube, Differential Lock, See Figure 07-08 (01), Used with Differential Lock Applications



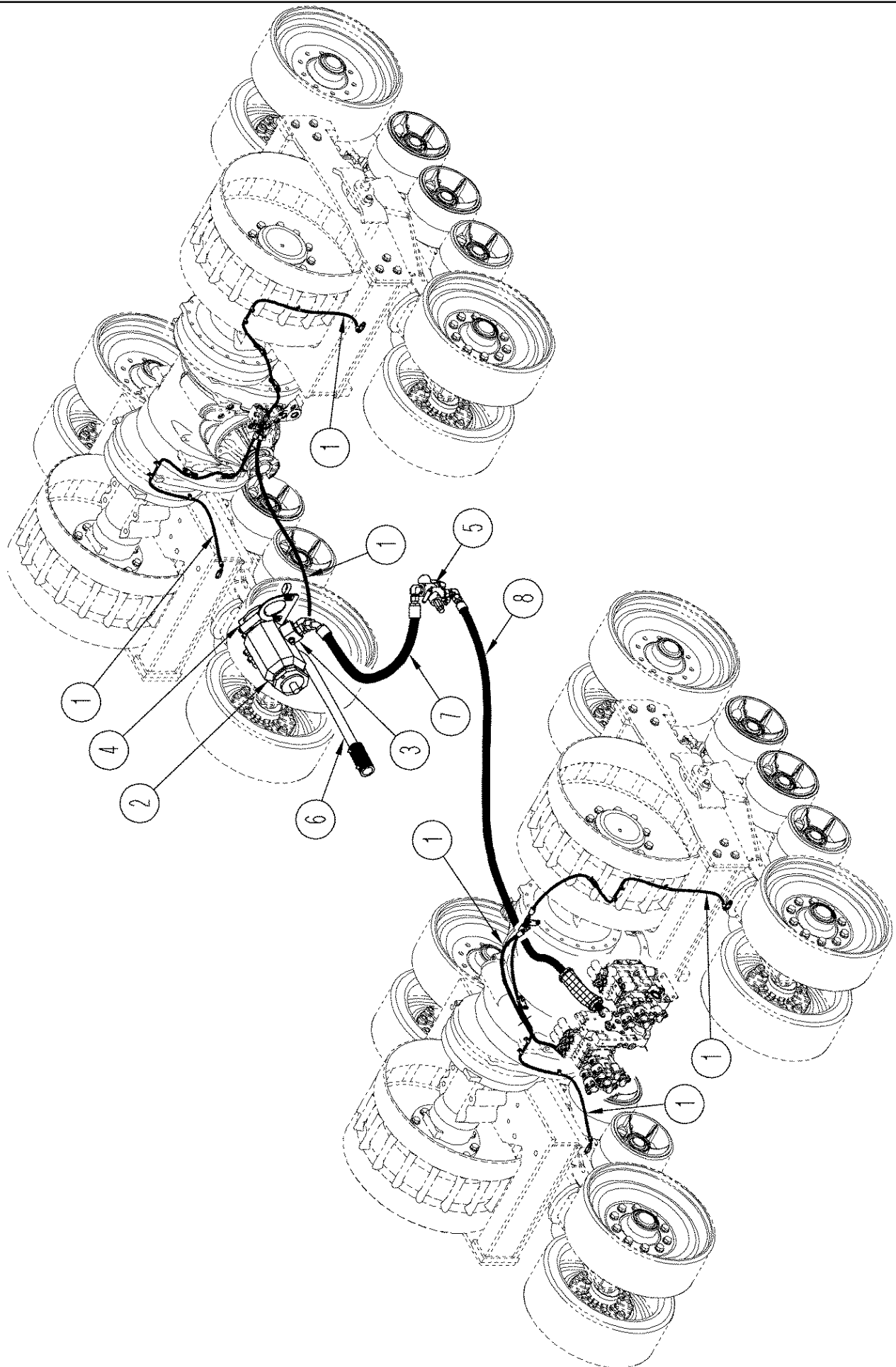
сылка	Номер детали	Кол-во	Описание
1			Pump, Gear, See Figure 08-27
2			Tube, Gear Pump Supply, See Figure 08-20, 08-24
3			Hose, Gear Pump To Filter, See Figure 08-20, 08-24
4			Filter, Right-Hand, See Figure 08-03
5			Cooler, Hydraulic Oil, See Figure 08-02
6			Tube, Filter To Regulator Valve, See Figure 08-10 (02)
7			Hose, Regulator Supply To Rear Axle, See Figure 08-09 (01)
8			Hose, Regulator Valve Supply To Front Axle, See Figure 08-09 (01)
9			Valve, Regulator, See Figure 08-13
10			Hose, Rear Axle Return To Tank, See Figure 08-09 (01)
11			Hose, Front Axle Return To Tank, See Figure 08-09 (01)
12			Tube, Return, See Figure 08-09 (01)
13			Hose, Filter To Cooler, See Figure 08-01
14			Pump, Axle Air / Lube, See Figure 08-09 (01)
15			Hose, Regulator Valve Return To Tank, See Figure 08-09 (01)
16			Hose, Air Supply, See Figure 08-10 (01)
17			Tube, Air Supply, See Figure 08-10 (01)
18			Hose, Front Axle / Lube Supply, See Figure 08-10 (01)
19			Tube, Front Axle Air / Lube Supply, See Figure 08-10 (01)
20			Hose, Rear Axle Air / Lube Supply, See Figure 08-08 (01)
21			Tube, Rear Axle Air / Lube Supply, See Figure 08-10 (01)
22			Tube, Charge Return to Filter, See Figure 08-10 (02)



сылка	Номер детали	Кол-во	Описание
1			Pump, Gear, See Figure 08-27
2			Tube, Gear Pump Supply, See Figure 08-20, 08-24
3			Hose, Gear Pump To Filter, See Figure 08-20, 08-24
4			Filter, Right-Hand, See Figure 08-03
5			Cooler, Hydraulic Oil, See Figure 08-02
6			Tube, Filter To Regulator Valve, See Figure 08-10 (02)
7			Hose, Regulator Supply To Rear Axle, See Figure 08-09 (02)
8			Hose, Regulator Valve Supply To Front Axle, See Figure 08-09 (02)
9			Valve, Regulator, See Figure 08-13
10			Hose, Rear Axle Return To Tank, See Figure 08-09 (02)
11			Hose, Front Axle Return To Tank, See Figure 08-09 (02)
12			Tube, Return, See Figure 08-09 (02)
13			Hose, Filter To Cooler, See Figure 08-01
14			Pump, Axle Air / Lube, See Figure 08-09 (02)
15			Hose, Regulator Valve Return To Tank, See Figure 08-09 (02)
16			Hose, Air Supply, See Figure 08-10 (01)
17			Tube, Air Supply, See Figure 08-10 (01)
18			Hose, Front Axle / Lube Supply, See Figure 08-10 (01)
19			Tube, Front Axle Air / Lube Supply, See Figure 08-10 (01)
20			Hose, Rear Axle Air / Lube Supply, See Figure 08-08 (02)
21			Tube, Rear Axle Air / Lube Supply, See Figure 08-10 (01)
22			Tube, Charge Return to Filter, See Figure 08-10 (02)

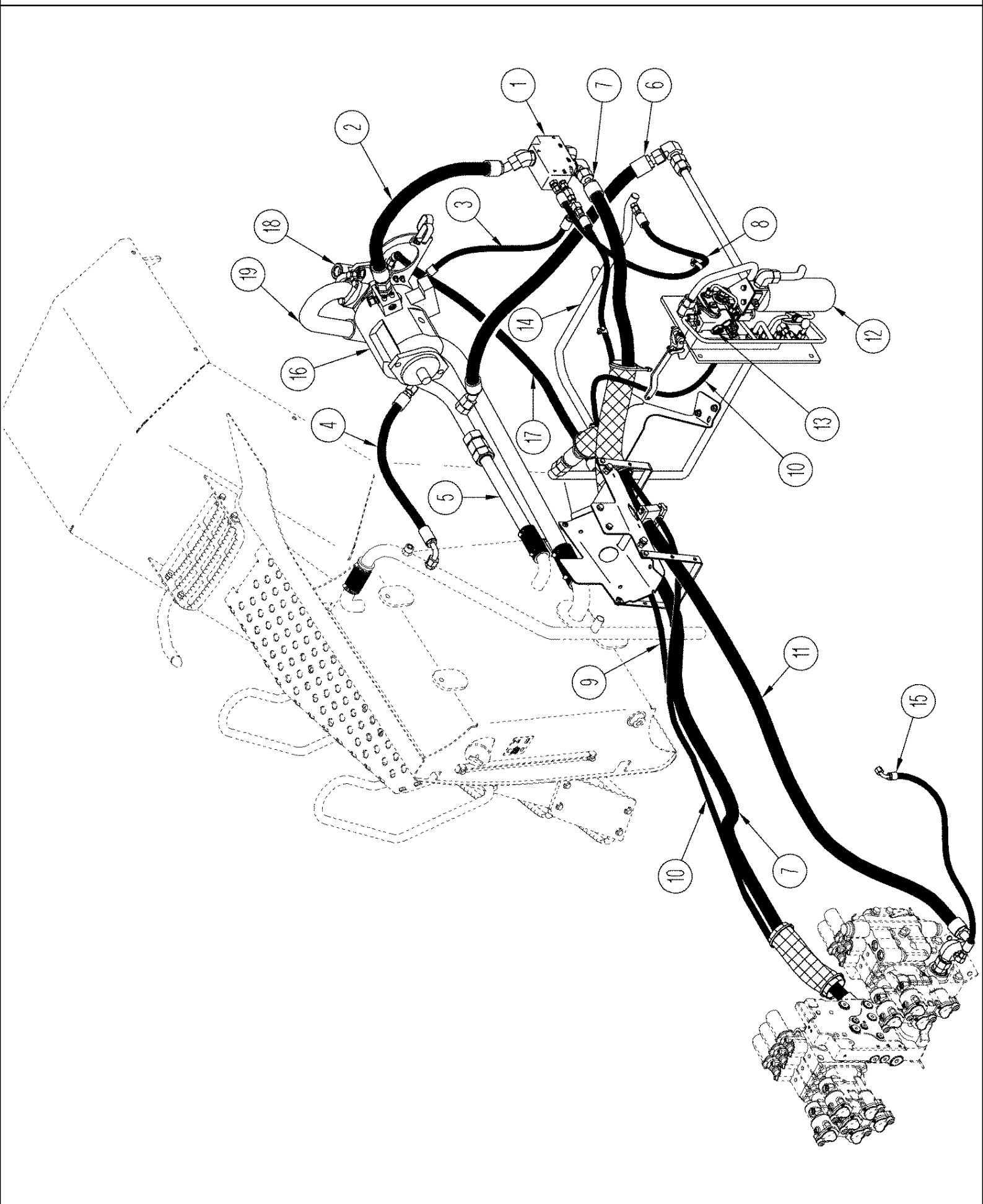


сылка	Номер детали	Кол-во	Описание
1			Pump, Gear, See Figure 08-27
2			Tube, Gear Pump Supply From Tank, See Figure 08-20, 08-24
3			Hose, Gear Pump To Charge Return Tube, See Figure 08-20, 08-24
4			Hose, Tow Valve Supply, See Figure 07-10 (01), 07-11 (01)
5			Filter, System Valve Assembly, See Figure 08-04
6			Hose, Service Brake Line, See Figure 07-09
7			Hose, Tow Valve Supply For Rear Axle Park Brake, See Figure 07-10 (01), 07-11 (01)
8			Hose, Tow Valve Supply For Front Axle Park Brake, See Figure 07-10 (01), 07-11 (01)
9			Valve, Regulator, See Figure 08-13
10			Hose, Regulator Output To Brake Valve, See Figure 07-10 (01), 07-11 (01)
11			Valve, Brake, See Figure 07-02
12			Hose, Brake Valve Return To Tank, See Figure 07-10 (01), 07-11 (01)
13			Hose, Service Brake To Rear Axle, See Figure 07-09
14			Hose, Service Brake To Front Axle, See Figure 07-09
15			Solenoid, Differential Lock, See Figure 08-43, Used with Differential Lock Applications
16			Tube, Differential Lock, See Figure 07-11 (01), Used with Differential Lock Applications

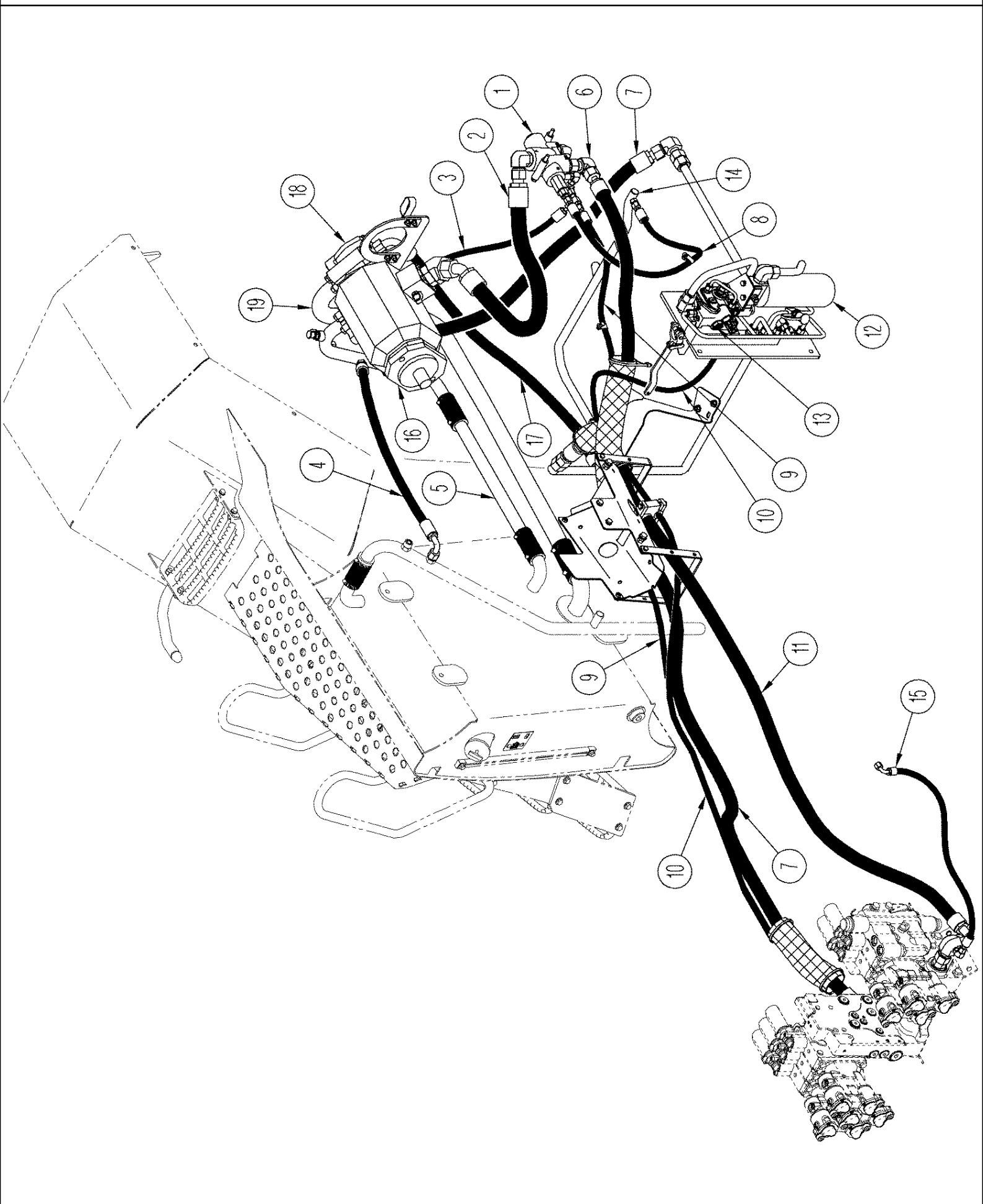


01-10 PICTORIAL INDEX - TRACK TENSIONING

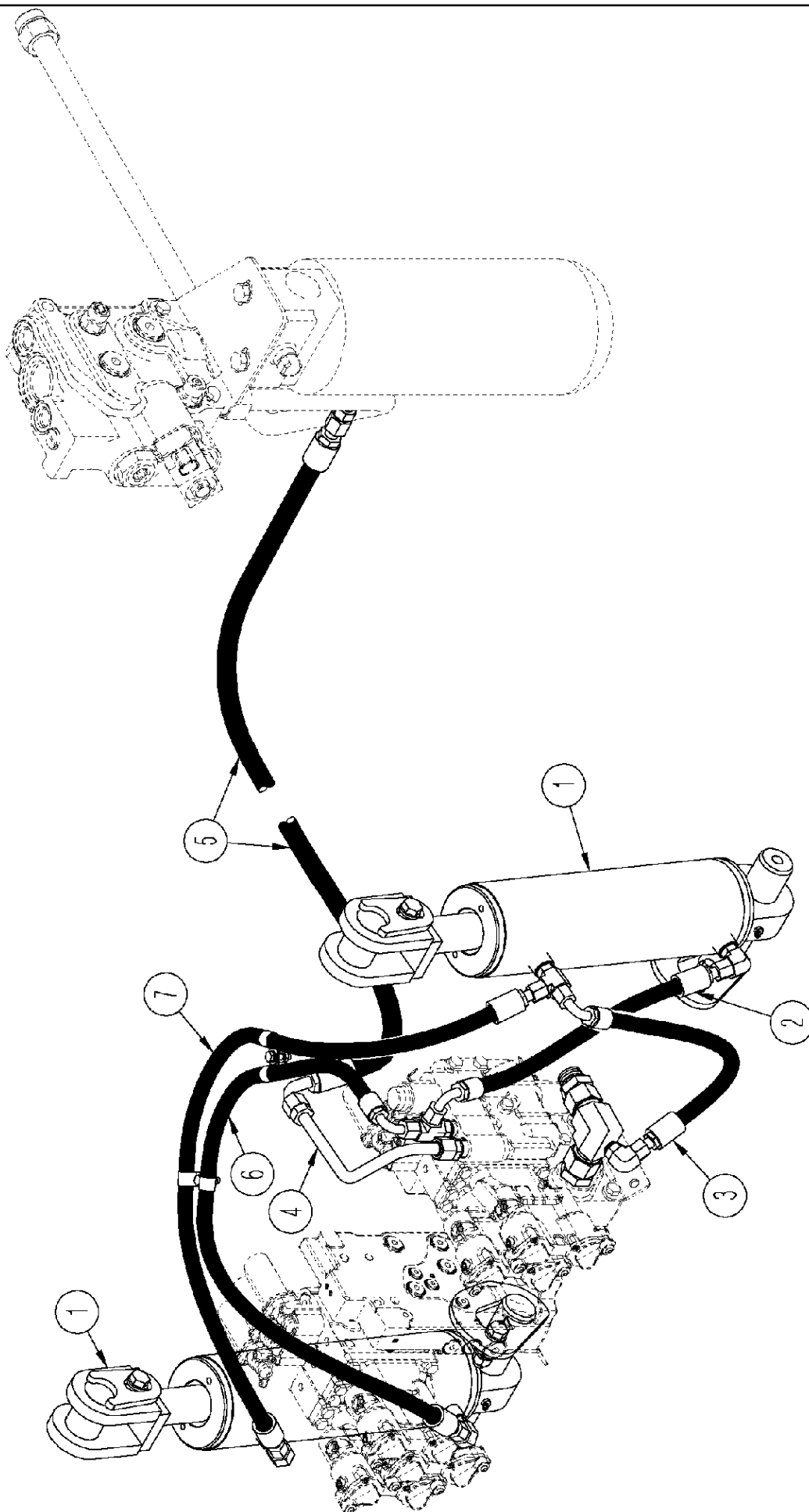
сылка	Номер детали	Кол-во	Описание
1			Hose, Tension Supply, See Figure 06-14
2			Pump, Piston, See Figure 08-22, 08-26
3			Block, Piston Pump, See Figure 08-20, 08-24
4			Pump, Gear, See Figure 08-27
5			Valve, Priority, See Figure 08-23, 08-28
6			Tube, Gear Pump Supply, See Figure 08-20, 08-24
7			Hose, Priority Valve Supply, See Figure 08-20, 08-24
8			Hose, Auxiliary Remote Supply, See Figure 08-17, 08-18



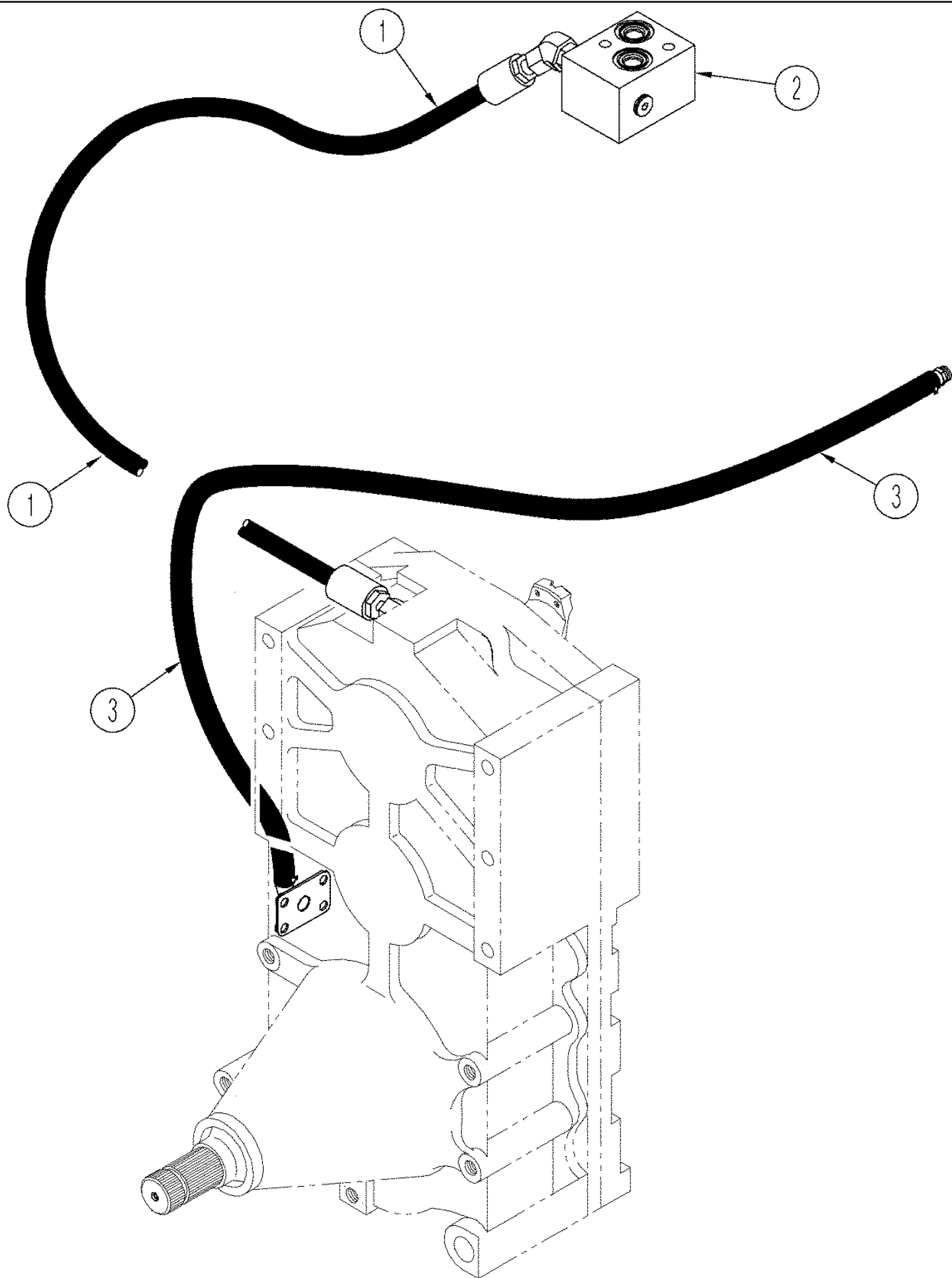
сылка	Номер детали	Кол-во	Описание
1			Valve, Priority, See Figure 08-23
2			Hose, Priority Valve Supply, See Figures 08-19, 08-20
3			Hose, Pump Load Sense, See Figures 08-19, 08-20
4			Hose, Case Drain, See Figures 08-19, 08-20
5			Tube, Charge Pressure Supply, See Figures 08-19, 08-20
6			Hose, Return, See Figures 08-19, 08-20
7			Hose, Auxiliary Remote Valve Supply, See Figures 08-17, 08-18
8			Hose, Priority Valve Return, See Figure 08-19, 08-20
9			Hose, Auxiliary Remote Load Sense, See Figure 08-17, 08-18
10			Hose, Gear Pump Pilot Pressure, Electronic Remotes, See Figure 08-18
11			Hose, Auxiliary Remote Return, See Figure 08-17, 08-18
12			Filter, Main Hydraulic, See Figure 08-04
13			Valve, Regulator, See Figure 08-13
14			Tube, Return, See Figure 08-05, 08-07
15			Hose, Pilot Pressure Return To Rear Axle, See Figure 08-06, 08-10
16			Pump, Piston, See Figure 08-22
17			Hose, Charge Pump Outlet, See Figure 08-19, 08-20
18			Pump, Gear, See Figure 08-27
19			Tube, Gear Pump Supply, See Figure 08-19, 08-20



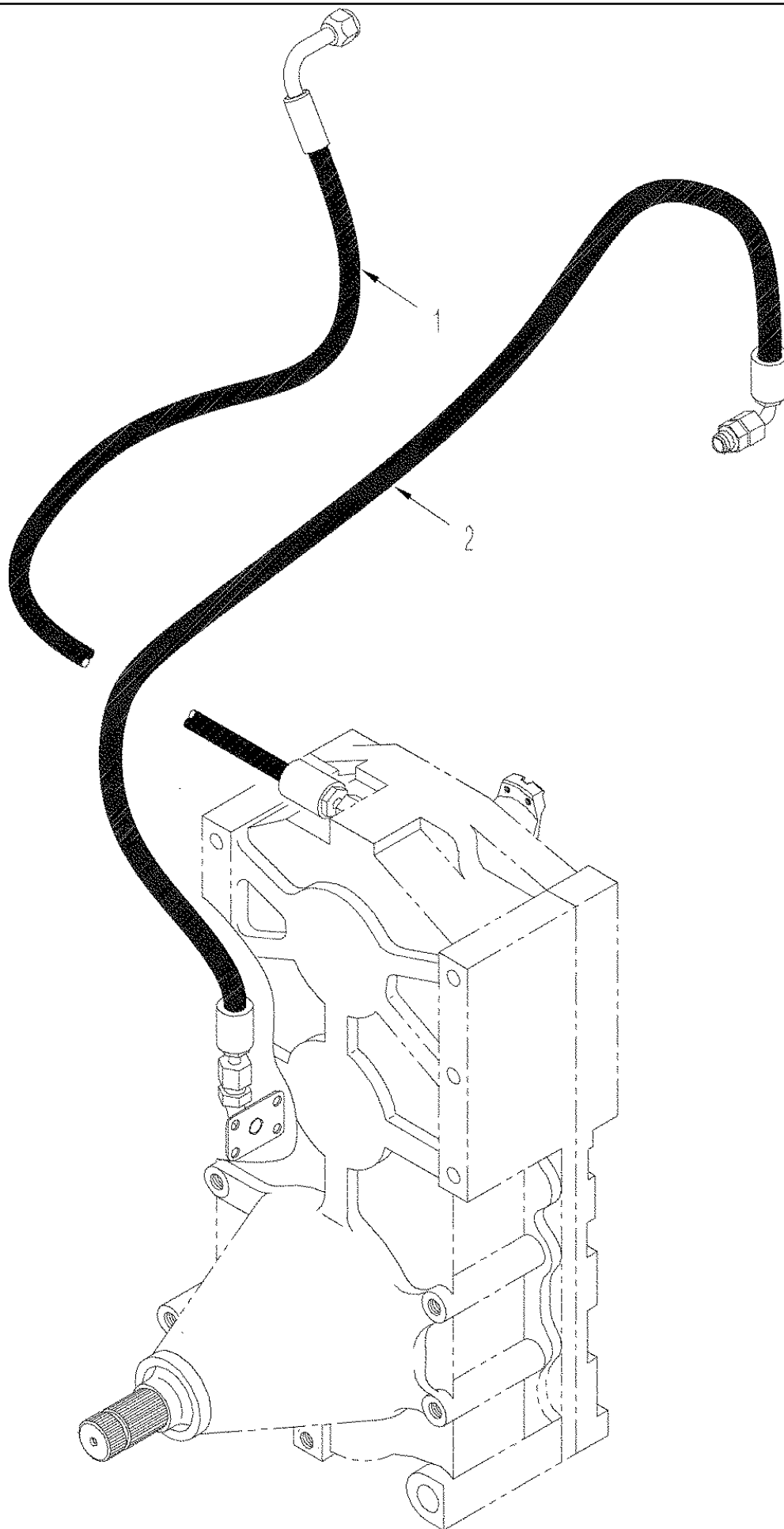
сылка	Номер детали	Кол-во	Описание
1			Valve, Priority, See Figure 08-28
2			Hose, Priority Valve Supply, See Figures 08-24
3			Hose, Pump Load Sense, See Figures 08-24
4			Hose, Case Drain, See Figures 08-24
5			Tube, Charge Pressure Supply, See Figures 08-24
6			Hose, Return, See Figures 08-17, 08-18
7			Hose, Auxiliary Remote Valve Supply, See Figures 08-17, 08-18
8			Hose, Priority Valve Return, See Figure 08-24
9			Hose, Auxiliary Remote Load Sense, See Figure 08-17, 08-18
10			Hose, Gear Pump Pilot Pressure, Electronic Remotes, See Figure 08-18
11			Hose, Auxiliary Remote Return, See Figure 08-17, 08-18
12			Filter, Main Hydraulic, See Figure 08-04
13			Valve, Regulator, See Figure 08-013
14			Tube, Return, See Figure 08-05, 08-07
15			Hose, Pilot Pressure Return To Rear Axle, See Figure 08-06, 08-10
16			Pump, Piston, See Figure 08-26
17			Hose, Charge Pump Outlet, See Figure 08-24
18			Pump, Gear, See Figure 08-27
19			Tube, Gear Pump Supply, See Figure 08-24



сылка	Номер детали	Кол-во	Описание
1			Cylinder, Three Point Hitch Lift, See Figure 08-42
2			Hose, Right-Hand Cylinder Supply, See Figure 08-41
3			Hose, Cylinder Return To Tank, See Figure 08-41
4			Tube, Return From Hitch Valve, See Figure 08-41
5			Hose, Return To Tank, See Figure 08-41
6			Hose, Left-Hand Cylinder Supply, See Figure 08-41
7			Hose, Left-Hand Cylinder Return, See Figure 08-41



сылка	Номер детали	Кол-во	Описание
1			Hose, Transfer Case Supply From Jet Pump, See Figure 06-58
2			Pump, Jet, See Figure 06-58
3			Hose, Transfer Case Return To Differential, See Figure 06-58

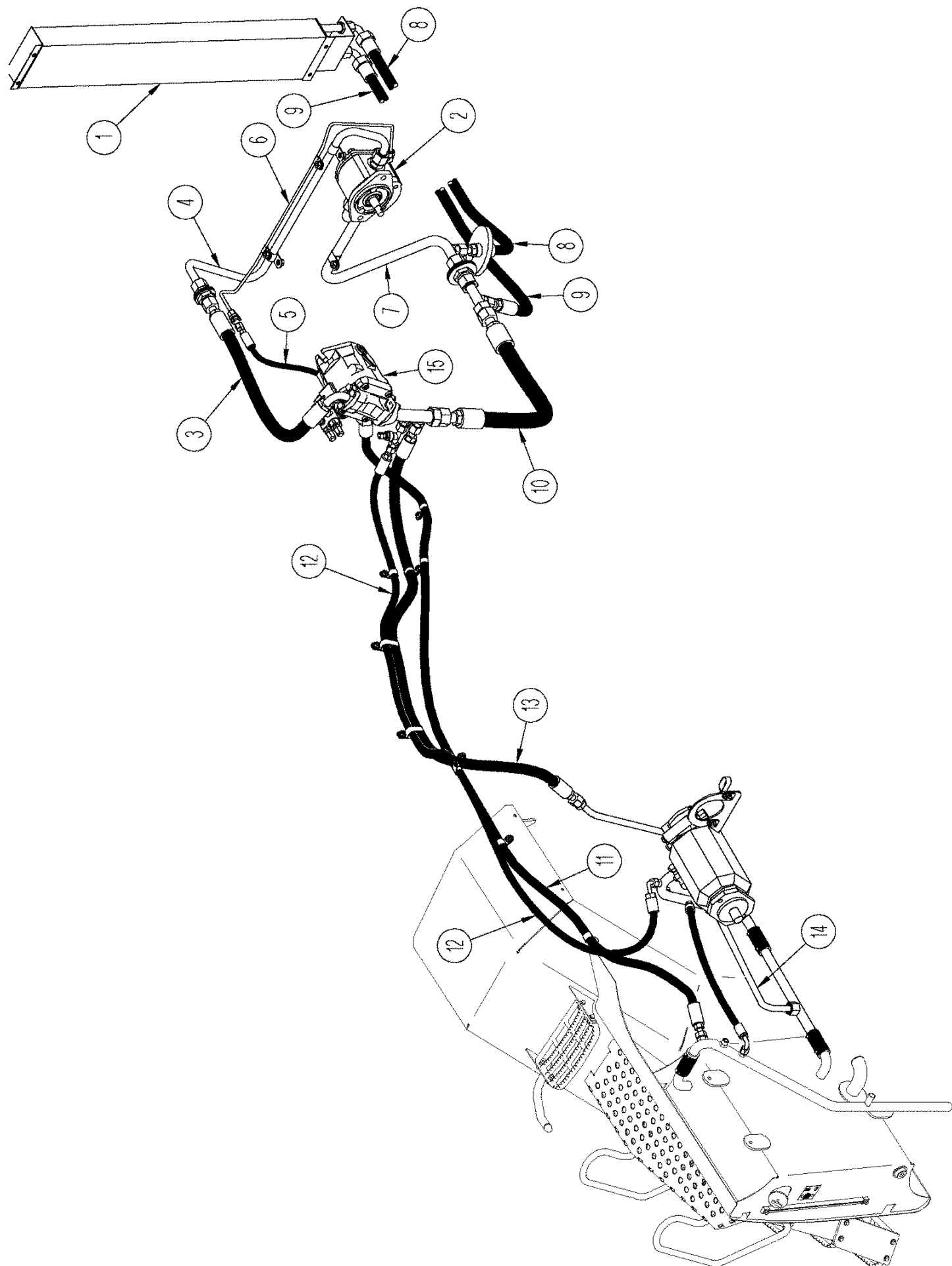


STX500 CASE IH 4WD TRACTOR (AFTER S/N JEE0099501)

01-17(02) PICTORIAL INDEX - POWER TAKEOFF TRANSFER CASE LUBRICATION, ASN JEE0102001

сылка	Номер детали	Кол-во	Описание
1			Hose, Transfer Case Supply from Axle Air / Lube Pump, See Figure 06-59 (01)
2			Hose, Transfer Case to Rear Differential, See Figure 06-59 (01)

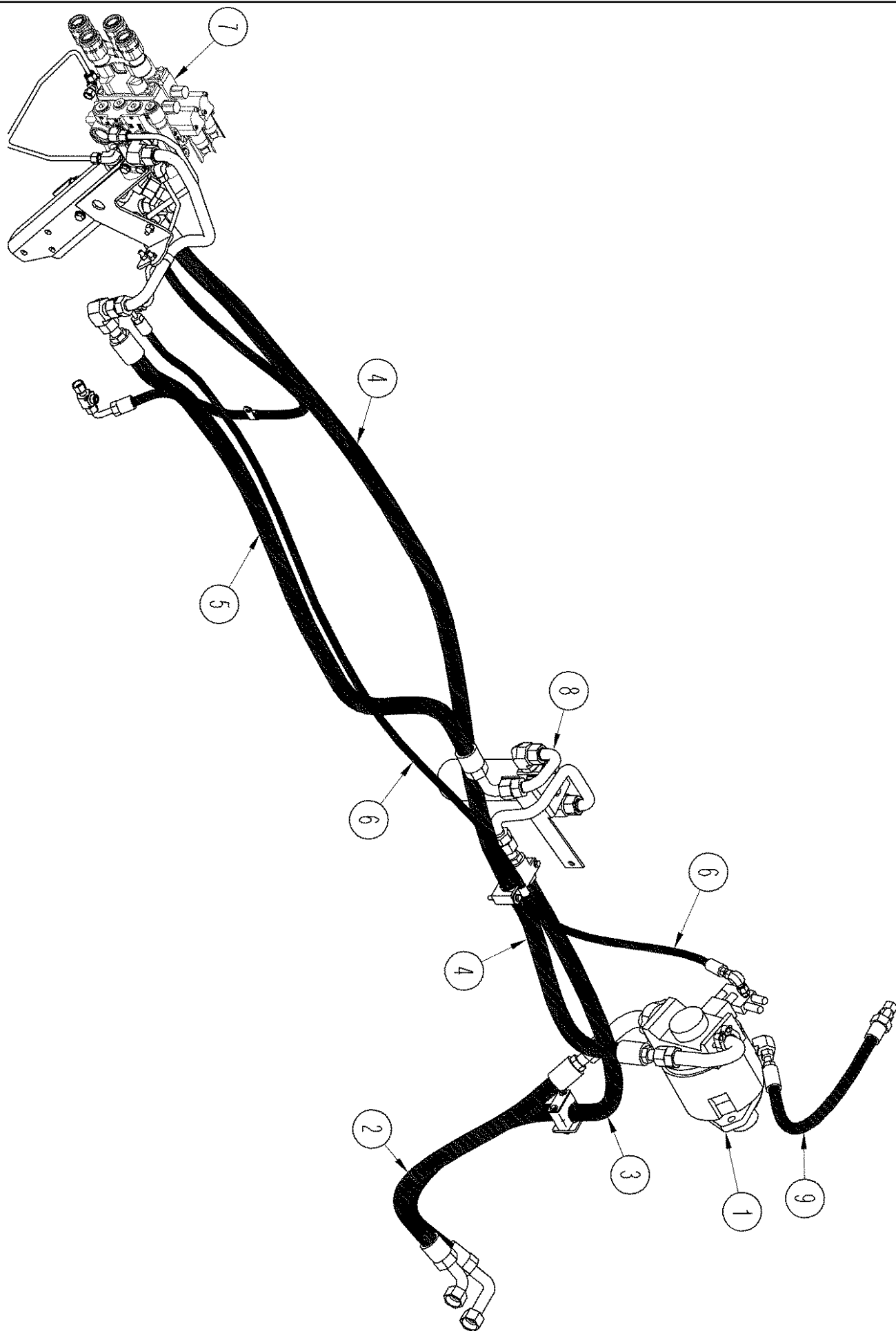
ASN JEE0102001



STX500 CASE IH 4WD TRACTOR (AFTER S/N JEE0099501)

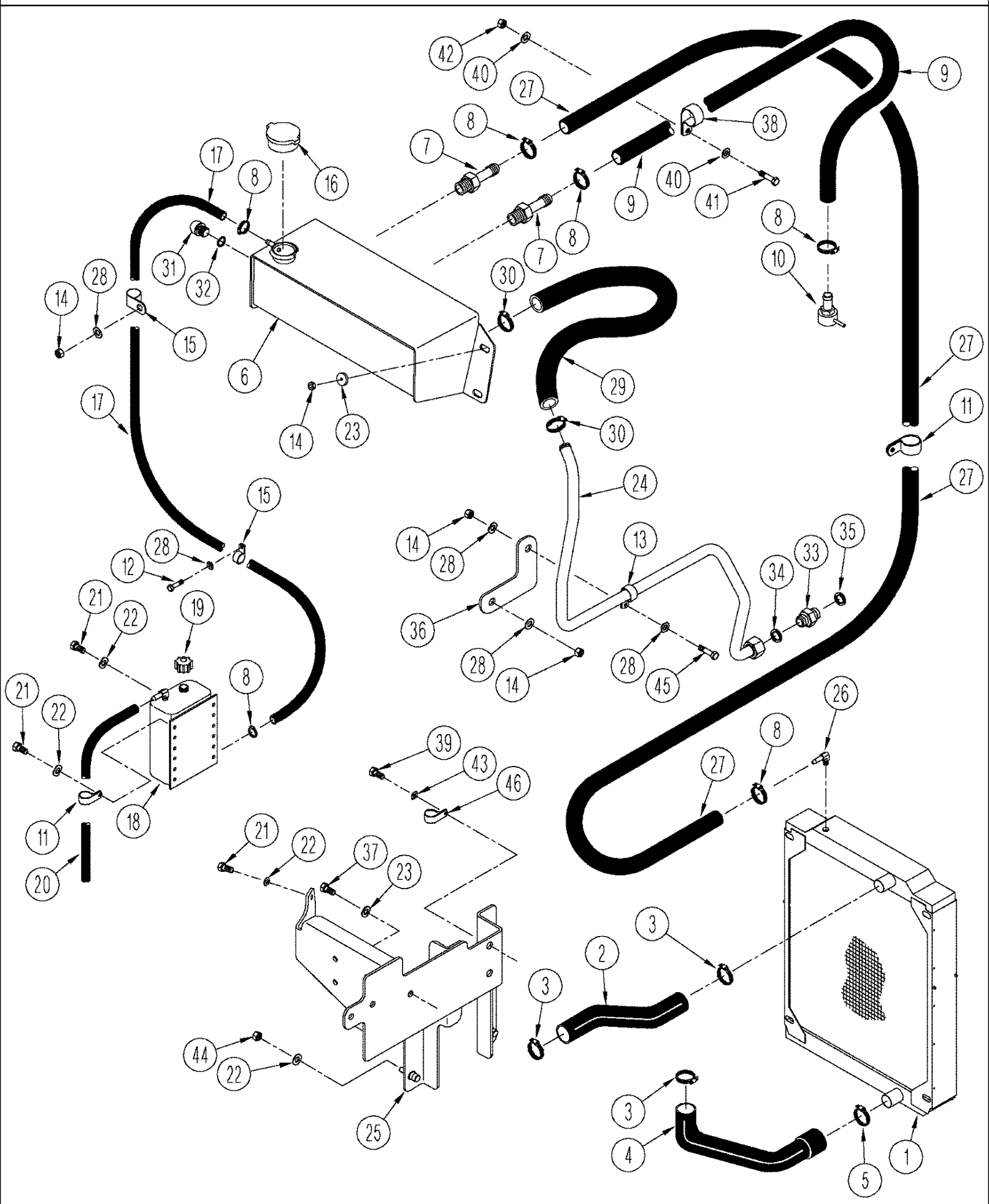
01-18 PICTORIAL INDEX - HYDRAULIC FAN DRIVE

сылка	Номер детали	Кол-во	Описание
1			Cooler, Hydraulic Oil, See Figure 08-45
2			Motor, Hydraulic Fan, See Figure 02-03 (01)
3			Hose, Fan Motor Supply, See Figure 08-44
4			Tube, Fan Motor Supply, See Figure 08-44
5			Hose, Case Drain, See Figure 08-44
6			Tube, Case Drain, See Figure 08-44
7			Tube, Fan Motor Return To Tank, See Figure 08-44
8			Hose, Fan Motor To Cooler, See Figure 08-44
9			Hose, Cooler Return To Tank, See Figure 08-44
10			Hose, Fan Motor Return To Tank, See Figure 08-44
11			Hose, Pump Return To Tank, See Figure 08-44
12			Hose, Case Drain, See Figure 08-44
13			Hose, Gear Pump Supply, See Figure 08-44
14			Tube, Gear Pump Supply, See Figure 08-44
15			Pump, See Figure 08-44 (01)



сылка	Номер детали	Кол-во	Описание
1			Gear Pump, See Figure 08-49
2			Hose, Gear Pump Supply, See Figure 08-46
3			Hose, Return, See Figure 08-46
4			Hose, Remote Valve Supply, See Figure 08-46
5			Hose, Drain, See figure 08-46
6			Hose, Load Sense, See Figure 08-46
7			Remote Auxiliary Valve, See Figure 08-47
8			Filter, See figure 08-50
9			Hose, See Figure 08-46

02-01 RADIATOR HOSES AND TUBES



STX500 CASE IH 4WD TRACTOR (AFTER S/N JEE0099501)

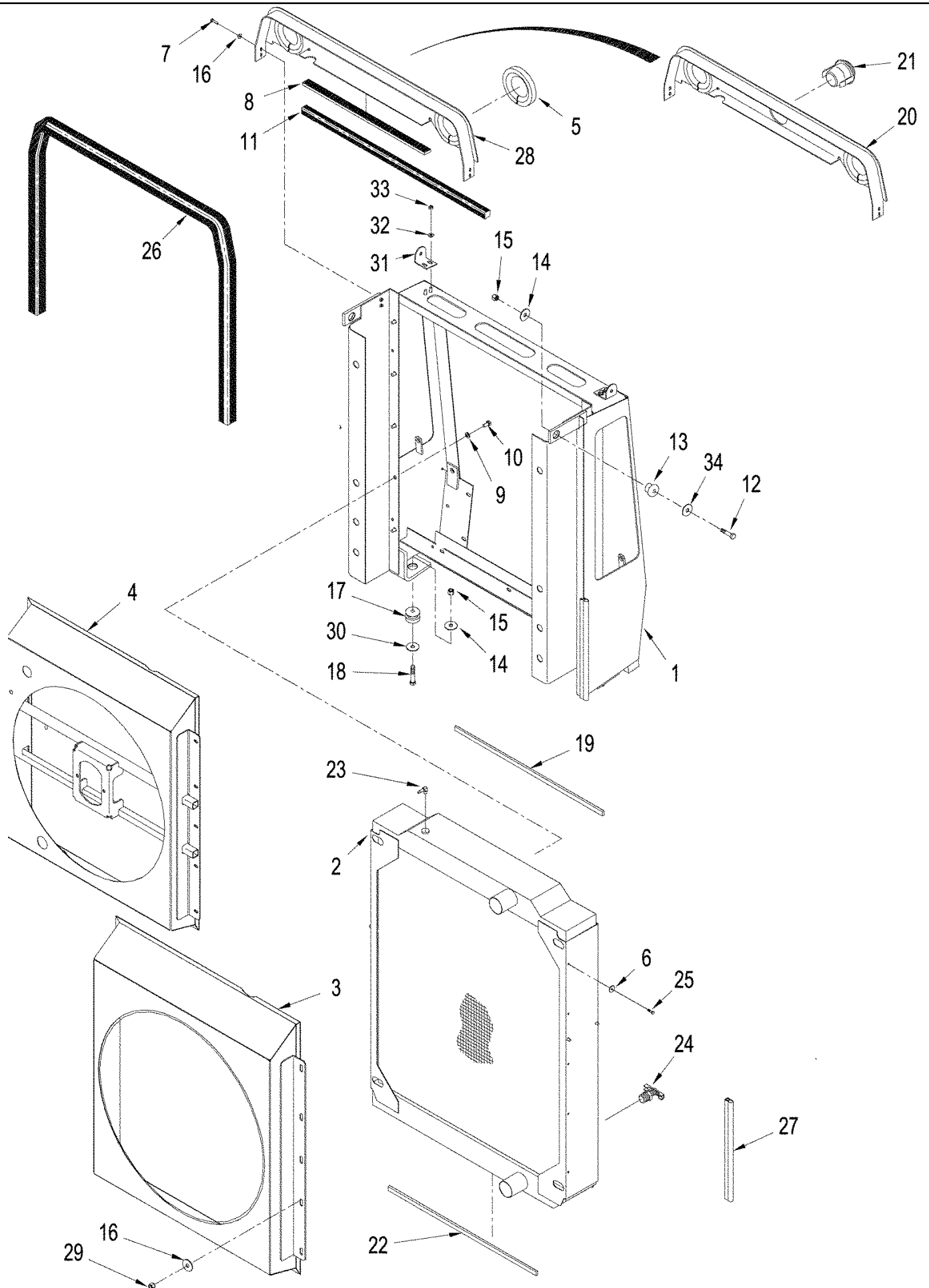
02-01 RADIATOR HOSES AND TUBES

сылка	Номер детали	Кол-во	Описание
1	294025A2	1	RADIATOR,
1	87416960	1	RADIATOR, , STX500
2	401385A3	1	HOSE, Upper
3	L115548	3	CLAMP,
4	346351A1	1	HOSE, Lower
5	L115549	1	CLAMP,
6	391667A2	1	TANK, Surge
7	217-120	2	ELBOW, 1/4" Hose x 1/8" NPTF, Barbed, 1/4 x 1/8, Hose Stem
8	214-1704	6	CLAMP, HOSE, #4, 0.25/0.62 Type M Worm,
9	31-1442	1	HOSE, 711 mm (28 in), Surge Tank, Cut From 31-1182
10	293823A2	1	FITTING,
11	515-23127	3	CLAMP, 1/2", Insul, 3/8" Bolt,
12	627-10020	5	BOLT, Hex, M10 x 20, 10.9, Full Thd, M10 x 20; 10.9
13	515-25254	2	CLAMP, 1", Insul, 1/2" Bolt,
14	829-1410	5	NUT, M10, CI 10,
15	515-23143	4	CLAMP, 9/16", Insul, 3/8" Bolt,
16	90-7731T1	1	CAP,
17	427139A1	1	HOSE, 2464 mm (97 in), Cut From 31-2855
18	90-7717T2	1	RESERVOIR, Coolant Recovery
19	238903A1	1	CAP, FILLER,
20	31-3065	1	HOSE, 203 mm (8 in), Overflow, Cut From 87769CX
21	627-8020	1	BOLT, Hex, M8 x 20, 10.9,
22	895-11008	6	WASHER, M8 x 16 x 1.6, 9 x 17 x 1,6 mm
24	413507A1	1	TUBE, Coolant Fill
25	430257A1	1	SUPPORT, Bracket, BSN JEE0104001
25	87431244	1	BRACKET, Support, ASN JEE0104001
26	217-292	1	FITTING, 90e, 1/4" Hose x 1/8" NPTF, Barbed,
27	366662A1	1	HOSE, FLEXIBLE, 1206 mm (47-1/2 in), Cut From 31-1182
28	895-11010	4	WASHER, M10 x 20 x 2,
29	413510A1	1	HOSE, 146 mm (5-3/4 in), Coolant Fill, Cut From 31-1502T1
30	214-1420	2	CLAMP, HOSE, #20, 0.81/1.75 Type F Worm, No. 20
31	406721A1	1	GAUGE, 1/2", Level Indicator, Inc. 32, BSN JEE0106294
32	237-6008	1	O-RING, 8-1, 90 Duro, .644" ID x .087" Thk,
33	700-166	1	CONNECTOR, HYD., 1 7/16"-12 ORFS x M27 x 1.5 ORB, M27 x 25 fcsl, Inc. 34, 35
34	637-64236	1	O-RING, CI 6, 23.6MM ID x 2.9 Thk,
36	413537A1	1	BRACKET,
37	627-10025	2	BOLT, Hex, M10 x 25, 10.9, Full Thd, M10 x 25; 10.9
38	515-25127	1	CLAMP, 1/2", Insul, 1/2" Bolt, 1/2 ID
39	627-12035	2	BOLT, Hex, M12 x 35, 10.9,
40	895-11012	2	WASHER, M12 x 24 x 2.5, 13,5 x 24 x 2,5 mm
41	627-12030	1	BOLT, Hex, M12 x 30, 10.9,
42	829-1412	1	NUT, M12, CI 10,
43	896-11012	2	WASHER, M13.5 x 24.5 x 3, HT,
44	832-10408	4	NUT, LOCK, M8 x 1.25, CI 8,
46	515-25143	1	CLAMP, 9/16", Insul, 1/2" Bolt,

STX500 CASE IH 4WD TRACTOR (AFTER S/N JEE0099501)

02-01 RADIATOR HOSES AND TUBES

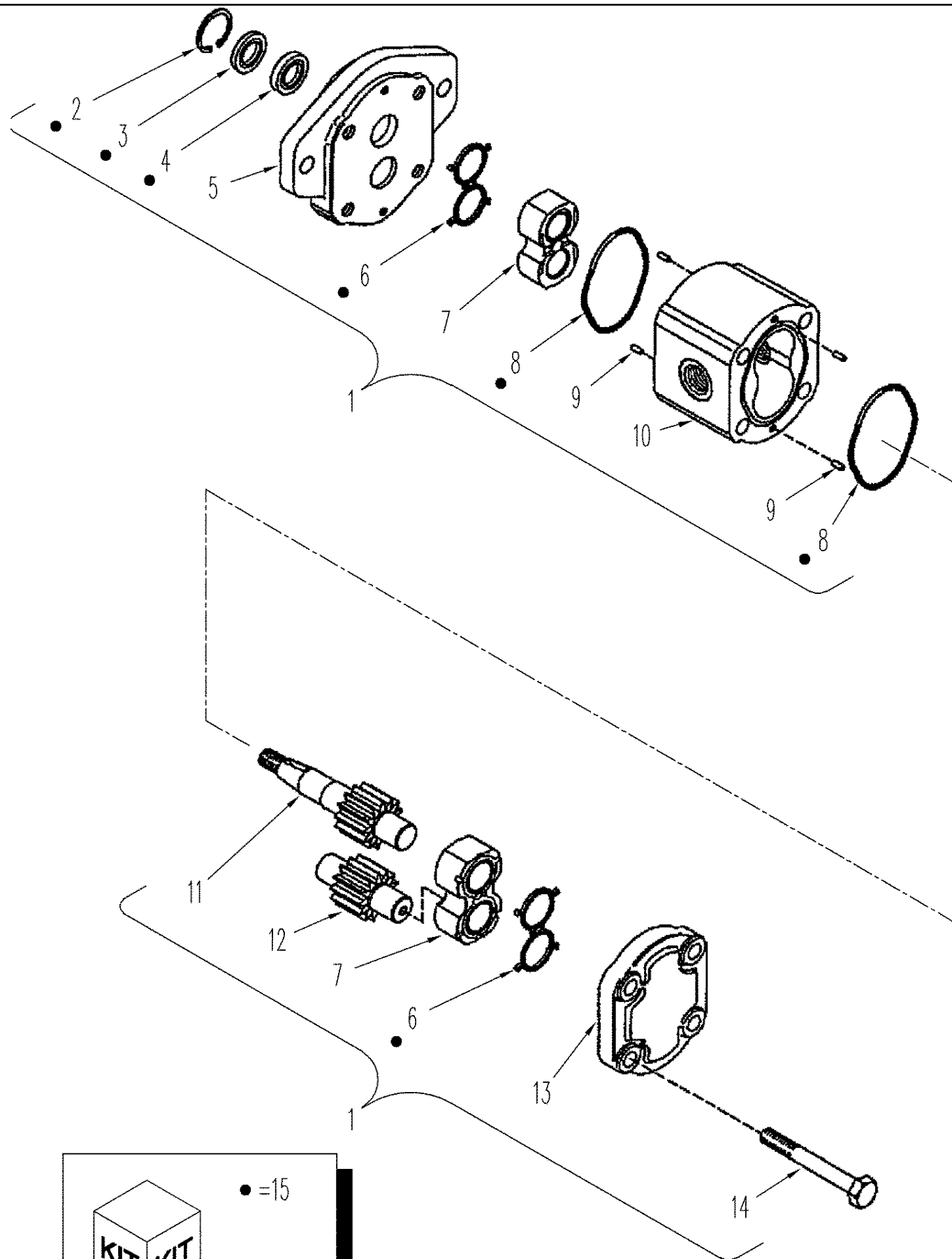
сылка	Номер детали	Кол-во	Описание
45	627-8025	1	BOLT, Hex, M8 x 25, 10.9,
35	238-6021	1	O-RING, -021, 90 Duro, .926" ID x .070" Thk,
23	895-15010	6	WASHER, M11 x 24 x 2,

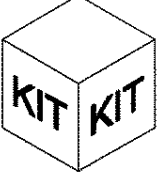


STX500 CASE IH 4WD TRACTOR (AFTER S/N JEE0099501)

02-02(02) RADIATOR MOUNTING AND FAN SHROUD, ASN JEE0100106

сылка	Номер детали	Кол-во	Описание
1	446410A1	1	FRAME ASSY,
2	294025A2	1	RADIATOR,
2	87416960	1	RADIATOR, , STX500
3	414785A1	1	SHROUD, , STX375
4	429325A1	1	SHROUD, , STX500, STX450, STX425
5	328196A1	2	SEAL, 434 mm (17 in), Bulb, Cut From 90-2894T1
6	895-15006	10	WASHER, M6 x 25 x 1.6,
7	627-6025	4	BOLT, Hex, M6 x 25, 10.9,
8	328197A1	1	SEAL,
10	627-10020	10	BOLT, Hex, M10 x 20, 10.9, Full Thd, M10 x 20; 10.9
11	320126A1	1	SEAL,
12	827-12060	2	BOLT, Hex, M12 x 60, 10.9, M12 x 60; 10.9
13	L13142	2	BUSHING,
14	19-961	2	WASHER, 17/32" x 1 1/2" x 1/8", 13,5 x 44,5 x 3 mm
15	832-10412	4	NUT, LOCK, M12 x 1.75, CI 8,
16	895-25006	4	WASHER, M6 x 18 x 1.6, 6,6 x 18 x 1,6 mm
17	47-4208	2	BUSHING, RUBBER,
18	827-12080	2	BOLT, Hex, M12 x 80, 10.9, M12 x 80; 10.9
19	320992A1	1	SEAL,
20	87416422	1	SEAL, , ASN JEE0102317
21	87420942	1	PLUG, , Used with High Output Alternator Application., ASN JEE0102317
22	434023A1	1	SEAL,
23	217-292	1	FITTING, 90e, 1/4" Hose x 1/8" NPTF, Barbed,
24	217-92	1	COCK, DRAIN, 1/4
24	H434809	1	COCK, DRAIN, , STX500
25	627-6020	10	BOLT, Hex, M6 x 20, 10.9, M6 x 20; 10.9
26	318842A1	1	SEAL, Cut From L107724
27	320990A1	2	SEAL, Cut From F43117X
28	328193A2	1	SEAL,
29	832-10408	10	NUT, LOCK, M8 x 1.25, CI 8,
30	353-422	2	PLUG, Dome, 1.250" hole, Nylon, 1-3/4 in
31	361250A1	2	BRACKET,
32	895-15008	4	WASHER, M8 x 20 x 1.6, 9 x 20 x 1,6 mm
33	829-1408	4	NUT, M8, CI 10,
34	896-11012	4	WASHER, M13.5 x 24.5 x 3, HT,
9	895-15010	10	WASHER, M11 x 24 x 2,

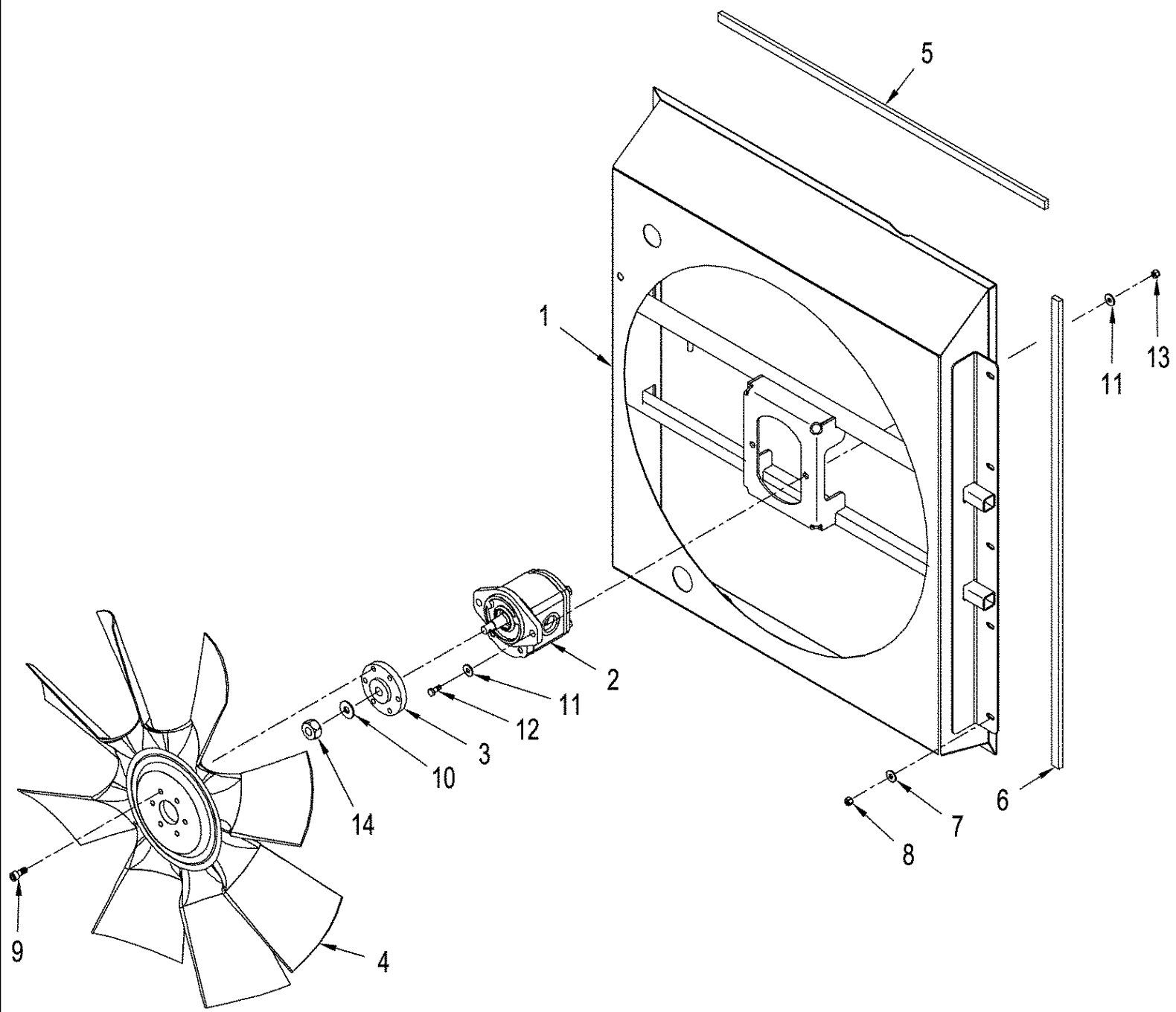


 • =15

STX500 CASE IH 4WD TRACTOR (AFTER S/N JEE0099501)

02-03(01) HYDRAULIC FAN MOTOR ASSY

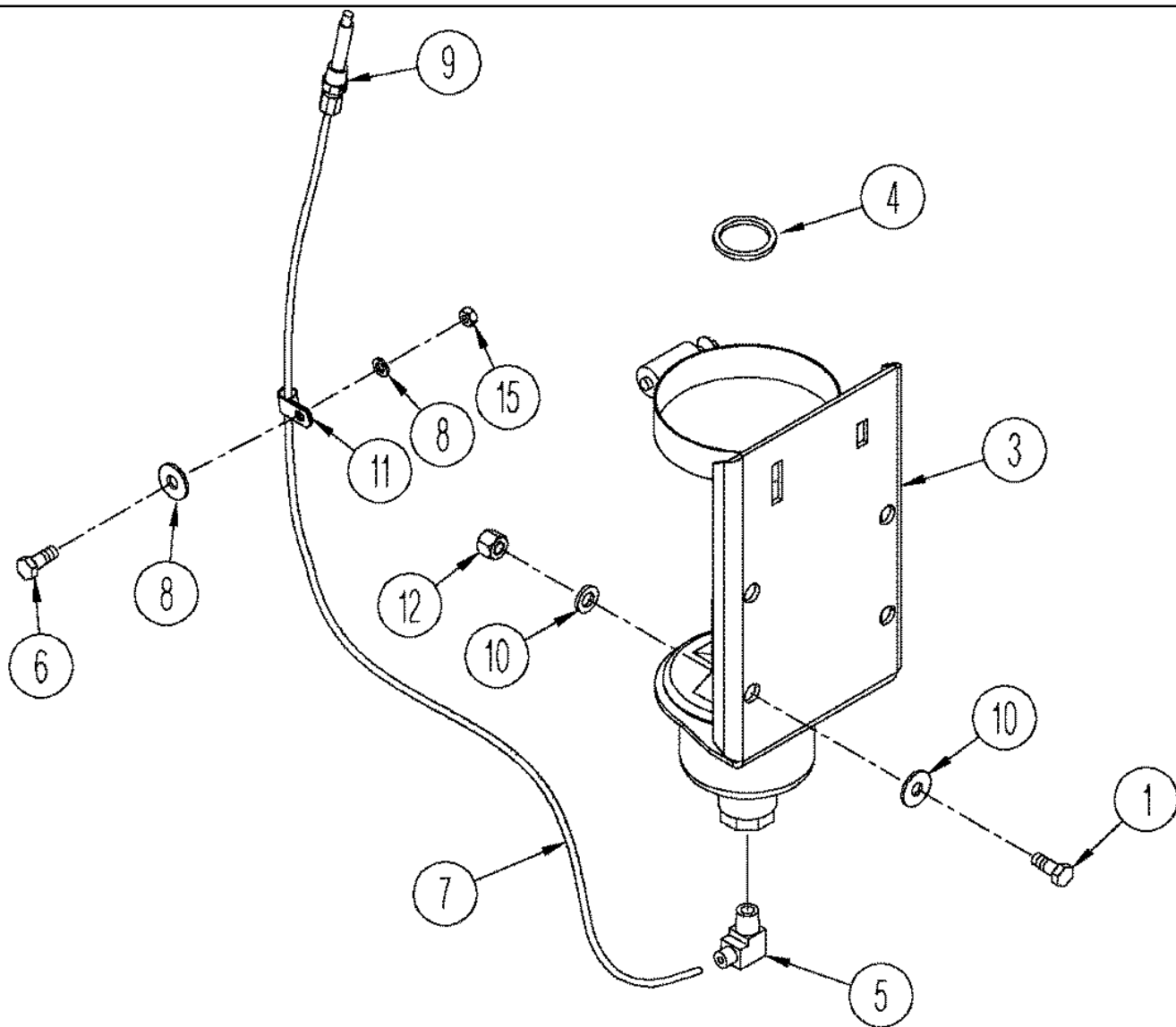
сылка	Номер детали	Кол-во	Описание
1	87409411	1	MOTOR, HYDRAULIC, Inc. 1 - 14
2	NSS	1	NOT SERVICED SEPARATELY, Ring, Snap
3	NSS	1	NOT SERVICED SEPARATELY, Seal, Dust
4	NSS	1	NOT SERVICED SEPARATELY, Seal, Shaft
5	NSS	1	NOT SERVICED SEPARATELY, Flange
6	NSS	2	NOT SERVICED SEPARATELY, Seal
7	NSS	2	NOT SERVICED SEPARATELY, Plate, Wear
8	NSS	2	NOT SERVICED SEPARATELY, O-Ring
9	NSS	4	NOT SERVICED SEPARATELY, Pin, Dowel
10	NSS	1	NOT SERVICED SEPARATELY, Housing, Gear, 28 cc
11	NSS	1	NOT SERVICED SEPARATELY, Shaft, Drive Gear
12	NSS	1	NOT SERVICED SEPARATELY, Shaft, Idler Gear
13	NSS	1	NOT SERVICED SEPARATELY, Cover, End
14	NSS	4	NOT SERVICED SEPARATELY, Bolt
15	435698A1	1	KIT, Seal



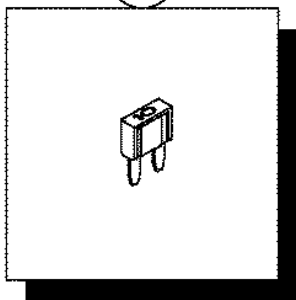
STX500 CASE IH 4WD TRACTOR (AFTER S/N JEE0099501)

02-03(02) HYDRAULIC FAN DRIVE - MOUNTING

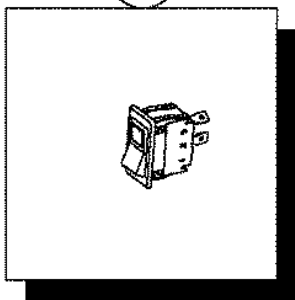
сылка	Номер детали	Кол-во	Описание
1	429325A3	1	SHROUD,
2	87409411	1	MOTOR, HYDRAULIC, See Figure 02-03 (1)
3	429329A1	1	HUB,
4	414577A1	1	FAN, 32 in
5	414616A1	2	SEAL,
6	414617A1	2	SEAL,
7	895-25008	10	WASHER, M8 x 20 x 1.6, 9 x 24 x 2,0 mm
8	832-10408	10	NUT, LOCK, M8 x 1.25, Cl 8,
9	863-10025	6	SCREW, Hex Soc Hd, M10 x 25, 12.9,
10	495-11066	1	WASHER, 5/8", SAE, 21/32 x 1-5/16 x 3/32 in
11	896-11012	4	WASHER, M13.5 x 24.5 x 3, HT,
12	827-12045	2	BOLT, Hex, M12 x 45, 10.9, Full Thd, M12 x 45; 10.9
13	832-10412	2	NUT, LOCK, M12 x 1.75, Cl 8,
14	429-1110	1	NUT, 5/8"-18, G8,



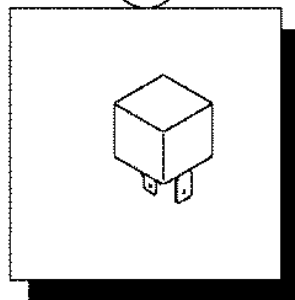
14



2



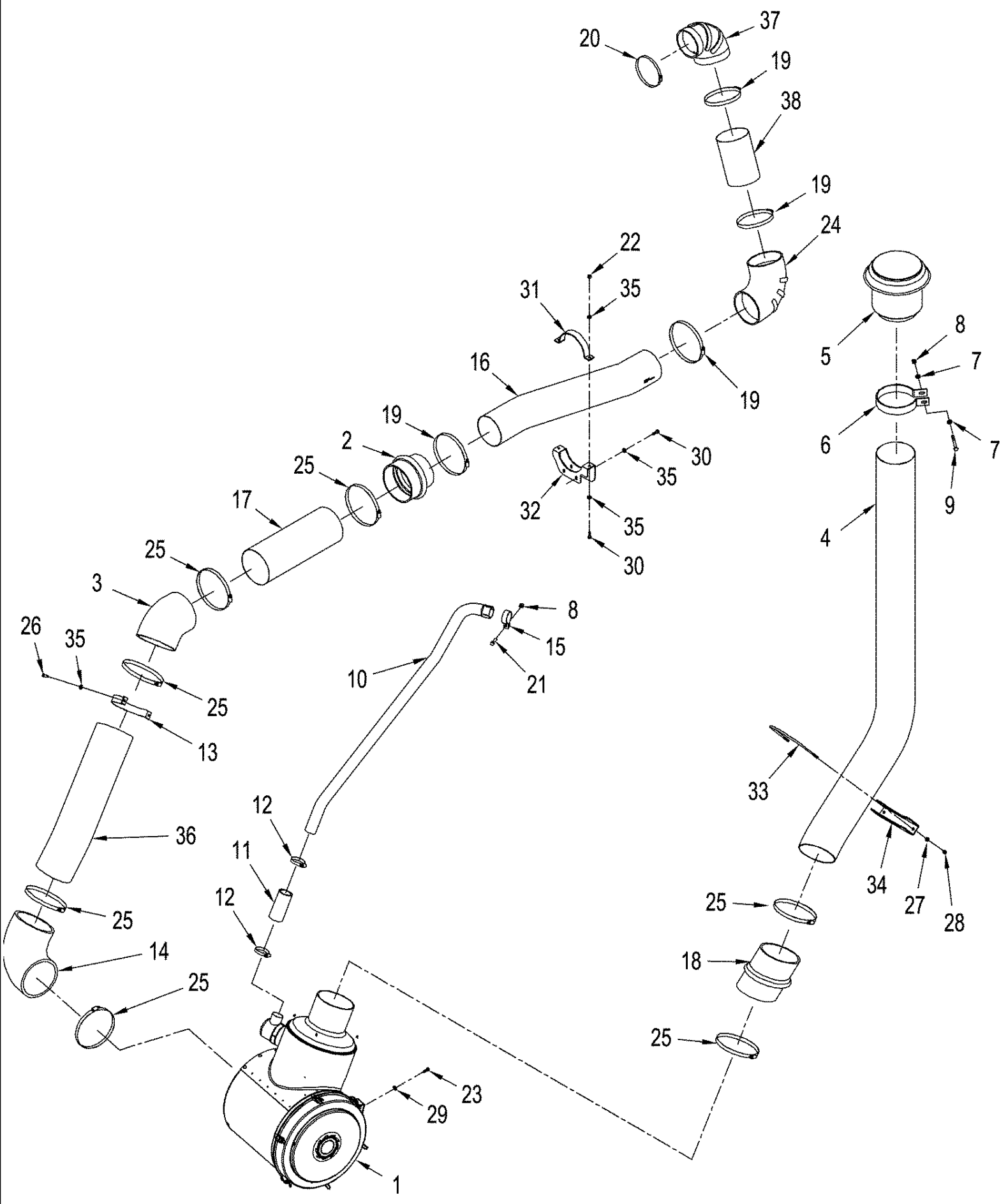
16



STX500 CASE IH 4WD TRACTOR (AFTER S/N JEE0099501)

02-04 ETHER START SYSTEM

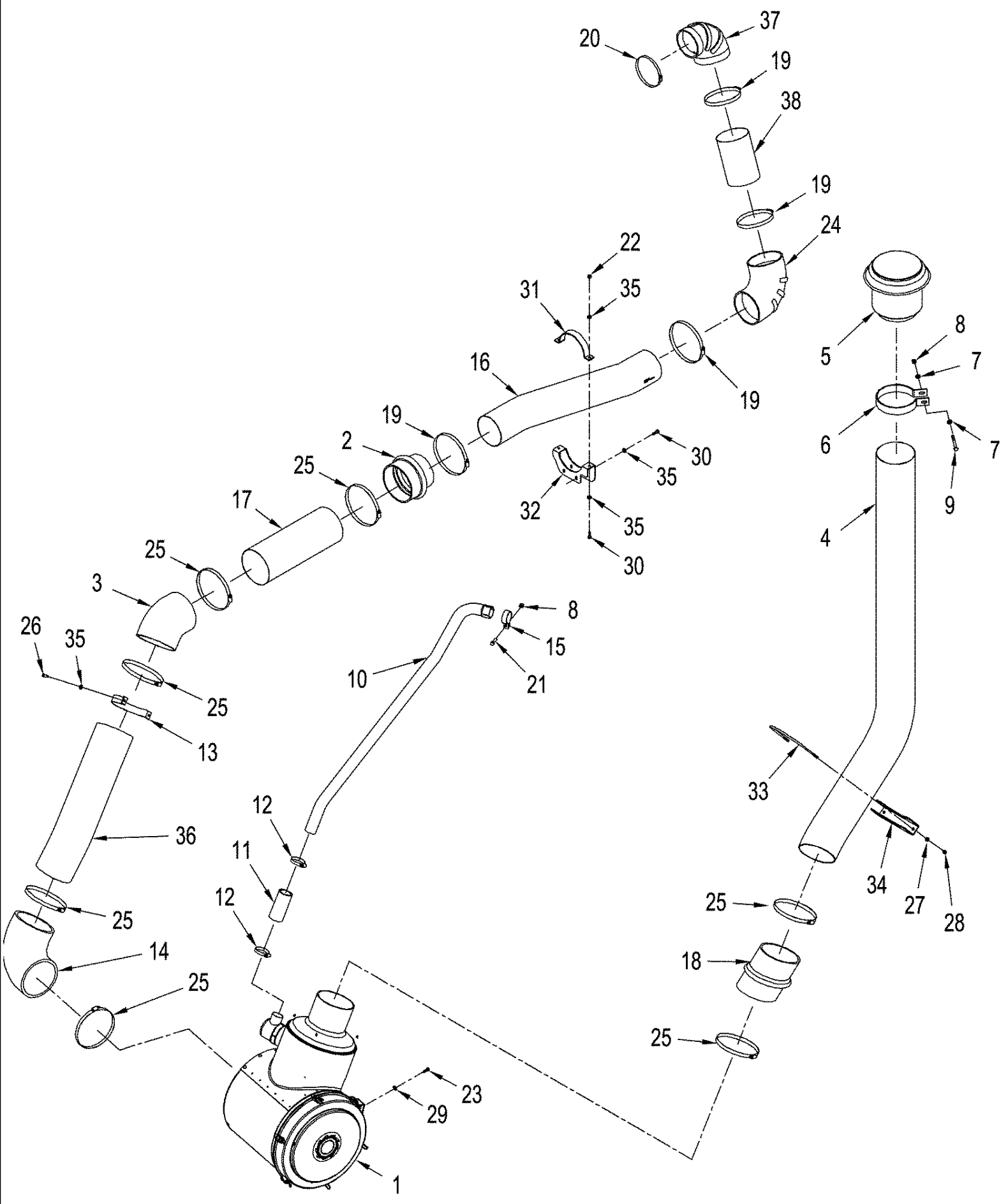
сылка	Номер детали	Кол-во	Описание
1	627-6020	4	BOLT, Hex, M6 x 20, 10.9, M6 x 20; 10.9
2	229364A1	1	SWITCH, Rocker, Ether Start
	392355A1	1	SOLENOID, Electrical, Inc. 3 - 5
3	NSS	1	NOT SERVICED SEPARATELY, Valve, Control
4	392377A1	1	GASKET,
5	222-615	1	ELBOW, 90є, 5/16"-24 x 1/8" NPT, Comp, 1/8 tube OD x 1/8 PT
6	627-10025	1	BOLT, Hex, M10 x 25, 10.9, Full Thd, M10 x 25; 10.9
7	428197A1	1	HOSE,
8	895-11010	1	WASHER, M10 x 20 x 2,
9	339866A2	1	NOZZLE INJECTION, Atomizer
10	895-11006	8	WASHER, M6,
11	515-2179	2	CLAMP, 5/16", Insul, 1/4" Bolt, 3,2 mm
12	829-1406	7	NUT, M6, CI 10, M6; 10.9
13	515-2379	1	CLAMP, 5/16", Insul, 3/8" Bolt, 7,9 mm, Ether Start Harness, Not Illustrated
14	121412A1	1	FUSE, 10 amp
15	829-1410	1	NUT, M10, CI 10,
16	87414866	1	RELAY, 20 amp
17	358878A2	1	HARNESS, Ether Start, Not Illustrated
	438262A1	1	KIT, Ether Start, Inc. 1 - 17



STX500 CASE IH 4WD TRACTOR (AFTER S/N JEE0099501)

02-05(01) AIR INDUCTION SYSTEM - WHEEL TRACTOR

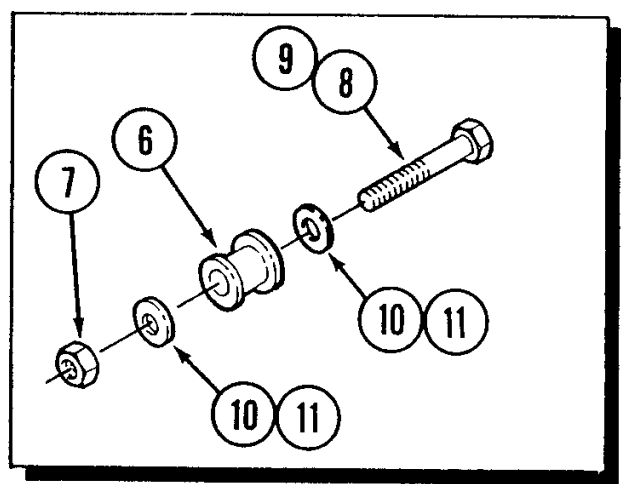
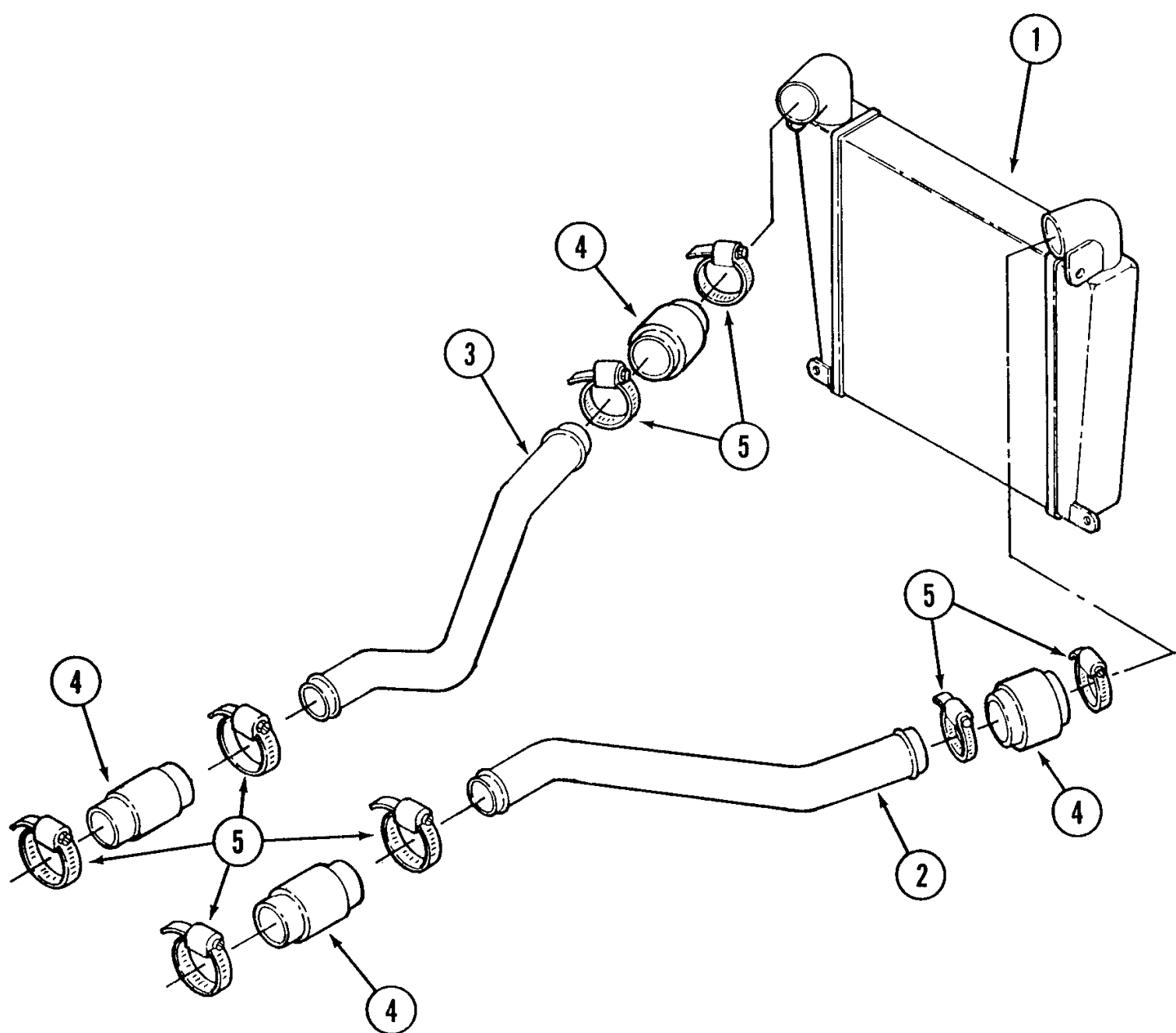
сылка	Номер детали	Кол-во	Описание
1	418701A2	1	AIR CLEANER, See Figure 02-07
1	87417039	1	FILTER, AIR, See Figure 02-07, STX500
2	419137A1	1	ADAPTER,
3	419123A1	1	ELBOW,
4	418707A1	1	TUBE, Intake
5	358127A1	1	CAP, , BSN JEE0104001
5	87412343	1	PRESCREENER ASSY., Cap. Inc. 6, ASN JEE0104001
6	357942A2	2	CLAMP, , BSN JEE0104001
6	324466A1	1	CLAMP, , STX500, ASN JEE0104001
7	895-11010	8	WASHER, M10 x 20 x 2,
8	832-10410	7	NUT, LOCK, M10 x 1.5, CI 8,
9	827-10100	2	BOLT, Hex, M10 x 100, 10.9, M10 x 100; 10.9
10	419267A2	1	TUBE, Aspirator, BSN JEE0104001
10	87430646	1	TUBE, Aspirator, ASN JEE0104001
11	313949A3	1	HOSE, 135 mm (5 in), Cut From 1-4568T1
12	214-1436	2	CLAMP, HOSE, #36, 1.81/2.75 Type F Worm,
13	430515A1	1	BRACKET,
14	419280A1	1	ELBOW, Rubber, BSN JEE0104792
14	87418234	1	ELBOW, Rubber, ASN JEE0104792
15	434180A1	1	CLAMP,
16	400876A1	1	TUBE, Air Intake
17	418702A1	1	TUBE,
18	87417332	1	HOSE, LARGE, Adapter
19	214-32112	4	CLAMP, HOSE, 6.25/7.125 HD Worm, W/liner,
20	214-3296	1	CLAMP, HOSE, 5.25/6.125 HD Worm, W/liner, 5-1/4 - 6-1/8
21	627-10035	1	BOLT, Hex, M10 x 35, 10.9, Full Thd, M10 x 35; 10.9
22	832-10408	2	NUT, LOCK, M8 x 1.25, CI 8,
23	627-10025	4	BOLT, Hex, M10 x 25, 10.9, Full Thd, M10 x 25; 10.9
24	434176A1	1	ELBOW, Rubber
25	214-32128	7	CLAMP, HOSE, 7.25/8.125 HD Worm, W/liner,
26	806-8025	2	BOLT, Hex, Lock, M8 x 25, CI 10.9, M8 x 25; 10.9
27	495-11034	2	WASHER, 5/16", SAE, 11/32 x 11/16 x 1/16
28	231-1445	2	NUT, LOCK, 5/16"-18, GB,
31	385744A1	1	BRACKET,
32	385746A1	1	BRACKET,
33	385747A1	2	U-BOLT,
34	385748A1	1	BRACKET,
35	895-15008	8	WASHER, M8 x 20 x 1.6, 9 x 20 x 1,6 mm
36	418696A1	1	TUBE, Air Cleaner Intake
37	434179A1	1	ELBOW, Reducing, BSN JEE0104792
37	87418236	1	ELBOW, 90, Reducing, ASN JEE0104792
38	400875A1	1	TUBE, Intake
30	627-8025	4	BOLT, Hex, M8 x 25, 10.9,
29	895-15010	6	WASHER, M11 x 24 x 2,



STX500 CASE IH 4WD TRACTOR (AFTER S/N JEE0099501)

02-05(02) AIR INDUCTION SYSTEM - QUADTRAC TRACTOR

сылка	Номер детали	Кол-во	Описание
1	418701A2	1	AIR CLEANER, See Figure 02-07
1	87417039	1	FILTER, AIR, See Figure 02-07, STX500
2	419137A1	1	ADAPTER,
3	419123A1	1	ELBOW,
4	419295A1	1	TUBE, Intake
5	358127A1	1	CAP, , BSN JEE0104001
5	87412343	1	PRESCREENER ASSY., Cap, Inc. 6, ASN JEE0104001
6	357942A2	2	CLAMP, , BSN JEE0104001
6	324466A1	1	CLAMP, , ASN JEE0104001
7	895-11010	4	WASHER, M10 x 20 x 2,
8	832-10410	3	NUT, LOCK, M10 x 1.5, CI 8,
9	827-10100	2	BOLT, Hex, M10 x 100, 10.9, M10 x 100; 10.9
10	419317A2	1	TUBE, Aspirator, BSN JEE0104001
10	87430645	1	TUBE, Aspirator, ASN JEE0104001
11	313949A3	1	HOSE,
12	214-1436	2	CLAMP, HOSE, #36, 1.81/2.75 Type F Worm,
13	430515A1	1	BRACKET,
14	419331A1	1	ELBOW, , BSN JEE0104792
14	87418233	1	ELBOW, , ASN JEE0104792
15	434180A1	1	CLAMP,
16	400876A1	1	TUBE, Air Intake
17	419312A1	1	TUBE,
18	419334A1	1	ELBOW,
19	214-32112	4	CLAMP, HOSE, 6.25/7.125 HD Worm, W/liner,
20	214-3296	1	CLAMP, HOSE, 5.25/6.125 HD Worm, W/liner, 5-1/4 - 6-1/8
21	627-10035	1	BOLT, Hex, M10 x 35, 10.9, Full Thd, M10 x 35; 10.9
22	832-10408	2	NUT, LOCK, M8 x 1.25, CI 8,
23	627-10025	4	BOLT, Hex, M10 x 25, 10.9, Full Thd, M10 x 25; 10.9
24	434176A1	1	ELBOW, Rubber
25	214-32128	7	CLAMP, HOSE, 7.25/8.125 HD Worm, W/liner,
26	87026277	2	BOLT, Hex, Lock, M8 x 30, CI 10.9, M8 x 25; 10.9
27	495-11034	2	WASHER, 5/16", SAE, 11/32 x 11/16 x 1/16
28	231-1445	2	NUT, LOCK, 5/16"-18, GB,
31	385744A1	1	BRACKET,
32	385746A1	1	BRACKET,
33	385747A1	2	U-BOLT,
34	419322A1	1	BRACKET,
35	895-15008	8	WASHER, M8 x 20 x 1.6, 9 x 20 x 1,6 mm
36	419303A1	1	TUBE, Air Cleaner Intake
37	434179A1	1	ELBOW, 90, Reducing, BSN JEE0104792
37	87418236	1	ELBOW, 90, Reducing, ASN JEE0104792
38	400875A1	1	TUBE, Intake
30	627-8025	4	BOLT, Hex, M8 x 25, 10.9,
29	895-15010	6	WASHER, M11 x 24 x 2,

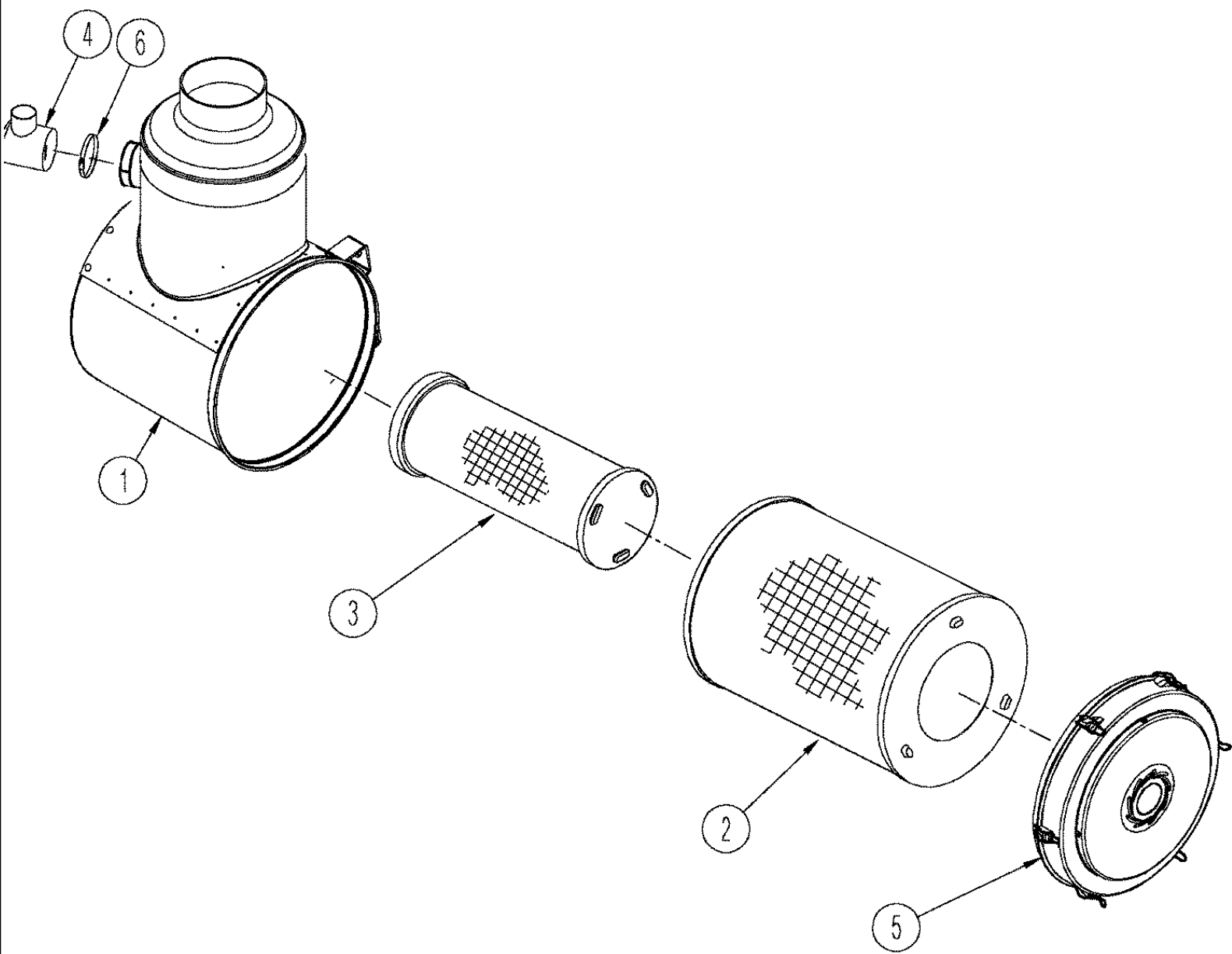


STX500 CASE IH 4WD TRACTOR (AFTER S/N JEE0099501)

02-06 AIR COOLER

сылка	Номер детали	Кол-во	Описание
1	437398A1	1	COOLER,
2	400823A1	1	TUBE,
3	324349A2	1	TUBE,
4	251400A1	4	BELLOWS,
5	L124635	8	CLAMP, HOSE,
6	434177A1	4	MOUNT, RUBBER,
7	832-10410	4	NUT, LOCK, M10 x 1.5, Cl 8,
8	827-10040	2	BOLT, Hex, M10 x 40, 10.9, Full Thd, M10 x 40; 10.9, Upper Cooler Mount
9	827-10110	2	BOLT, Hex, M10 x 110, 10.9, M10 x 110; 10.9, Lower Cooler Mount
10	496-41041	4	WASHER, 13/32" x 1 1/8" x .134", 13/32 x 1-1/8 x 9/64
11	895-11010	4	WASHER, M10 x 20 x 2,

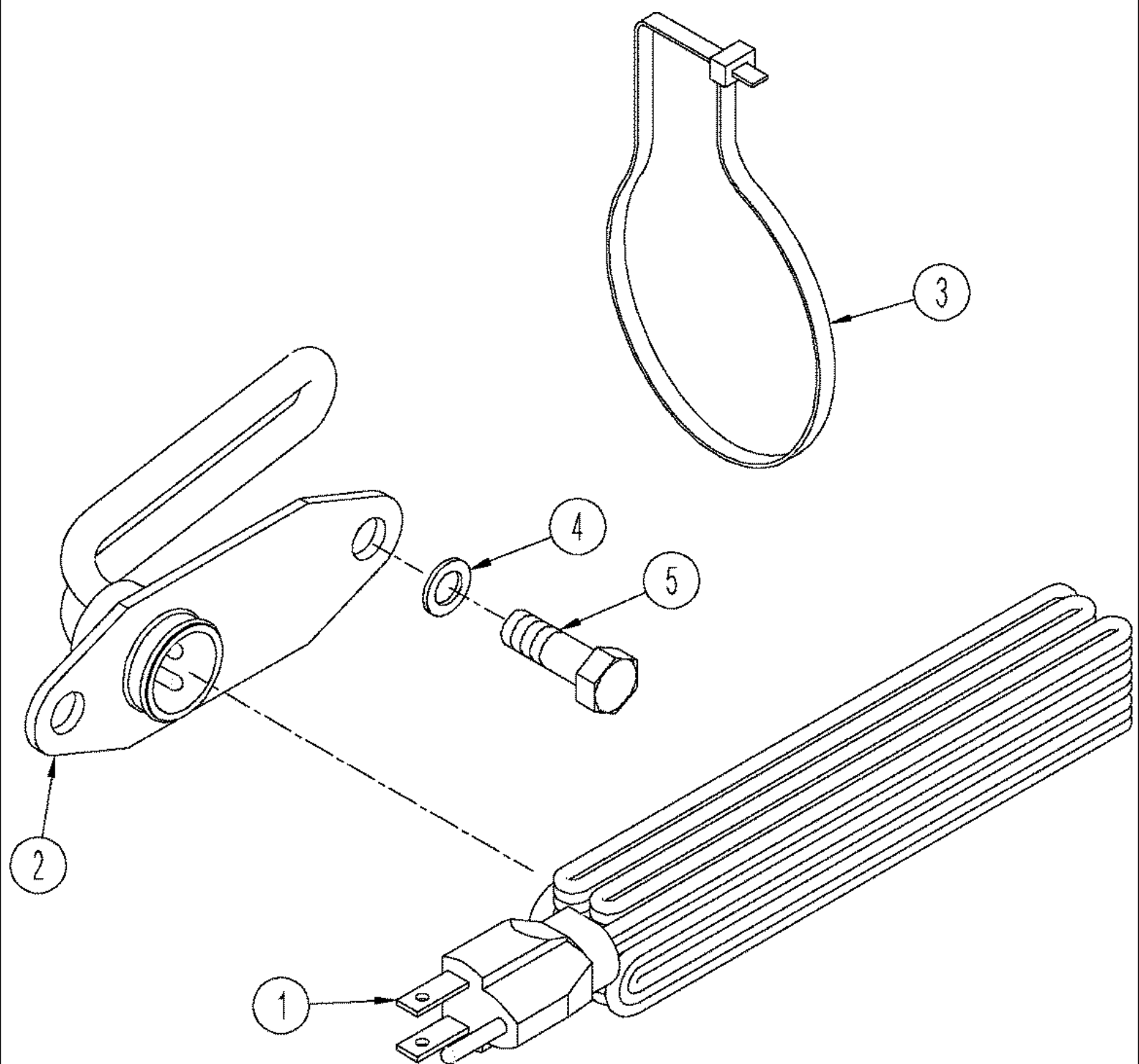
02-07 AIR CLEANER ASSEMBLY



STX500 CASE IH 4WD TRACTOR (AFTER S/N JEE0099501)

02-07 AIR CLEANER ASSEMBLY

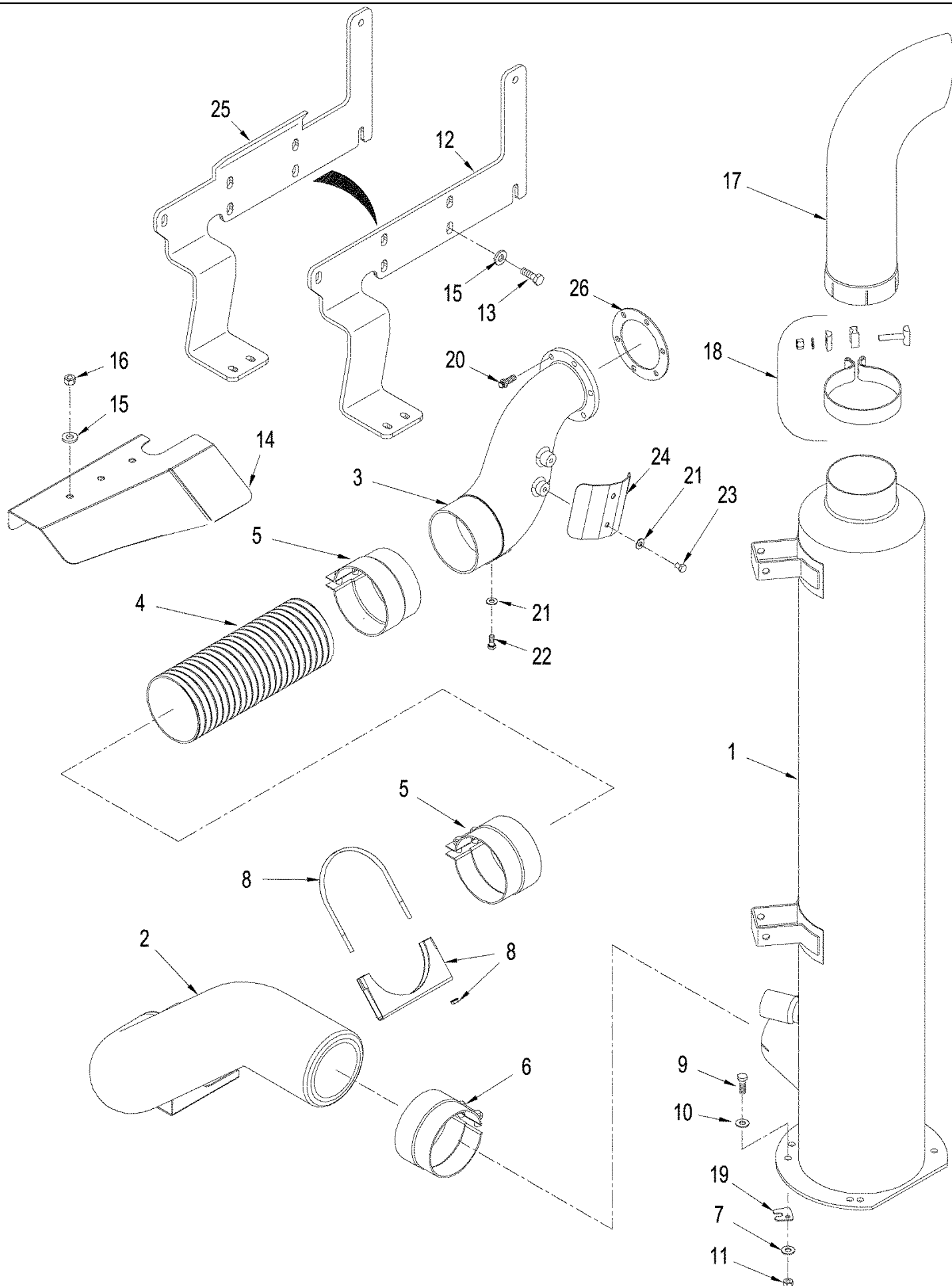
сылка	Номер детали	Кол-во	Описание
	418701A2	1	AIR CLEANER, Inc. 1 - 6
	87417039	1	FILTER, AIR, Inc. 1 - 6, STX500
1	NSS	1	NOT SERVICED SEPARATELY, Housing
2	426020A1	1	FILTER, AIR, Primary
2	87417040	1	FILTER, ELEMENT, Primary, STX500
3	426021A1	1	FILTER, AIR, Safety
3	87417041	1	FILTER, ELEMENT, Safety, STX500
4	436005A1	1	VALVE,
5	87305334	1	COVER,
6	214-1456	4	CLAMP, HOSE, #56, 3.06/4.00 Type F Worm,



STX500 CASE IH 4WD TRACTOR (AFTER S/N JEE0099501)

02-08 ENGINE - BLOCK HEATER

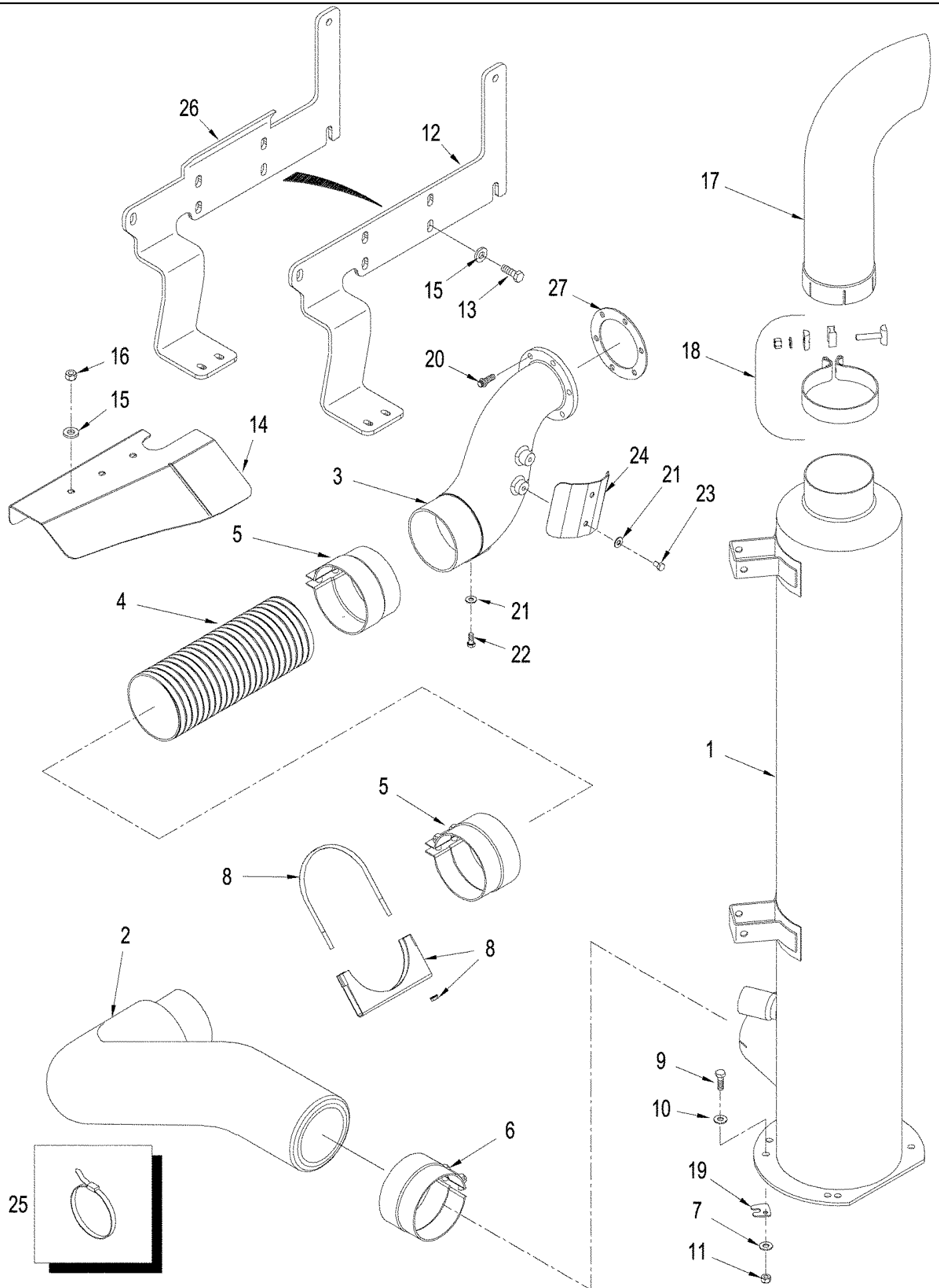
сылка	Номер детали	Кол-во	Описание
1	196466A1	1	CABLE, ELECTRIC, 1829 mm (72 in)
2	338862A1	1	HEATER, , For block heater gasket order P/N 3688557 from Cummins
3	19-135	1	STRAP, Ty-rap
4	895-18010	2	WASHER, M10 x 18 x 1.6,
5	627-10020	2	BOLT, Hex, M10 x 20, 10.9, Full Thd, M10 X 20; 10.9



STX500 CASE IH 4WD TRACTOR (AFTER S/N JEE0099501)

02-09(01) EXHAUST SYSTEM - WHEEL TRACTOR

сылка	Номер детали	Кол-во	Описание
1	400787A2	1	MUFFLER, , BSN JEE0104001
1	87430156	1	MUFFLER, Standard, STX375 & STX425, ASN JE0104001
1	87430158	1	MUFFLER, Standard, STX450 & STX500, ASN JEE0104001
1	403438A1	1	MUFFLER, Spark Arresting, BSN JEE0104001
1	87430157	1	MUFFLER, Spark Arresting, STX375 & STX425, ASN JEE0104001
1	87430159	1	MUFFLER, Spark Arresting, STX450 & STX500, ASN JEE0104001
2	426305A2	1	TUBE, Double Wall
3	400908A2	1	ELBOW,
4	413677A1	1	TUBE, Flexible
5	413678A1	2	CLAMP,
6	357686A1	1	CLAMP, 6
7	896-15010	1	WASHER, M10 x 24.5 x 3, HT, 11 X 24 X 3 mm
8	336658A1	1	U-BOLT,
9	827-10040	4	BOLT, Hex, M10 x 40, 10.9, Full Thd, M10 x 40; 10.9
10	896-11010	6	WASHER, M10 x 21.5 x 2.5, HT,
11	832-46410	4	NUT, LOCK, M10 x 1.5, CI 8,
12	401201A2	1	SUPPORT, , BSN JEE0104001
13	627-12035	6	BOLT, Hex, M12 x 35, 10.9,
14	360736A1	1	SHIELD, Heat
15	896-15012	9	WASHER, M12 x 28.5 x 4, HT, 13,5 x 28 x 4 mm
16	829-1412	3	NUT, M12, CI 10,
17	357876A2	1	ELBOW, Exhaust, Inc. 18, BSN JEE0104001
17	87430632	1	ELBOW, Exhaust, Inc. 18, ASN JEE0104001
18	357875A1	1	CLAMP, , BSN JEE0104001
18	87430634	1	CLAMP, , ASN JEE0104001
19	404824A1	1	SHIM, Muffler
20	868-10025	6	SCREW, 12 Pt Hd, M10 x 25, 12.9, M10 x 25; 2.9
21	895-15008	4	WASHER, M8 x 20 x 1.6, 9 x 20 x 1,6 mm
22	627-8020	2	BOLT, Hex, M8 x 20, 10.9,
23	627-8012	2	BOLT, Hex, M8 x 12, 10.9, Full Thd, M8 x 12; 10.9
24	401096A1	1	SHIELD, Heat
25	87417550	1	BRACKET, SUPPORTING, , ASN JEE0104001
26	NSS	1	NOT SERVICED SEPARATELY, Gasket, Order From Your Cummins Engine Dealer
	438263A1	1	KIT, Inc. 1, Spark Arresting Muffler

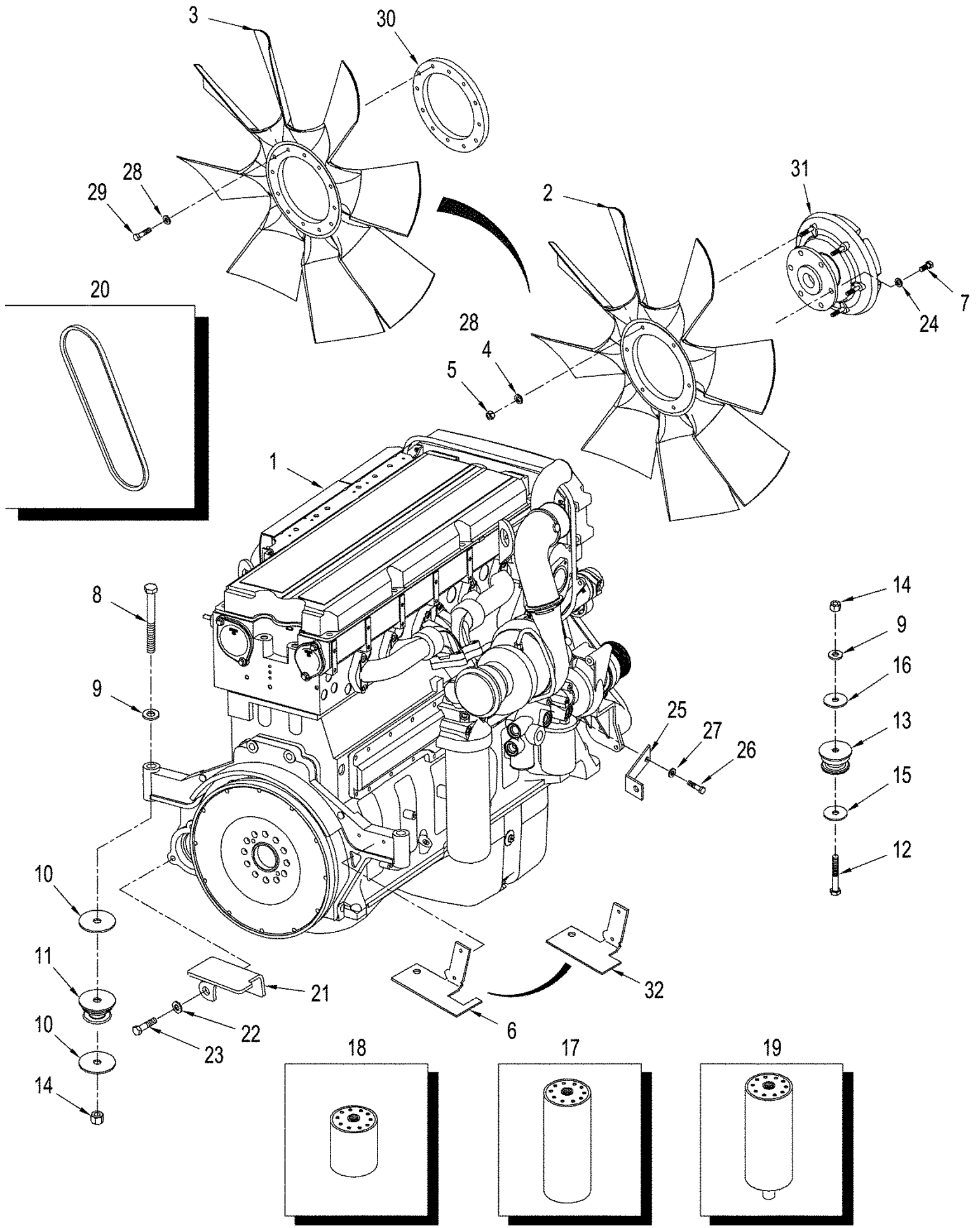


STX500 CASE IH 4WD TRACTOR (AFTER S/N JEE0099501)

02-09(02) EXHAUST SYSTEM - QUADTRAC TRACTOR

сылка	Номер детали	Кол-во	Описание
1	400787A1	1	MUFFLER, Standard, BSN JEE0104001
1	87430156	1	MUFFLER, Standard, STX375 & STX425, ASN JEE0104001
1	87430158	1	MUFFLER, Standard, STX450 & STX500, ASN JEE0104001
1	403438A1	1	MUFFLER, Spark Arresting, BSN JEE0104001
1	87430157	1	MUFFLER, Spark Arresting, STX375 & STX425, ASN JEE0104001
1	87430159	1	MUFFLER, Spark Arresting, STX450 & STX500
2	426306A2	1	TUBE, Double Wall
3	400908A2	1	ELBOW,
4	413677A1	1	TUBE, Flexible
5	413678A1	2	CLAMP,
6	357686A1	1	CLAMP, 6
7	896-15010	4	WASHER, M10 x 24.5 x 3, HT, 11 X 24 X 3 mm
8	336658A1	1	U-BOLT,
9	827-10040	4	BOLT, Hex, M10 x 40, 10.9, Full Thd, M10 x 40; 10.9
10	896-11010	4	WASHER, M10 x 21.5 x 2.5, HT,
11	832-46410	4	NUT, LOCK, M10 x 1.5, CI 8,
12	401201A2	1	SUPPORT, , BSN JEE0104001
13	627-12025	6	BOLT, Hex, M12 x 25, 10.9, M12 x 25; 10.9
14	401200A3	1	SHIELD, Heat
15	896-15012	6	WASHER, M12 x 28.5 x 4, HT, 13,5 x 28 x 4 mm
16	829-1412	3	NUT, M12, CI 10,
17	364095A2	1	ELBOW, Inc. 18, BSN JEE0104001
17	87430635	1	ELBOW, Inc. 18, ASN JEE0104001
18	357875A1	1	CLAMP, , BSN JEE0104001
18	87430634	1	CLAMP, , ASN JEE0104001
19	404824A1	1	SHIM, Muffler
20	868-10025	6	SCREW, 12 Pt Hd, M10 x 25, 12.9, M10 x 25; 2.9
21	895-15008	4	WASHER, M8 x 20 x 1.6, 9 x 20 x 1,6 mm
22	627-8020	2	BOLT, Hex, M8 x 20, 10.9,
23	627-8012	2	BOLT, Hex, M8 x 12, 10.9, Full Thd, M8 x 12; 10.9
24	401096A1	1	SHIELD, Heat
25	405033A1	1	STRAP,
26	87417550	1	BRACKET, SUPPORTING, , ASN JEE0104001
27	NSS	1	NOT SERVICED SEPARATELY, Gasket, Order From Your Cummins Engine Dealer
	438263A1	1	KIT, Inc. 1, Spark Arresting Muffler

02-10 ENGINE - MOUNTING AND ATTACHING PARTS

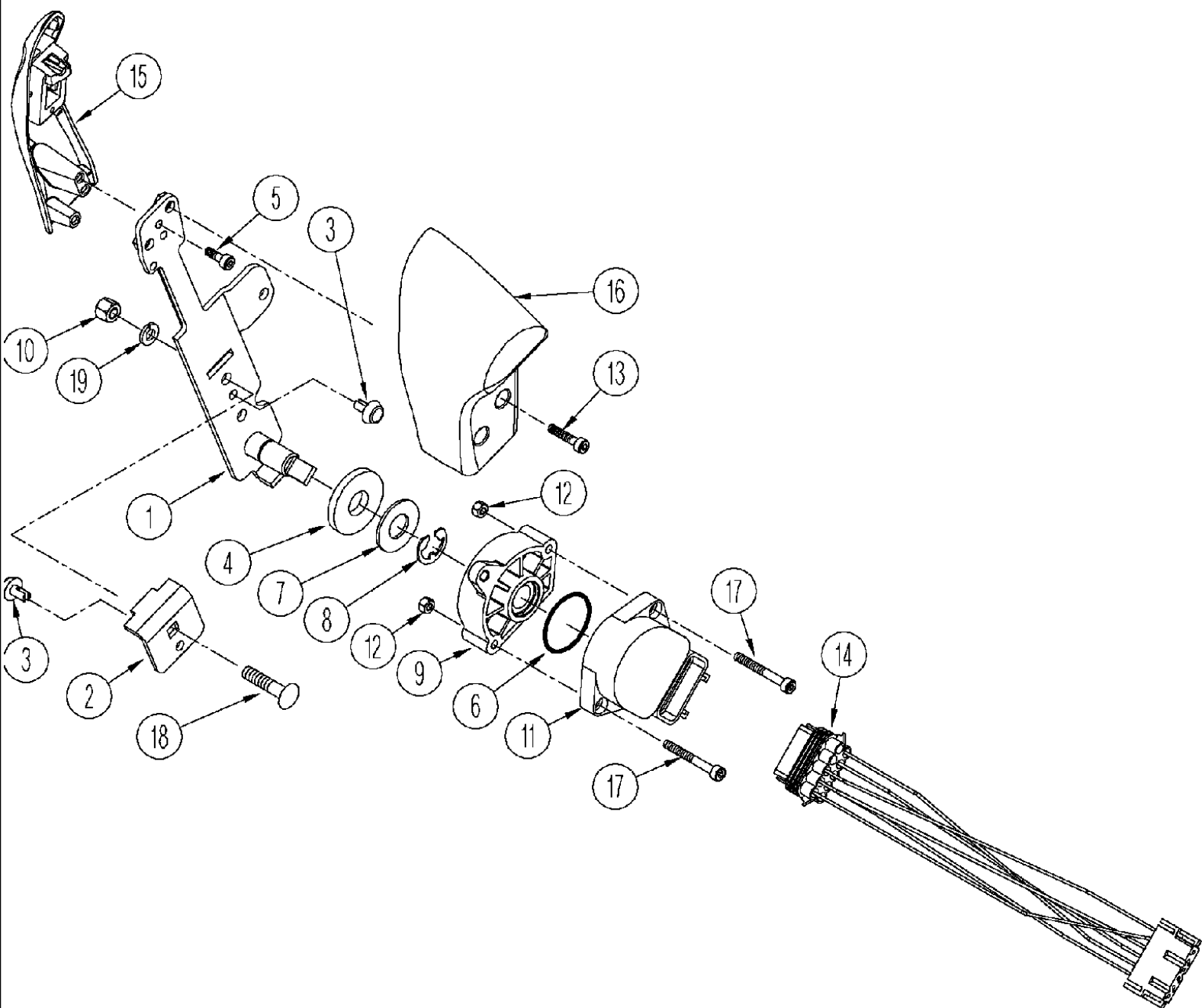


STX500 CASE IH 4WD TRACTOR (AFTER S/N JEE0099501)

02-10 ENGINE - MOUNTING AND ATTACHING PARTS

сылка	Номер детали	Кол-во	Описание
1	NSS	1	NOT SERVICED SEPARATELY, Engine, See Your Cummins Engine Dealer for Service Parts.
2	414782A2	1	FAN, , When Ordering Supply (1) 8740096 Fan, (1) 87419100 Mounting Plate, (6) 627-8025 Bolt, (12) 496-41034 Washer, & (6) 832-10408 Lock Nut., STX375, BSN JEE0104557
2	414577A1	1	FAN, See Figure 02-03, STX450, STX425
3	87440096	1	FAN, 32", STX375, ASN JEE0104557
4	895-15008	6	WASHER, M8 x 20 x 1.6, 9 x 20 x 1,6 mm
5	832-10408	6	NUT, LOCK, M8 x 1.25, CI 8, , STX425 & STX450
5	832-10408	6	NUT, LOCK, M8 x 1.25, CI 8, , STX375
6	411019A3	1	BRACKET, , ASN JEE0105346
7	614-8080	6	BOLT, Hex, M8 x 80, 8.8, Full Thd, M8 x 80; 8,8
7	627-12030	6	BOLT, Hex, M12 x 30, 10.9, , STX375
8	827-16200	2	BOLT, Hex, M16 x 200, 10.9, M16 x 200; 10.9
9	496-41066	2	WASHER, 21/32" x 1 1/2" x .188", HDN,
10	361812A1	2	WASHER, 23/32 x 3-3/4 x 3/16
11	382235A1	2	MOUNT, RUBBER,
12	827-16110	2	BOLT, Hex, M16 x 110, 10.9, M16 x 110; 10.9
13	24-231	2	MOUNT, RUBBER,
14	832-10416	2	NUT, LOCK, M16 x 2, CI 8,
15	227809A1	2	WASHER,
16	51-128	2	WASHER, 21/32 x 3-1/2 x 3/16
17	324617A1	1	FILTER, ENGINE OIL,
18	324618A1	1	FILTER, COOLANT,
19	419858A1	1	FILTER, FUEL,
20	325289A1	1	BELT, Water Pump
20	87437226	1	BELT, Accessory Drive, Alternator & Air Conditioning
21	411301A2	1	SHIELD, Heat
22	492-11062	2	WASHER, LOCK, 5/8",
23	426-1012	2	BOLT, Hex, 5/8"-11 x 3/4", G8, 5/8 x 3/4
24	893-11008	6	WASHER, LOCK, Ext Tooth, M8,
24	896-11012	6	WASHER, M13.5 x 24.5 x 3, HT, , STX375
25	87422995	1	BRACKET, Engine Harness, ASN JEE0104557
26	627-12025	2	BOLT, Hex, M12 x 25, 10.9, M12 x 25; CL10.9
27	892-11012	2	WASHER, LOCK, M12,
28	496-41034	12	WASHER, .344" x 1" x .098", HDN, .344 x 1.0 x .098, STX375
30	87419100	1	PLATE, MOUNTING, , STX375, ASN JEE0104557
31	430406A1	1	DRIVE, Fan, STX375
32	87305067	1	BRACKET, SUPPORTING, , BSN JEE0105346
29	627-8025	6	BOLT, Hex, M8 x 25, 10.9, , STX375

03-01 THROTTLE

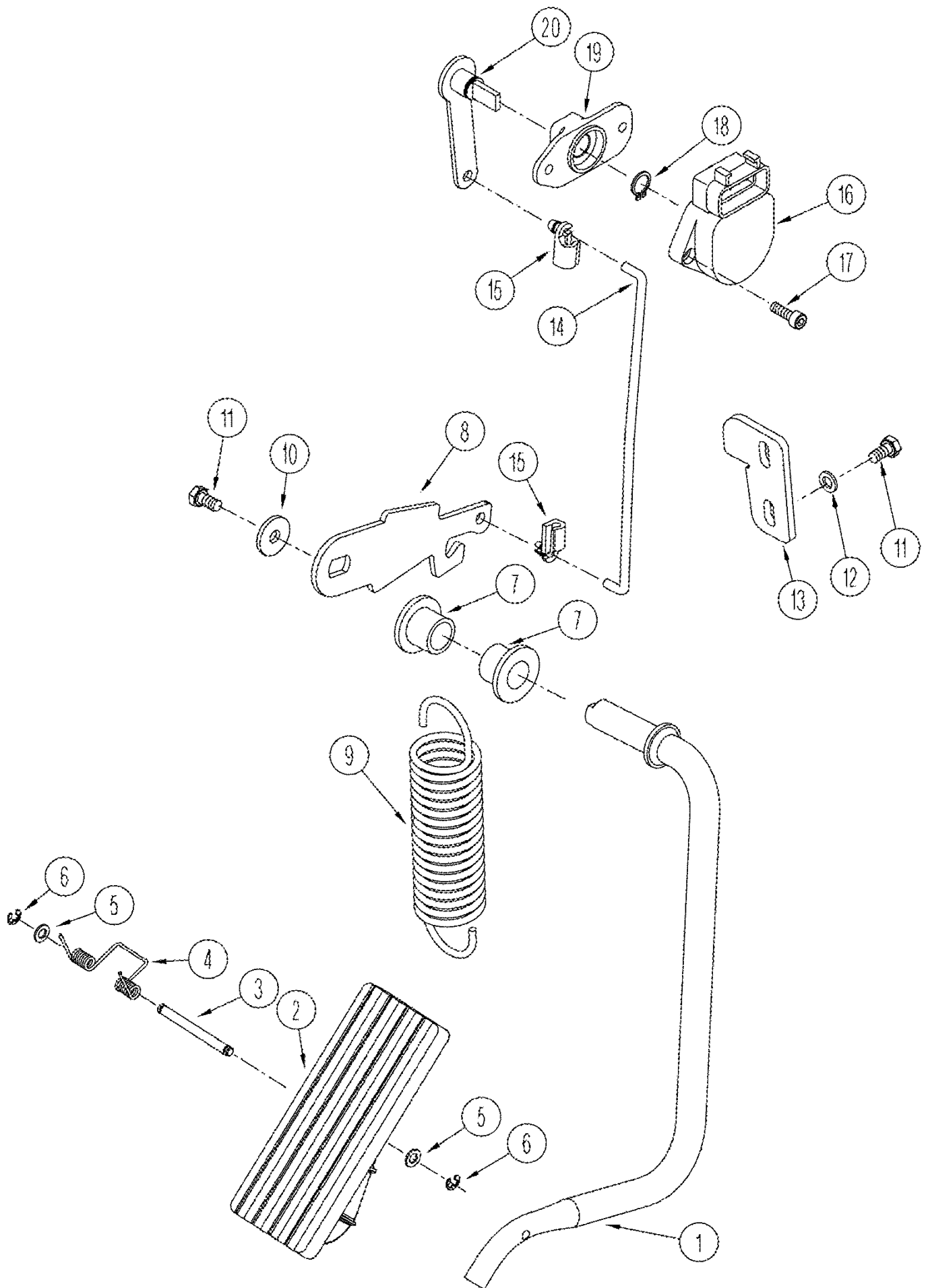


STX500 CASE IH 4WD TRACTOR (AFTER S/N JEE0099501)

03-01 THROTTLE

сылка	Номер детали	Кол-во	Описание
1	402797A1	1	SUPPORT, , With Advanced Farming Systems (AFS)
1	367607A1	1	SUPPORT, , With Power Shift Transmission
2	258734A2	1	SUPPORT,
3	259040A1	2	PAD, WEAR,
4	237486A1	2	WASHER,
5	368048A1	3	SCREW, M4 x 12
6	238-6025	1	O-RING, -025, 90 Duro, 1.176" ID x .070" Thk,
7	495-81022	1	WASHER, 17/32" x 1 1/8" x .060", 17/32 x 1-1/8 x 1/16
8	103-3350	1	RING, LOCKING, #50, .392" Dia, E-Type,
9	239491A1	1	BUSHING,
10	832-10406	2	NUT, LOCK, M6 x 1, CI 8,
11	259012A1	1	POTENTIOMETER, , Deluxe Cab, Luxury Cab
11	402751A1	1	POTENTIOMETER, , Standard Cab
12	832-46404	2	NUT, LOCK, M4 x .7, CI 8, M4; 8
13	864-4020	2	SCREW, Hex Soc Hd, M4 x 20, 8.8,
14	276352A1	1	HARNESS, , With Power Shift Transmission
15	316000A2	1	GRIP, Switch
16	293388A2	1	GRIP, Throttle, Standard Cab
16	388705A1	1	GRIP, Throttle, Deluxe Cab
16	388864A1	1	GRIP, Throttle, Luxury Cab
17	864-4035	2	SCREW, Hex Soc Hd, M4 x 35, 8.8, M4 x 35; 8.8, Luxury Cab, Deluxe Cab
18	811-6030	1	BOLT, CARRIAGE, Short NK, M6 x 30, CI8.8, Full Thd, M6 x 30; 8,8
19	892-11006	1	WASHER, LOCK, M6,

03-02 THROTTLE - DECELARATOR CONTROL

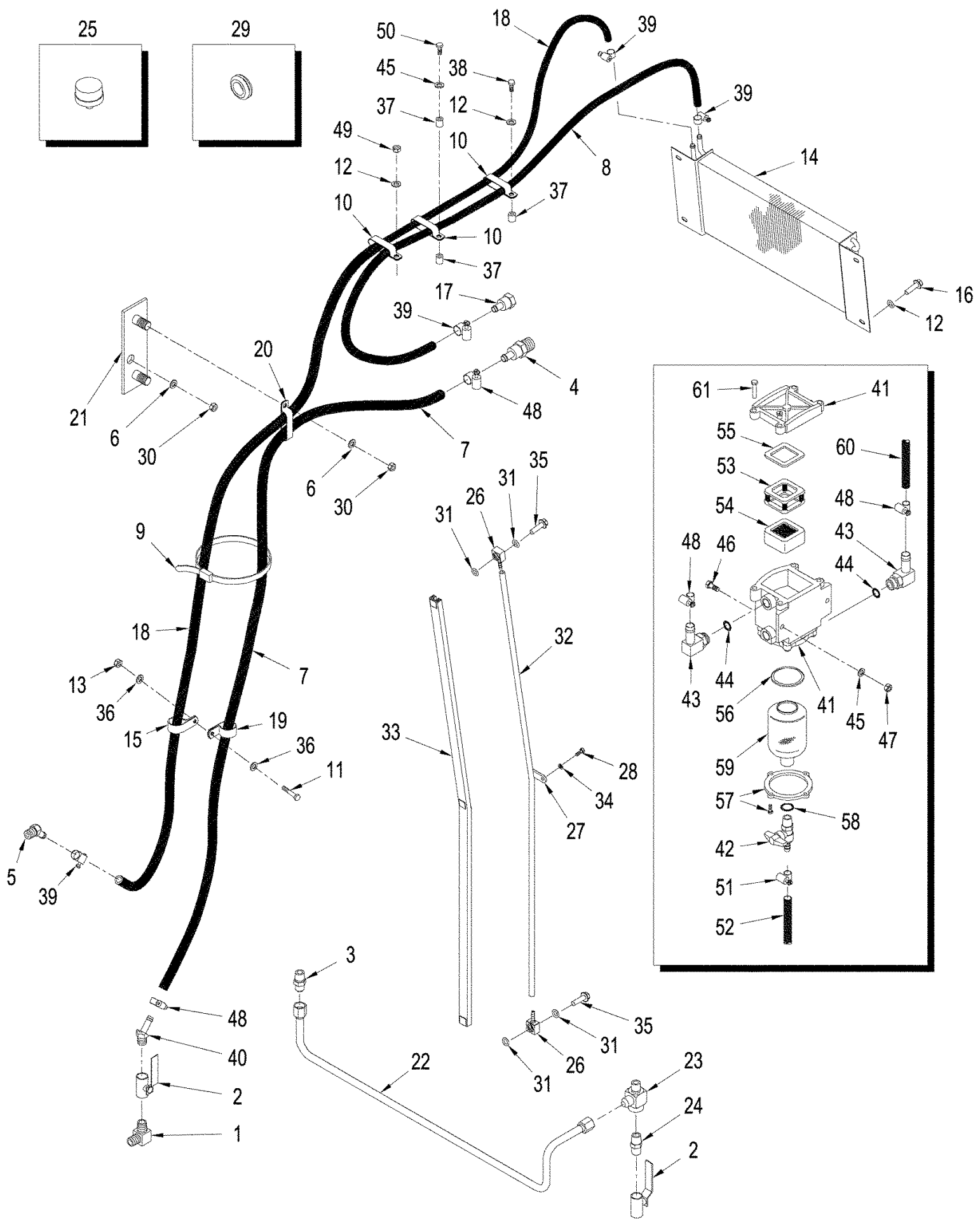


STX500 CASE IH 4WD TRACTOR (AFTER S/N JEE0099501)

03-02 THROTTLE - DECELARATOR CONTROL

сылка	Номер детали	Кол-во	Описание
1	328353A2	1	ROD,
2	298842A1	1	SKID/SHOE,
3	255291A1	1	PIN,
4	256776A1	1	SPRING,
5	895-11005	2	WASHER, M5 x 10 x 1, 5,5 x 10 x 1 mm
6	800-435	2	CIRCLIP, M5, 5 mm
7	300891A1	2	BEARING,
8	248844A1	1	LEVER,
9	278211A1	1	SPRING,
10	895-15006	2	WASHER, M6 x 25 x 1.6,
11	627-6012	3	BOLT, Hex, M6 x 12, 10.9, M6 x 12;10.9
12	895-11006	2	WASHER, M6,
13	281115A1	1	BRACKET,
14	281125A1	1	ROD,
15	60-2404T1	2	RETAINER,
16	259012A1	1	POTENTIOMETER,
17	864-5016	2	SCREW, Hex Soc Hd, M5 x 16, 8.8, M5 x 16; 8.8
18	800-1112	1	RING, SNAP, M12, Ext, 12 mm
19	258524A2	1	BUSHING,
20	313273A2	1	PIN,

03-03 FUEL LINES



STX500 CASE IH 4WD TRACTOR (AFTER S/N JEE0099501)

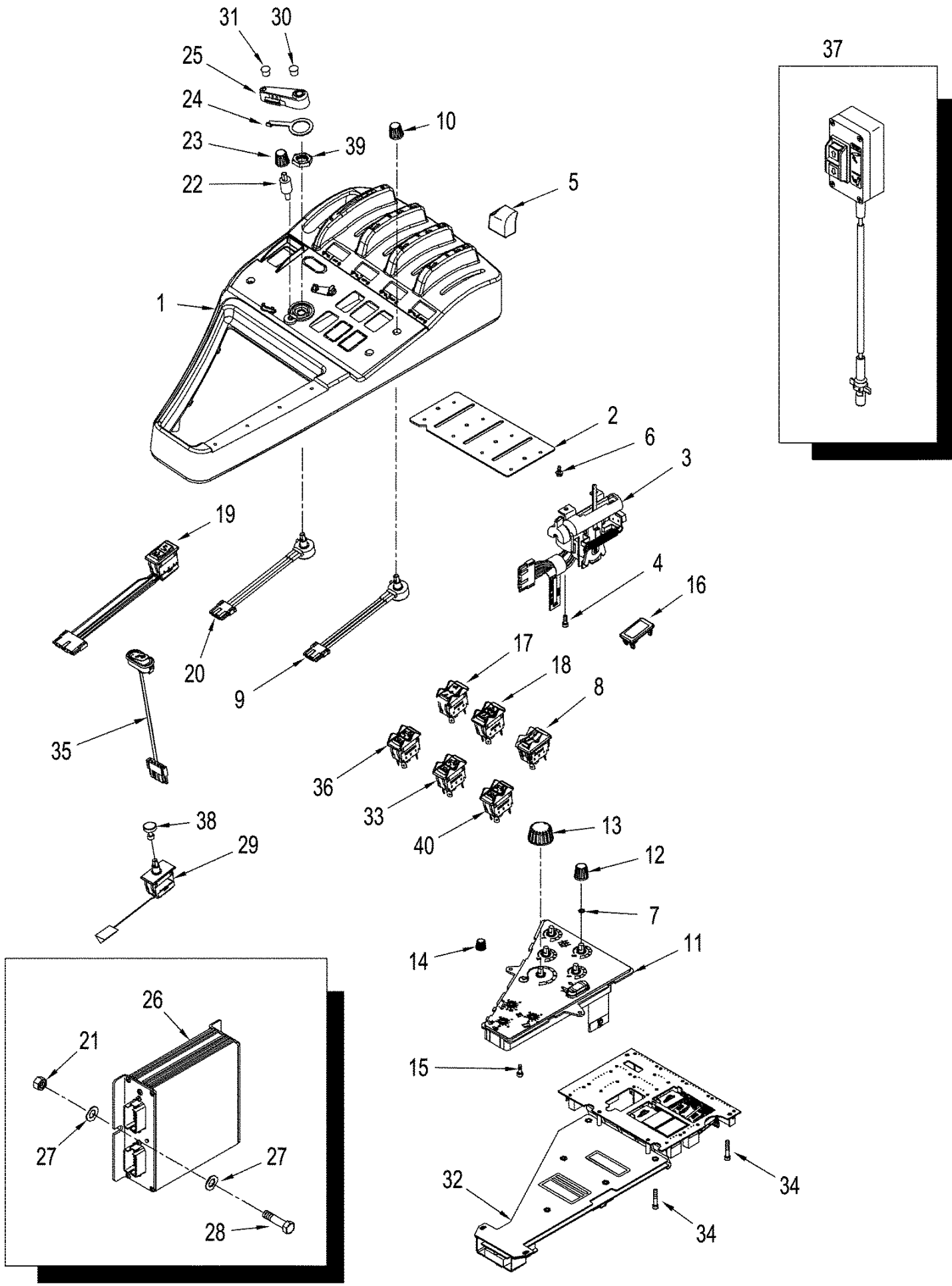
03-03 FUEL LINES

сылка	Номер детали	Кол-во	Описание
1	217-1226	1	ELBOW, 90е, 1/2"-14 Male,
2	31-1267	2	VALVE, SHUT-OFF,
3	218-445	1	CONNECTOR, HYD., 7/8"-14, 37е x 1/2"-14, NPTF,
4	31-2976	1	FITTING, 7/8 fem sw x 31/64 barb, Socketless
5	217-186	1	FITTING, 45е, 1/2" Hose x 1/2" NPTF Beaded,
6	895-11010	7	WASHER, M10 x 20 x 2,
7	296077A1	1	HOSE, 3657 mm (144 in), Supply, Cut From 50-3418X1
8	372913A1	1	HOSE, 2387 mm (94 in), Hot Return, Cut From 32-080T1
9	327144A1	1	CLAMP,
10	L101181	4	CLAMP,
11	627-8035	3	BOLT, Hex, M8 x 35, 10.9,
12	895-11008	7	WASHER, M8 x 16 x 1.6,
13	832-10408	3	NUT, LOCK, M8 x 1.25, CI 8,
14	87332463	1	COOLER, Fuel
15	515-23159	3	CLAMP, 5/8", Insul, 3/8" Bolt,
16	627-8020	4	BOLT, Hex, M8 x 20, 10.9,
17	31-3129	1	ADAPTER, 7/8
18	310715A1	1	HOSE, 5600 mm (221 in), Cold Return, Cut From 32-080T1
19	515-23190	3	CLAMP, 3/4", Insul, 3/8" Bolt,
20	R54363	4	CLAMP,
21	324089A1	2	PLATE ASSY.,
22	335041A2	1	LINE, Crossover
23	31-1000	1	TEE, 1/2 PT x 1/2 PT x 7/8 fl
24	217-1072	1	CONNECTOR, HYD., 1/2"-14 NPTF,
25	90-7732T1	1	BREATHER,
26	352767A1	2	CONNECTOR, HYD.,
27	402800A1	1	BRACKET,
28	627-6016	1	BOLT, Hex, M6 x 16, 10.9,
29	248-2178	2	GROMMET, 3/4" ID x 1 1/16" Groove Dia,
30	829-1410	6	NUT, M10, CI 10,
31	337248A1	4	O-RING,
32	337240A1	1	HOSE, 1222 mm (48 in), Sight Guage, Cut From 337242A1
33	349868A1	1	CHANNEL, Sight Guage
34	895-11006	1	WASHER, M6,
35	844-10035	2	BOLT, Hex Flg, M10 x 35, 8.8,
36	895-15008	6	WASHER, M8 x 20 x 1.6,
37	A27328	4	SPACER,
38	827-8060	2	BOLT, Hex, M8 x 60, 10.9,
39	214-1406	4	CLAMP, HOSE, #06, .44/.78 Type F Worm,
40	217-144	1	ELBOW, 45е, 5/8" Hose x 1/2" NPTF Beaded,
	87409378	1	FILTER, FUEL, Strainer, Inc. 41, 42, 53 - 59
41	NSS	1	NOT SERVICED SEPARATELY, Housing, Filter
42	369844A1	1	DRAINCOCK/TAP, SUPPLY, Valve
43	217-349	2	FITTING, 90е, 5/8" Hose x 7/8"-14 ORB Beaded, Inc. 44
44	237-6010	2	O-RING, 10-1, 90 Duro, .755" ID x .097" Thk,

STX500 CASE IH 4WD TRACTOR (AFTER S/N JEE0099501)

03-03 FUEL LINES

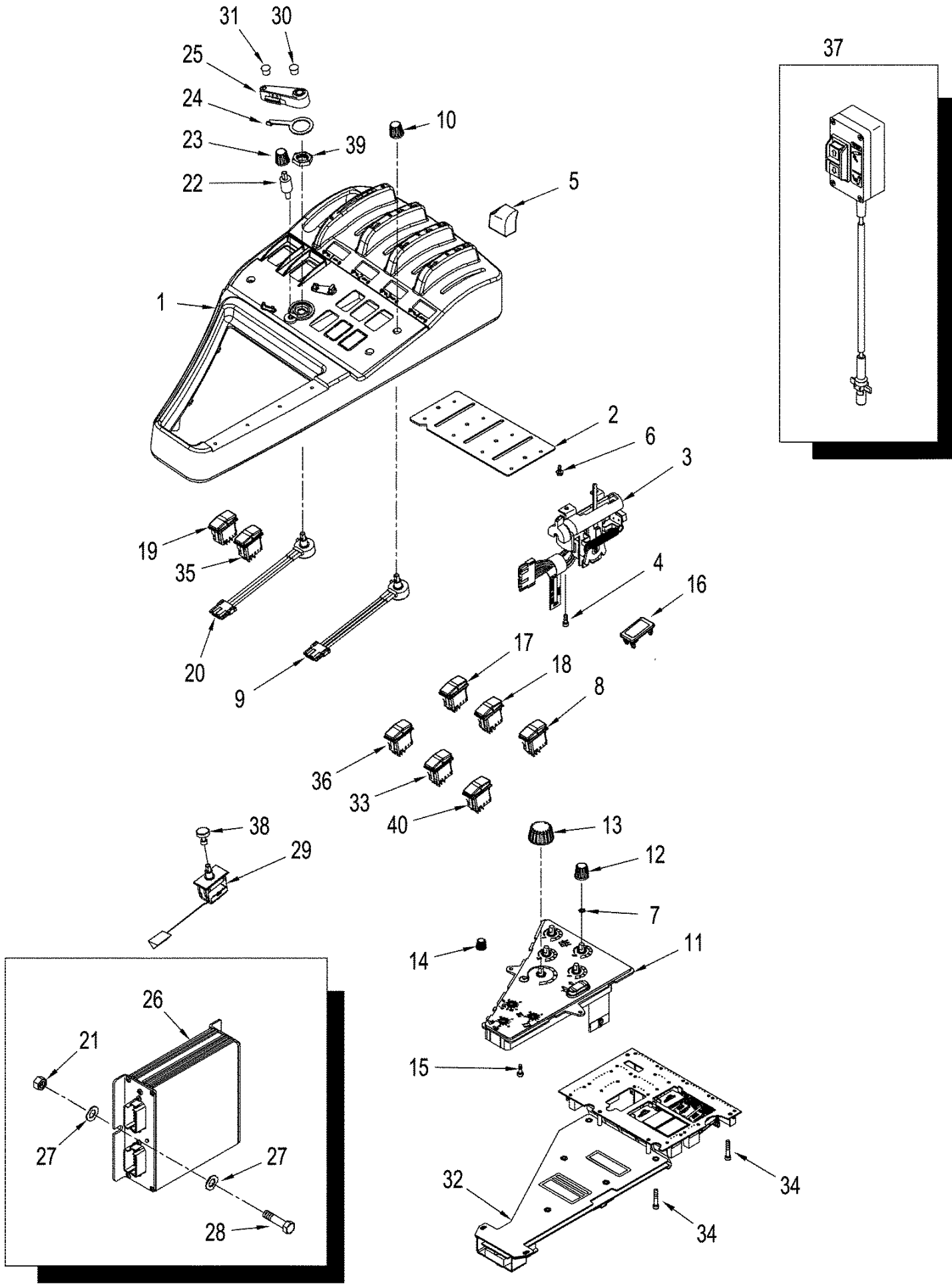
сылка	Номер детали	Кол-во	Описание
45	895-11008	4	WASHER, M8 x 16 x 1.6,
46	614-8020	2	BOLT, Hex, M8 x 20, 8.8,
47	829-1408	2	NUT, M8, CI 10,
48	214-1408	4	CLAMP, HOSE, #08, 0.50/0.91 Type F Worm,
49	832-10410	1	NUT, LOCK, M10 x 1.5, CI 8,
50	827-8090	1	BOLT, Hex, M8 x 90, 10.9,
51	214-1406	1	CLAMP, HOSE, #06, .44/.78 Type F Worm,
52	32-204	1	HOSE, LARGE, Drain
53	87333679	1	SPRING, Filter Frame
54	87409379	1	FILTER, Fuel, 30 Micron
55	87333676	1	GASKET, Fuel Strainer
56	87331930	1	GASKET,
57	87333671	1	RING, Retainer
58	369843A1	1	GASKET,
59	87409380	1	FILTER, Bowl, Clear
60	87313728	1	HOSE, 485 mm (19")
61	87608457	4	BOLT, SPECIAL,



STX500 CASE IH 4WD TRACTOR (AFTER S/N JEE0099501)

04-01 CONTROLS - RIGHT HAND CONSOLE, BSN JEE0106701

сылка	Номер детали	Кол-во	Описание
1	408021A1	1	HOUSING, Cover Assy, Upper, BSN JEE0102001
1	417819A2	1	HOUSING, Cover Assy, Upper, BTW JEE0102001 & JEE0105701
	409638A1	1	CONTROL, Electronic, Inc. 2 - 4
2	230098A1	1	PLATE, Mounting
3	406961A1	4	LEVER ASSY., Remote Auxiliary Valve
4	261-3446	8	SCREW, Slt'd Pan Hd, #8-32 x 3/8",
5	406962A1	4	KNOB, Remote
6	864-4020	4	SCREW, Hex Soc Hd, M4 x 20, 8.8,
7	A39888	1	NUT, 3/8-32
8	277499A1	1	SWITCH, Fifth Auxiliary Valve
9	256305A2	1	POTENTIOMETER, Flow Control
10	276797A1	1	KNOB, Flow Control
11	339735A1	1	PANEL, Secondary, With Three Point Hitch
11	238290A4	1	PANEL, Secondary, Without Three Point Hitch
12	276797A1	4	KNOB, Flow Control
13	187820A1	1	BUTTON, Remote Valve Timer Control
14	223433A1	2	KNOB, Electronic Draft Control, With Three Point Hitch
15	760-14316	2	SCREW, SELF TAP, Pan Hd, M4.2 x 16, M4,2 x 16
16	86000535	2	PLUG, 1.427" x .62", Plastic,
17	229378A1	1	SWITCH, Differential Lock, Front
18	246809A1	1	SWITCH, Differential Lock, Rear
19	255676A1	1	SWITCH, Hitch Position
20	256304A2	1	POTENTIOMETER, Three Point Hitch
21	829-1408	2	NUT, M8, CI 10,
22	256303A1	1	STUD, Stop Position
23	276797A1	1	KNOB, Stop Position
24	248087A1	1	LEVER, Stop Position
25	299483A2	1	LEVER, CONTROL, Hitch Position
26	323758A4	1	CONTROL UNIT, Three Point Hitch
27	895-11008	2	WASHER, M8 x 16 x 1.6, 9 x 17 x 1,6 mm
28	627-8016	1	BOLT, Hex, M8 x 16, 10.9,
29	414495A1	1	SWITCH, Power Takeoff
30	353-402	1	PLUG, Dome, .375" hole, Nylon, , Without Three Point Hitch
31	374705A1	1	PLUG, , Without Three Point Hitch
32	399285A1	1	UNIT, Armrest Processor, Down Load Software From Service Tool
32	87308356	1	MODULE, Armrest Processor, w/ Engine Brake Option, Down Load Software From Service Tool
33	87440713	1	SWITCH, ACCUGUIDE
34	864-4016	6	SCREW, Hex Soc Hd, M4 x 16, 8.8, M4 x 16; 8.8
35	353942A1	1	SWITCH, Scrapper
36	229373A1	1	SWITCH, EDC, Slip Limit Control
37	382247A1	1	SWITCH, Remote, Three Point Hitch
38	411705A3	1	KNOB,
39	375844A1	1	NUT,
40	87310588	1	SWITCH, Engine Brake

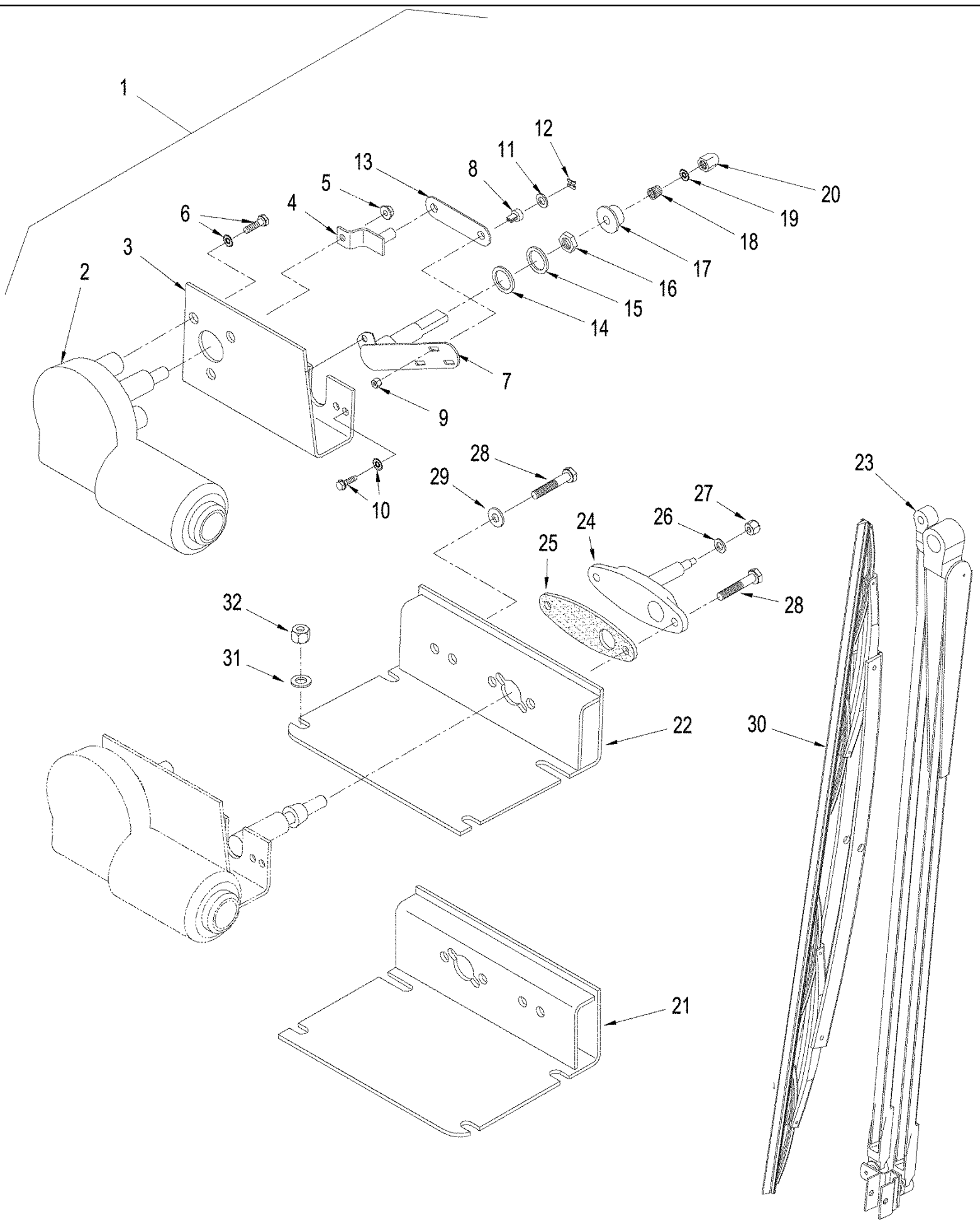


STX500 CASE IH 4WD TRACTOR (AFTER S/N JEE0099501)

04-01(01) CONTROLS - RIGHT HAND CONSOLE, ASN JEE0106701

сылка	Номер детали	Кол-во	Описание
1	87412651	1	COVER ASSY, Housing, Upper, w/ Decal, See Figure: 09-23
	87395318	1	CONTROL, Electronic, Inc. 2 - 4
2	230098A1	1	PLATE, Mounting
3	87395299	4	VALVE, CONTROL, Remote Auxiliary Valve
4	261-3446	8	SCREW, Slt'd Pan Hd, #8-32 x 3/8",
5	406962A1	4	KNOB, Remote
6	864-4020	4	SCREW, Hex Soc Hd, M4 x 20, 8.8,
7	A39888	1	NUT, 3/8-32
8	86989947	1	SWITCH, Fifth Auxiliary Valve
9	256305A2	1	POTENTIOMETER, Flow Control
10	276797A1	1	KNOB, Flow Control
11	339735A1	1	PANEL, Secondary, With Three Point Hitch
11	238290A4	1	PANEL, Secondary, Without Three Point Hitch
12	276797A1	4	KNOB, Flow Control
13	187820A1	1	BUTTON, Remote Valve Timer Control
14	223433A1	2	KNOB, Electronic Draft Control, With Three Point Hitch
15	760-14316	2	SCREW, SELF TAP, Pan Hd, M4.2 x 16, M4,2 x 16
16	406324A2	2	PLUG,
17	87417060	1	SWITCH, Differential Lock, Front
18	87417061	1	SWITCH, Differential Lock, Rear
19	86990406	1	SWITCH, Hitch Position
20	256304A2	1	POTENTIOMETER, Three Point Hitch
21	829-1408	2	NUT, M8, CI 10,
22	256303A2	1	STUD, Stop Position
23	276797A1	1	KNOB, Stop Position
24	248087A1	1	LEVER, Stop Position
25	299483A2	1	LEVER, CONTROL, Hitch Position
26	323758A4	1	CONTROL UNIT, Three Point Hitch
27	895-11008	2	WASHER, M8 x 16 x 1.6, 9 x 17 x 1,6 mm
28	627-8016	1	BOLT, Hex, M8 x 16, 10.9,
29	414495A1	1	SWITCH, Power Takeoff
30	353-402	1	PLUG, Dome, .375" hole, Nylon, , Without Three Point Hitch
31	374705A1	1	PLUG, , Without Three Point Hitch
32	87454949	1	UNIT, Armrest Processor, Down Load Software From Service Tool
33	87440713	1	SWITCH, ACCUGUIDE
34	87536486	6	SCREW, M4 x 16; 12.9
35	86989951	1	SWITCH, Scrapper
36	87414327	1	SWITCH, EDC, Slip Limit Control
37	382247A1	1	SWITCH, Remote, Three Point Hitch
38	411705A3	1	KNOB, Power Takeoff
39	375844A1	1	NUT,
40	87308327	1	SWITCH, Engine Brake

04-02 WIPER, WINDSHIELD - MOUNTING

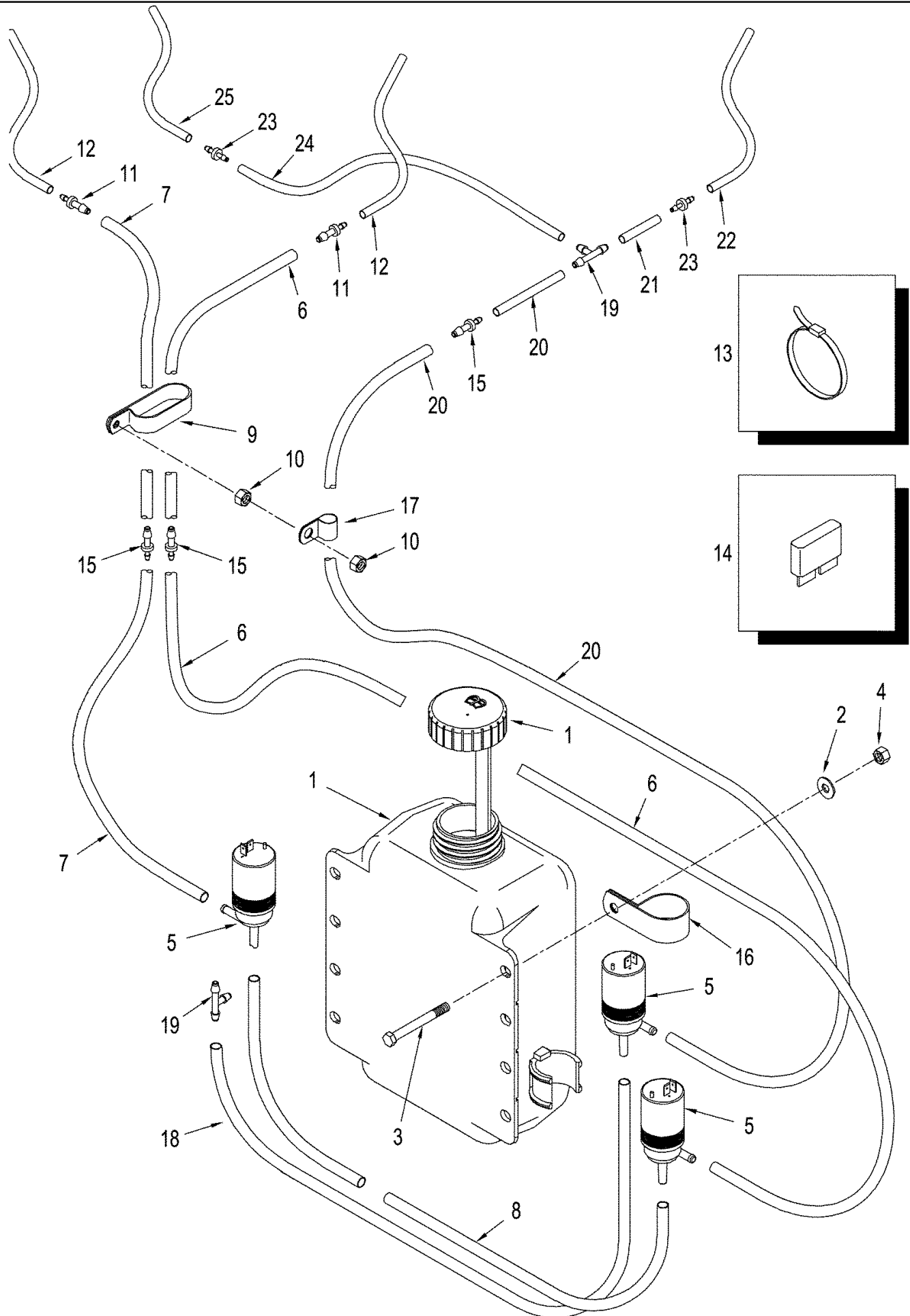


STX500 CASE IH 4WD TRACTOR (AFTER S/N JEE0099501)

04-02 WIPER, WINDSHIELD - MOUNTING

сылка	Номер детали	Кол-во	Описание
	248812A4	1	WIPER MOTOR, Rear, Upper, All Cab Options, Inc. 2 - 20, 22, 24 - 29
	87408490	1	WIPER MOTOR, Front, Upper, All Cab Options, Inc. 2 - 20, 22, 24 - 29
	87308226	1	WIPER MOTOR, Front, Lower, Right-Hand, Inc. 1, 23 - 29, Luxury Cab
	87308230	1	WIPER MOTOR, Front, Lower, Left-Hand, Inc. 2 - 20, Luxury Cab
1	87308226	1	WIPER MOTOR, Front, Lower Right-Hand, Inc. 2 - 20
1	87308230	1	WIPER MOTOR, Upper / Lower, Left-Hand, Inc. 2 - 20
1	87308180	1	WIPER MOTOR, Rear, Upper, Inc. 2 - 20
1	87307954	1	WIPER MOTOR, Front, Upper, Inc. 2 - 20
2	87307958	1	WIPER MOTOR, Front & Rear
3	60-6633T1	1	SUPPORT,
4	87307957	1	ARM,
5	86505868	1	NUT, M8, Flg Ser,
6	444867A1	3	SCREW, Button Hd
7	60-6581T91	1	DRIVE ASSY.,
8	NSS	1	NOT SERVICED SEPARATELY, Pin
9	NSS	1	NOT SERVICED SEPARATELY, Nut
10	NSS	2	NOT SERVICED SEPARATELY, Screw, Inc. Lock Washer
11	1-2684	2	WASHER,
12	1-2685	2	CLIP,
13	1-2683	1	LINK,
14	60-3495T1	1	WASHER, Fiber
15	60-3496T2	1	WASHER, Steel
16	60-3497T1	1	NUT,
17	60-3498T1	1	COVER,
18	60-3499T2	1	KNOB, Knurled
19	60-6634T1	1	PLATE, LOCKING,
20	60-6635T1	1	NUT, Special
21	334963A3	1	SUPPORT, Lower, Right-Hand
22	248784A4	1	SUPPORT, Upper / Lower Left-Hand
23	334714A2	3	ARM, 20"
	60-1436T91	1	PIVOT ASSY., Pantograph, Inc. 24 - 27
24	NSS	1	NOT SERVICED SEPARATELY, Body
25	2-4190T1	1	GASKET,
26	2-4191T1	1	WASHER,
27	2-4192T1	1	NUT,
28	414-424	3	BOLT, Hex, 1/4"-28 x 1 1/2", G5, 1/4 NF x 1-1/2
29	495-11028	1	WASHER, 1/4", SAE, 9/32 x 5/8 x 1/16
30	334715A1	2	BLADE, 660 mm (26 in), Front, Lower
30	353273A1	2	BLADE, 559 mm (22 in), Front / Rear Upper
31	895-11008	11	WASHER, M8 x 16 x 1.6, 9 x 17 x 1,6 mm
32	832-10408	9	NUT, LOCK, M8 x 1.25, CI 8,
33	86000535	1	PLUG, 1.427" x .62", Plastic, Switch Hole, Not Illustrated, Standard and Deluxe Cab

04-03 WINDSHIELD WASHER

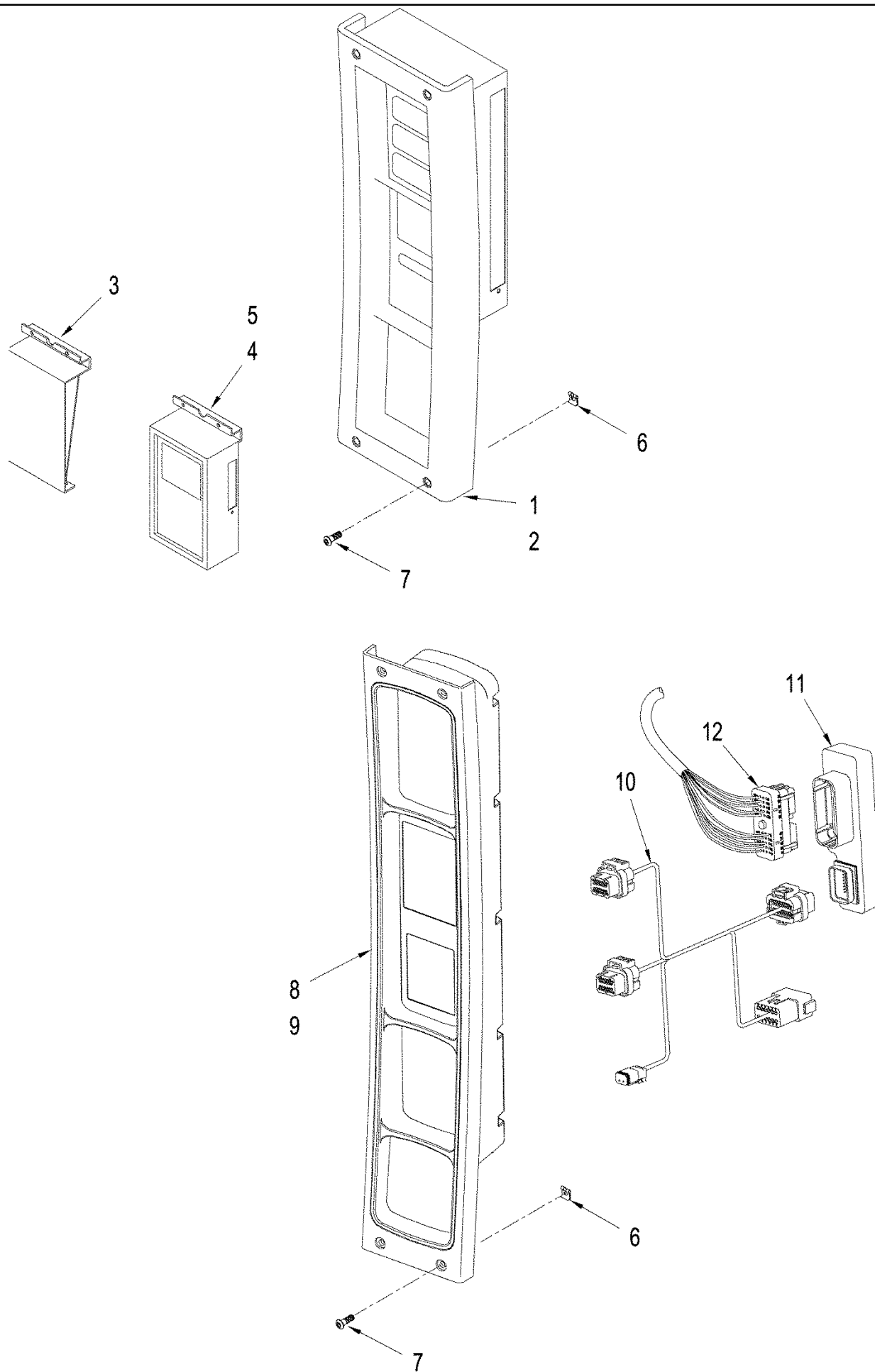


STX500 CASE IH 4WD TRACTOR (AFTER S/N JEE0099501)

04-03 WINDSHIELD WASHER

сылка	Номер детали	Кол-во	Описание
1	313576A1	1	RESERVOIR,
2	895-11008	4	WASHER, M8 x 16 x 1.6, 9 x 17 x 1,6 mm
3	811-8030	4	BOLT, CARRIAGE, Short NK, M8 x 30, CI8.8, Full Thd,
4	829-1408	4	NUT, M8, CI 10,
5	1964696C2	3	PUMP,
6	398715A1	1	HOSE, 4775 mm (188 in), Front Wiper
7	398714A1	1	HOSE, 3302 mm (130 in), Rear Wiper
8	31-2422	2	HOSE, 254 mm (10 in), Cut From 4-1056
9	369708A1	4	CLAMP,
10	829-1410	AR	NUT, M10, CI 10,
11	31-2364	2	FITTING, 3/16 x 7/64
12	31-2608	2	HOSE, 200 mm (8 in), Rear Wiper
13	435437A1	5	STRAP, CABLE, 3/16" x 7 1/4", 7 in
14	121414A1	1	FUSE, 20 amp
15	324203A1	2	VALVE, CHECK,
16	515-24349	1	CLAMP, 1 3/8", Insul, 7/16" Bolt,
17	515-2495	4	CLAMP, 3/8", Insul, 7/16" Bolt,
18	31-2866	1	HOSE, 160 mm (24 in), Cut From 4-1056T1
19	31-2363	2	TEE,
20	31-2936	1	HOSE, 4775 mm (188 in), Cut From 4-1056T1
21	384139A1	1	HOSE ASSY.,
22	384141A1	1	HOSE ASSY.,
23	31-2364	2	FITTING,
24	384140A1	1	HOSE ASSY.,
25	384142A1	1	HOSE ASSY., 250 mm (10 in), Cut From 31-2607T1

04-04 INSTRUMENT CLUSTER

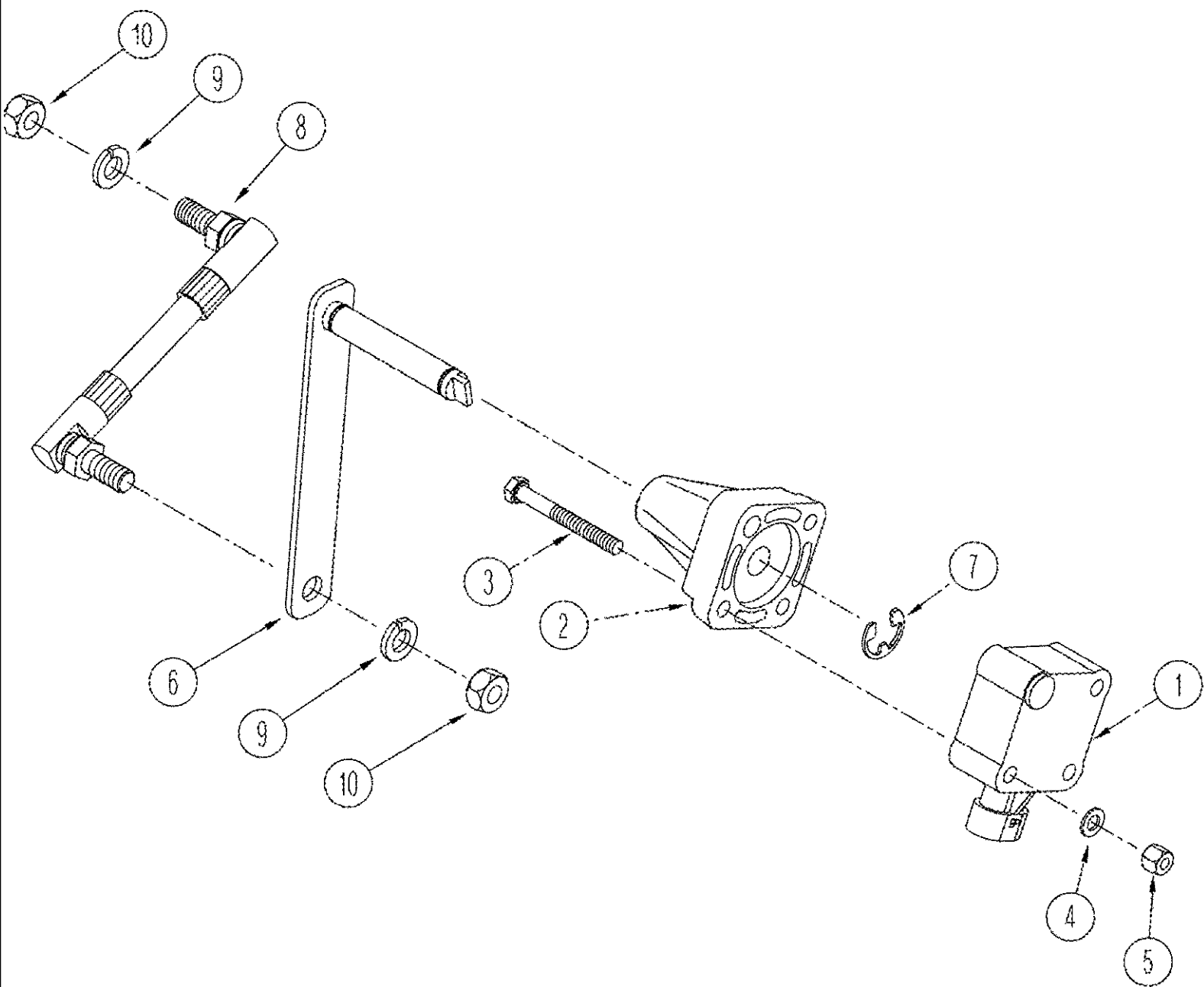


STX500 CASE IH 4WD TRACTOR (AFTER S/N JEE0099501)

04-04 INSTRUMENT CLUSTER

сылка	Номер детали	Кол-во	Описание
1	434711A1	1	CLUSTER, INSTRUMENT, , BSN JEE0102001
1	86989494	1	CLUSTER, INSTRUMENT, , BTW JEE0102001 & JEE0106701
2	NSS	1	NOT SERVICED SEPARATELY, Software, Not Illustrated, Down Load Software From Service Tool
3	358296A1	1	PANEL, Without Performance Monitor, BSN JEE0106701
4	362031A1	1	CLUSTER, INSTRUMENT, Performance Monitor, BSN JEE0106701
5	NSS	1	NOT SERVICED SEPARATELY, Software, Not Illustrated, Down Load Software From Service Tool, BSN JEE0106701
6	177269A1	4	NUT,
7	260-16516	4	SCREW, SELF TAP, Cross Pan Hd, #10 x 1",
8	87307900	1	MODULE, Deluxe, ICU2, ASN JEE0106701
8	87307899	1	MODULE, Basic, ICU2, ASN JEE0106701
9	NSS	1	NOT SERVICED SEPARATELY, Software, Basic / Deluxe Instrument, Not Illustrated, Down Load Software From Service Tool, ASN JEE0106701
10	87314360	1	HARNESS, Jumper, ICU to ICU2, With Power Shift Transmission, Used to Convert BSN JEE0106701 ICU to ASN JEE0106701 ICU2
10	87314361	1	HARNESS, Jumper, ICU to ICU2, Used to Convert BSN JEE0106701 ICU to ASN JEE0106701 ICU2, With Manual Shift Transmission
11	87314358	1	ADAPTER, Module, ICU to ICU2, Used to Convert BSN JEE0106701 ICU to ASN JEE0106701 ICU2
12	REF	1	INSTRUCTION, Harness, Main Cab, See Figure: 04-22 & 04-23
	365979A1	1	KIT, Performance Monitor, Inc. 4, BSN JEE0106701

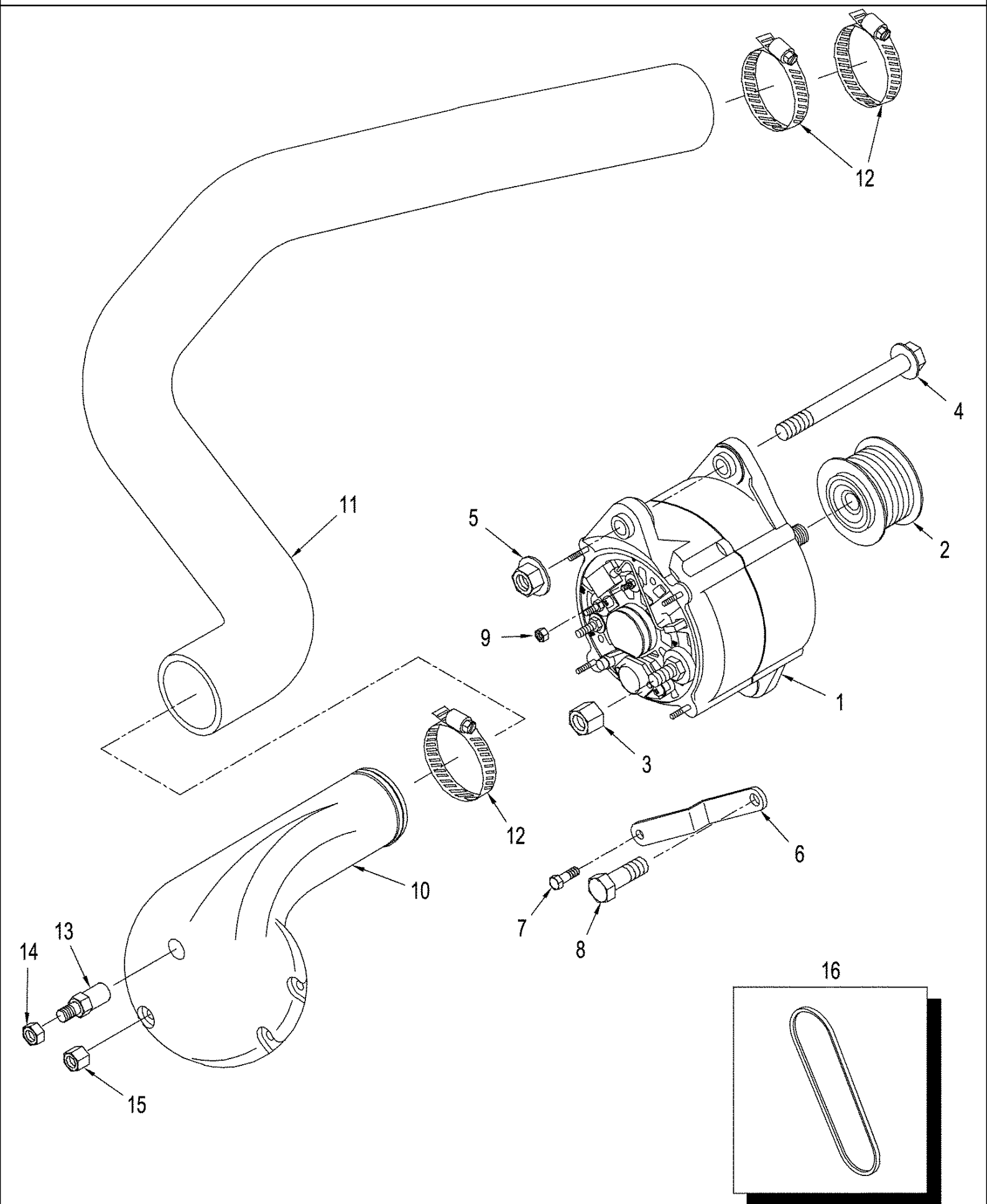
04-05 SENSOR - HITCH POSITION



STX500 CASE IH 4WD TRACTOR (AFTER S/N JEE0099501)

04-05 SENSOR - HITCH POSITION

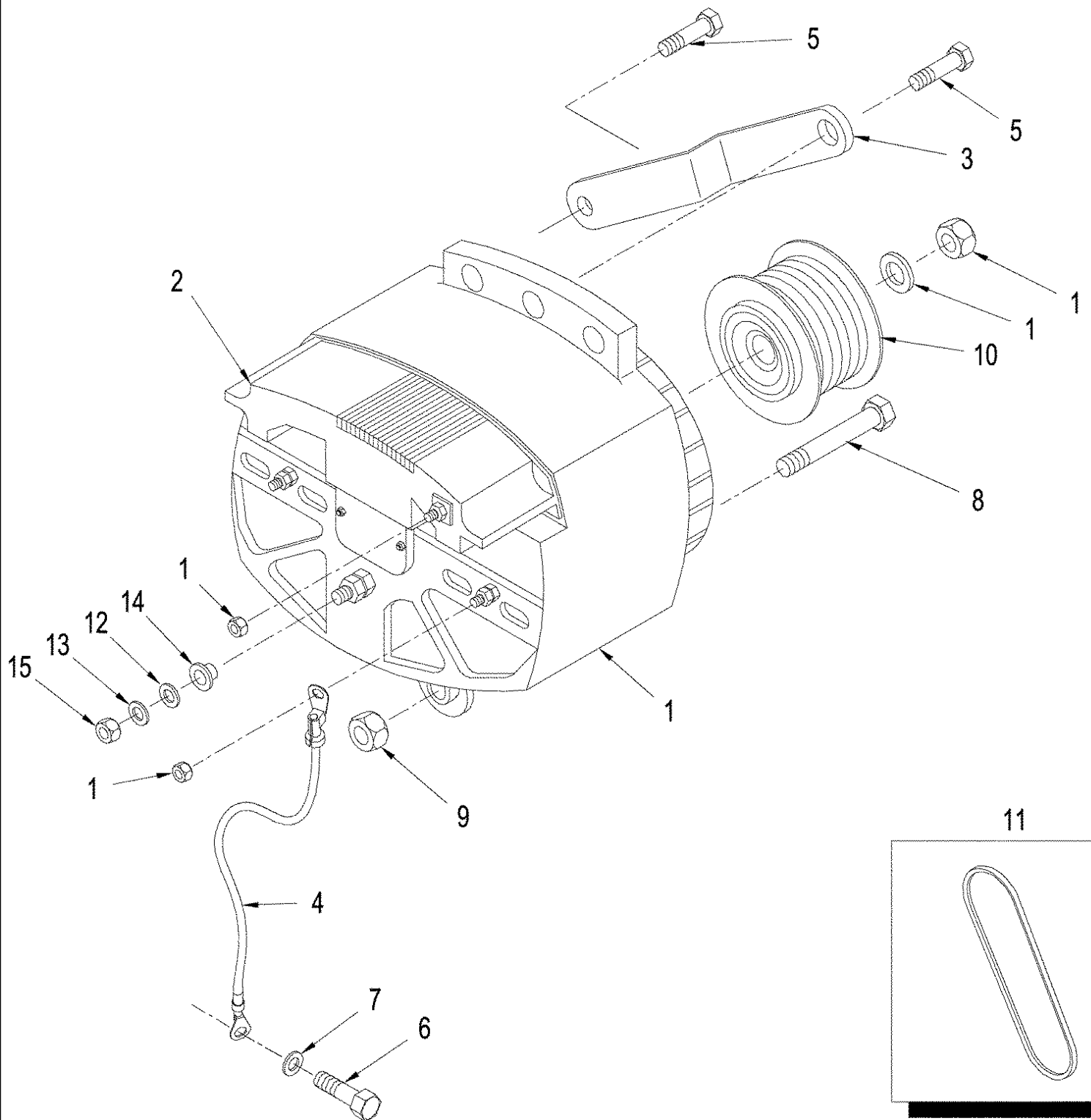
сылка	Номер детали	Кол-во	Описание
1	283659A1	1	SENSOR, Hitch Position
2	305020A2	1	BUSHING,
3	614-5045	3	BOLT, Hex, M5 x 45, 8.8, Full Thd, M5 x 45; 8,8
4	895-11005	3	WASHER, M5 x 10 x 1, 5,5 x 10 x 1 mm
5	832-10405	3	NUT, LOCK, M5 x .8, CI 8, M5
6	353926A1	1	ARM,
7	800-4310	2	CIRCLIP, M10,
8	358978A1	1	ROD, Tie
9	892-11008	2	WASHER, LOCK, M8,
10	829-1408	2	NUT, M8, CI 10,



STX500 CASE IH 4WD TRACTOR (AFTER S/N JEE0099501)

04-06(01) ALTERNATOR - MOUNTING, 135 AMPERE

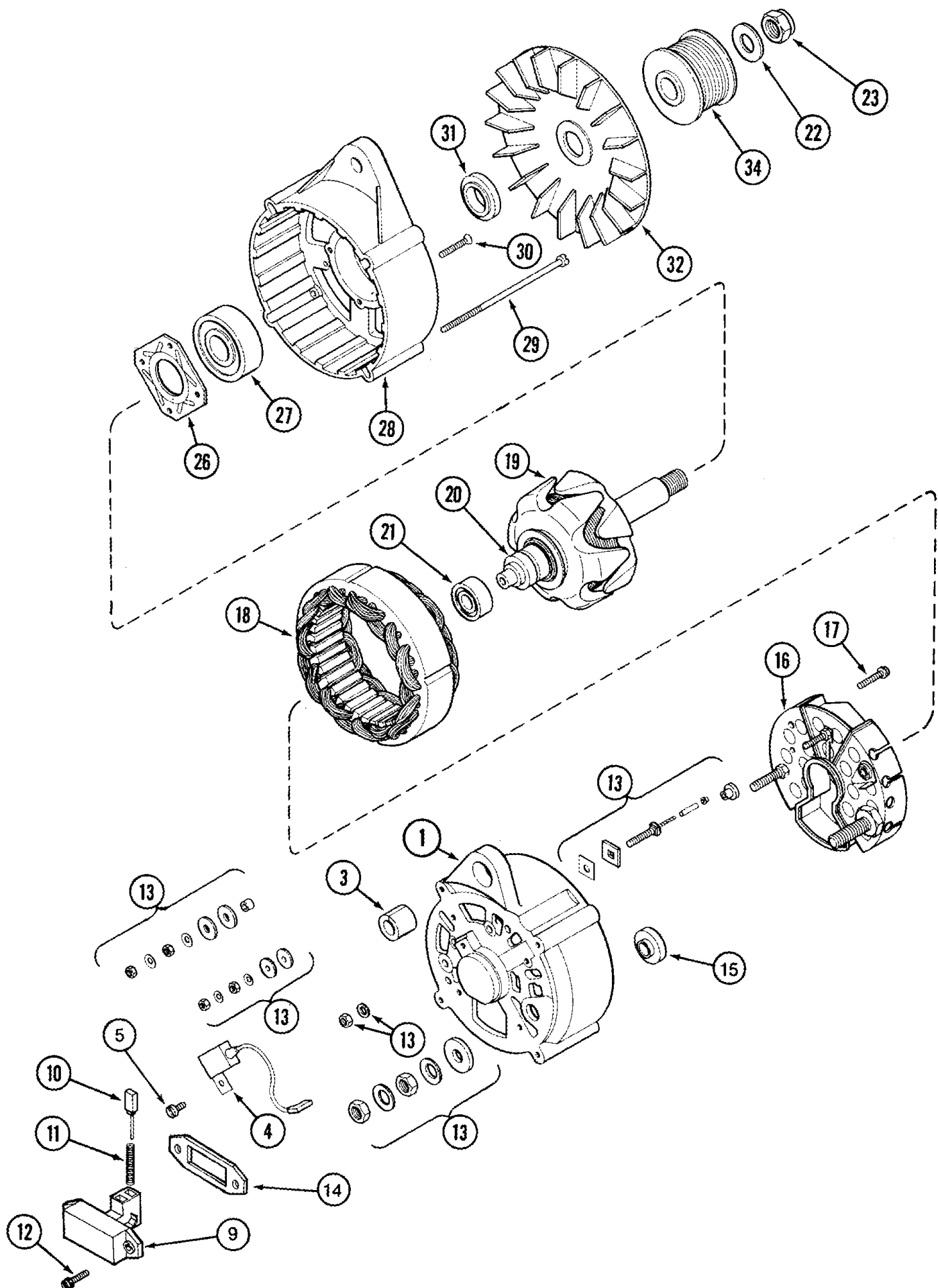
сылка	Номер детали	Кол-во	Описание
1	125849A1	1	ALTERNATOR, 135 amp, See Figure 04-07
2	NSS	1	NOT SERVICED SEPARATELY, Pully, Order From Your Cummins Engine Dealer
3	231-1447	1	NUT, LOCK, 7/16"-14, GB,
4	NSS	1	NOT SERVICED SEPARATELY, Bolt, Order From Your Cummins Engine Dealer
5	NSS	2	NOT SERVICED SEPARATELY, Nut, Order From Your Cummins Engine Dealer
6	NSS	1	NOT SERVICED SEPARATELY, Brace, Order From Your Cummins Engine Dealer
7	NSS	1	NOT SERVICED SEPARATELY, Bolt, Order From Your Cummins Engine Dealer
8	NSS	1	NOT SERVICED SEPARATELY, Bolt, Order From Your Cummins Engine Dealer
9	832-10404	1	NUT, LOCK, M4 x .7, CI 8, M4; 8
10	86983592	1	COVER, Alternator Cooling, ASN JEE0102317
11	86983593	1	HOSE, , ASN JEE0102317
12	214-3156	3	CLAMP, HOSE, 2.75/3.625 HD Worm, 3-1/2 in, ASN JEE0102317
13	87405340	1	ADAPTER, , ASN JEE0102317
14	231-1447	1	NUT, LOCK, 7/16"-14, GB, , ASN JEE0102317
15	832-10404	1	NUT, LOCK, M4 x .7, CI 8, M4, CL8, ASN JEE0102317
16	87437226	1	BELT, Accessory Drive, Alternator & Air Conditioning



STX500 CASE IH 4WD TRACTOR (AFTER S/N JEE0099501)

04-06(02) ALTERNATOR - MOUNTING, 185 AMPERE

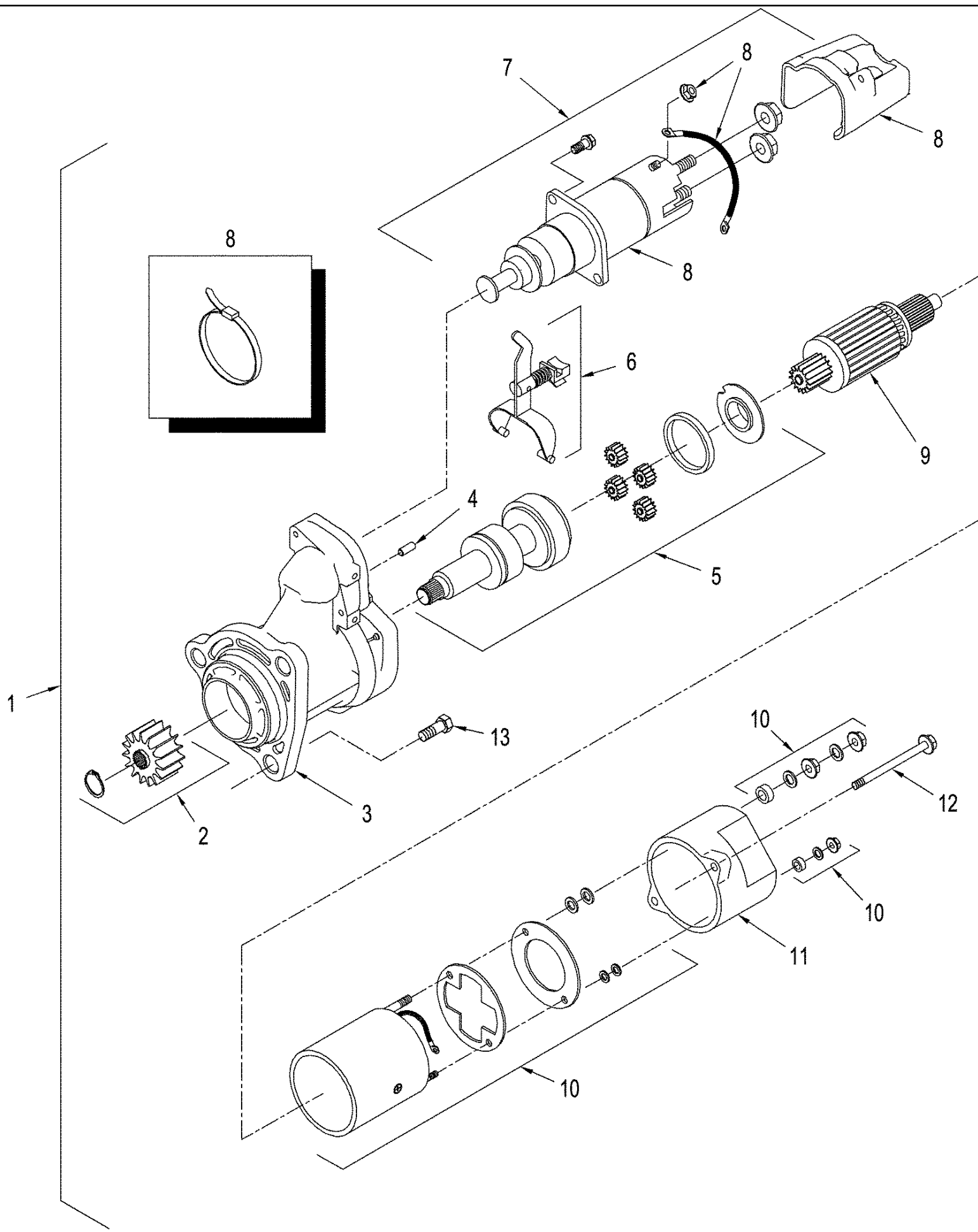
сылка	Номер детали	Кол-во	Описание
1	87409414	1	ALTERNATOR, 185 amp, Inc. Hardware
1	87409251	1	REMAN-ALTERNATOR, 185 amp
1	87409252	1	CORE-ALTERNATOR, 185 amp
2	87018506	1	REGULATOR, VOLTAGE,
3	432436A1	1	STRAP,
4	432439A1	1	CABLE, Ground
5	NSS	2	NOT SERVICED SEPARATELY, Bolt, Order From Your Cummins Engine Dealer
6	627-10025	1	BOLT, Hex, M10 x 25, 10.9, Full Thd, M10 x 25; 10.9
7	896-11012	1	WASHER, M13.5 x 24.5 x 3, HT,
8	NSS	1	NOT SERVICED SEPARATELY, Bolt, Order From Your Cummins Engine Dealer
9	NSS	1	NOT SERVICED SEPARATELY, Nut, Order From Your Cummins Engine Dealer
10	432437A1	1	PULLEY,
11	87437226	1	BELT, Accessory Drive, Alternator & Air Conditioning
12	495-11034	1	WASHER, 5/16", SAE,
13	492-11031	1	WASHER, LOCK, 5/16",
14	87387851	1	ADAPTER,
15	425-115	1	NUT, 5/16"-24, G5,



STX500 CASE IH 4WD TRACTOR (AFTER S/N JEE0099501)

04-07 ALTERNATOR ASSEMBLY - 135 AMPERE

сылка	Номер детали	Кол-во	Описание
	125849A1	1	ALTERNATOR, 135 amp, Inc. 1 - 32
	125849A1R	1	REMAN-ALTERNATOR, N.A. Only
	125849A1C	1	CORE-ALTERNATOR,
1	1964731C1	1	HOUSING,
3	1964737C1	1	BUSHING,
4	3079389R1	1	CAPACITOR,
5	1964969C1	1	BOLT,
9	111899A1	1	REGULATOR,
10	1964968C1	1	BRUSH,
11	1964734C1	2	SPRING,
12	A187504	2	SCREW,
13	1964738C1	1	KIT, REPAIR,
14	140546A1	1	GASKET,
15	140545A1	1	BUSHING,
16	1964732C1	1	RECTIFIER,
17	A186194	2	SCREW, Sltd Truss Hd, M4 x 18, w/LW,
18	140548A1	1	STATOR,
19	1964728C1	1	ROTOR,
20	140543A1	1	RING,
21	1964730C1	1	BEARING, BALL,
22	495-21063	1	WASHER, 9/16", 5/8 x 1-15/32 x 7/64
23	231-24410	1	NUT, LOCK, 5/8"-18, GB, 5/8 NF
26	1964727C1	1	PLATE,
27	1964726C1	1	BEARING, BALL,
28	1964725C1	1	HOUSING,
29	140549A1	4	SCREW,
30	140541A1	4	SCREW,
31	1964729C1	1	SPACER,
32	1964736C1	1	FAN,
34	NSS	1	NOT SERVICED SEPARATELY, Pully, Order From Your Cummins Engine Dealer

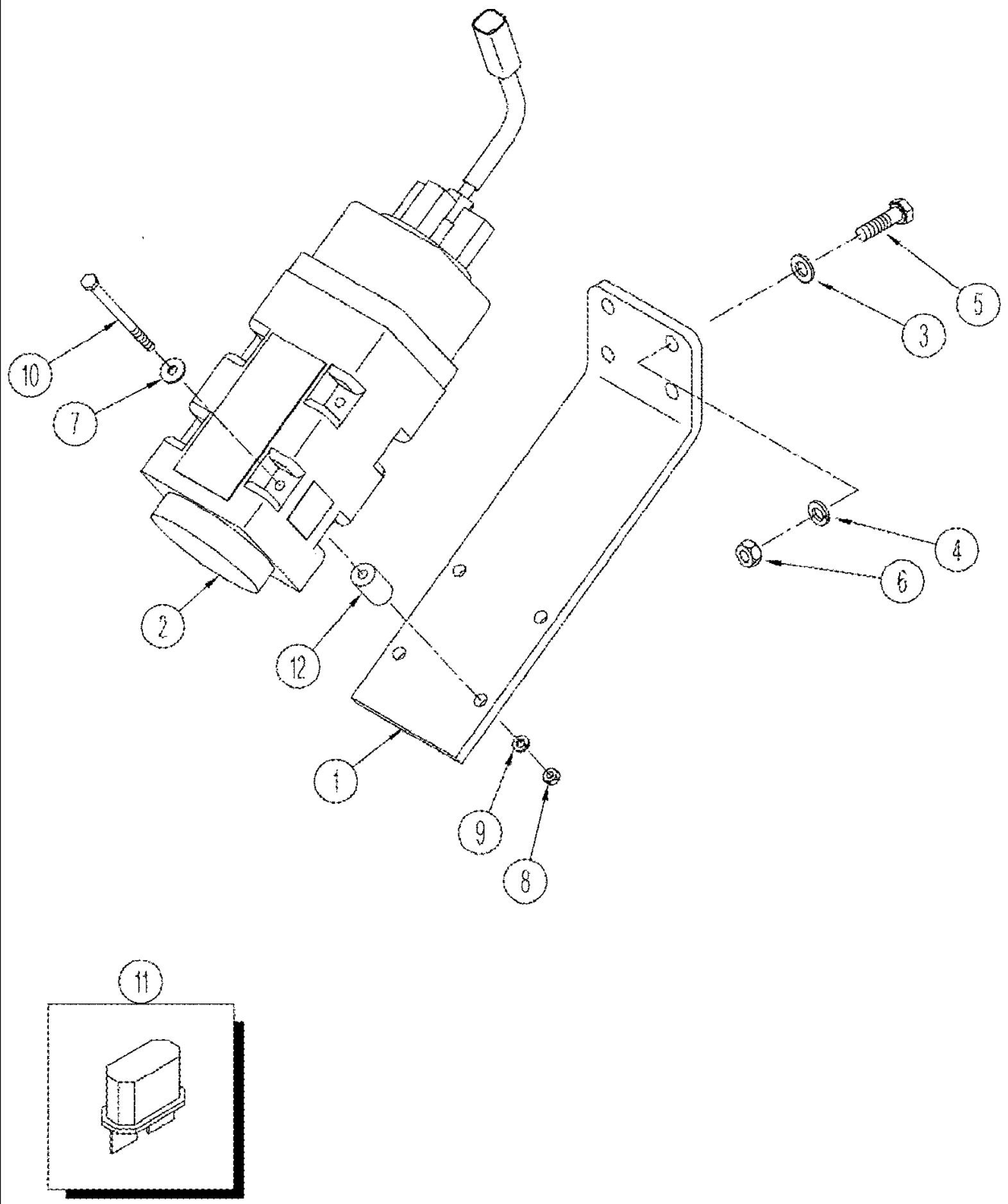


STX500 CASE IH 4WD TRACTOR (AFTER S/N JEE0099501)

04-08(01) STARTER ASSEMBLY, ASN JEE0102479

сылка	Номер детали	Кол-во	Описание
1	87415661	1	MOTOR, STARTER, 12V, 39MT-HD, Delco Remy, Inc. 2 - 12, BTW JEE0104001 & JEE0102479
1	87417338	1	MOTOR, STARTER, 24V, 39MT-HD, Delco Remy, Inc. 2 - 12, ASN JEE0104001
2	87429796	1	PINION, Assy.
3	87429803	1	HOUSING, Inc. 4
4	NSS	1	NOT SERVICED SEPARATELY, Pin, Roll
5	87429799	1	DRIVE ASSY., Without Pinion Kit
6	87429793	1	LEVER ASSY.,
7	87429798	1	SOLENOID, 12V, With Jump Start Shield, BTW JEE0104001 & JEE0102479
7	87429797	1	SOLENOID, 24V, With Jump Start Shield, ASN JEE0104001
8	87454482	1	KIT, FIP, Jump Start
9	87429801	1	ARMATURE, 12V, BTW JEE0104001 & JEE0102479
9	87429802	1	ARMATURE, 24V, ASN JEE0104001
10	87429795	1	BRUSH ASSY., 12V, BTW JEE0104001 & JEE0102479
10	87429794	1	BRUSH ASSY., 24V, ASN JEE0104001
11	87429800	1	HOUSING, Communicator End
12	87429804	2	BOLT,
13	NSS	3	NOT SERVICED SEPARATELY, Bolt, Mounting, 2 x 1/16, Gr 8.8, Order From Your Cummins Engine Dealer

04-09 GROUND SPEED SENSOR

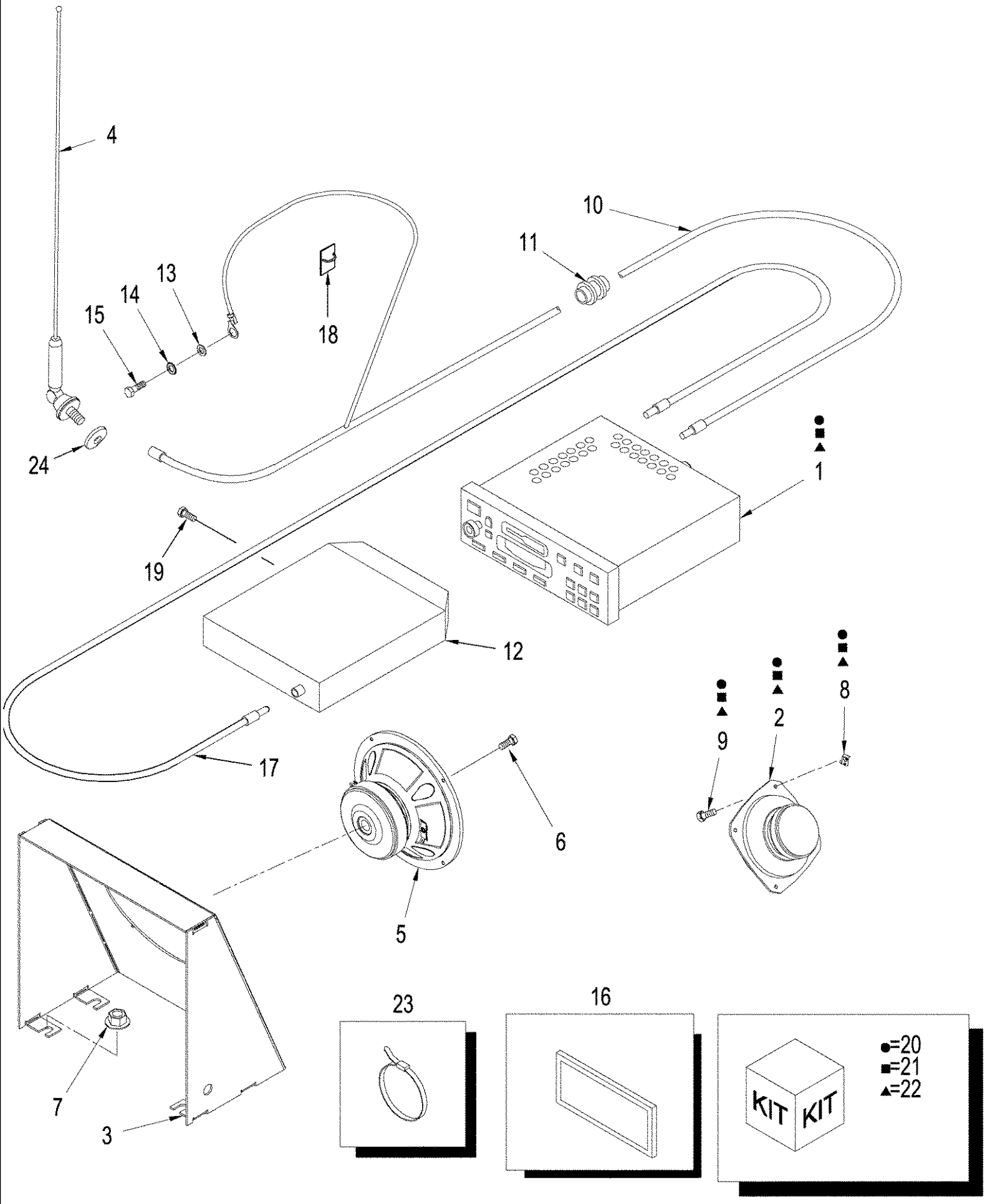


STX500 CASE IH 4WD TRACTOR (AFTER S/N JEE0099501)

04-09 GROUND SPEED SENSOR

сылка	Номер детали	Кол-во	Описание
	334233A1	1	KIT, Ground Speed, Inc. 1 - 12
1	414936A1	1	SUPPORT,
2	228760A1	1	RADAR, Ground Speed
3	895-11010	4	WASHER, M10 x 20 x 2,
4	892-11010	4	WASHER, LOCK, M10, M10
5	627-10035	4	BOLT, Hex, M10 x 35, 10.9, Full Thd, M10 x 35; 10.9
6	829-1410	4	NUT, M10, CI 10,
7	895-25006	4	WASHER, M6 x 18 x 1.6, 6,6 x 18 x 1,6 mm
8	829-1406	4	NUT, M6, CI 10, M6; 10.9
9	892-11006	4	WASHER, LOCK, M6,
10	827-6100	4	BOLT, Hex, M6 x 100, 10.9, M6 x 100; 10.9
11	121412A1	1	FUSE, 10 amp
12	414937A1	4	SPACER,

04-10 RADIO AND SPEAKERS

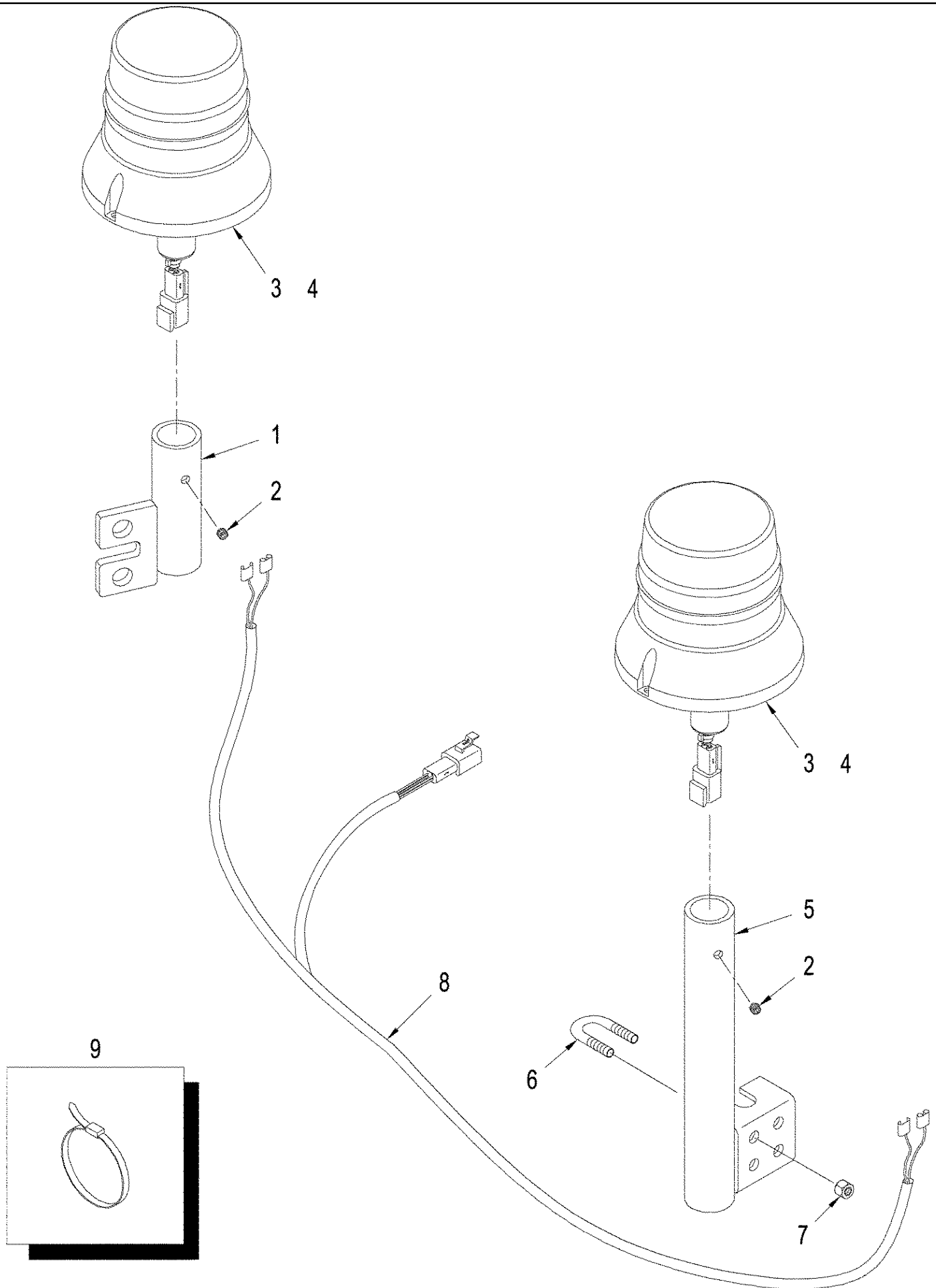


STX500 CASE IH 4WD TRACTOR (AFTER S/N JEE0099501)

04-10 RADIO AND SPEAKERS

сылка	Номер детали	Кол-во	Описание
1	366631A2	1	RADIO, AM / FM / WB
1	355623A2	1	RADIO, AM / FM / WB / Cassette, Deluxe Cab
1	325061A2	1	RADIO, AM/FM/WB, With Cassette Tape, CD Changer Ready, Luxury Cab
1	86998223	1	RADIO, Delco, AM / FM / WB / Single CD
2	258342A2	2	SPEAKER, Co-Axial
3	388445A1	1	HOUSING, Subwoofer
4	360215A1	1	ANTENNA,
5	388444A1	1	SPEAKER, 8, Subwoofer
6	760-14395	4	SCREW, SELF TAP, Pan Hd, M4.2 x 9.5,
6	760-14316	4	SCREW, SELF TAP, Pan Hd, M4.2 x 16, M4,2 x 19, Australian Models
7	825-51410	4	NUT, M10, Flg Ser,
7	825-5148	4	NUT, M8, Flg Ser,
8	177269A1	8	NUT,
9	1270741C1	8	SCREW, SELF TAP, Cross Pan Hd, #8 x 1",
10	360432A2	1	HARNESS, Antenna, Inc. 11
11	NSS	1	NOT SERVICED SEPARATELY, Grommet
12	317688A1	1	PLAYER, COMPACT DISC, Delco, 6 Disc
13	895-11006	1	WASHER, M6,
14	893-11006	1	WASHER, LOCK, Ext Tooth, M6, M6
15	779-14613	1	SCREW, SELF TAP, Hex Hd, M6.3 x 13, M6,3 st x 13
16	1535219C1	1	COVER, Without Radio
17	303433A1	1	HARNESS, CD Player, If Used
17	449071A1	1	HARNESS, CD Player, 5486 mm (216 in), If Used
18	388489A1	2	CLIP, ELECTRICAL,
19	864-5012	3	SCREW, Hex Soc Hd, M5 x 12, 8.8, M5 x 12
20	334229A1	1	KIT, AM / FM / WB / Cassette / CD, Inc. 1,2,8,9
21	186158A1	1	KIT, AM / FM / WB, Includes 1,2,8,9
22	719582003	1	KIT, Single CD Player / Radio
23	L18331	1	STRAP, CABLE, Tie
24	87343754	1	SPACER,

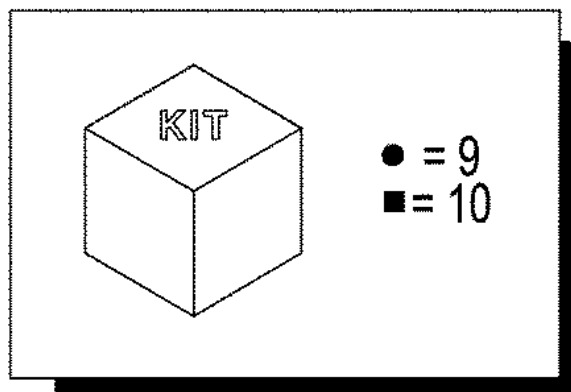
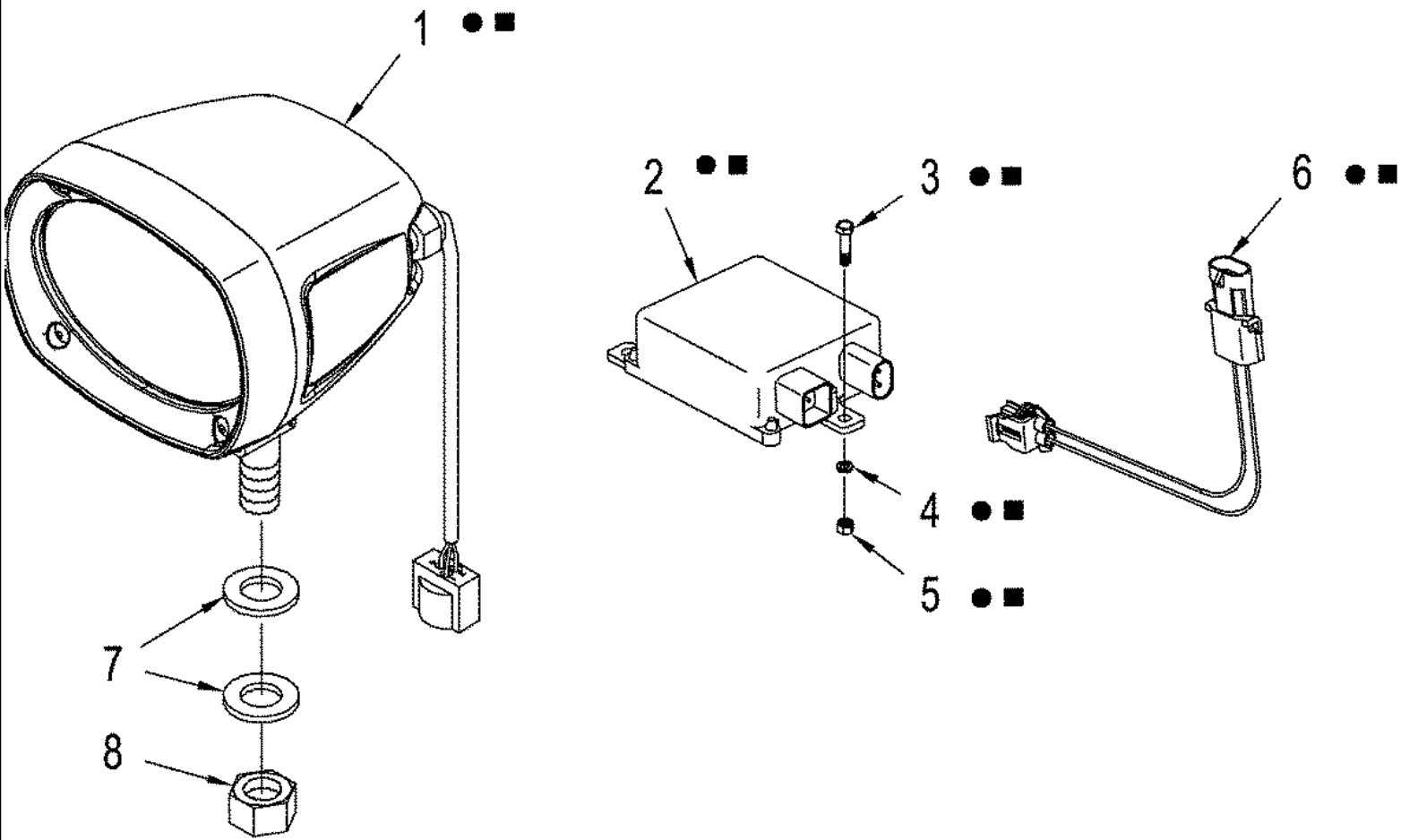
04-11 LAMP - STROBE



STX500 CASE IH 4WD TRACTOR (AFTER S/N JEE0099501)

04-11 LAMP - STROBE

сылка	Номер детали	Кол-во	Описание
1	383983A1	1	BRACKET, Mounting
2	878-1066	1	SET SCREW, Hex Soc, M6 x 6, Cup Pt, M6 x 6
3	279013A3	1	LAMP, Strobe, Inc. 4
4	323095A1	1	BULB,
5	387938A2	1	SUPPORT ASSY., Mounting, Europe Option
6	253105A1	2	U-BOLT, M8, Europe Option
7	832-10408	4	NUT, LOCK, M8 x 1.25, Cl 8, , Europe Option
8	396484A1	1	HARNESS, Beacon Light
9	L18331	1	STRAP, CABLE, Tie

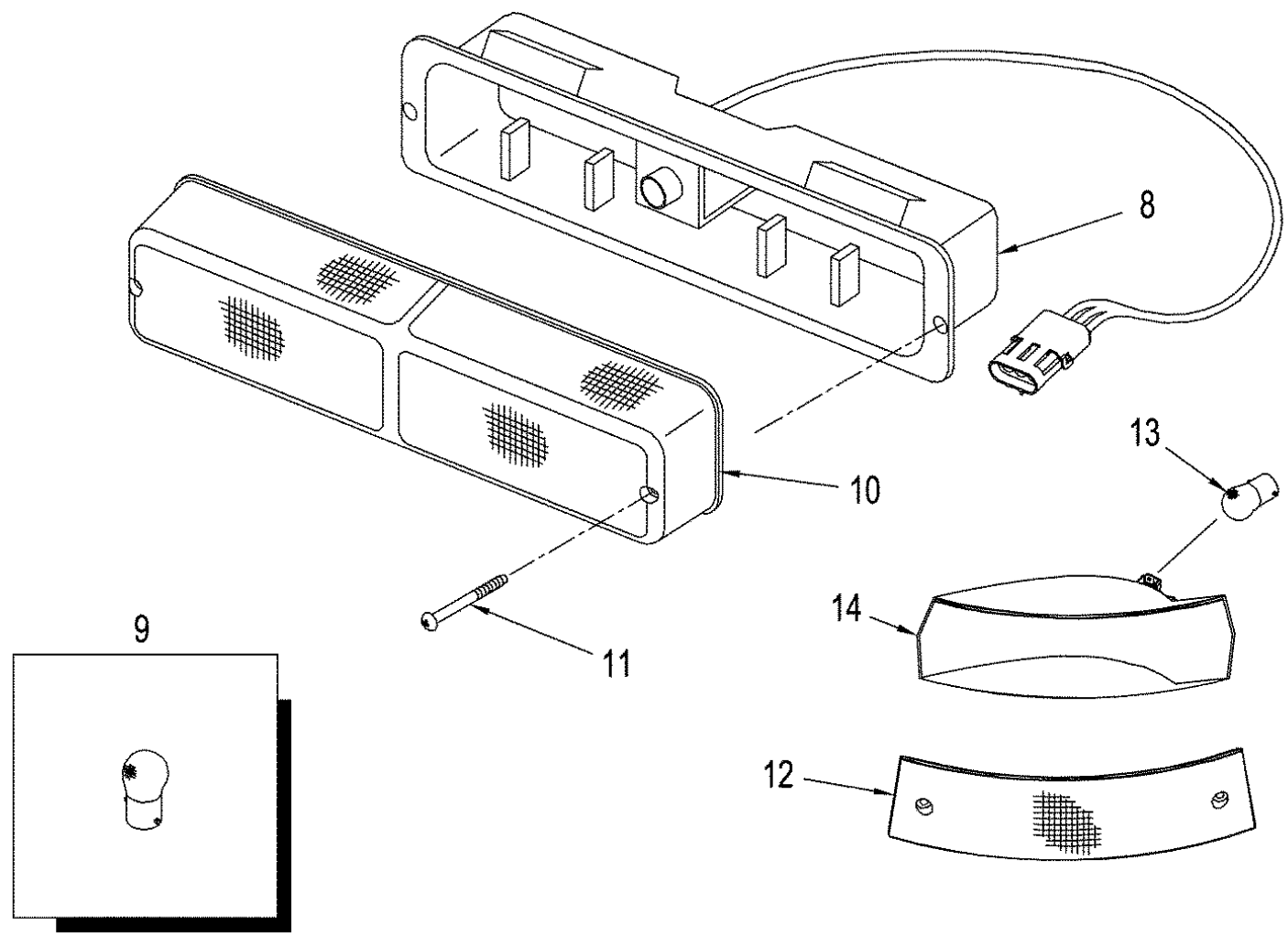
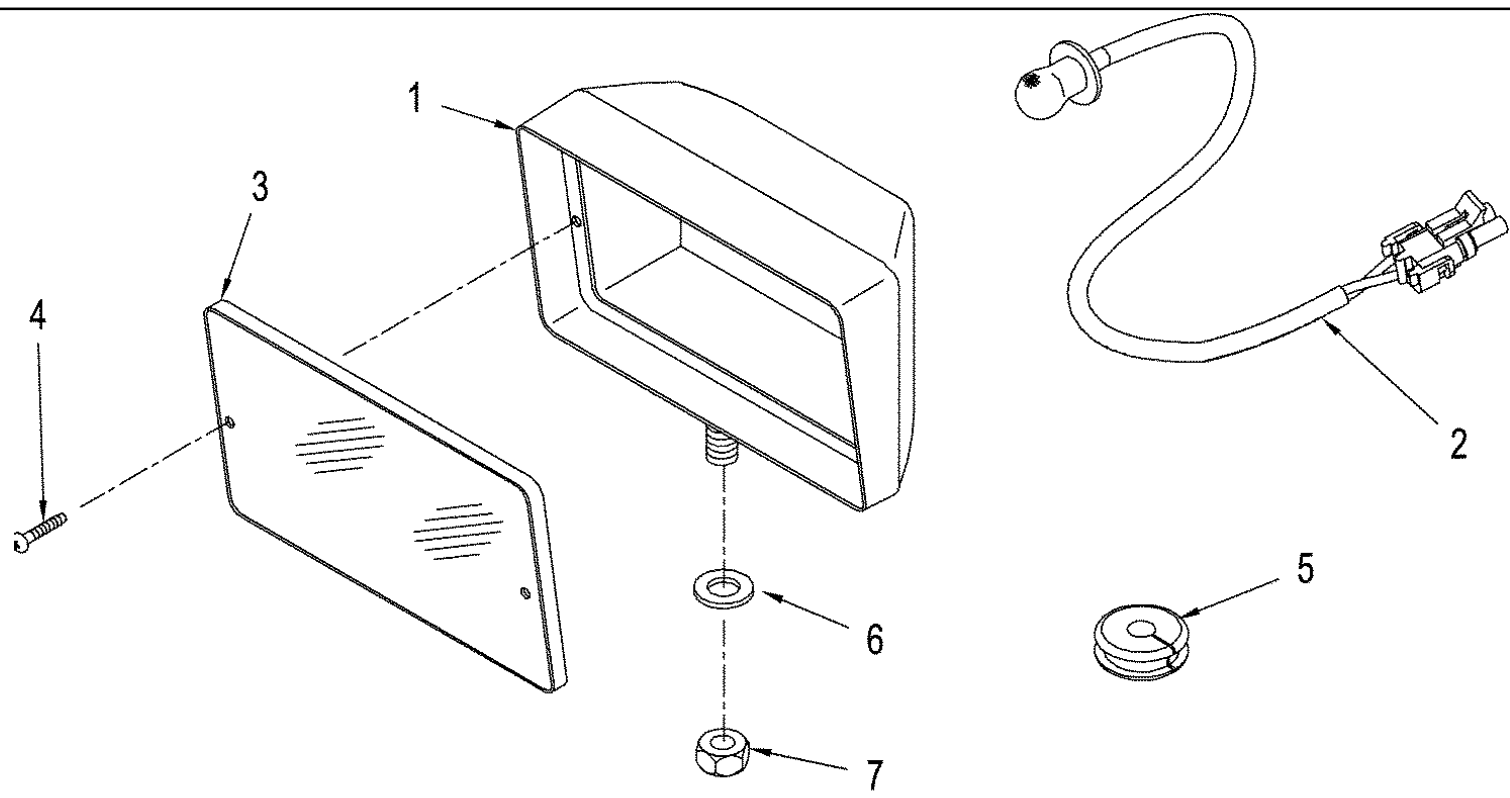


STX500 CASE IH 4WD TRACTOR (AFTER S/N JEE0099501)

04-12 LAMPS - REAR FRAME, H.I.D.

сылка	Номер детали	Кол-во	Описание
1	87419587	2	LAMP, Flood
1	87419591	2	LAMP, Trap
2	447742A1	AR	BALLAST, Rear H.I.D.
3	614-5020	12	BOLT, Hex, M5 x 20, 8.8, Full Thd, Cap, HH, M5 x 20, CL8.8
4	895-11005	12	WASHER, M5 x 10 x 1, 5.5 x 10 x 1.0 mm
5	832-10405	12	NUT, LOCK, M5 x .8, CI 8, Lock, M5, CL8
6	87419583	AR	CABLE, Ballast to Rear Harness
7	896-15012	8	WASHER, M12 x 28.5 x 4, HT, 13.5 x 28 x 4 mm
8	829-1410	4	NUT, M10, CI 10,
9	719618003	1	KIT, FIP, H.I.D., Rear Flood
10	719702013	1	KIT, FIP, H.I.D., Rear Trap

04-13 LAMPS - REAR FRAME AND FIELD

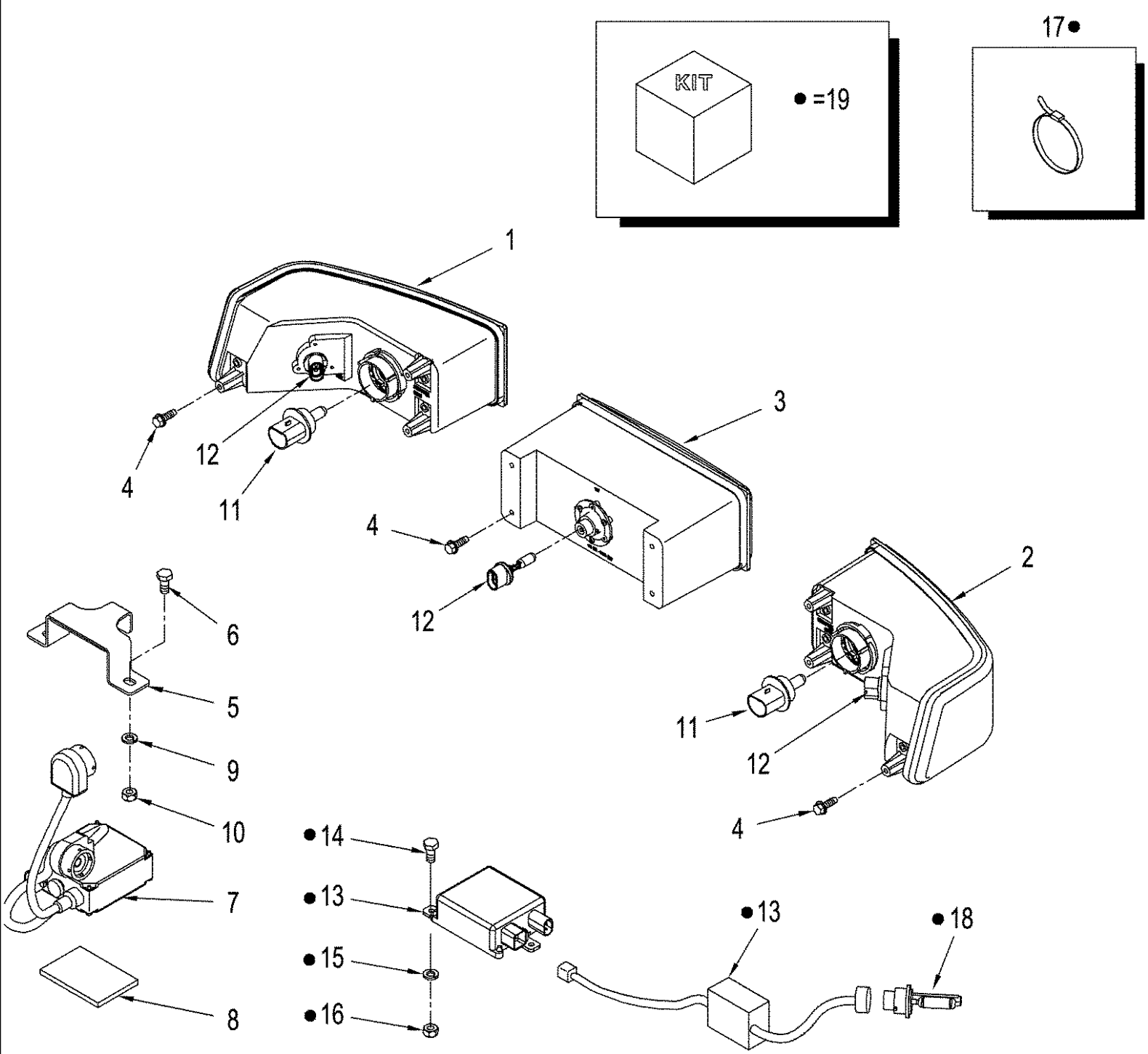


STX500 CASE IH 4WD TRACTOR (AFTER S/N JEE0099501)

04-13 LAMPS - REAR FRAME AND FIELD

сылка	Номер детали	Кол-во	Описание
	92269C1	2	LAMP, WORK, Inc. 1 - 4
1	1964806C1	1	BEZEL,
2	1312210C2	1	BULB, 12V - 55W
3	276498A1	1	LENS,
4	260-54312	2	SCREW, SELF TAP, Cross Pan Hd, #6 x 3/4", No. 6 x 3/4
5	87030421	4	GROMMET, 3/8" ID x 1 1/4" Groove Dia, Str Cut, 1
6	895-11010	4	WASHER, M10 x 20 x 2,
7	829-1410	4	NUT, M10, CI 10,
	429385A1	1	LIGHT, WORK, Rear Frame, LH, Inc. 8 - 10
	388337A1	1	LIGHT, INDICATER, Rear Frame, LH, Inc. 8 - 10 (Europe Only)
	417788A1	1	LIGHT, WORK, Rear Frame, RH, Inc. 8 - 10
	388338A1	1	LIGHT, INDICATER, Rear Frame, RH, Inc. 8 - 10 (Europe Only)
8	NSS	1	NOT SERVICED SEPARATELY, Plate
9	3131227R1	1	BULB, P25-1, 12V, 25W, 12V, Amber Turn Lamp
9	3131234R1	1	BULB, P25-2, 12V, 5W, 12V, Red Brake Lamp
10	NSS	1	NOT SERVICED SEPARATELY, Lens, Red and Amber
11	261-54536	2	SCREW, SELF TAP, Cross Pan Hd, #10 x 2 1/4",
	320246A1	4	LAMP, Warning, Cab Roof, Inc. 12 - 14
12	183748A1	1	LENS, Amber
13	A41264	1	BULB, #1156, 12V,
14	NSS	1	NOT SERVICED SEPARATELY, Housing

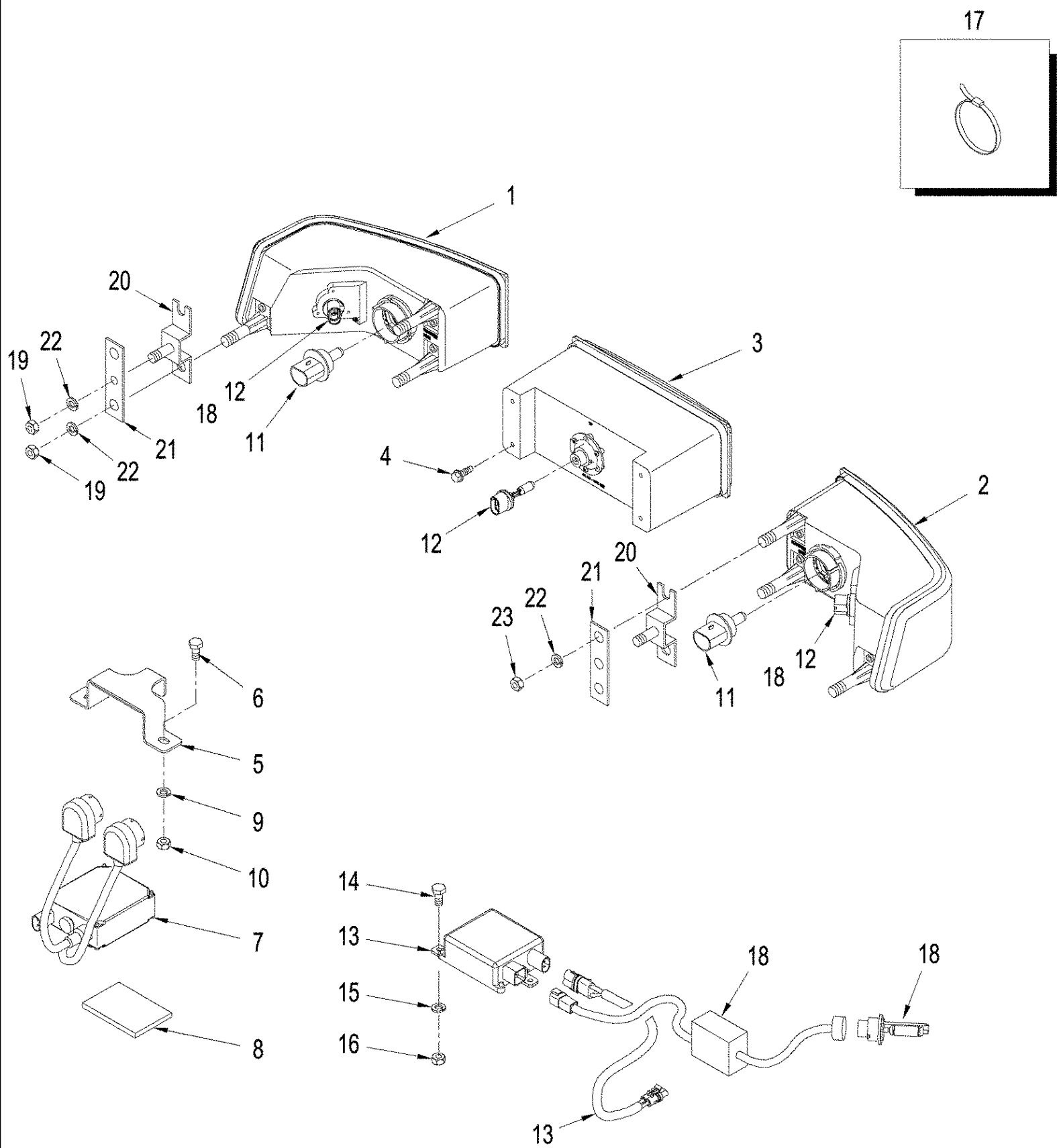
04-14 HEADLAMPS



STX500 CASE IH 4WD TRACTOR (AFTER S/N JEE0099501)

04-14 HEADLAMPS

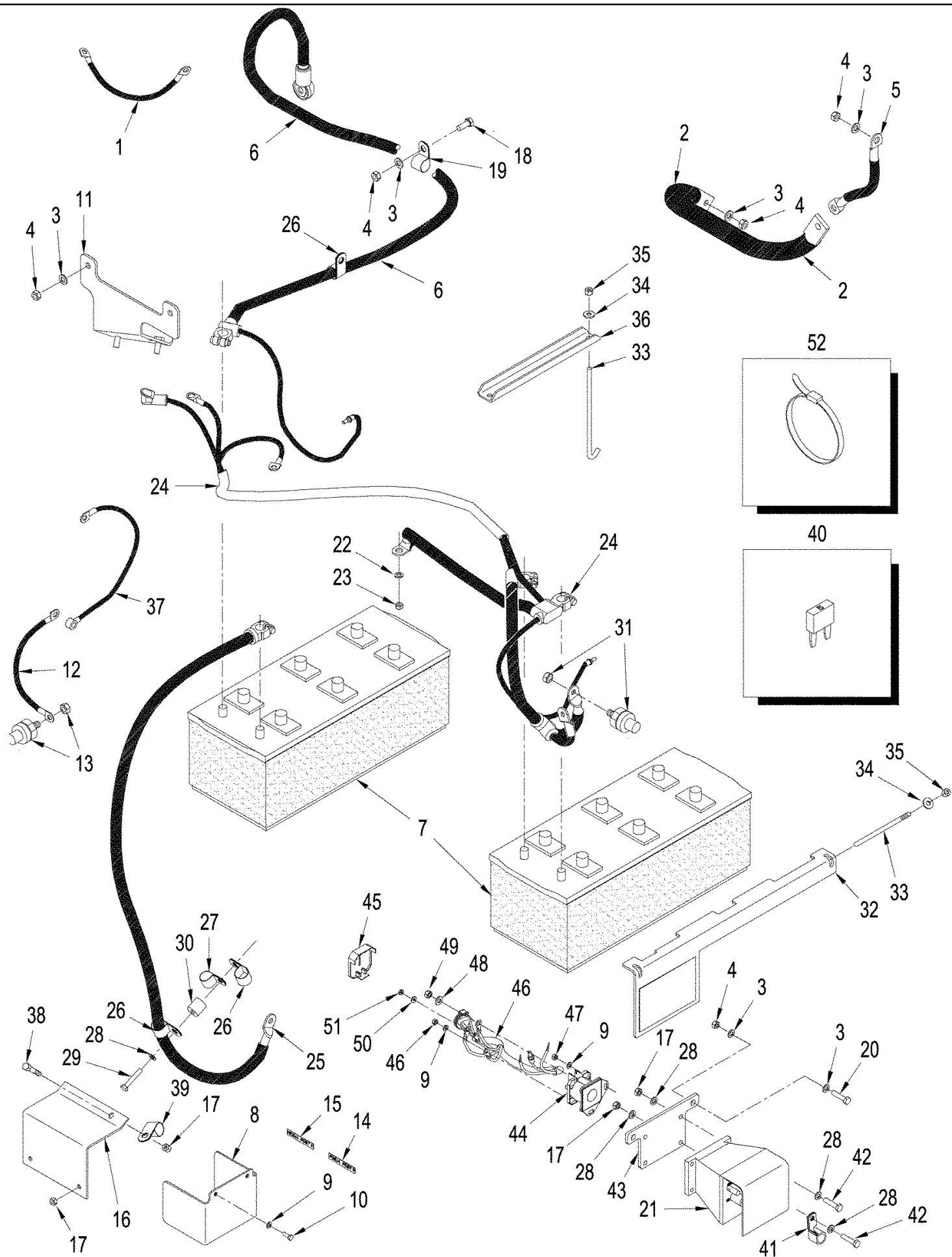
сылка	Номер детали	Кол-во	Описание
1	365842A1	1	HEADLAMP, With Work Lamp, Left-Hand, Inc. 11, 12
2	365841A1	1	HEADLAMP, With Work Lamp, Right-Hand, Inc. 11,12
3	232454A2	1	LAMP, WORK, Center, Halogen, Inc. 12
3	232455A2	1	LAMP, WORK, Center, High Intensity Discharge (H.I.D.)
4	281-54712	10	SCREW, Hex Wash Hd, 1/4"-20 x 3/4", 1/4 st x 3/4
5	333646A1	1	CLAMP, High Intensity Discharge (H.I.D.)
6	627-8016	2	BOLT, Hex, M8 x 16, 10.9,
7	322332A1	1	BALLAST, Center, High Intensity Discharge (H.I.D.)
8	333643A1	1	GASKET, Foam
9	892-11008	2	WASHER, LOCK, M8,
10	829-1408	2	NUT, M8, CI 10,
11	388872A1	1	BULB, Headlamps
12	323093A1	1	BULB, 885-12V, Halogen, Work Lamp
13	87427690	2	BALLAST, Harness & Front Jumper, Right-Hand & Left-Hand Lamps, Inc. 18
14	614-5020	6	BOLT, Hex, M5 x 20, 8.8, Full Thd, Cap, HH, M5 x 20, CL8.8
15	895-11005	6	WASHER, M5 x 10 x 1, 5.5 x 10 x 1.0 mm
16	832-10405	6	NUT, LOCK, M5 x .8, CI 8, M5, CL8
17	435437A1	4	STRAP, CABLE, 3/16" x 7 1/4", Tie, 175 - 200 mm
18	87427689	2	BULB, H.I.D, w/ Harness
19	719619003	1	KIT, FIP, H.I.D. Light, Front Lower, Inc. 13 - 18



STX500 CASE IH 4WD TRACTOR (AFTER S/N JEE0099501)

04-14(01) HEADLAMPS, EUROPE

сылка	Номер детали	Кол-во	Описание
1	232449A2	1	HEADLIGHT, LH, with DIP, Incl. 11, 12, for Europe Purchase
1	232451A2	1	HEADLIGHT, LH, with DIP, Inc. 11, 12, for United Kindom Purchase
2	232448A2	1	HEADLIGHT, RH, with DIP, Inc. 11,12, for Europe Purchase
2	232451A2	1	HEADLIGHT, RH, with DIP, Inc. 11, 12, for United Kindom Purchase
3	232454A2	1	LAMP, WORK, Center, Halogen, Inc. 12
3	232455A2	1	LAMP, WORK, Center, High Intensity Discharge (H.I.D.)
4	281-54712	4	SCREW, Hex Wash Hd, 1/4"-20 x 3/4", 1/4 st x 3/4
5	333646A1	1	CLAMP, High Intensity Discharge (H.I.D.)
6	627-8016	2	BOLT, Hex, M8 x 16, 10.9,
7	322332A1	1	BALLAST, Center, High Intensity Discharge (H.I.D.)
8	333643A1	1	GASKET, Foam
9	892-11008	2	WASHER, LOCK, M8,
10	829-1408	2	NUT, M8, CI 10,
11	388872A1	2	BULB, Headlamps
12	323093A1	2	BULB, 885-12V, Halogen, Work Lamp
13	87427690	2	BALLAST, Harness & Front Jumper, Right-Hand & Left-Hand Lamps, Inc. 18
14	614-5020	AR	BOLT, Hex, M5 x 20, 8.8, Full Thd, Cap, HH, M5 x 20, CL8.8
15	895-11005	AR	WASHER, M5 x 10 x 1, 5.5 x 10 x 1.0 mm
16	832-10405	AR	NUT, LOCK, M5 x .8, CI 8, M5, CL8
17	435437A1	4	STRAP, CABLE, 3/16" x 7 1/4", Tie, 175 - 200 mm
18	87366792	2	BULB, H.I.D, w/ Harness
19	832-10406	8	NUT, LOCK, M6 x 1, CI 8,
20	391709A1	4	SUPPORT, Mounting
21	391666A1	4	SUPPORT, Mouinting
22	895-11006	4	WASHER, M6,



STX500 CASE IH 4WD TRACTOR (AFTER S/N JEE0099501)

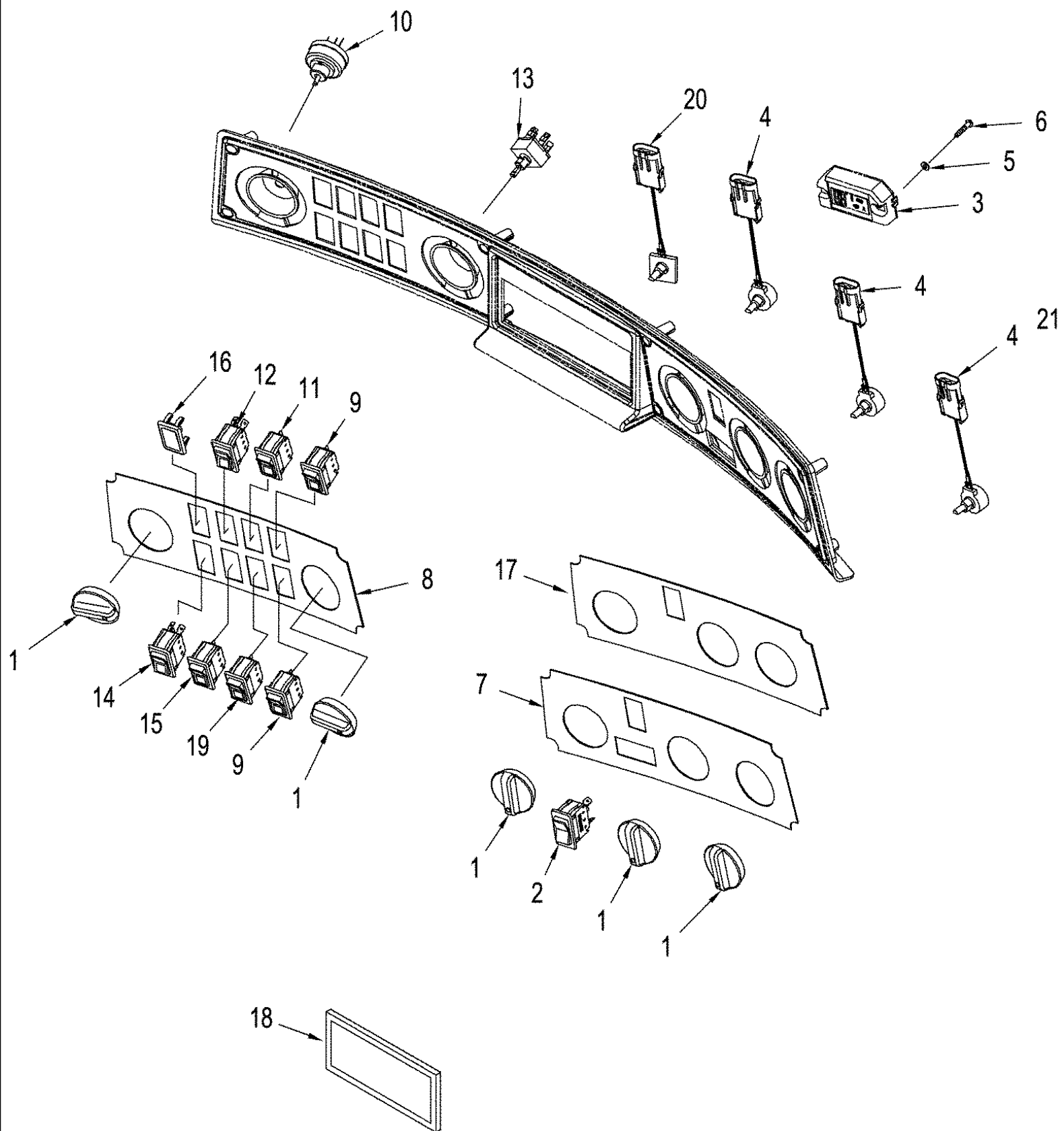
04-15(03) BATTERIES, ASN JEE0104001

сылка	Номер детали	Кол-во	Описание
1	364590A1	1	CABLE, Circuit Breaker
2	364591A1	1	CABLE, Ground, Starter to Chasis
3	895-11010	10	WASHER, M10 x 20 x 2,
4	829-1410	8	NUT, M10, CI 10,
5	442762A1	1	CABLE, Starter to Engine
6	87437247	1	CABLE, Starter, 24V
7	BCH4DLTW	2	BATTERY, WET, 1000 cca, for United States purchase
7	CBCH4DLTW	2	BATTERY, WET, 1000 cca, for Canada purchase
7	87544005	2	BATTERY, WET, 1000 cca, for Europe purchase
8	87437207	1	SHIELD, Relay
9	895-11006	4	WASHER, M6,
10	627-6016	2	BOLT, Hex, M6 x 16, 10.9, Cap, HH, M6 x 16, CL10.9
11	365035A5	1	BRACKET, Cab Harness
12	87426208	1	CABLE, Ground, Jump Start, 24V
13	A187583	1	STUD, Jump Start
14	87427096	1	DECAL, Positive (+) Post
15	87427317	1	DECAL, Negative (-) Post
16	87413792	1	SHIELD, Battery Terminals
17	829-1408	6	NUT, M8, CI 10,
18	627-10025	2	BOLT, Hex, M10 x 25, 10.9, Full Thd, Cap, HH, M10 x 25, CL10.9
19	515-25238	2	CLAMP, 15/16", Insul, 1/2" Bolt,
20	627-10030	2	BOLT, Hex, M10 x 30, 10.9, Full Thd,
21	389120	1	SWITCH, Relay, Inc. 40
22	895-11012	1	WASHER, M12 x 24 x 2.5, 13,5 x 24 x 2,5 mm
23	829-1412	1	NUT, M12, CI 10,
24	87437249	1	CABLE, Ground, 12V
25	87418058	1	CABLE, Ground, 24V
26	515-25254	3	CLAMP, 1", Insul, 1/2" Bolt,
27	515-24222	1	CLAMP, 7/8", Insul, 7/16" Bolt,
28	895-11008	11	WASHER, M8 x 16 x 1.6, 9 x 16 x 1,6 mm
29	827-8045	1	BOLT, Hex, M8 x 45, 10.9, M8 x 45, CL10.9
30	8500571	1	SPACER,
31	582785C91	1	CONNECTOR, TERMINAL, Jump Start
32	87425760	1	PLATE, Battery Hold Down, Side
33	87413678	2	ROD, Battery Hold Down
34	896-15008	4	WASHER, M8 x 21.5 x 2.5, HT, 9 x 21 x 2,5 mm
35	832-10408	4	NUT, LOCK, M8 x 1.25, CI 8,
36	87413679	1	CHANNEL, Battery Hold Down, Center
37	87437248	1	CABLE, Relay Chasis Ground
38	627-8020	1	BOLT, Hex, M8 x 20, 10.9,
39	516-23190	1	CLAMP, J, 3/4", Insul, 3/8" Bolt, 19mm
40	420580	2	PLATE, Fuse, 80 amp
41	R43926	1	CLAMP, 90 Twist
42	627-8035	4	BOLT, Hex, M8 x 35, 10.9,
43	87417495	1	PLATE, Mounting

STX500 CASE IH 4WD TRACTOR (AFTER S/N JEE0099501)

04-15(03) BATTERIES, ASN JEE0104001

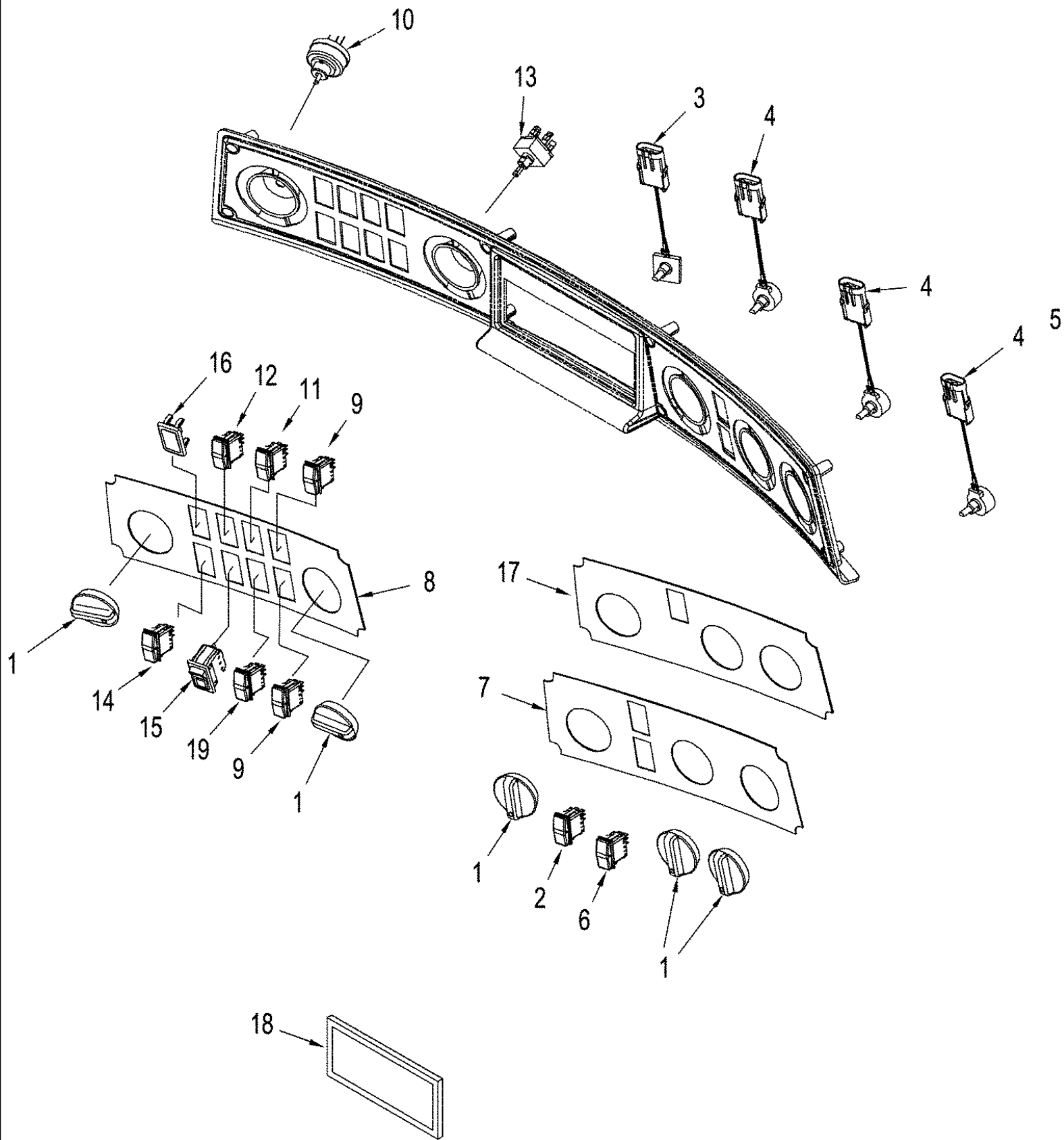
сылка	Номер детали	Кол-во	Описание
44	183038A1	1	SWITCH, SOLENOID, Switch, w/ Barrier
45	178148A1	1	COVER,
46	87417510	1	HARNESS, Relay 12 / 24V
47	829-1406	2	NUT, M6, CI 10,
48	495-11034	2	WASHER, 5/16", SAE, .344 x .688 x .065 in
49	425-105	2	NUT, 5/16"-18, G5,
50	495-31022	1	WASHER, #10,
51	225-14210	1	NUT, #10-32,
52	435437A1	2	STRAP, CABLE, 3/16" x 7 1/4", Cable, 7-1/4"



STX500 CASE IH 4WD TRACTOR (AFTER S/N JEE0099501)

04-16 CONTROL PANEL - COMPONENTS, BSN JEE0106701

сылка	Номер детали	Кол-во	Описание
1	1331046C2	5	CAP, WASHER,
2	255036A1	1	SWITCH, Climate Control, Without Automatic Temperature Control
2	295011A1	1	SWITCH, Climate Control, With Automatic Temperature Control
3	308910A2	1	DISPLAY, LCD, With Automatic Temperature Control
4	418107A1	AR	POTENTIOMETER, , With Automatic Temperature Control
5	895-11004	2	WASHER, M4, 4,3 x 9 x 0,8 mm
6	260-1446	2	SCREW, SELF TAP, Cross Pan Hd, #8 x 3/8",
7	308647A4	1	DECAL, HVAC, With Automatic Temperature Control
8	431230A1	1	DECAL, Light Panel
9	356885A1	2	SWITCH, Rear / Lower Front Wiper
10	177250A1	1	SWITCH, LIGHTS, Rotary, Work Lamps
11	430893A1	1	SWITCH, Cruise Control
12	229379A1	1	SWITCH, Strobe Lamp
13	345262A1	1	SWITCH, Wiper, Front Washer / Wiper
14	229372A1	1	SWITCH, LIGHTS, Road Lamp / Flasher
15	330116A1	1	SWITCH, Auxiliary Power
16	86000535	3	PLUG, 1.427" x .62", Plastic,
17	308646A4	1	DECAL, , Without Automatic Temperature Control
18	1535219C1	1	COVER, Without Radio, Australian Models
19	430894A1	1	SWITCH, Cruise Control, Increase / Decrease
20	92100C2	1	SWITCH, Blower Motor, Without Automatic Temperature Control
21	345439A1	1	POTENTIOMETER, Vent Motor, Without Automatic Temperature Control

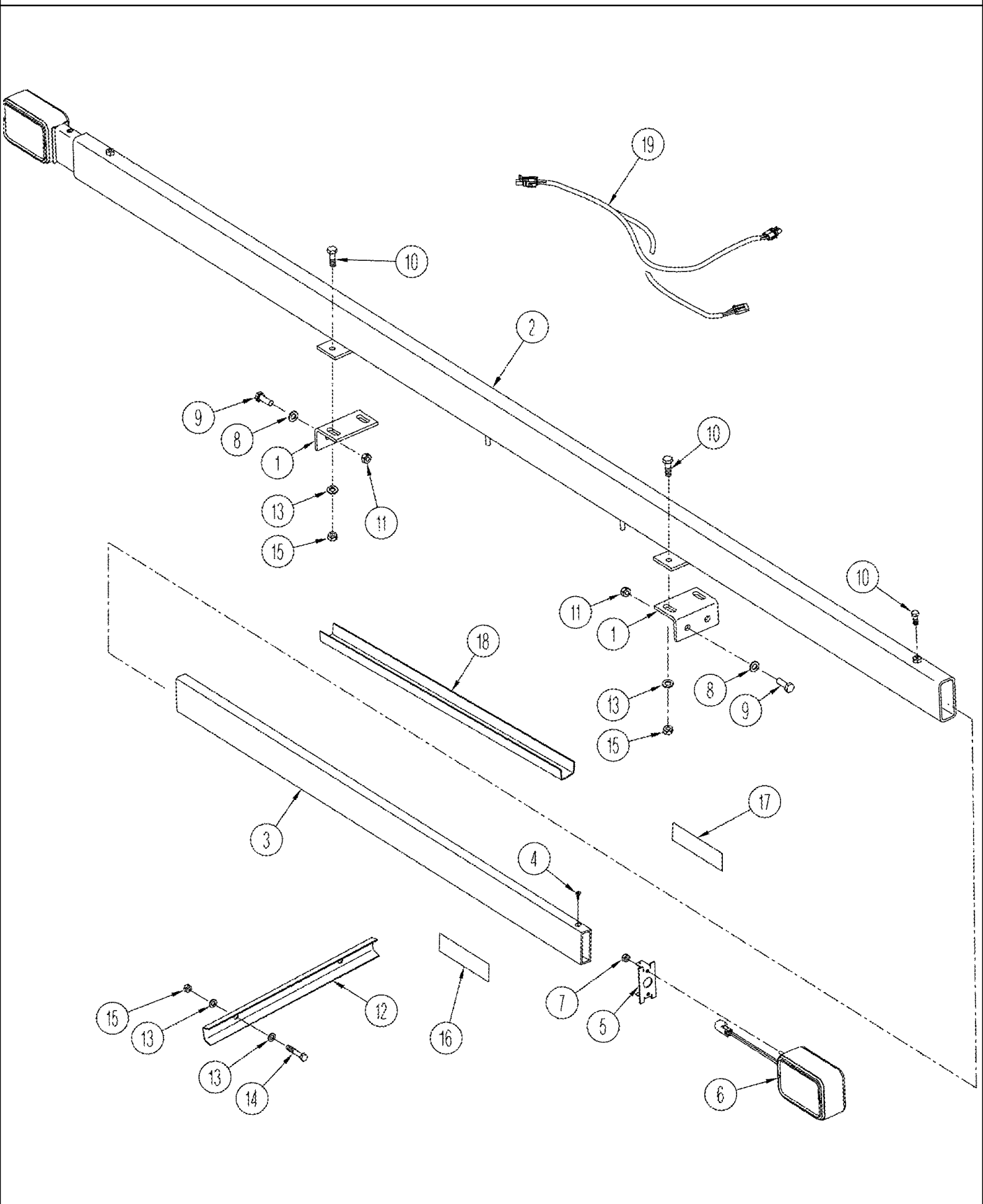


STX500 CASE IH 4WD TRACTOR (AFTER S/N JEE0099501)

04-16(01) CONTROL PANEL - COMPONENTS, ASN JEE0106701

сылка	Номер детали	Кол-во	Описание
1	1331046C2	5	CAP, WASHER,
2	87405636	1	SWITCH, Climate Control, Without Automatic Temperature Control
2	87454558	1	SWITCH, Climate Control, With Automatic Temperature Control
3	92100C2	1	SWITCH, Blower Motor, Without Automatic Temperature Control
4	418107A1	AR	POTENTIOMETER, , With Automatic Temperature Control
5	345439A1	1	POTENTIOMETER, Vent Motor, Without Automatic Temperature Control
6	87305994	1	SWITCH, Defog
7	87450974	1	DECAL, Climate Control, See Figure 09-59, With Automatic Temperature Control
8	431230A1	1	DECAL, Light Panel
9	86989939	2	SWITCH, WINDSHIELD WIPER, Rear / Lower Front Wiper
10	177250A1	1	SWITCH, LIGHTS, Rotary, Work Lamps
11	86989955	1	SWITCH, Cruise Control
12	87414325	1	SWITCH, Strobe Lamp
13	345262A1	1	SWITCH, Front Washer / Wiper
14	87442098	1	SWITCH, LIGHTS, Road Lamp / Flasher
15	330116A1	1	SWITCH, Auxiliary Power
16	86000535	3	PLUG, 1.427" x .62", Plastic,
17	308646A4	1	DECAL, Climate Control, See Figure 09-59, Without Automatic Temperature Control
18	1535219C1	1	COVER, Without Radio, Australian Models
19	86989953	1	SWITCH, Cruise Control, Increase / Decrease

04-17 LAMPS - MARKER

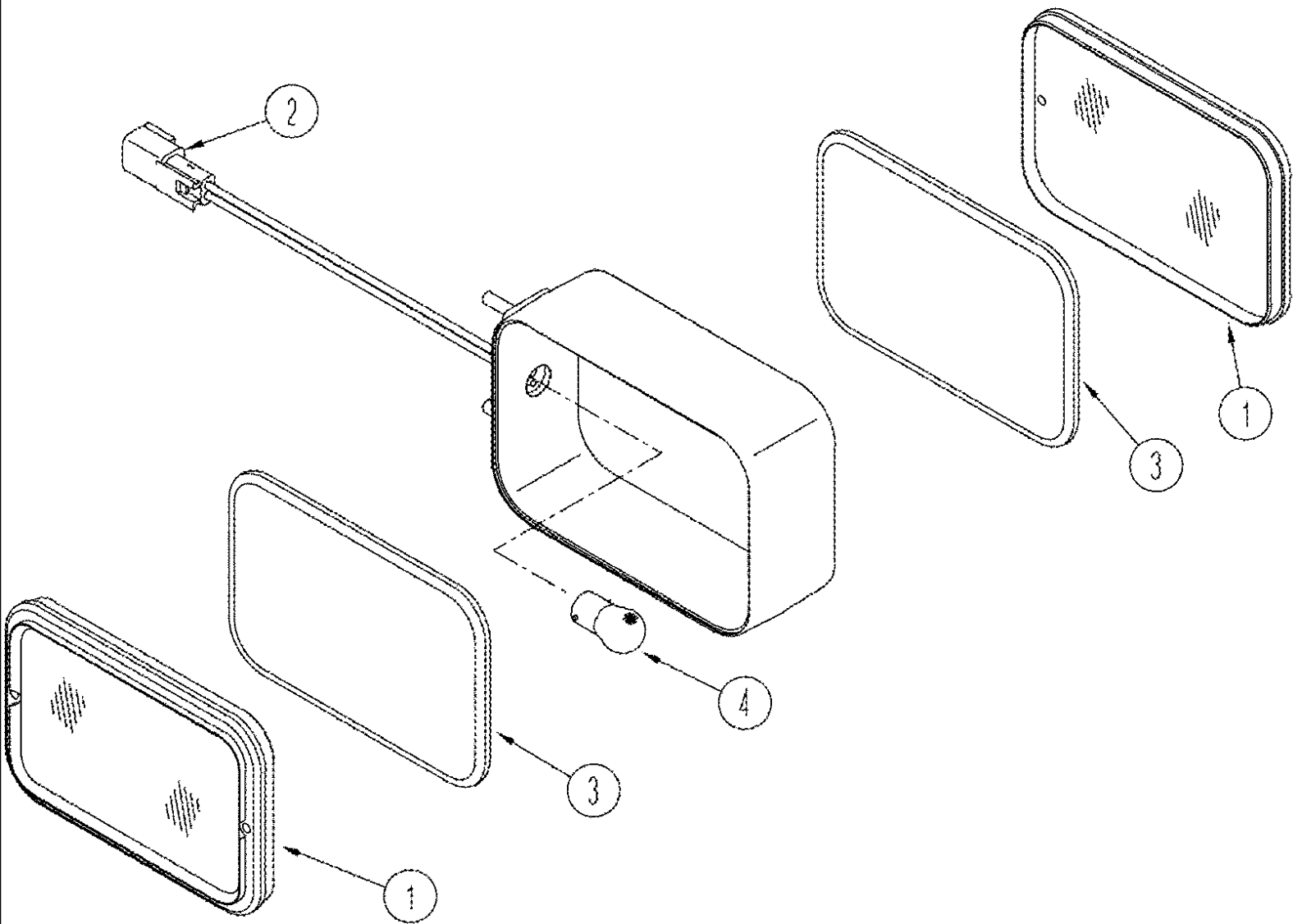


STX500 CASE IH 4WD TRACTOR (AFTER S/N JEE0099501)

04-17 LAMPS - MARKER

сылка	Номер детали	Кол-во	Описание
1	367194A1	2	SUPPORT,
2	362493A1	1	TUBE,
3	362491A1	1	TUBE,
4	843-2512	4	SCREW, Hex Flat Hd, M5 x 12, 4.8, M5 x 12; 4.8
5	362496A1	2	BRACKET,
6	367321A1	2	LAMP, Warning, See Figure 04-18
7	824-1405	4	NUT, M5, CI 5,
8	895-11010	8	WASHER, M10 x 20 x 2,
10	627-8020	2	BOLT, Hex, M8 x 20, 10.9,
11	829-1410	8	NUT, M10, CI 10,
12	330164A2	1	GUARD,
13	895-11008	6	WASHER, M8 x 16 x 1.6, 9 x 17 x 1,6 mm
14	827-8045	2	BOLT, Hex, M8 x 45, 10.9, M8 x 45; 10.9
15	829-1408	4	NUT, M8, CI 10,
16	297221A1	4	DECAL, Red and Orange
17	297223A1	4	DECAL, Yellow
18	362624A1	1	CHANNEL,
19	366964A1	1	HARNESS, Marker Lamp
9	627-10030	4	BOLT, Hex, M10 x 30, 10.9, Full Thd,

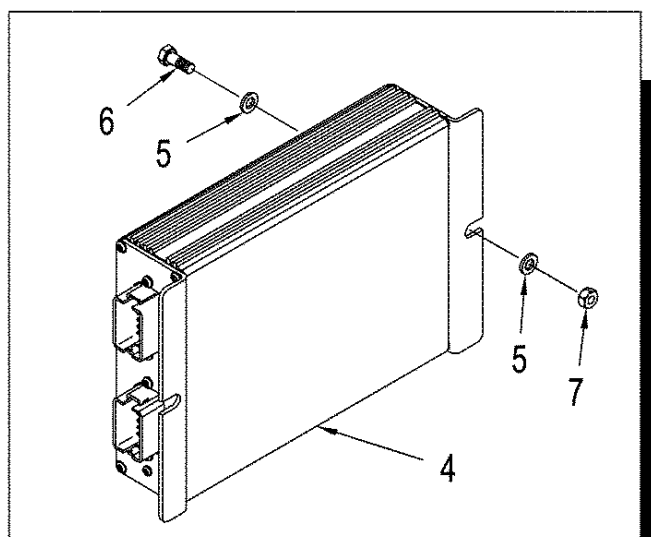
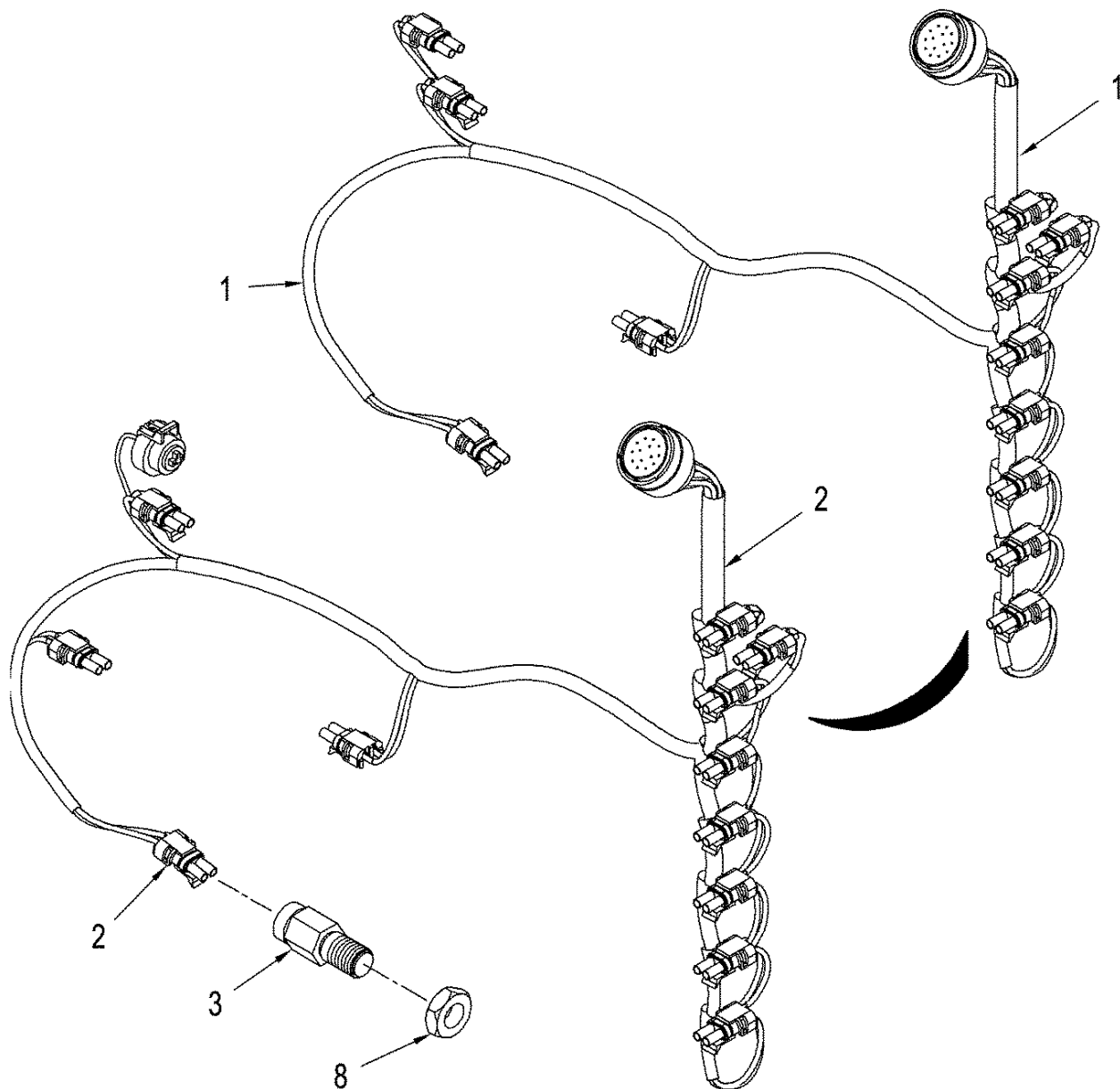
04-18 LAMPS - SIDE MARKER WARNING



STX500 CASE IH 4WD TRACTOR (AFTER S/N JEE0099501)

04-18 LAMPS - SIDE MARKER WARNING

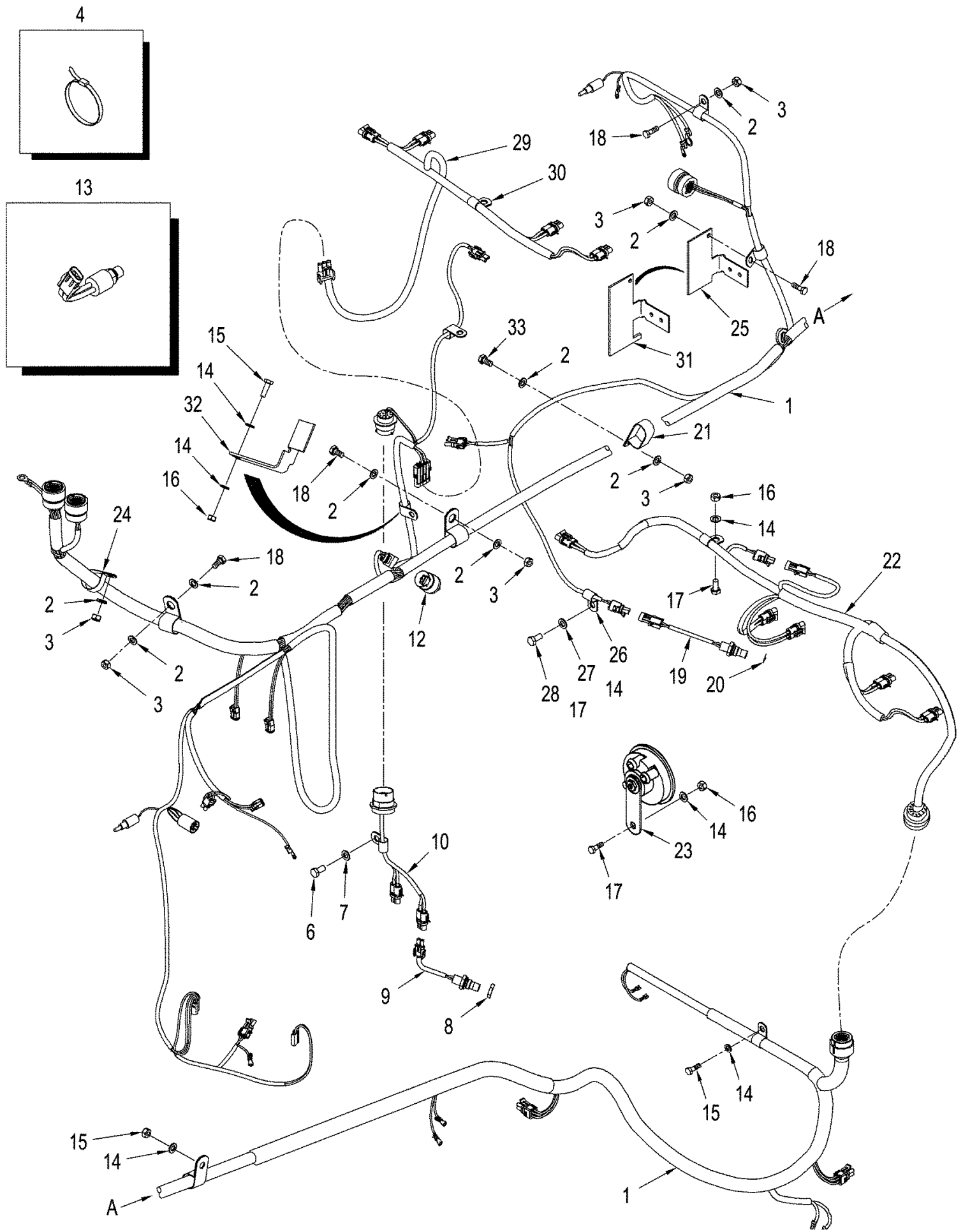
сылка	Номер детали	Кол-во	Описание
	367321A1	1	LAMP, Warning, Inc. 1 - 4
1	232212A1	2	LENS, Amber
2	222136A1	1	CONNECTOR, ELEC, 2 Pin
3	233561A1	2	O-RING,
4	A41264	1	BULB, #1156, 12V,



STX500 CASE IH 4WD TRACTOR (AFTER S/N JEE0099501)

04-19 HARNESS - TRANSMISSION

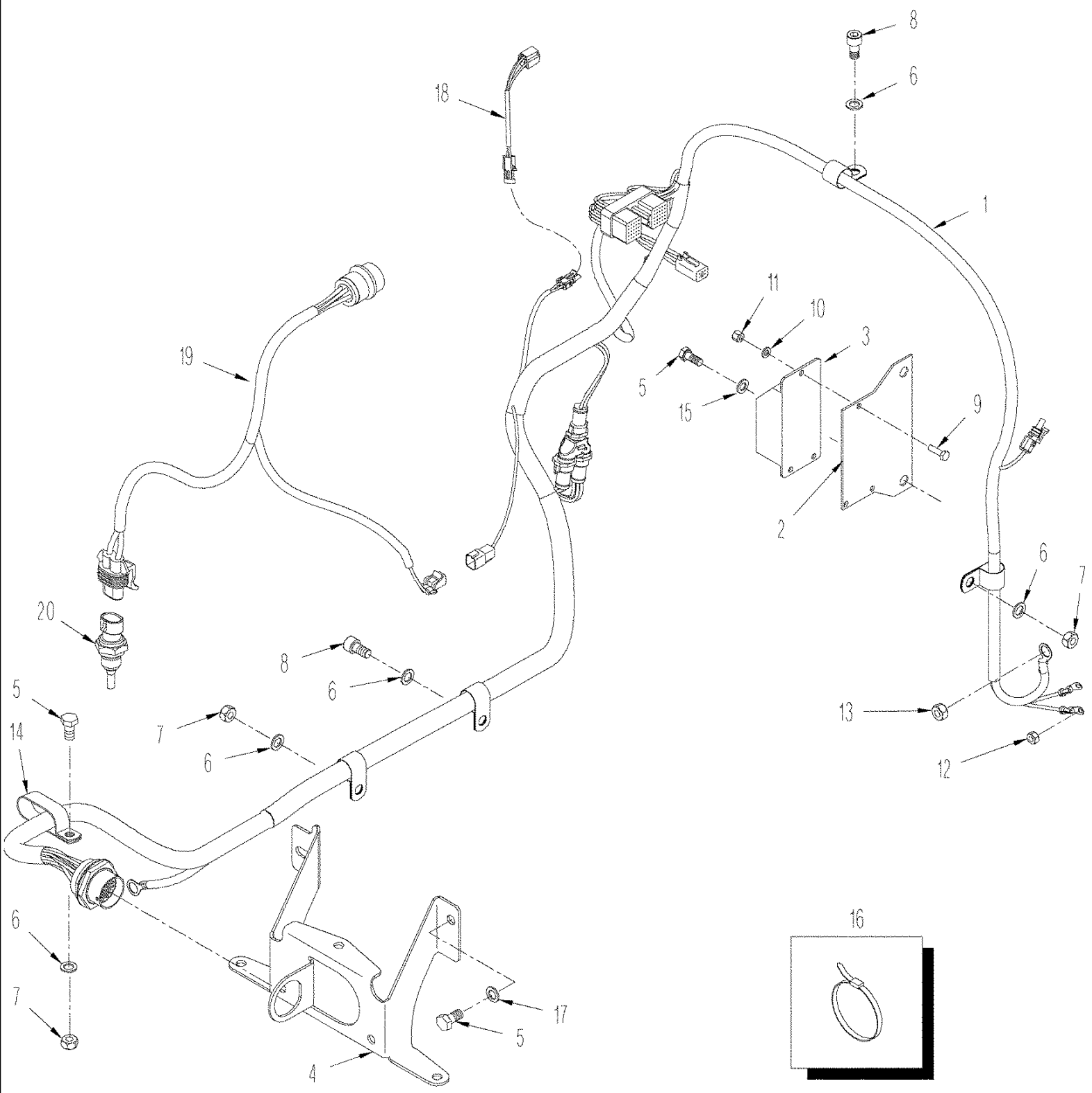
сылка	Номер детали	Кол-во	Описание
1	403755A1	1	HARNESS, , BSN JEE0104001
2	87417513	1	HARNESS, , ASN JEE0104001
3	A186004	1	SENSOR, For MPH in Output Shaft Housing
4	391112A2	1	CONTROL UNIT, Transmission, Down Load Software From Service Tool
5	895-11008	2	WASHER, M8 x 16 x 1.6, 9 x 17 x 1,6 mm
6	627-8016	1	BOLT, Hex, M8 x 16, 10.9,
7	829-1408	1	NUT, M8, CI 10,
8	934120R1	1	NUT, Thin, M20 x 1.5, M20; 10



STX500 CASE IH 4WD TRACTOR (AFTER S/N JEE0099501)

04-20(01) HARNESS - FRONT FRAME, ASN JEE0104001

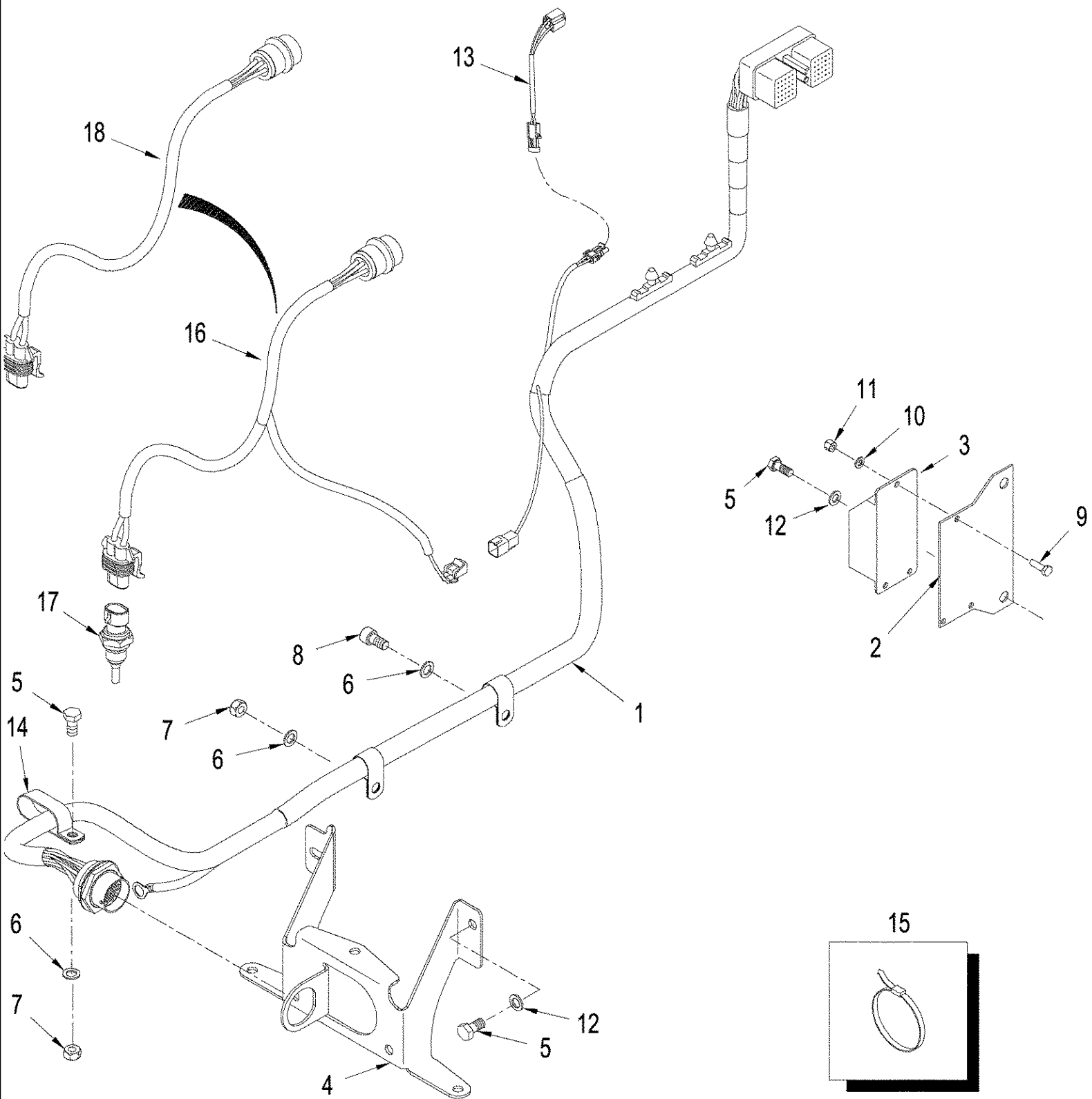
сылка	Номер детали	Кол-во	Описание
1	87417508	1	HARNESS, Front Frame, BSN JEE0106701
1	87423003	1	HARNESS, Front Frame, Europe Application, BSN JEE0106701
1	87324034	1	HARNESS, WIRE, Front Frame, ASN JEE0106701
2	895-11010	23	WASHER, M10 x 20 x 2,
3	829-1410	16	NUT, M10, CI 10,
4	22-824	3	STRAP, CABLE, 3/16" x 7 1/4", Tie
5	895-11006	3	WASHER, M6,
6	614-12016	1	BOLT, Hex, M12 x 16, 8.8, Full Thd, M12 x 16; 8.8
7	896-11012	1	WASHER, M13.5 x 24.5 x 3, HT,
8	934120R1	1	NUT, Thin, M20 x 1.5, Jam, M20; 10
9	A186004	1	SENSOR, Engine Speed
10	402200A1	1	HARNESS, Transmission, With Advanced Farming Systems (AFS), With Manual Shift Transmission
11	87417513	1	HARNESS, Transmission, Not Illustrated, With Advanced Farming Systems (AFS), With Power Shift Transmission
12	293797A1	1	SWITCH, Air Restriction
13	339529A1	1	SWITCH, Pressure, Park Brake
14	895-11008	5	WASHER, M8 x 16 x 1.6, 9 x 17 x 1,6 mm
15	614-8025	3	BOLT, Hex, M8 x 25, 8.8,
16	829-1408	3	NUT, M8, CI 10,
17	614-6025	3	BOLT, Hex, M6 x 25, 8.8, M6 x 25
18	614-10025	6	BOLT, Hex, M10 x 25, 8.8, Full Thd,
19	330124A1	1	SWITCH, M18 orb x 1,5, Axle Lube, Inc. 20
20	637-63153	1	O-RING, CI 6, 15.3MM ID x 2.2 Thk,
21	L111928	4	CLAMP,
22	413807A1	1	HARNESS, Light Bar
23	237582A1	1	HORN, FC9
24	515-25381	1	CLAMP, 1 1/2", Insul, 1/2" Bolt, 1-1/2 ID
25	411019A3	1	BRACKET, Air Intake, BSN JEE0105346
26	515-2595	1	CLAMP, 3/8", Insul, 1/2" Bolt,
27	896-11012	1	WASHER, M13.5 x 24.5 x 3, HT,
28	614-12016	1	BOLT, Hex, M12 x 16, 8.8, Full Thd, M12 x 16; 8.8
29	371122A2	1	HARNESS, Lower Wipers
30	515-2295	1	CLAMP, 3/8", Insul, 5/16" Bolt,
31	87305067		BRACKET, SUPPORTING, , ASN JEE0105346
32	437145A1	1	BRACKET, Offset Air Intake
33	614-10030	1	BOLT, Hex, M10 x 30, 8.8,



STX500 CASE IH 4WD TRACTOR (AFTER S/N JEE0099501)

04-21 HARNESS - ENGINE, BSN JEE0104001

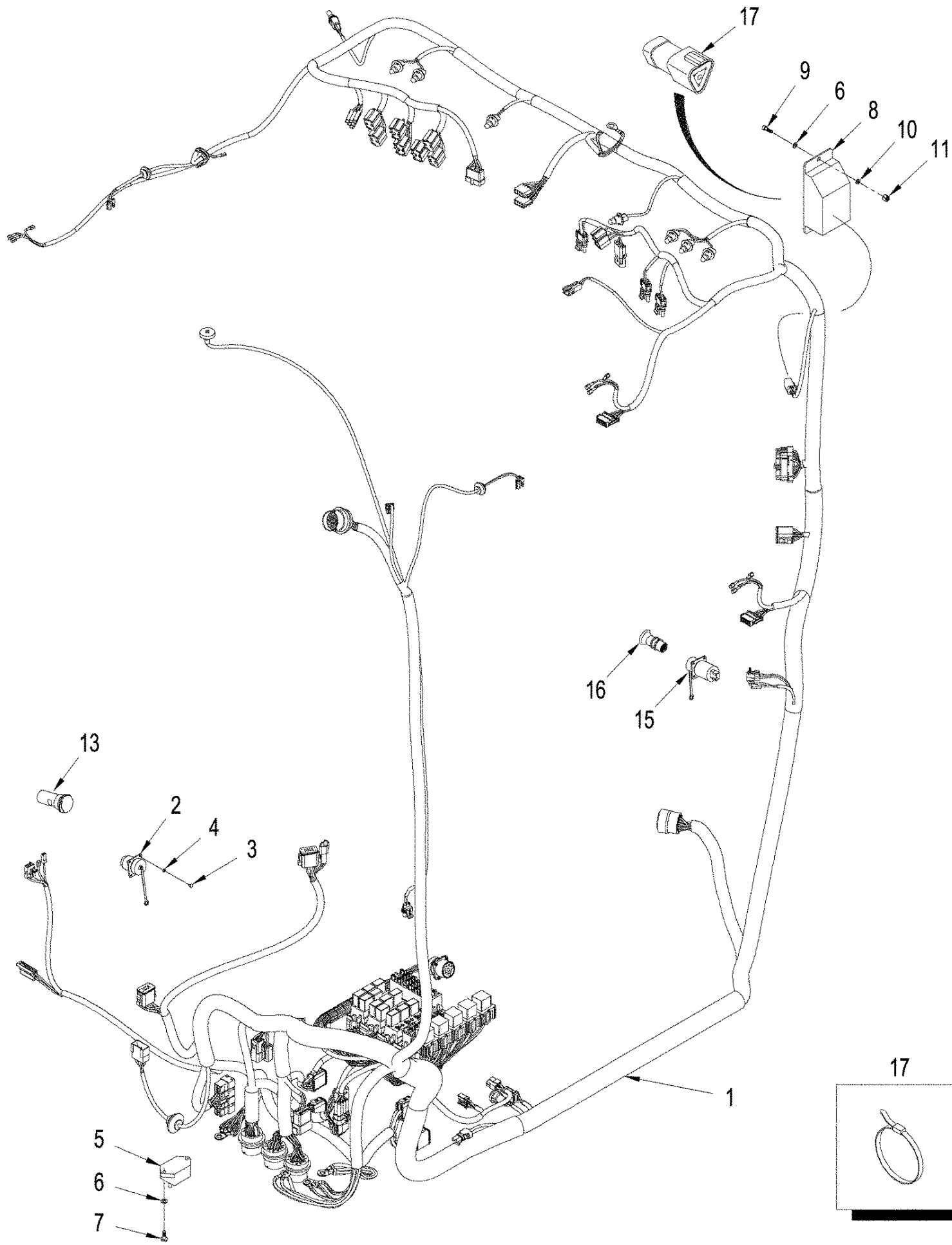
сылка	Номер детали	Кол-во	Описание
1	429495A1	1	HARNESS,
2	429746A1	1	BRACKET,
3	397496A1	1	CONNECTOR, ELEC, Passive
4	348313A2	1	BRACKET,
5	614-10025	2	BOLT, Hex, M10 x 25, 8.8, Full Thd,
6	895-18010	12	WASHER, M10 x 18 x 1.6,
7	829-1410	3	NUT, M10, CI 10,
8	864-10020	4	SCREW, Hex Soc Hd, M10 x 20, 8.8, M10 x 20
9	627-6025	3	BOLT, Hex, M6 x 25, 10.9,
10	895-11006	3	WASHER, M6,
11	832-10406	3	NUT, LOCK, M6 x 1, CI 8,
12	832-10404	1	NUT, LOCK, M4 x .7, CI 8, M4; 8
13	231-1447	1	NUT, LOCK, 7/16"-14, GB,
14	L111928	1	CLAMP,
15	435437A1	1	STRAP, CABLE, 3/16" x 7 1/4", Tie
16	895-11006	3	WASHER, M6,
17	892-11010	2	WASHER, LOCK, M10, M10
18	358878A2	1	HARNESS, Ether Start
19	419418A1	1	HARNESS, Hydraulic Fan Drive, STX425 & STX450
20	311620A1	1	SENSOR, Temperature Sender



STX500 CASE IH 4WD TRACTOR (AFTER S/N JEE0099501)

04-21(01) HARNESS - ENGINE, ASN JEE0104001

сылка	Номер детали	Кол-во	Описание
1	87417509	1	HARNESS, Not Illustrated, BSN JEE0106701
1	87310751	1	HARNESS, , ASN JEE0106701
2	429746A1	1	BRACKET,
3	397496A1	1	CONNECTOR, ELEC, Passive
4	348313A2	1	BRACKET,
5	614-10025	2	BOLT, Hex, M10 x 25, 8.8, Full Thd,
6	895-18010	9	WASHER, M10 x 18 x 1.6,
7	829-1410	2	NUT, M10, CI 10,
8	864-10020	2	SCREW, Hex Soc Hd, M10 x 20, 8.8, M10 x 20
9	627-6025	3	BOLT, Hex, M6 x 25, 10.9,
10	895-11006	3	WASHER, M6,
11	832-10406	3	NUT, LOCK, M6 x 1, CI 8,
12	892-11010	4	WASHER, LOCK, M10, M10
13	358878A2	1	HARNESS, Ether Start
14	L111928	1	CLAMP,
15	435437A1	1	STRAP, CABLE, 3/16" x 7 1/4", Tie
16	419418A1	1	HARNESS, Hydraulic Fan Drive, STX425, STX450, & STX500, BSN JEE0010670
17	311620A1	1	SENSOR, Temperature Sender, BSN JEE0010670
18	87308658	1	HARNESS, Hydraulic Fan Drive, ASN JEE0010670

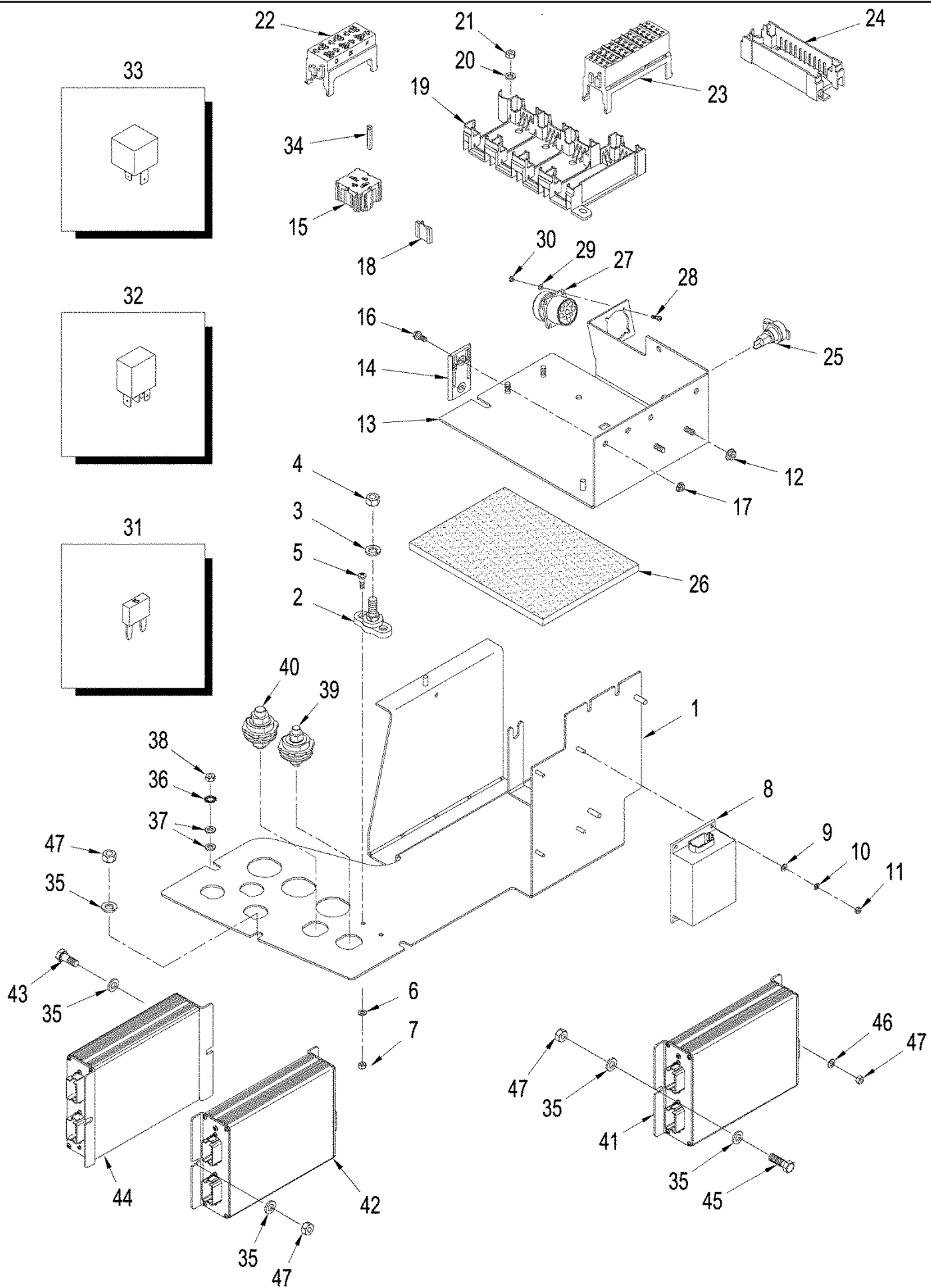


STX500 CASE IH 4WD TRACTOR (AFTER S/N JEE0099501)

04-23 HARNESS - MAIN CAB, DELUXE AND LUXURY CABS

сылка	Номер детали	Кол-во	Описание
	431500A2	1	MODULE, Electronics, Inc. 1, See Figure 04-24, With Manual Shift Transmission, BSN JEE0106701
	87326446	1	BOARD, PRINTED CIRCUIT, Electronics, Inc. 1, See Figure 04-24, With Manual Shift Transmission, ASN JEE0106701
	87418384	1	MODULE, Electronics, Inc. 1, See Figure 04-24, With Power Shift Transmission, BSN JEE0106701
	87326440	1	BOARD, PRINTED CIRCUIT, Electronics, Inc. 1, See Figure 04-24, With Power Shift Transmission, ASN JEE0106701
1	NSS	1	NOT SERVICED SEPARATELY, Harness, Main Cab, With Power Shift Transmission, With Manual Shift Transmission
2	227739A2	3	CONNECTOR, ELEC, Power
3	383986A1	12	RIVET,
4	895-11003	12	WASHER, M3, 3,2 x 7 x 0,5 mm
5	20-2041T2	1	CIRCUIT BREAKER,
6	895-11006	4	WASHER, M6, , BSN JEE0106701
7	840-1620	2	SCREW, Cross Pan Hd, M6 x 20, M6 x 20; 4.8
8	397496A1	1	CONNECTOR, ELEC, Passive , BSN JEE0106701
9	863-6020	3	SCREW, Hex Soc Hd, M6 x 20, 12.9, M6 x 20; 12.9, BSN JEE0106701
10	892-11006	3	WASHER, LOCK, M6, , BSN JEE0106701
11	829-1406	3	NUT, M6, CI 10, M6; 10.9, BSN JEE0106701
12	388811A1	1	LIGHTER, CIGARETTE, Not Illustrated
13	388813A1	2	OUTLET, Power, Not Illustrated
14	345471A1	1	SWITCH, Differential Lock, Not Illustrated
15	87452321	1	OUTLET,
16	388810A1	1	ELEMENT, Pop-Out Lighter, If used
17	84058092	1	CONNECTOR, TERMINAL,

04-24 ELECTRONIC MODULE ASSEMBLY



STX500 CASE IH 4WD TRACTOR (AFTER S/N JEE0099501)

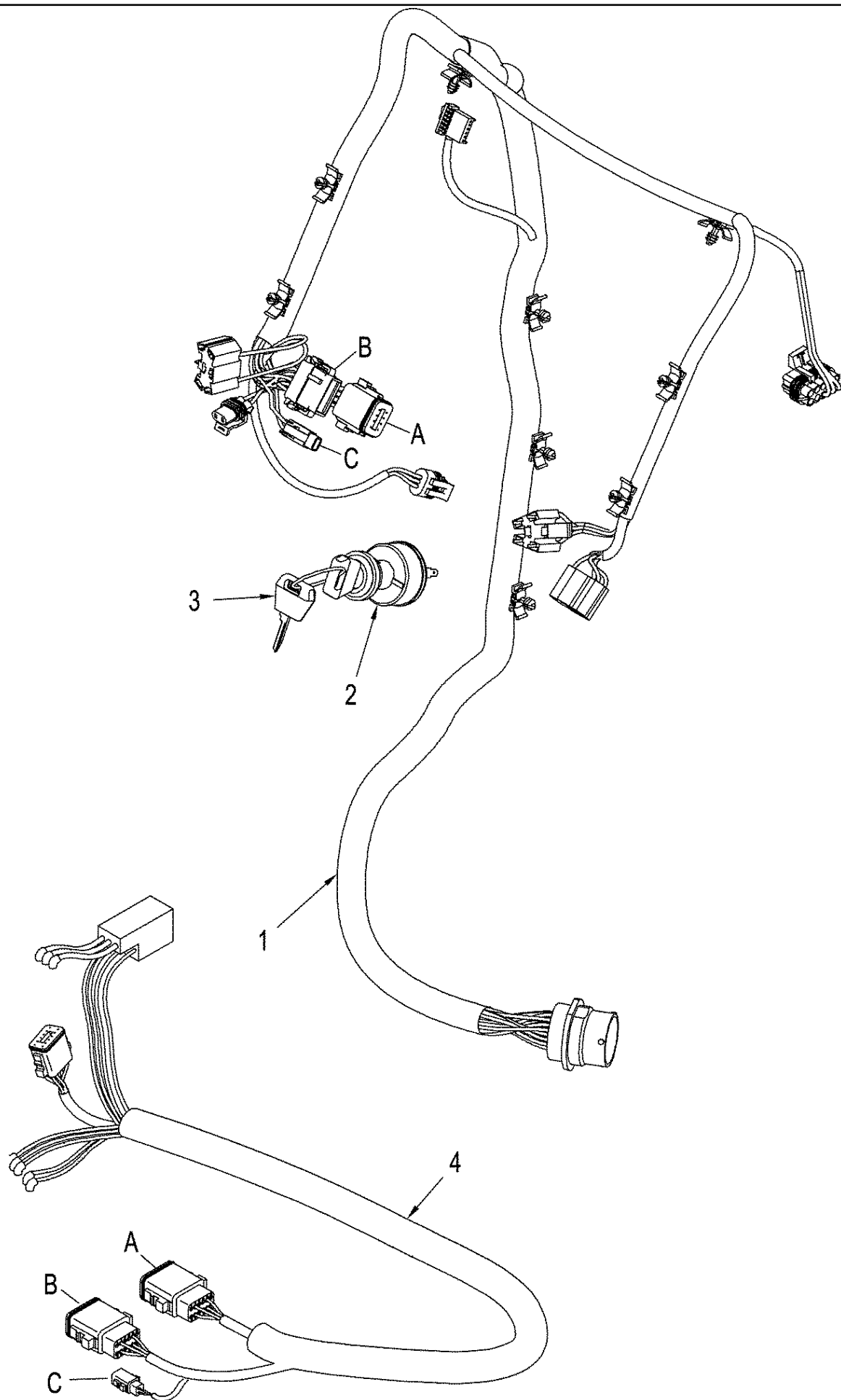
04-24 ELECTRONIC MODULE ASSEMBLY

сылка	Номер детали	Кол-во	Описание
1	388289A1	1	BRACKET, Not Illustrated, BSN JEE0106701
1	87416914	1	BRACKET, , ASN JEE0106701
2	20-1451T1	1	BLOCK, Junction
3	892-11010	1	WASHER, LOCK, M10, M10
4	425-106	1	NUT, 3/8"-16, G5,
5	840-1516	2	SCREW, Cross Pan Hd, M5 x 16, M5 x 16; 4,8
6	895-11005	2	WASHER, M5 x 10 x 1, 5,5 x 10 x 1 mm
7	824-1405	2	NUT, M5, CI 5,
8	397346A1	1	FLASHER UNIT,
9	895-11004	4	WASHER, M4, 4,3 x 9 x 0,8 mm
10	892-11004	4	WASHER, LOCK, M4,
11	824-1404	4	NUT, M4, CI 5,
12	825-5146	3	NUT, M6, Flg Ser,
	431610A2	1	MODULE, Electronics, Inc. 13 - 34, Also See Figure 04-22, With Manual Shift Transmission, Standard Cab, BSN JEE0099963
	87416354	1	MODULE, Electronics, Inc. 13 - 33, Also See Figure 04-22, Standard Cab, With Power Shift Transmission, ASN JEE0099963
	431500A2	1	MODULE, Electronics, Inc. 13 - 34, Also See Figure 04-23, Deluxe Cab, With Manual Shift Transmission, BSN JEE0106701
	87326446	1	BOARD, PRINTED CIRCUIT, Electronics, Inc. 13 - 34, Also See Figure 04-23, With Manual Shift Transmission, Deluxe Cab, ASN JEE0106701
	87418384	1	MODULE, Electronics, Inc. 13 - 34, Also See Figure 04-23, Deluxe Cab, With Power Shift Transmission, BSN JEE0106701
	87326440	1	BOARD, PRINTED CIRCUIT, Electronics, Inc. 13 - 34, Also See Figure 04-23, With Power Shift Transmission, Deluxe Cab, ASN JEE0106701
13	339761A3	1	PLATE,
14	367147A1	3	BRACKET, Mounting
15	367145A1	5	BLOCK, Terminal
16	841-4512	3	SCREW, Hex Wash Hd, M5 x 12, M5 x 12; 4.8
17	825-5145	3	NUT, M5, Flg Ser, M5
18	430116A1	AR	LOCK,
19	191135A1	1	BASE,
20	895-11006	3	WASHER, M6,
21	829-1406	3	NUT, M6, CI 10, M6; 10.9
22	144417A1	3	BLOCK, CONNECTING,
23	144421A1	2	BLOCK, CONNECTING,
24	194319A1	1	TERMINAL,
25	300655A1	1	SOCKET, POWER,
26	349062A1	1	PAD, RUBBER,
27	310057A1	1	CONNECTOR, ELEC,
28	840-1312	4	SCREW, Cross Pan Hd, M3 x 12, M3 x 12; 4.8
29	895-11003	4	WASHER, M3, 3,2 x 7 x 0,5 mm
30	824-1403	4	NUT, M3, CI 5,
31	121416A1	AR	FUSE, 30 amp
31	121415A1	AR	FUSE, 25 amp

STX500 CASE IH 4WD TRACTOR (AFTER S/N JEE0099501)

04-24 ELECTRONIC MODULE ASSEMBLY

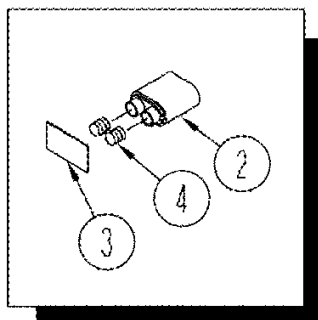
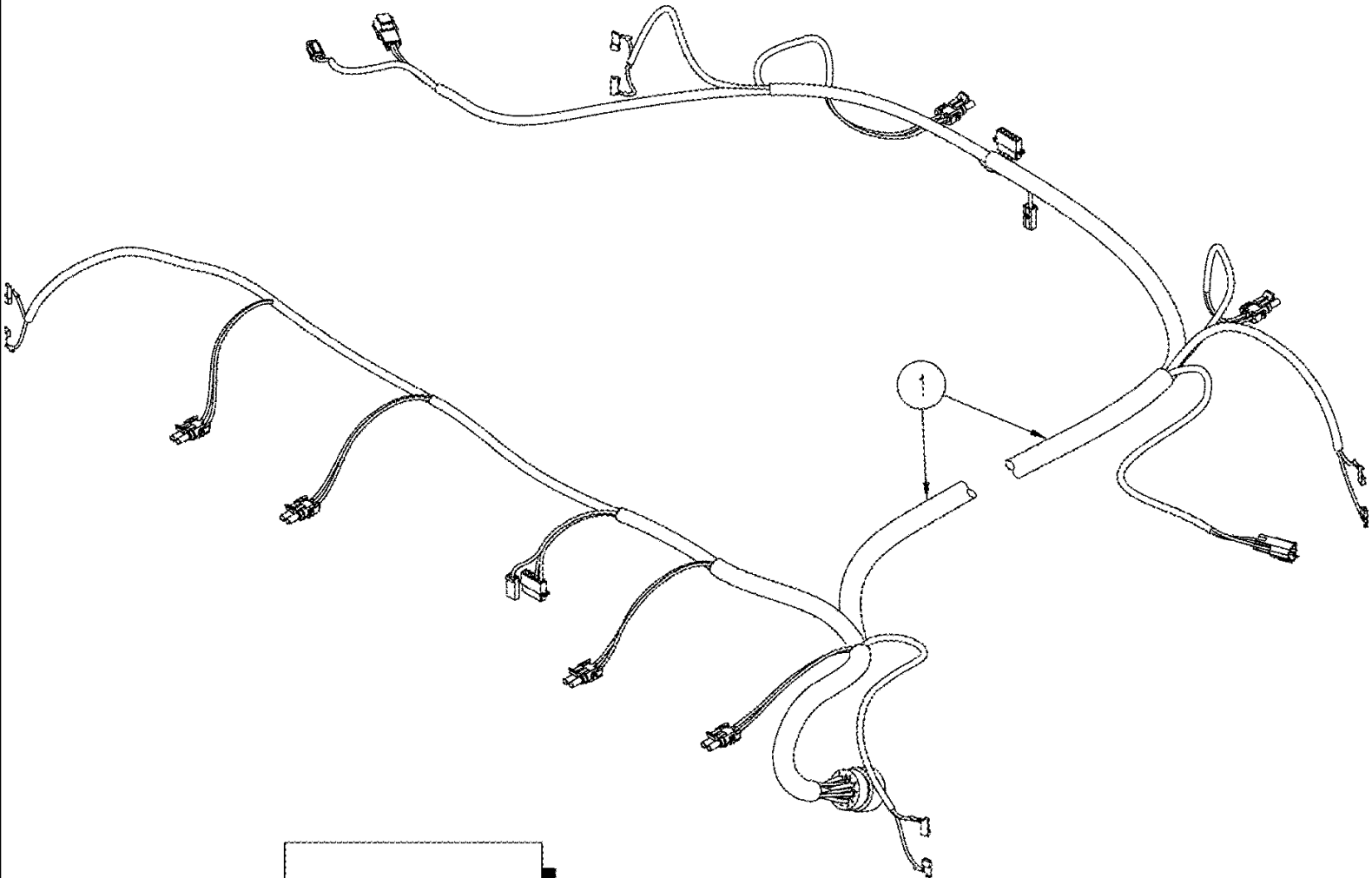
сылка	Номер детали	Кол-во	Описание
31	121414A1	AR	FUSE, 20 amp
31	121413A1	AR	FUSE, 15 amp
31	121412A1	AR	FUSE, 10 amp
31	121411A1	1	FUSE, 5.5 amp
31	121410A1	AR	FUSE, 5 amp
31	368224A1	AR	DIODE, Mini, 1 amp, Differential Lock
32	87414866	AR	RELAY, 20 amp
33	368459A1	AR	RELAY, 70 amp
34	367146A1	4	WEDGE,
35	895-11008	6	WASHER, M8 x 16 x 1.6, 9 x 17 x 1,6 mm
36	893-11010	2	WASHER, LOCK, Ext Tooth, M10,
37	895-11010	4	WASHER, M10 x 20 x 2,
38	829-1410	2	NUT, M10, CI 10,
39	A187523	1	BLOCK, CONNECTING, , With Power Shift Transmission
39	190158A1	1	BLOCK,
40	311430A1	1	BLOCK, Junction
41	323758A4	1	CONTROL UNIT, Three Point Hitch, Down Load Software From Service Tool
42	399302A3	1	CONSOLE, Auxiliary, Down Load Software From Service Tool
43	627-6016	3	BOLT, Hex, M6 x 16, 10.9, M6 x 16; 10.9
44	391112A2	1	CONTROL UNIT, Transmission, Down Load Software From Service Tool
45	627-8016	1	BOLT, Hex, M8 x 16, 10.9,
46	895-11005	3	WASHER, M5 x 10 x 1, 5,5 x 10 x 1 mm
47	829-1408	3	NUT, M8, CI 10,



STX500 CASE IH 4WD TRACTOR (AFTER S/N JEE0099501)

04-25 HARNESS - FRONT CONSOLE

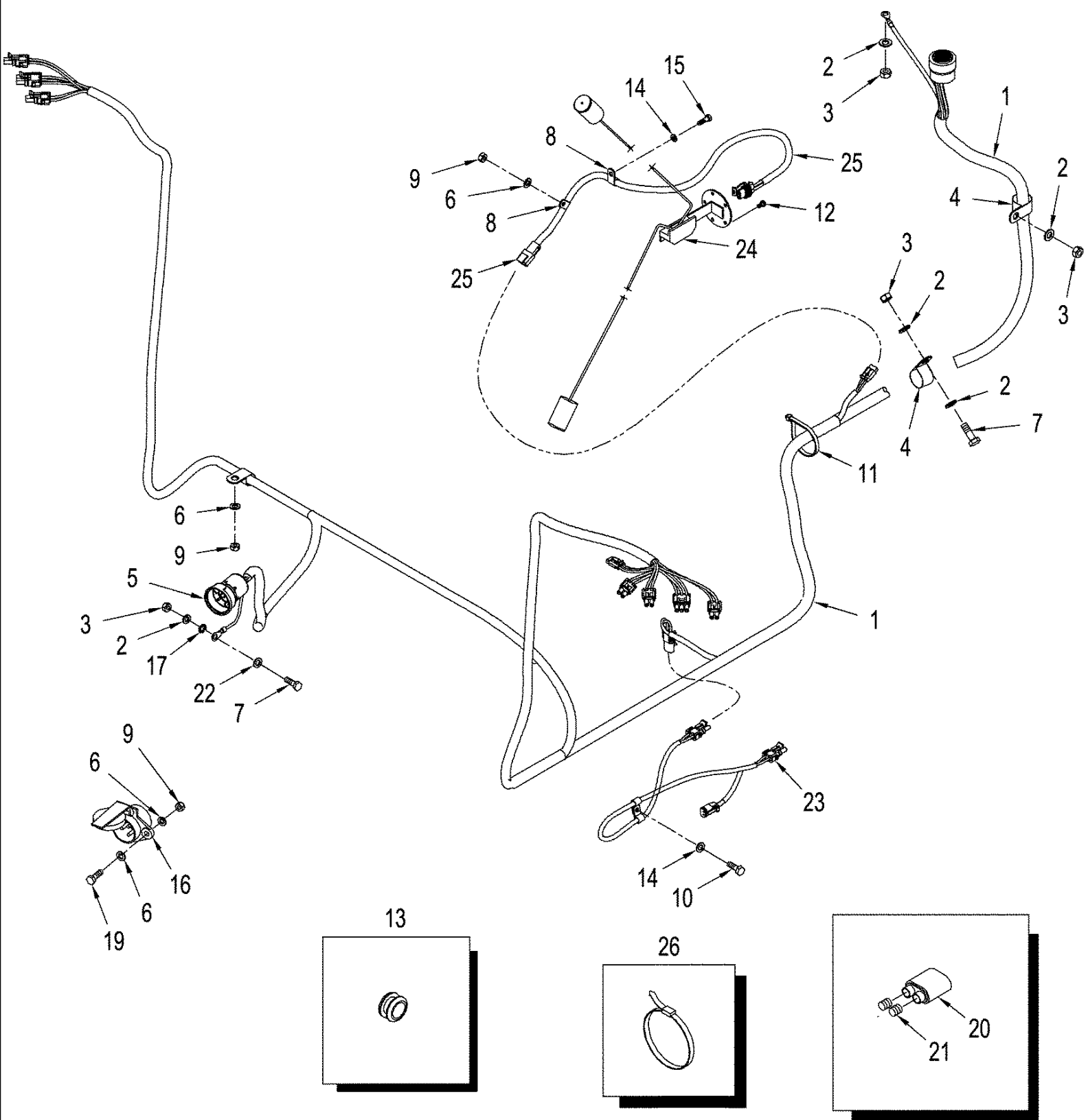
сылка	Номер детали	Кол-во	Описание
1	430654A2	1	HARNESS, Front Console, With Advanced Farming Systems (AFS)
1	426766A2	1	HARNESS, Front Console, With Power Shift Transmission
2	363914A1	1	SWITCH, IGNITION, Inc. 3
3	86502201	1	SET OF 2 KEYS,
	414332A1	1	CONTROL, With Self-Cancel, Inc. 4, Also See Figure: 05-08, With Advanced Farming Systems (AFS)
	414331A1	1	CONTROL, Without Self-Cancel, Inc. 5, Not Illustrated, Also See Figure: 05-08, With Advanced Farming Systems (AFS)
	86991898	1	CONTROL, With Self-Cancel, Inc. 4, Also See Figure: 05-07, With Power Shift Transmission
	360058A1	1	CONTROL, Without Self-Cancel, Inc. 5, Not Illustrated, Also See Figure: 05-07, With Power Shift Transmission
4	416123A1	1	HARNESS, WIRE, With Self-Cancel, With Advanced Farming Systems (AFS)
4	375681A1	1	HARNESS, Transmission Control And Turn Signal Self-Cancelling Sensor (Sensor Not Serviced Separately), With Power Shift Transmission
5	416124A1	1	HARNESS, WIRE, Without Self-Cancel, Not Illustrated, With Advanced Farming Systems (AFS)
5	303463A1	1	HARNESS, Without Self-Cancel, Not Illustrated, With Power Shift Transmission



STX500 CASE IH 4WD TRACTOR (AFTER S/N JEE0099501)

04-26 HARNESS - CAB ROOF

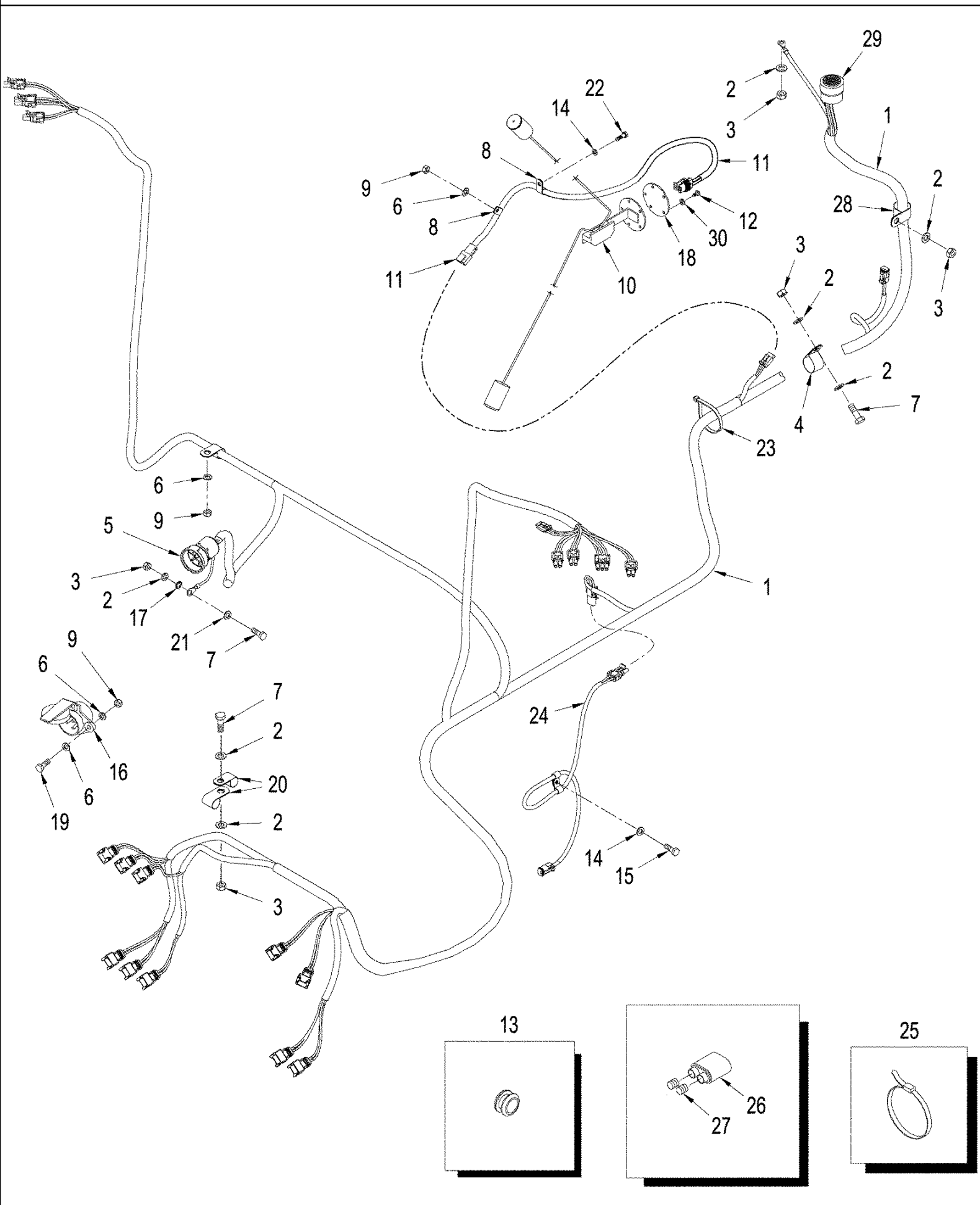
сылка	Номер детали	Кол-во	Описание
1	373457A1	1	HARNESS,
2	245483C1	2	CONNECTOR, ELEC, Two Cavity, Without Field Lights
3	225127C1	4	TERMINAL CONNECTOR, Type V4
4	392149A1	2	DECAL, Without Field Lights



STX500 CASE IH 4WD TRACTOR (AFTER S/N JEE0099501)

04-27 HARNESS - REAR FRAME, WITH MANUAL REMOTE

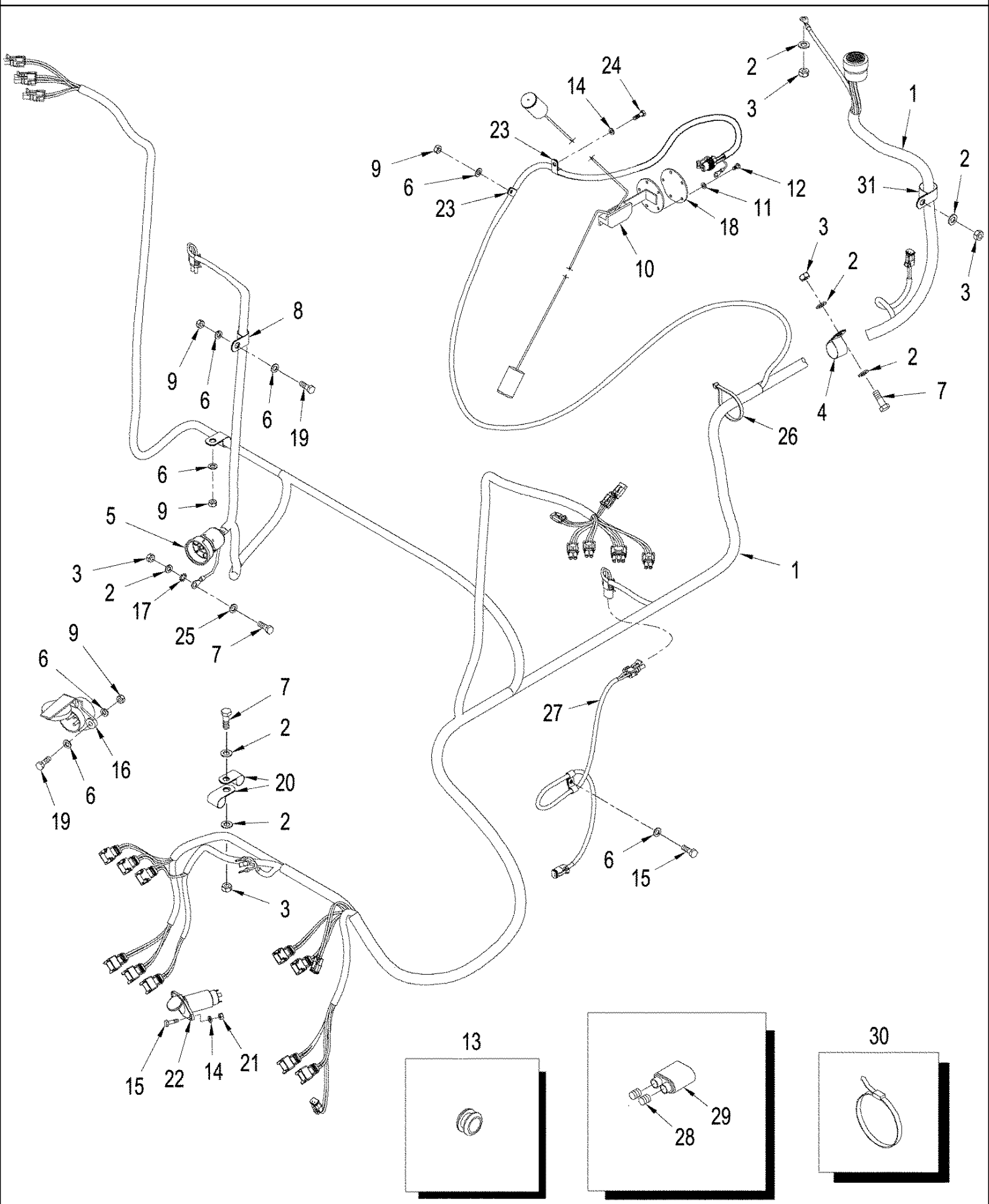
сылка	Номер детали	Кол-во	Описание
1	445143A1	1	HARNESS,
2	895-11010	11	WASHER, M10 x 20 x 2,
3	829-1410	8	NUT, M10, CI 10,
4	515-24302	3	CLAMP, 1 3/16", Insul, 7/16" Bolt, 1 ID
5	481849C1	1	COVER,
6	895-11008	9	WASHER, M8 x 16 x 1.6, 9 x 17 x 1,6 mm
7	614-10030	4	BOLT, Hex, M10 x 30, 8.8,
8	515-23127	2	CLAMP, 1/2", Insul, 3/8" Bolt,
9	829-1408	9	NUT, M8, CI 10,
10	614-6020	1	BOLT, Hex, M6 x 20, 8.8, M6 x 20; 8,8
11	22-824	1	STRAP, CABLE, 3/16" x 7 1/4", 7 in
12	840-1510	5	SCREW, Cross Pan Hd, M5 x 10, M5 x 10
13	328265A1	3	GROMMET,
14	895-11006	1	WASHER, M6,
15	614-6012	1	BOLT, Hex, M6 x 12, 8.8,
16	121645C1	1	SOCKET/RECEPTACLE, Implement
17	893-11010	1	WASHER, LOCK, Ext Tooth, M10,
18	892-11008	8	WASHER, LOCK, M8,
20	245483C1	4	CONNECTOR, ELEC, Two Cavity, Without Field Lights
21	225127C1	8	TERMINAL CONNECTOR, Type V4
22	892-11010	1	WASHER, LOCK, M10, M10
23	392227A1	1	HARNESS, Differential Lock
24	87434676	2	SENDER UNIT, Fuel Level
25	87438650	1	HARNESS, Jumper Fuel Sender
26	50-2037T1	1	STRAP,
19	627-8025	2	BOLT, Hex, M8 x 25, 10.9,



STX500 CASE IH 4WD TRACTOR (AFTER S/N JEE0099501)

04-28 HARNESS - REAR FRAME, WITH ELECTRONIC REMOTE, WITHOUT THREE POINT HITCH

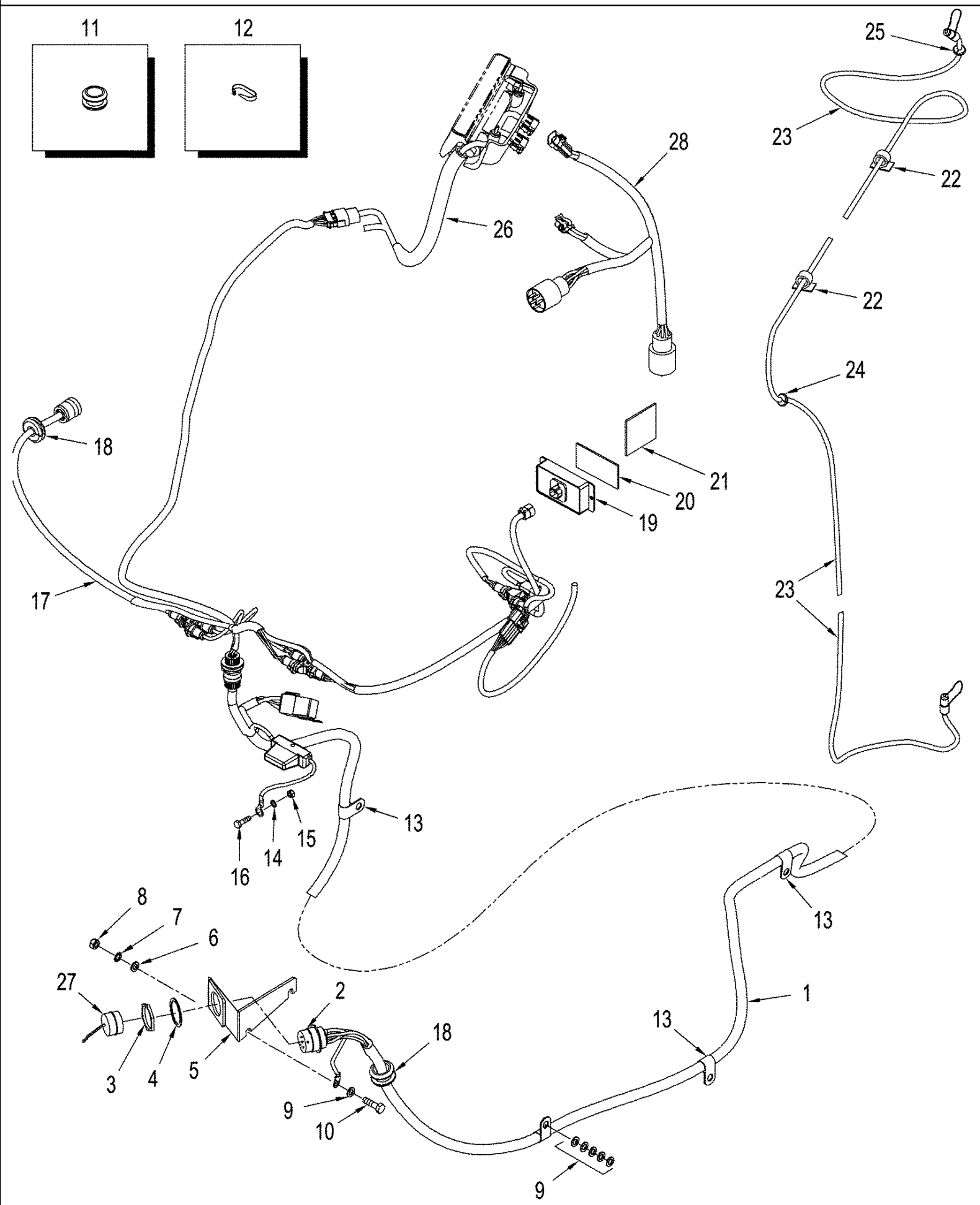
сылка	Номер детали	Кол-во	Описание
1	445144A1	1	HARNESS,
2	895-11010	15	WASHER, M10 x 20 x 2,
3	829-1410	10	NUT, M10, CI 10,
4	515-23381	3	CLAMP, 1 1/2", Insul, 3/8" Bolt,
5	481849C1	1	COVER,
6	895-11008	10	WASHER, M8 x 16 x 1.6, 9 x 17 x 1,6 mm
7	614-10030	6	BOLT, Hex, M10 x 30, 8.8,
8	515-23127	2	CLAMP, 1/2", Insul, 3/8" Bolt,
9	829-1408	9	NUT, M8, CI 10,
10	87434676	1	SENDER UNIT, Fuel Level, Inc. 18
11	87438650	1	HARNESS, Jumper Fuel Sender
12	614-5010	6	BOLT, Hex, M5 x 10, 8.8, Full Thd, M5 x 10
13	328265A1	3	GROMMET,
14	895-11006	3	WASHER, M6,
15	614-6020	4	BOLT, Hex, M6 x 20, 8.8, M6 x 20; 8,8
16	121645C1	1	SOCKET/RECEPTACLE,
17	893-11010	1	WASHER, LOCK, Ext Tooth, M10,
18	104812C3	1	GASKET,
19	627-8025	2	BOLT, Hex, M8 x 25, 10.9,
20	515-2595	1	CLAMP, 3/8", Insul, 1/2" Bolt,
21	892-11010	1	WASHER, LOCK, M10, M10
22	614-6012	1	BOLT, Hex, M6 x 12, 8.8,
23	440567A1	1	CABLE ASSY.,
24	392227A1	1	HARNESS, Differential
25	435437A1	2	STRAP, CABLE, 3/16" x 7 1/4", Tie
26	245483C1	4	CONNECTOR, ELEC, Two Cavity, Without Field Lights
27	225127C1	8	TERMINAL CONNECTOR, Type V4
28	515-25254	1	CLAMP, 1", Insul, 1/2" Bolt,
29	87314864	1	TERMINAL CONNECTOR, 48 pin
30	895-11005	6	WASHER, M5 x 10 x 1,



STX500 CASE IH 4WD TRACTOR (AFTER S/N JEE0099501)

04-29 HARNESS - REAR FRAME, WITH ELECTRONIC REMOTE AND THREE POINT HITCH

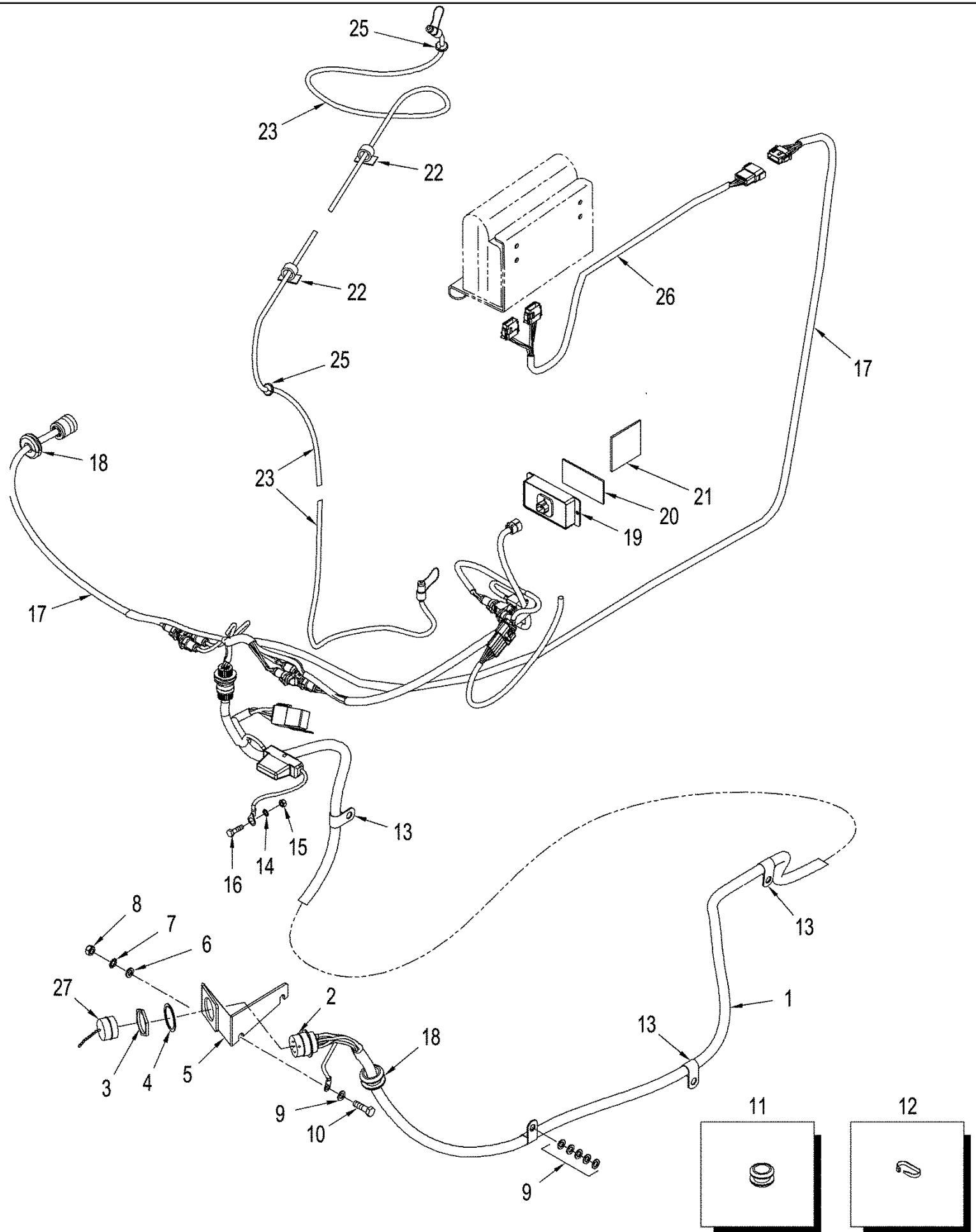
сылка	Номер детали	Кол-во	Описание
1	87354879	1	HARNESS,
2	895-11010	15	WASHER, M10 x 20 x 2,
3	829-1410	10	NUT, M10, CI 10,
4	515-24302	3	CLAMP, 1 3/16", Insul, 7/16" Bolt,
5	481849C1	1	COVER,
6	895-11008	14	WASHER, M8 x 16 x 1.6,
7	614-10035	8	BOLT, Hex, M10 x 35, 8.8, Full Thd,
8	515-2495	1	CLAMP, 3/8", Insul, 7/16" Bolt,
9	829-1408	10	NUT, M8, CI 10,
10	87434676	1	SENDER UNIT, Fuel Level, Inc. 18
11	87438650	1	HARNESS, Jumper Fuel Harness
12	840-1510	5	SCREW, Cross Pan Hd, M5 x 10,
13	328265A1	3	GROMMET,
14	895-11006	5	WASHER, M6,
15	614-6020	5	BOLT, Hex, M6 x 20, 8.8,
16	121645C1	1	SOCKET/RECEPTACLE,
17	893-11010	1	WASHER, LOCK, Ext Tooth, M10,
18	104812C3	1	GASKET,
19	627-8025	3	BOLT, Hex, M8 x 25, 10.9,
20	515-2595	1	CLAMP, 3/8", Insul, 1/2" Bolt,
21	829-1406	2	NUT, M6, CI 10, M6; 10.9
22	367322A1	1	CONNECTOR, Remote, Three Point Hitch
23	515-23127	2	CLAMP, 1/2", Insul, 3/8" Bolt,
24	614-6012	1	BOLT, Hex, M6 x 12, 8.8,
25	892-11010	1	WASHER, LOCK, M10,
26	22-824	1	STRAP, CABLE, 3/16" x 7 1/4", 7 in
27	392227A1	1	HARNESS, Differential Lock
28	225127C1	8	TERMINAL CONNECTOR, Type V4
29	245483C1	4	CONNECTOR, ELEC, Two Cavity, Without Field lights
30	50-2037T1	2	STRAP,
31	895-11005	6	WASHER, M5 x 10 x 1,



STX500 CASE IH 4WD TRACTOR (AFTER S/N JEE0099501)

04-30 HARNESS - ADVANCED FARMING SYSTEMS, BSN JEE0106701

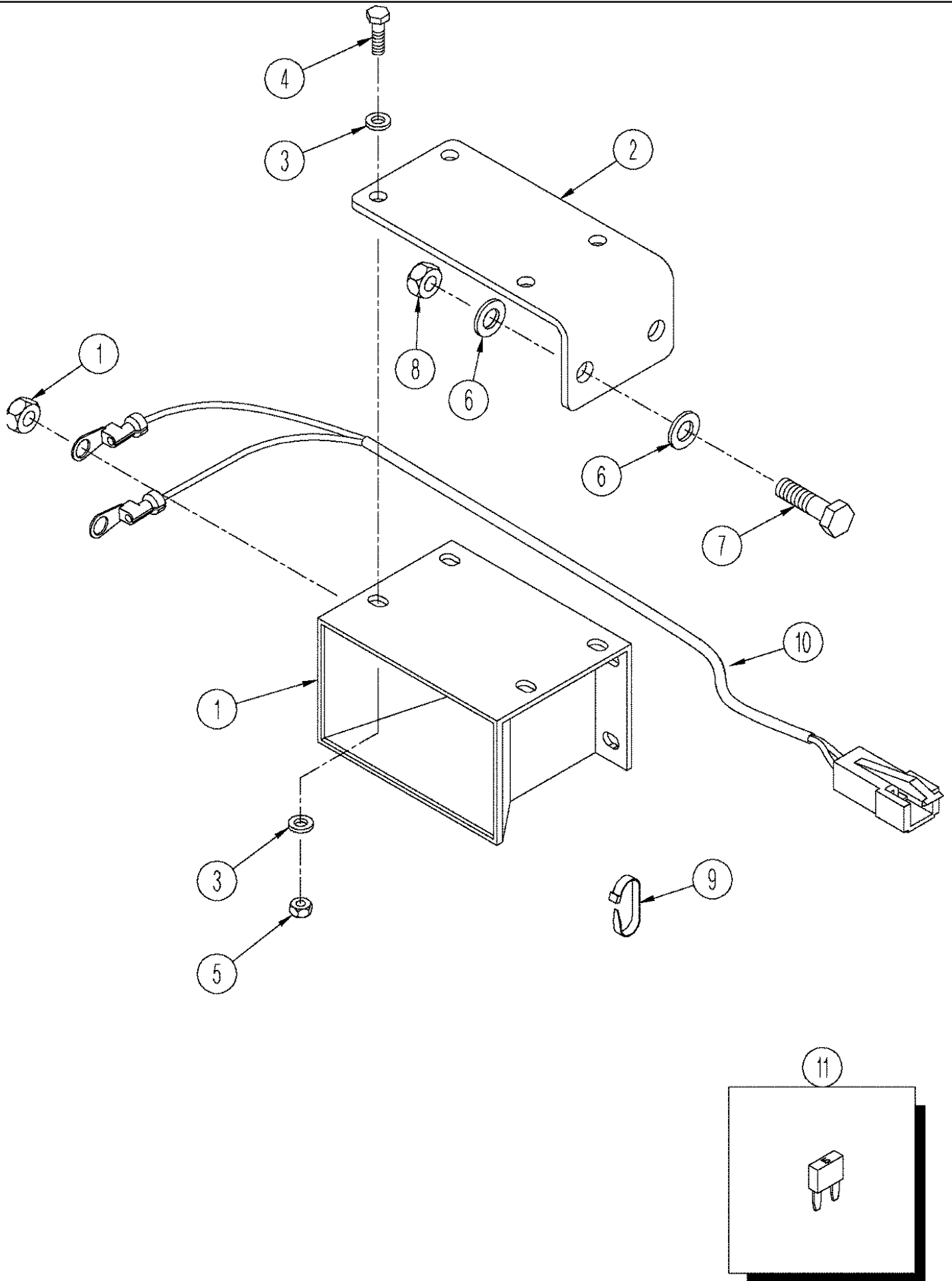
сылка	Номер детали	Кол-во	Описание
1	405029A2	1	HARNESS, AFS CHASSIS
2	352506A1	1	CONNECTOR, ELEC,
3	459329C1	1	NUT,
4	459330C1	1	WASHER, LOCK,
5	405387A2	1	PLATE, AFS CONNECTOR
6	893-11010	1	WASHER, LOCK, Ext Tooth, M10,
7	892-11010	2	WASHER, LOCK, M10, M10
8	829-1410	2	NUT, M10, CI 10,
9	895-18010	7	WASHER, M10 x 18 x 1.6,
10	614-10035	2	BOLT, Hex, M10 x 35, 8.8, Full Thd,
11	328265A1	1	GROMMET,
12	22-824	12	STRAP, CABLE, 3/16" x 7 1/4", 7 in
13	515-25190	6	CLAMP, 3/4", Insul, 1/2" Bolt, 3/4 ID
14	892-11005	1	WASHER, LOCK, M5,
15	825-1405	1	NUT, M5, CI 8,
16	614-5012	1	BOLT, Hex, M5 x 12, 8.8, Full Thd, M5 x 12 CLASS 8.8 ZND
17	405030A1	1	HARNESS, Cab
18	248-23108	1	GROMMET, 3/4" ID x 1 7/16" Groove Dia, Str Cut,
19	284638A2	1	CONNECTOR, ELEC,
20	406450A1	2	FASTENER, DUAL LOCK
21	406449A1	2	FASTENER, DUAL LOCK
22	169850C2	2	ANCHOR,
23	405687A1	1	CABLE, Receiver
25	248-2340	2	GROMMET, 3/8" ID x 5/8" Groove Dia, Str Cut, 5/8
26	405032A1	1	TUBE, Monitor
27	245041C1	1	CAP,
28	15470	1	HARNESS, AFS Control Conversion



STX500 CASE IH 4WD TRACTOR (AFTER S/N JEE0099501)

04-30(01) HARNESS - ADVANCED FARMING SYSTEMS, ASN JEE0106701

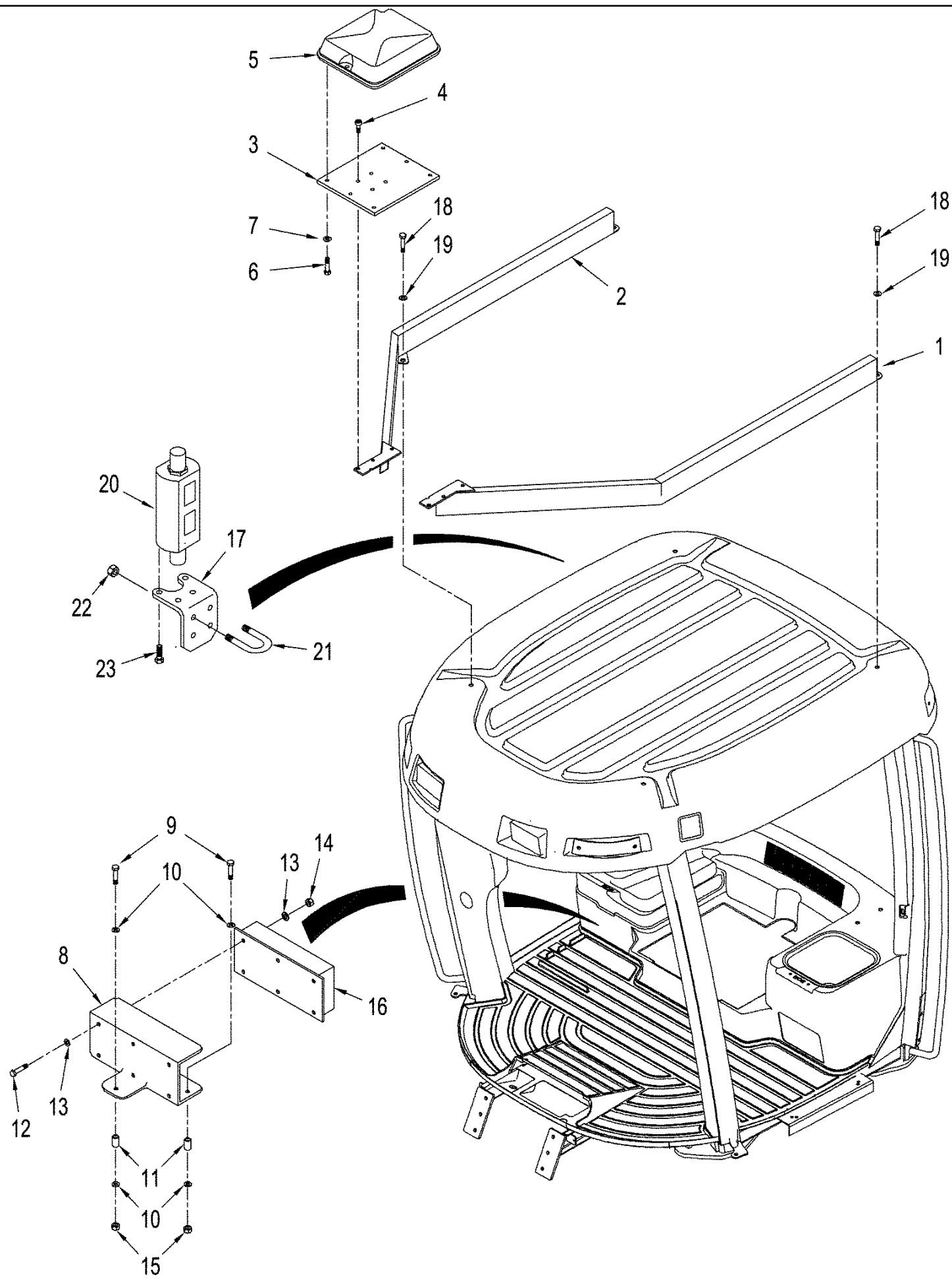
сылка	Номер детали	Кол-во	Описание
1	405029A2	1	HARNESS, AFS CHASSIS
2	352506A1	1	CONNECTOR, ELEC,
3	459329C1	1	NUT,
4	459330C1	1	WASHER, LOCK,
5	405387A2	1	PLATE, AFS CONNECTOR
6	893-11010	1	WASHER, LOCK, Ext Tooth, M10,
7	892-11010	2	WASHER, LOCK, M10, M10
8	829-1410	2	NUT, M10, CI 10,
9	895-18010	7	WASHER, M10 x 18 x 1.6,
10	614-10035	2	BOLT, Hex, M10 x 35, 8.8, Full Thd,
11	328265A1	1	GROMMET,
12	435437A1	3	STRAP, CABLE, 3/16" x 7 1/4",
13	515-25190	6	CLAMP, 3/4", Insul, 1/2" Bolt, 3/4 ID
14	892-11005	1	WASHER, LOCK, M5,
15	825-1405	1	NUT, M5, CI 8,
16	614-5012	1	BOLT, Hex, M5 x 12, 8.8, Full Thd, M5 x 12 CLASS 8.8 ZND
17	87414714	1	HARNESS, Cab
18	248-23108	1	GROMMET, 3/4" ID x 1 7/16" Groove Dia, Str Cut,
19	284638A2	1	CONNECTOR, ELEC,
20	406450A1	2	FASTENER, DUAL LOCK
21	406449A1	2	FASTENER, DUAL LOCK
22	169850C2	2	ANCHOR,
23	405687A1	1	CABLE, Receiver
25	248-2340	2	GROMMET, 3/8" ID x 5/8" Groove Dia, Str Cut, 5/8
26	87414764	1	HARNESS, AFS Jumper
27	245041C1	1	CAP,



STX500 CASE IH 4WD TRACTOR (AFTER S/N JEE0099501)

04-31 ALARM - BACK-UP

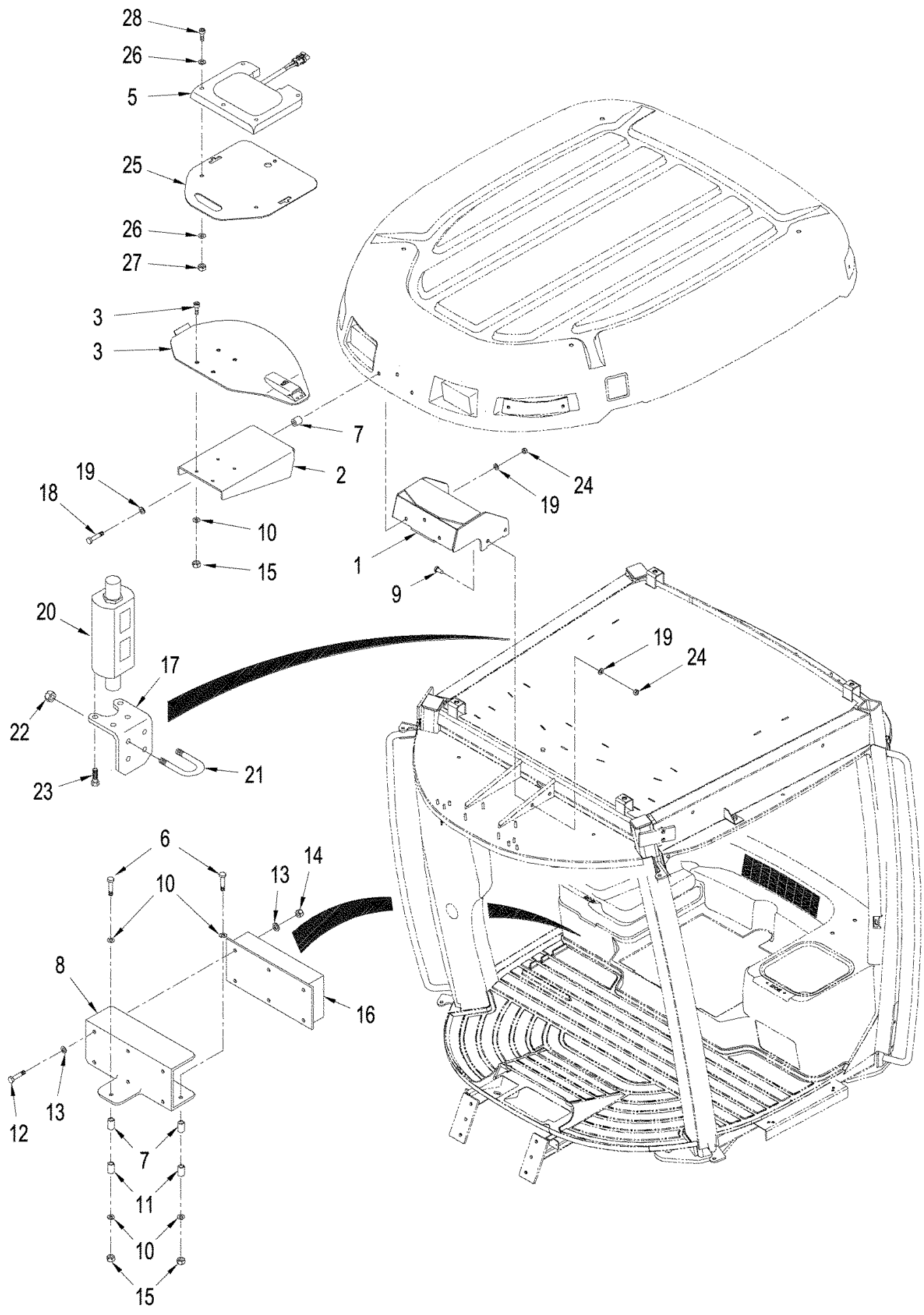
сылка	Номер детали	Кол-во	Описание
1	D121972	1	ALARM, Inc. Nuts
2	414938A1	1	BRACKET, Mounting
3	896-11006	8	WASHER, M6 x 13 x 2, HT, 6.6 x 12.5 x 2 mm
4	627-6020	4	BOLT, Hex, M6 x 20, 10.9, M6 x 20; 10.9
5	829-1406	4	NUT, M6, CI 10, M6; 10.9
6	895-11010	4	WASHER, M10 x 20 x 2,
7	627-10035	2	BOLT, Hex, M10 x 35, 10.9, Full Thd, M10 x 35; 10.9
8	829-1410	2	NUT, M10, CI 10,
9	22-824	2	STRAP, CABLE, 3/16" x 7 1/4", 7 in.
10	391364A1	1	HARNESS,
11	121410A1	1	FUSE, 5 amp



STX500 CASE IH 4WD TRACTOR (AFTER S/N JEE0099501)

04-32 ACCUGUIDE, GPS - MOUNTING, BSN JEE0106701

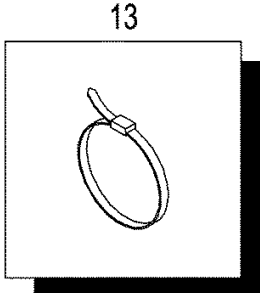
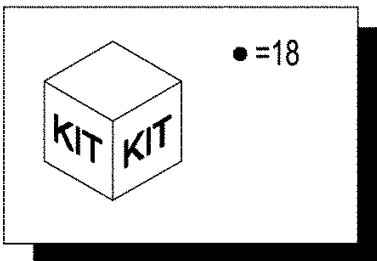
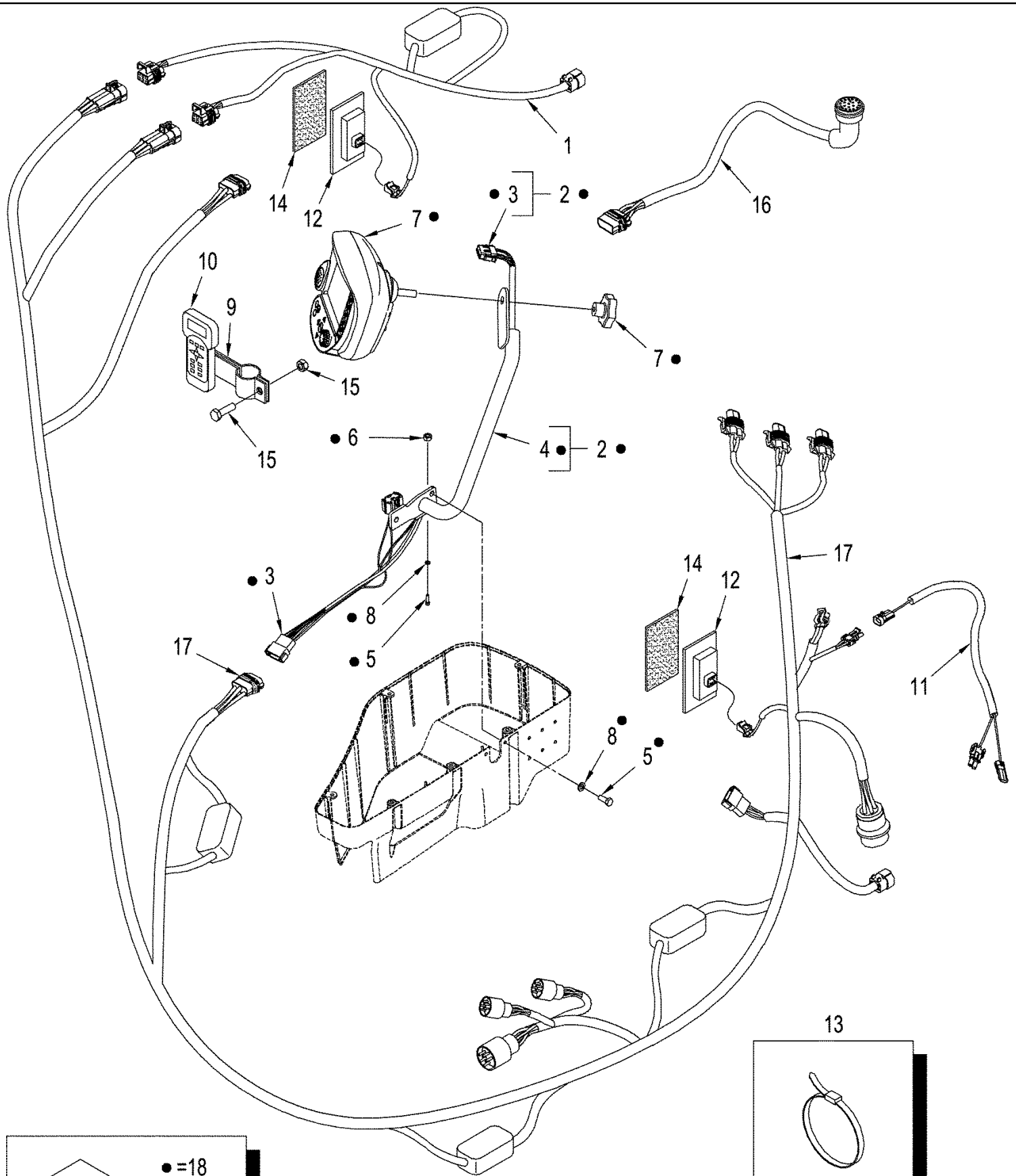
сылка	Номер детали	Кол-во	Описание
1	87440737	1	TUBE ASSY., GPS Antenna Mounting, LH
2	87440736	1	TUBE ASSY., GPS Antenna Mounting, RH
3	87440738	1	PLATE, BASE, GPS Antenna
4	843-1825	4	SCREW, Hex Flat Hd, M8 x 25, 4.8, Flg Hd, M8 x 25, CL4.8
5	87428518	1	MODULE, Receiver, DGPS / RTK
6	426-412	3	BOLT, Hex, 1/4"-20 x 3/4", G8, Full Thd, Cap, HH, 1/4 x 3/4, G8
7	495-11028	3	WASHER, 1/4", SAE, .281" x .625"
8	87421420	1	PLATE, BASE, Mounting, Controller
10	895-11008	3	WASHER, M8 x 16 x 1.6, 9 x 16 x 1.6mm
11	87421443	3	SPACER,
12	864-4020	6	SCREW, Hex Soc Hd, M4 x 20, 8.8,
13	895-11004	12	WASHER, M4, 4.3 x 9 x 0.8mm
14	824-1404	6	NUT, M4, CI 5,
15	832-10408	3	NUT, LOCK, M8 x 1.25, CI 8,
16	87428425	1	MODULE, Controller
17	87429553	1	BRACKET, RTK Radio
18	627-16035	4	BOLT, Hex, M16 x 35, 10.9, Hex, M16 x 35, 10.9
19	895-15016	4	WASHER, M16 x 34 x 3, 17.5 x 34 x 3.0mm
20	87428519	1	RADIO, RTK GPS
21	19-153	2	U-BOLT, 5/16
22	231-1445	4	NUT, LOCK, 5/16"-18, GB, Nylon, 5/16
23	414-58	4	BOLT, Hex, 5/16"-24 x 1/2", G5, Full Thd, Cap, HH, 5/16 x 1/2, G5
9	627-8030	3	BOLT, Hex, M8 x 30, 10.9,



STX500 CASE IH 4WD TRACTOR (AFTER S/N JEE0099501)

04-32(01) ACCUGUIDE, GPS - MOUNTING, ASN JEE0106701

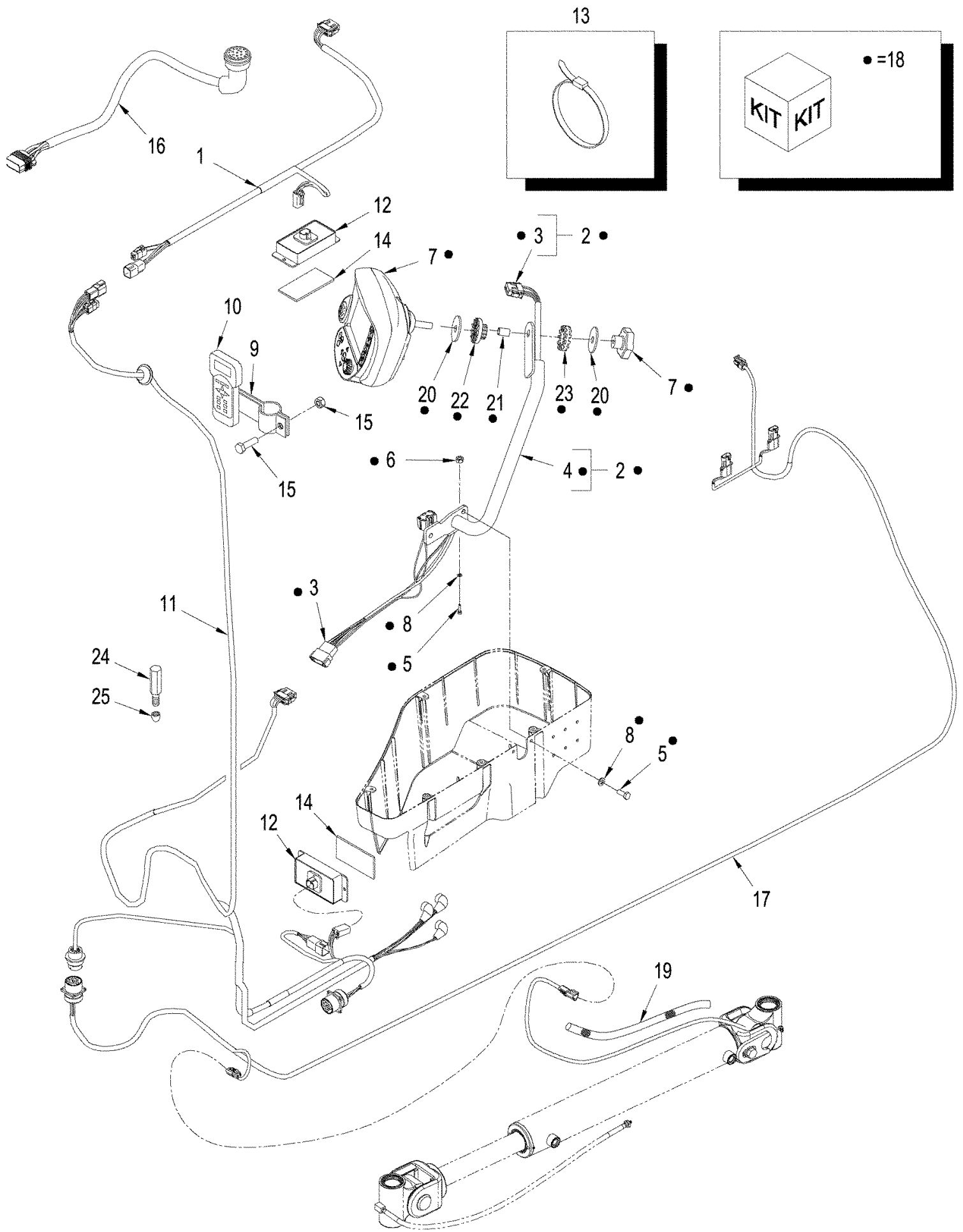
сылка	Номер детали	Кол-во	Описание
1	87304763	1	MOUNTING PARTS, Mounting
2	87304767	1	BRACKET, Antenna Mounting
3	87528080	1	PLATE, BASE, GPS Antenna
4	843-1825	4	SCREW, Hex Flat Hd, M8 x 25, 4.8, Flg Hd, M8 x 25, CL4.8
5	87308224	1	MODULE, Receiver, DGPS / RTK
6	827-8050	3	BOLT, Hex, M8 x 50, 10.9,
7	87304771	6	SPACER,
8	87421420	1	PLATE, BASE, Mounting, Controller
9	627-10020	4	BOLT, Hex, M10 x 20, 10.9, Full Thd, Cap, HH, M10 x 20, CL10.9
10	895-11008	13	WASHER, M8 x 16 x 1.6, 9 x 16 x 1.6mm
11	408566A1	3	INSERT, , BSN JEE0107825
12	864-4020	6	SCREW, Hex Soc Hd, M4 x 20, 8.8,
13	895-11004	12	WASHER, M4, 4.3 x 9 x 0.8mm
14	824-1404	6	NUT, M4, CI 5,
15	832-10408	7	NUT, LOCK, M8 x 1.25, CI 8,
16	87428425	1	MODULE, Controller
17	87429553	1	BRACKET, RTK Radio, BSN JEE0107825
18	827-10055	3	BOLT, Hex, M10 x 55, 10.9, Cap, HH, M10 x 55, CL10.9
19	895-11010	10	WASHER, M10 x 20 x 2,
20	87308224	1	MODULE, RTK GPS
21	19-153	2	U-BOLT, 5/16
22	231-1445	4	NUT, LOCK, 5/16"-18, GB, Nylon, 5/16
23	414-58	4	BOLT, Hex, 5/16"-24 x 1/2", G5, Full Thd, Cap, HH, 5/16 x 1/2, G5
24	829-1410	7	NUT, M10, CI 10,
25	87568855	1	PLATE, MOUNTING, Reciever Carrying
26	895-11006	6	WASHER, M6,
27	825-5146	3	NUT, M6, Flg Ser,
28	814-8060	3	BOLT, Hex, M8 x 60, 8.8,



STX500 CASE IH 4WD TRACTOR (AFTER S/N JEE0099501)

04-33 ACCUGUIDE - VIRTUAL TERMINAL & RELATED PARTS, BSN JEE0106701

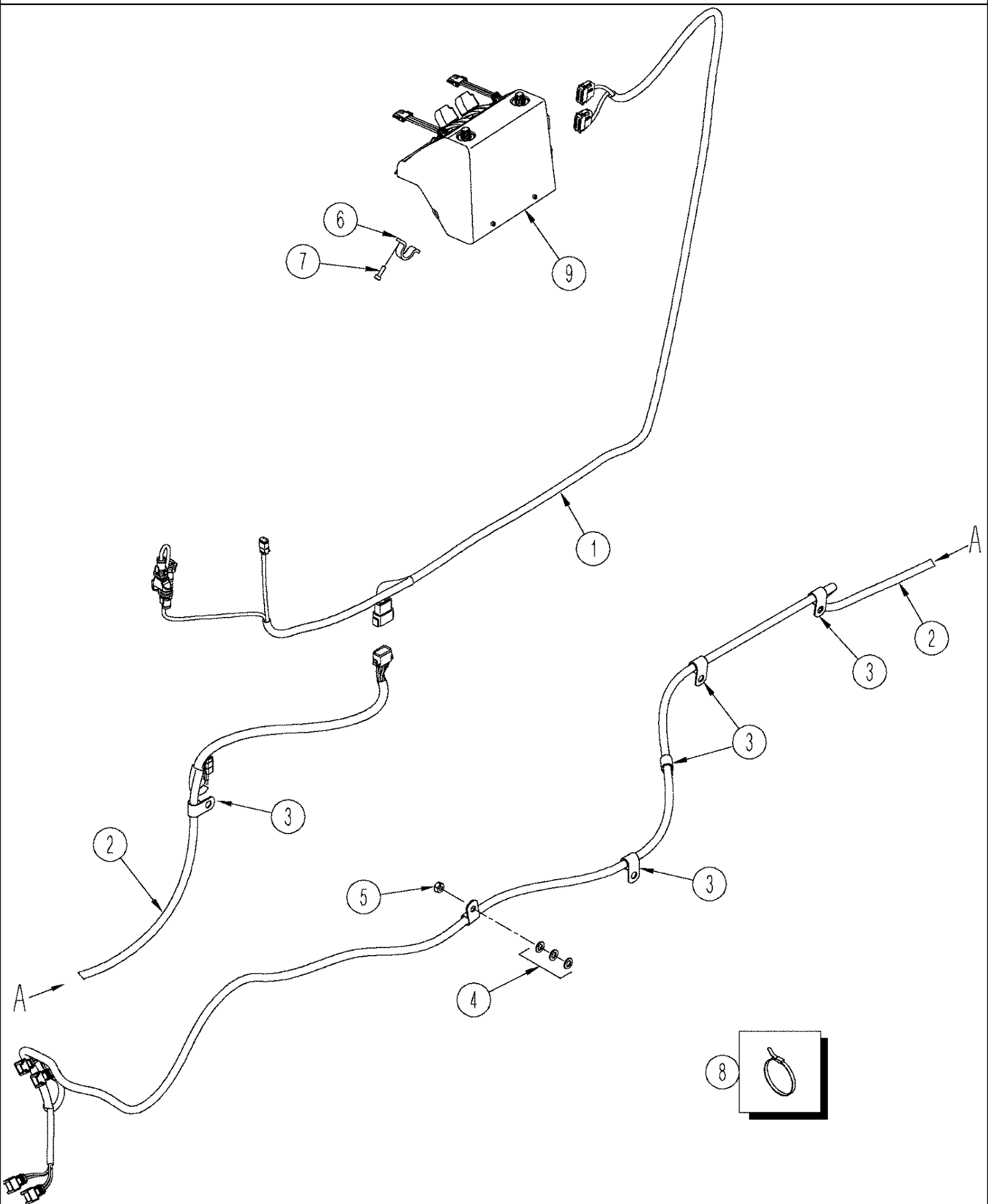
сылка	Номер детали	Кол-во	Описание
1	87436715	1	HARNESS, Auto Guidance, Cab Roof
2	87415235	1	TUBE, SUPPORT, Mounting, AFS, Inc. 3, 4
3	NSS	1	NOT SERVICED SEPARATELY, Harness, Virtual Terminal
4	NSS	1	NOT SERVICED SEPARATELY, Tube, Mounting
5	627-8020	3	BOLT, Hex, M8 x 20, 10.9,
6	829-1408	3	NUT, M8, CI 10,
7	NSS	1	NOT SERVICED SEPARATELY, Monitor, Color Virtual Terminal, Order from ACCUGUIDE Price Book.
8	895-11008	3	WASHER, M8 x 16 x 1.6, 9 x 16 x 1.6mm
9	87428367	1	BRACKET, Mounting
10	87428366	1	MODULE, RDL Radio
11	87422388	1	HARNESS, Wheel Speed / Transmission
12	284638A2	2	CONNECTOR, ELEC, Active Terminator
13	435437A1	15	STRAP, CABLE, 3/16" x 7 1/4", Tie
14	406450A1	4	FASTENER, Velcro
15	87428369	1	SET, Bolt
16	87428396	1	CABLE ASSY., RTK Radio to Antenna
17	87440452	1	HARNESS, Auto Guidance, Cab and Chasis
18	87440700	1	KIT, FIP, Virtual Terminal Display, Inc. 2 - 8



STX500 CASE IH 4WD TRACTOR (AFTER S/N JEE0099501)

04-33(01) ACCUGUIDE - VIRTUAL TERMINAL & RELATED PARTS, ASN JEE0106701

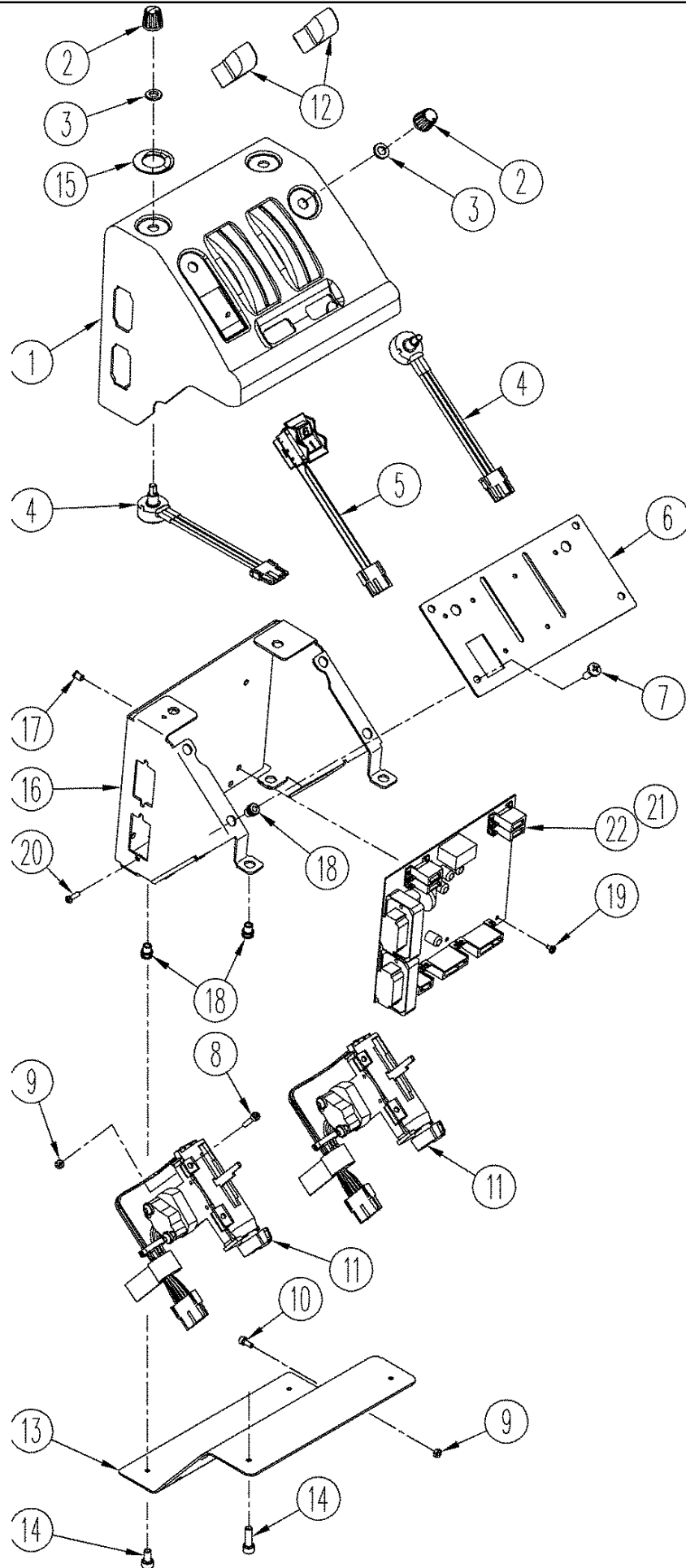
сылка	Номер детали	Кол-во	Описание
1	87436715	1	HARNESS, Auto Guidance, Cab Roof
2	87333929	1	TUBE, SUPPORT, Mounting, AFS, Inc. 3, 4
3	NSS	1	NOT SERVICED SEPARATELY, Harness, Virtual Terminal
4	NSS	1	NOT SERVICED SEPARATELY, Tube, Mounting
5	627-8020	3	BOLT, Hex, M8 x 20, 10.9,
6	829-1408	3	NUT, M8, CI 10,
7	NSS	1	NOT SERVICED SEPARATELY, Monitor, Color Virtual Terminal, Order from ACCUGUIDE Price Book.
8	895-11008	3	WASHER, M8 x 16 x 1.6, 9 x 16 x 1.6mm
9	87428367	1	BRACKET, Mounting
10	87428366	1	MODULE, RDL Radio
11	87308467	1	HARNESS, Cab, BSN JEE0107825
11	87311247	1	HARNESS, Cab, ASN JEE0107825
12	284638A2	2	CONNECTOR, ELEC, Active Terminator
13	L11541	15	STRAP, Tie
14	406450A1	4	FASTENER, Velcro
15	87428369	1	SET, Bolt
16	87428396	1	CABLE ASSY., RTK Radio to Antenna
17	87308468	1	HARNESS, Auto Guidance, Cab and Chasis, BSN JEE0107825
17	87311248	1	HARNESS, Chasis, ASN JEE0107825
18	87440700	1	KIT, FIP, Virtual Terminal Display, Inc. 2 - 8, 20 - 23
19	A64737	1	SLEEVE, Protective
20	495-81166	2	WASHER, 17/32" x 2" x .060", .531" x 2" x .061" thk
21	87351882	1	TUBE SPACER,
22	87313871	1	SPLINED BUSHING, Isolation
23	87313870	1	ISOLATOR, Ring
24	87423195	4	SPACER,
25	440570A1	4	STUD, Threaded



STX500 CASE IH 4WD TRACTOR (AFTER S/N JEE0099501)

04-34 WIRING - MEGA FLOW HYDRAULIC CONTROLS

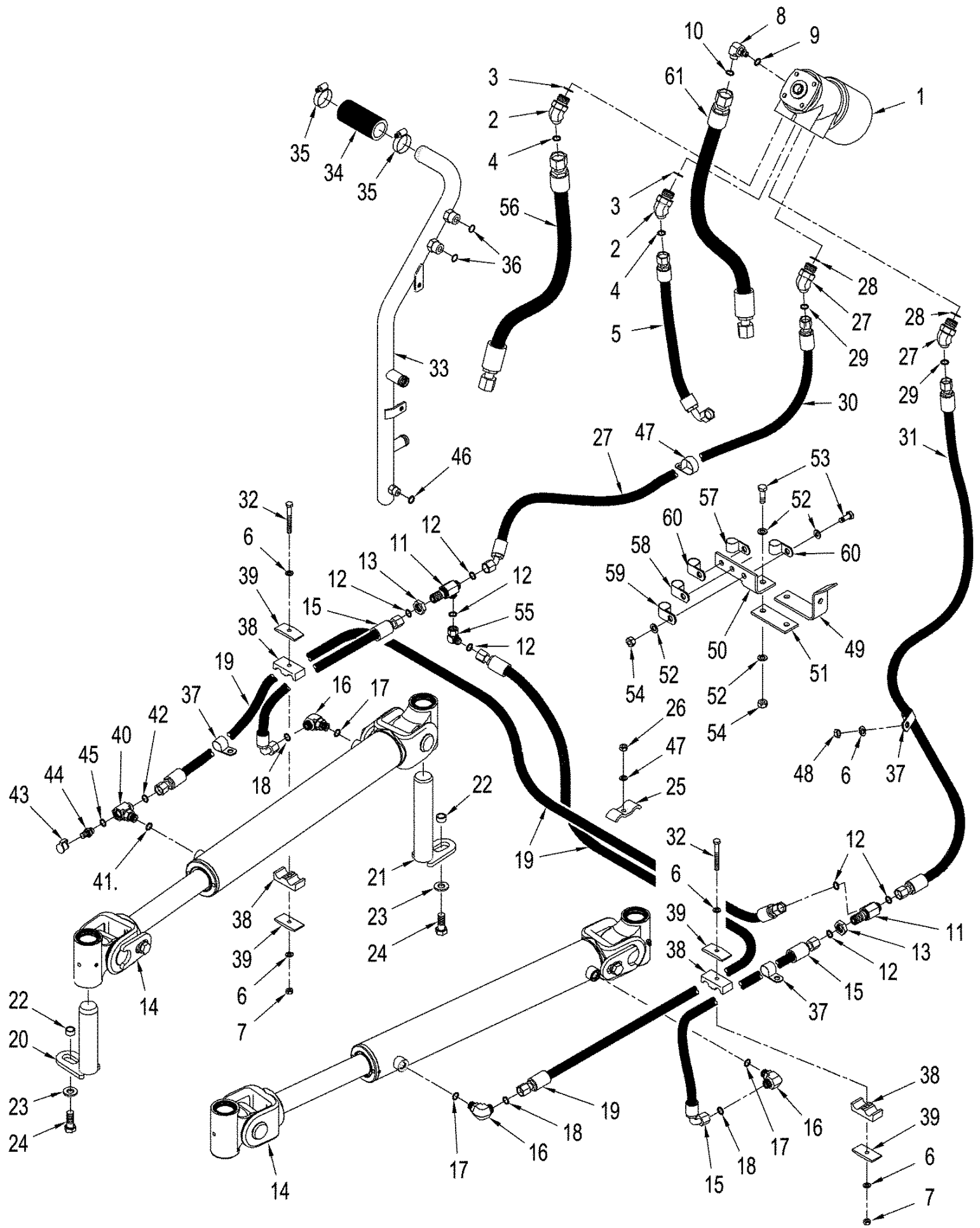
сылка	Номер детали	Кол-во	Описание
1	430834A1	1	HARNESS, Cab
2	430835A1	1	HARNESS,
3	515-25190	6	CLAMP, 3/4", Insul, 1/2" Bolt,
4	895-11010	3	WASHER, M10 x 20 x 2,
5	829-1310	1	NUT, M10, CI 10, M10; 10
6	412027A2	2	CLAMP, Pipe
7	565-104	4	SCREW, Hex Soc Hd, M6 x 20, 8.8, Socket, M6 x 20; 8.8
8	435437A1	2	STRAP, CABLE, 3/16" x 7 1/4", Cable
9	REF	1	INSTRUCTION, Box, Control, See Figure: 04-35



STX500 CASE IH 4WD TRACTOR (AFTER S/N JEE0099501)

04-35 MEGA FLOW HYDRAULIC CONTROLS

сылка	Номер детали	Кол-во	Описание
1	442120A2	1	COVER,
2	276797A1	4	KNOB, Flow Control
3	444868A1	8	NUT, 3/4
4	256305A2	4	POTENTIOMETER, Draft Control
5	413148A1	1	SWITCH,
6	NSS	1	NOT SERVICED SEPARATELY, Plate, Mounting
7	444867A1	4	SCREW, Pan Hd, M6 x 16, CL4.8
8	864-4020	4	SCREW, Hex Soc Hd, M4 x 20, 8.8,
9	824-1404	6	NUT, M4, Cl 5, M4, CL8
10	864-4010	2	SCREW, Hex Soc Hd, M4 x 10, 8.8, Socket, M4 x 10; 8.8
11	406961A1	2	LEVER ASSY., Electrohydraulic
12	406962A1	2	KNOB,
13	418148A2	1	COVER, Plate
14	565-103	2	SCREW, Hex Soc Hd, M6 x 12, 8.8, Socket, M6 x 12; 8.8
15	438237A1	1	DECAL, Flow Control
16	411981A3	1	BRACKET, Mounting
17	412295A1	5	SPACER,
18	404287A1	12	INSERT,
19	47112222	5	SCREW, M4 x 6
20	25-HT00012	4	SCREW,
21	NSS	1	NOT SERVICED SEPARATELY, Software, Down Load Software From Service Tool
22	412070A1	1	BOARD, PRINTED CIRCUIT,



STX500 CASE IH 4WD TRACTOR (AFTER S/N JEE0099501)

05-01 HYDRAULICS - STEERING

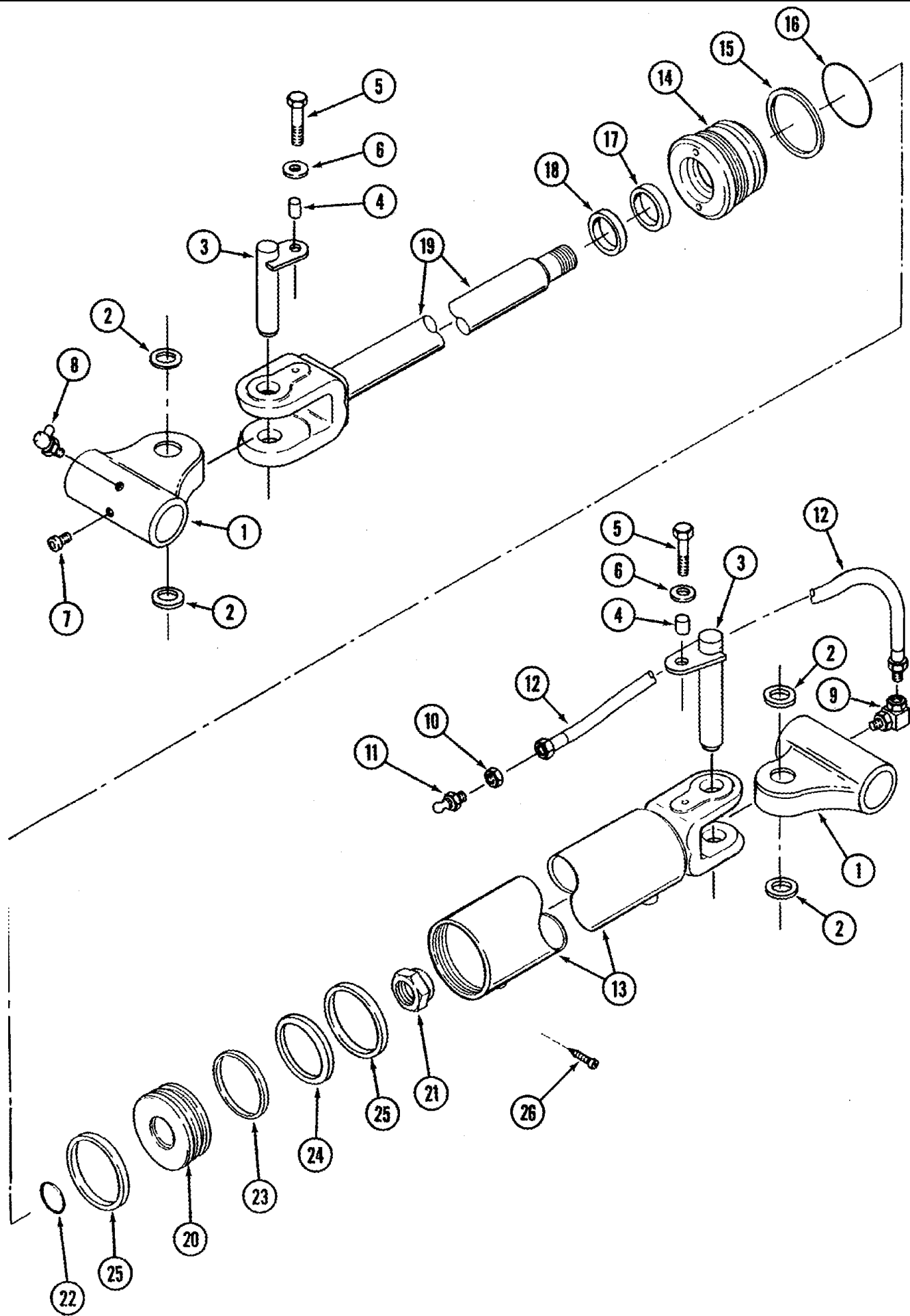
сылка	Номер детали	Кол-во	Описание
1	373374A2	1	VALVE, CONTROL, Steering, See Figure 05-03
2	700-387	2	ELBOW, 45е, 1 3/16"-12 ORFS x M27 x 2 ORB, M20 fc sl x 2,7 orb, Inc. 3, 4
3	637-64236	3	O-RING, CI 6, 23.6MM ID x 2.9 Thk,
4	238-6018	3	O-RING, -018, 90 Duro, .739" ID x .070" Thk,
5	327494A1	1	HOSE ASSY., 1240 mm (49 in), Supply from Priority Valve, BSN JEE0102661
5	87415315	1	HOSE ASSY., 1240 mm (49 in), Supply from Priority Valve, ASN JEE0102661
5	87424309	1	HOSE ASSY., 1240 mm (49 in), Arctic QUADTRAC Tractor Application
6	895-11008	6	WASHER, M8 x 16 x 1.6, 9 x 17 x 1,6 mm
7	832-10408	9	NUT, LOCK, M8 x 1.25, CI 8,
8	700-311	1	ELBOW, 90е, 11/16"-18 ORFS x M12 x 1.5 ORB, 11/16 fc sl x 12 Or, Inc. 9, 10
9	637-63093	1	O-RING, CI 6, 9.3MM ID x 2.2 Thk, 9,3 ID x 2,2
10	238-6012	1	O-RING, -012, 90 Duro, .364" ID x .070" Thk,
11	701-423	2	TEE, 13/16"-16 ORFS, Blkd Run, M12 fc sl x blkhd fc sl, Inc. 12
12	238-6014	4	O-RING, -014, 90 Duro, .489" ID x .070" Thk,
13	701-903	2	NUT, LOCK, 13/16"-16, ORFS Blkhd, 13/16 in
14	339832A1	2	CYLINDER, Articulation, See Figure 05-02, BSN JEE0106701
14	406999A1	2	CYLINDER STEERING, Articulation, See Figure 05-02, ASN JEE0106401
15	367244A1	2	HOSE, 550 mm (21-1/2 in)
15	437278A1S	1	HOSE ASSY., 525 mm (20-1/2 in), Arctic QUADTRAC Tractor Application
16	700-305	3	ELBOW, 90е, 13/16"-18 ORFS x M18 x 1.5 ORB, 13/16 fc sl x 18 Or, Inc. 17, 18
17	637-63153	3	O-RING, CI 6, 15.3MM ID x 2.2 Thk,
18	238-6014	3	O-RING, -014, 90 Duro, .489" ID x .070" Thk,
19	367243A1	2	HOSE ASSY., 1500 mm (59 in)
19	437277A1S	1	HOSE ASSY., 1605 mm (63 in), Arctic QUADTRAC Tractor Application
20	70-6076T3	2	PIN, 1-3/4 x 7-1/4
21	70-6085T2	2	PIN, 1-3/4 x 9-1/4
22	70-5967T1	4	SPACER,
23	496-21066	4	WASHER, 21/32" x 1 5/16" x .150", 21/32 x 1-5/16 x 5/32
24	627-16040	4	BOLT, Hex, M16 x 40, 10.9, Hex, M16 x 40, 10.9
25	242563A1	1	CLAMP,
26	829-1412	1	NUT, M12, CI 10,
27	700-388	2	ELBOW, 45е, 13/16"-16 ORFS x M27 x 2 ORB, M12 fc sl x 27 orb, Inc. 28, 29
28	637-64236	2	O-RING, CI 6, 23.6MM ID x 2.9 Thk,
29	238-6014	2	O-RING, -014, 90 Duro, .489" ID x .070" Thk,
30	327460A2	1	HOSE ASSY., 2285 mm (90 in), Left-Hand Cylinder
30	437256A1S	1	HOSE ASSY., 2197 mm (86-1/2 in), Arctic QUADTRAC Tractor Application
31	418811A1	1	HOSE ASSY., 2698 mm (106 in), Right-Hand Cylinder, BSN JEE0104001
31	87415314	1	HOSE ASSY., 2648 mm (104-1/4 in), Right-Hand Cylinder, ASN JEE0104001
31	87424310	1	HOSE ASSY., 2648 mm (104-1/4 in), Arctic QUADTRAC Tractor Application
32	827-8070	2	BOLT, Hex, M8 x 70, 10.9, M8 x 70; 10.9
33	409612A2	1	TUBE ASSY., Return
34	1-4571	1	HOSE, 114 mm (4-1/2 in)
35	214-1436	2	CLAMP, HOSE, #36, 1.81/2.75 Type F Worm,
36	238-6016	2	O-RING, -016, 90 Duro, .614" ID x .070" Thk,
37	515-23206	6	CLAMP, 13/16", Insul, 3/8" Bolt, P-type

STX500 CASE IH 4WD TRACTOR (AFTER S/N JEE0099501)

05-01 HYDRAULICS - STEERING

сылка	Номер детали	Кол-во	Описание
38	50-2551T1	4	CLAMP,
39	50-2533T1	4	PLATE,
40	364967A1	1	TEE, M18 orb, Inc. 41, 42
41	637-63153	1	O-RING, CI 6, 15.3MM ID x 2.2 Thk,
42	238-6014	1	O-RING, -014, 90 Duro, .489" ID x .070" Thk,
	178889A1	1	FITTING, Diagnostic, Inc. 43 - 45
43	H434163	1	DUST CAP,
44	NSS	1	NOT SERVICED SEPARATELY, Fitting
45	637-63113	1	O-RING, CI 6, 11.3MM ID x 2.2 Thk,
46	238-6014	1	O-RING, -014, 90 Duro, .489" ID x .070" Thk,
47	892-11012	1	WASHER, LOCK, M12,
48	829-1408	1	NUT, M8, CI 10,
49	394446A1	1	PLATE, , ASN JEE0102661
50	86990421	1	BRACKET, SUPPORTING, , ASN JEE0102661
51	L50641	1	CONNECTING STRIP, , ASN JEE0102661
52	895-15008	10	WASHER, M8 x 20 x 1.6, 9 x 20 x 1,6 mm
54	832-10406	5	NUT, LOCK, M6 x 1, CI 8,
55	701-320	1	ELBOW, 90e, 13/16"-16 ORFS x 13/16"-16 Fem Sw, 90, 13/16 fc sl, Inc. 12
56	383586A1	1	HOSE ASSY., Steering, Return, To Piston Pump, BSN JEE0102661
56	87418149	1	HOSE ASSY., Steering, Load Sense, 1416 mm (55-3/4 in), ASN JEE0102661
56	87424323	1	HOSE ASSY., Steering, Load Sense, 1416 mm (55-3/4 in), Arctic QUADTRAC Tractor Application
57	515-23206	1	CLAMP, 13/16", Insul, 3/8" Bolt,
58	515-23286	1	CLAMP, 1 1/8", Insul, 3/8" Bolt,
59	515-23222	1	CLAMP, 7/8", Insul, 3/8" Bolt,
60	515-23317	1	CLAMP, 1 1/4", Insul, 3/8" Bolt,
61	327459A1	1	HOSE ASSY., 1350 mm (53 in)
61	87415320	1	HOSE ASSY., 1350 mm (53 in), Arctic QUADTRAC Tractor Application
53	627-8030	5	BOLT, Hex, M8 x 30, 10.9,

05-02 CYLINDER ASSEMBLY - ARTICULATION

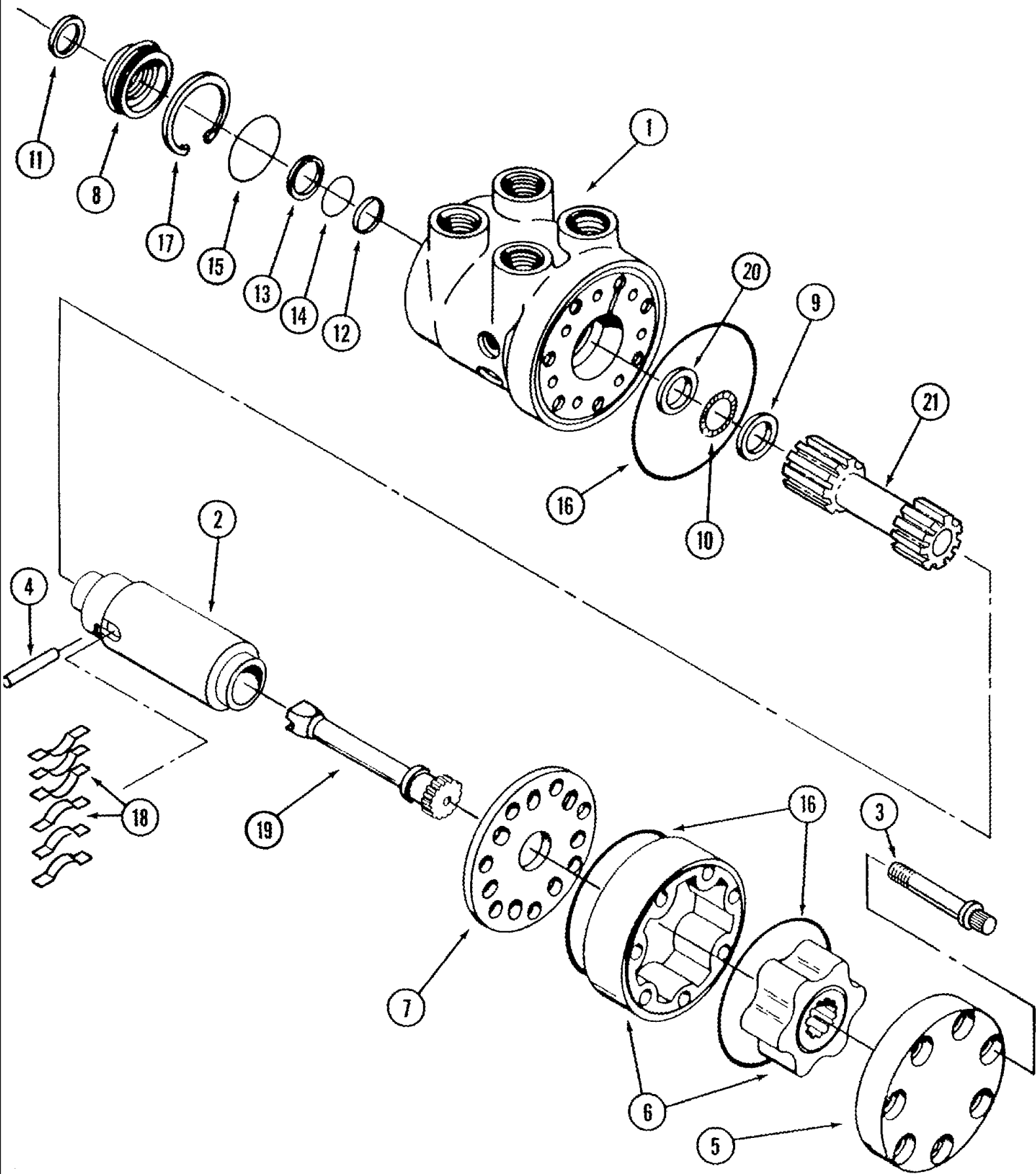


STX500 CASE IH 4WD TRACTOR (AFTER S/N JEE0099501)

05-02 CYLINDER ASSEMBLY - ARTICULATION

сылка	Номер детали	Кол-во	Описание
1	409685A1	2	JOINT,
2	D95143	8	SEAL,
3	70-6013T2	2	PIN,
4	70-5967T1	2	SPACER,
5	627-16035	2	BOLT, Hex, M16 x 35, 10.9, M6 x 35; 10.9
6	896-11016	2	WASHER, M17.5 x 30 x 4, HT, 17,5 x 30 x 4 mm
7	86637724	2	PLUG, Hex Soc, 1/8"-27 NPTF, 1/8 PT
8	219-36	1	NIPPLE, LUBE, 45с, 1/8" NPT x 7/8" lg, 45 deg, 1/8 PT x 7/8
9	217-1014	1	ELBOW, 90с, 1/8"-27 Female x 1/8"-27 Male, 1/8 PT x fem PT
10	F53473	1	NUT, 1/8 PT
11	86636814	1	NIPPLE, LUBE, 1/4"-28 x .52" lg, 1/4 x 1/2 special, Grease
12	1339090C1	1	HOSE, 838 mm (33 in)
	339832A1	1	CYLINDER, Steering, Inc. 13 - 26, BSN JEE0106701
	406999A1	1	CYLINDER STEERING, Inc. 13 - 26, ASN JEE0106701
13	387651A1	1	JACK BODY, Barrel
14	387652A1	1	CAP CYLINDER END,
15	NSS	1	NOT SERVICED SEPARATELY, Ring
16	NSS	1	NOT SERVICED SEPARATELY, O-Ring
17	NSS	1	NOT SERVICED SEPARATELY, Seal
18	NSS	1	NOT SERVICED SEPARATELY, Wiper
19	387650A1	1	ROD, PISTON,
20	387648A1	1	PISTON,
21	232-46320	1	NUT, LOCK, 1 1/4"-12, GC,
22	NSS	1	NOT SERVICED SEPARATELY, O-Ring
23	NSS	1	NOT SERVICED SEPARATELY, Ring, Piston
24	NSS	1	NOT SERVICED SEPARATELY, Seal, Piston
25	NSS	2	NOT SERVICED SEPARATELY, Ring, Wear
26	NSS	1	NOT SERVICED SEPARATELY, Screw
	387654A1	1	PACKAGE, SEALS, Inc. 15 - 18, 22 - 26

05-03 STEERING CONTROL VALVE

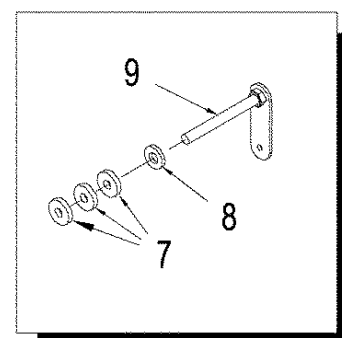
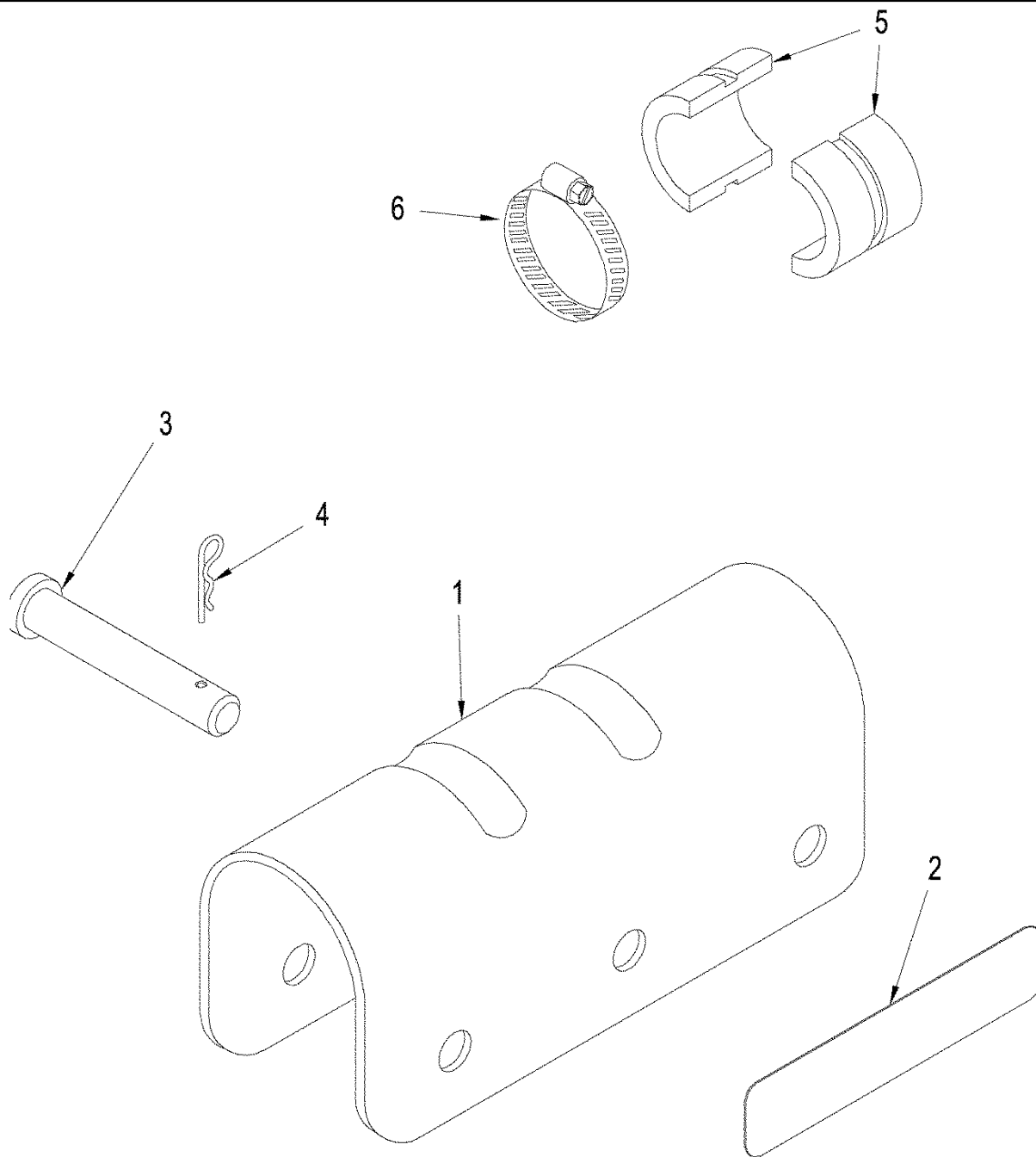


STX500 CASE IH 4WD TRACTOR (AFTER S/N JEE0099501)

05-03 STEERING CONTROL VALVE

сылка	Номер детали	Кол-во	Описание
	373374A2	1	VALVE, CONTROL, Steering, Inc. - 21
1	NSS	1	NOT SERVICED SEPARATELY, Housing
2	NSS	1	NOT SERVICED SEPARATELY, Sleeve
3	S302004	7	BOLT, 12 point
4	S301999	1	PIN,
5	50-2710T1	1	CAP, End
6	50-2990T91	1	ROTOR ASSY., Set
7	50-2707T1	1	PLATE, WEAR, Spacer
8	50-3604T1	1	RETAINER, SEAL,
9	D82804	1	RACE,
10	G13609	1	BEARING, THRUST,
11	18-137	1	SEAL, Input
12	N13313	1	SEAL, Teflon
13	50-2703T1	1	GASKET,
14	238-5121	1	O-RING, -121, 70 Duro, 1.049" ID x .103" Thk,
15	50-2705T1	1	O-RING,
16	50-2708T1	3	O-RING,
17	103-21237	1	RING, SNAP, 2.375", Int, #237,
18	NSS	1	NOT SERVICED SEPARATELY, Spring, Centering
19	50-2706T1	1	SHAFT, Drive
20	D82804	1	RACE, Bearing
21	NSS	1	NOT SERVICED SEPARATELY, Shaft, Steering
	400702A1	1	KIT, Centering Spring
	400703A1	1	KIT, Seals

05-04 ARTICULATION LOCKS

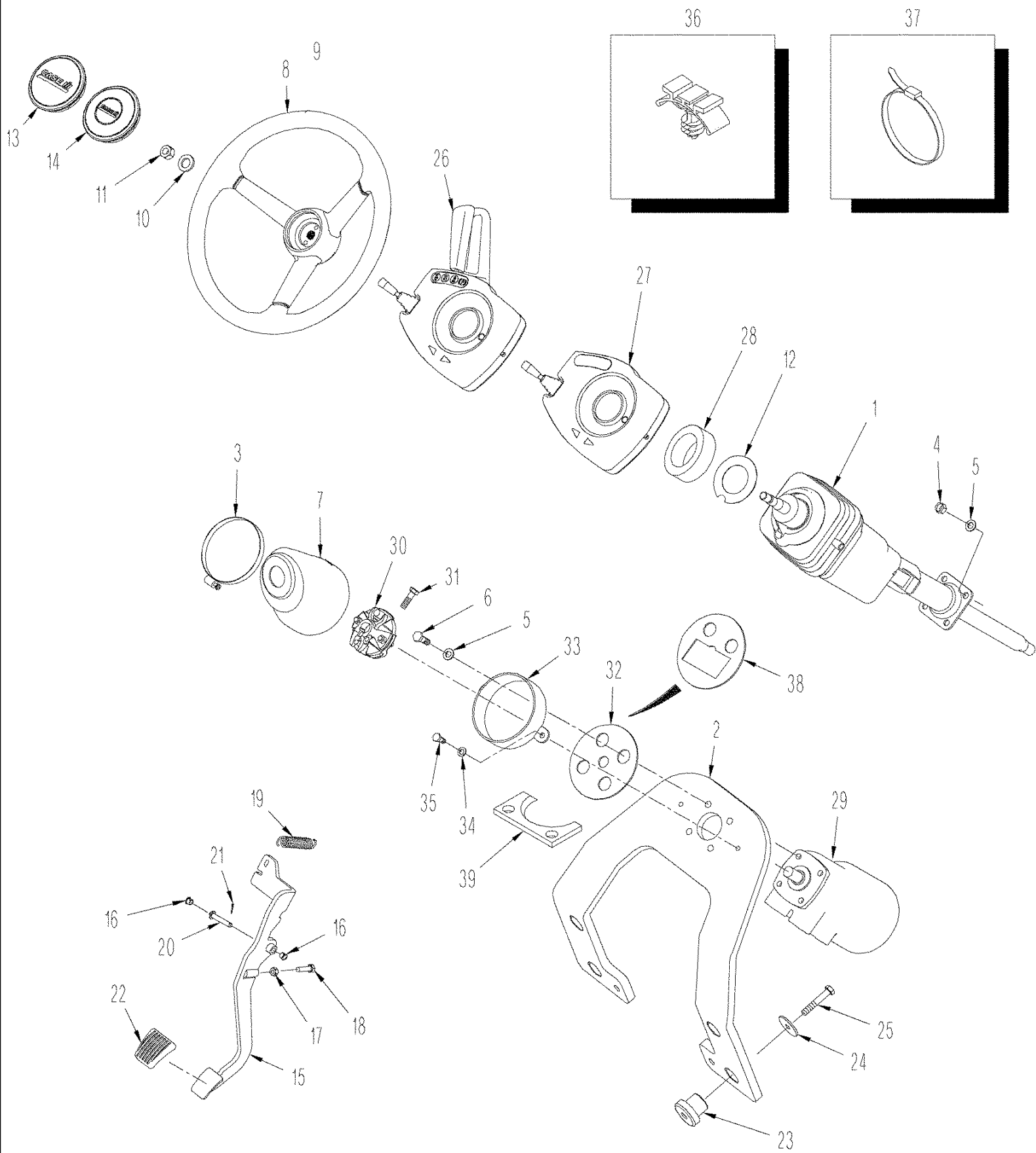


STX500 CASE IH 4WD TRACTOR (AFTER S/N JEE0099501)

05-04 ARTICULATION LOCKS

сылка	Номер детали	Кол-во	Описание
1	403824A2	1	LOCK, , QUADTRAC & Scraper Tractor
1	403820A2	1	LOCK, , STX Wheel Tractor, With Stops
1	403817A2	1	LOCK, , STX Wheel Tractor, Without Stops
2	440518A1	1	DECAL,
3	427-8325	1	PIN, CLEVIS, 1/2" x 3 1/4", 1/2 x 3-1/2
4	19-5400	1	PIN, 1/8
5	403822A1	4	STOP, Articulation
6	214-1464	2	CLAMP, HOSE, #64, 3.56/4.50 Type F Worm, 3-9/16 - 4-1/2 in dia
7	321232A1	2	BUSHING,
8	896-15012	1	WASHER, M12 x 28.5 x 4, HT,
9	406390A1	1	HANDLE, Articulation Lock Mounting

05-05 STEERING WHEEL AND COLUMN

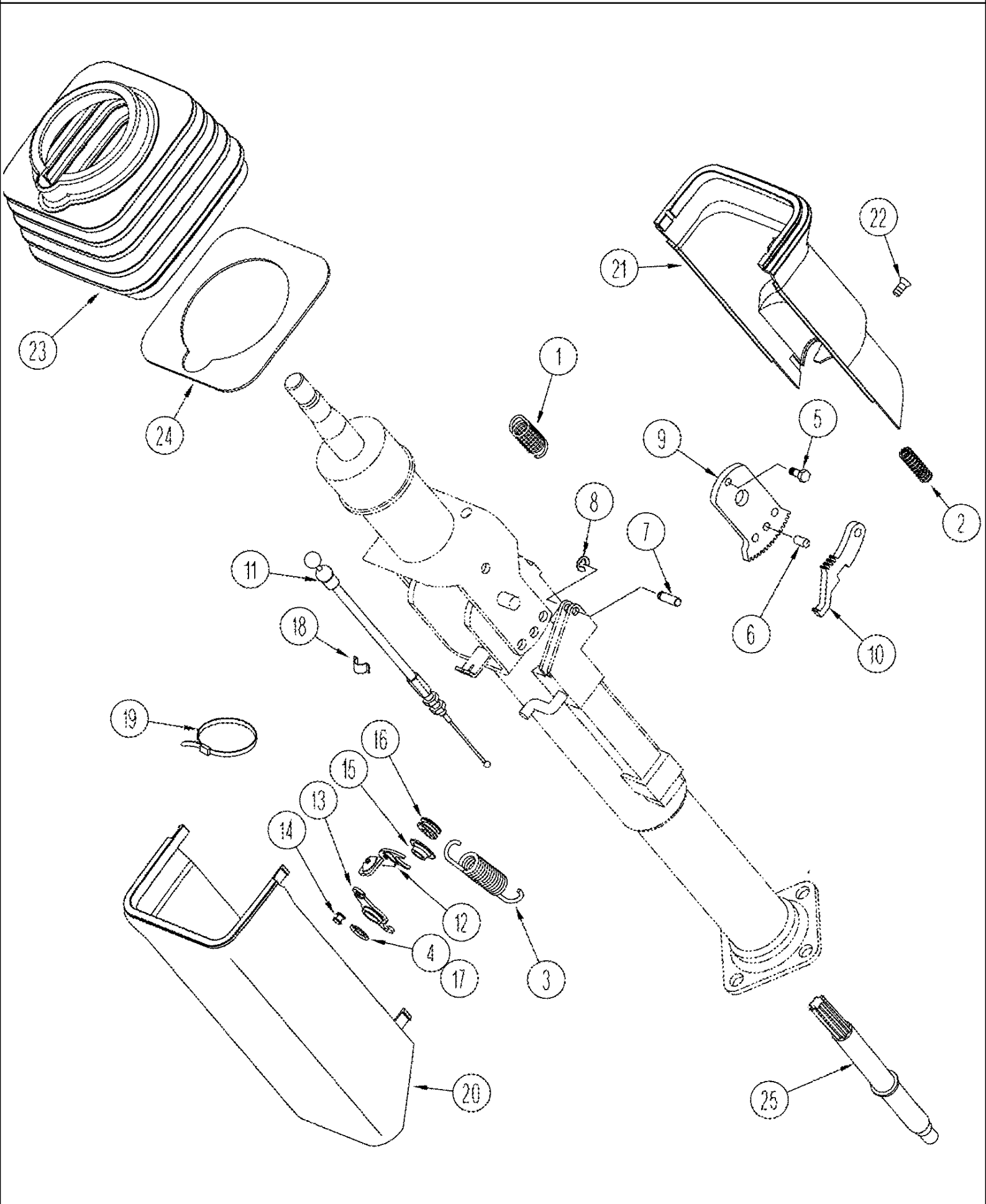


STX500 CASE IH 4WD TRACTOR (AFTER S/N JEE0099501)

05-05 STEERING WHEEL AND COLUMN

сылка	Номер детали	Кол-во	Описание
1	86983411	1	STEERING COLUMN, See Figure 05-06
2	379596A4	1	SUPPORT,
3	214-1580	1	CLAMP, HOSE, #80, 4.62/5.50 Type F Worm, W/liner,
4	829-1410	4	NUT, M10, CI 10,
5	895-11010	6	WASHER, M10 x 20 x 2,
7	373193A1	1	BOOT,
8	224818A3	1	STEERING WHEEL, , Standard Cab
9	301200A1	1	WHEEL (STEERING), , Deluxe Cab
9	359033A1	1	WHEEL (STEERING), , Luxury Cab
10	896-11016	1	WASHER, M17.5 x 30 x 4, HT, 17,5 x 30 x 4 mm
11	825-11414	1	NUT, M14 x 1.5, CI 8, M14
12	1977448C2	1	WASHER,
13	224819A2	1	CAP, , Standard Cab
14	361024A3	1	CAP, , Luxury Cab, Deluxe Cab
15	311748A3	1	PEDAL,
16	282892A1	2	BUSHING,
17	829-1508	1	NUT, M8, CI 10, M8
18	514-633	1	BOLT, Hex, M8 x 30, 8.8, Full Thd, M8 x 30; 8,8
19	311812A1	1	SPRING,
20	729-845	1	PIN, CLEVIS, M8 x 45, M8 x 45
21	733-2012	1	PIN, SPLIT (COTTER), M2 x 12, M2 x 12
22	323657A1	1	PAD,
23	A59514	4	BUSHING, RUBBER,
24	495-81145	4	WASHER, 13/32" x 1 3/4" x .120", 13/32 x 1-3/4 x 1/8
25	627-10070	4	BOLT, Hex, M10 x 70, 10.9, Full Thd, M10 x 70; 10.9
26	360058A1	1	CONTROL, Transmission, See Figure 05-07, With Power Shift Transmission, Without Self Cancel
26	376785A1	1	CONTROL, Transmission, See Figure 05-07, With Power Shift Transmission, With Self Cancel
27	414331A1	1	CONTROL, Transmission, See Figure 05-08, Without Self Cancel, With Advanced Farming Systems (AFS)
27	414332A1	1	CONTROL, Transmission, See Figure 05-08, With Advanced Farming Systems (AFS), With Self Cancel
28	253679A1	1	RING, , With Self Cancel
29	373374A2	1	VALVE, CONTROL, Steering, See Figure 05-03
30	L100096	1	COUPLING,
31	7807271	2	SCREW,
32	373267A1	1	SEAL, If Used
33	373194A1	1	HOUSING, Boot
34	895-11008	2	WASHER, M8 x 16 x 1.6, 9 x 17 x 1,6 mm
35	627-8020	2	BOLT, Hex, M8 x 20, 10.9,
36	392699A1	1	FASTENER,
37	22-824	1	STRAP, CABLE, 3/16" x 7 1/4", 7 in
38	86983451	1	SEAL, If Used
39	450945A1	1	STOP DEVICE, Pump Shaft
6	627-10030	4	BOLT, Hex, M10 x 30, 10.9, Full Thd,

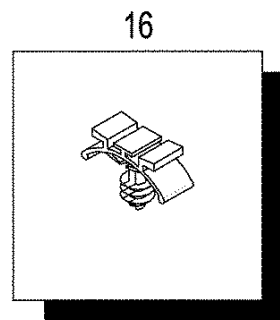
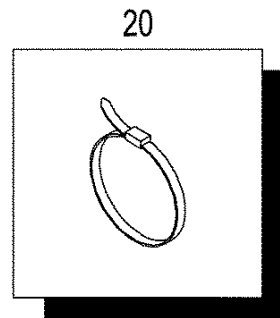
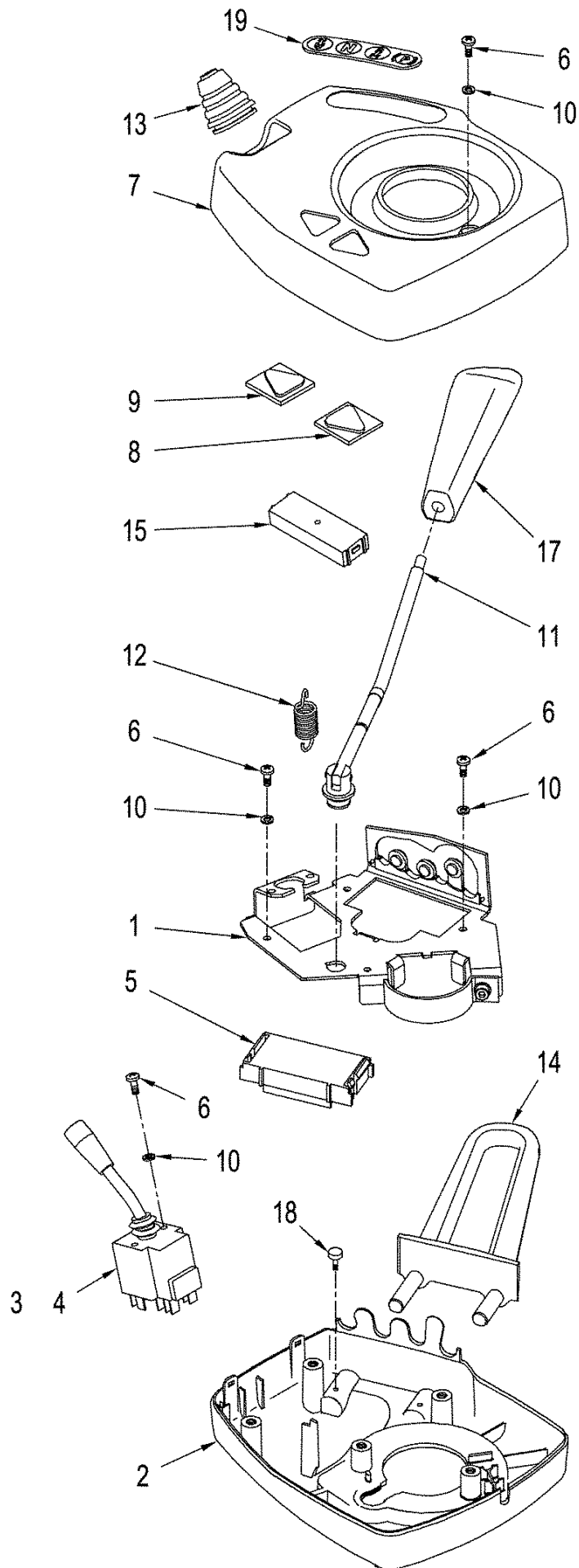
05-06 STEERING COLUMN



STX500 CASE IH 4WD TRACTOR (AFTER S/N JEE0099501)

05-06 STEERING COLUMN

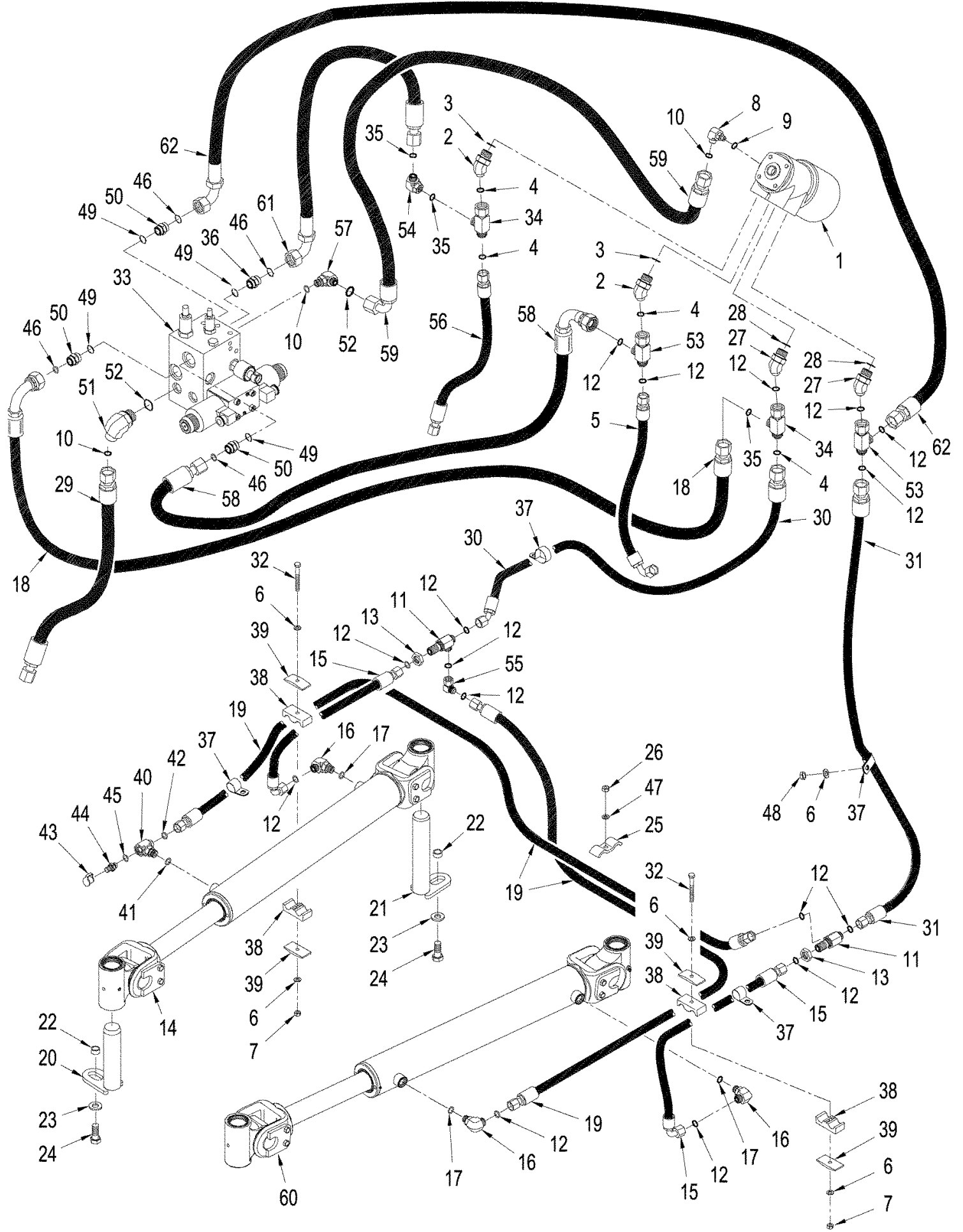
сылка	Номер детали	Кол-во	Описание
	373388A2	1	STEERING COLUMN, Inc. 1 - 25
	389979A2	1	PACKAGE, REPAIR, Column Springs, Inc. 1 - 4
1	NSS	2	NOT SERVICED SEPARATELY, Spring, Tilt Return
2	NSS	1	NOT SERVICED SEPARATELY, Spring
3	NSS	1	NOT SERVICED SEPARATELY, Spring, Telescoping
4	NSS	1	NOT SERVICED SEPARATELY, Clip
	318942A1	1	KIT, Tilt Locking, Inc. 5 - 10
5	NSS	3	NOT SERVICED SEPARATELY, Bolt
6	NSS	1	NOT SERVICED SEPARATELY, Pin, Dowel
7	NSS	1	NOT SERVICED SEPARATELY, Pin
8	NSS	1	NOT SERVICED SEPARATELY, Clip
9	NSS	3	NOT SERVICED SEPARATELY, Plate, Tilt Positioning
10	NSS	1	NOT SERVICED SEPARATELY, Catch
	389889A2	1	PACKAGE, REPAIR, Lever Device, Inc. 11 - 19
11	NSS	1	NOT SERVICED SEPARATELY, Cable
12	NSS	1	NOT SERVICED SEPARATELY, Lever, Upper Release
13	NSS	1	NOT SERVICED SEPARATELY, Lever, Lower Release
14	NSS	1	NOT SERVICED SEPARATELY, Rivet
15	NSS	1	NOT SERVICED SEPARATELY, Bushing
16	NSS	1	NOT SERVICED SEPARATELY, Bushing
17	NSS	1	NOT SERVICED SEPARATELY, Clip
18	NSS	1	NOT SERVICED SEPARATELY, Holder
19	NSS	1	NOT SERVICED SEPARATELY, Strap, Tie
	284997A1	1	PACKAGE, REPAIR, Cover, Inc. 20 - 22
20	NSS	1	NOT SERVICED SEPARATELY, Cover, Lower Column
21	NSS	1	NOT SERVICED SEPARATELY, Cover, Upper Column
22	NSS	1	NOT SERVICED SEPARATELY, Screw
	318940A1	1	PACKAGE, SERVICE, Bellows, Inc. 23 - 25
23	NSS	1	NOT SERVICED SEPARATELY, Boot
24	NSS	1	NOT SERVICED SEPARATELY, Plate
25	389980A1	1	SHAFT,



STX500 CASE IH 4WD TRACTOR (AFTER S/N JEE0099501)

05-07 TRANSMISSION CONTROL ASSEMBLY, WITH POWER SHIFT TRANSMISSION

сылка	Номер детали	Кол-во	Описание
	376785A1	1	CONTROL, Inc. 1 - 3, 5 - 15, 17 - 19, With Self Cancel
	360058A1	1	CONTROL, Inc. 1, 2, 4 - 15, 17 - 19, Without Self Cancel
1	325362A1	1	CHASSIS,
2	325065A1	1	HOUSING, Lower
3	284777A1	1	SWITCH, , With Self Cancel
4	284776A1	1	SWITCH, , Without Self Cancel
5	86991897	1	SWITCH, , Without Nuetral Start
6	840-1410	7	SCREW, Cross Pan Hd, M4 x 10, M4 x 10; 4,8
7	325064A1	1	HOUSING, Upper
8	303466A1	1	SYMBOLS, Right-Hand
9	303467A1	1	SYMBOLS, Left-Hand
10	892-11004	7	WASHER, LOCK, M4,
11	325363A1	1	LEVER,
12	250939A1	1	SPRING,
13	325068A1	1	BELLOWS,
14	325066A1	1	GUARD,
15	303465A2	1	LAMP,
16	392699A1	1	FASTENER,
17	325533A1	1	HANDLE,
18	905974R1	2	SCREW, SELF TAP, Pan Hd, M2.9 x 13, M2.9 x 13
19	358353A1	1	SYMBOLS,
20	22-824	1	STRAP, CABLE, 3/16" x 7 1/4", 7 in



STX500 CASE IH 4WD TRACTOR (AFTER S/N JEE0099501)

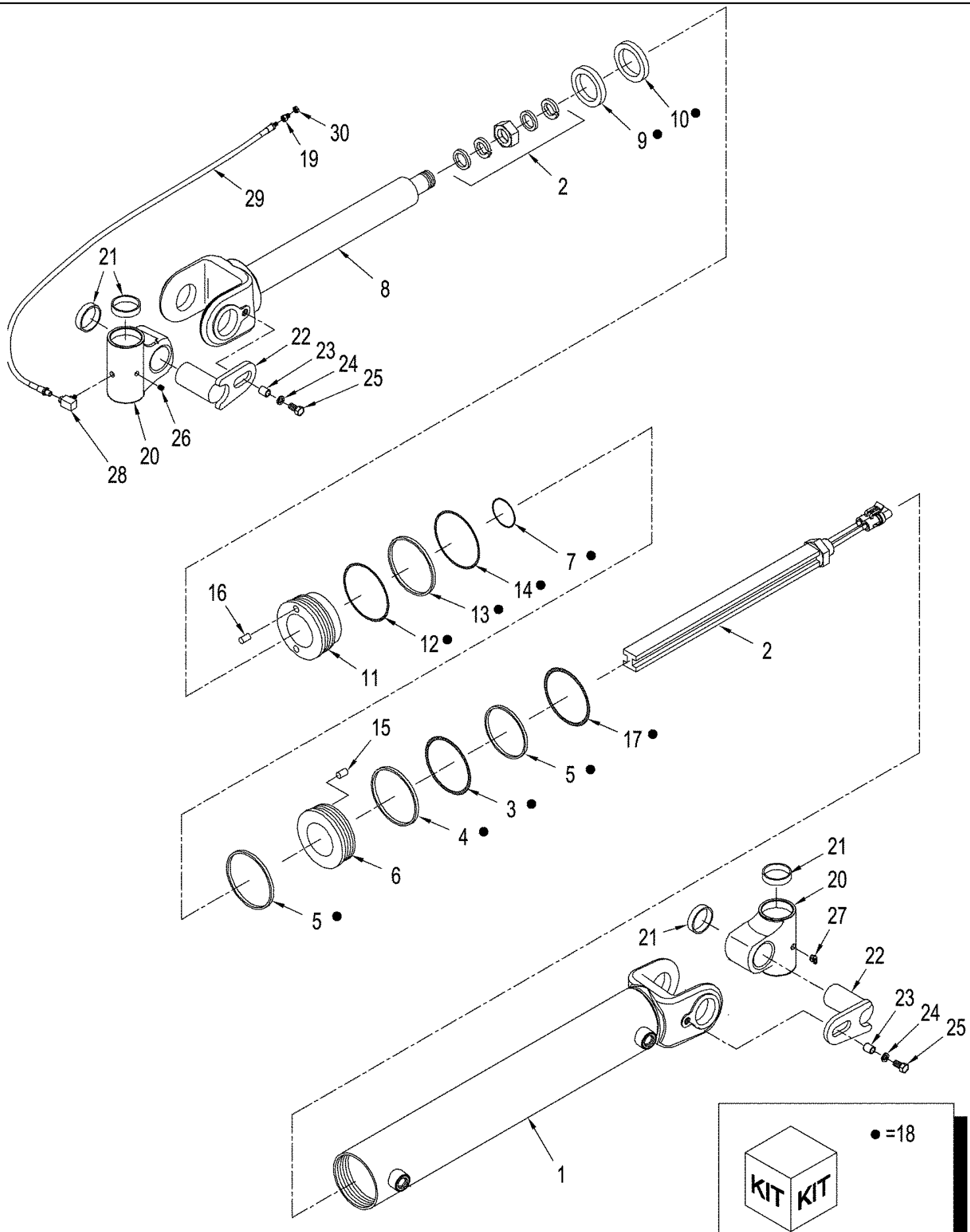
05-09 ACCUGUIDE - HYDRAULIC, STEERING

сылка	Номер детали	Кол-во	Описание
1	373374A2	1	VALVE, CONTROL, Steering, See Figure 05-03
2	700-387	2	ELBOW, 45е, 1 3/16"-12 ORFS x M27 x 2 ORB, 45, M20 fc sl x 27 orb, Inc. 3, 4
3	637-64236	3	O-RING, CI 6, 23.6MM ID x 2.9 Thk,
4	238-6018	3	O-RING, -018, 90 Duro, .739" ID x .070" Thk,
5	327494A1	1	HOSE ASSY., Supply, From Priority Valve, 1240 mm (49 in), BSN JEE0102661
5	87415315	1	HOSE ASSY., Supply, From Priority Valve, 1240 mm (49 in), ASN JEE0104001
5	87424309	1	HOSE ASSY., Supply, From Priority Valve, 1240 mm (49 in), Arctic QUADTRAC Tractor Application
6	895-11008	6	WASHER, M8 x 16 x 1.6, 9 x 17 x 1,6 mm
7	832-10408	9	NUT, LOCK, M8 x 1.25, CI 8,
8	700-311	1	ELBOW, 90е, 11/16"-18 ORFS x M12 x 1.5 ORB, 11/16 fc sl x 12 Or, Inc. 9, 10
9	637-63093	1	O-RING, CI 6, 9.3MM ID x 2.2 Thk, 9,3 ID x 2,2
10	238-6012	1	O-RING, -012, 90 Duro, .364" ID x .070" Thk,
11	701-423	2	TEE, 13/16"-16 ORFS, Blkd Run, M12 fc sl x blkhd fc sl, Inc. 12
12	238-6014	9	O-RING, -014, 90 Duro, .489" ID x .070" Thk,
13	701-903	2	NUT, LOCK, 13/16"-16, ORFS Blkhd, 13/16 in
14	339832A1	1	CYLINDER, Articulation, See Figure 05-02, BSN JEE0106701
14	406999A1	1	CYLINDER STEERING, Articulation, See Figure 05-02, ASN JEE0106701
15	367244A1	2	HOSE, 550 mm (21-1/2 in)
15	437278A1S	1	HOSE ASSY., 525 mm (20-1/2 in), Arctic QUADTRAC Tractor Application
16	700-305	3	ELBOW, 90е, 13/16"-18 ORFS x M18 x 1.5 ORB, 13/16 fc sl x 18 Or, Inc. 17, 12
17	637-63153	3	O-RING, CI 6, 15.3MM ID x 2.2 Thk,
18	87440935	1	HOSE ASSY., 914 mm (36 in)
19	367243A1	2	HOSE ASSY., 1500 mm (59 in)
19	437277A1S	1	HOSE ASSY., 1605 mm (63 in), Arctic QUADTRAC Tractor Application
20	70-6076T3	2	PIN, 1-3/4 x 7-1/4
21	70-6085T2	2	PIN, 1-3/4 x 9-1/4
22	70-5967T1	4	SPACER,
23	496-21066	4	WASHER, 21/32" x 1 5/16" x .150", 21/32 x 1-5/16 x 5/32
24	627-16040	4	BOLT, Hex, M16 x 40, 10.9, Hex, M16 x 40, 10.9
25	242563A1	1	CLAMP,
26	829-1412	1	NUT, M12, CI 10,
27	700-388	2	ELBOW, 45е, 13/16"-16 ORFS x M27 x 2 ORB, 45, M12 fc sl x 27 orb, Inc. 28, 12
28	637-64236	2	O-RING, CI 6, 23.6MM ID x 2.9 Thk,
29	87415320	1	HOSE ASSY., 1350 mm (53 in), Load Sense
30	327460A2	1	HOSE ASSY., LH Steering Cylinder, 2285 mm (90 in)
30	437256A1S	1	HOSE ASSY., LH Steering Cylinder, 2197 mm (86-1/2 in), Arctic QUADTRAC Tractor Application
31	418811A1	1	HOSE ASSY., RH Steering Cylinder, 2698 mm (106 in), BSN JEE0104001
31	87415314	1	HOSE ASSY., RH Steering Cylinder, 2648 mm (104-1/4 in), ASN JEE0104001
31	87424310	1	HOSE ASSY., RH Steering Cylinder, 2648 mm (104-1/4 in), Arctic QUADTRAC Tractor Application
32	827-8070	2	BOLT, Hex, M8 x 70, 10.9, M8 X 70, CL10.9
33	REF	1	INSTRUCTION, Valve, Manifold / Steering, See Figure: 05-11
34	201-417	2	TEE, 1 3/16"-12 ORFS x 1 3/16"-12 Sw Run, 1-3/16 fc sl x swl, Inc. 4, 35
35	238-6018	2	O-RING, -018, 90 Duro, .739" ID x .070" Thk,
36	201-103	2	CONNECTOR, HYD., 1"-14 ORFS x 7/8"-14 ORB, Includes 46, 49
37	515-23206	6	CLAMP, 13/16", Insul, 3/8" Bolt, P-type

STX500 CASE IH 4WD TRACTOR (AFTER S/N JEE0099501)

05-09 ACCUGUIDE - HYDRAULIC, STEERING

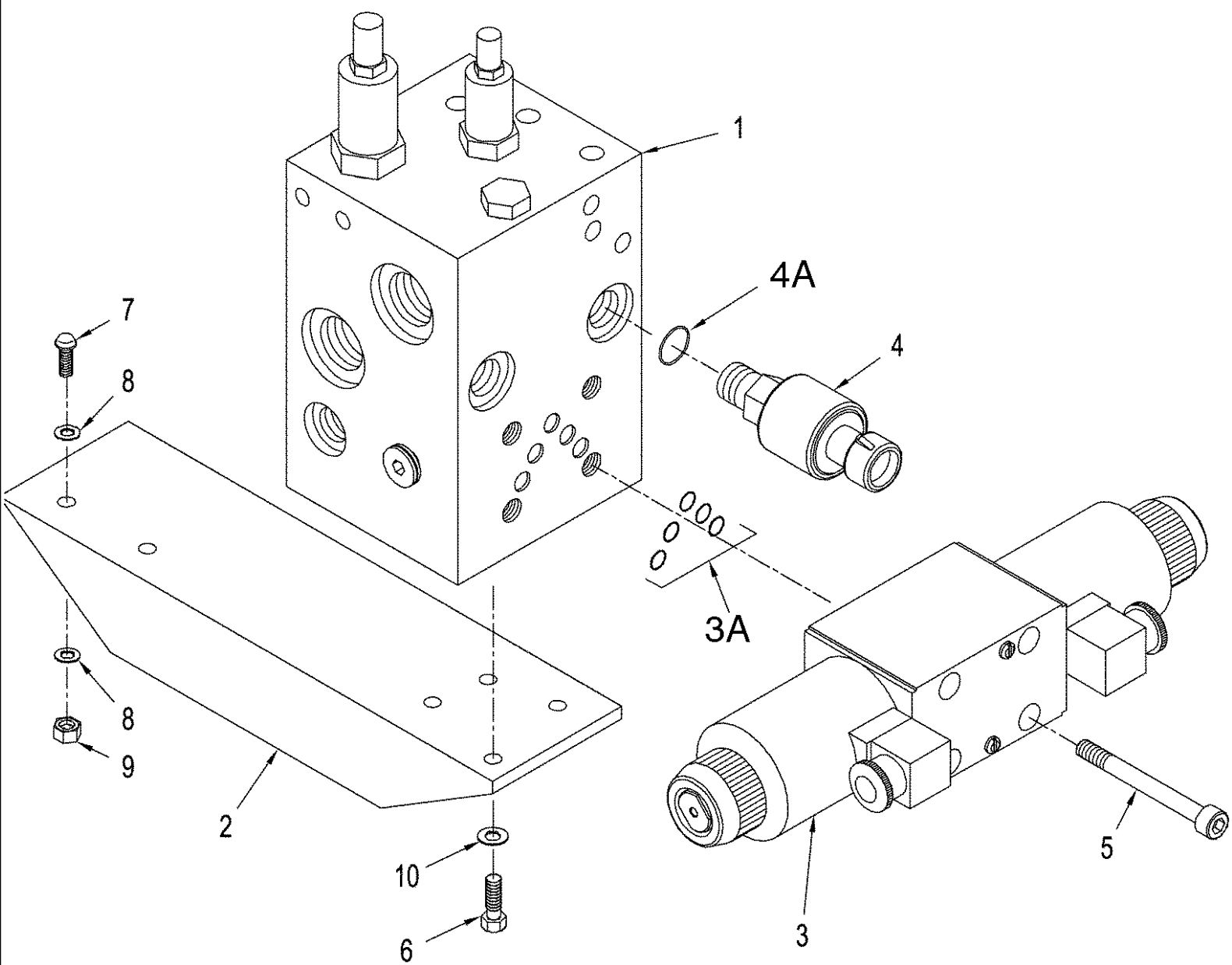
сылка	Номер детали	Кол-во	Описание
38	50-2551T1	4	CLAMP,
39	50-2533T1	4	PLATE,
40	364967A1	1	TEE, M18 orb, Inc. 41, 42
41	637-63153	1	O-RING, CI 6, 15.3MM ID x 2.2 Thk,
42	238-6014	1	O-RING, -014, 90 Duro, .489" ID x .070" Thk,
	178889A1	1	FITTING, Diagnostic, Inc. 43 - 45
43	H434163	1	DUST CAP,
44	NSS	1	NOT SERVICED SEPARATELY, Fitting
45	637-63113	1	O-RING, CI 6, 11.3MM ID x 2.2 Thk,
46	238-6016	1	O-RING, -016, 90 Duro, .614" ID x .070" Thk,
47	892-11012	1	WASHER, LOCK, M12,
48	829-1408	1	NUT, M8, CI 10,
49	237-6010	1	O-RING, 10-1, 90 Duro, .755" ID x .097" Thk,
50	201-112	2	CONNECTOR, HYD., 13/16"-16 ORFS x 7/8"-14 ORB, Includes 46, 49
51	201-380	1	ELBOW, 45e, 11/16"-16 x 7/16"-20. Adj, ORFS, 45, 11/16 fc sl x 7/16 or, Inc. 10, 52
52	237-6004	1	O-RING, 4-1, 90 Duro, .351" ID x .072" Thk,
53	201-416	2	TEE, 13/16"-16 ORFS x 13/16"-16 Sw Run, 13/16 fc sl x swl, Inc. 12
54	201-342	1	ELBOW, 90e, 1 3/16"-12 x 1 3/16"-12 Fem Sw ORFS, 90, 1-13/16 fc sl x swl, Inc. 35
55	701-320	1	ELBOW, 90e, 13/16"-16 ORFS x 13/16"-16 Fem Sw, 90, 13/16 fc sl, Inc. 12
56	383586A1	1	HOSE ASSY., Steering, Return, to Piston Pump, BSN JEE0102661
56	87418149	1	HOSE ASSY., Steering, Return, to Piston Pump, 1416 mm (55-3/4 in), ASN JEE0102661
56	87424323	1	HOSE ASSY., Steering, Return, to Piston Pump, 1416 mm (55-3/4 in), Arctic QUADTRAC Tractor Application
57	201-311	1	ELBOW, 90e, 11/16"-16 x 7/16"-20, Adj, ORFS, 90, 11/16 fc sl x 7/16 or, Inc. 10, 52
58	87440933	1	HOSE ASSY., 914 mm (36 in)
59	87440932	1	HOSE ASSY., 368 mm (14-1/2 in)
60	87429557	1	CYLINDER, Articulation, with Sensor, See Figure: 05-10
61	87440934	1	HOSE ASSY., Load Sense, 914 mm (36 in)
62	87310965	1	HOSE ASSY., 734 mm (29 in)



STX500 CASE IH 4WD TRACTOR (AFTER S/N JEE0099501)

05-10 ACCUGUIDE - CYLINDER ASSY., ARTICULATION W/ SENSOR

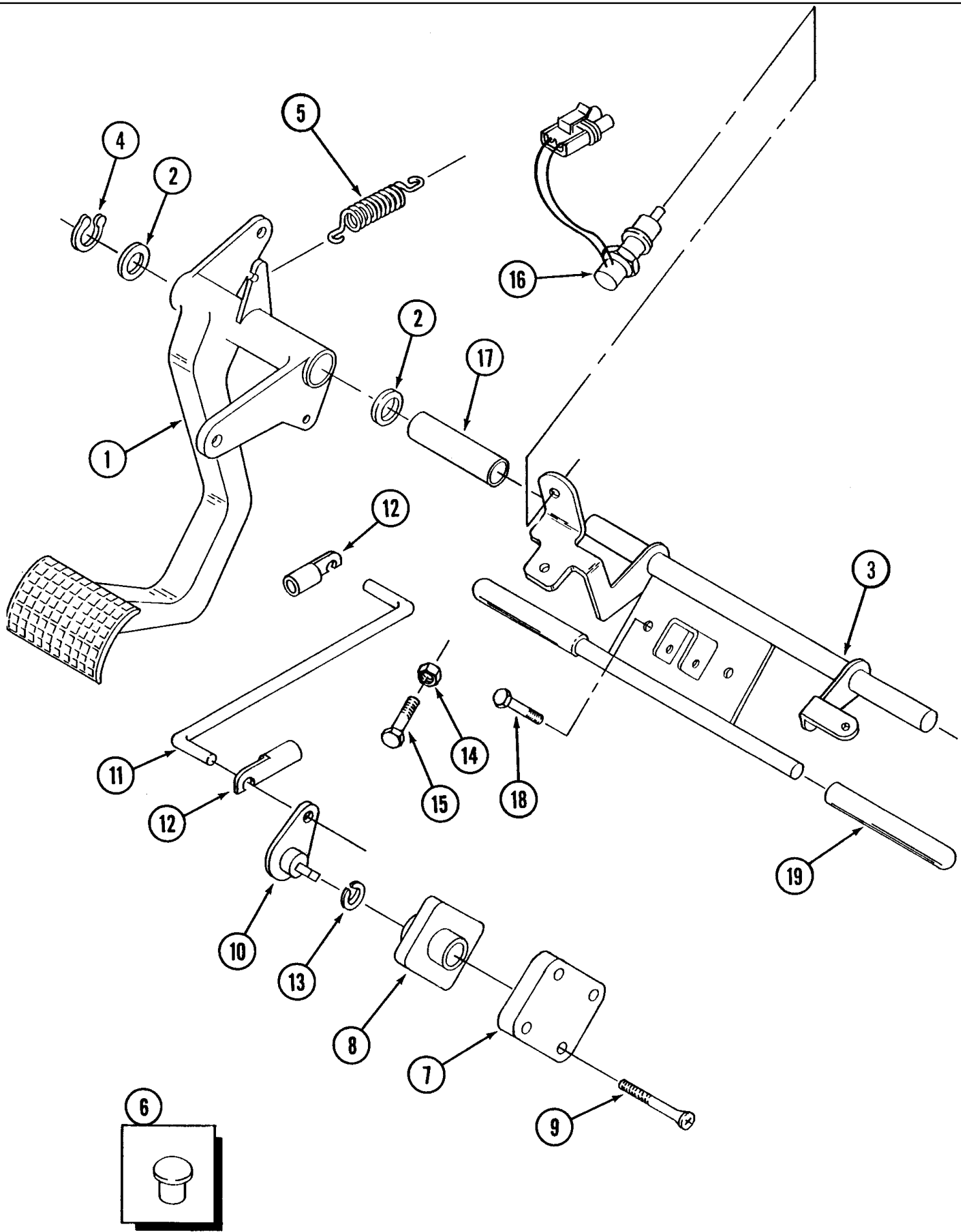
сылка	Номер детали	Кол-во	Описание
	87429557	1	CYLINDER, Inc. 1 - 18
1	87436214	1	CASE ASSY., Barrel
2	87407429	1	SENSOR, Rod
3	NSS	1	NOT SERVICED SEPARATELY, O-RING
4	NSS	1	NOT SERVICED SEPARATELY, SEAL Piston
5	NSS	2	NOT SERVICED SEPARATELY, RING Wear
6	87436215	1	PISTON,
7	NSS	1	NOT SERVICED SEPARATELY, O-RING
8	87436213	1	SHAFT ASSY.,
9	NSS	1	NOT SERVICED SEPARATELY, WIPER
10	NSS	1	NOT SERVICED SEPARATELY, SEAL U-Cup
11	387652A1	1	CAP CYLINDER END,
12	NSS	1	NOT SERVICED SEPARATELY, O-RING
13	NSS	1	NOT SERVICED SEPARATELY, RING, Backup
14	NSS	1	NOT SERVICED SEPARATELY, O-RING
15	445440A1	1	SET SCREW,
16	NSS	1	NOT SERVICED SEPARATELY, SCREW, Set
17	NSS	1	NOT SERVICED SEPARATELY, O-RING
18	87397843	1	MAGNET, Inc. 3 - 5, 7, 9, 10, 12 - 14
19	219-20	1	NIPPLE, LUBE, 1/4"-28 x .52" lg,
20	409685A1	2	JOINT, Knuckle
21	D95143	8	SEAL, Wiper Rod
22	70-6013T2	2	PIN,
23	70-5967T1	2	SPACER,
24	896-11016	2	WASHER, M17.5 x 30 x 4, HT,
25	627-16035	2	BOLT, Hex, M16 x 35, 10.9,
26	217-429	2	PLUG, Hex Soc, 1/8"-27 NPTF,
27	219-36	1	NIPPLE, LUBE, 45c, 1/8" NPT x 7/8" lg,
28	217-1014	1	ELBOW, 90c, 1/8"-27 Female x 1/8"-27 Male,
29	1339090C1	1	HOSE,
30	F53473	1	NUT,



STX500 CASE IH 4WD TRACTOR (AFTER S/N JEE0099501)

05-11 ACCUGUIDE - MANIFOLD / STEERING VALVE & MOUNTING

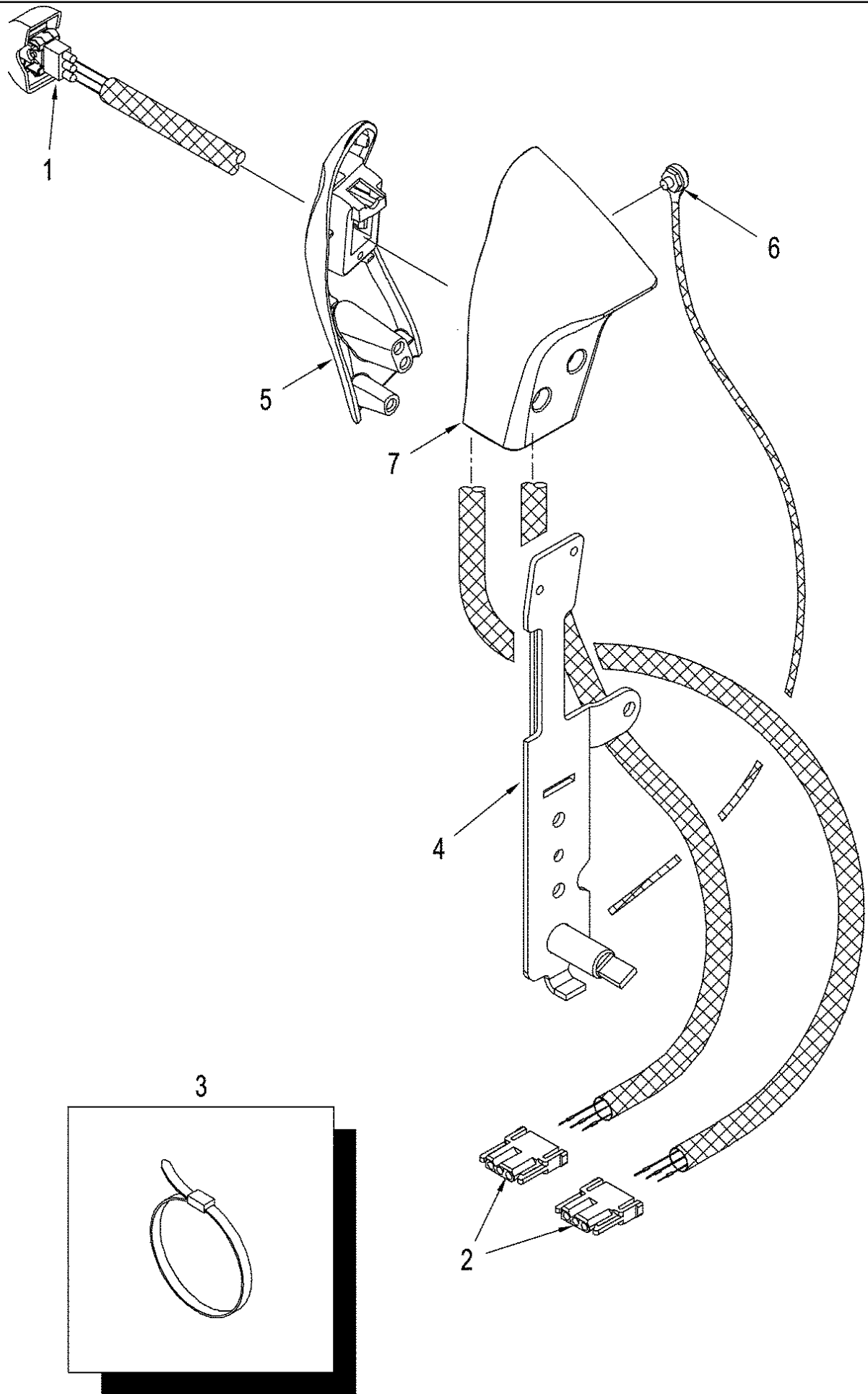
сылка	Номер детали	Кол-во	Описание
1	87429542	1	MANIFOLD, Valve
2	87429555	1	BRACKET, Mounting
3	87429544	1	VALVE, Steering Guidance
3A	87298240	1	KIT, O-RING, (set of 10)
4	87428328	1	SENSOR, Pressure, 3000 psi
4A	NSS	1	NOT SERVICED SEPARATELY, O-Ring ID .351/.072" thick/70 Duro
5	864-6040	4	SCREW, Hex Soc Hd, M6 x 40, 8.8, Soc Hd, M6 x 40, CL8.8
7	811-10025	2	BOLT, CARRIAGE, Short NK, M10 x 25, Cl8.8, Full Thd,
8	895-11010	4	WASHER, M10 x 20 x 2,
9	832-10410	2	NUT, LOCK, M10 x 1.5, Cl 8,
10	892-11010	4	WASHER, LOCK, M10,
6	627-10030	4	BOLT, Hex, M10 x 30, 10.9, Full Thd, Flg, M8 x 25, CL4.8



STX500 CASE IH 4WD TRACTOR (AFTER S/N JEE0099501)

06-01 CLUTCH PEDAL, POWER SHIFT TRANSMISSION

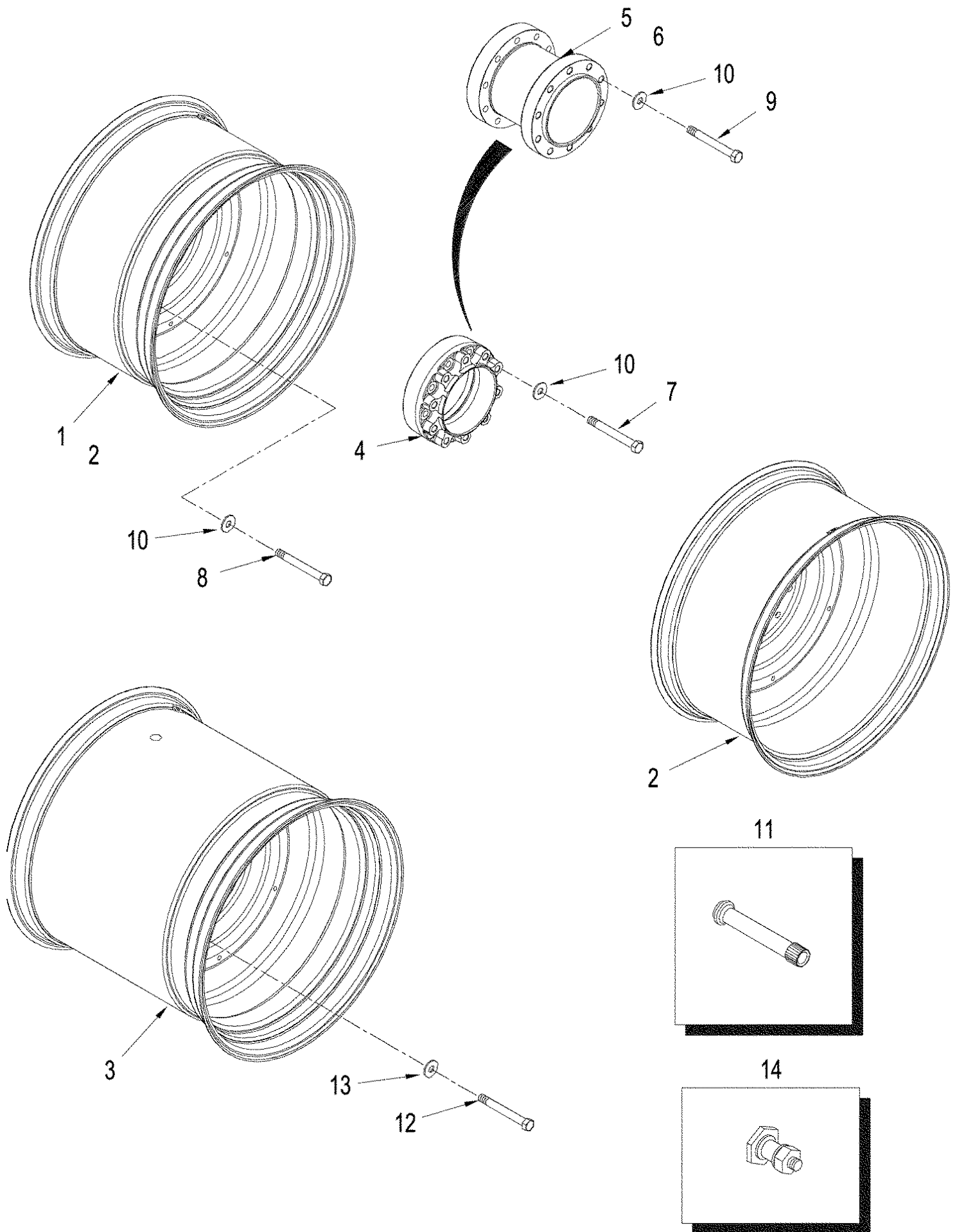
сылка	Номер детали	Кол-во	Описание
1	222462A2	1	PEDAL,
2	281093A1	2	WASHER,
3	370247A3	1	SUPPORT,
4	627-10020	1	BOLT, Hex, M10 x 20, 10.9, Full Thd, M10 x 20; 10.9
5	278210A1	1	SPRING,
6	353-422	1	PLUG, Dome, 1.250" hole, Nylon,
7	283659A1	1	SENSOR, Clutch Position
8	305155A2	1	BUSHING,
9	840-1530	2	SCREW, Cross Pan Hd, M5 x 30, M5 x 30
10	322409A1	1	PIN,
11	222463A2	1	LINK,
12	60-2404T1	2	RETAINER,
13	800-1110	1	RING, SNAP, M10, Ext, M10
14	829-1408	1	NUT, M8, CI 10,
15	614-8040	1	BOLT, Hex, M8 x 40, 8.8, Full Thd, Hex, M8 x 40, 8.8, Full Thd
16	355341A1	1	SWITCH, Plunger
17	281893A1	1	BEARING,
18	614-10025	2	BOLT, Hex, M10 x 25, 8.8, Full Thd,
19	321961A1	2	MOLDING,



STX500 CASE IH 4WD TRACTOR (AFTER S/N JEE0099501)

06-03 TRANSMISSION SHIFTER, POWER SHIFT TRANSMISSION

сылка	Номер детали	Кол-во	Описание
1	258010A2	1	SWITCH, Rocker, With Power Shift Transmission
1	428314A1	1	SWITCH, Rocker, With Advanced Farming Systems (AFS)
2	235676A1	2	CONNECTOR,
3	22-824	2	STRAP, CABLE, 3/16" x 7 1/4", 7 in
4	367607A1	1	SUPPORT,
5	316000A2	1	GRIP, Switch Face
6	388706A1	1	PUSH BUTTON, Select-Shift, With Power Shift Transmission
7	293388A2	1	GRIP, Throttle, With Advanced Farming Systems (AFS)
7	388705A1	1	GRIP, Throttle, With Power Shift Transmission
7	388864A1	1	GRIP, Throttle, With Power Shift Transmission

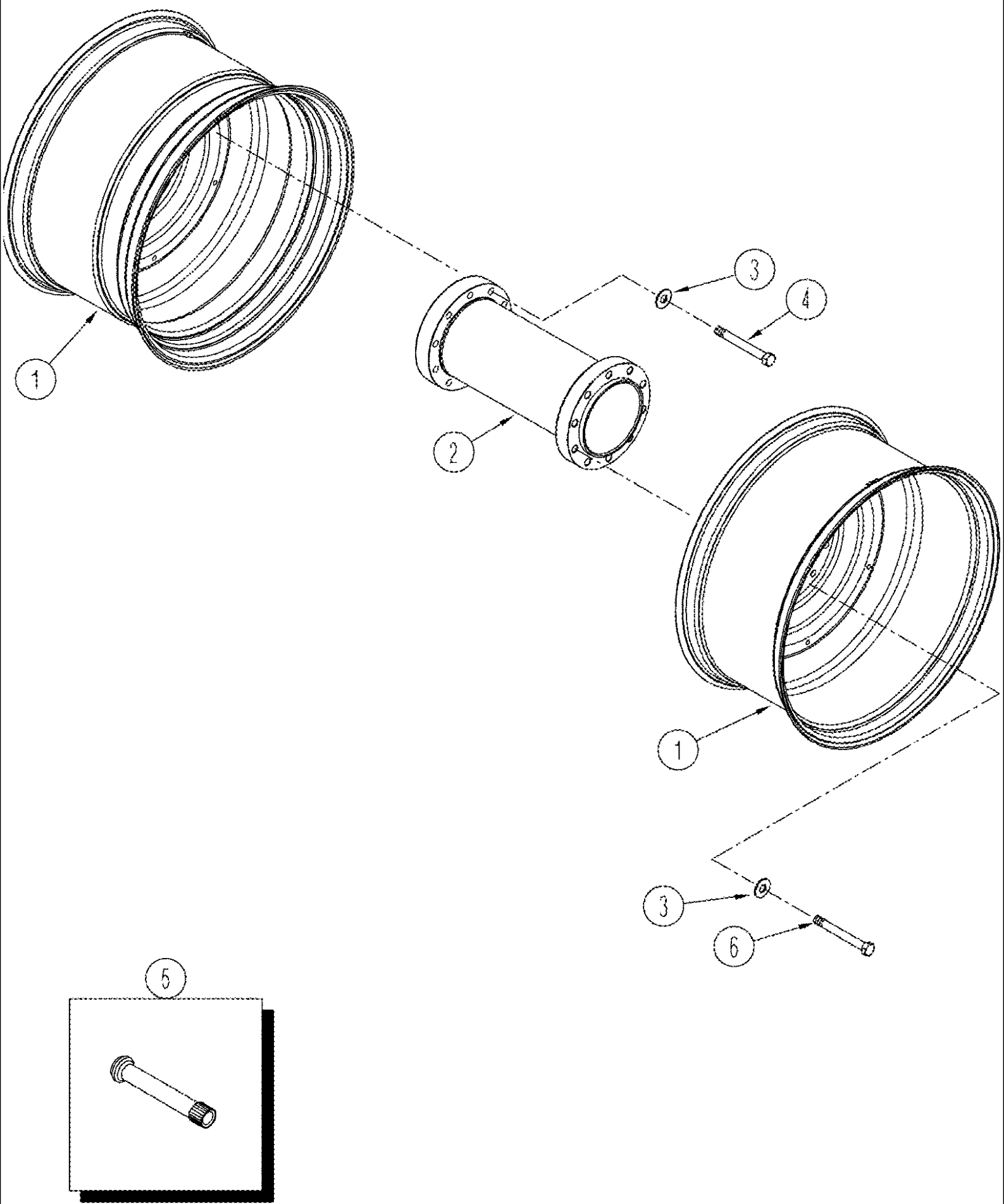


STX500 CASE IH 4WD TRACTOR (AFTER S/N JEE0099501)

06-06 WHEELS SINGLE AND DUALS WITH SPACERS

сылка	Номер детали	Кол-во	Описание
1	193273A1	AR	WHEEL, 27 x 32, Single, For Tires: 30.5L-32
2	305792A1	AR	WHEEL, MW23A x 42, Single or Dual, For Tires: 710/70R42
2	193300A2	AR	WHEEL, MW23A x 38, Single or Dual, For Tires: 650/85R38, 710/70R38, 710/65-38
2	396113A1	AR	RIM, W16A x 46, Single or Dual, For Tires: 480/80R46, 520/85R46, 18.4R46
2	222665A1	AR	WHEEL, W18A x 38, Single or Dual, For Tires: 520/85R38, 20.8R38
2	193857A1	AR	WHEEL, W18A x 42, Single or Dual, For Tires: 520/85R42, 20.8R42
2	276687A1	AR	WHEEL, MW20A x 42, Single or Dual, For Tires: 620/70R42
2	311352A1	AR	WHEEL, 28 x 42, Single or Dual, For Tires: 850/55-42, 900/50R42
2	403037A1	AR	WHEEL, MW 25 x 38, Single or Dual, For Tires: 800/70R38
2	196254A1	AR	WHEEL, W13 x 46, Single or Dual, For Tires: 420/80R46, 14.9R46
2	87443702	AR	WHEEL, 46 x FDW20A, Single or Dual, For Tires: 620/70R46
3	87312787	4	WHEEL, 32 x DWM44, For Tires: 76 x 50-32, Scraper Application, Used with Single Wheel Dual Hub Application
4	405822A1	1	SPACER, 127 mm (5 in)
5	405823A1	1	SPACER, 254 mm (10 in)
6	405824A1	1	SPACER, 330 mm (13 in)
7	827-22160	10	BOLT, Hex, M22 x 150, 10.9, M22 x 160; 10.9
8	827-22080	40	BOLT, Hex, M22 x 80, 10.9, Full Thd, M22 x 80; 10.9
9	827-22130	10	BOLT, Hex, M22 x 130, 10.9, M22 x 130; 10.9
10	896-11022	40	WASHER, M22 x 44 x 4, HT, 24 x 44 x 4 mm
11	A20058	AR	VALVE STEM,
12	627-16050	64	BOLT, Hex, M16 x 50, 10.9, Hex, M16 x 50, 10.9, Used with Single Wheel Dual Hub Application, Scraper Application
13	896-11016	64	WASHER, M17.5 x 30 x 4, HT, 17.5 x 30 x 4 mm, Scraper Application, Used with Single Wheel Dual Hub Application
14	87352762	AR	PLUG, Rim Hole, 5/8"

06-07 WHEELS TRIPLES WITH SPACERS

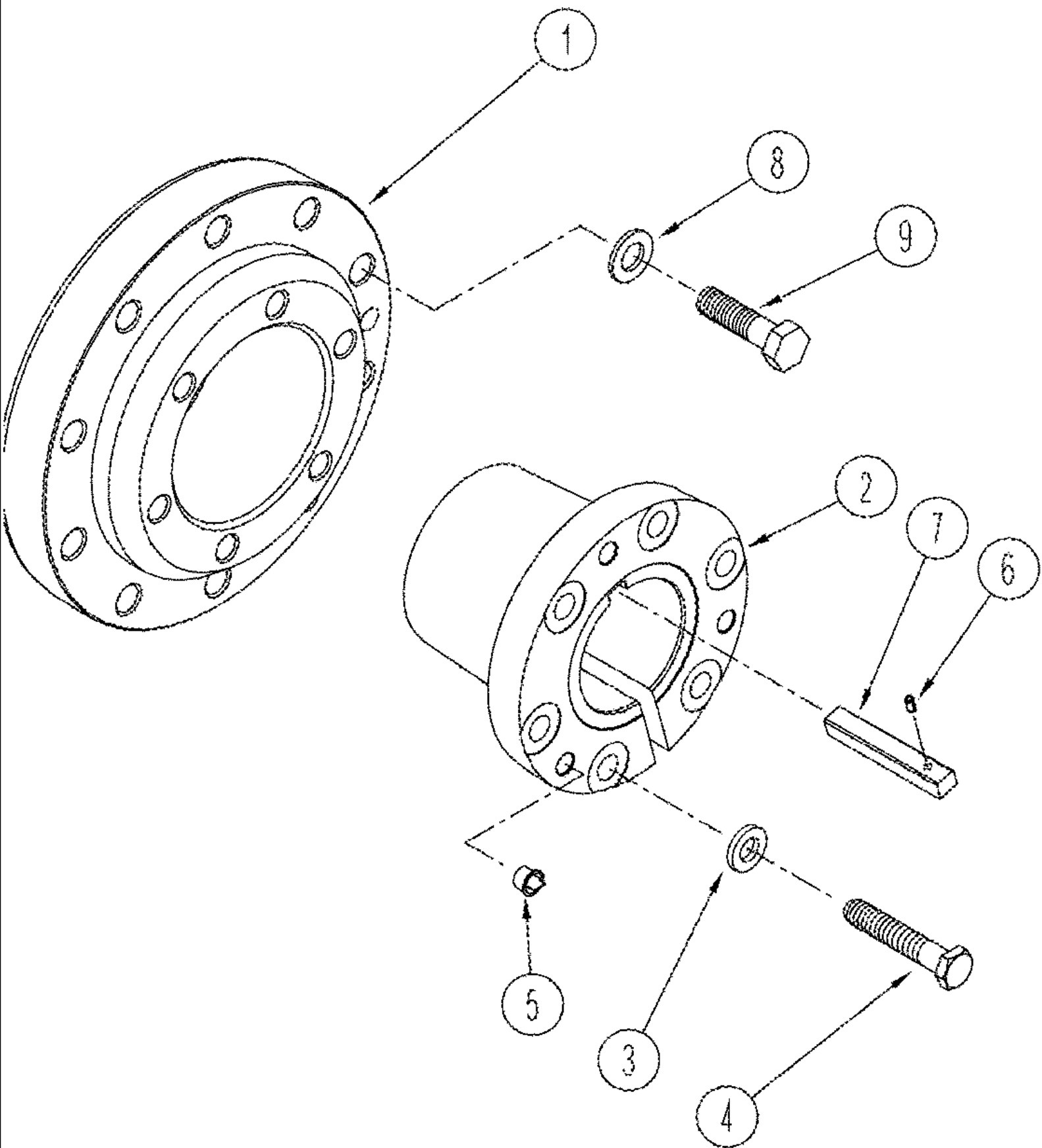


STX500 CASE IH 4WD TRACTOR (AFTER S/N JEE0099501)

06-07 WHEELS TRIPLES WITH SPACERS

сылка	Номер детали	Кол-во	Описание
1	396113A1	12	RIM, W16A x 46, For Tires: 850/55-42, 900/50R42
1	193857A1	12	WHEEL, W18A x 42, For Tires: 520/85R42, 20.8R42
2	409987A1	1	SPACER, 711 mm (28 in)
3	496-31094	10	WASHER, 15/16" x 1 3/4" x .219", HDN, 15/16 x 1-3/4 x 7/32
4	827-22140	10	BOLT, Hex, M22 x 140, 10.9, M22 x 140; 10.9
5	A20058	AR	VALVE STEM,
6	827-22080	40	BOLT, Hex, M22 x 80, 10.9, Full Thd, M22 x 80; 10.9

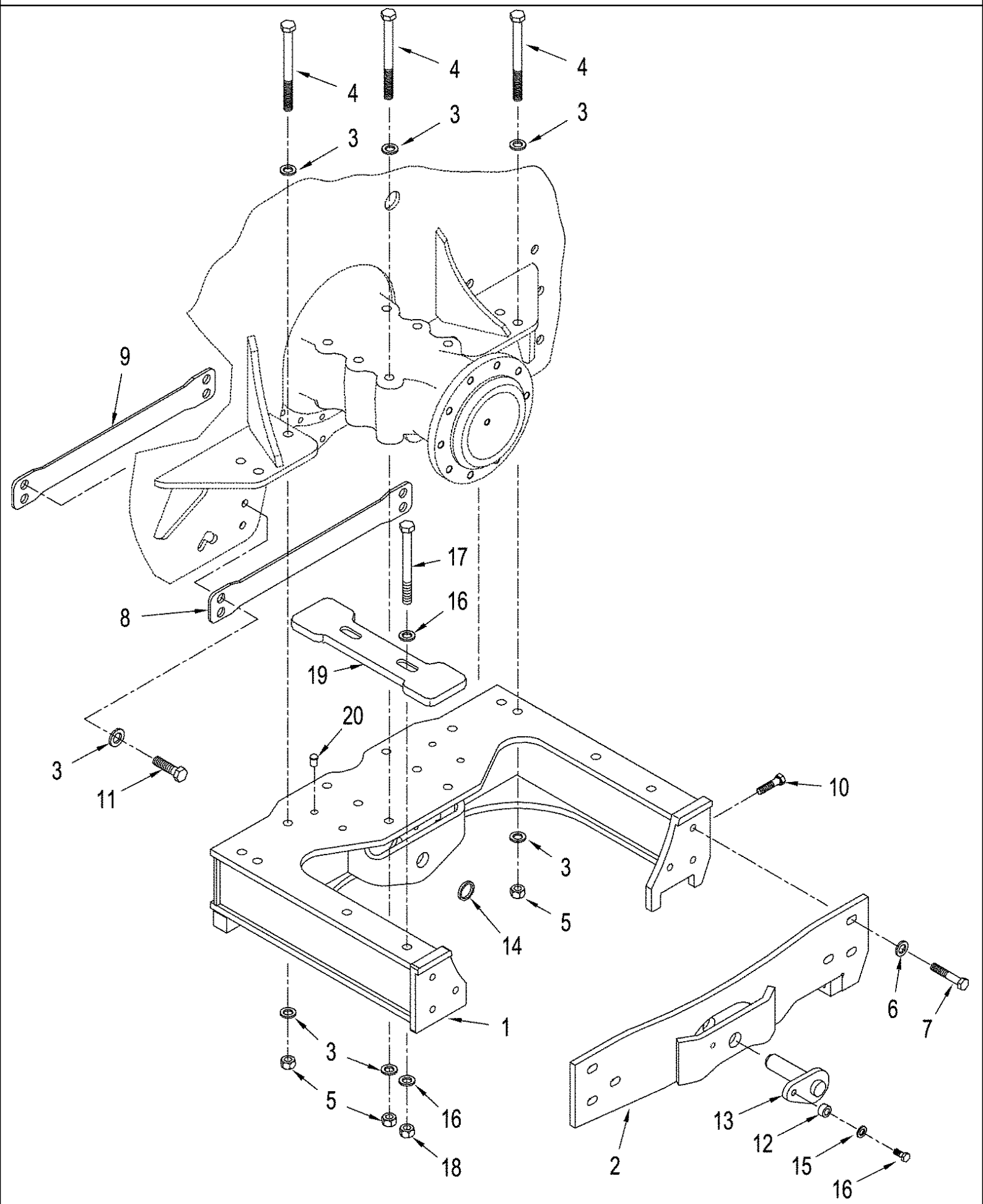
06-08 HUB ASSEMBLY MOUNTING



STX500 CASE IH 4WD TRACTOR (AFTER S/N JEE0099501)

06-08 HUB ASSEMBLY MOUNTING

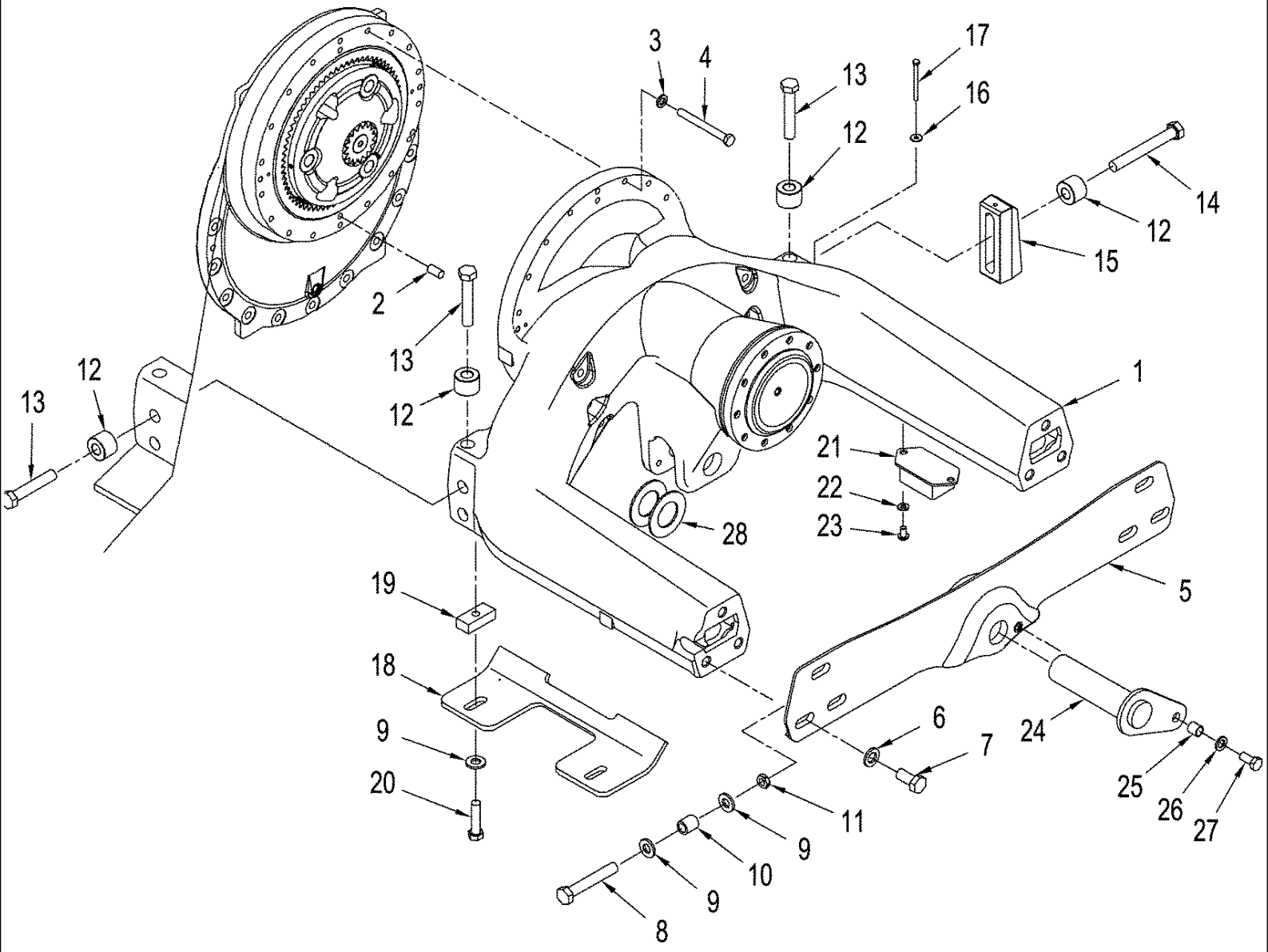
сылка	Номер детали	Кол-во	Описание
1	405812A1	1	HUB,
2	405816A1	AR	BUSHING, 115 mm (4-1/2 in)
3	396-31081	6	WASHER, 13/16" x 1 1/2" x .219", HDN,
4	228273A1	6	BOLT, M20 x 110; 10,9
5	303401A1	3	PLUG,
6	38-11608	4	PIN, LOCK, 1/4" x 1/2", Slotted, 1/4" x 1/2", Slotted
7	A63219	4	KEY, 3/4 x 6
8	896-11022	40	WASHER, M22 x 44 x 4, HT, 24 x 44 x 4 mm
9	827-22080	40	BOLT, Hex, M22 x 80, 10.9, Full Thd, M22 x 80; 10.9



STX500 CASE IH 4WD TRACTOR (AFTER S/N JEE0099501)

06-09 YOKE MOUNTING, QUADTRAC TRACTOR, BSN JEE0106701

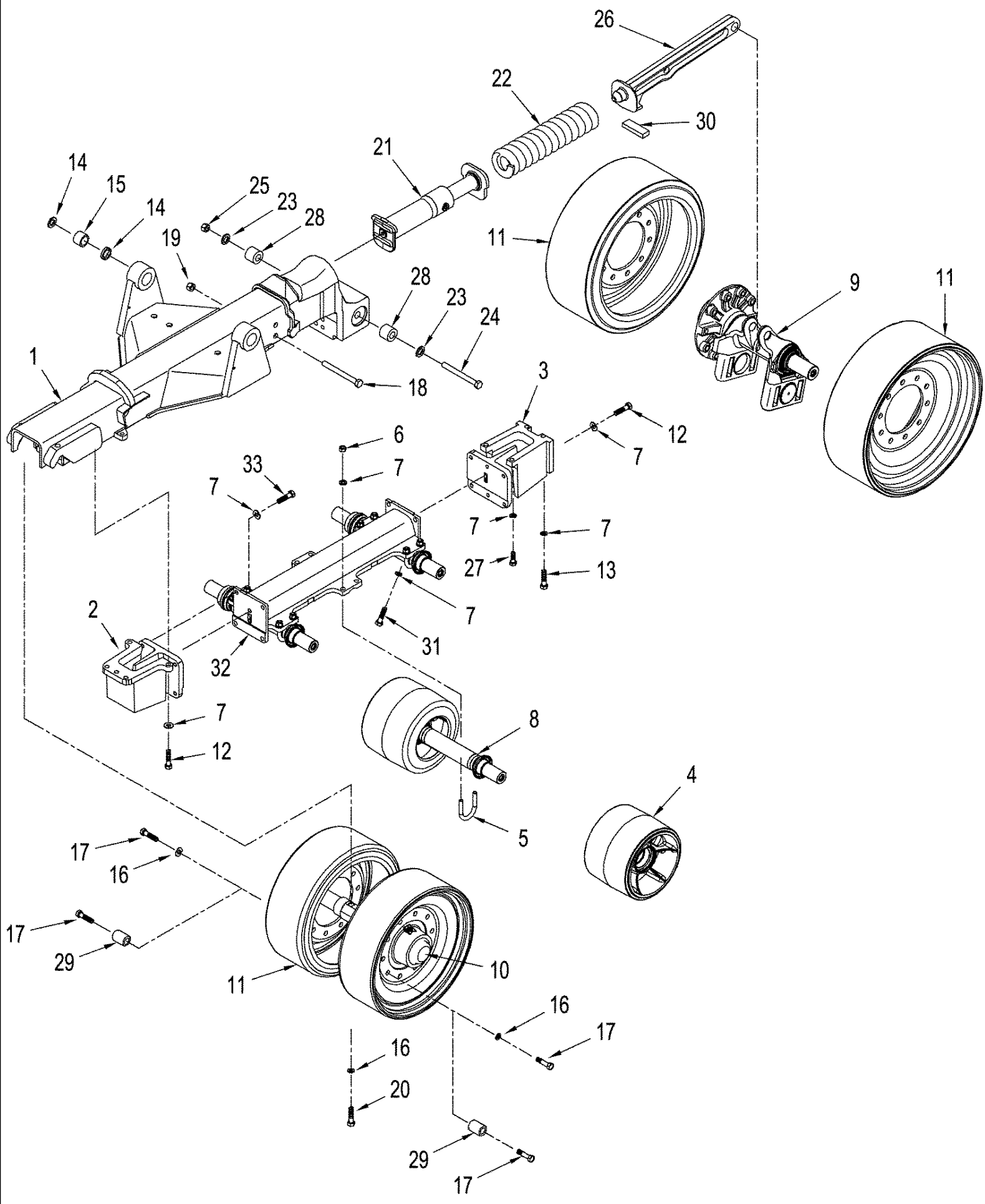
сылка	Номер детали	Кол-во	Описание
1	408798A1	1	YOKE,
2	408799A1	1	PLATE ASSY., Front
3	896-11024	22	WASHER, M24 x 44.5 x 5, HT, 26 x 44 x 5 mm
4	827-24270	12	BOLT, Hex, M24 x 270, 10.9, M24 x 270; 10.9
5	829-1424	6	NUT, M24, CI 10, M24; 10
6	496-31094	6	WASHER, 15/16" x 1 3/4" x .219", HDN, 15/16 x 1-3/4 x 7/32
7	627-22060	6	BOLT, Hex, M22 x 60, 10.9, Full Thd, M20 x 50; 10.9
8	408800A1	1	STRAP, A Frame
9	408801A1	1	STRAP, Frame
10	627-20110	4	BOLT, Hex, M20 x 110, 10.9, Full Thd, M20 x 110; 10.9
11	627-24070	4	BOLT, Hex, M24 x 70, 10.9, Full Thd, M24 x 70; 10.9
12	70-5967T1	2	SPACER,
13	304876A1	2	PIN,
14	316630A2	2	WASHER,
15	896-11016	2	WASHER, M17.5 x 30 x 4, HT, 17,5 x 30 x 4 mm
16	895-30103	4	WASHER, M16 x 56 x 5, 17.5 x 56 x 5 mm, Used on Power Shift Models
17	827-16250	2	BOLT, M16 x 250, CL10.9, Used on Power Shift Models
18	829-1416	2	NUT, M16, CI 10, , Used on Power Shift Models
19	87435928	1	PLATE, Steel Scraper, Used on Power Shift Models
20	87444730	24	CAP, Plug



STX500 CASE IH 4WD TRACTOR (AFTER S/N JEE0099501)

06-09(01) YOKE MOUNTING, QUADTRAC TRACTOR, ASN JEE0106701

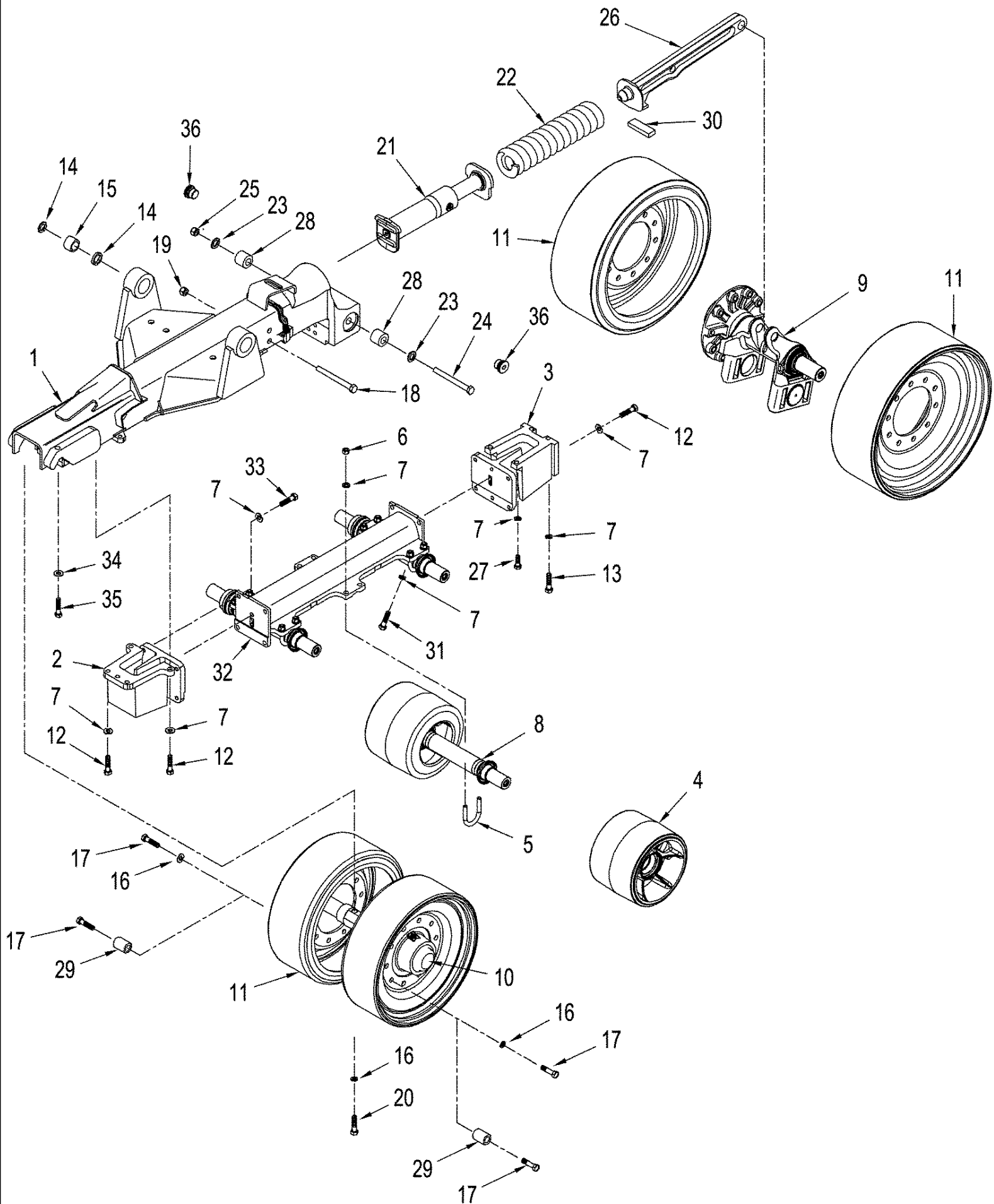
сылка	Номер детали	Кол-во	Описание
1	87423303	1	YOKE, Inc. 2, See Figure 06-82 (01)
2	837-16040	2	DOWEL, M16 x 40,
3	828-16150	24	BOLT, Hex, M16 x 150, 10.9, Cap, HH, M16 x 150, CL10.9
4	896-12016	24	WASHER, M17.5 x 30 x 4, HT, 17.5 x 30 x 4mm
5	87451761	2	PLATE, END, Yoke
6	896-11024	6	WASHER, M24 x 44.5 x 5, HT, 26 x 44 x 5mm
7	9780129	6	BOLT, Hex, M24 x 50, 10.9, Full Thd, Cap, HH, M24 x 50
8	87439071	1	BOLT, M20 x 130, CL10.9
9	896-15020	4	WASHER, M20 x 44.5 x 5, HT, 22 x 44 x 5mm
10	87439070	1	SPACER,
11	829-4420	1	NUT, Thin, M20 x 2.5, Cl 05, M20, CL5
12	87447339	6	SPACER,
13	827-24130	4	BOLT, Hex, M24 x 130, 10.9,
14	827-24190	2	BOLT, Hex, M24 x 190, 10.9,
15	87425780	1	WEDGE, Block
16	496-41034	1	WASHER, .344" x 1" x .098", HDN, .344" x 1.0" x .098"
17	627-8100	1	BOLT, Hex, M8 x 100, 10.9, Full Thd, M8 x 100, CL10.9
18	87439068	1	PLATE, Scraper, Used on QUADTRAC Scraper Application
19	87439069	2	BAR, Retention
20	827-20080	2	BOLT, Hex, M20 x 80, 10.9, Cap, HH, M20 x 80, CL10.9
21	87428948	2	BUMPER, Rubber
22	896-11012	4	WASHER, M13.5 x 24.5 x 3, HT,
23	86836488	4	SCREW, Hex Soc But Hd, M12 x 1.75 x 25, 12.9, Soc Hd, M12 x 25
24	87423822	2	PIN,
25	87423819	2	SPACER,
26	896-11016	2	WASHER, M17.5 x 30 x 4, HT, 17.5 x 30 x 4mm
27	627-16035	2	BOLT, Hex, M16 x 35, 10.9, Hex, M16 x 35, 10.9
28	87423202	2	BEARING, Thrust



STX500 CASE IH 4WD TRACTOR (AFTER S/N JEE0099501)

06-10 UNDERCARRIAGE - MOUNTING, QUADTRAC TRACTOR, BSN JEE0106701

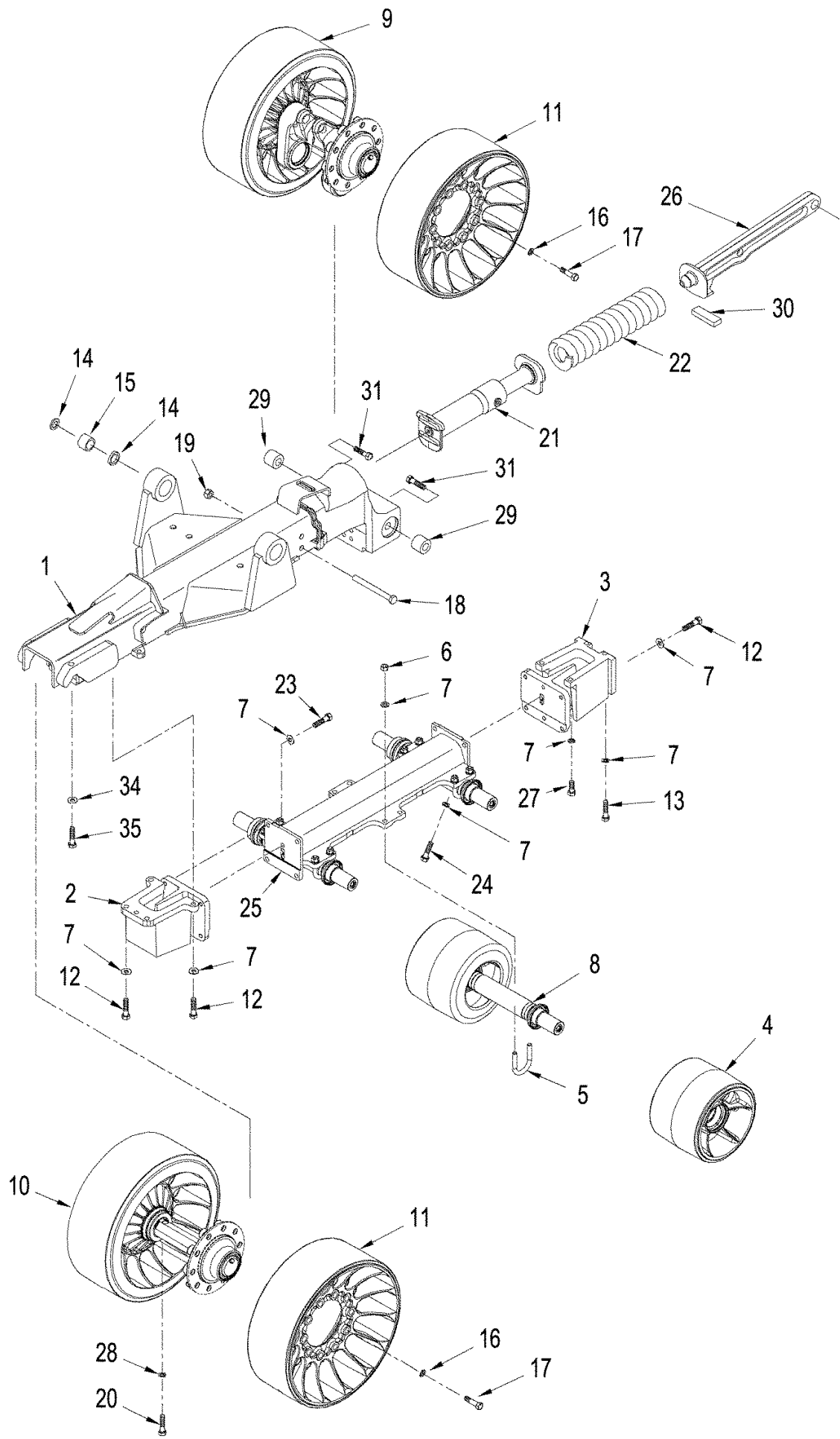
сылка	Номер детали	Кол-во	Описание
1	408777A4	1	MOUNTING PARTS, Undercarriage
2	379694A2	1	SUSPENSION, Rear, Rubber Mount, Luxury Cab, BSN JEE0104449
2	389761A1	1	SUSPENSION, Rear, Rubber Mount, Scraper Application, ASN JEE0104449
3	379702A2	1	SUSPENSION, Front, Rubber Mount, Luxury Cab, BSN JEE0104449
3	389763A1	1	SUSPENSION, Front, Rubber Mount, Scraper Application, ASN JEE0104449
4	379715A2	6	WHEEL, Roller
5	231765A1	6	U-BOLT,
6	832-46416	12	NUT, LOCK, M16 x 2, CI 8,
7	896-11016	21	WASHER, M17.5 x 30 x 4, HT, 17,5 x 30 x 4 mm
8	REF	1	INSTRUCTION, Roller Assy., Wheel, See Figure 06-12 (01)
9	303965A5	1	AXLE ASSY, 4WD, Assy., See Figure 06-11
10	REF	1	INSTRUCTION, Axle Assy., Rear Idler, See Figure 06-12
11	323903A2	4	WHEEL, Idler
12	627-16050	9	BOLT, Hex, M16 x 50, 10.9, Hex, M16 x 50, 10.9
13	827-16180	2	BOLT, Hex, M16 x 180, 10.9, M16 x 180; 10.9
14	409583A1	4	SEAL,
15	307278A1	2	BEARING,
16	496-31094	40	WASHER, 15/16" x 1 3/4" x .219", HDN, 15/16 x 1-3/4 x 7/32, Standard Application
17	627-22060	40	BOLT, Hex, M22 x 60, 10.9, Full Thd, M22 x 60; 10.9, Standard Application
17	827-22080	40	BOLT, Hex, M22 x 80, 10.9, Full Thd, M22 x 80, CL10.9, Scraper Application, ASN JEE0100546
18	827-20200	1	BOLT, Hex, M20 x 200, 10.9, M20 x 200; 10.9
19	832-46420	1	NUT, LOCK, M20 x 2.5, CI 8, M20
20	827-22130	2	BOLT, Hex, M22 x 130, 10.9, M22 x 130; 10.9
21	87388698	1	CYLINDER, Track
22	255729A1	1	SPRING,
23	896-11024	2	WASHER, M24 x 44.5 x 5, HT, 26 x 44 x 5 mm
24	827-24270	1	BOLT, Hex, M24 x 270, 10.9, M24 x 270; 10.9
25	829-1424	1	NUT, M24, CI 10, M24; 10
26	435507A1	1	LINKAGE,
27	827-16110	2	BOLT, Hex, M16 x 110, 10.9, M16 x 110; 10.9
28	379703A1	2	SHAFT, Idler Pivot
29	391340A1	40	SPACER, , Scraper Application, ASN JEE0100546
30	430710A1	1	PAD,
31	827-16140	2	BOLT, Hex, M16 x 140, 10.9, M16 x 140; 10.9
32	408786A1	1	BEAM, Roller Wheel
33	627-16040	8	BOLT, Hex, M16 x 40, 10.9, Hex, M16 x 40, 10.9



STX500 CASE IH 4WD TRACTOR (AFTER S/N JEE0099501)

06-10(01) UNDERCARRIAGE - MOUNTING, QUADTRAC TRACTOR, BTW JEE0106701 & JEE0107427

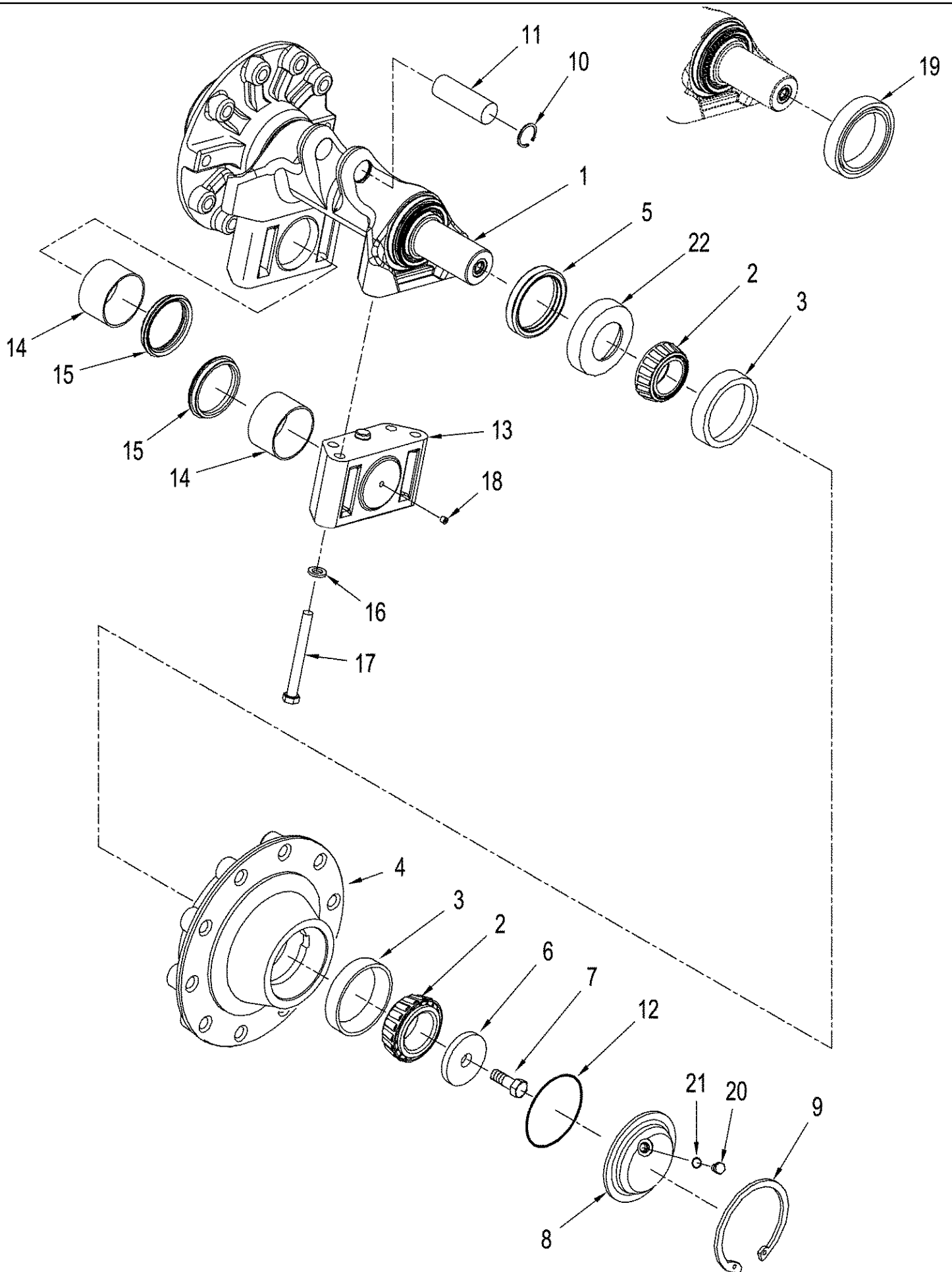
сылка	Номер детали	Кол-во	Описание
1	87307050	1	MOUNTING PARTS, Undercarriage
2	389761A1	1	SUSPENSION, Rear, Rubber Mount
3	389763A1	1	SUSPENSION, Front, Rubber Mount
4	379715A2	6	WHEEL, Roller
5	231765A1	6	U-BOLT,
6	832-46416	12	NUT, LOCK, M16 x 2, CI 8,
7	896-11016	21	WASHER, M17.5 x 30 x 4, HT, 17,5 x 30 x 4 mm
8	REF	1	INSTRUCTION, Roller Assy., Wheel, See Figure 06-12 (02)
9	303965A5	1	AXLE ASSY, 4WD, Assy., See Figure 06-11
10	REF	1	INSTRUCTION, Axle Assy., Rear Idler, See Figure 06-12
11	323903A2	4	WHEEL, Idler
12	627-16050	9	BOLT, Hex, M16 x 50, 10.9, Hex, M16 x 50, 10.9
13	827-16180	2	BOLT, Hex, M16 x 180, 10.9, M16 x 180; 10.9
14	87423203	4	SEAL,
15	87423204	2	BEARING ASSY,
16	496-31094	40	WASHER, 15/16" x 1 3/4" x .219", HDN, 15/16 x 1-3/4 x 7/32, Ag Application
17	627-22060	40	BOLT, Hex, M22 x 60, 10.9, Full Thd, M22 x 60; 10.9, Ag Application
17	827-22080	40	BOLT, Hex, M22 x 80, 10.9, Full Thd, M22 x 80, CL10.9, Scraper Application
18	827-20200	1	BOLT, Hex, M20 x 200, 10.9, M20 x 200; 10.9
19	832-46420	1	NUT, LOCK, M20 x 2.5, CI 8, M20
20	827-22130	2	BOLT, Hex, M22 x 130, 10.9, M22 x 130; 10.9
21	87388698	1	CYLINDER, Track Tensioner
22	255729A1	1	SPRING,
23	896-11024	2	WASHER, M24 x 44.5 x 5, HT, 26 x 44 x 5 mm
24	827-24270	1	BOLT, Hex, M24 x 270, 10.9, M24 x 270; 10.9
25	829-1424	1	NUT, M24, CI 10, M24; 10
26	435507A1	1	LINKAGE,
27	827-16110	2	BOLT, Hex, M16 x 110, 10.9, M16 x 110; 10.9
28	379703A1	2	SHAFT, Idler Pivot
29	391340A1	40	SPACER, , Scraper Application
30	430710A1	1	PAD,
31	827-16140	2	BOLT, Hex, M16 x 140, 10.9, M16 x 140; 10.9
32	408786A1	1	BEAM, Roller Wheel
33	627-16035	8	BOLT, Hex, M16 x 35, 10.9, Hex, M16 x 35, 10.9
34	496-31094	2	WASHER, 15/16" x 1 3/4" x .219", HDN, .938" x 1.750" x .219"
35	827-22130	2	BOLT, Hex, M22 x 130, 10.9, Cap, HH, M22 x 130, CL10.9
36	86637724	2	PLUG, Hex Soc, 1/8"-27 NPTF, Socketless, 1/8"



STX500 CASE IH 4WD TRACTOR (AFTER S/N JEE0099501)

06-10(02) UNDERCARRIAGE - MOUNTING, QUADTRAC TRACTOR, ASN JEE0107427

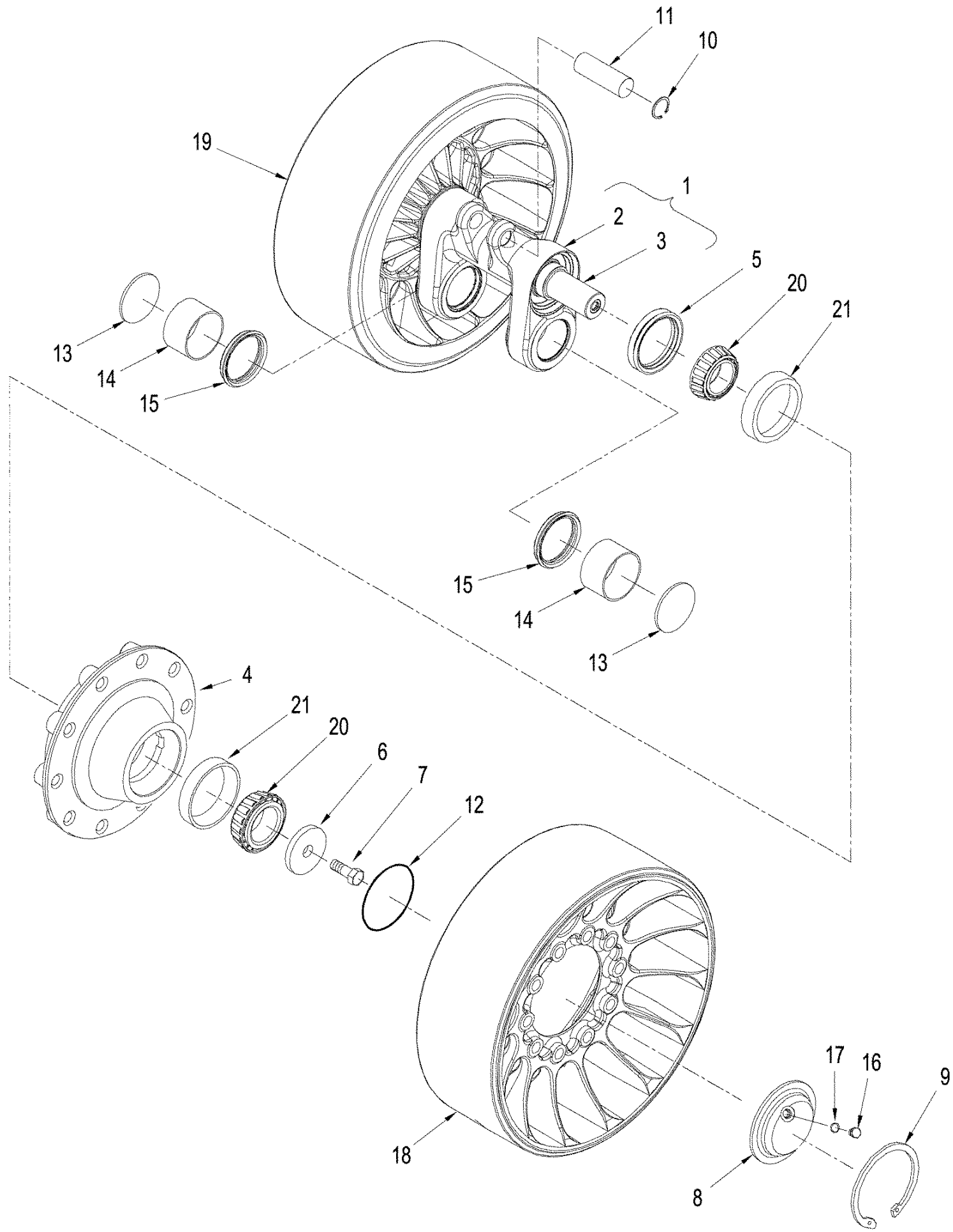
сылка	Номер детали	Кол-во	Описание
1	87307050	1	MOUNTING PARTS, Undercarriage
2	389761A1	1	SUSPENSION, Rear, Rubber Mount
3	389763A1	1	SUSPENSION, Front, Rubber Mount
4	87309812	6	WHEEL ASSY, Roller
5	231765A1	6	U-BOLT,
6	832-46416	12	NUT, LOCK, M16 x 2, Cl 8,
7	896-11016	22	WASHER, M17.5 x 30 x 4, HT, 17,5 x 30 x 4 mm
8	REF	1	INSTRUCTION, Roller Assy., Wheel, See Figure 06-12 (02)
9	REF	1	INSTRUCTION, Axle Assy., Front Idler, See Figure 06-11 (01)
10	REF	1	INSTRUCTION, Axle Assy., Rear Idler, See Figure 06-12 (01)
11	87441100	1	WHEEL ASSY, Idler, Bolt-on
12	627-16050	9	BOLT, Hex, M16 x 50, 10.9, Hex, M16 x 50, 10.9
13	827-16180	2	BOLT, Hex, M16 x 180, 10.9, M16 x 180, CL10.9
14	87423203	4	SEAL,
15	87423204	2	BEARING ASSY,
16	896-11024	22	WASHER, M24 x 44.5 x 5, HT, 26 x 44 x 5mm
17	827-24080	20	BOLT, Hex, M24 x 80, 10.9, Full Thd, M24 x 80, CL10.9
18	827-20200	1	BOLT, Hex, M20 x 200, 10.9, M20 x 200, CL10.9
19	832-46420	1	NUT, LOCK, M20 x 2.5, Cl 8, M20
20	827-22140	2	BOLT, Hex, M22 x 140, 10.9, M22 x 140, CL10.9
21	87388698	1	CYLINDER, Track Tensioner
22	255729A1	1	SPRING,
23	627-16040	8	BOLT, Hex, M16 x 40, 10.9, Hex, M16 x 40, 10.9
24	827-16140	2	BOLT, Hex, M16 x 140, 10.9, M16 x 140, CL10.9
25	408786A1	1	BEAM, Roller Wheel
26	435507A1	1	LINKAGE,
27	827-16110	2	BOLT, Hex, M16 x 110, 10.9, M16 x 110; 10.9
28	896-11022	2	WASHER, M22 x 44 x 4, HT, 24 x 44 x 4mm
29	87324220	2	SHAFT, IDLE, Idler, Pivot
30	430710A1	1	PAD,
31	827-24100	2	BOLT, Hex, M24 x 100, 10.9, M24 x 100, CL10.9



STX500 CASE IH 4WD TRACTOR (AFTER S/N JEE0099501)

06-11 AXLE ASSEMBLY - FRONT IDLER, QUADTRAC TRACTOR, BSN JEE0107427

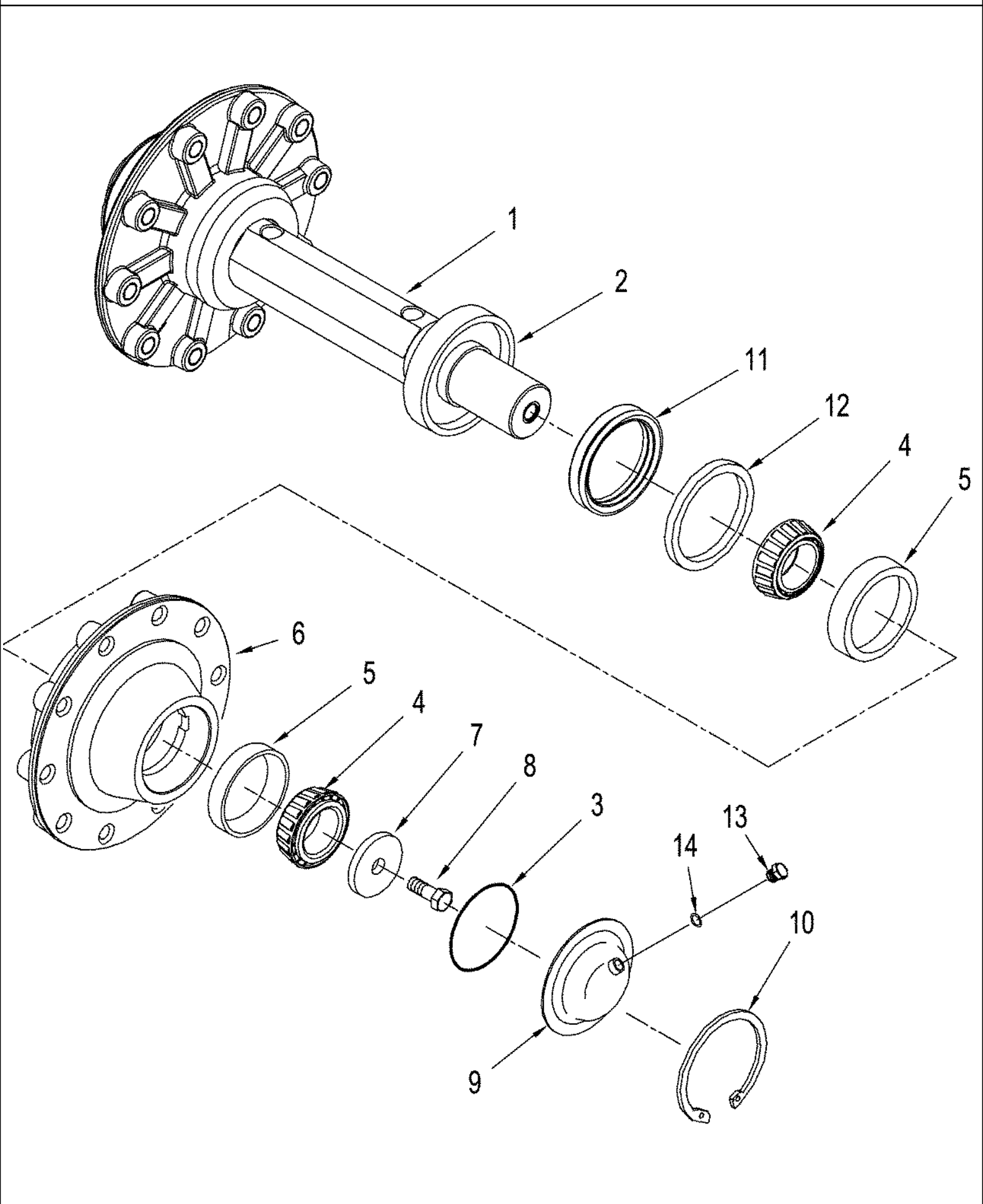
сылка	Номер детали	Кол-во	Описание
	303965A5	1	AXLE ASSY, 4WD, Inc. 1 - 12, 20 - 22
1	87402778	1	PIVOT ASSY.,
1	87427037	1	PIVOT ASSY., , Arctic QUADTRAC Tractor Application
2	371884A1	1	CONE,
3	371878A1	4	CUP,
4	379708A3	2	HUB,
5	87450019	2	SEAL, Face, ASN JEE0099980
5	87427009	1	SEAL, SHAFT, , Arctic QUADTRAC Tractor Application
6	87387720	2	RETAINER,
7	87449801	2	BOLT, M20 x 40, 10.9
8	87408174	2	CAP, , Also Order 246406A1 Plug
9	800-21130	2	RING, SNAP, M130, Int,
10	396676A1	2	SNAP RING,
11	329647A1	1	PIN,
12	238-5426	2	O-RING, -426, 70 Duro, 4.600" ID x .275" Thk,
13	379711A2	2	MOUNTING PARTS,
14	379713A2	1	BEARING,
15	378094A1	2	SEAL,
16	896-11016	8	WASHER, M17.5 x 30 x 4, HT, 17,5 x 30 x 4 mm
17	827-16150	8	BOLT, Hex, M16 x 150, 10.9, M16 x 150; 10.9
18	86637724	2	PLUG, Hex Soc, 1/8"-27 NPTF, Pipe, Hex Socket 1/8"
19	432008A2	2	SEAL, Cup, Idler Hub, Used on Units Affected by P.U.P. A0901 Only. See Installation Instructions Rac. 6-12501 for Additional Information., BSN JEE0099980
20	246406A1	2	PLUG, M12 x 1.5, ORB, M12 or, Inc. 21
21	637-63093	1	O-RING, CI 6, 9.3MM ID x 2.2 Thk, 9,3 ID x 2,2 Thk
22	87402781	2	CUP, Cup, Idler Hub



STX500 CASE IH 4WD TRACTOR (AFTER S/N JEE0099501)

06-11(01) AXLE ASSEMBLY - FRONT IDLER, QUADTRAC TRACTOR, ASN JEE0107427

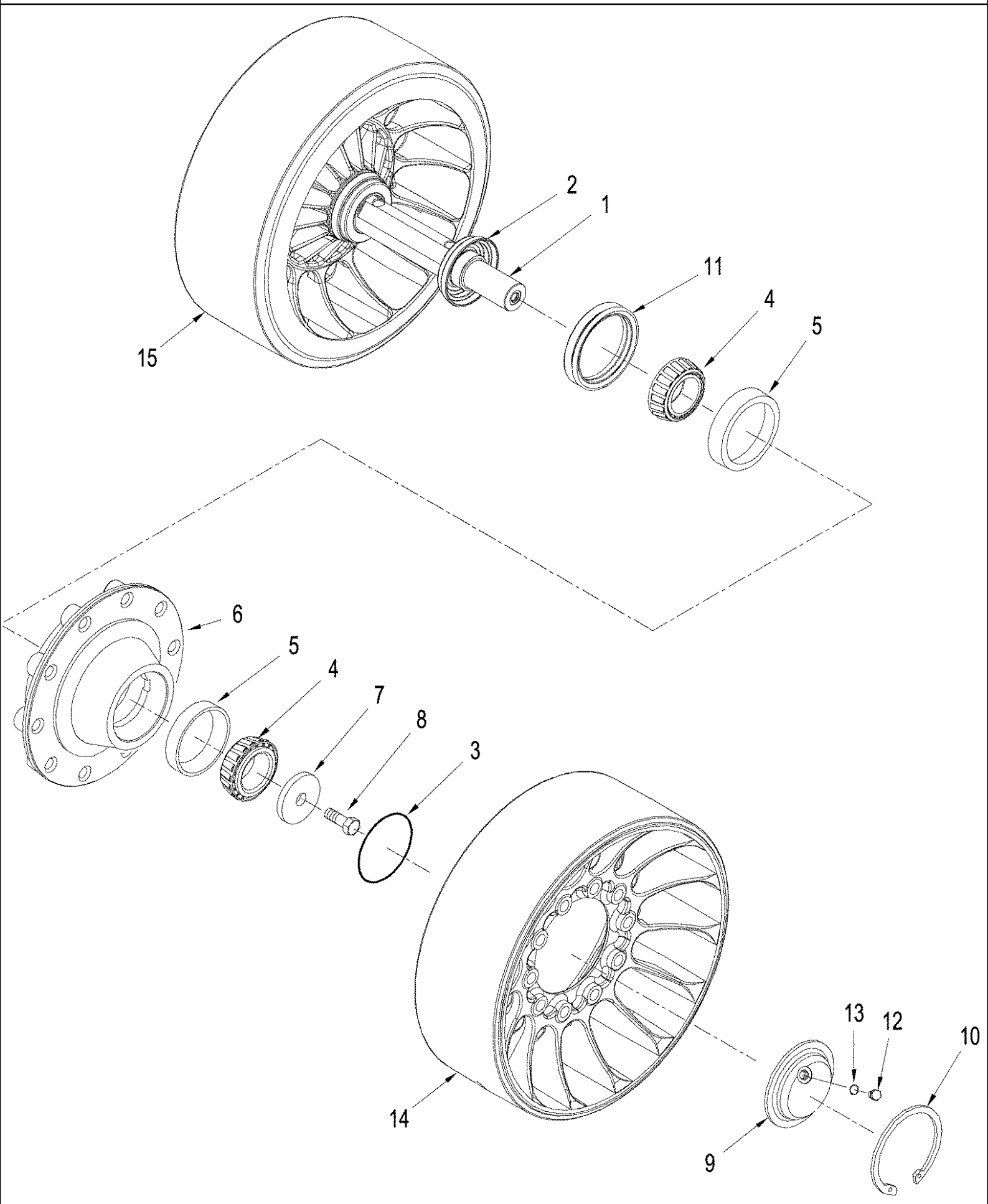
сылка	Номер детали	Кол-во	Описание
1	87451060	1	PIVOT, Shaft Assembly, Inc. 2 & 3
1	87345926	1	Shaft Assembly, Inc. 2 & 3, Arctic QUADTRAC Tractor Application
2	NSS	1	NOT SERVICED SEPARATELY, Pivot
3	NSS	1	NOT SERVICED SEPARATELY, Shaft
4	87416606	1	HUB,
5	87437010	2	SEAL, Face
6	87387720	2	RETAINER,
7	87449801	2	BOLT, M20 x 40, 10.9
8	87408174	2	CAP, , Also Order 246406A1 Plug
9	800-21130	2	RING, SNAP, M130, Int, M130
10	87038806	2	RING, SNAP, M38, Int,
11	329647A1	1	PIN,
12	238-5426	2	O-RING, -426, 70 Duro, 4.600" ID x .275" Thk,
13	87416602	2	COVER, Cap
14	379713A2	2	BEARING, , BSN JEE0107427
14	87324810	2	BEARING, , ASN JEE0107427
15	87451047	2	SEAL,
16	246406A1	2	PLUG, M12 x 1.5, ORB, M12 or, Inc. 21
17	637-63093	2	O-RING, CI 6, 9.3MM ID x 2.2 Thk, 9,3 ID x 2,2 Thk
18	87441100	1	WHEEL ASSY, Bolt-on
19	87441101	1	WHEEL ASSY,
20	371884A1	4	CONE,
21	371878A1	4	CUP,



STX500 CASE IH 4WD TRACTOR (AFTER S/N JEE0099501)

06-12 AXLE ASSEMBLY - REAR IDLER, QUADTRAC TRACTOR, BSN JEE0107427

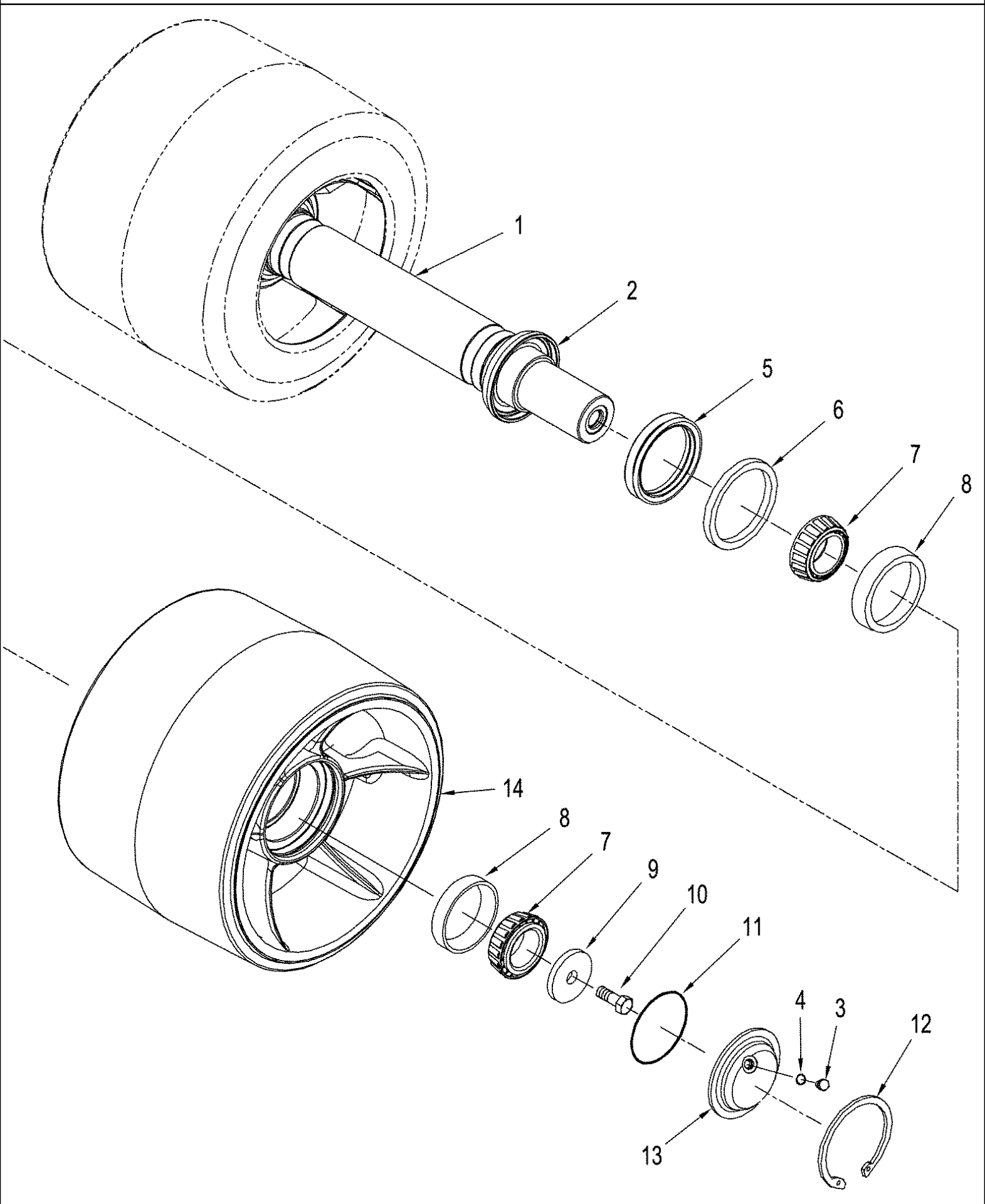
сылка	Номер детали	Кол-во	Описание
1	87445996	1	SHAFT, Assy., Inc. 2
2	87402782	2	CUP, Cup
3	238-5426	2	O-RING, -426, 70 Duro, 4.600" ID x .275" Thk,
4	371884A1	4	CONE,
5	371878A1	4	CUP,
6	379708A3	2	HUB,
7	87387720	2	RETAINER,
8	87449801	2	BOLT, M20 x 40, 10.9
9	87408174	2	CAP, , Also Order 246406A1 Plug
10	800-21130	2	RING, SNAP, M130, Int, M130
11	87450019	2	SEAL, Face
11	87427009	1	SEAL, SHAFT, Multiple Lip, Arctic QUADTRAC Tractor Application
12	87402781	2	CUP,
13	246406A1	1	PLUG, M12 x 1.5, ORB, Pipe, M12 or, Inc. 14
14	637-63093	1	O-RING, CI 6, 9.3MM ID x 2.2 Thk, 9.3 ID x 2.2 Thk



STX500 CASE IH 4WD TRACTOR (AFTER S/N JEE0099501)

06-12(01) AXLE ASSEMBLY - REAR IDLER, QUADTRAC TRACTOR, ASN JEE0107427

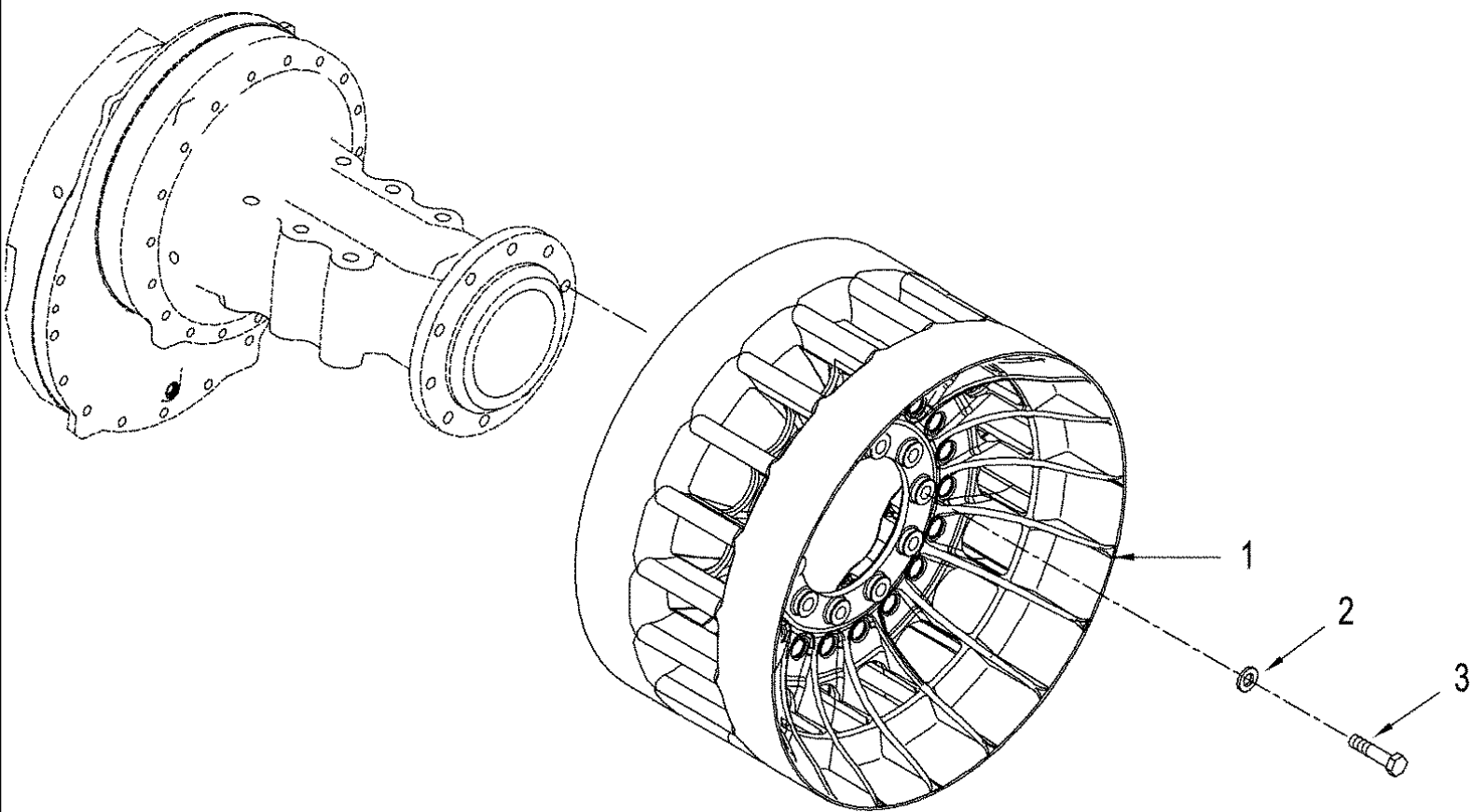
сылка	Номер детали	Кол-во	Описание
1	87451058	1	SHAFT, Assy., Rear Idler
2	87304016	2	CUP, Cup
3	238-5426	2	O-RING, -426, 70 Duro, 4.600" ID x .275" Thk,
4	371884A1	4	CONE,
5	371878A1	4	CUP,
6	87416606	1	HUB,
7	87387720	2	RETAINER,
8	87449801	2	BOLT, M20 x 40, 10.9
9	87408174	2	CAP, , Also Order 246406A1 Plug
10	800-21130	2	RING, SNAP, M130, Int, M130
11	87437010	2	SEAL, Face
11	87427009	2	SEAL, SHAFT, Multiple Lip, Arctic QUADTRAC Tractor Application
12	246406A1	2	PLUG, M12 x 1.5, ORB, Pipe, M12 or, Inc. 13
13	637-63093	2	O-RING, CI 6, 9.3MM ID x 2.2 Thk, 9.3 ID x 2.2 Thk
14	87441100	2	WHEEL ASSY, Bolt-on
15	87441101	1	WHEEL ASSY,



STX500 CASE IH 4WD TRACTOR (AFTER S/N JEE0099501)

06-12(02) AXLE ASSY. - ROLLER SHAFT

сылка	Номер детали	Кол-во	Описание
1	87403661	3	SHAFT, Roller Assy., Inc. 2, BSN JEE0107427
1	87431253	3	SHAFT, ROLLER, Roller Assy., ASN JEE0107427
1	87427034	3	SHAFT, ROLLER, , Arctic QUADTRAC Tractor Application
2	86992784	2	SEAL, Cup, Roller, NOTE: Before Ordering for Machines BSNJEE0100711 Measure Seal Cup ID or Shaft OD to Determine the Correct Cup to Order. Seal Cup ID of 68.4mm Order 86992594 and Seal Cup ID of 69.5mm Order 86992784. See Service Letter Rac. 6-12501 for Further Instruction., BSN JEE0100711
2	86992594	2	CUP, Cup, Roller, BTW JEE0100711 & JEE0107427
2	87304018	2	CUP, Cup, Roller, ASN JEE0107427
3	246406A1	6	PLUG, M12 x 1.5, ORB, M12 or, Inc. 4
4	637-63093	1	O-RING, CI 6, 9.3MM ID x 2.2 Thk, 9.3 ID x 2.2 Thk
5	87450020	6	SEAL, Roller Face, BSN JEE0107427
5	87437009	6	SEAL, Roller Face, ASN JEE0107427
5	87427008	6	SEAL, Multiple Lip, Arctic QUADTRAC Tractor Application
6	86993622	6	CUP, Cup, BSN JEE0107427
7	A61447	12	BEARING, CONE, 2-1/16" ID
8	625743C1	12	BEARING, CUP, Cup, 3-35/64" OD
9	87387720	6	RETAINER, Hardened
10	87449801	6	BOLT, M20 x 40, CL10.9
11	86984140	6	SEAL, O-Ring
11	238-5344	6	O-RING, -344, 70 Duro, 3.85" ID x .210" Thk, , To Be Used with Roller Wheel 379715A1 Only.
12	800-21110	6	RING, SNAP, M110, Int, Retaining, 110 mm
13	87404689	6	CAP, Wheel, Also Order 246406A1 Plug
14	379715A2	2	WHEEL, Roller, BSN JEE0107427
14	87309812	2	WHEEL ASSY, Roller, ASN JEE0107427

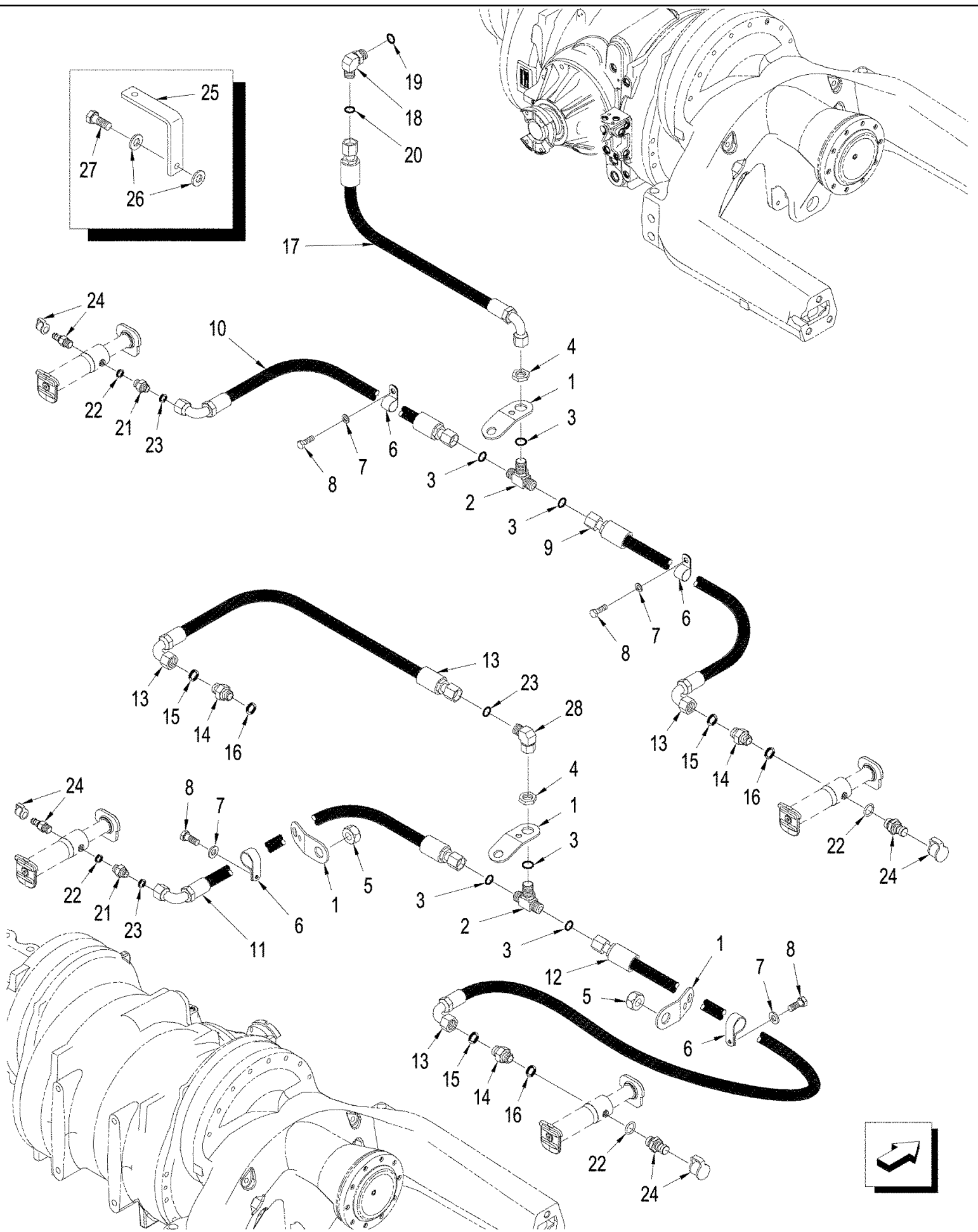


STX500 CASE IH 4WD TRACTOR (AFTER S/N JEE0099501)

06-13 DRIVE WHEEL, QUADTRAC TRACTOR

сылка	Номер детали	Кол-во	Описание
1	413830A1	4	WHEEL, Cast
2	496-31094	40	WASHER, 15/16" x 1 3/4" x .219", HDN, 15/16 x 1-3/4 x 7/32, BSN JEE0104001
2	896-11024	40	WASHER, M24 x 44.5 x 5, HT, 26 x 44 x 5 mm, ASN JEE0104001
3	627-24070	40	BOLT, Hex, M24 x 70, 10.9, Full Thd, M24 x 70, CL10.9, ASN JEE0104001
3	827-22080	40	BOLT, Hex, M22 x 80, 10.9, Full Thd, Cap, HH, M22 x 80; 10.9, BSN JEE0104001

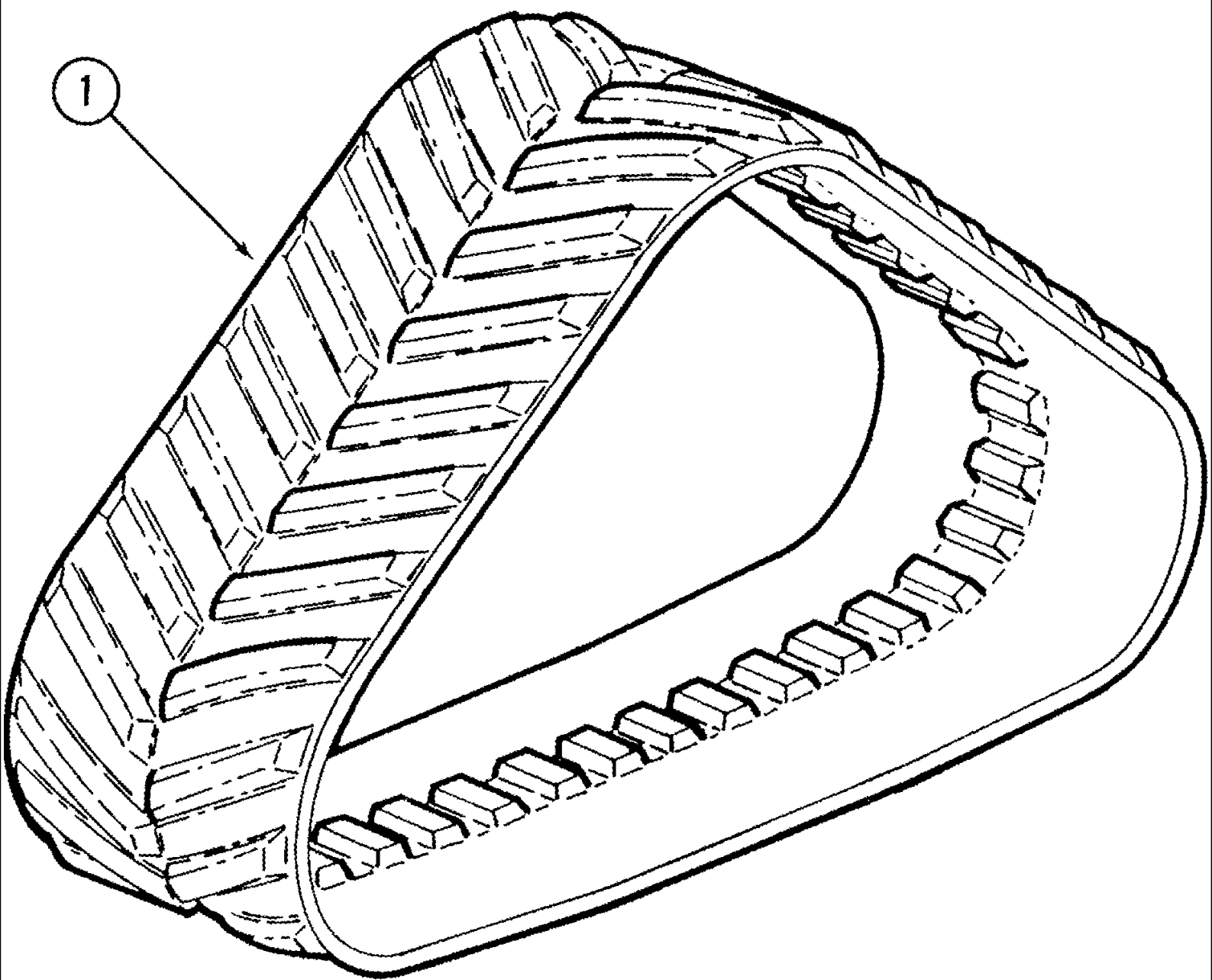
06-14 TRACK TENSIONING, QUADTRAC TRACTOR



STX500 CASE IH 4WD TRACTOR (AFTER S/N JEE0099501)

06-14 TRACK TENSIONING, QUADTRAC TRACTOR

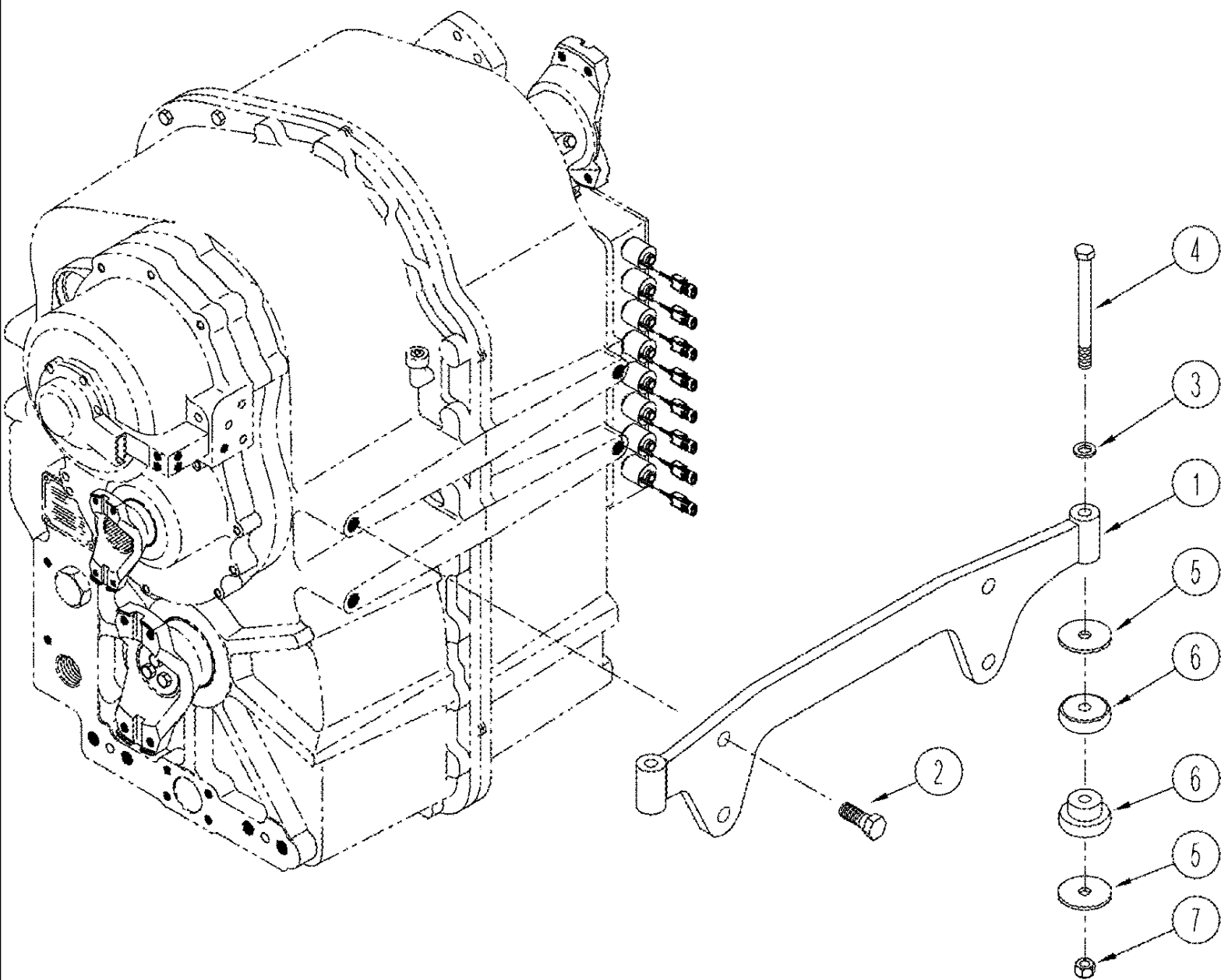
сылка	Номер детали	Кол-во	Описание
1	417272A1	8	BRACKET, , BSN JEE0106701
1	87306552	8	BRACKET, , ASN JEE0106701
2	701-453	2	TEE, 9/16"-18 ORFS, Blkhd Br, M6 fc sl, Inc. 3, BSN JEE0106701
2	87306678	2	TEE, 11/16"-16 ORFS, Blkhd Br, Inc. 3, ASN JEE0106701
3	238-6011	3	O-RING, -011, 90 Duro, .301" ID x .070" Thk, , BSN JEE0106701
3	238-6012	3	O-RING, -012, 90 Duro, .364" ID x .070" Thk, , ASN JEE0106701
4	701-1254	2	NUT, LOCK, 9/16"-18, ORFS Blkhd, M6, BSN JEE0106701
4	701-909	2	NUT, LOCK, 11/16"-16, Blkhd, M10, ASN JEE0106701
5	829-1408	6	NUT, M8, CI 10,
6	515-23127	16	CLAMP, 1/2", Insul, 3/8" Bolt,
7	895-11008	18	WASHER, M8 x 16 x 1.6, 9 x 17 x 1,6 mm
8	627-8020	16	BOLT, Hex, M8 x 20, 10.9,
9	437378A1	1	HOSE ASSY., 1924 mm (76 in), BSN JEE0106701
9	87306548	1	HOSE ASSY., 1836mm (72-9/32 in), ASN JEE0106701
9	87346268	1	HOSE, 1816 mm (71-1/2 in), Arctic QUADTRAC Tractor Application
10	437379A1	1	HOSE ASSY., 2019 mm (79 in), BSN JEE0106701
10	87306549	1	HOSE ASSY., 1956mm (77 in), ASN JEE0106701
10	87346279	1	HOSE, 1943 mm (76-1/2 in), Arctic QUADTRAC Tractor Application
11	437379A1	1	HOSE ASSY., 2019mm (79 in), BSN JEE0106701
11	87306550	1	HOSE ASSY., 2015mm (79-5/16 in), ASN JEE0106701
11	87346286	1	HOSE, 1943mm (76-1/2 in), Arctic QUADTRAC Tractor Application
12	437378A1	1	HOSE ASSY., 1924mm (76 in), BSN JEE0106701
12	87306549	1	HOSE ASSY., 1956mm (77 in), ASN JEE0106701
12	444422A1S	1	HOSE ASSY., 1816mm (71-1/2 in), Arctic QUADTRAC Tractor Application
13	366721A1	1	HOSE ASSY., 1200 mm (47-1/4 in), BSN JEE0106701
13	87306651	1	HOSE ASSY., 850 mm (33-15/32 in), ASN JEE0106701
13	437276A1S	1	HOSE ASSY., 1700 mm (67 in), Arctic QUADTRAC Tractor Application
14	700-153	1	CONNECTOR, HYD., 9/16"-18 ORFS x M14 x 1.5 ORB, M8 fc sl x 14 orb, Inc. 15, 16
15	637-63113	1	O-RING, CI 6, 11.3MM ID x 2.2 Thk,
16	238-6011	1	O-RING, -011, 90 Duro, .301" ID x .070" Thk,
17	366720A1	1	HOSE ASSY., 900 mm (35 in), BSN JEE0106701
17	87306551	1	HOSE ASSY., 850 mm (33-15/32 in), ASN JEE0106701
17	87346267	1	HOSE, 900 mm (35-7/16 in), Arctic QUADTRAC Tractor Application
18	700-378	1	ELBOW, 90e, 9/16"-18 ORFS x M14 x 1.5 ORB, M14 orb x 8 fc sl, Inc. 19, 20
19	637-63113	1	O-RING, CI 6, 11.3MM ID x 2.2 Thk,
20	238-6011	1	O-RING, -011, 90 Duro, .301" ID x .070" Thk,
21	314270A1	4	CONNECTOR, HYD., M10 fc sl x 18 orb, Inc. 22, 23
22	637-63153	4	O-RING, CI 6, 15.3MM ID x 2.2 Thk,
23	238-6012	4	O-RING, -012, 90 Duro, .364" ID x .070" Thk,
24	325647A2	4	COUPLING, M18, Diagnostic
25	87450401	4	BRACKET, SUPPORTING, Tension Hose
26	896-11016	8	WASHER, M17.5 x 30 x 4, HT, 17.5 x 30 x 4mm
27	627-16040	4	BOLT, Hex, M16 x 40, 10.9, Hex, M16 x 40, 10.9
28	701-329	1	ELBOW, 90e, 9/16"-18 ORFS x 9/16"-18 Fem Sw, M6 fc sl x swl, Inc. 12



STX500 CASE IH 4WD TRACTOR (AFTER S/N JEE0099501)

06-15 TRACKS, QUADTRAC TRACTOR

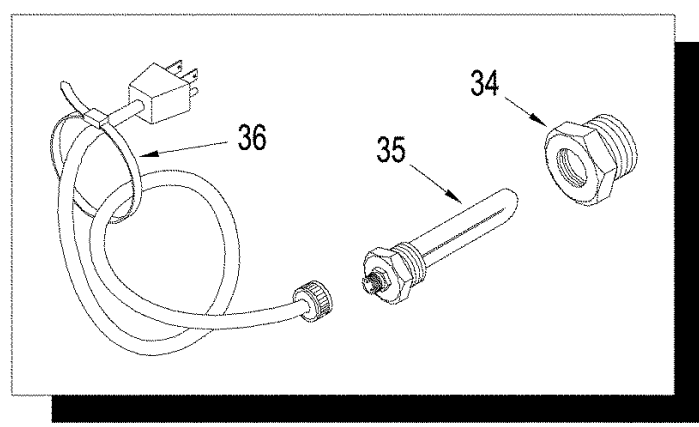
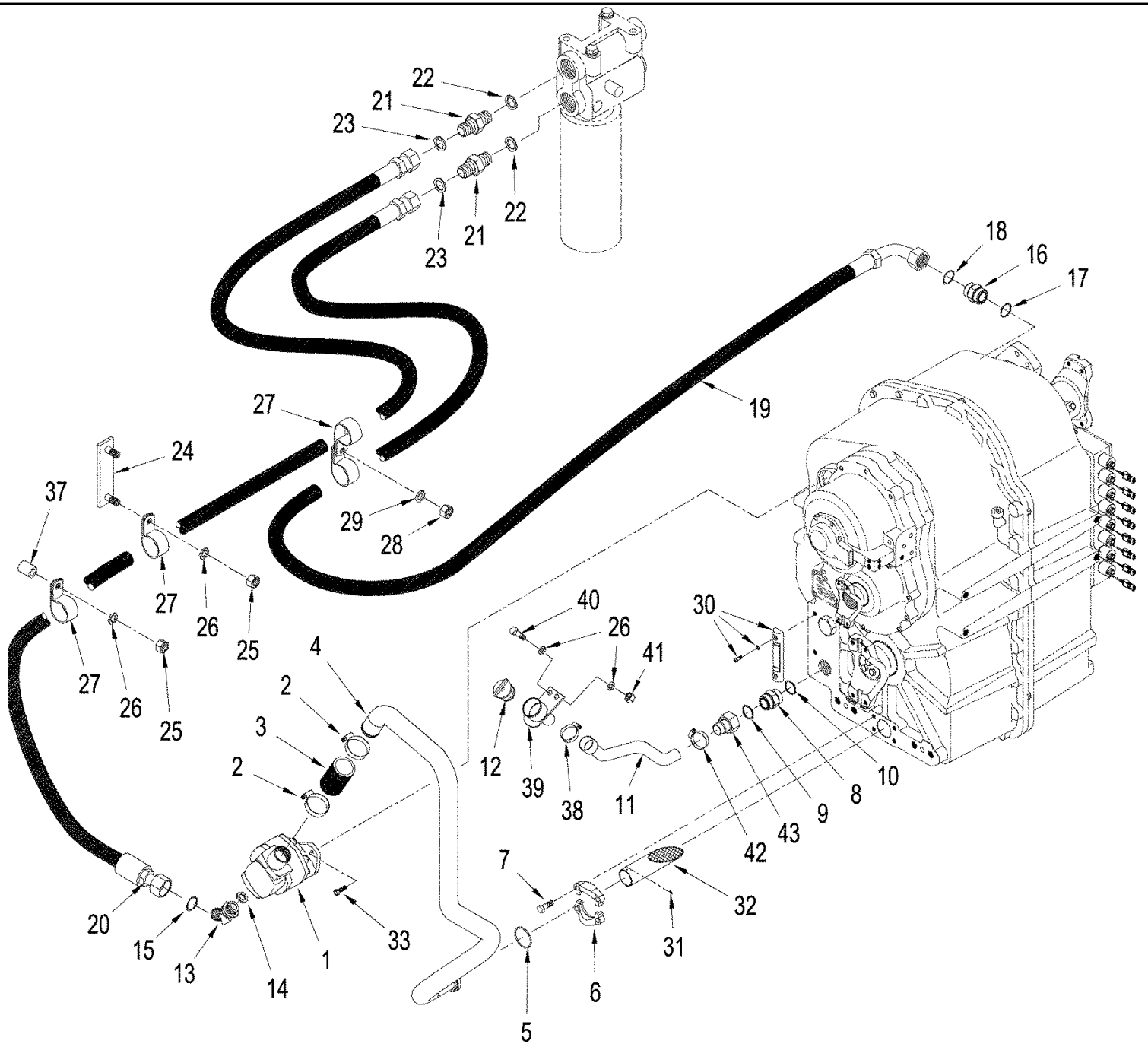
сылка	Номер детали	Кол-во	Описание
1	87537204	4	RUBBER TRACK, 762 mm (30 in), Scraper Application
1	437739A1	4	RUBBER TRACK, 762 mm (30 in), Arctic QUADTRAC Tractor Application
1	87403790	4	RUBBER TRACK, 762 mm (30 in)
1	87428687	4	RUBBER TRACK, 914 mm (36 in)



STX500 CASE IH 4WD TRACTOR (AFTER S/N JEE0099501)

06-17 TRANSMISSION MOUNTING, POWER SHIFT TRANSMISSION

сылка	Номер детали	Кол-во	Описание
1	408706A1	2	PLATE, Mounting
2	627-20060	8	BOLT, Hex, M20 x 60, 10.9, M20 x 60; 10.9
3	896-11022	4	WASHER, M22 x 44 x 4, HT, 24 x 44 x 4 mm
4	828-22190	4	BOLT, Hex, M22 x 190, 10.9, M22 x 190; 10.9
5	379611A1	8	WASHER,
6	340967A1	4	MOUNT, RUBBER,
7	829-1422	4	NUT, M22 x 2.5, CI 10, M22; 10



STX500 CASE IH 4WD TRACTOR (AFTER S/N JEE0099501)

06-19(01) TRANSMISSION - LUBRICATION, WITH POWER SHIFT TRANSMISSION, ASN JEE0104001

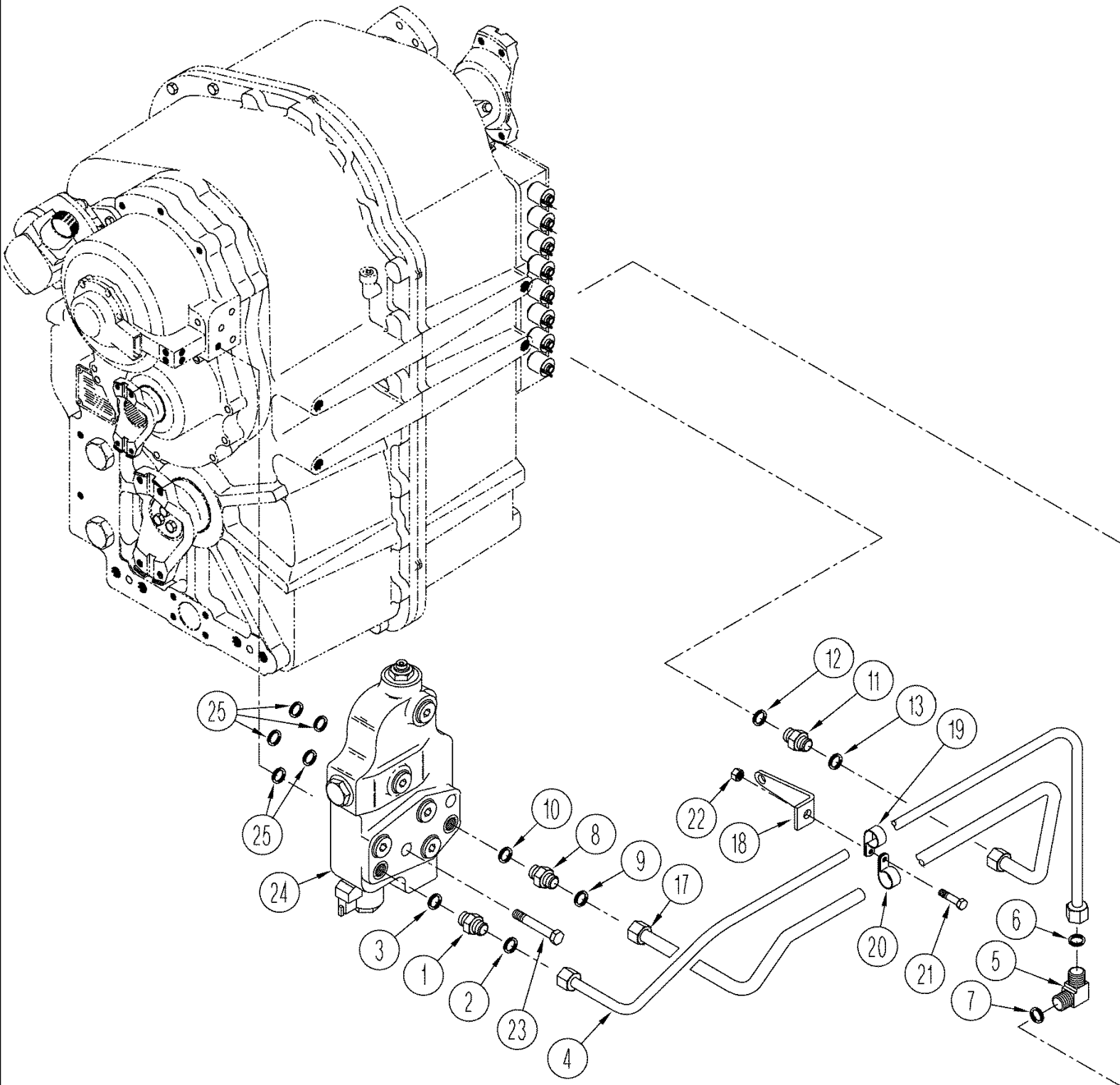
сылка	Номер детали	Кол-во	Описание
1	370546A1	1	PUMP, Oil
2	214-3140	2	CLAMP, HOSE, 1.25/2.625 HD Worm,
3	31-2427	1	HOSE, 102 mm (4 in)
4	408581A1	1	TUBE,
5	238-6228	1	O-RING, -228, 90 Duro, 2.234" ID x .139" Thk,
6	A14141	2	FLANGE,
7	627-12035	4	BOLT, Hex, M12 x 35, 10.9,
8	700-133	1	CONNECTOR, HYD., 1 11/16"-12 ORFS x M42 x 2 ORB, Inc. 9, 1
9	238-6025	1	O-RING, -025, 90 Duro, 1.176" ID x .070" Thk,
10	637-64296	1	O-RING, CI 6, 29.6MM ID x 2.9 Thk,
11	419491A3	1	HOSE, Transmission Fill
12	325737A1	1	CAP,
13	700-308	1	ELBOW, 90e, 1 7/16"-12 ORFS x M33 x 2 ORB, Inc. 24, 25
14	637-64296	1	O-RING, CI 6, 29.6MM ID x 2.9 Thk,
15	238-6021	1	O-RING, -021, 90 Duro, .926" ID x .070" Thk,
16	700-105	1	CONNECTOR, HYD., 1 7/16"-12 ORFS x M22 x 2 ORB, Inc. 17 & 18
17	637-64296	1	O-RING, CI 6, 29.6MM ID x 2.9 Thk,
19	327444A2	1	HOSE ASSY., Supply, 1811 mm (71-5/16 in)
18	238-6021	1	O-RING, -021, 90 Duro, .926" ID x .070" Thk,
19	437255A1S	1	HOSE ASSY., Supply, 1811 mm (71-5/16 in), Arctic QUADTRAC Tractor Application
20	307167A1	1	HOSE, 2565 mm (101 in), Outlet
20	437254A1S	1	HOSE ASSY., 2565 mm (101 in), Arctic QUADTRAC Tractor Application
21	700-105	2	CONNECTOR, HYD., 1 7/16"-12 ORFS x M22 x 2 ORB, Inc. 22, 23
22	238-6021	1	O-RING, -021, 90 Duro, .926" ID x .070" Thk,
23	637-64296	1	O-RING, CI 6, 29.6MM ID x 2.9 Thk,
24	324089A1	2	PLATE ASSY.,
25	829-1410	2	NUT, M10, CI 10,
26	895-11010	4	WASHER, M10 x 20 x 2,
27	515-24317	8	CLAMP, 1 1/4", Insul, 7/16" Bolt, , ASN JEE0102001
28	829-1408	3	NUT, M8, CI 10,
29	895-11008	3	WASHER, M8 x 16 x 1.6,
30	L116247	1	GAUGE, Inc. Hardware
31	S14701960	1	BALL,
32	370551A1	1	TUBE ASSY.,
33	514-721	2	BOLT, Hex, M10 x 1.25 x 30, CI8.8, Full Thd,
	186135A1	1	KIT, Transmission Heater, Inc. 34 - 35
34	367930A1	1	ADAPTER,
35	385486A1	1	HEATER ASSY., 300 W, With Cord Set
36	22-824	5	STRAP, CABLE, 3/16" x 7 1/4", 7 in
37	432444A1	1	SPACER,
38	214-1428	1	CLAMP, HOSE, #28, 1.31/2.25 Type F Worm,
39	414480A2	1	TUBE ASSY., Fill
41	832-10410	2	NUT, LOCK, M10 x 1.5, CI 8,
42	214-1420	1	CLAMP, HOSE, #20, 0.81/1.75 Type F Worm,
43	429193A1	1	TUBE ASSY., Fitting, 1-1/4" barb x 1-11/16" fc sl

STX500 CASE IH 4WD TRACTOR (AFTER S/N JEE0099501)

06-19(01) TRANSMISSION - LUBRICATION, WITH POWER SHIFT TRANSMISSION, ASN JEE0104001

сылка	Номер детали	Кол-во	Описание
-------	--------------	--------	----------

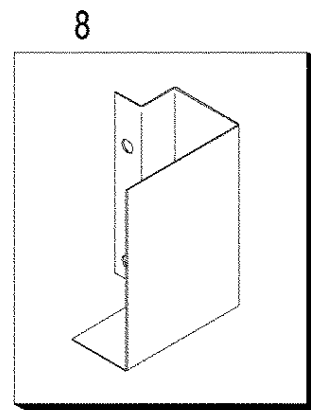
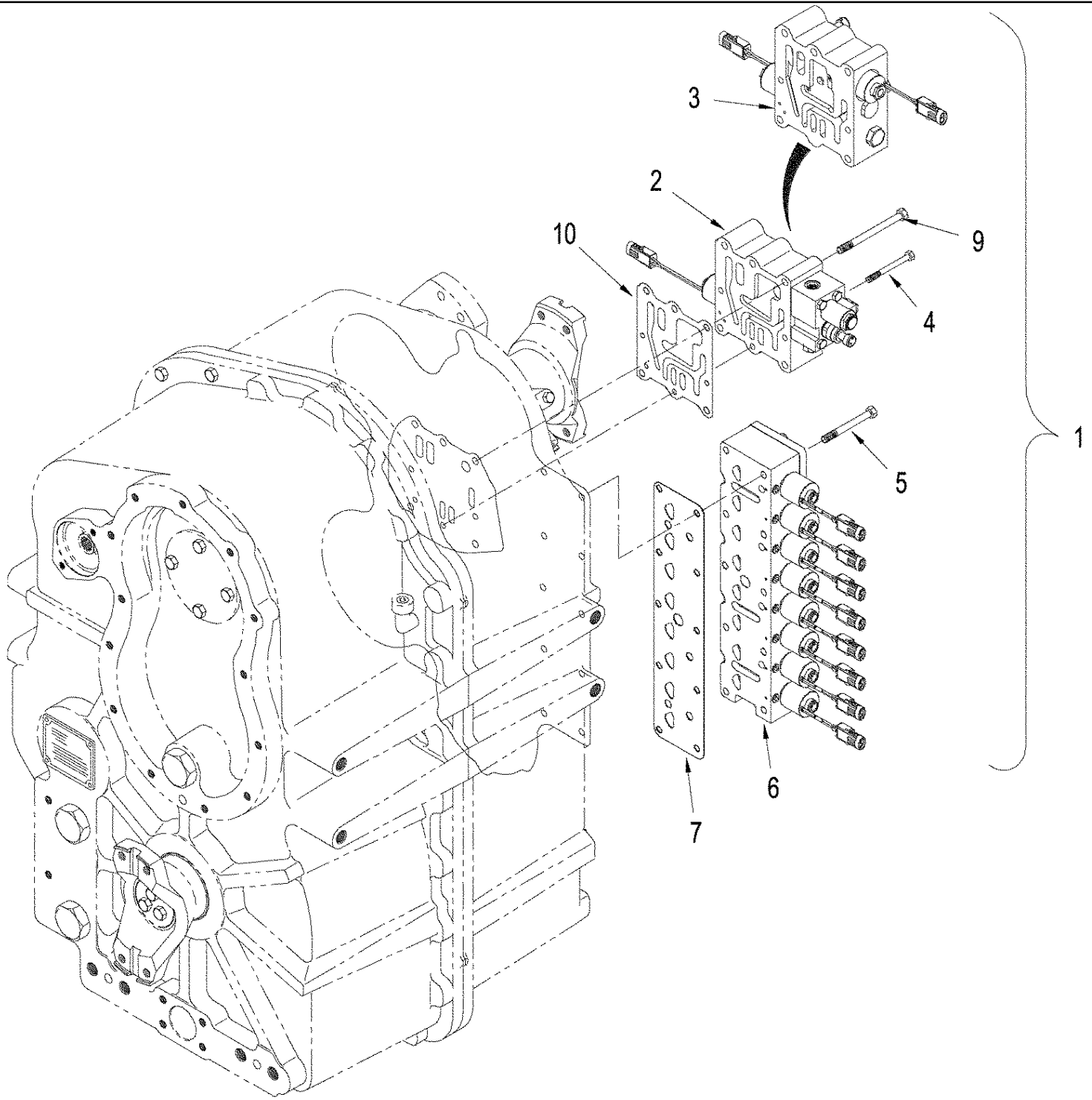
40	827-10035	2	SCREW, Cap, HH, M10 x 35, CL10.9
----	-----------	---	----------------------------------



STX500 CASE IH 4WD TRACTOR (AFTER S/N JEE0099501)

06-21 POWER TAKEOFF - CLUTCH LUBRICATION, WITH POWER SHIFT TRANSMISSION

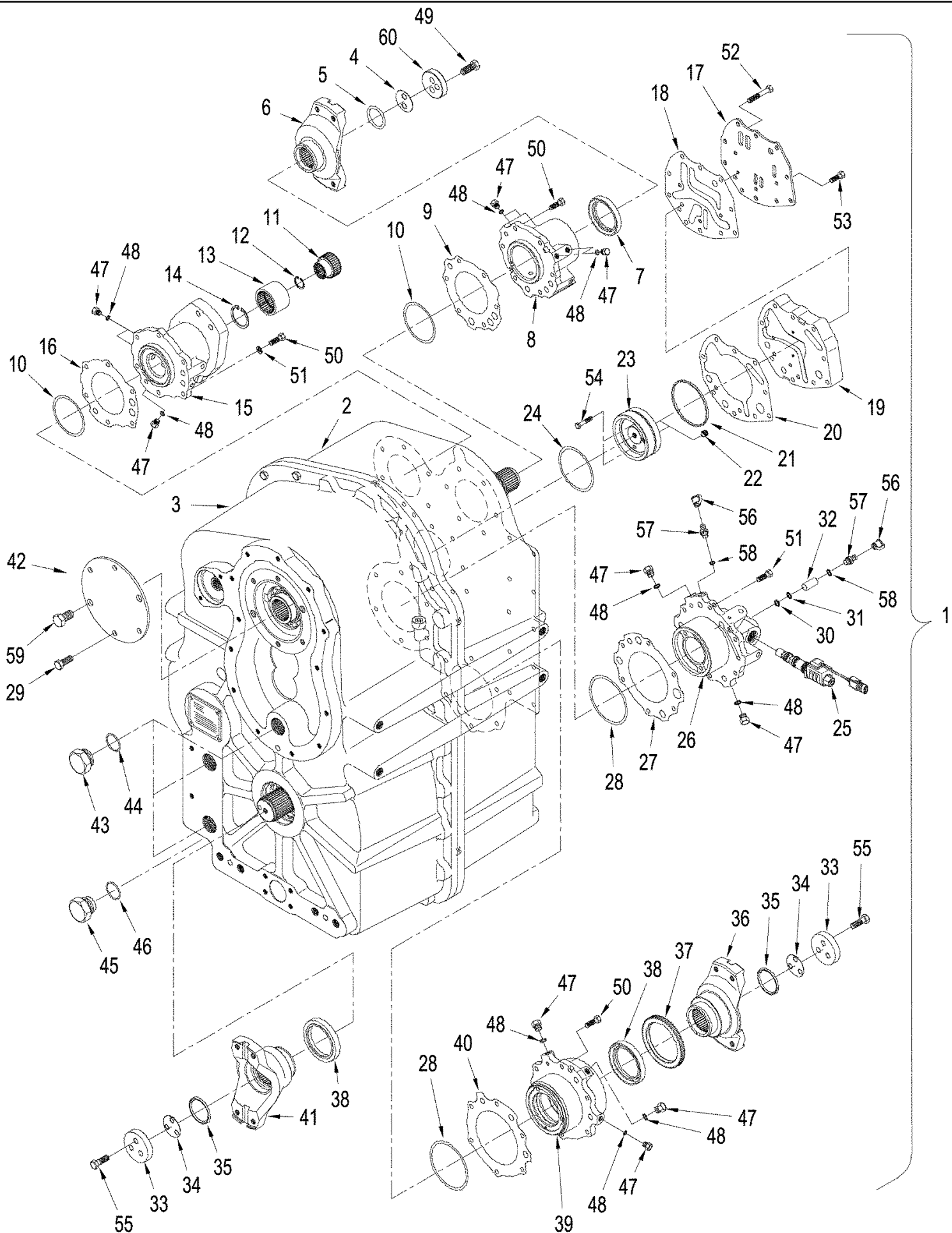
сылка	Номер детали	Кол-во	Описание
1	700-101	1	CONNECTOR, HYD., 11/16"-16 ORFS x M14 x 1.5 ORB, Incl. 2, 3
2	238-6012	1	O-RING, -012, 90 Duro, .364" ID x .070" Thk,
3	637-63113	1	O-RING, CI 6, 11.3MM ID x 2.2 Thk,
4	414552A1	1	TUBE ASSY.,
5	700-304	1	ELBOW, 90°, 11/16"-18 ORFS x M14 x 1.5 ORB, Incl. 6, 7
6	238-6012	1	O-RING, -012, 90 Duro, .364" ID x .070" Thk,
7	637-63113	1	O-RING, CI 6, 11.3MM ID x 2.2 Thk,
8	700-102	1	CONNECTOR, HYD., 13/16"-16 ORFS x M18 x 1.5 ORB, 13/16 fc sl x 18 Or, Inc. 9, 10
9	238-6014	1	O-RING, -014, 90 Duro, .489" ID x .070" Thk,
10	637-63153	1	O-RING, CI 6, 15.3MM ID x 2.2 Thk,
11	700-102	1	CONNECTOR, HYD., 13/16"-16 ORFS x M18 x 1.5 ORB, 13/16 fc sl x 18 Or, Inc. 12, 13
12	637-64236	1	O-RING, CI 6, 23.6MM ID x 2.9 Thk,
13	238-6014	1	O-RING, -014, 90 Duro, .489" ID x .070" Thk,
17	414550A1	1	TUBE ASSY.,
18	414553A1	1	BRACKET,
19	515-2295	1	CLAMP, 3/8", Insul, 5/16" Bolt,
20	515-22127	1	CLAMP, 1/2", Insul, 5/16" Bolt,
21	614-8020	1	BOLT, Hex, M8 x 20, 8.8,
22	829-1408	1	NUT, M8, CI 10,
23	828-10070	2	BOLT, Hex, M10 x 70, 10.9, M10 x 70; 10.9
24	413944A1	1	VALVE, Power Takeoff, See Figure 06-52
25	238-5112	5	O-RING, -112, 70 Duro, .487" ID x .103" Thk,



STX500 CASE IH 4WD TRACTOR (AFTER S/N JEE0099501)

06-37 POWER SHIFT TRANSMISSION - VALVE AND PUMP MOUNTING

сылка	Номер детали	Кол-во	Описание
1	87627458C	1	CORE-TRANSMISSION, Assy., PS3, BSN JEE0104001
1	87627456C	1	CORE-TRANSMISSION, Assy., PS3, ASN JEE0104001
1	87627458R	1	REMAN-TRANSMISSION, Assy., PS3, BSN JEE0104001
	87627456R	1	REMAN-TRANSMISSION, Assy., PS3, ASN JEE0104001
2	385957A1	1	VALVE, Regulator, See Figure 06-49, BSN JEE0104001
3	87431403	1	VALVE, Regulator, See Figure 06-49 (01), ASN JEE0104001
4	614-8080	3	BOLT, Hex, M8 x 80, 8.8, Full Thd, M8 x 80
5	514-729	10	BOLT, Hex, M10 x 90, 8.8, M10 x 90; 8.8
6	370550A1	1	VALVE, Range Selector, See Figure 06-50
7	390633A1	1	GASKET,
8	408591A1	1	COVER, Solenoid
9	514-739	5	BOLT, Hex, M10 x 1.25 x 120, 8.8, M10 x 120; 8.8
10	87431416	1	GASKET,
	398441A1	1	KIT, SEALS, Short Gasket Overhaul, Inc. 1, 7, See Figure 06-38, 06-49, 06-50, BSN JEE0104001
	87432749	1	KIT, GASKET, Short Gasket Overhaul, Inc. 1, 7, See Figure 06-28, 06-49, 06-50, ASN JEE0104001
	87432750	1	KIT, GASKET, Transmission Repair, Inc. 1, 7, See Figure 06-38 - 06-50



STX500 CASE IH 4WD TRACTOR (AFTER S/N JEE0099501)

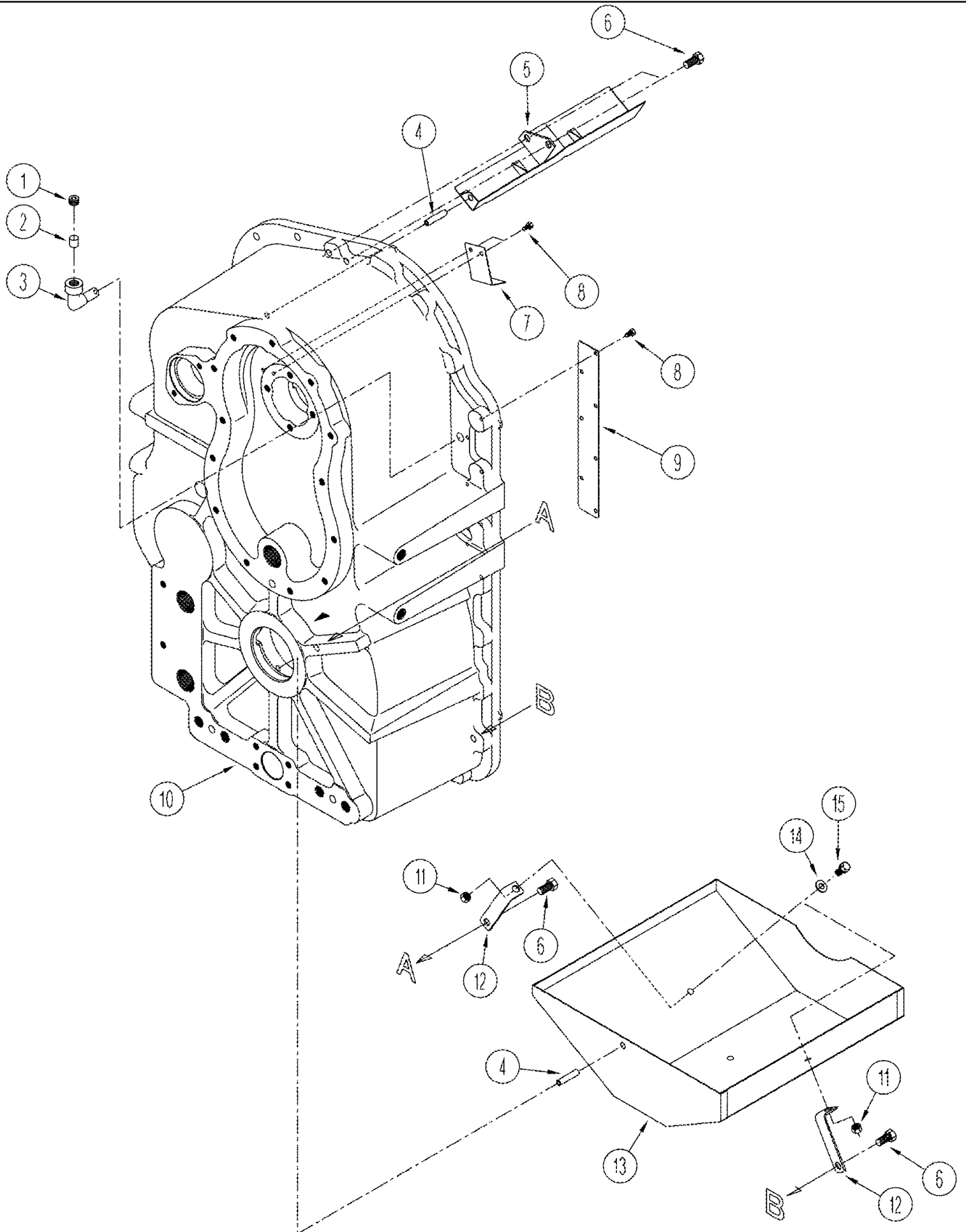
06-38 POWER SHIFT TRANSMISSION - COVERS AND YOKES

сылка	Номер детали	Кол-во	Описание
1	87627458C	1	CORE-TRANSMISSION, Assy., PS3, BSN JEE0104001
1	87627456C	1	CORE-TRANSMISSION, Assy., PS3, ASN JEE0104001
1	87627458R	1	REMAN-TRANSMISSION, Assy., PS3, BSN JEE0104001
1	87627456R	1	REMAN-TRANSMISSION, Assy., PS3, ASN JEE0104001
2	375486A1	1	HOUSING, Front, Repair and exchange COMPLETE TRANSMISSION available - call Avatar Components, 1-800-453-3544, ext. 122
3	370636A1	1	HOUSING, Rear
4	427560A1	AR	SHIM, 0,10 mm (0,004 in)
4	427561A1	AR	SHIM, 0,30 mm (0,012 in)
4	427562A1	AR	SHIM, 0,50 mm (0,020in)
5	238-5327	1	O-RING, -327, 70 Duro, 1.725" ID x .210" Thk,
6	373136A1	1	COUPLING FLANGE, 8C, Input, With 400 Series Axles
6	362563A1	1	COUPLING FLANGE, 8,5C, Input, With 500 Series Axles
7	428159A1	1	SEAL, OIL,
8	362564A1	1	RETAINER,
9	362565A1	1	GASKET,
10	359242A1	AR	SHIM, 0,10 mm (0,004 in)
10	359243A1	AR	SHIM, 0,15 mm (0,006 in)
10	359244A1	AR	SHIM, 0,3 mm (0,012)
10	359251A1	AR	SHIM, 0,5 mm (0,020)
11	362566A1	1	ADAPTER,
12	800-2128	1	RING, SNAP, M28, Int,
13	362567A1	1	COUPLING,
14	428681A1	1	SNAP RING,
15	362568A1	1	RETAINER, Second Shaft
16	362569A1	1	GASKET, Second Shaft
17	362570A1	1	PLATE, , BSN JEE0104001
17	87431413	1	PLATE, , ASN JEE0104001
18	362571A1	1	GASKET, , BSN JEE0104001
18	87431414	1	GASKET, , ASN JEE0104001
19	362572A1	1	PLATE, , BSN JEE0104001
19	87431415	1	PLATE, , ASN JEE0104001
20	362573A1	1	GASKET, Third Shaft
21	362574A1	1	O-RING,
22	428682A1	2	PLUG,
23	362575A1	1	RETAINER, Third Shaft
24	359252A1	AR	SHIM, 0,10 mm (0,004 in)
24	359253A1	AR	SHIM, 0,15 mm (0,006 in)
24	362576A1	AR	SHIM, 0,3 mm (0,012 in)
24	362577A1	AR	SHIM, 0,5 mm (0,020 in)
25	362578A1	AR	VALVE, Pulse With Modulation, See Figure 06-51
26	362579A1	1	RETAINER, Clutch
27	362580A1	1	GASKET,
28	427564A1	AR	SHIM, 0,10 mm (0,004 in)
28	427565A1	AR	SHIM, 0,15 mm (0,006 in)

STX500 CASE IH 4WD TRACTOR (AFTER S/N JEE0099501)

06-38 POWER SHIFT TRANSMISSION - COVERS AND YOKES

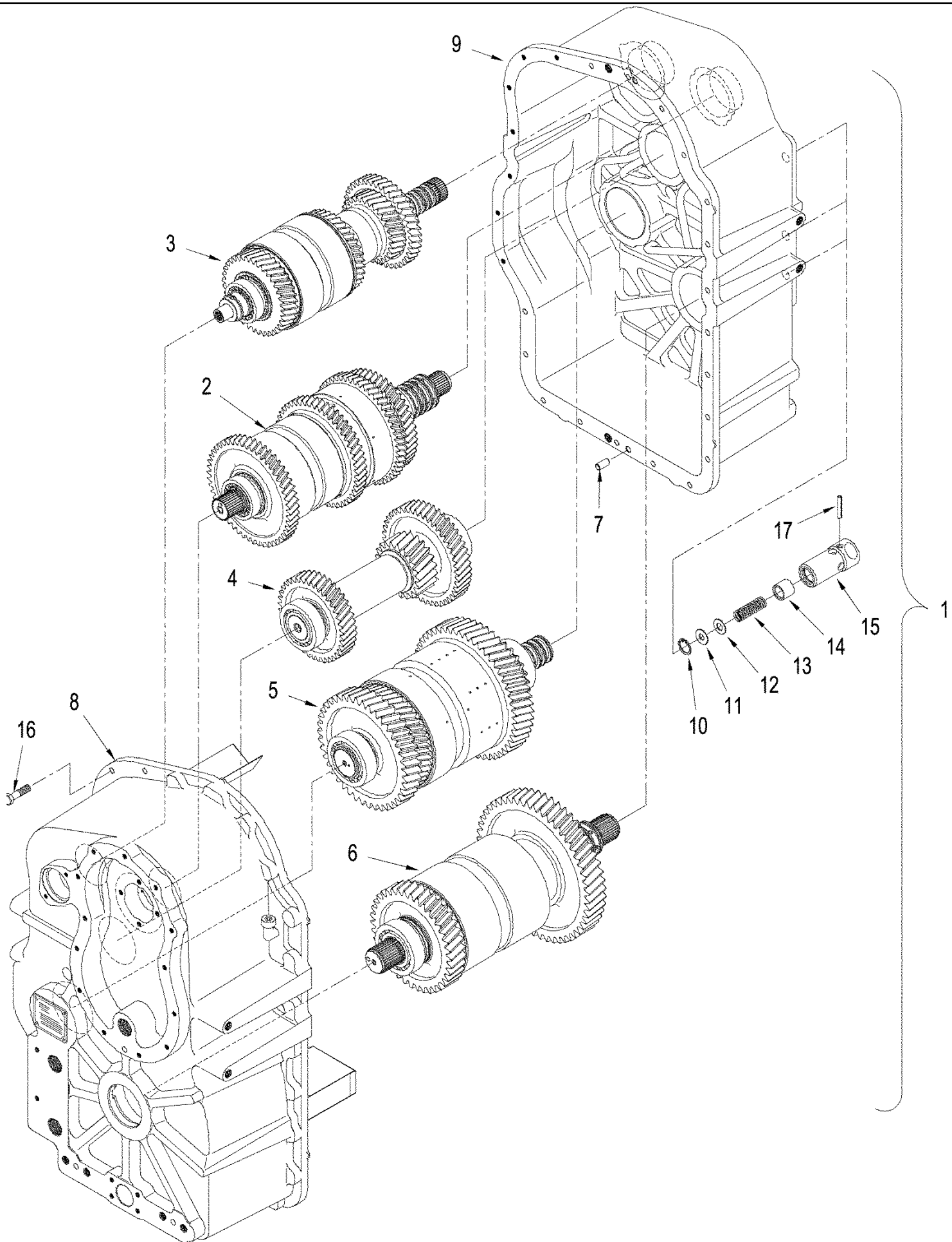
сылка	Номер детали	Кол-во	Описание
28	427566A1	AR	SHIM, 0,30 mm (0,012 in)
28	427567A1	AR	SHIM, 0,50 mm (0,020 in)
28	427568A1	AR	SHIM, 0,70 mm (0,027 in)
29	514-842	4	BOLT, Hex, M12 x 1.25 x 25, 8.8, Full Thd, M12 x 25
30	895-11005	1	WASHER, M5 x 10 x 1, 5,5 x 10 x 1 mm
31	375450A1	1	O-RING, 0,70 mm
32	87409376	1	FILTER, PWM
33	427515A1	2	PLATE, RETAINING,
34	427517A1	AR	SHIM, 0,10 mm
34	427519A1	AR	SHIM, 0,30 mm
35	428165A1	2	O-RING,
36	373137A1	1	COUPLING FLANGE, 8C, Output, With 400 Series Axles
36	362598A1	1	COUPLING FLANGE, 8,5C, Output, With 500 Series Axles
37	362601A1	1	RING,
38	427514A1	2	SEAL, OIL,
39	362602A1	1	RETAINER, Output
40	362603A1	1	GASKET,
41	373138A1	1	COUPLING FLANGE, 8C, Output, With 400 Series Axles
41	362604A1	1	COUPLING FLANGE, 8,5C, Output, With 500 Series Axles
42	427558A1	1	COVER, Power Takeoff
43	303493A1	2	PLUG, Hex Soc, M42 x 2, ORB, M42 orb x 2, Inc. 44
44	637-64386	1	O-RING, CI 6, 38.6MM ID x 2.9 Thk, 1-1/2 ID x 7/64
45	375456A1	1	PLUG, DRAIN, M42 orb x 2, Inc. 46
46	637-64386	1	O-RING, CI 6, 38.6MM ID x 2.9 Thk, 1-1/2 ID x 7/64
47	220064A1	15	PLUG, M14 x 1.5, ORB, M14 - 1,5, Inc. 48
48	637-63113	1	O-RING, CI 6, 11.3MM ID x 2.2 Thk,
49	428181A1	2	BOLT, M14 x 35; CL8.8
50	514-730	24	BOLT, Hex, M10 x 1.25 x 35, 8.8, Full Thd, M10 x 35
51	892-11010	6	WASHER, LOCK, M10, M10
52	514-712	2	BOLT, Hex, M10 x 1.25 x 25, 8.8, Full Thd, M10 x 25
53	514-723	4	BOLT, Hex, M10 x 1.25 x 60, 8.8, M10 x 60
54	614-8040	2	BOLT, Hex, M8 x 40, 8.8, Full Thd, Hex, M8 x 40, 8.8, Full Thd
55	514-853	6	BOLT, Hex, M12 x 1.25 x 35, 10.9, Full Thd,
	178889A1	1	FITTING, Diagnostic, Inc. 56 - 58
56	H434163	1	DUST CAP,
57	NSS	1	NOT SERVICED SEPARATELY, Fitting
58	637-63113	1	O-RING, CI 6, 11.3MM ID x 2.2 Thk,
59	427559A1	2	SCREW,
60	427539A1	1	PLATE, RETAINING,
	398441A1	1	KIT, SEALS, Transmission Repair, Inc. 9, 16, 18, 20, 27, 40, Also See Figures 06-37, 06-49, 06-50, BSN JEE0104001
	87432749	1	KIT, GASKET, Transmission Repair, Inc. 9, 16, 18, 20, 27, 40, Also See Figures 06-37, 06-49, 06-50, ASN JEE0104001
	87432750	1	KIT, GASKET, Transmission Repair, Inc. 5, 7, 9, 16, 18, 20, 21, 27, 35, 38, 40, Also See Figures 06-37 - 06-50



STX500 CASE IH 4WD TRACTOR (AFTER S/N JEE0099501)

06-39 POWER SHIFT TRANSMISSION - REAR HOUSING

сылка	Номер детали	Кол-во	Описание
1	428156A1	1	PLUG,
2	427524A1	1	BREATHER,
3	370632A1	1	TUBE, Breather
4	838-51045	2	PIN, LOCK, M10 x 45, Slotted,
5	370633A1	1	TROUGH, Oil
6	514-842	4	BOLT, Hex, M12 x 1.25 x 25, 8.8, Full Thd, M12 x 25
7	370634A1	1	TROUGH, Second
8	614-6012	9	BOLT, Hex, M6 x 12, 8.8,
9	370635A2	1	BAFFLE, Air
10	370636A1	1	HOUSING, Rear
11	825-11410	2	NUT, M10 x 1.25, CI 8, M10
12	370637A1	2	BRACKET,
13	392082A1	1	BAFFLE, Transmission Oil
14	895-11010	2	WASHER, M10 x 20 x 2,
15	514-703	2	BOLT, Hex, M10 x 1.25 x 20, 8.8, Full Thd, M10 x 20

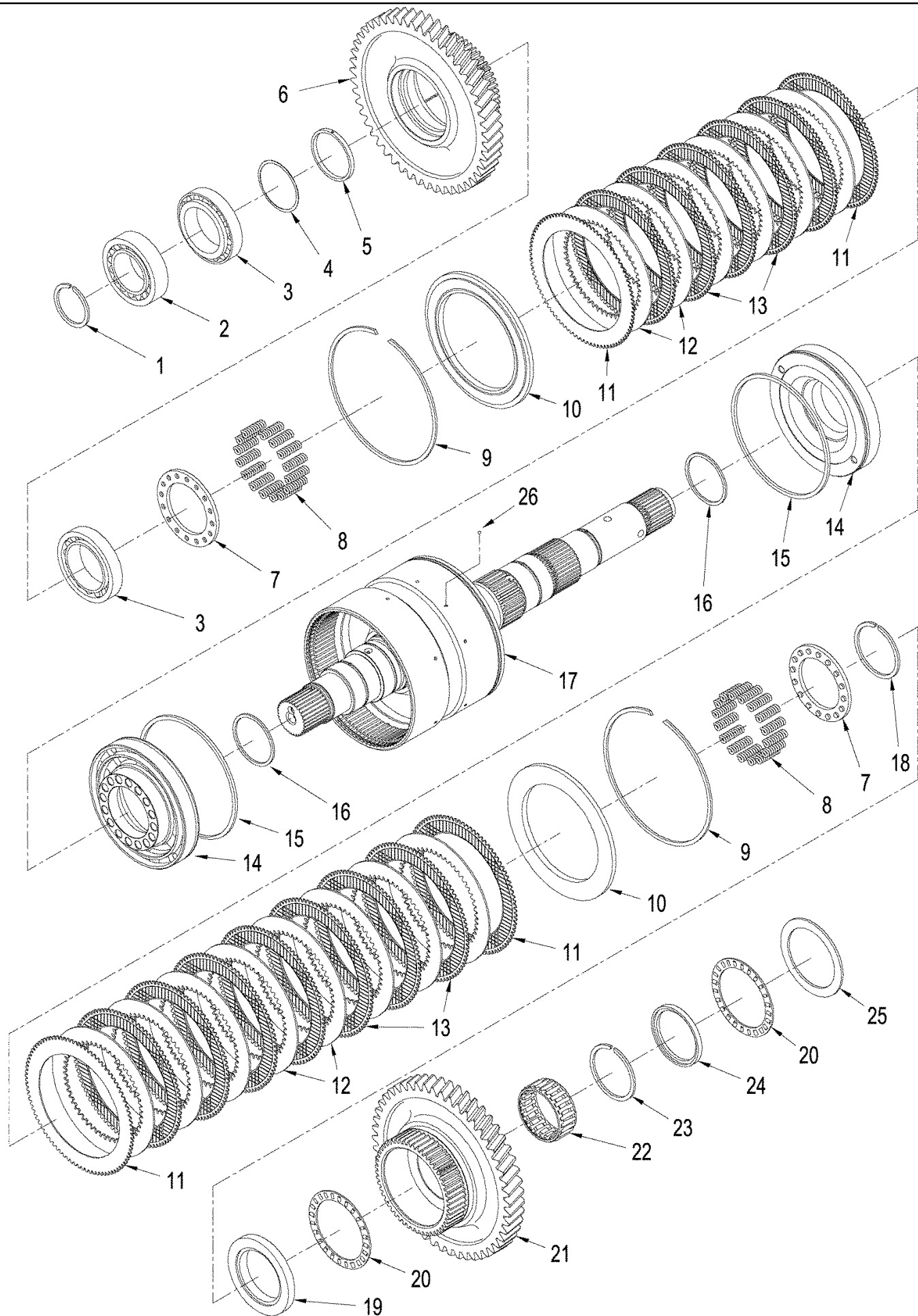


STX500 CASE IH 4WD TRACTOR (AFTER S/N JEE0099501)

06-40 POWER SHIFT TRANSMISSION - HOUSING AND CLUTCHES

сылка	Номер детали	Кол-во	Описание
1	87627458C	1	CORE-TRANSMISSION, Assy., PS3, BSN JEE0104001
1	87627456C	1	CORE-TRANSMISSION, Assy., PS3, ASN JEE0104001
1	87627458R	1	REMAN-TRANSMISSION, Assy., PS3, BSN JEE0104001
1	87627456R	1	REMAN-TRANSMISSION, Assy., PS3, ASN JEE0104001
2	87431389	1	SHAFT ASSY., Input, See Figure 06-41, 06-42, Repair and exchange COMPLETE TRANSMISSION available - call Avatar Components, 1-800-453-3544, ext. 122
3	87431395	1	SHAFT ASSY., Second, See Figure 06-43, Repair and exchange COMPLETE TRANSMISSION available - call Avatar Components, 1-800-453-3544, ext. 122
4	NSS	1	NOT SERVICED SEPARATELY, Shaft, Third, Order Components, See Figure 06-44
5	87431399	1	SHAFT ASSY., Fourth, See Figure 06-45, 06-46, Repair and exchange COMPLETE TRANSMISSION available - call Avatar Components, 1-800-453-3544, ext. 122
6	87431402	1	SHAFT ASSY., Fifth, See Figure 06-47, 06-48, Repair and exchange COMPLETE TRANSMISSION available - call Avatar Components, 1-800-453-3544, ext. 122
7	427530A1	2	DOWEL,
8	370636A1	1	HOUSING, Rear
9	375486A1	1	HOUSING, Front, Repair and exchange COMPLETE TRANSMISSION available - call Avatar Components, 1-800-453-3544, ext. 122
10	800-2112	4	RING, SNAP, M12, Int,
11	895-11005	4	WASHER, M5 x 10 x 1,
12	370542A1	4	SHIM,
13	370543A1	4	SPRING,
14	370544A1	4	SPOOL,
15	370545A1	4	CAP,
16	514-831	25	BOLT, Hex, M12 x 1.25 x 45, 8.8, Full Thd,
17	838-1318	4	PIN, LOCK, M3 x 18, Slotted,

06-41 POWER SHIFT TRANSMISSION - INPUT SHAFT ASSEMBLY

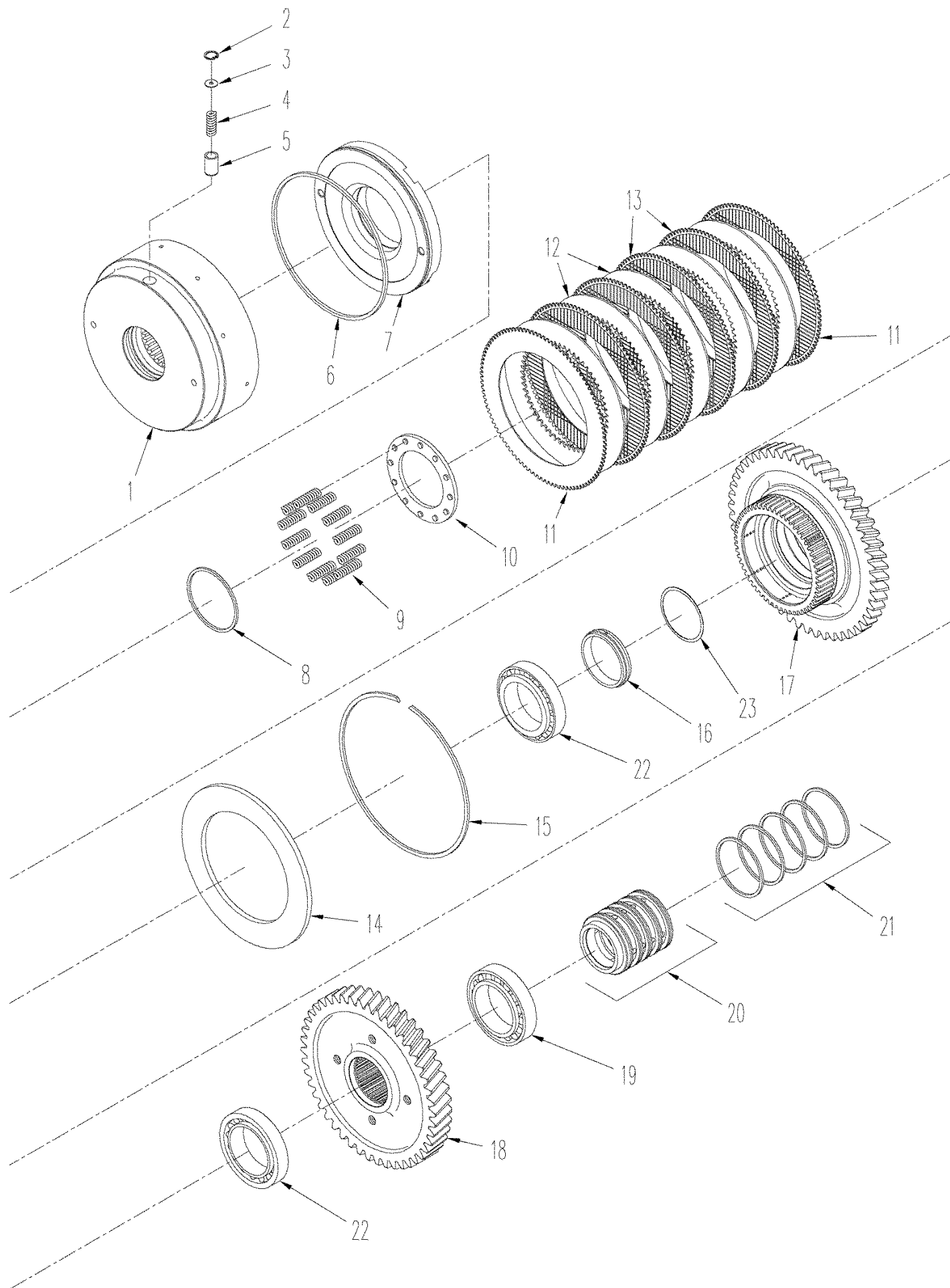


STX500 CASE IH 4WD TRACTOR (AFTER S/N JEE0099501)

06-41 POWER SHIFT TRANSMISSION - INPUT SHAFT ASSEMBLY

сылка	Номер детали	Кол-во	Описание
	87431389	1	SHAFT ASSY., Input, Inc. 1 - 26, Also See Figure 06-42, Repair and exchange COMPLETE TRANSMISSION available - call Avatar Components, 1-800-453-3544, ext. 122
1	352378A1	AR	SNAP RING, 2,5 mm
1	352394A1	AR	SNAP RING, 2,6 mm
1	352397A1	AR	SNAP RING, 2,7 mm
1	352400A1	AR	SNAP RING, 2,8 mm
1	352815A1	AR	SNAP RING, 2,9 mm
1	352816A1	AR	SNAP RING, 3,0 mm
2	428183A1	1	BEARING,
3	352817A1	4	BEARING,
4	352818A1	AR	SHIM, 0,15 mm (0.006 in)
4	352819A1	AR	SHIM, 0,18 mm (0.007 in)
4	352820A1	AR	SHIM, 0,20 mm (0.008 in)
4	352821A1	AR	SHIM, 0,25 mm (0.010 in)
4	352822A1	AR	SHIM, 0,30 mm (0.012 in)
4	352823A1	AR	SHIM, 0,50 mm (0.020 in)
5	352825A1	1	SPACER,
6	352826A1	1	GEAR, 1R
7	352827A1	2	PLATE, Retainer Springs
8	352828A1	32	SPRING,
9	352829A1	2	SNAP RING,
10	352830A1	2	PLATE, , BSN JEE0104001
10	87431390	2	PLATE, Clutch End, ASN JEE0104001
11	352831A1	4	DISC, CLUTCH, Faced
12	S2080S00F	AR	DISC, CLUTCH, If Used, 2,4 mm (0.094 in)
12	S2090S00F	AR	DISC, CLUTCH, If Used, 2,1 mm (0.083 in)
13	352832A1	11	DISC, CLUTCH, Faced
14	352833A1	2	PISTON,
15	87431391	2	RING, Seal
16	S2610S00F	2	RING,
17	353058A1	1	SHAFT,
18	428163A1	1	SNAP RING,
19	353059A1	1	WASHER, THRUST,
20	353060A1	2	BEARING, THRUST,
21	87431392	1	GEAR, 1M
22	358865A1	1	BEARING,
23	358866A1	1	SNAP RING,
24	358867A1	1	SPACER,
25	358908A1	1	WASHER, THRUST,
26	S14701960	1	BALL,
	87432750	1	KIT, GASKET, Transmission Repair, Inc. 16, Also See Figures 06-37 - 06-48

06-42 POWER SHIFT TRANSMISSION - INPUT SHAFT ASSEMBLY

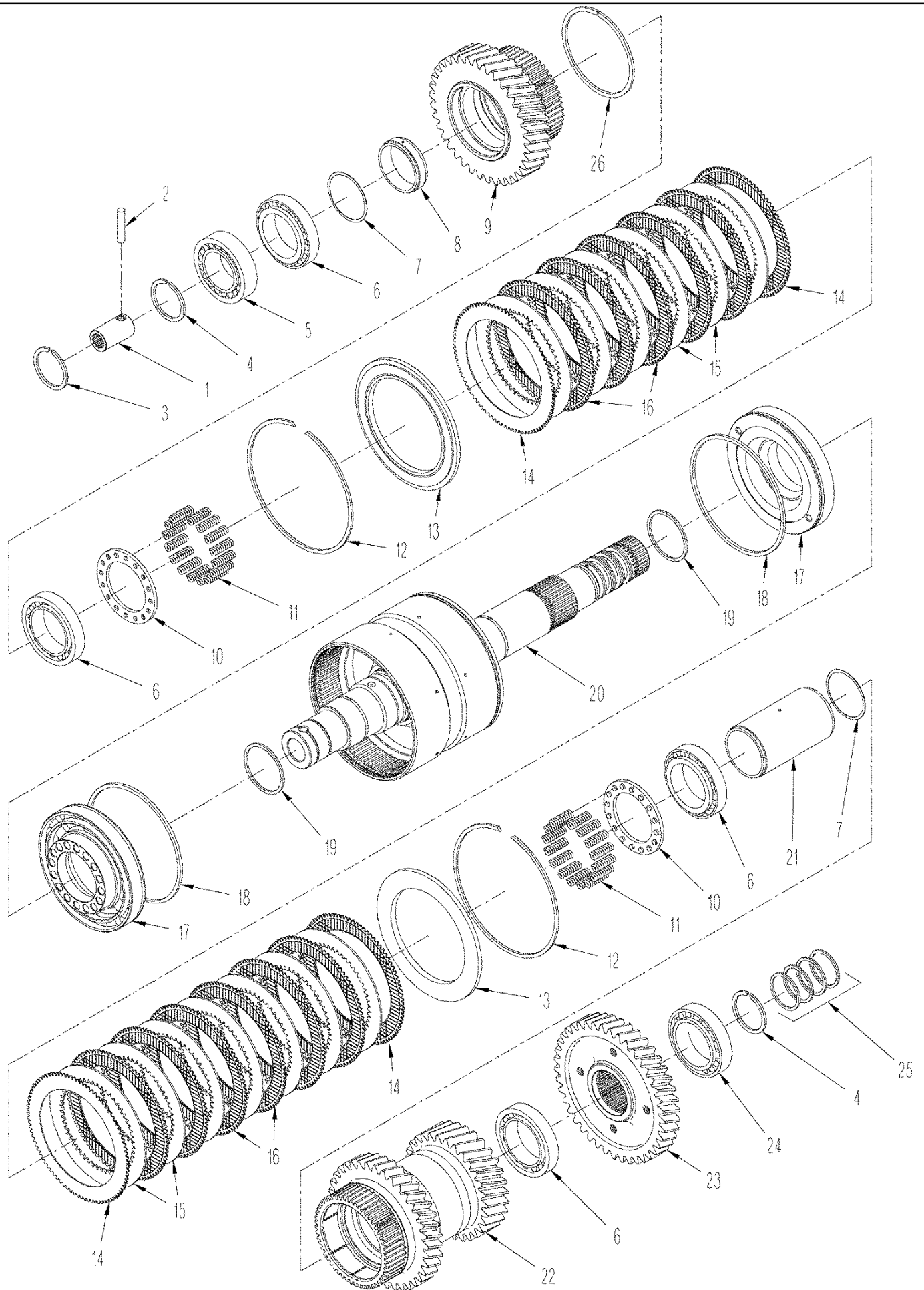


STX500 CASE IH 4WD TRACTOR (AFTER S/N JEE0099501)

06-42 POWER SHIFT TRANSMISSION - INPUT SHAFT ASSEMBLY

сылка	Номер детали	Кол-во	Описание
	87431389	1	SHAFT ASSY., Input, Inc. 1- 23, Also See Figure 06-41, Repair and exchange COMPLETE TRANSMISSION available - call Avatar Components, 1-800-453-3544, ext. 122
1	358918A1	1	DRUM, 1F, Clutch
2	800-2116	1	RING, SNAP, M16, Int,
3	S3220S00F	1	SHIM, 0,70 mm (0,028 in)
4	S3210S00F	1	SPRING,
5	S3200S00F	1	VALVE, DRAIN,
6	S2630S00F	1	RING, Seal, BSN JEE0104001
6	87431393	1	RING, Seal, ASN JEE0104001
7	358970A1	1	PISTON,
8	S5510S00F	1	RING,
9	358971A1	12	SPRING,
10	358972A1	1	PLATE,
11	370555A1	2	DISC, CLUTCH, Faced
12	S4070S00F	AR	DISC, CLUTCH, If Used, 2,4 mm (0,094 in)
12	S4110S00F	AR	DISC, CLUTCH, If Used, 2,1 mm (0,083 in)
13	370556A1	4	DISC, CLUTCH, Faced
14	442803A1	1	PLATE, End
15	428108A1	1	SNAP RING,
16	359203A1	1	SPACER,
17	359204A1	1	GEAR, 1F
18	359205A1	1	GEAR, Drive
19	359206A1	1	BEARING, ROLLER, TAPERED,
20	359207A1	1	CARRIER, Seal
21	S4150S00F	5	RING, Seal
22	352817A1	2	BEARING, Roller
23	352818A1	AR	SHIM, 0,15 mm
23	352819A1	AR	SHIM, 0,18 mm
23	352820A1	AR	SHIM, 0,20 mm
23	352821A1	AR	SHIM, 0,25 mm
23	352822A1	AR	SHIM, 0,30 mm
23	352823A1	AR	SHIM, 0,50 mm
	87432750	1	KIT, GASKET, Transmission Repair, Inc. 32, 34, 47, Also See Figures 06-37 - 06-48

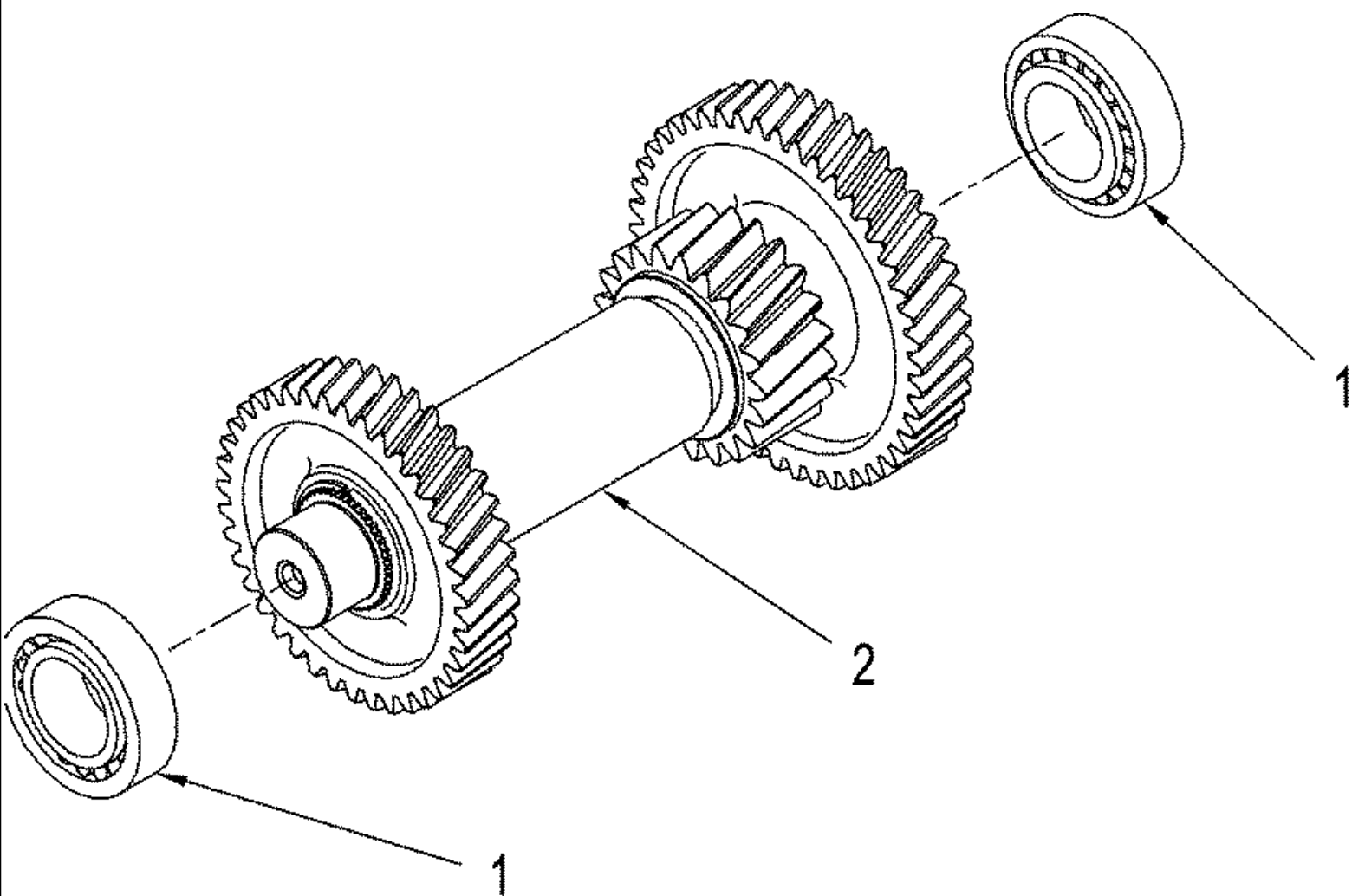
06-43 POWER SHIFT TRANSMISSION - SECOND SHAFT ASSEMBLY



STX500 CASE IH 4WD TRACTOR (AFTER S/N JEE0099501)

06-43 POWER SHIFT TRANSMISSION - SECOND SHAFT ASSEMBLY

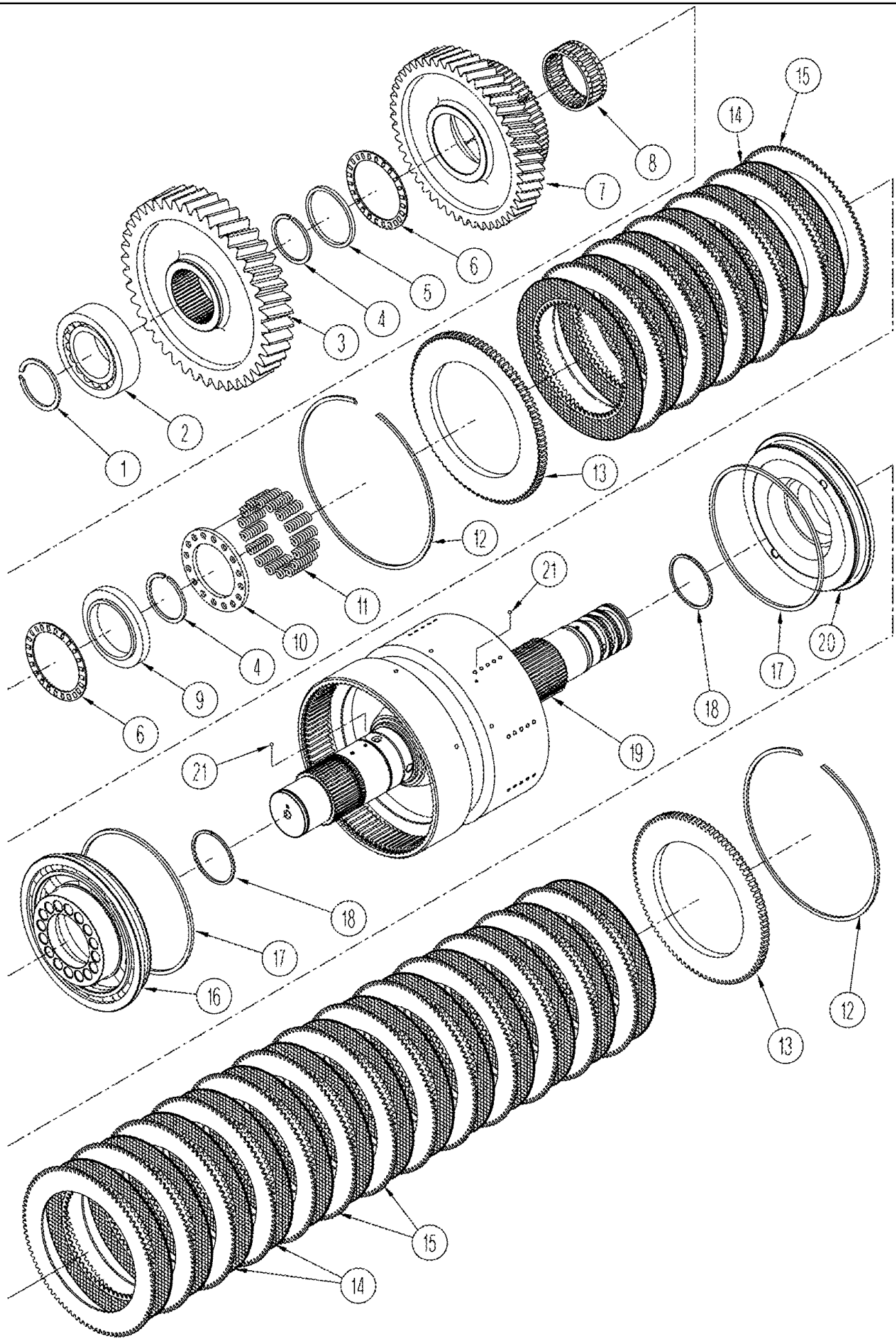
сылка	Номер детали	Кол-во	Описание
	87431395	1	SHAFT ASSY., Second, Inc. 1 - 25, Repair and exchange COMPLETE TRANSMISSION available - call Avatar Components, 1-800-453-3544, ext. 122
1	428673A1	1	COUPLING, SPLINED,
2	428674A1	1	DOWEL,
3	352816A1	1	SNAP RING, 3,0 mm
4	352378A1	AR	SNAP RING, 2,5 mm
4	352394A1	AR	SNAP RING, 2,6 mm
4	352397A1	AR	SNAP RING, 2,7 mm
4	352400A1	AR	SNAP RING, 2,8 mm
4	352815A1	AR	SNAP RING, 2,9 mm
4	352816A1	AR	SNAP RING, 3,0 mm
5	428183A1	1	BEARING,
6	352817A1	4	BEARING,
7	352818A1	AR	SHIM, 0,15 mm
7	352819A1	AR	SHIM, 0,18 mm
7	352820A1	AR	SHIM, 0,20 mm
7	352821A1	AR	SHIM, 0,25 mm
7	352822A1	AR	SHIM, 0,30 mm
7	352823A1	AR	SHIM, 0,50 mm
8	359260A1	1	SPACER,
9	87431396	1	GEAR, 2R
10	352827A1	2	PLATE, Retaining Spring
11	352828A1	32	SPRING,
12	352829A1	2	SNAP RING,
13	87431390	2	PLATE, Clutch End
14	352831A1	4	DISC, CLUTCH, Faced
15	S2080S00F	AR	DISC, CLUTCH, If Used, 2,4 mm (0.094 in)
15	S2090S00F	AR	DISC, CLUTCH, If Used, 2,1 mm (0.083 in)
16	352832A1	11	DISC, CLUTCH, Faced
17	352833A1	2	PISTON,
18	87431391	2	RING, Seal
19	S2610S00F	2	RING,
20	359280A1	1	SHAFT, Drum
21	362423A1	1	SPACER,
22	362542A1	1	GEAR, 2M
23	362543A1	1	GEAR, Driven
24	359206A1	1	BEARING, ROLLER, TAPERED,
25	S3070S00F	4	RING,
26	87431394	1	RING, Seal, ASN JEE0104001
	87432750		KIT, GASKET, Transmission Repair, Inc. 18 & 26, See Figure (s): 06-37 - 06-48



STX500 CASE IH 4WD TRACTOR (AFTER S/N JEE0099501)

06-44 POWER SHIFT TRANSMISSION - THIRD SHAFT ASSEMBLY

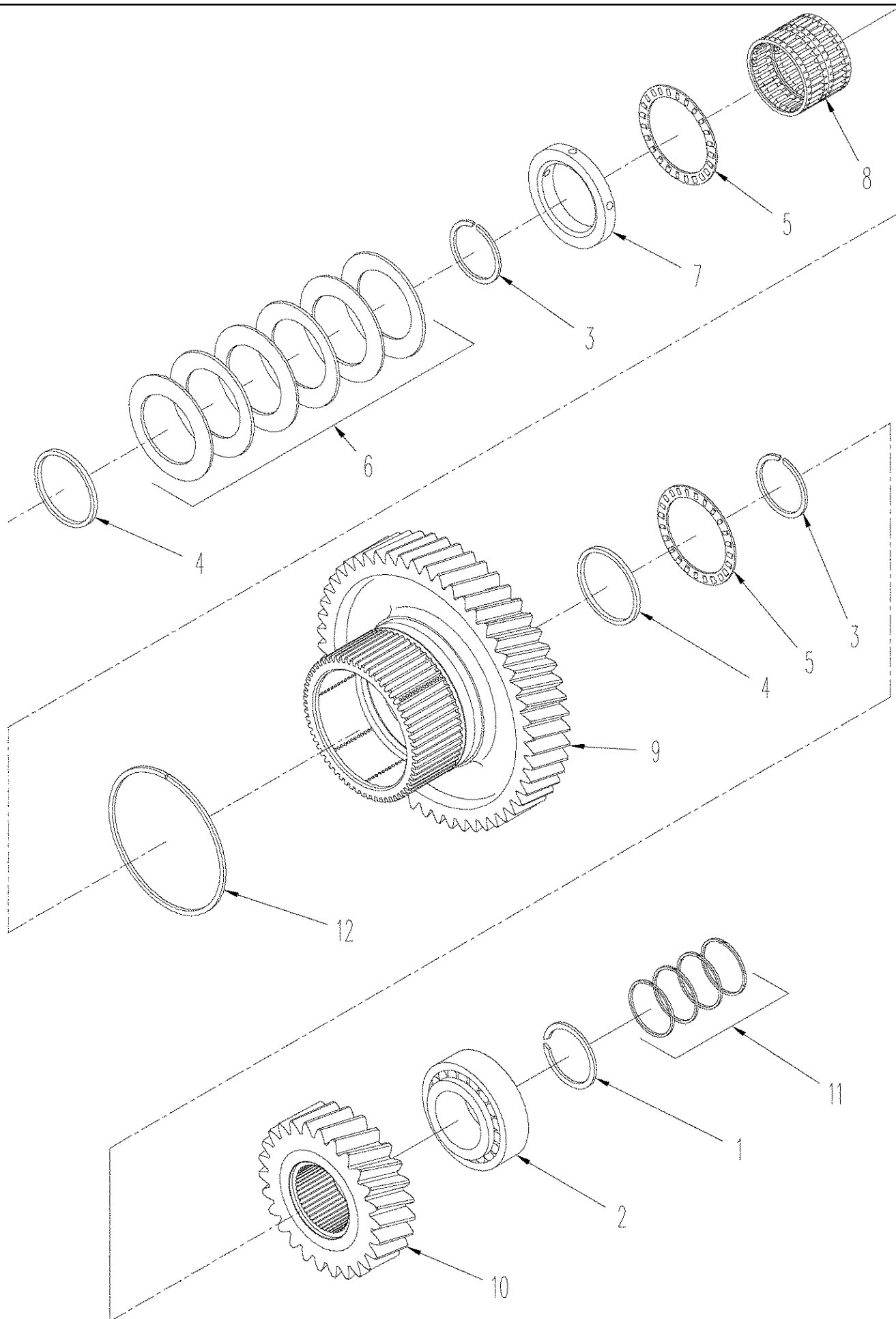
сылка	Номер детали	Кол-во	Описание
1	87431397	2	BEARING,
2	87305940	1	SHAFT,



STX500 CASE IH 4WD TRACTOR (AFTER S/N JEE0099501)

06-45 POWER SHIFT TRANSMISSION - FOURTH SHAFT ASSEMBLY

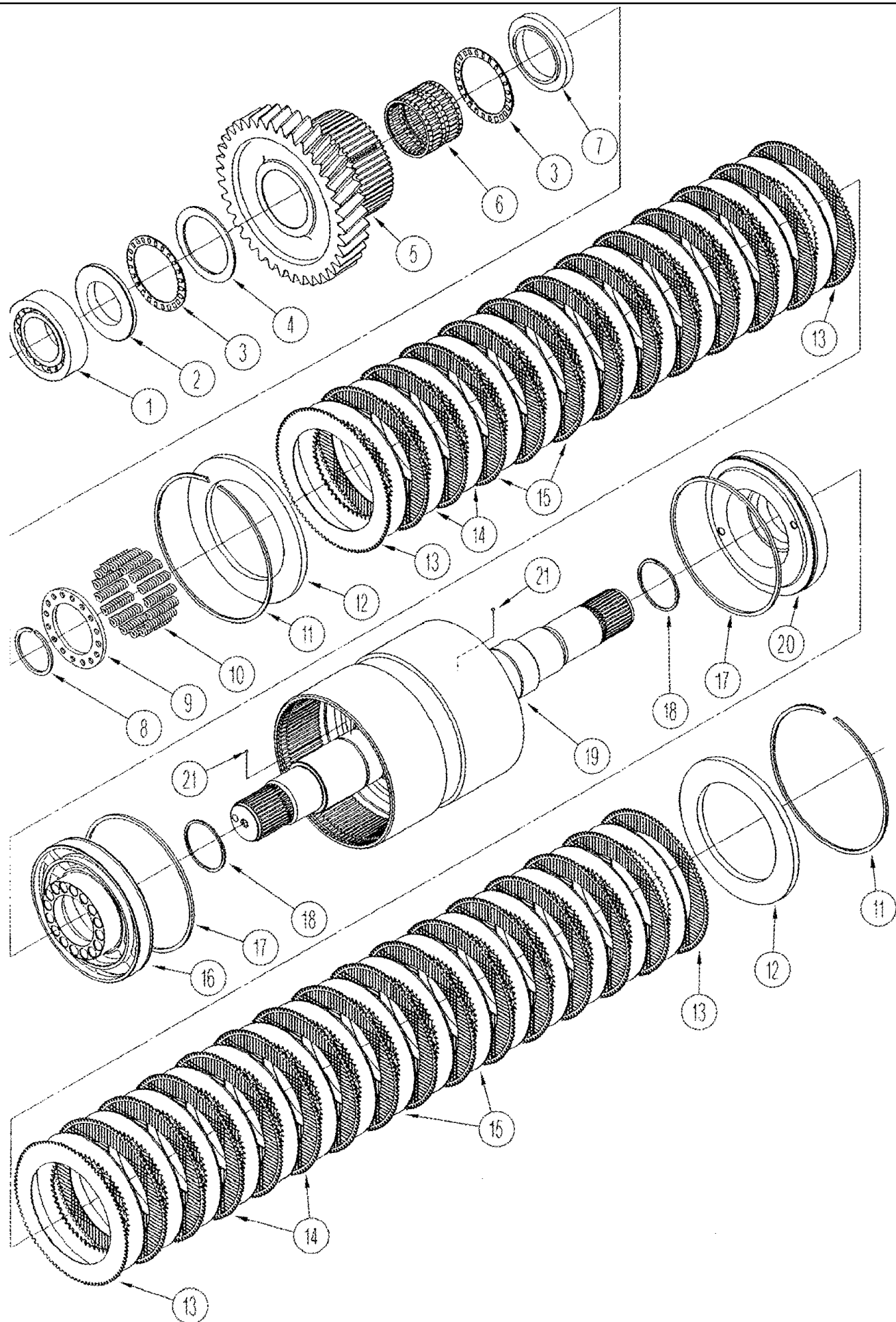
сылка	Номер детали	Кол-во	Описание
	87431399	1	SHAFT ASSY., Fourth, Inc. 1 - 21, Also See Figure 06-46, Repair and exchange COMPLETE TRANSMISSION available - call Avatar Components, 1-800-453-3544, ext. 122
1	427674A1	AR	SHIM, 2,50 mm
1	427675A1	AR	SHIM, 2,60 mm
1	427676A1	AR	SHIM, 2,70 mm
1	427678A1	AR	SHIM, 2,80 mm
1	427679A1	AR	SHIM, 2,90 mm
1	427680A1	AR	SHIM, 3,00 mm
2	428675A1	2	BEARING,
3	362610A1	1	GEAR, Drive
4	S5040S00F	4	RING,
5	362611A1	3	SPACER,
6	353060A1	4	BEARING, THRUST,
7	362612A1	1	GEAR, Driven
8	362613A1	1	BEARING, NEEDLE,
9	362614A1	1	WASHER, THRUST,
10	362615A1	1	PLATE, Spring Retainer
11	362616A1	16	SPRING,
12	359235A1	2	SNAP RING,
13	362617A1	2	PLATE, Clutch End
14	362618A1	19	DISC, CLUTCH,
15	362628A1	AR	DISC, CLUTCH, If Used, 2,4 mm (0.094 in)
15	362629A1	AR	DISC, CLUTCH, If Used, 2,6 mm (0.102 in)
16	364822A1	1	PISTON,
17	87431400	2	RING, Seal
18	S4410S00F	2	RING,
19	364824A1	1	SHAFT, Drum
20	364825A1	1	PISTON,
21	S14701960	2	BALL,
	87432750	1	KIT, GASKET, Transmission Repair, Inc. 18, Also See figures 06-37 - 06-48



STX500 CASE IH 4WD TRACTOR (AFTER S/N JEE0099501)

06-46 POWER SHIFT TRANSMISSION - FOURTH SHAFT ASSEMBLY

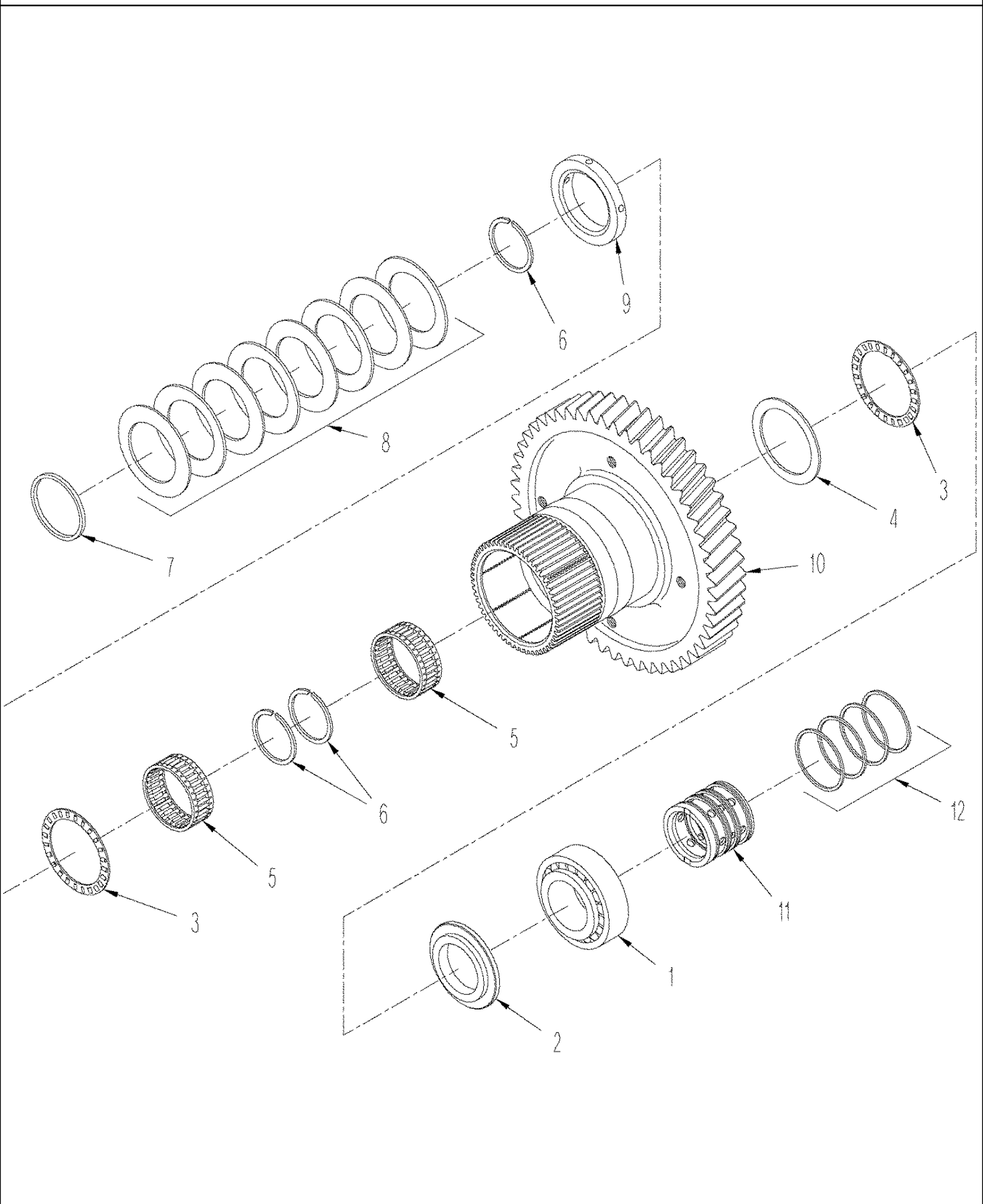
сылка	Номер детали	Кол-во	Описание
	87431399	1	SHAFT ASSY., Fourth, Inc. 1 - 12, Also See Figure 06-45, Repair and exchange COMPLETE TRANSMISSION available - call Avatar Components, 1-800-453-3544, ext. 122
1	427674A1	AR	SHIM, 2,50 mm
1	427675A1	AR	SHIM, 2,60 mm
1	427678A1	AR	SHIM, 2,80 mm
1	427679A1	AR	SHIM, 2,90 mm
1	427680A1	AR	SHIM, 3,00 mm
2	428675A1	2	BEARING, Roller
3	S5040S00F	4	RING, Retaining
4	362611A1	3	SPACER,
5	353060A1	4	BEARING, THRUST, Needle
6	364826A1	6	PLATE, Spring
7	364827A1	1	WASHER, THRUST,
8	S5070S00F	2	BEARING, NEEDLE,
9	364828A1	1	GEAR, DRIVEN,
10	364830A1	1	GEAR, Drive
11	87431401	4	RING, Seal
12	392073A1	1	SEALRING,
	87432750	1	KIT, GASKET, Transmission Repair, Inc. 11, Also See Figures 06-37 - 06-48



STX500 CASE IH 4WD TRACTOR (AFTER S/N JEE0099501)

06-47 POWER SHIFT TRANSMISSION - FIFTH SHAFT ASSEMBLY

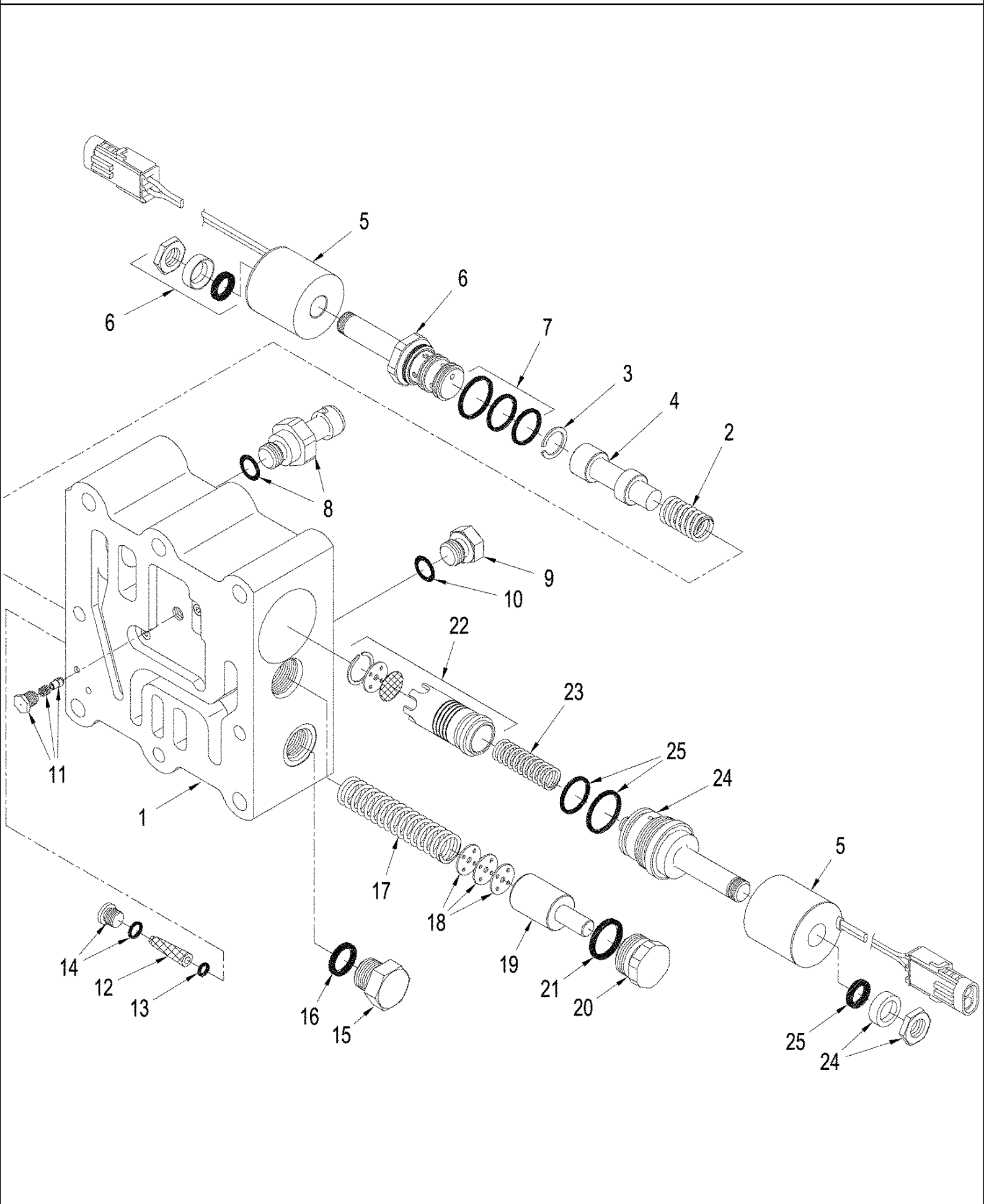
сылка	Номер детали	Кол-во	Описание
	87431402	1	SHAFT ASSY., Fifth, Inc. 1 - 21, Also See Figure 06-48, Repair and exchange COMPLETE TRANSMISSION available - call Avatar Components, 1-800-453-3544, ext. 122
1	428675A1	2	BEARING,
2	364831A1	2	WASHER, THRUST,
3	353060A1	4	BEARING, THRUST,
4	358908A1	2	WASHER, THRUST,
5	364832A1	1	GEAR, Driven
6	S5070S00F	4	BEARING, NEEDLE,
7	362614A1	1	WASHER, THRUST,
8	S5040S00F	4	RING,
9	362615A1	1	PLATE, Spring Retaining
10	364833A1	16	SPRING,
11	428108A1	2	SNAP RING,
12	370554A1	2	DISC, CLUTCH,
13	370555A1	4	DISC, CLUTCH, Faced
14	S4070S00F	AR	DISC, CLUTCH, If Used, 2,4 mm (0.094 in)
14	S4110S00F	AR	DISC, CLUTCH, If Used, 2,1 mm (0.083 in)
15	370556A1	25	DISC, CLUTCH, Faced
16	370558A1	1	PISTON,
17	370559A1	2	RING, Seal, BSN JEE0104001
17	87431400	2	RING, Seal, ASN JEE0104001
18	S4410S00F	2	RING,
19	370561A1	1	SHAFT, Drum
20	370562A1	1	PISTON,
21	S14701960	2	BALL,
	87432750	1	KIT, GASKET, Transmission Repair, Inc. 17, 18, Also See Figures 06-37 - 06-48



STX500 CASE IH 4WD TRACTOR (AFTER S/N JEE0099501)

06-48 POWER SHIFT TRANSMISSION - FIFTH SHAFT ASSEMBLY

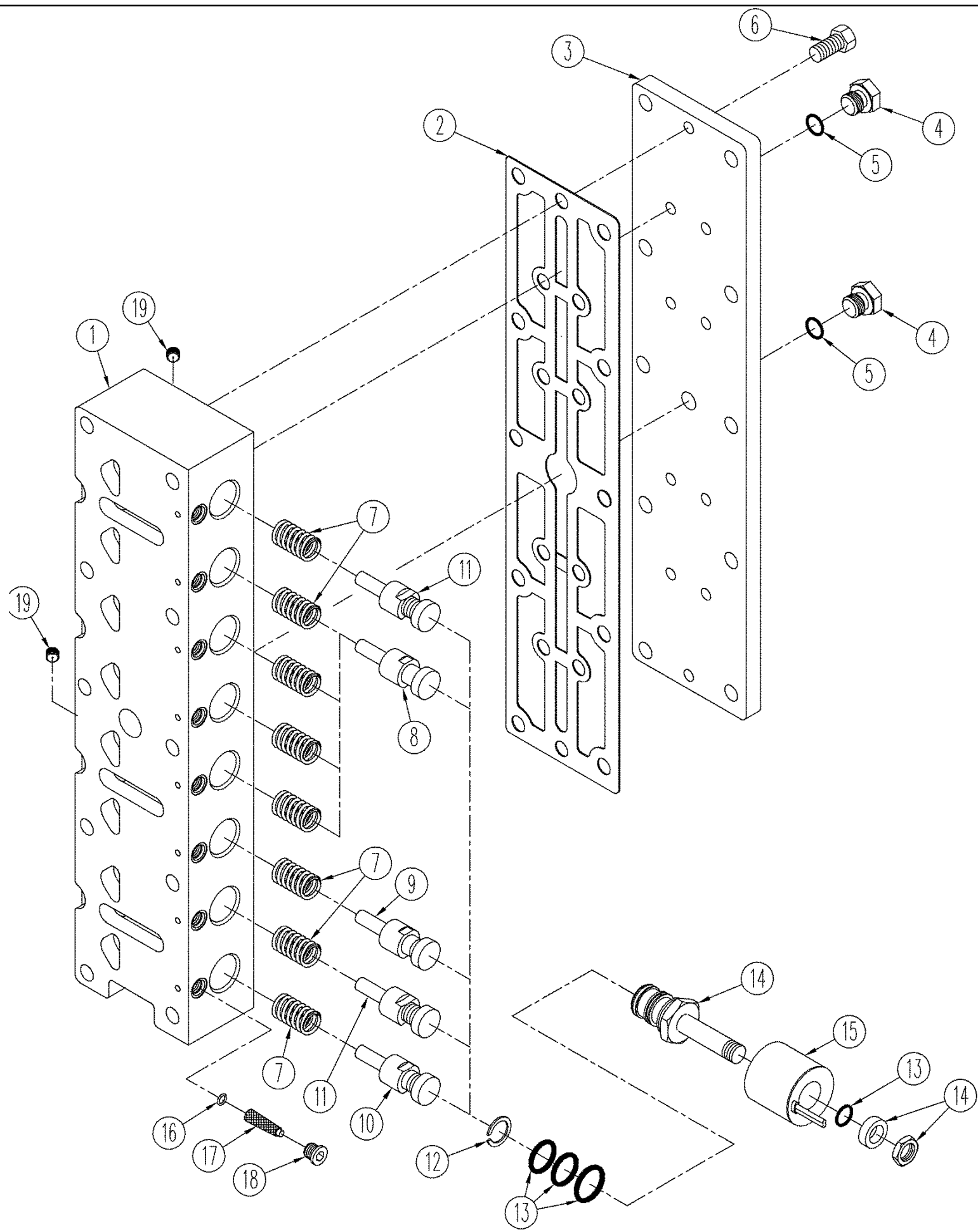
сылка	Номер детали	Кол-во	Описание
	87431402	1	SHAFT ASSY., Fifth, Inc. 1 - 12, Also See Figure 06-47, Repair and exchange COMPLETE TRANSMISSION available - call Avatar Components, 1-800-453-3544, ext. 122
1	428675A1	1	BEARING, Roller
2	364831A1	1	WASHER, THRUST,
3	353060A1	2	BEARING, THRUST, Needle
4	358908A1	1	WASHER, THRUST,
5	S5070S00F	1	BEARING, NEEDLE,
6	S5040S00F	4	RING, Retaining
7	362611A1	1	SPACER,
8	364826A1	8	PLATE, Spring
9	364827A1	1	WASHER, THRUST,
10	370566A1	1	GEAR, Driven
11	370568A1	1	CARRIER, Seal
12	S4150S00F	4	RING, Seal
	87432750	1	KIT, GASKET, Transmission Repair, Inc. 12, Also See Figures 06-37 - 06-48



STX500 CASE IH 4WD TRACTOR (AFTER S/N JEE0099501)

06-49(01) POWER SHIFT TRANSMISSION - REGULATOR VALVE ASSEMBLY, ASN JEE0104001

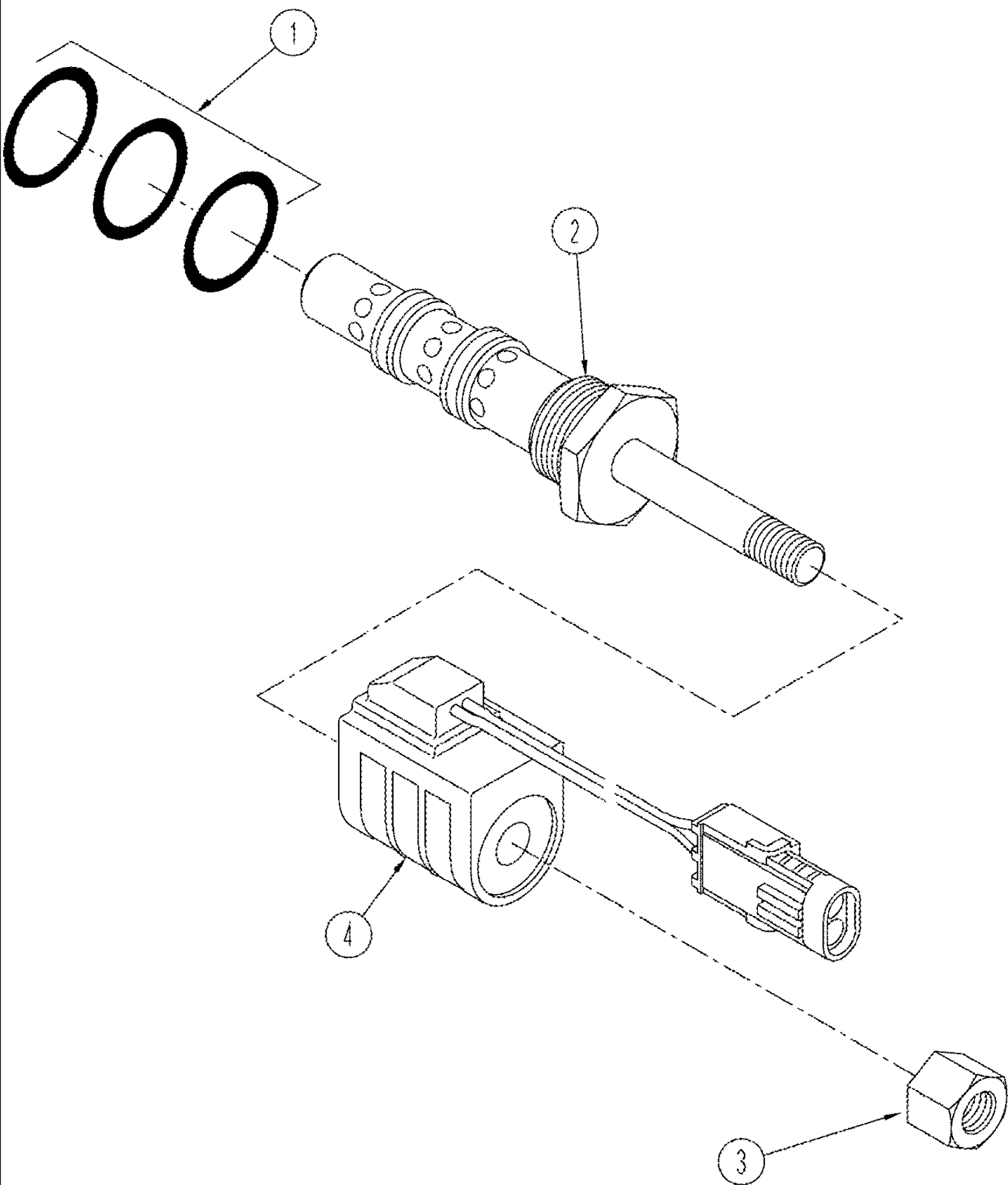
сылка	Номер детали	Кол-во	Описание
	87431403	1	VALVE, Regulator, Inc. 1 - 7 & 9 - 25
1	NSS	1	NOT SERVICED SEPARATELY, Body, Valve
2	370596A1	1	SPRING,
3	428679A1	1	SNAP RING,
4	370597A1	1	SPOOL,
	371737A1	1	VALVE, SOLENOID, Three way, Inc. 5 - 7
5	371739A1	2	COIL,
6	370600A1	1	VALVE, SOLENOID, Pilot Assy.
7	371738A1	1	KIT, O-Ring
8	404450A1	1	SENSOR, Pressure
9	220064A1	1	PLUG, M14 x 1.5, ORB, M14, Inc. 10
10	637-63113	1	O-RING, CI 6, 11.3MM ID x 2.2 Thk,
11	87431412	1	VALVE, Relief
12	87409404	1	FILTER, Conical
13	428676A1	1	O-RING,
14	428678A1	1	PLUG, Inc. O-Ring
15	220066A1	1	PLUG, M18 x 1.5, ORB, M18, Inc. 16
16	637-63153	1	O-RING, CI 6, 15.3MM ID x 2.2 Thk,
17	398443A1	1	SPRING,
18	398445A1	AR	SHIM,
19	398444A1	1	VALVE, Spool
20	87431407	1	PLUG, Inc. 21
21	87431408	1	O-RING,
22	87431405	1	SPOOL, Main Pressure
23	87431406	1	SPRING, VALVE,
	87431409	1	VALVE, PMW Solenoid, Inc. 5, 24, & 25
24	87431410	1	VALVE, Pilot
25	87431411	1	KIT, SEALS, O-Ring



STX500 CASE IH 4WD TRACTOR (AFTER S/N JEE0099501)

06-50 POWER SHIFT TRANSMISSION - RANGE SELECTOR VALVE

сылка	Номер детали	Кол-во	Описание
	370550A1	1	VALVE, Range Selector, Inc. 1 - 17
1	370601A1	1	BODY,
2	428680A1	1	GASKET,
3	375459A1	1	COVER,
4	220064A1	2	PLUG, M14 x 1.5, ORB, M14 - 1,5, Inc. 5
5	637-63113	2	O-RING, CI 6, 11.3MM ID x 2.2 Thk,
6	426-512	10	BOLT, Hex, 5/16"-18 x 3/4", G8, Full Thd, 5/16 x 3/4; 8
7	370604A1	8	SPRING,
8	370606A1	8	SPOOL, One Groove
9	395756A1	1	SPOOL, Two Groove
10	395757A1	1	SPOOL, Three Groove
11	395758A1	2	SPOOL, Four Groove
	371737A1	8	VALVE, SOLENOID, Three Way, Inc. 12 - 15
12	428679A1	8	SNAP RING,
	371738A1	8	KIT, O-Ring
13	NSS	1	NOT SERVICED SEPARATELY, O-Ring, Lower
13	NSS	1	NOT SERVICED SEPARATELY, O-Ring, Middle
13	NSS	1	NOT SERVICED SEPARATELY, O-Ring, Upper
13	NSS	1	NOT SERVICED SEPARATELY, O-Ring, Plug Nut
14	370600A1	8	VALVE, SOLENOID,
15	371739A1	8	COIL,
16	428676A1	8	O-RING, Filter
17	87409404	8	FILTER,
18	428678A1	8	PLUG, With O-Ring
19	398299A1	2	ORIFICE,
	398441A1	1	KIT, SEALS, Transmission Repair, Inc. 2, See Figure 06-37, 06-38, 06-49, BSN JEE0104001
	87432749	1	KIT, GASKET, Transmission Repair, Inc. 2, See Figure 06-37, 06-38, 06-49, ASN JEE0104001
	87432750	1	KIT, GASKET, Transmission Repair, Inc. 2, 13, 16, See Figure 06-37 - 06-48

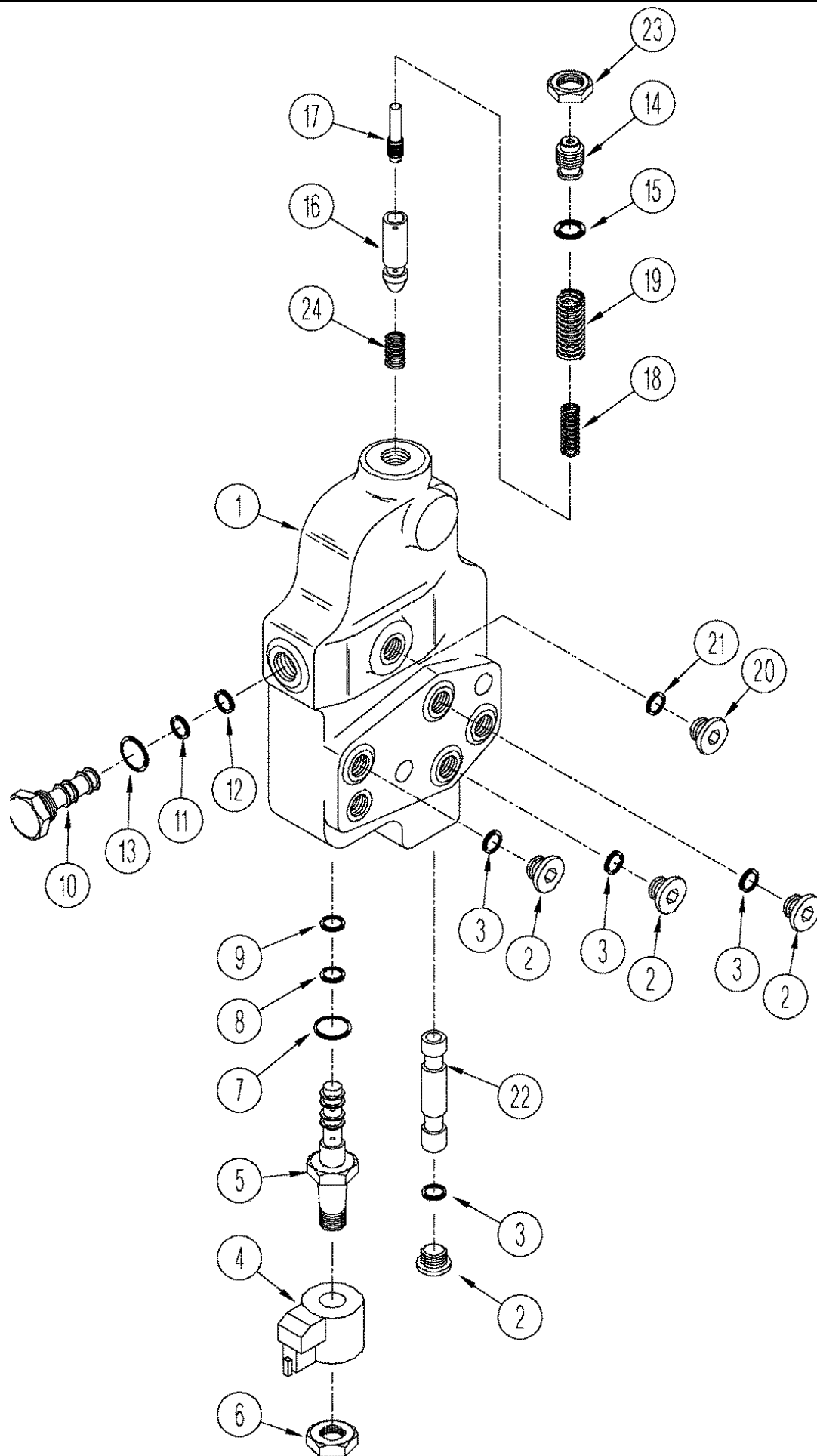


STX500 CASE IH 4WD TRACTOR (AFTER S/N JEE0099501)

06-51 VALVE ASSEMBLY - PULSE WITH MODULATION

сылка	Номер детали	Кол-во	Описание
1	362578A1	1	VALVE, Pulse With Modulation, Inc. 1 - 4
	370608A1	1	KIT, O-Ring, Inc. 1
	370611A1	1	VALVE, SOLENOID, Inc. 2, 3
2	NSS	1	NOT SERVICED SEPARATELY, Solenoid
3	NSS	1	NOT SERVICED SEPARATELY, Nut
4	370610A1	1	COIL,

06-52 VALVE ASSEMBLY - POWER TAKE OFF

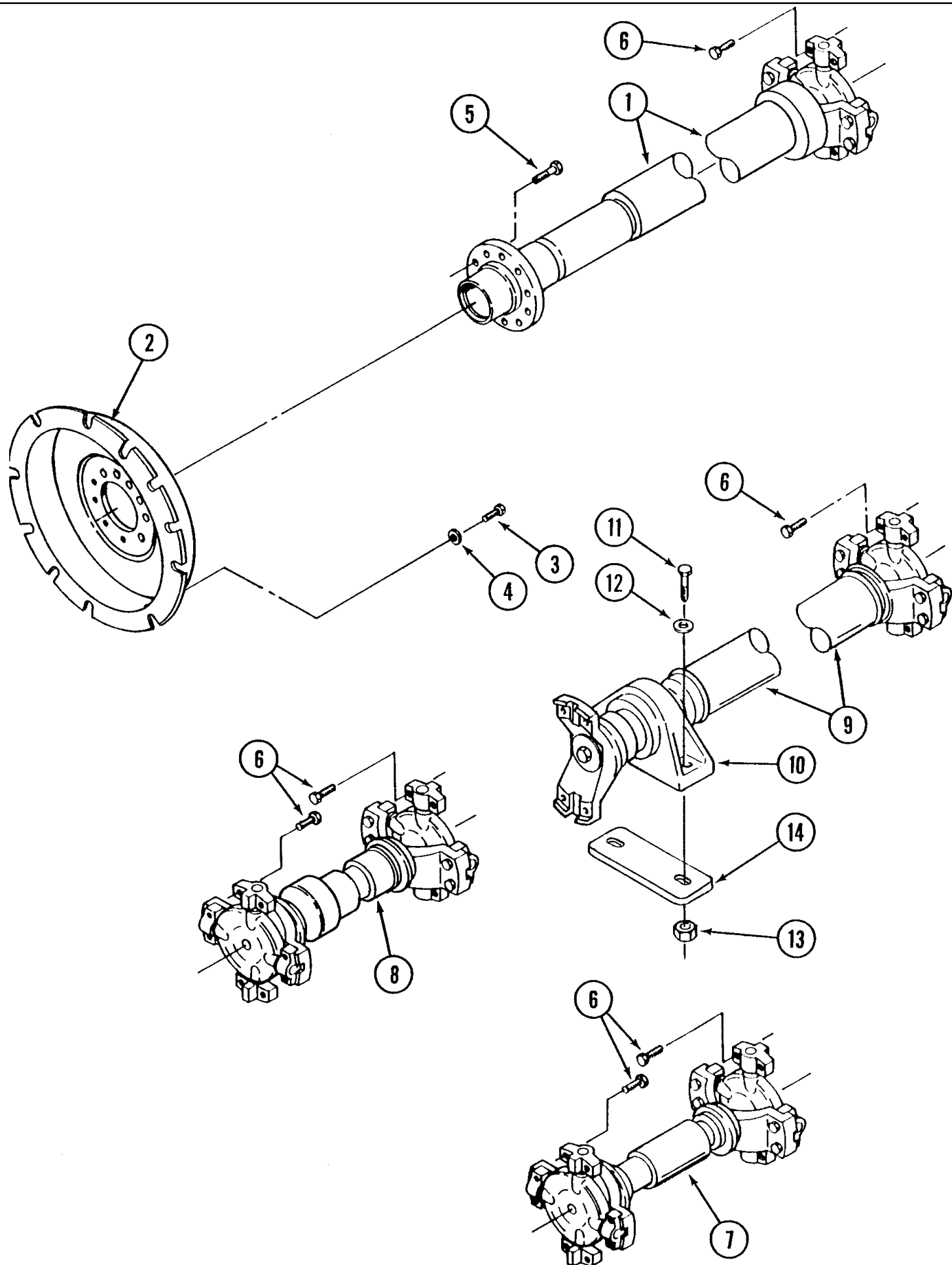


STX500 CASE IH 4WD TRACTOR (AFTER S/N JEE0099501)

06-52 VALVE ASSEMBLY - POWER TAKE OFF

сылка	Номер детали	Кол-во	Описание
	413944A1	1	VALVE, Power Takeoff, Inc. 1 - 27
1	NSS	1	NOT SERVICED SEPARATELY, Body
2	221578A1	4	PLUG, Hex Soc, M18 x 1.5, ORB, Includes 3
3	637-63153	4	O-RING, CI 6, 15.3MM ID x 2.2 Thk,
	318822A1	1	VALVE, SOLENOID, Inc. 4 - 9
4	NSS	1	NOT SERVICED SEPARATELY, Coil
5	NSS	1	NOT SERVICED SEPARATELY, Valve, Solenoid
6	NSS	1	NOT SERVICED SEPARATELY, Nut
7	237-6008	1	O-RING, 8-1, 90 Duro, .644" ID x .087" Thk,
8	238-5014	1	O-RING, -014, 70 Duro, .489" ID x .070" Thk,
9	238-5013	1	O-RING, -013, 70 Duro, .426" ID x .070" Thk,
	315514A1	1	PLUG, Inc. 10 - 13
10	NSS	1	NOT SERVICED SEPARATELY, Plug
11	238-6014	1	O-RING, -014, 90 Duro, .489" ID x .070" Thk,
12	238-6013	1	O-RING, -012, 90 Duro, .364" ID x .070" Thk, 7/16 ID x 1/16
13	237-6008	1	O-RING, 8-1, 90 Duro, .644" ID x .087" Thk,
	345794A1	1	PLUG, Inc. 14, 15
14	NSS	1	NOT SERVICED SEPARATELY, Plug
15	637-64236	1	O-RING, CI 6, 23.6MM ID x 2.9 Thk,
16	319664A1	1	SLEEVE,
17	319665A1	1	PISTON,
18	319661A1	1	SPRING, Inner
19	319660A1	1	SPRING, Outer
20	221576A1	1	PLUG, Hex Soc, M14 x 1.5, ORB, Includes 21
21	637-63113	1	O-RING, CI 6, 11.3MM ID x 2.2 Thk,
22	320036A1	1	SPOOL,
23	322118A1	1	NUT,
24	319659A1	1	SPRING,

06-53 DRIVE SHAFT - MOUNTING

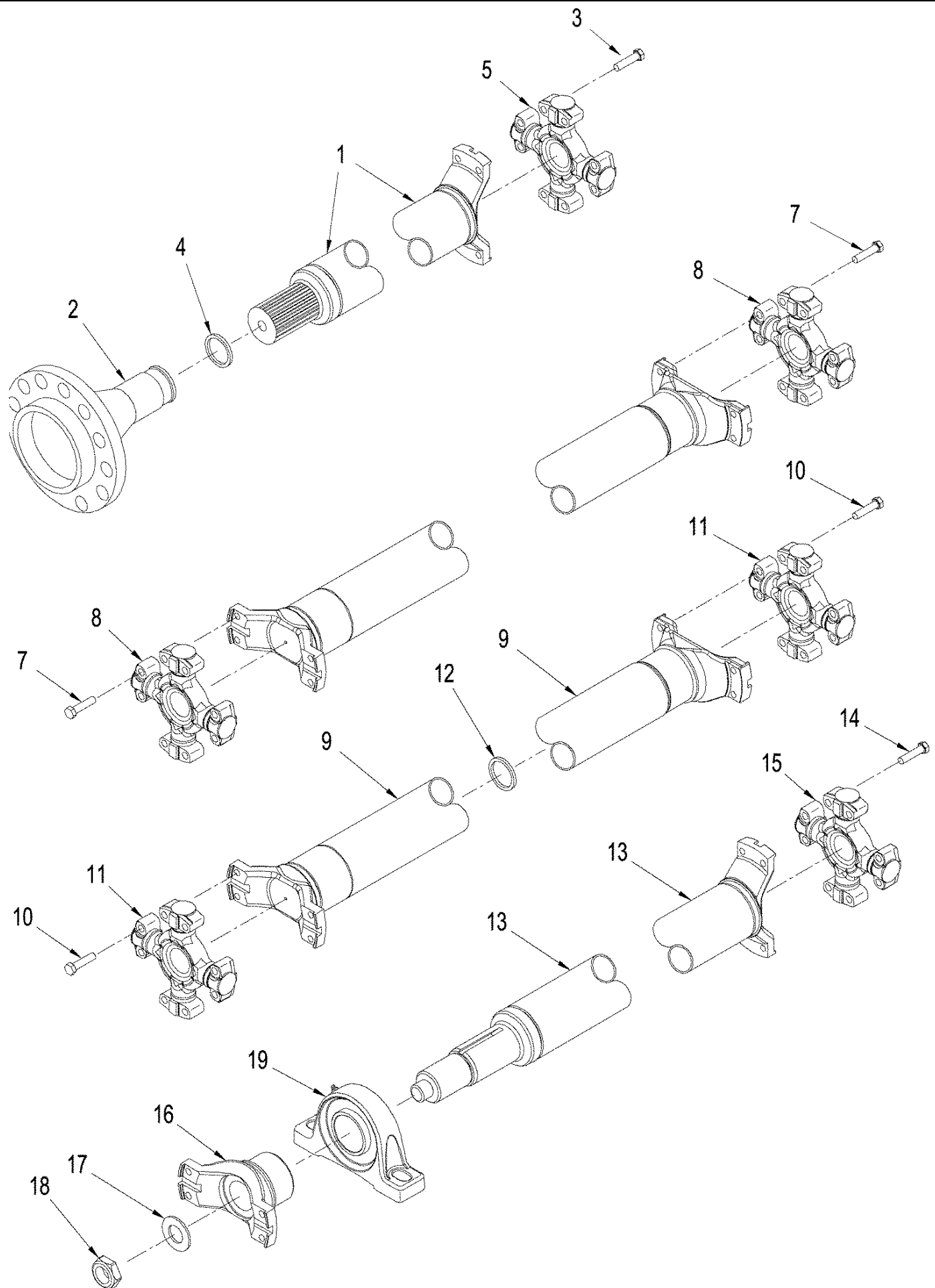


STX500 CASE IH 4WD TRACTOR (AFTER S/N JEE0099501)

06-53 DRIVE SHAFT - MOUNTING

сылка	Номер детали	Кол-во	Описание
1	402185A1	1	SHAFT, DRIVE, Input, 8C, See Figure 06-54, With 400 Series Axles, With Manual Shift Transmission
1	402190A1	1	SHAFT, DRIVE, Input, 8,5C, See Figure 06-54, With Manual Shift Transmission, With 500 Series Axles
1	402184A1	1	SHAFT, DRIVE, Input, 8C, See Figure 06-54, With 400 Series Axles, With Power Shift Transmission
1	402189A1	1	SHAFT, DRIVE, Input, 8C, see Figure 06-54, With Power Shift Transmission, With 500 Series Axles
2	378758A2	1	DAMPER, Vibration, Also Order 80-1716
3	80-1716	12	SCREW, 12 Pt Flg, Hd, 7/16"-14 x 1, 7/16 x 1; 8
4	496-81010	12	WASHER, 11 x 21 x 2,5 mm
5	426-1024	10	BOLT, Hex, 5/8"-11 x 1 1/2", G8, Full Thd, 5/8 x 1-1/2; 8
6	827-12050	24	BOLT, Hex, M12 x 50, 10.9, , With 400 Series Axles
6	827-12060	24	BOLT, Hex, M12 x 60, 10.9, M12 x 60; 10.9, With 500 Series Axles
7	402186A1	1	SHAFT, DRIVE, Front Axle, 8C, See Figure 06-54, With 400 Series Axles
7	402191A1	1	SHAFT, DRIVE, Front Axle, 8,5C, See Figure 06-54, With 500 Series Axles
8	402187A1	1	SHAFT, DRIVE, Articulation, 8C, See Figure 06-54, With 400 Series Axles
8	402192A1	1	SHAFT, DRIVE, Articulation, 8,5C, See Figure 06-54, With 500 Series Axles
9	402188A1	1	SHAFT, DRIVE, Rear Axle, 8C, See Figure 06-54, With 400 Series Axles
9	402193A1	1	SHAFT, DRIVE, Rear Axle, 8,5C, See Figure 06-54, With 500 Series Axles
10	451767A1	1	BEARING, Pillow Block, See Figure 06-54
11	827-20250	2	BOLT, Hex, M20 x 250, 10.9, M20 x 250; 10.9
12	896-15020	2	WASHER, M20 x 44.5 x 5, HT, 22 x 44 x 5 mm
13	829-1420	2	NUT, M20, CI 10,
14	406056A1	1	SPACER,

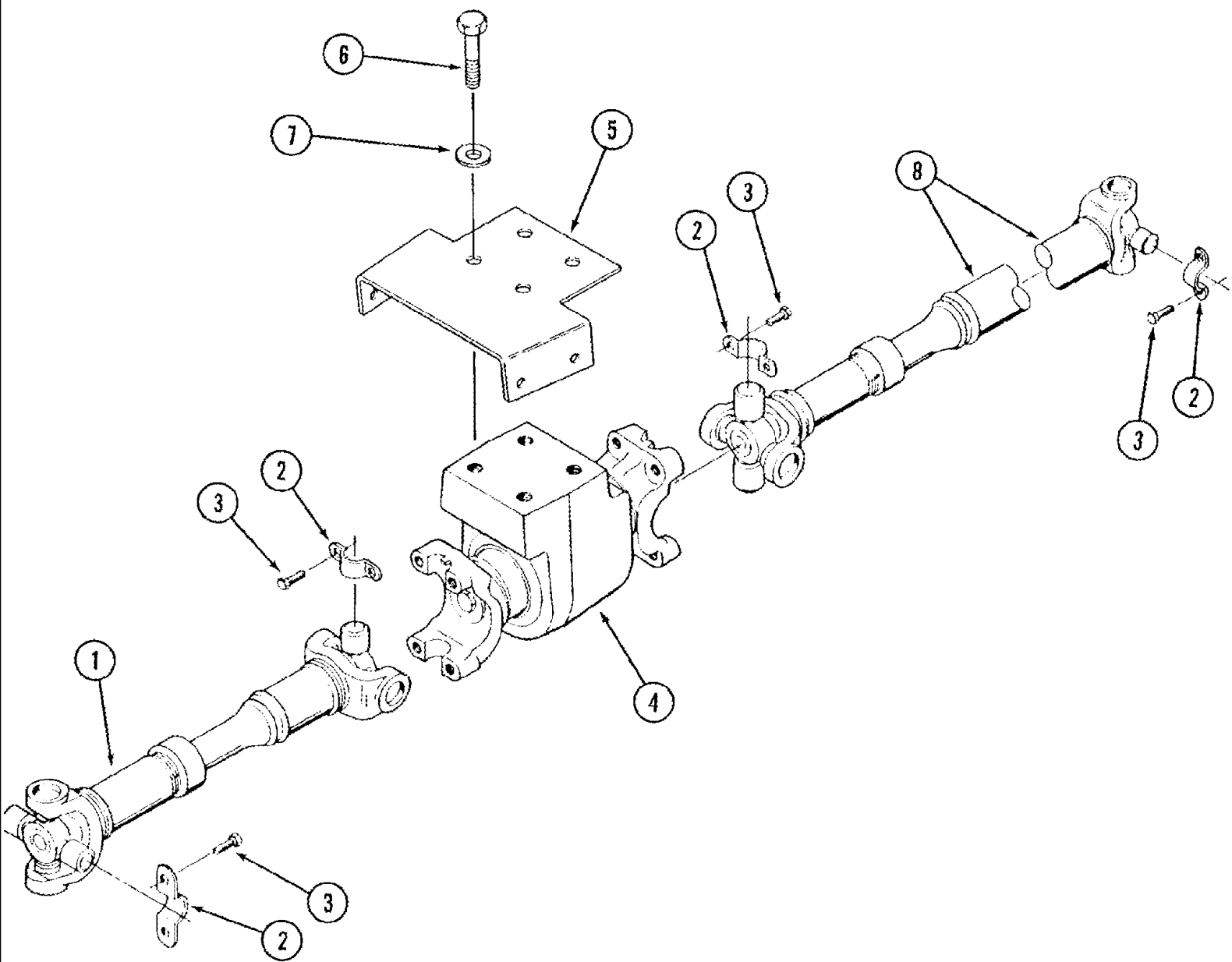
06-54 DRIVE SHAFT



STX500 CASE IH 4WD TRACTOR (AFTER S/N JEE0099501)

06-54 DRIVE SHAFT

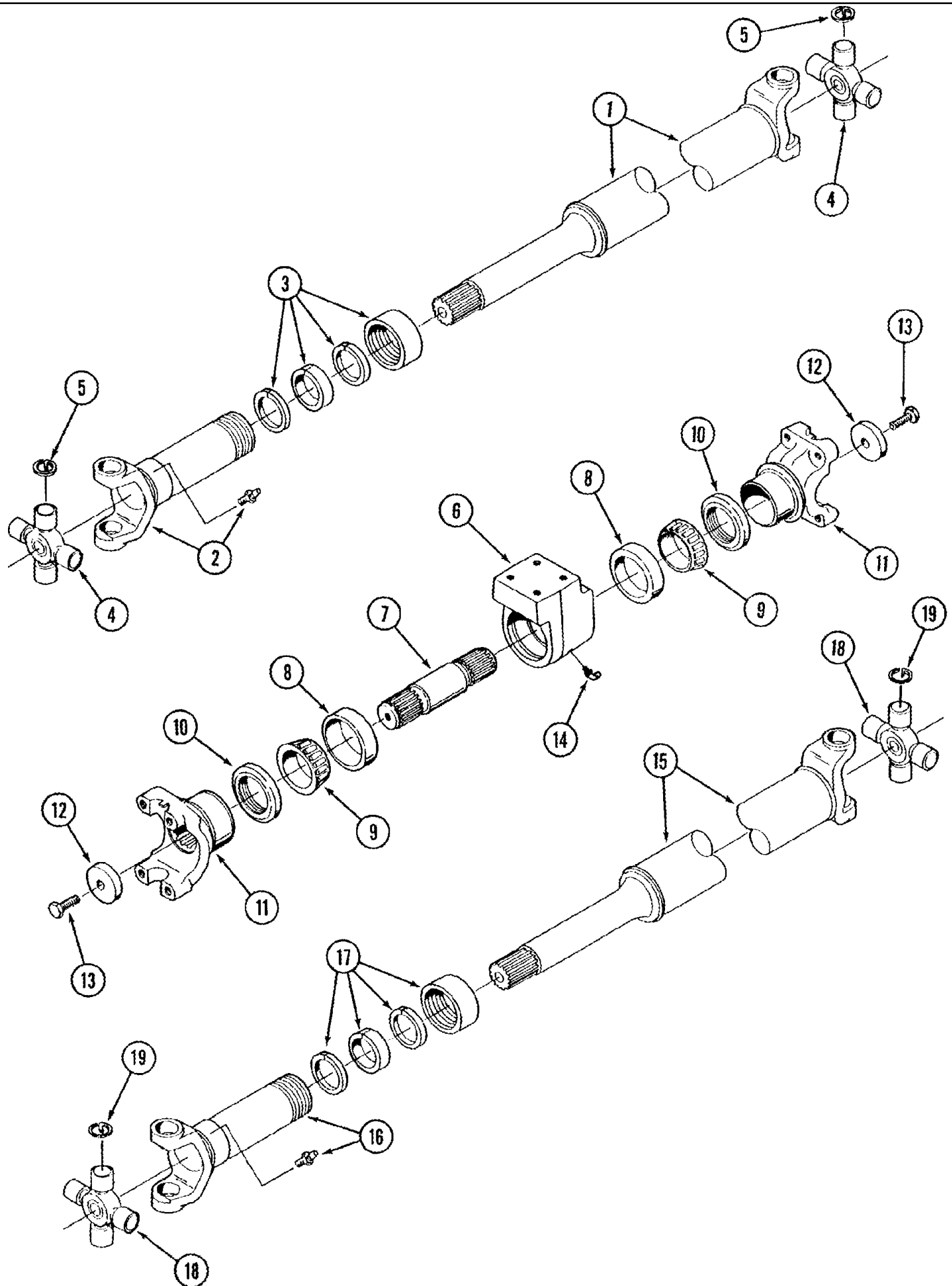
сылка	Номер детали	Кол-во	Описание
	402185A1	1	SHAFT, DRIVE, Input, 8C, Inc. 1 - 5, With 400 Series Axles, With Advanced Farming Systems (AFS)
	402190A1	1	SHAFT, DRIVE, Input, 8,5C, Inc. 1 - 5, With Advanced Farming Systems (AFS), With 500 Series Axles
	402184A1	1	SHAFT, DRIVE, Input, 8,5C, Inc. 1- 5, With 400 Series Axles, With Power Shift Transmission
	402189A1	1	SHAFT, DRIVE, Input, 8,5C, Inc. 1 - 5, With Power Shift Transmission, With 500 Series Axles
1	NSS	1	NOT SERVICED SEPARATELY, Shaft, Slip Yoke
2	NSS	1	NOT SERVICED SEPARATELY, Shaft, Flanged
3	827-12050	4	BOLT, Hex, M12 x 50, 10.9, , With 400 Series Axles
3	827-12060	4	BOLT, Hex, M12 x 60, 10.9, M12 x 60; 10.9, With 500 Series Axles
4	404151A1	1	SEAL,
5	86000308	1	KIT, Spider Bearing, 8C, With 400 Series Axles
5	309093A1	1	SPIDER ASSY., 8,5C, With 500 Series Axles
	402186A1	1	SHAFT, DRIVE, Front Axle, 8C, Inc. 6 - 8, With 400 Series Axles
	402191A1	1	SHAFT, DRIVE, Front Axle, 8,5 C, Inc. 6 - 8, With 500 Series Axles
6	NSS	1	NOT SERVICED SEPARATELY, Shaft
7	827-12050	8	BOLT, Hex, M12 x 50, 10.9, , With 400 Series Axles
7	827-12060	8	BOLT, Hex, M12 x 60, 10.9, M12 x 60; 10.9, With 500 Series Axles
8	431621A1	2	SPIDER ASSY., 8C, With 400 Series Axles
8	309093A1	2	SPIDER ASSY., 8,5C, With 500 Series Axles
	402187A1	1	SHAFT, DRIVE, Articulation, 8C, Inc. 9 - 12, With 400 Series Axles
	402192A1	1	SHAFT, DRIVE, Articulation, 8,5C, Inc. 9 - 12, With 500 Series Axles
9	NSS	1	NOT SERVICED SEPARATELY, Shaft
10	827-12050	8	BOLT, Hex, M12 x 50, 10.9, , With 400 Series Axles
10	827-12060	8	BOLT, Hex, M12 x 60, 10.9, M12 x 60; 10.9, With 500 Series Axles
11	431621A1	2	SPIDER ASSY., 8C, With 400 Series Axles
11	309093A1	2	SPIDER ASSY., 8,5C, With 500 Series Axles
12	404151A1	1	SEAL,
	402188A1	1	SHAFT, DRIVE, Rear Axle, 8C, Inc. 13 - 18, With 400 Series Axles
	402193A1	1	SHAFT, DRIVE, Rear Axle, 8,5C, Inc. 13 - 18, With 500 Series Axles
13	NSS	1	NOT SERVICED SEPARATELY, Shaft
14	827-12050	8	BOLT, Hex, M12 x 50, 10.9, , With 400 Series Axles
14	827-12060	8	BOLT, Hex, M12 x 60, 10.9, M12 x 60; 10.9, With 500 Series Axles
15	431621A1	2	SPIDER ASSY., 8C, With 400 Series Axles
15	309093A1	2	SPIDER ASSY., 8,5C, With 500 Series Axles
16	404451A1	1	YOKE, 8C, With 400 Series Axles
16	407633A1	1	YOKE, 8,5C, With 500 Series Axles
17	396-11131	1	WASHER, 1 5/16" x 2 1/2" x .150", 1-5/16 x 2-1/2 x 9/64
18	131-487	1	NUT, LOCK, 1 1/4"-18,
19	451767A1	1	BEARING, Pillow Block



STX500 CASE IH 4WD TRACTOR (AFTER S/N JEE0099501)

06-55 POWER TAKEOFF - DRIVE SHAFT MOUNTING

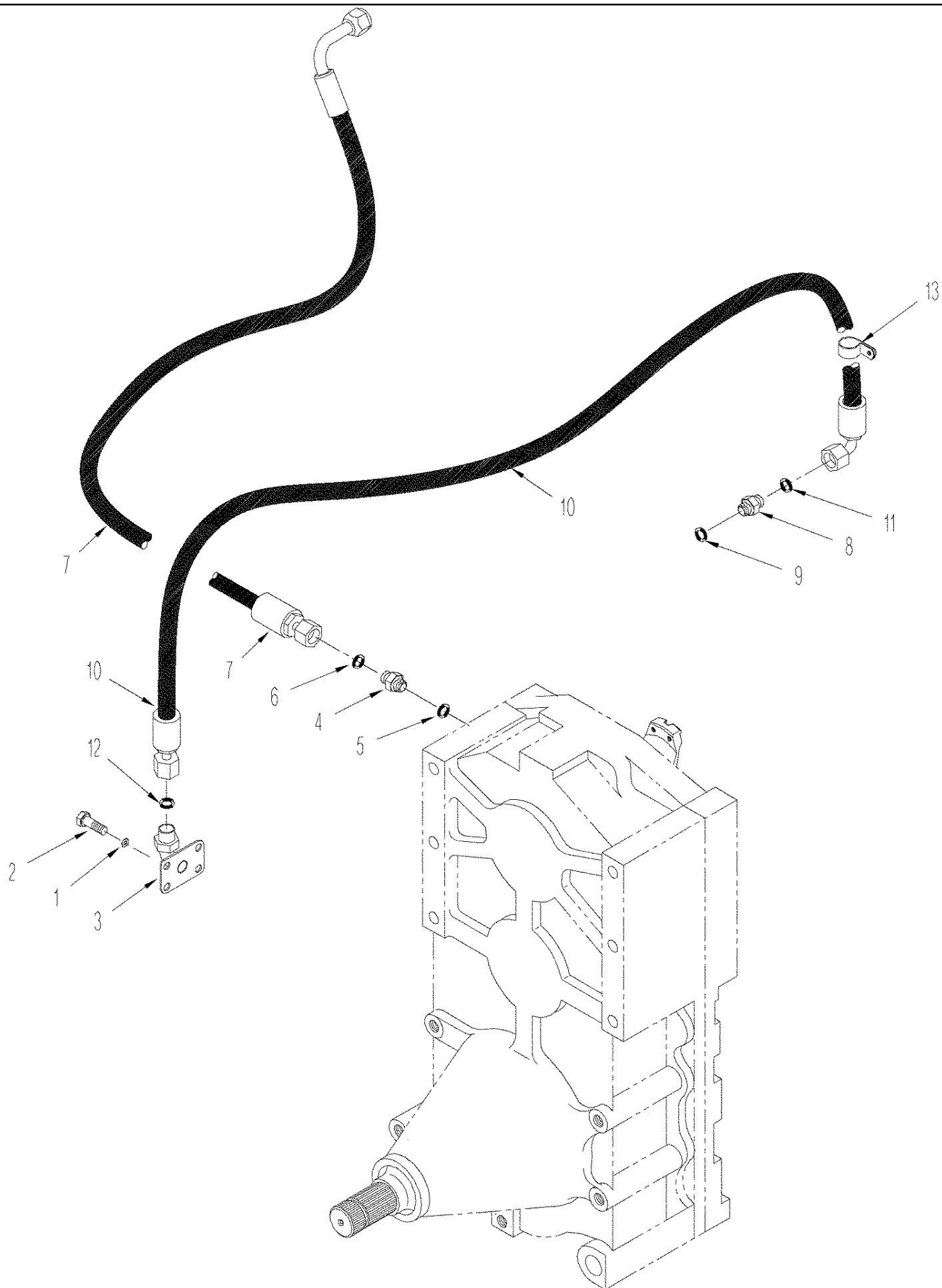
сылка	Номер детали	Кол-во	Описание
1	404798A1	1	SHAFT, Articulation, See Figure 06-56
2	L116943	8	SPIDER, U-JOINT,
3	868-10020	16	SCREW, 12 Pt Hd, M10 x 20, 12.9, M10 x 20
4	NSS	1	NOT SERVICED SEPARATELY, Support Assy, Hanger, Order Components, See Figure 06-56
5	404604A1	1	BRACKET,
6	827-16080	4	BOLT, Hex, M16 x 80, 10.9, Hex, M16 x 80, 10.9, With 400 Series Axles, STX Wheel Tractor
6	827-16090	4	BOLT, Hex, M16 x 90, 10.9, , STX Wheel Tractor, With 500 Series Axles
6	827-16100	4	BOLT, Hex, M16 x 100, 10.9, M16 x 100; 10.9, QUADTRAC Tractor
7	896-11016	4	WASHER, M17.5 x 30 x 4, HT, 17,5 x 30 x 4 mm
8	404799A1	1	SHAFT, DRIVE, Rear, See Figure 06-56



STX500 CASE IH 4WD TRACTOR (AFTER S/N JEE0099501)

06-56 POWER TAKEOFF - DRIVE SHAFT ASSEMBLIES

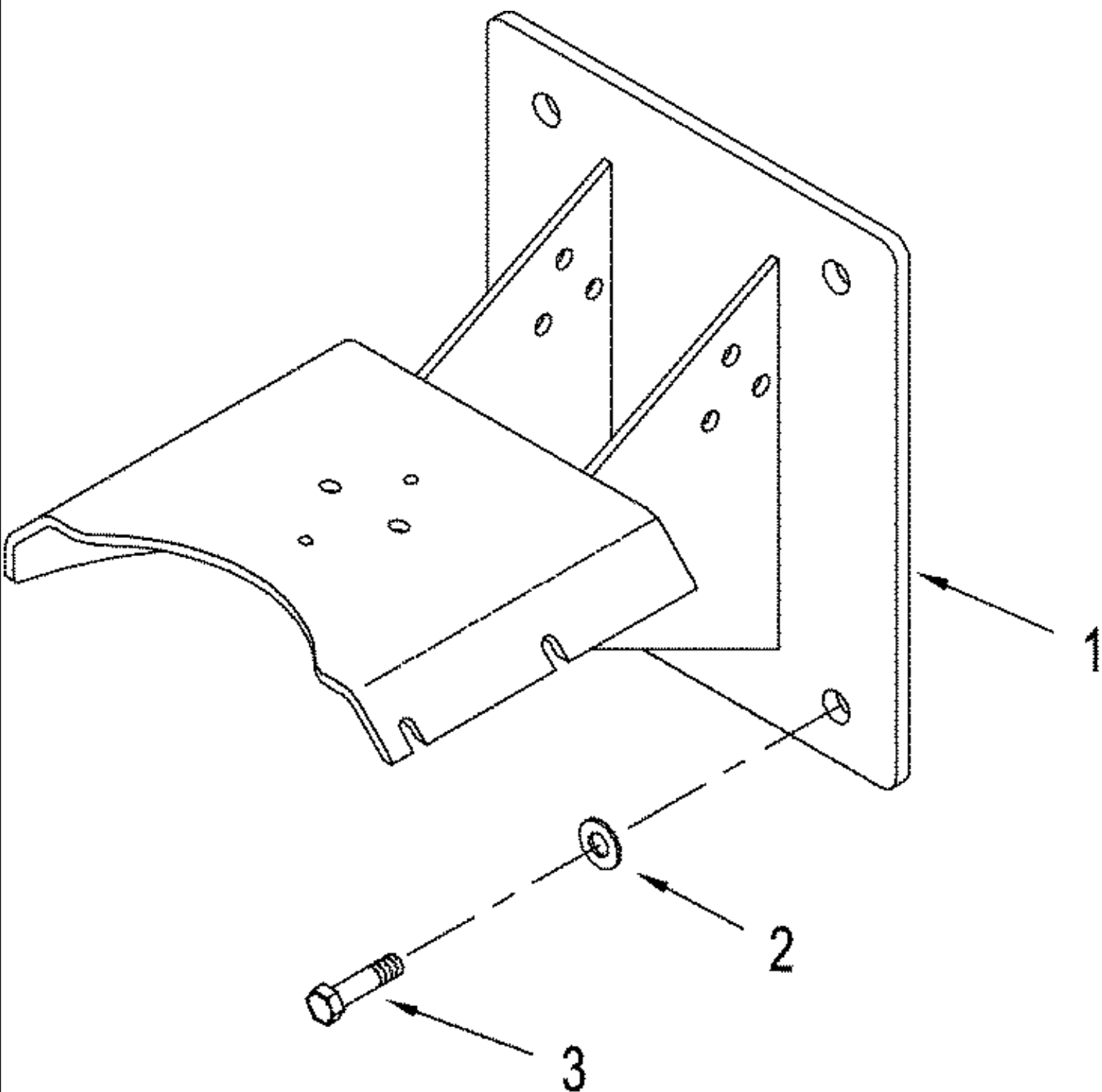
сылка	Номер детали	Кол-во	Описание
	404798A1	1	SHAFT, Articulation, Inc. 1 - 5
1	NSS	1	NOT SERVICED SEPARATELY, Yoke, Slip
2	NSS	1	NOT SERVICED SEPARATELY, Shaft
3	33-1001T1	1	RETAINER, SEAL,
4	S300313	2	SPIDER ASSY., Inc. 5
5	S92378	4	SNAP RING,
6	399447A1	1	HOUSING, BEARING,
7	399446A1	1	SHAFT,
8	90-1322T1	2	BEARING SET,
9	90-1862T1	2	BEARING, CONE,
10	435537A1	2	SEAL,
11	398554A1	2	YOKE,
12	19-5864	2	WASHER, 5/8 x 2-3/4 x 1/2
13	627-16040	2	BOLT, Hex, M16 x 40, 10.9,
14	219-36	1	NIPPLE, LUBE, 45c, 1/8" NPT x 7/8" lg,
	404799A1	1	SHAFT, DRIVE, Rear, Inc. 15 - 19
15	NSS	1	NOT SERVICED SEPARATELY, Shaft
16	NSS	1	NOT SERVICED SEPARATELY, Yoke, Slip
17	33-1001T1	1	RETAINER, SEAL,
18	S300313	2	SPIDER ASSY., Inc. 19
19	S92378	4	SNAP RING,



STX500 CASE IH 4WD TRACTOR (AFTER S/N JEE0099501)

06-59(01) POWER TAKEOFF - LUBRICATION, ASN JEE0102001

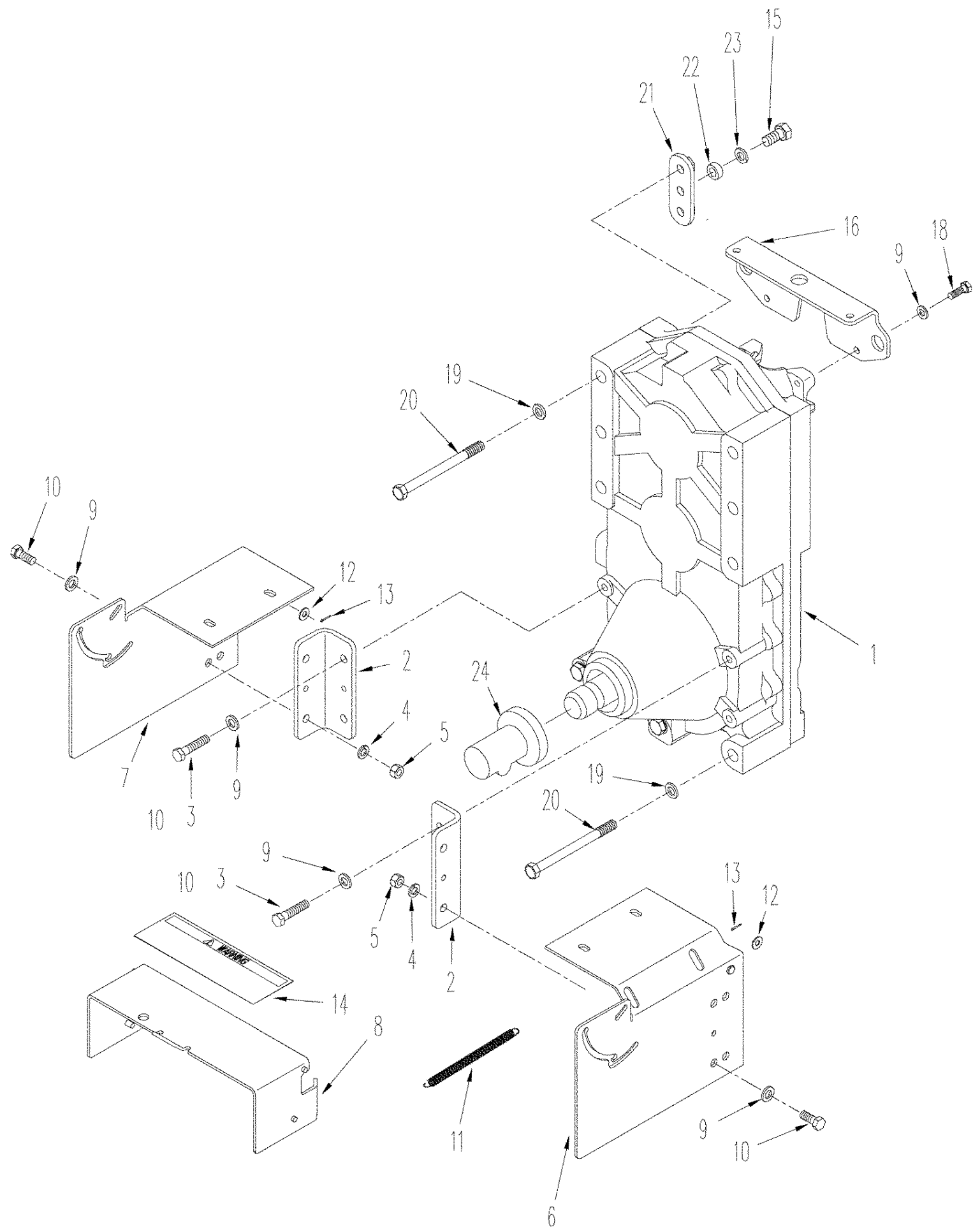
сылка	Номер детали	Кол-во	Описание
1	895-11010	4	WASHER, M10 x 20 x 2, 11 x 21 x 2 mm
2	627-10025	4	BOLT, Hex, M10 x 25, 10.9, Full Thd, Cap, HH, CL 10.9, M10 x 25
3	86992408	1	FITTING, Flange
4	700-102	3	CONNECTOR, HYD., 13/16"-16 ORFS x M18 x 1.5 ORB, 13/16 fc sl x 18 or, Inc. 14, 15
5	637-63153	1	O-RING, CI 6, 15.3MM ID x 2.2 Thk,
6	238-6014	1	O-RING, -014, 90 Duro, .489" ID x .070" Thk,
7	86994525	1	HOSE ASSY., 3251 mm (128 in)
8	700-103	1	CONNECTOR, HYD., 1"-14 ORFS x M22 x 1.5 ORB, M22 or x 1 fc sl, Inc. 9, 11
9	637-63133	1	O-RING, CI 6, 13.3MM ID x 2.2 Thk, 13, 3 ID x 2,2 Thk
10	87400234	1	HOSE ASSY., 1803 mm (71 in), STX375, 425, 450
10	87400403	1	HOSE ASSY., 1563 mm (61-1/2 in), QUADTRAC Tractor
11	238-6016	2	O-RING, -016, 90 Duro, .614" ID x .070" Thk, (M15.6 ID x 1.78 Thk)
12	238-6014	1	O-RING, -014, 90 Duro, .489" ID x .070" Thk,
13	515-23238	1	CLAMP, 15/16", Insul, 3/8" Bolt, , STX375, 425, 450



STX500 CASE IH 4WD TRACTOR (AFTER S/N JEE0099501)

06-60 COUPLER MOUNTS - WITHOUT POWER TAKEOFF AND THREE POINT HITCH

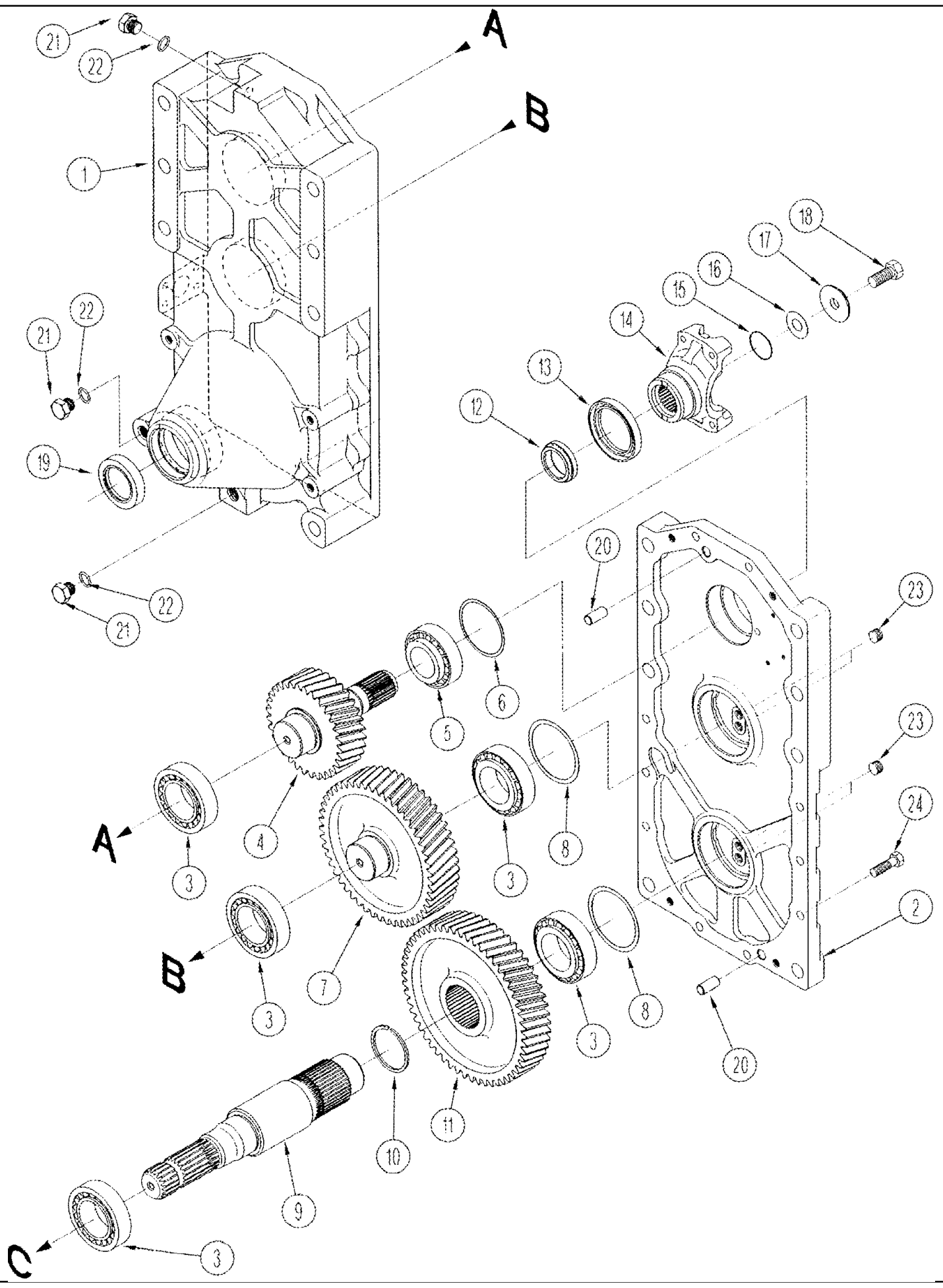
сылка	Номер детали	Кол-во	Описание
1	87311759	1	MOUNTING PARTS, Auxiliary Valve
2	896-11020	4	WASHER, M20 x 37.5 x 4, HT, 22 x 37 x 4 mm
3	827-20100	4	BOLT, Hex, M20 x 100, 10.9, M20 x 100; 10.9



STX500 CASE IH 4WD TRACTOR (AFTER S/N JEE0099501)

06-61 POWER TAKEOFF - SAFETY SHIELDS

сылка	Номер детали	Кол-во	Описание
1	403073A1	1	GEARBOX ASSY, See Figure 06-62
2	405394A1	2	BRACE,
3	827-12055	4	BOLT, Hex, M12 x 55, 10.9, , With Three Point Hitch
4	892-11012	4	WASHER, LOCK, M12,
5	829-1412	4	NUT, M12, CI 10,
6	405396A1	1	COVER, Right-Hand
7	405395A1	1	COVER, Left-Hand
8	405397A1	1	SHIELD, Flip-up
9	896-11012	10	WASHER, M13.5 x 24.5 x 3, HT,
10	627-12030	6	BOLT, Hex, M12 x 30, 10.9, , With Three Point Hitch
10	627-12030	10	BOLT, Hex, M12 x 30, 10.9, , Without Three Point Hitch
11	365853A1	2	SPRING,
12	895-15008	2	WASHER, M8 x 20 x 1.6, 9 x 20 x 1,6 mm
13	733-2012	2	PIN, SPLIT (COTTER), M2 x 12, M2 x 12
14	327567A3	1	DECAL, Safety
15	627-16025	2	BOLT, Hex, M16 x 25, 10.9, Full Thd, Hex, M16 x 25, 10.9, Full Thd
16	381389A2	1	BRACKET,
17	896-11010	2	WASHER, M10 x 21.5 x 2.5, HT,
19	896-11020	4	WASHER, M20 x 37.5 x 4, HT, 22 x 37 x 4 mm
20	827-20190	4	BOLT, Hex, M20 x 190, 10.9,
21	259389A1	2	PLATE,
22	70-5967T1	2	SPACER,
23	896-11016	2	WASHER, M17.5 x 30 x 4, HT, 17,5 x 30 x 4 mm
24	383716A1	1	SHIELD, PTO Shaft
18	627-10030	2	BOLT, Hex, M10 x 30, 10.9, Full Thd,

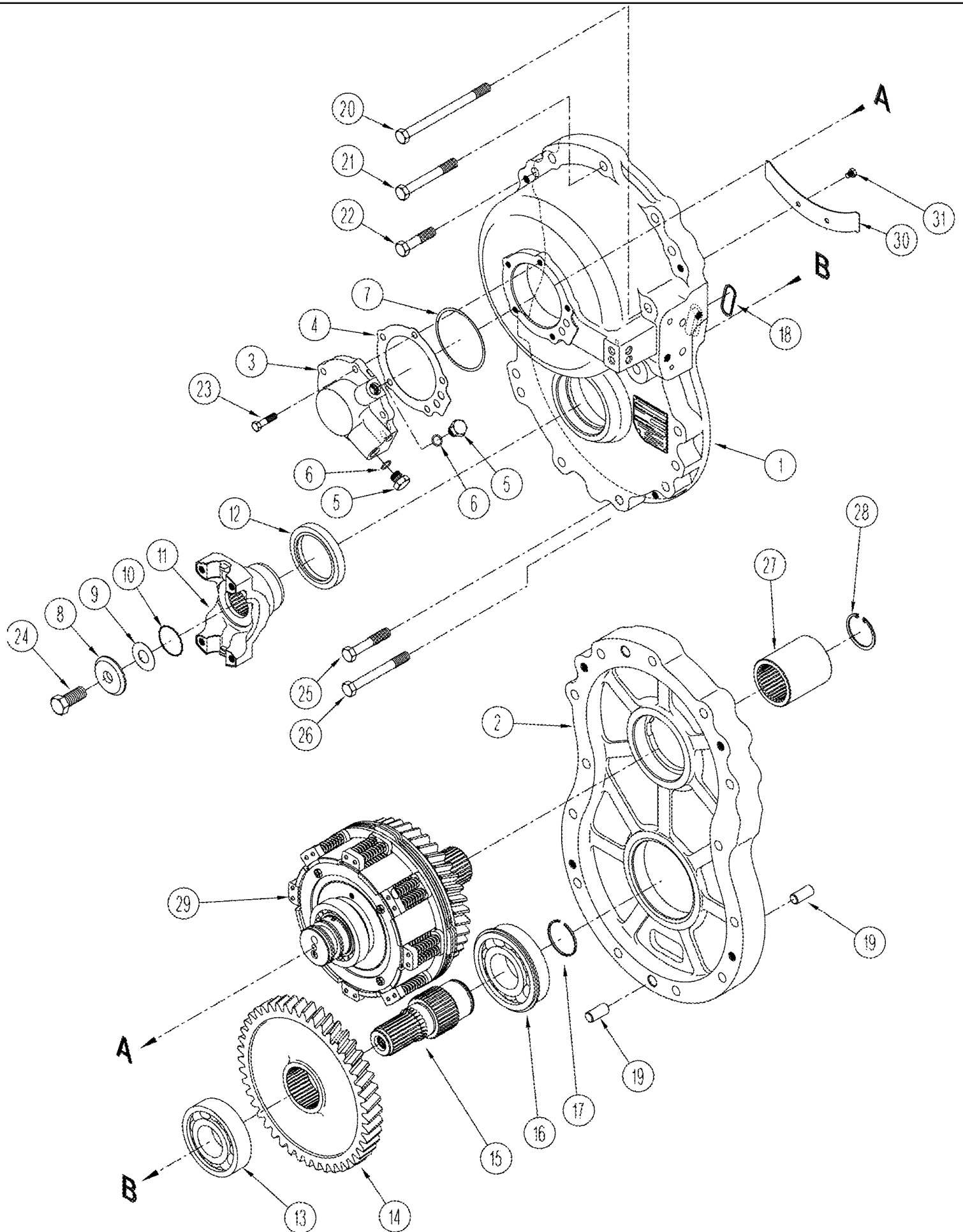


STX500 CASE IH 4WD TRACTOR (AFTER S/N JEE0099501)

06-62 POWER TAKEOFF - TRANSFER CASE ASSEMBLY

сылка	Номер детали	Кол-во	Описание
	403073A1	1	GEARBOX ASSY, Transfer, Inc. 1 - 24
1	375500A1	1	HOUSING, Rear
2	375501A1	1	HOUSING, Front
3	428183A1	5	BEARING,
4	375502A1	1	GEAR, Input
5	375503A1	1	BEARING,
6	375504A1	AR	SHIM,
6	375505A1	AR	SHIM,
6	375506A1	AR	SHIM,
6	375507A1	AR	SHIM,
7	375508A1	1	GEAR, Idler
8	428665A1	AR	SHIM, 0,10 mm (0,004 in)
8	428666A1	AR	SHIM, 0,30 mm (0,012 in)
8	428667A1	AR	SHIM, 0,50 mm (0,020 in)
8	428668A1	AR	SHIM, 0,70 mm (0,027 in)
8	428669A1	AR	SHIM, 0,15 mm (0,006 in)
9	375509A1	1	SHAFT, Output
10	S2240S00F	1	SNAP RING,
11	375510A1	1	GEAR, Output
12	375511A1	1	SPACER,
13	S8820S00F	1	SEAL, OIL,
14	398447A1	1	YOKE,
15	375512A1	1	O-RING,
16	S9950S00F	AR	SHIM, 0,10 mm (0,004 in)
16	S9960S00F	AR	SHIM, 0,30 mm (0,012 in)
16	S9970S00F	AR	SHIM, 0,51 mm (0,020 in)
16	S9980S00F	AR	SHIM, 0,71 mm (0,027 in)
17	S8860S00F	1	WASHER, THRUST,
18	514-1021	1	BOLT, Hex, M16 x 1.5 x 35, 10.9, Full Thd,
19	375514A1	1	SEAL, OIL,
20	427530A1	2	DOWEL,
21	220066A1	3	PLUG, M18 x 1.5, ORB, M18 - 1,5, Inc. 22
22	637-63153	3	O-RING, CI 6, 15.3MM ID x 2.2 Thk,
23	375515A1	4	PLUG,
24	514-830	10	BOLT, Hex, M12 x 1.25 x 25, 8.8, Full Thd, M12 x 40

06-63 POWER TAKEOFF - CLUTCH ASSEMBLY

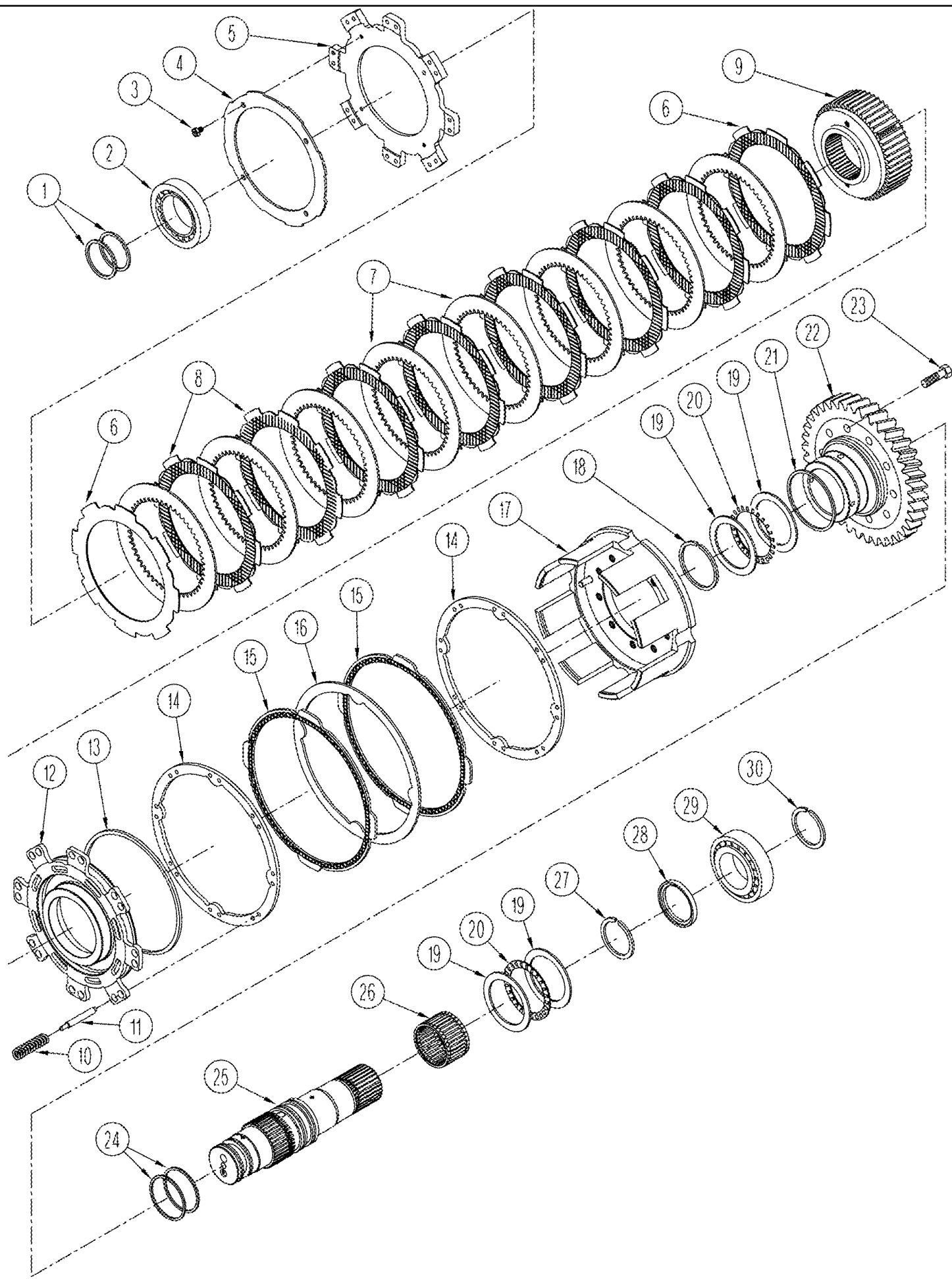


STX500 CASE IH 4WD TRACTOR (AFTER S/N JEE0099501)

06-63 POWER TAKEOFF - CLUTCH ASSEMBLY

сылка	Номер детали	Кол-во	Описание
1	375550A1	1	HOUSING,
2	375551A1	1	HOUSING,
3	375552A1	1	HOUSING,
4	375553A1	1	GASKET,
5	220064A1	9	PLUG, M14 x 1.5, ORB, M14 - 1,5, Inc. 6
6	637-63113	1	O-RING, CI 6, 11.3MM ID x 2.2 Thk,
7	S9910S00F	AR	SHIM, 0,10 mm (0,004 in)
7	S9920S00F	AR	SHIM, 0,30 mm (0,012 in)
7	S9930S00F	AAR	SHIM, 0,50 mm (0,020 in)
7	S9940S00F	AR	SHIM, 0,70 mm (0,027 in)
8	S8860S00F	1	WASHER, THRUST,
9	S9950S00F	AR	SHIM, 0,10 mm (0,004 in)
9	S9960S00F	AR	SHIM, 0,30 mm (0,012 in)
9	S9970S00F	AR	SHIM, 0,51 mm (0,020 in)
9	S9980S00F	AR	SHIM, 0,71 mm (0,027 in)
10	375512A1	1	O-RING,
11	398447A1	1	YOKE,
12	S8820S00F	1	SEAL, OIL,
13	ST293	1	BEARING, BALL,
14	375554A1	1	GEAR, Driven
15	375555A1	1	SHAFT, Output
16	375559A1	1	BEARING, BALL,
17	375560A1	1	SNAP RING,
18	375556A1	1	GASKET,
19	427530A1	4	DOWEL,
20	SM8124208	2	BOLT,
21	514-846	4	BOLT, Hex, M12 x 1.25 x 90, 8.8, M12 x 1,5; 8.8
22	514-855	2	BOLT, Hex, M12 x 1.25 x 50, 8.8, Full Thd, M12 x 1,25; 8.8
23	614-8030	5	BOLT, Hex, M8 x 30, 8.8, HH, CL 8.8, M8 x 1.25 x 30
24	514-1021	1	BOLT, Hex, M16 x 1.5 x 35, 10.9, Full Thd,
25	514-847	2	BOLT, Hex, M12 x 1.25 x 50, 8.8, M12 x 1,25; 8.8
26	514-854	7	BOLT, Hex, M12 x 1.25 x 100, 8.8, Full Thd, M12 x 1,25; 8.8
27	428660A1	1	SLEEVE, , Used on Power Shift Models
28	800-2147	1	RING, SNAP, M47, Int, , Used on Power Shift Models
29	NSS	1	NOT SERVICED SEPARATELY, Input Shaft, See Figure 06-64
30	376972A1	1	TROUGH,
31	614-6012	2	BOLT, Hex, M6 x 12, 8.8,

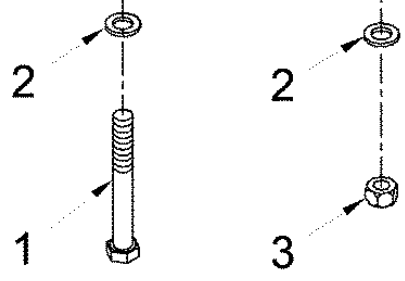
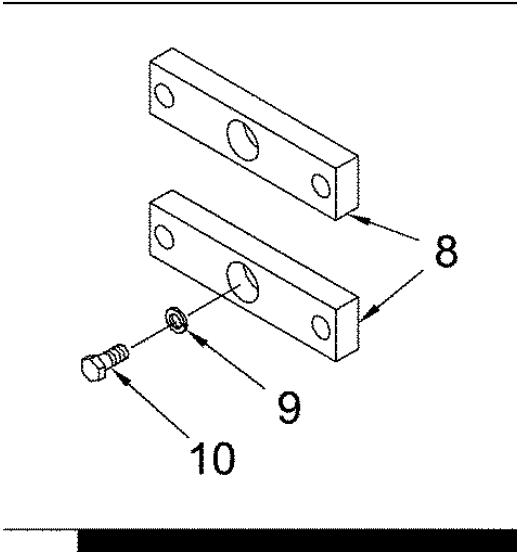
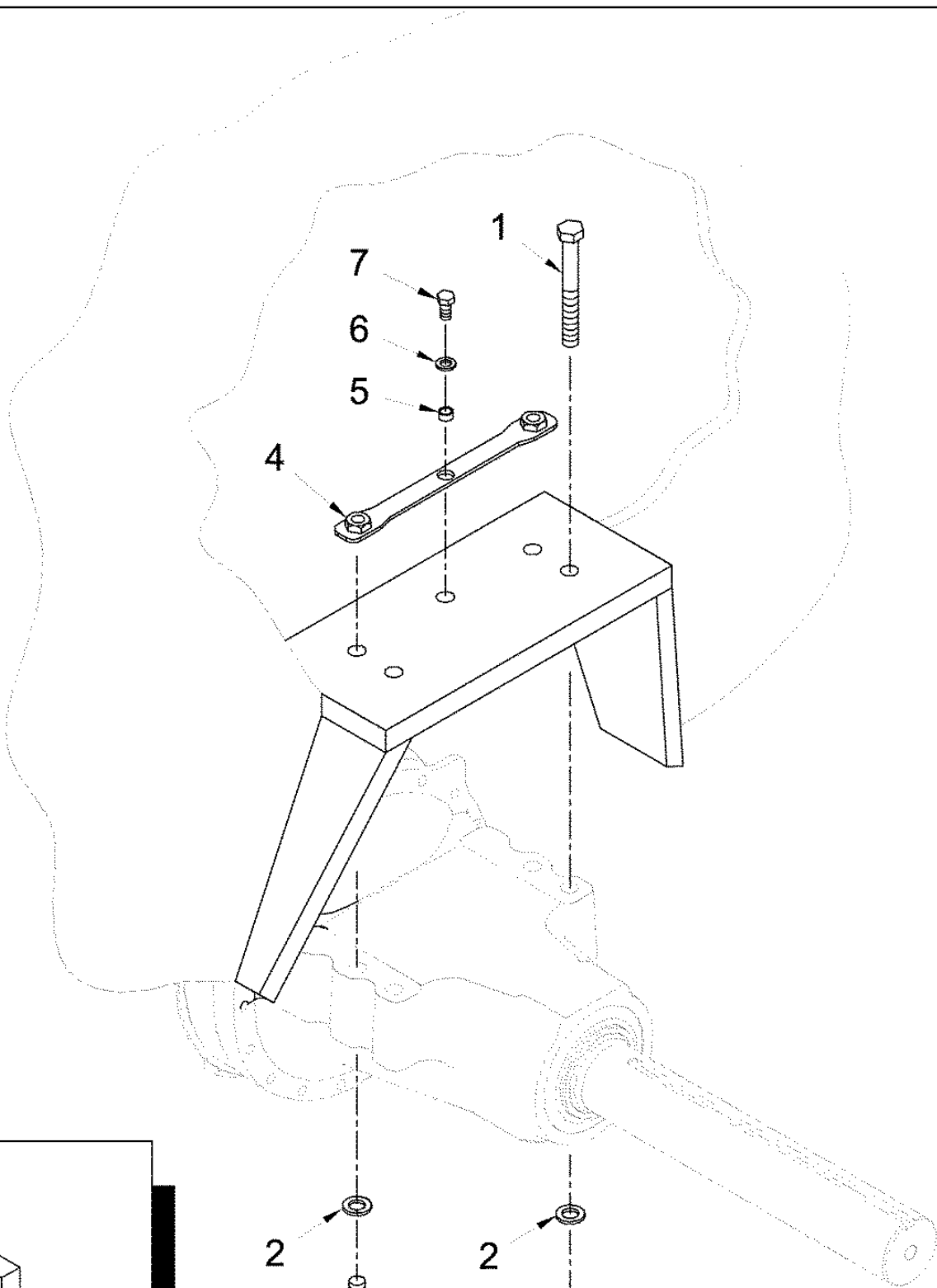
06-64 POWER TAKEOFF - INPUT SHAFT ASSEMBLY



STX500 CASE IH 4WD TRACTOR (AFTER S/N JEE0099501)

06-64 POWER TAKEOFF - INPUT SHAFT ASSEMBLY

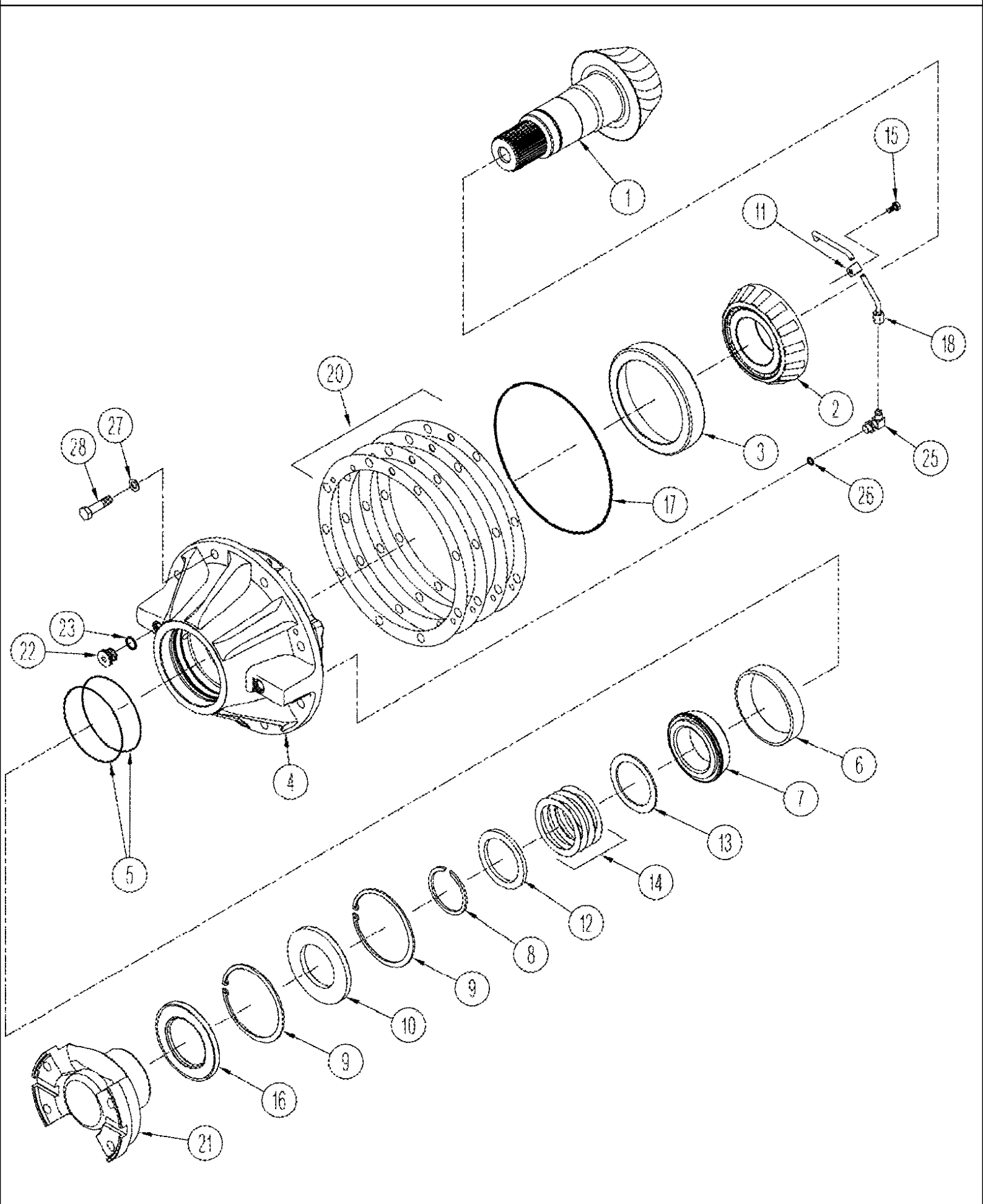
сылка	Номер детали	Кол-во	Описание
1	S3070S00F	2	RING,
2	S8730S00F	1	BEARING, ROLLER,
3	375523A1	4	BOLT,
4	375525A1	1	PLATE,
5	375527A1	1	PLATE,
6	375528A1	2	DISC, CLUTCH, Faced
7	S2080S00F	8	DISC, CLUTCH, 2,4 mm
8	375529A1	7	DISC, CLUTCH, Faced
9	375530A1	1	HUB,
10	375531A1	16	SPRING, COIL, Brake Return
11	375532A1	16	PIN,
12	375533A1	1	PISTON,
13	352834A1	1	RING,
14	375534A1	2	PLATE, BRAKE, Steel
15	375535A1	2	PLATE, BRAKE, Faced
16	375536A1	1	PLATE, BRAKE, Steel
17	375538A1	1	DRUM,
18	S2240S00F	1	SNAP RING,
19	S2220S00F	4	WASHER, THRUST, 2,4 mm
20	572182R1	2	BEARING, THRUST,
21	S5510S00F	1	RING,
22	375540A1	1	PINION, Drive
23	514-730	10	BOLT, Hex, M10 x 1.25 x 35, 8.8, Full Thd, M10 x 35
24	375541A1	2	RETAINER, SEAL,
25	375542A1	1	SHAFT, Input
26	375543A1	1	BEARING,
27	375544A1	1	RING, SNAP,
28	375545A1	1	WASHER,
29	375546A1	1	BEARING, CUP,
29	186621A1	1	BEARING, CONE,
30	375547A1	AR	RING, SNAP,
30	375548A1	AR	RING, SNAP,
30	375544A1	AR	RING, SNAP,



STX500 CASE IH 4WD TRACTOR (AFTER S/N JEE0099501)

06-65 AXLE MOUNTING, WHEEL TRACTOR

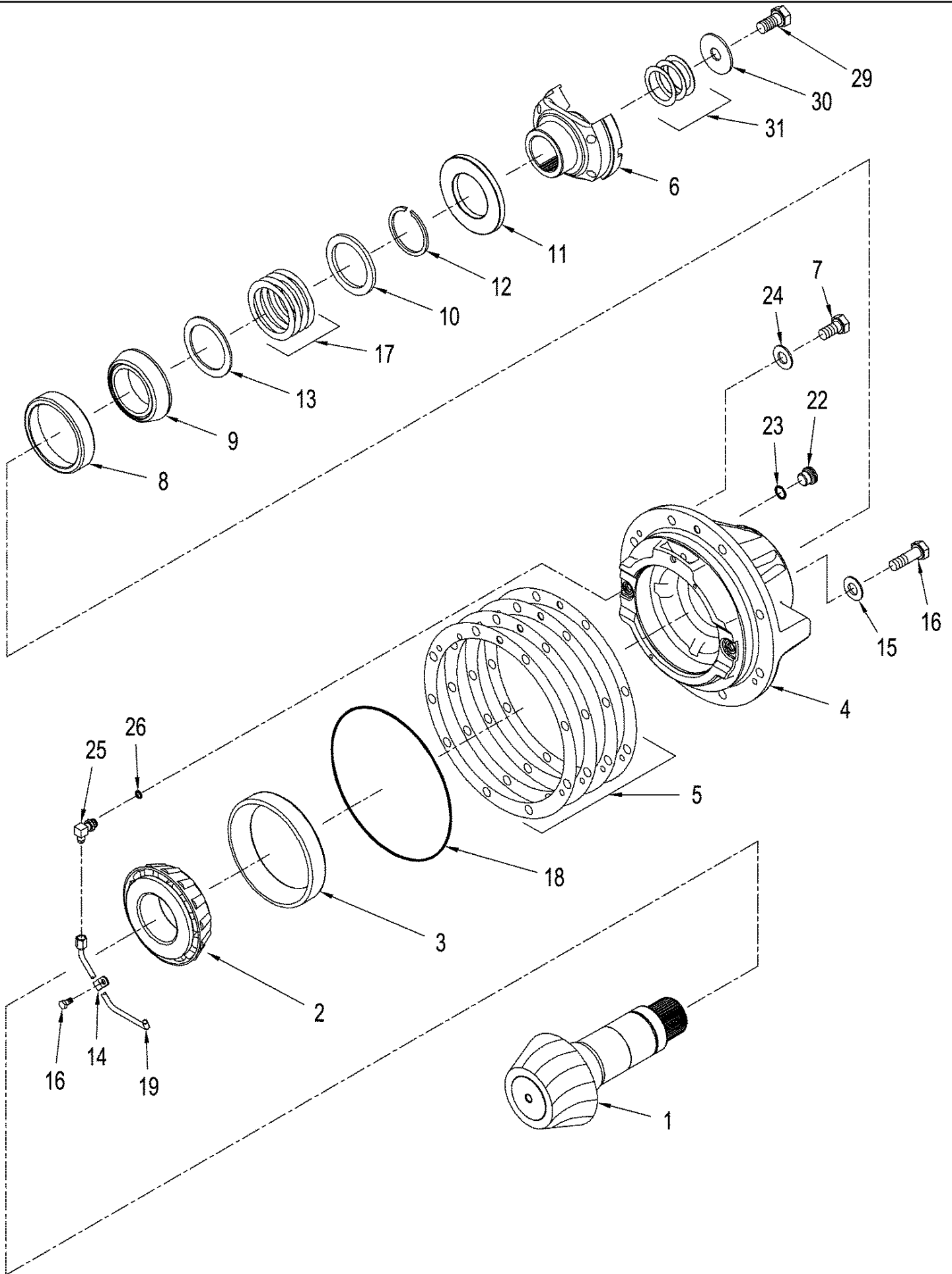
сылка	Номер детали	Кол-во	Описание
1	827-24200	8	BOLT, Hex, M24 x 200, 10.9, , With 400 Series Axles
1	827-24270	8	BOLT, Hex, M24 x 270, 10.9, M24 x 270; 10.9, With 500 Series Axles
2	896-11024	8	WASHER, M24 x 44.5 x 5, HT, 26 x 44 x 5 mm
3	829-1424	AR	NUT, M24, CI 10, M24; 10, Use (4) Rear Axle and (8) Front Axle
4	296050A1	2	PLATE, Mounting, Rear Axle
5	70-5967T1	2	SPACER,
6	896-11016	2	WASHER, M17.5 x 30 x 4, HT, 17,5 x 30 x 4 mm
7	627-16030	2	BOLT, Hex, M16 x 30, 10.9, Full Thd, Hex, M16 x 30, 10.9, Full Thd
8	316659A1	2	PLATE, SPACER, Rear Axle, With 400 Series Axles
9	892-11020	2	WASHER, LOCK, M20, M20, Rear Axle, With 400 Series Axles
10	627-12030	2	BOLT, Hex, M12 x 30, 10.9, , With 400 Series Axles



STX500 CASE IH 4WD TRACTOR (AFTER S/N JEE0099501)

06-73 500 SERIES AXLE ASSEMBLY - FRONT COVER

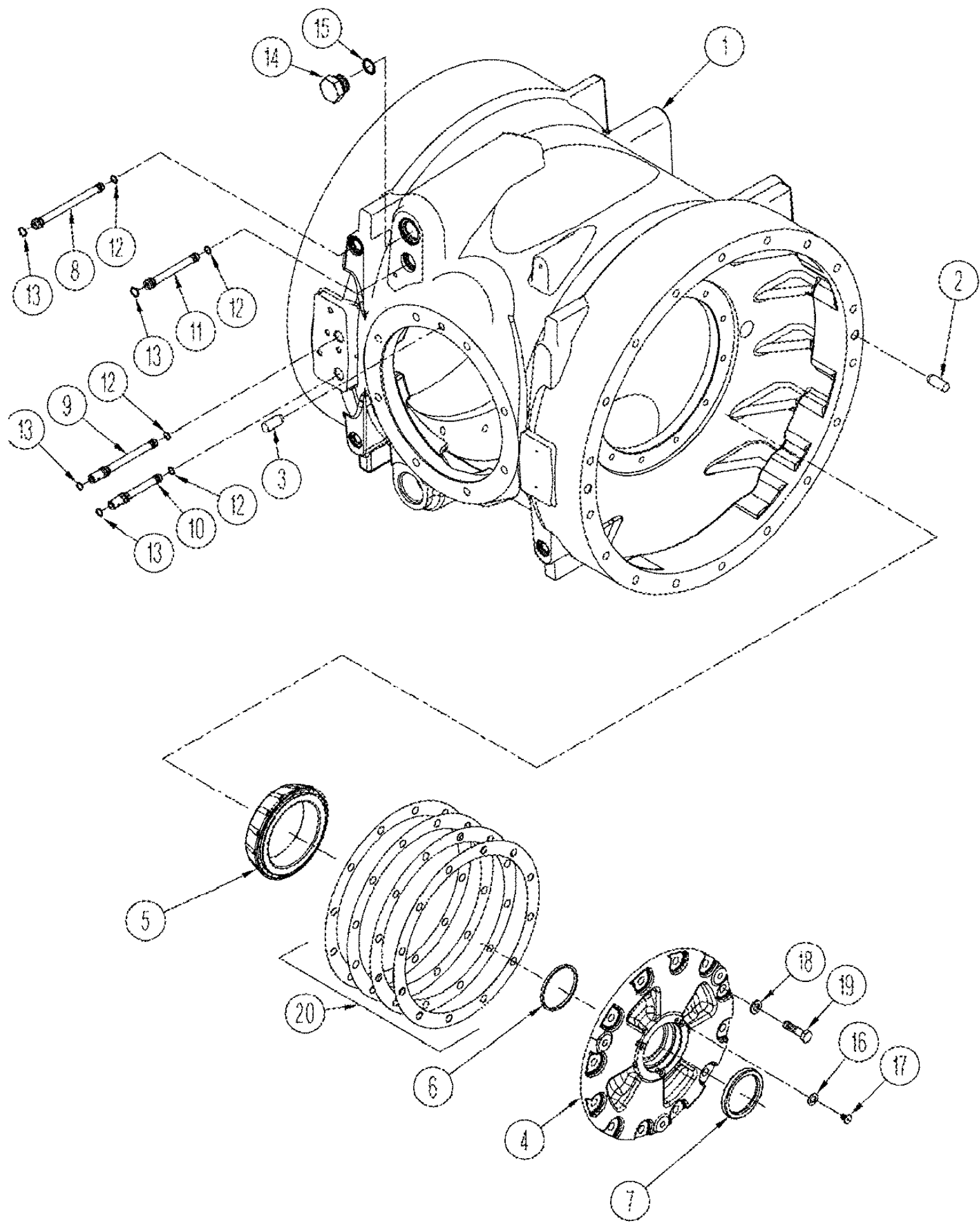
сылка	Номер детали	Кол-во	Описание
	352211A1	1	GEAR SET, Pinion Shaft And Gears, Inc. 1, See Figure 06-77, 06-78
1	NSS	1	NOT SERVICED SEPARATELY, Shaft, Pinion
2	248118A1	1	BEARING, CONE,
3	248114A1	1	BEARING SET,
4	328421A5	1	COVER,
5	238-5122	1	O-RING, -122, 70 Duro, 1.112" ID x .103" Thk,
6	191440A1	1	BEARING, CUP,
7	67190R91	1	BEARING, CONE,
8	229515A1	1	SNAP RING, M4
9	100-21550	2	RING, SNAP, 5.50", Int, #550,
10	87432424	1	SEAL, Pinion Input Shaft
11	515-2279	1	CLAMP, 5/16", Insul, 5/16" Bolt, M7,9
12	228968A2	1	SPACER, Thick
13	191713A1	1	SPACER, Thin
14	191709A1	AR	SHIM, 0,076 mm
14	191711A1	AR	SHIM, 0,101 mm
14	191712A1	AR	SHIM, 0,130 mm
14	220785A1	AR	SHIM, 0,508 mm
15	628-8016	1	BOLT, Hex, M8 x 16, 10.9, Full Thd, M8 x 16; 10,9
16	284186A1	1	SEAL,
17	238-5276	1	O-RING, -276, 70 Duro, 10.984" ID x .139" Thk,
18	284180A1	1	PIPE, Lubrication
20	279714A4	AR	SHIM, 0,076 mm
20	279715A4	AR	SHIM, 0,101 mm
20	279716A4	AR	SHIM, 0,130 mm
20	279717A4	AR	SHIM, 0,508 mm
21	284184A1	1	YOKE, 8,5 C
22	221578A1	1	PLUG, Hex Soc, M18 x 1.5, ORB, Includes 23
23	637-63153	1	O-RING, CI 6, 15.3MM ID x 2.2 Thk,
24	9625178	1	PLUG, Hex Soc, 9/16"-18 ORB, 9/16 Or, Not Illustrated, STX Wheel Tractor
25	218-5284	1	ELBOW, 90e, 1/2"-20, 37e x 9/16"-18, O-Ring, 5/16 x 3/8, Inc. 26, BSN JEE0102001
25	86985636	1	ELBOW, Orificed, 5/16 x 3/8, Inc. 26, ASN JEE0102001
27	896-12016	8	WASHER, M17.5 x 30 x 4, HT, 17,5 x 30 x 4 mm
28	828-16055	8	BOLT, Hex, M16 x 55, 10.9, Full Thd, Hex, M16 x 55, 10.9, Full Thd
29	221578A1	1	PLUG, Hex Soc, M18 x 1.5, ORB, Not Illustrated, Includes 30, STX Wheel Tractor
30	637-63153	1	O-RING, CI 6, 15.3MM ID x 2.2 Thk,
19	237-6006	2	O-RING, 6-1, 90 Duro, .468" ID x .078" Thk, Not Illustrated
26	237-6006	1	O-RING, 6-1, 90 Duro, .468" ID x .078" Thk,



STX500 CASE IH 4WD TRACTOR (AFTER S/N JEE0099501)

06-74 500 SERIES AXLE ASSEMBLY - REAR COVER

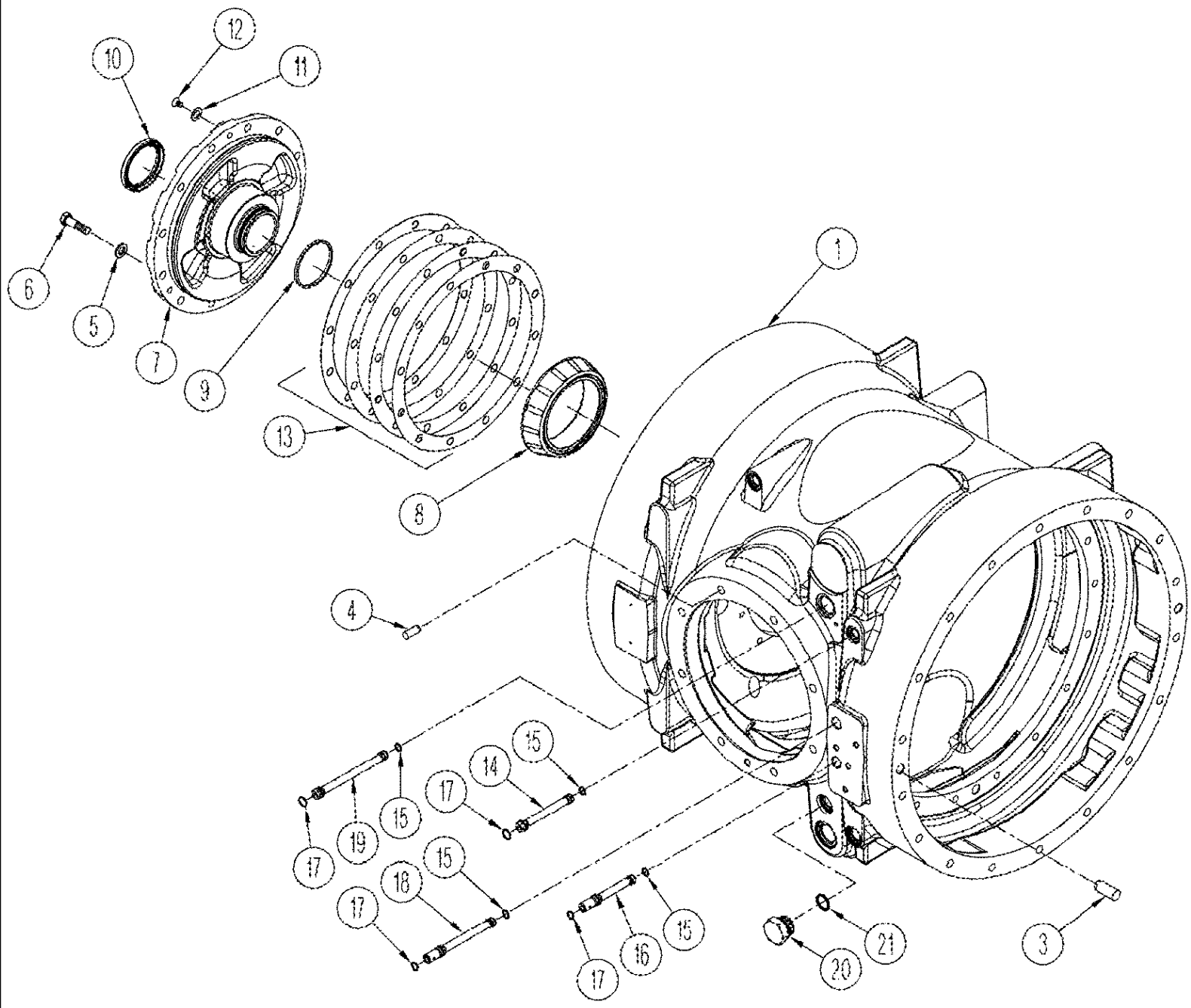
сылка	Номер детали	Кол-во	Описание
	352212A2	1	GEAR SET, Pinion Shaft and Gears, Inc. 1, See Figure 06-77, 06-78
1	NSS	1	NOT SERVICED SEPARATELY, Shaft, Pinion
2	248118A1	1	BEARING, CONE,
3	248114A1	1	BEARING SET,
4	328422A5	1	COVER,
5	279714A4	AR	SHIM, 0,076 mm
5	279715A4	AR	SHIM, 0,101 mm
5	279716A4	AR	SHIM, 0,130 mm
5	279717A4	AR	SHIM, 0,508 mm
6	284185A1	1	YOKE, 8,5 C
7	828-16055	8	BOLT, Hex, M16 x 55, 10.9, Full Thd, Hex, M16 x 55, 10.9, Full Thd
8	191440A1	1	BEARING, CUP,
9	67190R91	1	BEARING, CONE,
10	229515A1	1	SNAP RING, M4
11	87432424	1	SEAL,
12	228968A2	1	SPACER, Thick
13	191713A1	1	SPACER, Thin
14	515-2279	1	CLAMP, 5/16", Insul, 5/16" Bolt, M7,9
15	95-31038	3	WASHER, 5/16", 3/4 x 1-1/8 x 1/16
16	628-8016	4	BOLT, Hex, M8 x 16, 10.9, Full Thd, M8 x 16; 10,9
17	191709A1	1	SHIM, 0,076 mm
17	191711A1	1	SHIM, 0,101 mm
17	191712A1	1	SHIM, 0.130 mm
17	220785A1	1	SHIM, 0,508 mm
18	238-5276	1	O-RING, -276, 70 Duro, 10.984" ID x .139" Thk,
19	313377A1	1	PIPE, Lubrication
20	221578A1	1	PLUG, Hex Soc, M18 x 1.5, ORB, Not Illustrated, Includes 21, STX Wheel Tractor
21	637-63153	1	O-RING, CI 6, 15.3MM ID x 2.2 Thk,
22	221573A1	1	PLUG, Hex Soc, M12 x 1.5, ORB, M12 orb x 13, Includes 23, QUADTRAC Tractor
23	637-63093	1	O-RING, CI 6, 9.3MM ID x 2.2 Thk, 9,3 ID x 2,2
24	896-12016	8	WASHER, M17.5 x 30 x 4, HT, 17,5 x 30 x 4 mm
25	218-5284	1	ELBOW, 90e, 1/2"-20, 37e x 9/16"-18, O-Ring, 5/16 x 3/8, Inc. 26, BSN JEE0102001
25	86985636	1	ELBOW, Orificed, 5/16 x 3/8, Inc. 26, ASN JEE0102001
27	9625178	1	PLUG, Hex Soc, 9/16"-18 ORB, 3/8 Or, Not Illustrated, Inc. 28, STX Wheel Tractor
28	238-6012	1	O-RING, -012, 90 Duro, .364" ID x .070" Thk,
29	828-24110	1	BOLT, Hex, M24 x 110, 10.9, M24 x 110; 10.9
30	228967A2	1	WASHER,
31	178545A1	AR	SHIM, 0,076 mm
31	178546A1	AR	SHIM, 0,101 mm
31	178547A1	AR	SHIM, 0,130 mm
31	220779A1	AR	SHIM, 0,508 mm
26	237-6006	1	O-RING, 6-1, 90 Duro, .468" ID x .078" Thk,



STX500 CASE IH 4WD TRACTOR (AFTER S/N JEE0099501)

06-75 500 SERIES AXLE ASSEMBLY - CENTER AND LEFT-HAND CARRIER, WHEEL TRACTOR

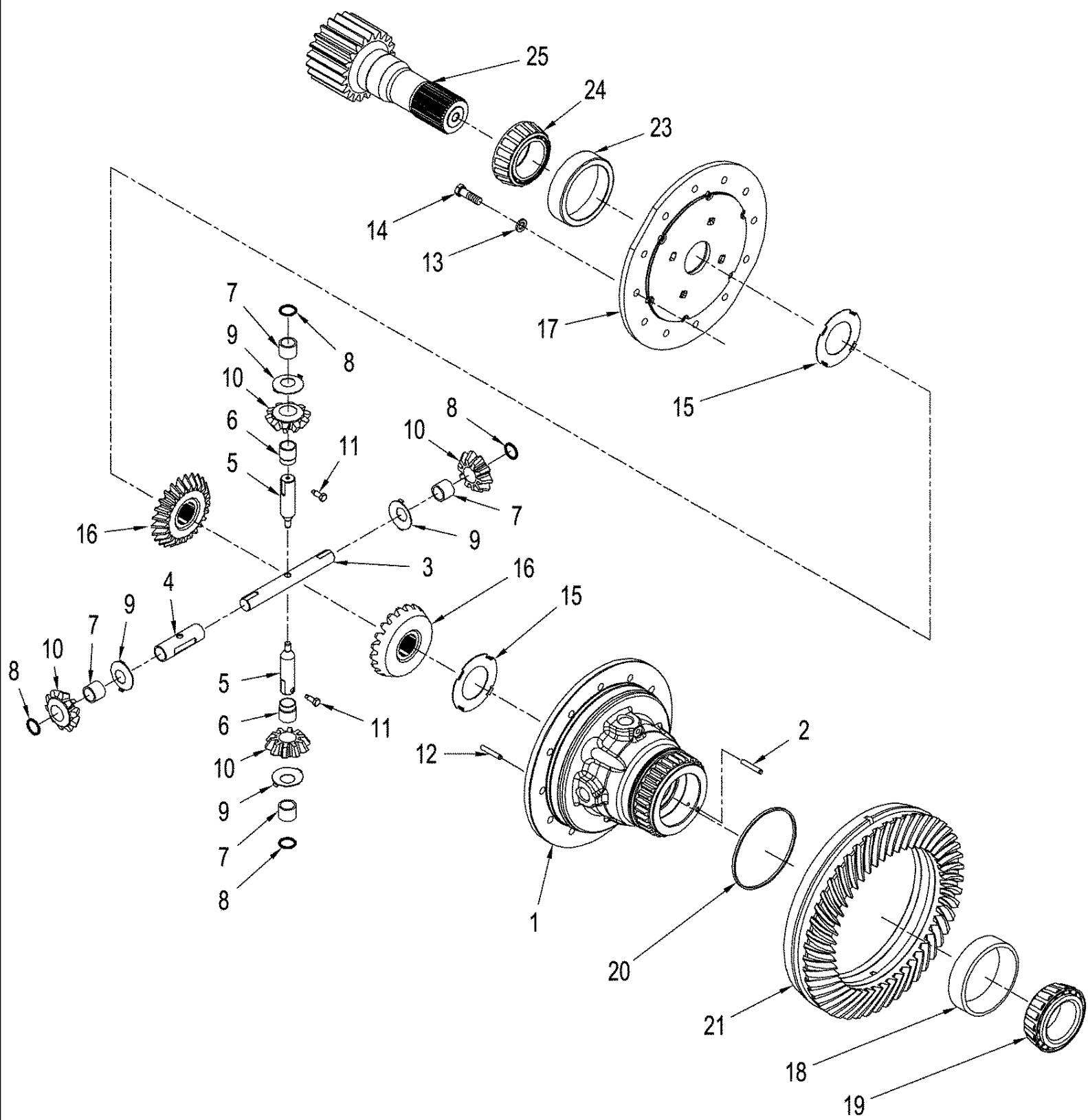
сылка	Номер детали	Кол-во	Описание
	333402A1	1	HOUSING, AXLE, Center, Inc. 1 - 3, BSN JEE0102001
	87438232	1	HOUSING, AXLE, Center, Inc. 1 - 3, ASN JEE0102001
1	NSS	1	NOT SERVICED SEPARATELY, Housing
2	837-16040	6	DOWEL, M16 x 40,
3	837-12025	1	DOWEL, M12 x 25, 12 x 25 mm
4	369765A1	1	CARRIER, BEARING,
5	253932A1	1	BEARING, CONE,
6	139060C2	1	RING,
7	139059C1	1	SEAL,
8	284188A1	1	TUBE, Jumper, Service Brake
9	329808A1	1	TUBE, Jumper, Lubrication, BSN JEE0102001
9	86985628	1	TUBE, Jumper. Lubrication, ASN JEE0102001
10	370783A2	1	TUBE, Jumper, Lubrication, BSN JEE0102001
10	86985628	1	TUBE, Jumper, Lubrication, ASN JEE0102001
11	298567A1	1	TUBE, Jumper, Park Brake
12	238-6013	4	O-RING, -012, 90 Duro, .364" ID x .070" Thk, 7/16 ID x 1/16
13	238-6015	4	O-RING, -015, 90 Duro, .551" ID x .070" Thk,
14	220069A1	1	PLUG, M33 x 2, ORB, M33 orb x 2, Inc. 15
15	637-64296	1	O-RING, CI 6, 29.6MM ID x 2.9 Thk, 29,6 ID x 2,9
16	95-81100	3	WASHER, 33/64" x 7/8" x .049", 33/64 x 7/8
17	843-1812	3	SCREW, Hex Flat Hd, M8 x 12, 4.8, M8 x 12; 4.8
18	896-12012	12	WASHER, M12 x 24.5 x 3, HT,
19	828-12045	12	BOLT, Hex, M12 x 45, 10.9, Full Thd, M12 x 45; 10.9
20	255121A1	AR	SHIM, 0,076 mm
20	255122A1	AR	SHIM, 0,101 mm
20	255123A1	AR	SHIM, 0,130 mm
20	255124A1	AR	SHIM, 0,508 mm



STX500 CASE IH 4WD TRACTOR (AFTER S/N JEE0099501)

06-76 500 SERIES AXLE ASSEMBLY - CENTER AND LEFT-HAND CARRIER, QUADTRAC TRACTOR

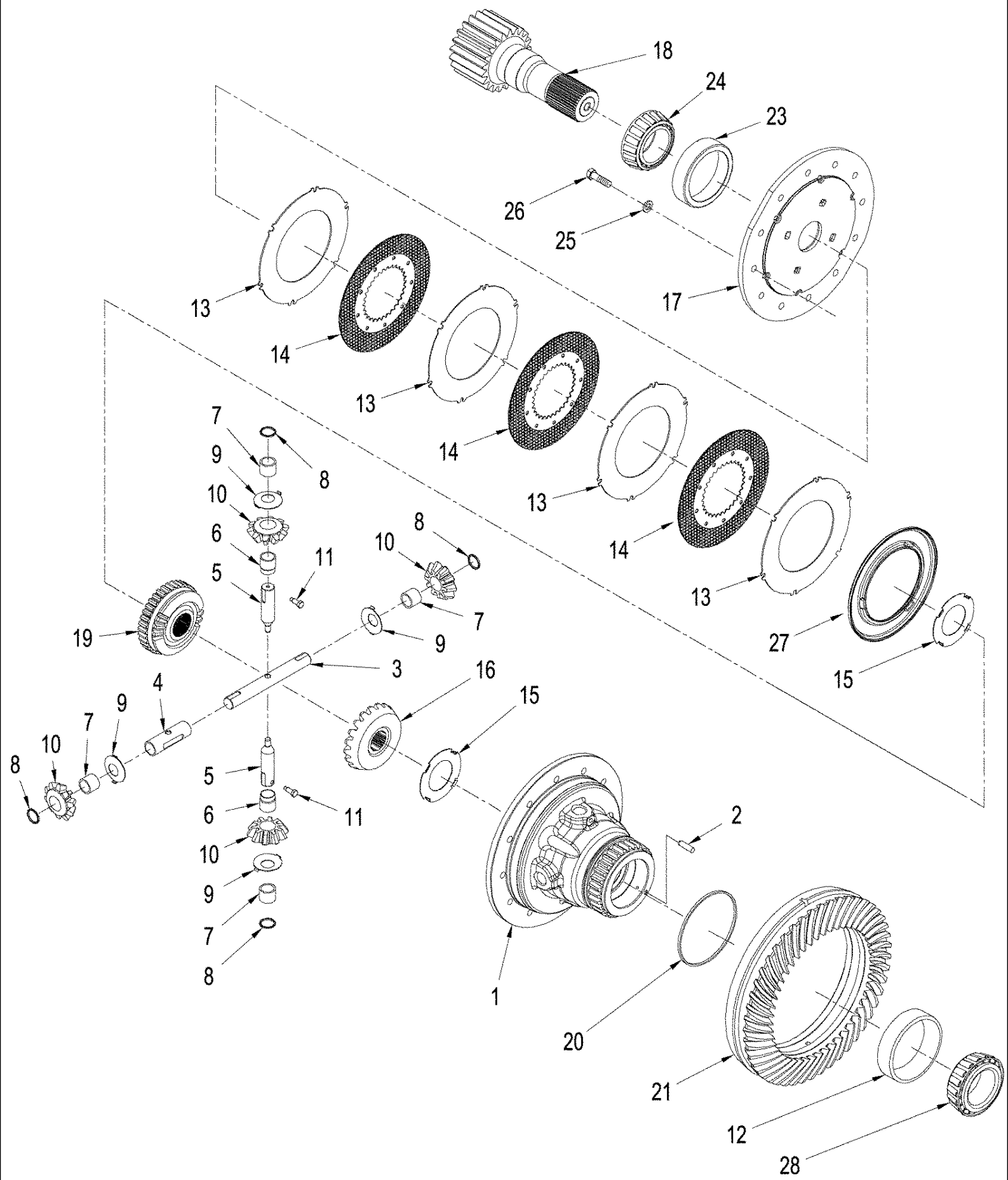
сылка	Номер детали	Кол-во	Описание
	344941A2	1	HOUSING, AXLE, Center, Front Axle, Inc. 1 - 4, BSN JEE0102001
	87438235	1	HOUSING, AXLE, Center, Front Axle, Inc. 1 - 4, ASN JEE0102001
	333403A2	1	HOUSING, AXLE, Center, Rear Axle, Not Illustrated, Inc. 1 - 4, BSN JEE0102001
	87438234	1	HOUSING, AXLE, Center, Rear Axle, Not Illustrated, Inc. 1 - 4, ASN JEE0102001
1	NSS	1	NOT SERVICED SEPARATELY, Housing, Axle
3	837-16040	6	DOWEL, M16 x 40,
4	837-12025	1	DOWEL, M12 x 25, 12 x 25 mm
5	896-12012	12	WASHER, M12 x 24.5 x 3, HT,
6	628-12035	12	BOLT, Hex, M12 x 35, 10.9, Full Thd,
7	369765A1	1	CARRIER, BEARING, Left-Hand
8	253932A1	1	BEARING, CONE,
9	139060C2	1	RING,
10	139059C1	1	SEAL,
11	95-81100	3	WASHER, 33/64" x 7/8" x .049", 33/64 x 7/8
12	843-1812	3	SCREW, Hex Flat Hd, M8 x 12, 4.8, M8 x 12; 4.8
13	255121A1	AR	SHIM, 0,076 mm
13	255122A1	AR	SHIM, 0,101 mm
13	255123A1	AR	SHIM, 0,130 mm
13	255124A1	AR	SHIM, 0,508 mm
14	284188A1	1	TUBE, Jumper, Service Brake
15	238-6013	4	O-RING, -012, 90 Duro, .364" ID x .070" Thk, 7/16 ID x 1/16
16	370783A2	1	TUBE, Jumper, Lubrication, BSN JEE0102001
16	86985628	1	TUBE, Jumper, Lubrication, ASN JEE0102001
17	238-6015	4	O-RING, -015, 90 Duro, .551" ID x .070" Thk,
18	329808A1	1	TUBE, Jumper, Lubrication, BSN JEE0102001
18	86985628	1	TUBE, Jumper, Lubrication, ASN JEE0102001
19	298567A1	1	TUBE, Jumper, Park Brake
20	220069A1	1	PLUG, M33 x 2, ORB, M33 orb x 2, Inc. 21
21	637-64296	1	O-RING, CI 6, 29.6MM ID x 2.9 Thk, 29,6 ID x 2,9



STX500 CASE IH 4WD TRACTOR (AFTER S/N JEE0099501)

06-77 500 SERIES AXLE ASSEMBLY - DIFFERENTIAL, WITHOUT DIFFERENTIAL LOCKS

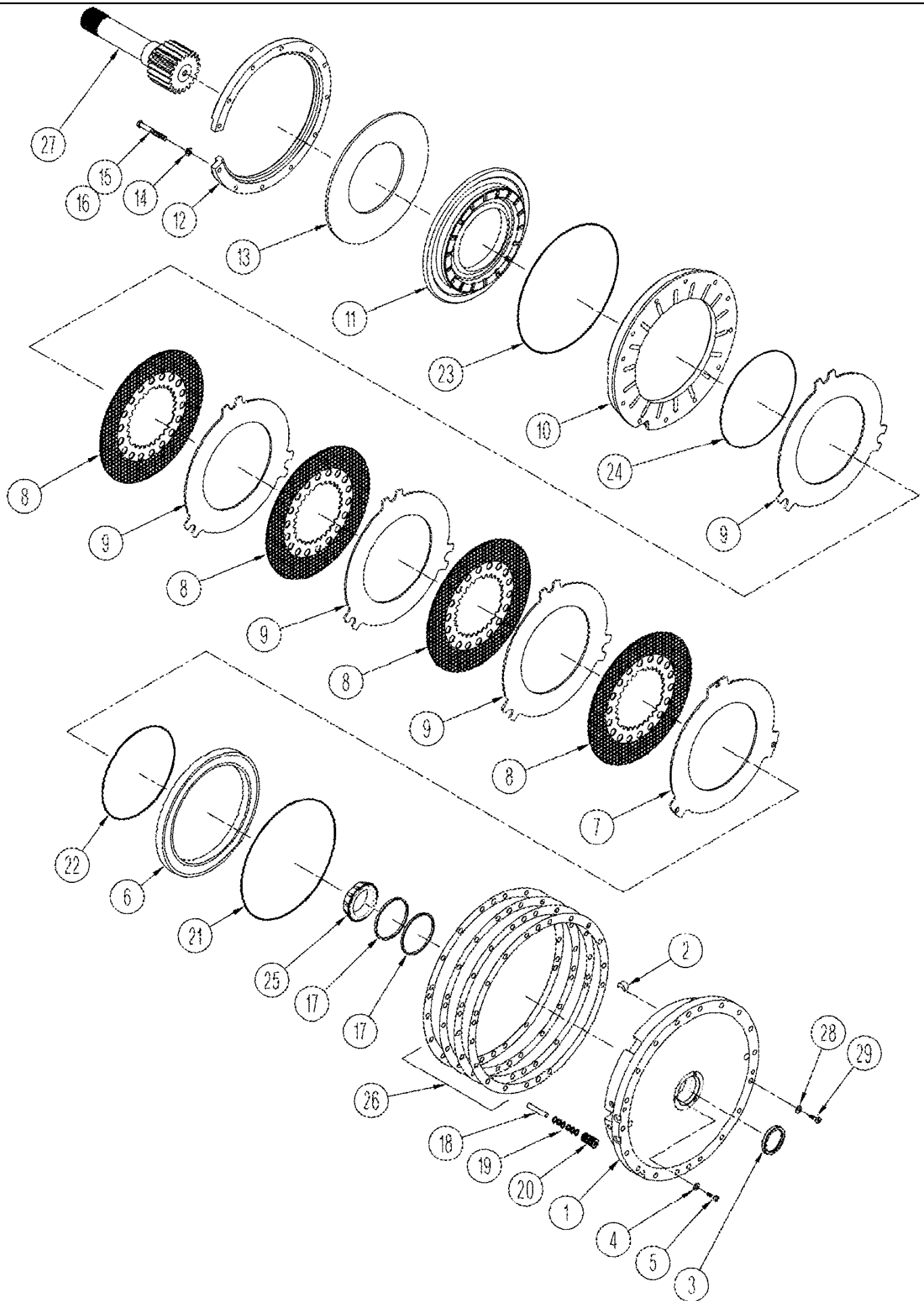
сылка	Номер детали	Кол-во	Описание
	413410A1	1	DIFFERENTIAL ASSY, Inc. 1, 2
1	NSS	1	NOT SERVICED SEPARATELY, Housing
2	87520606	1	PLUG, 10 mm
3	92907C1	1	SHAFT, Pinion, Long
4	1289349C1	1	SPACER, Long Pinion
5	92906C1	2	SHAFT, SHORT, Pinion
6	1289350C1	2	SPACER,
7	1270697C1	112	NEEDLE, 28 Per Gear
8	1289348C1	4	RING, Retaining
9	92718C2	4	WASHER,
10	92905C1	4	PINION,
11	1997421C1	2	BOLT, Cross Pin
12	137023A1	6	DOWEL, 10 x 60 mm
13	896-11016	24	WASHER, M17.5 x 30 x 4, HT, 17,5 x 30 x 4 mm
14	828-16055	24	BOLT, Hex, M16 x 55, 10.9, Full Thd, Hex, M16 x 55, 10.9, Full Thd
15	87629650	2	WASHER, THRUST,
16	1259633C3	2	GEAR, Bevel, 20T
17	87597982	1	COVER, Housing
18	622337C1	1	BEARING, CUP,
19	622336C1	1	BEARING, CONE,
20	148939C1	1	SEAL,
	352211A1	1	GEAR SET, Pinion Shaft and Gears, Front Axle, Inc. 21, See Figure 06-73
	352212A2	1	GEAR SET, Pinion Shaft and Gears, Rear Axle, Not Illustrated, Inc. 22, See Figure 06-74
21	NSS	1	NOT SERVICED SEPARATELY, Gear, Drive, Front Axle
22	NSS	1	NOT SERVICED SEPARATELY, Gear, Drive, Rear Axle, Not Illustrated
23	253931A1	1	BEARING SET,
24	253932A1	1	BEARING, CONE,
25	279844A2	2	SHAFT, Sun Gear, Short, QUADTRAC Tractor
25	279719A2	1	SUN GEAR, Short, STX Wheel Tractor



STX500 CASE IH 4WD TRACTOR (AFTER S/N JEE0099501)

06-78 500 SERIES AXLE ASSEMBLY - DIFFERENTIAL, WITH DIFFERENTIAL LOCKS

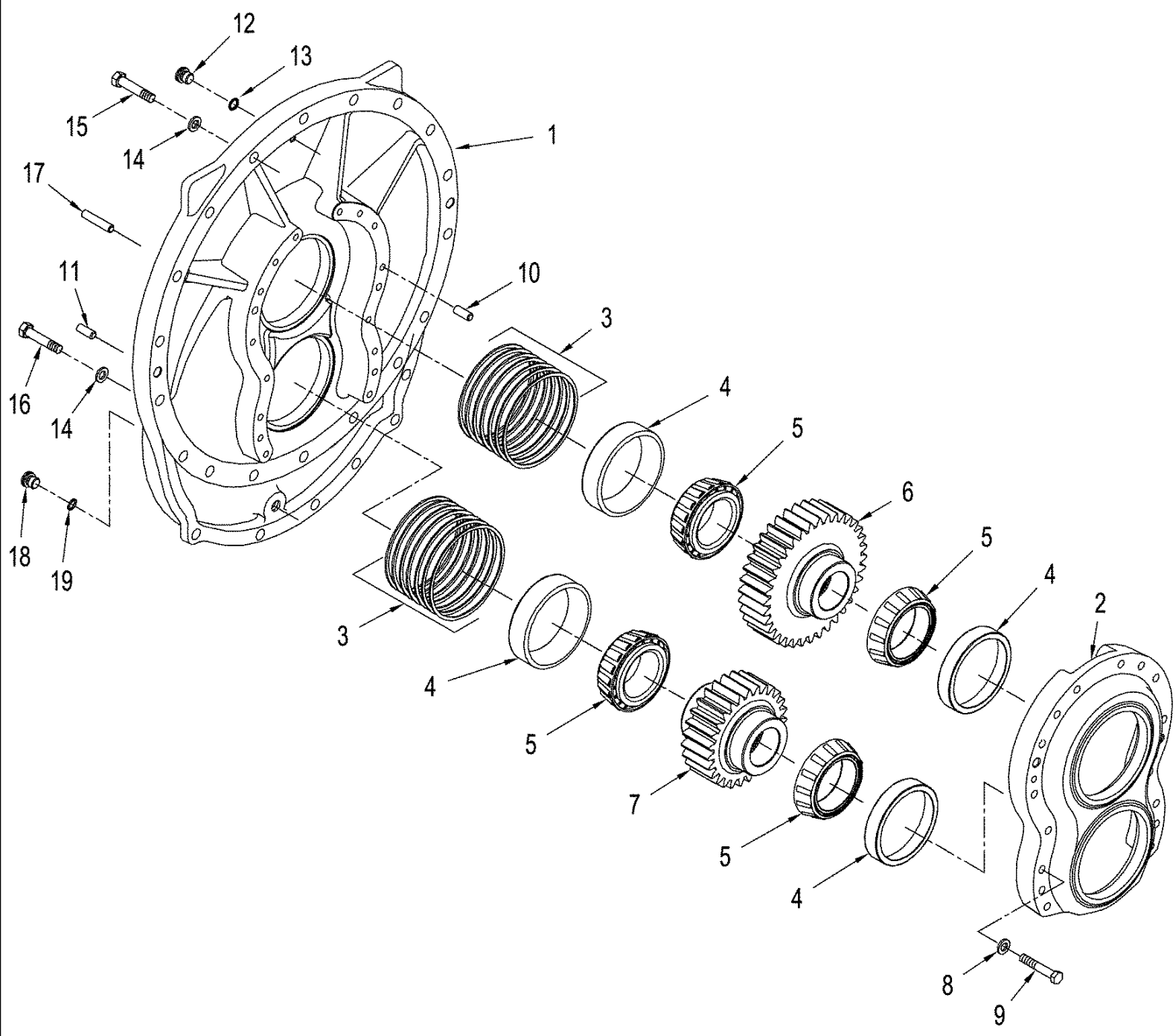
сылка	Номер детали	Кол-во	Описание
	87522603	1	DIFFERENTIAL ASSY, Inc. 1,2
1	NSS	1	NOT SERVICED SEPARATELY, Housing
2	87520606	1	PLUG, 10 mm
3	92907C1	1	SHAFT, Pinion, Long
4	1289349C1	1	SPACER, Long Pinion
5	92906C1	2	SHAFT, SHORT, Pinion
6	1289350C1	2	SPACER,
7	1270697C1	112	NEEDLE, 28 Per Gear
8	1289348C1	4	RING,
9	92718C2	4	WASHER,
10	92905C1	4	PINION,
11	1997421C1	2	BOLT, Cross Pin
12	622337C1	1	BEARING, CUP,
13	87452270	4	PLATE, Separator
14	120679C1	3	PLATE, Friction
15	87629650	2	WASHER, THRUST,
16	1259633C3	1	GEAR, Bevel, 20T
17	87629958	1	Housing
18	279844A2	2	SHAFT, Sun Gear, Short, QUADTRAC Tractor
18	279719A2	1	SUN GEAR, Short, STX Wheel Tractor
19	1259634C3	1	PINION, Lock
20	148939C1	1	SEAL,
	352211A1	1	GEAR SET, Pinion Shaft and Gears, Front Axle, Inc. 21, See Figure 06-73
	352212A2	1	GEAR SET, Pinion Shaft And Gears, Rear axle, Not Illustrated, Inc. 22, See Figure 06-74
21	NSS	1	NOT SERVICED SEPARATELY, Gear, Drive, Front Axle
22	NSS	1	NOT SERVICED SEPARATELY, Gear, Drive, Rear Axle, Not Illustrated
23	253931A1	1	BEARING SET,
24	253932A1	1	BEARING, CONE,
25	896-11016	24	WASHER, M17.5 x 30 x 4, HT, 17,5 x 30 x 4 mm
26	828-16055	24	BOLT, Hex, M16 x 55, 10.9, Full Thd,
27	1997422C1	1	PISTON, Brake
28	622336C1	1	BEARING, CONE,



STX500 CASE IH 4WD TRACTOR (AFTER S/N JEE0099501)

06-79 500 SERIES AXLE ASSEMBLY - BRAKE AND RIGHT-HAND CARRIER

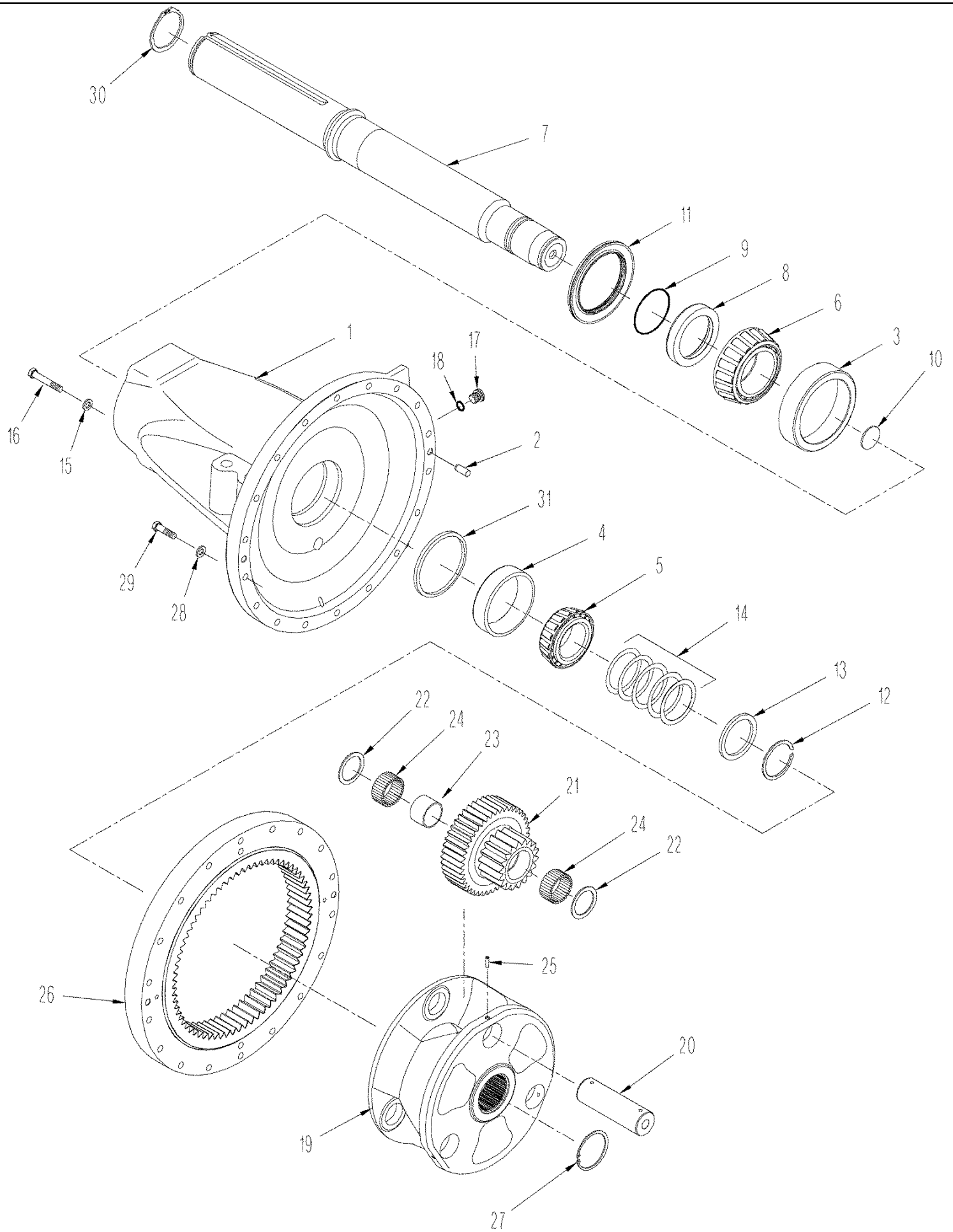
сылка	Номер детали	Кол-во	Описание
	398453A1	1	CARRIER, Inc. 1, 2
	398454A1	1	CARRIER, Inc. 1, 2, QUADTRAC Tractor
1	NSS	1	NOT SERVICED SEPARATELY, Carrier, Brake, QUADTRAC Tractor
1	NSS	1	NOT SERVICED SEPARATELY, Carrier, Brake, STX Wheel Tractor
2	NSS	1	NOT SERVICED SEPARATELY, 6,5 mm, Plug, Expansion
3	139059C1	1	SEAL,
4	95-81100	3	WASHER, 33/64" x 7/8" x .049", 33/64 x 7/8
5	843-1812	3	SCREW, Hex Flat Hd, M8 x 12, 4.8, M8 x 12; 4.8
6	353364A1	1	PISTON, Service Brake
7	228194A3	1	PLATE, Return
8	353363A1	4	PLATE, Friction
9	228193A1	4	PLATE, Separator
10	353366A3	1	PLATE, Backing, QUADTRAC Tractor
10	353367A3	1	PLATE, Backing, STX Wheel Tractor
11	353369A1	1	PISTON, Park Brake
12	279707A1	1	SNAP RING,
13	226320A1	1	SPRING,
14	896-12012	12	WASHER, M12 x 24.5 x 3, HT,
15	828-12100	10	BOLT, Hex, M12 x 100, 10.9, M12 x 100; 10.9
11	353369A1	1	PISTON,
16	828-12090	2	BOLT, Hex, M12 x 90, 10.9, M12 x 90; 10.9
17	388308A1	2	SEAL, Ring
	363254A1	3	ADJUSTER, Inc. 18 - 20
18	NSS	1	NOT SERVICED SEPARATELY, Pin, Dowel
19	100-1450	6	RING, SNAP, #50, Ext,
20	1342928C1	12	WASHER,
21	238-7281	1	O-RING, -281, CI 7, 14.484" ID x .139" Thk, 1/8 ID x 15; 7
22	238-7277	1	O-RING, -277, CI 7, 11.484" ID x .139" Thk,
23	238-7282	1	O-RING, -282, CI 7, 15.955" ID x .139" Thk, 1/8 ID x 16; 7
24	238-7278	1	O-RING, -277, CI 7, 11.984" ID x .139" Thk,
25	622336C1	1	BEARING, CONE,
26	279709A1	AR	SHIM, 0,076 mm
26	279710A1	AR	SHIM, 0,101 mm
26	279711A1	AR	SHIM, 0,130 mm
26	279712A1	AR	SHIM, 0,508 mm
27	279843A2	2	SHAFT, Sun Gear, Long, QUADTRAC Tractor
27	279718A2	1	SHAFT, Sun Gear, Long, STX Wheel Tractor
28	896-12014	18	WASHER, M12 x 28.5 x 3, HT, 15,5 x 28 x 3 mm
29	828-14055	18	BOLT, Hex, M14 x 55, 10.9,



STX500 CASE IH 4WD TRACTOR (AFTER S/N JEE0099501)

06-80 500 SERIES AXLE ASSEMBLY - OFFSET BEARING, QUADTRAC TRACTOR

сылка	Номер детали	Кол-во	Описание
	430452A1	1	HOUSING, AXLE, Offset Bearing, Inc. 1, 2, BSN JEE0106701
	87442153	1	HOUSING, AXLE, Offset Bearing, Inc. 1,2 & 8, 9, ASN JEE0106701
1	NSS	1	NOT SERVICED SEPARATELY, Carrier
2	NSS	1	NOT SERVICED SEPARATELY, Cover
3	358064A1	AR	SHIM, 2,2 mm
3	358065A1	AR	SHIM, 2,3 mm
3	358066A1	AR	SHIM, 2,4 mm
3	358067A1	AR	SHIM, 2,5 mm
3	358068A1	AR	SHIM, 2,6 mm
3	358069A1	AR	SHIM, 2,7 mm
3	358070A1	AR	SHIM, 2,8 mm
4	284190A1	4	BEARING, CUP,
5	299245A1	4	BEARING, CONE,
6	279845A1	1	GEAR, 36 T
7	279846A1	1	GEAR, 27 T
8	896-12012	16	WASHER, M12 x 24.5 x 3, HT,
9	828-12070	16	BOLT, Hex, M12 x 70, 10.9, M12 x 70; 10.9
10	837-12035	2	DOWEL, M12 x 35, M12 x 35
11	837-16040	2	DOWEL, M16 x 40,
12	221578A1	2	PLUG, Hex Soc, M18 x 1.5, ORB, Includes 13
13	637-63153	2	O-RING, CI 6, 15.3MM ID x 2.2 Thk,
14	896-12016	16	WASHER, M17.5 x 30 x 4, HT, 17,5 x 30 x 4 mm
15	828-16070	11	BOLT, Hex, M16 x 70, 10.9, Hex, M16 x 70, 10.9
16	828-16060	5	BOLT, Hex, M16 x 60, 10.9, Full Thd, Hex, M16 x 60, 10.9, Full Thd
17	353-22	14	PLUG, Cap, 1.282" OD, 1-9/32
18	221578A1	1	PLUG, Hex Soc, M18 x 1.5, ORB, Includes 19
19	637-63153	1	O-RING, CI 6, 15.3MM ID x 2.2 Thk,



STX500 CASE IH 4WD TRACTOR (AFTER S/N JEE0099501)

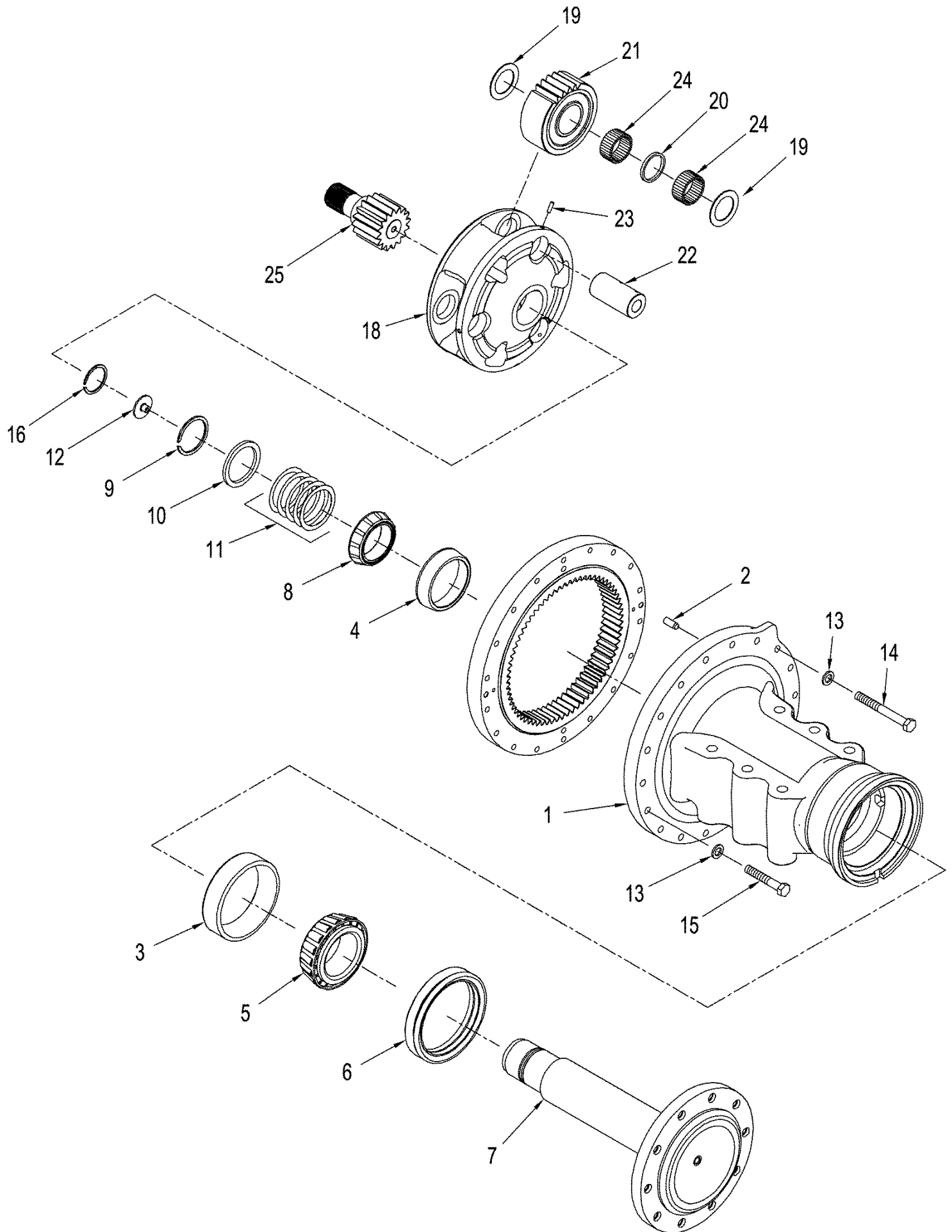
06-81 500 SERIES AXLE ASSEMBLY - FINAL DRIVE, WHEELED TRACTOR

сылка	Номер детали	Кол-во	Описание
	435221A1	1	CARRIER, AXLE, Inc. 1 - 4
1	NSS	1	NOT SERVICED SEPARATELY, Housing
2	837-16040	2	DOWEL, M16 x 40,
3	237698A1	1	BEARING, CUP,
4	A136253	1	BEARING SET, , BSN JEE0102001
4	1975500C1	1	BEARING, CUP, , ASN JEE0102001
5	A136255	1	BEARING, CONE, , BSN JEE0102001
5	1975499C1	1	BEARING, CONE, , ASN JEE0102001
6	237700A1	1	BEARING, CONE,
	435219A1	1	SHAFT ASSY., 115 mm (4-1/2 in), Axle, Inc. 7 - 10
7	NSS	1	NOT SERVICED SEPARATELY, 115 mm (4-1/2 in), Shaft
8	239529A1	1	BUSHING, Outboard
9	238-5246	1	O-RING, -246, 70 Duro, 4.484" ID x .139" Thk,
10	1981270C1	1	INSERT,
11	239942A3	1	SEAL,
12	243856A1	1	SNAP RING, , BSN JEE0102001
12	435222A1	1	SNAP RING, , ASN JEE0102001
13	124744C1	1	RING, , BSN JEE0102001
13	436752A1	1	RING, THRUST, , ASN JEE0102001
14	143921C1	AR	SHIM, 0,760 mm, BSN JEE0102001
14	437392A1	AR	SHIM, , ASN JEE0102001
14	143922C1	AR	SHIM, 0,300 mm, BSN JEE0102001
14	437393A1	AR	SHIM, , ASN JEE0102001
14	143923C1	AR	SHIM, 0,13 mm, BSN JEE0102001
14	437394A1	AR	SHIM, , ASN JEE0102001
14	143924C1	AR	SHIM, 0,10 mm, BSN JEE0102001
14	437395A1	AR	SHIM, , ASN JEE0102001
14	143925C1	AR	SHIM, 0,076 mm, BSN JEE0102001
14	437396A1	AR	SHIM, , ASN JEE0102001
15	95-31038	4	WASHER, 5/16", 3/4 x 1-1/8 x 1/16
16	628-8016	4	BOLT, Hex, M8 x 16, 10.9, Full Thd, M8 x 16; 10,9
17	221578A1	1	PLUG, Hex Soc, M18 x 1.5, ORB, Includes 18
18	637-63153	1	O-RING, CI 6, 15.3MM ID x 2.2 Thk,
	87408659	1	CARRIER ASSY., Axle Planetary, Small Spline, Inc. 19, 20, 25
19	435215A1	1	CARRIER, AXLE, Planetary, Large Spline, See Service Bulletin NTR SB 005 03 for Further Information
19	86985638	1	CARRIER, AXLE, Planetary, Small Spline, 44T / 18T, See Service Bulletin NTR SB 005 03 for Further Information.
20	446312A1	3	SHAFT, PLANETARY CARRIER,
21	357347A2	3	GEAR, 18 T / 44 T
22	397449A1	6	WASHER, THRUST,
23	377650A1	3	SPACER,
24	360785A1	156	NEEDLE,
25	838-31025	3	PIN, M10 x 25, Coiled, 10 x 25 mm, Coiled Spring
26	357346A1	2	GEAR, 69 T, Ring
27	101-11350	2	RING, SNAP, #350, Ext,

STX500 CASE IH 4WD TRACTOR (AFTER S/N JEE0099501)

06-81 500 SERIES AXLE ASSEMBLY - FINAL DRIVE, WHEELED TRACTOR

сылка	Номер детали	Кол-во	Описание
28	896-12016	36	WASHER, M17.5 x 30 x 4, HT, 17,5 x 30 x 4 mm
29	828-16150	36	BOLT, Hex, M16 x 150, 10.9, M16 x 150; CL10.9, BSN JEE0102001
29	828-16130	36	BOLT, Hex, M16 x 130, 10.9, M16 x 130; CL10.9, ASN JEE0102001
30	800-11115	4	RING, SNAP, M115, Ext, 115 mm
31	435216A1	2	SPACER, , ASN JEE0102001



STX500 CASE IH 4WD TRACTOR (AFTER S/N JEE0099501)

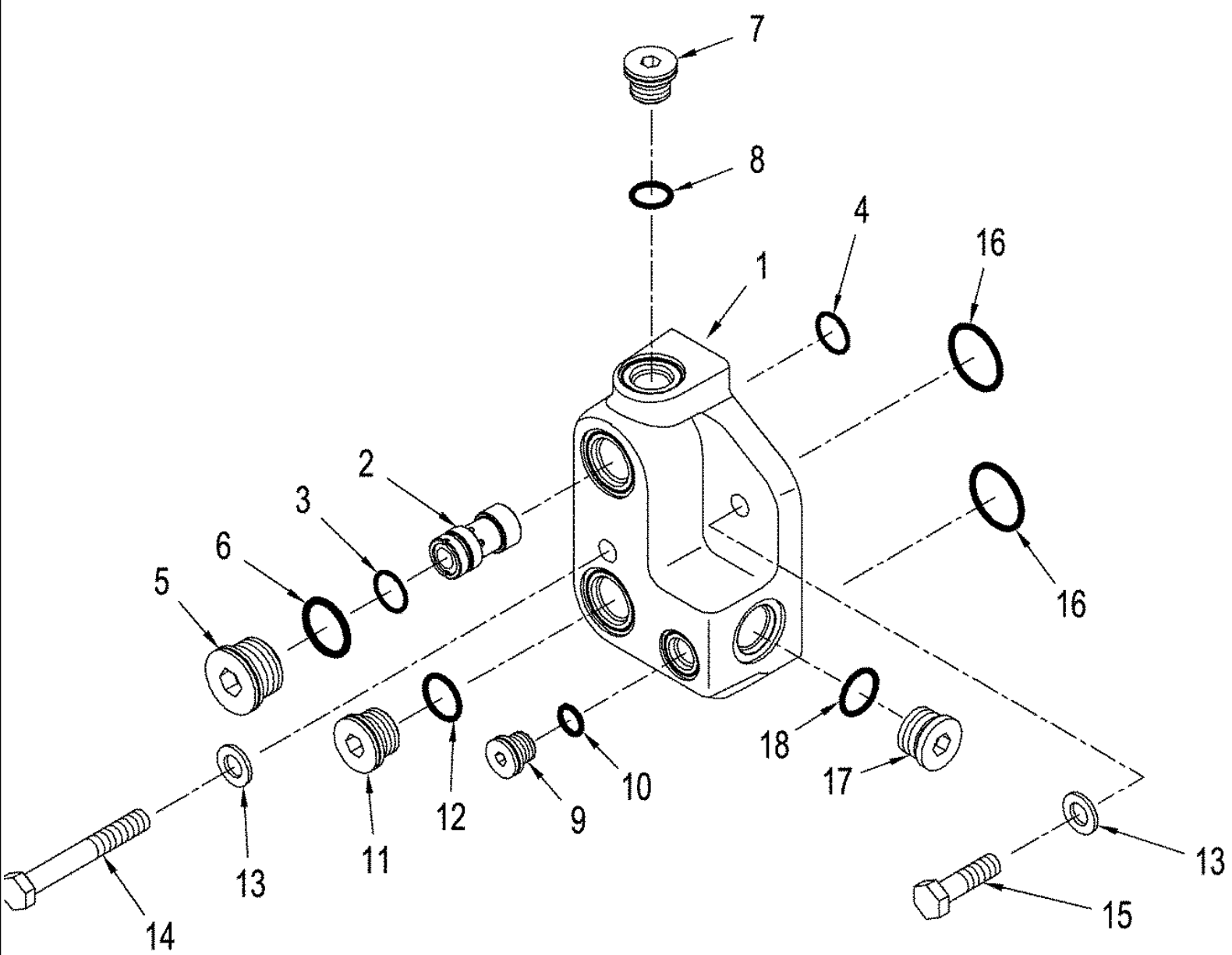
06-82 500 SERIES AXLE ASSEMBLY - FINAL DRIVE, QUADTRAC TRACTOR, BSN JEE0106701

сылка	Номер детали	Кол-во	Описание
	336360A4	1	CARRIER, AXLE, Inc. 1 - 4
1	NSS	1	NOT SERVICED SEPARATELY, Housing
2	837-16040	2	DOWEL, M16 x 40,
3	237698A1	1	BEARING, CUP,
4	619697C1	1	BEARING, CUP,
5	237700A1	1	BEARING, CONE,
6	369532A2	1	SEAL,
7	359642A1	1	AXLE SHAFT, , BSN JEE0104001
7	87417260	1	AXLE ASSY, 4WD, Shaft, ASN JEE0104001
8	1963841C1	1	BEARING, CONE,
9	243856A1	1	SNAP RING,
10	124744C1	1	RING,
11	143921C1	AR	SHIM, 0,760 mm
11	143922C1	AR	SHIM, 0,300 mm
11	143923C1	AR	SHIM, 0,13 mm
11	143924C1	AR	SHIM, 0,10 mm
11	143925C1	AR	SHIM, 0,076 mm
12	1981270C1	1	INSERT,
13	896-12016	18	WASHER, M17.5 x 30 x 4, HT, 17,5 x 30 x 4 mm
14	828-16150	16	BOLT, Hex, M16 x 150, 10.9, M16 x 150; 10.9
15	828-16220	2	BOLT, Hex, M16 x 220, 10.9, M16 x 220; 10.9
16	101-11350	2	RING, SNAP, #350, Ext,
17	310695A1	2	GEAR, RING, 77 T, Ring
18	388366A1	1	CARRIER, GEARS, Planetary
19	385900A1	6	WASHER,
20	86985634	3	SPACER, RING,
21	310694A2	3	GEAR, PLANETARY, 29 T, Planet
22	310697A3	3	SHAFT, Gear
23	86639256	3	PIN, M8 x 26, Coiled, 8 x 26 mm, Coiled Spring
24	1349347C1	198	BEARING, NEEDLE,
25	360335A1	2	SHAFT, 16 T, Sun Gear

STX500 CASE IH 4WD TRACTOR (AFTER S/N JEE0099501)

06-82(01) 500 SERIES AXLE ASSEMBLY - FINAL DRIVE, QUADTRAC TRACTOR, ASN JEE0106701

сылка	Номер детали	Кол-во	Описание
	87308304	1	CARRIER, AXLE, Yoke, Inc. 1 - 4
1	NSS	1	NOT SERVICED SEPARATELY, Housing
2	837-16040	2	DOWEL, M16 x 40,
3	237698A1	1	BEARING, CUP,
4	64371H0	1	CUP ASSY., Cone
5	237700A1	1	BEARING, CONE,
6	369532A2	1	SEAL,
7	87441344	1	SHAFT,
8	64370H	1	BEARING, ROLLER, Cone
9	87309531	2	SCREW, SELF TAP, Flg Socket Hd, M5 x 0.8, Gr10.9
10	87449936	1	RING, LOCKING, Nut
11	87301260	4	BOLT, Hex, M16 x 420, 10.9, Cap, HH, M16 x 420, CL10.9
12	1981270C1	1	INSERT,
13	896-12016	9	WASHER, M17.5 x 30 x 4, HT, 17,5 x 30 x 4 mm
14	360335A1	2	SHAFT, 16 T, Sun Gear
15	87301259	4	BOLT, Hex, M16 x 350, 10.9, M16 x 350, CL10.9
16	101-11350	2	RING, SNAP, #350, Ext,
17	310695A1	2	GEAR, RING, 77 T, Ring
18	388366A1	1	CARRIER, GEARS, Planetary
19	87435907	16	WASHER,
20	86985634	3	SPACER, RING,
21	310694A2	3	GEAR, PLANETARY, 29 T, Planet
22	310697A3	3	SHAFT, Gear
23	838-3826	3	PIN, M8 x 26, Coiled, 8 x 26 mm, Coiled Spring
24	1349347C1	198	BEARING, NEEDLE,

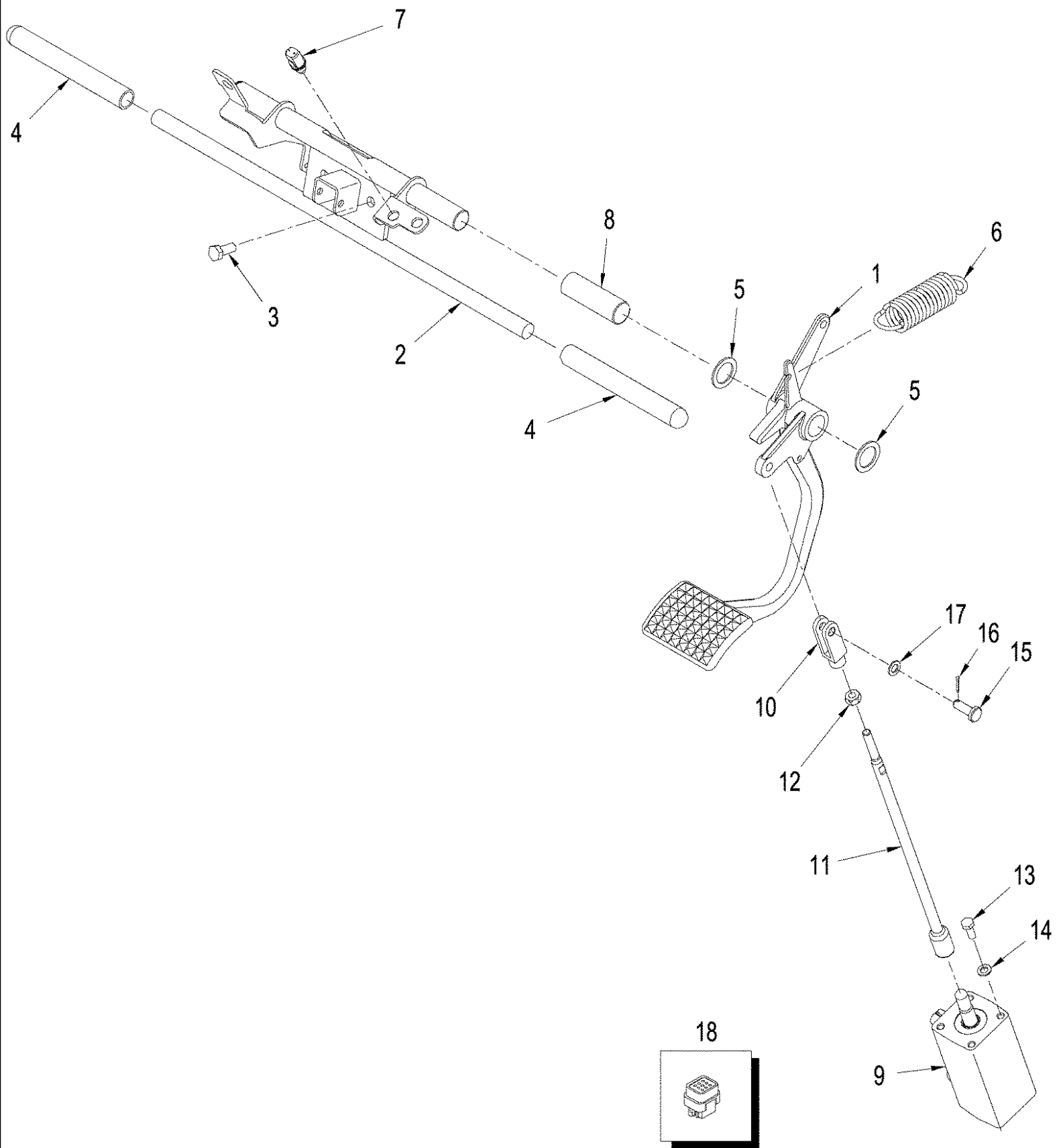


STX500 CASE IH 4WD TRACTOR (AFTER S/N JEE0099501)

06-83 AXLE ASSEMBLY - JET PUMP

сылка	Номер детали	Кол-во	Описание
1	369878A1	1	BLOCK, , BSN JEE0102001
1	428862A1	1	PUMP, LUBE, , ASN JEE0102001
2	347294A3	1	PUMP, Jet
3	238-6017	1	O-RING, -017, 90 Duro, .676" ID x .070" Thk,
4	238-5110	1	O-RING, -110, 70 Duro, .362" ID x .103" Thk, 3/32 ID x 3/4; 5
5	221580A1	1	PLUG, Hex Soc, M27 x 2, ORB, Includes 6
6	637-64236	1	O-RING, CI 6, 23.6MM ID x 2.9 Thk,
7	221578A1	2	PLUG, Hex Soc, M18 x 1.5, ORB, Includes 8
8	637-63153	2	O-RING, CI 6, 15.3MM ID x 2.2 Thk,
9	221576A1	1	PLUG, Hex Soc, M14 x 1.5, ORB, Includes 10
10	637-63113	1	O-RING, CI 6, 11.3MM ID x 2.2 Thk,
11	221579A1	1	PLUG, Hex Soc, M22 x 1.5, ORB, M22 - 1,5, Inc. 12
12	637-63193	1	O-RING, CI 6, 19.3MM ID x 2.2 Thk,
13	895-11010	3	WASHER, M10 x 20 x 2,
14	828-10075	1	BOLT, Hex, M10 x 75, 10.9, M10 x 70; 10.9
15	628-10035	2	BOLT, Hex, M10 x 35, 10.9, Full Thd,
16	238-5122	2	O-RING, -122, 70 Duro, 1.112" ID x .103" Thk,
17	86625138	1	PLUG, Hex Soc, 7/8"-14 ORB, Includes 18
18	237-6010	1	O-RING, 10-1, 90 Duro, .755" ID x .097" Thk,

07-01 BRAKE CONTROL

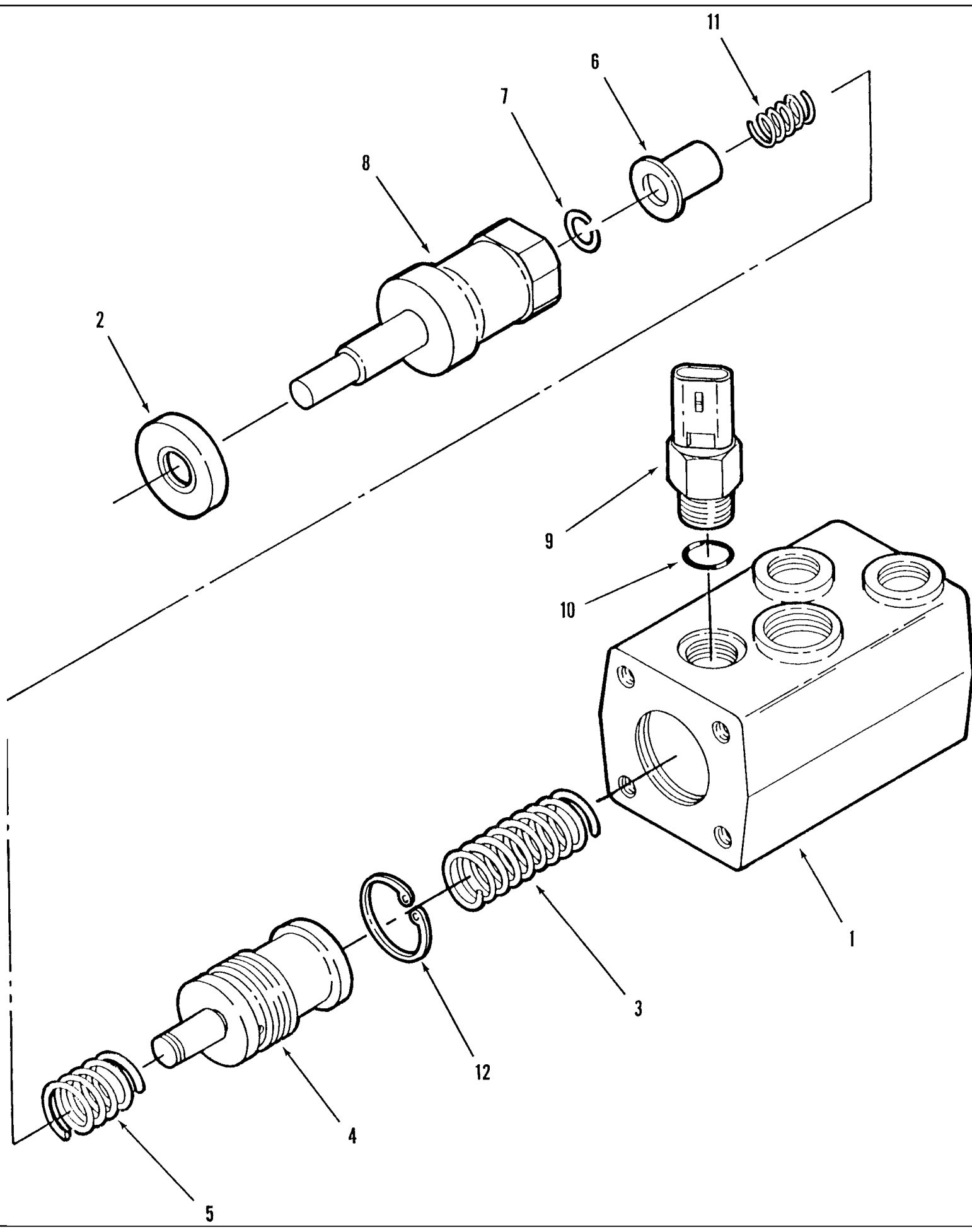


STX500 CASE IH 4WD TRACTOR (AFTER S/N JEE0099501)

07-01 BRAKE CONTROL

сылка	Номер детали	Кол-во	Описание
1	222462A2	1	PEDAL,
2	370247A3	1	SUPPORT,
3	614-10025	2	BOLT, Hex, M10 x 25, 8.8, Full Thd,
4	321961A1	2	MOLDING,
5	281093A1	2	WASHER,
6	278210A1	1	SPRING,
7	279265A2	1	SWITCH, Brake Light
8	281893A1	1	BEARING,
9	302822A3	1	VALVE, See Figure 07-02
10	713-1110	1	CLEVIS, M10 x 40
11	369851A1	1	ROD,
12	829-1410	1	NUT, M10, CI 10,
13	628-8020	4	BOLT, Hex, M8 x 20, 10.9, Full Thd, M8 x 20; 10,9
14	895-11008	4	WASHER, M8 x 16 x 1.6, 9 x 17 x 1,6 mm
15	729-1030	1	PIN, CLEVIS, M10 x 30, 10 x 30 mm
16	733-2512	1	PIN, SPLIT (COTTER), M2.5 x 12, 2,5 x 12 mm
17	895-18010	1	WASHER, M10 x 18 x 1.6,
18	345471A1	1	SWITCH, Differential Lock

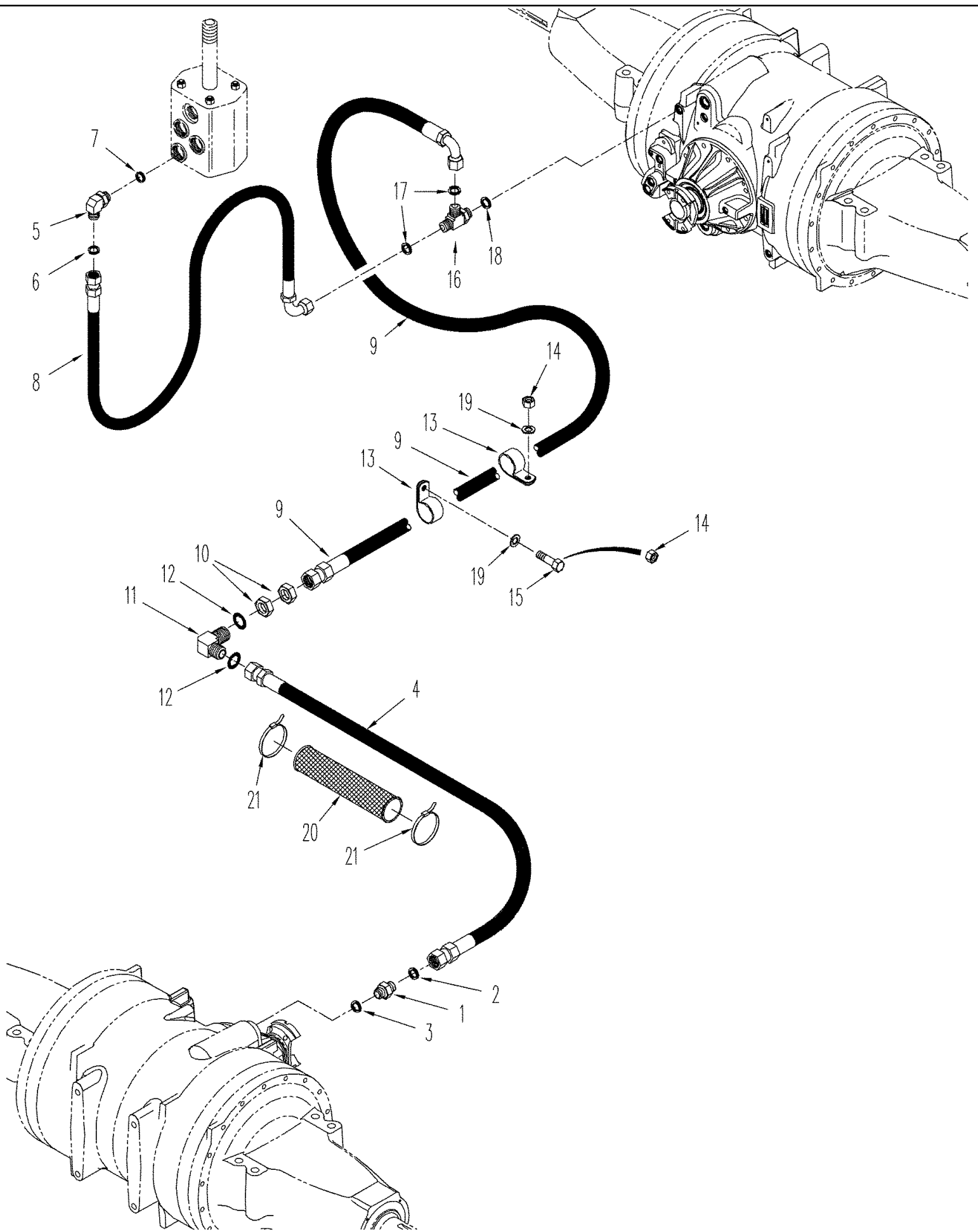
07-02 BRAKE VALVE ASSY



STX500 CASE IH 4WD TRACTOR (AFTER S/N JEE0099501)

07-02 BRAKE VALVE ASSY

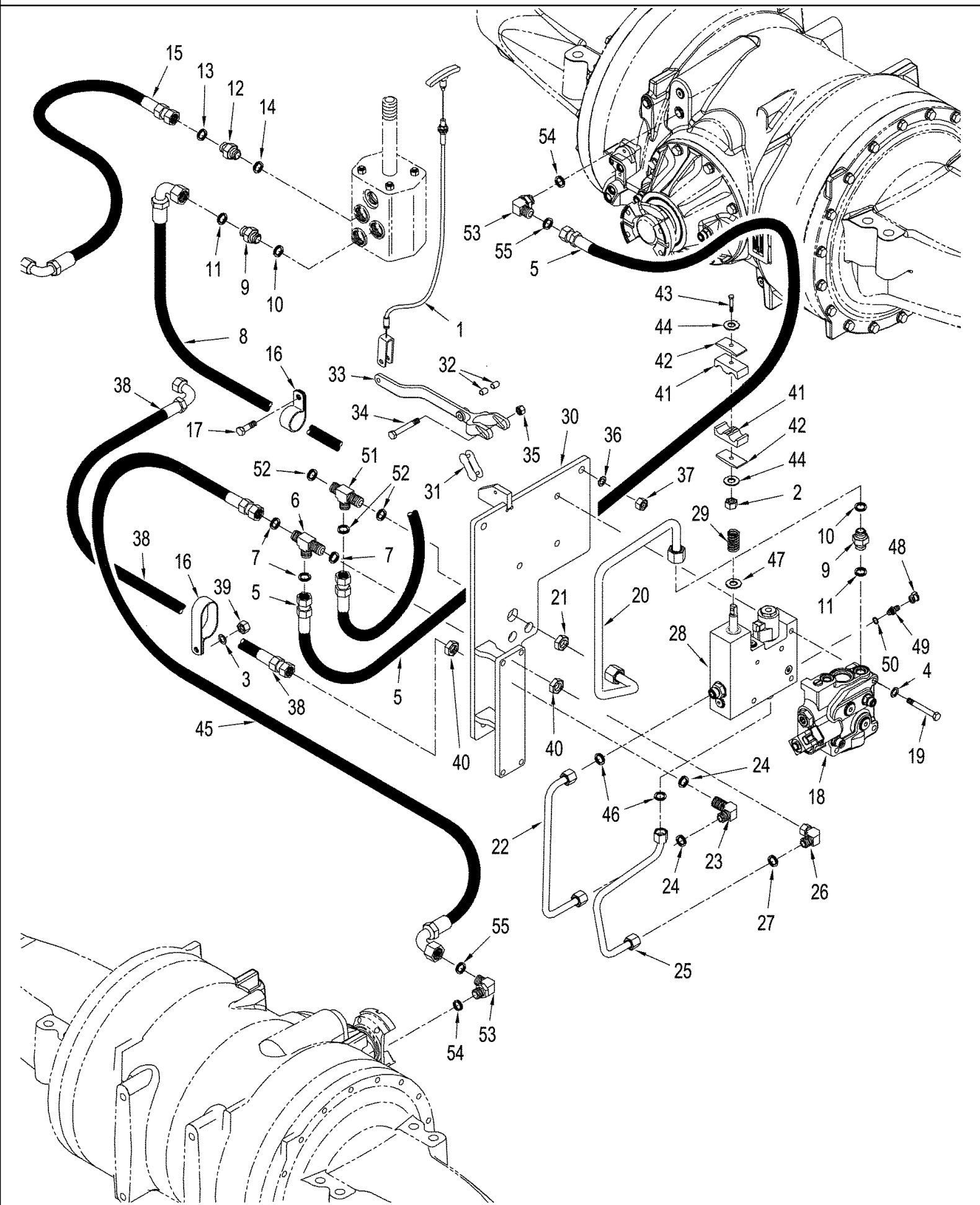
сылка	Номер детали	Кол-во	Описание
	302822A3	1	VALVE, Inc. 1 - 10
1	NSS	1	NOT SERVICED SEPARATELY, Housing
2	195806A1	1	SEAL,
3	185613A1	1	SPRING,
4	280297A1	1	SPOOL,
5	291105A1	1	SPRING, Outer
6	291107A1	1	RETAINER,
7	229659A1	1	RING, SNAP,
8	291106A1	1	STEM,
9	279266A1	1	SWITCH, Inc. 10
10	237-6003	1	O-RING, 3-1, .301" ID x .064" Thk,
11	291104A1	1	SPRING,
12	100-21150	1	RING, SNAP, 1.50", Int, #150,



STX500 CASE IH 4WD TRACTOR (AFTER S/N JEE0099501)

07-06 500 SERIES AXLE - SERVICE BRAKE CIRCUIT, WHEEL TRACTOR

сылка	Номер детали	Кол-во	Описание
1	401760A1	1	VALVE, 13/16 fc sl x 22 or, Inc. 2, 3
2	238-6014	1	O-RING, -014, 90 Duro, .489" ID x .070" Thk,
3	637-63193	1	O-RING, CI 6, 19.3MM ID x 2.2 Thk,
4	391243A2	1	HOSE ASSY., 2184 mm (86 in)
4	437290A1S	1	HOSE ASSY., 2184 mm (86 in), Arctic QUADTRAC Tractor Application
5	700-305	1	ELBOW, 90e, 13/16"-18 ORFS x M18 x 1.5 ORB, 13/16 fc sl x 18 Or, Inc. 6, 7
6	238-6014	1	O-RING, -014, 90 Duro, .489" ID x .070" Thk,
7	637-63153	1	O-RING, CI 6, 15.3MM ID x 2.2 Thk,
8	353608A1	1	HOSE ASSY., 787 mm (31 in), BSN JEE0104001
8	87427437	1	HOSE ASSY., 1051 mm (41-3/8 in), ASN JEE0104001
9	353609A1	1	HOSE ASSY., 2115 mm (83 in)
10	701-903	2	NUT, LOCK, 13/16"-16, ORFS Blkhd, 13/16 in
11	701-301	1	ELBOW, 90e, 13/16"-16, ORFS, Blkhd, 13/16 fc sl x blkhd, Inc. 12
12	238-6014	2	O-RING, -014, 90 Duro, .489" ID x .070" Thk,
13	515-23206	2	CLAMP, 13/16", Insul, 3/8" Bolt, P-type
14	829-1408	1-2	NUT, M8, CI 10,
16	700-445	1	TEE, 13/16"-16 ORFS x M22 x 1.5 ORB Run, 13/16 fc sl x 22 orb, Inc. 17, 18
17	238-6014	2	O-RING, -014, 90 Duro, .489" ID x .070" Thk,
18	637-63193	1	O-RING, CI 6, 19.3MM ID x 2.2 Thk,
19	895-11008	1	WASHER, M8 x 16 x 1.6, 9 x 16 x 1,6 mm, ASN JEE0102001
20	S120426	1	SLEEVE, Protection
21	L18331	2	STRAP, CABLE, Tie
15	627-8025	1	BOLT, Hex, M8 x 25, 10.9, , BSN JEE0102001



STX500 CASE IH 4WD TRACTOR (AFTER S/N JEE0099501)

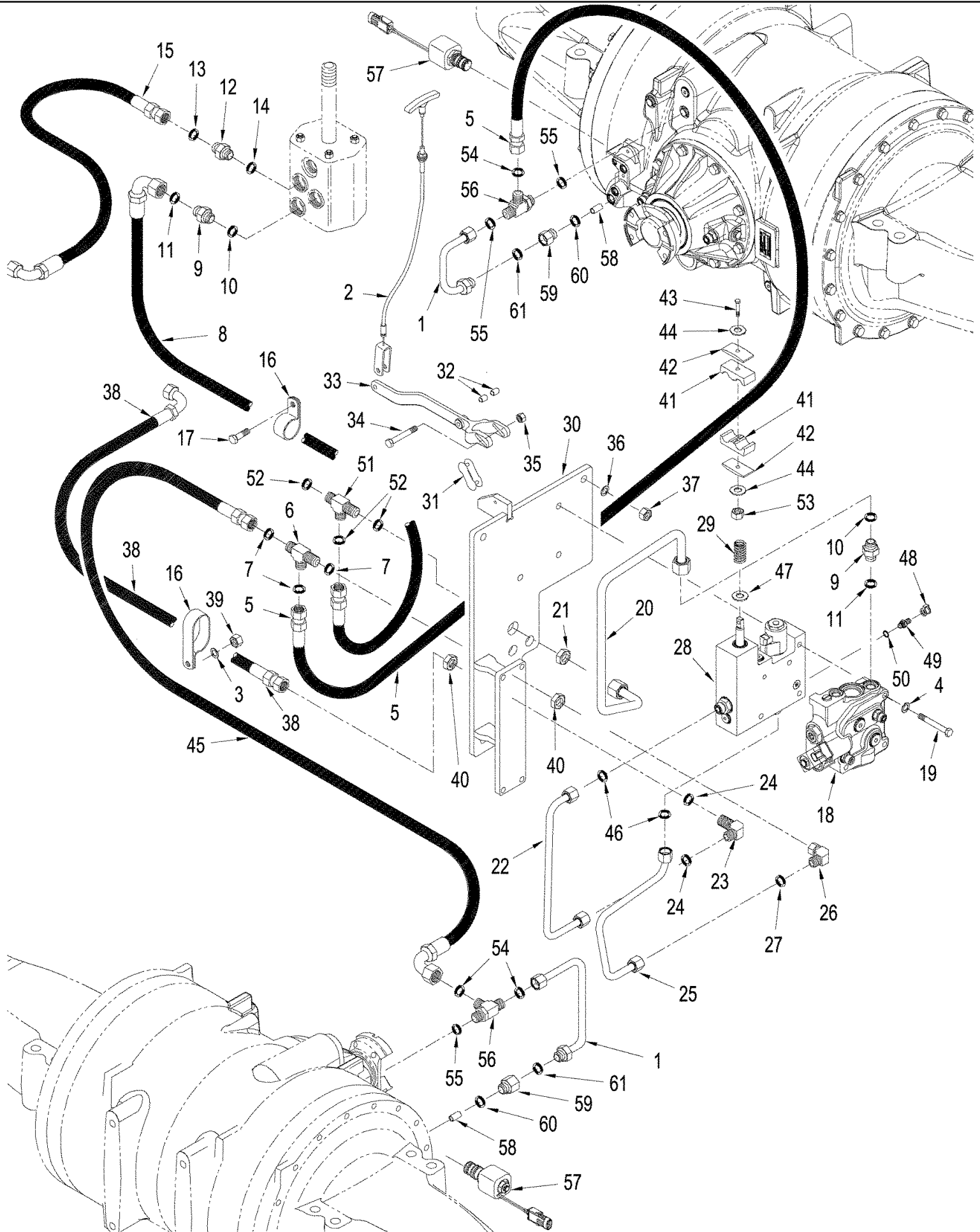
07-07(01) 500 SERIES AXLE - PARK BRAKE CIRCUIT, WITHOUT DIFFERENTIAL LOCK, ASN JEE0102001, WHEEL TRACTOR

сылка	Номер детали	Кол-во	Описание
1	349863A2	1	CABLE, Tow Valve, See Figure: 08-39 for Mounting & Parts
2	829-1408	1	NUT, M8, CI 10,
3	895-11010	2	WASHER, M10 x 20 x 2, 11 x 21 x 2 mm
4	895-18010	3	WASHER, M10 x 18 x 1.6,
5	428171A1	1	HOSE ASSY., 2235 mm (88 in)
6	701-423	1	TEE, 13/16"-16 ORFS, Blkd Run, M12 fc sl x blkhd fc sl
7	238-6014	3	O-RING, -014, 90 Duro, .489" ID x .070" Thk,
8	418812A1	1	HOSE ASSY., 2286 mm (90 in), BSN JEE0104001
8	87416123	1	HOSE ASSY., 2286 mm (90 in), ASN JEE0104001
9	700-115	2	CONNECTOR, HYD., 1"-14 ORFS x M18 x 1.5 ORB, 1 fc sl x M18 Or, Inc. 10, 11
10	238-6016	2	O-RING, -016, 90 Duro, .614" ID x .070" Thk,
11	637-63153	2	O-RING, CI 6, 15.3MM ID x 2.2 Thk,
12	700-103	1	CONNECTOR, HYD., 1"-14 ORFS x M22 x 1.5 ORB, 1 fc sl x 22 Or, Inc. 13, 14
13	238-6016	1	O-RING, -016, 90 Duro, .614" ID x .070" Thk,
14	637-63193	1	O-RING, CI 6, 19.3MM ID x 2.2 Thk,
15	335095A2	1	HOSE ASSY., 1050 mm (41 in)
16	R54363	2	CLAMP, P-type
17	627-8020	1	BOLT, Hex, M8 x 20, 10.9,
18	411104A2	1	VALVE, Regulator, See Figure: 08-13
19	827-10150	3	BOLT, Hex, M10 x 150, 10.9,
20	449827A1	1	TUBE ASSY.,
21	701-919	1	NUT, LOCK, 1"-14, ORFS Blkhd, 1 in
22	449796A1	1	TUBE ASSY.,
23	701-301	1	ELBOW, 90e, 13/16"-16, ORFS, Blkhd, 90, 13/16 fc sl x blkhd, Inc. 24
24	238-6014	2	O-RING, -014, 90 Duro, .489" ID x .070" Thk,
25	449798A1	1	TUBE ASSY.,
26	701-320	1	ELBOW, 90e, 13/16"-16 ORFS x 13/16"-16 Fem Sw, 90, 13/16 fc sl x swl, Inc. 27
27	238-6014	1	O-RING, -014, 90 Duro, .489" ID x .070" Thk,
28	319774A4	1	VALVE, Control, Tow Block, See Figure: 08-14
29	361897A1	1	SPRING,
30	449830A1	1	PLATE ASSY.,
31	242-4412	1	LINK, CHAIN,
32	392748A1	2	SPACER,
33	390918A3	1	ARM,
34	827-6070	1	BOLT, Hex, M6 x 70, 10.9, M6 x 70; 10.9
35	832-10406	1	NUT, LOCK, M6 x 1, CI 8,
36	895-11012	3	WASHER, M12 x 24 x 2.5, 13.5 x 24 x 2.5 mm
37	829-1412	3	NUT, M12, CI 10,
38	87414079	1	HOSE ASSY., 1358 m (53-7/16 in)
39	829-1310	2	NUT, M10, CI 10, M10; 10
40	701-903	3	NUT, LOCK, 13/16"-16, ORFS Blkhd, 13/16 in
41	435470A1	2	CLAMP,
42	435468A1	2	PLATE,
43	701-903	1	NUT, LOCK, 13/16"-16, ORFS Blkhd, Cap, HH, CL 10.9, M8 x 1.25 x 70
44	895-11008	2	WASHER, M8 x 16 x 1.6, 9 x 17 x 1,6 mm

STX500 CASE IH 4WD TRACTOR (AFTER S/N JEE0099501)

07-07(01) 500 SERIES AXLE - PARK BRAKE CIRCUIT, WITHOUT DIFFERENTIAL LOCK, ASN JEE0102001, WHEEL TRACTOR

сылка	Номер детали	Кол-во	Описание
45	352112A3	1	HOSE ASSY., 2336 mm (92 in)
46	238-6014	2	O-RING, -014, 90 Duro, .489" ID x .070" Thk,
47	896-12016	1	WASHER, M17.5 x 30 x 4, HT, 17.5 x 30 x 4 mm
	178889A1	1	FITTING, Diagnostic, Inc. 48, 49
48	H434163	1	DUST CAP, Dust
49	NSS	1	NOT SERVICED SEPARATELY, Fitting, Diagnostic, Inc. 50
50	637-63113	1	O-RING, CI 6, 11.3MM ID x 2.2 Thk,
51	701-429	1	TEE, 1"-14 ORFS, Blkd Run, 1 fc sl, Inc. 52
52	238-6016	3	O-RING, -016, 90 Duro, .614" ID x .070" Thk,
53	700-326	2	ELBOW, 90e, 13/16"-18 ORFS x M22 x 1.5 ORB, Incl. 54, 55
54	637-63193	1	O-RING, CI 6, 19.3MM ID x 2.2 Thk,
55	238-6014	1	O-RING, -014, 90 Duro, .489" ID x .070" Thk,



STX500 CASE IH 4WD TRACTOR (AFTER S/N JEE0099501)

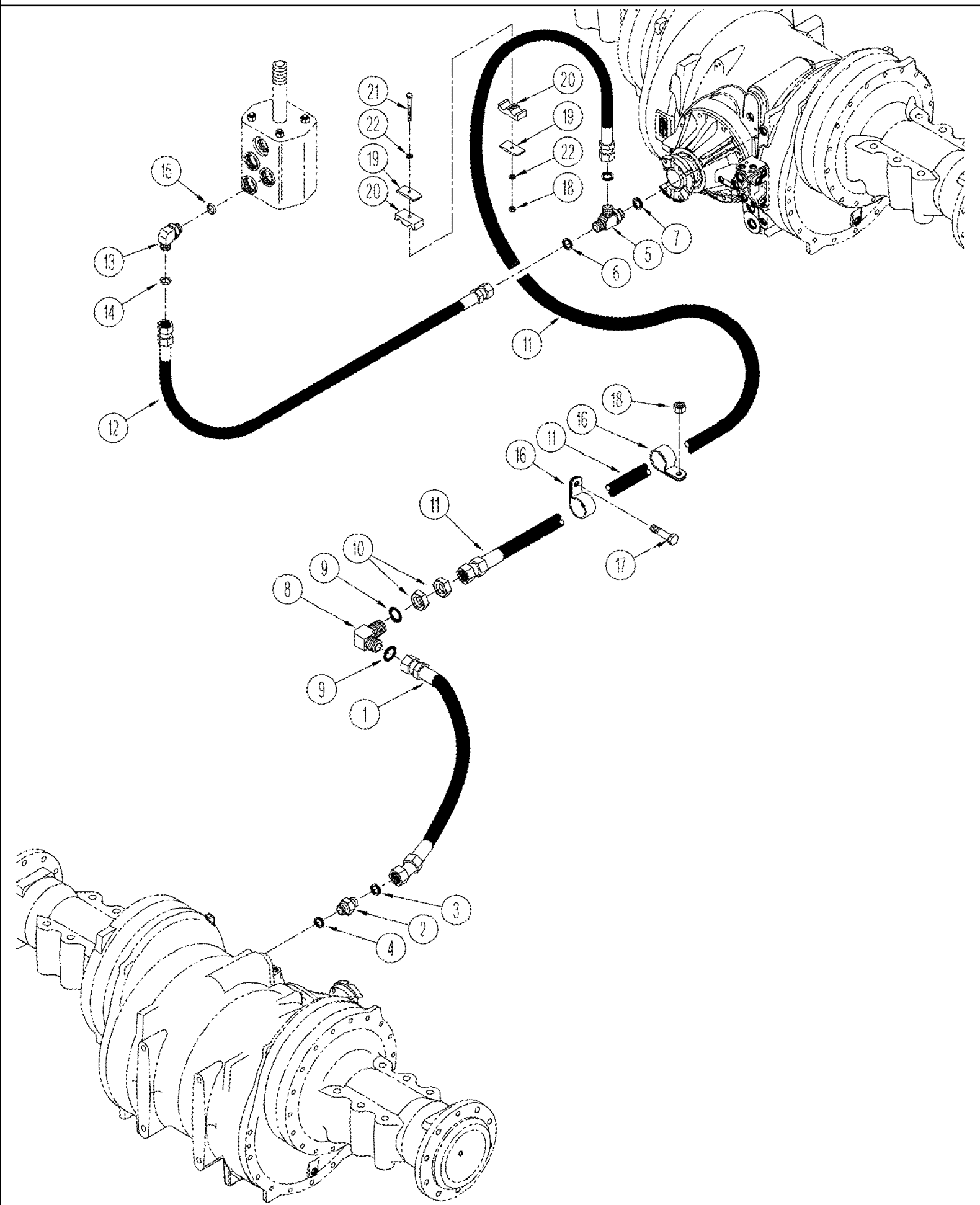
07-08(01) 500 SERIES AXLE - PARK BRAKE CIRCUIT, WITH DIFFERENTIAL LOCK, ASN JEE0102001, WHEEL TRACTOR

сылка	Номер детали	Кол-во	Описание
1	416697A1	2	TUBE ASSY.,
2	349863A2	1	CABLE, Tow Valve, See Figure: 08-39 for Mounting & Parts
3	895-11010	2	WASHER, M10 x 20 x 2, 11 x 21 x 2 mm
4	895-18010	3	WASHER, M10 x 18 x 1.6,
5	428171A1	1	HOSE ASSY., 2235 mm (88 in)
6	701-423	1	TEE, 13/16"-16 ORFS, Blkd Run, M12 fc sl x blkhd fc sl
7	238-6014	3	O-RING, -014, 90 Duro, .489" ID x .070" Thk,
8	418812A1	1	HOSE ASSY., 2286 mm (90 in), BSN JEE0102661
8	87416123	1	HOSE ASSY., 2286 mm (90 in), ASN JEE0102661
9	700-115	2	CONNECTOR, HYD., 1"-14 ORFS x M18 x 1.5 ORB, 1 fc sl x M18 Or, Inc. 10, 11
10	238-6016	2	O-RING, -016, 90 Duro, .614" ID x .070" Thk,
11	637-63153	2	O-RING, CI 6, 15.3MM ID x 2.2 Thk,
12	700-103	1	CONNECTOR, HYD., 1"-14 ORFS x M22 x 1.5 ORB, 1 fc sl x 22 Or, Inc. 13, 14
13	238-6016	1	O-RING, -016, 90 Duro, .614" ID x .070" Thk,
14	637-63193	1	O-RING, CI 6, 19.3MM ID x 2.2 Thk,
15	335095A2	1	HOSE ASSY., 1050 mm (41 in)
16	R54363	2	CLAMP, P-type
17	627-8020	1	BOLT, Hex, M8 x 20, 10.9,
18	411104A2	1	VALVE, Regulator, See Figure: 08-13
19	827-10150	3	BOLT, Hex, M10 x 150, 10.9,
20	449827A1	1	TUBE ASSY.,
21	701-919	1	NUT, LOCK, 1"-14, ORFS Blkhd, 1 in
22	449796A1	1	TUBE ASSY.,
23	701-301	1	ELBOW, 90e, 13/16"-16, ORFS, Blkhd, 90, 13/16 fc sl x blkhd, Inc. 24
24	238-6014	2	O-RING, -014, 90 Duro, .489" ID x .070" Thk,
25	449798A1	1	TUBE ASSY.,
26	701-320	1	ELBOW, 90e, 13/16"-16 ORFS x 13/16"-16 Fem Sw, 90, 13/16 fc sl x swl, Inc. 27
27	238-6014	1	O-RING, -014, 90 Duro, .489" ID x .070" Thk,
28	319774A4	1	VALVE, Control, Tow Block, See Figure: 08-14
29	361897A1	1	SPRING,
30	449830A1	1	PLATE ASSY., Mounting
31	242-4412	1	LINK, CHAIN,
32	392748A1	2	SPACER,
33	390918A3	1	ARM,
34	827-6070	1	BOLT, Hex, M6 x 70, 10.9, M6 x 70; 10.9
35	832-10406	1	NUT, LOCK, M6 x 1, CI 8,
36	895-11012	3	WASHER, M12 x 24 x 2.5, 13.5 x 24 x 2.5 mm
37	829-1412	3	NUT, M12, CI 10,
38	87414079	1	HOSE ASSY., 1298 mm (51 in)
39	829-1310	2	NUT, M10, CI 10, M10; 10
40	701-903	3	NUT, LOCK, 13/16"-16, ORFS Blkhd, 13/16 in
41	435470A1	2	CLAMP,
42	435468A1	2	PLATE,
43	701-903	1	NUT, LOCK, 13/16"-16, ORFS Blkhd, Cap, HH, CL 10.9, M8 x 1.25 x 70
44	895-11008	2	WASHER, M8 x 16 x 1.6, 9 x 17 x 1.6 mm

STX500 CASE IH 4WD TRACTOR (AFTER S/N JEE0099501)

07-08(01) 500 SERIES AXLE - PARK BRAKE CIRCUIT, WITH DIFFERENTIAL LOCK, ASN JEE0102001, WHEEL TRACTOR

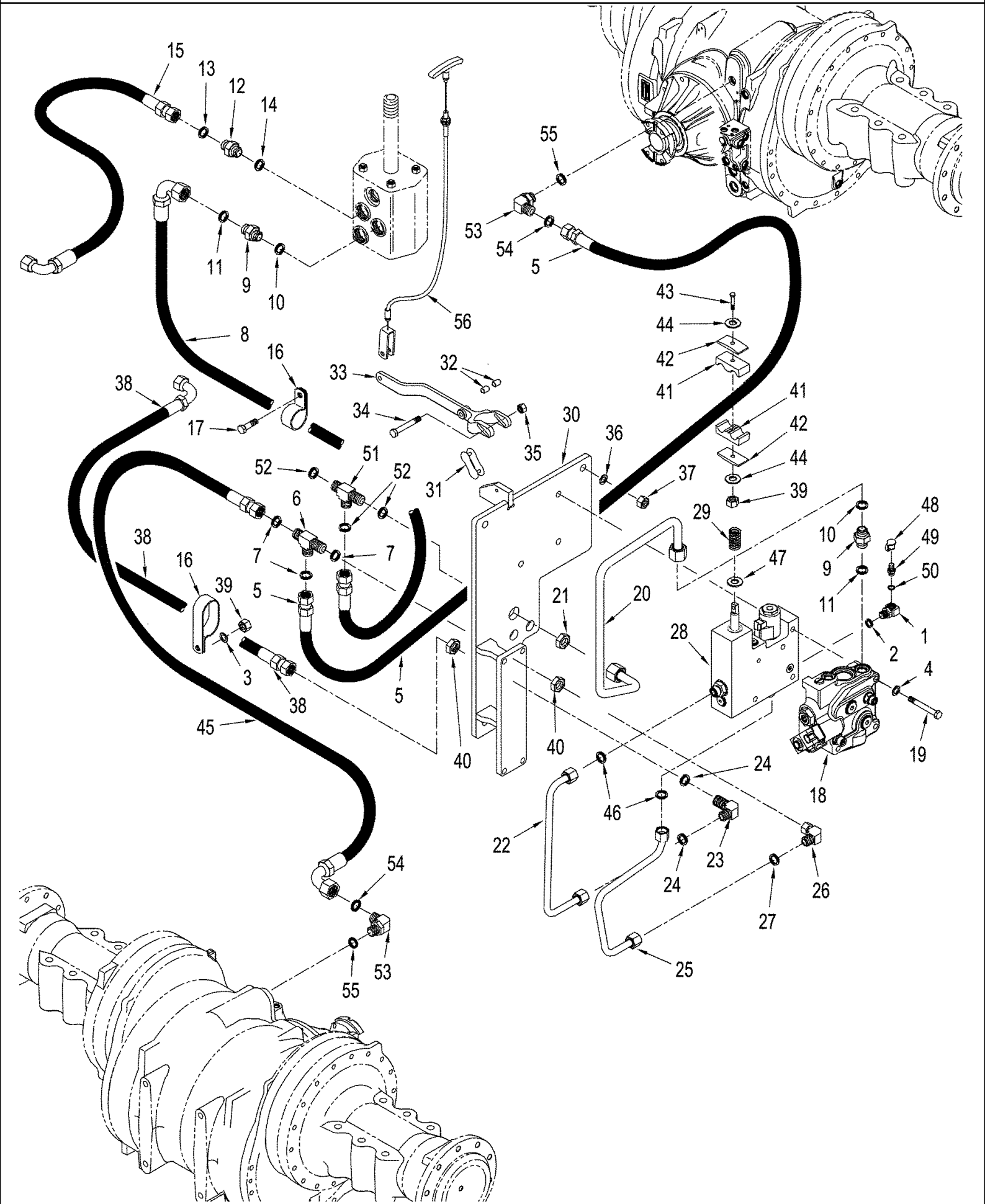
сылка	Номер детали	Кол-во	Описание
45	352112A3	1	HOSE ASSY., 2336 mm (92 in)
46	238-6014	2	O-RING, -014, 90 Duro, .489" ID x .070" Thk,
47	896-12016	1	WASHER, M17.5 x 30 x 4, HT, 17.5 x 30 x 4 mm
	178889A1	1	FITTING, Diagnostic, Inc. 48, 49
48	H434163	1	DUST CAP, Dust
49	NSS	1	NOT SERVICED SEPARATELY, Fitting, Diagnostic, Inc. 50
50	637-63113	1	O-RING, CI 6, 11.3MM ID x 2.2 Thk,
51	701-429	1	TEE, 1"-14 ORFS, Blkd Run, 1 fc sl, Inc. 52
52	238-6016	3	O-RING, -016, 90 Duro, .614" ID x .070" Thk,
53	829-1408	1	NUT, M8, CI 10,
54	238-6014	4	O-RING, -014, 90 Duro, .489" ID x .070" Thk,
55	637-63193	2	O-RING, CI 6, 19.3MM ID x 2.2 Thk,
56	700-445	2	TEE, 13/16"-16 ORFS x M22 x 1.5 ORB Run, M22 or x 13/16 fc sl, Inc. 54, 55
57	384977A1	2	VALVE, Solenoid, Differential Lock, See Figure: 08-43
	341195A1	2	ORIFICE, Inc. 58, 59
58	878-10812	2	SET SCREW, Hex Soc, M8 x 12, Cup Pt, M8 x 12
59	700-154	2	CONNECTOR, HYD., 13/16"-16 ORFS x M14 x 1.5 ORB, M14 orb x 13/16 fc sl, Inc. 60, 61
60	637-63113	2	O-RING, CI 6, 11.3MM ID x 2.2 Thk,
61	238-6014	2	O-RING, -014, 90 Duro, .489" ID x .070" Thk,



STX500 CASE IH 4WD TRACTOR (AFTER S/N JEE0099501)

07-09 500 SERIES AXLE - SERVICE BRAKE CIRCUIT, QUADTRAC TRACTOR

сылка	Номер детали	Кол-во	Описание
1	391243A2	1	HOSE ASSY., 2184 mm (86 in)
1	437290A1S	1	HOSE ASSY., 2184 mm (86 in), Arctic QUADTRAC Tractor Application
2	401760A1	1	VALVE, 13/16 fc sl x 22 or, Inc. 3, 4
3	238-6014	1	O-RING, -014, 90 Duro, .489" ID x .070" Thk,
4	637-63193	1	O-RING, CI 6, 19.3MM ID x 2.2 Thk,
5	700-445	1	TEE, 13/16"-16 ORFS x M22 x 1.5 ORB Run, 13/16 fc sl x 22 orb, Inc. 6, 7
6	238-6014	2	O-RING, -014, 90 Duro, .489" ID x .070" Thk,
7	637-63193	1	O-RING, CI 6, 19.3MM ID x 2.2 Thk,
8	701-301	1	ELBOW, 90e, 13/16"-16, ORFS, Blkhd, 13/16 fc sl x blkhd, Inc. 8
9	238-6014	2	O-RING, -014, 90 Duro, .489" ID x .070" Thk,
10	701-903	2	NUT, LOCK, 13/16"-16, ORFS Blkhd, 13/16 in
11	352109A2	1	HOSE ASSY., 2159 mm (84 in)
11	437265A1S	1	HOSE ASSY., 2115 mm (83-1/4 in), Arctic QUADTRAC Tractor Application
12	352113A2	1	HOSE ASSY., 831 mm (33 in), BSN JEE0102661
12	87415318	1	HOSE ASSY., 831 mm (33 in), ASN JEE0102661
12	87424328	1	HOSE ASSY., 831 mm (33 in), Arctic QUADTRAC Tractor Application
13	700-305	1	ELBOW, 90e, 13/16"-18 ORFS x M18 x 1.5 ORB, 13/16 fc sl x 18 Or, Inc. 13, 14
14	238-6014	1	O-RING, -014, 90 Duro, .489" ID x .070" Thk,
15	637-63153	1	O-RING, CI 6, 15.3MM ID x 2.2 Thk,
16	515-23206	2	CLAMP, 13/16", Insul, 3/8" Bolt, P-type
18	829-1408	2	NUT, M8, CI 10,
19	50-2533T1	2	PLATE,
20	50-2551T1	2	CLAMP,
21	827-8070	1	BOLT, Hex, M8 x 70, 10.9, M8 x 70; 10.9
22	895-11008	2	WASHER, M8 x 16 x 1.6, 9 x 17 x 1,6 mm
17	627-8025	1	BOLT, Hex, M8 x 25, 10.9,



STX500 CASE IH 4WD TRACTOR (AFTER S/N JEE0099501)

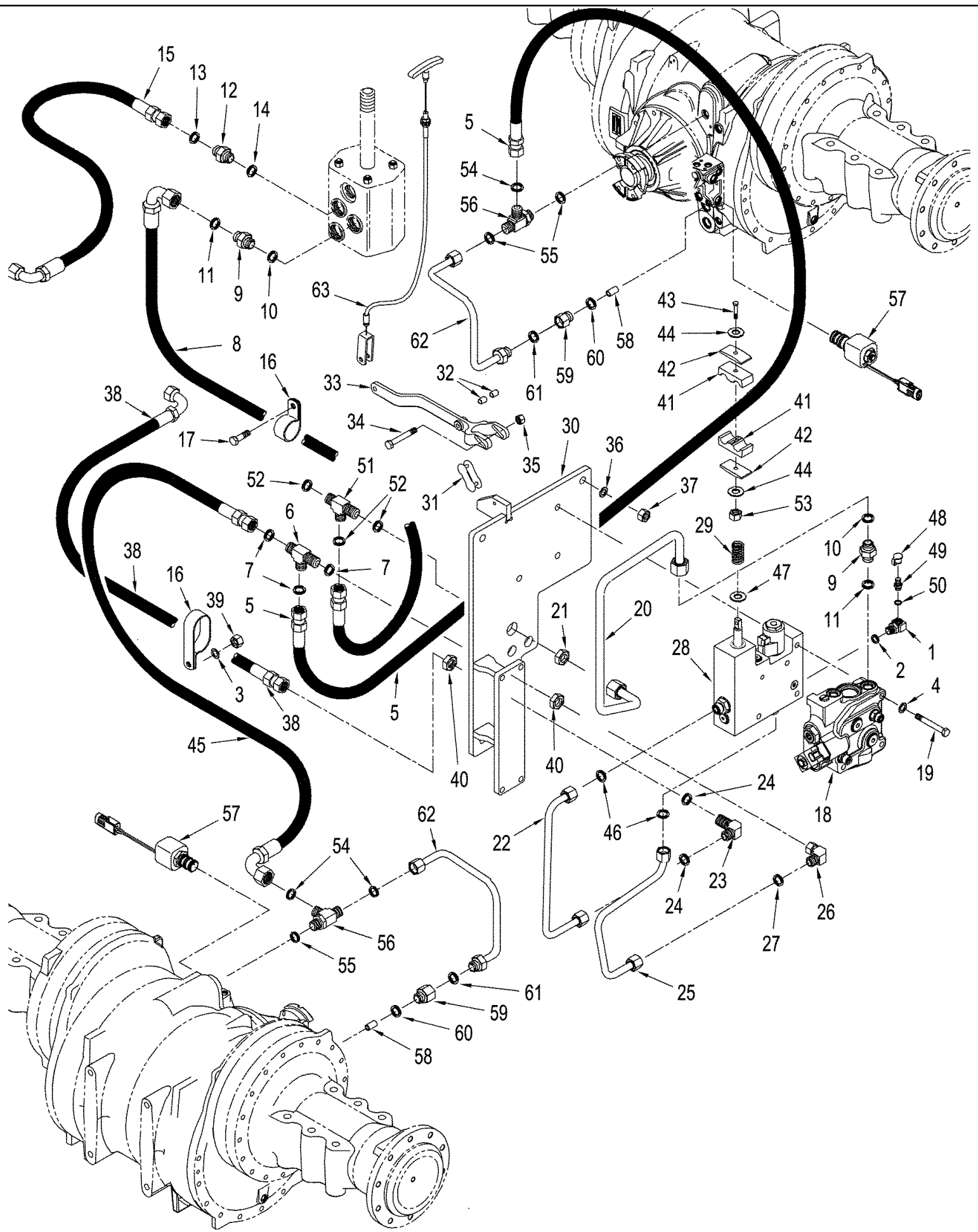
07-10(01) 500 SERIES AXLE - PARK BRAKE CIRCUIT, WITHOUT DIFFERENTIAL LOCK, ASN JEE0102001, QUADTRAC TRACTOR

сылка	Номер детали	Кол-во	Описание
1	428078A1	1	ELBOW, 90, M14 or, Inc. 2
2	637-63113	1	O-RING, CI 6, 11.3MM ID x 2.2 Thk,
3	895-11010	2	WASHER, M10 x 20 x 2, 11 x 21 x 2 mm
4	895-18010	3	WASHER, M10 x 18 x 1.6,
5	383969A2	1	HOSE ASSY., 1845 mm (73 in)
6	701-423	1	TEE, 13/16"-16 ORFS, Blkd Run, M12 fc sl x blkhd fc sl
7	238-6014	3	O-RING, -014, 90 Duro, .489" ID x .070" Thk,
8	391790A2	1	HOSE ASSY., 2368 mm (93 in), BSN JEE0102661
8	87415316	1	HOSE ASSY., 2386 mm (73 in), ASN JEE0102661
9	700-115	2	CONNECTOR, HYD., 1"-14 ORFS x M18 x 1.5 ORB, 1 fc sl x M18 Or, Inc. 10, 11
10	238-6016	2	O-RING, -016, 90 Duro, .614" ID x .070" Thk,
11	637-63153	2	O-RING, CI 6, 15.3MM ID x 2.2 Thk,
12	700-103	1	CONNECTOR, HYD., 1"-14 ORFS x M22 x 1.5 ORB, 1 fc sl x 22 Or, Inc. 13, 14
13	238-6016	1	O-RING, -016, 90 Duro, .614" ID x .070" Thk,
14	637-63193	1	O-RING, CI 6, 19.3MM ID x 2.2 Thk,
15	335095A2	1	HOSE ASSY., 1050 mm (41 in)
15	437262A1S	1	HOSE ASSY., 1050 mm (41 in), Arctic QUADTRAC Tractor Application
16	R54363	2	CLAMP, P-type
17	627-8020	1	BOLT, Hex, M8 x 20, 10.9,
18	411104A2	1	VALVE, Regulator, See Figure: 08-13
19	827-10150	3	BOLT, Hex, M10 x 150, 10.9,
20	449827A2	1	TUBE ASSY.,
21	701-919	1	NUT, LOCK, 1"-14, ORFS Blkhd, 1 in
22	449796A1	1	TUBE ASSY.,
23	701-301	1	ELBOW, 90e, 13/16"-16, ORFS, Blkhd, 90, 13/16 fc sl x blkhd, Inc. 24
24	238-6014	2	O-RING, -014, 90 Duro, .489" ID x .070" Thk,
25	449798A1	1	TUBE ASSY.,
26	701-320	1	ELBOW, 90e, 13/16"-16 ORFS x 13/16"-16 Fem Sw, 90, 13/16 fc sl x swl, Inc. 27
27	238-6014	1	O-RING, -014, 90 Duro, .489" ID x .070" Thk,
28	319774A4	1	VALVE, Control, Tow Block, See Figure: 08-14
29	361897A1	1	SPRING,
30	449830A1	1	PLATE ASSY.,
31	242-4412	1	LINK, CHAIN,
32	392748A1	2	SPACER,
33	390918A3	1	ARM,
34	827-6070	1	BOLT, Hex, M6 x 70, 10.9, M6 x 70; 10.9
35	832-10406	1	NUT, LOCK, M6 x 1, CI 8,
36	895-11012	3	WASHER, M12 x 24 x 2.5, 13.5 x 24 x 2.5 mm
37	829-1412	3	NUT, M12, CI 10,
38	87414079	1	HOSE ASSY.,
39	829-1408	2	NUT, M8, CI 10,
40	701-903	3	NUT, LOCK, 13/16"-16, ORFS Blkhd, 13/16 in
41	50-2551T1	2	CLAMP,
42	50-2533T1	2	PLATE,
43	827-8070	1	BOLT, Hex, M8 x 70, 10.9, Cap, HH, CL 10.9, M8 x 1.25 x 70

STX500 CASE IH 4WD TRACTOR (AFTER S/N JEE0099501)

07-10(01) 500 SERIES AXLE - PARK BRAKE CIRCUIT, WITHOUT DIFFERENTIAL LOCK, ASN JEE0102001, QUADTRAC TRACTOR

сылка	Номер детали	Кол-во	Описание
44	895-11008	2	WASHER, M8 x 16 x 1.6, 9 x 16 x 1,6 mm
45	352112A3	1	HOSE ASSY., 2336 mm (92 in)
46	238-6014	2	O-RING, -014, 90 Duro, .489" ID x .070" Thk,
47	896-12016	1	WASHER, M17.5 x 30 x 4, HT, 17.5 x 30 x 4 mm
	178889A1	1	FITTING, Diagnostic, Inc. 48, 49
48	H434163	1	DUST CAP, Dust
49	NSS	1	NOT SERVICED SEPARATELY, Fitting, Diagnostic, Inc. 50
50	637-63113	1	O-RING, CI 6, 11.3MM ID x 2.2 Thk,
51	701-429	1	TEE, 1"-14 ORFS, Blkd Run, 1 fc sl, Inc. 52
52	238-6016	3	O-RING, -016, 90 Duro, .614" ID x .070" Thk,
53	700-326	2	ELBOW, 90e, 13/16"-18 ORFS x M22 x 1.5 ORB, 90, M22 or x 12 fcsl, Incl. 54, 55
54	238-6014	2	O-RING, -014, 90 Duro, .489" ID x .070" Thk,
55	637-63193	2	O-RING, CI 6, 19.3MM ID x 2.2 Thk,
56	349863A2	1	CABLE, Tow Valve, See Figure: 08-39 for Mounting & Parts



STX500 CASE IH 4WD TRACTOR (AFTER S/N JEE0099501)

07-11(01) 500 SERIES AXLE - PARK BRAKE CIRCUIT, WITH DIFFERENTIAL LOCK, ASN JEE0102001, QUADTRAC TRACTOR

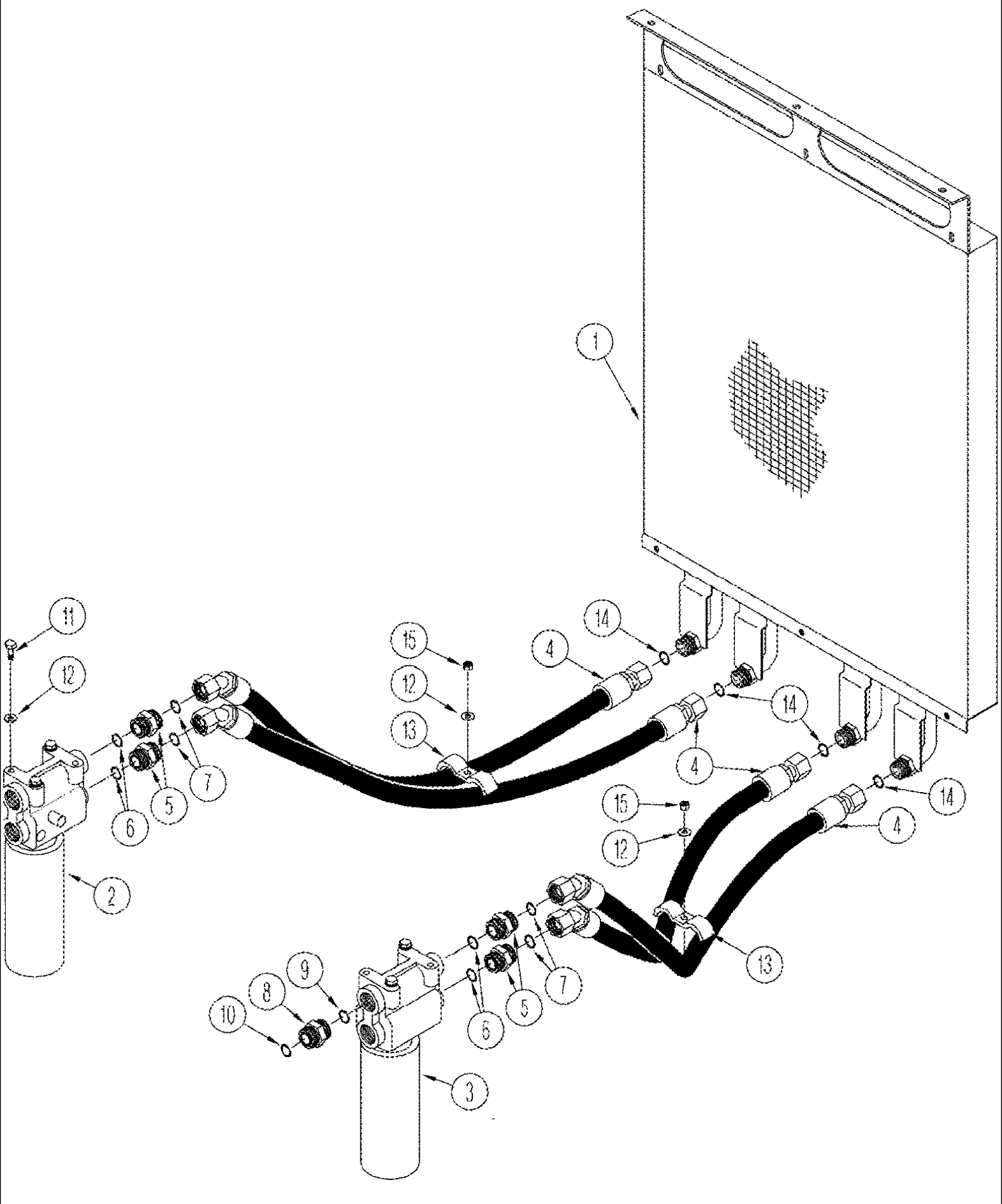
сылка	Номер детали	Кол-во	Описание
1	428078A1	1	ELBOW, 90, M14 or, Inc. 2
2	637-63113	1	O-RING, CI 6, 11.3MM ID x 2.2 Thk,
3	895-11010	2	WASHER, M10 x 20 x 2, 11 x 21 x 2 mm
4	895-18010	3	WASHER, M10 x 18 x 1.6,
5	383969A2	1	HOSE ASSY., 1845 mm (73 in)
5	437288A1S	1	HOSE ASSY., 1676 mm (66 in), Arctic QUADTRAC Tractor Application
6	701-423	1	TEE, 13/16"-16 ORFS, Blkd Run, M12 fc sl x blkhd fc sl, Inc. 7
7	238-6014	3	O-RING, -014, 90 Duro, .489" ID x .070" Thk,
8	391790A2	1	HOSE ASSY., 2368 mm (93 in), BSN JEE0102661
8	87415316	1	HOSE ASSY., 2368 mm (93 in), ASN JEE0102661
8	87424327	1	HOSE ASSY., 2368 mm (93 in), Arctic QUADTRAC Tractor Application
9	700-115	2	CONNECTOR, HYD., 1"-14 ORFS x M18 x 1.5 ORB, 1 fc sl x M18 Or, Inc. 10, 11
10	238-6016	2	O-RING, -016, 90 Duro, .614" ID x .070" Thk,
11	637-63153	2	O-RING, CI 6, 15.3MM ID x 2.2 Thk,
12	700-103	1	CONNECTOR, HYD., 1"-14 ORFS x M22 x 1.5 ORB, 1 fc sl x 22 Or, Inc. 13, 14
13	238-6016	1	O-RING, -016, 90 Duro, .614" ID x .070" Thk,
14	637-63193	1	O-RING, CI 6, 19.3MM ID x 2.2 Thk,
15	335095A2	1	HOSE ASSY., 1050 mm (41 in)
15	437262A1S	1	HOSE ASSY., 1048 mm (41-1/4 in), Arctic QUADTRAC Tractor Application
16	R54363	2	CLAMP, P-type
17	627-8020	1	BOLT, Hex, M8 x 20, 10.9,
18	411104A2	1	VALVE, Regulator, See Figure(s) : 08-13
19	827-10150	3	BOLT, Hex, M10 x 150, 10.9,
20	449827A1	1	TUBE ASSY.,
21	701-919	1	NUT, LOCK, 1"-14, ORFS Blkhd, 1 in
22	449796A1	1	TUBE ASSY.,
23	701-301	1	ELBOW, 90e, 13/16"-16, ORFS, Blkhd, 90, 13/16 fc sl x blkhd, Inc. 24
24	238-6014	2	O-RING, -014, 90 Duro, .489" ID x .070" Thk,
25	449798A1	1	TUBE ASSY.,
26	701-320	1	ELBOW, 90e, 13/16"-16 ORFS x 13/16"-16 Fem Sw, 90, 13/16 fc sl x swl, Inc. 27
27	238-6014	1	O-RING, -014, 90 Duro, .489" ID x .070" Thk,
28	319774A4	1	VALVE, Control, Tow Block, See Figure(s) : 08-14
29	361897A1	1	SPRING,
30	449830A1	1	PLATE ASSY.,
31	242-4412	1	LINK, CHAIN,
32	392748A1	2	SPACER,
33	390918A3	1	ARM,
34	827-6070	1	BOLT, Hex, M6 x 70, 10.9, M6 x 70; 10.9
35	832-10406	1	NUT, LOCK, M6 x 1, CI 8,
36	895-11012	3	WASHER, M12 x 24 x 2.5, 13.5 x 24 x 2.5 mm
37	829-1412	3	NUT, M12, CI 10,
38	87414079	1	HOSE ASSY., 1298 mm (51 in)
38	87424332	1	HOSE ASSY., 1358 mm (53-1/2 in), Arctic QUADTRAC Tractor Application
39	829-1408	2	NUT, M8, CI 10,
40	701-903	3	NUT, LOCK, 13/16"-16, ORFS Blkhd, 13/16 in

STX500 CASE IH 4WD TRACTOR (AFTER S/N JEE0099501)

07-11(01) 500 SERIES AXLE - PARK BRAKE CIRCUIT, WITH DIFFERENTIAL LOCK, ASN JEE0102001, QUADTRAC TRACTOR

сылка	Номер детали	Кол-во	Описание
41	50-2551T1	2	CLAMP,
42	50-2533T1	2	PLATE,
43	827-8070	1	BOLT, Hex, M8 x 70, 10.9, Cap, HH, CL 10.9, M8 x 1.25 x 70
44	895-11008	2	WASHER, M8 x 16 x 1.6, 9 x 16 x 1.6 mm
45	352112A3	1	HOSE ASSY., 2336 mm (92 in)
45	437267A1S	1	HOSE ASSY., 2286 mm (90 in), Arctic QUADTRAC Tractor Application
46	238-6014	2	O-RING, -014, 90 Duro, .489" ID x .070" Thk,
47	896-12016	1	WASHER, M17.5 x 30 x 4, HT, 17.5 x 30 x 4 mm
	178889A1	1	FITTING, Diagnostic, Inc. 48, 49
48	H434163	1	DUST CAP, Dust
49	NSS	1	NOT SERVICED SEPARATELY, Fitting, Diagnostic, Inc. 50
50	637-63113	1	O-RING, CI 6, 11.3MM ID x 2.2 Thk,
51	701-429	1	TEE, 1"-14 ORFS, Blkd Run, 1 fc sl, Inc. 52
52	238-6016	3	O-RING, -016, 90 Duro, .614" ID x .070" Thk,
53	829-1408	1	NUT, M8, CI 10,
54	238-6014	4	O-RING, -014, 90 Duro, .489" ID x .070" Thk,
55	637-63193	2	O-RING, CI 6, 19.3MM ID x 2.2 Thk,
56	700-445	2	TEE, 13/16"-16 ORFS x M22 x 1.5 ORB Run, M22 or x 13/16 fc sl, Inc. 54, 55
57	384977A1	2	VALVE, Solenoid, Differential Lock, See Figure(s): 08-43
	341195A1	2	ORIFICE, Inc. 58, 59
58	878-10812	2	SET SCREW, Hex Soc, M8 x 12, Cup Pt, M8 x 12
59	700-154	2	CONNECTOR, HYD., 13/16"-16 ORFS x M14 x 1.5 ORB, M14 orb x 13/16 fc sl, Inc. 60, 61
60	637-63113	2	O-RING, CI 6, 11.3MM ID x 2.2 Thk,
61	238-6014	2	O-RING, -014, 90 Duro, .489" ID x .070" Thk,
62	413340A1	2	TUBE ASSY.,
63	349863A2	1	CABLE, Tow Valve, See Figure 08-39 for Mounting & Parts

08-01 HYDRAULIC OIL COOLER

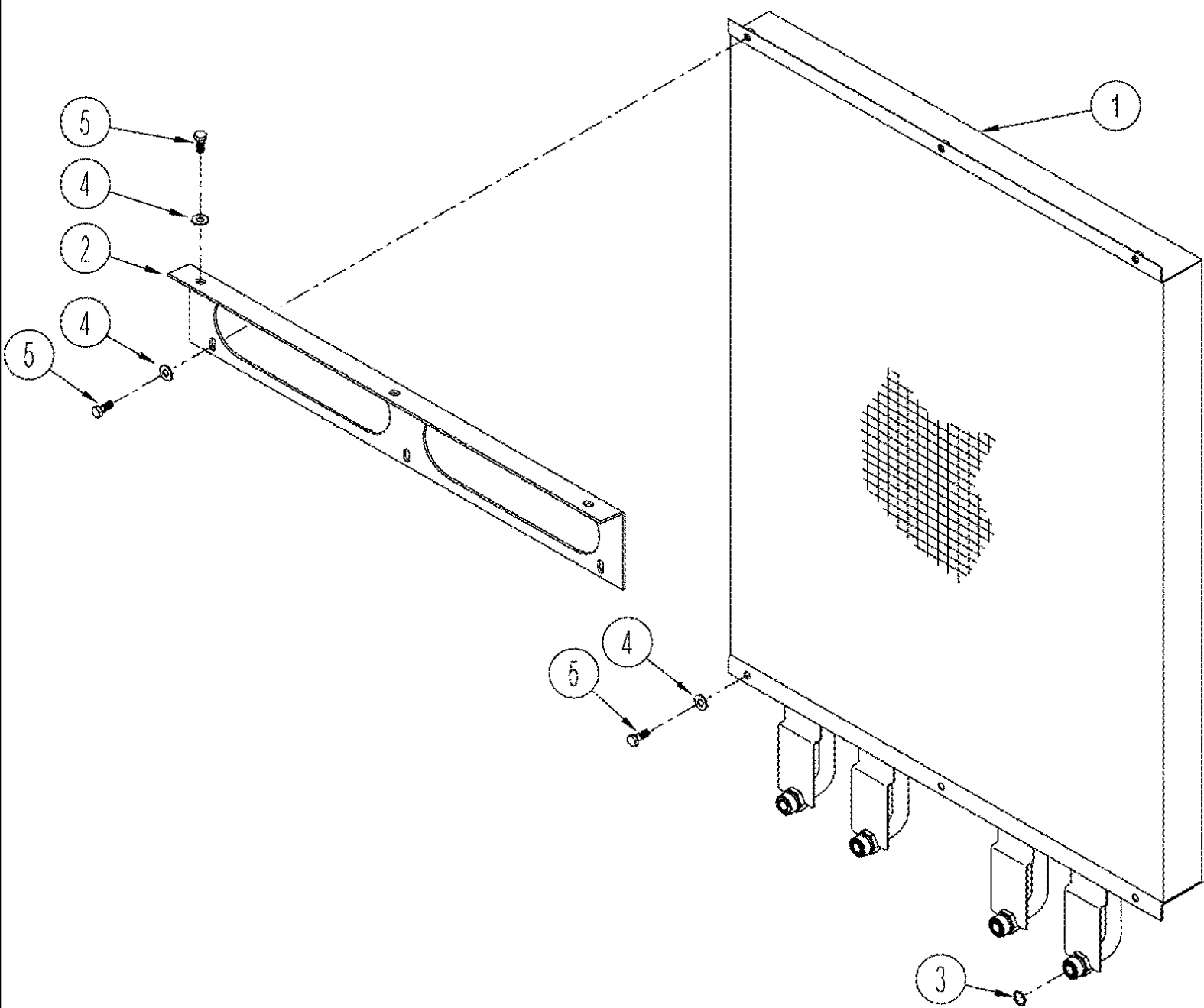


STX500 CASE IH 4WD TRACTOR (AFTER S/N JEE0099501)

08-01 HYDRAULIC OIL COOLER

сылка	Номер детали	Кол-во	Описание
1	87312759	1	COOLER, Oil
2	87409340	1	FILTER, HYDRAULIC OIL, Left-Hand, Transmisson, See Figure 08-03
3	87409341	1	FILTER, HYDRAULIC OIL, Right-Hand, Axle Lube, See Figure 08-03
4	377614A1	4	HOSE ASSY., 1022 mm (40 in)
4	437282A1S	1	HOSE ASSY., 1022 mm (40 in), Arctic QUADTRAC Tractor Application
5	700-104	4	CONNECTOR, HYD., 1 3/16"-12 ORFS x M27 x 2 ORB, Incl. 6, 7
6	238-6018	4	O-RING, -018, 90 Duro, .739" ID x .070" Thk,
7	637-64236	4	O-RING, CI 6, 23.6MM ID x 2.9 Thk,
8	700-105	2	CONNECTOR, HYD., 1 7/16"-12 ORFS x M22 x 2 ORB, 1-7/16 fc sl x 33 Or, Inc. 9, 10
10	637-64296	2	O-RING, CI 6, 29.6MM ID x 2.9 Thk, 29,6 ID x 2,9
11	627-10025	4	BOLT, Hex, M10 x 25, 10.9, Full Thd, M10 x 25; 10.9
12	895-11010	6	WASHER, M10 x 20 x 2,
13	R15257	2	CLAMP,
14	238-6016	4	O-RING, -016, 90 Duro, .614" ID x .070" Thk,
15	829-1410	2	NUT, M10, CI 10,
9	238-6021	2	O-RING, -021, 90 Duro, .926" ID x .070" Thk,

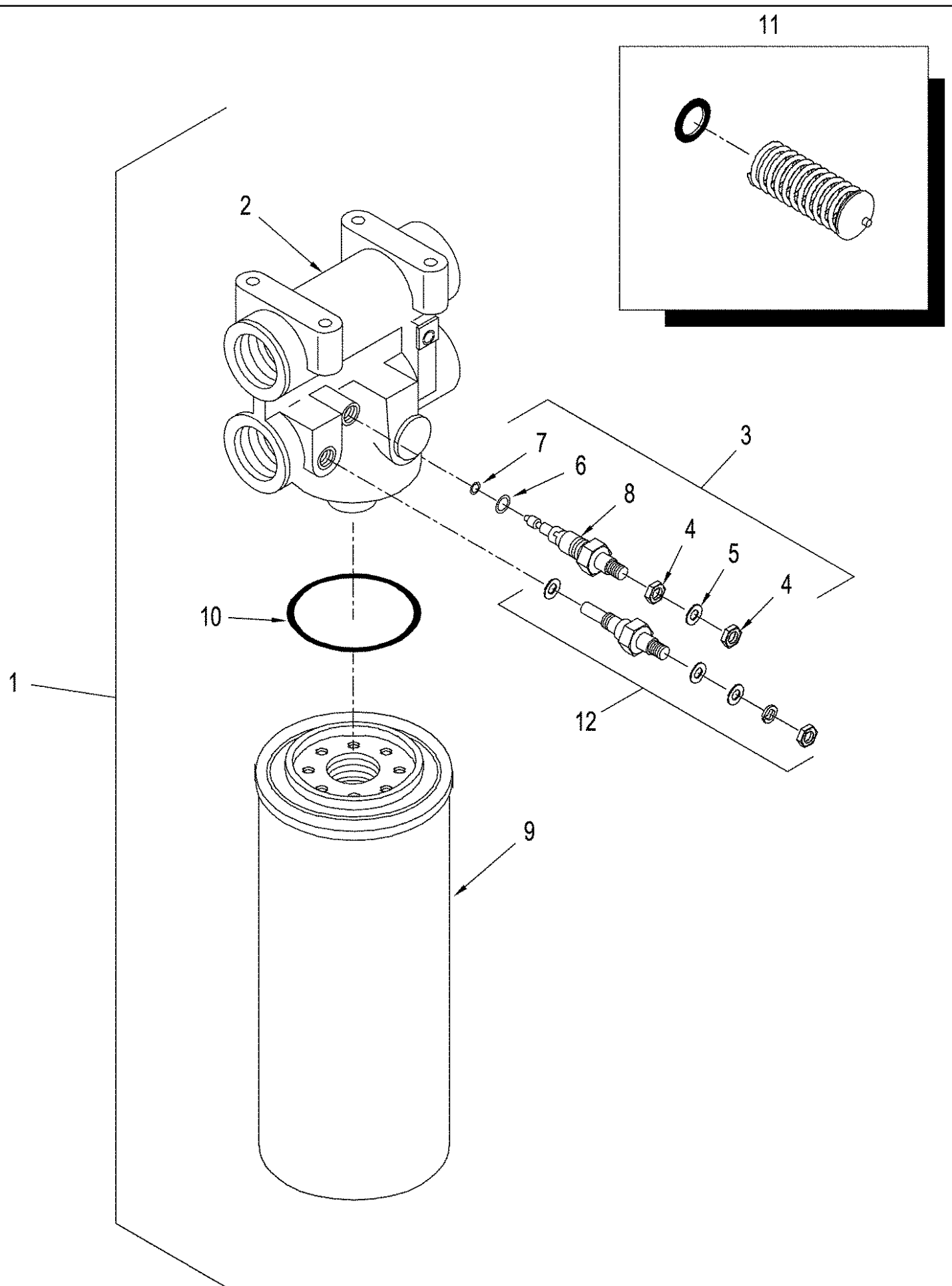
08-02 HYDRAULIC OIL COOLER MOUNTING



STX500 CASE IH 4WD TRACTOR (AFTER S/N JEE0099501)

08-02 HYDRAULIC OIL COOLER MOUNTING

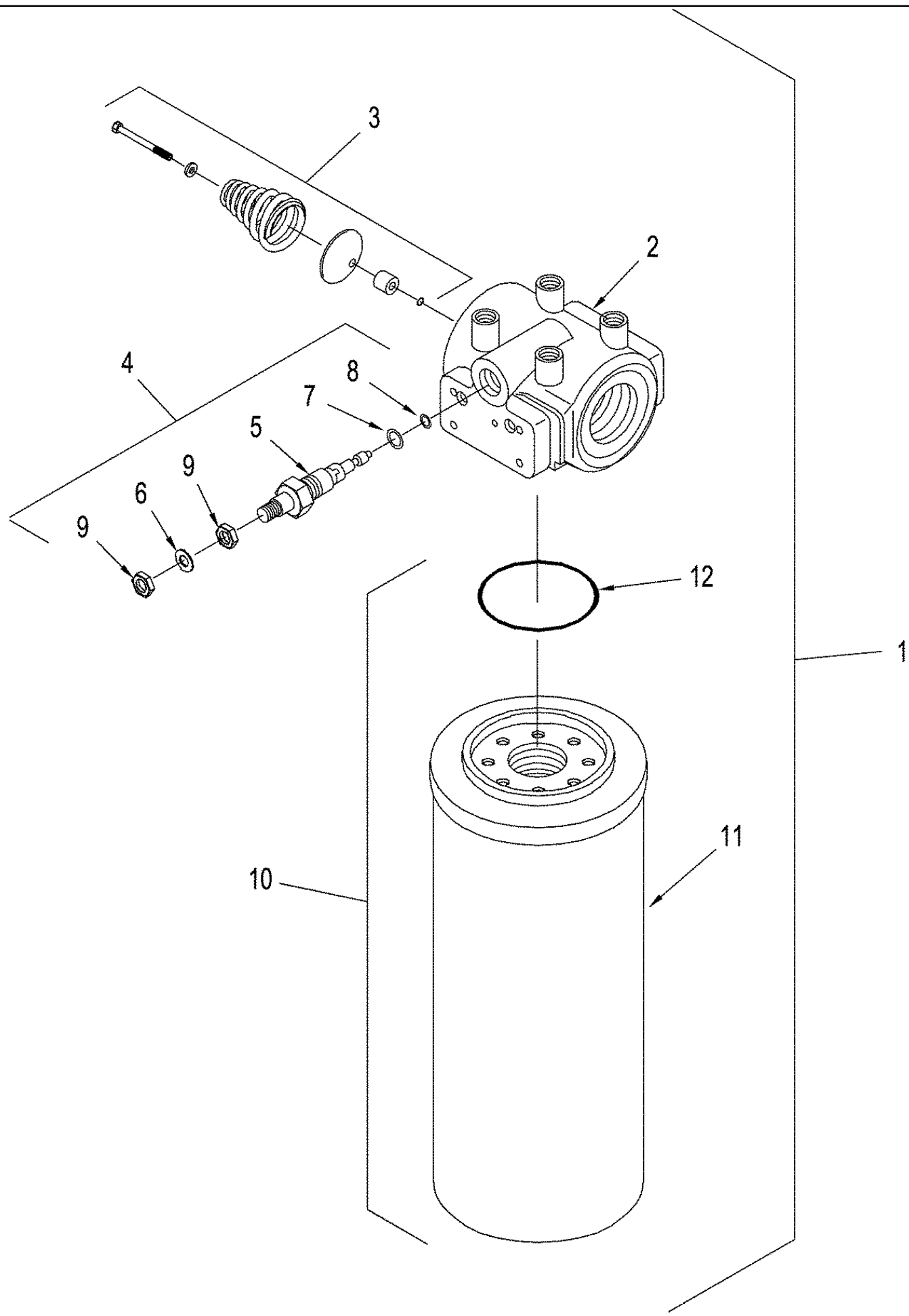
сылка	Номер детали	Кол-во	Описание
1	87312759	1	COOLER, Oil
2	302339A1	1	ANGLE,
3	238-6016	4	O-RING, -016, 90 Duro, .614" ID x .070" Thk,
4	895-15008	9	WASHER, M8 x 20 x 1.6, 9 x 20 x 1,6 mm
5	627-8020	9	BOLT, Hex, M8 x 20, 10.9,



STX500 CASE IH 4WD TRACTOR (AFTER S/N JEE0099501)

08-03 OIL FILTER - AXLE AND TRANSMISSION

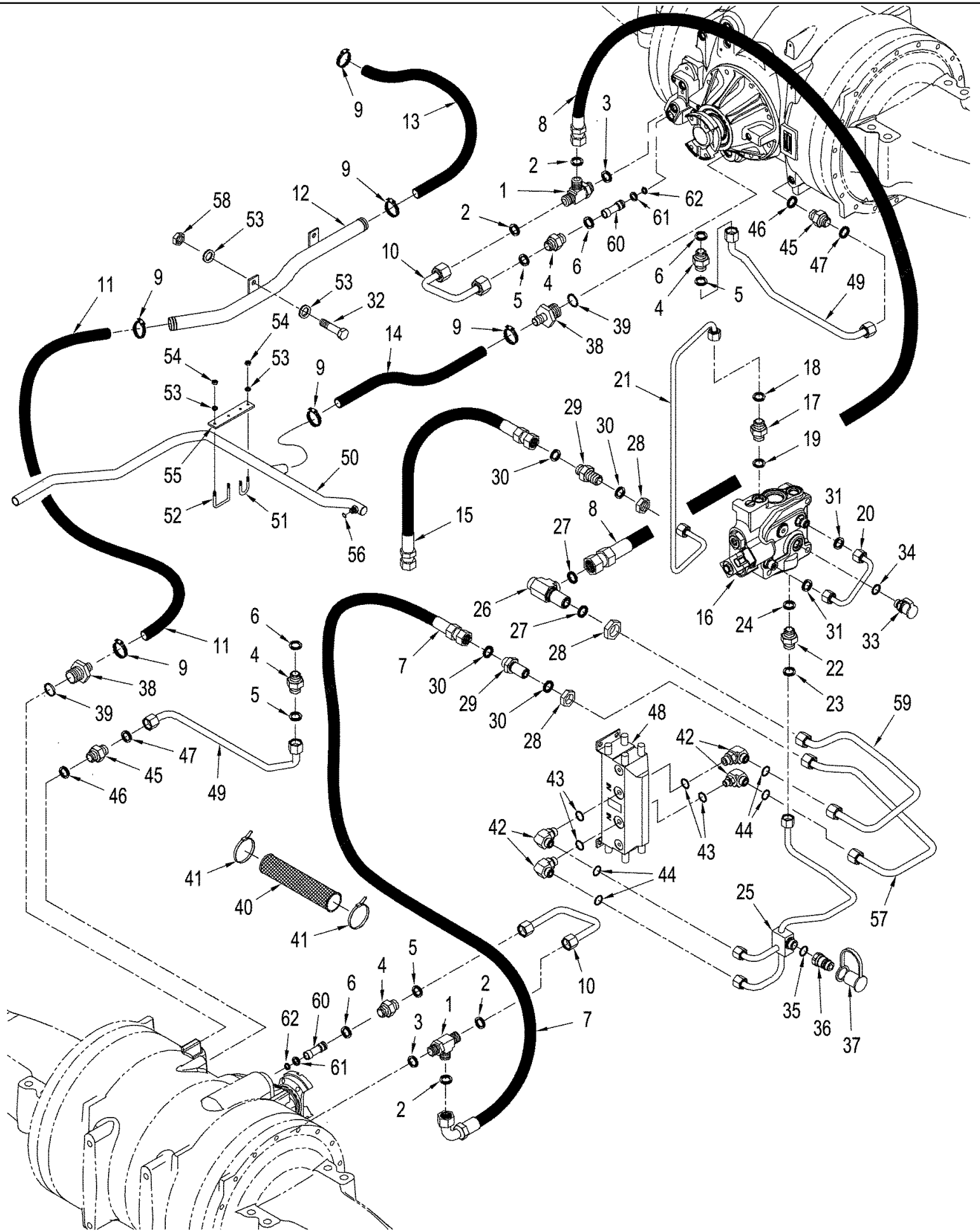
сылка	Номер детали	Кол-во	Описание
1	87409340	1	FILTER, HYDRAULIC OIL, Left-Hand, Transmission, Inc. 2 - 10
1	87409341	1	FILTER, HYDRAULIC OIL, Right-Hand, Axle Lube, Inc. 2 - 10
2	NSS	1	NOT SERVICED SEPARATELY, Head
3	N6755	1	INDICATOR, Restriction, Inc. 4 - 8
4	129-667	2	NUT, #10-32, LH,
5	493-21020	1	WASHER, LOCK, Int Tooth, #10, 3/16
6	237-6006	1	O-RING, 6-1, 90 Duro, .468" ID x .078" Thk,
7	238-5011	1	O-RING, -011, 70 Duro, .301" ID x .070" Thk,
8	NSS	1	NOT SERVICED SEPARATELY, Switch
9	1346028C1	1	ELEMENT, Inc. 10
10	1986552C2	1	O-RING,
11	50-3590T91	1	KIT, Check Valve, Outline
12	302557A2	2	SENDER UNIT, Temperature



STX500 CASE IH 4WD TRACTOR (AFTER S/N JEE0099501)

08-04 OIL FILTER - MAIN HYDRAULIC (BELOW BATTERY)

сылка	Номер детали	Кол-во	Описание
1	86991559	1	FILTER ASSY., Main Hydraulic Oil, Inc. 2 - 12
2	87409342	1	HEAD, FILTER,
3	NSS	1	NOT SERVICED SEPARATELY, Valve, By-Pass
4	N6755	1	INDICATOR, Restriction, Inc. 5 - 9
5	NSS	1	NOT SERVICED SEPARATELY, Indicator
6	493-21020	1	WASHER, LOCK, Int Tooth, #10, 3/16
8	238-5011	1	O-RING, -011, 70 Duro, .301" ID x .070" Thk,
9	129-667	2	NUT, #10-32, LH,
10	87404986	1	FILTER, HYDRAULIC OIL, Inc. 11 & 12
11	NSS	1	NOT SERVICED SEPARATELY, Element
12	N9026	1	O-RING,
7	237-6006	1	O-RING, 6-1, 90 Duro, .468" ID x .078" Thk,



STX500 CASE IH 4WD TRACTOR (AFTER S/N JEE0099501)

08-07(01) 500 SERIES AXLE HYDRAULICS - LUBRICATION CIRCUIT, BTW JEE0102001 & JEE0106701, WHEEL TRACTOR

сылка	Номер детали	Кол-во	Описание
1	700-445	2	TEE, 13/16"-16 ORFS x M22 x 1.5 ORB Run, 13/16 fc sl x 22 orb, Inc. 2, 3
2	238-6014	4	O-RING, -014, 90 Duro, .489" ID x .070" Thk,
3	637-63193	2	O-RING, CI 6, 19.3MM ID x 2.2 Thk,
4	700-102	4	CONNECTOR, HYD., 13/16"-16 ORFS x M18 x 1.5 ORB, 13/16 fc sl x 18 Or, Inc. 5, 6
5	238-6014	2	O-RING, -014, 90 Duro, .489" ID x .070" Thk,
6	637-63153	2	O-RING, CI 6, 15.3MM ID x 2.2 Thk,
7	353607A3	1	HOSE ASSY., 2165 mm (85 in)
8	87413874	1	HOSE ASSY., 2483 mm (97-3/4 in)
9	214-1420	6	CLAMP, HOSE, #20, 0.81/1.75 Type F Worm, No. 20
10	451013A1	2	TUBE ASSY.,
11	353649A1	1	HOSE, 1346 mm (53 in), Cut From : 31-2755
12	416705A2	1	TUBE ASSY.,
13	340972A1	1	HOSE, 787 mm (31 in), Cut From : 31-2755
14	395933A1	1	HOSE, 356 mm (14 in), Cut From : S118383
15	388475A1	1	HOSE, 1067 mm (42 in)
16	411104A2	1	VALVE, Regulator, See Figure(s) : 08-13
17	700-169	1	CONNECTOR, HYD., 13/16"-16 ORFS x M16 x 1.5 ORB, 13/16 fc sl x M16 Or, Inc. 18, 19
18	238-6014	1	O-RING, -014, 90 Duro, .489" ID x .070" Thk,
19	637-63133	1	O-RING, CI 6, 13.3MM ID x 2.2 Thk, 13,3 ID x 2,2
20	413338A1	1	TUBE ASSY.,
21	413334A1	1	TUBE ASSY.,
22	700-102	1	CONNECTOR, HYD., 13/16"-16 ORFS x M18 x 1.5 ORB, 13/16 fc sl x 18 Or, Inc. 23, 24
23	238-6014	1	O-RING, -014, 90 Duro, .489" ID x .070" Thk,
24	637-63153	1	O-RING, CI 6, 15.3MM ID x 2.2 Thk,
25	449802A2	1	TUBE ASSY.,
26	701-301	1	ELBOW, 90e, 13/16"-16, ORFS, Blkhd, 90, 1/2 x blkhd, Inc. 27
27	238-6014	2	O-RING, -014, 90 Duro, .489" ID x .070" Thk,
28	701-903	3	NUT, LOCK, 13/16"-16, ORFS Blkhd, 13/16 in
29	701-121	2	UNION, 13/16"-16 ORFS, Blkd, 13/16 fc sl x blkhd, Inc. 30
30	238-6014	2	O-RING, -014, 90 Duro, .489" ID x .070" Thk,
31	238-6012	2	O-RING, -012, 90 Duro, .364" ID x .070" Thk,
33	358968A1	1	COUPLING, M18 orb x 1,5, Diagnostic, Inc. 34
34	637-63193	1	O-RING, CI 6, 19.3MM ID x 2.2 Thk,
35	637-63193	1	O-RING, CI 6, 19.3MM ID x 2.2 Thk,
36	392690A1	1	COUPLING,
37	399032A1	1	CAP,
38	390348A1	2	STEM, M33 orb x barb, Axle Drain, Inc. 39
39	637-64296	2	O-RING, CI 6, 29.6MM ID x 2.9 Thk, 29,6 ID x 2,9
40	S120426	1	SLEEVE,
41	L18337	2	STRAP, CABLE, 9.95"-12.1" lg, 15 in
42	201-305	4	ELBOW, 90e, 13/16"-18 x 3/4"-18 Adj, ORFS, 90, 1/2 or x13/16 fc sl, Incl. 43, 44
43	637-63093	1	O-RING, CI 6, 9.3MM ID x 2.2 Thk, 9,3 ID x 2,2 Thk
44	238-6014	1	O-RING, -014, 90 Duro, .489" ID x .070" Thk,
45	700-162	2	CONNECTOR, HYD., 13/16"-16 ORFS x M22 x 1.5 ORB, M22 x 13/16 fc sl, Inc. 46, 47
46	637-63193	1	O-RING, CI 6, 19.3MM ID x 2.2 Thk,

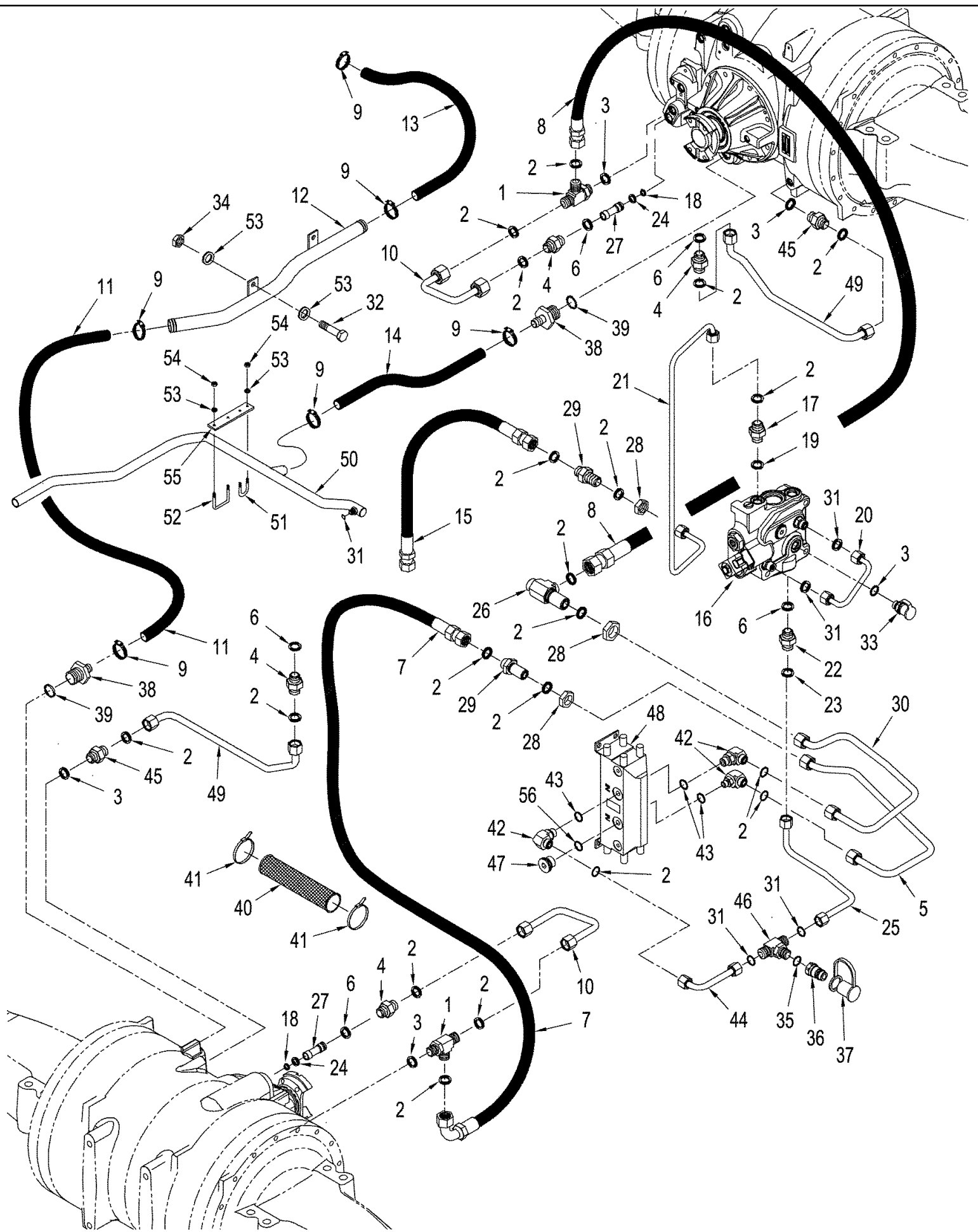
BTW JEE0102001 & JEE0106701

STX500 CASE IH 4WD TRACTOR (AFTER S/N JEE0099501)

08-07(01) 500 SERIES AXLE HYDRAULICS - LUBRICATION CIRCUIT, BTW JEE0102001 & JEE0106701, WHEEL TRACTOR

сылка	Номер детали	Кол-во	Описание
47	238-6014	1	O-RING, -014, 90 Duro, .489" ID x .070" Thk,
48	434727A1	1	MOTOR-PUMP, Axle Air / Lube
49	87400024	2	TUBE ASSY., Final Drive, Long
50	409614A1	1	TUBE ASSY., Return
51	253105A1	2	U-BOLT,
52	396490A1	2	U-BOLT,
53	895-11008	16	WASHER, M8 x 16 x 1.6, 9 x 17 x 1,6 mm
54	832-10408	8	NUT, LOCK, M8 x 1.25, CI 8,
55	409609A1	2	PLATE,
56	238-6012	1	O-RING, -012, 90 Duro, .364" ID x .070" Thk,
57	449815A2	1	TUBE ASSY.,
58	829-1408	6	NUT, M8, CI 10,
59	449813A2	1	TUBE ASSY.,
60	87400028	2	ORIFICE, Pinnion Cover
61	238-5111	2	O-RING, -111, 70 Duro, .424" ID x .103" Thk,
62	238-5011	2	O-RING, -011, 70 Duro, .301" ID x .070" Thk,
32	627-8025	2	BOLT, Hex, M8 x 25, 10.9,

BTW JEE0102001 & JEE0106701



STX500 CASE IH 4WD TRACTOR (AFTER S/N JEE0099501)

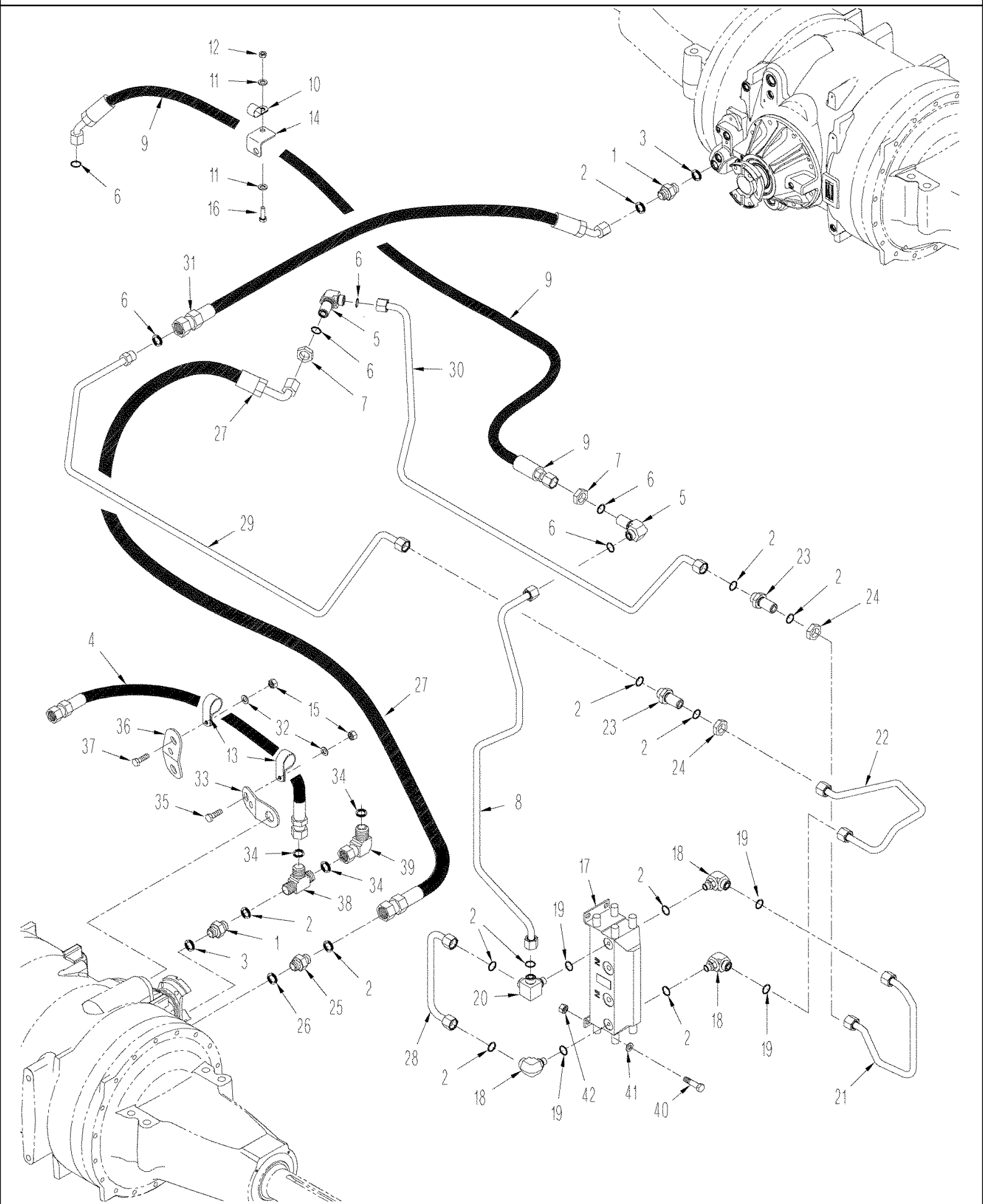
08-07(02) 500 SERIES AXLE HYDRAULICS - LUBRICATION CIRCUIT, ASN JEE0106701, WHEEL TRACTOR

сылка	Номер детали	Кол-во	Описание
1	700-445	2	TEE, 13/16"-16 ORFS x M22 x 1.5 ORB Run, 13/16 fc sl x 22 orb, Inc. 2, 3
2	238-6014	15	O-RING, -014, 90 Duro, .489" ID x .070" Thk,
3	637-63193	5	O-RING, CI 6, 19.3MM ID x 2.2 Thk,
4	700-102	4	CONNECTOR, HYD., 13/16"-16 ORFS x M18 x 1.5 ORB, 13/16 fc sl x 18 Or, Inc. 2, 6
5	449815A2	1	TUBE ASSY.,
6	637-63153	3	O-RING, CI 6, 15.3MM ID x 2.2 Thk,
7	353607A3	1	HOSE ASSY., 2165 mm (85 in)
8	87413874	1	HOSE ASSY., 2483 mm (97-3/4 in)
9	214-1420	6	CLAMP, HOSE, #20, 0.81/1.75 Type F Worm, No. 20
10	451013A1	2	TUBE ASSY.,
11	353649A1	1	HOSE, 1346 mm (53 in), Cut From : 31-2755
12	416705A2	1	TUBE ASSY.,
13	340972A1	1	HOSE, 787 mm (31 in), Cut From : 31-2755
14	395933A1	1	HOSE, 356 mm (14 in), Cut From : S118383
15	388475A1	1	HOSE, 1067 mm (42 in)
16	411104A2	1	VALVE, Regulator, See Figure(s) : 08-13
17	700-169	1	CONNECTOR, HYD., 13/16"-16 ORFS x M16 x 1.5 ORB, 13/16 fc sl x M16 Or, Inc. 2, 19
18	238-5011	2	O-RING, -011, 70 Duro, .301" ID x .070" Thk,
19	637-63133	1	O-RING, CI 6, 13.3MM ID x 2.2 Thk, 13,3 ID x 2,2
20	413338A1	1	TUBE ASSY.,
21	413334A1	1	TUBE ASSY.,
22	700-102	1	CONNECTOR, HYD., 13/16"-16 ORFS x M18 x 1.5 ORB, 13/16 fc sl x 18 Or, Inc. 23, 24
23	238-6014	1	O-RING, -014, 90 Duro, .489" ID x .070" Thk,
24	238-5111	2	O-RING, -111, 70 Duro, .424" ID x .103" Thk,
25	87307544	1	TUBE ASSY.,
26	701-301	1	ELBOW, 90e, 13/16"-16, ORFS, Blkhd, 90, 1/2 x blkhd, Inc. 2
27	87400028	2	ORIFICE, Pinnion Cover
28	701-903	3	NUT, LOCK, 13/16"-16, ORFS Blkhd, 13/16 in
29	701-121	2	UNION, 13/16"-16 ORFS, Blkd, 13/16 fc sl x blkhd, Inc. 2
30	449813A2	1	TUBE ASSY.,
31	238-6012	3	O-RING, -012, 90 Duro, .364" ID x .070" Thk,
33	358968A1	1	COUPLING, M18 orb x 1,5, Diagnostic, Inc. 3
34	829-1408	6	NUT, M8, CI 10,
35	637-63153	1	O-RING, CI 6, 15.3MM ID x 2.2 Thk,
36	392690A1	1	COUPLING,
37	399032A1	1	CAP,
38	390348A1	2	STEM, M33 orb x barb, Axle Drain, Inc. 39
39	637-64296	2	O-RING, CI 6, 29.6MM ID x 2.9 Thk, 29,6 ID x 2,9
40	S120426	1	SLEEVE,
41	L18337	2	STRAP, CABLE, 9.95"-12.1" lg, 15 in
42	201-305	4	ELBOW, 90e, 13/16"-18 x 3/4"-18 Adj, ORFS, 90, 1/2 or x13/16 fc sl, Incl. 43, 2
43	637-63093	1	O-RING, CI 6, 9.3MM ID x 2.2 Thk, 9,3 ID x 2,2 Thk
44	87307521	1	TUBE ASSY.,
45	700-162	2	CONNECTOR, HYD., 13/16"-16 ORFS x M22 x 1.5 ORB, M22 x 13/16 fc sl, Inc. 2, 3
46	700-447	1	TEE, 13/16"-16 ORFS x M22 x 1.5 ORB Br, M12 or x 13/16 fcsl, Inc. 2

STX500 CASE IH 4WD TRACTOR (AFTER S/N JEE0099501)

08-07(02) 500 SERIES AXLE HYDRAULICS - LUBRICATION CIRCUIT, ASN JEE0106701, WHEEL TRACTOR

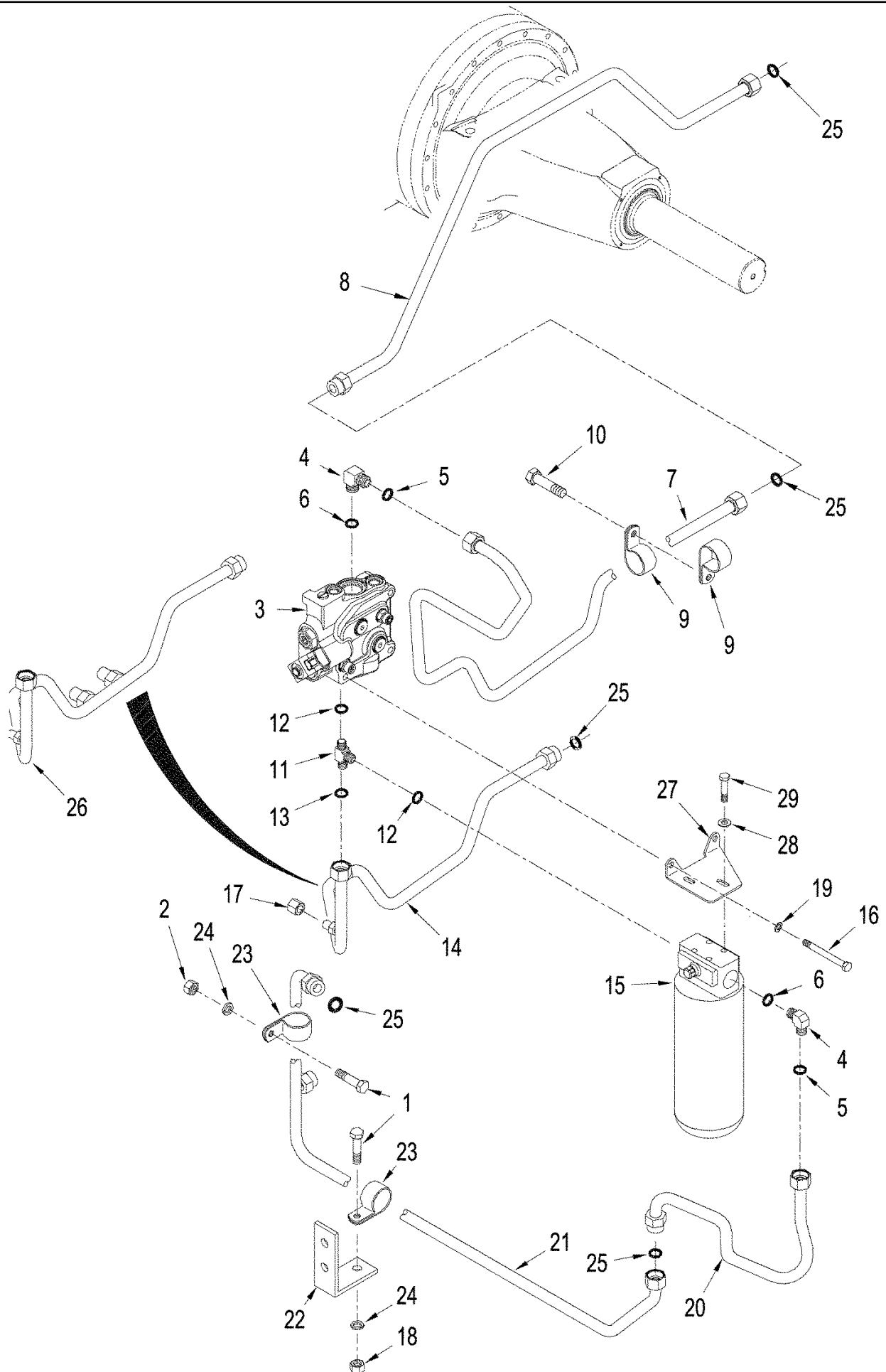
сылка	Номер детали	Кол-во	Описание
47	71100209	1	PLUG, Hex Soc, 3/4"-16 ORB, Includes Ref. 56
48	434727A1	1	MOTOR-PUMP, Axle Air / Lube
49	87400024	2	TUBE ASSY., Final Drive, Long
50	409614A1	1	TUBE ASSY., Return
51	253105A1	2	U-BOLT,
52	396490A1	2	U-BOLT,
53	895-11008	16	WASHER, M8 x 16 x 1.6, 9 x 17 x 1,6 mm
54	832-10408	8	NUT, LOCK, M8 x 1.25, CI 8,
55	409609A1	2	PLATE,
56	237-6012	1	O-RING, 12-1, 90 Duro, .924 ID x .118" Thk,
32	627-8025	2	BOLT, Hex, M8 x 25, 10.9,



STX500 CASE IH 4WD TRACTOR (AFTER S/N JEE0099501)

08-08(01) 500 SERIES AXLE HYDRAULICS - AIR AND LUBRICATION CIRCUIT, ASN JEE0102001, WHEEL TRACTOR

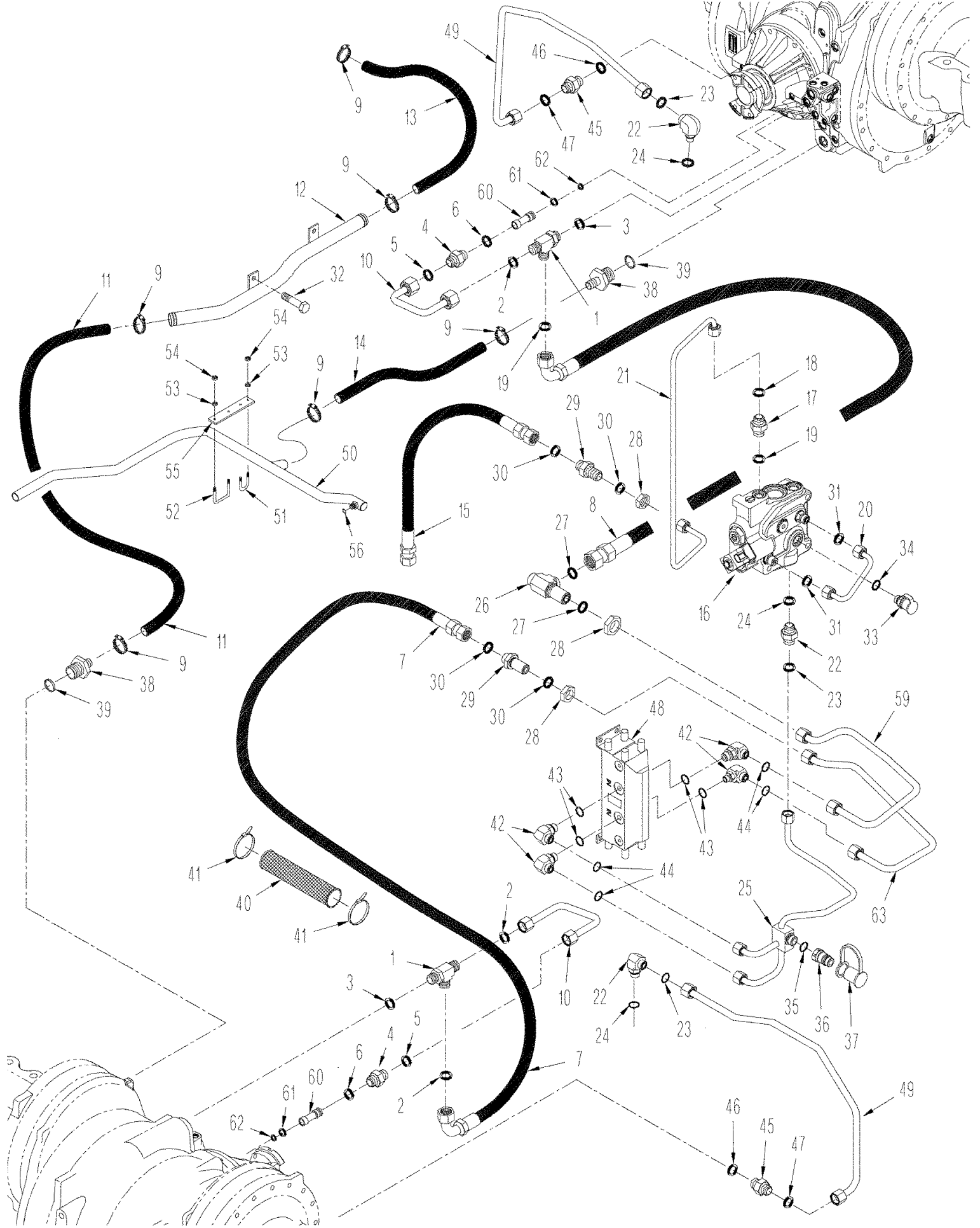
сылка	Номер детали	Кол-во	Описание
1	700-102	2	CONNECTOR, HYD., 13/16"-16 ORFS x M18 x 1.5 ORB, 11/16 fc sl x 18 Or, Inc. 2, 3
2	238-6014	12	O-RING, -014, 90 Duro, .489" ID x .070" Thk,
3	637-63153	1	O-RING, CI 6, 15.3MM ID x 2.2 Thk,
4	436864A1	1	HOSE ASSY., 2019 mm (79 in)
5	701-301	2	ELBOW, 90e, 13/16"-16, ORFS, Blkhd, 90, 13/16 fc sl x blkhd, Inc. 6, 7
6	238-6014	3	O-RING, -014, 90 Duro, .489" ID x .070" Thk,
7	701-903	1	NUT, LOCK, 13/16"-16, ORFS Blkhd, 13/16
8	449821A2	1	TUBE ASSY.,
9	86992953	1	HOSE ASSY., 1715 mm (67-1/2 in)
10	515-23206	3	CLAMP, 13/16", Insul, 3/8" Bolt,
11	895-11008	2	WASHER, M8 x 16 x 1.6,
12	829-1408	2	NUT, M8, CI 10,
13	515-23206	3	CLAMP, 13/16", Insul, 3/8" Bolt, P-type
14	416102A1	1	SUPPORT, Bracket
15	829-1408	7	NUT, M8, CI 10,
17	434727A1	2	MOTOR-PUMP, Axle Air / Lube
18	201-332	3	ELBOW, 90e, 13/16"-16 x 9/16"-18, Adj, ORFS, 90, M12 or x 13/16 fc sl, Inc. 2, 19
19	637-63093	3	O-RING, CI 6, 9.3MM ID x 2.2 Thk, 9,3 ID x 2,2 Thk
20	450905A1	1	TEE, Special, 1/2 or x fc sl, Inc. 2, 19
21	449817A2	1	TUBE ASSY.,
22	86992542	1	TUBE ASSY.,
23	701-121	2	UNION, 13/16"-16 ORFS, Blkd, 13/16 fc sl x blkhd, Inc. 2
24	701-903	2	NUT, LOCK, 13/16"-16, ORFS Blkhd, Lock
25	700-162	1	CONNECTOR, HYD., 13/16"-16 ORFS x M22 x 1.5 ORB, M22 or x 13/16 fc sl, Inc. 2, 26
26	637-63193	1	O-RING, CI 6, 19.3MM ID x 2.2 Thk,
27	87400117	1	HOSE ASSY., 2299 mm (90-1/2 in), Used On Applications Without PTO
28	449794A1	1	TUBE ASSY.,
29	449825A1	1	TUBE ASSY.,
30	449823A1	1	TUBE ASSY.,
31	86993937	4	HOSE ASSY., 1194 mm (47 in)
32	895-11008	4	WASHER, M8 x 16 x 1.6, 9 x 17 x 1.6 mm
33	417271A1	1	BRACKET,
34	238-6014	2	O-RING, -014, 90 Duro, .489" ID x .070" Thk,
35	613-8020	1	BOLT, Hex, M8 x 20, 8.8, Full Thd, Cap, HH, CL 8.8, M8 x 1.25 x 20
36	417272A1	1	BRACKET,
38	701-416	1	TEE, 13/16"-16 ORFS x 13/16"-16 Fem Sw Run, M12 x 13/16 fc sl, Inc. 34
39	701-320	1	ELBOW, 90e, 13/16"-16 ORFS x 13/16"-16 Fem Sw, 90, 13/16 fc sl x Swl, Inc. 34
41	896-11010	4	WASHER, M10 x 21.5 x 2.5, HT,
42	829-1310	4	NUT, M10, CI 10, M10; 10
37	627-8030	1	BOLT, Hex, M8 x 30, 10.9,
16	627-8025	1	BOLT, Hex, M8 x 25, 10.9,
40	627-10030	4	BOLT, Hex, M10 x 30, 10.9, Full Thd,



STX500 CASE IH 4WD TRACTOR (AFTER S/N JEE0099501)

08-08(02) 400 / 500 SERIES AXLE HYDRAULICS - COOLING CIRCUIT, ASN JEE0102001, WHEEL TRACTOR

сылка	Номер детали	Кол-во	Описание
2	829-1408	3	NUT, M8, CI 10,
3	411104A1	1	VALVE, Regulator, See Figure(s) : 08-13
4	700-308	2	ELBOW, 90°, 1 7/16"-12 ORFS x M33 x 2 ORB, 90, 1-7/16 fc sl x 33 Or, Inc. 18, 19
6	637-64296	2	O-RING, CI 6, 29.6MM ID x 2.9 Thk, 29,6 ID x 2,9
7	418818A1	1	TUBE ASSY.,
8	416701A1	1	TUBE ASSY.,
9	R15257	2	CLAMP,
10	827-8040	2	BOLT, Hex, M8 x 40, 10.9,
11	328232A1	1	TEE,
12	637-64296	2	O-RING, CI 6, 29.6MM ID x 2.9 Thk, 29,6 ID x 2,9
14	87310970	1	TUBE, HYD, Pump Supply
15	86991559	1	FILTER ASSY., See Figure(s) : 08-04
16	827-10150	3	BOLT, Hex, M10 x 150, 10.9,
17	701-906	1	CAP, 1"-14 ORFS, 5/8, With Electronic Three Point Hitch
18	832-10406	2	NUT, LOCK, M6 x 1, CI 8,
19	895-18010	2	WASHER, M10 x 18 x 1.6,
20	418820A1	1	TUBE ASSY.,
21	416708A1	1	TUBE ASSY.,
22	451507A1	2	BRACKET,
23	515-22254	3	CLAMP, 1", Insul, 5/16" Bolt, 1 ID
24	895-11008	3	WASHER, M8 x 16 x 1.6, 9 x 17 x 1.6 mm
26	418816A2	1	TUBE ASSY., Pump Supply, Mega Flow Hydraulic Application
27	413322A1	1	BRACKET, Mounting
28	895-18010	4	WASHER, M10 x 18 x 1.6,
29	627-10020	4	BOLT, Hex, M10 x 20, 10.9, Full Thd, Cap, HH, M10 x 20, CL10.9
1	627-8025	4	BOLT, Hex, M8 x 25, 10.9,
5	238-6021	2	O-RING, -021, 90 Duro, .926" ID x .070" Thk,
13	238-6021	1	O-RING, -021, 90 Duro, .926" ID x .070" Thk,
25	238-6021	5	O-RING, -021, 90 Duro, .926" ID x .070" Thk,



STX500 CASE IH 4WD TRACTOR (AFTER S/N JEE0099501)

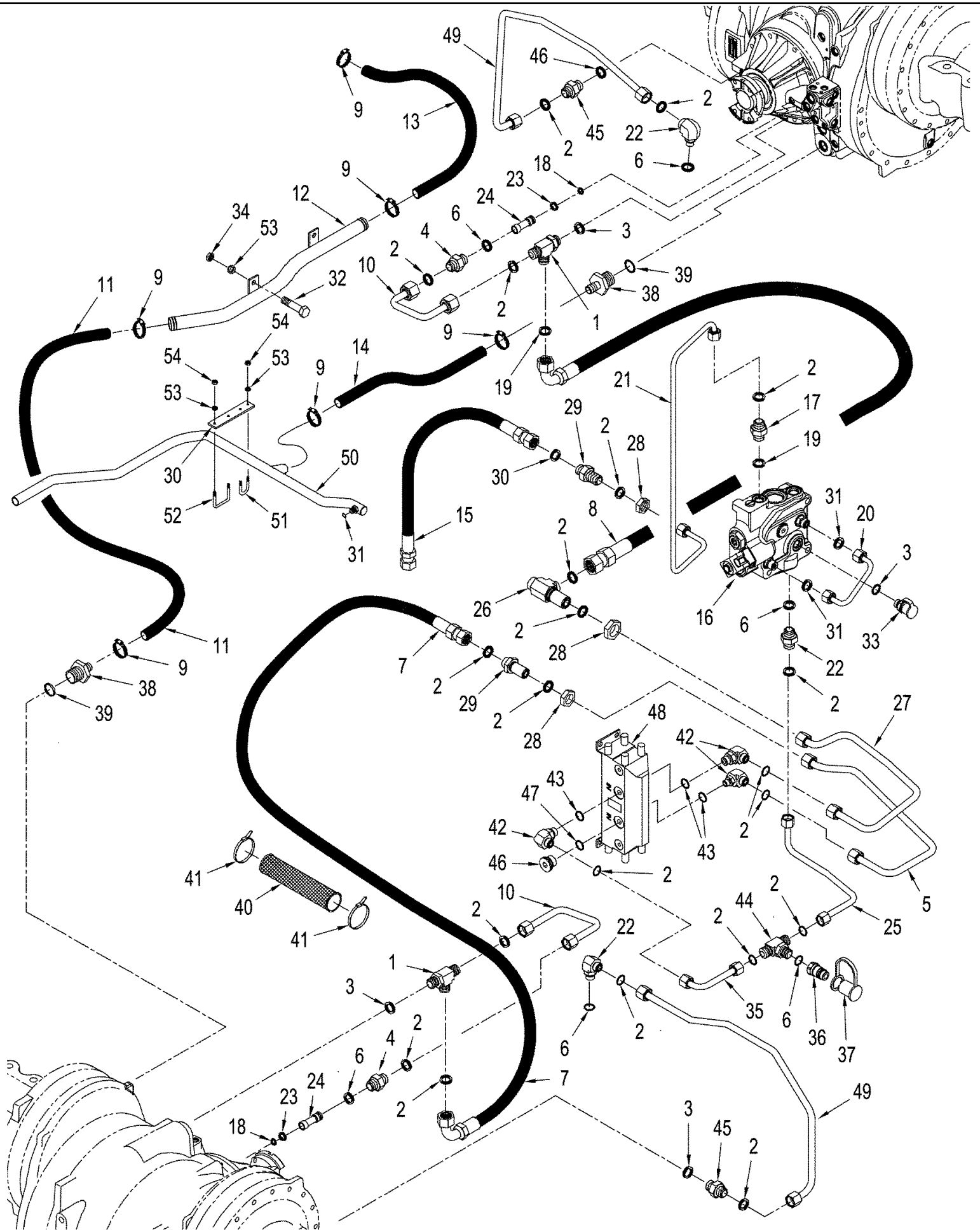
08-09(01) 500 SERIES AXLE HYDRAULICS - LUBRICATION CIRCUIT, BTW JEE0102001 & JEE0106701, QUADTRAC TRACTOR

сылка	Номер детали	Кол-во	Описание
1	700-445	2	TEE, 13/16"-16 ORFS x M22 x 1.5 ORB Run, 13/16 fc sl x 22 orb, Inc 2, 3
2	238-6014	4	O-RING, -014, 90 Duro, .489" ID x .070" Thk,
3	637-63193	2	O-RING, CI 6, 19.3MM ID x 2.2 Thk,
4	700-102	3	CONNECTOR, HYD., 13/16"-16 ORFS x M18 x 1.5 ORB, 13/16 fc sl x 18 Or, Inc. 5, 6
5	238-6014	2	O-RING, -014, 90 Duro, .489" ID x .070" Thk,
6	637-63153	2	O-RING, CI 6, 15.3MM ID x 2.2 Thk,
7	375663A1	1	HOSE ASSY., 2165 mm (85 in)
7	87424325	1	HOSE ASSY., 2165 mm (85 in), Arctic QUADTRAC Tractor Application
8	87413873	1	HOSE ASSY., 1898mm (75 in)
8	87424326	1	HOSE ASSY., 1898 mm (75 in), Arctic QUADTRAC Tractor Application
9	214-1420	6	CLAMP, HOSE, #20, 0.81/1.75 Type F Worm, No. 20
10	451013A1	2	TUBE ASSY.,
11	340971A1	1	HOSE, 1219 mm (48 in), Cut From : 31-2755
12	416280A2	1	TUBE ASSY.,
13	340972A1	1	HOSE, 787 mm (31 in), Cut From : 31-2755
14	395933A1	1	HOSE, 356 mm (14 in), Cut From : S118383
15	87414080	1	HOSE ASSY., 970 mm (39 in)
15	87424331	1	HOSE ASSY., 990 mm (39 in), Arctic QUADTRAC Tractor Application
16	411104A1	1	VALVE, Regulator, See Figure 08-13
17	700-169	1	CONNECTOR, HYD., 13/16"-16 ORFS x M16 x 1.5 ORB, 13/16 fc sl x M16 Or, Inc. 18, 19
18	238-6014	1	O-RING, -014, 90 Duro, .489" ID x .070" Thk,
19	637-63133	1	O-RING, CI 6, 13.3MM ID x 2.2 Thk, 13,3 ID x 2,2
20	413338A1	1	TUBE ASSY.,
21	413334A1	1	TUBE ASSY.,
22	700-305	1	ELBOW, 90e, 13/16"-18 ORFS x M18 x 1.5 ORB, 90, M18 or x 13/16 fc sl, Inc. 23, 24
23	238-6014	1	O-RING, -014, 90 Duro, .489" ID x .070" Thk,
24	637-63153	1	O-RING, CI 6, 15.3MM ID x 2.2 Thk,
25	449802A2	1	TUBE ASSY.,
26	701-301	1	ELBOW, 90e, 13/16"-16, ORFS, Blkhd, 90, 1/2 x blkhd, Inc. 27
27	238-6014	2	O-RING, -014, 90 Duro, .489" ID x .070" Thk,
28	701-903	3	NUT, LOCK, 13/16"-16, ORFS Blkhd, 13/16 in
29	701-121	2	UNION, 13/16"-16 ORFS, Blkd, 13/16 fc sl x blkhd, Inc. 30
30	238-6014	2	O-RING, -014, 90 Duro, .489" ID x .070" Thk,
31	238-6012	2	O-RING, -012, 90 Duro, .364" ID x .070" Thk,
33	358968A1	1	COUPLING, M18 orb x 1,5, Diagnostic, Inc. 34
34	637-63193	1	O-RING, CI 6, 19.3MM ID x 2.2 Thk,
35	637-64296	1	O-RING, CI 6, 29.6MM ID x 2.9 Thk, 19,3 ID x 2,2 mm
36	392690A1	1	COUPLING, Inc. 35
37	399032A1	1	CAP, Dust
38	390348A1	2	STEM, M33 orb x barb, Axle Drain, Inc. 39
39	637-64296	2	O-RING, CI 6, 29.6MM ID x 2.9 Thk, 29,6 ID x 2,9
40	334783A1	1	SLEEVE,
41	L18337	2	STRAP, CABLE, 9.95"-12.1" lg, 15 in
42	201-305	4	ELBOW, 90e, 13/16"-18 x 3/4"-18 Adj, ORFS, 90, 1/2 or x13/16 fc sl, Incl. 43, 44
43	637-63093	1	O-RING, CI 6, 9.3MM ID x 2.2 Thk, 9,3 ID x 2,2 Thk

STX500 CASE IH 4WD TRACTOR (AFTER S/N JEE0099501)

08-09(01) 500 SERIES AXLE HYDRAULICS - LUBRICATION CIRCUIT, BTW JEE0102001 & JEE0106701, QUADTRAC TRACTOR

сылка	Номер детали	Кол-во	Описание
44	238-6014	1	O-RING, -014, 90 Duro, .489" ID x .070" Thk,
45	700-162	2	CONNECTOR, HYD., 13/16"-16 ORFS x M22 x 1.5 ORB, M22 x 13/16 fc sl, Inc. 46, 47
46	637-63193	1	O-RING, CI 6, 19.3MM ID x 2.2 Thk,
47	238-6014	1	O-RING, -014, 90 Duro, .489" ID x .070" Thk,
48	434727A1	1	MOTOR-PUMP, Axle Air / Lube
49	451015A1	2	TUBE ASSY., Final Drive, Long
50	409614A1	1	TUBE ASSY., Return
51	253105A1	2	U-BOLT,
52	396490A1	2	U-BOLT,
53	895-11008	12	WASHER, M8 x 16 x 1.6, 9 x 17 x 1,6 mm
54	832-10408	8	NUT, LOCK, M8 x 1.25, CI 8,
55	394302A1	2	PLATE, Mounting
56	238-6012	1	O-RING, -012, 90 Duro, .364" ID x .070" Thk,
57	L111928	3	CLAMP, Double
58	829-1408	4	NUT, M8, CI 10,
59	449813A2	1	TUBE ASSY.,
60	87400028	2	ORIFICE, Pinnion Cover
61	238-5111	2	O-RING, -111, 70 Duro, .424" ID x .103" Thk,
62	238-5011	2	O-RING, -011, 70 Duro, .301" ID x .070" Thk,
63	449815A2	1	TUBE ASSY.,
32	627-8025	2	BOLT, Hex, M8 x 25, 10.9,



STX500 CASE IH 4WD TRACTOR (AFTER S/N JEE0099501)

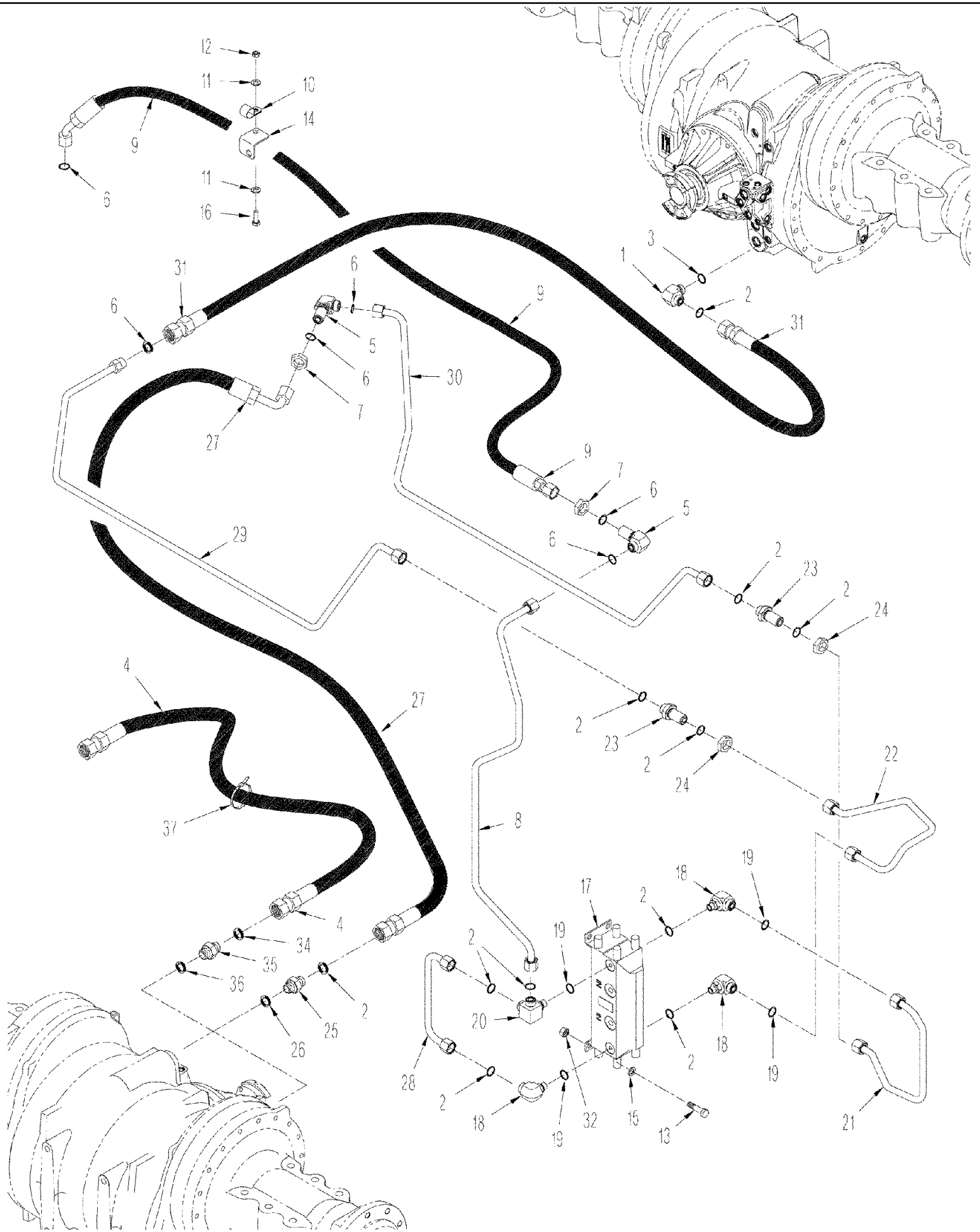
08-09(02) 500 SERIES AXLE HYDRAULICS - LUBRICATION CIRCUIT, ASN JEE0106701, QUADTRAC TRACTOR

сылка	Номер детали	Кол-во	Описание
1	700-445	2	TEE, 13/16"-16 ORFS x M22 x 1.5 ORB Run, 13/16 fc sl x 22 orb, Inc 2, 3
2	238-6014	14	O-RING, -014, 90 Duro, .489" ID x .070" Thk,
3	637-63193	4	O-RING, CI 6, 19.3MM ID x 2.2 Thk,
4	700-102	3	CONNECTOR, HYD., 13/16"-16 ORFS x M18 x 1.5 ORB, 13/16 fc sl x 18 Or, Inc. 2, 6
5	449815A2	1	TUBE ASSY.,
6	637-63153	4	O-RING, CI 6, 15.3MM ID x 2.2 Thk,
7	375663A1	1	HOSE ASSY., 2165 mm (85 in)
7	87424325	1	HOSE ASSY., 2165 mm (85 in), Arctic QUADTRAC Tractor Application
8	87413873	1	HOSE ASSY., 1898mm (75 in)
8	87424326	1	HOSE ASSY., 1898 mm (75 in), Also Order 87423532 Door Catch Pin
9	214-1420	6	CLAMP, HOSE, #20, 0.81/1.75 Type F Worm, No. 20
10	451013A1	2	TUBE ASSY.,
11	340971A1	1	HOSE, 1219 mm (48 in), Cut From : 31-2755
12	416280A2	1	TUBE ASSY.,
13	340972A1	1	HOSE, 787 mm (31 in), Cut From : 31-2755
14	395933A1	1	HOSE, 356 mm (14 in), Cut From : S118383
15	87414080	1	HOSE ASSY., 970 mm (39 in)
15	87424331	1	HOSE ASSY., 990 mm (39 in), Arctic QUADTRAC Tractor Application
16	411104A1	1	VALVE, Regulator, See Figure 08-13
17	700-169	1	CONNECTOR, HYD., 13/16"-16 ORFS x M16 x 1.5 ORB, 13/16 fc sl x M16 Or, Inc. 2, 19
18	238-5011	2	O-RING, -011, 70 Duro, .301" ID x .070" Thk,
19	637-63133	1	O-RING, CI 6, 13.3MM ID x 2.2 Thk, 13,3 ID x 2,2
20	413338A1	1	TUBE ASSY.,
21	413334A1	1	TUBE ASSY.,
22	700-305	1	ELBOW, 90e, 13/16"-18 ORFS x M18 x 1.5 ORB, 90, M18 or x 13/16 fc sl, Inc. 2, 6
23	238-5111	2	O-RING, -111, 70 Duro, .424" ID x .103" Thk,
24	87400028	2	ORIFICE, Pinnion Cover
25	87307544	1	TUBE ASSY.,
26	701-301	1	ELBOW, 90e, 13/16"-16, ORFS, Blkhd, 90, 1/2 x blkhd, Inc. 2
27	449813A2	1	TUBE ASSY.,
28	701-903	3	NUT, LOCK, 13/16"-16, ORFS Blkhd, 13/16 in
29	701-121	2	UNION, 13/16"-16 ORFS, Blkd, 13/16 fc sl x blkhd, Inc. 2
30	394302A1	2	PLATE, Mounting
31	238-6012	3	O-RING, -012, 90 Duro, .364" ID x .070" Thk,
33	358968A1	1	COUPLING, M18 orb x 1,5, Diagnostic, Inc. 3
34	829-1408	4	NUT, M8, CI 10,
35	87307521	1	TUBE ASSY.,
36	392690A1	1	COUPLING, Inc. 35
37	399032A1	1	CAP, Dust
38	390348A1	2	STEM, M33 orb x barb, Axle Drain, Inc. 39
39	637-64296	2	O-RING, CI 6, 29.6MM ID x 2.9 Thk, 29,6 ID x 2,9
40	334783A1	1	SLEEVE,
41	L18337	2	STRAP, CABLE, 9.95"-12.1" lg, 15 in
42	201-305	4	ELBOW, 90e, 13/16"-18 x 3/4"-18 Adj, ORFS, 90, 1/2 or x13/16 fc sl, Incl. 43, 2
43	637-63093	1	O-RING, CI 6, 9.3MM ID x 2.2 Thk, 9,3 ID x 2,2 Thk

STX500 CASE IH 4WD TRACTOR (AFTER S/N JEE0099501)

08-09(02) 500 SERIES AXLE HYDRAULICS - LUBRICATION CIRCUIT, ASN JEE0106701, QUADTRAC TRACTOR

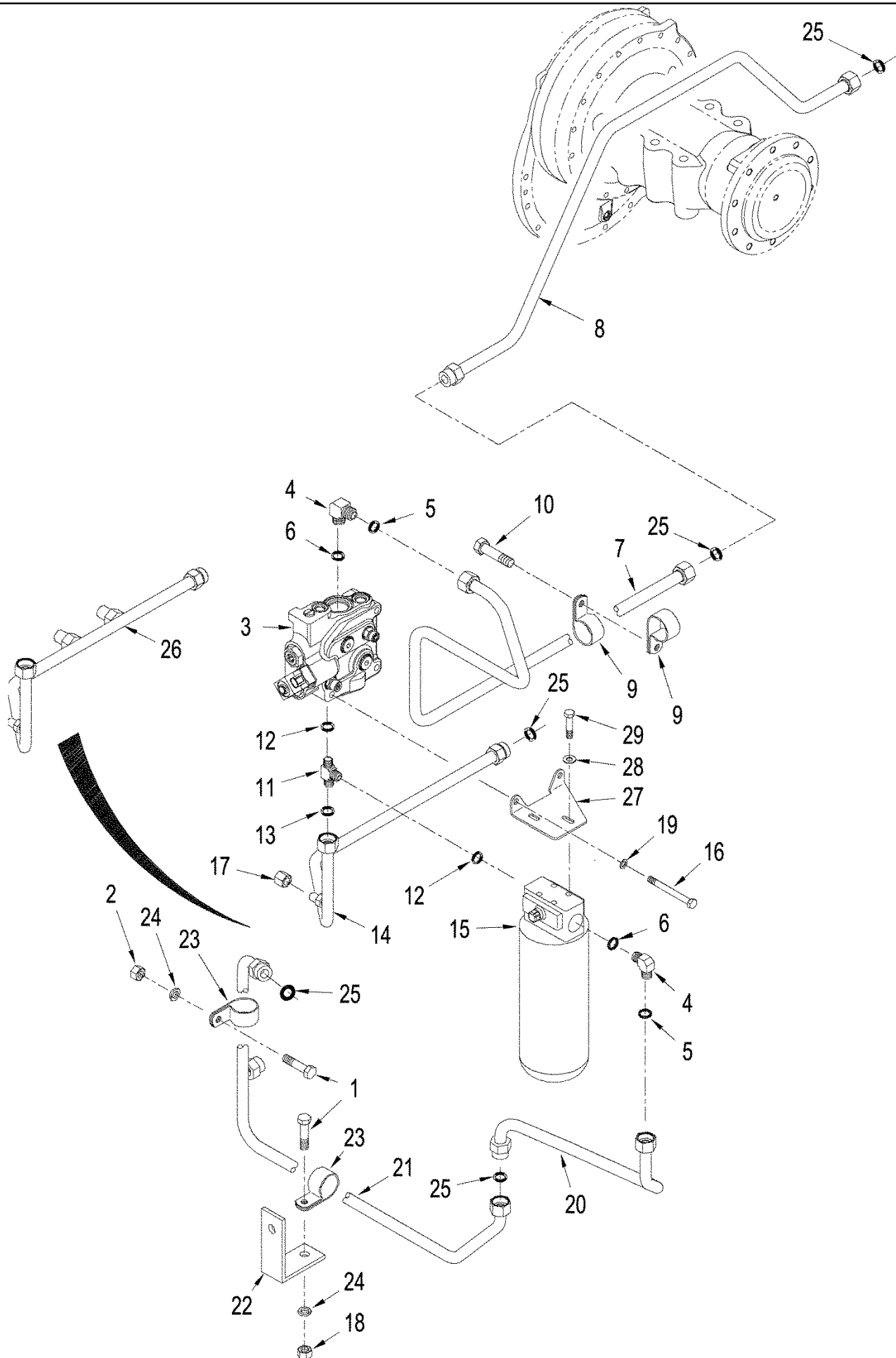
сылка	Номер детали	Кол-во	Описание
44	700-447	1	TEE, 13/16"-16 ORFS x M22 x 1.5 ORB Br, M22 or x 13/16 fcsl, Inc. 2, 6
45	700-162	2	CONNECTOR, HYD., 13/16"-16 ORFS x M22 x 1.5 ORB, M22 x 13/16 fc sl, Inc. 2, 3
46	71100209	1	PLUG, Hex Soc, 3/4"-16 ORB, Includes Ref. 47
47	237-6012	1	O-RING, 12-1, 90 Duro, .924 ID x .118" Thk,
48	434727A1	1	MOTOR-PUMP, Axle Air / Lube
49	451015A1	2	TUBE ASSY., Final Drive, Long
50	409614A1	1	TUBE ASSY., Return
51	253105A1	2	U-BOLT,
52	396490A1	2	U-BOLT,
53	895-11008	12	WASHER, M8 x 16 x 1.6, 9 x 17 x 1,6 mm
54	832-10408	8	NUT, LOCK, M8 x 1.25, Cl 8,
32	627-8025	2	BOLT, Hex, M8 x 25, 10.9,



STX500 CASE IH 4WD TRACTOR (AFTER S/N JEE0099501)

08-10(01) 500 SERIES AXLE HYDRAULICS - AIR AND LUBRICATION CIRCUIT, ASN JEE0102001, QUADTRAC TRACTOR

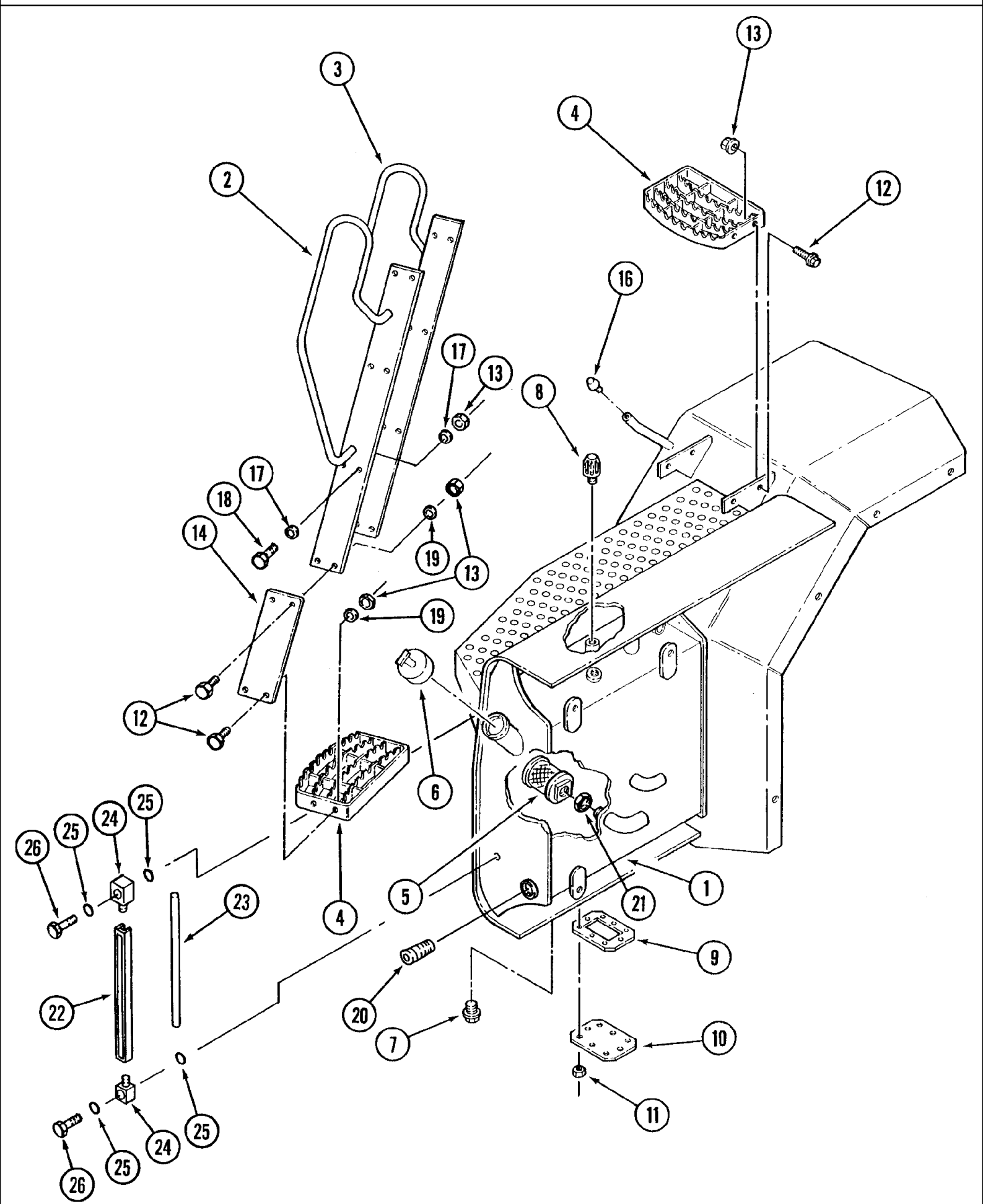
сылка	Номер детали	Кол-во	Описание
1	700-305	1	ELBOW, 90е, 13/16"-18 ORFS x M18 x 1.5 ORB, 90, M18 or x 13/16 fc sl, Inc. 2, 3
2	238-6014	2	O-RING, -014, 90 Duro, .489" ID x .070" Thk,
3	637-63153	1	O-RING, CI 6, 15.3MM ID x 2.2 Thk,
4	437144A1	1	HOSE ASSY., 1733 mm (68 in)
4	87424329	1	HOSE ASSY., 1733 mm (68 in), Arctic QUADTRAC Tractor Application
5	701-301	2	ELBOW, 90е, 13/16"-16, ORFS, Blkhd, 90, 13/16 fc sl x lblkhd, Inc. 6, 7
6	238-6014	3	O-RING, -014, 90 Duro, .489" ID x .070" Thk,
7	701-903	1	NUT, LOCK, 13/16"-16, ORFS Blkhd, 13/16
8	449821A2	1	TUBE ASSY.,
9	86992953	1	HOSE ASSY., 1715 mm (67-1/2 in)
9	87424333	1	HOSE ASSY., 1715 mm (67-1/2 in), Arctic QUADTRAC Tractor Application
10	515-23206	3	CLAMP, 13/16", Insul, 3/8" Bolt,
11	895-11008	1	WASHER, M8 x 16 x 1.6,
12	829-1408	1	NUT, M8, CI 10,
14	416102A1	1	SUPPORT, Bracket
15	896-11010	4	WASHER, M10 x 21.5 x 2.5, HT,
17	434727A1	2	MOTOR-PUMP, Axle Air / Lube
18	201-332	3	ELBOW, 90е, 13/16"-16 x 9/16"-18, Adj, ORFS, 90, M12 or x 13/16 fc sl, Inc. 2, 19
19	637-63093	3	O-RING, CI 6, 9.3MM ID x 2.2 Thk, 9,3 ID x 2,2 Thk
20	450905A1	1	TEE, Special, 1/2 or x fc sl, Inc. 2, 19
21	449817A2	1	TUBE ASSY.,
22	86992542	1	TUBE ASSY.,
23	701-121	2	UNION, 13/16"-16 ORFS, Blkd, 13/16 fc sl x blkhd, Inc. 2
24	701-903	2	NUT, LOCK, 13/16"-16, ORFS Blkhd, Lock
25	700-162	1	CONNECTOR, HYD., 13/16"-16 ORFS x M22 x 1.5 ORB, M22 or x 13/16 fc sl, Inc. 2, 26
26	637-63193	1	O-RING, CI 6, 19.3MM ID x 2.2 Thk,
27	87400117	1	HOSE ASSY., 2299 mm (90-1/2 in), Used On Applications Without PTO
27	87424335	1	HOSE ASSY., 2299 mm (90-1/2 in), Used On Applications Without PTO
28	449794A1	1	TUBE ASSY.,
29	449825A1	1	TUBE ASSY.,
30	449823A1	1	TUBE ASSY.,
31	449805A1	4	HOSE ASSY., 2413 mm (95 in)
31	87424330	1	HOSE ASSY., 2413 mm (95 in), Arctic QUADTRAC Tractor Application
32	829-1310	4	NUT, M10, CI 10, M10; 10
34	700-102	2	CONNECTOR, HYD., 13/16"-16 ORFS x M18 x 1.5 ORB, M18 or x 13/16 fc sl, Inc. 35, 36
35	238-6014	1	O-RING, -014, 90 Duro, .489" ID x .070" Thk,
36	637-63153	1	O-RING, CI 6, 15.3MM ID x 2.2 Thk,
37	L18331	1	STRAP, CABLE, Tie
16	627-8025	1	BOLT, Hex, M8 x 25, 10.9,
13	627-10030	4	BOLT, Hex, M10 x 30, 10.9, Full Thd,



STX500 CASE IH 4WD TRACTOR (AFTER S/N JEE0099501)

08-10(02) 500 SERIES AXLE HYDRAULICS - COOLING CIRCUIT, ASN JEE0102001, QUADTRAC TRACTOR

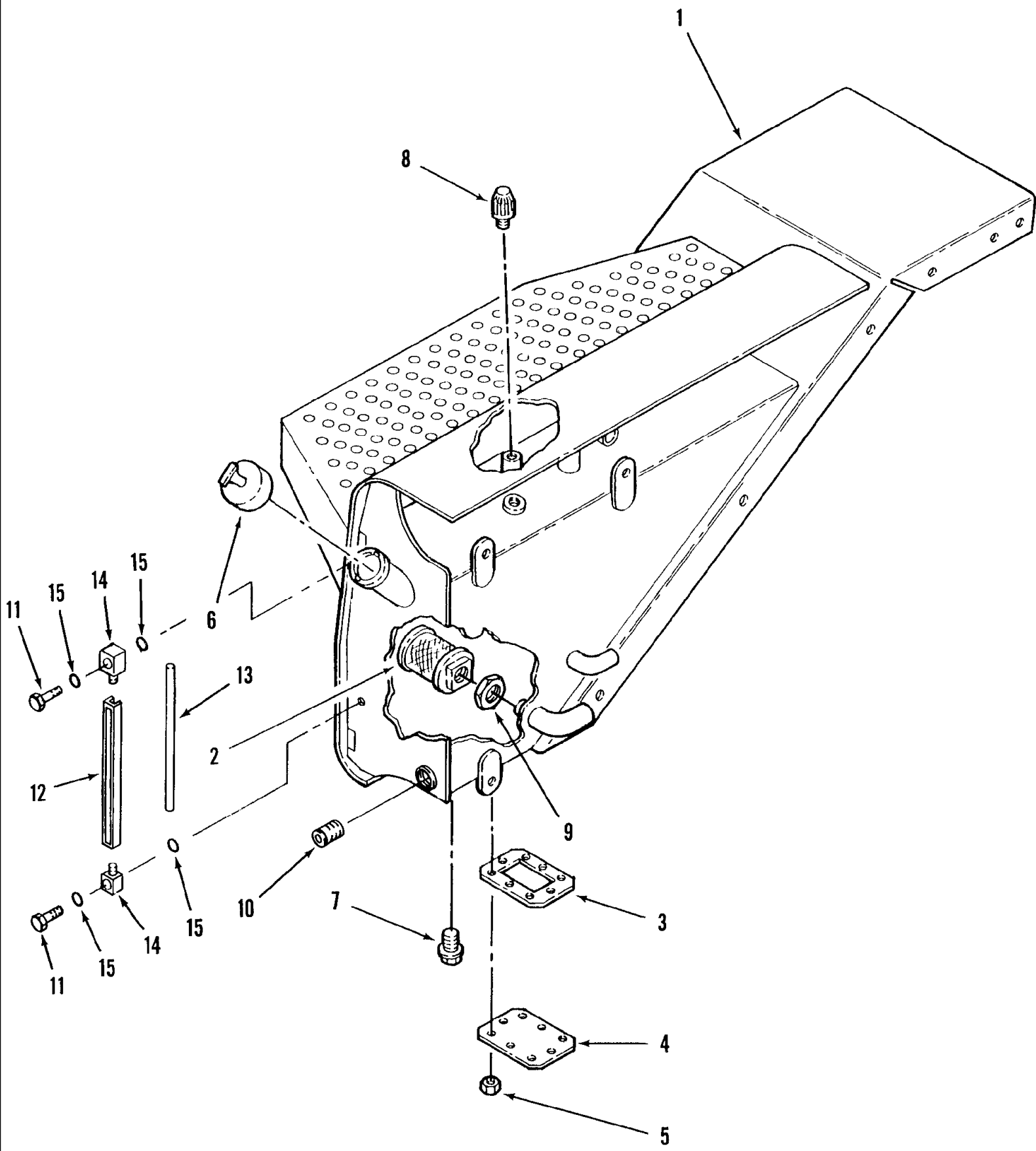
сылка	Номер детали	Кол-во	Описание
2	829-1408	3	NUT, M8, CI 10,
3	411104A2	1	VALVE, Regulator, See Figure(s) : 08-13
4	700-308	2	ELBOW, 90°, 1 7/16"-12 ORFS x M33 x 2 ORB, 90, 1-7/16 fc sl x 33 Or, Inc. 18, 19
6	637-64296	2	O-RING, CI 6, 29.6MM ID x 2.9 Thk, 29,6 ID x 2,9
7	416712A1	1	TUBE ASSY.,
8	416701A1	1	TUBE ASSY.,
9	R15257	2	CLAMP,
10	827-8040	2	BOLT, Hex, M8 x 40, 10.9,
11	328232A1	1	TEE,
12	637-64296	2	O-RING, CI 6, 29.6MM ID x 2.9 Thk, 29,6 ID x 2,9
14	416703A1	1	TUBE ASSY., Pump Supply
15	86991559	1	FILTER ASSY., See Figure(s) : 08-04
16	827-10150	3	BOLT, Hex, M10 x 150, 10.9,
17	701-906	1	CAP, 1"-14 ORFS, 5/8, With Electronic Three Point Hitch
18	832-10406	2	NUT, LOCK, M6 x 1, CI 8,
19	895-18010	4	WASHER, M10 x 18 x 1.6,
20	416699A2	1	TUBE ASSY.,
21	416708A1	1	TUBE ASSY.,
22	451507A1	2	BRACKET, Mounting
23	515-22254	3	CLAMP, 1", Insul, 5/16" Bolt, 1 ID
24	895-11008	3	WASHER, M8 x 16 x 1.6, 9 x 17 x 1.6 mm
26	87311041	1	TUBE, HYD, Pump Supply, Mega Flow Hydraulic Application
27	413322A1	1	BRACKET, Mounting
28	895-18010	4	WASHER, M10 x 18 x 1.6,
29	627-10020	4	BOLT, Hex, M10 x 20, 10.9, Full Thd, Cap, HH, M10 x 20, CL10.9
1	627-8025	4	BOLT, Hex, M8 x 25, 10.9,
5	238-6021	2	O-RING, -021, 90 Duro, .926" ID x .070" Thk,
13	238-6021	1	O-RING, -021, 90 Duro, .926" ID x .070" Thk,
25	238-6021	5	O-RING, -021, 90 Duro, .926" ID x .070" Thk,



STX500 CASE IH 4WD TRACTOR (AFTER S/N JEE0099501)

08-11 HYDRAULIC TANK, WHEEL TRACTOR

сылка	Номер детали	Кол-во	Описание
1	87313212	1	TANK,
2	341858A1	1	LADDER, Rear, Left-Hand
3	341859A1	1	LADDER, Front, Right-Hand
4	87301185	5	STEP,
5	87408715	1	FILTER, STRAINER,
6	254253A1	1	CAP, Oil Filler, if used, Order Cap 254253A1 for Models Built BSN JEE0107140. If Tank has been Replaced by Tank 87313212. Then Order Cap 325737A1.
6	325737A1	1	CAP, Oil Filler
7	217-410	1	PLUG, Hex Hd, 1/2"-14 NPTF,
8	1971726C1	2	BREATHER,
9	435031A1	1	GASKET,
10	435030A1	1	COVER, Access
11	832-10408	8	NUT, LOCK, M8 x 1.25, CI 8,
13	832-10410	26	NUT, LOCK, M10 x 1.5, CI 8,
14	376530A1	2	SUPPORT, Step
15	811-10025	2	BOLT, CARRIAGE, Short NK, M10 x 25, CI8.8, Full Thd,
16	363226A1	1	BUMPER, Rubber
17	895-11010	22	WASHER, M10 x 20 x 2,
18	627-10035	16	BOLT, Hex, M10 x 35, 10.9, Full Thd, M10 x 35; 10.9
19	896-15010	8	WASHER, M10 x 24.5 x 3, HT, 11 x 24 x 3,0 mm
20	217-445	1	PLUG, Hex Soc, 1 1/4"-11 1/2 NPTF, 1-1/4
21	435032A1	1	NUT, LOCK,
22	349869A1	1	CHANNEL,
23	355179A1	1	HOSE,
24	352767A1	2	CONNECTOR, HYD.,
25	337248A1	4	O-RING,
26	844-10035	2	BOLT, Hex Flg, M10 x 35, 8.8,
12	827-10045	8	BOLT, Hex, M10 x 45, 10.9,

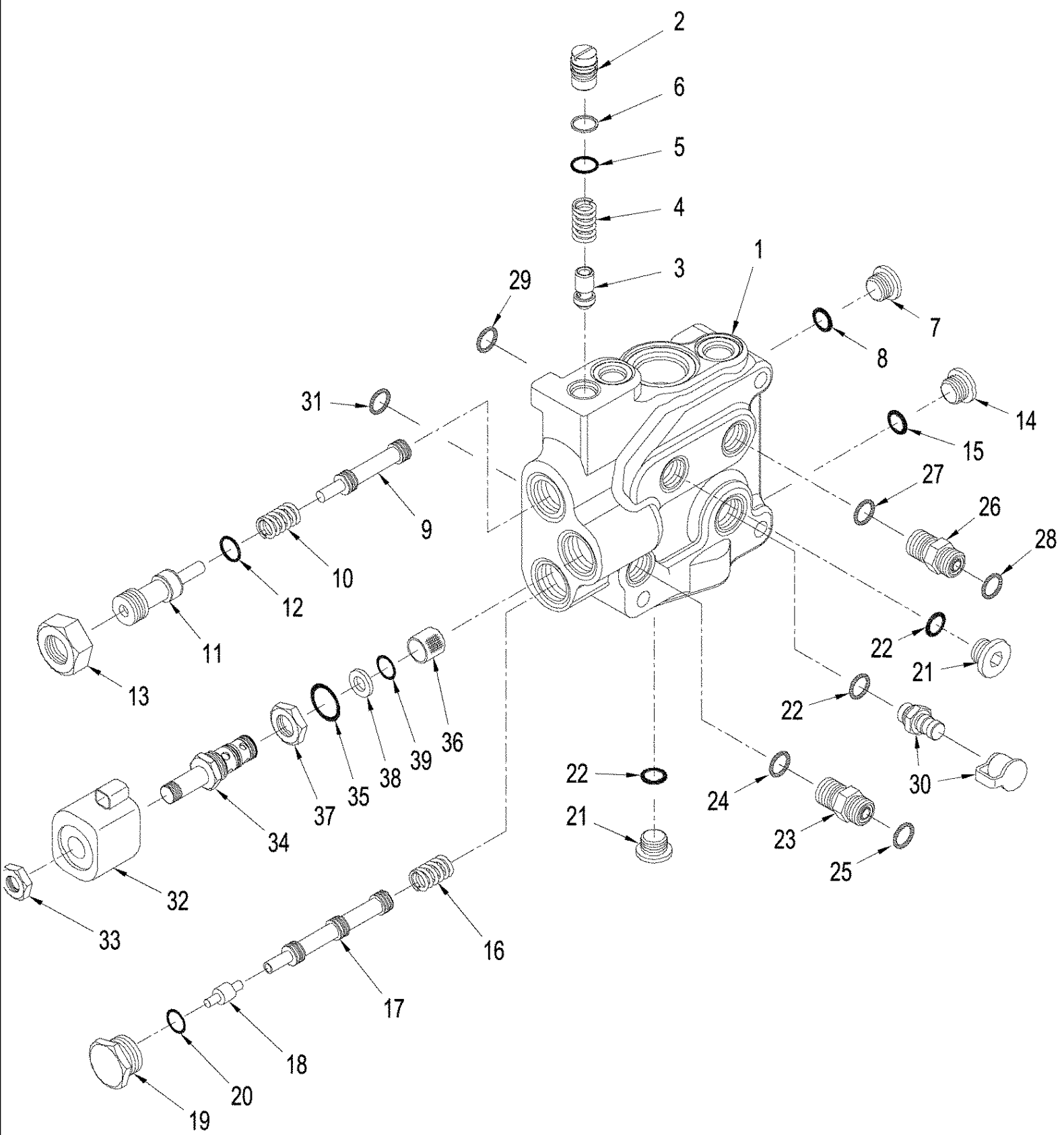


STX500 CASE IH 4WD TRACTOR (AFTER S/N JEE0099501)

08-12 HYDRAULIC TANK, QUADTRAC TRACTOR

сылка	Номер детали	Кол-во	Описание
1	87313218	1	TANK,
2	87408715	1	FILTER, STRAINER,
3	435031A1	1	GASKET,
4	435030A1	1	COVER,
5	832-10408	8	NUT, LOCK, M8 x 1.25, CI 8,
6	254253A1	1	CAP, Oil Filler, if used, Order Cap 254253A1 for Models Built BSN JEE0107140. If Tank has been Replaced by Tank 87313212. Then Order Cap 325737A1.
6	325737A1	1	CAP, Oil Filler, if used
7	217-410	1	PLUG, Hex Hd, 1/2"-14 NPTF,
8	1971726C1	1	BREATHER,
9	435032A1	1	NUT, LOCK,
10	217-445	1	PLUG, Hex Soc, 1 1/4"-11 1/2 NPTF, 1-1/4
11	844-10035	2	BOLT, Hex Flg, M10 x 35, 8.8,
12	349869A1	1	CHANNEL,
13	355179A1	1	HOSE, Sight Guage
14	352767A1	2	CONNECTOR, HYD.,
15	337248A1	4	O-RING,

08-13 REGULATOR VALVE ASSEMBLY

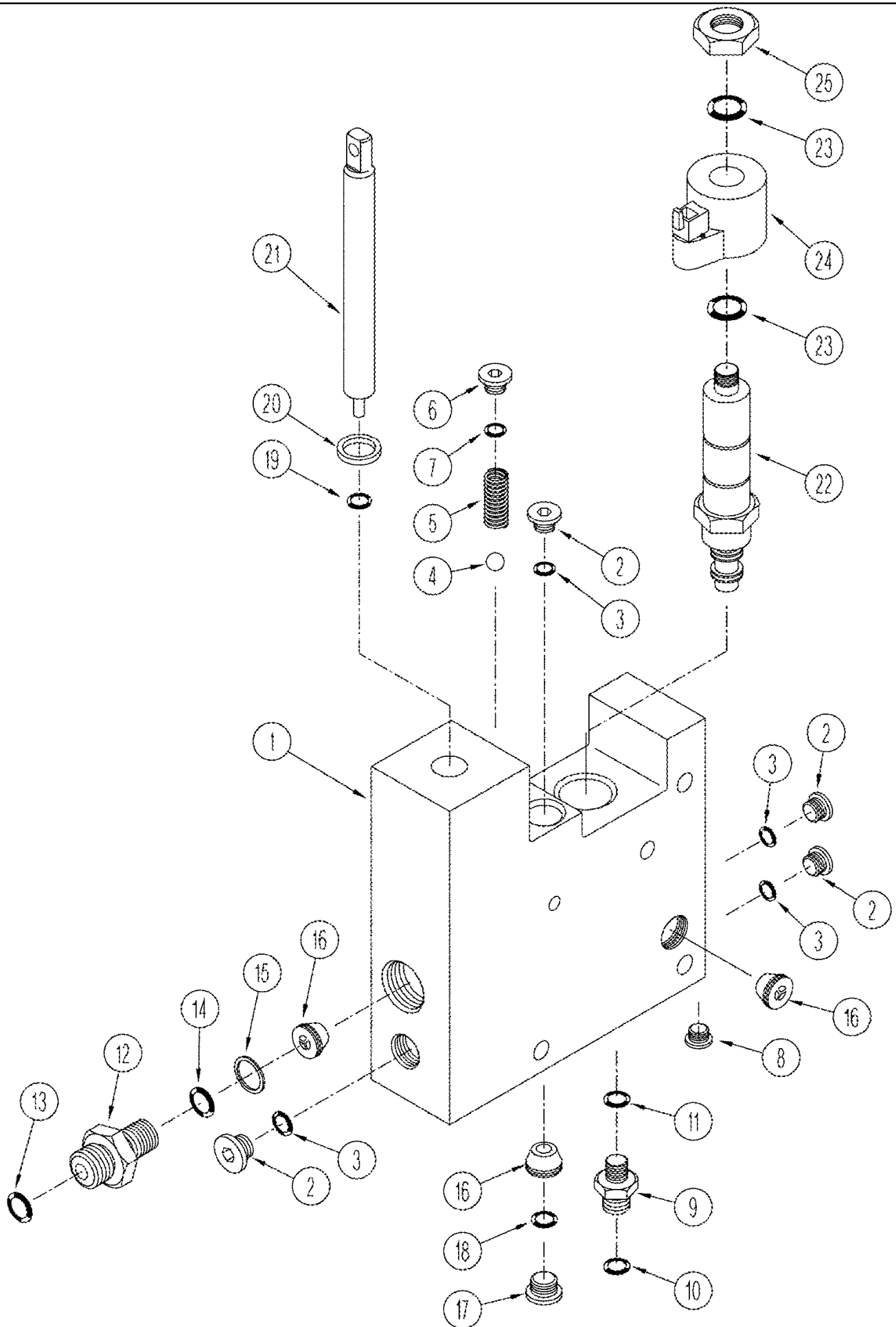


STX500 CASE IH 4WD TRACTOR (AFTER S/N JEE0099501)

08-13 REGULATOR VALVE ASSEMBLY

сылка	Номер детали	Кол-во	Описание
	411104A2	1	VALVE, Inc. 1 - 36
1	NSS	1	NOT SERVICED SEPARATELY, Body
	1542563C1	1	VALVE, CHECK, Inc. 2 - 6
2	1994580C1	1	PLUG,
3	1543329C1	1	POPPET, VALVE,
4	1994581C1	1	SPRING,
5	238-6015	1	O-RING, -015, 90 Duro, .551" ID x .070" Thk,
6	G108723	1	RING,
7	221579A1	1	PLUG, Hex Soc, M22 x 1.5, ORB, M22 - 1,5, Inc. 8
8	637-63193	1	O-RING, CI 6, 19.3MM ID x 2.2 Thk,
9	119182A3	1	SPOOL,
10	176312A1	1	SPRING,
11	313941A1	1	PLUG,
12	237-6012	1	O-RING, 12-1, 90 Duro, .924 ID x .118" Thk,
13	218-1280	1	NUT, LOCK, Bkhd, 1 1/16"-12, 1-1/16
	344573A1	1	PLUG, Inc. 14 - 15
14	NSS	1	NOT SERVICED SEPARATELY, Plug
15	637-63193	1	O-RING, CI 6, 19.3MM ID x 2.2 Thk,
16	330105A1	1	SPRING,
17	330103A1	1	SPOOL,
18	330104A1	1	PIN,
19	9841223	1	PLUG, Hex Soc, 1 1/16"-12 ORB, Incl. 20
21	221578A1	2	PLUG, Hex Soc, M18 x 1.5, ORB, Includes 22
22	637-63153	2	O-RING, CI 6, 15.3MM ID x 2.2 Thk,
	339487A2	1	CONNECTOR, HYD., Inc. 23 - 25
23	NSS	1	NOT SERVICED SEPARATELY, Adapter, 11/16 fc sl x 14 orb
24	637-63113	1	O-RING, CI 6, 11.3MM ID x 2.2 Thk,
25	238-6012	1	O-RING, -012, 90 Duro, .364" ID x .070" Thk,
26	700-101	1	CONNECTOR, HYD., 11/16"-16 ORFS x M14 x 1.5 ORB, Incl. 27, 28
27	238-6014	1	O-RING, -014, 90 Duro, .489" ID x .070" Thk,
28	238-6012	1	O-RING, -012, 90 Duro, .364" ID x .070" Thk,
29	238-5118	1	O-RING, -118, 70 Duro, .862" ID x .103" Thk,
30	358968A1	1	COUPLING, Diagonstic, Inc. 22
31	238-5112	2	O-RING, -112, 70 Duro, .487" ID x .103" Thk,
	87330331	1	SOLENOID, Inc. 32 - 39
32	298614A1	1	SOLENOID,
33	NSS	1	NOT SERVICED SEPARATELY, Nut, Jam
34	NSS	1	NOT SERVICED SEPARATELY, Valve, Cartridge, 2 gpm
35	237-6012	1	O-RING, 12-1, 90 Duro, .924 ID x .118" Thk,
36	NSS	1	NOT SERVICED SEPARATELY, Filter, Screen
37	87330336	1	SOLENOID, Jam Nut
38	G35540	1	RING, Backup
39	238-6018	1	O-RING, -018, 90 Duro, .739" ID x .070" Thk,
20	237-6006	1	O-RING, 6-1, 90 Duro, .468" ID x .078" Thk,

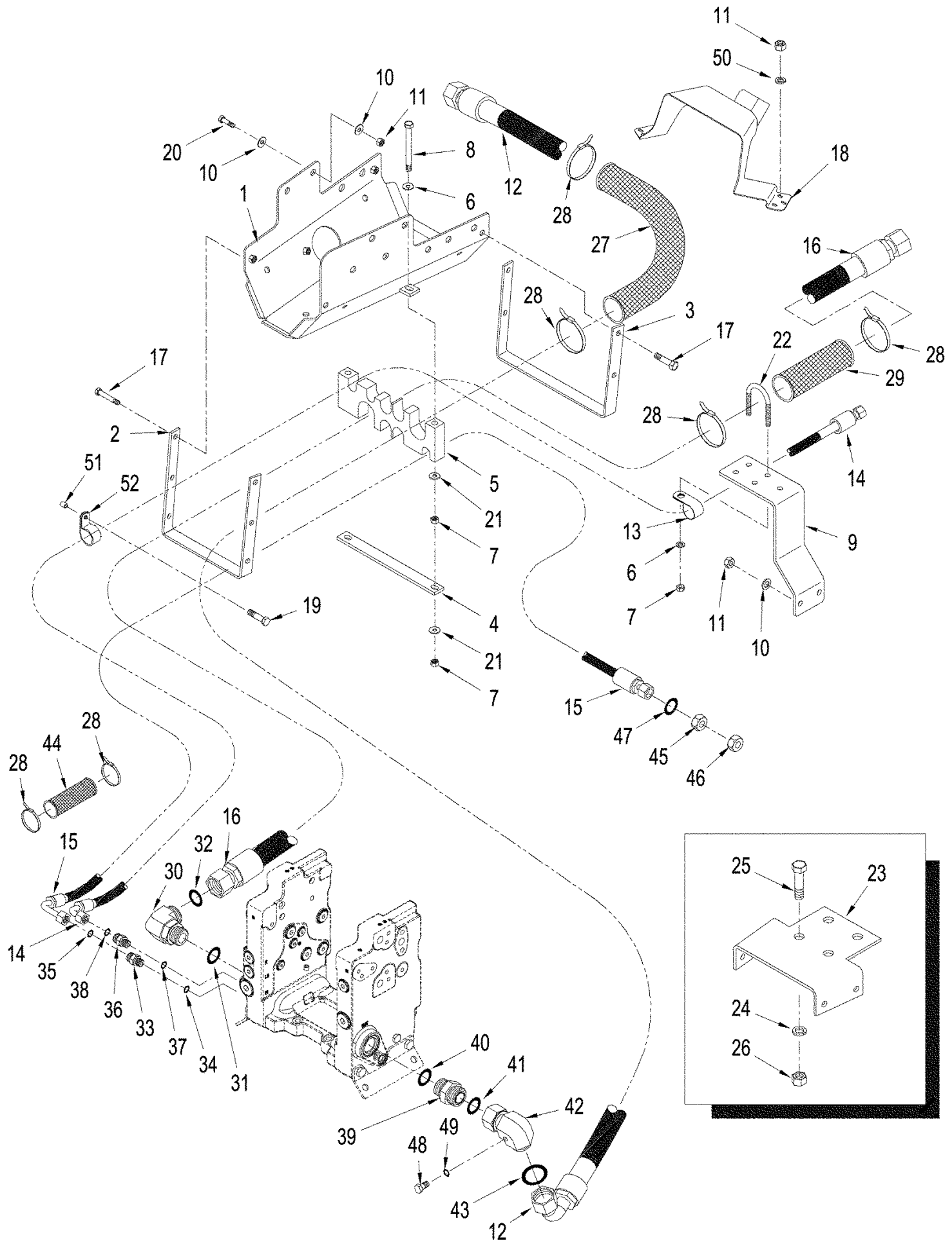
08-14 TOW BLOCK VALVE ASSEMBLY



STX500 CASE IH 4WD TRACTOR (AFTER S/N JEE0099501)

08-14 TOW BLOCK VALVE ASSEMBLY

сылка	Номер детали	Кол-во	Описание
	319774A4	1	VALVE, Tow Block, Inc. 1 - 27
1	NSS	1	NOT SERVICED SEPARATELY, Body
2	221576A1	4	PLUG, Hex Soc, M14 x 1.5, ORB, Includes 3
3	637-63113	4	O-RING, CI 6, 11.3MM ID x 2.2 Thk,
4	511-1060	1	BALL, 6mm Dia, 6 mm
5	352025A1	1	SPRING,
6	221573A1	1	PLUG, Hex Soc, M12 x 1.5, ORB, M12 orb x 13, Includes 7
7	637-63093	1	O-RING, CI 6, 9.3MM ID x 2.2 Thk, 9,3 ID x 2,2
8	282839A1	1	PLUG, M8
9	700-102	1	CONNECTOR, HYD., 13/16"-16 ORFS x M18 x 1.5 ORB, 13/16 fc sl x 18 Or, Inc. 10, 11
10	238-6012	1	O-RING, -012, 90 Duro, .364" ID x .070" Thk,
11	637-63153	1	O-RING, CI 6, 15.3MM ID x 2.2 Thk,
12	700-162	1	CONNECTOR, HYD., 13/16"-16 ORFS x M22 x 1.5 ORB, 13/16 fc sl x 22 or, Inc. 13, 14
13	238-6014	1	O-RING, -014, 90 Duro, .489" ID x .070" Thk,
14	637-63193	1	O-RING, CI 6, 19.3MM ID x 2.2 Thk,
15	496-21034	1	WASHER, 11/32" x 11/16" x 0.89", HDN,
16	1994615C2	3	VALVE, CHECK,
17	221579A1	1	PLUG, Hex Soc, M22 x 1.5, ORB, M22 - 1,5, Inc. 18
18	637-63193	1	O-RING, CI 6, 19.3MM ID x 2.2 Thk,
19	238-5208	1	O-RING, -208, 70 Duro, .609" ID x .139" Thk,
20	A63399	1	SEAL,
21	326300A1	1	SPOOL,
	87675608	1	SOLENOID, Inc. 22 - 25
22	NSS	1	NOT SERVICED SEPARATELY, Solenoid
23	238-7115	2	O-RING, -115, CI 7, .674" ID x .103" Thk,
24	NSS	1	NOT SERVICED SEPARATELY, Coil
25	252462A2	1	NUT,



STX500 CASE IH 4WD TRACTOR (AFTER S/N JEE0099501)

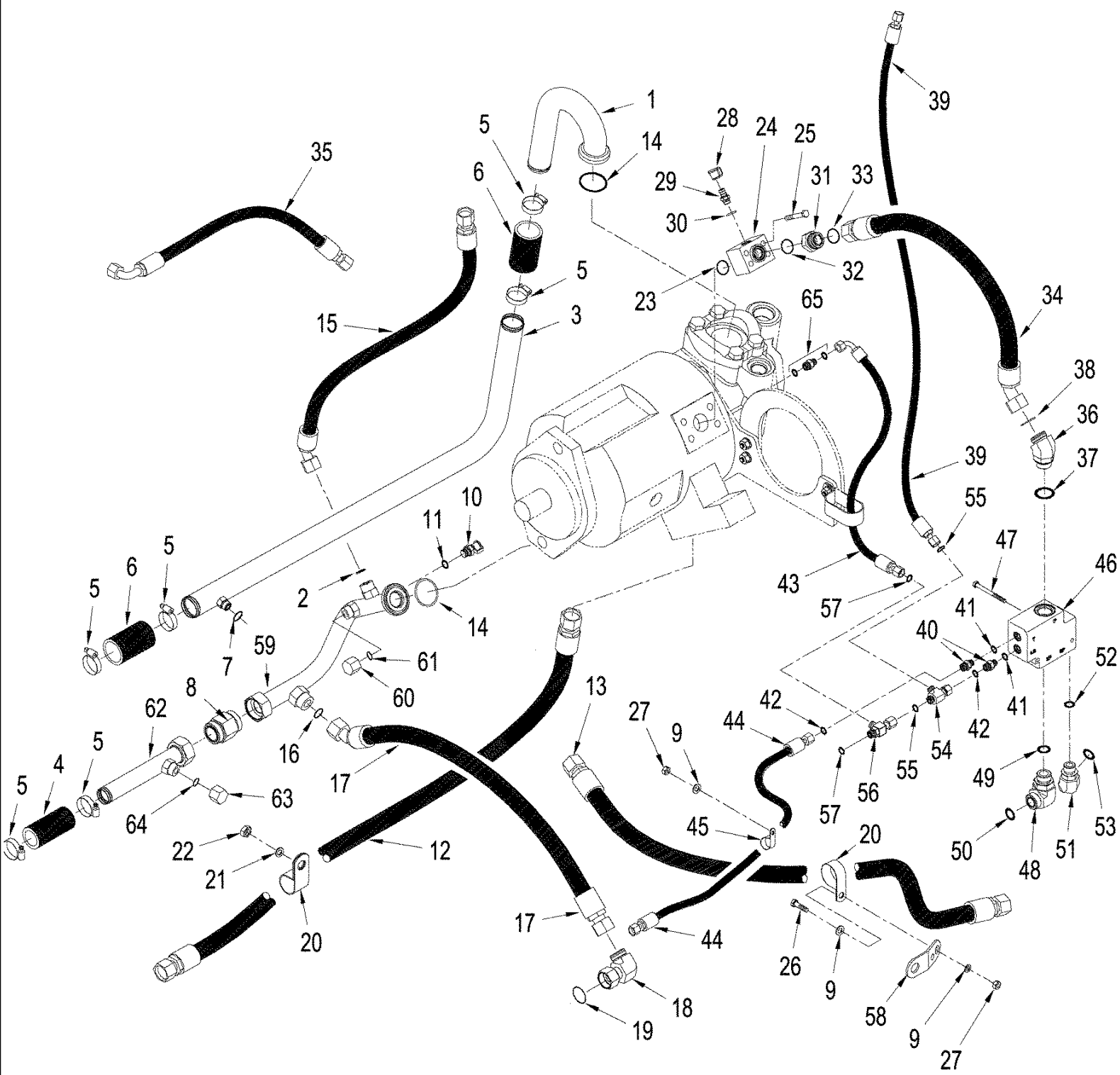
08-18 HYDRAULIC REMOTE HOSES - ELECTRONIC REMOTE

сылка	Номер детали	Кол-во	Описание
1	87341572	1	BRACKET, Hoses
2	405517A1	1	BRACKET,
3	405518A1	1	BRACKET,
4	405520A1	1	PLATE,
5	362419A1	1	CLAMP,
6	895-11008	4	WASHER, M8 x 16 x 1.6, 9 x 17 x 1,6 mm
7	829-1408	7	NUT, M8, CI 10,
8	627-8100	2	BOLT, Hex, M8 x 100, 10.9, Full Thd, M8 x 100; 10.9
9	405519A1	1	BRACKET,
10	895-11010	10	WASHER, M10 x 20 x 2,
11	829-1410	10	NUT, M10, CI 10,
12	360134A2	1	HOSE ASSY., 3238 mm (127 in)
12	437272A1S	1	HOSE ASSY., 3238 mm (127-1/2 in), Arctic QUADTRAC Tractor Application
13	515-23254	1	CLAMP, 1", Insul, 3/8" Bolt, 1 in ID
14	433213A2	1	HOSE ASSY., 4242 mm (167 in)
14	437260A2S	1	HOSE ASSY., 4267 mm (168 in), Arctic QUADTRAC Tractor Application
15	352599A3	1	HOSE ASSY., 3422 mm (138 in)
15	437270A1S	1	HOSE ASSY., 3487 mm (137-1/4 in), Arctic QUADTRAC Tractor Application
16	360135A3	1	HOSE ASSY., 4153 mm (163-1/2 in)
16	437273A1S	1	HOSE ASSY., 4153 mm (163-1/2 in), Arctic QUADTRAC Tractor Application
17	614-8025	4	BOLT, Hex, M8 x 25, 8.8,
18	405521A1	1	SHIELD,
19	827-8060	1	BOLT, Hex, M8 x 60, 10.9, M8 x 60
20	627-10030	8	BOLT, Hex, M10 x 30, 10.9, Full Thd, M12 x 30
21	895-15008	5	WASHER, M8 x 20 x 1.6, 9 x 20 x 1,6 mm
22	352892A1	2	U-BOLT,
23	404604A1	1	BRACKET, Without Power Takeoff
24	896-11016	4	WASHER, M17.5 x 30 x 4, HT, 17,5 x 30 x 4 mm
25	827-16090	4	BOLT, Hex, M16 x 90, 10.9, , Used on Wheel Tractors
25	827-16100	4	BOLT, Hex, M16 x 100, 10.9, , Used on QUADTRAC Tractors
26	829-1416	4	NUT, M16, CI 10,
27	387840A1	1	SLEEVE, 610 mm (24 in)
28	L18337	6	STRAP, CABLE, 9.95"-12.1" lg, 15 in
29	387840A1	1	SLEEVE,
30	700-308	1	ELBOW, 90e, 1 7/16"-12 ORFS x M33 x 2 ORB, 90, 1-7/16 fc sl x 33 Or, Inc. 31, 32
31	637-64296	1	O-RING, CI 6, 29.6MM ID x 2.9 Thk, 29,6 ID x 2,9
32	238-6021	1	O-RING, -021, 90 Duro, .926" ID x .070" Thk,
33	339487A2	1	CONNECTOR, HYD., 11/16 fc sl x 14 Or, Inc. 34, 35
34	637-63113	1	O-RING, CI 6, 11.3MM ID x 2.2 Thk,
35	238-6012	1	O-RING, -012, 90 Duro, .364" ID x .070" Thk,
36	700-165	1	CONNECTOR, HYD., 11/16"-16 ORFS x M12 x 1.5 ORB, 11/16 fc sl x 12 Or, Inc. 37, 38
37	637-63093	1	O-RING, CI 6, 9.3MM ID x 2.2 Thk, 9,3 ID x 2,2
38	238-6012	1	O-RING, -012, 90 Duro, .364" ID x .070" Thk,
39	700-105	1	CONNECTOR, HYD., 1 7/16"-12 ORFS x M22 x 2 ORB, 1-7/16 fc sl x 33 Or, Inc. 40, 41
40	637-64296	1	O-RING, CI 6, 29.6MM ID x 2.9 Thk, 29,6 ID x 2,9

STX500 CASE IH 4WD TRACTOR (AFTER S/N JEE0099501)

08-18 HYDRAULIC REMOTE HOSES - ELECTRONIC REMOTE

сылка	Номер детали	Кол-во	Описание
41	238-6021	1	O-RING, -021, 90 Duro, .926" ID x .070" Thk,
42	311834A1	1	ELBOW, 90, 1-7/16 fc sl x swl, Inc. 43
43	238-6021	1	O-RING, -021, 90 Duro, .926" ID x .070" Thk,
44	387840A1	1	SLEEVE, 325 mm (13 in)
45	703-903	1	NUT, TUBE, 1"-14, ORFS, 5/8
46	201-146	1	REDUCER, 13/16"-16 Male x 1"-14 Fem, ORFS, 5/8 fcsl x 1/2, Inc. 47
47	238-6016	1	O-RING, -016, 90 Duro, .614" ID x .070" Thk,
48	220066A1	1	PLUG, M18 x 1.5, ORB, M18 Or, Inc. 49
49	637-63153	1	O-RING, CI 6, 15.3MM ID x 2.2 Thk,
50	896-11010	4	WASHER, M10 x 21.5 x 2.5, HT,
51	371838A1	1	SPACER,
52	515-23159	1	CLAMP, 5/8", Insul, 3/8" Bolt,



STX500 CASE IH 4WD TRACTOR (AFTER S/N JEE0099501)

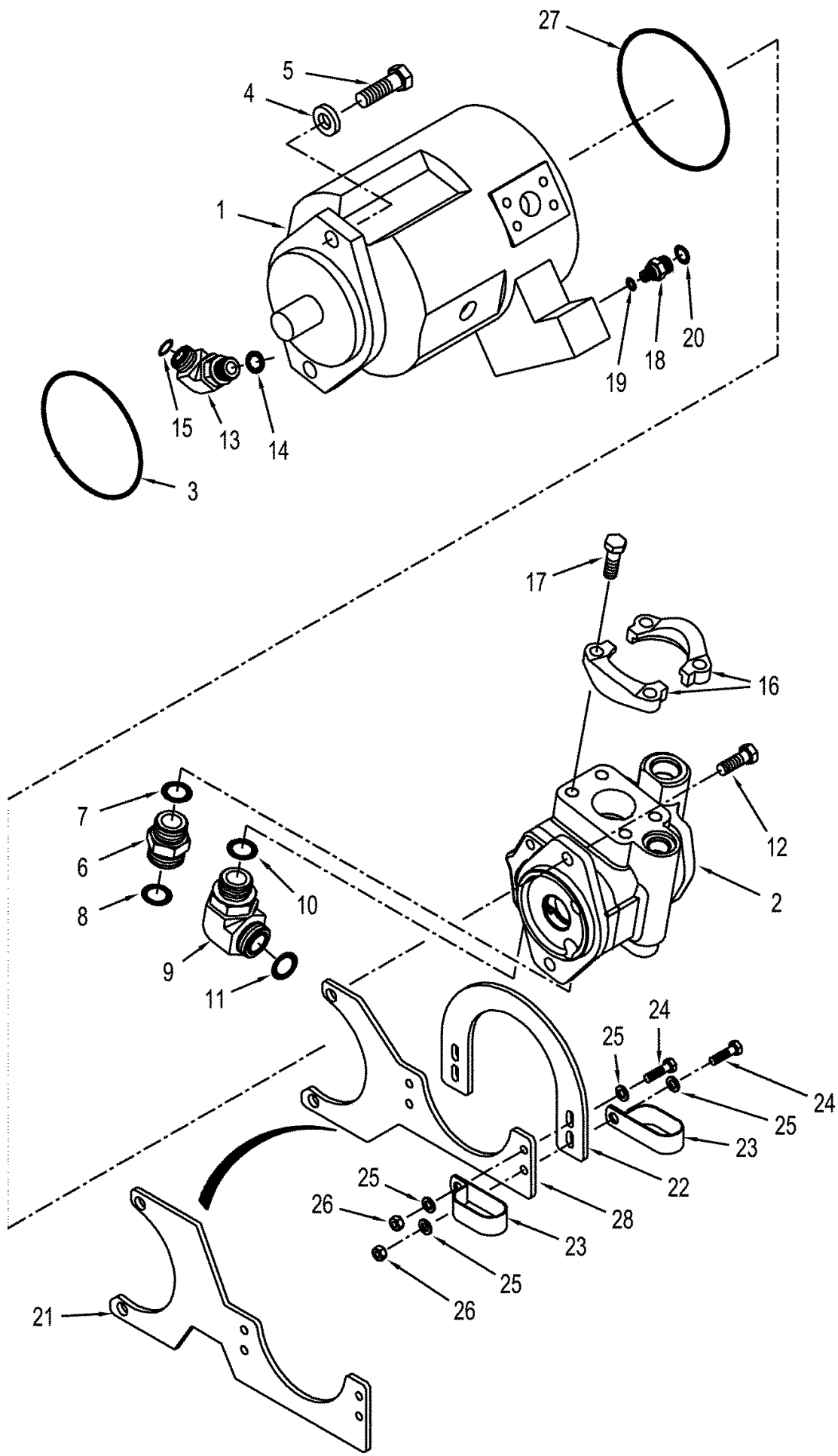
08-20 STANDARD HYDRAULICS - PUMP LUBRICATION CIRCUIT, WITH POWER SHIFT TRANSMISSION

сылка	Номер детали	Кол-во	Описание
1	402484A2	1	TUBE ASSY.,
2	238-6018	1	O-RING, -018, 90 Duro, .739" ID x .070" Thk,
3	419665A2	1	TUBE ASSY.,
4	1-4571	1	HOSE, 114 mm (4-1/2 in)
5	214-1436	6	CLAMP, HOSE, #36, 1.81/2.75 Type F Worm,
6	31-2427	2	HOSE, 102 mm (4 in), Cut From 1-4568
7	238-6014	1	O-RING, -014, 90 Duro, .489" ID x .070" Thk,
8	87411517	1	VALVE, CHECK, 1-1/2
9	895-11010	3	WASHER, M10 x 20 x 2,
10	358968A1	1	COUPLING, M18 orb x 1,5, Diagnostic, Inc. 11
11	637-63153	1	O-RING, CI 6, 15.3MM ID x 2.2 Thk,
12	327466A1	1	HOSE, 1486 mm (58 in)
13	327461A1	1	HOSE ASSY., 1750 mm (69 in)
14	238-6228	2	O-RING, -228, 90 Duro, 2.234" ID x .139" Thk,
15	315576A1	1	HOSE ASSY., 935 mm (37 in)
16	238-6021	1	O-RING, -021, 90 Duro, .926" ID x .070" Thk,
17	335104A2	1	HOSE ASSY., 925 mm (36 in)
17	437253A1S	1	HOSE ASSY., 925 mm (36-13/32 in), Arctic QUADTRAC Tractor Application
18	701-339	1	ELBOW, 90e, 1 7/16"-12 ORFS x 1 7/16"-12 Fem Sw, 1-7/16 fc sl x swl, Inc. 19
19	238-6021	1	O-RING, -021, 90 Duro, .926" ID x .070" Thk,
20	515-24349	3	CLAMP, 1 3/8", Insul, 7/16" Bolt,
21	895-11008	2	WASHER, M8 x 16 x 1.6, 9 x 17 x 1,6 mm
23	238-6025	1	O-RING, -025, 90 Duro, 1.176" ID x .070" Thk,
24	398274A2	1	BLOCK,
25	426-644	4	BOLT, Hex, 3/8"-16 x 2 3/4", G8, 3/8 x 2-3/4; 8
27	829-1410	3	NUT, M10, CI 10,
	178889A1	1	FITTING, Diagnostic, Inc. 28 - 30
28	H434163	1	DUST CAP,
29	NSS	1	NOT SERVICED SEPARATELY, Fitting, Diagnostic
30	637-63113	1	O-RING, CI 6, 11.3MM ID x 2.2 Thk,
31	700-159	1	CONNECTOR, HYD., 1 7/16"-12 ORFS x M22 x 1.5 ORB, 1-7/16 fc sl x 22 Or, Inc. 32, 33
32	637-63193	1	O-RING, CI 6, 19.3MM ID x 2.2 Thk,
33	238-6021	1	O-RING, -021, 90 Duro, .926" ID x .070" Thk,
34	315577A2	1	HOSE ASSY., 800 mm (31 in)
35	395875A1	1	HOSE ASSY., 775 mm (30 1/2in)
36	700-318	1	ELBOW, 45e, 1 7/16"-12 ORFS x M33 x 2 ORB, 1-7/16 fc sl x 33 orb, Inc. 37, 38
37	637-64296	1	O-RING, CI 6, 29.6MM ID x 2.9 Thk, 29,6 ID x 2,9
38	238-6021	1	O-RING, -021, 90 Duro, .926" ID x .070" Thk,
39	327459A1	1	HOSE ASSY., 1350 mm (53 in), BSN JEE0102661
39	87415320	1	HOSE ASSY., 1350 mm (53 in), Used on Power Shift Models, ASN JEE0102661
40	700-101	2	CONNECTOR, HYD., 11/16"-16 ORFS x M14 x 1.5 ORB, Incl. 41, 42
41	637-63113	1	O-RING, CI 6, 11.3MM ID x 2.2 Thk,
42	238-6012	1	O-RING, -012, 90 Duro, .364" ID x .070" Thk,
43	315574A2	1	HOSE ASSY., 623 mm (24-1/2 in)
44	397244A1	1	HOSE ASSY., 1105 mm (43-1/2 in)

STX500 CASE IH 4WD TRACTOR (AFTER S/N JEE0099501)

08-20 STANDARD HYDRAULICS - PUMP LUBRICATION CIRCUIT, WITH POWER SHIFT TRANSMISSION

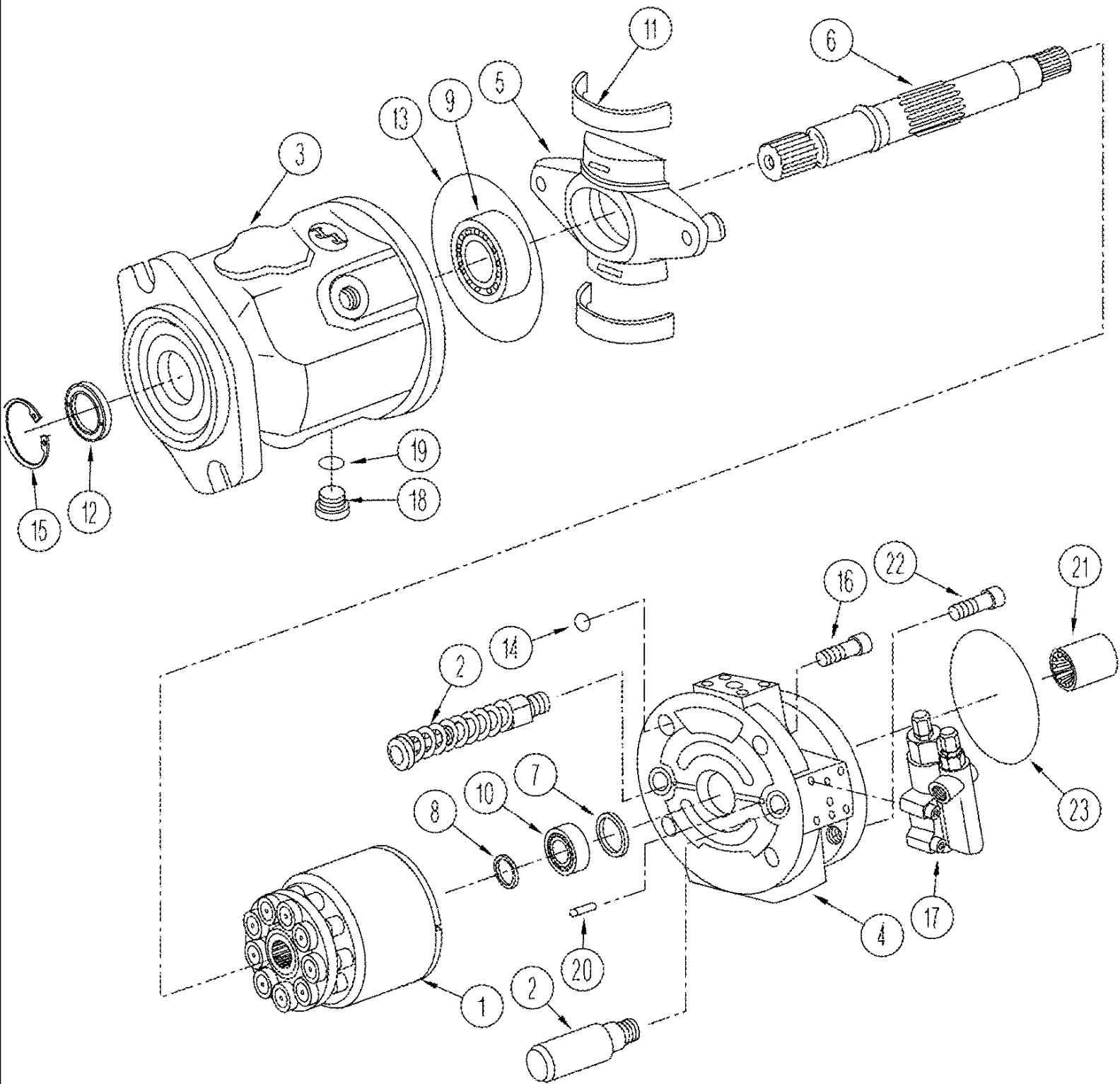
сылка	Номер детали	Кол-во	Описание
44	437292A1S	1	HOSE ASSY., 1105 mm (43-1/2 in), Arctic QUADTRAC Tractor Application
45	515-23159	2	CLAMP, 5/8", Insul, 3/8" Bolt,
46	363294A1	1	VALVE, Priority, See Figure 08-23
47	827-8090	2	BOLT, Hex, M8 x 90, 10.9,
48	700-308	1	ELBOW, 90°, 1 7/16"-12 ORFS x M33 x 2 ORB, 1-7/16 fc sl x 33 Or, Inc. 49, 50
49	637-64296	1	O-RING, CI 6, 29.6MM ID x 2.9 Thk, 29,6 ID x 2,9
50	238-6021	1	O-RING, -021, 90 Duro, .926" ID x .070" Thk,
51	700-387	1	ELBOW, 45°, 1 3/16"-12 ORFS x M27 x 2 ORB, M20 fc sl x 2,7 orb, Inc. 52, 53
52	637-64236	1	O-RING, CI 6, 23.6MM ID x 2.9 Thk,
53	238-6018	1	O-RING, -018, 90 Duro, .739" ID x .070" Thk,
54	701-422	1	TEE, 11/16"-16 ORFS x 11/16"-16 Fem Sw Run, 11/16 fc sl x 11/16 sw, Inc. 55
55	238-6012	2	O-RING, -012, 90 Duro, .364" ID x .070" Thk,
56	300209A1	1	VALVE, Shuttle
57	238-6012	2	O-RING, -012, 90 Duro, .364" ID x .070" Thk,
58	406576A1	1	BRACKET,
59	419668A2	1	TUBE, Inc. 60, 61
60	701-900	1	CAP, 11/16"-16 ORFS, M10 fc sl
61	238-6012	1	O-RING, -012, 90 Duro, .364" ID x .070" Thk,
62	419671A1	1	TUBE ASSY.,
63	701-906	1	CAP, 1"-14 ORFS,
64	238-6016	1	O-RING, -016, 90 Duro, .614" ID x .070" Thk,
65	1957867C1	1	SCREEN, FILTER,
22	627-8025	2	BOLT, Hex, M8 x 25, 10.9,
26	627-10030	2	BOLT, Hex, M10 x 30, 10.9, Full Thd,



STX500 CASE IH 4WD TRACTOR (AFTER S/N JEE0099501)

08-21 STANDARD HYDRAULICS - PUMP MOUNTING

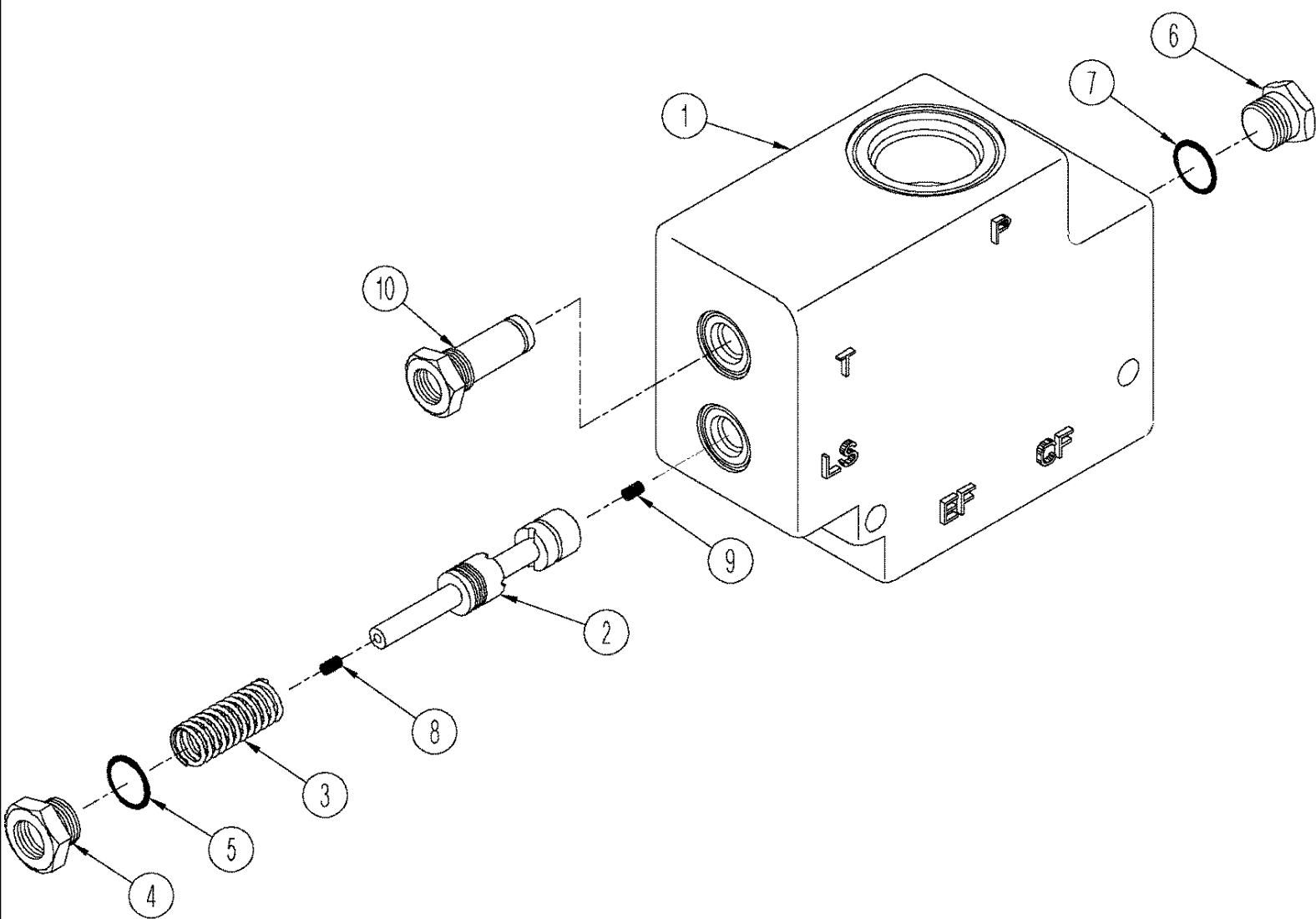
сылка	Номер детали	Кол-во	Описание
1	278872A2	1	PUMP, 71 cc, Piston, See Figure 08-22
2	87428412	1	PUMP, HYDRAULIC, 100 cc, Gear, See Figure 08-27
3	510828	1	O-RING, -250, 70 Duro, 4.984" ID x .139" Thk,
4	496-81022	2	WASHER, 11/16 x 1-1/4 x 1/4 in
5	627-16050	2	BOLT, Hex, M16 x 50, 10.9, Hex, M16 x 50, 10.9
6	201-105	1	CONNECTOR, HYD., 1 7/16"-12 ORFS x 1 5/16"-12 ORB, 1-7/16 fc x 1-5/16 Or, Inc. 7, 8
7	237-6016	1	O-RING, 16-1, 90 Duro, 1.171" ID x .118" Thk, 1-11/64 ID x 7/64
8	238-6021	1	O-RING, -021, 90 Duro, .926" ID x .070" Thk,
9	201-308	1	ELBOW, 90e, 1 7/16"-12 x 1 5/8"-12, Adj, ORFS, 1-7/16 fc x 1-5/16 Or, Inc. 10, 11
10	237-6016	1	O-RING, 16-1, 90 Duro, 1.171" ID x .118" Thk, 1-11/64 ID x 7/64
11	238-6021	1	O-RING, -021, 90 Duro, .926" ID x .070" Thk,
12	627-12035	2	BOLT, Hex, M12 x 35, 10.9,
13	201-306	1	ELBOW, 90e, 1"-14 x 7/8"-14 Adj, ORFS, Inc. 14, 15
14	237-6010	1	O-RING, 10-1, 90 Duro, .755" ID x .097" Thk,
15	238-6016	1	O-RING, -016, 90 Duro, .614" ID x .070" Thk,
16	A14141	4	FLANGE,
17	426-824	8	BOLT, Hex, 1/2"-13 x 1 1/2", G8, Full Thd, 1/2 x 1-1/2; 8
18	1957867C1	1	SCREEN, FILTER, Inc. 19, 20
19	237-6004	1	O-RING, 4-1, 90 Duro, .351" ID x .072" Thk,
20	238-6012	1	O-RING, -012, 90 Duro, .364" ID x .070" Thk,
21	418325A1	1	BRACKET, Mounting, With Manual Shift Transmission, BSN JEE0102661
21	87419158	1	BRACKET, Mounting, With Manual Shift Transmission, ASN JEE0102661
22	90-6743T1	1	SHIELD, , BSN JEE0102661
22	87419159	1	PLATE, , ASN JEE0102661
23	L111928	2	CLAMP,
24	627-8030	4	BOLT, Hex, M8 x 30, 10.9,
25	895-11008	8	WASHER, M8 x 16 x 1.6, 9 x 17 x 1,6 mm
26	832-10408	4	NUT, LOCK, M8 x 1.25, CI 8,
27	436514A1	1	O-RING,
28	339186A1	1	BRACKET, Mounting, With Power Shift Transmission, BSN JEE0102661
28	87419460	1	BRACKET, Mounting, With Power Shift Transmission, ASN JEE0102661



STX500 CASE IH 4WD TRACTOR (AFTER S/N JEE0099501)

08-22 STANDARD HYDRAULICS - PISTON PUMP ASSEMBLY

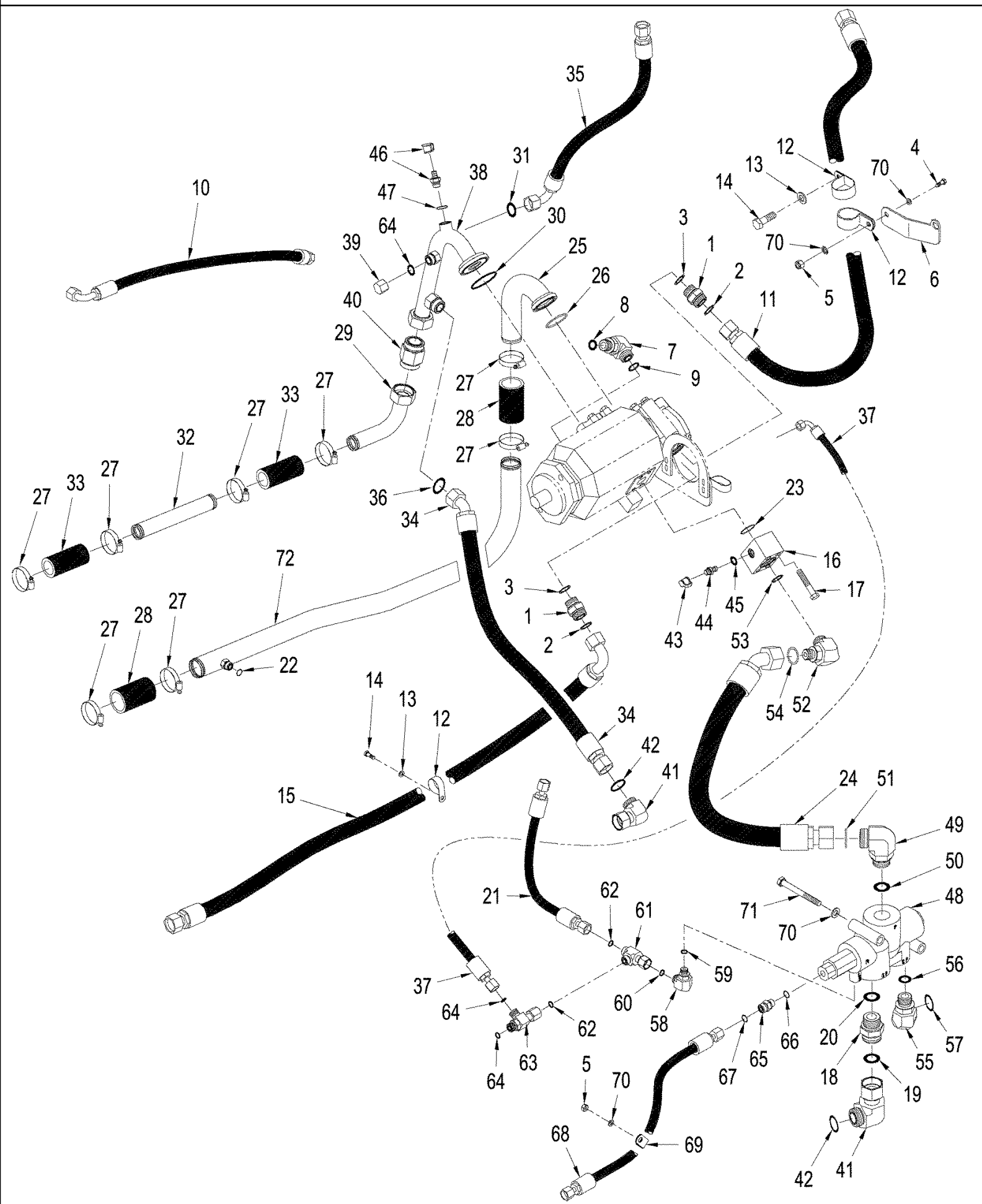
сылка	Номер детали	Кол-во	Описание
	278872A2	1	PUMP, 71 cc, Inc. 1 - 24
1	NSS	1	NOT SERVICED SEPARATELY, Cylinder Assy
2	NSS	1	NOT SERVICED SEPARATELY, Piston Assy, Control
3	NSS	1	NOT SERVICED SEPARATELY, Housing
4	NSS	1	NOT SERVICED SEPARATELY, Block
5	NSS	1	NOT SERVICED SEPARATELY, Plate, Swash
6	NSS	1	NOT SERVICED SEPARATELY, Shaft
7	NSS	1	NOT SERVICED SEPARATELY, Washer
8	NSS	1	NOT SERVICED SEPARATELY, Spacer
9	NSS	1	NOT SERVICED SEPARATELY, Bearing, Roller
10	NSS	1	NOT SERVICED SEPARATELY, Bearing, Roller
11	NSS	2	NOT SERVICED SEPARATELY, Support
12	NSS	1	NOT SERVICED SEPARATELY, Seal
13	NSS	1	NOT SERVICED SEPARATELY, O-Ring
14	NSS	4	NOT SERVICED SEPARATELY, O-Ring
15	NSS	1	NOT SERVICED SEPARATELY, Ring, Snap
16	NSS	4	NOT SERVICED SEPARATELY, Screw
17	352875A2	1	VALVE, CONTROL,
18	NSS	1	NOT SERVICED SEPARATELY, Plug
19	NSS	1	NOT SERVICED SEPARATELY, O-Ring
20	NSS	1	NOT SERVICED SEPARATELY, Pin
21	NSS	1	NOT SERVICED SEPARATELY, Coupling
22	NSS	2	NOT SERVICED SEPARATELY, Screw
23	436514A1	1	O-RING,
	388293A1	1	KIT, SEALS, Inc. 12 - 14, 19, 23



STX500 CASE IH 4WD TRACTOR (AFTER S/N JEE0099501)

08-23 STANDARD HYDRAULICS - PRIORITY VALVE ASSEMBLY

сылка	Номер детали	Кол-во	Описание
	363294A1	1	VALVE, Inc. 1 - 10
1	NSS	1	NOT SERVICED SEPARATELY, Housing
2	NSS	1	NOT SERVICED SEPARATELY, Spool
3	D82777	1	SPRING,
4	NSS	1	NOT SERVICED SEPARATELY, Plug
5	237-6010	1	O-RING, 10-1, 90 Duro, .755" ID x .097" Thk,
6	NSS	1	NOT SERVICED SEPARATELY, Plug
7	NSS	1	NOT SERVICED SEPARATELY, O-Ring
8	NSS	1	NOT SERVICED SEPARATELY, Orifice
9	NSS	1	NOT SERVICED SEPARATELY, Orifice
10	370152A1	1	VALVE,



STX500 CASE IH 4WD TRACTOR (AFTER S/N JEE0099501)

08-24 HIGH OUTPUT HYDRAULICS - PUMP LUBRICATION CIRCUIT, BSN JEE0106701

сылка	Номер детали	Кол-во	Описание
1	201-105	2	CONNECTOR, HYD., 1 7/16"-12 ORFS x 1 5/16"-12 ORB, 1-7/16 fc x 1-5/16 Or, Inc. 2, 3
2	238-6021	2	O-RING, -021, 90 Duro, .926" ID x .070" Thk,
3	237-6016	2	O-RING, 16-1, 90 Duro, 1.171" ID x .118" Thk, 1-11/64 ID x 7/64
5	829-1410	2	NUT, M10, CI 10,
6	406576A1	1	BRACKET,
7	201-341	1	ELBOW, 90°, 1"-14 x 1 1/16"-12, Adj, ORFS, 1 fc sl x 1-1/16 orb, Inc. 8, 9
8	238-6016	1	O-RING, -016, 90 Duro, .614" ID x .070" Thk,
9	237-6012	1	O-RING, 12-1, 90 Duro, .924 ID x .118" Thk,
10	327499A1	1	HOSE ASSY., 686 mm (26-1/2"), With Advanced Farming Systems (AFS)
10	363769A1	1	HOSE ASSY., 700 mm (27-1/2 in), With Power Shift Transmission
10	437274A1S	1	HOSE ASSY., 700 mm (27-1/2 in), With Power Shift Transmission, Arctic QUADTRAC Tractor Application
11	412088A1	1	HOSE ASSY., 1663 mm (65 in), With Advanced Farming Systems (AFS)
11	358860A1	1	HOSE ASSY., 1625 mm (64 in), With Power Shift Transmission
11	437271A1S	1	HOSE ASSY., 1625 mm (64 in), With Power Shift Transmission, Arctic QUADTRAC Tractor Application
12	515-24349	3	CLAMP, 1 3/8", Insul, 7/16" Bolt,
13	895-11008	2	WASHER, M8 x 16 x 1.6, 9 x 17 x 1,6 mm
15	412086A1	1	HOSE ASSY., , With Advanced Farming Systems (AFS)
15	335103A1	1	HOSE ASSY., 1525 mm (60 in), With Power Shift Transmission
15	437263A1S	1	HOSE ASSY., 1525 mm (60 in), With Power Shift Transmission, Arctic QUADTRAC Tractor Application
16	86992232	1	BLOCK, Pump
17	461-35040	4	SCREW, Hex Soc Hd, 1/2"-13 x 2 1/2", 1/2 x 2-1/2; 8
18	700-105	1	CONNECTOR, HYD., 1 7/16"-12 ORFS x M22 x 2 ORB, 1-7/16 fc sl x 33 Or, Inc. 19, 20
19	238-6021	1	O-RING, -021, 90 Duro, .926" ID x .070" Thk,
20	637-64296	1	O-RING, CI 6, 29.6MM ID x 2.9 Thk, 29,6 ID x 2,9
21	87418149	1	HOSE ASSY., 1416 mm (56 in), to Steering Control Unit / Load Sense
21	87424323	1	HOSE ASSY., 1416 mm (56 in), to Steering Control Unit / Load Sense, Arctic QUADTRAC Tractor Application
22	238-6014	1	O-RING, -014, 90 Duro, .489" ID x .070" Thk,
23	238-6222	1	O-RING, -222, 90 Duro, 1.484" ID x .139" Thk, 1-1/2 ID x 1/16
24	447177A1	1	HOSE ASSY., 622 mm (24-1/2 in), NOTE: If 412087A1 Hose is needed order 447177A1 Hose, 622mm (24-1/2 in), and 700-308 Elbow 90., With Advanced Farming Systems (AFS)
24	446059A1	1	HOSE ASSY., 568 mm (22-3/8 in), NOTE: If 383351A1 Hose, 657mm (25-7/8 in), is needed order 446059A1 Hose, 568mm (22-3/8 in), and 700-308 Elbow 90., With Power Shift Transmission
24	437285A1S	1	HOSE ASSY., 675 mm (26-1/2 in), Arctic QUADTRAC Tractor Application
25	405572A1	1	TUBE ASSY.,
26	238-6228	1	O-RING, -228, 90 Duro, 2.234" ID x .139" Thk,
27	214-1436	8	CLAMP, HOSE, #36, 1.81/2.75 Type F Worm,
28	31-2427	2	HOSE, 102 mm (4 in), Cut From 1-4568
29	405578A1	1	TUBE ASSY., , With Advanced Farming Systems (AFS)
29	413812A1	1	TUBE, , With Power Shift Transmission
30	238-5232	1	O-RING, -232, 70 Duro, 2.734" ID x .139" Thk,
31	238-6018	1	O-RING, -018, 90 Duro, .739" ID x .070" Thk,
32	405713A2	1	TUBE ASSY., , With Advanced Farming Systems (AFS)
32	413816A2	1	TUBE, , With Power Shift Transmission

STX500 CASE IH 4WD TRACTOR (AFTER S/N JEE0099501)

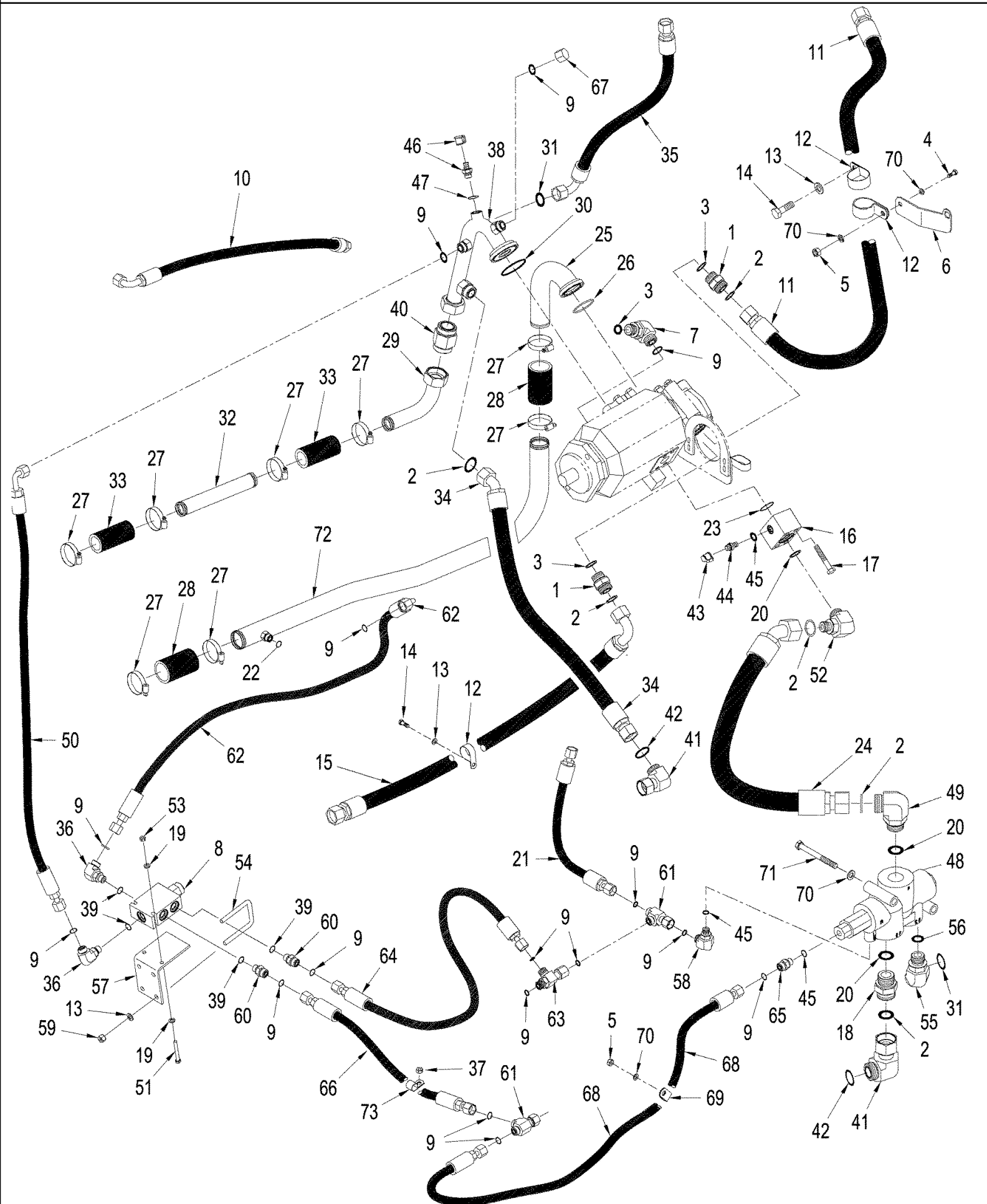
08-24 HIGH OUTPUT HYDRAULICS - PUMP LUBRICATION CIRCUIT, BSN JEE0106701

сылка	Номер детали	Кол-во	Описание
33	1-4571	2	HOSE, 114 mm (4-1/2 in), Cut From 1-4482
34	335104A2	1	HOSE ASSY., 925 mm (36 in)
34	437264A1S	1	HOSE ASSY., 925 mm (36-13/32 in), With Power Shift Transmission, Arctic QUADTRAC Tractor Application
35	412085A1	1	HOSE ASSY., 826 mm (32-1/2 in), With Advanced Farming Systems (AFS)
35	301409A1	1	HOSE ASSY., 885 mm (35 in), With Power Shift Transmission
35	437253A1S	1	HOSE ASSY., 885 mm (35 in), With Power Shift Transmission, Arctic QUADTRAC Tractor Application
36	238-6021	1	O-RING, -021, 90 Duro, .926" ID x .070" Thk,
37	327471A1	1	HOSE, 724 mm (28 in), to Compensator
37	437257A1S	1	HOSE ASSY., 724 mm (28-1/2 in), to Compensator, Arctic QUADTRAC Tractor Application, With Power Shift Transmission
38	405576A3	1	TUBE ASSY., Inc. 39, 64, With Advanced Farming Systems (AFS)
38	413810A3	1	TUBE ASSY., , With Power Shift Transmission
39	701-900	1	CAP, 11/16"-16 ORFS,
40	87411517	1	VALVE, CHECK, 1-1/2
41	701-339	2	ELBOW, 90e, 1 7/16"-12 ORFS x 1 7/16"-12 Fem Sw, 1-7/16 fc sl x swl, Inc. 42
42	238-6025	2	O-RING, -025, 90 Duro, 1.176" ID x .070" Thk,
	178889A1	1	FITTING, Diagnostic, Inc. 43 - 45
43	H434163	1	DUST CAP,
44	NSS	1	NOT SERVICED SEPARATELY, Fitting, Diagnostic
45	637-63113	1	O-RING, CI 6, 11.3MM ID x 2.2 Thk,
46	358968A1	1	COUPLING, M18 orb x 1,5, Diagnostic, Inc. 47
47	637-63153	1	O-RING, CI 6, 15.3MM ID x 2.2 Thk,
48	337481A1	1	VALVE, Priority, See Figure 08-28
49	700-308	1	ELBOW, 90e, 1 7/16"-12 ORFS x M33 x 2 ORB, 1-7/16 fc sl x 33 Or, Inc. 50, 51
50	637-64296	1	O-RING, CI 6, 29.6MM ID x 2.9 Thk, 29,6 ID x 2,9
51	238-6021	1	O-RING, -021, 90 Duro, .926" ID x .070" Thk,
52	700-308	1	ELBOW, 90e, 1 7/16"-12 ORFS x M33 x 2 ORB, 90, 1-7/16 fc sl x 33 orb, Inc. 53, 54
53	637-64296	1	O-RING, CI 6, 29.6MM ID x 2.9 Thk, 29,6 ID x 2,9
54	238-6021	1	O-RING, -021, 90 Duro, .926" ID x .070" Thk,
55	700-387	1	ELBOW, 45e, 1 3/16"-12 ORFS x M27 x 2 ORB, M20 fc sl x 2,7 orb, Inc. 56, 57
56	637-64236	1	O-RING, CI 6, 23.6MM ID x 2.9 Thk,
57	238-6018	1	O-RING, -018, 90 Duro, .739" ID x .070" Thk,
58	700-304	1	ELBOW, 90e, 1 1/16"-18 ORFS x M14 x 1.5 ORB, Incl. 59, 60
59	637-63113	1	O-RING, CI 6, 11.3MM ID x 2.2 Thk,
60	238-6012	1	O-RING, -012, 90 Duro, .364" ID x .070" Thk,
61	701-422	1	TEE, 11/16"-16 ORFS x 11/16"-16 Fem Sw Run, 11/16 fc sl x 11/16 sw, Inc. 62
62	238-6012	2	O-RING, -012, 90 Duro, .364" ID x .070" Thk,
63	300209A1	1	VALVE, Shuttle
64	238-6012	3	O-RING, -012, 90 Duro, .364" ID x .070" Thk,
65	700-101	1	CONNECTOR, HYD., 11/16"-16 ORFS x M14 x 1.5 ORB, Incl. 66, 67
66	637-63113	1	O-RING, CI 6, 11.3MM ID x 2.2 Thk,
67	238-6012	1	O-RING, -012, 90 Duro, .364" ID x .070" Thk,
68	397244A1	1	HOSE ASSY., 1180 mm (46 in)
68	437292A1S	1	HOSE ASSY., 1105 mm (43-1/2 in), Arctic QUADTRAC Tractor Application

STX500 CASE IH 4WD TRACTOR (AFTER S/N JEE0099501)

08-24 HIGH OUTPUT HYDRAULICS - PUMP LUBRICATION CIRCUIT, BSN JEE0106701

сылка	Номер детали	Кол-во	Описание
69	515-23159	2	CLAMP, 5/8", Insul, 3/8" Bolt,
70	895-11010	5	WASHER, M10 x 20 x 2,
71	827-10100	2	BOLT, Hex, M10 x 100, 10.9, M10 x 100; 10.9
72	405574A1	1	TUBE ASSY., , With Advanced Farming Systems (AFS)
72	413814A2	1	TUBE ASSY., , With Power Shift Transmission
14	627-8025	2	BOLT, Hex, M8 x 25, 10.9,
4	627-10030	1	BOLT, Hex, M10 x 30, 10.9, Full Thd,



STX500 CASE IH 4WD TRACTOR (AFTER S/N JEE0099501)

08-24(01) HIGH OUTPUT HYDRAULICS - PUMP LUBRICATION CIRCUIT, ASN JEE0106701

сылка	Номер детали	Кол-во	Описание
1	201-105	2	CONNECTOR, HYD., 1 7/16"-12 ORFS x 1 5/16"-12 ORB, 1-7/16 fc x 1-5/16 Or, Inc. 2, 3
2	238-6021	6	O-RING, -021, 90 Duro, .926" ID x .070" Thk,
3	237-6016	3	O-RING, 16-1, 90 Duro, 1.171" ID x .118" Thk, 1-11/64 ID x 7/64
5	829-1410	2	NUT, M10, CI 10,
6	406576A1	1	BRACKET,
7	201-341	1	ELBOW, 90°, 1"-14 x 1 1/16"-12, Adj, ORFS, 1 fc sl x 1-1/16 orb, Inc. 3, 9
8	87431772	1	VALVE, PILOT, Destroke Pump
9	237-6012	11	O-RING, 12-1, 90 Duro, .924 ID x .118" Thk,
10	327499A1	1	HOSE ASSY., 665 mm (26-1/2"), With Manual Shift Transmission
10	363769A1	1	HOSE ASSY., 700 mm (27-1/2 in), With Power Shift Transmission
10	437274A1S	1	HOSE ASSY., 700 mm (27-1/2 in), With Power Shift Transmission, Arctic QUADTRAC Tractor Application
11	412088A1	1	HOSE ASSY., 1663 mm (65 in), to Right- Hand Front Filter, With Manual Shift Transmission
11	358860A1	1	HOSE ASSY., 1625 mm (64 in), to Right-Hand Front Filter, With Power Shift Transmission
11	437271A1S	1	HOSE ASSY., 1625 mm (64 in), to Right-Hand Front Filter, With Power Shift Transmission, Arctic QUADTRAC Tractor Application
12	515-24349	3	CLAMP, 1 3/8", Insul, 7/16" Bolt,
13	895-11008	6	WASHER, M8 x 16 x 1.6, 9 x 17 x 1,6 mm
15	412086A1	1	HOSE ASSY., Charge Pump to Charge Return Tube, With Manual Shift Transmission
15	335103A1	1	HOSE ASSY., 1525 mm (60 in), Charge Pump to Charge Return Tube, With Power Shift Transmission
15	437263A1S	1	HOSE ASSY., 1525 mm (60 in), Charge Pump to Charge Return Tube, With Power Shift Transmission, Arctic QUADTRAC Tractor Application
16	86992232	1	BLOCK, Pump
17	461-35040	4	SCREW, Hex Soc Hd, 1/2"-13 x 2 1/2", 1/2 x 2-1/2; 8
18	700-105	1	CONNECTOR, HYD., 1 7/16"-12 ORFS x M22 x 2 ORB, 1-7/16 fc sl x 33 Or, Inc. 2, 20
19	895-11006	4	WASHER, M6,
20	637-64296	3	O-RING, CI 6, 29.6MM ID x 2.9 Thk, 29,6 ID x 2,9
21	87418149	1	HOSE ASSY., 1416 mm (56 in), to Steering Control Unit / Load Sense
21	87424323	1	HOSE ASSY., 1416 mm (56 in), to Steering Control Unit / Load Sense, Arctic QUADTRAC Tractor Application
22	238-6014	1	O-RING, -014, 90 Duro, .489" ID x .070" Thk,
23	238-6222	1	O-RING, -222, 90 Duro, 1.484" ID x .139" Thk, 1-1/2 ID x 1/16
24	447177A1	1	HOSE ASSY., 622 mm (24-1/2 in), With Manual Shift Transmission, NOTE: If 412087A1 Hose is needed order 447177A1 Hose, 622mm (24-1/2 in), and 700-308 Elbow 90.
24	446059A1	1	HOSE ASSY., 568 mm (22-3/8 in), NOTE: If 383351A1 Hose, 657mm (25-7/8 in), is needed order 446059A1 Hose, 568mm (22-3/8 in), and 700-308 Elbow 90., With Power Shift Transmission
24	437285A1S	1	HOSE ASSY., 675 mm (26-1/2 in), Arctic QUADTRAC Tractor Application
25	405572A1	1	TUBE ASSY.,
26	238-6228	1	O-RING, -228, 90 Duro, 2.234" ID x .139" Thk,
27	214-1436	8	CLAMP, HOSE, #36, 1.81/2.75 Type F Worm,
28	31-2427	2	HOSE, 102 mm (4 in), Cut From 1-4568
29	405578A1	1	TUBE ASSY., , With Manual Shift Transmission
29	413812A1	1	TUBE, , With Power Shift Transmission
30	238-5232	1	O-RING, -232, 70 Duro, 2.734" ID x .139" Thk,
31	238-6018	2	O-RING, -018, 90 Duro, .739" ID x .070" Thk,

STX500 CASE IH 4WD TRACTOR (AFTER S/N JEE0099501)

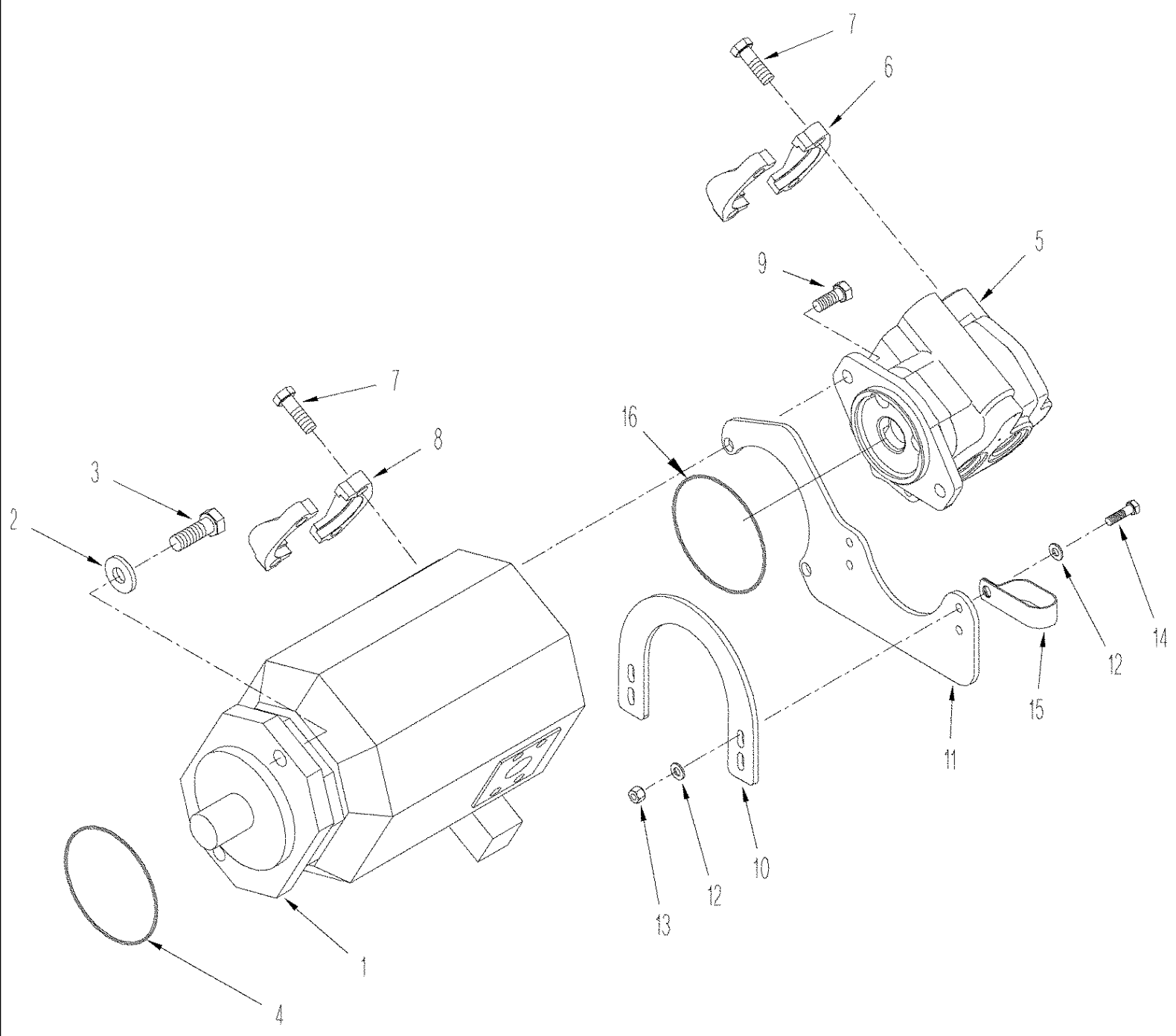
08-24(01) HIGH OUTPUT HYDRAULICS - PUMP LUBRICATION CIRCUIT, ASN JEE0106701

сылка	Номер детали	Кол-во	Описание
32	405713A2	1	TUBE ASSY., , With Manual Shift Transmission
32	413816A2	1	TUBE, , With Power Shift Transmission
33	1-4571	2	HOSE, 114 mm (4-1/2 in), Cut From 1-4482
34	335104A2	1	HOSE ASSY., 925 mm (36 in)
34	437264A1S	1	HOSE ASSY., 925 mm (36-13/32 in), With Power Shift Transmission, Arctic QUADTRAC Tractor Application
35	412085A1	1	HOSE ASSY., 826 mm (32-1/2 in), Piston Pump Supply, from Steering Return Port, With Manual Shift Transmission
35	301409A1	1	HOSE ASSY., 885 mm (35 in), With Power Shift Transmission
35	87326311	1	SPACER, 885 mm (35 in), With Power Shift Transmission, Arctic QUADTRAC Tractor Application
36	201-304	2	ELBOW, 90e, 11/16"-16 x 9/16"-18 Adj, ORFS, 90, 9/16 or x 11/16 fcsl, Inc. 9, 39
37	829-1406	2	NUT, M6, CI 10,
38	405576A3	1	TUBE ASSY., Piston Pump Supply, Inc. 9, 67, With Manual Shift Transmission
38	87303782	1	TUBE ASSY., Piston Pump Supply, Inc. 9, 67, With Power Shift Transmission
40	87545498	1	VALVE, CHECK, 1-1/2, 50 psi
41	701-339	2	ELBOW, 90e, 1 7/16"-12 ORFS x 1 7/16"-12 Fem Sw, 1-7/16 fc sl x swl, Inc. 42
42	238-6025	2	O-RING, -025, 90 Duro, 1.176" ID x .070" Thk,
	178889A1	1	FITTING, Diagnostic, Inc. 43 - 45
43	H434163	1	DUST CAP,
44	NSS	1	NOT SERVICED SEPARATELY, Fitting, Diagnostic
45	637-63113	3	O-RING, CI 6, 11.3MM ID x 2.2 Thk,
46	358968A1	1	COUPLING, M18 orb x 1,5, Diagnostic, Inc. 47
47	637-63153	1	O-RING, CI 6, 15.3MM ID x 2.2 Thk,
48	337481A1	1	VALVE, Priority, See Figure 08-28
49	700-308	1	ELBOW, 90e, 1 7/16"-12 ORFS x M33 x 2 ORB, 1-7/16 fc sl x 33 Or, Inc. 2, 20
50	87441927	1	HOSE ASSY., 622mm (24-1/2 in)
50	87346305	1	HOSE, 622mm (24-1/2 in), Arctic QUADTRAC Tractor Application
51	827-6050	2	BOLT, Hex, M6 x 50, 10,9,
52	700-308	1	ELBOW, 90e, 1 7/16"-12 ORFS x M33 x 2 ORB, 90, 1-7/16 fc sl x 33 orb, Inc. 2, 20
53	829-1406	2	NUT, M6, CI 10,
54	396490A1	2	U-BOLT, M8
55	700-387	1	ELBOW, 45e, 1 3/16"-12 ORFS x M27 x 2 ORB, M20 fc sl x 2,7 orb, Inc. 56, 31
56	637-64236	1	O-RING, CI 6, 23.6MM ID x 2.9 Thk,
57	87434200	1	BRACKET, Valve
58	700-304	1	ELBOW, 90e, 11/16"-18 ORFS x M14 x 1.5 ORB, Incl. 9, 45
59	832-10408	4	NUT, LOCK, M8 x 1.25, CI 8,
60	201-101	2	CONNECTOR, HYD., 11/16"-16 ORFS x 9/16"-18 ORB, Includes 9, 39
61	701-422	2	TEE, 11/16"-16 ORFS x 11/16"-16 Fem Sw Run, 11/16 fc sl x 11/16 sw, Inc. 9
62	87434311	1	HOSE ASSY., 535mm (21-11/16 in), Destroke Outlet to Piston Pump Compensator
62	87346310	1	HOSE, 535mm (21-11/16 in), Destroke Outlet to Piston Pump Compensator, Arctic QUADTRAC Tractor Application
63	300209A1	1	VALVE, Shuttle
64	87304198	1	HOSE ASSY., 610mm (24 in), to Destroke Valve Sense Port
64	87346304	1	HOSE, 610mm (24 in), to Destroke Valve Sense Port, Arctic QUADTRAC Tractor Application
65	700-101	1	CONNECTOR, HYD., 11/16"-16 ORFS x M14 x 1.5 ORB, Incl. 9, 45

STX500 CASE IH 4WD TRACTOR (AFTER S/N JEE0099501)

08-24(01) HIGH OUTPUT HYDRAULICS - PUMP LUBRICATION CIRCUIT, ASN JEE0106701

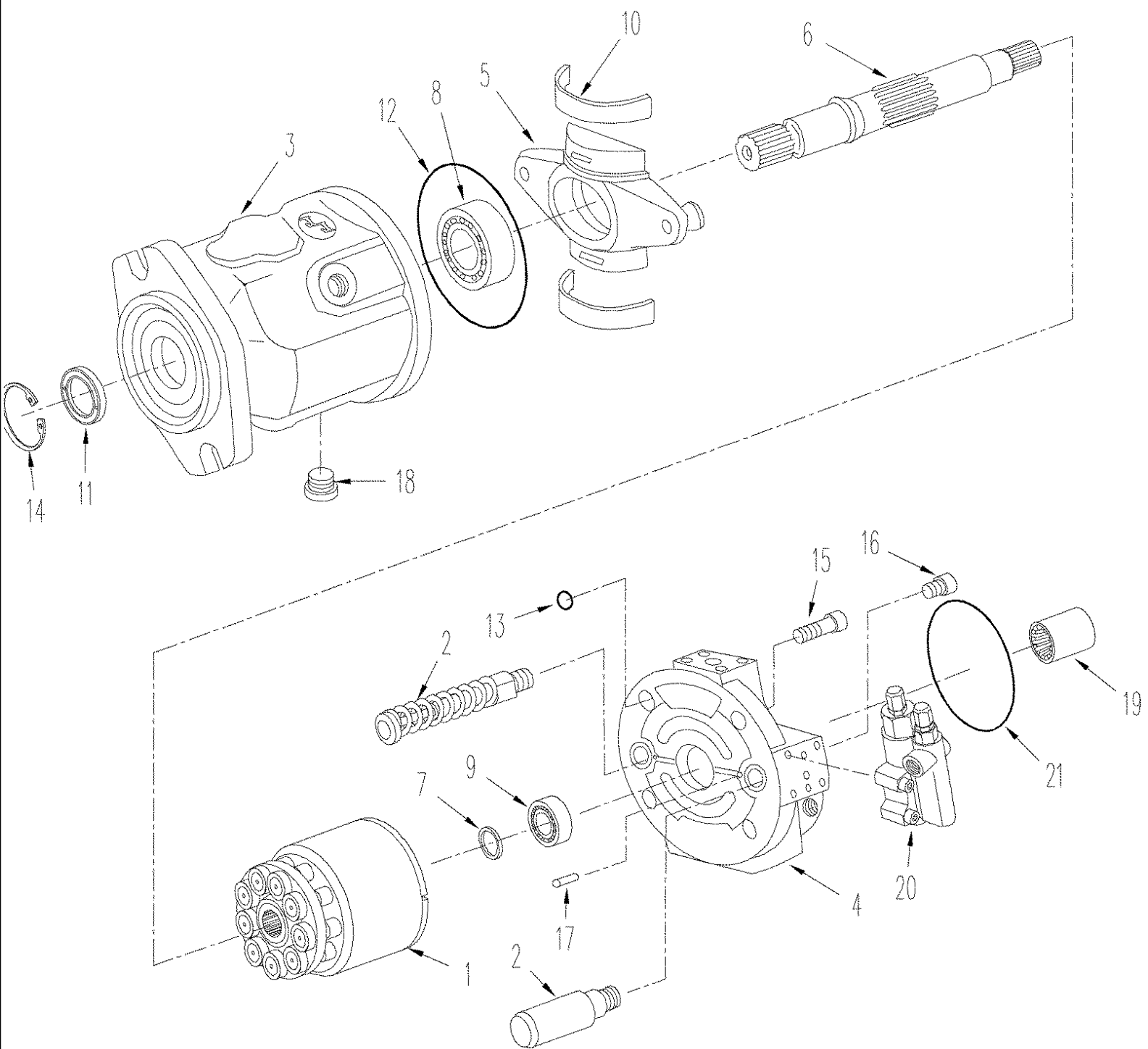
сылка	Номер детали	Кол-во	Описание
66	87303880	1	HOSE ASSY., 508mm (20 in), to Destroke Valve Drain Port
66	87346308	1	HOSE, 508mm (20 in), to Destroke Valve Drain Port, Arctic QUADTRAC Tractor Application
67	701-900	1	CAP, 11/16"-16 ORFS, Cap
68	87304199	1	HOSE ASSY., 812 mm (32 in), Tank Return
68	87346300	1	HOSE, 1105 mm (43-1/2 in), Arctic QUADTRAC Tractor Application
69	515-23159	2	CLAMP, 5/8", Insul, 3/8" Bolt,
70	895-11010	5	WASHER, M10 x 20 x 2,
71	827-10100	2	BOLT, Hex, M10 x 100, 10.9, M10 x 100; 10.9
72	405574A1	1	TUBE ASSY., , With Manual Shift Transmission
72	413814A2	1	TUBE ASSY., , With Power Shift Transmission
73	515-22159	2	CLAMP, 5/8", Insul, 5/16" Bolt,
39	237-6006	2	O-RING, 6-1, 90 Duro, .468" ID x .078" Thk,
14	627-8025	2	BOLT, Hex, M8 x 25, 10.9,
4	627-10030	1	BOLT, Hex, M10 x 30, 10.9, Full Thd,



STX500 CASE IH 4WD TRACTOR (AFTER S/N JEE0099501)

08-25 HIGH OUTPUT HYDRAULICS - PUMP MOUNTING

сылка	Номер детали	Кол-во	Описание
1	192296A3	1	PUMP, 100 cc, Piston, See Figure 08-26
2	496-41066	2	WASHER, 21/32" x 1 1/2" x .188", HDN,
3	426-1028	2	BOLT, Hex, 5/8"-11 x 1 3/4", G8, Full Thd, 5/8 x 1-3/4; 8
4	510828	1	O-RING, -250, 70 Duro, 4.984" ID x .139" Thk,
5	87428412	1	PUMP, HYDRAULIC, 100 cc, Gear, See Figure 08-27
6	A14141	2	FLANGE, Split
7	426-824	8	BOLT, Hex, 1/2"-13 x 1 1/2", G8, Full Thd, 1/2 x 1-1/2; 8
8	L14386	2	CLAMP, Split
9	627-12030	2	BOLT, Hex, M12 x 30, 10.9,
10	90-6743T1	1	SHIELD, Lower, BSN JEE0102661
10	87419159	1	PLATE, Lower, ASN JEE0102661
11	293405A1	1	BRACKET, , With Power Shift Transmission, BSN JEE0102661
11	87419459	1	BRACKET, , With Power Shift Transmission, ASN JEE0102661
11	418324A1	1	BRACKET, , With Advanced Farming Systems (AFS), BSN JEE0102661
11	87419160	1	BRACKET, , With Advanced Farming Systems (AFS), ASN JEE0102661
12	495-11034	8	WASHER, 5/16", SAE, 11/32 x 11/16 x 1/16
13	832-10408	4	NUT, LOCK, M8 x 1.25, CI 8,
15	L111928	2	CLAMP,
16	436514A1	1	O-RING,
14	627-8030	4	BOLT, Hex, M8 x 30, 10.9,

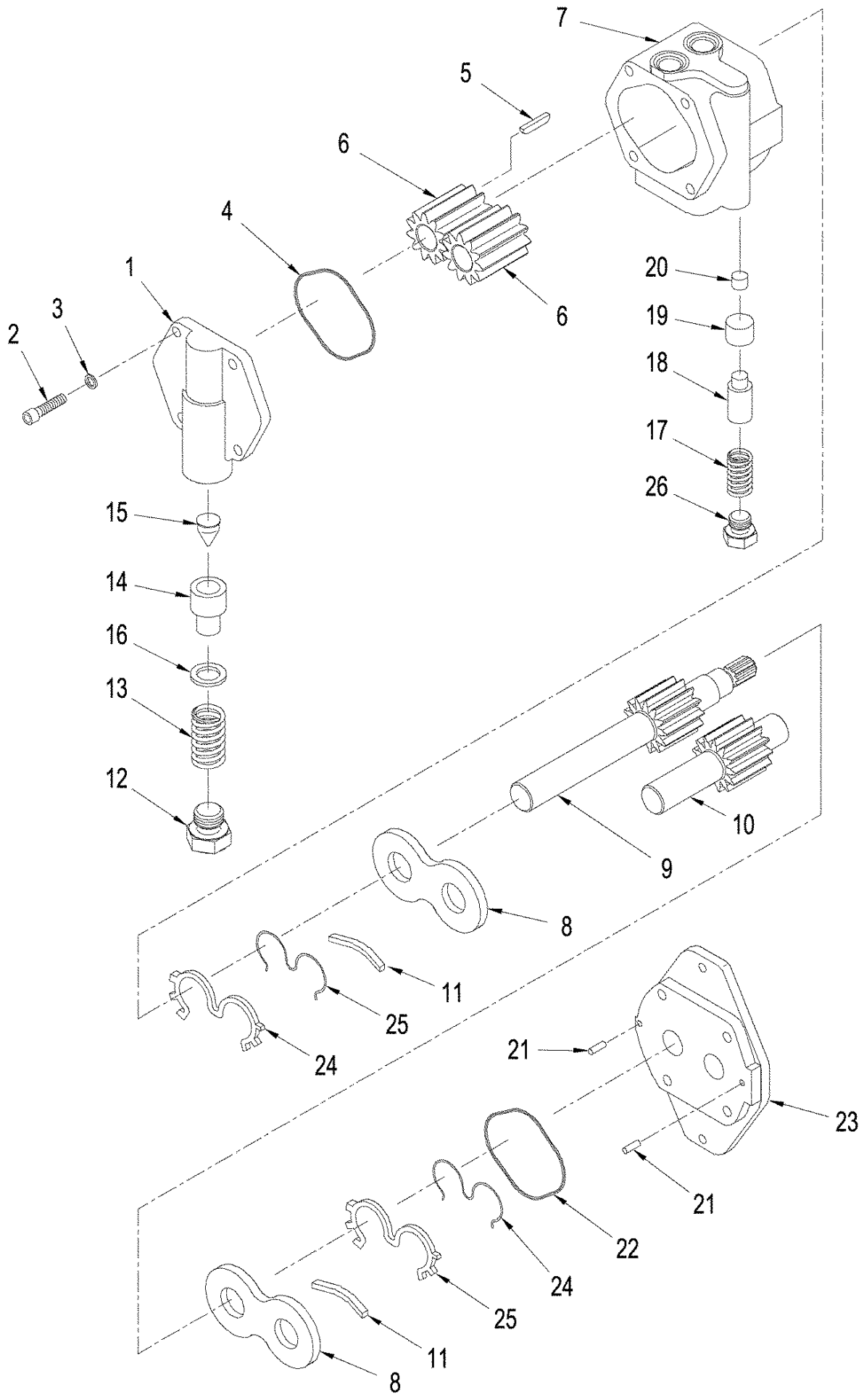


STX500 CASE IH 4WD TRACTOR (AFTER S/N JEE0099501)

08-26 HIGH OUTPUT HYDRAULICS - PISTON PUMP ASSY

сылка	Номер детали	Кол-во	Описание
	192296A3	1	PUMP, 100 cc, Inc. 1 - 20
1	NSS	1	NOT SERVICED SEPARATELY, Cylinder Assy
2	NSS	1	NOT SERVICED SEPARATELY, Piston Assy
3	NSS	1	NOT SERVICED SEPARATELY, Housing
4	NSS	1	NOT SERVICED SEPARATELY, Block
5	NSS	1	NOT SERVICED SEPARATELY, Plate, Swash
6	NSS	1	NOT SERVICED SEPARATELY, Shaft
7	NSS	1	NOT SERVICED SEPARATELY, Spacer
8	NSS	1	NOT SERVICED SEPARATELY, Bearing, Roller
9	NSS	1	NOT SERVICED SEPARATELY, Bearing, Roller
10	NSS	2	NOT SERVICED SEPARATELY, Support
11	NSS	1	NOT SERVICED SEPARATELY, Seal
12	NSS	1	NOT SERVICED SEPARATELY, O-Ring
13	NSS	4	NOT SERVICED SEPARATELY, O-Ring
14	NSS	1	NOT SERVICED SEPARATELY, Ring, Retaining
15	NSS	4	NOT SERVICED SEPARATELY, Screw
16	9841223	1	PLUG, Hex Soc, 1 1/16"-12 ORB,
17	NSS	1	NOT SERVICED SEPARATELY, Pin, Dowel
18	NSS	2	NOT SERVICED SEPARATELY, Plug
19	NSS	1	NOT SERVICED SEPARATELY, Coupling
20	352875A2	1	VALVE, CONTROL,
21	436514A1	1	O-RING,
	388292A1	1	KIT, SEALS, Inc. 11 - 13, 21

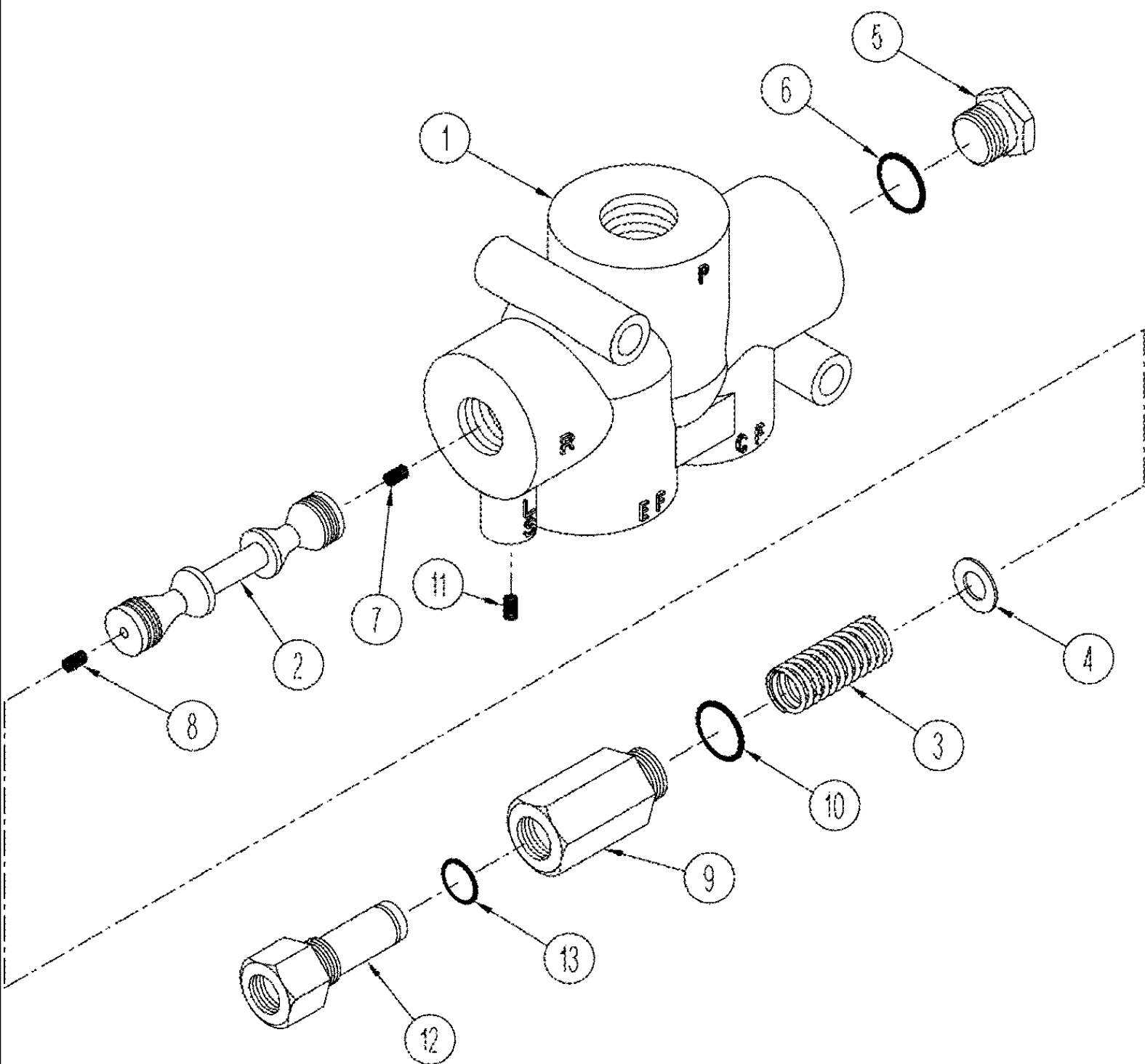
08-27 GEAR PUMP ASSEMBLY



STX500 CASE IH 4WD TRACTOR (AFTER S/N JEE0099501)

08-27 GEAR PUMP ASSEMBLY

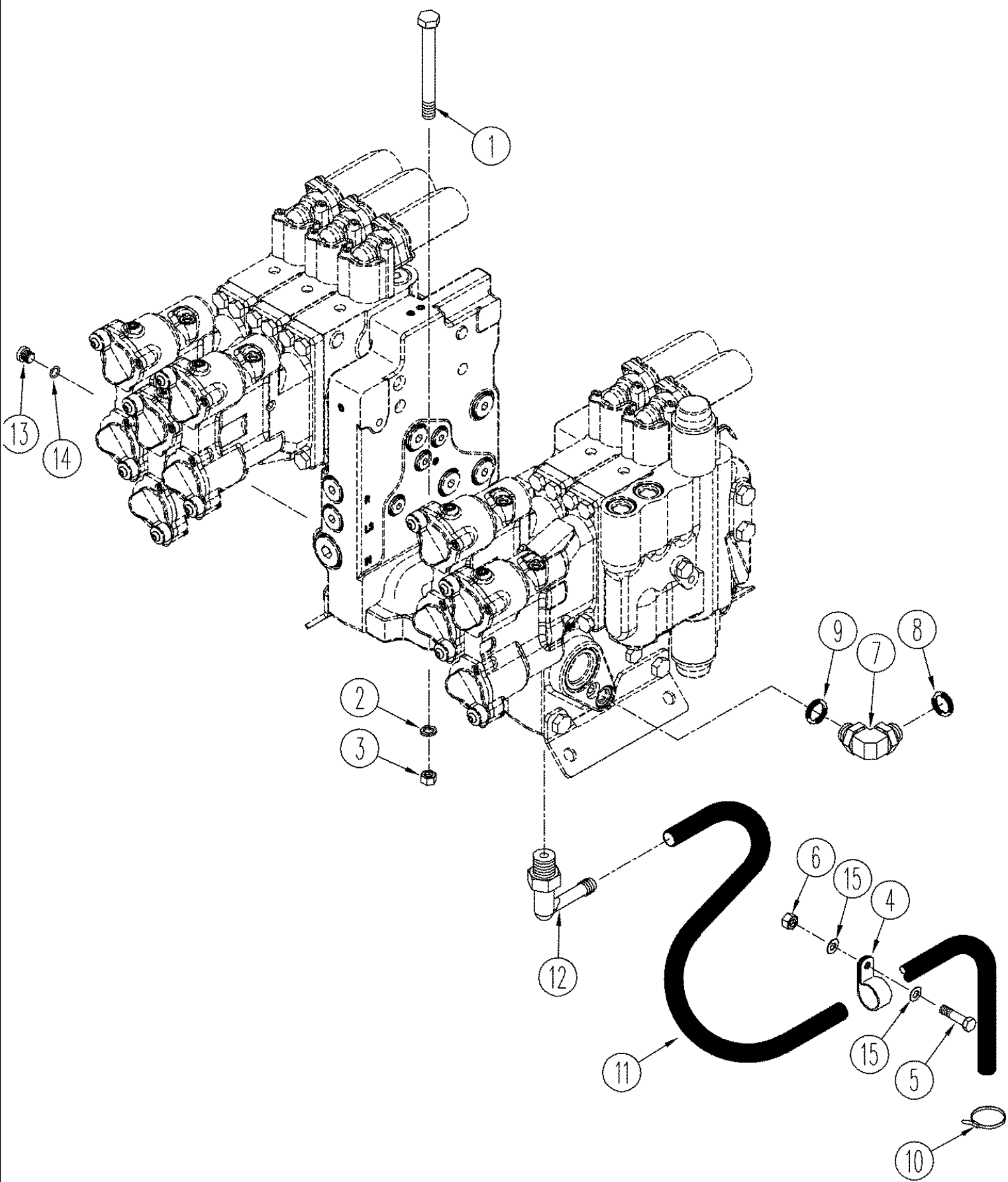
сылка	Номер детали	Кол-во	Описание
	87428412	1	PUMP, HYDRAULIC, Gear, Inc. 1 - 26
1	NSS	1	NOT SERVICED SEPARATELY, Housing, Rear
2	NSS	8	NOT SERVICED SEPARATELY, Screw
3	NSS	8	NOT SERVICED SEPARATELY, Washer
4	NSS	1	NOT SERVICED SEPARATELY, Seal
5	NSS	1	NOT SERVICED SEPARATELY, Pin, Dowel
6	NSS	2	NOT SERVICED SEPARATELY, Gear
7	NSS	1	NOT SERVICED SEPARATELY, Housing, Gear
8	NSS	2	NOT SERVICED SEPARATELY, Plate, Thrust
9	NSS	1	NOT SERVICED SEPARATELY, Shaft, Gear
10	NSS	1	NOT SERVICED SEPARATELY, Shaft, Gear
11	NSS	2	NOT SERVICED SEPARATELY, Seal
	231061A1	1	VALVE, PRESSURE RELIEF, Inc. 12 - 16
12	NSS	1	NOT SERVICED SEPARATELY, Plug
13	NSS	1	NOT SERVICED SEPARATELY, Spring
14	NSS	1	NOT SERVICED SEPARATELY, Poppet, Valve
15	NSS	1	NOT SERVICED SEPARATELY, Seat
16	NSS	1	NOT SERVICED SEPARATELY, Shim
	245847A1	1	PACKAGE, Inc. 17 - 20, 26
17	NSS	1	NOT SERVICED SEPARATELY, Spring
18	NSS	1	NOT SERVICED SEPARATELY, Plunger
19	NSS	1	NOT SERVICED SEPARATELY, Poppet, Valve
20	NSS	1	NOT SERVICED SEPARATELY, Seat
21	NSS	2	NOT SERVICED SEPARATELY, Pin, Dowel
22	NSS	1	NOT SERVICED SEPARATELY, Seal
23	NSS	1	NOT SERVICED SEPARATELY, Housing, Front
24	NSS	2	NOT SERVICED SEPARATELY, Seal, Channel
25	NSS	2	NOT SERVICED SEPARATELY, Seal, Backup
26	NSS	1	NOT SERVICED SEPARATELY, Plug
	334450A1	1	KIT, SEALS, Repair, Inc. 11, 20, 22, 24 & 25



STX500 CASE IH 4WD TRACTOR (AFTER S/N JEE0099501)

08-28 HIGH OUTPUT HYDRAULICS - PRIORITY VALVE ASSEMBLY

сылка	Номер детали	Кол-во	Описание
	337481A1	1	VALVE, Inc. 1 - 12
1	NSS	1	NOT SERVICED SEPARATELY, Body
2	NSS	1	NOT SERVICED SEPARATELY, Piston
3	NSS	1	NOT SERVICED SEPARATELY, Spring
4	S302014	1	WASHER,
5	S302018	1	PLUG, Inc. 6
6	237-6014	1	O-RING, 14-1, 90 Duro, 1.048" ID x .118" Thk, O-Ring
7	S300792	1	SCREW, Orifice
8	S300791	1	SCREW, Orifice
9	S302016	1	PLUG,
10	237-6016	1	O-RING, 16-1, 90 Duro, 1.171" ID x .118" Thk, 1-11/64 ID x 7/64
11	NSS	1	NOT SERVICED SEPARATELY, Orifice
12	370152A1	1	VALVE, Inc. 13
13	NSS	1	NOT SERVICED SEPARATELY, O-Ring

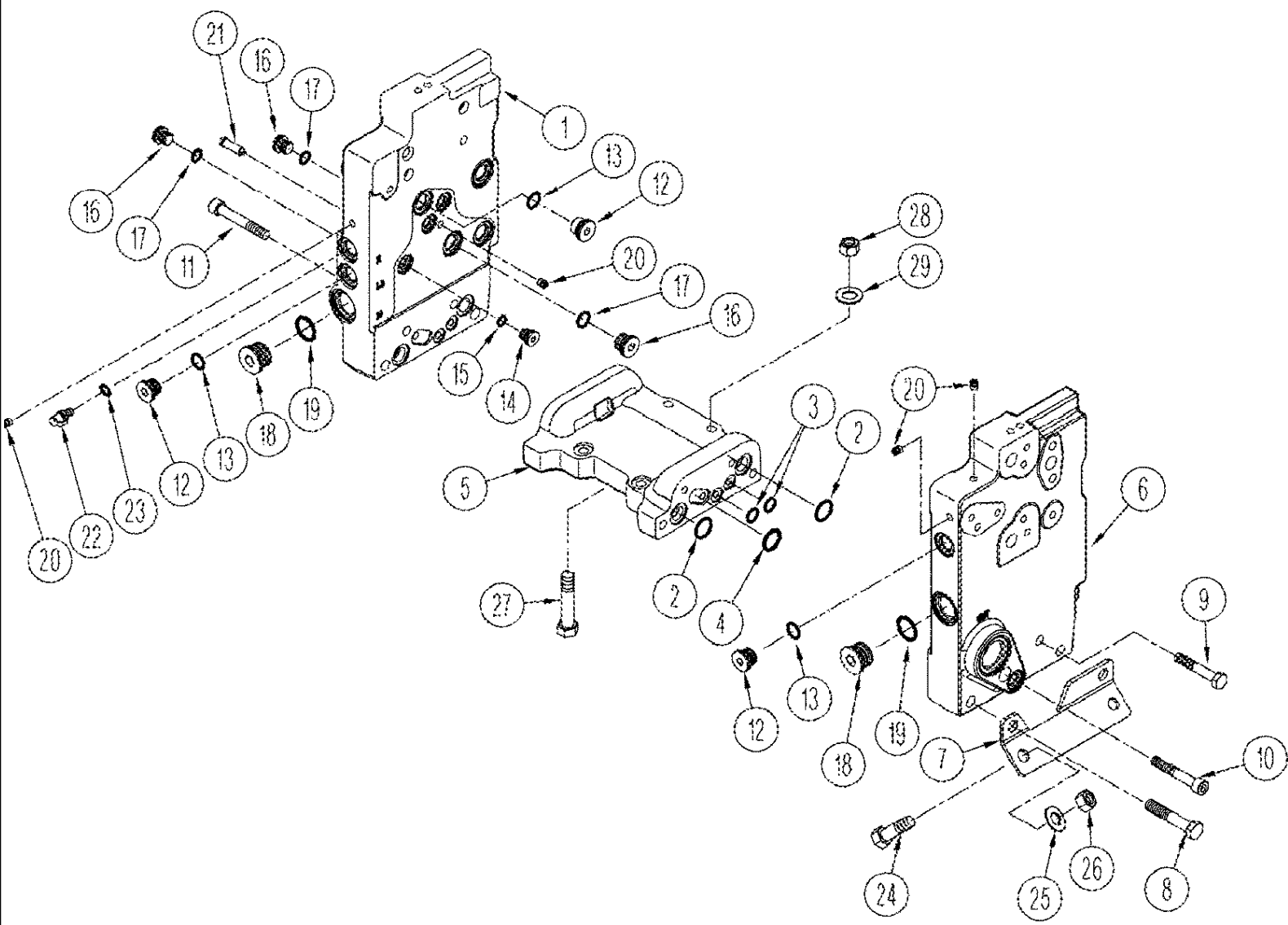


STX500 CASE IH 4WD TRACTOR (AFTER S/N JEE0099501)

08-29 HYDRAULIC REMOTE CONTROL VALVE

сылка	Номер детали	Кол-во	Описание
1	827-10070	2	BOLT, Hex, M10 x 70, 10.9, M10 x 70; 10.9
2	896-11010	2	WASHER, M10 x 21.5 x 2.5, HT,
3	832-10410	2	NUT, LOCK, M10 x 1.5, CI 8,
4	515-22254	2	CLAMP, 1", Insul, 5/16" Bolt, 1 ID
6	829-1408	2	NUT, M8, CI 10,
7	700-332	1	ELBOW, 90є, 13/16"-18 ORFS x M14 x 1.5 ORB, 90, 13/16 fc sl x 14 Or, Inc. 8, 9
8	238-6014	1	O-RING, -014, 90 Duro, .489" ID x .070" Thk,
9	637-63113	1	O-RING, CI 6, 11.3MM ID x 2.2 Thk,
10	435437A1	2	STRAP, CABLE, 3/16" x 7 1/4", Tie
11	320374A1	AR	HOSE, 889 mm (35 in), Drain, Cut From 31-1182
12	1289481C1	AR	ELBOW, 1/4 stem x 1/8 PT
13	221576A1	1	PLUG, Hex Soc, M14 x 1.5, ORB, Includes 14
14	637-63113	1	O-RING, CI 6, 11.3MM ID x 2.2 Thk,
15	895-15008	4	WASHER, M8 x 20 x 1.6, 9 x 20 x 1,5 mm
	365947A1	1	KIT, Remote Valve, Five Stack, Inc. 11, 12, See Figure 08-32
5	627-8030	2	BOLT, Hex, M8 x 30, 10.9,

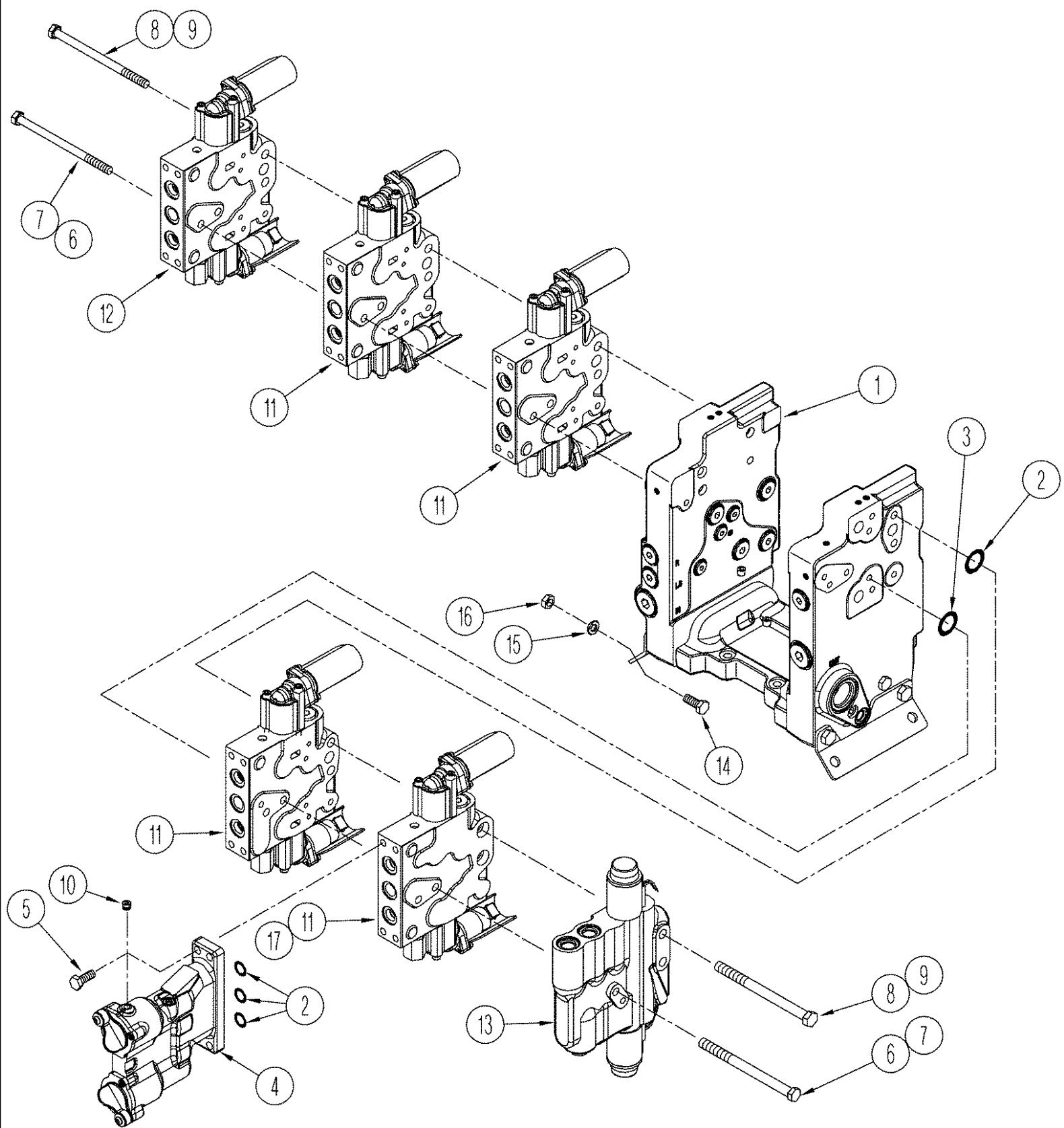
08-30 MANIFOLD VALVE ASSEMBLY



STX500 CASE IH 4WD TRACTOR (AFTER S/N JEE0099501)

08-30 MANIFOLD VALVE ASSEMBLY

сылка	Номер детали	Кол-во	Описание
	404434A1	1	VALVE, Manifold, Inc. 1 - 21
1	NSS	1	NOT SERVICED SEPARATELY, Valve, Intake, Left-Hand
2	238-6117	4	O-RING, -117, 90 Duro, .799" ID x .103" Thk,
3	238-6112	4	O-RING, -112, 90 Duro, .487" ID x .103" Thk,
4	238-5211	2	O-RING, -211, 70 Duro, .796" ID x .139" Thk,
5	NSS	1	NOT SERVICED SEPARATELY, Valve, Manifold, Connector
6	NSS	1	NOT SERVICED SEPARATELY, Valve, Manifold, Outlet, Right-Hand
7	338681A1	2	BRACKET,
8	828-12065	4	BOLT, Hex, M12 x 65, 10.9, M12 x 65; 10.9
9	828-10060	2	BOLT, Hex, M10 x 60, 10.9, M10 x 60; 10.9
10	864-10065	1	SCREW, Hex Soc Hd, M10 x 65, 8.8, M10 x 65; 8.8
11	864-10070	1	SCREW, Hex Soc Hd, M10 x 70, 8.8, M10 x 70
12	221578A1	10	PLUG, Hex Soc, M18 x 1.5, ORB, Includes 13
13	637-63153	10	O-RING, CI 6, 15.3MM ID x 2.2 Thk,
14	221573A1	3	PLUG, Hex Soc, M12 x 1.5, ORB, M12 orb x 13, Includes 15
15	637-63093	3	O-RING, CI 6, 9.3MM ID x 2.2 Thk, 9,3 ID x 2,2
16	221576A1	7	PLUG, Hex Soc, M14 x 1.5, ORB, Includes 17
17	637-63113	7	O-RING, CI 6, 11.3MM ID x 2.2 Thk,
18	221580A1	2	PLUG, Hex Soc, M27 x 2, ORB, Includes 19
19	637-64236	2	O-RING, CI 6, 23.6MM ID x 2.9 Thk,
20	353828A1	9	PLUG,
21	326965A1	1	SCREEN,
22	358968A1	1	COUPLING, M18 orb x 1,5, Diagnostic, If Used, Inc. 23
23	637-63153	1	O-RING, CI 6, 15.3MM ID x 2.2 Thk,
24	627-12040	4	BOLT, Hex, M12 x 40, 10.9, Full Thd,
25	896-11012	4	WASHER, M13.5 x 24.5 x 3, HT,
26	832-10412	4	NUT, LOCK, M12 x 1.75, CI 8,
27	828-10060	2	BOLT, Hex, M10 x 60, 10.9, M10 x 60; 10.9
28	832-10410	2	NUT, LOCK, M10 x 1.5, CI 8,
29	896-11010	2	WASHER, M10 x 21.5 x 2.5, HT,

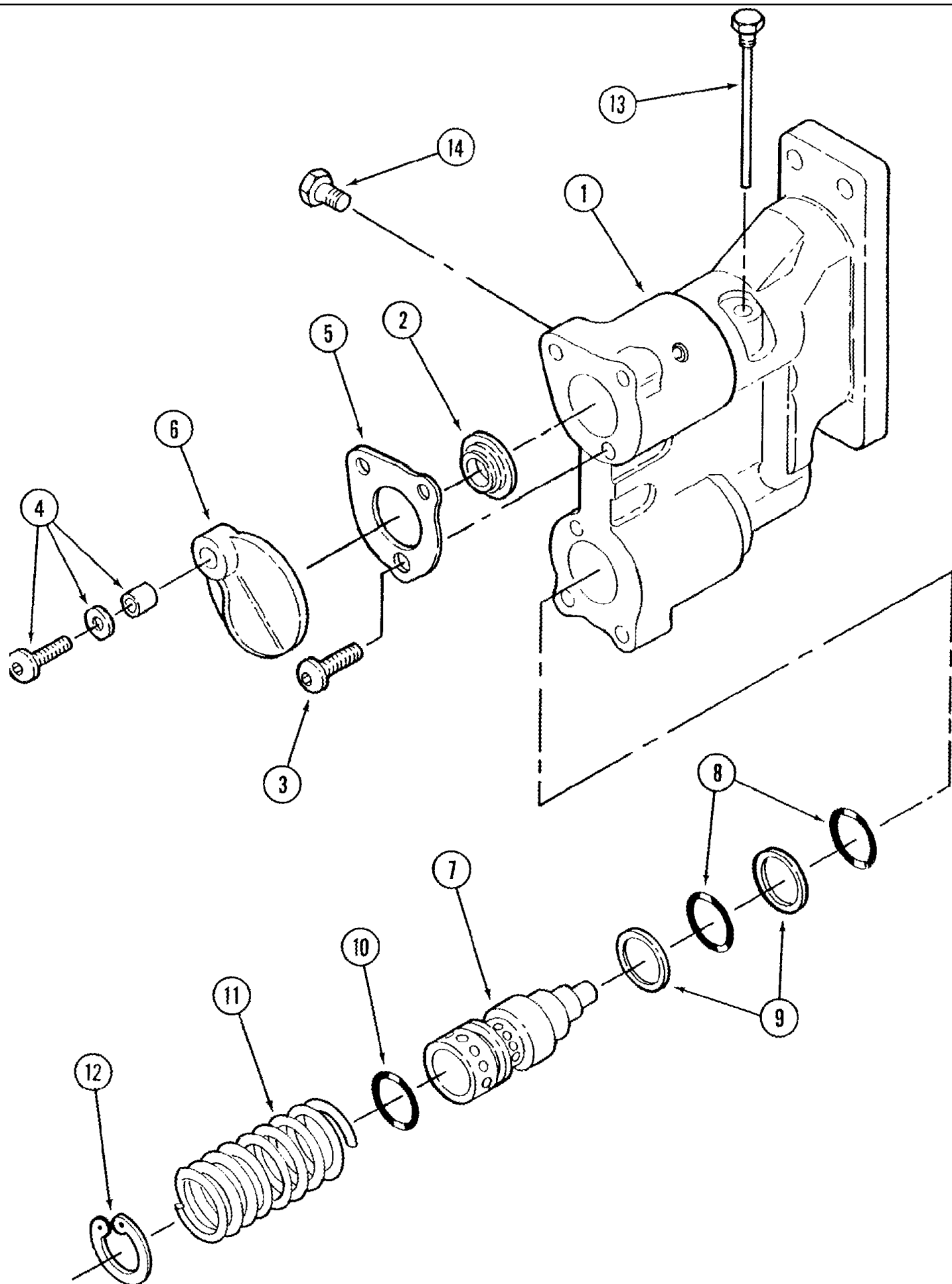


STX500 CASE IH 4WD TRACTOR (AFTER S/N JEE0099501)

08-32 REMOTE VALVE ASSEMBLY - ELECTRONIC REMOTE

сылка	Номер детали	Кол-во	Описание
1	404434A1	1	VALVE, Manifold, See Figure 08-30
2	238-6117	AR	O-RING, -117, 90 Duro, .799" ID x .103" Thk,
3	238-6112	AR	O-RING, -112, 90 Duro, .487" ID x .103" Thk,
4	435375A1	AR	COUPLING, BREAK AWAY, See Figure 08-33
5	628-10025	AR	BOLT, Hex, M10 x 25, 10.9, Full Thd,
6	828-10110	AR	BOLT, Hex, M10 x 110, 10.9, M10 x 110; 10.9
7	828-10160	AR	BOLT, Hex, M10 x 160, 10.9, M10 x 160; 10.9
8	828-12110	AR	BOLT, Hex, M12 x 110, 10.9, M12 x 110; 10.9
9	828-12160	AR	BOLT, Hex, M12 x 160, 10.9, M12 x 160; 10.9
10	86637724	5	PLUG, Hex Soc, 1/8"-27 NPTF, 1/8 PT
11	292295A3	AR	VALVE, Main, Four and Five Stack, See Figure 08-35
12	393972A3	1	VALVE, Auxiliary, Left-Hand, See Figure 08-35
13	87371678	1	VALVE, Hitch, See Figure 08-36
14	627-12030	4	BOLT, Hex, M12 x 30, 10.9,
15	896-11012	4	WASHER, M13.5 x 24.5 x 3, HT,
16	832-10412	4	NUT, LOCK, M12 x 1.75, CI 8,
17	393973A3	1	VALVE, Auxiliary, Right-Hand, See Figure 08-35
	365947A1	1	KIT, Remote Valve, Five Stack, Inc. 2 - 11 See Figure 08-29

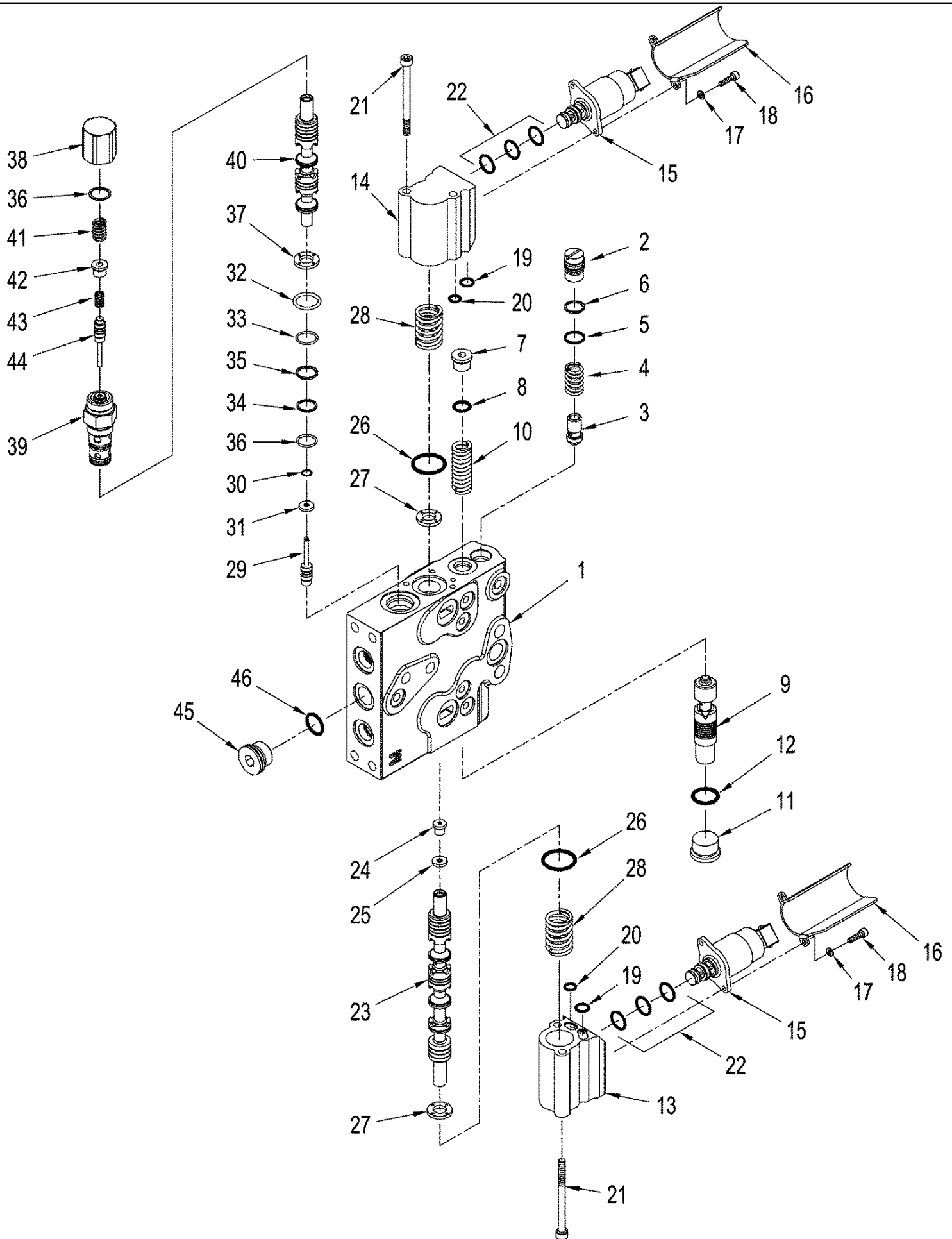
08-33 COUPLER VALVE ASSEMBLY



STX500 CASE IH 4WD TRACTOR (AFTER S/N JEE0099501)

08-33 COUPLER VALVE ASSEMBLY

сылка	Номер детали	Кол-во	Описание
	435375A1	1	COUPLING, BREAK AWAY, Inc. 1 - 14
1	NSS	1	NOT SERVICED SEPARATELY, Body
2	240969A1	2	SEAL,
3	427104A1	4	SCREW,
4	240973A2	2	SCREW, With Sleeve and Washer
5	292326A1	2	PLATE, Cover
6	240974A2	2	COVER, DOOR, Dust
7	321623A1	2	CARTRIDGE,
	345193A1	1	KIT, SEALS, Coupler, Inc. 8 - 10
8	238-5027	4	O-RING, -027, 70 Duro, 1.301" ID x .070" Thk,
9	93332C1	4	SEAL ASSY.,
10	345192A1	2	SEAL,
11	93330C1	2	SPRING, VALVE,
12	100-28162	2	RING, SNAP, 1.625", Int, #162,
13	367755A1	2	RETAINER,
14	217-432	1	PLUG, Hex Soc, 1/4"-18, 1/4 PT



STX500 CASE IH 4WD TRACTOR (AFTER S/N JEE0099501)

08-35 MAIN AND AUXILIARY VALVE ASSEMBLY - ELECTRONIC CONTROLLED

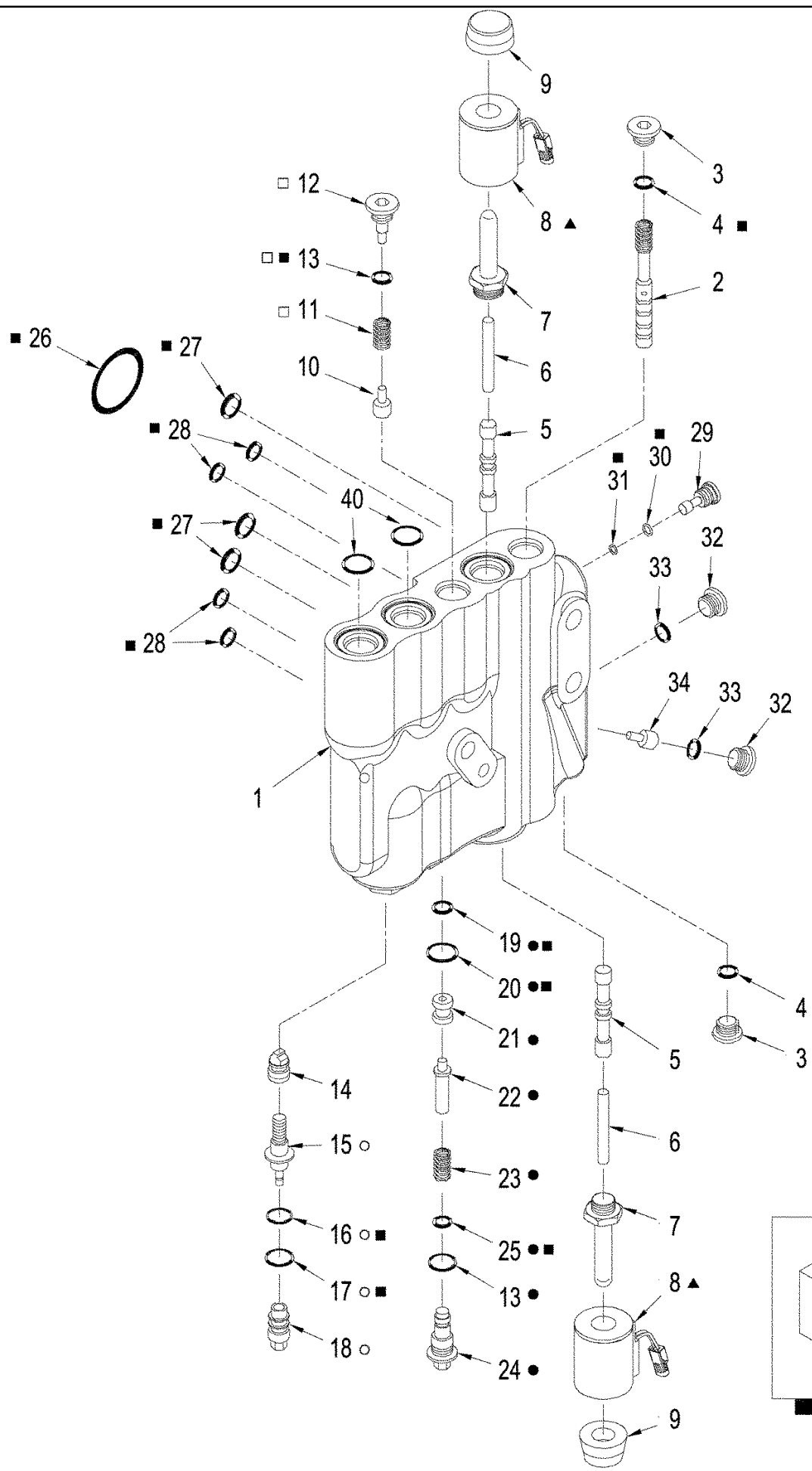
сылка	Номер детали	Кол-во	Описание
	292295A3	1	VALVE, Main Auxiliary, Inc. 1 - 46
	393972A3	1	VALVE, Auxiliary, Left-Hand, Inc. 1 - 46
	393973A3	1	VALVE, Auxiliary, Right-Hand, Inc. 1 - 46
1	NSS	1	NOT SERVICED SEPARATELY, Body
	1542563C1	1	VALVE, CHECK, Logic, Inc. 2 - 6
2	NSS	1	NOT SERVICED SEPARATELY, Plug
3	1543329C1	1	POPPET, VALVE,
4	NSS	1	NOT SERVICED SEPARATELY, Spring
5	G108723	1	RING,
6	238-6015	1	O-RING, -015, 90 Duro, .551" ID x .070" Thk,
7	9625178	1	PLUG, Hex Soc, 9/16"-18 ORB, 3/8 orb, Inc. 8
8	237-6012	1	O-RING, 12-1, 90 Duro, .924 ID x .118" Thk,
9	292321A2	1	SPOOL,
10	301973A1	1	SPRING,
11	86625138	1	PLUG, Hex Soc, 7/8"-14 ORB, 5/8 orb, Includes 12
12	237-6010	1	O-RING, 10-1, 90 Duro, .755" ID x .097" Thk,
	87354471	1	VALVE, PILOT, EH Pilot Block, Inc. 13, 15 - 22
	87354472	1	VALVE, PILOT, Block, EH, Inc. 14 - 22
13	NSS	1	NOT SERVICED SEPARATELY, Body, Valve, Lower
14	NSS	1	NOT SERVICED SEPARATELY, Body, Valve, Upper
15	278506A1	1	VALVE, SOLENOID, Proportional
16	353830A1	1	GUARD,
17	892-11004	2	WASHER, LOCK, M4,
18	864-4016	2	SCREW, Hex Soc Hd, M4 x 16, 8.8, Socket, M4 x 16, CL8.8
19	238-5012	1	O-RING, -012, 70 Duro, .364" ID x .070" Thk, 3/8 ID x 1/2 Thk
20	238-5011	1	O-RING, -011, 70 Duro, .301" ID x .070" Thk,
21	864-6020	2	SCREW, Hex Soc Hd, M6 x 20, 8.8, Socket, M6 x 75, CL8.8
22	372228A1	1	SEAL, Kit
23	87410063	1	SPOOL,
24	86632547	1	PLUG, Hex Soc, 5/16"-24 ORB, Socket, 1/8 or, Includes 25
25	237-6010	1	O-RING, 10-1, 90 Duro, .755" ID x .097" Thk,
26	238-5120	2	O-RING, -120, 70 Duro, .987" ID x .103" Thk,
27	436518A1	2	WASHER, Centering
28	87411129	2	SPRING, Lower, Outer
	1957907C1	1	PISTON ASSY, Load Check, Inc. 29 - 31
29	NSS	1	NOT SERVICED SEPARATELY, Piston
30	NSS	1	NOT SERVICED SEPARATELY, Ring, Snap
31	NSS	1	NOT SERVICED SEPARATELY, Washer
	278550A2	1	VALVE, CHECK, Load, Inc. 32 - 44
32	238-6016	1	O-RING, -016, 90 Duro, .614" ID x .070" Thk,
33	G103862	1	RING,
34	G108723	1	RING,
35	238-6015	1	O-RING, -015, 90 Duro, .551" ID x .070" Thk,
36	237-6010	2	O-RING, 10-1, 90 Duro, .755" ID x .097" Thk,
37	G108727	1	BACK-UP RING,

STX500 CASE IH 4WD TRACTOR (AFTER S/N JEE0099501)

08-35 MAIN AND AUXILIARY VALVE ASSEMBLY - ELECTRONIC CONTROLLED

сылка	Номер детали	Кол-во	Описание
38	NSS	1	NOT SERVICED SEPARATELY, Cap
39	NSS	1	NOT SERVICED SEPARATELY, Poppet
40	NSS	1	NOT SERVICED SEPARATELY, Body, Poppet
41	NSS	1	NOT SERVICED SEPARATELY, Spring
42	1957964C1	1	RETAINER, Spring
43	NSS	1	NOT SERVICED SEPARATELY, Spring
44	NSS	1	NOT SERVICED SEPARATELY, Poppet
45	86632547	1	PLUG, Hex Soc, 5/16"-24 ORB, Soc. Hd, 1/8" or, Includes 46
46	9617873	1	O-RING, 6-1, 90 Duro, .468" ID x .078" Thk,

08-36 HITCH VALVE ASSEMBLY - ELECTRONIC CONTROLLED



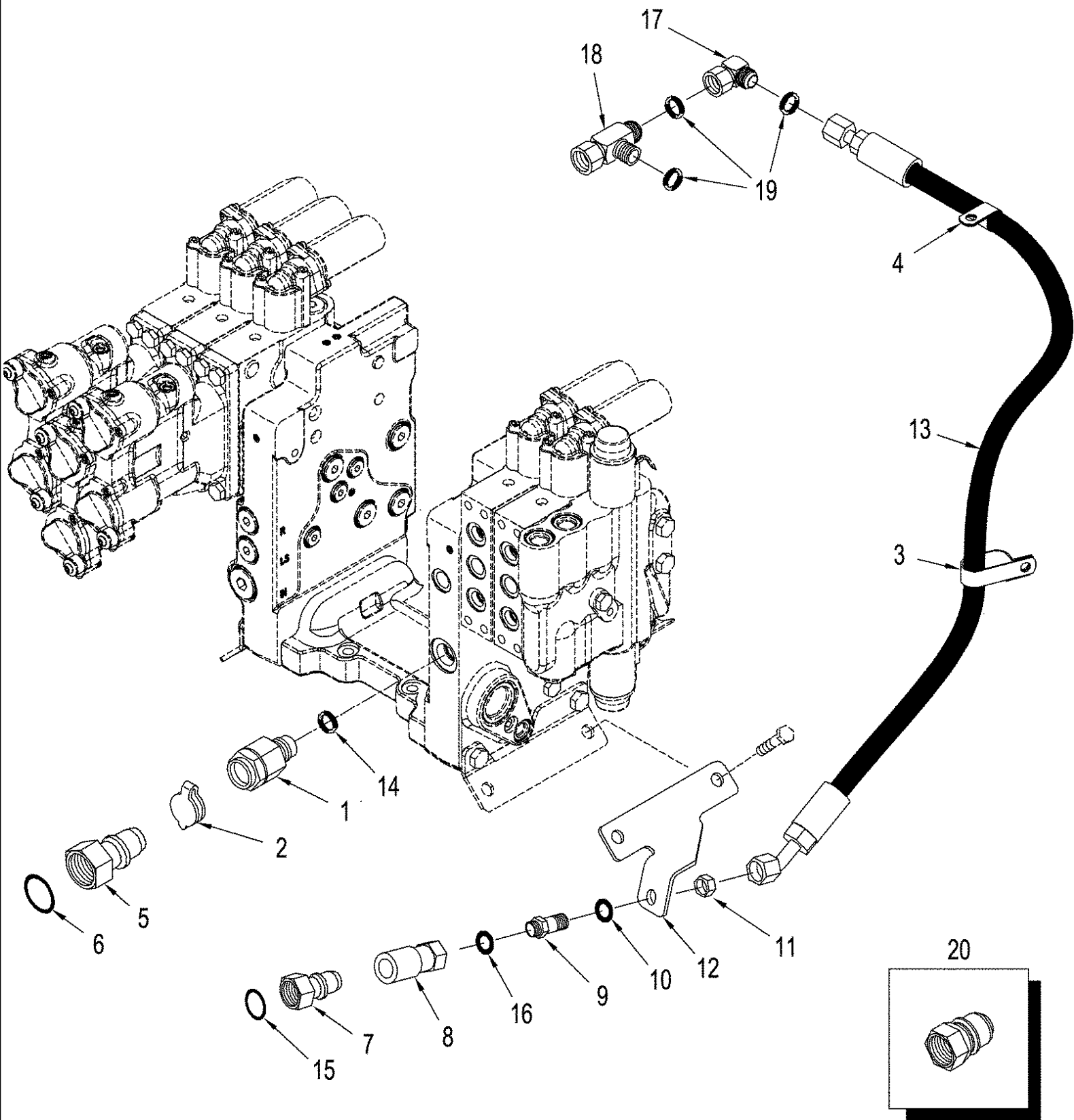
- =35
- =36
- ▲ =37
- =38
- =39

STX500 CASE IH 4WD TRACTOR (AFTER S/N JEE0099501)

08-36 HITCH VALVE ASSEMBLY - ELECTRONIC CONTROLLED

сылка	Номер детали	Кол-во	Описание
	87371678	1	VALVE, Inc. 1 - 39
1	NSS	1	NOT SERVICED SEPARATELY, Housing
2	NSS	1	NOT SERVICED SEPARATELY, Spool
3	71100209	2	PLUG, Hex Soc, 3/4"-16 ORB, Includes Ref. 4
4	237-6008	2	O-RING, 8-1, 90 Duro, .644" ID x .087" Thk,
5	188104A1	2	SPOOL, Pilot
6	188116A1	2	PIN,
7	188117A1	2	TUBE, Override
8	188105A1	2	SOLENOID, Coil
9	188106A1	2	NUT,
10	NSS	1	NOT SERVICED SEPARATELY, Poppet, LDC
11	NSS	1	NOT SERVICED SEPARATELY, Spring, Compression
12	NSS	1	NOT SERVICED SEPARATELY, Plug
13	237-6010	2	O-RING, 10-1, 90 Duro, .755" ID x .097" Thk,
14	NSS	1	NOT SERVICED SEPARATELY, Poppet, Valve
15	NSS	1	NOT SERVICED SEPARATELY, Stem, Servo
16	238-5022	1	O-RING, -022, 70 Duro, .989" ID x .070" Thk,
17	238-5023	1	O-RING, -023, 70 Duro, 1.051" ID x .070" Thk,
18	118111A1	1	TUBE,
19	238-6011	1	O-RING, -011, 90 Duro, .301" ID x .070" Thk,
20	373767A1	1	RING,
21	NSS	1	NOT SERVICED SEPARATELY, Seat
22	NSS	1	NOT SERVICED SEPARATELY, Poppet Valve
23	NSS	1	NOT SERVICED SEPARATELY, Spring, Compression
24	NSS	1	NOT SERVICED SEPARATELY, Plug
25	238-5014	1	O-RING, -014, 70 Duro, .489" ID x .070" Thk,
26	238-5142	1	O-RING, -142, 90 Duro, 2.362" ID x .103" Thk,
27	238-6117	3	O-RING, -117, 90 Duro, .799" ID x .103" Thk,
28	238-6112	5	O-RING, -112, 90 Duro, .487" ID x .103" Thk,
29	373761A1	1	PLUG,
30	237-6004	1	O-RING, 4-1, 90 Duro, .351" ID x .072" Thk,
31	237-6003	2	O-RING, 3-1, .301" ID x .064" Thk,
32	86529630	2	PLUG, Hex Soc, 3/8"-24 ORB,
33	237-6003	2	O-RING, 3-1, .301" ID x .064" Thk,
34	373758A1	1	VALVE, Load Sense
35	373756A1	1	KIT, Relief
36	373757A1	1	KIT, Seal
37	243254A1	2	KIT,
38	87430152	1	KIT, SERVICE, Meterout
39	87373591	1	KIT, Valve Load Drop Check
40	637-63193	2	O-RING, CI 6, 19.3MM ID x 2.2 Thk,

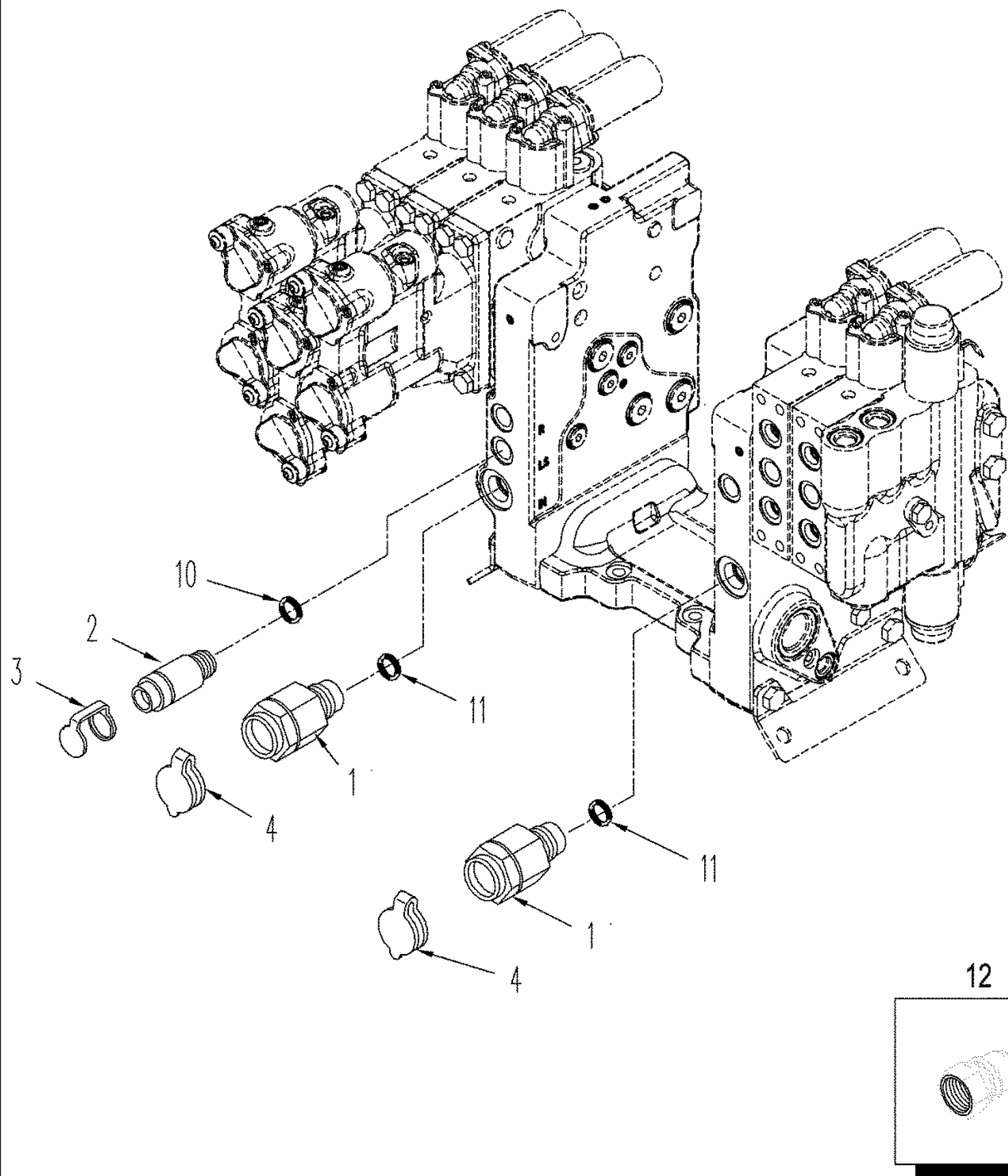
08-37 MOTOR RETURN



STX500 CASE IH 4WD TRACTOR (AFTER S/N JEE0099501)

08-37 MOTOR RETURN

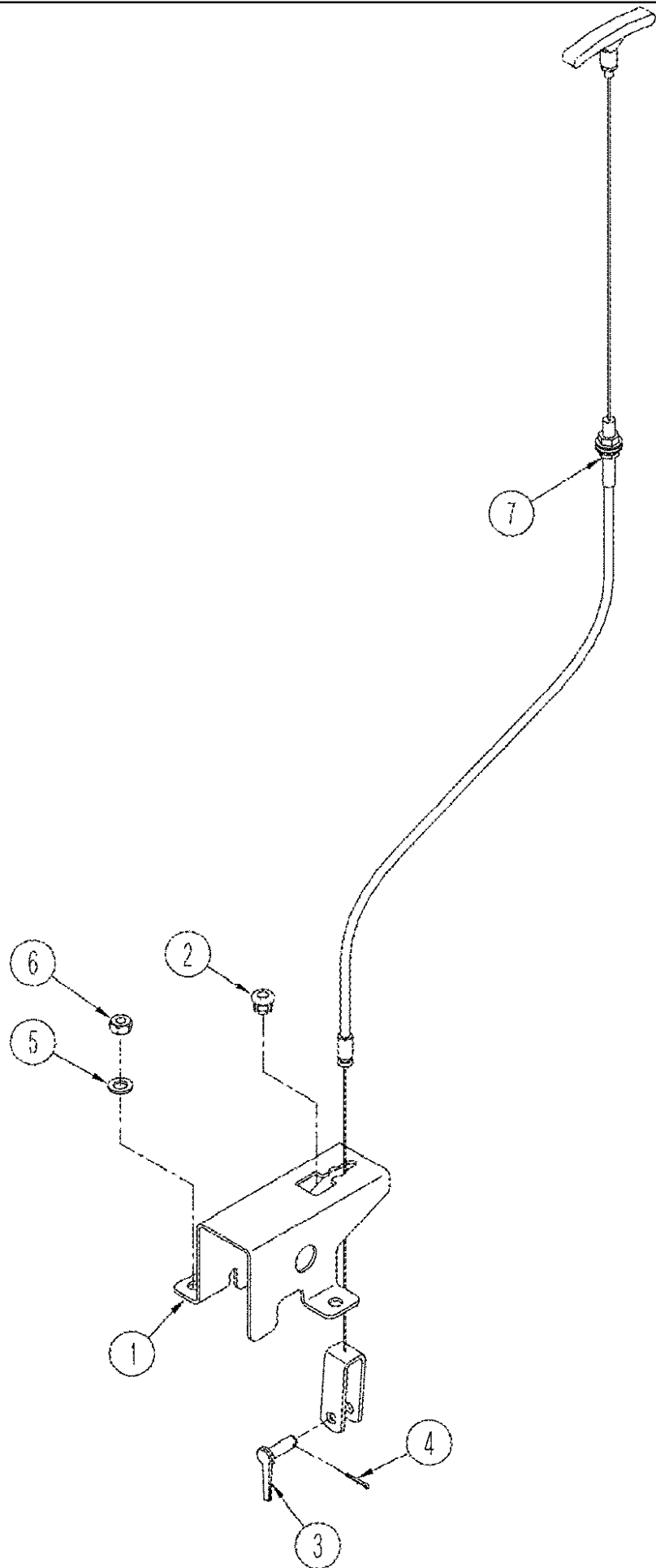
сылка	Номер детали	Кол-во	Описание
1	298291A1	1	BODY, Hydr., , 3/4 in, Auxiliary, Main Return
2	334216A1	1	CAP, Dust
3	515-23206	1	CLAMP, 13/16", Insul, 3/8" Bolt,
4	R54363	1	CLAMP,
5	347755A1	1	COUPLING, Hydr., 3/4 in Male x 1-1/16 in Female orb, Inc. 6
6	237-6012	1	O-RING, 12-1, 90 Duro, .924 ID x .118" Thk,
7	385358A1	1	COUPLING, Hydr., 1/2 in Male x 3/8 in Female orb, Inc. 15
8	385357A1	1	COUPLING, Hydr., Female
9	436249A1	1	FITTING, Fitting, 3/4 or x 13/16 fc sl, Inc. 10 & 16
10	238-6014	1	O-RING, -014, 90 Duro, .489" ID x .070" Thk,
11	701-903	1	NUT, LOCK, 13/16"-16, ORFS Blkhd, Jam, M12
12	442477A2	1	BRACKET, Motor Drain
13	444060A1	1	HOSE ASSY., 2171 mm (85 in)
13	87424337	1	HOSE ASSY., 1651 mm (65 in), Arctic QUADTRAC Tractor Application
14	637-64236	2	O-RING, CI 6, 23.6MM ID x 2.9 Thk,
15	237-6008	1	O-RING, 8-1, 90 Duro, .644" ID x .087" Thk,
17	701-320	1	ELBOW, 90°, 13/16"-16 ORFS x 13/16"-16 Fem Sw, 90, 1/2 fc sl, Inc. 19
18	701-416	1	TEE, 13/16"-16 ORFS x 13/16"-16 Fem Sw Run, 1/2 fc sl, Inc. 19
19	238-6014	3	O-RING, -014, 90 Duro, .489" ID x .070" Thk,
20	87335428	1	FITTING, Implement Coupler, Steel, 1/2"-14 nptf
20	87335430	1	FITTING, Implement Coupler, Steel, 3/4"-16 orb
20	87335431	1	FITTING, Implement Coupler, Steel, 7/8"-14 orb
	719517003	1	KIT, Motor Return / Power Beyond, Inc. 1 - 13, See Figure(s) : 08-14, 08-46
16	237-6006	1	O-RING, 6-1, 90 Duro, .468" ID x .078" Thk,



STX500 CASE IH 4WD TRACTOR (AFTER S/N JEE0099501)

08-38 COUPLERS - POWER BEYOND

сылка	Номер детали	Кол-во	Описание
1	298291A1	2	BODY, Hydr., 3/4 in, Auxiliary
2	294603A1	1	BODY, Hydr., 1/4 in, Auxiliary
3	334218A1	1	CAP, Dust
4	334216A1	2	CAP, Dust
5	347755A1	2	COUPLING, Hydr., 3/4 in, Inc. 10, Not Illustrated
6	237-6012	2	O-RING, 12-1, 90 Duro, .924 ID x .118" Thk,
7	347756A1	2	COUPLING, Hydr., 1/4 in, Inc. 8, Not Illustrated
9	385358A1	1	COUPLING, Hydr., 3/8, Case Drain, Not Illustrated
10	637-63153	1	O-RING, CI 6, 15.3MM ID x 2.2 Thk,
11	637-64236	2	O-RING, CI 6, 23.6MM ID x 2.9 Thk,
12	87335428	1	FITTING, Implement Coupler, 1/2"-14 nptf
12	87335430	1	FITTING, Implement Coupler, 3/4"-16 orb
12	87335431	1	FITTING, Implement Coupler, 7/8"-14 orb
	719517003	1	KIT, Motor Return / Power Beyond, Inc. 1 - 9, See Figure(s) : 08-14, 08-45
8	237-6006	2	O-RING, 6-1, 90 Duro, .468" ID x .078" Thk,

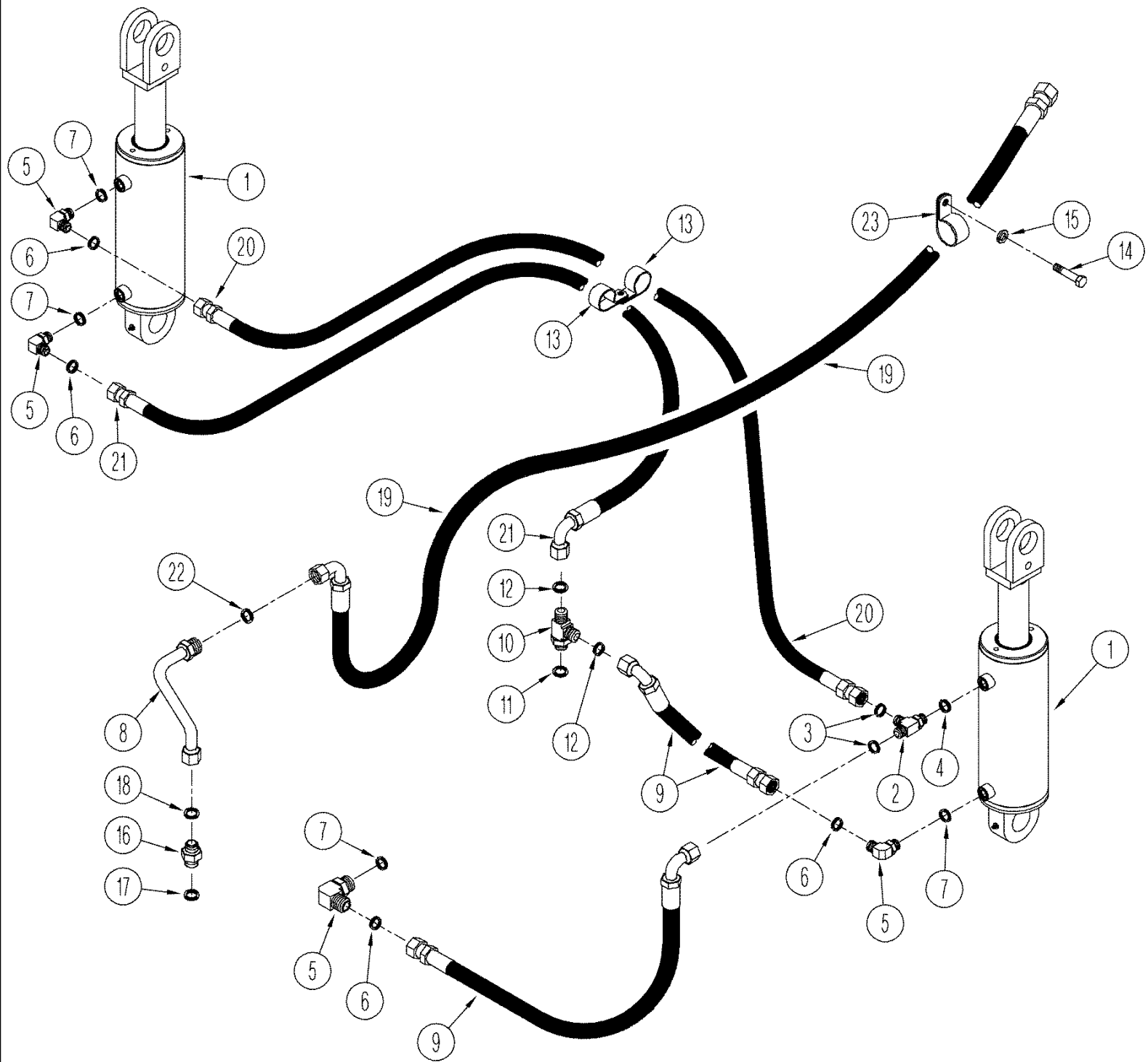


STX500 CASE IH 4WD TRACTOR (AFTER S/N JEE0099501)

08-39 CABLE - TOW VALVE

сылка	Номер детали	Кол-во	Описание
1	344904A2	1	SUPPORT ASSY.,
2	A67295	1	PLUG,
3	527-205	1	PIN, CLEVIS, M8 x 25, 8 x 25 mm
4	136-157	1	PIN, SPLIT (COTTER), Int, 9/64" x .054",
5	895-11008	2	WASHER, M8 x 16 x 1.6, 9 x 17 x 1,6 mm
6	829-1408	2	NUT, M8, CI 10,
7	349863A2	1	CABLE,

08-41 THREE POINT HITCH HYDRAULICS - ELECTRONIC CONTROLLED HITCH SYSTEM

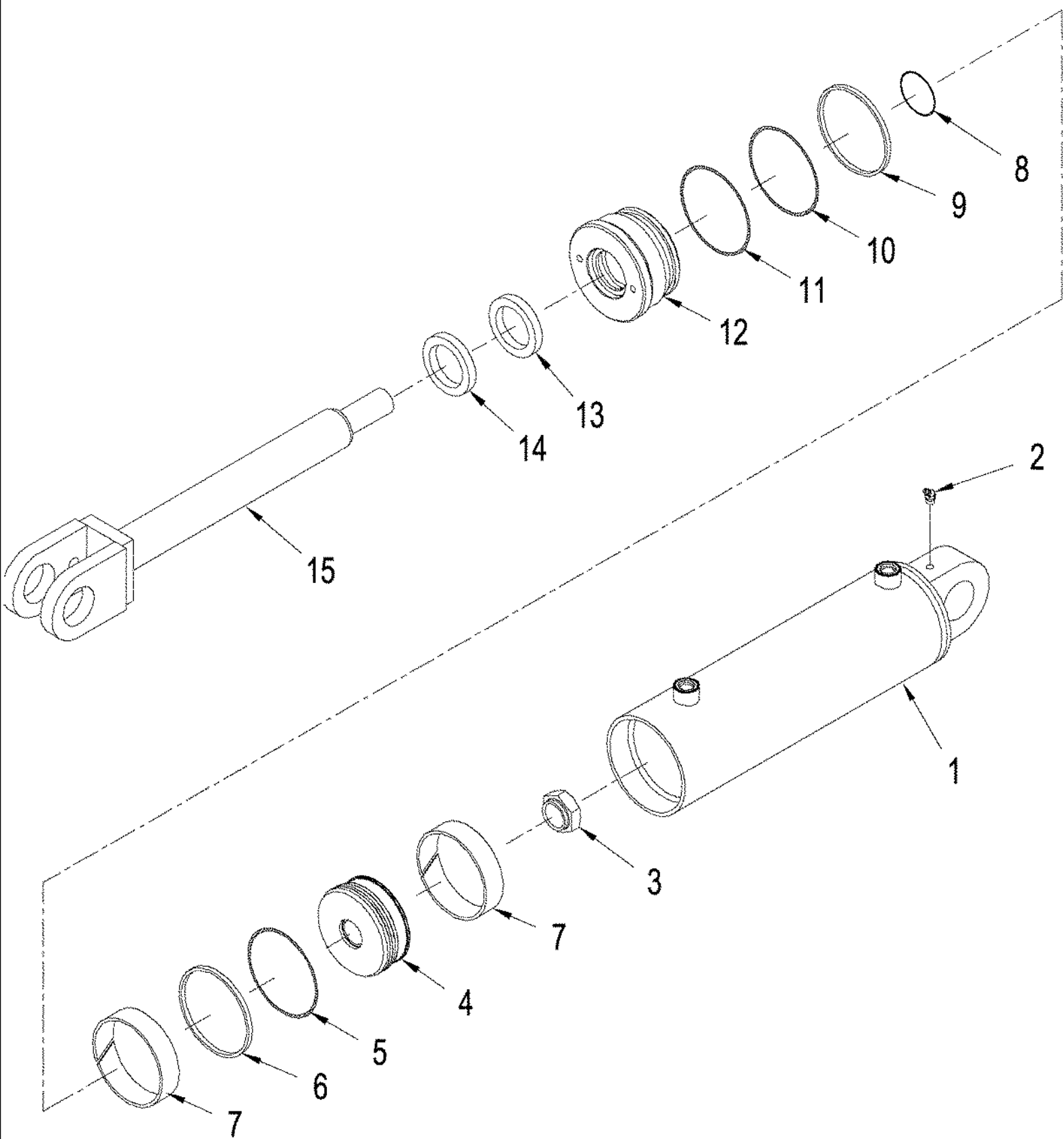


STX500 CASE IH 4WD TRACTOR (AFTER S/N JEE0099501)

08-41 THREE POINT HITCH HYDRAULICS - ELECTRONIC CONTROLLED HITCH SYSTEM

сылка	Номер детали	Кол-во	Описание
1	403206A1	2	CYLINDER ASSY., See Figure 08-42
2	700-412	1	TEE, 13/16"-16 ORFS x M18 x 1.5 ORB Run, 13/16 fc sl x 18 Or, Inc. 3, 4
3	238-6014	2	O-RING, -014, 90 Duro, .489" ID x .070" Thk,
4	637-63153	1	O-RING, CI 6, 15.3MM ID x 2.2 Thk,
5	700-305	4	ELBOW, 90°, 13/16"-18 ORFS x M18 x 1.5 ORB, 13/16 fc sl x 18 Or, Inc. 6, 7
6	238-6014	4	O-RING, -014, 90 Duro, .489" ID x .070" Thk,
7	637-63153	4	O-RING, CI 6, 15.3MM ID x 2.2 Thk,
8	403207A1	1	TUBE ASSY.,
9	360496A1	2	HOSE ASSY., 505 mm (20 in), Cylinder Supply
10	700-445	1	TEE, 13/16"-16 ORFS x M22 x 1.5 ORB Run, 13/16 fc sl x 22 orb, Inc. 11, 12
11	637-63193	1	O-RING, CI 6, 19.3MM ID x 2.2 Thk,
12	238-6014	2	O-RING, -014, 90 Duro, .489" ID x .070" Thk,
13	515-23206	4	CLAMP, 13/16", Insul, 3/8" Bolt, P-type
14	627-8016	1	BOLT, Hex, M8 x 16, 10.9,
15	895-11008	5	WASHER, M8 x 16 x 1.6, 9 x 17 x 1,6 mm
16	700-103	1	CONNECTOR, HYD., 1"-14 ORFS x M22 x 1.5 ORB, 1 fc sl x 22 Or, Inc. 17, 18
17	637-63193	1	O-RING, CI 6, 19.3MM ID x 2.2 Thk,
18	238-6016	1	O-RING, -016, 90 Duro, .614" ID x .070" Thk,
19	371017A2	1	HOSE ASSY., 3425 mm (135 in), Return, If Used
19	87427995	1	HOSE ASSY., 3540 mm (139 in), Return, If Used
20	394732A1	1	HOSE ASSY., 1410 mm (55-1/2 in), Return
21	394733A1	1	HOSE ASSY., 1397 mm (55 in), Pressure Line
22	238-6016	2	O-RING, -016, 90 Duro, .614" ID x .070" Thk,
23	515-23286	1	CLAMP, 1 1/8", Insul, 3/8" Bolt,

08-42 CYLINDER ASSY - THREE POINT HITCH

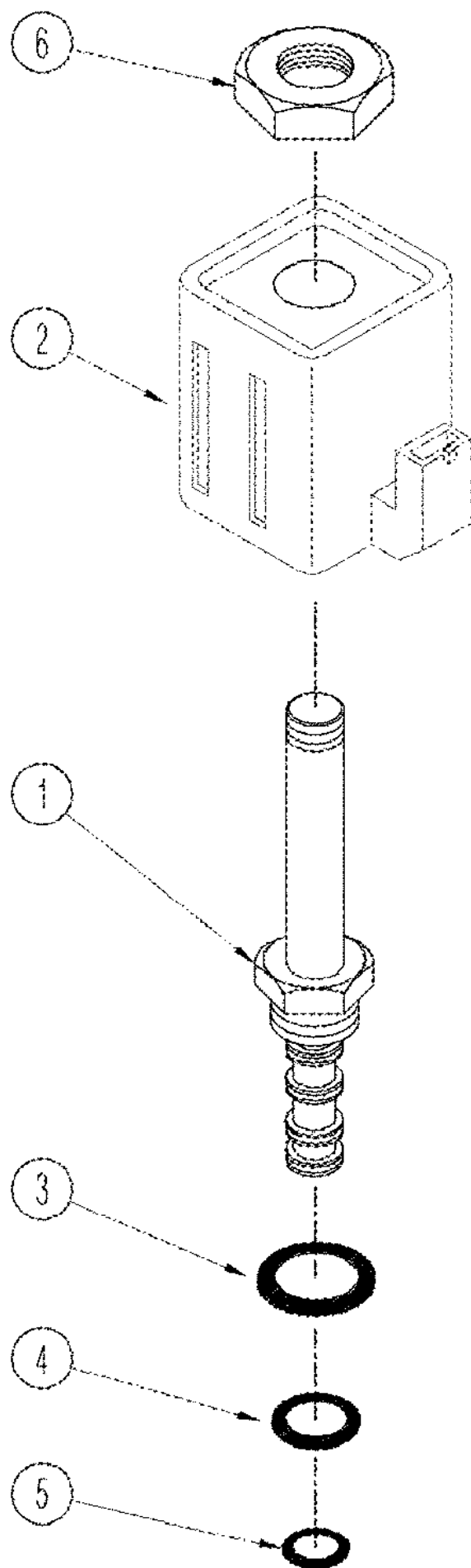


STX500 CASE IH 4WD TRACTOR (AFTER S/N JEE0099501)

08-42 CYLINDER ASSY - THREE POINT HITCH

сылка	Номер детали	Кол-во	Описание
	403206A1	1	CYLINDER ASSY., Three Point Hitch, Lift, Inc. 1 - 15
1	NSS	1	NOT SERVICED SEPARATELY, Barrel
2	NSS	1	NOT SERVICED SEPARATELY, Fitting, Grease
3	232-46320	1	NUT, LOCK, 1 1/4"-12, GC,
4	388150A1	1	JACK PISTON,
5	NSS	1	NOT SERVICED SEPARATELY, Ring
6	NSS	1	NOT SERVICED SEPARATELY, Seal, Piston
7	NSS	2	NOT SERVICED SEPARATELY, Ring, Wear
8	NSS	1	NOT SERVICED SEPARATELY, O-Ring
9	NSS	1	NOT SERVICED SEPARATELY, Ring, Backup
10	NSS	1	NOT SERVICED SEPARATELY, O-Ring
11	NSS	1	NOT SERVICED SEPARATELY, O-Ring
12	388152A1	1	CAP CYLINDER END,
13	NSS	1	NOT SERVICED SEPARATELY, Seal
14	NSS	1	NOT SERVICED SEPARATELY, Wiper
15	387530A1	1	ROD, PISTON,
	388153A1	1	PACKAGE, SEALS, Inc. 5 - 11, 13, 14

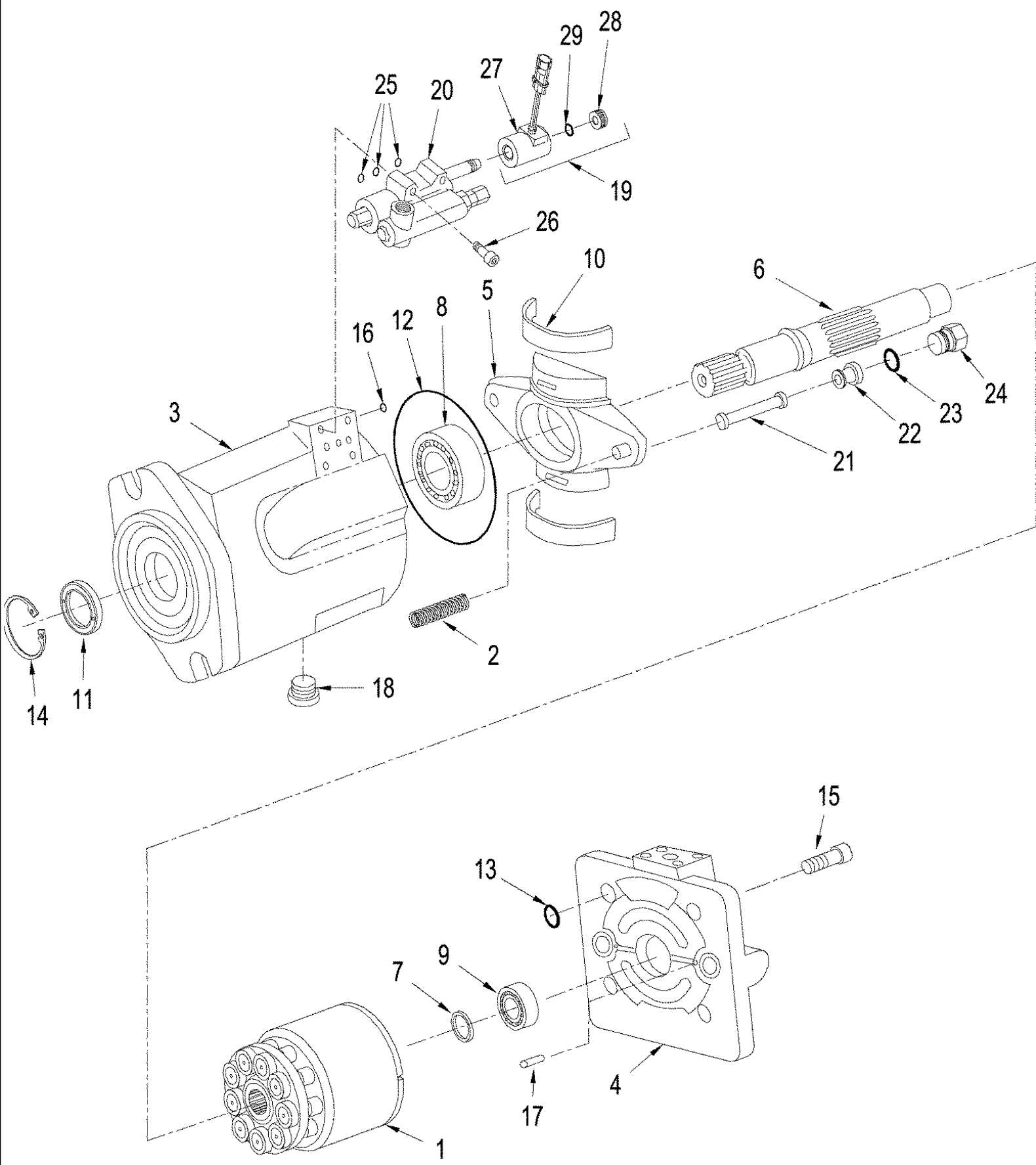
08-43 VALVE ASSEMBLY - DIFFERENTIAL LOCK



STX500 CASE IH 4WD TRACTOR (AFTER S/N JEE0099501)

08-43 VALVE ASSEMBLY - DIFFERENTIAL LOCK

сылка	Номер детали	Кол-во	Описание
	384977A1	1	VALVE, Differential Lock, Inc. 1 - 6
1	384976A1	1	CARTRIDGE,
2	353941A1	1	COIL,
3	237-6010	1	O-RING, 10-1, 90 Duro, .755" ID x .097" Thk,
4	238-5015	1	O-RING, -015, 70 Duro, .551" ID x .070" Thk,
5	238-5014	1	O-RING, -014, 70 Duro, .489" ID x .070" Thk,
6	NSS	1	NOT SERVICED SEPARATELY, Nut



STX500 CASE IH 4WD TRACTOR (AFTER S/N JEE0099501)

08-44(01) HYDRAULIC FAN PUMP ASSY

сылка	Номер детали	Кол-во	Описание
	413152A1		PUMP, 100 cc, Inc. 1 - 20
1	NSS	1	NOT SERVICED SEPARATELY, Cylinder Assy
2	NSS	1	NOT SERVICED SEPARATELY, Spring
3	NSS	1	NOT SERVICED SEPARATELY, Housing
4	NSS	1	NOT SERVICED SEPARATELY, Block
5	NSS	1	NOT SERVICED SEPARATELY, Plate, Swash
6	NSS	1	NOT SERVICED SEPARATELY, Shaft
7	NSS	1	NOT SERVICED SEPARATELY, Spacer
8	NSS	1	NOT SERVICED SEPARATELY, Bearing, Roller
9	NSS	1	NOT SERVICED SEPARATELY, Bearing, Roller
10	NSS	2	NOT SERVICED SEPARATELY, Bearing, Roller
11	436533A1	1	SEAL, SHAFT,
12	436534A1	1	O-RING,
13	NSS	4	NOT SERVICED SEPARATELY, O-Ring
14	NSS	1	NOT SERVICED SEPARATELY, Ring, Retaining
15	NSS	4	NOT SERVICED SEPARATELY, Screw, M10 x 30
16	436750A1	1	O-RING,
17	NSS	1	NOT SERVICED SEPARATELY, Pin, Dowel
18	NSS	2	NOT SERVICED SEPARATELY, Plug
19	436751A1	1	SOLENOID, Control Valve, Inc. 27 - 29
20	436536A1	1	VALVE, PILOT, Inc. 19
21	NSS	1	NOT SERVICED SEPARATELY, Pin
22	NSS	1	NOT SERVICED SEPARATELY, Piston
23	436535A1	1	O-RING,
24	NSS	1	NOT SERVICED SEPARATELY, Plug
25	410995A1	3	O-RING,
26	412596A1	4	SCREW,
27	NSS	1	NOT SERVICED SEPARATELY, Solenoid
28	87703282	1	NUT, SPECIAL, Plastic
29	638-53200	1	O-RING, CI 5, 20MM ID x 2.65 Thk,

STX500 CASE IH 4WD TRACTOR (AFTER S/N JEE0099501)

08-44(02) HYDRAULICS - FAN DRIVE CIRCUITRY

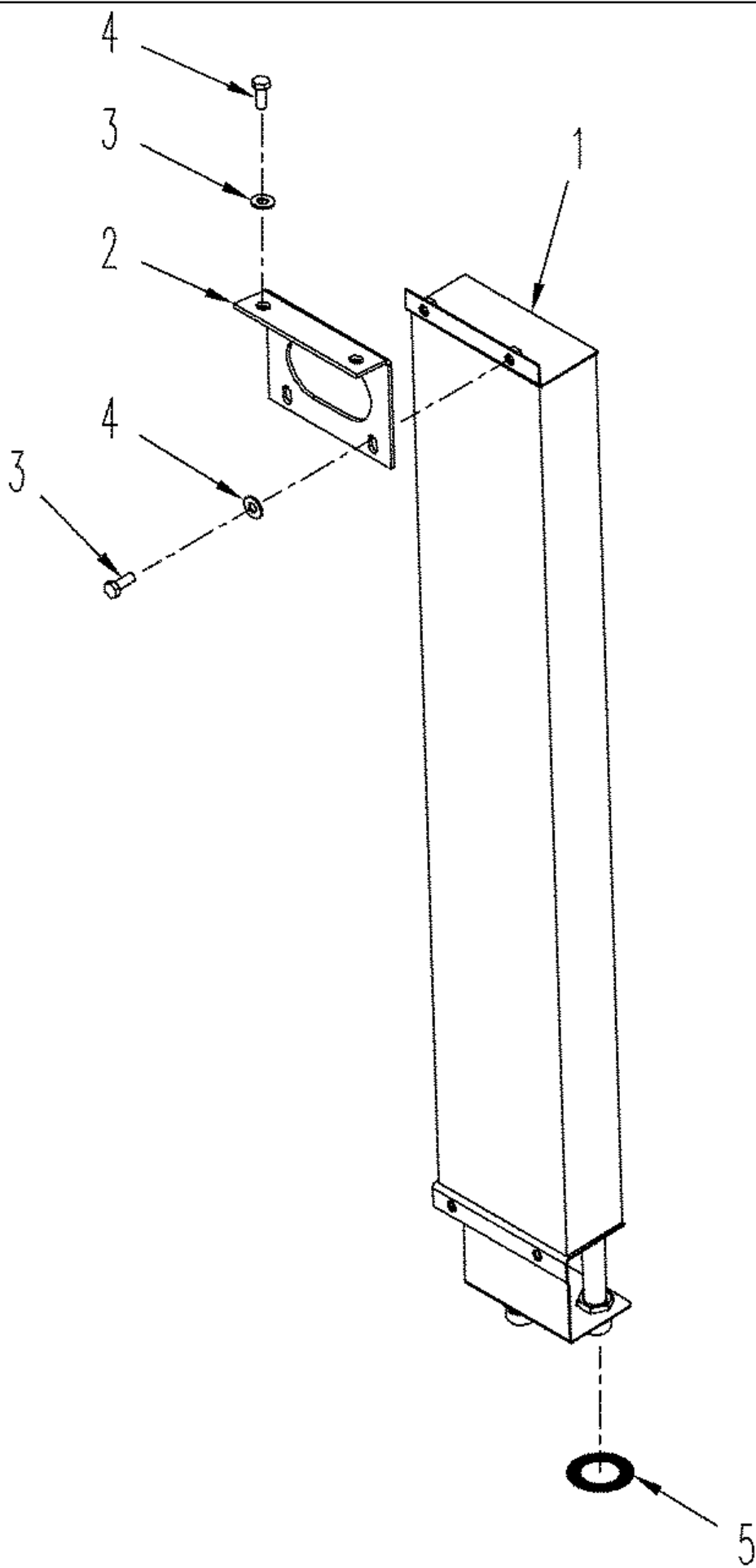
сылка	Номер детали	Кол-во	Описание
1	413152A1	1	PUMP, See Figure 08-44 (01)
2	896-15012	2	WASHER, M12 x 28.5 x 4, HT, 13,5 x 28 x 4 mm
3	627-12035	2	BOLT, Hex, M12 x 35, 10.9,
4	434126A1	1	HOSE ASSY., 686 mm (27 in)
4	87424312	1	HOSE ASSY., 686 mm (27 in), Arctic QUADTRAC Tractor Application
5	A12301	2	FLANGE,
7	434526A1	1	TUBE ASSY., Inc. 8, 9
8	238-6021	1	O-RING, -021, 90 Duro, .926" ID x .070" Thk,
9	431802A1	2	WASHER,
10	A16961	2	FLANGE,
11	430383A1	1	HOSE ASSY., 660 mm (26 in)
11	87424313	1	HOSE ASSY., 660 mm (26 in), Arctic QUADTRAC Tractor Application
12	201-102	1	CONNECTOR, HYD., 13/16"-16 ORFS x 3/4"-16 ORB, Includes 13, 14
13	637-63093	1	O-RING, CI 6, 9.3MM ID x 2.2 Thk, 9,3 ID x 2,2
14	238-6014	1	O-RING, -014, 90 Duro, .489" ID x .070" Thk,
15	414900A1	1	HOSE ASSY., 431 mm (17 in)
15	87346290	1	HOSE, 482 mm (19 in), Arctic QUADTRAC Tractor Application
16	442615A1	1	TUBE ASSY., Inc. 17,18
17	238-6011	1	O-RING, -011, 90 Duro, .301" ID x .070" Thk,
18	238-6016	1	O-RING, -016, 90 Duro, .614" ID x .070" Thk,
19	430339A1	1	HOSE ASSY., 2622mm (103 in)
19	87424316	1	HOSE ASSY., 2622 mm (103 in), Arctic QUADTRAC Tractor Application
20	429839A2	1	TUBE ASSY.,
21	701-140	1	UNION, 1 3/16"-12 ORFS, Blkd, 1-3/16 fcsl x blkhd 3/8, Inc. 22
22	238-6018	2	O-RING, -018, 90 Duro, .739" ID x .070" Thk,
23	701-1249	1	NUT, LOCK, 1 3/16"-12, ORFS Blkhd, 1-3/16
24	701-108	1	UNION, 9/16"-18 ORFS, Blkd, 9/16 fcsl x blkhd, Inc. 25
25	238-6011	2	O-RING, -011, 90 Duro, .301" ID x .070" Thk,
26	701-1254	1	NUT, LOCK, 9/16"-18, ORFS Blkhd, 9/16
27	430313A1	1	TUBE ASSY.,
28	434121A1	1	HOSE ASSY., 540 mm (21-1/4 in)
28	87424319	1	HOSE ASSY., 540 mm (21-1/4 in), Arctic QUADTRAC Tractor Application
29	434122A1	1	HOSE ASSY., 692 mm (27 in)
29	87424320	1	HOSE ASSY., 692 mm (27-7/16 in), Arctic QUADTRAC Tractor Application
30	701-908	1	NUT, LOCK, 1 7/16"-12, ORFS Blkhd, 1-7/16
31	515-25190	2	CLAMP, 3/4", Insul, 1/2" Bolt, 3/4 ID
32	895-11010	5	WASHER, M10 x 20 x 2,
33	829-1410	5	NUT, M10, CI 10,
34	515-2563	2	CLAMP, 1/4", Insul, 1/2" Bolt,
35	431929A1	1	TUBE ASSY.,
36	515-25254	1	CLAMP, 1", Insul, 1/2" Bolt,
37	700-105	1	CONNECTOR, HYD., 1 7/16"-12 ORFS x M22 x 2 ORB, 1-7/16 fcsl x 33 Or, Inc. 38, 39
38	637-64296	1	O-RING, CI 6, 29.6MM ID x 2.9 Thk, 29,6 ID x 2,9
39	238-6021	2	O-RING, -021, 90 Duro, .926" ID x .070" Thk,
40	700-104	1	CONNECTOR, HYD., 1 3/16"-12 ORFS x M27 x 2 ORB, Incl. 41, 42

STX500 CASE IH 4WD TRACTOR (AFTER S/N JEE0099501)

08-44(02) HYDRAULICS - FAN DRIVE CIRCUITRY

сылка	Номер детали	Кол-во	Описание
41	637-64236	1	O-RING, CI 6, 23.6MM ID x 2.9 Thk,
42	238-6018	1	O-RING, -018, 90 Duro, .739" ID x .070" Thk,
43	700-303	1	ELBOW, 90є, 9/16"-18 ORFS x M12 x 1.5 ORB, 9/16 fcsl x M12 Or, Inc. 44, 45
44	637-63093	1	O-RING, CI 6, 9.3MM ID x 2.2 Thk, 9,3 ID x 2,2
45	238-6011	1	O-RING, -011, 90 Duro, .301" ID x .070" Thk,
46	414898A1	1	HOSE ASSY., 1727 mm (68 in)
46	87424317	1	HOSE ASSY., 1727 mm (68 in), Arctic QUADTRAC Tractor Application
47	434252A2	1	HOSE ASSY., 2159 mm (85 in)
47	87346293	1	HOSE, 2223 mm (87-1/2 in), Arctic QUADTRAC Tractor Application
48	515-23190	6	CLAMP, 3/4", Insul, 3/8" Bolt,
49	895-11008	7	WASHER, M8 x 16 x 1.6, 9 x 17 x 1,6 mm
50	829-1408	8	NUT, M8, CI 10,
51	R54363	2	CLAMP,
52	895-15008	2	WASHER, M8 x 20 x 1.6, 9 x 20 x 1,6 mm
53	414902A1	1	TUBE ASSY., Inc. 54
54	238-6016	1	O-RING, -016, 90 Duro, .614" ID x .070" Thk,
55	515-23159	1	CLAMP, 5/8", Insul, 3/8" Bolt,
56	22-824	1	STRAP, CABLE, 3/16" x 7 1/4", 7 in
57	515-23206	1	CLAMP, 13/16", Insul, 3/8" Bolt, 20,6 mm
57	515-22254	1	CLAMP, 1", Insul, 5/16" Bolt, 25,4 mm
58	311620A1	1	SENSOR,
59	433891A1	1	TUBE ASSY., Inc. 60
60	238-6021	2	O-RING, -021, 90 Duro, .926" ID x .070" Thk,
61	434257A1	1	SEAL,
62	238-6016	3	O-RING, -016, 90 Duro, .614" ID x .070" Thk,
63	434243A1	1	TUBE ASSY., Inc. 64
64	238-6014	2	O-RING, -014, 90 Duro, .489" ID x .070" Thk,
65	431806A1	2	WASHER,
66	238-5222	1	O-RING, -222, 70 Duro, 1.484" ID x .139" Thk,
67	238-5214	1	O-RING, -214, 70 Duro, .984" ID x .139" Thk,
68	433671A1	1	COOLER,
69	434004A1	1	VALVE, CHECK,
6	627-10030	8	BOLT, Hex, M10 x 30, 10.9, Full Thd,

08-45 HYDRAULIC FAN OIL COOLER - MOUNTING

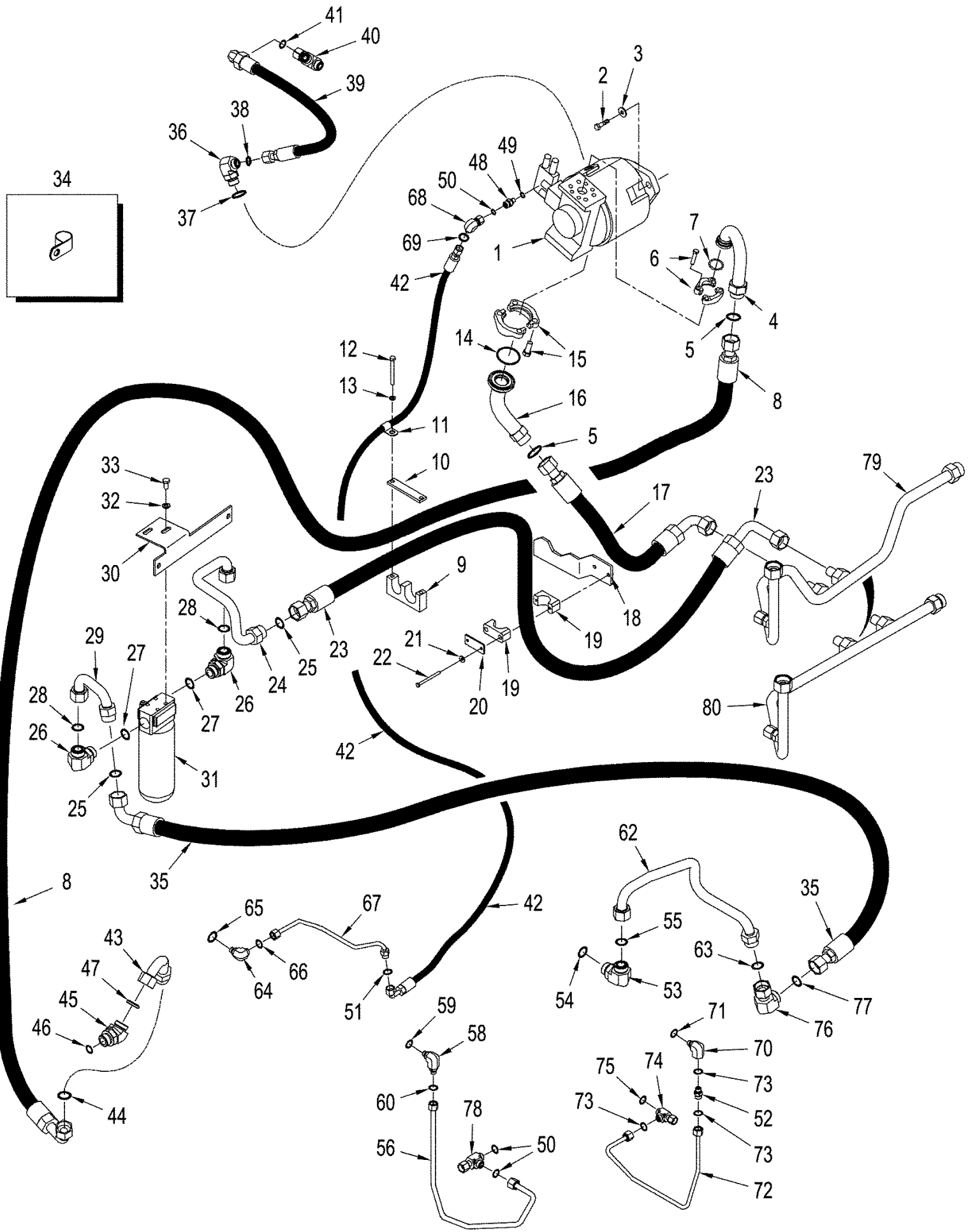


STX500 CASE IH 4WD TRACTOR (AFTER S/N JEE0099501)

08-45 HYDRAULIC FAN OIL COOLER - MOUNTING

сылка	Номер детали	Кол-во	Описание
1	433671A2	1	COOLER,
2	433731A1	1	SUPPORT,
3	627-8020	6	BOLT, Hex, M8 x 20, 10.9,
4	895-15008	6	WASHER, M8 x 20 x 1.6, 9 x 20 x 1,6 mm
5	238-6016	2	O-RING, -016, 90 Duro, .614" ID x .070" Thk,

08-46 HYDRAULICS-MEGA FLOW CIRCUITRY



STX500 CASE IH 4WD TRACTOR (AFTER S/N JEE0099501)

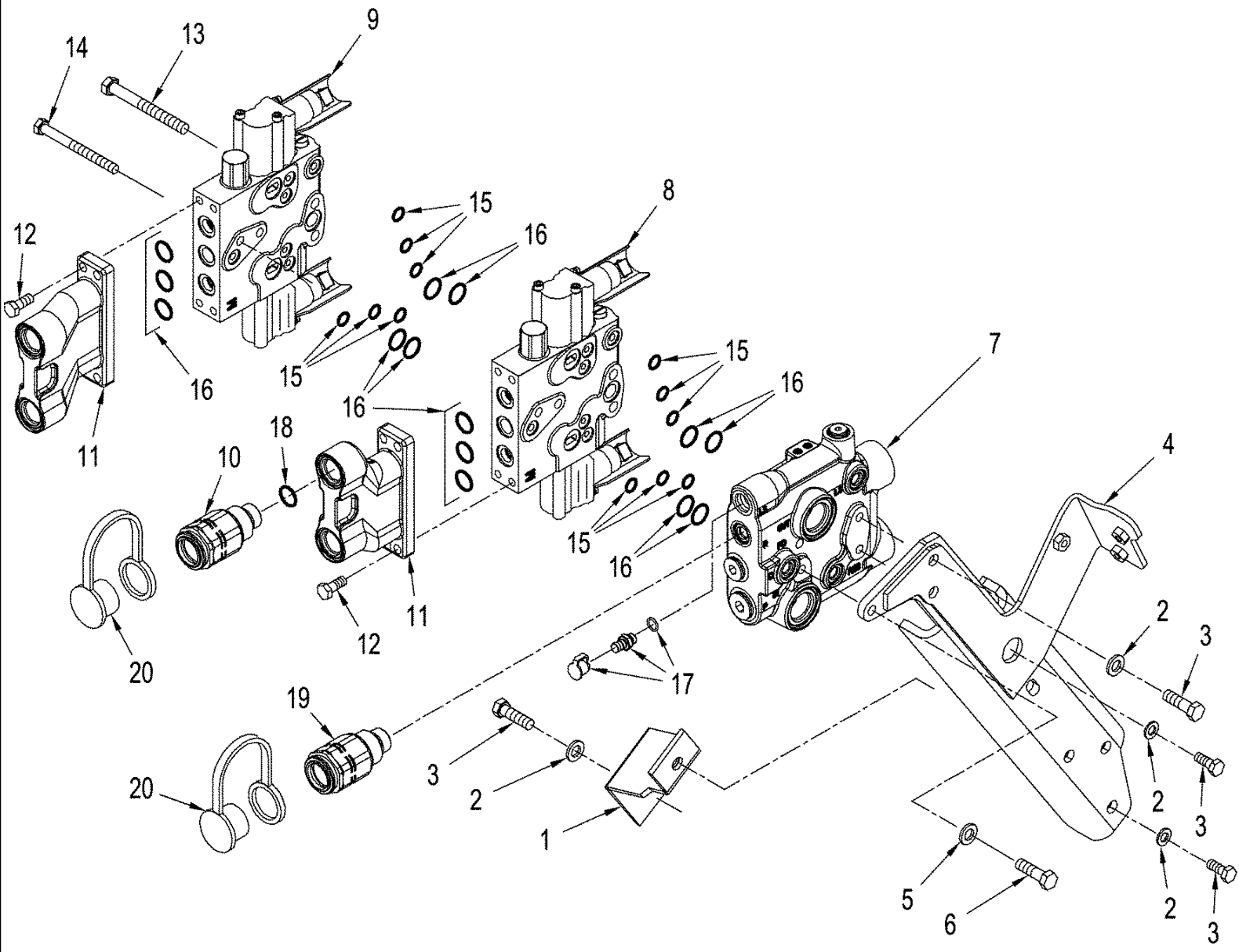
08-46 HYDRAULICS-MEGA FLOW CIRCUITRY

сылка	Номер детали	Кол-во	Описание
1	407476A1	1	PUMP, HYDRAULIC, See Figure: 08-49
2	627-16055	2	BOLT, Hex, M16 x 55, 10.9, Full Thd, With Manual Shift Transmission
2	627-16045	2	BOLT, Hex, M16 x 45, 10.9, Hex, M16 x 45, 10.9, With Power Shift Transmission
3	896-11016	2	WASHER, M17.5 x 30 x 4, HT, 17.5 x 30 x 4 mm
4	414663A1	1	TUBE,
5	238-6021	1	O-RING, -021, 90 Duro, .926" ID x .070" Thk,
6	A12306	2	FLANGE, Split, 1
7	238-6219	1	O-RING, -219, 90 Duro, 1.296" ID x .139" Thk,
8	414465A2	1	HOSE, 113-1/2" Lg
9	414429A2	1	CLAMP BRACKET,
10	414856A1	1	PLATE,
11	515-25159	1	CLAMP, 5/8", Insul, 1/2" Bolt, 15.9 mm
12	827-8080	2	BOLT, Hex, M8 x 80, 10.9, M8 x 80, CL10.9
13	895-11008	2	WASHER, M8 x 16 x 1.6, 9 x 16 x 1.6 mm
14	238-6228	1	O-RING, -228, 90 Duro, 2.234" ID x .139" Thk,
15	A14141	2	FLANGE, Split, 2
16	414077A1	1	TUBE,
17	414196A1	1	HOSE, 825 mm (32 in)
18	433047A2	1	BRACKET,
19	429384A1	2	CLAMP,
20	429414A1	1	PLATE, COVER,
21	895-25006	2	WASHER, M6 x 18 x 1.6, M6
22	827-6080	2	BOLT, Hex, M6 x 80, 10.9, M6 x 80
23	414464A1	1	HOSE, 1626 mm (64 in)
24	419661A1	1	TUBE,
25	238-6021	1	O-RING, -021, 90 Duro, .926" ID x .070" Thk,
26	700-308	3	ELBOW, 90e, 1 7/16"-12 ORFS x M33 x 2 ORB, 90, M33 orb x 1 fc sl, Inc. 27, 28
27	637-64296	1	O-RING, CI 6, 29.6MM ID x 2.9 Thk, 29.6 ID x 2.9
28	238-6021	1	O-RING, -021, 90 Duro, .926" ID x .070" Thk,
29	419655A1	1	TUBE,
30	417856A2	1	BRACKET, Filter
31	414219A1	1	FILTER, See Figure: 08-50
32	895-11010	4	WASHER, M10 x 20 x 2,
33	627-10020	2	BOLT, Hex, M10 x 20, 10.9, Full Thd, M10 x 20, CL10.9
34	515-23254	1	CLAMP, 1", Insul, 3/8" Bolt, 25.4 mm
34	515-2495	1	CLAMP, 3/8", Insul, 7/16" Bolt, 9.5 mm
35	414854A1	1	HOSE, 1956 mm (77 in)
36	201-306	1	ELBOW, 90e, 1"-14 x 7/8"-14 Adj, ORFS, 90, 5/8" orb x 5/8" fc sll, Inc. 37, 38
37	237-6010	1	O-RING, 10-1, 90 Duro, .755" ID x .097" Thk,
38	238-6016	1	O-RING, -016, 90 Duro, .614" ID x .070" Thk,
39	431461A1	1	HOSE ASSY., 737 mm (29 in)
40	701-433	1	TEE, 1"-14 ORFS x 1"-14 Fem Sw Run, M16 fc sl x swl, Inc. 41
41	238-6016	1	O-RING, -016, 90 Duro, .614" ID x .070" Thk,
42	414855A1	1	HOSE, 2870 mm (113 in)
43	429941A2	1	TUBE,

STX500 CASE IH 4WD TRACTOR (AFTER S/N JEE0099501)

08-46 HYDRAULICS-MEGA FLOW CIRCUITRY

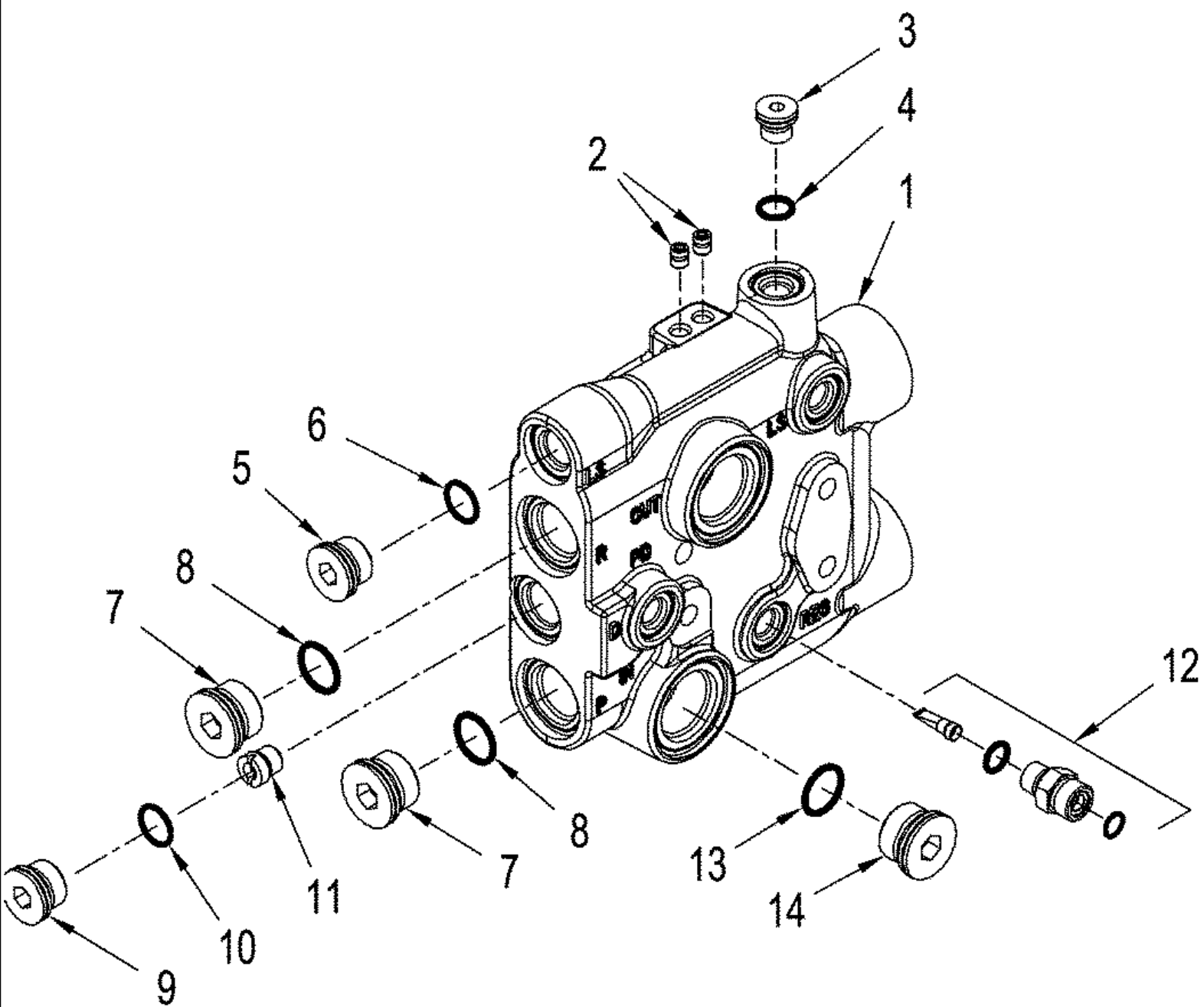
сылка	Номер детали	Кол-во	Описание
44	238-6021	1	O-RING, -021, 90 Duro, .926" ID x .070" Thk,
45	700-318	1	ELBOW, 45е, 1 7/16"-12 ORFS x M33 x 2 ORB, 45, M33 ord x 1-7/16" fc sl, Inc. 46, 47
46	637-64296	1	O-RING, CI 6, 29.6MM ID x 2.9 Thk, 29.6 ID x 2.9
47	238-6021	1	O-RING, -021, 90 Duro, .926" ID x .070" Thk,
48	1957867C1	1	SCREEN, FILTER, 1/4" orb x 3/8" fc sl, Inc. 49, 50
49	237-6004	1	O-RING, 4-1, 90 Duro, .351" ID x .072" Thk,
50	238-6012	2	O-RING, -012, 90 Duro, .364" ID x .070" Thk,
51	238-6012	1	O-RING, -012, 90 Duro, .364" ID x .070" Thk,
52	334923A1	1	SCREEN,
53	700-308	3	ELBOW, 90е, 1 7/16"-12 ORFS x M33 x 2 ORB, 90, M33 orb x 1-7/16 fc sl, Inc. 54, 55
54	637-64296	1	O-RING, CI 6, 29.6MM ID x 2.9 Thk, 29.6 ID x 2.9
55	238-6021	1	O-RING, -021, 90 Duro, .926" ID x .070" Thk,
56	445701A1	1	TUBE, HYD,
57	238-6014	1	O-RING, -014, 90 Duro, .489" ID x .070" Thk,
58	700-332	1	ELBOW, 90е, 13/16"-18 ORFS x M14 x 1.5 ORB, 90, M14 orb x 12 fc sl, Inc. 59, 60
59	637-63113	1	O-RING, CI 6, 11.3MM ID x 2.2 Thk,
60	238-6014	1	O-RING, -014, 90 Duro, .489" ID x .070" Thk,
61	701-339	1	ELBOW, 90е, 1 7/16"-12 ORFS x 1 7/16"-12 Fem Sw, 90
62	419684A1	1	TUBE,
63	238-6021	1	O-RING, -021, 90 Duro, .926" ID x .070" Thk,
64	700-304	1	ELBOW, 90е, 11/16"-18 ORFS x M14 x 1.5 ORB, Incl. 65, 66
65	637-63113	1	O-RING, CI 6, 11.3MM ID x 2.2 Thk,
66	238-6021	1	O-RING, -021, 90 Duro, .926" ID x .070" Thk,
67	429943A2	1	TUBE,
68	701-319	1	ELBOW, 90е, 11/16"-16 ORFS x 11/16"-16 Fem Sw, 3/8 fc sl, Incl. 69
69	238-6012	1	O-RING, -012, 90 Duro, .364" ID x .070" Thk,
70	428078A1	1	ELBOW, 90, M14 orb, Inc. 71
71	637-63113	1	O-RING, CI 6, 11.3MM ID x 2.2 Thk,
72	430536A1	1	TUBE,
73	238-6012	2	O-RING, -012, 90 Duro, .364" ID x .070" Thk,
74	701-422	1	TEE, 11/16"-16 ORFS x 11/16"-16 Fem Sw Run, 3/8" fc sl x swl, Inc. 75
75	238-6012	2	O-RING, -012, 90 Duro, .364" ID x .070" Thk,
76	701-339	1	ELBOW, 90е, 1 7/16"-12 ORFS x 1 7/16"-12 Fem Sw, 90, 1 fc sl x swl, Inc. 77
77	238-6021	1	O-RING, -021, 90 Duro, .926" ID x .070" Thk,
78	701-416	1	TEE, 13/16"-16 ORFS x 13/16"-16 Fem Sw Run, 1/2 fc sl x swl, Inc. 50
79	418816A2	1	TUBE ASSY., Pump Supply, STX Wheel Tractor
80	416703A1	2	TUBE ASSY., Pump Supply, QUADTRAC Tractor



STX500 CASE IH 4WD TRACTOR (AFTER S/N JEE0099501)

08-47 MEGA FLOW HYDRAULICS - AUXILIARY REMOTE MOUNTING

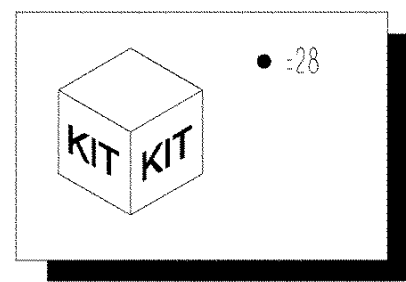
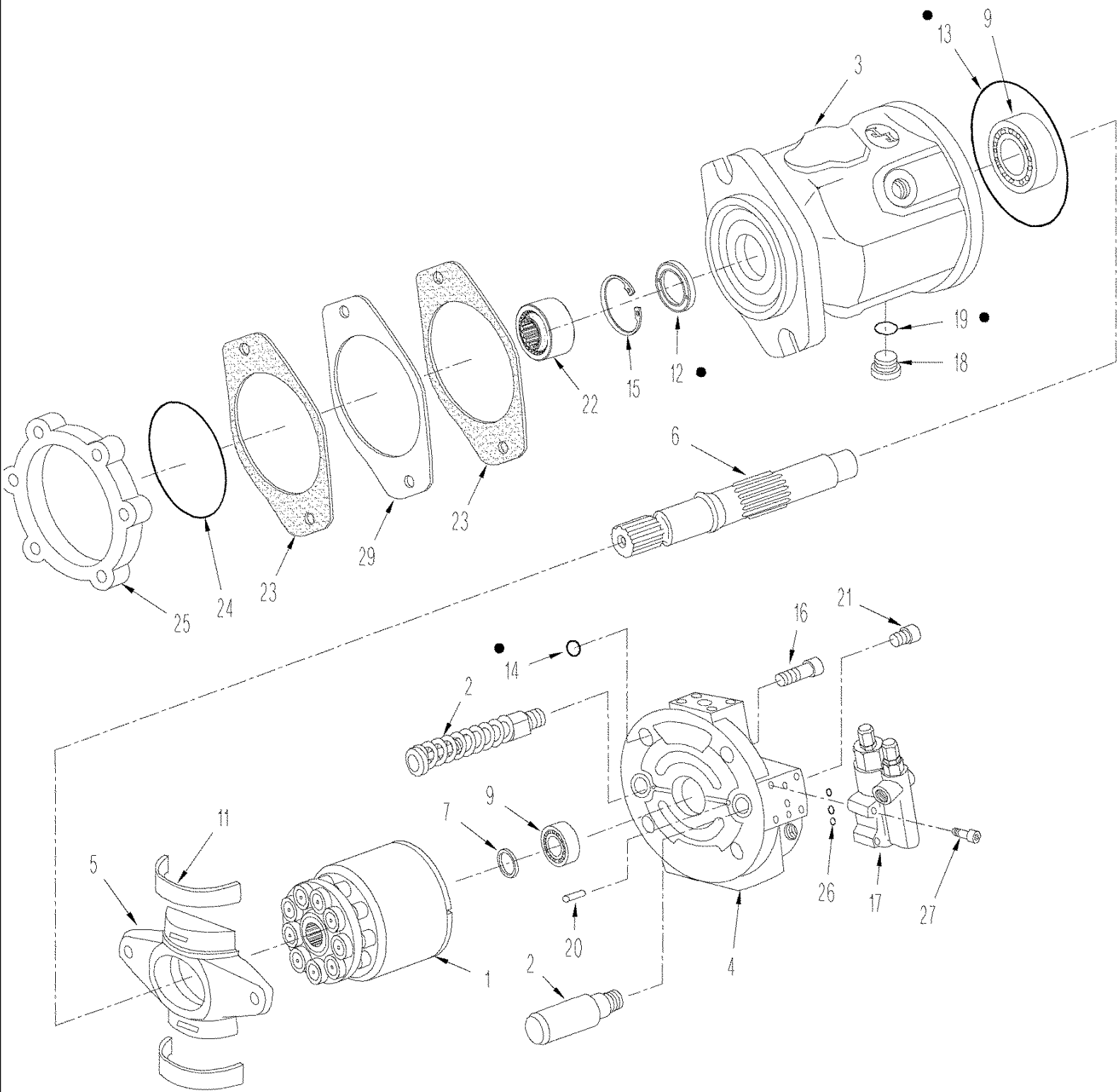
сылка	Номер детали	Кол-во	Описание
1	429731A1	1	GUSSET, Support
2	896-11012	5	WASHER, M13.5 x 24.5 x 3, HT,
3	627-12040	5	BOLT, Hex, M12 x 40, 10.9, Full Thd,
4	429730A2	1	BRACKET, Mounting
5	895-11010	1	WASHER, M10 x 20 x 2,
6	627-12025	1	BOLT, Hex, M12 x 25, 10.9, Cap, HH, M12 x 25, CL10.9
	411978A4	1	VALVE, HYDRAULIC, Two Section, Inc. 7 - 16
7	418456A4	1	MANIFOLD, Inlet / Outlet, See Figure: 08-48
8	393973A2	1	VALVE, Auxiliary, Right-Hand, See Figure: 08-35
9	292295A3	1	VALVE, Auxiliary, Main, See Figure: 08-35
	418704A2	2	COUPLING, Inc. 10, 11
10	440646A1	2	COUPLING, BREAK AWAY,
11	418705A1	1	COUPLING,
12	628-10025	8	BOLT, Hex, M10 x 25, 10.9, Full Thd,
13	828-12110	2	BOLT, Hex, M12 x 110, 10.9, Cap, HH, M12 x 110, CL10.9
14	827-10110	1	BOLT, Hex, M10 x 110, 10.9, M10 x 110, CL10.9
15	238-6112	12	O-RING, -112, 90 Duro, .487" ID x .103" Thk,
16	238-6117	12	O-RING, -117, 90 Duro, .799" ID x .103" Thk,
17	358968A1	1	COUPLING, Diagnostics
18	86598103	1	O-RING, CI 6, 23.6MM ID x 2.9 Thk, 23.6 ID x 2.9 Thk; 6
19	298291A1	1	BODY, Coupler, Auxiliary, 3/4"
20	334216A1	5	CAP, Dust



STX500 CASE IH 4WD TRACTOR (AFTER S/N JEE0099501)

08-48 MEGA FLOW HYDRAULIC MANIFOLD ASSY.

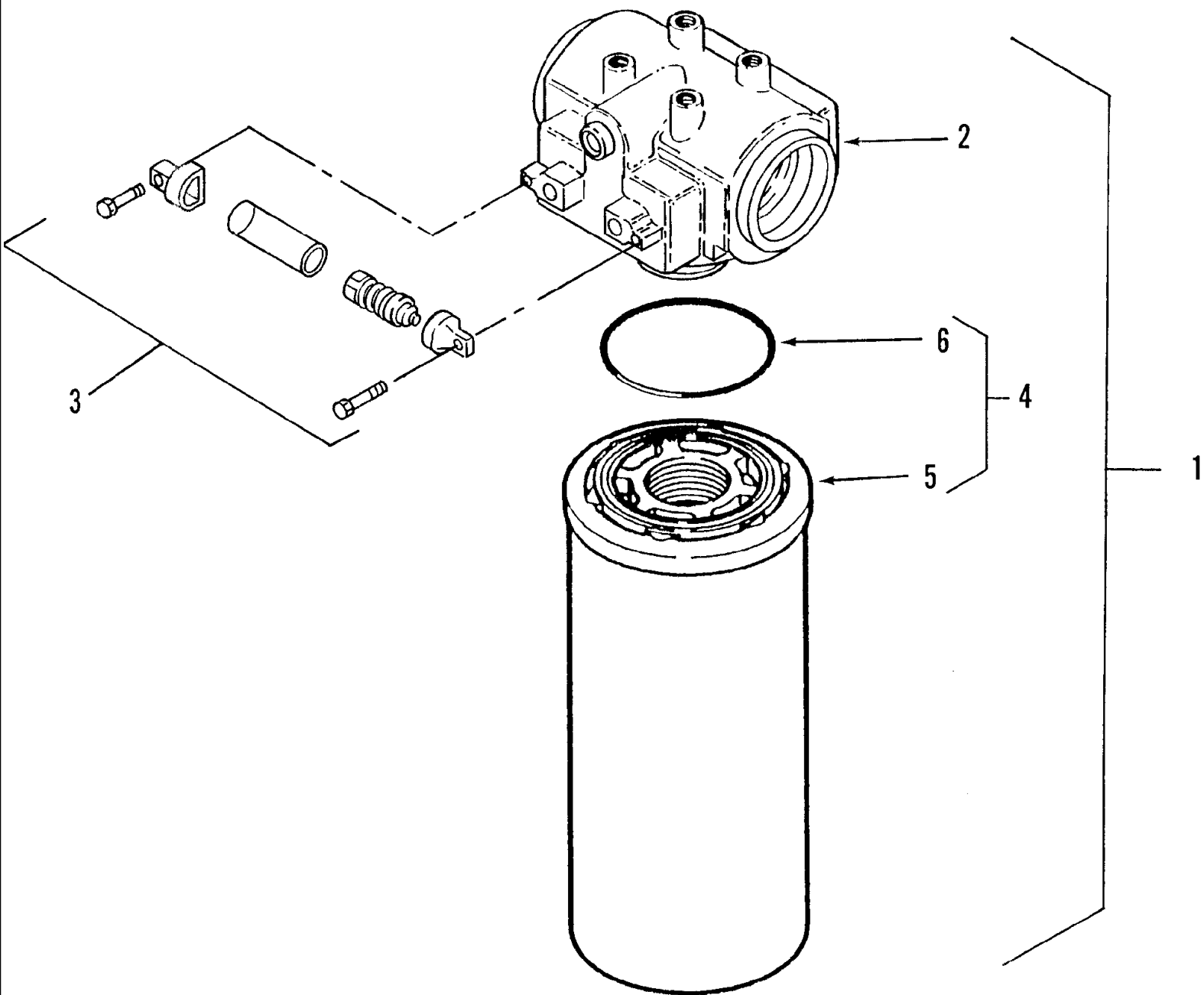
сылка	Номер детали	Кол-во	Описание
	418456A4	1	MANIFOLD, Inlet / Outlet, Inc. 1 - 12
1	NSS	1	NOT SERVICED SEPARATELY, Body
2	353828A1	2	PLUG, Expansion
3	221576A1	1	PLUG, Hex Soc, M14 x 1.5, ORB, Includes 4
4	637-63113	1	O-RING, CI 6, 11.3MM ID x 2.2 Thk,
5	221578A1	1	PLUG, Hex Soc, M18 x 1.5, ORB, Includes 6
6	637-63153	1	O-RING, CI 6, 15.3MM ID x 2.2 Thk,
7	221580A1	2	PLUG, Hex Soc, M27 x 2, ORB, Includes 8
8	637-64236	1	O-RING, CI 6, 23.6MM ID x 2.9 Thk,
9	221579A1	1	PLUG, Hex Soc, M22 x 1.5, ORB, Socket, M22 orb, Inc. 10
10	637-63193	1	O-RING, CI 6, 19.3MM ID x 2.2 Thk,
11	431479A1	1	VALVE, CHECK,
12	334923A1	1	SCREEN,
13	221527A1	2	PLUG, Hex Soc, M33 x 2, ORB, Inc. 14
14	637-64296	2	O-RING, CI 6, 29.6MM ID x 2.9 Thk, 29,6 ID x 2,9 Thk



STX500 CASE IH 4WD TRACTOR (AFTER S/N JEE0099501)

08-49 MEGA FLOW HYDRAULIC PUMP ASSY

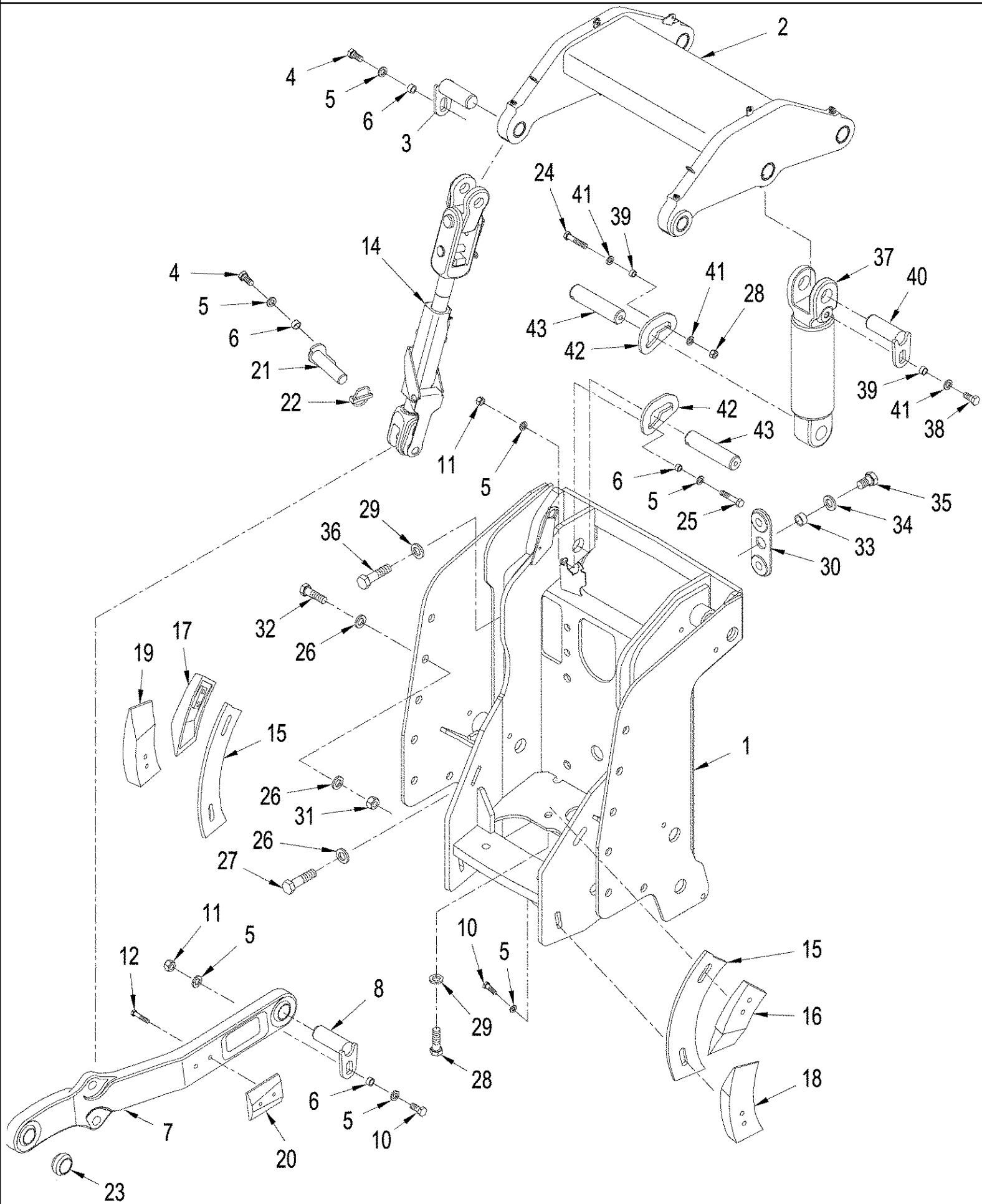
сылка	Номер детали	Кол-во	Описание
	407476A1	1	PUMP, HYDRAULIC, Inc. 1 - 22
1	NSS	1	NOT SERVICED SEPARATELY, Cylinder Assy
2	NSS	1	NOT SERVICED SEPARATELY, Piston Assy, Control
3	NSS	1	NOT SERVICED SEPARATELY, Housing
4	NSS	1	NOT SERVICED SEPARATELY, Block
5	NSS	1	NOT SERVICED SEPARATELY, Plate, Swash
6	NSS	1	NOT SERVICED SEPARATELY, Shaft
7	NSS	1	NOT SERVICED SEPARATELY, Washer
8	NSS	1	NOT SERVICED SEPARATELY, Spacer
9	NSS	1	NOT SERVICED SEPARATELY, Bearing, Roller
10	NSS	1	NOT SERVICED SEPARATELY, Bearing, Roller
11	NSS	2	NOT SERVICED SEPARATELY, Support
12	NSS	1	NOT SERVICED SEPARATELY, Seal
13	NSS	1	NOT SERVICED SEPARATELY, O-Ring
14	NSS	4	NOT SERVICED SEPARATELY, O-Ring
15	NSS	1	NOT SERVICED SEPARATELY, Ring, Snap
16	NSS	4	NOT SERVICED SEPARATELY, Screw
17	352875A2	1	VALVE, CONTROL,
18	NSS	1	NOT SERVICED SEPARATELY, Plug
19	NSS	1	NOT SERVICED SEPARATELY, O-Ring
20	NSS	1	NOT SERVICED SEPARATELY, Pin
21	NSS	2	NOT SERVICED SEPARATELY, Screw
22	430337A1	1	COUPLING, , With Manual Shift Transmission
22	432675A1	1	COUPLING, , With Power Shift Transmission
23	D53692	2	GASKET, , With Power Shift Transmission
24	238-5256	1	O-RING, -256, 70 Duro, 5.734" ID x .139" Thk,
25	414192A1	1	FLANGE, Adapter, With Manual Shift Transmission
26	410995A1	3	O-RING, Control Valve
27	412596A1	4	SCREW,
28	388293A1	1	KIT, SEALS,
29	86991869	1	SPACER, , With Power Shift Transmission



STX500 CASE IH 4WD TRACTOR (AFTER S/N JEE0099501)

08-50 OIL FILTER - MEGA FLOW HYDRAULICS

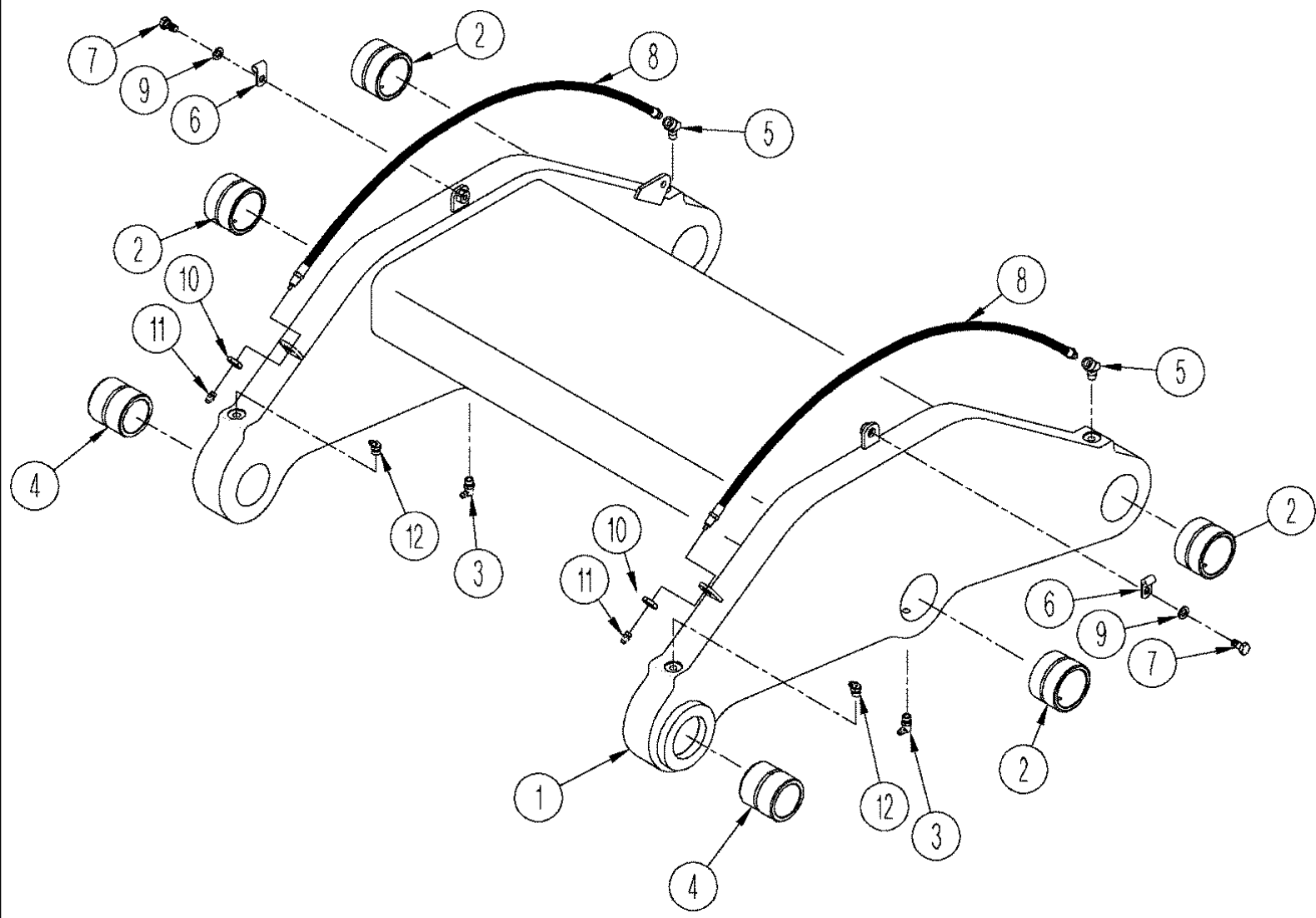
сылка	Номер детали	Кол-во	Описание
1	414219A1	2	FILTER, Inc. 2 - 6
2	NSS	1	NOT SERVICED SEPARATELY, Head
3	440086A1	1	INDICATOR, Restriction
4	1346028C1	1	ELEMENT, Inc. 5, 6
5	NSS	1	NOT SERVICED SEPARATELY, Element
6	NSS	1	NOT SERVICED SEPARATELY, O-Ring



STX500 CASE IH 4WD TRACTOR (AFTER S/N JEE0099501)

09-01 THREE POINT HITCH

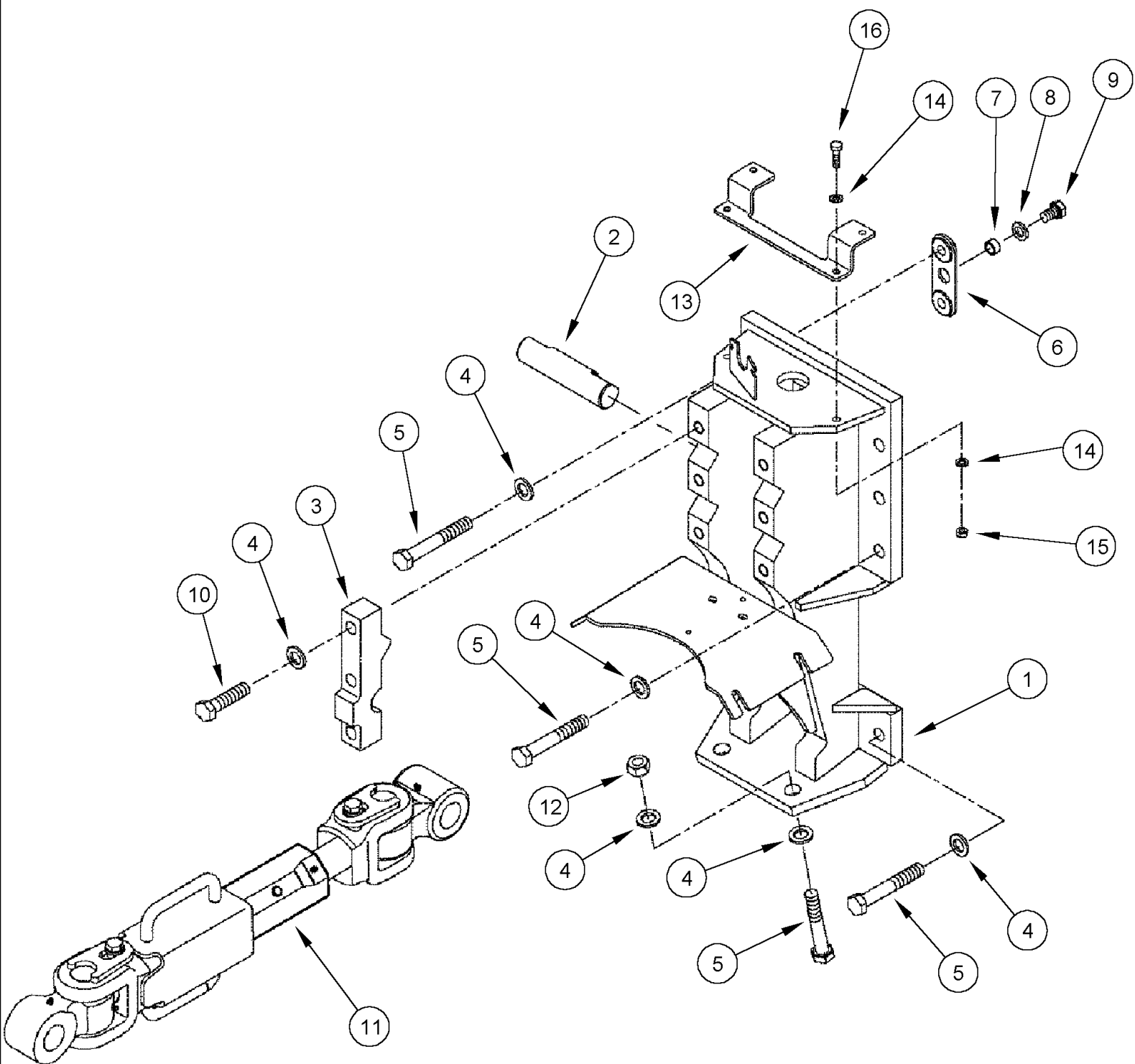
сылка	Номер детали	Кол-во	Описание
1	403741A1	1	MOUNTING PARTS,
2	403743A1	1	ROCKSHAFT, See Figure 09-02
3	70-6013T2	2	PIN,
4	627-16035	6	BOLT, Hex, M16 x 35, 10.9, M6 x 35; 10.9
5	896-11016	28	WASHER, M17.5 x 30 x 4, HT, 17,5 x 30 x 4 mm
6	70-5967T1	14	SPACER,
7	403717A1	2	ARM, Draft
8	347641A1	1	PIN, Left-Hand
9	348061A1	1	PIN, Right-Hand, Not Illustrated
10	627-16060	10	BOLT, Hex, M16 x 60, 10.9, Full Thd, Bolt, Hex, M16 x 60, 10.9
11	829-1416	6	NUT, M16, CI 10,
12	827-12065	4	BOLT, Hex, M12 x 65, 10.9, M12 x 65; 10.9
13	NSS	1	NOT SERVICED SEPARATELY, Link Assy, Lift, Right-Hand, Not illustrated, See Figure 09-06
14	NSS	1	NOT SERVICED SEPARATELY, Link Assy, Lift, Left-Hand, See Figure 09-06
15	403735A1	2	PLATE,
16	403744A1	1	BLOCK ASSY.,
17	403745A1	1	BLOCK ASSY.,
18	403746A1	1	BLOCK ASSY.,
19	403747A1	1	BLOCK ASSY.,
20	403748A1	2	BLOCK ASSY.,
21	322096A1	2	PIN,
22	A30338	2	PIN,
23	275912A1	4	BALL,
25	827-16080	2	BOLT, Hex, M16 x 80, 10.9, Hex, M16 x 80, 10.9
24	827-16060	2	BOLT, Hex, M16 x 60, 10.9,
26	896-11024	28	WASHER, M24 x 44.5 x 5, HT, 26 x 44 x 5 mm
27	827-24110	4	BOLT, Hex, M24 x 110, 10.9, M24 x 110; 10.9
28	829-1416	2	NUT, M16, CI 10,
29	896-11020	6	WASHER, M20 x 37.5 x 4, HT, 22 x 37 x 4 mm
30	259389A1	2	PLATE,
31	829-1424	12	NUT, M24, CI 10, M24; 10
32	627-24060	12	BOLT, Hex, M24 x 60, 10.9, Full Thd, M24 x 60; 10.9
33	70-5967T1	2	SPACER,
34	896-11016	2	WASHER, M17.5 x 30 x 4, HT, 17,5 x 30 x 4 mm
35	627-16025	2	BOLT, Hex, M16 x 25, 10.9, Full Thd, Hex, M16 x 25, 10.9, Full Thd
36	627-20050	4	BOLT, Hex, M20 x 50, 10.9, M20 x 50; 10.9
37	403206A1	2	CYLINDER ASSY., Lift, See Figure 08-42
38	627-16035	2	BOLT, Hex, M16 x 35, 10.9, Hex, M16 x 35, 10.9
39	70-5967T1	4	SPACER,
40	70-5973T2	2	PIN,
41	896-11016	6	WASHER, M17.5 x 30 x 4, HT, 17,5 x 30 x 4 mm
42	403204A1	2	PLATE,
43	321188A2	2	PIN,



STX500 CASE IH 4WD TRACTOR (AFTER S/N JEE0099501)

09-02 ROCKSHAFT

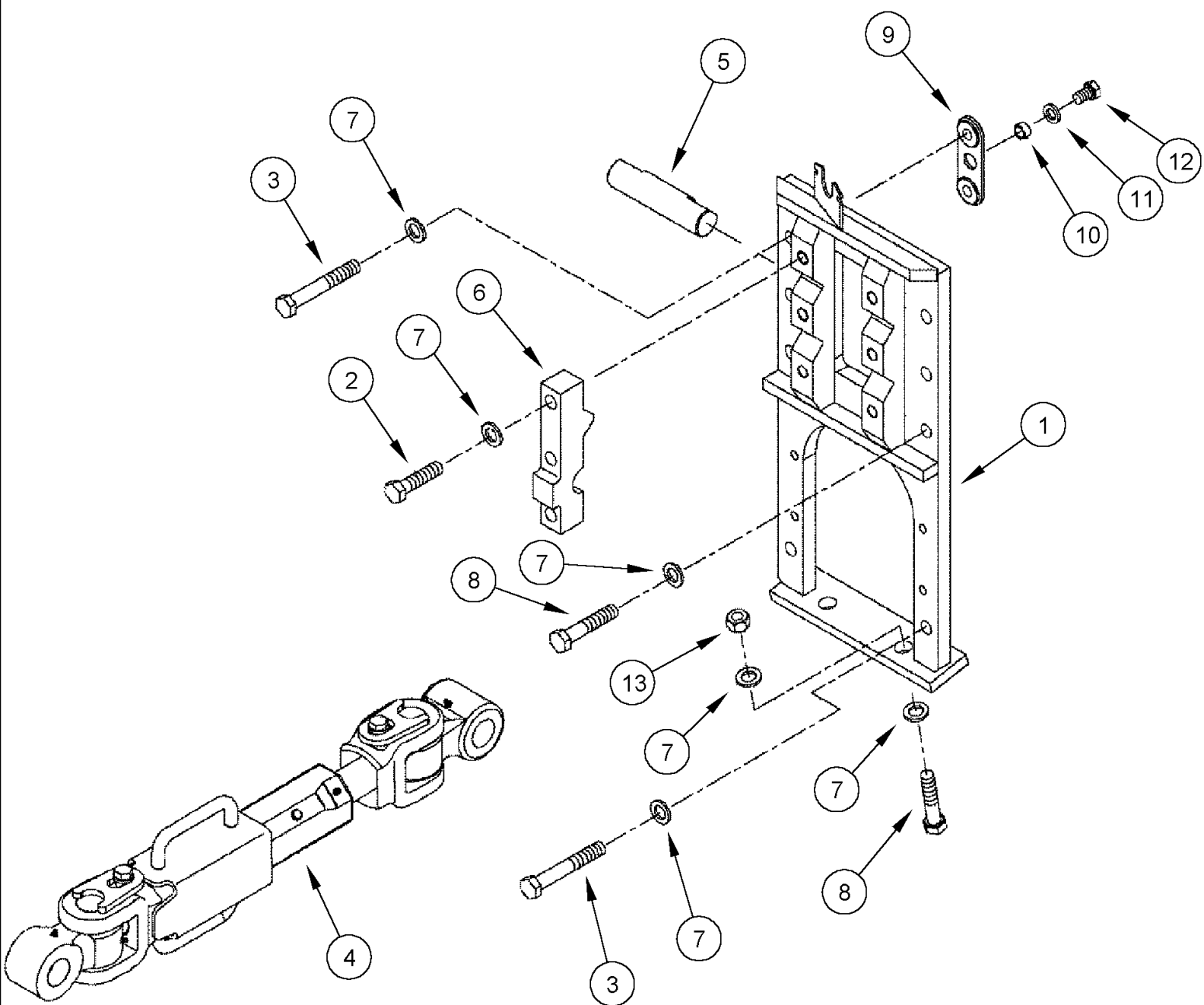
сылка	Номер детали	Кол-во	Описание
	403743A1	1	ROCKSHAFT, Inc. 1 - 5, 12
1	NSS	1	NOT SERVICED SEPARATELY, Rockshaft
2	435500A1	4	BUSHING,
3	219-55	4	NIPPLE, LUBE, 90с, 1/8" NPT x .84" lg, 90 deg, 1/8 PT x 27/32
4	328586A2	2	BUSHING,
5	217-1084	2	ELBOW, 45с, 1/8"-27 Female x 1/8"-27 Male, 1/8 PT x fem PT
6	515-2279	2	CLAMP, 5/16", Insul, 5/16" Bolt, M7,9
7	627-8016	4	BOLT, Hex, M8 x 16, 10.9,
8	1339231C1	2	HOSE, 737 mm (29 in), Grease
9	895-11008	2	WASHER, M8 x 16 x 1.6, 9 x 17 x 1,6 mm
10	F53473	2	NUT, 1/8 PT
11	219-8	2	NIPPLE, LUBE, 1/4"-28 NPT x .54" lg, 1/4 tpr x 17/32
12	219-36	2	NIPPLE, LUBE, 45с, 1/8" NPT x 7/8" lg, 45 deg 1/8 PT x 7/8



STX500 CASE IH 4WD TRACTOR (AFTER S/N JEE0099501)

09-03 THREE POINT HITCH - UPPER LINK, WITHOUT POWER TAKEOFF

сылка	Номер детали	Кол-во	Описание
1	403739A1	1	BRACKET,
2	309663A1	1	PIN,
3	403737A1	2	CLAMP,
4	896-11020	16	WASHER, M20 x 37.5 x 4, HT, 22 x 37 x 4 mm
5	827-20090	10	BOLT, Hex, M20 x 90, 10.9, M20 x 90; 10.9
6	259389A1	2	PLATE,
7	70-5967T1	2	SPACER,
8	896-11016	2	WASHER, M17.5 x 30 x 4, HT, 17,5 x 30 x 4 mm
9	627-16025	2	BOLT, Hex, M16 x 25, 10.9, Full Thd, Hex, M16 x 25, 10.9, Full Thd
10	827-20080	6	BOLT, Hex, M20 x 80, 10.9, M20 x 80; 10.9
11	NSS	1	NOT SERVICED SEPARATELY, Link, Upper, See Figure 09-05
12	829-1420	2	NUT, M20, CI 10,
13	403736A1	1	PLATE,
14	895-11010	4	WASHER, M10 x 20 x 2,
15	829-1410	2	NUT, M10, CI 10,
16	627-10035	2	BOLT, Hex, M10 x 35, 10.9, Full Thd, M10 x 35; 10.9

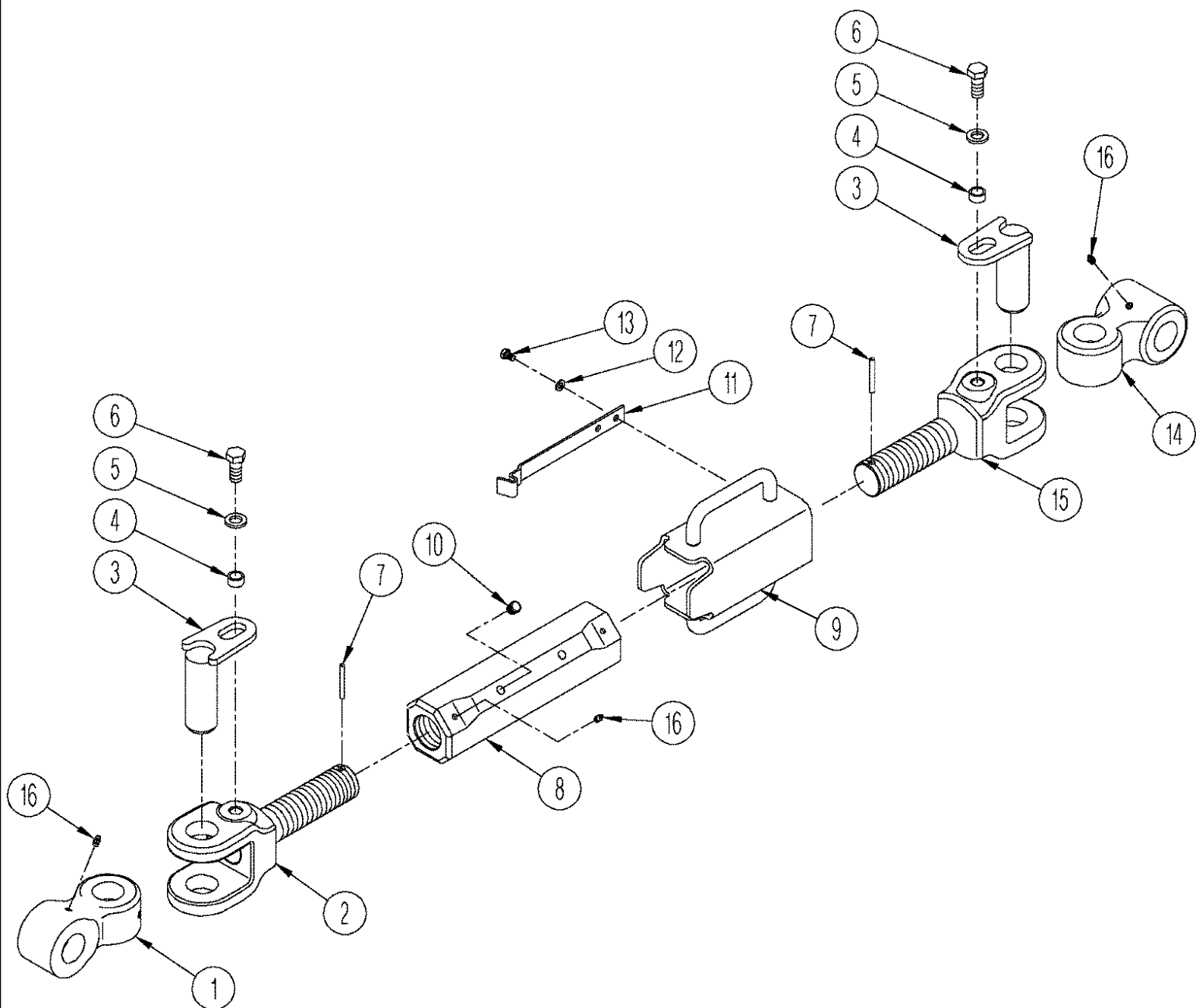


STX500 CASE IH 4WD TRACTOR (AFTER S/N JEE0099501)

09-04 THREE POINT HITCH - UPPER LINK, WITH POWER TAKEOFF

сылка	Номер детали	Кол-во	Описание
1	403738A1	1	BRACKET,
2	827-20080	6	BOLT, Hex, M20 x 80, 10.9, M20 x 80; 10.9
3	827-20230	8	BOLT, Hex, M20 x 230, 10.9, M20 x 230; 10.9
4	NSS	1	NOT SERVICED SEPARATELY, Link, Upper, See Figure 09-05
5	309663A1	1	PIN,
6	403737A1	2	CLAMP,
7	896-11020	16	WASHER, M20 x 37.5 x 4, HT, 22 x 37 x 4 mm
8	827-20090	2	BOLT, Hex, M20 x 90, 10.9, M20 x 90; 10.9
9	259389A1	2	PLATE,
10	70-5967T1	4	SPACER,
11	896-11016	4	WASHER, M17.5 x 30 x 4, HT, 17,5 x 30 x 4 mm
12	627-16025	4	BOLT, Hex, M16 x 25, 10.9, Full Thd, Hex, M16 x 25, 10.9, Full Thd
13	829-1420	4	NUT, M20, CI 10,

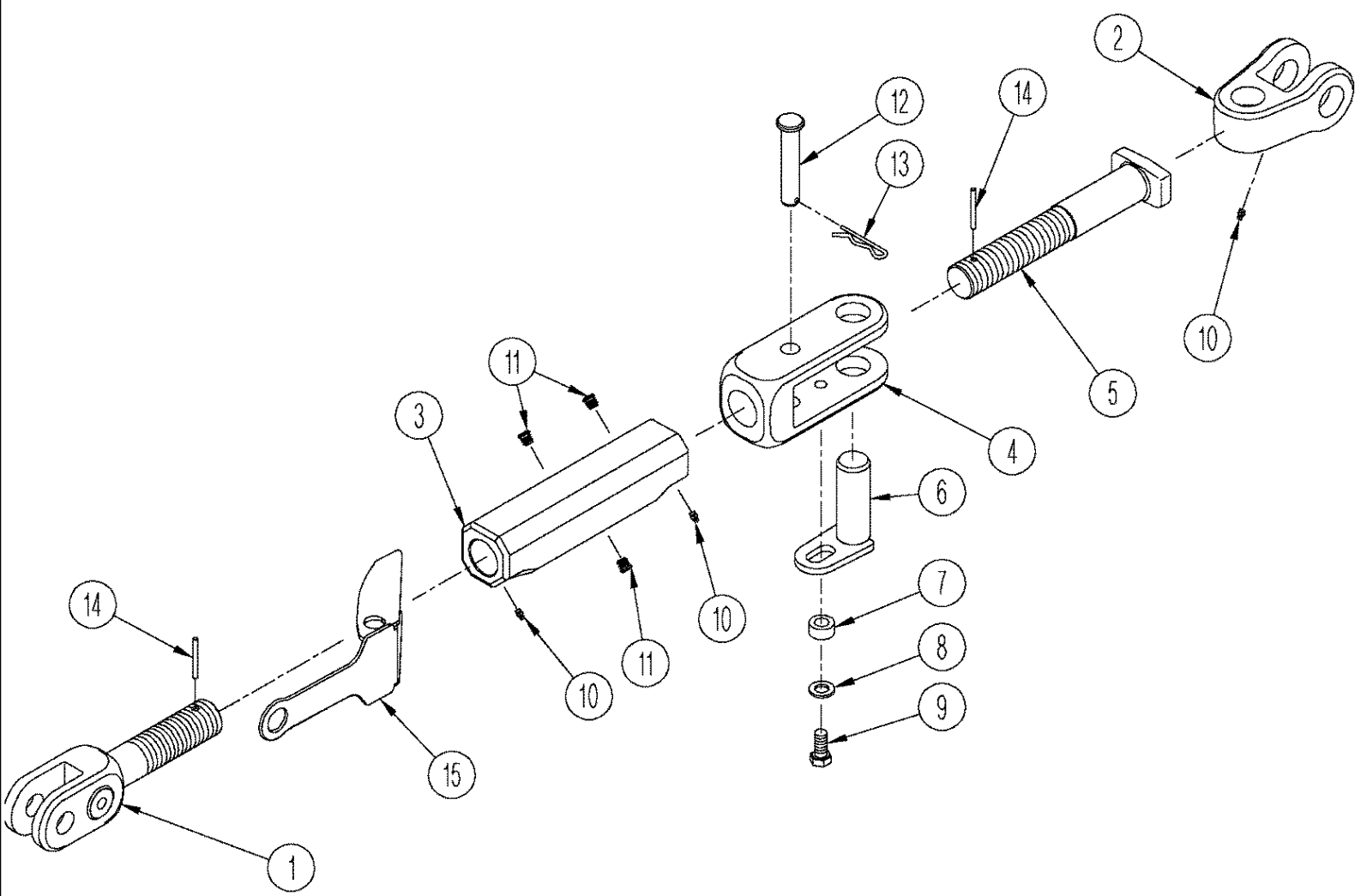
09-05 LINK ASSEMBLY - UPPER



STX500 CASE IH 4WD TRACTOR (AFTER S/N JEE0099501)

09-05 LINK ASSEMBLY - UPPER

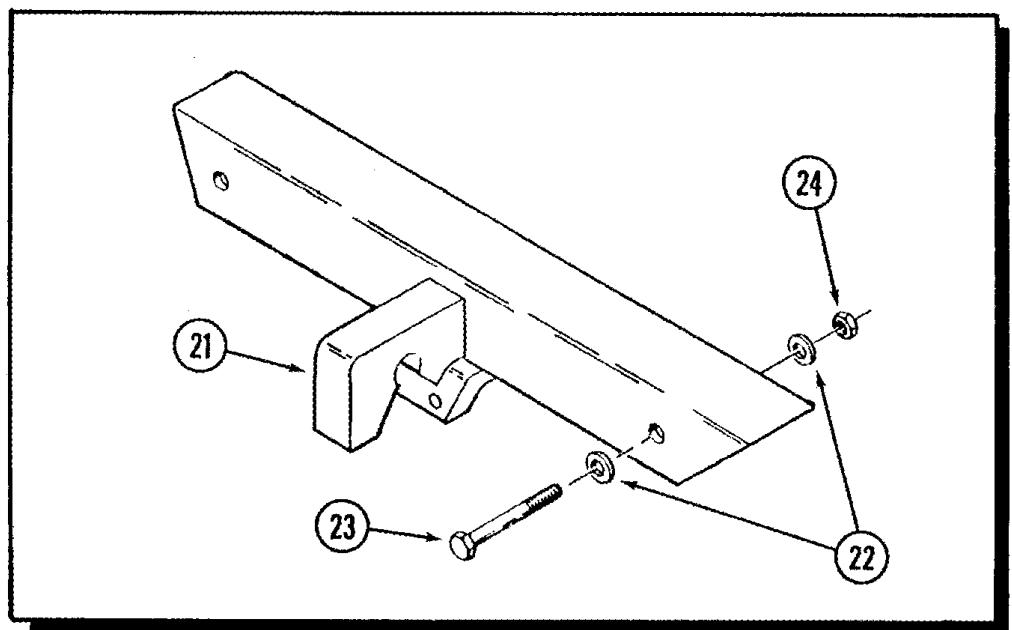
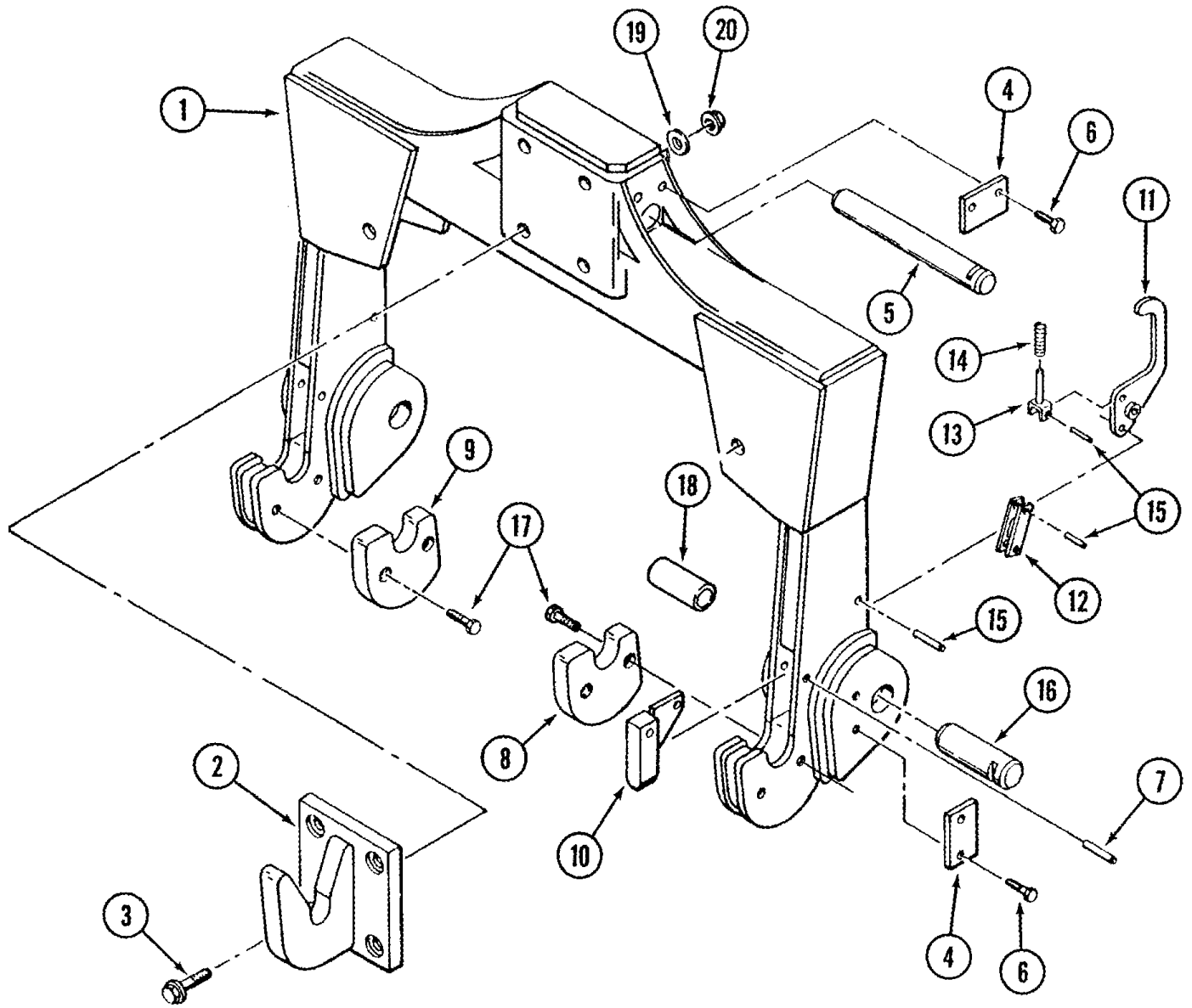
сылка	Номер детали	Кол-во	Описание
1	403726A1	1	KNUCKLE ASSY.,
2	403731A1	1	LINK, U-Joint
3	70-6013T2	2	PIN,
4	70-5967T1	2	SPACER,
5	896-11016	2	WASHER, M17.5 x 30 x 4, HT, 17,5 x 30 x 4 mm
6	627-16035	2	BOLT, Hex, M16 x 35, 10.9, M6 x 35; 10.9
7	838-3655	2	PIN, M6 x 55
8	403729A1	1	TURNBUCKLE,
9	403730A1	1	LOCK,
10	295004A1	4	PLUG,
11	282523A1	1	LOCK, Anti-Rotation
12	895-11008	2	WASHER, M8 x 16 x 1.6, 9 x 17 x 1,6 mm
13	627-8012	2	BOLT, Hex, M8 x 12, 10.9, Full Thd, M8 x 12; 10.9
14	403728A1	1	KNUCKLE ASSY.,
15	403733A1	1	LINK, U-Joint
16	219-8	6	NIPPLE, LUBE, 1/4"-28 NPT x .54" lg, 1/4 tpr x 17/32



STX500 CASE IH 4WD TRACTOR (AFTER S/N JEE0099501)

09-06 LINK ASSEMBLY - LIFT

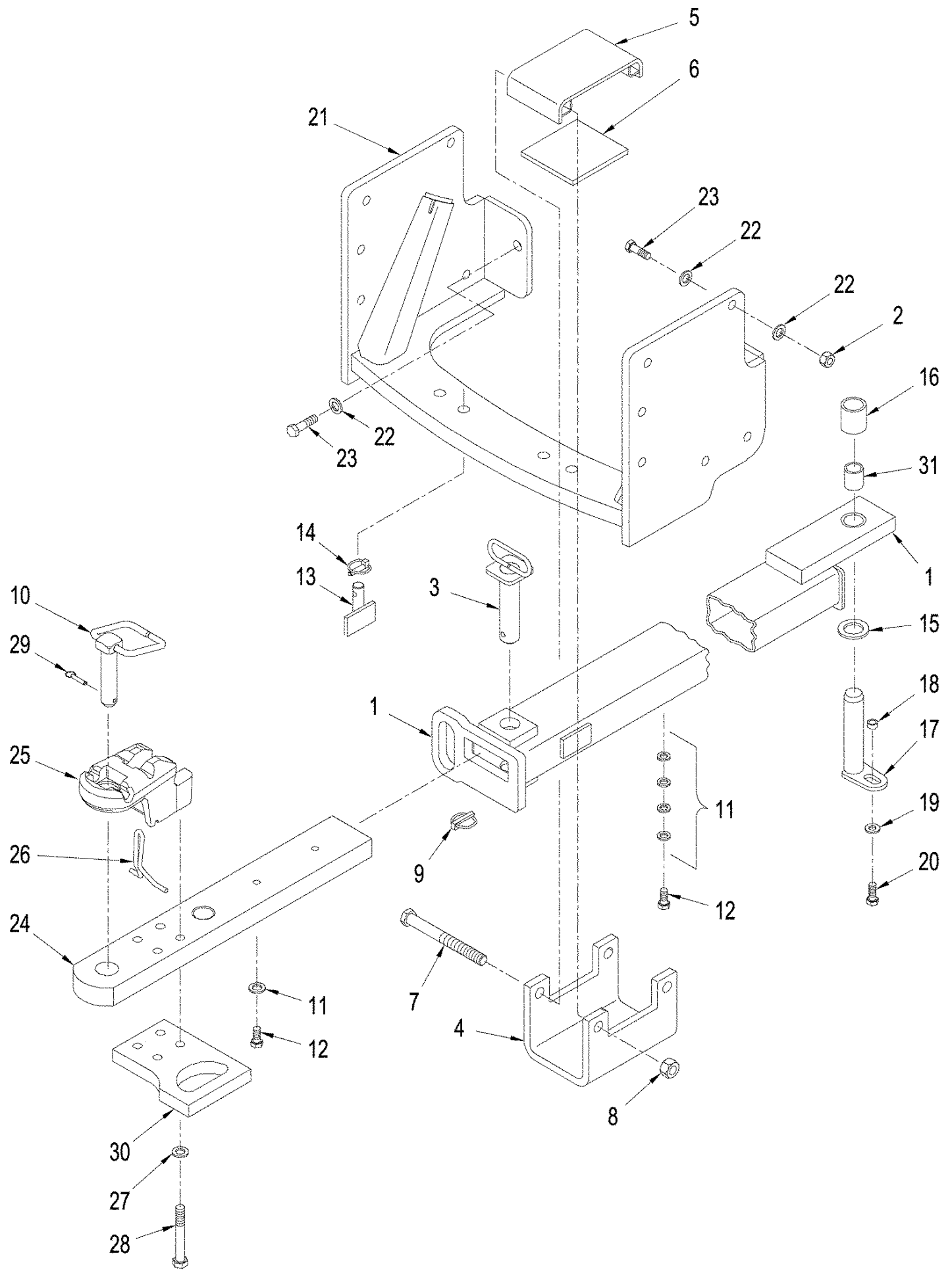
сылка	Номер детали	Кол-во	Описание
1	329058A1	1	CLEVIS,
2	403720A1	1	KNUCKLE ASSY.,
3	403729A1	1	TURNBUCKLE,
4	403719A1	1	CLEVIS,
5	322446A1	1	BOLT,
6	70-6013T2	1	PIN,
7	70-5967T1	1	SPACER,
8	896-11016	1	WASHER, M17.5 x 30 x 4, HT, 17,5 x 30 x 4 mm
9	627-16035	1	BOLT, Hex, M16 x 35, 10.9, M6 x 35; 10.9
10	219-8	3	NIPPLE, LUBE, 1/4"-28 NPT x .54" lg, 1/4 tpr x 17/32
11	295004A1	4	PLUG,
12	388469A1	1	PIN, CLEVIS,
13	136-251	1	PIN, SPLIT (COTTER), Int, 7/16" x .177", 7/16 x 3-13/16
14	838-3655	2	PIN, M6 x 55, Coiled Spring
15	344696A2	1	LATCH,



STX500 CASE IH 4WD TRACTOR (AFTER S/N JEE0099501)

09-07 QUICK HITCH

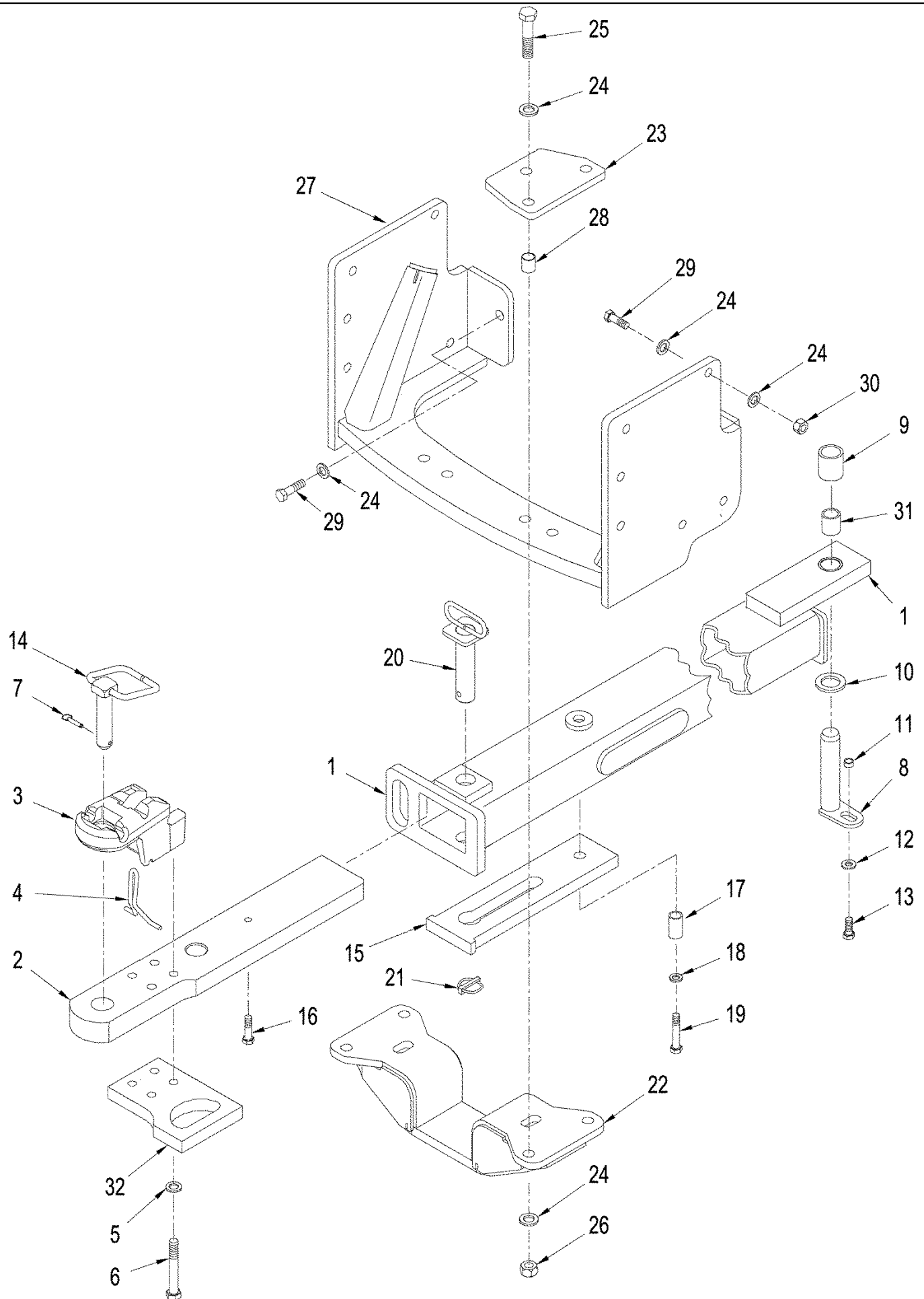
сылка	Номер детали	Кол-во	Описание
1	409653A1	1	COUPLING, , Catagory IV-Narrow
2	409654A1	1	HOOK,
3	460-1240	4	BOLT, Hex Flg, 3/4"-10 x 2 1/2", G8, 3/4 NC x 2-1/2; 8
4	409664A1	3	BLOCK, Retainer
5	70-1895T1	1	PIN,
6	426-816	6	BOLT, Hex, 1/2"-13 x 1", G8, Full Thd, 1/2 x 1; 8
7	38-33240	4	PIN, 1/2" x 2 1/2", Coiled, 1/2" x 2 1/2", Coiled
8	409656A1	1	CAP, Spacer, Right-Hand
9	409658A1	1	CAP, Spacer, Left-Hand
10	409659A1	2	STOP, Hitch Release
11	409660A1	2	LATCH,
12	409661A1	2	LINK, CONNECTING,
13	409662A1	2	LINK, CONNECTING,
14	2-4345T1	2	SPRING,
15	38-32018	6	PIN, 5/16" x 1 1/8", Coiled, 5/16" x 1 1/8", Coiled
16	70-1894T1	2	PIN,
17	426-824	4	BOLT, Hex, 1/2"-13 x 1 1/2", G8, Full Thd, 1/2 x 1-1/2; 8
18	383347A1	2	SPACER,
19	495-11081	4	WASHER, 3/4", SAE,
20	19-651	4	NUT, 3/4
21	409655A1	1	HOOK, , Category III
22	496-21106	4	WASHER, 1 1/16" x 2" x .209", 1-1/16 x 2 x 13/64
23	426-16120	2	BOLT, Hex, 1"-8 x 7 1/2", G8, 1 NC x 7-1/2; 8
24	429-1016	2	NUT, 1"-8, G8, 1 in; 8



STX500 CASE IH 4WD TRACTOR (AFTER S/N JEE0099501)

09-08 DRAWBAR - EXTENDABLE

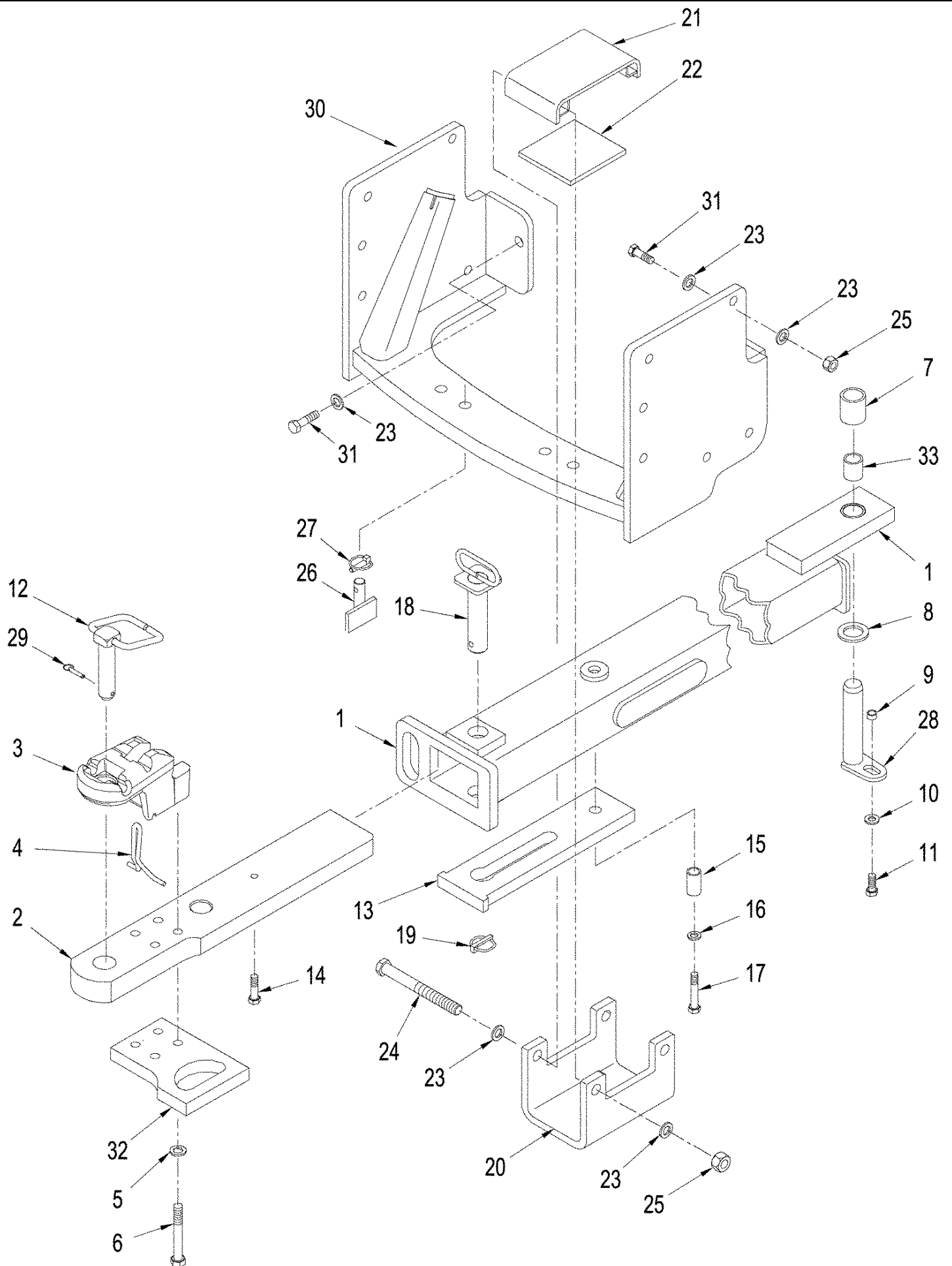
сылка	Номер детали	Кол-во	Описание
1	402661A1	1	DRAWBAR, Receiver
2	829-1424	12	NUT, M24, CI 10, M24; 10
3	403199A1	1	PIN, HITCH,
4	403194A1	1	YOKE,
5	403195A1	1	COVER,
6	435498A1	1	PLASTIC, Cover
7	90-7494T1	2	SCREW, 1 NC x 9-1/4
8	429-1016	2	NUT, 1"-8, G8, 1 in; 8
9	19-1041	1	PIN, LOCK, 7/16" x 2",
10	375720A1	1	PIN,
11	896-11016	5	WASHER, M17.5 x 30 x 4, HT, 17,5 x 30 x 4 mm
12	627-16035	2	BOLT, Hex, M16 x 35, 10.9, M6 x 35; 10.9
13	403196A1	2	PIN,
14	19-6056	2	PIN, LOCK, 7/16" x 1 3/4",
15	1-4088	1	WASHER, 1-3/4 x 2-3/4 x 1/4
16	361696A2	1	SPACER,
17	195941A1	1	PIN,
18	70-5967T1	1	SPACER,
19	496-21066	1	WASHER, 21/32" x 1 5/16" x .150", 21/32 x 1-5/16 x 5/32
20	627-16040	1	BOLT, Hex, M16 x 40, 10.9, Hex, M16 x 40, 10.9
21	87441225	1	HANGER, Without Three Point Hitch
22	896-11024	26	WASHER, M24 x 44.5 x 5, HT, 26 x 44 x 5 mm
23	627-24070	14	BOLT, Hex, M24 x 70, 10.9, Full Thd, M24 x 70; 10.9
24	87441131	1	DRAWBAR,
24	430335A1	1	DRAWBAR, , QUADTRAC Tractor
25	375719A1	1	STRAP, Hammer, Drop Pin
26	375721A1	2	LATCH, Drop Pin
27	896-11020	4	WASHER, M20 x 37.5 x 4, HT, 22 x 37 x 4 mm
28	827-20110	4	BOLT, Hex, M20 x 110, 10.9, M20 x 110; 10.9
29	393878A1	1	PIN,
30	441651A1	1	PLATE, Safety Chain, QUADTRAC Tractor
31	70-4620T2	1	BUSHING, LARGE, Drawbar Receiver



STX500 CASE IH 4WD TRACTOR (AFTER S/N JEE0099501)

09-09 DRAWBAR - HEAVY DUTY, WITHOUT THREE POINT HITCH

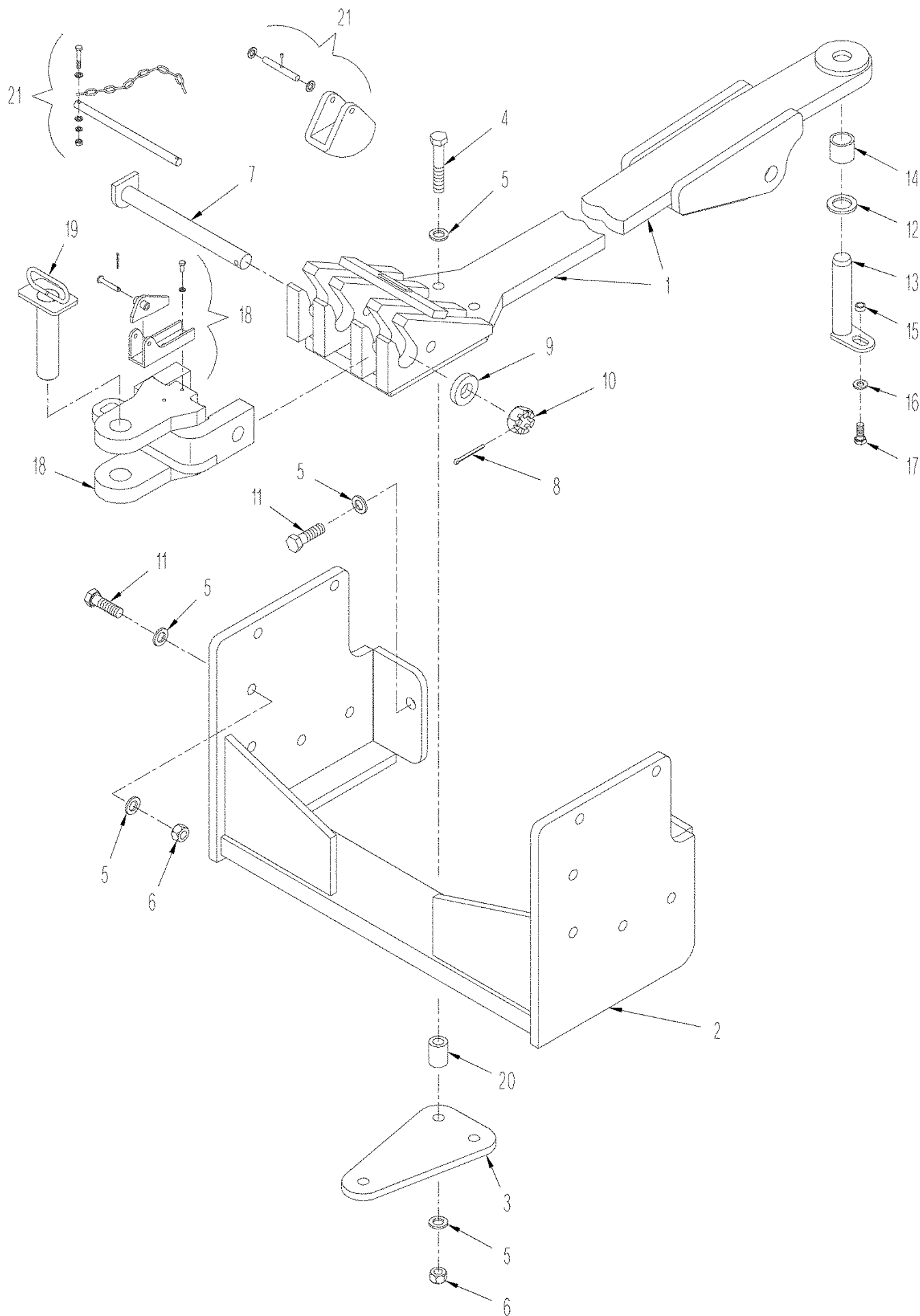
сылка	Номер детали	Кол-во	Описание
1	402654A1	1	DRAWBAR, Reciever
2	87441130	1	DRAWBAR,
3	375719A1	1	STRAP, Hammer, Drop Pin
4	375721A1	1	LATCH, Drop Pin
5	896-11020	4	WASHER, M20 x 37.5 x 4, HT, 22 x 37 x 4 mm
6	827-20110	4	BOLT, Hex, M20 x 110, 10.9, M20 x 110; 10.9
7	393878A1	1	PIN,
8	195941A1	1	PIN,
9	361696A2	1	SPACER,
10	1-4088	1	WASHER, 1-3/4 x 2-3/4 x 1/4
11	70-5967T1	1	SPACER,
12	496-21066	1	WASHER, 21/32" x 1 5/16" x .150", 21/32 x 1-5/16 x 5/32
13	627-16040	1	BOLT, Hex, M16 x 40, 10.9, Hex, M16 x 40, 10.9
14	375720A1	1	PIN,
15	430620A1	1	PLATE, SPACER,
16	627-16035	1	BOLT, Hex, M16 x 35, 10.9, M6 x 35; 10.9
17	363131A2	1	SPACER,
18	495-21069	1	WASHER, 5/8", 11/16 x 1-3/4 x 9/64
19	827-16060	1	BOLT, Hex, M16 x 60, 10.9,
20	403209A1	1	PIN,
21	19-1041	1	PIN, LOCK, 7/16" x 2",
22	403220A1	1	HANGER,
23	403221A1	2	PLATE,
24	896-11024	38	WASHER, M24 x 44.5 x 5, HT, 26 x 44 x 5 mm
25	827-24110	6	BOLT, Hex, M24 x 110, 10.9, M24 x 110; 10.9
26	829-1424	12	NUT, M24, CI 10, M24; 10
27	87441225	1	HANGER, Without TPH
28	363130A1	4	SPACER,
29	627-24070	14	BOLT, Hex, M24 x 70, 10.9, Full Thd, M24 x 70; 10.9
30	829-1424	12	NUT, M24, CI 10, M24; 10
31	70-4620T2	1	BUSHING, LARGE,
32	441651A1	1	PLATE, Safety Chain, QUADTRAC Tractor



STX500 CASE IH 4WD TRACTOR (AFTER S/N JEE0099501)

09-10 DRAWBAR - HEAVY DUTY, WITH THREE POINT HITCH

сылка	Номер детали	Кол-во	Описание
1	402654A1	1	DRAWBAR, Receiver
2	87441130	1	DRAWBAR,
3	375719A1	1	STRAP, Hammer, Drop Pin
4	375721A1	1	LATCH, Drop Pin
5	896-11020	4	WASHER, M20 x 37.5 x 4, HT, 22 x 37 x 4 mm
6	827-20110	4	BOLT, Hex, M20 x 110, 10.9, M20 x 110, 10.9
7	361696A2	1	SPACER,
8	1-4088	1	WASHER, 1-3/4 x 2-3/4 x 1/4
9	70-5967T1	1	SPACER,
10	496-21066	1	WASHER, 21/32" x 1 5/16" x .150", 21/32 x 1-5/16 x 5/32
11	627-16040	1	BOLT, Hex, M16 x 40, 10.9, Hex, M16 x 40, 10.9
12	375720A1	1	PIN,
13	430620A1	1	PLATE, SPACER,
14	627-16035	1	BOLT, Hex, M16 x 35, 10.9, M6 x 35; 10.9
15	363131A2	1	SPACER,
16	495-21069	1	WASHER, 5/8", 11/16 x 1-3/4 x 9/64
17	627-16060	1	BOLT, Hex, M16 x 60, 10.9, Full Thd, Bolt, Hex, M16 x 60, 10.9
18	403209A1	1	PIN,
19	19-1041	1	PIN, LOCK, 7/16" x 2",
20	403217A1	1	YOKE,
21	403218A1	1	COVER ASSY,
22	363540A1	1	SPACER,
23	896-11024	28	WASHER, M24 x 44.5 x 5, HT, 26 x 44 x 5 mm
24	827-24270	2	BOLT, Hex, M24 x 270, 10.9, M24 x 270; 10.9
25	829-1424	2	NUT, M24, CI 10, M24; 10
26	403219A1	2	PIN ASSY.,
27	19-6056	2	PIN, LOCK, 7/16" x 1 3/4",
28	195941A1	1	PIN,
29	393878A1	1	PIN,
30	87441225	1	HANGER,
31	627-24070	14	BOLT, Hex, M24 x 70, 10.9, Full Thd, M24 x 70; 10.9
32	441651A1	1	PLATE, Safety Chain, QUADTRAC Tractor
33	70-4620T2	1	BUSHING, LARGE,

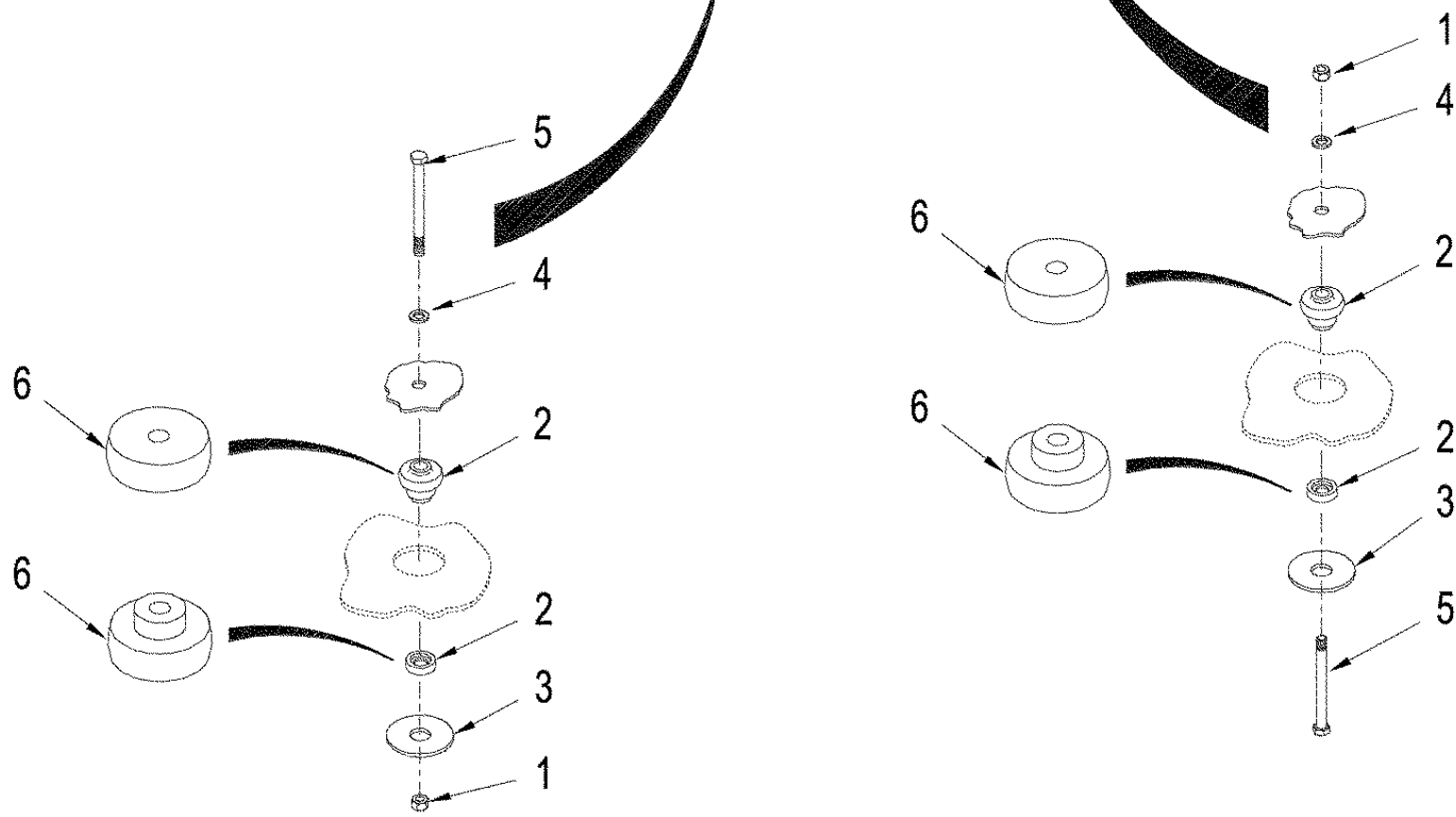
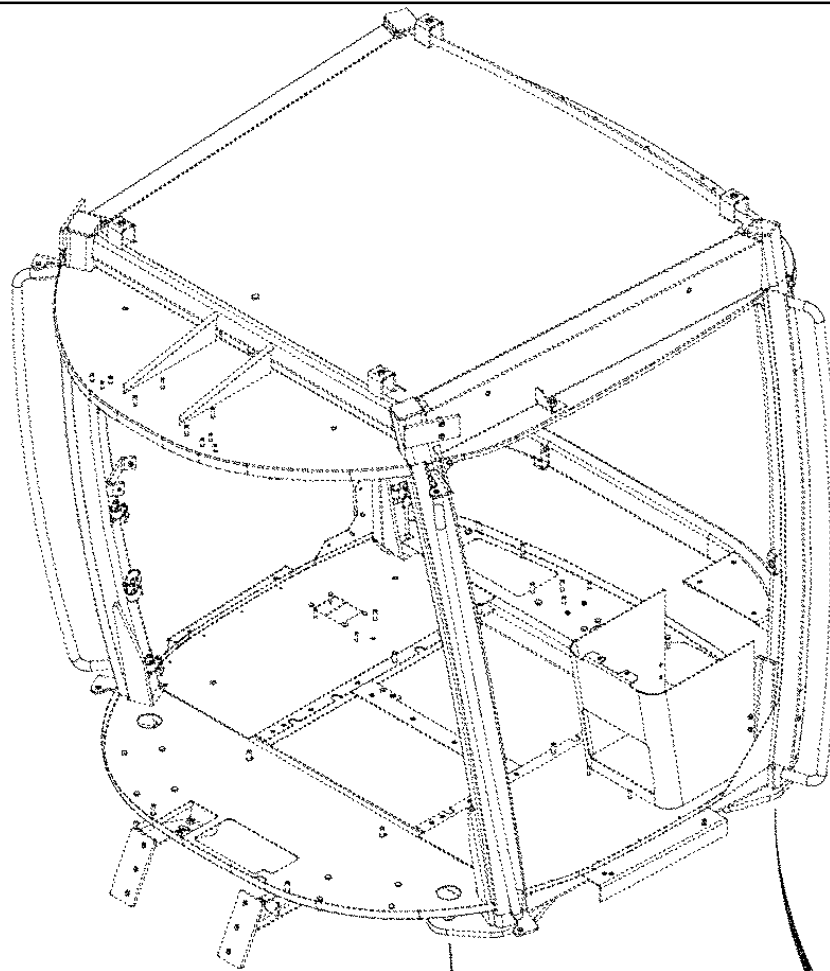


STX500 CASE IH 4WD TRACTOR (AFTER S/N JEE0099501)

09-11(01) DRAWBAR - REYNOLDS, ASN JEE0102001

сылка	Номер детали	Кол-во	Описание
1	NSS	1	NOT SERVICED SEPARATELY, Drawbar, Purchase Assembly and Component Parts Directly From Reynolds, McAllen, Texas.
2	NSS	1	NOT SERVICED SEPARATELY, Hanger, Purchase Assembly and Component Parts Directly From Reynolds, McAllen, Texas.
3	87448334	1	PLATE,
4	827-24140	3	BOLT, Hex, M24 x 140, 10.9, M24 x 140; 10.9
5	896-11024	32	WASHER, M24 x 44.5 x 5, HT, 26 x 44 x 5 mm
6	829-1424	15	NUT, M24, CI 10, M24; 10
	433446A1	1	PIN, HITCH, Inc. 7 - 10
7	NSS	1	NOT SERVICED SEPARATELY, Pin
8	NSS	1	NOT SERVICED SEPARATELY, Pin, Cotter
9	NSS	1	NOT SERVICED SEPARATELY, Washer
10	NSS	1	NOT SERVICED SEPARATELY, Nut, Slotted
11	827-24080	14	BOLT, Hex, M24 x 80, 10.9, Full Thd, M24 x 80; 10.9
12	1-4088	1	WASHER, 1-3/4 x 2-3/4 x 1/4
13	195941A1	1	PIN,
14	381065A1	1	SPACER,
15	70-5967T1	1	SPACER,
16	496-21066	1	WASHER, 21/32" x 1 5/16" x .150", 21/32 x 1-5/16 x 5/32
17	627-16040	1	BOLT, Hex, M16 x 40, 10.9, Hex, M16 x 40, 10.9
	365945A1	1	KIT, Reverse, Inc. 18, 19
18	446133A1	1	ASSEMBLY,
19	359522A1	1	PIN,
20	434402A1	3	SPACER,
21	NSS	1	NOT SERVICED SEPARATELY, Hitch, Quick, Purchase Assembly and Component Parts Directly From Reynolds, McAllen, Texas.

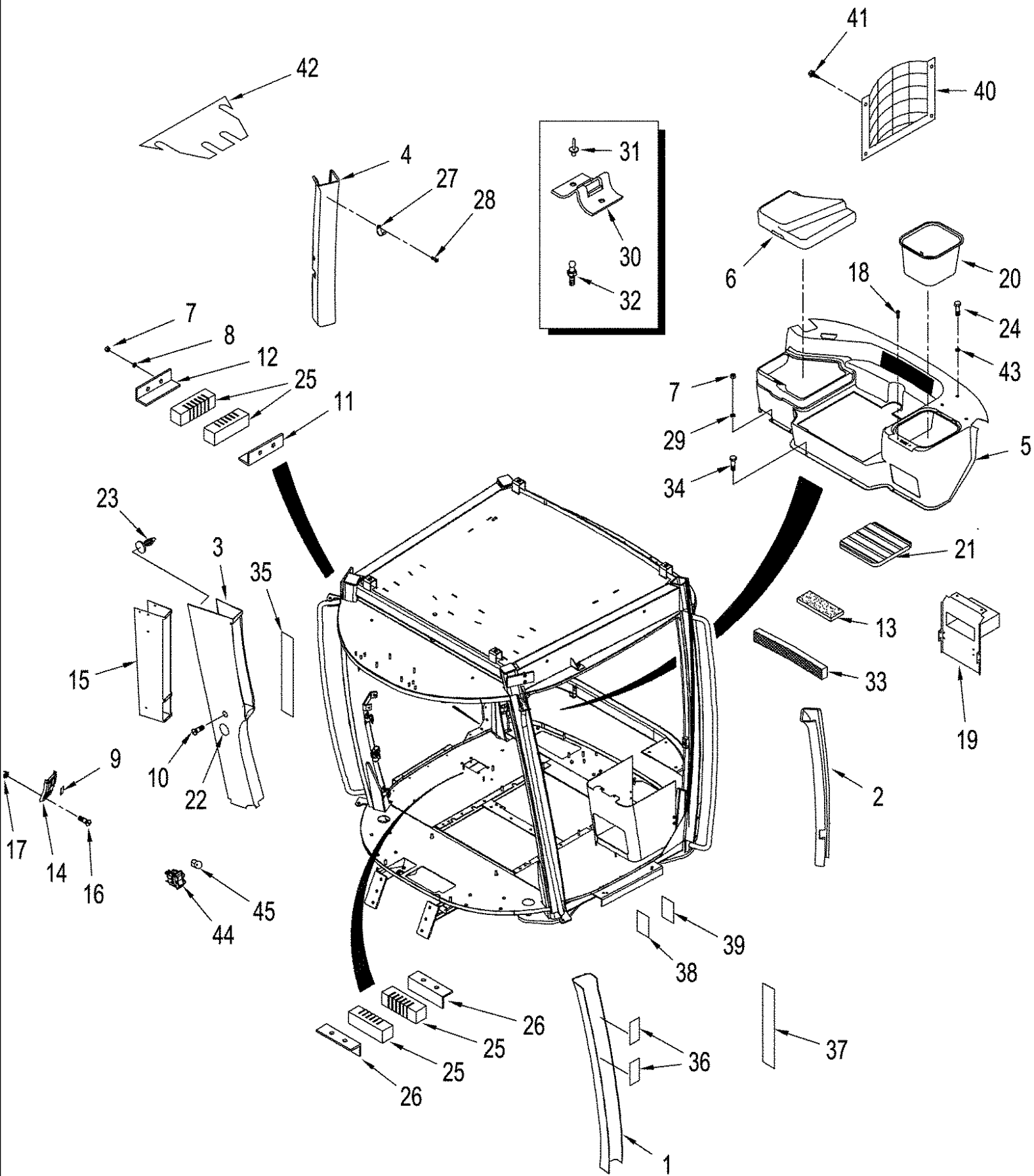
09-12 CAB MOUNTING



STX500 CASE IH 4WD TRACTOR (AFTER S/N JEE0099501)

09-12 CAB MOUNTING

сылка	Номер детали	Кол-во	Описание
1	832-10424	4	NUT, LOCK, M24 x 3, CI 8,
2	377678A1	4	MOUNT, RUBBER, Isolator, BSN JEE0104001
3	371043A1	8	WASHER, Steel
4	896-11024	4	WASHER, M24 x 44.5 x 5, HT,
5	827-24120	4	BOLT, Hex, M24 x 120, 10.9,
5	827-24160	4	BOLT, Hex, M24 x 160, 10.9, , Used with 87422287 Rubber Cab Mounting Isolator
6	87422287	4	MOUNT, RUBBER, Isolator, ASN JEE0104001



STX500 CASE IH 4WD TRACTOR (AFTER S/N JEE0099501)

09-14 INTERIOR TRIM - DELUXE AND LUXURY CABS

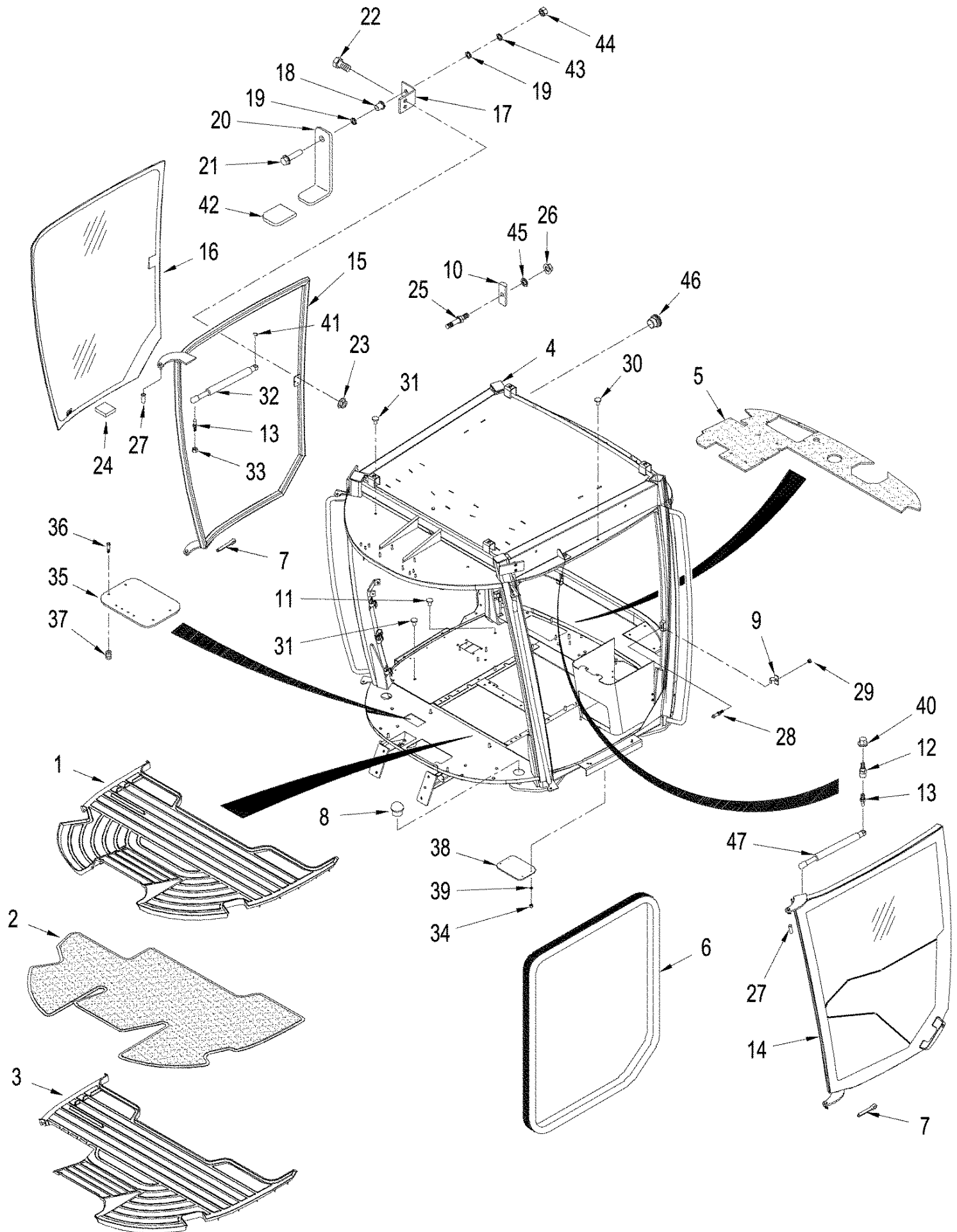
сылка	Номер детали	Кол-во	Описание
1	358333A2	1	COVER, Post, Roll Over Protection
2	358338A4	1	COVER, Post, Roll Over Protection
3	358334A4	1	COVER, Post, Roll Over Protection
4	377385A3	1	COVER, Post, Roll Over Protection
5	358327A4	1	CONSOLE, Rear
6	380756A2	1	COVER, Electronics
7	829-1406	12	NUT, M6, CI 10, M6; 10.9
8	895-11006	8	WASHER, M6,
9	245918C1	2	CAP,
10	627-8020	4	BOLT, Hex, M8 x 20, 10.9,
11	291835A4	1	BRACKET,
12	291836A3	1	BRACKET,
13	259461A1	3	FOAM,
14	358343A2	1	BEZEL,
15	303158A5	1	SUPPORT, , BSN JEE0106701
15	87416364	1	BRACKET, SUPPORTING, , ASN JEE0106701
16	260-16516	2	SCREW, SELF TAP, Cross Pan Hd, #10 x 1",
17	177269A1	2	NUT,
18	628-6020	6	BOLT, Hex, M6 x 20, 10.9, Full Thd, M6 x 20; 10.9
19	371685A4	1	BOX, Compact Disc
20	119308A2	1	ASH TRAY, Storage
21	250826A3	1	MAT,
22	401529A1	4	COVER,
23	376553A1	3	FASTENER,
24	855-8030	3	BOLT, Hex Flg, M8 x 30, 10.9, Full Thd, M8 x 30; 10.9
25	60-7021T1	4	FOAM,
26	308579A1	2	BRACKET, Angle
27	114549A1	1	COAT HOOK,
28	765-17316	2	SCREW, SELF TAP, Oval Hd, M4.2 x 16, M4,2 x 16
29	895-25006	4	WASHER, M6 x 18 x 1.6, 6,6 x 18 x 1,6 mm
30	1961435C1	1	LATCH,
31	151-553	2	RIVET, Pop, 1/8" x .337",
32	1977929C1	1	STUD,
33	87409368	1	FILTER, CAB, Air Recirculation
34	844-10035	2	BOLT, Hex Flg, M10 x 35, 8.8,
35	355371A2	1	TAPE, ADHESIVE,
36	356717A1	2	TAPE, ADHESIVE,
37	349366A1	1	TAPE, ADHESIVE,
38	356789A1	2	FASTENER, Velcro Hook, Cut From 356788A1
39	357564A1	2	FASTENER, Velcro Loop, Cut From 357653A1
40	369937A1	1	NET,
41	369929A1	5	FASTENER, Christmas Tree
42	307026A1	1	SHIELD, Cable Access
43	896-16008	3	WASHER, M8 x 21.5 x 2.5, HT, 9 x 21 x 2,5 mm
44	418506A1	1	SWITCH, Park Brake, With Manual Shift Transmission

STX500 CASE IH 4WD TRACTOR (AFTER S/N JEE0099501)

09-14 INTERIOR TRIM - DELUXE AND LUXURY CABS

сылка	Номер детали	Кол-во	Описание
45	409808A1	1	INDICATOR, Hi / Lo, With Manual Shift Transmission

09-15 CAB - FLOORMATS AND DOORS



STX500 CASE IH 4WD TRACTOR (AFTER S/N JEE0099501)

09-15 CAB - FLOORMATS AND DOORS

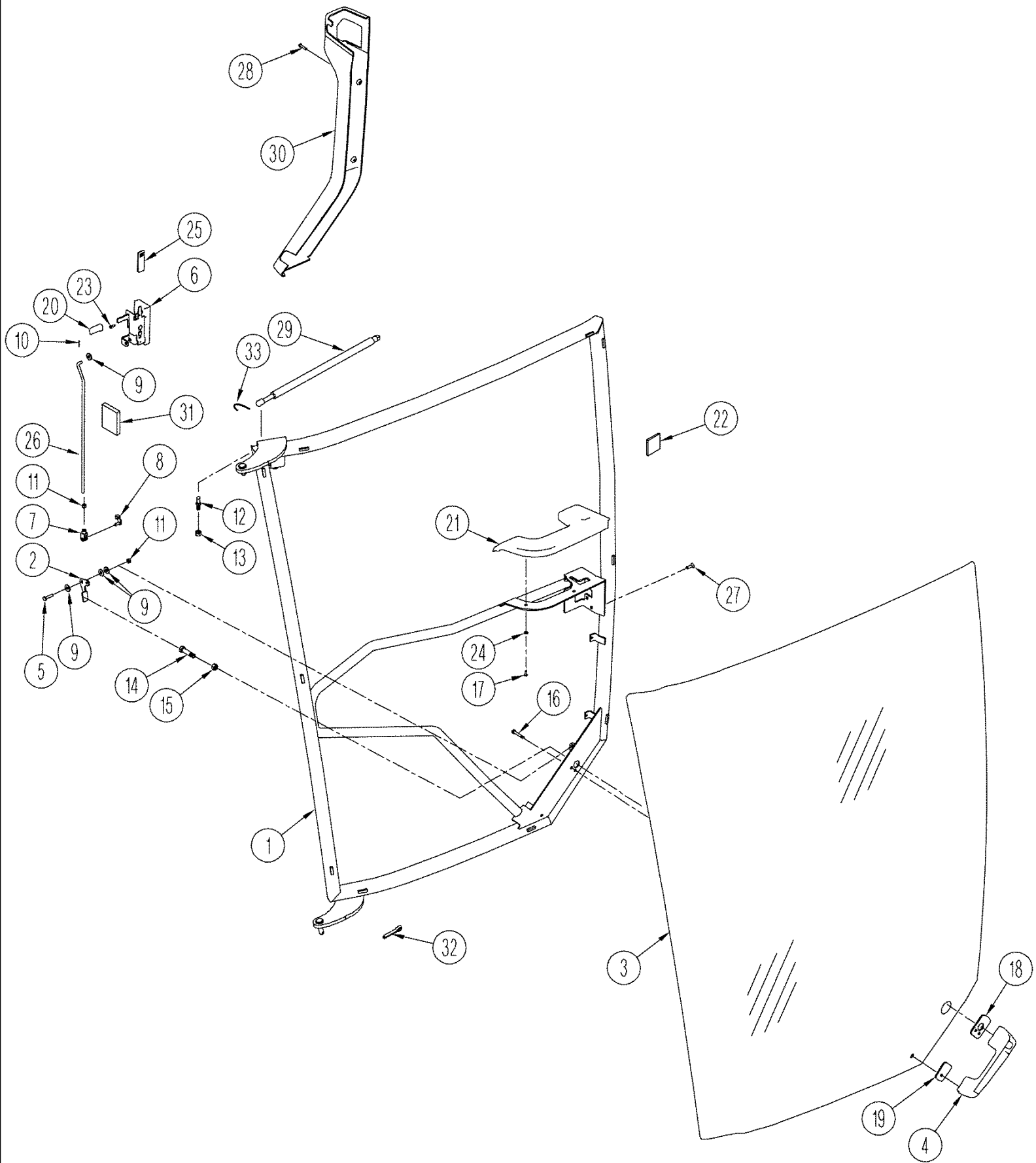
сылка	Номер детали	Кол-во	Описание
1	401556A2	1	MAT, FLOOR, Rubber, Deluxe Cab, With Power Shift Transmission, Standard Cab
2	358342A1	1	CARPET, , Luxury Cab
3	426962A2	1	MAT, FLOOR, Rear, Standard Cab, Deluxe Cab, With Manual Shift Transmission
4	398296A3	1	CAB, ROPs
4	87415707	1	CAB, ROPs / FOPs
5	302840A4	1	INSULATION, FOAM,
6	390360A1	2	SEAL, Cut From 388449A1
7	733-3220	2	PIN, SPLIT (COTTER), M3.2 x 20, 3,2 x 20 mm
8	353-593	2	PLUG, 2-1/2 ID
9	369719A1	1	BRACKET,
10	371554A1	1	BRACKET,
11	353-404	1	PLUG, Dome, .500" hole, Nylon,
12	390837A1	2	STUD, Mounting, BSN JEE0100139
12	442085A1	2	MOUNTING PARTS, Stud, ASN JEE0100139
13	3234063R1	2	BALL JOINT,
14	413022A2	1	DOOR ASSY., See Figure 09-16
	389175A3	1	WINDOW ASSY, Inc. 13, 15, 16 - 23, 33 , 42 - 44, Also Order 87423532 Door Catch Pin
15	389176A1	1	FRAME, WINDOW, Right-Hand
16	181242A3	1	WINDOW, Glass
17	87420877	1	BRACKET, Latch
18	87422906	1	BUSHING, M6
19	87423414	2	WASHER, Nylon
20	87418389	1	LATCH ASSY., Door, Right-Hand
21	844-6020	1	BOLT, Hex Flg, M6 x 20, 8.8,
22	627-6016	2	BOLT, Hex, M6 x 16, 10.9, Cap, HH, M6 x 16, CL10.9
23	825-2406	2	NUT, M6 x 1, Flg, Cl 8,
24	87543673	10	SPACER,
25	87423532	1	PIN, Door Catch
26	832-4748	1	NUT, LOCK, M8 x 1.25, Flg, Cl 8, M8
27	388764A1	4	BUSHING, , BSN JEE0104001
27	87429877	4	BUSHING, , ASN JEE0104001
28	R51754	1	CATCH,
29	231-5347	1	NUT, LOCK, 7/16"-14, G5, 7/16; 8
30	353-406	1	PLUG, Dome, .625" hole, Nylon,
31	64-146	13	PLUG, 1/2
32	87423389	1	DAMPER, Gas Spring
33	403749A1	1	NUT, M10; 10,9
34	829-1408	4	NUT, M8, Cl 10,
35	414699A1	1	PLATE, , With Power Shift Transmission
36	614-6020	2	BOLT, Hex, M6 x 20, 8.8, M6 x 20; 8,8
37	404287A1	2	INSERT, Threaded
38	327310A1	1	PLATE,
39	895-11008	4	WASHER, M8 x 16 x 1.6, 9 x 17 x 1,6 mm
40	829-2416	2	NUT, M16 x 2, Flg, Cl 10, Flange, M16; 10
41	3233348R1	2	CLIP, Retainer, 13 mm (1/2 in)

STX500 CASE IH 4WD TRACTOR (AFTER S/N JEE0099501)

09-15 CAB - FLOORMATS AND DOORS

сылка	Номер детали	Кол-во	Описание
42	87423716	1	CAP, Vinyl
43	895-11006	3	WASHER, M6,
44	832-10406	1	NUT, LOCK, M6 x 1, CI 8,
45	896-11008	1	WASHER, M8 x 17.5 x 2, HT,
46	353-422	1	PLUG, Dome, 1.250" hole, Nylon, Dome, 1-1/4", Used without ACCUGUIDE Option
47	329720A1	1	CYLINDER, Gas Spring

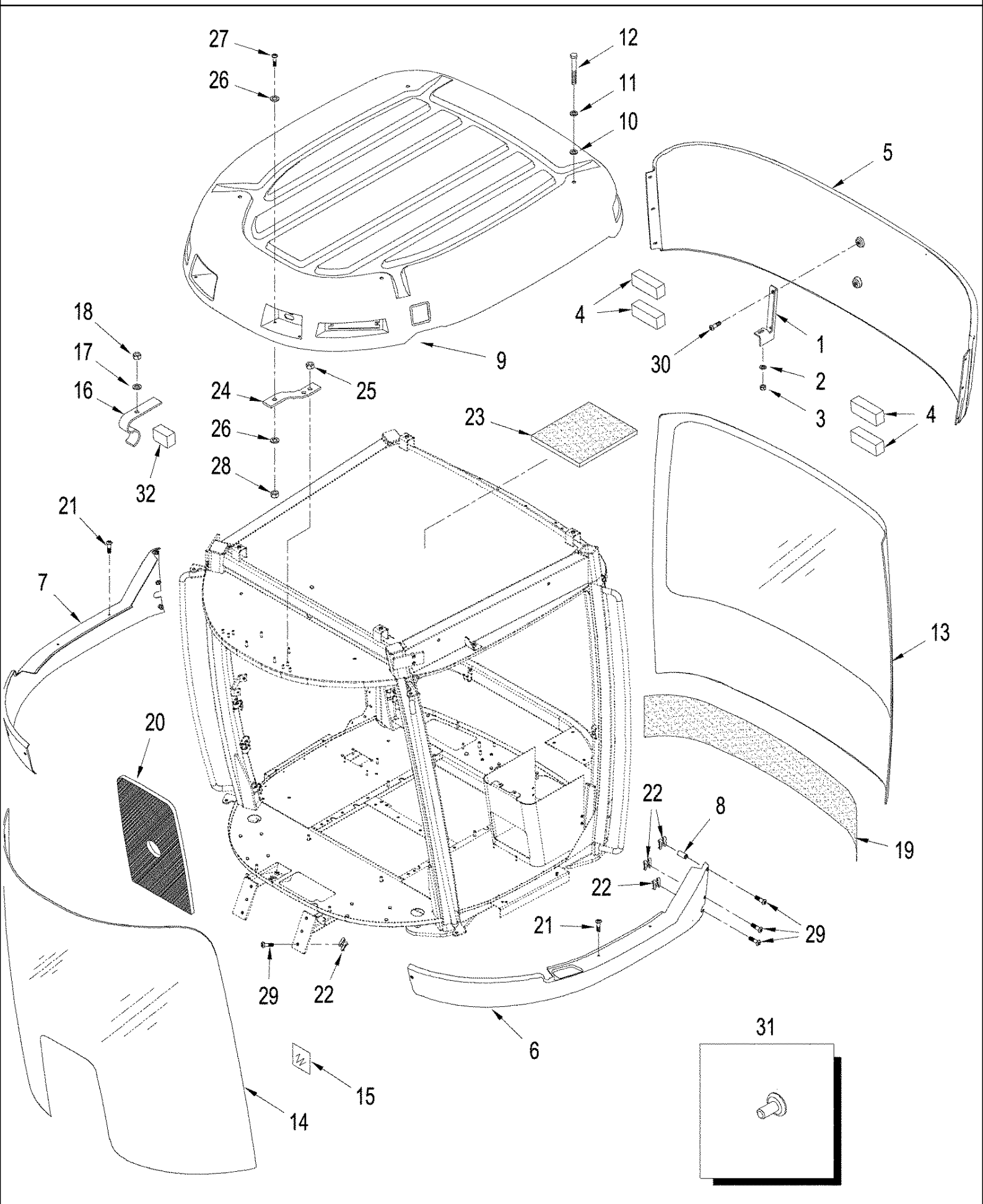
09-16 DOOR ASSEMBLY



STX500 CASE IH 4WD TRACTOR (AFTER S/N JEE0099501)

09-16 DOOR ASSEMBLY

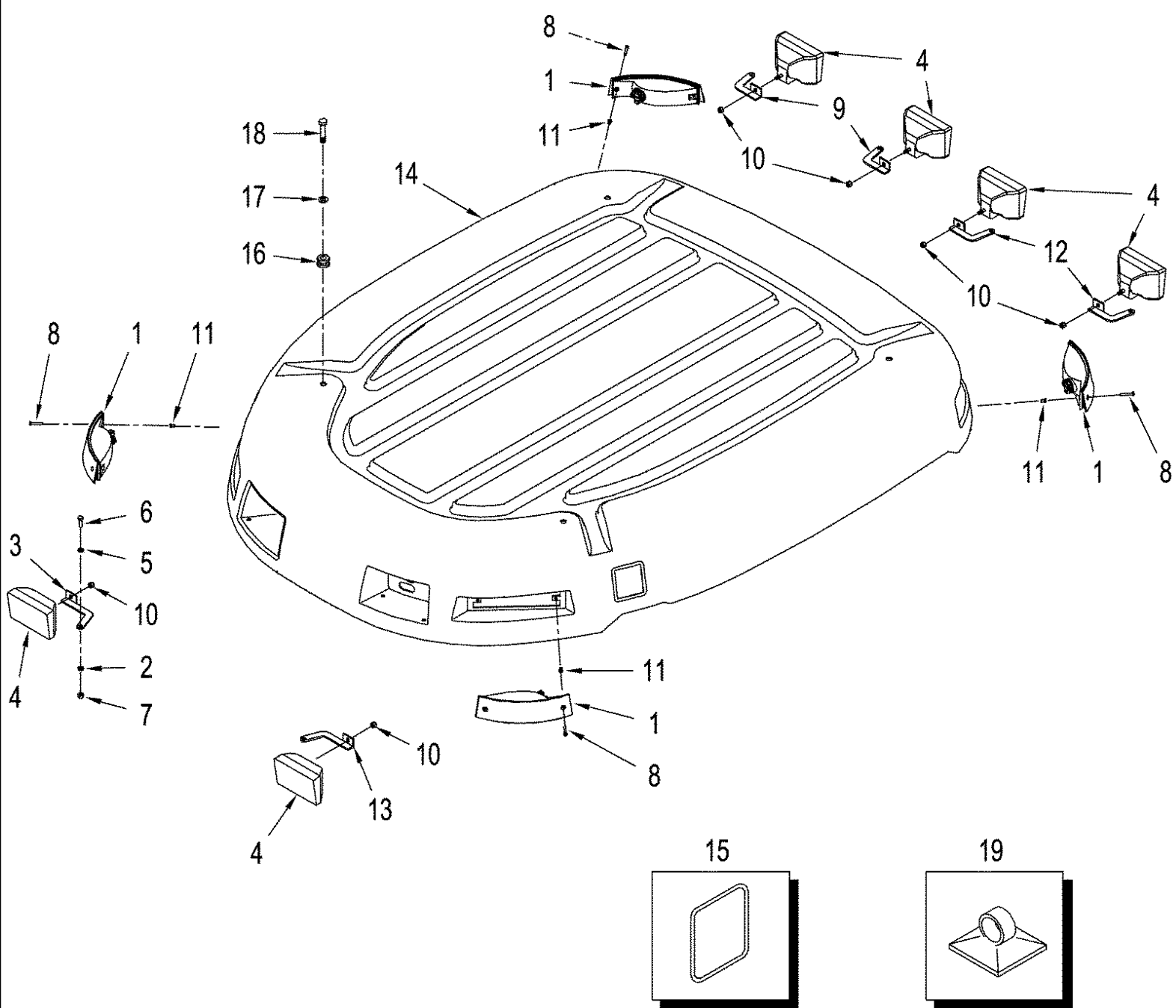
сылка	Номер детали	Кол-во	Описание
	413022A2	1	DOOR ASSY., Inc. 1 - 27
1	388785A2	1	DOOR, Frame
2	388934A1	1	LEVER, Door Latch
3	181239A4	1	WINDOW ASSY, Glass
4	60-7083T1	1	HANDLE,
5	614-6025	1	BOLT, Hex, M6 x 25, 8.8, M6 x 25
6	388874A2	1	LATCH,
7	713-226	1	CLEVIS, M6 x 12
8	906020R1	1	CLIP, M6 x 6
9	895-25006	6	WASHER, M6 x 18 x 1.6, 6,6 x 18 x 1,6 mm
10	733-1610	1	PIN, SPLIT (COTTER), M1.6 x 10, 1,6 x 10 mm
11	829-1406	2	NUT, M6, CI 10, M6; 10.9
12	3234063R1	1	BALL JOINT,
13	403749A1	1	NUT, M10; 10.9
14	340-12520	1	SCREW, Cross Pan Hd, 1/4"-20 x 1 1/4", 1/4 x 1-1/4
15	425-104	1	NUT, 1/4"-20, G5,
16	805-6035	3	BOLT, Hex, Lock, M6 x 35, CI 10.9, M6 x 35
17	760-17316	2	SCREW, SELF TAP, Pan Hd, M4.2 x 16, M4,2 x 16
18	194174A1	1	GASKET, Large
19	194175A1	1	GASKET, Small
20	388122A1	1	HANDLE,
21	388120A2	1	ARMREST,
22	87543673	10	SPACER,
23	760-14316	1	SCREW, SELF TAP, Pan Hd, M4.2 x 16, M4,2 x 16
24	895-30101	2	WASHER, M5 x 10 x 1, 10 x 5,5 x 1,0 mm
25	352842A1	1	KNOB, Lock
26	388936A1	1	ROD,
27	461-42512	4	SCREW, Hex Soc Flat Hd, 1/4"-20 x 3/4", 1/4 x 3/4
28	260-16516	3	SCREW, SELF TAP, Cross Pan Hd, #10 x 1",
29	329720A1	1	CYLINDER, Gas Spring
30	358329A3	1	COVER, Latch
31	369566A1	1	TAPE, ADHESIVE,
32	733-3220	1	PIN, SPLIT (COTTER), M3.2 x 20, 3,2 x 20 mm
33	3233348R1	2	CLIP,



STX500 CASE IH 4WD TRACTOR (AFTER S/N JEE0099501)

09-17 CAB - SKIRTS AND GLASS

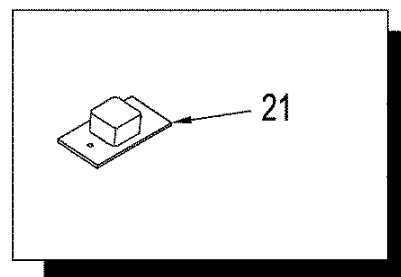
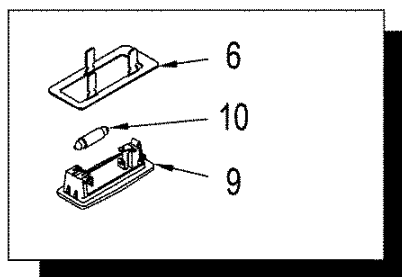
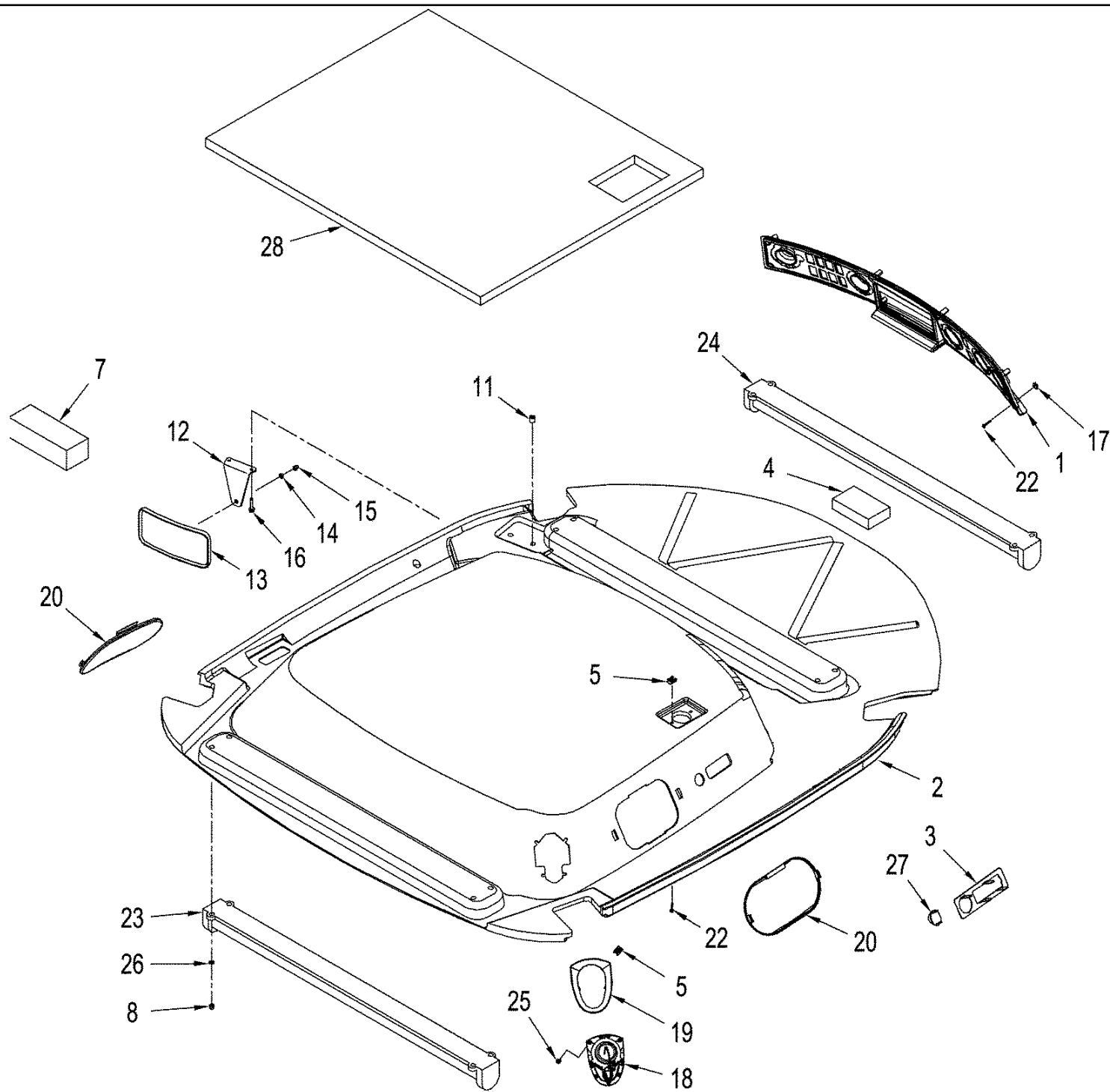
сылка	Номер детали	Кол-во	Описание
1	341574A4	1	BRACKET,
2	895-11008	1	WASHER, M8 x 16 x 1.6, 9 x 17 x 1,6 mm
3	829-1408	1	NUT, M8, CI 10,
4	403325A1	4	FOAM,
5	87534631	1	SKIRT, Rear
6	341234A2	1	SKIRT, Left-Hand
6	357135A2	1	SKIRT, Left-Hand, With Lower Front Wiper
7	341235A2	1	SKIRT, Right-Hand
7	357132A2	1	SKIRT, Right-Hand, With Lower Front Wiper
8	404287A1	4	INSERT,
9	NSS	1	NOT SERVICED SEPARATELY, Roof Assy, See Figure 09-18
10	361191A1	4	GROMMET,
11	896-15016	4	WASHER, M17.5 x 34 x 5, HT, 17,5 x 34 x 5 mm
12	627-16035	4	BOLT, Hex, M16 x 35, 10.9, M6 x 35; 10.9
13	181240A2	1	GLASS, Rear
14	181241A3	1	GLASS, Windshield
14	86991553	1	WINDSHIELD, Laminated (Europe Only)
15	97268C1	34	SPACER,
16	117707A3	7	CLAMP, Window
17	895-11008	6	WASHER, M8 x 16 x 1.6, 9 x 17 x 1,6 mm
18	829-1408	6	NUT, M8, CI 10,
19	259462A1	1	INSULATION, FOAM, 1525 mm (60 in)
20	283531A1	1	INSULATION, FOAM,
21	840-2820	4	SCREW, Cross Pan Hd, M8 x 20, M8 x 20; 4.8
22	404882A1	4	FASTENER, M6, Clip Nut
23	355716A3	1	FOAM,
24	364156A1	4	BRACKET, Roof Support
25	829-1408	8	NUT, M8, CI 10,
26	895-15008	8	WASHER, M8 x 20 x 1.6, 9 x 20 x 1,6 mm
27	627-8025	4	BOLT, Hex, M8 x 25, 10.9,
28	832-10408	4	NUT, LOCK, M8 x 1.25, CI 8,
29	840-1625	4	SCREW, Cross Pan Hd, M6 x 25,
30	840-1620	2	SCREW, Cross Pan Hd, M6 x 20, M6 x 20; 4.8
31	353-406	1	PLUG, Dome, .625" hole, Nylon, If Used
32	87543673	10	SPACER,



STX500 CASE IH 4WD TRACTOR (AFTER S/N JEE0099501)

09-18 ROOF

сылка	Номер детали	Кол-во	Описание
1	320246A1	4	LAMP, Warning, See Figure 04-13
2	355532A1	6	WASHER, Nylon
3	353561A1	1	BRACKET, Light, Right-Hand, Front
4	92269C1	6	LAMP, WORK, See Figure 04-13
5	895-10008	12	WASHER, M8 x 16 x 1.6, 9 x 16 x 1,6 mm
7	832-10408	6	NUT, LOCK, M8 x 1.25, CI 8,
8	840-1535	8	SCREW, Cross Pan Hd, M5 x 35, M5 x 35
9	353563A1	2	BRACKET, Light, Right-Hand, Rear
10	829-1410	6	NUT, M10, CI 10,
11	336304A1	8	INSERT,
12	353562A1	2	BRACKET, Light, Left-Hand, Rear
13	353560A1	1	BRACKET, Light, Left-Hand, Front
14	87418084	1	ROOF,
15	392149A1	2	DECAL, Cover, Without Mirror
16	361191A1	4	GROMMET,
17	895-15016	4	WASHER, M16 x 34 x 3, 17.5 x 34 x 3mm
18	627-16035	4	BOLT, Hex, M16 x 35, 10.9, Hex, M16 x 35, 10.9
19	435436A1	7	MOUNT, RUBBER, Cable tie
6	627-8025	6	BOLT, Hex, M8 x 25, 10.9,

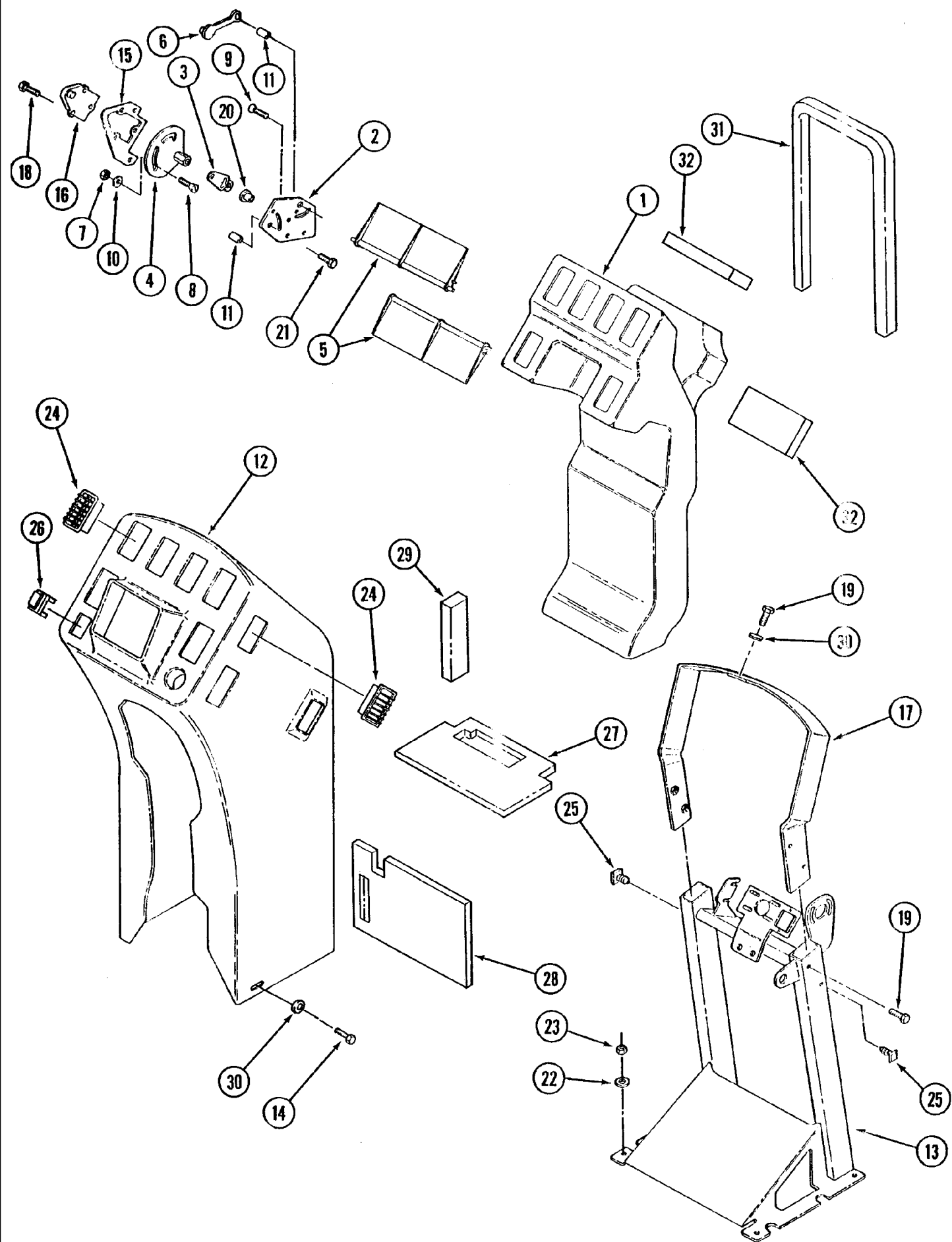


STX500 CASE IH 4WD TRACTOR (AFTER S/N JEE0099501)

09-20 CAB - HEADLINER AND CONTROL PANEL, DELUXE AND LUXURY CAB

сылка	Номер детали	Кол-во	Описание
1	431228A1	1	PANEL, Overhead Control, BSN JEE0106701
1	87453141	1	PANEL, Overhead Control, ASN JEE0106701
	359616A3	1	LINING, ROOF, Inc. 2 - 7
2	NSS	1	NOT SERVICED SEPARATELY, Headliner
3	305485A2	1	RETAINER, Domelight
4	328039A1	3	PAD, No. 6 x 5/8
5	302862A1	6	NUT,
6	305484A2	2	RETAINER, Domelight
7	328037A1	1	PAD, 9 x 20 x 1,6 mm
8	834-502	8	NUT, Crown, M6, CI8, M6; 8
9	1983391C1	3	LAMP, Dome, Inc. 10
10	E35556	1	BULB, 12V, 10W
11	02-3010T1	1	SPACER,
12	64-086T3	1	BRACKET,
13	A177462	1	MIRROR, Rearview, Inc. 14, 15
14	493-41026	1	WASHER, LOCK, Ext Tooth, 1/4", 1/4
15	19-5565	1	NUT, LOCK, 1/4"-28, GB, 1/4 NF
16	555-12	2	BOLT, Hex Flg, M6 x 30, 10.9, M6 x 30; 10.9
17	177269A1	8	NUT,
18	372892A1	1	LAMP, Map
19	360364A1	1	BEZEL,
20	358683A1	2	GRILLE,
21	83882C91	1	LAMP,
22	1270741C1	10	SCREW, SELF TAP, Cross Pan Hd, #8 x 1",
23	87450400	1	VISOR, SUN, Rear
24	246324A1	1	VISOR, SUN, Front
25	260-54310	4	SCREW, SELF TAP, Cross Pan Hd, #6 x 5/8", No. 6 x 5/8
26	297865A1	8	WASHER, 6 x 12 x 1.6 mm
27	280628A1	1	PLUG, Switch, Used without Mirror
28	384759A1	1	FOAM,

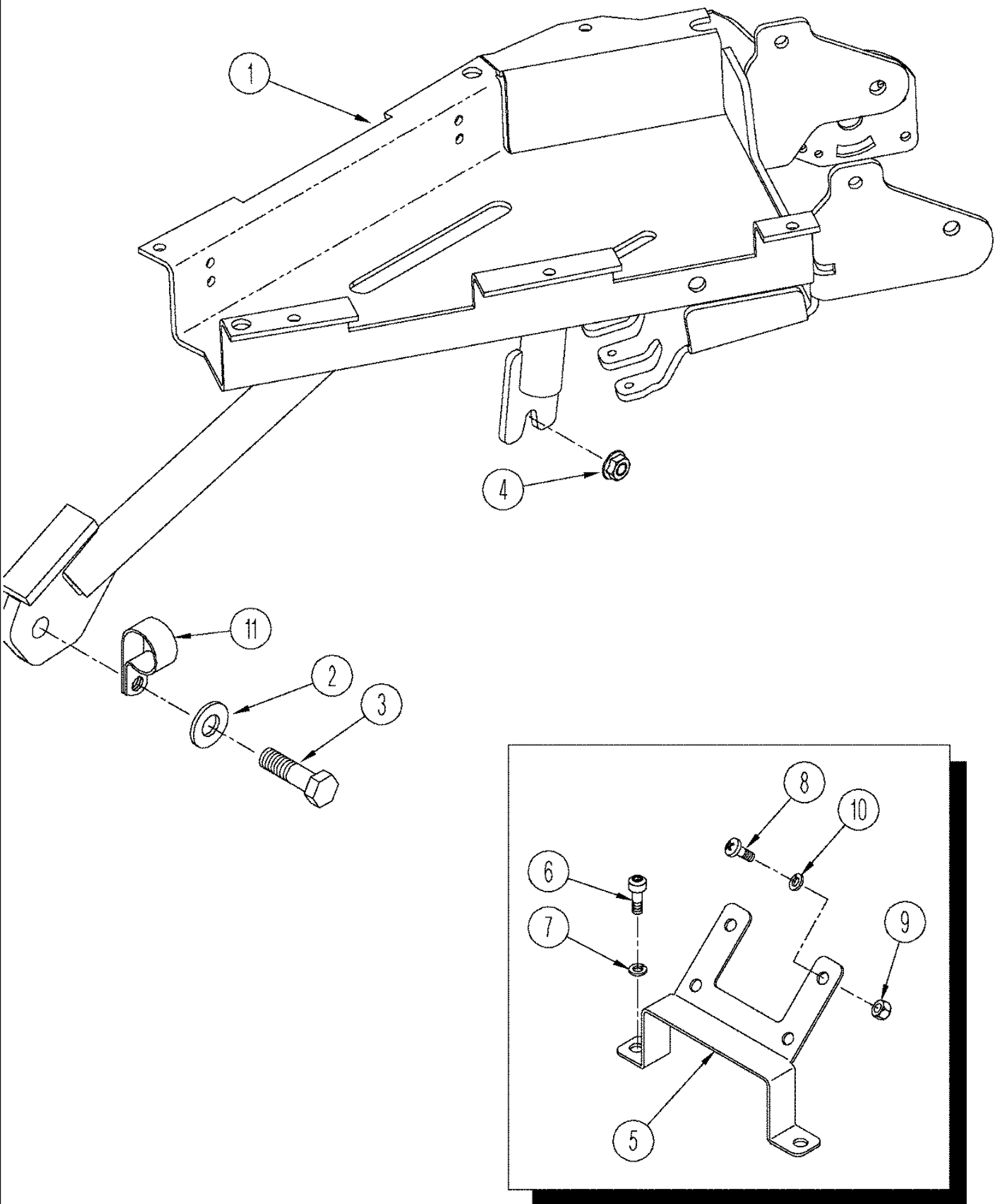
09-21 FRONT CONSOLE



STX500 CASE IH 4WD TRACTOR (AFTER S/N JEE0099501)

09-21 FRONT CONSOLE

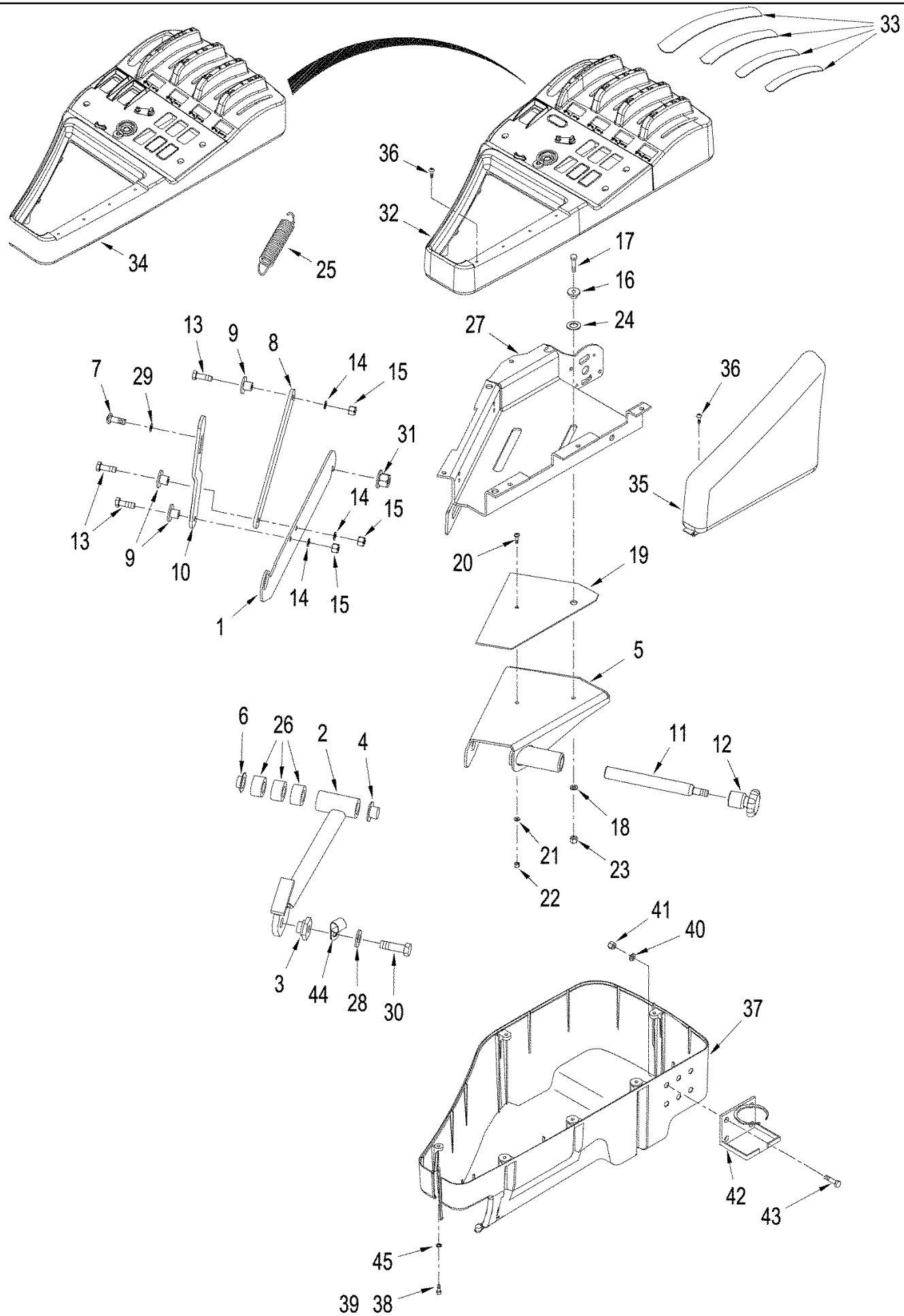
сылка	Номер детали	Кол-во	Описание
1	87433098	1	DUCT, AIR, Conditioning and Heating
2	257059A2	1	PLATE, Support
3	281138A1	1	GUIDE,
4	281139A1	1	GUIDE,
5	246476A1	2	VENT,
6	275601A1	1	LINK,
7	832-10404	1	NUT, LOCK, M4 x .7, CI 8, M4; 8
8	840-1416	1	SCREW, Cross Pan Hd, M4 x 16,
9	840-148	3	SCREW, Cross Pan Hd, M4 x 8, M4 x 8
10	895-11004	1	WASHER, M4, 4,3 x 9 x 0,8 mm
11	60-2416T1	5	BEARING, NYLON,
12	360446A1	1	CONSOLE,
13	281425A4	1	SUPPORT, Steering
14	628-6012	2	BOLT, Hex, M6 x 12, 10.9, Full Thd, M6 x 12; 10.9
15	277438A1	1	SUPPORT,
16	275602A1	1	ACTUATOR, Actuator
17	280566A1	1	SUPPORT, Console
18	760-14316	3	SCREW, SELF TAP, Pan Hd, M4.2 x 16, M4,2 x 16
19	627-6016	7	BOLT, Hex, M6 x 16, 10.9, M6 x 16; 10.9
20	281140A1	1	WASHER,
21	840-1410	1	SCREW, Cross Pan Hd, M4 x 10, M4 x 10; 4,8
22	895-11010	4	WASHER, M10 x 20 x 2,
23	829-1310	4	NUT, M10, CI 10, M10; 10,9
24	363881A1	10	VENT, , BSN JEE0104239
24	363931A1	10	VENT, , ASN JEE0104239
25	301098A1	2	CLIP,
26	86000535	1	PLUG, 1.427" x .62", Plastic, Switch, No Ether Start
27	381027A1	1	INSULATION, FOAM, Acoustical, Deluxe Cab, Luxury Cab
28	384758A1	1	INSULATION, FOAM, , Luxury Cab, Deluxe Cab
29	384786A1	2	INSULATION, FOAM, , Deluxe Cab, Luxury Cab
30	895-11006	5	WASHER, M6,
31	284150A2	1	STRIP, RUBBER,
32	446687A1	4	FOAM,



STX500 CASE IH 4WD TRACTOR (AFTER S/N JEE0099501)

09-22 CONSOLE - RIGHT-HAND ARMREST, MANUAL

сылка	Номер детали	Кол-во	Описание
1	319915A4	1	SUPPORT, Console, Standard Cab
1	319913A4	1	CONSOLE, Console, Deluxe Cab, BSN JEE0106701
1	87444987	1	SUPPORT, Console, Deluxe Cab
2	895-15012	1	WASHER, M12 x 28 x 2.5, 13,5 x 28 x 2,5 mm
3	627-12030	1	BOLT, Hex, M12 x 30, 10.9, , Standard Cab
3	627-12045	1	BOLT, Hex, M12 x 45, 10.9, Full Thd, , Deluxe Cab
4	825-2408	1	NUT, M8 x 1.25, Flg, Cl 8,
5	349563A1	1	BRACKET, without Arm Rest
6	864-4012	2	SCREW, Hex Soc Hd, M4 x 12, 8.8, M4 x 12
7	895-11004	2	WASHER, M4, 4,3 x 9 x 0,8 mm
8	840-1316	4	SCREW, Cross Pan Hd, M3 x 16, M3 x 16; 4.8
9	824-1403	4	NUT, M3, Cl 5,
10	895-11003	4	WASHER, M3, 3,2 x 7 x 0,5 mm
11	515-25190	1	CLAMP, 3/4", Insul, 1/2" Bolt, 3/4 ID



STX500 CASE IH 4WD TRACTOR (AFTER S/N JEE0099501)

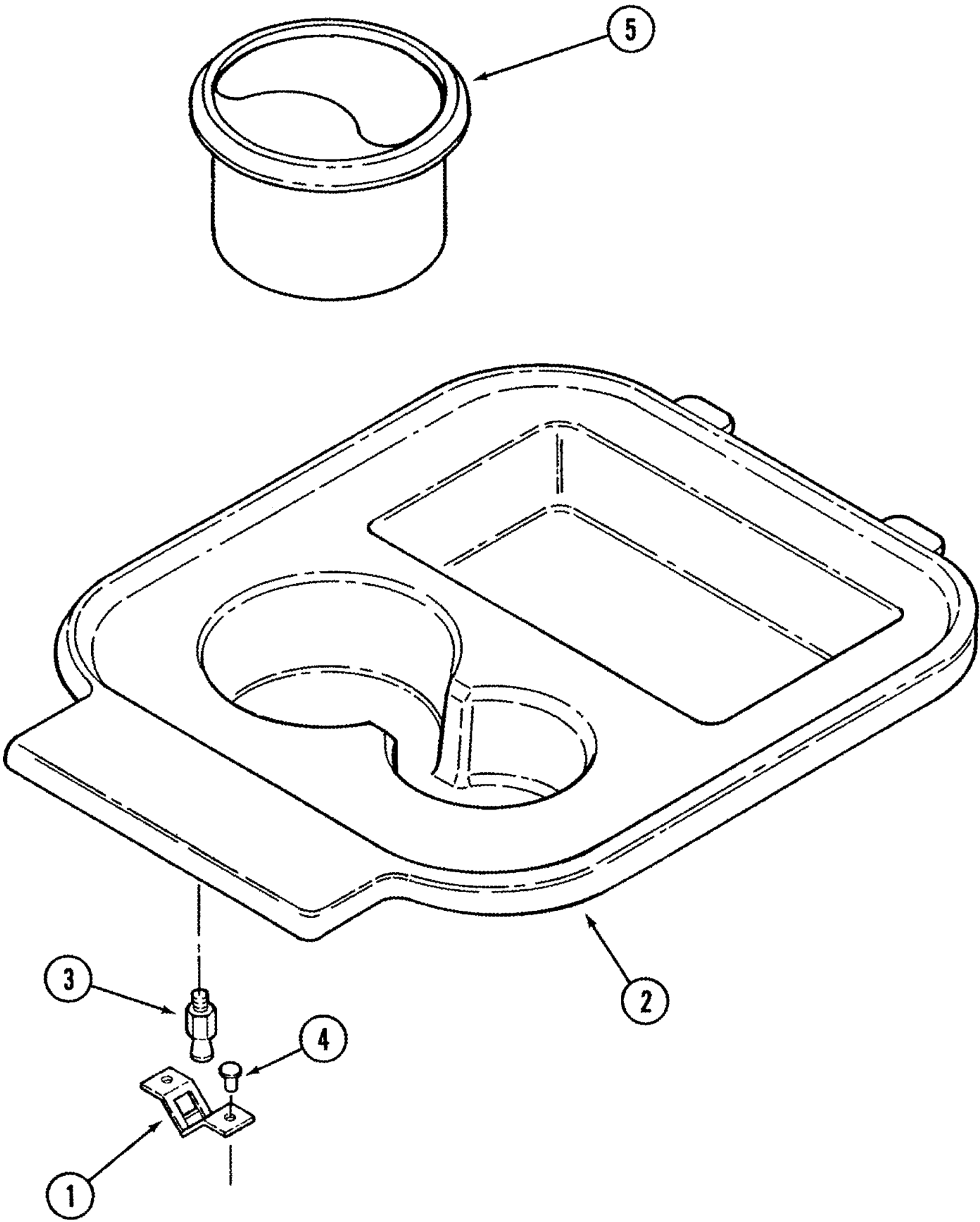
09-23 CONSOLE - RIGHT HAND ARMREST, ELECTRIC

сылка	Номер детали	Кол-во	Описание
	87519426	1	SUPPORT, Electric, Inc. 1 - 27, 29, With Power Shift Transmission
1	NSS	1	NOT SERVICED SEPARATELY, Plate
2	NSS	1	NOT SERVICED SEPARATELY, Support
3	222292A1	1	NUT,
4	72323	1	BUSHING, , BSN JEE0106701
4	185062R1	1	BUSHING, , ASN JEE0106701
5	NSS	1	NOT SERVICED SEPARATELY, Support, Lower
6	294296A1	1	BUSHING,
7	NSS	1	NOT SERVICED SEPARATELY, Bolt, Special
8	NSS	1	NOT SERVICED SEPARATELY, Link
9	NSS	3	NOT SERVICED SEPARATELY, Washer, Shoulder
10	NSS	1	NOT SERVICED SEPARATELY, Bracket
11	NSS	1	NOT SERVICED SEPARATELY, Bolt, Special
12	319870A1	1	KNOB,
13	627-8025	3	BOLT, Hex, M8 x 25, 10.9,
14	895-15008	3	WASHER, M8 x 20 x 1.6, 9 x 20 x 1,6 mm
15	832-10408	3	NUT, LOCK, M8 x 1.25, CI 8,
16	277582A1	2	WASHER,
17	628-6025	2	BOLT, Hex, M6 x 25, 10.9, Full Thd, M6 x 25; 10,9
18	895-11006	2	WASHER, M6,
19	277576A1	1	SPACER,
20	840-1414	1	SCREW, Cross Pan Hd, M4 x 14, M4 x 14, BSN JEE0106701
21	895-11004	1	WASHER, M4, 4,3 x 9 x 0,8 mm, BSN JEE0106701
22	832-10404	1	NUT, LOCK, M4 x .7, CI 8, M4; 8, BSN JEE0106701
23	832-10406	2	NUT, LOCK, M6 x 1, CI 8,
24	277570A1	2	WASHER,
25	NSS	1	NOT SERVICED SEPARATELY, Spring
26	294295A1	3	BUSHING,
27	NSS	1	NOT SERVICED SEPARATELY, Support, Upper
28	895-15012	1	WASHER, M12 x 28 x 2.5, 13,5 x 28 x 2,5 mm
29	NSS	1	NOT SERVICED SEPARATELY, Washer, Ribbed
30	627-12040	1	BOLT, Hex, M12 x 40, 10.9, Full Thd, , BSN JEE0106701
30	627-12045	1	BOLT, Hex, M12 x 45, 10.9, Full Thd, , ASN JEE0106701
31	825-2408	1	NUT, M8 x 1.25, Flg, CI 8,
	408021A1	1	HOUSING, Upper, Inc. 32, 33, Standard Cab, BSN JEE0102001
	417819A2	1	HOUSING, Upper, Inc. 32, 33, Luxury Cab, Deluxe Cab, BTW JEE0102001 & JEE0106701
	87412651	1	COVER ASSY, Upper, with Decals, Inc. 33 & 34, Deluxe Cab, Luxury Cab, ASN JEE0106701
32	414440A2	1	HOUSING, Upper, Standard Cab, BSN JEE0102001
32	414438A2	1	HOUSING, Upper, Electronic, Luxury Cab, Deluxe Cab, BSN JEE0106701
33	407759A1	1	DECAL, Throttle / EH Levers, Deluxe Cab, Luxury Cab
34	87412651	1	COVER ASSY, Upper, Luxury Cab, Deluxe Cab, ASN JEE0106701
35	277204A2	1	CUSHION, Vinyl, Deluxe Cab
35	358812A2	1	CUSHION ASSY., Leather, Luxury Cab
36	760-14316	4	SCREW, SELF TAP, Pan Hd, M4.2 x 16, M4,2 x 16
37	238291A1	1	ARMREST, Lower

STX500 CASE IH 4WD TRACTOR (AFTER S/N JEE0099501)

09-23 CONSOLE - RIGHT HAND ARMREST, ELECTRIC

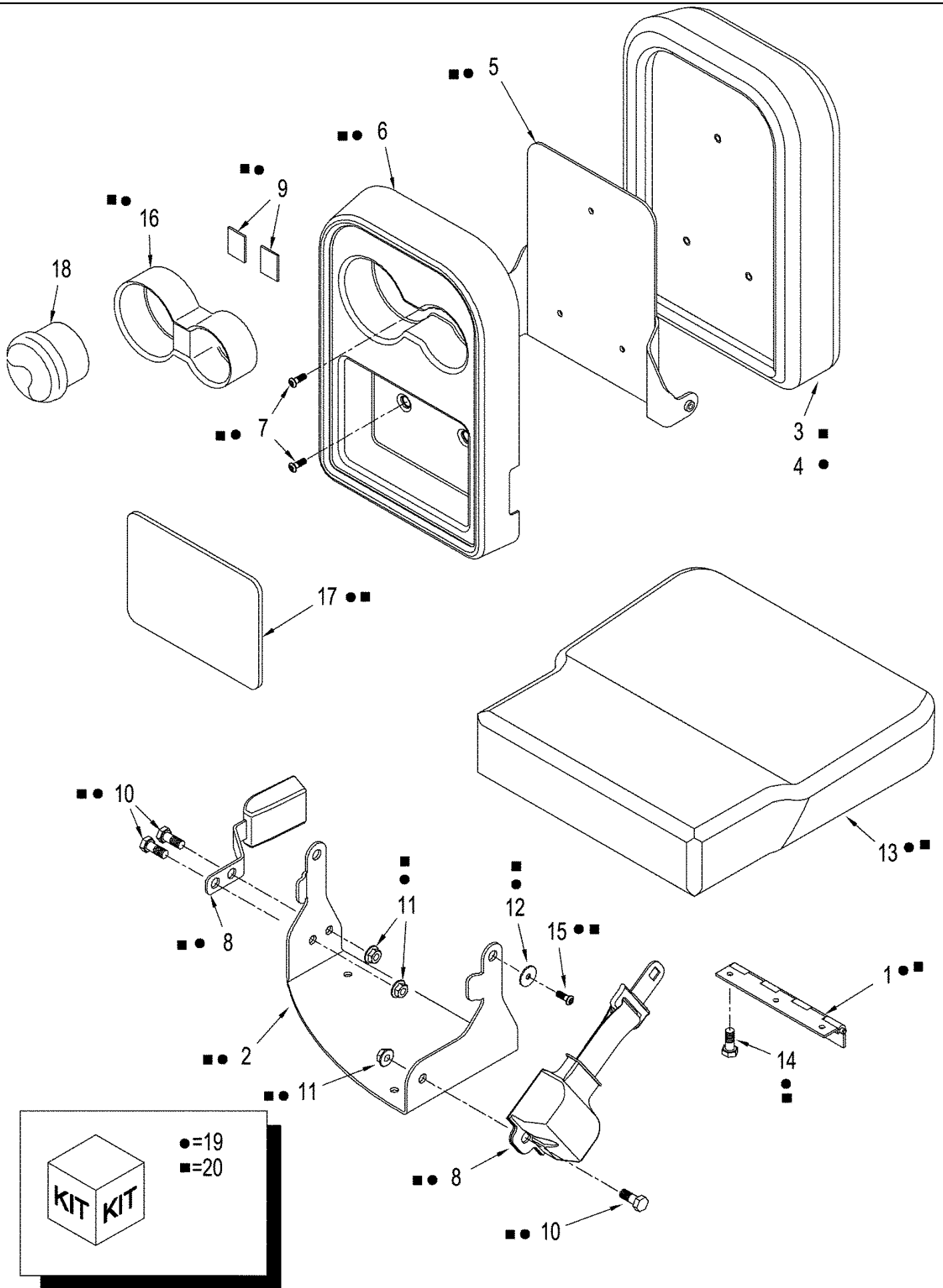
сылка	Номер детали	Кол-во	Описание
37	361350A1	1	HOUSING, Lower, Without Advanced Farming Systems (AFS)
37	374990A1	1	HOUSING, Lower, With Advanced Farming Systems (AFS)
38	864-4020	6	SCREW, Hex Soc Hd, M4 x 20, 8.8, , Without Advanced Farming Systems (AFS)
39	864-4016	6	SCREW, Hex Soc Hd, M4 x 16, 8.8, M4 x 16; 8.8, With Advanced Farming Systems (AFS)
40	895-11004	6	WASHER, M4, 4,3 x 9 x 0,8 mm
41	824-1404	4	NUT, M4, CI 5,
42	331649A1	1	HOLDER, Cup
43	840-1412	4	SCREW, Cross Pan Hd, M4 x 12, M4 x 12
44	515-25190	1	CLAMP, 3/4", Insul, 1/2" Bolt,
45	893-11004	6	WASHER, LOCK, Ext Tooth, M4,



STX500 CASE IH 4WD TRACTOR (AFTER S/N JEE0099501)

09-24 SEAT - NON-INSTRUCTIONAL

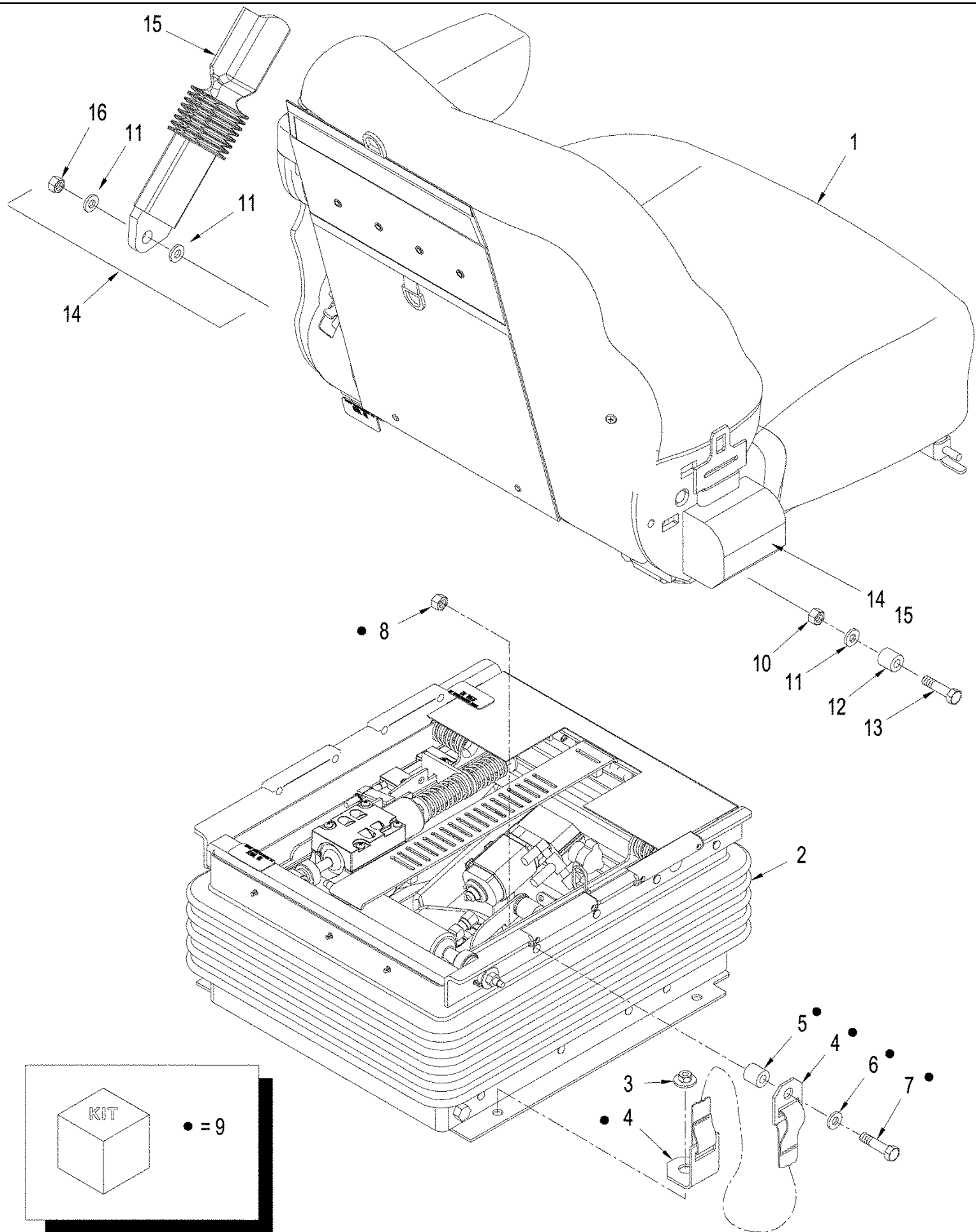
сылка	Номер детали	Кол-во	Описание
1	1961435C1	1	LATCH,
2	358331A1	1	TRAY,
3	1977929C1	1	STUD,
4	151-553	2	RIVET, Pop, 1/8" x .337",
5	302456A1	1	ASH TRAY, If Used



STX500 CASE IH 4WD TRACTOR (AFTER S/N JEE0099501)

09-25 SEAT - INSTRUCTIONAL

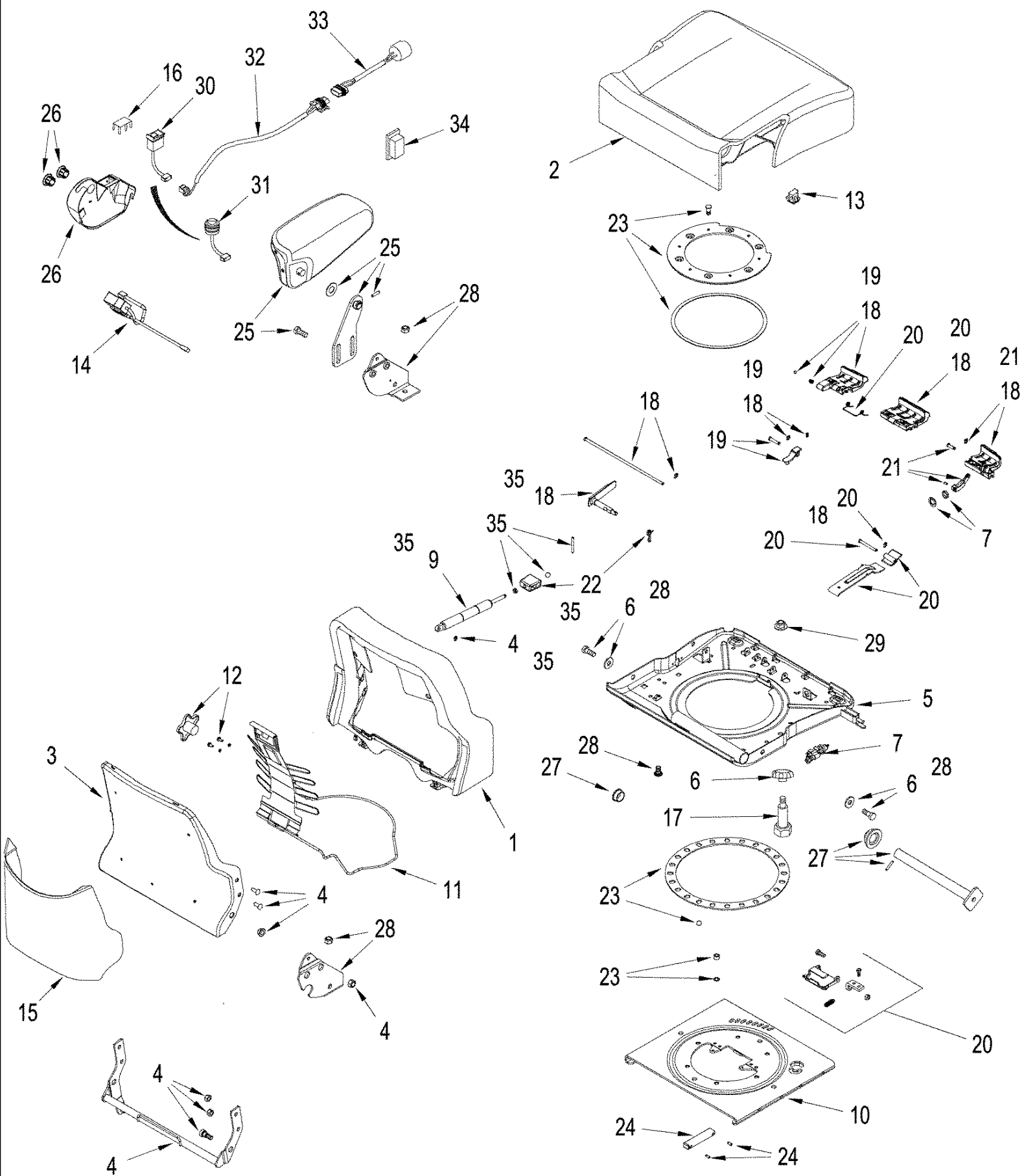
сылка	Номер детали	Кол-во	Описание
1	365674A1	1	HINGE,
2	249707A2	1	BRACKET,
	359383A1	1	SEAT ASSY., Cloth, Inc. 3, 5 - 7
	359845A1	1	SEAT ASSY., Leather, Inc. 4 - 7
3	358341A1	1	CUSHION, Seat Back, Cloth
4	359177A1	1	CUSHION, Seat Back, Leather
5	252928A2	1	BRACKET,
6	358330A1	1	TRAY,
7	440-12510	3	SCREW, Cross Pan Hd, 1/4"-20 x 5/8", 1/4 x 5/8
8	281926A2	1	BELT, Seat
9	406682A1	2	FASTENER, Velcro
10	627-10025	3	BOLT, Hex, M10 x 25, 10.9, Full Thd, M10 x 25; 10.9
11	825-2410	3	NUT, M10 x 1.5, Flg, Cl 8, M10
12	895-15006	2	WASHER, M6 x 25 x 1.6,
13	358340A1	1	CUSHION, Seat, Cloth
13	359176A1	1	CUSHION, Seat, Leather
14	426-412	3	BOLT, Hex, 1/4"-20 x 3/4", G8, Full Thd, 1/4 x 3/4; 8
15	906051R1	2	SCREW, Hex Soc But Hd, M6 x 1 x 10, 12.9, 1/4 x 3/4
16	369635A2	1	HOLDER, Cup Holder
17	394828A1	1	PLATE, Foam
18	302456A1	1	ASH TRAY, If Used
19	365946A1	1	KIT, Instructional Seat, Leather, Inc. 1, 2 & 4 - 17
20	334238A1	1	KIT, Instructional Seat, Cloth, Inc. 1 - 3, 5 - 13 & 14 - 17



STX500 CASE IH 4WD TRACTOR (AFTER S/N JEE0099501)

09-26 SEAT

сылка	Номер детали	Кол-во	Описание
	358202A2	1	SEAT ASSY., Cloth, without Heat, Inc. 1, 2, 14, BSN JEE0106701
	87453068	1	SEAT ASSY., Cloth, without Heat, Inc. 1, 2, 15, ASN JEE0106701
	397519A2	1	SEAT ASSY., Cloth, Heated, Inc. 1, 2, 14, BTW JEE0102001 & JEE0106701
	87453069	1	SEAT ASSY., Cloth, Heated, Inc. 1, 2, 15, BTW JEE0106701 & JEE0108962
	87433296	1	SEAT ASSY., Cloth, Heated, Inc. 1, 2, 15, ASN JEE0108962
	403213A2	1	SEAT ASSY., Cloth, Heated, Semi-Active, Inc. 1, 2, 14, BTW JEE0102001 & JEE0106701
	87453071	1	SEAT ASSY., Cloth, Heated, Semi-Active, Inc. 1, 2, 15, ASN JEE0106701
	358203A2	1	SEAT ASSY., Leather, Heated, Inc. 1, 2, BSN JEE0102001
	400163A2	1	SEAT ASSY., Leather, Heated, Semi-Active, Inc. 1, 2, ASN JEE0102001
1	360319A2	1	CUSHION ASSY., Cloth, without Heat, See Figure: 09-27, BSN JEE0106701
1	87347872	1	SEAT, BACK, Cloth, without Heat, See Figure: 09-27 (01), ASN JEE0106701
1	397525A1	1	CUSHION ASSY., Cloth, Heated, See Figure: 09-27, BSN JEE0106701
1	87347873	1	SEAT, BACK, Cloth, Heated, See Figure: 09-27 (01), BTW JEE0106701 & JEE0108962
1	REF	1	INSTRUCTION, Seat Assy., Cushion, See Figure: 09-27 (01), ASN JEE0108962
1	360321A2	1	CUSHION ASSY., Leather, Heated, See Figure: 09-27
2	374353A2	1	PACKAGE, SERVICE, Suspension, See Figure: 09-28 (01), BSN JEE0106701
2	87347885	1	KIT, SERVICE, Suspension, See Figure: 09-28 (01), BTW JEE0106701 & JEE0108962
2	87395380	1	SUSPENSION, See Figure: 09-28 (02), ASN JEE0108962
2	400184A1	1	KIT, Suspension, Semi-Active, See Figure: 09-28 (02), BTW JEE0102001 & JEE0106701
2	87347886	1	SUSPENSION, Semi-Active, See Figure: 09-28 (02), ASN JEE0106701
3	825-2408	4	NUT, M8 x 1.25, Flg, CI 8,
4	389277A1	2	BELT, Seat, Tether, Scraper Application
5	NSS	2	NOT SERVICED SEPARATELY, Spacer, Scraper Application
6	496-31041	2	WASHER, 13/32" x 13/16" x .134", HDN, 3/8" ID x 7/8" OD
7	426-636	2	BOLT, Hex, 3/8"-16 x 2 1/4", G8, Cap, HH, 3/8 x 2-1/2
8	231-4246	2	NUT, LOCK, 3/8"-16, GB, 3/8
9	87431487	1	KIT, FIP, Tether Belt, Scraper Application
10	829-1312	1	NUT, M12 x 1.75, CI 10, M12, CL10
11	896-11012	3	WASHER, M13.5 x 24.5 x 3, HT, .500" x 1.250" x .08" Thk
12	87313413	1	TUBE SPACER, Steel, .875" x .50"
13	806-12040	1	BOLT, Hex, Lock, M12 x 40, CI 10.9, Cap, HH, M12 x 40, CL10,9
14	333657A2	1	BELT, SAFETY, , BSN JEE0106701
15	444877A1	1	SEAT BELT, , ASN JEE0106701
16	806-12030	1	BOLT, Hex, Lock, M12 x 30, CI 10.9, Cap, HH, M12 x 30, CL10.9



STX500 CASE IH 4WD TRACTOR (AFTER S/N JEE0099501)

09-27 SEAT - CUSHION ASSEMBLY, BSN JEE0106701

сылка	Номер детали	Кол-во	Описание
	360319A2	1	CUSHION ASSY., Cloth, Without Heat, Inc. 1 - 29
	397525A1	1	CUSHION ASSY., Cloth, Heated, Inc. 1 - 25, 27 - 35
	360321A2	1	CUSHION ASSY., Leather, Heated, Inc. 1 - 15, 17 - 35
1	360329A1	1	BACKREST,
1	397528A1	1	BACKREST, , BSN JEE0102001
1	87407044	1	BACKREST, , ASN JEE0102001
1	360327A1	1	BACKREST, Leather, BSN JEE0102001
1	87407042	1	BACKREST, Leather, ASN JEE0102001
2	360328A2	1	CUSHION ASSY., Cloth, Without Heat
2	397527A1	1	CUSHION ASSY., Cloth, Heated, BSN JEE0102001
2	87407045	1	CUSHION ASSY., Cloth, Heated, ASN JEE0102001
2	360326A1	1	CUSHION ASSY., Leather, Heated, BSN JEE0102001
2	87407043	1	CUSHION ASSY., Leather, Heated, ASN JEE0102001
3	302005A1	1	PANEL, Backrest, Cloth Seat
3	375198A1	1	BACKREST, Leather Seat
4	359959A1	1	TUBE, Torque
5	375224A2	1	PAN,
6	830-1110	1	NUT, Weld, M10, M10
7	1981852C3	1	SWITCH, Air Control
9	302004A2	1	SHOCK ABSORBER, Gas Strut
10	302001A1	1	PLATE, Swivel
11	333104A2	1	SUPPORT, Lumbar, Inc. 12
12	374387A1	1	PACKAGE,SERVICE, Lumbar
13	333107A1	1	SWITCH, Operators Presence, Semi-Active Seat
14	302011A1	1	HARNESS, Temperature, BSN JEE0102001
14	87407046	1	HARNESS, Temperature, Semi-Active Seat, ASN JEE0102001
15	333108A2	1	CASE, Backrest, Cloth Seat
15	374388A1	1	PACKAGE,SERVICE, Backrest, Leather Seat
16	374361A1	1	BLANK-OFF PLUG, w/o Heater, BSN JEE0102001
16	375200A1	1	PLUG, w/o Heater, ASN JEE0102001
17	561-707	1	SCREW, Hex Soc, Shoulder, M10 12 X 30mm, CI12.9, Shoulder, M10 x 30
18	373463A1	1	PACKAGE,SERVICE, Seat Knob
19	373464A1	1	PACKAGE,SERVICE, Swivel Control
20	373465A1	1	PACKAGE,SERVICE, Slide Control
21	373466A1	1	PACKAGE,SERVICE, Height Control
22	87331275	1	PACKAGE,SERVICE, Recliner Control
23	391414A1	1	PACKAGE,SERVICE, Swivel
24	302016A1	1	PACKAGE,SERVICE, Slide Pucks
25	361044A1	1	PACKAGE,SERVICE, Armrest, Left-Hand, Cloth
25	373468A1	1	PACKAGE,SERVICE, Armrest, Left-Hand, Leather
26	374386A1	1	PACKAGE,SERVICE, Heater Switch Cover, BSN JEE0102001
26	389718A1	1	KIT, Heater Switch Cover, ASN JEE0102001
27	359951A1	1	PACKAGE,SERVICE, Console Mount
28	359950A1	1	PACKAGE,SERVICE, Side Brackets
29	825-2410	1	NUT, M10 x 1.5, Flg, CI 8, M10;8

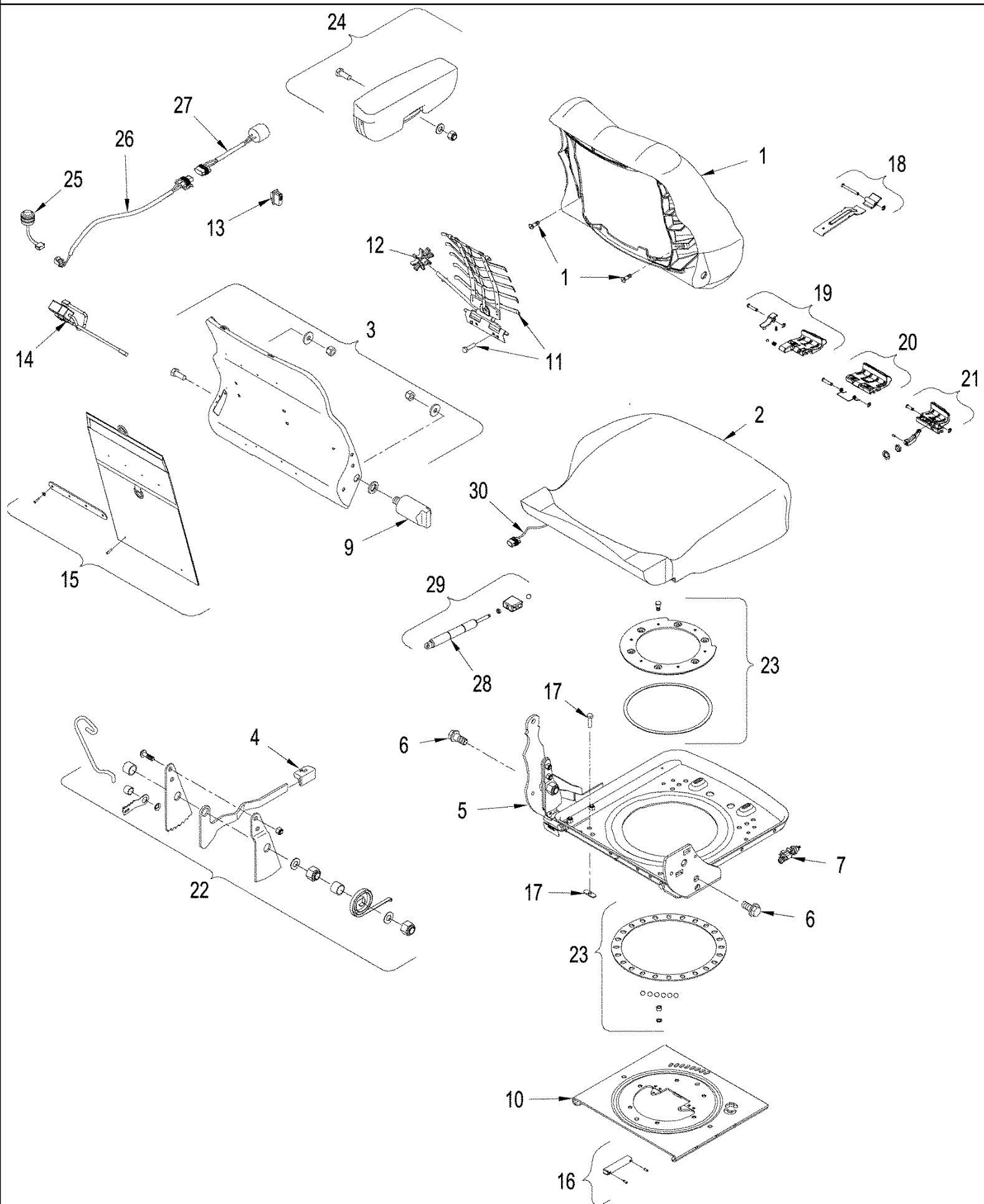
See page 9-77 for decals.

STX500 CASE IH 4WD TRACTOR (AFTER S/N JEE0099501)

09-27 SEAT - CUSHION ASSEMBLY, BSN JEE0106701

сылка	Номер детали	Кол-во	Описание
	383593A1	1	HARNESS, Heater, Complete, Inc. 30 - 32
30	381151A1	1	SWITCH, Heater Control, Round Rocker, BSN JEE0102001
31	87407048	1	SWITCH, Heater, Semi-Active Seat, Round Rocker, ASN JEE0102001
32	381152A1	1	HARNESS, Heater, Center Section
33	381201A1	1	HARNESS, Heater, Resistor
34	87347940	1	KIT, SERVICE, Height Adjustment Switch
35	87331408	1	PACKAGE, SERVICE, Recliner Control

See page 9-77 for decals.



STX500 CASE IH 4WD TRACTOR (AFTER S/N JEE0099501)

09-27(01) SEAT - CUSHION ASSEMBLY, ASN JEE0106701

сылка	Номер детали	Кол-во	Описание
	87347872	1	SEAT, BACK, Cloth, Without Heat, Inc. 3, 5
	87347873	1	SEAT, BACK, Cloth, Heated, Inc. 3, 5, BTW JEE0106701 & JEE0108962
	360321A2	1	CUSHION ASSY., Leather, Heated, Inc. 1 - 14, 16 - 23, 24 - 27
1	373476A1	1	CUSHION, Backrest, Cloth, without Heat
1	87347895	1	SEAT, BACK, Backrest, Cloth, Heated, BTW JEE0106701 & JEE0108962
1	87395385	1	CUSHION, Backrest, Cloth, Heated, ASN JEE0108962
1	87407042	1	BACKREST, Leather
2	87347893	1	CUSHION, SEAT, Cloth, Without Heat, Inc. 30
2	87347894	1	CUSHION, SEAT, Cloth, Heated, Inc. 30, BTW JEE0106701 & JEE0108962
2	87395384	1	CUSHION, SEAT, Cloth, Heated
2	87407043	1	CUSHION ASSY., Leather, Heated
3	86994155	1	ASSEMBLY, Backrest Panel
4	87416475	1	KNOB, Recline Control
5	NSS	1	NOT SERVICED SEPARATELY, Pan, Seat
6	830-1110	1	NUT, Weld, M10, M12
7	1981852C3	1	SWITCH, Air Control
9	359951A1	1	PACKAGE,SERVICE, Console Mount
10	87347956	1	KIT, SERVICE, Swivel
11	87308130	1	SEAT BACK ADJUST. DEVICE, Lumbar, Inc. 12
12	87037462	1	SEAT BACK ADJUST. DEVICE, Lumbar Knob
13	87347958	1	KIT, SERVICE, Operator Ride Control
14	87407046	1	HARNESS, Temperature, Semi-Active Seat, BTW JEE0106701 & JEE0108962
14	87395389	1	CONTROL, Heater, ASN JEE0108962
15	87432355	1	POCKET, Backrest, Cloth Seat, BTW JEE0106701 & JEE0108962
15	86994172	1	KIT, SERVICE, Backrest Manual Holder, ASN JEE0108962
16	302016A1	1	PACKAGE,SERVICE, Slide Pucks
17	561-707	1	SCREW, Hex Soc, Shoulder, M10 12 X 30mm, CI12.9, Shoulder, M10 x 30
18	87347934	1	LATCH, Seat Slide
19	87347942	1	KIT, SERVICE, Swivel Control
20	87347941	1	KIT, SERVICE, Fore / Aft Slide Control
21	373466A1	1	PACKAGE,SERVICE, Height Control
22	86994165	1	SEAT ACCESSORY, Recliner Control
23	87347936	1	KIT, SERVICE, Swivel
24	87347939	1	KIT, SERVICE, Armrest, Left-Hand, Cloth, without Heat
24	86994250	1	ASSEMBLY, Armrest, Left-Hand, Cloth, Heated, BTW JEE0106701 & JEE0108962
24	87397615	1	ARMREST, Left-Hand, Cloth, Heated, ASN JEE0108962
24	373468A1	1	PACKAGE,SERVICE, Armrest, Left-Hand, Leather
25	87407048	1	SWITCH, Heater, Semi-Active Seat, Round Rocker, BTW JEE0106701 & JEE0108962
25	87395388	1	SWITCH, Heater, ASN JEE018962
26	381152A1	1	HARNESS, Heater, Center Section, BTW JEE0106701 & JEE0108962
26	87395390	1	HARNESS, Heater, ASN JEE0108962
27	381201A1	1	HARNESS, Heater, Resistor
28	302004A2	1	SHOCK ABSORBER, Cylinder
29	87331275	1	PACKAGE,SERVICE, Recliner Block, Inc. 4
30	NSS	1	NOT SERVICED SEPARATELY, Switch, Operators Presence, BTW JEE0106701 & JEE0108962

See page 9-77 for decals.

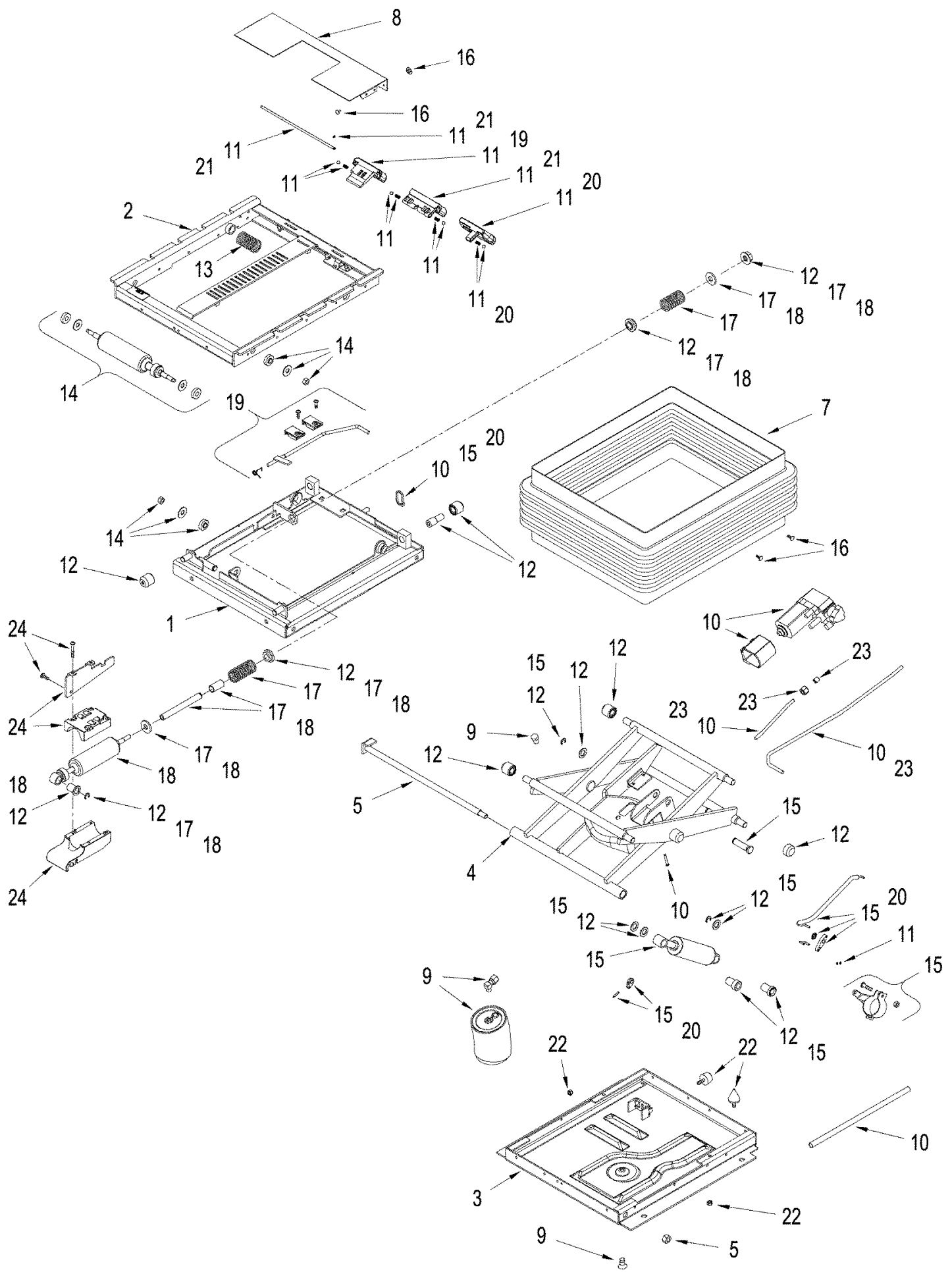
STX500 CASE IH 4WD TRACTOR (AFTER S/N JEE0099501)

09-27(01) SEAT - CUSHION ASSEMBLY, ASN JEE0106701

сылка	Номер детали	Кол-во	Описание
30	87300397	1	SWITCH, Operators Pressence, ASN JEE0108962

See page 9-77 for decals.

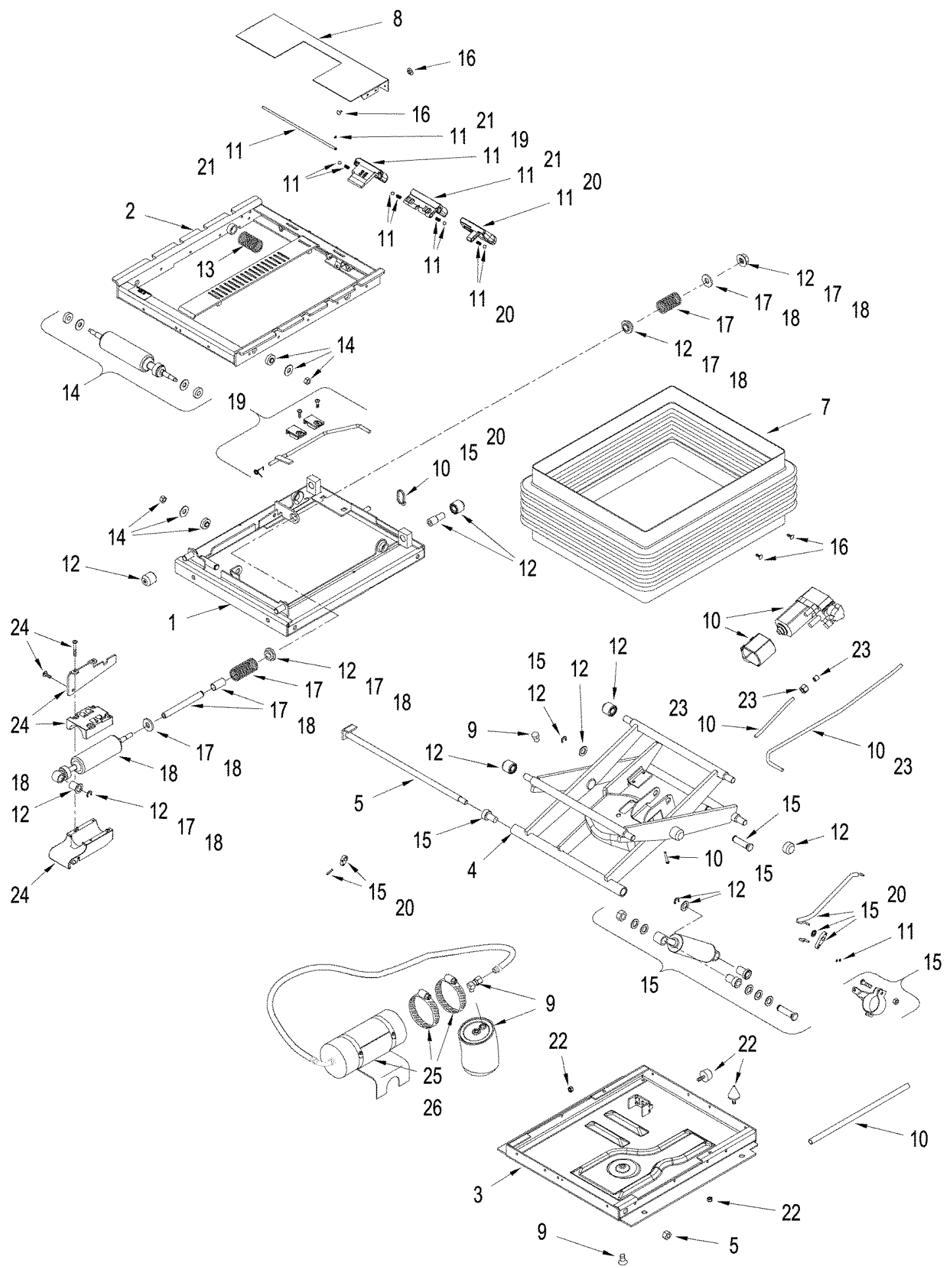
09-28(01) SEAT - SUSPENSION ASSEMBLY



STX500 CASE IH 4WD TRACTOR (AFTER S/N JEE0099501)

09-28(01) SEAT - SUSPENSION ASSEMBLY

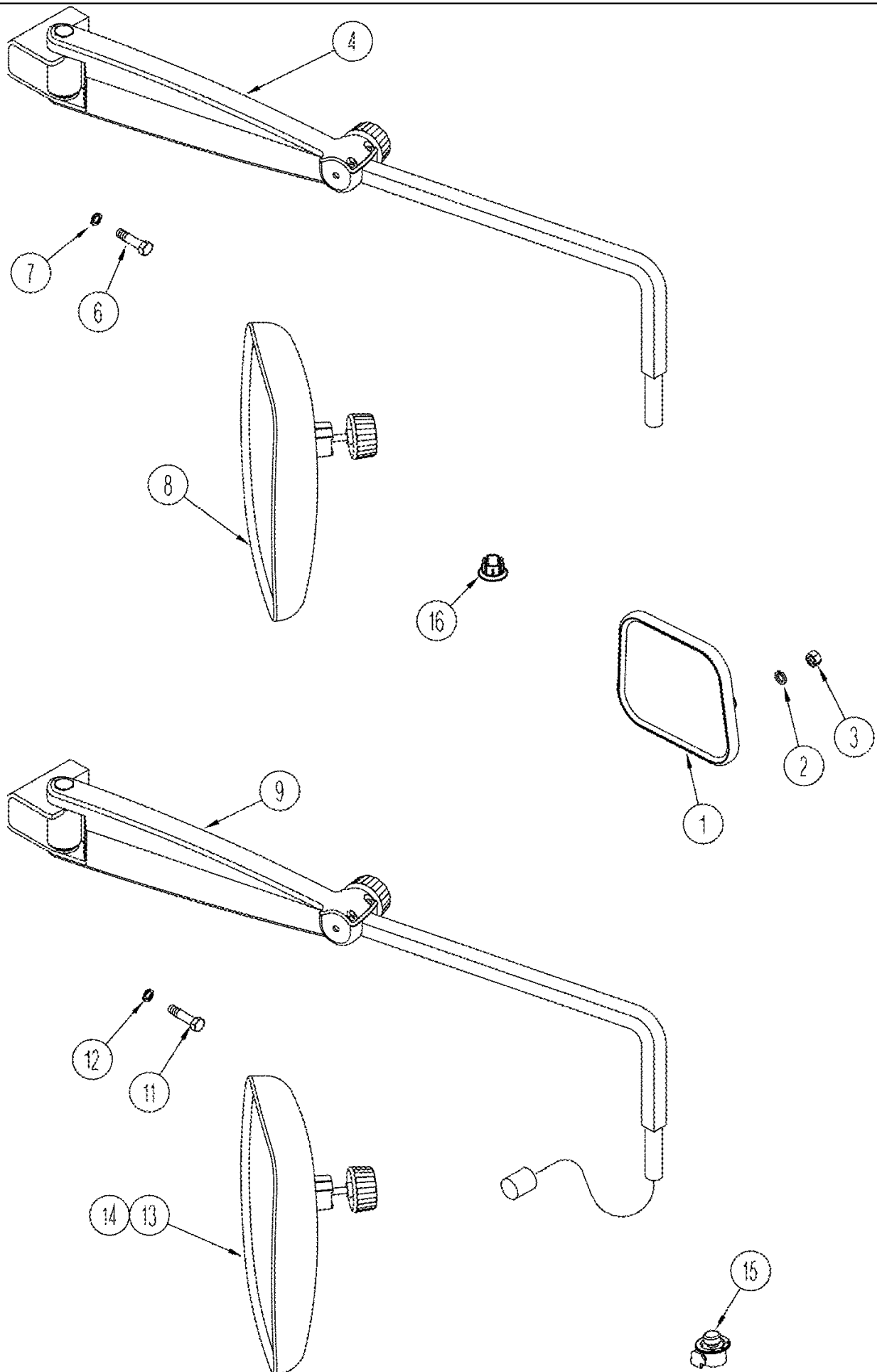
сылка	Номер детали	Кол-во	Описание
	374353A2	1	PACKAGE,SERVICE, Inc. 1 - 25, BSN JEE0106701
	87347885	1	KIT, SERVICE, Inc. 1 - 25, ASN JEE0106701
1	333273A1	1	HOUSING, Upper, BTW JEE0106701 & JEE0108962
1	87395393	1	HOUSING, Upper, ASN JEE0108962
2	333274A2	1	ISOLATOR, Lateral Track, BTW JEE0106701 & JEE0108962
2	87395392	1	HOUSING, , ASN JEE0108962
3	333275A1	1	HOUSING, Lower
4	333276A1	1	ARM,
5	302033A1	1	SHAFT, Bearing
6	302027A1	1	HARNESS, Suspension, Not Illustrated, BSN JEE0106701
6	87347944	1	KIT, SERVICE, Harness, Suspension, Not Illustrated, ASN JEE0106701
7	333278A1	1	BOOT, , BSN JEE0106701
7	87347943	1	KIT, SERVICE, , ASN JEE0106701
8	302029A2	1	PLATE,
9	333279A2	1	KIT, Air Spring
10	333280A1	1	PACKAGE,SERVICE, Air Compressor, BSN JEE0106701
10	87347951	1	KIT, SERVICE, Air Compressor
11	373469A1	1	PACKAGE,SERVICE, Suspension Knob
12	333283A2	1	PACKAGE,SERVICE, Suspension Bearing And Rollers
13	333284A1	1	PACKAGE,SERVICE, Lateral Isolator Spring
14	333285A1	1	PACKAGE,SERVICE, Lateral Isolator Shock Absorber
15	333286A1	1	PACKAGE,SERVICE, Suspension Shock Absorber, BSN JEE0106701
15	87347950	1	SUSPENSION, Shock Absorber, ASN JEE0106701
16	333659A1	1	PACKAGE,SERVICE, Boot Pin
17	333287A2	1	PACKAGE,SERVICE, Fore and Aft Isolator Spring
18	333288A2	1	PACKAGE,SERVICE, Fore and Aft Shock Absorber
19	373470A2	1	PACKAGE,SERVICE, Fore and Aft Isolator Control, BTW JEE0106701 & JEE0108962
19	87395395	1	ISOLATOR, Fore and Aft Control, ASN JEE0108962
20	373472A1	1	PACKAGE,SERVICE, Suspension Shock Absorber Control, BTW JEE0106701 & JEE0108962
20	447956A1	1	PACKAGE,SERVICE, Suspension Shock Absorber Control, ASN JEE0108962
21	373473A1	1	PACKAGE,SERVICE, Lateral Isolator Control, BTW JEE0106701 & JEE0108962
21	87395394	1	ISOLATOR, Lateral Control, ASN JEE0108962
22	333295A1	1	PACKAGE,SERVICE, Suspension Bumper
23	333660A1	1	PACKAGE,SERVICE, Suspension Shock Cable, BSN JEE0106701
23	87347955	1	CABLE, Suspension Shock, ASN JEE0106701
24	333296A1	1	PACKAGE,SERVICE, Fore and Aft Isolator Shock Block



STX500 CASE IH 4WD TRACTOR (AFTER S/N JEE0099501)

09-28(02) SEMI ACTIVE SUSPENSION ASSEMBLY - SEAT, ASN JEE0102001

сылка	Номер детали	Кол-во	Описание
	400184A1	1	KIT, Suspension, Inc. 1 - 25, BSN JEE0106701
	87347886	1	SUSPENSION, Inc. 1 - 26, ASN JEE0106701
1	333273A1	1	HOUSING, Upper
2	333274A2	1	ISOLATOR, Lateral Isolator
3	86994256	1	HOUSING, Lower
4	86994258	1	ARM, Suspension
5	302033A1	1	SHAFT,
6	86994269	1	HARNESS, WIRE, Suspension, Not Illustrated, BSN JEE0106701
6	87347944	1	KIT, SERVICE, Harness, Suspension, Not Illustrated, ASN JEE0106701
7	333278A1	1	BOOT, , BSN JEE0106701
7	87347943	1	KIT, SERVICE, Boot, ASN JEE0106701
8	302029A2	1	PLATE, Cover
9	86994203	1	KIT, SERVICE, Air Spring, BSN JEE0106701
9	333279A2	1	KIT, Air Spring, ASN JEE0106701
10	87407038	1	KIT, SERVICE, Air Compressor, BSN JEE0106701
10	87347952	1	KIT, SERVICE, Air Compressor, ASN JEE0106701
11	87407047	1	KIT, SERVICE, Suspension Knobs
12	333283A2	1	PACKAGE,SERVICE, Suspension Bearing and Rollers
13	333284A1	1	PACKAGE,SERVICE, Lateral Isolator Spring
14	333285A1	1	PACKAGE,SERVICE, Lateral Isolator Shock Absorber
15	86994260	1	KIT, SERVICE, Suspension Shock
16	333659A1	1	PACKAGE,SERVICE, Boot Pin
17	333287A2	1	PACKAGE,SERVICE, Fore and Aft Isolator Spring
18	333288A2	1	PACKAGE,SERVICE, Fore and Aft Shock Absorber
19	373470A2	1	PACKAGE,SERVICE, Fore and Aft Isolator Control
20	87440465	1	KIT, SERVICE, Shock Absorber Control, BSN JEE0106701
20	87347953	1	KIT, SERVICE, Shock Absorber Control, ASN JEE0106701
21	373473A1	1	PACKAGE,SERVICE, Lateral Isolator Control
22	333295A1	1	PACKAGE,SERVICE, Suspension Bumper
23	374359A1	1	PACKAGE,SERVICE, Suspension Shock Cable
24	333296A1	1	PACKAGE,SERVICE, Fore and Aft Isolator Shock Block
25	87435206	1	KIT, Air Tank, BSN JEE0106701
25	87347960	1	KIT, SERVICE, Air Tank Hose, ASN JEE0106701
26	86994268	1	KIT, SERVICE, Tank, Air, ASN JEE0106701

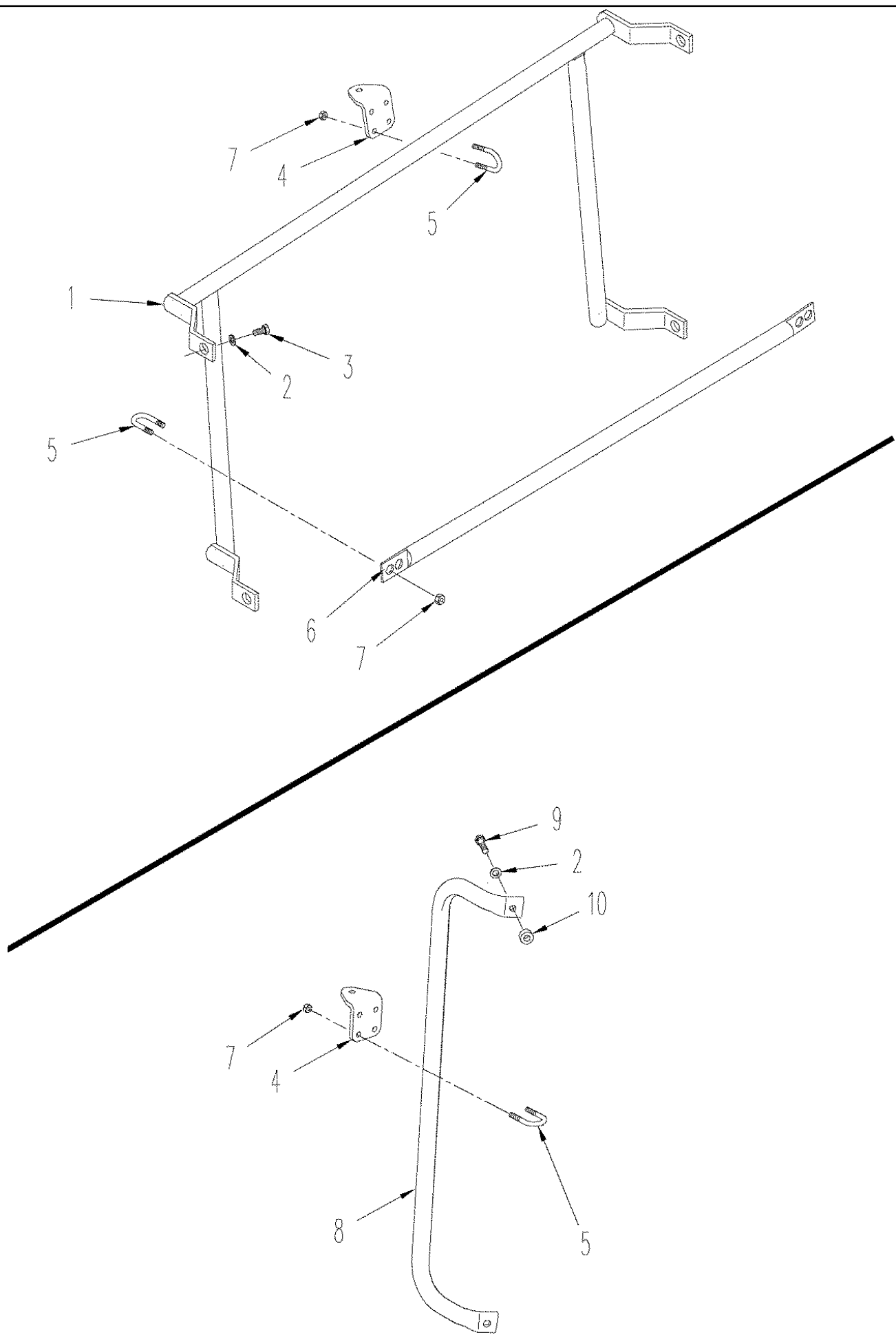


STX500 CASE IH 4WD TRACTOR (AFTER S/N JEE0099501)

09-29 MIRRORS

сылка	Номер детали	Кол-во	Описание
1	A177462	1	MIRROR, Interior, Inc. 2, 3
2	493-41026	1	WASHER, LOCK, Ext Tooth, 1/4", 1/4
3	19-5565	1	NUT, LOCK, 1/4"-28, GB, 1/4 NF
4	313139A1	1	ARM, Right-Hand, Manual
5	313140A1	1	ARM, Left-Hand, Manual, Not Illustrated
6	514-865	4	BOLT, Hex, M12 x 80, 10.9, M12 x 80; 10.9
7	896-19012	4	WASHER, M12 x 24.5 x 3, HT, 13,5 x 24 x 3 mm
8	365414A1	2	MIRROR, Manual
9	313141A1	1	ARM, Right-Hand, Electric
10	313142A1	1	ARM, Left-Hand, Electric, Not Illustrated
11	514-865	4	BOLT, Hex, M12 x 80, 10.9, M12 x 80; 10.9
12	896-19012	4	WASHER, M12 x 24.5 x 3, HT, 13,5 x 24 x 3 mm
13	360580A1	2	MIRROR, Electric, Inc. 14
14	324437A1	1	MIRROR, REPLACEMENT, Glass
15	280627A1	1	SWITCH,
16	280628A1	1	PLUG, Mirror Switch, Manual Mirror

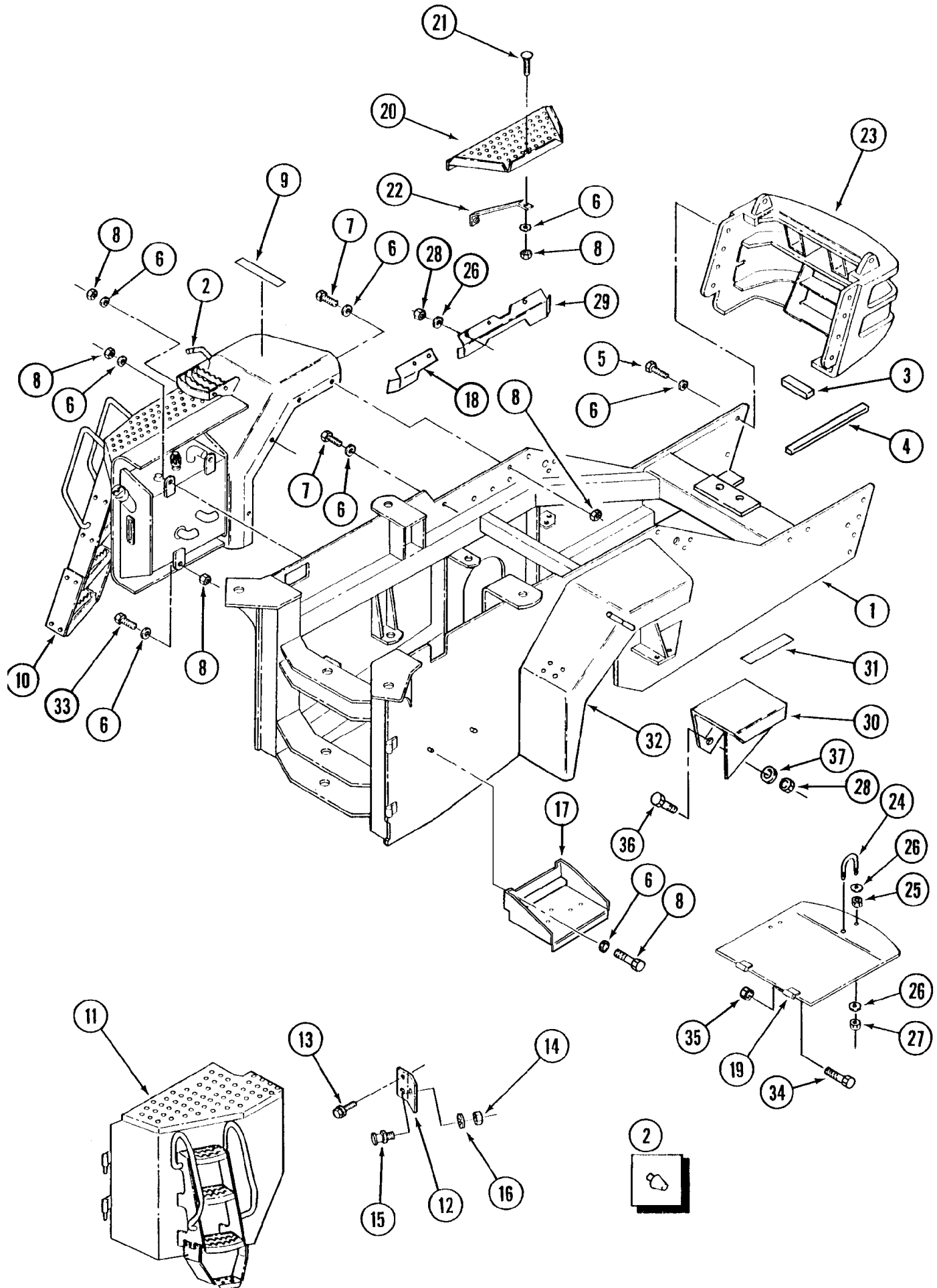
09-30 MONITOR MOUNTING



STX500 CASE IH 4WD TRACTOR (AFTER S/N JEE0099501)

09-30 MONITOR MOUNTING

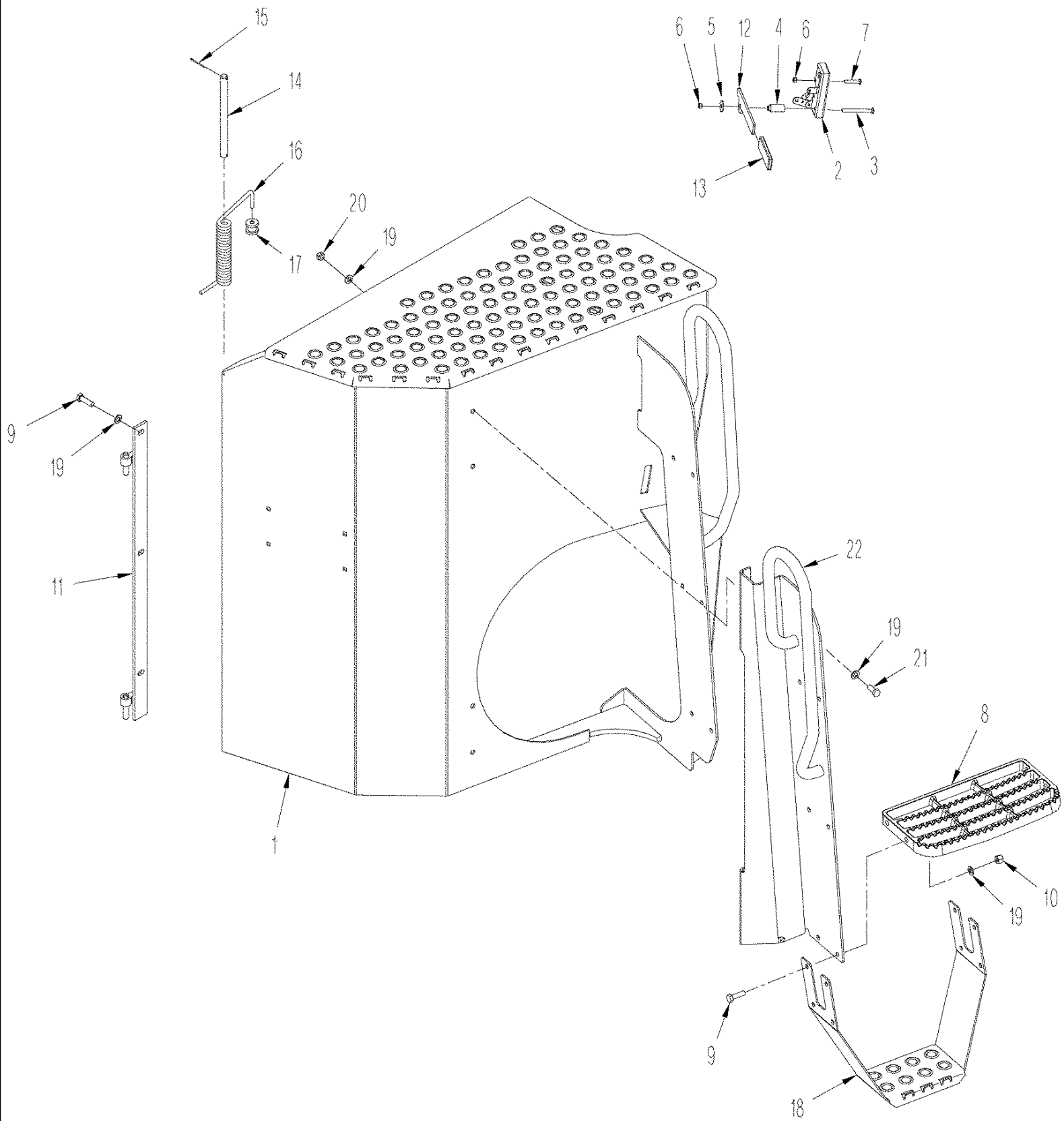
сылка	Номер детали	Кол-во	Описание
1	409391A1	1	BRACKET, Monitor, Right-Hand Window
2	895-11008	6	WASHER, M8 x 16 x 1.6, 9 x 17 x 1,6 mm
3	627-8025	4	BOLT, Hex, M8 x 25, 10.9,
4	87530660	3	MOUNTING PARTS, Angle
5	87526197	4	U-BOLT, 1/4 in, Inc. Nut
6	443908A1	1	TUBE,
7	425-104	12	NUT, 1/4"-20, G5,
8	369275A1	1	TUBE, Monitor
9	827-8040	2	BOLT, Hex, M8 x 40, 10.9,
10	371838A1	2	SPACER,



STX500 CASE IH 4WD TRACTOR (AFTER S/N JEE0099501)

09-31 FRONT FRAME, WHEEL TRACTOR

сылка	Номер детали	Кол-во	Описание
1	426080A2	1	FRAME, , BSN JEE0104001
1	87416213	1	FRAME ASSY, , ASN JEE0104001
2	363226A1	2	BUMPER,
3	396412A1	2	STRIP, RUBBER,
4	328197A1	2	SEAL,
5	627-12040	9	BOLT, Hex, M12 x 40, 10.9, Full Thd,
6	896-11012	42	WASHER, M13.5 x 24.5 x 3, HT,
7	627-12035	12	BOLT, Hex, M12 x 35, 10.9,
8	829-1412	23	NUT, M12, CI 10,
9	1-6835	4	ADHESIVE STRIP, 406 mm (16 in), Anti-Skid, Cut From 21-211
10	NSS	1	NOT SERVICED SEPARATELY, Tank Assy, See Figure 08-11
11	NSS	1	NOT SERVICED SEPARATELY, Door Assy, Right-Hand, See Figure 09-32
12	336001A3	1	BRACKET, Striker, Right-Hand
13	905-10025	2	BOLT, Hex Serr Flg, M10 x 25, M10 x 25
14	429-107	1	NUT, 7/16"-14, G8, 7/16; 8
15	328534A1	1	BOLT, Striker
16	496-11047	1	WASHER, 11 x 20 x 2,0 mm
17	419848A1	1	TRAY, Battery
17	87407446	1	TRAY, BATTERY, , STX500
18	418979A1	1	PANEL,
19	406346A1	1	COVER,
20	427244A1	1	STEP,
21	811-12025	1	BOLT, CARRIAGE, Short NK, M12 x 25, CI8.8, Full Thd,
22	426892A1	1	GUSSET,
23	430739A1	1	BUMPER, See Figure 09-35
24	19-154	1	U-BOLT, 5/16"-18 x 1 3/4" x 3,
25	425-145	2	NUT, Jam, 5/16"-18, G5,
26	895-11008	8	WASHER, M8 x 16 x 1.6, 9 x 17 x 1,6 mm
27	231-1445	2	NUT, LOCK, 5/16"-18, GB,
28	829-1408	8	NUT, M8, CI 10,
29	419631A1	1	PANEL, Harness Mounting
30	426084A1	1	STEP, With Fender
31	D55216	2	STRIP, ANTI-SKID, 2 x 9 in, Anti-Skid
32	418959A1	1	FENDER, Right-Hand, BSN JEE0104001
32	87428750	1	FENDER, Right-Hand, ASN JEE0104001
33	627-12045	1	BOLT, Hex, M12 x 45, 10.9, Full Thd,
34	827-12120	1	BOLT, Hex, M12 x 120, 10.9, M12 x 120; 10.9
35	832-10412	1	NUT, LOCK, M12 x 1.75, CI 8,
37	895-11008	12	WASHER, M8 x 16 x 1.6, 9 x 17 x 1,6 mm
36	627-8025	4	BOLT, Hex, M8 x 25, 10.9,

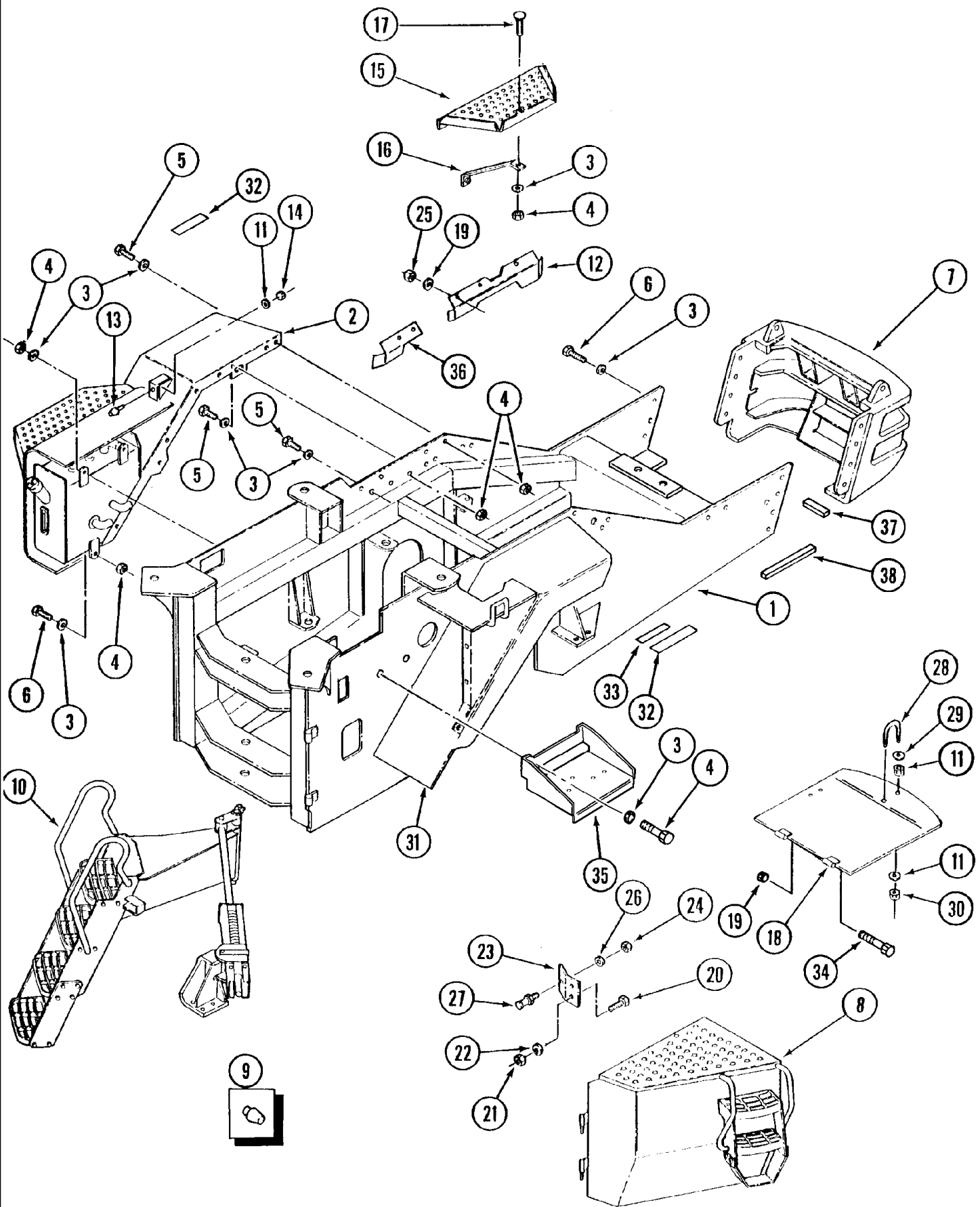


STX500 CASE IH 4WD TRACTOR (AFTER S/N JEE0099501)

09-32(01) BATTERY DOOR ASSEMBLY, WHEELED TRACTOR, STX500

сылка	Номер детали	Кол-во	Описание
1	87419127	1	COVER ASSY,
2	318159A1	1	LATCH,
3	811-6070	1	BOLT, CARRIAGE, Short NK, M6 x 70, Cl8.8, Carriage, M6 x 70, CL8.8
4	431190A1	1	SPACER,
5	895-15006	1	WASHER, M6 x 25 x 1.6,
6	832-46406	4	NUT, LOCK, M6 x 1, Cl 8,
7	811-6035	3	BOLT, CARRIAGE, Short NK, M6 x 35, Cl8.8, Full Thd, Carriage, M6 x 35, CL8.8
8	87301185	3	STEP,
9	627-10035	15	BOLT, Hex, M10 x 35, 10.9, Full Thd, M10 x 35, CL10.9
10	832-10410	12	NUT, LOCK, M10 x 1.5, Cl 8,
11	450547A1	1	HINGE,
12	409467A1	1	HANDLE, Latch
13	60-6267T1	1	GRIP,
14	324191A2	1	ROD, Support
15	733-3232	2	PIN, SPLIT (COTTER), M3.2 x 32, M3.2 x 32
16	333976A3	1	SPRING,
17	325371A2	1	BEARING, Cap
18	360065A1	1	STEP, Lower
19	895-11010	23	WASHER, M10 x 20 x 2,
20	829-1410	4	NUT, M10, Cl 10,
21	627-10025	4	BOLT, Hex, M10 x 25, 10.9, Full Thd, Cap, HH, M10 x 25, CL10.9
22	87422010	1	SUPPORT ASSY., Step

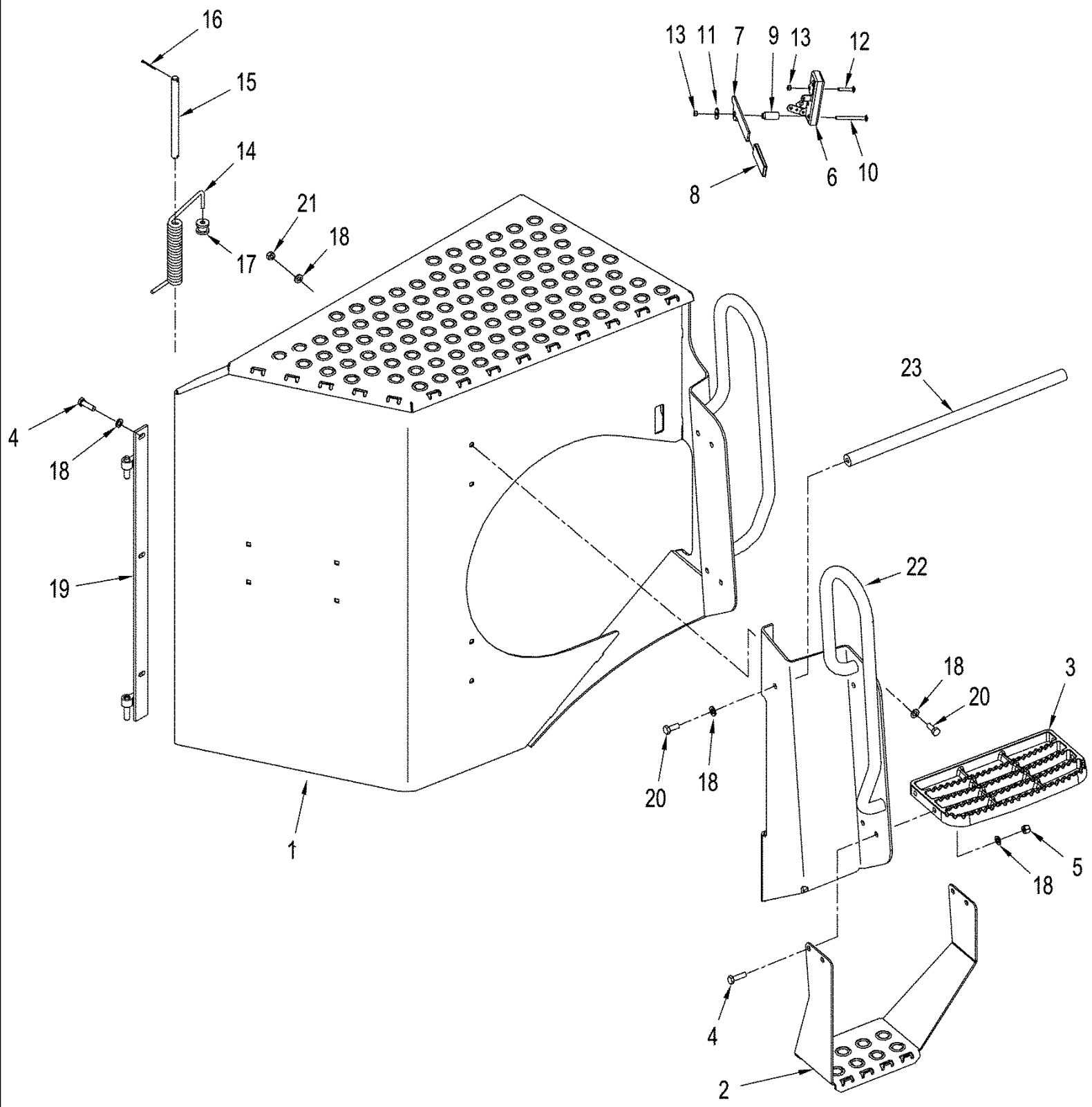
09-33 FRONT FRAME, QUADTRAC TRACTOR



STX500 CASE IH 4WD TRACTOR (AFTER S/N JEE0099501)

09-33 FRONT FRAME, QUADTRAC TRACTOR

сылка	Номер детали	Кол-во	Описание
1	426376A1	1	FRAME, , BSN JEE0104001
1	87452664	1	FRAME, , ASN JEE0104001
2	NSS	1	NOT SERVICED SEPARATELY, Tank Assy, See Figure 08-12
3	896-11012	52	WASHER, M13.5 x 24.5 x 3, HT,
4	829-1412	24	NUT, M12, CI 10,
5	627-12035	13	BOLT, Hex, M12 x 35, 10.9,
6	627-12040	9	BOLT, Hex, M12 x 40, 10.9, Full Thd,
7	323608A3	1	BUMPER, See Figure 09-35
8	NSS	1	NOT SERVICED SEPARATELY, Door Assy, See Figure 09-34
9	363226A1	1	BUMPER, Rubber
10	336017A1	1	STEP, Pivot, Left-Hand, See Figure 09-36
11	895-11008	5	WASHER, M8 x 16 x 1.6, 9 x 17 x 1,6 mm
12	419631A1	1	PANEL, 1/4 x 1/2
13	N7673	1	EMBLEM,
14	425-105	1	NUT, 5/16"-18, G5,
15	427244A1	1	STEP,
16	426892A1	1	GUSSET,
17	811-12025	1	BOLT, CARRIAGE, Short NK, M12 x 25, CI8.8, Full Thd,
18	406346A1	1	COVER,
19	832-10412	3	NUT, LOCK, M12 x 1.75, CI 8,
20	811-8020	2	BOLT, CARRIAGE, Short NK, M8 x 20, CI8.8, Full Thd,
21	832-10408	2	NUT, LOCK, M8 x 1.25, CI 8,
22	895-15008	2	WASHER, M8 x 20 x 1.6, 9 x 20 x 1,6 mm
23	336001A3	1	BRACKET,
24	429-107	1	NUT, 7/16"-14, G8, 7/16; 8
25	829-1408	4	NUT, M8, CI 10,
26	496-11047	1	WASHER, 11 x 20 x 2,0 mm
27	328534A1	1	BOLT, Striker
28	19-154	1	U-BOLT, 5/16"-18 x 1 3/4" x 3,
29	425-145	2	NUT, Jam, 5/16"-18, G5,
30	231-1445	2	NUT, LOCK, 5/16"-18, GB,
31	418718A2	1	FENDER, Right-Hand, BSN JEE0104001
31	87428426	1	FENDER, Right-Hand, ASN JEE0104001
32	1-6835	6	ADHESIVE STRIP, 406 mm (16 in), Anti-Skid
33	D55216	2	STRIP, ANTI-SKID, Anti-Skid
34	827-12120	1	BOLT, Hex, M12 x 120, 10.9, M12 x 120; 10.9
35	419848A1	1	TRAY, Battery
35	87407446	1	TRAY, BATTERY, , STX500
36	418979A1	1	PANEL,
37	396412A1	2	STRIP, RUBBER,
38	328197A1	2	SEAL,

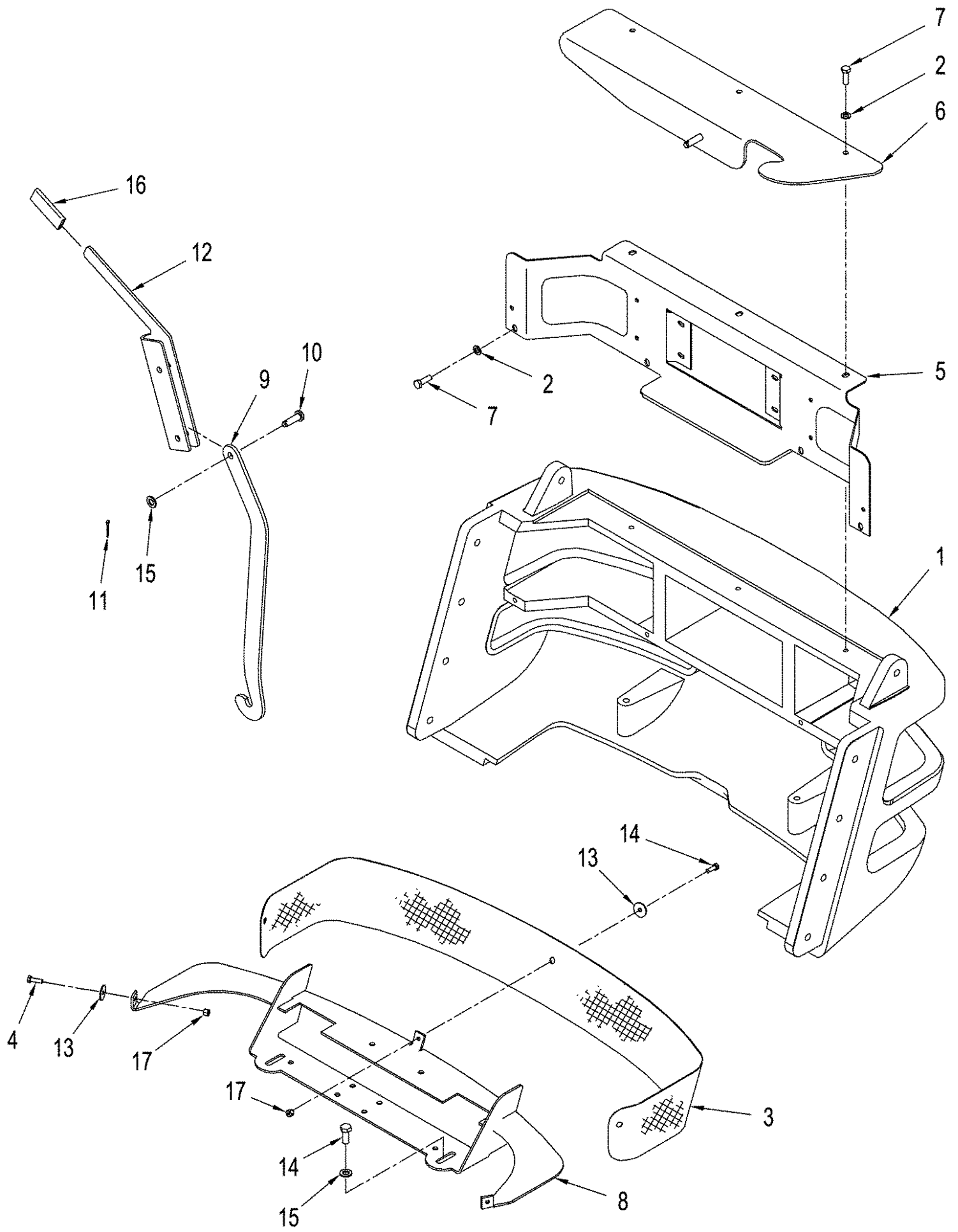


STX500 CASE IH 4WD TRACTOR (AFTER S/N JEE0099501)

09-34(01) BATTERY DOOR ASSEMBLY, QUADTRAC TRACTOR, STX500

сылка	Номер детали	Кол-во	Описание
1	448088A1	1	COVER ASSY,
2	87422430	1	STEP, Lower
3	87542875	2	STEP,
4	627-10035	11	BOLT, Hex, M10 x 35, 10.9, Full Thd, M10 x 35, CL10.9
5	832-10410	8	NUT, LOCK, M10 x 1.5, CI 8, 6.6 x 25 x 1.6 mm
6	318159A1	1	LATCH,
7	426012A1	1	HANDLE,
8	60-6267T1	1	GRIP,
9	431190A1	1	SPACER,
10	811-6070	1	BOLT, CARRIAGE, Short NK, M6 x 70, CI8.8, M6 x 70, CL8.8
11	895-15006	1	WASHER, M6 x 25 x 1.6,
12	811-6035	3	BOLT, CARRIAGE, Short NK, M6 x 35, CI8.8, Full Thd, M6 x 35, 8.8
13	832-46406	4	NUT, LOCK, M6 x 1, CI 8,
14	333976A3	1	SPRING,
15	324191A2	1	ROD,
16	733-3232	2	PIN, SPLIT (COTTER), M3.2 x 32,
17	325371A2	1	BEARING, Cap
18	895-11010	21	WASHER, M10 x 20 x 2,
19	450547A1	1	HINGE,
20	627-10025	6	BOLT, Hex, M10 x 25, 10.9, Full Thd, Cap, HH, M10 x 25, CL10
21	829-1410	4	NUT, M10, CI 10,
22	87417270	1	HANDRAIL, Left-Hand
23	87421511	1	ROD ASSY., Support

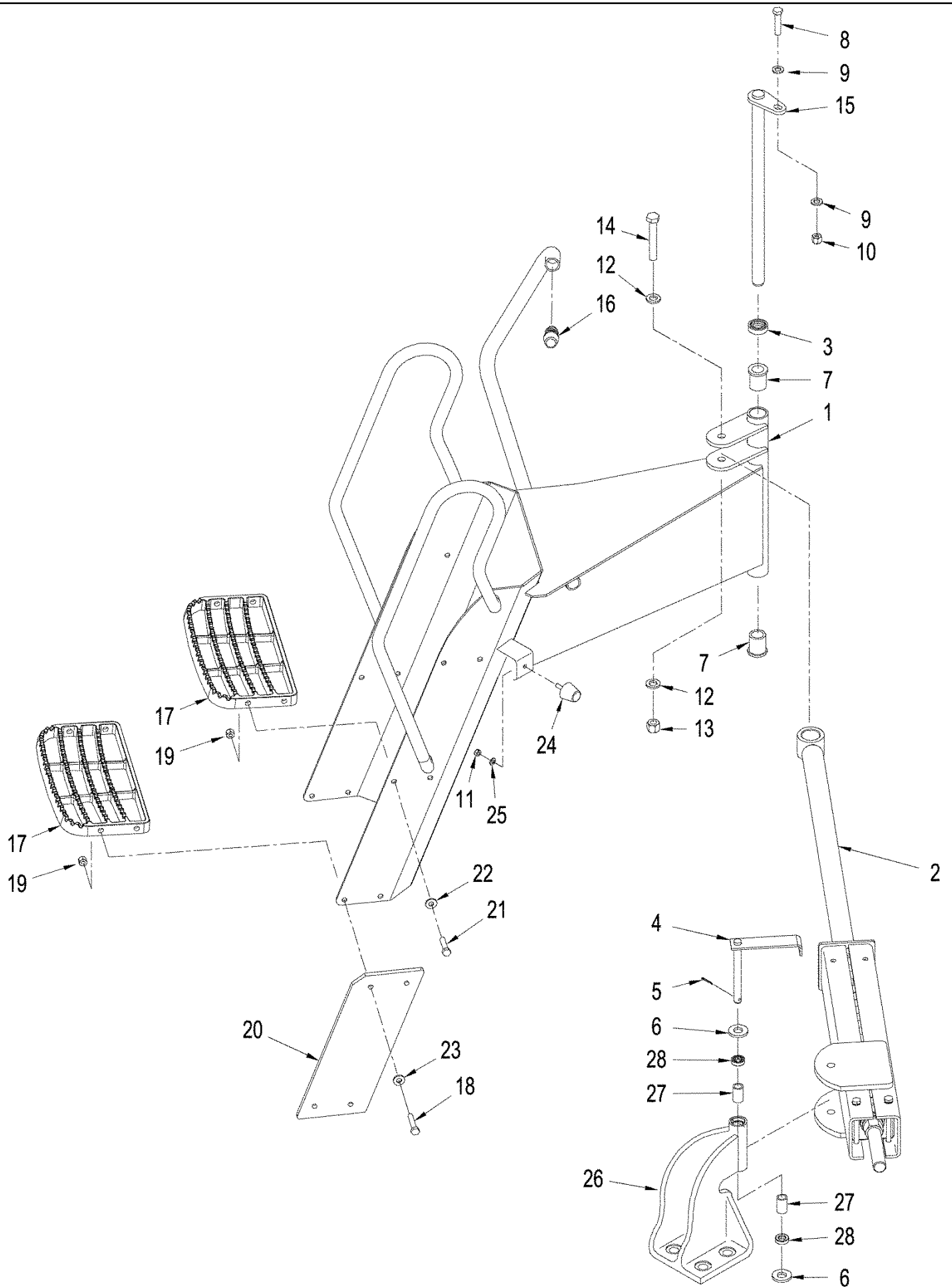
09-35 BUMPER



STX500 CASE IH 4WD TRACTOR (AFTER S/N JEE0099501)

09-35 BUMPER

сылка	Номер детали	Кол-во	Описание
1	323608A3	1	BUMPER,
2	895-11008	5	WASHER, M8 x 16 x 1.6, 9 x 17 x 1,6 mm
3	323295A2	1	SCREEN,
4	627-6016	3	BOLT, Hex, M6 x 16, 10.9, M6 x 16; 10.9
5	433781A1	1	BRACKET,
6	369666A1	1	PLATE, Mounting, Latch
8	323383A6	1	SUPPORT,
9	367926A2	1	LINK,
10	729-1035	1	PIN, CLEVIS, M10 x 35, 10 x 35 mm
11	733-3220	2	PIN, SPLIT (COTTER), M3.2 x 20, 3,2 x 20 mm
12	367925A1	1	HANDLE,
13	895-15006	3	WASHER, M6 x 25 x 1.6,
14	627-10020	2	BOLT, Hex, M10 x 20, 10.9, Full Thd, M10 x 20; 10.9
15	895-11010	4	WASHER, M10 x 20 x 2,
16	90-6966T1	1	MOLDING,
17	832-10406	3	NUT, LOCK, M6 x 1, CI 8,
7	627-8025	5	BOLT, Hex, M8 x 25, 10.9,

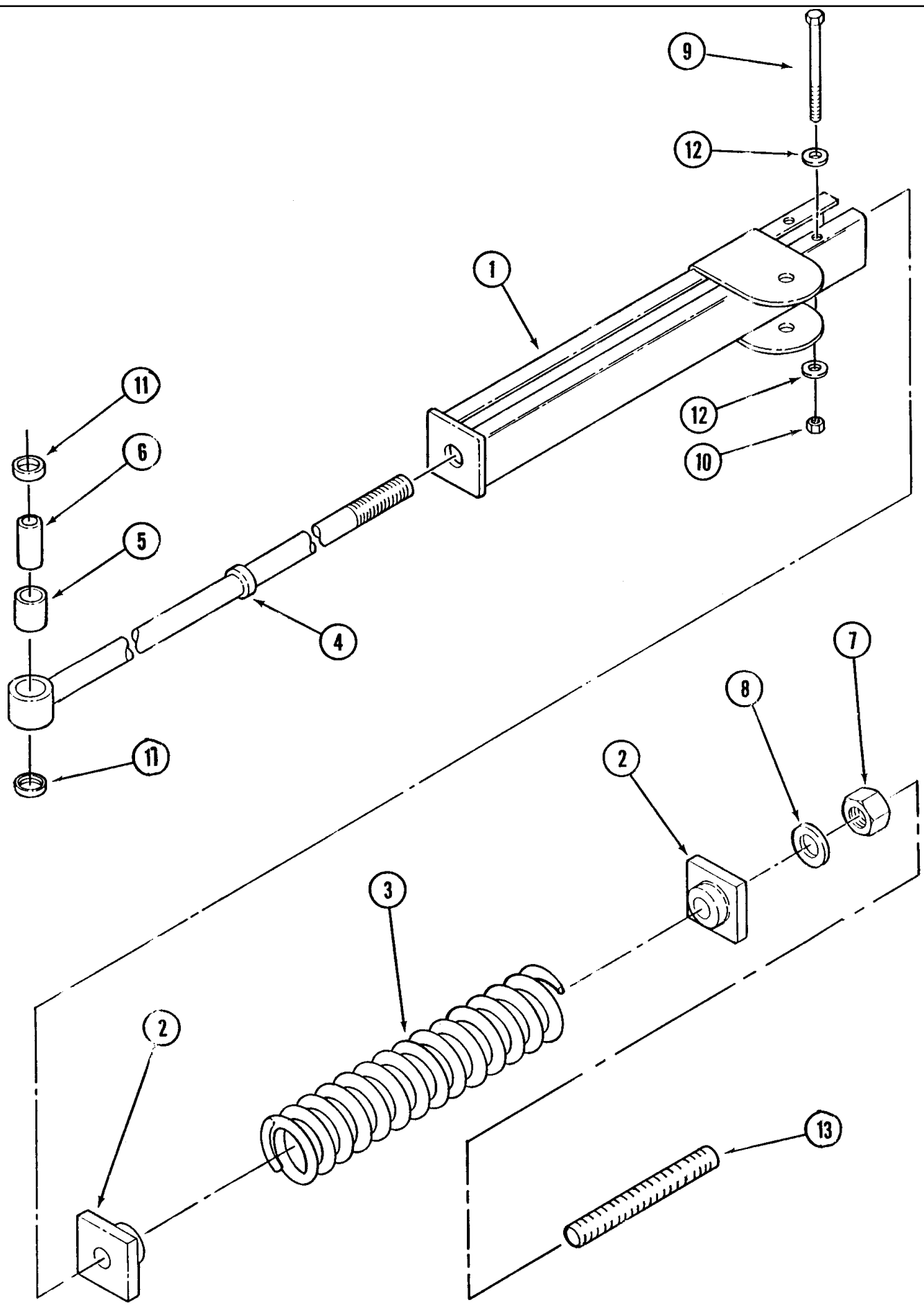


STX500 CASE IH 4WD TRACTOR (AFTER S/N JEE0099501)

09-36 STEPS, QUADTRAC TRACTOR

сылка	Номер детали	Кол-во	Описание
	336017A1	1	STEP, Left-Hand, Inc. 1 - 26
1	430792A1	1	STEP,
2	NSS	1	NOT SERVICED SEPARATELY, Arm Assy, Push, Left-Hand, See Figure 09-37
3	D22200	1	BEARING, Self-Aligning, 1 in
4	337099A4	1	PIN,
5	733-3232	1	PIN, SPLIT (COTTER), M3.2 x 32,
6	896-16018	2	WASHER, M18 x 41.5 x 5, HT, 20 x 41 x 5 mm
7	308473A2	2	BUSHING, 1 x 1-3/8 x 1-3/4
8	828-12055	1	BOLT, Hex, M12 x 55, 10.9, M12 x 55; 10.9
9	896-11012	2	WASHER, M13.5 x 24.5 x 3, HT,
10	832-10412	1	NUT, LOCK, M12 x 1.75, Cl 8,
11	425-105	1	NUT, 5/16"-18, G5,
12	892-11016	2	WASHER, LOCK, M16, M16
13	832-10416	1	NUT, LOCK, M16 x 2, Cl 8,
14	827-16100	1	BOLT, Hex, M16 x 100, 10.9, M16 x 100; 10.9
15	382840A2	1	PIN,
16	363226A1	1	BUMPER, Rubber
17	87301185	4	STEP,
18	827-10045	8	BOLT, Hex, M10 x 45, 10.9,
19	832-10410	16	NUT, LOCK, M10 x 1.5, Cl 8,
20	376530A1	2	SUPPORT,
21	627-10035	8	BOLT, Hex, M10 x 35, 10.9, Full Thd, M10 x 35; 10.9
22	895-11010	8	WASHER, M10 x 20 x 2,
23	896-15010	8	WASHER, M10 x 24.5 x 3, HT, 11 x 24 x 3 mm
24	N7673	1	EMBLEM,
25	895-11008	1	WASHER, M8 x 16 x 1.6, 9 x 17 x 1,6 mm
26	87304082	1	CLEVIS COUPLING, Inc. 27 - 28
27	336842A1	2	WIPER, Rod
28	336843A1	2	BUSHING, Bronze

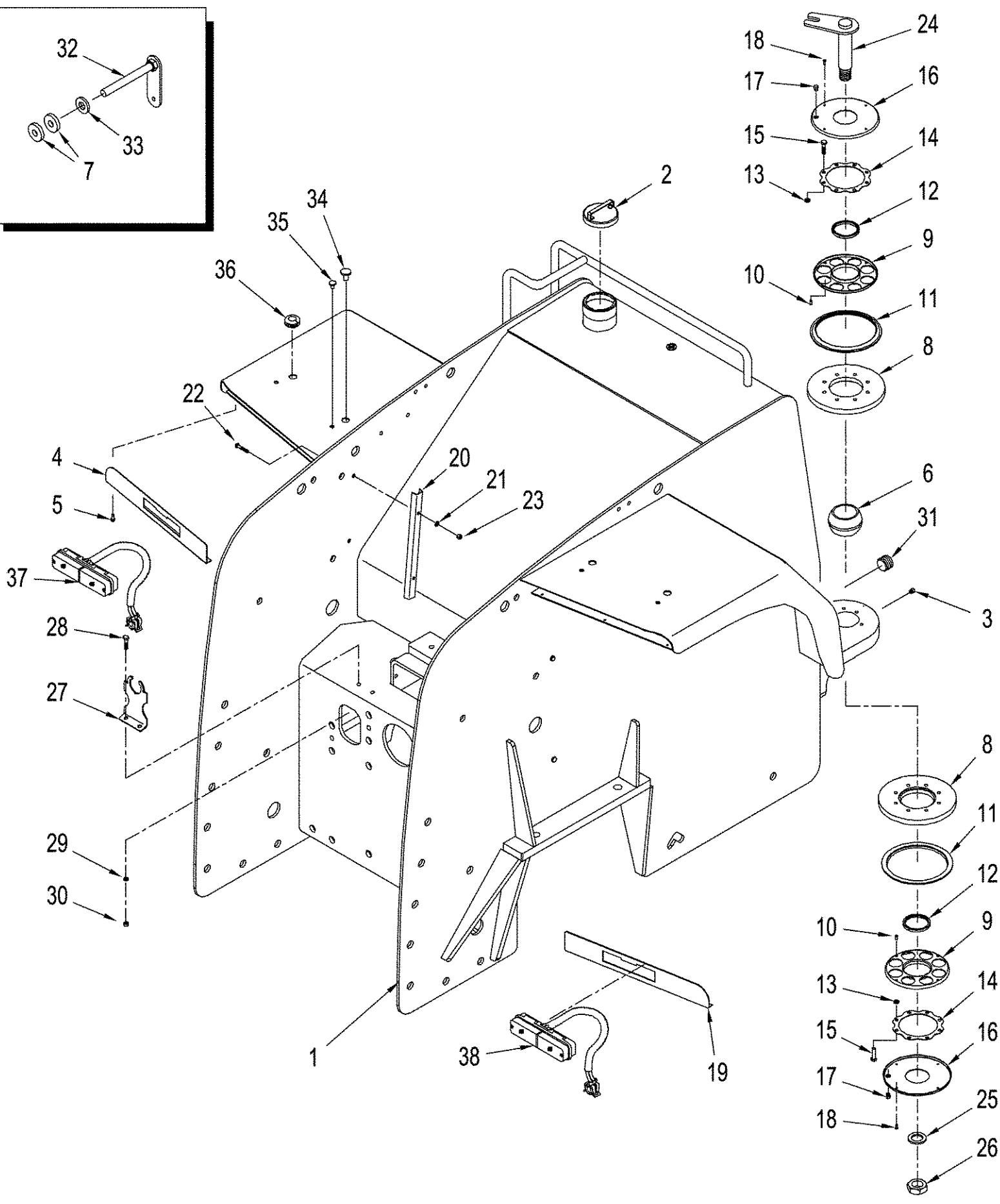
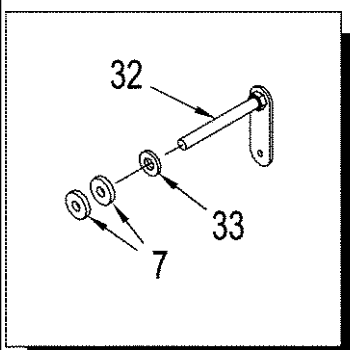
09-37 PUSH ARM ASSEMBLY



STX500 CASE IH 4WD TRACTOR (AFTER S/N JEE0099501)

09-37 PUSH ARM ASSEMBLY

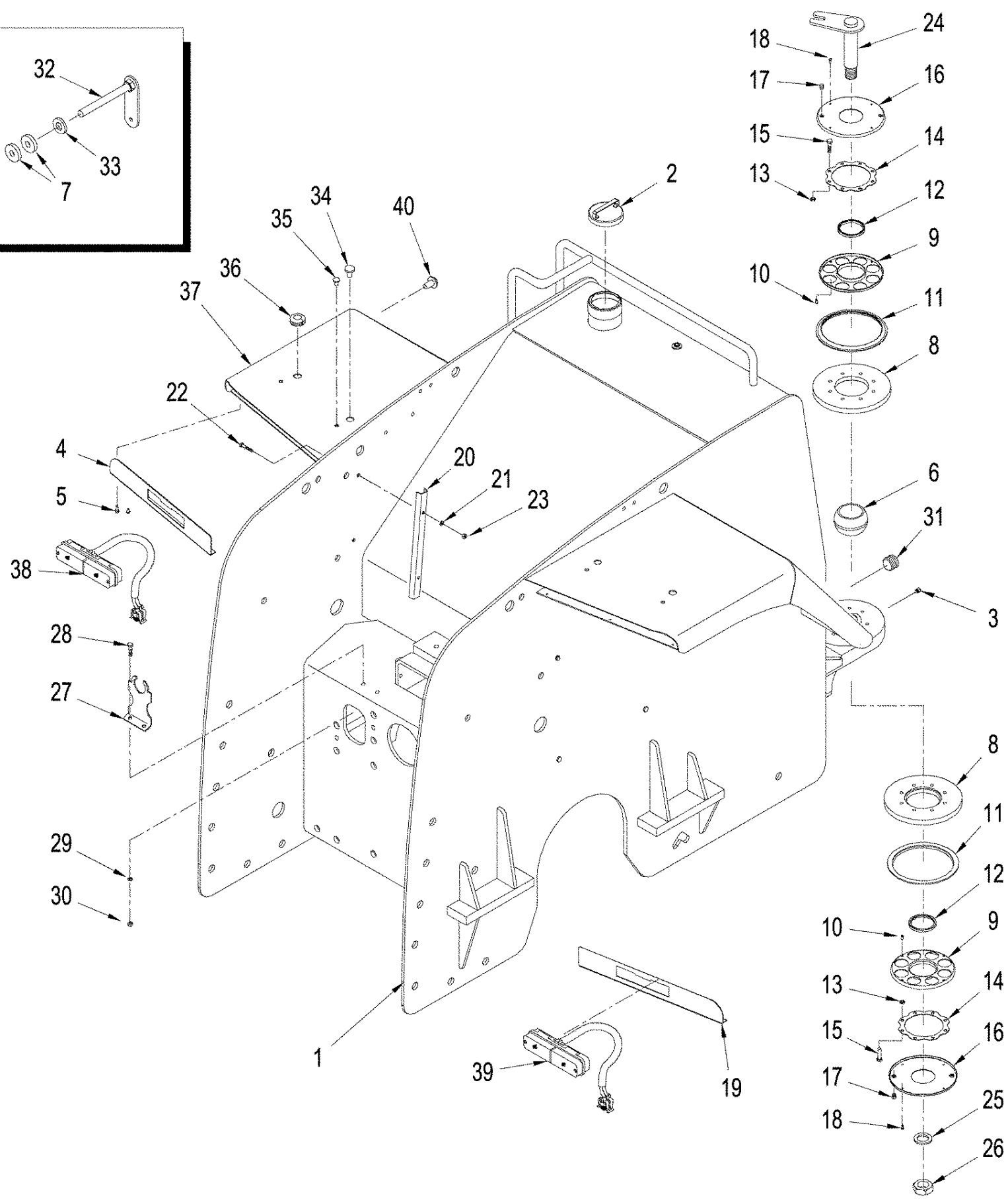
сылка	Номер детали	Кол-во	Описание
1	334215A2	1	ARM,
2	334239A3	2	SLIDE,
3	334717A2	1	SPRING,
4	334720A5	1	ROD ASSY.,
5	334721A1	1	BUSHING,
6	360207A2	1	BUSHING,
7	832-10424	1	NUT, LOCK, M24 x 3, CI 8, M24; 8
8	896-11024	1	WASHER, M24 x 44.5 x 5, HT, 26 x 44 x 5 mm
9	433109A1	2	BOLT, SPECIAL, M10 x 130; 10.9
10	832-10410	2	NUT, LOCK, M10 x 1.5, CI 8,
11	G33955	2	WIPER,
12	895-18010	4	WASHER, M10 x 18 x 1.6,
13	406328A1	1	CAP, Threaded



STX500 CASE IH 4WD TRACTOR (AFTER S/N JEE0099501)

09-38 REAR FRAME, WHEEL TRACTOR

сылка	Номер детали	Кол-во	Описание
1	426737A1	1	FRAME,
2	433479A1	1	CAP, Fuel
3	219-36	2	NIPPLE, LUBE, 45с, 1/8" NPT x 7/8" lg, 45 deg, 1/8 PT x 7/8
4	417862A1	2	COVER, Left-Hand
5	281-54712	6	SCREW, Hex Wash Hd, 1/4"-20 x 3/4", 1/4 ST X 3/4
6	446720A1	1	BEARING,
7	321232A1	2	BUSHING,
8	330032A1	2	RING,
	433481A1	2	HOUSING, Inc. 9, 10, BSN JEE0108927
	87365383	1	HOUSING, Inc. 9, 10, ASN JEE0108927
9	NSS	1	NOT SERVICED SEPARATELY, Housing
10	NSS	8	NOT SERVICED SEPARATELY, Spacer
11	433478A1	2	GASKET,
12	D95148	2	WIPER, , BSN JEE0108927
13	432444A1	16	SPACER,
14	430250A1	2	RETAINER,
15	827-10040	16	BOLT, Hex, M10 x 40, 10.9, Full Thd, M10 x 40; 10.9
16	433480A2	2	COVER, , BSN JEE0108927
16	87365381	2	COVER, , ASN JEE0108927
17	163-47	8	SCREW, Hex Hd, #10-32 x 1/2", G5, No. 10 NC x 1/2
18	86643151	4	PLUG, Hex Hd, 1/8"-27 NPTF, 1/8 PT
19	417863A1	1	COVER, Right-Hand
20	330164A2	2	GUARD,
21	895-11008	8	WASHER, M8 x 16 x 1.6, 9 x 17 x 1,6 mm
22	827-8050	4	BOLT, Hex, M8 x 50, 10.9,
23	832-10408	4	NUT, LOCK, M8 x 1.25, CI 8,
24	394364A1	1	PIN,
25	1-4088	1	WASHER, 1-3/4 x 2-3/4 x 1/4
26	425-1528	1	NUT, Jam, 1 1/2"-12, G5, Hvy, 1-3/4; 5
27	349568A3	1	PLATE,
29	895-11010	2	WASHER, M10 x 20 x 2,
30	829-1408	2	NUT, M8, CI 10,
31	384163A1	1	PLASTIC PLUG,
32	406390A1	1	HANDLE,
33	896-15012	1	WASHER, M12 x 28.5 x 4, HT, 13,5 x 28 x 4 mm
34	353-422	2	PLUG, Dome, 1.250" hole, Nylon, Dome, 1 in
35	353-404	2	PLUG, Dome, .500" hole, Nylon,
36	87030421	2	GROMMET, 3/8" ID x 1 1/4" Groove Dia, Str Cut, 3/4 in
37	429385A1	1	LIGHT, WORK, LH, See Figure: 04-13
37	388337A1	1	LIGHT, INDICATER, LH, See Figure: 04-13 (Europe Only)
38	417788A1	1	LIGHT, WORK, RH, See Figure: 04-13
38	388338A1	1	LIGHT, INDICATER, RH, See Figure: 04-13 (Europe Only)
28	627-10030	2	BOLT, Hex, M10 x 30, 10.9, Full Thd,



STX500 CASE IH 4WD TRACTOR (AFTER S/N JEE0099501)

09-39 REAR FRAME, QUADTRAC TRACTOR

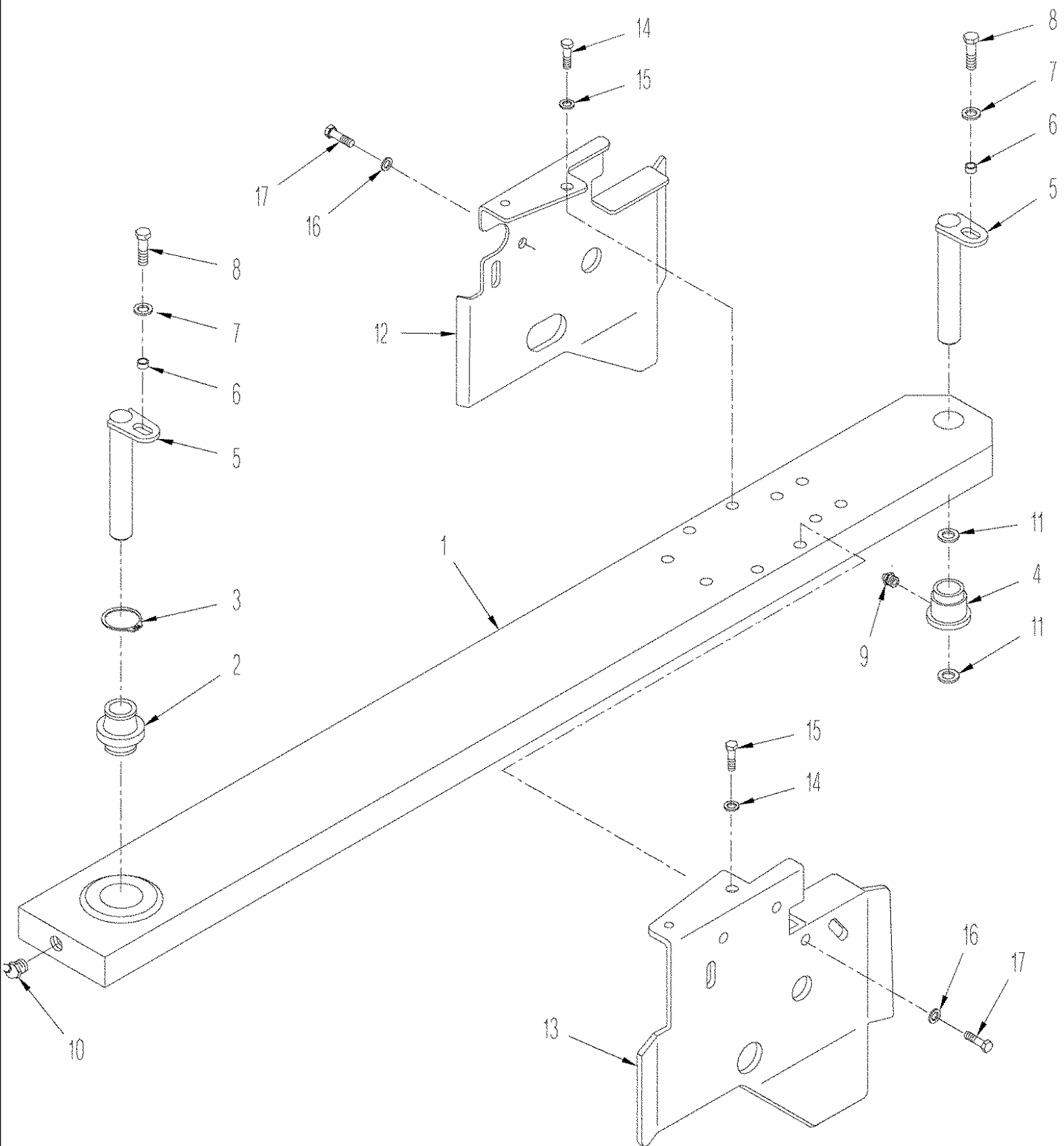
сылка	Номер детали	Кол-во	Описание
1	292753A1	1	FRAME, , BSN JEE0106701
1	87423680	1	FRAME, , ASN JEE0106701
2	433479A1	1	CAP, Fuel
3	219-36	1	NIPPLE, LUBE, 45с, 1/8" NPT x 7/8" lg, 45 deg, 1/8 PT x 7/8
4	418115A1	1	COVER, Left-Hand
5	281-54712	6	SCREW, Hex Wash Hd, 1/4"-20 x 3/4", 1/4 st x 3/4
6	446720A1	1	BEARING,
7	321232A1	2	BUSHING,
8	330032A1	2	RING,
	433481A1	1	HOUSING, Inc. 9, 10, BSN JEE0108927
	87365383	1	HOUSING, Inc. 9, 10, ASN JEE0108927
9	NSS	1	NOT SERVICED SEPARATELY, Housing
10	NSS	8	NOT SERVICED SEPARATELY, Spacer
11	433478A1	2	GASKET,
12	D95148	2	WIPER, , BSN JEE0108927
13	432444A1	16	SPACER,
14	430250A1	2	RETAINER,
15	827-10040	16	BOLT, Hex, M10 x 40, 10.9, Full Thd, M10 x 40; 10.9
16	433480A2	2	COVER, , BSN JEE0108927
16	87365381	2	COVER, , ASN JEE0108927
17	163-47	8-16	SCREW, Hex Hd, #10-32 x 1/2", G5, No. 10NC x 1/2
18	86643151	4	PLUG, Hex Hd, 1/8"-27 NPTF, 1/8 PT
19	418116A1	1	COVER, Right-Hand
20	330164A2	2	GUARD, , BSN JEE0106701
20	311376A2	1	CHANNEL, Wire Guard, ASN JEE0106701
21	895-11008	8	WASHER, M8 x 16 x 1.6, 9 x 17 x 1,6 mm
22	827-8050	4	BOLT, Hex, M8 x 50, 10.9,
23	832-10408	4	NUT, LOCK, M8 x 1.25, CI 8,
24	394364A1	1	PIN,
25	1-4088	1	WASHER, 3/4 x 2-3/4 x 1/4
26	70-6221T1	1	NUT,
27	349568A3	1	PLATE,
28	627-10035	2	BOLT, Hex, M10 x 35, 10.9, Full Thd, M10 x 35; 10.9
29	895-11010	2	WASHER, M10 x 20 x 2,
30	832-10410	2	NUT, LOCK, M10 x 1.5, CI 8,
31	384163A1	1	PLASTIC PLUG,
32	406390A1	1	HANDLE, Mounting, Articulation Lock
33	896-15012	1	WASHER, M12 x 28.5 x 4, HT, 13,5 x 28 x 4 mm
34	353-411	2	PLUG, Dome, 1.000" hole, Nylon,
35	353-404	2	PLUG, Dome, .500" hole, Nylon,
36	87030421	2	GROMMET, 3/8" ID x 1 1/4" Groove Dia, Str Cut,
37	313569A2	1	FENDER, REAR, LH
38	429385A1	1	LIGHT, WORK, LH, See Figure: 04-13
38	388337A1	1	LIGHT, INDICATER, LH, See Figure: 04-13 (Europe Only)
39	417788A1	1	LIGHT, WORK, RH, See Figure: 04-13

STX500 CASE IH 4WD TRACTOR (AFTER S/N JEE0099501)

09-39 REAR FRAME, QUADTRAC TRACTOR

сылка	Номер детали	Кол-во	Описание
39	388338A1	1	LIGHT, INDICATER, RH, See Figure: 04-13 (Europe Only)
40	353-403	4	PLUG, Dome, .437" hole, Nylon, , ASN JEE0106701

09-40 CENTER LINK

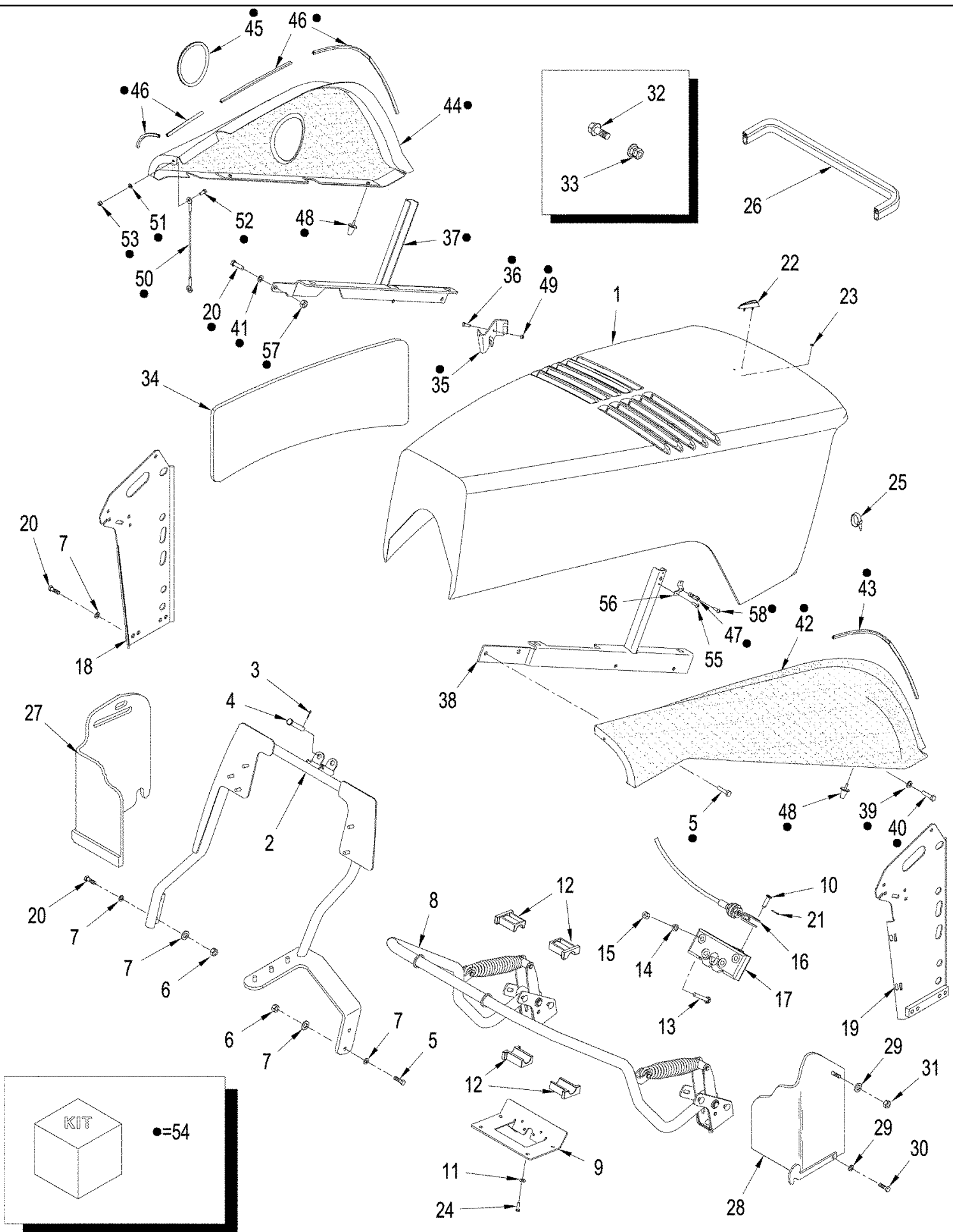


STX500 CASE IH 4WD TRACTOR (AFTER S/N JEE0099501)

09-40 CENTER LINK

сылка	Номер детали	Кол-во	Описание
	317652A2	1	LINK, Connecting, Inc. 1 - 4, STX425 Wheel Tractor, STX450 Wheel tractor
	293662A2	1	LINK, Connecting, Inc. 1 - 4, STX425 QUADTRAC Tractor, STX375 Wheel Tractor, STX375 QUADTRAC Tractor, STX450 QUADTRAC tractor
1	NSS	1	NOT SERVICED SEPARATELY, Link
2	70-5468T1	1	BEARING,
3	101-21354	1	RING, SNAP, #354, Int, No. 354
4	435529A1	1	BUSHING,
5	195941A1	2	PIN, 1-3/4 x 8
6	70-5967T1	2	SPACER,
7	896-11016	2	WASHER, M17.5 x 30 x 4, HT, 17,5 x 30 x 4 mm
8	627-16040	2	BOLT, Hex, M16 x 40, 10.9, Hex, M16 x 40, 10.9
9	219-1	1	NIPPLE, LUBE, 1/8"-27 x .66 lg,
10	219-36	1	NIPPLE, LUBE, 45с, 1/8" NPT x 7/8" lg, 45 deg, 1/8 PT x 7/8
11	D95143	2	SEAL,
12	87423436	1	COVER, Drive Shaft, Left-Hand
13	87423437	1	COVER, Drive Shaft, Right-Hand
14	895-11010	4	WASHER, M10 x 20 x 2,
15	627-10020	4	BOLT, Hex, M10 x 20, 10.9, Full Thd, M10 x 20; 10.9
16	495-11053	4	WASHER, 1/2", SAE, (17/32" x 1-1/16" x 3/32")
17	426-812	4	BOLT, Hex, 1/2"-13 x 3/4", G8, Full Thd, 1/2 NC x 3/4;8

09-41 HOOD AND SUPPORT



STX500 CASE IH 4WD TRACTOR (AFTER S/N JEE0099501)

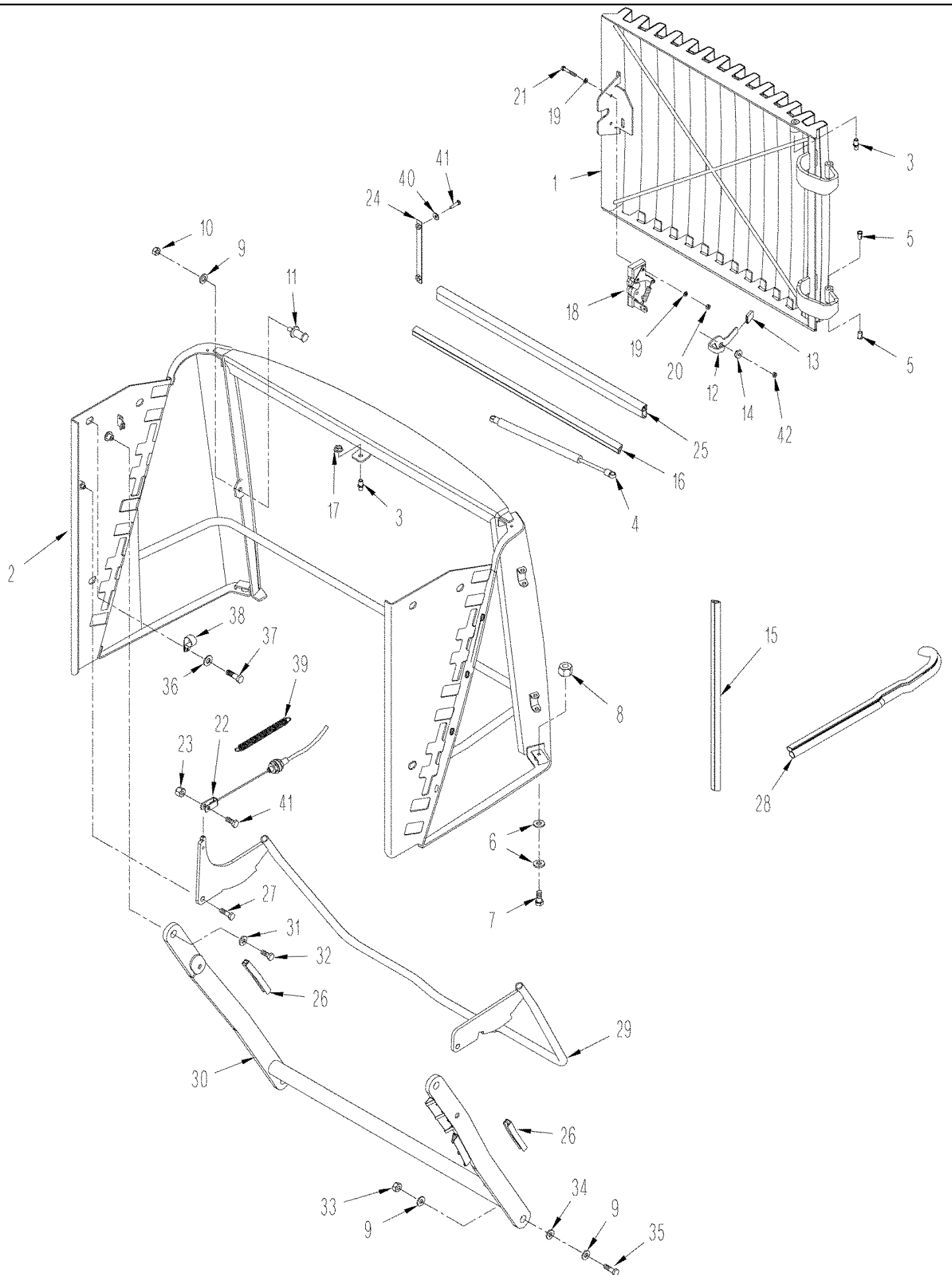
09-41 HOOD AND SUPPORT

сылка	Номер детали	Кол-во	Описание
1	323892A6	1	HOOD,
2	401330A1	1	SUPPORT,
3	733-4032	1	PIN, SPLIT (COTTER), M4 x 32, 4 x 32 mm
4	728-16100	1	PIN, CLEVIS, M16 x 100, 11/16 x 100
5	627-12045	4	BOLT, Hex, M12 x 45, 10.9, Full Thd,
6	829-1412	2	NUT, M12, CI 10,
7	896-11012	12	WASHER, M13.5 x 24.5 x 3, HT,
8	339543A2	1	ARM, Lift, See Figure 09-43
9	352811A2	1	PLATE, Hood Latch, BSN JEE0100144
9	445932A1	1	PLATE, Hood Latch, ASN JEE0100144
10	728-620	1	PIN, CLEVIS, M6 x 20, 6 x 20 mm
11	895-25006	4	WASHER, M6 x 18 x 1.6, 6,6 x 18 x 1,6 mm
12	314842A3	4	BEARING,
13	827-6040	4	BOLT, Hex, M6 x 40, 10.9,
14	895-11006	4	WASHER, M6,
15	832-10406	4	NUT, LOCK, M6 x 1, CI 8,
16	443297A1	1	CABLE PULLING GRIP, , Also Order 445932A1 Hood Latch Mounting Plate For Tractors BSN JEE0100144.
17	318159A1	1	LATCH,
18	339534A4	1	SUPPORT, Radiator, Left-Hand
19	339537A4	1	SUPPORT, Radiator, Right-Hand
20	627-12040	10	BOLT, Hex, M12 x 40, 10.9, Full Thd,
21	733-1610	1	PIN, SPLIT (COTTER), M1.6 x 10, 1,6 x 10 mm
22	87353799	1	GUIDE, Hood Sight
23	131-431	2	NUT, LOCK, Self, Threading, 1/4",
24	627-6025	4	BOLT, Hex, M6 x 25, 10.9,
25	329946A1	2	CLIP,
26	370990A1	2	SEAL,
27	392428A2	1	COVER, Fan, Left-Hand, BSN JEE0104378
28	392434A3	1	COVER, Fan, Right-Hand, BSN JEE0104378
29	399576A1	6	WASHER, SPECIAL,
30	627-10030	4	BOLT, Hex, M10 x 30, 10.9, Full Thd,
31	829-1410	2	NUT, M10, CI 10,
	86983416	1	KIT, FIP, Threaded Insert, 6 mm Inc. 32, 33
32	NSS	1	NOT SERVICED SEPARATELY,
33	NSS	1	NOT SERVICED SEPARATELY, Expandable
34	334209A2	1	INSULATION, FOAM,
35	87422373	1	BRACKET, Dipstick
36	627-8020	1	BOLT, Hex, M8 x 20, 10.9,
37	87446203	1	BRACKET, Support, Left-Hand
38	87446202	1	BRACKET, Support, Right-Hand
39	895-11010	4	WASHER, M10 x 20 x 2,
40	627-10030	4	BOLT, Hex, M10 x 30, 10.9, Full Thd,
41	896-11012	2	WASHER, M13.5 x 24.5 x 3, HT,
	87422375	1	SCREEN, Right-Hand, Inc. 42, 47 & 48

STX500 CASE IH 4WD TRACTOR (AFTER S/N JEE0099501)

09-41 HOOD AND SUPPORT

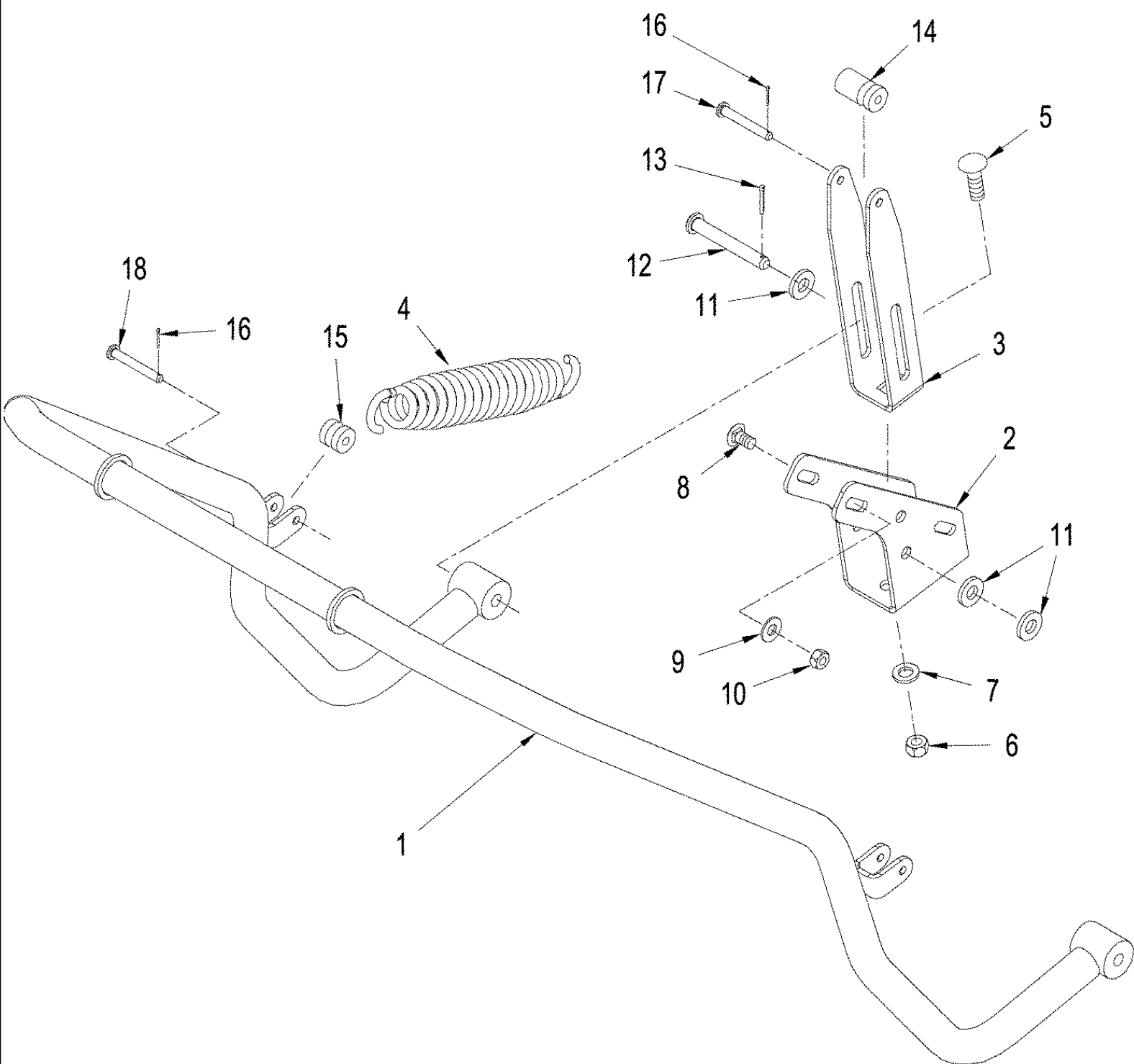
сылка	Номер детали	Кол-во	Описание
42	NSS	1	NOT SERVICED SEPARATELY, Engine, Right-Hand
43	87423721	1	MOLDING, Right-Hand, 2148 mm (84-1/2 in), Cut From: 87371080
	87422374	1	SCREEN, Left-Hand, Inc. 44 - 48
44	NSS	1	NOT SERVICED SEPARATELY, Engine, Left-Hand
45	87422383	1	SEAL, RUBBER, Dipstick Hole, 476 mm (18-47/64 in), Cut From: 87371080
46	87423607	1	MOLDING, Left-Hand, 1861 mm (73-1/4 in), Cut From : 87371080
47	448713A1	1	STUD, Rear Latch
48	87422372	2	MOUNT, RUBBER, Spacer
49	829-1408	1	NUT, M8, CI 10,
50	87422371	2	CABLE,
51	895-11008	4	WASHER, M8 x 16 x 1.6, 9 x 16 x 1,6 mm
52	614-8020	2	BOLT, Hex, M8 x 20, 8.8,
53	832-10408	2	NUT, LOCK, M8 x 1.25, CI 8,
54	87422384	1	KIT, FIP, Engine Screen, Inc. 5, 20, 35 - 53, 55 & 56
55	260-5448	4	SCREW, SELF TAP, Cross Pan Hd, #8 x 1/2", 1/2
56	1968039C3	2	FASTENER, Stud, Screen Latch
57	829-1412	2	NUT, M12, CI 10,
58	463-6108	1	SCREW, Hex Hd, #10-32 x 1/2",



STX500 CASE IH 4WD TRACTOR (AFTER S/N JEE0099501)

09-42 GRILLE

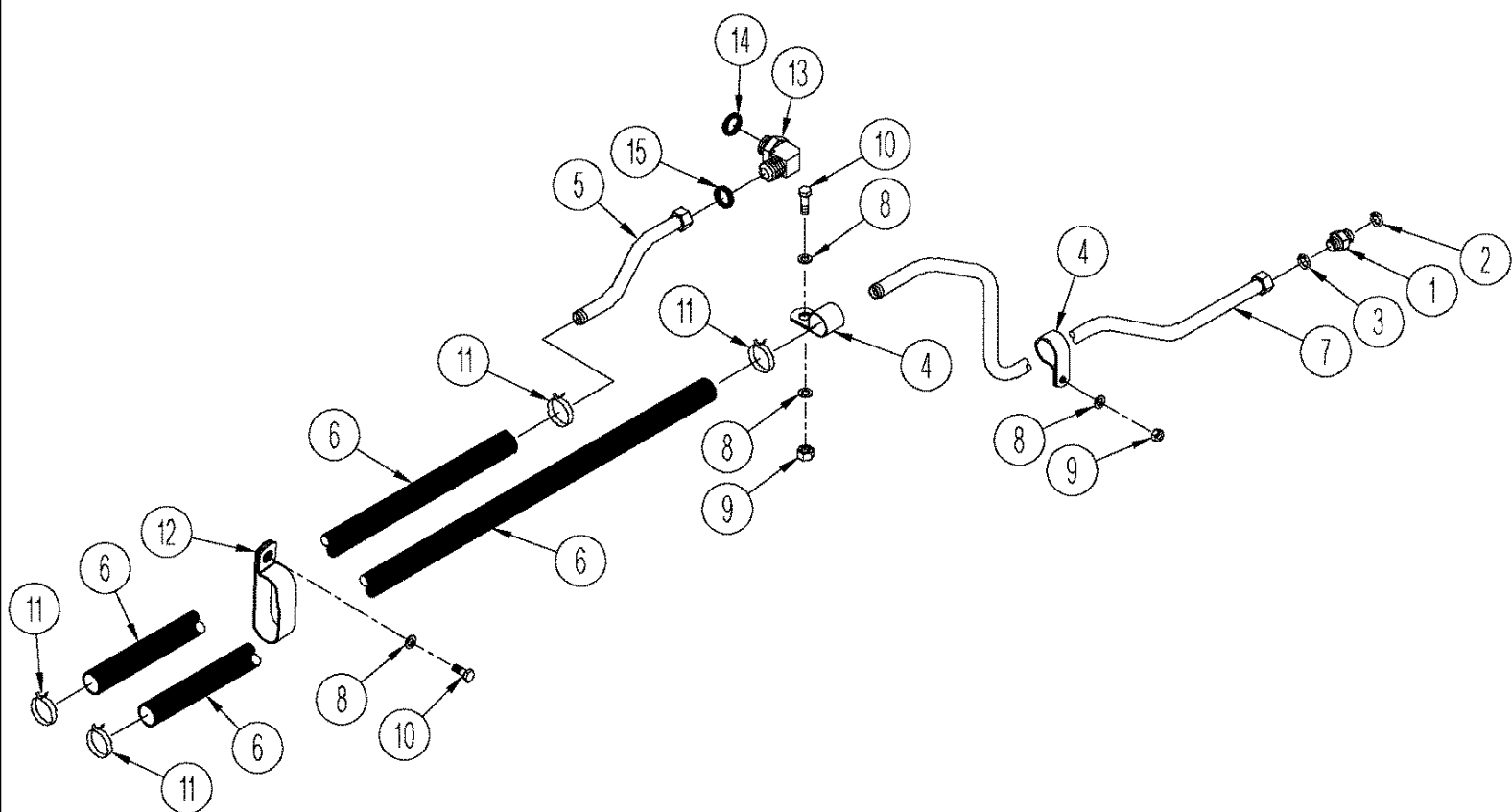
сылка	Номер детали	Кол-во	Описание
1	323585A2	1	GRILLE,
2	304005A4	1	GRILLE ASSY,
3	350662A1	2	STUD,
4	L129243	1	CYLINDER ASSY.,
5	529761R1	4	BUSHING,
6	895-11008	4	WASHER, M8 x 16 x 1.6, 9 x 17 x 1,6 mm
7	827-8060	2	BOLT, Hex, M8 x 60, 10.9, M8 x 60; 10.9
8	832-10408	2	NUT, LOCK, M8 x 1.25, CI 8,
9	896-11012	1	WASHER, M13.5 x 24.5 x 3, HT,
10	429-107	5	NUT, 7/16"-14, G8, 7/16; 8
11	328534A1	1	BOLT, Striker
12	349426A2	1	LATCH,
13	371802A1	1	SLEEVE,
14	349427A1	1	SPACER,
15	352770A1	2	SEAL, Cut From 353729A1
16	352768A1	1	SEAL,
17	825-51410	1	NUT, M10, Flg Ser,
18	318159A1	1	LATCH,
19	895-11006	1	WASHER, M6,
20	829-1406	1	NUT, M6, CI 10, M6; 10.9
21	827-6040	2	BOLT, Hex, M6 x 40, 10.9,
22	443297A1	1	CABLE PULLING GRIP, , Also Order 445932A1 Hood Latch Mounting Plate For Tractors BSN JEE0100144.
23	832-10406	1	NUT, LOCK, M6 x 1, CI 8,
24	356813A2	1	BRACKET, SUPPORTING, Nut, Strip
25	370990A1	1	SEAL, 935 mm (37 in), Cut From: 90-2894T1
26	388554A1	2	GROMMET, 127 mm (5 in), Cut From : 443080A1
27	357893A1	2	SCREW,
28	394002A1	2	SEAL, Cut From L107724
29	325525A3	1	ARM, Safety
30	315197A4	1	ARM ASSY.,
31	896-15010	2	WASHER, M10 x 24.5 x 3, HT, 11 x 24 x 3 mm
32	627-10020	2	BOLT, Hex, M10 x 20, 10.9, Full Thd, M10 x 20; 10.9
33	829-1412	2	NUT, M12, CI 10,
34	316937A1	2	SPACER,
35	827-12060	2	BOLT, Hex, M12 x 60, 10.9, M12 x 60; 10.9
36	S95569	6	WASHER,
37	627-10025	6	BOLT, Hex, M10 x 25, 10.9, Full Thd, Cap, HH, M10 x 25, CL10.9
38	515-2563	1	CLAMP, 1/4", Insul, 1/2" Bolt, 1/4 ID
39	L106237	1	SPRING,
40	895-25006	8	WASHER, M6 x 18 x 1.6, M6
41	627-6025	1	BOLT, Hex, M6 x 25, 10.9,
42	829-1406	1	NUT, M6, CI 10,



STX500 CASE IH 4WD TRACTOR (AFTER S/N JEE0099501)

09-43 HOOD - LIFT ARM

сылка	Номер детали	Кол-во	Описание
1	339543A2	1	ARM, Lift
2	339551A1	2	BRACKET, M8 x 40
3	339547A1	2	CLEVIS, ADJUSTABLE, M2 x 12
4	339549A1	2	SPRING, COIL, M12 x 40; 8.8
5	811-12040	2	BOLT, CARRIAGE, Short NK, M12 x 40, CI8.8, Full Thd,
6	829-1412	2	NUT, M12, CI 10,
7	896-11012	2	WASHER, M13.5 x 24.5 x 3, HT,
8	811-10020	4	BOLT, CARRIAGE, Short NK, M10 x 20, CI8.8, Full Thd,
10	829-1410	4	NUT, M10, CI 10,
11	896-15012	6	WASHER, M12 x 28.5 x 4, HT, 13,5 x 28 x 4 mm
12	728-1290	2	PIN, CLEVIS, M12 x 90, M2 x 90
13	733-3220	2	PIN, SPLIT (COTTER), M3.2 x 20, M3.2 x 20
14	313992A1	2	SPOOL,
15	320429A1	2	SPOOL,
16	733-2012	4	PIN, SPLIT (COTTER), M2 x 12, M2 x 12
17	728-840	2	PIN, CLEVIS, M8 x 40, Clevis, M8 x 60
18	728-860	2	PIN, CLEVIS, M8 x 60, Clevis, M8 x 40
9	895-15010	4	WASHER, M11 x 24 x 2,

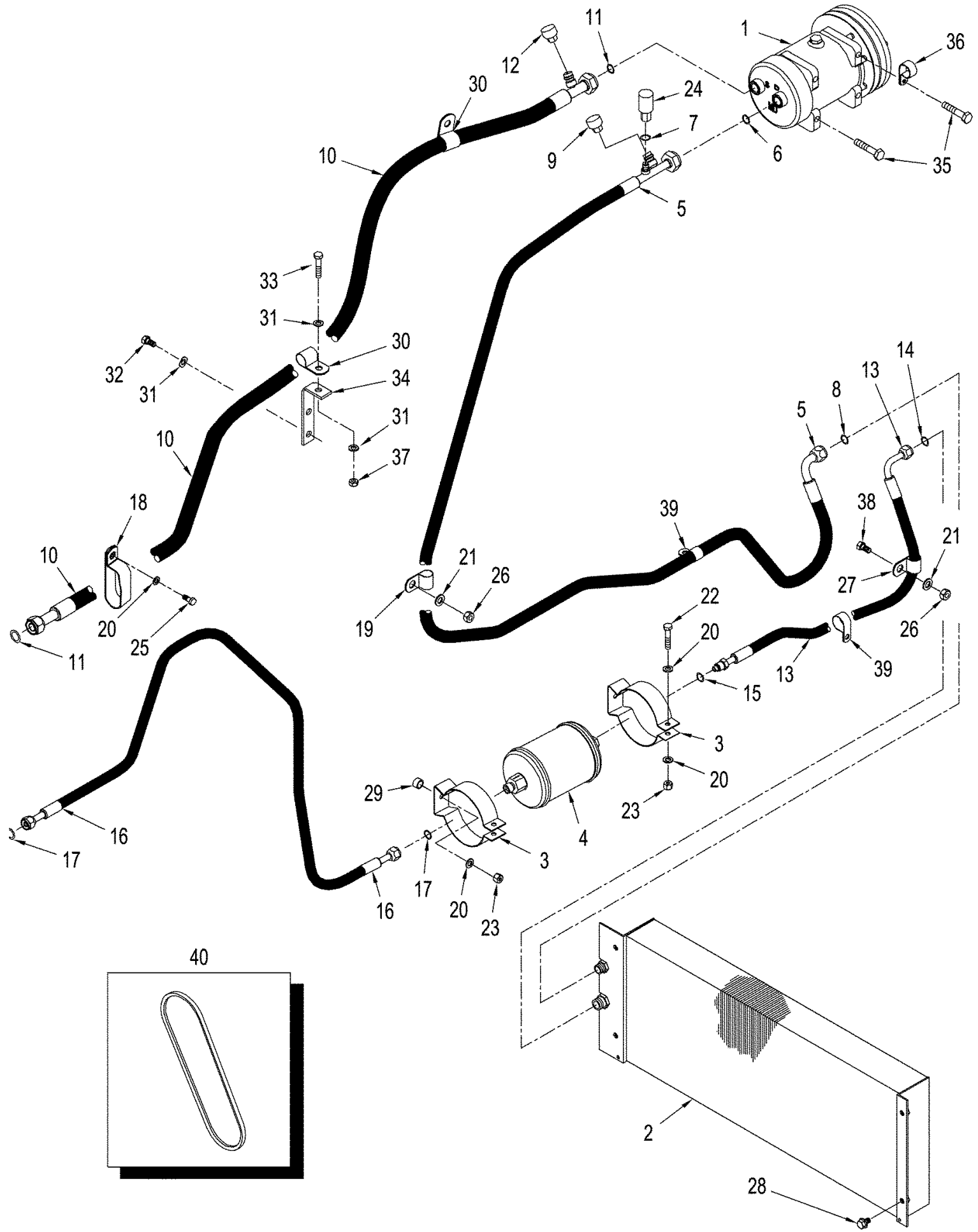


STX500 CASE IH 4WD TRACTOR (AFTER S/N JEE0099501)

09-44 HEATER - HOSES

сылка	Номер детали	Кол-во	Описание
1	700-104	1	CONNECTOR, HYD., 1 3/16"-12 ORFS x M27 x 2 ORB, Incl. 2, 3
2	637-64236	1	O-RING, CI 6, 23.6MM ID x 2.9 Thk,
3	238-6018	1	O-RING, -018, 90 Duro, .739" ID x .070" Thk,
4	515-23159	2	CLAMP, 5/8", Insul, 3/8" Bolt,
5	392223A2	1	TUBE,
6	31-1293	2	HOSE, 5/8 ID x 57 in
7	391492A2	1	TUBE,
8	895-11008	4	WASHER, M8 x 16 x 1.6, 9 x 17 x 1,6 mm
9	829-1408	2	NUT, M8, CI 10,
10	627-8020	2	BOLT, Hex, M8 x 20, 10.9,
11	214-1408	4	CLAMP, HOSE, #08, 0.50/0.91 Type F Worm, 1/2 - 29/32 dia
12	R54363	1	CLAMP,
13	700-307	1	ELBOW, 90e, 1 3/16"-12 ORFS x M27 x 2 ORB, Incl. 14, 15
14	637-64236	1	O-RING, CI 6, 23.6MM ID x 2.9 Thk,
15	238-6018	1	O-RING, -018, 90 Duro, .739" ID x .070" Thk,

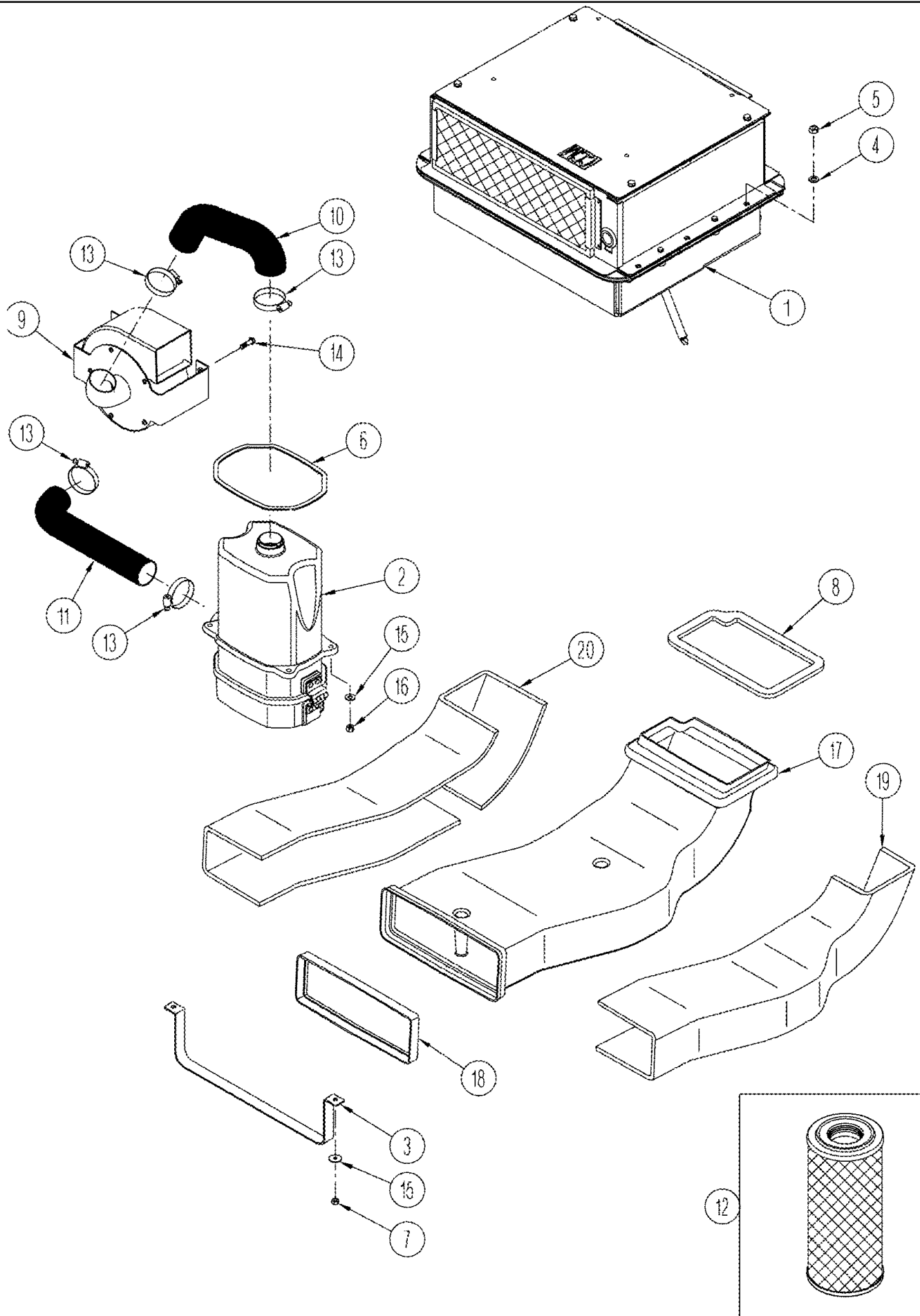
09-45 AIR CONDITIONING SYSTEM



STX500 CASE IH 4WD TRACTOR (AFTER S/N JEE0099501)

09-45 AIR CONDITIONING SYSTEM

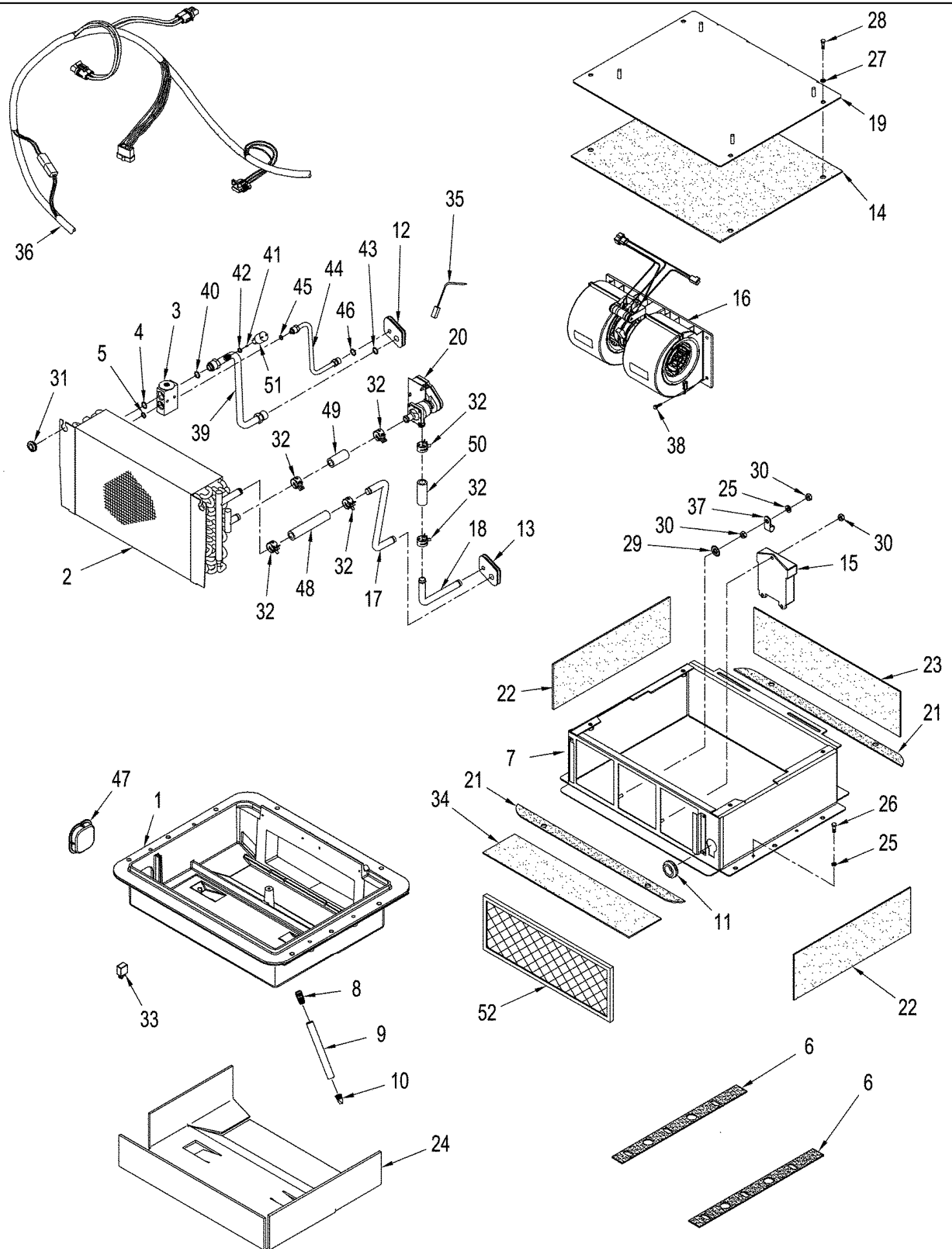
сылка	Номер детали	Кол-во	Описание
1	86993463	1	COMPRESSOR, AIRCOND,
2	87315600	1	CONDENSER,
3	433723A1	2	CLAMP,
4	295006A1	1	RECEIVER-DRYER, 134a
5	434240A1	1	HOSE, 2200 mm (87 in), Inc. 6 - 9
6	128485A1	1	O-RING, 9/16 ID x 1/16
7	128483A1	1	O-RING, 5/16 ID x 1/16
8	128484A1	1	O-RING, 7/16 ID x 1/16
9	122554A1	1	CAP,
10	390960A1	1	HOSE, 2950 mm (116 in), Inc. 11, 12
11	128485A1	2	O-RING, 9/16 ID x 1/16
12	122553A1	1	CAP,
13	434241A1	1	HOSE ASSY., 2100 mm (83 in), Inc. 14, 15
14	128484A1	1	O-RING, 7/16 ID x 1/16
15	128483A1	1	O-RING, 5/16 ID x 1/16
16	308750A3	1	HOSE ASSY., 2200 mm (87 in), Inc. 17
17	128483A1	2	O-RING, 5/16 ID x 1/16
18	R54363	2	CLAMP,
19	515-25190	2	CLAMP, 3/4", Insul, 1/2" Bolt, 3/4 ID
20	895-11008	13	WASHER, M8 x 16 x 1.6, 9 x 17 x 1,6 mm
21	895-11010	1	WASHER, M10 x 20 x 2,
22	827-8040	2	BOLT, Hex, M8 x 40, 10.9,
23	829-1408	5	NUT, M8, CI 10,
24	284273A2	1	SWITCH,
26	829-1410	5	NUT, M10, CI 10,
27	515-25159	4	CLAMP, 5/8", Insul, 1/2" Bolt,
28	844-8020	4	BOLT, Hex Flg, M8 x 20, 8.8,
29	432444A1	2	SPACER,
30	515-25254	2	CLAMP, 1", Insul, 1/2" Bolt,
31	895-11012	4	WASHER, M12 x 24 x 2.5, 13,5 x 24 x 2,5 mm
32	627-12020	2	BOLT, Hex, M12 x 20, 10.9, Full Thd,
33	613-12030	1	BOLT, Hex, M12 x 30, 8.8, Full Thd, M12 x 30; 8.8
34	391460A1	1	BRACKET,
35	827-8100	4	BOLT, Hex, M8 x 100, 10.9,
36	515-2395	1	CLAMP, 3/8", Insul, 3/8" Bolt,
37	829-1412	1	NUT, M12, CI 10,
38	627-10025	1	BOLT, Hex, M10 x 25, 10.9, Full Thd, M10 x 25; 10.9
39	516-23190	2	CLAMP, J, 3/4", Insul, 3/8" Bolt, P-Type
40	87437226	1	BELT, Accessary Drive, A/C & Alternator
25	627-8025	2	BOLT, Hex, M8 x 25, 10.9,



STX500 CASE IH 4WD TRACTOR (AFTER S/N JEE0099501)

09-46 AIR CONDITIONING - DUCTS

сылка	Номер детали	Кол-во	Описание
1	87438585	1	AIR CONDITIONER, Without Auto Temp Control, See Figure 09-47, Standard Cab, BSN JEE0106701
1	87441017	1	AIR CONDITIONER, Without Auto Temp Control, See Figure 09-47 (01), ASN JEE0106701
1	87438586	1	AIR CONDITIONER, With Auto Temp Control, See Figure 09-48, Luxury Cab, Deluxe Cab, BSN JEE0106701
	87441018	1	AIR CONDITIONER, With Auto Temp Control, See Figure 09-48 (01), Deluxe Cab, Luxury Cab, ASN JEE0106701
2	319970A3	1	HOUSING, Air Filter, See Figure 09-49
3	384950A2	1	BRACKET,
4	895-11010	6	WASHER, M10 x 20 x 2,
5	829-1410	6	NUT, M10, CI 10,
6	359586A1	1	SEAL, Filter
7	829-1408	2	NUT, M8, CI 10,
8	278967A3	4	GASKET, Floor Plate
9	NSS	1	NOT SERVICED SEPARATELY, Blower Assy, See Figure 09-50
10	307024A4	1	HOSE, Air Intake
11	87380071	1	HOSE, Air Intake
12	259288A1	1	FILTER, Air
13	214-1432	4	CLAMP, HOSE, #32, 1.56/2.50 Type F Worm,
14	627-6012	4	BOLT, Hex, M6 x 12, 10.9, M6 x 12; 10.9
15	895-15008	6	WASHER, M8 x 20 x 1.6, 9 x 20 x 1,6 mm
16	832-10408	4	NUT, LOCK, M8 x 1.25, CI 8,
17	327851A1	1	DUCT,
18	359670A2	1	SEAL,
19	328051A2	1	INSULATION, FOAM, Duct, Right-Hand
20	328052A2	1	INSULATION, FOAM, Duct, Left-Hand



STX500 CASE IH 4WD TRACTOR (AFTER S/N JEE0099501)

09-47 AIR CONDITIONING - CLIMATE CONTROL UNIT, WITHOUT AUTO TEMP CONTROL, BSN JEE0106701

сылка	Номер детали	Кол-во	Описание
	87438585	1	AIR CONDITIONER, Inc. 1 - 52
1	322996A1	1	BOX,
2	86990262	1	CORE, Evaporator And Heater
3	386535A1	1	VALVE, Expansion
4	128484A1	1	O-RING, 7/16 ID x 1/16
5	128485A1	1	O-RING, 9/16 ID x 1/16
6	322994A1	4	GASKET,
7	322831A2	1	CASE,
8	1250522C3	2	ELBOW,
9	1977334C1	2	HOSE, 610 mm (24-1/8 in), Cut From 198091C1
10	109239C2	2	VALVE, Check
11	248-2381	1	GROMMET, 1" ID x 1 3/8" Groove Dia,
12	322989A1	1	GROMMET,
13	322990A1	1	GROMMET,
14	322992A1	1	GASKET,
15	87429903	1	CONTROL,
16	323611A1	1	BLOWER,
17	322985A1	1	PIPE, Outlet
18	322987A1	1	PIPE, Inlet
19	323625A1	1	COVER, TOP,
20	427356A1	1	VALVE, CONTROL,
21	322995A1	4	GASKET,
22	322993A1	2	GASKET,
23	322991A1	1	GASKET,
24	324484A1	1	INSULATOR,
25	892-11006	5	WASHER, LOCK, M6,
26	614-6012	4	BOLT, Hex, M6 x 12, 8.8,
27	892-11008	4	WASHER, LOCK, M8,
29	493-81002	1	WASHER, LOCK, Ext-Int Tooth, 1/4", 1/4
30	829-1406	4	NUT, M6, CI 10, M6; 10.9
31	248-1243	2	GROMMET, 1/2" ID x 13/16" Groove Dia, Diag Cut,
32	1954736C1	6	CLAMP, HOSE, No. 24
33	87414866	1	RELAY, 20 amp
34	327306A1	1	GASKET,
35	323016A1	1	SENSOR,
36	327308A1	1	HARNESS,
37	515-21127	1	CLAMP, 1/2", Insul, 1/4" Bolt, 1/2 ID
38	281-14512	4	SCREW, SELF TAP, Hex Wash Hd, #10 x 3/4", No. 10 x 3/4
39	322839A1	1	PIPE, Inc. 40 - 42
40	128485A1	1	O-RING, 9/16 ID x 1/16
41	1250594C2	1	CORE, Evaporator / Heater
42	128483A1	1	O-RING, 5/16 ID x 1/16
43	NSS	1	NOT SERVICED SEPARATELY, O-Rng
44	322840A1	1	PIPE, Inc. 45, 46
45	128483A1	1	O-RING, 5/16 ID x 1/16

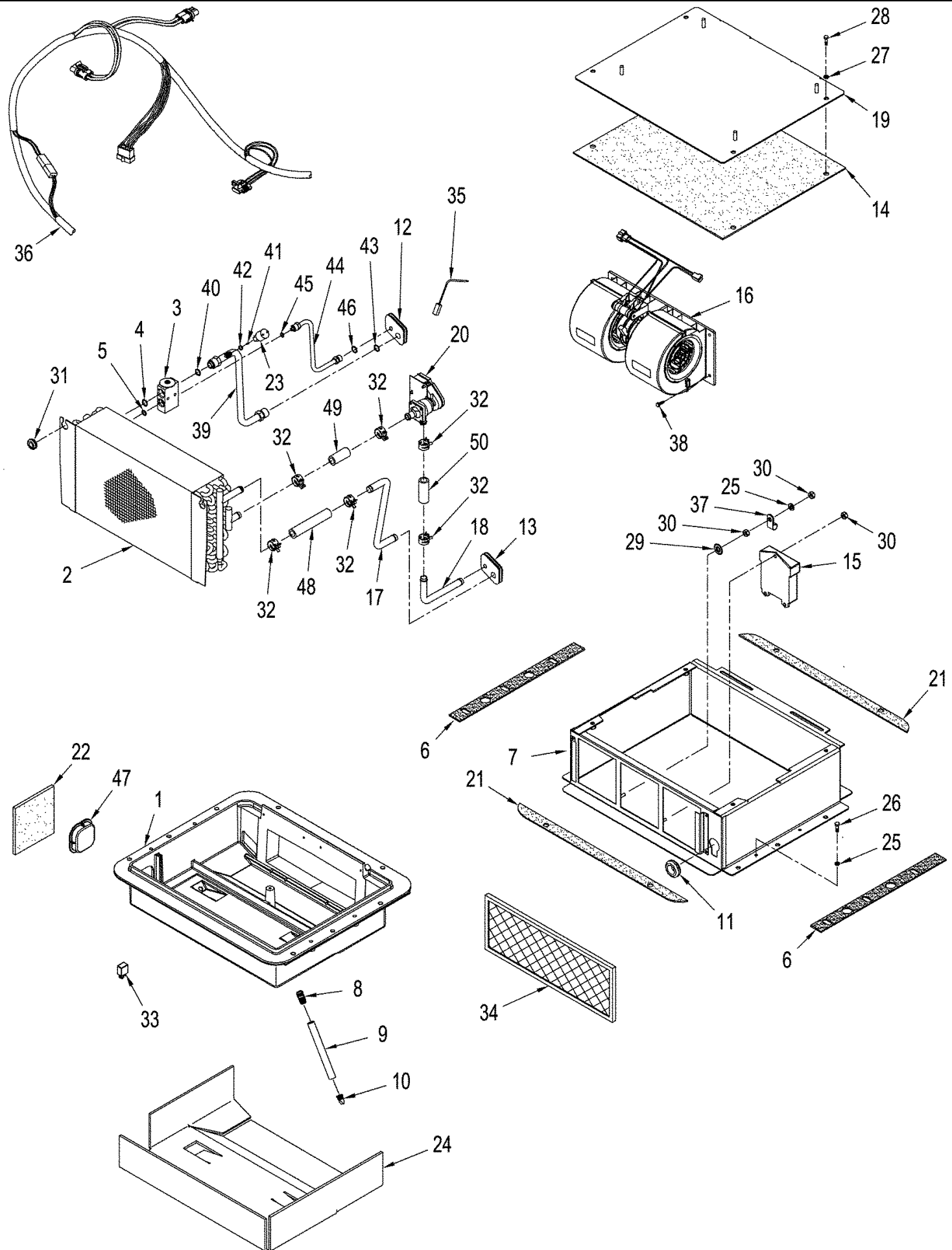
BSN JEE0106701

STX500 CASE IH 4WD TRACTOR (AFTER S/N JEE0099501)

09-47 AIR CONDITIONING - CLIMATE CONTROL UNIT, WITHOUT AUTO TEMP CONTROL, BSN JEE0106701

сылка	Номер детали	Кол-во	Описание
46	NSS	1	NOT SERVICED SEPARATELY, O- Ring
47	368313A1	1	PLASTIC PLUG,
48	1321290C2	1	HOSE, 127 mm (5 in), Cut From 97252CX
49	324022A1	1	HOSE, 54 mm (2-1/8 in), Cut From 97252CX
50	324023A1	1	HOSE, 64 mm (2-1/2 in), Cut From 97252CX
51	284272A3	1	SWITCH, PRESSURE, Low Pressure
52	87409377	1	FILTER, Recirculated Air
28	627-8025	4	BOLT, Hex, M8 x 25, 10.9,

BSN JEE0106701



STX500 CASE IH 4WD TRACTOR (AFTER S/N JEE0099501)

09-47(01) AIR CONDITIONING - CLIMATE CONTROL UNIT, WITHOUT AUTO TEMP CONTROL, ASN JEE0106701

сылка	Номер детали	Кол-во	Описание
	87441017	1	AIR CONDITIONER, Inc. 1 - 50
1	322996A1	1	BOX, Lower
2	86990262	1	CORE, Evaporator And Heater
3	386535A1	1	VALVE, Expansion
4	128484A1	1	O-RING, 7/16 ID x 1/16
5	128485A1	1	O-RING, 9/16 ID x 1/16
6	322994A1	4	GASKET,
7	87306776	1	CASE ASSY.,
8	1250522C3	2	ELBOW,
9	1977334C1	2	HOSE, 610 mm (24-1/8 in), Cut From 198091C1
10	109239C2	2	VALVE, Check
11	248-2381	1	GROMMET, 1" ID x 1 3/8" Groove Dia,
12	322989A1	1	GROMMET,
13	322990A1	1	GROMMET,
14	87324951	1	GASKET,
15	87429903	1	CONTROL,
16	323611A1	1	BLOWER,
17	322985A1	1	PIPE, Outlet
18	322987A1	1	PIPE, Inlet
19	87306495	1	COVER,
20	427356A1	1	VALVE, CONTROL,
21	322995A1	4	GASKET,
22	87306773	1	INSULATION, FOAM,
23	284272A3	1	SWITCH, PRESSURE, Low Pressure
24	324484A1	1	INSULATOR,
25	892-11006	5	WASHER, LOCK, M6,
26	614-6012	4	BOLT, Hex, M6 x 12, 8.8,
27	892-11008	4	WASHER, LOCK, M8,
29	493-81002	1	WASHER, LOCK, Ext-Int Tooth, 1/4", 1/4
30	829-1406	4	NUT, M6, CI 10, M6; 10.9
31	248-1243	2	GROMMET, 1/2" ID x 13/16" Groove Dia, Diag Cut,
32	1954736C1	6	CLAMP, HOSE, No. 24
33	105849A1	1	RELAY, 20 amp
34	87409377	1	FILTER, Recirculated Air
35	323016A1	1	SENSOR,
36	327308A1	1	HARNESS,
37	515-21127	1	CLAMP, 1/2", Insul, 1/4" Bolt, 1/2 ID
38	281-14512	4	SCREW, SELF TAP, Hex Wash Hd, #10 x 3/4", No. 10 x 3/4
39	322839A1	1	PIPE, Inc. 40 - 43
40	128485A1	1	O-RING, 9/16 ID x 1/16
41	1250594C2	1	CORE, Evaporator / Heater
42	128483A1	1	O-RING, 5/16 ID x 1/16
43	NSS	1	NOT SERVICED SEPARATELY, O-Rng
44	322840A1	1	PIPE, Inc. 45, 46
45	128483A1	1	O-RING, 5/16 ID x 1/16

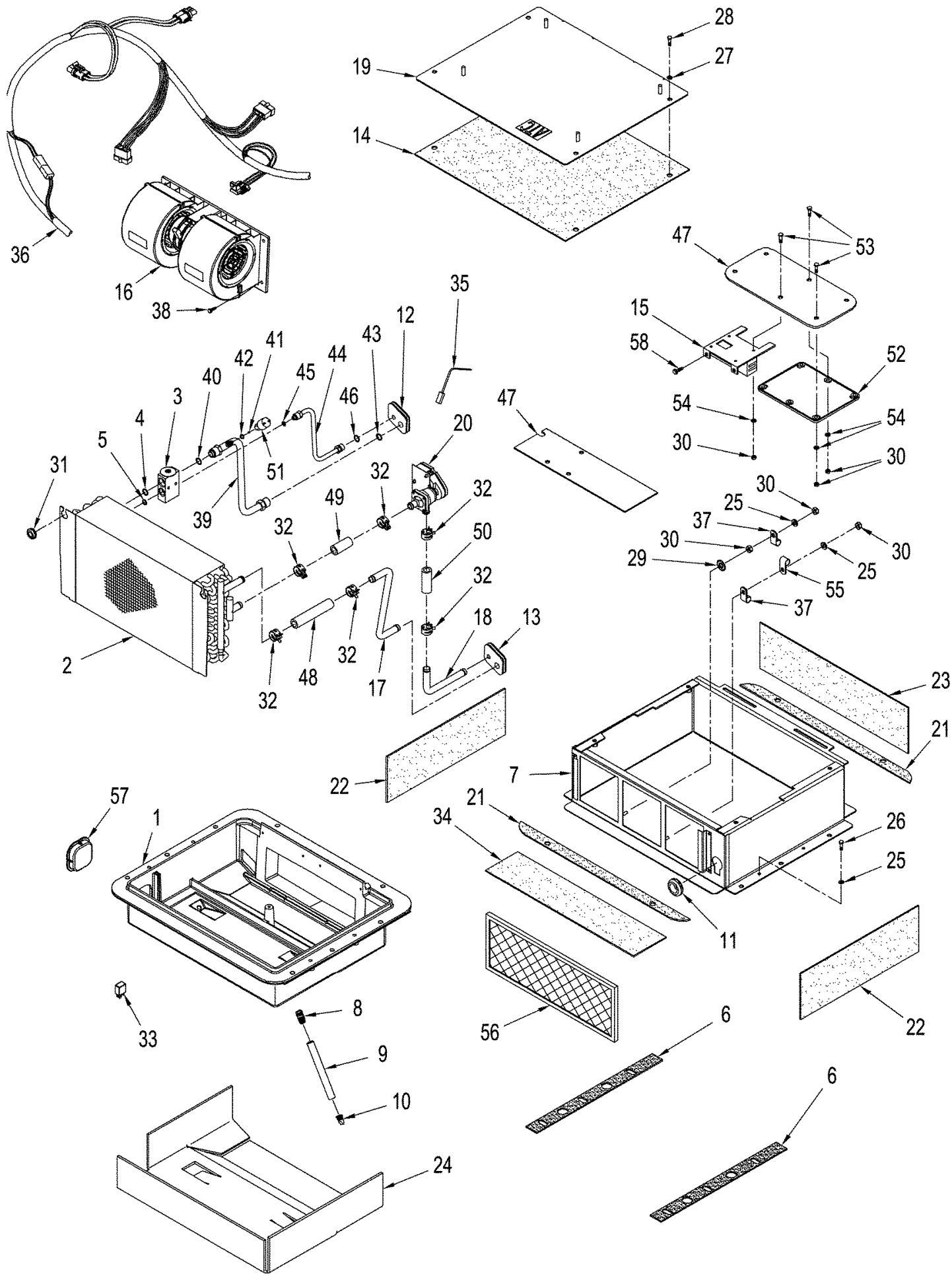
ASN JEE0106701

STX500 CASE IH 4WD TRACTOR (AFTER S/N JEE0099501)

09-47(01) AIR CONDITIONING - CLIMATE CONTROL UNIT, WITHOUT AUTO TEMP CONTROL, ASN JEE0106701

сылка	Номер детали	Кол-во	Описание
46	NSS	1	NOT SERVICED SEPARATELY, O- Ring
47	368313A1	1	PLASTIC PLUG,
48	1321290C2	1	HOSE, 127 mm (5 in), Cut From 97252CX
49	324022A1	1	HOSE, 54 mm (2-1/8 in), Cut From 97252CX
50	324023A1	1	HOSE, 64 mm (2-1/2 in), Cut From 97252CX
28	627-8025	4	BOLT, Hex, M8 x 25, 10.9,

ASN JEE0106701



STX500 CASE IH 4WD TRACTOR (AFTER S/N JEE0099501)

09-48 AIR CONDITIONING - CLIMATE CONTROL UNIT, WITH AUTO TEMP CONTROL, BSN JEE0106701

сылка	Номер детали	Кол-во	Описание
	87438586	1	AIR CONDITIONER, Inc. 1 - 57
1	322996A1	1	BOX,
2	NSS	1	NOT SERVICED SEPARATELY, Core, Evaporator and Heater
3	386535A1	1	VALVE, Expansion
4	128485A1	1	O-RING, 9/16 ID x 1/16
5	128484A1	1	O-RING, 7/16 ID x 1/16
6	322994A1	4	GASKET,
7	322831A1	1	CASE,
8	1250522C3	2	ELBOW,
9	1977334C1	2	HOSE, 610 mm (24-1/8 in), Cut From 198091C1
10	109239C2	2	VALVE,
11	248-2381	1	GROMMET, 1" ID x 1 3/8" Groove Dia,
12	322989A1	1	GROMMET,
13	322990A1	1	GROMMET,
14	322992A1	1	GASKET,
15	397780A1	1	CONTROL, 12V, Blower Motor
16	323610A1	1	BLOWER,
17	322985A1	1	PIPE, Outlet
18	322987A1	1	PIPE, Inlet
19	323625A1	1	COVER, TOP,
20	427356A1	1	VALVE, CONTROL,
21	322995A1	4	GASKET,
22	322993A1	2	GASKET,
23	322991A1	1	GASKET,
24	324484A1	1	INSULATOR,
25	892-11006	6	WASHER, LOCK, M6,
26	614-6012	4	BOLT, Hex, M6 x 12, 8.8,
27	892-11008	4	WASHER, LOCK, M8,
29	493-81002	1	WASHER, LOCK, Ext-Int Tooth, 1/4", 1/4
30	829-1406	6	NUT, M6, CI 10, M6; 10.9
31	248-1243	2	GROMMET, 1/2" ID x 13/16" Groove Dia, Diag Cut,
32	1954736C1	6	CLAMP, HOSE, No. 24
33	87414866	1	RELAY, 20 amp
34	327306A1	1	GASKET,
35	323016A1	2	SENSOR,
36	397704A1	1	HARNESS, WIRE,
37	515-2195	2	CLAMP, 3/8", Insul, 1/4" Bolt,
38	281-14512	4	SCREW, SELF TAP, Hex Wash Hd, #10 x 3/4", No. 10 x 3/4
39	322839A1	1	PIPE, Inc. 40 - 42
40	128485A1	1	O-RING, 9/16 ID x 1/16
41	1250594C2	1	CORE, Evaporator / Heater
42	128483A1	1	O-RING, 5/16 ID x 1/16
43	128485A1	1	O-RING,
44	322840A1	1	PIPE, Inc. 44
45	128483A1	1	O-RING, 5/16 ID x 1/16

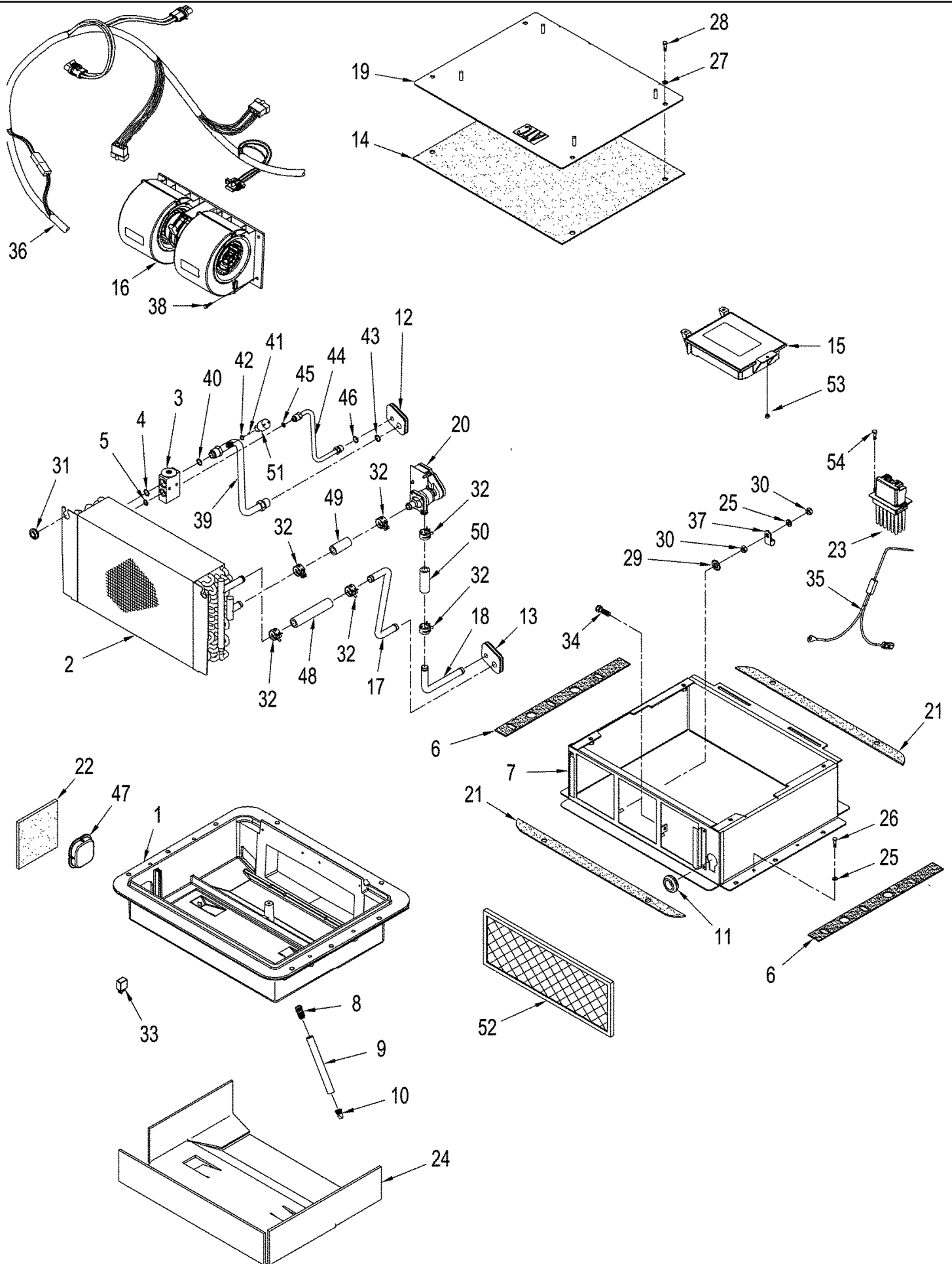
BSN JEE0106701

STX500 CASE IH 4WD TRACTOR (AFTER S/N JEE0099501)

09-48 AIR CONDITIONING - CLIMATE CONTROL UNIT, WITH AUTO TEMP CONTROL, BSN JEE0106701

сылка	Номер детали	Кол-во	Описание
46	128483A1	1	O-RING,
47	397702A1	1	BRACKET,
48	1321290C2	1	HOSE, 127 mm (5 in), Cut From 97252CX
49	324022A1	1	HOSE, 54 mm (2-1/8 in), Cut From 97252CX
50	324023A1	1	HOSE, 64 mm (2-1/2 in), Cut From 97252CX
51	284272A3	1	SWITCH, PRESSURE, Low Pressure
52	87429902	1	CONTROL, Temperature Module
53	614-6020	3	BOLT, Hex, M6 x 20, 8.8, M6 x 20; 8,8
54	895-11006	3	WASHER, M6,
56	87409377	1	FILTER, Recirculated Air
57	368313A1	1	PLASTIC PLUG,
58	280-1448	2	SCREW, SELF TAP, Hex Wash Hd, #8 x 1/2",
28	627-8025	4	BOLT, Hex, M8 x 25, 10.9,

BSN JEE0106701



STX500 CASE IH 4WD TRACTOR (AFTER S/N JEE0099501)

09-48(01) AIR CONDITIONING - CLIMATE CONTROL UNIT, WITH AUTO TEMP CONTROL, ASN JEE0106701

сылка	Номер детали	Кол-во	Описание
	87441018	1	AIR CONDITIONER, Inc. 1 - 53
1	322996A1	1	BOX,
2	NSS	1	NOT SERVICED SEPARATELY, Core, Evaporator and Heater
3	386535A1	1	VALVE, Expansion
4	128485A1	1	O-RING, 9/16 ID x 1/16
5	128484A1	1	O-RING, 7/16 ID x 1/16
6	322994A1	4	GASKET,
7	87306776	1	CASE ASSY.,
8	1250522C3	2	ELBOW,
9	1977334C1	2	HOSE, 610 mm (24-1/8 in), Cut From 198091C1
10	109239C2	2	VALVE,
11	248-2381	1	GROMMET, 1" ID x 1 3/8" Groove Dia,
12	322989A1	1	GROMMET,
13	322990A1	1	GROMMET,
14	87324951	1	GASKET,
15	87447392	1	CONTROL, 12V, Blower Motor
16	323610A1	1	BLOWER,
17	322985A1	1	PIPE, Outlet
18	322987A1	1	PIPE, Inlet
19	87306495	1	COVER,
20	427356A1	1	VALVE, CONTROL,
21	322995A1	4	GASKET,
22	87306773	1	INSULATION, FOAM,
23	87306706	1	TERMINAL CONNECTOR, Linear Blower
24	324484A1	1	INSULATOR,
25	892-11006	5	WASHER, LOCK, M6,
26	614-6016	4	BOLT, Hex, M6 x 16, 8.8,
27	892-11008	4	WASHER, LOCK, M8,
29	493-81002	1	WASHER, LOCK, Ext-Int Tooth, 1/4", 1/4
30	829-1406	3	NUT, M6, CI 10, M6; 10.9
31	248-1243	2	GROMMET, 1/2" ID x 13/16" Groove Dia, Diag Cut,
32	1954736C1	6	CLAMP, HOSE, No. 24
33	105849A1	1	RELAY, 20 amp
34	87454442	1	SENSOR, Thermister
35	323016A1	1	SENSOR,
36	87454441	1	HARNESS, WIRE,
37	515-21127	2	CLAMP, 1/2", Insul, 1/4" Bolt,
38	281-14512	4	SCREW, SELF TAP, Hex Wash Hd, #10 x 3/4", No. 10 x 3/4
39	322839A1	1	PIPE, Suction, Inc. 40 - 42
40	128485A1	1	O-RING, 9/16 ID x 1/16
41	1250594C2	1	CORE, Evaporator / Heater
42	128483A1	1	O-RING, 5/16 ID x 1/16
43	128485A1	1	O-RING,
44	322840A1	1	PIPE, Liquid, Inc. 45, 46
45	128483A1	1	O-RING, 5/16 ID x 1/16

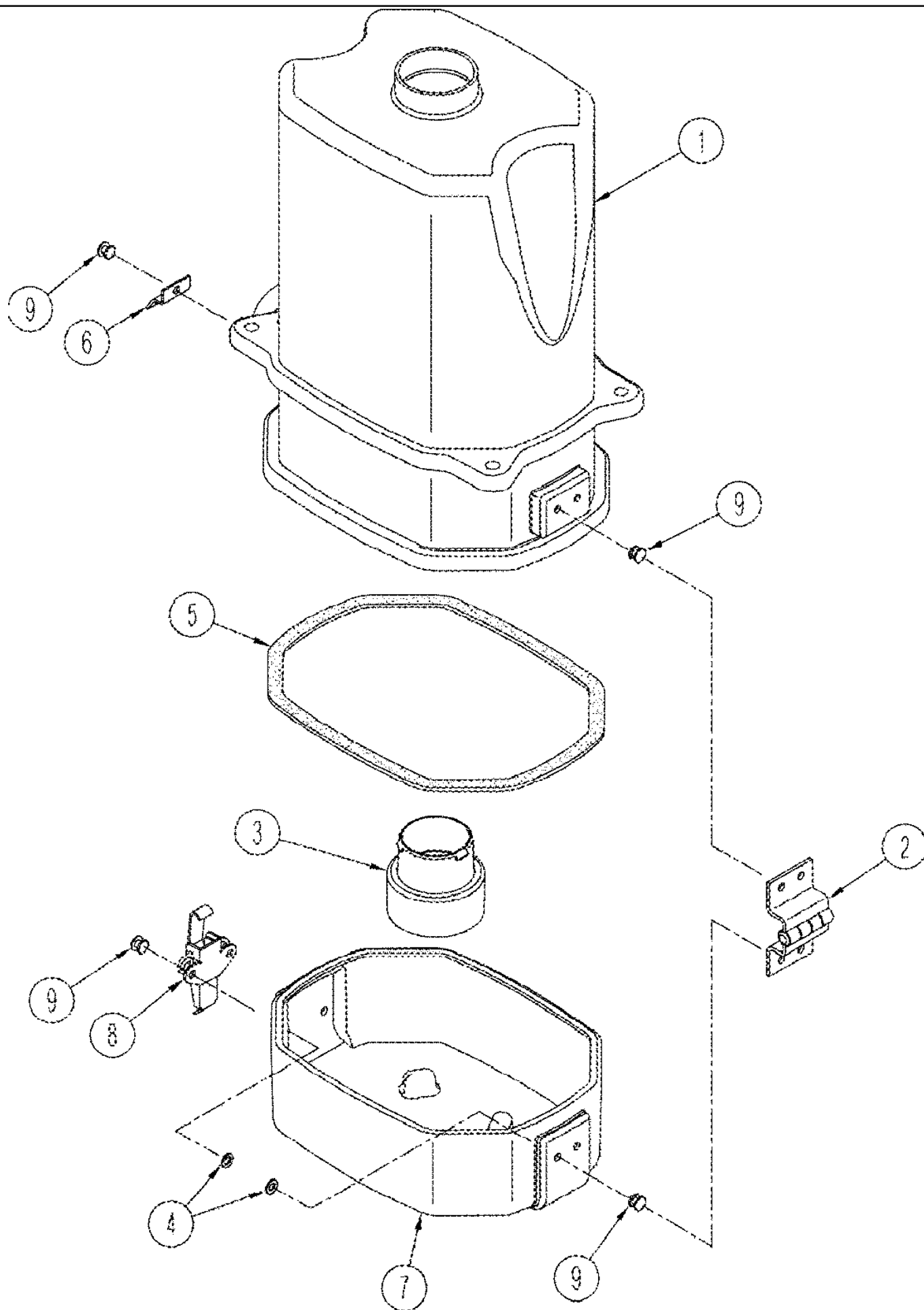
ASN JEE0106701

STX500 CASE IH 4WD TRACTOR (AFTER S/N JEE0099501)

09-48(01) AIR CONDITIONING - CLIMATE CONTROL UNIT, WITH AUTO TEMP CONTROL, ASN JEE0106701

сылка	Номер детали	Кол-во	Описание
46	NSS	1	NOT SERVICED SEPARATELY,
47	368313A1	1	PLASTIC PLUG,
48	1321290C2	1	HOSE, 127 mm (5 in), Cut From 97252CX
49	324022A1	1	HOSE, 54 mm (2-1/8 in), Cut From 97252CX
50	324023A1	1	HOSE, 64 mm (2-1/2 in), Cut From 97252CX
51	284272A3	1	SWITCH, PRESSURE, Low Pressure
52	87409377	1	FILTER, Recirculated Air
53	832-46404	1	NUT, LOCK, M4 x .7, CI 8, M4, CL8
54	280-1448	2	SCREW, SELF TAP, Hex Wash Hd, #8 x 1/2",
28	627-8025	4	BOLT, Hex, M8 x 25, 10.9,

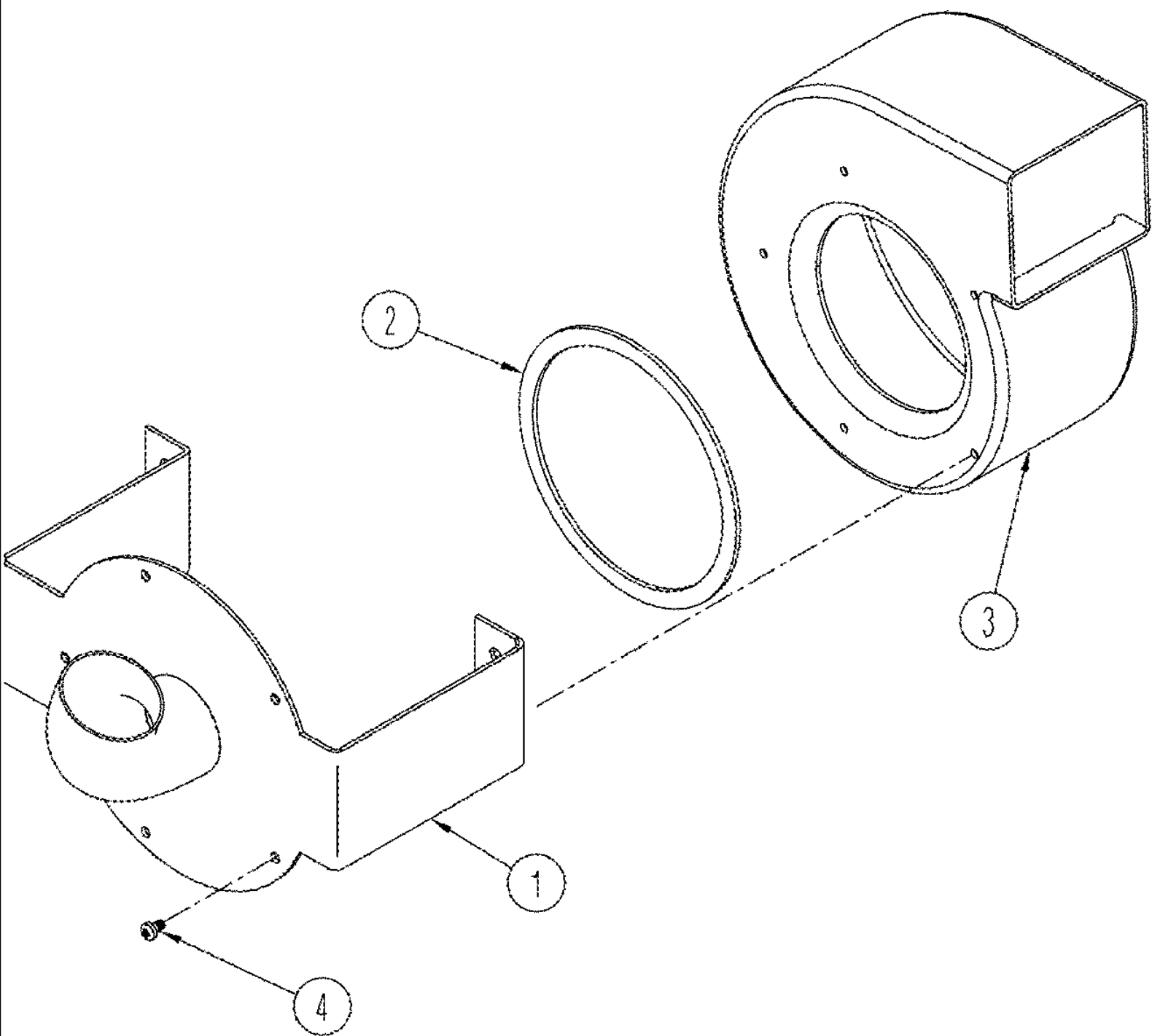
ASN JEE0106701



STX500 CASE IH 4WD TRACTOR (AFTER S/N JEE0099501)

09-49 AIR CONDITIONING - AIR FILTER HOUSING ASSEMBLY

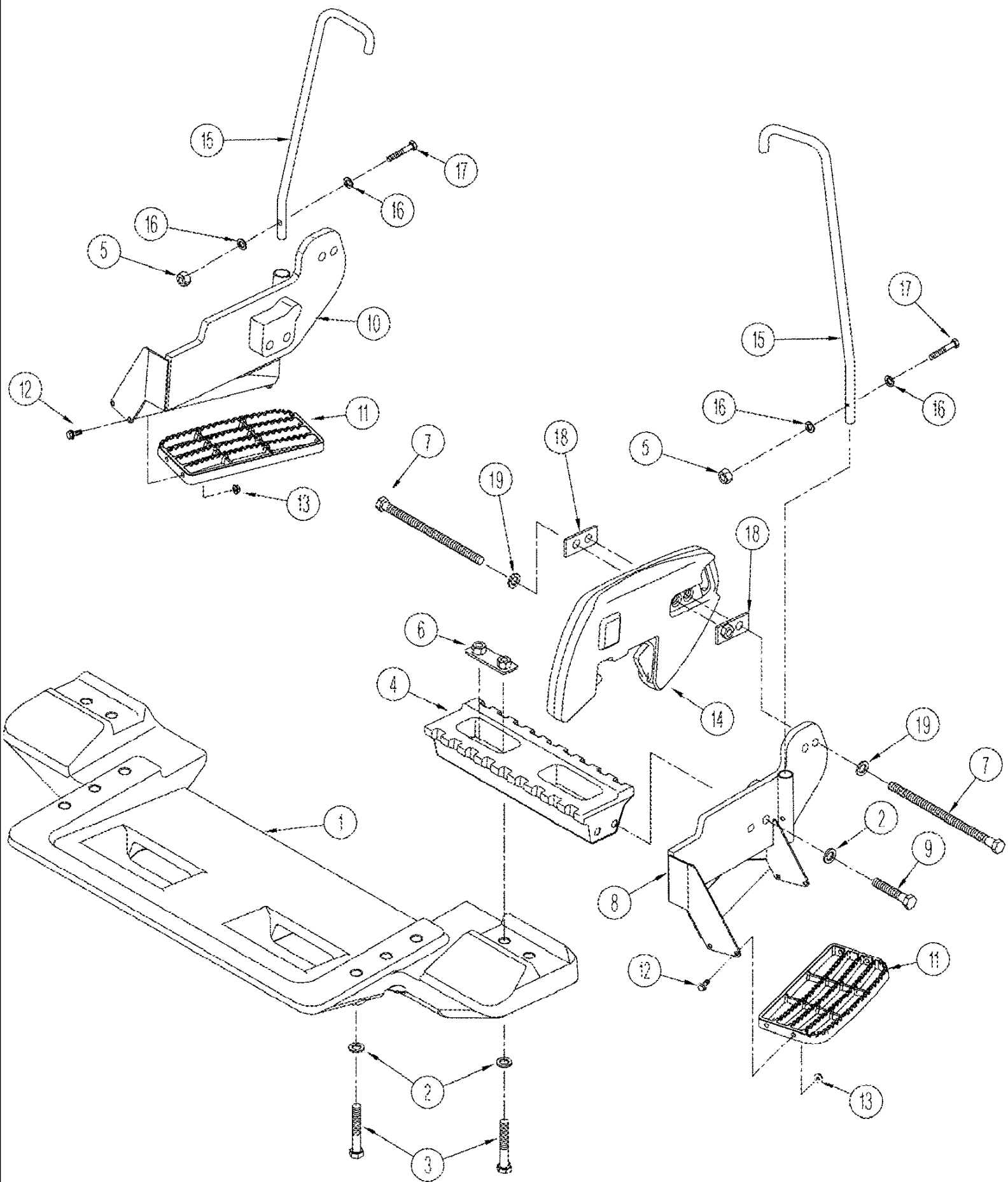
сылка	Номер детали	Кол-во	Описание
	319970A3	1	HOUSING, Air Filter, Inc. 1 - 9
1	NSS	1	NOT SERVICED SEPARATELY, Housing, Filter, Upper
2	319969A1	1	HINGE,
3	307016A1	1	COUPLING,
4	895-11005	7	WASHER, M5 x 10 x 1, 5,5 x 10 x 1 mm
5	359585A2	1	SEAL, Cut From 87432208
6	307021A2	1	CLIP,
7	NSS	1	NOT SERVICED SEPARATELY, Housing, Filter, Lower
8	400193A1	1	LATCH,
9	151-510	7	RIVET, Pop, 3/16" x .450", 5/32 x 43/64



STX500 CASE IH 4WD TRACTOR (AFTER S/N JEE0099501)

09-50 AIR CONDITIONING - BLOWER ASSEMBLY

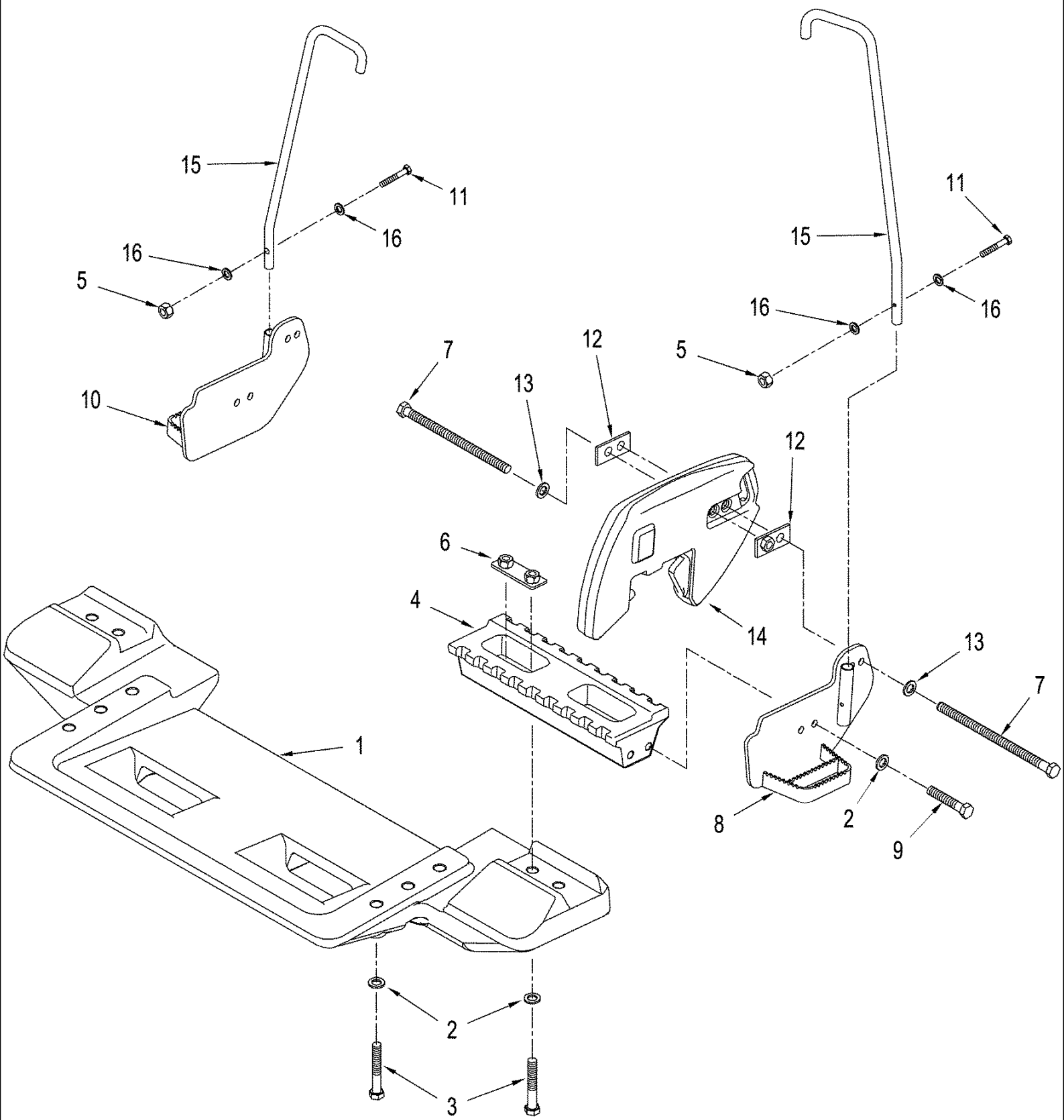
сылка	Номер детали	Кол-во	Описание
1	307104A3	1	SUPPORT, Support
2	313282A1	1	SEAL, Cut From 187874C1
3	175435A3	1	BLOWER,
4	840-258	5	SCREW, Cross Pan Hd, M5 x 8, M5 x 8



STX500 CASE IH 4WD TRACTOR (AFTER S/N JEE0099501)

09-51 WEIGHTS - FRONT FRAME, BSN JEE0107304

сылка	Номер детали	Кол-во	Описание
1	413310A1	1	HANGER,
2	896-11020	14	WASHER, M20 x 37.5 x 4, HT, 22 x 37 x 4 mm
3	827-20130	10	BOLT, Hex, M20 x 130, 10.9, M20 x 130; 10.9
4	413312A1	2	INSERT, Nine Weight
5	829-1410	2	NUT, M10, CI 10,
6	413313A1	2	BRACKET,
7	627-16320	4	BOLT, Hex, M16 x 320, 10.9, Full Thd, M16 x 320; 10.9
8	413314A1	1	PLATE, Weight, Right-Hand
9	627-20110	4	BOLT, Hex, M20 x 110, 10.9, Full Thd, M20 x 110; 10.9
10	413315A1	1	PLATE, Weight, Left-Hand
11	257375A1	2	STEP,
12	905-10025	8	BOLT, Hex Serr Flg, M10 x 25, M10 x 25
13	825-51410	8	NUT, M10, Flg Ser,
14	405846A3	AR	WEIGHT, 45Kg (100 lb)
15	413316A1	2	GRAB RAIL,
16	896-11010	4	WASHER, M10 x 21.5 x 2.5, HT,
18	229483A2	4	RETAINER,
19	896-15016	4	WASHER, M17.5 x 34 x 5, HT, 17,5 x 34 x 5 mm
17	827-10060	2	BOLT, Hex, M10 x 60, 10.9, M10 x 60; 10.9

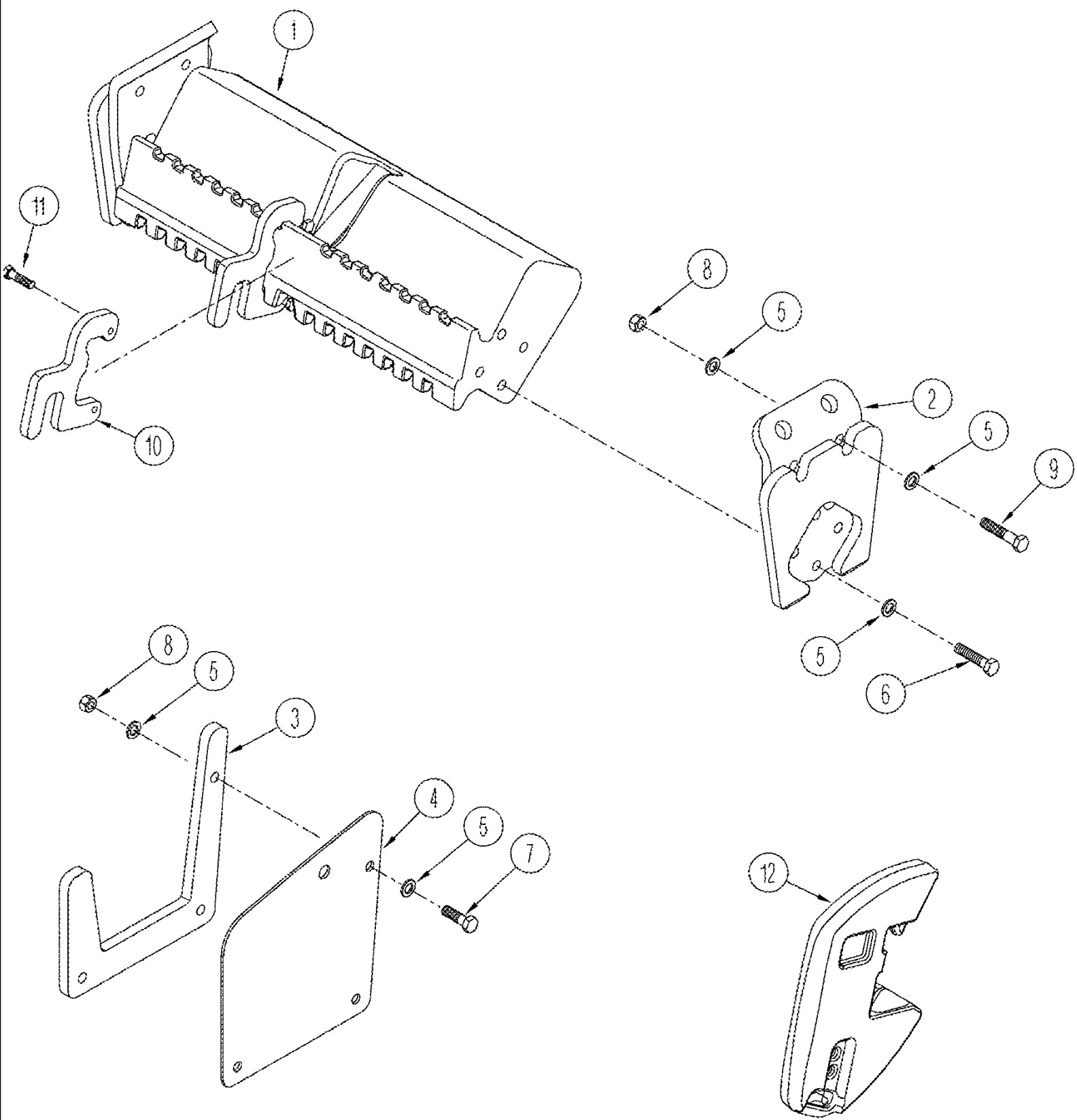


STX500 CASE IH 4WD TRACTOR (AFTER S/N JEE0099501)

09-51(01) WEIGHTS - FRONT FRAME, ASN JEE0107304

сылка	Номер детали	Кол-во	Описание
1	413310A1	1	HANGER,
2	896-11020	14	WASHER, M20 x 37.5 x 4, HT, 22 x 37 x 4 mm
3	827-20130	10	BOLT, Hex, M20 x 130, 10.9, M20 x 130; 10.9
4	413312A1	2	INSERT, Nine Weight
5	829-1410	2	NUT, M10, CI 10,
6	413313A1	2	BRACKET,
7	627-16320	4	BOLT, Hex, M16 x 320, 10.9, Full Thd, M16 x 320; 10.9
8	87309541	1	PLATE, Weight, Right-Hand
9	627-20060	4	BOLT, Hex, M20 x 60, 10.9, M20 x 60; 10.9
10	87309542	1	PLATE, Weight, Left-Hand
12	229483A2	4	RETAINER,
13	896-15016	4	WASHER, M17.5 x 34 x 5, HT, 17,5 x 34 x 5 mm
14	405846A3	AR	WEIGHT, 45Kg (100 lb)
15	413316A1	2	GRAB RAIL,
16	896-11010	4	WASHER, M10 x 21.5 x 2.5, HT,
11	827-10060	2	BOLT, Hex, M10 x 60, 10.9, M10 x 60; 10.9

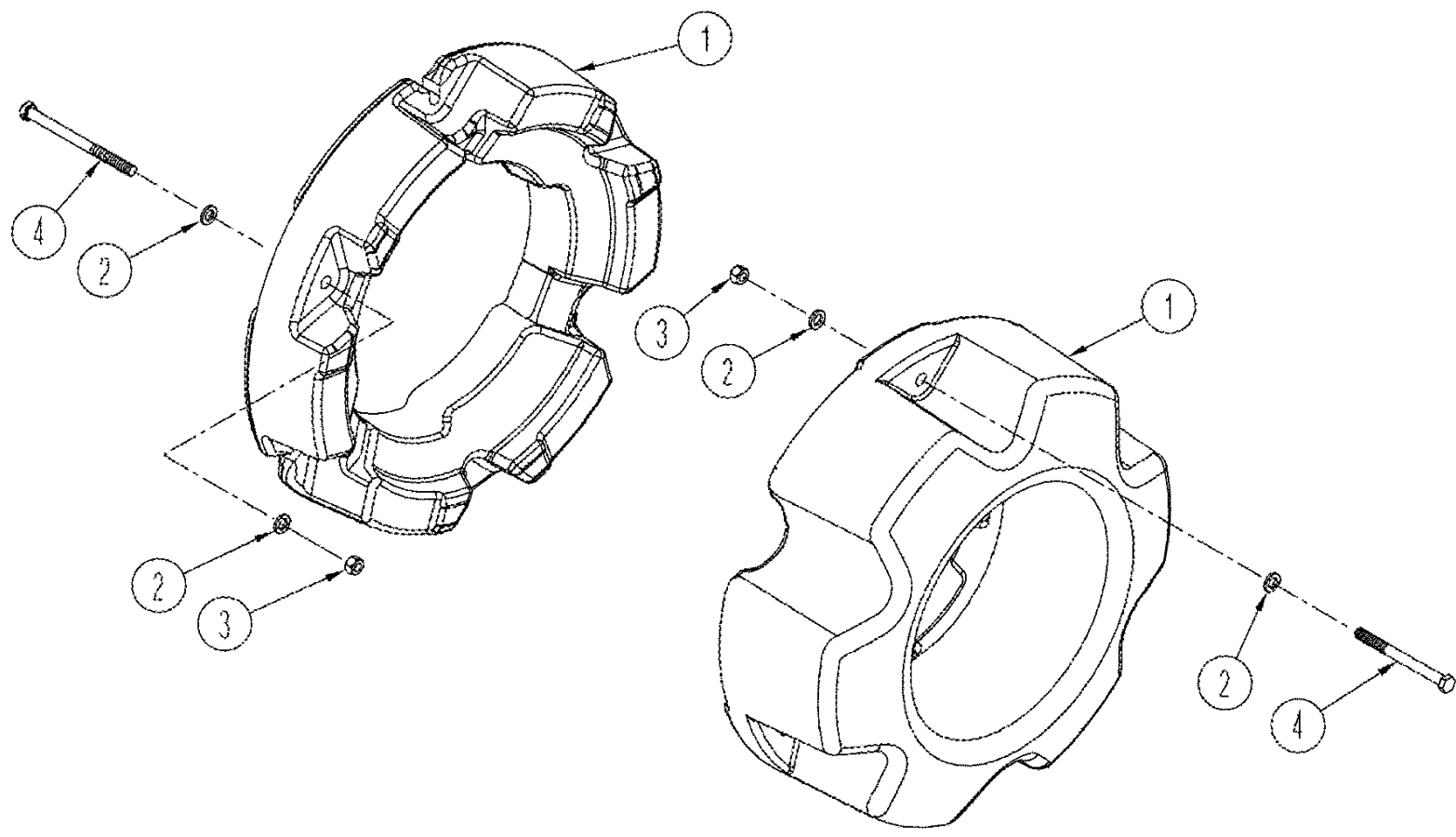
09-52 WEIGHTS - REAR FRAME



STX500 CASE IH 4WD TRACTOR (AFTER S/N JEE0099501)

09-52 WEIGHTS - REAR FRAME

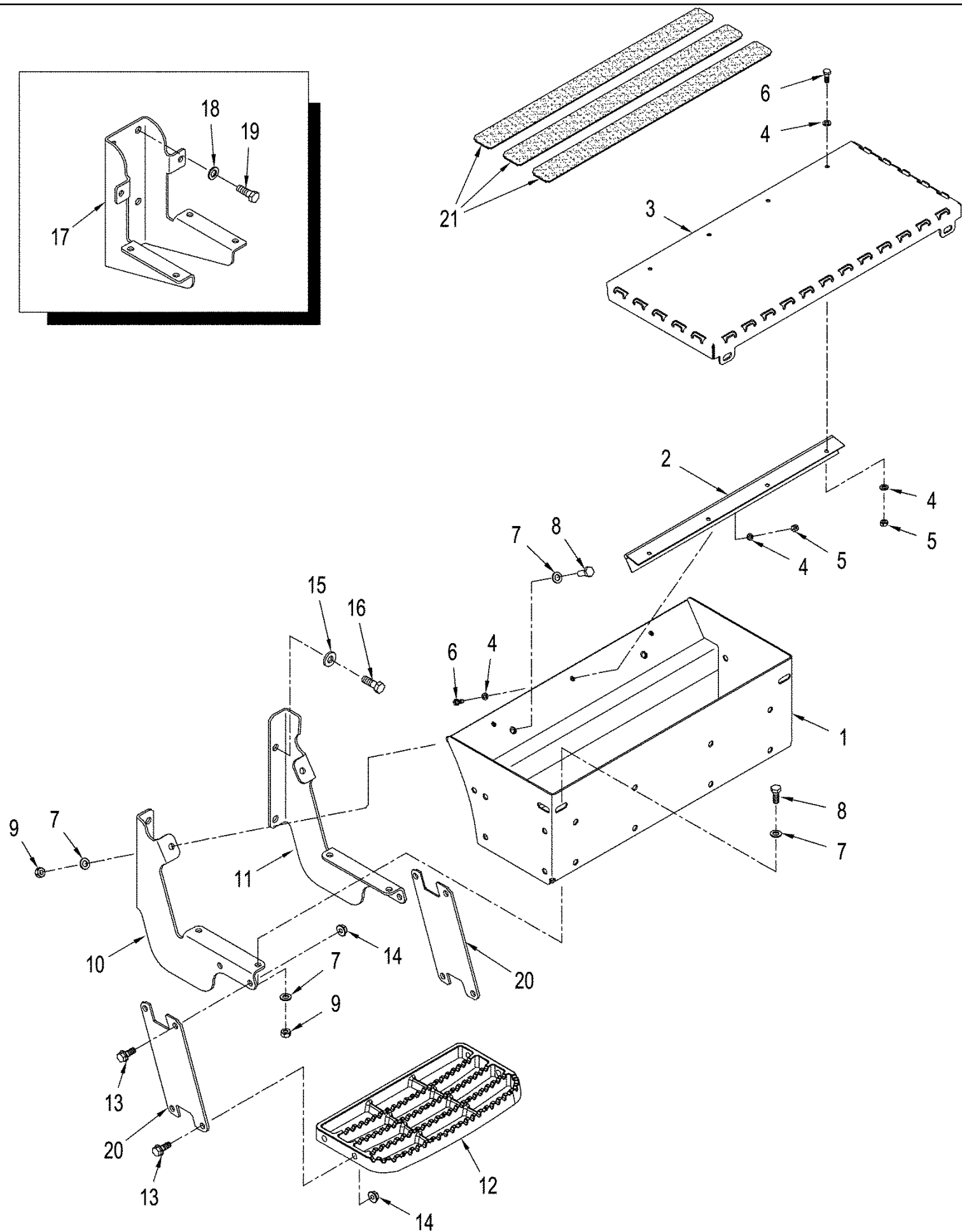
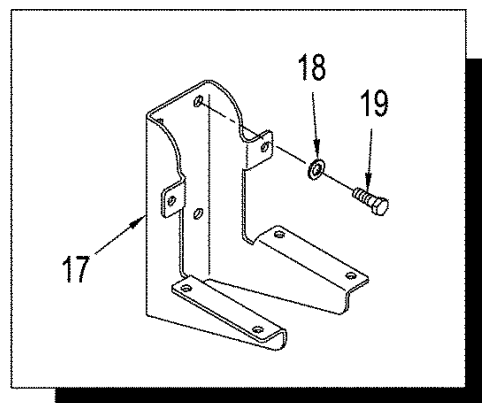
сылка	Номер детали	Кол-во	Описание
1	413389A1	1	WEIGHT, Hanger, Order From Machinery Price List
2	413390A1	2	BRACKET,
3	413391A2	2	BRACKET, Support
4	413392A2	2	PLATE,
5	896-11020	24	WASHER, M20 x 37.5 x 4, HT, 22 x 37 x 4 mm
6	827-20090	8	BOLT, Hex, M20 x 90, 10.9, M20 x 90; 10.9
7	827-20070	6	BOLT, Hex, M20 x 70, 10.9, M20 x 70; 10.9
8	829-1420	8	NUT, M20, CI 10,
9	827-20100	2	BOLT, Hex, M20 x 100, 10.9, M20 x 100; 10.9
10	413393A1	2	PLATE, Lock
11	627-16040	4	BOLT, Hex, M16 x 40, 10.9, Hex, M16 x 40, 10.9
12	405846A3	AR	WEIGHT, 45Kg (100 lb)



STX500 CASE IH 4WD TRACTOR (AFTER S/N JEE0099501)

09-53 WEIGHTS - WHEEL

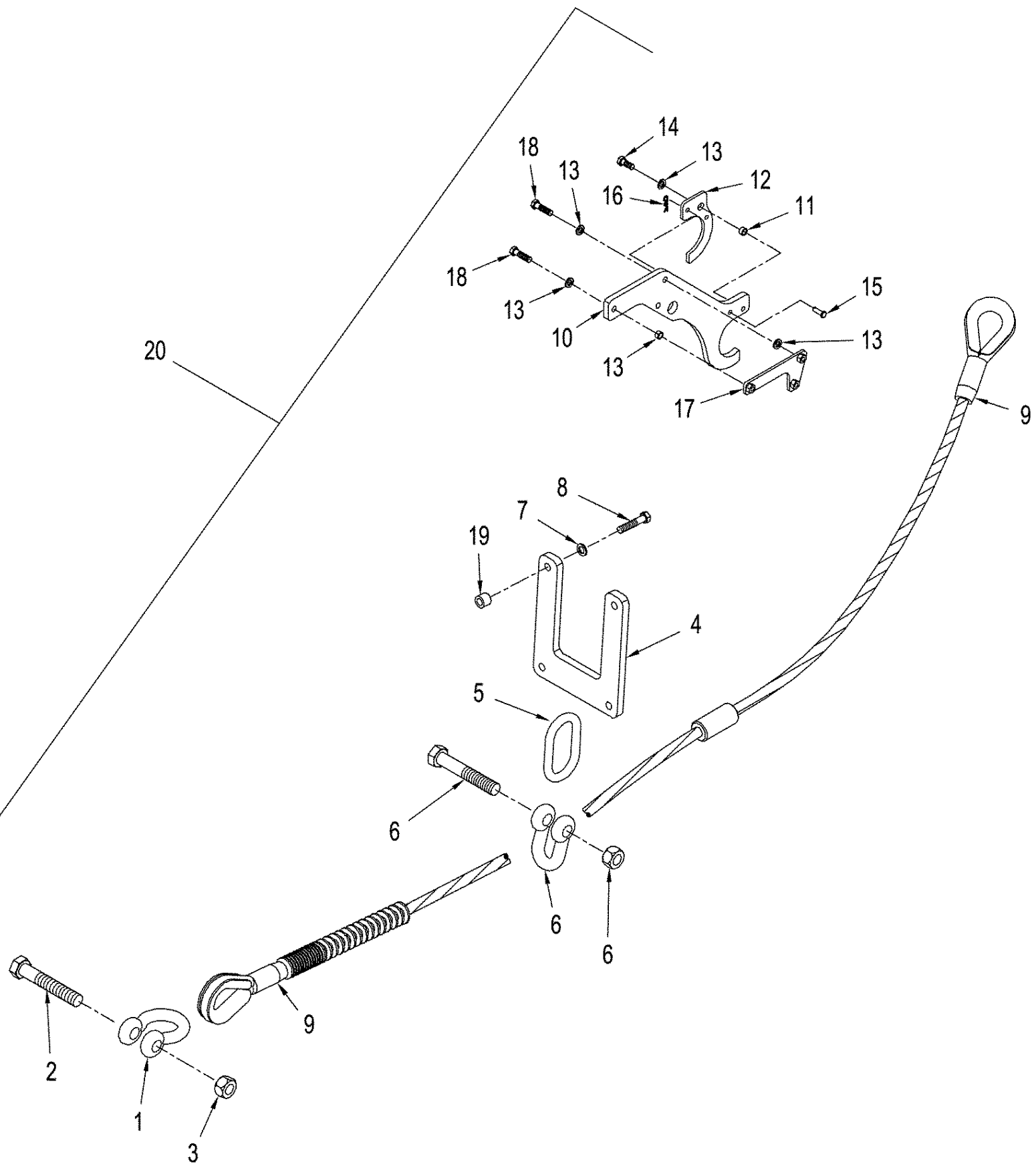
сылка	Номер детали	Кол-во	Описание
1	405829A1	2	WEIGHT, 500 lb, Order From Machinery Price List
1	405830A1	2	WEIGHT, 1000 lb, Order From Machinery Price List
2	896-11016	12	WASHER, M17.5 x 30 x 4, HT, 17,5 x 30 x 4 mm
3	832-10416	6	NUT, LOCK, M16 x 2, Cl 8,
4	827-16200	6	BOLT, Hex, M16 x 200, 10.9, M16 x 200; 10.9, 500 lbs. Application
4	827-16120	6	BOLT, Hex, M16 x 120, 10.9, 1000 lbs. Application



STX500 CASE IH 4WD TRACTOR (AFTER S/N JEE0099501)

09-54 STORAGE BOX

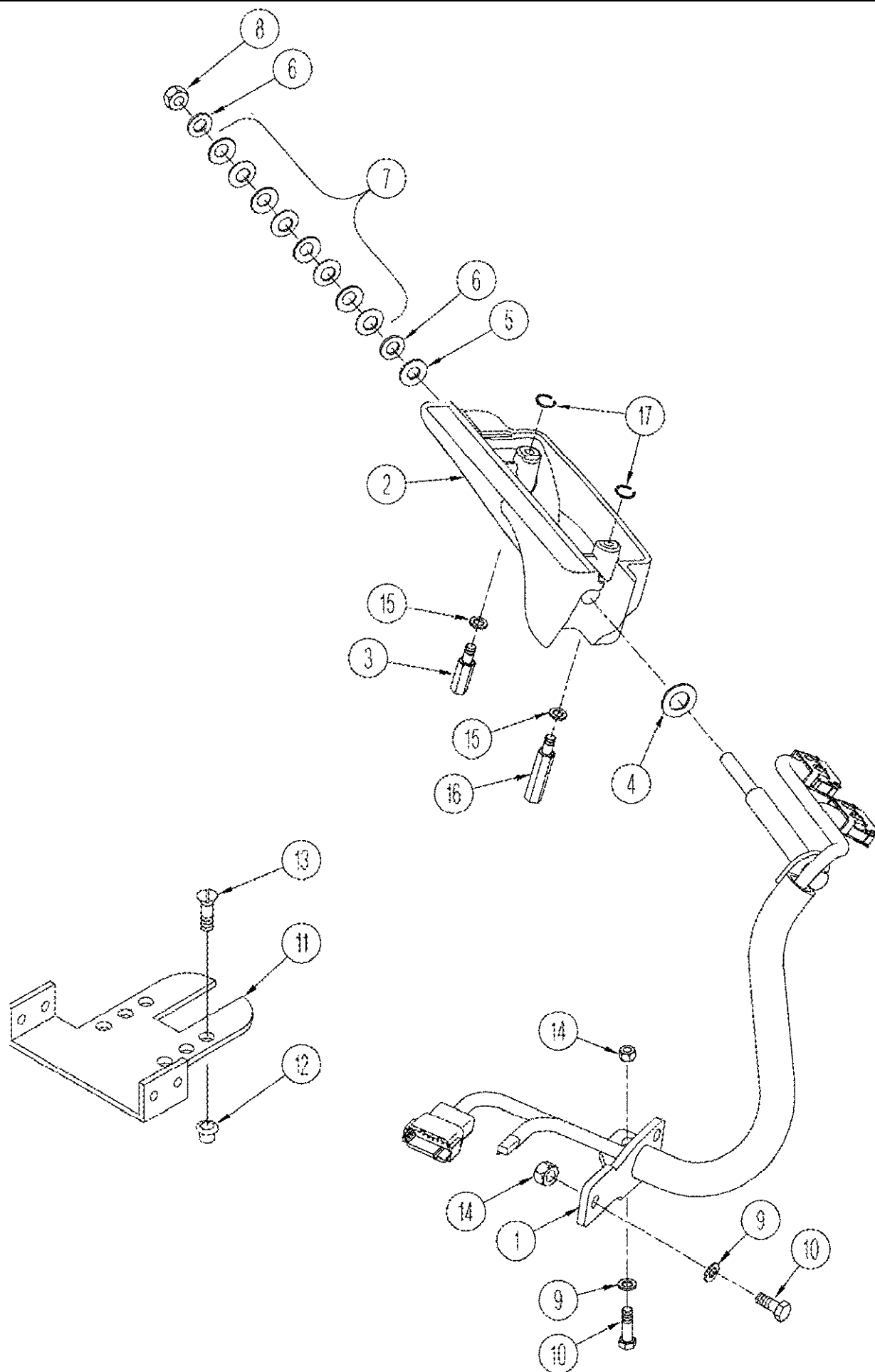
сылка	Номер детали	Кол-во	Описание
1	87325332	1	BOX,
2	70-6748T1	1	HINGE,
3	87307236	1	STEP,
4	895-11006	14	WASHER, M6,
5	832-10406	7	NUT, LOCK, M6 x 1, CI 8,
6	627-6016	7	BOLT, Hex, M6 x 16, 10.9, M6 x 16; 10.9
7	895-11010	12	WASHER, M10 x 20 x 2,
8	627-10025	6	BOLT, Hex, M10 x 25, 10.9, Full Thd, M10 x 25; 10.9
9	829-1410	6	NUT, M10, CI 10,
10	410814A1	1	BRACKET, Without Weights
11	410815A2	1	BRACKET, Without Weights
12	87301185	1	STEP, Lower
13	905-10025	8	BOLT, Hex Serr Flg, M10 x 25, M10 x 25
14	825-11410	8	NUT, M10 x 1.25, CI 8, M10
15	896-15012	3	WASHER, M12 x 28.5 x 4, HT, 13,5 x 28 x 4 mm
16	627-12035	3	BOLT, Hex, M12 x 35, 10.9,
17	410817A1	1	BRACKET, With Weights
18	895-11012	3	WASHER, M12 x 24 x 2.5, 13,5 x 24 x 2,5 mm
19	627-12035	3	BOLT, Hex, M12 x 35, 10.9,
20	410816A1	2	BRACKET,
21	87307237	3	STRIP, ANTI-SKID,



STX500 CASE IH 4WD TRACTOR (AFTER S/N JEE0099501)

09-55 TOW CABLE

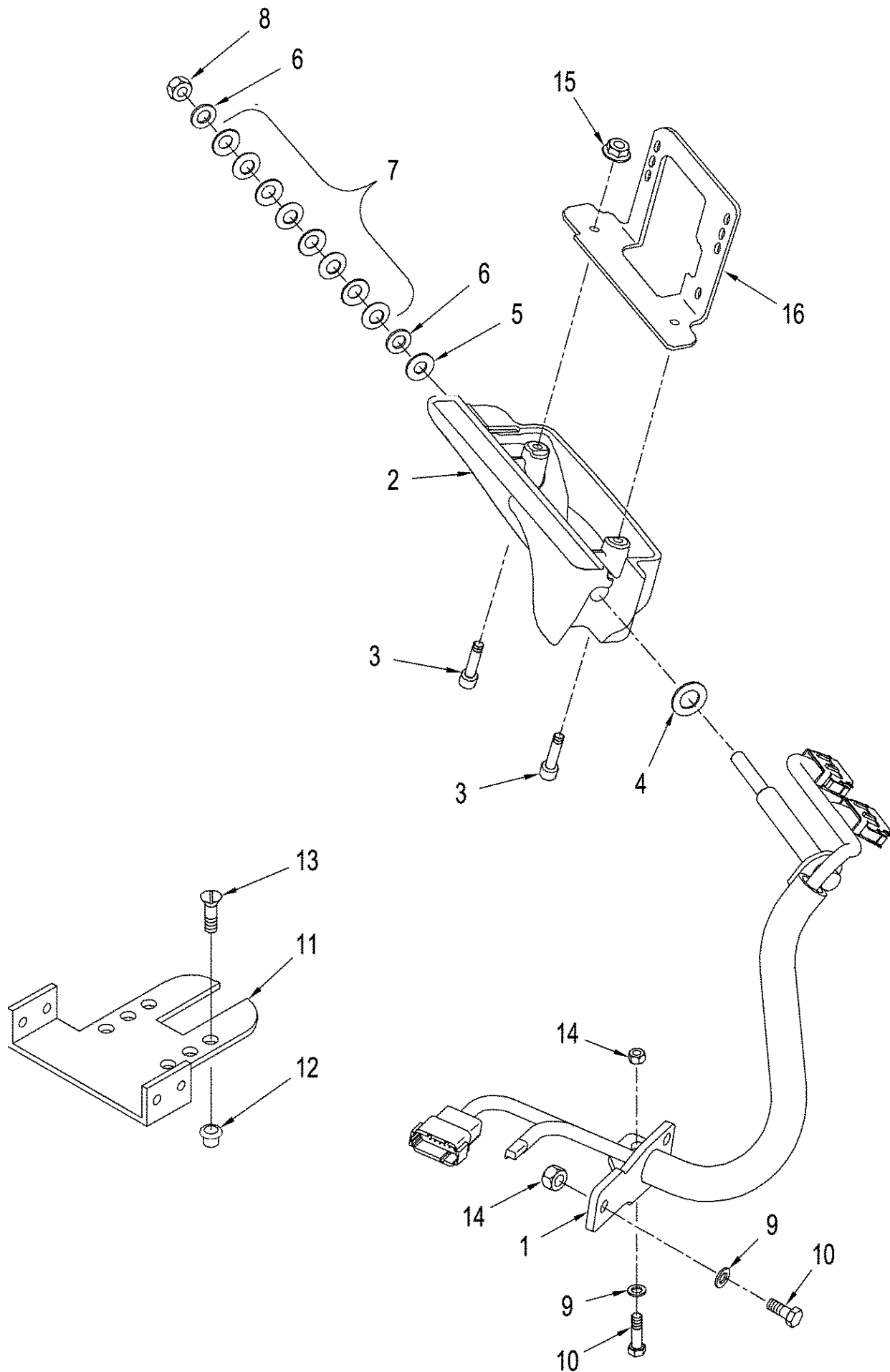
сылка	Номер детали	Кол-во	Описание
	719546003	1	KIT, Tow Cable, Inc. 1 - 19
1	369837A1	1	SHACKLE,
2	326-24160	1	BOLT, Hex, 1 1/2"-6 x 10", G8,
3	329-1024	1	NUT, 1 1/2"-6, G8,
4	408793A1	1	PLATE,
5	409753A1	1	LINK,
6	369838A1	1	SHACKLE,
7	896-11020	4	WASHER, M20 x 37.5 x 4, HT, 22 x 37 x 4 mm
8	827-20100	4	BOLT, Hex, M20 x 100, 10.9, M20 x 100; 10.9
9	379523A1	1	CABLE ASSY.,
10	408795A1	1	HOOK, Side
11	70-5967T1	1	SPACER,
12	408796A1	1	LATCH, Side Hook
13	896-15016	7	WASHER, M17.5 x 34 x 5, HT, 17,5 x 34 x 5 mm
14	627-16040	1	BOLT, Hex, M16 x 40, 10.9, Hex, M16 x 40, 10.9
15	728-1240	1	PIN, CLEVIS, M12 x 40,
16	19-5400	1	PIN, 1/8
17	385380A1	1	PLATE ASSY.,
18	827-16070	3	BOLT, Hex, M16 x 70, 10.9,
19	409751A1	4	SPACER, , With 400 Series Axles
20	719546003		KIT, Tow Cable, Inc. 1 - 19



STX500 CASE IH 4WD TRACTOR (AFTER S/N JEE0099501)

09-56 MOUNTING - ADVANCED FARMING SYSTEMS, BSN JEE0104286

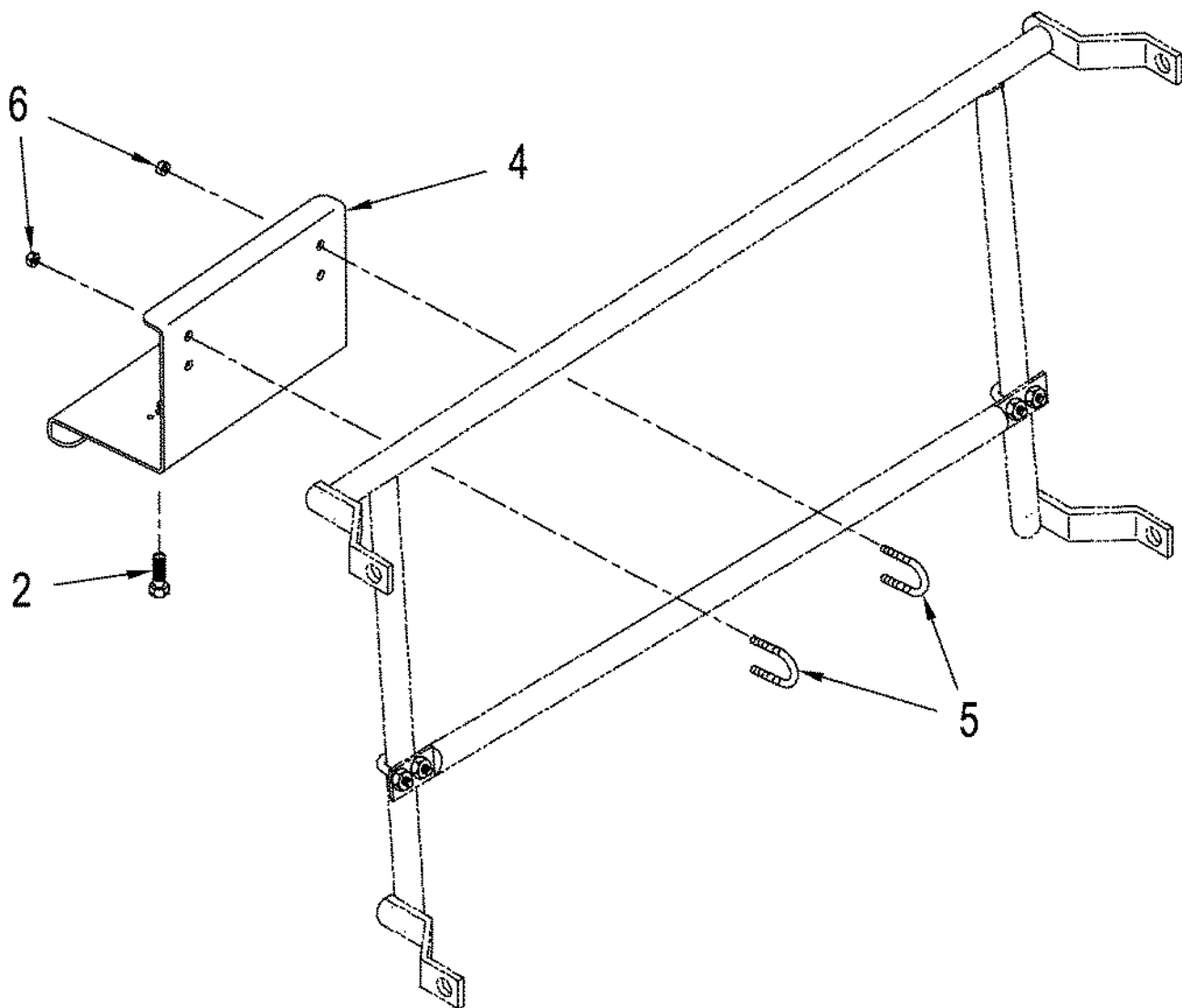
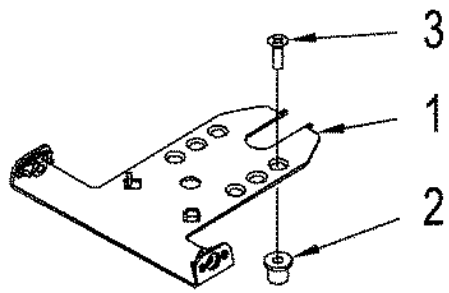
сылка	Номер детали	Кол-во	Описание
1	405032A1	1	TUBE,
2	366774A2	1	SUPPORT,
3	406719A2	1	SCREW, Short
4	375696A1	1	WASHER, FIBRE
5	375695A1	1	WASHER, FIBRE
6	895-11010	2	WASHER, M10 x 20 x 2,
7	375697A1	8	WASHER, Belleville
8	832-41310	1	NUT, LOCK, M10 x 1.5, CI 10, M10
9	895-11008	3	WASHER, M8 x 16 x 1.6, 9 x 17 x 1,6 mm
10	627-8020	3	BOLT, Hex, M8 x 20, 10.9,
11	279293A2	1	SUPPORT, Beacon
12	D135342	4	ISOLATOR, Isolator
13	443-13116	4	SCREW, Cross Flat Hd, 5/16"-18 x 1",
14	829-1408	3	NUT, M8, CI 10,
15	895-11006	2	WASHER, M6,
16	406720A2	1	SCREW, Long
17	800-435	2	CIRCLIP, M5, 5 mm



STX500 CASE IH 4WD TRACTOR (AFTER S/N JEE0099501)

09-56(01) MOUNTING - ADVANCED FARMING SYSTEMS, BTW JEE0104286 & JEE0106701

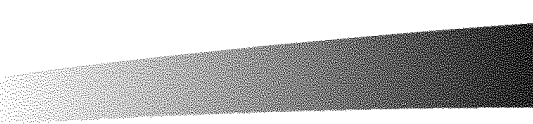
сылка	Номер детали	Кол-во	Описание
1	405032A1	1	TUBE,
2	366774A2	1	SUPPORT,
3	825-5146	1	NUT, M6, Flg Ser,
4	375696A1	1	WASHER, FIBRE
5	375695A1	1	WASHER, FIBRE
6	895-11010	2	WASHER, M10 x 20 x 2,
7	375697A1	8	WASHER, Belleville
8	832-41310	1	NUT, LOCK, M10 x 1.5, CI 10, M10
9	895-11008	3	WASHER, M8 x 16 x 1.6, 9 x 17 x 1,6 mm
10	627-8020	3	BOLT, Hex, M8 x 20, 10.9,
11	279293A2	1	SUPPORT, Beacon
12	D135342	4	ISOLATOR, Isolator
13	443-13116	4	SCREW, Cross Flat Hd, 5/16"-18 x 1",
14	829-1408	3	NUT, M8, CI 10,
15	864-6016	2	SCREW, Hex Soc Hd, M6 x 16, 8.8,
16	436617A1	1	BRACKET, Mounting

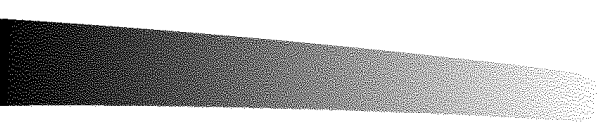


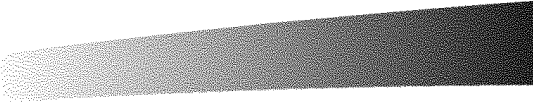
STX500 CASE IH 4WD TRACTOR (AFTER S/N JEE0099501)


09-56(02) MOUNTING - ADVANCED FARMING SYSTEMS, ASN JEE0106701

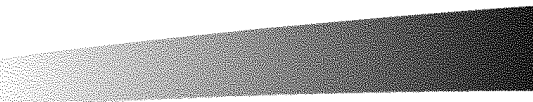
сылка	Номер детали	Кол-во	Описание
1	279293A2	1	SUPPORT, Beacon
2	D135342	4	ISOLATOR,
3	443-13116	4	SCREW, Cross Flat Hd, 5/16"-18 x 1",
4	87414514	1	MOUNTING PARTS, AFS Display
5	19-6258	2	U-BOLT,
6	425-104	4	NUT, 1/4"-20, G5,

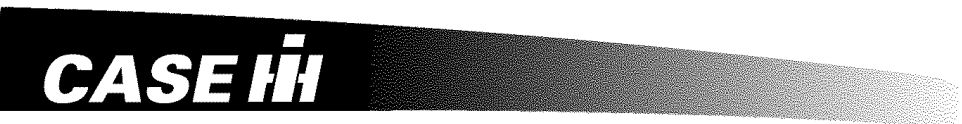
1
STX375  **CASE IH**


2
CASE IH  **STX375**

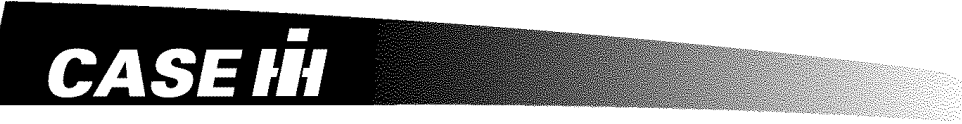
3
STX425  **CASE IH**

4
CASE IH  **STX425**

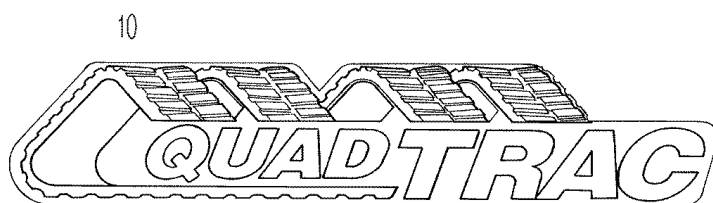
5
STX450  **CASE IH**

6
CASE IH  **STX450**

7
STX500  **CASE IH**

8
CASE IH  **STX500**

9
HD



STX500 CASE IH 4WD TRACTOR (AFTER S/N JEE0099501)

09-57 DECALS

сылка	Номер детали	Кол-во	Описание
1	87451252	1	DECAL, Hood, STX375, Left-Hand
2	87451251	1	DECAL, Hood, STX375, Right-Hand
3	87451253	1	DECAL, Hood, STX425, Left-Hand
4	87451254	1	DECAL, Hood, STX425, Right-Hand
5	87451255	1	DECAL, Hood, STX450, Left-Hand
6	87451256	1	DECAL, Hood, STX450, Right-Hand
7	87451257	1	DECAL, Hood, STX500, Left-Hand
8	87451258	1	DECAL, Hood, STX500, Right-Hand
9	370981A1	2	DECAL, Heavy Duty, STX375
10	370984A1	1	DECAL, QUADTRAC

WARNING

AVOID INJURY OR DEATH

BEFORE STARTING ENGINE:

1. Read the operator's manual for safety information and operating instructions.
2. Read all tractor safety signs.
3. Be sure other people are clear of tractor and equipment.
4. Start engine only from seat.
5. Shields are for your protection. Keep them in place.

OPERATION:

1. Always buckle and adjust seat belt.
2. No riders on tractor or equipment.
3. Training seat for training operators only, do not allow children to ride or operate tractor.
4. Keep hands, feet and clothing away from power driven parts.
5. For road travel, use flashing warning lamps and keep the SMV emblem visible.
6. Do not pull with elastic tow ropes. Elastic store energy and sudden release will cause an uncontrolled rope recoil.
7. Stay clear of hinge area when engine is running. Never turn steering wheel unless everyone is clear of equipment.

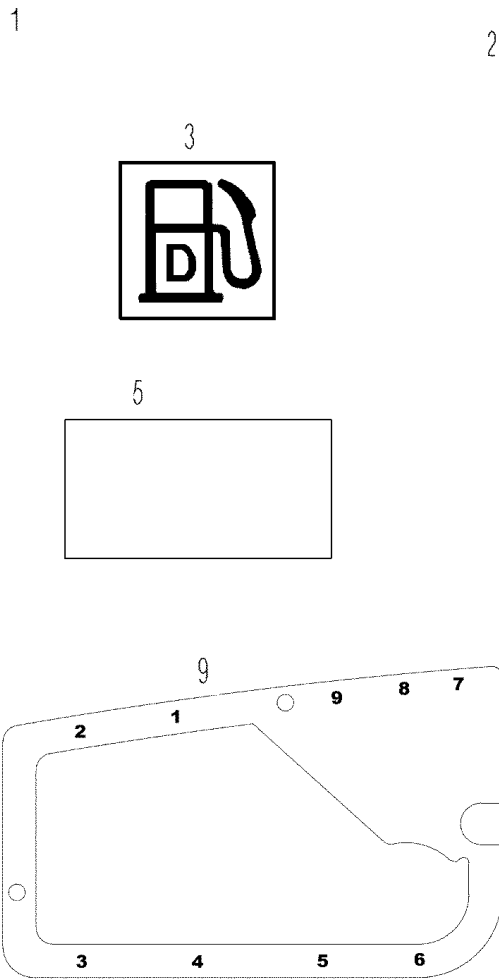
TRACTORS CAN BE UPSET:

1. Reduce speed on turns and rough ground.
2. Avoid steep slopes.
3. Avoid rear upset. Pull only from drawbar, never higher.

WHEN TRACTOR HAS STOPPED:

1. Engage park brake.
2. Lower implement to ground.
3. Disengage PTO, stop engine and wait for all movement to stop before servicing or cleaning equipment.

329526A1



WARNING

NO CLEARANCE FOR PERSON WHEN TRACTOR TURNS

TO PREVENT PERSONAL INJURY:

Stay clear of hinge area when engine is running. Shut off engine before servicing hinge area. Install articulation cylinder locking blocks before lifting tractor, transporting tractor on another vehicle, performing maintenance in hinge area or operating stationary PTO equipment. Be sure to remove locking blocks before driving tractor. Keep driveline shields in place.

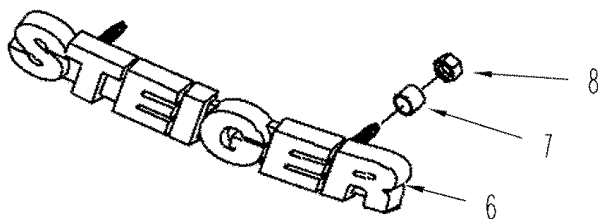
3415342

WARNING

ENTANGLEMENT HAZARD KEEP CLEAR

- Always keep PTO driveline shields in place to avoid entanglement.
- Be sure implements are matched to tractor PTO speeds.
- Center and lock drawbar when using PTO.

327847-4



FUSE BLOCK 2

FUSE NUMBER	AMPERE SIZE	CIRCUIT IDENTIFICATION
17	30	IGNITION SWITCH
18	30	IGNITION SWITCH
19	30	IGNITION SWITCH
20	30	IGNITION SWITCH
21	30	IGNITION SWITCH
22	30	IGNITION SWITCH
23	30	IGNITION SWITCH
24	30	IGNITION SWITCH
25	30	IGNITION SWITCH
26	30	IGNITION SWITCH
27	30	IGNITION SWITCH
28	30	IGNITION SWITCH
29	30	IGNITION SWITCH
30	30	IGNITION SWITCH
31	30	IGNITION SWITCH
32	30	IGNITION SWITCH
33	30	IGNITION SWITCH
34	30	IGNITION SWITCH
35	30	IGNITION SWITCH
36	30	IGNITION SWITCH
37	30	IGNITION SWITCH
38	30	IGNITION SWITCH
39	30	IGNITION SWITCH
40	30	IGNITION SWITCH
41	30	IGNITION SWITCH
42	30	IGNITION SWITCH
43	30	IGNITION SWITCH
44	30	IGNITION SWITCH
45	30	IGNITION SWITCH
46	30	IGNITION SWITCH
47	30	IGNITION SWITCH
48	30	IGNITION SWITCH
49	30	IGNITION SWITCH
50	30	IGNITION SWITCH
51	30	IGNITION SWITCH
52	30	IGNITION SWITCH
53	30	IGNITION SWITCH
54	30	IGNITION SWITCH
55	30	IGNITION SWITCH
56	30	IGNITION SWITCH
57	30	IGNITION SWITCH
58	30	IGNITION SWITCH
59	30	IGNITION SWITCH
60	30	IGNITION SWITCH
61	30	IGNITION SWITCH
62	30	IGNITION SWITCH
63	30	IGNITION SWITCH
64	30	IGNITION SWITCH
65	30	IGNITION SWITCH
66	30	IGNITION SWITCH
67	30	IGNITION SWITCH
68	30	IGNITION SWITCH
69	30	IGNITION SWITCH
70	30	IGNITION SWITCH
71	30	IGNITION SWITCH
72	30	IGNITION SWITCH
73	30	IGNITION SWITCH
74	30	IGNITION SWITCH
75	30	IGNITION SWITCH
76	30	IGNITION SWITCH
77	30	IGNITION SWITCH
78	30	IGNITION SWITCH
79	30	IGNITION SWITCH
80	30	IGNITION SWITCH
81	30	IGNITION SWITCH
82	30	IGNITION SWITCH
83	30	IGNITION SWITCH
84	30	IGNITION SWITCH
85	30	IGNITION SWITCH
86	30	IGNITION SWITCH
87	30	IGNITION SWITCH
88	30	IGNITION SWITCH
89	30	IGNITION SWITCH
90	30	IGNITION SWITCH
91	30	IGNITION SWITCH
92	30	IGNITION SWITCH
93	30	IGNITION SWITCH
94	30	IGNITION SWITCH
95	30	IGNITION SWITCH
96	30	IGNITION SWITCH
97	30	IGNITION SWITCH
98	30	IGNITION SWITCH
99	30	IGNITION SWITCH
100	30	IGNITION SWITCH

FUSE BLOCK 1

FUSE NUMBER	AMPERE SIZE	CIRCUIT IDENTIFICATION
1	15	IGNITION SWITCH
2	15	IGNITION SWITCH
3	15	IGNITION SWITCH
4	15	IGNITION SWITCH
5	15	IGNITION SWITCH
6	15	IGNITION SWITCH
7	15	IGNITION SWITCH
8	15	IGNITION SWITCH
9	15	IGNITION SWITCH
10	15	IGNITION SWITCH
11	15	IGNITION SWITCH
12	15	IGNITION SWITCH
13	15	IGNITION SWITCH
14	15	IGNITION SWITCH
15	15	IGNITION SWITCH
16	15	IGNITION SWITCH
17	15	IGNITION SWITCH
18	15	IGNITION SWITCH
19	15	IGNITION SWITCH
20	15	IGNITION SWITCH
21	15	IGNITION SWITCH
22	15	IGNITION SWITCH
23	15	IGNITION SWITCH
24	15	IGNITION SWITCH
25	15	IGNITION SWITCH
26	15	IGNITION SWITCH
27	15	IGNITION SWITCH
28	15	IGNITION SWITCH
29	15	IGNITION SWITCH
30	15	IGNITION SWITCH
31	15	IGNITION SWITCH
32	15	IGNITION SWITCH
33	15	IGNITION SWITCH
34	15	IGNITION SWITCH
35	15	IGNITION SWITCH
36	15	IGNITION SWITCH
37	15	IGNITION SWITCH
38	15	IGNITION SWITCH
39	15	IGNITION SWITCH
40	15	IGNITION SWITCH
41	15	IGNITION SWITCH
42	15	IGNITION SWITCH
43	15	IGNITION SWITCH
44	15	IGNITION SWITCH
45	15	IGNITION SWITCH
46	15	IGNITION SWITCH
47	15	IGNITION SWITCH
48	15	IGNITION SWITCH
49	15	IGNITION SWITCH
50	15	IGNITION SWITCH
51	15	IGNITION SWITCH
52	15	IGNITION SWITCH
53	15	IGNITION SWITCH
54	15	IGNITION SWITCH
55	15	IGNITION SWITCH
56	15	IGNITION SWITCH
57	15	IGNITION SWITCH
58	15	IGNITION SWITCH
59	15	IGNITION SWITCH
60	15	IGNITION SWITCH
61	15	IGNITION SWITCH
62	15	IGNITION SWITCH
63	15	IGNITION SWITCH
64	15	IGNITION SWITCH
65	15	IGNITION SWITCH
66	15	IGNITION SWITCH
67	15	IGNITION SWITCH
68	15	IGNITION SWITCH
69	15	IGNITION SWITCH
70	15	IGNITION SWITCH
71	15	IGNITION SWITCH
72	15	IGNITION SWITCH
73	15	IGNITION SWITCH
74	15	IGNITION SWITCH
75	15	IGNITION SWITCH
76	15	IGNITION SWITCH
77	15	IGNITION SWITCH
78	15	IGNITION SWITCH
79	15	IGNITION SWITCH
80	15	IGNITION SWITCH
81	15	IGNITION SWITCH
82	15	IGNITION SWITCH
83	15	IGNITION SWITCH
84	15	IGNITION SWITCH
85	15	IGNITION SWITCH
86	15	IGNITION SWITCH
87	15	IGNITION SWITCH
88	15	IGNITION SWITCH
89	15	IGNITION SWITCH
90	15	IGNITION SWITCH
91	15	IGNITION SWITCH
92	15	IGNITION SWITCH
93	15	IGNITION SWITCH
94	15	IGNITION SWITCH
95	15	IGNITION SWITCH
96	15	IGNITION SWITCH
97	15	IGNITION SWITCH
98	15	IGNITION SWITCH
99	15	IGNITION SWITCH
100	15	IGNITION SWITCH

FUSE BLOCK 2

FUSE NUMBER	AMPERE SIZE	CIRCUIT IDENTIFICATION
17	30	IGNITION SWITCH
18	30	IGNITION SWITCH
19	30	IGNITION SWITCH
20	30	IGNITION SWITCH
21	30	IGNITION SWITCH
22	30	IGNITION SWITCH
23	30	IGNITION SWITCH
24	30	IGNITION SWITCH
25	30	IGNITION SWITCH
26	30	IGNITION SWITCH
27	30	IGNITION SWITCH
28	30	IGNITION SWITCH
29	30	IGNITION SWITCH
30	30	IGNITION SWITCH
31	30	IGNITION SWITCH
32	30	IGNITION SWITCH
33	30	IGNITION SWITCH
34	30	IGNITION SWITCH
35	30	IGNITION SWITCH
36	30	IGNITION SWITCH
37	30	IGNITION SWITCH
38	30	IGNITION SWITCH
39	30	IGNITION SWITCH
40	30	IGNITION SWITCH
41	30	IGNITION SWITCH
42	30	IGNITION SWITCH
43	30	IGNITION SWITCH
44	30	IGNITION SWITCH
45	30	IGNITION SWITCH
46	30	IGNITION SWITCH
47	30	IGNITION SWITCH
48	30	IGNITION SWITCH
49	30	IGNITION SWITCH
50	30	IGNITION SWITCH
51	30	IGNITION SWITCH
52	30	IGNITION SWITCH
53	30	IGNITION SWITCH
54	30	IGNITION SWITCH
55	30	IGNITION SWITCH
56	30	IGNITION SWITCH
57	30	IGNITION SWITCH
58	30	IGNITION SWITCH
59	30	IGNITION SWITCH
60	30	IGNITION SWITCH
61	30	IGNITION SWITCH
62	30	IGNITION SWITCH
63	30	IGNITION SWITCH
64	30	IGNITION SWITCH
65	30	IGNITION SWITCH
66	30	IGNITION SWITCH
67	30	IGNITION SWITCH
68	30	IGNITION SWITCH
69	30	IGNITION SWITCH
70	30	IGNITION SWITCH
71	30	IGNITION SWITCH
72	30	IGNITION SWITCH
73	30	IGNITION SWITCH
74	30	IGNITION SWITCH
75	30	IGNITION SWITCH
76	30	IGNITION SWITCH
77	30	IGNITION SWITCH
78	30	IGNITION SWITCH
79	30	IGNITION SWITCH
80	30	IGNITION SWITCH
81	30	IGNITION SWITCH
82	30	IGNITION SWITCH
83	30	IGNITION SWITCH
84	30	IGNITION SWITCH
85	30	IGNITION SWITCH
86	30	IGNITION SWITCH
87	30	IGNITION SWITCH
88	30	IGNITION SWITCH
89	30	IGNITION SWITCH
90	30	IGNITION SWITCH
91	30	IGNITION SWITCH
92	30	IGNITION SWITCH
93	30	IGNITION SWITCH
94	30	IGNITION SWITCH
95	30	IGNITION SWITCH
96	30	IGNITION SWITCH
97	30	IGNITION SWITCH
98	30	IGNITION SWITCH
99	30	IGNITION SWITCH
100	30	IGNITION SWITCH

FUSE BLOCK 1

FUSE NUMBER	AMPERE SIZE	CIRCUIT IDENTIFICATION
1	15	IGNITION SWITCH
2	15	IGNITION SWITCH
3	15	IGNITION SWITCH
4	15	IGNITION SWITCH
5	15	IGNITION SWITCH
6	15	IGNITION SWITCH
7	15	IGNITION SWITCH
8	15	IGNITION SWITCH
9	15	IGNITION SWITCH
10	15	IGNITION SWITCH
11	15	IGNITION SWITCH
12	15	IGNITION SWITCH
13	15	IGNITION SWITCH
14	15	IGNITION SWITCH
15	15	IGNITION SWITCH
16	15	IGNITION SWITCH
17	15	IGNITION SWITCH
18	15	IGNITION SWITCH
19	15	IGNITION SWITCH
20	15	IGNITION SWITCH
21	15	IGNITION SWITCH
22	15	IGNITION SWITCH
23	15	IGNITION SWITCH
24	15	IGNITION SWITCH
25	15	IGNITION SWITCH
26	15	IGNITION SWITCH
27	15	IGNITION SWITCH
28	15	IGNITION SWITCH
29	15	IGNITION SWITCH
30	15	IGNITION SWITCH
31	15	IGNITION SWITCH
32	15	IGNITION SWITCH
33	15	IGNITION SWITCH
34	15	IGNITION SWITCH
35	15	IGNITION SWITCH
36	15	IGNITION SWITCH
37	15	IGNITION SWITCH
38	15	IGNITION SWITCH
39	15	IGNITION SWITCH
40	15	IGNITION SWITCH
41	15	IGNITION SWITCH
42	15	IGNITION SWITCH
43	15	IGNITION SWITCH
44	15	IGNITION SWITCH
45	15	IGNITION SWITCH
46	15	IGNITION SWITCH
47	15	IGNITION SWITCH
48	15	IGNITION SWITCH
49	15	IGNITION SWITCH
50	15	IGNITION SWITCH
51	15	IGNITION SWITCH
52	15	IGNITION SWITCH
53	15	IGNITION SWITCH
54	15	IGNITION SWITCH
55	15	IGNITION SWITCH
56	15	IGNITION SWITCH
57	15	IGNITION SWITCH
58	15	IGNITION SWITCH
59	15	IGNITION SWITCH
60	15	IGNITION SWITCH
61	15	IGNITION SWITCH
62	15	IGNITION SWITCH
63	15	IGNITION SWITCH
64	15	IGNITION SWITCH
65	15	IGNITION SWITCH
66	15	IGNITION SWITCH
67	15	IGNITION SWITCH
68	15	IGNITION SWITCH
69	15	IGNITION SWITCH
70	15	IGNITION SWITCH
71	15	IGNITION SWITCH
72	15	IGNITION SWITCH
73	15	IGNITION SWITCH
74	15	IGNITION SWITCH
75	15	IGNITION SWITCH
76	15	IGNITION SWITCH
77	15	IGNITION SWITCH
78	15	IGNITION SWITCH
79	15	IGNITION SWITCH
80	15	IGNITION SWITCH
81	15	IGNITION SWITCH
82	15	IGNITION SWITCH
83	15	IGNITION SWITCH
84	15	IGNITION SWITCH
85	15	IGNITION SWITCH
86	15	IGNITION SWITCH
87	15	IGNITION SWITCH
88	15	IGNITION SWITCH
89	15	IGNITION SWITCH
90	15	IGNITION SWITCH
91	15	IGNITION SWITCH
92	15	IGNITION SWITCH
93	15	IGNITION SWITCH
94	15	IGNITION SWITCH
95	15	IGNITION SWITCH
96	15	IGNITION SWITCH
97	15	IGNITION SWITCH
98	15	IGNITION SWITCH
99	15	IGNITION SWITCH
100	15	IGNITION SWITCH

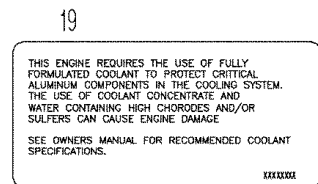
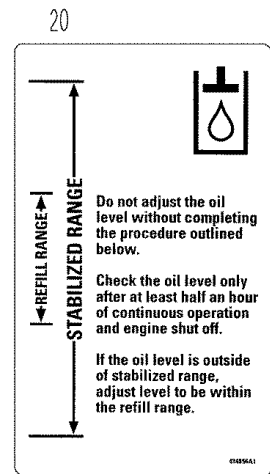
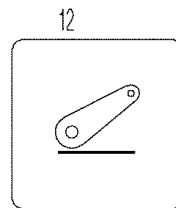
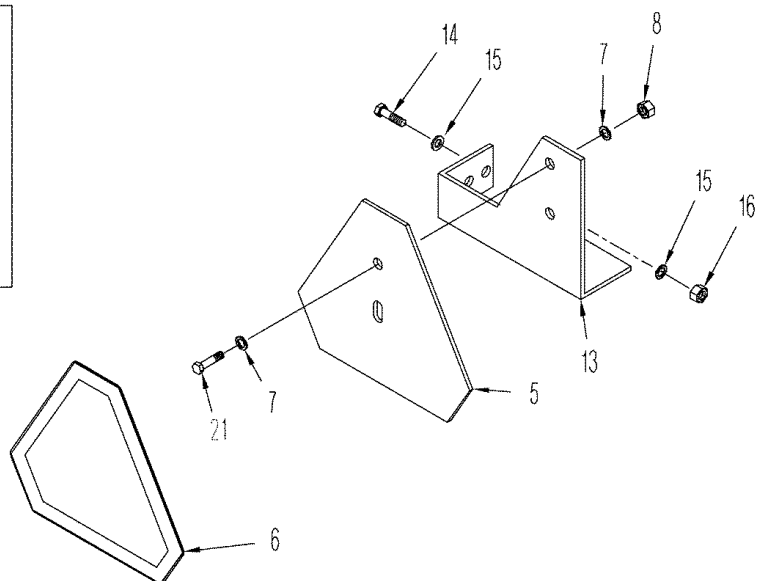
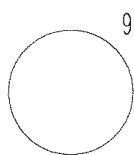
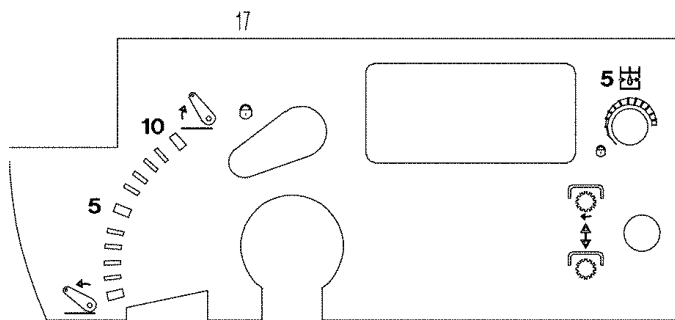
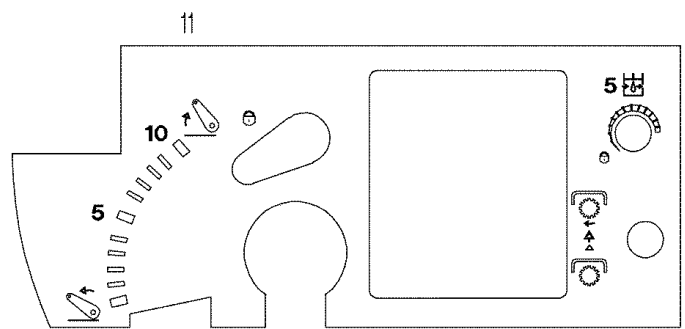
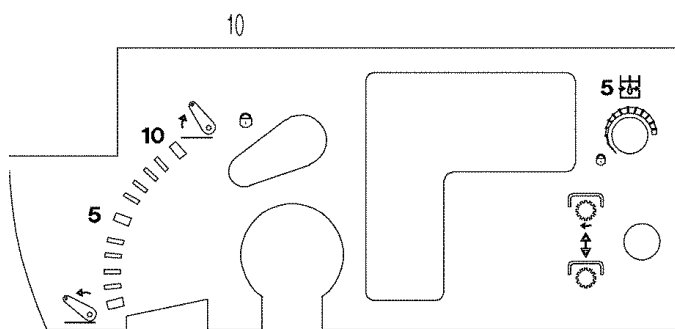
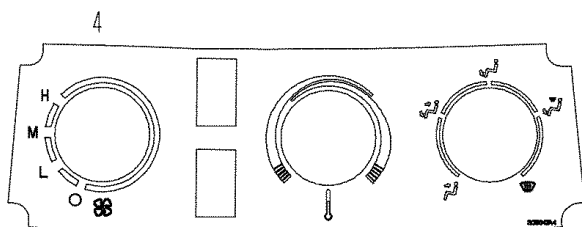
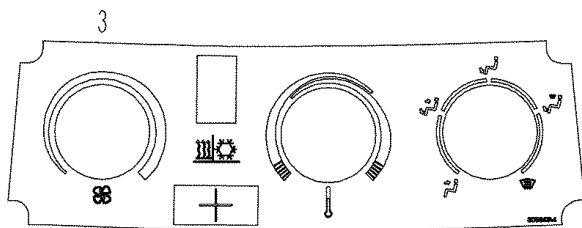
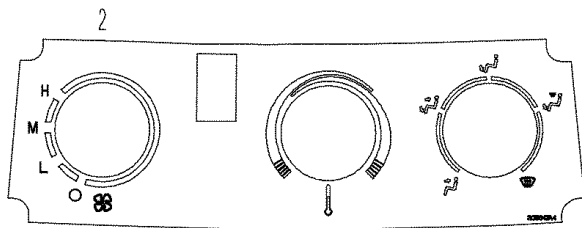
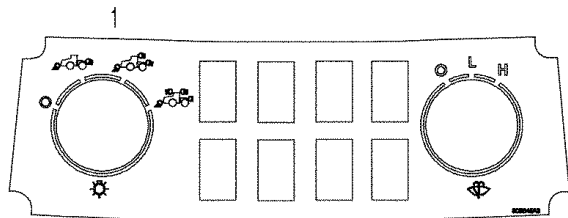
FUSE BLOCK 2

FUSE NUMBER	AMPERE SIZE	CIRCUIT IDENTIFICATION
17	30	IGNITION SWITCH
18	30	IGNITION SWITCH
19	30	IGNITION SWITCH
20	30	IGNITION SWITCH
21	30	IGNITION SWITCH
22	30	IGNITION SWITCH
23	30	IGNITION SWITCH
24	30	IGNITION SWITCH
25	30	IGNITION SWITCH
26	30	IGNITION SWITCH
27	30	IGNITION SWITCH
28	30	IGNITION SWITCH
29	30	IGNITION SWITCH
30	30	IGNITION SWITCH
31	30	IGNITION SWITCH
32	30	IGNITION SWITCH
33	30	IGNITION SWITCH
34	30	IGNITION SWITCH
35	30	IGNITION SWITCH
36	30	IGNITION SWITCH
37	30	IGNITION SWITCH
38	30	IGNITION SWITCH
39	30	IGNITION SWITCH
40	30	IGNITION SWITCH
41	30	IGNITION SWITCH
42	30	IGNITION SWITCH
43	30	IGNITION SWITCH
44	30	IGNITION SWITCH
45	30	IGNITION SWITCH
46	30	IGNITION SWITCH
47	30	IGNITION SWITCH
48	30	IGNITION SWITCH
49	30	

STX500 CASE IH 4WD TRACTOR (AFTER S/N JEE0099501)

09-58 DECALS

сылка	Номер детали	Кол-во	Описание
1	325926A2	1	DECAL, Safety Warning
2	341953A2	2	DECAL, Articulation Warning
3	435668A1	1	DECAL, Fuel
4	327567A3	1	DECAL, Power Takeoff, Warning
5	1-6835	4	ADHESIVE STRIP, 406 mm (16 in), Anti-Skid, Cut From 26-211T1
6	356005A1	1	PRODUCT GRAPHIC, Steiger
7	385592A1	2	SPACER,
8	87376753	2	NUT, 1/4
9	387030A1	1	DECAL, Main Electronics
10	87425318	1	DECAL, Fuse, Deluxe Cab, With Power Shift Transmission, Luxury Cab, BSN JEE0106701
10	87306888	1	DECAL, Fuse, Luxury Cab, With Power Shift Transmission, Deluxe Cab, ASN JEE0106701
11	87425313	1	DECAL, Fuse, Deluxe Cab, With Manual Shift Transmission
12	87425311	1	DECAL, Fuse, With Manual Shift Transmission, Standard Cab



STX500 CASE IH 4WD TRACTOR (AFTER S/N JEE0099501)

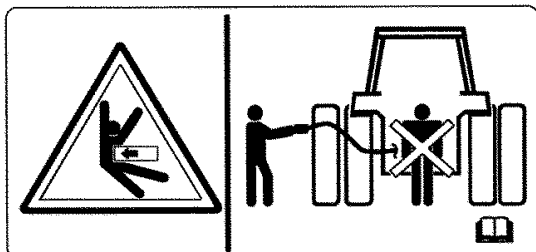
09-59 DECALS

сылка	Номер детали	Кол-во	Описание
1	431230A1	1	DECAL, Light Panel
2	308646A4	1	DECAL, Climate Control, Standard Cab
3	308647A4	1	DECAL, Automatic Temperature Control, Deluxe Cab, Luxury Cab, Deluxe Cab
4	87450974	1	DECAL, Automatic Temperature Control, Deluxe Cab, Luxury Cab
	311860A1	1	EMBLEM, Slow Moving Vehicle, Inc. 5, 6
5	NSS	1	NOT SERVICED SEPARATELY, Plate
6	311858A1	1	DECAL, SMV EMBLEM
7	495-11028	2	WASHER, 1/4", SAE, 9/32 x 5/8 x 1/16
8	425-104	2	NUT, 1/4"-20, G5, , Without Power Takeoff
9	446562A1	1	DECAL, , Without Power Takeoff
10	430265A1	1	DECAL, Right-Hand Armrest, With Three Point Hitch, BSN JEE0102001
10	87403321	1	DECAL, Right-Hand Armrest, With Three Point Hitch, BTW JEE0102001 & JEE0106701
11	87412700	1	DECAL, Right-Hand Armrest, ASN JEE0106701
12	393821A1	1	DECAL, , With Three Point Hitch
13	398763A1	1	BRACKET,
14	827-10040	2	BOLT, Hex, M10 x 40, 10.9, Full Thd, M10 x 40; 10.9
15	895-11010	4	WASHER, M10 x 20 x 2,
16	832-10410	2	NUT, LOCK, M10 x 1.5, CI 8,
17	430264A1	1	DECAL, Right-Hand Armrest, Without Three Point Hitch, BSN JEE0102001
17	87403320	1	DECAL, Right-Hand Armrest, Without Three Point Hitch, BTW JEE0102001 & JEE0106701
18	329051A1	1	DECAL, Emergency Exit
19	399083A1	1	DECAL, Coolant
20	434856A1	1	DECAL, Hydraulic Oil Level
21	426-412	2	BOLT, Hex, 1/4"-20 x 3/4", G8, Full Thd, 1/4 x 3/4; 8

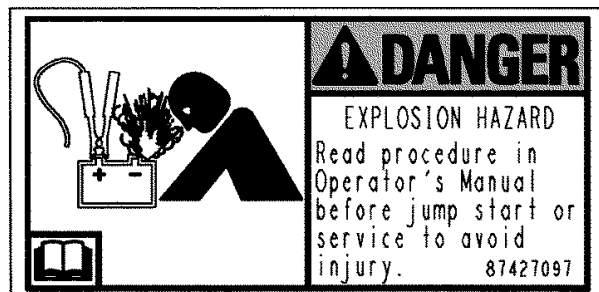
1

MPH		GEAR	RANGE
LOW	HIGH		
2.5	2.6	1	A
3.3	3.6	2	A
4.1	4.4	1	B
4.6	4.9	3	A
5.6	6.0	2	B
6.5	7.0	1	C
7.6	8.2	3	B
8.8	9.5	2	C
10.3	11.0	1	D
12.1	13.0	3	C
13.9	14.9	2	D
19.0	20.4	3	D
3.5	3.8	R	A
5.9	6.3	R	B
9.3	10.0	R	C

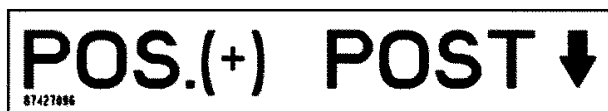
2



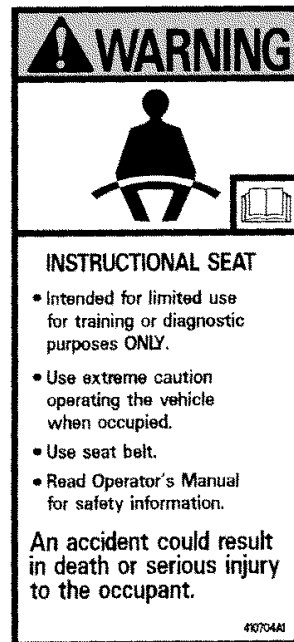
4



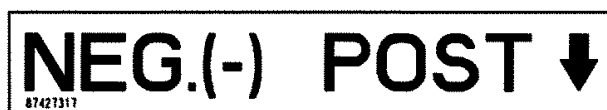
5



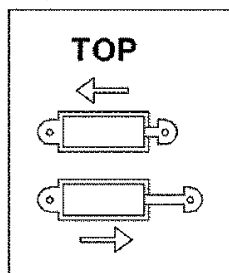
3



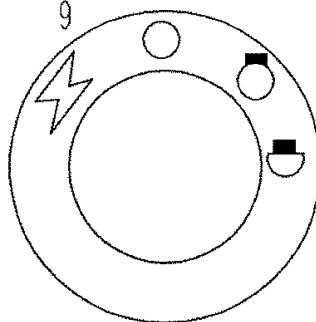
6



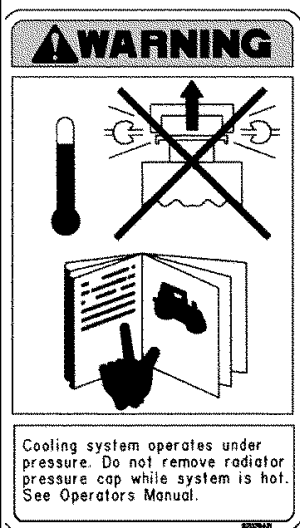
8



9



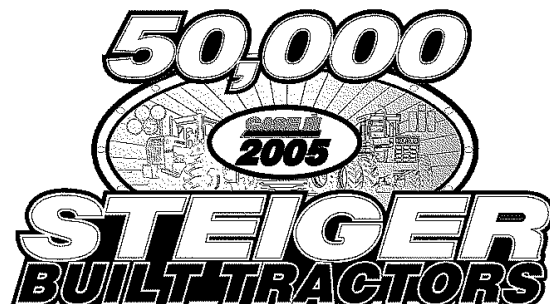
7



10



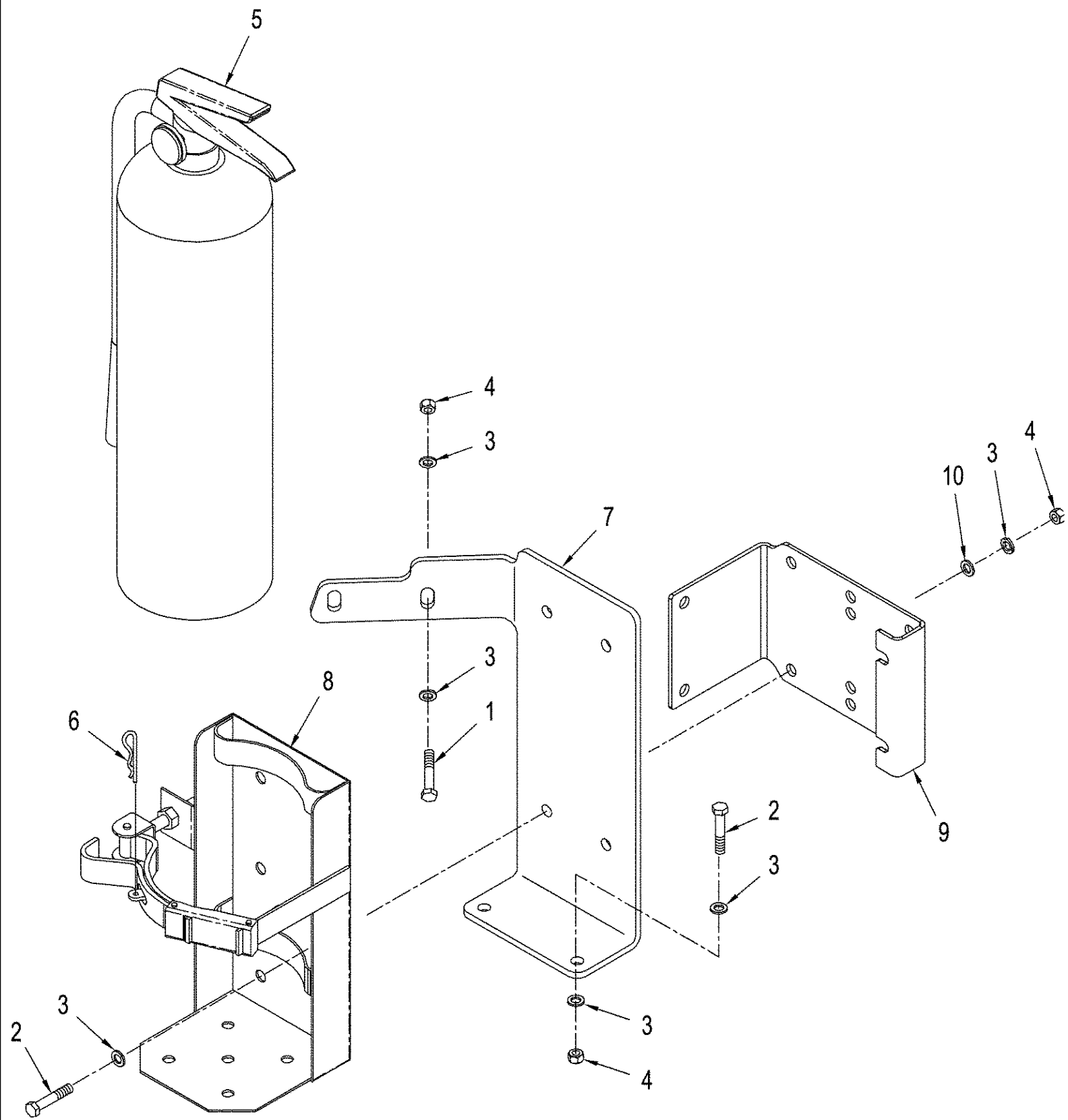
11



STX500 CASE IH 4WD TRACTOR (AFTER S/N JEE0099501)

09-60 DECALS

сылка	Номер детали	Кол-во	Описание
1	411564A1	1	DECAL, Shift, With Manual Shift Transmission
2	87423866	1	DECAL, Remote Hitch Safety
3	410704A1	1	DECAL, Instruction, Seat
4	87427097	1	DECAL, DANGER, Battery, ASN JEE0104001
5	87427096	1	DECAL, Pos. (+) Post, ASN JEE0104001
6	87427317	1	DECAL, Neg. (-) Post, ASN JEE0104001
7	82029421	1	DECAL, WARNING, Radiator
8	389794A1	4	DECAL, Hydraulic Coupler
9	353849A1	1	DECAL, Ignition Switch
10	A187743	1	DECAL, WARNING, Ground Speed Radar
11	87319224	2	DECAL, 50,000 STEIGER Built Tractors



STX500 CASE IH 4WD TRACTOR (AFTER S/N JEE0099501)

09-61 FIRE EXTINGUISHER

сылка	Номер детали	Кол-во	Описание
	719972003	1	DIA KIT, TRACTOR, Fire Extinguisher, Inc. 1 - 9
1	827-10040	2	BOLT, Hex, M10 x 40, 10.9, Full Thd, Cap, HH, M10 x 40, STX Wheel Tractor
4	832-10410	8	NUT, LOCK, M10 x 1.5, CI 8,
5	NSS	1	NOT SERVICED SEPARATELY, Extinguisher, Fire, 10 lb.
6	480523R1	1	SPLIT PIN/SAFETY PIN, Hair
7	87417139	1	BRACKET, SUPPORTING, Left-Hand Stair Mount, STX Wheel Tractor
8	87427312	1	BRACKET, SUPPORTING, Fender Mount
9	87420884	1	BRACKET, SUPPORTING, Toolbox Mount
10	237486A1	4	WASHER, Plastic, QUADTRAC Tractor
2	627-10030	6	BOLT, Hex, M10 x 30, 10.9, Full Thd,
3	895-15010	14	WASHER, M11 x 24 x 2,

