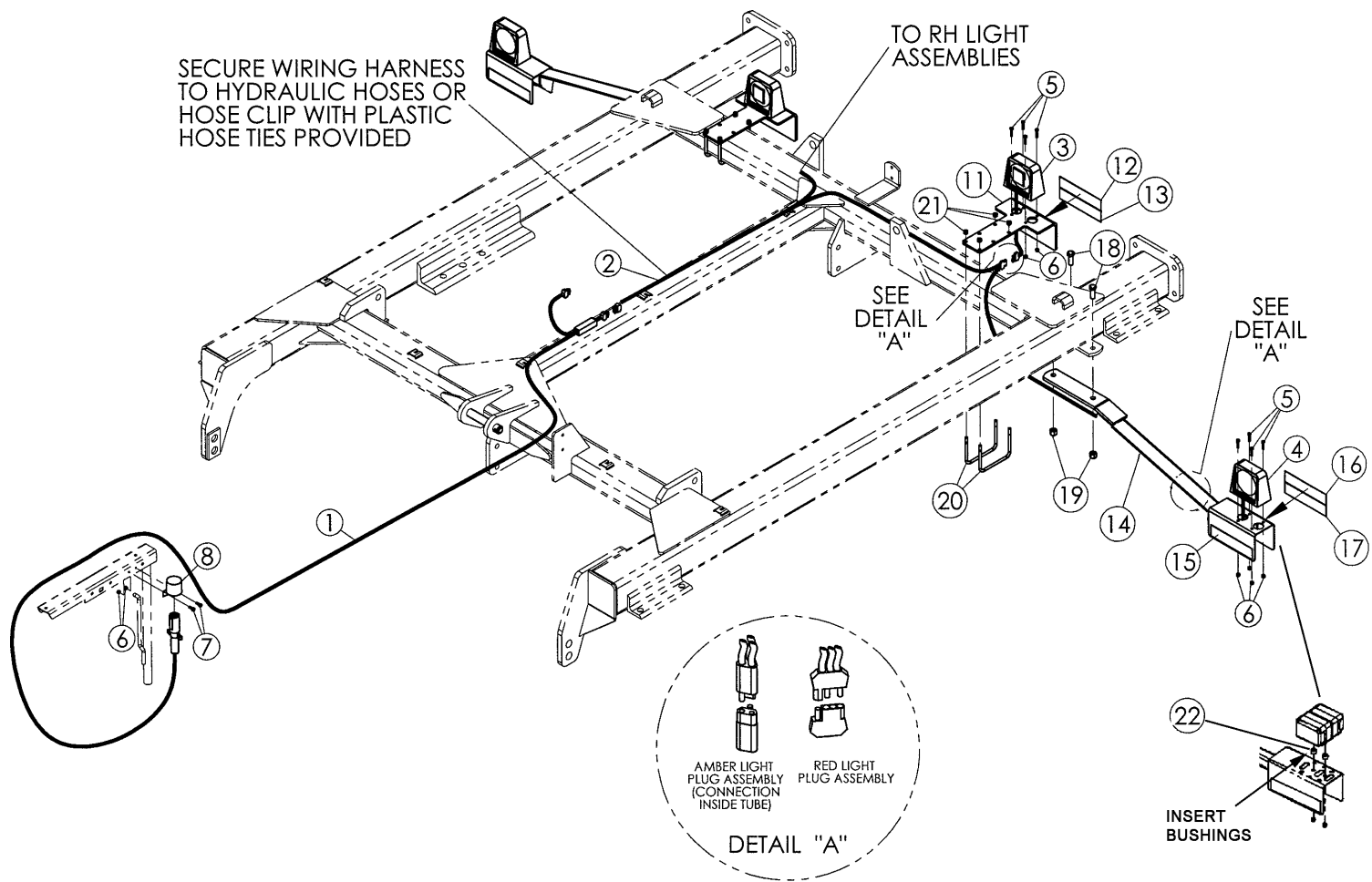
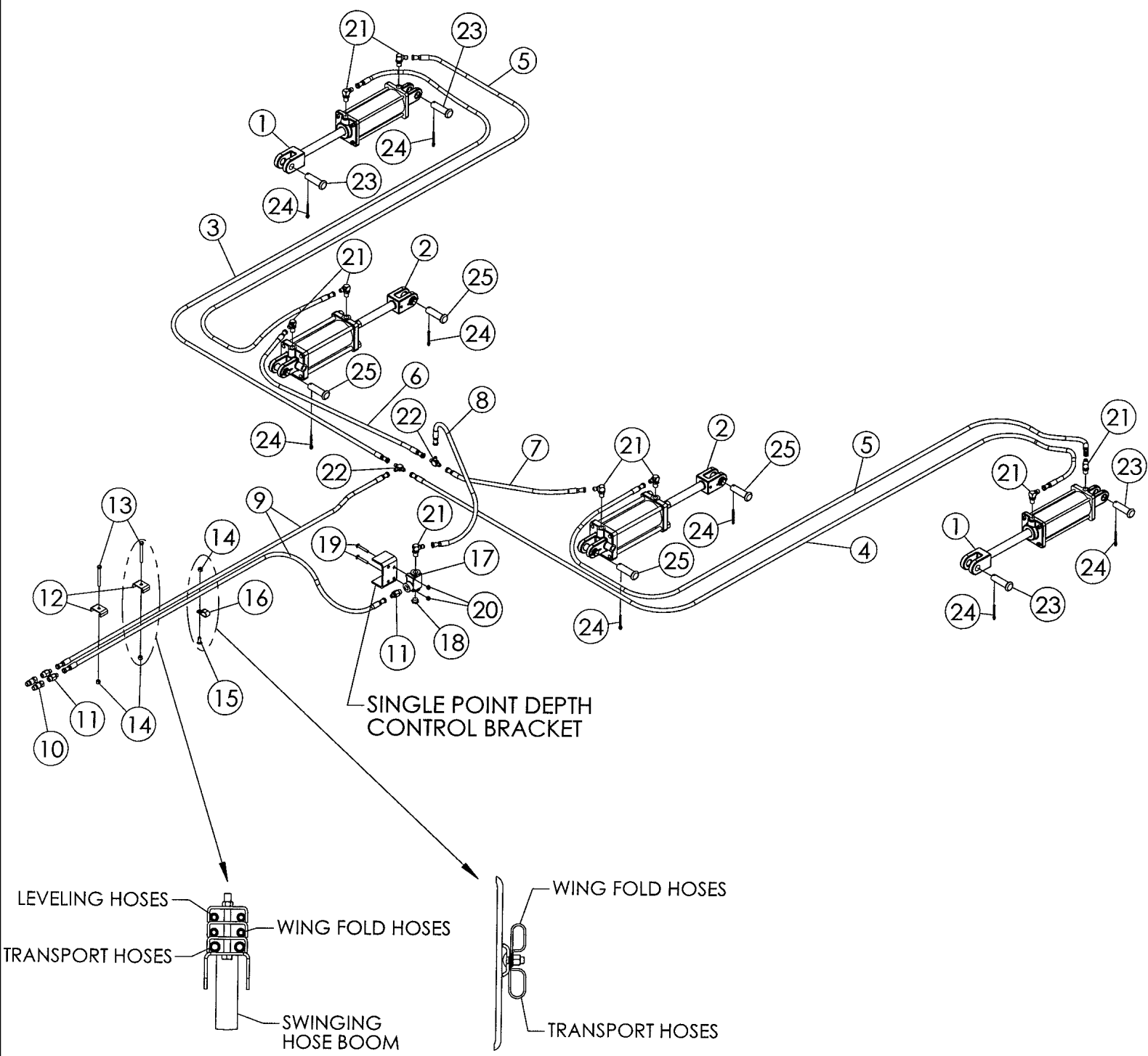


сылка	Номер детали	Кол-во	Описание
1	446578A1	1	HARNESS, Wiring, Front
1	87446680	1	HARNESS, WIRE, Wiring, Front, Used On Serial Number JFH0031778 And After
2	27602224	1	HARNESS, Wiring, Rear
2	87446684	1	HARNESS, WIRE, Wiring, Rear, Used On Serial Number JFH0031778 And After
3	27602202	2	LIGHT ASSY., Red
3	87446791	2	LAMP, Red, Used On Serial Number JFH0031778 And After
4	27602201	2	LIGHT ASSY., Amber
4	87446792	2	LAMP, Amber, Used On Serial Number JFH0031778 And After
5	413-420	16	BOLT, Hex, 1/4"-20 x 1 1/4", G5,
6	86992211	18	NUT, LOCK, 1/4, NC, lock
7	413-412	2	BOLT, Hex, 1/4"-20 x 3/4", G5, Full Thd,
8	27601214	1	HOLDER, Seven Pin Connector Storage
9	533959R1		UAR STRAP, CABLE, .135" x 11", Hose, Black
10	386170C1		UAR STRAP, CABLE, .30" x 27 1/2", Hose, Black
11	87459252	1	BRACKET, Red, Light, LH Inc. 12, 13
11	87459249	1	BRACKET, Red, Light, RH Inc. 12, 13
12	311863A1	1	REFLECTOR, Flourescent
13	311865A1	1	REFLECTOR, Red
14	87403283	1	BRACKET, Amber Light, LH Inc. 15 - 17, Used On 2007 And Prior Models
14	87343510	1	BRACKET, Amber Light, Lh, Inc. 15 - 17, Used On 2008 And After Models
14	87454253	1	BRACKET, Amber Light, RH Inc. 15 - 17, Used On 2007 And Prior Models
14	87343502	1	BRACKET, Amber Light, Rh, Inc. 15 - 17, Used On 2008 And After Models
15	311864A1	1	REFLECTOR, Yellow
16	311863A1	1	REFLECTOR, Flourescent
17	311865A1	1	REFLECTOR, Red
18	413-1028	4	BOLT, Hex, 5/8"-11 x 1 3/4", G5,
19	86992216	4	NUT, LOCK, 5/8, NC, Lock
20	413-1232	4	BOLT, Hex, 3/4"-10 x 2", G5,
20	413-1296	4	BOLT, Hex, 3/4"-10 x 6", G5, , For Units Equipped With Factory Harrow Option
21	86992217	4	NUT, LOCK, 3/4, NC, Lock
22	87449661	4	SPACER, Bushing, Amber Light, Used On Serial Number JFH0031778 And After



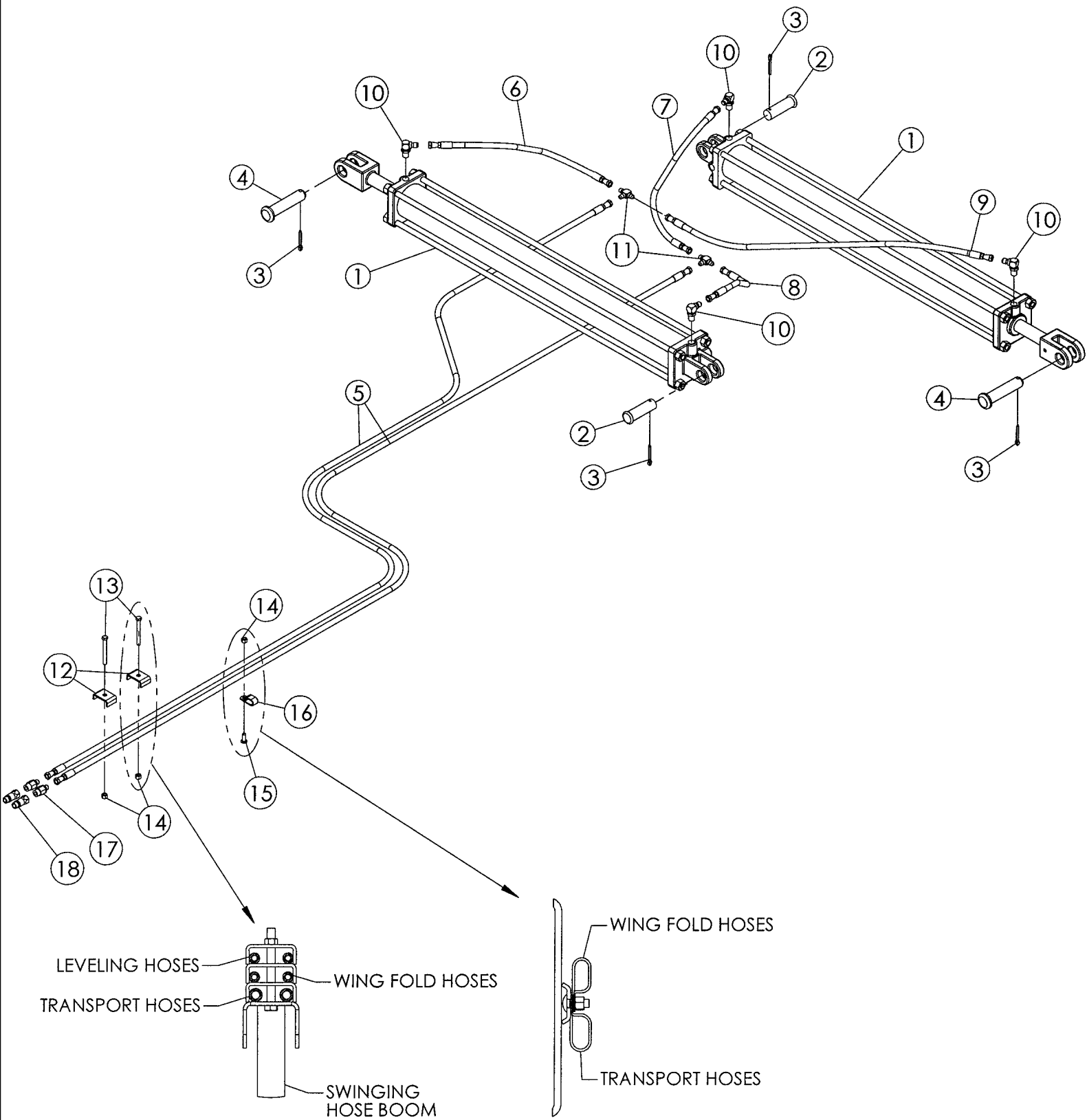
сылка	Номер детали	Кол-во	Описание
1	446578A1	1	HARNESS, Front Wiring
1	87446680	1	HARNESS, WIRE, Front Wiring, Used On Serial Number JFH0031778 And After
2	27602224	1	HARNESS, Rear Wiring
2	87446684	1	HARNESS, WIRE, Rear Wiring, Used On Serial Number JFH0031778 And After
3	27602202	2	LIGHT ASSY., Red
3	87446791	2	LAMP, Red, Used On Serial Number JFH0031778 And After
4	27602201	2	LIGHT ASSY., Amber
4	87446792	2	LAMP, Amber, Used On Serial Number JFH0031778 And After
5	413-420	16	BOLT, Hex, 1/4"-20 x 1 1/4", G5,
6	86992211	18	NUT, LOCK, 1/4 NC Lock
7	413-412	2	BOLT, Hex, 1/4"-20 x 3/4", G5, Full Thd,
8	27601214	1	HOLDER, Seven Pin Connector Storage
9	533959R1		UAR STRAP, CABLE, .135" x 11", Hose Tie
10	386170C1		UAR STRAP, CABLE, .30" x 27 1/2", Hose Tie
11	87459351	2	BRACKET, Red Light Inc. 12, 13
12	311863A1	1	REFLECTOR, Flourescent
13	311865A1	1	REFLECTOR, Red
14	87403283	1	BRACKET, Amber Light LH 34 ft Inc. 15 - 17, Used On 2007 And Prior Models
14	87343510	1	BRACKET, Amber Light, Lh, 34 ft, Inc. 15 - 17, Used On 2008 And After Models
14	87454253	1	BRACKET, Amber Light RH 34 ft Inc. 15 - 17, Used On 2007 And Prior Models
14	87343502	1	BRACKET, Amber Light, Rh, 34 ft, Inc. 15 - 17, Used On 2008 And After Models
14	87459245	1	BRACKET, Amber Light LH 25 - 31 ft Inc. 15 - 17, Used On 2007 And Prior Models
14	87333818	1	BRACKET, Amber Light, Lh 25 - 31 ft, Inc. 15 - 17, Used On 2008 And After Models
14	87459246	1	BRACKET, Amber Light RH 25 - 31 ft Inc. 15 - 17, Used On 2007 And Prior Models
14	87333813	1	BRACKET, Amber Light, Rh, 25 - 31 ft, Inc. 15 - 17, Used On 2008 And After Models
15	311864A1	1	REFLECTOR, Yellow
16	311863A1	1	REFLECTOR, Flourescent
17	311865A1	1	REFLECTOR, Red
18	413-1028	4	BOLT, Hex, 5/8"-11 x 1 3/4", G5,
19	86992216	4	NUT, LOCK, 5/8 NC Lock
20	16309101	4	U-BOLT, 3/8 x 4 x 6
20	87405402	4	U-BOLT, 3/8 x 3 x 5 , For Units Equipped With Factory Harrow Option
21	86992213	8	NUT, LOCK, 3/8 NC Lock
22	87449661	4	SPACER, Bushing, Amber Light, Used On Serial Number JFH0031778 And After



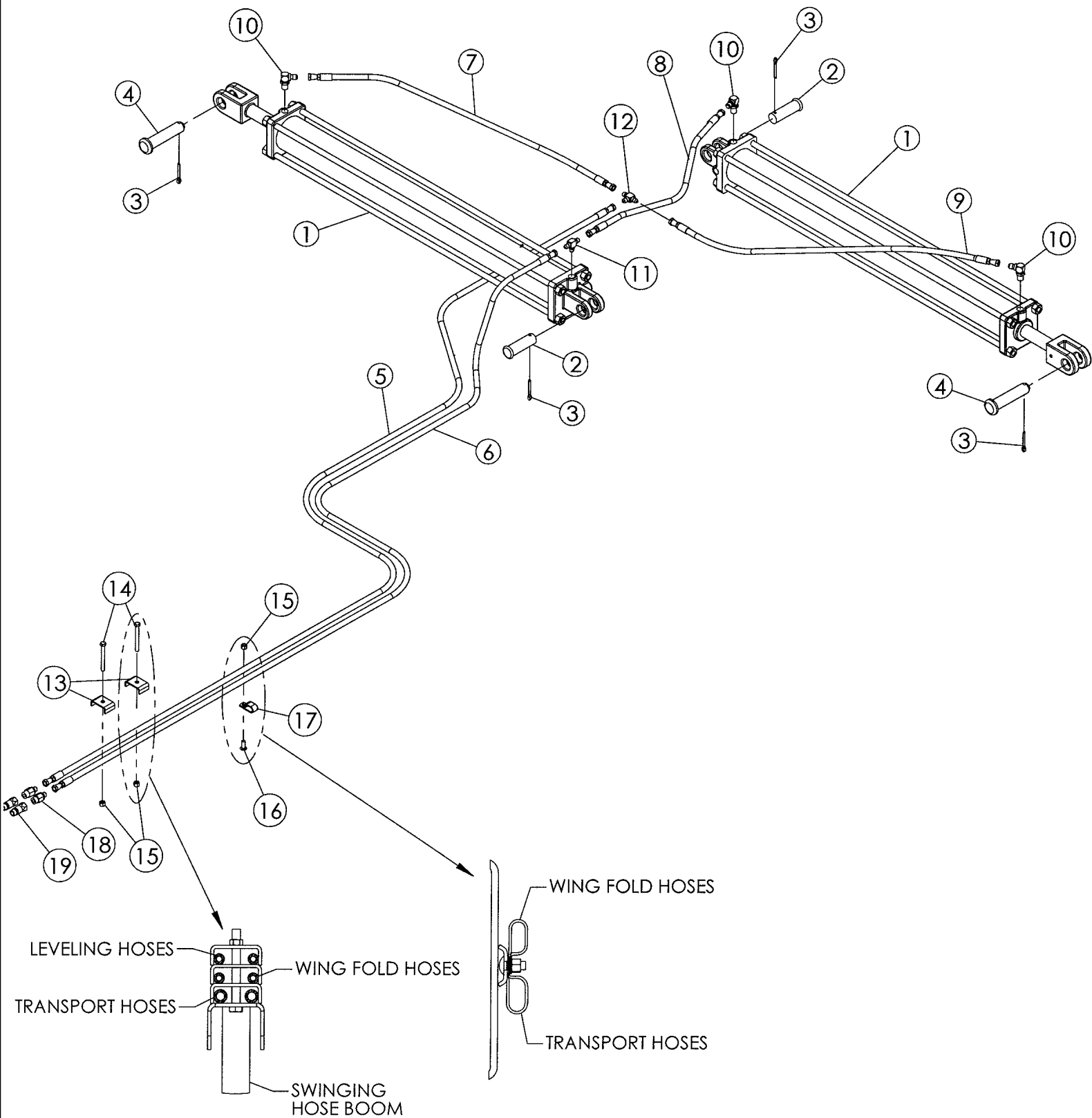
08-01 TRANSPORT HYDRAULICS

сылка	Номер детали	Кол-во	Описание
1	87423771	2	CYLINDER ASSY., Hydraulic, 3.5 In x 8 In, Rephase, Main Lift, 19 - 22 ft, See Figure 08-05, Black Rod (Nitro Steel)
1	87423771	2	CYLINDER ASSY., Hydraulic, 3.5 x 8, Rephase, 19 - 22 ft, See Figure 08-05, Chrome Rod
1	87423766	2	CYLINDER, Hydraulic, 3.75 In x 8 In, Rephase, Main Lift, 25 - 31 ft, See Figure 08-06, Black Rod (Nitro Steel)
1	87423766	2	CYLINDER, Hydraulic 3.75 x 8, Rephase, Main Lift, 25 - 31 ft, See Figure 08-06, Chrome Rod
1	87423777	2	HYDRAULIC CYLINDER, Hydraulic, 4 In x 8 In, Rephase, Main Lift, 34 ft, Black Rod (Nitro Steel), See Figure 08-07
1	87423777	2	HYDRAULIC CYLINDER, Hydraulic, 4 x 8, Rephase, Main Lift, 34 ft, See Figure 08-07, Chrome Rod
2	87423766	2	CYLINDER, Hydraulic, 3.75 In x 8 In, Rephase, Main Lift, 19 - 22 ft, See Figure 08-06, Black Rod (Nitro Steel)
2	87423766	2	CYLINDER, 3.75 x 8, Rephase, Main Lift, 19 - 22 ft, See Figure 08-06, Chrome Rod
2	87423777	2	HYDRAULIC CYLINDER, Hydraulic, 4 In x 8 In, Rephase, Main Lift, 25 - 31 ft, Black Rod (Nitro Steel), See Figure 08-07
2	87423777	2	HYDRAULIC CYLINDER, Hydraulic, 4 x 8, Rephase, Main Lift, 25 - 31 ft, See Figure 08-07, Chrome Rod
2	87388863	2	HYDRAULIC CYLINDER, Hydraulic, 4.25 In x 8 In, Rephase, Main Lift, 34 ft, Chrome Rod, See Figure 08-08
2	87388863	2	HYDRAULIC CYLINDER, Hydraulic, 4.25 x 8, Rephase, Main Lift 34 ft, See Figure 08-08, Black Rod (Nitro Steel)
3	1284253C1	1	HOSE, 3/8 In x 150 In, 19 ft
3	1284255C1	1	HOSE, 3/8 In x 185 In, 22 ft
3	1284258C1	1	HOSE, 3/8 In x 225 In, 25 ft
3	1284259C1	1	HOSE, 3/8 In x 250 In, 28 - 34 ft
4	1284252C1	1	HOSE, 3/8 In x 140 In, 19 ft
4	1284254C1	1	HOSE, 3/8 In x 170 In, 22 ft
4	1284257C1	1	HOSE, 3/8 In x 210 In, 25 ft
4	1284314C1	1	HOSE, 3/8 In x 235 In, 28 - 34 ft
5	139519C2	2	HOSE, 3/8 In x 135 In, 19 ft
5	1284298C1	2	HOSE, 3/8 In x 160 In, 22 ft
5	1284255C1	2	HOSE, 3/8 In x 185 In, 25 ft
5	1284257C1	2	HOSE, 3/8 In x 210 In, 28 - 31 ft
5	435694A1	2	HOSE, 3/8 In x 190 In, 34 ft
6	1285380C2	1	HOSE, 3/8 In x 50 In, 19 - 31 ft
6	95778C1	1	HOSE ASSY., 3/8 In x 70 In, 34 ft
7	1259625C1	1	HOSE, 3/8 In x 33 In, 19 - 31 ft
7	1285380C2	1	HOSE, 3/8 In x 50 In, 34 ft
8	1284323C1	1	HOSE, 3/8 In x 15 In, 19 - 31 ft
8	1280792C1	1	HOSE, 3/8 In x 21 In, 34 ft
9	1284255C1	2	HOSE, 3/8 In x 185 In, 19 - 31 ft
9	1284257C1	2	HOSE, 3/8 In x 210 In, 34 ft
10	25705041	2	COUPLING, 3/4 SAEF - Male ISO
11	218-5058	3	CONNECTOR, HYD., 9/16"-18, 37e x 3/4"-18, O-Ring,

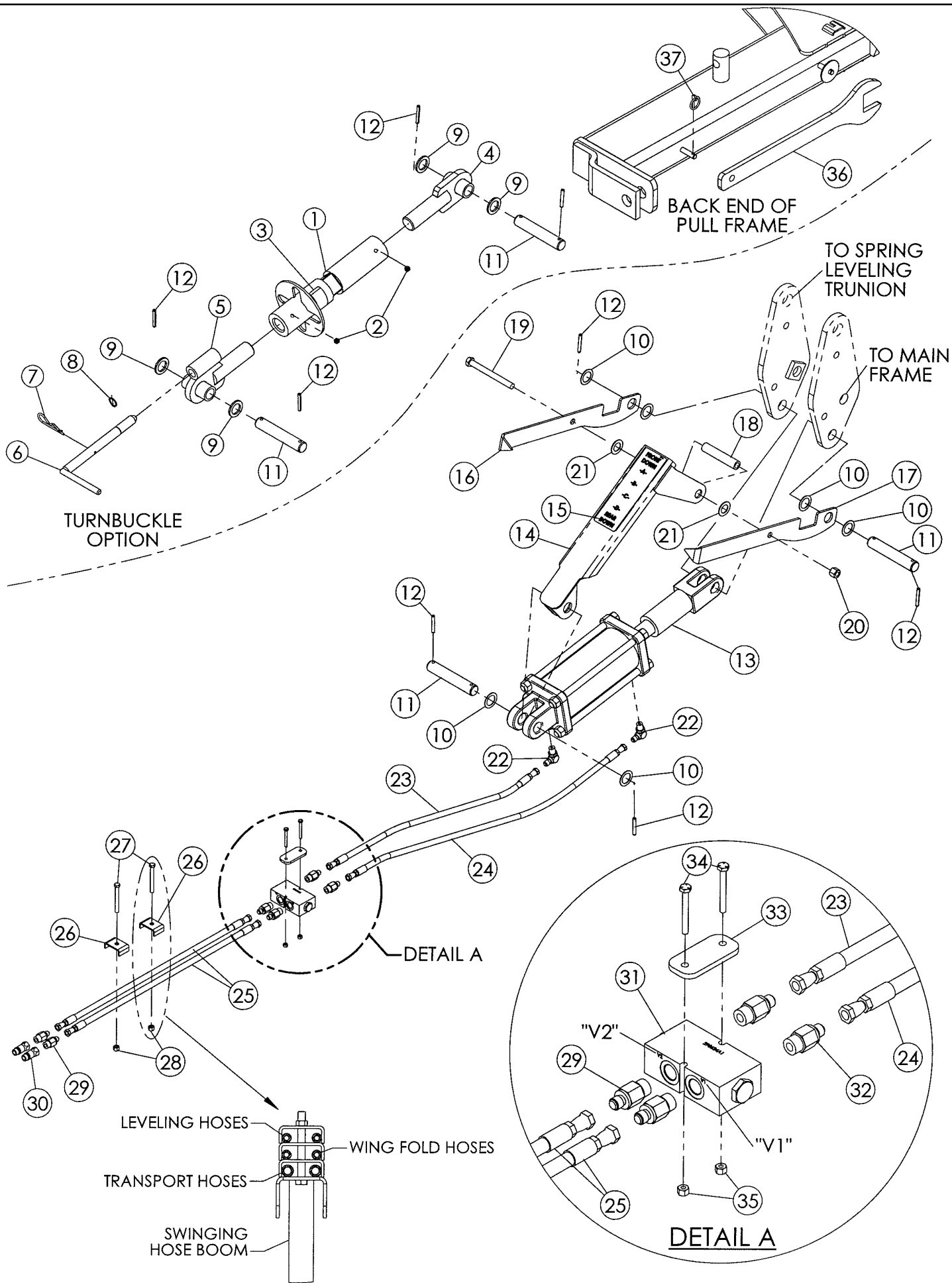
сылка	Номер детали	Кол-во	Описание
12	06200125	2	CLAMP, HOSE,
13	413-640	2	BOLT, Hex, 3/8"-16 x 2 1/2", G5, (2 Clamps)
13	413-656	2	BOLT, Hex, 3/8"-16 x 3 1/2", G5, (3 Clamps)
14	86992213		UAR NUT, LOCK, 3/8, NC, Lock
15	433-616		UAR BOLT, CARRIAGE, Short NK, 3/8"-16 x 1", G5,
16	22510700		UAR CLAMP, HOSE, Cushion, 5/8
17	396150A1	1	VALVE, CONTROL, Hydraulic Depth
	396151A1	1	KIT, Hydraulic Depth (For 396150A1)
18	214389	1	PLUG, Hex Hd, 3/4"-16 ORB,
19	433-536	2	BOLT, CARRIAGE, Short NK, 5/16"-18 x 2 1/4", G5,
20	86992212	2	NUT, LOCK, 5/16, NC, Lock
21	218-5128	9	ELBOW, 90e, 9/16"-18, 37e x 3/4"-16, O-Ring,
22	218-593	2	TEE, 9/16"-18, 37e, 9/16 JICM
23	87735776	4	PIN, 1 Clevis
24	432-1632	8	PIN, SPLIT (COTTER), 1/4" x 2",
25	87735776	4	PIN, 1 Clevis, 19 - 31 ft
25	427-20375	4	PIN, CLEVIS, 1 1/4" x 3 3/4", 34 ft



сылка	Номер детали	Кол-во	Описание
1	87388869	2	HYDRAULIC CYLINDER, 3-1/2 In x 42 In, 19 - 25 ft, See Figure 08-09, Chrome Rod
1	87388869	2	HYDRAULIC CYLINDER, 3-1/2 x 42, 19 - 25 ft, See Figure 08-09, Black Rod (Nitro Steel)
1	87388875	2	HYDRAULIC CYLINDER, 4 In x 42 In, 28 - 31 ft, See Figure 08-10, Chrome Rod
1	87388875	2	HYDRAULIC CYLINDER, 4 x 42, 28 - 31 ft, See Figure 08-10, Black Rod (Nitro Steel)
2	427-20375	2	PIN, CLEVIS, 1 1/4" x 3 3/4",
3	432-2032	4	PIN, SPLIT (COTTER), 5/16" x 2",
4	439-52088	2	PIN, HEADED, 1 1/4" x 5 1/2", Clevis
5	337157A1	2	HOSE ASSY., 1/4 In x 270 In
6	843066C1	1	HOSE ASSY., 1/4 In x 33 In, 19 - 31 ft
7	1969386C1	1	HOSE ASSY., 1/4 In x 23 In, 19 - 22 ft
7	97638C1	1	HOSE ASSY., 1/4 In x 19 In 25, - 31 ft
8	1969386C1	1	HOSE ASSY., 1/4 In x 23 In, 19 - 31 ft
9	843066C1	1	HOSE ASSY., 1/4 In x 33 In, 19 - 22 ft
9	147876C1	1	HOSE, 1/4 In x 45 In, 25 - 31 ft
10	218-5128	4	ELBOW, 90°, 9/16"-18, 37° x 3/4"-16, O-Ring,
11	218-593	2	TEE, 9/16"-18, 37°,
12	06200125	6	CLAMP, HOSE, Hose
13	413-640	2	BOLT, Hex, 3/8"-16 x 2 1/2", G5, (2 clamps)
13	413-656	2	BOLT, Hex, 3/8"-16 x 3 1/2", G5, (3 clamps)
14	86992213		UAR NUT, LOCK, 3/8, NC, Lock
15	433-616		UAR BOLT, CARRIAGE, Short NK, 3/8"-16 x 1", G5,
16	22510700		UAR CLAMP, HOSE, Cushion, 5/8
17	218-5058	2	CONNECTOR, HYD., 9/16"-18, 37° x 3/4"-18, O-Ring,
18	25705041	2	COUPLING, 3/4 SAEF - Male ISO



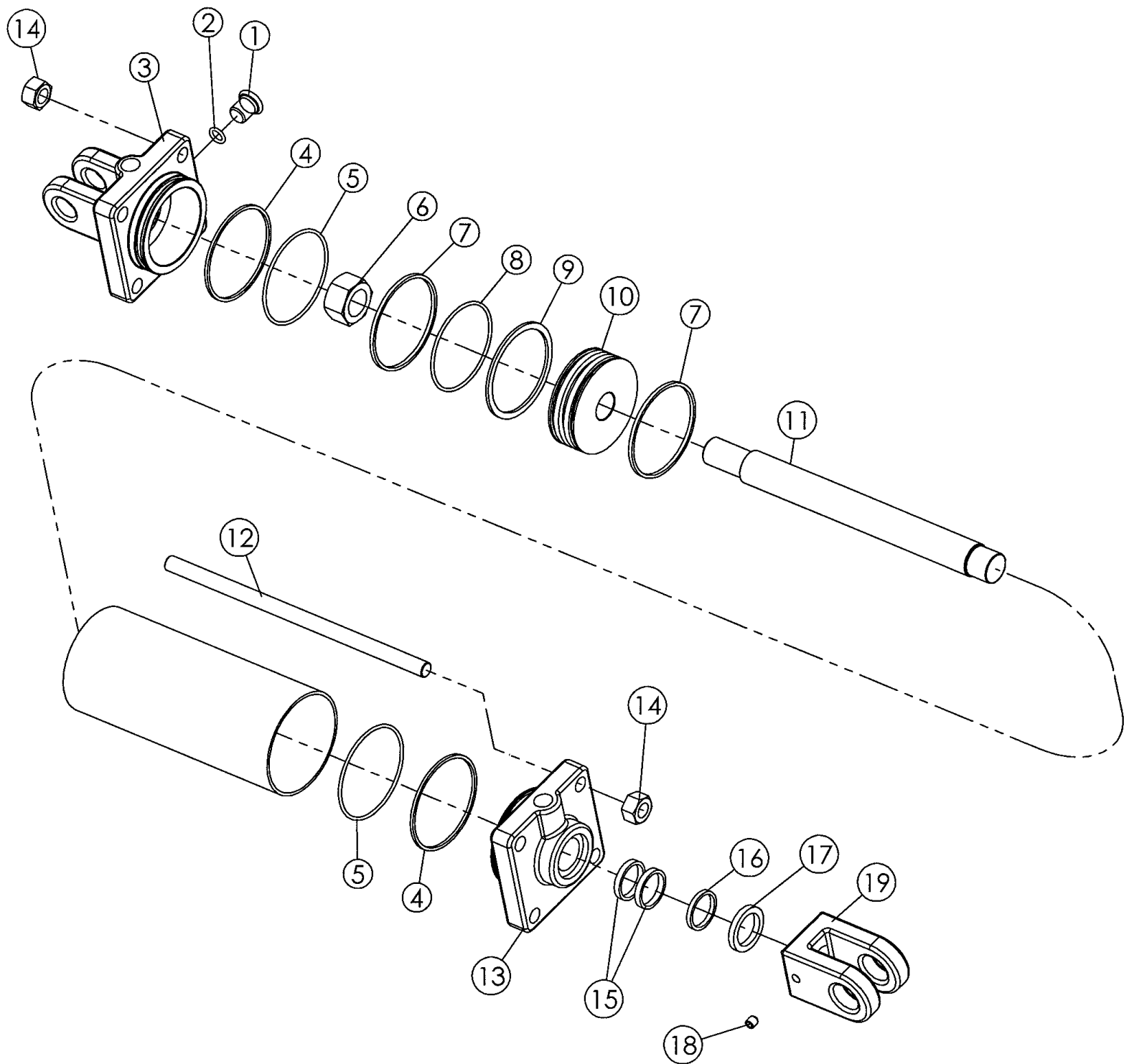
сылка	Номер детали	Кол-во	Описание
1	87388875	2	HYDRAULIC CYLINDER, 4 In x 42 In, See Figure 08-10, Chrome Rod
1	87388875	2	HYDRAULIC CYLINDER, 4 x 42, See Figure 08-10, Black Rod (Nitro Steel)
2	427-20375	2	PIN, CLEVIS, 1 1/4" x 3 3/4", Clevis
3	432-2032	4	PIN, SPLIT (COTTER), 5/16" x 2",
4	439-52088	2	PIN, HEADED, 1 1/4" x 5 1/2", Clevis 1-1/4 x 5-1/2
5	193759A1	1	HOSE, 1/4 In x 285 In
6	193759A1	1	HOSE, 1/4 In x 285 In
7	129908C1	1	HOSE, 1/4 In x 55 In
8	1969386C1	1	HOSE ASSY., 1/4 In x 23 In
9	97478C1	1	HOSE ASSY., 1/4 In x 75 In
10	218-5128	3	ELBOW, 90°, 9/16"-18, 37° x 3/4"-16, O-Ring,
11	218-5192	1	TEE, 9/16"-18, 37° x 3/4"-16, O-Ring Br, 3/4 SAEM - 9/16 JICM (2)
12	218-593	1	TEE, 9/16"-18, 37°, 9/16 JICM
13	06200125	6	CLAMP, HOSE,
14	413-640	2	BOLT, Hex, 3/8"-16 x 2 1/2", G5, 3/8 x 2-1/2 (2 clamps)
14	413-656	2	BOLT, Hex, 3/8"-16 x 3 1/2", G5, (3 clamps)
15	86992213		UAR NUT, LOCK, 3/8
16	433-616		UAR BOLT, CARRIAGE, Short NK, 3/8"-16 x 1", G5, 3/8 x 1
17	22510700		UAR CLAMP, HOSE, Cushion, 5/8
18	218-5058	2	CONNECTOR, HYD., 9/16"-18, 37° x 3/4"-18, O-Ring,
19	25705041	2	COUPLING, 3/4 SAEF - Male ISO



RMX340 TANDEM DISK (6/03-)

08-04 LEVELING PULL FRAME HYDRAULICS (OPTIONAL)

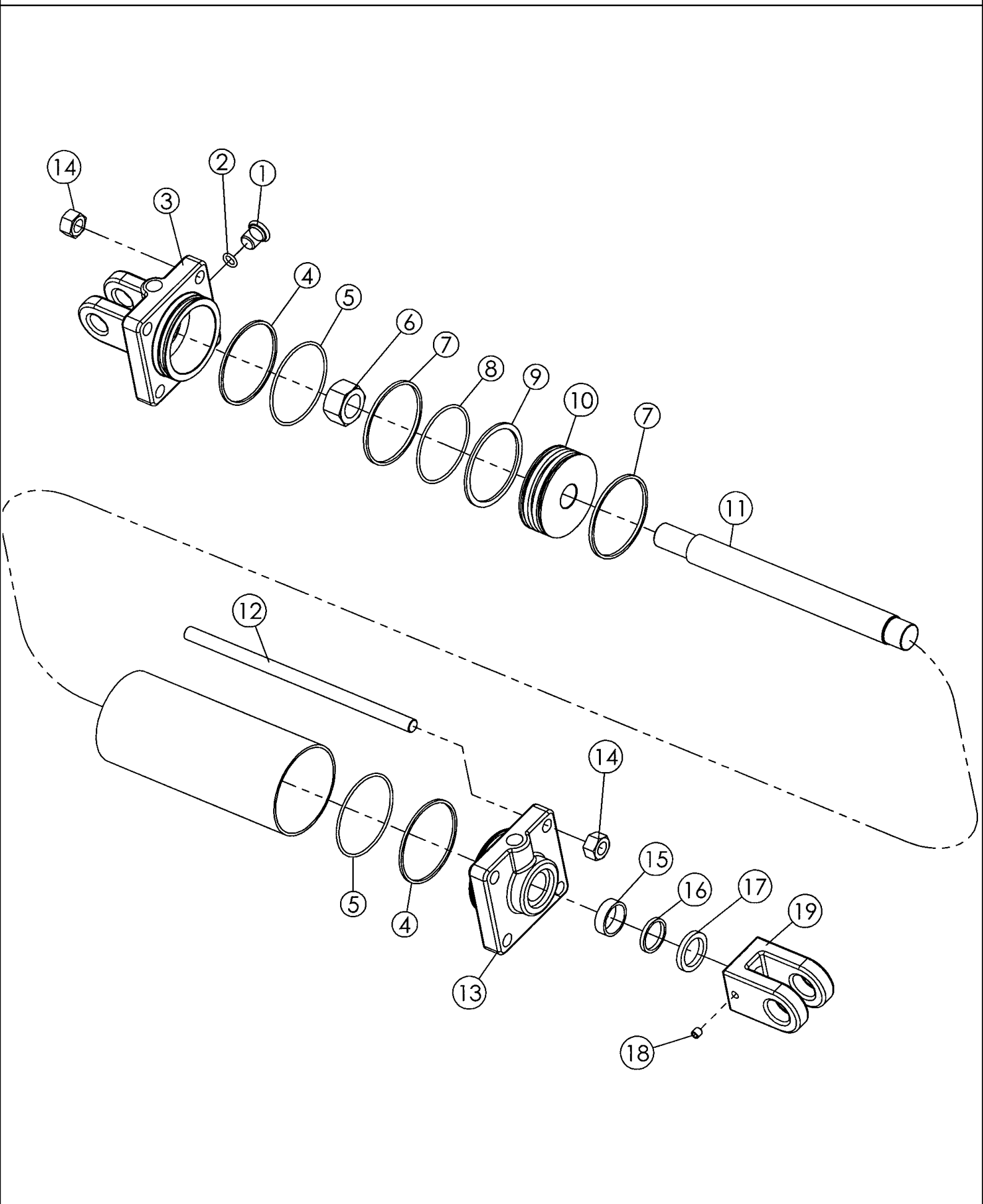
сылка	Номер детали	Кол-во	Описание
1	87413124	1	BODY, Turnbuckle Inc. 2, 3
2	219-86	2	NIPPLE, LUBE, 1/8" x .62" lg, Drive,
3	87395867	1	DECAL, Depth Control, Turnbuckle
4	87413115	1	CLEVIS, Turnbuckle, RH
5	87413116	1	CLEVIS, Turnbuckle, LH
6	87413119	1	PIN, LOCK, Turnbuckle Lock
7	1978738C1	1	PIN, SPLIT (COTTER), Hair, 3/16 x 3
8	103-11100	1	RING, SNAP, #100, .925", Ext, Retaining, External
9	496-81009	4	WASHER, 1 5/16" x 1 63/64" x .180", HDN,
10	17620020	6	BUSHING, 1.25, Machine Bushing, 14 ga
11	86993942	2	PIN, 1.25 Dia x 154 mm
12	438-12036	4	PIN, LOCK, 5/16" x 2 1/4", Slotted,
13	87388864	1	HYDRAULIC CYLINDER, 5 x 8 With Stop, Chrome Rod
13	87388864	1	HYDRAULIC CYLINDER, 5 x 8, With Stop, Black Rod (Nitro Steel)
14	86993914	1	INDICATOR, Leveling Inc 15
15	86993500	1	DECAL, Level Indicator
16	87411878	1	BAR, Pointer, RH
17	86993913	1	BAR, Pointer, LH
18	86993912	1	BUSHING, Level Indicator
19	413-10104	1	BOLT, Hex, 5/8"-11 x 6 1/2", G5,
20	86992216	1	NUT, LOCK, 5/8, NC
21	17616021	2	BUSHING, 1, Machine Bushing, 14 ga
22	218-5128	2	ELBOW, 90e, 9/16"-18, 37e x 3/4"-16, O-Ring,
23	1969386C1	1	HOSE ASSY., 1/4 In x 23 In
24	147875C1	1	HOSE, 1/4 In x 35 In
25	1254526C2	2	HOSE, 1/4 In x 135 In
26	06200125	6	CLAMP, HOSE,
27	413-656	2	BOLT, Hex, 3/8"-16 x 3 1/2", G5,
28	86992213	2	NUT, LOCK, 3/8, NC
29	218-5058	4	CONNECTOR, HYD., 9/16"-18, 37e x 3/4"-18, O-Ring,
30	25705041	2	COUPLING, 3/4 SAEF - Male ISO
31	298624A1	1	VALVE, Check
32	1263477C3	2	CONNECTOR, HYD., Orifice - 3/4 SAEM - 9/16 JICM
33	09987521	1	PLATE, Top
34	426-436	2	BOLT, Hex, 1/4"-20 x 2 1/4", G8,
35	86992211	2	NUT, LOCK, 1/4, NC
36	395084A1	1	PLATE, Wrench Turnbuckle
37	A33497	1	PIN, LINCH, Klik, 3/16 x 1-1/4



RMX340 TANDEM DISK (6/03-)

08-05 3-1/2 IN X 8 IN TRANSPORT CYLINDER 19 - 22 FT TANDEM DISK

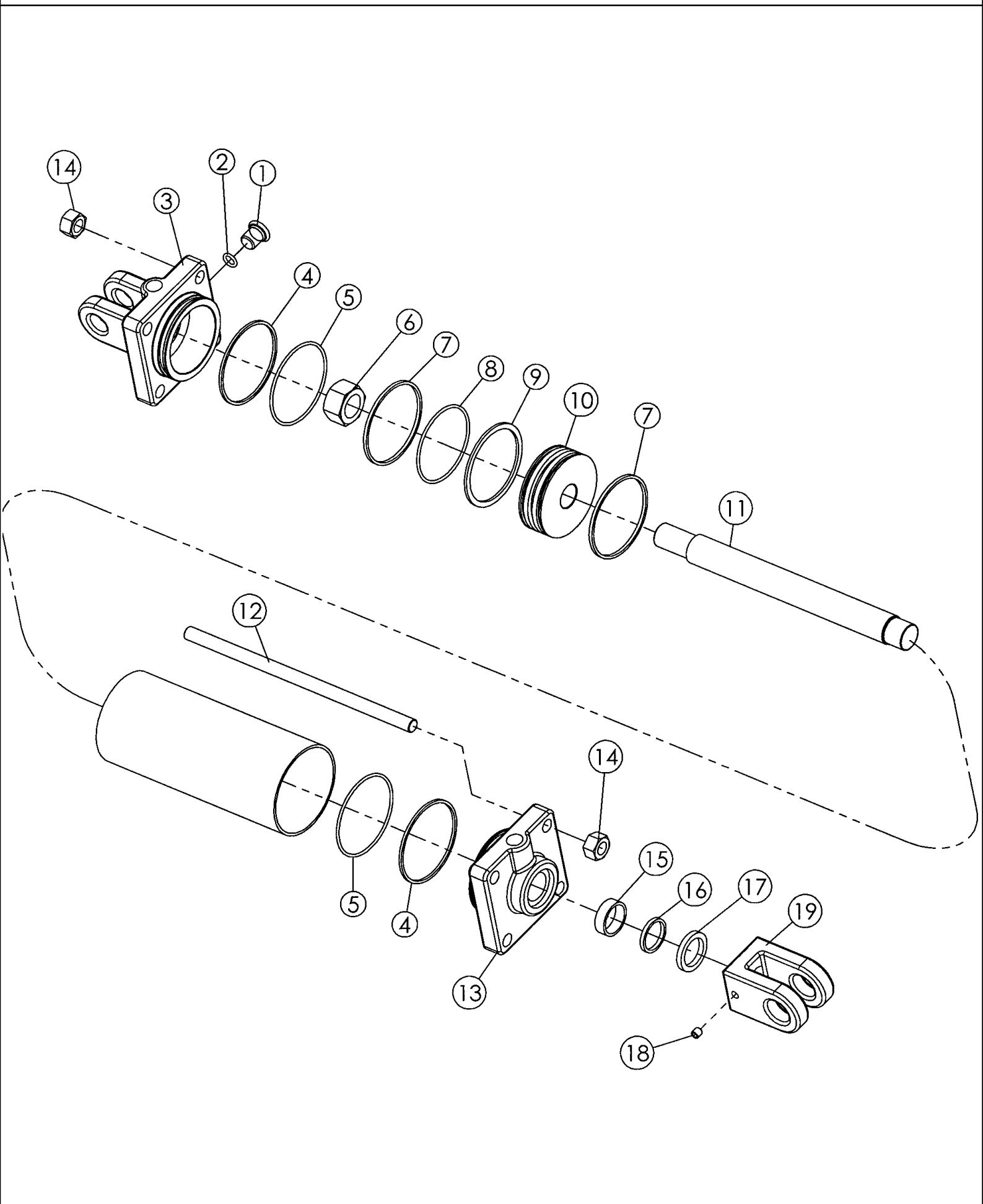
сылка	Номер детали	Кол-во	Описание
	87423771	1	CYLINDER ASSY., 3-1/2 In x 8 In, Rephasing, Inc 1 - 19, Black Rod (Nitro Steel)
	87423771	1	CYLINDER ASSY., 3-1/2 x 8, Rephasing, Inc. 1 - 19, Chrome Rod
1	86590562	1	PLUG, Hex Soc, 3/4"-16 ORB,
2	237-6008	1	O-RING, 8-1, 90 Duro, .644" ID x .087" Thk,
3	87409430	1	HEAD, Clevis Base End
6	232-46316	1	NUT, LOCK, 1"-14, GC,
10	87409469	1	PISTON, Cylinder
11	87409452	1	ROD, PISTON, , Black Rod (Nitro Steel)
11	87525934	1	ROD, PISTON, , Chrome Rod
12	87409486	4	BOLT, Tie
13	87409395	1	HEAD, Rod End
14	25-1110	4	NUT, 5/8"-18, G5,
18	83-1388	1	SET SCREW, Hex Soc, 3/8"-16 x 1/2", Set, 3/8, NC
19	87409387	1	CLEVIS, Rod End
	87409038		KIT, SEALS, , Inc. 4 - 5, 7 - 9, 15 - 17



RMX340 TANDEM DISK (6/03-)

08-06 3-3/4 IN X 8 IN TRANSPORT CYLINDER 19 - 31 FT TANDEM DISK

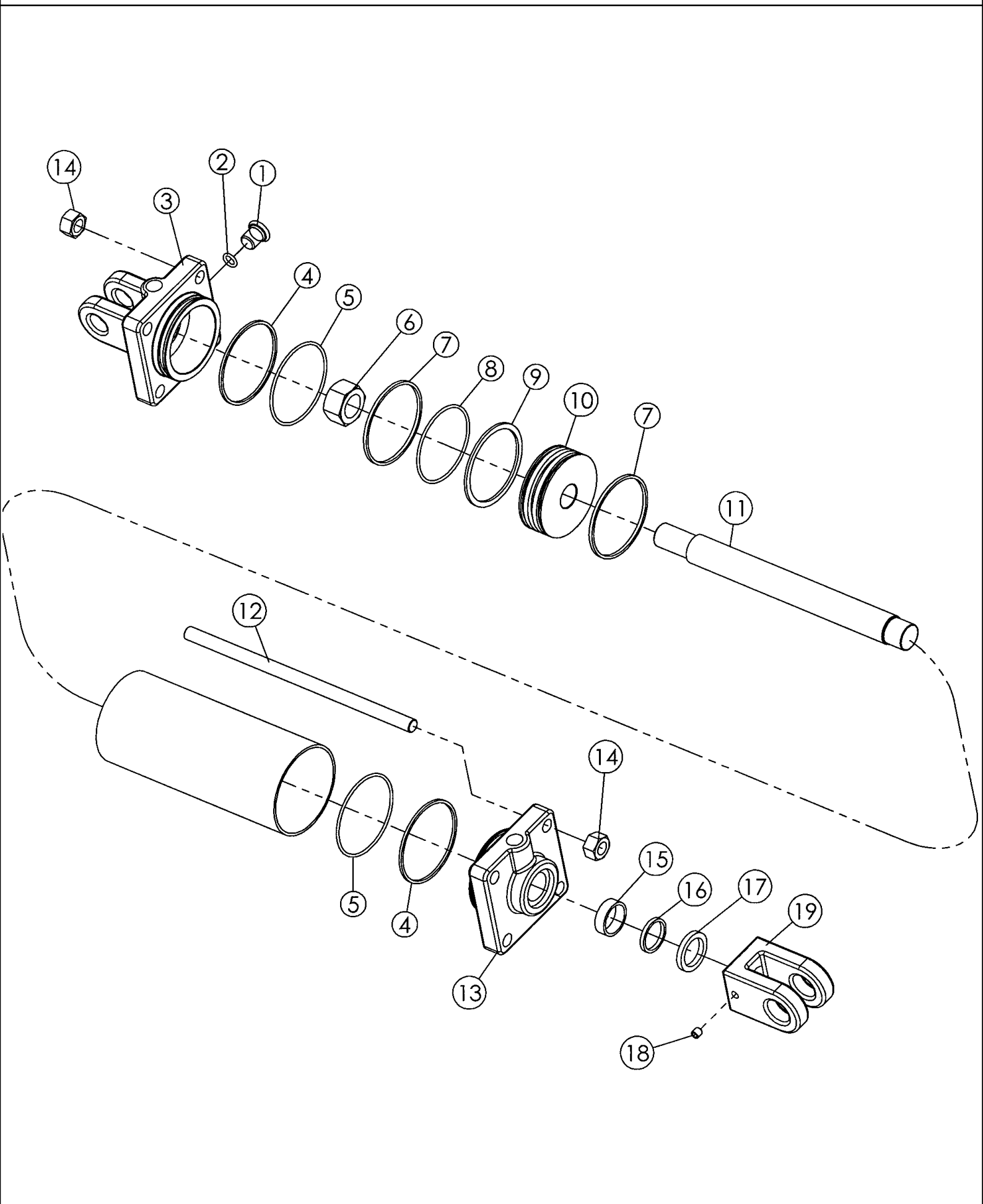
сылка	Номер детали	Кол-во	Описание
	87423766	1	CYLINDER, 3-3/4 In x 8 In, Rephasing, Inc 1 - 19, Black Rod (Nitro Steel)
	87423766	1	CYLINDER, 3-3/4 x 8, Rephasing, Inc. 1 - 19, Chrome Rod
1	86590562	1	PLUG, Hex Soc, 3/4"-16 ORB, Inc. 2
2	237-6008	1	O-RING, 8-1, 90 Duro, .644" ID x .087" Thk,
3	87409431	1	HEAD, Clevis Base End
6	232-46318	1	NUT, LOCK, 1 1/8"-12, GC,
10	87409471	1	PISTON, Cylinder
11	87409453	1	ROD, PISTON, , Black Rod (Nitro Steel)
11	87525935	1	ROD, PISTON, , Chrome Rod
12	87409486	4	BOLT, Tie
13	87409396	1	HEAD, Rod End
14	25-1110	4	NUT, 5/8"-18, G5,
18	83-1388	1	SET SCREW, Hex Soc, 3/8"-16 x 1/2",
19	87409387	1	CLEVIS, Rod End
	87409040		KIT, SEALS, , Inc. 4 - 5, 7 - 9, 15 - 17



RMX340 TANDEM DISK (6/03-)

08-07 4 IN X 8 IN TRANSPORT CYLINDER 25 - 34 FT TANDEM DISK

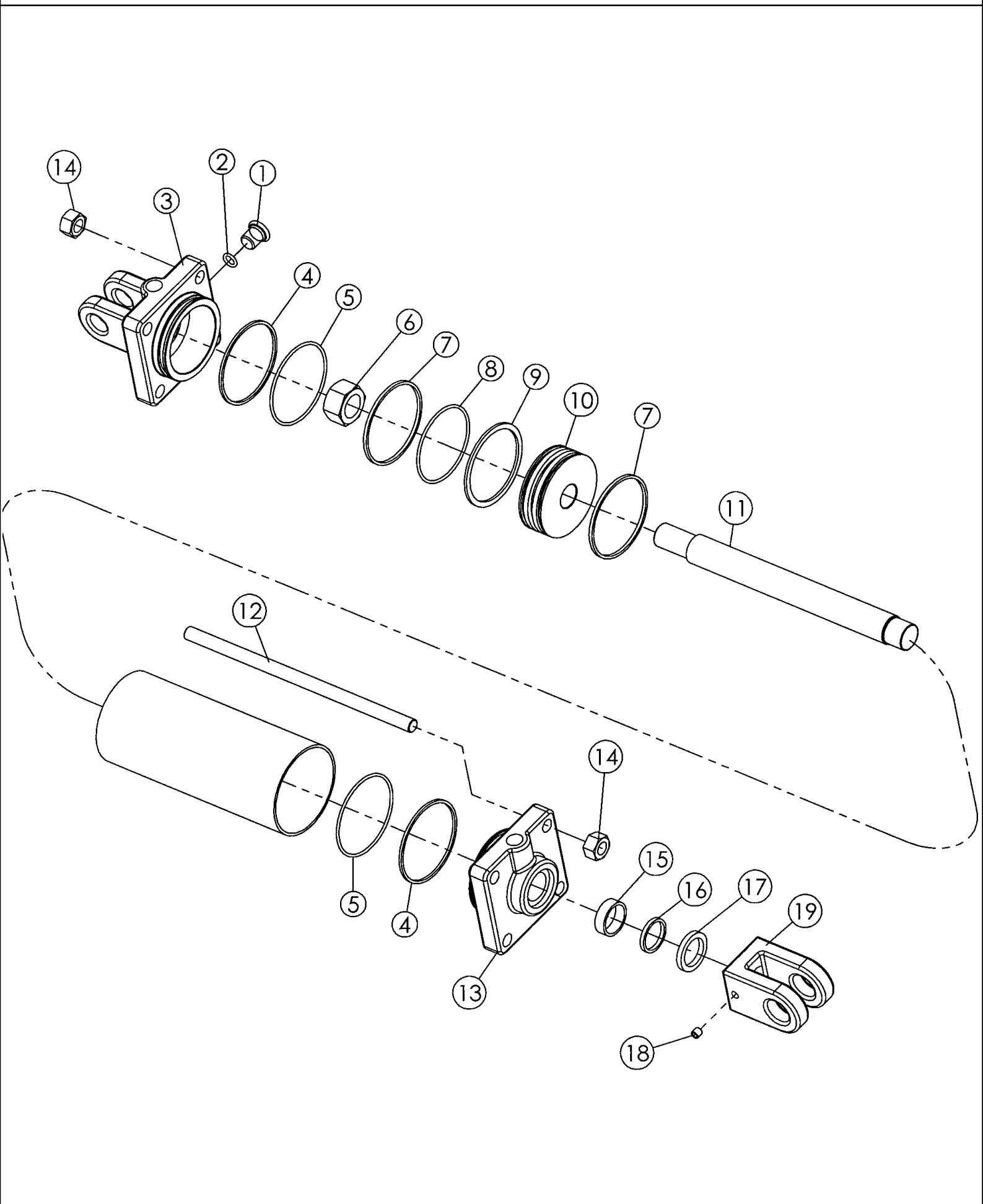
сылка	Номер детали	Кол-во	Описание
	87423777	1	HYDRAULIC CYLINDER, 4 In x 8 In, Rephasing, Inc 1 - 19, Black Rod (Nitro Steel)
	87423777	1	HYDRAULIC CYLINDER, 4 x 8, Rephasing, Inc. 1 - 19, Chrome Rod
1	86590562	1	PLUG, Hex Soc, 3/4"-16 ORB, Inc. 2
2	237-6008	1	O-RING, 8-1, 90 Duro, .644" ID x .087" Thk,
3	87409432	1	HEAD, Clevis Base End
6	232-46318	1	NUT, LOCK, 1 1/8"-12, GC,
10	87409482	1	PISTON, Cylinder
11	87409453	1	ROD, PISTON, , Black Rod (Nitro Steel)
11	87525935	1	ROD, PISTON, , Chrome Rod
12	87409486	4	BOLT, Rod Tie
13	87409397	1	HEAD, Rod End
14	25-1110	4	NUT, 5/8"-18, G5,
18	83-1388	1	SET SCREW, Hex Soc, 3/8"-16 x 1/2",
19	87409387	1	CLEVIS, Rod End
	87409033		KIT, SEALS, , Inc. 4 - 5, 7 - 9, 15 - 17



RMX340 TANDEM DISK (6/03-)

08-08 4-1/4 IN X 8 IN TRANSPORT CYLINDER 34 FT TANDEM DISK

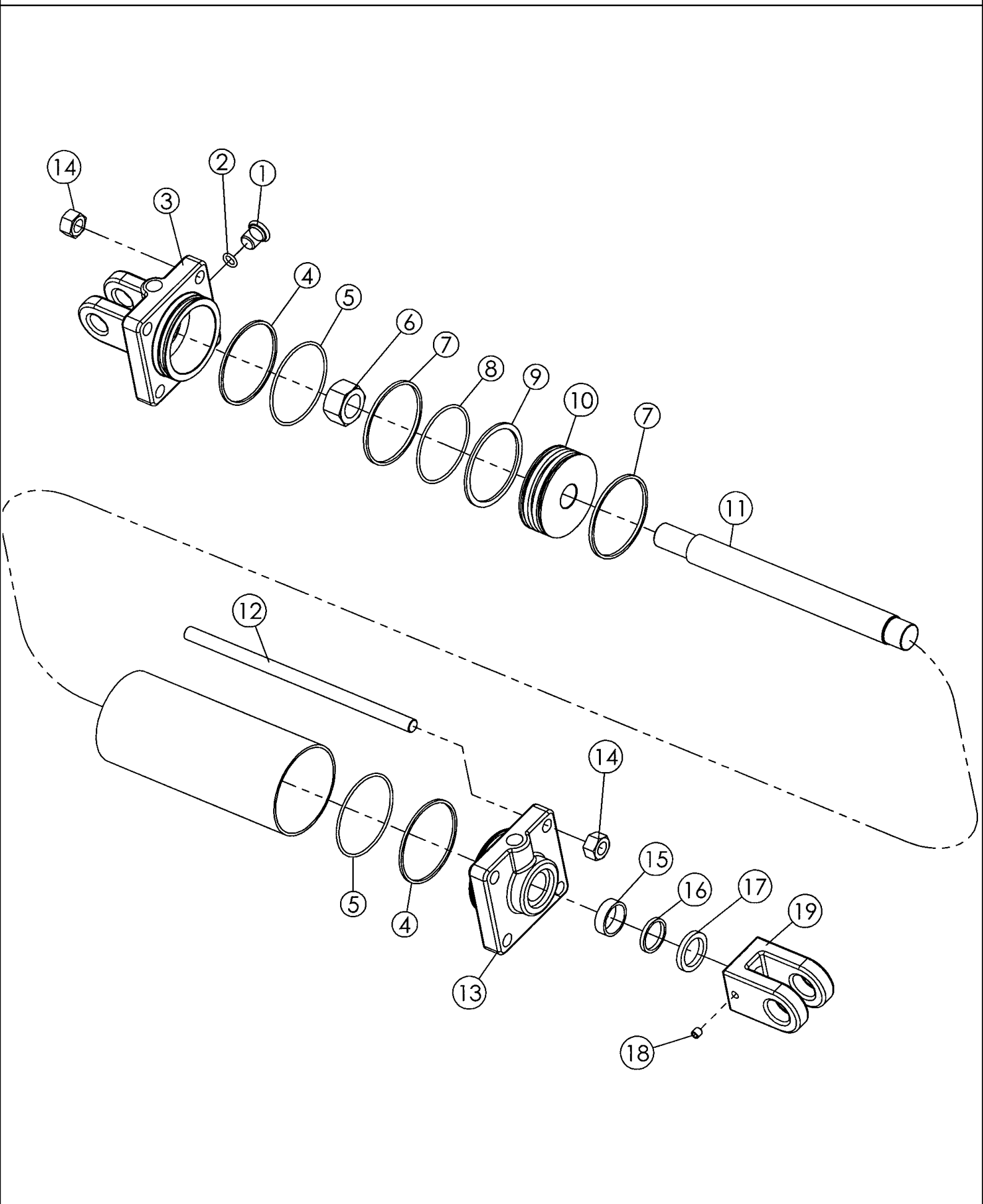
сылка	Номер детали	Кол-во	Описание
	87388863	1	HYDRAULIC CYLINDER, 4-1/4 In x 8 In, Rephasing, Inc 1 - 19, Chrome Rod
	87388863	1	HYDRAULIC CYLINDER, 4-1/4 x 8, Rephasing, Inc. 1 - 19, Black Rod (Nitro Steel)
1	86590562	1	PLUG, Hex Soc, 3/4"-16 ORB, Inc. 2
2	237-6008	1	O-RING, 8-1, 90 Duro, .644" ID x .087" Thk,
3	87425784	1	CYLINDER HEAD, Base End
6	232-46320	1	NUT, LOCK, 1 1/4"-12, GC,
10	87409473	1	PISTON, Cylinder
11	87393647	1	ROD, PISTON, Rod, Chrome Rod
11	87409454	1	PISTON, , Black Rod (Nitro Steel)
12	87409486	4	BOLT, Tie
13	87409398	1	HEAD, Cap Rod End
14	25-1110	4	NUT, 5/8"-18, G5,
18	83-1388	1	SET SCREW, Hex Soc, 3/8"-16 x 1/2",
19	87409389	1	CLEVIS, Rod End
	87409041		KIT, SEALS, , Inc. 4 - 5, 7 - 9, 15 - 17



RMX340 TANDEM DISK (6/03-)

08-09 3-1/2 IN X 42 IN WING FOLD CYLINDER 19 - 25 FT TANDEM DISK

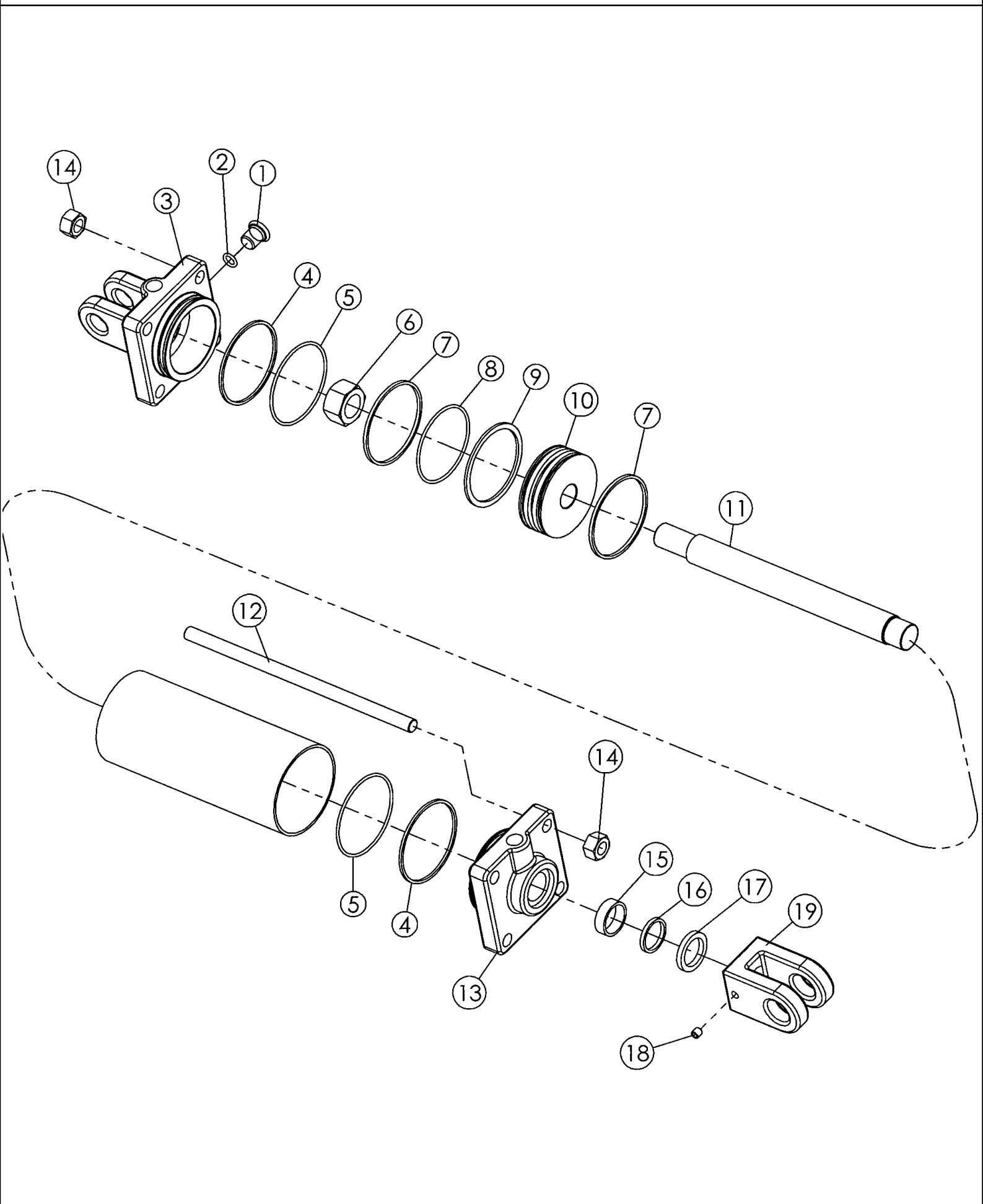
сылка	Номер детали	Кол-во	Описание
	87388869	1	HYDRAULIC CYLINDER, 3-1/2 In x 42 In, Inc 1 - 19, Chrome Rod
	87388869	1	HYDRAULIC CYLINDER, 3-1/2 x 42, Inc. 1 - 19, Black Rod (Nitro Steel)
1	86590562	1	PLUG, Hex Soc, 3/4"-16 ORB, Inc. 2
2	237-6008	1	O-RING, 8-1, 90 Duro, .644" ID x .087" Thk,
3	87409446	1	HEAD, Clevis Base End
6	232-46316	1	NUT, LOCK, 1"-14, GC,
10	87409469	1	PISTON, Cylinder
11	87393654	1	ROD, PISTON, Piston, Chrome Rod
11	87393650	1	ROD, PISTON, , Black Rod (Nitro Steel)
12	87410780	4	TIE-ROD, Tie
13	87409403	1	HEAD, Rod End
14	25-1110	4	NUT, 5/8"-18, G5,
18	83-1388	1	SET SCREW, Hex Soc, 3/8"-16 x 1/2",
19	87409390	1	CLEVIS, Rod End
	87409039		KIT, SEALS, , Inc. 4 - 5, 7 - 9, 15 - 17



RMX340 TANDEM DISK (6/03-)

08-10 4 IN X 42 IN WING FOLD CYLINDER 28 - 34 FT TANDEM DISK

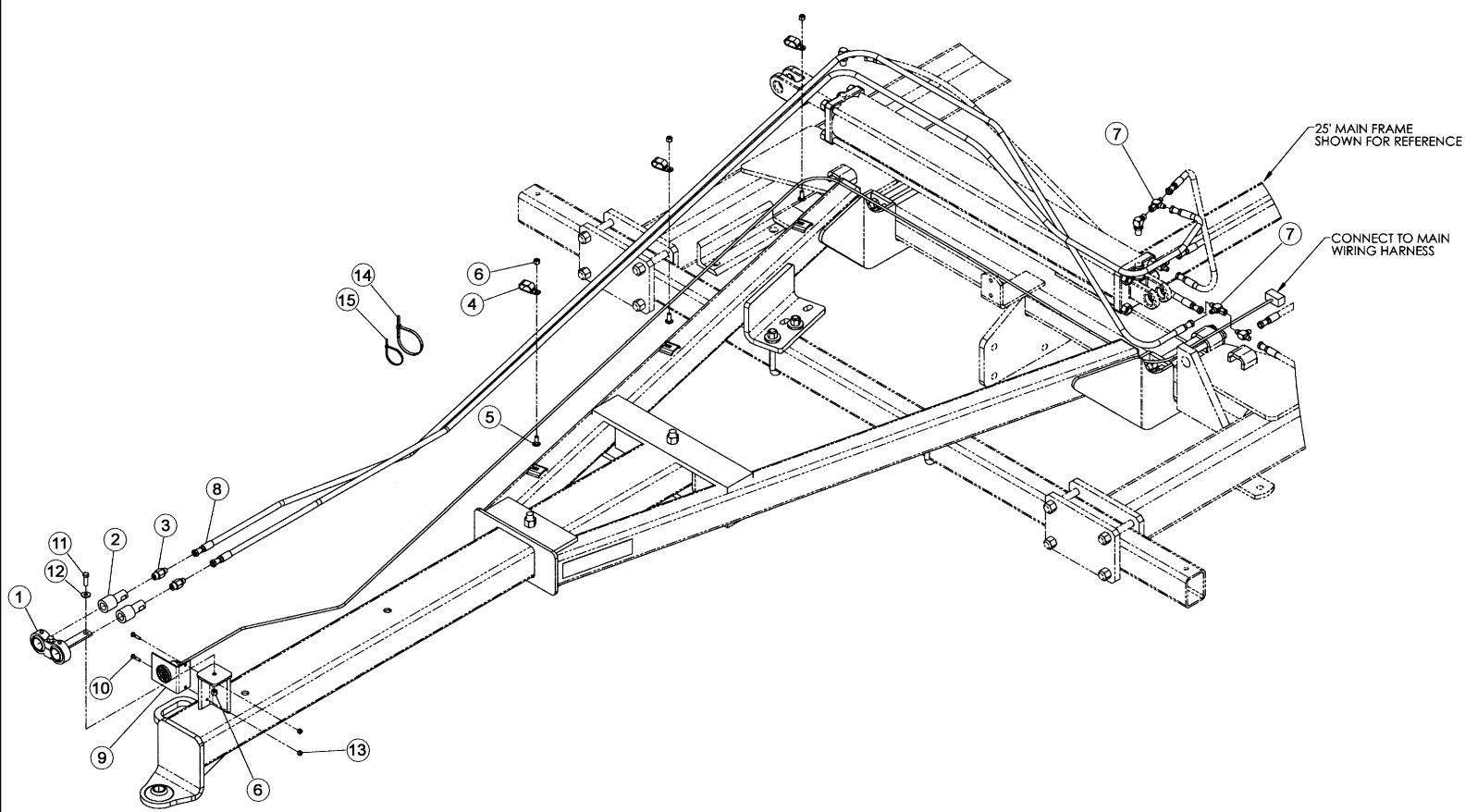
сылка	Номер детали	Кол-во	Описание
	87388875	1	HYDRAULIC CYLINDER, 4 In x 42 In, Inc 1 - 19, Chrome Rod
	87388875	1	HYDRAULIC CYLINDER, 4 x 42, Inc. 1 - 19, Black Rod (Nitro Steel)
1	86590562	1	PLUG, Hex Soc, 3/4"-16 ORB, Inc. 2
2	237-6008	1	O-RING, 8-1, 90 Duro, .644" ID x .087" Thk,
3	87409439	1	HEAD, Base End
6	232-46318	1	NUT, LOCK, 1 1/8"-12, GC,
10	87409482	1	PISTON, Cylinder
11	87393653	1	ROD, PISTON, Piston, Chrome Rod
11	87393650	1	ROD, PISTON, , Black Rod (Nitro Steel)
12	87410780	4	TIE-ROD, Tie
13	87410785	1	CAP CYLINDER END, Rod End
14	25-1110	4	NUT, 5/8"-18, G5,
18	83-1388	1	SET SCREW, Hex Soc, 3/8"-16 x 1/2",
19	87409390	1	CLEVIS, Rod End
	87403962		KIT, SEALS, , Inc. 4 - 5, 7 - 9, 15 - 17



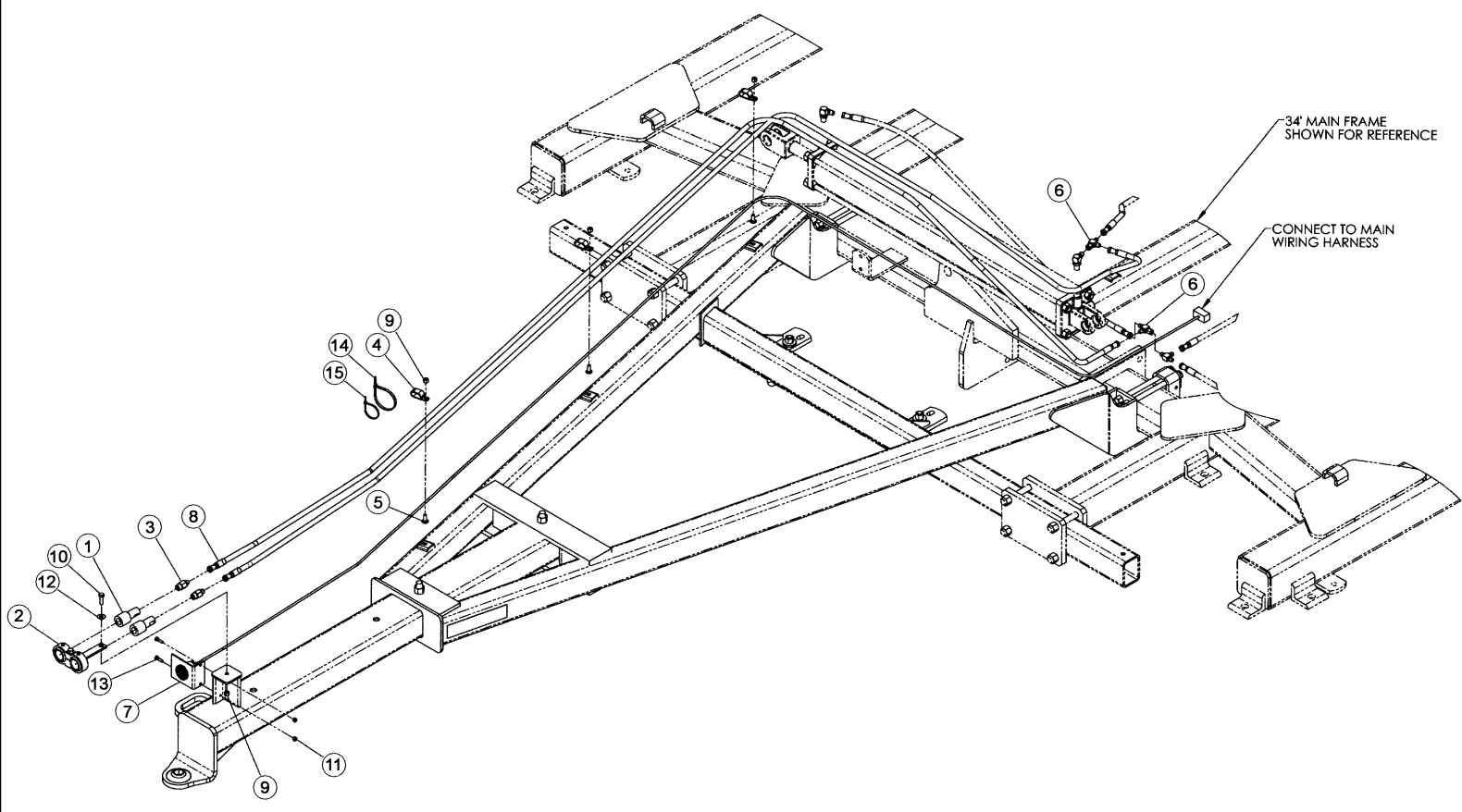
RMX340 TANDEM DISK (6/03-)

08-11 5 IN X 8 IN PULL FRAME LEVELING CYLINDER (OPTIONAL)

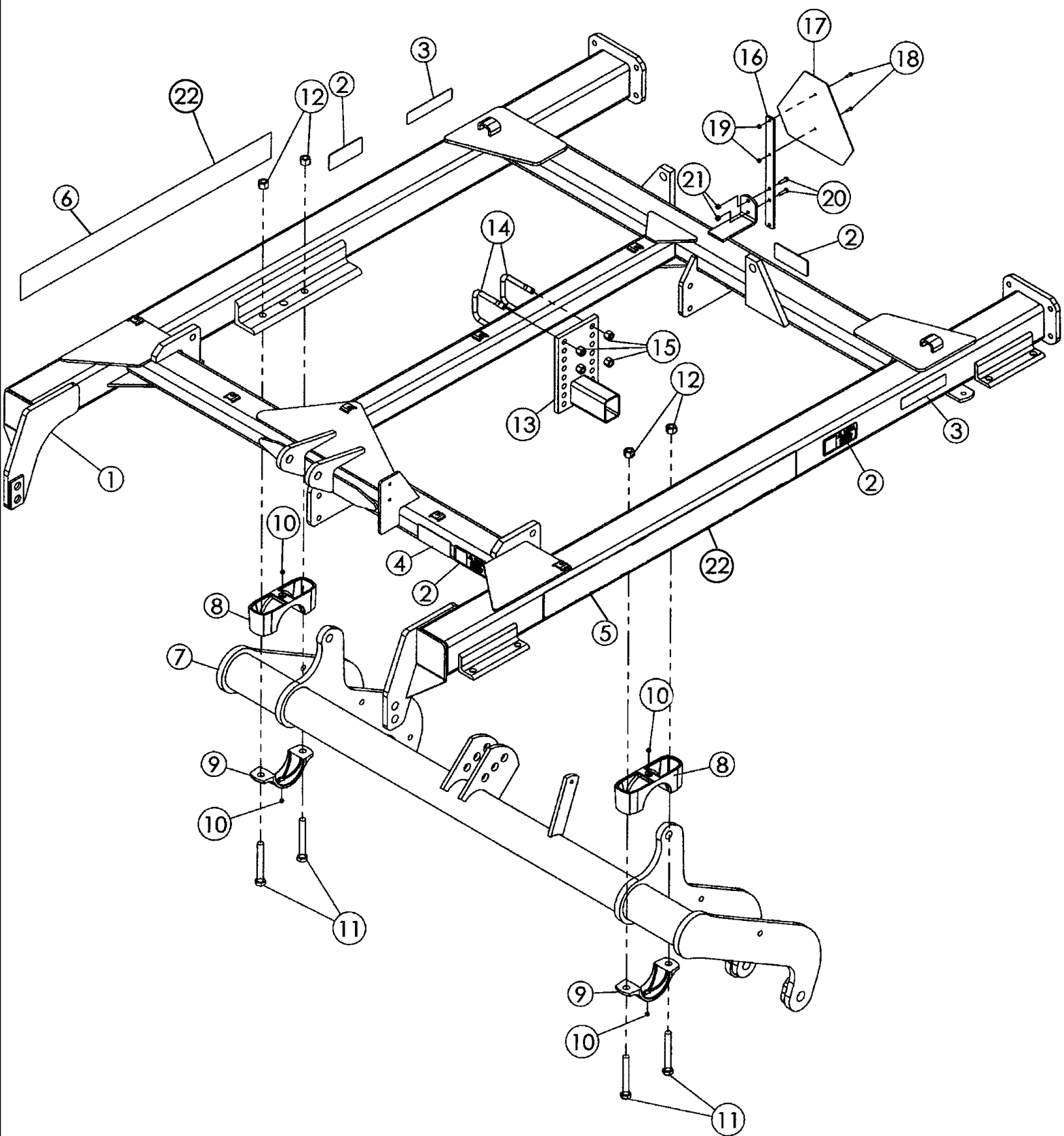
сылка	Номер детали	Кол-во	Описание
	87388864	1	HYDRAULIC CYLINDER, 5 In x 8 In, Inc 1 - 19, Chrome Rod
	87388864	1	HYDRAULIC CYLINDER, 5 x 8, Inc 1 - 19, Black Rod (Nitro Steel)
1	86590562	1	PLUG, Hex Soc, 3/4"-16 ORB, Inc. 2
2	237-6008	1	O-RING, 8-1, 90 Duro, .644" ID x .087" Thk,
3	87409428	1	HEAD, Clevis Base End
6	232-46324	1	NUT, LOCK, 1 1/2"-12, GC,
10	87409467	1	PISTON, Cylinder
11	87393648	1	ROD, PISTON, Piston, Chrome Rod
11	87393648	1	ROD, PISTON, , Black Rod (Nitro Steel)
12	87409487	4	BOLT, Rod Tie
13	87410790	1	CAP CYLINDER END, Rod End
14	25-1112	4	NUT, 3/4"-16, G5,
18	83-1388	1	SET SCREW, Hex Soc, 3/8"-16 x 1/2",
19	87409389	1	CLEVIS, Rod End
	87409045	1	KIT, SEALS, , Inc. 4 - 5, 7 - 9, 15 - 17



сылка	Номер детали	Кол-во	Описание
1	25705012	1	COUPLING, Breakaway
2	25705021	2	COUPLING, Female
3	218-5058	2	CONNECTOR, HYD., 9/16"-18, 37e x 3/4"-18, O-Ring,
4	22510700	3	CLAMP, HOSE, 5/8, Cushioned
5	433-616	3	BOLT, CARRIAGE, Short NK, 3/8"-16 x 1", G5,
6	86992213	4	NUT, LOCK, 3/8
7	218-5222	2	TEE, 37e, 9/16"-18, x 9/16"-18, Fem Sw Run,
8	810601C1	2	HOSE, 1/4 x165
9	87360594	1	HARNESS, WIRE, Light Harness, 19-25 Units
10	413-416	2	BOLT, Hex, 1/4"-20 x 1", G5,
11	413-620	1	BOLT, Hex, 3/8"-16 x 1 1/4", G5, Full Thd,
12	495-21044	1	WASHER, 3/8",
13	86992211	2	NUT, LOCK, 1/4, NC
14	386170C1		UAR STRAP, CABLE, .30" x 27 1/2", Tie
15	533959R1		UAR STRAP, CABLE, .135" x 11", Tie



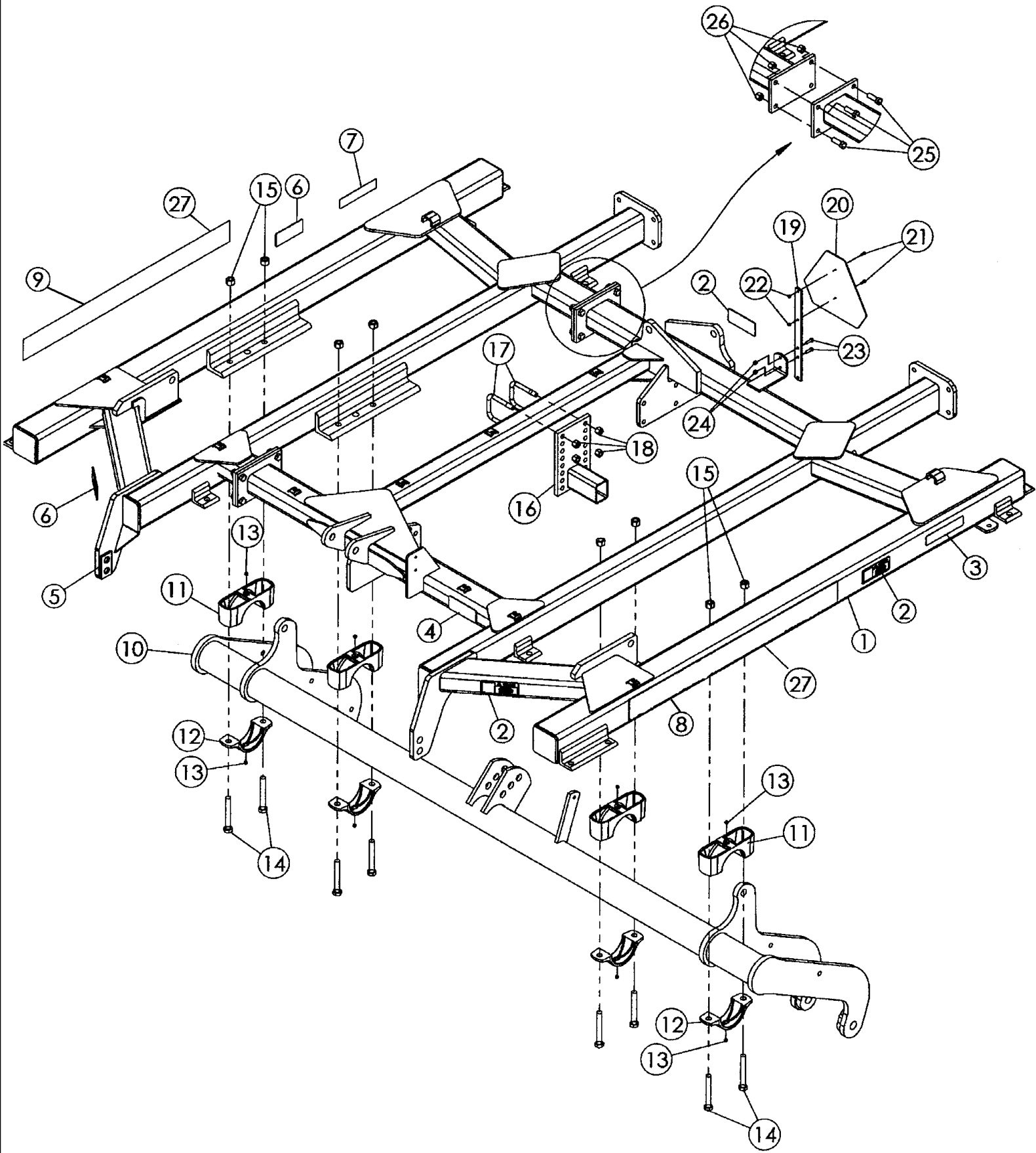
сылка	Номер детали	Кол-во	Описание
1	25705021	2	COUPLING, Female
2	25705012	1	COUPLING, Breakaway
3	218-5058	2	CONNECTOR, HYD., 9/16"-18, 37e x 3/4"-18, O-Ring,
4	22510700	3	CLAMP, HOSE, 5/8, Cushioned
5	433-616	3	BOLT, CARRIAGE, Short NK, 3/8"-16 x 1", G5,
6	218-5222	2	TEE, 37e, 9/16"-18, x 9/16"-18, Fem Sw Run,
7	87360600	1	HARNESS, WIRE, Light Harness, 28-34 Units
8	810606C1	2	HOSE, FLEXIBLE, 1/4 x 195
9	86992213	4	NUT, LOCK, 3/8
10	413-620	1	BOLT, Hex, 3/8"-16 x 1 1/4", G5, Full Thd,
11	86992211	2	NUT, LOCK, 1/4, NC
12	495-21044	1	WASHER, 3/8",
13	413-416	2	BOLT, Hex, 1/4"-20 x 1", G5,
14	386170C1		UAR STRAP, CABLE, .30" x 27 1/2", Tie
15	533959R1		UAR STRAP, CABLE, .135" x 11", Tie



RMX340 TANDEM DISK (6/03-)

09-01 19-31 FT MAIN FRAME PARTS

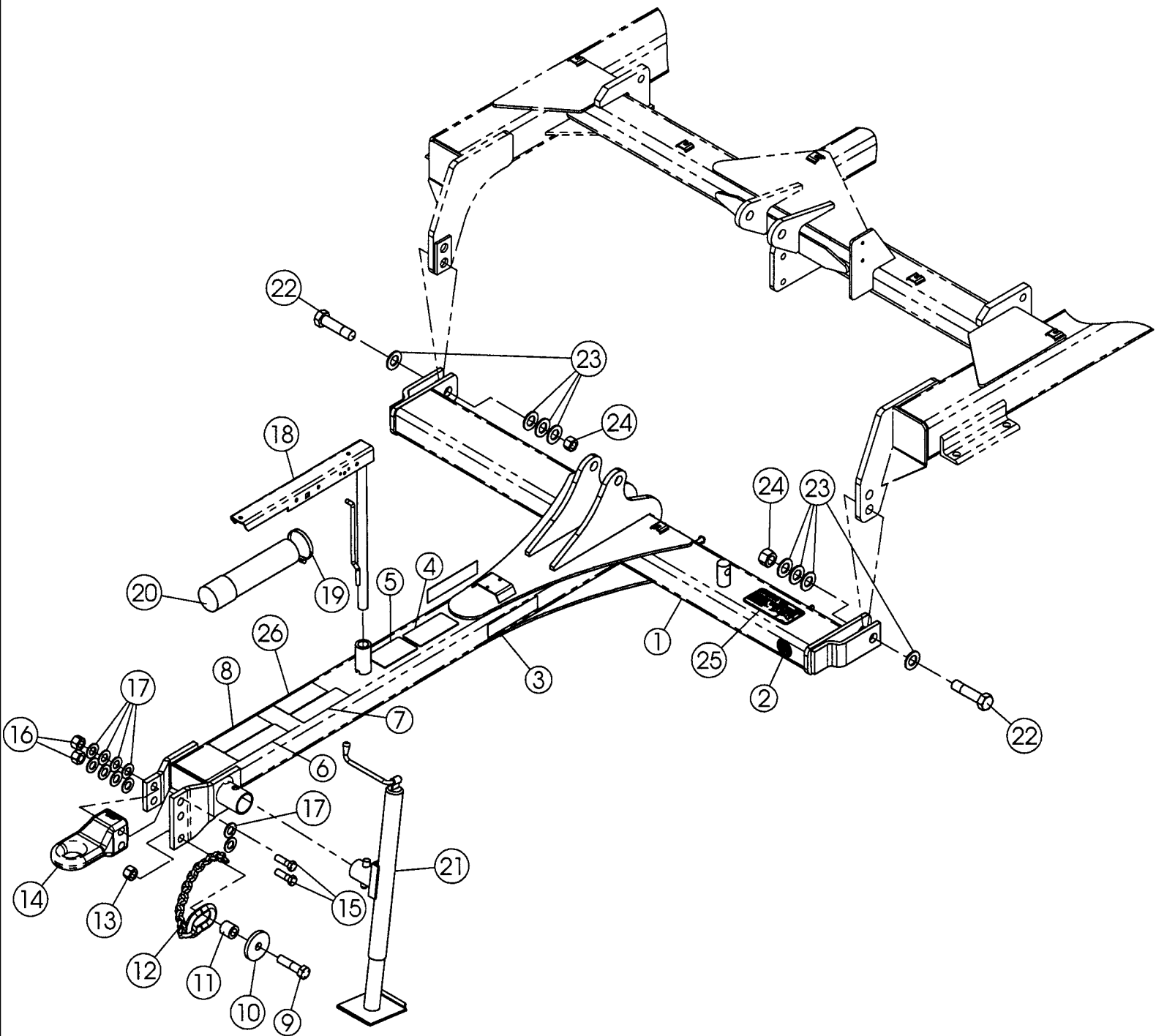
сылка	Номер детали	Кол-во	Описание
1	451353A1	1	FRAME ASSY, Main, 19 - 22 ft, Inc. 2 - 4
1	451354A1	1	FRAME ASSY, Main, 25 - 31 ft, Inc. 2 - 4
2	18534227	4	DECAL, DANGER, Danger Sign
3	311864A1	2	REFLECTOR, Amber
4	18534277	1	DECAL, Warning Sign
5	86992768	1	DECAL, RMX340, LH, Used On 2006 And Prior Models
5	87735841	1	DECAL, 340 True-Tandem, Lh, Used On 2007 And After Models
6	86992769	1	DECAL, RMX340, RH, Used On 2006 And Prior Models
6	87735842	1	DECAL, 340 True-Tandem, Rh, Used On 2007 And After Models
7	443040A1	1	ROCKSHAFT, Dual Wheels, 19 - 22 ft
7	87411412	1	ROCKSHAFT, Tandem Wheels, 19 - 22 ft
7	441537A1	1	ROCKSHAFT, Tandem Wheels, 25 - 31 ft
8	86984889	2	BEARING COVER, Wheel Shaft
9	86984888	2	CAP, Wheel Shaft
10	219-87	4	NIPPLE, LUBE, 1/4"-28 x .56" lg, Self-Tap,
11	413-14104	4	BOLT, Hex, 7/8"-9 x 6 1/2", G5,
12	86992218	4	NUT, LOCK, 7/8, NC
13	442025A1	1	MOUNTING PARTS, Center Shank
14	87420947	2	BOLT, 3/4 x 3 x 4, (19 - 22 ft)
14	87427185	2	U-BOLT, 3/4 x 4 x 4, (25 - 31 ft)
15	86992217	4	NUT, LOCK, 3/4, NC
16	06000099	1	BRACE, SMV Bracket
17	311860A1	1	EMBLEM, Plate SMV
18	413-412	2	BOLT, Hex, 1/4"-20 x 3/4", G5, Full Thd,
19	86992211	2	NUT, LOCK, 1/4, NC
20	413-620	2	BOLT, Hex, 3/8"-16 x 1 1/4", G5, Full Thd,
21	86992213	2	NUT, LOCK, 3/8, NC
22	87595770	2	DECAL, Case IH, Used On 2007 And Prior Models
22	87594280	2	DECAL, Case IH, Used On 2008 And After Models
22	87653276	2	DECAL, Case IH, Used On 2008 And After Models



RMX340 TANDEM DISK (6/03-)

09-02 34 FT MAIN FRAME PARTS

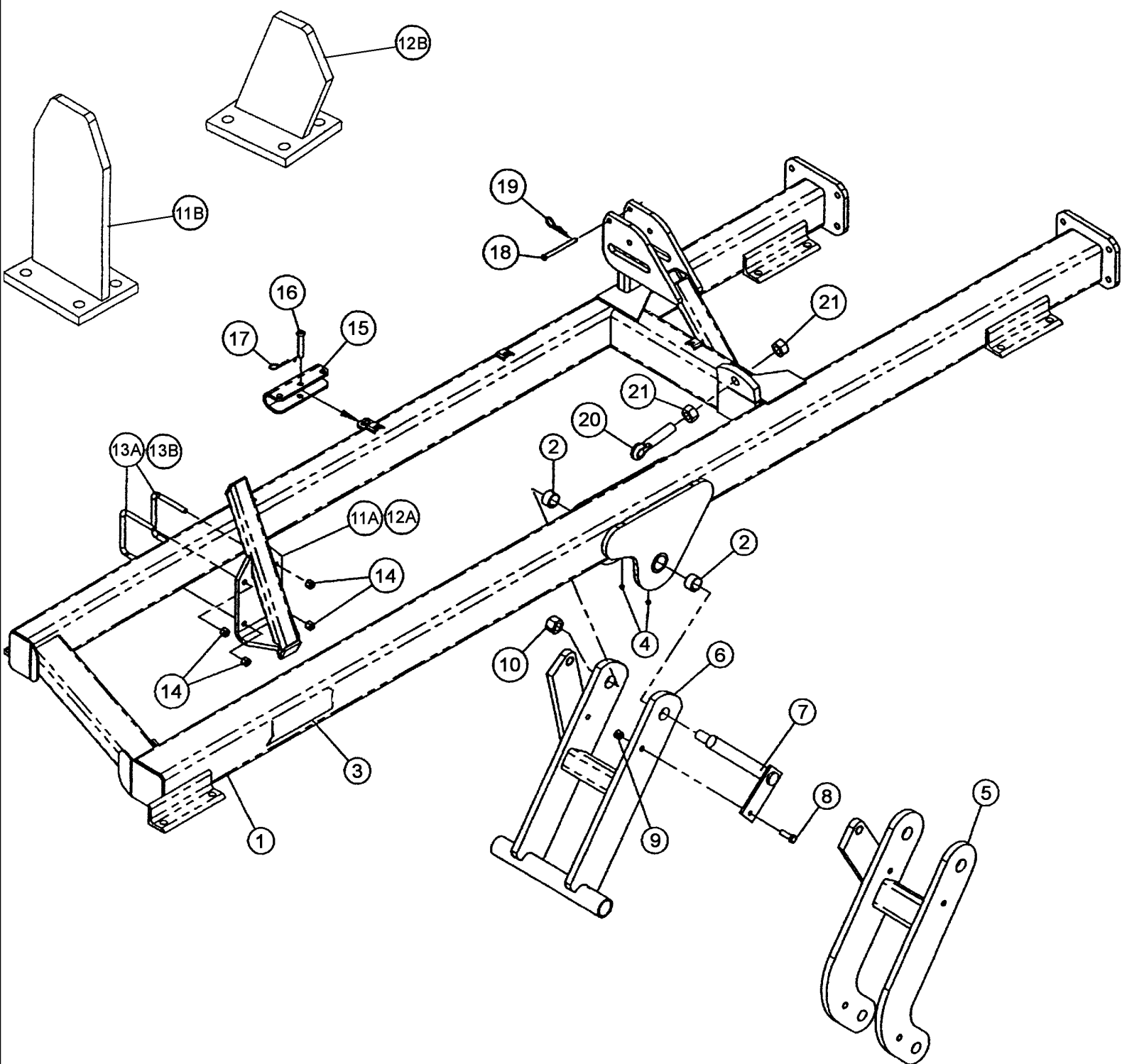
сылка	Номер детали	Кол-во	Описание
1	448380A1	1	FRAME ASSY, Main, LH, Inc. 2 - 4
2	18534227	2	DECAL, DANGER, Danger
3	311864A1	1	REFLECTOR, Amber
4	18534277	1	DECAL, Warning
5	448382A1	1	FRAME ASSY, Main, RH, Inc. 6, 7
6	18534227	1	DECAL, DANGER, Danger
7	311864A1	1	REFLECTOR, Amber
8	86992768	1	DECAL, RMX340, Lh, Used On 2006 And Prior Models
8	87735841	1	DECAL, 340 True-Tandem, Lh, Used On 2007 And After Models
9	86992769	1	DECAL, RMX340, Rh, Used On 2006 And Prior Models
9	87735842	1	DECAL, 340 True-Tandem, Rh, Used On 2007 And After Models
10	448191A1	1	ROCKSHAFT, Tandem
11	86984889	4	BEARING COVER, Wheel Shaft
12	86984888	4	CAP, Wheel Shaft
13	219-87	8	NIPPLE, LUBE, 1/4"-28 x .56" lg, Self-Tap,
14	413-14104	8	BOLT, Hex, 7/8"-9 x 6 1/2", G5, 7/8 x 6-1/2, NC, gr 5
15	86992218	8	NUT, LOCK, 7/8, NC
16	442025A1	1	MOUNTING PARTS, Center Shank
17	87427185	2	U-BOLT, 3/4 x 4 x 4
18	86992217	4	NUT, LOCK, 3/4, NC
19	06000099	1	BRACE, SMV Bracket
20	311860A1	1	EMBLEM, Plate SMV
21	413-412	2	BOLT, Hex, 1/4"-20 x 3/4", G5, Full Thd,
22	86992211	2	NUT, LOCK, 1/4, NC
23	413-620	2	BOLT, Hex, 3/8"-16 x 1 1/4", G5, Full Thd,
24	86992213	2	NUT, LOCK, 3/8, NC
25	413-1236	8	BOLT, Hex, 3/4"-10 x 2 1/4", G5,
26	86992217	8	NUT, LOCK, 3/4, NC
27	87595770	2	DECAL, Case IH, Used On 2007 And Prior Models
27	87594280	2	DECAL, Case IH, Used On 2008 And After Models



GS07E028

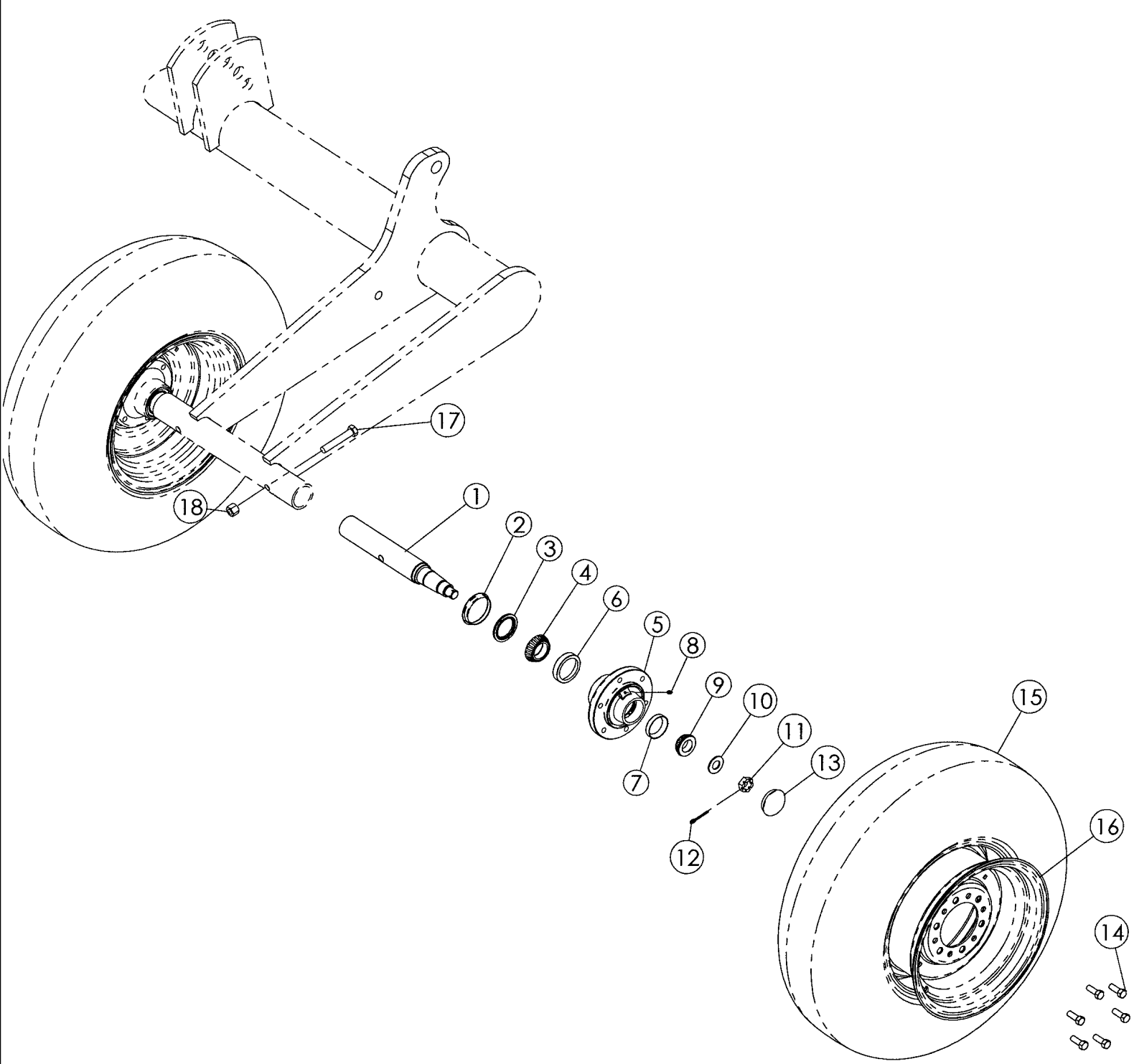
09-03 PULL FRAME PARTS

сылка	Номер детали	Кол-во	Описание
1	86985162	1	FRAME ASSY, Pull, 19 - 31 ft, Inc. 2 - 13, Used On 2007 And Prior Models
1	87673557	1	HITCH, Pull, 19 - 31 ft, Inc. 2 - 13, Used On 2008 And After Models
1	448498A1	1	HITCH, Pull, 34 ft, Inc. 2 - 13, Used On 2007 And Prior Models
1	87673554	1	HITCH, Pull, 34 ft, Inc. 2 - 13, Used On 2008 And After Models
2	147782C1	1	DECAL, Earth Metal
3	311864A1	2	REFLECTOR, Amber
4	18534228	1	DECAL, Caution
5	18534282	1	DECAL, WARNING, Warning
6	18534275	1	DECAL, DANGER, Overhead Powerlines, Used On 2007 And Prior Models
6	87673548	1	DECAL, Overhead Powerlines, Used On 2008 And After Models
7	87415983	1	DECAL, Unhitching Hazard, Used On 2007 And Prior Models
7	87673549	1	DECAL, Unhitching Hazard, Used On 2008 And After Models
8	443890A1	1	DECAL, Towing Hazard, Used On 2007 And Prior Models
8	87672316	1	DECAL, Towing Hazard, Used On 2008 And After Models
9	413-1664	1	BOLT, Hex, 1"-8 x 4", G5,
10	06400065	1	WASHER, Heavy, Saftey Chain
11	340324A1	1	BUSHING, Safety Chain
12	87393082	1	CHAIN, Safety, 20,200 lb, 19 - 31 ft
12	87389757	1	CHAIN, Safety, 30,400 lb, 34 ft
13	86992219	1	NUT, LOCK, 1, NC, Stover
14	362933A1	1	HITCH, Perfect, Cat III, 19 - 25 ft
14	362934A1	1	HITCH ASSY, Perfect, Cat IV, 28 - 34 ft
14	87432117	1	HITCH ASSY, Double, Cat II, Not Shown
15	87030492	2	BOLT, Hex, 1"-8 x 8 1/2", G8,
16	86992219	2	NUT, LOCK, 1, NC
17	495-11106	10	WASHER, 1", SAE,
18	05302150	1	STAND, Hose
19	214-1452	1	CLAMP, HOSE, #52, 2.81/3.75 Type F Worm,
20	30026030	1	TUBE, Manual Canister
21	121558A1	1	JACK ASSY.,
22	252079A1	2	BOLT, 1-1/4 x 5, NC, gr 8
23	496-81017	8	WASHER, 1 3/8" x 2 1/2" x .156", HDN,
24	86992220	2	NUT, LOCK, 1-1/4, NC
25	87425680	1	DECAL, Important Rear Jack
26	87668160	1	DECAL, Transport, Turning Hazard



09-04 WING FRAME PARTS (QUANTITY PER WING)

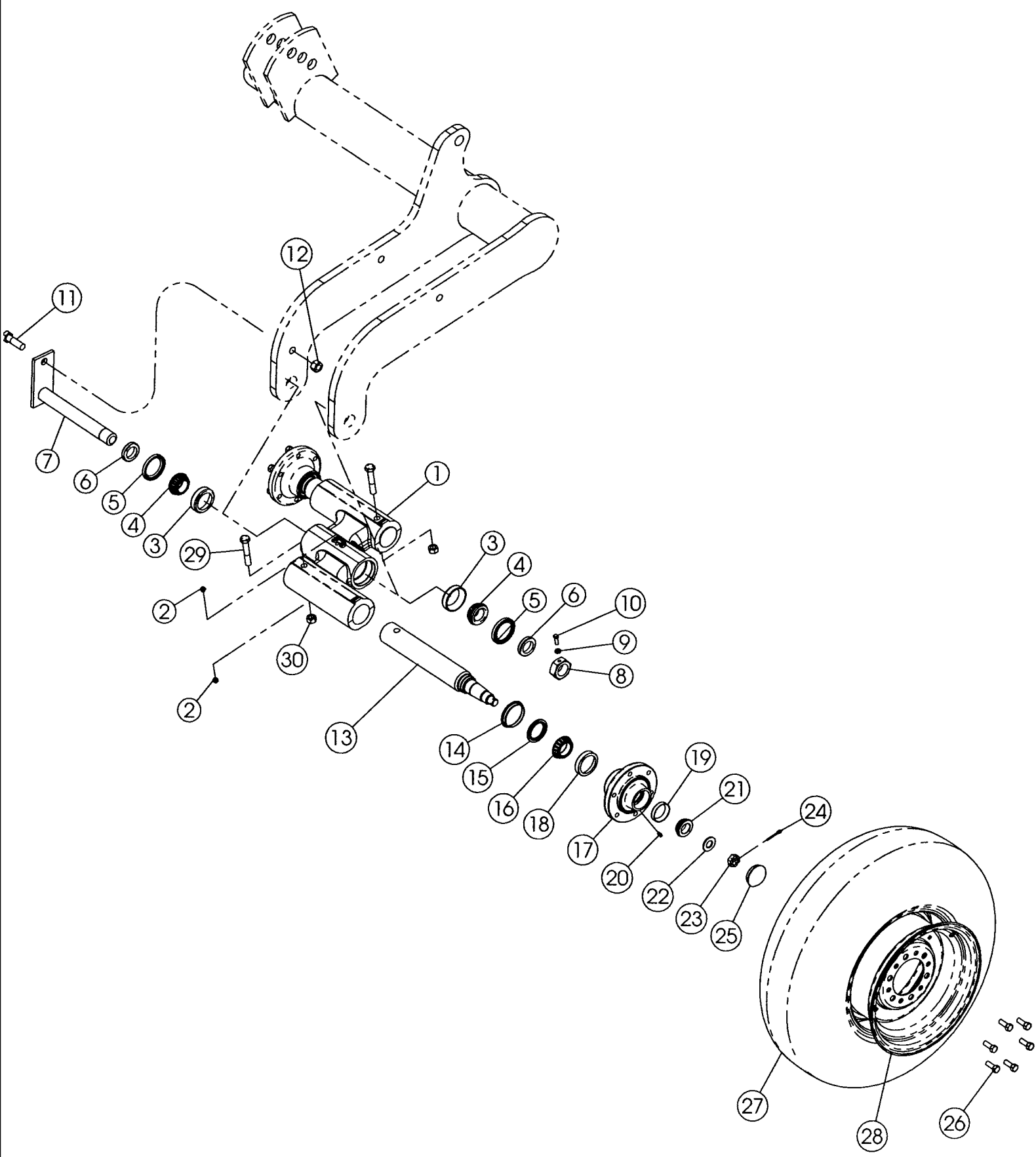
сылка	Номер детали	Кол-во	Описание
1	451356A1	1	FRAME ASSY, Wing, RH, 19 ft, Inc. 2 - 4
1	451359A1	1	FRAME ASSY, Wing, LH, 19 ft, Inc. 2 - 4
1	451357A1	1	FRAME ASSY, Wing, RH, 22 - 25 ft, Inc. 2 - 4
1	451360A1	1	FRAME ASSY, Wing, LH, 22 - 25 ft, Inc. 2 - 4
1	87376951	1	FRAME ASSY, Wing, RH, 28 - 34 ft, Inc. 2 - 4
1	87376964	1	FRAME ASSY, Wing, LH, 28 - 34 ft, Inc. 2 - 4
2	380134A1	2	BUSHING, Connex 2 x 1-3/4 x 1-1/4
3	192849A2	1	DECAL, CIH Logo
4	219-87	2	NIPPLE, LUBE, 1/4"-28 x .56" lg, Self-Tap,
5	441856A1	1	ARM ASSY., Wing Tandem Wheel, LH
5	441857A1	1	ARM ASSY., Wing Tandem Wheel, RH
6	443062A1	1	ARM ASSY., Wing Dual Wheel, LH
6	443063A1	1	ARM ASSY., Wing Dual Wheel, RH
7	441862A1	1	PIN, Tandem, 1-1/4, NC
8	413-1072	1	BOLT, Hex, 5/8"-11 x 4 1/2", G5,
9	86992216	1	NUT, LOCK, 5/8, NC
10	86992220	1	NUT, LOCK, 1-1/4, NC
11A	86987865	1	STOP, Wing, 25 - 31 ft
11B	87343610	1	STOP, Stop, 25 - 31 ft, Used On Serial Number JFH0031778 And After
12A	449750A1	1	STOP, Wing, 34 ft
12B	87343574	1	STOP, Wing, 34 ft, Used On Serial Number JFH0031778 And After
13A	87427168	2	U-BOLT, 5/8 x 6 x 5-1/2
13B	87427170	2	U-BOLT, 5/8 x 4 x 6, Used On Serial Number JFH0031778 And After
14	86992216	4	NUT, LOCK, 5/8, NC
15	87404919	1	STOP, Transport
16	14810251	1	PIN, HEADED, 5/8 x 3-1/4
17	14720411	1	PIN, SPLIT (COTTER), 1/8 x 2
18	439-5892	1	PIN, HEADED, 1/2" x 5 3/4", G5,
19	1978738C1	1	PIN, SPLIT (COTTER), Hair, 3/16 x 3
20	87568977	1	EYEBOLT, 1-1/4, NC
21	425-1020	2	NUT, 1 1/4"-7, G5,



RMX340 TANDEM DISK (6/03-)

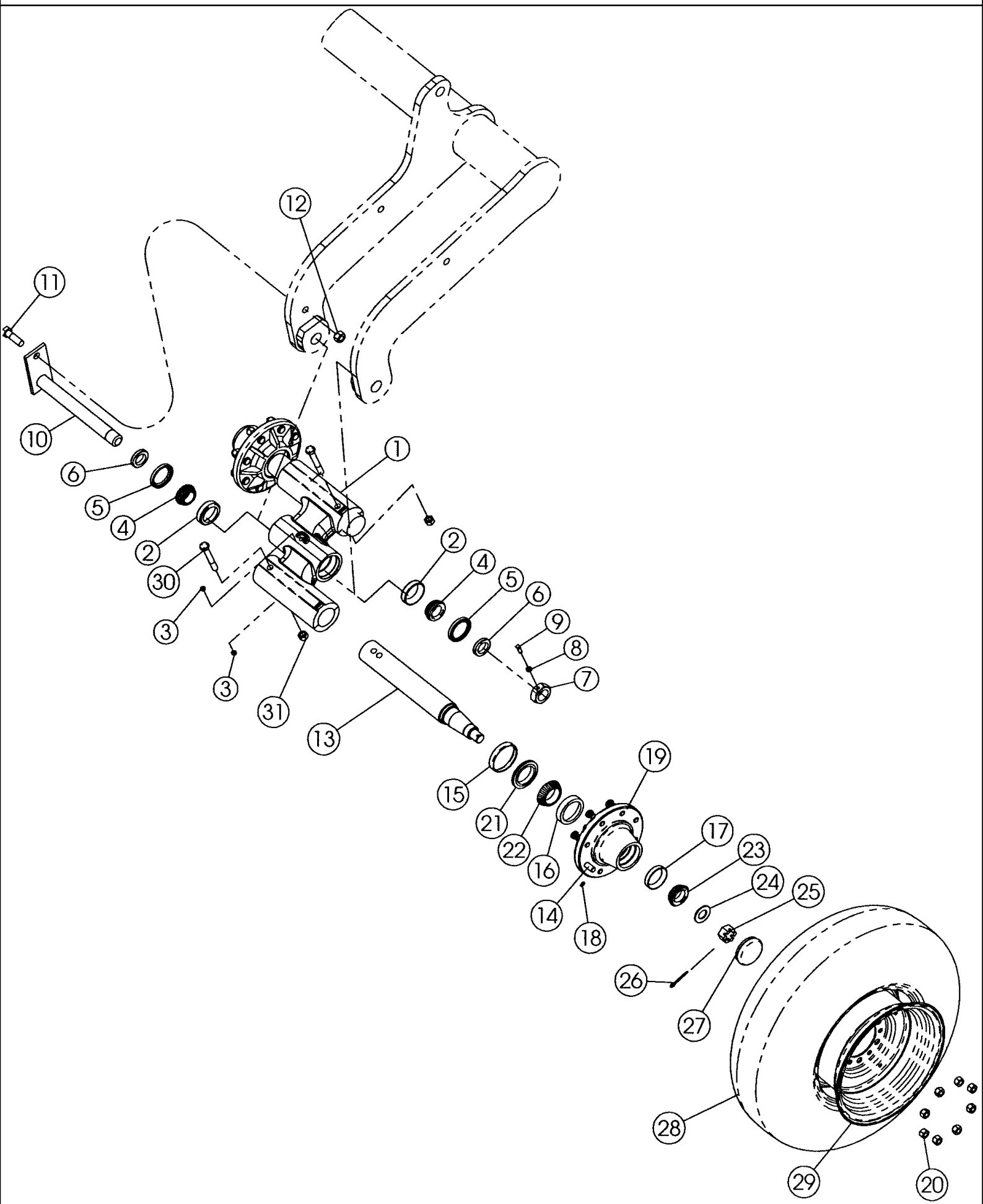
09-05 ROCKSHAFT DUAL 6-BOLT PARTS

сылка	Номер детали	Кол-во	Описание
1	86990480	4	SPINDLE, 6 Bolt
2	594703R1	4	SLEEVE, Wear
3	594702R91	4	SEAL, Type X 15
4	663557R91	4	BEARING, CONE, 1.625, ID
5	87426111	4	HUB, Machined, Inc 6, 7
6	663558R1	4	BEARING, CUP, 2.892, OD
7	651817R1	4	BEARING, CUP, 2.33, OD
8	219-87	4	NIPPLE, LUBE, 1/4"-28 x .56" lg, Self-Tap,
9	651818R91	4	BEARING, CONE, 1.25, ID
10	469873R1	4	WASHER, 23/32, ID
11	70120D	4	NUT, SLOTTED, 7/8"-14,
12	432-832	4	PIN, SPLIT (COTTER), 1/8" x 2",
13	224066C1	4	HUB CAP,
14	277538A1	24	BOLT, Wheel
15	NSS	4	NOT SERVICED SEPARATELY, 12.5L x 15 (10 Ply) I-1 Tubeless
16	10110254	4	WHEEL ASSY., 15 x 10 lb SAE, Silver
17	413-1056	4	BOLT, Hex, 5/8"-11 x 3 1/2", G5,
18	86992216	4	NUT, LOCK, 5/8, NC



09-06 ROCKSHAFT TANDEM 6-BOLT PARTS

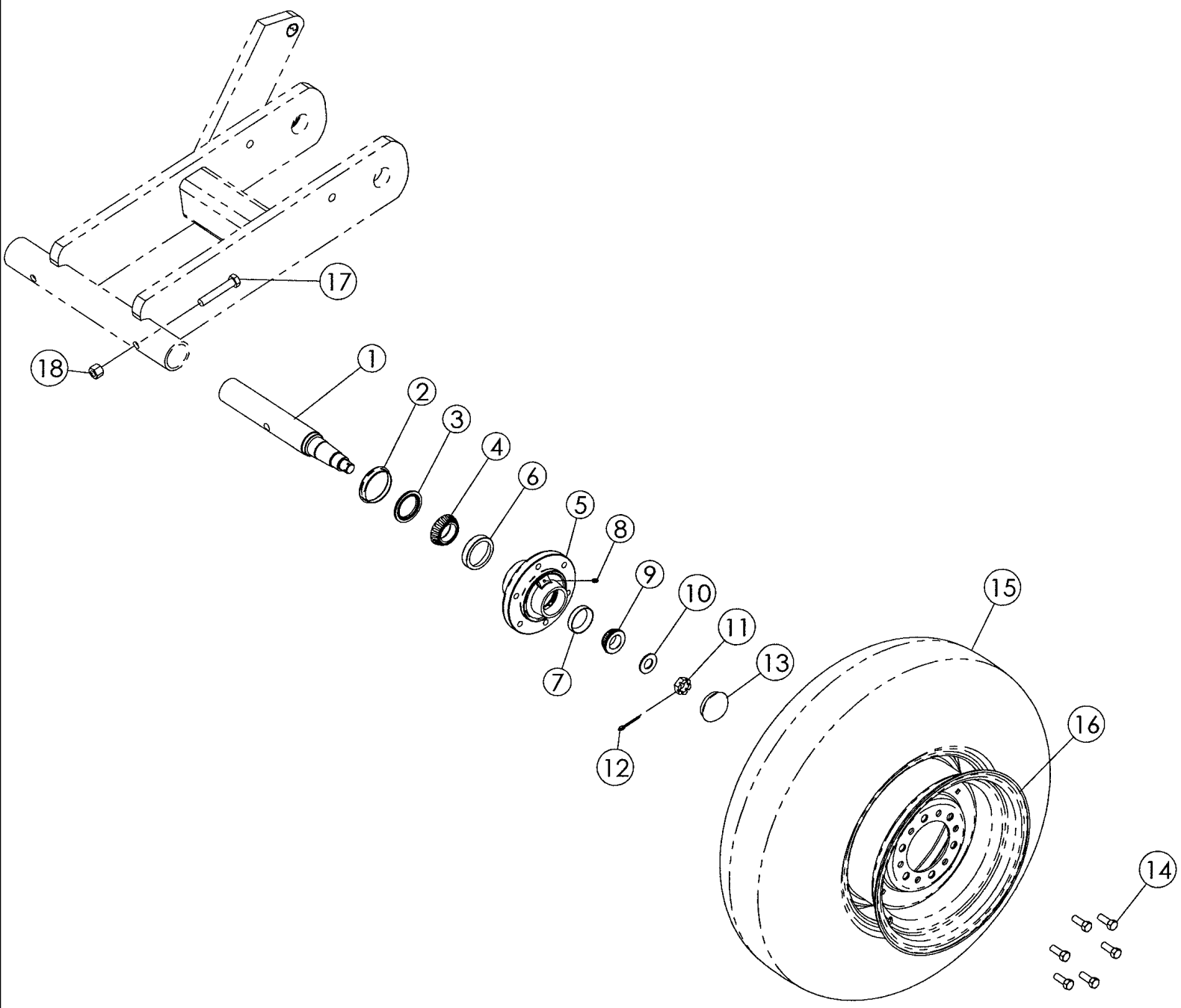
сылка	Номер детали	Кол-во	Описание
1	397171A1	2	TUBE, 6-Bolt Tandem Axle Inc. 2, 3, Prior to 2007 Models
1	87561153	2	CASTING, 6-Bolt Tandem Axle, Used On 2007 And After Models
2	219-86	4	NIPPLE, LUBE, 1/8" x .62" lg, Drive,
3	17498D	4	BEARING, CUP, 3.000 OD
4	21871501	4	BEARING, CONE, 1.50 ID
5	21932510	4	SEAL, 2.29 ID
6	06400573	4	SPACER, Bearing
7	87401183	2	PIN, 1-1/2, Tandem
8	14032409	2	NUT, SPECIAL, 1-1/2, Special Jam
9	425-146	2	NUT, Jam, 3/8"-16, G5,
10	16806045	2	SCREW, 3/8 x 1, Set, Square Head
11	413-1240	2	BOLT, Hex, 3/4"-10 x 2 1/2", G5,
12	86992217	2	NUT, LOCK, 3/4, NC
13	86990480	4	SPINDLE, 6 Bolt, Prior to 2007 Models
13	87517011	4	STUB AXLE/STRG.SPINDLE, 6 Bolt, Used On 2007 And After Models
14	594703R1	4	SLEEVE, Wear
15	594702R91	4	SEAL, Type X15
16	663557R91	4	BEARING, CONE, 1.625 ID
17	87426111	4	HUB, With Cups, Inc. 18, 19
18	663558R1	4	BEARING, CUP, 2.892 OD
19	651817R1	4	BEARING, CUP, 2.33 OD
20	219-87	4	NIPPLE, LUBE, 1/4"-28 x .56" lg, Self-Tap,
21	651818R91	4	BEARING, CONE, 1.25 ID
22	469873R1	4	WASHER, 23/32 ID
23	70120D	4	NUT, SLOTTED, 7/8"-14,
24	432-832	4	PIN, SPLIT (COTTER), 1/8" x 2",
25	224066C1	4	HUB CAP,
26	277538A1	24	BOLT, Wheel
27	NSS	4	NOT SERVICED SEPARATELY, 12.5L x 15 (10 Ply) I-1 Tubeless
28	10110254	4	WHEEL ASSY., 15 x 10 lb SAE, Silver
29	413-1072	4	BOLT, Hex, 5/8"-11 x 4 1/2", G5,
30	86992216	4	NUT, LOCK, 5/8, NC



RMX340 TANDEM DISK (6/03-)

09-07 ROCKSHAFT TANDEM 8-BOLT PARTS

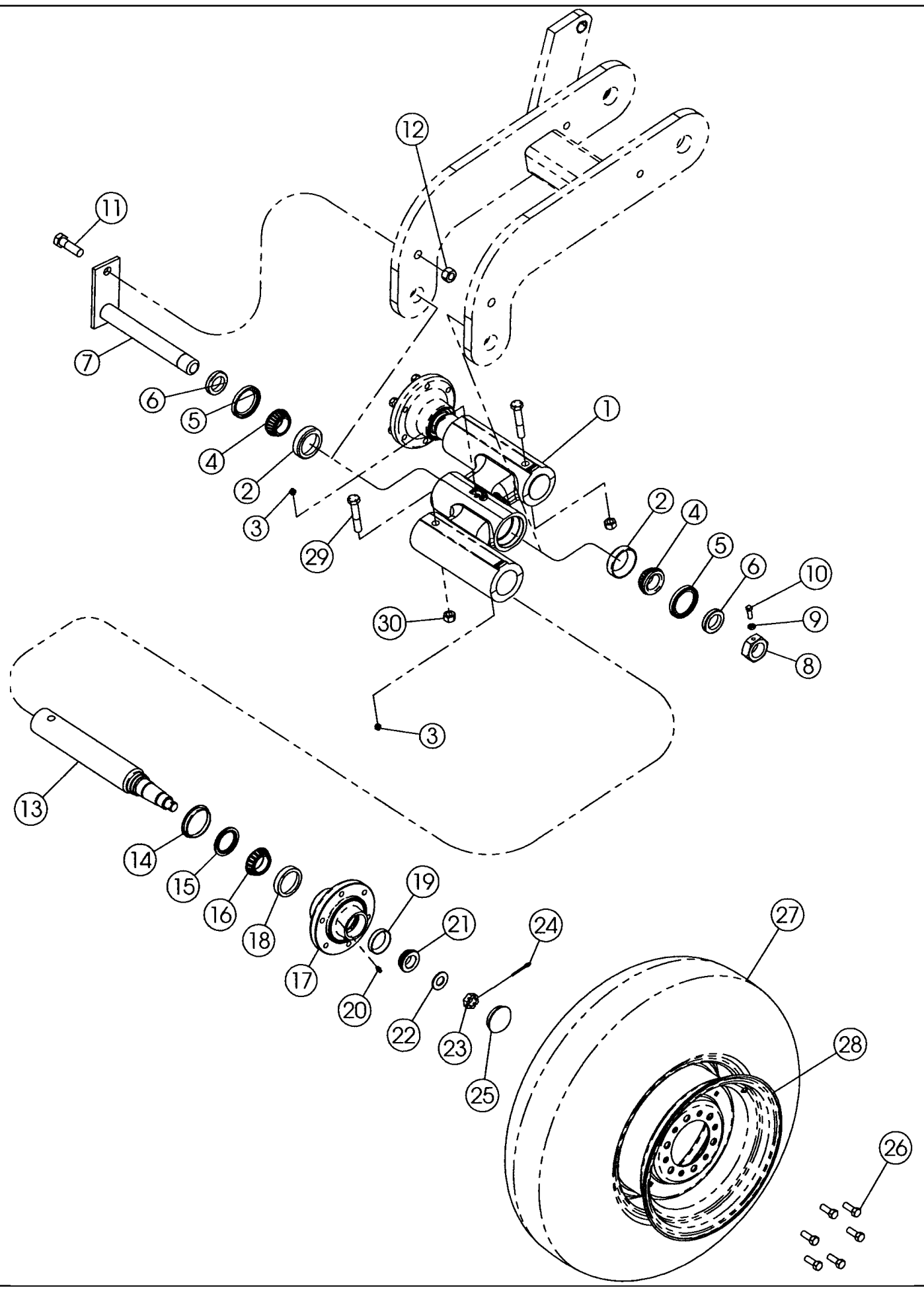
сылка	Номер детали	Кол-во	Описание
1	394661A1	2	TUBE, 8 Bolt Tandem Axle Inc. 2, Prior to 2007 Models
1	87561152	2	CASTING, 8 Bolt Tandem Alxe
2	17498D	4	BEARING, CUP, 3.000 OD
3	219-86	4	NIPPLE, LUBE, 1/8" x .62" lg, Drive,
4	21871501	4	BEARING, CONE, 1.50 ID
5	21932510	4	SEAL, 2.29 ID
6	06400573	4	SPACER, Bearing
7	14032409	2	NUT, SPECIAL, 1-1/2, Jam
8	425-146	2	NUT, Jam, 3/8"-16, G5,
9	16806045	2	SCREW, 3/8 x 1, Set, Square Head
10	87401182	2	PIN, 1-1/2, Tandem
11	413-1240	2	BOLT, Hex, 3/4"-10 x 2 1/2", G5,
12	86992217	2	NUT, LOCK, 3/4, NC
13	86990944	4	SPINDLE, 8 Bolt, Prior to 2007 Models
13	87358973	4	SPINDLE, 8 Bolt, Used On 2007 And After Models
14	86990965	4	HUB, 8 Bolt, Inc 15 - 20
15	169328C1	4	SLEEVE, Oil Wear Sleeve
16	625743C1	4	BEARING, CUP, 3.5433 OD
17	663558R1	4	BEARING, CUP, 2.892 OD
18	219-87	4	NIPPLE, LUBE, 1/4"-28 x .56" lg, Self-Tap,
19	366021R2	32	BOLT, Wheel
20	554480R1	32	NUT, Wheel
21	169329C91	4	SEAL,
22	625742C1	4	BEARING, CONE, 2.165 ID
23	663557R91	4	BEARING, CONE, 1.625 ID
24	496-11119	4	WASHER, 1 3/16" x 2 1/4" x .134" HDN,
25	425-1318	4	NUT, SLOTTED, 1 1/8"-12, G5,
26	432-1232	4	PIN, SPLIT (COTTER), 3/16" x 2",
27	560950R1	4	HUB CAP, Hub
28	NSS	4	NOT SERVICED SEPARATELY, 12.5L - 15 FI (F)
29	10110274	4	WHEEL, 15 X 10 lb 8-Bolt, Silver
30	413-1072	4	BOLT, Hex, 5/8"-11 x 4 1/2", G5,
31	86992216	4	NUT, LOCK, 5/8, NC



RMX340 TANDEM DISK (6/03-)

09-08 WING DUAL 6-BOLT PARTS

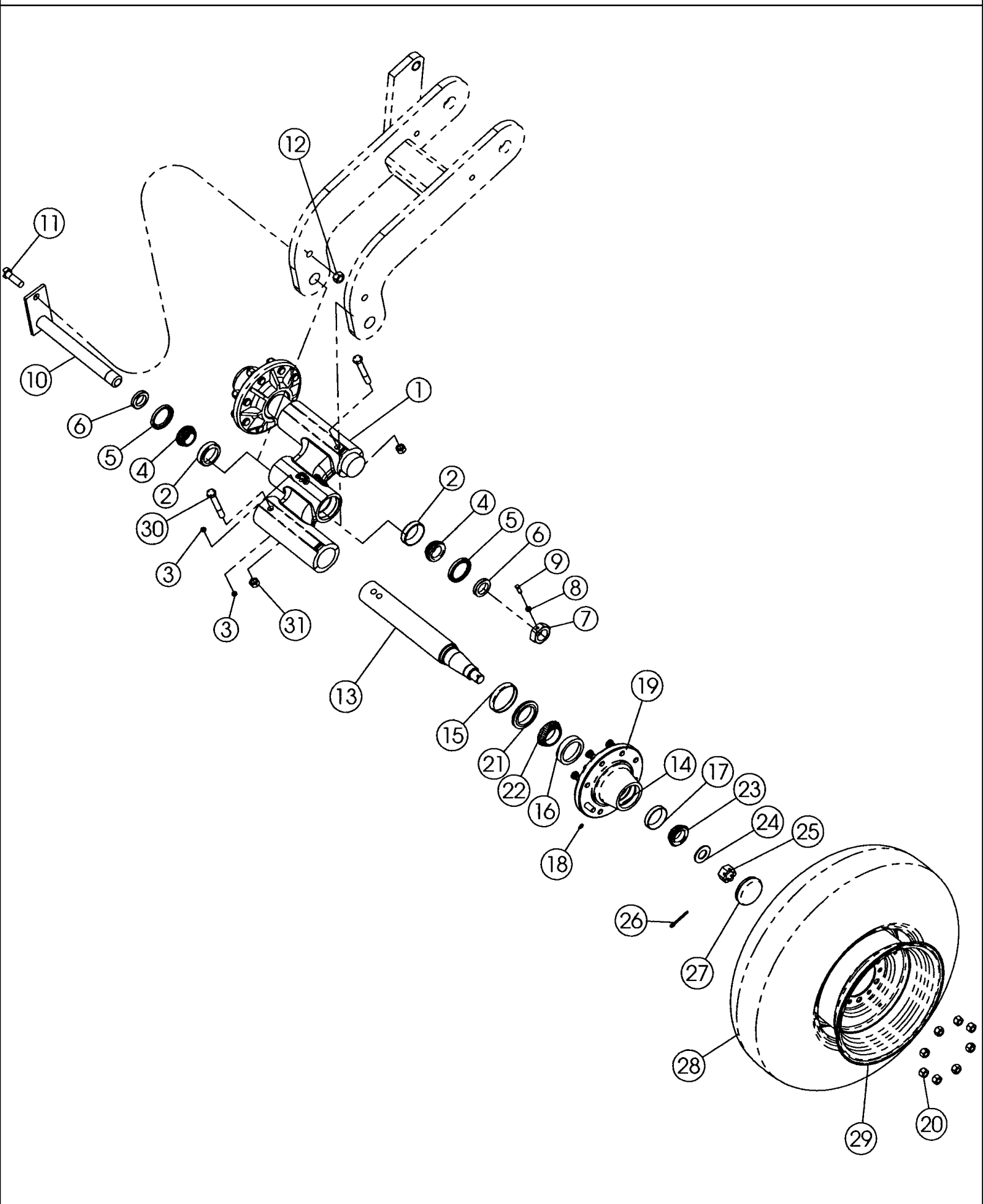
сылка	Номер детали	Кол-во	Описание
1	86990480		UAR SPINDLE, 6 Bolt
2	594703R1		UAR SLEEVE, Wear
3	594702R91		UAR SEAL, Type X15
4	663557R91		UAR BEARING, CONE, 1.625 ID
5	87426111		UAR HUB, Machined, Inc. 6, 7
6	663558R1		UAR BEARING, CUP, 2.892 OD
7	651817R1		UAR BEARING, CUP, 2.33 OD
8	219-87		UAR NIPPLE, LUBE, 1/4"-28 x .56" lg, Self-Tap,
9	651818R91		UAR BEARING, CONE, 1.25 ID
10	469873R1		UAR WASHER, 23/32 ID
11	70120D		UAR NUT, SLOTTED, 7/8"-14,
12	432-832		UAR PIN, SPLIT (COTTER), 1/8" x 2",
13	224066C1		UAR HUB CAP,
14	277538A1		UAR BOLT, Wheel
15	NSS		UAR NOT SERVICED SEPARATELY, 11L x 15 (8 Ply) I-1 Tubeless
16	10108254		UAR WHEEL, 15 x 8 LBH, Silver
17	413-1056		UAR BOLT, Hex, 5/8"-11 x 3 1/2", G5,
18	86992216		UAR NUT, LOCK, 5/8, NC



RMX340 TANDEM DISK (6/03-)

09-09 WING TANDEM 6-BOLT PARTS

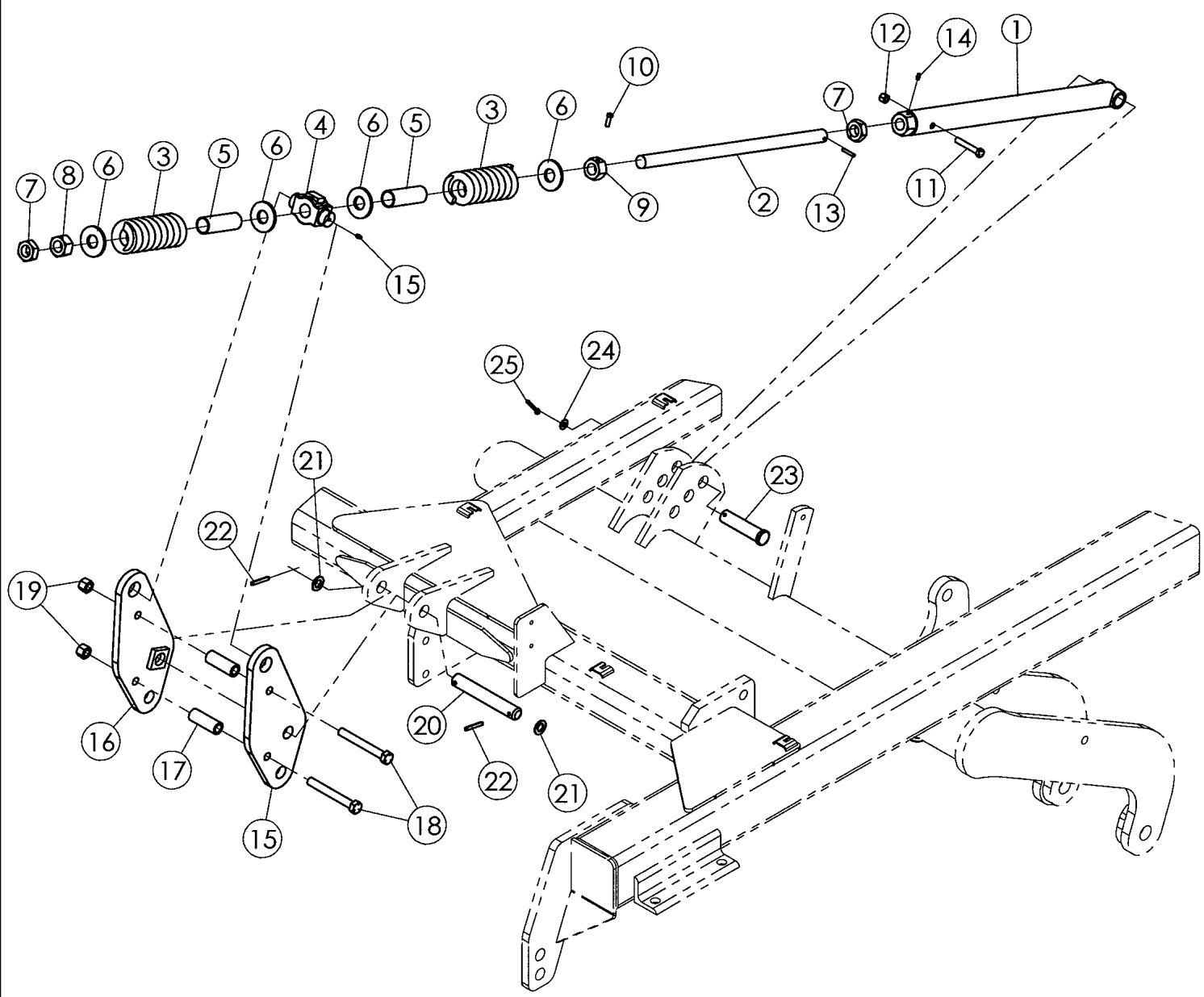
сылка	Номер детали	Кол-во	Описание
1	397171A1	1	TUBE, 6 Bolt Tandem Axle Inc. 2, Prior to 2007 Models
1	87561153	1	CASTING, 6 Bolt Tandem Axle, Used On 2007 And After Models
2	17498D	2	BEARING, CUP, 3.000 OD
3	219-86	2	NIPPLE, LUBE, 1/8" x .62" lg, Drive,
4	21871501	2	BEARING, CONE, 1.50 ID
5	21932510	2	SEAL, 2.29 ID
6	06400573	2	SPACER, Bearing
7	87401183	1	PIN, 1-1/2, Tandem
8	14032409	1	NUT, SPECIAL, 1-1/2, Jam
9	425-146	1	NUT, Jam, 3/8"-16, G5,
10	16806045	1	SCREW, 3/8 x 1, Set, Square Head
11	413-1240	1	BOLT, Hex, 3/4"-10 x 2 1/2", G5,
12	86992217	1	NUT, LOCK, 3/4, NC
13	86990480	2	SPINDLE, 6 Bolt, Prior to 2007 Models
13	87517011	2	STUB AXLE/STRG.SPINDLE, 6 Bolt, Used On 2007 And After Models
14	594703R1	2	SLEEVE, Wear
15	594702R91	2	SEAL, Type X15
16	663557R91	2	BEARING, CONE, 1.625 ID
17	87426111	2	HUB, Machined, Inc. 18, 19
18	663558R1	2	BEARING, CUP, 2.892 OD
19	651817R1	2	BEARING, CUP, 2.33 OD
20	219-87	2	NIPPLE, LUBE, 1/4"-28 x .56" lg, Self-Tap,
21	651818R91	2	BEARING, CONE, 1.25 ID
22	469873R1	2	WASHER, 23/32 ID
23	70120D	2	NUT, SLOTTED, 7/8"-14,
24	432-832	2	PIN, SPLIT (COTTER), 1/8" x 2",
25	224066C1	2	HUB CAP,
26	277538A1	12	BOLT, Wheel
27	NSS	2	NOT SERVICED SEPARATELY, 12.5 L x 15 (10 Ply) I-1 Tubeless
27	NSS	2	NOT SERVICED SEPARATELY, 11L x 15 (8 Ply) I-1 Tubeless
28	10110254	2	WHEEL ASSY., 15 x 10 lb SAE, Silver
28	10108254	2	WHEEL, 15 x 8 lb, Silver
29	413-1072	2	BOLT, Hex, 5/8"-11 x 4 1/2", G5,
30	86992216	2	NUT, LOCK, 5/8, NC



RMX340 TANDEM DISK (6/03-)

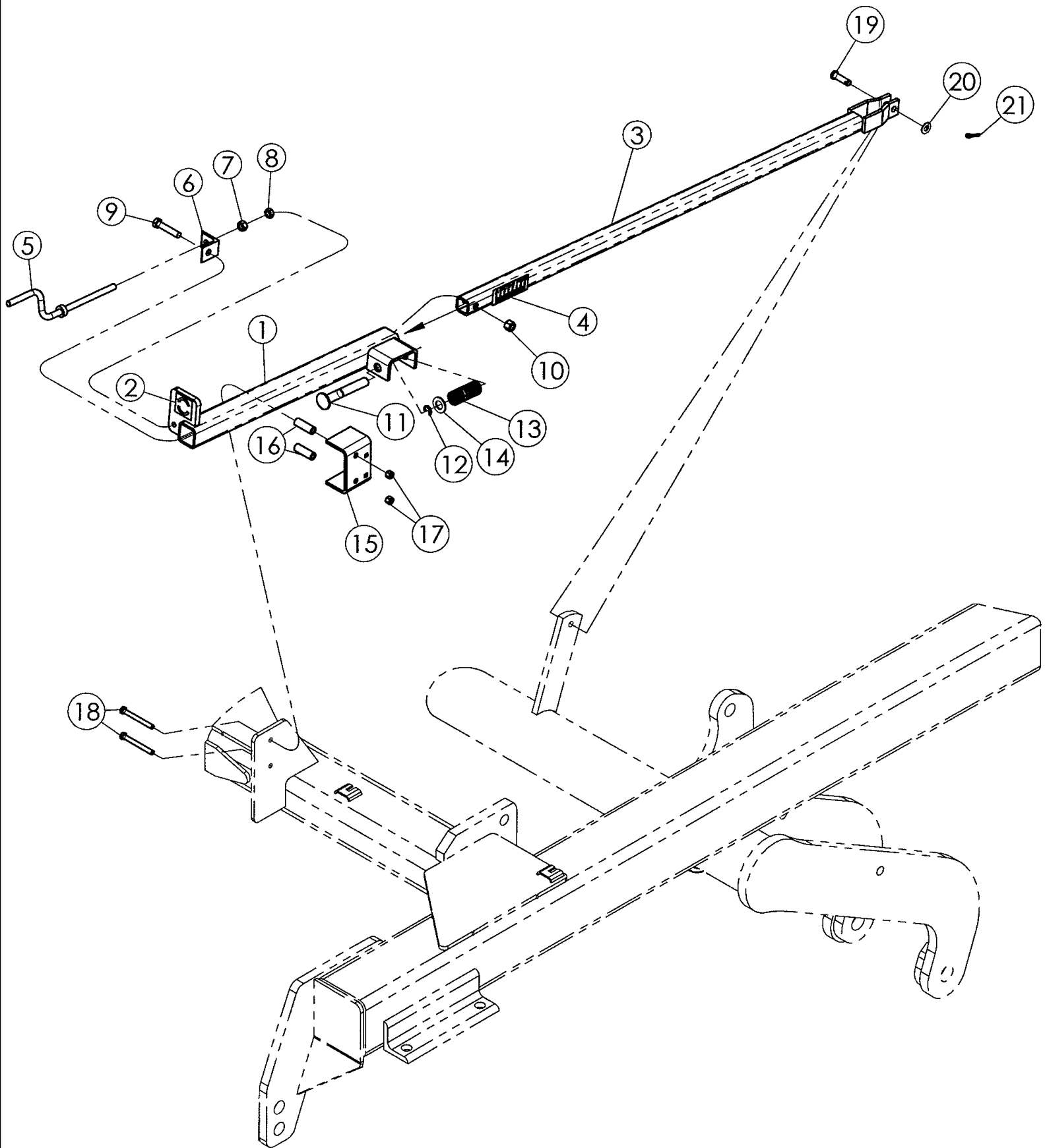
09-10 WING TANDEM 8-BOLT PARTS

сылка	Номер детали	Кол-во	Описание
1	394661A1	1	TUBE, 8 Bolt Tandem Axle, Inc. 2, Prior to 2007 Models
1	87561152	1	CASTING, 8 Bolt Tandem Axle, Used On 2007 And After Models
2	17498D	2	BEARING, CUP, 3.000 OD
3	219-86	2	NIPPLE, LUBE, 1/8" x .62" lg, Drive,
4	21871501	2	BEARING, CONE, 1.50 ID
5	21932510	2	SEAL, 2.29 ID
6	06400573	2	SPACER, Bearing
7	14032409	1	NUT, SPECIAL, 1-1/2, Jam, Special
8	425-146	1	NUT, Jam, 3/8"-16, G5,
9	16806045	1	SCREW, 3/8 x 1, Set, Square Head
10	87401182	1	PIN, 1-1/2, Tandem
11	413-1240	1	BOLT, Hex, 3/4"-10 x 2 1/2", G5,
12	86992217	1	NUT, LOCK, 3/4, NC
13	86990944	2	SPINDLE, 8 Bolt, Prior to 2007 Models
13	87358973	2	SPINDLE, 8 Bolt, Used On 2007 And After Models
14	86990965	2	HUB, 8 Bolt, Inc. 15 - 20
15	169328C1	2	SLEEVE, Oil Wear
16	625743C1	2	BEARING, CUP, 3.5433 OD
17	663558R1	2	BEARING, CUP, 2.892 OD
18	219-87	2	NIPPLE, LUBE, 1/4"-28 x .56" lg, Self-Tap,
19	366021R2	16	BOLT, Wheel
20	554480R1	16	NUT, Wheel
21	169329C91	2	SEAL,
22	625742C1	2	BEARING, CONE, 2.165 ID
23	663557R91	2	BEARING, CONE, 1.625 ID
24	496-11119	2	WASHER, 1 3/16" x 2 1/4" x .134" HDN,
25	425-1318	2	NUT, SLOTTED, 1 1/8"-12, G5,
26	432-1232	2	PIN, SPLIT (COTTER), 3/16" x 2",
27	560950R1	2	HUB CAP, Hub
28	NSS	2	NOT SERVICED SEPARATELY, 12.5L - 15 FI (F)
29	10110274	2	WHEEL, 15 x 10 lb 8 Bolt, Silver
30	413-1072	2	BOLT, Hex, 5/8"-11 x 4 1/2", G5,
31	86992216	2	NUT, LOCK, 5/8, NC



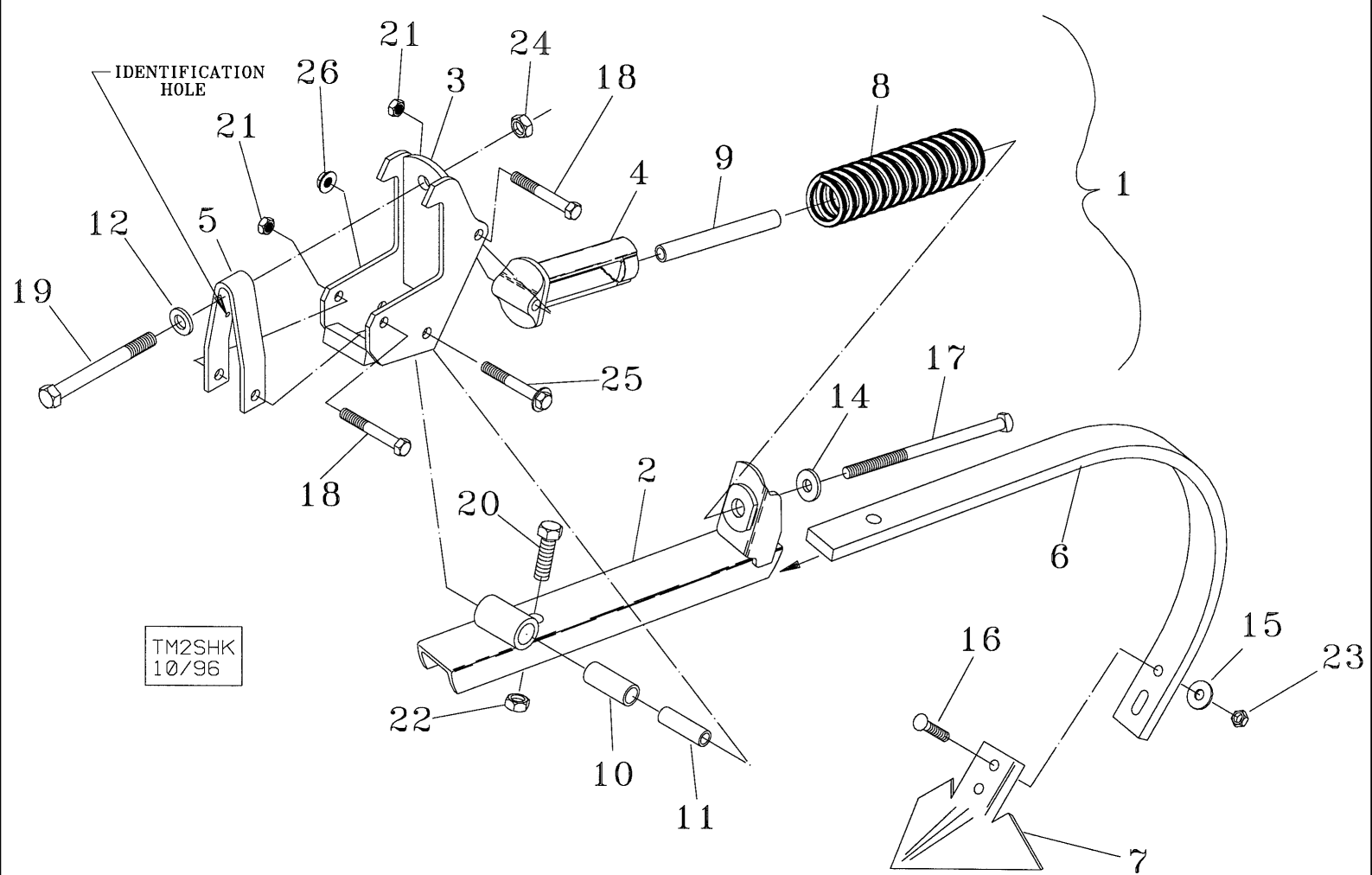
09-11 SPRING LEVELING PARTS

сылка	Номер детали	Кол-во	Описание
1	443059A1	1	TUBE, Leveling, 19 - 22 ft
1	441624A1	1	TUBE, Leveling, 25 - 31 ft
1	450543A1	1	TUBE, Leveling, 34 ft
2	450541A1	1	SCREW, ADJUSTMENT, Threaded, Leveling
3	446677A1	2	SPRING, Hitch
4	446676A1	1	TRUNNION, Hitch Screw
5	147968C1	2	SPACER, Spring
6	495-81301	4	WASHER, 1 9/32" x 3" x 1/4",
7	425-1420	2	NUT, Jam, 1 1/4"-7, G5,
8	425-1020	1	NUT, 1 1/4"-7, G5,
9	447406A1	1	NUT, 1-1/4, Hex with set screw hole
10	16806045	1	SCREW, 3/8 x 1, Square Head
11	87339	1	BOLT, Hex, 1/2"-13 x 3", G5,
12	86992215	1	NUT, LOCK, 1/2, NC
13	438-11624	1	PIN, LOCK, 1/4" x 1 1/2", Slotted, 1/4" x 1 1/2", Slotted
14	219-87	1	NIPPLE, LUBE, 1/4"-28 x .56" lg, Self-Tap,
15	87401106	1	CRANK, Bell, LH
16	87401107	1	CRANK, Bell, RH
17	447862A1	2	TUBE, Leveling
18	413-1296	2	BOLT, Hex, 3/4"-10 x 6", G5, 3/4 x 6, NC, gr 5
19	86992217	2	NUT, LOCK, 3/4, NC
20	86989785	1	PIN, 1-1/4 x 187 mm
21	496-81009	2	WASHER, 1 5/16" x 1 63/64" x .180", HDN, 1-1/4
22	438-12036	2	PIN, LOCK, 5/16" x 2 1/4", Slotted,
23	427-20500	1	PIN, CLEVIS, 1 1/4" x 5",
24	496-81009	1	WASHER, 1 5/16" x 1 63/64" x .180", HDN,
25	432-1632	1	PIN, SPLIT (COTTER), 1/4" x 2",



09-12 SINGLE POINT DEPTH CONTROL PARTS

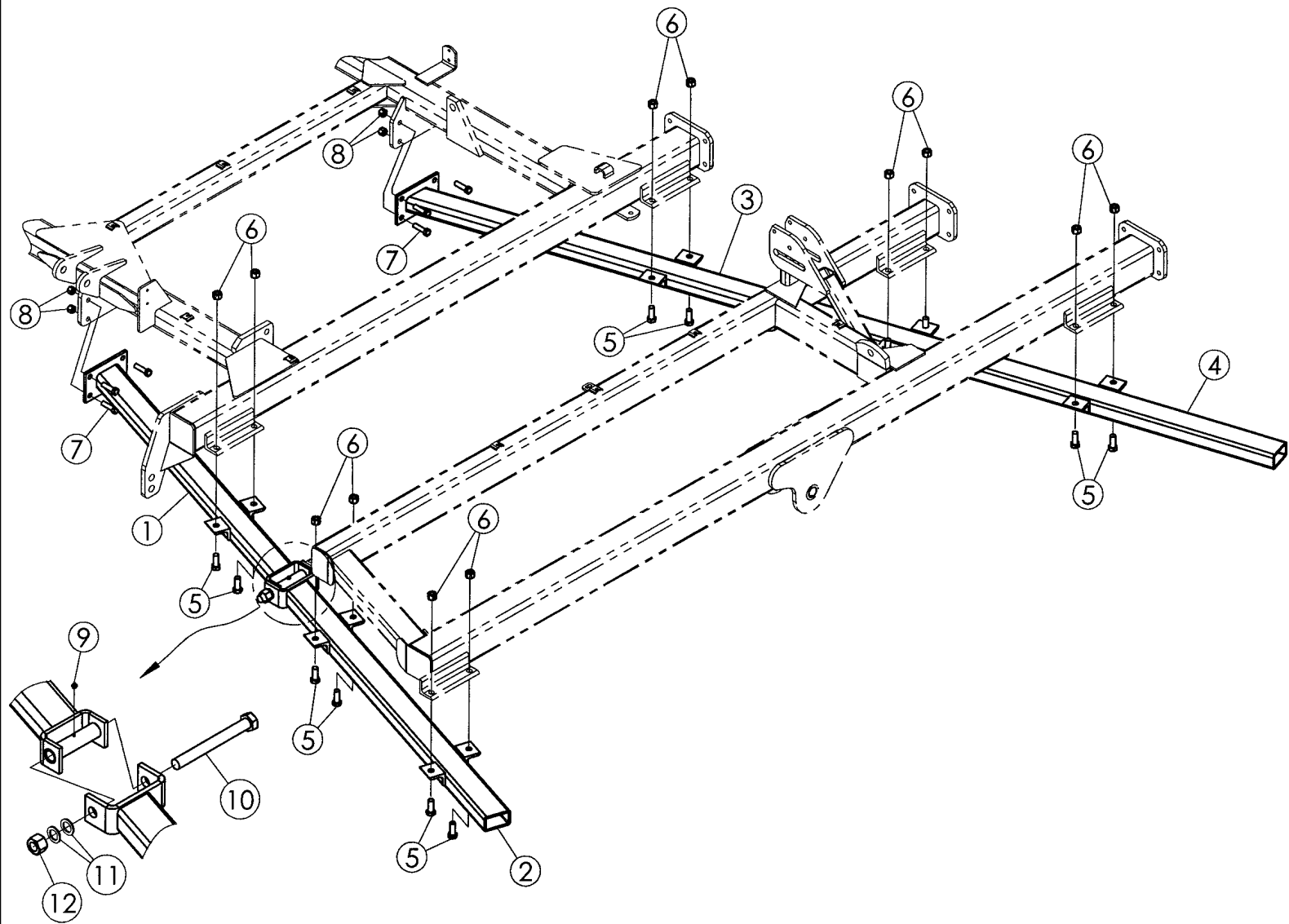
сылка	Номер детали	Кол-во	Описание
1	441965A1	1	TUBE, Inc. 2
2	87414072	1	DECAL, Depth
3	87419276	1	TUBE, Depth Control, 19 - 22 ft
3	87419275	1	TUBE, Depth Control, 25 - 31 ft
3	441967A1	1	TUBE, Depth Control, 34 ft, Inc. 4
4	1978881C1	1	DECAL, Depth Control
5	87412274	1	HANDLE, Crank
6	87412462	1	ANGLE, Bolt On
7	425-108	1	NUT, 1/2"-13, G5,
8	425-148	1	NUT, Jam, 1/2"-13, G5,
9	413-840	1	BOLT, Hex, 1/2"-13 x 2 1/2", G5,
10	86992215	1	NUT, LOCK, 1/2, NC
11	396153A1	1	PIN, Hydraulic Depth Valve
12	100-3375	1	RING, LOCKING, #75, .574" Dia, E-Type,
12	50526	1	No Description/Retired, , Used On 2008 And After Models
13	396152A1	1	COMPRESSION SPRING, Hydraulic Depth Valve
14	87381	1	WASHER, 3/4", SAE,
15	333026A1	1	BRACKET, Depth Control
15	87519377	1	U-BRACKET, Depth Control, Used On Serial Number JFH0031778 And After
16	87417259	2	SPACER,
17	86992213	2	NUT, LOCK, 3/8
18	413-656	2	BOLT, Hex, 3/8"-16 x 3 1/2", G5,
19	439-5828	1	PIN, HEADED, 1/2" x 1 3/4",
20	495-11053	1	WASHER, 1/2", SAE,
21	432-1216	1	PIN, SPLIT (COTTER), 3/16" x 1",



RMX340 TANDEM DISK (6/03-)

09-13 CENTER SHANK ASSEMBLY PARTS

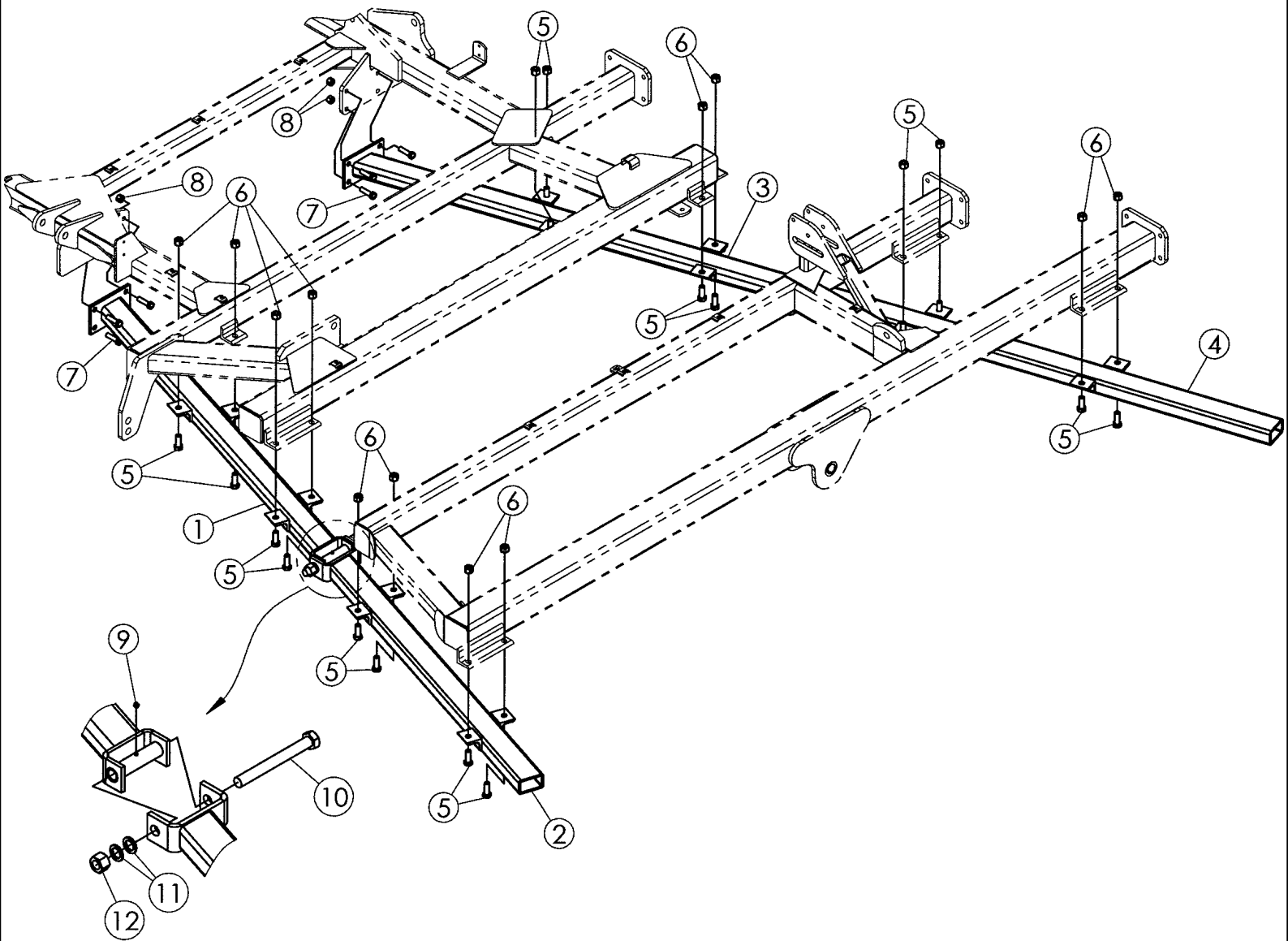
сылка	Номер детали	Кол-во	Описание
1	06403000	1	MOUNTING PARTS, Shank (Does Not Include Items 6, 7, 16, 23)
1	06403260	1	MOUNTING PARTS, Shank (Does Not Include Items 7, 15, 16, 23)
4	20090192	1	SPRING, Spring Pivot
5	06210150	1	BRACKET,
6	33017584	1	SHANK, BUCKET TOOTH,
7	372561A1	1	SWEEP, 9.3 in Maxi
8	24143895	1	SPRING, COMPRESSION,
9	06403415	1	BUSHING, Heat Treated
10	44008755	1	BUSHING, 7/8 ID Connex
11	06403310	1	BUSHING, Heat Treated
12	17411011	1	WASHER, 5/8 Flat
14	17409010	1	WASHER, 9/16 ID x 1-3/8 OD
15	495-21050	2	WASHER, 7/16", Flat
16	419-3724	2	BOLT, PLOW, 7/16"-14 x 1 1/2", G5,
17	16908445	1	BOLT, 1/2 x 11, NC, Hex, gr 5
18	16908145	2	BOLT, 1/2 x 3-1/2, NC, Hex, gr 5
19	413-1096	1	BOLT, Hex, 5/8"-11 x 6", G5,
20	26-1032	1	BOLT, Hex, 5/8"-11 x 2", G8,
21	86992215	2	NUT, LOCK, 1/2, NC
22	86992216	1	NUT, LOCK, 5/8, NC
23	425-107	2	NUT, 7/16"-14, G5,
24	425-1010	1	NUT, 5/8"-11, G5,
25	16908148	1	BOLT, 1/2, Flanged Head, gr 8
26	14120801	1	NUT, LOCK, 1/2, Flanged, gr 8



RMX340 TANDEM DISK (6/03-)

09-14 GANG TUBE PARTS 19 - 31 FT TANDEM DISK

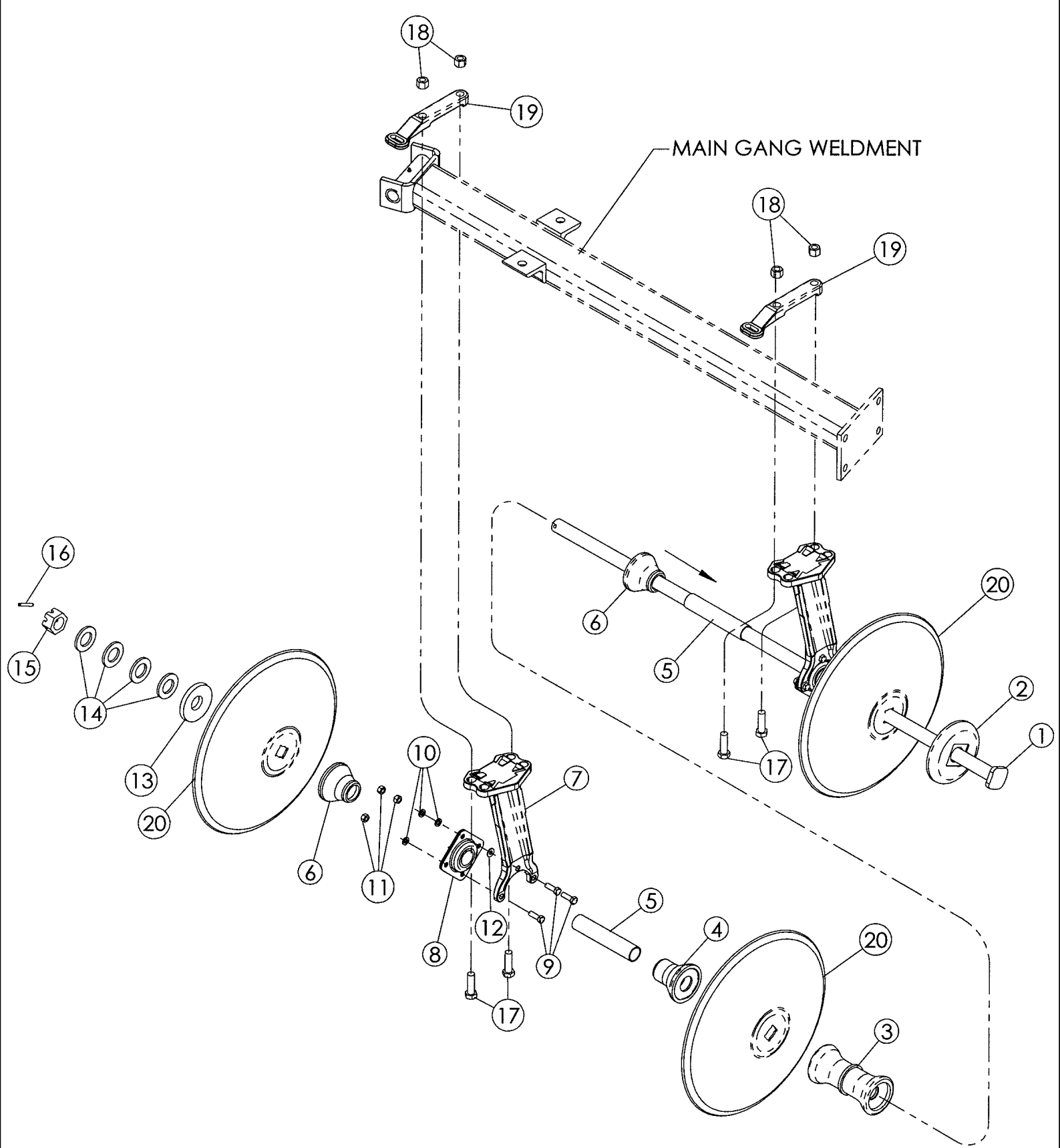
сылка	Номер детали	Кол-во	Описание
1	443126A1	1	TUBE, Main Gang, Front, LH, 19 - 22 ft
1	443127A1	1	TUBE, Main Gang, Front, RH, 19 - 22 ft
1	441758A1	1	BAR ASSY., Main Gang, Front, LH, 25 - 31 ft
1	441759A1	1	BAR ASSY., Main Gang, Front, RH, 25 - 31 ft
2	87710097	1	TUBE, RIGID, Wing Gang, Front, LH, 19 ft
2	87710096	1	TUBE, RIGID, Wing Gang, Front, RH, 19 ft
2	87711269	1	TUBE, RIGID, Wing Gang, Front, Lh, 22 ft
2	87711266	1	TUBE, RIGID, Wing Gang, Front, Rh, 22 ft
2	87400466	1	TUBE, Wing Gang, Front, LH, 25 ft
2	87400467	1	TUBE, Wing Gang, Front, RH, 25 ft
2	86985979	1	TUBE, Wing Gang, Front, LH, 28 ft, Used On 2007 And Prior Models
2	87710356	1	TUBE, RIGID, Wing Gang, Front, Lh 28 ft, Used On 2008 And After Models
2	86985980	1	TUBE, Wing Gang, Front, RH, 28 ft, Used On 2007 And Prior Models
2	87710357	1	TUBE, RIGID, Wing Gang, Front Rh, 28 ft, Used On 2008 And After Models
2	86985984	1	TUBE, Wing Gang, Front, LH, 31 ft
2	86985985	1	TUBE, Wing Gang, Front, RH, 31 ft
3	443128A1	1	TUBE, Main Gang, Rear, LH, 19 - 22 ft
3	443129A1	1	TUBE, Main Gang, Rear, RH, 19 - 22 ft
3	441758A1	1	BAR ASSY., Main Gang, Rear, RH, 25 - 31 ft
3	441759A1	1	BAR ASSY., Main Gang, Rear, LH, 25 - 31 ft
4	443210A1	1	TUBE, Wing Gang, Rear, LH, 19 ft
4	443211A1	1	TUBE, Wing Gang, Rear, RH, 19 ft
4	443212A1	1	TUBE, Wing Gang, Rear, LH, 22 - 25 ft
4	443213A1	1	TUBE, Wing Gang, Rear, RH, 22 - 25 ft
4	443228A1	1	TUBE, Wing Gang, Rear, LH, 28 ft
4	443229A1	1	TUBE, Wing Gang, Rear, RH, 28 ft
4	443230A1	1	TUBE, Wing Gang, Rear, LH, 31 ft
4	443231A1	1	TUBE, Wing Gang, Rear, RH, 31 ft
5	413-1436	24	BOLT, Hex, 7/8"-9 x 2 1/4", G5,
6	86992218	24	NUT, LOCK, 7/8, NC
7	413-1244	8	BOLT, Hex, 3/4"-10 x 2 3/4", G5,
8	86992217	8	NUT, LOCK, 3/4, NC
9	219-87	4	NIPPLE, LUBE, 1/4"-28 x .56" lg, Self-Tap,
10	396921A1	4	BOLT, 1-1/4 x 11-1/2, NC, gr 5
11	496-81009	8	WASHER, 1 5/16" x 1 63/64" x .180", HDN,
12	86992220	4	NUT, LOCK, 1-1/4, NC



RMX340 TANDEM DISK (6/03-)

09-15 GANG TUBE PARTS 34 FT TANDEM DISK

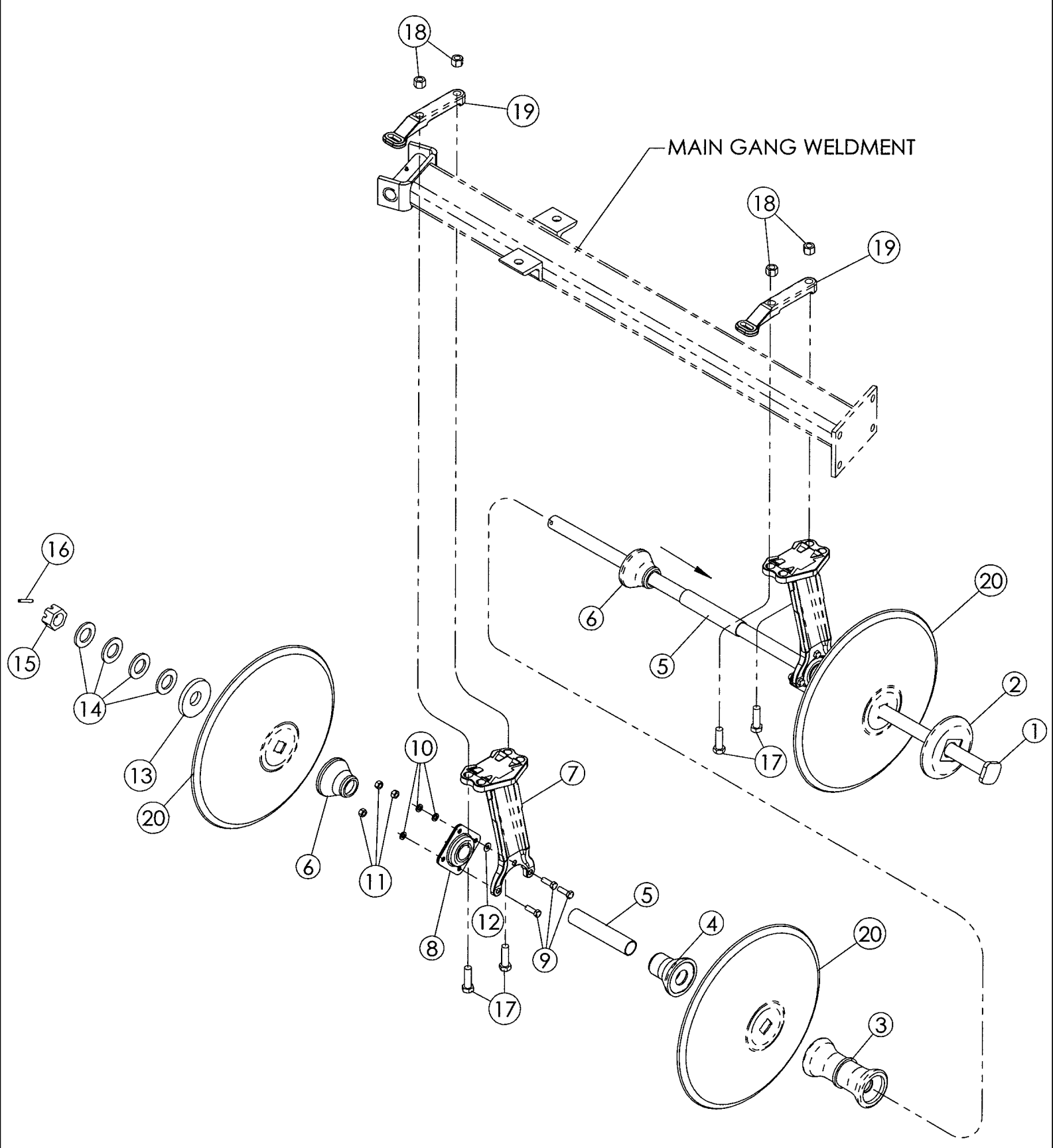
сылка	Номер детали	Кол-во	Описание
1	448644A1	1	TUBE, Main Gang, Front, LH
1	448645A1	1	TUBE, Main Gang, Front, RH
2	86985984	1	TUBE, Wing Gang, Front, LH
2	86985985	1	TUBE, Wing Gang, Front, RH
3	87403194	1	TUBE, Main Gang, Rear, LH
3	87403195	1	TUBE ASSY., Main Gang, Rear, RH
4	443230A1	1	TUBE, Wing Gang, Rear, LH
4	443231A1	1	TUBE, Wing Gang, Rear, RH
5	413-1436	32	BOLT, Hex, 7/8"-9 x 2 1/4", G5,
6	86992218	32	NUT, LOCK, 7/8, NC
7	413-1244	8	BOLT, Hex, 3/4"-10 x 2 3/4", G5,
8	86992217	8	NUT, LOCK, 3/4, NC
9	219-87	4	NIPPLE, LUBE, 1/4"-28 x .56" lg, Self-Tap,
10	396921A1	4	BOLT, 1-1/4 x 11-1/2, NC, gr 5
11	496-81009	8	WASHER, 1 5/16" x 1 63/64" x .180", HDN,
12	86992220	4	NUT, LOCK, 1-1/4, NC



RMX340 TANDEM DISK (6/03-)

09-16 7-1/2 IN RIGID MAIN GANG PARTS

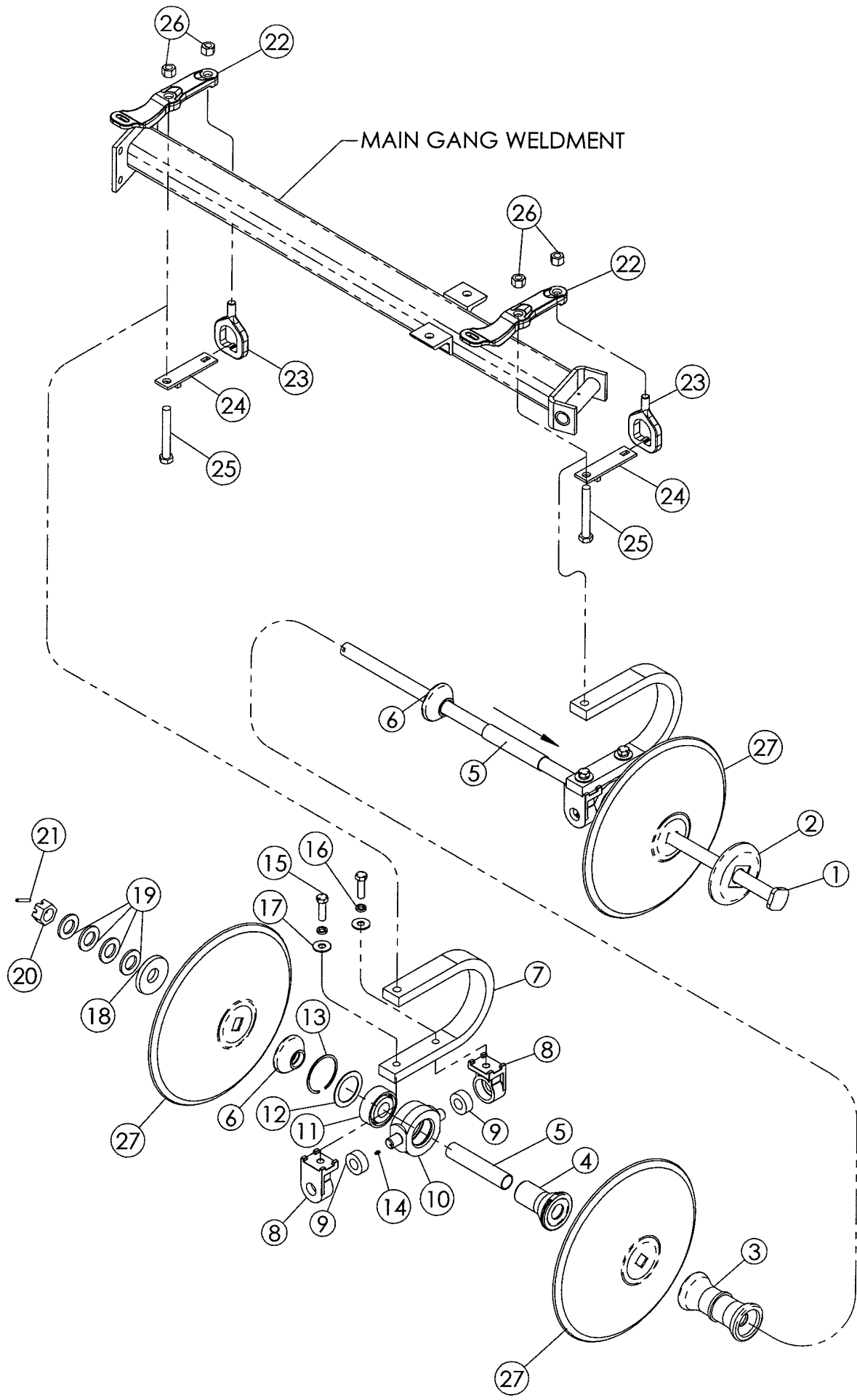
сылка	Номер детали	Кол-во	Описание
1	1263536C6	1	BOLT, SPECIAL, Arbor, 7 Blades, 19 - 22 ft
1	1263613C5	1	BOLT, SPECIAL, Arbor, 9 Blades, 25 - 31 ft
1	1263614C5	1	BOLT, SPECIAL, Arbor, 11 Blades, 34 ft
1	1986269C5	1	BOLT, SPECIAL, Arbor, 12 Blades, 34 ft
2	1344908C1	1	WASHER, Bumper
3	1263631C1		UAR SPOOL, Spacing, 7-1/2
4	101191C1		UAR SPOOL, Bearing, Long
5	112769C1		UAR BUSHING, Spacing Support
6	101189C1		UAR SPINDLE, Bearing, Short
7	129532C2		UAR HOLDER, Bearing
8	ST491A		UAR BEARING,
9	413-824		UAR BOLT, Hex, 1/2"-13 x 1 1/2", G5, Full Thd,
10	80679		UAR WASHER, LOCK, 1/2",
11	425-108		UAR NUT, 1/2"-13, G5,
12	17610010		UAR BUSHING, 9/16, Machine Bushing, 18 ga
13	139773C1	1	SPACER, End
14	87412142		UAR WASHER, Arbor Bolt
15	425-1224	1	NUT, SLOTTED, 1 1/2"-6, G5,
16	438-12036	1	PIN, LOCK, 5/16" x 2 1/4", Slotted,
17	413-1284		UAR BOLT, Hex, 3/4"-10 x 5 1/4", G5,
18	231-42412		UAR NUT, LOCK, 3/4"-10, GB,
19	231649A2		UAR SUPPORT, Scraper Angle
20	87442981		UAR DISC, PLOW, Solid, 20 in Diameter x 4.5 mm thk
20	87442991		UAR DISC, PLOW, Solid, 22 in Diameter x 4.5 mm thk
20	87442983		UAR DISC, PLOW, Solid, 20 in Diameter x 5 mm thk
20	87442993		UAR DISC, PLOW, Solid, 22 in Diameter x 5 mm thk
20	87442992		UAR DISC, NOTCHED, Notched, 22 in Diameter x 4.5 mm thk



RMX340 TANDEM DISK (6/03-)

09-17 9 IN RIGID MAIN GANG PARTS

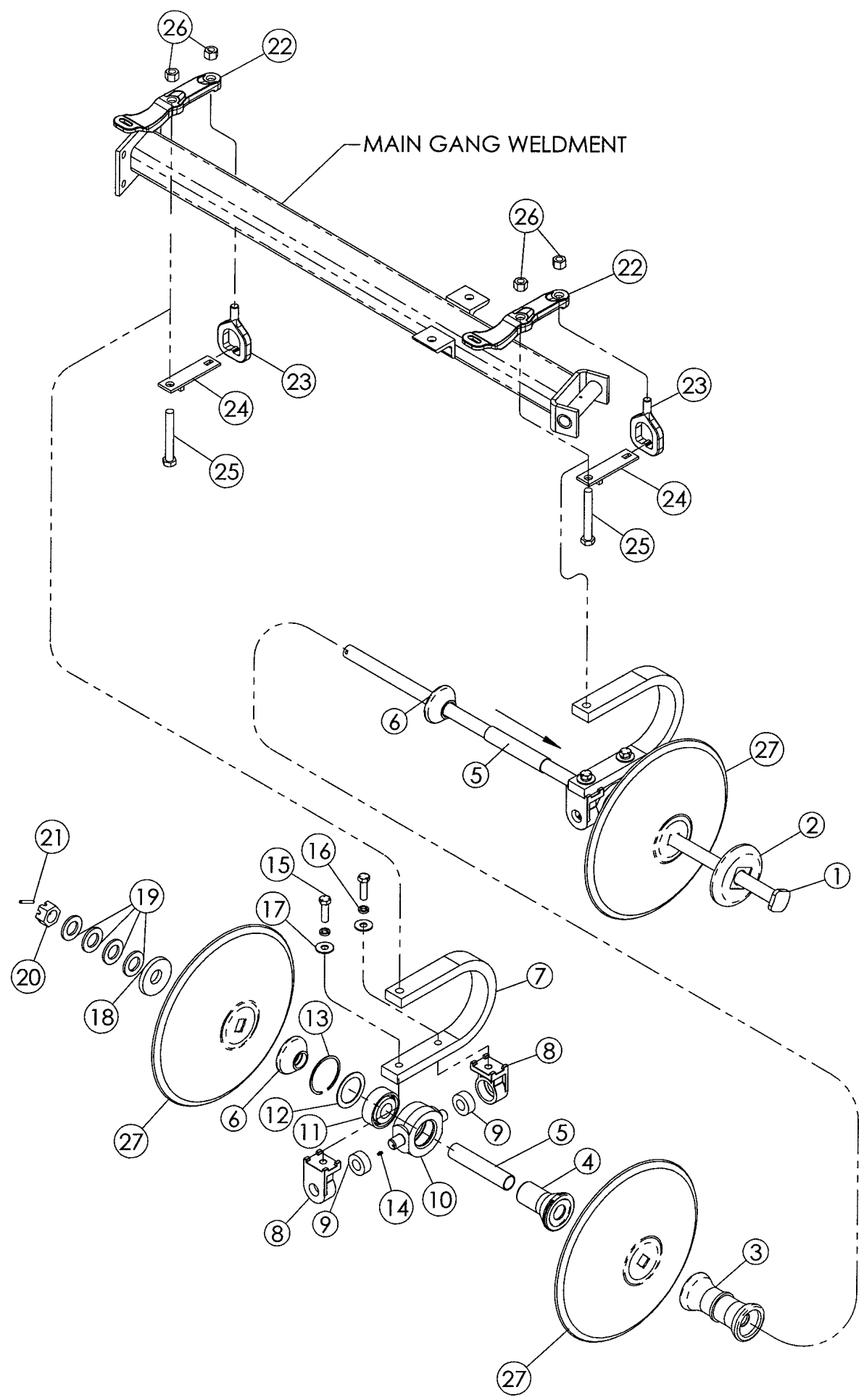
сылка	Номер детали	Кол-во	Описание
1	1263536C6	4	BOLT, SPECIAL, Arbor, 6 Blades, 19 - 22 ft
1	1263537C6	2	BOLT, SPECIAL, Arbor, 7 Blades, 25 - 31 ft
1	1263538C6	2	BOLT, SPECIAL, Arbor, 8 Blades, 25 - 31 ft
1	1263539C6	2	BOLT, SPECIAL, Arbor, 9 Blades, 34 ft
1	1263540C6	2	BOLT, SPECIAL, Arbor, 10 Blades, 34 ft
2	1344908C1	1	WASHER, Bumper
3	139918C1		UAR SPACER, 9
4	101191C1		UAR SPOOL, Bearing, Long
5	112410C1		UAR TUBE, Spacing Support
6	101190C1		UAR SPOOL, Bearing, Short
7	129532C2		UAR HOLDER, Bearing
8	ST491A		UAR BEARING,
9	413-824		UAR BOLT, Hex, 1/2"-13 x 1 1/2", G5, Full Thd,
10	80679		UAR WASHER, LOCK, 1/2",
11	425-108		UAR NUT, 1/2"-13, G5,
12	17610010		UAR BUSHING, 9/16, Machinery Bushing, 18 ga
13	139773C1	1	SPACER, End
14	87412142		UAR WASHER, Arbor Bolt
15	425-1224	1	NUT, SLOTTED, 1 1/2"-6, G5,
16	438-12036	1	PIN, LOCK, 5/16" x 2 1/4", Slotted,
17	413-1284		UAR BOLT, Hex, 3/4"-10 x 5 1/4", G5,
18	231-42412		UAR NUT, LOCK, 3/4"-10, GB,
19	231649A2		UAR SUPPORT, Spacer Angle
20	87442991		UAR DISC, PLOW, Solid, 22 in Diameter x 4.5 mm thk
20	87442993		UAR DISC, PLOW, Solid, 22 in Diameter x 5 mm thk
20	87442996		UAR DISC, PLOW, Solid, 22 in Diameter x 5 mm thk #11 Edge
20	87442992		UAR DISC, NOTCHED, Notched, 22 in Diameter x 4.5 mm thk
20	87442994		UAR DISC, NOTCHED, Notched, 22 in Diameter x 5 mm thk



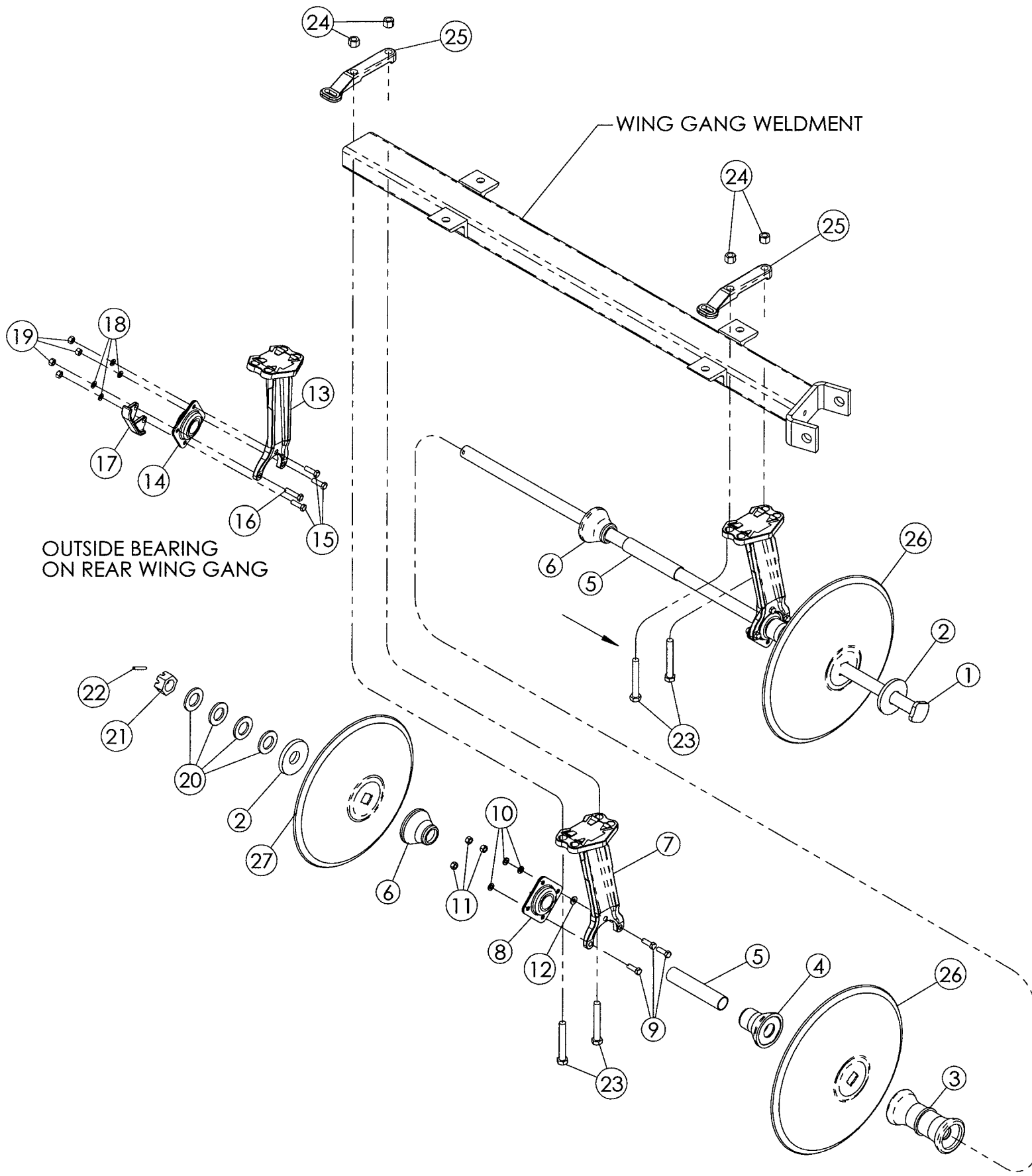
RMX340 TANDEM DISK (6/03-)

09-18 7-1/2 IN CUSHION MAIN GANG PARTS

сылка	Номер детали	Кол-во	Описание
1	1263536C6	1	BOLT, SPECIAL, Arbor, 7 Blades, 19 - 22 ft
1	1263613C5	1	BOLT, SPECIAL, Arbor, 9 Blades, 25 - 31 ft
1	1263614C5	1	BOLT, SPECIAL, Arbor, 11 Blades, 34 ft
1	1986269C5	1	BOLT, SPECIAL, Arbor, 12 Blades, 34 ft
2	1344908C1	1	WASHER, Bumper
3	1263631C1		UAR SPOOL, Spacing, 7-1/2
4	101191C1		UAR SPOOL, Bearing, Long
5	112769C1		UAR BUSHING, Spacing Support
6	101189C1		UAR SPINDLE, Bearing, Short
7	193831A1		UAR SPRING, Standard Bearing
8	195109A1		UAR TRUNNION, Pivot
9	197334A1		UAR BUSHING, Special
10	193907A1		UAR HOUSING, BEARING, Trunnion
11	193906A1		UAR BEARING,
12	193929A1		UAR WASHER, Bearing Retainer
13	101-21433		UAR RING, SNAP, #433, 4.641", Int,
14	219-87		UAR NIPPLE, LUBE, 1/4"-28 x .56" lg, Self-Tap,
15	413-1244		UAR BOLT, Hex, 3/4"-10 x 2 3/4", G5,
16	492-11075		UAR WASHER, LOCK, 3/4",
17	495-21081		UAR WASHER, 3/4", 9 Ga
18	139773C1	1	SPACER, End
19	87412142		UAR WASHER, Arbor Bolt
20	425-1224	1	NUT, SLOTTED, 1 1/2"-6, G5,
21	438-12036	1	PIN, LOCK, 5/16" x 2 1/4", Slotted,
22	329521A2		UAR SUPPORT, Scraper Angle, Front, LH, Rear, RH
22	329523A2		UAR SUPPORT, Scraper Angle, Front, RH, Rear, LH
23	195495A1		UAR EYEBOLT,
24	244620A1		UAR RETAINER, Bolt
25	413-14104		UAR BOLT, Hex, 7/8"-9 x 6 1/2", G5,
26	87012309		UAR NUT, LOCK, 7/8"-9, GB,
27	87442983		UAR DISC, PLOW, Solid, 20 in Diameter x 5 mm thk
27	87442993		UAR DISC, PLOW, Solid, 22 in Diameter x 5 mm thk
27	87442985		UAR DISC, PLOW, Solid, 20 in Diameter x 6.5 mm thk
27	87442995		UAR DISC, PLOW, Solid, 22 in Diameter x 6.5 mm thk



сылка	Номер детали	Кол-во	Описание
1	1263536C6	1	BOLT, SPECIAL, Arbor, 6 Blades, 19 - 22 ft
1	1263537C6	1	BOLT, SPECIAL, Arbor, 7 Blades, 25 - 31 ft
1	1263538C6	1	BOLT, SPECIAL, Arbor, 8 Blades, 25 - 31 ft
1	1263539C6	1	BOLT, SPECIAL, Arbor, 9 Blades, 34 ft
1	1263540C6	1	BOLT, SPECIAL, Arbor, 10 Blades, 34 ft
2	1344908C1		UAR WASHER, Bumper
3	139918C1		UAR SPACER, 9
4	101191C1		UAR SPOOL, Bearing, Long
5	112410C1		UAR TUBE, Spacing Support
6	101190C1		UAR SPOOL, Bearing, Short
7	193831A1		UAR SPRING, Bearing
8	195109A1		UAR TRUNNION, Pivot
9	197334A1		UAR BUSHING, Special
10	193907A1		UAR HOUSING, BEARING,
11	193906A1		UAR BEARING,
12	193929A1		UAR WASHER, Bearing Retainer
13	101-21433		UAR RING, SNAP, #433, 4.641", Int,
14	219-87		UAR NIPPLE, LUBE, 1/4"-28 x .56" lg, Self-Tap,
15	413-1244		UAR BOLT, Hex, 3/4"-10 x 2 3/4", G5, 3/4 x 2-3/4, NC, gr 5
16	492-11075		UAR WASHER, LOCK, 3/4", 3/4"
17	495-21081		UAR WASHER, 3/4", 13/16 x 2, 9 ga
18	139773C1	1	SPACER, End
19	87412142		UAR WASHER, Arbor Bolt
20	425-1224	1	NUT, SLOTTED, 1 1/2"-6, G5,
21	438-12036	1	PIN, LOCK, 5/16" x 2 1/4", Slotted,
22	329521A2		UAR SUPPORT, Scraper Angle, Front, LH, Rear, RH
22	329523A2		UAR SUPPORT, Scraper Angle, Front, RH, Rear, LH
23	195495A1		UAR EYEBOLT,
24	244620A1		UAR RETAINER, Bolt
25	413-14104		UAR BOLT, Hex, 7/8"-9 x 6 1/2", G5,
26	87012309		UAR NUT, LOCK, 7/8"-9, GB,
27	87442993		UAR DISC, PLOW, Solid, 22 in Diameter x 5 mm thk
27	87442995		UAR DISC, PLOW, Solid, 22 in Diameter x 6.5 mm thk



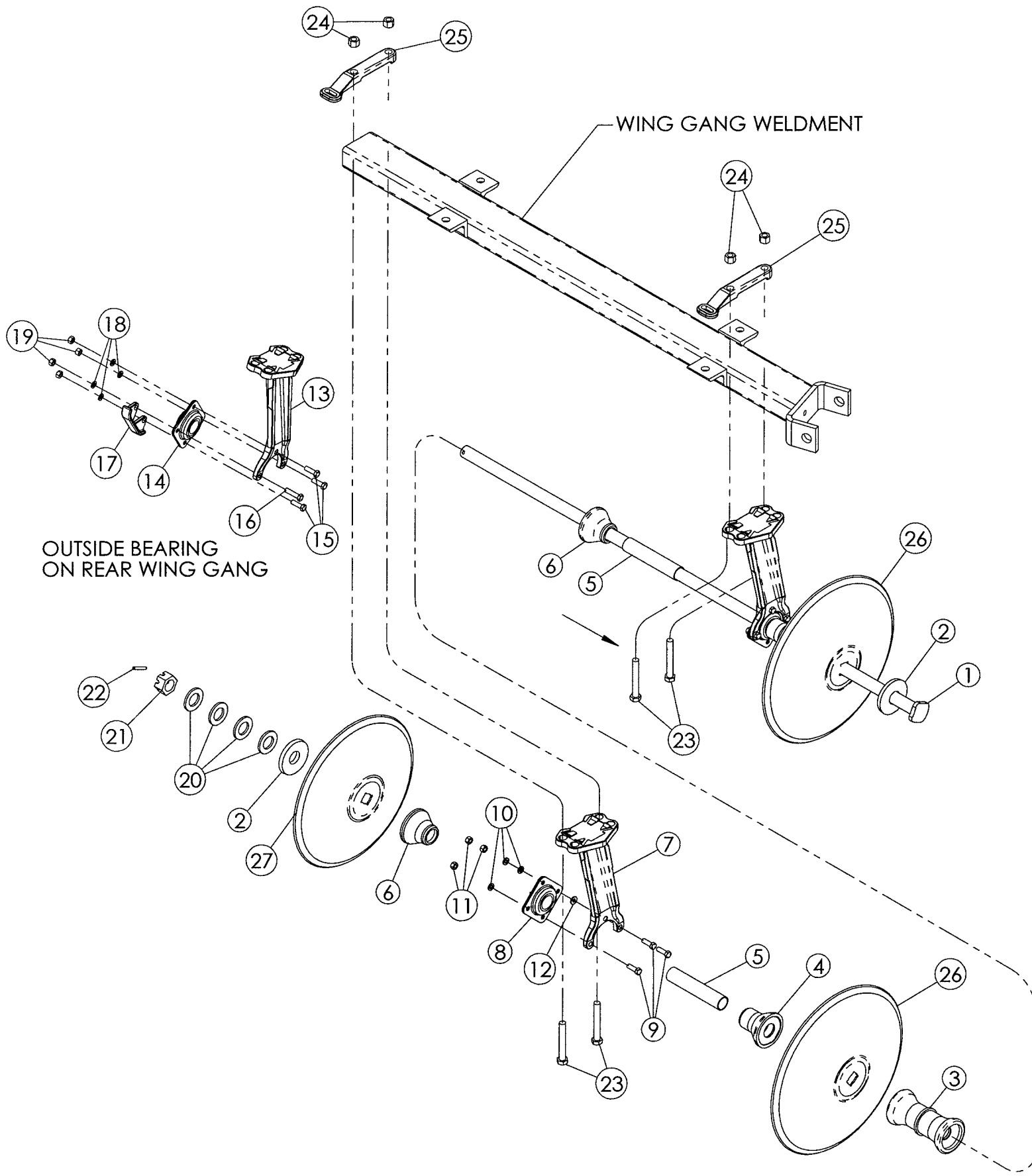
09-20 7-1/2 IN RIGID WING GANG PARTS

сылка	Номер детали	Кол-во	Описание
1	1263612C5	1	BOLT, SPECIAL, Arbor, 8 Blades, 19 ft 31 - 34 ft
1	1263613C5	1	BOLT, SPECIAL, Arbor, 9 Blades, 19 ft 31 ft
1	1986246C5	1	BOLT, SPECIAL, Arbor, 10 Blades, 31 - 34 ft
1	1263614C5	1	BOLT, SPECIAL, Arbor, 11 Blades, 22 - 25 ft
1	1986269C5	1	BOLT, SPECIAL, Arbor, 12 Blades, 22 - 25 ft
1	1263616C4	1	BOLT, SPECIAL, Arbor, 14 Blades, 28 ft
1	1986270C5	1	BOLT, SPECIAL, Arbor, 15 Blades, 28 ft
2	139773C1	2	SPACER, End
3	1263631C1		UAR SPOOL, Spacing, 7-1/2
4	101191C1		UAR SPOOL, Bearing, Long
5	112769C1		UAR BUSHING, Spacing Support
6	101189C1		UAR SPINDLE, Bearing, Short
7	129532C2		UAR HOLDER, Bearing
8	ST491A		UAR BEARING,
9	413-824		UAR BOLT, Hex, 1/2"-13 x 1 1/2", G5, Full Thd,
10	80679		UAR WASHER, LOCK, 1/2",
11	425-108		UAR NUT, 1/2"-13, G5,
12	17610010		UAR BUSHING, 9/16, Machinery Bushing, 18 ga
13	129532C2		UAR HOLDER, Bearing
14	ST491A		UAR BEARING,
15	413-824		UAR BOLT, Hex, 1/2"-13 x 1 1/2", G5, Full Thd,
16	413-832		UAR BOLT, Hex, 1/2"-13 x 2", G5,
17	129753C1		UAR GUARD, Bearing Wear
18	80679		UAR WASHER, LOCK, 1/2",
19	425-108		UAR NUT, 1/2"-13, G5,
20	87412142		UAR WASHER, Arbor Bolt
21	425-1224	1	NUT, SLOTTED, 1 1/2"-6, G5,
22	438-12036	1	PIN, LOCK, 5/16" x 2 1/4", Slotted,
23	413-1284		UAR BOLT, Hex, 3/4"-10 x 5 1/4", G5,
24	231-42412		UAR NUT, LOCK, 3/4"-10, GB,
25	231649A2		UAR SUPPORT, Scraper Angle
26	87442981		UAR DISC, PLOW, Solid, 20 in Diameter x 4.5 mm thk
26	87442991		UAR DISC, PLOW, Solid, 22 in Diameter x 4.5 mm thk
26	87442983		UAR DISC, PLOW, Solid, 20 in Diameter x 5 mm thk
26	87442993		UAR DISC, PLOW, Solid, 22 in Diameter x 5 mm thk
26	87442996		UAR DISC, PLOW, Solid, 22 in Diameter x 5 mm thk # 11 Edge
26	87442992		UAR DISC, NOTCHED, Notched, 22 in Diameter 4.5 mm thk
27	87442973		UAR DISC, PLOW, Solid, 16 in Diameter x 4.5 mm thk
27	87442980		UAR DISC, PLOW, Solid, 18 in Diameter x 5.0 mm thk
27	87442974		UAR DISC, PLOW, Solid, 18 in Diameter x 4.5 mm thk
27	87442981		UAR DISC, PLOW, Solid, 20 in Diameter x 4.5 mm thk
27	87442983		UAR DISC, PLOW, Solid, 20 in Diameter x 5.0 mm thk
27	87442986		UAR DISC, PLOW, Solid, 20 in Diameter x 5.0 mm thk # 11 Edge

RMX340 TANDEM DISK (6/03-)

09-20 7-1/2 IN RIGID WING GANG PARTS

сылка	Номер детали	Кол-во	Описание
27	87442982		UAR DISC, PLOW, Notched, 20 in Diameter x 4.5 mm thk



RMX340 TANDEM DISK (6/03-)

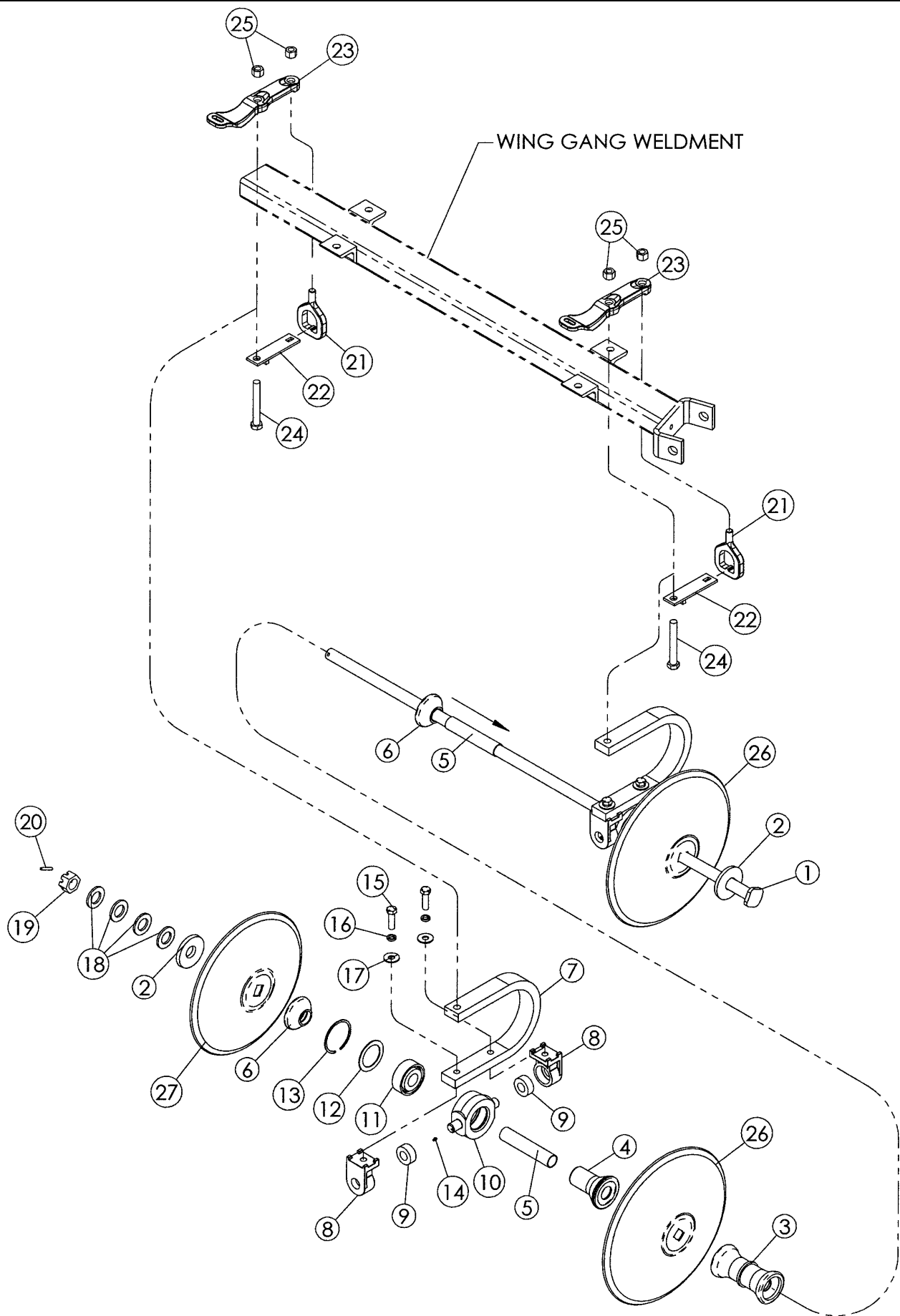
09-21 9 IN RIGID WING GANG PARTS

сылка	Номер детали	Кол-во	Описание
1	1263536C6	1	BOLT, SPECIAL, Arbor, 6 Blades, 31 - 34 ft
1	1263537C6	1	BOLT, SPECIAL, Arbor, 7 Blades, 19 ft 31 - 34 ft
1	1263538C6	1	BOLT, SPECIAL, Arbor, 8 Blades, 19 ft 31 - 34 ft
1	1263539C6	1	BOLT, SPECIAL, Arbor, 9 Blades, 22 - 25 ft
1	1263540C6	1	BOLT, SPECIAL, Arbor, 10 Blades, 22 ft
1	1263541C6	1	BOLT, SPECIAL, Arbor, 11 Blades, 25 - 28 ft
1	1986271C5	1	BOLT, SPECIAL, Arbor, 13 Blades, 28 ft
2	1344908C1	2	WASHER, Bumper
3	139918C1		UAR SPACER, 9
4	101191C1		UAR SPOOL, Bearing, Long
5	112410C1		UAR TUBE, Spacing Support
6	101190C1		UAR SPOOL, Bearing, Short
7	129532C2		UAR HOLDER, Bearing
8	ST491A		UAR BEARING,
9	413-824		UAR BOLT, Hex, 1/2"-13 x 1 1/2", G5, Full Thd,
10	80679		UAR WASHER, LOCK, 1/2",
11	425-108		UAR NUT, 1/2"-13, G5,
12	17610010		UAR BUSHING, 9/16, Machinery Bushing, 18 ga
13	129532C2		UAR HOLDER, Bearing
14	ST491A		UAR BEARING,
15	413-824		UAR BOLT, Hex, 1/2"-13 x 1 1/2", G5, Full Thd, 1/2 x 1-1/2, NC, gr 5
16	413-832		UAR BOLT, Hex, 1/2"-13 x 2", G5, 1/2 x 2, NC, gr 5
17	129753C1		UAR GUARD, Bearing Wear
18	80679		UAR WASHER, LOCK, 1/2",
19	425-108		UAR NUT, 1/2"-13, G5,
20	87412142		UAR WASHER, Arbor Bolt
21	425-1224	1	NUT, SLOTTED, 1 1/2"-6, G5,
22	438-12036	1	PIN, LOCK, 5/16" x 2 1/4", Slotted,
23	413-1284		UAR BOLT, Hex, 3/4"-10 x 5 1/4", G5,
24	231-42412		UAR NUT, LOCK, 3/4"-10, GB,
25	231649A2		UAR SUPPORT, Scraper Angle
26	87442991		UAR DISC, PLOW, Solid, 22 in Diameter x 4.5 mm thk
26	87442993		UAR DISC, PLOW, Solid, 22 in Diameter x 5 mm thk
26	87442996		UAR DISC, PLOW, Solid, 22 in Diameter x 5 mm thk # 11 Edge
26	87442992		UAR DISC, NOTCHED, Notched, 22 in Diameter x 4.5 mm thk
26	87442994		UAR DISC, NOTCHED, Notched, 22 in Diameter x 5 mm thk
27	87442980		UAR DISC, PLOW, Solid, 18 in Diameter x 5.0 mm thk
27	87442981		UAR DISC, PLOW, Solid, 20 in Diameter x 4.5 mm thk
27	87442983		UAR DISC, PLOW, Solid, 20 in Diameter x 5.0 mm thk
27	87442974		UAR DISC, PLOW, Solid, 18 in Diameter x 4.5 mm thk
27	87442986		UAR DISC, PLOW, Solid, 20 in Diameter x 5.0 mm thk
27	87442979		UAR DISC, PLOW, Notched, 18 in Diameter x 4.5 mm thk
27	87442982		UAR DISC, PLOW, Notched, 20 in Diameter x 4.5 mm thk

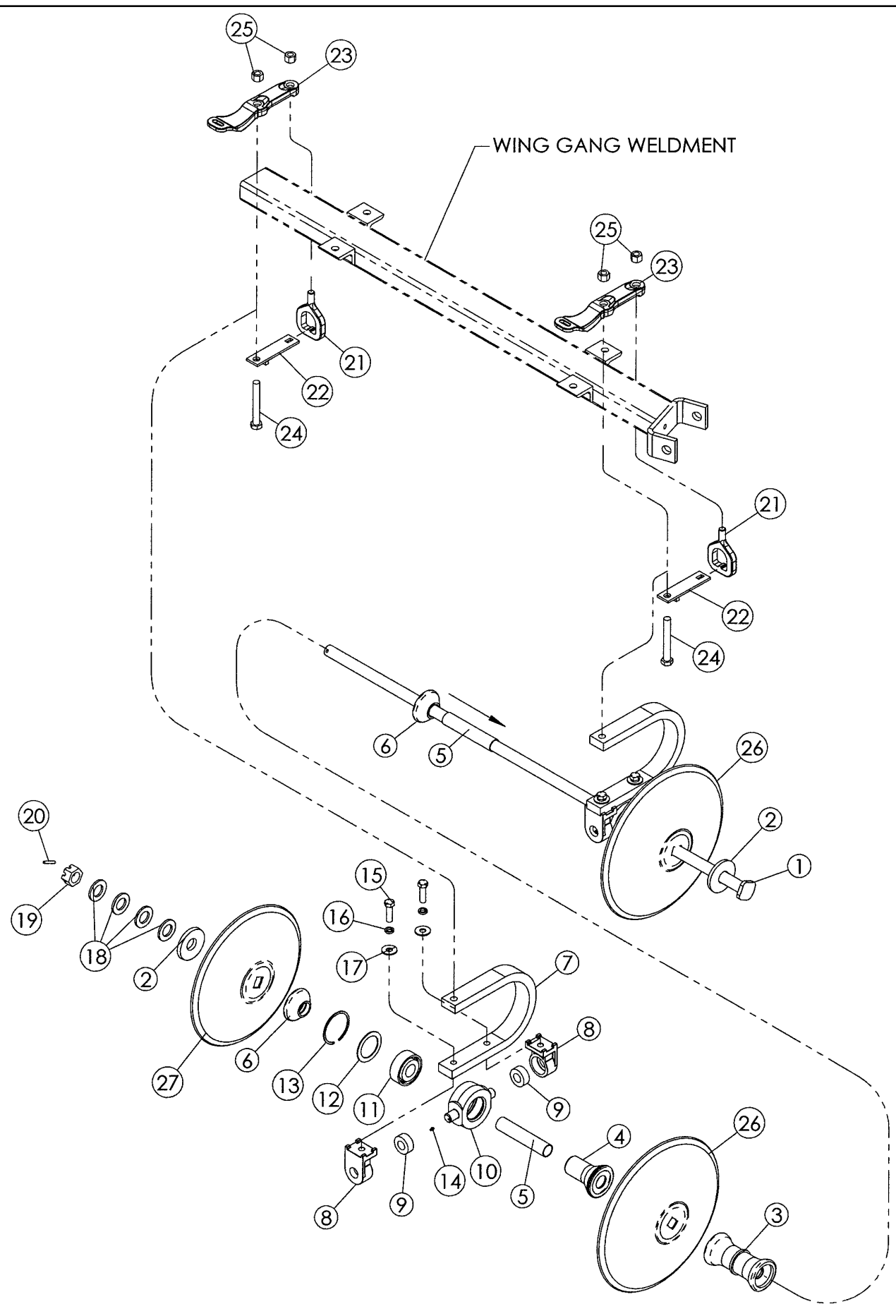
RMX340 TANDEM DISK (6/03-)

09-21 9 IN RIGID WING GANG PARTS

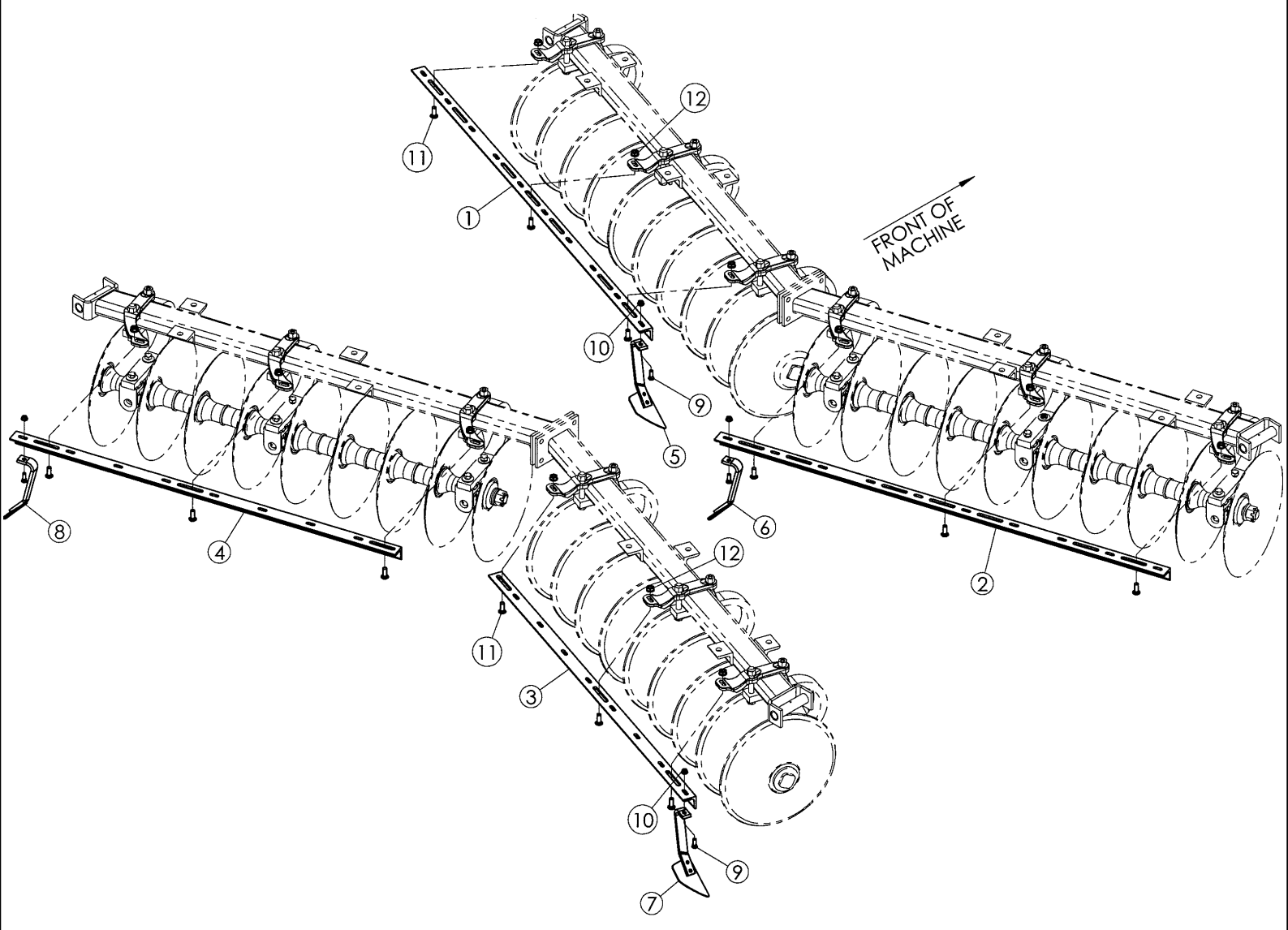
сылка	Номер детали	Кол-во	Описание
27	87442984		UAR DISC, NOTCHED, Notched, 20 in Diameter x 5 mm thk



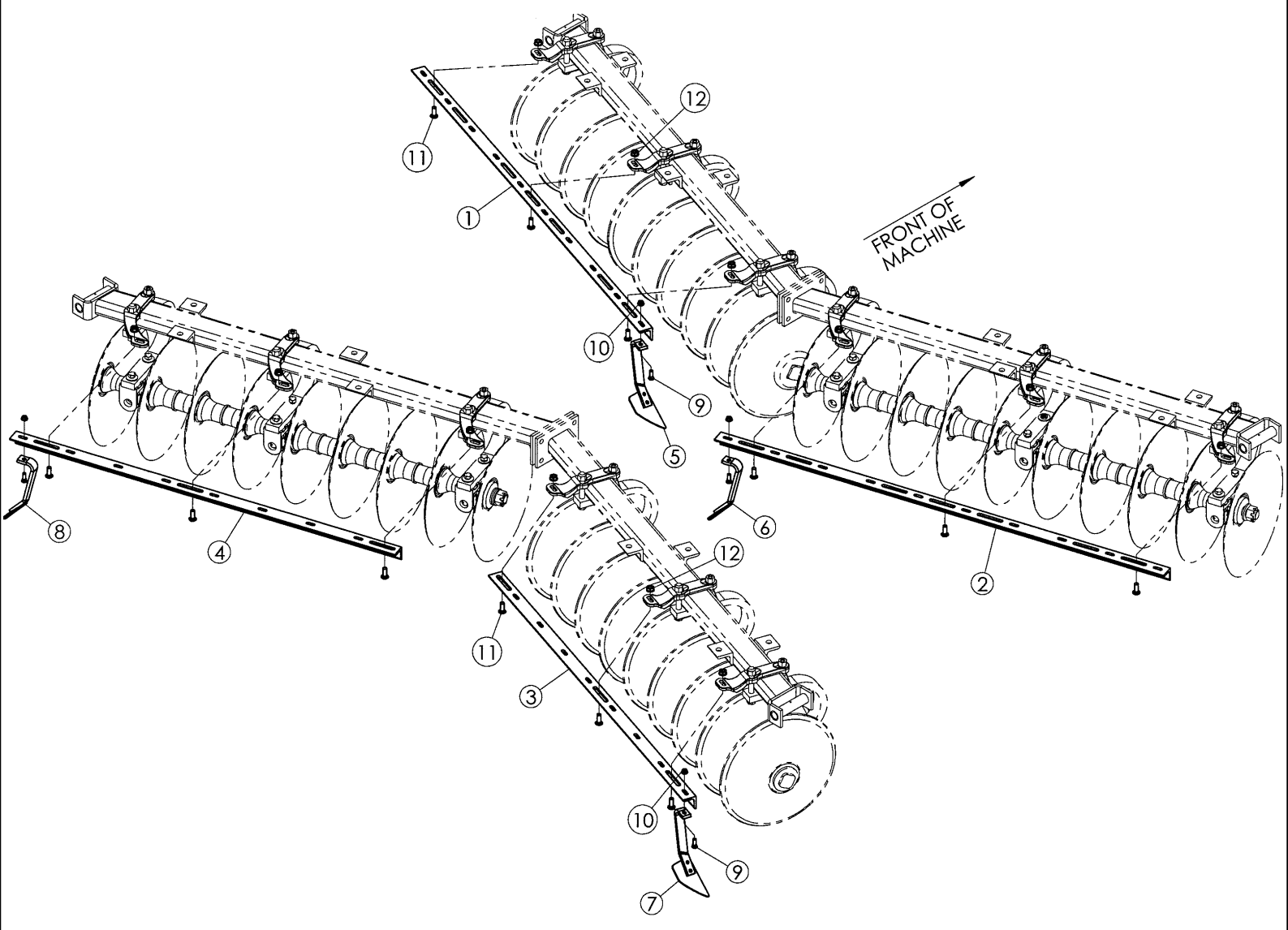
сылка	Номер детали	Кол-во	Описание
1	1263612C5	1	BOLT, SPECIAL, Arbor, 8 Blades, 19 ft, 31 - 34 ft
1	1263613C5	1	BOLT, SPECIAL, Arbor, 9 Blades, 19 ft, 31 ft
1	1986246C5	1	BOLT, SPECIAL, Arbor, 10 Blades, 31 - 34 ft
1	1263614C5	1	BOLT, SPECIAL, Arbor, 11 Blades, 22 - 25 ft
1	1986269C5	1	BOLT, SPECIAL, Arbor, 12 Blades, 22 - 25 ft
1	1263616C4	1	BOLT, SPECIAL, Arbor, 14 Blades, 28 ft
1	1986270C5	1	BOLT, SPECIAL, Arbor, 15 Blades, 28 ft
2	139773C1	2	SPACER, End
3	1263631C1		UAR SPOOL, Spacing, 7-1/2
4	101191C1		UAR SPOOL, Bearing, Long
5	112769C1		UAR BUSHING, Spacing Support
6	101189C1		UAR SPINDLE, Bearing, Short
7	193831A1		UAR SPRING, Bearing
8	195109A1		UAR TRUNNION, Pivot
9	197334A1		UAR BUSHING, Special
10	193907A1		UAR HOUSING, BEARING,
11	193906A1		UAR BEARING,
12	193929A1		UAR WASHER, Bearing Retainer
13	101-21433		UAR RING, SNAP, #433, 4.641", Int,
14	219-87		UAR NIPPLE, LUBE, 1/4"-28 x .56" lg, Self-Tap,
15	413-1244		UAR BOLT, Hex, 3/4"-10 x 2 3/4", G5,
16	492-11075		UAR WASHER, LOCK, 3/4",
17	495-21081		UAR WASHER, 3/4", 13/16 x 2, 9 ga
18	87412142		UAR WASHER, Arbor Bolt
19	425-1224	1	NUT, SLOTTED, 1 1/2"-6, G5,
20	438-12036	1	PIN, LOCK, 5/16" x 2 1/4", Slotted,
21	195495A1		UAR EYEBOLT,
22	244620A1		UAR RETAINER, Bolt
23	329521A2		UAR SUPPORT, Scraper Angle, Front, LH, Rear, RH
23	329523A2		UAR SUPPORT, Scraper Angle, Front, RH, Rear, LH
24	413-14104		UAR BOLT, Hex, 7/8"-9 x 6 1/2", G5,
25	87012309		UAR NUT, LOCK, 7/8"-9, GB,
26	87442983		UAR DISC, PLOW, Solid, 20 in Diameter x 5 mm thk
26	87442993		UAR DISC, PLOW, Solid, 22 in Diameter x 5 mm thk
26	87442985		UAR DISC, PLOW, Solid, 20 in Diameter x 6.5 mm thk
26	87442995		UAR DISC, PLOW, Solid, 22 in Diameter x 6.5 mm thk
27	87442973		UAR DISC, PLOW, Solid, 16 in Diameter x 4.5 mm thk
27	87442980		UAR DISC, PLOW, Solid, 18 in Diameter x 5.0 mm thk
27	87442983		UAR DISC, PLOW, Solid, 20 in Diameter x 5.0 mm thk
27	87442985		UAR DISC, PLOW, Solid, 20 in Diameter x 6.5 mm thk



сылка	Номер детали	Кол-во	Описание
1	1263536C6	1	BOLT, SPECIAL, Arbor, 6 Blades, 31 - 34 ft
1	1263537C6	1	BOLT, SPECIAL, Arbor, 7 Blades, 19 ft, 31 - 34 ft
1	1263538C6	1	BOLT, SPECIAL, Arbor, 8 Blades, 19 ft, 31 - 34 ft
1	1263539C6	1	BOLT, SPECIAL, Arbor, 9 Blades, 22 - 25 ft
1	1263540C6	1	BOLT, SPECIAL, Arbor, 10 Blades, 22 ft
1	1263541C6	1	BOLT, SPECIAL, Arbor, 11 Blades, 25 - 28 ft
1	1986271C5	1	BOLT, SPECIAL, Arbor, 13 Blades, 28 ft
2	1344908C1	2	WASHER, Bumper
3	139918C1		UAR SPACER, 9
4	101191C1		UAR SPOOL, Bearing, Long
5	112410C1		UAR TUBE, Spacing Support
6	101190C1		UAR SPOOL, Bearing, Short
7	193831A1		UAR SPRING, Bearing
8	195109A1		UAR TRUNNION, Pivot
9	197334A1		UAR BUSHING, Special
10	193907A1		UAR HOUSING, BEARING,
11	193906A1		UAR BEARING,
12	193929A1		UAR WASHER, Bearing Retainer
13	101-21433		UAR RING, SNAP, #433, 4.641", Int,
14	219-87		UAR NIPPLE, LUBE, 1/4"-28 x .56" lg, Self-Tap,
15	413-1244		UAR BOLT, Hex, 3/4"-10 x 2 3/4", G5,
16	492-11075		UAR WASHER, LOCK, 3/4", 3/4"
17	495-21081		UAR WASHER, 3/4",
18	87412142		UAR WASHER, Arbor Bolt
19	425-1224	1	NUT, SLOTTED, 1 1/2"-6, G5,
20	438-12036	1	PIN, LOCK, 5/16" x 2 1/4", Slotted,
21	195495A1		UAR EYEBOLT,
22	244620A1		UAR RETAINER, Bolt
23	329521A2		UAR SUPPORT, Scraper Angle, Front, LH, Rear, RH
23	329523A2		UAR SUPPORT, Scraper Angle, Front, RH, Rear, LH
24	413-14104		UAR BOLT, Hex, 7/8"-9 x 6 1/2", G5,
25	87012309		UAR NUT, LOCK, 7/8"-9, GB,
26	87442993		UAR DISC, PLOW, Solid, 22 in Diameter x 5 mm thk
26	87442995		UAR DISC, PLOW, Solid, 22 in Diameter x 6.5 mm thk
27	87442980		UAR DISC, PLOW, Solid, 18 in Diameter x 4.5 mm thk
27	87442983		UAR DISC, PLOW, Solid, 20 in Diameter x 5 mm thk
27	87442985		UAR DISC, PLOW, Solid, 20 in Diameter x 6.5 mm thk

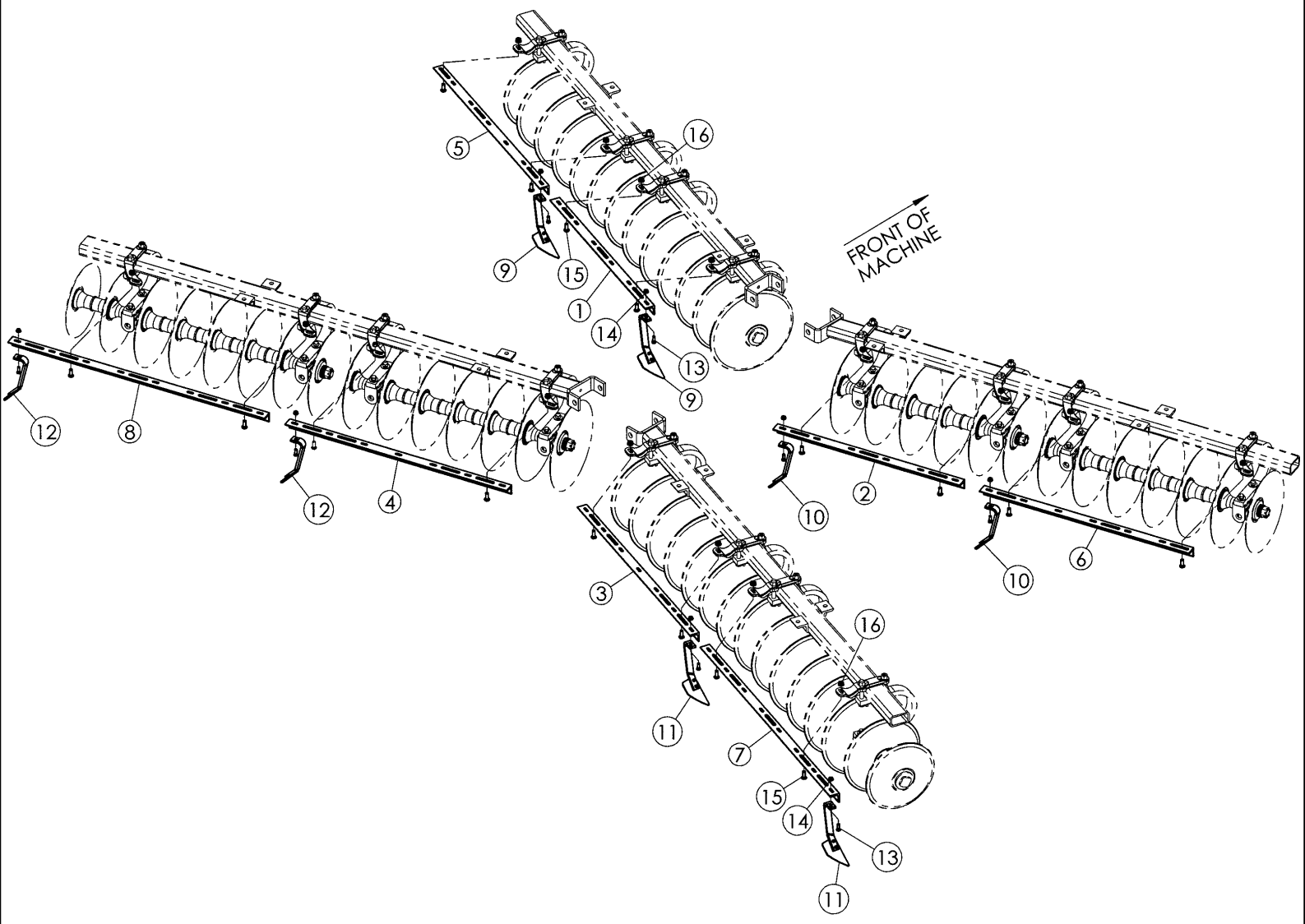


сылка	Номер детали	Кол-во	Описание
1	87405845	1	ANGLE, Scraper, 7 Blades, 7 Scrapers, 19 - 22 ft, Front, LH
1	87405844	1	ANGLE, Scraper, 9 Blades, 9 Scrapers, 25 - 31 ft, Front, LH
1	87405847	1	ANGLE, Scraper, 12 Blades, 12 Scrapers, 34 ft, Front, LH
2	87405845	1	ANGLE, Scraper, 7 Blades, 7 Scrapers, 19 - 22 ft, Front, RH
2	87405844	1	ANGLE, Scraper, 9 Blades, 9 Scrapers, 25 - 31 ft, Front, RH
2	87405847	1	ANGLE, Scraper, 12 Blades, 12 Scrapers, 34 ft, Front, RH
3	87405849	1	ANGLE, Scraper, 7 Blades, 6 Scrapers, 19 - 22 ft, Rear, RH
3	87408092	1	ANGLE, Scraper, 9 Blades, 8 Scrapers, 25 - 31 ft, Rear, RH
3	87405846	1	ANGLE, Scraper, 11 Blades, 10 Scrapers, 34 ft, Rear, RH
4	87405853	1	ANGLE, Scraper, 7 Blades, 6 Scrapers, 19 - 22 ft, Rear, LH
4	87408093	1	ANGLE, Scaper, 9 Blades, 8 Scrapers, 25 - 31 ft, Rear, LH
4	87405851	1	ANGLE, Scraper, 11 Blades, 10 Scrapers, 34 ft, Rear, LH
5	195938A1		UAR SCRAPER, Rigid Assembly, Front, LH
5	121119C92		UAR SCRAPER, Flex Assembly, Front, LH
6	195939A1		UAR SCRAPER, Rigid Assmbly, Front, RH
6	121120C92		UAR SCRAPER, Flex Assembly, Front, RH
7	195938A1		UAR SCRAPER, Rigid Assembly, Rear, RH
7	121119C92		UAR SCRAPER, Flex Assembly, Rear, RH
8	195939A1		UAR SCRAPER, Rigid Assembly, Rear, LH
8	121120C92		UAR SCRAPER, Flex Assembly, Rear, LH
9	231425A1		UAR BOLT, 1/2 Special
10	86512371		UAR NUT, Flg, USR, 1/2"-13,
11	433-1032		UAR BOLT, CARRIAGE, Short NK, 5/8"-11 x 2", G5,
12	1256884C1		UAR NUT, Flange, 5/8, NC

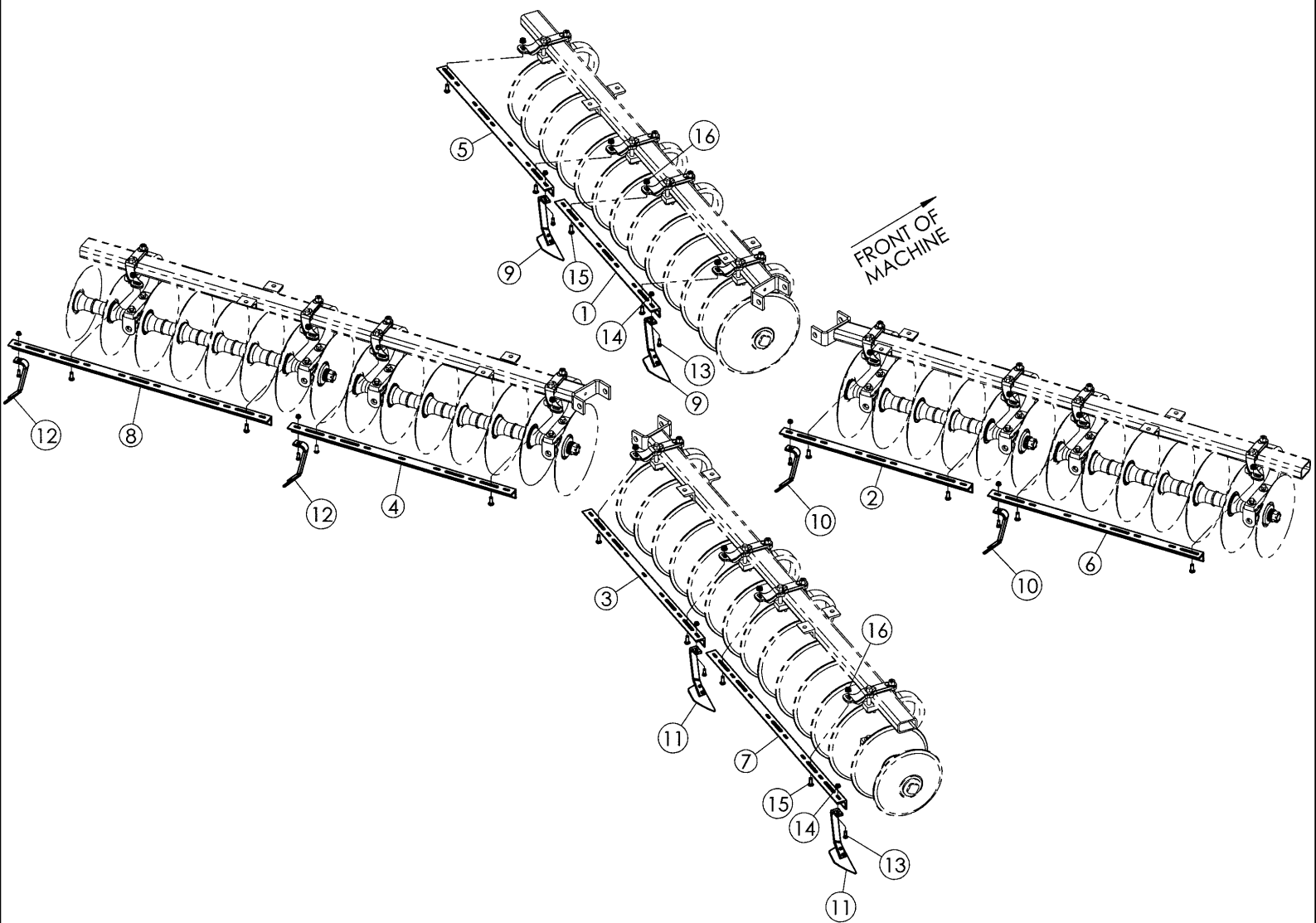


09-25 9 IN MAIN GANG SCRAPER PARTS

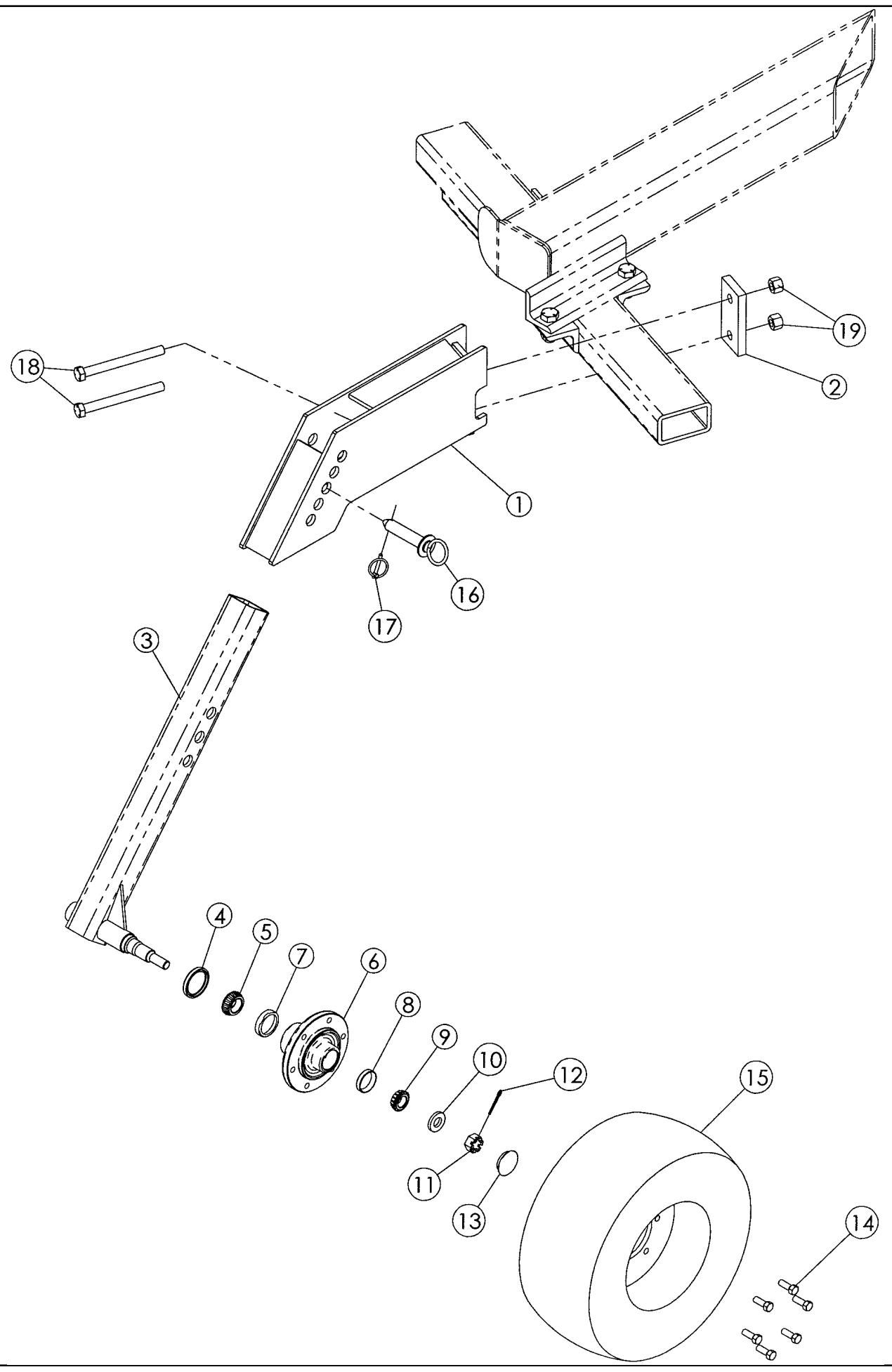
сылка	Номер детали	Кол-во	Описание
1	87403308	1	ANGLE, Scraper, 6 Blades, 6 Scrapers, 19 - 22 ft, Front, LH
1	87403924	1	ANGLE, Scraper, 8 Blades, 8 Scrapers, 25 - 31 ft, Front, LH
1	87403315	1	ANGLE, Scraper, 10 Blades, 10 Scrapers, 34 ft, Front, LH
2	87403308	1	ANGLE, Scraper, 6 Blades, 6 Scrapers, 19 - 22 ft, Front, RH
2	87403924	1	ANGLE, Scraper, 8 Blades, 8 Scrapers, 25 - 31 ft, Front, RH
2	87403315	1	ANGLE, Scraper, 10 Blades, 10 Scrapers, 34 ft, Front, RH
3	87408095	1	ANGLE, Scraper, 6 Blades, 5 Scrapers, 19 - 22 ft, Rear, RH
3	87403309	1	ANGLE, Scraper, 7 Blades, 6 Scrapers, 25 - 31 ft, Rear, RH
3	87403313	1	ANGLE, Scraper, 9 Blades, 8 Scrapers, 34 ft, Rear, RH
4	87408096	1	ANGLE, Scraper, 6 Blades, 5 Scrapers, 19 - 22 ft, Rear, LH
4	87403310	1	ANGLE, Scraper, 7 Blades, 6 Scrapers, 25 - 31 ft, Rear, LH
4	87403314	1	ANGLE, Scraper, 9 Blades, 8 Scrapers, 34 ft, Rear, LH
5	195938A1		UAR SCRAPER, Rigid Assembly, Front, LH
5	121119C92		UAR SCRAPER, Flex Assembly, Front, LH
6	195939A1		UAR SCRAPER, Rigid Assembly, Front, RH
6	121120C92		UAR SCRAPER, Flex Assembly, Front, RH
7	195938A1		UAR SCRAPER, Rigid Assembly, Rear, RH
7	121119C92		UAR SCRAPER, Flex Assembly, Rear, RH
8	195939A1		UAR SCRAPER, Rigid Assembly, Rear, LH
8	121120C92		UAR SCRAPER, Flex Assembly, Rear, LH
9	231425A1		UAR BOLT, 1/2, Special
10	86512371		UAR NUT, Flg, USR, 1/2"-13,
11	433-1032		UAR BOLT, CARRIAGE, Short NK, 5/8"-11 x 2", G5,
12	1256884C1		UAR NUT, Flange, 5/8, NC



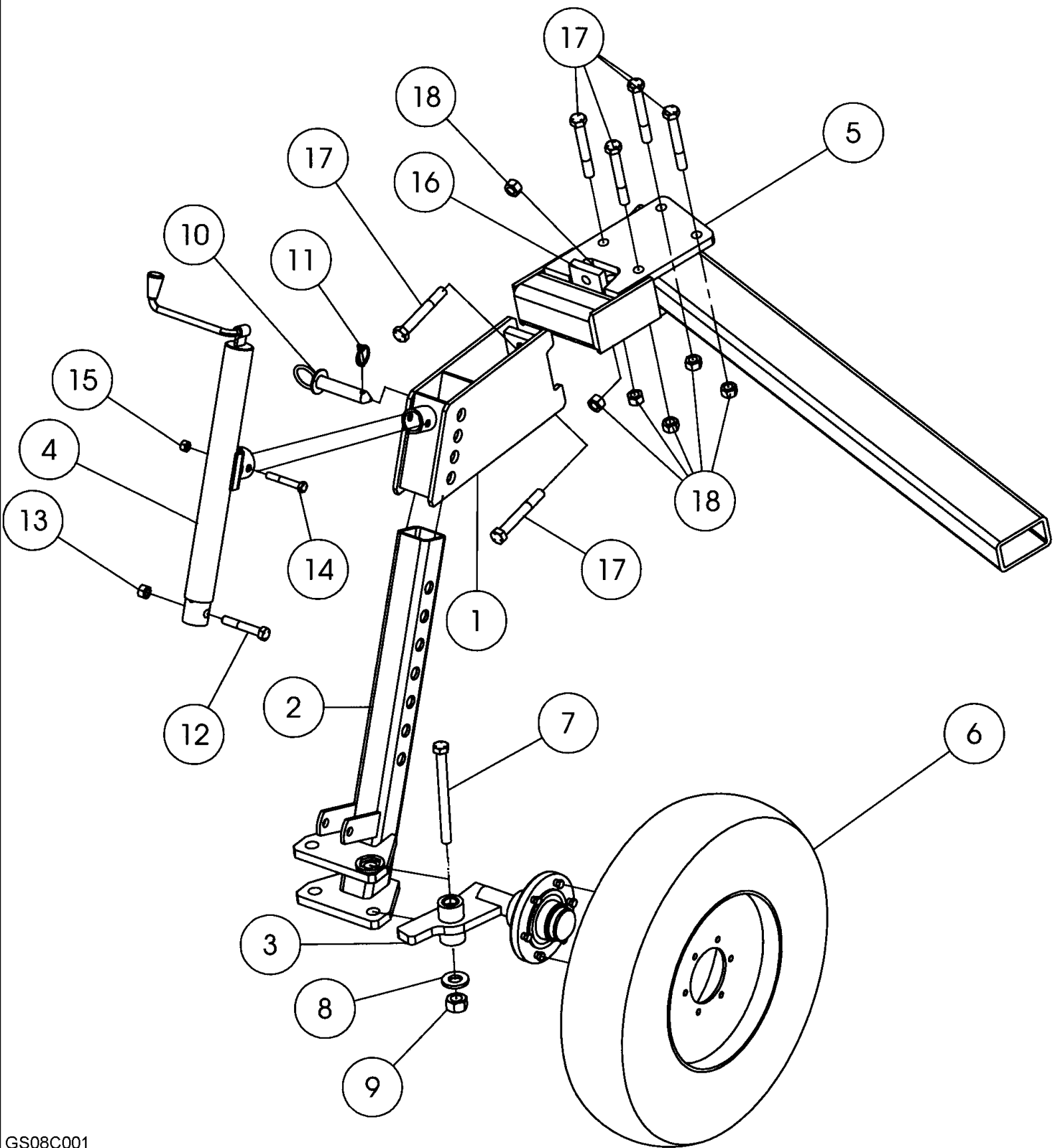
сылка	Номер детали	Кол-во	Описание
1	87405848	1	ANGLE, Scraper, 8 Blades, 7 Scrapers, 19 ft, Front, LH
1	87408101	1	ANGLE, Scraper, 8 Blades, 8 Scrapers, 31 - 34 ft, Front, LH
1	87405846	1	ANGLE, Scraper, 11 Blades, 10 Scrapers, 22 - 25 ft, Front, LH
1	87408098	1	ANGLE, Scraper, 14 Blades, 13 Scrapers, 28 ft, Front, LH
2	87405852	1	ANGLE, Scraper, 8 Blades, 7 Scrapers, 19 ft, Front, RH
2	87408101	1	ANGLE, Scraper, 8 Blades, 8 Scrapers, 31 - 34 ft, RH
2	87405851	1	ANGLE, Scraper, 11 Blades, 10 Scrapers, 22 - 25 ft, Front, RH
2	87408099	1	ANGLE, Scraper, 14 Blades, 13 Scrapers, 28 ft, Front, RH
3	87408101	1	ANGLE, Scraper, 8 Blades, 8 Scrapers, 31 - 34 ft, Rear, RH
3	87405844	1	ANGLE, Scraper, 9 Blades, 9 Scrapers, 19 ft, Rear, RH
3	87405847	1	ANGLE, Scraper, 12 Blades, 12 Scrapers, 22 - 25 ft, Rear, RH
3	87408097	1	ANGLE, Scraper, 15 Blades, 15 Scrapers, 28 ft, Rear, RH
4	87408101	1	ANGLE, Scraper, 8 Blades, 8 Scrapers, 31 - 34 ft, Rear, LH
4	87405844	1	ANGLE, Scraper, 9 Blades, 9 Scrapers, 19 ft, Rear, LH
4	87405847	1	ANGLE, Scraper, 12 Blades, 12 Scapers, 22 - 25 ft, Rear, LH
4	87408097	1	ANGLE, Scraper, 15 Blades, 15 Scrapers, 28 ft, Rear, LH
5	87405848	1	ANGLE, Scraper, 8 Blades, 7 Scrapers, 34 ft, Front, LH
5	87408092	1	ANGLE, Scraper, 9 Blades, 8 Scrapers, 31 ft, Front, LH
6	87405852	1	ANGLE, Scraper, 8 Blades, 7 Scrapers, 34 ft, Front, RH
6	87408093	1	ANGLE, Scraper, 9 Blades, 8 Scrapers, 31 ft, Front, RH
7	87408100	1	ANGLE, Scraper, 10 Blades, 10 Scrapers, 31 - 34 ft, Rear, RH
8	87408100	1	ANGLE, Scraper, 10 Blades, 10 Scrapers, 31 - 34 ft, Rear, LH
9	195938A1		UAR SCRAPER, Rigid Assembly, Front, LH
9	121119C92		UAR SCRAPER, Flex Assembly, Front, LH
10	195938A1		UAR SCRAPER, Rigid Assembly, Front, RH
10	121120C92		UAR SCRAPER, Flex Assembly, Front, RH
11	195938A1		UAR SCRAPER, Rigid Assembly, Rear, RH
11	121119C92		UAR SCRAPER, Flex Assembly, Rear, RH
12	195939A1		UAR SCRAPER, Rigid Assembly, Rear, LH
12	121120C92		UAR SCRAPER, Flex Assembly, Rear, LH
13	231425A1		UAR BOLT, 1/2, Special
14	86512371		UAR NUT, Flg, USR, 1/2"-13,
15	433-1032		UAR BOLT, CARRIAGE, Short NK, 5/8"-11 x 2", G5,
16	1256884C1		UAR NUT, Flange, 5/8, NC



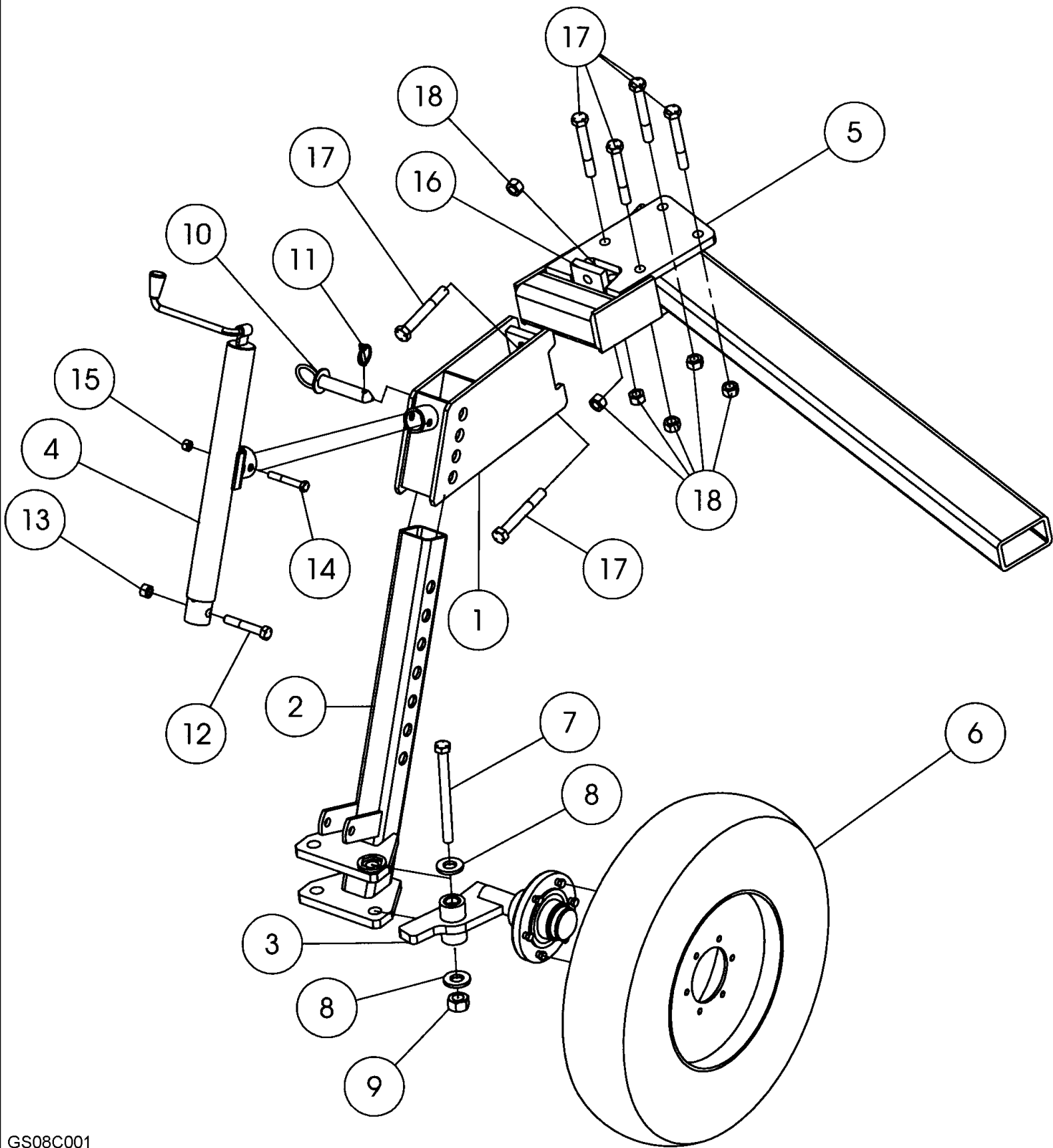
сылка	Номер детали	Кол-во	Описание
1	87403308	1	ANGLE, Scraper, 6 Blades, 6 Scrapers, 31 - 34 ft, Front, LH
1	87403309	1	ANGLE, Scraper, 7 Blades, 6 Scrapers, 19 ft, Front, LH
1	87403313	1	ANGLE, Scraper, 9 Blades, 8 Scrapers, 22 - 25 ft, Front, LH
1	87408103	1	ANGLE, Scraper, 11 Blades, 10 Scrapers, 28 ft, Front, LH
2	87403308	1	ANGLE, Scraper, 6 Blades, 6 Scrapers, 31 - 34 ft, Front, RH
2	87403310	1	ANGLE, Scraper, 7 Blades, 6 Scrapers, 19 ft, Front, RH
2	87403314	1	ANGLE, Scraper, 9 Blades, 8 Scrapers, 22 - 25 ft, Front, RH
2	87408104	1	ANGLE, Scraper, 11 Blades, 10 Scrapers, 28 ft, Front, RH
3	87403317	1	ANGLE, Scraper, 7 Blades, 7 Scrapers, 31 - 34 ft, Rear, RH
3	87403924	1	ANGLE, Scraper, 8 Blades, 8 Scrapers, 19 ft, Rear, RH
3	87403315	1	ANGLE, Scraper, 10 Blades, 10 Scrapers, 22 ft, Rear, RH
3	87405838	1	ANGLE, Scraper, 11 Blades, 11 Scrapers, 25 ft, Rear, RH
3	87408102	1	ANGLE, Scraper, 13 Blades, 13 Scrapers, 28 ft, Rear, RH
4	87403317	1	ANGLE, Scraper, 7 Blades, 7 Scrapers, 31 - 34 ft, Rear, LH
4	87403924	1	ANGLE, Scraper, 8 Blades, 8 Scrapers, 19 ft, Rear, LH
4	87403315	1	ANGLE, Scraper, 10 Blades, 10 Scrapers, 22 ft, Rear, LH
4	87405838	1	ANGLE, Scraper, 11 Blades, 11 Scrapers, 25 ft, Rear, LH
4	87408102	1	ANGLE, Scraper, 13 Blades, 13 Scrapers, 28 ft, Rear, LH
5	87403309	1	ANGLE, Scraper, 7 Blades, 6 Scrapers, 31 - 34 ft, Front, LH
6	87403310	1	ANGLE, Scraper, 7 Blades, 6 Scrapers, 31 - 34 ft, Front, RH
7	87403924	1	ANGLE, Scraper, 8 Blades, 8 Scrapers, 31 - 34 ft, Rear, RH
8	87403924	1	ANGLE, Scraper, 8 Blades, 8 Scrapers, 31 - 34 ft, Rear, LH
9	195938A1		UAR SCRAPER, Rigid Assembly, Front, LH
9	121119C92		UAR SCRAPER, Flex Assembly, Front, LH
10	195939A1		UAR SCRAPER, Rigid Assembly, Front, RH
10	121120C92		UAR SCRAPER, Flex Assembly, Front, RH
11	195938A1		UAR SCRAPER, Rigid Assembly, Rear, LH
11	121119C92		UAR SCRAPER, Flex Assembly, Rear, LH
12	195939A1		UAR SCRAPER, Rigid Assembly, Rear, RH
12	121120C92		UAR SCRAPER, Flex Assembly, Rear, RH
13	231425A1		UAR BOLT, 1/2, Special
14	86512371		UAR NUT, Flg, USR, 1/2"-13,
15	433-1032		UAR BOLT, CARRIAGE, Short NK, 5/8"-11 x 2", G5,
16	1256684C1		UAR STAND, Flange, 5/8, NC



сылка	Номер детали	Кол-во	Описание
1	444575A1	1	BRACKET, Gauge Wheel Mount, LH
1	444576A1	1	BRACKET, Gauge Wheel Mount, RH
2	447279A1	1	SPACER, Bolt
3	87413344	1	SPINDLE, Weldment
4	472221R91	1	SEAL,
5	651818R91	1	BEARING, CONE, 1.25 Bore
6	87419424	1	HUB, 6-Bolt Hub, Light, Inc. 7 , 8
7	651817R1	1	BEARING, CUP, 2.33 OD
8	651814R1	1	BEARING, CUP, 1.7810 OD
9	651815R91	1	BEARING, CONE, 75 Bore
10	369857R1	1	WASHER, 25/32 x 1-1/4, 11 ga
11	425-1312	1	NUT, SLOTTED, 3/4"-16, G5, 3/4, NF, Slotted, gr 5
12	432-824	1	PIN, SPLIT (COTTER), 1/8" x 1 1/2",
13	B13280	1	HUB CAP,
14	277538A1	6	BOLT, Wheel
14	NSS	1	NOT SERVICED SEPARATELY, 20.5 - x 10, Inc. 15
15	10106202	1	WHEEL ASSY., 10 x 6 JA, Silver
16	14816348	1	PIN,
17	A30338	1	PIN, Klik, 1/4 x 1-3/4
18	413-12120	2	BOLT, Hex, 3/4"-10 x 7 1/2", G5, 3/4 x 7-1/2, NC, gr 5
19	86992217	2	NUT, LOCK, 3/4, NC



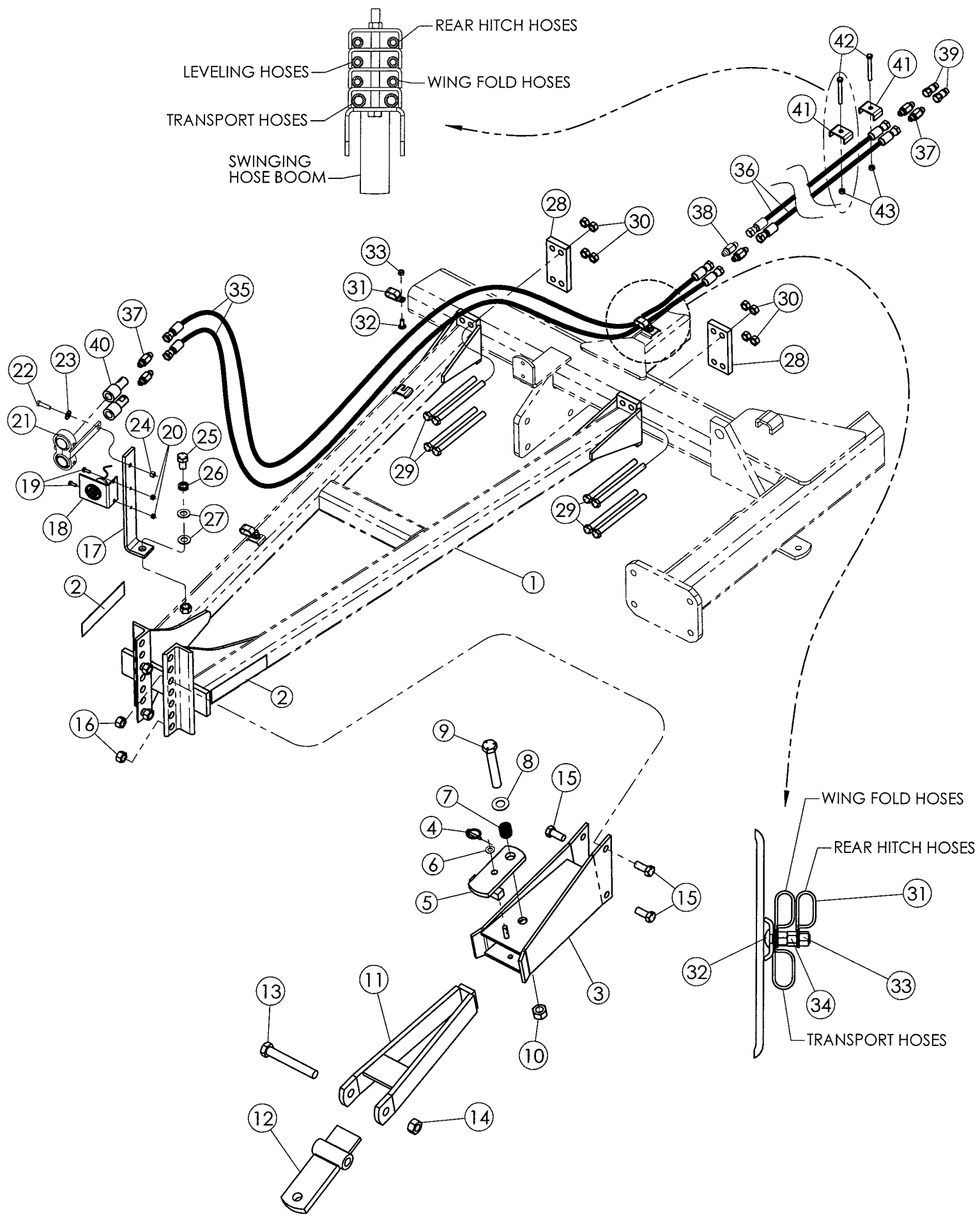
сылка	Номер детали	Кол-во	Описание
1	87604180	1	WHEEL, IDLER, Mount, Gauge, Wheel
2	87604184	1	BRACKET, Gauge Wheel
3	87604185	1	PIVOT, Weld
4	87604193	1	JACK, Screw, Used On 2008 And After Models
4	84163961	1	JACK, Screw, Used On 2009 And After Models
5	87681851	1	BRACKET, Mount Gauge Wheel
6	87451736	1	WHEEL ASSY., 7.6 x 15, Tube Silver
7	5971	1	BOLT, Hex, 1"-8 x 7", G8, Full Thd,
8	495-81074	2	WASHER, 1 1/32" x 1 3/4" x .120",
9	86992219	1	NUT, LOCK, 1, Stover
10	14816348	1	PIN,
11	A30338	1	PIN, Klick
12	413-1060	1	BOLT, Hex, 5/8"-11 x 3 3/4", G5,
13	86992216	1	NUT, LOCK, Stover, 5/8
14	413-852	1	BOLT, Hex, 1/2"-13 x 3 1/4", G5,
15	86992215	1	NUT, LOCK, Stover, 1/2
16	87698627	1	BRACKET, Flat Mount
17	413-1288	6	BOLT, Hex, 3/4"-10 x 5 1/2", G5,
18	86992217	6	NUT, LOCK, Stover, 3/4



RMX340 TANDEM DISK (6/03-)

09-30 PIVOT STABALIZING WHEEL

сылка	Номер детали	Кол-во	Описание
1	87604180	1	WHEEL, IDLER, Mount Gauge Wheel
2	87604184	1	BRACKET, Gauge Wheel
3	87604185	1	PIVOT, Weld
4	84163961	1	JACK, Screw
5	87681851	1	BRACKET, Mount Gauge Wheel
6	87451736	1	WHEEL ASSY., 7.6 15, Tube, Silver
7	5971	1	BOLT, Hex, 1"-8 x 7", G8, Full Thd,
8	495-81074	2	WASHER, 1 1/32" x 1 3/4" x .120",
9	86992219	1	NUT, LOCK, 1, Stover
10	14816348	1	PIN,
11	A30338	1	PIN, Klik
12	413-1060	1	BOLT, Hex, 5/8"-11 x 3 3/4", G5,
13	86992216	1	NUT, LOCK, Stover, 5/8
14	413-852	1	BOLT, Hex, 1/2"-13 x 3 1/4", G5,
15	86992215	1	NUT, LOCK, 1/2, Stover
16	87698627	1	BRACKET, Flat Mount
17	413-1288	6	BOLT, Hex, 3/4"-10 x 5 1/2", G5,
18	86992217	6	NUT, LOCK,



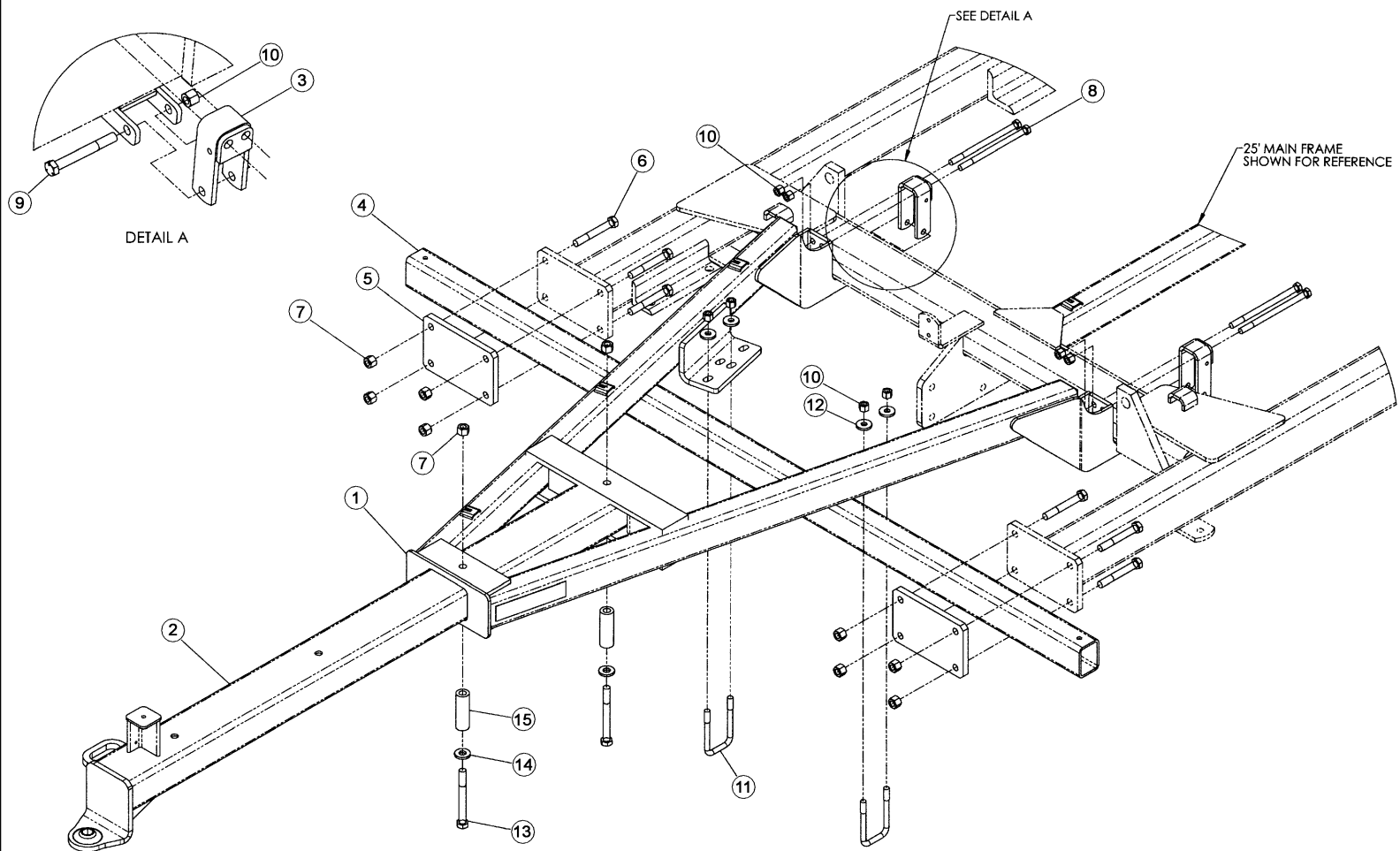
09-31 REAR HITCH PARTS PRIOR TO 2005 MODELS

сылка	Номер детали	Кол-во	Описание
1	86991549	1	HITCH, Rear, 25 ft
1	86991550	1	HITCH, Rear, 28 - 34 ft
2	311864A1	2	REFLECTOR, Yellow
3	87418301	1	SUPPORT, Tank Hitch
4	A33497	1	PIN, LINCH, Klik, 3/16 x 1-1/4
5	87418302	1	LATCH ASSY., Tank Hitch
6	495-11053	1	WASHER, 1/2", SAE,
7	1986194C1	1	SPRING, Tank
8	495-11106	1	WASHER, 1", SAE,
9	413-16112	1	BOLT, Hex, 1"-8 x 7", G5,
10	86992219	1	NUT, LOCK, 1, NC
11	87418303	1	GUIDE, Tongue
12	87418304	1	TONGUE, Hitch
13	413-16112	1	BOLT, Hex, 1"-8 x 7", G5,
14	86992219	1	NUT, LOCK, 1, NC
15	413-1228	4	BOLT, Hex, 3/4"-10 x 1 3/4", G5,
16	86992217	4	NUT, LOCK, 3/4, NC
17	87417380	1	BAR, Hose Stand
18	87404421	1	HARNESS, Light, Rear Hitch
19	413-416	2	BOLT, Hex, 1/4"-20 x 1", G5,
20	86992211	2	NUT, LOCK, 1/4, NC
21	25705012	1	COUPLING, Breakaway
22	413-620	1	BOLT, Hex, 3/8"-16 x 1 1/4", G5, Full Thd,
23	495-21044	1	WASHER, 3/8",
24	86992213	1	NUT, LOCK, 3/8, NC
25	413-1220	1	BOLT, Hex, 3/4"-10 x 1 1/4", G5,
26	492-11075	1	WASHER, LOCK, 3/4", 3/4"
27	87381	2	WASHER, 3/4", SAE,
28	87418305	2	PLATE, Bolt, Rear Hitch
29	413-10136	8	BOLT, Hex, 5/8"-11 x 8 1/2", G5,
30	86992216	8	NUT, LOCK, 5/8, NC
31	22510710		UAR CLAMP, HOSE, Cushion, 5/8
32	433-616		UAR BOLT, CARRIAGE, Short NK, 3/8"-16 x 1", G5,
32	134-3		UAR BOLT, CARRIAGE, Short NK, 3/8"-16 x 2", G2, Full Thd,
33	86992213		UAR NUT, LOCK, 3/8, NC
34	425-106	2	NUT, 3/8"-16, G5,
35	1284291C1	2	HOSE, 1/4 x 95
36	189348A1	2	HOSE, 1/4 x 280
37	218-5058	4	CONNECTOR, HYD., 9/16"-18, 37e x 3/4"-18, O-Ring,
38	218-734	2	UNION, 9/16"-18, 37e x 9/16"-18, 37e,
39	25705041	2	COUPLING, Male ISO - 3/4 SAEF
40	25705021	2	COUPLING, Female
41	06200125	6	CLAMP, HOSE,

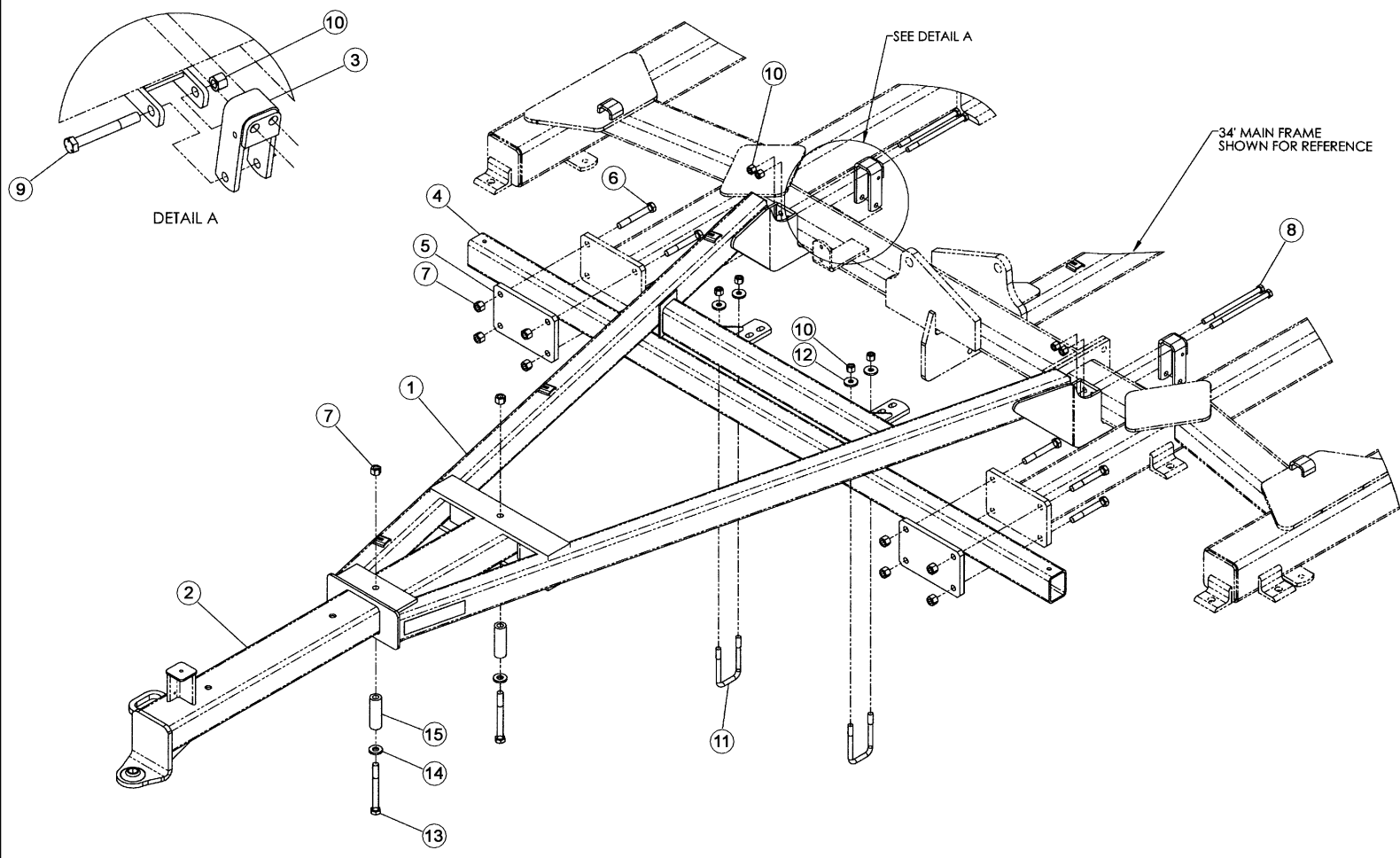
RMX340 TANDEM DISK (6/03-)

09-31 REAR HITCH PARTS PRIOR TO 2005 MODELS

сылка	Номер детали	Кол-во	Описание
42	413-656	2	BOLT, Hex, 3/8"-16 x 3 1/2", G5, (3 Hose Clamps)
42	413-672	2	BOLT, Hex, 3/8"-16 x 4 1/2", G5, (4 Hose Clamps)
43	86992213	2	NUT, LOCK, 3/8
44	533959R1		UAR STRAP, CABLE, .135" x 11", Black Plastic
45	386170C1		UAR STRAP, CABLE, .30" x 27 1/2", Black Plastic



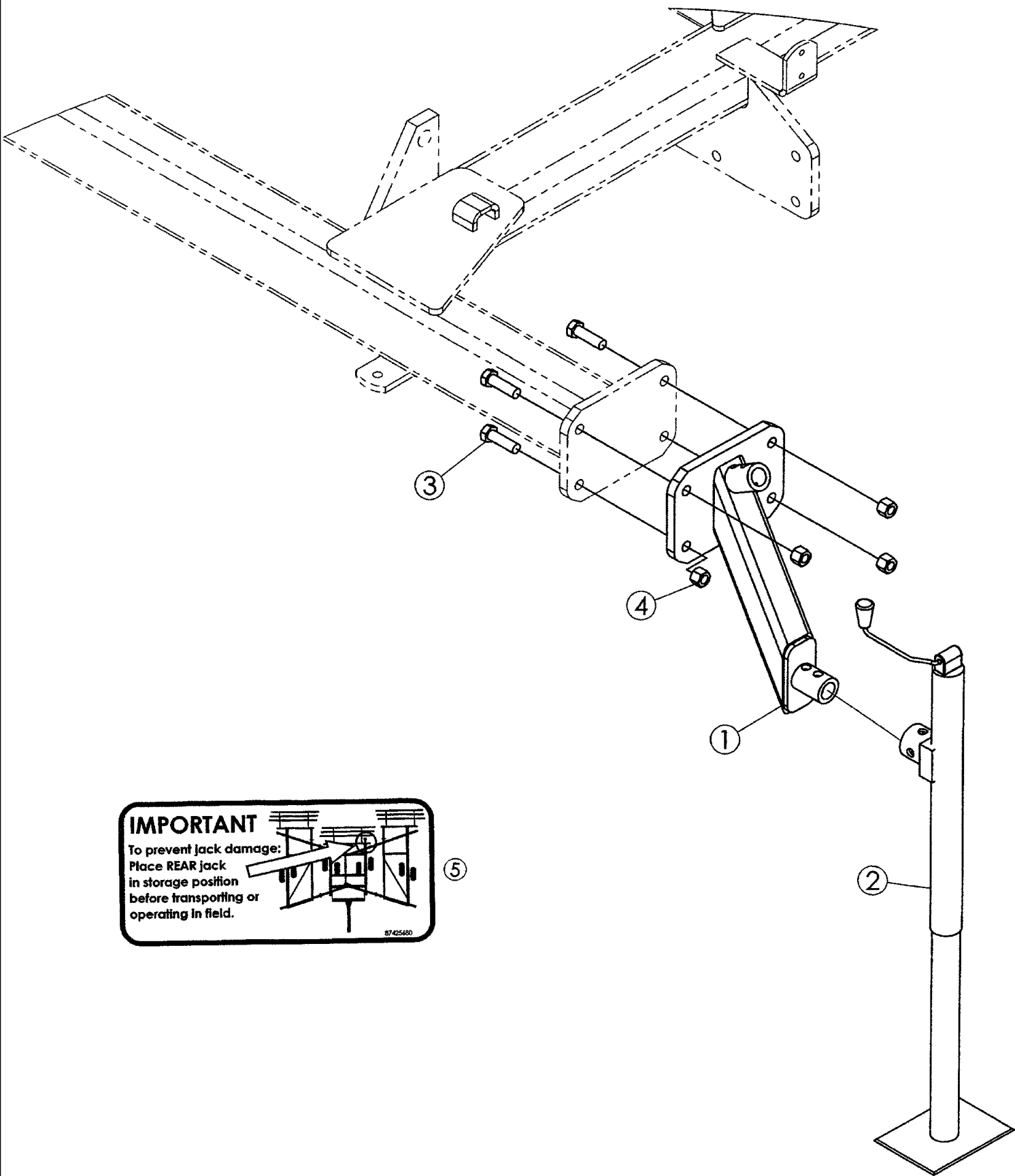
сылка	Номер детали	Кол-во	Описание
1	87458264	1	HITCH, Rear, A-Frame, 19 - 25 Units
2	87459718	1	EXTENSION, Extension
3	06405130	2	CLAMP, 2 Bolt
4	86988845	1	TUBE, Main, Harrow Mount, 19 - 22 Units
4	86988846	1	TUBE, Main, Harrow Mount, 25 Units
5	86989133	2	PLATE, Bolt Harrow Mount
6	413-1296	8	BOLT, Hex, 3/4"-10 x 6", G5, 19 - 22 Units
6	413-1288	8	BOLT, Hex, 3/4"-10 x 5 1/2", G5, 25 Unit
7	86992217	10	NUT, LOCK, 3/4
8	413-10160	4	BOLT, Hex, 5/8"-11 x 10", G5,
9	413-1080	2	BOLT, Hex, 5/8"-11 x 5", G5,
10	86992216	10	NUT, LOCK, 5/8
11	87629102	2	U-BOLT,
12	495-81028	4	WASHER, 21/32" x 1 1/2" x .240",
13	413-12112	2	BOLT, Hex, 3/4"-10 x 7", G5,
14	17413011	2	WASHER, SPECIAL, 1-3/4 OD x 13/16 ID
15	87458925	2	SPACER, Hitch Extension



RMX340 TANDEM DISK (6/03-)

09-33 REAR HITCH 2006 PRODUCTION 28 - 34 UNITS FOR SERIAL NUMBER JFH0031778 AND AFTER

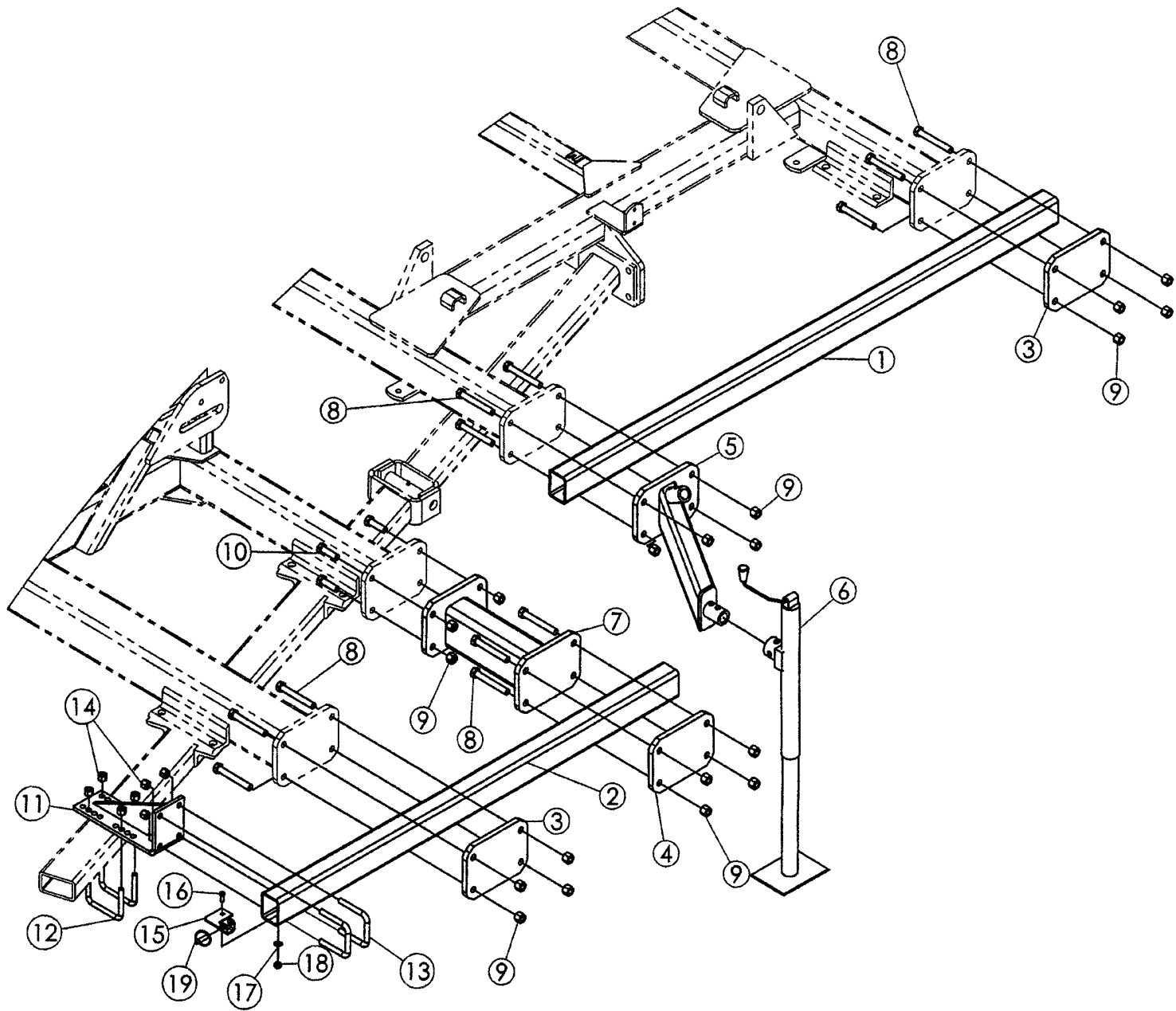
сылка	Номер детали	Кол-во	Описание
1	87458263	1	HITCH, Rear, A-Frame, 28 - 34 Units
2	87459719	1	EXTENSION, Wide Hitch
3	06405130	2	CLAMP, 2 Bolt
4	86988846	1	TUBE, Main Harrow Mount
5	86989133	2	PLATE, Bolt Harrow Mount
6	413-1288	8	BOLT, Hex, 3/4"-10 x 5 1/2", G5,
7	86992217	10	NUT, LOCK, 3/4
8	413-10160	4	BOLT, Hex, 5/8"-11 x 10", G5,
9	413-1080	2	BOLT, Hex, 5/8"-11 x 5", G5,
10	86992216	10	NUT, LOCK, 5/8
11	87629102	2	U-BOLT,
12	495-81028	4	WASHER, 21/32" x 1 1/2" x .240",
13	413-12112	2	BOLT, Hex, 3/4"-10 x 7", G5,
14	17413011	2	WASHER, SPECIAL, 1-3/4 OD x 13/16 ID
15	87458925	2	SPACER, Hitch Extension



RMX340 TANDEM DISK (6/03-)

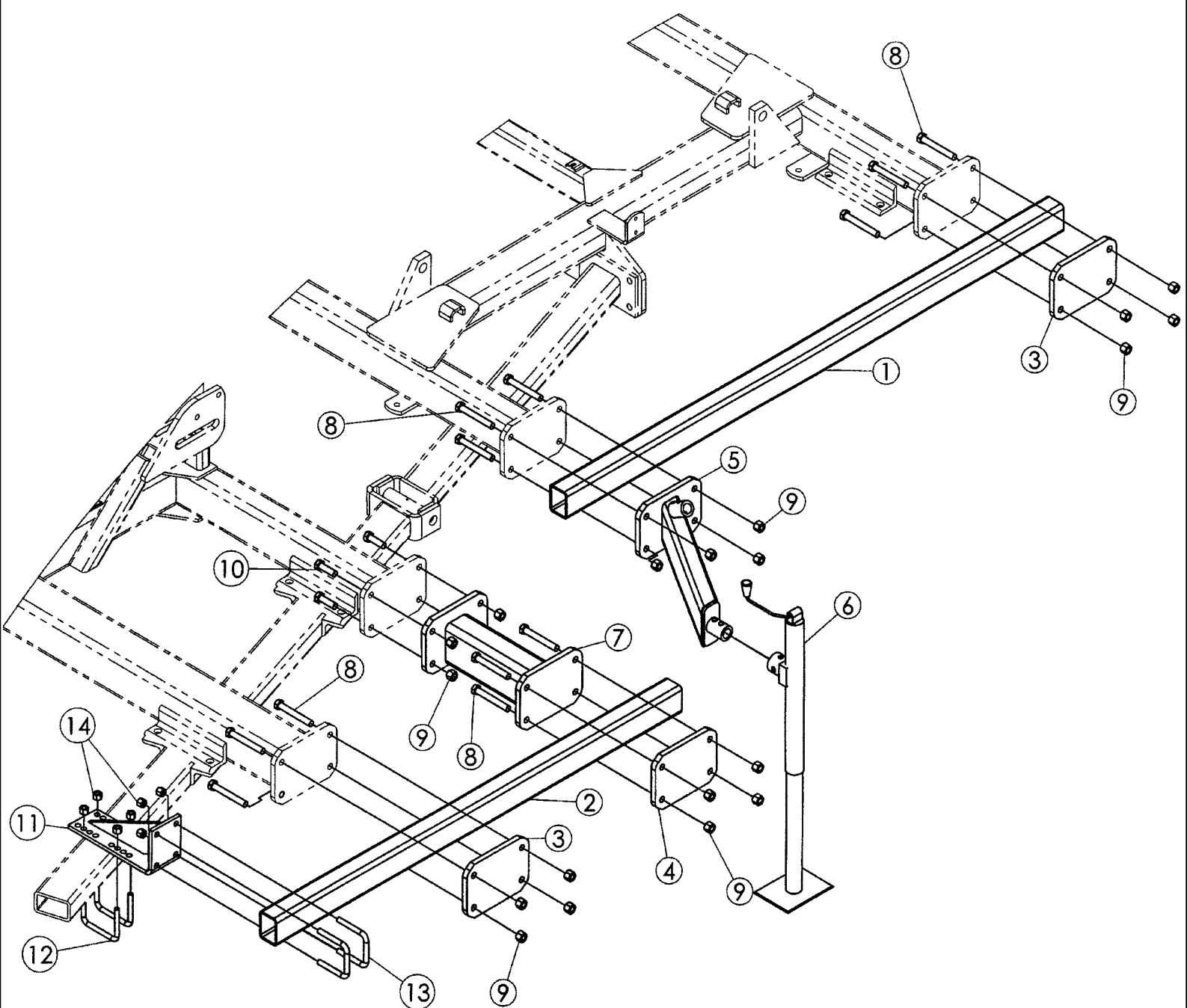
09-34 REAR JACK PARTS

сылка	Номер детали	Кол-во	Описание
1	86991544	1	MOUNTING PARTS, Jack
2	32230000	1	JACK, 3000 lb
3	413-1240	4	BOLT, Hex, 3/4"-10 x 2 1/2", G5,
4	86992217	4	NUT, LOCK, 3/4, NC
5	87425680	1	DECAL, Important, Rear Jack



09-35 COIL TINE HARROW MOUNTING PARTS

сылка	Номер детали	Кол-во	Описание
1	86988845	1	TUBE, Main Harrow Mount, 87 in, 19 - 22 ft
1	86988846	1	TUBE, Main Harrow Mount, 104 in, 25 - 34 ft
2	86991047	2	TUBE, Wing Harrow Mount, 51 in, 19 ft
2	86988424	2	TUBE, Wing Harrow Mount, 59 in, 22 ft
2	86988419	2	TUBE ASSY., Wing Harrow Mount, 71 in, 25 ft
2	86988845	2	TUBE, Wing Harrow Mount, 87 in, 28 ft
2	86988846	2	TUBE, Wing Harrow Mount, 104 in, 31 - 34 ft
3	86989133	3	PLATE, Bolt, Harrow Mount
4	86991349	2	PLATE, Bolt, Harrow Mount, 19 ft
4	86989133	2	PLATE, Bolt, Harrow Mount, 22- 34 ft
5	86991544	1	MOUNTING PARTS, Jack
6	32230000	1	JACK, 3000 lb
7	86988422	2	MOUNTING PARTS, Extension, 22 - 25 ft, N/A For 19 ft
7	451195A1	2	MOUNTING PARTS, Extension, 28 - 34 ft, N/A For 19 ft
8	413-1296	24	BOLT, Hex, 3/4"-10 x 6", G5,
8	413-1296	32	BOLT, Hex, 3/4"-10 x 6", G5,
8	413-1288	32	BOLT, Hex, 3/4"-10 x 5 1/2", G5,
9	86992217	24	NUT, LOCK, 3/4, NC, 19 ft
9	86992217	32	NUT, LOCK, 3/4, NC, 22 - 34 ft
10	413-1240	8	BOLT, Hex, 3/4"-10 x 2 1/2", G5, 22 - 34 ft
11	86984844	2	BRACKET, Harrow Mount Support, 31 - 34 ft
12	445844A1	4	U-BOLT, 5/8 x 5-1/4 x 4-1/2, 31 - 34 ft
13	87629089	4	U-BOLT, 31 - 34 ft
14	86992216	16	NUT, LOCK, 5/8, NC
15	87404819	1	BRACKET, Crank Handle Storage
16	433-616	1	BOLT, CARRIAGE, Short NK, 3/8"-16 x 1", G5,
17	495-21044	1	WASHER, 3/8",
18	86992213	1	NUT, LOCK, 3/8, NC
19	D33805	1	PIN, Klik, 7/16 x 2

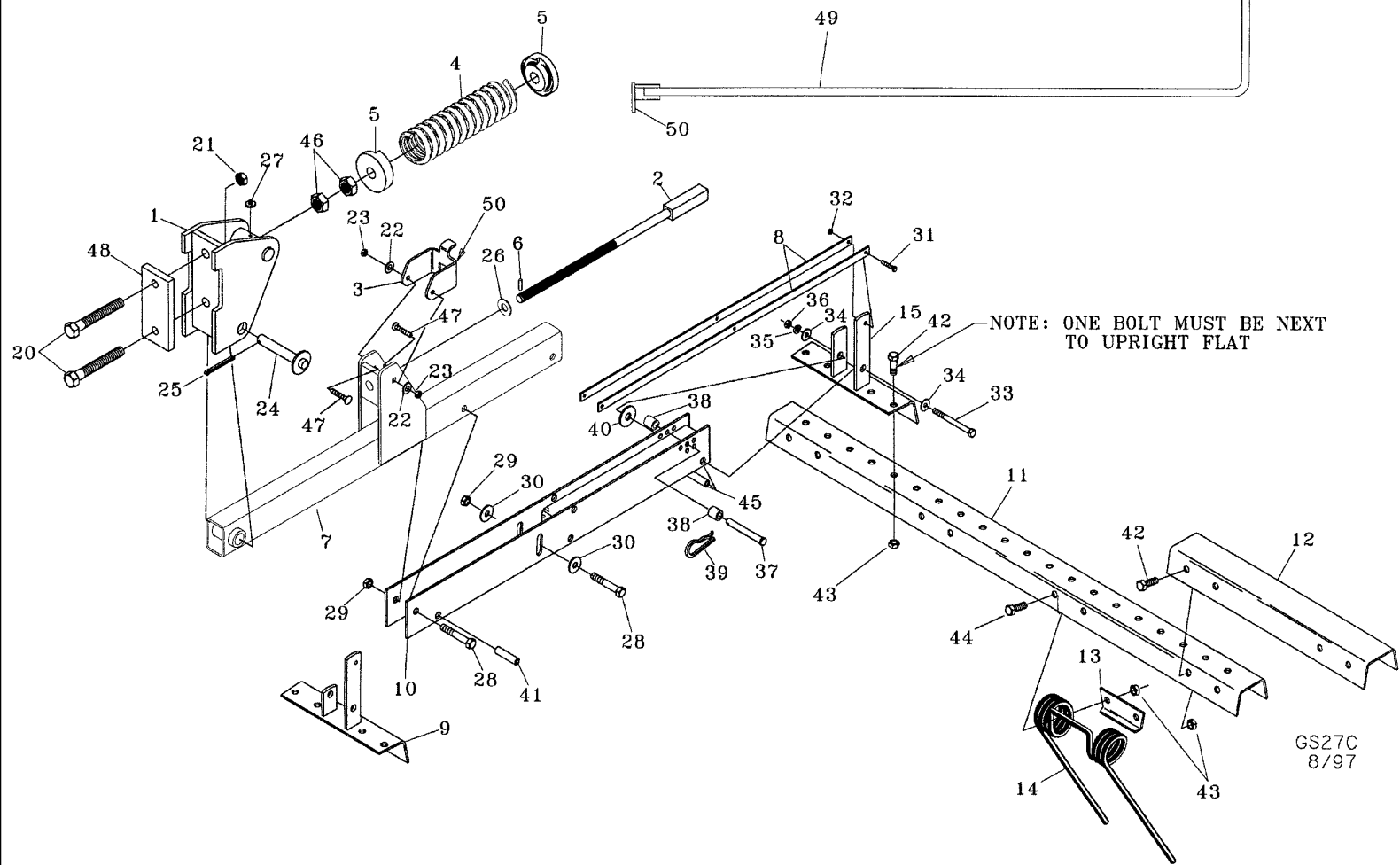


09-36 SPIKE HARROW MOUNTING PARTS

сылка	Номер детали	Кол-во	Описание
1	86988845	1	TUBE, Main Harrow Mount, 87 in, 19 - 22 ft
1	86988847	1	TUBE, Main Harrow Mount, 117 in, 25 - 34 ft
2	86988424	2	TUBE, Wing Harrow Mount, 59 in, 19 ft
2	86988419	2	TUBE ASSY., Wing Harrow Mount, 71 in, 22 - 25 ft
2	86988845	2	TUBE, Wing Harrow Mount, 87 in, 28 ft
2	86988846	2	TUBE, Wing Harrow Mount, 104 in, 31 ft
2	86988847	2	TUBE, Wing Harrow Mount, 117 in, 34 ft
3	86989133	3	PLATE, Bolt, Harrow Mount
4	86991349	2	PLATE, Bolt, Harrow Mount, 19 ft
4	86989133	2	PLATE, Bolt, Harrow Mount, 22 - 34 ft
5	86991544	1	MOUNTING PARTS, Jack
6	32230000	1	JACK, 3000 lb
7	86988422	2	MOUNTING PARTS, Extension, 22 - 25 ft, N/A For 19 ft
7	451195A1	2	MOUNTING PARTS, Extension, 28 - 34 ft, N/A For 19 ft
8	413-1296	24	BOLT, Hex, 3/4"-10 x 6", G5, 19 ft
8	413-1296	32	BOLT, Hex, 3/4"-10 x 6", G5, 22 ft
8	413-1288	32	BOLT, Hex, 3/4"-10 x 5 1/2", G5, 25 - 34 ft
9	86992217	24	NUT, LOCK, 3/4, NC, 19 ft
9	86992217	32	NUT, LOCK, 3/4, NC, 22 - 34 ft
10	413-1240	8	BOLT, Hex, 3/4"-10 x 2 1/2", G5, 22 - 34 ft
11	86984844	2	BRACKET, Harrow Mount Support, 31 - 34 ft
12	445844A1	4	U-BOLT, 5/8 x 5-1/4 x 4-1/2, 31 - 34 ft
13	87629089	4	U-BOLT, 31 - 34 ft
14	86992216	16	NUT, LOCK, 5/8, NC



(51)



GS27C
8/97

09-37 COIL TINE HARROW PARTS

сылка	Номер детали	Кол-во	Описание
1	06251376	2	BRACKET, Mounting
2	06251351	2	ROD, THREADED,
3	06251316	2	LOCKING DEVICE, Harrow
4	24143902	2	SPRING, COMPRESSION,
5	20090105	2	SEAT, SPRING, Spring Holder
6	38-1816	2	PIN, LOCK, 1/8" x 1", Slotted, 1/8 x 1, Spring
7	06251341	2	TUBE ASSY.,
8	06250358	4	LINK, Tine
9	06250150	4	CHANNEL, Channel
10	06251331	2	LINKAGE, Linkage
11	06250041	3	CHANNEL, 4-Tine, 53 Inch
11	06250051	3	CHANNEL, 5-Tine, 68 Inch
11	06250061	3	CHANNEL, 6-Tine, 83 Inch
11	06250071	3	CHANNEL, 7-Tine, 98 Inch
11	06250081	3	CHANNEL, 8-Tine, 113 Inch
11	06250091	3	CHANNEL, 9-Tine, 128 Inch
11	06250104	3	CHANNEL, 10-Tine, 143 Inch
12	06250180		UAR CHANNEL, Splice
13	06250200		UAR CLAMP,
14	33404416		UAR TINE, Coil
15	06250155	2	CHANNEL, Rear Channel
20	413-1288	4	BOLT, Hex, 3/4"-10 x 5 1/2", G5, 3/4 x 5-1/2, NC, gr 5
21	86992217	4	NUT, LOCK, 3/4, NC
22	492-11031	2	WASHER, LOCK, 5/16",
23	86992212	2	NUT, LOCK, 5/16, NC
24	14816331	2	PIN, CLEVIS, 1 x 4-1/8
25	432-2032	2	PIN, SPLIT (COTTER), 5/16" x 2", 5/16" x 2"
26	17614030	2	BUSHING, 7/8, Machinery
27	219-87	2	NIPPLE, LUBE, 1/4"-28 x .56" lg, Self-Tap,
28	87339	4	BOLT, Hex, 1/2"-13 x 3", G5,
29	425-108	4	NUT, 1/2"-13, G5,
30	495-21056	4	WASHER, 1/2", Flat
31	413-628	6	BOLT, Hex, 3/8"-16 x 1 3/4", G5,
32	231-4246	6	NUT, LOCK, 3/8"-16, GB,
33	413-664	6	BOLT, Hex, 3/8"-16 x 4", G5,
34	495-21044	12	WASHER, 3/8",
35	80680	6	WASHER, LOCK, 3/8",
36	425-106	6	NUT, 3/8"-16, G5,
37	14810290	2	PIN, HEADED, 5/8 x 4.4, Clevis
38	06250210	4	BUSHING, Stop
39	14720411	2	PIN, SPLIT (COTTER), 1/8 x 2, Hair
40	80299	6	WASHER, 5/8", Flat
41	06250170	4	SPACER, Pivot

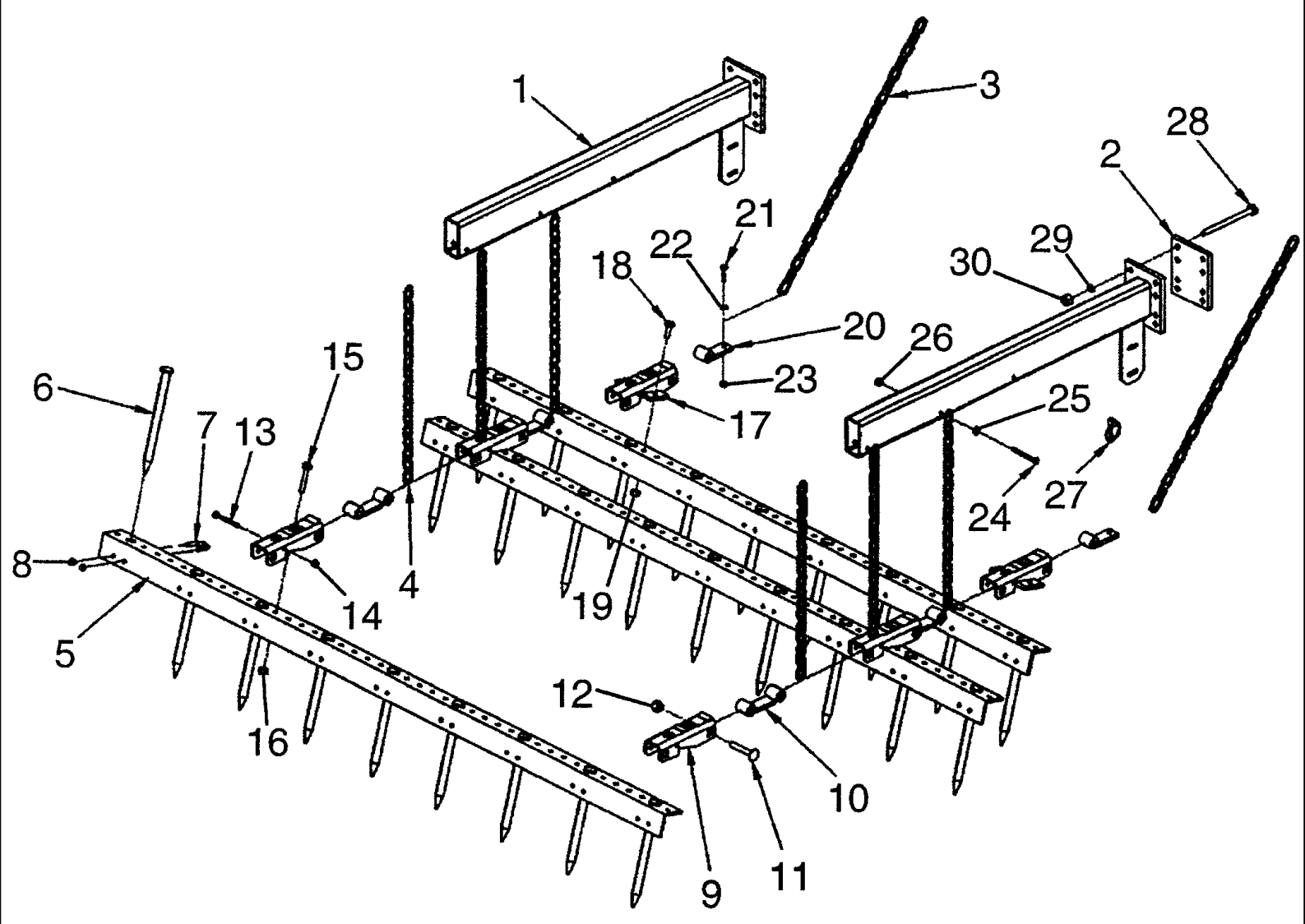
RMX340 TANDEM DISK (6/03-)

09-37 COIL TINE HARROW PARTS

сылка	Номер детали	Кол-во	Описание
42	413-820		UAR BOLT, Hex, 1/2"-13 x 1 1/4", G5, Full Thd,
43	87333862		UAR NUT, LOCK,
44	413-824		UAR BOLT, Hex, 1/2"-13 x 1 1/2", G5, Full Thd,
45	06250190	2	BUSHING, Pivot
46	425-1014	4	NUT, 7/8"-9, G5,
47	434-516	2	BOLT, CARRIAGE, Short NK, 5/16"-18 x 1", G5, Full Thd,
48	06250334	2	SPACER, Flat
49	06251395	1	CRANK, Adjustment
50	18534332	2	DECAL, Raise
51	311864A1	1	REFLECTOR, Amber, NOTE: Mount On Outside Main Frame Mounting Tubes Only

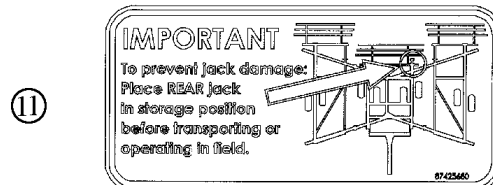
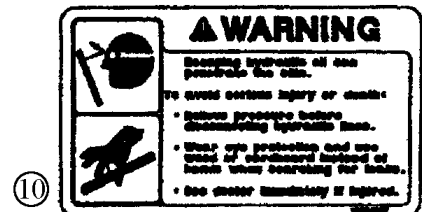
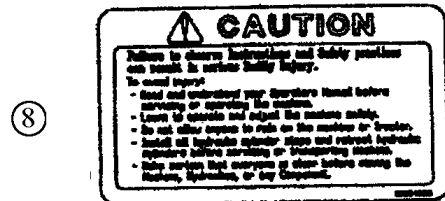
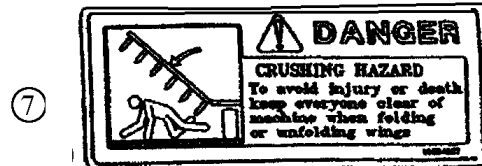
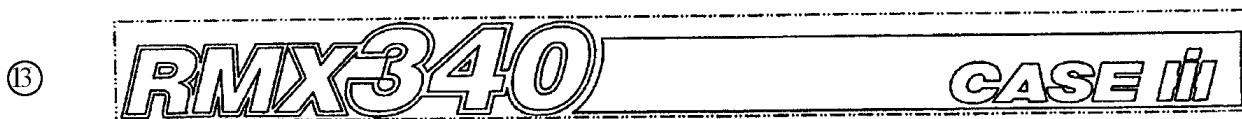
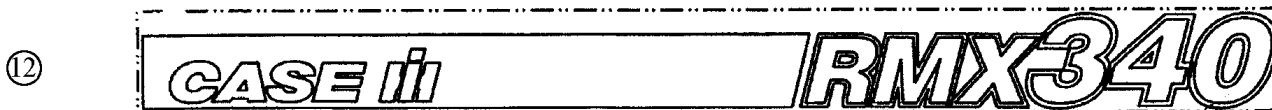
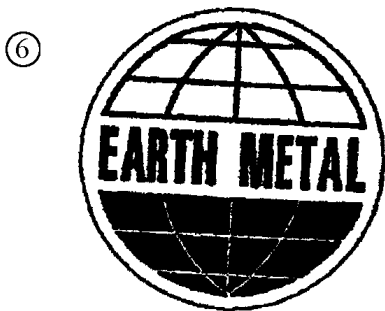
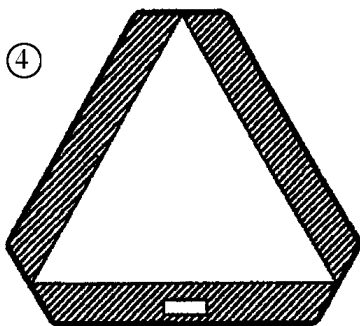
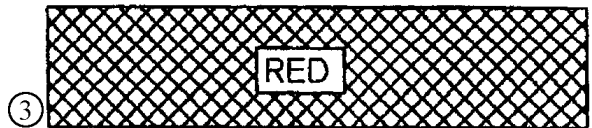


31



09-38 SPIKE HARROW PARTS

сылка	Номер детали	Кол-во	Описание
1	87417723	2	ARM, Mounting, 3-Bar Spike
2	87417725	2	PLATE, MOUNTING,
3	87417726	2	CHAIN, Pull, 23 Links
4	87417727	6	CHAIN, Lift, 23 Links
5	87417728	3	BAR, 9 Tooth, 6 ft 6 in (Less Teeth)
5	87417729	3	BAR, 11 Tooth, 8 ft (Less Teeth)
5	87417730	3	BAR, 12 Tooth ,8 ft 9 in (Less Teeth)
5	87417731	3	BAR, 13 Tooth, 9 ft 6 in (Less Teeth)
5	87417732	3	BAR, 14 Tooth, 10 ft 3 in (Less Teeth)
5	87417733	3	BAR, 15 Tooth, 11 ft (Less Teeth)
5	87417734	3	BAR, 16 Tooth, 11 ft 9 in (Less Teeth)
5	87417735	3	BAR, 17 Tooth, 12 ft 6 in (Less Teeth)
6	87417736		UAR TOOTH, Spike
7	87417737		UAR U-BOLT, V Shaped
8	86992213		UAR NUT, LOCK, 3/8
9	87417738	4	BRACKET, Channel
10	87417739	4	LINK, Assembly Pull
11	433-1048	8	BOLT, CARRIAGE, Short NK, 5/8"-11 x 3", G5,
12	86992216	8	NUT, LOCK, 5/8, NC
13	413-644	4	BOLT, Hex, 3/8"-16 x 2 3/4", G5,
14	86992213	4	NUT, LOCK, 3/8, NC
15	413-840	6	BOLT, Hex, 1/2"-13 x 2 1/2", G5,
16	86992215	6	NUT, LOCK, 1/2, NC
17	87417740	2	BRACKET, Channel Assembly
18	413-820	2	BOLT, Hex, 1/2"-13 x 1 1/4", G5, Full Thd,
19	86992215	2	NUT, LOCK, 1/2, NC
20	87417741	2	CHAIN, Pull Assembly
21	413-620	2	BOLT, Hex, 3/8"-16 x 1 1/4", G5, Full Thd,
22	495-21044	2	WASHER, 3/8",
23	86992213	2	NUT, LOCK, 3/8, NC
24	413-648	6	BOLT, Hex, 3/8"-16 x 3", G5,
25	495-21044	6	WASHER, 3/8",
26	86992213	3	NUT, LOCK, 3/8, NC
27	87417742	6	PIN, LINCH, 7/16
28	413-1088	8	BOLT, Hex, 5/8"-11 x 5 1/2", G5,
29	492-11062	8	WASHER, LOCK, 5/8",
30	425-1010	8	NUT, 5/8"-11, G5,
31	311864A1	1	REFLECTOR, Amber, NOTE: Mount On Outside Main Frame Mounting Tubes Only



сылка	Номер детали	Кол-во	Описание
1	311864A1	8	REFLECTOR, Yellow
2	311865A1	4	REFLECTOR, Flourescent
3	311863A1	4	REFLECTOR, Red
4	311860A1	1	EMBLEM, SMV
5	192849A2	3	DECAL, Case IH Logo, Used On 2007 And Prior Models
5	87595770	3	DECAL, Case IH, Used On 2008 And After Models
6	147782C1	1	DECAL, Earth Metal
7	18534227	1	DECAL, DANGER, Crushing Hazard
7	87413533	1	DECAL, Crushing Hazard, French
8	18534228	1	DECAL, Pull Type
8	87413532	1	DECAL, Pull Type, French
9	18534277	4	DECAL, Spring Compression
9	87413530	4	DECAL, Spring Compression, French
10	18534282	1	DECAL, WARNING, Hydraulic
10	87421390	1	DECAL, Hydraulic, French
11	87425680	1	DECAL, Important Jack
12	86992769	1	DECAL, 340, Rh
13	86992768	1	DECAL, 340, Lh



1



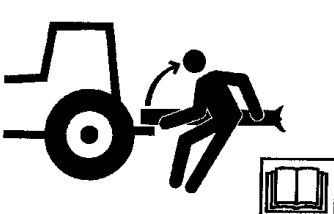
2

GS07E025

RMX340 TANDEM DISK (6/03-)

09-40 DECALS

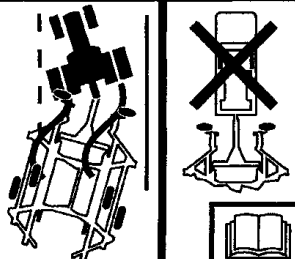
сылка	Номер детали	Кол-во	Описание
1	87735841	1	DECAL, 340 True-Tandem, Lh, Used On 2007 And After Models
2	87735842	1	DECAL, 340 True-Tandem, Rh, Used On 2007 And After Models



TIPPING HAZARD
 Lower rear jack before unhitching. Unhooking from tractor drawbar, may cause tongue to raise rapidly. Failure to comply could result in death or serious injury.

Code 87416882X

1



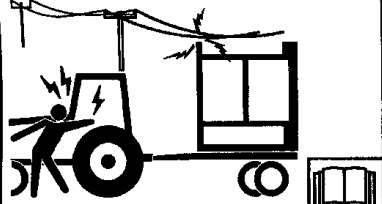
TOWING HAZARD

- Properly prepare machines for transport / roading.
- Transport with Ag Tractor only - MAX. road speed 20 mph [32 kph].
- Total weight of towed unit, not to exceed 1.5 times weight of tractor.
- Use caution when on turns, inclines, or hazardous road conditions to avoid loss of control.
- Attach proper size safety chain and electrical connector.

Failure to comply could result in death or serious injury.

Code 8737211A

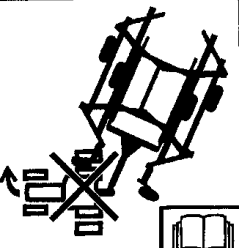
2



⚠ DANGER
ELECTRICAL SHOCK
 Avoid contact with electric power lines. Failure to comply will result in death or serious injury.

Code 16834275X

3



TRANSPORT TURNING HAZARD
 When making sharp turns or backing up with wings folded, be sure pivoting wing gauge wheels do not contact tractor cab. Failure to comply could result in death or serious injury.

Code 87368150 A

4

09-41 DECALS

сылка	Номер детали	Кол-во	Описание
1	87673549	1	DECAL, Tipping Hazard
1	87673653	1	DECAL, Tipping Hazard (French Version)
2	87672316	1	DECAL, Towing Hazard
2	87673650	1	DECAL, Towing Hazard (French Version)
3	87673548	1	DECAL, Overhead Power Lines
3	87673656	1	DECAL, Overhead Power Lines (French Version)
4	87668160	1	DECAL, Transport Turning Hazard
4	87673649	1	DECAL, Transport Turning Hazard (French Version)

