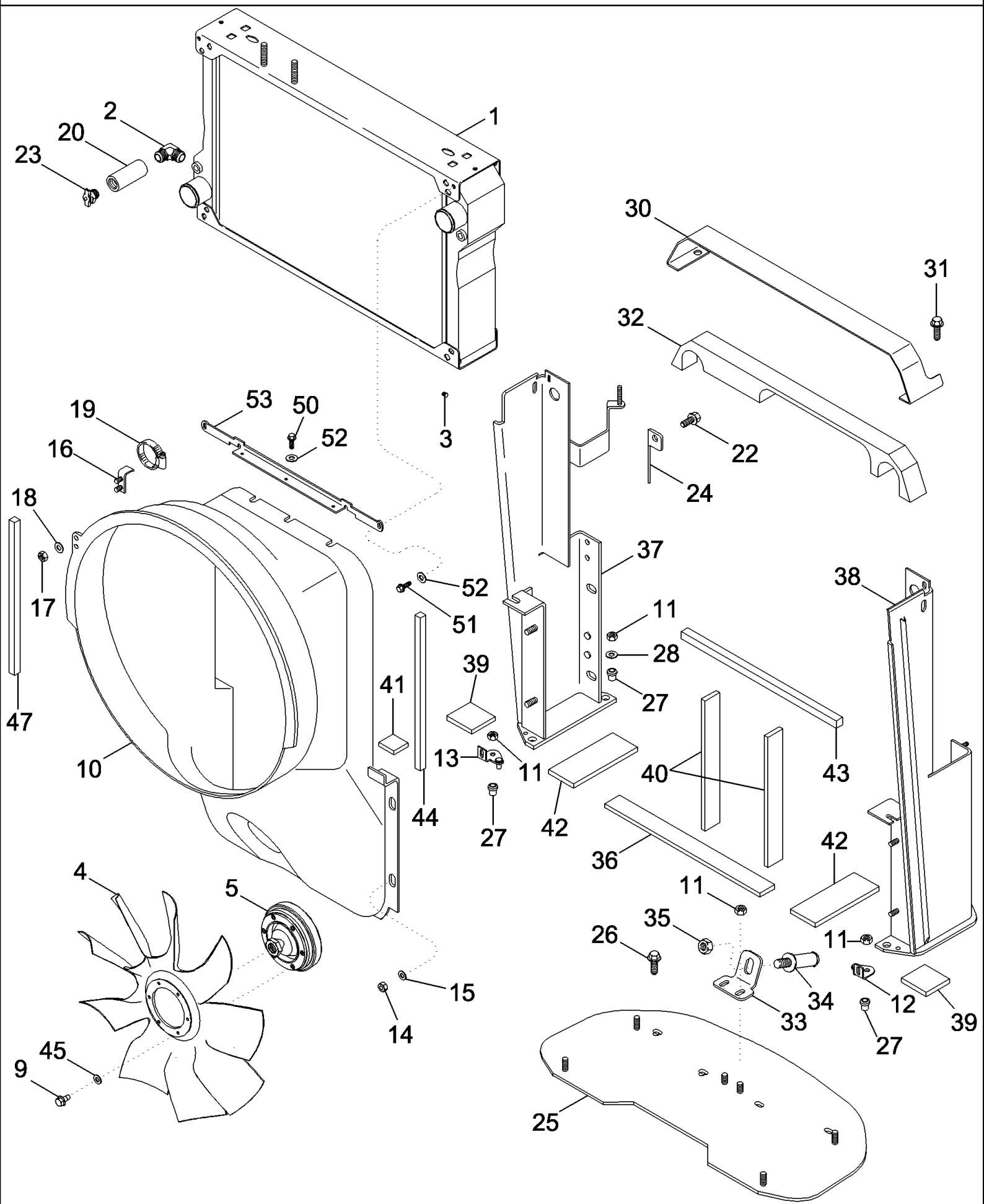


02-01 RADIATOR AND FAN SHROUD



MAGNUM 255 CASE-IH MAGNUM TRACTOR (EMERGING MARKET) (1/06-)

02-01 RADIATOR AND FAN SHROUD

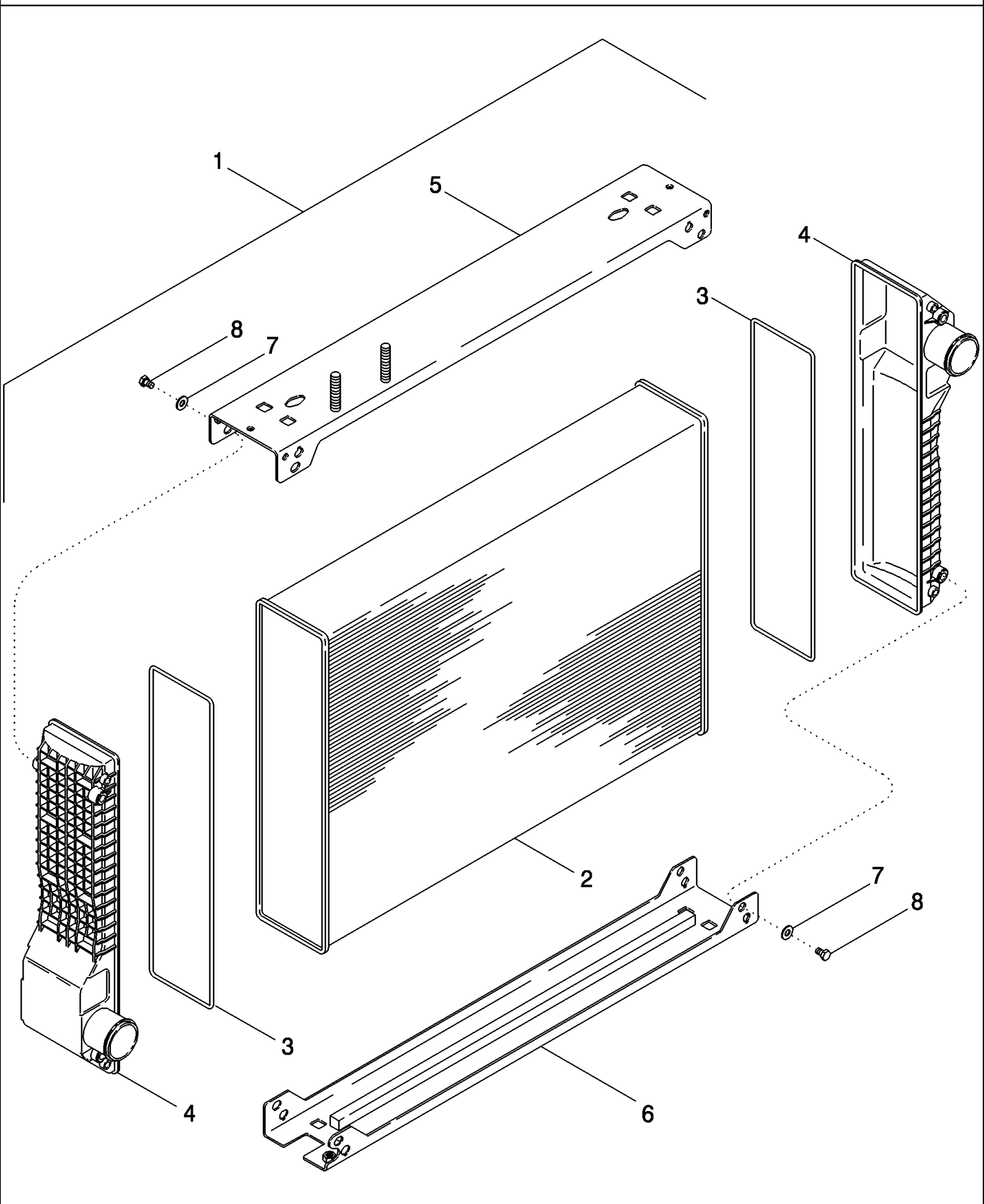
сылка	Номер детали	Кол-во	Описание
1	REF	1	INSTRUCTION, Radiator Assy, See Figure 02-02
2	217-1225	1	ELBOW, 90°, 1/4"-18 Male,
3	217-405	1	PLUG, Hex Hd, 1/4"-18 NPTF,
4	87445032	1	FAN, 8 Blade, 127 mm ID, Standard Performance
5	87446414	1	DRIVE ASSY., Viscous, Standard Performance
9	614-8016	6	BOLT, Hex, M8 x 16, 8.8,
10	87357057	1	SHROUD, Fan
11	825-2410	6	NUT, M10 x 1.5, Flg, CI 8,
12	87443609	1	BRACKET, Right Hand
13	87443611	1	BRACKET, Left Hand
14	895-25008	4	WASHER, M8 x 20 x 1.6,
15	825-2408	4	NUT, M8 x 1.25, Flg, CI 8,
16	87438422	1	BRACKET, Shroud To Tube, Standard Performance
17	829-1406	2	NUT, M6, CI 10,
18	895-11006	2	WASHER, M6,
19	214-3248	1	CLAMP, HOSE, 2.25/3.125 HD Worm, W/liner,
20	87350039	1	TUBE,
22	555-1	1	BOLT, Hex Flg, M8 x 16, 8.8,
23	217-103	1	COCK, DRAIN, 1/4 PT
24	87313142	1	BRACKET, Oil Cooler Hinge
25	87367856	1	SUPPORT, Cooling System
26	844-12025	4	BOLT, Hex Flg, M12 x 25, 8.8,
27	434177A1	4	MOUNT, RUBBER,
28	495-81148	2	WASHER, 7/16" x 1 1/4" x .134",
30	87340498	1	BRACKET,
31	844-8025	5	BOLT, Hex Flg, M8 x 25, 8.8,
32	87456357	1	SEAL, Air Duct
33	87312069	1	PLATE, STRIKER, Hood Latch
34	301081A1	1	SCREW, Hood Latch
35	825-2412	1	NUT, M12 x 1.75, Flg, CI 8,
36	87356125	1	SEAL, Bottom Plate
37	87621948	1	SUPPORT, Left Hand
38	87621960	1	SUPPORT, Right Hand
39	87456329	2	SEAL, Side Posts
40	87356358	2	SEAL, Charge Air Cooler Side
41	87438831	2	SEAL, Shroud
42	87356126	2	SEAL, Side Posts
43	87356124	1	SEAL, Radiator, Charge Air Cooler
44	87356123	2	SEAL, Radiator To Shroud (Front)
45	496-11034	6	WASHER, 11/32" x 11/16" x 1/16", HDN,
46	829-1408	6	NUT, M8, CI 10,
47	87390684	2	SEAL, Radiator To shroud (Rear)
50	844-8025	3	BOLT, Hex Flg, M8 x 25, 8.8,
51	844-8020	2	BOLT, Hex Flg, M8 x 20, 8.8,
52	895-25008	5	WASHER, M8 x 20 x 1.6,

MAGNUM 255 CASE-IH MAGNUM TRACTOR (EMERGING MARKET) (1/06-)

02-01 RADIATOR AND FAN SHROUD

сылка	Номер детали	Кол-во	Описание
53	87454889	1	BRACKET,

02-02 RADIATOR ASSEMBLY

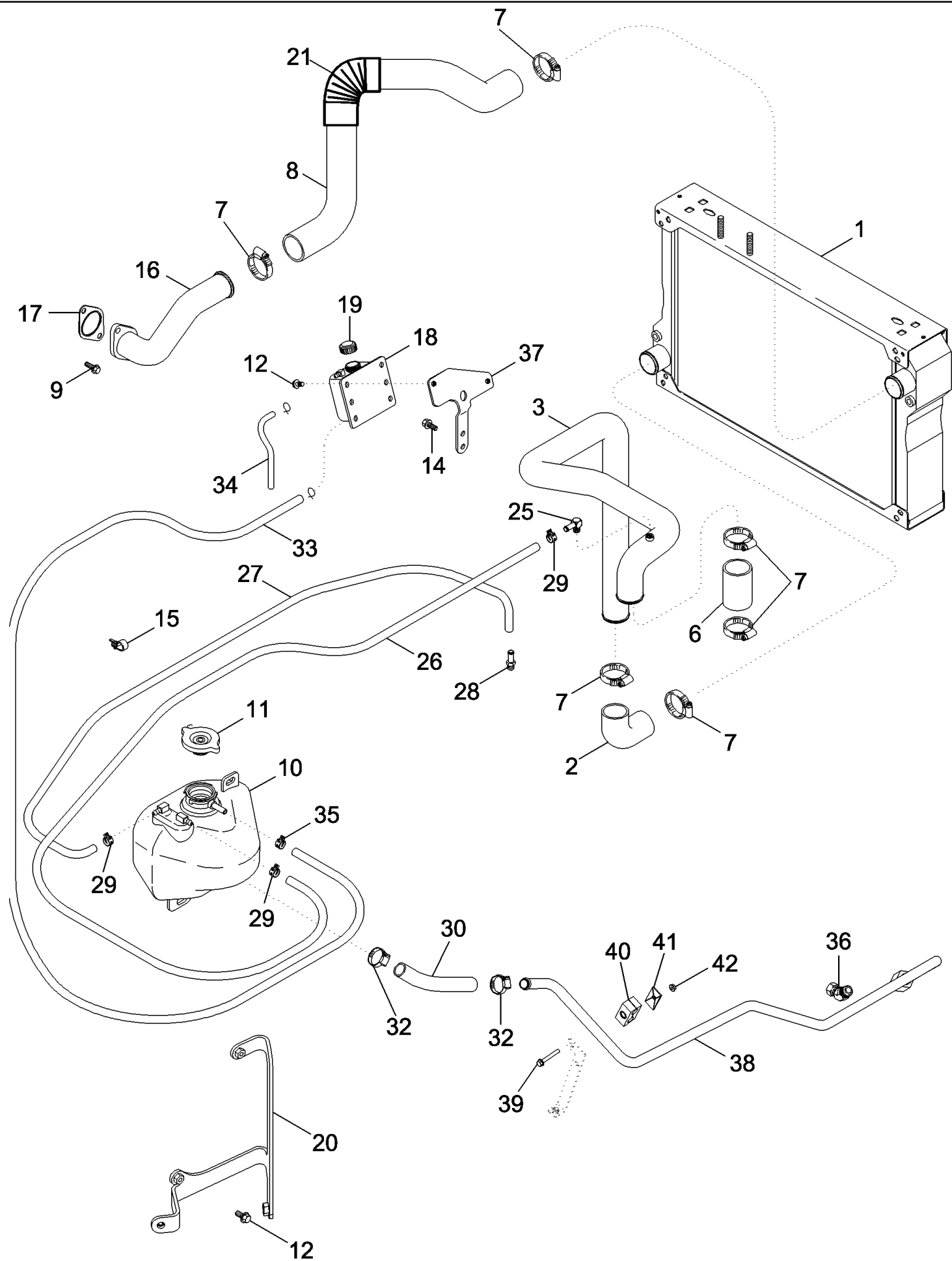


MAGNUM 255 CASE-IH MAGNUM TRACTOR (EMERGING MARKET) (1/06-)

02-02 RADIATOR ASSEMBLY

сылка	Номер детали	Кол-во	Описание
1	87390681	1	RADIATOR, Inc. 2 - 8
2	NSS	1	NOT SERVICED SEPARATELY, Core
3	87441598	2	GASKET,
4	87454646	2	TANK,
5	87313451	1	CHANNEL, Top
6	87390682	1	CHANNEL, Bottom
7	895-15008	8	WASHER, M8 x 20 x 1.6,
8	614-8012	8	BOLT, Hex, M8 x 12, 8.8, Full Thd,

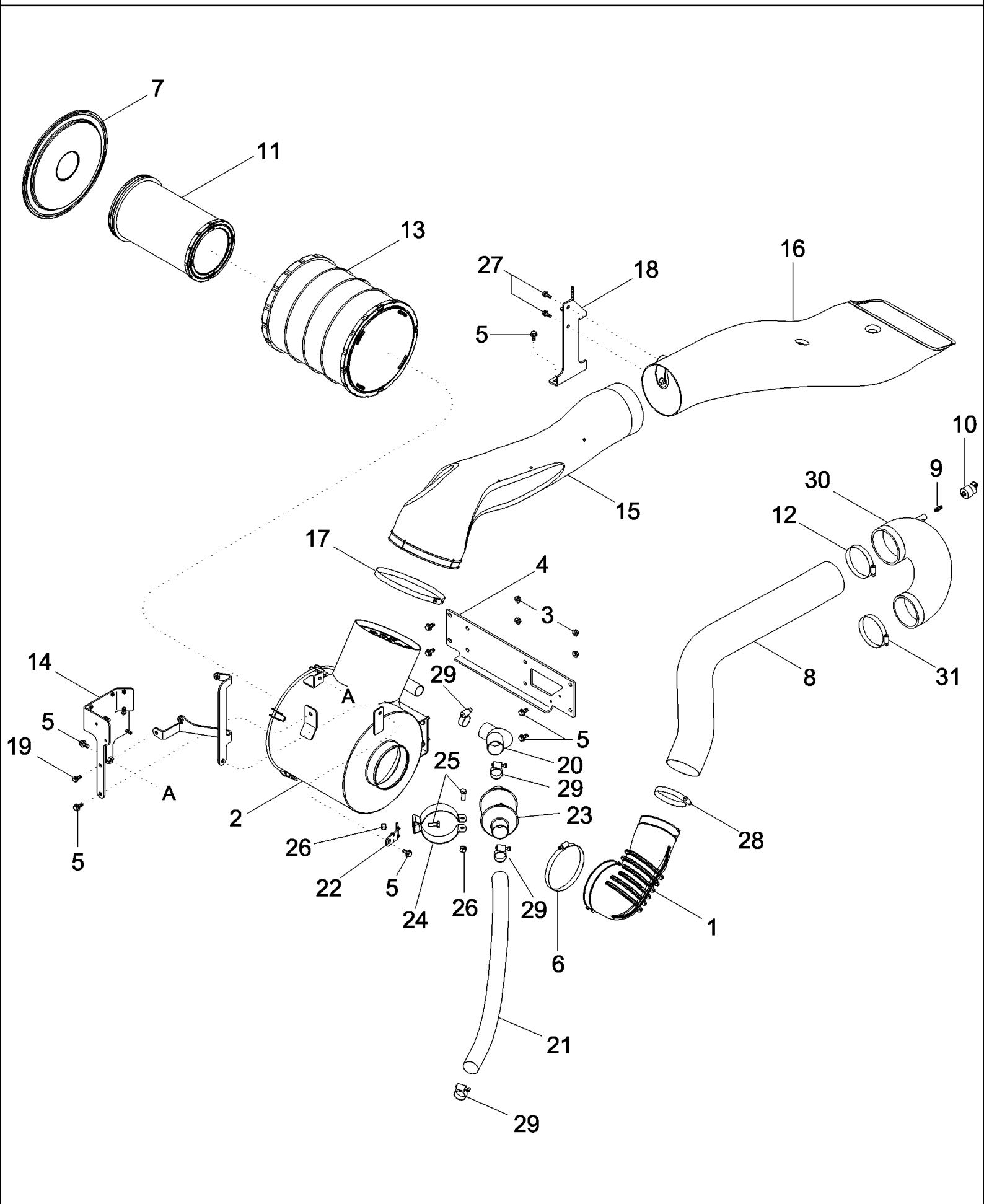
02-03 DEAERATION SYSTEM



MAGNUM 255 CASE-IH MAGNUM TRACTOR (EMERGING MARKET) (1/06-)

02-03 DEAERATION SYSTEM

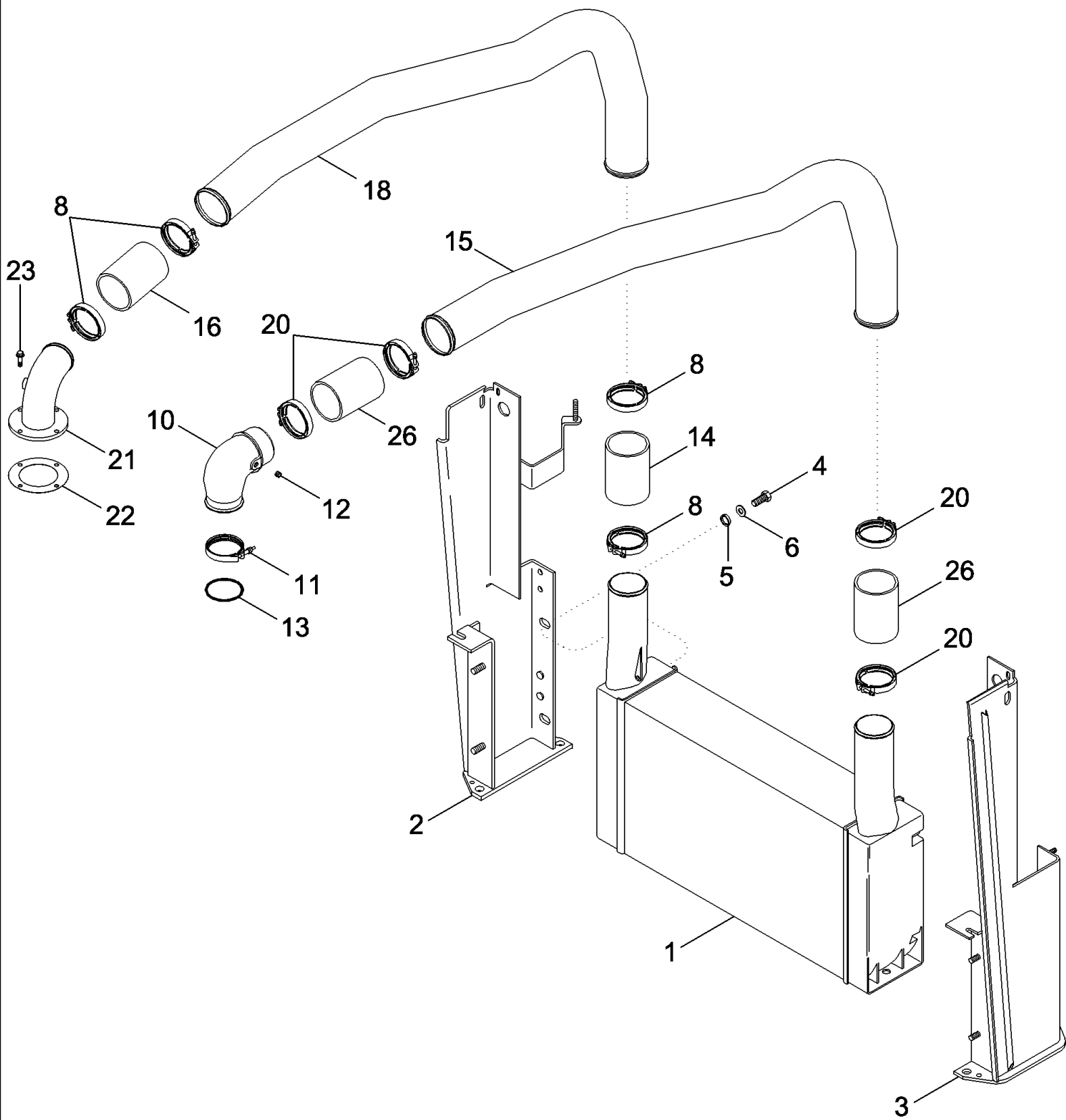
сылка	Номер детали	Кол-во	Описание
1	REF	1	INSTRUCTION, Radiator, See Figure 02-02
2	87381277	1	HOSE,
3	87455330	1	TUBE ASSY., Radiator
6	433405A1	2	HOSE, Radiator
7	214-3248	6	CLAMP, HOSE, 2.25/3.125 HD Worm, W/liner,
8	87733724	1	Coolant outlet, Inc. 21
9	87403515	2	BOLT, M8 x 20; 8.8
10	87413715	1	RESERVOIR, Deaeration Tank
11	A170241	1	CAP, RADIATOR, 15 psi
12	555-1	4	BOLT, Hex Flg, M8 x 16, 8.8,
14	844-12025	2	BOLT, Hex Flg, M12 x 25, 8.8,
15	87445732	3	CLAMP,
16	87430751	1	TUBE ASSY.,
17	J945603	1	GASKET,
18	L127093	1	RESERVOIR, COOLANT EXPNSN,
19	238903A1	1	CAP, FILLER,
20	87339308	1	BRACKET, Deaeration Tank
21	87733645	1	Protective
25	217-130	1	ELBOW, 90°, 1/4" Hose x 1/8" NPTF Beaded,
26	87442539	1	HOSE, 6.4 ID x 1490 mm (1/4 ID x 58-21/32 in), Cut From 382997C2
27	87525458	1	HOSE, 6.4 ID x 1885 mm (1/4 ID x 70-1/2 in), Cut From 382997C2
28	217-150	1	FITTING, 1/4" Hose X 1/8" NPTF Beaded,
29	87589798	6	CLAMP, HOSE, 7/16
30	87395776	1	HOSE, Deaeration Tank to Engine, 249 mm (9.8 in), Cut From 429211A1
32	214-1412	2	CLAMP, HOSE, #12, 0.69/1.25 Type F Worm,
33	87338147	1	HOSE, HOSE, 6.4 ID x 2225 mm (1/4 ID x 87-5/8 in), Cut From 382997C2
34	242070A1	1	HOSE,
35	214-1308	1	CLAMP, HOSE, #8, 1/2", Spring,
36	218-536	1	ELBOW, 45°, 1 1/16-12, 37° x 3/4"-14, NPTF,
37	87381548	1	BRACKET, Coolant Recovery Bottle
38	87395778	1	TUBE,
39	844-8060	1	BOLT, Hex Flg, M8 x 60, 8.8,
40	118576A1	1	CLAMP,
41	1347127C1	1	PLATE, Clamp
42	825-2408	1	NUT, M8 x 1.25, Flg, Cl 8,



MAGNUM 255 CASE-IH MAGNUM TRACTOR (EMERGING MARKET) (1/06-)

02-04 AIR INDUCTION SYSTEM - STANDARD DUTY

сылка	Номер детали	Кол-во	Описание
1	87384983	1	DUCT, AIR,
2	87307974	1	AIR CLEANER,
3	829-2410	4	NUT, M10 x 1.5, Flg, CI 10,
4	87361276	1	BRACKET,
5	844-10020	9	BOLT, Hex Flg, M10 x 20, 8.8,
6	87656134	1	CLAMP, HOSE,
7	379554A1	1	COVER,
8	87547220	1	TUBE ASSY.,
9	217-1079	1	CONNECTOR, HYD., 1/8"-27 NPTF,
10	279492A1	1	SWITCH,
11	87409407	1	FILTER, AIR, Secondary
12	87652892	1	CLAMP,
13	87409371	1	FILTER, AIR, Primary
14	87548859	1	BRACKET,
15	87335608	1	TUBE,
16	87307977	1	DUCT, AIR,
17	87562289	1	CLAMP,
18	87441640	1	BRACKET,
19	844-8020	1	BOLT, Hex Flg, M8 x 20, 8.8,
20	87525729	1	HOSE, Aspirator (Upper)
21	87525734	1	HOSE, Aspirator (Lower)
22	87523365	1	BRACKET,
23	284427A1	1	VALVE, (Aspirator check)
24	87300581	1	CLAMP, Valve
25	627-8020	2	BOLT, Hex, M8 x 20, 10.9,
26	832-10408	2	NUT, LOCK, M8 x 1.25, CI 8,
27	555-1	2	BOLT, Hex Flg, M8 x 16, 8.8, BOLT
28	214-3288	1	CLAMP, HOSE, 4.75/5.625 HD Worm, W/liner,
29	214-1424	4	CLAMP, HOSE, #24, 1.06/2.00 Type F Worm,
30	87357621	1	HOSE, Air Cleaner to Turbo, BSN Z7RZ03901
30	87651295	1	HOSE, Air Cleaner to Turbo, ASN Z7RZ03901
31	87652891	1	CLAMP,

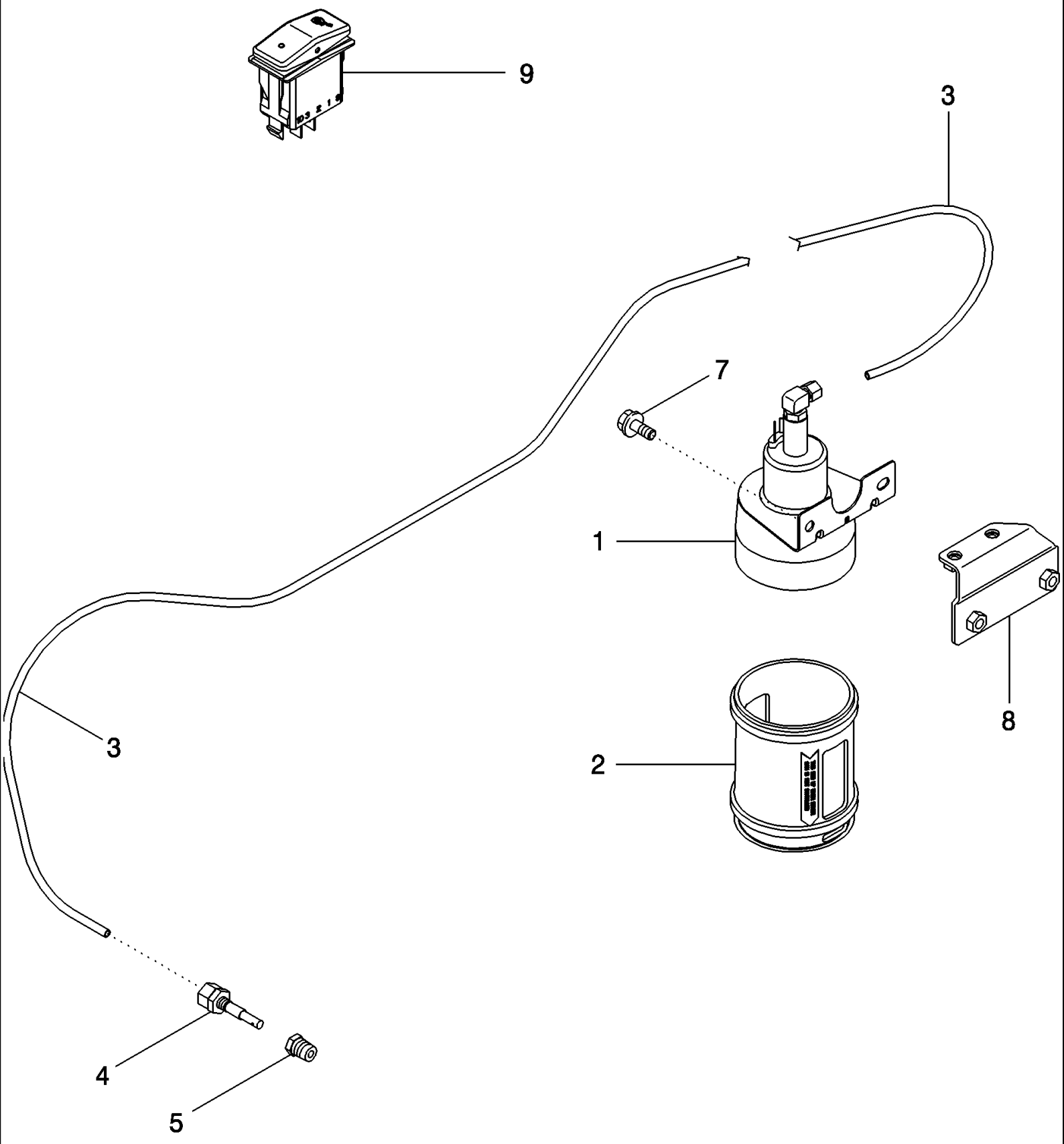


MAGNUM 255 CASE-IH MAGNUM TRACTOR (EMERGING MARKET) (1/06-)

02-05 AFTERCOOLER

сылка	Номер детали	Кол-во	Описание
1	87307279	1	COOLER, Air to Air
2	87621948	1	SUPPORT, Left Hand
3	87621960	1	SUPPORT, Right Hand
4	614-10025	4	BOLT, Hex, M10 x 25, 8.8, Full Thd,
5	87456528	4	TUBE SPACER,
6	495-81148	4	WASHER, 7/16" x 1 1/4" x .134",
8	352198A1	4	CLAMP, Hose
10	J918685	1	PIPE,
11	J883284	1	O-RING,
12	J008465	1	PLUG,
13	J069053	1	CLAMP,
14	87454331	1	HOSE, Air to Air, Cold Side
15	87521309	1	TUBE, Turbo to Cooler, BSN Z7RZ02632
15	87602983	1	TUBE, Turbo to Cooler, ASN Z7RZ02632
16	87311336	1	HOSE, HOSE Air to Air, Cold Side
18	87523229	1	TUBE, Cooler to Intake Manifold, BSN Z7RZ02632
18	87604622	1	TUBE, Cooler to Intake Manifold, ASN Z7RZ02632
20	364751A1	4	CLAMP,
21	220851A1	1	ELBOW,
22	J917892	1	GASKET,
23	844-8030	4	BOLT, Hex Flg, M8 x 30, 8.8, Full Thd,
26	377592A1	2	HOSE, Air to Air

02-06 ETHER START SYSTEM

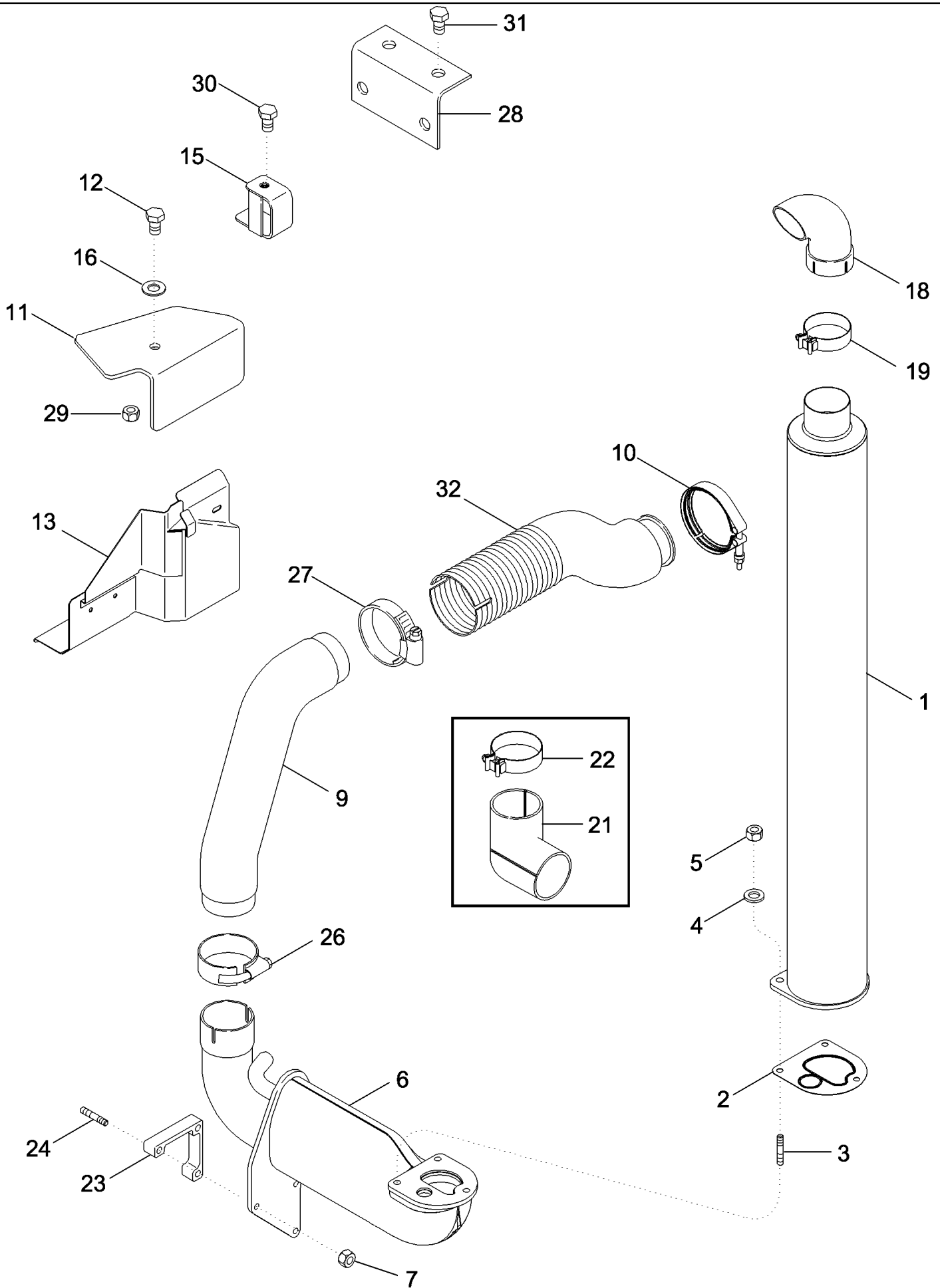


MAGNUM 255 CASE-IH MAGNUM TRACTOR (EMERGING MARKET) (1/06-)

02-06 ETHER START SYSTEM

сылка	Номер детали	Кол-во	Описание
1	185552A2	1	SOLENOID, 12V, Inc. 2
2	190752A1	1	HOUSING,
3	A149932	1	TUBE, 2006 mm (79 in)
4	A172900	1	NOZZLE CAP,
5	217-40	1	REDUCER, 1/4"-18 NPTF x 1/8"-27 Fem NPTF,
7	243675A1	2	SCREW, M8 x 12
8	396829A1	1	BRACKET,
9	86989943	1	SWITCH, Ether Start

02-07 EXHAUST SYSTEM

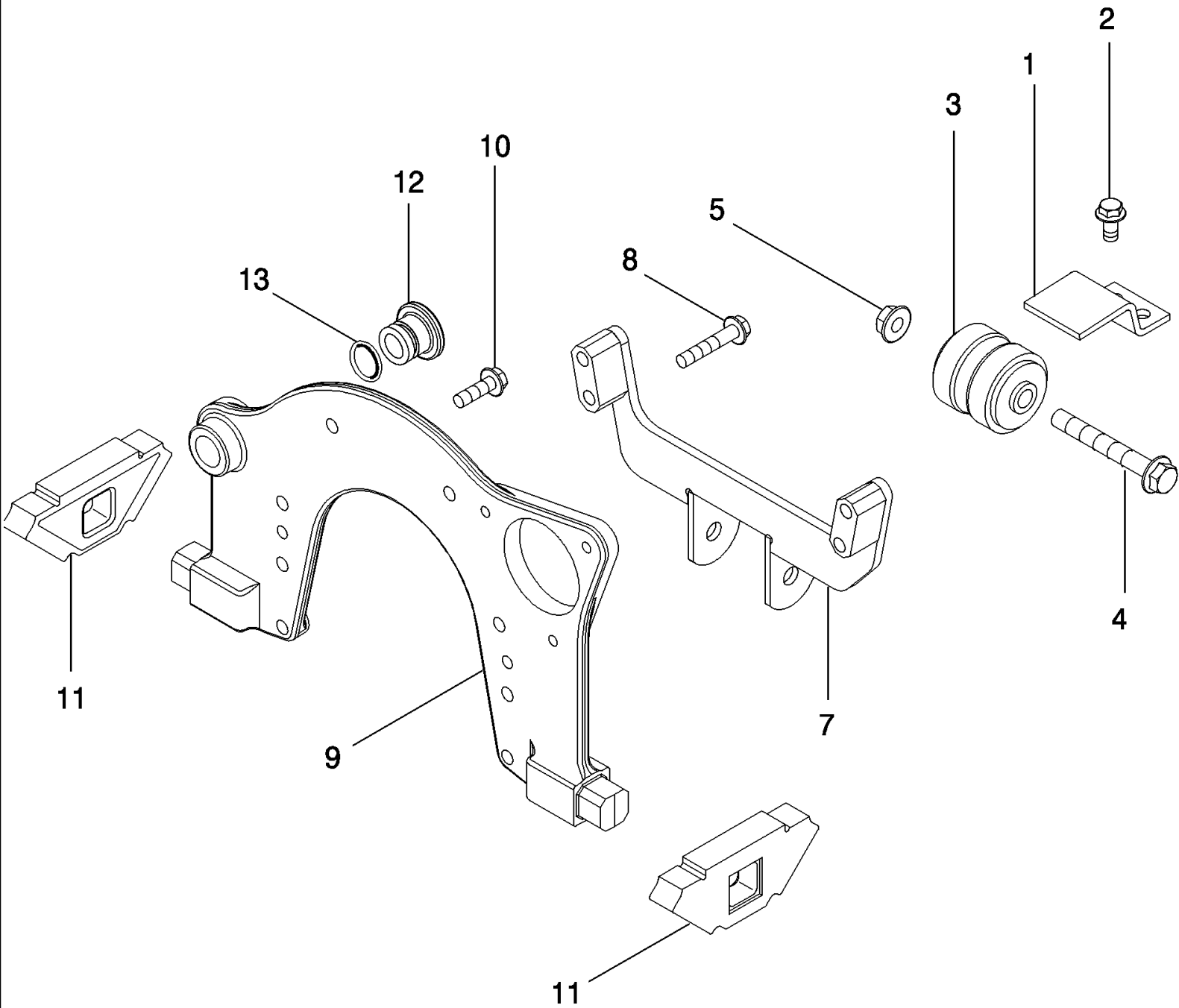


MAGNUM 255 CASE-IH MAGNUM TRACTOR (EMERGING MARKET) (1/06-)

02-07 EXHAUST SYSTEM

сылка	Номер детали	Кол-во	Описание
1	87369371	1	MUFFLER, Standard
2	226775A1	1	GASKET,
3	387795A1	3	STUD,
4	387798A1	3	WASHER,
5	387796A1	3	NUT,
6	87588155	1	SUPPORT,
7	829-2412	3	NUT, M12 x 1.75, Flg, CI 10,
9	87607503	1	TUBE ASSY.,
10	A170807	1	CLAMP, Includes hardware
11	87451651	1	BRACKET, Manifold Shield
12	844-10016	1	BOLT, Hex Flg, M10 x 16, 8.8, Full Thd,
13	87615756	1	SHIELD, Turbo Heat
15	87615566	1	BRACKET, Heat Shield, Turbo
16	495-81120	1	WASHER, .344" x 1 1/4" x .120",
18	87381922	1	EXTENSION, Exhaust
19	87449404	1	CLAMP,
21	87325972	1	INSULATION, FOAM, Exhaust
22	214-3280	2	CLAMP, HOSE, 4.25/5.125 HD Worm, W/liner,
23	87332194	1	SPACER,
24	87330610	3	STUD,
26	87449404	1	CLAMP,
27	87427885	1	CLAMP,
28	87449823	1	BRACKET, Turbo Heat Shield
29	825-2408	1	NUT, M8 x 1.25, Flg, CI 8,
30	844-10020	2	BOLT, Hex Flg, M10 x 20, 8.8,
31	844-8020	3	BOLT, Hex Flg, M8 x 20, 8.8,
32	87520146	1	TUBE ASSY.,

02-08 ENGINE MOUNTING

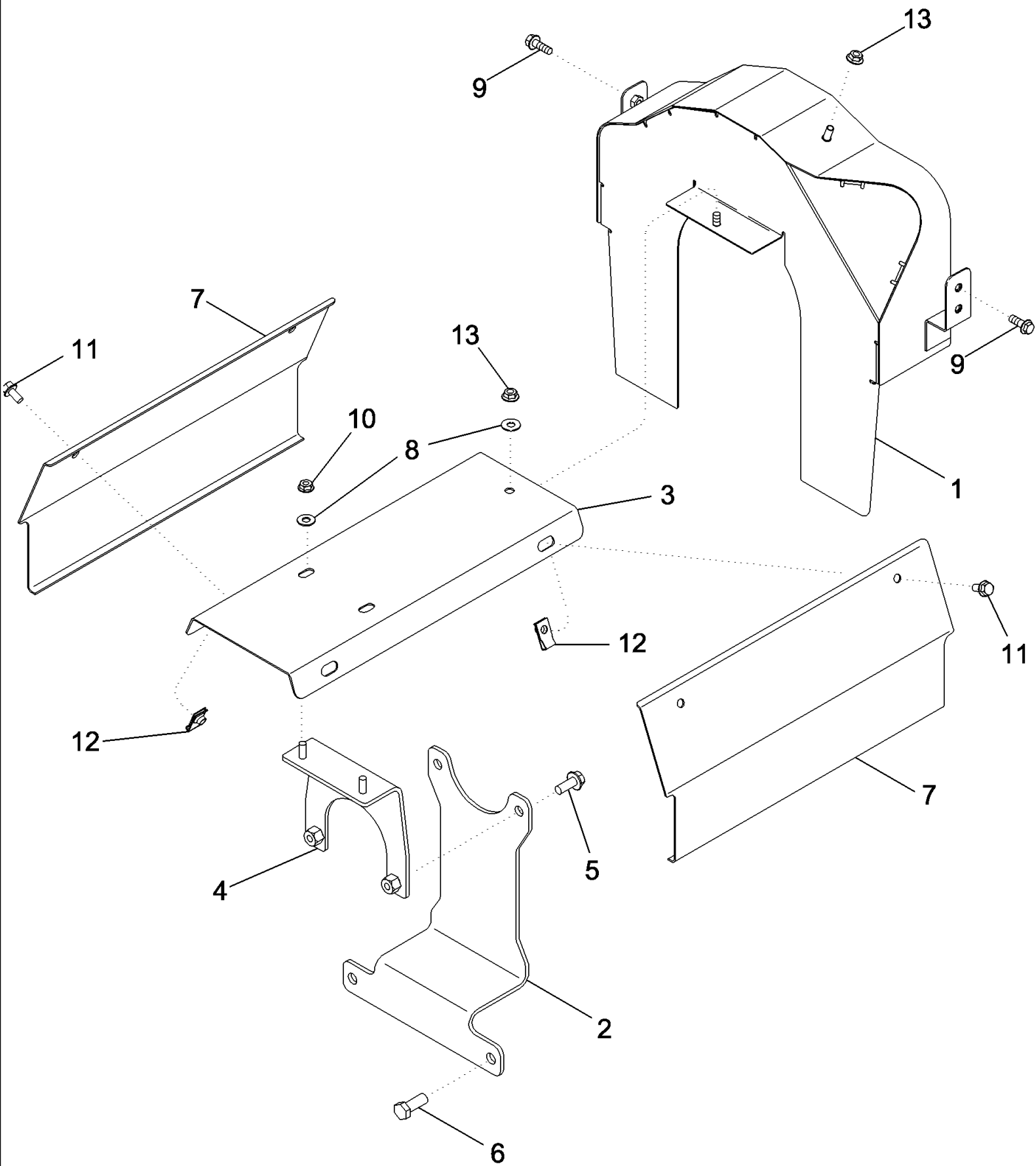


MAGNUM 255 CASE-IH MAGNUM TRACTOR (EMERGING MARKET) (1/06-)

02-08 ENGINE MOUNTING

сылка	Номер детали	Кол-во	Описание
1	297527A1	1	CLAMP,
2	844-12025	2	BOLT, Hex Flg, M12 x 25, 8.8,
3	247991A1	1	SHOCK ABSORBER,
4	854-16120	1	BOLT, Hex Flg, M16 x 120, 10.9,
5	825-2416	1	NUT, M16 x 2, Flg, Cl 8,
7	87434290	1	SUPPORT,
8	854-12065	4	BOLT, Hex Flg, M12 x 65, 10.9,
9	87421749	1	BRACKET,
10	854-12040	8	BOLT, Hex Flg, M12 x 40, 10.9,
11	251991A1	2	SUPPORT,
12	J910248	1	PLUG,
13	238-5212	1	O-RING, -212, 70 Duro, .859" ID x .139" Thk,

02-09 FLYWHEEL SHIELDS

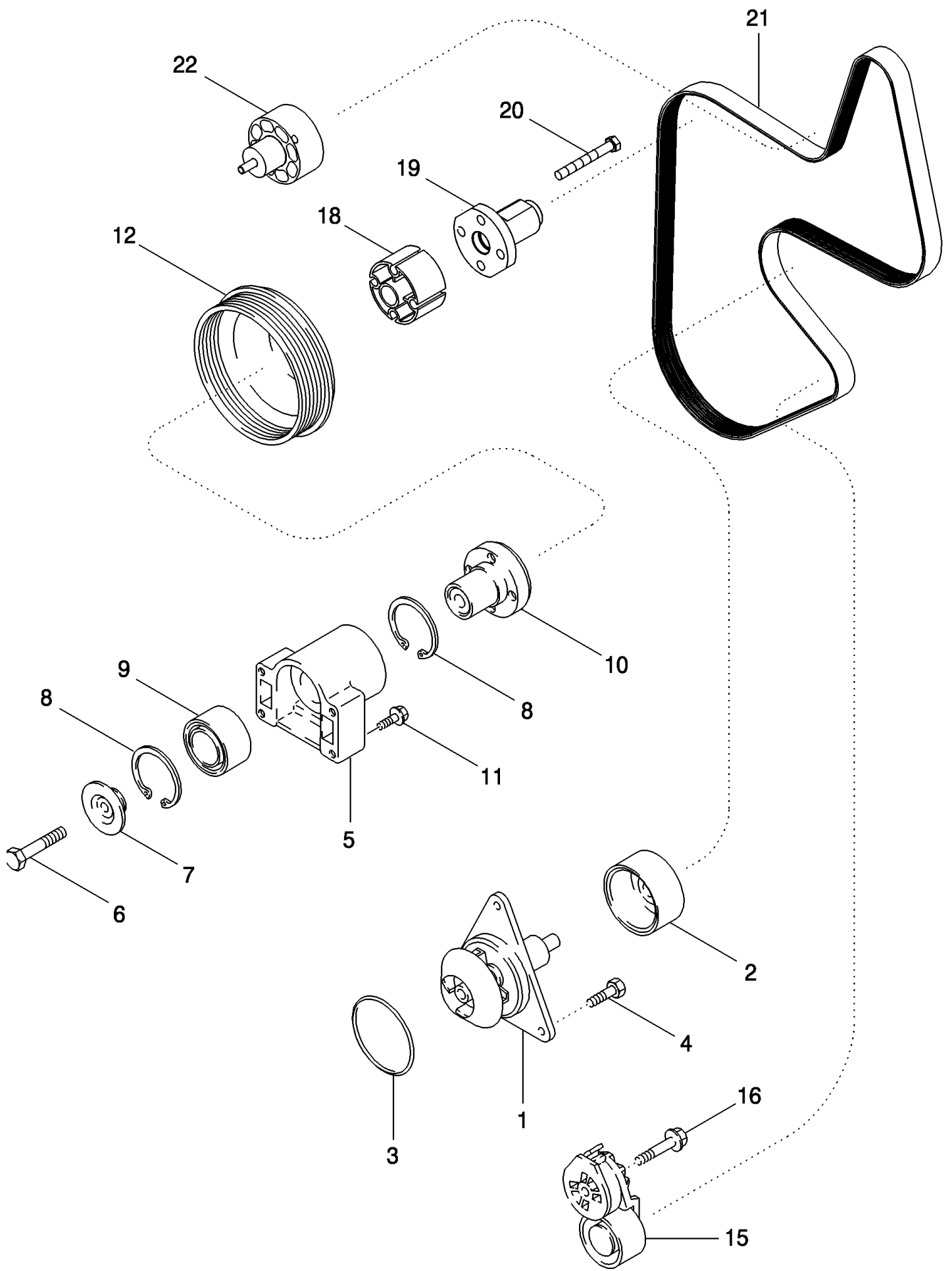


MAGNUM 255 CASE-IH MAGNUM TRACTOR (EMERGING MARKET) (1/06-)

02-09 FLYWHEEL SHIELDS

сылка	Номер детали	Кол-во	Описание
1	87522079	1	SHIELD,
2	87530413	1	BRACKET,
3	87530410	1	SHIELD,
4	87533238	1	PLATE, MOUNTING,
5	844-10025	2	BOLT, Hex Flg, M10 x 25, 8.8, Full Thd,
6	614-12030	2	BOLT, Hex, M12 x 30, 8.8,
7	87530412	2	SHIELD,
8	895-15008	3	WASHER, M8 x 20 x 1.6,
9	844-8025	4	BOLT, Hex Flg, M8 x 25, 8.8,
10	825-2408	2	NUT, M8 x 1.25, Flg, CI 8,
11	844-8016	4	BOLT, Hex Flg, M8 x 16, 8.8,
12	833-41308	4	NUT, M8, U,
13	832-10408	2	NUT, LOCK, M8 x 1.25, CI 8,
14	87545917	1	KIT, SERVICE, Three Sheild Adapting, (Not Shown)

02-10 WATER PUMP SYSTEM

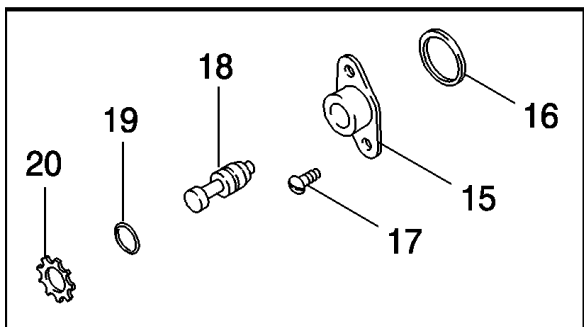
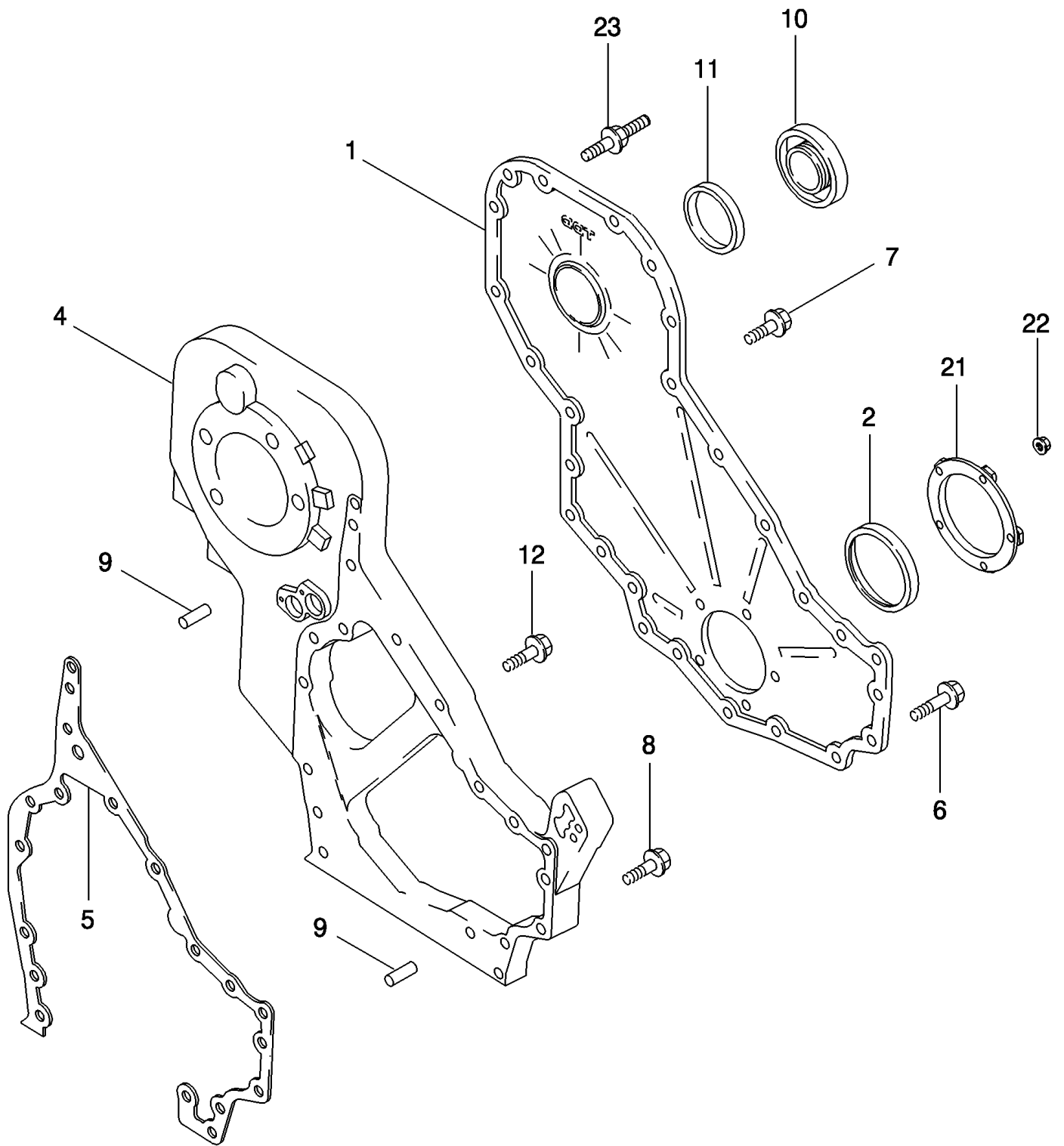


MAGNUM 255 CASE-IH MAGNUM TRACTOR (EMERGING MARKET) (1/06-)

02-10 WATER PUMP SYSTEM

сылка	Номер детали	Кол-во	Описание
	87453208	1	PUMP, WATER, Kit, Inc. 1 - 3
1	NSS	1	NOT SERVICED SEPARATELY, Pump
2	NSS	1	NOT SERVICED SEPARATELY, Pulley
3	238-5244	1	O-RING, -244, 70 Duro, 4.234" ID x .139" Thk,
4	J934054	3	BOLT, M8 x 28
5	J942896	1	SUPPORT, Includes 6 - 10
6	J907769	1	BOLT, M10 x 70
7	J923044	1	RETAINER,
8	100-21250	2	RING, SNAP, 2.50", Int, #250,
9	J910739	1	BEARING, BALL,
10	J911924	1	HUB,
11	844-10050	4	BOLT, Hex Flg, M10 x 50, 8.8,
12	J926855	1	PULLEY,
15	87345929	1	TENSIONER, BELT,
16	J282433	1	BOLT, M10 x 85
18	D142327	1	SPACER,
19	446890A1	1	SHAFT, Fan Adapter
20	828-10080	4	BOLT, Hex, M10 x 80, 10.9,
21	87402830	1	BELT,
22	87395363	1	PULLEY ASSY., Idler

02-11 FRONT GEAR COVER

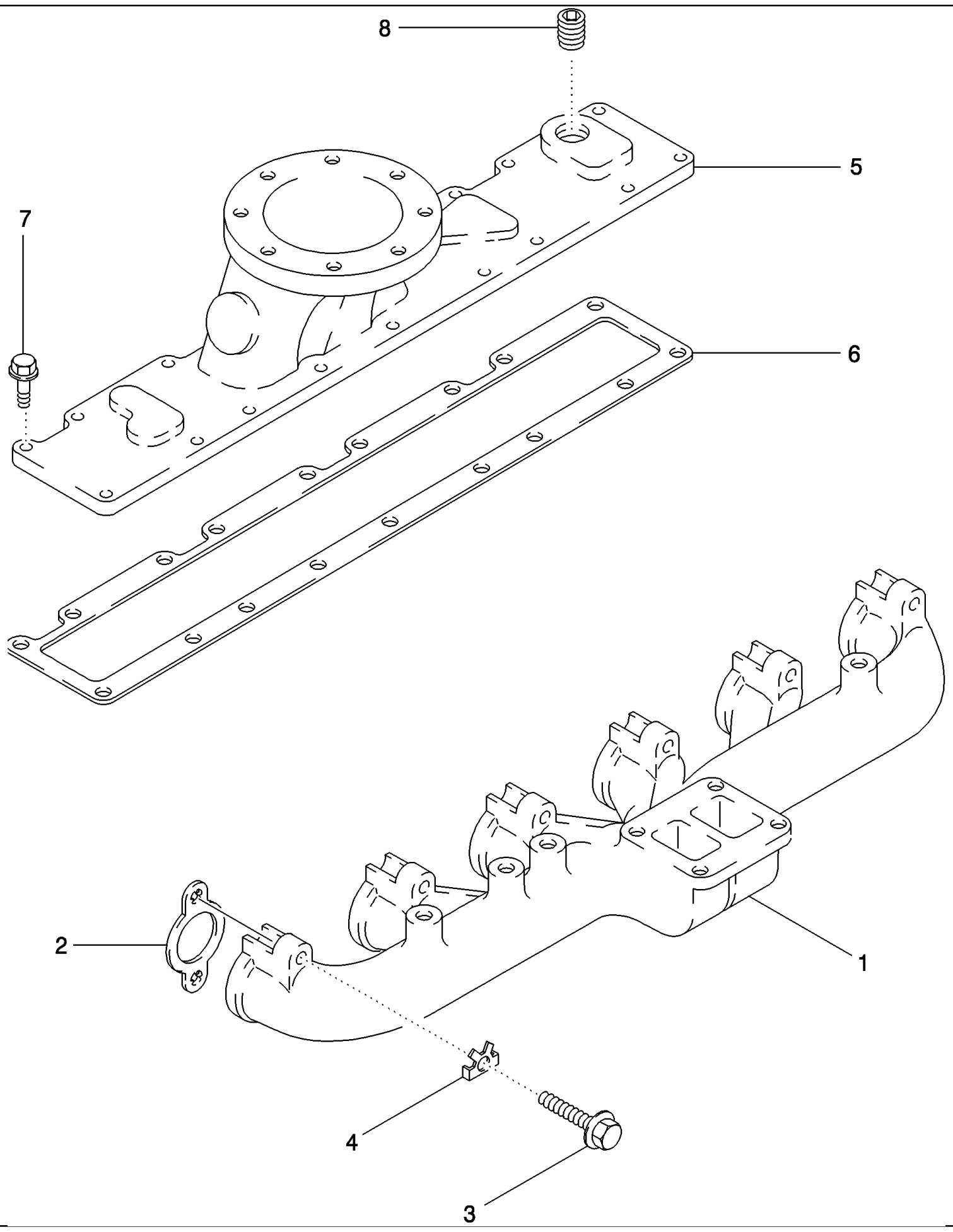


MAGNUM 255 CASE-IH MAGNUM TRACTOR (EMERGING MARKET) (1/06-)

02-11 FRONT GEAR COVER

сылка	Номер детали	Кол-во	Описание
1	J948043	1	COVER,
2	NSS	1	NOT SERVICED SEPARATELY, Seal, Order A77790, A77808, See Figure 02-24
4	86992925	1	TRANSMISSION HOUSING,
5	J944293	1	GASKET,
6	J926863	12	BOLT, M8 x 50
7	845-8016	14	BOLT, Hex Flg, M8 x 16, 8.8, Full Thd, M8 x 16; 8.8
8	J926846	3	BOLT, M8 x 20
9	J900257	2	PIN, 16 mm
10	J903463	1	COVER,
11	J903475	1	SEAL,
12	J943885	2	BOLT, M8 x 40
15	J919683	1	HOUSING,
16	J915772	1	SEALRING,
17	J907998	2	SCREW, LOCK, Spc Rd Torx Hd, M5 x 17,
18	J903924	1	PIN,
19	J913994	1	O-RING,
20	J904849	1	RING, SNAP, 0.875", Int, #87,
21	J941786	1	CARRIER,
22	J938077	5	NUT, Lock, M6
23	J921816	2	BOLT, SPECIAL,

02-12 MANIFOLDS

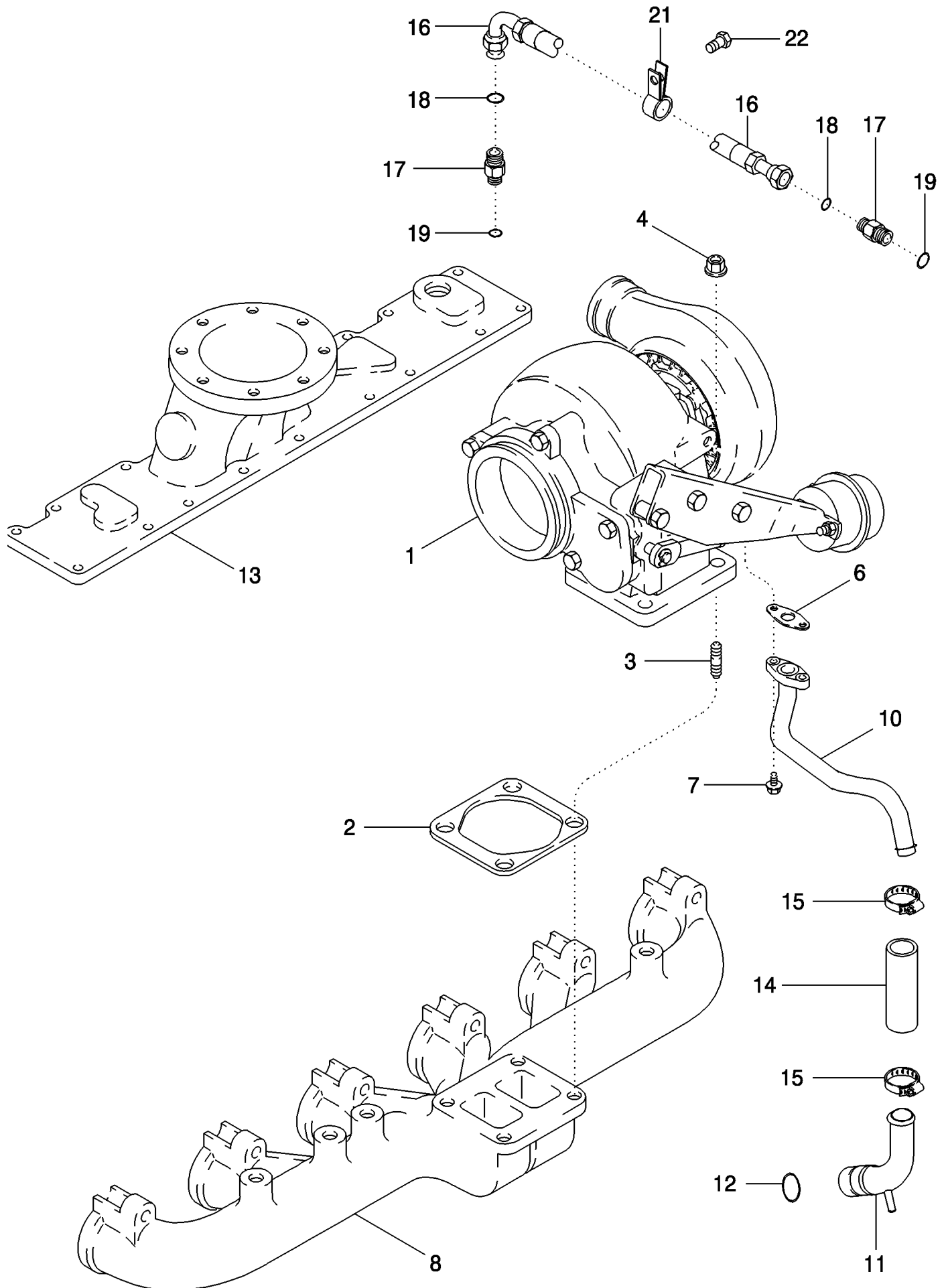


MAGNUM 255 CASE-IH MAGNUM TRACTOR (EMERGING MARKET) (1/06-)

02-12 MANIFOLDS

сылка	Номер детали	Кол-во	Описание
1	87405601	1	MANIFOLD, Exhaust
2	J932063	6	GASKET, MANIFOLD,
3	J929537	12	BOLT, 10 x 70 mm
4	J914708	12	PLATE, LOCKING, Intake
5	J926044	1	COVER,
6	J936993	1	GASKET, MANIFOLD,
7	J938036	18	SCREW, M8 x 30
8	217-438	1	PLUG, Hex Soc, 1/2"-14,

02-13 TURBOCHARGER SYSTEM

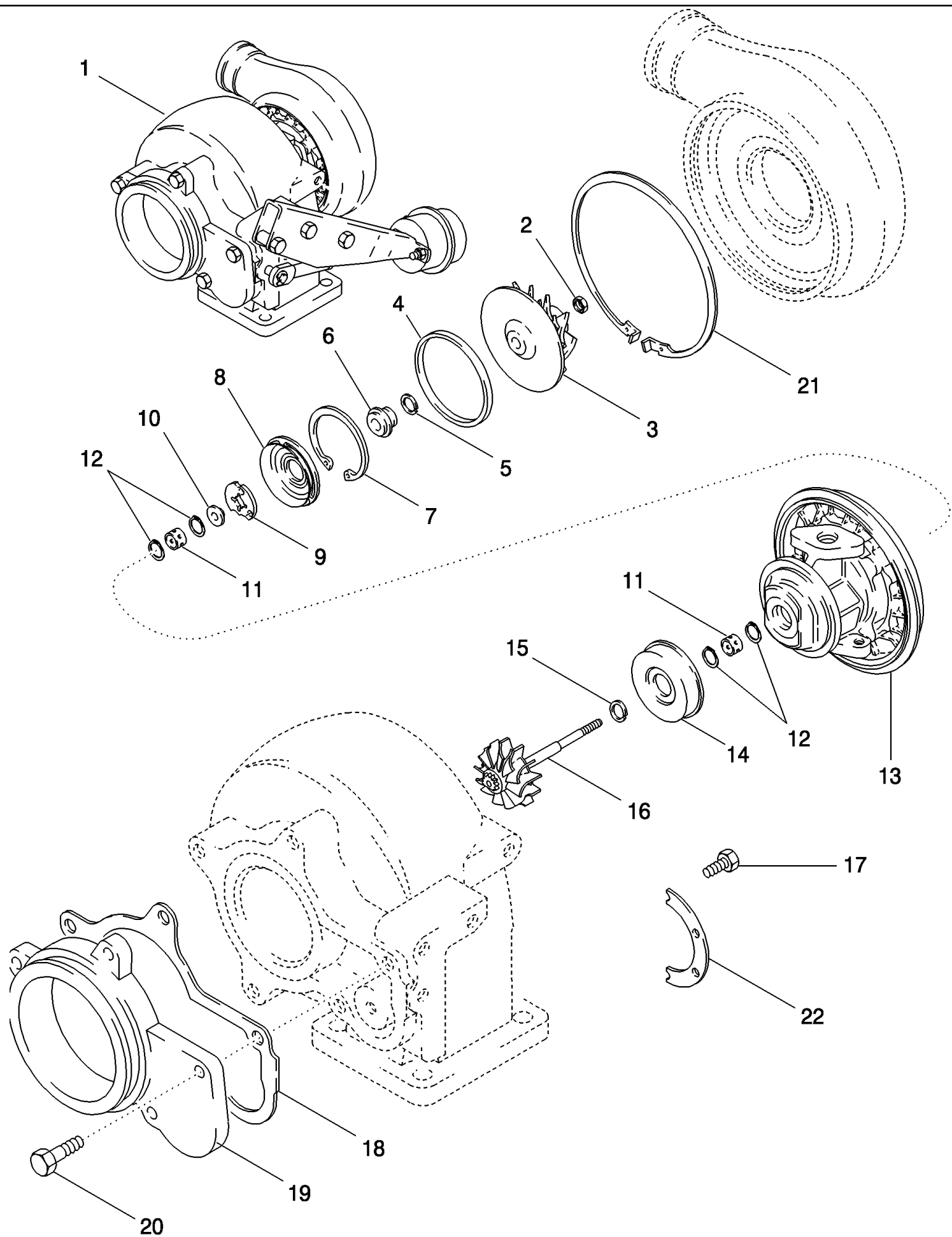


MAGNUM 255 CASE-IH MAGNUM TRACTOR (EMERGING MARKET) (1/06-)

02-13 TURBOCHARGER SYSTEM

сылка	Номер детали	Кол-во	Описание
1	REF	1	INSTRUCTION, Turbocharger Assy, See Figure 02-14
2	J755843	1	GASKET,
3	J818823	4	STUD, M10 x 40
4	J818824	4	NUT, M10
6	J937706	1	GASKET,
7	845-8020	2	BOLT, Hex Flg, M8 x 20, 8.8, Full Thd,
8	87405601	1	MANIFOLD, , See Figure 02-12
10	86993028	1	TUBE,
11	J931973	1	TUBE,
12	238-7018	1	O-RING, -018, CI 7, .739" ID x .070" Thk,
13	J926044	1	COVER, , See Figure 02-12
14	J286499	1	HOSE, 76 mm (3 in)
15	214-1512	2	CLAMP, HOSE, #12, .69/1.25 Type F Worm, W/liner,
16	J282159	1	HOSE, FLEXIBLE,
17	J922789	2	CONNECTOR, HYD., Inc. 18, 19
18	J678603	1	O-RING, 9,3 mm ID x 2,2 mm
19	313262A1	1	SEAL, 9,2 mm ID x 1,7 mm
21	87434675	1	CLAMP, 1/2 ID
22	615-8012	1	BOLT, Hex, M8 x 12, 8.8, Full Thd,

02-14 TURBOCHARGER ASSEMBLY

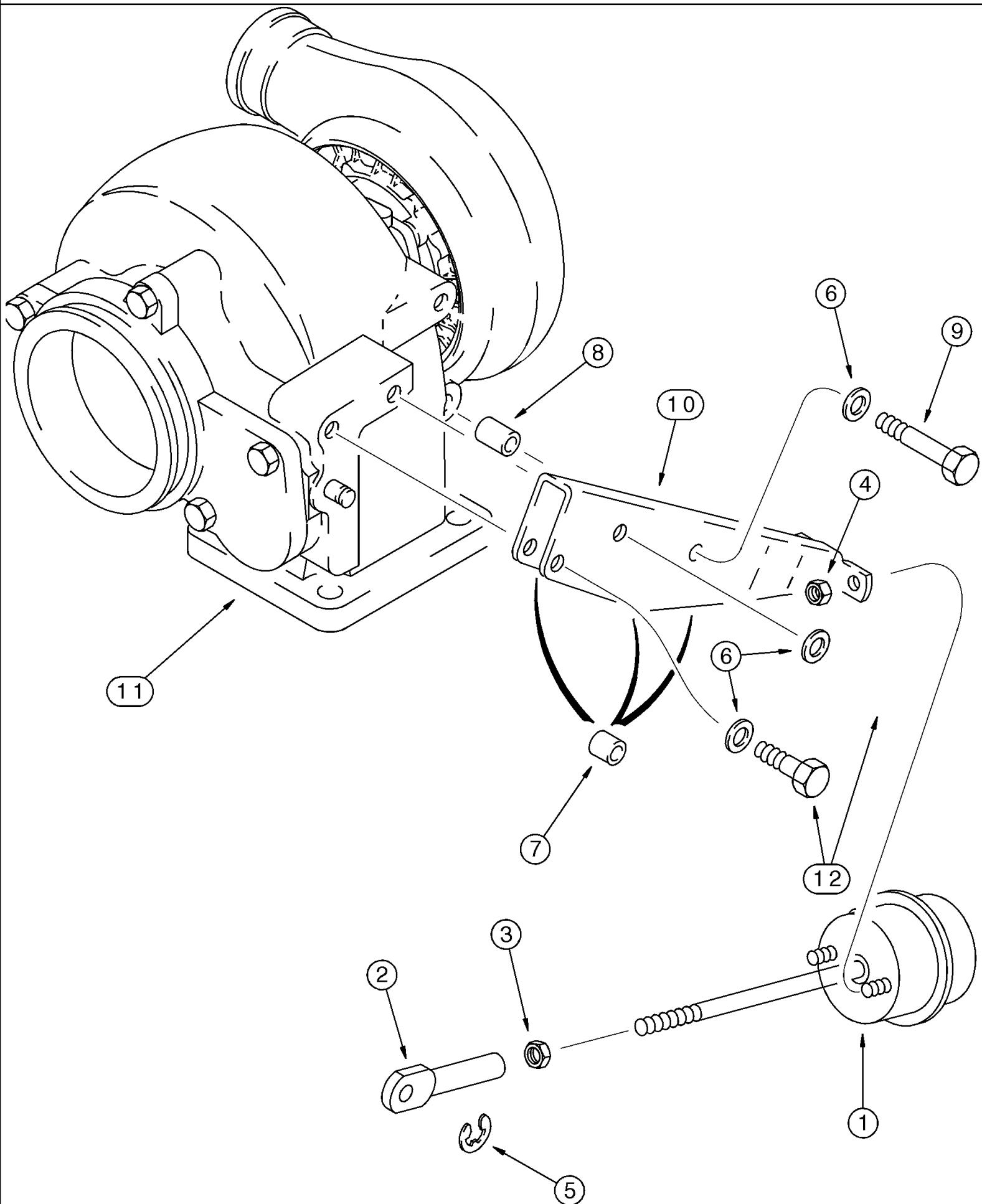


MAGNUM 255 CASE-IH MAGNUM TRACTOR (EMERGING MARKET) (1/06-)

02-14 TURBOCHARGER ASSEMBLY

сылка	Номер детали	Кол-во	Описание
	87428460	1	KIT, Turbocharger, Inc. J594800, J937706, J755843, Not Illustrated
1	NSS	1	NOT SERVICED SEPARATELY, Turbocharger, Inc. 2 - 22, Also Inc. 1 - 12, See Figures 02-20, 02-20A
1	J538379	1	HOUSING, Includes 2 - 16
2	NSS	1	NOT SERVICED SEPARATELY, Nut
3	NSS	1	NOT SERVICED SEPARATELY, Impeller
4	NSS	1	NOT SERVICED SEPARATELY, Seal
5	NSS	1	NOT SERVICED SEPARATELY, Seal
6	NSS	1	NOT SERVICED SEPARATELY, Slinger
7	NSS	1	NOT SERVICED SEPARATELY, Ring
8	NSS	1	NOT SERVICED SEPARATELY, Baffle
9	NSS	1	NOT SERVICED SEPARATELY, Bearing, Thrust
10	NSS	1	NOT SERVICED SEPARATELY, Collar
11	NSS	2	NOT SERVICED SEPARATELY, Bearing, Journal
12	NSS	4	NOT SERVICED SEPARATELY, Ring
13	NSS	1	NOT SERVICED SEPARATELY, Housing
14	NSS	1	NOT SERVICED SEPARATELY, Shield
15	NSS	1	NOT SERVICED SEPARATELY, Seal
16	NSS	1	NOT SERVICED SEPARATELY, Rotor And Shaft
17	J759917	6	SET SCREW,
18	J535243	1	GASKET,
19	J528010	1	ADAPTER,
20	614-8020	5	BOLT, Hex, M8 x 20, 8.8,
21	J533163	1	RING, SNAP,
22	J534309	2	PLATE,
	J575169	1	KIT, REPAIR, Overhaul, Inc. 2, 4, 5, 7, 8, 9, 11, 12, 15, 17

02-15 WASTEGATE ACTUATOR

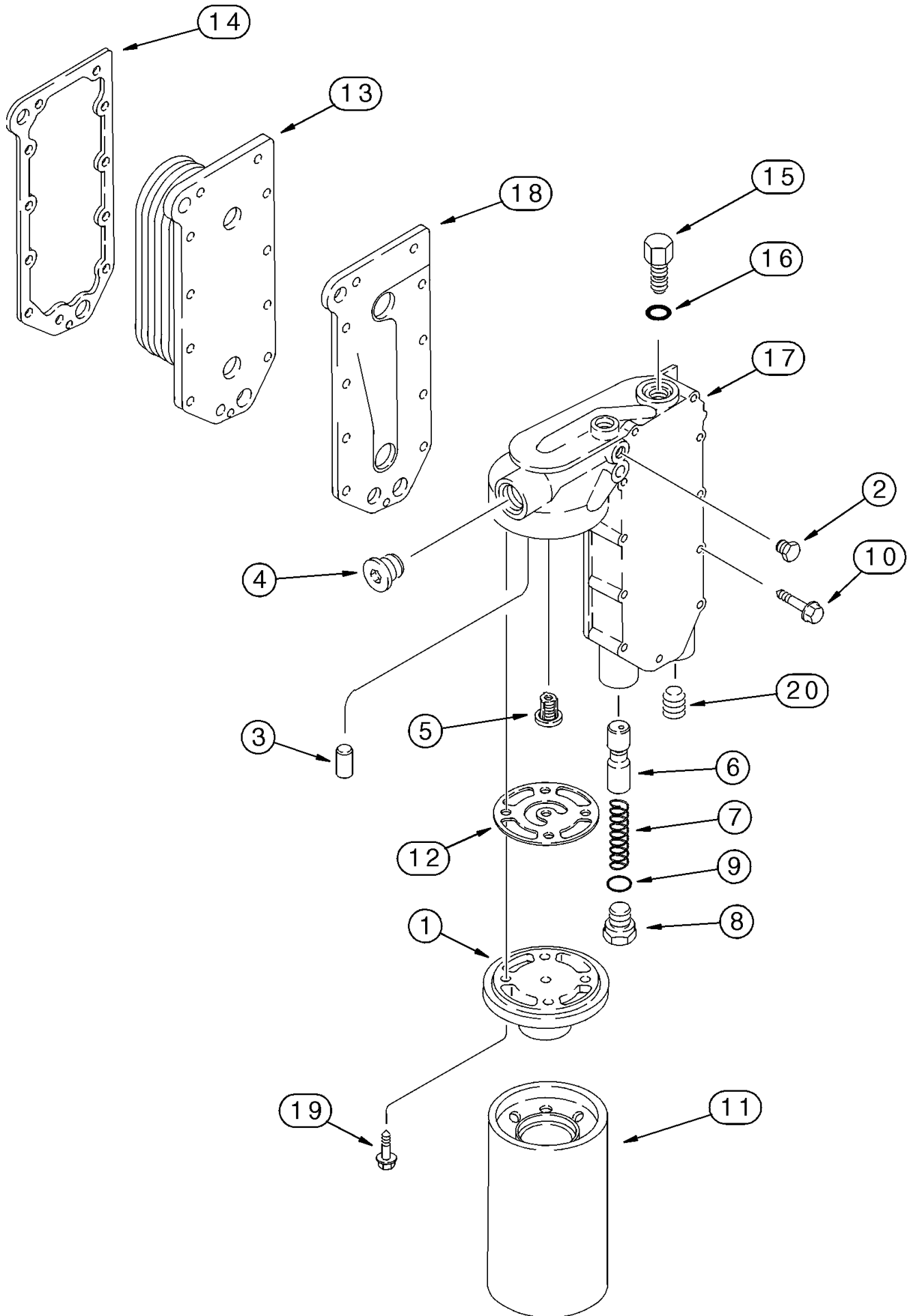


MAGNUM 255 CASE-IH MAGNUM TRACTOR (EMERGING MARKET) (1/06-)

02-15 WASTEGATE ACTUATOR

сылка	Номер детали	Кол-во	Описание
	REF	1	INSTRUCTION, Turbocharger Assy, Inc. 1 - 12, Also Inc. 2 - 22, See Figure 02-18
1	J535106	1	ACTUATOR,
2	J528177	1	LINK,
3	425-155	1	NUT, Jam, 5/16"-24, G5,
4	J528204	2	NUT,
5	J528221	1	RING, SNAP,
	NSS	1	NOT SERVICED SEPARATELY, Housing, Inc. 6 - 12
6	895-11008	3	WASHER, M8 x 16 x 1.6, 9 x 17 x 1,6 mm
7	J532195	3	SPACER, 13,6 mm
8	J532196	1	SPACER, 19 mm
9	814-8055	1	BOLT, Hex, M8 x 55, 8.8,
10	J533328	1	SUPPORT,
11	NSS	1	NOT SERVICED SEPARATELY, Housing
12	814-8035	2	BOLT, Hex, M8 x 35, 8.8,

02-16 FILTER AND COOLER - OIL

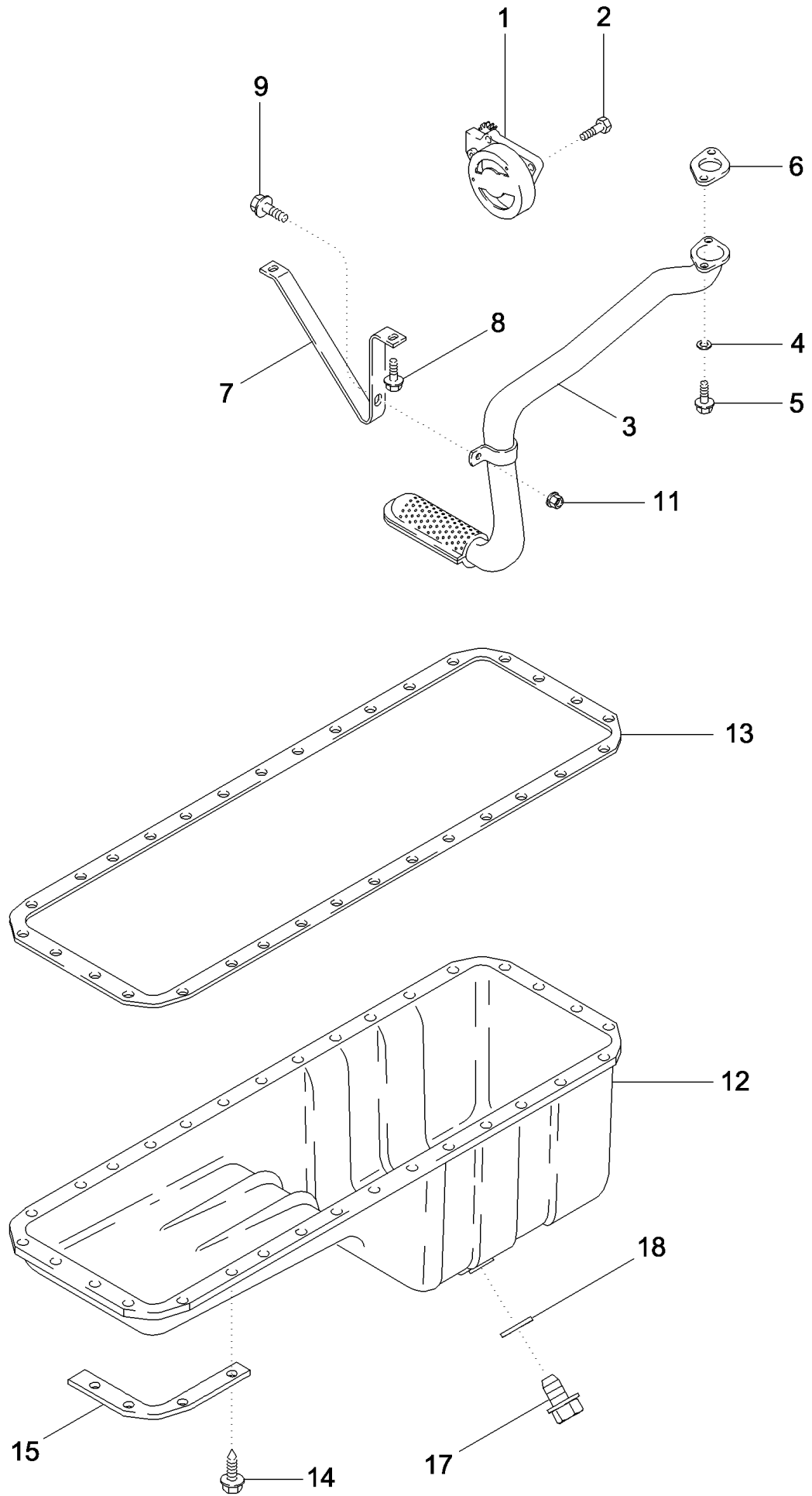


MAGNUM 255 CASE-IH MAGNUM TRACTOR (EMERGING MARKET) (1/06-)

02-16 FILTER AND COOLER - OIL

сылка	Номер детали	Кол-во	Описание
1	J918334	1	HEAD, FILTER, Filter
2	J906619	2	PLUG, 1/8 PT
3	A77722	1	PIN,
4	217-441	1	PLUG, Hex Soc, 3/4"-14 NPTF,
5	J936365	1	VALVE, PRESSURE RELIEF,
6	J945967	1	PLUNGER,
7	A77541	1	SPRING,
8	J931084	1	PLUG, 24 mm, Inc. 9
9	J930911	1	O-RING, 3/4 ID x 1/16
10	87421315	11	SCREW, M8 x 65, 10.9
11	J919562	1	FILTER, ENGINE OIL,
12	87447957	1	GASKET,
13	87453888	1	CORE-OIL COOLER,
14	J918174	1	GASKET,
	J934410	1	VALVE, BY-PASS, Inc. 15, 16
15	NSS	1	NOT SERVICED SEPARATELY, Thermostat
16	A77724	1	O-RING,
17	87314031	1	COVER,
18	J4063496	1	GASKET,
19	J907860	4	BOLT, M8 x 25
20	221-1034	1	PLUG, Sq Soc, 1/2" MPTF,

02-17 OIL PUMP AND OIL PAN

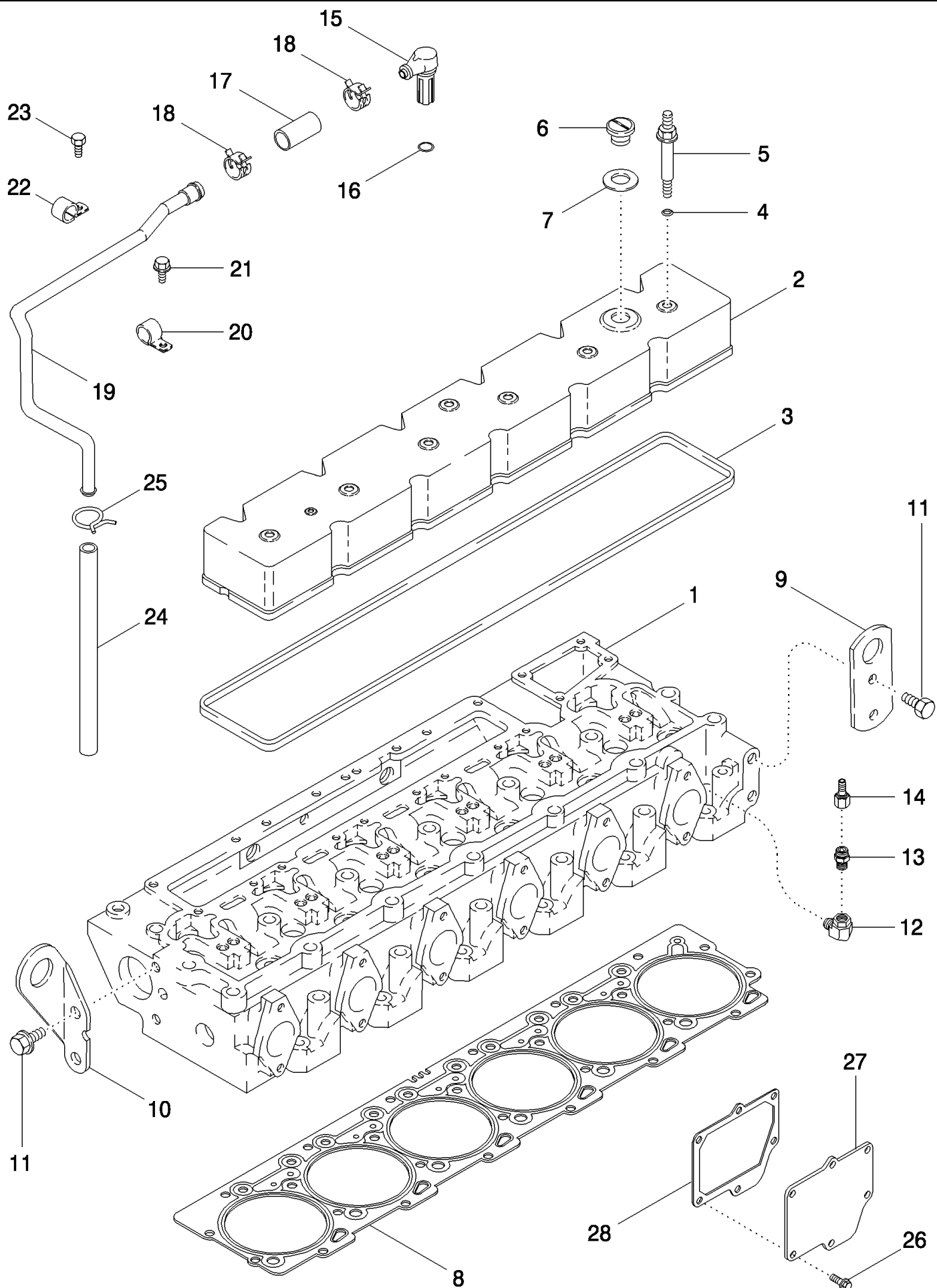


MAGNUM 255 CASE-IH MAGNUM TRACTOR (EMERGING MARKET) (1/06-)

02-17 OIL PUMP AND OIL PAN

сылка	Номер детали	Кол-во	Описание
1	J948072	1	PUMP, ENGINE OIL, New
2	J900677	4	BOLT, M8 x 30
3	J928828	1	TUBE ASSY.,
4	J926865	2	SPACER,
5	845-6030	2	BOLT, Hex Flg, M6 x 30, 8.8,
6	87447959	1	GASKET,
7	J927611	1	BRACKET,
8	845-6015	2	BOLT, Hex Flg, M6 x 15, 8.8, Full Thd,
9	845-6020	1	BOLT, Hex Flg, M6 x 20, 8.8, Full Thd,
11	825-2406	1	NUT, M6 x 1, Flg, Cl 8,
12	87362733	1	PAN, ENGINE OIL,
13	87308050	1	GASKET, Oil Pan
14	J907860	32	BOLT, M8 x 25
15	87414461	4	SUPPORT,
17	J924147	1	PLUG, M18
18	J920773	1	WASHER, SEALING,
19	87361945	2	STRAP, Not Illustrated

02-18 CYLINDER HEAD - COVER

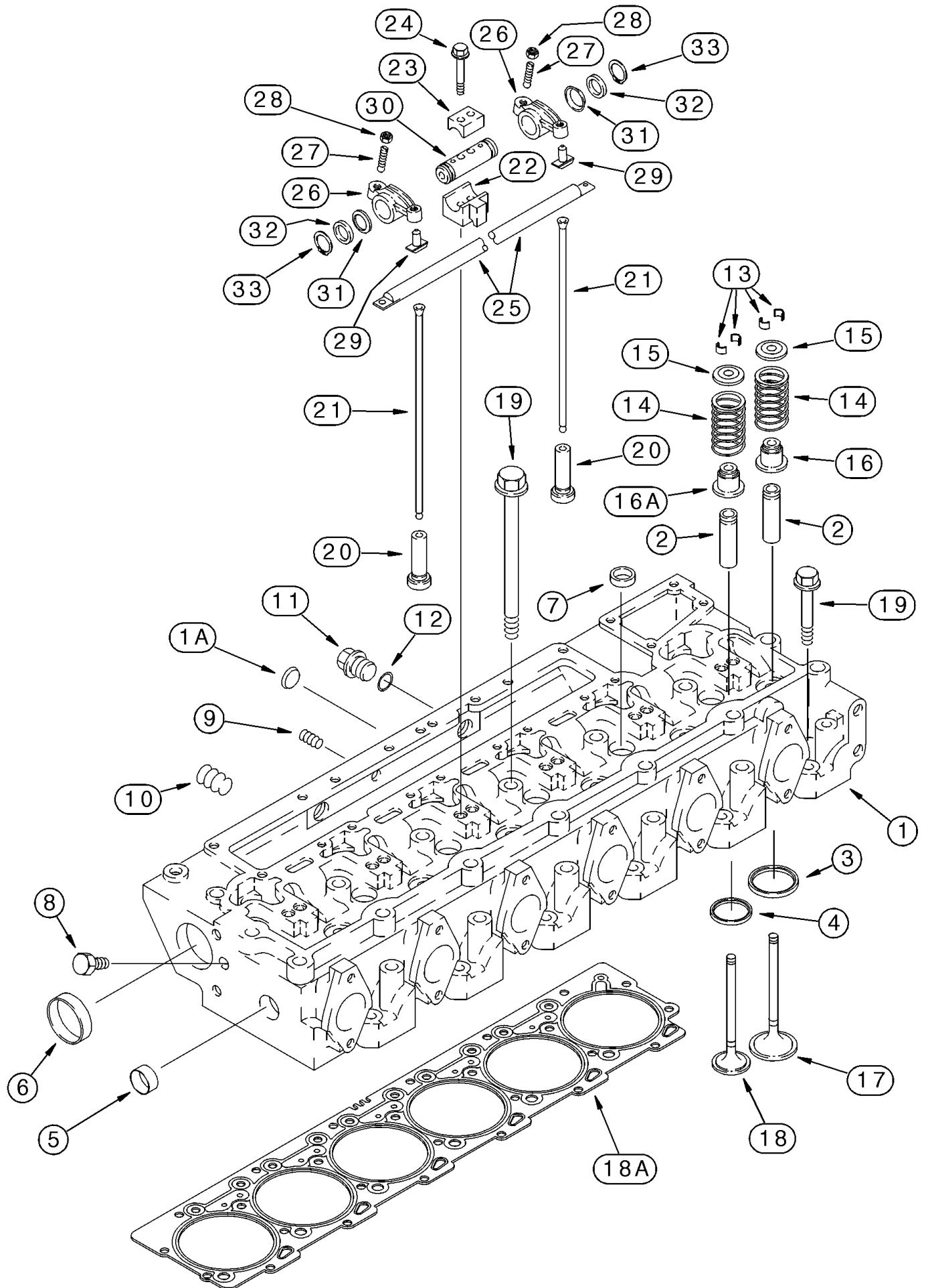


MAGNUM 255 CASE-IH MAGNUM TRACTOR (EMERGING MARKET) (1/06-)

02-18 CYLINDER HEAD - COVER

сылка	Номер детали	Кол-во	Описание
1	REF	1	INSTRUCTION, Head, See Figure 02-19
2	J930903	1	COVER, VALVE,
3	J905449	1	SEAL, RUBBER,
4	J910824	6	O-RING,
5	J922639	6	STUD,
6	J902468	1	PLUG,
7	J902466	1	SEAL,
8	J938267	1	GASKET, CYLINDER HEAD,
9	J944290	1	BRACKET,
10	J906440	1	EYE, LIFTING,
11	844-12025	4	BOLT, Hex Flg, M12 x 25, 8.8,
12	105422	1	ELBOW UNION, 1/8 PT x fem PT
13	J911901	1	VALVE, CHECK,
14	J911925	1	COUPLING,
15	J935113	1	ELBOW,
16	J936331	1	SEAL,
17	J930827	1	HOSE, 51 mm (2 in)
18	J937613	2	CLAMP, HOSE,
19	87309036	1	TUBE ASSY.,
20	J907741	1	CLIP,
21	J912072	1	SCREW, SELF TAP, M8 st x 15
22	A77538	1	CLIP,
23	844-12025	1	BOLT, Hex Flg, M12 x 25, 8.8,
24	413826A1	1	HOSE ASSY.,
25	214-1314	1	CLAMP, HOSE, #14, 7/8", Spring,
26	87409160	6	SCREW, M6 x 16 mm; 10.9
27	87413814	1	COVER,
28	87436828	1	GASKET,

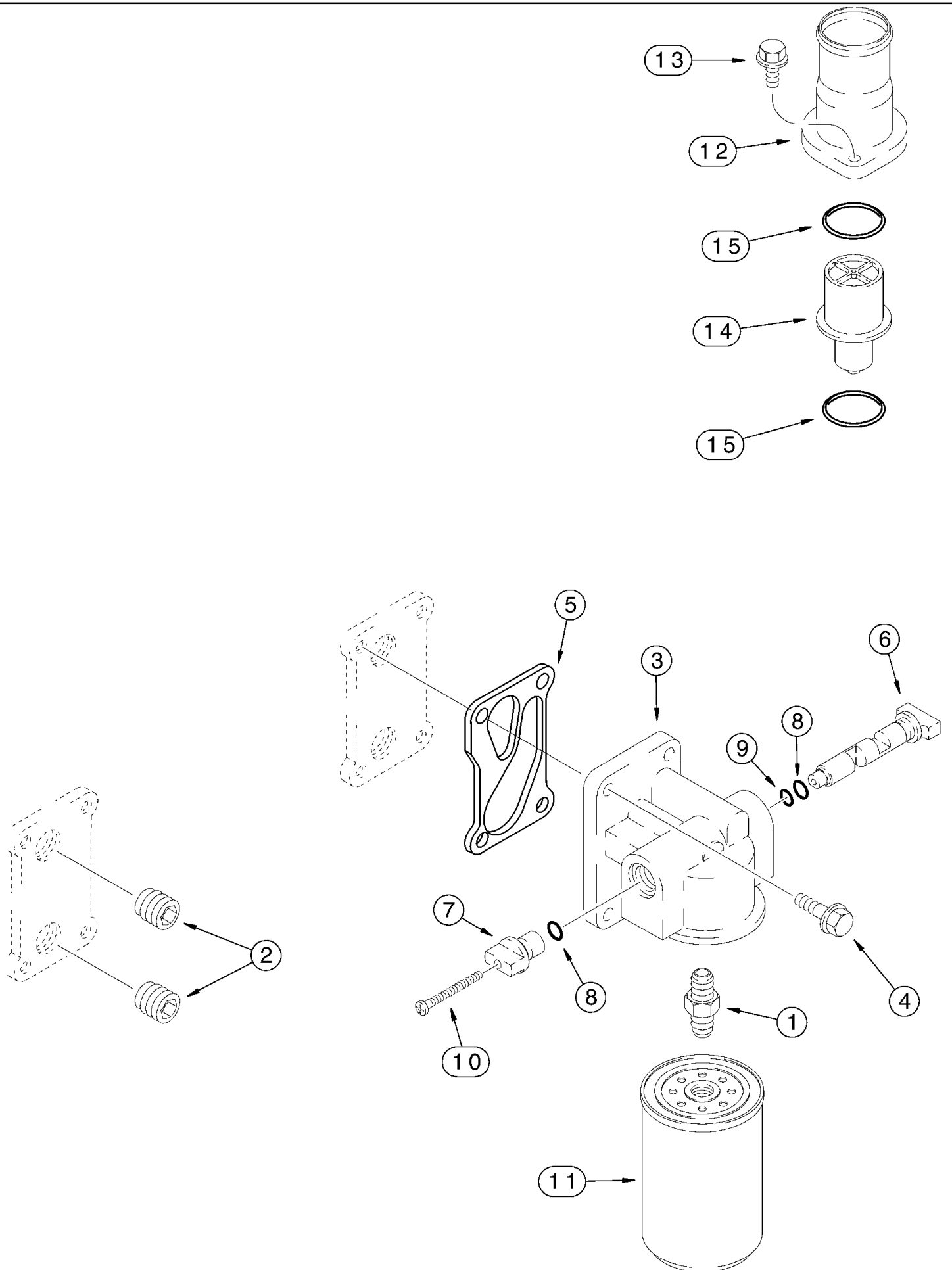
02-19 CYLINDER HEAD - VALVE MECHANISM



MAGNUM 255 CASE-IH MAGNUM TRACTOR (EMERGING MARKET) (1/06-)

02-19 CYLINDER HEAD - VALVE MECHANISM

сылка	Номер детали	Кол-во	Описание
	86990822	1	HEAD, Cylinder, With Valves, Inc. 1 - 18
1	J936180	1	HEAD ASSY., Cylinder, Without Valves, Inc. 1A - 7
1A	J912900	1	PLUG, 24 mm
2	J923564	12	GUIDE, VALVE,
3	J924582	6	INSERT, Intake
3	J925468	6	SEAT, VALVE, 0,25 mm, Intake, Oversize
3	J925470	6	SEAT, VALVE, 0,50 mm, Intake, Oversize
4	J929005	6	INSERT, Exhaust
4	J929006	6	INSERT, 0,25 mm, Exhaust, Oversize
4	J929007	6	INSERT, 0,50 mm, Exhaust, Oversize
5	J920443	1	PLUG, 30 mm
6	A77782	2	PLUG, 58 mm
7	41-1616	5	PLUG, Cup, 1", Stainless,
8	217-426	1	PLUG, Hex Soc, 1/16"-27,
9	217-432	1	PLUG, Hex Soc, 1/4"-18,
10	217-438	2	PLUG, Hex Soc, 1/2"-14,
11	J924148	2	PLUG, M22
12	J902425	2	WASHER,
13	J901177	24	KEY,
14	J991085	12	SPRING, VALVE, Valve
15	87395026	12	RETAINER,
16	J927642	6	SEAL, Intake, Valve
16A	J927642	6	SEAL, Exhaust, Valve
17	J924492	6	VALVE, ENGINE, INLET, STD,
18	J921444	6	VALVE, ENG EXHAUST, STD,
18A	J938267	1	GASKET, CYLINDER HEAD, , See Figure 02-18
19	J917728	14	BOLT, 160 mm
19	J917729	12	SCREW, 80 mm
20	J931623	12	TAPPET,
21	J905194	12	ROD, PUSH,
22	J905870	6	SUPPORT,
23	J901693	6	CLAMP,
24	868-10065	12	SCREW, 12 Pt Hd, M10 x 65, 12.9,
25	J919677	1	MANIFOLD,
26	J901717	12	ROCKER, Inc. 27 - 29
27	J937438	1	SET SCREW, Hex Skt, 3/8"-24 x 33mm, Adj, Ball Point,
28	A77902	1	NUT, 3/8 - 24 NF
29	NSS	1	NOT SERVICED SEPARATELY, Insert
30	J919435	6	SHAFT,
31	J906100	12	CUP, SPRING,
32	J907206	12	WASHER,
33	100-1187	12	RING, SNAP, #87, Ext,

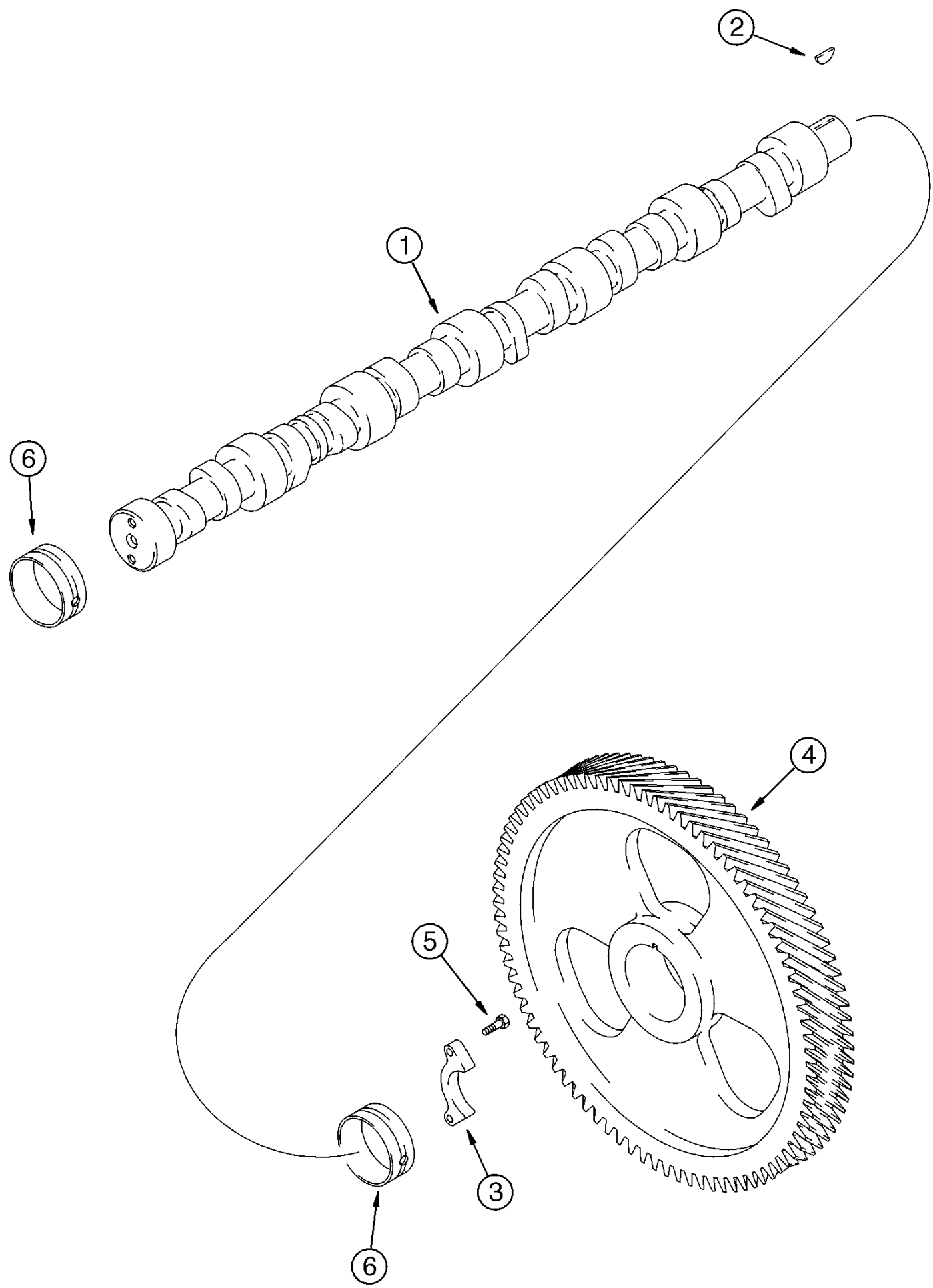


MAGNUM 255 CASE-IH MAGNUM TRACTOR (EMERGING MARKET) (1/06-)

02-20 THERMOSTAT - FILTER, WATER

сылка	Номер детали	Кол-во	Описание
1	A77623	1	ADAPTER,
2	217-441	2	PLUG, Hex Soc, 3/4"-14 NPTF,
3	J943738	1	HEAD, FILTER,
4	845-8025	4	BOLT, Hex Flg, M8 x 25, 8.8,
5	87612306	1	GASKET,
6	J943739	1	VALVE, SHUT-OFF,
7	J943740	1	VALVE, SHUT-OFF,
8	87423041	2	O-RING,
9	238-5013	1	O-RING, -013, 70 Duro, .426" ID x .070" Thk,
10	J944454	1	SCREW,
11	J100304	1	FILTER, ELEMENT,
12	J944429	1	OUTLET,
13	845-8025	2	BOLT, Hex Flg, M8 x 25, 8.8,
14	87698668	1	THERMOSTAT,
15	238-5227	2	O-RING, -227, 70 Duro, 2.109" ID x .139" Thk,

02-21 CAMSHAFT

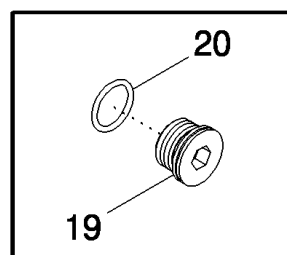
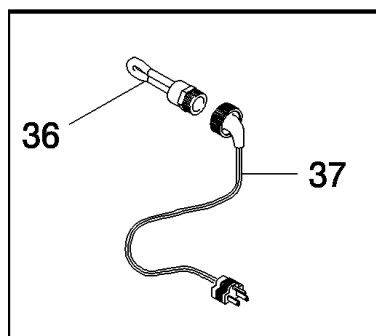
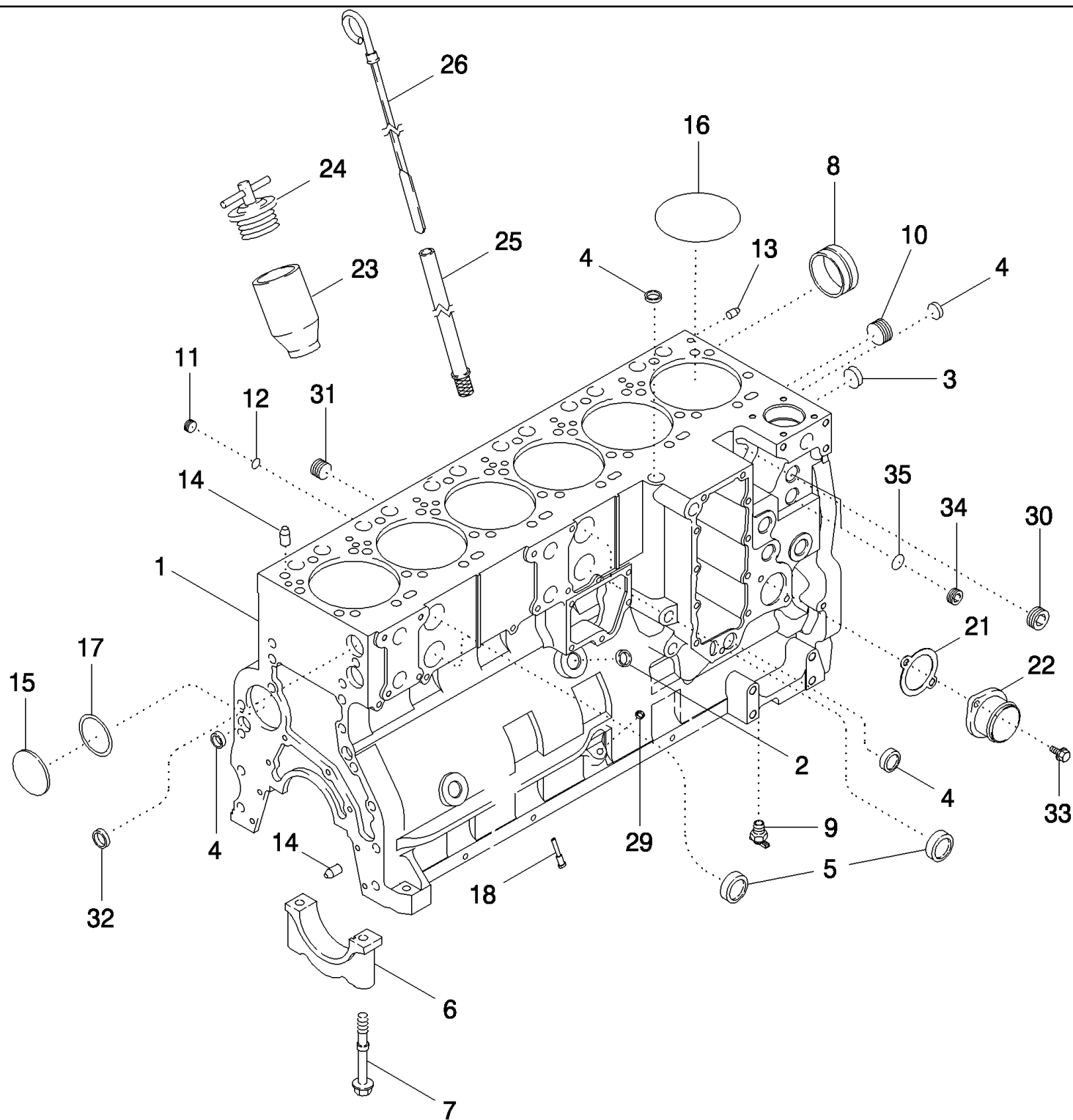


MAGNUM 255 CASE-IH MAGNUM TRACTOR (EMERGING MARKET) (1/06-)

02-21 CAMSHAFT

сылка	Номер детали	Кол-во	Описание
1	J923478	1	CAMSHAFT,
2	836-4065	1	WOODRUFF KEY, M4 x 6.5 x 15.72,
3	J927155	1	SUPPORT,
4	J918777	1	GEAR,
5	J900227	2	SCREW, Hex, M8 x 1.25 x 22,
6	J945329	7	BEARING, CAMSHAFT,

02-22 CYLINDER BLOCK



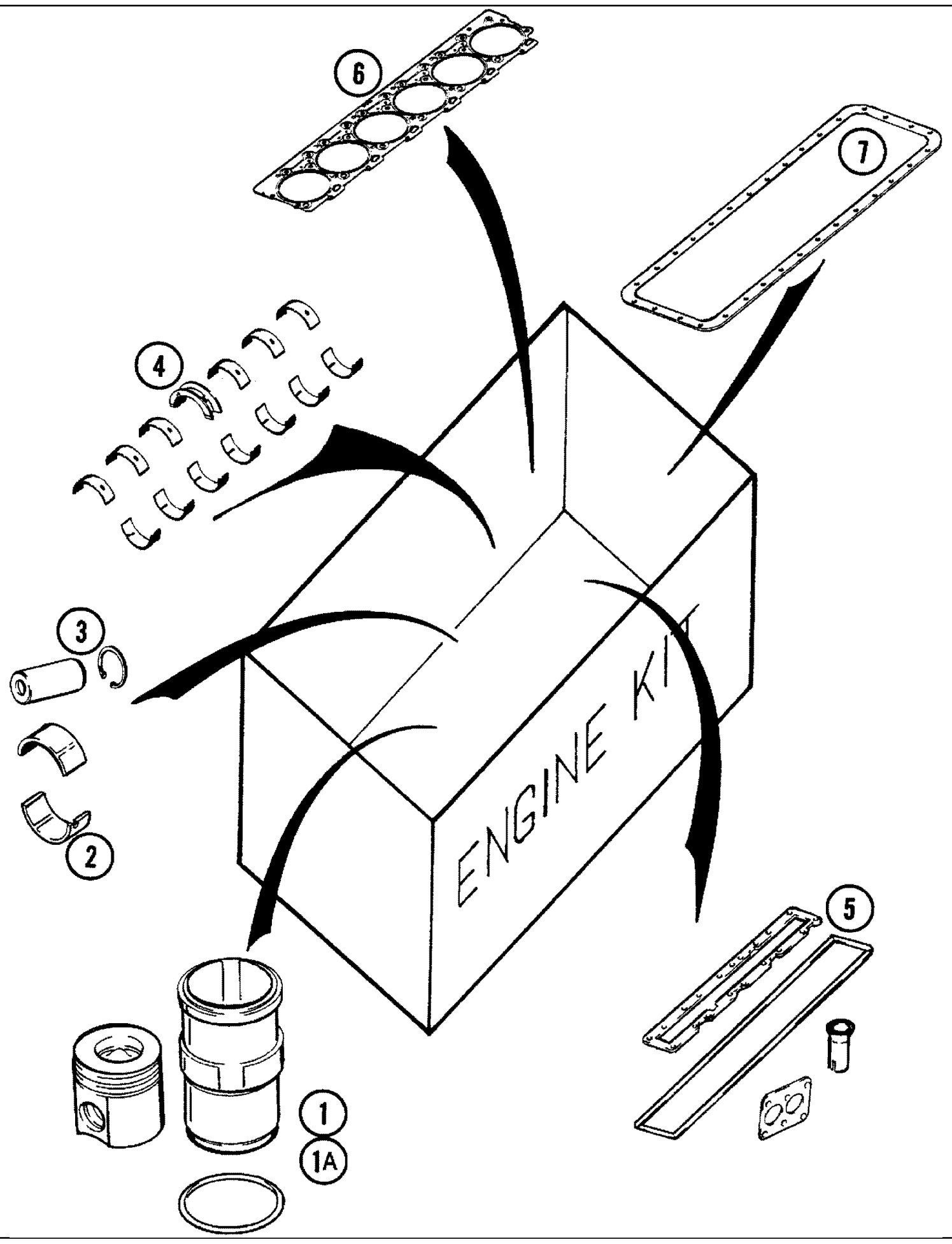
Note: Basic engines and reman engines are generic engines. The engines are complete internally; however, externally all parts are not supplied with the engines. Check the configuration of the engine being removed, with the configuration of the engine being installed. For any external components not supplied with the engine being installed, reuse those parts from the engine that has just been removed. Do not return the old engine, until the unit is reassembled.

MAGNUM 255 CASE-IH MAGNUM TRACTOR (EMERGING MARKET) (1/06-)

02-22 CYLINDER BLOCK

сылка	Номер детали	Кол-во	Описание
	86993060	1	ENGINE, BASIC, , Complete Engine, Less, Starter, Alternator, Fan, Fan Belt, Air Cleaner, Muffler and Exhaust Pipe.
	87401152	1	ENGINE, , Less, Starter, Alternator, Fan, Fan Belt, Air Cleaner, Muffler, Exhaust Manifold, Flywheel and Housing, Oil Fill and Dipstick, Fuel Injection Pump, Injectors and Lines, Front Pulley, Belt Tensioner, Turbocharger and Aftercooler; See Note
	87411285	1	BLOCK, Short, Inc. 1 - 8, Stripped Short Block, Pistons, Connecting Rods and Bearings, Crankshaft and Bearings
1	87444562	1	BASIC BLOCK, Stripped, Also Order 87444569, Inc. 3 - 8
2	J920706	1	PLUG, 22 mm
3	A77586	2	PLUG, 43 mm
4	A77506	4	PLUG, 21 mm
5	J905401	4	PLUG, 35 mm
6	87444056	7	CAP,
7	87444059	14	BOLT, M14 x 128
8	J945329	7	BEARING, CAMSHAFT, , See Figure 02-21
	87444569		KIT, SERVICE, Inc. 9 - 20
9	217-103	1	COCK, DRAIN, 1/4 PT
10	217-443	1	PLUG, Hex Soc, 1"-11 1/2 NPTF,
11	J678923	6	PLUG, 10 mm, Inc. 12
12	637-72081	6	O-RING, CI 7, 8.1MM ID x 1.6 Thk,
13	J900257	2	PIN, 16 mm
14	J901846	4	PIN,
15	41-3044	1	PLUG, Exp, 2 3/4", (70 mm)
16	J907177	6	O-RING,
17	J926048	1	O-RING, 66 mm ID
18	J928031	12	NOZZLE,
19	J678921	2	PLUG, 14 mm, Inc. 20
20	J678912	2	O-RING,
21	J945603	1	GASKET, Water Inlet
22	J944720	1	CONNECTOR, HYD., Water Inlet (If Equipped)
22	87415507	1	TUBE ASSY., Water Inlet (If Equipped), Not Shown
23	J905408	1	TUBE,
24	J934480	1	CAP, FILLER,
25	87366160	1	TUBE,
26	J937417	1	DIPSTICK,
29	J943808	1	PLUG, 13 mm
30	217-441	1	PLUG, Hex Soc, 3/4"-14 NPTF,
31	217-438	2	PLUG, Hex Soc, 1/2"-14,
32	J920443	2	PLUG, 30 mm
33	845-8020	2	BOLT, Hex Flg, M8 x 20, 8.8, Full Thd,
34	313244A1	1	PLUG, Hex Socket, 22 mm, Inc. 35
35	313246A1	1	O-RING, 19 ID x 2,2 mm
36	310494A1	1	KIT, Coolant Heater, 240V, Inc. 37
37	J913112	1	HARNESS, WIRE, 305 mm (12")
38	369929A1	3	FASTENER, (Not Shown), Install In Block Behind Starter

Note: Basic engines and reman engines are generic engines. The engines are complete internally; however, externally all parts are not supplied with the engines. Check the configuration of the engine being removed, with the configuration of the engine being installed. For any external components not supplied with the engine being installed, reuse those parts from the engine that has just been removed. Do not return the old engine, until the unit is reassembled.

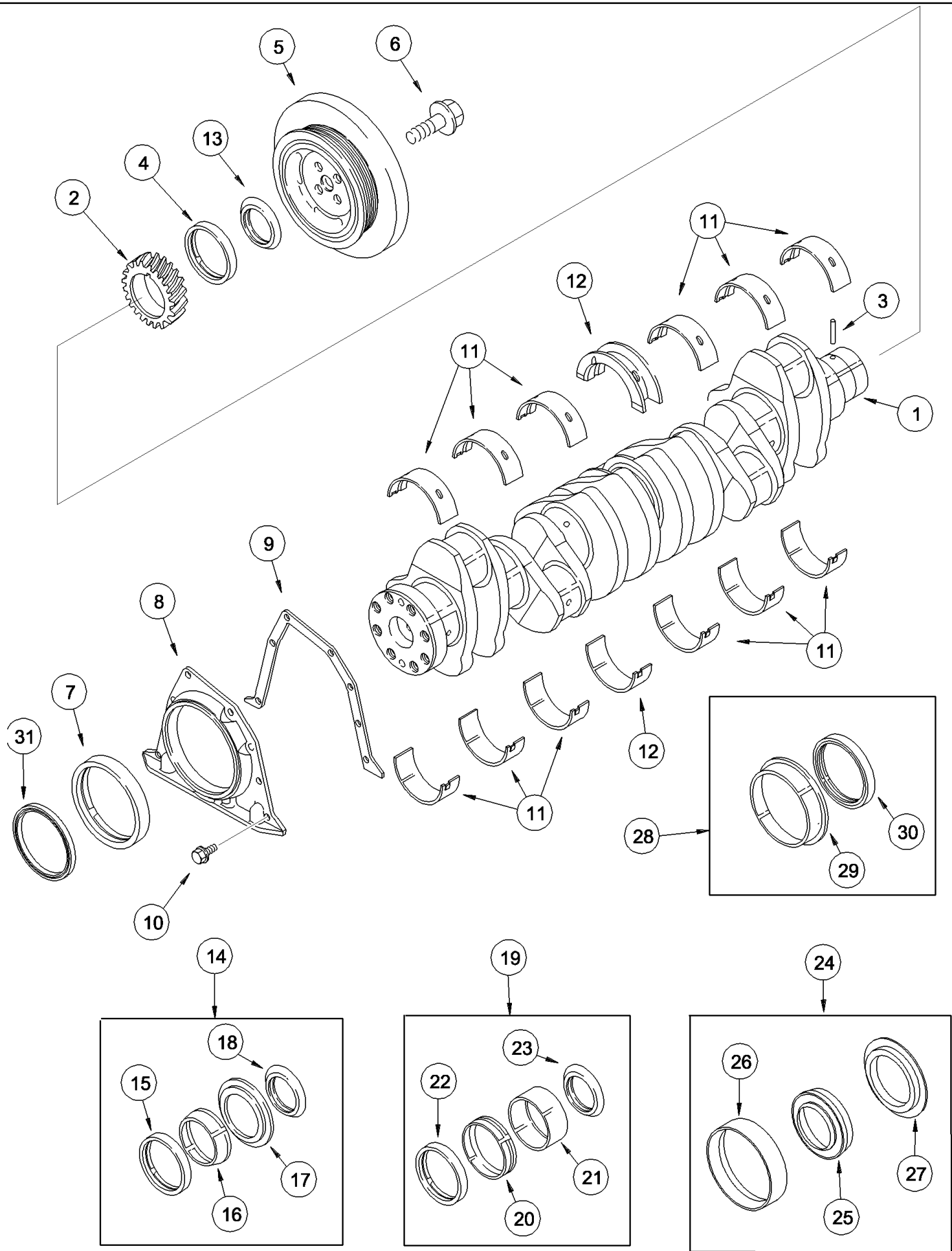


MAGNUM 255 CASE-IH MAGNUM TRACTOR (EMERGING MARKET) (1/06-)

02-23 KIT ENGINE OVERHAUL

сылка	Номер детали	Кол-во	Описание
	A78017	1	KIT, REPAIR, Inc. 1 - 8
1	A77912	6	PACKAGE, REPAIR, , See Figure 02-26
2	87443389	6	BEARING LINER, Connecting Rod, Standard, See Figure 02-26
3	J934046	6	PIN, PISTON, Piston, See Figure 02-26
4	J945930	6	BEARING, CRANKSHAFT, Standard, See Figure 02-24
5	J945929	1	BEARING, CRANKSHAFT, Thrust, Standard, See Figure 02-24
6	A77976	1	KIT, GASKET, Valve Grind, See Figure 02-27
7	J938267	1	GASKET, CYLINDER HEAD,
8	87308050	1	GASKET, Oil Pan, See Figure 02-16

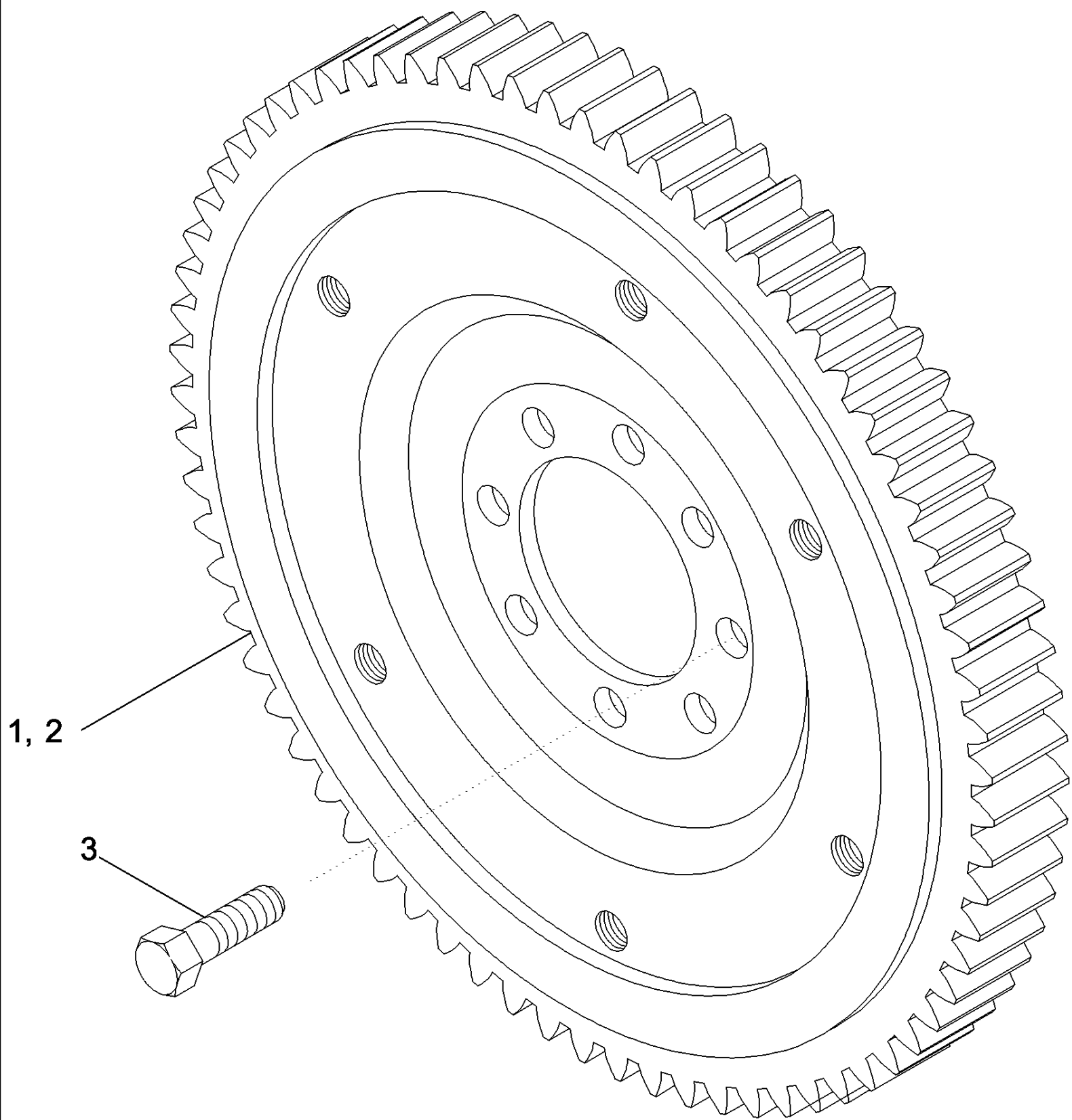
02-24 CRANKSHAFT



MAGNUM 255 CASE-IH MAGNUM TRACTOR (EMERGING MARKET) (1/06-)

02-24 CRANKSHAFT

сылка	Номер детали	Кол-во	Описание
1	J918986	1	CRANKSHAFT, New, Inc. 2, 3
2	J918776	1	GEAR,
3	J904483	1	PIN,
4	NSS	1	NOT SERVICED SEPARATELY, Seal, Order A77790
5	J925570	1	DAMPER,
6	J906733	4	BOLT, M14 x 35
7	NSS	1	NOT SERVICED SEPARATELY, Seal, Order J934486
8	J933384	1	COVER, REAR,
9	J914301	1	GASKET,
10	87409160	8	SCREW, M6 x 15; 10.9
11	J945930	6	BEARING, CRANKSHAFT, Standard
11	J945931	6	BEARING, CRANKSHAFT, Undersize 0,25 mm
11	J945932	6	BEARING, CRANKSHAFT, Undersize 0,50 mm
11	J945933	6	BEARING, CRANKSHAFT, Undersize 0,75 mm
11	J945934	6	BEARING, CRANKSHAFT, Undersize 1,00 mm
12	J945929	1	BEARING, CRANKSHAFT, Standard
12	J945922	1	BEARING, CRANKSHAFT, Undersize 0,25 mm
12	J945923	1	BEARING, CRANKSHAFT, Undersize 0,50 mm
12	J945924	1	BEARING, CRANKSHAFT, Undersize 0,75 mm
12	J945925	1	BEARING, CRANKSHAFT, Undersize 1,00 mm
12	J945926	1	BEARING, CRANKSHAFT, Standard, Oversize 0,25 mm
12	J945927	1	BEARING, CRANKSHAFT, Standard, Oversize 0,50 mm
12	J945928	1	BEARING, CRANKSHAFT, Undersize 0,50 mm, Oversize 0,50 mm
13	J918113	1	SHIELD, Order A77790
14	A77790	1	KIT, SEALS, Crankshaft, Front, Inc. 15 - 18
15	NSS	1	NOT SERVICED SEPARATELY, Seal
16	NSS	1	NOT SERVICED SEPARATELY, Tool
17	NSS	1	NOT SERVICED SEPARATELY, Tool
18	J918113	1	SHIELD,
19	A77808	1	KIT, SERVICE, Crankshaft, Front, Oversize, Inc. 20 - 23
20	NSS	1	NOT SERVICED SEPARATELY, Sleeve
21	NSS	1	NOT SERVICED SEPARATELY, Tool
22	NSS	1	NOT SERVICED SEPARATELY, Seal
23	J924987	1	SHIELD,
24	J934486	1	KIT, SERVICE, Crankshaft, Rear, Inc. 25 - 27
25	NSS	1	NOT SERVICED SEPARATELY, Seal
26	NSS	1	NOT SERVICED SEPARATELY, Tool
27	NSS	1	NOT SERVICED SEPARATELY, Tool
28	A77810	1	KIT, SERVICE, Crankshaft, Rear, Inc. 29, 30
29	NSS	1	NOT SERVICED SEPARATELY, Sleeve
30	NSS	1	NOT SERVICED SEPARATELY, Seal
31	87423334	1	SEAL, Dust
31	87434865	1	SEAL, Dust, Oversize

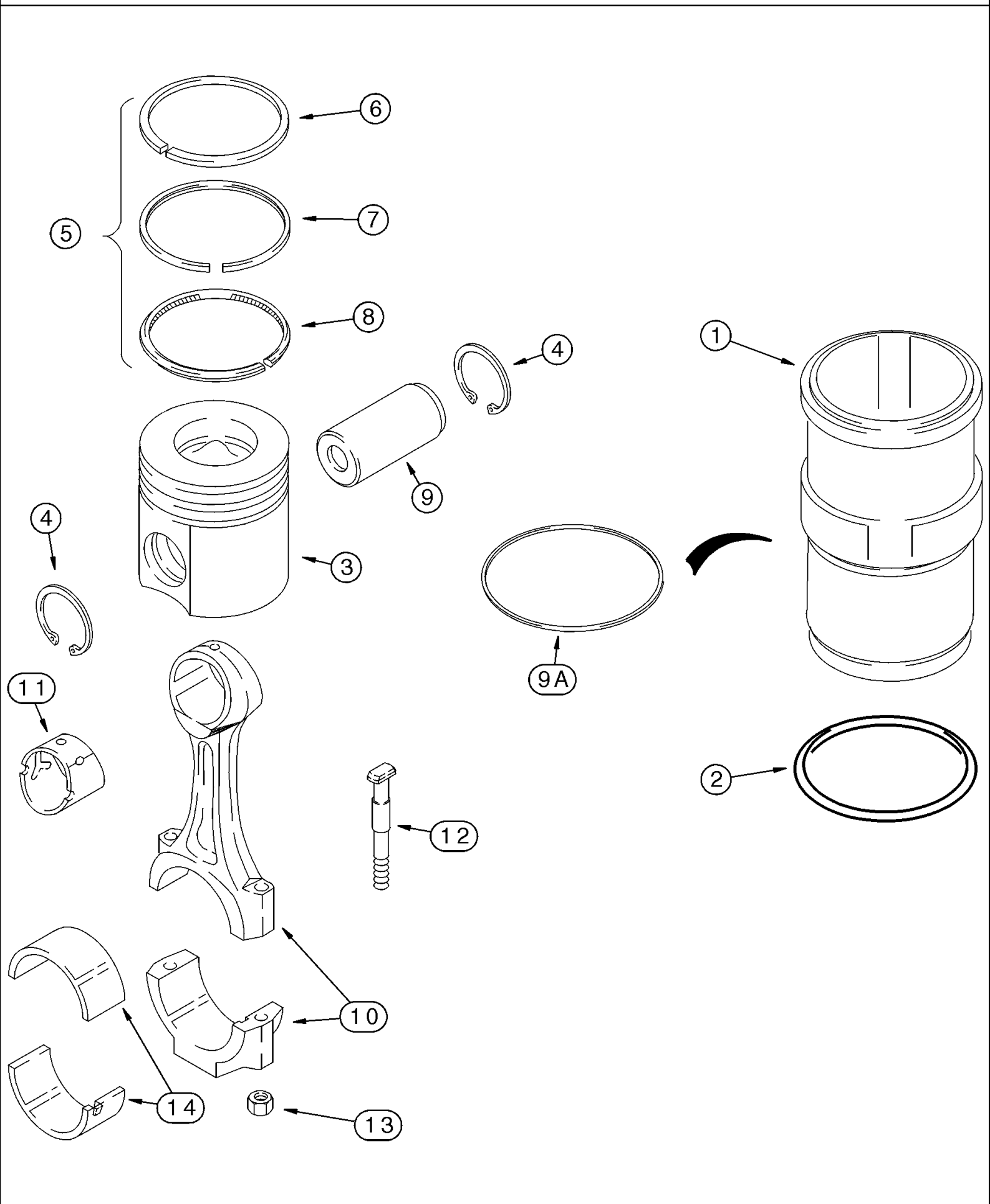


MAGNUM 255 CASE-IH MAGNUM TRACTOR (EMERGING MARKET) (1/06-)

02-25 FLYWHEEL

сылка	Номер детали	Кол-во	Описание
1	J934838	1	FLYWHEEL, Inc. 2
2	J905031	1	GEAR,
3	4894641	8	SCREW, Wash Hd, M12 x 1.25 x 31,

02-26 PISTONS - CONNECTING RODS

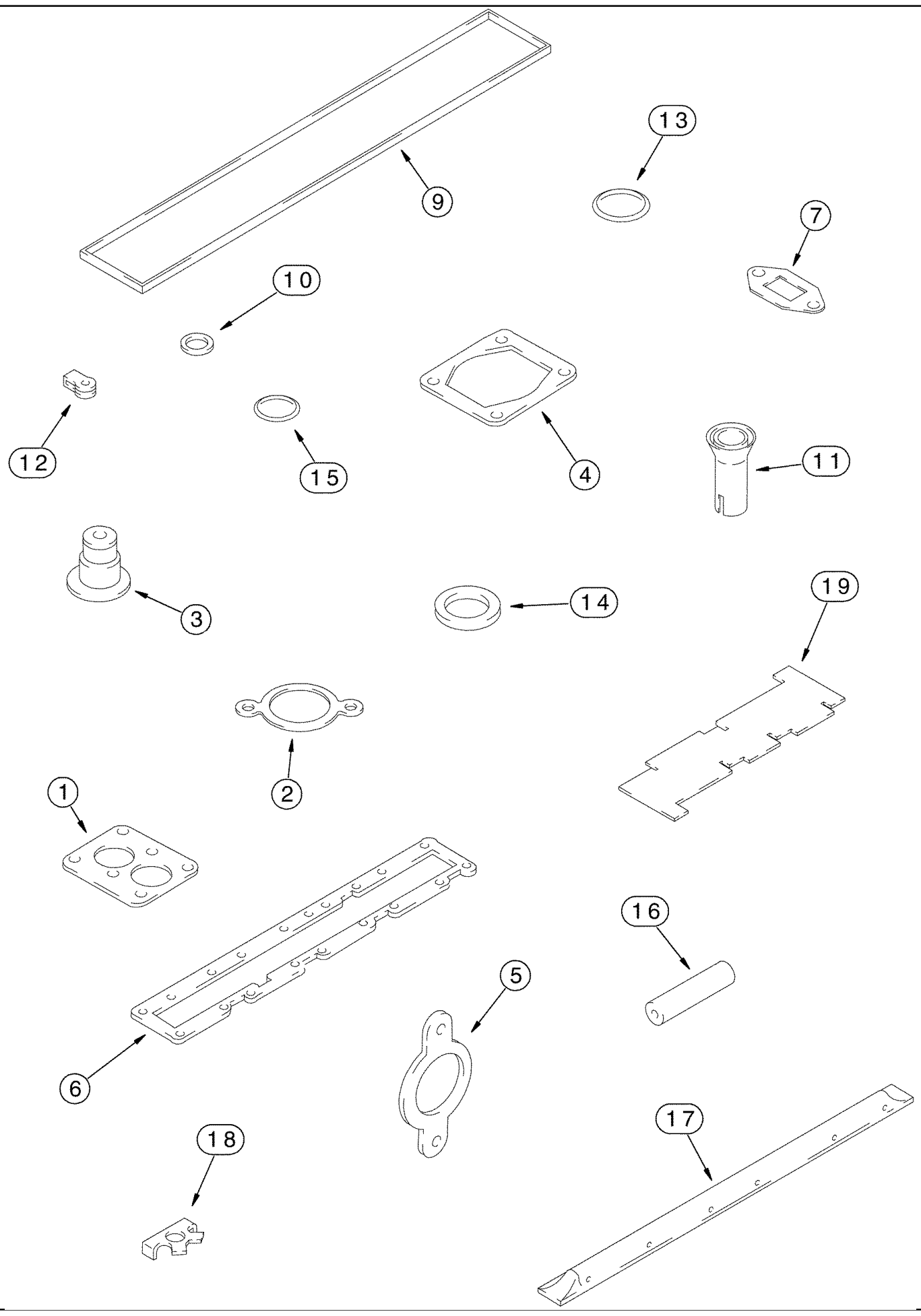


MAGNUM 255 CASE-IH MAGNUM TRACTOR (EMERGING MARKET) (1/06-)

02-26 PISTONS - CONNECTING RODS

сылка	Номер детали	Кол-во	Описание
	A77912	6	PACKAGE, REPAIR, Standard, Inc. 1 - 8
1	J948095	1	SLEEVE CYLINDER,
2	J907177	1	O-RING,
	A77853	1	KIT, PISTON & RINGS, Standard, Inc. 3 - 8
3	NSS	1	NOT SERVICED SEPARATELY, Piston
4	100-21175	2	RING, SNAP, 1.75", Int, #175,
5	J802429	1	KIT, PISTON RINGS, Standard, Inc. 6 - 8
6	NSS	1	NOT SERVICED SEPARATELY, Ring, Top
7	NSS	1	NOT SERVICED SEPARATELY, Ring, Middle
8	NSS	1	NOT SERVICED SEPARATELY, Ring, Bottom
9	J934046	6	PIN, PISTON,
9A	J924445	1	SHIM, 0,254 mm (0,010 in)
9A	J924446	1	SHIM, 0,381 mm (0,015 in)
9A	J924447	1	SHIM, 0,508 mm (0,020 in)
9A	J924448	1	SHIM, 0,762 mm (0,030 in)
9A	J924449	1	SHIM, 1,016 mm (0,040 in)
	87342865	6	ROD, CONNECTING, New, Inc. 10 - 13
10	NSS	1	NOT SERVICED SEPARATELY, Rod
11	87687031	1	BUSHING,
12	J944679	2	BOLT,
13	J934864	2	NUT,
14	87443389	6	BEARING LINER, Standard
14	87443529	6	BEARING LINER, Undersize 0,25 mm
14	87443532	6	BEARING LINER, Undersize 0,50 mm
14	87443533	6	BEARING LINER, Undersize 0,75 mm
14	87443534	6	BEARING LINER, Undersize 1,00 mm

02-27 GASKET KIT - VALVE GRIND

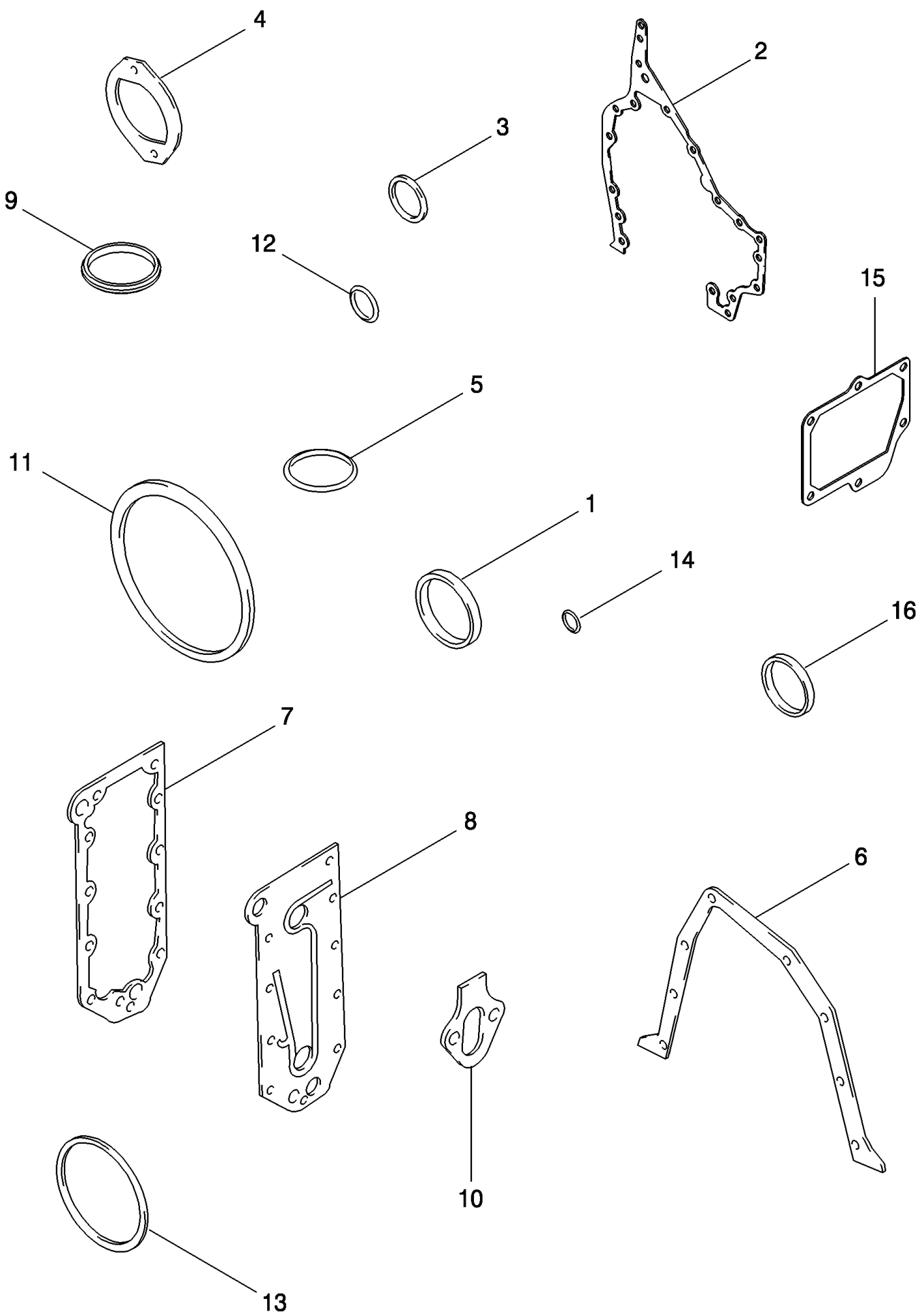


MAGNUM 255 CASE-IH MAGNUM TRACTOR (EMERGING MARKET) (1/06-)

02-27 GASKET KIT - VALVE GRIND

сылка	Номер детали	Кол-во	Описание
	A77976	1	KIT, GASKET, Valve Grind, Inc. 1 - 19
1	J914310	1	GASKET,
2	J918779	1	GASKET,
3	J927642	12	SEAL,
4	J911941	1	GASKET,
5	J932063	6	GASKET, MANIFOLD,
6	J936993	1	GASKET, MANIFOLD,
7	J937706	1	GASKET,
9	J905449	1	SEAL, RUBBER,
10	J910824	6	O-RING,
11	J909886	6	SEAL,
12	J903380	7	SEAL,
13	238-5115	1	O-RING, -115, 70 Duro, .674" ID x .103" Thk,
14	J923261	6	WASHER, 2,5 mm
15	238-5111	1	O-RING, -111, 70 Duro, .424" ID x .103" Thk,
16	J930827	1	HOSE, 51 mm (2 in)
17	J919677	1	MANIFOLD,
18	J914708	12	PLATE, LOCKING,
19	87404692	1	GAUGE,

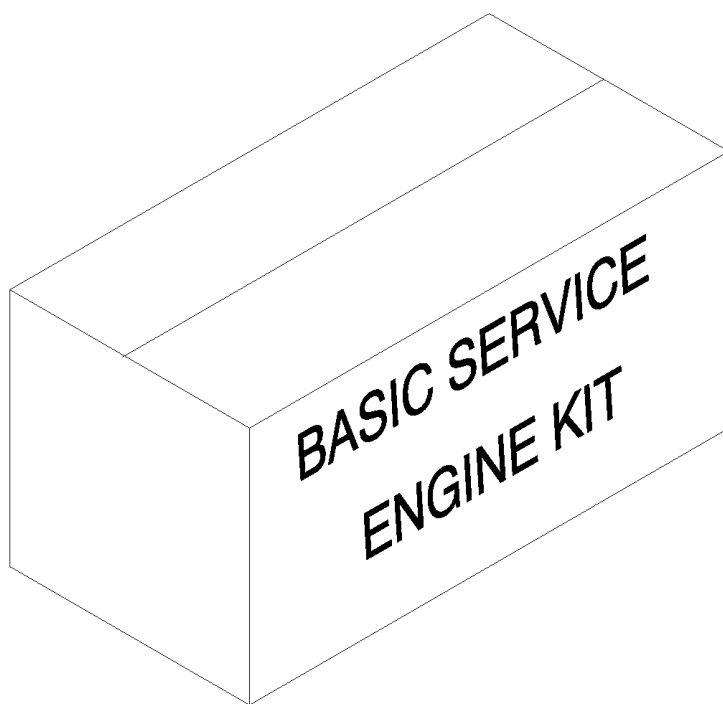
02-28 GASKET KIT - CYLINDER BLOCK



MAGNUM 255 CASE-IH MAGNUM TRACTOR (EMERGING MARKET) (1/06-)

02-28 GASKET KIT - CYLINDER BLOCK

сылка	Номер детали	Кол-во	Описание
	87416435	1	KIT, GASKET, Cylinder Block, Inc. 1 - 16
1	J903475	1	SEAL,
2	J944293	1	GASKET,
3	J915772	1	SEALRING,
4	J938655	1	GASKET,
5	238-5244	1	O-RING, -244, 70 Duro, 4.234" ID x .139" Thk,
6	J914301	1	GASKET,
7	J918174	1	GASKET,
8	J4063496	1	GASKET,
9	J924605	1	SEAL,
10	J939258	1	GASKET,
11	J912473	1	O-RING,
12	238-5212	1	O-RING, -212, 70 Duro, .859" ID x .139" Thk,
13	J907177	6	O-RING,
14	J913994	1	O-RING,
15	87436828	1	GASKET,
16	J926722	1	SEAL,

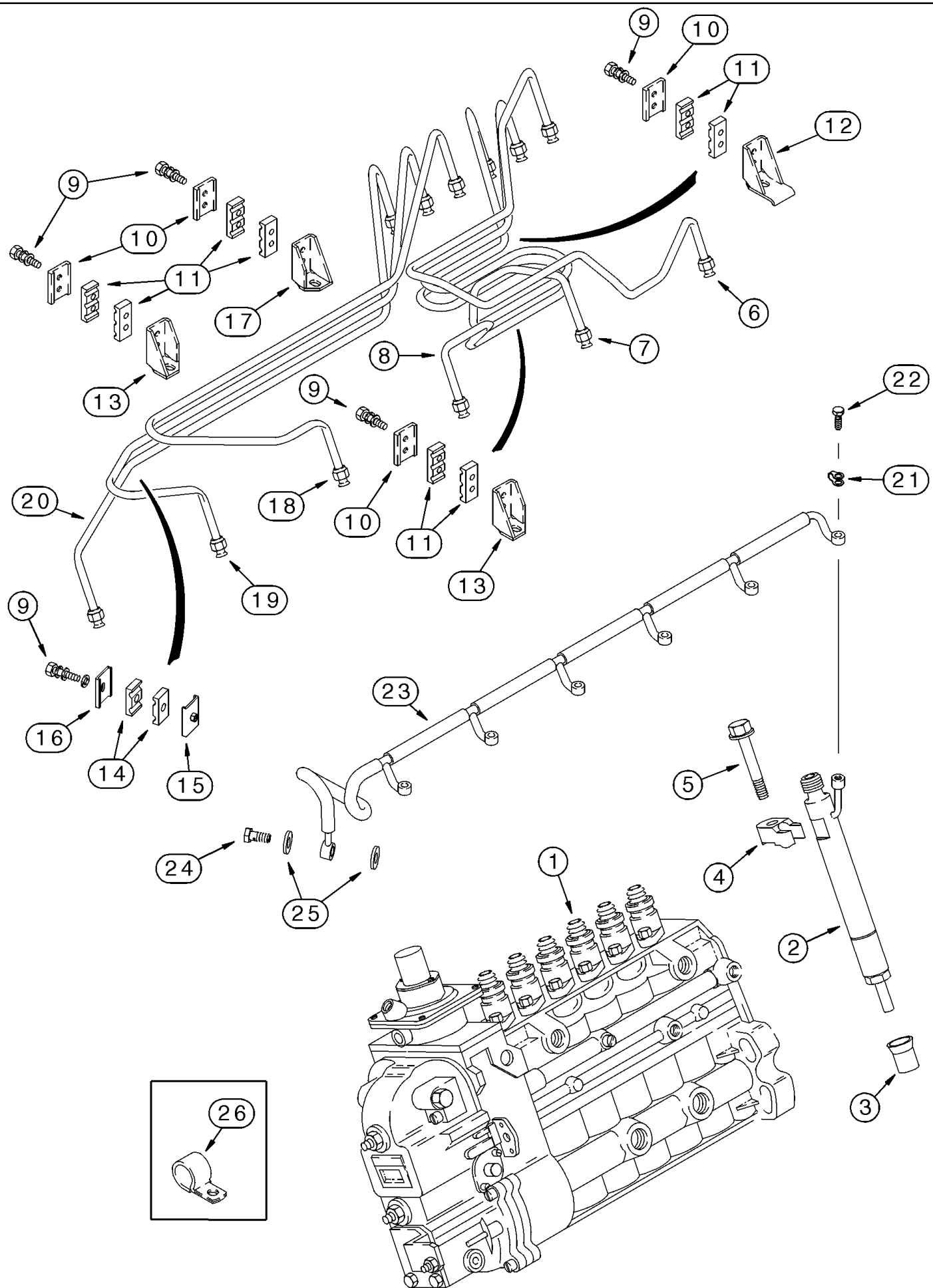


MAGNUM 255 CASE-IH MAGNUM TRACTOR (EMERGING MARKET) (1/06-)

02-29 GASKET KIT - BASIC SERVICE ENGINE

сылка	Номер детали	Кол-во	Описание
	A78043	1	GASKET, CYLINDER HEAD, Inc. 1 - 26
1	222-993	2	GASKET, 3/8 Tube, FI, Copper,
2	238-5115	2	O-RING, -115, 70 Duro, .674" ID x .103" Thk,
3	238-5120	2	O-RING, -120, 70 Duro, .987" ID x .103" Thk,
4	238-7115	2	O-RING, -115, CI 7, .674" ID x .103" Thk,
5	933967R1	2	WASHER, LOCK, M14, 10 mm ID x 2,5 mm
6	J937706	1	GASKET, Oil Drain
7	J902425	2	WASHER,
8	J903380	6	SEAL,
9	J903475	1	SEAL,
10	J909886	6	SEAL,
11	J910517	1	O-RING,
12	J755843	1	GASKET,
13	J912473	1	O-RING,
14	J936993	1	GASKET, MANIFOLD,
15	J916284	1	O-RING,
16	J918188	2	WASHER,
17	J918190	2	WASHER, SEALING,
18	J918192	4	RING, PACKING,
19	J918779	1	GASKET,
20	J990881	2	CONNECTION,
21	J923261	6	WASHER,
22	J924605	1	SEAL,
23	J939258	1	GASKET,
24	238-7018	1	O-RING, -018, CI 7, .739" ID x .070" Thk,
25	J932063	6	GASKET, MANIFOLD,
26	87415913	2	WASHER, SEALING, 12 x 19 x 1,5 mm
27	238-5013	2	O-RING, -013, 70 Duro, .426" ID x .070" Thk,

03-01 FUEL INJECTION SYSTEM

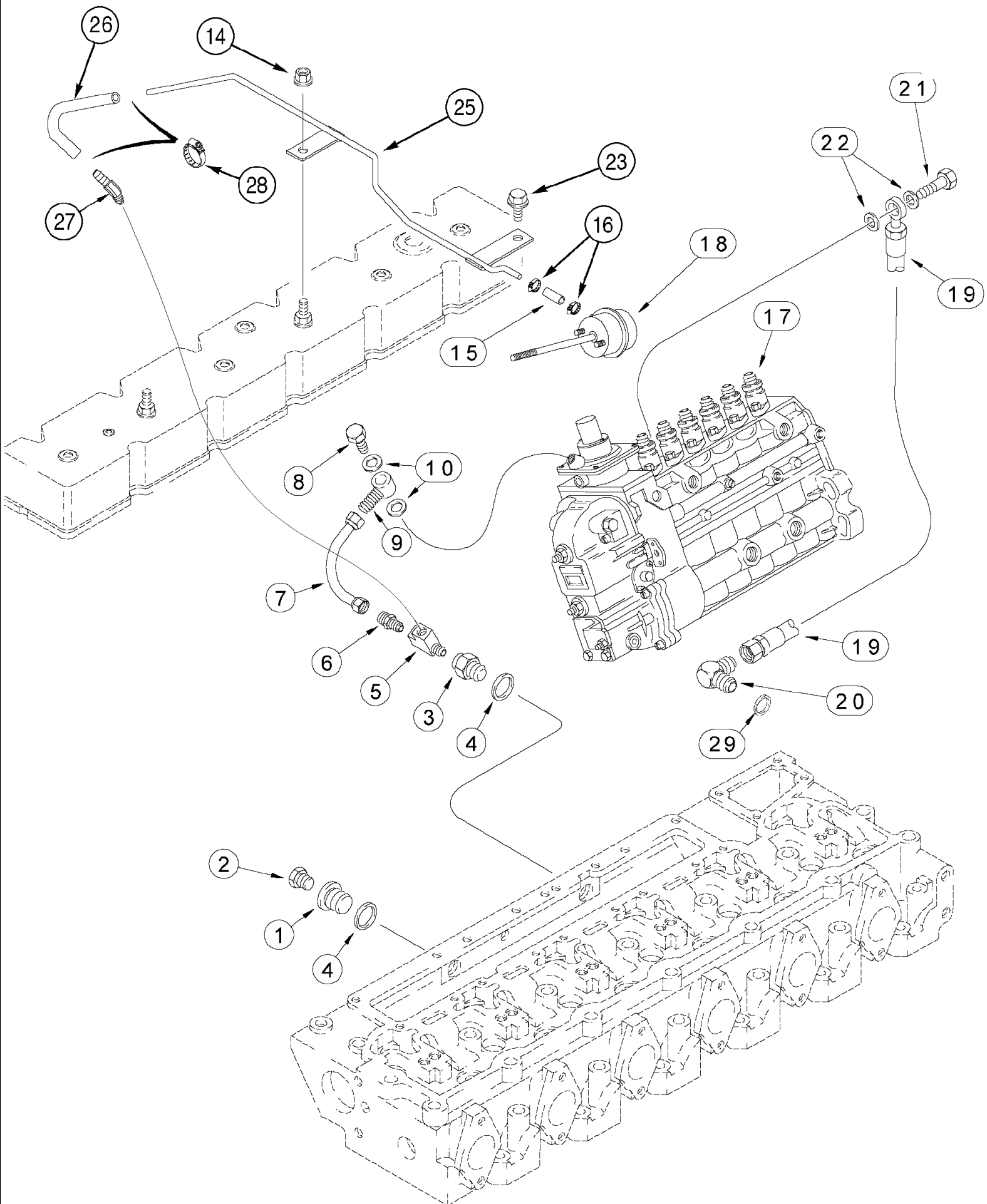


MAGNUM 255 CASE-IH MAGNUM TRACTOR (EMERGING MARKET) (1/06-)

03-01 FUEL INJECTION SYSTEM

сылка	Номер детали	Кол-во	Описание
1	J936239	1	PUMP, FUEL INJECTION, , See Figure 03-04
2	J931735	6	INJECTOR, FUEL SYSTEM, , See Figure 03-05
3	J909886	6	SEAL,
4	J910279	6	CLAMP,
5	845-8080	6	BOLT, Hex Flg, M8 x 80, 8.8,
6	J930391	1	PIPE INJECTION, No. 1
7	J930392	1	PIPE INJECTION, No. 2
8	J930393	1	PIPE INJECTION, No. 3
9	J920854	9	SCREW, Hex Hd, M5 x .8 x 20, w/LW,
10	J991275	4	BRACKET,
11	J917747	8	CLAMP,
12	J919622	1	BRACE,
13	J282942	2	BRACKET,
14	J917746	2	CLAMP,
15	J991277	1	BRACE,
16	J991276	1	BRACE,
17	J282942	1	BRACKET,
18	J930394	1	PIPE INJECTION, No. 4
19	J930395	1	PIPE INJECTION, No. 5
20	J930396	1	PIPE INJECTION, No. 6
21	J903380	6	SEAL,
22	J905307	6	BOLT, BANJO, M6 x 1 x 14.3,
23	J920595	1	MANIFOLD,
24	J924726	1	BOLT, BANJO,
25	J918188	2	WASHER,
26	515-2363	2	CLAMP, M6.3, Insul, 3/8" Bolt, 1/4 ID

03-02 ANEROID AND WASTEGATE SYSTEM

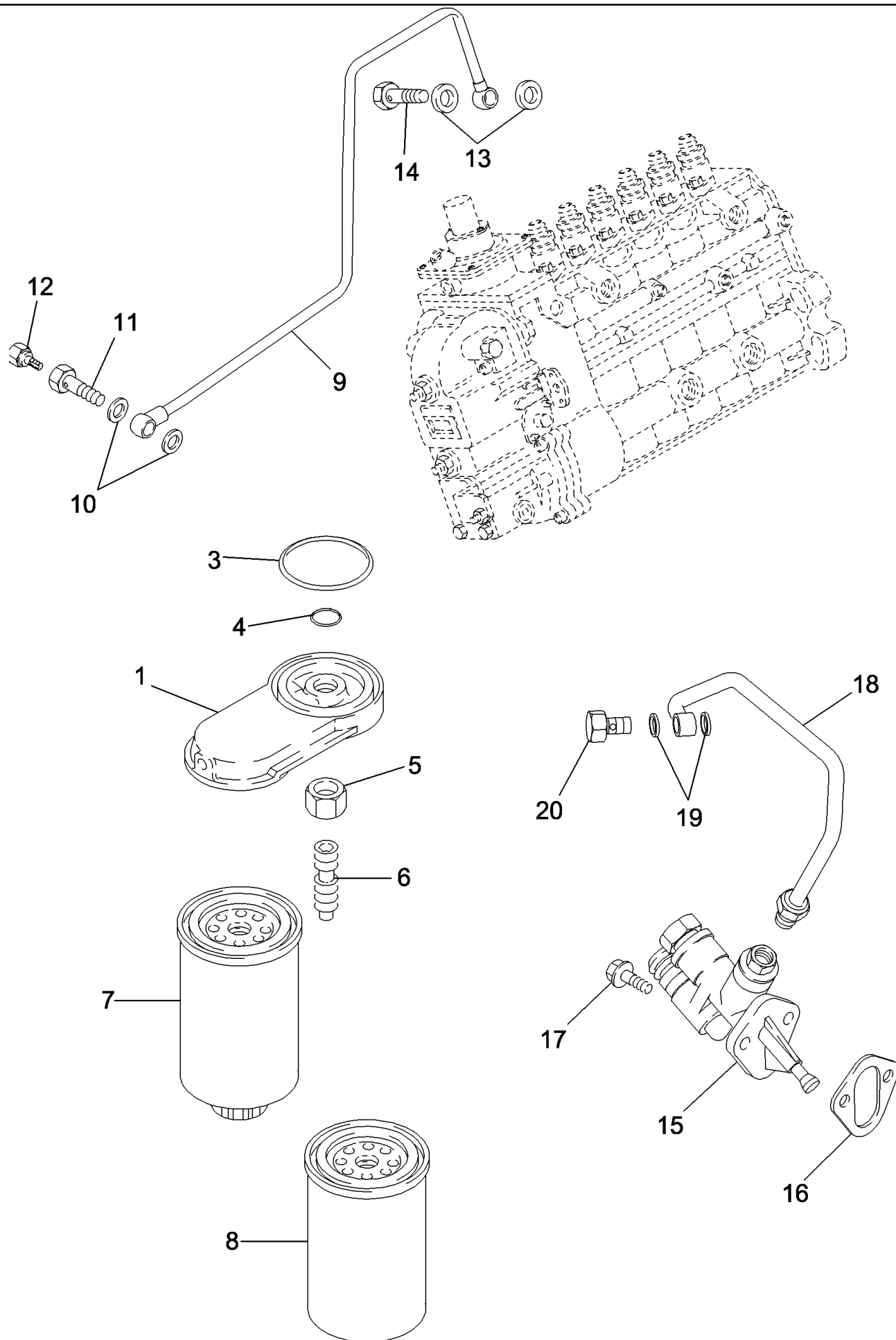


MAGNUM 255 CASE-IH MAGNUM TRACTOR (EMERGING MARKET) (1/06-)

03-02 ANEROID AND WASTEGATE SYSTEM

сылка	Номер детали	Кол-во	Описание
1	J924148	1	PLUG,
2	217-432	1	PLUG, Hex Soc, 1/4"-18,
3	J921594	1	PLUG,
4	J902425	2	WASHER,
5	J930789	1	TEE,
6	222-21	1	FITTING, 7/16"-24 x 1/8" NPTF,
8	J903035	1	BOLT, BANJO, M12 x 24
7	J991512	1	TUBE,
9	J990881	1	CONNECTION,
10	87415913	2	WASHER, SEALING, 12 x 19 x 1,5 mm
14	825-2408	1	NUT, M8 x 1.25, Flg, CI 8,
15	J938056	1	HOSE, 51 mm (2-1/8 in)
16	214-1704	2	CLAMP, HOSE, #4, 0.25/0.62 Type M Worm,
17	REF	1	INSTRUCTION, Pump Assy, See Figure 03-04
18	REF	1	INSTRUCTION, Actuator, See Figure 02-15
19	J916779	1	HOSE, FLEXIBLE, 508 mm (20 in)
20	J945212	1	ELBOW, 7/16 90 deg fl x M10, To Cylinder Block, Inc. 29
21	J918002	1	BOLT, BANJO,
22	J918190	2	WASHER, SEALING, 10 x 15,5 x 1 mm
23	844-10020	1	BOLT, Hex Flg, M10 x 20, 8.8,
25	J935612	1	PIPE,
26	J938057	1	HOSE, 254 mm (Cut To Length, 182 mm)
27	217-281	1	FITTING, 45c, 1/4" Hose x 1/8" NPTF, Barbed,
28	214-1704	2	CLAMP, HOSE, #4, 0.25/0.62 Type M Worm,
29	637-72081	1	O-RING, CI 7, 8.1MM ID x 1.6 Thk,

03-03 FUEL FILTER - PUMP, TRANSFER

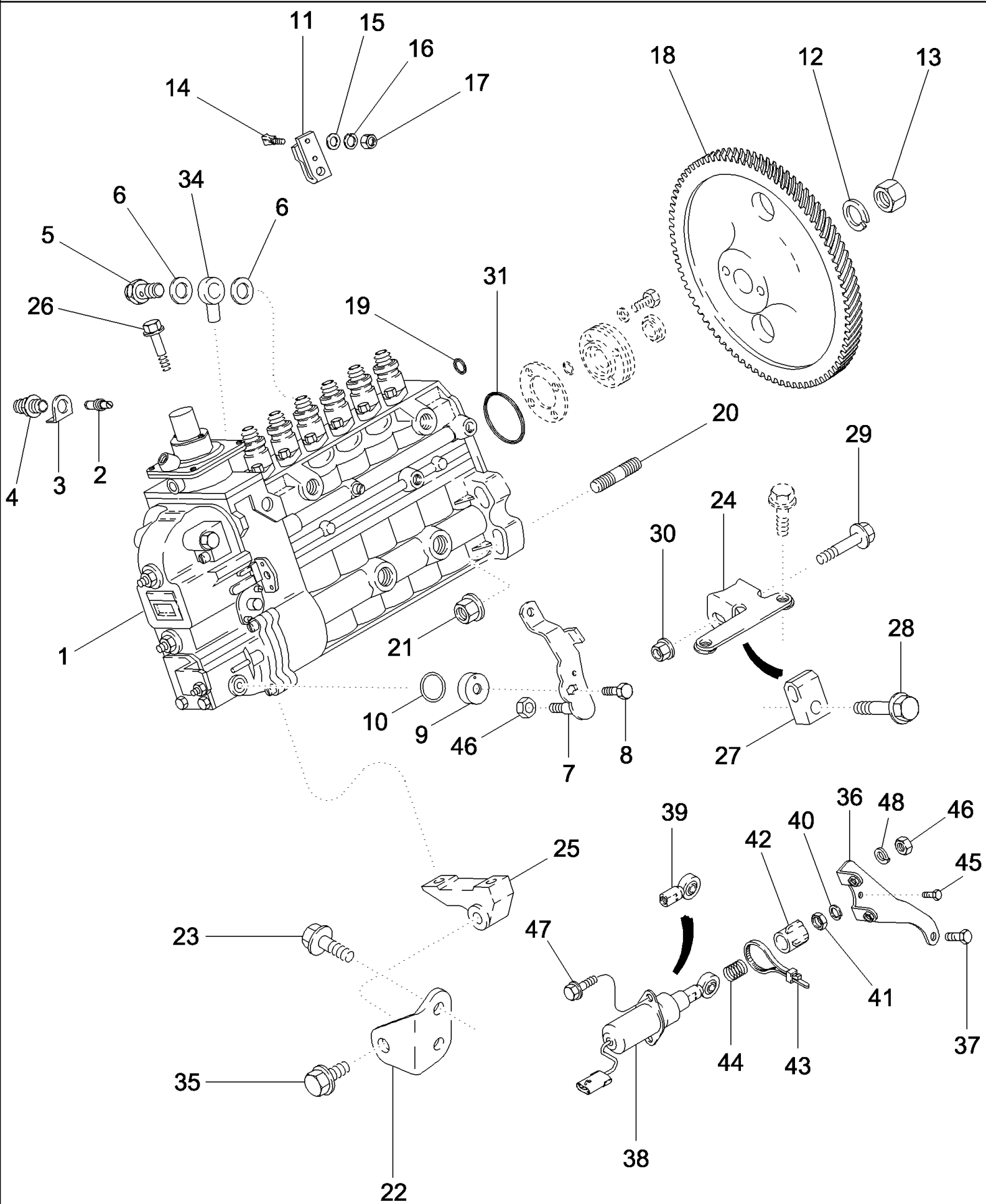


MAGNUM 255 CASE-IH MAGNUM TRACTOR (EMERGING MARKET) (1/06-)

03-03 FUEL FILTER - PUMP, TRANSFER

сылка	Номер детали	Кол-во	Описание
1	J936315	1	HEAD, FILTER, Filter Head
3	J906694	1	O-RING, 70 mm
4	J906695	1	O-RING, 14 mm
5	J903293	1	NUT, M16
6	J925955	1	ADAPTER,
6A	A77470	1	FILTER, Kit, Not Illustrated, Inc. 7, 8
7	J930942	1	FILTER, FUEL, Primary
8	J931063	1	FILTER, FUEL, Secondary
9	87673402	1	TUBE,
10	87415913	2	WASHER, SEALING, 12 x 19 x 1,5 mm
11	J911446	1	BOLT, BANJO, M12 x 1.5 x 24,
12	J939570	1	SCREW, BLEED,
13	J918192	2	RING, PACKING, 14 x 20 x 1 mm
14	J924725	1	BOLT, BANJO,
15	J936316	1	PUMP, FUEL,
16	J939258	1	GASKET,
17	J909310	2	SCREW,
18	J918539	1	TUBE,
19	87415913	2	WASHER, SEALING, 12 x 19 x 1,5 mm
20	J916361	1	BOLT, BANJO, M12 x 24

03-04 FUEL INJECTION - PUMP AND DRIVE



MAGNUM 255 CASE-IH MAGNUM TRACTOR (EMERGING MARKET) (1/06-)

03-04 FUEL INJECTION - PUMP AND DRIVE

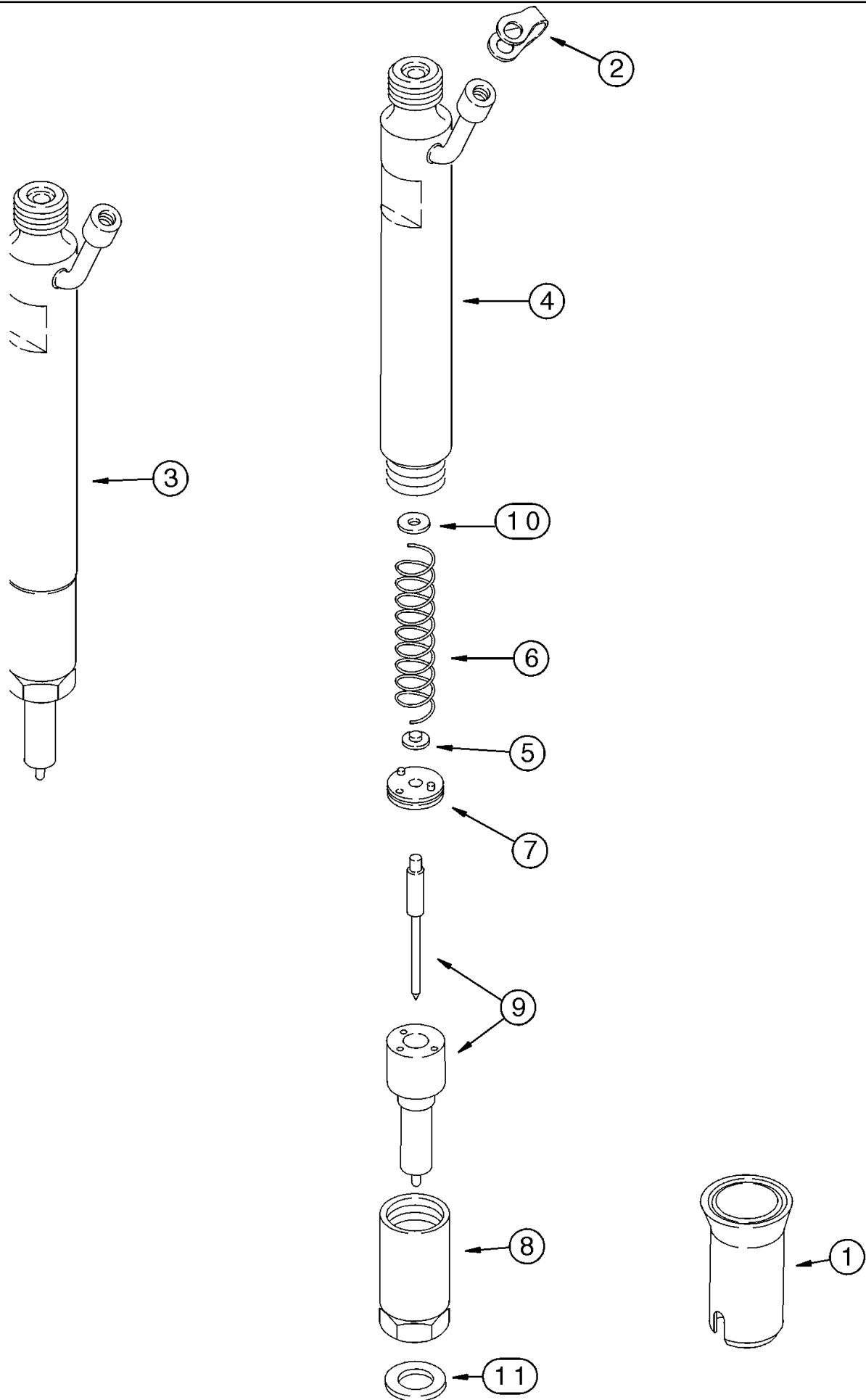
сылка	Номер детали	Кол-во	Описание
1	J936239	1	PUMP, FUEL INJECTION, New, Inc. 2 - 17
2	A77720	1	PIN,
3	J928981	1	WASHER, LOCK,
4	J912888	1	PLUG,
5	87409051	1	VALVE,
6	J918192	2	RING, PACKING, 14 x 20 x 1 mm
7	J929322	1	LEVER,
8	628-6016	1	BOLT, Hex, M6 x 16, 10.9, Full Thd,
9	691292C1	1	BUSHING,
10	680187C1	1	O-RING,
11	87438537	1	LEVER,
12	J920922	1	WASHER, LOCK,
13	J920921	1	NUT, M20 x 1,5
14	1808822C1	1	THUMB SCREW, M6 x 26,
15	895-11006	1	WASHER, M6,
16	892-11006	1	WASHER, LOCK, M6,
17	829-1306	1	NUT, M6, CI 10,
18	J931380	1	GEAR,
19	J926722	1	SEAL,
20	86991263	4	STUD, 55 mm (2-5/32 in)
21	825-2410	4	NUT, M10 x 1.5, Flg, CI 8,
22	J938091	1	SUPPORT,
23	844-10020	2	BOLT, Hex Flg, M10 x 20, 8.8,
24	J921357	1	HOLDER,
25	J926273	1	SUPPORT,
26	845-8090	2	BOLT, Hex Flg, M8 x 90, 8.8,
27	J926781	1	SUPPORT,
28	844-10040	1	BOLT, Hex Flg, M10 x 40, 8.8,
29	845-8045	1	BOLT, Hex Flg, M8 x 45, 8.8,
30	J900589	1	NUT, M8
31	J924605	1	SEAL,
34	J935740	1	BOLT, BANJO,
35	J920622	1	BOLT, Hex Flg, M10 x 30, 10.9,
36	87413196	1	BRACKET,
37	844-10020	3	BOLT, Hex Flg, M10 x 20, 8.8,
38	87420948	1	SOLENOID, Includes 39 - 44
39	L53928	1	EYE,
40	492-11025	1	WASHER, LOCK, 1/4",
41	425-154	1	NUT, Jam, 1/4"-28, G5,
42	J925171	1	BOOT,
43	473321C1	1	STRAP, CABLE, .098" x 8",
44	J923887	1	SPRING,
45	845-8020	1	BOLT, Hex Flg, M8 x 20, 8.8, Full Thd,
46	J930683	2	NUT, LOCK, M5
47	97006C1	2	BOLT, M6 x 20 (Not Shown)

MAGNUM 255 CASE-IH MAGNUM TRACTOR (EMERGING MARKET) (1/06-)

03-04 FUEL INJECTION - PUMP AND DRIVE

сылка	Номер детали	Кол-во	Описание
48	896-11006	2	WASHER, M6 x 13 x 2, HT,

03-05 FUEL INJECTION - NOZZLE

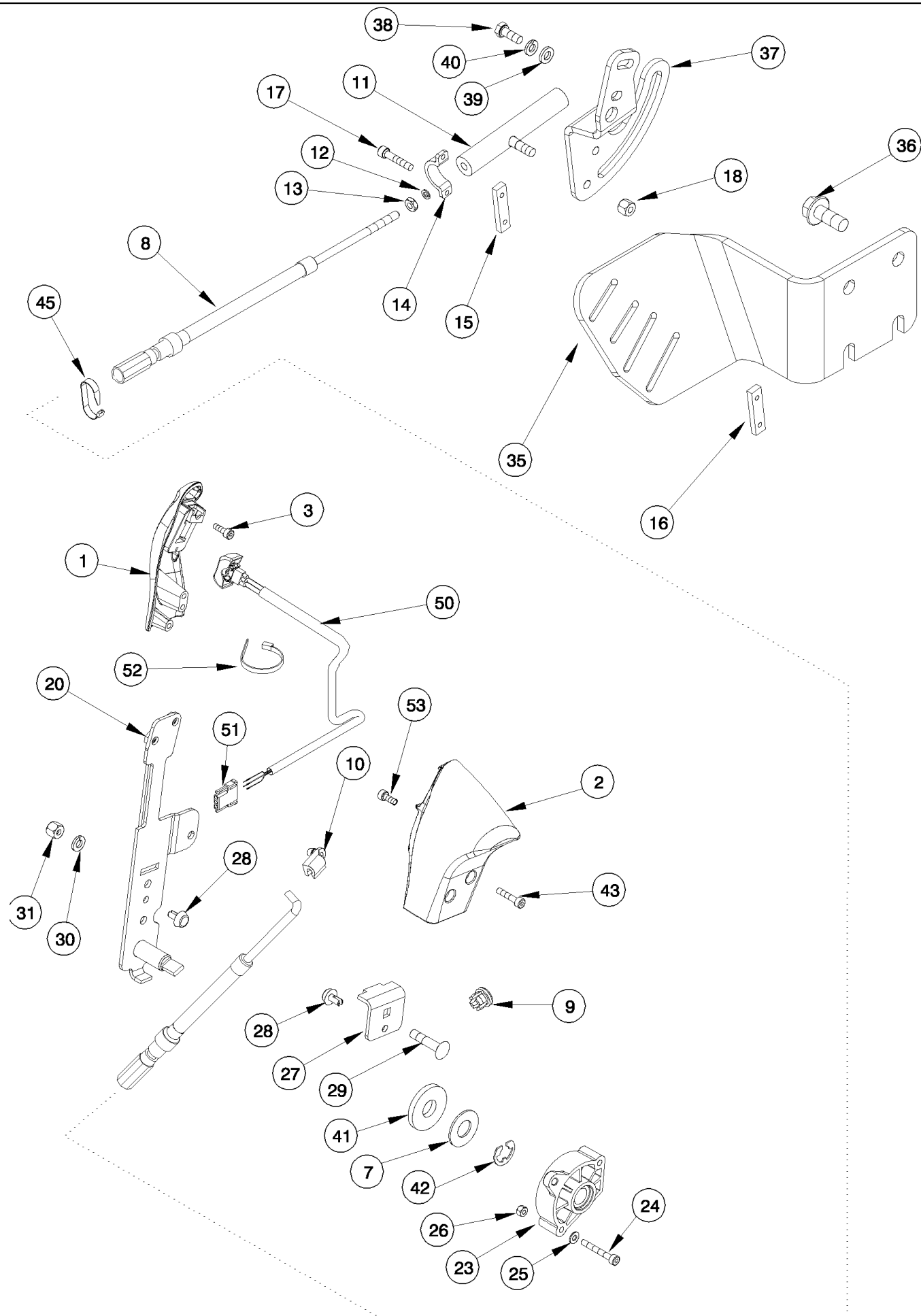


MAGNUM 255 CASE-IH MAGNUM TRACTOR (EMERGING MARKET) (1/06-)

03-05 FUEL INJECTION - NOZZLE

сылка	Номер детали	Кол-во	Описание
1	J909886	1	SEAL,
2	J903380	1	SEAL,
3	J931735	1	INJECTOR, FUEL SYSTEM, New, Inc. 4 - 9
4	NSS	1	NOT SERVICED SEPARATELY, Body
5	NSS	1	NOT SERVICED SEPARATELY, Seat
6	NSS	1	NOT SERVICED SEPARATELY, Spring
7	NSS	1	NOT SERVICED SEPARATELY, Stop
8	NSS	1	NOT SERVICED SEPARATELY, Nut
9	NSS	1	NOT SERVICED SEPARATELY, Tip, Tooth
10	1806233C1	AR	SHIM, 1,00 mm
10	1806234C1	AR	SHIM, 1,04 mm
10	1806235C1	AR	SHIM, 1,08 mm
10	1806236C1	AR	SHIM, 1,10 mm
10	1806237C1	AR	SHIM, 1,14 mm
10	1806238C1	AR	SHIM, 1,18 mm
10	1806239C1	AR	SHIM, 1,20 mm
10	1806240C1	AR	SHIM, 1,24 mm
10	1806241C1	AR	SHIM, 1,28 mm
10	1806241C1	AR	SHIM, 1,28 mm
10	1806242C1	AR	SHIM, 1,30 mm
10	1806243C1	AR	SHIM, 1,34 mm
10	1806244C1	AR	SHIM, 1,38 mm
10	1806245C1	AR	SHIM, 1,40 mm
10	1806246C1	AR	SHIM, 1,44 mm
10	1806247C1	AR	SHIM, 1,48 mm
10	1806248C1	AR	SHIM, 1,50 mm
10	1806249C1	AR	SHIM, 1,54 mm
10	1806250C1	AR	SHIM, 1,58 mm
10	1806251C1	AR	SHIM, 1,60 mm
10	1806252C1	AR	SHIM, 1,64 mm
10	1806253C1	AR	SHIM, 1,68 mm
10	1806254C1	AR	SHIM, 1,70 mm
10	1806255C1	AR	SHIM, 1,74 mm
10	1806256C1	AR	SHIM, 1,78 mm
10	1806257C1	AR	SHIM, 1,80 mm
10	1806258C1	AR	SHIM, 1,84 mm
10	1806259C1	AR	SHIM, 1,88 mm
10	1806260C1	AR	SHIM, 1,90 mm
10	1806261C1	AR	SHIM, 1,94 mm
10	1806262C1	AR	SHIM, 1,98 mm
11	J937142	6	SEAL, 1,5 mm

03-06 HAND THROTTLE

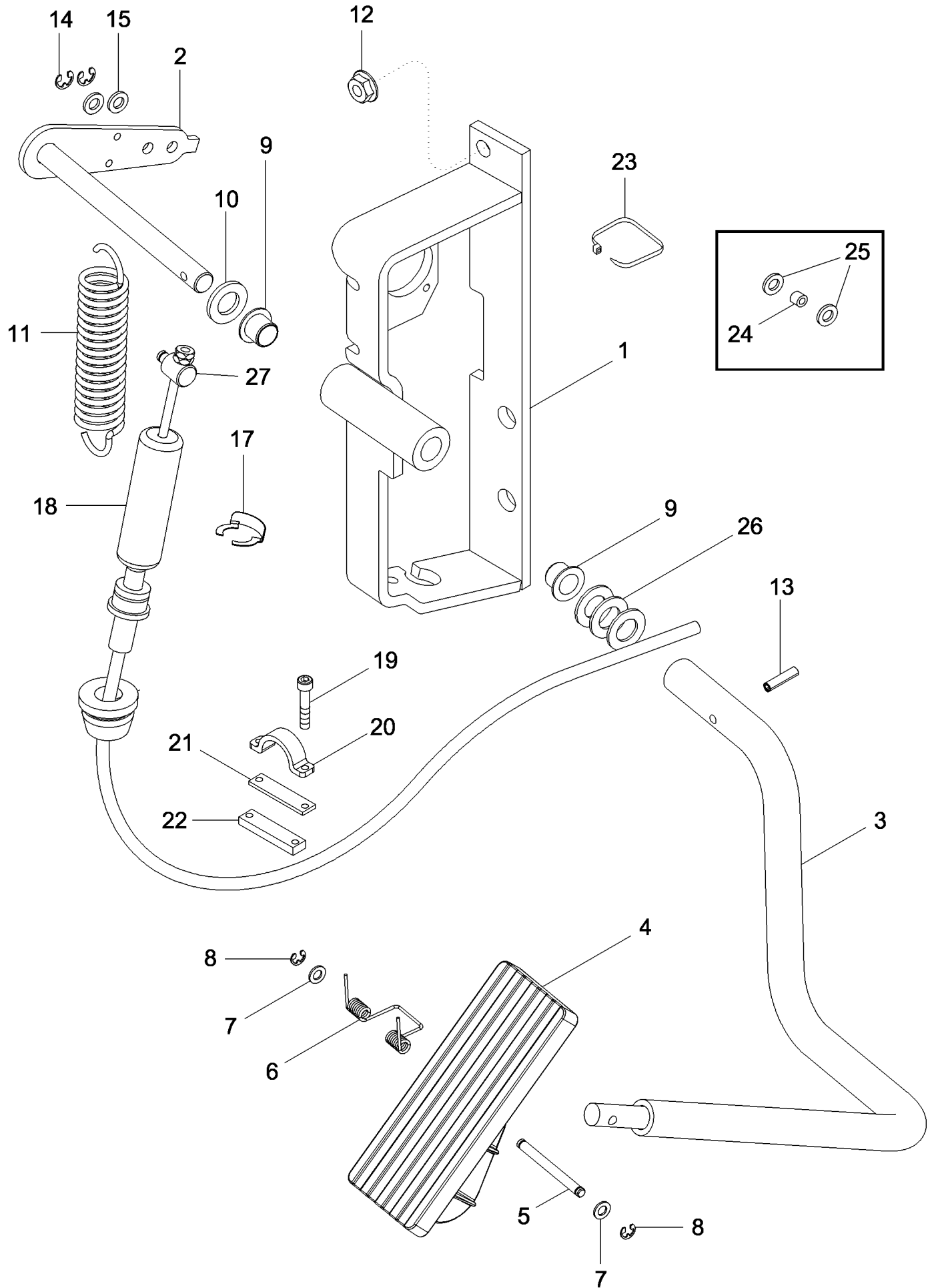


MAGNUM 255 CASE-IH MAGNUM TRACTOR (EMERGING MARKET) (1/06-)

03-06 HAND THROTTLE

сылка	Номер детали	Кол-во	Описание
1	87622401	1	GRIP,
2	293388A2	1	GRIP,
3	368048A1	3	SCREW, M4 x 12
7	237486A1	1	WASHER,
8	278816A3	1	CABLE,
9	A67295	1	PLUG,
10	60-2404T1	1	RETAINER,
11	1974525C2	1	BALL JOINT,
12	492-11010	1	WASHER, LOCK, #10,
13	225-14210	1	NUT, #10-32,
14	A75815	1	CLAMP,
15	L40315	1	SHIM,
16	224900A1	1	PLATE, LARGE,
17	461-31016	2	SCREW, Hex Soc Hd, #10-24 x 1",
18	230-4714	1	NUT, LOCK, 1/4"-28, GA,
20	367607A1	1	BRACKET,
23	239491A1	1	BUSHING,
24	864-4035	2	SCREW, Hex Soc Hd, M4 x 35, 8.8,
25	895-11004	2	WASHER, M4, 4,3 x 9 x 0,8 mm
26	832-46404	2	NUT, LOCK, M4 x .7, CI 8,
27	258734A2	1	SUPPORT,
28	259040A1	2	INSERT,
29	811-6030	1	BOLT, CARRIAGE, Short NK, M6 x 30, CI8.8, Full Thd,
30	892-11006	2	WASHER, LOCK, M6,
31	832-10406	1	NUT, LOCK, M6 x 1, CI 8,
35	320787A1	1	SUPPORT,
36	854-10020	2	BOLT, Hex Flg, M10 x 20, 10.9,
37	198834A2	1	SUPPORT,
38	627-6016	2	BOLT, Hex, M6 x 16, 10.9,
39	896-11006	2	WASHER, M6 x 13 x 2, HT,
40	892-11004	2	WASHER, LOCK, M4,
41	495-81022	1	WASHER, 17/32" x 1 1/8" x .060",
42	103-3350	1	RING, LOCKING, #50, .392" Dia, E-Type,
43	864-4025	2	SCREW, Hex Soc Hd, M4 x 25, 8.8,
45	L18331	2	STRAP, CABLE, 15 in
50	258010A2	1	SWITCH, Transmission Shift
51	235676A1	1	CONNECTOR,
52	L11541	2	STRAP, CABLE, 7-8 in
53	864-4012	1	SCREW, Hex Soc Hd, M4 x 12, 8.8,
54	492-11025	1	WASHER, LOCK, 1/4", (Not Illustrated)

03-07 FOOT THROTTLE

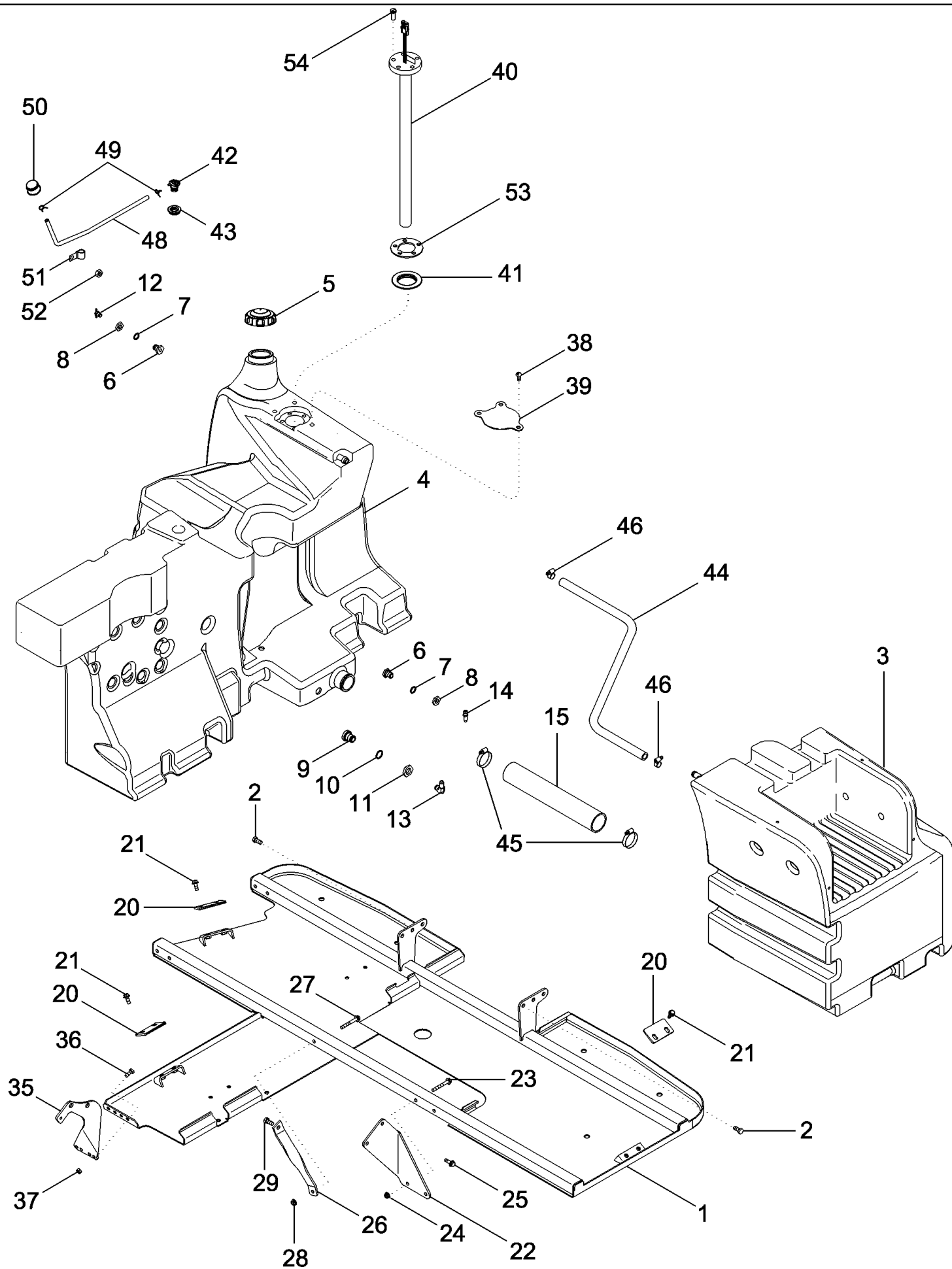


MAGNUM 255 CASE-IH MAGNUM TRACTOR (EMERGING MARKET) (1/06-)

03-07 FOOT THROTTLE

сылка	Номер детали	Кол-во	Описание
1	404659A4	1	FRAME,
2	446487A2	1	LEVER,
3	446488A1	1	TUBE ASSY.,
4	297853A2	1	PEDAL,
5	255291A1	1	PIN,
6	256776A1	1	SPRING,
7	895-11005	2	WASHER, M5 x 10 x 1,
8	800-435	2	CIRCLIP, M5,
9	1533540C1	2	EYEBOLT,
10	895-11012	1	WASHER, M12 x 24 x 2.5,
11	248913A2	1	SPRING,
12	825-2408	3	NUT, M8 x 1.25, Flg, CI 8,
13	838-3528	1	PIN, M5 x 28, Coiled,
14	800-316	1	CIRCLIP, M6,
15	895-11006	1	WASHER, M6,
17	3223258R2	1	CIRCLIP,
18	295830A4	1	CABLE, Inc. 27
19	461-31016	2	SCREW, Hex Soc Hd, #10-24 x 1",
20	A75815	1	CLAMP,
21	L40315	1	SHIM,
22	224900A1	1	PLATE, LARGE,
23	473321C1	3	STRAP, CABLE, .098" x 8",
24	1971259C1	1	SPACER, 3/8 x 7/32
25	495-81107	2	WASHER, .281" x 7/8" x .060",
26	495-81020	3	WASHER, 17/32" x 1" x .030",
27	307475A1	2	PIVOT, Control Cable

03-08 FUEL TANKS

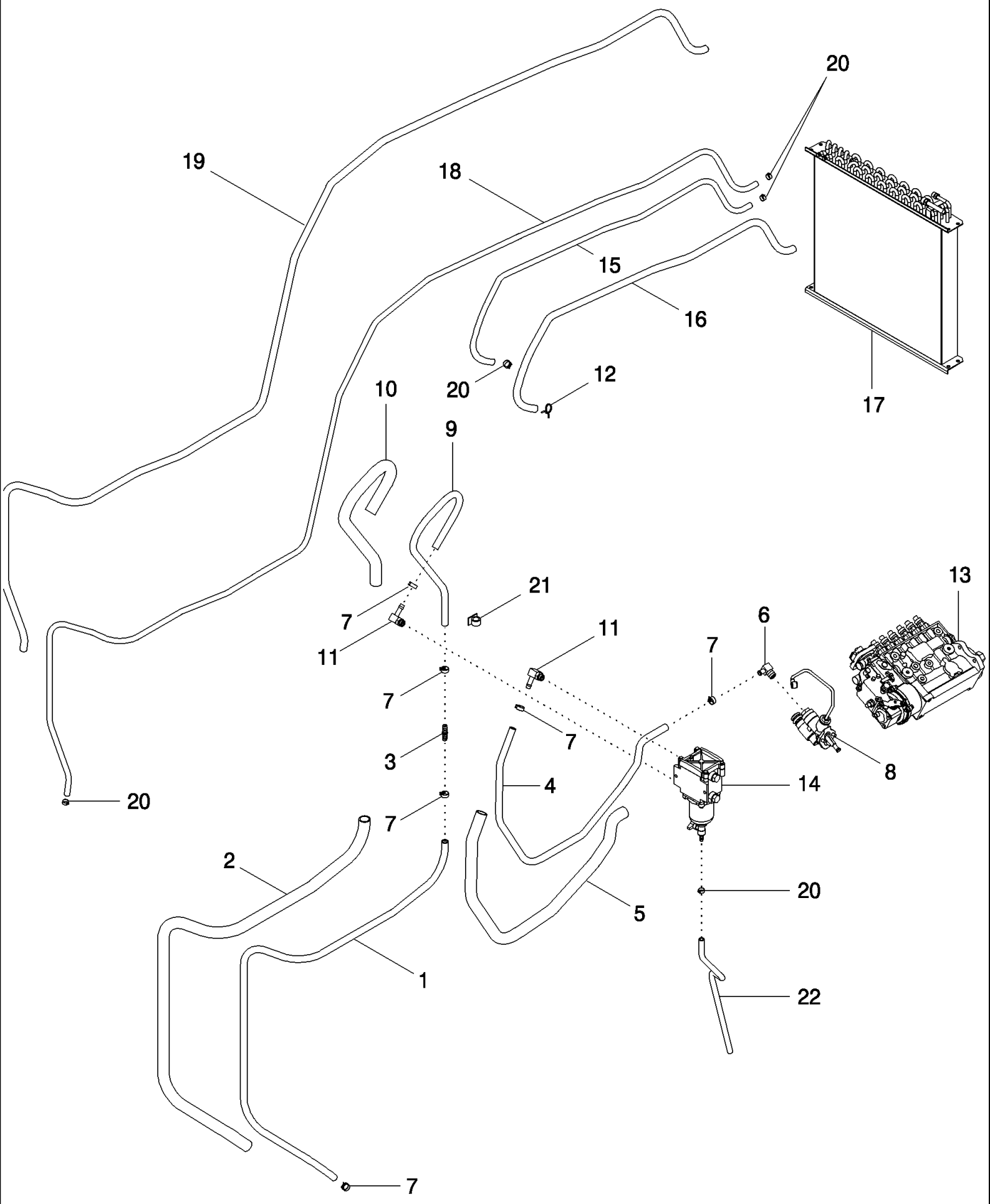


MAGNUM 255 CASE-IH MAGNUM TRACTOR (EMERGING MARKET) (1/06-)

03-08 FUEL TANKS

сылка	Номер детали	Кол-во	Описание
1	363279A3	1	SUPPORT,
2	844-12025	4	BOLT, Hex Flg, M12 x 25, 8.8,
3	87358308	1	FUEL TANK, Right Hand, 306 L (81 gal)
4	87567185	1	FUEL TANK, Left Hand, 369 L (97 gal), Inc. 5 - 14
5	87324388	1	CAP, FILLER,
6	87694594	2	
7	238-5210	2	O-RING, -210, 70 Duro, .734" ID x .139" Thk,
8	1251791C1	2	NUT,
9	87707148	1	FITTING,
10	238-5214	1	O-RING, -214, 70 Duro, .984" ID x .139" Thk,
11	282709A1	1	NUT,
12	217-103	1	COCK, DRAIN, 1/4 PT
13	87037348	1	ELBOW, 90, 5/8 Tube x 3/8 PT
14	217-125	1	FITTING, 3/8" Hose x 1/4" NPTF, Barbed, 3/8 x 1/4 in
15	275798A1	1	HOSE,
20	243779A4	3	PLATE, LARGE,
21	555-5	6	BOLT, Hex Flg, M10 x 25, 8.8, Full Thd,
22	295340A1	1	SUPPORT,
23	857-10075	2	BOLT, Hex Flg, M10 x 75, 10.9,
24	825-2410	2	NUT, M10 x 1.5, Flg, Cl 8,
25	844-10030	2	BOLT, Hex Flg, M10 x 30, 8.8, Full Thd,
26	258942A1	1	STRAP, SECURING,
27	857-10075	1	BOLT, Hex Flg, M10 x 75, 10.9,
28	825-2410	1	NUT, M10 x 1.5, Flg, Cl 8,
29	627-12025	1	BOLT, Hex, M12 x 25, 10.9,
35	301790A3	1	BRACKET,
36	514-745	2	BOLT, Hex, M10 x 25, 8.8, Full Thd,
37	829-1510	2	NUT, M10, Cl 10,
38	627-10020	3	BOLT, Hex, M10 x 20, 10.9, Full Thd,
39	87455076	1	COVER, CAP, Fuel Sender
40	87618181	1	GAUGE, FUEL, Fuel Sender
41	895-18010	1	WASHER, M10 x 18 x 1.6,
42	275800A1	1	VALVE STEM,
43	255094A1	1	GROMMET,
44	275799A2	1	HOSE,
45	214-3248	2	CLAMP, HOSE, 2.25/3.125 HD Worm, W/liner,
46	214-1516	2	CLAMP, HOSE, #16, .81/1.50 Type F Worm, W/liner,
48	275801A1	1	HOSE,
49	214-1308	2	CLAMP, HOSE, #8, 1/2", Spring, 1/2
50	87433010	1	BREATHER,
51	515-22159	1	CLAMP, 5/8", Insul, 5/16" Bolt,
52	825-2408	1	NUT, M8 x 1.25, Flg, Cl 8,
53	87537695	1	GASKET,
54	87622003	5	SCREW, W/Gasket, M5 X 35

03-09 FUEL LINES

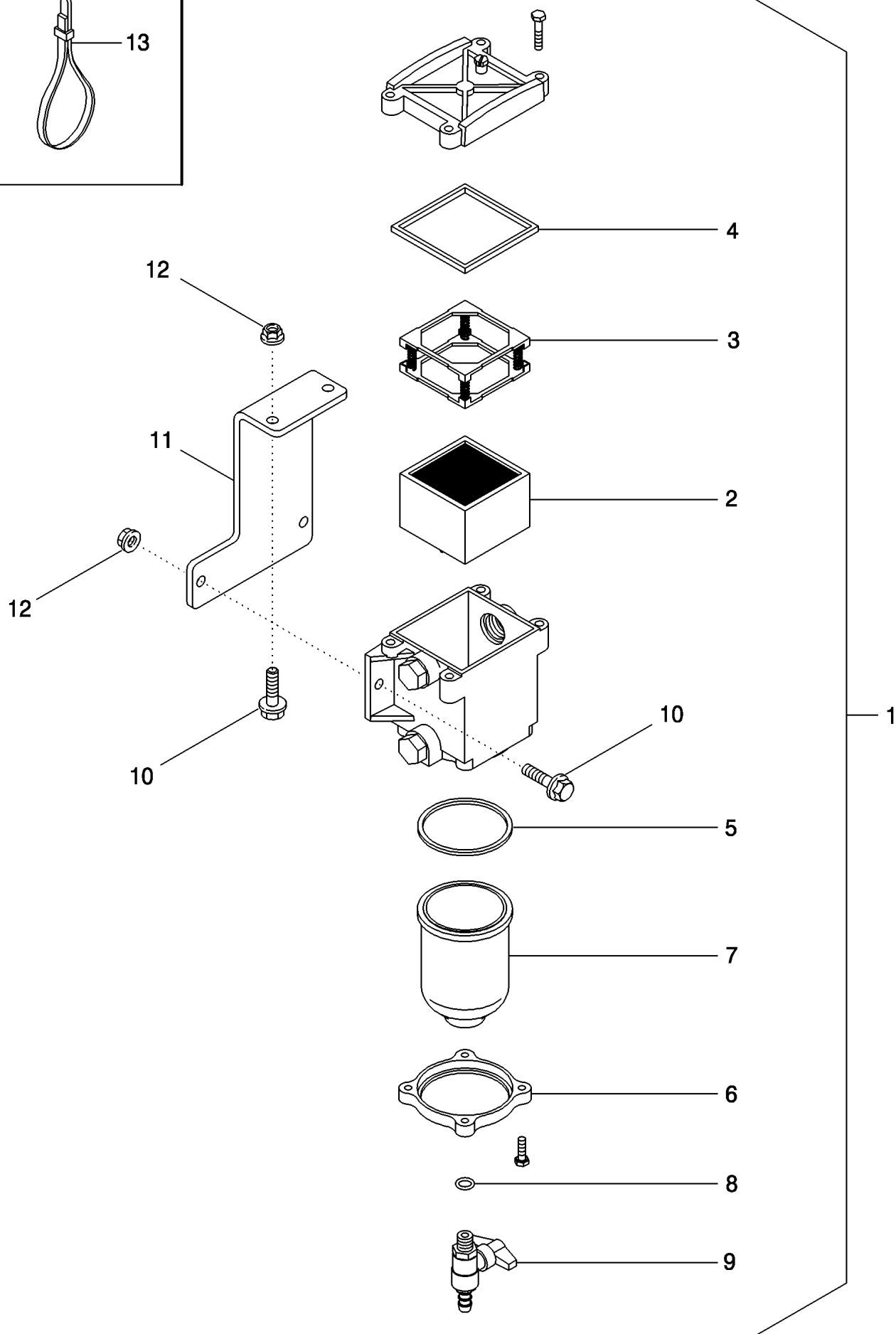
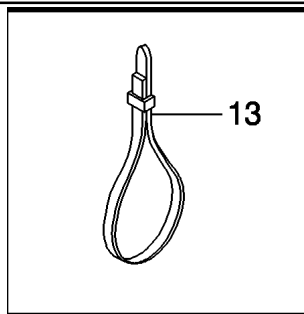


MAGNUM 255 CASE-IH MAGNUM TRACTOR (EMERGING MARKET) (1/06-)

03-09 FUEL LINES

сылка	Номер детали	Кол-во	Описание
1	284735A2	1	HOSE, 1570 mm (61-13/16 in)
2	291260A2	1	CONDUIT, 1500 mm (59 in)
3	336427A1	1	COUPLING, Hose, 1/2 in
4	356413A3	1	HOSE, Fuel Filter Outlet, 1325 mm (52-11/64 in)
5	356415A2	1	CONDUIT, 1240 mm (48-13/16 in)
6	87391142	1	DRAINCOCK/TAP, SUPPLY, DRAINCOCK/TAP, SUPPLY Elbow, 90 Degree
7	214-1408	6	CLAMP, HOSE, #08, 0.50/0.91 Type F Worm, 1/2 - 29/32
8	REF	1	INSTRUCTION, Pump, See Figure 03-03
9	356412A1	1	HOSE, Fuel Filter Supply, 900 mm (35-7/16 in)
10	356414A1	1	CONDUIT, 830 mm (32-11/16 in)
11	217-348	2	FITTING, 90c, 1/2" Hose x 3/4"-16 ORB Beaded,
12	214-1706	1	CLAMP, HOSE, #6, 0.44/0.78 Type M Worm,
13	REF	1	INSTRUCTION, Pump, Injection, See Figure 03-04
14	336429A2	1	FILTER, FUEL, , See Figure 03-10
15	NSS	1	NOT SERVICED SEPARATELY, HOSE, 1415 mm (55.71 in), Cut From 194882A1
16	87367299	1	CONDUIT, 1500 mm (59 in)
17	REF	1	INSTRUCTION, Cooler, See Figure 09-34
18	284736A3	1	HOSE, 4150 mm (163-3/8 in)
19	87367298	1	CONDUIT, 4300 mm (169 in)
20	1348264C1	5	CLAMP, HOSE, 3/8 ID
21	169850C2	1	CLIP, CABLE,
22	360525A1	1	HOSE, Filter Drain, 700 mm (27-9/16 in)

03-10 FUEL SEPARATOR FILTER

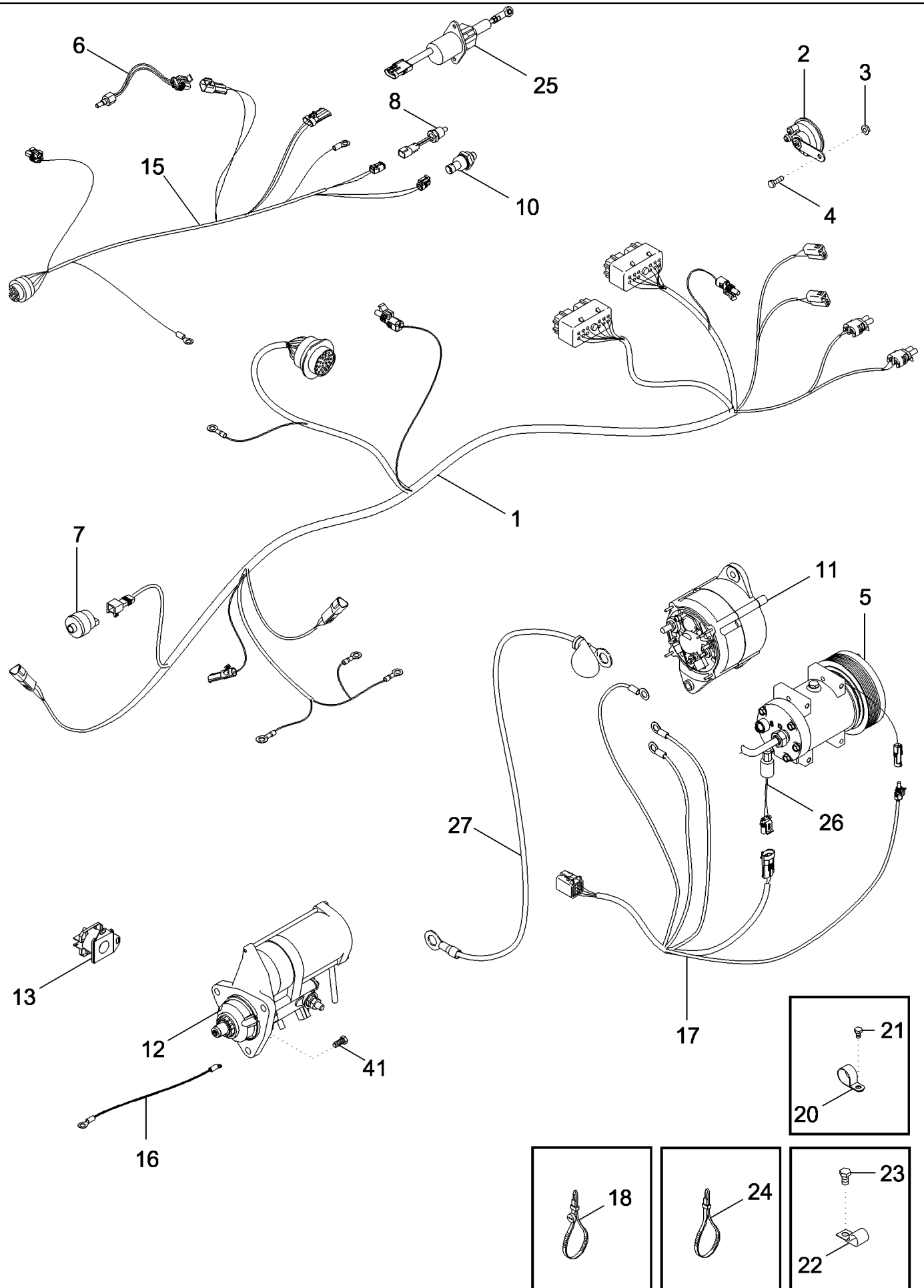


MAGNUM 255 CASE-IH MAGNUM TRACTOR (EMERGING MARKET) (1/06-)

03-10 FUEL SEPARATOR FILTER

сылка	Номер детали	Кол-во	Описание
1	336429A2	1	FILTER, FUEL, Inc. 2 - 9
2	336430A1	1	FILTER, ELEMENT,
3	336431A1	1	FRAME,
4	336432A1	1	SEAL,
5	336433A1	1	SEAL,
6	369841A1	1	RING,
7	369842A1	1	COVER, FILTER,
8	369843A1	1	GASKET,
9	369844A1	1	DRAINCOCK/TAP, SUPPLY,
10	844-8025	4	BOLT, Hex Flg, M8 x 25, 8.8,
11	352416A2	1	SUPPORT,
12	825-2408	4	NUT, M8 x 1.25, Flg, CI 8,
13	A169433	1	STRAP, SECURING,

04-01 HARNESS - ENGINE

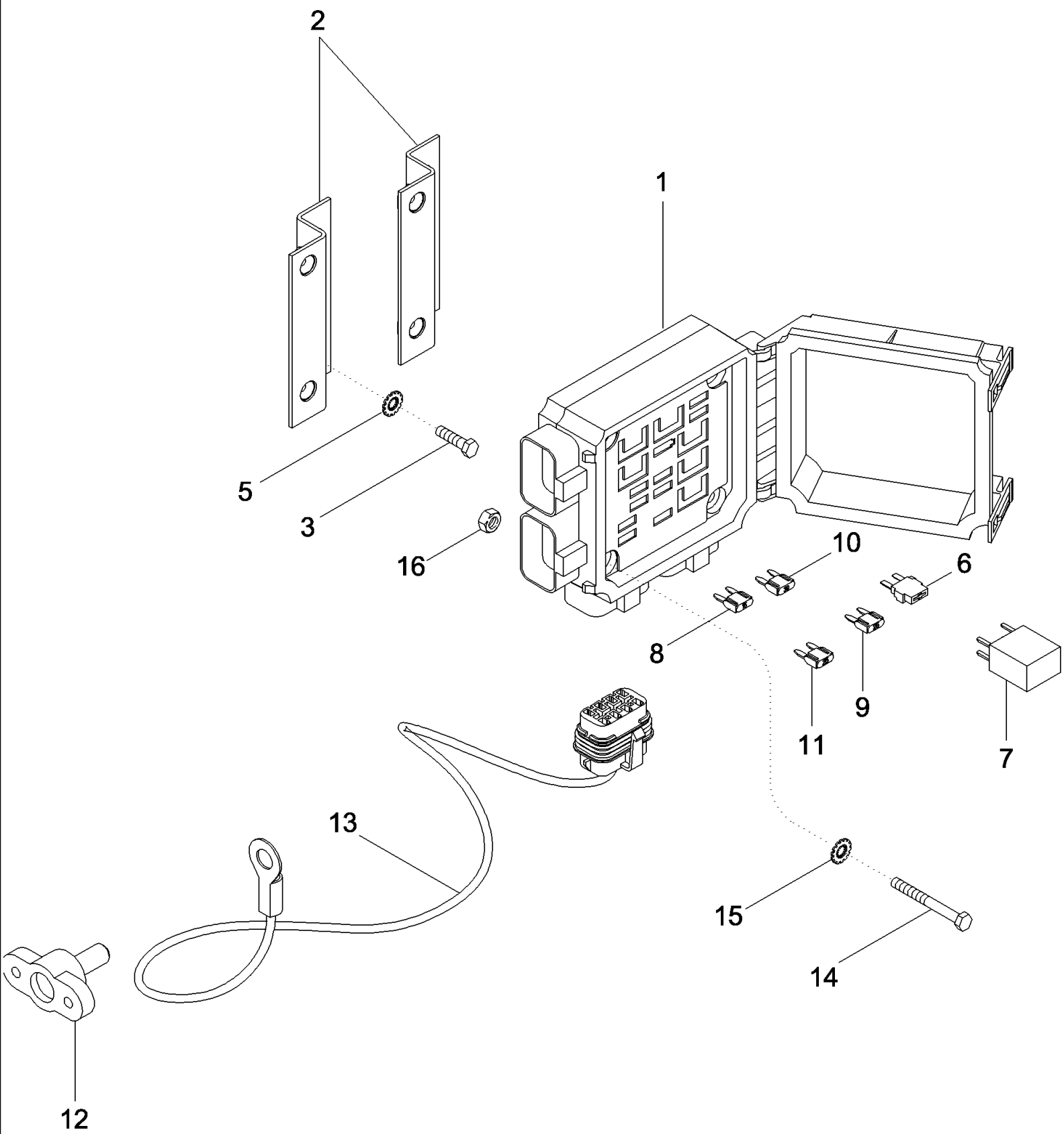


MAGNUM 255 CASE-IH MAGNUM TRACTOR (EMERGING MARKET) (1/06-)

04-01 HARNESS - ENGINE

сылка	Номер детали	Кол-во	Описание
1	87657659	1	HARNESS, HARNESS Engine
2	237582A1	1	HORN,
3	825-5148	1	NUT, M8, Flg Ser,
4	614-8025	1	BOLT, Hex, M8 x 25, 8.8,
5	REF	1	INSTRUCTION, Compressor Assy, See Figure 09-33
6	194346A1	1	SENSOR, Air to Air Temperature
7	279492A1	1	SWITCH, Air Filter
8	87403454	1	SENDER, TEMPERATURE, Coolant
9	193-1000	1	NUT, Keps, w/LW,#10-32, No. 10 NF
10	405439A1	1	PRESSURE SWITCH, Oil Pressure
11	REF	1	INSTRUCTION, Alternator Assy, See Figure 04-15
12	REF	1	INSTRUCTION, Starter Assy, See Figure 04-16
13	REF	1	INSTRUCTION, Solenoid, See Figure 04-17
14	REF	1	INSTRUCTION, Solenoid Assy, Ether Start, See Figure 02-06
15	87556646	1	HARNESS, HARNESS Engine Adapter
16	87667355	1	CABLE, Starter to Intermediate Start relay
17	87382529	1	HARNESS, Alternator to Starter
18	87403339	2	STRAP, CABLE,
20	515-23317	1	CLAMP, 1 1/4", Insul, 3/8" Bolt,
21	614-8012	1	BOLT, Hex, M8 x 12, 8.8, Full Thd,
22	229354A1	1	CLAMP,
23	555-1	1	BOLT, Hex Flg, M8 x 16, 8.8,
24	291207C1	5	CLAMP, 15 in
25	REF	1	INSTRUCTION, Solenoid, Fuel Shutoff, See Figure 03-04
26	284273A2	1	SWITCH,
27	87365491	1	CABLE, Alternator to Starter
35	516-23190	2	CLAMP, J, 3/4", Insul, 3/8" Bolt, (Not Shown), Lower Rear Of Hvac Compressor
36	825-2408	2	NUT, M8 x 1.25, Flg, Cl 8, (Not Shown), Lower Rear Of Compressor And Water Bottle Bracket
37	844-8016	1	BOLT, Hex Flg, M8 x 16, 8.8, (Not shown), Top Right Of Compressor
38	814-8100	1	BOLT, Hex, M8 x 100, 8.8, (Not Shown), Lower Rear Of Hvac Compressor
39	515-22190	1	CLAMP, 3/4", Insul, 5/16" Bolt, (Not Shown), Harness Top Right Of Compressor
40	844-6012	1	BOLT, Hex Flg, M6 x 12, 8.8, (Not Shown), To Hold Start Relay
41	840-1510	1	SCREW, Cross Pan Hd, M5 x 10, To Attach Cable to Starter

04-02 POWER DISTRIBUTION

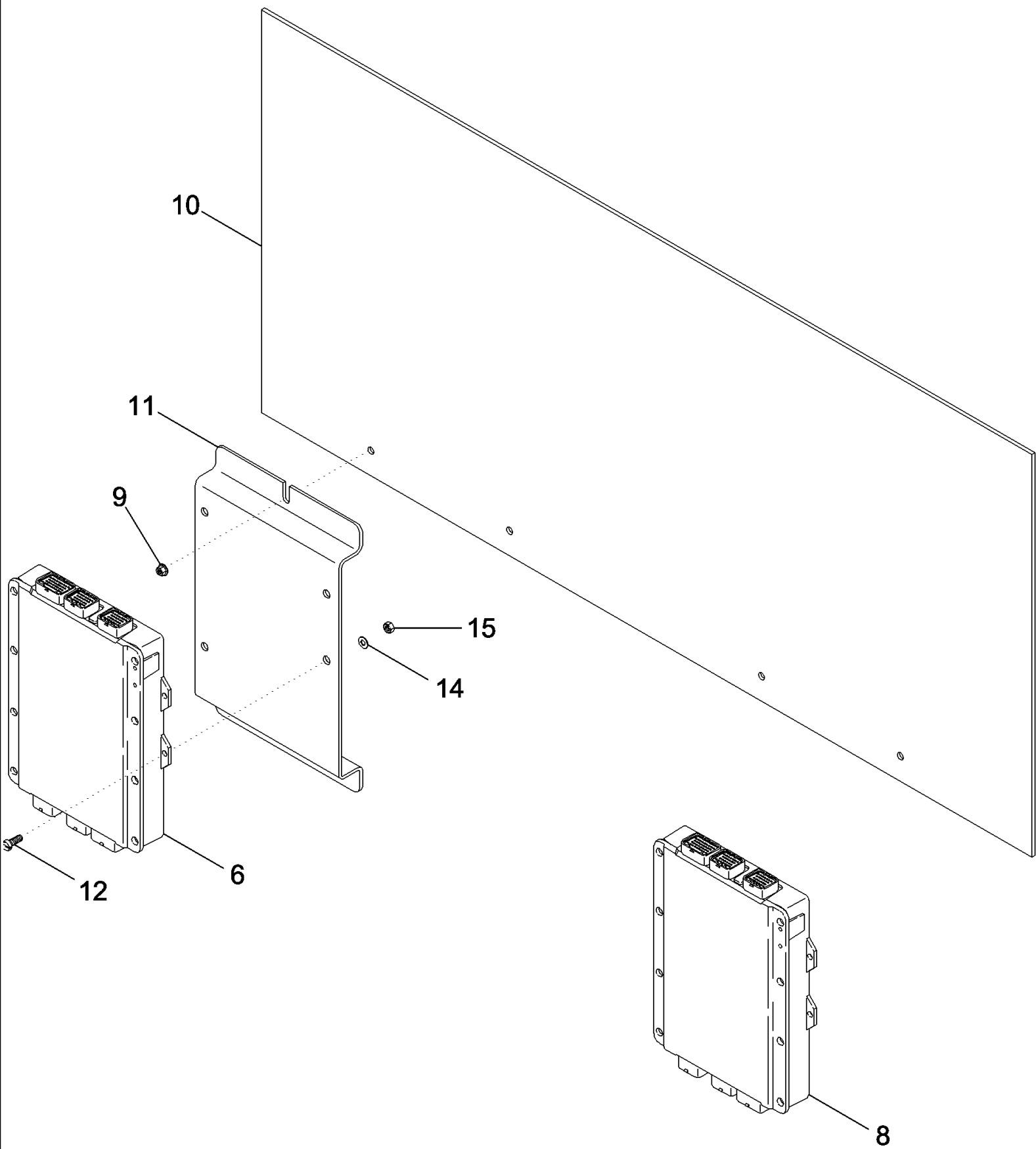


MAGNUM 255 CASE-IH MAGNUM TRACTOR (EMERGING MARKET) (1/06-)

04-02 POWER DISTRIBUTION

сылка	Номер детали	Кол-во	Описание
1	441480A2	1	BOX, FUSE, Engine
2	87410072	2	BRACKET, Fuse Box
3	87308282	2	SCREW, Hex Hd, #10-32 x 3/4",
5	86588450	2	WASHER, M6,
6	416569A1	1	DIODE-ELEMENT,
7	416570A1	5	RELAY,
8	121413A1	4	FUSE, 15 Amp
9	121414A1	1	FUSE, 20 Amp
10	121415A1	2	FUSE, 25 Amp
11	121416A1	1	FUSE, 30 Amp
12	441483A1	1	CONNECTOR, TERMINAL, Auxiliary Power
13	441479A2	1	HARNESS, HARNESS, Tractor Auxillary Power
14	844-6016	4	BOLT, Hex Flg, M6 x 16, 8.8,
15	893-11008	4	WASHER, LOCK, Ext Tooth, M8,
16	829-1408	4	NUT, M8, CI 10,

04-03 MODULES- CHASSIS

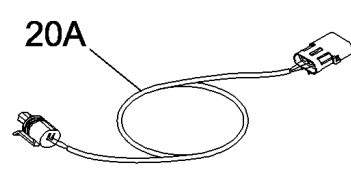
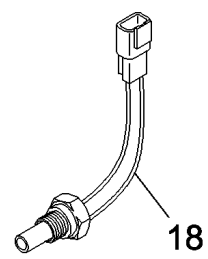
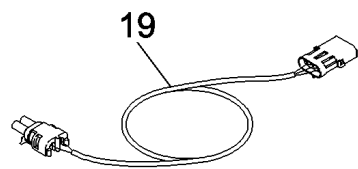
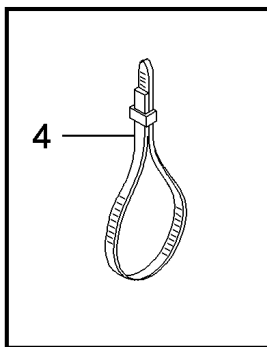
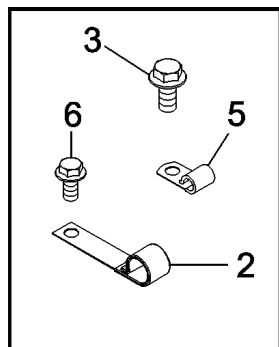
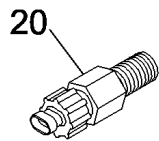
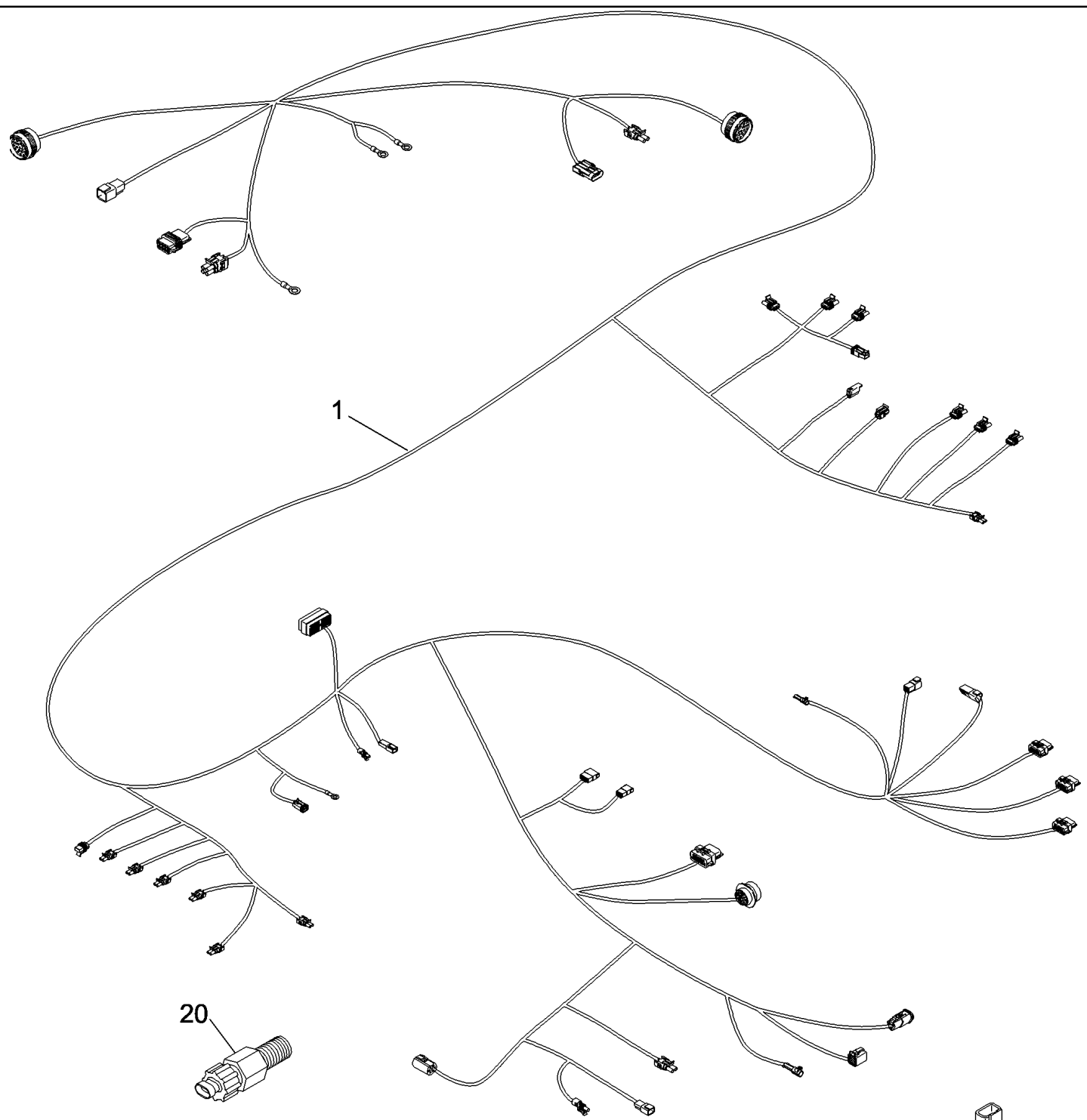


MAGNUM 255 CASE-IH MAGNUM TRACTOR (EMERGING MARKET) (1/06-)

04-03 MODULES- CHASSIS

сылка	Номер детали	Кол-во	Описание
6	87393065	1	MODULE, Tractor Multifunction Controller (TMF)
8	87617963	1	MODULE, ETC 50 KPH
10	87449852	1	COVER,
11	446176A1	1	PLATE,
12	614-5016	4	BOLT, Hex, M5 x 16, 8.8, Full Thd,
14	892-11005	4	WASHER, LOCK, M5,
15	825-1405	4	NUT, M5, CI 8,

04-04 HARNESS-CHASSIS

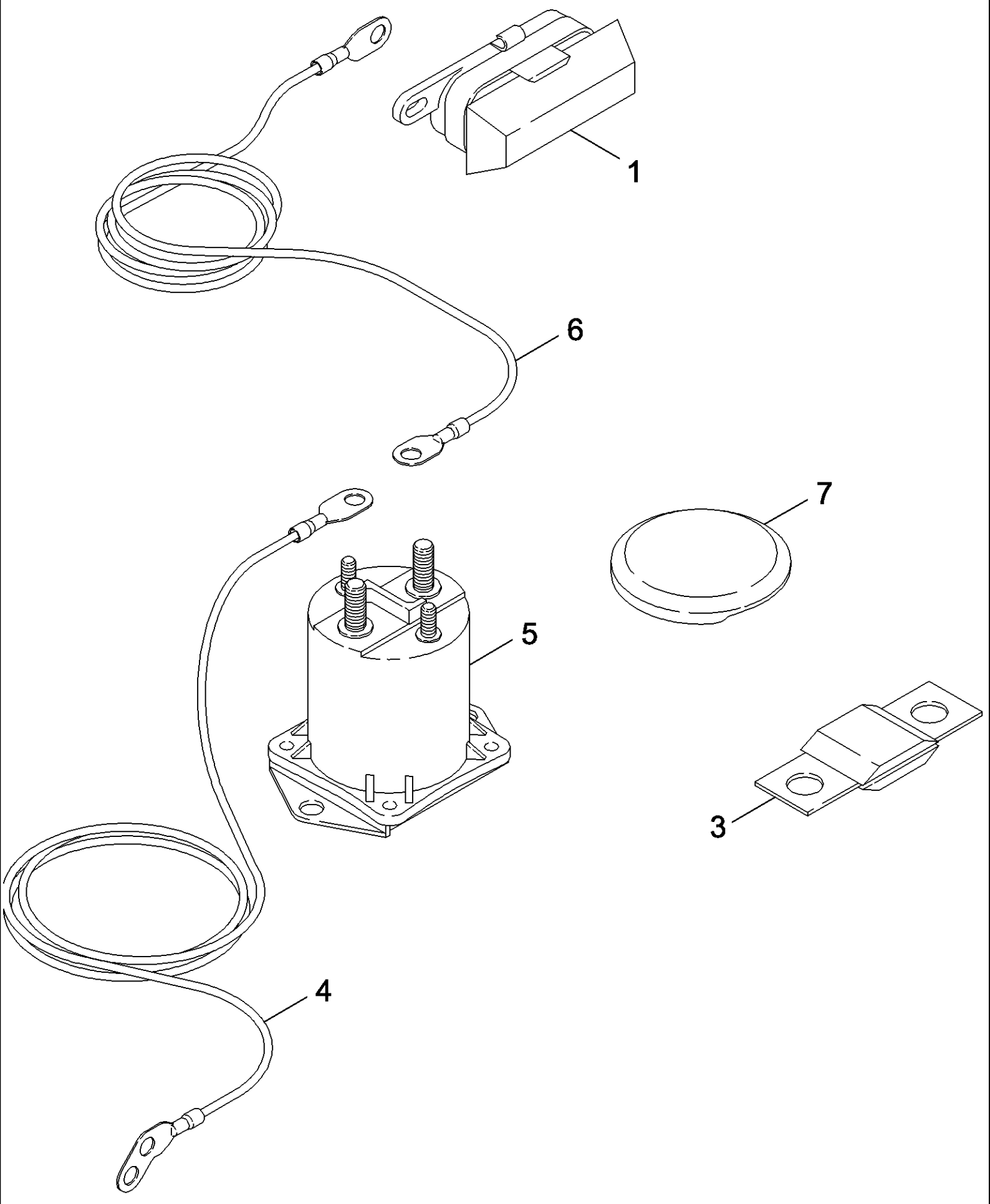


MAGNUM 255 CASE-IH MAGNUM TRACTOR (EMERGING MARKET) (1/06-)

04-04 HARNESS-CHASSIS

сылка	Номер детали	Кол-во	Описание
1	87658463	1	HARNESS, HARNESS Chassis
2	133738A1	2	CLIP,
3	844-12025	1	BOLT, Hex Flg, M12 x 25, 8.8,
4	L11541	2	STRAP, CABLE,
5	516-2395	2	CLAMP, J, 7/16" Insul, 3/8" Bolt,
6	854-10020	1	BOLT, Hex Flg, M10 x 20, 10.9,
7	614-8035	1	BOLT, Hex, M8 x 35, 8.8, (Not shown), For Wire Harness Bracket To Tube Support Bracket
18	87521424	1	SENDER, TEMPERATURE, Transmission, See Figure 07-06
19	366867A2	1	HARNESS, Dual Speed PTO Sensor
20	87548197	1	SENSOR, Dual Speed PTO Replaces A186004, Also Order 87651813 For Initial Replacement, See Figure 06-34
20A	87651813	1	HARNESS, Dual Speed PTO
21	169850C2	2	CLIP, CABLE, Harness (Not Shown)
22	515-2195	1	CLAMP, 3/8", Insul, 1/4" Bolt, (Not Shown)
23	614-6012	1	BOLT, Hex, M6 x 12, 8.8, (Not Shown)
24	829-1406	1	NUT, M6, CI 10, (Not Shown)
25	515-24444	3	CLAMP, 1 3/4", Insul, 7/16" Bolt, (Not Shown), On Master Solenoid Stack
26	87340323	1	BRACKET, (Not Shown)
27	825-5148	1	NUT, M8, Flg Ser, (Not Shown)
28	895-25008	2	WASHER, M8 x 20 x 1.6, (Not Shown), Harness Clip On Tube Clamp And Harness Clip On L Bracket
29	844-10016	1	BOLT, Hex Flg, M10 x 16, 8.8, Full Thd, (Not Shown)
30	896-11010	2	WASHER, M10 x 21.5 x 2.5, HT, (Not Shown), Harness Clip On Master Valve And Harness Ground Lug On Remote Valve
31	844-12025	2	BOLT, Hex Flg, M12 x 25, 8.8, (Not Shown)

04-05 SOLENOID AND CABLES - GRID HEATER

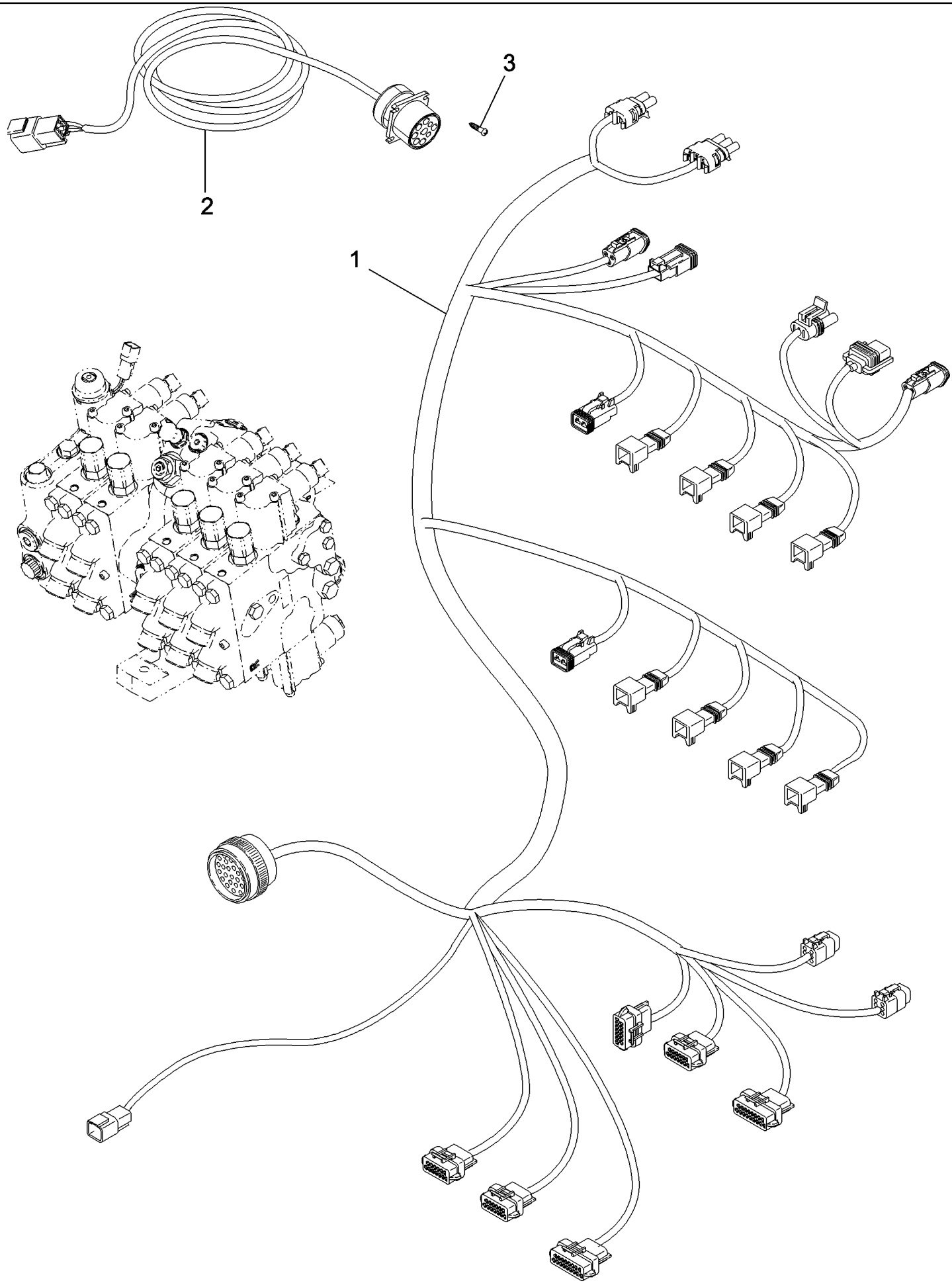


MAGNUM 255 CASE-IH MAGNUM TRACTOR (EMERGING MARKET) (1/06-)

04-05 SOLENOID AND CABLES - GRID HEATER

сылка	Номер детали	Кол-во	Описание
1	440038A1	1	JUNCTION BLOCK,
3	87455597	1	FUSE,
4	87342409	1	CABLE,
5	87455571	1	SOLENOID,
6	87365714	1	CABLE,
7	87341554	1	COVER,
8	87542146	2	CAP, M6 Bolt Cover (Not Shown)
9	193-1000	2	NUT, Keps, w/LW,#10-32, (Not Shown)
10	231-5145	2	NUT, Flg, USR, 5/16"-18, (Not Shown)
11	840-1616	2	SCREW, Cross Pan Hd, M6 x 16, (Not Shown)
12	844-6016	2	BOLT, Hex Flg, M6 x 16, 8.8, (Not Shown)
13	893-11008	2	WASHER, LOCK, Ext Tooth, M8, (Not Shown)
14	829-1408	2	NUT, M8, CI 10, (Not Shown)

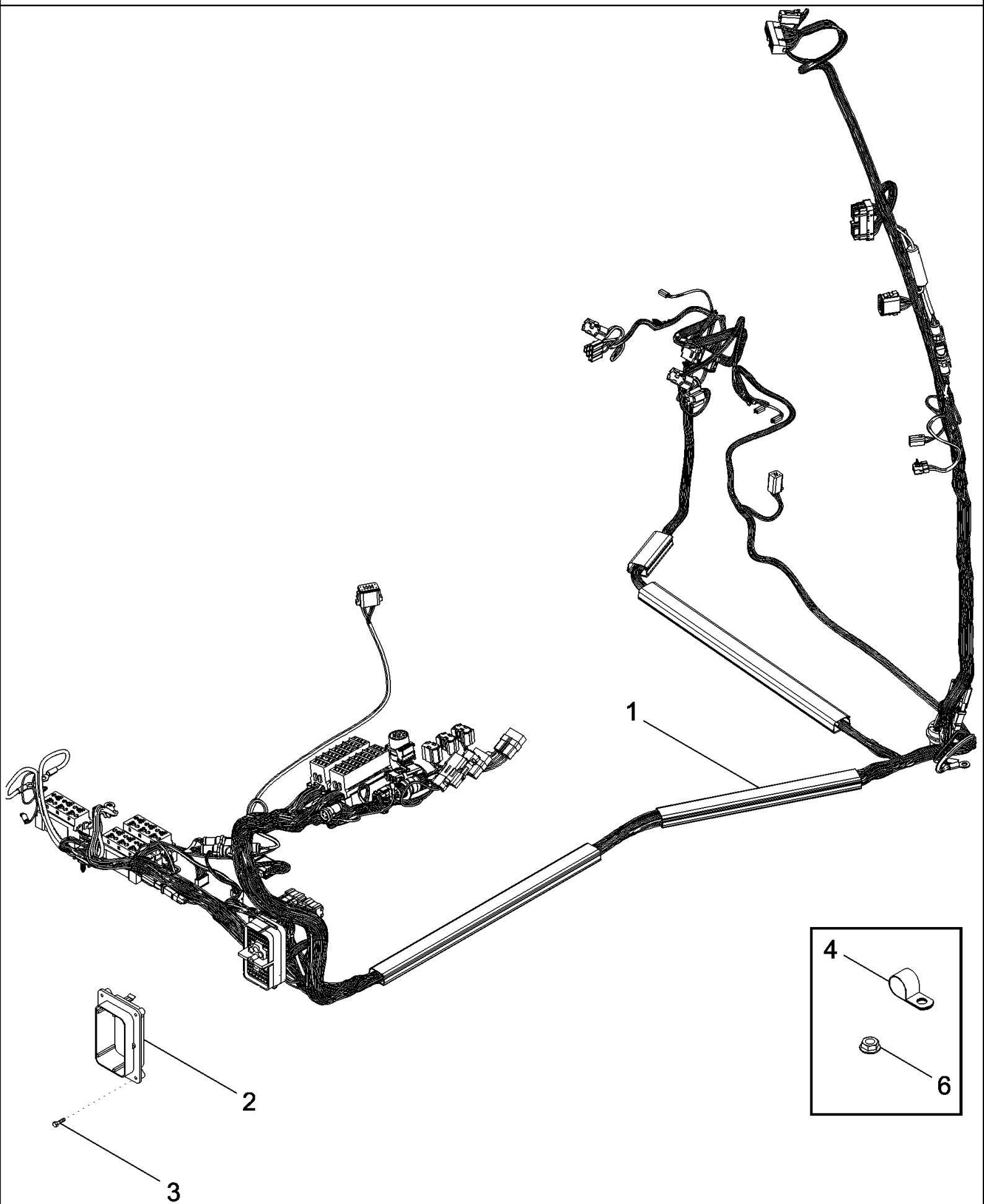
04-06 HARNESS - REMOTE HYDRAULIC VALVE



MAGNUM 255 CASE-IH MAGNUM TRACTOR (EMERGING MARKET) (1/06-)

04-06 HARNESS - REMOTE HYDRAULIC VALVE

сылка	Номер детали	Кол-во	Описание
1	87351208	1	HARNESS, Remote Valve (Shown), ASN Z7RZ01521
1	87657271	1	HARNESS, Remote Valve, BSN Z7RZ01521
2	87589459	1	HARNESS,
3	760-17113	4	SCREW, SELF TAP, Pan Hd, M3.5 x 13,
4	844-10016	1	BOLT, Hex Flg, M10 x 16, 8.8, Full Thd, Remote Valve Stack

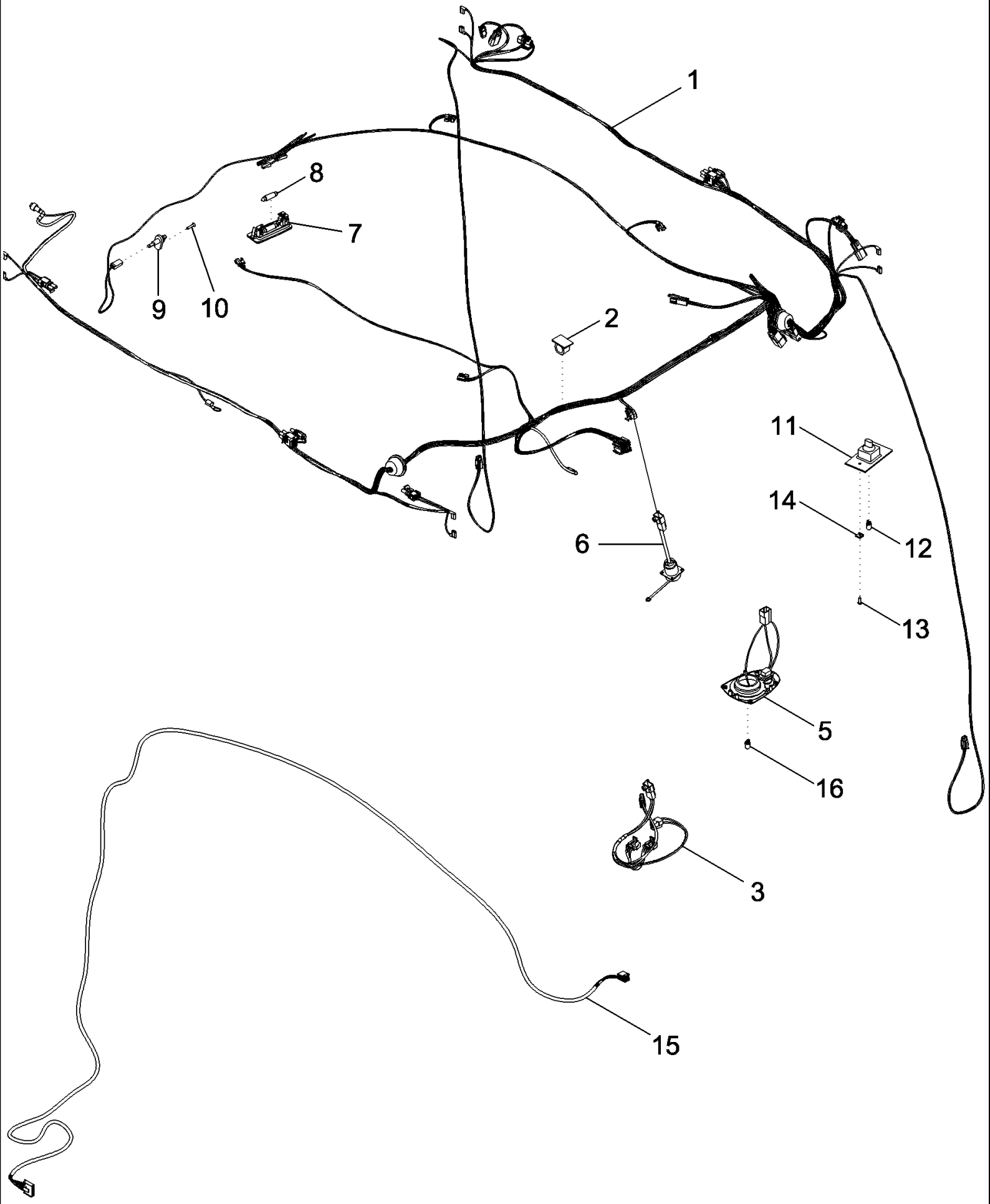


MAGNUM 255 CASE-IH MAGNUM TRACTOR (EMERGING MARKET) (1/06-)

04-07 HARNESS - CAB

сылка	Номер детали	Кол-во	Описание
1	87645679	1	HARNESS, HARNESS Cab
2	437550A1	1	FLANGE, 102 Pin Connector
3	780-34319	4	SCREW, SELF TAP, Hex Wash Hd, M4.8 x 19,
4	515-22190	2	CLAMP, 3/4", Insul, 5/16" Bolt,
5	516-22127	1	CLAMP, J, 9/16" Insul, 5/16" Bolt,
6	825-2408	4	NUT, M8 x 1.25, Flg, Cl 8,
7	87525378	1	RH, Armrest

04-08 HARNESS - CAB ROOF, SHELF AND CD CHANGER

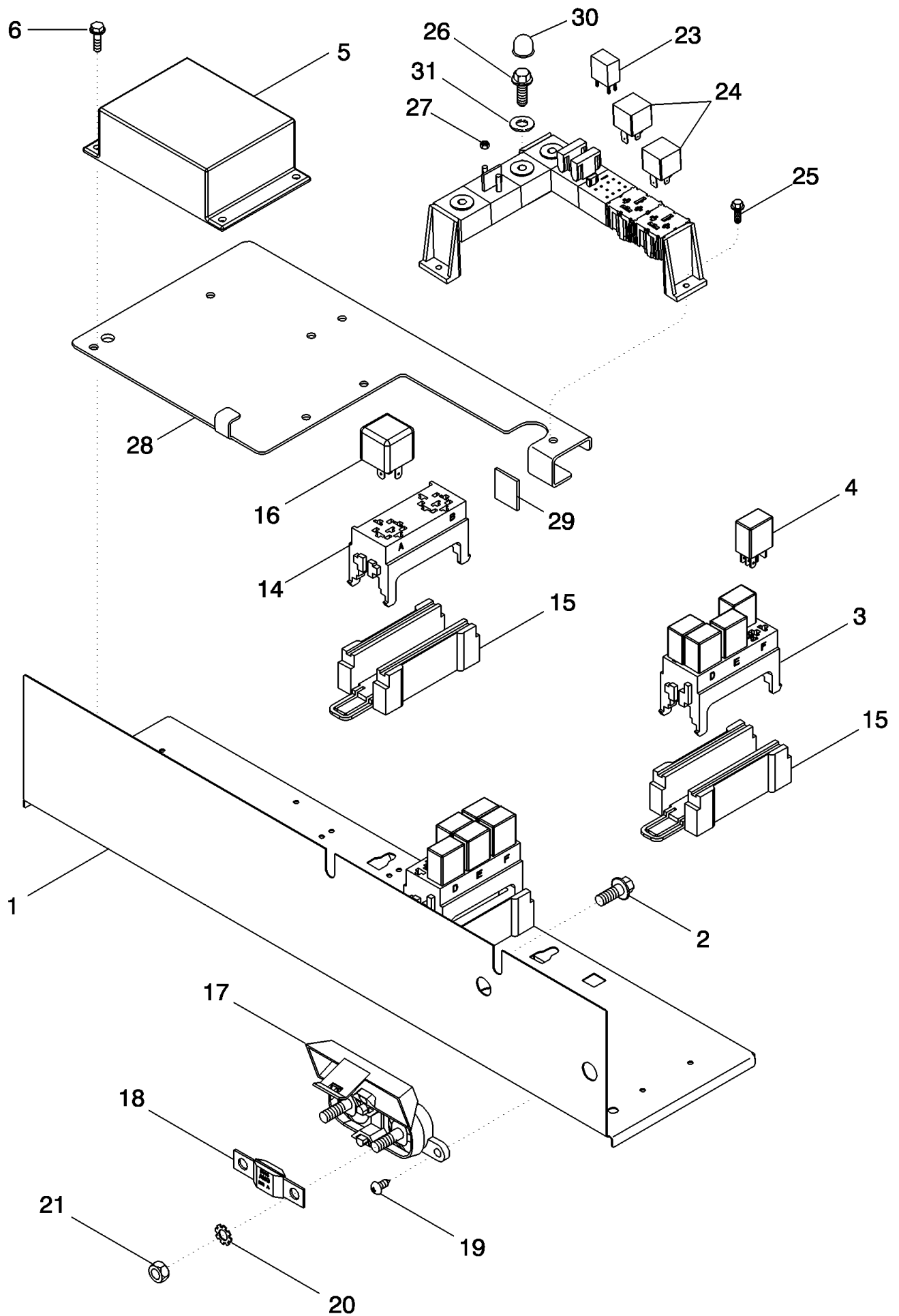


MAGNUM 255 CASE-IH MAGNUM TRACTOR (EMERGING MARKET) (1/06-)

04-08 HARNESS - CAB ROOF, SHELF AND CD CHANGER

сылка	Номер детали	Кол-во	Описание
1	87451533	1	HARNESS, Cab Roof
2	169850C2	3	CLIP, CABLE,
3	280584A3	1	HARNESS, Shelf
5	87414959	1	LAMP, Map, Inc. 16
6	227739A2	2	CONNECTOR, ELEC, Harness, Aux Power
7	1983391C1	1	LAMP, Dome, Inc. 8
8	3050958R1	1	BULB, K, 12V, 10W,
9	1534229C1	1	SWITCH, DOOR,
10	765-14322	1	SCREW, SELF TAP, Oval Hd, M4.2 x 22,
11	368143A1	1	LAMP, Console Illuminator, Inc. 12
12	D71346	1	LAMP, TAIL, No. 168
13	760-17316	2	SCREW, SELF TAP, Pan Hd, M4.2 x 16,
14	177269A1	2	NUT,
15	303433A1	1	HARNESS, CD Changer, If Equipped
16	373114A1	1	BULB,

04-09 ELECTRICAL COMPONENT MOUNTING

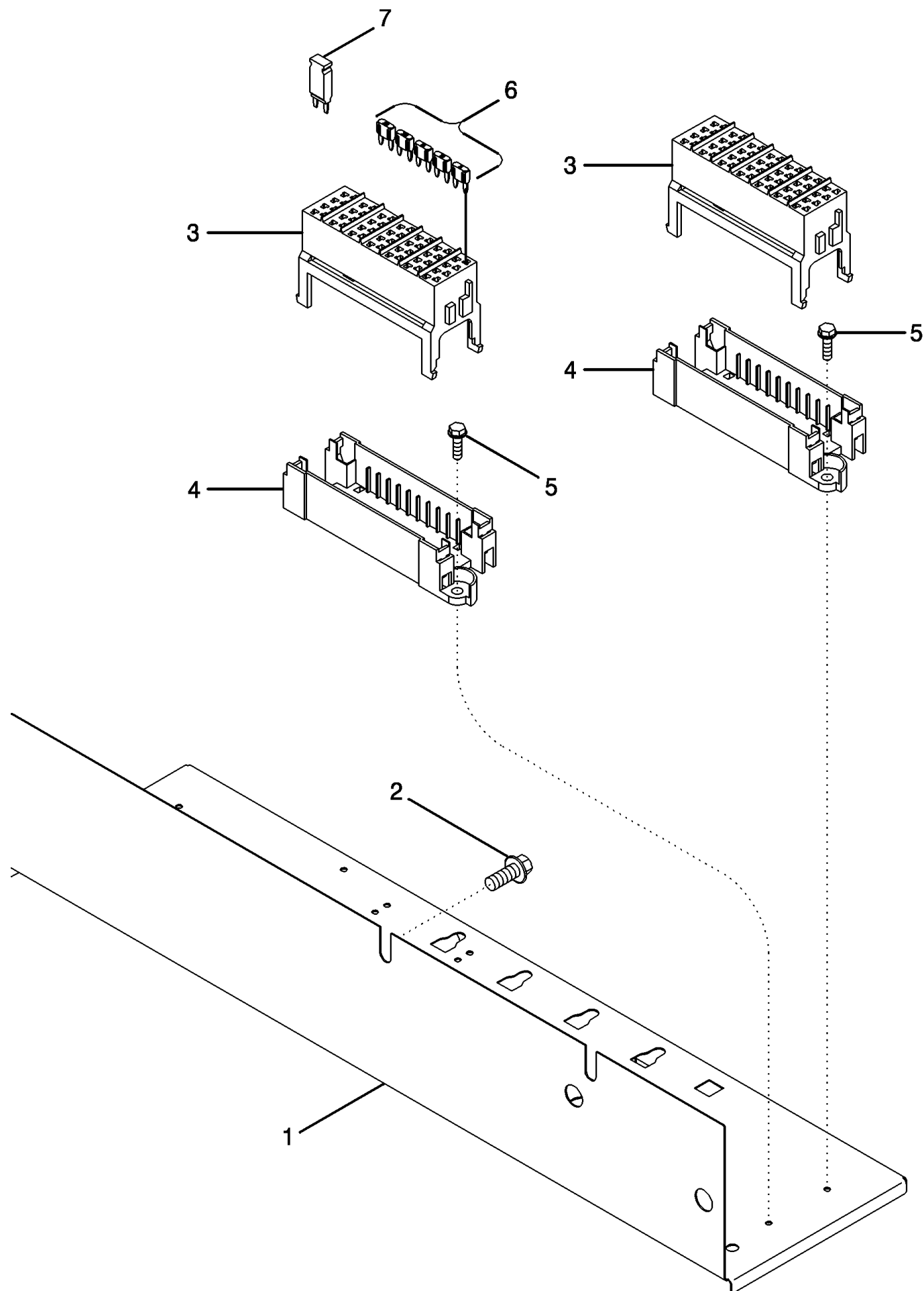


MAGNUM 255 CASE-IH MAGNUM TRACTOR (EMERGING MARKET) (1/06-)

04-09 ELECTRICAL COMPONENT MOUNTING

сылка	Номер детали	Кол-во	Описание
1	87364238	1	PANEL,
2	781-24820	3	SCREW, SELF TAP, Hex Flg Hd, M8 x 20,
3	144417A1	2	BLOCK, CONNECTING,
4	87414866	19	RELAY, 20 Amp
5	397346A1	1	FLASHER UNIT,
6	780-34319	2	SCREW, SELF TAP, Hex Wash Hd, M4.8 x 19,
14	NSS	1	NOT SERVICED SEPARATELY, Block, Relay
15	182163A1	2	CONNECTOR, ELEC,
16	1983394C2	1	RELAY,
17	440038A1	1	JUNCTION BLOCK,
18	440572A1	1	FUSE, 100 Amp
19	760-14413	2	SCREW, SELF TAP, Pan Hd, M4.8 x 13,
20	893-11008	4	WASHER, LOCK, Ext Tooth, M8,
21	829-1408	2	NUT, M8, CI 10,
	87673760	1	MODULE, Inc. 23 - 27
23	416570A1	1	RELAY,
24	368459A1	1	RELAY, 70 Amp
25	780-34319	5	SCREW, SELF TAP, Hex Wash Hd, M4.8 x 19,
26	614-8016	3	BOLT, Hex, M8 x 16, 8.8,
27	87825	2	NUT, #10-32,
28	87701022	1	PLATE,
29	321663A1	1	PAD, SLIDING, Velcro
30	87706767	3	BOOT,
31	895-15008	3	WASHER, M8 x 20 x 1.6,

04-10 ELECTRICAL COMPONENT MOUNTING - FUSES

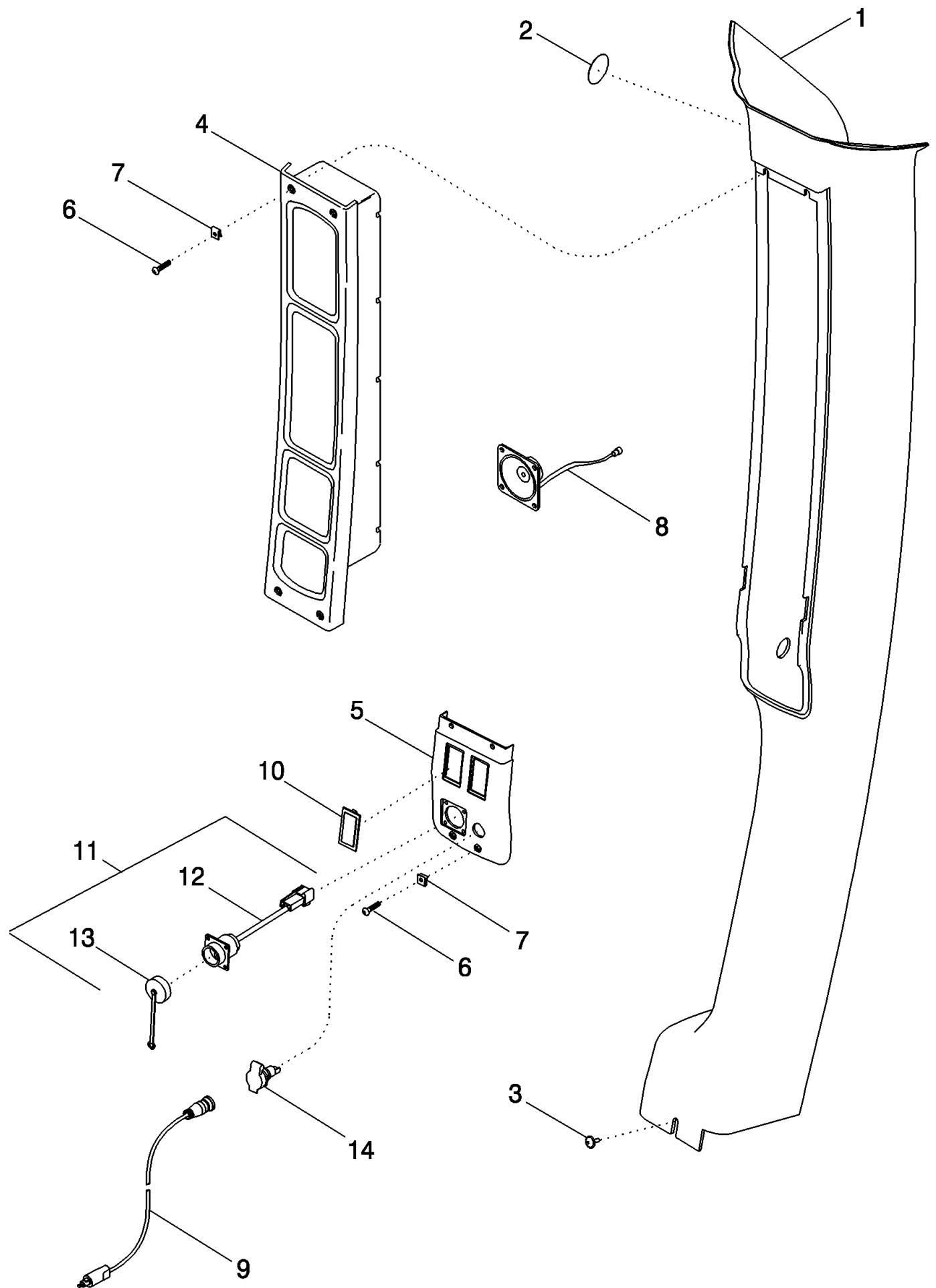


MAGNUM 255 CASE-IH MAGNUM TRACTOR (EMERGING MARKET) (1/06-)

04-10 ELECTRICAL COMPONENT MOUNTING - FUSES

сылка	Номер детали	Кол-во	Описание
1	87364238	1	PANEL,
2	781-24820	3	SCREW, SELF TAP, Hex Flg Hd, M8 x 20,
3	144421A1	2	BLOCK, CONNECTING,
4	194319A1	2	TERMINAL,
5	780-34319	2	SCREW, SELF TAP, Hex Wash Hd, M4.8 x 19,
6	121410A1	AR	FUSE, 5 Amp
6	121412A1	AR	FUSE, 10 Amp
6	121413A1	AR	FUSE, 15 Amp
6	121414A1	AR	FUSE, 20 Amp
6	121415A1	AR	FUSE, 25 Amp
6	121416A1	AR	FUSE, 30 Amp
6	338060A1	AR	FUSE, 60 Amp
7	139719A1	1	CIRCUIT BREAKER, 15 Amp

04-11 A-POST COVER - INSTRUMENT CLUSTER

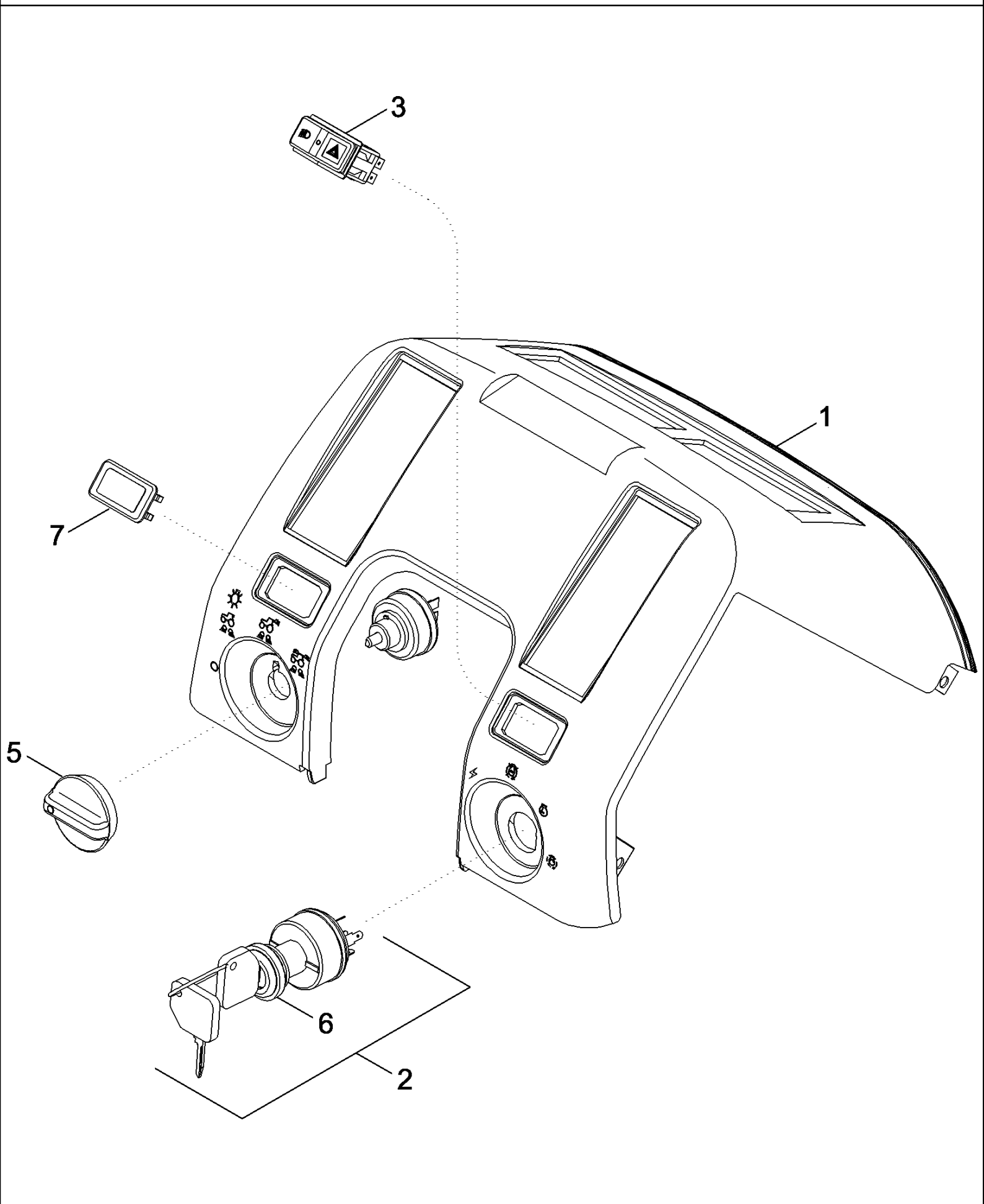


MAGNUM 255 CASE-IH MAGNUM TRACTOR (EMERGING MARKET) (1/06-)

04-11 A-POST COVER - INSTRUMENT CLUSTER

сылка	Номер детали	Кол-во	Описание
1	444547A1	1	TRIM PANEL,
2	376597A2	2	COVER,
3	1975782C1	1	SCREW, SELF TAP, Cross Truss Wash Hd, #10 x 5/8",
4	87549279	1	MODULE, Standard, Without Software, Inc. 8
5	358804A1	1	BEZEL,
6	260-16516	6	SCREW, SELF TAP, Cross Pan Hd, #10 x 1",
7	177269A1	6	NUT,
8	87335023	1	SPEAKER,
9	324847A2	1	HARNESS, Monitor
10	245918C1	2	CAP, Blanking
11	227739A2	1	CONNECTOR, ELEC, Auxiliary Power, Inc. 12, 13
12	225164C1	1	CONNECTOR, ELEC,
13	225162C1	1	PLUG, Dust
14	300655A1	1	SOCKET, POWER,

04-12 CONTROLS - FRONT CONSOLE

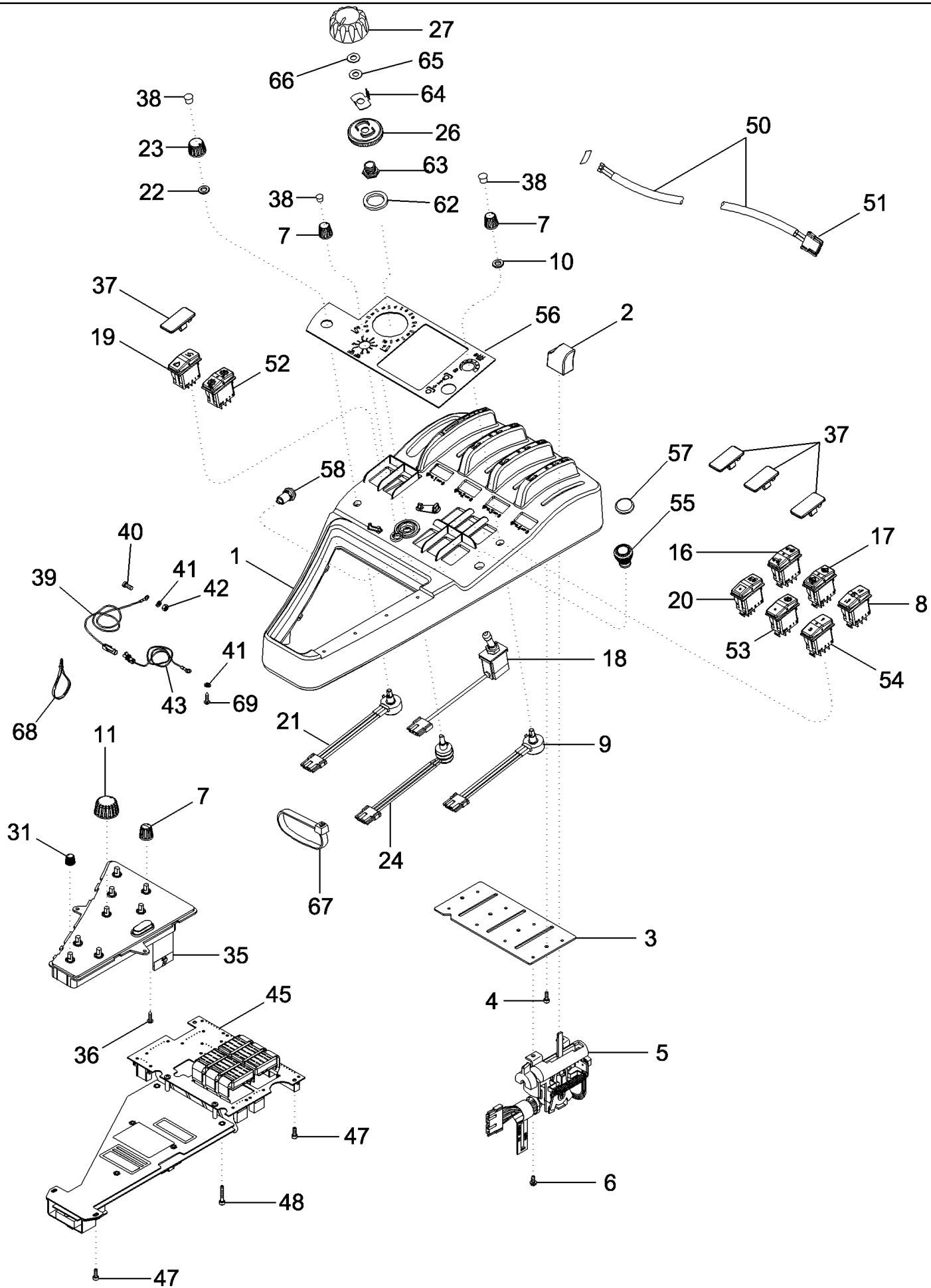


MAGNUM 255 CASE-IH MAGNUM TRACTOR (EMERGING MARKET) (1/06-)

04-12 CONTROLS - FRONT CONSOLE

сылка	Номер детали	Кол-во	Описание
1	87449853	1	COVER,
2	427182A1	1	SWITCH, With Key, Inc. 6
3	86989942	1	SWITCH, LIGHTS, Head Lights
4	177250A1	1	SWITCH, LIGHTS, Work Lights
5	1331046C2	1	CAP, WASHER,
6	86502201	1	SET OF 2 KEYS,
7	86000535	1	PLUG, 1.427" x .62", Plastic,

04-13 CONTROLS - RIGHT HAND CONSOLE



MAGNUM 255 CASE-IH MAGNUM TRACTOR (EMERGING MARKET) (1/06-)

04-13 CONTROLS - RIGHT HAND CONSOLE

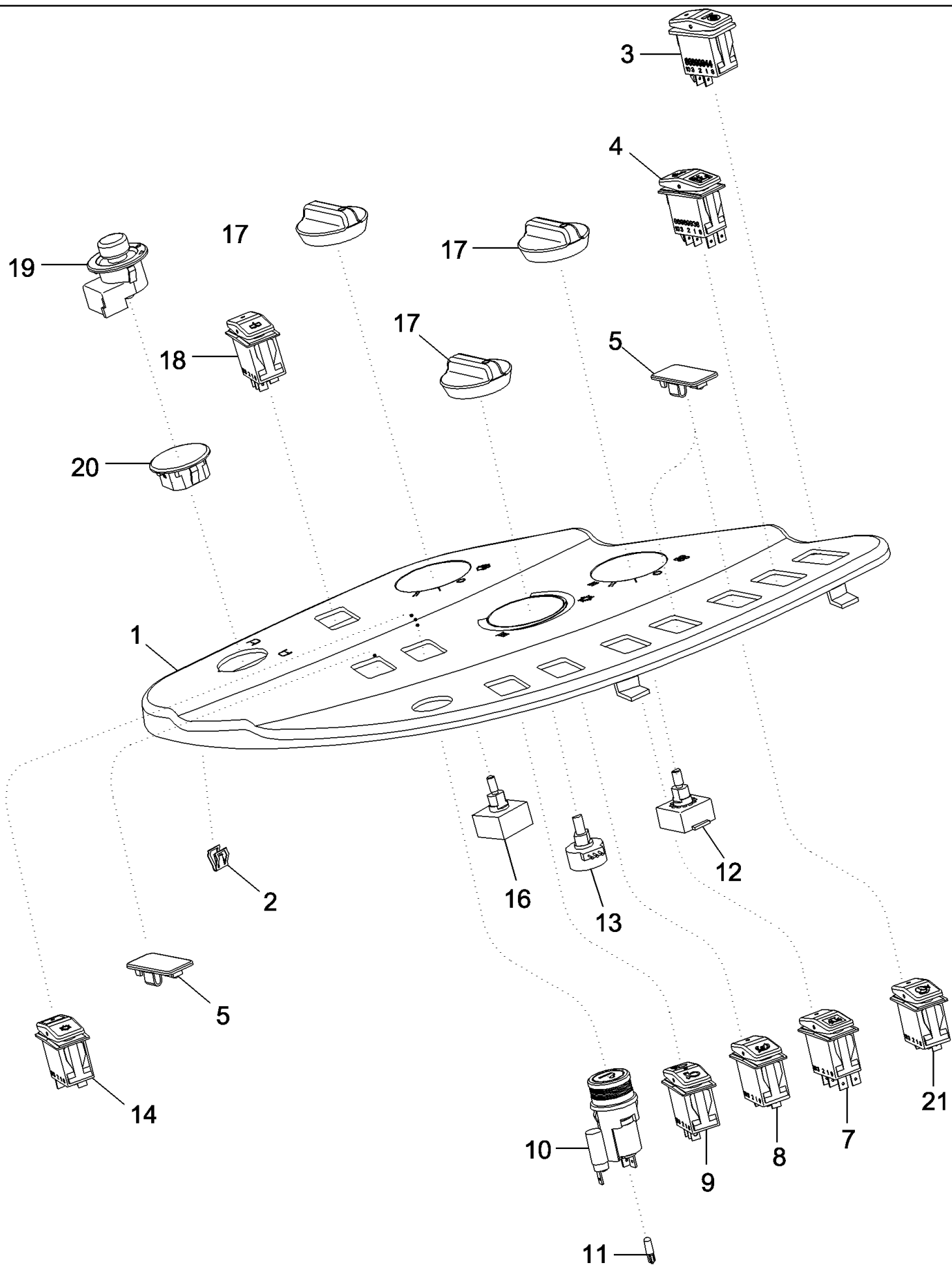
сылка	Номер детали	Кол-во	Описание
1	REF	1	INSTRUCTION, Cover Assembly, See Figure 09-30
2	406962A1	AR	KNOB,
3	230098A1	1	PLATE,
4	368048A1	4	SCREW, M4 x 12
5	87395299	AR	VALVE, CONTROL, Remote Hydraulics
6	281-3446	AR	SCREW, SELF TAP, Hex Wash Hd, #8 x 3/8",
7	276797A1	AR	KNOB,
8	87414463	1	SWITCH, 5th Remote
8	87347179	1	SWITCH, Top Link
9	256305A2	1	POTENTIOMETER, Flow Control, 5th Remote, Inc. 10
10	A39888	2	NUT, 3/8-32
11	187820A1	1	BUTTON,
16	87414464	1	SWITCH, MFD
17	87414328	1	SWITCH, Differential Lock
18	409603A2	1	SWITCH, PTO
19	86990406	1	SWITCH, Hitch Control
20	87414327	1	SWITCH, Slip Limit Control
21	87399300	1	POTENTIOMETER, Draft Control, Inc. 22
22	A39888	1	NUT, 3/8-32
23	314601A1	1	BUTTON,
24	87399301	1	POTENTIOMETER, Hitch Position
26	87435194	1	KNOB, Hitch Lever
27	87434770	1	KNOB, Hitch Position Control
31	223433A1	3	KNOB,
35	87365723	1	PANEL, INSTRUMENTS, With Hitch
35	87382886	1	PANEL, INSTRUMENTS, Hitch Secondary/Flow With Implement Height Control
36	760-14316	2	SCREW, SELF TAP, Pan Hd, M4.2 x 16,
37	406324A2	AR	PLUG,
38	87570112	AR	PLUG,
38	353-401	AR	PLUG, Dome, .312" hole, Nylon, 5/16
39	87518589	1	CABLE, Armrest Ground, 115 mm (4-1/2 in)
40	844-8016	1	BOLT, Hex Flg, M8 x 16, 8.8,
41	893-11008	2	WASHER, LOCK, Ext Tooth, M8,
42	825-5148	1	NUT, M8, Flg Ser,
43	87704091	1	CABLE, Cab Ground, 1385 mm (54-1/2 in)
45	87524858	1	CONTROL, Without Software
47	864-4012	4	SCREW, Hex Soc Hd, M4 x 12, 8.8,
48	864-4025	2	SCREW, Hex Soc Hd, M4 x 25, 8.8,
50	258010A2	1	SWITCH, Transmission Shift
51	235676A1	1	CONNECTOR,
52	86989945	1	SWITCH, Programmable Shift
52	87422017	1	SWITCH, End-of-Row Step/Pause, With End-of-Row System
53	87414465	1	SWITCH, Autoshift, ASN Z6RZ05385
53	87538596	1	SWITCH, Autoshift, BSN Z6RZ05385
54	87414467	1	SWITCH, Scraper

MAGNUM 255 CASE-IH MAGNUM TRACTOR (EMERGING MARKET) (1/06-)

04-13 CONTROLS - RIGHT HAND CONSOLE

сылка	Номер детали	Кол-во	Описание
55	411705A3	1	KNOB, PTO Switch
56	87453893	1	DECAL,
56	87350580	1	DECAL, No Hitch
57	82031549	2	PLATE, PTO Switch
58	87330047	1	PUSH BUTTON, PTO
58	87327317	AR	PLASTIC PLUG, Switch Opening (Not Shown) 12.6 mm
59	406324A2	1	PLUG, Switch Opening (Not Shown)
60	296781A1	2	CONNECTOR, (Not Shown)
61	87342542	1	DECAL, Hole Cover (Not Shown)
62	87435852	1	SPACER,
63	87435853	1	RING,
64	87435947	1	SPRING,
65	87436077	1	WASHER,
66	87435946	1	WASHER,
67	L11541	1	STRAP, CABLE,
68	291207C1	3	CLAMP, , To Tie ground Cable To Cab Harness
69	781-24820	1	SCREW, SELF TAP, Hex Flg Hd, M8 x 20,

04-14 CONTROLS - RIGHT FENDER CONSOLE, WITHOUT ATC

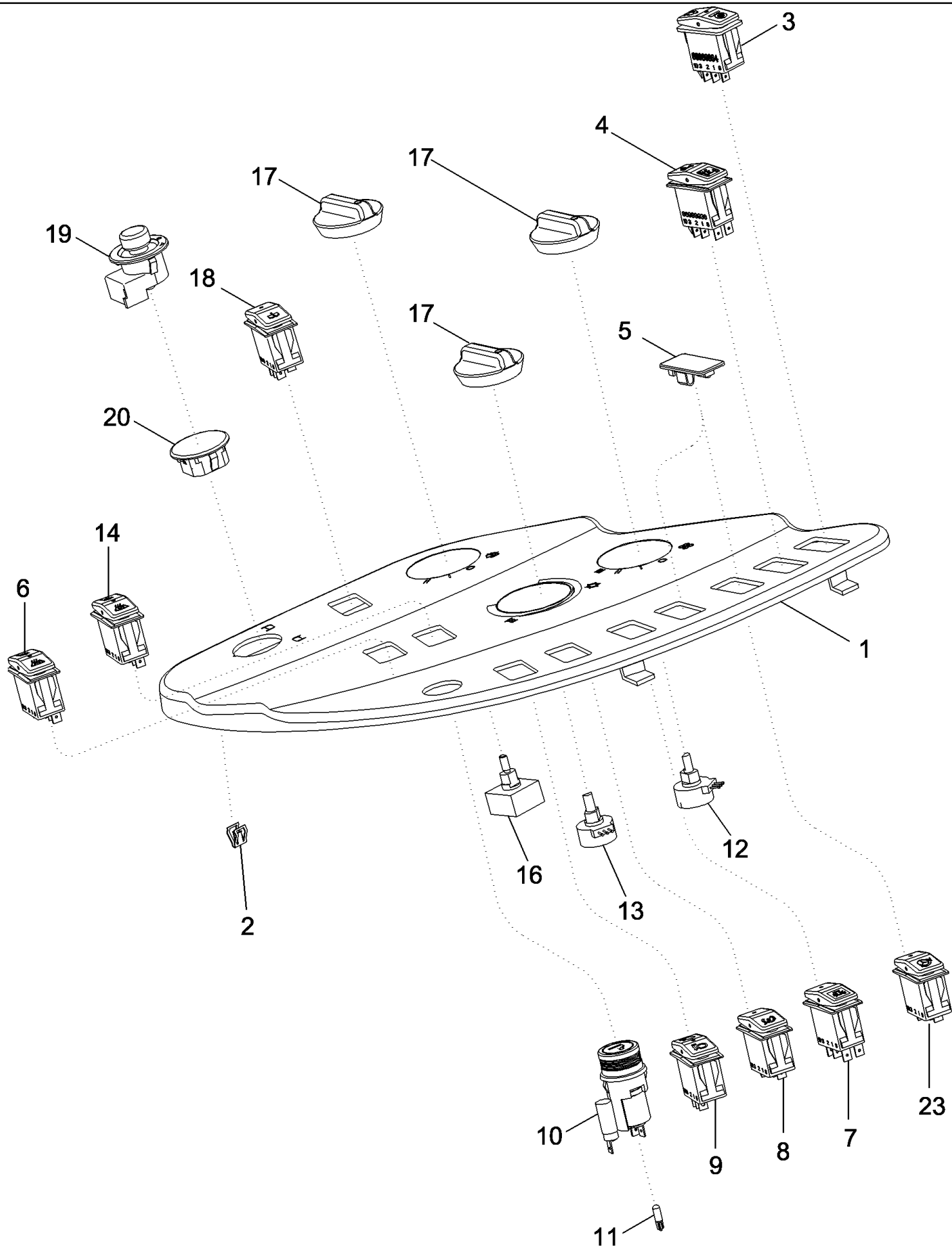


MAGNUM 255 CASE-IH MAGNUM TRACTOR (EMERGING MARKET) (1/06-)

04-14 CONTROLS - RIGHT FENDER CONSOLE, WITHOUT ATC

сылка	Номер детали	Кол-во	Описание
1	87451321	1	PANEL,
2	278316A2	2	CLIP,
3	86989944	1	SWITCH, Ride Control, Standard
3	86989964	1	SWITCH, Ride Control, Pickup Hitch, Latch
4	87414324	1	SWITCH, Suspended Axle
5	406324A2	AR	PLUG,
7	87414325	1	SWITCH, Beacon Light
8	86989955	1	SWITCH, Cruise Control, On/Off
9	86989953	1	SWITCH, Cruise Control, Increase/Decrease
10	432239A1	1	LIGHTER, CIGARETTE, Inc. 11
11	437324A1	1	BULB,
10	82022823	1	PLATE, Rubber Plug, Without Lighter (Not Shown)
12	92100C2	1	SWITCH, Blower Motor
13	326282A1	1	POTENTIOMETER, Cab Temperature
14	87405636	1	SWITCH, Air Conditioning, On/Off
16	92115C2	1	SWITCH, Front Wiper
17	1331046C2	3	CAP, WASHER,
18	86989939	1	SWITCH, WINDSHIELD WIPER, Rear
19	280627A1	1	SWITCH, Mirror
20	87327317	1	PLASTIC PLUG,
21	87323840	1	SWITCH, Accuguide

04-15 CONTROLS - RIGHT FENDER CONSOLE, WITH ATC

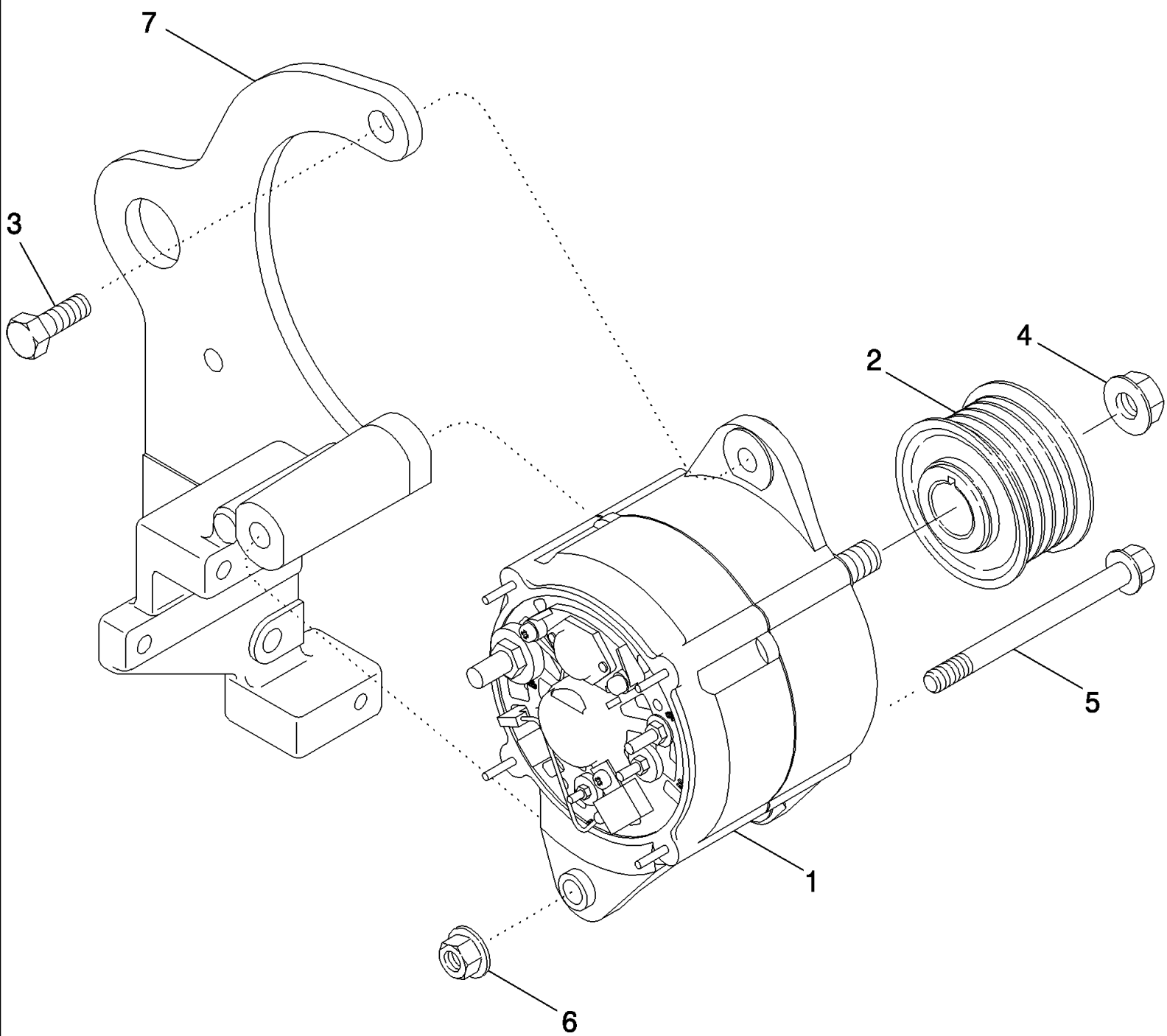


MAGNUM 255 CASE-IH MAGNUM TRACTOR (EMERGING MARKET) (1/06-)

04-15 CONTROLS - RIGHT FENDER CONSOLE, WITH ATC

сылка	Номер детали	Кол-во	Описание
1	87451319	1	PANEL,
2	278316A2	2	CLIP,
3	86989944	1	SWITCH, Ride Control, Standard
3	86989964	1	SWITCH, Ride Control, Pickup Hitch, Latch
4	87414324	1	SWITCH, Suspended Axle
5	406324A2	AR	PLUG,
6	87444610	1	SWITCH, Defog Momentary With LED
7	87414325	1	SWITCH, Beacon Light
8	86989955	1	SWITCH, Cruise Control, On/Off
9	86989953	1	SWITCH, Cruise Control, Increase/Decrease
10	432239A1	1	LIGHTER, CIGARETTE, Inc. 11
11	437324A1	1	BULB,
10	82022823	1	PLATE, Rubber Plug, Without Lighter (Not Shown)
12	326281A1	1	POTENTIOMETER, Blower Motor
13	326282A1	1	POTENTIOMETER, Cab Temperature
14	87454558	1	SWITCH, Climate Control
16	357662A1	1	SWITCH, Front Wiper
17	1331046C2	3	CAP, WASHER,
18	86989939	1	SWITCH, WINDSHIELD WIPER, Rear
19	280627A1	1	SWITCH, Mirror
20	87327317	1	PLASTIC PLUG,
23	87323840	1	SWITCH, Accuguide

04-16 ALTERNATOR - MOUNTING

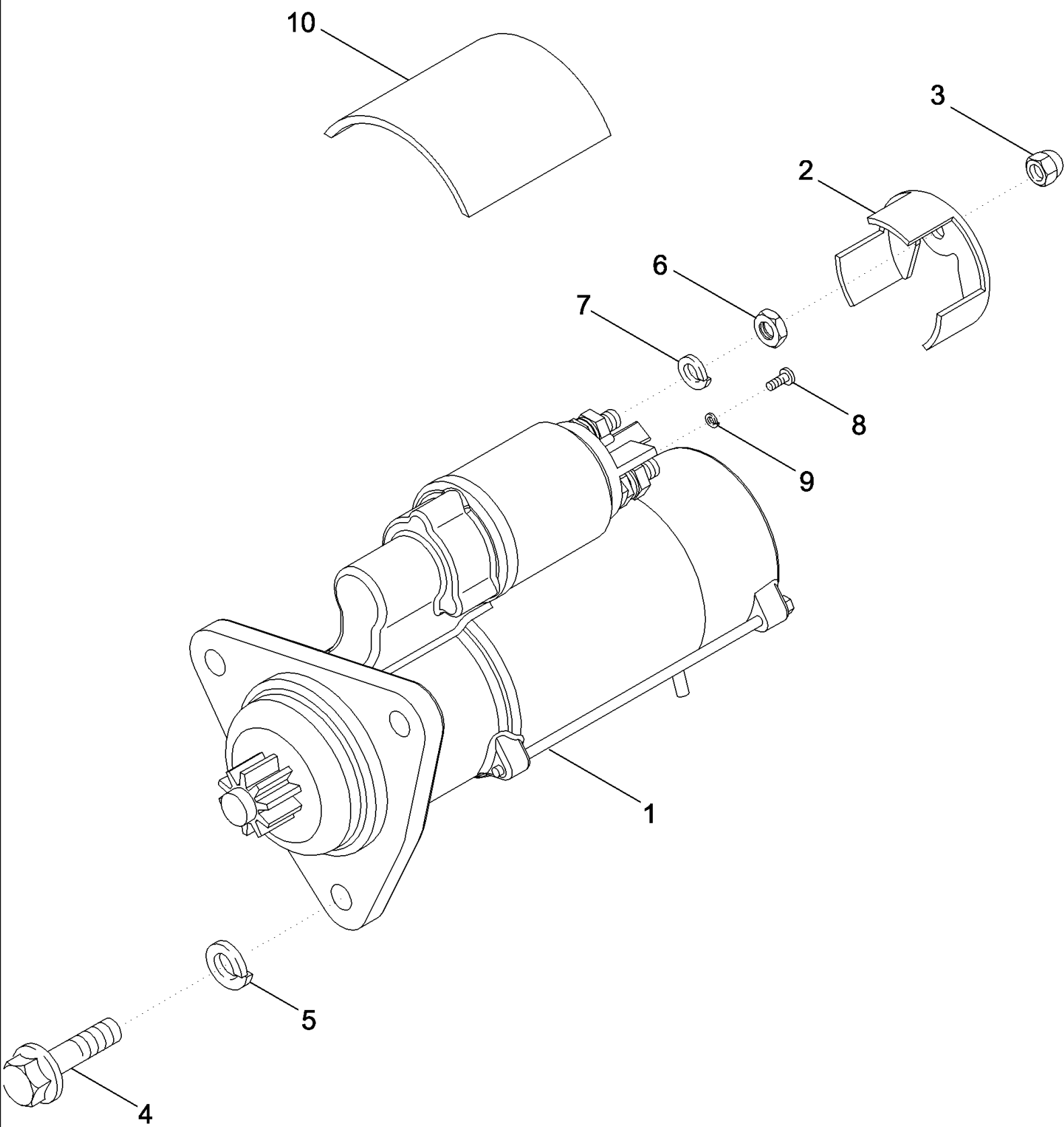


MAGNUM 255 CASE-IH MAGNUM TRACTOR (EMERGING MARKET) (1/06-)

04-16 ALTERNATOR - MOUNTING

сылка	Номер детали	Кол-во	Описание
1	87645566	1	ALTERNATOR, 150 amp
1	87645567	1	ALTERNATOR, 175 amp, 14 Volt
2	87452704	1	PULLEY,
3	426-820	1	BOLT, Hex, 1/2"-13 x 1 1/4", G8, Full Thd,
4	NSS	1	NOT SERVICED SEPARATELY, NUT, M16
5	844-12150	1	BOLT, Hex Flg, M12 x 150, 8.8,
6	825-2412	1	NUT, M12 x 1.75, Flg, Cl 8,
7	87310736	1	SUPPORT, Alternator

04-17 STARTER - MOUNTING

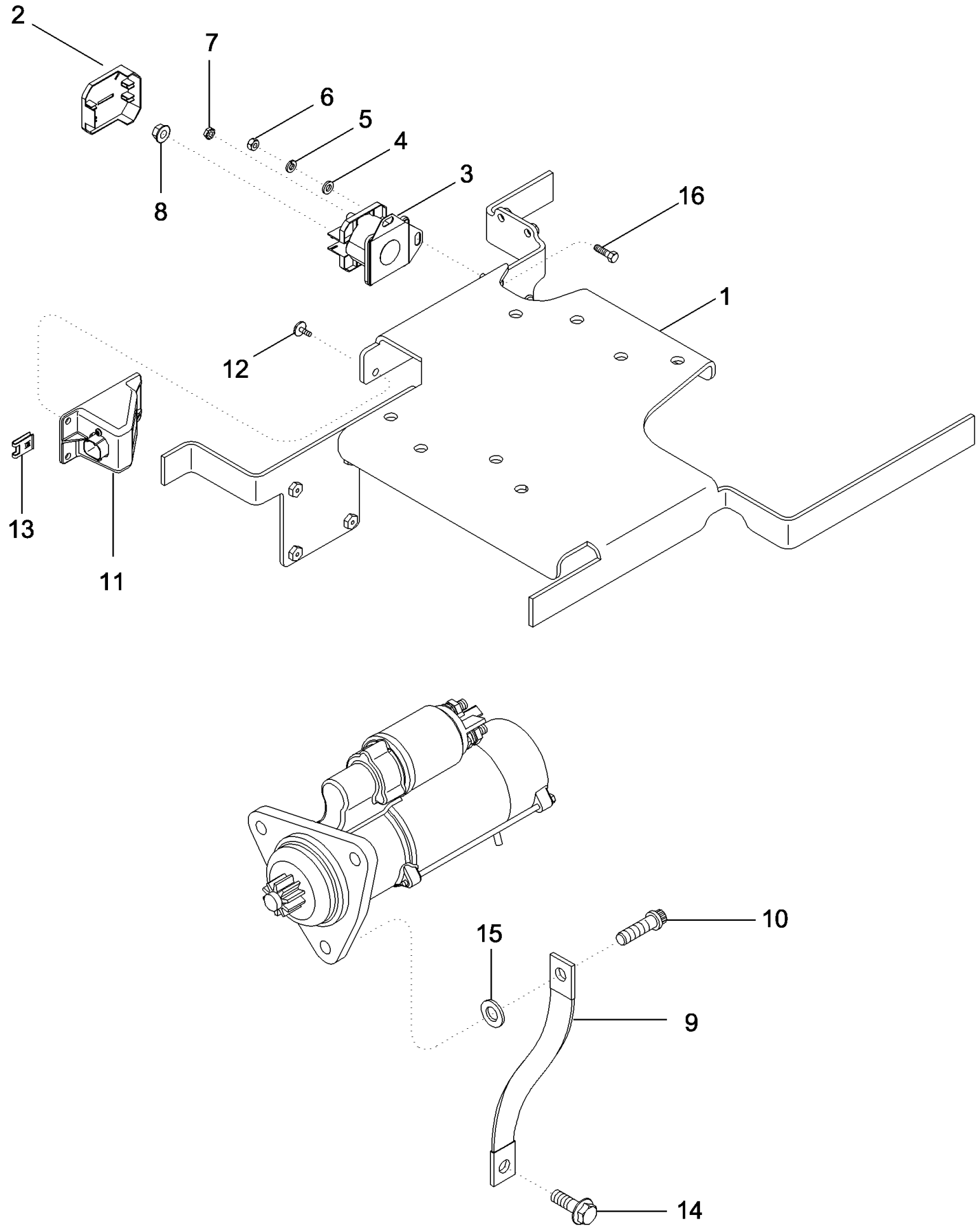


MAGNUM 255 CASE-IH MAGNUM TRACTOR (EMERGING MARKET) (1/06-)

04-17 STARTER - MOUNTING

сылка	Номер детали	Кол-во	Описание
1	87593436	1	MOTOR, STARTER,
2	178148A1	1	COVER, Jump Start Protection
3	87422567	1	NUT,
4	868-12040	3	SCREW, 12 pt, Flg Hd, M12 x 40, 12.9,
5	896-11012	3	WASHER, M13.5 x 24.5 x 3, HT,
6	829-4410	1	NUT, Thin, M10 x 1.5, Cl 05,
7	892-11010	1	WASHER, LOCK, M10,
8	258820A1	1	SCREW, M5 x 8 mm
9	892-11005	1	WASHER, LOCK, M5,
10	87522646	1	INSULATOR, RUBBER,

04-18 SOLENOID - STARTER



MAGNUM 255 CASE-IH MAGNUM TRACTOR (EMERGING MARKET) (1/06-)

04-18 SOLENOID - STARTER

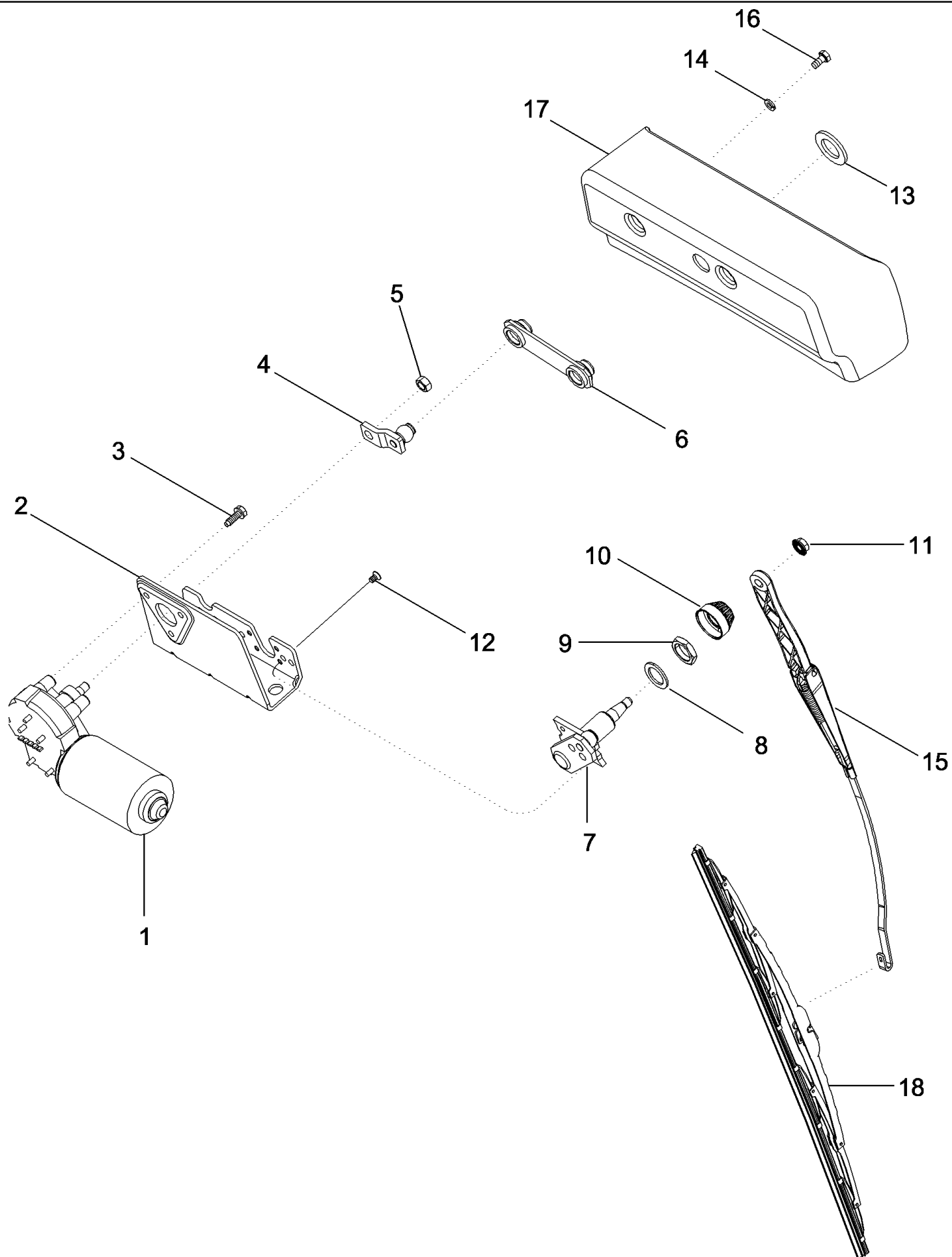
сылка	Номер детали	Кол-во	Описание
2	178148A1	1	COVER,
3	183038A1	1	SWITCH, SOLENOID, Order 178149A1
4	896-11006	2	WASHER, M6 x 13 x 2, HT,
5	892-11006	2	WASHER, LOCK, M6,
6	829-1406	2	NUT, M6, CI 10,
7	193-1000	1	NUT, Keps, w/LW,#10-32,
8	231-5145	2	NUT, Flg, USR, 5/16"-18,
9	257176A3	1	CABLE, BATTERY (NEG),
10	868-12040	1	SCREW, 12 pt, Flg Hd, M12 x 40, 12.9,
11	397496A1	1	CONNECTOR, ELEC, Passive Terminator
12	1975782C1	2	SCREW, SELF TAP, Cross Truss Wash Hd, #10 x 5/8",
13	131-642	2	NUT, Tinn, U, #10,
14	868-12040	1	SCREW, 12 pt, Flg Hd, M12 x 40, 12.9,
15	896-11012	1	WASHER, M13.5 x 24.5 x 3, HT,

MAGNUM 255 CASE-IH MAGNUM TRACTOR (EMERGING MARKET) (1/06-)

04-19 BATTERY, BATTERY BOX AND CABLES

сылка	Номер детали	Кол-во	Описание
1	A187596	2	BATTERY, 12V, Not For UK
1	ZKA1000012	1	BATTERY, WET, UK Only
2	255675A1	2	ANGLE BAR,
3	246157A1	4	TRUSS ROD,
4	255728A1	4	PLATE, SUPPORT,
5	825-5148	4	NUT, M8, Flg Ser,
6	238016A3	1	COVER,
7	394133A1	4	KNOB,
10	87667353	1	CABLE, Positive
11	87383841	1	BUSHING,
12	814-20070	1	BOLT, Hex, M20 x 70, 8.8,
13	896-11020	1	WASHER, M20 x 37.5 x 4, HT,
14	1331939C1	1	SPACER,
15	87681185	1	CABLE, Ground
16	614-12025	2	BOLT, Hex, M12 x 25, 8.8,
17	896-11012	2	WASHER, M13.5 x 24.5 x 3, HT,
18	318864A1	4	SEAL, Fuel Tank
20	87400261	1	BOX, TOOL,
21	255821A2	1	SUPPORT,
22	905-6012	4	BOLT, Hex Serr Flg, M6 x 12,
23	825-5146	4	NUT, M6, Flg Ser,
24	82013836	1	PIN, LOCK,
25	87424307	1	STRAP, GROUND,
26	87450361	1	VINYL, Edge
27	614-8020	1	BOLT, Hex, M8 x 20, 8.8,

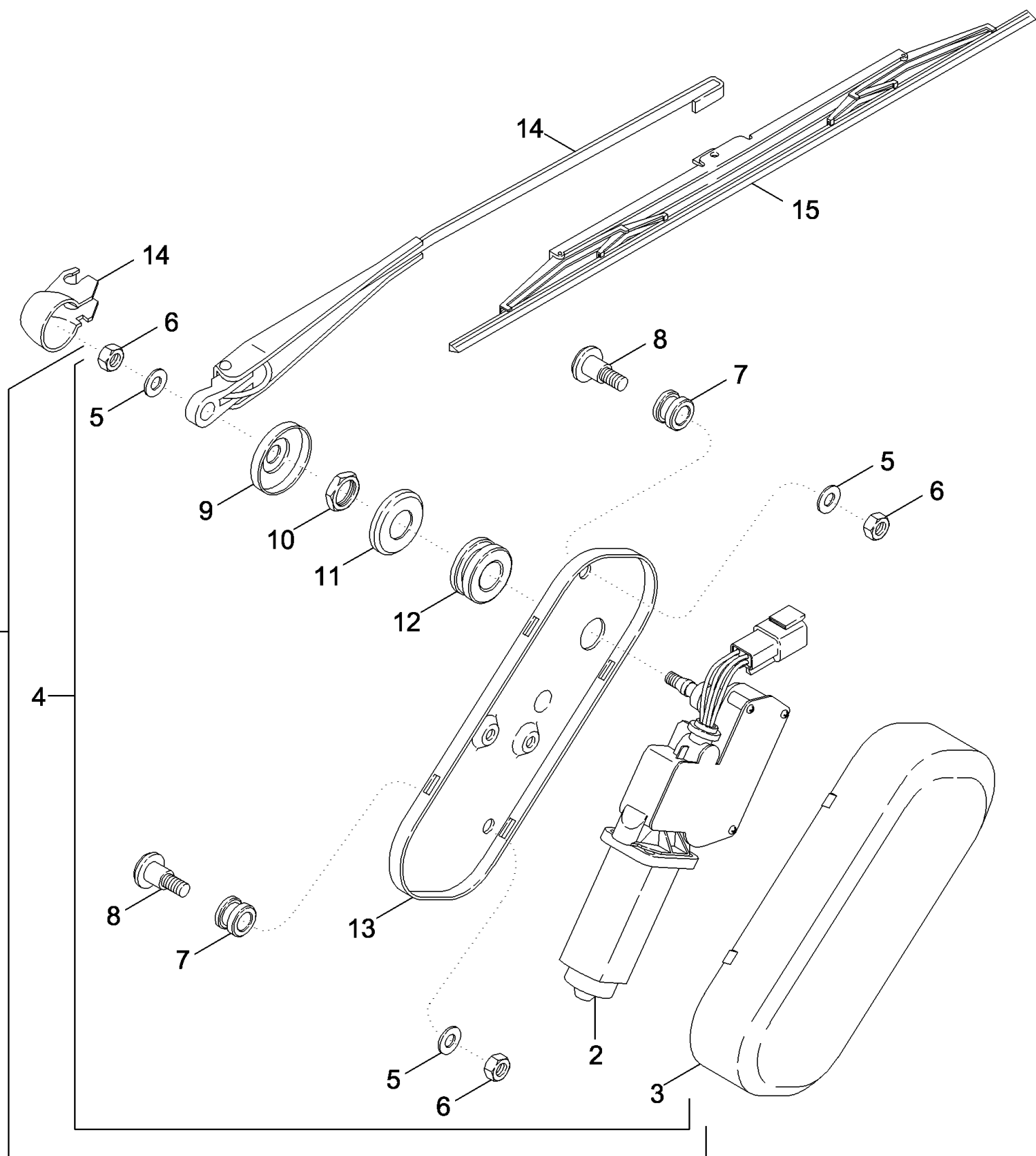
04-20 WINDSHIELD WIPER ASSEMBLY - FRONT AND REAR



MAGNUM 255 CASE-IH MAGNUM TRACTOR (EMERGING MARKET) (1/06-)

04-20 WINDSHIELD WIPER ASSEMBLY - FRONT AND REAR

сылка	Номер детали	Кол-во	Описание
	87673381		WIPER MOTOR, Inc. 1 - 12
1	NSS	1	NOT SERVICED SEPARATELY, Motor
2	NSS	1	NOT SERVICED SEPARATELY, Bracket
3	NSS	3	NOT SERVICED SEPARATELY, Screw
4	NSS	1	NOT SERVICED SEPARATELY, Crank Assy
5	NSS	1	NOT SERVICED SEPARATELY, Nut
6	NSS	1	NOT SERVICED SEPARATELY, Link
7	NSS	1	NOT SERVICED SEPARATELY, Pivot Assy
8	NSS	1	NOT SERVICED SEPARATELY, Washer
9	NSS	1	NOT SERVICED SEPARATELY, Nut
10	NSS	1	NOT SERVICED SEPARATELY, Cap
11	NSS	1	NOT SERVICED SEPARATELY, Nut
12	NSS	1	NOT SERVICED SEPARATELY, Screw
13	895-11020	1	WASHER, M20 x 37 x 3,
14	892-11006	2	WASHER, LOCK, M6,
15	87673379	1	WIPER ARM,
16	614-6012	2	BOLT, Hex, M6 x 12, 8.8,
17	401109A3	1	CAGE,
18	87673380	1	SET OF BLADES,
19	895-15006	4	WASHER, M6 x 25 x 1.6, (Not Shown) w/o Rear Wiper
20	87529297	2	CLIP, (Not Shown), w/o Rear Wiper
21	614-8020	1	BOLT, Hex, M8 x 20, 8.8, (Not Shown), w/o Rear Wiper
22	495-81121	2	WASHER, .344" x 1 1/2" x .060", (Not Shown), w/o Rear Wiper
23	829-1408	1	NUT, M8, CI 10, (Not Shown), w/o Rear Wiper

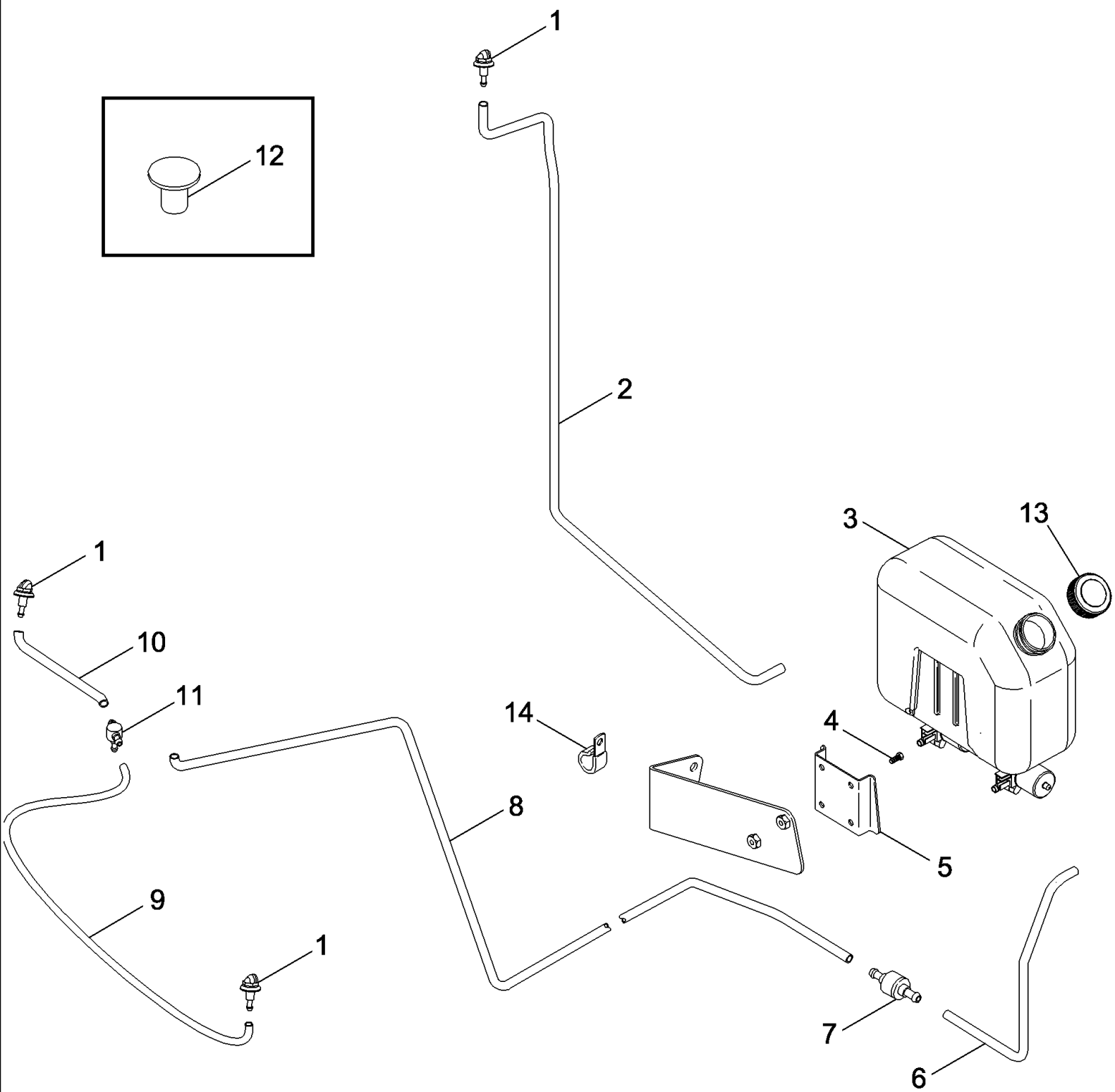


MAGNUM 255 CASE-IH MAGNUM TRACTOR (EMERGING MARKET) (1/06-)

04-21 RIGHT HAND WINDOW WIPER

сылка	Номер детали	Кол-во	Описание
1	87417652	1	WIPER MOTOR, Right Hand Window Wiper, Inc. 2 - 13
2	87435151	1	WIPER MOTOR,
3	87435149	1	COVER,
4	87435150	1	KIT, SERVICE, Inc. 5 - 12
5	NSS	3	NOT SERVICED SEPARATELY, Washer
6	NSS	3	NOT SERVICED SEPARATELY, Nut
7	NSS	2	NOT SERVICED SEPARATELY, Small Grommet
8	NSS	2	NOT SERVICED SEPARATELY, Bolt
9	NSS	1	NOT SERVICED SEPARATELY, Outer Cap
10	NSS	1	NOT SERVICED SEPARATELY, Nut
11	NSS	1	NOT SERVICED SEPARATELY, Inner Ring
12	NSS	1	NOT SERVICED SEPARATELY, Large Grommet
13	NSS	1	NOT SERVICED SEPARATELY, Plate
14	87417653	1	WIPER ARM,
15	87417654	1	WIPER BLADE,
16	192013A4	2	PLASTIC PLUG, (Not Shown) Without Wiper
17	192012A4	1	PLASTIC PLUG, (Not Shown) Without Wiper
18	87529297	1	CLIP, (Not Shown) Without Wiper

04-22 WINDSHIELD WASHER - FRONT AND REAR

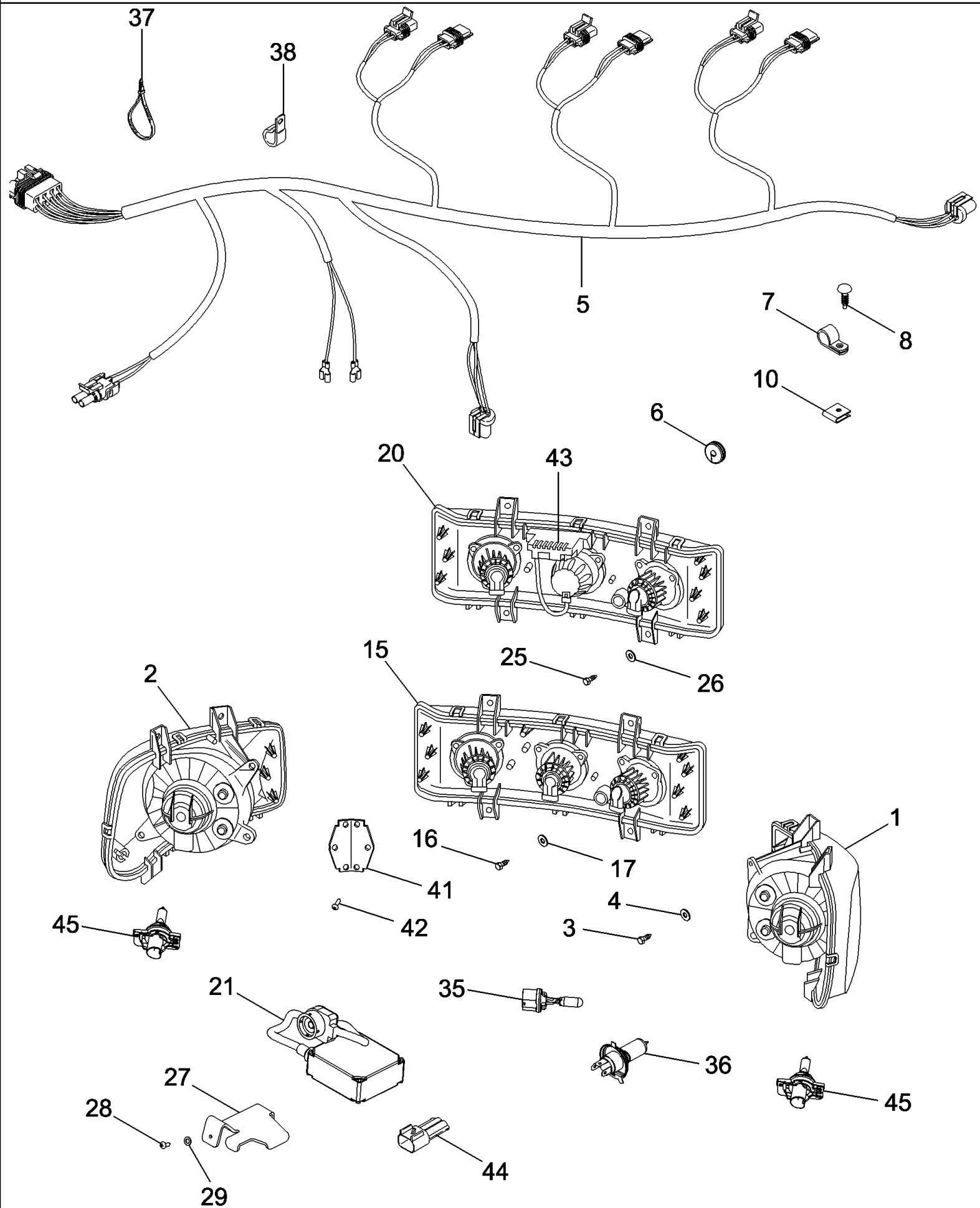


MAGNUM 255 CASE-IH MAGNUM TRACTOR (EMERGING MARKET) (1/06-)

04-22 WINDSHIELD WASHER - FRONT AND REAR

сылка	Номер детали	Кол-во	Описание
1	3229749R1	3	NOZZLE CAP,
2	1964828C1	1	PIPE, 1145 mm (45-1/8 in) Cut From 1968141CX
3	87337962	1	RESERVOIR, WINDSH. WASH,
4	844-6016	2	BOLT, Hex Flg, M6 x 16, 8.8,
5	5155855	1	BRACKET,
6	233105A1	1	HOSE, 250 mm (10 in) Cut From 1968141CX
7	K307050	1	VALVE,
8	87442313	1	HOSE, 4,000 mm
9	87353989	1	TUBE, PLASTIC-RUBBER, 785 mm
10	87353992	1	TUBE, PLASTIC-RUBBER, 150 mm
11	87628824	1	VALVE, CHECK,
12	196831A1	1	PLUG,
13	82036769	1	CAP, FILLER,
14	516-2295	4	CLAMP, J, 7/16" Insul, 5/16" Bolt,

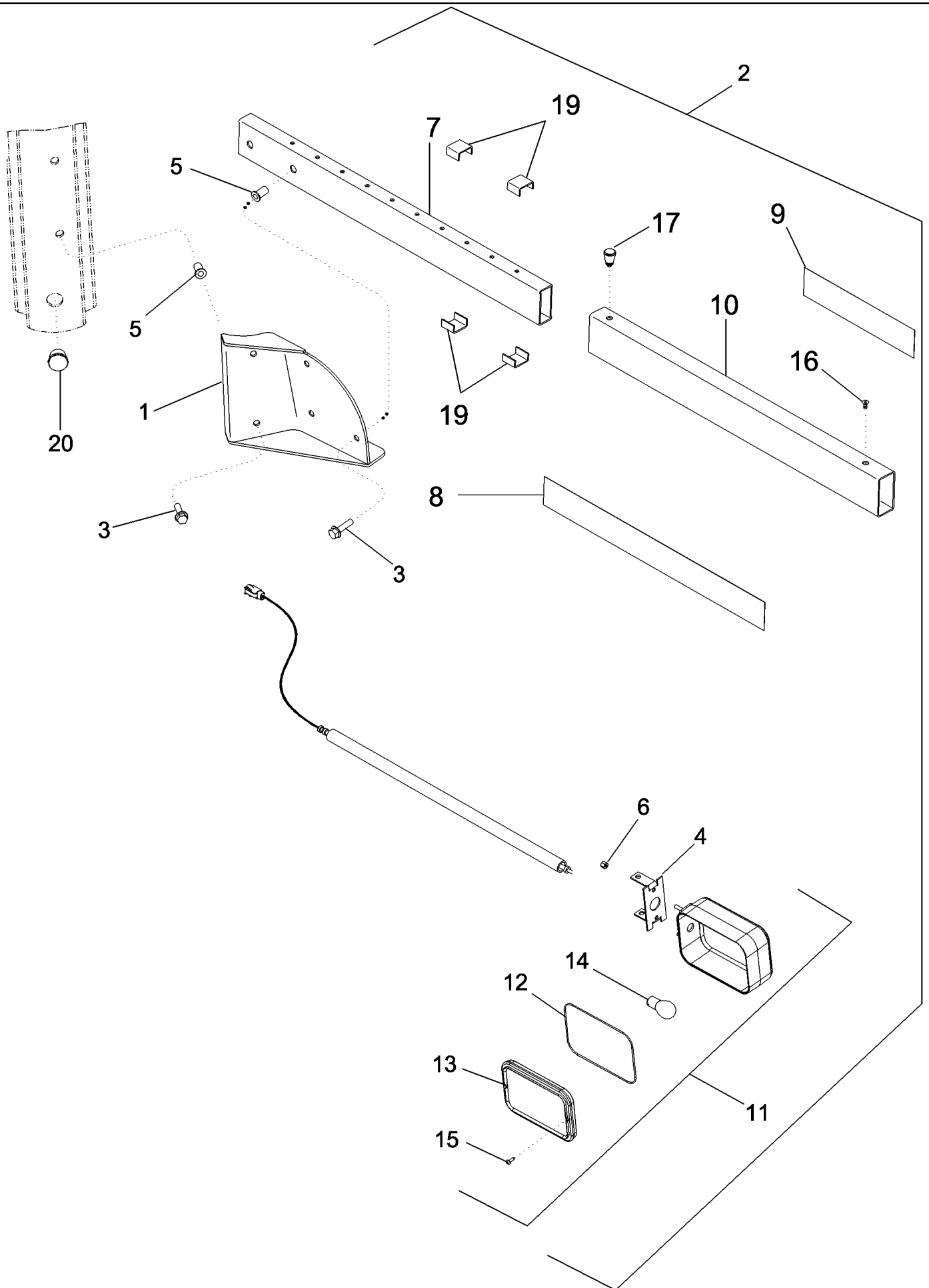
04-23 HEADLAMPS



MAGNUM 255 CASE-IH MAGNUM TRACTOR (EMERGING MARKET) (1/06-)

04-23 HEADLAMPS

сылка	Номер детали	Кол-во	Описание
1	87309030	1	HEADLAMP, RH, Right Hand, RH Dip, Inc. 35, 36, North America Only
1	87455675	1	HEADLAMP, RH, Right Hand, LH Dip, Inc. 35, 36, Australia Only
2	87309029	1	HEADLAMP, LH, Left Hand, RH Dip, Inc. 35, 36, North America Only
2	87455674	1	HEADLAMP, LH, Left Hand, RH Dip, Inc. 35, 36, Australia Only
3	779-14619	6	SCREW, SELF TAP, Hex Hd, M6.3 x 19, , North America Only
4	495-21031	6	WASHER, 1/4", , North America Only
4	259713A1	6	CLIP, (Not Shown), Australia Only
5	87366273	1	HARNESSES,
6	411632A1	1	GROMMET,
7	515-22159	2	CLAMP, 5/8", Insul, 5/16" Bolt,
8	93199C1	2	FASTENER,
10	96900C1	4	NUT, U, #10-16, Panel type,
15	87455676	1	LAMP, WORK, Center, Halogen, Inc. 36
16	779-14619	4	SCREW, SELF TAP, Hex Hd, M6.3 x 19,
17	495-21031	4	WASHER, 1/4",
20	87308895	1	LAMP, WORK, Center, High Intensity Discharge
20	87455677	1	LAMP, WORK, Center, High Intensity Discharge
21	322332A1	1	BALLAST,
25	779-14619	4	SCREW, SELF TAP, Hex Hd, M6.3 x 19,
26	495-21031	4	WASHER, 1/4",
27	319929A1	1	SUPPORT,
28	760-14313	1	SCREW, SELF TAP, Pan Hd, M4.2 x 13,
29	895-11005	1	WASHER, M5 x 10 x 1,
35	91967C1	1	BULB,
36	323093A1	1	BULB, 885-12V, Work Lamp
37	291207C1	3	CLAMP,
38	516-22127	5	CLAMP, J, 9/16" Insul, 5/16" Bolt,
41	87314919	2	BRACKET,
42	87316148	14	SCREW, SELF TAP, 3.5 x 16
43	87316350	1	COVER,
44	87366993	3	CONNECTOR, ELEC,
45	87365799	1	BULB, Cover

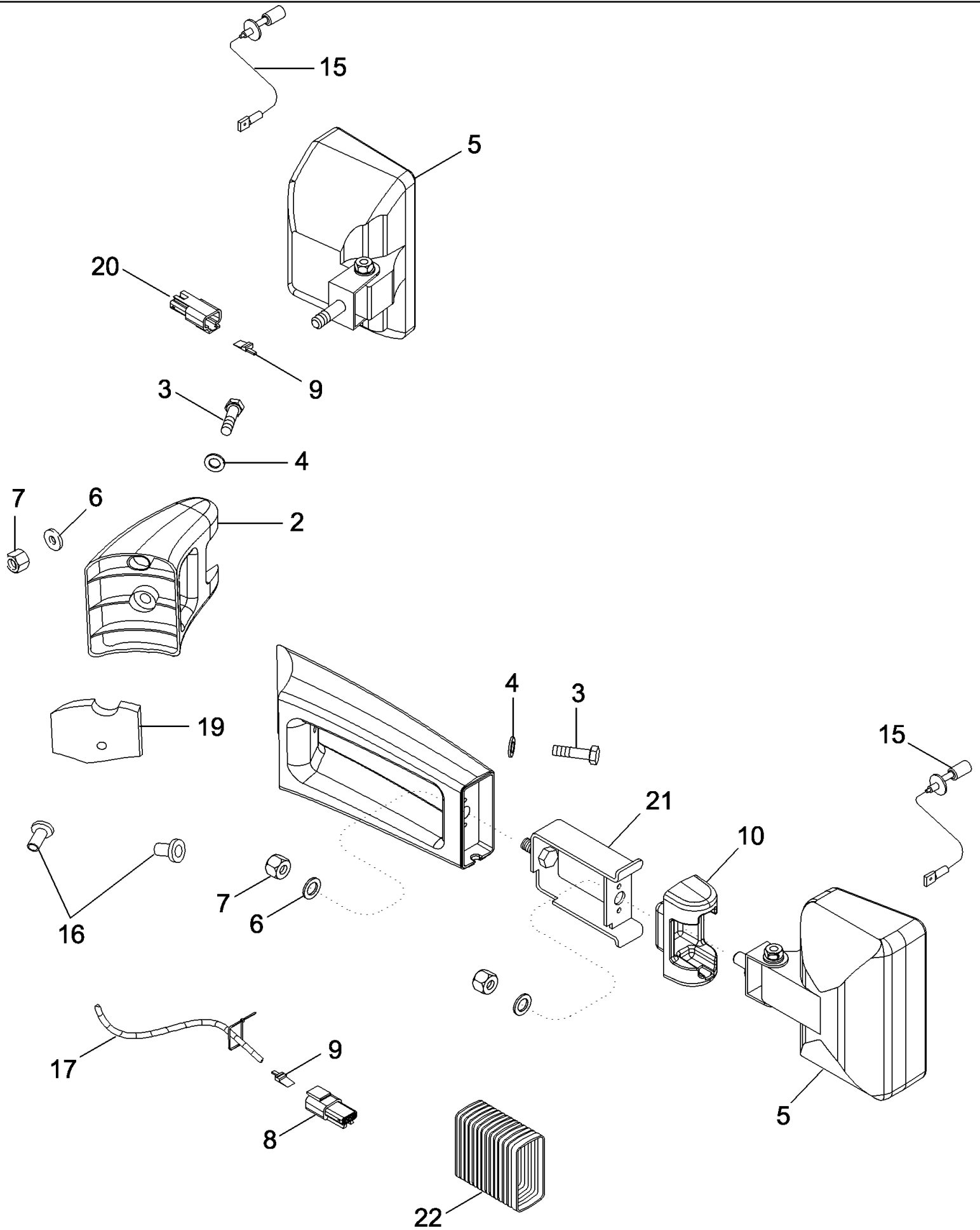


MAGNUM 255 CASE-IH MAGNUM TRACTOR (EMERGING MARKET) (1/06-)

04-24 LAMPS - WIDE TRANSPORT, ADJUSTABLE

сылка	Номер детали	Кол-во	Описание
1	87451776	1	BRACKET, Right Hand (Shown)
1	87451777	1	BRACKET, Left Hand
2	87451775	1	ARM ASSY., RH (Shown)
2	87452251	1	ARM ASSY., LH
3	514-636	8	BOLT, Hex Serr Flg, M8 x 30,
4	362496A1	2	BRACKET,
5	P35448	8	RIVET,
6	832-10405	4	NUT, LOCK, M5 x .8, CI 8,
7	87444299	2	TUBE, Inner
8	297221A1	2	DECAL, Red
9	297223A1	2	DECAL, Yellow
10	87444300	2	TUBE, Outer
11	87444301	2	LIGHT ASSY., Warning, Inc. 12 - 15, Includes Harness but Not Serviced Separately
12	233561A1	2	O-RING,
13	232212A1	2	LENS,
14	A41264	1	BULB, #1156, 12V,
15	NSS	2	NOT SERVICED SEPARATELY, Screw
16	569-3	4	SCREW, Hex Soc Flat Hd, M5 x 10, 10.9,
17	400039A1	2	KNOB,
19	321663A1	10	PAD, SLIDING,
20	128209A1	2	PLUG,

04-25 LAMPS - FRONT WORK



MAGNUM 255 CASE-IH MAGNUM TRACTOR (EMERGING MARKET) (1/06-)

04-25 LAMPS - FRONT WORK

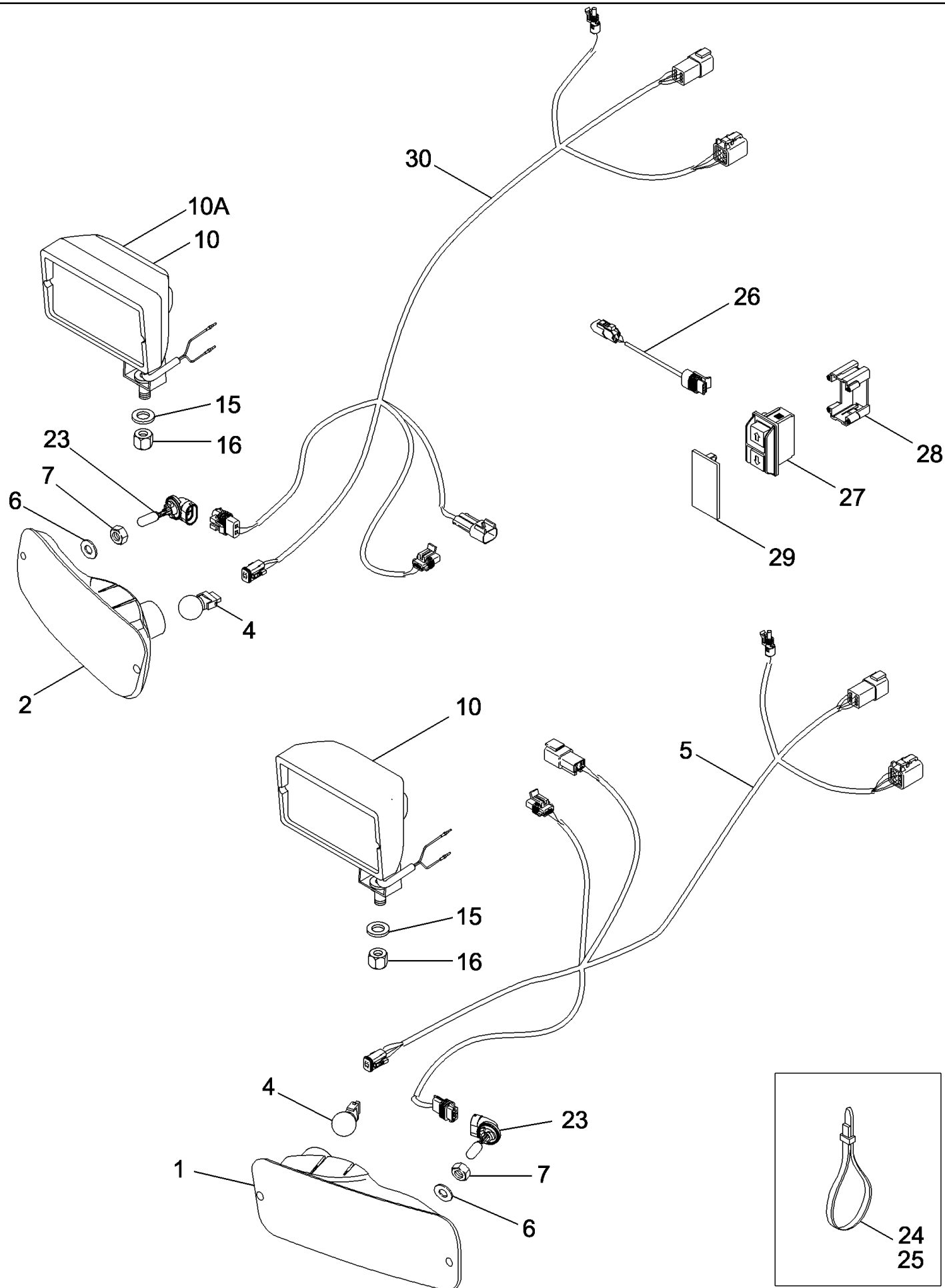
сылка	Номер детали	Кол-во	Описание
1	87439791	1	BRACKET, Right Hand
2	300184A3	1	BRACKET, Left Hand
3	514-637	2	BOLT, Hex, M8 x 35, 8.8, Full Thd,
4	256402A1	2	WASHER, 9 x 17 x 1,6 mm
5	301891A2	2	LAMP, Work, Inc. 15, See Figure 04-28
6	895-18010	3	WASHER, M10 x 18 x 1.6,
7	832-10410	3	NUT, LOCK, M10 x 1.5, Cl 8,
8	222136A1	1	CONNECTOR, ELEC, 2 Pin
9	222848A1	2	CONNECTOR, ELEC,
10	300185A2	1	COVER,
15	1312210C2	1	BULB, 12V - 55W
16	P35448	2	RIVET, M8
17	387169A1	2	CONDUIT, 75 mm, Cut From 387171A1
18	387281A1	4	STRAP, SECURING,
19	391623A1	1	SEAL,
20	276426A1	1	CONNECTOR, ELEC,
21	87455964	1	BRACKET,
22	87456347	1	BOOT,

MAGNUM 255 CASE-IH MAGNUM TRACTOR (EMERGING MARKET) (1/06-)

04-26 LAMPS - CAB ROOF

сылка	Номер детали	Кол-во	Описание
1	REF	1	INSTRUCTION, Roof, See Figure 09-12
2	279220A1	1	LIGHT ASSY., RH, Front, Work & Warning
3	279219A1	1	LIGHT ASSY., LH, Front, Work & Warning
4	279223A1	1	LIGHT, WARNING, RH, Warning
5	279224A1	1	LIGHT, WARNING, Left Hand Rear, Warning Lamp
6	840-1612	10	SCREW, Cross Pan Hd, M6 x 12,
7	178345A1	2	LIGHT, WORK, , See Figure 04-28
8	A41264	4	BULB, #1156, 12V,
9	323094A1	2	BULB, 894-12V
10	182045A1	2	GROMMET,
11	895-18010	4	WASHER, M10 x 18 x 1.6,
12	832-10410	2	NUT, LOCK, M10 x 1.5, CI 8,

04-27 LAMPS - REAR FENDER AND REMOTE HITCH SWITCH

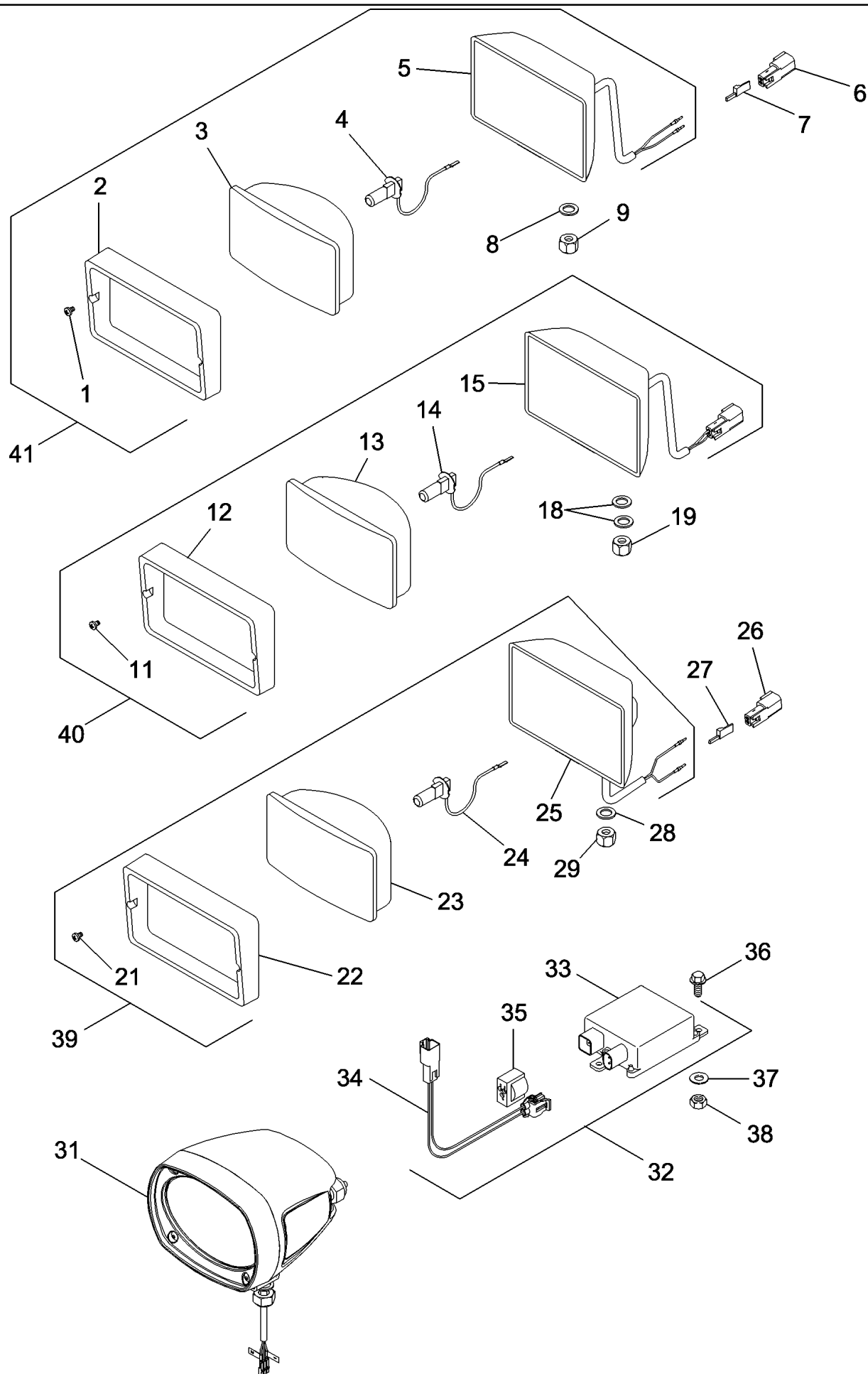


MAGNUM 255 CASE-IH MAGNUM TRACTOR (EMERGING MARKET) (1/06-)

04-27 LAMPS - REAR FENDER AND REMOTE HITCH SWITCH

сылка	Номер детали	Кол-во	Описание
1	82026300	1	LAMP, TAIL, Right Hand, Combination
2	82026301	1	LAMP, TAIL, Left Hand, Combination
4	279916A1	2	BULB,
5	87365050	1	HARNESS, Right Hand
6	895-15006	8	WASHER, M6 x 25 x 1.6,
7	829-1406	4	NUT, M6, CI 10,
10	431025A1	1-2	LAMP, WORK, Work Lamp, Right and Left Hand Without HID, Right Hand Only With HID, See Figure 04-28
10A	447754A2	1	LAMP, WORK, HID Work Lamp, Left Hand Only, See Figure 04-28
15	896-11012	2	WASHER, M13.5 x 24.5 x 3, HT,
16	832-46412	2	NUT, LOCK, M12 x 1.75, CI 8,
23	323094A1	1	BULB, 894-12V
24	347610A1	1	ANCHOR,
25	L11541	AR	STRAP, CABLE, 7 in
26	87363665	2	HARNESS, Hitch Switch Extension
27	87452577	2	SWITCH, Remote Hitch, UP/Down
28	220416A2	2	CONNECTOR, ELEC, Hitch Switch Retainer
29	221654A1	2	PLUG,
30	87455590	1	HARNESS, Left Hand

04-28 WORK LAMPS - ROOF AND REAR FENDERS

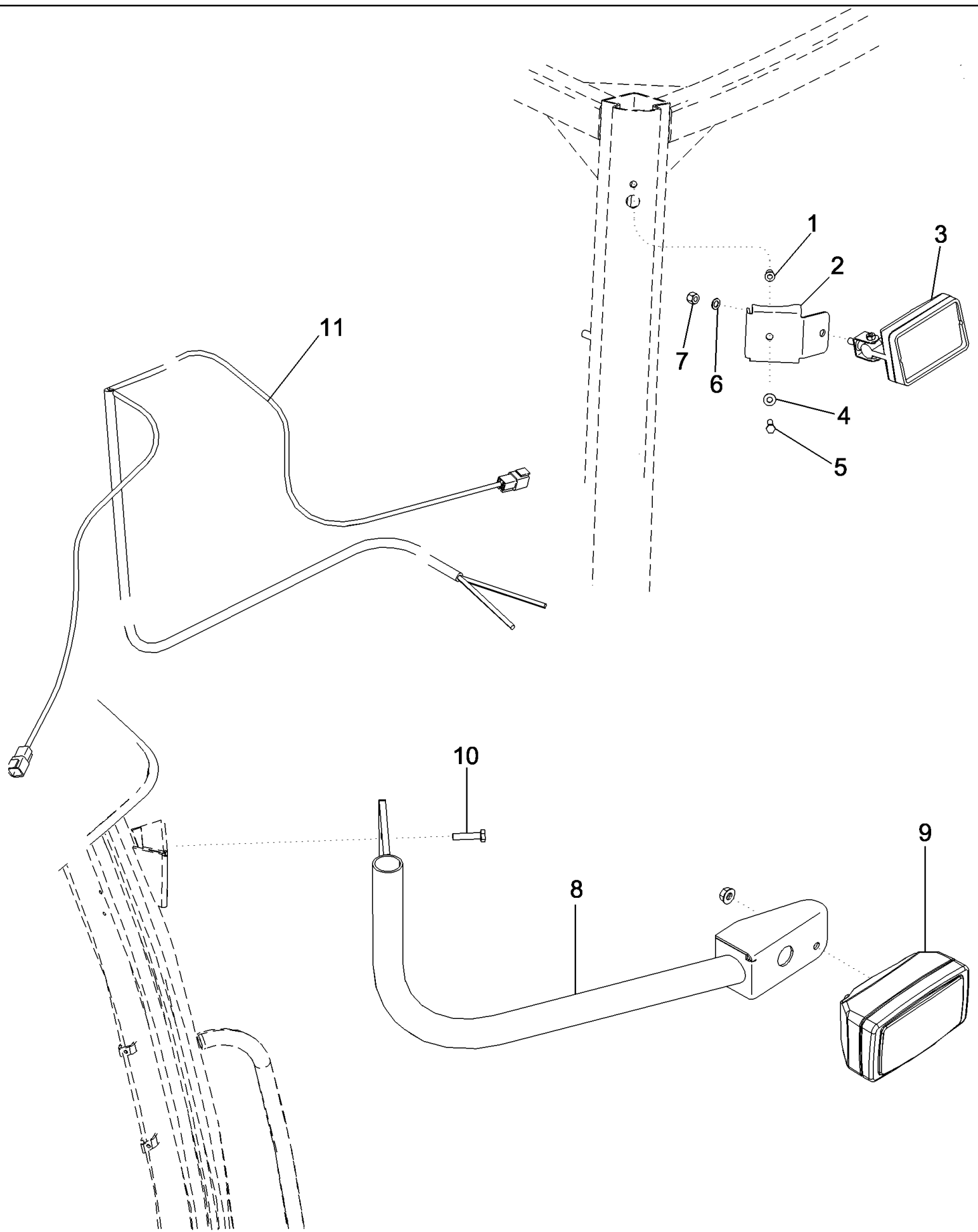


MAGNUM 255 CASE-IH MAGNUM TRACTOR (EMERGING MARKET) (1/06-)

04-28 WORK LAMPS - ROOF AND REAR FENDERS

сылка	Номер детали	Кол-во	Описание
1	260-54312	2	SCREW, SELF TAP, Cross Pan Hd, #6 x 3/4",
2	1964806C1	1	BEZEL,
3	360866A1	1	LENS,
4	1312210C2	1	BULB, 12V, 55W
5	NSS	1	NOT SERVICED SEPARATELY, Base
6	222136A1	2	CONNECTOR, ELEC,
7	222848A1	2	CONNECTOR, ELEC, Wedge
8	895-18010	2	WASHER, M10 x 18 x 1.6,
9	832-10410	2	NUT, LOCK, M10 x 1.5, CI 8,
11	260-54312	2	SCREW, SELF TAP, Cross Pan Hd, #6 x 3/4",
12	1964806C1	1	BEZEL,
13	276498A1	1	LENS,
14	1312210C2	1	BULB, 12V, 55W
15	NSS	1	NOT SERVICED SEPARATELY, Base
18	895-18010	4	WASHER, M10 x 18 x 1.6,
19	832-10410	2	NUT, LOCK, M10 x 1.5, CI 8,
21	260-54312	2	SCREW, SELF TAP, Cross Pan Hd, #6 x 3/4",
22	NSS	1	NOT SERVICED SEPARATELY, Bezel
23	NSS	1	NOT SERVICED SEPARATELY, Lens
24	1312210C2	1	BULB, 12V - 55W
25	NSS	1	NOT SERVICED SEPARATELY, Base
26	225315C1	2	CONNECTOR, ELEC,
26	225315C1	1	CONNECTOR, ELEC,
27	225318C1	2	WEDGE,
27	225318C1	1	WEDGE,
28	896-11012	2	WASHER, M13.5 x 24.5 x 3, HT,
29	832-46412	2	NUT, LOCK, M12 x 1.75, CI 8,
31	447754A2	1	LAMP, WORK,
31	447754A2	2	LAMP, WORK, HID
32	86993698	1	BALLAST, Assembly, Inc. 33 - 35
32	86993698	2	BALLAST, Assembly, HID, Inc. 33 - 35
33	447742A1	1	BALLAST,
36	840-1516	3	SCREW, Cross Pan Hd, M5 x 16,
34	86993699	1	HARNESS, WIRE, Ballast to Rear
36	864-5012	2	SCREW, Hex Soc Hd, M5 x 12, 8.8,
35	86993701	1	CONNECTOR, ELEC, 3 Cavity
37	892-11005	3	WASHER, LOCK, M5,
37	892-11005	6	WASHER, LOCK, M5,
38	825-2405	3	NUT, M5 x .8, Flg, CI 8,
38	825-2405	6	NUT, M5 x .8, Flg, CI 8,
39	431025A1	1	LAMP, WORK, Rear Fender
39	431025A1	2	LAMP, WORK, Rear Fender
39	432446A1	2	LAMP, Rear Fender Work Lamp - Non HID, Inc. 21 - 25
40	178345A1	1	LIGHT, WORK, Cab Roof Rear Work Lamps, Inc. 11 - 15
41	301891A2	1	LAMP, Cab Roof Front Work Lamp, Inc. 1 - 5

04-29 C - POST ROOF LIGHTS

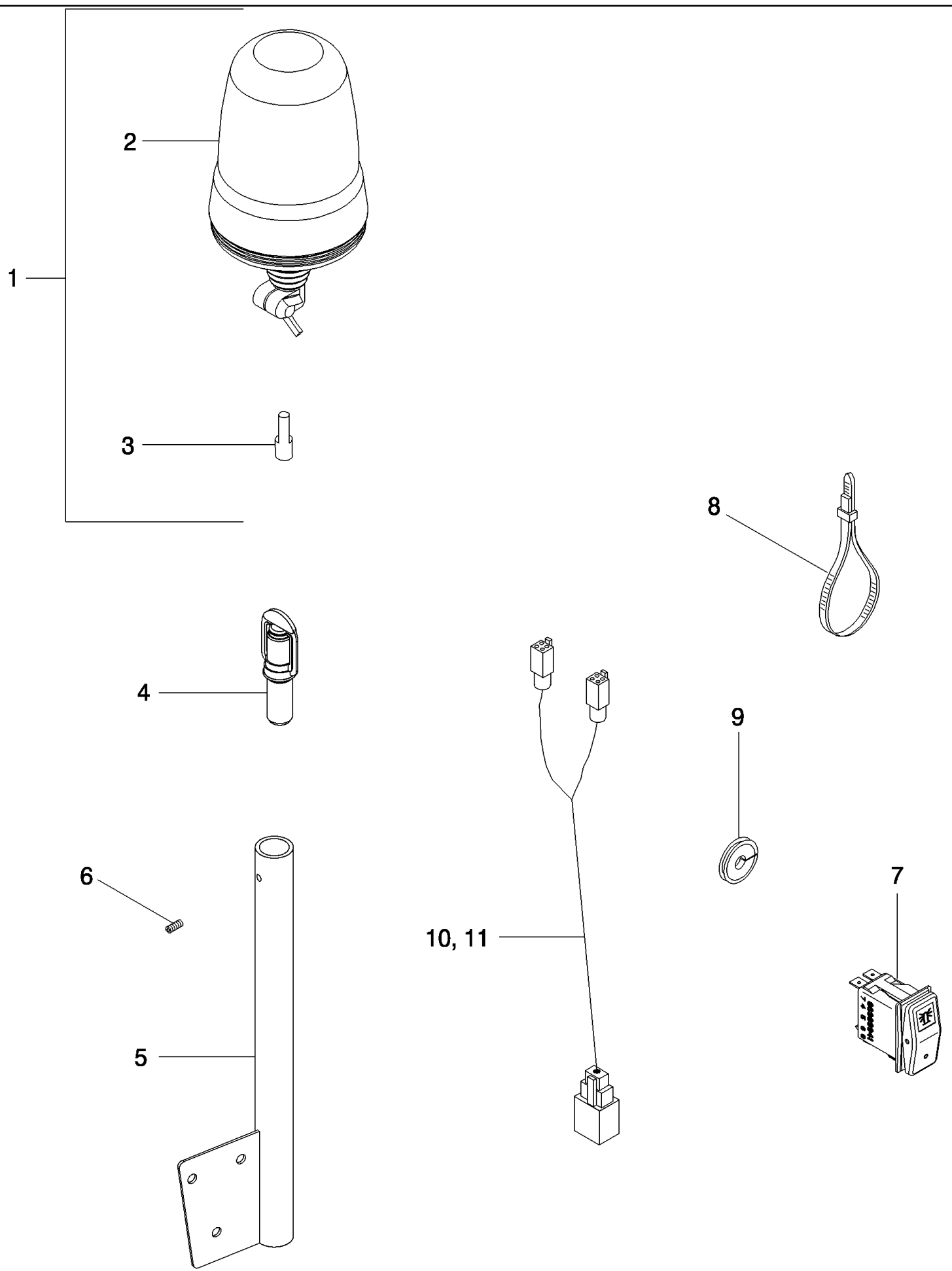


MAGNUM 255 CASE-IH MAGNUM TRACTOR (EMERGING MARKET) (1/06-)

04-29 C - POST ROOF LIGHTS

сылка	Номер детали	Кол-во	Описание
1	P35448	2	RIVET, M8
2	87417645	2	BRACKET,
3	275333A1	1	LIGHT, WORK, Right Hand, Shown
3	275334A1	1	LIGHT, WORK, Left Hand
4	895-15008	2	WASHER, M8 x 20 x 1.6,
5	514-637	2	BOLT, Hex, M8 x 35, 8.8, Full Thd,
6	895-18010	2	WASHER, M10 x 18 x 1.6,
7	832-10410	2	NUT, LOCK, M10 x 1.5, Cl 8,
8	87378019	1	BRACKET, Left Hand (Shown)
8	87378018	1	BRACKET, Right Hand
9	87403654	2	HEADLAMP, LH, LH Dip (Shown)
9	87403655	2	HEADLAMP, LH, RH Dip
10	614-8035	6	BOLT, Hex, M8 x 35, 8.8,
11	87603616	1	HARNESS,

04-30 LAMP - BEACON

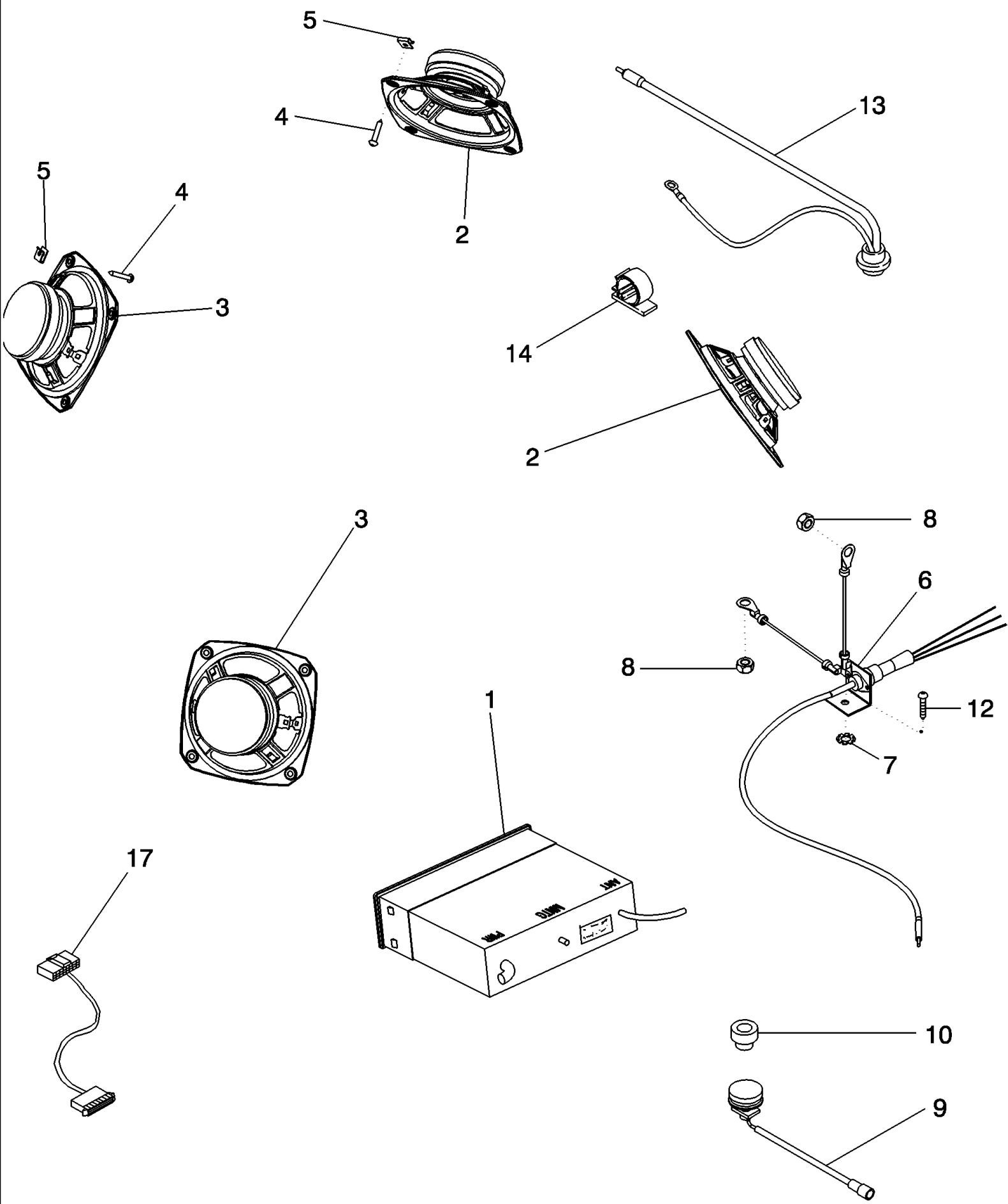


MAGNUM 255 CASE-IH MAGNUM TRACTOR (EMERGING MARKET) (1/06-)

04-30 LAMP - BEACON

сылка	Номер детали	Кол-во	Описание
1	175048A1	AR	BEACON, Inc. 2, 3
2	192809A1	1	LENS, Amber
3	3125705R1	1	BULB, Beacon
4	244106A1	AR	CONNECTOR, ELEC, Adapter
5	450672A1	AR	BRACKET,
6	878-1066	AR	SET SCREW, Hex Soc, M6 x 6, Cup Pt,
7	87414325	1	SWITCH,
8	L11541	AR	STRAP, CABLE,
9	182045A1	2	GROMMET,
10	447666A1	1	HARNESS, Dual Beacon Jumper
11	328501A1	AR	HARNESS, Adapter

04-31 RADIOS, SPEAKERS AND ANTENNAS

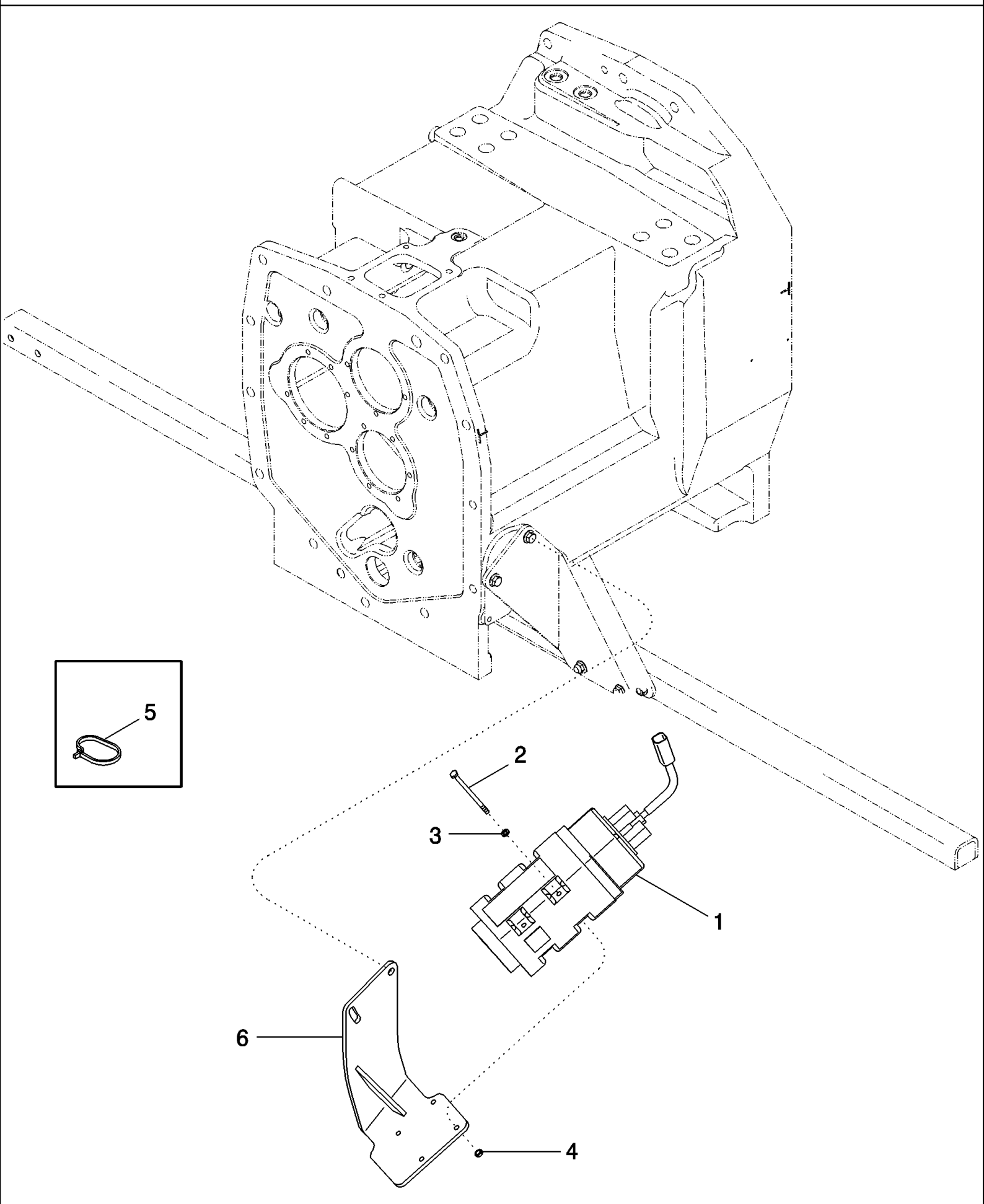


MAGNUM 255 CASE-IH MAGNUM TRACTOR (EMERGING MARKET) (1/06-)

04-31 RADIOS, SPEAKERS AND ANTENNAS

сылка	Номер детали	Кол-во	Описание
1	87714993	1	AM/FM/WB, If Equipped
1	355623A2	1	RADIO, AM/FM Stereo, With Cassette Tape Player, If Equipped
1	325061A2	1	RADIO, AM/FM/WB, With Cassette Tape, CD Changer Ready
1	87714994	1	AM/FM/WB/CD with Aux input
2	87621241	2	SPEAKER, 5-1/4 in Coaxial
3	87576280	2	SPEAKER, 5-1/4 in Woofer, Rear
4	760-17316	16	SCREW, SELF TAP, Pan Hd, M4.2 x 16,
5	177269A1	16	NUT,
6	409426A3	1	ANTENNA, 3-Wire
7	893-11008	1	WASHER, LOCK, Ext Tooth, M8, Antenna Bracket
8	829-1408	2	NUT, M8, CI 10, Ground Wire
9	404694A2	1	CABLE, B/B Radio Antenna, If Equipped
10	182045A1	1	GROMMET,
11	177269A1	8	NUT, Used With 9, Not Illustrated
12	761-17325	8	SCREW, SELF TAP, Pan Hd, M4.2 x 25, Used With 9, Not Illustrated
13	318323A1	1	CABLE, Radio Antenna
14	169850C2	1	CLIP, CABLE,
17	303433A1	1	HARNESS, CD Player to Radio

04-32 GROUND SPEED SENSOR

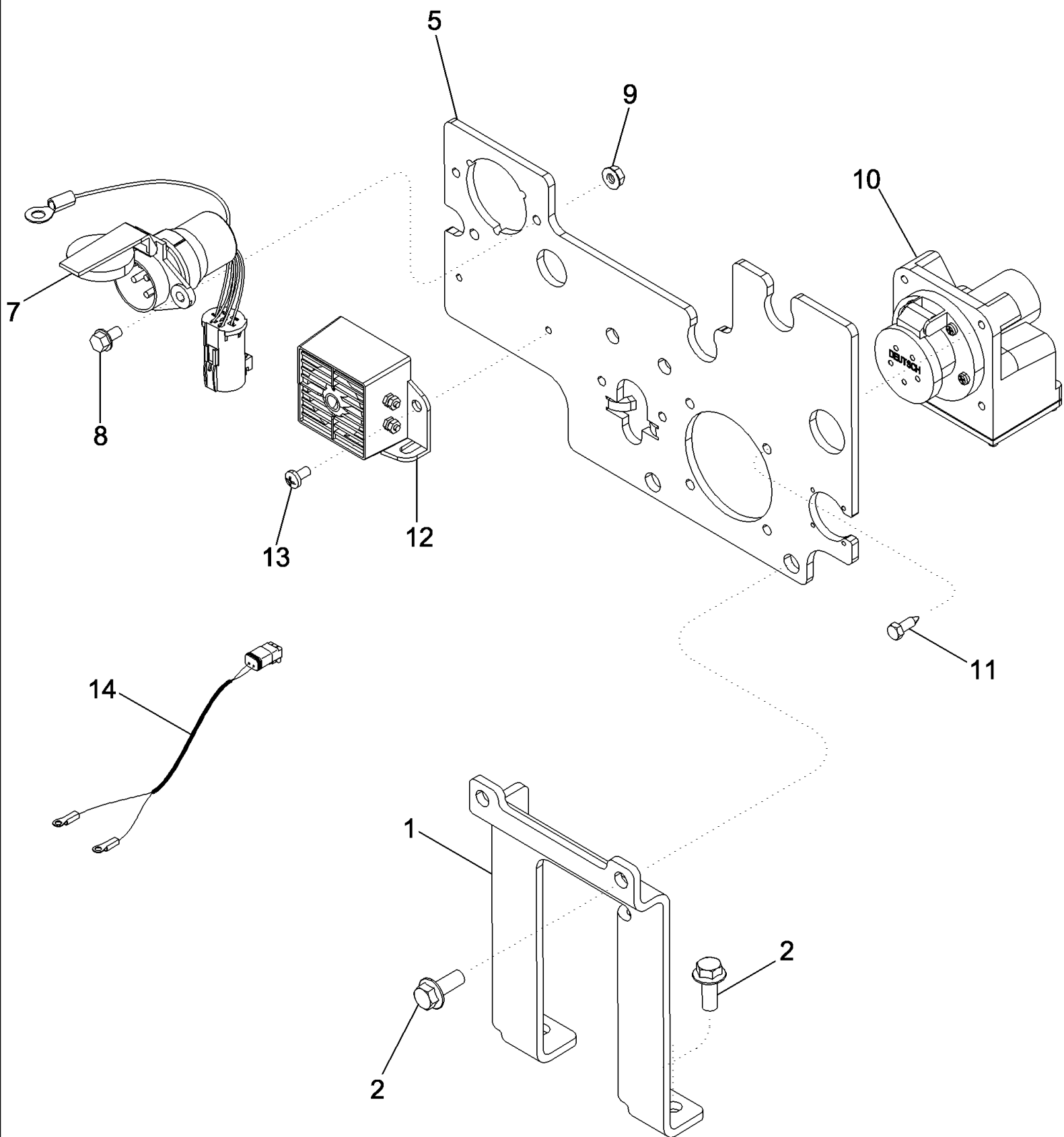


MAGNUM 255 CASE-IH MAGNUM TRACTOR (EMERGING MARKET) (1/06-)

04-32 GROUND SPEED SENSOR

сылка	Номер детали	Кол-во	Описание
1	228760A1	1	RADAR, Sensor, True Ground Speed
2	814-6100	4	BOLT, Hex, M6 x 100, 8.8,
3	895-11006	4	WASHER, M6,
4	825-5146	4	NUT, M6, Flg Ser,
5	L11541	1	STRAP, CABLE, 7 - 8 in
6	87436570	1	SUPPORT,

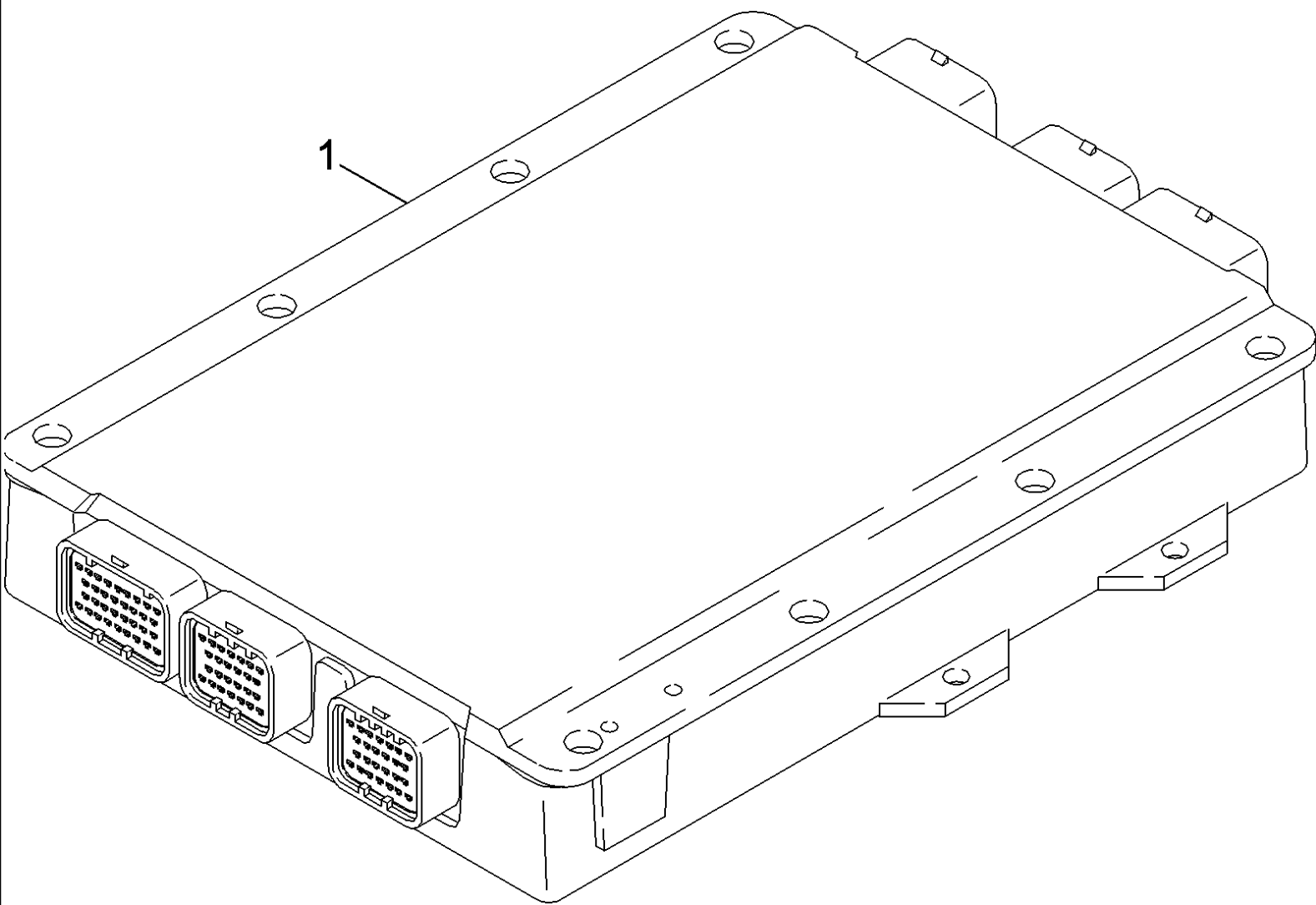
04-33 IMPLEMENT CONNECTORS AND MOUNTING



MAGNUM 255 CASE-IH MAGNUM TRACTOR (EMERGING MARKET) (1/06-)

04-33 IMPLEMENT CONNECTORS AND MOUNTING

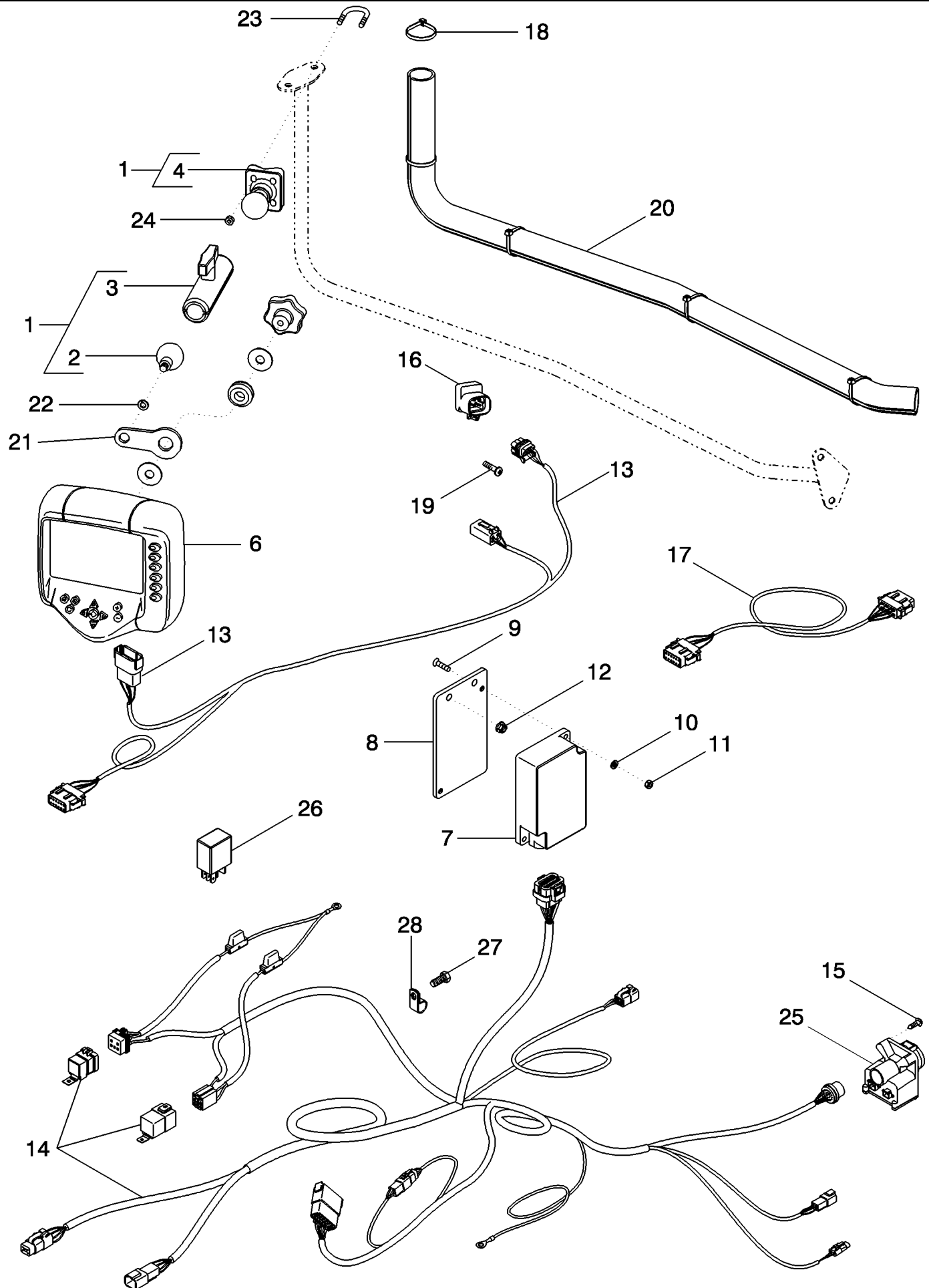
сылка	Номер детали	Кол-во	Описание
1	87574425	1	BRACKET,
2	844-10025	4	BOLT, Hex Flg, M10 x 25, 8.8, Full Thd,
5	87615022	1	SUPPORT,
7	87451540	1	ADAPTER, 7 Pin, BSN Z7RZ01521
7	87549252	1	HARNESS, , ASN Z7RZ01521
8	86511841	2	BOLT, Hex Flg, M8 x 16, 8.8,
9	825-2408	2	NUT, M8 x 1.25, Flg, Cl 8,
10	323597A1	1	CONNECTOR, ELEC, Implement
11	779-14619	4	SCREW, SELF TAP, Hex Hd, M6.3 x 19,
12	109511A1	1	ALARM, Backup
13	840-1612	2	SCREW, Cross Pan Hd, M6 x 12, M6 x 12; 4.8
14	87403848	1	HARNESS, Backup Alarm
17	L11541	7	STRAP, CABLE, (Not Shown)
18	347610A1	4	ANCHOR, (Not Shown)
19	825-2408	1	NUT, M8 x 1.25, Flg, Cl 8, (Not shown)
20	825-2405	4	NUT, M5 x .8, Flg, Cl 8, (Not Shown)



MAGNUM 255 CASE-IH MAGNUM TRACTOR (EMERGING MARKET) (1/06-)

04-34 MODULE, TRACTOR MULTIFUNCTION

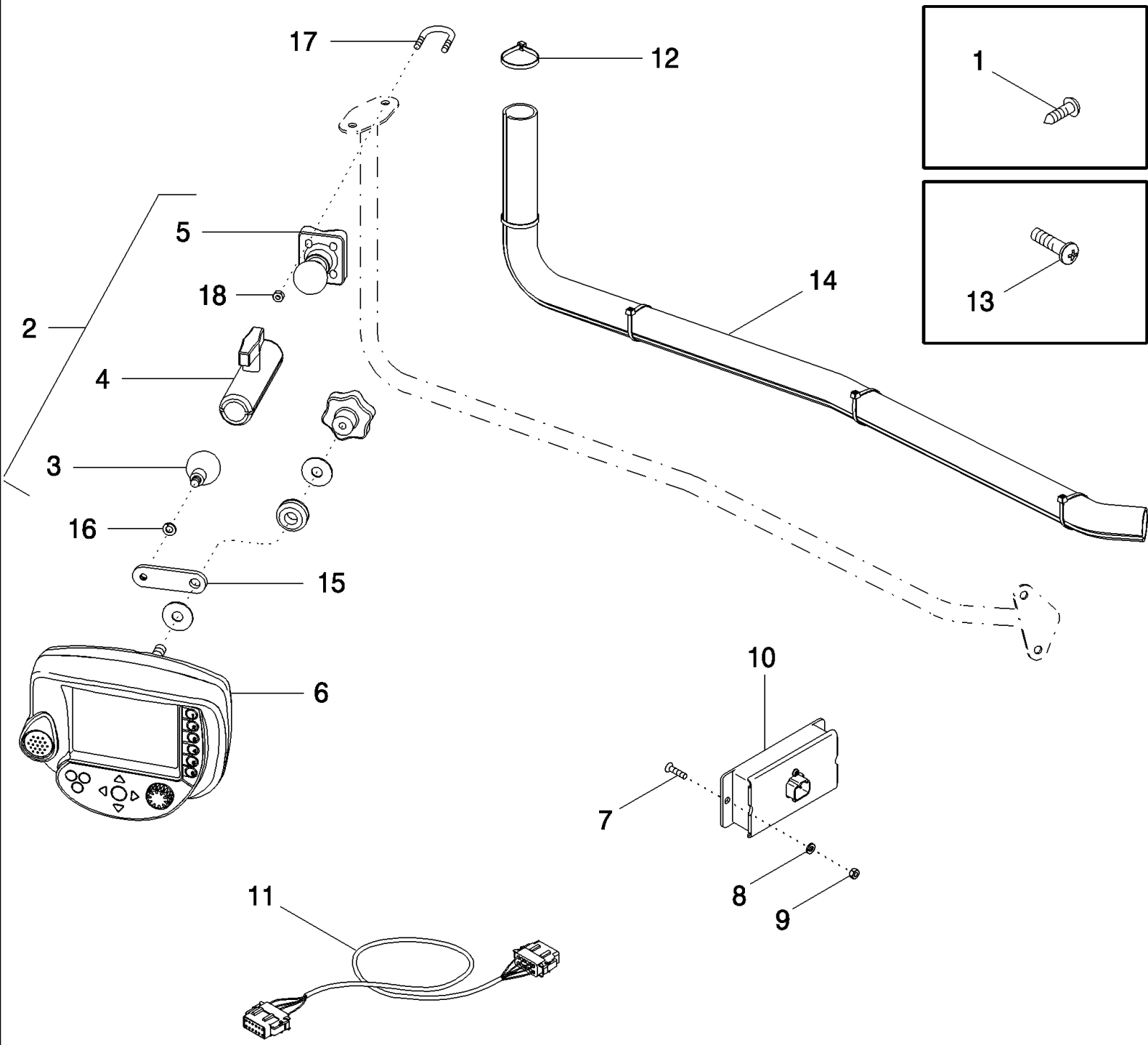
сылка	Номер детали	Кол-во	Описание
1	87393065	1	MODULE, Tractor Multifunction Controller (TMF)



MAGNUM 255 CASE-IH MAGNUM TRACTOR (EMERGING MARKET) (1/06-)

04-35 ISO 11783 HARNESS AND MONITOR

сылка	Номер детали	Кол-во	Описание
1	87433368	1	HOLDER, Assembly, Monitor Inc. 2 - 4
2	87432348	1	RAM BOTTOM,
3	408863A1	1	RAM BOTTOM,
4	408865A1	1	RAM FOOT,
6	87517735	1	MONITOR, CONTROL, W/Software, BSN Z6RZ04001
6	87618697	1	Monitor, Control W/Software, BTW Z6RZ04001 & Z7RZ01521
6	84454198	1	MONITOR, CONTROL, W/O Software, ASN Z7RZ01521
7	86989612	1	MODULE, W/Software
8	87406980	1	PLATE, Mounting
9	843-2625	2	SCREW, Phil Flat Hd, M6 x 25, 4.8,
10	892-11006	2	WASHER, LOCK, M6,
11	829-1406	2	NUT, M6, CI 10,
12	825-2406	6	NUT, M6 x 1, Flg, CI 8,
13	87418143	1	HARNESS, Inside Cab (Shown), BSN Z7RZ01521
13	87695463	1	Inside Cab, ASN Z7RZ01521
14	87313259	1	HARNESS, Outside Cab (Shown), BSN Z7RZ01521
14	87695465	1	Outside Cab, ASN Z7RZ01521
15	780-14625	4	SCREW, SELF TAP, Hex Hd, M6.3 x 25,
16	87601142	1	CONNECTOR, ELEC,
17	87435691	1	HARNESS, Monitor Jumper (Shown), BSN Z7RZ01521
17	87544769	1	HARNESS, Monitor Jumper, ASN Z7RZ01521
18	L11541	5	STRAP, CABLE,
19	760-14416	2	SCREW, SELF TAP, Pan Hd, M4.8 x 16,
20	87435704	1	CONDUIT,
21	87313872	1	BRACKET,
22	140045	1	WASHER, SPRING, Belleville, M10,
23	86632541	2	U-BOLT,
24	425-104	4	NUT, 1/4"-20, G5,
25	87418273	1	CONNECTOR, ELEC,
26	87414866	1	RELAY, 20 Amp
27	854-10020	1	BOLT, Hex Flg, M10 x 20, 10.9,
28	87313355	1	CLAMP,
30	811-6025	2	BOLT, CARRIAGE, Short NK, M6 x 25, CI8.8, Full Thd, (Not Shown)
31	811-6020	4	BOLT, CARRIAGE, Short NK, M6 x 20, CI8.8, Full Thd, (Not Shown)

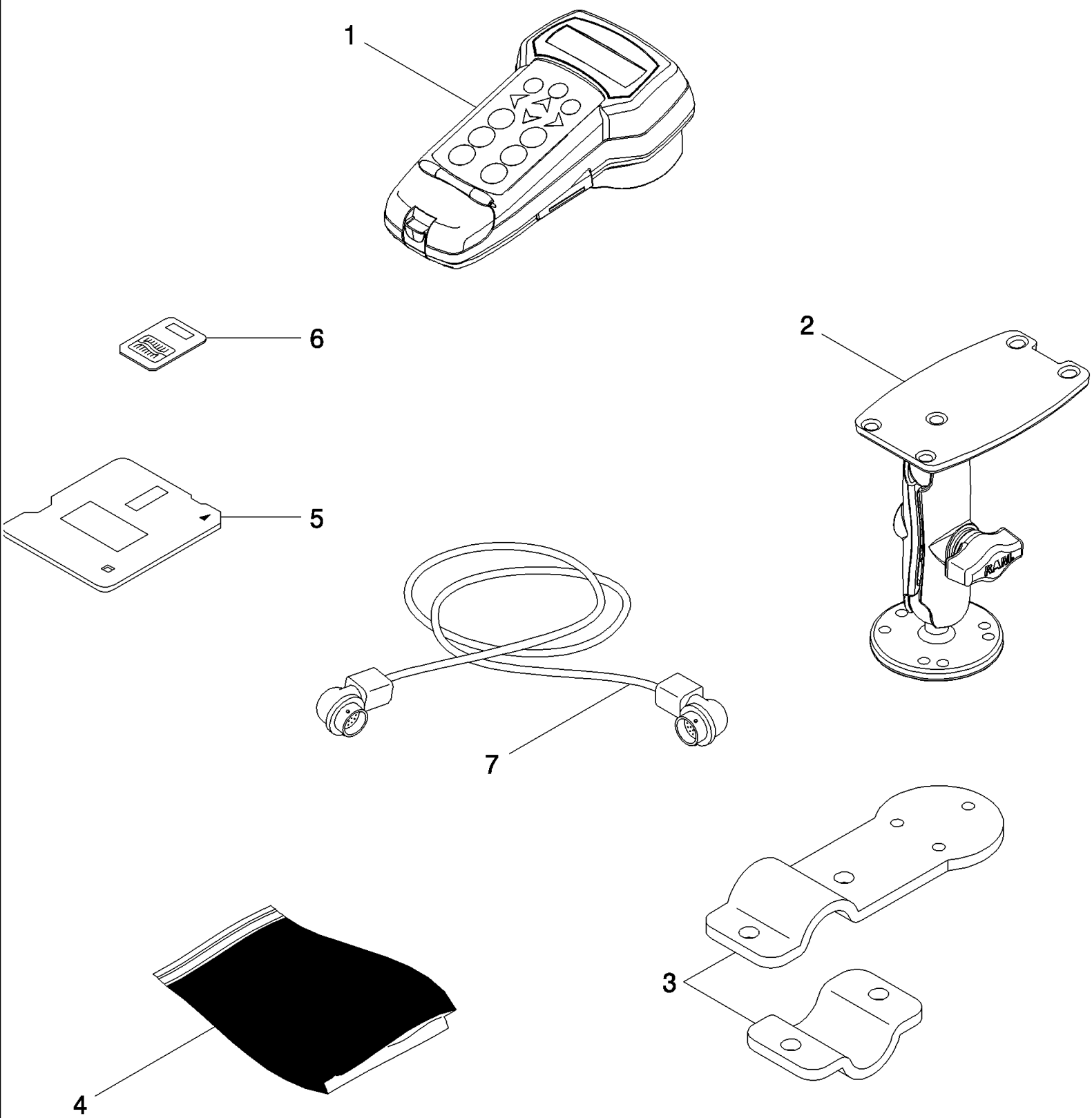


MAGNUM 255 CASE-IH MAGNUM TRACTOR (EMERGING MARKET) (1/06-)

04-36 MONITOR - ACCUGUIDE

сылка	Номер детали	Кол-во	Описание
1	780-14625	4	SCREW, SELF TAP, Hex Hd, M6.3 x 25,
2	87433368	1	HOLDER, Inc. 3 - 5
3	87432348	1	RAM BOTTOM,
4	408863A1	1	RAM BOTTOM,
5	408865A1	1	RAM FOOT,
6	87359217	1	MONITOR, CONTROL, With Software
7	843-2625	2	SCREW, Phil Flat Hd, M6 x 25, 4.8,
8	892-11006	2	WASHER, LOCK, M6,
9	829-1406	2	NUT, M6, CI 10,
10	284638A2	2	CONNECTOR, ELEC, Active Terminator
11	87435691	1	HARNESS, Jumper
12	L11541	14	STRAP, CABLE,
13	760-14416	4	SCREW, SELF TAP, Pan Hd, M4.8 x 16,
14	87435704	1	CONDUIT, (If Equipped)
15	87432354	1	BRACKET,
16	140045	1	WASHER, SPRING, Belleville, M10,
17	19-6258	2	U-BOLT,
18	425-104	4	NUT, 1/4"-20, G5,

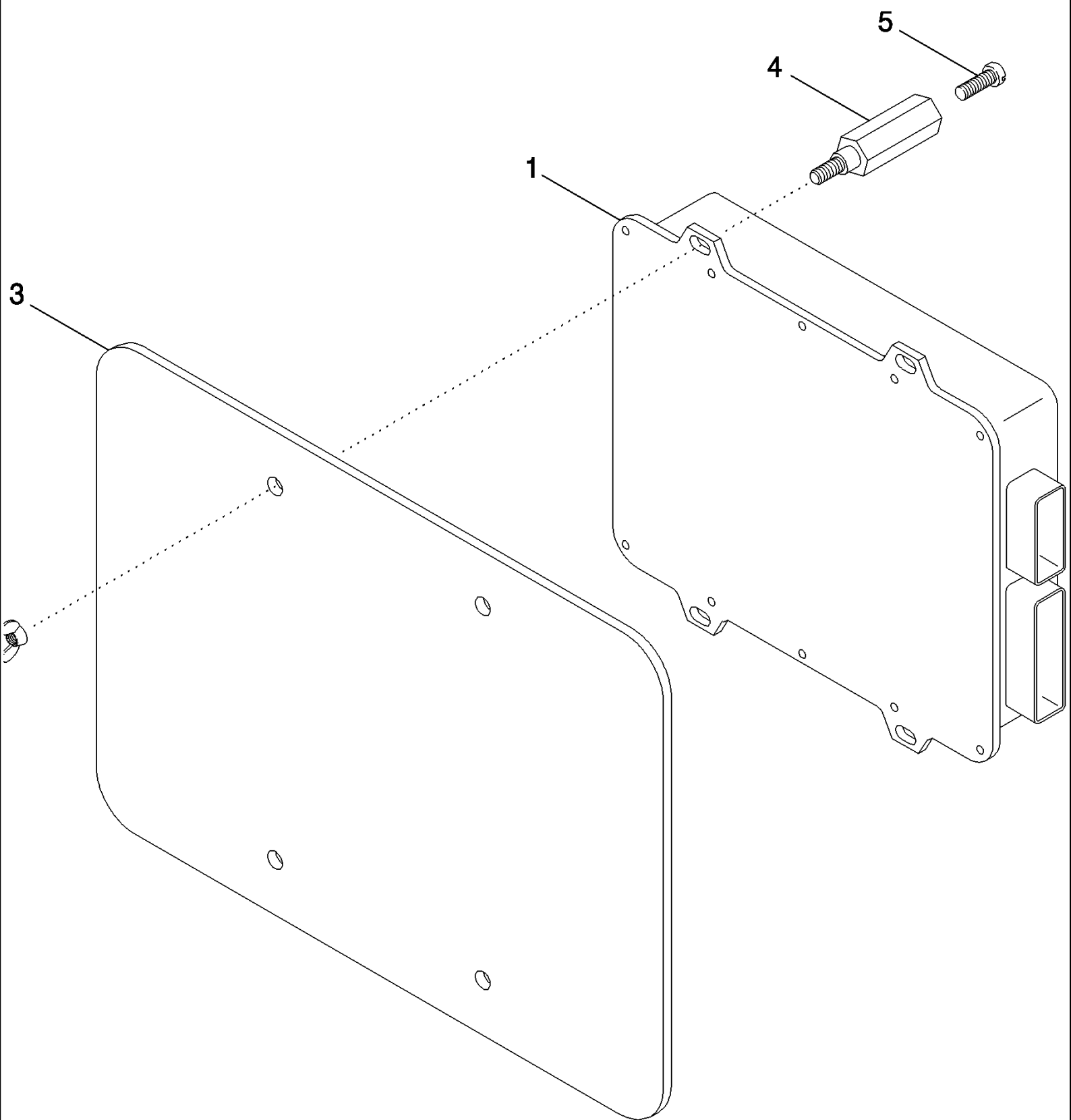
04-37 REMOTE DATA LOGGER



MAGNUM 255 CASE-IH MAGNUM TRACTOR (EMERGING MARKET) (1/06-)

04-37 REMOTE DATA LOGGER

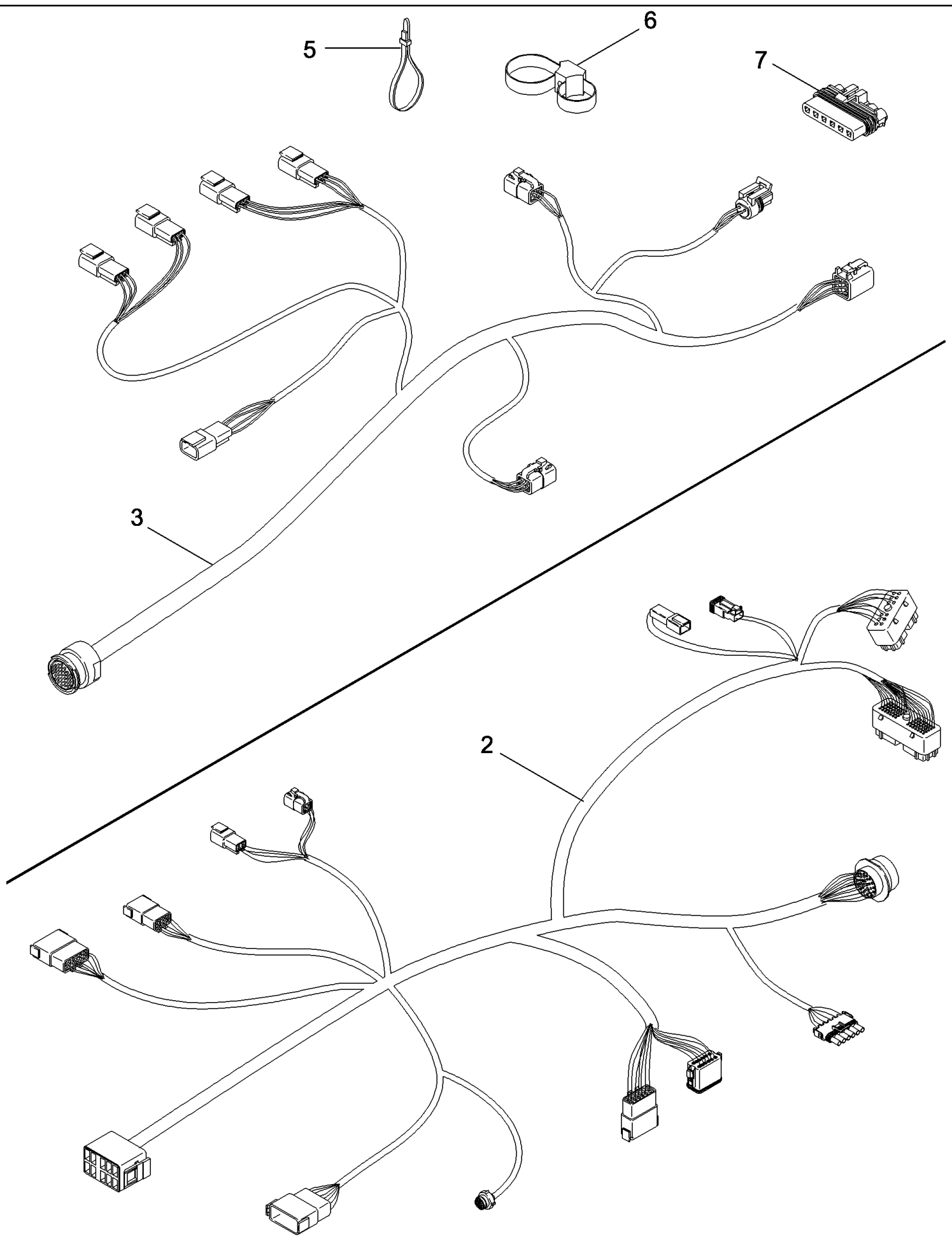
сылка	Номер детали	Кол-во	Описание
1	87428366	1	MODULE,
2	87428367	1	BRACKET,
3	87428368	1	ADAPTER,
4	87428369	1	SET, Bolts
5	87428371	1	ADAPTER,
6	87428375	1	MODULE, Compact Flash 16MB
7	87428378	1	CABLE ASSY.,



04-38 ACCUGUIDE CONTROL MODULE AND MOUNTING

сылка	Номер детали	Кол-во	Описание
1	87346979	1	CONTROL, Accuguide
3	87313018	1	COVER, Mounting
4	87313014	4	SPACER,
5	555-1	4	BOLT, Hex Flg, M8 x 16, 8.8,

04-39 ACCUGUIDE HARNESSSES

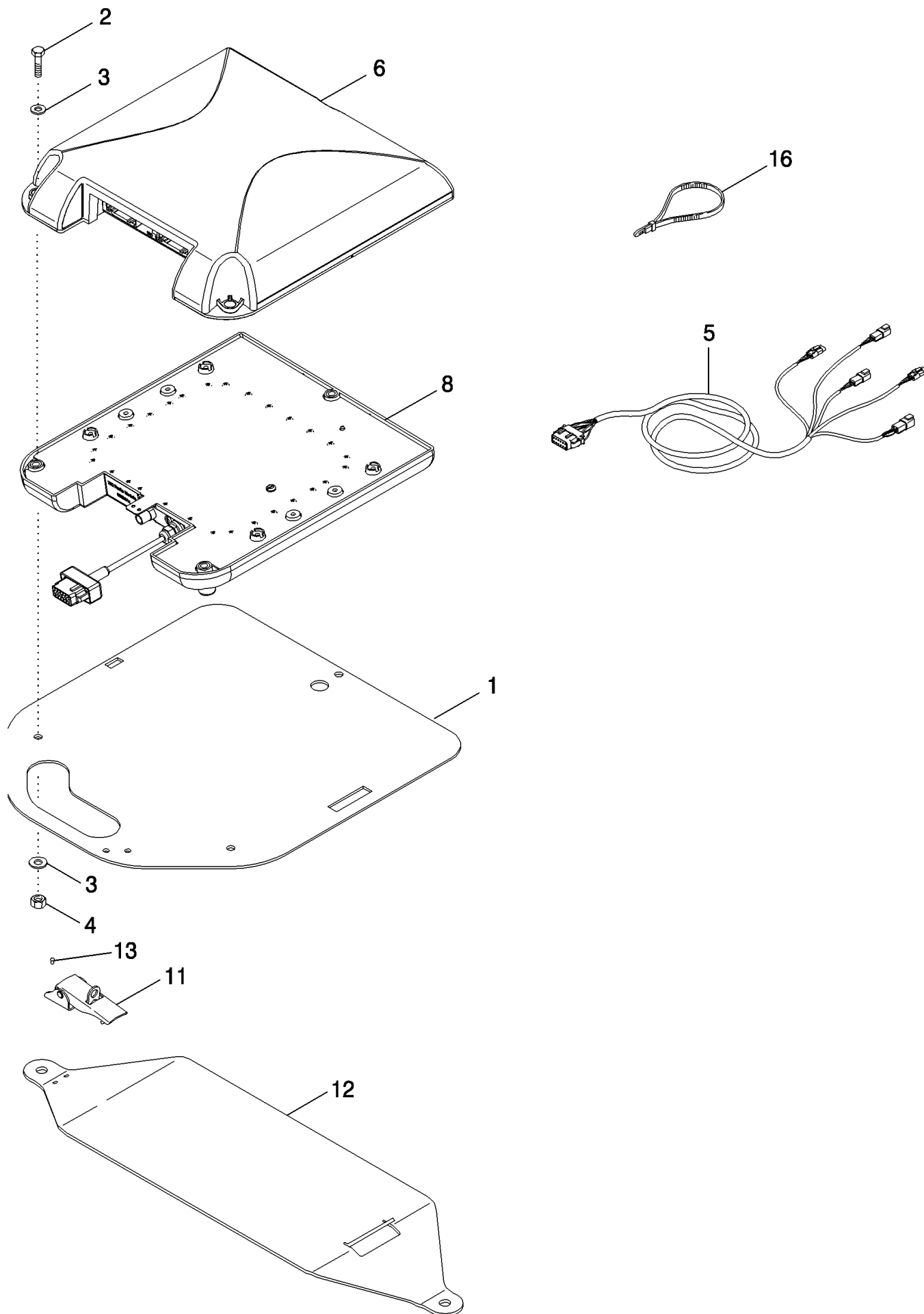


MAGNUM 255 CASE-IH MAGNUM TRACTOR (EMERGING MARKET) (1/06-)

04-39 ACCUGUIDE HARNESES

сылка	Номер детали	Кол-во	Описание
2	87365700	1	HARNESS, Inside Cab
3	87365702	1	HARNESS, Outside Cab
5	86991009	9	STRAP, CABLE,
6	86991000	5	CLAMP,
7	87438413	1	HARNESS, WIRE,

04-40 ACCUGUIDE RADIO AND ANTENNA

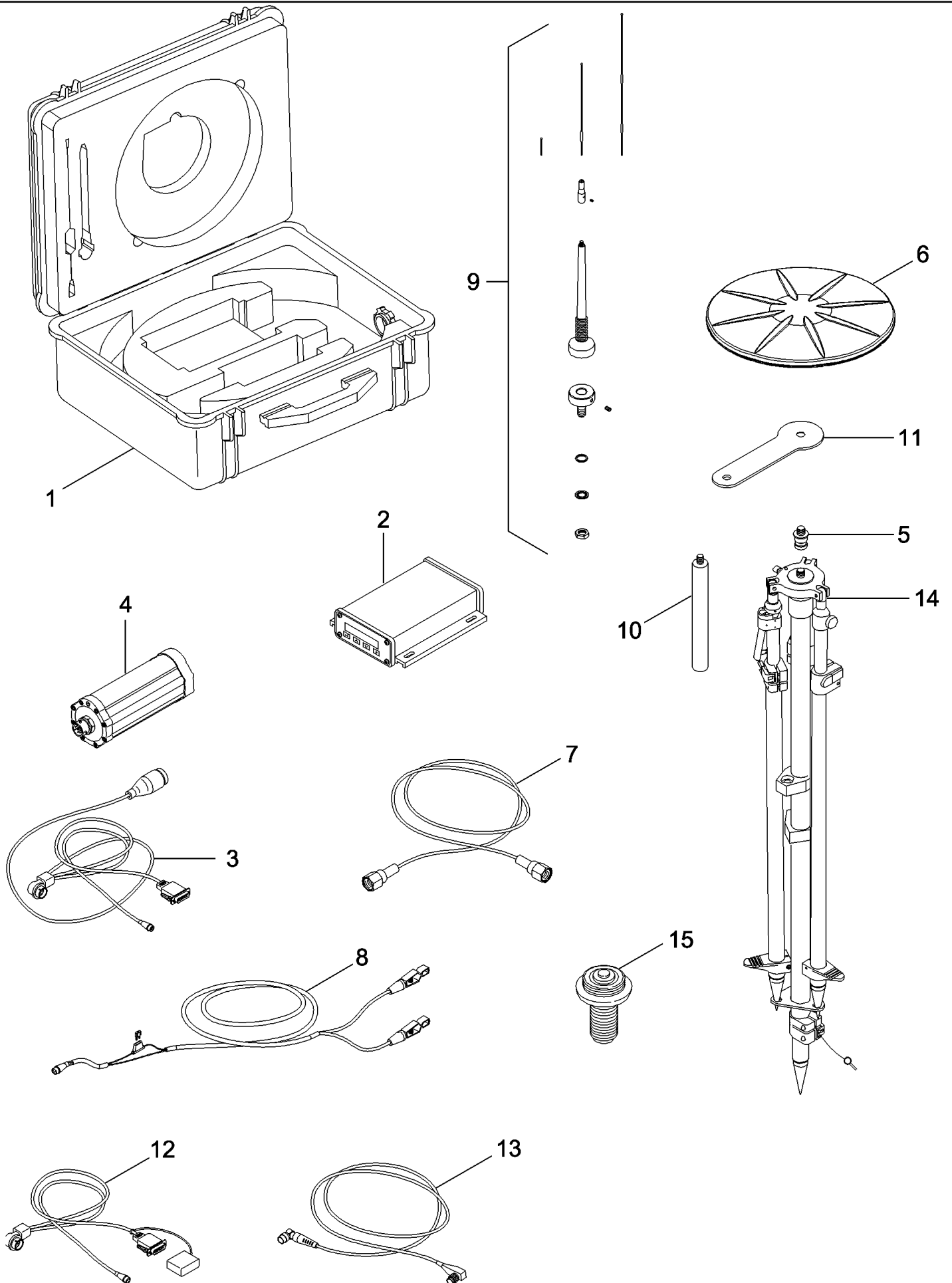


MAGNUM 255 CASE-IH MAGNUM TRACTOR (EMERGING MARKET) (1/06-)

04-40 ACCUGUIDE RADIO AND ANTENNA

сылка	Номер детали	Кол-во	Описание
1	87392607	1	PLATE, MOUNTING, Antenna
2	814-8060	3	BOLT, Hex, M8 x 60, 8.8,
3	895-11006	6	WASHER, M6,
4	825-5146	3	NUT, M6, Flg Ser,
5	87337451	1	HARNESS, Antenna
6	87367705	1	MODULE, Receiver, DGPS
6	87367731	1	MODULE, Receiver, RTK
6	87598732	1	PACKAGE, REPAIR, Receiver, VBS
7	892-11006	3	WASHER, LOCK, M6, Not Shown
8	87666889	1	MODULE, Ag GPS900 RTK Radio
10	614-6025	3	BOLT, Hex, M6 x 25, 8.8, (Not Shown)
11	87308870	1	LATCH,
12	87308099	1	BRACKET,
13	87308841	2	RIVET, Pop, 5/32" x .425",
15	87428357	1	SET, (Not Shown)
16	86991009	2	STRAP, CABLE,

04-41 ACCUGUIDE BASE STATION

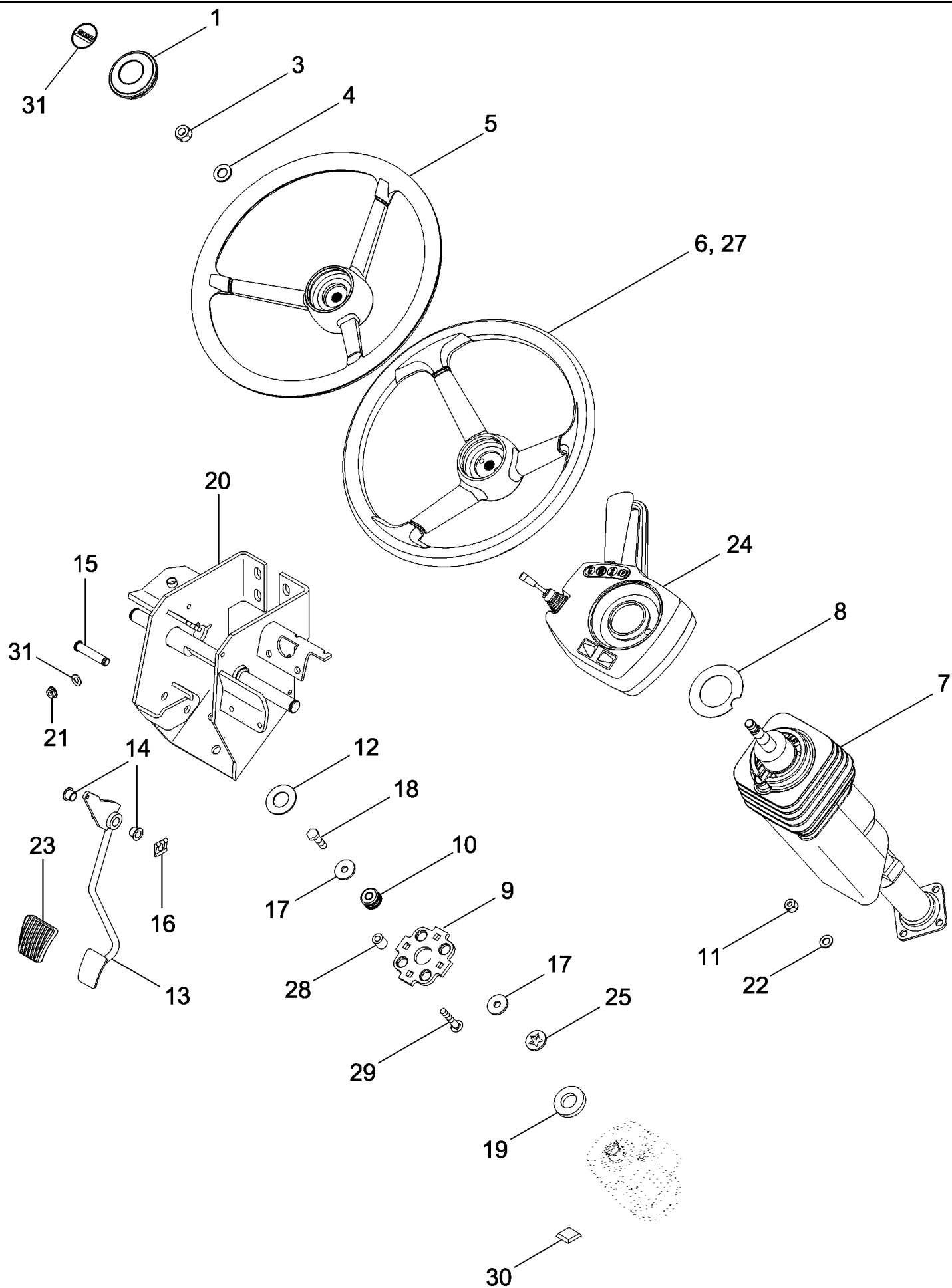


MAGNUM 255 CASE-IH MAGNUM TRACTOR (EMERGING MARKET) (1/06-)

04-41 ACCUGUIDE BASE STATION

сылка	Номер детали	Кол-во	Описание
1	87428190	1	CASE,
2	87428192	1	RADIO,
3	87428193	1	CABLE,
4	87428194	1	RADIO, North America Only
4	87444733	1	RADIO, Australia And New Zealand Only
5	87428195	1	ADAPTER,
6	87428196	1	ANTENNA,
7	87428197	1	CABLE,
8	87428198	1	CABLE ASSY.,
9	87428199	1	ANTENNA,
10	87450292	1	POLE,
11	87428201	1	BRACKET,
12	87428202	1	CABLE,
13	87428203	1	CABLE ASSY.,
14	87428208	1	TRIPOD,
15	87439181	1	ANTENNA,

05-01 STEERING WHEEL AND COLUMN

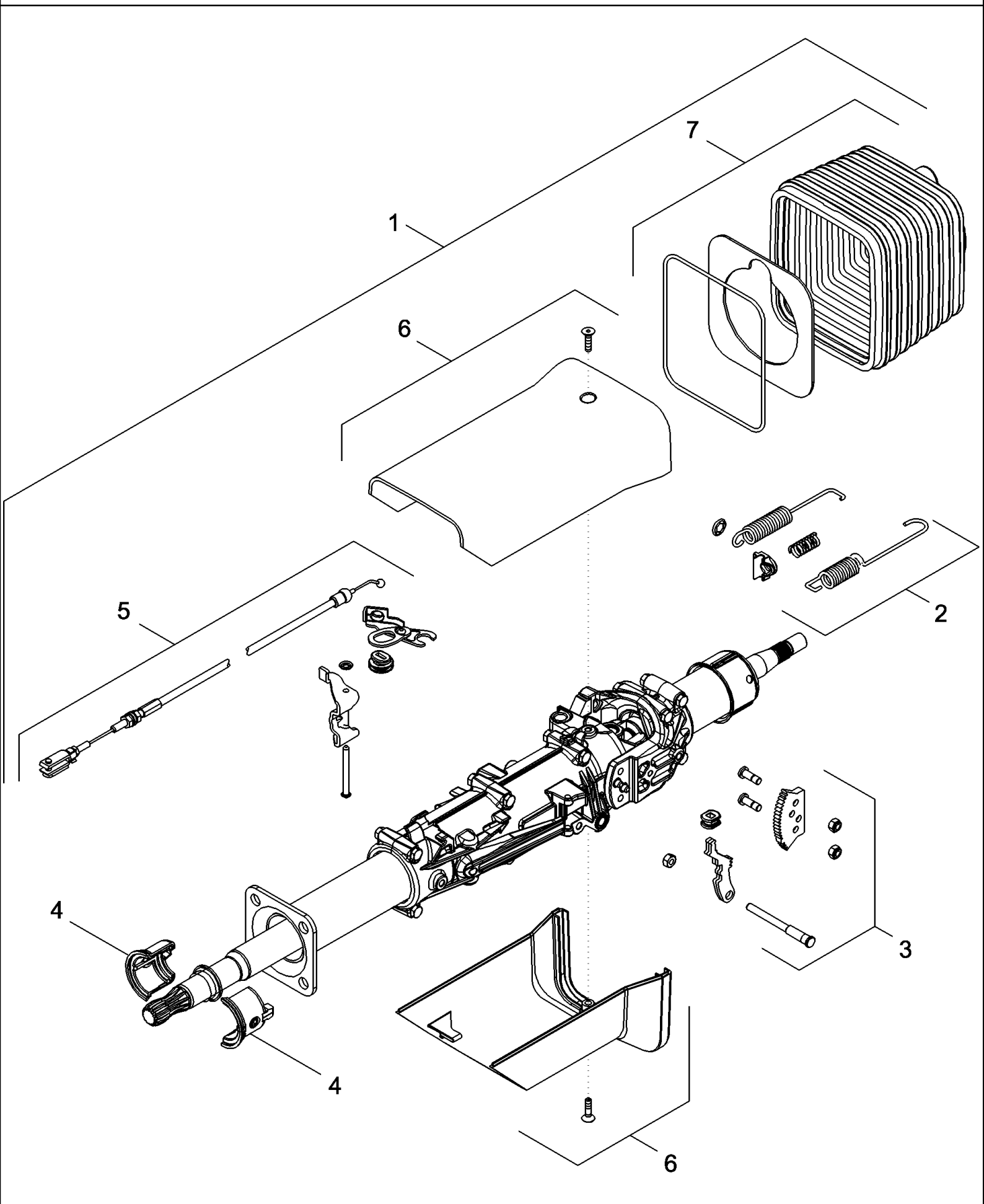


MAGNUM 255 CASE-IH MAGNUM TRACTOR (EMERGING MARKET) (1/06-)

05-01 STEERING WHEEL AND COLUMN

сылка	Номер детали	Кол-во	Описание
1	361024A3	1	CAP,
3	825-11414	1	NUT, M14 x 1.5, CI 8,
4	895-11014	1	WASHER, M14 x 28 x 2.5,
5	224818A3	1	STEERING WHEEL,
7	406697A2	1	STEERING COLUMN, , See Figure 05-02
8	1977448C2	1	WASHER,
9	366073A1	1	PLATE,
10	434177A1	4	MOUNT, RUBBER,
11	832-10410	4	NUT, LOCK, M10 x 1.5, CI 8,
12	307559A1	1	SEAL,
13	295191A3	1	PEDAL,
14	1533540C1	2	EYEBOLT,
15	295192A1	1	SHAFT,
16	277059A1	1	CLIP,
17	496-81028	8	WASHER, 13/32" x 1 1/4" x .134", HDN,
18	614-10035	4	BOLT, Hex, M10 x 35, 8.8, Full Thd,
19	296775A2	1	SEAL,
20	401251A5	1	BRACKET,
21	825-2408	4	NUT, M8 x 1.25, Flg, CI 8,
22	895-11010	4	WASHER, M10 x 20 x 2,
23	323657A1	1	PAD,
24	86993721	1	CONTROL, , See Figure 06-27
25	329677A1	8	RETAINER,
28	295478A1	4	SPACER,
29	370105A2	4	BOLT,
30	P741441	4	SPACER,
31	87613502	1	INSERT,

05-02 STEERING COLUMN ASSEMBLY



MAGNUM 255 CASE-IH MAGNUM TRACTOR (EMERGING MARKET) (1/06-)

05-02 STEERING COLUMN ASSEMBLY

сылка	Номер детали	Кол-во	Описание
1	406697A2	1	STEERING COLUMN, Inc. 2 - 7
2	87400095	1	KIT, SERVICE, Springs
3	87400096	1	KIT, SERVICE, Tilt Lock
4	318943A1	1	KIT, SERVICE, Bearings
5	87400097	1	KIT, SERVICE, Lever
6	87400098	1	KIT, SERVICE, Cover
7	87400099	1	KIT, SERVICE, Bellows

MAGNUM 255 CASE-IH MAGNUM TRACTOR (EMERGING MARKET) (1/06-)

05-03 STEERING SYSTEM - MFD

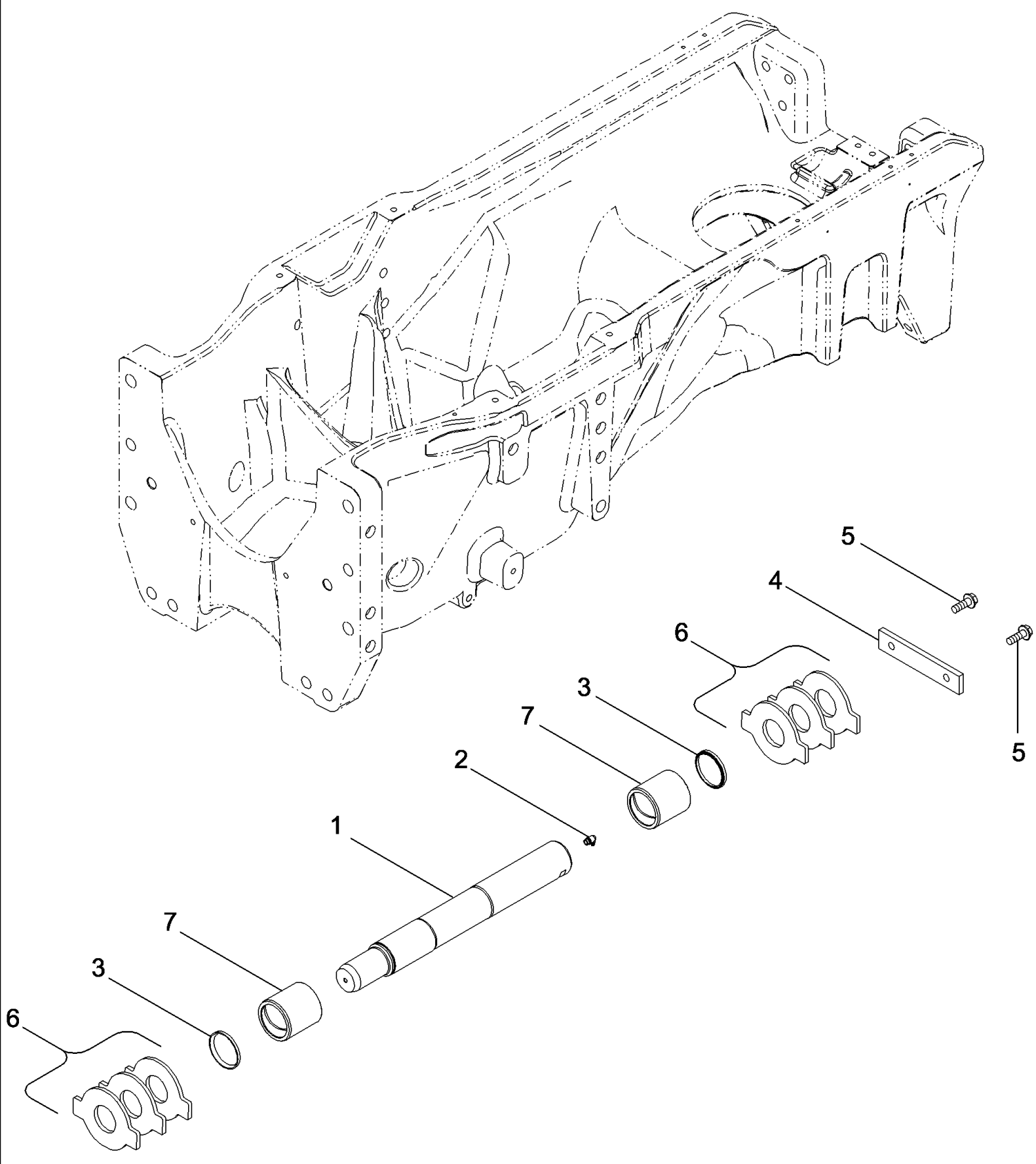
сылка	Номер детали	Кол-во	Описание
1	445303A2	1	PUMP, Steering, With 10 Bolt Hub
1	445304A2	1	PUMP, Steering, With 12 Bolt Hub
1	87315007	1	PUMP, Steering, Accuguide, With 10 Bolt Hub
2	87401122	1	ELBOW, 11/16 fc sl x 12 Or, Inc. 3
3	637-63093	1	O-RING, CI 6, 9.3MM ID x 2.2 Thk,
1	87315009	1	PUMP, Steering, Accuguide, With 12 Bolt Hub
5	87363334	1	HOSE, Steering Load Sense
7	238-6012	1	O-RING, -012, 90 Duro, .364" ID x .070" Thk,
8	87367650	1	TUBE ASSY.,
11	87401124	2	ELBOW, 13/16 fc sl x 18 Or, Inc. 12
12	637-63153	1	O-RING, CI 6, 15.3MM ID x 2.2 Thk,
14	87401123	2	ELBOW, 13/16 fc sl x 18 Or, Inc. 15
15	637-63153	1	O-RING, CI 6, 15.3MM ID x 2.2 Thk,
17	87352870	1	HOSE, Supply
18	238-6014	1	O-RING, -014, 90 Duro, .489" ID x .070" Thk,
19	433591A1	1	TUBE ASSY., Supply
20	700-102	1	CONNECTOR, HYD., 13/16"-16 ORFS x M18 x 1.5 ORB, Inc. 22, 23
22	637-63153	1	O-RING, CI 6, 15.3MM ID x 2.2 Thk,
23	238-6014	1	O-RING, -014, 90 Duro, .489" ID x .070" Thk,
25	87449707	1	TUBE ASSY., Return
26	86597761	1	CONNECTOR, HYD., 13/16"-16 ORFS x M27 x 2 ORB, Incl. 27, 28
27	637-64236	1	O-RING, CI 6, 23.6MM ID x 2.9 Thk,
28	238-6014	1	O-RING, -014, 90 Duro, .489" ID x .070" Thk,
30	87401118	2	HOSE ASSY., Steering Cylinder Supply
32	700-412	2	TEE, 13/16"-16 ORFS x M18 x 1.5 ORB Run, Inc. 33, 34
33	637-63153	1	O-RING, CI 6, 15.3MM ID x 2.2 Thk,
34	238-6014	2	O-RING, -014, 90 Duro, .489" ID x .070" Thk,
35	249817A2	2	HOSE, Steering Cylinder
36	700-304	2	ELBOW, 90e, 11/16"-18 ORFS x M14 x 1.5 ORB, Incl. 37, 38
37	637-63113	1	O-RING, CI 6, 11.3MM ID x 2.2 Thk,
38	238-6012	1	O-RING, -012, 90 Duro, .364" ID x .070" Thk,
39	220064A1	2	PLUG, M14 x 1.5, ORB,
40	637-63113	1	O-RING, CI 6, 11.3MM ID x 2.2 Thk,
45	1546024C1	1	CLAMP, 2 piece
47	384871A1	1	PLATE, M8; 10
46	384870A1	1	PLATE, 9 x 20 x 1,6 mm
48	844-8045	1	BOLT, Hex Flg, M8 x 45, 8.8,
50	387161A1	2	CLAMP,
49	515-22127	2	CLAMP, 1/2", Insul, 5/16" Bolt,
51	895-15008	3	WASHER, M8 x 20 x 1.6,
52	814-8050	1	BOLT, Hex, M8 x 50, 8.8,
53	448560A1	1	PLATE, RETAINING,
54	403534A1	1	BRACKET,
55	555-1	1	BOLT, Hex Flg, M8 x 16, 8.8,
56	87443446	3	CONDUIT,

MAGNUM 255 CASE-IH MAGNUM TRACTOR (EMERGING MARKET) (1/06-)

05-03 STEERING SYSTEM - MFD

сылка	Номер детали	Кол-во	Описание
57	87337468	2	CONDUIT,
57	408412A1	5	CONDUIT,
58	86988840	1	BRACKET,
59	614-10016	2	BOLT, Hex, M10 x 16, 8.8, Full Thd,
60	614-8020	2	BOLT, Hex, M8 x 20, 8.8,
61	829-1408	1	NUT, M8, CI 10,
62	86988838	1	BRACKET,
63	118576A1	1	CLAMP,
64	814-8055	1	BOLT, Hex, M8 x 55, 8.8,
65	829-1408	1	NUT, M8, CI 10, (Not Shown)
66	87454545	1	KIT, POWER STEERING, Seal, Steering Pump, (Not Shown)
67	87363326	1	HOSE, Return
68	214-1408	1	CLAMP, HOSE, #08, 0.50/0.91 Type F Worm,
69	L11541	1	STRAP, CABLE,

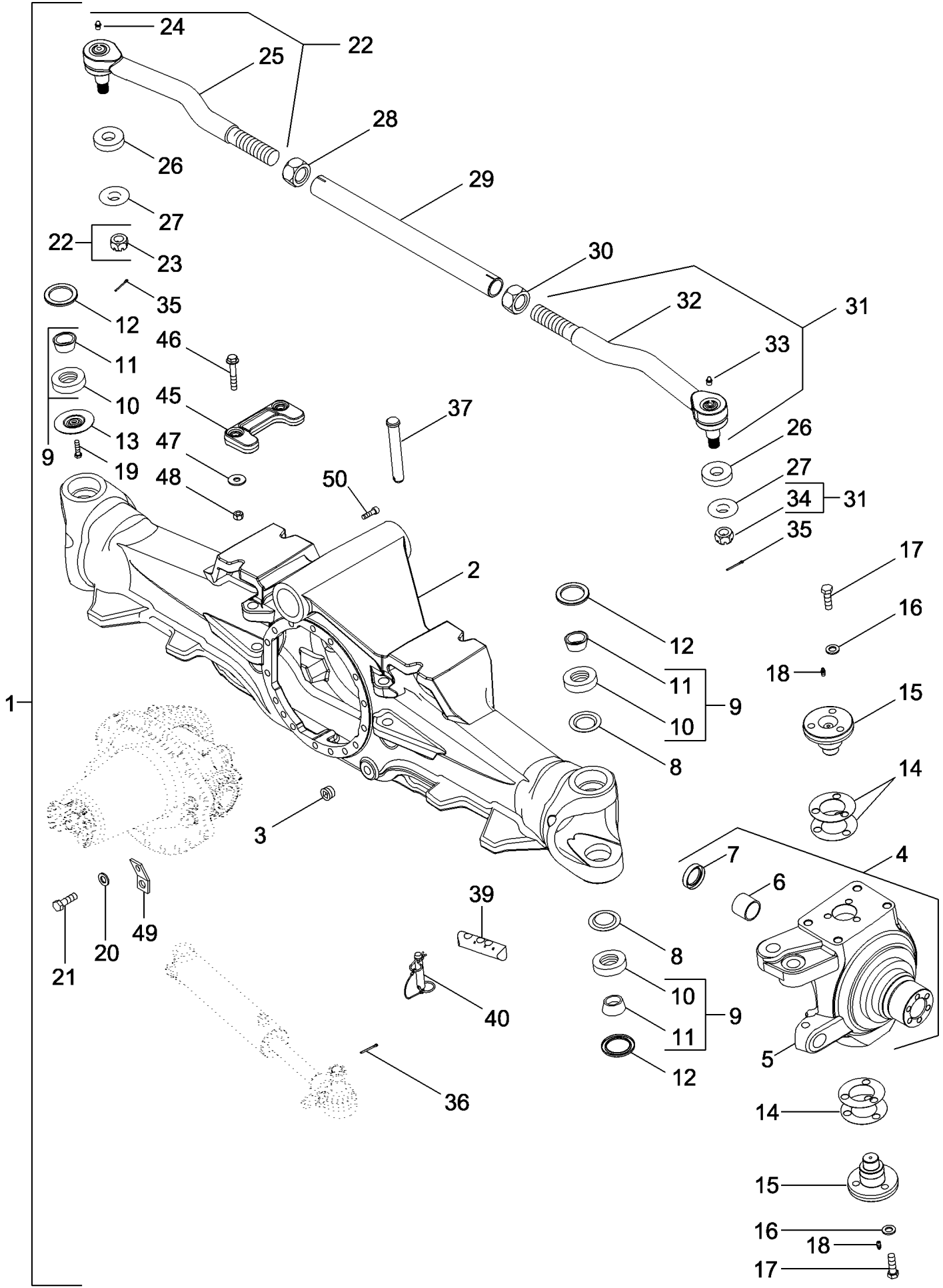
05-04 FRONT AXLE - MOUNTING, MFD



MAGNUM 255 CASE-IH MAGNUM TRACTOR (EMERGING MARKET) (1/06-)

05-04 FRONT AXLE - MOUNTING, MFD

сылка	Номер детали	Кол-во	Описание
1	87343146	1	PIN ASSY., Inc. 2
2	219-92	1	NIPPLE, LUBE, 90с, 1/8" NPT x .76" lg, Drive, Grease
3	87400202	2	SEAL,
4	226686A3	1	PLATE,
5	857-12035	2	BOLT, Hex Flg, M12 x 35, 10.9,
6	87309060	AR	WASHER, THRUST, 5.75 / 7.75 mm
6	87309061	AR	WASHER, THRUST, 6.25 / 8.25 mm
6	87309062	AR	WASHER, THRUST, 7.0 / 9.0 mm
6	87309063	AR	WASHER, THRUST, 7.5 / 9.5 mm
6	87369711	AR	WASHER, THRUST, 8.0 / 10.0 mm
7	87433501	2	BUSHING,



MAGNUM 255 CASE-IH MAGNUM TRACTOR (EMERGING MARKET) (1/06-)

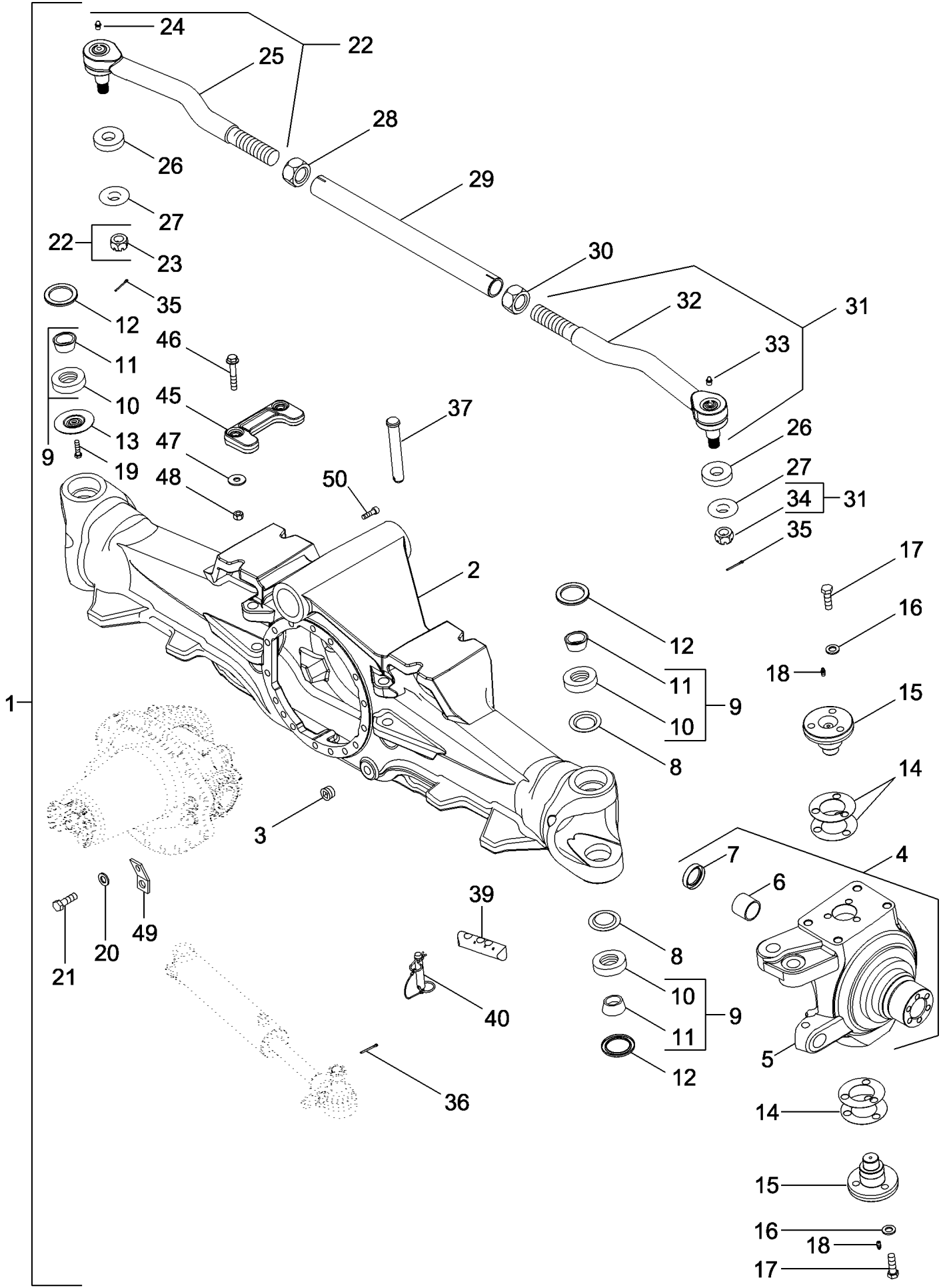
05-05 MFD AXLE HOUSING ASSEMBLY - STANDARD WITH 10 BOLT HUB, WITHOUT DIFFERENTIAL LOCK

сылка	Номер детали	Кол-во	Описание
1	87307643	1	AXLE, Complete With Differential And Planetaries, Inc. 2 - 53, Axle BSN Z7RZ02024
1	87588819	1	AXLE, Complete With Differential And Planetaries, Inc. 2 - 53, Axle ASN Z7RZ02024
3	221-887	2	PLUG, 3/4
4	295163A2	1	KNUCKLE, STEERING, Right Hand, Inc. 5 - 7
4	295162A2	1	KNUCKLE, STEERING, Left Hand, Inc. 5 - 7
5	NSS	1	NOT SERVICED SEPARATELY, Knuckle, Housing
6	235628A1	1	BUSHING,
7	128647A1	1	SEAL,
8	382635A1	3	RETAINER,
9	377919A1	4	BEARING, Inc. 10, 11
10	NSS	1	NOT SERVICED SEPARATELY, Ring, Inner
11	NSS	1	NOT SERVICED SEPARATELY, Ring, Outer
12	1277270C1	4	SEAL, OIL,
13	87440524	1	RETAINER, If Equipped (Shown)
14	310960A1	4	KIT, SHIM, Inc. 14
14	NSS	5	NOT SERVICED SEPARATELY, Shim .005
14	NSS	5	NOT SERVICED SEPARATELY, Shim .007
14	NSS	5	NOT SERVICED SEPARATELY, Shim .010
14	NSS	5	NOT SERVICED SEPARATELY, Shim .015
14	NSS	5	NOT SERVICED SEPARATELY, Shim .030
14	NSS	5	NOT SERVICED SEPARATELY, Shim .060
15	378409A1	4	CAP,
16	896-11014	12	WASHER, M12 x 28.5 x 3, HT,
17	627-14045	12	BOLT, Hex, M14 x 45, 10.9, Full Thd,
18	219-1	4	NIPPLE, LUBE, 1/8"-27 x .66 lg,
19	615-6012	1	BOLT, Hex, M6 x 12, 8.8, Full Thd, If Equipped
20	896-11014	16	WASHER, M12 x 28.5 x 3, HT,
21	627-14045	16	BOLT, Hex, M14 x 45, 10.9, Full Thd,
22	87455778	1	BALL JOINT, Left Hand Threads, Inc. 23 - 25
23	87455806	1	NUT, SLOTTED, M22
24	87455807	1	FITTING, Grease
25	NSS	1	NOT SERVICED SEPARATELY, Ball Joint Left Hand
26	NSS	1	NOT SERVICED SEPARATELY,
27	NSS	1	NOT SERVICED SEPARATELY,
28	87455777	1	NUT, M36, Left Hand Threads
29	87455775	1	TUBE,
30	87455776	1	NUT, M36, Right Hand Threads
31	87455779	1	BALL JOINT, Right Hand Threads, Inc. 32 - 34
32	NSS	1	NOT SERVICED SEPARATELY, Ball Joint Right Hand
33	87455807	1	FITTING, Grease
34	87455806	1	NUT, SLOTTED, M22
35	432-820	2	PIN, SPLIT (COTTER), 1/8" x 1 1/4",
36	432-820	2	PIN, SPLIT (COTTER), 1/8" x 1 1/4",
37	292565A1	2	PIN, LARGE,
39	281914A1	2	ROD, Steering Stop, Short, 3 Hole

MAGNUM 255 CASE-IH MAGNUM TRACTOR (EMERGING MARKET) (1/06-)

05-05 MFD AXLE HOUSING ASSEMBLY - STANDARD WITH 10 BOLT HUB, WITHOUT DIFFERENTIAL LOCK

сылка	Номер детали	Кол-во	Описание
40	87404993	2	PIN, AXLE,
45	297333A2	2	BLOCK ASSY.,
46	844-12070	4	BOLT, Hex Flg, M12x 70, 8.8,
47	80299	4	WASHER, 5/8",
48	829-1412	4	NUT, M12, CI 10,
49	352782A1	1	STRAP,
50	863-8020	2	SCREW, Hex Soc Hd, M8 x 20, 12.9,
52	87433501	2	BUSHING, (Not Shown)
53	353-77	8	PLUG, Cap, .576" OD, (Not Shown)



MAGNUM 255 CASE-IH MAGNUM TRACTOR (EMERGING MARKET) (1/06-)

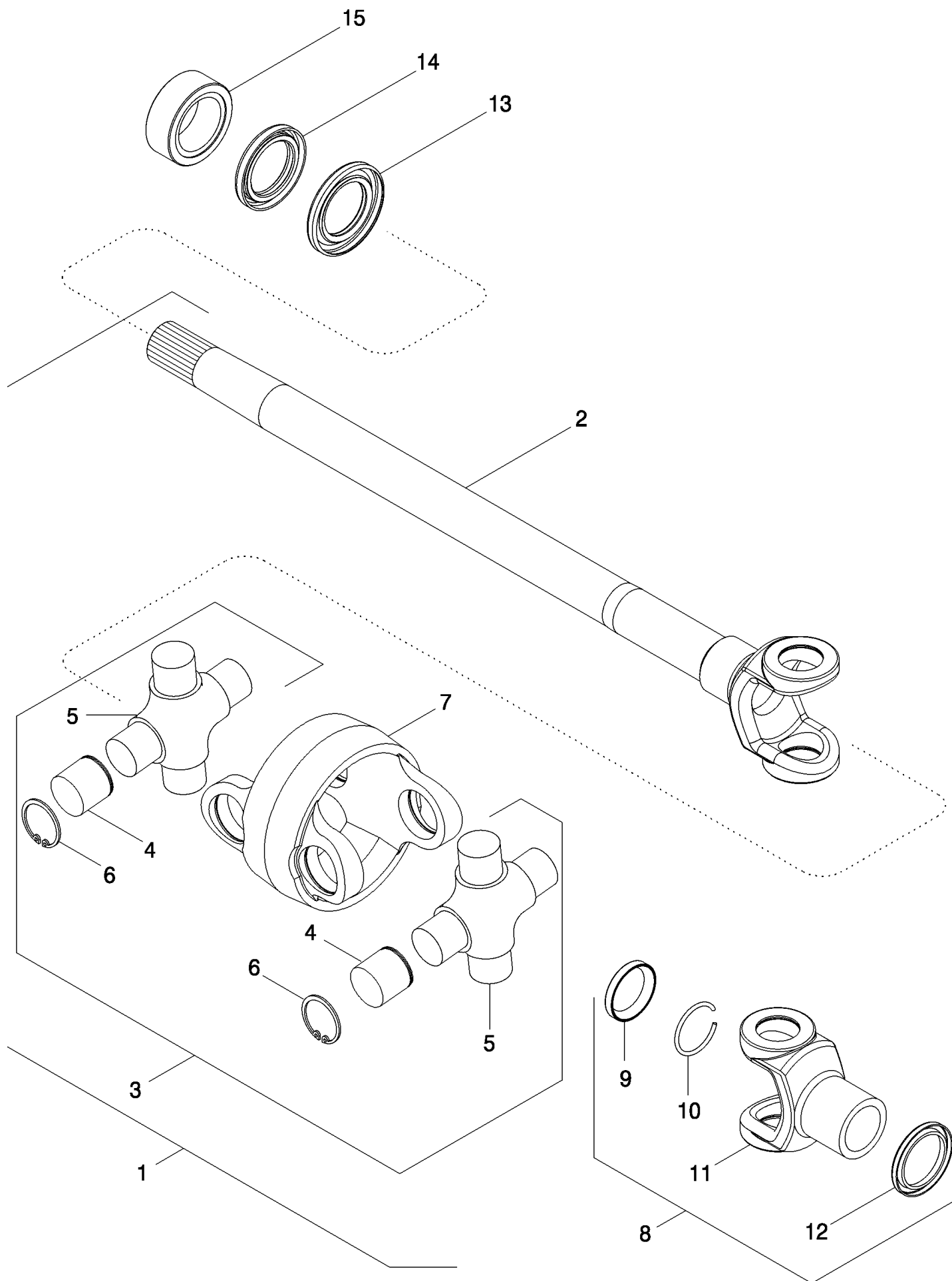
05-06 MFD AXLE HOUSING ASSEMBLY - STANDARD WITH 12 BOLT HUB, WITHOUT DIFFERENTIAL LOCK

сылка	Номер детали	Кол-во	Описание
1	87454945	1	AXLE, Complete With Differential And Planetaries, Inc. 2 - 55
2	87404249	1	HOUSING,
3	221-887	2	PLUG, 3/4
4	292564A2	1	KNUCKLE, STEERING, Right Hand, Inc. 5 - 7
4	292560A2	1	KNUCKLE, STEERING, Left Hand, Inc. 5 - 7
5	NSS	1	NOT SERVICED SEPARATELY, Knuckle, Housing
6	235628A1	1	BUSHING,
7	128647A1	1	SEAL,
8	281937A1	3	RETAINER,
9	368728A1	4	BEARING, Inc. 10, 11
10	NSS	1	NOT SERVICED SEPARATELY, Ring, Inner
11	NSS	1	NOT SERVICED SEPARATELY, Ring, Outer
12	281939A1	4	SEAL,
13	87440529	1	RETAINER, If Equipped
14	313557A1	4	KIT, SHIM, Inc. 14
14	NSS	5	NOT SERVICED SEPARATELY, Shim .005
14	NSS	5	NOT SERVICED SEPARATELY, Shim .007
14	NSS	5	NOT SERVICED SEPARATELY, Shim .010
14	NSS	5	NOT SERVICED SEPARATELY, Shim .015
14	NSS	5	NOT SERVICED SEPARATELY, Shim .030
14	NSS	5	NOT SERVICED SEPARATELY, Shim .060
15	378410A1	4	CAP,
16	896-11014	12	WASHER, M12 x 28.5 x 3, HT,
17	627-14045	12	BOLT, Hex, M14 x 45, 10.9, Full Thd,
18	219-1	4	NIPPLE, LUBE, 1/8"-27 x .66 lg,
19	615-6012	1	BOLT, Hex, M6 x 12, 8.8, Full Thd, If Equipped
20	896-11014	16	WASHER, M12 x 28.5 x 3, HT,
21	627-14045	16	BOLT, Hex, M14 x 45, 10.9, Full Thd,
22	87455742	1	BALL JOINT, Left Hand Threads, Inc. 23 - 25
23	87455741	1	NUT, M38, Left Hand Threads
24	87455807	1	FITTING, Grease
25	NSS	1	NOT SERVICED SEPARATELY, Ball Joint Left Hand
26	NSS	1	NOT SERVICED SEPARATELY,
27	NSS	1	NOT SERVICED SEPARATELY,
28	87455806	1	NUT, SLOTTED, M22
29	87455737	1	TUBE,
30	87455739	1	NUT, M38, Right Hand Threads
31	87455743	1	BALL JOINT, Right Hand Threads, Inc. 32 - 34
32	NSS	1	NOT SERVICED SEPARATELY, Ball Joint Right Hand
33	87455807	1	FITTING, Grease
34	87455806	1	NUT, SLOTTED, M22
35	432-820	2	PIN, SPLIT (COTTER), 1/8" x 1 1/4",
36	432-820	2	PIN, SPLIT (COTTER), 1/8" x 1 1/4",
37	292565A1	2	PIN, LARGE,
39	281914A1	2	ROD, Steering Stop, Short, 3 Hole

MAGNUM 255 CASE-IH MAGNUM TRACTOR (EMERGING MARKET) (1/06-)

05-06 MFD AXLE HOUSING ASSEMBLY - STANDARD WITH 12 BOLT HUB, WITHOUT DIFFERENTIAL LOCK

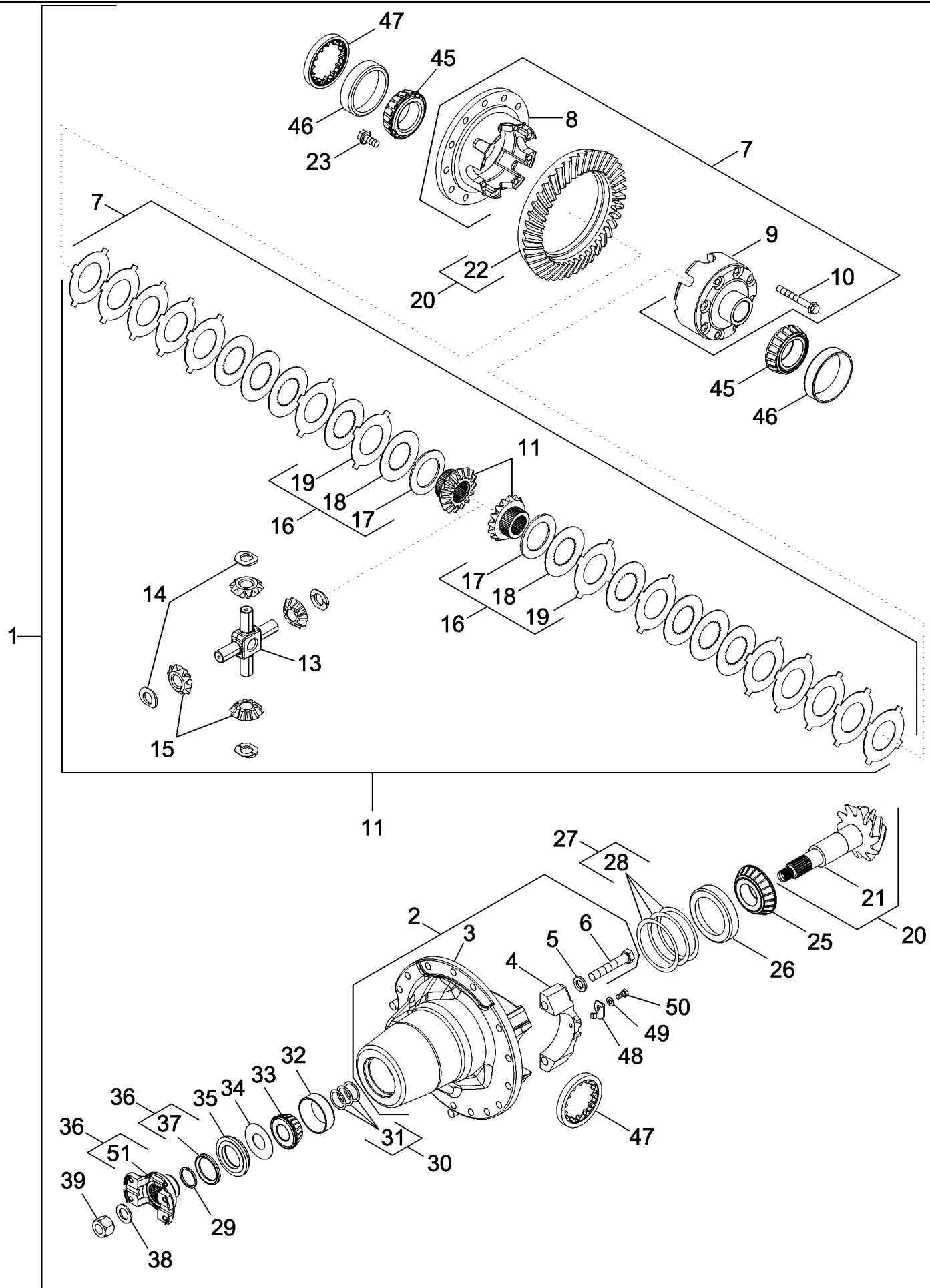
сылка	Номер детали	Кол-во	Описание
40	87404993	2	PIN, AXLE,
45	297333A2	2	BLOCK ASSY.,
46	844-12070	4	BOLT, Hex Flg, M12x 70, 8.8,
47	80299	4	WASHER, 5/8",
48	829-1412	4	NUT, M12, CI 10,
49	352782A1	1	STRAP,
50	863-8020	2	SCREW, Hex Soc Hd, M8 x 20, 12.9,
54	87433501	2	BUSHING, (Not Shown)
55	353-77	8	PLUG, Cap, .576" OD, (Not Shown)



MAGNUM 255 CASE-IH MAGNUM TRACTOR (EMERGING MARKET) (1/06-)

05-07 FRONT AXLE DRIVE SHAFT - MFD, WITHOUT DIFFERENTIAL LOCK

сылка	Номер детали	Кол-во	Описание
1	395734A1	1	HALF SHAFT, Right Hand, Shown, Inc. 2 - 12
1	395735A1	1	AXLE, Left Hand, Inc. 2 - 12
2	395741A1	1	SHAFT, LONG, Right Hand
2	395743A1	1	SHAFT, LONG, Left Hand
3	395738A1	2	KIT, FIP, Inc. 4 - 6
4	NSS	4	NOT SERVICED SEPARATELY, CUP
5	NSS	1	NOT SERVICED SEPARATELY, JOINT, UNIVERSAL
6	NSS	4	NOT SERVICED SEPARATELY, RING, RETAINING
7	395740A1	1	YOKE,
8	395737A1	1	YOKE, Inc. 9 - 12
9	1961753C1	1	SEAL,
10	1277405C1	1	RING,
11	NSS	1	NOT SERVICED SEPARATELY, YOKE
12	1287608C1	1	SEAL,
13	302957A1	2	SEAL, OIL,
14	302956A1	2	SEAL, OIL,
15	302958A1	2	BUSHING, LARGE,



MAGNUM 255 CASE-IH MAGNUM TRACTOR (EMERGING MARKET) (1/06-)

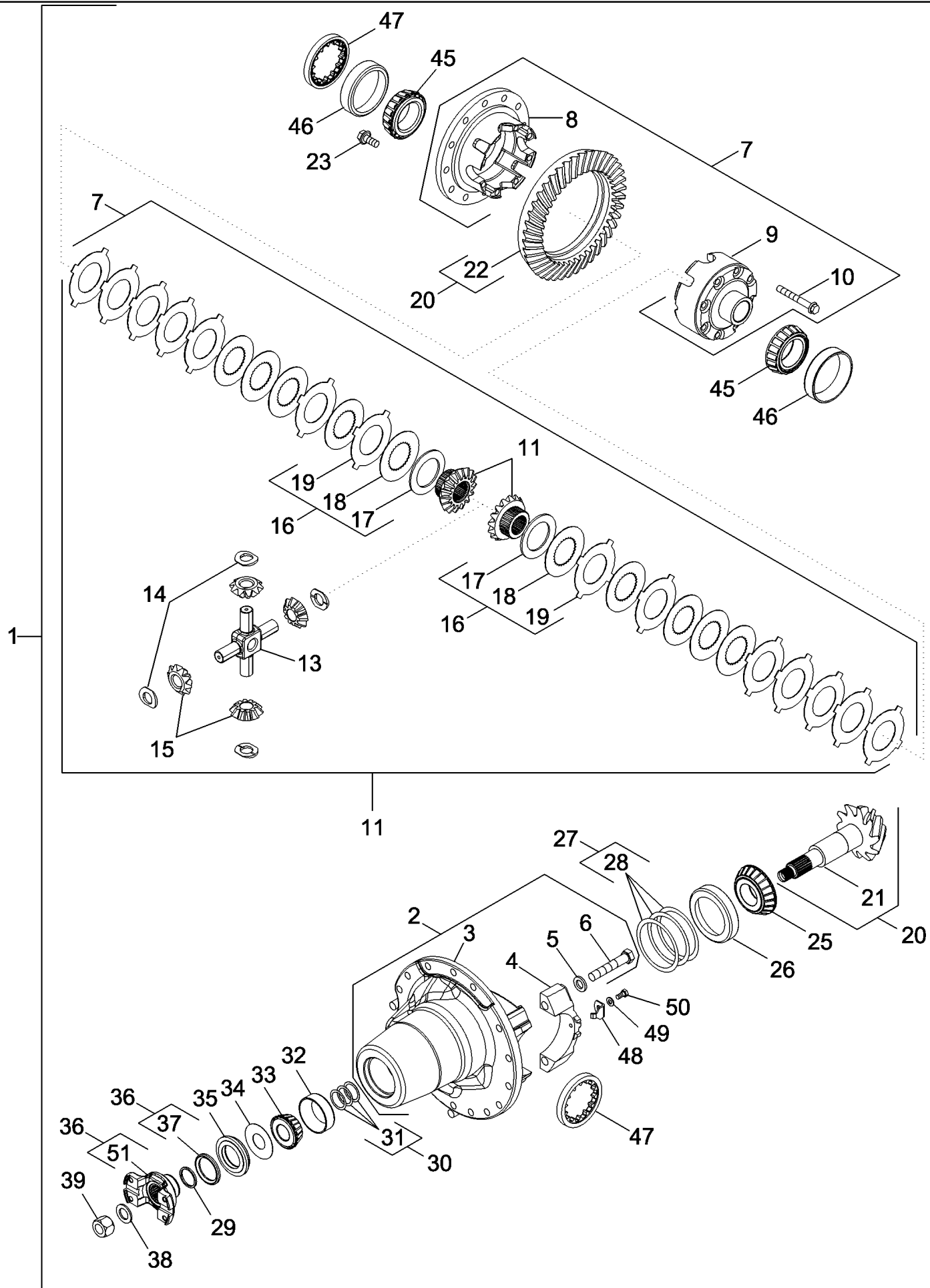
05-08 CARRIER AND DIFFERENTIAL - MFD, 10 BOLT HUB, WITHOUT DIFFERENTIAL LOCK

сылка	Номер детали	Кол-во	Описание
1	87324562	1	CARRIER, Inc. 2 - 51
2	87404057	1	CARRIER, Inc. 3 - 6
3	NSS	1	NOT SERVICED SEPARATELY, Housing
4	NSS	2	NOT SERVICED SEPARATELY, Cap
5	896-12016	4	WASHER, M17.5 x 30 x 4, HT,
6	828-16090	4	BOLT, Hex, M16 x 90, 10.9,
7	345688A4	1	DIFFERENTIAL, Inc. 8 - 19
8	NSS	1	NOT SERVICED SEPARATELY, Housing
9	NSS	1	NOT SERVICED SEPARATELY, Housing
10	1997853C1	8	BOLT,
11	377176A3	1	KIT, Inc. 12 - 19
12	NSS	2	NOT SERVICED SEPARATELY, Gear
13	NSS	1	NOT SERVICED SEPARATELY, Shaft
14	NSS	4	NOT SERVICED SEPARATELY, Washer, Thrust
15	NSS	4	NOT SERVICED SEPARATELY, Gear
16	377177A3	1	KIT, Inc. 17 - 19
17	NSS	2	NOT SERVICED SEPARATELY, Plate
18	NSS	10	NOT SERVICED SEPARATELY, Disc, Friction
19	NSS	14	NOT SERVICED SEPARATELY, Plate
20	1968293C1	1	KIT, Inc. 21, 22
21	NSS	1	NOT SERVICED SEPARATELY, Shaft, Pinion
22	NSS	1	NOT SERVICED SEPARATELY, Ring, Gear
23	H136416	12	SCREW,
25	315421A1	1	BEARING, CONE,
26	315422A1	1	BEARING, CUP,
27	1277229C1	1	PACKAGE, Inc. 28
28	NSS	5	NOT SERVICED SEPARATELY, Shim .003
28	NSS	5	NOT SERVICED SEPARATELY, Shim .005
28	NSS	5	NOT SERVICED SEPARATELY, Shim .010
29	251189A1	1	SPACER,
30	318504A1	1	KIT, SHIM, Inc. 31
31	NSS	1	NOT SERVICED SEPARATELY, Shim .010
31	NSS	1	NOT SERVICED SEPARATELY, Shim .014
31	NSS	1	NOT SERVICED SEPARATELY, Shim .015
31	NSS	1	NOT SERVICED SEPARATELY, Shim .016
31	NSS	1	NOT SERVICED SEPARATELY, Shim .018
31	NSS	1	NOT SERVICED SEPARATELY, Shim .020
31	NSS	1	NOT SERVICED SEPARATELY, Shim .021
31	NSS	1	NOT SERVICED SEPARATELY, Shim .022
31	NSS	1	NOT SERVICED SEPARATELY, Shim .023
31	NSS	1	NOT SERVICED SEPARATELY, Shim .030
32	315424A1	1	BEARING, CUP,
33	315423A1	1	BEARING, CONE,
34	318845A1	1	SLINGER,
35	87324555	1	SEAL ASSY.,

MAGNUM 255 CASE-IH MAGNUM TRACTOR (EMERGING MARKET) (1/06-)

05-08 CARRIER AND DIFFERENTIAL - MFD, 10 BOLT HUB, WITHOUT DIFFERENTIAL LOCK

сылка	Номер детали	Кол-во	Описание
36	87324552	1	YOKE, Inc. 37, 51
37	87324558	1	DEFLECTOR,
38	H224501	1	WASHER, 7/8 inch
39	232-46314	1	NUT, LOCK, 7/8"-14, GC,
45	1968291C1	2	BEARING,
46	1968292C1	2	BEARING,
47	1277233C1	2	RING,
48	1277234C1	2	CLEVIS,
49	496-11034	2	WASHER, 11/32" x 11/16" x 1/16", HDN,
50	628-8016	2	BOLT, Hex, M8 x 16, 10.9, Full Thd,
51	NSS	1	NOT SERVICED SEPARATELY, Yoke



MAGNUM 255 CASE-IH MAGNUM TRACTOR (EMERGING MARKET) (1/06-)

05-09 CARRIER AND DIFFERENTIAL - MFD, 12 BOLT HUB, WITHOUT DIFFERENTIAL LOCK

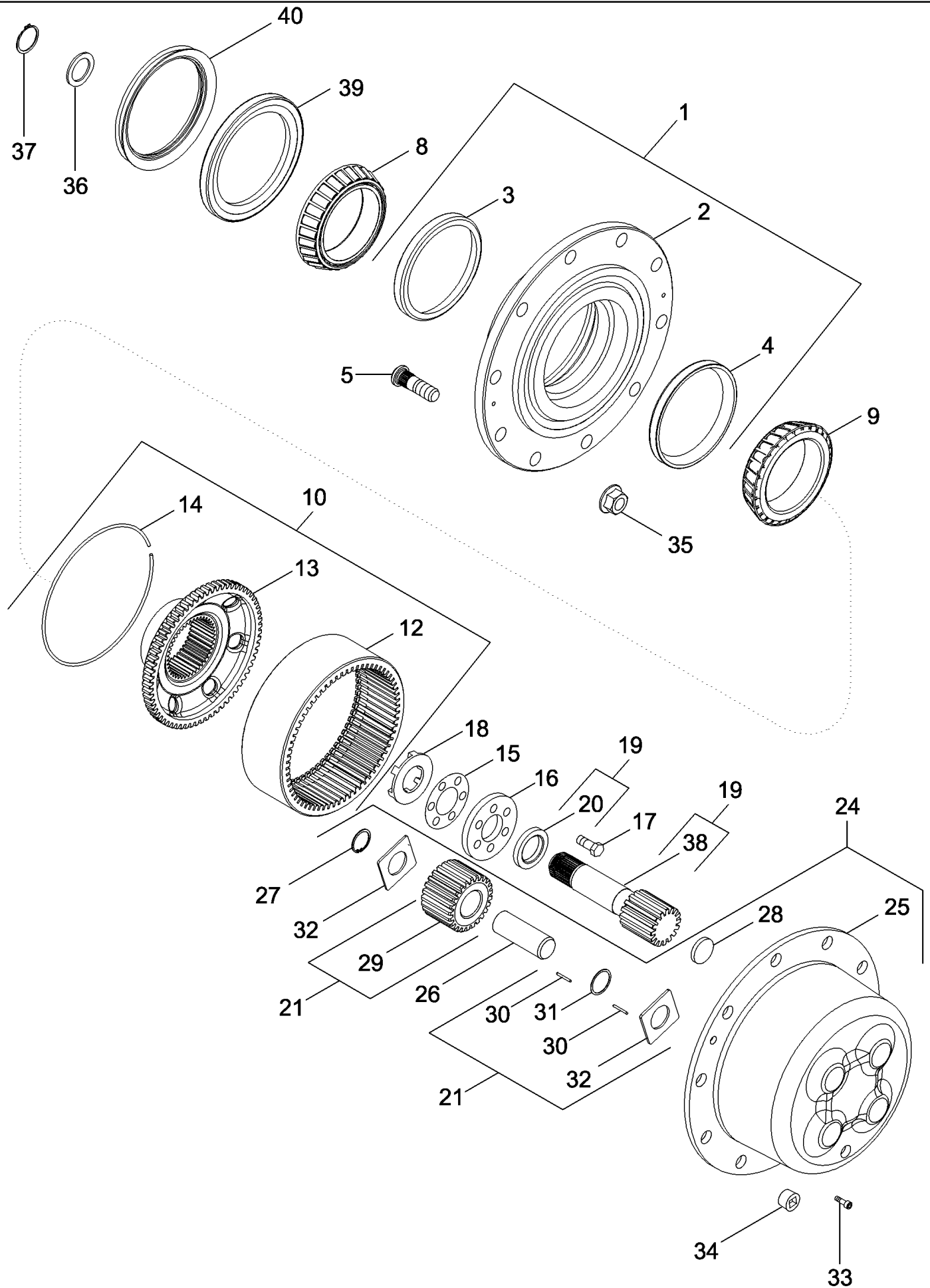
сылка	Номер детали	Кол-во	Описание
1	87324564	1	CARRIER, Inc. 2 - 50
2	87324561	1	CARRIER, Inc. 3 - 6
3	NSS	1	NOT SERVICED SEPARATELY, Housing
4	NSS	2	NOT SERVICED SEPARATELY, Cap
5	896-12016	4	WASHER, M17.5 x 30 x 4, HT,
6	828-16090	4	BOLT, Hex, M16 x 90, 10.9,
7	345688A4	1	DIFFERENTIAL, Inc. 8 - 19
8	NSS	1	NOT SERVICED SEPARATELY, Housing
9	NSS	1	NOT SERVICED SEPARATELY, Housing
10	1997853C1	8	BOLT,
11	377176A3	1	KIT, Inc. 12 - 19
12	NSS	2	NOT SERVICED SEPARATELY, Gear
13	NSS	1	NOT SERVICED SEPARATELY, Shaft
14	NSS	4	NOT SERVICED SEPARATELY, Washer, Thrust
15	NSS	4	NOT SERVICED SEPARATELY, Gear
16	377177A3	1	KIT, Inc. 17 - 19
17	NSS	2	NOT SERVICED SEPARATELY, Plate
18	NSS	10	NOT SERVICED SEPARATELY, Disc, Friction
19	NSS	14	NOT SERVICED SEPARATELY, Plate
20	87324538	1	BEVEL GEAR, Inc. 21,22
21	NSS	1	NOT SERVICED SEPARATELY, Shaft, Pinion
22	NSS	1	NOT SERVICED SEPARATELY, Ring, Gear
23	H136416	12	SCREW,
25	87324516	1	BEARING, CONE,
26	87324517	1	BEARING, CUP,
27	87324518	1	KIT, SHIM, Inc. 28
28	NSS	5	NOT SERVICED SEPARATELY, Shim .003
28	NSS	5	NOT SERVICED SEPARATELY, Shim .005
28	NSS	5	NOT SERVICED SEPARATELY, Shim .010
30	87324536	1	KIT, SHIM, Inc. 31
31	NSS	1	NOT SERVICED SEPARATELY, Shim .010
31	NSS	1	NOT SERVICED SEPARATELY, Shim .014
31	NSS	1	NOT SERVICED SEPARATELY, Shim .015
31	NSS	1	NOT SERVICED SEPARATELY, Shim .016
31	NSS	1	NOT SERVICED SEPARATELY, Shim .018
31	NSS	1	NOT SERVICED SEPARATELY, Shim .020
31	NSS	1	NOT SERVICED SEPARATELY, Shim .021
31	NSS	1	NOT SERVICED SEPARATELY, Shim .022
31	NSS	1	NOT SERVICED SEPARATELY, Shim .023
31	NSS	1	NOT SERVICED SEPARATELY, Shim .030
32	87324534	1	BEARING, CONE,
33	87324532	1	BEARING, CUP,
34	87324540	1	SLINGER,
35	87324542	1	SEAL, OIL,
36	87324528	1	YOKE, Inc. 37, 51

MAGNUM 255 CASE-IH MAGNUM TRACTOR (EMERGING MARKET) (1/06-)

05-09 CARRIER AND DIFFERENTIAL - MFD, 12 BOLT HUB, WITHOUT DIFFERENTIAL LOCK

сылка	Номер детали	Кол-во	Описание
37	87324547	1	DEFLECTOR,
38	87324523	1	WASHER,
39	87324520	1	NUT,
45	1968291C1	2	BEARING,
46	1968292C1	2	BEARING,
47	1277233C1	2	RING,
48	1277234C1	2	CLEVIS,
49	496-11034	2	WASHER, 11/32" x 11/16" x 1/16", HDN,
50	628-8016	2	BOLT, Hex, M8 x 16, 10.9, Full Thd,
51	NSS	1	NOT SERVICED SEPARATELY, Yoke

05-10 FRONT AXLE PLANETARIES AND HUB - MFD, 10 BOLT HUB

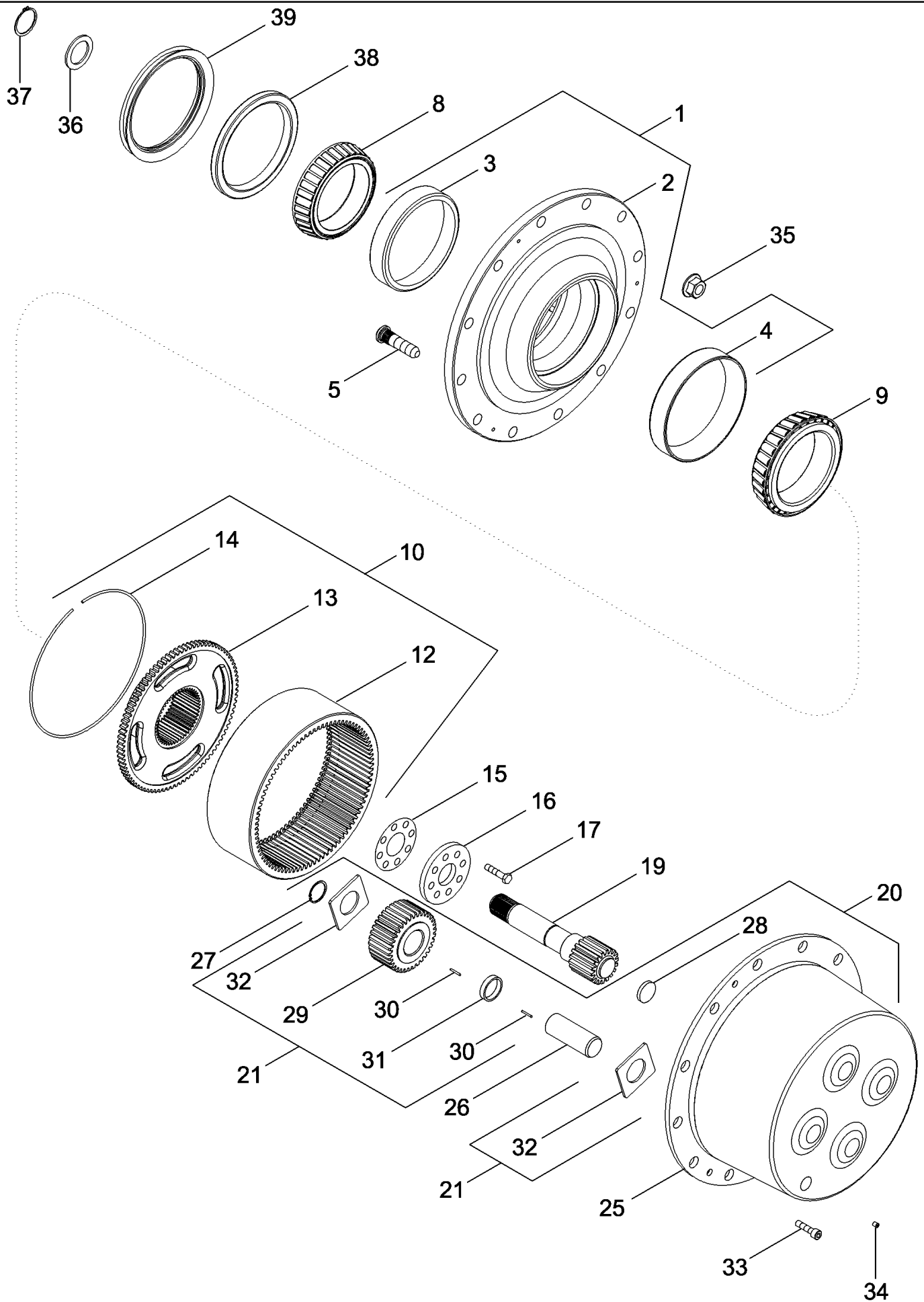


MAGNUM 255 CASE-IH MAGNUM TRACTOR (EMERGING MARKET) (1/06-)

05-10 FRONT AXLE PLANETARIES AND HUB - MFD, 10 BOLT HUB

сылка	Номер детали	Кол-во	Описание
1	NSS	2	NOT SERVICED SEPARATELY, HUB ASSEMBLY, Order Components
2	295165A1	2	HUB, , Axle BSN Z7RZ02024
2	87588833	2	HUB, , Axle ASN Z7RZ02024
3	1277344C1	2	BEARING, CUP,
4	L33732	2	CUP ASSY.,
5	231023A1	20	STUD,
8	1277343C1	2	BEARING, CONE,
9	L33737	2	BEARING, CONE,
10	281984A1	2	GEAR, RING, Inc. 12 - 14
12	NSS	1	NOT SERVICED SEPARATELY, Ring, Gear
13	NSS	1	NOT SERVICED SEPARATELY, Hub
14	NSS	1	NOT SERVICED SEPARATELY, Ring, Retaining
15	1981236C1	2	KIT, SHIM, Inc. 15
15	NSS	5	NOT SERVICED SEPARATELY, Shim .002
15	NSS	5	NOT SERVICED SEPARATELY, Shim .005
15	NSS	5	NOT SERVICED SEPARATELY, Shim .010
15	NSS	5	NOT SERVICED SEPARATELY, Shim .020
15	NSS	5	NOT SERVICED SEPARATELY, Shim .030
16	251190A1	2	PLATE, LARGE,
17	628-12030	12	BOLT, Hex, M12 x 30, 10.9, Full Thd,
18	310947A1	2	WASHER, THRUST,
19	302198A2	2	SUN GEAR, Inc. 20, 38
20	NSS	1	NOT SERVICED SEPARATELY, Washer, Thrust
21	316330A2	1	KIT, FIP, Inc. 29 - 32
24	302251A2	2	GEAR WHEEL, Inc. 25 - 32
25	NSS	1	NOT SERVICED SEPARATELY, Flange
26	302197A1	4	PIN, LARGE,
27	100-21131	4	RING, SNAP, 1.312", Int, #131,
28	302184A1	1	BUTTON, HOLE PLUG,
29	NSS	4	NOT SERVICED SEPARATELY, Gear
30	NSS	288	NOT SERVICED SEPARATELY, Bearing, Needle
31	NSS	4	NOT SERVICED SEPARATELY, Spacer
32	NSS	8	NOT SERVICED SEPARATELY, Washer, Thrust
33	864-6020	4	SCREW, Hex Soc Hd, M6 x 20, 8.8,
34	221-887	2	PLUG, 3/4
35	253212A1	20	NUT,
36	87403378	2	WASHER, THRUST,
37	87403379	2	SNAP RING,
38	NSS	1	NOT SERVICED SEPARATELY, Gear
39	87311480	1	KIT, Hub Seal, Axle BSN Z7RZ02024
39	87588941	1	KIT, Hub Seal, Axle ASN Z7RZ02024
40	87588837	1	KIT, V-Ring Seal

05-11 FRONT AXLE PLANETARIES AND HUB - MFD, 12 BOLT HUB

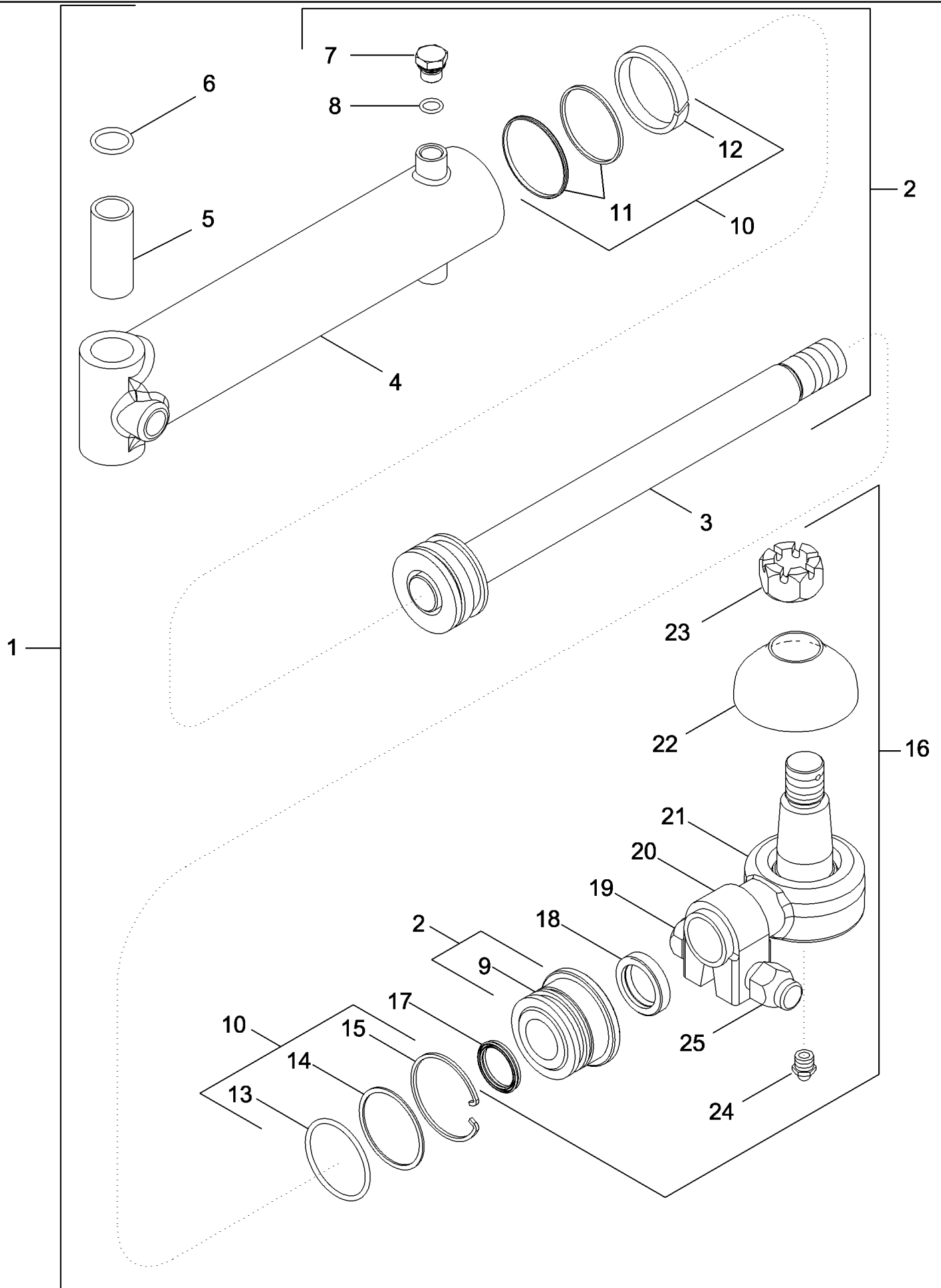


MAGNUM 255 CASE-IH MAGNUM TRACTOR (EMERGING MARKET) (1/06-)

05-11 FRONT AXLE PLANETARIES AND HUB - MFD, 12 BOLT HUB

сылка	Номер детали	Кол-во	Описание
1	NSS	2	NOT SERVICED SEPARATELY, HUB ASSEMBLY, Order Components
2	295168A1	2	HUB, , Axle BSN Z7RZ02024
2	87390163	2	HUB, , Axle ASN Z7RZ02024
3	L31698	2	BEARING, CUP, 7-3/16 OD x 1-15/16 inch wide (183 x 49 MM)
4	135649A1	2	BEARING, CUP,
5	297495A1	24	STUD,
8	311042A1	2	BEARING, CONE,
9	135648A1	2	BEARING, CONE,
10	281985A1	2	GEAR, RING, Inc. 12 - 14
12	NSS	1	NOT SERVICED SEPARATELY, Ring, Gear
13	NSS	1	NOT SERVICED SEPARATELY, Hub
14	NSS	1	NOT SERVICED SEPARATELY, Ring, Retaining
15	302180A1	2	KIT, SHIM, Inc. 15
15	NSS	5	NOT SERVICED SEPARATELY, Shim .002
15	NSS	5	NOT SERVICED SEPARATELY, Shim .003
15	NSS	5	NOT SERVICED SEPARATELY, Shim .005
15	NSS	5	NOT SERVICED SEPARATELY, Shim .010
15	NSS	5	NOT SERVICED SEPARATELY, Shim .020
15	NSS	5	NOT SERVICED SEPARATELY, Shim .030
16	281986A1	2	PLATE, LARGE,
17	628-12030	16	BOLT, Hex, M12 x 30, 10.9, Full Thd,
19	281982A3	2	SUN GEAR,
20	302174A1	2	GEAR WHEEL, Inc. 25 - 32
21	316328A1	1	KIT, FIP, Inc. 29 - 32
25	NSS	1	NOT SERVICED SEPARATELY, Flange
26	302196A1	4	PIN, LARGE,
27	100-21150	4	RING, SNAP, 1.50", Int, #150,
28	302184A1	1	BUTTON, HOLE PLUG,
29	NSS	4	NOT SERVICED SEPARATELY, Gear
30	NSS	328	NOT SERVICED SEPARATELY, Bearing, Needle
31	NSS	4	NOT SERVICED SEPARATELY, Spacer
32	NSS	8	NOT SERVICED SEPARATELY, Washer, Thrust
33	864-6020	6	SCREW, Hex Soc Hd, M6 x 20, 8.8,
34	221-887	2	PLUG, 3/4
35	253212A1	24	NUT,
36	87403378	1	WASHER, THRUST,
37	87403379	1	SNAP RING,
38	87390190	1	KIT, Hub Seal
39	87390352	1	KIT, V-Ring Seal

05-12 STEERING CYLINDER ASSEMBLY - MFD, 10 BOLT HUB

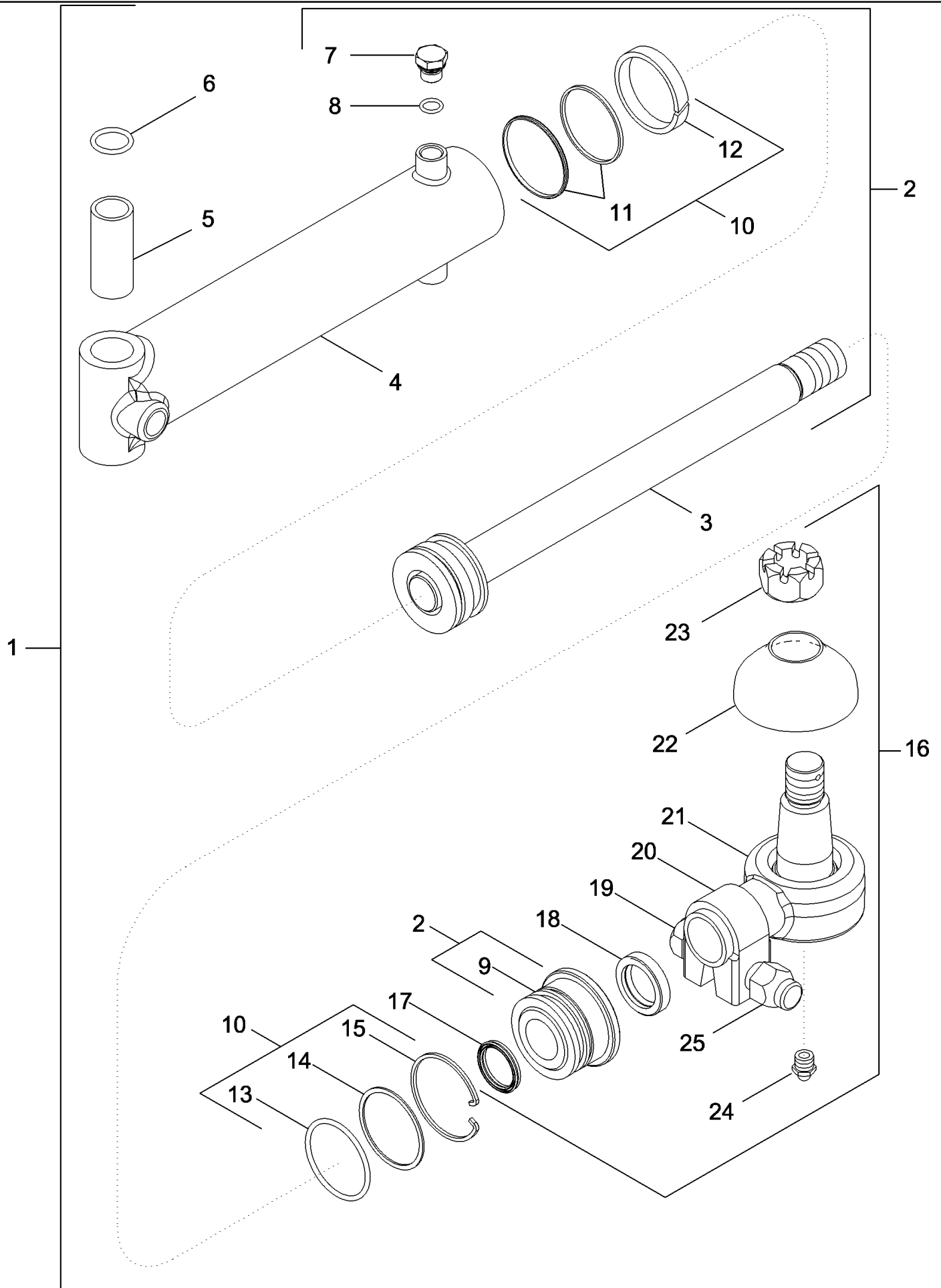


MAGNUM 255 CASE-IH MAGNUM TRACTOR (EMERGING MARKET) (1/06-)

05-12 STEERING CYLINDER ASSEMBLY - MFD, 10 BOLT HUB

сылка	Номер детали	Кол-во	Описание
1	87455636	1	CYLINDER ASSY., Left Hand, Inc. 2 - 25
1	87455637	1	CYLINDER ASSY., Right Hand, Inc. 2 - 25
2	87455638	1	CYLINDER ASSY., Kit, Left Hand, Inc. 3 - 8
2	87455639	1	CYLINDER ASSY., Kit, Right Hand, Inc. 3 - 8
3	87455642	1	ROD, PISTON,
4	NSS	1	NOT SERVICED SEPARATELY, Tube
5	314450A2	1	BUSHING, LARGE,
6	238-5212	2	O-RING, -212, 70 Duro, .859" ID x .139" Thk,
7	220064A1	1	PLUG, M14 x 1.5, ORB, Inc. 8
8	637-63113	1	O-RING, CI 6, 11.3MM ID x 2.2 Thk,
9	87455643	1	CAP CYLINDER END,
10	87455641	1	KIT, SEALS, Inc. 11 - 15
11	NSS	1	NOT SERVICED SEPARATELY, Seal
12	NSS	1	NOT SERVICED SEPARATELY, Ring, Wear
13	NSS	1	NOT SERVICED SEPARATELY, O-Ring
14	NSS	1	NOT SERVICED SEPARATELY, Ring, Backup
15	NSS	1	NOT SERVICED SEPARATELY, Ring, Retaining
16	87455628	1	BALL JOINT, Inc. 17- 25
17	87455652	1	SEALRING, Small
18	87455667	1	SEALRING, Large
19	87455665	1	BOLT,
20	87455773	1	CLAMP,
21	NSS	1	NOT SERVICED SEPARATELY, Ball Joint
22	87455664	1	BOOT,
23	87455662	1	NUT, SPECIAL,
24	87455654	1	FITTING,
25	87455666	1	NUT, SPECIAL,

05-13 STEERING CYLINDER ASSEMBLY - MFD, 12 BOLT HUB

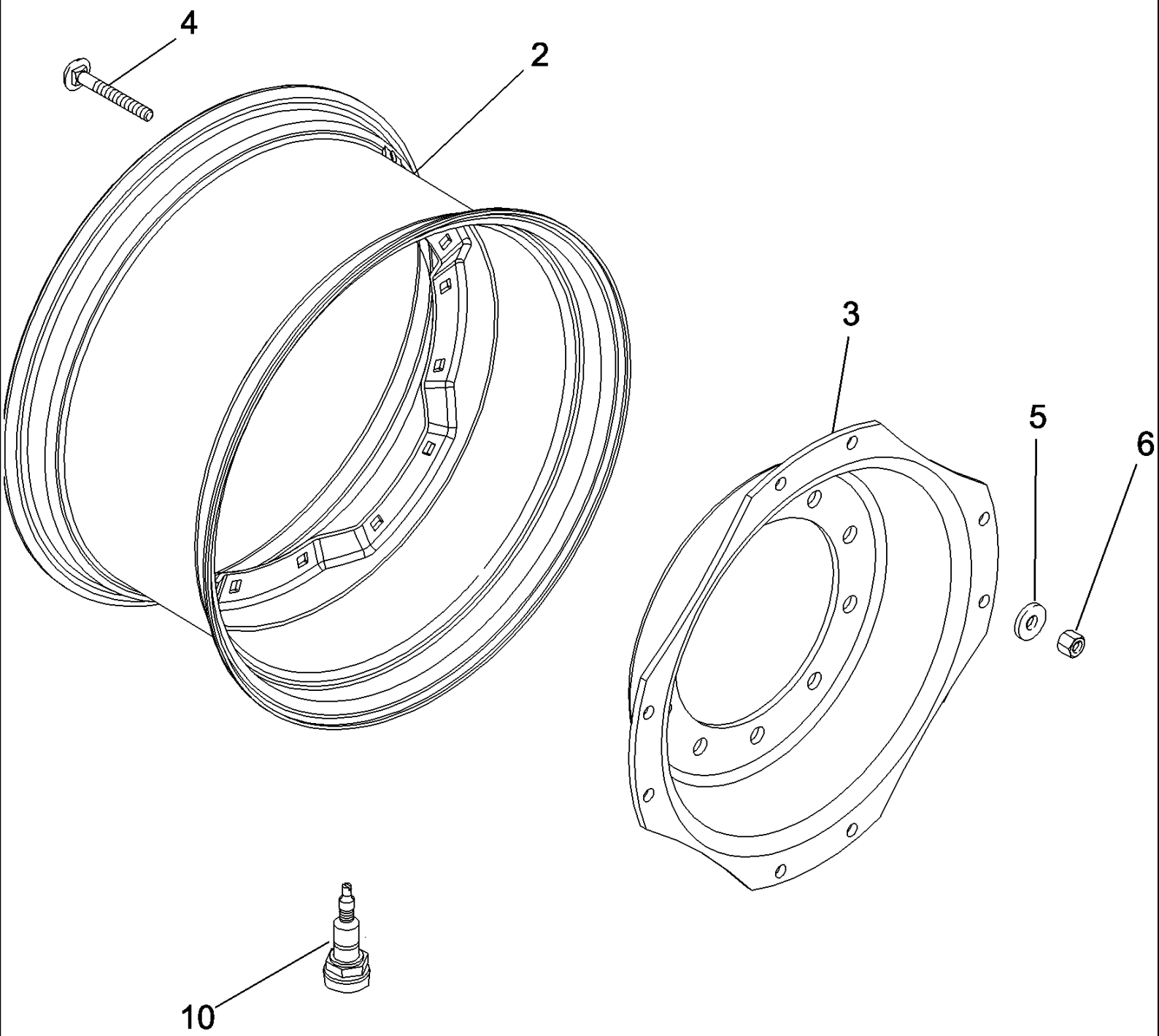


MAGNUM 255 CASE-IH MAGNUM TRACTOR (EMERGING MARKET) (1/06-)

05-13 STEERING CYLINDER ASSEMBLY - MFD, 12 BOLT HUB

сылка	Номер детали	Кол-во	Описание
1	87455647	1	CYLINDER ASSY., Left Hand, Inc. 2 - 25
1	87455648	1	CYLINDER ASSY., Right Hand, Inc. 2 - 25
2	87455649	1	CYLINDER STEERING, Kit, Left Hand, Inc. 3 - 8
2	87455650	1	CYLINDER STEERING, Kit, Right Hand, Inc. 3 - 8
3	87455653	1	ROD, PISTON,
4	NSS	1	NOT SERVICED SEPARATELY, Tube
5	314450A2	1	BUSHING, LARGE,
6	238-5212	2	O-RING, -212, 70 Duro, .859" ID x .139" Thk,
7	220064A1	1	PLUG, M14 x 1.5, ORB, Inc. 8
8	637-63113	1	O-RING, CI 6, 11.3MM ID x 2.2 Thk,
9	87455634	1	CAP CYLINDER END,
10	87455632	1	KIT, SEALS, Inc. 11 - 15
11	NSS	1	NOT SERVICED SEPARATELY, Seal
12	NSS	1	NOT SERVICED SEPARATELY, Ring, Wear
13	NSS	1	NOT SERVICED SEPARATELY, O-Ring
14	NSS	1	NOT SERVICED SEPARATELY, Ring, Backup
15	NSS	1	NOT SERVICED SEPARATELY, Ring, Retaining
16	87455628	1	BALL JOINT, Inc. 17 - 25
17	87455652	1	SEALRING, Small
18	87455667	1	SEALRING, Large
19	87455665	1	BOLT,
20	87455773	1	CLAMP,
21	NSS	1	NOT SERVICED SEPARATELY, Ball Joint
22	87455664	1	BOOT,
23	87455662	1	NUT, SPECIAL,
24	87455654	1	FITTING,
25	87455666	1	NUT, SPECIAL,

05-14 FRONT WHEELS - MFD, 10 BOLT HUB



MAGNUM 255 CASE-IH MAGNUM TRACTOR (EMERGING MARKET) (1/06-)

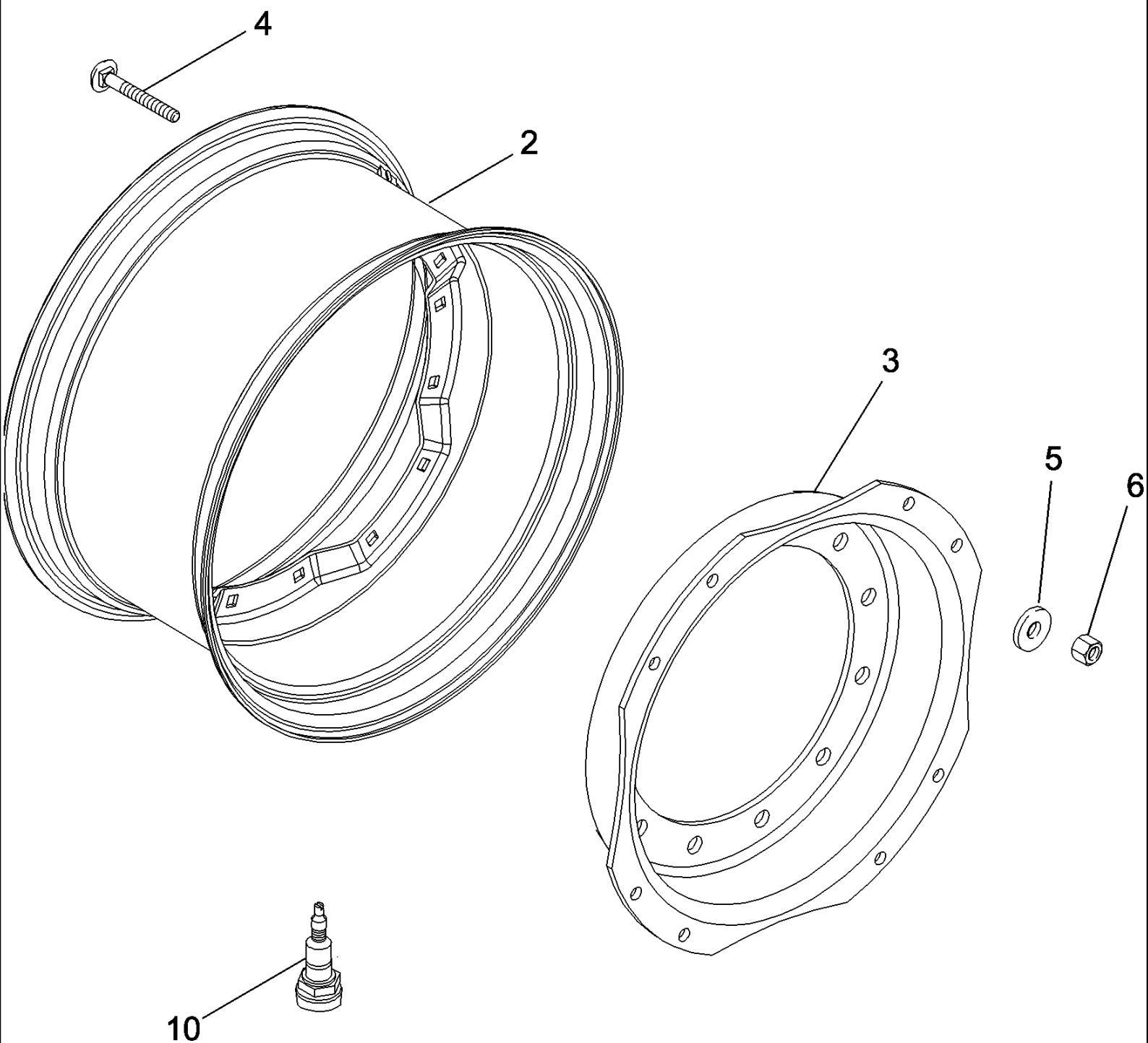
05-14 FRONT WHEELS - MFD, 10 BOLT HUB

сылка	Номер детали	Кол-во	Описание
1	259367A2	2	WHEEL, W18Lx28, Inc. 2 - 6, For Tires 600/65R28
2	188350A2	1	RIM,
3	240677A1	1	FLANGE, 10 bolt
4	240686A1	8	BOLT, SPECIAL,
5	896-11016	8	WASHER, M17.5 x 30 x 4, HT,
6	829-1416	8	NUT, M16, CI 10,
1	259368A1	2	WHEEL ASSY., W13x30, Inc. 2 - 6, For Tires 380/85R30, 14.9R30
2	188338A1	1	RIM,
3	240677A1	1	FLANGE, 10 Bolt
4	240686A1	8	BOLT, SPECIAL,
5	896-11016	8	WASHER, M17.5 x 30 x 4, HT,
6	829-1416	8	NUT, M16, CI 10,
1	259369A1	2	WHEEL ASSY., DW15Lx30, Inc. 2 - 6, For Tires 480/85R30, 480/70R30, 420/90R30, 16.9R30,
2	188341A1	1	RIM,
3	240677A1	1	FLANGE, 10 Bolt
4	240686A1	8	BOLT, SPECIAL,
5	896-11016	8	WASHER, M17.5 x 30 x 4, HT,
6	829-1416	8	NUT, M16, CI 10,
1	87401232	2	WHEEL, DW20Ax30, Inc. 2 - 6, For Tires 600/70R30
2	87402304	1	RIM,
3	240677A1	1	FLANGE, 10 Bolt
4	240686A1	8	BOLT, SPECIAL,
5	896-11016	8	WASHER, M17.5 x 30 x 4, HT,
6	829-1416	8	NUT, M16, CI 10,
1	259372A1	2	WHEEL ASSY., W13x34, Inc. 2 - 6, For Tires 380/85R34, 14.9R34
2	231998A1	1	RIM,
3	259373A1	1	FLANGE, 10 Bolt
4	240686A1	8	BOLT, SPECIAL,
5	896-11016	8	WASHER, M17.5 x 30 x 4, HT,
6	829-1416	8	NUT, M16, CI 10,
1	259370A1	2	WHEEL ASSY., W15Lx34, Inc. 2 - 6, For Tires 480/70R34, 540/65R34
2	259416A1	1	RIM,
3	259373A1	1	FLANGE, 10 Bolt
4	240686A1	8	BOLT, SPECIAL,
5	896-11016	8	WASHER, M17.5 x 30 x 4, HT,
6	829-1416	8	NUT, M16, CI 10,
1	297354A1	2	WHEEL, W10x38, Inc. 2 - 6, For Tires 320/85R38
2	297355A1	1	RIM, W10x38
3	297356A1	1	DISC,
4	240686A1	12	BOLT, SPECIAL,
5	896-11016	12	WASHER, M17.5 x 30 x 4, HT,
6	829-1416	12	NUT, M16, CI 10,
1	347616A1	2	WHEEL, W12x38, Inc. 2 - 6, For Tires 380/80R38
2	347618A1	1	RIM,
3	297356A1	1	DISC, 10 Bolt

MAGNUM 255 CASE-IH MAGNUM TRACTOR (EMERGING MARKET) (1/06-)

05-14 FRONT WHEELS - MFD, 10 BOLT HUB

сылка	Номер детали	Кол-во	Описание
4	240686A1	12	BOLT, SPECIAL,
5	896-11016	12	WASHER, M17.5 x 30 x 4, HT,
6	829-1416	12	NUT, M16, CI 10,
1	396518A1	2	WHEEL, W10Ax42, Inc. 2 - 6, For Tires 320/80R42
2	396520A1	1	RIM,
3	297356A1	1	DISC, 10 Bolt
4	240686A1	12	BOLT, SPECIAL,
5	896-11016	12	WASHER, M17.5 x 30 x 4, HT,
6	829-1416	12	NUT, M16, CI 10,
10	86507333	2	VALVE STEM,



MAGNUM 255 CASE-IH MAGNUM TRACTOR (EMERGING MARKET) (1/06-)

05-15 FRONT WHEELS - MFD, 12 BOLT HUB

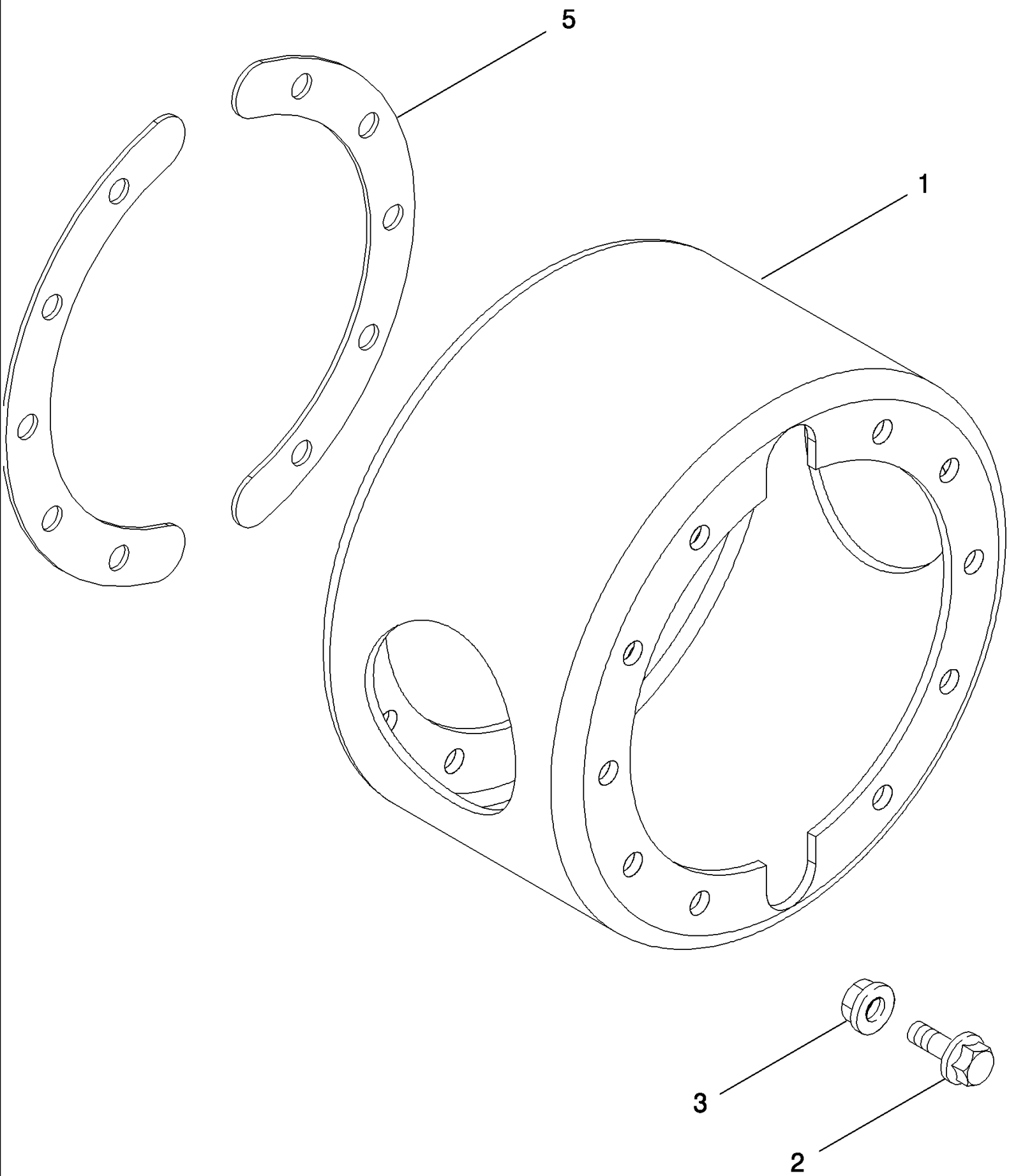
сылка	Номер детали	Кол-во	Описание
1	188347A2	2	WHEEL ASSY, W18Lx28, Inc. 2 - 6, For Tires 600/65R28
2	188350A2	1	RIM,
3	188328A1	1	DISC, WHEEL, 12 Bolt
4	240686A1	8	BOLT, SPECIAL,
5	896-11016	8	WASHER, M17.5 x 30 x 4, HT,
6	829-1416	8	NUT, M16, CI 10,
1	188335A1	2	WHEEL ASSY., DWW13x30, Inc. 2 - 6, For Tires 380/85R30, 14.9R30
2	188338A1	1	RIM,
3	188328A1	1	DISC, WHEEL, 12 Bolt
4	240686A1	8	BOLT, SPECIAL,
5	896-11016	8	WASHER, M17.5 x 30 x 4, HT,
6	829-1416	8	NUT, M16, CI 10,
1	188339A1	2	WHEEL ASSY., DWW15x30 Inc. 2 - 6, For Tires 480/85R30, 480/70R30, 420/90R30, 16.9R30,
2	188341A1	1	RIM,
3	188328A1	1	DISC, WHEEL, 12 Bolt
4	240686A1	8	BOLT, SPECIAL,
5	896-11016	8	WASHER, M17.5 x 30 x 4, HT,
6	829-1416	8	NUT, M16, CI 10,
1	87401233	2	WHEEL, DW20x30, Inc. 2 - 6, For Tires 660/70R30
2	87402304	1	RIM,
3	188328A1	1	DISC, WHEEL, 12 Bolt
4	240686A1	8	BOLT, SPECIAL,
5	896-11016	8	WASHER, M17.5 x 30 x 4, HT,
6	829-1416	8	NUT, M16, CI 10,
1	231997A1	2	WHEEL ASSY., W13x34, Inc. 2 - 6, For Tires 380/85R34
2	231998A1	1	RIM,
3	231999A1	1	FLANGE, 12 Bolt
4	240686A1	8	BOLT, SPECIAL,
5	896-11016	8	WASHER, M17.5 x 30 x 4, HT,
6	829-1416	8	NUT, M16, CI 10,
1	259371A1	2	WHEEL ASSY., W15lx34, Inc. 2 - 6, For Tires 480/70R34, 540/65R34
2	259416A1	1	RIM,
3	231999A1	1	FLANGE, 12 Bolt
4	240686A1	8	BOLT, SPECIAL,
5	896-11016	8	WASHER, M17.5 x 30 x 4, HT,
6	829-1416	8	NUT, M16, CI 10,
1	87544869	2	WHEEL ASSY, W10x38, Inc. 2 - 6, For Tires 320/85R38
2	297355A1	1	RIM,
3	87544709	1	DISC, 12 Bolt
4	240686A1	12	BOLT, SPECIAL,
5	896-11016	12	WASHER, M17.5 x 30 x 4, HT,
6	829-1416	12	NUT, M16, CI 10,
1	87544870	2	WHEEL ASSY, W12x38, Inc. 2 - 6, For Tires 380/80R38
2	347618A1	1	RIM,
3	87544709	1	DISC, 12 Bolt

MAGNUM 255 CASE-IH MAGNUM TRACTOR (EMERGING MARKET) (1/06-)

05-15 FRONT WHEELS - MFD, 12 BOLT HUB

сылка	Номер детали	Кол-во	Описание
4	240686A1	12	BOLT, SPECIAL,
5	896-11016	12	WASHER, M17.5 x 30 x 4, HT,
6	829-1416	12	NUT, M16, CI 10,
1	87544871	2	WHEEL ASSY, W10Ax42, Inc. 2 - 6, For Tires 320/80R42
2	396520A1	1	RIM,
3	87544709	1	DISC, 12 Bolt
4	240686A1	12	BOLT, SPECIAL,
5	896-11016	12	WASHER, M17.5 x 30 x 4, HT,
6	829-1416	12	NUT, M16, CI 10,
10	86507333	2	VALVE STEM,

05-16 SPACER - DUAL FRONT WHEELS

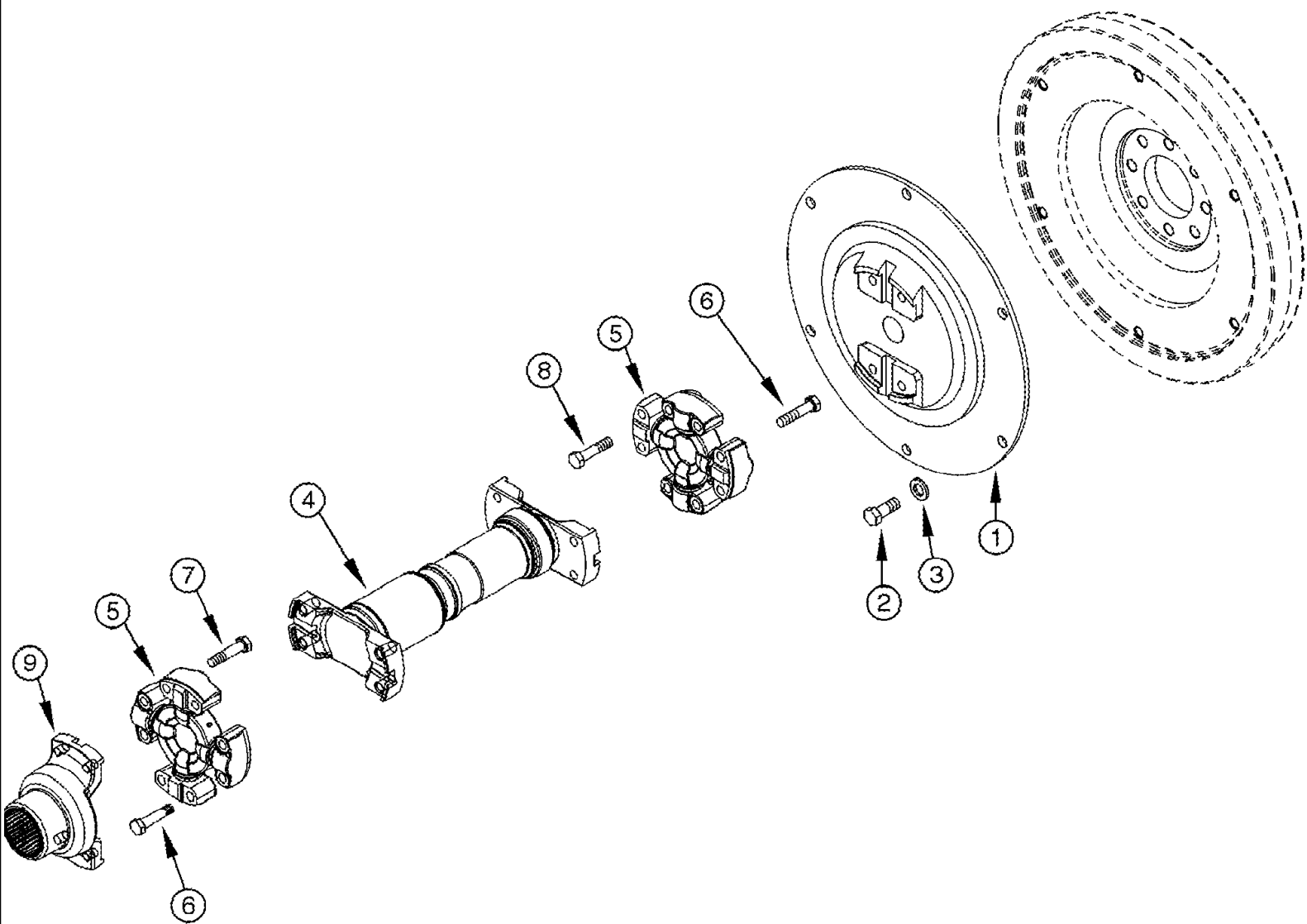


MAGNUM 255 CASE-IH MAGNUM TRACTOR (EMERGING MARKET) (1/06-)

05-16 SPACER - DUAL FRONT WHEELS

сылка	Номер детали	Кол-во	Описание
1	87326459	2	SPACER, 16 Inch
2	283120A1	20	BOLT, M20 x 45
3	253212A1	20	NUT,
5	365372A1	4	SHIM, Used With 34 Inch Wheel Only

06-01 TRANSMISSION DRIVE SHAFT



MAGNUM 255 CASE-IH MAGNUM TRACTOR (EMERGING MARKET) (1/06-)

06-01 TRANSMISSION DRIVE SHAFT

сылка	Номер детали	Кол-во	Описание
1	248409A2	1	PLATE, DRIVE,
2	628-12030	6	BOLT, Hex, M12 x 30, 10.9, Full Thd,
3	896-11012	6	WASHER, M13.5 x 24.5 x 3, HT,
4	301842A2	1	SHAFT, DRIVE,
5	301844A2	2	SPIDER, U-JOINT,
6	828-12050	8	BOLT, Hex, M12 x 50, 10.9,
7	828-12050	4	BOLT, Hex, M12 x 50, 10.9,
8	828-12050	4	BOLT, Hex, M12 x 50, 10.9,
9	301843A1	1	YOKE, Input

MAGNUM 255 CASE-IH MAGNUM TRACTOR (EMERGING MARKET) (1/06-)

06-02 TRANSMISSION DROP BOX

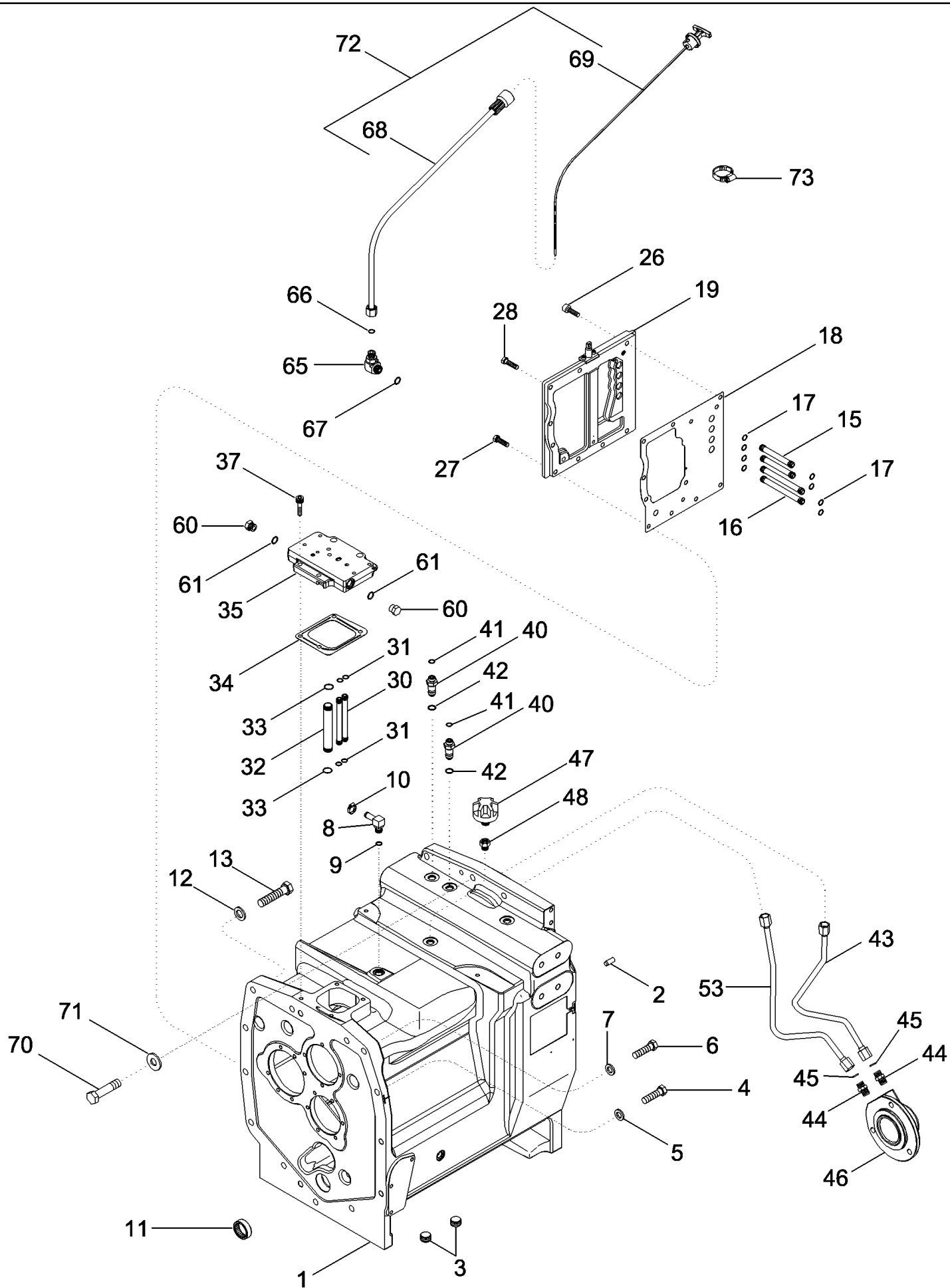
сылка	Номер детали	Кол-во	Описание
1	225171A6	1	HOUSING, Inc. 2, 3
2	375362R1	2	PIN, 1/2 x 1-3/8
3	837-20040	2	DOWEL, M20 x 40, 20 x 40 mm
4	302553A1	1	SHAFT, GEAR, 33T
5	105503H	1	BEARING, CONE,
6	105496H	1	BEARING SET,
7	659458R1	1	BEARING, CONE,
8	105497H	1	BEARING, CUP,
	275216A2	1	KIT, SHIM, Inc. 9
9	341206A1	2	SHIM, 0,152 mm
9	341205A1	2	SHIM, 0,178 mm
9	275214A1	2	SHIM, 0,203 mm
9	228267A1	2	SHIM, 0,356 mm
9	228270A1	2	SHIM, 0,635 mm
10	221240A4	1	CAGE,
11	238-5161	1	O-RING, -161, 70 Duro, 5.487" ID x .103" Thk,
12	339770A1	3	SCREW,
13	225820A1	1	SEAL, OIL,
14	301843A1	1	YOKE,
15	238-5225	1	O-RING, -225, 70 Duro, 1.859" ID x .139" Thk,
	276639A1	1	KIT, SHIM, Inc. 16
16	276638A1	2	SHIM, 0,203 mm
16	230486A1	2	SHIM, 0,356 mm
16	230487A1	2	SHIM, 0,508 mm
16	230488A1	2	SHIM, 0,559 mm
16	230490A1	2	SHIM, 0,635 mm
17	230497A1	1	WASHER,
18	628-16035	1	BOLT, Hex, M16 x 35, 10.9, Full Thd,
25	302554A1	1	SHAFT, GEAR, 35T
26	101-21325	2	RING, SNAP, #325, 3.488", Int,
27	364463C91	2	BEARING, CONE,
28	364462C1	2	BEARING, CUP,
29	228304A2	1	SHAFT ASSY., Inc. 30,31
30	837-8020	1	DOWEL, M8 x 20,
31	1342851C1	1	PLUG, 10 mm
32	238-5140	1	O-RING, -140, 90 Duro, 2.237" ID x .103" Thk,
	275217A2	1	KIT, SHIM, Inc. 33
33	341208A1	2	SHIM, 0,152 mm
33	341207A1	2	SHIM, 0,178 mm
33	275215A1	2	SHIM, 0,203 mm
33	228300A1	2	SHIM, 0,356 mm
33	228303A1	2	SHIM, 0,635 mm
34	258469A1	1	PLATE, COVER,
35	339770A1	2	SCREW,
40	302555A1	1	SHAFT, GEAR, 30 T

MAGNUM 255 CASE-IH MAGNUM TRACTOR (EMERGING MARKET) (1/06-)

06-02 TRANSMISSION DROP BOX

сылка	Номер детали	Кол-во	Описание
41	282726A1	1	SHAFT, Inc. 42,43, Without Creep or 19 Speed/Without 50 KPH
41	282724A1	1	SHAFT, Inc. 42,43, With Creep or 19 Speed/With 50 KPH
42	38-3605	1	PIN, 3/32" x 5/16", Coiled,
43	284151A1	1	SCREW, M10 x 10
44	105503H	2	BEARING, CONE,
45	105496H	2	BEARING SET,
	275219A2	1	KIT, SHIM, Inc. 46
46	341210A1	2	SHIM, 0,152 mm
46	341209A1	2	SHIM, 0,178 mm
46	275213A1	2	SHIM, 0,203 mm
46	228261A1	2	SHIM, 0,356 mm
46	228265A1	2	SHIM, 0,635 mm
47	226188A3	1	CAGE,
48	238-5157	1	O-RING, -157, 70 Duro, 4.487" ID x .103" Thk,
49	339770A1	3	SCREW,
50	230760A2	1	GASKET,
51	828-20110	2	BOLT, Hex, M20 x 110, 10.9,
52	259979A2	1	TUBE,
53	614-10020	1	BOLT, Hex, M10 x 20, 8.8, Full Thd,
54	892-11010	1	WASHER, LOCK, M10,
55	93105C1	1	UNION,
56	237-6008	1	O-RING, 8-1, 90 Duro, .644" ID x .087" Thk,
57	238-6014	1	O-RING, -014, 90 Duro, .489" ID x .070" Thk,
64	896-12020	2	WASHER, M20 x 37.5 x 4, HT,
70	279640A1	1	CAP,
71	295087A1	1	TUBE,
72	238-5222	1	O-RING, -222, 70 Duro, 1.484" ID x .139" Thk,
73	614-10020	2	BOLT, Hex, M10 x 20, 8.8, Full Thd,
74	248-2181	1	GROMMET, 1" ID x 3/8" Groove Dia,

06-03 SPEED TRANSMISSION - HOUSING



MAGNUM 255 CASE-IH MAGNUM TRACTOR (EMERGING MARKET) (1/06-)

06-03 SPEED TRANSMISSION - HOUSING

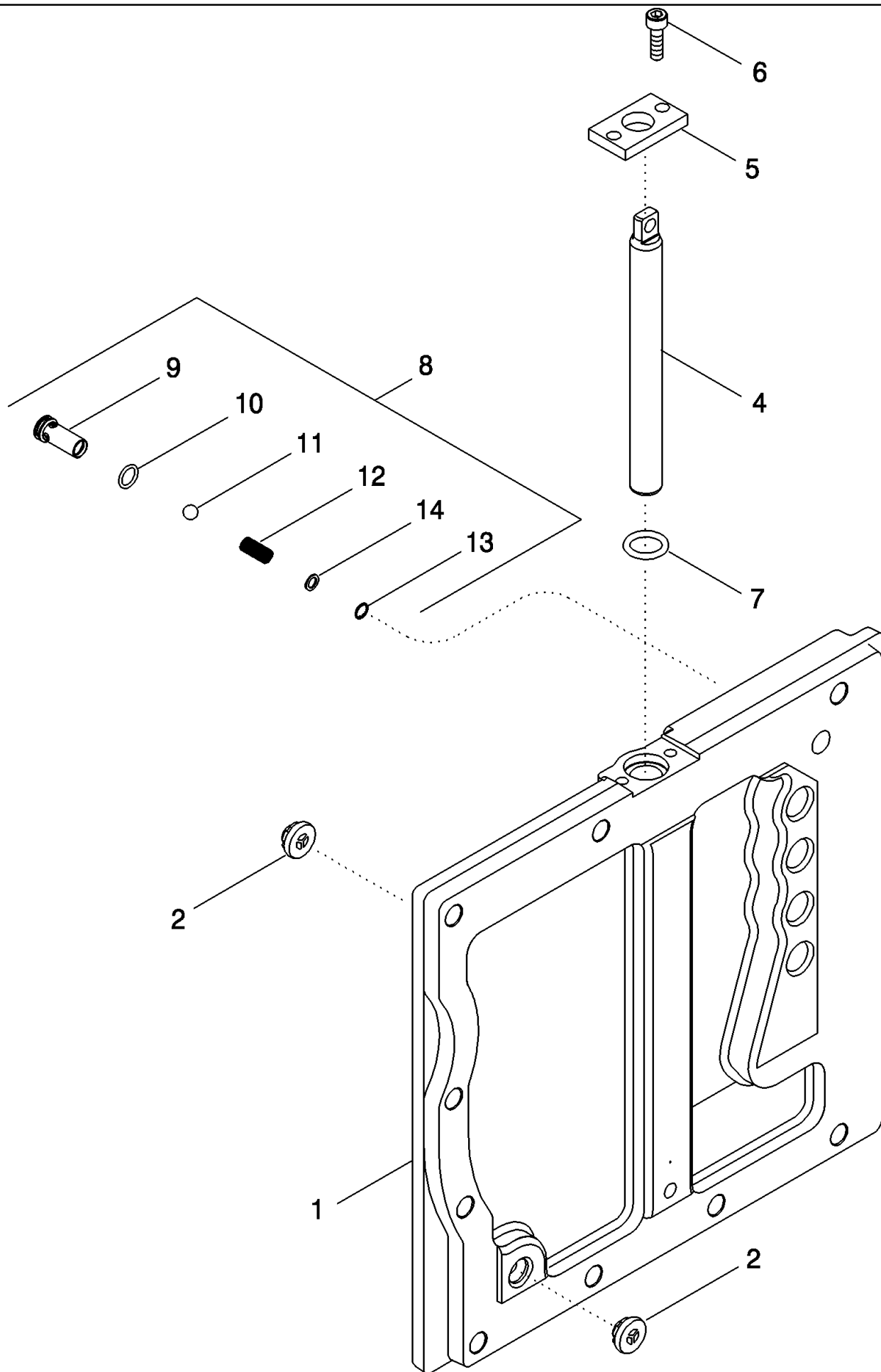
сылка	Номер детали	Кол-во	Описание
1	87428576	1	HOUSING ASSY., Inc. 2, 3
2	837-12030	2	DOWEL, M12 x 30,
3	192792A1	2	PLUG, 3/4 in
4	828-16060	7	BOLT, Hex, M16 x 60, 10.9, Full Thd,
5	896-12016	7	WASHER, M17.5 x 30 x 4, HT,
6	828-16090	2	BOLT, Hex, M16 x 90, 10.9,
7	896-12016	2	WASHER, M17.5 x 30 x 4, HT,
8	87454069	1	ELBOW,
9	637-63153	1	O-RING, CI 6, 15.3MM ID x 2.2 Thk,
10	214-1408	1	CLAMP, HOSE, #08, 0.50/0.91 Type F Worm,
11	205369R91	1	BEARING, NEEDLE,
12	896-12016	1	WASHER, M17.5 x 30 x 4, HT,
13	87308873	1	SCREW, 12 Pt Hd, M16 x 90, 12.9,
15	235976A2	2	TUBE,
16	235977A2	2	TUBE,
17	238-5014	8	O-RING, -014, 70 Duro, .489" ID x .070" Thk,
18	87433655	1	GASKET,
19	87433653	1	PLATE ASSY., , See Figure 06-04
26	861-10030	2	SCREW, Hex Soc Hd, M10 x 30, 12.9,
27	628-10035	6	BOLT, Hex, M10 x 35, 10.9, Full Thd,
28	614-10040	2	BOLT, Hex, M10 x 40, 8.8, Full Thd,
30	235977A2	2	TUBE,
31	238-5014	4	O-RING, -014, 70 Duro, .489" ID x .070" Thk,
32	300827A1	1	TUBE,
33	238-5019	2	O-RING, -019, 70 Duro, .801" ID x .070" Thk,
34	87424932	1	GASKET,
35	87444975	1	PLATE, , See Figure 06-05
37	861-10035	4	SCREW, Hex Soc Hd, M10 x 35, 12.9,
40	87341626	2	FITTING, , With Creep or 19 Speed/With 50 KPH
41	238-6014	2	O-RING, -014, 90 Duro, .489" ID x .070" Thk,
42	237-6008	2	O-RING, 8-1, 90 Duro, .644" ID x .087" Thk,
43	87341628	1	TUBE, Lube, With Creep or 19 Speed/With 50 KPH, BSN AJB0366999
43	87544717	1	TUBE, Lube, With Creep or 19 Speed/With 50 KPH, ASN AJB0366999
44	218-5352	2	CONNECTOR, HYD., 9/16"-18, 37e x 7/16"-20, O-Ring, Incl. 45, With Creep or 19 Speed/With 50 KPH
45	237-6004	2	O-RING, 4-1, 90 Duro, .351" ID x .072" Thk,
46	87341627	1	MANIFOLD,
47	1971726C1	1	BREATHER,
48	87306797	1	ADAPTER, 1/4"-18 Fem NPTF x 1/4"-18 NPTF Male,
53	87341629	1	TUBE, Pressure, With Creep or 19 Speed/With 50 KPH, BSN AJB0366999
53	87544716	1	TUBE, Pressure, With Creep or 19 Speed/With 50 KPH, ASN AJB0366999
60	214389	2	PLUG, Hex Hd, 3/4"-16 ORB, , Without Creep or 19 Speed/Without 50 KPH
61	237-6008	2	O-RING, 8-1, 90 Duro, .644" ID x .087" Thk,
65	86579691	1	ELBOW, 90e, 13/16"-18 ORFS x M18 x 1.5 ORB, Inc. 66, 67
66	9992298	1	O-RING, -014, 90 Duro, .489" ID x .070" Thk,
67	86598101	1	O-RING, CI 6, 15.3MM ID x 2.2 Thk,

MAGNUM 255 CASE-IH MAGNUM TRACTOR (EMERGING MARKET) (1/06-)

06-03 SPEED TRANSMISSION - HOUSING

сылка	Номер детали	Кол-во	Описание
68	295149A1	1	TUBE,
69	295316A1	1	DIPSTICK,
70	828-16070	2	BOLT, Hex, M16 x 70, 10.9,
71	896-12016	2	WASHER, M17.5 x 30 x 4, HT,
72	297501A1	1	GAUGE, Assy., Inc. 68, 69
73	214-1416	1	CLAMP, HOSE, #16, 0.81/1.50 Type F Worm, Dipstick
74	614-12025	4	BOLT, Hex, M12 x 25, 8.8, (Not Shown)

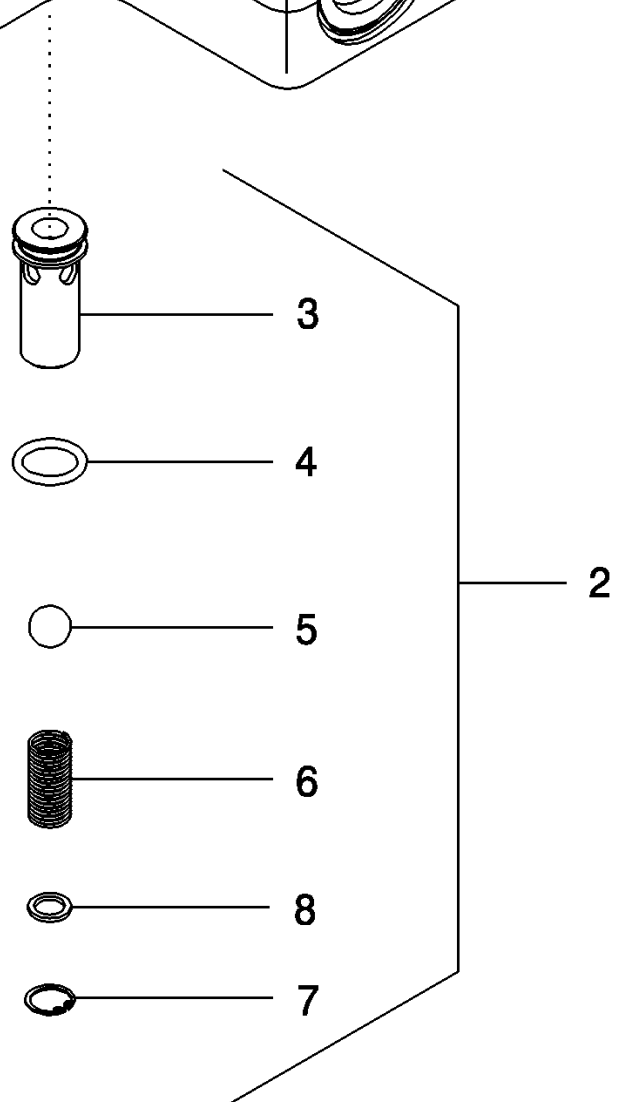
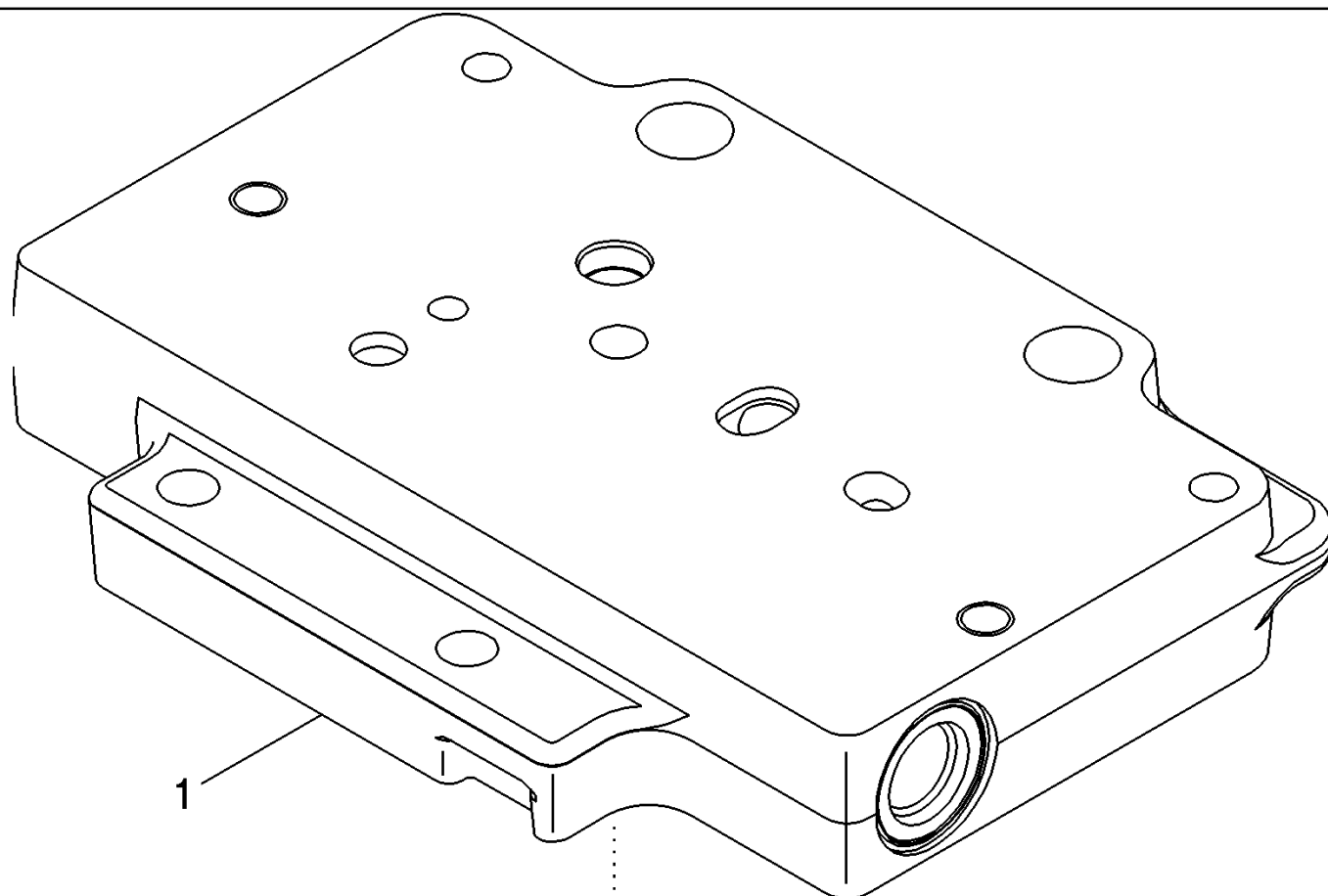
06-04 PLATE ASSEMBLY - VALVE MOUNTING, LEFT HAND SIDE



MAGNUM 255 CASE-IH MAGNUM TRACTOR (EMERGING MARKET) (1/06-)

06-04 PLATE ASSEMBLY - VALVE MOUNTING, LEFT HAND SIDE

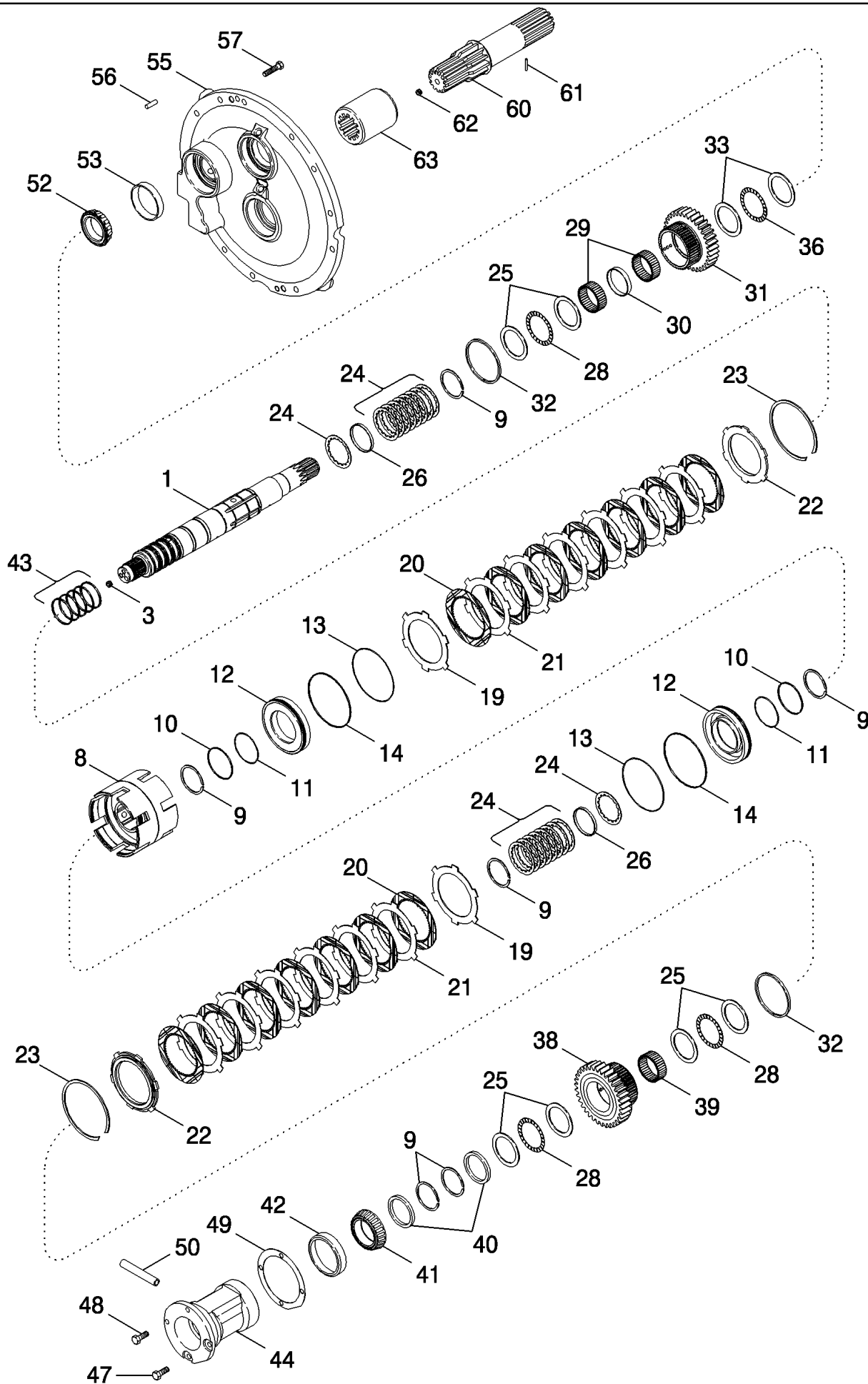
сылка	Номер детали	Кол-во	Описание
	87433653	1	PLATE ASSY., Inc. 1 - 14
1	NSS	1	NOT SERVICED SEPARATELY, Plate
2	1994615C2	2	VALVE, CHECK,
4	234802A2	1	PIN,
5	315904A1	1	PLATE, RETAINING,
6	863-6020	2	SCREW, Hex Soc Hd, M6 x 20, 12.9,
7	238-5208	1	O-RING, -208, 70 Duro, .609" ID x .139" Thk,
8	445492A2	1	VALVE, CHECK, Inc. 9 - 14
9	NSS	1	NOT SERVICED SEPARATELY, Body
10	238-5012	1	O-RING, -012, 70 Duro, .364" ID x .070" Thk,
11	211-1009	1	BALL, 9/32; 24,CRS
12	445494A1	1	SPRING, VALVE,
13	100-2131	1	RING, SNAP, 0.312", Int, #31,
14	86988656	1	WASHER, SPRING,



MAGNUM 255 CASE-IH MAGNUM TRACTOR (EMERGING MARKET) (1/06-)

06-05 PLATE ASSEMBLY - VALVE MOUNTING, TOP

сылка	Номер детали	Кол-во	Описание
	87444975	1	PLATE, Inc. 1 - 8
1	87444976	1	PLATE,
2	445492A2	1	VALVE, CHECK, Inc. 3 - 8
3	NSS	1	NOT SERVICED SEPARATELY, Body
4	238-5012	1	O-RING, -012, 70 Duro, .364" ID x .070" Thk,
5	211-1009	1	BALL, 9/32; 24,CRS
6	445494A1	1	SPRING, VALVE,
7	100-2131	1	RING, SNAP, 0.312", Int, #31,
8	86988656	1	WASHER, SPRING,



MAGNUM 255 CASE-IH MAGNUM TRACTOR (EMERGING MARKET) (1/06-)

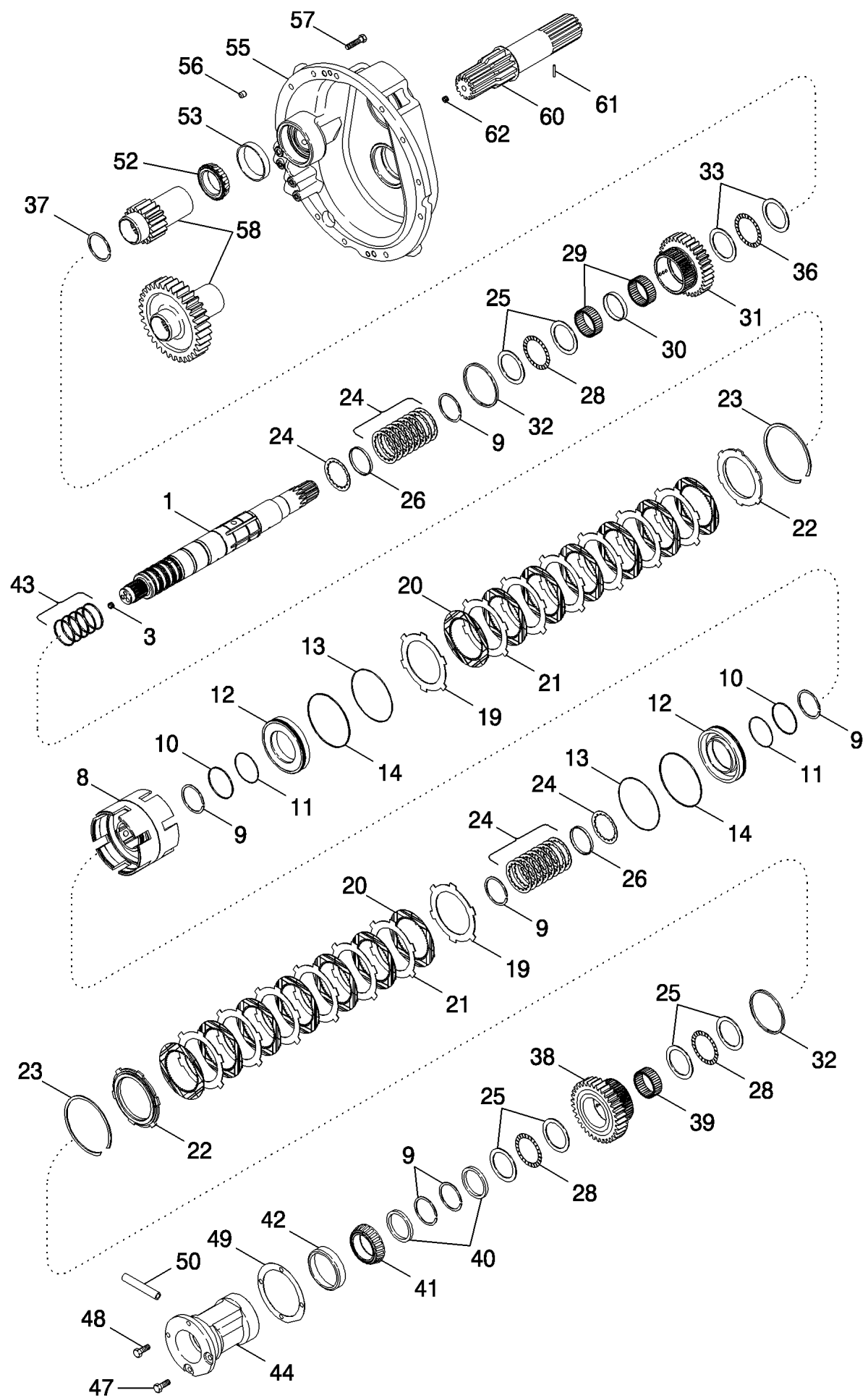
06-06 SPEED TRANSMISSION - INPUT SHAFT WITHOUT CREEP OR 19 SPEED

сылка	Номер детали	Кол-во	Описание
1	87434648	1	SHAFT ASSY., Inc. 3
3	1342851C1	2	PLUG, 10 mm
8	86987595	1	CARRIER,
9	101-11250	6	RING, SNAP, #250, 2.356, Ext,
10	1286081C1	2	O-RING,
11	1286076C1	2	RING,
12	242492A5	2	PISTON,
13	1286083C1	2	O-RING,
14	1286079C1	2	RING,
19	128114A1	2	DISC,
20	86990276	14	DISC,
21	92934C2	12	DISC,
22	1342645C3	2	DISC, CLUTCH,
23	1285996C1	2	RING, SNAP,
24	87425389	18	SPRING, BELLEVILLE,
25	1286043C1	6	WASHER, THRUST,
26	87434656	2	RING, Lube
28	572182R1	3	BEARING, THRUST,
29	80907C1	2	BEARING, NEEDLE,
30	93297C1	1	SPACER,
31	1342495C1	1	GEAR, DRIVEN, 37T
32	1286052C1	2	RING,
33	1286042C1	2	WASHER, THRUST,
36	87012543	1	BEARING, THRUST,
38	1285985C1	1	GEAR, WHEEL, 34T
39	1286016C1	1	BEARING, NEEDLE,
40	1286039C1	2	SPACER,
41	364465C1	1	BEARING, CONE,
42	258452C1	1	BEARING, CUP,
43	1286026C1	5	RING,
44	254574A2	1	CAGE,
47	613-10025	2	BOLT, Hex, M10 x 25, 8.8, Full Thd,
48	613-10030	2	BOLT, Hex, M10 x 30, 8.8, Full Thd,
49	1286071C1	2	SHIM, 0,08 mm
49	1286072C1	2	SHIM, 0,10 mm
49	1286073C1	2	SHIM, 0,13 mm
49	1286074C1	2	SHIM, 0,30 mm
49	1286075C1	2	SHIM, 0,76 mm
50	1981207C1	1	TUBE,
52	627639R1	1	BEARING, CONE,
53	ST970	1	BEARING, CUP,
55	258470A2	1	SUPPORT, Inc. 56
56	37-188	8	DOWEL, 1/2" x 1/2",
57	613-12040	11	BOLT, Hex, M12 x 40, 8.8, Full Thd,
60	282726A1	1	SHAFT, Inc. 61, 62

MAGNUM 255 CASE-IH MAGNUM TRACTOR (EMERGING MARKET) (1/06-)

06-06 SPEED TRANSMISSION - INPUT SHAFT WITHOUT CREEP OR 19 SPEED

сылка	Номер детали	Кол-во	Описание
61	38-3605	1	PIN, 3/32" x 5/16", Coiled,
62	284151A1	1	SCREW, M10 x 10
63	226637A1	1	COUPLING, SPLINED,



MAGNUM 255 CASE-IH MAGNUM TRACTOR (EMERGING MARKET) (1/06-)

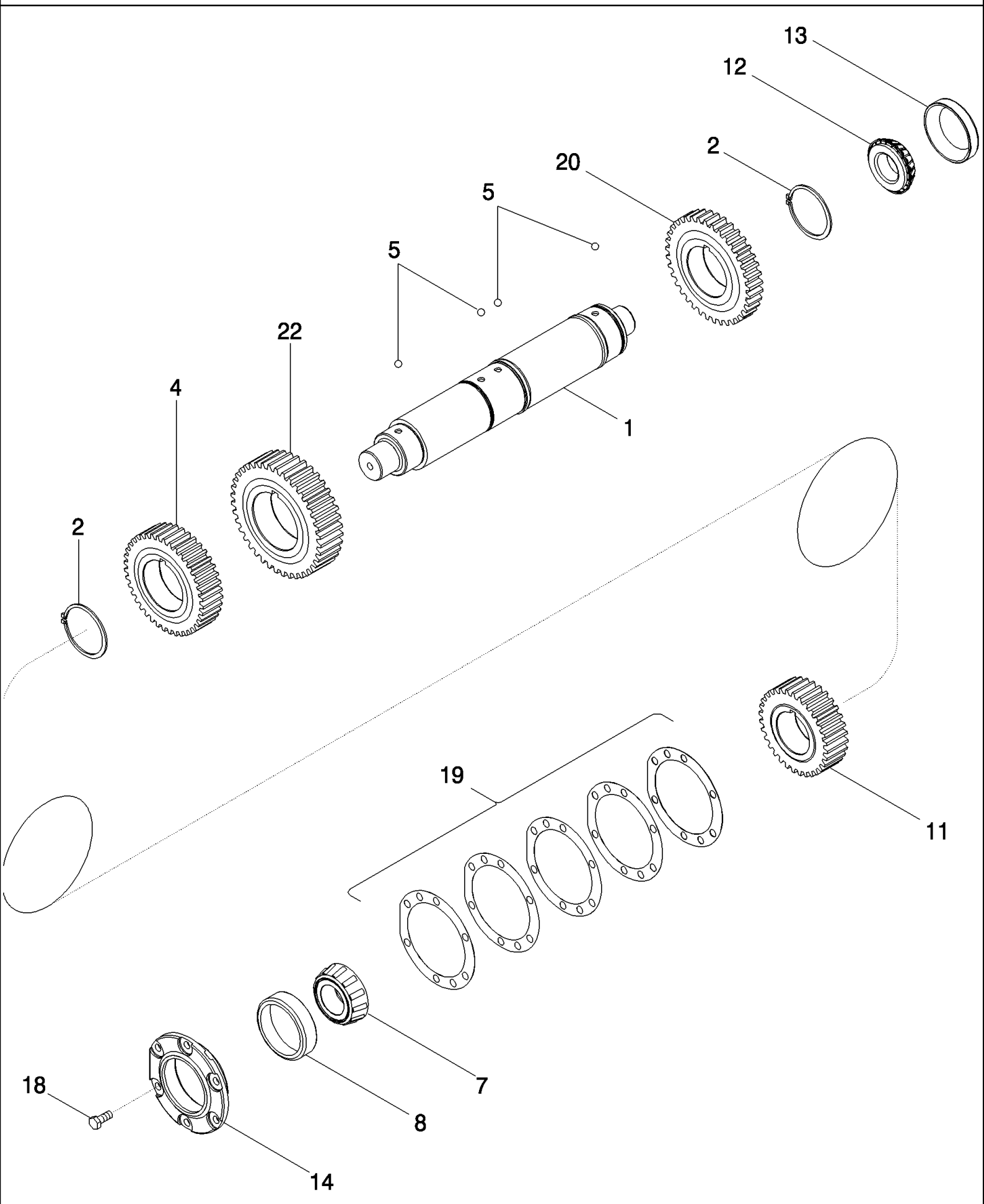
06-07 SPEED TRANSMISSION - INPUT SHAFT WITH CREEP/19 SPEED OR 50 KPH TRANSMISSION

сылка	Номер детали	Кол-во	Описание
1	87425385	1	SHAFT ASSY., Inc. 3
3	1342851C1	2	PLUG, 10 mm
8	86987595	1	CARRIER,
9	101-11250	6	RING, SNAP, #250, 2.356, Ext,
10	1286081C1	2	O-RING,
11	1286076C1	2	RING,
12	242492A5	2	PISTON,
13	1286083C1	2	O-RING,
14	1286079C1	2	RING,
19	128114A1	2	DISC,
20	86990276	14	DISC,
21	92934C2	12	DISC,
22	1342645C3	2	DISC, CLUTCH,
23	1285996C1	2	RING, SNAP,
24	87425389	18	SPRING, BELLEVILLE,
25	1286043C1	6	WASHER, THRUST,
26	87434656	2	RING, Lube
28	572182R1	3	BEARING, THRUST,
29	80907C1	2	BEARING, NEEDLE,
30	93297C1	1	SPACER,
31	1342495C1	1	GEAR, DRIVEN, 37T
32	1286052C1	2	RING,
33	1286042C1	2	WASHER, THRUST,
36	87012543	1	BEARING, THRUST,
37	92793C1	1	RING,
38	1285985C1	1	GEAR, WHEEL, 34T
39	1286016C1	1	BEARING, NEEDLE,
40	1286039C1	2	SPACER,
41	364465C1	1	BEARING, CONE,
42	258452C1	1	BEARING, CUP,
43	1286026C1	5	RING,
44	254574A2	1	CAGE,
47	613-10025	2	BOLT, Hex, M10 x 25, 8.8, Full Thd,
48	613-10030	2	BOLT, Hex, M10 x 30, 8.8, Full Thd,
49	1286071C1	2	SHIM, 0,08 mm
49	1286072C1	2	SHIM, 0,10 mm
49	1286073C1	2	SHIM, 0,13 mm
49	1286074C1	2	SHIM, 0,30 mm
49	1286075C1	2	SHIM, 0,76 mm
50	1981207C1	1	TUBE,
52	L33289	1	BEARING, CONE, 2-1/4 inch ID
53	105497H	1	BEARING, CUP,
55	87439859	1	CARRIER, Inc. 56
56	37-188	9	DOWEL, 1/2" x 1/2",
57	613-12040	11	BOLT, Hex, M12 x 40, 8.8, Full Thd,

MAGNUM 255 CASE-IH MAGNUM TRACTOR (EMERGING MARKET) (1/06-)

06-07 SPEED TRANSMISSION - INPUT SHAFT WITH CREEP/19 SPEED OR 50 KPH TRANSMISSION

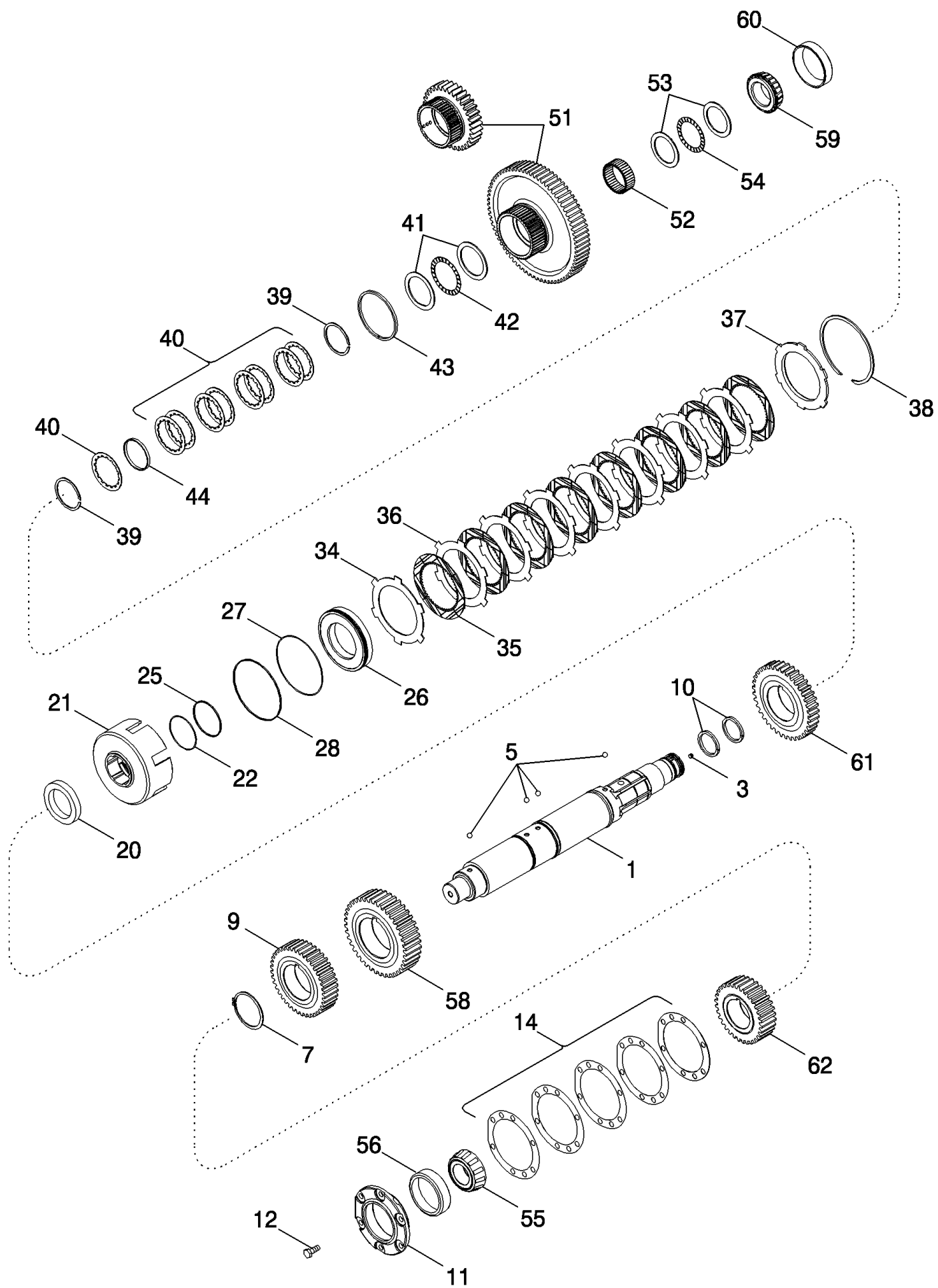
сылка	Номер детали	Кол-во	Описание
58	230042A1	1	GEAR, 17T, Creeper Drive (If Equipped)
60	282724A1	1	SHAFT, Inc. 61, 62
61	38-3605	1	PIN, 3/32" x 5/16", Coiled,
62	284151A1	1	SCREW, M10 x 10



MAGNUM 255 CASE-IH MAGNUM TRACTOR (EMERGING MARKET) (1/06-)

06-08 SPEED TRANSMISSION - COUNTERSHAFT WITHOUT CREEP OR 19 SPEED

сылка	Номер детали	Кол-во	Описание
1	1342253C2	1	SHAFT,
2	100-11293	2	RING, SNAP, #293, Ext,
4	1285983C1	1	GEAR, DRIVING, Drive, 34T
5	211-1012	4	BALL, 3/8" Dia,
7	18427	1	BEARING, CONE,
8	ST951	1	BEARING, CUP,
11	1285981C1	1	PINION, Drive, 29 T
12	ST2051	1	BEARING, CONE,
13	ST863	1	BEARING, CUP,
14	1286000C3	1	CAGE,
18	613-10025	6	BOLT, Hex, M10 x 25, 8.8, Full Thd,
19	120647C2	AR	SHIM, 0,08 mm
19	120648C2	AR	SHIM, 0,10 mm
19	120649C2	AR	SHIM, 0,13 mm
19	120650C2	AR	SHIM, 0,30 mm
19	120651C2	AR	SHIM, 0,76 mm
20	1285989C1	1	PINION, Driven, 37T
22	1285986C1	1	PINION, Driven, 39T

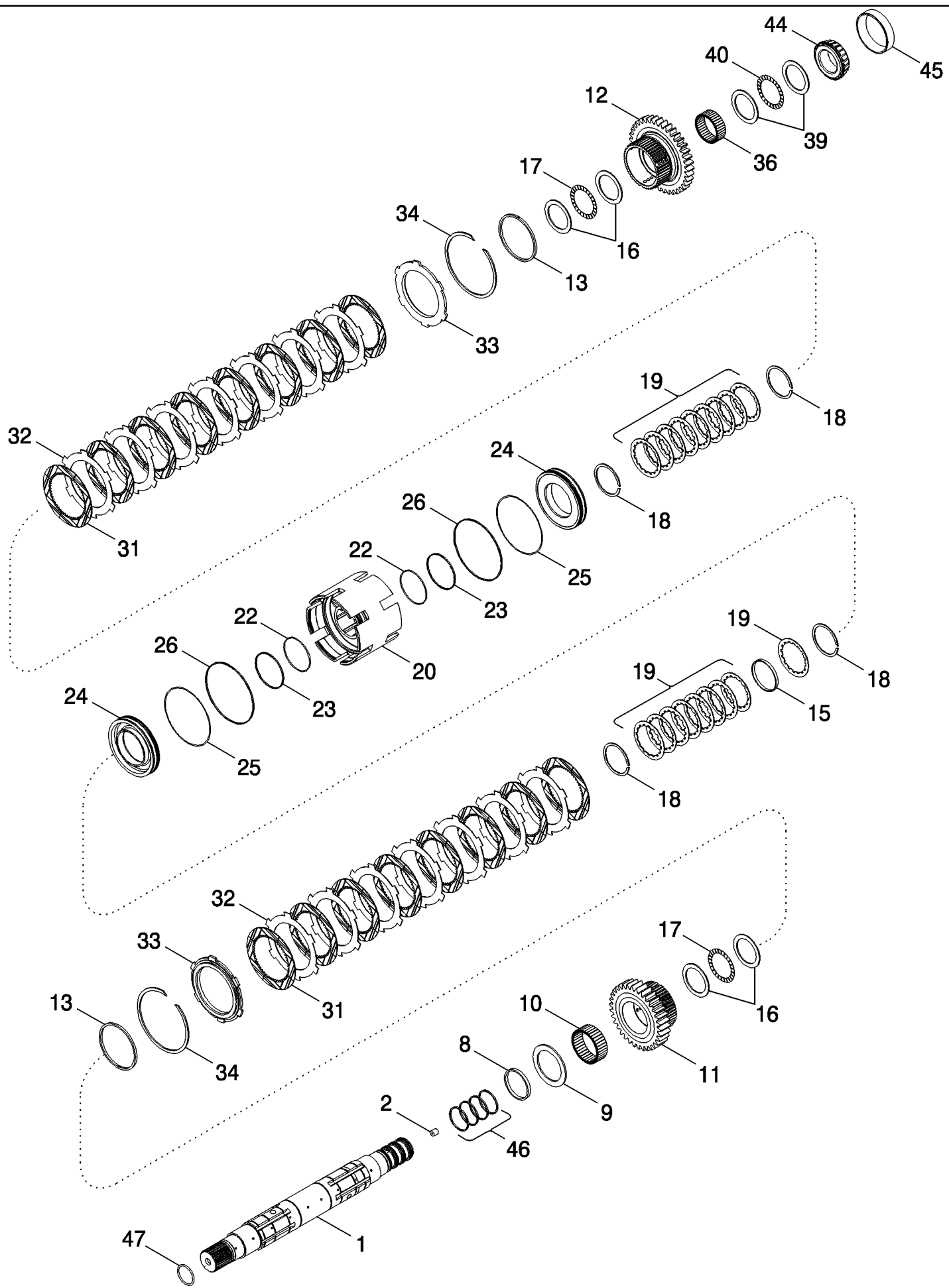


MAGNUM 255 CASE-IH MAGNUM TRACTOR (EMERGING MARKET) (1/06-)

06-09 SPEED TRANSMISSION - COUNTERSHAFT WITH CREEP/19 SPEED OR 50 KPH TRANSMISSION

сылка	Номер детали	Кол-во	Описание
1	87425383	1	SHAFT ASSY., Inc. 3
3	187516A1	1	PLUG, 12 mm
5	211-1012	4	BALL, 3/8" Dia,
7	100-11293	1	RING, SNAP, #293, Ext,
9	1285983C1	1	GEAR, DRIVING, Drive, 34T
10	1286024C1	2	RING, Seal
11	1286000C3	1	CAGE,
12	613-10025	6	BOLT, Hex, M10 x 25, 8.8, Full Thd,
14	120647C2	AR	SHIM, 0,08 mm
14	120648C2	AR	SHIM, 0,10 mm
14	120649C2	AR	SHIM, 0.13 mm
14	120650C2	AR	SHIM, 0,30 mm
14	120651C2	AR	SHIM, 0,76 mm
20	92824C1	1	SPACER,
21	86991568	1	CARRIER,
22	1286081C1	1	O-RING,
25	1286076C1	1	RING,
26	242492A5	1	PISTON,
27	1286083C1	1	O-RING,
28	1286079C1	1	RING,
34	128114A1	1	DISC, Separator
35	86990276	8	DISC, Friction
36	92934C2	7	DISC, Separator
37	1342645C3	1	DISC, CLUTCH,
38	1285996C1	1	RING, SNAP,
39	87639535	2	RING, SNAP,
40	87425389	9	SPRING, BELLEVILLE,
41	1286043C1	2	WASHER, THRUST,
42	572182R1	1	BEARING, THRUST,
43	1286052C1	1	RING,
44	87434656	1	RING, Lube
51	92795C1	1	PINION, 67T, Creeper Drive (If Equipped)
52	80906C1	1	BEARING, NEEDLE,
53	1286042C1	2	WASHER, THRUST,
54	87012543	1	BEARING, THRUST,
55	ST2051	1	BEARING, CONE,
56	ST863	1	BEARING, CUP,
58	1285986C1	1	PINION, Driven, 39T
59	219530H1	1	BEARING, CONE,
60	614052	1	CUP,
61	1285989C1	1	PINION, Driven, 37T
62	1285981C1	1	PINION, Drive, 29T

06-10 SPEED TRANSMISSION - OUTPUT SHAFT FRONT CLUTCH

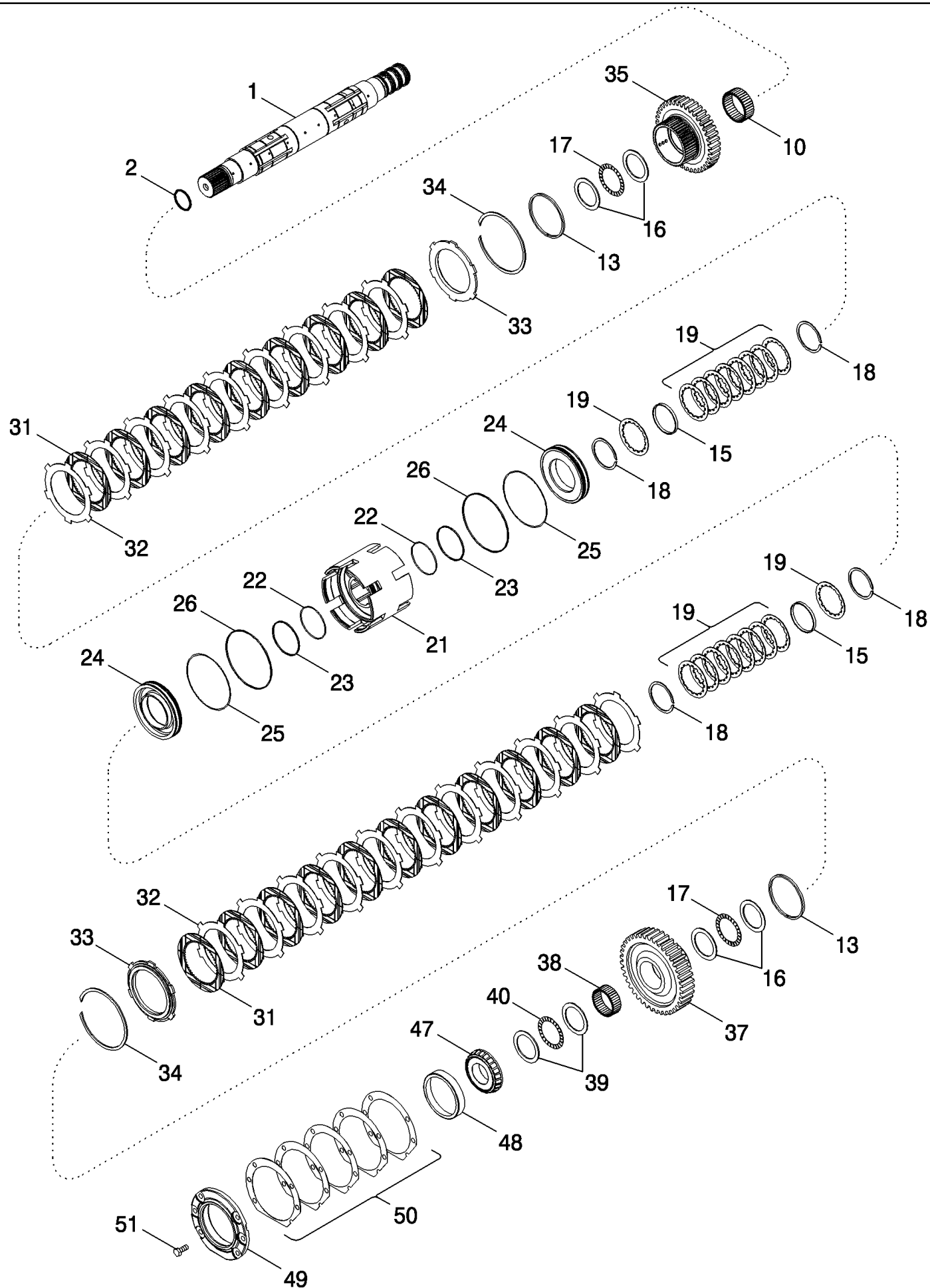


MAGNUM 255 CASE-IH MAGNUM TRACTOR (EMERGING MARKET) (1/06-)

06-10 SPEED TRANSMISSION - OUTPUT SHAFT FRONT CLUTCH

сылка	Номер детали	Кол-во	Описание
1	87328867	1	SHAFT, Inc. 2
2	187516A1	3	PLUG, 12 mm
8	1286040C2	1	RING,
9	1997888C1	1	WASHER, THRUST,
10	1286016C1	1	BEARING, NEEDLE,
11	1285985C1	1	GEAR, WHEEL, 34T
12	1285987C1	1	PINION, 39T
13	1286052C1	2	RING,
15	87434656	1	RING, Lube
16	1286043C1	4	WASHER, THRUST,
17	572182R1	2	BEARING, THRUST,
18	101-11250	4	RING, SNAP, #250, 2.356, Ext,
19	87425389	18	SPRING, BELLEVILLE,
20	86987594	1	CARRIER,
22	1286081C1	2	O-RING,
23	1286076C1	2	RING,
24	86987597	2	PISTON,
25	1286083C1	2	O-RING,
26	1286079C1	2	RING,
31	86990276	16	DISC, Friction
32	92934C2	16	DISC, Separator
33	1342645C3	2	DISC, CLUTCH,
34	1285996C1	2	RING, SNAP,
36	80907C1	1	BEARING, NEEDLE,
39	1286042C1	2	WASHER, THRUST,
40	87012543	1	BEARING, THRUST,
44	219530H1	1	BEARING, CONE,
45	614052	1	CUP,
46	1286024C1	4	RING,
47	238-5223	1	O-RING, -223, 70 Duro, 1.609" ID x .139" Thk,

06-11 SPEED TRANSMISSION - OUTPUT SHAFT REAR CLUTCH

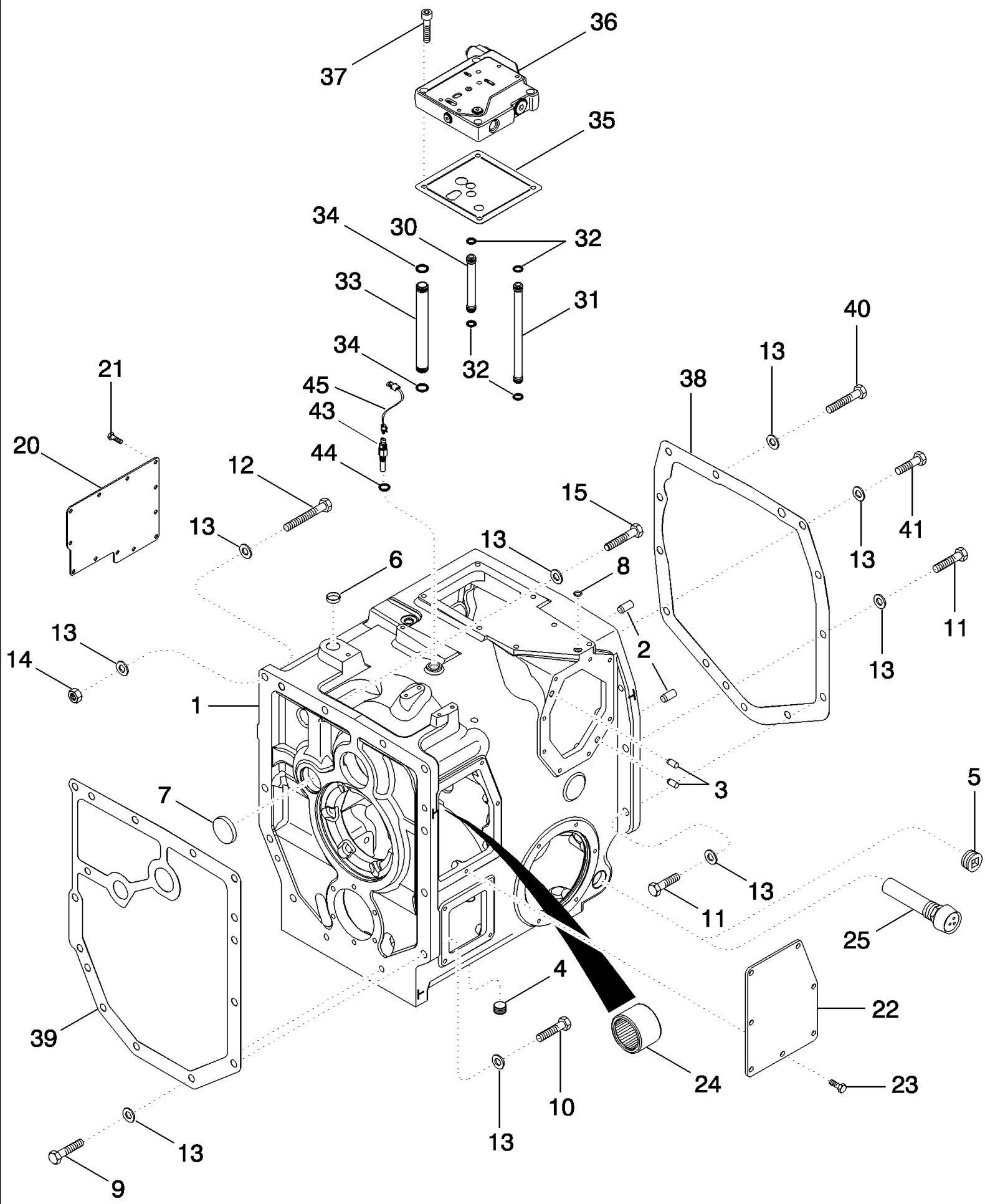


MAGNUM 255 CASE-IH MAGNUM TRACTOR (EMERGING MARKET) (1/06-)

06-11 SPEED TRANSMISSION - OUTPUT SHAFT REAR CLUTCH

сылка	Номер детали	Кол-во	Описание
1	87328867	1	SHAFT, , See Figure 06-10
2	238-5223	1	O-RING, -223, 70 Duro, 1.609" ID x .139" Thk,
10	1286016C1	1	BEARING, NEEDLE,
13	1286052C1	2	RING,
15	87434656	2	RING, Lube
16	1286043C1	4	WASHER, THRUST,
17	572182R1	2	BEARING, THRUST,
18	101-11250	4	RING, SNAP, #250, 2.356, Ext,
19	87425389	18	SPRING, BELLEVILLE,
21	86987593	1	CARRIER,
22	1286081C1	2	O-RING,
23	1286076C1	2	RING,
24	86987597	2	PISTON,
25	1286083C1	2	O-RING,
26	1286079C1	2	RING,
31	86990276	20	DISC, Friction
32	92934C2	20	DISC, Separator
33	1342645C3	2	DISC, CLUTCH,
34	1285996C1	2	RING, SNAP,
35	86987609	1	GEAR, 39T
37	1285982C1	1	GEAR, DRIVEN, 44T
38	1285997C1	1	BEARING, NEEDLE,
39	1286042C1	2	WASHER, THRUST,
40	87012543	1	BEARING, THRUST,
47	1286021C1	1	BEARING, ROLLER,
48	29214H	1	BEARING, CUP, 4-5/16 OD
49	1286001C4	1	CAGE,
50	1286061C1	2	SHIM, 0,08 mm
50	1286062C1	2	SHIM, 0,10 mm
50	1286063C1	2	SHIM, 0,13 mm
50	1286064C1	2	SHIM, 0,30 mm
50	1286065C1	2	SHIM, 0,76 mm
51	613-10025	6	BOLT, Hex, M10 x 25, 8.8, Full Thd,

06-12 RANGE TRANSMISSION - HOUSING

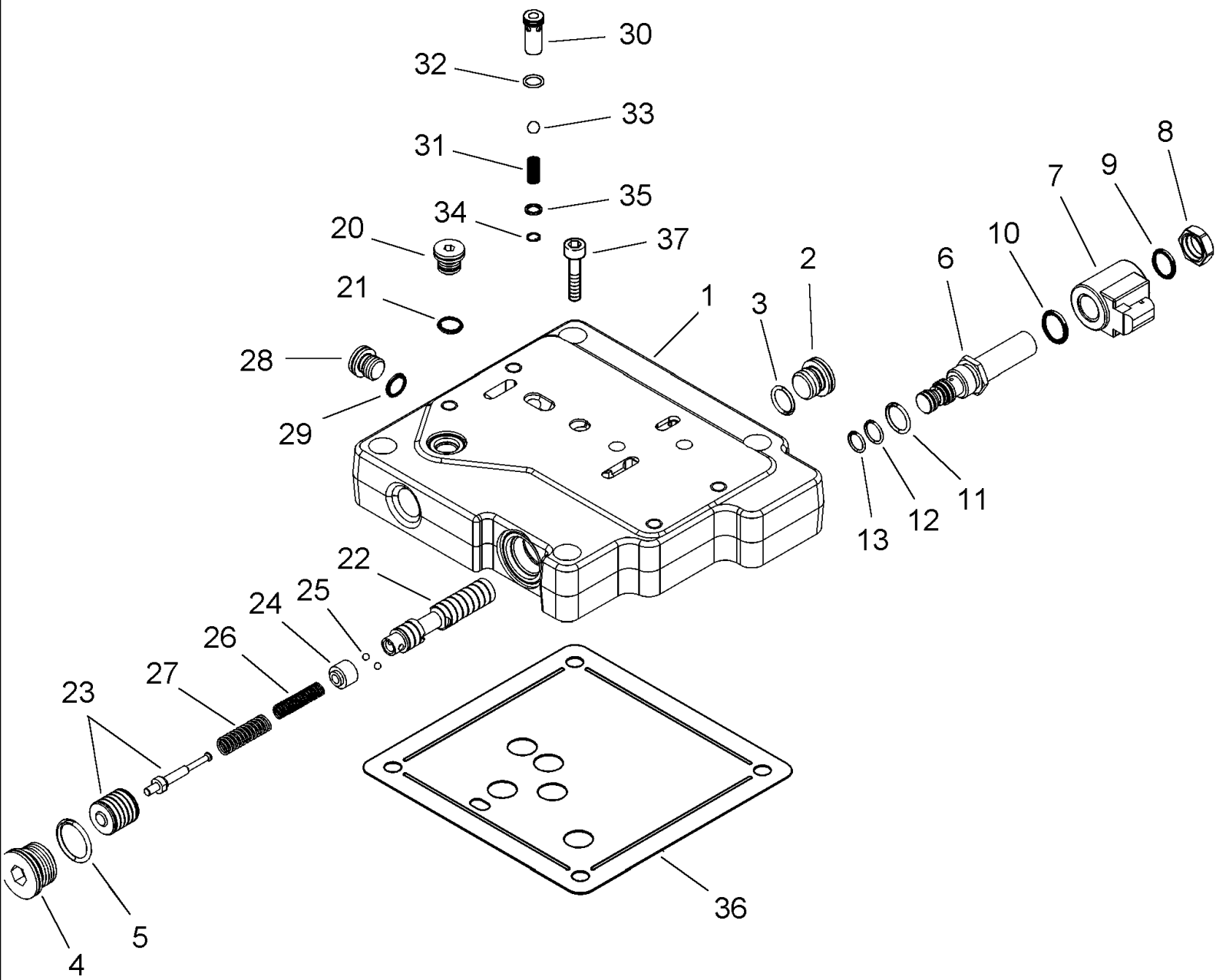


MAGNUM 255 CASE-IH MAGNUM TRACTOR (EMERGING MARKET) (1/06-)

06-12 RANGE TRANSMISSION - HOUSING

сылка	Номер детали	Кол-во	Описание
1	87435223	1	HOUSING ASSY., Inc. 2 - 8
2	837-16035	4	DOWEL, M16 x 35,
3	837-12025	2	DOWEL, M12 x 25,
4	192792A1	1	PLUG, 3/4 in
5	327080A1	1	PLUG, 1-1/4
6	41-1018	1	PLUG, Cup, 1 1/8",
7	41-1038	1	PLUG, Cup, 2 3/8",
8	238-6112	1	O-RING, -112, 90 Duro, .487" ID x .103" Thk,
9	828-16085	2	BOLT, Hex, M16 x 85, 10.9,
10	828-16060	6	BOLT, Hex, M16 x 60, 10.9, Full Thd,
11	828-16060	9	BOLT, Hex, M16 x 60, 10.9, Full Thd,
12	828-16120	1	BOLT, Hex, M16 x 120, 10.9,
13	896-12016	24	WASHER, M17.5 x 30 x 4, HT,
14	829-1316	1	NUT, M16, CI 10,
15	828-16070	3	BOLT, Hex, M16 x 70, 10.9,
20	93364C1	1	COVER,
21	628-10025	12	BOLT, Hex, M10 x 25, 10.9, Full Thd,
22	225209A1	1	COVER,
23	628-10025	7	BOLT, Hex, M10 x 25, 10.9, Full Thd, , BSN AJB0366737
23	87015732	7	BOLT, M10 x 20 mm, 10.9, Full Thread, ASN AJB0366737
24	301533R1	1	BEARING,
25	536850R1	1	HEATER, 120 Volt
30	235976A2	1	TUBE,
31	256544A1	3	TUBE,
32	238-5014	8	O-RING, -014, 70 Duro, .489" ID x .070" Thk,
33	300828A1	1	TUBE,
34	238-5019	2	O-RING, -019, 70 Duro, .801" ID x .070" Thk,
35	253385A2	1	GASKET,
36	445537A2	1	VALVE, Inching, See Figure 06-13
37	861-10045	4	SCREW, Hex Soc Hd, M10 x 45, 12.9,
38	87390949	1	GASKET,
39	92821C2	1	GASKET,
40	828-16090	2	BOLT, Hex, M16 x 90, 10.9,
41	87308873	1	SCREW, 12 Pt Hd, M16 x 90, 12.9,
43	87422106	1	SENSOR, Speed, Transmission BSN AJB0372635
43	87548198	1	SENSOR, Speed, Transmission ASN AJB0372635
44	238-5115	1	O-RING, -115, 70 Duro, .674" ID x .103" Thk,
45	87631267	1	HARNESS, WIRE, Speed Sensor, Transmission ASN AJB0372635

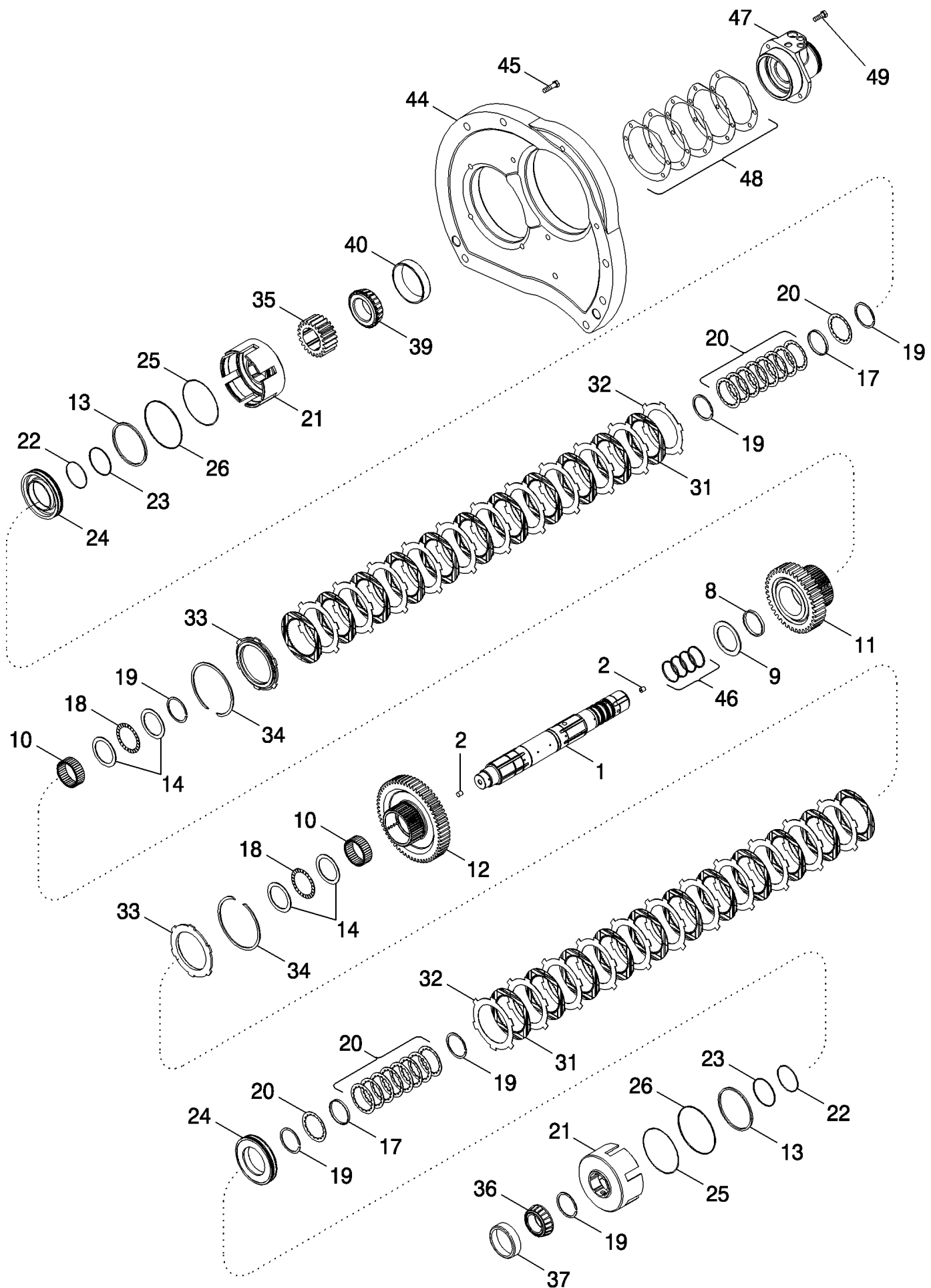
06-13 VALVE ASSY - INCHING



MAGNUM 255 CASE-IH MAGNUM TRACTOR (EMERGING MARKET) (1/06-)

06-13 VALVE ASSY - INCHING

сылка	Номер детали	Кол-во	Описание
	445537A2	1	VALVE, Inc. 1 - 35
1	NSS	1	NOT SERVICED SEPARATELY, Body, Valve
2	221578A1	1	PLUG, Hex Soc, M18 x 1.5, ORB, Includes 3
3	637-63153	1	O-RING, CI 6, 15.3MM ID x 2.2 Thk,
4	221580A1	1	PLUG, Hex Soc, M27 x 2, ORB, Includes 5
5	637-64236	1	O-RING, CI 6, 23.6MM ID x 2.9 Thk,
	239552A2	1	VALVE, SOLENOID, Solenoid, Inc. 6 - 13
6	NSS	1	NOT SERVICED SEPARATELY, Cartridge
7	NSS	1	NOT SERVICED SEPARATELY, Coil
8	NSS	1	NOT SERVICED SEPARATELY, Nut
	308245A1	1	KIT, SEALS, Inc. 9 - 13
9	238-7016	1	O-RING, -016, CI 7, .614" ID x .070" Thk,
10	238-7018	1	O-RING, -018, CI 7, .739" ID x .070" Thk,
11	237-6008	1	O-RING, 8-1, 90 Duro, .644" ID x .087" Thk,
12	238-5014	1	O-RING, -014, 70 Duro, .489" ID x .070" Thk,
13	238-5013	1	O-RING, -013, 70 Duro, .426" ID x .070" Thk,
20	221576A1	1	PLUG, Hex Soc, M14 x 1.5, ORB, Includes 21
21	637-63113	1	O-RING, CI 6, 11.3MM ID x 2.2 Thk,
	302170A2	1	SPOOL, Inc. 22 - 27
22	NSS	1	NOT SERVICED SEPARATELY, Spool
23	NSS	1	NOT SERVICED SEPARATELY, Piston
24	NSS	1	NOT SERVICED SEPARATELY, Sleeve
25	NSS	1	NOT SERVICED SEPARATELY, Ball
26	NSS	1	NOT SERVICED SEPARATELY, Spring
27	NSS	1	NOT SERVICED SEPARATELY, Spring
28	221576A1	1	PLUG, Hex Soc, M14 x 1.5, ORB,
29	637-63113	1	O-RING, CI 6, 11.3MM ID x 2.2 Thk,
	445492A2	1	VALVE, CHECK, Check, Inc. 30 - 35
30	NSS	1	NOT SERVICED SEPARATELY, Body
31	445494A1	1	SPRING, VALVE,
32	238-5012	1	O-RING, -012, 70 Duro, .364" ID x .070" Thk,
33	211-1009	1	BALL, 9/32; 24,CRS
34	100-2131	1	RING, SNAP, 0.312", Int, #31,
35	86988656	1	WASHER, SPRING,
36	253385A2	1	GASKET,
37	861-10045	4	SCREW, Hex Soc Hd, M10 x 45, 12.9,

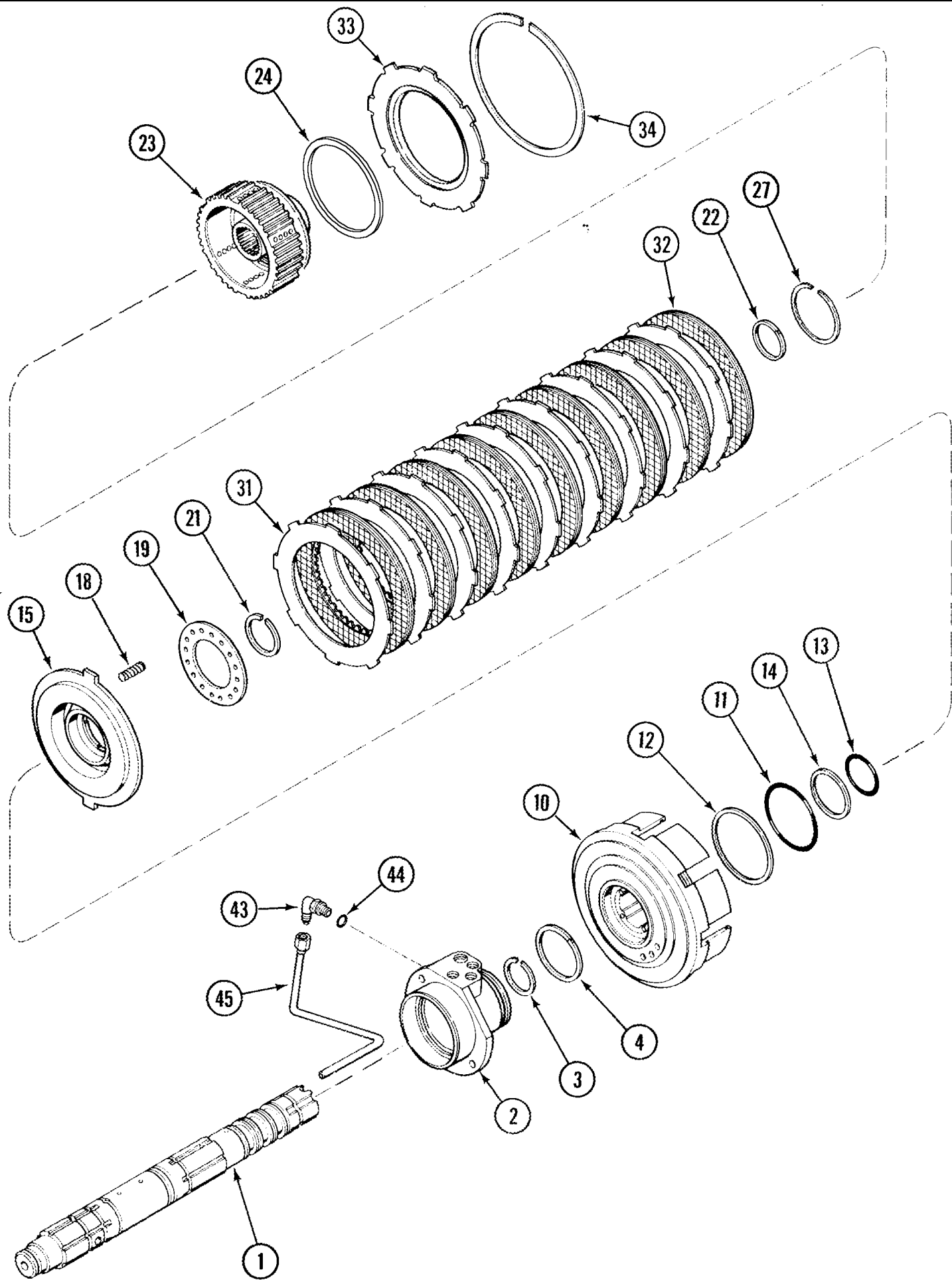


MAGNUM 255 CASE-IH MAGNUM TRACTOR (EMERGING MARKET) (1/06-)

06-14 RANGE TRANSMISSION - INPUT SHAFT

сылка	Номер детали	Кол-во	Описание
1	87434653	1	SHAFT ASSY., Inc. 2
2	187516A1	4	PLUG,
8	1286040C2	1	RING,
9	1997888C1	1	WASHER, THRUST,
10	80909C1	2	BEARING, NEEDLE,
11	86987610	1	GEAR, 37T
12	86987612	1	PINION, 59T
13	1286052C1	2	RING,
14	1286043C1	4	WASHER, THRUST,
17	87434656	2	RING, Lube
18	572182R1	2	BEARING, THRUST,
19	101-11250	6	RING, SNAP, #250, 2.356, Ext,
20	87425389	18	SPRING, BELLEVILLE,
21	86987596	2	CARRIER,
22	1286081C1	2	O-RING,
23	1286076C1	2	RING,
24	86987597	2	PISTON,
25	1286083C1	2	O-RING,
26	1286079C1	2	RING,
31	86990276	22	DISC, Friction
32	92934C2	22	DISC, Separator
33	1342645C3	2	DISC, CLUTCH,
34	1285996C1	2	RING, SNAP,
35	1285971C1	1	GEAR, DRIVING,
36	A75211	1	BEARING, CONE,
37	A75210	1	BEARING, CUP,
39	ST2063	1	BEARING, CONE,
40	54404R1	1	BEARING, CUP,
44	281696A1	1	SUPPORT,
45	814-12050	6	BOLT, Hex, M12 x 50, 8.8,
46	1286025C1	4	RING,
47	254337A2	1	CAGE,
48	1286061C1	2	SHIM, 0,08 mm
48	1286062C1	2	SHIM, 0,10 mm
48	1286063C1	2	SHIM, 0,13 mm
48	1286064C1	2	SHIM, 0,30 mm
48	1286065C1	2	SHIM, 0,76 mm
49	613-10030	3	BOLT, Hex, M10 x 30, 8.8, Full Thd,

06-15 RANGE TRANSMISSION - MASTER CLUTCH

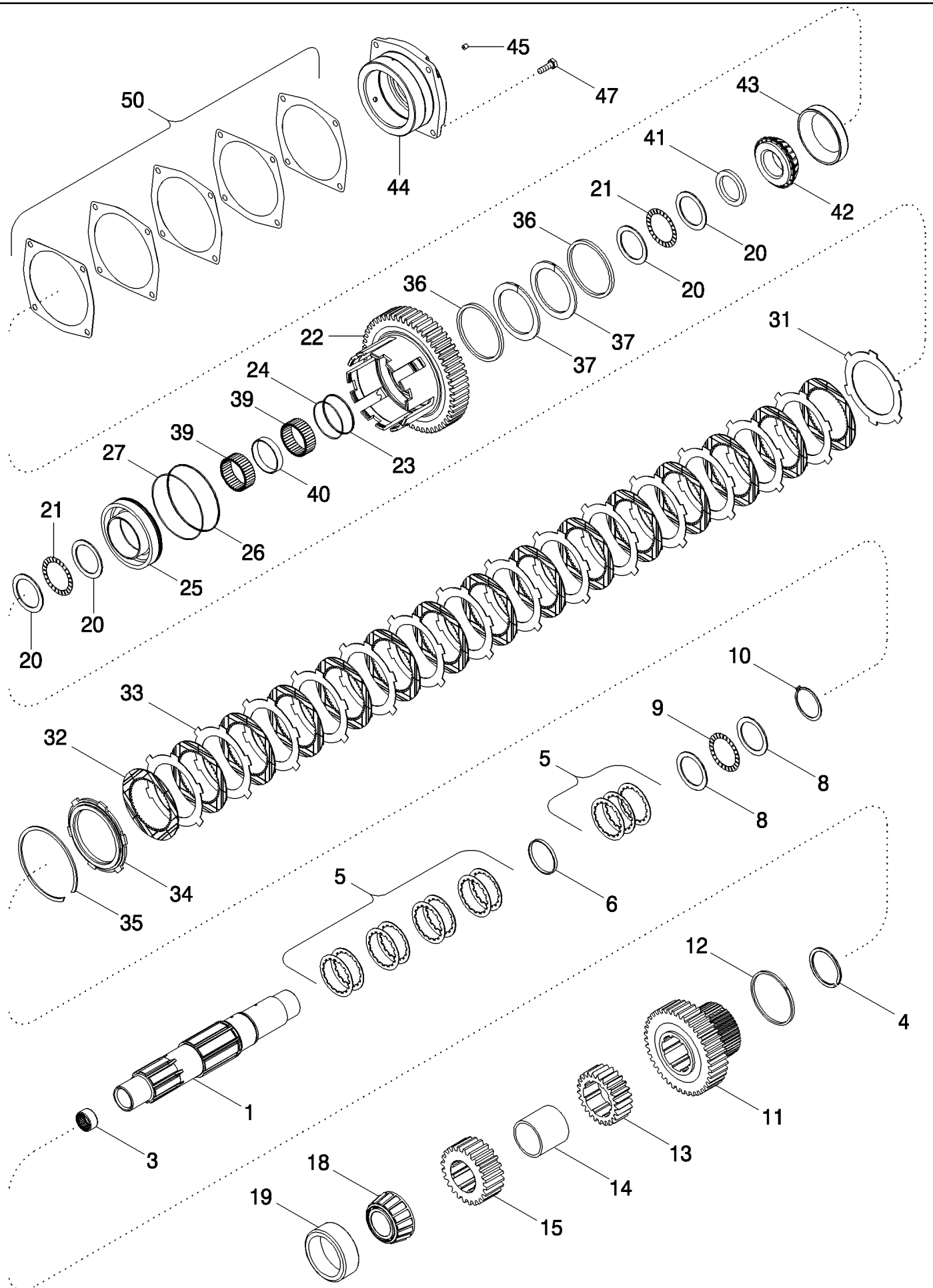


MAGNUM 255 CASE-IH MAGNUM TRACTOR (EMERGING MARKET) (1/06-)

06-15 RANGE TRANSMISSION - MASTER CLUTCH

сылка	Номер детали	Кол-во	Описание
1	87434653	1	SHAFT ASSY., , See Figure 06-14
2	254337A2	1	CAGE,
3	101-11225	1	RING, SNAP, #225, Ext,
4	1286027C2	1	RING,
10	87311451	1	CARRIER,
11	93138C1	1	O-RING,
12	92562C1	1	RING,
13	93137C1	1	O-RING,
14	92561C1	1	RING,
15	112299A2	1	PISTON ASSY,
18	93136C2	16	SPRING,
19	112329A3	1	RETAINER,
21	100-11306	1	RING, SNAP, #306, Ext,
22	92555C1	1	RING,
23	235913A3	1	HUB,
24	235987A1	1	RING,
27	100-11200	1	RING, SNAP, #200, Ext,
31	1285974C1	9	PLATE, BRAKE, Separator
32	1285975C2	9	DISC, CLUTCH, Friction
33	235851A2	1	DISC, Backing
34	1963876C1	1	RING, SNAP,
43	218-5105	1	ELBOW, 90e, 9/16"-18, 37e x 9/16"-18, O-Ring, Inc. 44
44	237-6006	1	O-RING, 6-1, 90 Duro, .468" ID x .078" Thk,
45	1963935C2	1	TUBE,

06-16 RANGE TRANSMISSION - COUNTERSHAFT



MAGNUM 255 CASE-IH MAGNUM TRACTOR (EMERGING MARKET) (1/06-)

06-16 RANGE TRANSMISSION - COUNTERSHAFT

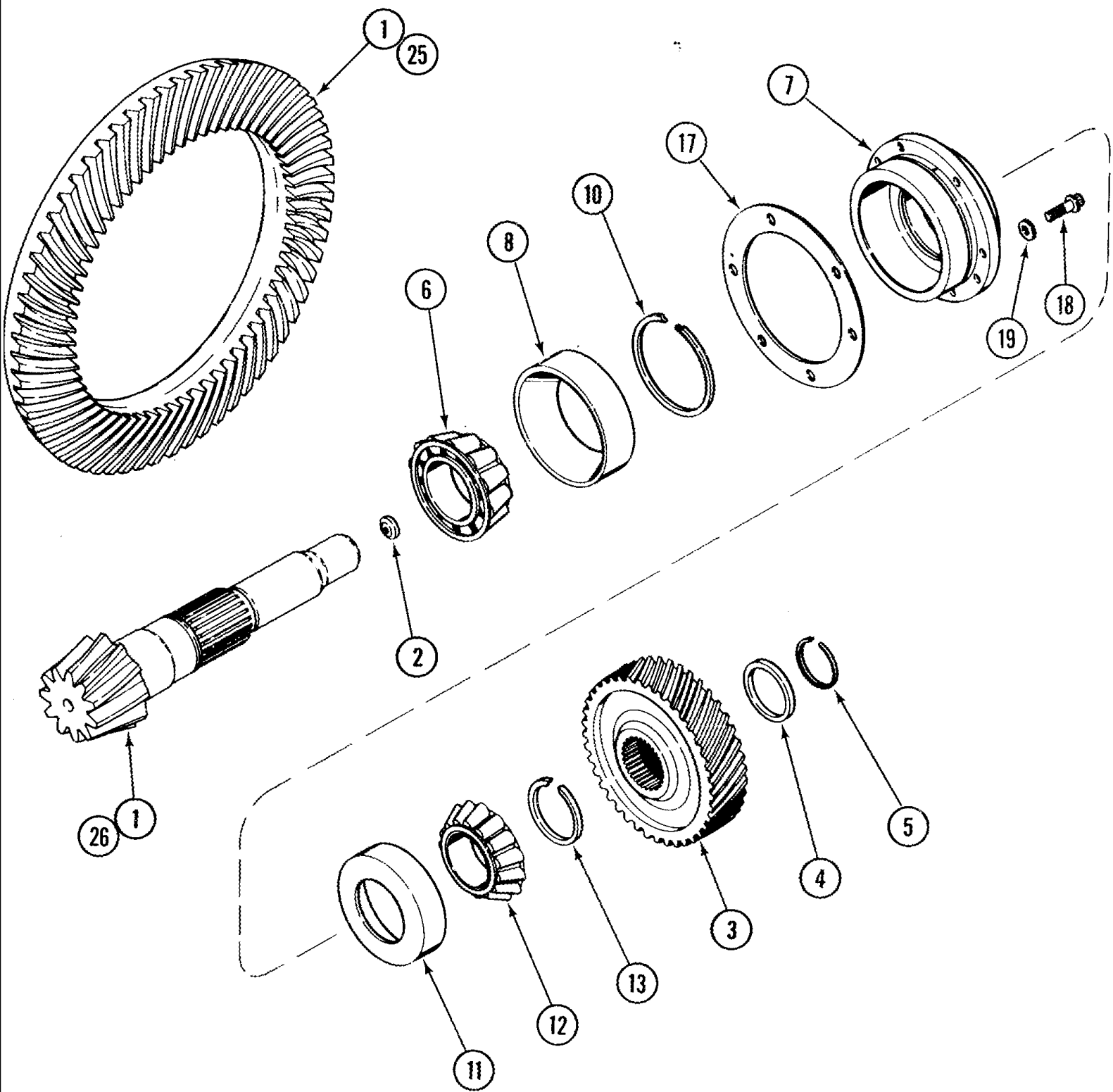
сылка	Номер детали	Кол-во	Описание
1	87434362	1	SHAFT ASSY.,
2	38-3605	3	PIN, 3/32" x 5/16", Coiled,
3	D63322	1	BEARING, NEEDLE,
4	144348C1	1	RING, SNAP,
5	87425389	11	SPRING, BELLEVILLE,
6	87434656	1	RING, Lube
8	1286043C1	2	WASHER, THRUST,
9	572182R1	1	BEARING, THRUST,
10	101-11250	1	RING, SNAP, #250, 2.356, Ext,
11	1285978C1	1	PINION, 39T
12	1286052C1	1	RING,
13	220057A1	1	GEAR, 25T
14	1286041C2	1	SPACER,
15	1285990C2	1	PINION, 23T
18	84986C1	1	BEARING, CONE, , With 10 Bolt Hub
18	253485A1	1	BEARING, CONE, , With 12 Bolt Hub
19	40435	1	BEARING, CUP, , With 10 Bolt Hub
19	253486A1	1	BEARING, CUP, , With 12 Bolt Hub
20	1286042C1	4	WASHER, THRUST,
21	87012543	2	BEARING, THRUST,
22	87439841	1	GEAR, 54T
23	1286077C1	1	RING,
24	1286081C1	1	O-RING,
25	242491A5	1	PISTON,
26	1286079C1	1	RING,
27	1286083C1	1	O-RING,
31	128114A1	1	DISC, Separator
32	86990276	15	DISC, Friction
33	92934C2	14	DISC, Separator
34	1342645C3	1	DISC, CLUTCH,
35	1285996C1	1	RING, SNAP,
36	1286028C2	2	RING,
37	297418A2	2	SEAL,
39	80907C1	2	BEARING, NEEDLE,
40	93269C1	1	SPACER,
41	1286038C2	1	SPACER,
42	287679C1	1	BEARING, ROLLER,
43	1968297C1	1	BEARING, CUP,
44	87435631	1	CAGE, Inc. 45
45	1345888C1	1	PLUG,
47	613-10030	4	BOLT, Hex, M10 x 30, 8.8, Full Thd,
50	1286066C1	2	SHIM, 0,08 mm
50	1286067C1	2	SHIM, 0,10 mm
50	1286068C1	2	SHIM, 0,13 mm
50	1286069C1	2	SHIM, 0,30 mm

MAGNUM 255 CASE-IH MAGNUM TRACTOR (EMERGING MARKET) (1/06-)

06-16 RANGE TRANSMISSION - COUNTERSHAFT

сылка	Номер детали	Кол-во	Описание
50	1286070C1	2	SHIM, 0,76 mm

06-17 TRANSMISSION - PINION SHAFT AND GEARS

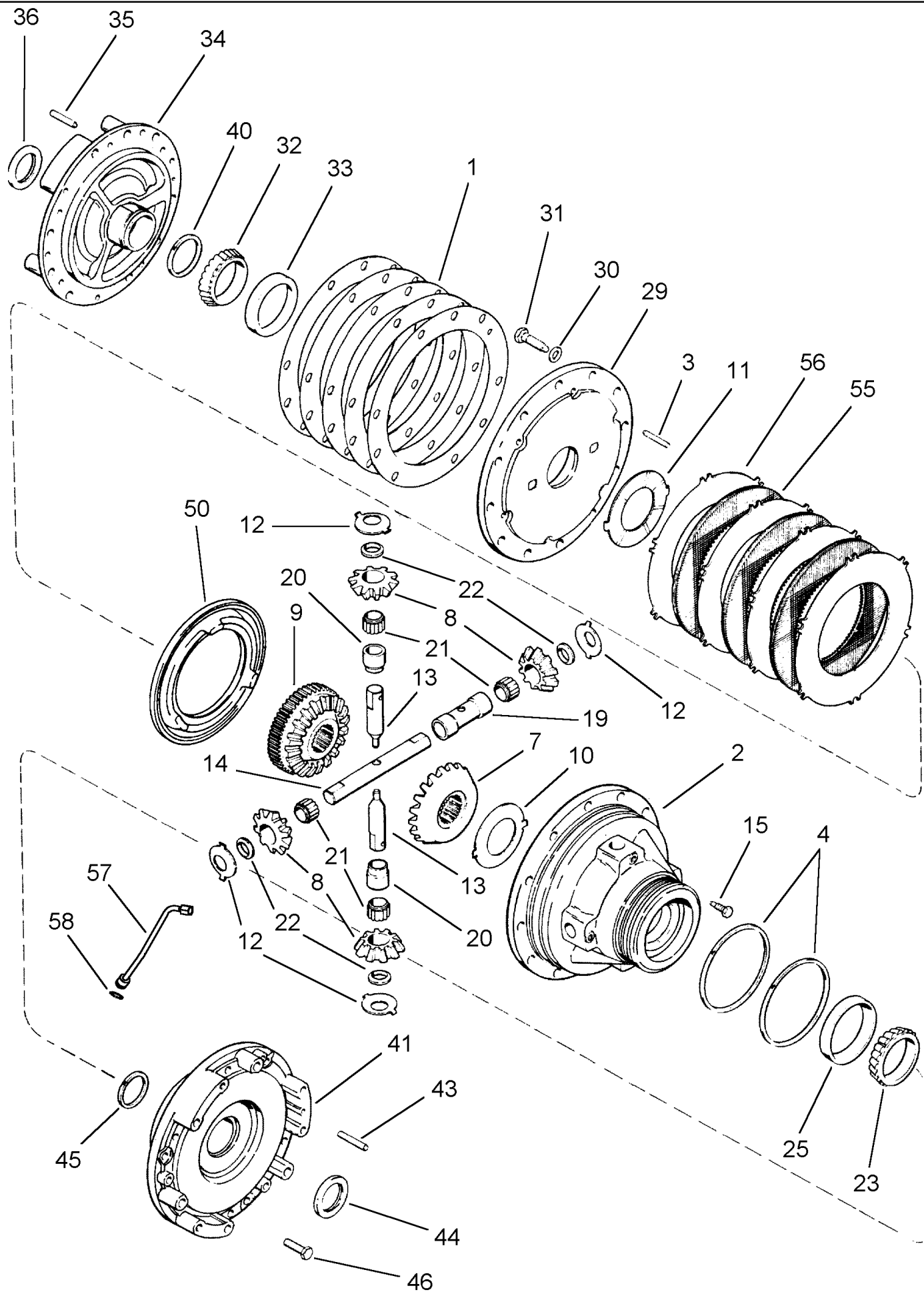


MAGNUM 255 CASE-IH MAGNUM TRACTOR (EMERGING MARKET) (1/06-)

06-17 TRANSMISSION - PINION SHAFT AND GEARS

сылка	Номер детали	Кол-во	Описание
1	94616C2	1	GEAR SET, Inc. 2, 25, 26
2	92825C1	1	PLUG,
3	87618938	1	GEAR, DRIVEN, 46T
4	1286039C1	1	SPACER,
5	143906C1	1	RING, SNAP,
6	921684C1	1	BEARING, CONE,
7	1068264C1	1	CAGE, Inc. 8
8	921683C1	1	BEARING, CUP,
10	120965C1	1	RING, SNAP,
11	108326H	1	BEARING, CUP,
12	94666C1	1	BEARING, CONE,
13	131432A1	1	RING, 3,62 mm
13	94661C1	1	RING, 3,70 mm
13	94662C1	1	RING, 3,78 mm
13	94663C1	1	RING, 3,86 mm
13	110042C1	1	RING, 3,93 mm
13	94664C1	1	RING, 4,02 mm
13	131433A1	1	RING, 4,10 mm
13	131434A1	1	RING, 4,18 mm
17	120977C1	2	SHIM, 0,08 mm
17	120978C1	2	SHIM, 0,10 mm
17	120979C1	2	SHIM, 0,13 mm
17	120980C1	2	SHIM, 0,30 mm
18	566-12035	6	SCREW, 12 Pt Hd, M10 x 35, 12.9,
19	1251958C1	6	WASHER,
25	NSS	1	NOT SERVICED SEPARATELY, GEAR
26	NSS	1	NOT SERVICED SEPARATELY, PINION

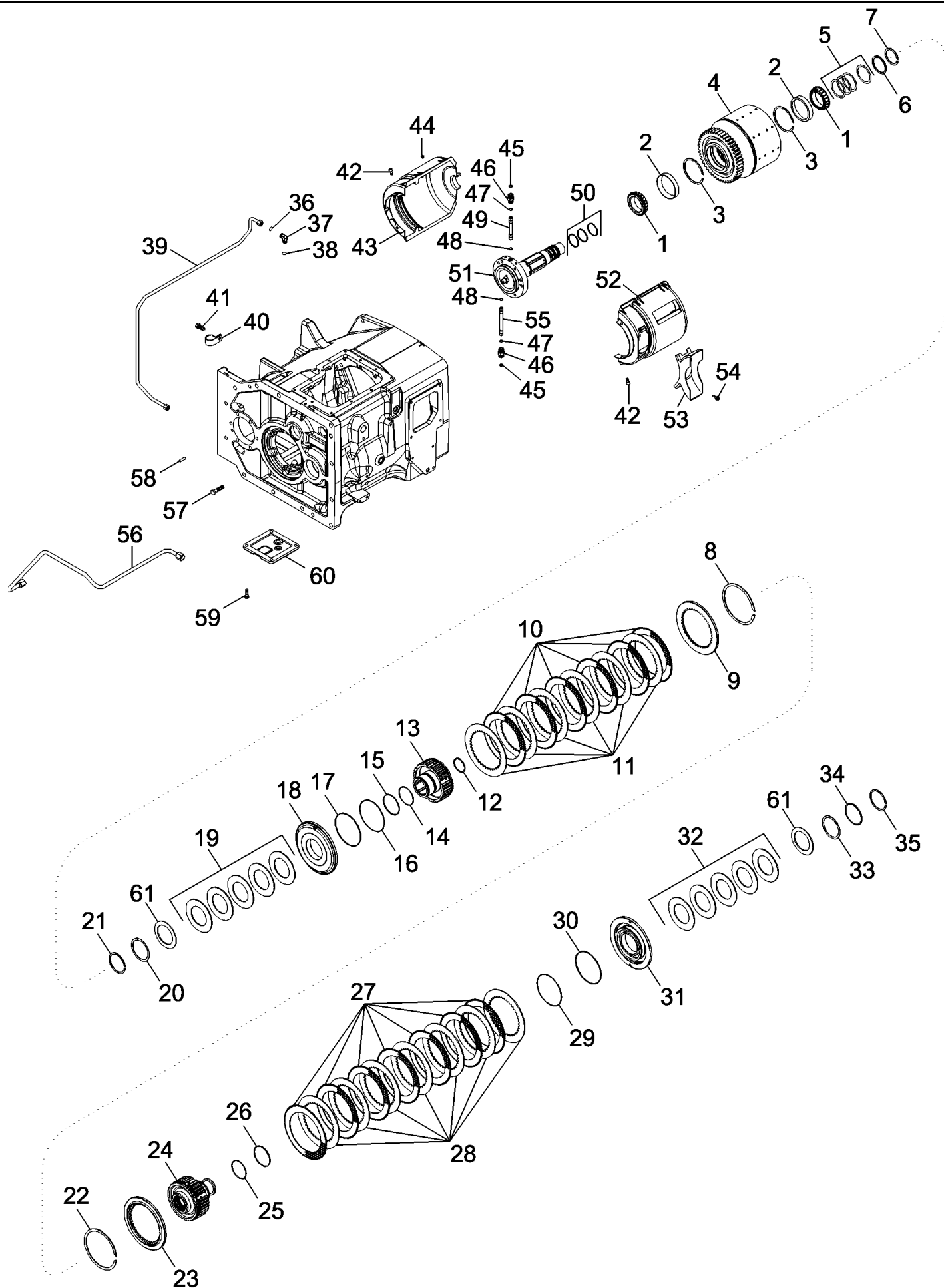
06-18 TRANSMISSION - DIFFERENTIAL



MAGNUM 255 CASE-IH MAGNUM TRACTOR (EMERGING MARKET) (1/06-)

06-18 TRANSMISSION - DIFFERENTIAL

сылка	Номер детали	Кол-во	Описание
1	120513C2	AR	SHIM, 0,09 mm
1	120512C2	AR	SHIM, 0,10 mm
1	120509C2	AR	SHIM, 0,18 mm
1	120510C2	AR	SHIM, 0,31 mm
1	120511C2	AR	SHIM, 0,74 mm
2	229594A1	1	CAGE,
3	137023A1	6	DOWEL, 10 x 60 mm
4	148939C1	2	SEAL,
7	1259633C3	1	GEAR,
8	92905C1	4	PINION, 10T
9	1259634C3	1	PINION,
10	227116A2	1	WASHER, THRUST,
11	227117A2	1	WASHER, THRUST,
12	92718C2	4	WASHER,
13	92906C1	2	SHAFT, SHORT,
14	92907C1	1	SHAFT,
15	1997421C1	2	BOLT,
19	1289349C1	1	SPACER,
20	1289350C1	2	SPACER,
21	1270697C1	112	NEEDLE, 28 Per Gear
22	1289348C1	4	RING,
23	622336C1	1	BEARING, CONE,
25	A63171	1	BEARING, CUP,
29	229593A1	1	COVER,
30	896-11016	12	WASHER, M17.5 x 30 x 4, HT,
31	828-16055	12	BOLT, Hex, M16 x 55, 10.9, Full Thd,
32	67250C1	1	BEARING, BALL,
33	67251C1	1	BEARING, CUP,
34	120503C2	1	RETAINER,
35	136433A1	5	DOWEL, 12 x 65 mm
36	139059C1	1	SEAL,
40	139060C2	1	RING,
41	1997369C2	1	RETAINER,
43	136433A1	5	DOWEL, 12 x 65 mm
44	139059C1	1	SEAL,
45	139060C2	1	RING,
46	613-16040	3	BOLT, Hex, M16 x 40, 8.8, Full Thd,
46	613-16045	3	BOLT, Hex, M16 x 45, 8.8, Full Thd,
50	1997422C1	1	PISTON,
55	120679C1	3	PLATE,
56	92915C1	4	PLATE,
57	409738A1	1	TUBE,
58	238-5115	1	O-RING, -115, 70 Duro, .674" ID x .103" Thk,



MAGNUM 255 CASE-IH MAGNUM TRACTOR (EMERGING MARKET) (1/06-)

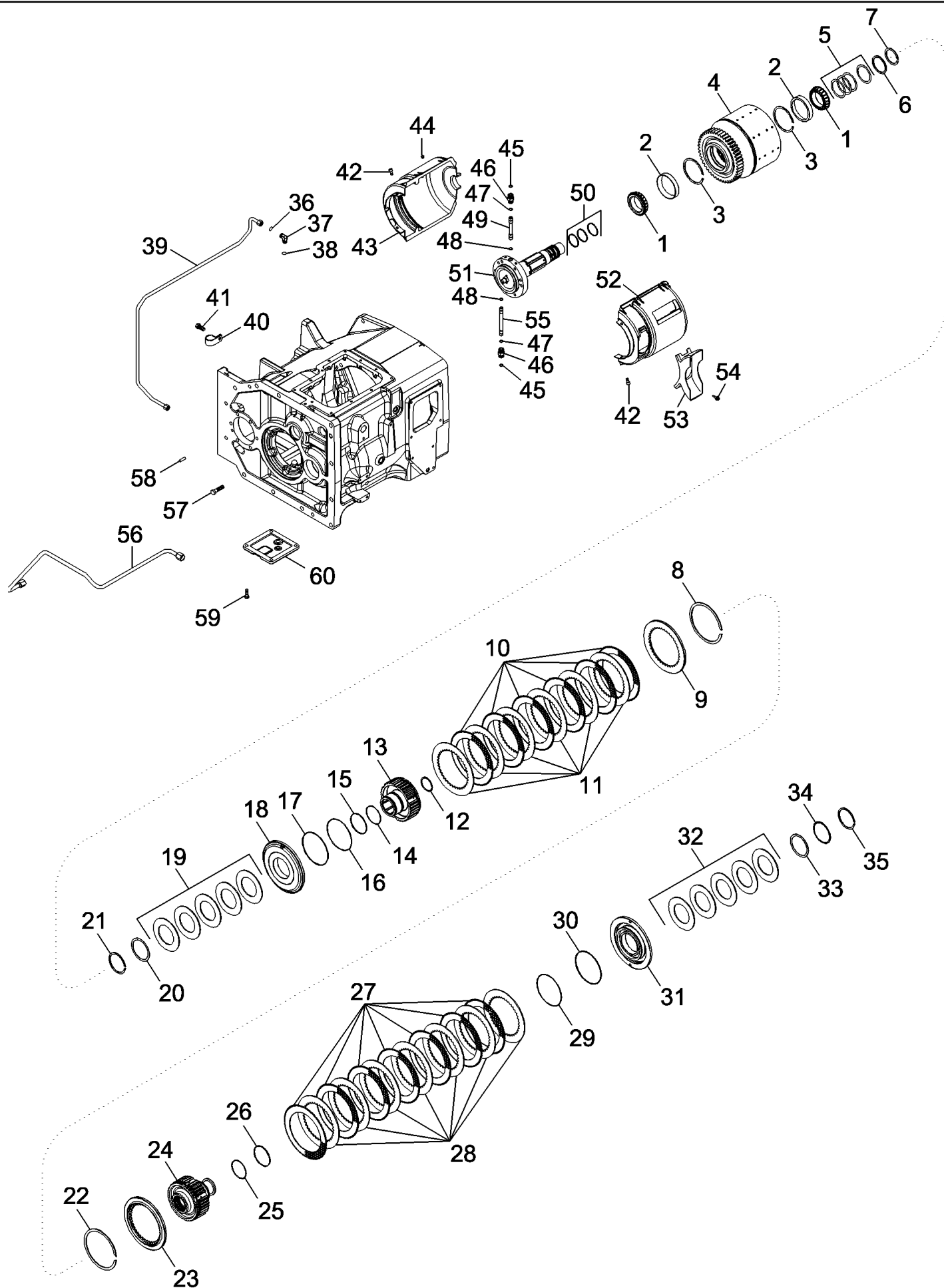
06-19 RANGE TRANSMISSION - MFD CLUTCH AND PARK BRAKE - TRANSMISSION BSN AJB367211

сылка	Номер детали	Кол-во	Описание
1	630694C1	2	BEARING, CONE,
2	630695C1	2	BEARING, CUP,
3	101-21412	2	RING, SNAP, #412, 4.430", Int,
4	87455297	1	GEAR,
5	138121A1	AR	SHIM, 0.20 mm
5	1997893C1	AR	SHIM, 0.51 mm
5	1997894C1	AR	SHIM, 0.56 mm
5	1997895C1	AR	SHIM, 0.64 mm
6	1277309C1	1	WASHER,
7	1997891C1	1	RING, SNAP,
8	87347811	1	CIRCLIP,
9	87329141	1	PLATE, BACKING,
10	87449793	6	SEPARATOR, Plate
11	87348160	6	PLATE, Friction
12	101-11225	1	RING, SNAP, #225, Ext,
13	87552528	1	HUB,
14	87433971	1	SEAL,
15	87037455	1	O-RING, -160, CI 7, 5.237" ID x .103" Thk,
16	87433970	1	SEAL,
17	238-7151	1	O-RING, -151, CI 7, 2.987" ID x .103" Thk,
18	87337887	1	PISTON,
19	87305967	5	SPRING, BELLEVILLE,
20	87329116	AR	SPACER, 84.5 mm ID x 1.50 mm Thk
21	87434027	1	CIRCLIP,
22	87347811	1	CIRCLIP,
23	87329141	1	PLATE, BACKING,
24	87347832	1	HUB,
25	87433971	1	SEAL,
26	87037455	1	O-RING, -160, CI 7, 5.237" ID x .103" Thk,
27	87348160	6-7	PLATE, Friction
28	87449793	6-7	SEPARATOR, Plate
29	87433970	1	SEAL,
30	238-7151	1	O-RING, -151, CI 7, 2.987" ID x .103" Thk,
31	87337887	1	PISTON,
32	87305967	5	SPRING, BELLEVILLE,
33	87329116	AR	SPACER, 84.5 mm ID x 1.50 mm Thk
34	87310984	2	RING, SNAP,
35	87434027	1	CIRCLIP,
36	637-63113	1	O-RING, CI 6, 11.3MM ID x 2.2 Thk,
37	700-332	1	ELBOW, 90e, 13/16"-18 ORFS x M14 x 1.5 ORB, Inc. 36, 38
38	238-6014	1	O-RING, -014, 90 Duro, .489" ID x .070" Thk,
39	87307978	1	TUBE,
40	515-23127	1	CLAMP, 1/2", Insul, 3/8" Bolt,
41	614-10020	1	BOLT, Hex, M10 x 20, 8.8, Full Thd,
42	87331111	4	SCREW, M8 x 16; 8.8

MAGNUM 255 CASE-IH MAGNUM TRACTOR (EMERGING MARKET) (1/06-)

06-19 RANGE TRANSMISSION - MFD CLUTCH AND PARK BRAKE - TRANSMISSION BSN AJB367211

сылка	Номер детали	Кол-во	Описание
43	87337873	1	SHIELD, Upper Half
44	87332637	6	CLIP,
45	238-6014	1	O-RING, -014, 90 Duro, .489" ID x .070" Thk,
46	201-102	2	CONNECTOR, HYD., 13/16"-16 ORFS x 3/4"-16 ORB, Inc. 45, 47
47	237-6008	1	O-RING, 8-1, 90 Duro, .644" ID x .087" Thk,
48	238-5013	4	O-RING, -013, 70 Duro, .426" ID x .070" Thk,
49	87425392	1	TUBE,
50	445336A1	3	SEALRING,
51	87536356	1	BRAKE ASSY., Inc. 58
52	87337875	1	SHIELD, Lower Half
53	87343231	1	SHIELD, Constant Mesh Gear
54	87348536	1	SCREW,
55	120514C2	1	TUBE,
56	124306A1	1	PIPE,
57	828-12050	6	BOLT, Hex, M12 x 50, 10.9,
58	837-10025	1	DOWEL, M10 x 25,
59	628-10030	4	BOLT, Hex, M10 x 30, 10.9, Full Thd,
60	87327182	1	COVER, , See Figure 07-06
61	87639547	AR	SHIM, 84.5 mm ID x 1.0 mm Thk



MAGNUM 255 CASE-IH MAGNUM TRACTOR (EMERGING MARKET) (1/06-)

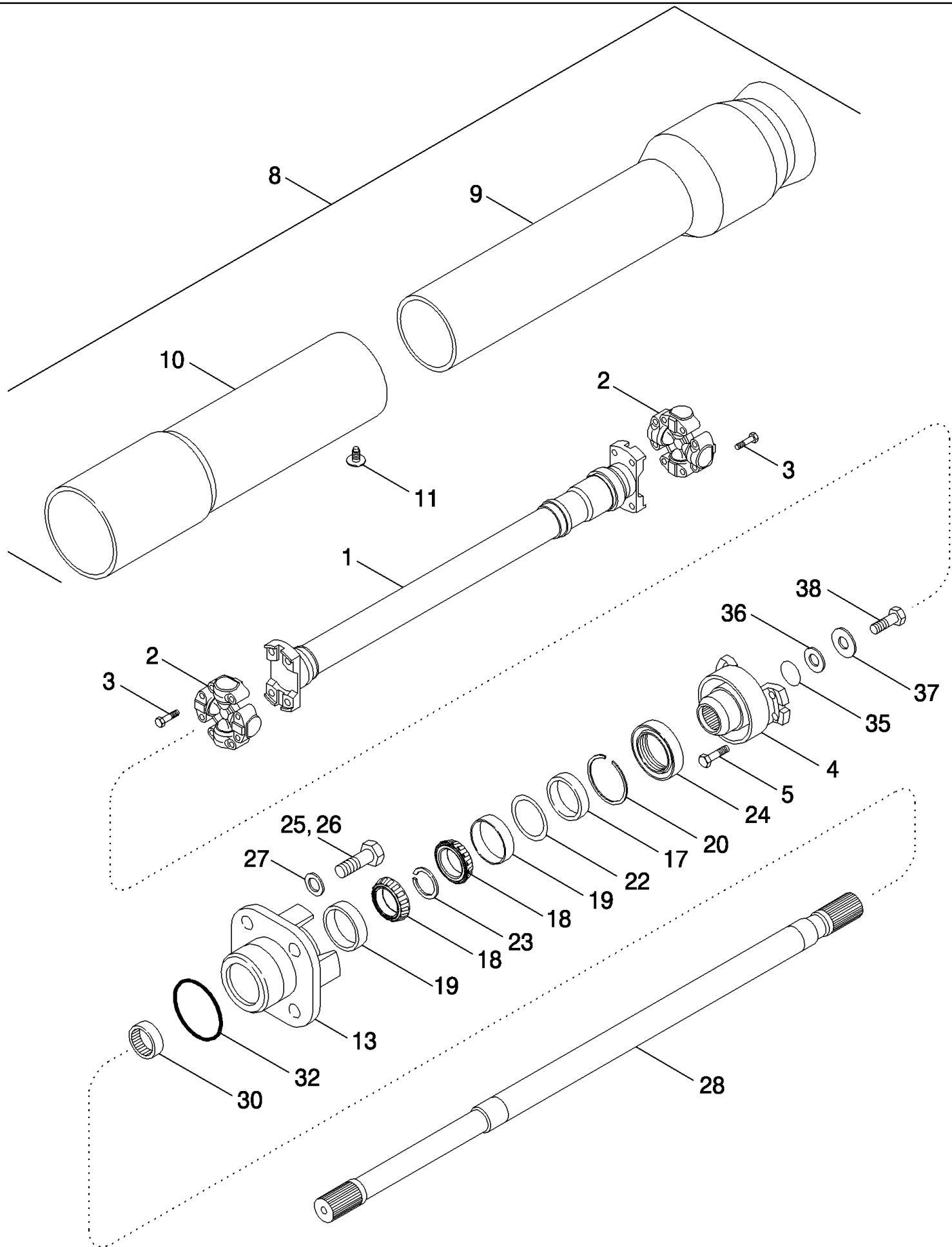
06-20 RANGE TRANSMISSION - MFD CLUTCH AND PARK BRAKE - TRANSMISSION ASN AJB367211

сылка	Номер детали	Кол-во	Описание
1	630694C1	2	BEARING, CONE,
2	630695C1	2	BEARING, CUP,
3	101-21412	2	RING, SNAP, #412, 4.430", Int,
4	87455297	1	GEAR,
5	138121A1	AR	SHIM, 0.20 mm
5	1997893C1	AR	SHIM, 0.51 mm
5	1997894C1	AR	SHIM, 0.56 mm
5	1997895C1	AR	SHIM, 0.64 mm
6	1277309C1	1	WASHER,
7	1997891C1	1	RING, SNAP,
8	87347811	1	CIRCLIP,
9	87329141	1	PLATE, BACKING,
10	87449793	6	SEPARATOR, Plate
11	87348160	6	PLATE, Friction
12	101-11225	1	RING, SNAP, #225, Ext,
13	87552528	1	HUB,
14	87433971	1	SEAL,
15	87037455	1	O-RING, -160, CI 7, 5.237" ID x .103" Thk,
16	87433970	1	SEAL,
17	238-7151	1	O-RING, -151, CI 7, 2.987" ID x .103" Thk,
18	87337887	1	PISTON,
19	87305967	5	SPRING, BELLEVILLE,
20	87329116	1	SPACER,
21	87434027	1	CIRCLIP,
22	87347811	1	CIRCLIP,
23	87329141	1	PLATE, BACKING,
24	87347832	1	HUB,
25	87433971	1	SEAL,
26	87037455	1	O-RING, -160, CI 7, 5.237" ID x .103" Thk,
27	87348160	6-7	PLATE, Friction
28	87449793	6-7	SEPARATOR, Plate
29	87433970	1	SEAL,
30	238-7151	1	O-RING, -151, CI 7, 2.987" ID x .103" Thk,
31	87337887	1	PISTON,
32	87305967	5	SPRING, BELLEVILLE,
33	87329116	1	SPACER,
34	87310984	1	RING, SNAP,
35	87434027	1	CIRCLIP,
36	637-63113	1	O-RING, CI 6, 11.3MM ID x 2.2 Thk,
37	700-332	1	ELBOW, 90e, 13/16"-18 ORFS x M14 x 1.5 ORB, Inc. 36, 38
38	238-6014	1	O-RING, -014, 90 Duro, .489" ID x .070" Thk,
39	87307978	1	TUBE,
40	515-23127	1	CLAMP, 1/2", Insul, 3/8" Bolt,
41	614-10020	1	BOLT, Hex, M10 x 20, 8.8, Full Thd,
42	87331111	4	SCREW, M8 x 16; 8.8

MAGNUM 255 CASE-IH MAGNUM TRACTOR (EMERGING MARKET) (1/06-)

06-20 RANGE TRANSMISSION - MFD CLUTCH AND PARK BRAKE - TRANSMISSION ASN AJB367211

сылка	Номер детали	Кол-во	Описание
43	87337873	1	SHIELD, Upper Half
44	87332637	6	CLIP,
45	238-6014	1	O-RING, -014, 90 Duro, .489" ID x .070" Thk,
46	201-102	2	CONNECTOR, HYD., 13/16"-16 ORFS x 3/4"-16 ORB, Includes 45, 47
47	237-6008	1	O-RING, 8-1, 90 Duro, .644" ID x .087" Thk,
48	238-5013	4	O-RING, -013, 70 Duro, .426" ID x .070" Thk,
49	87425392	1	TUBE,
50	445336A1	3	SEALRING,
51	87456520	1	SHAFT,
52	87337875	1	SHIELD, Lower Half
53	87343231	1	SHIELD, Constant Mesh Gear
54	87348536	1	SCREW,
55	120514C2	1	TUBE,
56	124306A1	1	PIPE,
57	828-12050	6	BOLT, Hex, M12 x 50, 10.9,
58	837-10025	1	DOWEL, M10 x 25,
59	628-10030	4	BOLT, Hex, M10 x 30, 10.9, Full Thd,
60	87327182	1	COVER, , See Figure 07-06

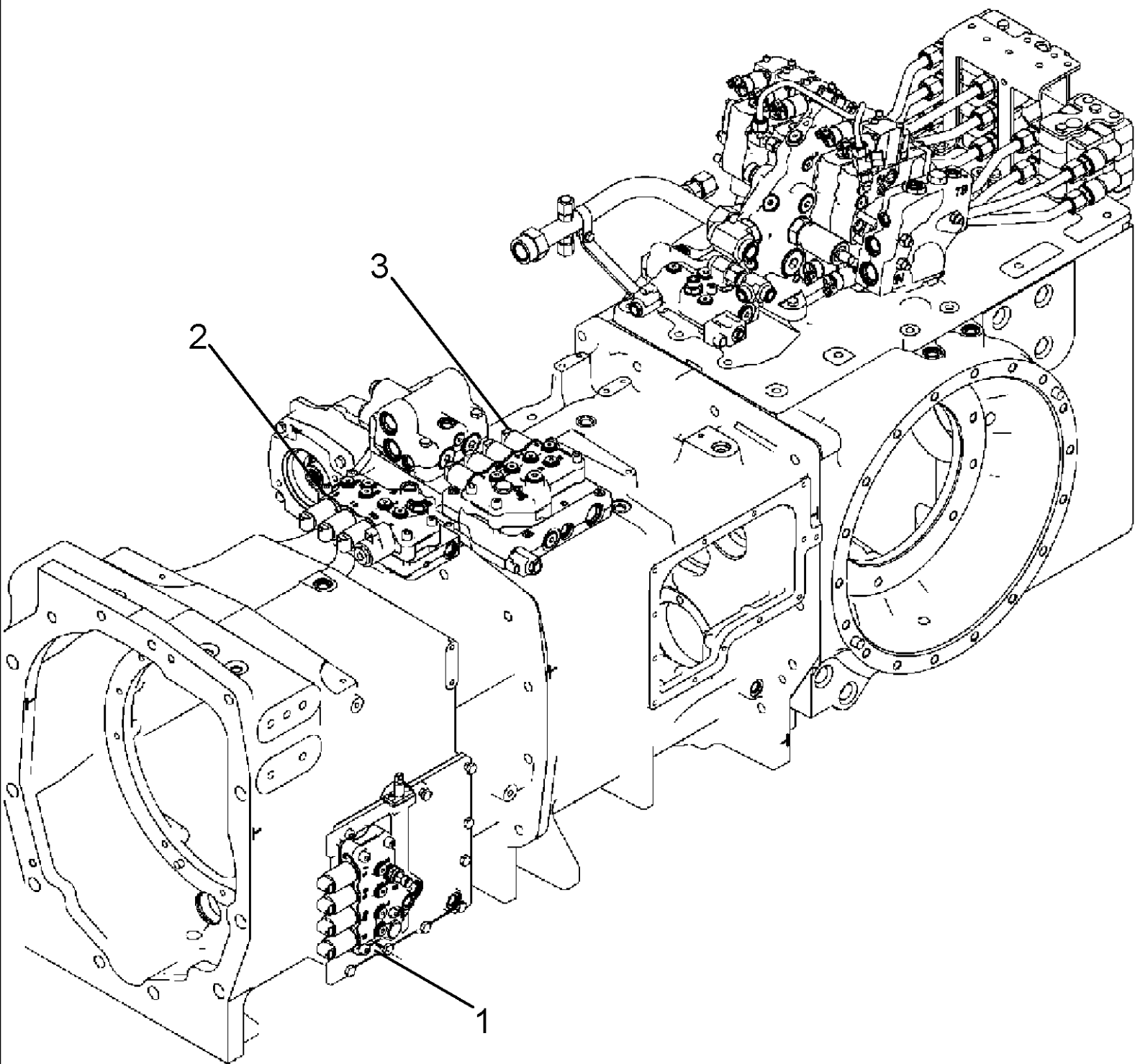


MAGNUM 255 CASE-IH MAGNUM TRACTOR (EMERGING MARKET) (1/06-)

06-21 MFD AXLE - DRIVE SHAFT

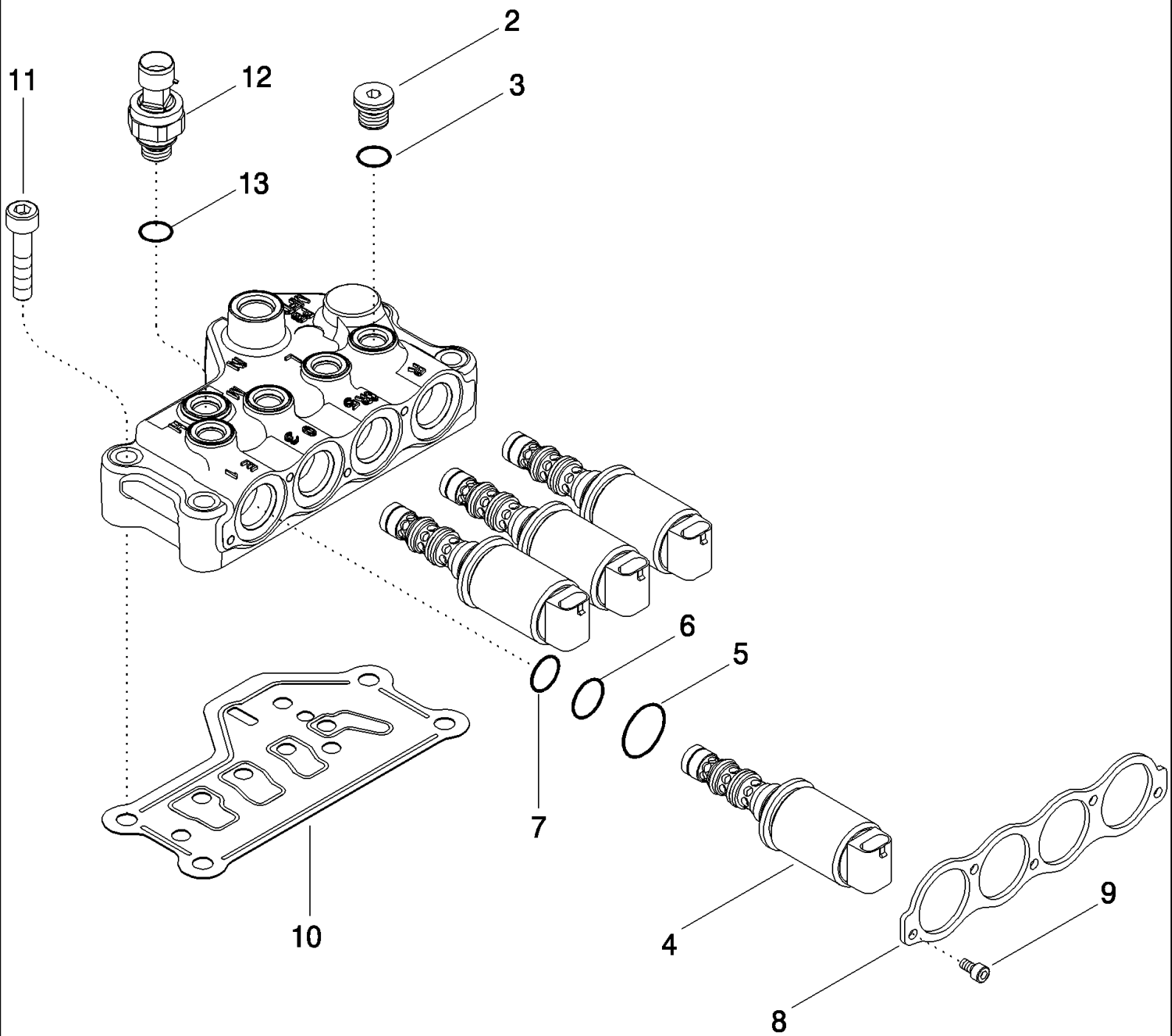
сылка	Номер детали	Кол-во	Описание
1	258853A2	1	SHAFT, DRIVE, Inc. 2, 3
2	258854A2	2	JOINT, UNIVERSAL,
3	828-10045	8	BOLT, Hex, M10 x 45, 10.9,
4	258855A1	1	YOKE,
5	828-10045	8	BOLT, Hex, M10 x 45, 10.9,
8	441554A2	1	SHIELD, Inc. 9 - 10
9	NSS	1	NOT SERVICED SEPARATELY, Sleeve
10	NSS	1	NOT SERVICED SEPARATELY, Sleeve
11	93199C1	2	FASTENER,
13	199922A2	1	CAGE,
17	199923A1	1	SPACER,
18	235519A1	2	BEARING, CONE,
19	235521A1	2	BEARING SET, 2-57/64 OD
20	199981A1	1	RING, SNAP,
22	249528A1	AR	SHIM, 0,203 mm
22	199929A1	AR	SHIM, 0,356 mm
22	199928A1	AR	SHIM, 0,508 mm
22	199927A1	AR	SHIM, 0,559 mm
22	222675A1	AR	SHIM, 0,635 mm
23	222732A1	1	RING, SNAP,
24	226851A1	1	SEAL, OIL,
25	628-20060	2	BOLT, Hex, M20 x 60, 10.9, Full Thd,
26	828-20150	2	BOLT, Hex, M20 x 150, 10.9,
27	896-12020	4	WASHER, M20 x 37.5 x 4, HT,
28	87425393	1	SHAFT,
30	205369R91	1	BEARING, NEEDLE,
32	238-5043	1	O-RING, -043, 70 Duro, 3.489" ID x .070" Thk,
35	238-5220	1	O-RING, -220, 70 Duro, 1.359" ID x .139" Thk,
36	337680A1	AR	SHIM, 0,203 mm
36	222674A1	AR	SHIM, 0,356 mm
36	222000A1	AR	SHIM, 0,508 mm
36	222001A1	AR	SHIM, 0, 559 mm
36	222002A1	AR	SHIM, 0,635 mm
37	221943A1	1	WASHER,
38	628-16050	1	BOLT, Hex, M16 x 50, 10.9, Full Thd,

06-22 TRANSMISSION CONTROL VALVE LOCATION



06-22 TRANSMISSION CONTROL VALVE LOCATION

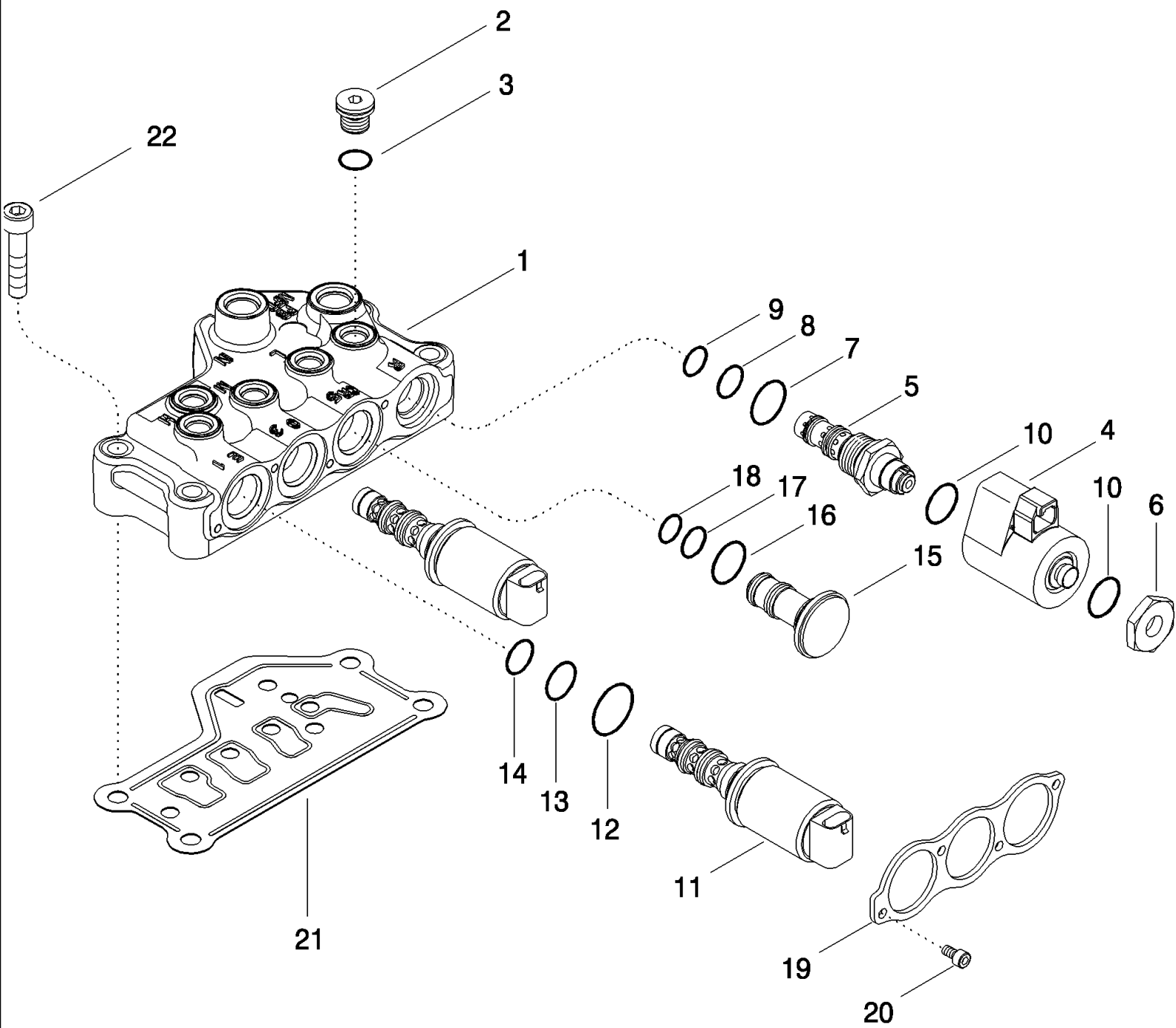
сылка	Номер детали	Кол-во	Описание
1	450729A2	1	VALVE, Speed, See Figure 06-22
2	450724A2	1	VALVE, Odd/Even, Without Creep or 19 Speed/Without 50 KPH, See Figure 06-23
2	450728A2	1	VALVE, Odd/Even, With Creep or 19 Speed/With 50 KPH, See Figure 06-24
3	87323842	1	VALVE, MFD, PWM, Range, See Figure 06-25



MAGNUM 255 CASE-IH MAGNUM TRACTOR (EMERGING MARKET) (1/06-)

06-23 VALVE ASSEMBLY - TRANSMISSION CONTROL (450729A2)

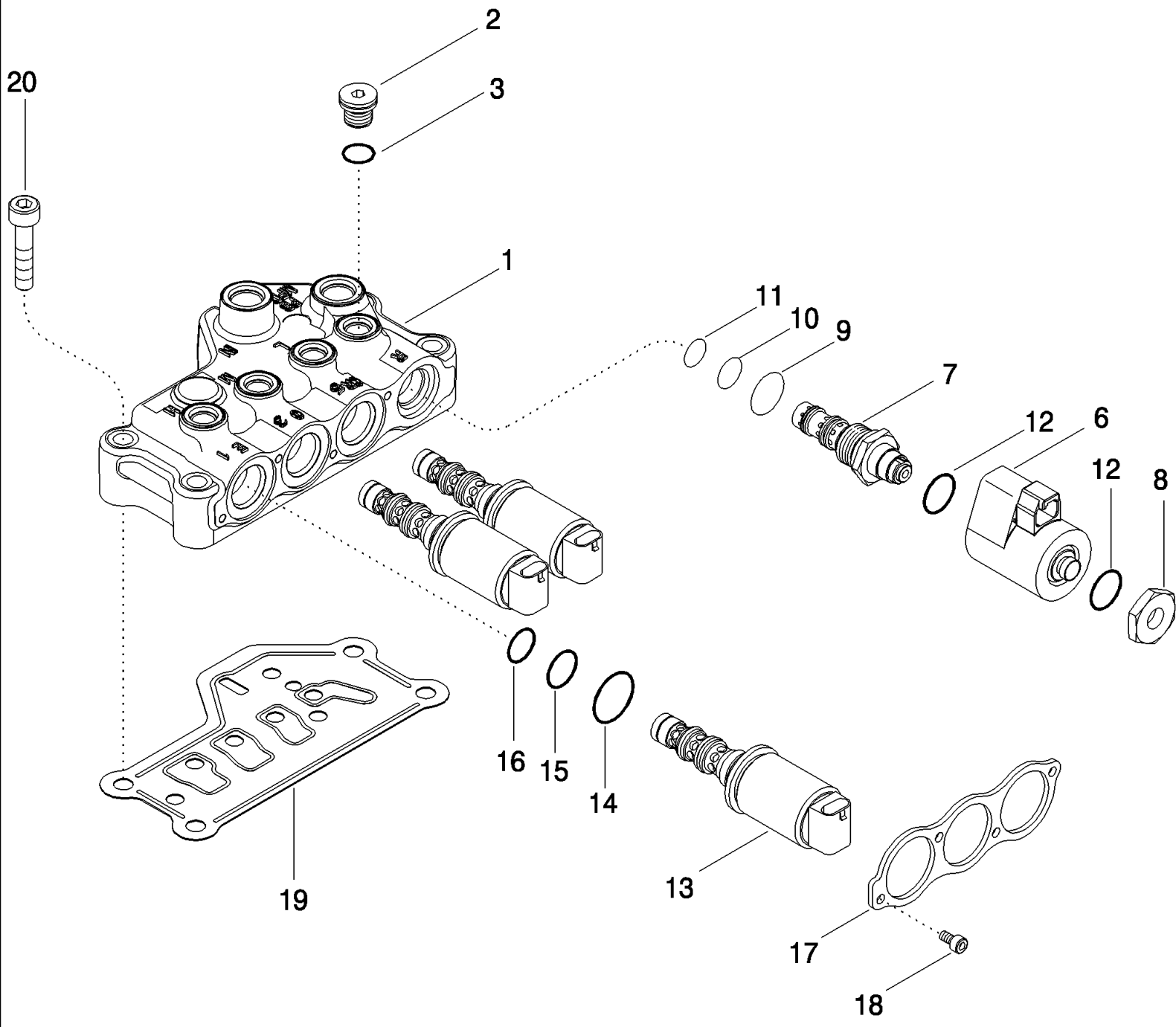
сылка	Номер детали	Кол-во	Описание
	450729A2	1	VALVE, Inc. 1 - 9, 12, 13
1	NSS	1	NOT SERVICED SEPARATELY, Body, Valve
2	221576A1	4	PLUG, Hex Soc, M14 x 1.5, ORB, Includes 3
3	637-63113	1	O-RING, CI 6, 11.3MM ID x 2.2 Thk,
4	87440439	4	SOLENOID, Inc. 5 - 7
5	87014033	1	O-RING, -019, CI 7, .801" ID x .070" Thk,
6	238-7016	1	O-RING, -016, CI 7, .614" ID x .070" Thk,
7	238-7015	1	O-RING, -015, CI 7, .551" ID x .070" Thk,
8	86985026	1	COVER,
9	864-5010	6	SCREW, Hex Soc Hd, M5 x 10, 8.8,
10	87399290	1	GASKET,
11	864-10055	4	SCREW, Hex Soc Hd, M10 x 55, 8.8,
12	86987513	1	SENSOR, Inc. 13
13	637-63113	1	O-RING, CI 6, 11.3MM ID x 2.2 Thk,



MAGNUM 255 CASE-IH MAGNUM TRACTOR (EMERGING MARKET) (1/06-)

06-24 VALVE ASSEMBLY - TRANSMISSION CONTROL (450724A2)

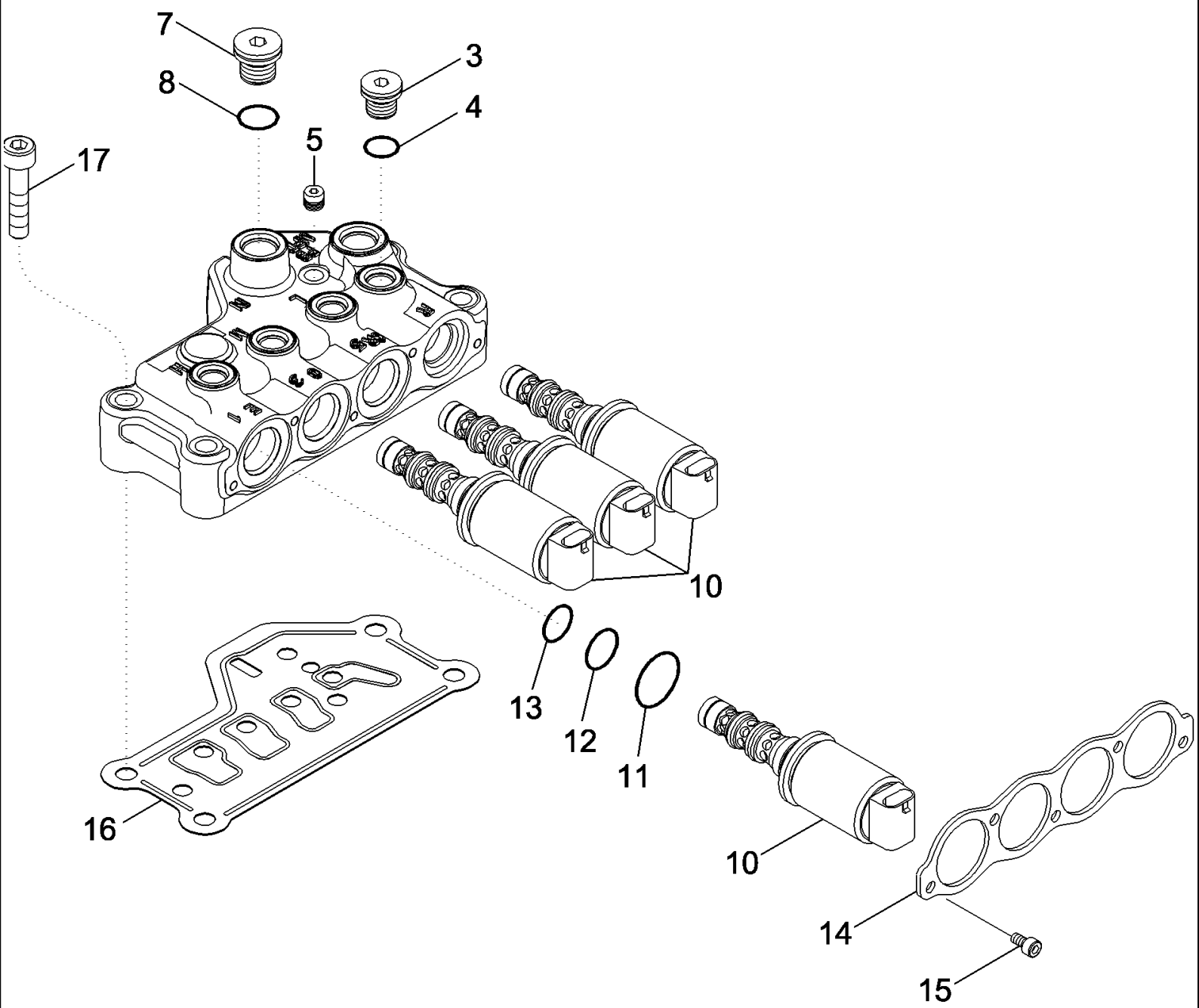
сылка	Номер детали	Кол-во	Описание
	450724A2	1	VALVE, Inc. 1 - 20
1	NSS	1	NOT SERVICED SEPARATELY, Body, Valve
2	221576A1	4	PLUG, Hex Soc, M14 x 1.5, ORB, Includes 3
3	14437785	1	O-RING, 11.3MM ID x 2.4 Thk,
	87675608	1	SOLENOID, Inc. 4 - 10
4	NSS	1	NOT SERVICED SEPARATELY, Coil
5	NSS	1	NOT SERVICED SEPARATELY, Cartridge
6	252462A2	1	NUT,
7	237-6010	1	O-RING, 10-1, 90 Duro, .755" ID x .097" Thk,
8	238-5015	1	O-RING, -015, 70 Duro, .551" ID x .070" Thk,
9	256633A1	1	O-RING, 12,9 ID x 1,24 mm
10	238-7115	2	O-RING, -115, CI 7, .674" ID x .103" Thk,
11	87440439	2	SOLENOID, Inc. 12 - 14
12	87014033	1	O-RING, -019, CI 7, .801" ID x .070" Thk,
13	238-7016	1	O-RING, -016, CI 7, .614" ID x .070" Thk,
14	238-7015	1	O-RING, -015, CI 7, .551" ID x .070" Thk,
15	86984122	1	PLUG, Inc. 16 - 18
16	87014033	1	O-RING, -019, CI 7, .801" ID x .070" Thk,
17	238-7016	1	O-RING, -016, CI 7, .614" ID x .070" Thk,
18	238-7015	1	O-RING, -015, CI 7, .551" ID x .070" Thk,
19	86985027	1	COVER,
20	864-5010	4	SCREW, Hex Soc Hd, M5 x 10, 8.8,
21	87399290	1	GASKET,
22	864-10055	4	SCREW, Hex Soc Hd, M10 x 55, 8.8,



MAGNUM 255 CASE-IH MAGNUM TRACTOR (EMERGING MARKET) (1/06-)

06-25 VALVE ASSEMBLY - TRANSMISSION CONTROL (450728A2)

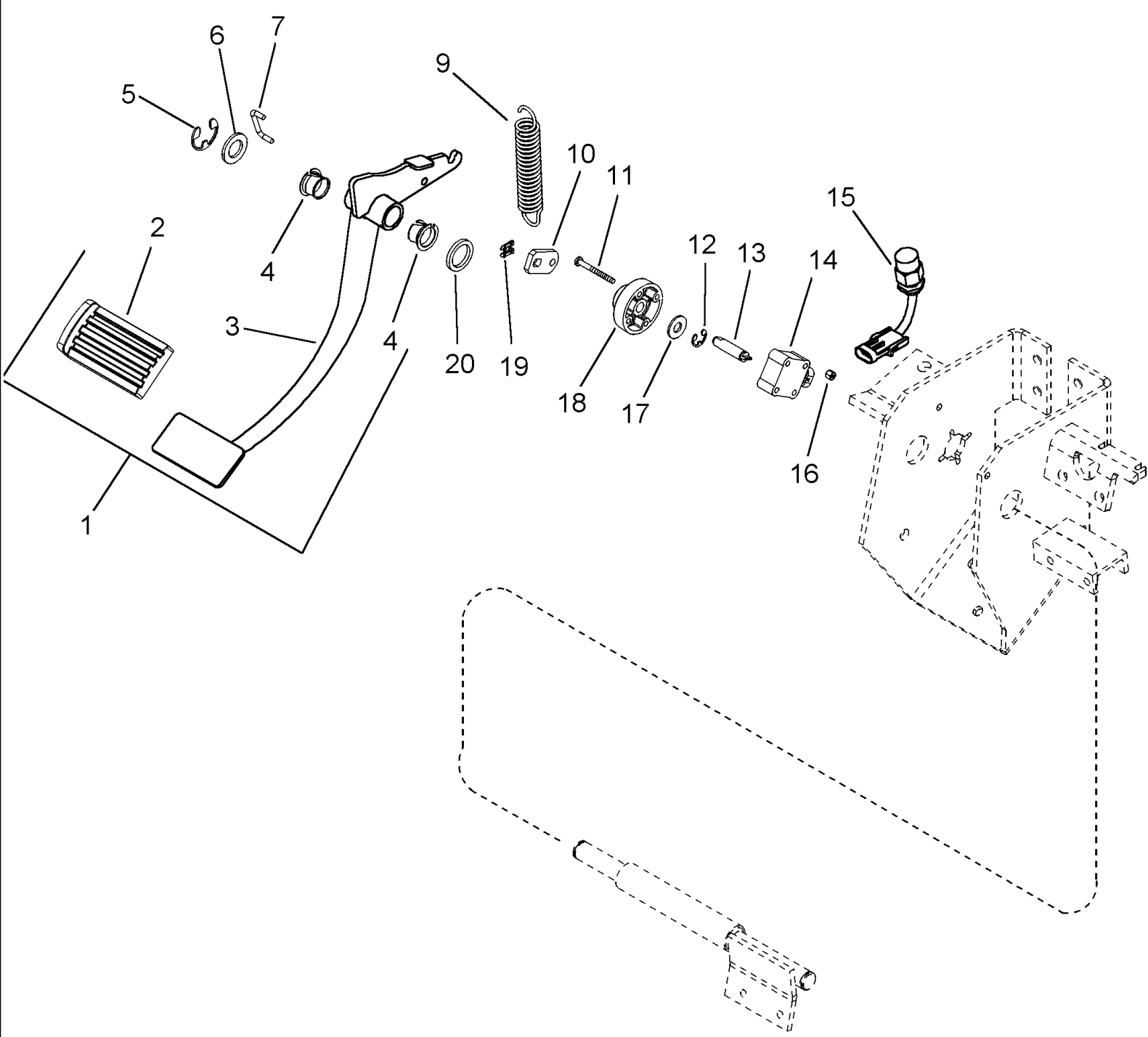
сылка	Номер детали	Кол-во	Описание
	450728A2	1	VALVE, Inc. 1 - 18
1	NSS	1	NOT SERVICED SEPARATELY, Body, Valve
2	221576A1	4	PLUG, Hex Soc, M14 x 1.5, ORB, Includes 3
3	14437785	1	O-RING, 11.3MM ID x 2.4 Thk,
	87675608	1	SOLENOID, Inc. 6 - 12
6	NSS	1	NOT SERVICED SEPARATELY, Coil
7	NSS	1	NOT SERVICED SEPARATELY, Cartridge
8	252462A2	1	NUT,
9	237-6010	1	O-RING, 10-1, 90 Duro, .755" ID x .097" Thk,
10	238-5015	1	O-RING, -015, 70 Duro, .551" ID x .070" Thk,
11	256633A1	1	O-RING, 12,9 ID x 1,24 mm
12	238-7115	2	O-RING, -115, CI 7, .674" ID x .103" Thk,
13	87440439	3	SOLENOID, Inc. 14 - 16
14	87014033	1	O-RING, -019, CI 7, .801" ID x .070" Thk,
15	238-7016	1	O-RING, -016, CI 7, .614" ID x .070" Thk,
16	238-7015	1	O-RING, -015, CI 7, .551" ID x .070" Thk,
17	86985027	1	COVER,
18	864-5010	4	SCREW, Hex Soc Hd, M5 x 10, 8.8,
19	87399290	1	GASKET,
20	864-10055	4	SCREW, Hex Soc Hd, M10 x 55, 8.8,



MAGNUM 255 CASE-IH MAGNUM TRACTOR (EMERGING MARKET) (1/06-)

06-26 VALVE ASSEMBLY - TRANSMISSION CONTROL (87323842)

сылка	Номер детали	Кол-во	Описание
	87323842	1	VALVE, Inc. 1 - 15
1	NSS	1	NOT SERVICED SEPARATELY, Body, Valve
3	221576A1	5	PLUG, Hex Soc, M14 x 1.5, ORB, Includes 4
4	14437785	1	O-RING, 11.3MM ID x 2.4 Thk,
5	315168A1	1	PLUG,
7	221578A1	1	PLUG, Hex Soc, M18 x 1.5, ORB, Includes 8
8	637-63153	1	O-RING, CI 6, 15.3MM ID x 2.2 Thk,
10	87440439	4	SOLENOID, Inc. 11 - 13
11	87014033	1	O-RING, -019, CI 7, .801" ID x .070" Thk,
12	238-7016	1	O-RING, -016, CI 7, .614" ID x .070" Thk,
13	238-7015	1	O-RING, -015, CI 7, .551" ID x .070" Thk,
14	86985026	1	COVER,
15	864-5010	6	SCREW, Hex Soc Hd, M5 x 10, 8.8,
16	87399290	1	GASKET,
17	864-10055	4	SCREW, Hex Soc Hd, M10 x 55, 8.8,

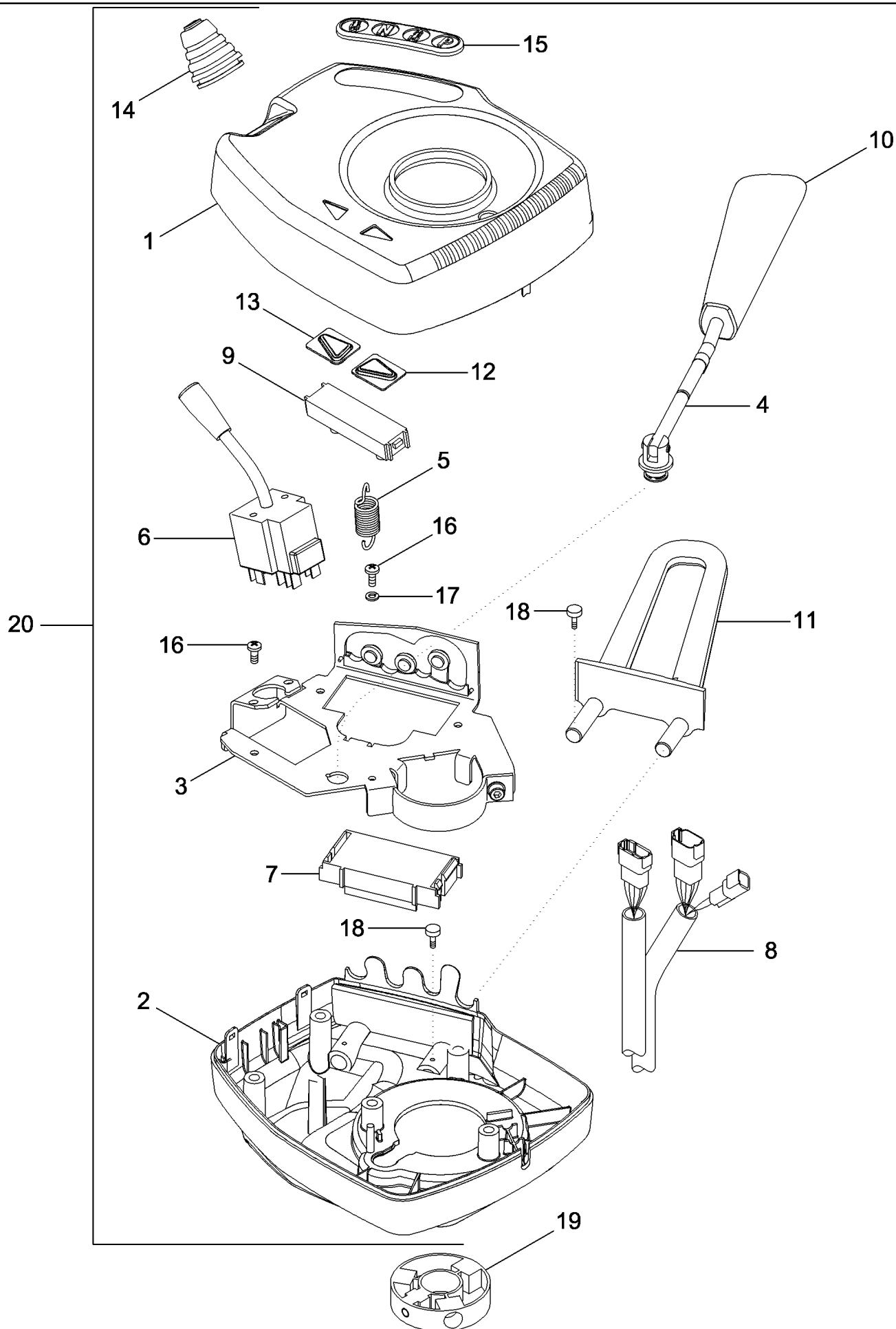


MAGNUM 255 CASE-IH MAGNUM TRACTOR (EMERGING MARKET) (1/06-)

06-27 PEDAL - INCHING

сылка	Номер детали	Кол-во	Описание
1	416255A3	1	PEDAL ASSY., Inc. 2 - 4
2	1999382C1	1	PAD, RUBBER,
3	NSS	1	NOT SERVICED SEPARATELY, Pedal
4	1990753C1	2	PLASTIC RING,
5	800-3120	1	CIRCLIP, M20, 20 mm
6	895-11018	1	WASHER, M18 x 34 x 3,
7	87567150	1	ROD,
9	303754A1	1	SPRING,
10	302275A2	1	LEVER,
11	840-1550	4	SCREW, Cross Pan Hd, M5 x 50,
12	800-4311	1	CIRCLIP, M11, 11 mm
13	295013A2	1	PIN,
14	301271A1	1	SENSOR, Position
15	414144A1	1	SWITCH, Bottom Of Clutch
16	832-10405	4	NUT, LOCK, M5 x .8, Cl 8,
17	495-21044	1	WASHER, 3/8",
18	295012A2	1	BUSHING,
19	3226538R1	1	CLIP,
20	258242A1	1	WASHER,

06-28 LEVER ASSEMBLY - TRANSMISSION CONTROL

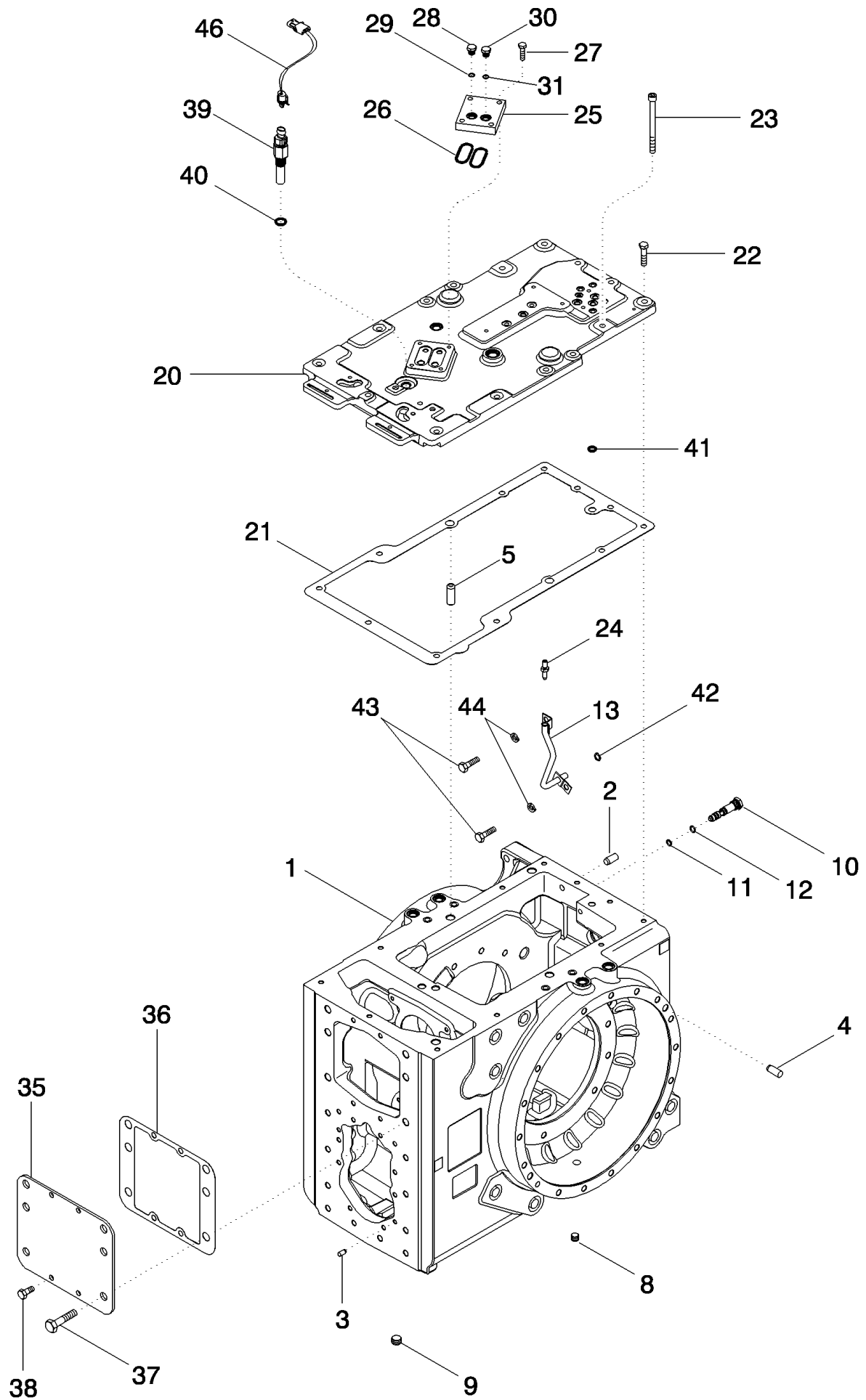


MAGNUM 255 CASE-IH MAGNUM TRACTOR (EMERGING MARKET) (1/06-)

06-28 LEVER ASSEMBLY - TRANSMISSION CONTROL

сылка	Номер детали	Кол-во	Описание
1	325064A1	1	HOUSING, Upper
2	325065A1	1	HOUSING, Lower
3	325362A1	1	CHASSIS,
4	325363A1	1	LEVER, Transmission Control
5	250939A1	1	SPRING,
6	284777A1	1	SWITCH, Turn Signal, Horn, High Beam
7	447256A2	1	SWITCH, Transmission Control
8	375681A1	1	HARNESS, Transmission Control And Turn Signal Self-Cancelling Sensor (Sensor Not Serviced Separately)
9	303465A2	1	LAMP,
10	325533A1	1	HANDLE,
11	325066A2	1	GUARD,
12	303466A1	1	SYMBOLS, Right-Hand
13	303467A1	1	SYMBOLS, Left-Hand
14	325068A1	1	BELLOWS,
15	358353A1	1	SYMBOLS,
16	840-1410	7	SCREW, Cross Pan Hd, M4 x 10,
17	892-11004	7	WASHER, LOCK, M4,
18	905974R1	2	SCREW, SELF TAP, Pan Hd, M2.9 x 13,
19	253679A1	1	RING, Magnet
20	86993721	1	CONTROL, Inc. 1 -18

06-29 REAR AXLE - HOUSING

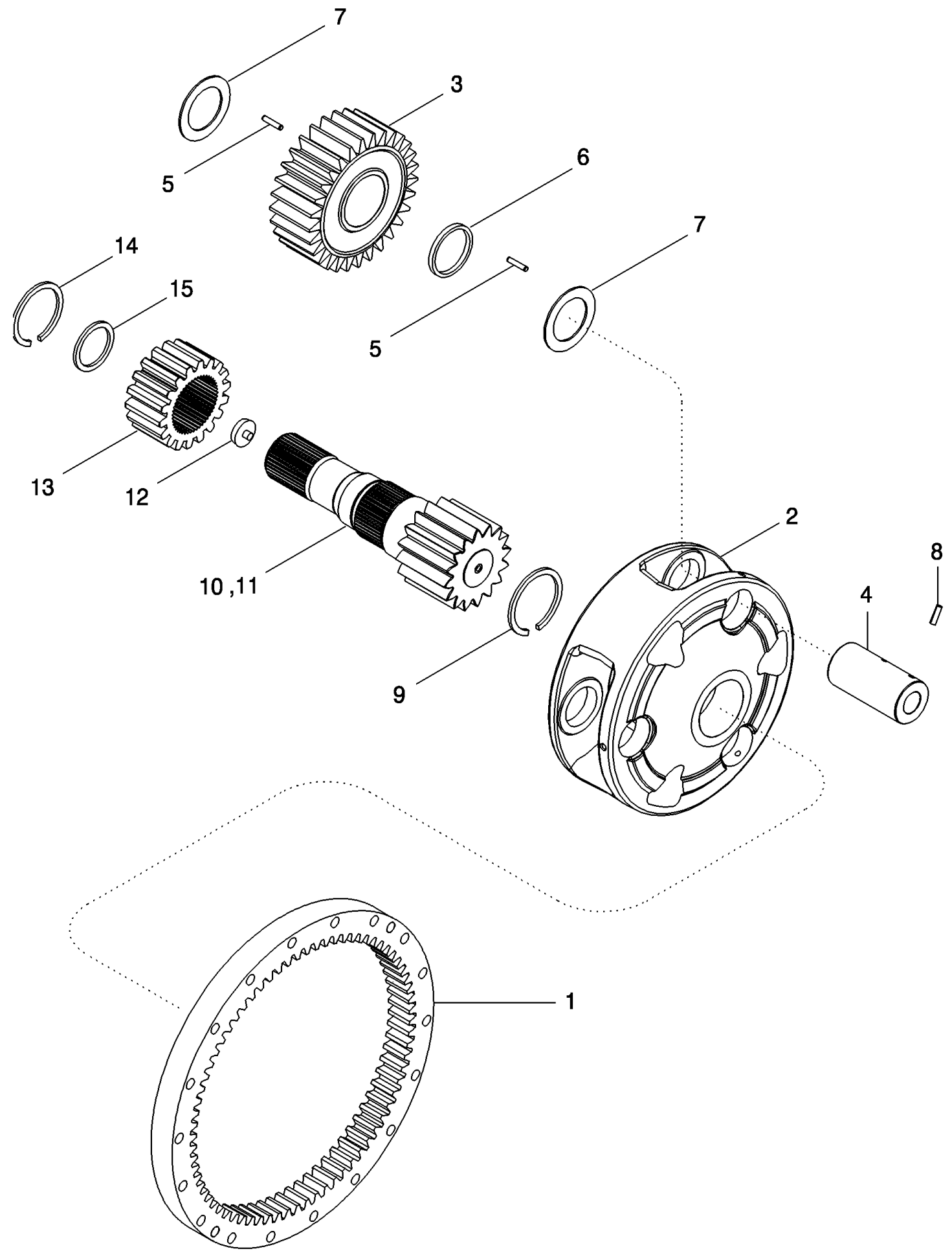


MAGNUM 255 CASE-IH MAGNUM TRACTOR (EMERGING MARKET) (1/06-)

06-29 REAR AXLE - HOUSING

сылка	Номер детали	Кол-во	Описание
1	410749A3	1	HOUSING ASSY., Inc. 2 - 12
2	837-16035	1	DOWEL, M16 x 35,
3	837-10020	2	DOWEL, M10 x 20,
4	837-16040	4	DOWEL, M16 x 40,
5	37-11232	2	DOWEL, 3/4" x 2",
8	192791A1	2	PLUG, 1/2 in
9	192792A1	1	PLUG, 3/4 in
10	411075A1	1	FITTING,
11	238-6111	1	O-RING, -111, 90 Duro, .424" ID x .103" Thk,
12	238-6112	1	O-RING, -112, 90 Duro, .487" ID x .103" Thk,
13	409741A1	1	TUBE ASSY.,
20	87371409	1	COVER, Rear Frame
21	413900A1	1	GASKET,
22	828-12050	15	BOLT, Hex, M12 x 50, 10.9,
23	863-12150	4	SCREW, Hex Soc Hd, M12 x 150, 12.9,
24	414320A1	1	FITTING,
25	87696450	1	PLATE,
26	238-6139	2	O-RING, -139, 90 Duro, 2.175" ID x .103" Thk,
27	628-10035	4	BOLT, Hex, M10 x 35, 10.9, Full Thd,
28	221576A1	1	PLUG, Hex Soc, M14 x 1.5, ORB, Inc. 29
29	14437785	1	O-RING, 11.3MM ID x 2.4 Thk,
30	220066A1	1	PLUG, M18 x 1.5, ORB, Inc. 31
31	637-63153	1	O-RING, CI 6, 15.3MM ID x 2.2 Thk,
35	236602A1	1	COVER, , Without Hitch
36	379145A1	1	GASKET,
37	628-20045	6	BOLT, Hex, M20 x 45, 10.9, Full Thd,
38	628-12025	4	BOLT, Hex, M12 x 25, 10.9, Full Thd,
39	352787A2	1	SENSOR, Axle Speed, Transmission BSN AJB0372635
39	87548200	1	SENSOR, PTO and Transmission Speed, Transmission ASN AJB0372635
40	238-5115	1	O-RING, -115, 70 Duro, .674" ID x .103" Thk,
41	238-5111	1	O-RING, -111, 70 Duro, .424" ID x .103" Thk,
42	239-5112	1	O-RING, Rect, .5" ID x .688" OD, CI 5,
43	613-12025	2	BOLT, Hex, M12 x 25, 8.8, Full Thd,
44	892-11012	2	WASHER, LOCK, M12,
46	87631267	1	HARNESS, WIRE, PTO Sensor, Transmission ASN AJB0372635

06-30 REAR AXLE - PLANETARY

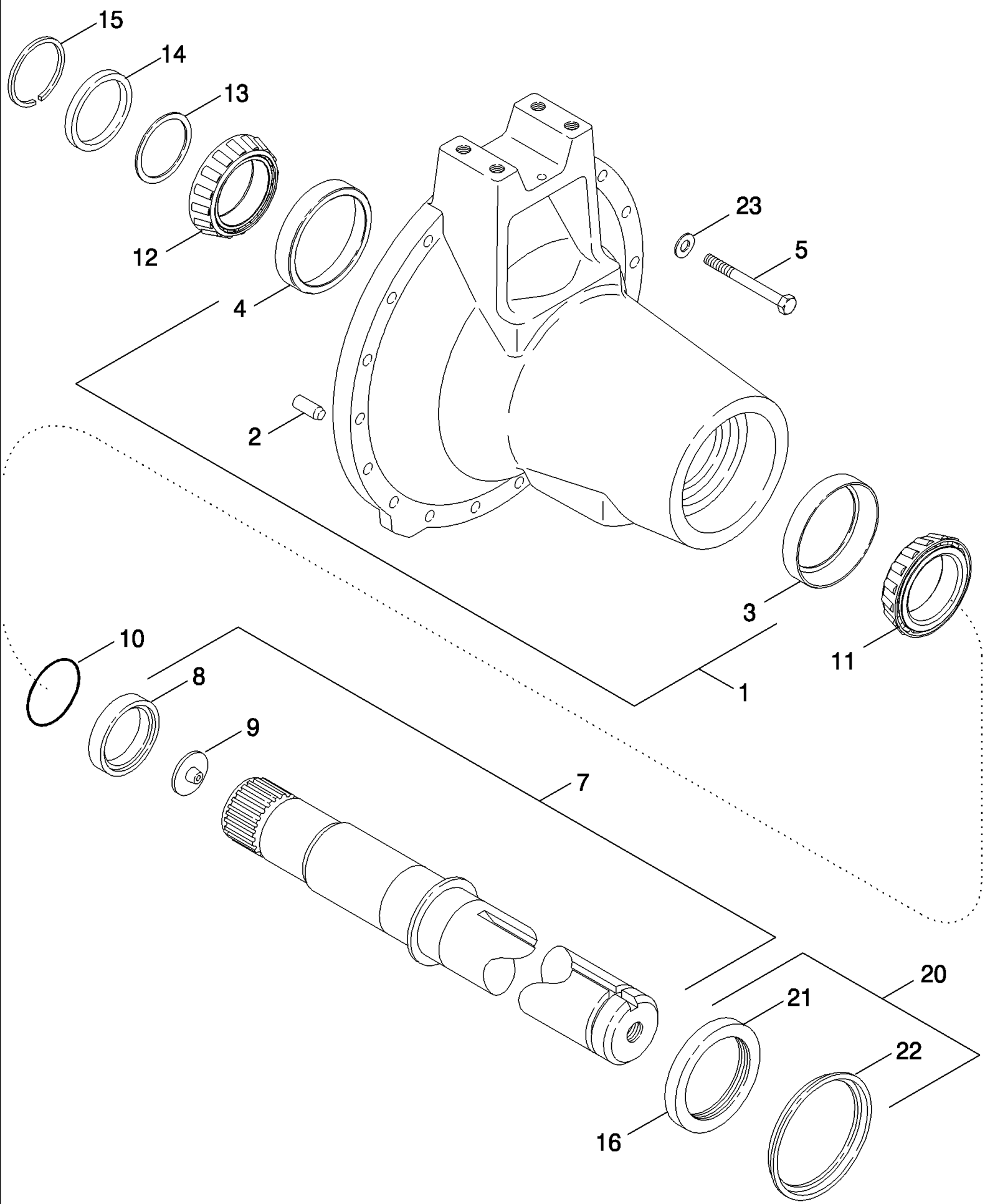


MAGNUM 255 CASE-IH MAGNUM TRACTOR (EMERGING MARKET) (1/06-)

06-30 REAR AXLE - PLANETARY

сылка	Номер детали	Кол-во	Описание
1	310695A1	2	GEAR, RING,
2	388366A1	2	CARRIER, GEARS,
3	310694A2	6	GEAR, PLANETARY,
4	310697A3	6	SHAFT,
5	1349347C1	396	BEARING, NEEDLE,
6	86985634	6	SPACER, RING, Nylon
7	87435907	12	WASHER,
8	838-3826	6	PIN, M8 x 26, Coiled,
9	101-11350	2	RING, SNAP, #350, Ext,
10	395481A1	1	SHAFT, GEAR, 16T, Left Hand
11	395481A1	1	SHAFT, GEAR, 16T, Right Hand
12	1981327C1	1	PLUG, Sun Shaft Locator, Right Hand Only
13	1259732C1	2	HUB,
14	101-11275	2	RING, SNAP, #275, 2.594, Ext,
15	1259753C1	2	WASHER,

06-31 REAR AXLE - 4 X 98 INCH

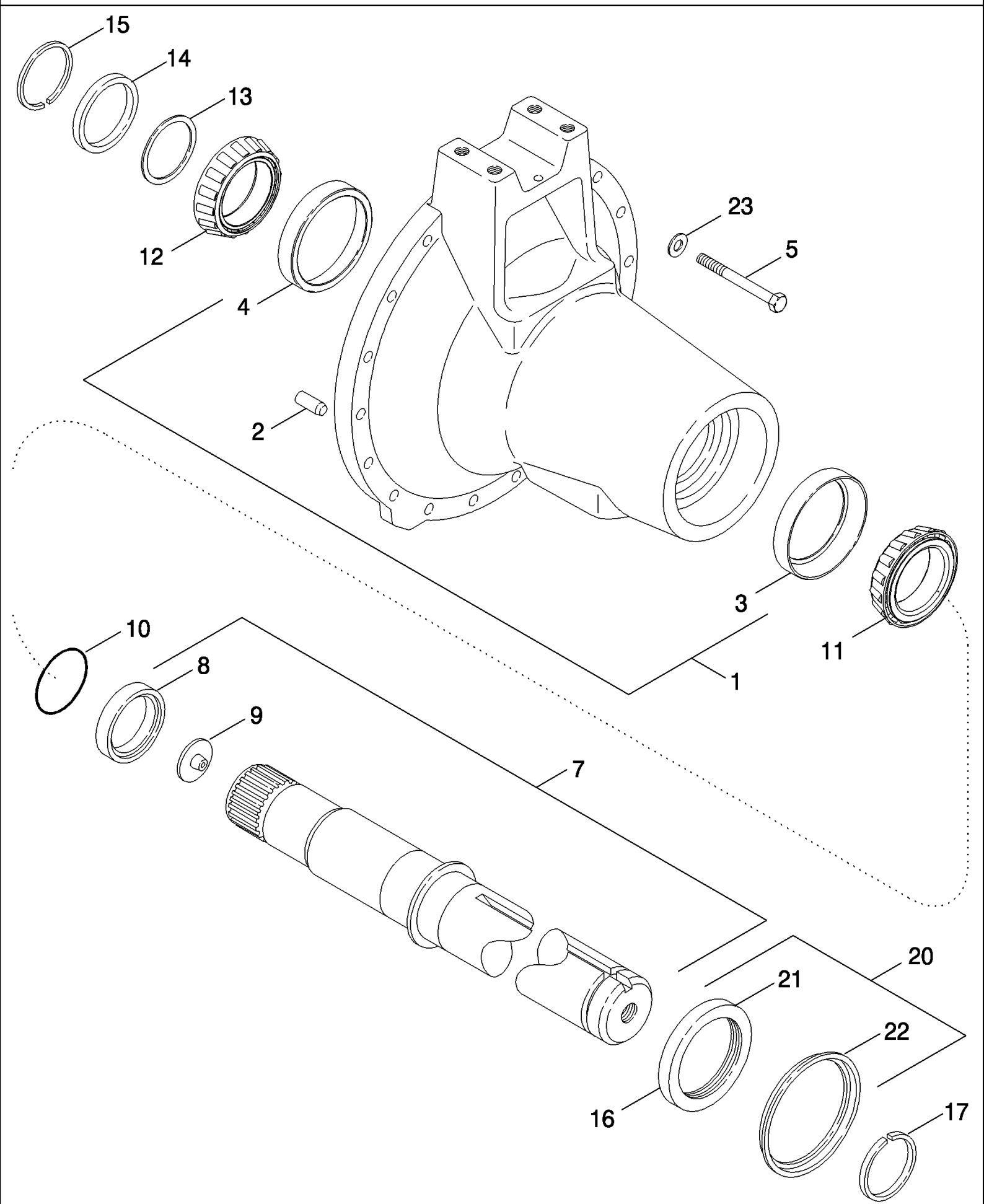


MAGNUM 255 CASE-IH MAGNUM TRACTOR (EMERGING MARKET) (1/06-)

06-31 REAR AXLE - 4 X 98 INCH

сылка	Номер детали	Кол-во	Описание
1	87456257	2	CARRIER, Inc. 2 - 4
2	837-16040	2	DOWEL, M16 x 40,
3	1975500C1	1	BEARING, CUP,
4	619697C1	1	BEARING, CUP,
5	828-16150	36	BOLT, Hex, M16 x 150, 10.9,
7	118654A3	2	AXLE, Inc. 8, 9
8	1963837C1	1	BUSHING,
9	1981270C1	1	INSERT,
10	238-5155	2	O-RING, -155, 70 Duro, 3.987" ID x .103" Thk,
11	1975499C1	2	BEARING, CONE,
12	1963841C1	2	BEARING, CONE,
13	143921C1	AR	SHIM, 0,760 mm
13	143922C1	AR	SHIM, 0,300 mm
13	143923C1	AR	SHIM, 0,13 mm
13	143924C1	AR	SHIM, 0,10 mm
13	143925C1	AR	SHIM, 0,076 mm
14	124744C1	2	RING,
15	1277020C2	2	RING,
16	1963839C1	2	SEAL,
20	1349182C1	2	KIT, GASKET, Inc. 21, 22
21	1349183C1	1	SEAL, OIL, Oversize
22	1349184C1	1	SLEEVE,
23	896-12016	36	WASHER, M17.5 x 30 x 4, HT,

06-32 REAR AXLE - 4 X 120 INCH

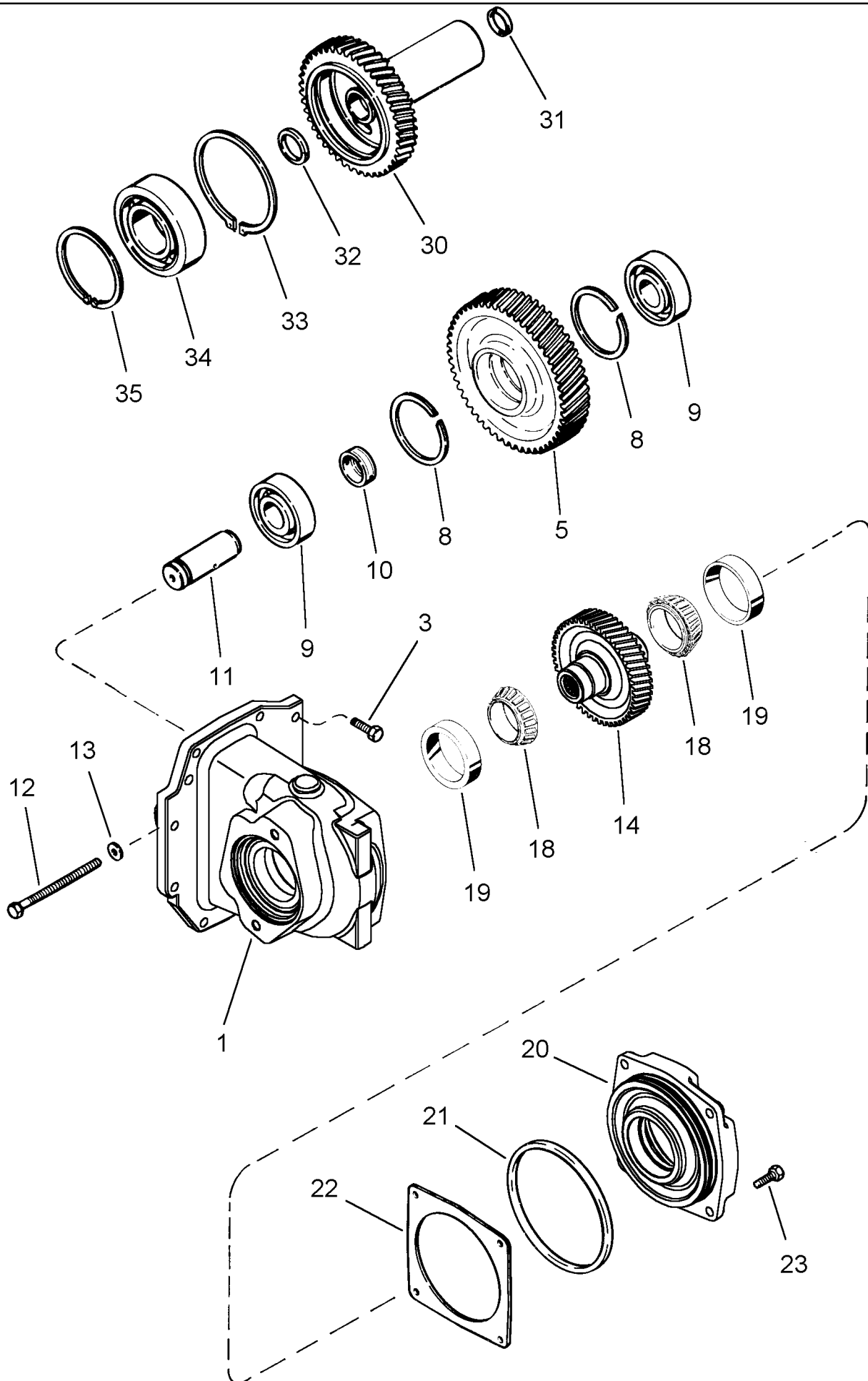


MAGNUM 255 CASE-IH MAGNUM TRACTOR (EMERGING MARKET) (1/06-)

06-32 REAR AXLE - 4 X 120 INCH

сылка	Номер детали	Кол-во	Описание
1	87331804	2	CARRIER, AXLE, Inc. 2 - 4
2	837-16040	2	DOWEL, M16 x 40,
3	1975500C1	1	BEARING, CUP,
4	619697C1	1	BEARING, CUP,
5	828-16150	36	BOLT, Hex, M16 x 150, 10.9,
7	1342484C4	2	AXLE, REAR, Inc. 8, 9
8	87593683	1	
9	1981270C1	1	INSERT,
10	238-5155	2	O-RING, -155, 70 Duro, 3.987" ID x .103" Thk,
11	1975499C1	2	BEARING, CONE,
12	1963841C1	2	BEARING, CONE,
13	143921C1	AR	SHIM, 0,760 mm
13	143922C1	AR	SHIM, 0,300 mm
13	143923C1	AR	SHIM, 0,13 mm
13	143924C1	AR	SHIM, 0,10 mm
13	143925C1	AR	SHIM, 0,076 mm
14	124744C1	2	RING,
15	1277020C2	2	RING,
16	1963839C1	2	SEAL,
17	800-51100	2	RING, SNAP, M100, Ext, Hvy, Axle, 100 mm
20	1349182C1	2	KIT, GASKET, Inc. 21, 22
21	1349183C1	1	SEAL, OIL, Oversize
22	1349184C1	1	SLEEVE,
23	896-12016	36	WASHER, M17.5 x 30 x 4, HT,

06-33 TRANSMISSION - PUMP DRIVE

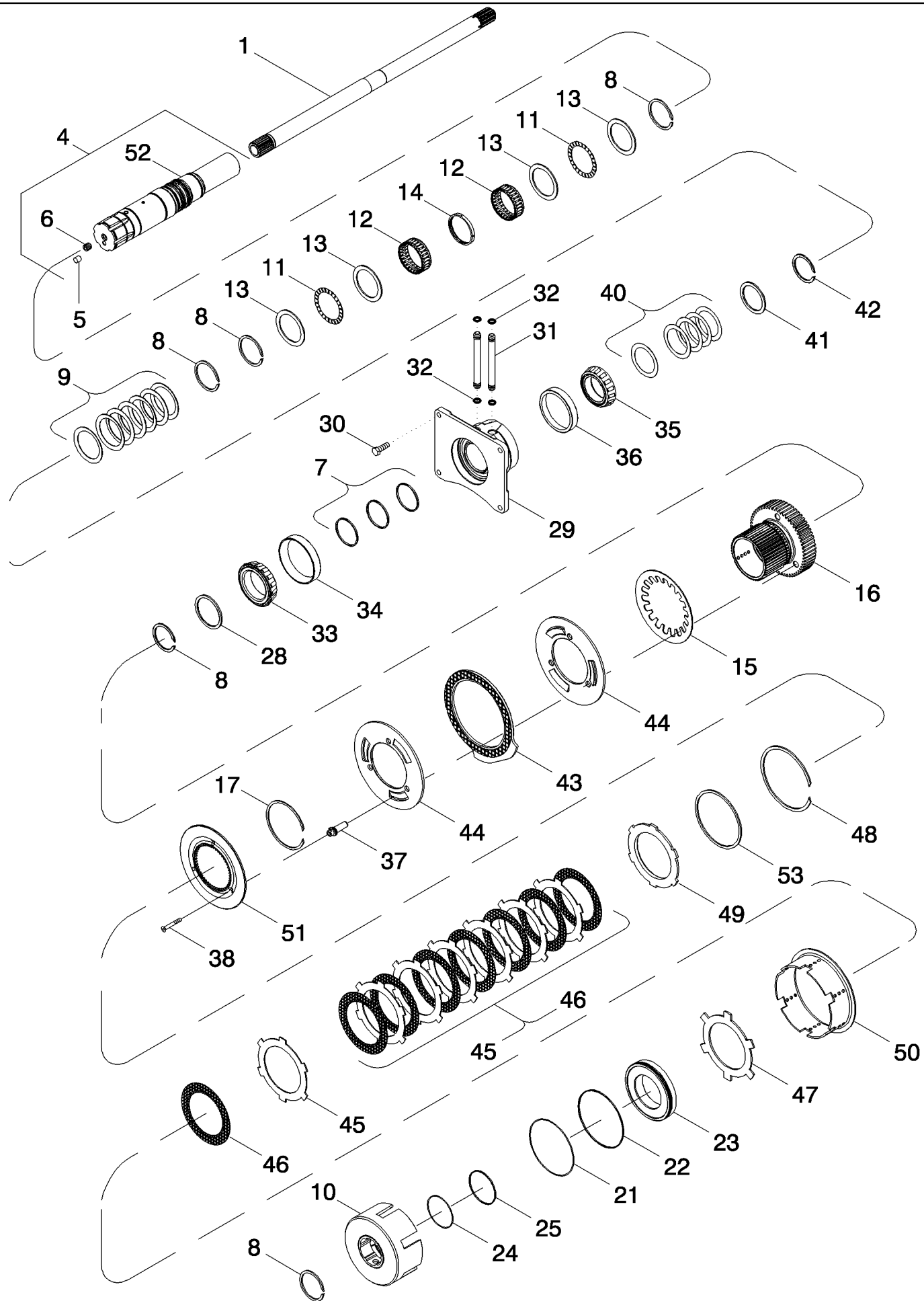


MAGNUM 255 CASE-IH MAGNUM TRACTOR (EMERGING MARKET) (1/06-)

06-33 TRANSMISSION - PUMP DRIVE

сылка	Номер детали	Кол-во	Описание
1	389550A1	1	HOUSING,
3	613-10035	8	BOLT, Hex, M10 x 35, 8.8, Full Thd,
5	220199A1	1	GEAR,
8	472163R1	2	RING,
9	394326A1	2	BEARING, BALL,
10	93316C1	1	SPACER,
11	1286151C1	1	SHAFT,
12	813-10130	1	BOLT, Hex, M10 x 130, 8.8,
13	896-12010	1	WASHER, M10 x 21.5 x 2.5, HT,
14	404173A2	1	GEAR, DRIVEN,
18	399933C91	2	BEARING, CONE,
19	399934C1	2	BEARING, CUP,
20	405664A2	1	CAGE,
21	238-5257	1	O-RING, -257, 70 Duro, 5.859" ID x .139" Thk,
22	120946C1	AR	SHIM, 0,08 mm
22	120947C1	AR	SHIM, 0,10 mm
22	120948C1	AR	SHIM, 0,13 mm
22	120949C1	AR	SHIM, 0,30 mm
22	149011C1	AR	SHIM, 0,76 mm
23	613-10035	4	BOLT, Hex, M10 x 35, 8.8, Full Thd,
30	220560A1	1	PINION,
31	238-5223	1	O-RING, -223, 70 Duro, 1.609" ID x .139" Thk,
32	1286023C1	1	RING,
33	100-11237	1	RING, SNAP, #237, Ext,
34	ST269A	1	BEARING, BALL,
35	101-21433	1	RING, SNAP, #433, 4.641", Int,

06-34 POWER TAKE OFF ASSEMBLY - INPUT SHAFT



MAGNUM 255 CASE-IH MAGNUM TRACTOR (EMERGING MARKET) (1/06-)

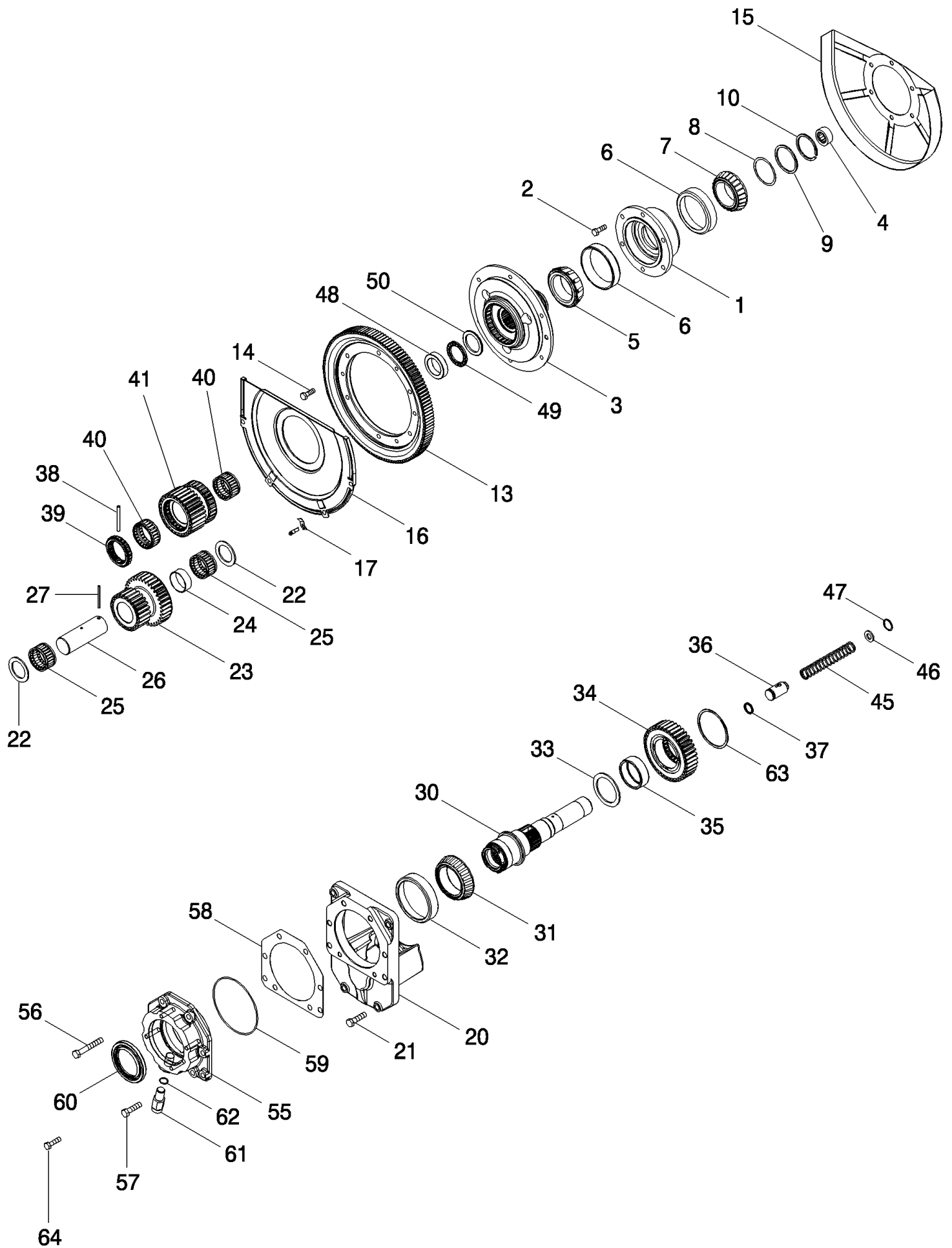
06-34 POWER TAKE OFF ASSEMBLY - INPUT SHAFT

сылка	Номер детали	Кол-во	Описание
1	198496A1	1	COUNTERSHAFT,
4	87696447	1	SHAFT, Inc. 5, 6, 52
5	NSS	1	NOT SERVICED SEPARATELY, PLUG
6	877-31212	1	SET SCREW, Hex Soc, M12 x 12, Flat Pt,
7	1286026C1	3	RING, Seal
8	93350C1	5	RING, Retaining
9	1286012C2	7	WASHER, Belleville, Transmission BSN AJB0365565
9	87425389	7	SPRING, BELLEVILLE, , Transmission ASN AJB0365565
10	446596A4	1	CARRIER,
11	572182R1	2	BEARING, THRUST,
12	435716A1	2	BEARING, NEEDLE,
13	1286043C1	4	WASHER, THRUST,
14	86989332	1	RING, Needle Bearing Support
15	435636A1	2	SPRING, Brake Apply Disc
16	445794A2	1	GEAR, DRIVING, 61T, Transmission BSN AJB0365565
16	87696444	1	GEAR, , Transmission ASN AJB0365565
17	101-11400	1	RING, SNAP, #400, 3.771, Ext,
21	1286083C1	1	O-RING,
22	1286079C1	1	RING,
23	446597A2	1	PISTON,
24	1286081C1	1	O-RING,
25	1286076C1	1	RING,
28	1277309C1	1	WASHER,
29	87696449	1	CAGE,
30	628-10030	4	BOLT, Hex, M10 x 30, 10.9, Full Thd,
31	413665A1	2	TUBE,
32	238-5013	4	O-RING, -013, 70 Duro, .426" ID x .070" Thk,
33	630694C1	1	BEARING, CONE,
34	630695C1	1	BEARING, CUP,
35	659458R1	1	BEARING, CONE,
36	105497H	1	BEARING, CUP,
37	435718A3	3	ADJUSTER, Pin, Brake, Transmission BSN AJB0365565
37	87367860	3	ADJUSTER, Pin, Brake, Transmission ASN AJB0365565
38	87427330	3	SCREW, M6 x 50, With Loctite, Transmission BSN AJB0365565
40	446943A1	1	SHIM, Kit, Inc. 40
40	249776A1	2	SHIM, 0,203 mm
40	249777A1	2	SHIM, 0,356 mm
40	249778A1	2	SHIM, 0,508 mm
40	249779A1	2	SHIM, 0,559 mm
40	249780A1	2	SHIM, 0,635 mm
41	87427329	1	SPACER,
42	375374R1	1	RING,
43	435892A2	1	BRAKE DISC,
44	435393A2	2	PLATE,
45	128114A1	7	DISC, , Transmission BSN AJB0365565

MAGNUM 255 CASE-IH MAGNUM TRACTOR (EMERGING MARKET) (1/06-)

06-34 POWER TAKE OFF ASSEMBLY - INPUT SHAFT

сылка	Номер детали	Кол-во	Описание
45	128114A1	8	DISC, , Transmission ASN AJB0365565
46	1997907C1	8	PLATE, Friction
47	435389A1	1	DISC, , Transmission BSN AJB0365565
48	1285996C1	1	RING, SNAP,
49	1342645C3	1	DISC, CLUTCH,
50	86989330	1	TUBE, , Transmission BSN AJB0365565
51	86989331	1	BRAKE DISC, Pusher, Transmission BSN AJB0365565
51	87366290	1	BRAKE DISC, Pusher, Use Either 87366284 or 87366290, Transmission ASN AJB0365565
51	87366284	1	BRAKE DISC, Pusher, Use Either 87366284 or 87366290
52	NSS	1	NOT SERVICED SEPARATELY, Shaft
53	87690675	1	RING,



MAGNUM 255 CASE-IH MAGNUM TRACTOR (EMERGING MARKET) (1/06-)

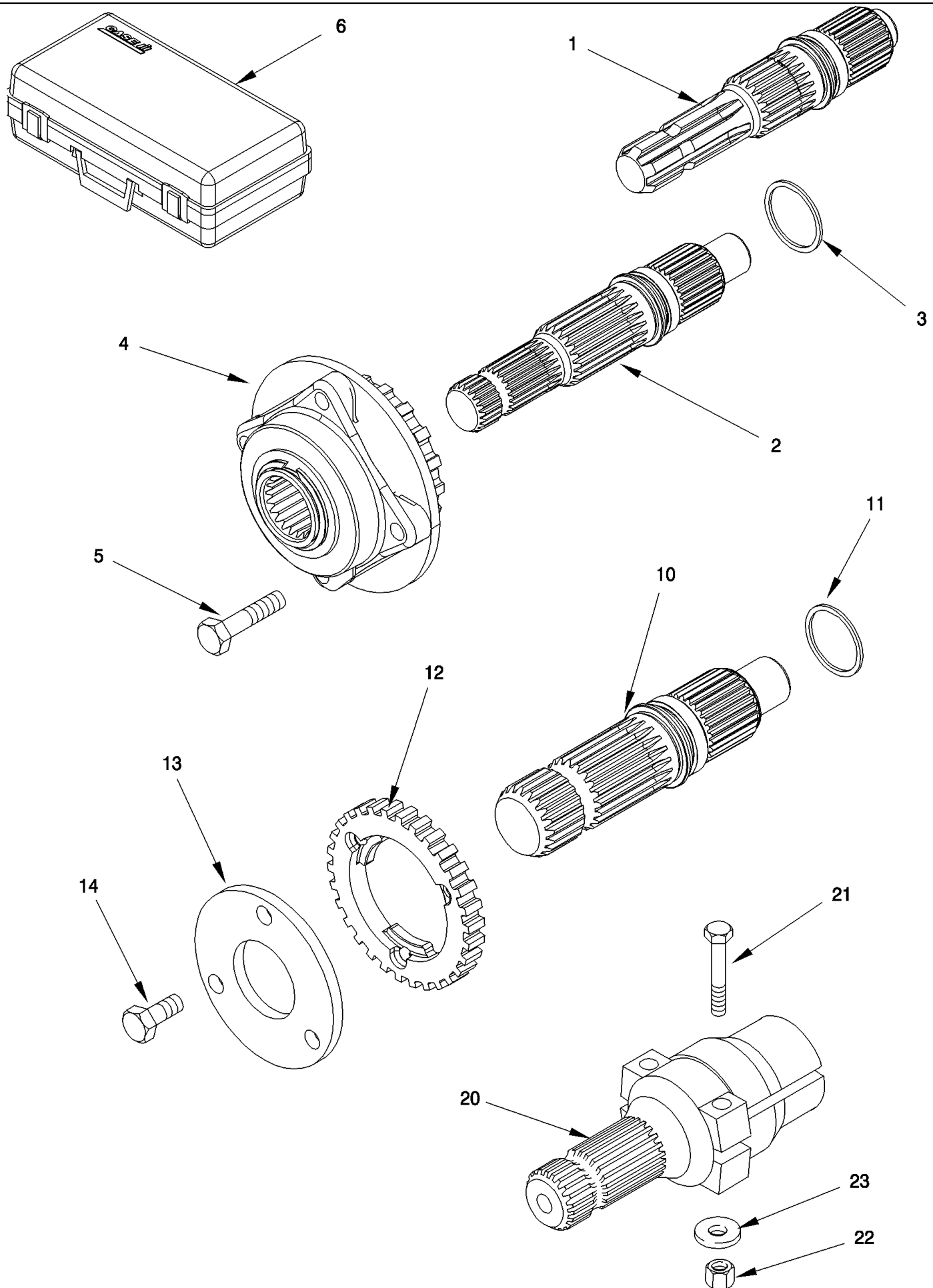
06-35 POWER TAKE OFF ASSEMBLY - REDUCTION GEAR, DUAL SPEED

сылка	Номер детали	Кол-во	Описание
1	225806A1	1	CAGE,
2	628-10030	6	BOLT, Hex, M10 x 30, 10.9, Full Thd,
3	277389A2	1	HUB ASSY., Inc. 4
4	359950R91	1	BEARING, NEEDLE,
5	25695HO	1	BEARING, CONE,
6	22396V	2	BEARING SET,
7	235545A1	1	BEARING, CONE,
8	253456A1	1	SHIM, Inc. 8
8	NSS	AR	NOT SERVICED SEPARATELY, SHIM, 0,152 mm
8	NSS	AR	NOT SERVICED SEPARATELY, SHIM, 0,178 mm
8	NSS	AR	NOT SERVICED SEPARATELY, SHIM, 0,203 mm
8	NSS	AR	NOT SERVICED SEPARATELY, SHIM, 0,356 mm
8	NSS	AR	NOT SERVICED SEPARATELY, SHIM, 0,635 mm
9	231772A1	1	SPACER,
10	231760A1	1	RING, SNAP,
13	408252A1	1	GEAR, RING,
14	628-10030	6	BOLT, Hex, M10 x 30, 10.9, Full Thd,
15	198709A1	1	PROTECTION PLATE,
16	225810A1	1	COVER,
17	139327C1	4	CLIP,
20	226037A4	1	COVER,
21	828-12045	4	BOLT, Hex, M12 x 45, 10.9, Full Thd, , BSN Z7RW05000
21	87015540	4	BOLT, Hex, M12 x 50, 10.9, , ASN Z7RW05000
22	226035A1	2	WASHER,
23	226033A3	1	PINION,
24	300084A1	1	SPACER,
25	138763C91	2	BEARING, NEEDLE,
26	226034A2	1	SHAFT,
27	38-21240	1	PIN, 3/16" x 2 1/2", Coiled,
30	324000A1	1	SHAFT, GEAR,
31	A67328	1	BEARING, CONE,
32	A67327	1	BEARING, CUP,
33	226024A3	1	WASHER, THRUST,
34	326733A1	1	PINION,
35	318641A1	1	BEARING, NEEDLE,
36	226028A2	1	PISTON,
37	226029A1	1	RING,
38	38-32044	1	PIN, 5/16" x 2 3/4", Coiled,
39	226031A2	1	COLLAR,
40	330162A1	2	BEARING, NEEDLE,
41	326731A1	1	GEAR,
45	323066A1	1	SPRING,
46	295066A1	1	WASHER,
47	100-21112	1	RING, SNAP, 1.125", Int, #112,
48	327172A1	1	SPACER,

MAGNUM 255 CASE-IH MAGNUM TRACTOR (EMERGING MARKET) (1/06-)

06-35 POWER TAKE OFF ASSEMBLY - REDUCTION GEAR, DUAL SPEED

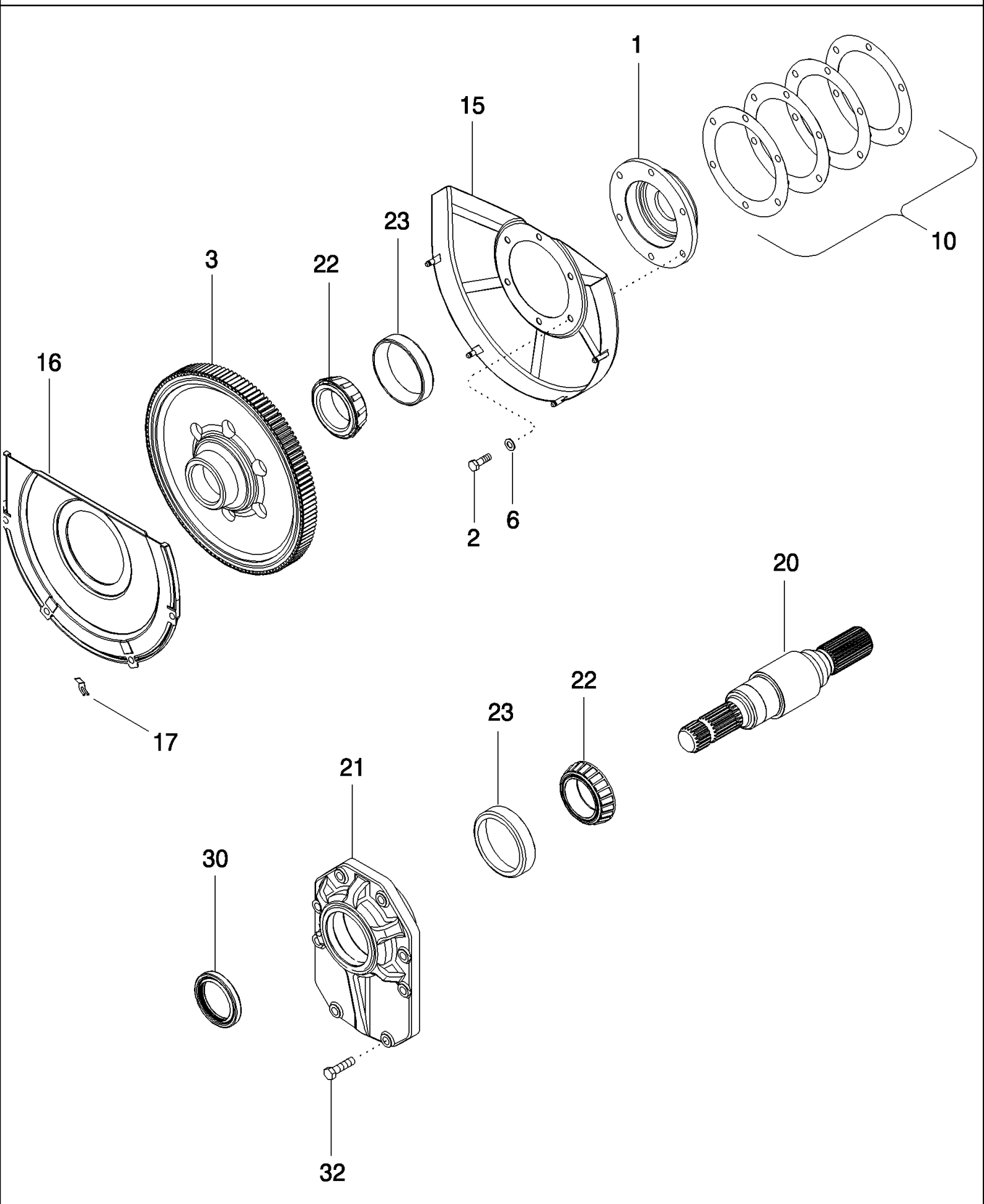
сылка	Номер детали	Кол-во	Описание
49	243544A1	1	BEARING, NEEDLE,
50	327372A1	2	WASHER,
55	87656553	1	HOUSING, BEARING,
56	828-12080	2	BOLT, Hex, M12 x 80, 10.9, , BSN Z7RW05000
56	86979023	6	BOLT, Hex, M12 x 85, 10.9, , ASN Z7RW05000
57	828-12045	2	BOLT, Hex, M12 x 45, 10.9, Full Thd, , BSN Z7RW05000
57	87015540	2	BOLT, Hex, M12 x 50, 10.9, , ASN Z7RW05000
58	253460A1	1	SHIM, Inc. 58
58	NSS	AR	NOT SERVICED SEPARATELY, SHIM, 0,203 mm
58	NSS	AR	NOT SERVICED SEPARATELY, SHIM, 0,356 mm
58	NSS	AR	NOT SERVICED SEPARATELY, SHIM, 0,508 mm
58	NSS	AR	NOT SERVICED SEPARATELY, SHIM, 0,559 mm
58	NSS	AR	NOT SERVICED SEPARATELY, SHIM, 0,635 mm
59	638-54145	1	O-RING, CI 5, 145MM ID x 3.55 Thk,
60	293053A1	1	SEAL, OIL, , Also Order 87578438 For Initial Replacement
61	87548197	1	SENSOR, Dual Speed PTO (Not Illustrated) Replaces A186004, Also Order 87651813 For Initial Replacement
62	238-5115	1	O-RING, -115, 70 Duro, .674" ID x .103" Thk,
63	102-22318	1	RING, SNAP, #318, 3.311, Int, Spiral,
64	614-10040	4	BOLT, Hex, M10 x 40, 8.8, Full Thd,



MAGNUM 255 CASE-IH MAGNUM TRACTOR (EMERGING MARKET) (1/06-)

06-36 POWER TAKE OFF ASSEMBLY - OUTPUT SHAFT, DUAL SPEED

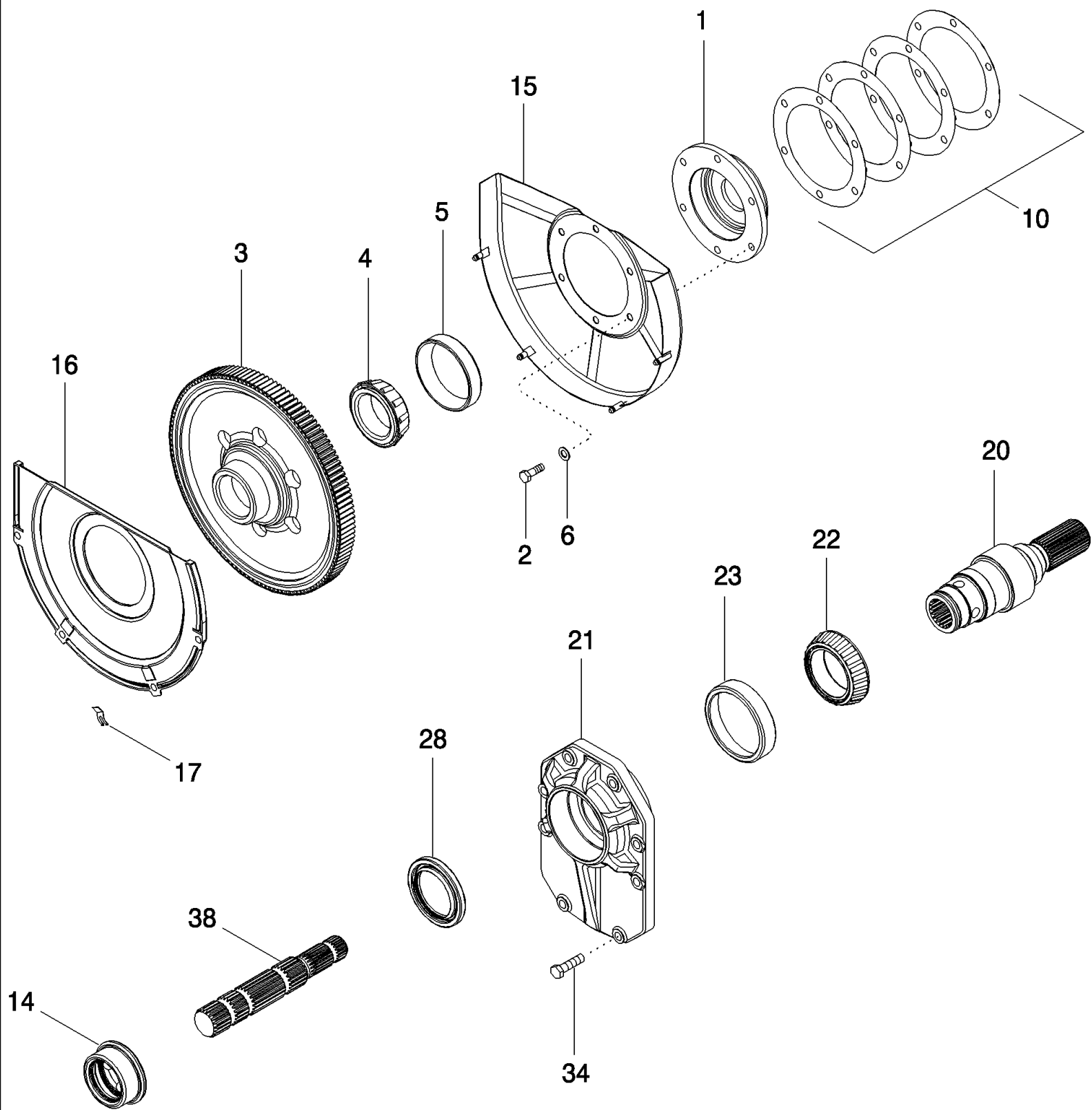
сылка	Номер детали	Кол-во	Описание
1	226045A2	1	SHAFT, DRIVE, RPM 540, 35 mm (1-3/8 in), BSN Z7RW05000
1	87567419	1	SHAFT, DRIVE, RPM 540, 35 mm (1-3/8 in), ASN Z7RW05000
2	226042A2	1	SHAFT, DRIVE, RPM 1000, 35 mm (1-3/8 in), BSN Z7RW05000
2	87567418	1	SHAFT, DRIVE, RPM 1000, 35 mm (1-3/8 in), ASN Z7RW05000
3	341418A2	1	SEAL,
4	241387A5	1	HOUSING,
5	614-10040	4	BOLT, Hex, M10 x 40, 8.8, Full Thd,
6	258531A2	1	BOX,
10	226040A2	1	SHAFT, DRIVE, RPM 1000, 45 mm (1-3/4 in)
11	341418A2	1	SEAL,
12	241385A3	1	PLATE, Inner
13	241386A2	1	PLATE, Outer, BSN Z7RW05000
13	87656168	1	PLATE, Outer, ASN Z7RW05000
14	628-10020	3	BOLT, Hex, M10 x 20, 10.9, Full Thd,
20	A151928	1	SHAFT, DRIVE, RPM 1000, 1-3/4 to 1-3/8 Adapter
21	413-844	2	BOLT, Hex, 1/2"-13 x 2 3/4", G5,
22	131-510	2	NUT, LOCK, 1/2"-13,
23	A30061	2	WASHER,



MAGNUM 255 CASE-IH MAGNUM TRACTOR (EMERGING MARKET) (1/06-)

06-37 POWER TAKE OFF ASSEMBLY - OUTPUT SHAFT, SINGLE SPEED

сылка	Номер детали	Кол-во	Описание
1	444803A2	1	CAGE,
2	628-10030	6	BOLT, Hex, M10 x 30, 10.9, Full Thd,
3	444800A2	1	GEAR, DRIVEN, 121T
6	895-11010	6	WASHER, M10 x 20 x 2,
10	445991A1	1	KIT, SHIM, Inc. 10
10	NSS	2	NOT SERVICED SEPARATELY, SHIM, 0,152 mm
10	NSS	2	NOT SERVICED SEPARATELY, SHIM, 0.178 mm
10	NSS	2	NOT SERVICED SEPARATELY, SHIM, 0,203 mm
10	NSS	2	NOT SERVICED SEPARATELY, SHIM, 0,635 mm
15	446759A1	1	SHIELD,
16	225810A1	1	COVER,
17	139327C1	4	CLIP,
20	444798A2	1	SHAFT, 45 mm (1-3/4 in)
21	444801A1	1	COVER,
22	446268A1	2	BEARING, CONE,
23	446269A1	2	BEARING, CUP,
30	225820A1	1	SEAL, OIL,
32	828-12045	8	BOLT, Hex, M12 x 45, 10.9, Full Thd, , BSN Z7RW05000
32	87015540	8	BOLT, Hex, M12 x 50, 10.9, , ASN Z7RW05000
33	128209A1	2	PLUG, (Not Shown)

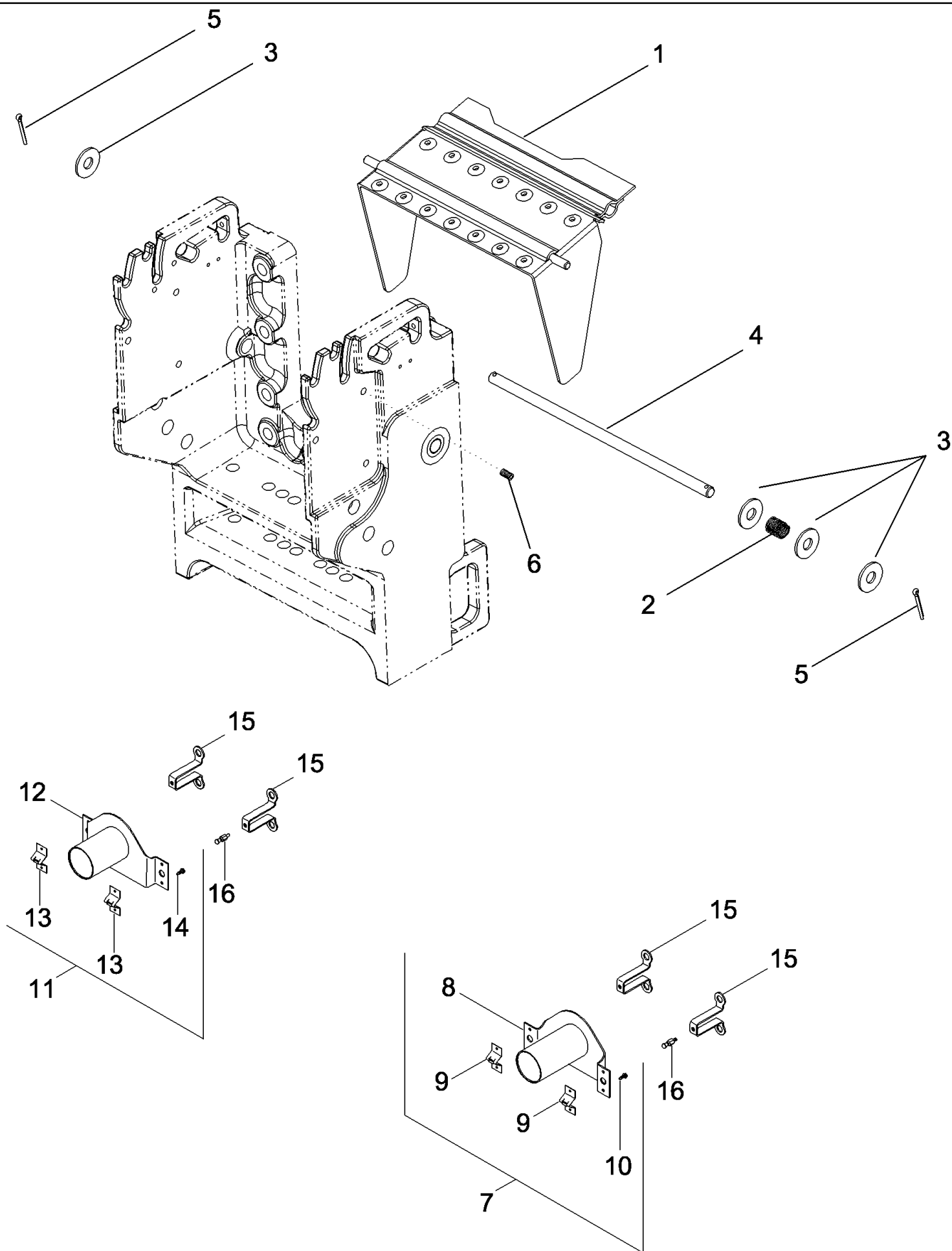


MAGNUM 255 CASE-IH MAGNUM TRACTOR (EMERGING MARKET) (1/06-)

06-38 POWER TAKE OFF ASSEMBLY - OUTPUT SHAFT, SINGLE SPEED REVERSIBLE SHAFT

сылка	Номер детали	Кол-во	Описание
1	444803A2	1	CAGE,
2	628-10030	6	BOLT, Hex, M10 x 30, 10.9, Full Thd,
3	444800A2	1	GEAR, DRIVEN,
4	446268A1	1	BEARING, CONE,
5	446269A1	1	BEARING, CUP,
6	895-11010	6	WASHER, M10 x 20 x 2,
10	445991A1	1	KIT, SHIM, Inc. 10
10	NSS	2	NOT SERVICED SEPARATELY, SHIM, 0,152 mm
10	NSS	2	NOT SERVICED SEPARATELY, SHIM, 0,178 mm
10	NSS	2	NOT SERVICED SEPARATELY, SHIM, 0,203 mm
10	NSS	2	NOT SERVICED SEPARATELY, SHIM, 0,635 mm
14	87413197	1	COUPLING, QUICK, FEMALE,
15	446759A1	1	SHIELD,
16	225810A1	1	COVER,
17	139327C1	4	CLIP,
20	448084A2	1	SLEEVE, TRANSMISSION,
21	448082A1	1	COVER,
22	A67328	1	BEARING, CONE,
23	A67327	1	BEARING, CUP,
28	293053A1	1	SEAL, OIL,
34	828-12045	8	BOLT, Hex, M12 x 45, 10.9, Full Thd,
38	448085A1	1	SHAFT, 35 mm (1-3/8 in)

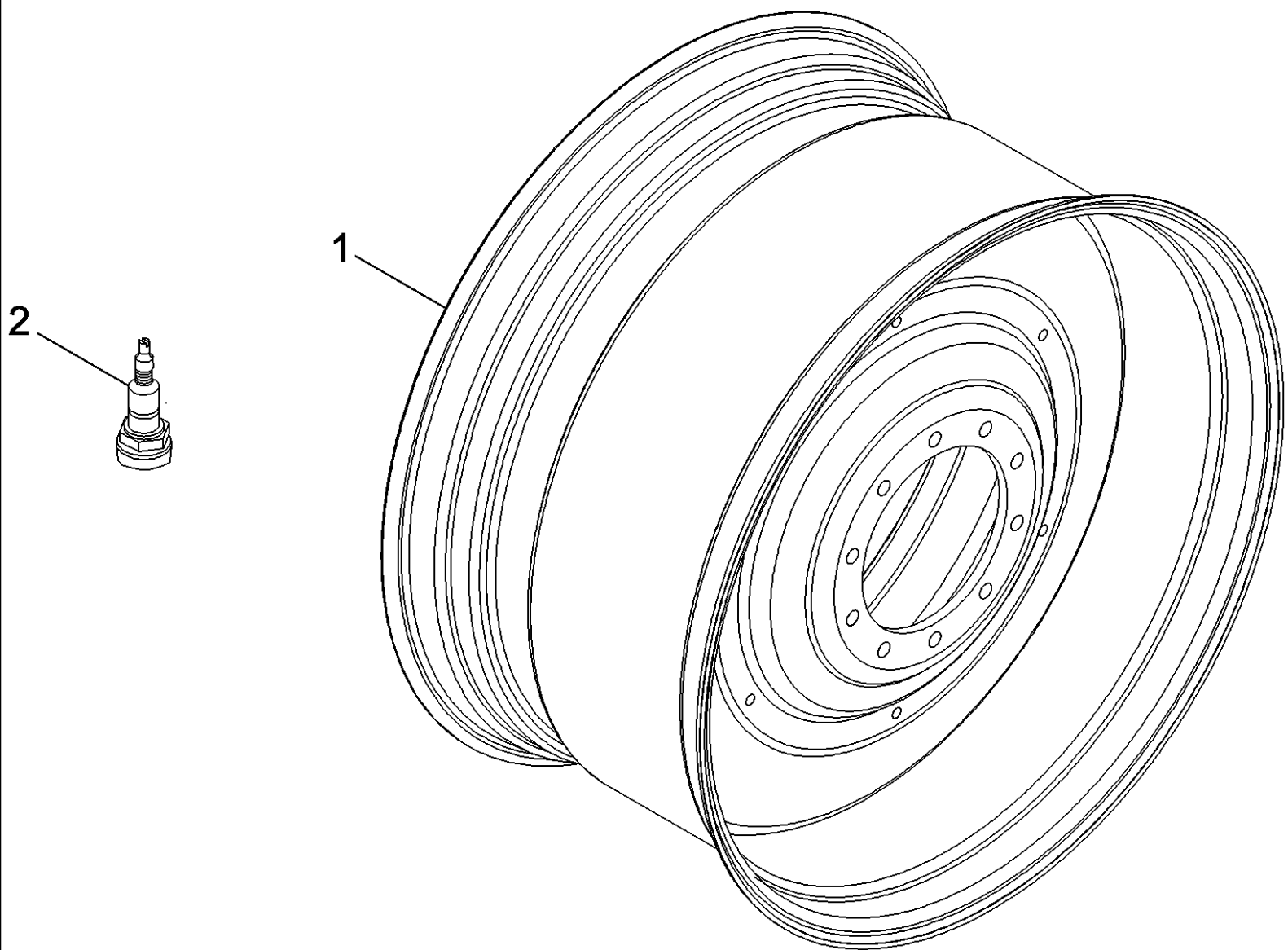
06-39 POWER TAKE OFF ASSEMBLY - SHIELDS



MAGNUM 255 CASE-IH MAGNUM TRACTOR (EMERGING MARKET) (1/06-)

06-39 POWER TAKE OFF ASSEMBLY - SHIELDS

сылка	Номер детали	Кол-во	Описание
1	379252A2	1	SHIELD,
2	179657A2	1	SPRING,
3	495-21069	4	WASHER, 5/8",
4	225672A2	1	ROD,
5	733-5040	2	PIN, SPLIT (COTTER), M5 x 40,
6	87681203	4	
7	311112A4	1	GUARD, , ASN Z7RW05000
8	NSS	1	NOT SERVICED SEPARATELY, , ASN Z7RW05000
9	1968039C3	2	FASTENER, , ASN Z7RW05000
10	280-5348	4	SCREW, SELF TAP, Hex Wash Hd, #8 x 1/2", , ASN Z7RW05000
11	311112A4	1	GUARD, , ASN Z7RW05000
12	NSS	1	NOT SERVICED SEPARATELY, , ASN Z7RW05000
13	1968039C3	2	FASTENER, , ASN Z7RW05000
14	280-5348	4	SCREW, SELF TAP, Hex Wash Hd, #8 x 1/2", , ASN Z7RW05000
15	308308A1	2	SUPPORT, , ASN Z7RW05000
16	1977929C1	2	STUD, , ASN Z7RW05000

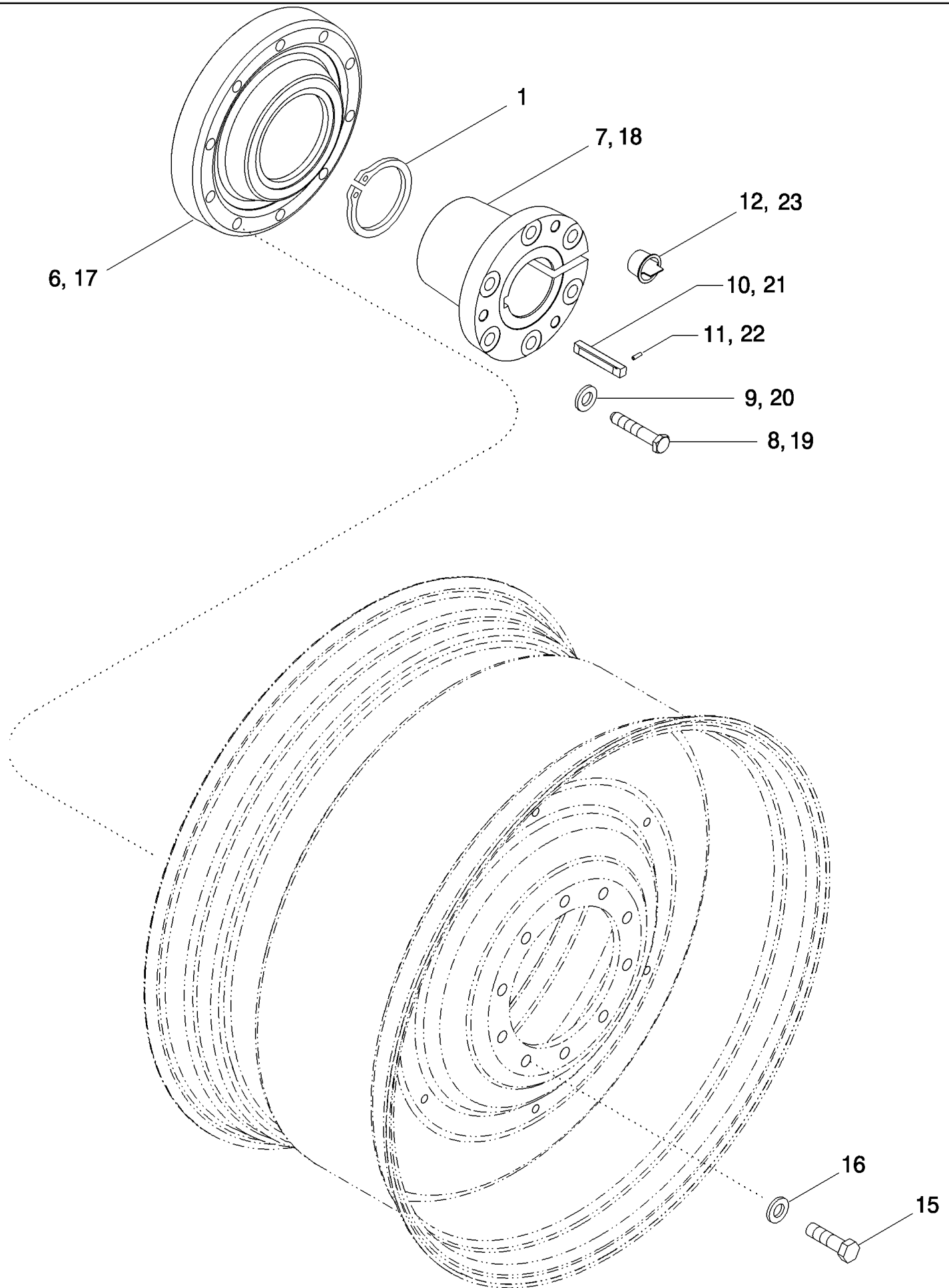


MAGNUM 255 CASE-IH MAGNUM TRACTOR (EMERGING MARKET) (1/06-)

06-40 SOLID STEEL REAR WHEELS

сылка	Номер детали	Кол-во	Описание
1	336726A1	2	RIM, MW23Ax38, For Tires 710/70R38
1	193857A1	2	WHEEL, WH18Ax42, For Tires 20.8R42, 520/85R42
2	A20058	2	VALVE STEM,

06-41 HUB ASSEMBLY - REAR WHEEL

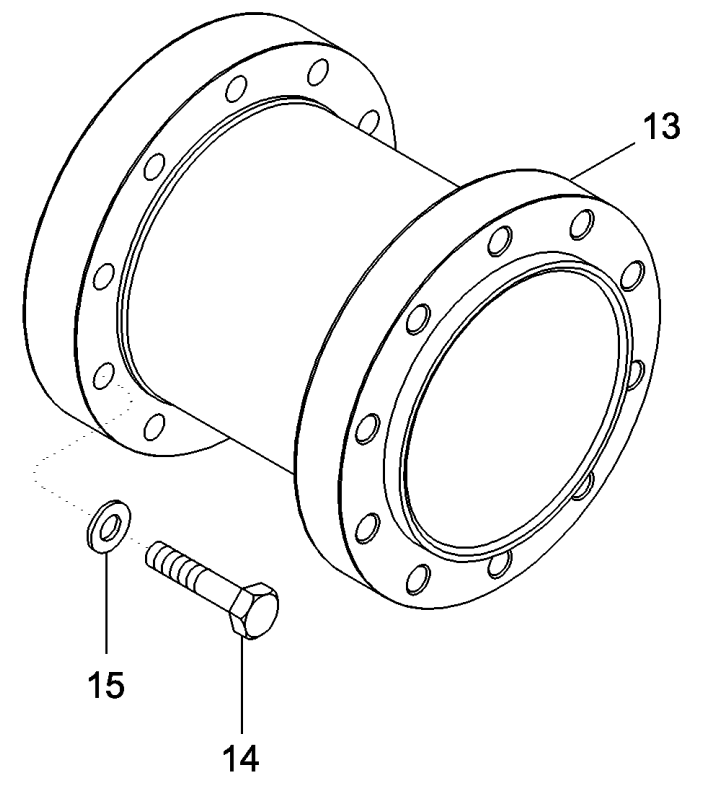
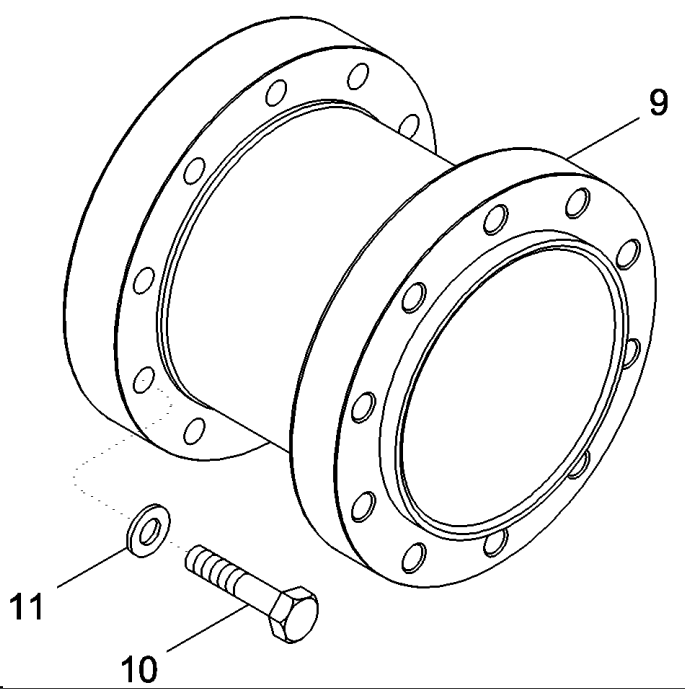
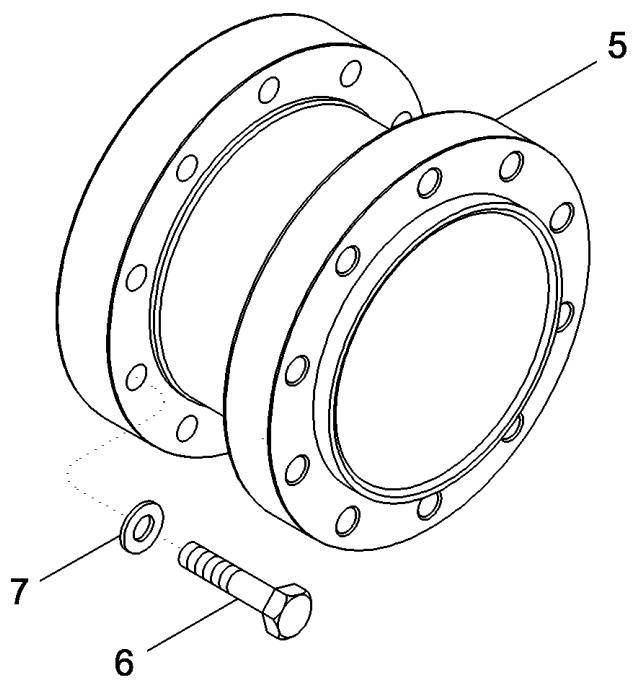
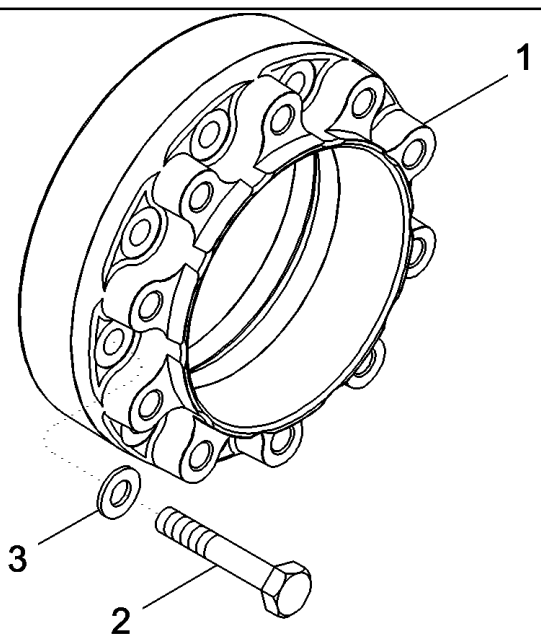


MAGNUM 255 CASE-IH MAGNUM TRACTOR (EMERGING MARKET) (1/06-)

06-41 HUB ASSEMBLY - REAR WHEEL

сылка	Номер детали	Кол-во	Описание
1	800-11115	2	RING, SNAP, M115, Ext,
6	405812A1	2	HUB,
7	405815A1	2	BUSHING, 102 mm (4 in)
8	228273A1	12	BOLT, M20 x 110; 10,9
9	396-31081	12	WASHER, 13/16" x 1 1/2" x .219", HDN,
10	A63219	2	KEY, 3/4 x 6
11	38-11608	2	PIN, LOCK, 1/4" x 1/2", Slotted,
12	303401A1	6	PLUG,
	405821A1	1	HUB, For 115 mm (4-1/2 in) axle, Inc. 15 - 23, Order From Machinery Price List
15	827-22080	20	BOLT, Hex, M22 x 80, 10.9, Full Thd,
16	896-11022	20	WASHER, M22 x 44 x 4, HT,
17	405812A1	2	HUB,
18	405816A1	2	BUSHING, 115 mm (4-1/2 in)
19	228273A1	12	BOLT, M20 x 110; 10,9
20	396-31081	12	WASHER, 13/16" x 1 1/2" x .219", HDN,
21	A63219	2	KEY, 3/4 x 6
22	38-11608	2	PIN, LOCK, 1/4" x 1/2", Slotted,
23	303401A1	6	PLUG,

06-42 SPACER - DUAL REAR WHEELS

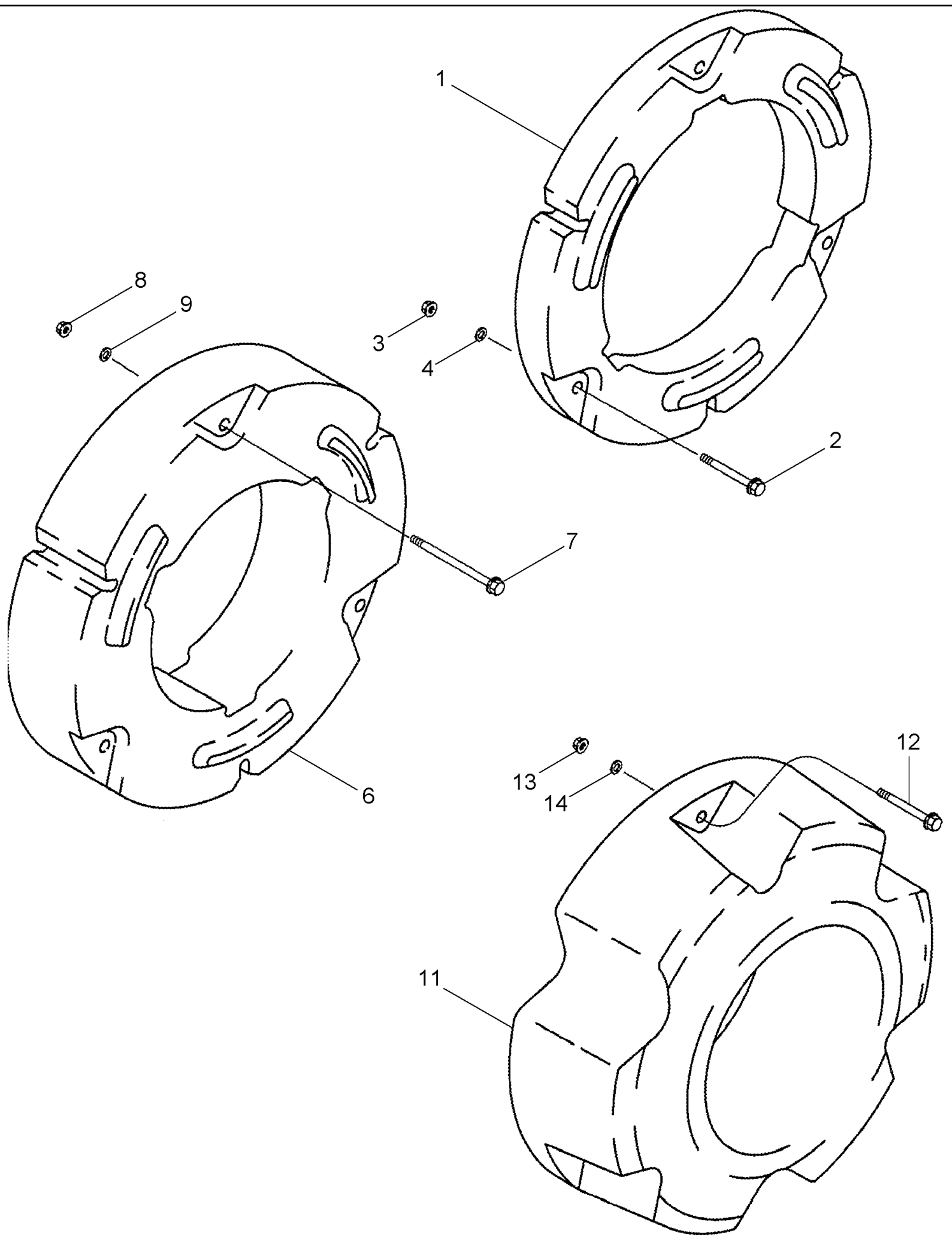


MAGNUM 255 CASE-IH MAGNUM TRACTOR (EMERGING MARKET) (1/06-)

06-42 SPACER - DUAL REAR WHEELS

сылка	Номер детали	Кол-во	Описание
1	405822A1	2	SPACER, 127 mm (5 in)
2	827-22160	20	BOLT, Hex, M22 x 150, 10.9,
3	896-11022	20	WASHER, M22 x 44 x 4, HT,
5	405823A1	2	SPACER, 254 mm (10 in)
6	827-22130	20	BOLT, Hex, M22 x 130, 10.9,
7	896-11022	20	WASHER, M22 x 44 x 4, HT,
9	405824A1	2	SPACER, 330 mm (13 in)
10	827-22130	20	BOLT, Hex, M22 x 130, 10.9,
11	896-11022	20	WASHER, M22 x 44 x 4, HT,
13	405825A1	2	SPACER, 381 mm (15 in)
14	827-22130	20	BOLT, Hex, M22 x 130, 10.9,
15	896-11022	20	WASHER, M22 x 44 x 4, HT,

06-43 REAR WHEEL WEIGHTS

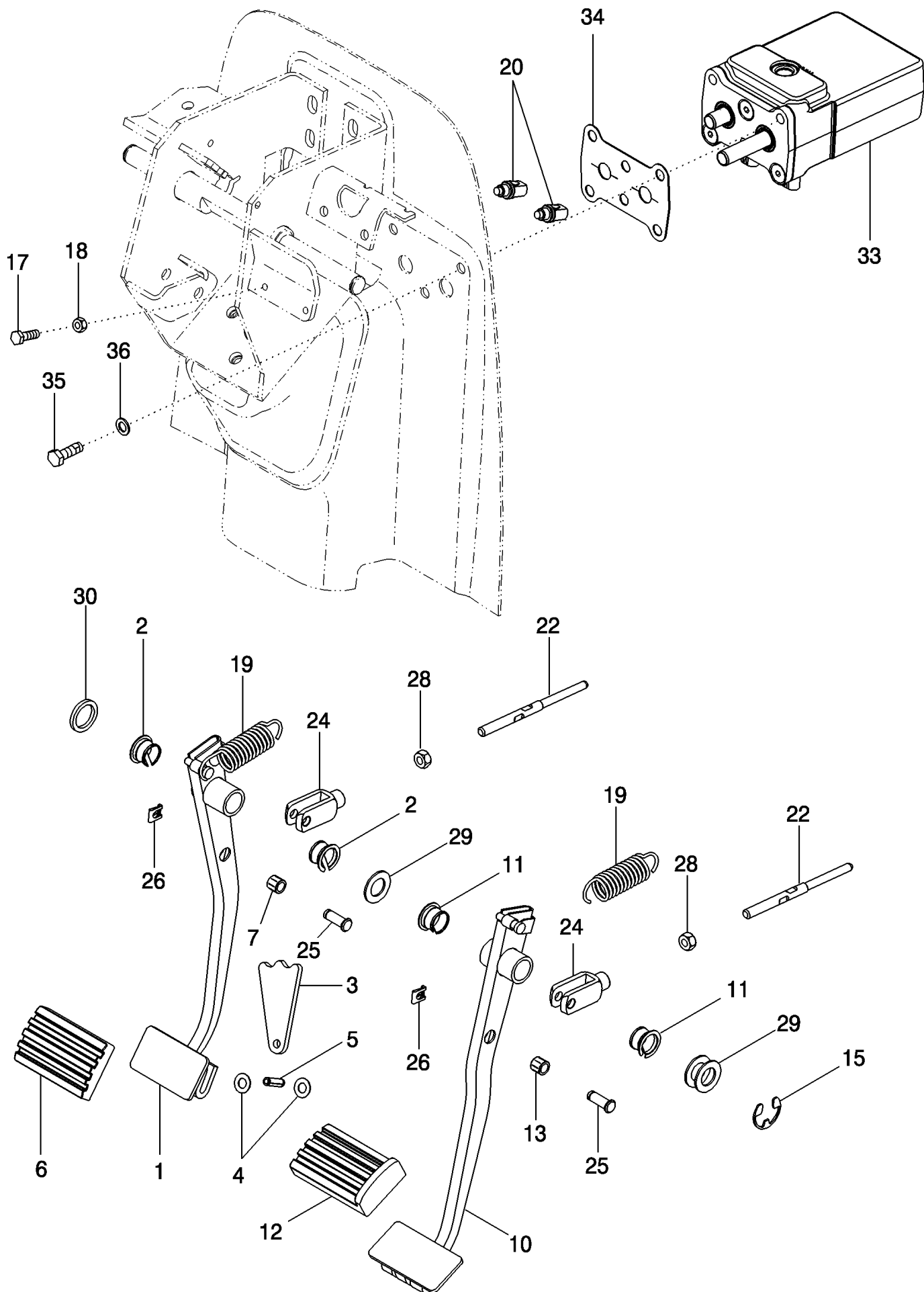


MAGNUM 255 CASE-IH MAGNUM TRACTOR (EMERGING MARKET) (1/06-)

06-43 REAR WHEEL WEIGHTS

сылка	Номер детали	Кол-во	Описание
1	405828A1	2	WEIGHT, Wheel, 200 lb
2	87393412	6	BOLT, M16 x 130; 10.9
3	832-10416	6	NUT, LOCK, M16 x 2, CI 8,
4	896-15016	12	WASHER, M17.5 x 34 x 5, HT,
6	87310406	2	WEIGHT, WHEEL, 500 lb
7	87393412	6	BOLT, M16 x 130; 10.9
8	832-10416	6	NUT, LOCK, M16 x 2, CI 8,
9	896-15016	12	WASHER, M17.5 x 34 x 5, HT,
11	405830A1	2	WEIGHT, Wheel, 1000 lb
12	87393412	6	BOLT, M16 x 130; 10.9
13	832-10416	6	NUT, LOCK, M16 x 2, CI 8,
14	896-15016	12	WASHER, M17.5 x 34 x 5, HT,

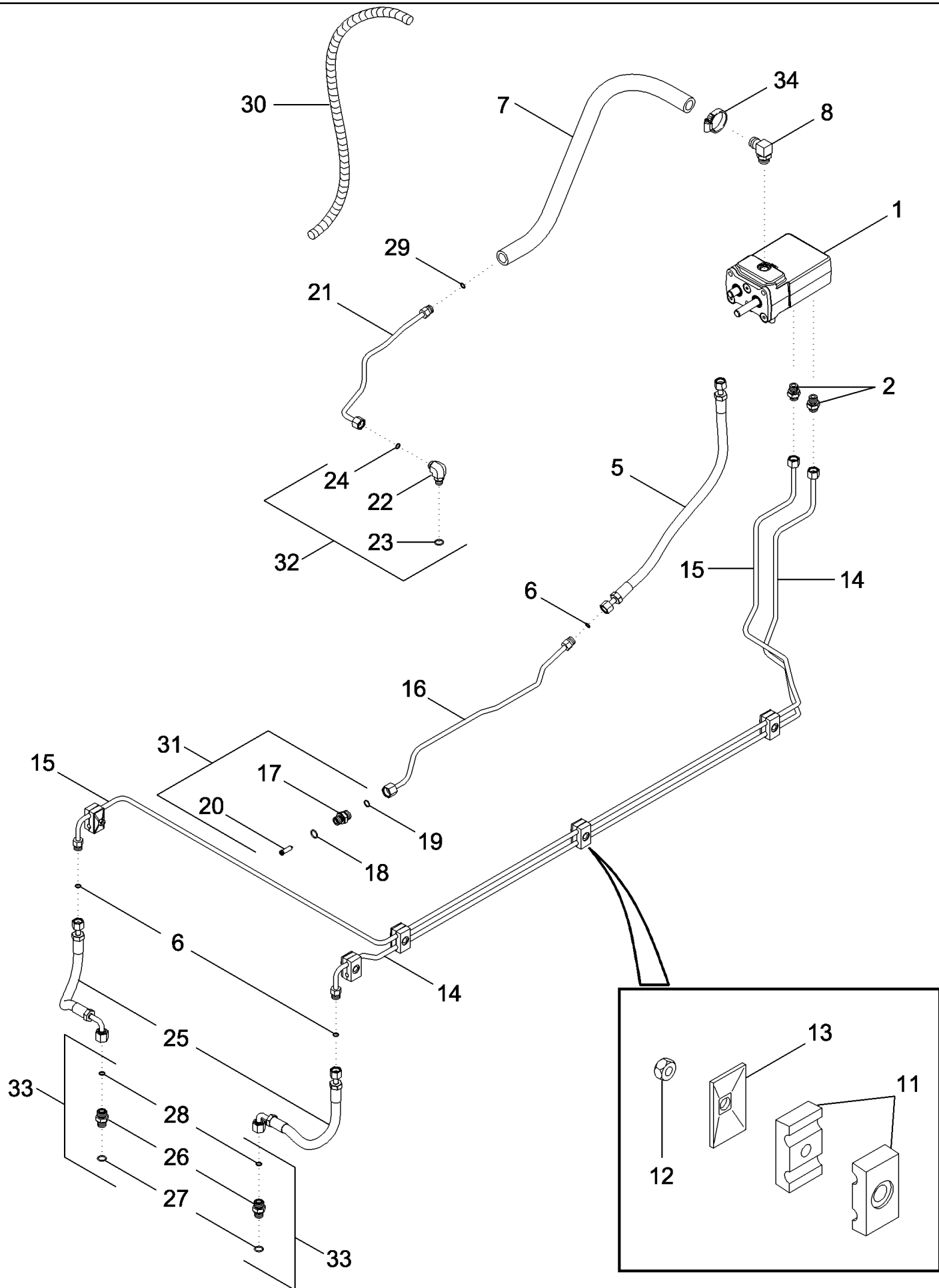
07-01 BRAKES - PEDAL BRAKE



MAGNUM 255 CASE-IH MAGNUM TRACTOR (EMERGING MARKET) (1/06-)

07-01 BRAKES - PEDAL BRAKE

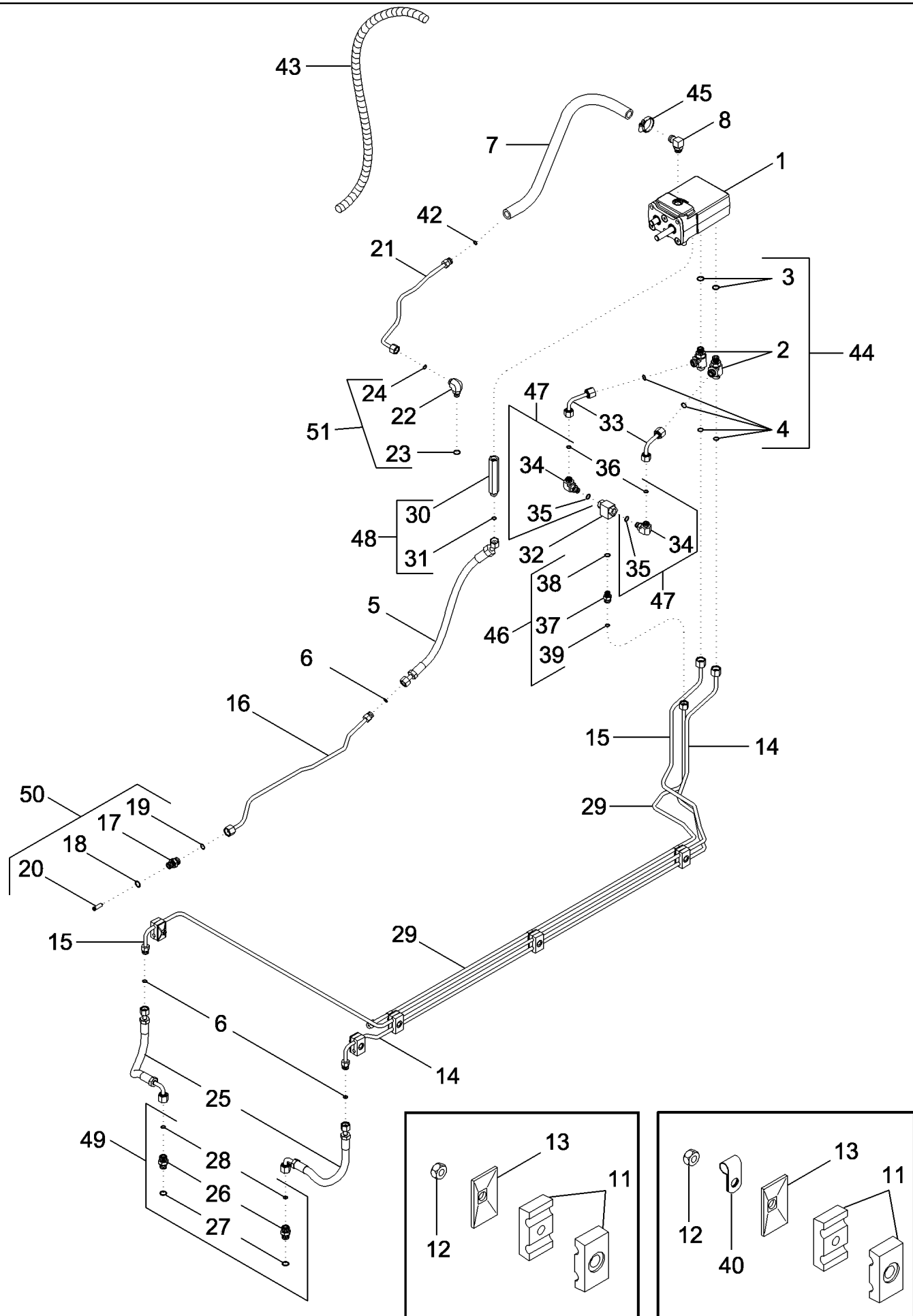
сылка	Номер детали	Кол-во	Описание
1	400859A3	1	PEDAL ASSY., Left Hand, Inc. 2 - 7
2	1990753C1	2	PLASTIC RING,
3	188419A1	1	ARM,
4	906045R1	2	WASHER, SPRING, M10.2 ID x 20.5 OD x .8 Thk,
5	87584294	1	
6	1999381C1	1	PAD, RUBBER,
7	298715A1	1	BUSHING,
10	400862A3	1	PEDAL ASSY., Right Hand, Inc. 11 - 13
11	1990753C1	2	PLASTIC RING,
12	1999382C1	1	PAD, RUBBER,
13	298715A1	1	BUSHING,
15	800-3120	1	CIRCLIP, M20,
17	614-8025	2	BOLT, Hex, M8 x 25, 8.8,
18	829-1408	2	NUT, M8, CI 10,
19	236504A2	2	SPRING,
20	279265A2	2	SWITCH,
22	400865A1	2	ROD,
24	236323A1	2	CLEVIS,
25	192869A1	2	PIN, CLEVIS,
26	193182A1	2	CLIP,
28	829-1410	2	NUT, M10, CI 10,
29	T102217	AR	WASHER,
30	258242A1	1	WASHER,
33	87731065	1	VALVE, Brake, See Figure 07-04
34	407142A1	1	GASKET,
35	806-10030	3	BOLT, Hex, Lock, M10 x 30, CI 10.9,
36	895-18010	3	WASHER, M10 x 18 x 1.6,



MAGNUM 255 CASE-IH MAGNUM TRACTOR (EMERGING MARKET) (1/06-)

07-02 BRAKES - HYDRAULIC SYSTEM, WITHOUT TRAILER BRAKES

сылка	Номер детали	Кол-во	Описание
1	87731065	1	VALVE, Brake, See Figure 07-04
2	700-106	2	CONNECTOR, HYD., 11/16"-16 ORFS x M18 x 1.5 ORB,
5	87442600	1	HOSE, Supply
6	238-6012	3	O-RING, -012, 90 Duro, .364" ID x .070" Thk,
7	87577426	1	HOSE,
8	87454069	1	ELBOW, 13/16 fc sl x 18 Or
11	1546024C1	5	CLAMP,
12	829-1408	5	NUT, M8, CI 10,
13	384870A1	5	PLATE,
14	436382A1	1	TUBE ASSY., Right Hand Brake
15	87363336	1	TUBE ASSY., Left Hand Brake
16	433588A1	1	TUBE ASSY., Supply
17	NSS	1	NOT SERVICED SEPARATELY, Connector
18	637-63153	1	O-RING, CI 6, 15.3MM ID x 2.2 Thk,
19	238-6014	1	O-RING, -014, 90 Duro, .489" ID x .070" Thk,
20	326965A1	1	SCREEN,
21	87440347	1	TUBE, Return
22	NSS	1	NOT SERVICED SEPARATELY, Elbow
23	9992298	1	O-RING, -014, 90 Duro, .489" ID x .070" Thk,
24	86598101	1	O-RING, CI 6, 15.3MM ID x 2.2 Thk,
25	87582257	2	HOSE,
26	NSS	1	NOT SERVICED SEPARATELY, Connector
27	14437985	1	O-RING, 15.3MM ID x 2.4 Thk,
28	70923841	1	O-RING, 1/2 ID x 1/16
29	238-6012	1	O-RING, -012, 90 Duro, .364" ID x .070" Thk,
30	384834A1	1	LINE, Conduit, With Fuel Separator Filter
31	316443A2	1	FITTING, 13/16 fc sl x 18 Or, Inc. 17 - 20
32	86579691	1	ELBOW, 90€, 13/16"-18 ORFS x M18 x 1.5 ORB, Inc. 22 - 24
33	700-102	2	CONNECTOR, HYD., 13/16"-16 ORFS x M18 x 1.5 ORB, Inc. 26 - 28
34	214-1408	1	CLAMP, HOSE, #08, 0.50/0.91 Type F Worm,
35	87331123	1	FITTING, (Not Shown)



MAGNUM 255 CASE-IH MAGNUM TRACTOR (EMERGING MARKET) (1/06-)

07-03 BRAKES - HYDRAULIC SYSTEM, WITH PNEUMATIC TRAILER BRAKES

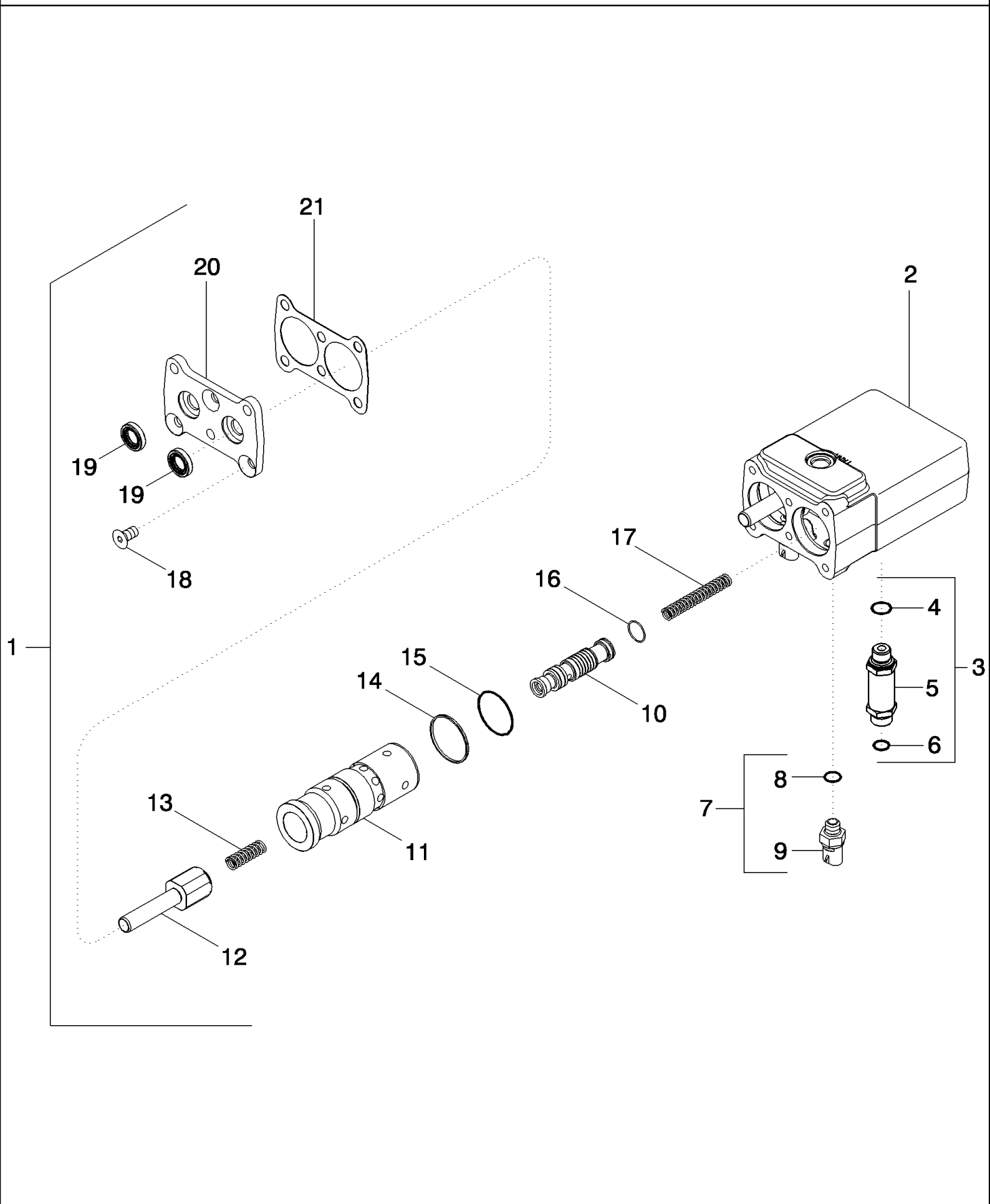
сылка	Номер детали	Кол-во	Описание
1	87731065	1	VALVE, Brake, See Figure 07-04
2	NSS	1	NOT SERVICED SEPARATELY, Tee
3	14437985	1	O-RING, 15.3MM ID x 2.4 Thk,
4	70923841	2	O-RING, 1/2 ID x 1/16
5	87442602	1	HOSE, Supply
6	238-6012	3	O-RING, -012, 90 Duro, .364" ID x .070" Thk,
7	87577426	1	HOSE,
8	87454069	1	ELBOW, 13/16 fc sl x 18 Or
11	1546024C1	5	CLAMP,
12	829-1408	5	NUT, M8, CI 10,
13	384870A1	5	PLATE,
14	87348665	1	TUBE ASSY., Right Hand Brake
15	87363337	1	TUBE ASSY., Left Hand Brake
16	433588A1	1	TUBE ASSY., Supply
17	NSS	1	NOT SERVICED SEPARATELY, Fitting
18	637-63153	1	O-RING, CI 6, 15.3MM ID x 2.2 Thk,
19	238-6014	1	O-RING, -014, 90 Duro, .489" ID x .070" Thk,
20	326965A1	1	SCREEN,
21	87440347	1	TUBE, Return
22	NSS	1	NOT SERVICED SEPARATELY, Elbow
23	9992298	1	O-RING, -014, 90 Duro, .489" ID x .070" Thk,
24	86598101	1	O-RING, CI 6, 15.3MM ID x 2.2 Thk,
25	87582257	2	HOSE,
26	NSS	1	NOT SERVICED SEPARATELY, Connector
27	14437985	1	O-RING, 15.3MM ID x 2.4 Thk,
28	70923841	1	O-RING, 1/2 ID x 1/16
29	87363345	1	TUBE ASSY.,
30	NSS	1	NOT SERVICED SEPARATELY, VALVE
31	238-6012	1	O-RING, -012, 90 Duro, .364" ID x .070" Thk,
32	176143A1	1	VALVE,
33	442240A1	2	TUBE ASSY.,
35	237-6006	1	O-RING, 6-1, 90 Duro, .468" ID x .078" Thk,
36	238-6012	1	O-RING, -012, 90 Duro, .364" ID x .070" Thk,
38	237-6006	1	O-RING, 6-1, 90 Duro, .468" ID x .078" Thk,
39	238-6012	1	O-RING, -012, 90 Duro, .364" ID x .070" Thk,
40	515-2295	3	CLAMP, 3/8", Insul, 5/16" Bolt,
42	238-6012	1	O-RING, -012, 90 Duro, .364" ID x .070" Thk,
43	384834A1	1	LINE, Conduit
44	700-412	2	TEE, 13/16"-16 ORFS x M18 x 1.5 ORB Run, Inc. 2 - 4
45	214-1408	1	CLAMP, HOSE, #08, 0.50/0.91 Type F Worm,
46	201-101	1	CONNECTOR, HYD., 11/16"-16 ORFS x 9/16"-18 ORB, Includes 37 - 39
47	201-304	2	ELBOW, 90e, 11/16"-16 x 9/16"-18 Adj, ORFS, Inc. 34 - 36
48	87731875	1	Inc. 30, 31
49	700-102	2	CONNECTOR, HYD., 13/16"-16 ORFS x M18 x 1.5 ORB, Inc. 26 - 28
50	316443A2	1	FITTING, Inc. 17 - 20

MAGNUM 255 CASE-IH MAGNUM TRACTOR (EMERGING MARKET) (1/06-)

07-03 BRAKES - HYDRAULIC SYSTEM, WITH PNEUMATIC TRAILER BRAKES

сылка	Номер детали	Кол-во	Описание
51	86579691	1	ELBOW, 90є, 13/16"-18 ORFS x M18 x 1.5 ORB, Inc. 22 - 24
52	87331123	1	FITTING, (Not Shown)

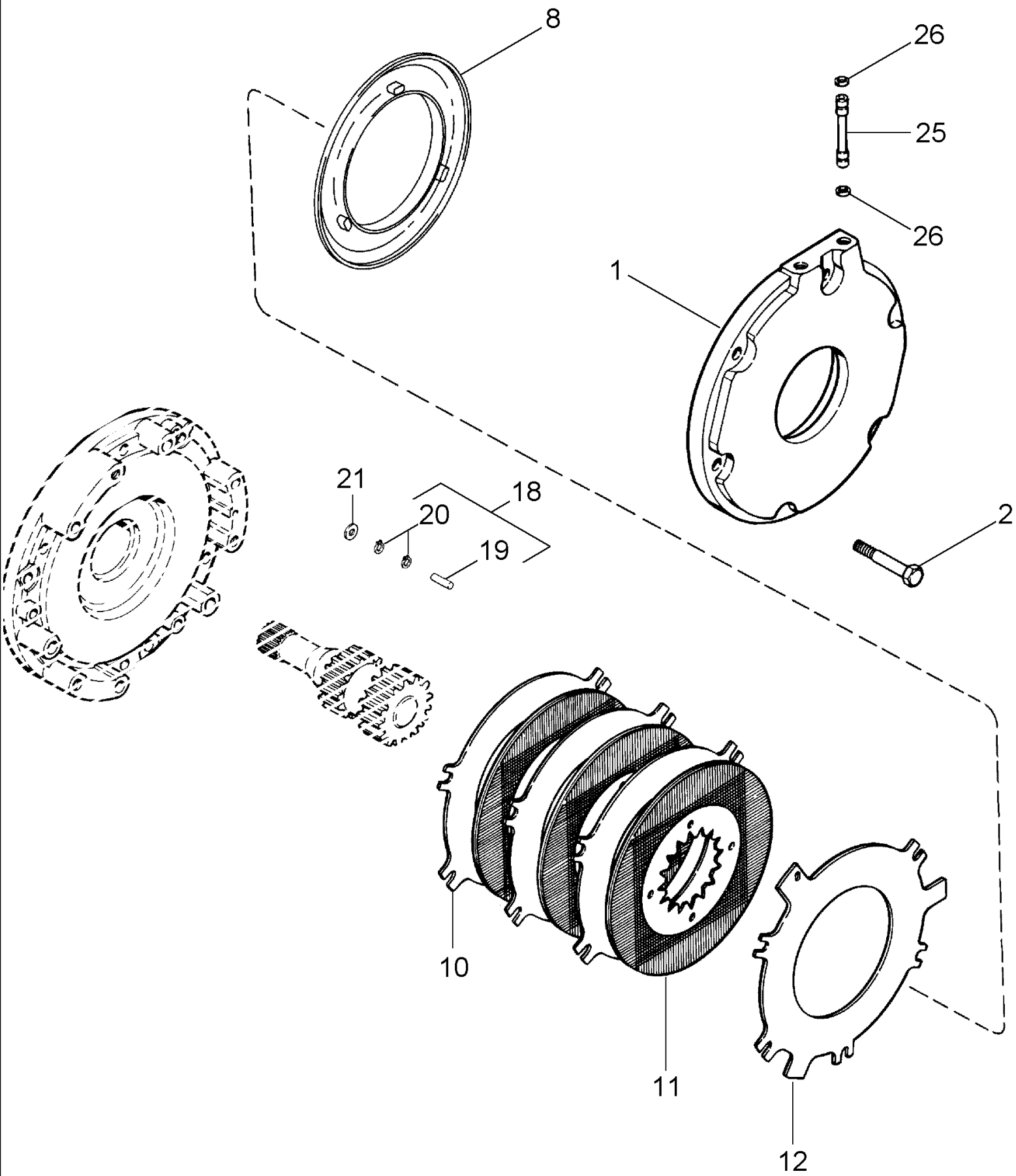
07-04 BRAKES - CONTROL VALVE



MAGNUM 255 CASE-IH MAGNUM TRACTOR (EMERGING MARKET) (1/06-)

07-04 BRAKES - CONTROL VALVE

сылка	Номер детали	Кол-во	Описание
1	87731065	1	VALVE, Inc. 1 - 21
2	NSS	1	NOT SERVICED SEPARATELY, Body
3	87731851	1	
7	279266A1	2	SWITCH, Inc. 8, 9
8	237-6003	1	O-RING, 3-1, .301" ID x .064" Thk,
9	NSS	1	NOT SERVICED SEPARATELY, Switch
10	397106A5	2	SPOOL,
11	397105A5	2	SLEEVE,
12	433199A1	2	POPPET,
13	433196A2	2	SPRING,
14	407387A1	2	SEALRING,
15	238-7131	2	O-RING, -131, CI 7, 1.674" ID x .103" Thk,
16	407282A1	2	RING, SNAP,
17	397110A1	2	SPRING, COMPRESSION,
18	220056A1	3	SCREW, Hex Soc Flat Hd, M10 x 20, 8.8,
19	A63399	2	SEAL,
20	397111A1	1	PLATE,
21	403356A1	1	GASKET,

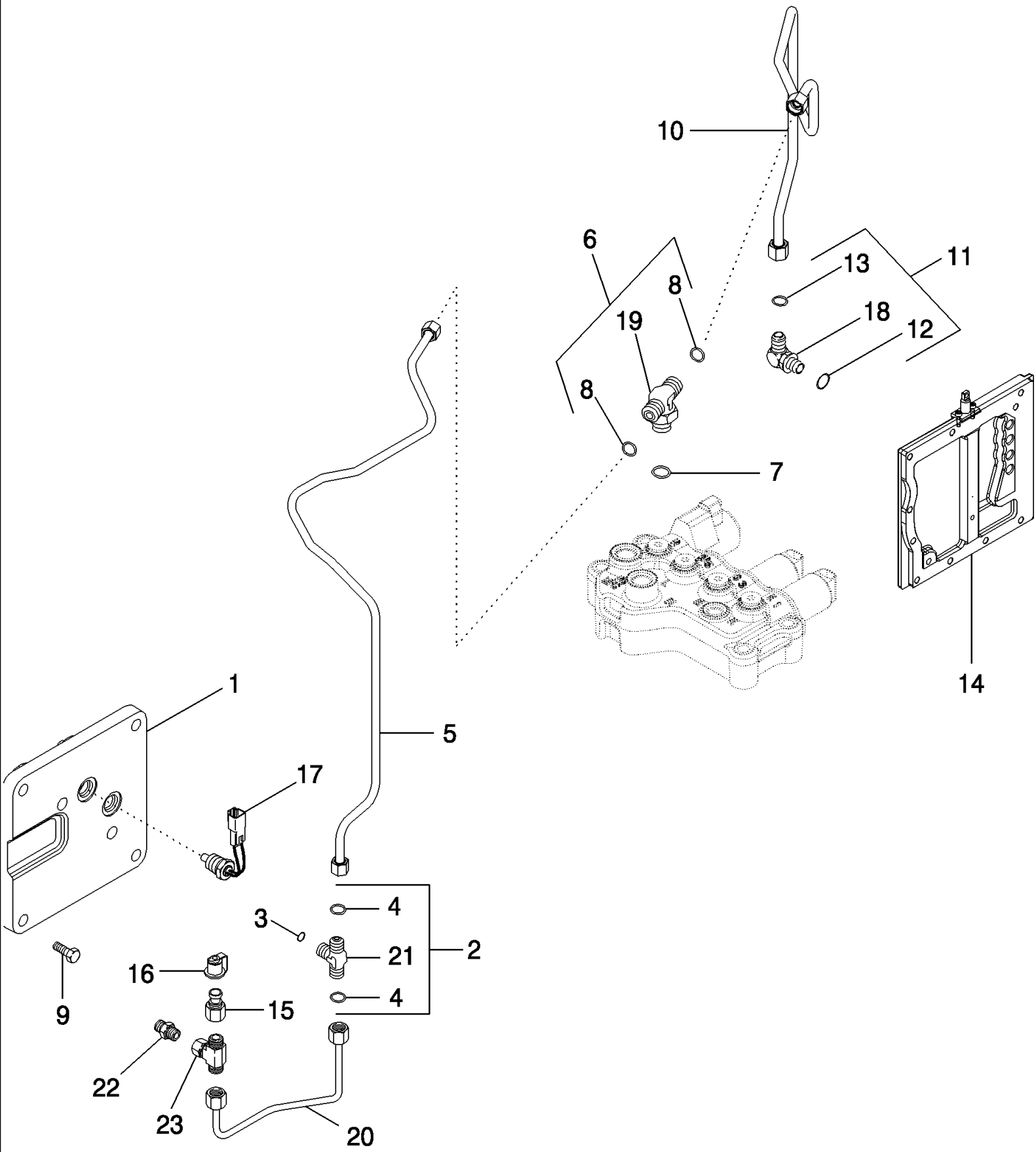


MAGNUM 255 CASE-IH MAGNUM TRACTOR (EMERGING MARKET) (1/06-)

07-05 BRAKES - DIFFERENTIAL

сылка	Номер детали	Кол-во	Описание
1	1342723C2	2	COVER,
2	813-16110	6	BOLT, Hex, M16 x 110, 8.8, Right Hand
2	814-16100	6	BOLT, Hex, M16 x 100, 8.8, Left Hand
8	1997422C1	2	PISTON,
10	120486C1	8	PLATE, BRAKE,
11	120488C2	8	PLATE, BRAKE,
12	1981187C1	2	PLATE,
18	1349198C1	6	ADJUSTER, Inc. 19, 20
19	37-1828	1	DOWEL, 1/2" x 1 3/4",
20	100-1450	2	RING, SNAP, #50, Ext,
21	1342928C1	12	WASHER,
25	120514C2	4	TUBE,
26	238-5013	8	O-RING, -013, 70 Duro, .426" ID x .070" Thk,

07-06 PARK BRAKE - HYDRAULIC SYSTEM



MAGNUM 255 CASE-IH MAGNUM TRACTOR (EMERGING MARKET) (1/06-)

07-06 PARK BRAKE - HYDRAULIC SYSTEM

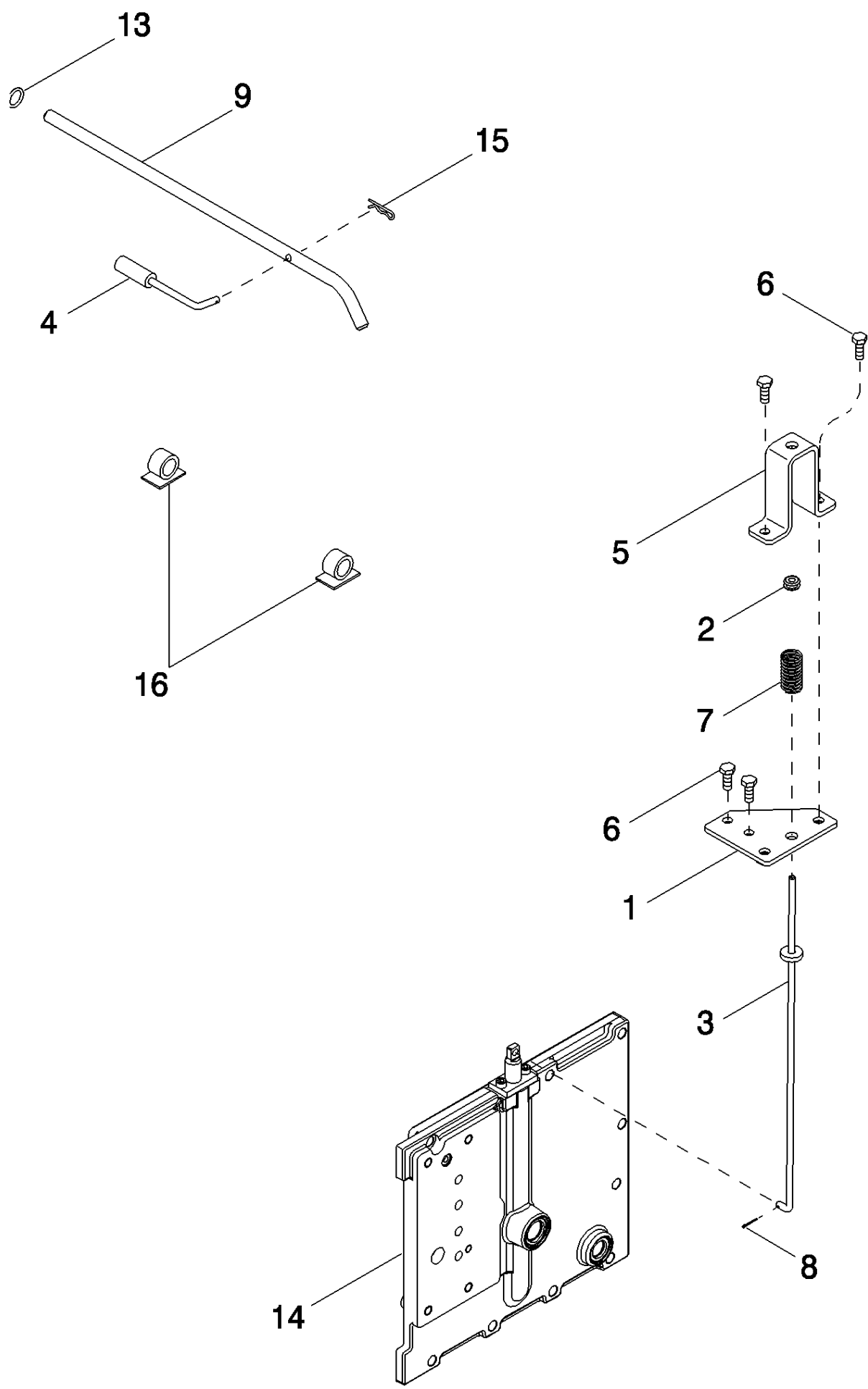
сылка	Номер детали	Кол-во	Описание
1	87327182	1	COVER, , See Figure 06-19
2	87312674	1	VALVE, PRESSURE RELIEF, Inc. 3, 4
3	637-63153	1	O-RING, CI 6, 15.3MM ID x 2.2 Thk,
4	238-6014	2	O-RING, -014, 90 Duro, .489" ID x .070" Thk,
5	433595A3	1	TUBE ASSY.,
6	700-402	1	TEE, 13/16"-16 ORFS x M18 x 1.5 ORB Br, Inc. 7, 8
7	637-63153	1	O-RING, CI 6, 15.3MM ID x 2.2 Thk,
8	238-6014	2	O-RING, -014, 90 Duro, .489" ID x .070" Thk,
9	628-10030	4	BOLT, Hex, M10 x 30, 10.9, Full Thd,
10	448220A1	1	TUBE ASSY.,
11	700-326	1	ELBOW, 90e, 13/16"-18 ORFS x M22 x 1.5 ORB, Incl. 12, 13
12	637-63193	1	O-RING, CI 6, 19.3MM ID x 2.2 Thk,
13	238-6014	1	O-RING, -014, 90 Duro, .489" ID x .070" Thk,
14	87433653	1	PLATE ASSY., , See Figure 06-04
15	322529A1	1	COUPLING,
16	143349A1	1	DUST CAP,
17	87521424	1	SENDER, TEMPERATURE, Transmission
18	NSS	1	NOT SERVICED SEPARATELY, Elbow
19	NSS	1	NOT SERVICED SEPARATELY, Tee
20	87441296	1	TUBE, Park Brake Lower Supply
21	NSS	1	NOT SERVICED SEPARATELY, Valve
22	201-102	1	CONNECTOR, HYD., 13/16"-16 ORFS x 3/4"-16 ORB,
23	701-411	1	TEE, 13/16"-16 ORFS x 13/16"-16 Fem Sw Br,

MAGNUM 255 CASE-IH MAGNUM TRACTOR (EMERGING MARKET) (1/06-)

07-07 PARK AND EMERGENCY BRAKE - LEVER AND LINKAGE

сылка	Номер детали	Кол-во	Описание
1	284357A2	1	HANDLE,
2	375302A1	1	BRACKET,
3	895-11008	3	WASHER, M8 x 16 x 1.6,
4	614-8025	3	BOLT, Hex, M8 x 25, 8.8,
5	284297A1	1	CABLE,
6	427-6106	1	PIN, CLEVIS, 3/8" x 1 1/16",
7	427-6125	1	PIN, CLEVIS, 3/8" x 1 1/4",
8	733-2520	2	PIN, SPLIT (COTTER), M2.5 x 20,
9	L11541	1	STRAP, CABLE,
10	800-4313	1	CIRCLIP, M13,
11	895-18010	2	WASHER, M10 x 18 x 1.6,
12	87545438	1	BRACKET, Assemble W/87545446
13	614-10020	1	BOLT, Hex, M10 x 20, 8.8, Full Thd,
14	450061A1	1	VALVE,
15	895-11012	2	WASHER, M12 x 24 x 2.5,
16	1533540C1	2	EYEBOLT,
17	800-1112	1	RING, SNAP, M12, Ext,
18	713-126	2	CLEVIS,
19	428302A1	1	ROD,
20	728-630	2	PIN, CLEVIS, M6 x 30,
21	829-1406	2	NUT, M6, CI 10,
22	427-6106	1	PIN, CLEVIS, 3/8" x 1 1/16",
23	895-11010	1	WASHER, M10 x 20 x 2,
24	733-2520	1	PIN, SPLIT (COTTER), M2.5 x 20,
25	428306A2	1	BELLCRANK,
26	728-620	1	PIN, CLEVIS, M6 x 20,
27	895-11006	3	WASHER, M6,
28	733-1610	3	PIN, SPLIT (COTTER), M1.6 x 10,
29	327572A2	1	SPRING,
30	628-8016	2	BOLT, Hex, M8 x 16, 10.9, Full Thd,
31	87545446	1	BRACKET,
32	825-2408	2	NUT, M8 x 1.25, Flg, CI 8,

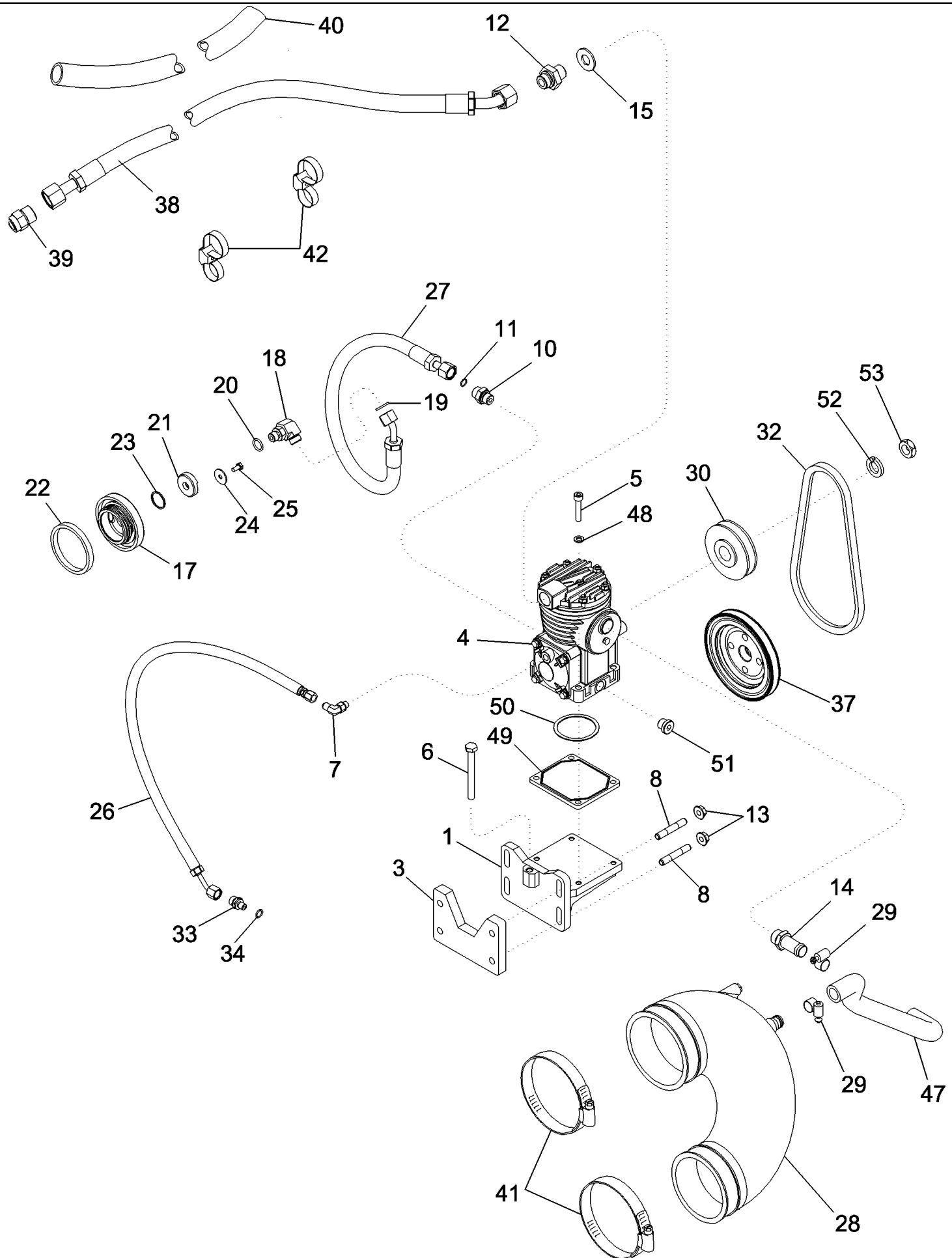
07-08 PARK BRAKE - RELEASE



MAGNUM 255 CASE-IH MAGNUM TRACTOR (EMERGING MARKET) (1/06-)

07-08 PARK BRAKE - RELEASE

сылка	Номер детали	Кол-во	Описание
1	87435703	1	PLATE,
2	248-2164	1	GROMMET, 1/4" ID x 7/16" Groove Dia,
3	87442200	1	ROD,
4	279765A3	1	PISTON,
5	282624A1	1	SUPPORT,
6	627-8020	4	BOLT, Hex, M8 x 20, 10.9,
7	282456A1	1	SPRING,
8	432-48	1	PIN, SPLIT (COTTER), 1/16" x 1/2",
9	279763A2	1	BRAKE LEVER, Release
13	638-53160	1	O-RING, CI 5, 16MM ID x 2.65 Thk,
14	87433653	1	PLATE ASSY., , See Figure 06-04
15	136-159	1	PIN, SPLIT (COTTER), Int, 3/16 x .080",
16	169850C2	2	CLIP, CABLE,



MAGNUM 255 CASE-IH MAGNUM TRACTOR (EMERGING MARKET) (1/06-)

07-09 TRAILER BRAKES - PNEUMATIC, AIR COMPRESSOR MOUNTING AND DRIVE

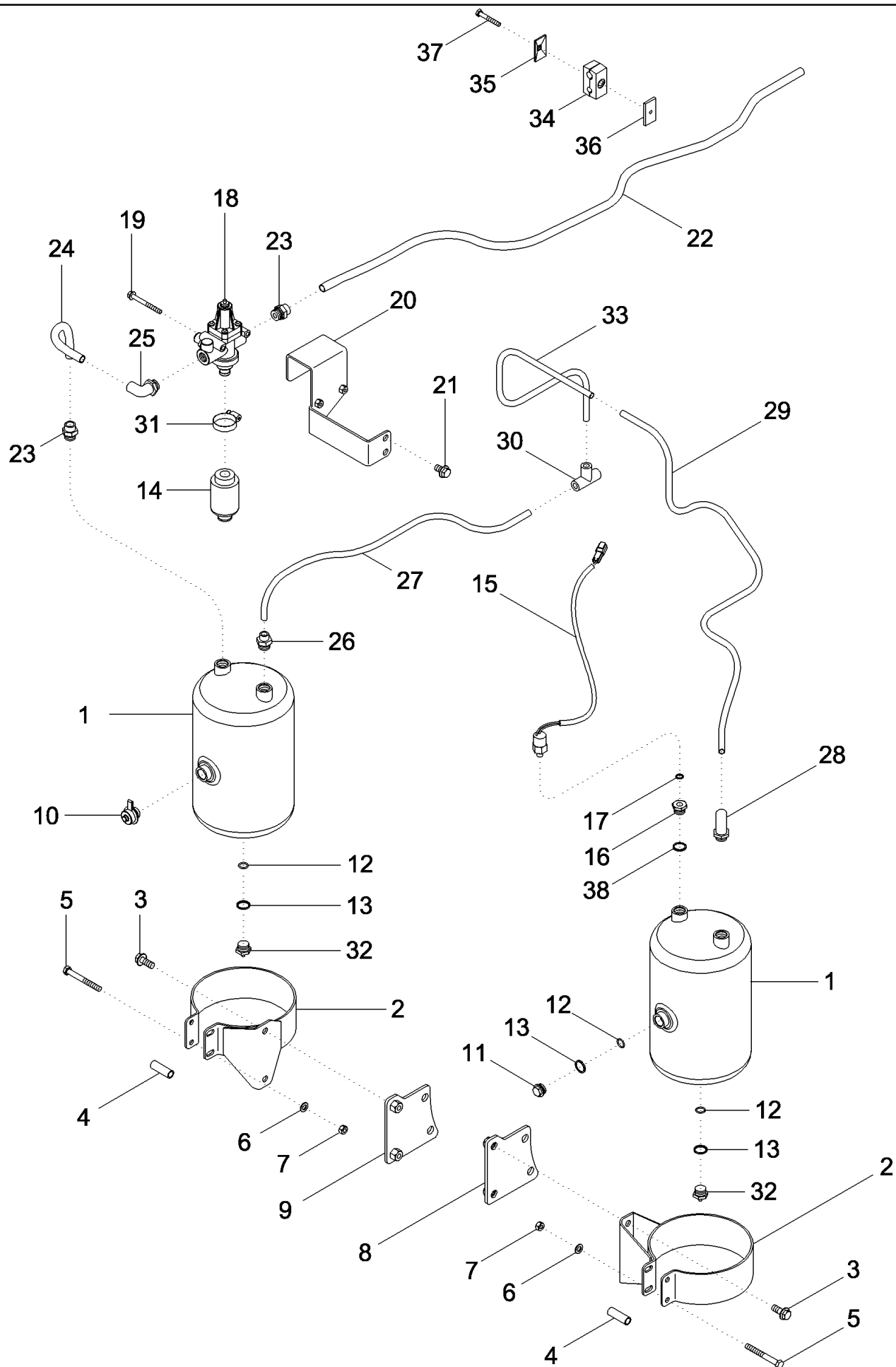
сылка	Номер детали	Кол-во	Описание
1	87354605	1	SUPPORT,
3	87354608	1	PLATE, ADJUSTING,
4	87340869	1	COMPRESSOR,
4A	87580916	1	KIT, SEALS, (Not Shown)
5	864-8040	4	SCREW, Hex Soc Hd, M8 x 40, 8.8,
6	614-10090	1	BOLT, Hex, M10 x 90, 8.8, Full Thd,
7	87364913	1	ADAPTER, Elbow, M10 x 7/16
8	87366493	4	STUD,
10	87434646	1	UNION, 11/16 fc sl x 16, Inc. 11
11	238-6012	1	O-RING, -012, 90 Duro, .364" ID x .070" Thk,
12	87551841	1	ADAPTER,
13	829-2410	4	NUT, M10 x 1.5, Flg, CI 10,
14	87434210	1	STEM,
15	87551845	1	WASHER, COPPER,
17	J918215	1	ADAPTER,
18	201-304	1	ELBOW, 90e, 11/16"-16 x 9/16"-18 Adj, ORFS, Inc. 19, 20, 44
19	237-6006	1	O-RING, 6-1, 90 Duro, .468" ID x .078" Thk,
20	238-6012	1	O-RING, -012, 90 Duro, .364" ID x .070" Thk,
21	177335A3	1	PLATE, LARGE,
22	J903475	1	SEAL,
23	J915800	1	O-RING,
24	T103887	2	WASHER,
25	614-6012	2	BOLT, Hex, M6 x 12, 8.8,
26	87365032	1	HOSE, Compressor Supply
27	87365056	1	HOSE ASSY., Lube Out
28	87357622	1	HOSE, Air Cleaner to Turbo, BSN Z7RZ03901
28	87651299	1	HOSE, Air Cleaner to Turbo, ASN Z7RZ03901
29	214-1412	2	CLAMP, HOSE, #12, 0.69/1.25 Type F Worm,
30	87341092	1	PULLEY,
32	87366024	1	V-BELT,
33	700-171	1	CONNECTOR, HYD., 9/16"-18 ORFS x M10 x 1 ORB, Inc. 34
34	238-6011	1	O-RING, -011, 90 Duro, .301" ID x .070" Thk,
37	87380498	1	PULLEY,
38	87547253	1	HOSE, Outlet
39	86991153	1	ADAPTER,
40	87403388	1	CONDUIT,
41	214-3280	2	CLAMP, HOSE, 4.25/5.125 HD Worm, W/liner,
42	86991000	2	CLAMP, Tie, Dual
44	NSS	1	NOT SERVICED SEPARATELY, Elbow
45	NSS	1	NOT SERVICED SEPARATELY, Connector
46	NSS	1	NOT SERVICED SEPARATELY, Union
47	87364042	1	HOSE, Intake Hose
48	892-11008	4	WASHER, LOCK, M8,
49	87433913	1	PLATE ASSY.,
50	87531675	1	GASKET,

MAGNUM 255 CASE-IH MAGNUM TRACTOR (EMERGING MARKET) (1/06-)

07-09 TRAILER BRAKES - PNEUMATIC, AIR COMPRESSOR MOUNTING AND DRIVE

сылка	Номер детали	Кол-во	Описание
51	87456432	1	PLUG,
52	92-11075	1	WASHER, LOCK, 3/4",
53	933678R1	1	NUT, Thin, M18 x 1.5, CI 04,

07-10 TRAILER BRAKES - PNEUMATIC, RESERVOIR

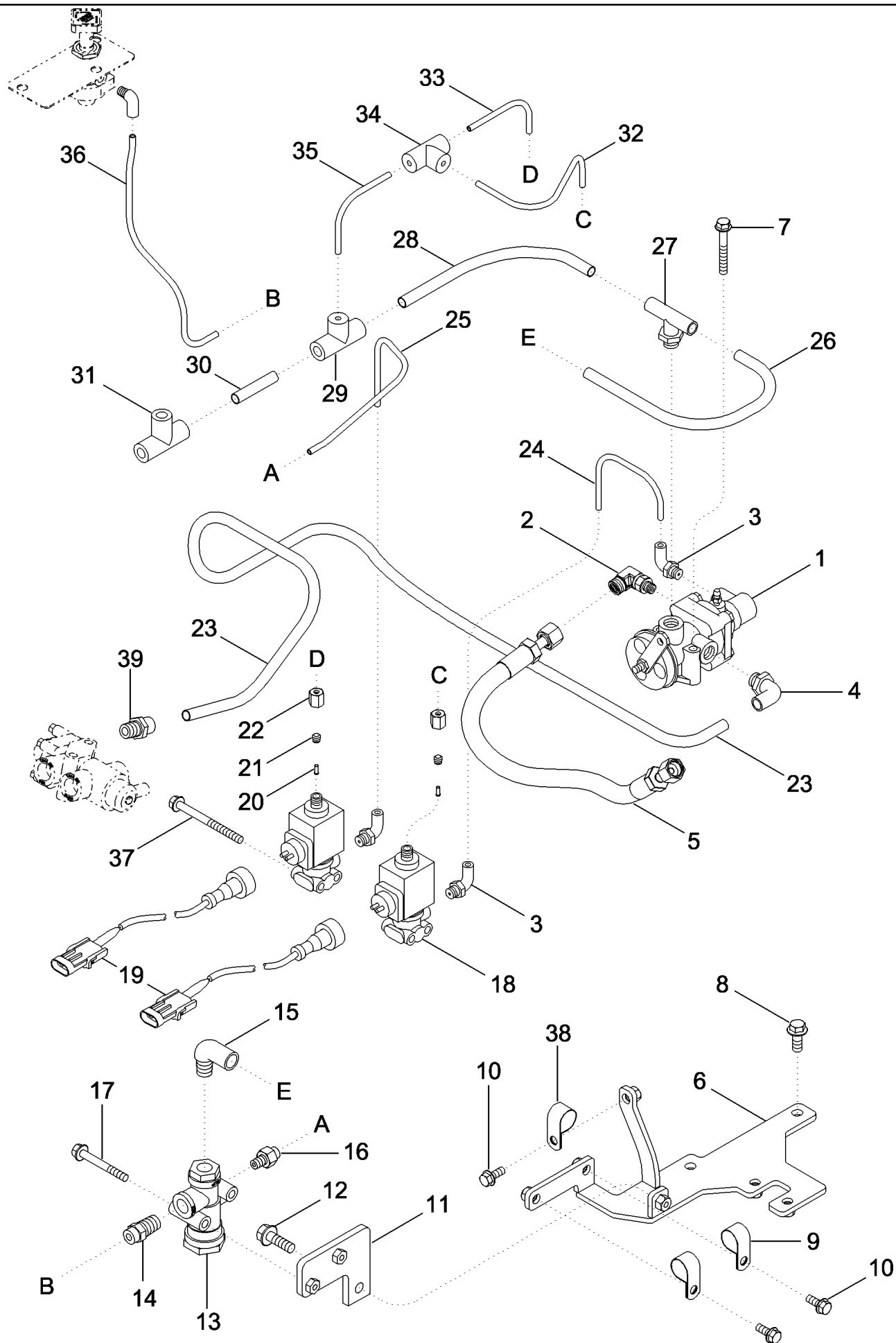


MAGNUM 255 CASE-IH MAGNUM TRACTOR (EMERGING MARKET) (1/06-)

07-10 TRAILER BRAKES - PNEUMATIC, RESERVOIR

сылка	Номер детали	Кол-во	Описание
1	1530988C1	2	TANK, AIR,
2	86985993	2	BRACKET,
3	844-12030	4	BOLT, Hex Flg, M12 x 30, 8.8,
4	87592916	4	SPACER,
5	814-10075	4	BOLT, Hex, M10 x 75, 8.8,
6	895-11010	4	WASHER, M10 x 20 x 2,
7	829-1410	4	NUT, M10, CI 10,
8	86985963	1	BRACKET, Right Hand
9	86985965	1	BRACKET, Left Hand
10	443287A1	1	VALVE,
11	716954R1	1	PLUG, Hex, M22 x 1.5,
12	3076154R1	3	O-RING,
13	3076153R1	3	RING, THRUST,
14	82001979	1	VALVE, Silencer
15	87391194	1	SWITCH,
16	87680624	1	REDUCER,
17	713845R1	1	WASHER, SEALING, M12 x 15.5 x 1.5,
18	82001015	1	VALVE, CONTROL, Unloader
19	844-8080	2	BOLT, Hex Flg, M8 x 80, 8.8,
20	87342627	1	BRACKET,
21	844-12020	2	BOLT, Hex Flg, M12 x 20, 8.8, Full Thd,
22	87456291	1	HOSE, Unloader Valve Supply
23	86984484	2	CONNECTION,
24	87526409	1	HOSE,
25	442930A1	1	ELBOW,
26	442924A1	1	CONNECTOR, HYD.,
27	87456293	1	HOSE,
28	442929A1	3	ELBOW,
29	87456294	1	HOSE,
30	442925A1	1	TEE,
31	214-1536	1	CLAMP, HOSE, #36, 1.81/2.75 Type F Worm, W/liner,
32	897123H2	2	VALVE,
33	87456290	1	HOSE,
34	109619A1	2	CLAMP,
35	384870A1	2	PLATE,
36	384871A1	2	PLATE,
37	814-8055	2	BOLT, Hex, M8 x 55, 8.8,
38	238-5117	1	O-RING, -117, 70 Duro, .799" ID x .103" Thk,

07-11 TRAILER BRAKES - PNEUMATIC, VALVES

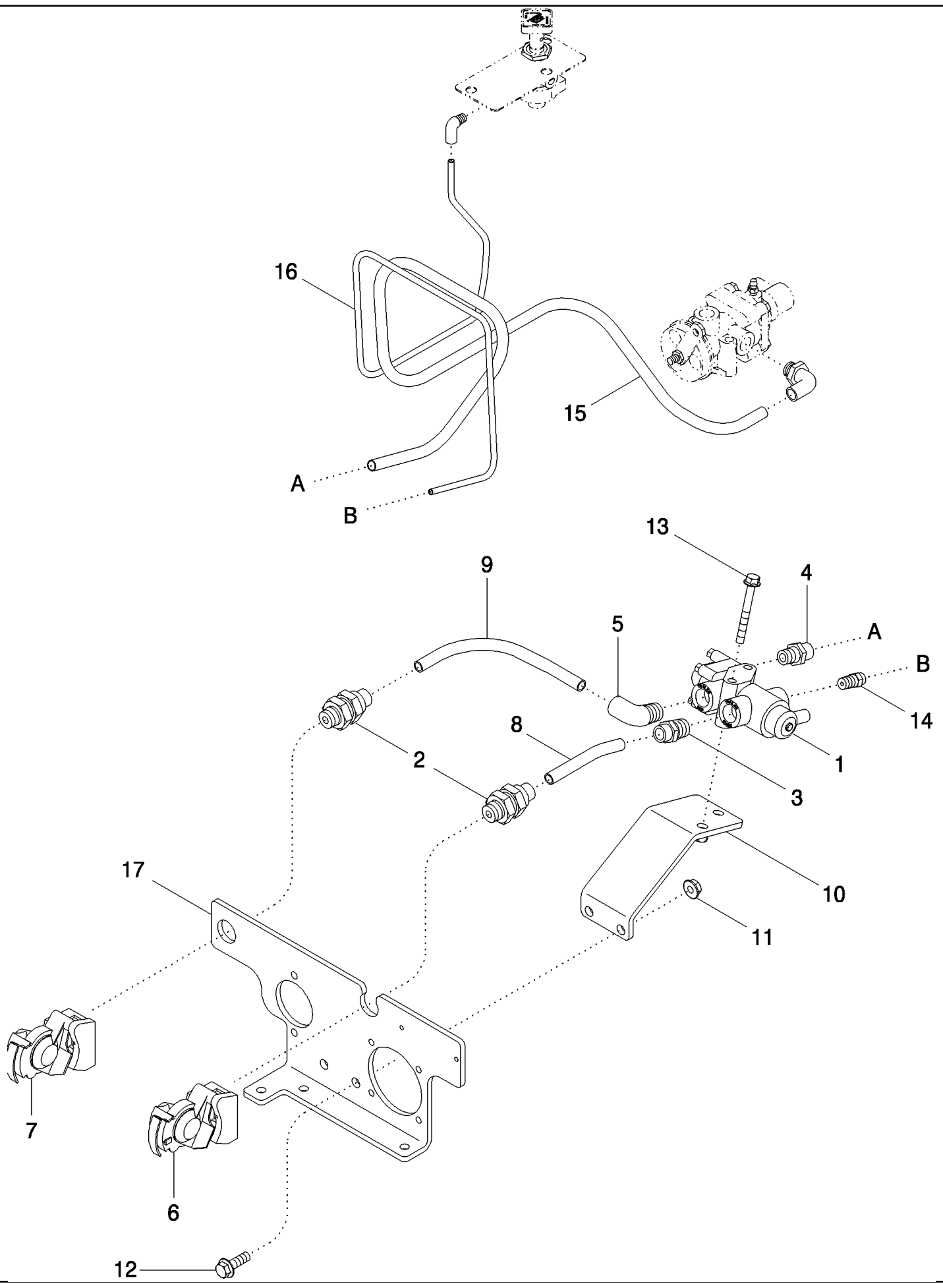


MAGNUM 255 CASE-IH MAGNUM TRACTOR (EMERGING MARKET) (1/06-)

07-11 TRAILER BRAKES - PNEUMATIC, VALVES

сылка	Номер детали	Кол-во	Описание
1	224360A1	1	VALVE, Dual Line Control
2	86984486	1	ELBOW, M10 x 11/16
3	442927A1	3	ELBOW, Push-in, M12 x 6
4	442928A1	2	ELBOW, Push-in, M16 x 12
5	87442945	1	HOSE,
6	86987547	1	BRACKET,
7	844-8060	2	BOLT, Hex Flg, M8 x 60, 8.8,
8	844-10025	2	BOLT, Hex Flg, M10 x 25, 8.8, Full Thd,
9	515-23238	2	CLAMP, 15/16", Insul, 3/8" Bolt,
10	844-8020	4	BOLT, Hex Flg, M8 x 20, 8.8,
11	87411914	1	PLATE, MOUNTING, Valve
12	844-8025	1	BOLT, Hex Flg, M8 x 25, 8.8,
13	87423207	1	VALVE, PNEUMATIC,
14	87411427	1	FITTING,
15	87411442	1	ELBOW,
16	87411443	1	FITTING,
17	844-6050	2	BOLT, Hex Flg, M6 x 50, 8.8,
18	1531984C1	2	VALVE, SOLENOID,
19	327970A1	2	PLUG,
20	1531863C1	2	SLEEVE,
21	3138533R1	2	SLEEVE,
22	3138527R1	2	NUT, Coupling, M12 x 1.5,
23	87411893	1	HOSE,
24	86985948	1	HOSE,
25	86985949	1	HOSE,
26	87411885	1	HOSE,
27	87411428	1	TEE, Push-in, M16 x 12
28	86985944	1	HOSE,
29	442926A1	1	TEE, Push-in, 12 x 12 x 6
30	86985943	1	HOSE,
31	442925A1	1	TEE, Push-in, 12 x 12 x 12
32	87456292	1	HOSE,
33	86985947	1	HOSE,
34	86987467	1	TEE, Push-in, 6 x 6 x 6
35	86985946	1	HOSE,
36	87422504	1	HOSE,
37	845-8095	2	BOLT, Hex Flg, M8 x 95, 8.8,
38	515-23159	1	CLAMP, 5/8", Insul, 3/8" Bolt,
39	87411879	1	UNION,

07-12 TRAILER BRAKES - PNEUMATIC, COUPLERS

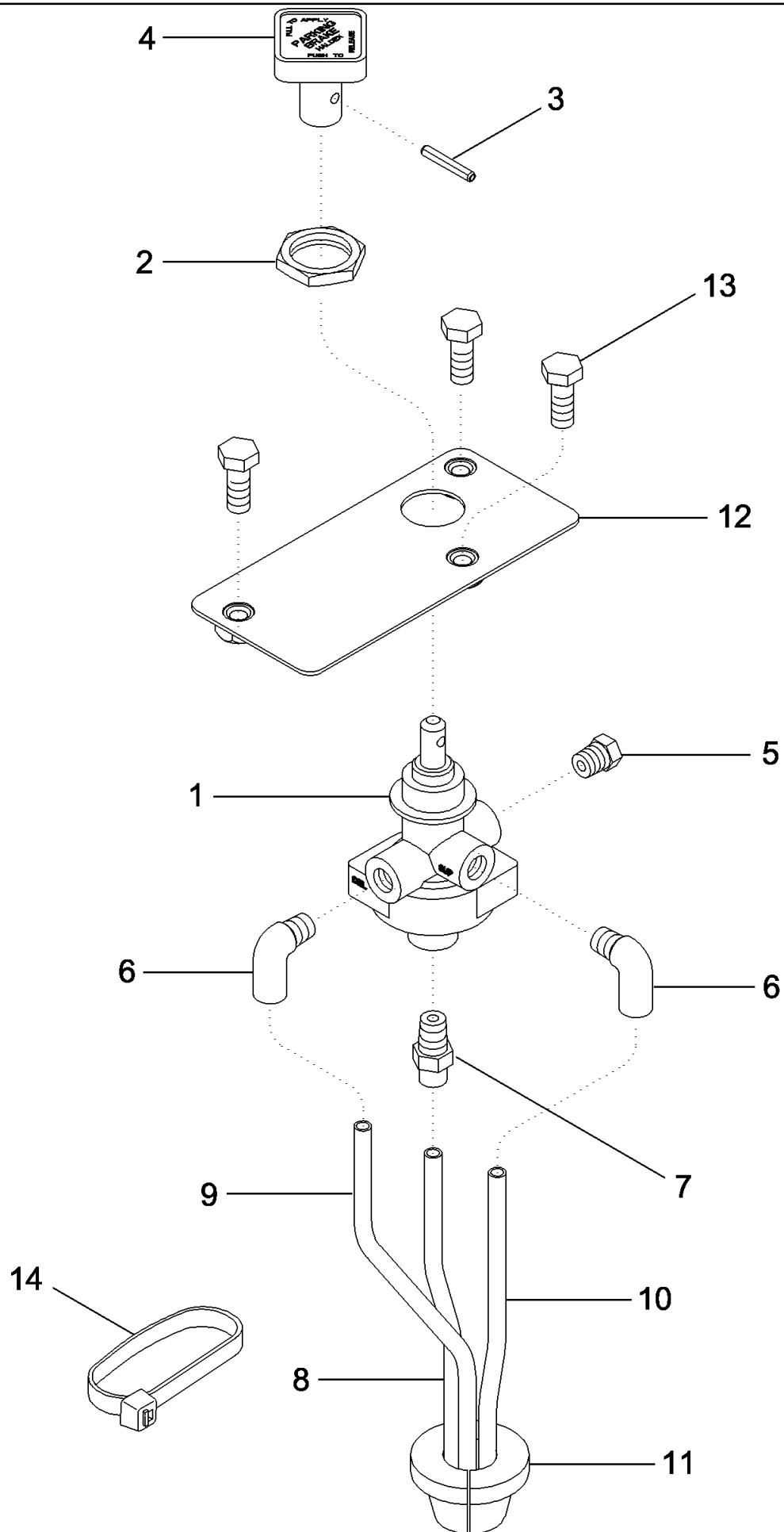


MAGNUM 255 CASE-IH MAGNUM TRACTOR (EMERGING MARKET) (1/06-)

07-12 TRAILER BRAKES - PNEUMATIC, COUPLERS

сылка	Номер детали	Кол-во	Описание
1	87409383	1	VALVE, PNEUMATIC, Tractor Protection
2	87411311	2	CONNECTOR, HYD., Bulkhead, 1/2 npt x 1/2 Tube
3	87411513	1	CONNECTOR, HYD., Air Brake, Push-in, 1/2 npt x 1/2 Tube
4	87411845	1	CONNECTOR, HYD., 3/8 npt x 1/2 Tube
5	87411504	1	ELBOW, Air Brake, Push-in, 1/2 npt x 1/2 Tube
6	87409385	1	COUPLING, Emergency, Red
7	87409386	1	COUPLING, Service, Blue
8	87670358	1	HOSE, Emergency Coupler Supply
9	87670359	1	HOSE, Service Coupler Supply
10	87411890	1	BRACKET, Tractor Protection Valve
11	825-2410	2	NUT, M10 x 1.5, Flg, Cl 8,
12	844-10030	2	BOLT, Hex Flg, M10 x 30, 8.8, Full Thd,
13	844-8070	2	BOLT, Hex Flg, M8 x 70, 8.8,
14	87411443	1	FITTING, Air Brake, Push-in, 1/4 npt x 1/4 Tube
15	87411893	1	HOSE, Air Brake Supply
16	87422504	1	HOSE, Hand Valve to Protection Valve
17	87413002	1	BRACKET, SUPPORTING,
18	840-1616	2	SCREW, Cross Pan Hd, M6 x 16, (Not Shown)

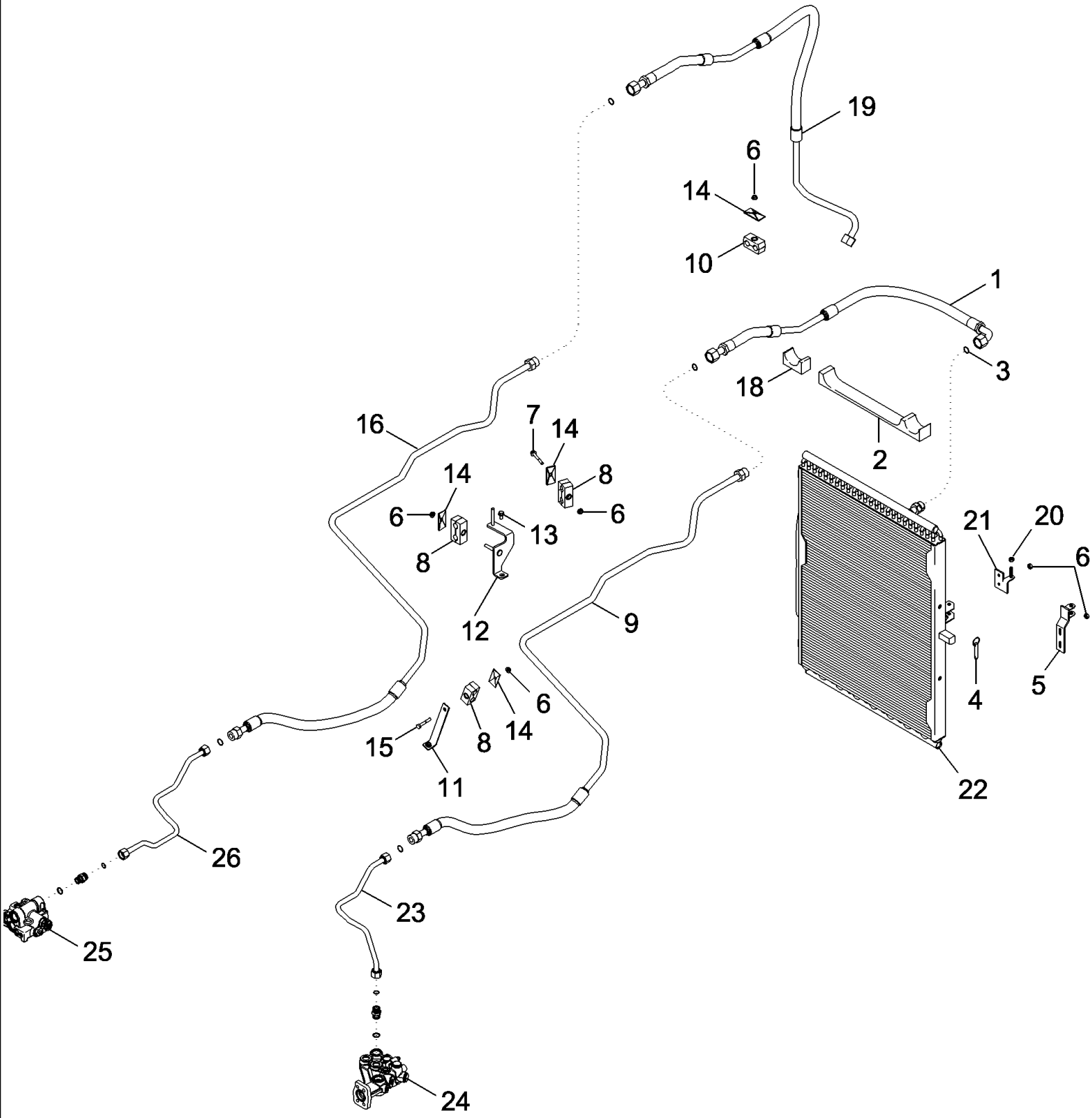
07-13 TRAILER BRAKES - PNEUMATIC, HAND CONTROL VALVE



MAGNUM 255 CASE-IH MAGNUM TRACTOR (EMERGING MARKET) (1/06-)

07-13 TRAILER BRAKES - PNEUMATIC, HAND CONTROL VALVE

сылка	Номер детали	Кол-во	Описание
1	87409382	1	VALVE, PNEUMATIC, Hand, Inc. 2, 3, 4
2	NSS	1	NOT SERVICED SEPARATELY, Nut, Locking
3	NSS	1	NOT SERVICED SEPARATELY, Pin, Roll
4	NSS	1	NOT SERVICED SEPARATELY, Handle
5	86643151	1	PLUG, Hex Hd, 1/8"-27 NPTF,
6	87411410	2	ELBOW,
7	87411411	1	CONNECTOR, HYD., Push-in
8	87670362	1	HOSE, Hand Valve Exhaust
9	87670360	1	HOSE, Hand Valve to Protection Valve
10	87670361	1	HOSE, Hand Valve Supply
11	182045A1	1	GROMMET,
12	87411915	1	PLATE, MOUNTING, Hand Valve
13	614-8020	3	BOLT, Hex, M8 x 20, 8.8,
14	L11541	2	STRAP, CABLE, 7 - 8 in
15	844-10030	2	BOLT, Hex Flg, M10 x 30, 8.8, Full Thd, (Not Shown)

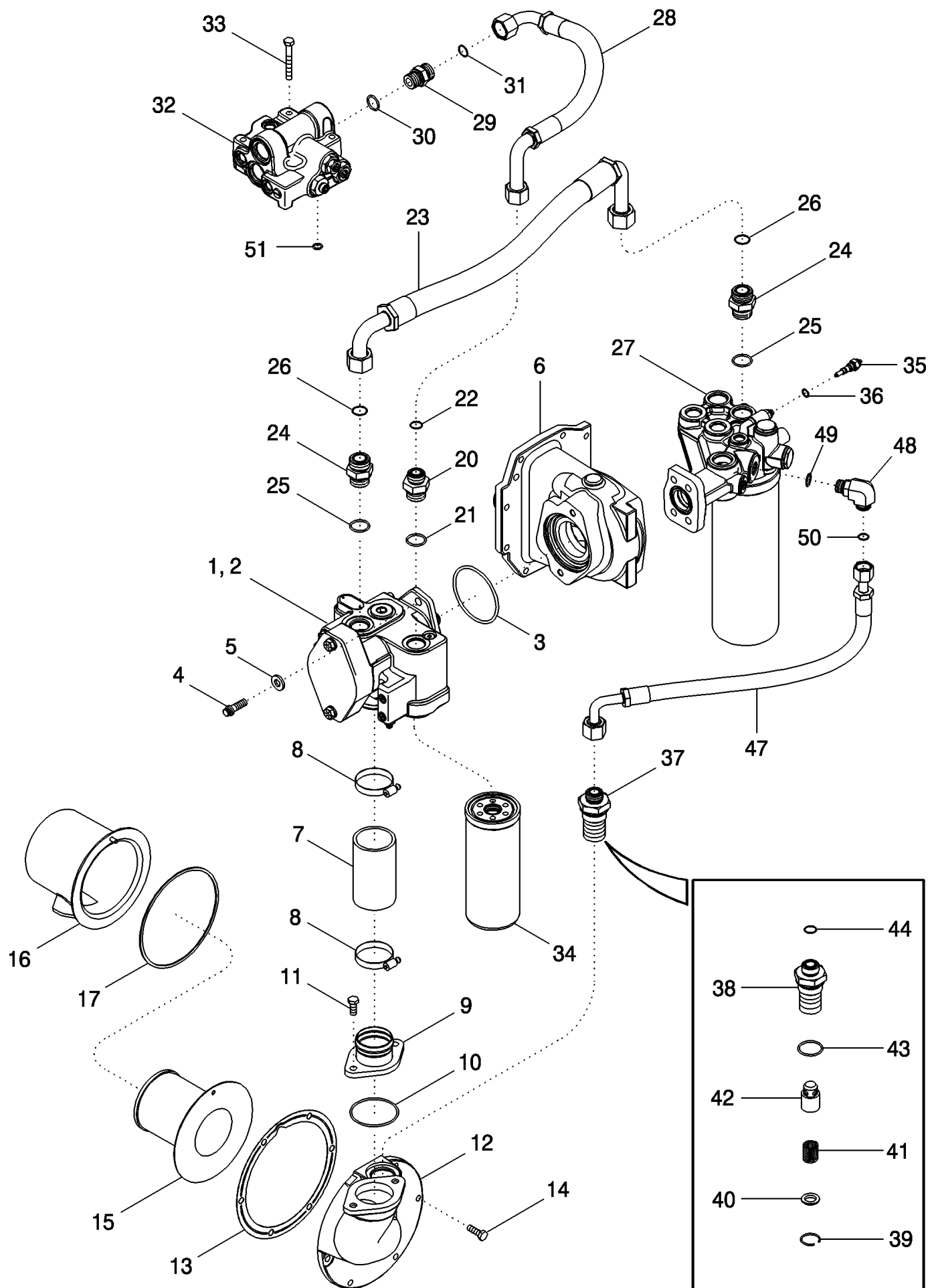


MAGNUM 255 CASE-IH MAGNUM TRACTOR (EMERGING MARKET) (1/06-)

08-01 HYDRAULIC SYSTEM - OIL COOLER STANDARD PERFORMANCE

сылка	Номер детали	Кол-во	Описание
1	87358481	1	HOSE ASSY., Oil Cooler Supply
2	87456457	1	SEAL,
3	238-6018	2	O-RING, -018, 90 Duro, .739" ID x .070" Thk,
4	86017630	1	PIN,
5	87332352	1	BRACKET,
6	825-2408	9	NUT, M8 x 1.25, Flg, CI 8,
7	844-8060	1	BOLT, Hex Flg, M8 x 60, 8.8,
8	1546027C1	3	CLAMP,
9	87580078	1	TUBE ASSY., Oil Supply
10	118576A1	2	CLAMP,
11	87336914	1	BRACKET, Oil Cooler Tubes
12	87594301	1	BRACKET,
13	844-12025	1	BOLT, Hex Flg, M12 x 25, 8.8,
14	1347127C1	2	PLATE,
15	844-8060	1	BOLT, Hex Flg, M8 x 60, 8.8,
16	87519085	1	TUBE ASSY., Oil Return
18	87456576	1	SEAL,
19	87592556	1	TUBE ASSY., Oil Cooler Return
20	832-10408	1	NUT, LOCK, M8 x 1.25, CI 8,
21	87455275	1	BRACKET,
22	87360031	1	COOLER, OIL, Transmission, BSN Z7RZ04678
22	87549515	1	COOLER, OIL, Transmission, ASN Z7RZ04678
23	87306467	1	TUBE ASSY., Oil Cooler Return to Filter
24	401600A1	1	HEAD ASSY., Filter
25	87427822	1	VALVE, Priority
26	87443859	1	TUBE,

08-02 HYDRAULIC SYSTEM - CHARGE PUMP



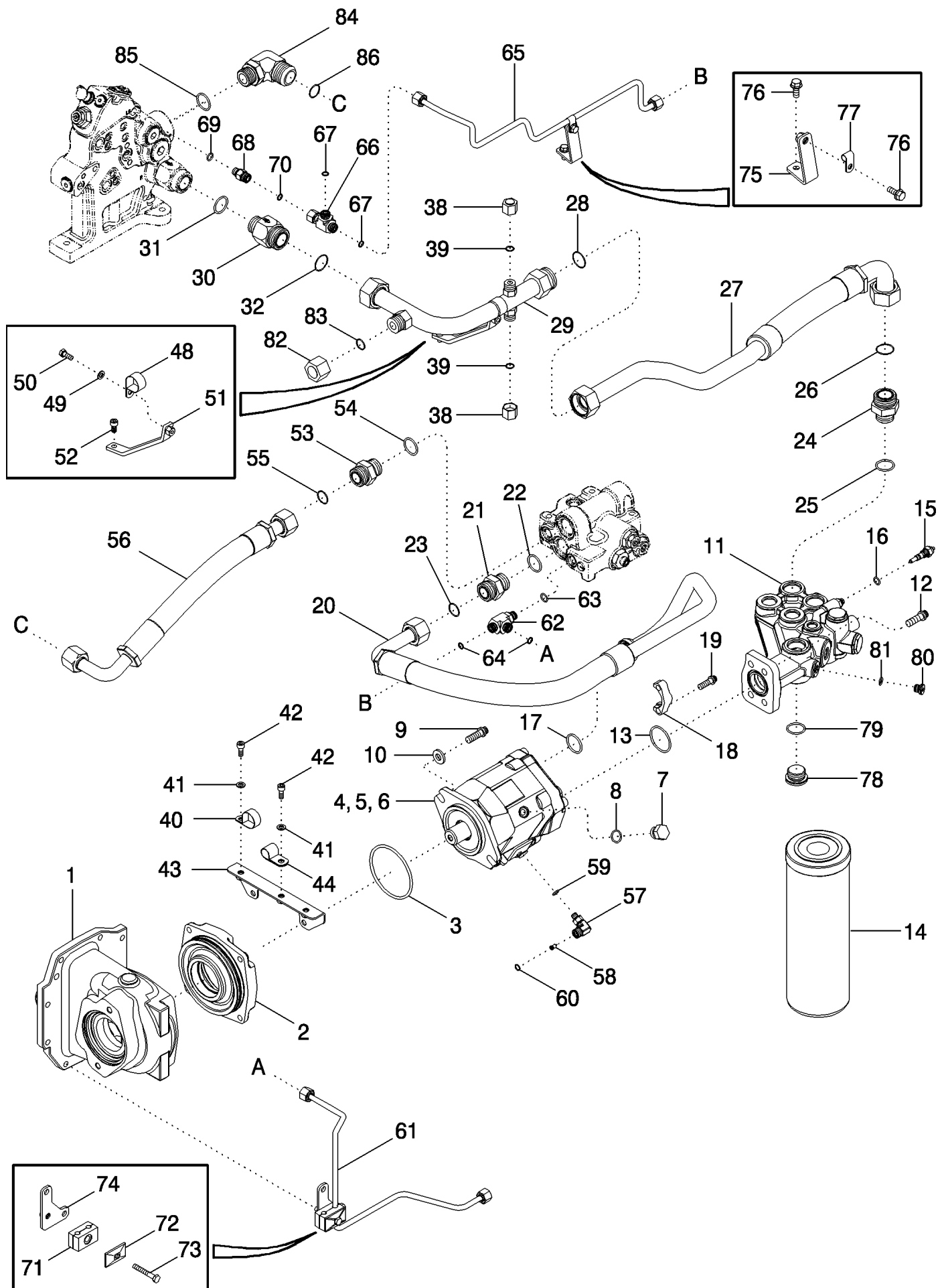
MAGNUM 255 CASE-IH MAGNUM TRACTOR (EMERGING MARKET) (1/06-)

08-02 HYDRAULIC SYSTEM - CHARGE PUMP

сылка	Номер детали	Кол-во	Описание
1	401363A3	1	PUMP, Charge, Inc. 2
2	87407008	1	KIT, SERVICE,
3	238-5345	1	O-RING, -345, 70 Duro, 3.975" ID x .210" Thk,
4	615-12035	2	BOLT, Hex, M12 x 35, 8.8, Full Thd,
5	896-16012	2	WASHER, M12 x 28.5 x 4, HT,
6	389550A1	1	HOUSING, , See Figure 06-32
7	407386A1	1	HOSE,
8	214-1448	2	CLAMP, HOSE, #48, 2.56/3.50 Type F Worm,
9	407364A1	1	ADAPTER,
10	238-5235	1	O-RING, -235, 70 Duro, 3.109" ID x .139" Thk,
11	627-10025	2	BOLT, Hex, M10 x 25, 10.9, Full Thd,
12	403416A1	1	BASE,
13	139241C5	1	GASKET,
14	806-10030	6	BOLT, Hex, Lock, M10 x 30, CI 10.9,
15	1348335C1	1	SCREEN,
16	1348337C1	1	SHROUD, Inc. 17
17	1342641C1	1	GASKET,
20	700-164	1	CONNECTOR, HYD., 1 3/16"-12 ORFS x M33 x 2 ORB, Inc. 21, 22
21	637-64296	1	O-RING, CI 6, 29.6MM ID x 2.9 Thk,
22	238-6018	1	O-RING, -018, 90 Duro, .739" ID x .070" Thk,
23	451064A1	1	HOSE, Pump to Filter Inlet
24	700-105	2	CONNECTOR, HYD., 1 7/16"-12 ORFS x M22 x 2 ORB, Inc. 25, 26
25	637-64296	1	O-RING, CI 6, 29.6MM ID x 2.9 Thk,
26	238-6021	1	O-RING, -021, 90 Duro, .926" ID x .070" Thk,
27	401600A1	1	HEAD ASSY., Filter, Standard Flow
27	405409A1	1	HEAD ASSY., Filter, High Flow
28	433585A1	1	HOSE ASSY.,
29	86579682	1	CONNECTOR, HYD., 1 3/16"-12 ORFS x M27 x 2 ORB, Inc. 30, 31
30	637-64236	1	O-RING, CI 6, 23.6MM ID x 2.9 Thk,
31	238-6018	1	O-RING, -018, 90 Duro, .739" ID x .070" Thk,
32	87451048	1	VALVE, Priority, See Figure 08-16
33	814-10075	3	BOLT, Hex, M10 x 75, 8.8,
34	402652A1	1	FILTER, HYDRAULIC OIL,
35	1957801C1	1	SWITCH,
36	237-6006	1	O-RING, 6-1, 90 Duro, .468" ID x .078" Thk,
37	407616A2	1	VALVE, Lube Relief, Inc. 38 - 44
38	407615A2	1	BODY, VALVE,
39	107452A1	1	CIRCLIP,
40	107456A1	1	WASHER,
41	431858A1	1	SPRING,
42	NSS	1	NOT SERVICED SEPARATELY, Plunger
43	637-64386	1	O-RING, CI 6, 38.6MM ID x 2.9 Thk,
44	238-6018	1	O-RING, -018, 90 Duro, .739" ID x .070" Thk,
47	442847A1	1	HOSE,
48	700-306	1	ELBOW, 90°, 1"-14 ORFS x M22 x 1.5 ORB, Incl. 49, 50

08-02 HYDRAULIC SYSTEM - CHARGE PUMP

сылка	Номер детали	Кол-во	Описание
49	637-63193	1	O-RING, CI 6, 19.3MM ID x 2.2 Thk,
50	238-6016	1	O-RING, -016, 90 Duro, .614" ID x .070" Thk,
51	238-6112	1	O-RING, -112, 90 Duro, .487" ID x .103" Thk,



MAGNUM 255 CASE-IH MAGNUM TRACTOR (EMERGING MARKET) (1/06-)

08-03 HYDRAULIC SYSTEM - PISTON PUMP AND FILTER, STANDARD FLOW CAPACITY

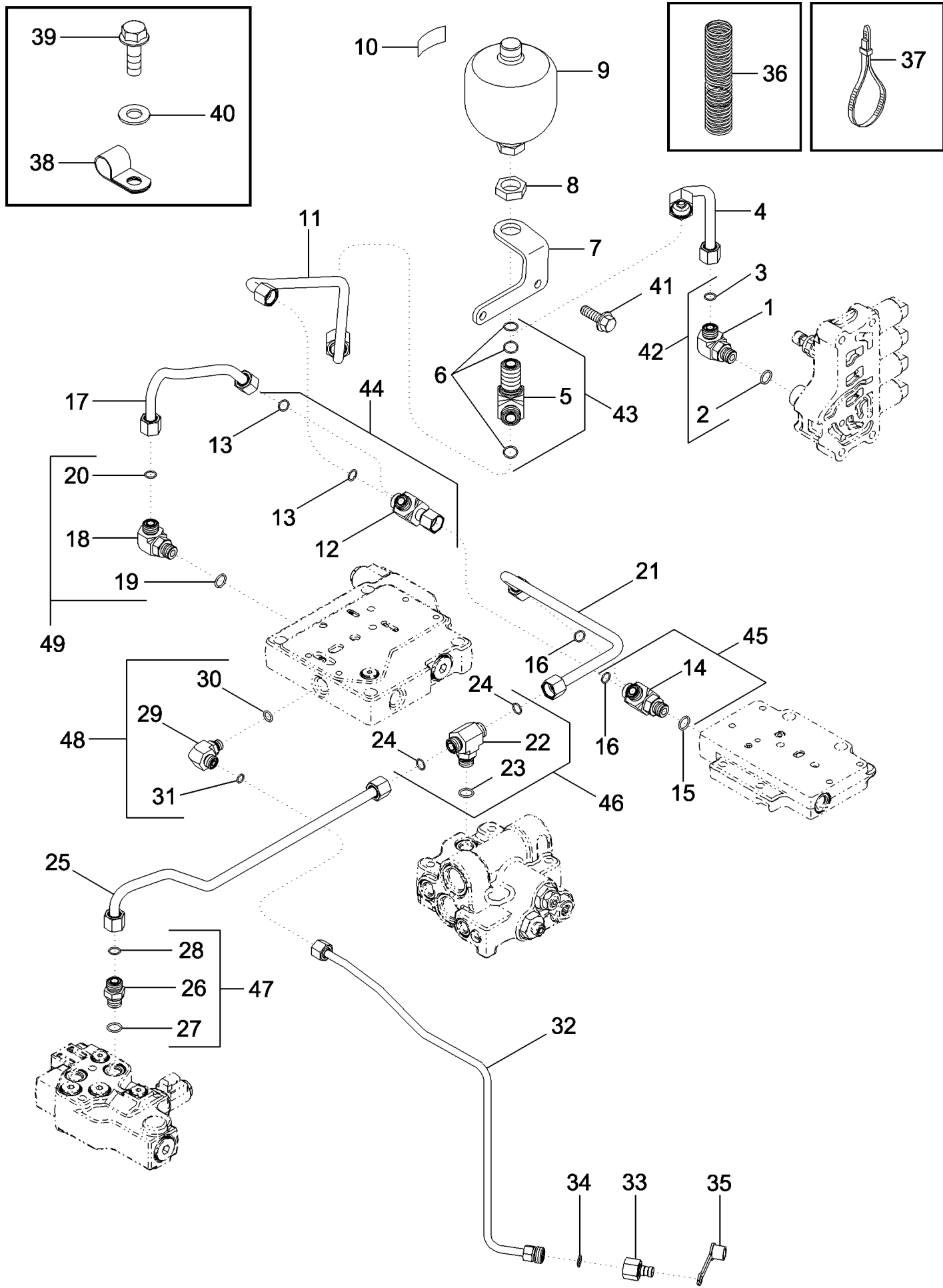
сылка	Номер детали	Кол-во	Описание
1	389550A1	1	HOUSING, , See Figure 06-32
2	405664A2	1	CAGE, , See Figure 06-32
3	238-5345	1	O-RING, -345, 70 Duro, 3.975" ID x .210" Thk,
4	87429249	1	PUMP, HYDRAULIC, Standard Flow Capacity, Inc. 5, 6
5	87429483	1	KIT, SERVICE, Compensator
6	238-8011	3	O-RING, -011, CI8, .301" ID x .070" Thk,
7	86512512	1	PLUG, Hex Hd, 7/8"-14 ORB, Inc. 8
8	237-6010	1	O-RING, 10-1, 90 Duro, .755" ID x .097" Thk,
9	868-12035	2	SCREW, 12 Pt Hd, M12 x 35, 12.9,
10	896-16012	2	WASHER, M12 x 28.5 x 4, HT,
11	401600A1	1	HEAD ASSY., Filter
12	868-12035	4	SCREW, 12 Pt Hd, M12 x 35, 12.9,
13	238-5225	1	O-RING, -225, 70 Duro, 1.859" ID x .139" Thk,
14	277311A1	1	FILTER, HYDRAULIC OIL,
15	1957801C1	1	SWITCH, Pressure
16	237-6006	1	O-RING, 6-1, 90 Duro, .468" ID x .078" Thk,
17	238-6219	1	O-RING, -219, 90 Duro, 1.296" ID x .139" Thk,
18	86980728	2	CLAMP, COLLAR,
19	868-10030	4	SCREW, 12 Pt Hd, M10 x 30, 12.9,
20	87438800	1	HOSE,
21	700-105	1	CONNECTOR, HYD., 1 7/16"-12 ORFS x M22 x 2 ORB, Inc. 22, 23
22	637-64296	1	O-RING, CI 6, 29.6MM ID x 2.9 Thk,
23	238-6021	1	O-RING, -021, 90 Duro, .926" ID x .070" Thk,
24	700-134	1	CONNECTOR, HYD., 1 11/16"-12 ORFS x M33 x 2 ORB, Inc. 25, 26
25	637-64296	1	O-RING, CI 6, 29.6MM ID x 2.9 Thk,
26	238-6025	1	O-RING, -025, 90 Duro, 1.176" ID x .070" Thk,
27	450508A1	1	HOSE,
28	238-6025	1	O-RING, -025, 90 Duro, 1.176" ID x .070" Thk,
29	450507A1	1	TUBE ASSY.,
30	254851A1	1	VALVE, CHECK, Inc. 31, 32
31	637-64296	1	O-RING, CI 6, 29.6MM ID x 2.9 Thk,
32	238-6025	1	O-RING, -025, 90 Duro, 1.176" ID x .070" Thk,
38	9840575	2	CAP, 13/16"-16 ORFS,
39	238-6014	2	O-RING, -014, 90 Duro, .489" ID x .070" Thk,
40	515-22317	1	CLAMP, 1 1/4", Insul, 5/16" Bolt,
41	895-11008	2	WASHER, M8 x 16 x 1.6,
42	864-8020	2	SCREW, Hex Soc Hd, M8 x 20, 8.8,
43	451054A1	1	BRACKET,
44	515-22349	1	CLAMP, 1 3/8", Insul, 5/16" Bolt,
48	515-23317	1	CLAMP, 1 1/4", Insul, 3/8" Bolt,
49	895-11008	1	WASHER, M8 x 16 x 1.6,
50	614-8020	1	BOLT, Hex, M8 x 20, 8.8,
51	450515A1	1	BRACKET,
52	864-8016	1	SCREW, Hex Soc Hd, M8 x 16, 8.8,
53	700-105	1	CONNECTOR, HYD., 1 7/16"-12 ORFS x M22 x 2 ORB, Inc. 54, 55

MAGNUM 255 CASE-IH MAGNUM TRACTOR (EMERGING MARKET) (1/06-)

08-03 HYDRAULIC SYSTEM - PISTON PUMP AND FILTER, STANDARD FLOW CAPACITY

сылка	Номер детали	Кол-во	Описание
54	637-64296	1	O-RING, CI 6, 29.6MM ID x 2.9 Thk,
55	238-6021	1	O-RING, -021, 90 Duro, .926" ID x .070" Thk,
56	87413846	1	TUBE ASSY.,
57	451226A1	1	ELBOW, Inc. 58, 59, 60
58	133519C1	1	SCREEN,
59	637-63093	1	O-RING, CI 6, 9.3MM ID x 2.2 Thk,
60	238-6012	1	O-RING, -012, 90 Duro, .364" ID x .070" Thk,
61	451209A1	1	TUBE ASSY.,
62	700-441	1	TEE, 11/16"-16 ORFS x M16 x 1.5 ORB Run, Inc. 63, 64
63	637-63113	1	O-RING, CI 6, 11.3MM ID x 2.2 Thk,
64	238-6014	2	O-RING, -014, 90 Duro, .489" ID x .070" Thk,
65	433592A1	1	TUBE ASSY.,
66	701-422	1	TEE, 11/16"-16 ORFS x 11/16"-16 Fem Sw Run, Inc. 67
67	238-6012	2	O-RING, -012, 90 Duro, .364" ID x .070" Thk,
68	87308571	1	VALVE, CHECK, Inc. 69, 70
69	637-63113	1	O-RING, CI 6, 11.3MM ID x 2.2 Thk,
70	238-6012	1	O-RING, -012, 90 Duro, .364" ID x .070" Thk,
71	1546024C1	1	CLAMP,
72	384870A1	1	PLATE,
73	814-8055	1	BOLT, Hex, M8 x 55, 8.8,
74	451211A1	1	PLATE,
75	86988626	1	BRACKET,
76	844-8020	2	BOLT, Hex Flg, M8 x 20, 8.8,
77	515-2295	1	CLAMP, 3/8", Insul, 5/16" Bolt,
78	221527A1	1	PLUG, Hex Soc, M33 x 2, ORB, Inc. 79
79	637-64296	1	O-RING, CI 6, 29.6MM ID x 2.9 Thk,
80	221576A1	1	PLUG, Hex Soc, M14 x 1.5, ORB, Includes 81
81	637-63113	1	O-RING, CI 6, 11.3MM ID x 2.2 Thk,
82	701-907	1	CAP, 1 3/16"-12 ORFS, Inc. 83
83	238-6018	1	O-RING, -018, 90 Duro, .739" ID x .070" Thk,
84	700-404	1	TEE, 1 7/16"-12 ORFS x M33 x 2 ORB Br, Inc. 85, 86, With Power Beyond, See Figure 08-14
84	413993A1	1	ELBOW, Inc. 85, 86, Without Power Beyond (Shown)
85	637-64296	1	O-RING, CI 6, 29.6MM ID x 2.9 Thk,
86	238-6021	1- 2	O-RING, -021, 90 Duro, .926" ID x .070" Thk,

08-04 HYDRAULIC SYSTEM - REGULATED PRESSURE



MAGNUM 255 CASE-IH MAGNUM TRACTOR (EMERGING MARKET) (1/06-)

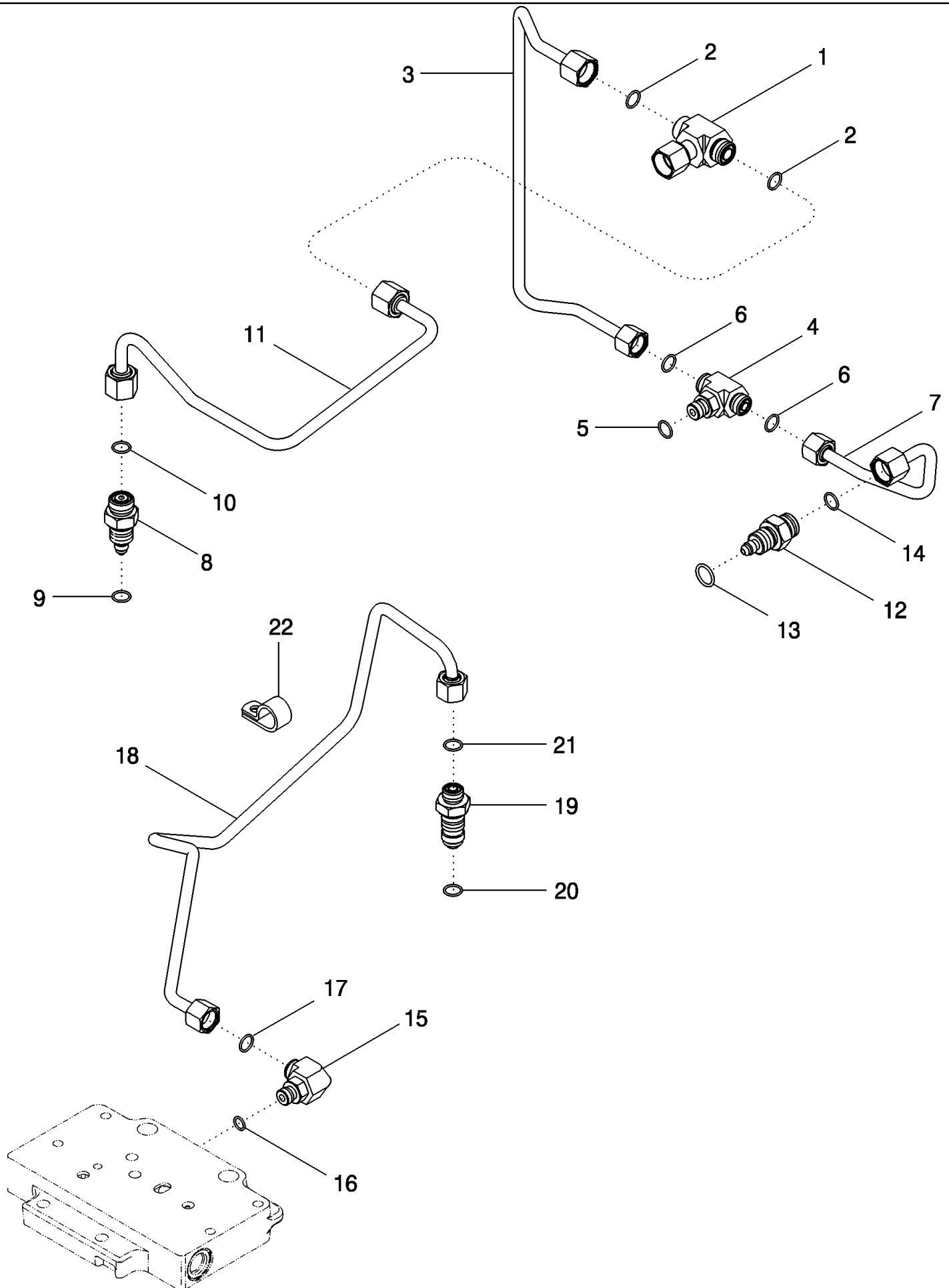
08-04 HYDRAULIC SYSTEM - REGULATED PRESSURE

сылка	Номер детали	Кол-во	Описание
1	NSS	1	NOT SERVICED SEPARATELY, Elbow
2	637-63153	1	O-RING, CI 6, 15.3MM ID x 2.2 Thk,
3	238-6014	1	O-RING, -014, 90 Duro, .489" ID x .070" Thk,
4	87405121	1	TUBE ASSY.,
5	NSS	1	NOT SERVICED SEPARATELY, Tee
6	238-6016	3	O-RING, -016, 90 Duro, .614" ID x .070" Thk,
7	86988829	1	BRACKET,
8	701-919	1	NUT, LOCK, 1"-14, ORFS Blkhd,
9	87730802	1	
10	82029752	1	DECAL,
11	87560257	1	TUBE ASSY.,
12	NSS	1	NOT SERVICED SEPARATELY, Tee
13	238-6014	2	O-RING, -014, 90 Duro, .489" ID x .070" Thk,
14	NSS	1	NOT SERVICED SEPARATELY, Tee
15	637-63153	1	O-RING, CI 6, 15.3MM ID x 2.2 Thk,
16	238-6014	1	O-RING, -014, 90 Duro, .489" ID x .070" Thk,
17	308172A1	1	PIPE,
18	NSS	1	NOT SERVICED SEPARATELY, Elbow
19	9992298	1	O-RING, -014, 90 Duro, .489" ID x .070" Thk,
20	86598101	1	O-RING, CI 6, 15.3MM ID x 2.2 Thk,
21	433589A1	1	TUBE ASSY.,
22	NSS	1	NOT SERVICED SEPARATELY, Tee
23	637-63153	1	O-RING, CI 6, 15.3MM ID x 2.2 Thk,
24	238-6014	2	O-RING, -014, 90 Duro, .489" ID x .070" Thk,
25	450512A1	1	TUBE ASSY.,
26	NSS	1	NOT SERVICED SEPARATELY, Connector
27	637-63153	1	O-RING, CI 6, 15.3MM ID x 2.2 Thk,
28	238-6014	1	O-RING, -014, 90 Duro, .489" ID x .070" Thk,
29	NSS	1	NOT SERVICED SEPARATELY, Elbow
30	637-63113	1	O-RING, CI 6, 11.3MM ID x 2.2 Thk,
31	238-6012	1	O-RING, -012, 90 Duro, .364" ID x .070" Thk,
32	451059A1	1	TUBE ASSY.,
33	322529A1	1	COUPLING, Diagnostic
34	238-6014	1	O-RING, -014, 90 Duro, .489" ID x .070" Thk,
35	143349A1	1	DUST CAP,
36	87413833	1	CONDUIT, (If Equipped)
37	L11541	2	STRAP, CABLE, (If Equipped)
38	515-23127	1	CLAMP, 1/2", Insul, 3/8" Bolt,
39	614-10030	2	BOLT, Hex, M10 x 30, 8.8,
40	895-18010	2	WASHER, M10 x 18 x 1.6,
41	628-10020	2	BOLT, Hex, M10 x 20, 10.9, Full Thd,
42	700-305	1	ELBOW, 90e, 13/16"-18 ORFS x M18 x 1.5 ORB, Inc. 1 - 3
43	701-454	1	TEE, 1"-14 ORFS, Blkhd Br, Inc. 5, 6
44	701-416	1	TEE, 13/16"-16 ORFS x 13/16"-16 Fem Sw Run, Inc. 12, 13
45	700-412	1	TEE, 13/16"-16 ORFS x M18 x 1.5 ORB Run, Inc. 14 - 16

MAGNUM 255 CASE-IH MAGNUM TRACTOR (EMERGING MARKET) (1/06-)

08-04 HYDRAULIC SYSTEM - REGULATED PRESSURE

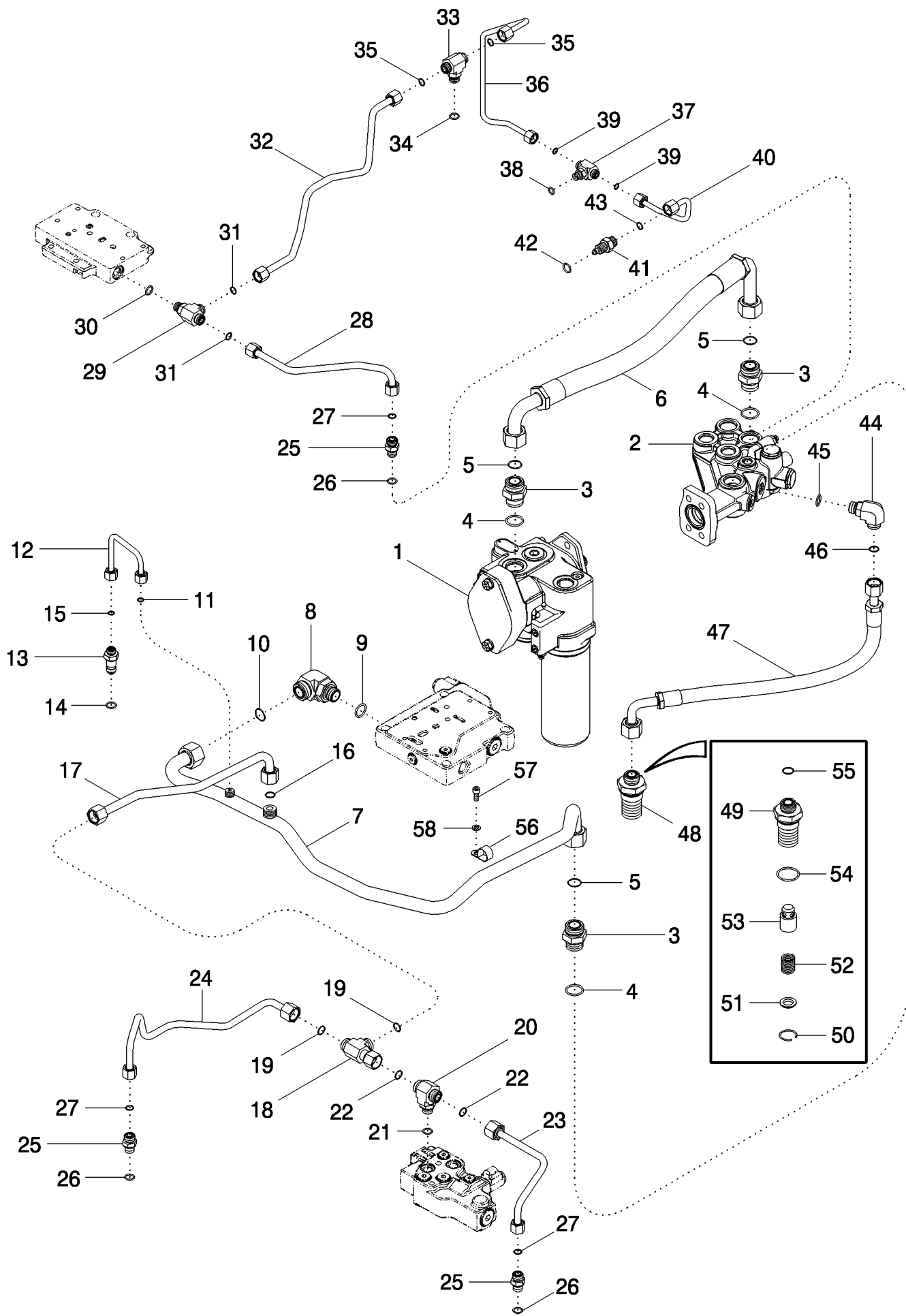
сылка	Номер детали	Кол-во	Описание
46	700-402	1	TEE, 13/16"-16 ORFS x M18 x 1.5 ORB Br, Inc. 22 - 24
47	700-102	1	CONNECTOR, HYD., 13/16"-16 ORFS x M18 x 1.5 ORB, Inc. 26 - 28
48	700-304	1	ELBOW, 90є, 11/16"-18 ORFS x M14 x 1.5 ORB, Incl. 29 - 31
49	86579691	1	ELBOW, 90є, 13/16"-18 ORFS x M18 x 1.5 ORB, Inc. 18 - 20



MAGNUM 255 CASE-IH MAGNUM TRACTOR (EMERGING MARKET) (1/06-)

08-05 HYDRAULIC SYSTEM - CREEP SPEED OR 50 KPH TRANSMISSION

сылка	Номер детали	Кол-во	Описание
1	701-411	1	TEE, 13/16"-16 ORFS x 13/16"-16 Fem Sw Br, Inc. 2
2	238-6014	2	O-RING, -014, 90 Duro, .489" ID x .070" Thk,
3	87443738	1	TUBE, Dropbox Output Lube
4	700-401	1	TEE, 11/16"-16 ORFS x M14 x 1.5 ORB Br, Inc. 5, 6
5	637-63113	1	O-RING, CI 6, 11.3MM ID x 2.2 Thk,
6	238-6012	2	O-RING, -012, 90 Duro, .364" ID x .070" Thk,
7	282278A1	1	PIPE,
8	87341626	2	FITTING,
9	237-6008	2	O-RING, 8-1, 90 Duro, .644" ID x .087" Thk,
10	238-6014	2	O-RING, -014, 90 Duro, .489" ID x .070" Thk,
11	87440741	1	PIPE,
12	93105C1	1	UNION,
13	238-6014	1	O-RING, -014, 90 Duro, .489" ID x .070" Thk,
14	237-6008	1	O-RING, 8-1, 90 Duro, .644" ID x .087" Thk,
15	700-304	1	ELBOW, 90€, 11/16"-18 ORFS x M14 x 1.5 ORB, Incl. 16, 17
16	637-63113	1	O-RING, CI 6, 11.3MM ID x 2.2 Thk,
17	238-6012	1	O-RING, -012, 90 Duro, .364" ID x .070" Thk,
18	87446665	1	PIPE,



MAGNUM 255 CASE-IH MAGNUM TRACTOR (EMERGING MARKET) (1/06-)

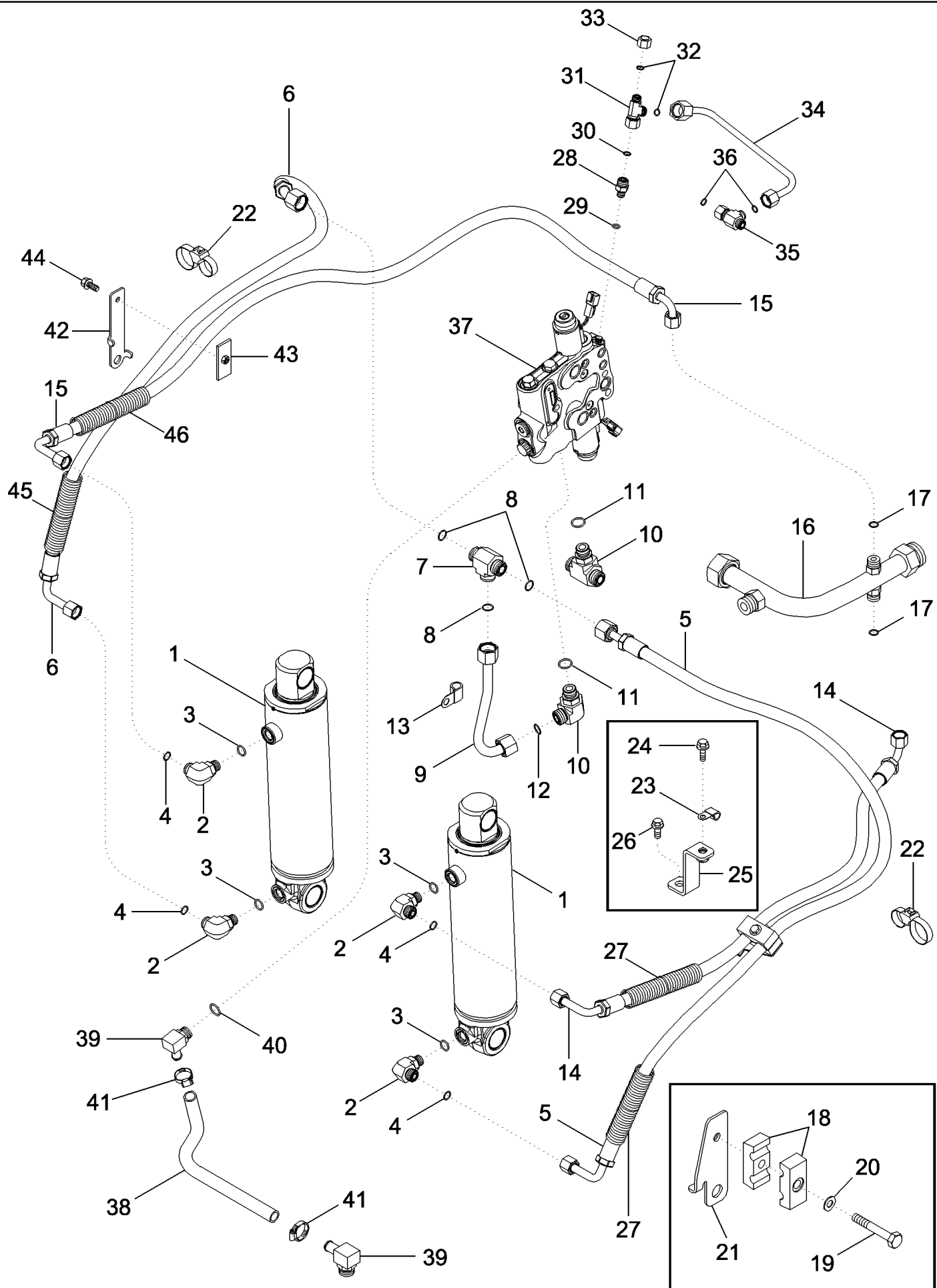
08-06 HYDRAULIC SYSTEM - TRANSMISSION LUBE

сылка	Номер детали	Кол-во	Описание
1	401363A3	1	PUMP, Charge
2	401600A1	1	HEAD ASSY., Filter, Standard Flow
2	405409A1	1	HEAD ASSY., Filter, High Flow
3	700-105	3	CONNECTOR, HYD., 1 7/16"-12 ORFS x M22 x 2 ORB, Inc. 4, 5
4	637-64296	1	O-RING, CI 6, 29.6MM ID x 2.9 Thk,
5	238-6021	1	O-RING, -021, 90 Duro, .926" ID x .070" Thk,
6	451064A1	1	HOSE,
7	87319222	1	TUBE ASSY.,
8	87010650	1	ELBOW, 90e, 1 7/16"-12 ORFS x M27 x 2 ORB, Inc. 9, 10
9	637-64236	1	O-RING, CI 6, 23.6MM ID x 2.9 Thk,
10	238-6021	1	O-RING, -021, 90 Duro, .926" ID x .070" Thk,
11	238-6014	1	O-RING, -014, 90 Duro, .489" ID x .070" Thk,
12	87319223	1	TUBE ASSY.,
13	87318672	1	UNION,
14	237-6008	1	O-RING, 8-1, 90 Duro, .644" ID x .087" Thk,
15	238-6014	1	O-RING, -014, 90 Duro, .489" ID x .070" Thk,
16	238-6016	1	O-RING, -016, 90 Duro, .614" ID x .070" Thk,
17	87415005	1	TUBE ASSY.,
18	701-433	1	TEE, 1"-14 ORFS x 1"-14 Fem Sw Run, Inc. 19
19	238-6016	2	O-RING, -016, 90 Duro, .614" ID x .070" Thk,
20	87016910	1	TEE, 1"-14 ORFS x M18 x 1.5 ORB Br, Inc. 21, 22
21	637-63153	1	O-RING, CI 6, 15.3MM ID x 2.2 Thk,
22	238-6016	1	O-RING, -016, 90 Duro, .614" ID x .070" Thk,
23	450509A1	1	TUBE ASSY., RH Brake
24	87337405	1	TUBE ASSY., LH Brake
25	700-102	2	CONNECTOR, HYD., 13/16"-16 ORFS x M18 x 1.5 ORB, Inc. 26, 27
26	637-63153	1	O-RING, CI 6, 15.3MM ID x 2.2 Thk,
27	238-6014	1	O-RING, -014, 90 Duro, .489" ID x .070" Thk,
28	451060A3	1	TUBE ASSY., Odd/Even Lube
29	700-412	1	TEE, 13/16"-16 ORFS x M18 x 1.5 ORB Run, Inc. 30, 31
30	637-63153	1	O-RING, CI 6, 15.3MM ID x 2.2 Thk,
31	238-6014	1	O-RING, -014, 90 Duro, .489" ID x .070" Thk,
32	437336A3	1	TUBE ASSY., Drop Box
33	700-402	1	TEE, 13/16"-16 ORFS x M18 x 1.5 ORB Br, Inc. 34, 35
34	637-63153	1	O-RING, CI 6, 15.3MM ID x 2.2 Thk,
35	238-6014	1	O-RING, -014, 90 Duro, .489" ID x .070" Thk,
36	87443736	1	TUBE, Dropbox Output Lube Without Creep
36	87443738	1	TUBE, Dropbox Output Lube With Creep , See Figure 08-05
37	700-401	1	TEE, 11/16"-16 ORFS x M14 x 1.5 ORB Br, Inc. 38, 39
38	637-63113	1	O-RING, CI 6, 11.3MM ID x 2.2 Thk,
39	238-6012	1	O-RING, -012, 90 Duro, .364" ID x .070" Thk,
40	282278A1	1	PIPE, Dropbox Rear Bearing Lube
41	93105C1	1	UNION,
42	237-6008	1	O-RING, 8-1, 90 Duro, .644" ID x .087" Thk,
43	238-6014	1	O-RING, -014, 90 Duro, .489" ID x .070" Thk,

MAGNUM 255 CASE-IH MAGNUM TRACTOR (EMERGING MARKET) (1/06-)

08-06 HYDRAULIC SYSTEM - TRANSMISSION LUBE

сылка	Номер детали	Кол-во	Описание
44	700-306	1	ELBOW, 90є, 1"-14 ORFS x M22 x 1.5 ORB, Incl. 45, 46
45	637-63193	1	O-RING, CI 6, 19.3MM ID x 2.2 Thk,
46	238-6016	1	O-RING, -016, 90 Duro, .614" ID x .070" Thk,
47	442847A1	1	HOSE,
48	407616A2	1	VALVE, Inc. 48 - 54
49	407615A2	1	BODY, VALVE,
50	107452A1	1	CIRCLIP,
51	107456A1	1	WASHER,
52	431858A1	1	SPRING,
53	NSS	1	NOT SERVICED SEPARATELY, Plunger
54	637-64386	1	O-RING, CI 6, 38.6MM ID x 2.9 Thk,
55	238-6018	1	O-RING, -018, 90 Duro, .739" ID x .070" Thk,
56	515-22254	1	CLAMP, 1", Insul, 5/16" Bolt,
57	864-8020	1	SCREW, Hex Soc Hd, M8 x 20, 8.8,
58	895-11008	1	WASHER, M8 x 16 x 1.6,



MAGNUM 255 CASE-IH MAGNUM TRACTOR (EMERGING MARKET) (1/06-)

08-07 HYDRAULIC SYSTEM - HITCH

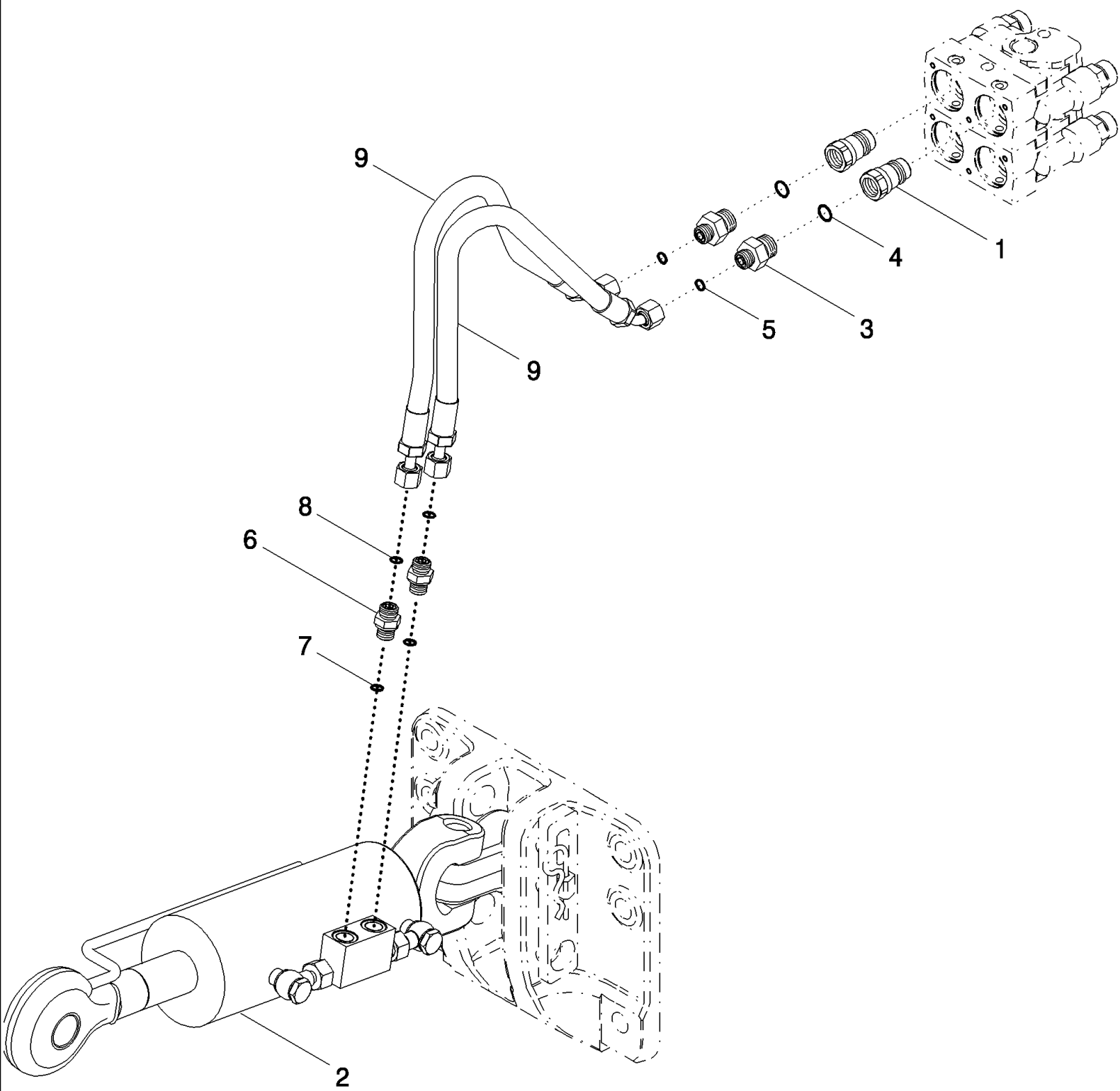
сылка	Номер детали	Кол-во	Описание
1	REF	2	INSTRUCTION, Cylinder, Hitch, See Figure 08-24
2	86579691	4	ELBOW, 90°, 13/16"-18 ORFS x M18 x 1.5 ORB, Inc. 3, 4
3	86598101	1	O-RING, CI 6, 15.3MM ID x 2.2 Thk,
4	9992298	1	O-RING, -014, 90 Duro, .489" ID x .070" Thk,
5	87540691	1	HOSE, Supply, Right Hand
6	87450321	1	HOSE, Supply, Left Hand
7	701-415	1	TEE, 1"-14 ORFS, Inc. 8
8	238-6016	3	O-RING, -016, 90 Duro, .614" ID x .070" Thk,
9	87435660	1	TUBE ASSY., Hitch Supply
10	87455805	1	TEE, Inc. 11, Without Trailer Brake
11	637-63193	1	O-RING, CI 6, 19.3MM ID x 2.2 Thk,
12	238-6016	1	O-RING, -016, 90 Duro, .614" ID x .070" Thk,
13	515-25159	1	CLAMP, 5/8", Insul, 1/2" Bolt,
14	87448972	1	HOSE, Return, Right Hand
15	87448973	1	HOSE, Return, Left hand
16	450507A1	1	TUBE ASSY.,
17	238-6014	2	O-RING, -014, 90 Duro, .489" ID x .070" Thk,
18	329804A1	2	FIXING BRACKET,
19	814-8050	1	BOLT, Hex, M8 x 50, 8.8,
20	895-15008	1	WASHER, M8 x 20 x 1.6,
21	87449394	1	BRACKET,
22	86991000	22	CLAMP,
23	515-23206	1	CLAMP, 13/16", Insul, 3/8" Bolt,
24	844-8020	1	BOLT, Hex Flg, M8 x 20, 8.8,
25	86985195	1	BRACKET,
26	844-10016	1	BOLT, Hex Flg, M10 x 16, 8.8, Full Thd,
27	87451398	1	CONDUIT, Right Hand, Hitch Supply
28	700-165	1	CONNECTOR, HYD., 11/16"-16 ORFS x M12 x 1.5 ORB, Inc. 29, 30
29	637-63093	1	O-RING, CI 6, 9.3MM ID x 2.2 Thk,
30	238-6012	1	O-RING, -012, 90 Duro, .364" ID x .070" Thk,
31	701-422	1	TEE, 11/16"-16 ORFS x 11/16"-16 Fem Sw Run, Inc. 32
32	238-6012	2	O-RING, -012, 90 Duro, .364" ID x .070" Thk,
33	701-900	1	CAP, 11/16"-16 ORFS,
34	87356174	1	TUBE ASSY., Hitch Valve Load Sense
35	701-422	1	TEE, 11/16"-16 ORFS x 11/16"-16 Fem Sw Run, Inc. 36
36	238-6012	2	O-RING, -012, 90 Duro, .364" ID x .070" Thk,
37	87371677	1	VALVE, , See Figure 08-21
38	87309896	1	HOSE,
39	87309895	2	ELBOW, Inc. 40
40	637-63193	1	O-RING, CI 6, 19.3MM ID x 2.2 Thk,
41	214-1412	2	CLAMP, HOSE, #12, 0.69/1.25 Type F Worm,
42	87318116	1	BRACKET,
43	384871A1	1	PLATE,
44	814-8055	1	BOLT, Hex, M8 x 55, 8.8,
45	87318282	1	CONDUIT, LH Hitch Supply

MAGNUM 255 CASE-IH MAGNUM TRACTOR (EMERGING MARKET) (1/06-)

08-07 HYDRAULIC SYSTEM - HITCH

сылка	Номер детали	Кол-во	Описание
46	87451397	1	CONDUIT, LH Hitch Return
46	87318283	1	CONDUIT, LH Hitch Return

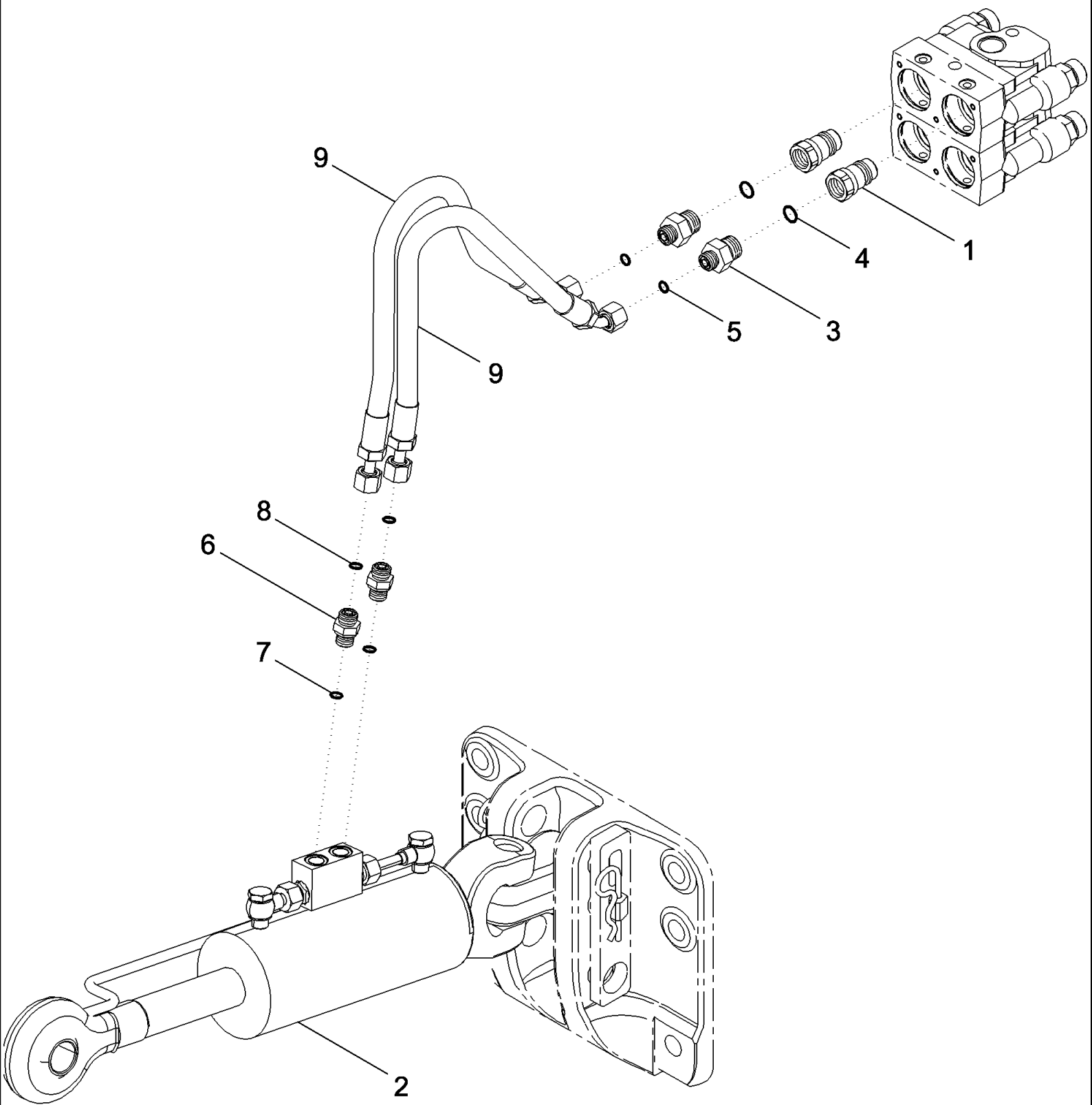
08-08 HYDRAULIC TOP LINK - HITCH, SHORT ARMS



MAGNUM 255 CASE-IH MAGNUM TRACTOR (EMERGING MARKET) (1/06-)

08-08 HYDRAULIC TOP LINK - HITCH, SHORT ARMS

сылка	Номер детали	Кол-во	Описание
1	1272399C2	2	COUPLING, QUICK, MALE,
2	87453964	1	LINK, TOP, Short, Used With Short Draft Arms, 970 mm (38 in) Center To Center, See Figure 09-45 For Service Components
3	201-139	2	CONNECTOR, HYD., 11/16"-16 ORFS x 7/8"-14 ORB, Inc. 4, 5
4	237-6010	1	O-RING, 10-1, 90 Duro, .755" ID x .097" Thk,
5	238-6012	1	O-RING, -012, 90 Duro, .364" ID x .070" Thk,
6	700-157	2	CONNECTOR, HYD., 11/16"-16 ORFS x M16 x 1.5 ORB, Inc. 7, 8
7	637-63133	1	O-RING, CI 6, 13.3MM ID x 2.2 Thk,
8	238-6012	1	O-RING, -012, 90 Duro, .364" ID x .070" Thk,
9	87441258	2	HOSE, 705 mm (27-3/4 in)

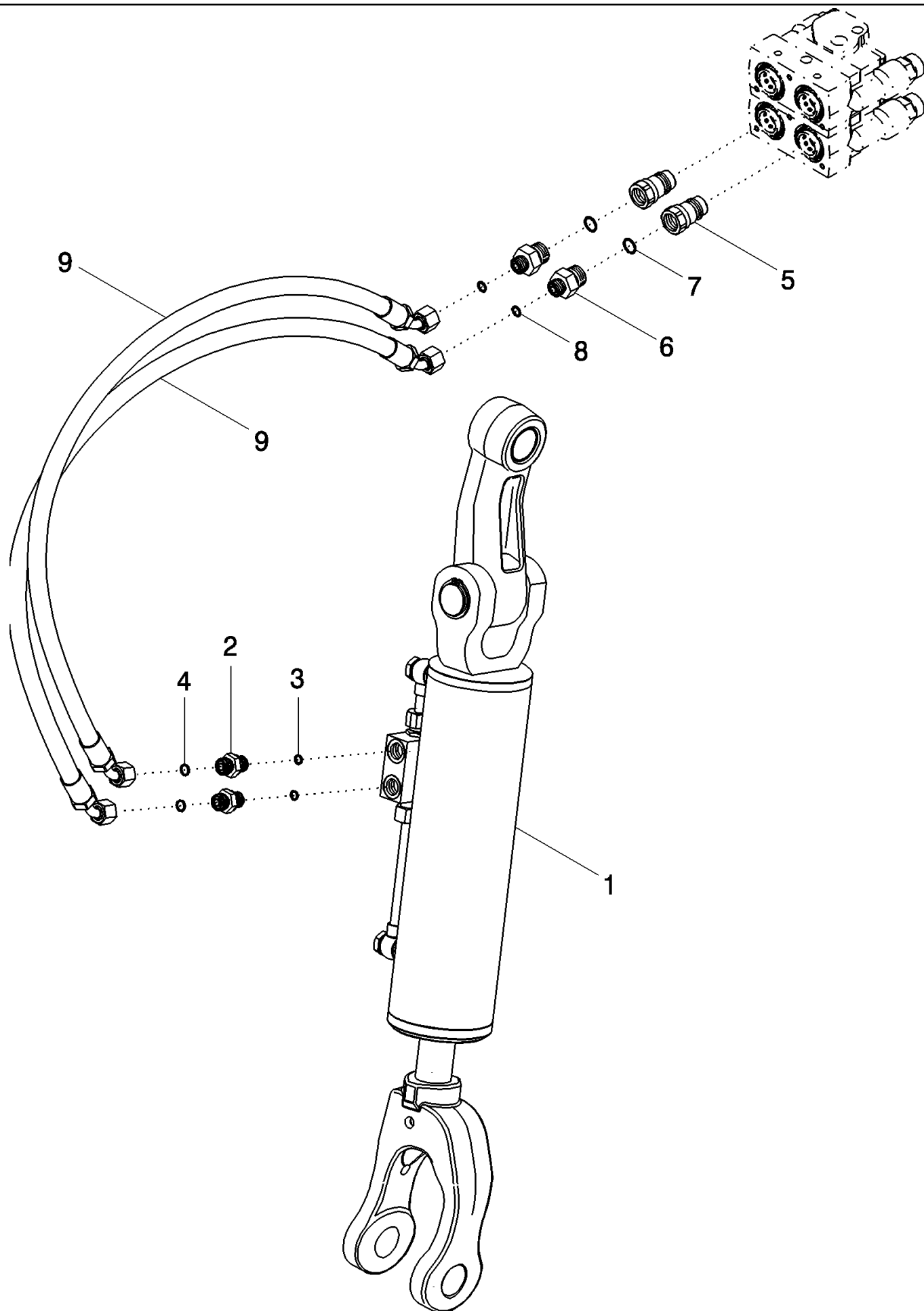


MAGNUM 255 CASE-IH MAGNUM TRACTOR (EMERGING MARKET) (1/06-)

08-09 HYDRAULIC TOP LINK - HITCH, LONG ARMS

сылка	Номер детали	Кол-во	Описание
2	87542872	1	LINK, TOP, Long, Used With Long Draft Arms, 1094 mm (43 in) Center To Center, See Figure 09-46 For Service Components
3	201-139	2	CONNECTOR, HYD., 11/16"-16 ORFS x 7/8"-14 ORB, Inc. 4, 5
4	237-6010	1	O-RING, 10-1, 90 Duro, .755" ID x .097" Thk,
5	238-6012	1	O-RING, -012, 90 Duro, .364" ID x .070" Thk,
6	87434646	2	UNION, Inc. 7
7	238-6012	1	O-RING, -012, 90 Duro, .364" ID x .070" Thk,
9	87441258	2	HOSE, 705 mm (27-3/4 in)

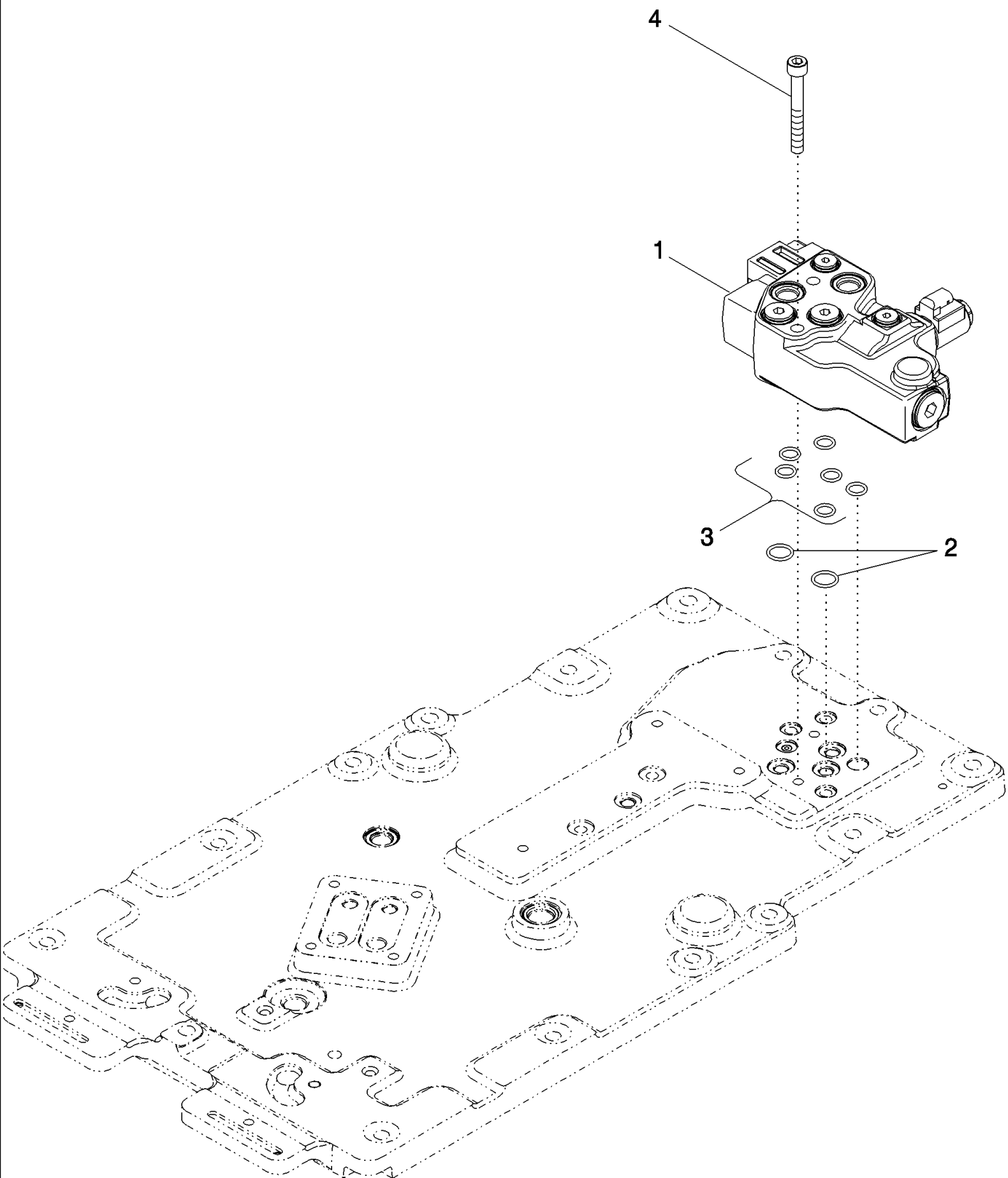
08-10 HYDRAULIC LIFT LINK - HITCH, RIGHT HAND



MAGNUM 255 CASE-IH MAGNUM TRACTOR (EMERGING MARKET) (1/06-)

08-10 HYDRAULIC LIFT LINK - HITCH, RIGHT HAND

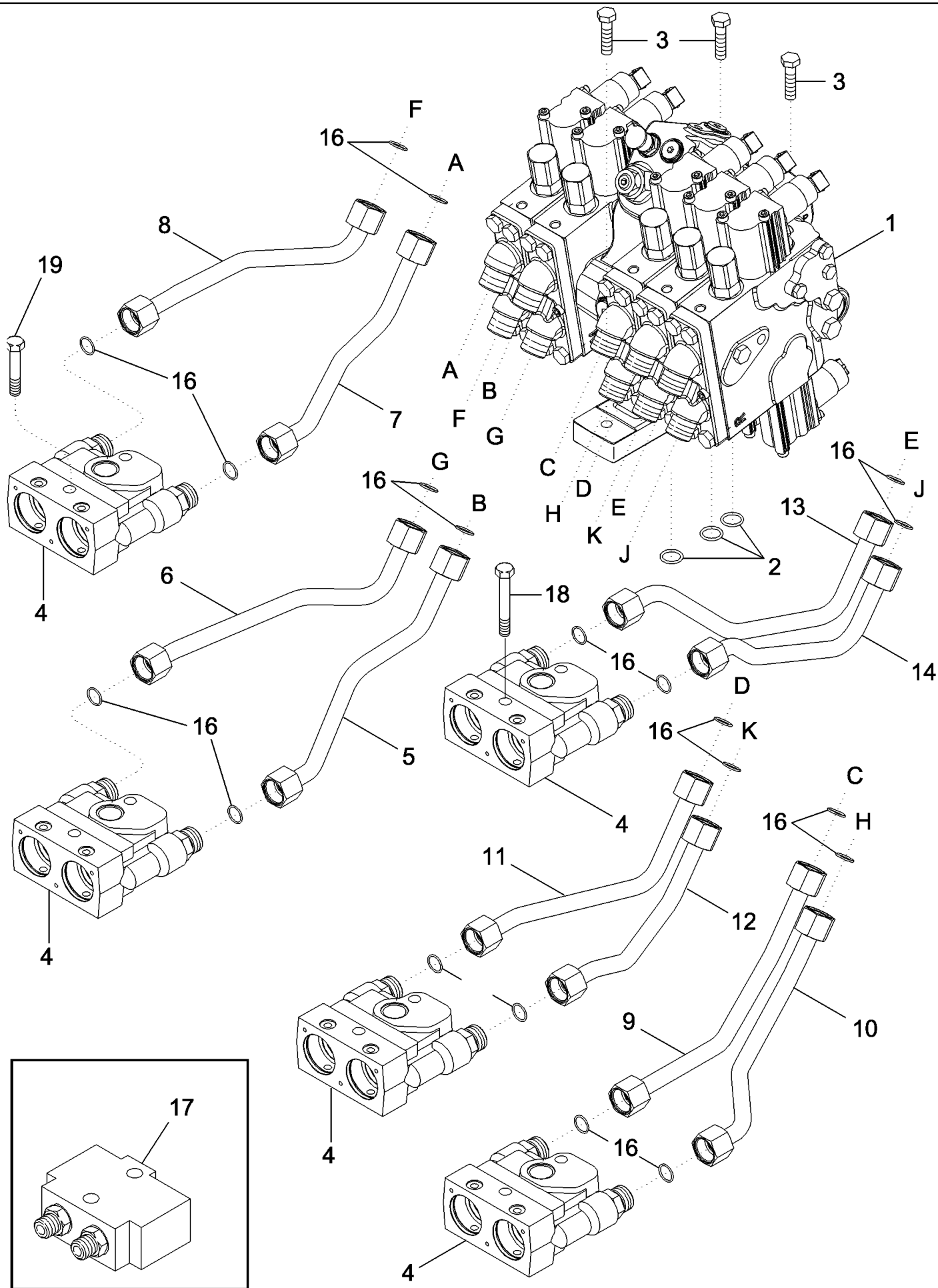
сылка	Номер детали	Кол-во	Описание
1	87661331	1	LINK, TOP, Hydraulic Lift, See Figure 09-48 For Service Components
2	87434646	2	UNION, Inc. 3, 4
3	637-63133	1	O-RING, CI 6, 13.3MM ID x 2.2 Thk,
4	238-6012	1	O-RING, -012, 90 Duro, .364" ID x .070" Thk,
5	1272399C2	2	COUPLING, QUICK, MALE,
6	201-139	2	CONNECTOR, HYD., 11/16"-16 ORFS x 7/8"-14 ORB, Inc. 7, 8
7	237-6010	1	O-RING, 10-1, 90 Duro, .755" ID x .097" Thk,
8	238-6012	1	O-RING, -012, 90 Duro, .364" ID x .070" Thk,
9	87441257	2	HOSE, 805 mm (31-11/16 in)



MAGNUM 255 CASE-IH MAGNUM TRACTOR (EMERGING MARKET) (1/06-)

08-11 HYDRAULIC SYSTEM - PTO/DIFFERENTIAL LOCK VALVE

сылка	Номер детали	Кол-во	Описание
1	87705317	1	CLUTCH. PTO, PTO/Differential Lock, See Figure 08-17
2	238-5115	2	O-RING, -115, 70 Duro, .674" ID x .103" Thk,
3	238-5112	6	O-RING, -112, 70 Duro, .487" ID x .103" Thk,
4	87437262	2	SCREW,

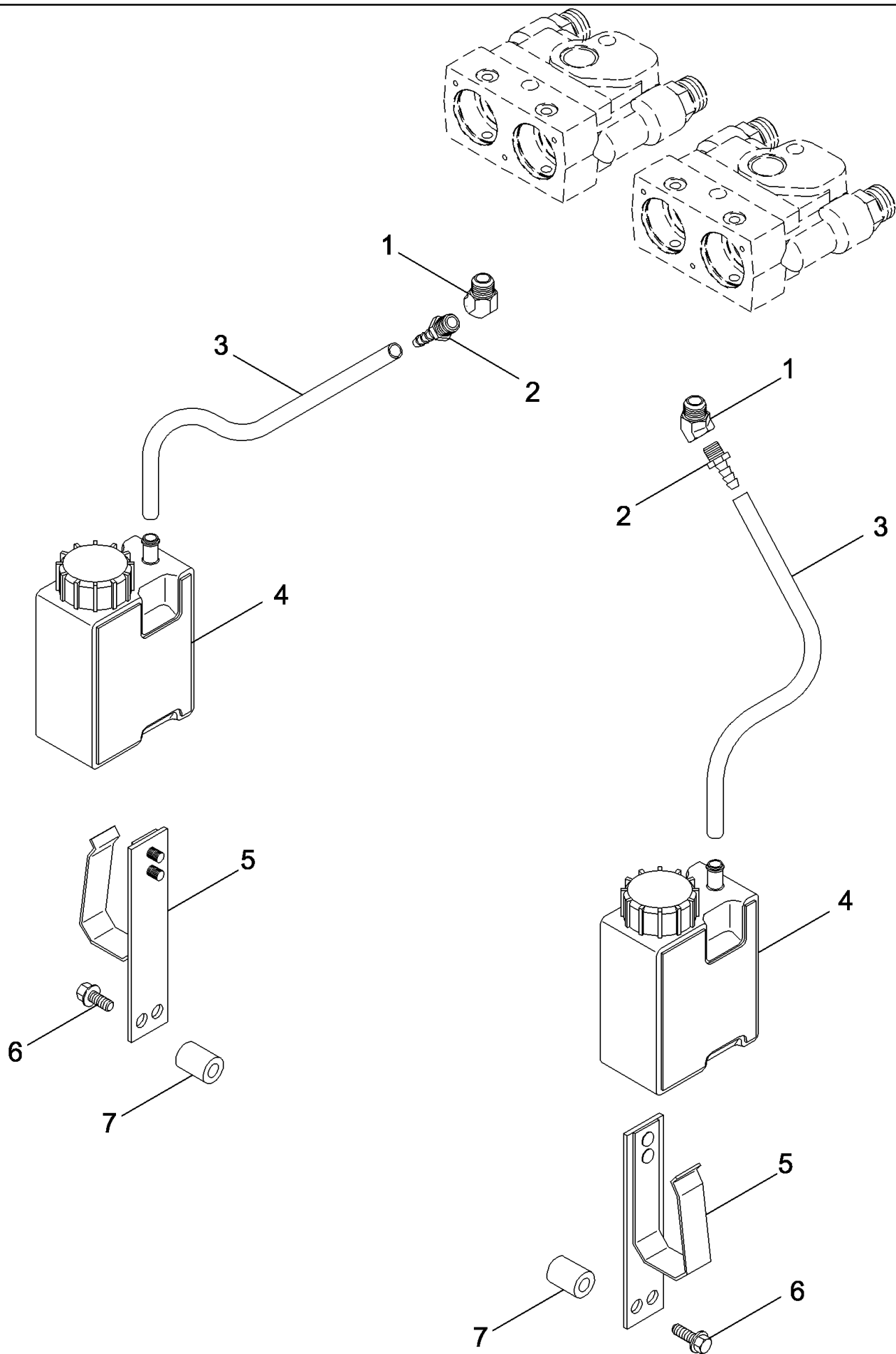


MAGNUM 255 CASE-IH MAGNUM TRACTOR (EMERGING MARKET) (1/06-)

08-12 HYDRAULIC SYSTEM - REMOTE COUPLERS

сылка	Номер детали	Кол-во	Описание
1	REF	1	INSTRUCTION, Valve Assy, Control, See Figure 08-18
2	238-5115	3	O-RING, -115, 70 Duro, .674" ID x .103" Thk,
3	614-10040	3	BOLT, Hex, M10 x 40, 8.8, Full Thd,
4	275182A2	3-4	COUPLING, PUSH-PULL, Hydraulic, See Figure 08-22
5	436814A1	1	TUBE ASSY., 1st Raise
6	436813A1	1	TUBE ASSY., 1st Drop
7	436815A1	1	TUBE ASSY., 2nd Raise
8	436811A1	1	TUBE ASSY., 2nd Drop
9	426757A1	1	TUBE ASSY., 3rd Raise
10	426756A1	1	TUBE ASSY., 3rd Drop
11	412082A1	1	TUBE ASSY., 4th Raise
12	450500A1	1	TUBE ASSY., 4th Drop
13	412084A1	1	TUBE ASSY., 5th Raise
14	450501A1	1	TUBE ASSY., 5th Drop
16	238-6016	AR	O-RING, -016, 90 Duro, .614" ID x .070" Thk,
17	87452849	1	COUPLING, QUICK, MALE, , See Figure 08-09
18	814-10200	2	BOLT, Hex, M10 x 200, 8.8,
19	814-10140	2	BOLT, Hex, M10 x 140, 8.8,

08-13 HYDRAULIC SYSTEM - COUPLER SPILLAGE

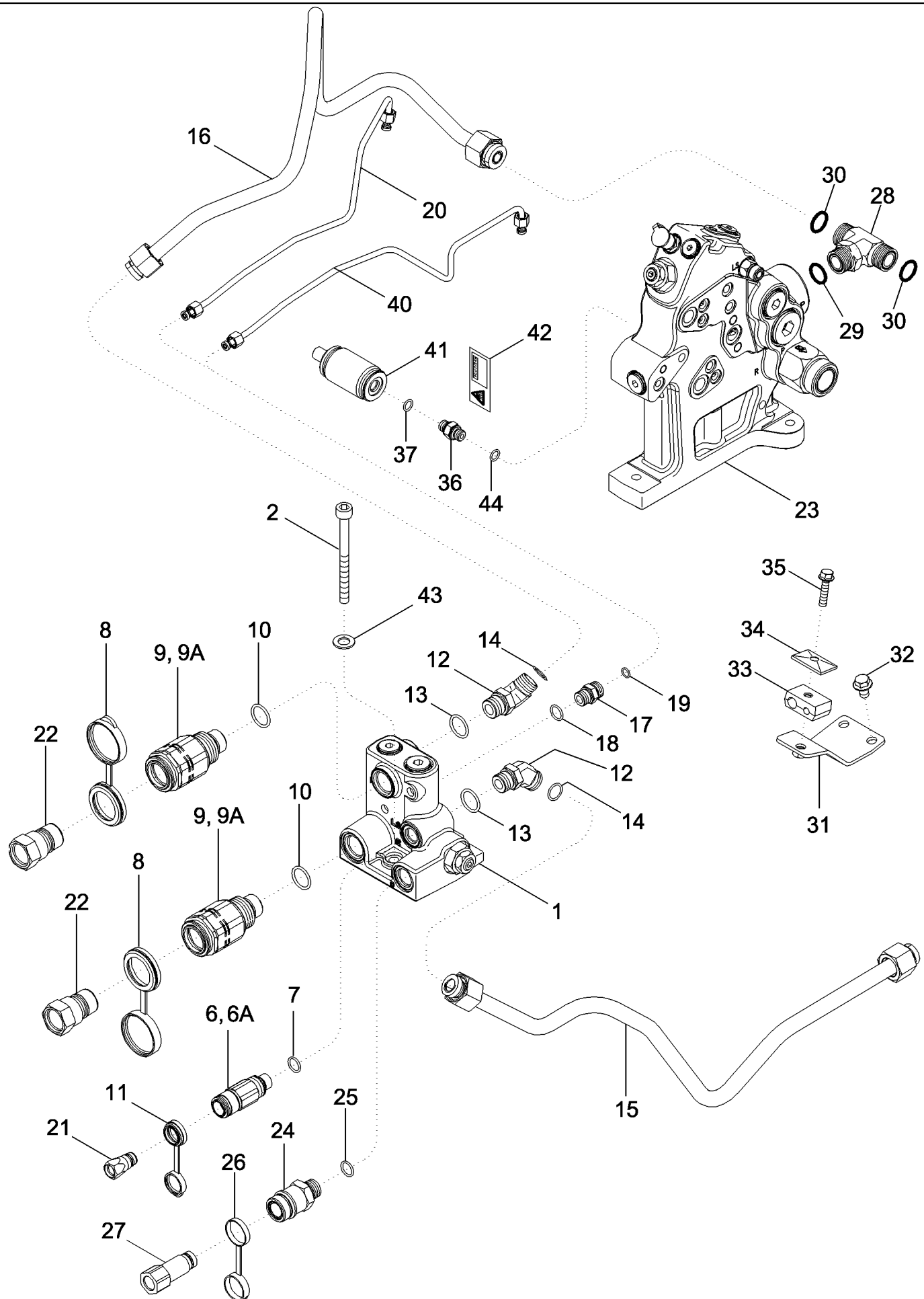


MAGNUM 255 CASE-IH MAGNUM TRACTOR (EMERGING MARKET) (1/06-)

08-13 HYDRAULIC SYSTEM - COUPLER SPILLAGE

сылка	Номер детали	Кол-во	Описание
1	217-15	2	ELBOW, 45с, 1/8"-27 NPTF, Fem x 1/8"-27 NPTF Male,
2	217-114	2	FITTING, 3/8" Hose x 1/8" NPTF, Barbed,
3	280286A1	2	HOSE,
4	87347354	2	RESERVOIR, HYDRAULIC OIL,
5	87362957	2	BRACKET,
6	614-6035	4	BOLT, Hex, M6 x 35, 8.8, Full Thd,
7	87352470	4	TUBE SPACER,

08-14 HYDRAULIC SYSTEM - POWER BEYOND

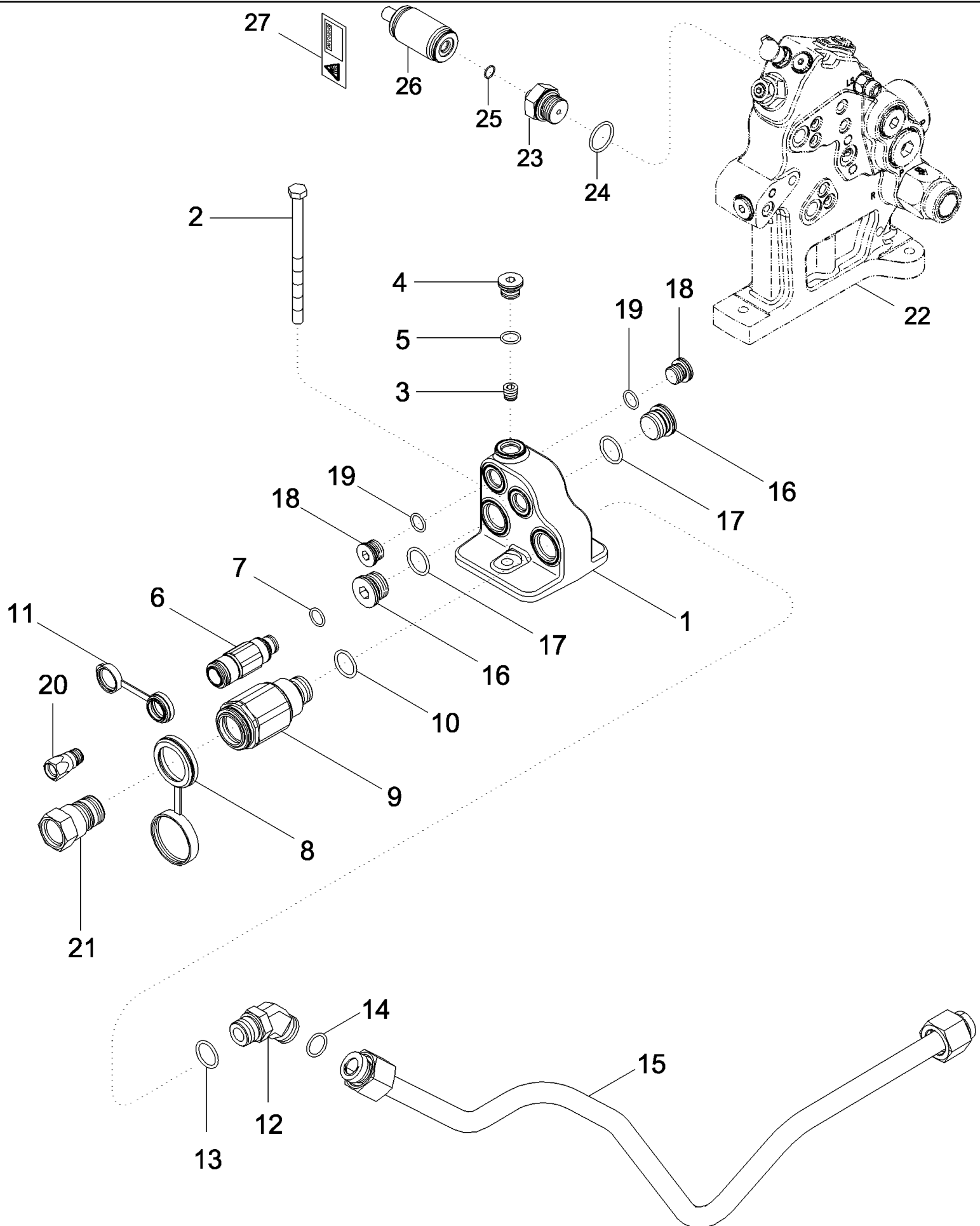


MAGNUM 255 CASE-IH MAGNUM TRACTOR (EMERGING MARKET) (1/06-)

08-14 HYDRAULIC SYSTEM - POWER BEYOND

сылка	Номер детали	Кол-во	Описание
1	87338964	1	VALVE, HYDRAULIC, , See Figure 08-25
2	87605317	2	SCREW, Hex, M10 x 160 8.8 ZND
6	294603A1	1	BODY, 1/4 in, In. 7
6A	445014A1	1	KIT, SEALS,
7	637-63153	1	O-RING, CI 6, 15.3MM ID x 2.2 Thk,
8	334216A1	2	CAP,
9	298291A1	2	BODY, 3/4 in, Inc.10
9A	445015A1	1	KIT, SEALS,
10	637-64236	1	O-RING, CI 6, 23.6MM ID x 2.9 Thk,
11	334218A1	1	CAP,
12	86639055	2	ELBOW, 45e, 1 3/16"-12 ORFS x M27 x 2 ORB, Inc. 13, 14
13	14438185	1	O-RING, 24MM ID x 3.0 Thk,
14	66297	1	O-RING, -018, 70 Duro, .739" ID x .070" Thk,
15	87533661	1	TUBE ASSY., Return
16	87656846	1	TUBE ASSY., Supply
17	87376154	1	CONNECTOR, HYD., Special, Orifice, Inc. 18, 19
18	637-63153	1	O-RING, CI 6, 15.3MM ID x 2.2 Thk,
19	238-6012	1	O-RING, -012, 90 Duro, .364" ID x .070" Thk,
20	87560338	1	TUBE ASSY., Load Sense, With Hitch
21	347756A1	1	COUPLING, 1/4 in
22	347755A1	1	COUPLING, 3/4 in
23	REF	1	INSTRUCTION, Manifold, See Figure 08-19
24	380739A1	1	COUPLING, BREAK AWAY, 3/8, Inc. 25
25	637-63193	1	O-RING, CI 6, 19.3MM ID x 2.2 Thk,
26	380740A1	1	CAP,
27	385358A1	1	COUPLING, 3/8
28	700-404	1	TEE, 1 7/16"-12 ORFS x M33 x 2 ORB Br, Inc. 29, 30
29	637-64296	1	O-RING, CI 6, 29.6MM ID x 2.9 Thk,
30	238-6021	1	O-RING, -021, 90 Duro, .926" ID x .070" Thk,
31	87442374	1	BRACKET,
32	844-10016	2	BOLT, Hex Flg, M10 x 16, 8.8, Full Thd,
33	255212A1	1	CLAMP,
34	1347127C1	1	PLATE,
35	844-8060	1	BOLT, Hex Flg, M8 x 60, 8.8,
36	87402820	1	CONNECTOR, HYD., 12 Or, Inc. 37, 44
37	637-63113	1	O-RING, CI 6, 11.3MM ID x 2.2 Thk,
38	221578A1	2	PLUG, Hex Soc, M18 x 1.5, ORB, Includes 39
39	637-63113	1	O-RING, CI 6, 11.3MM ID x 2.2 Thk,
40	87560347	1	TUBE ASSY., Load Sense, Without Hitch
41	87402747	1	ACCUMULATOR,
42	82029752	1	DECAL,
43	895-18010	2	WASHER, M10 x 18 x 1.6,
44	637-64296	1	O-RING, CI 6, 29.6MM ID x 2.9 Thk,

08-15 HYDRAULIC SYSTEM - MOTOR RETURN

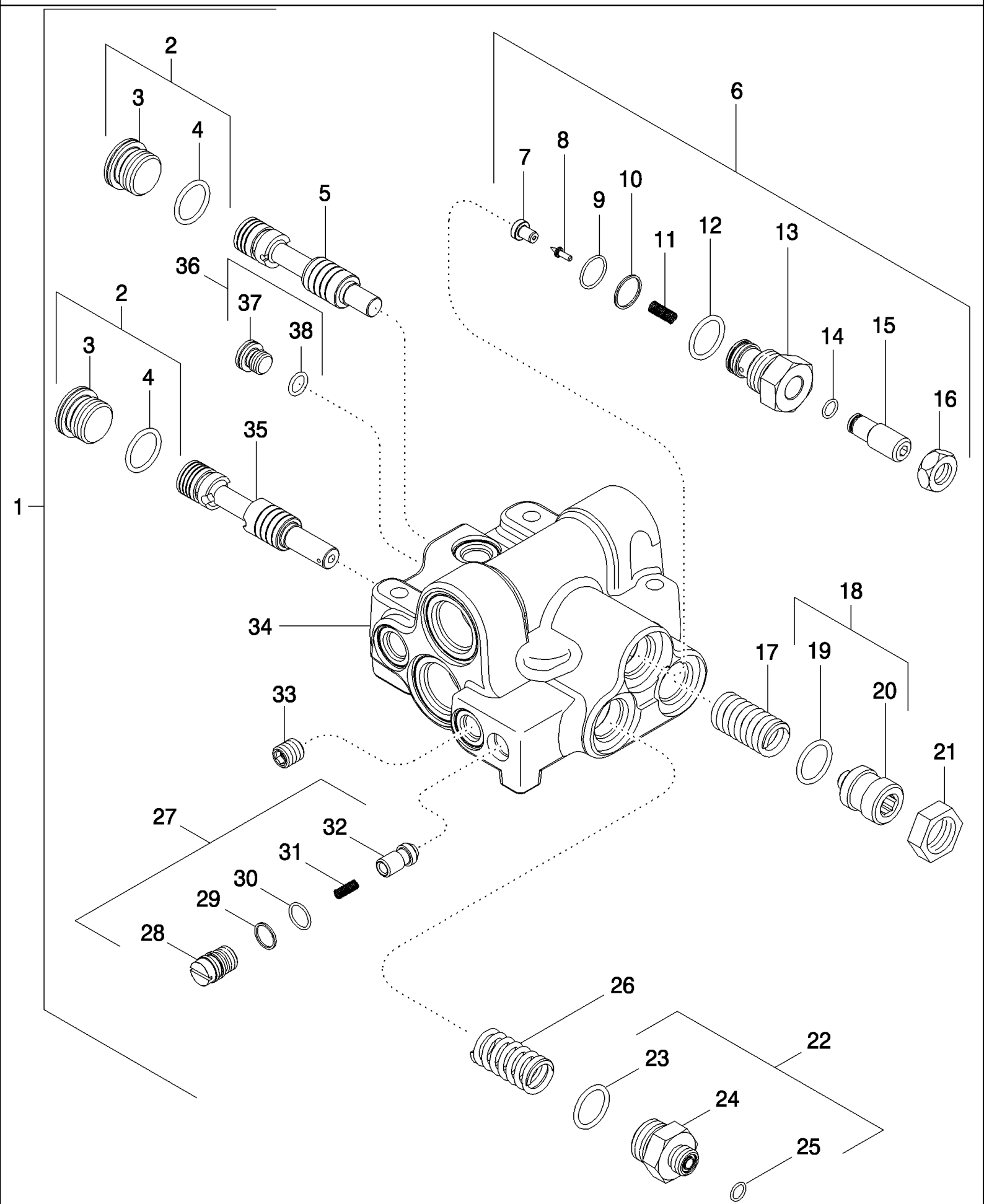


MAGNUM 255 CASE-IH MAGNUM TRACTOR (EMERGING MARKET) (1/06-)

08-15 HYDRAULIC SYSTEM - MOTOR RETURN

сылка	Номер детали	Кол-во	Описание
1	387929A1	1	VALVE,
2	814-10150	2	BOLT, Hex, M10 x 150, 8.8,
3	217-432	1	PLUG, Hex Soc, 1/4"-18,
4	221578A1	1	PLUG, Hex Soc, M18 x 1.5, ORB, Includes 5
5	637-63153	1	O-RING, CI 6, 15.3MM ID x 2.2 Thk,
6	380739A1	1	COUPLING, BREAK AWAY, 3/8, Inc. 7
7	637-63193	1	O-RING, CI 6, 19.3MM ID x 2.2 Thk,
8	334216A1	1	CAP,
9	298291A1	1	BODY, 3/4 in, Inc. 10
9A	445015A1	1	KIT, SEALS,
10	637-64236	1	O-RING, CI 6, 23.6MM ID x 2.9 Thk,
11	380740A1	1	CAP,
12	86639055	1	ELBOW, 45е, 1 3/16"-12 ORFS x M27 x 2 ORB, Inc. 13, 14
13	14438185	1	O-RING, 24MM ID x 3.0 Thk,
14	66297	1	O-RING, -018, 70 Duro, .739" ID x .070" Thk,
15	87533663	1	TUBE ASSY.,
16	221580A1	2	PLUG, Hex Soc, M27 x 2, ORB, Includes 17
17	637-64236	1	O-RING, CI 6, 23.6MM ID x 2.9 Thk,
18	221578A1	2	PLUG, Hex Soc, M18 x 1.5, ORB, Includes 19
19	637-63153	1	O-RING, CI 6, 15.3MM ID x 2.2 Thk,
20	385358A1	1	COUPLING, 3/8 in
21	347755A1	1	COUPLING, 3/4 in
22	REF	1	INSTRUCTION, Manifold, See Figure 08-19
23	87402820	2	CONNECTOR, HYD., M33 Or x M14 Or, Inc. 24, 25
24	637-64296	1	O-RING, CI 6, 29.6MM ID x 2.9 Thk,
25	637-63113	1	O-RING, CI 6, 11.3MM ID x 2.2 Thk,
26	87402747	1	ACCUMULATOR,
27	82029752	1	DECAL,

08-16 PRIORITY AND REGULATOR VALVE ASSEMBLY

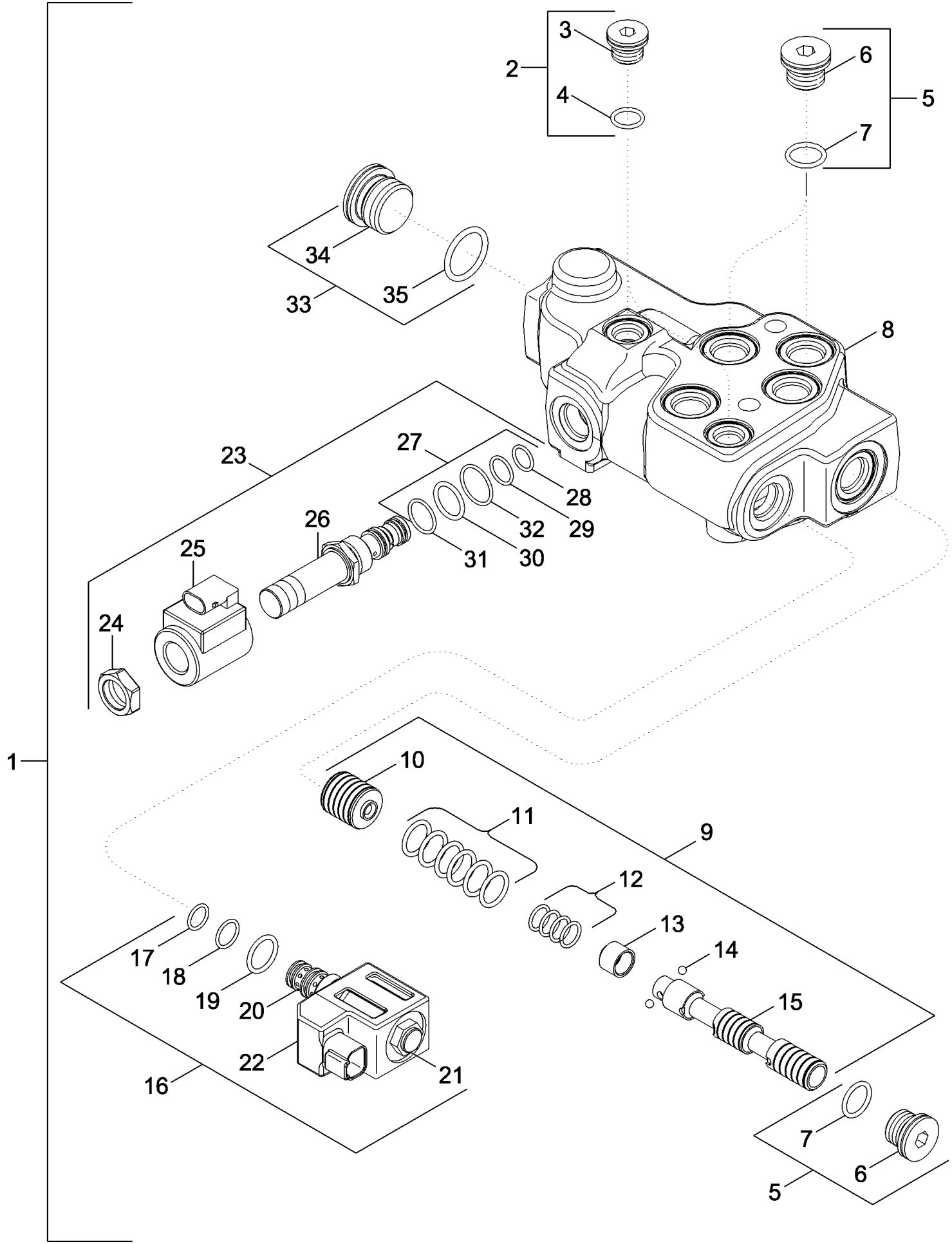


MAGNUM 255 CASE-IH MAGNUM TRACTOR (EMERGING MARKET) (1/06-)

08-16 PRIORITY AND REGULATOR VALVE ASSEMBLY

сылка	Номер детали	Кол-во	Описание
1	87451048	1	VALVE, Priority And Regulator, Inc. 2 - 38
2	221580A1	2	PLUG, Hex Soc, M27 x 2, ORB, Includes 3, 4
3	NSS	1	NOT SERVICED SEPARATELY, Plug
4	637-64236	1	O-RING, CI 6, 23.6MM ID x 2.9 Thk,
5	404442A1	1	SPOOL,
6	315796A1	1	VALVE, PRESSURE RELIEF, Inc. 7 - 16
7	NSS	1	NOT SERVICED SEPARATELY, Seat
8	NSS	1	NOT SERVICED SEPARATELY, Poppet
9	NSS	1	NOT SERVICED SEPARATELY, O-Ring 3/4 ID x 1/16
10	NSS	1	NOT SERVICED SEPARATELY, Ring
11	NSS	1	NOT SERVICED SEPARATELY, Spring
12	NSS	1	NOT SERVICED SEPARATELY, O-Ring 59/64 ID x 7/64
13	NSS	1	NOT SERVICED SEPARATELY, Cap
14	NSS	1	NOT SERVICED SEPARATELY, O-Ring 3/8 ID x 1/16
15	NSS	1	NOT SERVICED SEPARATELY, Plug
16	NSS	1	NOT SERVICED SEPARATELY, Nut 5/8 NF
17	448102A2	1	SPRING,
18	313941A1	1	PLUG, Inc. 19, 20
19	237-6012	1	O-RING, 12-1, 90 Duro, .924 ID x .118" Thk,
20	NSS	1	NOT SERVICED SEPARATELY, Plug
21	218-1280	1	NUT, LOCK, Blkhd, 1 1/16"-12,
22	313940A1	1	FITTING, Inc. 23 - 25
23	237-6012	1	O-RING, 12-1, 90 Duro, .924 ID x .118" Thk,
24	NSS	1	NOT SERVICED SEPARATELY, Fitting
25	238-6012	1	O-RING, -012, 90 Duro, .364" ID x .070" Thk,
26	408447A1	1	SPRING, COMPRESSION,
27	1542563C1	1	VALVE, CHECK, Inc. 28 - 32
28	NSS	1	NOT SERVICED SEPARATELY, Plug
29	G108723	1	RING,
30	238-6015	1	O-RING, -015, 90 Duro, .551" ID x .070" Thk,
31	NSS	1	NOT SERVICED SEPARATELY, Spring
32	1543329C1	1	POPPET, VALVE,
33	87427769	1	PLUG,
34	NSS	1	NOT SERVICED SEPARATELY, Body
35	87448952	1	SPOOL,
36	221576A1	1	PLUG, Hex Soc, M14 x 1.5, ORB, Includes 37, 38
37	NSS	1	NOT SERVICED SEPARATELY, PLug
38	14437785	1	O-RING, 11.3MM ID x 2.4 Thk,

08-17 PTO AND DIFFERENTIAL LOCK VALVE ASSEMBLY

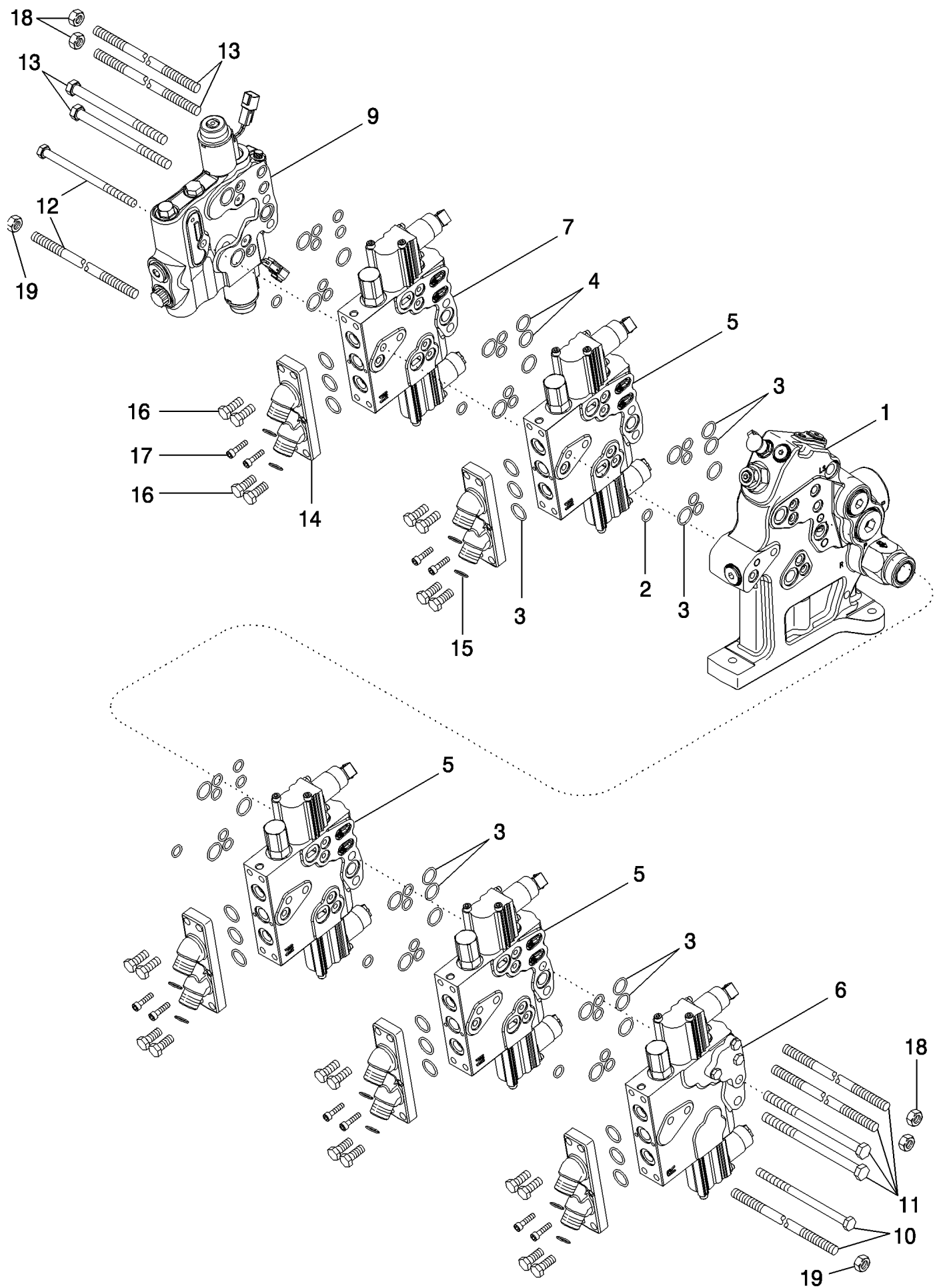


MAGNUM 255 CASE-IH MAGNUM TRACTOR (EMERGING MARKET) (1/06-)

08-17 PTO AND DIFFERENTIAL LOCK VALVE ASSEMBLY

сылка	Номер детали	Кол-во	Описание
1	87705317	1	CLUTCH. PTO, PTO And Differential Lock, Inc. 2 - 35
2	221576A1	2	PLUG, Hex Soc, M14 x 1.5, ORB, Includes 3, 4
3	NSS	1	NOT SERVICED SEPARATELY, Plug
4	14437785	1	O-RING, 11.3MM ID x 2.4 Thk,
5	221578A1	3	PLUG, Hex Soc, M18 x 1.5, ORB, Includes 6, 7
6	NSS	1	NOT SERVICED SEPARATELY, Plug
7	637-63153	1	O-RING, CI 6, 15.3MM ID x 2.2 Thk,
8	NSS	1	NOT SERVICED SEPARATELY, Body
9	283642A4	1	SPOOL, Inc. 10 - 15
10	NSS	1	NOT SERVICED SEPARATELY, Piston
11	NSS	1	NOT SERVICED SEPARATELY, Spring
12	NSS	1	NOT SERVICED SEPARATELY, Spring
13	NSS	1	NOT SERVICED SEPARATELY, Sleeve
14	NSS	2	NOT SERVICED SEPARATELY, Ball
15	NSS	1	NOT SERVICED SEPARATELY, Spool
16	349295A1	1	SOLENOID, Valve, Differential Lock, Inc. 17 - 22
17	238-5013	1	O-RING, -013, 70 Duro, .426" ID x .070" Thk,
18	238-5014	1	O-RING, -014, 70 Duro, .489" ID x .070" Thk,
19	237-6008	1	O-RING, 8-1, 90 Duro, .644" ID x .087" Thk,
20	NSS	1	NOT SERVICED SEPARATELY, Core
21	349292A1	1	NUT,
22	298614A1	1	SOLENOID,
23	239552A2	1	VALVE, SOLENOID, Solenoid, PTO, Inc. 24 - 32
24	NSS	1	NOT SERVICED SEPARATELY, Nut
25	NSS	1	NOT SERVICED SEPARATELY, Coil
26	NSS	1	NOT SERVICED SEPARATELY, Core
27	308245A1	1	KIT, SEALS, Inc. 28 - 32
28	238-6008	1	O-RING, -008, 90 Duro, .176" ID x .070" Thk,
29	238-5013	1	O-RING, -013, 70 Duro, .426" ID x .070" Thk,
30	238-7016	1	O-RING, -016, CI 7, .614" ID x .070" Thk,
31	238-5014	1	O-RING, -014, 70 Duro, .489" ID x .070" Thk,
32	238-7018	1	O-RING, -018, CI 7, .739" ID x .070" Thk,
33	221580A1	1	PLUG, Hex Soc, M27 x 2, ORB, Includes 34, 35
34	NSS	1	NOT SERVICED SEPARATELY, Plug
35	637-64236	1	O-RING, CI 6, 23.6MM ID x 2.9 Thk,

08-18 REMOTE HYDRAULIC VALVE STACK

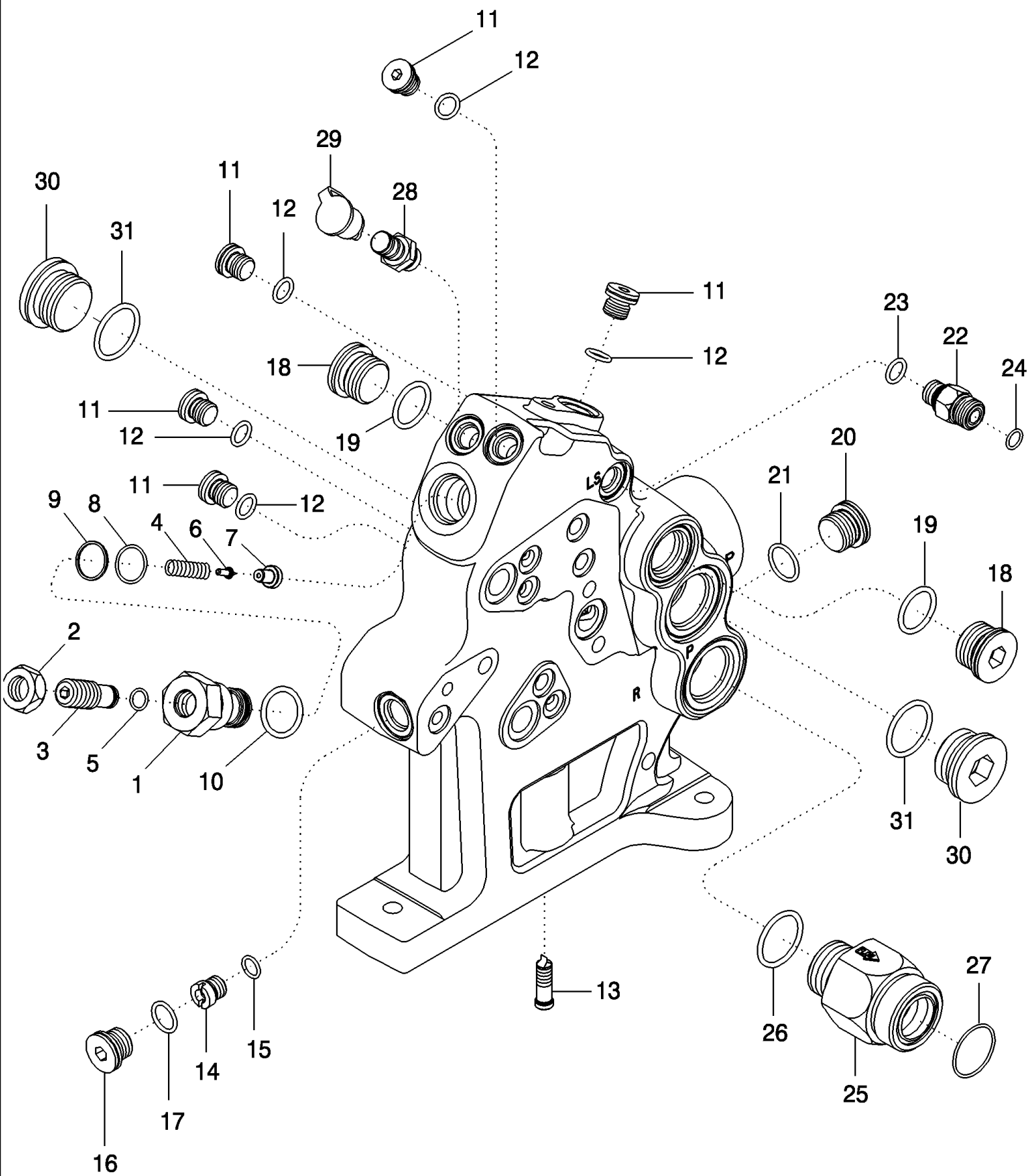


MAGNUM 255 CASE-IH MAGNUM TRACTOR (EMERGING MARKET) (1/06-)

08-18 REMOTE HYDRAULIC VALVE STACK

сылка	Номер детали	Кол-во	Описание
1	87450074	1	VALVE, Manifold, See Figure 08-19
2	238-6112	AR	O-RING, -112, 90 Duro, .487" ID x .103" Thk,
3	238-6117	AR	O-RING, -117, 90 Duro, .799" ID x .103" Thk,
4	238-6116	2	O-RING, -116, 90 Duro, .737" ID x .103" Thk, Used with 447223A4
4	238-6117	2	O-RING, -117, 90 Duro, .799" ID x .103" Thk, Used with 447226A5
5	447226A5	AR	VALVE, Standard, See Figure 08-20
6	447220A6	1	VALVE, Right Hand End, See Figure 08-20
7	447223A4	1	VALVE, Left Hand End, Without Hitch, See Figure 08-20
7	447226A5	AR	VALVE, Left Hand End With Hitch, See Figure 08-20
9	87371677	1	VALVE, Hitch, See Figure 08-21
10	828-10060	1	BOLT, Hex, M10 x 60, 10.9, 3 Remotes
10	87430660	1	STUD, M10 x 140, 4 Remotes
10	87418098	1	STUD, M10 x 185, 5 Remotes
11	828-12065	1	BOLT, Hex, M12 x 65, 10.9, 3 Remotes, Lower
11	828-12075	1	BOLT, Hex, M12 x 75, 10.9, 3 Remotes, Upper
11	87418162	2	STUD, M12 x 140, 4 Remotes
11	87430079	2	STUD, M12 x 185, 5 Remotes
12	87418099	1	STUD, M10 x 130, Without Hitch
12	87418093	1	STUD, M10 x 175, With Hitch
13	87418100	2	STUD, M12 x 130, Without Hitch
13	87418094	2	STUD, M12 x 175; 10.9, With Hitch
14	435643A1	AR	COVER, Inc. 15
15	238-6016	2	O-RING, -016, 90 Duro, .614" ID x .070" Thk,
16	628-10025	AR	BOLT, Hex, M10 x 25, 10.9, Full Thd,
17	864-6025	AR	SCREW, Hex Soc Hd, M6 x 25, 8.8,
18	829-1312	4	NUT, M12 x 1.75, CI 10,
19	304951A1	2	NUT, M10, CI 10, Hardened

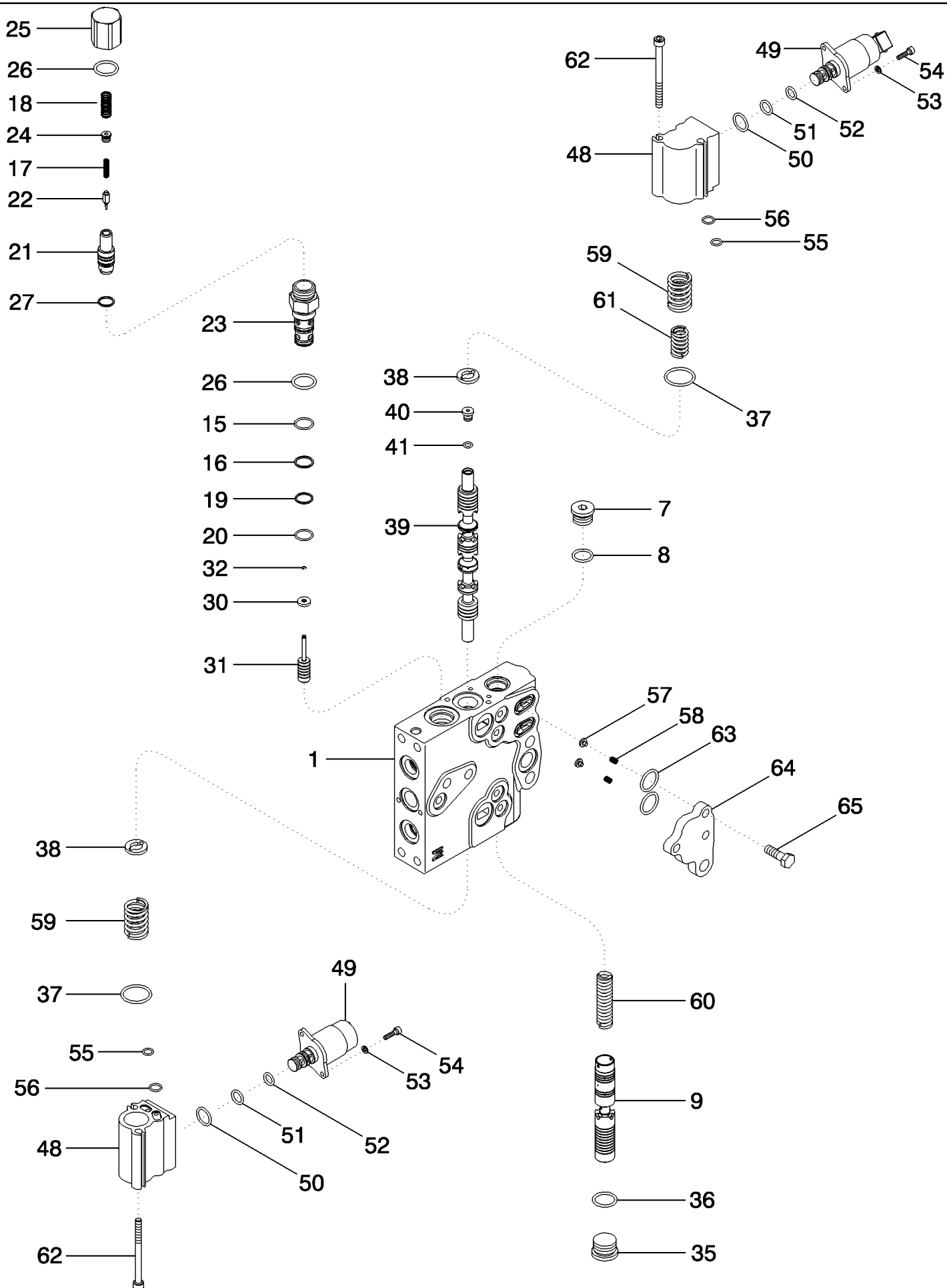
08-19 MANIFOLD VALVE ASSEMBLY



MAGNUM 255 CASE-IH MAGNUM TRACTOR (EMERGING MARKET) (1/06-)

08-19 MANIFOLD VALVE ASSEMBLY

сылка	Номер детали	Кол-во	Описание
	87450074	1	VALVE, Manifold, Inc. 1 - 31
	87429615	1	VALVE, PRESSURE RELIEF, Inc. 1 - 10
1	NSS	1	NOT SERVICED SEPARATELY, Cap
2	425-1510	1	NUT, Jam, 5/8"-18, G5,
3	NSS	1	NOT SERVICED SEPARATELY, Plug
4	NSS	1	NOT SERVICED SEPARATELY, Spring
5	238-6012	1	O-RING, -012, 90 Duro, .364" ID x .070" Thk,
6	NSS	1	NOT SERVICED SEPARATELY, Poppet
7	NSS	1	NOT SERVICED SEPARATELY, Seat
8	238-6018	1	O-RING, -018, 90 Duro, .739" ID x .070" Thk,
9	G35540	1	RING,
10	237-6012	1	O-RING, 12-1, 90 Duro, .924 ID x .118" Thk,
11	221576A1	5	PLUG, Hex Soc, M14 x 1.5, ORB, Includes 12
12	637-63113	1	O-RING, CI 6, 11.3MM ID x 2.2 Thk,
13	326965A1	1	SCREEN,
14	431479A1	1	VALVE, CHECK, Inc. 15
15	237-6005	1	O-RING, 5-1, 90 Duro, .414" ID x .072" Thk,
16	221578A1	1	PLUG, Hex Soc, M18 x 1.5, ORB, Includes 17
17	637-63153	1	O-RING, CI 6, 15.3MM ID x 2.2 Thk,
18	221580A1	2	PLUG, Hex Soc, M27 x 2, ORB, Includes 19
19	637-64236	1	O-RING, CI 6, 23.6MM ID x 2.9 Thk,
20	221579A1	1	PLUG, Hex Soc, M22 x 1.5, ORB, Inc. 21
21	637-63193	1	O-RING, CI 6, 19.3MM ID x 2.2 Thk,
22	87308571	1	VALVE, CHECK, Inc. 23, 24
23	637-63113	1	O-RING, CI 6, 11.3MM ID x 2.2 Thk,
24	238-6012	1	O-RING, -012, 90 Duro, .364" ID x .070" Thk,
25	254851A1	1	VALVE, CHECK, Inc. 26, 27
26	637-64296	1	O-RING, CI 6, 29.6MM ID x 2.9 Thk,
27	238-6025	1	O-RING, -025, 90 Duro, 1.176" ID x .070" Thk,
28	178889A1	1	FITTING, Inc. 29
29	143349A1	1	DUST CAP,
30	221527A1	2	PLUG, Hex Soc, M33 x 2, ORB, Inc. 31
31	637-64296	1	O-RING, CI 6, 29.6MM ID x 2.9 Thk,



MAGNUM 255 CASE-IH MAGNUM TRACTOR (EMERGING MARKET) (1/06-)

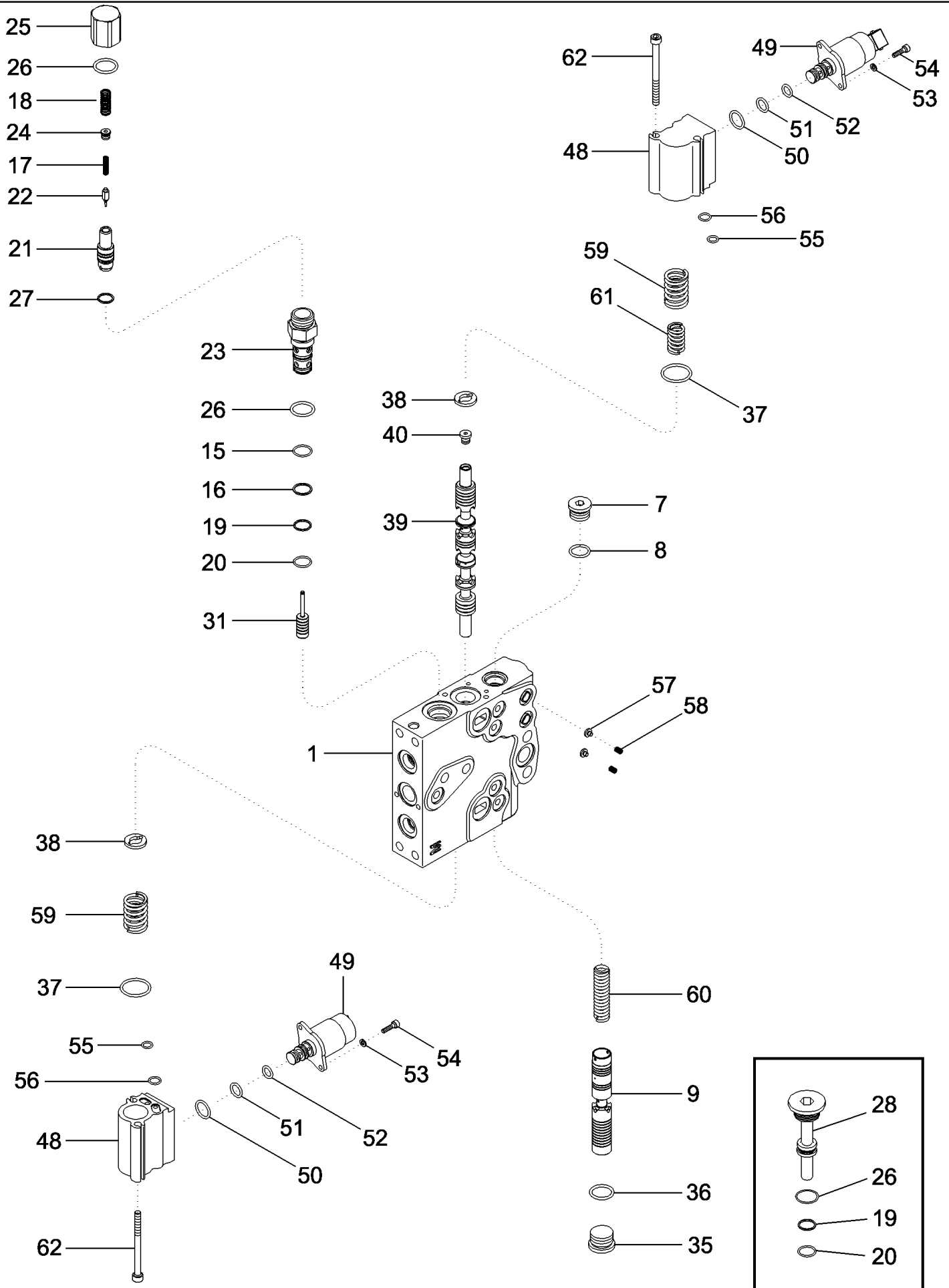
08-20 REMOTE HYDRAULIC CONTROL VALVE, BSN AJB363596

сылка	Номер детали	Кол-во	Описание
	447226A5	AR	VALVE, Standard, Inc. 1 - 62
	447220A6	1	VALVE, Right Hand End, Inc. 1 - 65
	447223A4	1	VALVE, Left Hand End Without Hitch, Inc. 1 - 62
	447226A5	1	VALVE, Left Hand End With Hitch, Inc. 1 - 62
1	NSS	1	NOT SERVICED SEPARATELY, Body
7	71100209	1	PLUG, Hex Soc, 3/4"-16 ORB, Includes 8
8	237-6010	1	O-RING, 10-1, 90 Duro, .755" ID x .097" Thk,
9	446403A1	1	SPOOL,
	278550A2	1	VALVE, CHECK, Inc. 15 - 27
15	238-6016	1	O-RING, -016, 90 Duro, .614" ID x .070" Thk,
16	G103862	1	RING,
17	NSS	1	NOT SERVICED SEPARATELY, Spring
18	NSS	1	NOT SERVICED SEPARATELY, Spring
19	G108723	1	RING,
20	238-6015	1	O-RING, -015, 90 Duro, .551" ID x .070" Thk,
21	NSS	1	NOT SERVICED SEPARATELY, Poppet, Valve
22	NSS	1	NOT SERVICED SEPARATELY, Poppet, Valve
23	NSS	1	NOT SERVICED SEPARATELY, Body
24	NSS	1	NOT SERVICED SEPARATELY, Plug
25	NSS	1	NOT SERVICED SEPARATELY, Cap
26	237-6010	2	O-RING, 10-1, 90 Duro, .755" ID x .097" Thk,
27	G108727	1	BACK-UP RING,
31	87546296	1	PISTON,
35	86625138	1	PLUG, Hex Soc, 7/8"-14 ORB, Includes 36
36	237-6010	1	O-RING, 10-1, 90 Duro, .755" ID x .097" Thk,
37	238-5120	2	O-RING, -120, 70 Duro, .987" ID x .103" Thk,
38	436518A1	2	WASHER,
	87416820	1	SPOOL, Inc. 39 - 41
39	NSS	1	NOT SERVICED SEPARATELY, Spool
40	86632547	1	PLUG, Hex Soc, 5/16"-24 ORB, Includes 41
41	237-6002	1	O-RING, 2-1, .239" ID x .064" Thk,
	87354470	2	VALVE, PILOT, Inc. 48 - 56, 62
48	NSS	1	NOT SERVICED SEPARATELY, Body
49	87354468	1	VALVE, SOLENOID, Inc. 50 - 52
	372228A1	1	SEAL, Inc. 50 - 52
50	319721A1	1	O-RING, 15,3 ID x 2,4
51	319722A1	1	O-RING, 10,3 ID x 2,4
52	319723A1	1	O-RING, 8,3 ID x 2,4
53	892-11004	2	WASHER, LOCK, M4,
54	864-4016	2	SCREW, Hex Soc Hd, M4 x 16, 8.8,
55	238-5011	1	O-RING, -011, 70 Duro, .301" ID x .070" Thk,
56	238-5012	1	O-RING, -012, 70 Duro, .364" ID x .070" Thk,
	86994122	1	POPPET, Inc. 57, 58
57	446404A1	1	PLUG,
58	446405A1	1	SPRING,

MAGNUM 255 CASE-IH MAGNUM TRACTOR (EMERGING MARKET) (1/06-)

08-20 REMOTE HYDRAULIC CONTROL VALVE, BSN AJB363596

сылка	Номер детали	Кол-во	Описание
59	87411129	2	SPRING,
60	436854A1	1	SPRING,
61	87336153	1	SPRING,
62	864-6075	2	SCREW, Hex Soc Hd, M6 x 75, 8.8,
63	238-6116	2	O-RING, -116, 90 Duro, .737" ID x .103" Thk,
64	87408510	1	PLATE,
65	628-8025	3	BOLT, Hex, M8 x 25, 10.9, Full Thd,
66	221573A1	2	PLUG, Hex Soc, M12 x 1.5, ORB, Optional if Required



MAGNUM 255 CASE-IH MAGNUM TRACTOR (EMERGING MARKET) (1/06-)

08-21 REMOTE HYDRAULIC CONTROL VALVE, ASN AJB363596

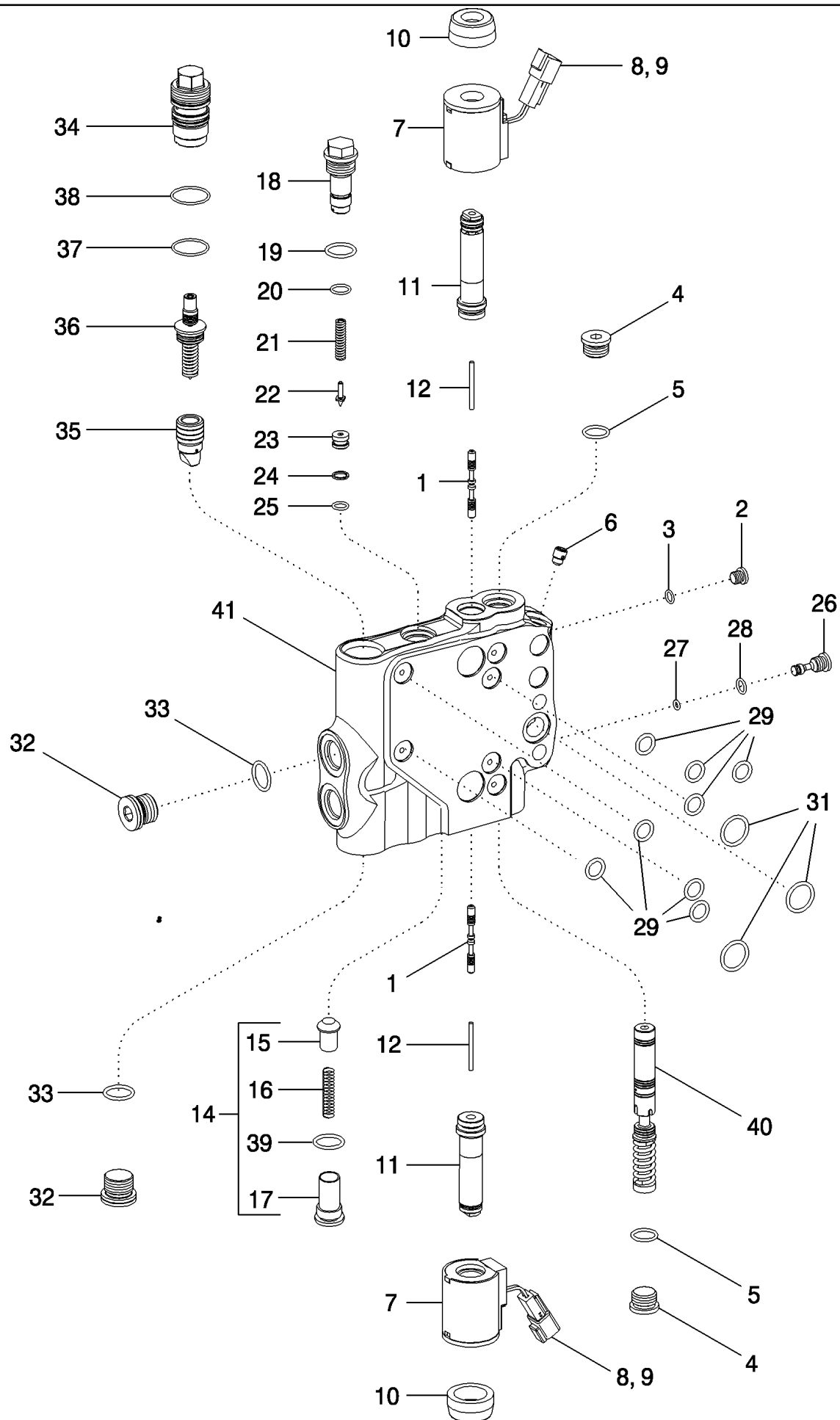
сылка	Номер детали	Кол-во	Описание
	87384974	AR	VALVE, Standard
	87384975	1	VALVE, Right Hand End
	87384976	1	VALVE, Left Hand End Without Hitch
	87384974	1	VALVE, Left Hand End With Hitch
1	NSS	1	NOT SERVICED SEPARATELY, BODY
7	86590562	1	PLUG, Hex Soc, 3/4"-16 ORB, Inc. 8
8	86598101	1	O-RING, CI 6, 15.3MM ID x 2.2 Thk,
9	446403A1	1	SPOOL,
	278550A2	1	VALVE, CHECK, Inc. 15 - 27
15	238-6016	1	O-RING, -016, 90 Duro, .614" ID x .070" Thk,
16	G103862	1	RING,
17	NSS	1	NOT SERVICED SEPARATELY, SPRING
18	NSS	1	NOT SERVICED SEPARATELY, SPRING
19	G108723	2	RING,
20	238-6015	2	O-RING, -015, 90 Duro, .551" ID x .070" Thk,
21	NSS	1	NOT SERVICED SEPARATELY, POPPET, Valve
22	NSS	1	NOT SERVICED SEPARATELY, POPPET, Valve
23	NSS	1	NOT SERVICED SEPARATELY, BODY
24	NSS	1	NOT SERVICED SEPARATELY, PLUG
25	NSS	1	NOT SERVICED SEPARATELY, CAP
26	237-6010	3	O-RING, 10-1, 90 Duro, .755" ID x .097" Thk,
27	G108727	1	BACK-UP RING,
28	284165A1	1	PLUG, Inc. 19, 20, 26
31	87546296	1	PISTON,
35	86625138	1	PLUG, Hex Soc, 7/8"-14 ORB, Inc. 36
36	86639044	1	O-RING, CI 6, 19.3MM ID x 2.2 Thk,
37	238-5120	2	O-RING, -120, 70 Duro, .987" ID x .103" Thk,
38	436518A1	2	WASHER,
	87416820	1	SPOOL, Inc. 39 - 41
39	NSS	1	NOT SERVICED SEPARATELY, SPOOL
40	86632547	1	PLUG, Hex Soc, 5/16"-24 ORB, Inc. O-Ring
	87354470	2	VALVE, PILOT, Inc. 48 - 56, 62
48	NSS	1	NOT SERVICED SEPARATELY, BODY
49	87354468	1	VALVE, SOLENOID, Inc. 50 - 52
	372228A1	1	SEAL, Inc. 50 - 52
50	319721A1	1	O-RING, 15.3 ID x 2.4
51	319722A1	1	O-RING, 10.3 ID x 2.4
52	319723A1	1	O-RING, 8.3 ID x 2.4
53	892-11004	2	WASHER, LOCK, M4,
54	864-4016	2	SCREW, Hex Soc Hd, M4 x 16, 8.8,
55	238-5011	1	O-RING, -011, 70 Duro, .301" ID x .070" Thk,
56	238-5012	1	O-RING, -012, 70 Duro, .364" ID x .070" Thk,
	87648631	2	POPPET, Inc. 57, 58
57	87648607	1	PLUG,
58	87648596	1	SPRING,

MAGNUM 255 CASE-IH MAGNUM TRACTOR (EMERGING MARKET) (1/06-)

08-21 REMOTE HYDRAULIC CONTROL VALVE, ASN AJB363596

сылка	Номер детали	Кол-во	Описание
59	87706278	2	SPRING, COMPRESSION,
60	436854A1	1	SPRING,
61	87336153	1	SPRING,
62	864-6075	2	SCREW, Hex Soc Hd, M6 x 75, 8.8,

08-22 HITCH VALVE ASSEMBLY

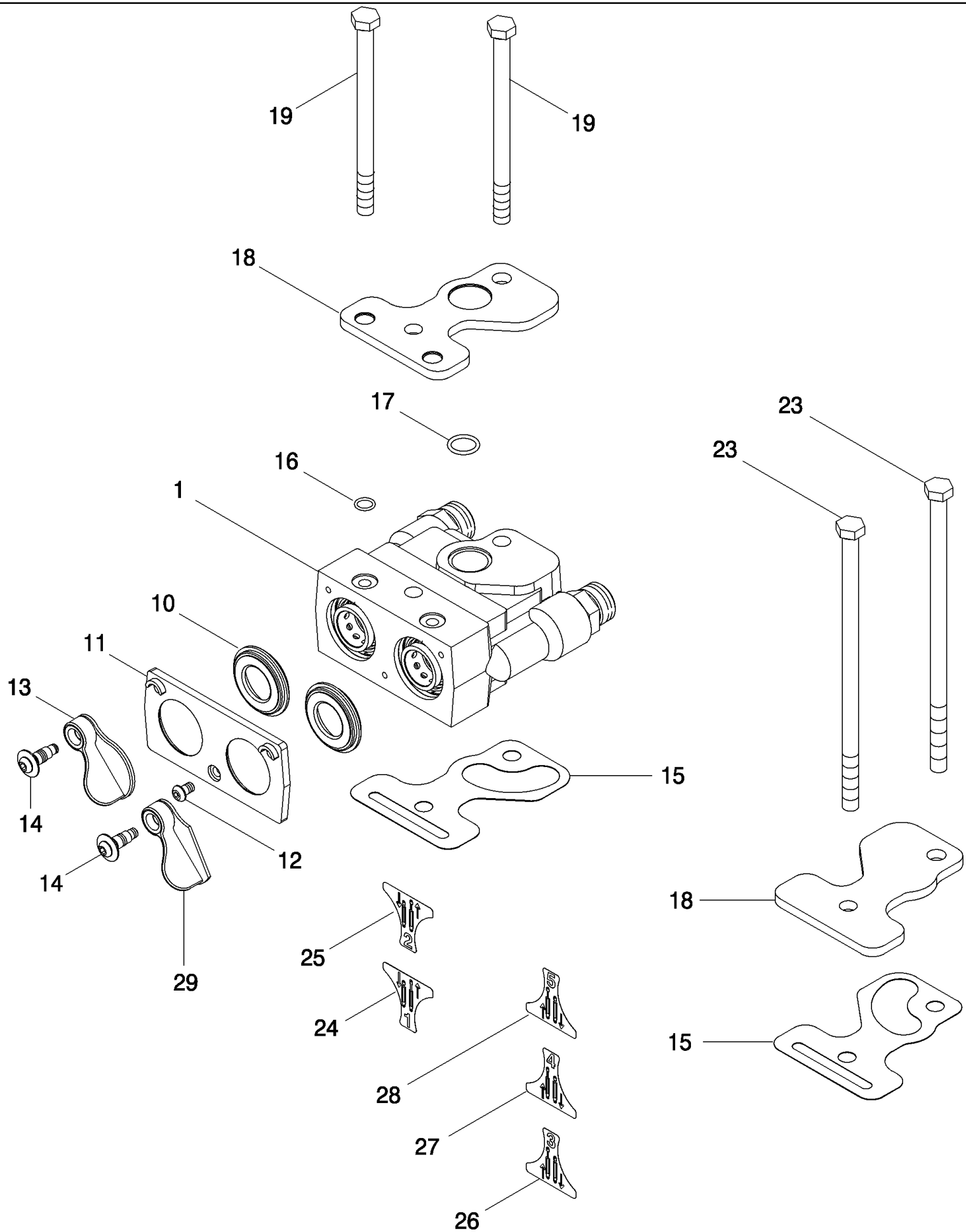


MAGNUM 255 CASE-IH MAGNUM TRACTOR (EMERGING MARKET) (1/06-)

08-22 HITCH VALVE ASSEMBLY

сылка	Номер детали	Кол-во	Описание
	87371677	1	VALVE, Hitch, Inc. 1 - 41
1	188104A1	2	SPOOL,
2	86529630	1	PLUG, Hex Soc, 3/8"-24 ORB, Includes 3
3	237-6003	1	O-RING, 3-1, .301" ID x .064" Thk,
4	71100209	2	PLUG, Hex Soc, 3/4"-16 ORB, Includes 5
5	237-6008	1	O-RING, 8-1, 90 Duro, .644" ID x .087" Thk,
6	373758A1	1	VALVE,
	243254A1	2	KIT, Inc. 7 - 9
7	188105A1	1	SOLENOID,
8	225318C1	1	WEDGE,
9	225315C1	1	CONNECTOR, ELEC,
10	188106A1	2	NUT,
11	188117A1	2	TUBE,
12	188116A1	2	PIN,
14	87373591	1	KIT, Inc. 15, 16, 17 and 39
15	NSS	1	NOT SERVICED SEPARATELY, Poppet
16	NSS	1	NOT SERVICED SEPARATELY, Spring
17	NSS	1	NOT SERVICED SEPARATELY, Plug
	373756A1	1	KIT, Inc. 18 - 25
18	NSS	1	NOT SERVICED SEPARATELY, Plug, Relief
19	237-6010	1	O-RING, 10-1, 90 Duro, .755" ID x .097" Thk,
20	238-5014	1	O-RING, -014, 70 Duro, .489" ID x .070" Thk,
21	NSS	1	NOT SERVICED SEPARATELY, Spring
22	NSS	1	NOT SERVICED SEPARATELY, Poppet
23	NSS	1	NOT SERVICED SEPARATELY, Seat
24	NSS	1	NOT SERVICED SEPARATELY, Ring
25	238-6011	1	O-RING, -011, 90 Duro, .301" ID x .070" Thk,
26	373761A1	1	PLUG,
27	238-6008	1	O-RING, -008, 90 Duro, .176" ID x .070" Thk,
28	237-6004	1	O-RING, 4-1, 90 Duro, .351" ID x .072" Thk,
29	238-6112	8	O-RING, -112, 90 Duro, .487" ID x .103" Thk,
31	238-6117	3	O-RING, -117, 90 Duro, .799" ID x .103" Thk,
32	221579A1	2	PLUG, Hex Soc, M22 x 1.5, ORB, Inc.33
33	637-63193	1	O-RING, CI 6, 19.3MM ID x 2.2 Thk,
	87430152	1	KIT, SERVICE, Inc. 34, 36 - 38
34	NSS	1	NOT SERVICED SEPARATELY, Tube
35	NSS	1	NOT SERVICED SEPARATELY, Poppet Valve
36	NSS	1	NOT SERVICED SEPARATELY, Stem, Servo
37	238-5022	1	O-RING, -022, 70 Duro, .989" ID x .070" Thk,
38	238-5023	1	O-RING, -023, 70 Duro, 1.051" ID x .070" Thk,
39	237-6010	1	O-RING, 10-1, 90 Duro, .755" ID x .097" Thk,
40	NSS	1	NOT SERVICED SEPARATELY, Spool
41	NSS	1	NOT SERVICED SEPARATELY, Body
	373757A1	1	KIT, Seal, Inc. 3, 5, 19, 20, 24, 25, 27 - 31, 37, 38, 39

08-23 REMOTE HYDRAULIC COUPLING MOUNTING

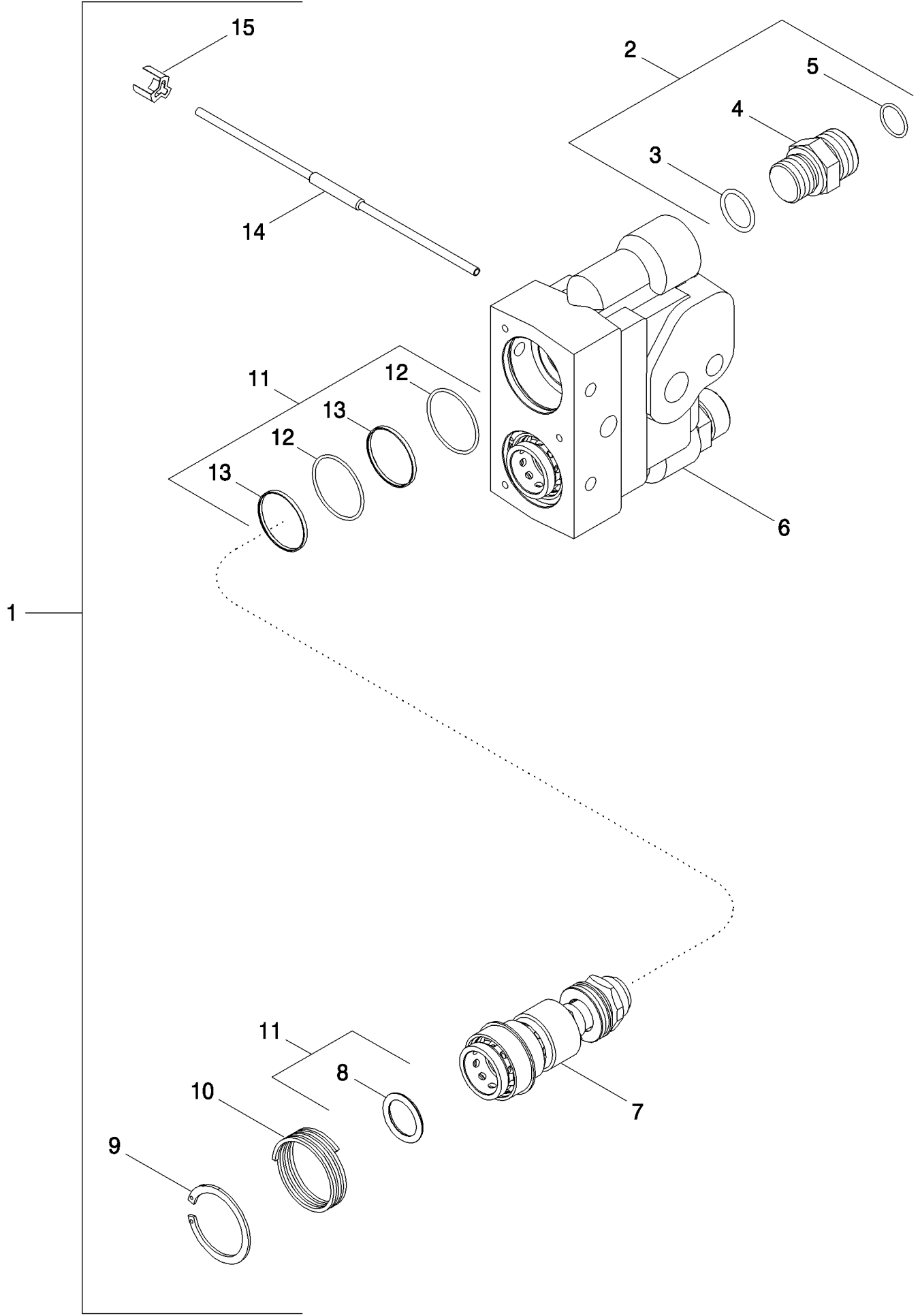


MAGNUM 255 CASE-IH MAGNUM TRACTOR (EMERGING MARKET) (1/06-)

08-23 REMOTE HYDRAULIC COUPLING MOUNTING

сылка	Номер детали	Кол-во	Описание
1	275182A2	3-5	COUPLING, PUSH-PULL, , See Figure 08-23
10	240969A1	6-10	SEAL,
11	240971A2	3-5	PLATE,
12	240970A2	3-5	SCREW,
13	240974A2	4-8	COVER, DOOR,
14	240973A2	4-10	SCREW,
15	253660A2	2	GASKET,
16	238-6014	8-10	O-RING, -014, 90 Duro, .489" ID x .070" Thk,
18	258671A2	1	PLATE,
17	238-6021	4-5	O-RING, -021, 90 Duro, .926" ID x .070" Thk,
19	814-10140	2	BOLT, Hex, M10 x 140, 8.8,
23	814-10205	2	BOLT, Hex, M10 x 205, 8.8,
24	284327A1	1	DECAL, Coupler 1
25	284328A1	1	DECAL, Coupler 2
26	284329A1	1	DECAL, Coupler 3
27	284330A1	1	DECAL, Coupler 4
28	284331A1	1	DECAL, Coupler 5
29	387611A1	2	DUST CAP,
30	353-401	1-2	PLUG, Dome, .312" hole, Nylon, (Not Shown)

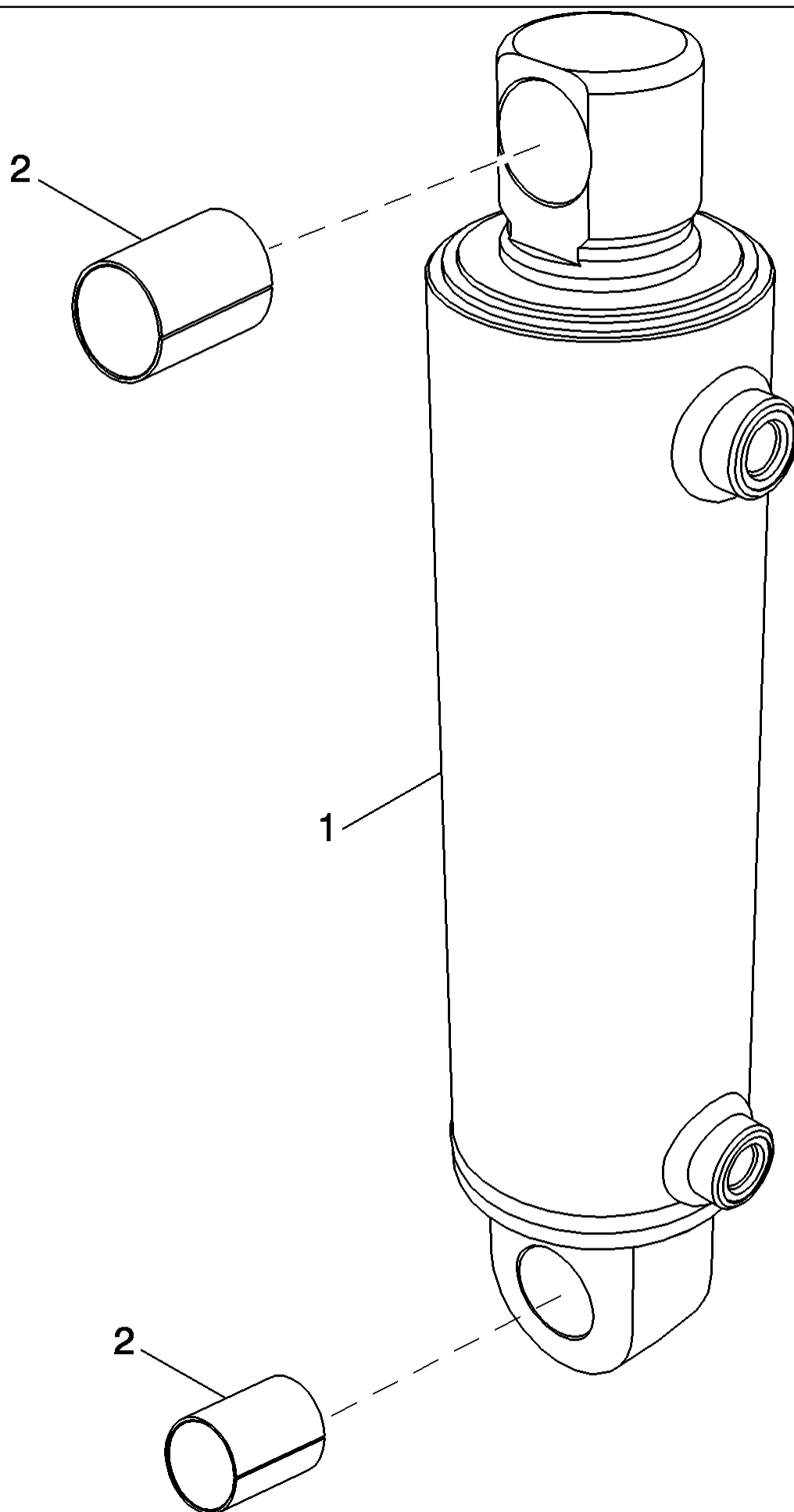
08-24 REMOTE HYDRAULIC COUPLINGS



MAGNUM 255 CASE-IH MAGNUM TRACTOR (EMERGING MARKET) (1/06-)

08-24 REMOTE HYDRAULIC COUPLINGS

сылка	Номер детали	Кол-во	Описание
1	275182A2	3-5	COUPLING, PUSH-PULL, Inc. 2 - 15
2	700-103	2	CONNECTOR, HYD., 1"-14 ORFS x M22 x 1.5 ORB, Incl. 3 - 5
3	637-63193	1	O-RING, CI 6, 19.3MM ID x 2.2 Thk,
4	NSS	1	NOT SERVICED SEPARATELY, Connector
5	238-6016	1	O-RING, -016, 90 Duro, .614" ID x .070" Thk,
6	NSS	1	NOT SERVICED SEPARATELY, Body
7	86026209	2	BODY, Cartridge
8	345192A1	2	SEAL,
9	100-28162	2	RING, SNAP, 1.625", Int, #162,
10	93330C1	2	SPRING, VALVE,
11	345193A1	1	KIT, SEALS, Inc. 8, 12, 13
12	238-5027	4	O-RING, -027, 70 Duro, 1.301" ID x .070" Thk,
13	93332C1	4	SEAL ASSY.,
14	93329C2	1	SPRING,
15	361880A1	1	RETAINER,

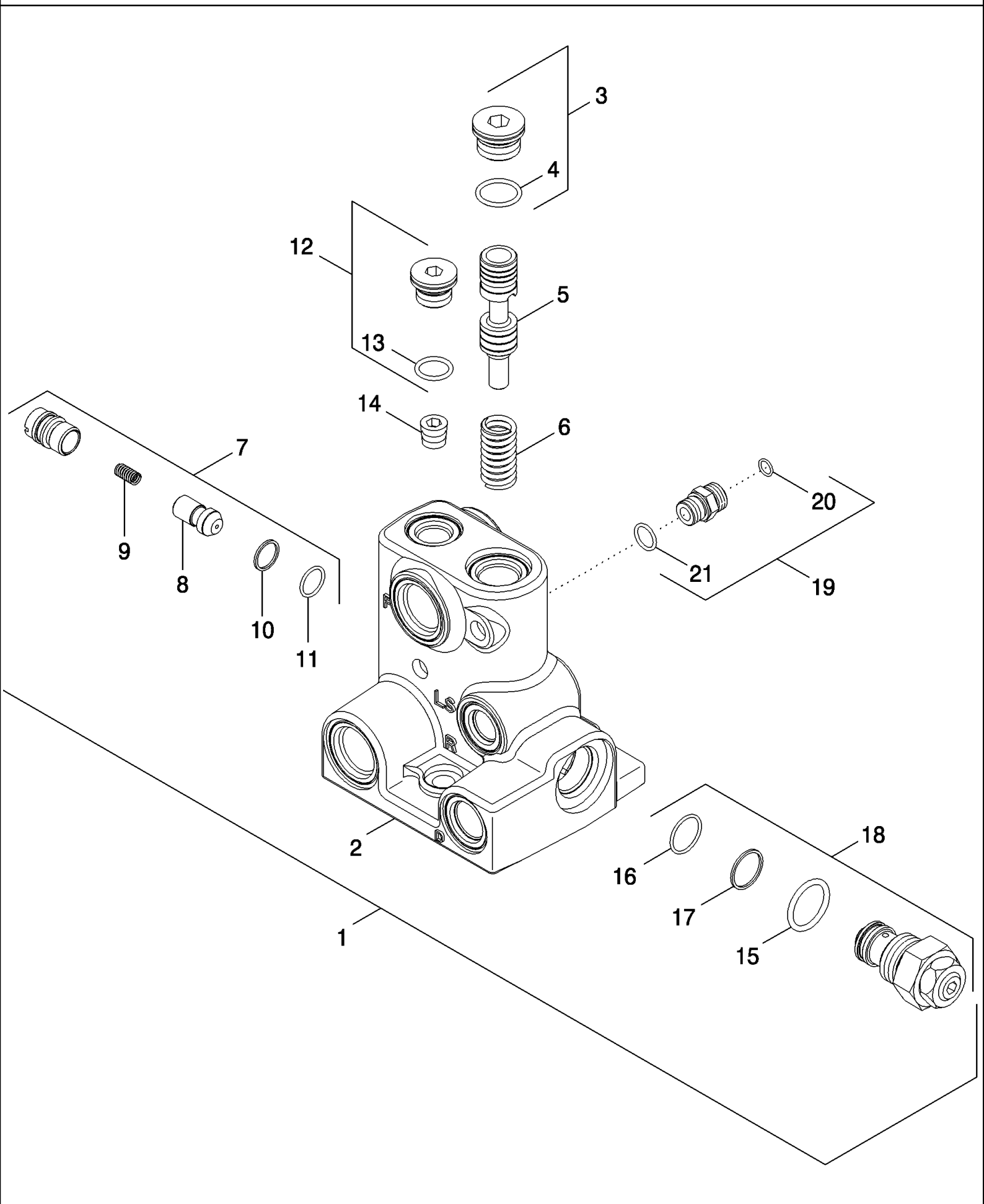


MAGNUM 255 CASE-IH MAGNUM TRACTOR (EMERGING MARKET) (1/06-)

08-25 CYLINDER ASSEMBLY - HITCH (95 MM)

сылка	Номер детали	Кол-во	Описание
1	87542725	2	95 ID x 260 mm Stroke, Part Number Stamped On Cylinder
2	237443A1	2	BUSHING,
3	87708872	1	Seal Kit (Not Shown)
4	87708873	1	Ring (Not Shown)
5	87708874	1	Retaining Ring (Not Shown)

08-26 POWER BEYOND VALVE ASSEMBLY

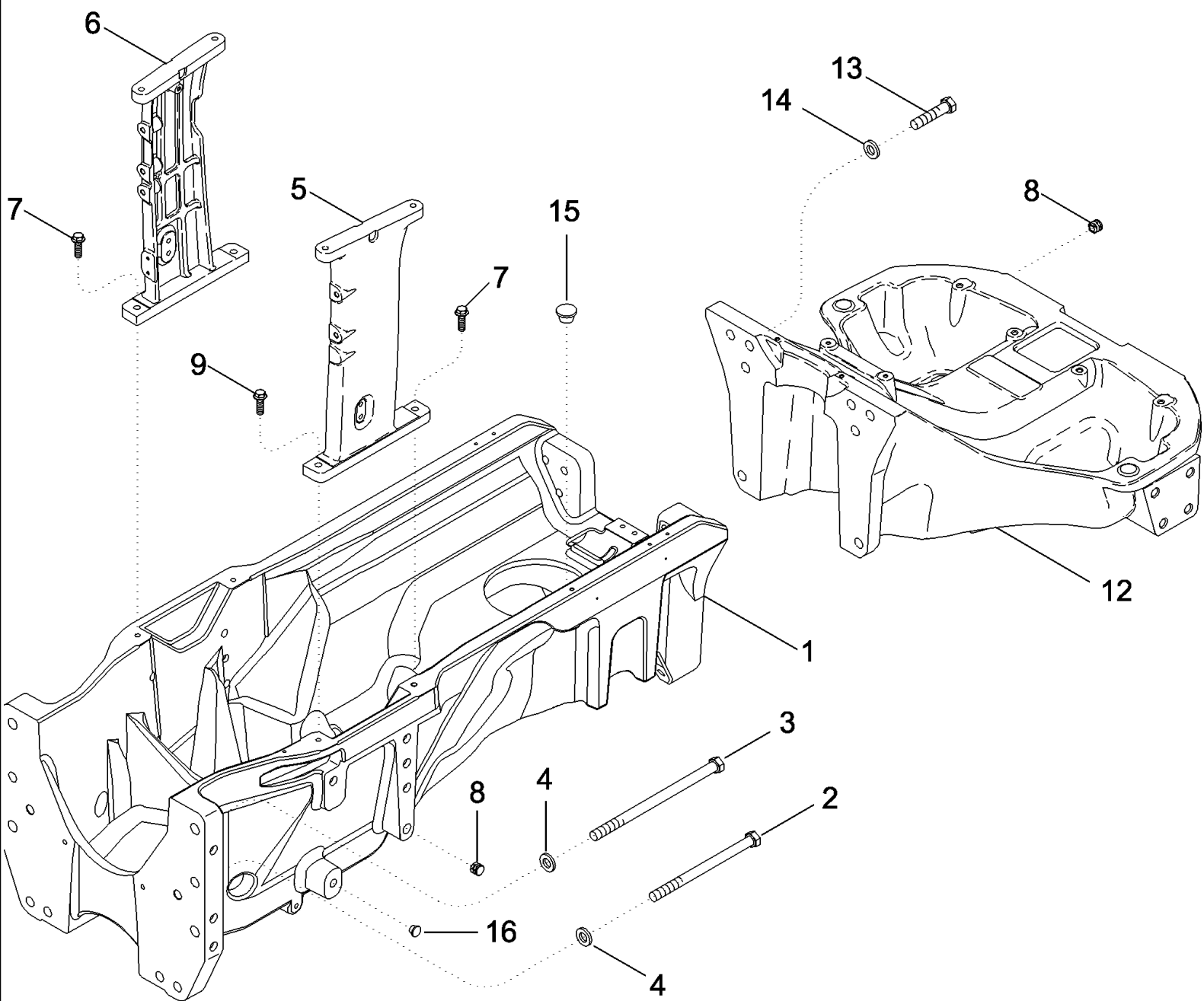


MAGNUM 255 CASE-IH MAGNUM TRACTOR (EMERGING MARKET) (1/06-)

08-26 POWER BEYOND VALVE ASSEMBLY

сылка	Номер детали	Кол-во	Описание
1	87338964	1	VALVE, HYDRAULIC, Power Beyond, Inc. 1 - 21
2	NSS	1	NOT SERVICED SEPARATELY, Body
3	221579A1	1	PLUG, Hex Soc, M22 x 1.5, ORB, Inc. 4
4	637-63193	1	O-RING, CI 6, 19.3MM ID x 2.2 Thk,
5	86990388	1	SPOOL,
6	87441634	1	SPRING,
7	1542563C1	1	VALVE, CHECK, Inc. 8 - 11
8	1543329C1	1	POPPET, VALVE,
9	NSS	1	NOT SERVICED SEPARATELY, Spring
10	238-6015	1	O-RING, -015, 90 Duro, .551" ID x .070" Thk,
11	G108723	1	RING, Back Up
12	221578A1	1	PLUG, Hex Soc, M18 x 1.5, ORB, Includes 13
13	637-63153	1	O-RING, CI 6, 15.3MM ID x 2.2 Thk,
14	217-432	1	PLUG, Hex Soc, 1/4"-18,
15	237-6012	1	O-RING, 12-1, 90 Duro, .924 ID x .118" Thk,
16	238-6018	1	O-RING, -018, 90 Duro, .739" ID x .070" Thk,
17	G35540	1	RING, Back-Up
18	315796A1	1	VALVE, PRESSURE RELIEF, Inc. 15 - 17
19	87376154	1	CONNECTOR, HYD., Orifice, Special, Inc. 20, 21
20	238-6012	1	O-RING, -012, 90 Duro, .364" ID x .070" Thk,
21	637-63153	1	O-RING, CI 6, 15.3MM ID x 2.2 Thk,

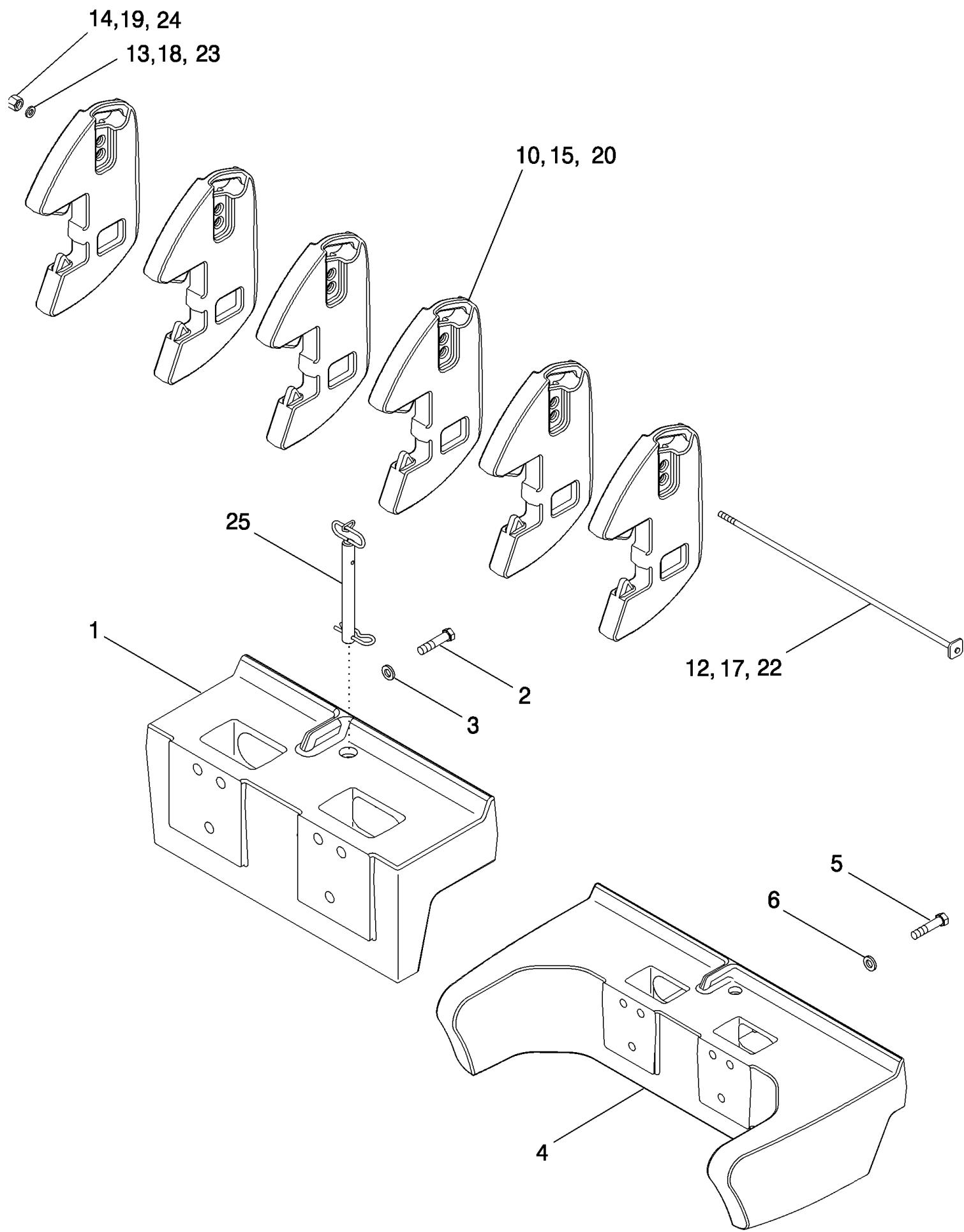
09-01 FRONT FRAME



MAGNUM 255 CASE-IH MAGNUM TRACTOR (EMERGING MARKET) (1/06-)

09-01 FRONT FRAME

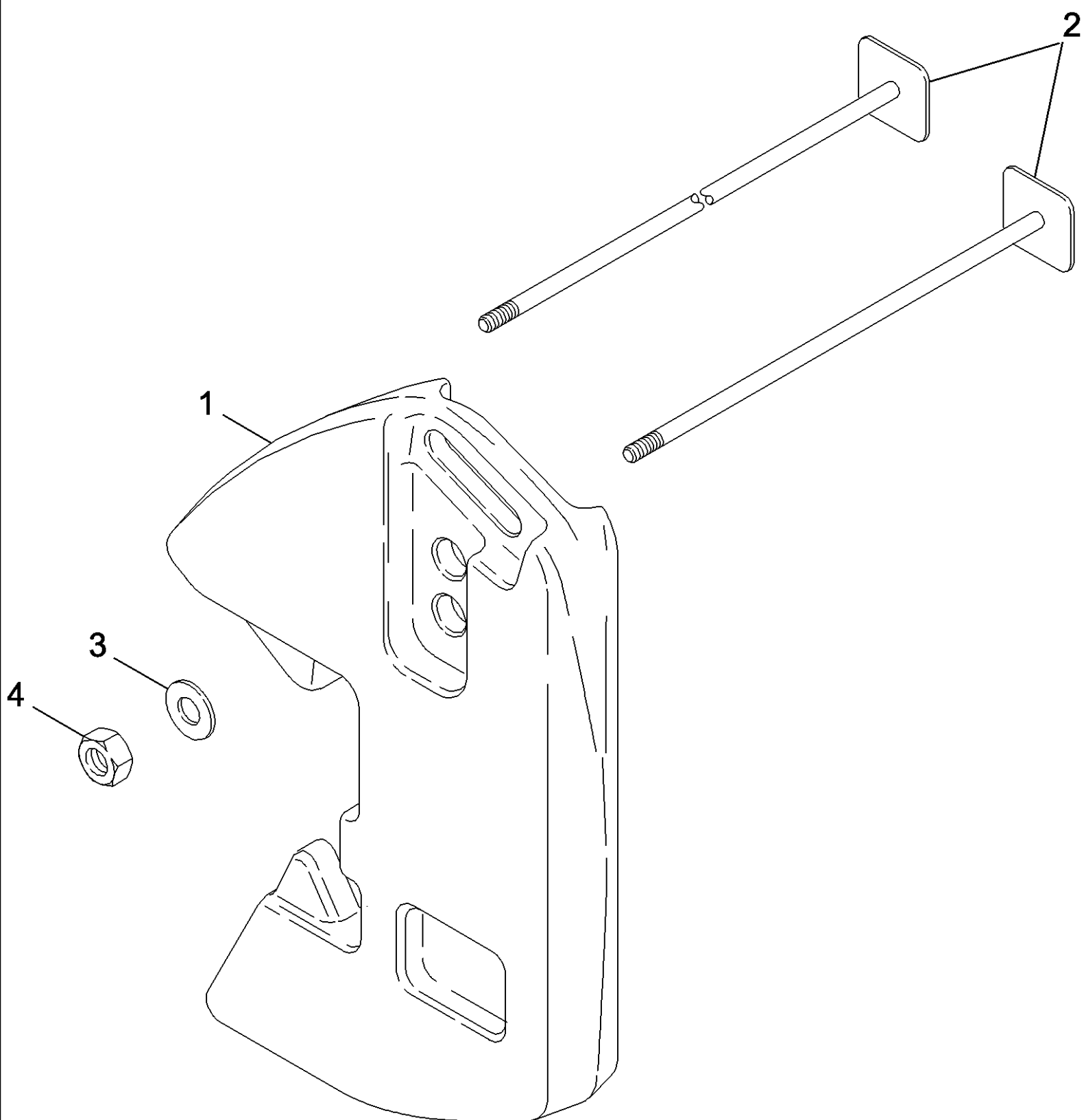
сылка	Номер детали	Кол-во	Описание
1	87686588	1	FRAME,
2	253636A1	4	SCREW, M20 x 275; 10,9
3	249541A1	6	SCREW, M20 x 340; 10,9
4	396-31081	10	WASHER, 13/16" x 1 1/2" x .219", HDN,
5	87545060	1	FRAME, Hood Support, RH
6	87366255	1	FRAME, Hood Support, LH
7	86978779	3	BOLT, Hex Flg, M12 x 40, 10.9,
8	305138A1	12	PLUG,
9	844-12050	1	BOLT, Hex Flg, M12 x 50, 8.8,
12	87703127	1	FRAME, Extension
13	258504A1	8	SCREW, M20 x 90; 10,9
14	396-31081	8	WASHER, 13/16" x 1 1/2" x .219", HDN,
16	128209A1	4	PLUG,
17	896-15012	1	WASHER, M12 x 28.5 x 4, HT, (Not Shown)
18	614-8016	1	BOLT, Hex, M8 x 16, 8.8, (Not Shown)
19	353-401	5	PLUG, Dome, .312" hole, Nylon, (Not Shown), Use When Radar Option Is Not Used
20	353-79	6	PLUG, (Not Shown)
21	339158A1	2	PLUG, (Not Shown)



MAGNUM 255 CASE-IH MAGNUM TRACTOR (EMERGING MARKET) (1/06-)

09-02 FRONT WEIGHTS - 45 KG (100 LB)

сылка	Номер детали	Кол-во	Описание
	REF	1	INSTRUCTION, Small Support, Inc. 1 - 3, Order 87435002 From Machinery Price List
1	87448319	1	BRACKET, Small
2	258504A1	6	SCREW, M20 x 90; 10,9
3	396-31081	6	WASHER, 13/16" x 1 1/2" x .219", HDN,
	REF	1	INSTRUCTION, Large Support, Inc. 4 - 6, Order 87435001 From Machinery Price List
4	87448323	1	CARRIER, WEIGHTS, Large
5	258504A1	6	SCREW, M20 x 90; 10,9
6	396-31081	6	WASHER, 13/16" x 1 1/2" x .219", HDN,
	719669016	1	DIA KIT, ADDITIONAL PROD., 270 Kg (600 lb), Inc. 10 - 14, Order From Machinery Price List
10	405846A3	6	WEIGHT, , Order From Machinery Price List
12	87307687	1	THREADED ROD,
13	896-15016	1	WASHER, M17.5 x 34 x 5, HT,
14	832-10416	1	NUT, LOCK, M16 x 2, CI 8,
	719670016	1	DIA KIT, ADDITIONAL PROD., 454 Kg (1000 lb), Inc. 15 - 19, Order From Machinery Price List
15	405846A3	10	WEIGHT, , Order From Machinery Price List
17	87307686	1	TRUSS ROD,
18	896-16016	1	WASHER, M16 x 34.5 x 5, HT,
19	832-10416	1	NUT, LOCK, M16 x 2, CI 8,
	719671016	1	DIA KIT, ADDITIONAL PROD., 815 Kg (1800 lb), Inc. 20 - 24, Order From Machinery Price List
20	405846A3	18	WEIGHT, , Order From Machinery Price List
22	87307685	1	TRUSS ROD,
23	896-16016	1	WASHER, M16 x 34.5 x 5, HT,
24	832-10416	1	NUT, LOCK, M16 x 2, CI 8,
25	297750A2	1	PIN,

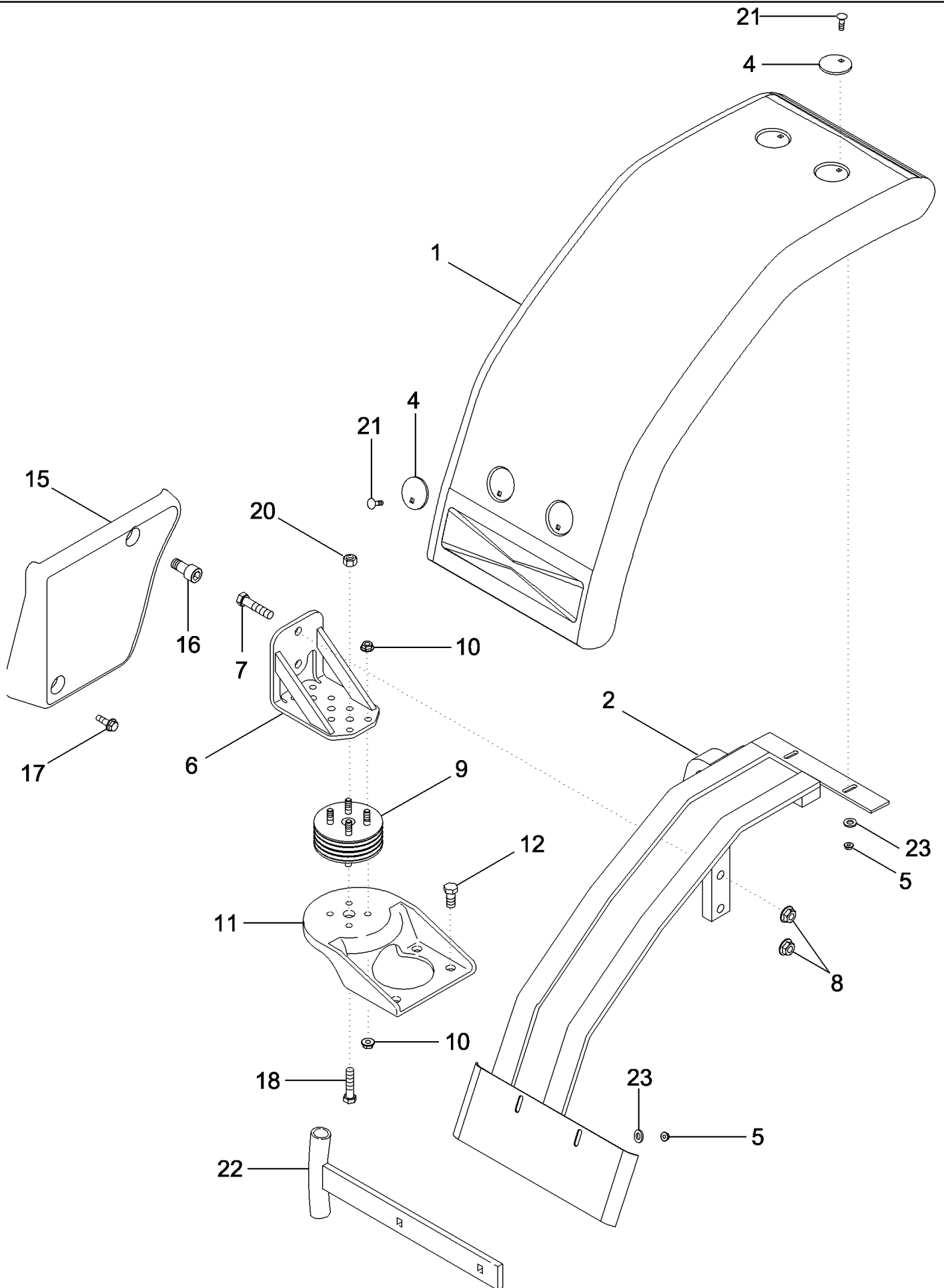


MAGNUM 255 CASE-IH MAGNUM TRACTOR (EMERGING MARKET) (1/06-)

09-03 FRONT WEIGHTS - 450 KG (1000 LB)

сылка	Номер детали	Кол-во	Описание
1	405846A3	10	WEIGHT, 45 Kg (100 lb), Order From Machinery Price List
1	405846A3	18	WEIGHT, 45 Kg (100 lb)
2	87307686	1	TRUSS ROD,
2	87307685	1	TRUSS ROD,
3	896-16016	1	WASHER, M16 x 34.5 x 5, HT,
4	832-10416	1	NUT, LOCK, M16 x 2, CI 8,

09-04 FENDERS - FRONT, NARROW

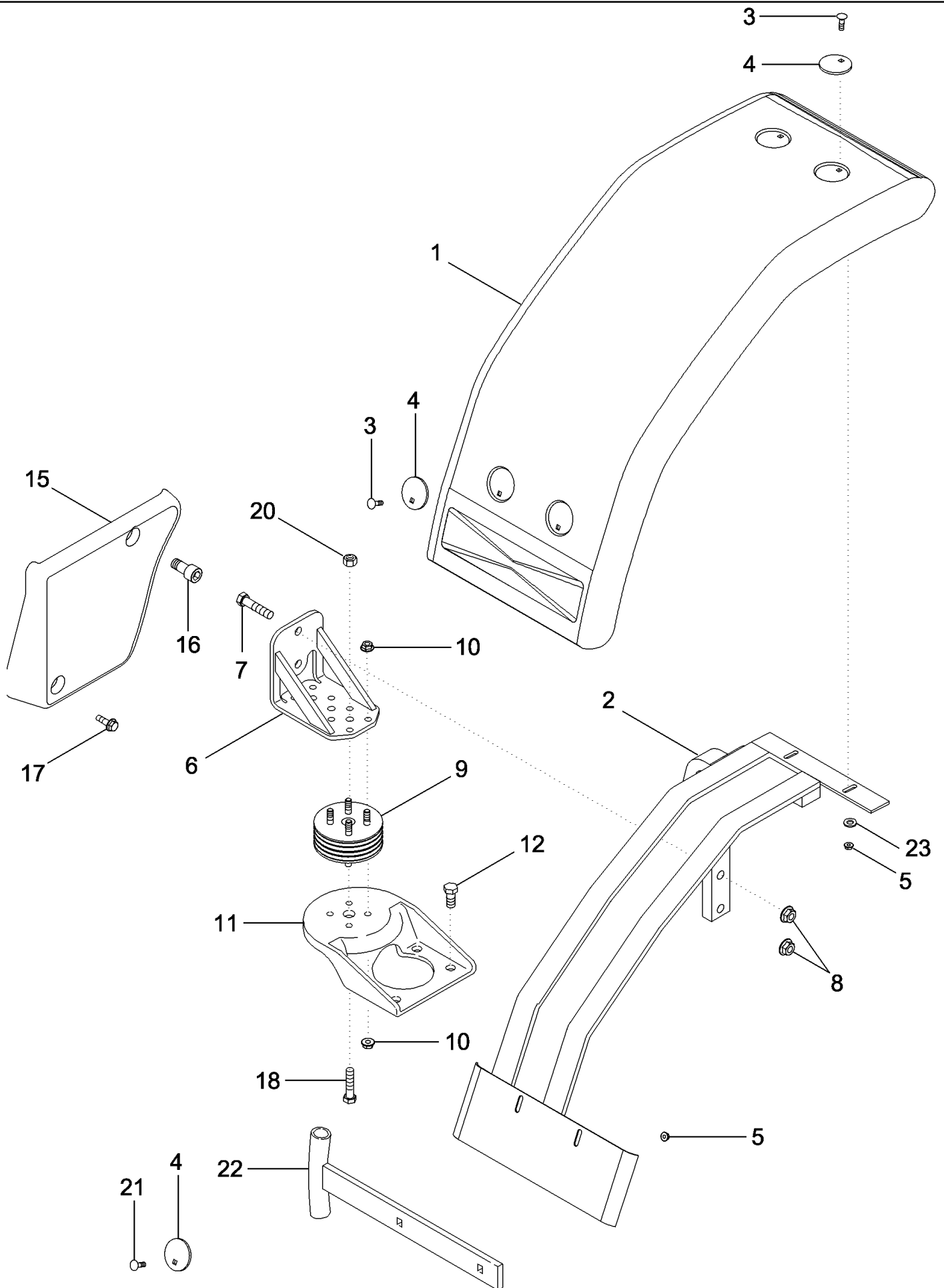


MAGNUM 255 CASE-IH MAGNUM TRACTOR (EMERGING MARKET) (1/06-)

09-04 FENDERS - FRONT, NARROW

сылка	Номер детали	Кол-во	Описание
1	1340664C1	2	FENDER, Narrow
2	244759A2	1	SUPPORT ASSY., Right Hand, Shown
2	244760A2	1	SUPPORT ASSY., Left Hand
3	612-6	4	BOLT, CARRIAGE, Short NK, M8 x 30, CI4.6, Full Thd,
4	1340559C2	8	WASHER, 2-1/2
5	832-10408	8	NUT, LOCK, M8 x 1.25, CI 8,
6	87427813	2	SUPPORT,
7	827-16070	4	BOLT, Hex, M16 x 70, 10.9,
8	825-51416	4	NUT, Flg, M16, Serr,
9	226690A2	2	SHOCK ABSORBER,
10	825-2412	16	NUT, M12 x 1.75, Flg, CI 8,
11	87437820	2	SUPPORT,
12	627-16040	8	BOLT, Hex, M16 x 40, 10.9,
15	253850A1	1	BUMPER, Right Hand, Shown
15	255685A1	1	BUMPER, Left Hand
16	565-111	2	SCREW, Hex Soc Hd, M20 x 40, 8.8,
17	555-6	2	BOLT, Hex Flg, M12 x 25, 8.8, Full Thd,
18	827-20100	2	BOLT, Hex, M20 x 100, 10.9,
20	832-10420	2	NUT, LOCK, M20 x 2.5, CI 8,
21	612-7	4	BOLT, CARRIAGE, M8 x 40, 4.6,
22	87319913	2	BAR,
23	895-25008	8	WASHER, M8 x 20 x 1.6,

09-05 FENDERS - FRONT, WIDE

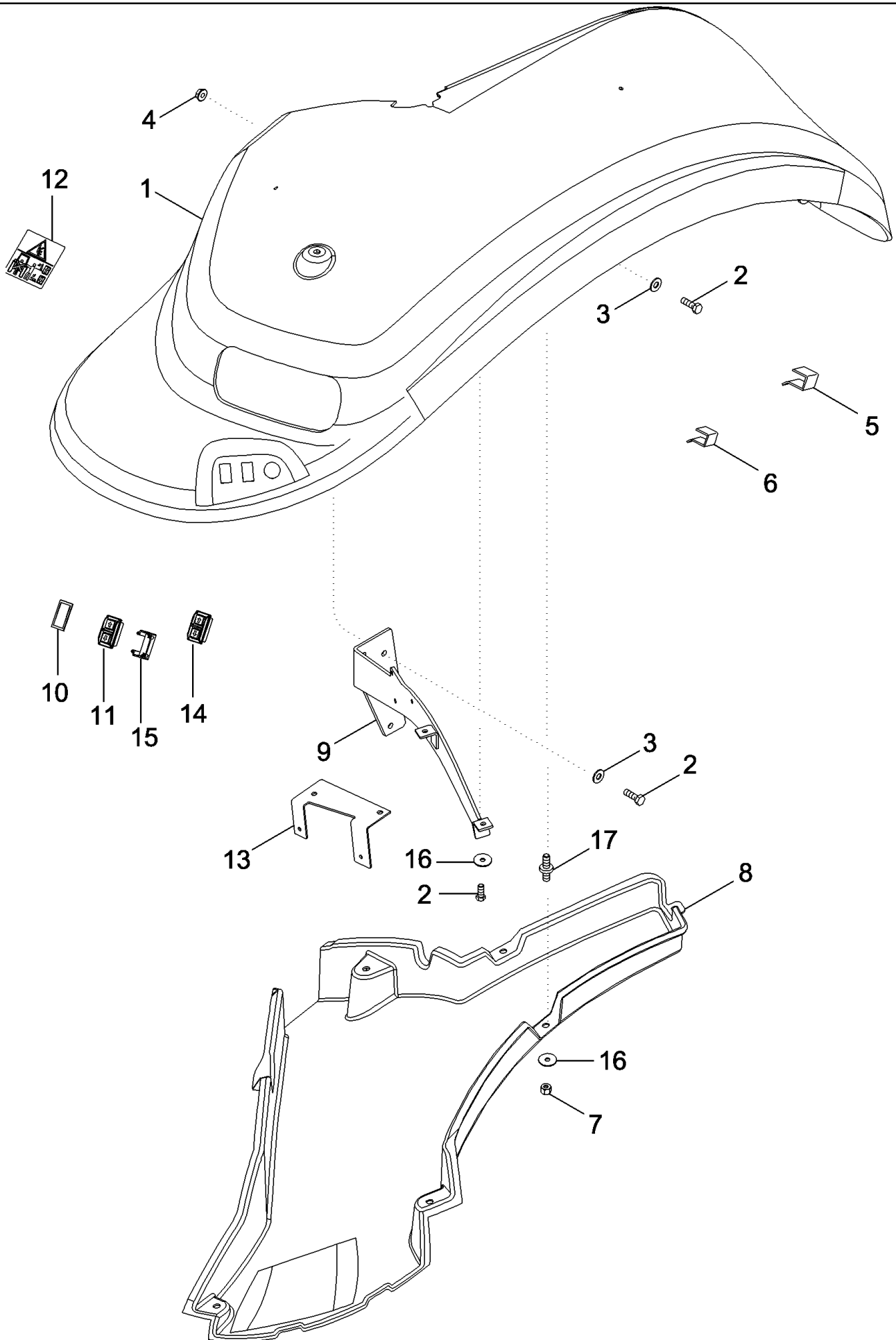


MAGNUM 255 CASE-IH MAGNUM TRACTOR (EMERGING MARKET) (1/06-)

09-05 FENDERS - FRONT, WIDE

сылка	Номер детали	Кол-во	Описание
1	122212A1	2	FENDER, 600 mm, Wide
2	244031A3	1	SUPPORT ASSY., Right Hand, Shown
2	244030A3	1	SUPPORT ASSY., Left Hand
3	612-6	8	BOLT, CARRIAGE, Short NK, M8 x 30, CI4.6, Full Thd,
4	1340559C2	12	WASHER, 2-1/2
5	832-10408	12	NUT, LOCK, M8 x 1.25, CI 8,
6	87427813	2	SUPPORT,
7	827-16070	4	BOLT, Hex, M16 x 70, 10.9,
8	825-51416	4	NUT, Flg, M16, Serr,
9	226690A2	2	SHOCK ABSORBER,
10	825-2412	16	NUT, M12 x 1.75, Flg, CI 8,
11	87437820	2	SUPPORT,
12	627-16040	8	BOLT, Hex, M16 x 40, 10.9,
15	253850A1	1	BUMPER, Right Hand, Shown
15	255685A1	1	BUMPER, Left Hand
16	565-111	2	SCREW, Hex Soc Hd, M20 x 40, 8.8,
17	555-6	2	BOLT, Hex Flg, M12 x 25, 8.8, Full Thd,
18	827-20100	2	BOLT, Hex, M20 x 100, 10.9,
20	832-10420	2	NUT, LOCK, M20 x 2.5, CI 8,
21	612-7	4	BOLT, CARRIAGE, M8 x 40, 4.6,
22	87319913	2	BAR,
23	895-25008	12	WASHER, M8 x 20 x 1.6,

09-06 FENDERS - REAR

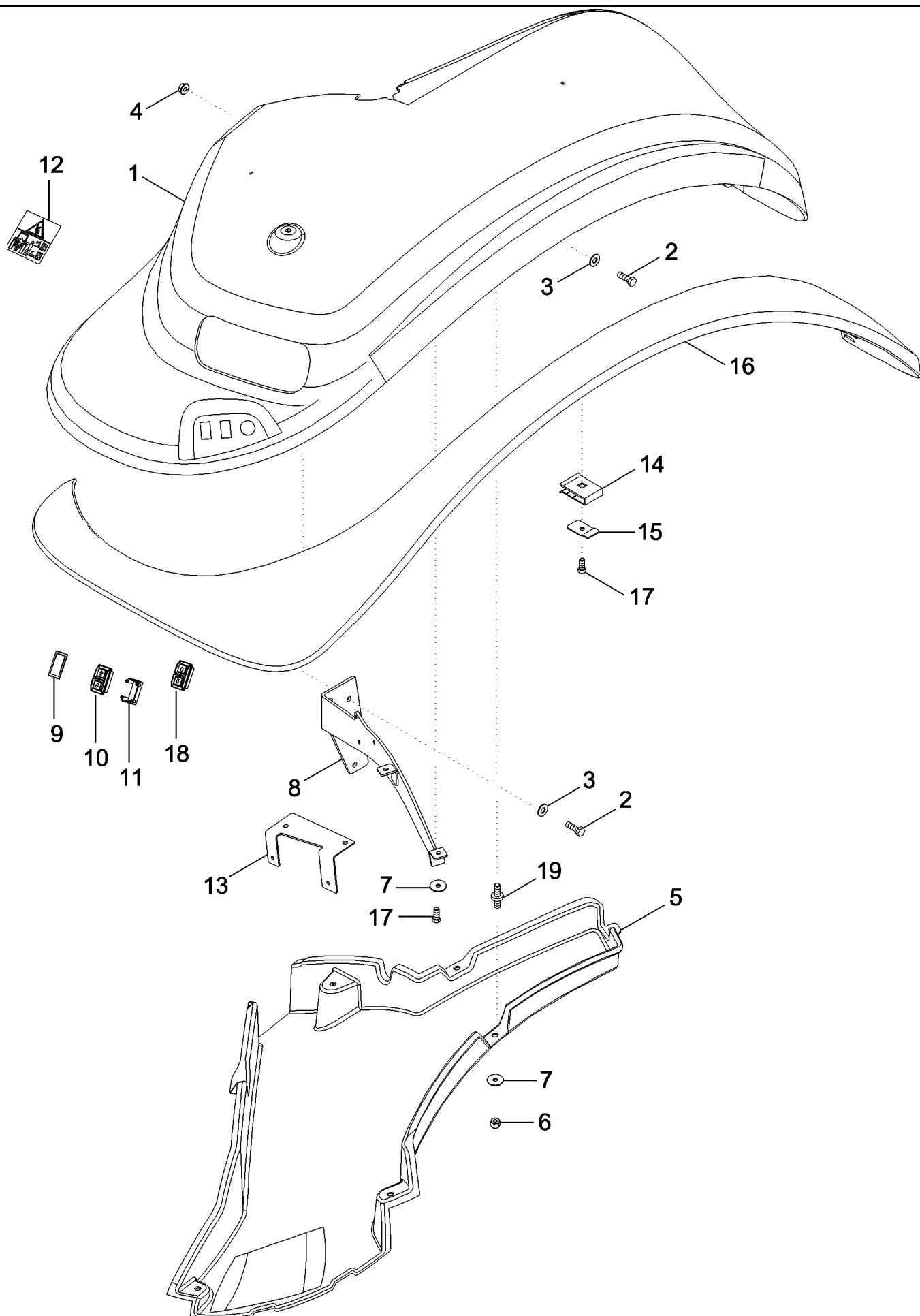


MAGNUM 255 CASE-IH MAGNUM TRACTOR (EMERGING MARKET) (1/06-)

09-06 FENDERS - REAR

сылка	Номер детали	Кол-во	Описание
1	87643174	1	FENDER, Right Hand, Shown
1	87643177	1	FENDER, Left Hand
2	614-8025	12	BOLT, Hex, M8 x 25, 8.8,
3	895-15008	16	WASHER, M8 x 20 x 1.6,
4	825-2408	12	NUT, M8 x 1.25, Flg, Cl 8,
5	302404A1	4	CLIP, ELECTRICAL, Short
6	302405A1	18	CLIP, ELECTRICAL, Long
7	832-10408	10	NUT, LOCK, M8 x 1.25, Cl 8,
8	87315348	1	GUARD, Right Hand, Shown
8	87315349	1	GUARD, Left Hand
9	87315346	1	SUPPORT, Right Hand, Shown
9	87315347	1	SUPPORT, Left Hand
10	221654A1	2	PLUG, Without Remote Hitch Switch
11	87452577	2	SWITCH, Remote Hitch, UP/Down
12	82030732	1	DECAL, Right Hand, Shown
12	82030732	1	DECAL, Left Hand
13	87379656	1	BRACKET, Right Hand, Shown
13	87379657	1	BRACKET, Left Hand
14	87454596	2	SWITCH,
15	220416A2	2	CONNECTOR, ELEC,
16	895-15006	12	WASHER, M6 x 25 x 1.6,
17	237275A1	16	STUD,

09-07 FENDERS - REAR, EXTRA WIDE

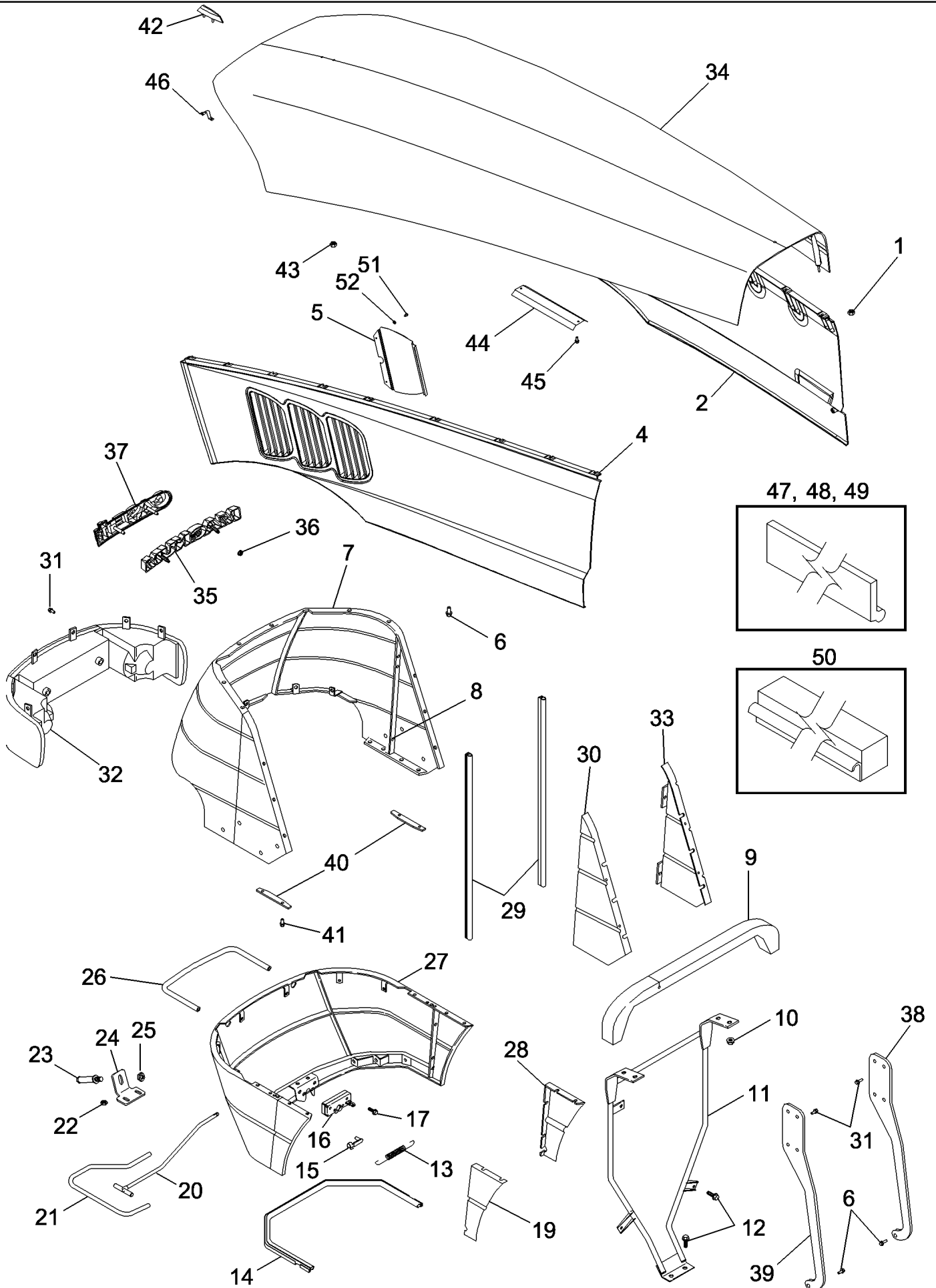


MAGNUM 255 CASE-IH MAGNUM TRACTOR (EMERGING MARKET) (1/06-)

09-07 FENDERS - REAR, EXTRA WIDE

сылка	Номер детали	Кол-во	Описание
1	87644785	1	FENDER, Right Hand, Shown
1	87644788	1	FENDER, Left Hand
2	614-8025	12	BOLT, Hex, M8 x 25, 8.8,
3	895-15008	12	WASHER, M8 x 20 x 1.6,
4	825-2408	8	NUT, M8 x 1.25, Flg, Cl 8,
5	87314285	1	HOUSING, Right Hand, Shown
5	87314289	1	HOUSING, Left Hand
6	832-10408	18	NUT, LOCK, M8 x 1.25, Cl 8,
7	895-25008	24	WASHER, M8 x 20 x 1.6,
8	87335068	1	SUPPORT, Right Hand, Shown
8	87335093	1	SUPPORT, Left Hand
9	221654A1	2	PLUG, Without Hitch Switch
10	87452577	2	SWITCH, Remote Hitch, UP/Down
11	220416A2	2	CONNECTOR, ELEC,
12	82030732	1	DECAL, Right Hand, Shown
12	82030732	1	DECAL, Left Hand
13	87739798	1	Right Hand, Shown
13	87739799	1	Left Hand
14	87331566	30	CLIP, SPRING,
15	87331565	10	STOP,
16	87331561	1	EXTENSION, FENDER, Right Hand, Shown
16	87331562	1	EXTENSION, FENDER, Left Hand
17	844-6012	10	BOLT, Hex Flg, M6 x 12, 8.8,
18	87454596	2	SWITCH,
19	237275A1	20	STUD,

09-08 HOOD - TILTING



MAGNUM 255 CASE-IH MAGNUM TRACTOR (EMERGING MARKET) (1/06-)

09-08 HOOD - TILTING

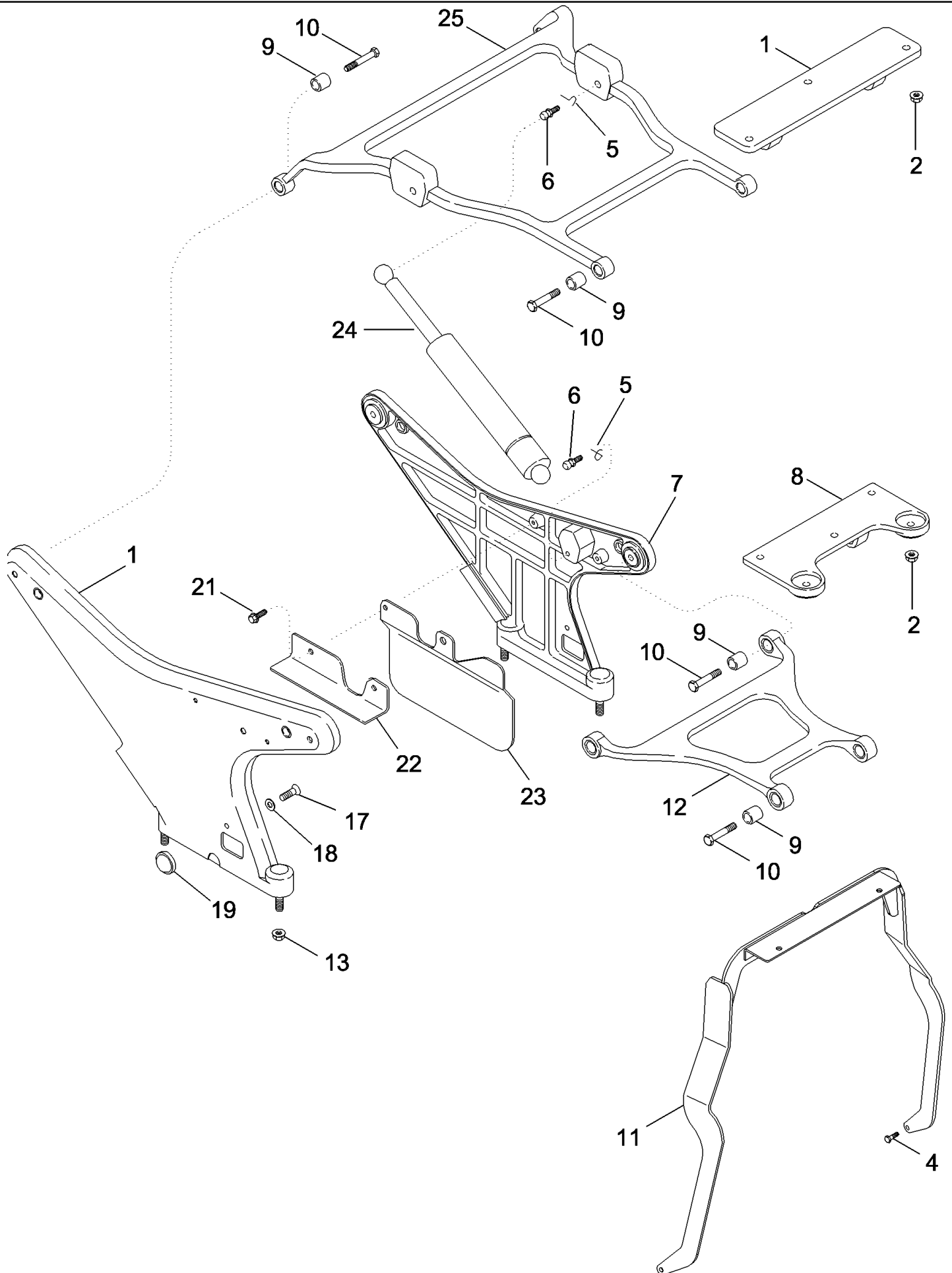
сылка	Номер детали	Кол-во	Описание
1	825-2406	18	NUT, M6 x 1, Flg, CI 8,
2	87531726	1	PANEL, Hood Right Hand Side, Inc. 3 ,51 ,52
3	87325986	1	GUARD, Right Hand, (Not Shown)
4	87531725	1	PANEL, Hood Left Hand Side, Inc. 5 ,51 ,52
5	87325983	1	GUARD, Left Hand
6	844-6012	10	BOLT, Hex Flg, M6 x 12, 8.8,
7	87565202	1	GRILLE, Upper Right
8	369929A1	12	FASTENER,
9	87325973	1	SEAL, Hood
10	825-2408	4	NUT, M8 x 1.25, Flg, CI 8,
11	87685353	1	SUPPORT,
12	555-1	6	BOLT, Hex Flg, M8 x 16, 8.8,
13	87455797	1	SPRING, TENSION, Latch
14	87374635	1	SEAL, Lower Grille
15	86987940	1	CLIP,
16	87454541	1	LATCH, Hood Release
17	844-6020	4	BOLT, Hex Flg, M6 x 20, 8.8,
19	87369357	1	PANEL, Lower Left
20	87595777	1	ROD, Latch
21	87617635	1	HANDLE, Hood Lift
22	825-2410	6	NUT, M10 x 1.5, Flg, CI 8,
23	301081A1	1	SCREW, Striker
24	87312069	1	PLATE, STRIKER,
25	825-2412	1	NUT, M12 x 1.75, Flg, CI 8,
26	87617634	1	HANDLE, Hood
27	87617632	1	GRILLE, Lower
28	87369358	1	Lower Right
29	87340054	2	SEAL, Side
30	87369354	1	PANEL, Upper Left
31	844-6016	24	BOLT, Hex Flg, M6 x 16, 8.8,
32	REF	1	INSTRUCTION, HEADLAMPS, See Figure 04-22
33	87369355	1	PANEL, Upper
34	87327547	1	PANEL, Hood Upper, Inc. 42 - 45
36	131-431	2	NUT, LOCK, Self, Threading, 1/4",
37	87716230	1	EMBLEM, CASE-IH
38	87385055	1	BRACKET, Support, RH
39	87385054	1	BRACKET, Support, LH
40	87367909	2	WEAR STRIP,
41	844-6025	10	BOLT, Hex Flg, M6 x 25, 8.8,
42	87353799	1	GUIDE, Hood Sight
43	131-431	2	NUT, LOCK, Self, Threading, 1/4",
44	87327364	1	GUIDE, Spring
45	779-14613	2	SCREW, SELF TAP, Hex Hd, M6.3 x 13,
46	87329818	2	ROD, Grille Mounting
47	87394270	2	SEAL, Side, Top RH, Top LH

MAGNUM 255 CASE-IH MAGNUM TRACTOR (EMERGING MARKET) (1/06-)

09-08 HOOD - TILTING

сылка	Номер детали	Кол-во	Описание
48	87394269	2	SEAL, Center, Top and Bottom
49	87394271	2	SEAL, Side, Bottom RH, Bottom LH
50	87394272	2	SEAL, Corner, Rear RH, Rear LH
51	779-14395	4	SCREW, SELF TAP,
52	895-11005	4	WASHER, M5 x 10 x 1,

09-09 HOOD - TILTING

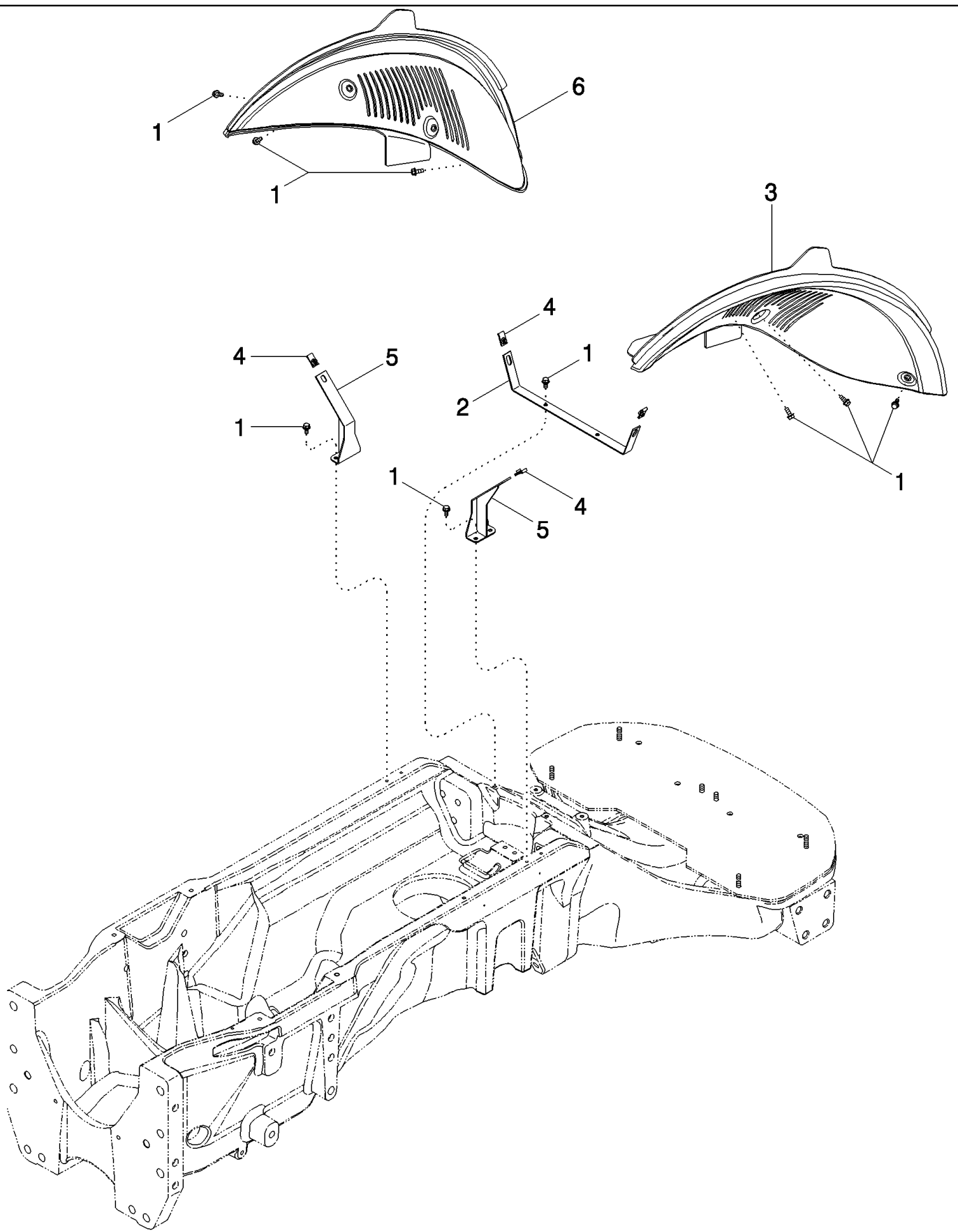


MAGNUM 255 CASE-IH MAGNUM TRACTOR (EMERGING MARKET) (1/06-)

09-09 HOOD - TILTING

сылка	Номер детали	Кол-во	Описание
1	87376828	1	LINK, MOUNT, Hood
2	825-2408	8	NUT, M8 x 1.25, Flg, CI 8,
4	844-6012	2	BOLT, Hex Flg, M6 x 12, 8.8,
5	87521455	4	CLIP, Retainer
6	87398921	4	BALL JOINT,
7	87524533	1	FRAME, Right Hand Upper
8	87399565	1	SUPPORT,
9	87343713	8	BUSHING,
10	844-12050	8	BOLT, Hex Flg, M12 x 50, 8.8,
11	87385049	1	SUPPORT, Rear Hood
12	87313669	1	LINK, Hood Support
13	825-2410	4	NUT, M10 x 1.5, Flg, CI 8,
17	87564727	2	BOLT,
18	81545	2	WASHER, LOCK, Ext Csk Tooth, 1/4",
19	87567203	3	KNOB,BALL, Hood Leaf Spring Slider
20	87524532	1	FRAME, Left Hand Upper
21	555-1	2	BOLT, Hex Flg, M8 x 16, 8.8,
22	87327363	1	SHIELD,
23	87517404	1	SHIELD, Flex Pipe Heat
24	87386500	2	GAS STRUT, Hood
25	87351237	1	LINK,

09-10 FAN SHIELDS

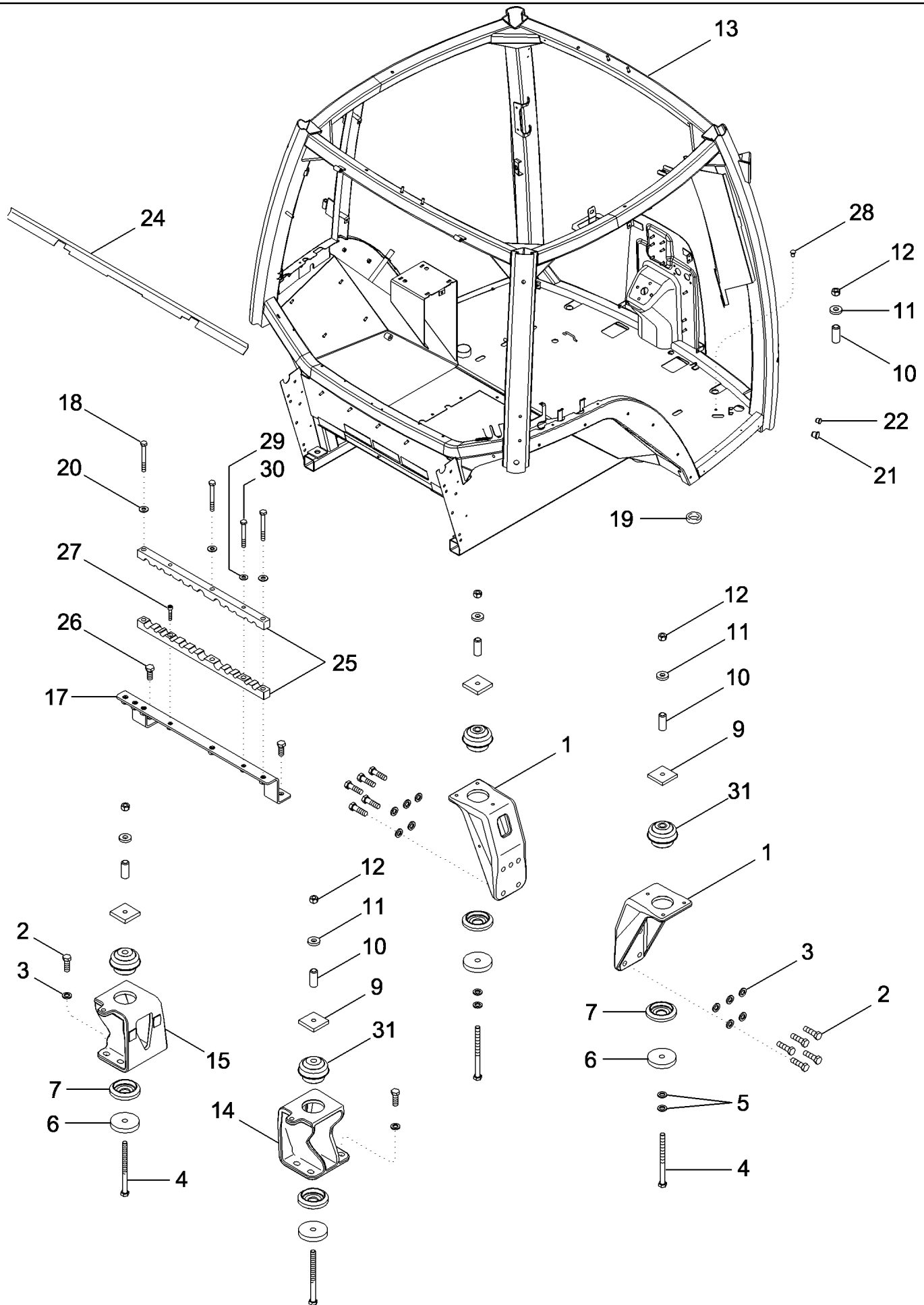


MAGNUM 255 CASE-IH MAGNUM TRACTOR (EMERGING MARKET) (1/06-)

09-10 FAN SHIELDS

сылка	Номер детали	Кол-во	Описание
1	844-8020	12	BOLT, Hex Flg, M8 x 20, 8.8,
2	87443613	1	BRACKET,
3	87453901	1	PANEL, Right Hand
4	833-41308	6	NUT, M8, U,
5	87443614	2	BRACKET,
6	87453902	1	PANEL, Left Hand

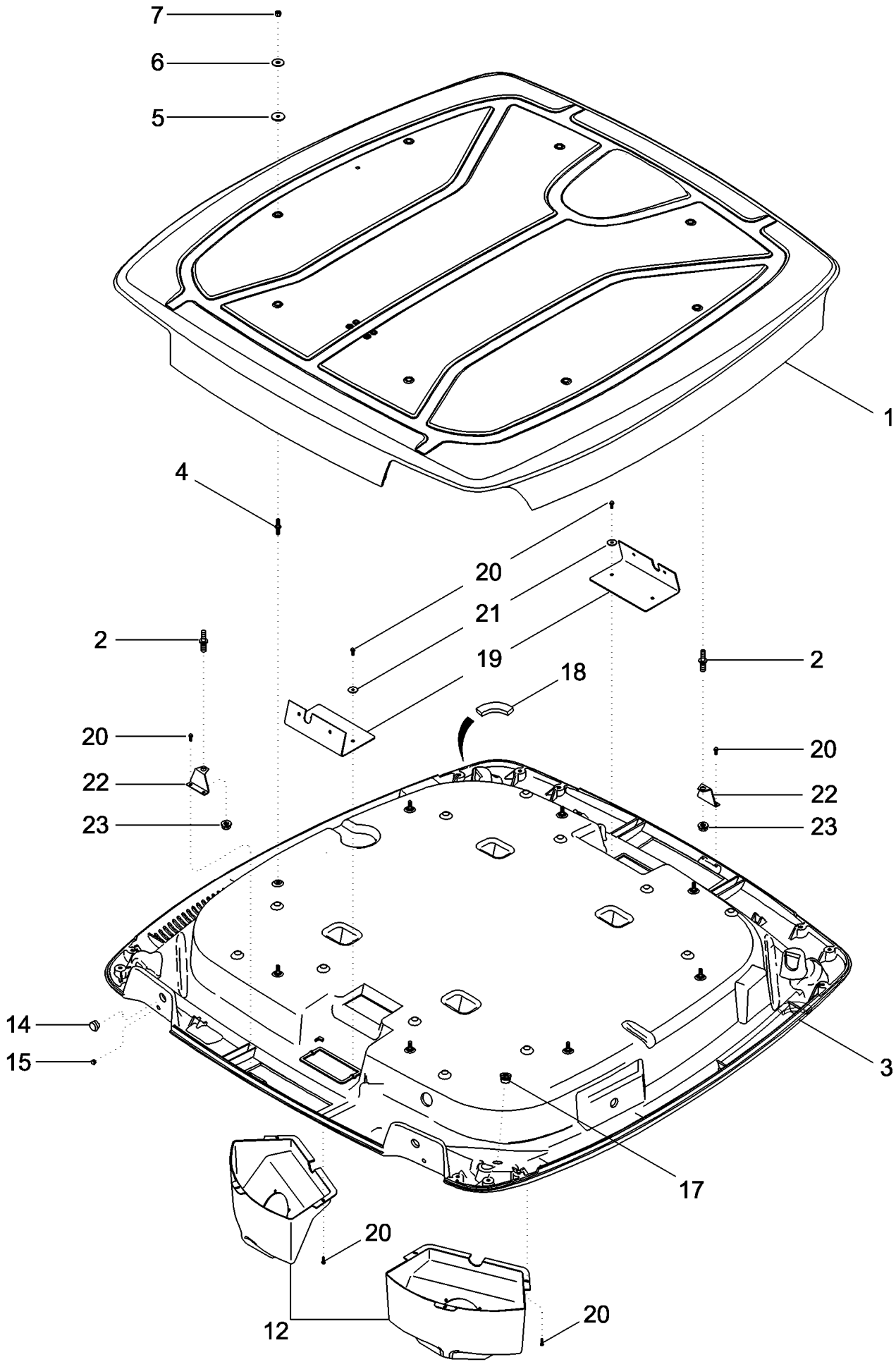
09-11 CAB - MOUNTING AND FRAME



MAGNUM 255 CASE-IH MAGNUM TRACTOR (EMERGING MARKET) (1/06-)

09-11 CAB - MOUNTING AND FRAME

сылка	Номер детали	Кол-во	Описание
1	87522763	2	BRACKET, Cab Mount, Front
2	628-16045	18	BOLT, Hex, M16 x 45, 10.9, Full Thd,
3	896-12016	18	WASHER, M17.5 x 30 x 4, HT,
4	86987599	4	BOLT, M16 x 200
5	896-11016	4	WASHER, M17.5 x 30 x 4, HT, Front Mount
6	87562943	4	SPACER, 16 mm
7	1286903C1	4	INSULATOR BLOCK, Bottom
8	192337A1	2	BLOCK, INSULATING, Top, Rear
9	86985936	4	PLATE,
10	184262A1	4	SPACER,
11	897278H1	4	WASHER,
12	829-1416	4	NUT, M16, CI 10,
13	NSS	1	NOT SERVICED SEPARATELY, Cab, Frame
14	87522765	1	BRACKET, Cab, RH Rear
15	87522769	1	BRACKET, Cab, LH Rear
17	87435455	1	BRACKET,
18	814-8060	3	BOLT, Hex, M8 x 60, 8.8,
19	182220A1	1	GROMMET,
20	895-15008	3	WASHER, M8 x 20 x 1.6,
21	128209A1	4	PLUG,
22	353-432	2	PLUG, 7/8" Hole, Nylon,
24	359321A1	1	GUARD,
25	87430951	1	BAR, Clamp, 2 Piece
26	615-10025	2	BOLT, Hex, M10 x 25, 8.8, Full Thd,
27	864-6030	1	SCREW, Hex Soc Hd, M6 x 30, 8.8,
28	441460A1	1	PLUG, 9,5 mm
29	814-6060	1	BOLT, Hex, M6 x 60, 8.8,
30	495-81107	1	WASHER, .281" x 7/8" x .060",
31	87677703	2	BLOCK, INSULATING, Top, Front

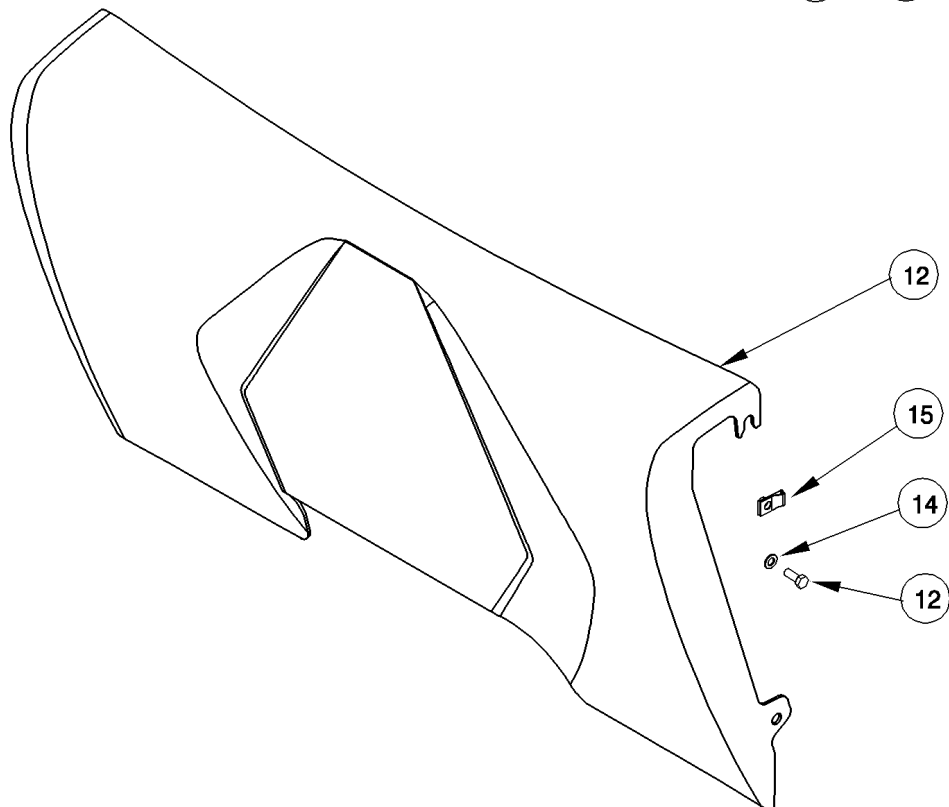
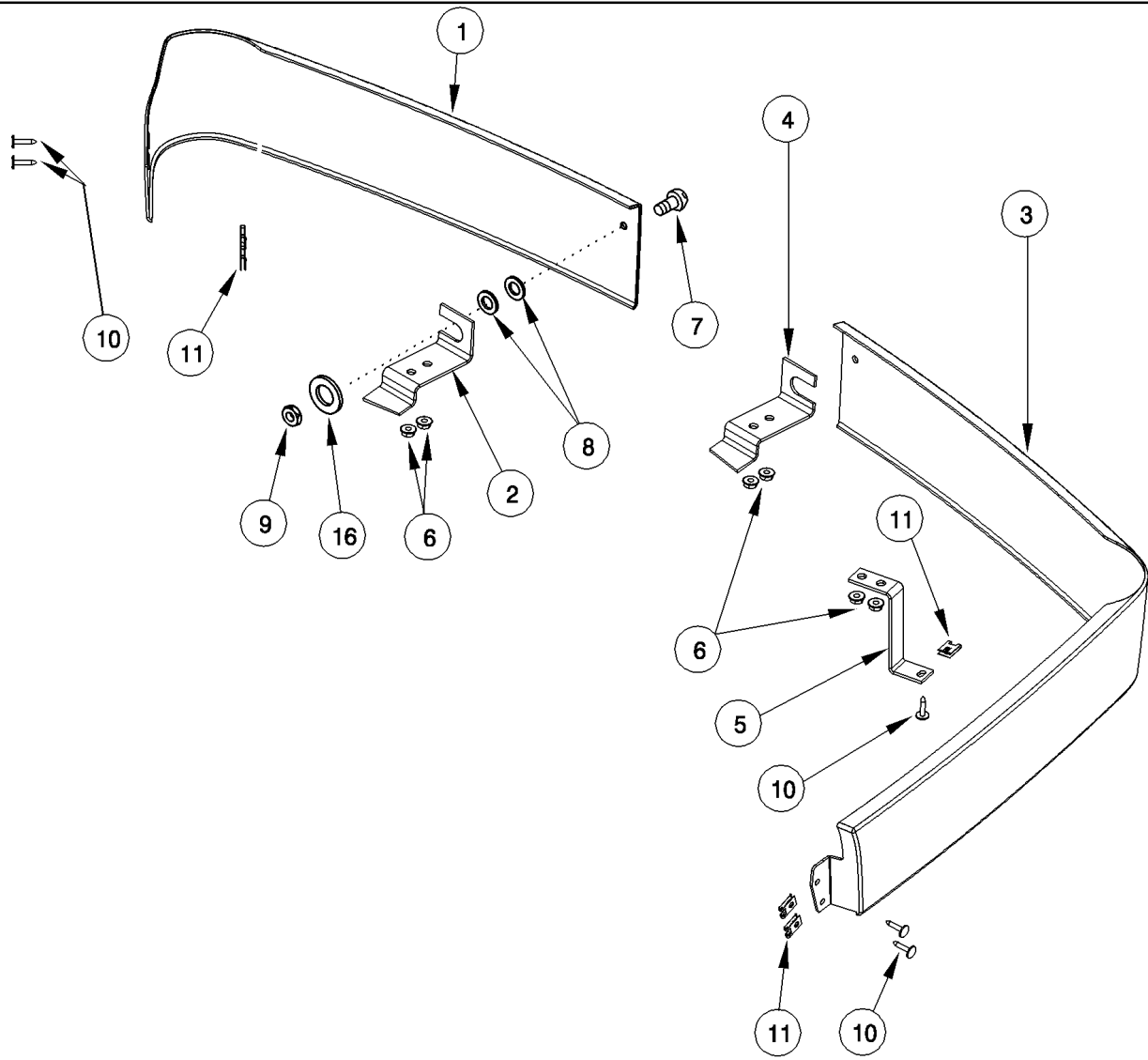


MAGNUM 255 CASE-IH MAGNUM TRACTOR (EMERGING MARKET) (1/06-)

09-12 CAB - ROOF

сылка	Номер детали	Кол-во	Описание
1	433973A4	1	ROOF, Upper
2	449901A1	2	STUD,
3	87419087	1	ROOF, Lower, Inc. 4, 19 - 22
4	237275A1	8	STUD,
5	221429A2	8	SPACER,
6	495-81140	8	WASHER, 13/32" x 1 1/4" x .060",
7	832-10408	8	NUT, LOCK, M8 x 1.25, CI 8,
12	433800A1	4	HOUSING, Speaker Cover
14	353-411	2	PLUG, Dome, 1.000" hole, Nylon,
15	353-425	2	PLUG, 7/16 in dia
17	182220A1	1	GROMMET,
18	365219A1	1	SEAL,
19	401110A2	2	BRACKET,
20	758-5	20	SCREW, SELF TAP, Hex Hd, M5.5 x 15,
21	895-15006	4	WASHER, M6 x 25 x 1.6,
22	449074A1	2	BRACKET,
23	825-2408	2	NUT, M8 x 1.25, Flg, CI 8,

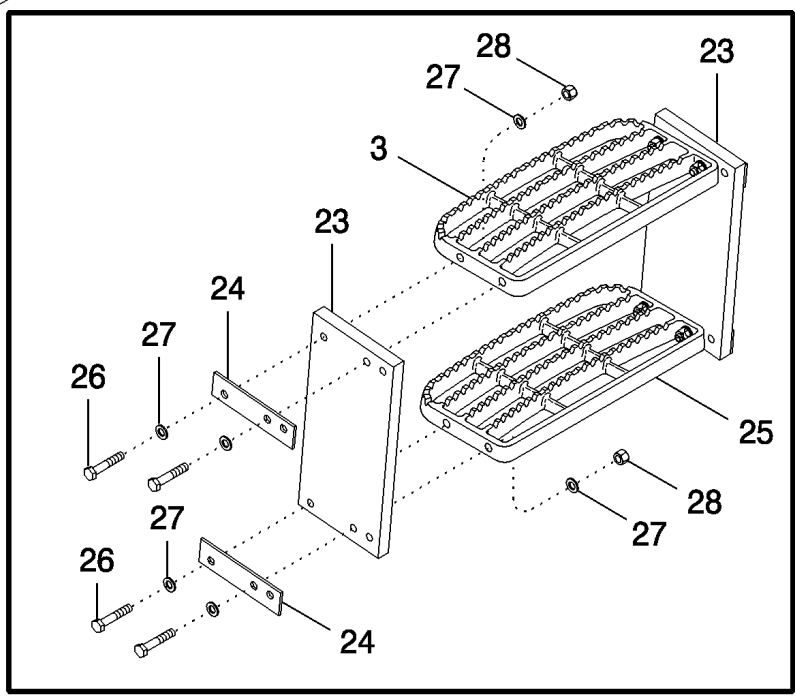
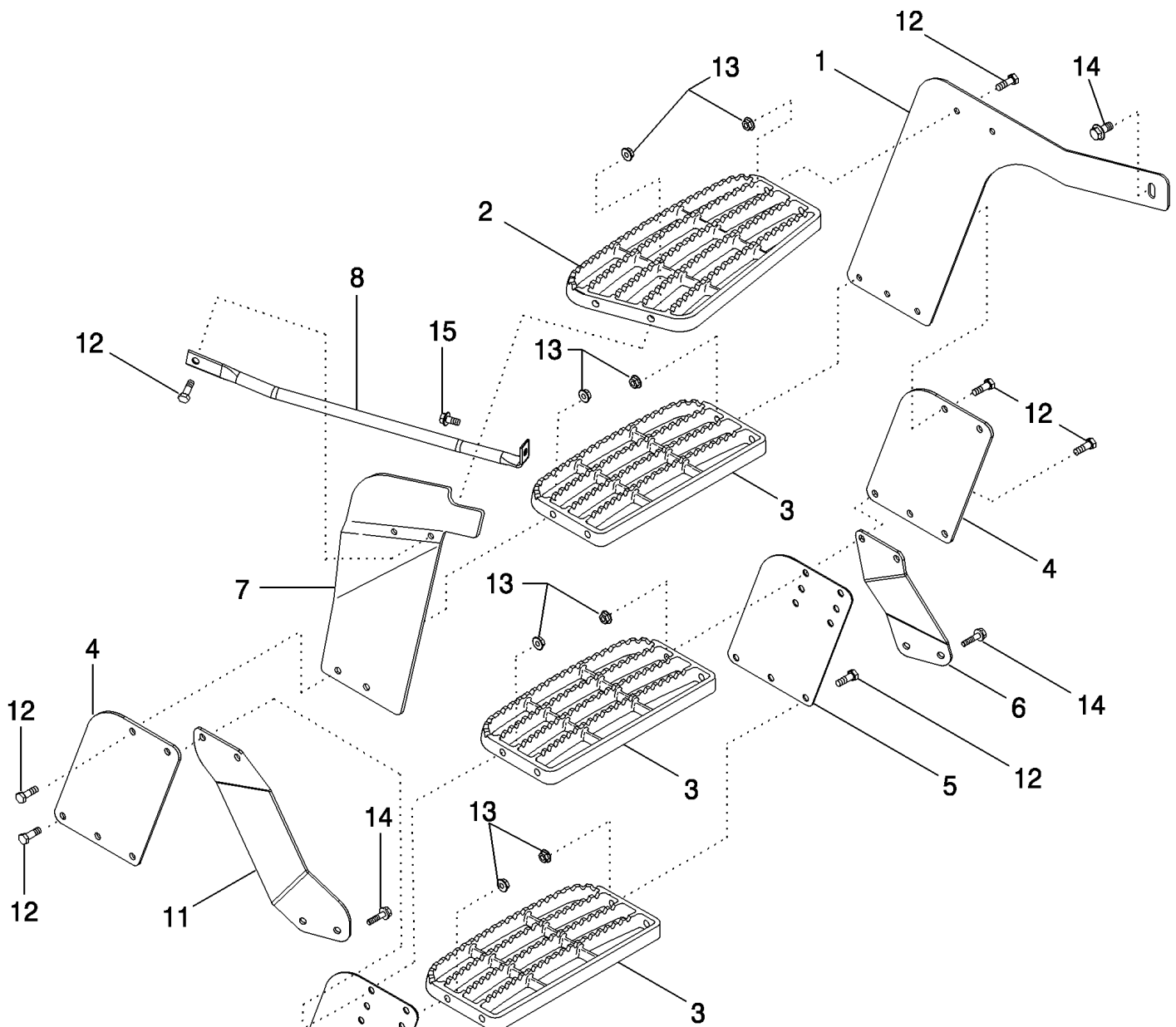
09-13 CAB - EXTERIOR TRIM



MAGNUM 255 CASE-IH MAGNUM TRACTOR (EMERGING MARKET) (1/06-)

09-13 CAB - EXTERIOR TRIM

сылка	Номер детали	Кол-во	Описание
1	258865A4	1	PADDING, Front Left Hand Side
2	87432398	1	BRACKET, Left Hand
3	258866A4	1	PADDING, Front Right Hand Side
4	87432399	1	BRACKET, Right Hand
5	298464A1	1	SUPPORT,
6	825-2408	6	NUT, M8 x 1.25, Flg, CI 8,
7	840-1820	2	SCREW, Cross Pan Hd, M8 x 20,
8	96814C3	4	WASHER,
9	832-10408	2	NUT, LOCK, M8 x 1.25, CI 8,
10	104033C2	5	SCREW, SELF TAP, Cross Wash Hd, M4.8 x 19, Coated,
11	131-642	5	NUT, Tinn, U, #10,
12	387123A6	1	PANEL, Rear
13	614-8020	2	BOLT, Hex, M8 x 20, 8.8,
14	895-11008	2	WASHER, M8 x 16 x 1.6,
15	86508354	2	NUT, M8
16	495-81140	2	WASHER, 13/32" x 1 1/4" x .060",

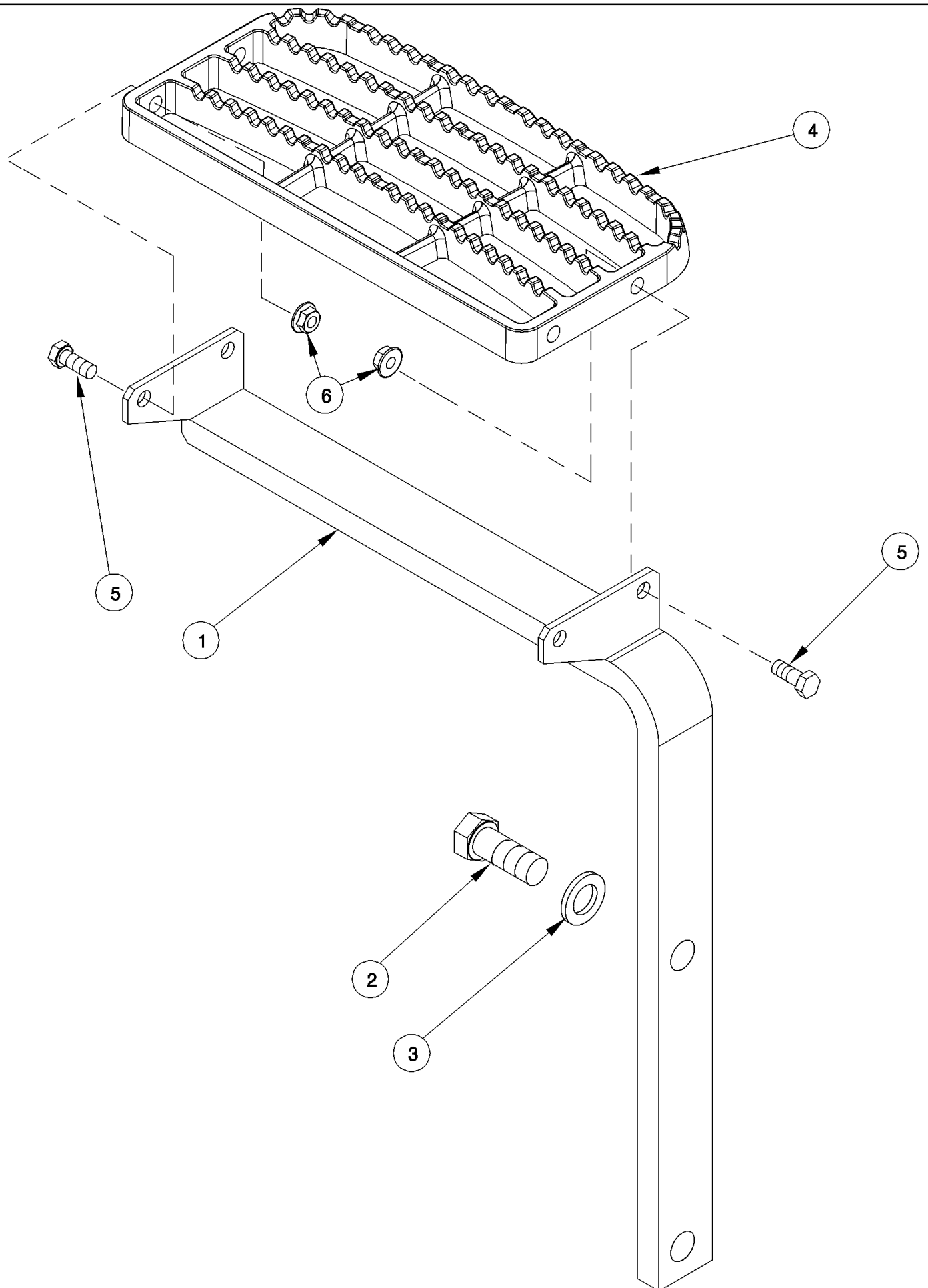


MAGNUM 255 CASE-IH MAGNUM TRACTOR (EMERGING MARKET) (1/06-)

09-14 CAB - STEPS

сылка	Номер детали	Кол-во	Описание
1	87447664	1	RISER, Front, Upper
2	87310397	1	STEP, Upper
3	87301185	3	STEP,
4	87426577	2	RISER, Center
5	87426578	2	RISER, Lower Front
6	87447713	1	BRACKET, Front
7	87341258	1	RISER, Rear, Upper
8	87447680	1	TUBE, SUPPORT,
11	87447712	1	BRACKET, Rear, Lower
12	614-10035	16	BOLT, Hex, M10 x 35, 8.8, Full Thd,
13	825-2410	16	NUT, M10 x 1.5, Flg, Cl 8,
14	844-10030	5	BOLT, Hex Flg, M10 x 30, 8.8, Full Thd,
15	844-10030	1	BOLT, Hex Flg, M10 x 30, 8.8, Full Thd,
23	322425A1	2	SUPPORT, Step Extension (If Equipped)
24	448033A1	4	PLATE, LARGE, Belting Support (If Equipped)
25	87301185	1	STEP,
26	814-10055	8	BOLT, Hex, M10 x 55, 8.8,
27	895-11010	16	WASHER, M10 x 20 x 2,
28	832-10410	8	NUT, LOCK, M10 x 1.5, Cl 8,

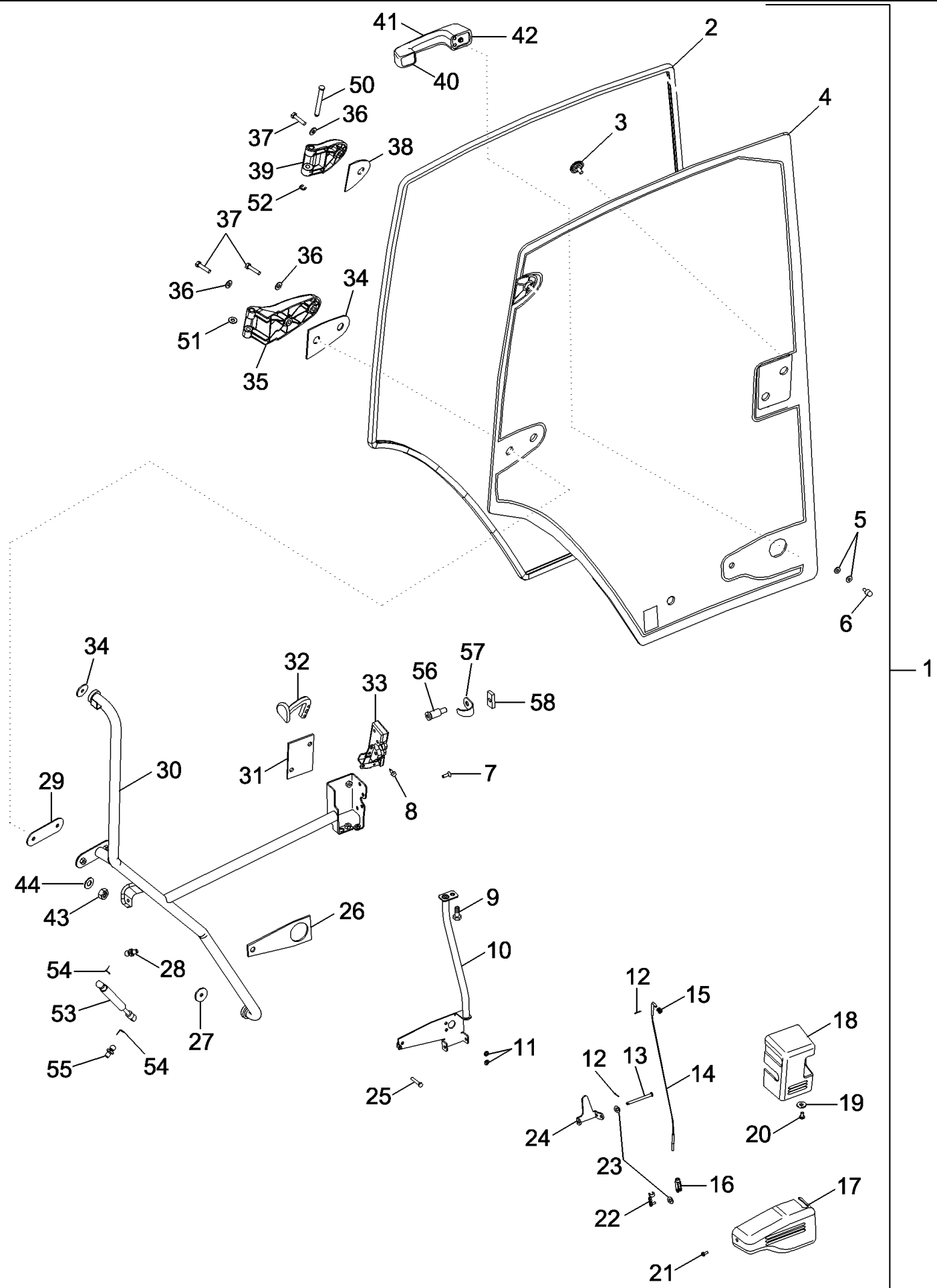
09-15 CAB - FRONT WINDOW STEP



MAGNUM 255 CASE-IH MAGNUM TRACTOR (EMERGING MARKET) (1/06-)

09-15 CAB - FRONT WINDOW STEP

сылка	Номер детали	Кол-во	Описание
1	87352592	1	SUPPORT,
2	627-20060	2	BOLT, Hex, M20 x 60, 10.9,
3	896-11020	2	WASHER, M20 x 37.5 x 4, HT,
4	87301185	1	STEP,
5	614-10025	4	BOLT, Hex, M10 x 25, 8.8, Full Thd,
6	825-2410	4	NUT, M10 x 1.5, Flg, Cl 8,



MAGNUM 255 CASE-IH MAGNUM TRACTOR (EMERGING MARKET) (1/06-)

09-16 CAB - DOOR

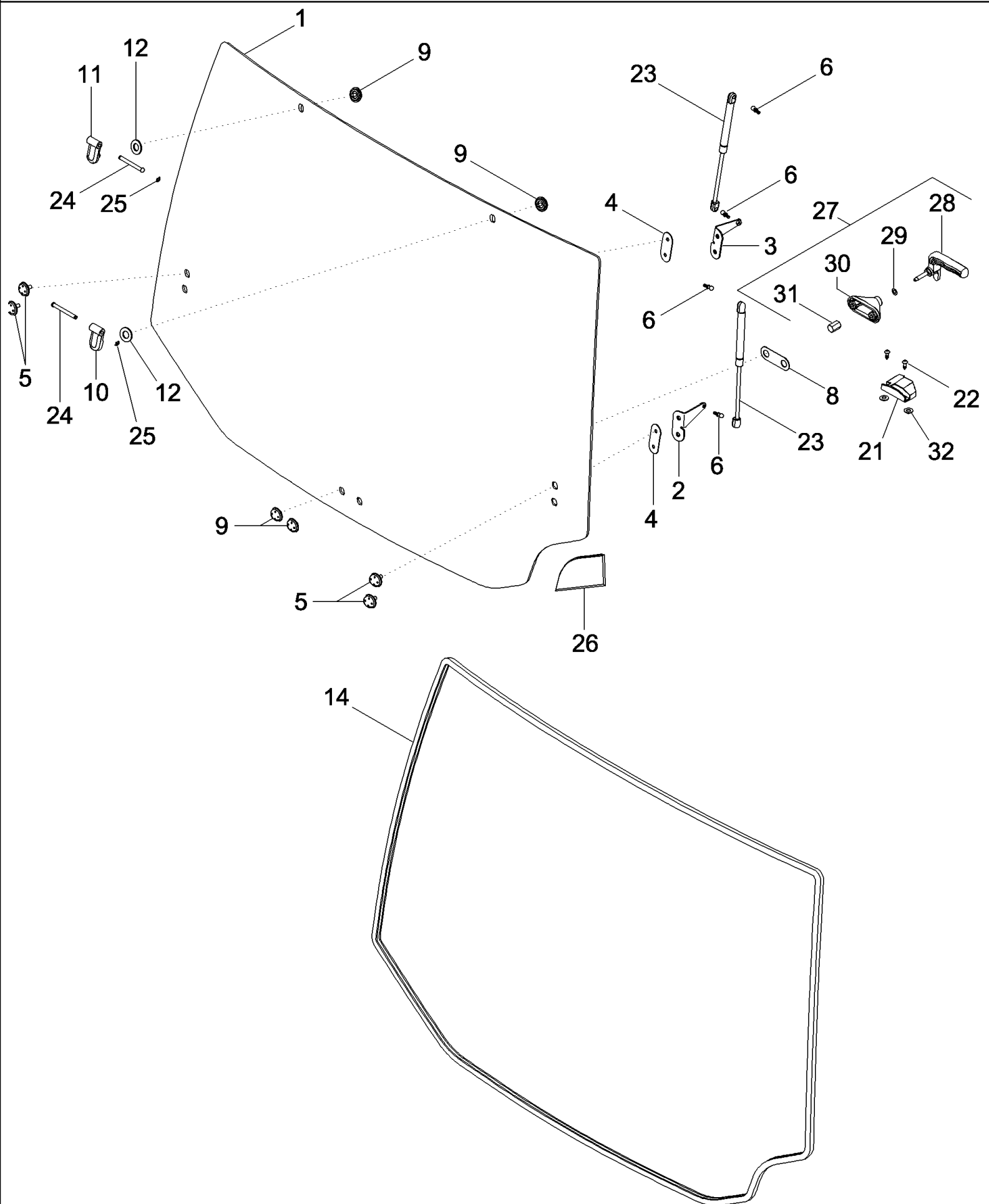
сылка	Номер детали	Кол-во	Описание
1	316518A3	1	DOOR ASSY., Inc. 2 - 44
2	87534532	1	SEAL,
3	198916A2	3	CAP,
4	344730A2	1	GLASS, CAB,
5	495-31027	2	WASHER, 1/4",
6	314610A1	1	BUTTON,
7	461-42512	4	SCREW, Hex Soc Flat Hd, 1/4"-20 x 3/4",
8	781-24620	2	SCREW, SELF TAP, Hex Flg Hd, M6 x 20,
9	275359A3	1	SUPPORT,
10	614-8016	1	BOLT, Hex, M8 x 16, 8.8,
11	892-11006	3	WASHER, LOCK, M6,
12	733-1610	3	PIN, SPLIT (COTTER), M1.6 x 10,
13	275353A1	1	PIN, BALL,
14	314606A1	1	CABLE,
15	895-11005	3	WASHER, M5 x 10 x 1,
16	713-125	1	CLEVIS, ADJUSTABLE,
17	275345A4	1	COVER,
18	275344A6	1	PROTECTOR,
19	895-11006	1	WASHER, M6,
20	840-1612	1	SCREW, Cross Pan Hd, M6 x 12,
21	840-1512	1	SCREW, Cross Pan Hd, M5 x 12,
22	1999650C1	1	PIN, CLEVIS,
23	87681226	2	WASHER, Curve Spring
24	314611A1	1	LEVER,
25	814-6035	3	BOLT, Hex, M6 x 35, 8.8,
26	191939A3	1	SPACER,
27	221429A2	2	SPACER,
28	3234063R1	1	BALL JOINT,
29	308633A1	1	SPACER, 3,0 mm
30	344728A1	1	HANDLE,
31	275352A2	1	SPACER,
32	321023A4	1	HANDLE,
33	321013A1	1	LOCK,
34	305159A1	1	SPACER,
35	191206A3	1	HINGE, Lower
36	895-15008	3	WASHER, M8 x 20 x 1.6,
37	614-8035	3	BOLT, Hex, M8 x 35, 8.8,
38	305158A1	1	SPACER,
39	304921A1	1	HINGE, Upper
40	321552A1	1	BEZEL,
41	60-7083T1	1	HANDLE,
42	321551A1	1	BEZEL,
43	829-1408	2	NUT, M8, CI 10,
44	895-11008	2	WASHER, M8 x 16 x 1.6,
45	1964831C2	1	SET OF 2 KEYS, (Not Shown)

MAGNUM 255 CASE-IH MAGNUM TRACTOR (EMERGING MARKET) (1/06-)

09-16 CAB - DOOR

сылка	Номер детали	Кол-во	Описание
50	178819A3	2	PIN,
51	895-18010	1	WASHER, M10 x 18 x 1.6,
52	800-439	2	CIRCLIP, M9,
53	1280263C1	1	CYLINDER ASSY.,
54	3233348R1	2	CLIP,
55	3234063R1	1	BALL JOINT,
56	321277A1	1	PIN,
57	321535A1	1	PROTECTOR,
58	275444A1	1	PLATE,

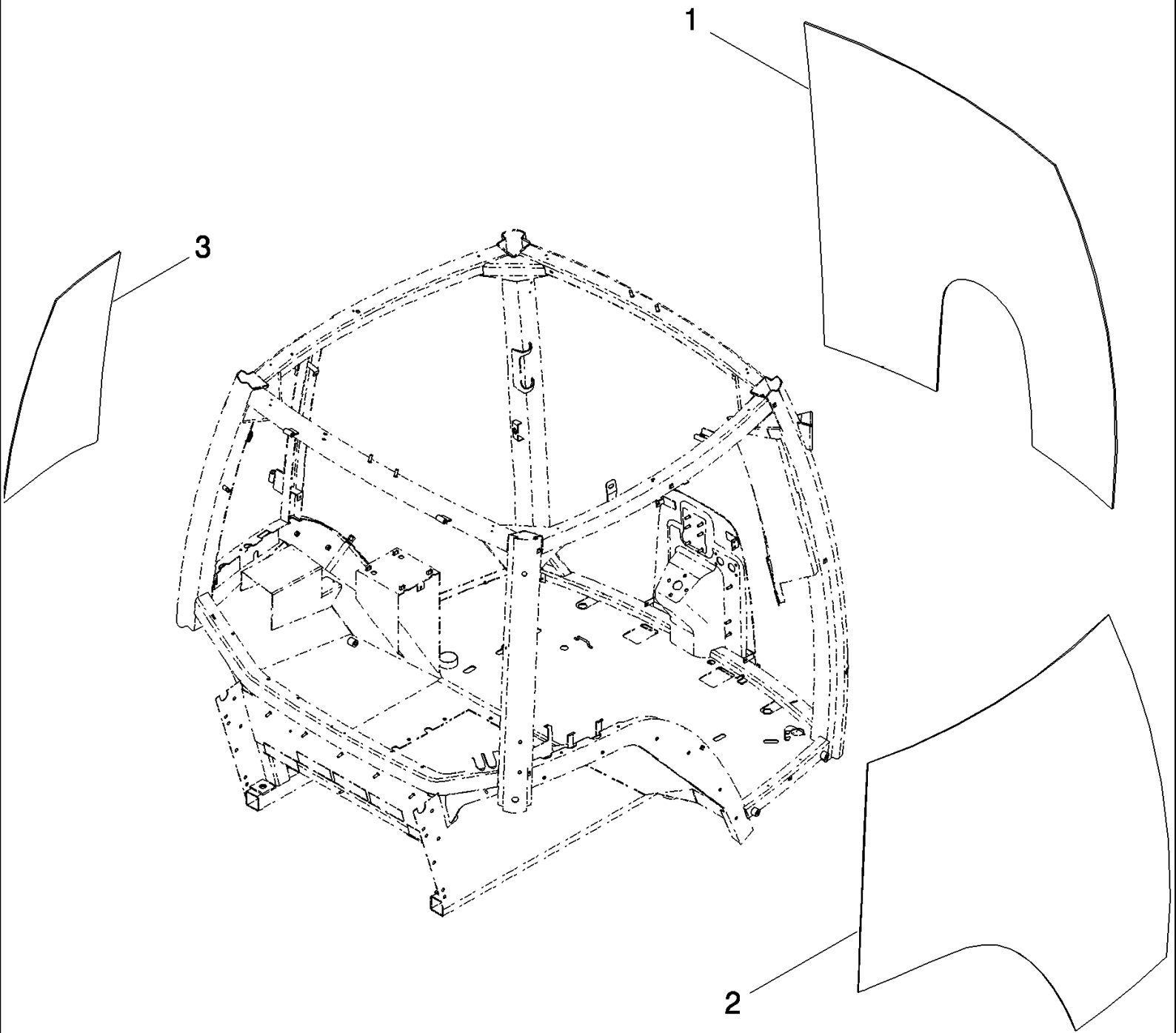
09-17 CAB - REAR WINDOW



MAGNUM 255 CASE-IH MAGNUM TRACTOR (EMERGING MARKET) (1/06-)

09-17 CAB - REAR WINDOW

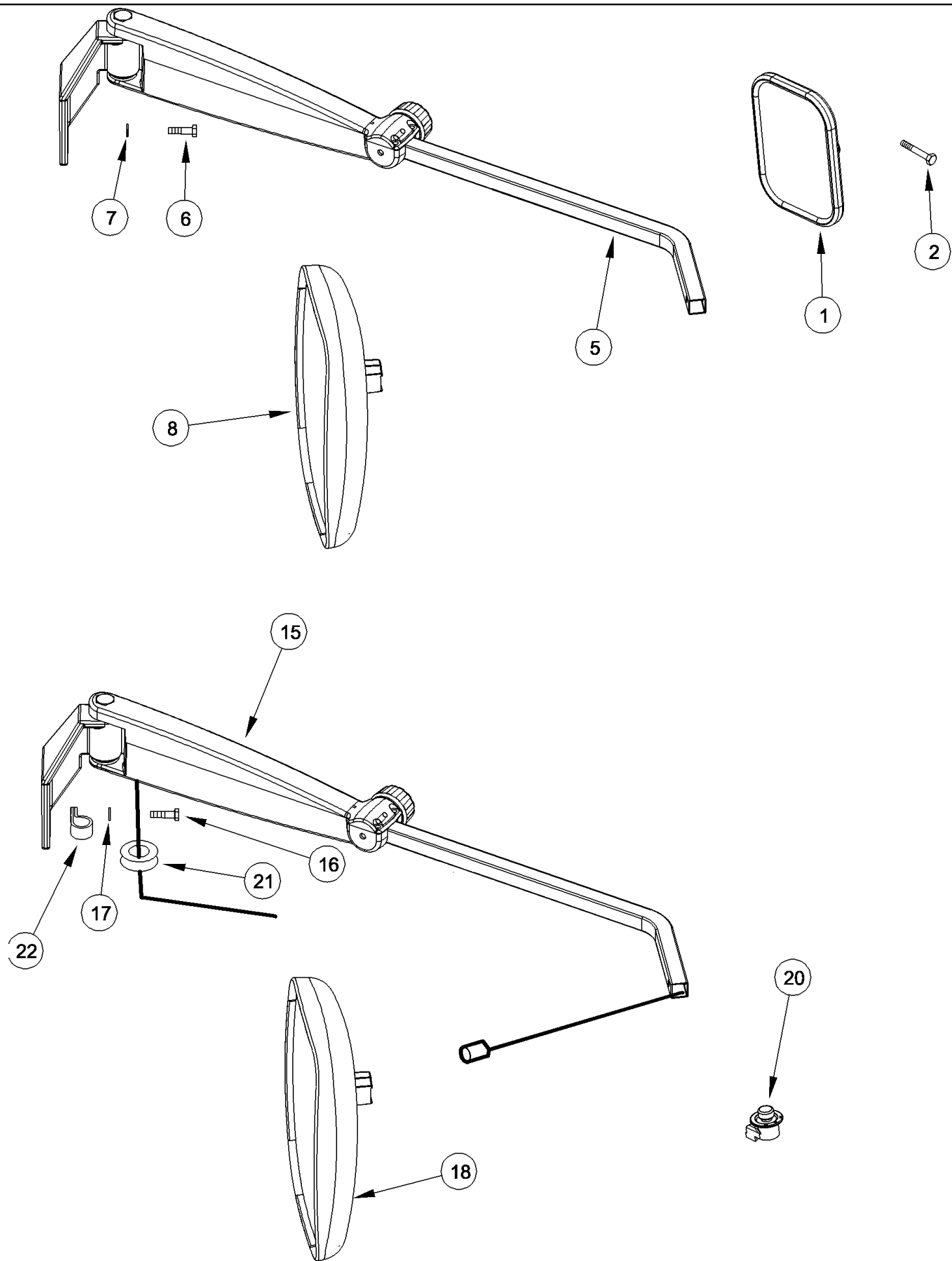
сылка	Номер детали	Кол-во	Описание
1	87309738	1	GLASS,
2	256810A2	1	SUPPORT, Right Hand
3	256809A2	1	SUPPORT, Left Hand
4	222787A2	2	PAD,
5	198916A2	4	CAP,
6	K303756	4	BALL JOINT, 6 mm
8	220935A3	1	PAD,
9	198913A3	4	PLASTIC PLUG,
10	176246A2	1	HINGE, Right Hand
11	176245A2	1	HINGE, Left Hand
12	180361A2	2	WASHER,
14	87534532	1	SEAL,
21	186149A4	1	PLATE, STRIKER,
22	781-24620	2	SCREW, SELF TAP, Hex Flg Hd, M6 x 20,
23	252550A2	2	GAS STRUT,
24	1535323C1	2	PIN,
25	800-437	2	CIRCLIP, M7,
26	254711A1	1	GROMMET,
27	230009A4	1	HANDLE, Inc. 27 - 30
28	NSS	1	NOT SERVICED SEPARATELY, Handle
29	NSS	1	NOT SERVICED SEPARATELY, Washer
30	NSS	1	NOT SERVICED SEPARATELY, Support
31	NSS	1	NOT SERVICED SEPARATELY, Nut, Special
32	87309034	2	SPACER,



MAGNUM 255 CASE-IH MAGNUM TRACTOR (EMERGING MARKET) (1/06-)

09-18 CAB - FIXED GLASS

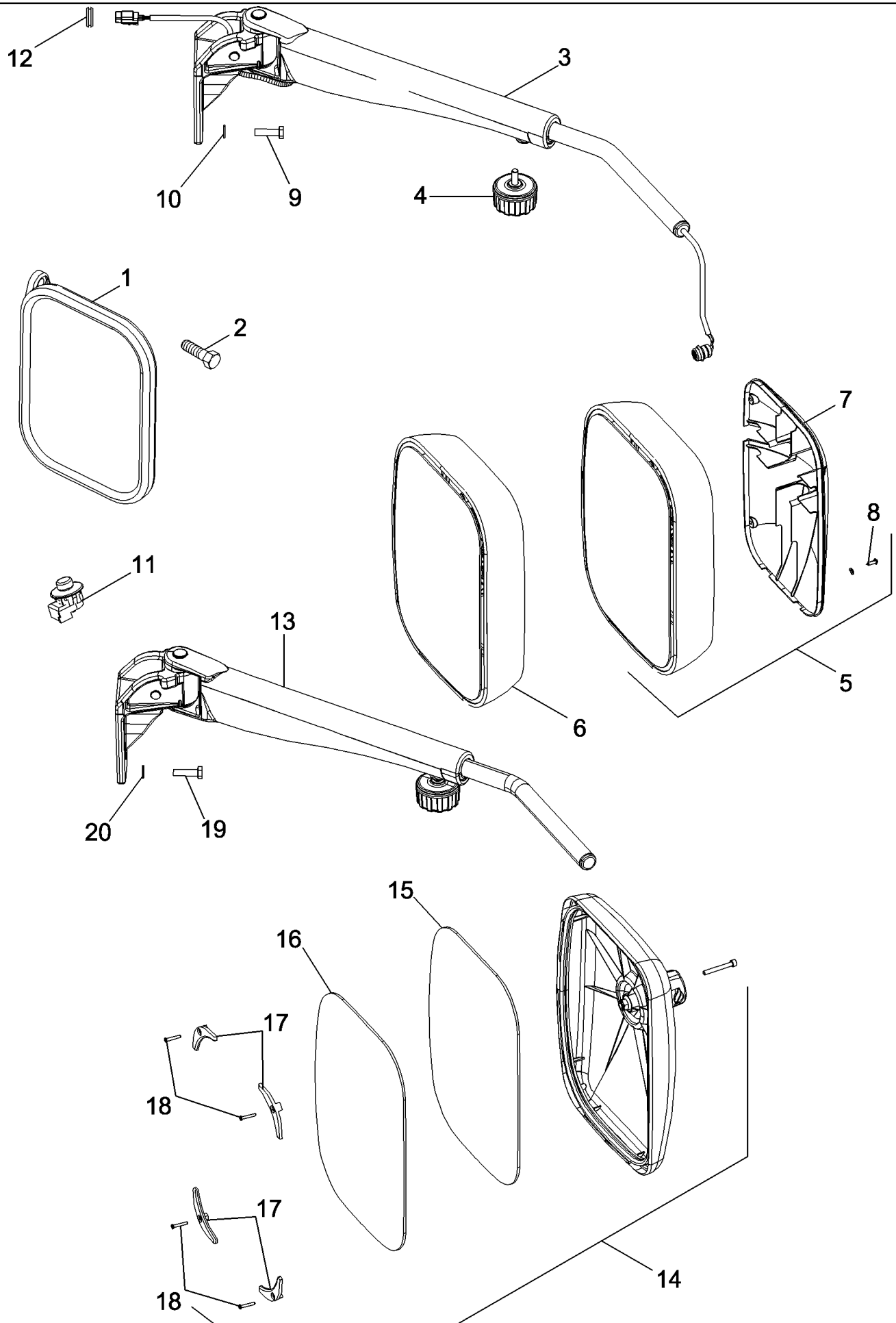
сылка	Номер детали	Кол-во	Описание
1	87456379	1	WINDSHIELD,
2	87417671	1	GLASS, CAB, Right Hand
3	242539A4	1	GLASS, CAB, Left Hand



MAGNUM 255 CASE-IH MAGNUM TRACTOR (EMERGING MARKET) (1/06-)

09-19 MIRRORS - BSN Z7RZ01152

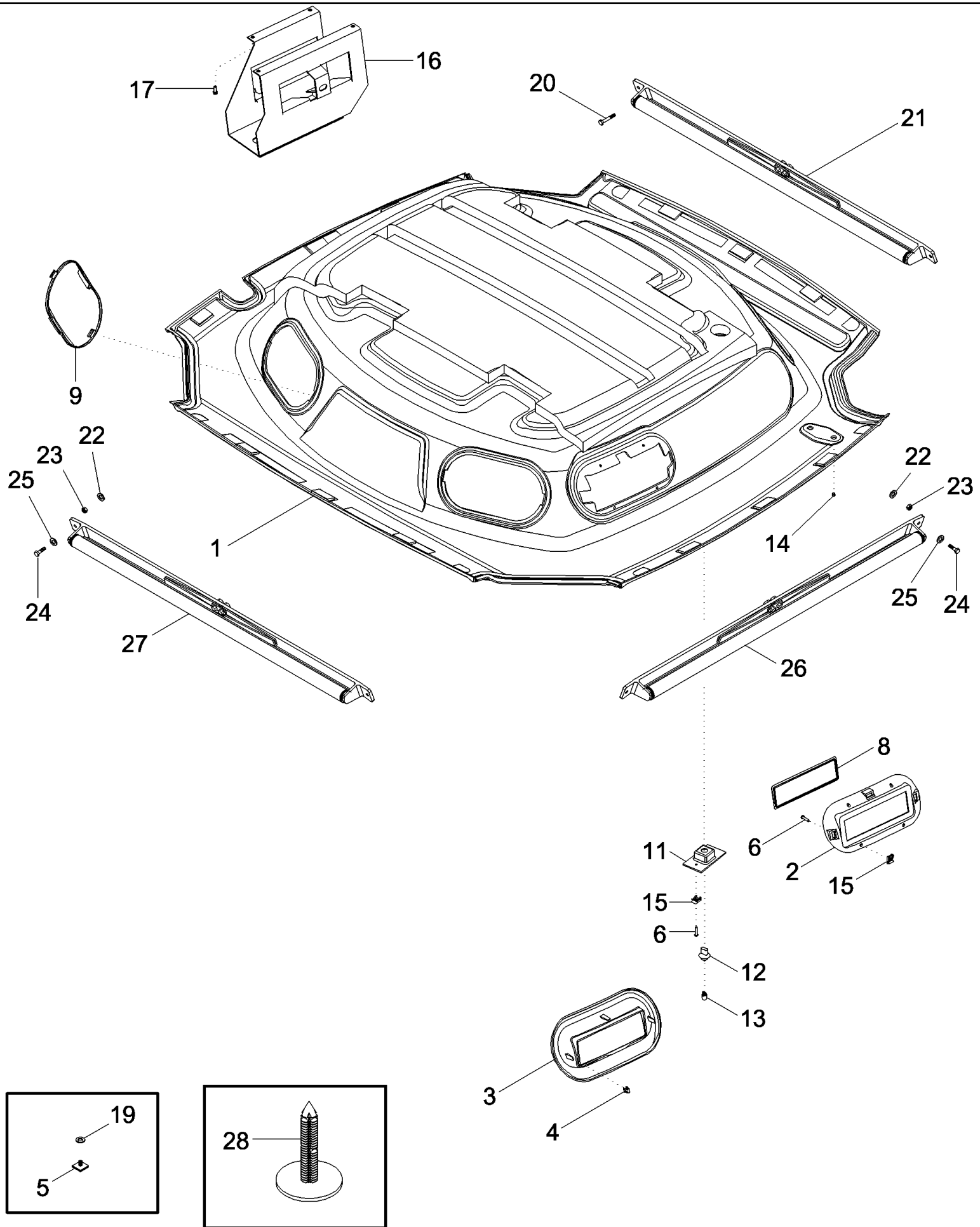
сылка	Номер детали	Кол-во	Описание
1	82036480	1	MIRROR, Interior
2	779-34616	2	SCREW, SELF TAP, Hex Hd, M6.3 x 16,
5	87416692	1	SUPPORT ASSY., Right Hand, Shown
5	87416691	1	SUPPORT ASSY., Left Hand
6	614-8030	6	BOLT, Hex, M8 x 30, 8.8,
7	895-11008	6	WASHER, M8 x 16 x 1.6,
8	365414A1	2	MIRROR,
15	87416695	1	ARM ASSY., Right Hand, Shown
15	87416694	1	ARM ASSY., Left Hand
16	614-8030	6	BOLT, Hex, M8 x 30, 8.8,
17	895-11008	6	WASHER, M8 x 16 x 1.6,
18	87417619	2	MIRROR ASSY., Remote Control
20	280627A1	1	SWITCH, Remote Control
21	182045A1	2	GROMMET,
22	515-2395	2	CLAMP, 3/8", Insul, 3/8" Bolt,



MAGNUM 255 CASE-IH MAGNUM TRACTOR (EMERGING MARKET) (1/06-)

09-20 MIRRORS - ASN Z7RZ01152

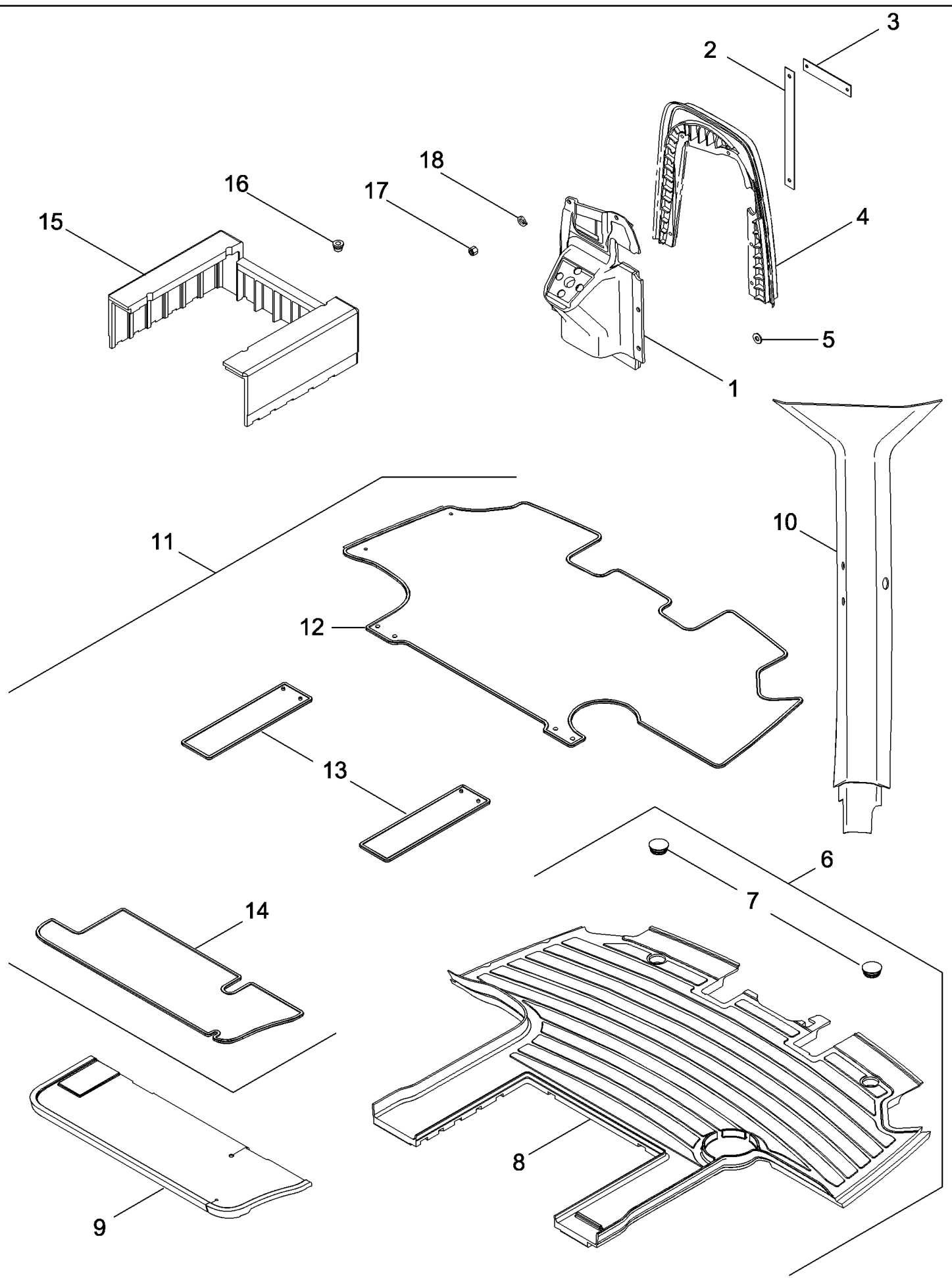
сылка	Номер детали	Кол-во	Описание
1	82036480	1	MIRROR, Interior
2	779-34616	2	SCREW, SELF TAP, Hex Hd, M6.3 x 16,
3	87350490	1	SUPPORT ASSY., Right Hand, Remote Control, Inc. 4 (Shown)
3	87350491	1	SUPPORT ASSY., Left Hand, Remote Control, Inc. 4
4	87365131	1	KNOB,
5	87350492	1	MIRROR, RH, Remote Control (Shown)
5	87350493	1	MIRROR, LH, Remote Control
6	87531093	1	MIRROR, REPLACEMENT,
7	87531075	1	COVER, Right Hand (Shown)
7	87578865	1	COVER, Left hand
8	760-17113	8	SCREW, SELF TAP, Pan Hd, M3.5 x 13,
9	614-8030	6	BOLT, Hex, M8 x 30, 8.8,
10	895-11008	6	WASHER, M8 x 16 x 1.6,
11	280627A1	1	SWITCH, Remote Control
12	182045A1	2	GROMMET,
13	87350488	1	SUPPORT ASSY., Right Hand, Manual, Inc. 4 (Shown)
13	87350489	1	SUPPORT ASSY., Left Hand, Manual, Inc. 4
14	87350494	2	MIRROR ASSY., Manual, Inc. 15 - 18
15	324437A1	1	MIRROR, REPLACEMENT,
16	82035218	1	MIRROR, Lens, Acrylic
17	87531094	4	BRACKET, Manual, Mirror head
18	15902707	4	SCREW, SELF TAP, Cross Pan Hd, M3.5 x 19,
19	614-8030	6	BOLT, Hex, M8 x 30, 8.8,
20	895-11008	6	WASHER, M8 x 16 x 1.6,



MAGNUM 255 CASE-IH MAGNUM TRACTOR (EMERGING MARKET) (1/06-)

09-21 CAB - HEADLINER, STANDARD TRIM

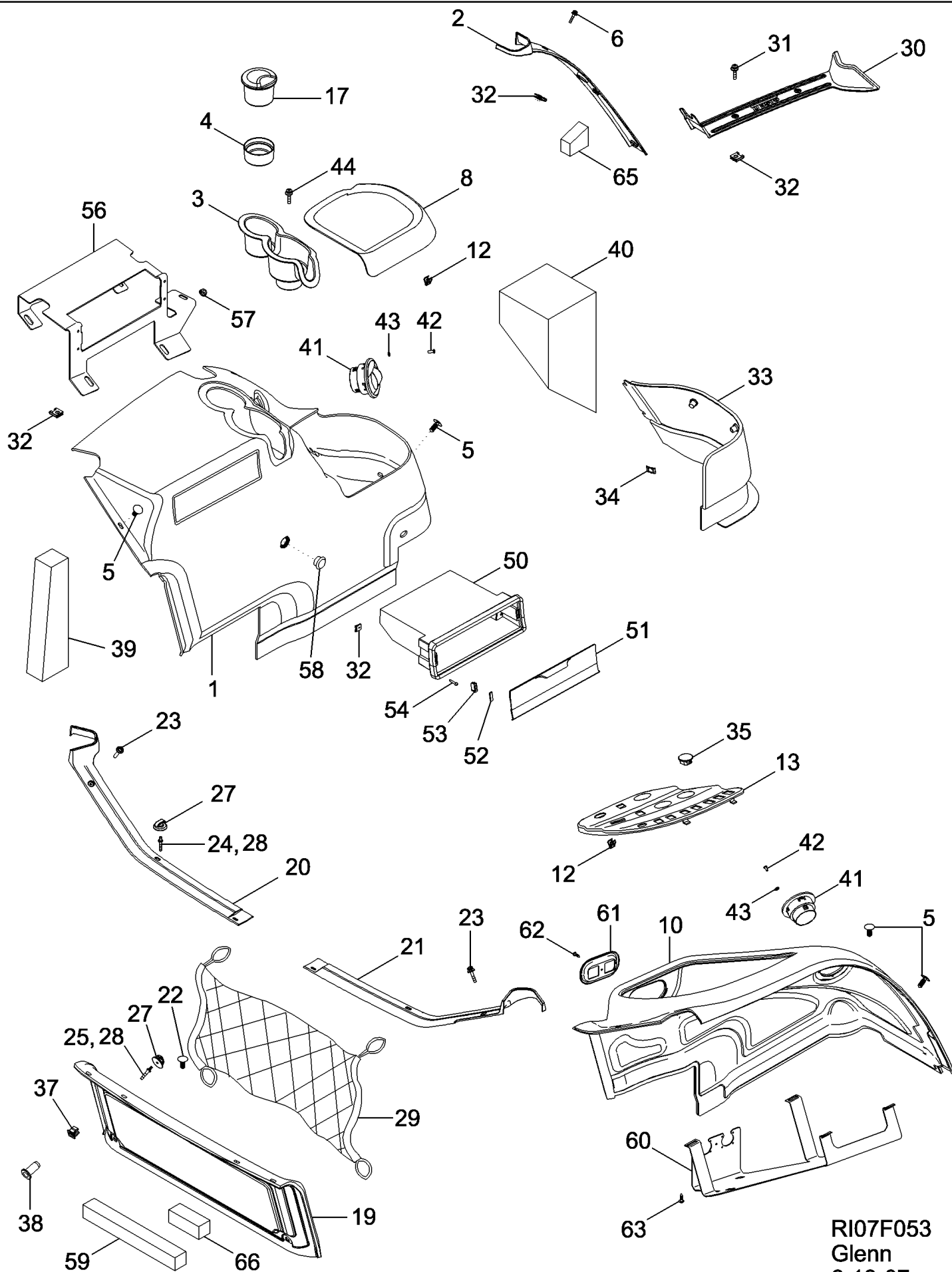
сылка	Номер детали	Кол-во	Описание
1	87427663	1	LINING, ROOF,
2	358790A1	1	ANCHOR, Radio
3	358772A1	1	BEZEL,
4	278316A2	3	CLIP,
5	87313359	12	FASTENER,
6	761-17325	6	SCREW, SELF TAP, Pan Hd, M4.2 x 25,
8	1535219C1	1	COVER, Without Radio
9	358683A1	4	GRILLE, Speaker Cover
11	368143A1	1	LAMP, Inc. 12, 13
12	107329C1	1	HARNESS, WIRE,
13	D71346	1	LAMP, TAIL,
14	292675A1	2	PLUG,
15	442244A1	6	NUT,
16	428264A5	1	BRACKET,
17	758-5	4	SCREW, SELF TAP, Hex Hd, M5.5 x 15,
19	895-11010	2	WASHER, M10 x 20 x 2,
20	780-14625	2	SCREW, SELF TAP, Hex Hd, M6.3 x 25,
21	87668030	1	VISOR, SUN, Front
22	87033737	4	WASHER, M8 x 28 x 3,
23	87450324	4	NUT,
24	87030526	4	SCREW, Cross Pan Hd, #10-32 x 1",
25	195-81034	4	WASHER, 13/64" x 15/32" x .049",
26	87668031	1	VISOR, SUN, Right Hand Side
27	87668032	1	VISOR, SUN, Rear
28	87441605	4	FASTENER, Plug Side and Rear Sun Visor Holes



MAGNUM 255 CASE-IH MAGNUM TRACTOR (EMERGING MARKET) (1/06-)

09-22 CAB - FLOOR MAT AND INSULATION

сылка	Номер детали	Кол-во	Описание
1	446820A2	1	PARTITION, Firewall, Inner
2	446823A1	1	STRAP,
3	446824A2	1	STRAP,
4	87447761	1	COVER, Firewall, Outer
5	495-81121	2	WASHER, .344" x 1 1/2" x .060",
6	297008A4	1	MAT, FLOOR, Inc. 6
7	281848A1	2	PLUG,
8	NSS	1	NOT SERVICED SEPARATELY, Mat, Floor
9	87442168	1	COVER, Shelf
10	355098A1	1	TRIM PANEL,
11	87417637	1	MAT, FLOOR, Inc. 12 - 14
12	87417636	1	MAT, FLOOR, Front
13	357074A1	2	CARPET, Side
14	357075A1	1	CARPET, Shelf
15	254325A3	1	SKIRT,
16	182220A1	1	GROMMET, If Equipped
17	832-10408	5	NUT, LOCK, M8 x 1.25, Cl 8,
18	895-25008	3	WASHER, M8 x 20 x 1.6,



R107F053
Glenn
6-13-07

MAGNUM 255 CASE-IH MAGNUM TRACTOR (EMERGING MARKET) (1/06-)

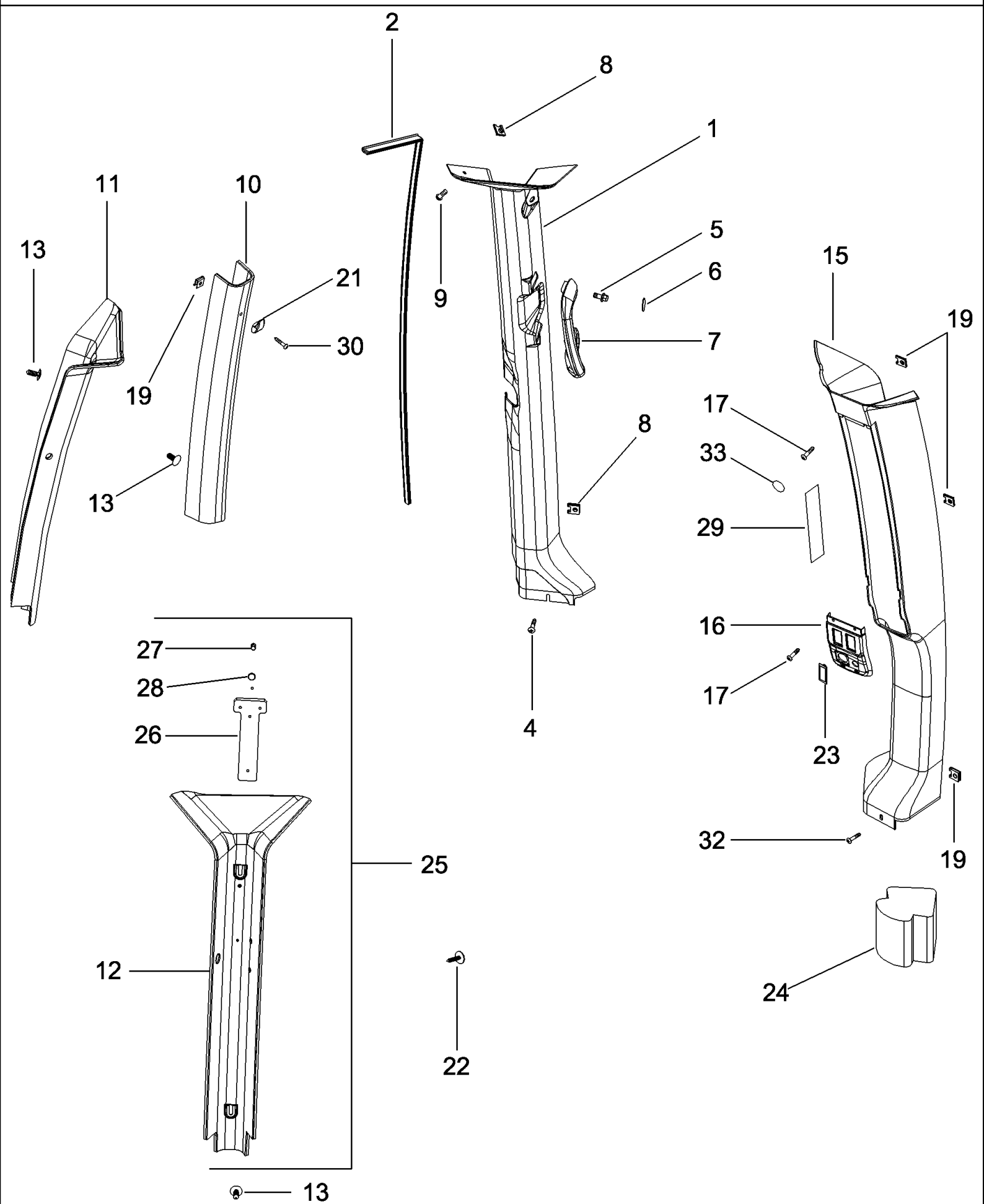
09-23 CAB - TRIM, FENDERS

сылка	Номер детали	Кол-во	Описание
1	426575A1	1	TRIM PANEL, Left Hand, Inc. 41, Without CD Player
1	426576A1	1	TRIM PANEL, Left Hand, Inc. 41, With CD Player
2	87417629	1	TRIM PANEL,
3	358805A1	1	HOLDER,
4	301901A1	1	INSERT,
5	93199C1	15	FASTENER,
6	360362A1	4	SCREW, No. 10 x 1
8	358806A1	1	COVER,
10	87444946	1	TRIM PANEL, Right Hand
12	278316A2	6	CLIP,
13	87451321	1	PANEL, , Without Auto Temp Control
13	87451319	1	PANEL, , With Auto Temp Control
17	302456A1	1	ASH TRAY,
19	426580A1	1	TRIM PANEL, Rear
19	87313020	1	TRIM PANEL, Auto Guidance
20	357169A2	1	TRIM PANEL, Left Hand, BSN Z7RZ01382
20	87309897	1	TRIM PANEL, Left Hand, ASN Z7RZ01382
21	357168A2	1	TRIM PANEL, Right Hand, BSN Z7RZ01382
21	87309901	1	TRIM PANEL, Right Hand, ASN Z7RZ01382
22	93199C1	2	FASTENER,
23	360362A1	2	SCREW, No. 10 x 1
24	87309745	2	STUD, , ASN Z7RZ01382
25	322413A2	2	STUD, , ASN Z7RZ01382
27	359037A1	4	HOOK,
28	322413A2	4	STUD, , BSN Z7RZ01382
29	359036A1	1	RETAINER,
30	358807A1	1	SILL,
31	360362A1	2	SCREW, No. 10 x 1
32	87016569	10	NUT, U, #10-16, Panel type,
33	358682A1	1	COVER,
34	451984A1	3	NUT, SPECIAL,
35	280628A1	1	PLUG, , Without Power Mirrors
37	322072A2	2	FASTENER,
38	322073A1	2	NUT,
39	336383A1	1	PAD,
40	336385A1	1	PAD,
41	360365A1	1	DIFFUSER,
42	151-537	4	RIVET, Pop, 1/8" x .650",
43	895-11003	4	WASHER, M3,
44	104033C2	2	SCREW, SELF TAP, Cross Wash Hd, M4.8 x 19, Coated,
50	355101A2	1	BOX, , With CD Player
51	355102A2	1	DOOR, , With CD Player
52	364279A1	2	PLATE, , With CD Player
53	364281A1	2	CATCH, , With CD Player
54	260-16516	4	SCREW, SELF TAP, Cross Pan Hd, #10 x 1", , With CD Player

MAGNUM 255 CASE-IH MAGNUM TRACTOR (EMERGING MARKET) (1/06-)

09-23 CAB - TRIM, FENDERS

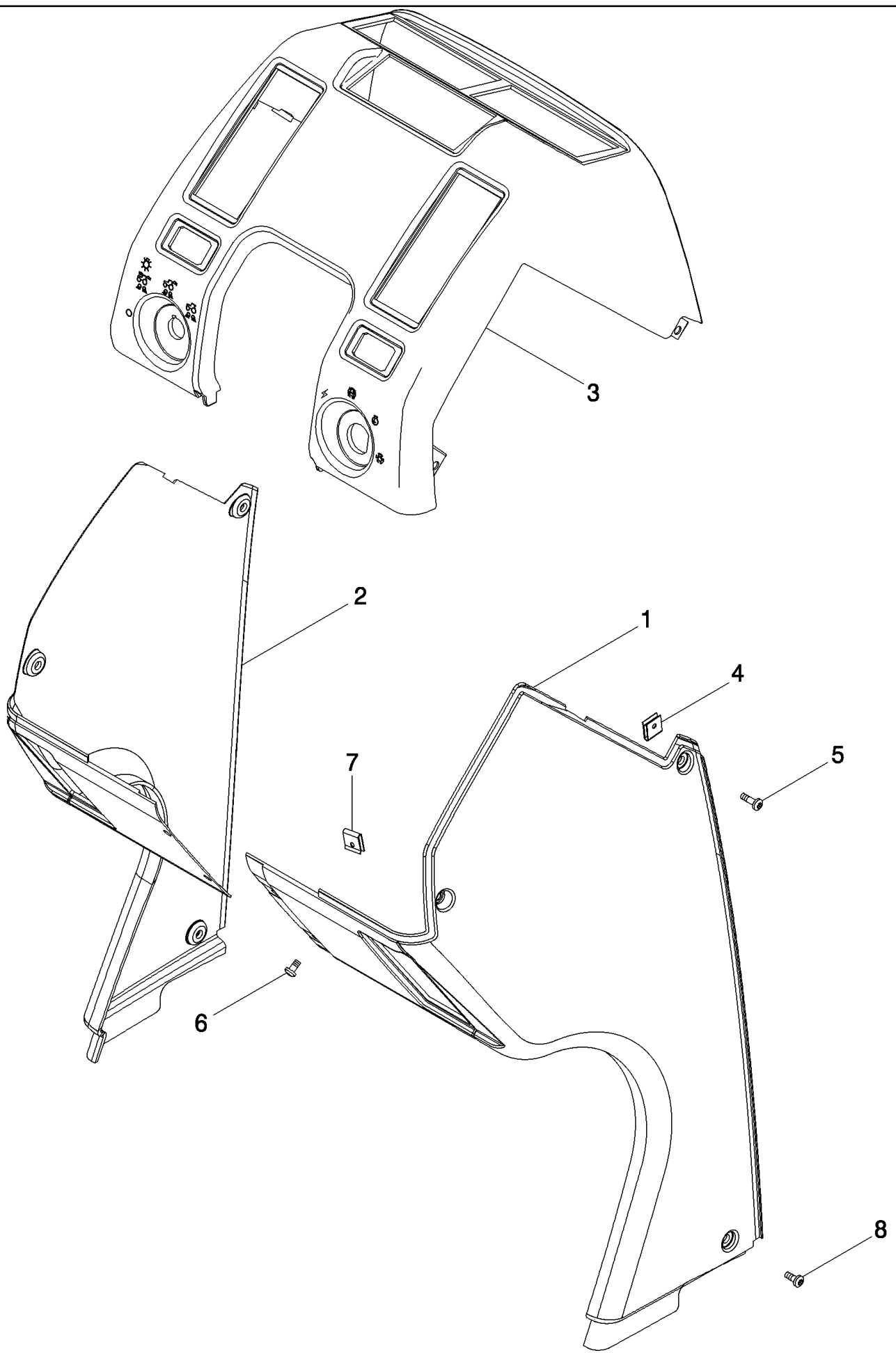
сылка	Номер детали	Кол-во	Описание
56	87679383	1	BRACKET, Bracket
57	825-2408	7	NUT, M8 x 1.25, Flg, CI 8,
58	353-411	1	PLUG, Dome, 1.000" hole, Nylon,
59	86984858	1	FOAM,
60	405011A3	1	BRACKET,
61	428192A2	1	BEZEL,
62	760-17113	8	SCREW, SELF TAP, Pan Hd, M3.5 x 13,
63	760-17316	1	SCREW, SELF TAP, Pan Hd, M4.2 x 16,
64	376597A2	1	COVER, (Not Shown)
65	87421503	1	FOAM, Left Hand Fender Trim Support
66	87313017	2	FOAM, Auto Guidance
67	353-422	1	PLUG, Dome, 1.250" hole, Nylon, (Not Shown), For Harness Hole In Box



MAGNUM 255 CASE-IH MAGNUM TRACTOR (EMERGING MARKET) (1/06-)

09-24 CAB - TRIM, CAB POSTS

сылка	Номер детали	Кол-во	Описание
1	87417632	1	TRIM PANEL, Left Hand, Front
2	87417638	1	STRIP, RUBBER, Upper
4	104033C2	1	SCREW, SELF TAP, Cross Wash Hd, M4.8 x 19, Coated,
5	86625199	2	SCREW, SELF TAP, Hex Flg Hd, M6 x 13,
6	87413140	2	PLUG,
7	87413139	1	HANDLE,
8	87016569	10	NUT, U, #10-16, Panel type,
9	360362A1	1	SCREW, No. 10 x 1
10	355100A1	1	COVER, Left Hand, Middle
11	355099A1	1	TRIM PANEL, Left Hand, Rear
12	355098A1	1	TRIM PANEL, Right Hand, Rear
13	93199C1	5	FASTENER,
15	444547A1	1	TRIM PANEL, Right Hand, Front
16	358804A1	1	BEZEL,
17	260-16516	6	SCREW, SELF TAP, Cross Pan Hd, #10 x 1",
19	177269A1	9	NUT,
21	3234176R1	1	COAT HOOK,
22	333772A1	2	PLUG,
23	245918C1	2	CAP,
24	336384A1	1	PAD,
25	358667A1	1	COVER, Right Hand, Rear, Inc. 12, 26-28
26	305688A1	1	HAMMER,
27	87610697	2	
29	360322A1	2	TAPE, ADHESIVE, 305 mm, Cut From 1987208C2
30	761-17325	1	SCREW, SELF TAP, Pan Hd, M4.2 x 25,
32	1975782C1	1	SCREW, SELF TAP, Cross Truss Wash Hd, #10 x 5/8",
33	376597A2	2	COVER,

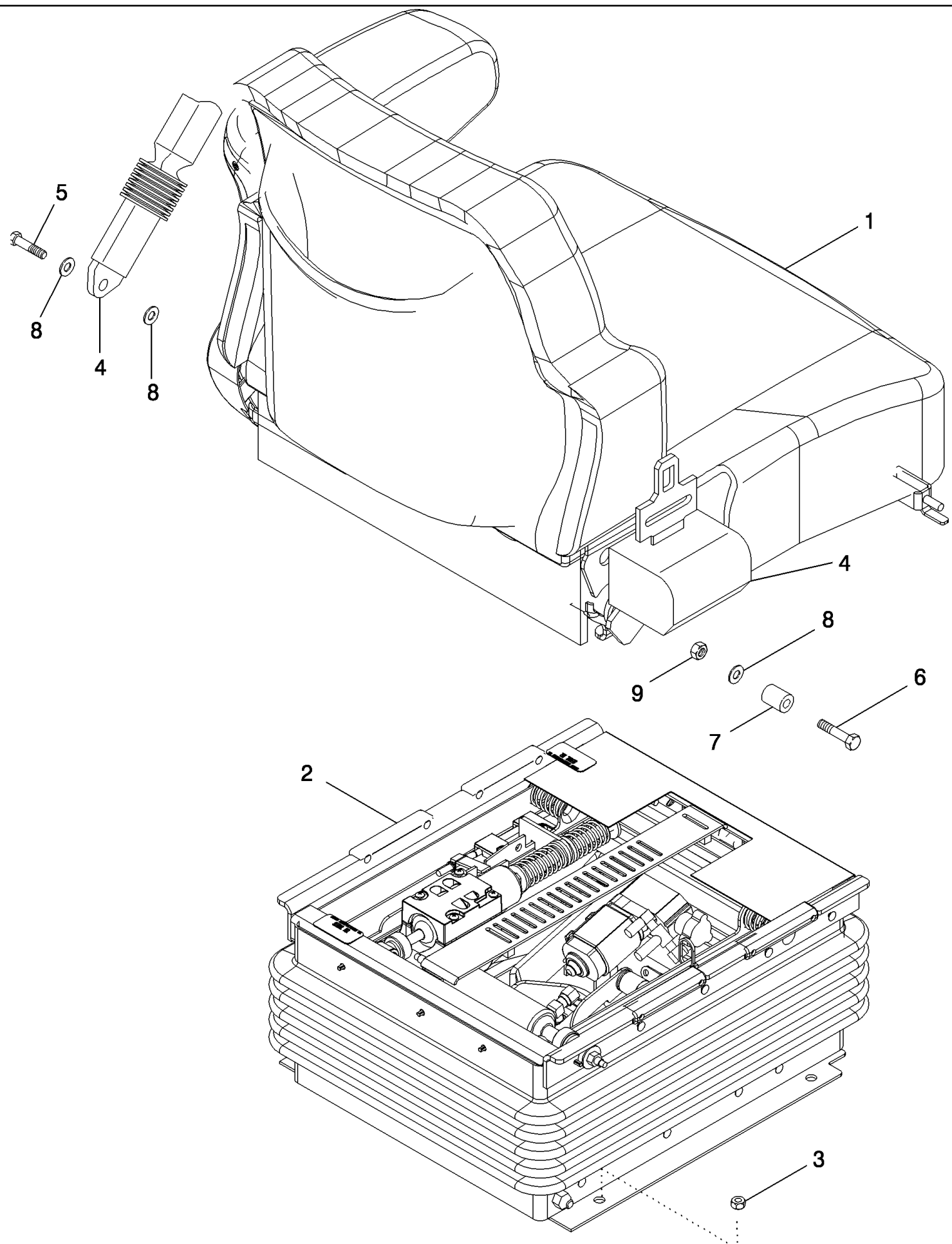


MAGNUM 255 CASE-IH MAGNUM TRACTOR (EMERGING MARKET) (1/06-)

09-25 CAB - INSTRUMENT PANEL

сылка	Номер детали	Кол-во	Описание
1	358671A1	1	COVER, Right Hand
2	358670A1	1	COVER, Left Hand
3	87449853	1	COVER, Top
4	87016569	4	NUT, U, #10-16, Panel type,
5	360362A1	4	SCREW, No. 10 x 1
6	360363A1	2	SCREW,
7	87016568	2	NUT, U, #10-16, Panel type,
8	362394A1	2	SCREW,

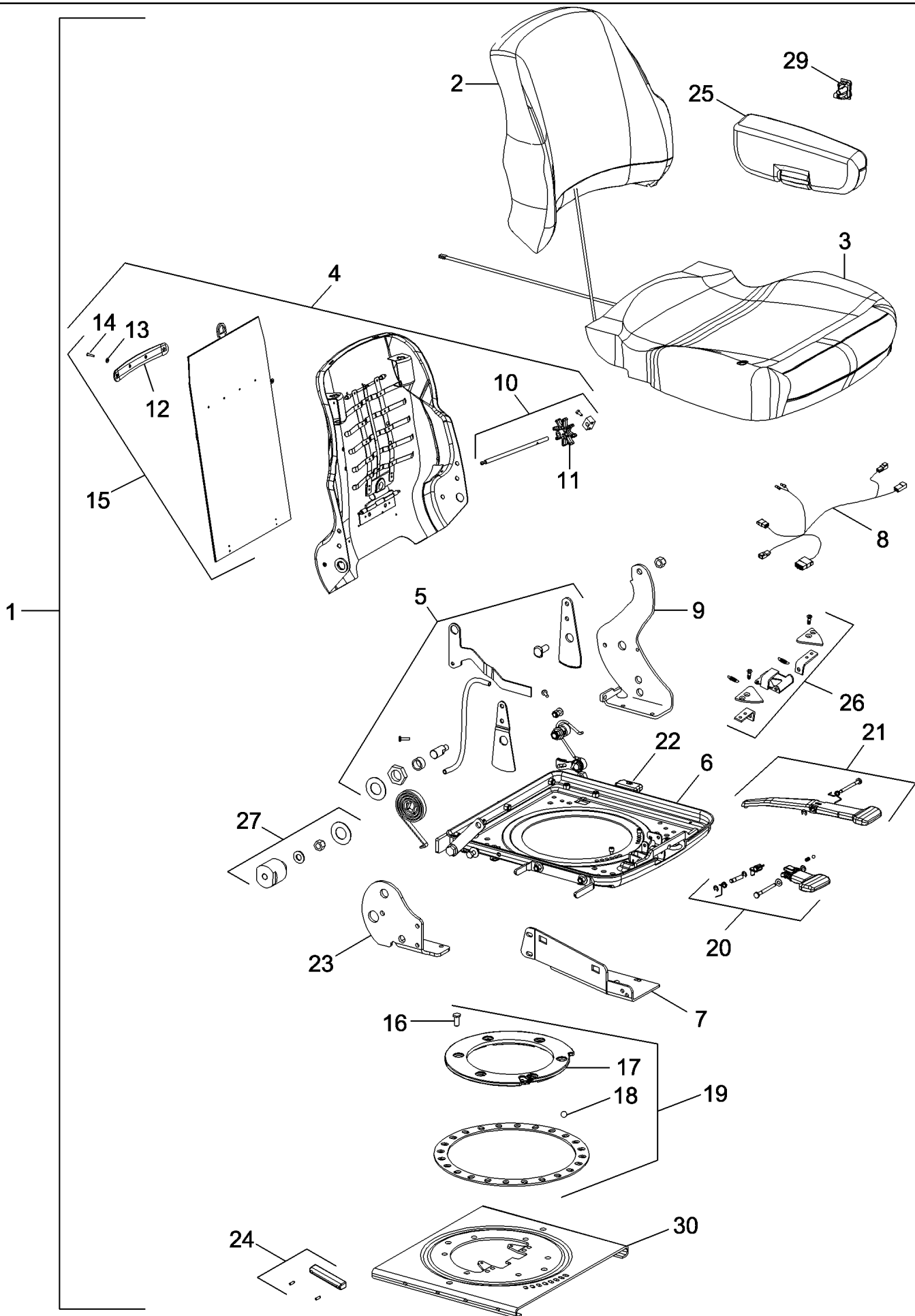
09-26 SEAT ASSEMBLY



MAGNUM 255 CASE-IH MAGNUM TRACTOR (EMERGING MARKET) (1/06-)

09-26 SEAT ASSEMBLY

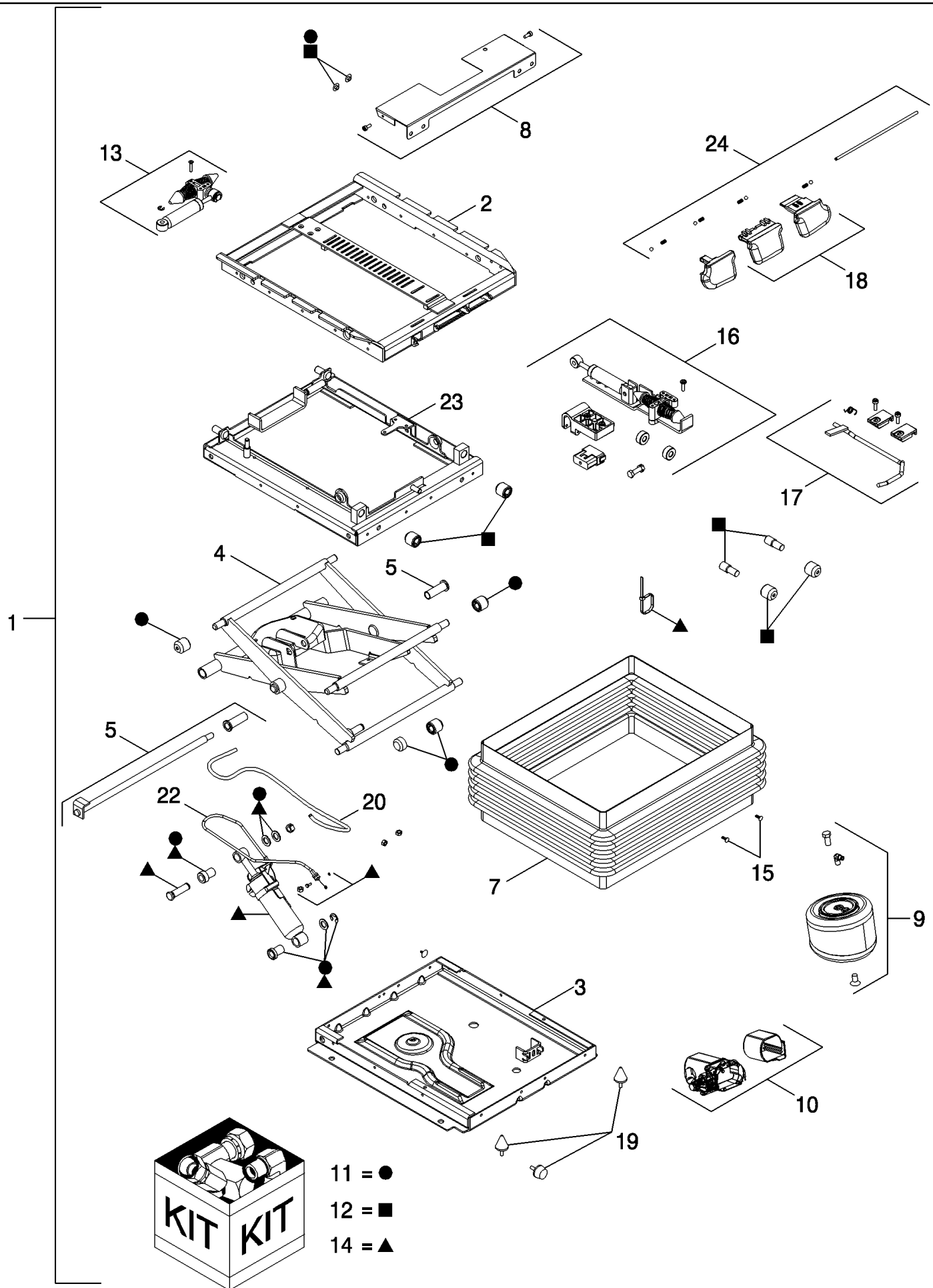
сылка	Номер детали	Кол-во	Описание
	87454957	1	SEAT ASSY., Cloth, Inc. 1 - 9
1	87347872	1	SEAT, BACK, Cloth, See Figure 09-27
2	87395380	1	SUSPENSION, , See Figure 09-28
3	825-2408	4	NUT, M8 x 1.25, Flg, CI 8,
4	444877A1	1	SEAT BELT,
5	806-12030	1	BOLT, Hex, Lock, M12 x 30, CI 10.9,
6	806-12040	1	BOLT, Hex, Lock, M12 x 40, CI 10.9,
7	87313413	1	TUBE SPACER,
8	896-11012	3	WASHER, M13.5 x 24.5 x 3, HT,
9	829-1312	1	NUT, M12 x 1.75, CI 10,



MAGNUM 255 CASE-IH MAGNUM TRACTOR (EMERGING MARKET) (1/06-)

09-27 CUSHION ASSEMBLY - SEAT

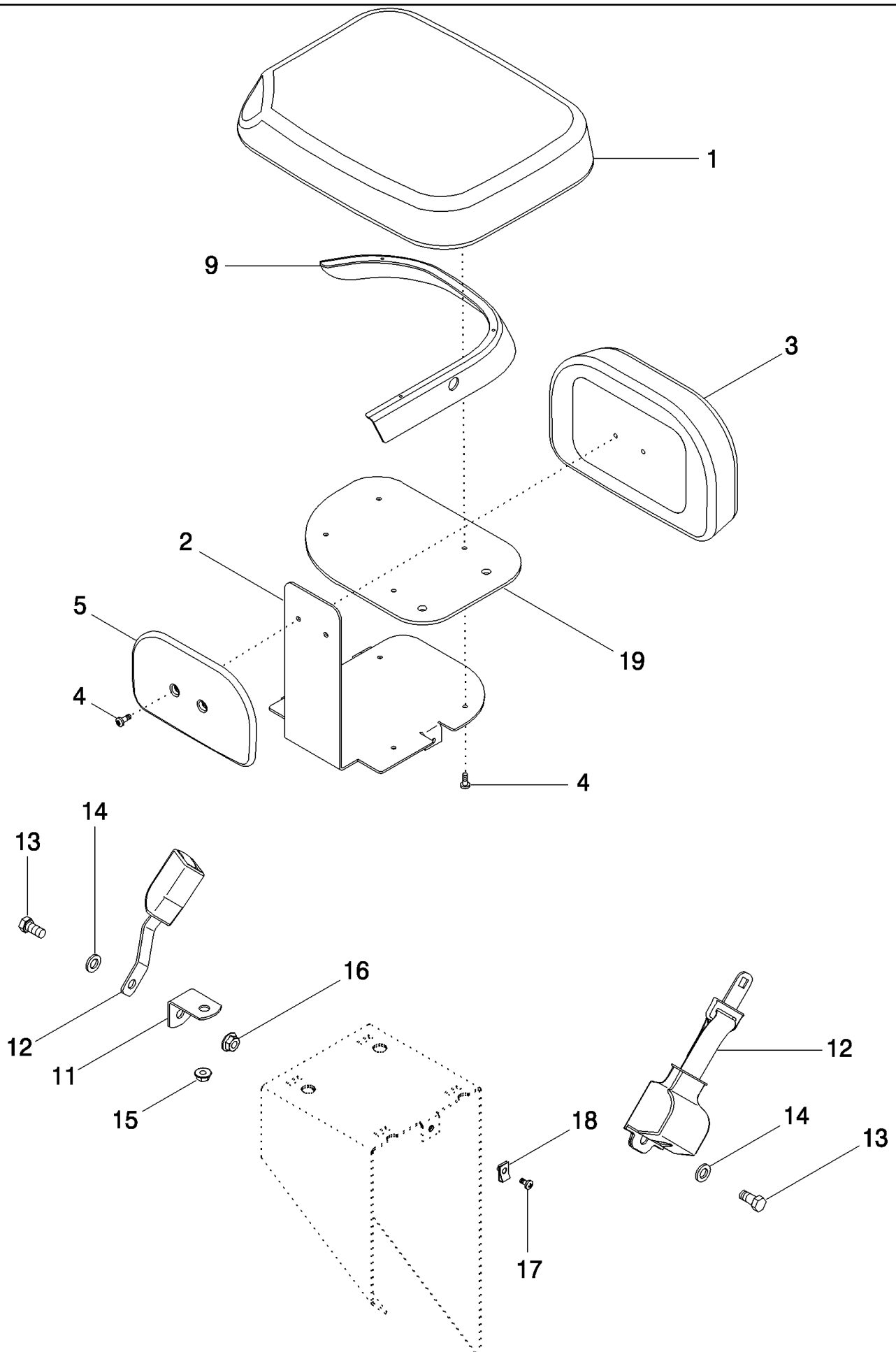
сылка	Номер детали	Кол-во	Описание
1	87347872	1	SEAT, BACK, Cloth, Inc. 1 - 30, 34, 35
2	373476A1	1	CUSHION, Cloth
3	87347893	1	CUSHION, SEAT, Cloth, Inc. 34
4	86994155	1	ASSEMBLY, Backrest, Inc. 10, 15
5	86994165	1	SEAT ACCESSORY, Recliner Kit, Inc. 22
6	NSS	1	NOT SERVICED SEPARATELY, PAN, Seat
7	86994157	1	BRACKET, Console Mount, Front
8	87347944	1	KIT, SERVICE, HARNESS, Seat and Suspension
9	NSS	1	NOT SERVICED SEPARATELY, BRACKET
10	87308130	1	SEAT BACK ADJUST. DEVICE, Lumbar
11	87037462	1	SEAT BACK ADJUST. DEVICE, Lumbar
12	NSS	1	NOT SERVICED SEPARATELY, SUPPORT, Manual Holder
13	NSS	4	NOT SERVICED SEPARATELY, WASHER, 1/8 x 23/64 x 3/64
14	NSS	4	NOT SERVICED SEPARATELY, RIVET, Pop, 1/8
15	86994172	1	KIT, SERVICE, Operators Manual, Cloth, Inc. 12, 13, 14
16	NSS	6	NOT SERVICED SEPARATELY, BOLT, Swivel Retainer
17	NSS	1	NOT SERVICED SEPARATELY, RETAINER, Swivel
18	NSS	24	NOT SERVICED SEPARATELY, BALL, 1/2
19	87347936	1	KIT, SERVICE, Swivel, Inc. 16, 17,18
20	87347942	1	KIT, SERVICE, Swivel Control
21	87347941	1	KIT, SERVICE, Slide Control
22	87416475	1	KNOB, Recliner Control
23	NSS	1	NOT SERVICED SEPARATELY, BRACKET
24	302016A1	1	PACKAGE,SERVICE, Slide Pucks
25	87347939	1	KIT, SERVICE, Armrest, Left Hand, Cloth
26	87347934	1	LATCH, Slide
27	87396230	1	BUSHING, KIT,Console
29	87347940	1	KIT, SERVICE, Air Control
30	87347956	1	KIT, SERVICE, Swivel



MAGNUM 255 CASE-IH MAGNUM TRACTOR (EMERGING MARKET) (1/06-)

09-28 SUSPENSION ASSEMBLY - SEAT

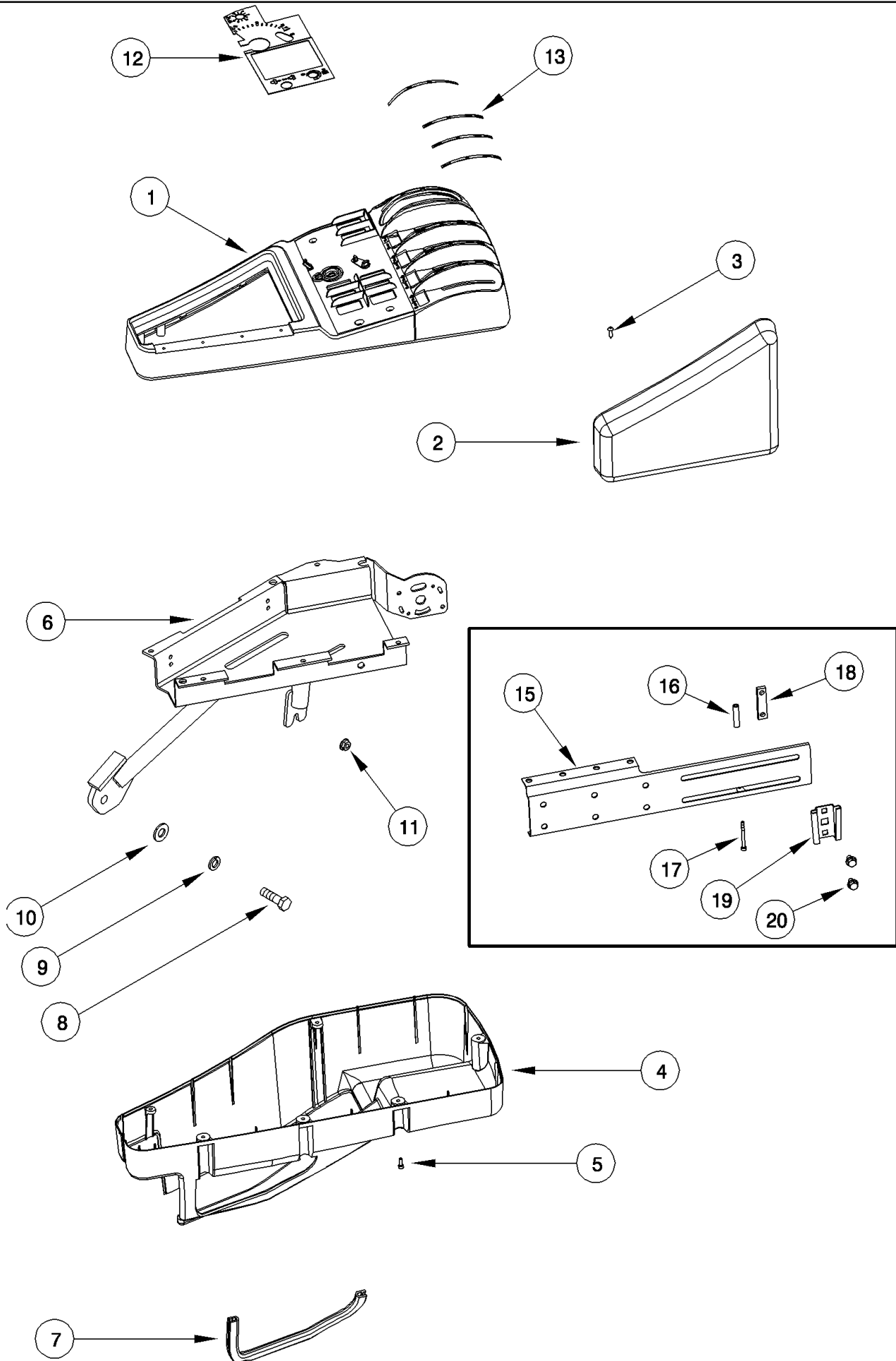
сылка	Номер детали	Кол-во	Описание
1	87395380	1	SUSPENSION, Inc. 2 - 24
2	87395392	1	HOUSING, Upper
3	333275A1	1	HOUSING, Lower
4	333276A1	1	ARM,
5	302033A1	1	SHAFT,
6	87347944	1	KIT, SERVICE, Harness, Not Shown, See Figure 09-27
7	87347943	1	KIT, SERVICE, Suspension Boot
8	302029A2	1	PLATE,
9	333279A2	1	KIT, Air Spring
10	87347951	1	KIT, SERVICE, Air Compressor
11	87347945	1	KIT, SERVICE, Suspension Bearing And Rollers
12	87347946	1	KIT, SERVICE, Isolator Rollers
13	87395394	1	ISOLATOR, Lateral Isolator Shock Absorber
14	447956A1	1	PACKAGE,SERVICE, Suspension Shock Absorber
15	333659A1	1	PACKAGE,SERVICE, Boot Pin
16	87395395	1	ISOLATOR, Fore And Aft Shock Absorber
17	373470A1	1	PACKAGE,SERVICE, Fore And Aft Isolator Control
18	373473A1	1	PACKAGE,SERVICE, Lateral Isolator Control
19	333295A1	1	PACKAGE,SERVICE, Suspension Bumper
20	87396231	1	TUBE, PLASTIC-RUBBER, Tube And Fitting
21	333296A1	1	PACKAGE,SERVICE, Fore And Aft Isolator Shock Block, Not Shown
22	87347955	1	CABLE, Suspension Shock Cable
23	87395393	1	HOUSING,
24	373469A1	1	PACKAGE,SERVICE, Knobs, Suspension



MAGNUM 255 CASE-IH MAGNUM TRACTOR (EMERGING MARKET) (1/06-)

09-29 SEAT - INSTRUCTIONAL

сылка	Номер детали	Кол-во	Описание
1	359027A1	1	CUSHION, SEAT,
2	296316A3	1	SUPPORT,
3	359028A1	1	COVER, BACKREST,
4	840-2616	6	SCREW, Cross Pan Hd, M6 x 16,
5	359029A1	1	COVER,
9	359039A1	1	BEZEL,
11	309099A1	1	SUPPORT,
12	224808A1	1	SEAT BELT,
13	614-12025	2	BOLT, Hex, M12 x 25, 8.8,
14	896-11012	2	WASHER, M13.5 x 24.5 x 3, HT,
15	825-51410	1	NUT, M10, Flg Ser,
16	825-51412	1	NUT, M12, Flg Ser,
17	844-6025	1	BOLT, Hex Flg, M6 x 25, 8.8,
18	833-40306	1	NUT, M6, U,
19	381940A1	1	PANEL,

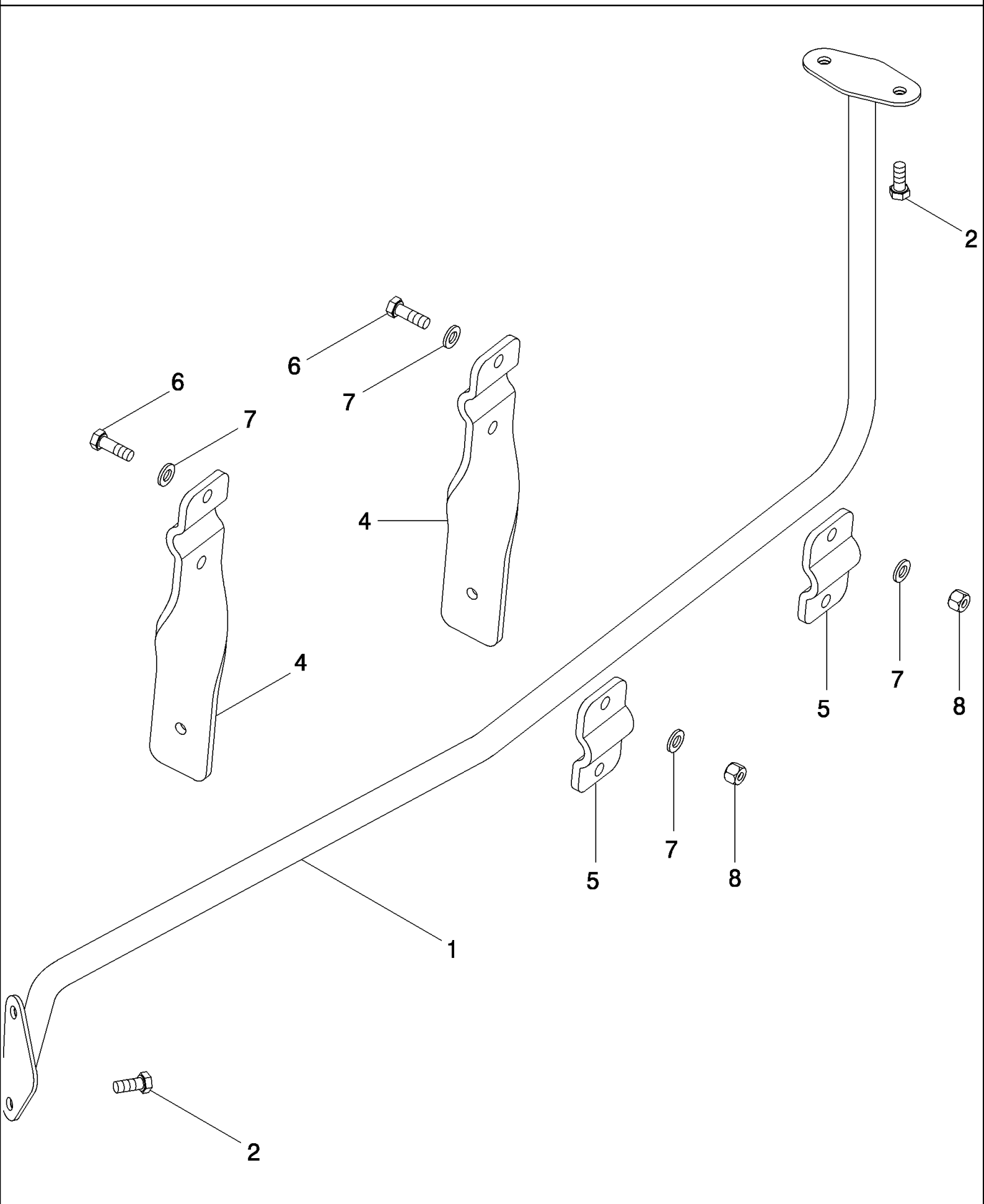


MAGNUM 255 CASE-IH MAGNUM TRACTOR (EMERGING MARKET) (1/06-)

09-30 CONSOLE, RIGHT HAND, STANDARD CAB

сылка	Номер детали	Кол-во	Описание
1	87453890	1	HOUSING, Upper, Inc. 13
1	87341495	1	COVER, Upper, No Hitch, Inc. 13
2	277204A2	1	CUSHION,
3	760-14316	4	SCREW, SELF TAP, Pan Hd, M4.2 x 16,
4	87364407	1	HOUSING, Lower
5	864-4012	6	SCREW, Hex Soc Hd, M4 x 12, 8.8,
6	87519424	1	SUPPORT,
7	329057A1	1	LINING,
8	827-12050	1	BOLT, Hex, M12 x 50, 10.9,
9	892-11012	1	WASHER, LOCK, M12,
10	895-15012	1	WASHER, M12 x 28 x 2.5,
11	832-10408	1	NUT, LOCK, M8 x 1.25, CI 8,
12	87453893	1	DECAL,
12	87350580	1	DECAL, No Hitch
13	407759A1	1	DECAL,
15	377950A1	1	BRACKET,
16	371731A1	1	SPACER,
17	864-4060	1	SCREW, Hex Soc Hd, M4 x 60, 8.8,
18	368761A1	1	PLATE,
19	A59457	1	BRACKET,
20	844-8012	2	BOLT, Hex Flg, M8 x 12, 8.8, Full Thd,
21	895-11008	1	WASHER, M8 x 16 x 1.6, (Not Shown)

09-31 MONITOR MOUNTING - CAB ROOF

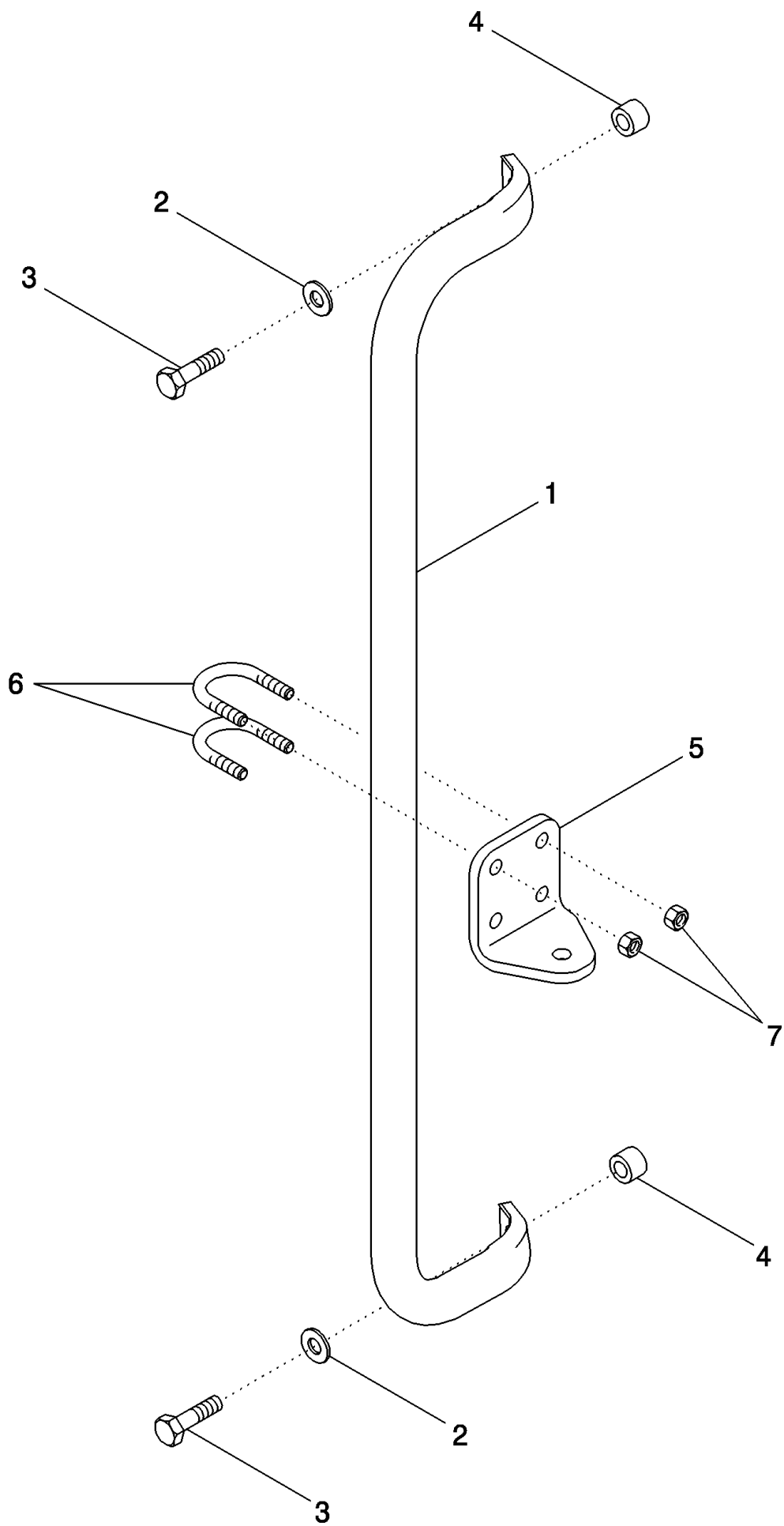


MAGNUM 255 CASE-IH MAGNUM TRACTOR (EMERGING MARKET) (1/06-)

09-31 MONITOR MOUNTING - CAB ROOF

сылка	Номер детали	Кол-во	Описание
1	87439072	1	BAR,
2	863-8020	4	SCREW, Hex Soc Hd, M8 x 20, 12.9,
4	103213A1	2	HOLDER,
5	103226A1	2	CLAMP,
6	514-633	4	BOLT, Hex, M8 x 30, 8.8, Full Thd,
7	256402A1	8	WASHER, 9 x 17 x 1,6 mm
8	832-10408	4	NUT, LOCK, M8 x 1.25, Cl 8,

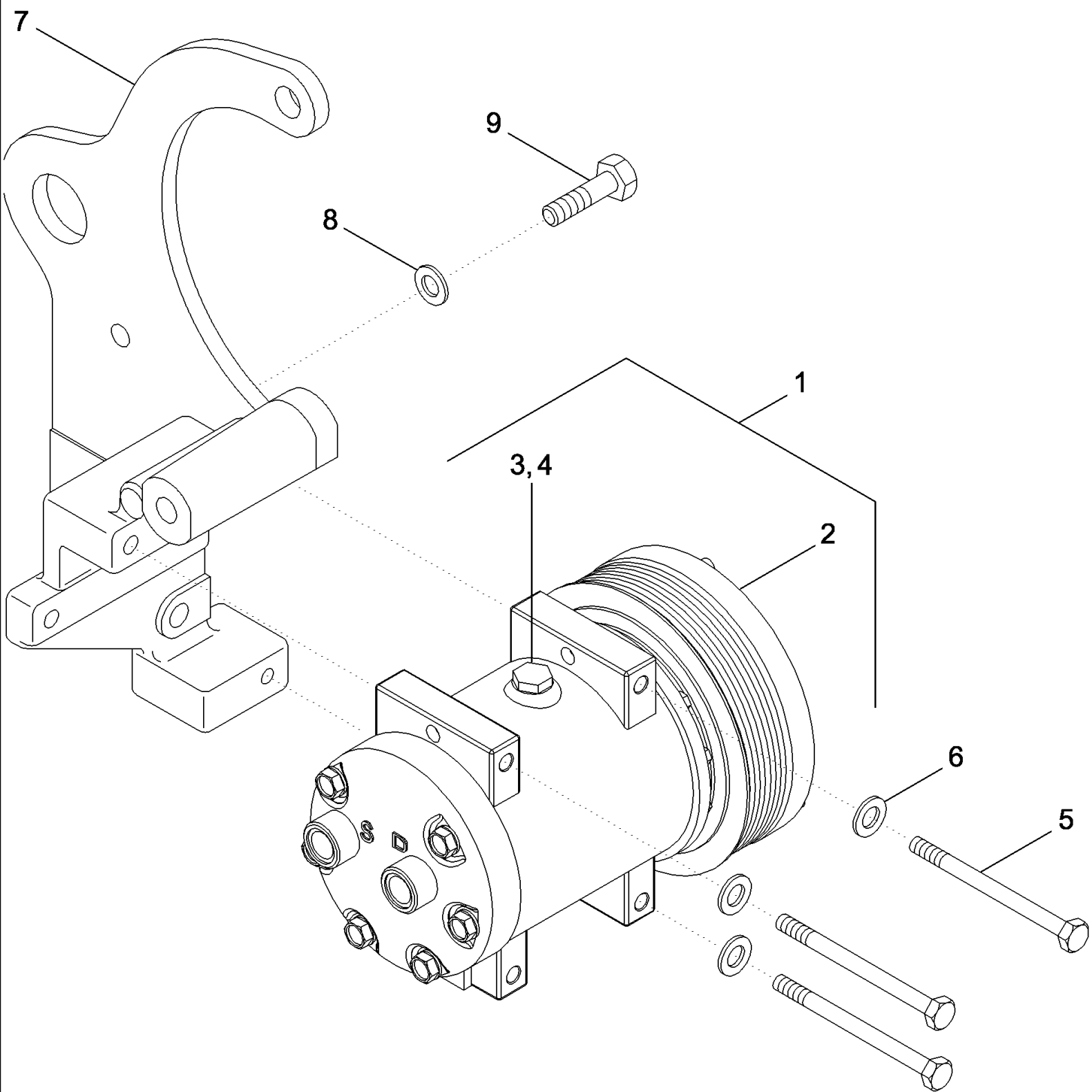
09-32 MONITOR MOUNTING - CAB A POST



MAGNUM 255 CASE-IH MAGNUM TRACTOR (EMERGING MARKET) (1/06-)

09-32 MONITOR MOUNTING - CAB A POST

сылка	Номер детали	Кол-во	Описание
1	369275A1	1	TUBE,
2	895-11008	2	WASHER, M8 x 16 x 1.6,
3	827-8035	2	BOLT, Hex, M8 x 35, 10.9,
4	371838A1	2	SPACER,
5	87530660	1	BRACKET,
6	87526197	2	U-BOLT, 1/4 in
7	425-104	4	NUT, 1/4"-20, G5,

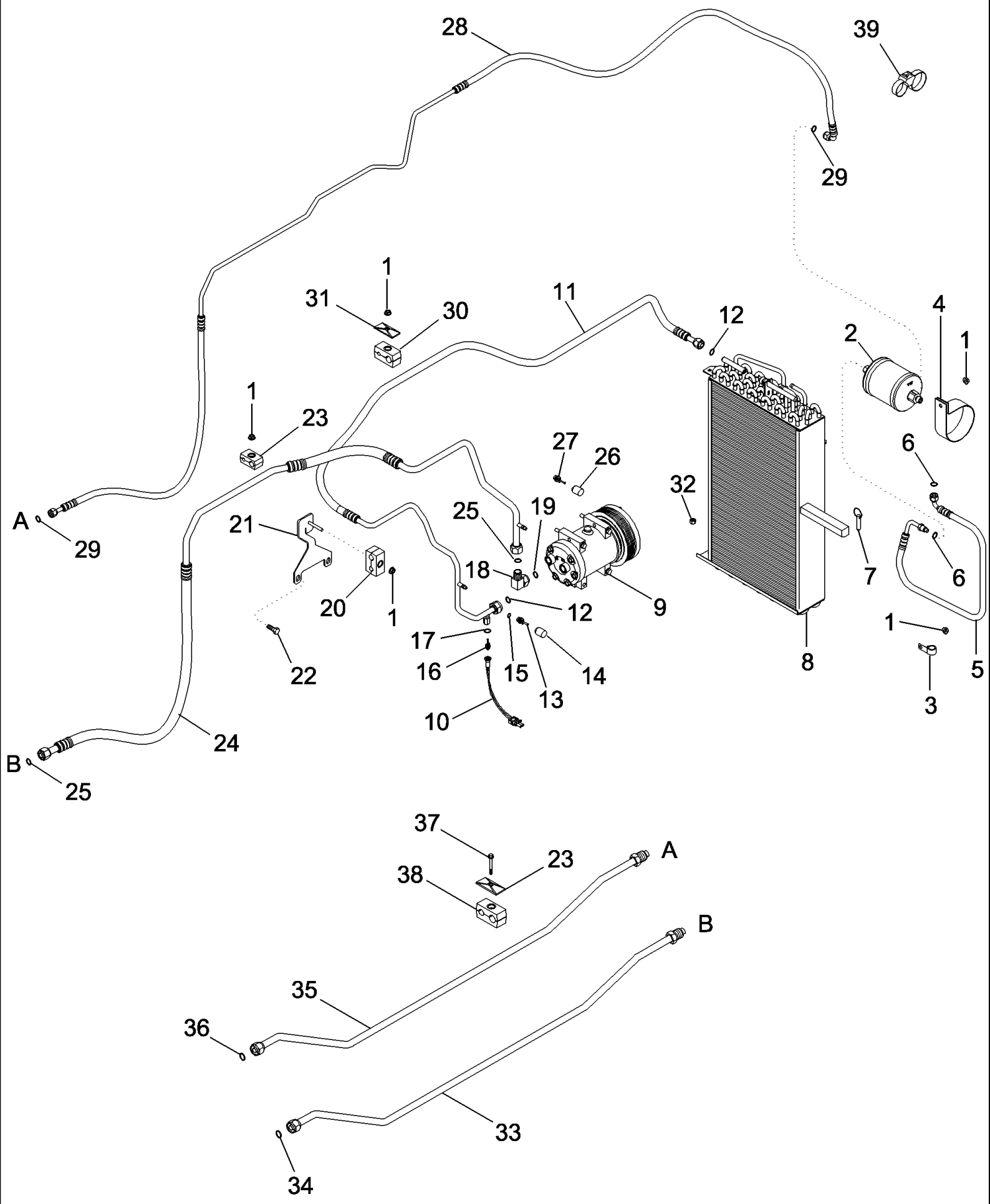


MAGNUM 255 CASE-IH MAGNUM TRACTOR (EMERGING MARKET) (1/06-)

09-33 AIR CONDITIONING - COMPRESSOR MOUNTING

сылка	Номер детали	Кол-во	Описание
1	86993463	1	COMPRESSOR, AIRCOND, Inc. 2 - 4
2	403585A1	1	CLUTCH,
3	A49667	1	PLUG,
4	128483A1	1	O-RING, 5/16 ID x 1/16
5	814-8100	3	BOLT, Hex, M8 x 100, 8.8,
6	895-11008	3	WASHER, M8 x 16 x 1.6,
7	87310736	1	SUPPORT,
8	895-11010	4	WASHER, M10 x 20 x 2,
9	628-10035	3	BOLT, Hex, M10 x 35, 10.9, Full Thd,

09-34 AIR CONDITIONING - CONDENSER

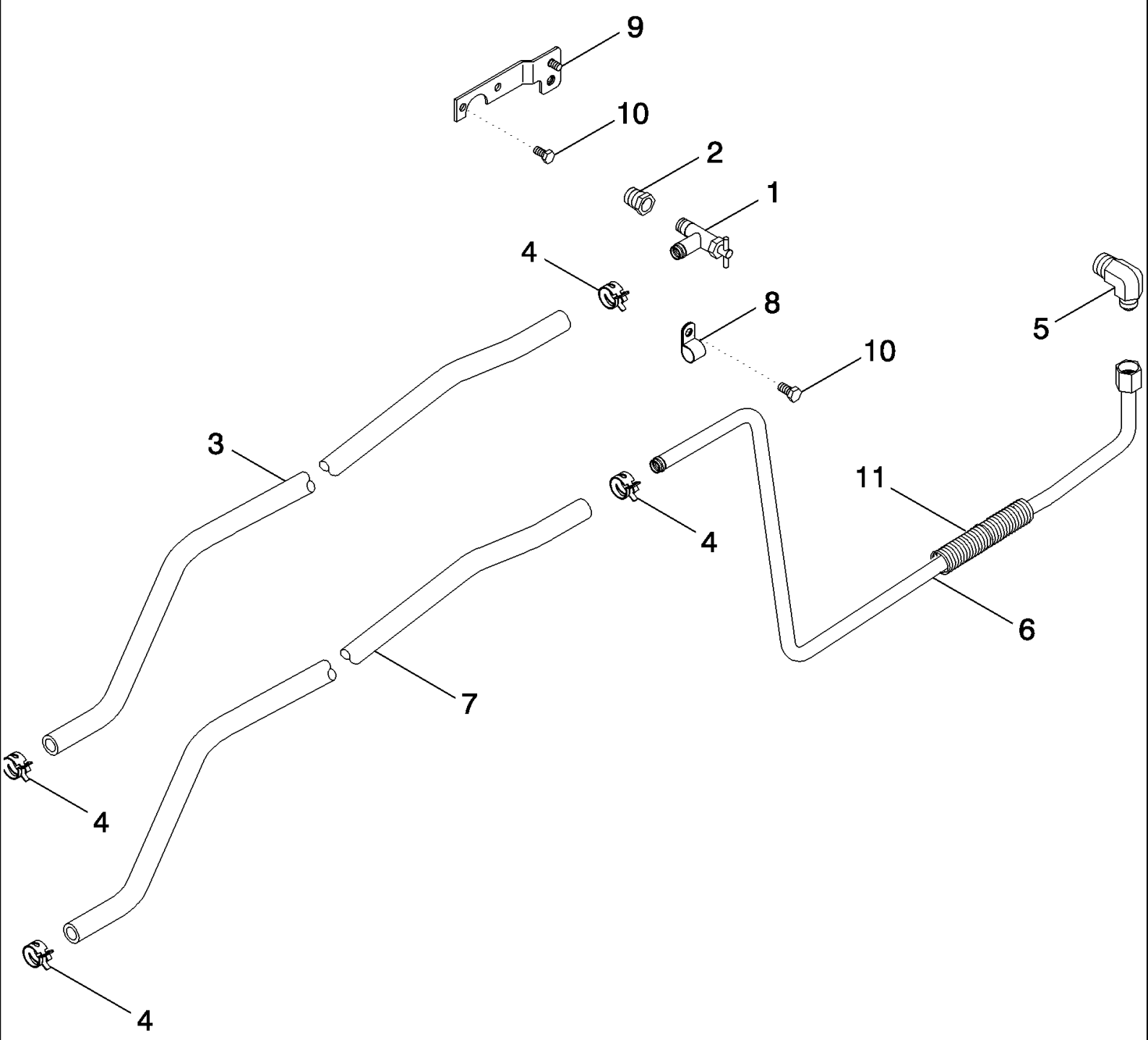


MAGNUM 255 CASE-IH MAGNUM TRACTOR (EMERGING MARKET) (1/06-)

09-34 AIR CONDITIONING - CONDENSER

сылка	Номер детали	Кол-во	Описание
1	825-2408	5	NUT, M8 x 1.25, Flg, CI 8,
2	295006A1	1	RECEIVER-DRYER, HFC - 134a
3	516-22158	1	CLAMP, J, 11/16" Insul, 5/16" Bolt,
4	87361944	1	CLAMP, Receiver - Dryer
5	87312057	1	HOSE ASSY., Condenser to Dryer, Inc. 6
6	128483A1	2	O-RING, 5/16 ID x 1/16
7	86017630	1	PIN,
8	87360035	1	CONDENSER, Condenser and Fuel
9	86993463	1	COMPRESSOR, AIRCOND,
10	284273A2	1	SWITCH, High Pressure A/C
11	87361937	1	HOSE ASSY., Discharge, Inc. 12 - 17
12	128485A1	2	O-RING, 9/16 ID x 1/16
13	414082A1	1	CORE,
14	414080A1	1	CAP,
15	128483A1	1	O-RING, 5/16 ID x 1/16
16	1250594C2	1	CORE,
17	128484A1	1	O-RING, 7/16 ID x 1/16
18	429210A1	1	ELBOW, Inc. 19
19	128485A1	1	O-RING,
20	109619A1	1	CLAMP,
21	87396608	1	BRACKET, Support
22	844-10020	2	BOLT, Hex Flg, M10 x 20, 8.8,
23	428385A1	2	CLAMP, SPECIAL, CLAMP
24	87361940	1	HOSE ASSY., Suction, Inc. 25 - 27
25	128485A1	2	O-RING, 9/16 ID x 1/16
26	414081A1	1	CAP,
27	414083A1	1	CORE,
28	87376704	1	HOSE ASSY., Inc. 29
29	128483A1	2	O-RING,
30	255212A1	1	CLAMP,
31	1347127C1	2	PLATE,
32	832-10408	1	NUT, LOCK, M8 x 1.25, CI 8,
33	87377036	1	HOSE ASSY., Suction, Inc. 34
34	128485A1	1	O-RING, 9/16 ID x 1/16
35	87377035	1	HOSE ASSY., Inc. 36
36	128483A1	1	O-RING,
37	779-14645	1	SCREW M6.3 x 45
38	384870A1	1	PLATE,
39	86991000	1	CLAMP,

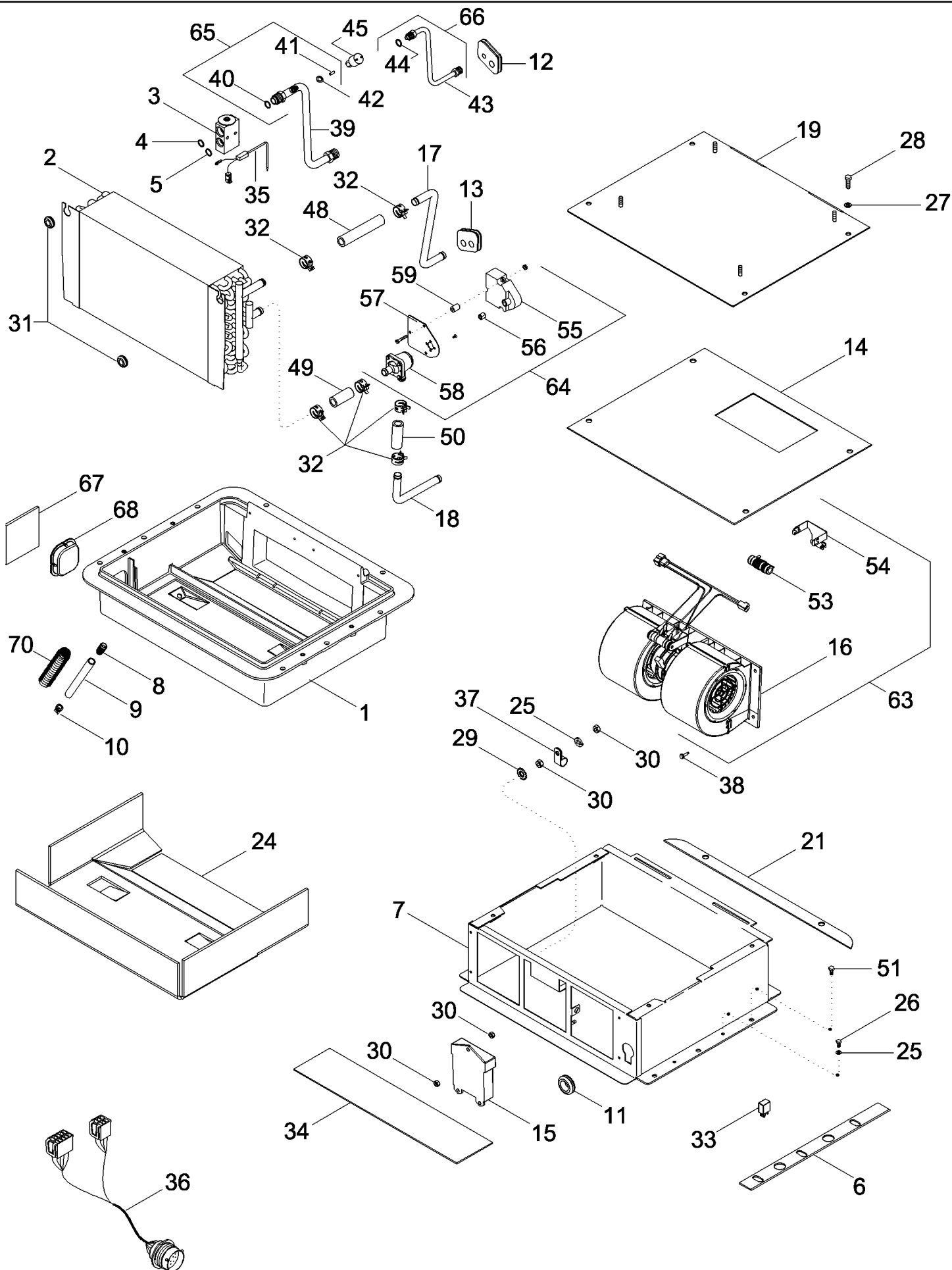
09-35 HEATER SYSTEM



MAGNUM 255 CASE-IH MAGNUM TRACTOR (EMERGING MARKET) (1/06-)

09-35 HEATER SYSTEM

сылка	Номер детали	Кол-во	Описание
1	301803R1	1	VALVE, SHUT-OFF,
2	221-1092	1	REDUCER, Hex, 3/4" x 3/8" NPT,
3	1974656C1	1	HOSE, Heater Supply, 15,5 ID x 1956 mm (5/8 ID x 77 in), Cut From 97252C1
4	1954736C1	4	CLAMP, HOSE,
5	87429524	1	ELBOW,
6	87313438	1	TUBE ASSY., Heater Return
7	1500341C2	1	HOSE, LARGE, Heater Supply, 15,5 ID x 2019 mm (5/8 ID x 79-1/2 in), Cut From 97252C1
8	515-22159	1	CLAMP, 5/8", Insul, 5/16" Bolt,
9	87421281	1	BRACKET,
10	614-8016	3	BOLT, Hex, M8 x 16, 8.8,
11	87723153	1	CONDUIT, 27 ID x 460 mm (1 in ID x 18 in)



MAGNUM 255 CASE-IH MAGNUM TRACTOR (EMERGING MARKET) (1/06-)

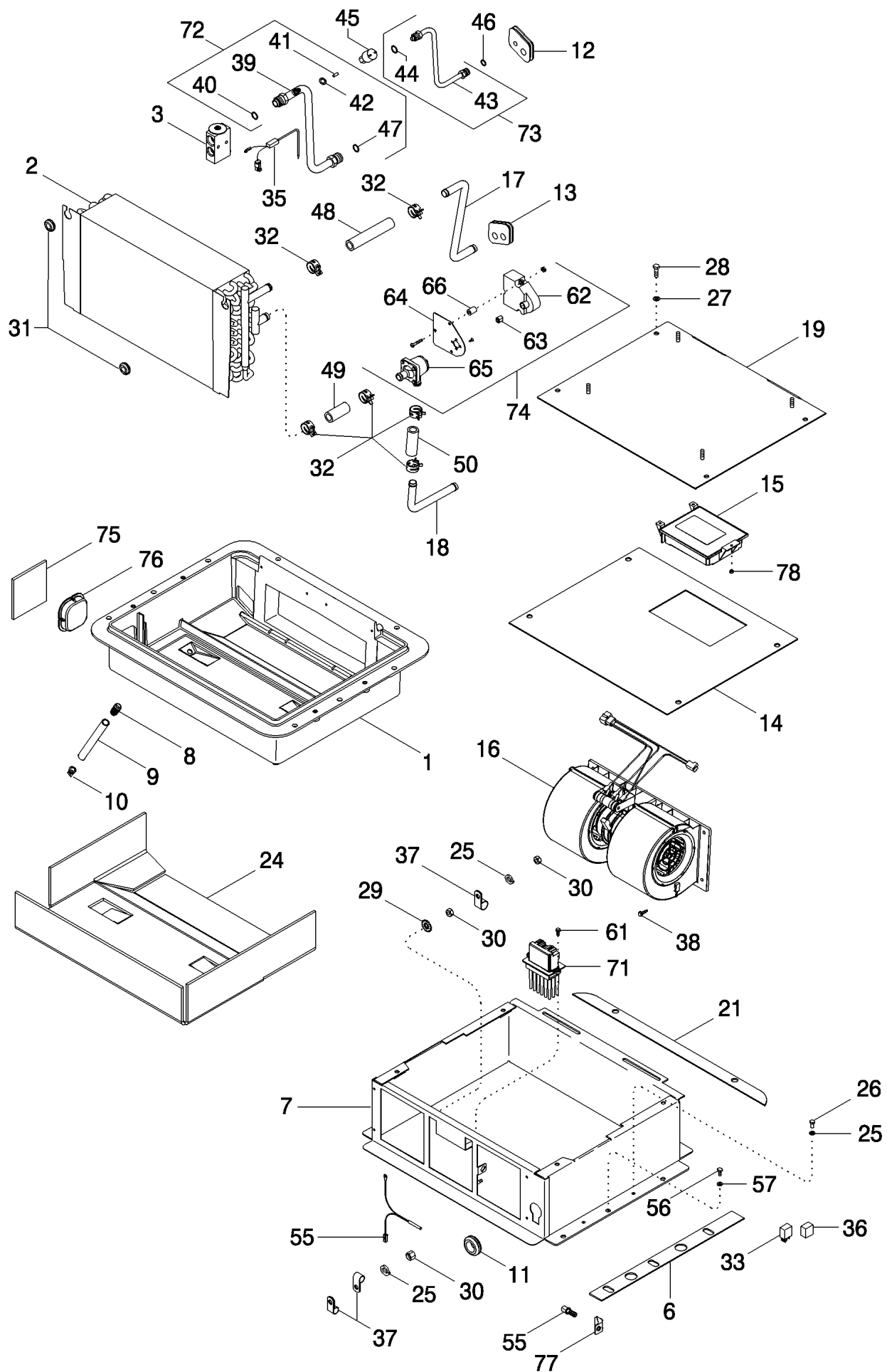
09-36 AIR CONDITIONING - CLIMATE CONTROL UNIT, WITHOUT AUTO TEMP CONTROL

сылка	Номер детали	Кол-во	Описание
1	322996A1	1	BOX,
2	86990262	1	CORE, Evaporator And Heater
3	386535A1	1	VALVE,
4	128485A1	1	O-RING, 9/16 ID x 1/16
5	128484A1	1	O-RING, 7/16 ID x 1/16
6	322994A1	4	GASKET,
7	87454443	1	CASE ASSY.,
8	1250522C3	2	ELBOW,
9	1977334C1	2	HOSE, 610 mm (24-1/8 in), Cut From 198091C1
10	109239C2	2	VALVE,
11	248-2381	1	GROMMET, 1" ID x 1 3/8" Groove Dia, 1 ID
12	322989A1	1	GROMMET,
13	322990A1	1	GROMMET,
14	87324951	1	GASKET,
15	87429903	1	CONTROL, Module
16	323610A1	1	BLOWER,
17	322985A1	1	PIPE, Outlet
18	322987A1	1	PIPE, Inlet
19	87306495	1	COVER,
21	322995A1	4	GASKET,
24	324484A1	1	INSULATOR,
25	892-11006	5	WASHER, LOCK, M6,
26	614-6012	4	BOLT, Hex, M6 x 12, 8.8,
27	892-11008	4	WASHER, LOCK, M8,
28	627-8025	4	BOLT, Hex, M8 x 25, 10.9,
29	493-81002	1	WASHER, LOCK, Ext-Int Tooth, 1/4",
30	829-1406	4	NUT, M6, CI 10,
31	248-1243	2	GROMMET, 1/2" ID x 13/16" Groove Dia, Diag Cut,
32	1954736C1	6	CLAMP, HOSE, No. 24
33	105849A1	1	RELAY, 20 Amp
34	327306A1	1	GASKET,
35	323016A1	1	SENSOR,
36	87323959	1	HARNESS,
37	515-21127	1	CLAMP, 1/2", Insul, 1/4" Bolt,
38	281-14512	4	SCREW, SELF TAP, Hex Wash Hd, #10 x 3/4",
39	NSS	1	NOT SERVICED SEPARATELY, Tube
40	128485A1	1	O-RING, 9/16 ID x 1/16
41	1250594C2	1	CORE,
42	128483A1	1	O-RING, 5/16 ID x 1/16
43	NSS	1	NOT SERVICED SEPARATELY, Tube
44	128483A1	1	O-RING, 5/16 ID x 1/16
45	87323829	1	SWITCH, PRESSURE, Low Pressure
48	1321290C2	1	HOSE, 127 mm (5 in), Cut From 97252CX
49	324022A1	1	HOSE, 54 mm (2-1/8 in), Cut From 97252CX
50	324023A1	1	HOSE, 64 mm (2-1/2 in), Cut From 97252CX

MAGNUM 255 CASE-IH MAGNUM TRACTOR (EMERGING MARKET) (1/06-)

09-36 AIR CONDITIONING - CLIMATE CONTROL UNIT, WITHOUT AUTO TEMP CONTROL

сылка	Номер детали	Кол-во	Описание
51	781-24825	8	SCREW, SELF TAP, Hex Flg Hd, M8 x 25,
53	401360A1	1	RESISTOR,
54	360032A1	1	BRACKET,
55	275602A1	1	ACTUATOR,
56	427360A1	1	INSERT,
57	427353A1	1	PLATE,
58	427352A1	1	VALVE,
59	427354A1	3	SPACER,
63	323611A1	1	BLOWER, ASSEMBLY, Inc. 16, 53, 54
64	427356A1	1	VALVE, CONTROL, Inc. 55 - 59
65	322839A1	1	PIPE, Inc. 40 - 42
66	322840A1	1	PIPE, Inc. 44
67	87306773	1	INSULATION, FOAM,
68	368313A1	1	PLASTIC PLUG,
69	495-21031	1	WASHER, 1/4", Not shown
70	87574393	1	HOSE, Condensate
71	87454442	1	SENSOR, (Not Shown)
72	87318294	1	CLIP, Sensor (Not Shown)



MAGNUM 255 CASE-IH MAGNUM TRACTOR (EMERGING MARKET) (1/06-)

09-37 AIR CONDITIONING - CLIMATE CONTROL UNIT, WITH AUTO TEMP CONTROL

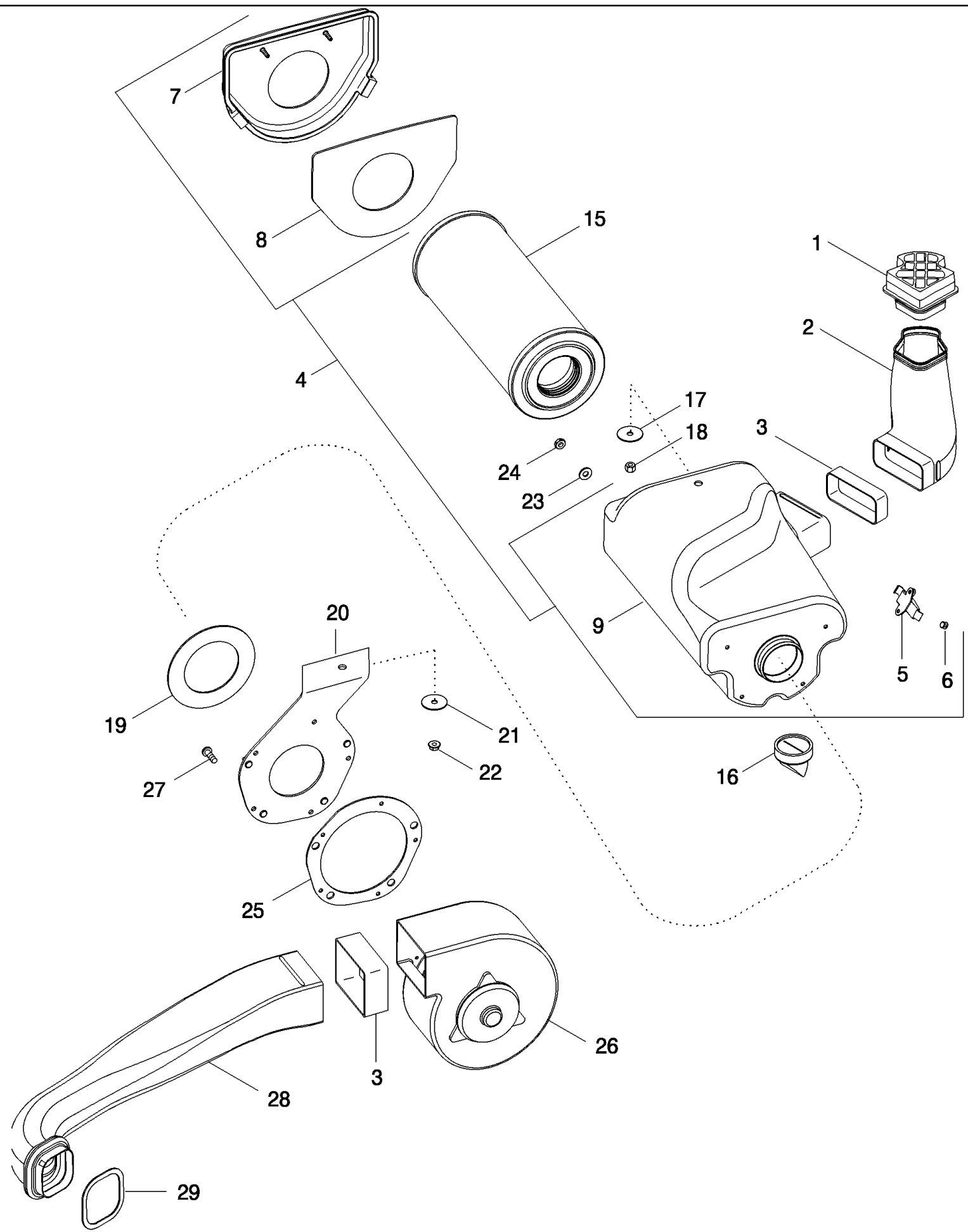
сылка	Номер детали	Кол-во	Описание
1	322996A1	1	BOX,
2	86990262	1	CORE, Evaporator And Heater
3	386535A1	1	VALVE,
6	322994A1	4	GASKET,
7	87454443	1	CASE ASSY.,
8	1250522C3	2	ELBOW,
9	1977334C1	2	HOSE, 610 mm (24-1/8 in), Cut From 198091C1
10	109239C2	2	VALVE,
11	248-2381	1	GROMMET, 1" ID x 1 3/8" Groove Dia, 1 ID
12	322989A1	1	GROMMET,
13	322990A1	1	GROMMET,
14	87324951	1	GASKET,
15	87365492	1	MODULE, Without Software
16	323610A1	1	BLOWER,
17	322985A1	1	PIPE, Outlet
18	322987A1	1	PIPE, Inlet
19	87306495	1	COVER,
21	322995A1	4	GASKET,
24	324484A1	1	INSULATOR,
25	892-11006	5	WASHER, LOCK, M6,
26	614-6016	4	BOLT, Hex, M6 x 16, 8.8,
27	892-11008	4	WASHER, LOCK, M8,
28	627-8025	4	BOLT, Hex, M8 x 25, 10.9,
29	493-81002	1	WASHER, LOCK, Ext-Int Tooth, 1/4",
30	829-1406	2	NUT, M6, CI 10,
31	248-1243	2	GROMMET, 1/2" ID x 13/16" Groove Dia, Diag Cut,
32	1954736C1	6	CLAMP, HOSE, No. 24
33	105849A1	1	RELAY, 20 Amp
35	323016A1	1	SENSOR,
36	87323958	1	HARNESS,
37	515-21127	2	CLAMP, 1/2", Insul, 1/4" Bolt,
38	281-14512	4	SCREW, SELF TAP, Hex Wash Hd, #10 x 3/4",
39	NSS	1	NOT SERVICED SEPARATELY, Pipe
40	128485A1	1	O-RING, 9/16 ID x 1/16
41	1250594C2	1	CORE,
42	128483A1	1	O-RING, 5/16 ID x 1/16
43	NSS	1	NOT SERVICED SEPARATELY, Pipe
44	128483A1	1	O-RING, 5/16 ID x 1/16
45	87323829	1	SWITCH, PRESSURE, Low
46	128484A1	1	O-RING, 7/16 ID x 1/16
47	128485A1	1	O-RING, 9/16 ID x 1/16
48	1321290C2	1	HOSE, 127 mm (5 in), Cut From 97252CX
49	324022A1	1	HOSE, 54 mm (2-1/8 in), Cut From 97252CX
50	324023A1	1	HOSE, 64 mm (2-1/2 in), Cut From 97252CX
55	87454442	1	SENSOR, Return Air

MAGNUM 255 CASE-IH MAGNUM TRACTOR (EMERGING MARKET) (1/06-)

09-37 AIR CONDITIONING - CLIMATE CONTROL UNIT, WITH AUTO TEMP CONTROL

сылка	Номер детали	Кол-во	Описание
56	781-24825	8	SCREW, SELF TAP, Hex Flg Hd, M8 x 25,
57	495-21031	1	WASHER, 1/4",
61	280-1448	2	SCREW, SELF TAP, Hex Wash Hd, #8 x 1/2",
62	275602A1	1	ACTUATOR,
63	427360A1	1	INSERT,
64	427353A1	1	PLATE,
65	427352A1	1	VALVE,
66	427354A1	3	SPACER,
71	87306706	1	TERMINAL CONNECTOR, ATC Filter Linear Driver
72	322839A1	1	PIPE, Inc. 39 - 42
73	322840A1	1	PIPE, Inc. 43, 44
74	427356A1	1	VALVE, CONTROL, Inc. 62 - 66
75	368313A1	1	PLASTIC PLUG,
76	87306773	1	INSULATION, FOAM,
77	87318294	1	CLIP,
78	832-46404	1	NUT, LOCK, M4 x .7, Cl 8,

09-38 AIR CONDITIONING - AIR FILTER

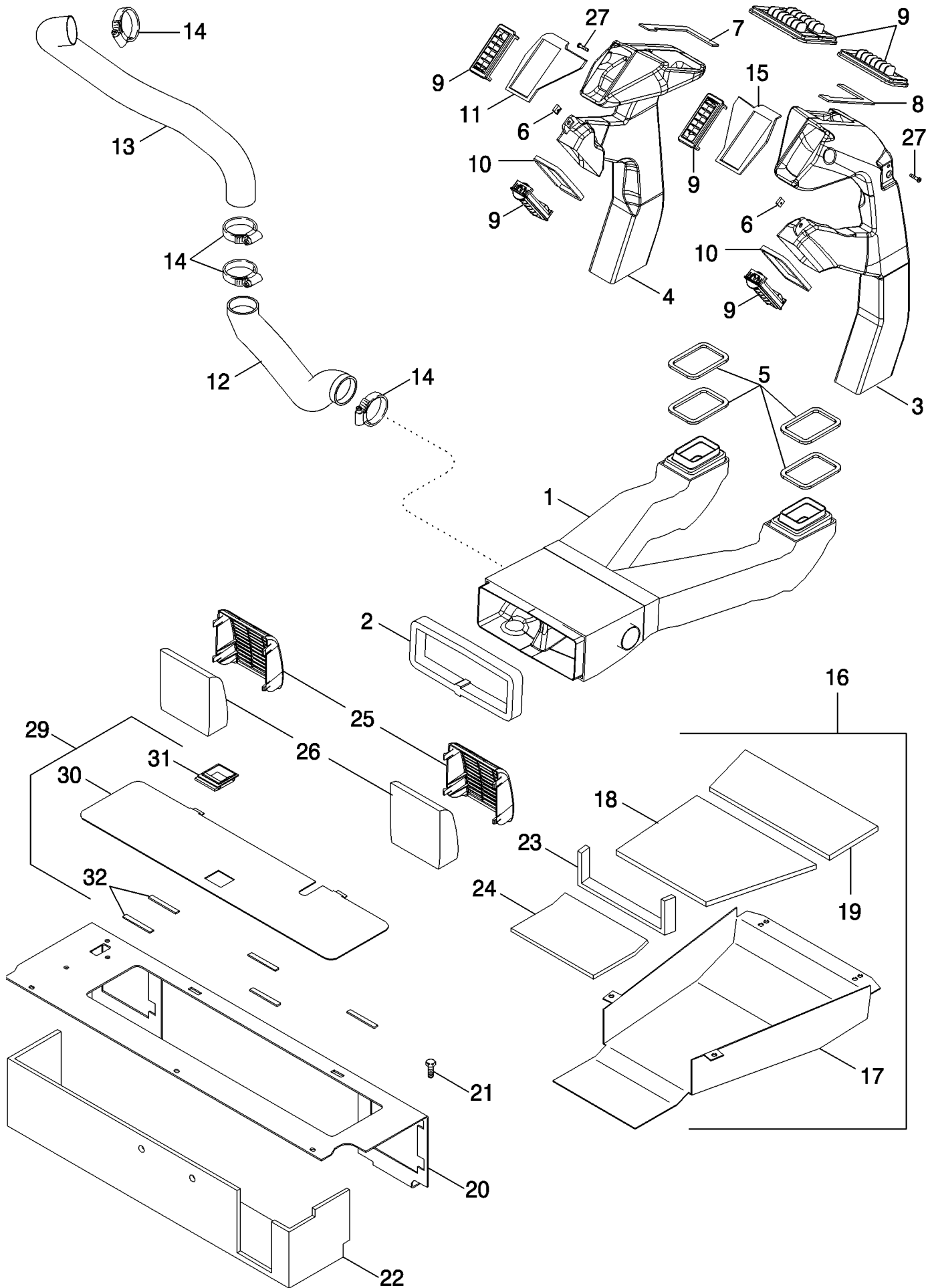


MAGNUM 255 CASE-IH MAGNUM TRACTOR (EMERGING MARKET) (1/06-)

09-38 AIR CONDITIONING - AIR FILTER

сылка	Номер детали	Кол-во	Описание
1	255236A3	1	GROMMET,
2	255237A2	1	DUCT, AIR,
3	280951A2	2	SEAL,
4	310687A3	1	FILTER, CAB, Inc. 5 - 9
5	240748A2	2	LATCH,
6	151-539	4	RIVET, Pop, 3/16" x .450",
7	255218A4	1	COVER, Inc. 8
8	259339A3	1	GASKET,
9	NSS	1	NOT SERVICED SEPARATELY, Housing
15	259288A1	1	FILTER, Air
16	A184597	1	POPPET, VALVE,
17	495-81121	1	WASHER, .344" x 1 1/2" x .060",
18	832-10408	1	NUT, LOCK, M8 x 1.25, Cl 8,
19	255219A2	1	GASKET,
20	252244A3	1	BRACKET,
21	495-81121	1	WASHER, .344" x 1 1/2" x .060",
22	825-2408	1	NUT, M8 x 1.25, Flg, Cl 8,
23	495-31022	4	WASHER, #10,
24	225-14210	4	NUT, #10-32,
25	255220A2	1	GASKET,
26	87107380	1	BLOWER,
27	490-11010	5	SCREW, Cross Pan Hd, #10-32 x 5/8",
28	87538496	1	DUCT,
29	280510A2	1	GASKET,

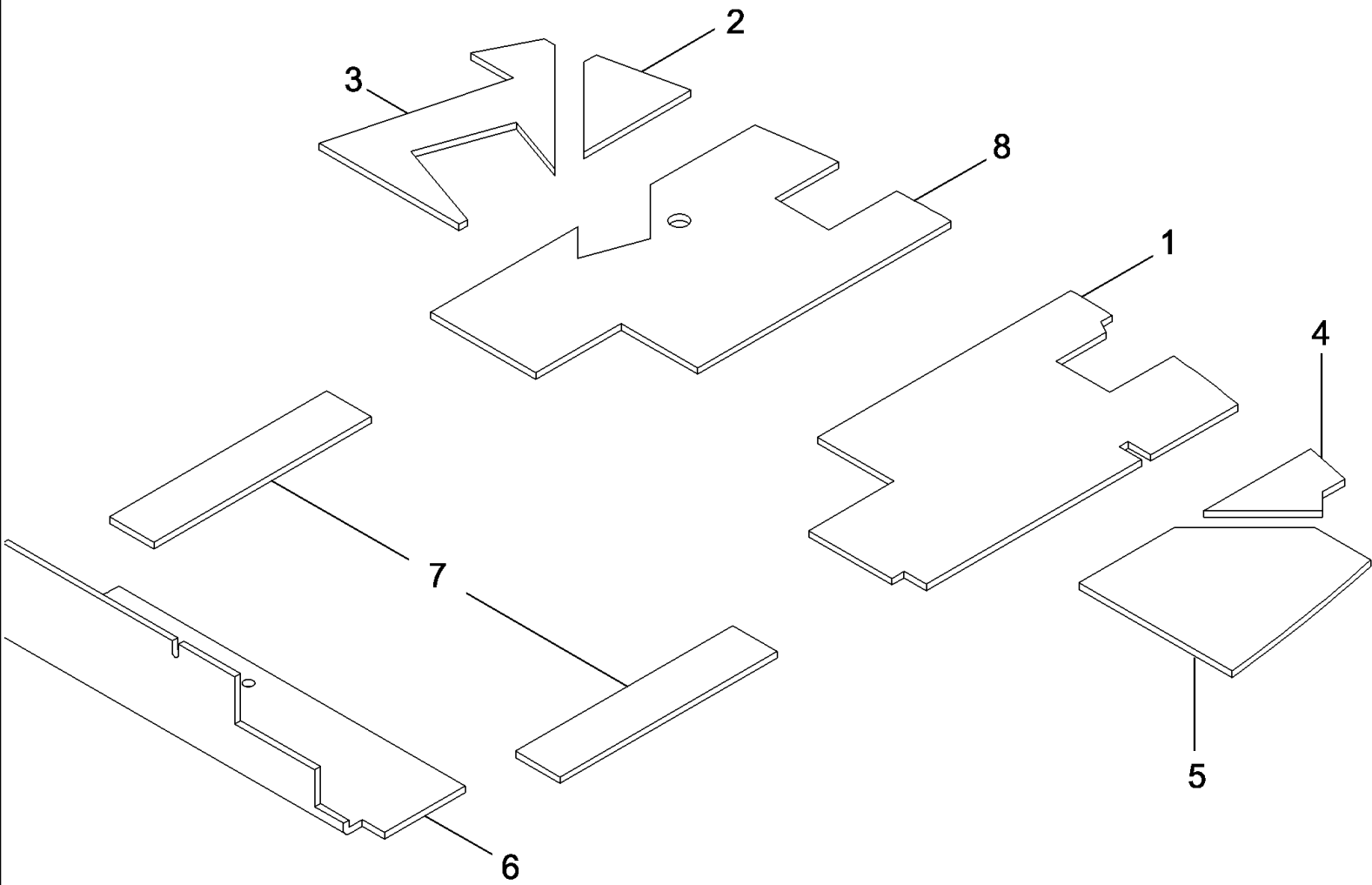
09-39 AIR CONDITIONING - DUCTS



MAGNUM 255 CASE-IH MAGNUM TRACTOR (EMERGING MARKET) (1/06-)

09-39 AIR CONDITIONING - DUCTS

сылка	Номер детали	Кол-во	Описание
1	87308202	1	DUCT, Inc. 2
2	326665A1	1	SEAL,
3	87360629	1	DUCT, Right Hand
4	87310029	1	DUCT, Left Hand
5	87452817	4	GASKET,
6	131-839	2	NUT, U, #10-16, Panel type,
7	87310033	1	GASKET, Duct Defrost, LH
8	87310034	1	GASKET, Duct Defrost, RH
9	363931A1	7	VENT,
10	87456015	2	GASKET, Foot Louver
11	87310035	1	GASKET, Duct Face Louver, LH
12	256331A2	1	HOSE, Left Hand
13	303732A1	1	HOSE, Left Hand
14	214-1544	4	CLAMP, HOSE, #44, 2.31/3.25 Type F Worm, W/liner,
15	87310036	1	GASKET, Duct Face Louver, RH
16	87377042	1	PAN, Duct, Inc. 17, 18, 19, 23 and 24
17	NSS	1	NOT SERVICED SEPARATELY, PAN, Duct
18	87451616	1	INSULATION, FOAM, Duct Pan
19	87451617	1	INSULATION, FOAM, Duct Pan, Front
20	87323828	1	EXTENSION,
21	781-24820	5	SCREW, SELF TAP, Hex Flg Hd, M8 x 20,
22	87532161	1	INSULATION, FOAM,
23	87451618	1	STRIP, SEALING, Duct Pan
24	87307956	1	INSULATION, FOAM, Duct Pan, Rear
25	301180A3	2	VENT (AIR),
26	293615A1	2	FILTER,
27	840-1525	2	SCREW, Cross Pan Hd, M5 x 25,
29	87442171	1	COVER, Inc. 30 - 32
30	87442170	1	COVER,
31	406718A1	1	LATCH,
32	412425A1	5	SEAL,

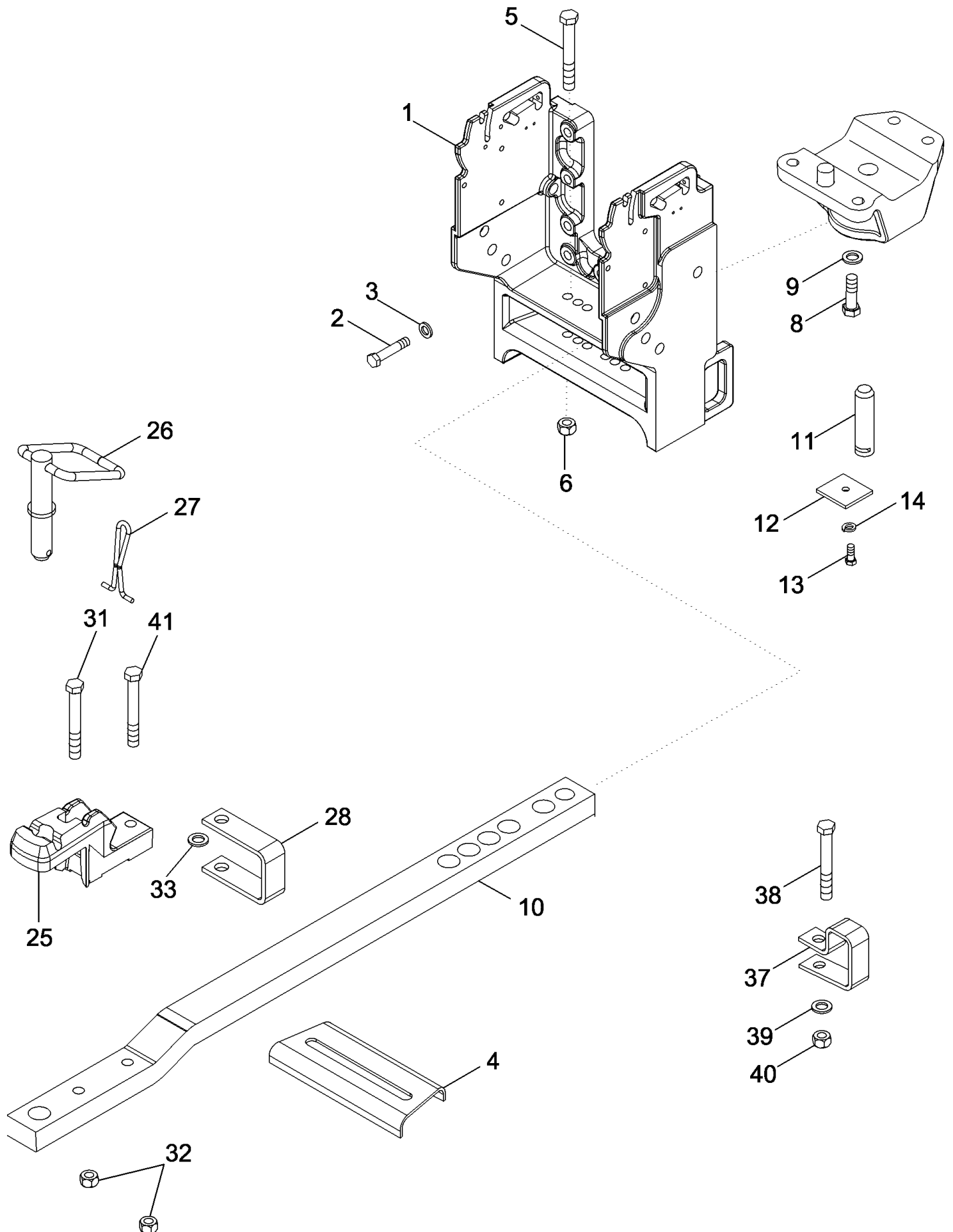


MAGNUM 255 CASE-IH MAGNUM TRACTOR (EMERGING MARKET) (1/06-)

09-40 CAB - INSULATION

сылка	Номер детали	Кол-во	Описание
1	87430369	1	INSULATION, FOAM, Middle, Right
2	87430372	1	INSULATION, FOAM, Left Front
3	87430373	1	INSULATION, FOAM, Left Rear
4	87430374	1	INSULATION, FOAM, Right Front
5	87430375	1	INSULATION, FOAM, Right Rear
6	87430370	1	INSULATION, FOAM, Middle Rear
7	87430371	2	INSULATION, FOAM, Floor Strip
8	87430368	1	INSULATION, FOAM, Middle, Left

09-41 DRAWBAR AND HAMMERSTRAP - STANDARD

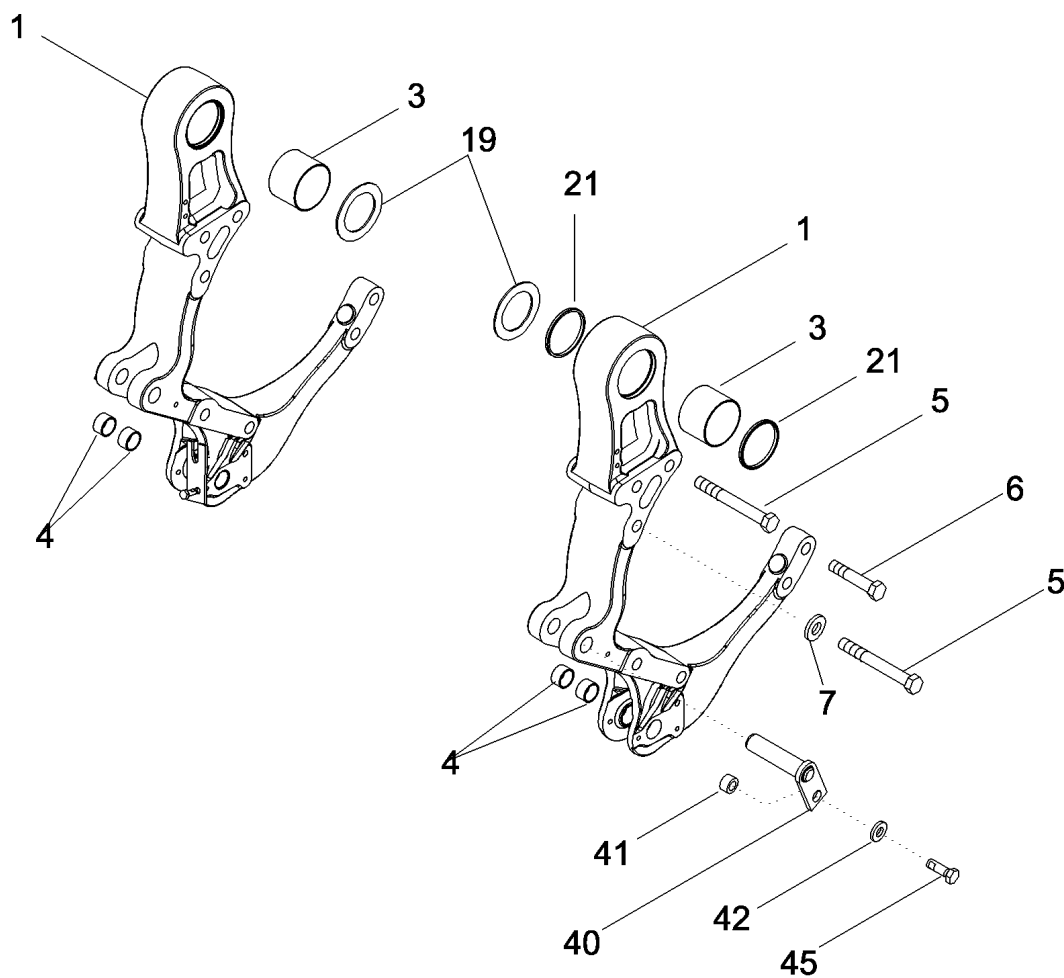
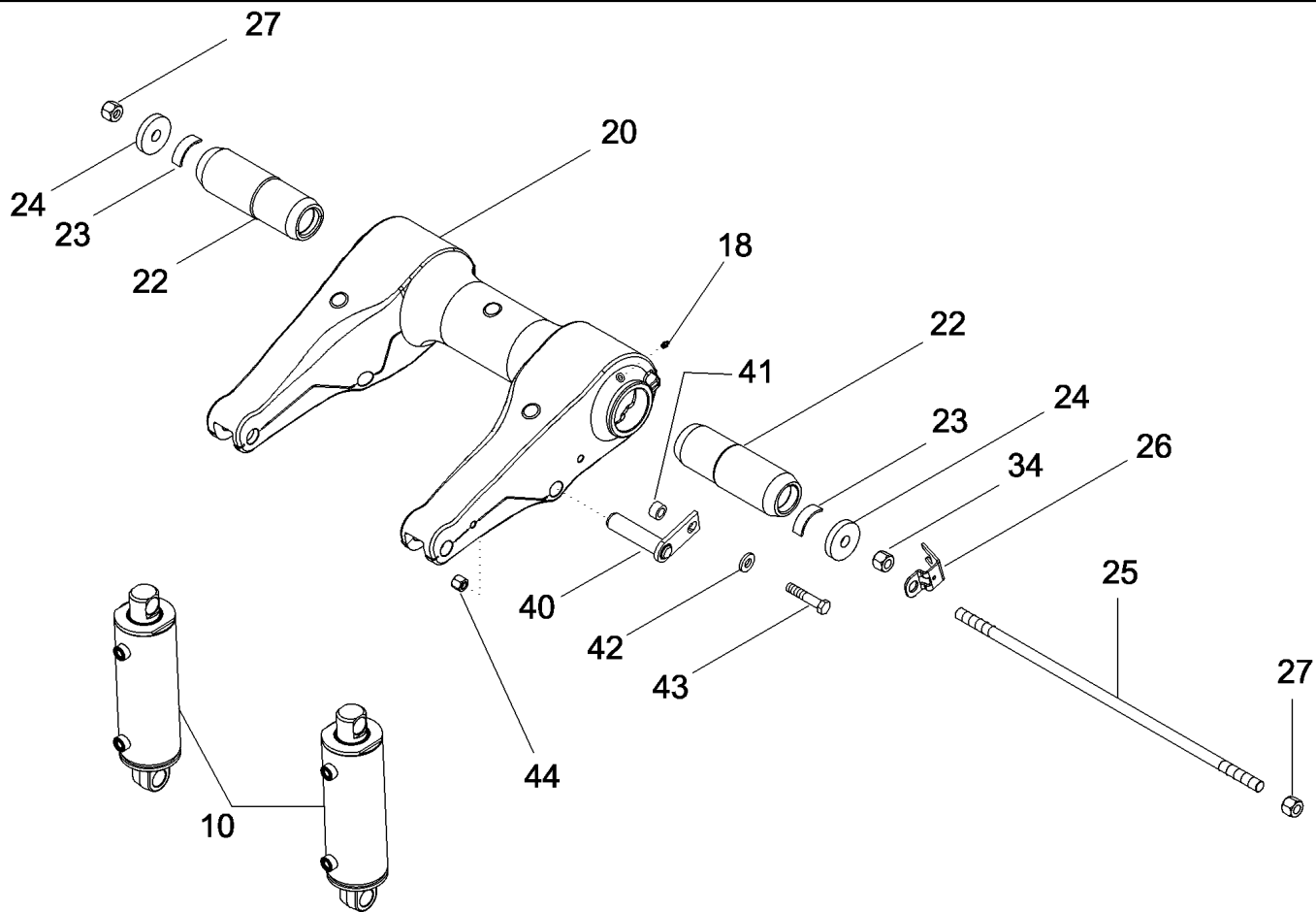


MAGNUM 255 CASE-IH MAGNUM TRACTOR (EMERGING MARKET) (1/06-)

09-41 DRAWBAR AND HAMMERSTRAP - STANDARD

сылка	Номер детали	Кол-во	Описание
1	251788A3	1	SUPPORT,
2	828-16080	10	BOLT, Hex, M16 x 80, 10.9,
3	896-12016	10	WASHER, M17.5 x 30 x 4, HT,
4	238495A3	1	PLATE,
5	827-16160	2	BOLT, Hex, M16 x 160, 10.9,
6	832-10416	2	NUT, LOCK, M16 x 2, CI 8,
7	87680423	1	BRACKET,
8	828-20065	4	BOLT, Hex, M20 x 65, 10.9, Full Thd,
9	896-12020	4	WASHER, M20 x 37.5 x 4, HT,
10	87358323	1	DRAWBAR, SWINGING, 50 mm
11	1982103C1	1	PIN,
12	67828C1	1	RETAINER,
13	627-12030	1	BOLT, Hex, M12 x 30, 10.9,
14	896-15012	1	WASHER, M12 x 28.5 x 4, HT,
25	275055A3	1	STRAP,
26	275056A3	1	PIN, HITCH,
27	232617A1	1	LATCH,
28	449666A1	1	SUPPORT ASSY.,
31	827-20140	1	BOLT, Hex, M20 x 140, 10.9,
32	829-1420	2	NUT, M20, CI 10,
33	896-15020	1	WASHER, M20 x 44.5 x 5, HT,
37	348405A2	1	SUPPORT,
38	827-20090	1	BOLT, Hex, M20 x 90, 10.9,
39	896-15020	1	WASHER, M20 x 44.5 x 5, HT,
40	829-1420	1	NUT, M20, CI 10,
41	827-20130	1	BOLT, Hex, M20 x 130, 10.9,

09-42 HITCH - SUPPORTS AND ROCKSHAFT

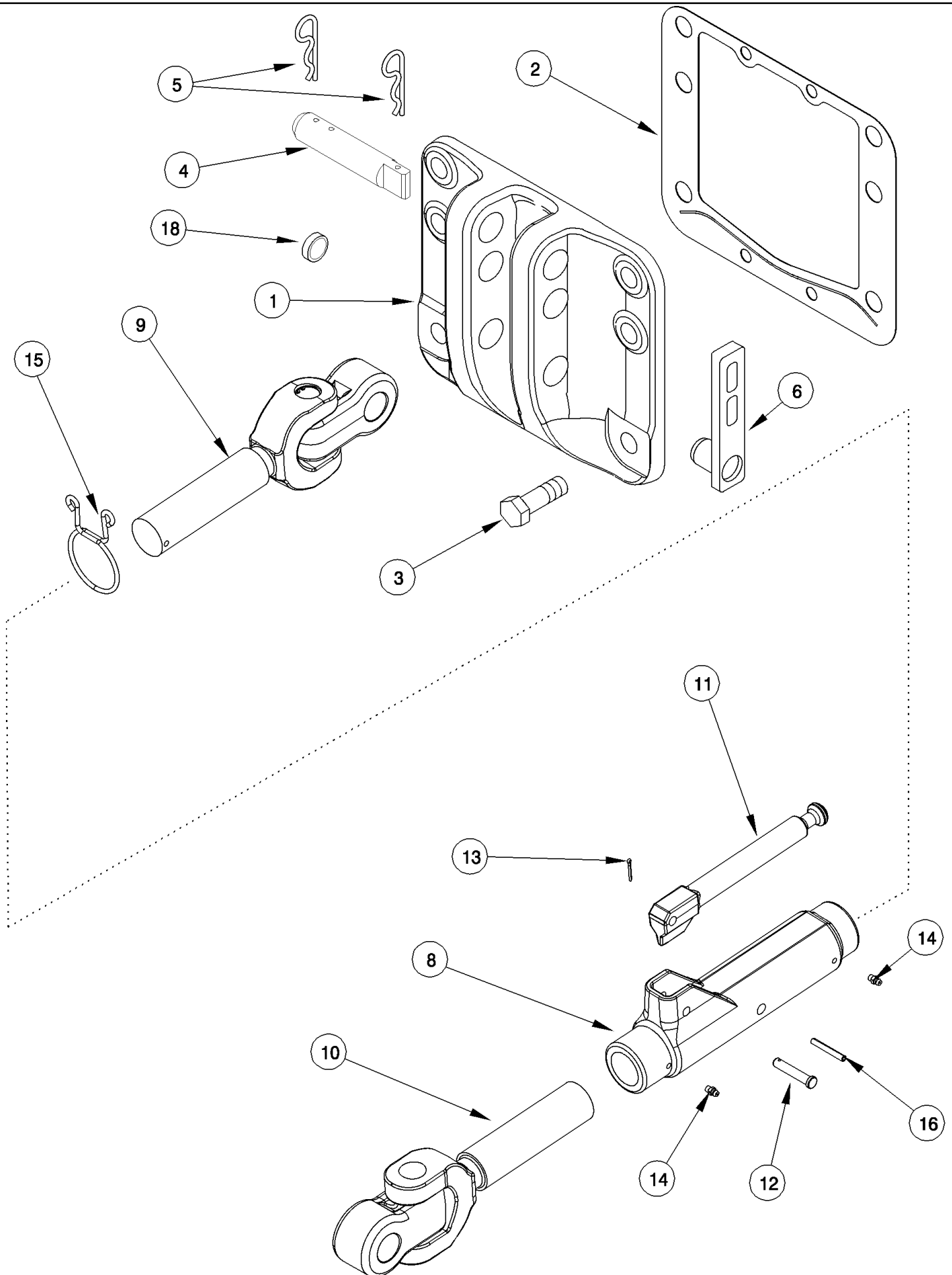


MAGNUM 255 CASE-IH MAGNUM TRACTOR (EMERGING MARKET) (1/06-)

09-42 HITCH - SUPPORTS AND ROCKSHAFT

сылка	Номер детали	Кол-во	Описание
1	302887A5	2	BRACKET,
3	222355A1	1	BUSHING,
4	1960223C1	2	BUSHING,
5	828-24200	10	BOLT, Hex, M24 x 200, 10.9,
6	828-24120	4	BOLT, Hex, M24 x 120, 10.9,
7	896-16024	2	WASHER, M24 x 56.5 x 6, HT,
10	87542725	2	95 ID x 260 mm Stoke, Part Number Stamped On Cylinder, See Figure 08-24
18	219-16	2	NIPPLE, LUBE, 5/16" x .56" lg, Drive,
19	87572476	2	Wear, Rocker Arm
20	87308708	1	BRACKET, HITCH,
21	222354A1	4	SEAL,
22	251386A1	2	PIN,
23	220598A3	6	RING, SNAP,
24	220599A2	2	WASHER,
25	220600A2	1	ROD,
26	241889A3	1	SUPPORT,
27	832-10424	2	NUT, LOCK, M24 x 3, CI 8,
34	829-1424	1	NUT, M24, CI 10,
40	391415A1	4	PIN,
41	414675A1	4	SPACER,
42	896-15012	4	WASHER, M12 x 28.5 x 4, HT,
43	814-12060	2	BOLT, Hex, M12 x 60, 8.8,
44	832-10412	2	NUT, LOCK, M12 x 1.75, CI 8,
45	806-12035	2	BOLT, Hex, Lock, M12 x 35, CI 10.9,

09-43 HITCH - TOP LINK

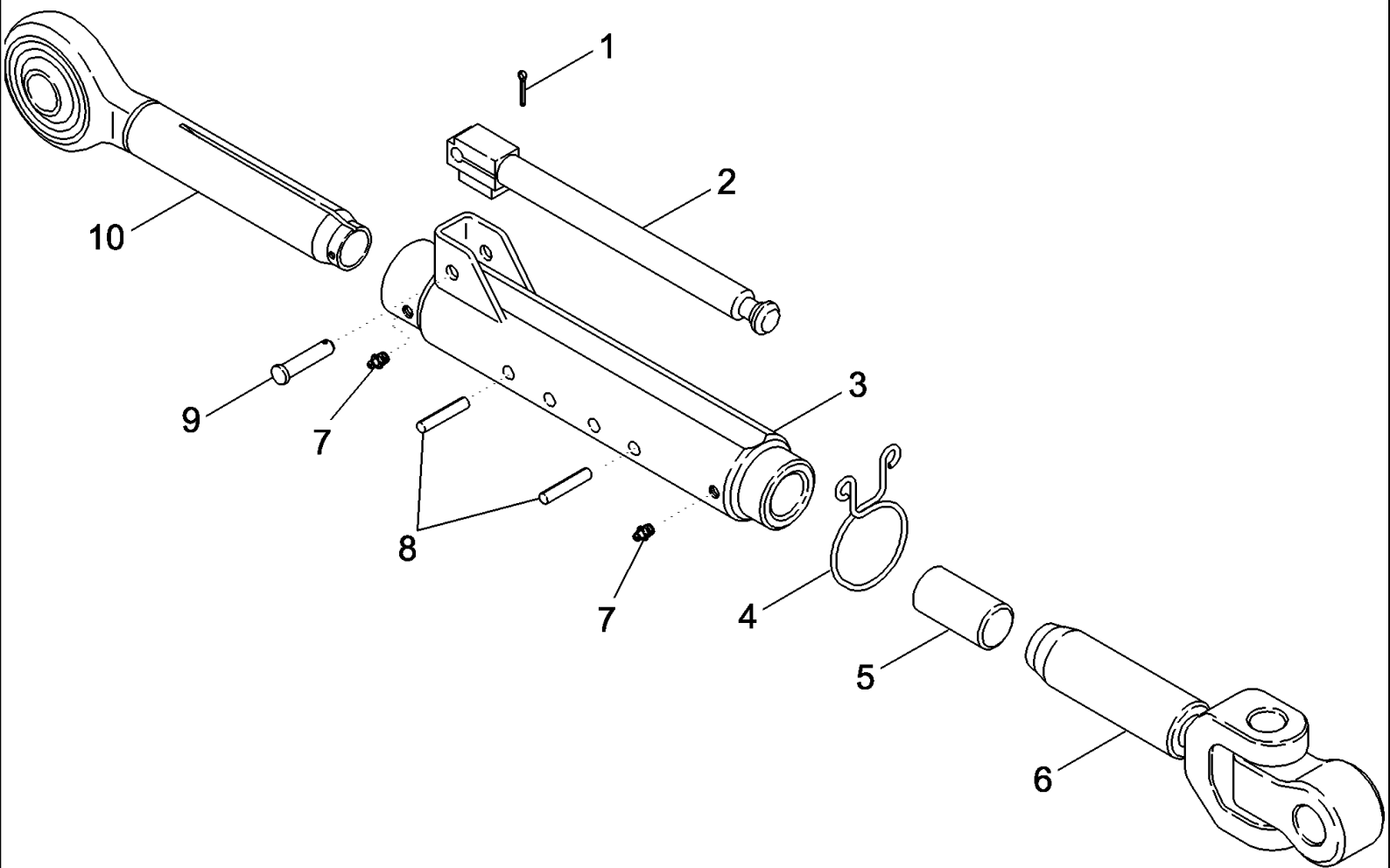


MAGNUM 255 CASE-IH MAGNUM TRACTOR (EMERGING MARKET) (1/06-)

09-43 HITCH - TOP LINK

сылка	Номер детали	Кол-во	Описание
1	377206A4	1	BRACKET, HITCH,
2	379145A2	1	GASKET,
3	628-20060	6	BOLT, Hex, M20 x 60, 10.9, Full Thd,
4	378929A1	1	PIN,
5	486830R1	2	PIN, SPLIT (COTTER),
6	378932A1	1	PIN,
8	310524A3	1	TURNBUCKLE,
9	319585A1	1	CLEVIS, Right Hand Threads
10	319586A1	1	CLEVIS, Left Hand Threads
11	310944A1	1	HANDLE,
12	427-6200	1	PIN, CLEVIS, 3/8" x 2",
13	432-612	1	PIN, SPLIT (COTTER), 3/32" x 3/4",
14	219-87	2	NIPPLE, LUBE, 1/4"-28 x .56" lg, Self-Tap,
15	315912A1	1	SPRING,
16	838-3645	1	PIN, M6 x 45, Coiled,
18	641-3432	3	PLUG, M32, Conical,
19	336494A1	3	CHAIN, Top Link Mounting Pin and Cam Limiter Pins (Not Shown)

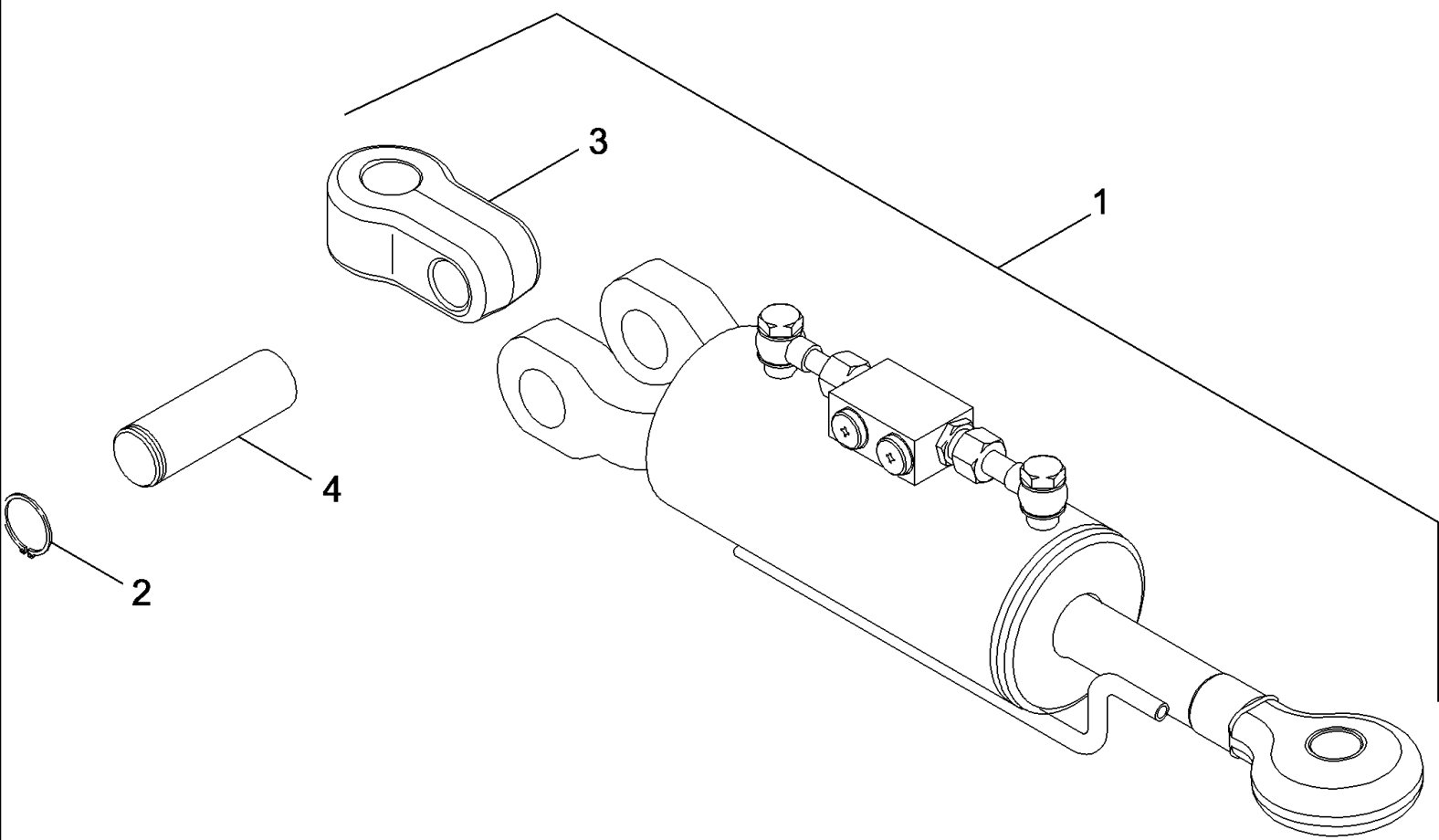
09-44 HITCH - TOP LINK BALL END



MAGNUM 255 CASE-IH MAGNUM TRACTOR (EMERGING MARKET) (1/06-)

09-44 HITCH - TOP LINK BALL END

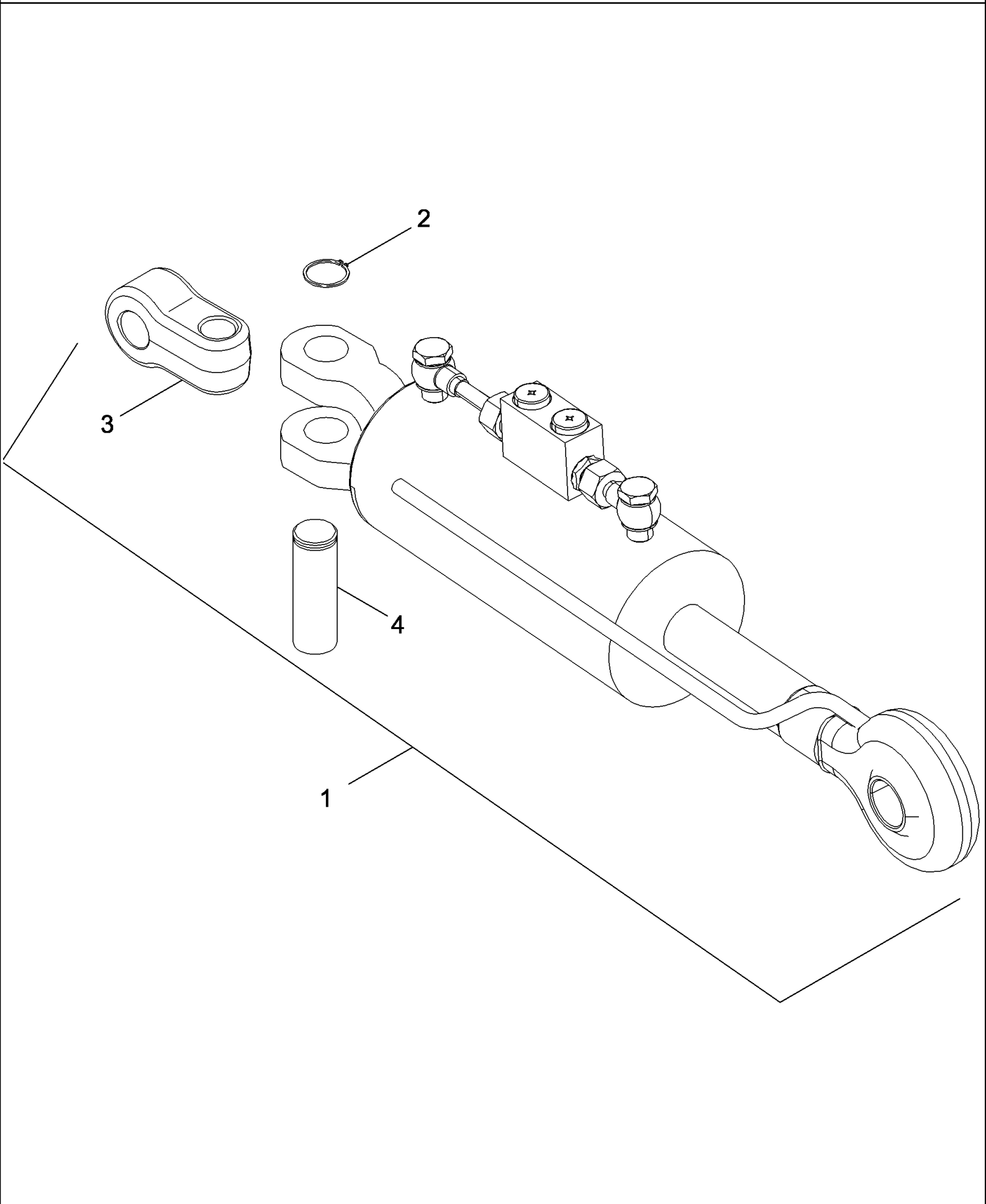
сылка	Номер детали	Кол-во	Описание
1	432-610	1	PIN, SPLIT (COTTER), 3/32" x 5/8",
2	1331863C2	1	HANDLE,
3	1954223C4	1	ARM,
4	315912A1	1	SPRING,
5	315541A1	1	SPACER,
6	319585A1	1	CLEVIS,
7	378716A1	2	NIPPLE, LUBE, 10 mm
8	738-5645	2	PIN, LOCK, M6 x 45, Slotted,
9	427-6200	1	PIN, CLEVIS, 3/8" x 2",
10	1282082C2	1	END,



MAGNUM 255 CASE-IH MAGNUM TRACTOR (EMERGING MARKET) (1/06-)

09-45 CYLINDER ASSEMBLY - HYDRAULIC TOP LINK - HITCH, SHORT ARMS

сылка	Номер детали	Кол-во	Описание
1	87453964	1	LINK, TOP, Short, Used With Short Draft Arms, 970 mm (38 in) Center To Center, Inc. 2 - 5
2	800-2128	2	RING, SNAP, M28, Int,
3	283235A3	1	CLEVIS
4	310476A2	1	PIN
5	5197835	1	KIT, SEALS, Seal, (Not Shown)

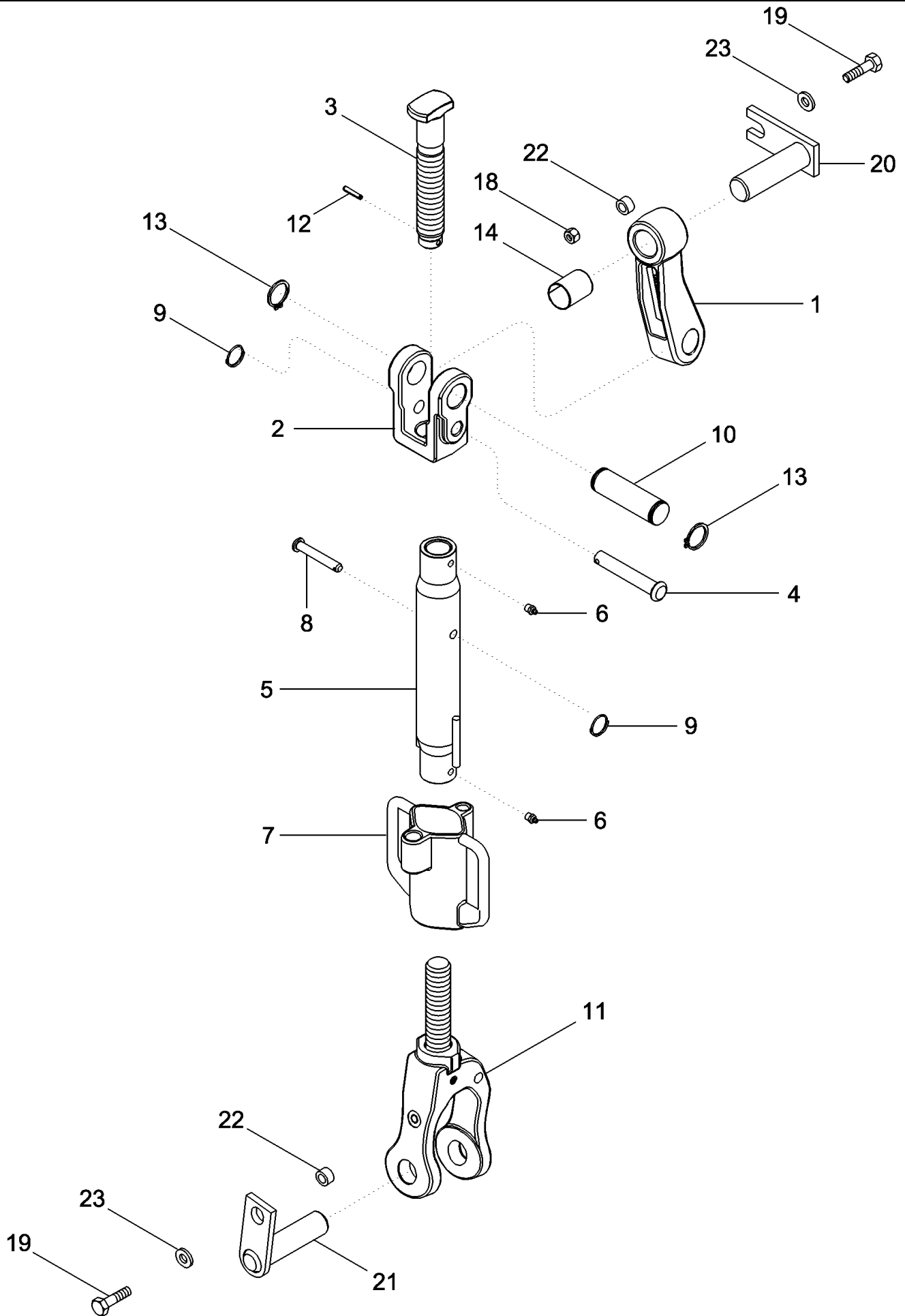


MAGNUM 255 CASE-IH MAGNUM TRACTOR (EMERGING MARKET) (1/06-)

09-46 CYLINDER ASSEMBLY - HYDRAULIC TOP LINK - HITCH, LONG ARMS

сылка	Номер детали	Кол-во	Описание
1	87542872	1	LINK, TOP, Long, Used With Long Draft Arms, 1094 mm (43 in) Center To Center, Inc. 2 - 5
2	800-2128	2	RING, SNAP, M28, Int,
3	283235A3	1	CLEVIS
4	310476A2	1	PIN
5	5197835	1	KIT, SEALS, Seal, (Not Shown)

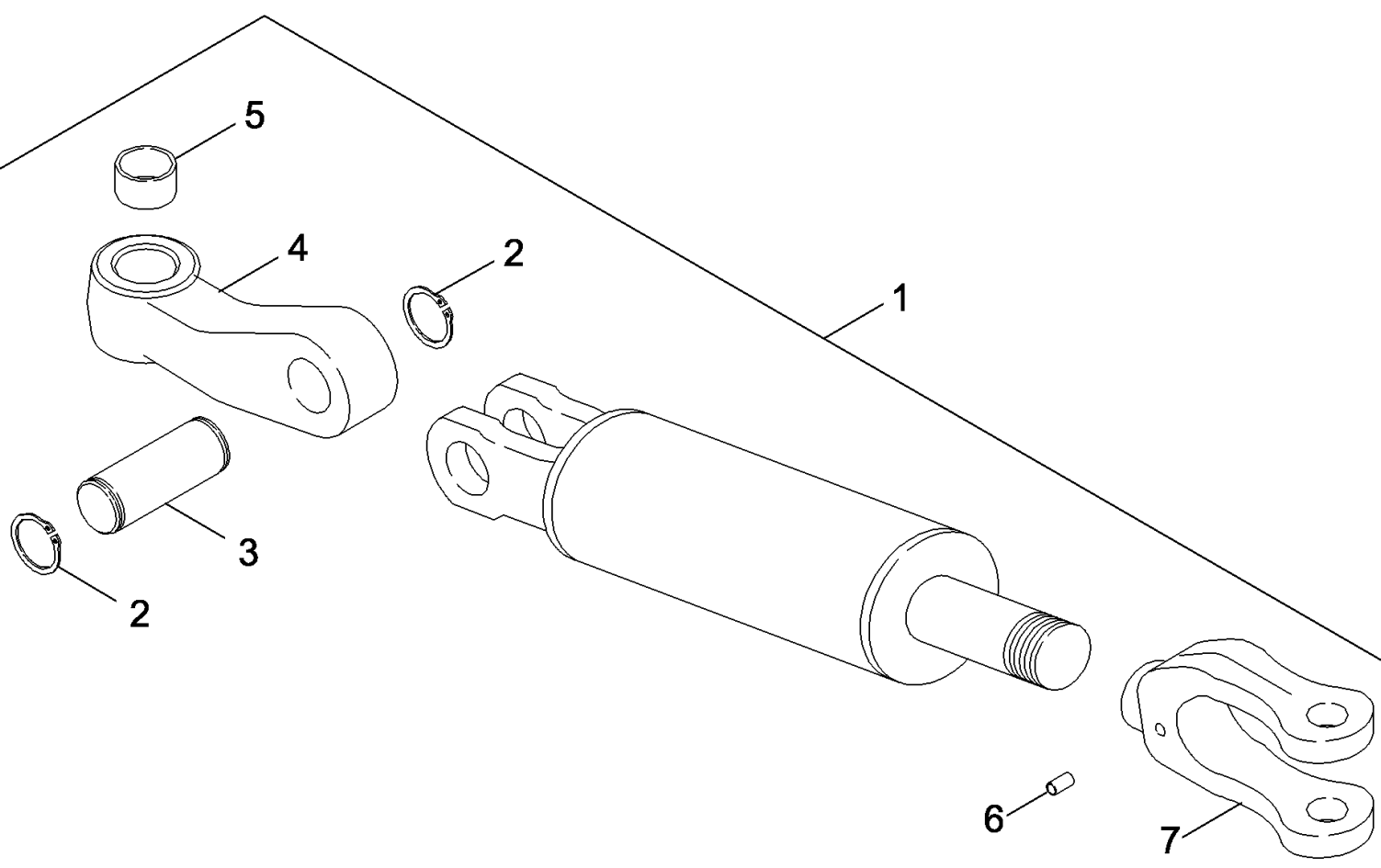
09-47 HITCH - LIFT LINKS



MAGNUM 255 CASE-IH MAGNUM TRACTOR (EMERGING MARKET) (1/06-)

09-47 HITCH - LIFT LINKS

сылка	Номер детали	Кол-во	Описание
1	87632286	2	PITMAN,
2	405362A2	2	YOKE,
3	412533A1	2	ROD,
4	412534A1	2	PIN,
5	405370A1	2	TURNBUCKLE,
6	378716A1	4	NIPPLE, LUBE,
7	405364A1	2	HANDLE,
8	728-1280	2	PIN, CLEVIS, M12 x 80,
9	307431A1	4	RING, SNAP,
10	412536A2	2	PIN,
11	405366A1	2	ROD,
12	738-1632	2	PIN, LOCK, M6 x 32, Slotted,
13	800-5135	4	RING, SNAP, M35, Ext, Hvy,
14	237443A1	2	BUSHING,
18	832-10412	2	NUT, LOCK, M12 x 1.75, Cl 8,
19	827-12050	4	BOLT, Hex, M12 x 50, 10.9,
20	321367A3	2	PIN ASSY.,
21	414696A1	2	PIN ASSY.,
22	321365A1	4	SPACER,
23	896-15012	4	WASHER, M12 x 28.5 x 4, HT,
24	87399270	1	KIT, SEALS, (Not Shown)

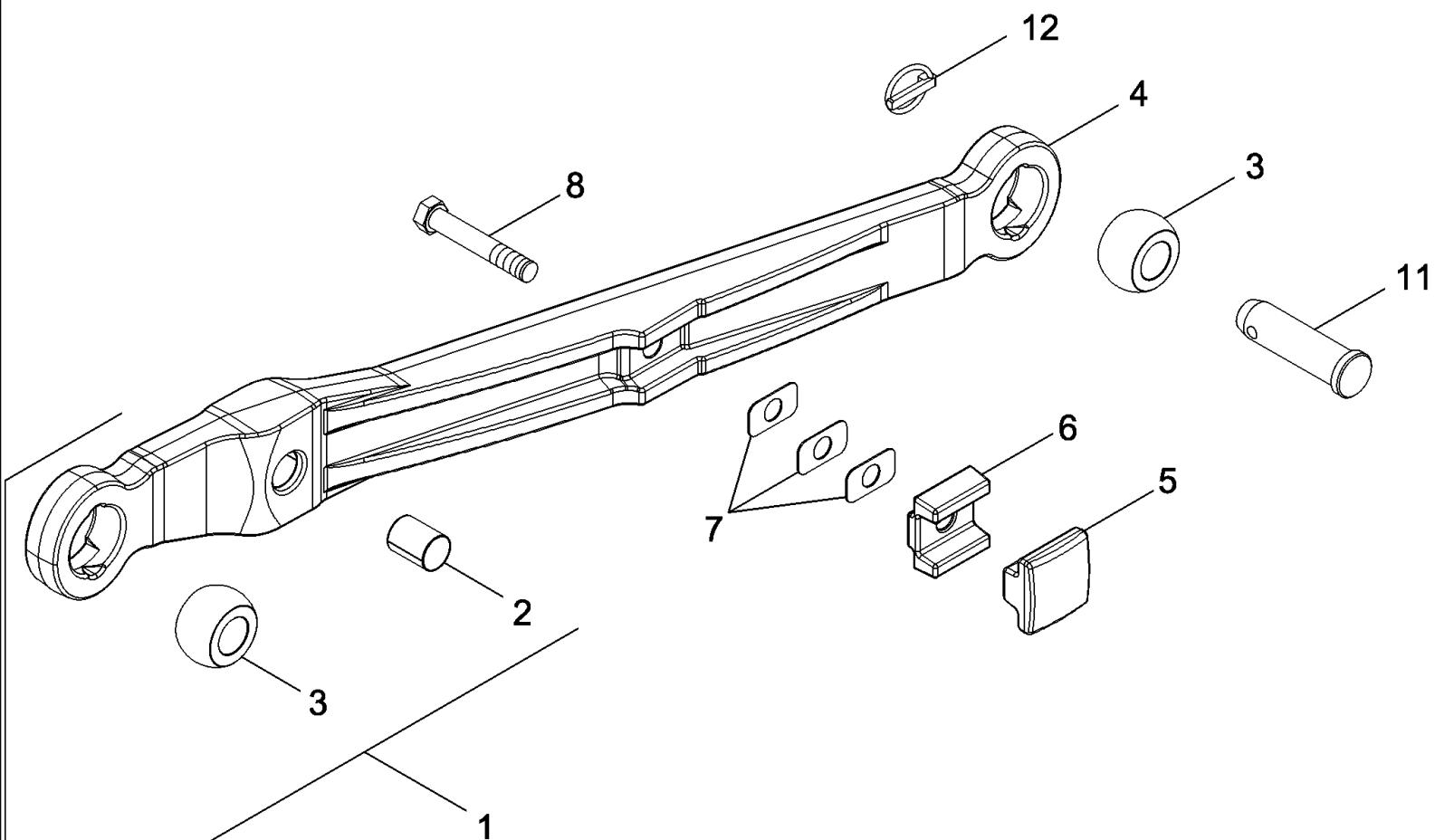


MAGNUM 255 CASE-IH MAGNUM TRACTOR (EMERGING MARKET) (1/06-)

09-48 CYLINDER ASSEMBLY - HYDRAULIC LIFT LINK - HITCH, RIGHT HAND

сылка	Номер детали	Кол-во	Описание
1	87661331	1	LINK, TOP, Inc. 2 - 8
2	800-5135	2	RING, SNAP, M35, Ext, Hvy,
3	412536A2	1	PIN,
4	87632286	1	PITMAN,
5	237443A1	1	BUSHING,
6	838-3860	1	PIN, LOCK, M8 x 60, Slotted,
7	NSS	1	NOT SERVICED SEPARATELY, CLEVIS
8	5197835	1	KIT, SEALS, Seal, (Not Shown)

09-49 HITCH - LOWER LIFT LINKS

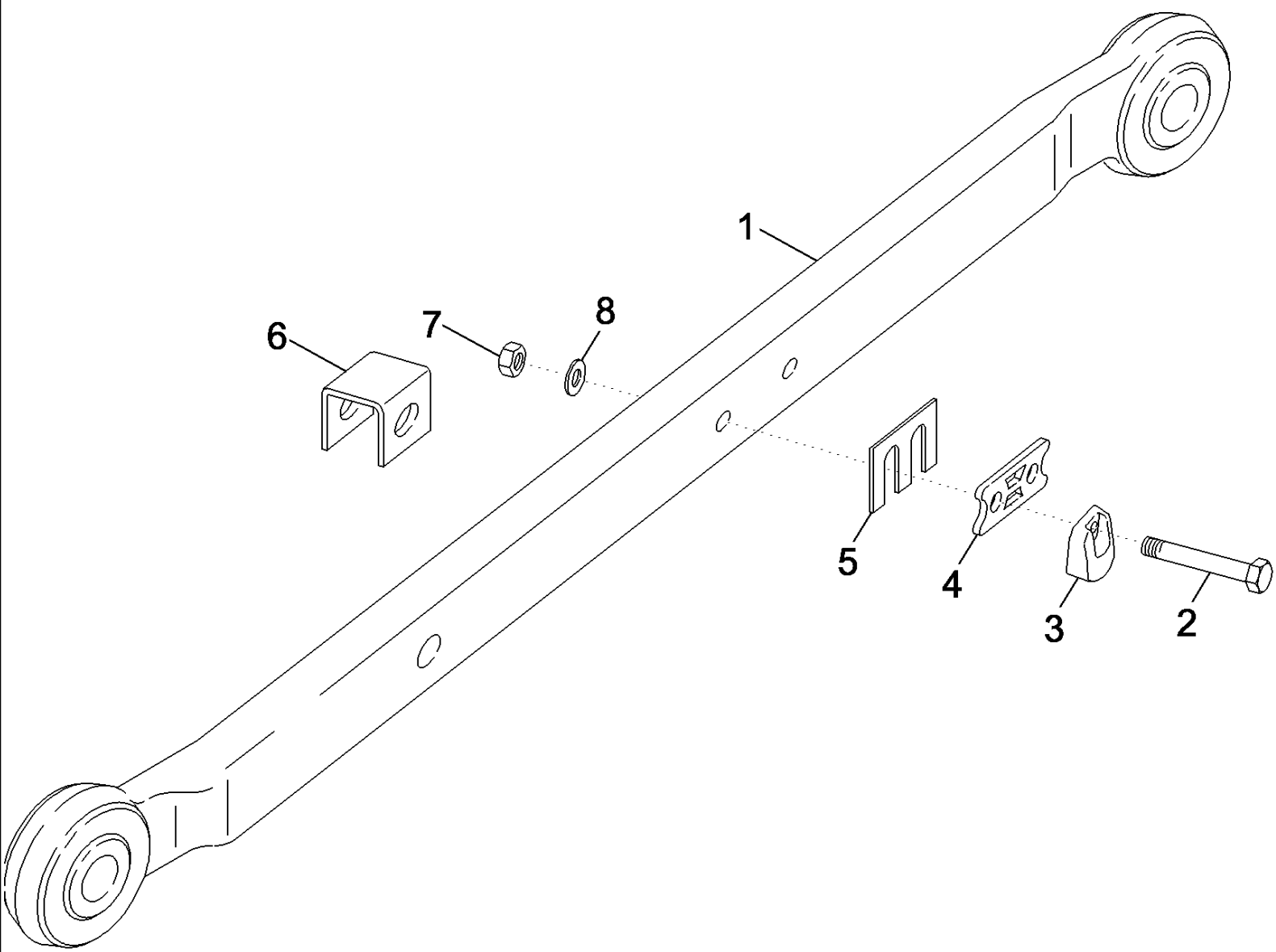


MAGNUM 255 CASE-IH MAGNUM TRACTOR (EMERGING MARKET) (1/06-)

09-49 HITCH - LOWER LIFT LINKS

сылка	Номер детали	Кол-во	Описание
1	320473A1	2	LINK, LOWER, Short Draft Arms, 970 mm (38 in) Center To Center, Inc. 2 - 4
4	NSS	1	NOT SERVICED SEPARATELY, Arm
2	237443A1	1	BUSHING,
3	231298A1	2	BALL JOINT,
5	283291A4	2	BUMPER,
6	281805A4	2	SPACER,
7	238141A2	6	SHIM,
8	607-20120	2	BOLT, Hex, Lock, M20 x 120, CI 10.9,
11	A75028	2	PIN, , Without Draft Control
12	378704A1	2	PIN, LOCK,

09-50 HITCH - LOWER LIFT LINKS

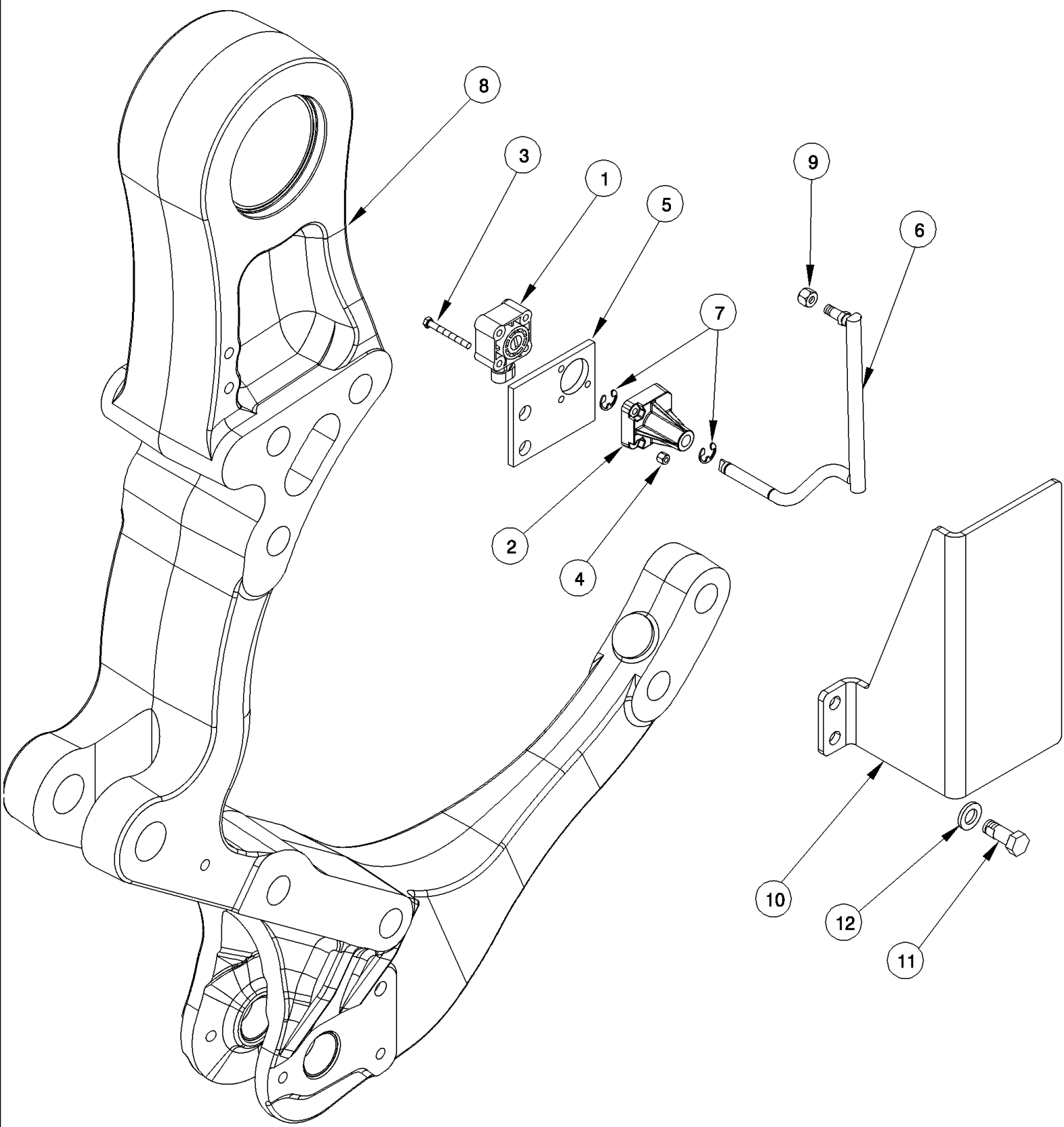


MAGNUM 255 CASE-IH MAGNUM TRACTOR (EMERGING MARKET) (1/06-)

09-50 HITCH - LOWER LIFT LINKS

сылка	Номер детали	Кол-во	Описание
1	433469A1	2	LINK, LOWER, Long Draft Arms, 1094 mm (43 in) Center To Center
2	827-20130	4	BOLT, Hex, M20 x 130, 10.9,
3	301248A2	2	BUMPER,
4	301927A1	2	SPACER,
5	189946A1	4	SHIM,
6	293002A1	2	SPACER,
7	832-10420	4	NUT, LOCK, M20 x 2.5, Cl 8,
8	896-11020	4	WASHER, M20 x 37.5 x 4, HT,

09-51 HITCH - POSITION SENSOR

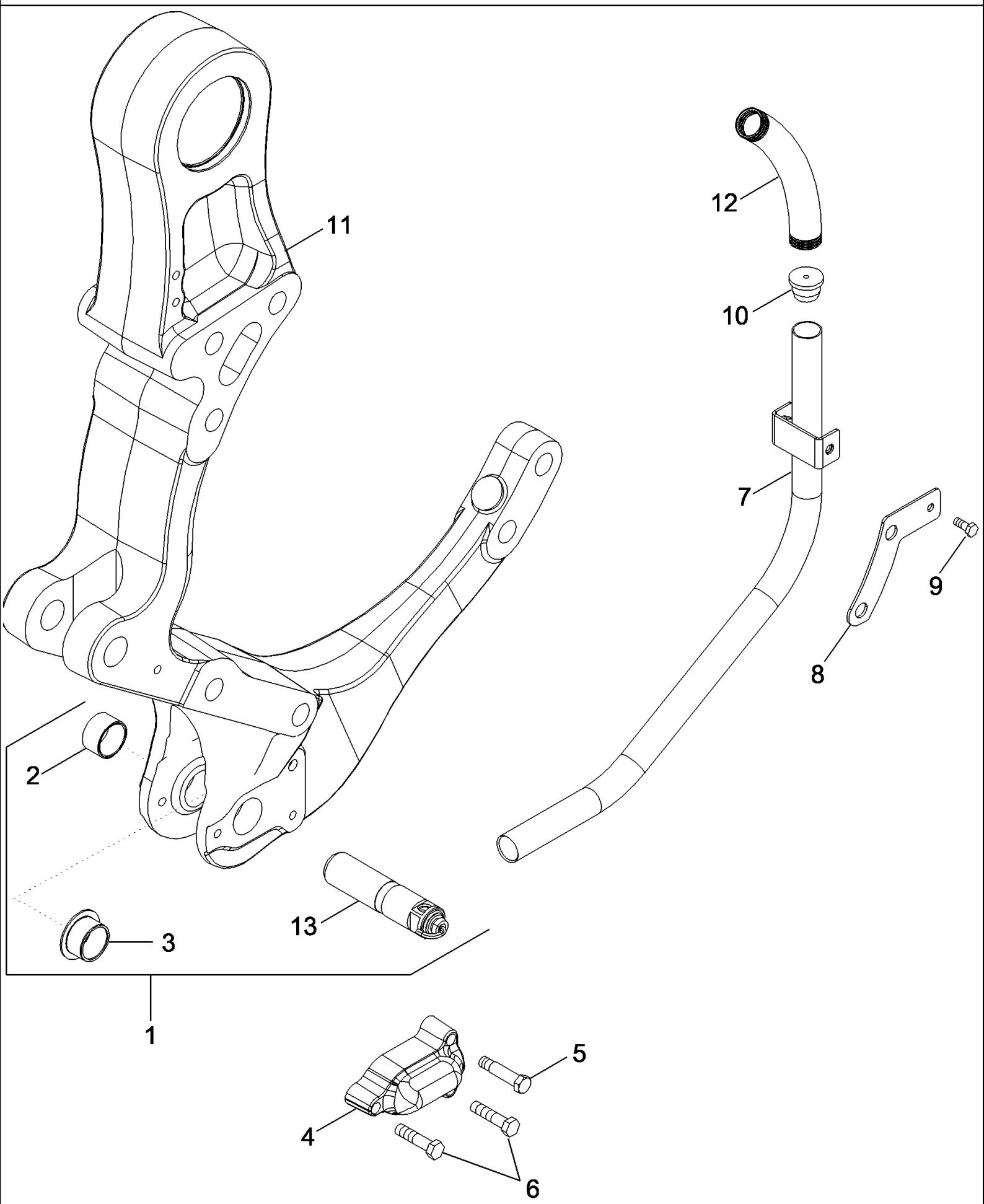


MAGNUM 255 CASE-IH MAGNUM TRACTOR (EMERGING MARKET) (1/06-)

09-51 HITCH - POSITION SENSOR

сылка	Номер детали	Кол-во	Описание
1	283659A1	1	SENSOR,
2	305020A2	1	BUSHING,
3	614-5045	3	BOLT, Hex, M5 x 45, 8.8, Full Thd,
4	832-10405	3	NUT, LOCK, M5 x .8, CI 8,
5	300385A2	1	BRACKET,
6	242489A3	1	LINK, CONNECTING,
7	800-4310	2	CIRCLIP, M10,
8	302887A5	1	BRACKET,
9	832-10408	1	NUT, LOCK, M8 x 1.25, CI 8,
10	87342138	1	SHIELD,
11	805-12030	2	BOLT, Hex, Lock, M12 x 30, CI 10.9,
12	896-11012	2	WASHER, M13.5 x 24.5 x 3, HT,

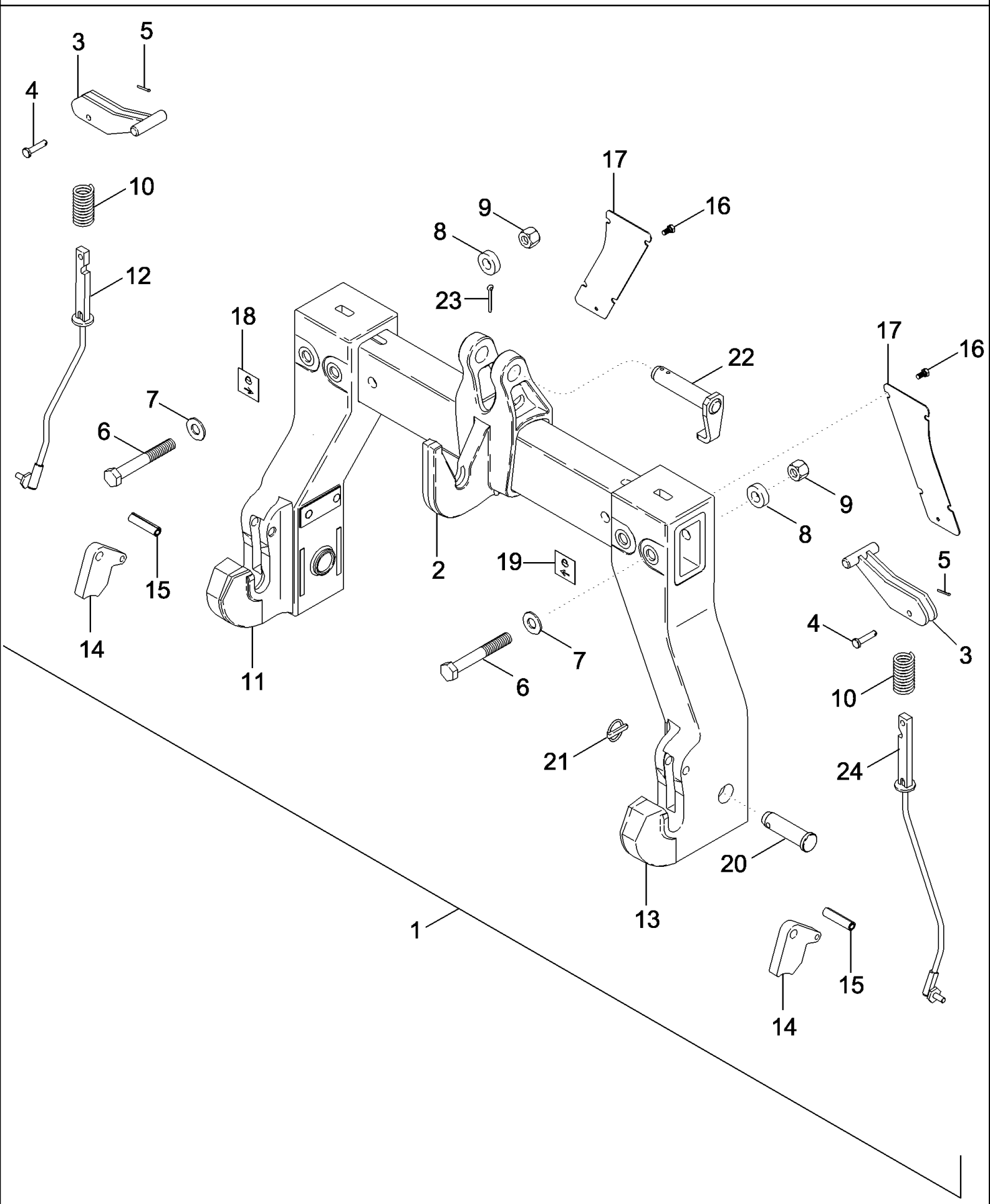
09-52 HITCH - DRAFT CONTROL PINS



MAGNUM 255 CASE-IH MAGNUM TRACTOR (EMERGING MARKET) (1/06-)

09-52 HITCH - DRAFT CONTROL PINS

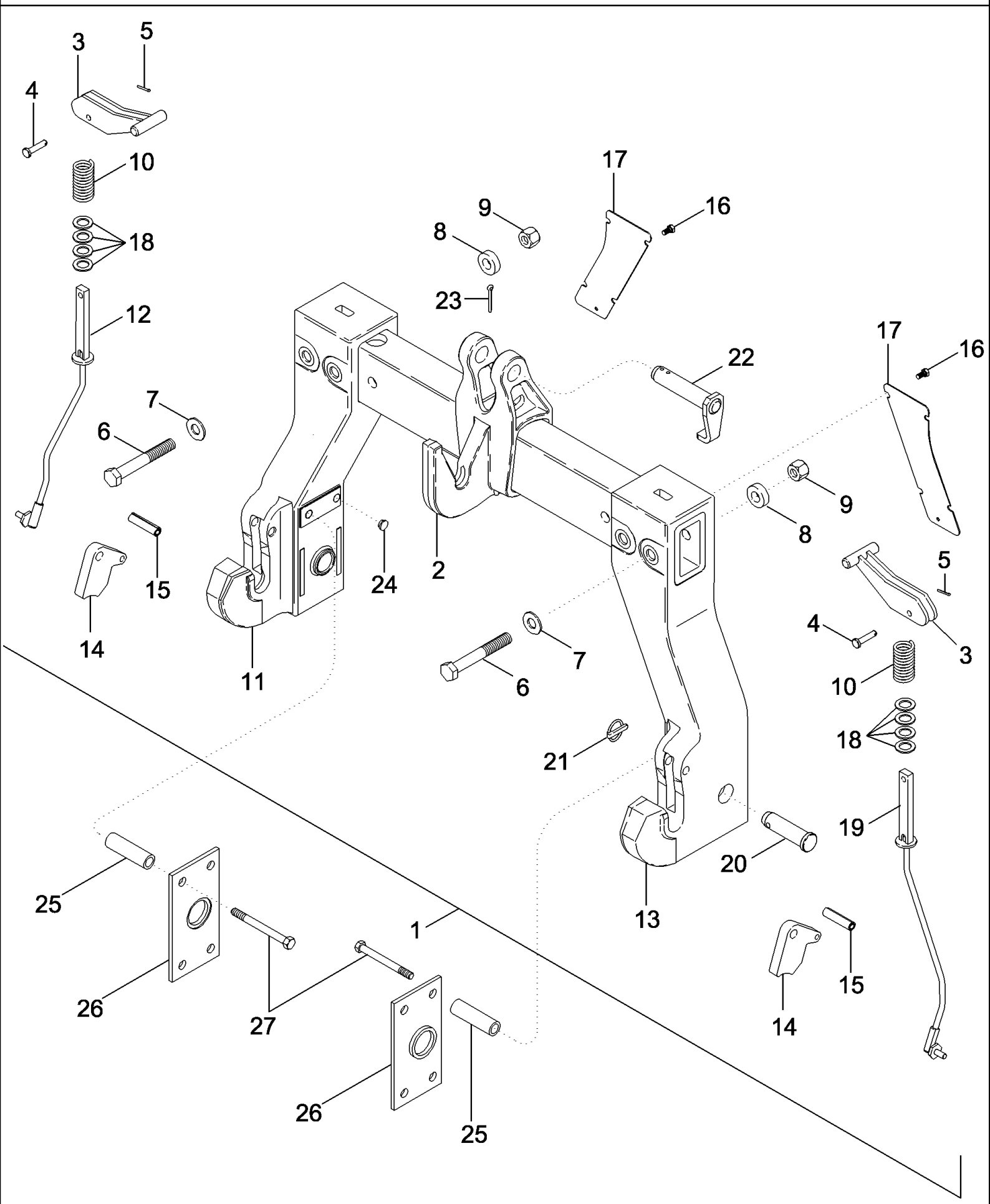
сылка	Номер детали	Кол-во	Описание
1	322022A1	2	KIT, Repair, Inc. 2 - 4
2	1960223C1	2	BUSHING,
3	303550A1	1	BUSHING,
4	87365144	2	COVER,
5	225643A1	2	BOLT,
6	827-12050	4	BOLT, Hex, M12 x 50, 10.9,
7	236897A2	2	PIPE,
8	229904A2	1	SUPPORT,
9	614-8020	2	BOLT, Hex, M8 x 20, 8.8,
10	1960765C2	2	GROMMET,
11	302887A5	2	BRACKET,
12	326827A1	2	SLEEVE,
13	NSS	1	NOT SERVICED SEPARATELY, Pin, Draft Control



MAGNUM 255 CASE-IH MAGNUM TRACTOR (EMERGING MARKET) (1/06-)

09-53 QUICK HITCH COUPLER - CONVERTIBLE, CATEGORY III / III-N, BSN Z6RZ02099

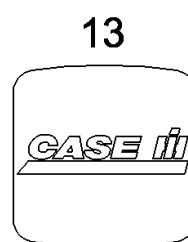
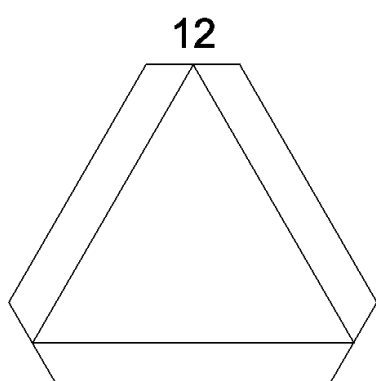
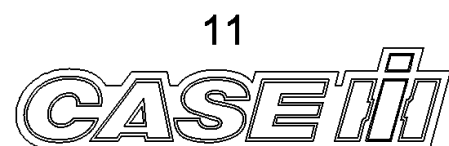
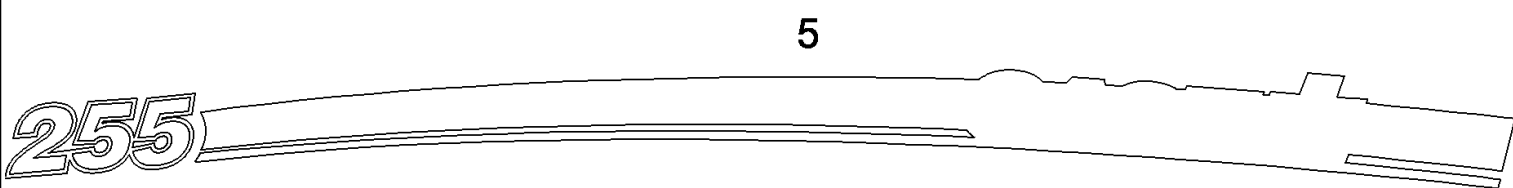
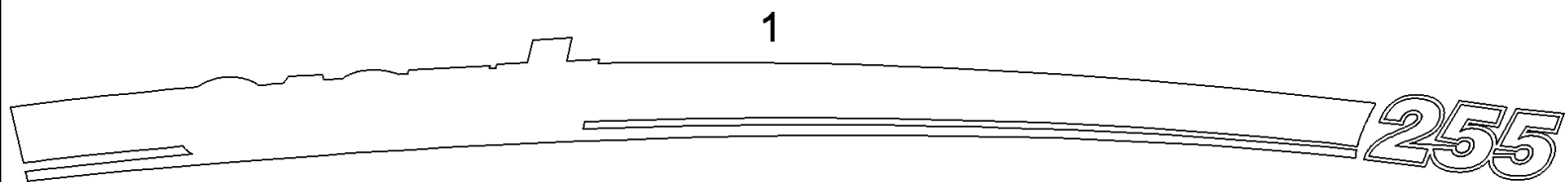
сылка	Номер детали	Кол-во	Описание
1	87332476	1	3 POINT HITCH, Inc. 2 - 19
2	87309289	1	HOOK, Coupler, Quick
3	452046A1	2	HANDLE,
4	728-1045	2	PIN, CLEVIS, M10 x 45, 10 x 30 mm
5	733-3220	2	PIN, SPLIT (COTTER), M3.2 x 20,
6	827-20140	4	BOLT, Hex, M20 x 140, 10.9,
7	896-11020	4	WASHER, M20 x 37.5 x 4, HT,
8	372189A1	4	SPACER,
9	832-10420	4	NUT, LOCK, M20 x 2.5, CI 8,
10	70-4340T1	2	SPRING, COMPRESSION,
11	87330093	1	HOOK, Left Hand
12	87309294	1	LINK, Left Hand
13	87330094	1	HOOK, Right Hand
14	448834A3	2	LATCH,
15	87012660	2	PIN, M16 x 65, Coiled,
16	614-8016	8	BOLT, Hex, M8 x 16, 8.8,
17	87332477	2	COVER,
18	87402001	1	DECAL, Left Hand
19	87401975	1	DECAL, Right Hand
20	A75028	2	PIN,
21	378704A1	2	PIN, LOCK,
22	321527A3	1	PIN ASSY.,
23	733-6350	1	PIN, SPLIT (COTTER), M6.3 x 50,
24	87309296	1	LINK ASSY., Right Hand



MAGNUM 255 CASE-IH MAGNUM TRACTOR (EMERGING MARKET) (1/06-)

09-54 QUICK HITCH COUPLER - CONVERTIBLE, CATEGORY III / III-N, ASN Z6RZ02099

сылка	Номер детали	Кол-во	Описание
1	87394225	1	3 POINT HITCH, Inc. 2 - 19
2	87394195	1	HOOK, Coupler, Quick
3	452046A1	2	HANDLE,
4	728-1045	2	PIN, CLEVIS, M10 x 45, 10 x 30 mm
5	733-3220	2	PIN, SPLIT (COTTER), M3.2 x 20,
6	827-20140	4	BOLT, Hex, M20 x 140, 10.9,
7	896-11020	4	WASHER, M20 x 37.5 x 4, HT,
8	372189A1	4	SPACER,
9	832-10420	4	NUT, LOCK, M20 x 2.5, CI 8,
10	70-4340T1	2	SPRING, COMPRESSION,
11	87330093	1	HOOK, Left Hand
12	87394739	1	LINK, Left Hand
13	87330094	1	HOOK, Right Hand
14	448834A3	2	LATCH,
15	87012660	2	PIN, M16 x 65, Coiled,
16	614-8016	8	BOLT, Hex, M8 x 16, 8.8,
17	87332477	2	COVER,
18	495-81082	8	WASHER, 1 3/32" x 1 1/2" x .120",
19	87394738	1	LINK, Right Hand
20	A75028	2	PIN,
21	378704A1	2	PIN, LOCK,
22	321527A3	1	PIN ASSY.,
23	733-6350	1	PIN, SPLIT (COTTER), M6.3 x 50,
24	716495R2	4	PLUG,
	87666041	1	Coupler Narrow Adapter, Inc. 25 - 28
25	87666039	4	
26	87666035	1	PLATE, Right Hand
26	87666036	1	Left Hand
27	827-16110	8	BOLT, Hex, M16 x 110, 10.9,
28	87666042	2	(Not Shown)



MAGNUM 255 CASE-IH MAGNUM TRACTOR (EMERGING MARKET) (1/06-)

09-55 DECALS

сылка	Номер детали	Кол-во	Описание
1	87559760	1	DECAL, DECAL Model 255, Right Hand
5	87559759	1	DECAL, DECAL Model 255, Left Hand
9	87559430	2	DECAL, CASE-IH
10	87559429	2	DECAL, MAGNUM
11	87557439	1	DECAL, Rear Cab, CASE-IH
11	87716230	1	EMBLEM, Hood, CASE-IH
12	311858A1	1	DECAL, SMV Emblem
13	87802966	1	EMBLEM CASE/IH,

1

WARNING

AVOID INJURY OR DEATH BEFORE STARTING ENGINE:
 Read operator's manual for safety information and operating instructions.
 Read all tractor safety signs.
 Be sure other people are clear of tractor and equipment.
 Be sure gear shift is in neutral or park and PTO control is off.
 Start engine only from seat.
 Shields are for your protection. Keep them in place.

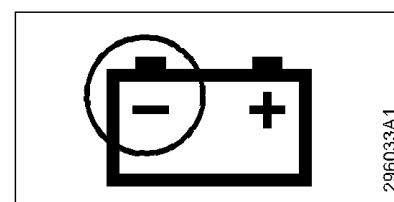
OPERATION:
 When starting the tractor in cold weather, the tractor may move when transmission is engaged and clutch pedal is depressed. Use brakes to prevent tractor movement.
 Actuate forward/reverse lever only from the operator's seat.
 With ROPS, always buckle and adjust seat belt.
 No riders on tractor or equipment.
 Keep hands, feet, and clothing away from power driven parts.
 For road travel, couple brake pedals, use flashing warning lamps unless prohibited by law and keep SMV emblem visible.

TRACTORS CAN BE UPSET:
 Reduce speed on turns and rough ground.
 Avoid steep slopes.
 Avoid rear upset. Pull only from drawbar, never higher.
WHEN TRACTOR HAS STOPPED:
 Put forward/reverse and range levers in park.
 Engage park lock or brake.
 Lower implement to ground.
 Disengage PTO, stop engine, and wait for all movement to stop before servicing or clearing equipment.

2



3



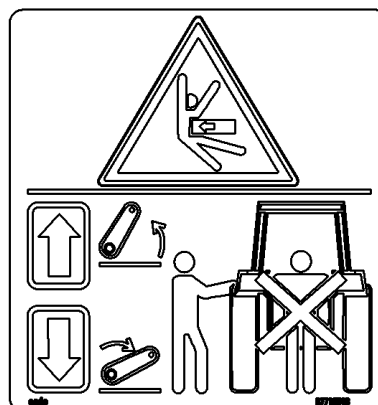
296033A1

4

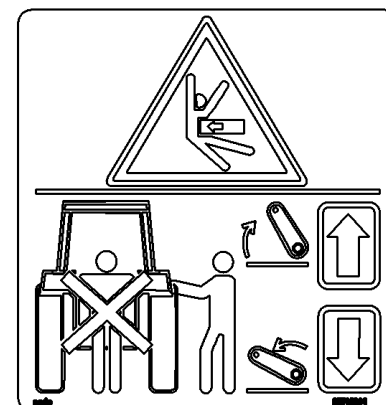
50		51		15A	52		20A	53		80A	54		55		56		5A			
43		15A	47		15A	45		46		30A	47		30A	48		20A	49		30A	
36		15A	37		5A	38		15A	39		15A	40		10A	41		20A	42		10A
29		10A	30		10A	31		10A	32		10A	33		10A	34		5A	35		5A
22		10A	23		15A	27		10A	25		26		10A	27		20A	28			
15		25A	18		5A	17		5A	18		10A	19		10A	20		20A	21		10A
8		20A	9		15A	10		15A	11		20A	12		30A	13		30A	14		5A
1		5A	2		5A	3		25A	4		10A	5		30A	6		10A	7		10A

6

Adjustment of fuel pump beyond factory specs will void warranty on machine.

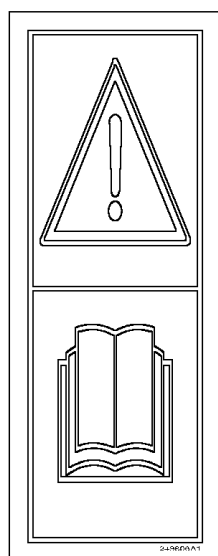


12



13

9



8

WARNING

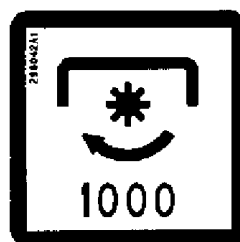
ENTANGLEMENT HAZARD

- Always keep PTO driveline shields in place to avoid entanglement.
- Be sure implements are matched to tractor PTO speeds.
- Center and lock drawbar when using PTO.

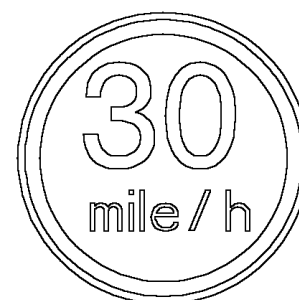
To prevent bottoming or separation of implement driveline, position drawbar according to implement manufacturer's recommendation or as follows:

PTO Shaft	PTO Shaft end to drawbar pin hole
540 RPM 6 spline	1 3/8" DIAMETER -14 INCH-(350 mm)
1000 RPM 21 spline	1 3/8" DIAMETER -16 INCH-(400 mm)
1000 RPM 20 spline	1 3/4" DIAMETER -20 INCH-(500 mm)

10



11




MAGNUM 255 CASE-IH MAGNUM TRACTOR (EMERGING MARKET) (1/06-)

09-56 DECALS

сылка	Номер детали	Кол-во	Описание
1	296032A1	1	DECAL, Warning, Avoid Injury
2	296030A1	1	DECAL, Quality Assurance
3	296033A1	1	DECAL, Negative Jump Start
4	87707931	1	DECAL, Fuse Location
6	A189007	1	DECAL, Warranty, Fuel Pump
8	296031A3	1	DECAL, Warning, Avoid Injury
9	249806A1	1	DECAL, Read Operator Manual
10	296042A1	1	DECAL, PTO Rear, 1000 RPM
11	87522628	1	DECAL, 30 MPH
12	87710313	1	DECAL, Hitch, Left Hand
13	87710314	1	DECAL, Hitch, Right Hand

1


 **DANGER**

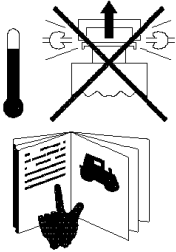
EXPLOSIVE CAN CAUSE BLINDNESS OR SEVERE INJURY. PROTECT EYES. SPARKS, FLAMES, CIGARETTES CAN CAUSE EXPLOSION. TOOLS AND CABLE CLAMPS CAN CAUSE SPARKS. DO NOT USE WITHOUT INSTRUCTION. KEEP VENTS TIGHT AND LEVEL.

ACID-POISON CAUSES SEVERE BURNS. CONTAINS SULPHURIC ACID. IN THE EVENT OF CONTACT, FLUSH WITH WATER AND SEE A DOCTOR. KEEP OUT OF REACH OF CHILDREN.

82029312

2

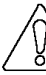
 **WARNING**

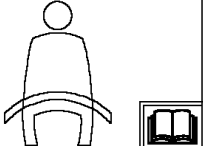


Cooling system operates under pressure. Do not remove radiator pressure cap while system is hot. See Operators Manual.

82029312

4

 **WARNING**




INSTRUCTIONAL SEAT

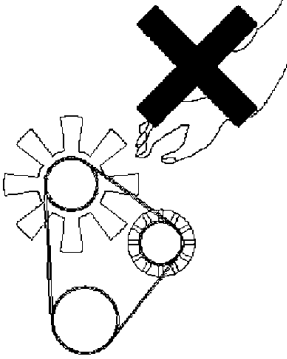
- Intended for limited use for training or diagnostic purposes ONLY.
- Use extreme caution operating the vehicle when occupied.
- Use seat belt.
- Read Operator's Manual for safety information.

An accident could result in death or serious injury to the occupant.

410704A1

3

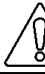
 **WARNING**

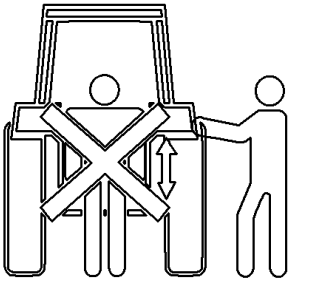


KEEP HANDS AND CLOTHING AWAY FROM MOVING PARTS.

82029312

5

 **WARNING**



TO AVOID INJURY, DO NOT STAND ON IMPLEMENT OR BETWEEN IMPLEMENT AND TRACTOR WHILE OPERATING EXTERNAL CONTROLS.

87716818


6


 **WARNING**

To avoid possible eye damage from microwave signals emitted by this radar sensor. Do not look directly into sensor face.

82029314

7

 **WARNING**



Do not open high pressure fuel system with engine running. Engine operation causes high fuel pressure. High pressure fuel spray can cause serious injury or death.

MAGNUM 255 CASE-IH MAGNUM TRACTOR (EMERGING MARKET) (1/06-)

09-57 DECALS

сылка	Номер детали	Кол-во	Описание
1	82029312	1	DECAL, DANGER, Battery Safety Instructions
2	82029421	1	DECAL, WARNING, Radiator
3	82029538	2	DECAL, WARNING, Fan
4	410704A1	1	DECAL, Warning, Instructional Seat
5	87710315	2	DECAL, Warning, External Switch
6	82029314	1	DECAL, Warning, Radar
7	87347223	2	DECAL, Do Not Open

