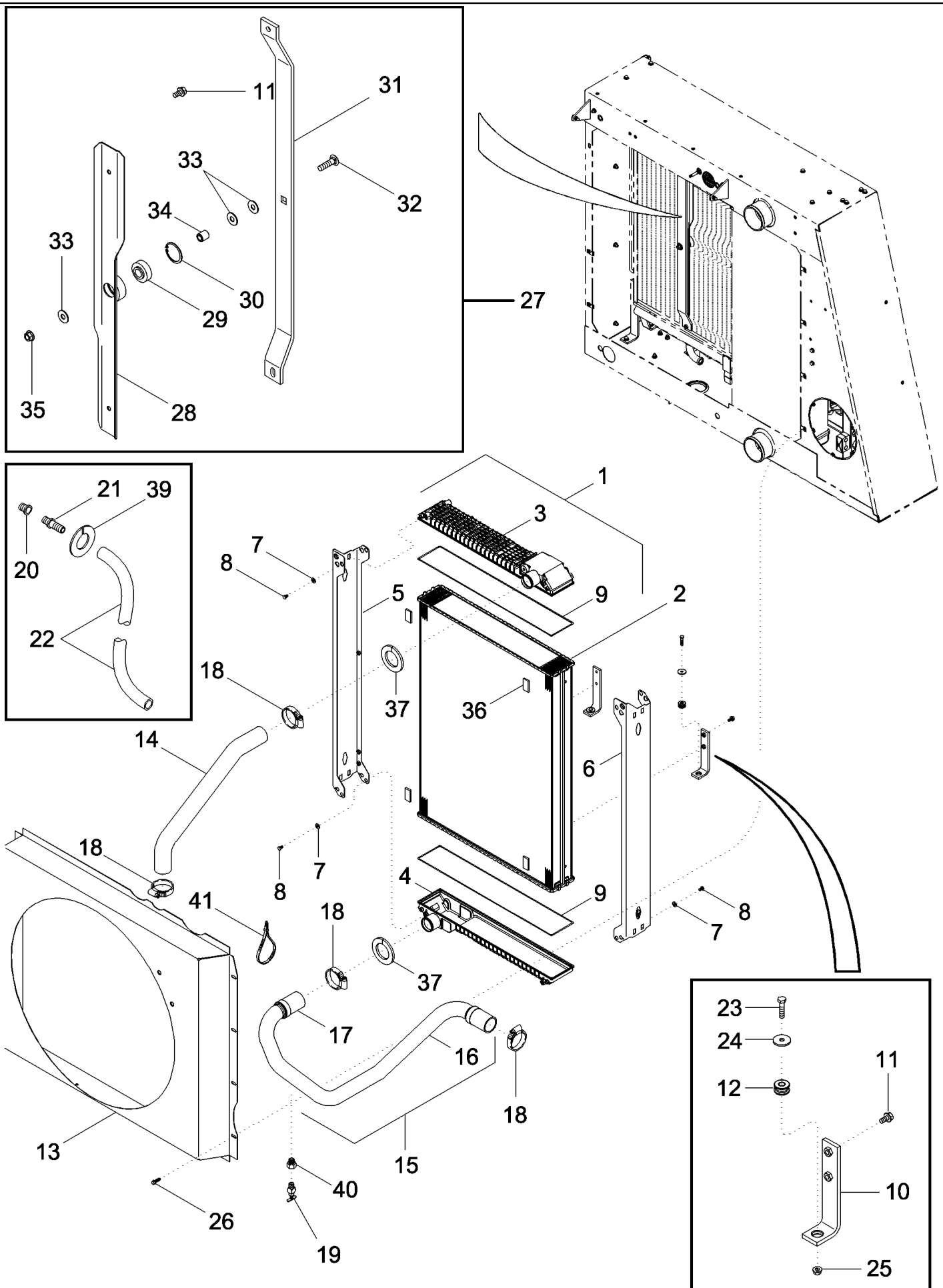


02-01 RADIATOR - FAN SHROUD



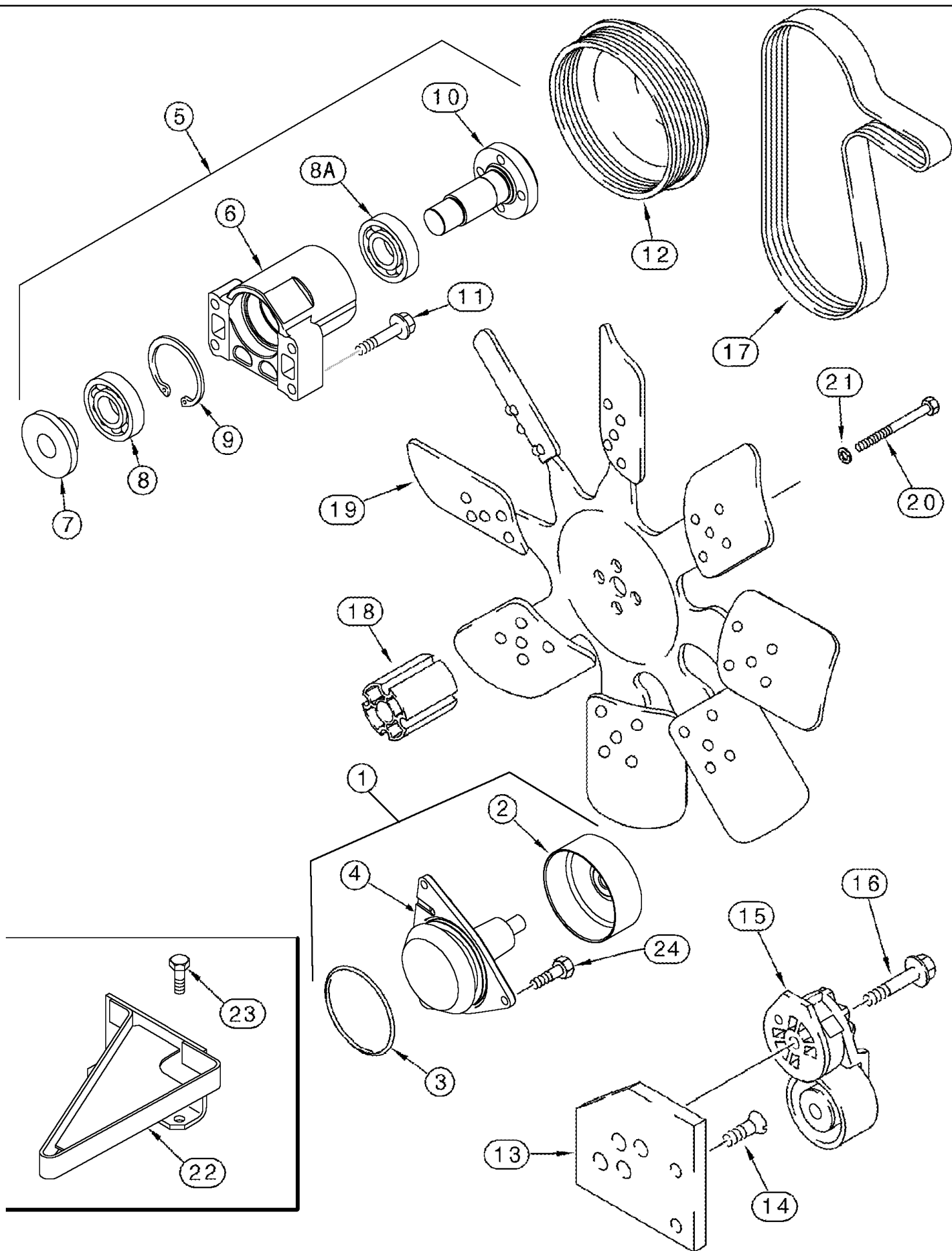
02-01 RADIATOR - FAN SHROUD

сылка	Номер детали	Кол-во	Описание
1	435361A3	1	RADIATOR, Inc. 2 - 9, BSN HAJ0295001
1	87302088	1	RADIATOR, Inc. 2 - 9, ASN HAJ0295001
2	NSS	1	NOT SERVICED SEPARATELY, Core, Radiator
3	87000189	1	TANK, Radiator Top, BSN HAJ0295001
3	87302093	1	TANK, Radiator Top, ASN HAJ0295001
4	450622A1	1	TANK, Radiator Lower, BSN HAJ0295001
4	87302094	1	TANK, Radiator Lower, ASN HAJ0295001
5	450624A2	1	CHANNEL, LH, BSN HAJ0295001
5	87302091	1	CHANNEL, Left Hand, ASN HAJ0295001
6	450625A2	1	CHANNEL, RH, BSN HAJ0295001
6	87302090	1	CHANNEL, Right Hand, ASN HAJ0295001
7	895-15008	8	WASHER, M8 x 20 x 1.6, 9 x 20 x 1,6 mm
8	614-8012	8	BOLT, Hex, M8 x 12, 8.8, Full Thd, M8 x 12; 8.8
9	227240A1	2	GASKET, , BSN HAJ0295001
9	87302092	2	SEAL, GASKET, ASN HAJ0295001
10	411572A1	2	BRACKET, Radiator Isomount
11	844-8016	4	BOLT, Hex Flg, M8 x 16, 8.8, M8 x 16; 8.8
12	434177A1	2	MOUNT, RUBBER,
13	86993934	1	SHROUD, Fan
14	86983603	1	HOSE, Radiator Upper, BSN HAJ0295001
14	87304647	1	HOSE, , ASN HAJ0295001
15	87407470	1	TUBE, Includes 16, 17
15	87343294	1	TUBE, , ASN HAJ0295001
16	NSS	1	NOT SERVICED SEPARATELY, Tube
17	87402765	1	HOSE, Radiator 2-1/4" ID, BSN HAJ0295001
17	87343293	1	HOSE, Radiator 2-1/4 ID, ASN HAJ0295001
18	214-3248	4	CLAMP, HOSE, 2.25/3.125 HD Worm, W/liner,
19	86982771	1	VALVE, Drain Cock
20	217-1034	1	REDUCER, 1/4"-18 Male NPTF x 1/8"-27 Female NPTF,
21	241173A1	1	FITTING, 1/8" PT x 5/16" Hose
22	87408617	1	HOSE, Radiator Drain, Cut 4850 mm (191 in) From Bulk Hose 86989959
23	614-8035	2	BOLT, Hex, M8 x 35, 8.8, M8 x 35, 8.8
24	495-81120	2	WASHER, .344" x 1 1/4" x .120", 11/32 x 1-1/4 x 1/8
25	825-5148	2	NUT, M8, Flg Ser,
26	1327545C1	8	SCREW, 5/16"
27	87411127	1	WIPER, Radiator, Inc. 28 - 35, BSN HAJ0295001
27	87432132	1	FAN, Assy, Radiator, Inc. 28 -35, ASN HAJ0295001
28	87411124	1	BLADE, Cooler Wiper, BSN HAJ0295001
28	87432607	1	BLADE, Radiator Wiper, ASN HAJ0295001
29	149261C91	1	BEARING, BALL,
30	100-21156	1	RING, SNAP, 1.562", Int, #156,
31	87404701	1	SUPPORT, , BSN HAJ0295001
31	87432400	1	SUPPORT, , ASN HAJ0295001
32	433-624	1	BOLT, CARRIAGE, Short NK, 3/8"-16 x 1 1/2", G5, 3/8 x 1-1/2
33	495-61041	3	WASHER, 3/8" x 1" x .063", 13/32 x 1 x 1/16

02-01 RADIATOR - FAN SHROUD

сылка	Номер детали	Кол-во	Описание
34	87404683	1	BUSHING,
35	231-5146	1	NUT, Flg, USR, 3/8"-16,
36	87420912	4	SEAL,
37	NS	2	NOT SERVICED, SEAL Cut 340 mm (13-3/8 in) From 1319664C3
38	NS	4	NOT SERVICED, SEAL Cut 70 mm (2-3/4 in) From 1319664C3
39	NS	1	NOT SERVICED, SEAL Cut 217 mm (8-1/2 in) From 1319664C3

02-02 WATER PUMP SYSTEM



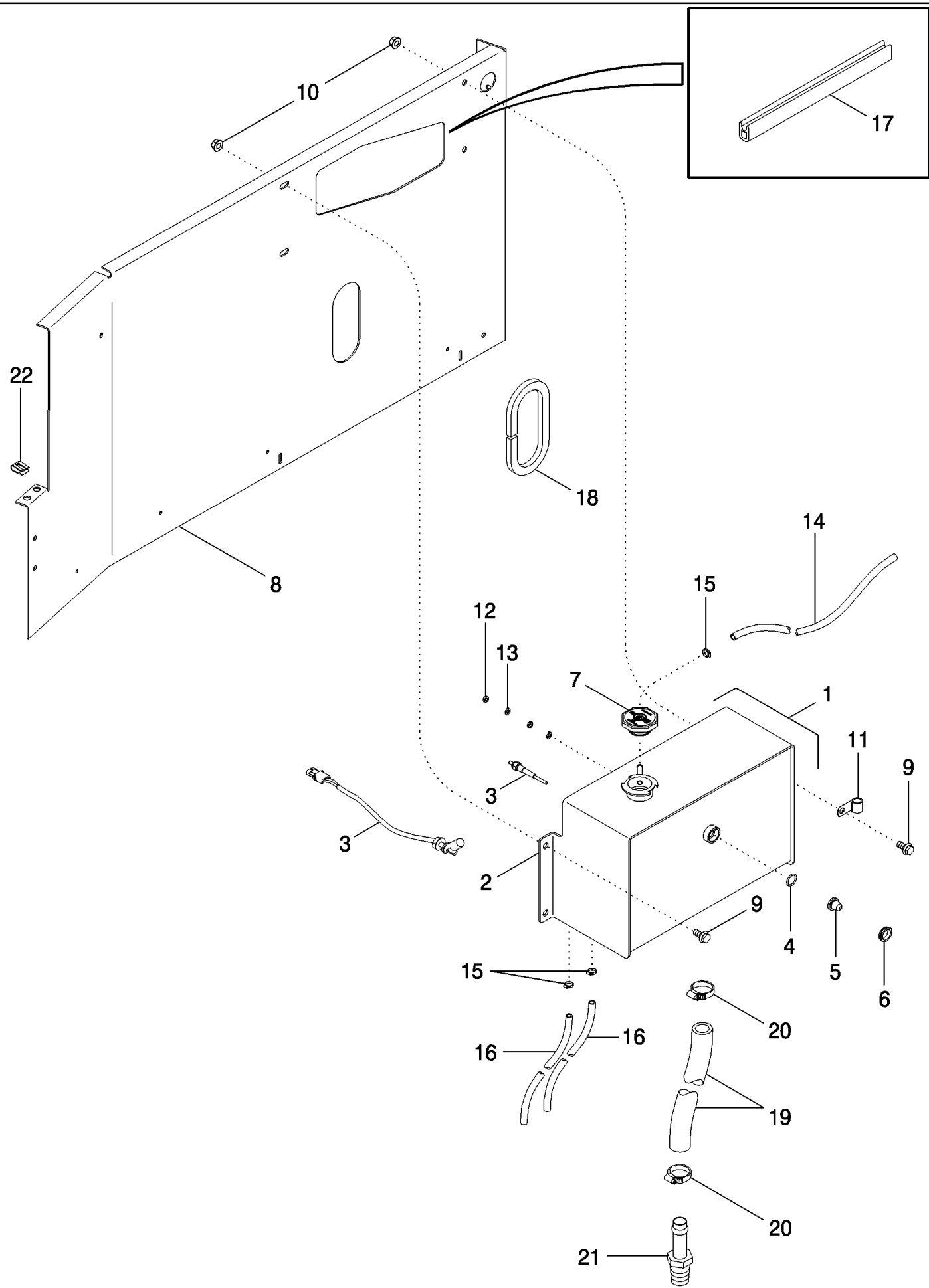
CIS Refers to Commonwealth of Independent States (Russian Market). "BSN HAJ0295001" and "All CIS Markets" are Tier II Mechanical Engines. "ASN HAJ0295001 Except All CIS Markets" are Tier III Engines (NA Market Only).

02-02 WATER PUMP SYSTEM

сылка	Номер детали	Кол-во	Описание
1	J804927	1	PUMP, WATER, Includes 2 - 4, All CIS Markets, BSN HAJ0295001
1	87308650	1	KIT, WATER PUMP REPAIR, Includes 2 - 4, Except All CIS Markets, ASN HAJ0295001
2	NSS	1	NOT SERVICED SEPARATELY, Pulley
3	238-5244	1	O-RING, -244, 70 Duro, 4.234" ID x .139" Thk,
4	NSS	1	NOT SERVICED SEPARATELY, Pump
5	87408931	1	SUPPORT, Fan, Includes 6 - 10
6	NSS	1	NOT SERVICED SEPARATELY, Hub
7	NSS	1	NOT SERVICED SEPARATELY, Retainer
8	NSS	1	NOT SERVICED SEPARATELY, Bearing, Ball
8A	NSS	1	NOT SERVICED SEPARATELY, Bearing, Ball
9	NSS	1	NOT SERVICED SEPARATELY, Snap Ring
10	NSS	1	NOT SERVICED SEPARATELY, Hub
11	845-8050	4	BOLT, Hex Flg, M8 x 50, 8.8, , All CIS Markets, BSN HAJ0295001
11	854-10050	4	BOLT, Hex Flg, M10 x 50, 10.9, , Except All CIS Markets, ASN HAJ0295001
12	J926854	1	PULLEY,
12	431716A1	1	PULLEY, Accessory Drive (Not Shown), ASN HAJ0295001
13	J925211	1	BRACKET,
14	845-8025	2	BOLT, Hex Flg, M8 x 25, 8.8,
15	87317615	1	TENSIONER, BELT,
16	J282433	1	BOLT, M10 x 85
17	A78022	1	BELT,
18	A184751	1	SPACER, 75 mm
19	446926A1	1	FAN, Corn and Grain 8 Blade, BSN HAJ0295001
19	87313617	1	FAN, Corn and Grain 9 Blade (Not Shown), ASN HAJ0295001
19	444610A1	1	FAN, Rice 8 Blade, BSN HAJ0295001
19	87313617	1	FAN, Rice 9 Blade (Not Shown), ASN HAJ0295001
20	814-10110	4	BOLT, Hex, M10 x 110, 8.8, , BSN HAJ0295001
20	814-10105	4	BOLT, Hex, M10 x 105, 8.8, , ASN HAJ0295001
21	396-31041	4	WASHER, 13/32" x 13/16" x .134", HDN, 11 x 24 x 3 mm, BSN HAJ0295001
21	896-15010	4	WASHER, M10 x 24.5 x 3, HT, , ASN HAJ0295001
22	87411538	1	GUIDE, Engine Fan Belt
23	857-10020	2	BOLT, Hex Flg, M10 x 20, 10.9,
24	J934054	3	BOLT, M8 x 28, All CIS Markets, BSN HAJ0295001
24	87351192	3	BOLT, , Except All CIS Markets, ASN HAJ0295001

CIS Refers to Commonwealth of Independent States (Russian Market). "BSN HAJ0295001" and "All CIS Markets" are Tier II Mechanical Engines. "ASN HAJ0295001 Except All CIS Markets" are Tier III Engines (NA Market Only).

02-03 DEAERATION SYSTEM



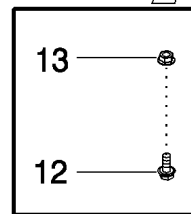
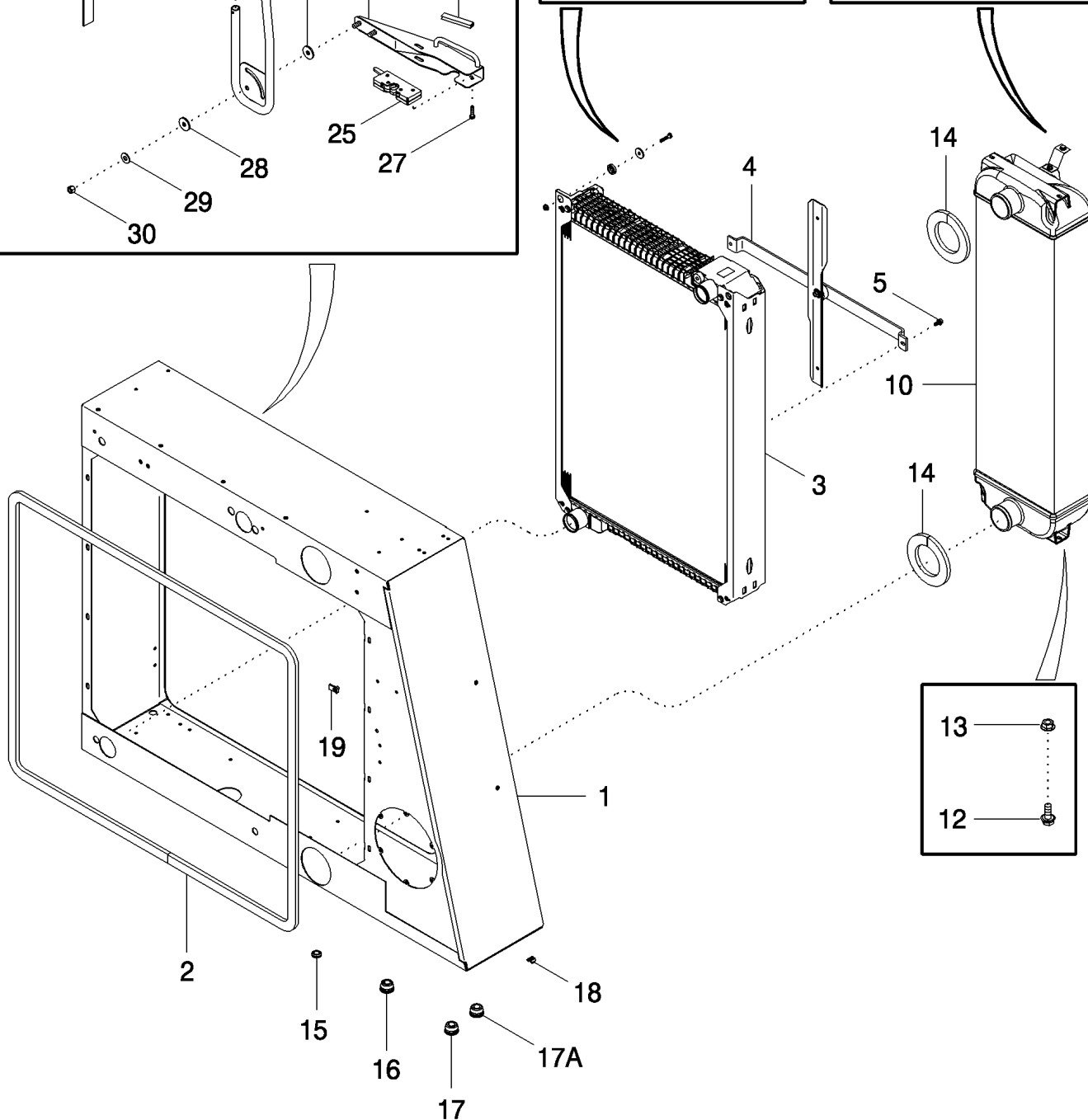
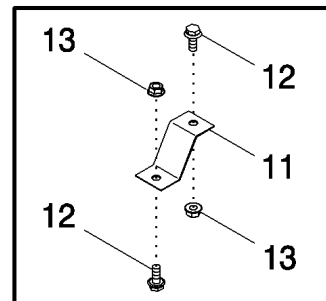
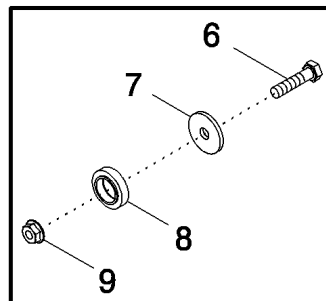
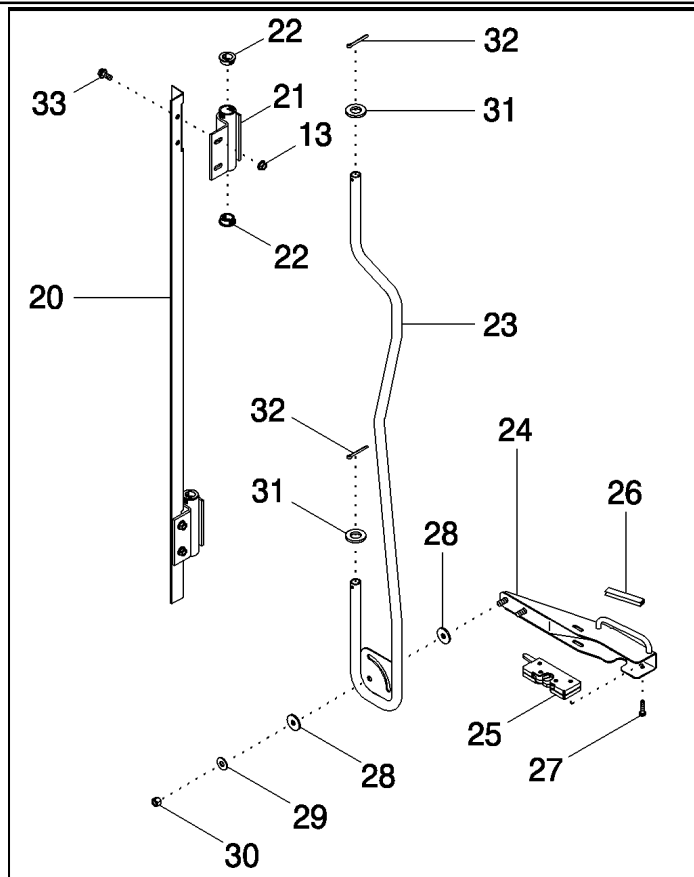
CIS Refers to Commonwealth of Independent States (Russian Market). "BSN HAJ0295001" and "All CIS Markets" are Tier II Mechanical Engines. "ASN HAJ0295001 Except All CIS Markets" are Tier III Engines (NA Market Only).

02-03 DEAERATION SYSTEM

сылка	Номер детали	Кол-во	Описание
1	87403849 NS	1	TANK, Deaeration Assy, Includes 2 - 7, BSN HAJ0295001
		1	NOT SERVICED, TANK, Deaeration Assy, Includes 2 - 7, ASN HAJ0295001
2	87403850	1	TANK, Deaeration, BSN HAJ0295001
2	87301656	1	TANK, Deaeration, ASN HAJ0295001
3	279476A1	1	SENSOR, Coolant Probe, BSN HAJ0295001
3	87109915	1	SWITCH, Switch Fluid Level, ASN HAJ0295001
4	238-6115	1	O-RING, -115, 90 Duro, .674" ID x .103" Thk,
5	86990536	1	LENS, Sight
6	86990537	1	NUT, Lens Retainer
7	87109814	1	CAP, FILLER, Deaeration Tank
8	442178A4	1	SHIELD, Rear, BSN HAJ0295001
8	87306892	1	SHEET, W/Rivet Nuts, ASN HAJ0295001
9	409-7612	4	BOLT, Hex Flg, 3/8"-16 x 3/4", Serr,
10	231-5146	4	NUT, Flg, USR, 3/8"-16,
11	516-23127	1	CLAMP, J, 9/16" Insul, 3/8" Bolt,
12	225-14210	2	NUT, #10-32,
13	492-11010	2	WASHER, LOCK, #10,
14	87408617	1	HOSE, Drain, Cut 4850 mm (191") from Bulk Hose 86989959
15	214-1706	3	CLAMP, HOSE, #6, 0.44/0.78 Type M Worm,
16	86989649	2	HOSE, FLEXIBLE, Deaeration, Cut 900 mm (35-3/8") from Bulk Hose 86989959
17	87029779	2	SEAL, Cut 287 mm (11-1/3") from 196707C1, BSN HAJ0295001
17	1327979C1	2	MOLDING, Cut 152 mm (6") from 196707C1, ASN HAJ0295001
18	87063C3	1	SEAL, Cut 406 mm (16") from 196707C1
19	NS	1	NOT SERVICED, HOSE, Deaeration Supply, Cut 940 mm (37") from Bulk Hose 87429883, BSN HAJ0295001
19	NS	1	NOT SERVICED, HOSE, Deaeration Supply, Cut 1005 mm (39.6") from Bulk Hose 87308561, ASN HAJ0295001
20	214-1516	2	CLAMP, HOSE, #16, .81/1.50 Type F Worm, W/liner,
21	217-375	1	FITTING, 1" Hose X 3/4" NPTF Beaded,
22	488837C1	2	NUT, 5/16", Speed, BSN HAJ0295001

CIS Refers to Commonwealth of Independent States (Russian Market). "BSN HAJ0295001" and "All CIS Markets" are Tier II Mechanical Engines. "ASN HAJ0295001 Except All CIS Markets" are Tier III Engines (NA Market Only).

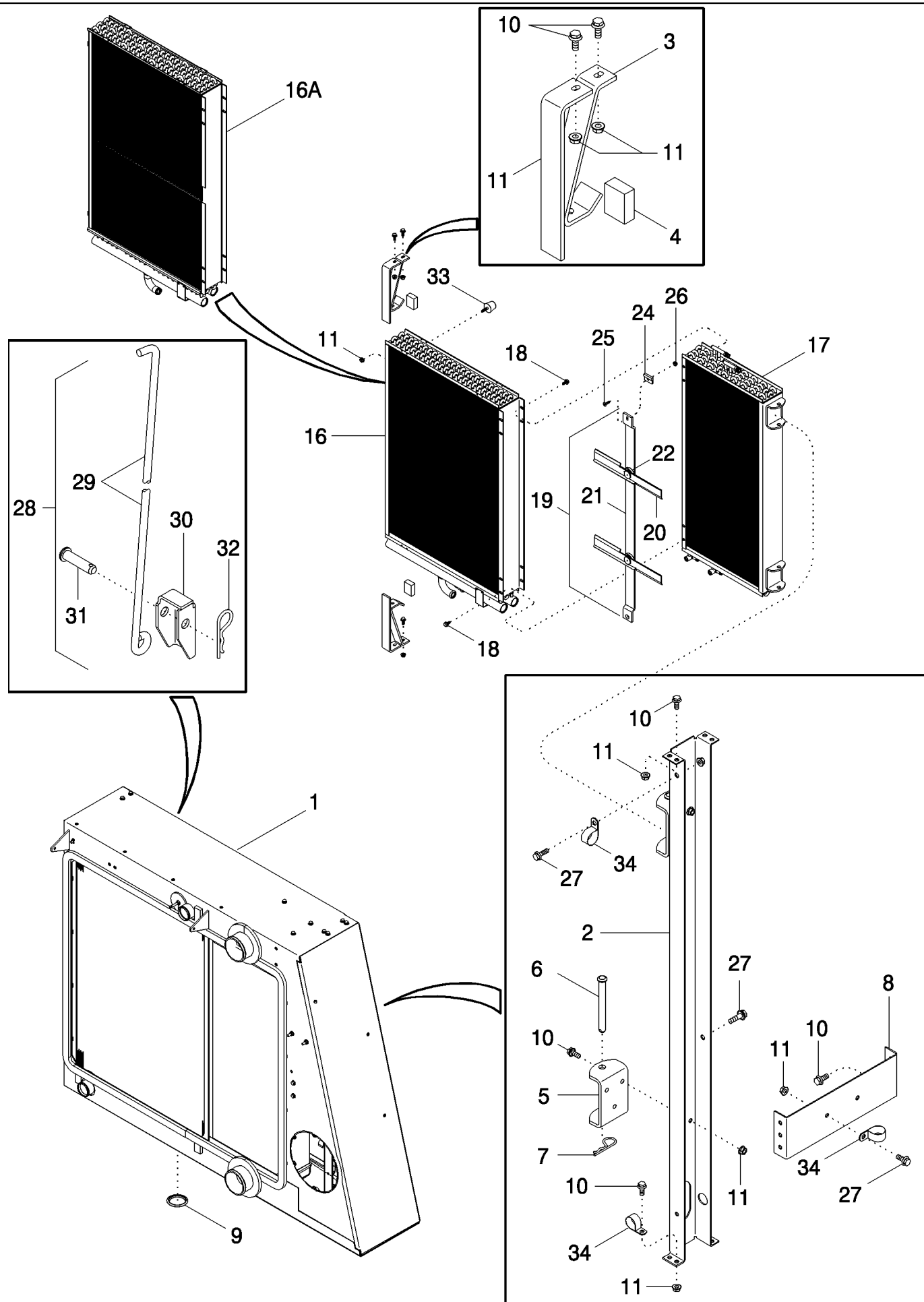
02-04 COOLER BOX ASSY



02-04 COOLER BOX ASSY

сылка	Номер детали	Кол-во	Описание
1	87423406	1	BOX, Cooler, BSN HAJ0295001
1	87343320	1	BOX, Cooler , ASN HAJ0295001
2	87432788	1	DOOR SEAL,
3	435361A3	1	RADIATOR, , See Figure 02-01
4	87432132	1	FAN, Radiator, See Figure 02-01
5	844-8016	6	BOLT, Hex Flg, M8 x 16, 8.8,
6	614-8035	4	BOLT, Hex, M8 x 35, 8.8,
7	495-81120	4	WASHER, .344" x 1 1/4" x .120",
8	434177A1	2	MOUNT, RUBBER,
9	825-5148	4	NUT, M8, Flg Ser,
10	438250A2	1	COOLER, Charge Air
11	413012A1	1	BRACKET,
12	409-7512	4	BOLT, Hex Flg, 5/16"-18 x 3/4", Serr,
13	231-5145	8	NUT, Flg, USR, 5/16"-18,
14	NS	2	NOT SERVICED, SEAL, Cut 520 mm (20-1/2") from 1319664C3
15	248-2146	2	GROMMET, 5/8" ID x 7/8" Groove Dia,
16	87107420	1	GROMMET,
17	86976974	1	GROMMET,
17A	87423314	2	GROMMET, 1-1/2" ID
18	131-137	2	NUT, Ret, 5/16"-18,
19	410009A1	8	NUT, 5/16", U-type
20	87414310	1	HINGE,
21	450736A1	2	LATCH, RH Trim Door
22	353-478	4	PLUG,
23	87413877	1	TUBE, RH Rear Latch
24	87413880	1	HOUSING, Door Latch
25	141224A1	1	LATCH,
26	87435C1	1	MOLDING,
27	413-416	2	BOLT, Hex, 1/4"-20 x 1", G5,
28	403388A1	4	WASHER, SPECIAL, 3/8" x 1-1/4" x 1/8"
29	495-61041	2	WASHER, 3/8" x 1" x .063",
30	231-4246	2	NUT, LOCK, 3/8"-16, GB,
31	496-21081	2	WASHER, 13/16" x 1 1/2" x .179", HDN,
32	432-1224	2	PIN, SPLIT (COTTER), 3/16" x 1 1/2",
33	409-7516	12	BOLT, Hex Flg, 5/16"-18 x 1", Serr,
34	410009A1	8	NUT, 5/16", U-type, Bolt Push-on, Not Illustrated

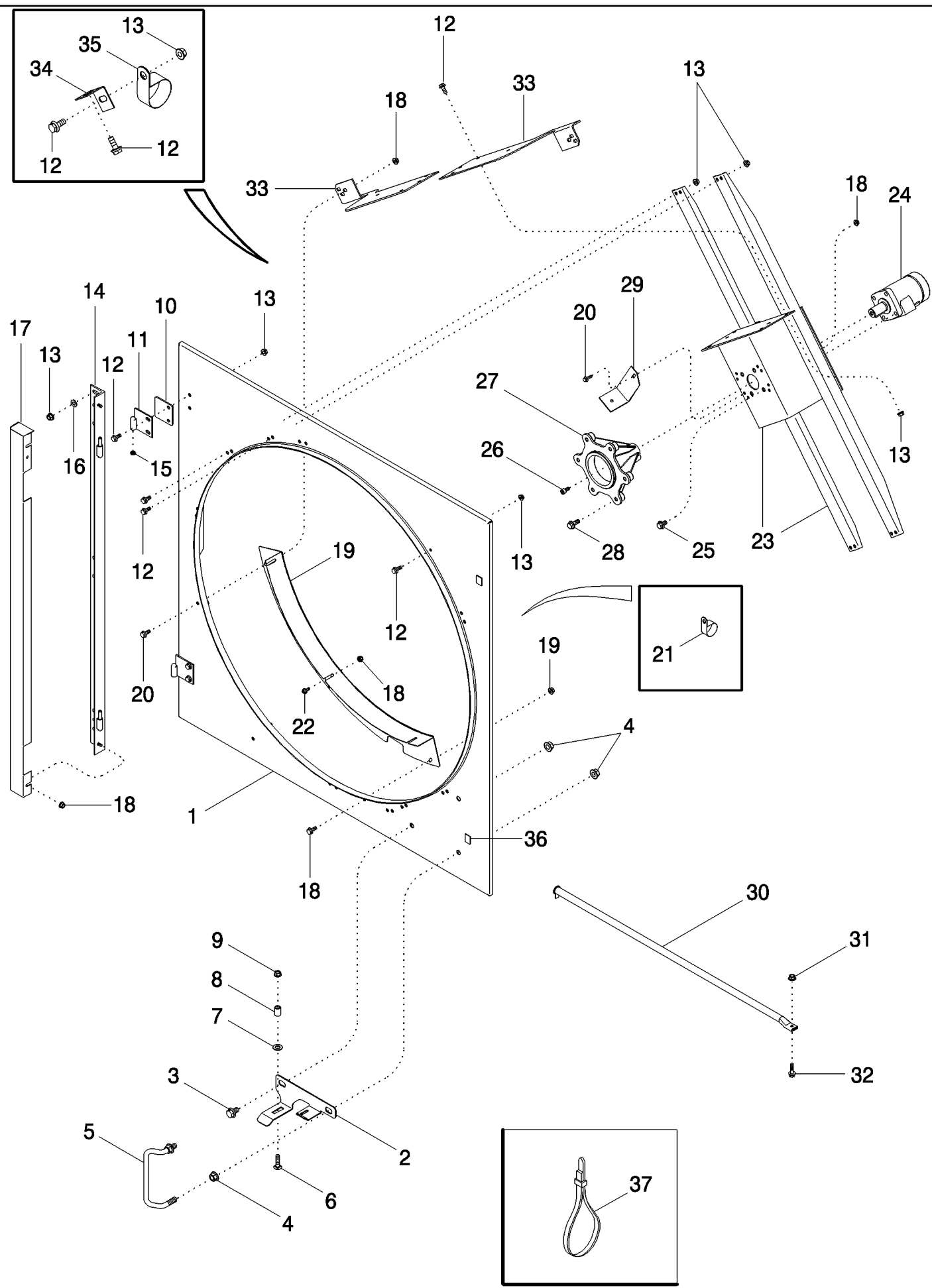
02-05 COOLER BOX ASSY



02-05 COOLER BOX ASSY

сылка	Номер детали	Кол-во	Описание
1	87423406	1	BOX, Cooler, BSN HAJ0295001
1	87343320	1	BOX, Cooler , ASN HAJ0295001
2	87429529	1	BRACKET,
3	87423364	2	SUPPORT,
4	187884C1	2	SEAL, 51 mm (2"), Cut from 187885C1
5	87429534	2	CHANNEL,
6	439-5880	2	PIN, HEADED, 1/2" x 5",
7	480523R1	2	SPLIT PIN/SAFETY PIN,
8	86984095	1	BRACKET, Cross Brace
9	87000778	1	PLUG, Clean Out
10	409-7512	20	BOLT, Hex Flg, 5/16"-18 x 3/4", Serr,
11	231-5145	22	NUT, Flg, USR, 5/16"-18,
15	353-410	2	PLUG, Dome, .875" hole, Nylon,
16	444921A3	1	COOLER, OIL, , Corn, Grain and Rice Combine
16A	446343A3	1	COOLER, Oil, Rice Combine
17	444922A3	1	COOLER, Fuel/Condenser, Corn, Grain and Rice Combine
18	844-8012	8	BOLT, Hex Flg, M8 x 12, 8.8, Full Thd,
19	87412207	1	WIPER, Assy, Charge Air Cooler, Includes 20 - 23, BSN HAJ0295001
19	87341294	1	WIPER, Assy, Charge Air Cooler, Includes 20 - 23, ASN HAJ0295001
20	NSS	2	NOT SERVICED SEPARATELY, Wiper with Pin Assy
21	87412206	1	SUPPORT, , BSN HAJ0295001
21	NSS	1	NOT SERVICED SEPARATELY, SUPPORT, ASN HAJ0295001
22	414615A1	2	BEARING, BALL,
23	282857A1	2	DECAL, Connector Cover, Not Illustrated
24	87408871	2	CLAMP,
25	443-13116	1	SCREW, Cross Flat Hd, 5/16"-18 x 1",
26	231-5345	2	NUT, LOCK, Flg, 5/16"-18,
27	409-7516	3	BOLT, Hex Flg, 5/16"-18 x 1", Serr,
28	87413776	1	SUPPORT, Oil Cooler Prop, Includes 29 - 32
29	87413775	1	ROD,
30	87413774	1	SUPPORT,
31	439-1828	1	PIN, HEADED, 1/2" x 1 3/4",
33	87109195	2	BUMPER,
34	515-25476	3	CLAMP, 1 7/8", Insul, 1/2" Bolt,

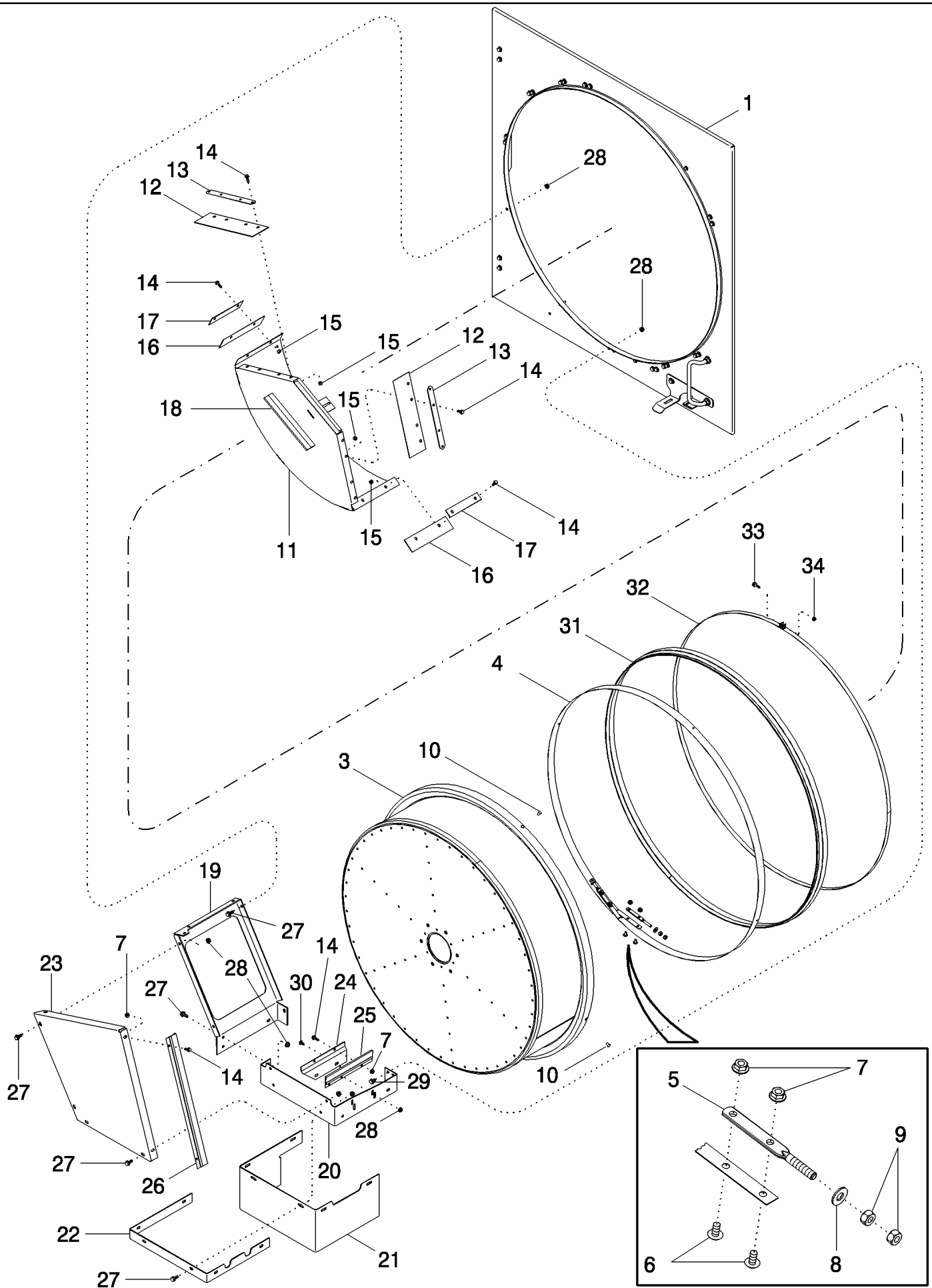
02-06 METAL DOOR ASSY - ROTARY AIR SCREEN



02-06 METAL DOOR ASSY - ROTARY AIR SCREEN

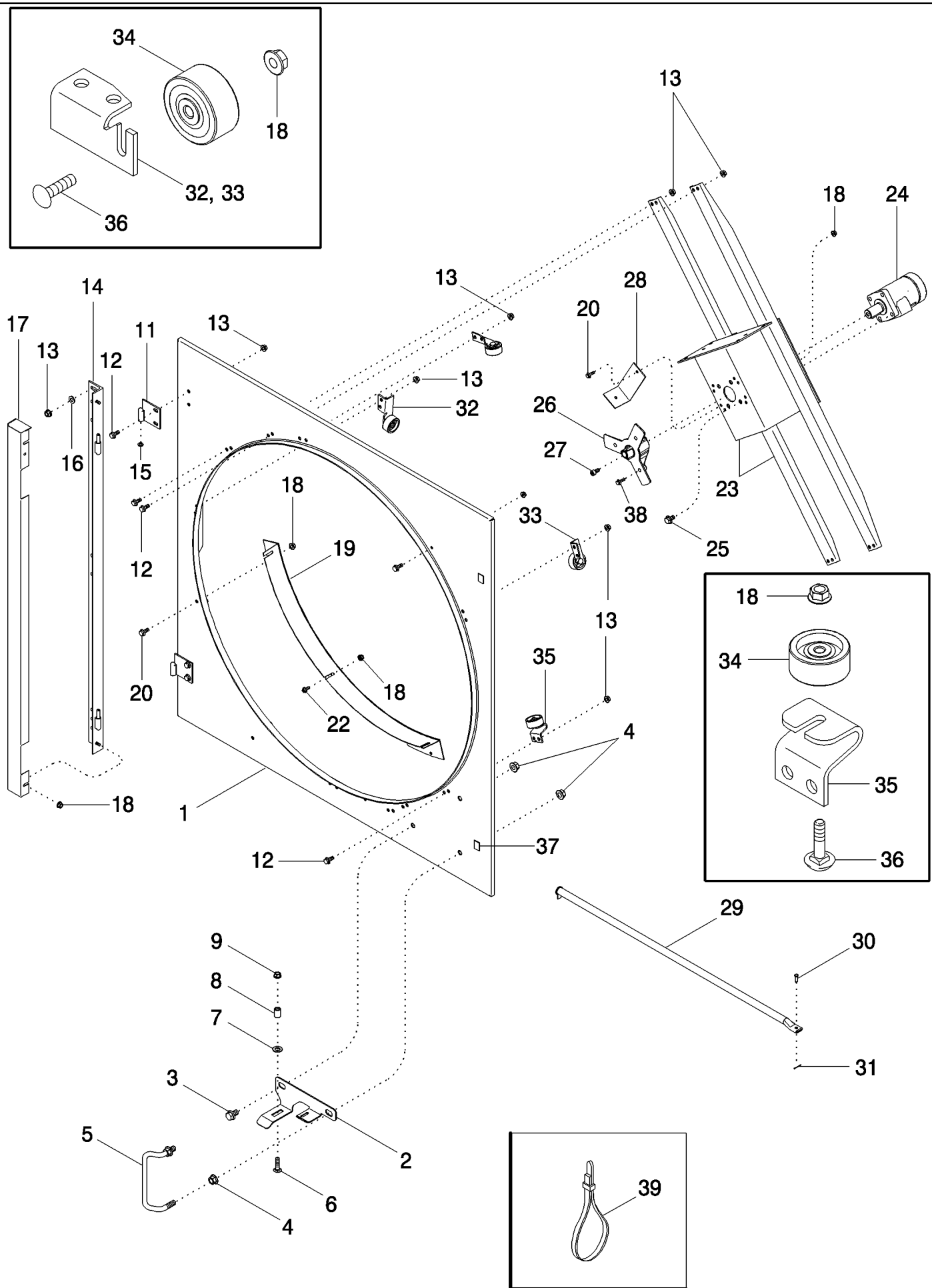
сылка	Номер детали	Кол-во	Описание
1	87430947	1	DOOR, Cooler Access
2	87413881	1	GUIDE, Door Latch
3	409-7812	1	BOLT, Hex Flg, 1/2"-13 x 3/4", Serr,
4	231-5148	5	NUT, Flg, USR, 1/2"-13,
5	1329715C1	1	HANDLE,
6	434-624	1	BOLT, CARRIAGE, Short NK, 3/8"-16 x 1 1/2", G5,
7	495-51053	1	WASHER, 1/2",
8	87036413	1	SPACER, 5/8" Pipe x 15/16", 5/8" x 15/16"
9	231-5146	1	NUT, Flg, USR, 3/8"-16,
10	87430707	2	SPACER, Hinge
11	87417094	2	HINGE,
12	409-7512	28	BOLT, Hex Flg, 5/16"-18 x 3/4", Serr,
13	231-5145	36	NUT, Flg, USR, 5/16"-18,
14	87425804	1	HINGE,
15	86985597	2	WASHER, Special
16	495-81116	7	WASHER, .344" x 1" x .060",
17	87425802	1	COVER, Door Hinge, Shown
18	231-5144	2	NUT, Flg, USR, 1/4"-20,
19	87412953	1	BRACKET, Blockoff Assy
20	409-7412	6	BOLT, Hex Flg, 1/4"-20 x 3/4", Serr,
21	485093C1	1	CLAMP,
22	409-7416	1	BOLT, Hex Flg, 1/4"-20 x 1", Serr, 1/4" x 3/4"
23	87413830	1	SUPPORT,
24	435624A1	1	MOTOR, HYDRAULIC, Rotary Screen, See Figure 08-23, Ref. 1
25	87021006	4	BOLT, Hex Flg, M10 x 16, 10.9, Full Thd,
26	864-8016	1	SCREW, Hex Soc Hd, M8 x 16, 8.8,
27	87413134	1	HUB, Rotary Air Screen
28	857-10025	6	BOLT, Hex Flg, M10 x 25, 10.9, Full Thd,
29	87412956	1	SUPPORT, Inner Baffle
30	87413898	1	SUPPORT, Screen Door
31	409-7416	1	BOLT, Hex Flg, 1/4"-20 x 1", Serr, 1/4" x 3/4"
32	231-4144	1	NUT, LOCK, 1/4"-20, GB,
33	87413927	2	SUPPORT,
34	1301560C2	1	STIFFENER, If Required
35	515-25476	1	CLAMP, 1 7/8", Insul, 1/2" Bolt, If Required
36	86984222	2	PAD,
37	306132C1	1	STRAP, CABLE, .30" x 14.5", 14" Tie

02-07 METAL ROTARY AIR SCREEN ASSY, WITH DIRT DROP BOX AND BRUSHES



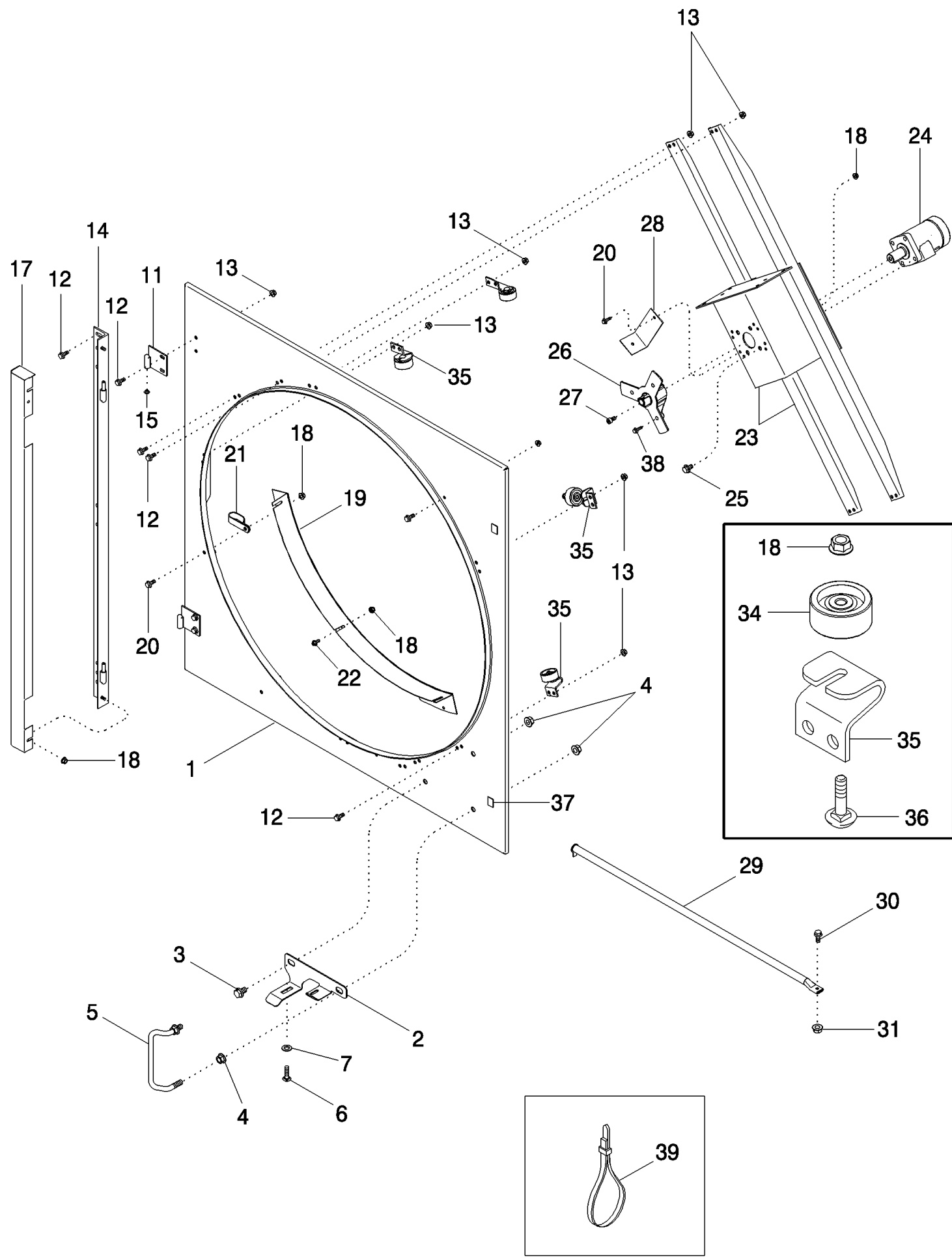
02-07 METAL ROTARY AIR SCREEN ASSY, WITH DIRT DROP BOX AND BRUSHES

сылка	Номер детали	Кол-во	Описание
1	REF	1	INSTRUCTION, DOOR ASSY, Cooler Access, See Figure 02-06
2	REF	1	INSTRUCTION, SCREEN ASSY, Rotary Air, Includes 3 - 10
3	87418044	1	SCREEN, Rotary Air
4	87417475	1	BAND, Assy
5	87413544	2	BOLT, Drawbolt Ring
6	477-82508	4	SCREW, Sltd Serr Truss Hd, 1/4"-20 x 1/2",
7	231-5144	8	NUT, Flg, USR, 1/4"-20,
8	495-81114	2	WASHER, .344" x 3/4" x 060",
9	425-105	4	NUT, 5/16"-18, G5,
10	390747A1	3	RIVET,
11	87412949	1	SHEET, Blockoff Assy
12	87408561	2	SEAL,
13	87408560	2	BAR,
14	409-7412	19	BOLT, Hex Flg, 1/4"-20 x 3/4", Serr,
15	231-4144	12	NUT, LOCK, 1/4"-20, GB,
16	1977166C1	2	SEAL, Baffle Rear
17	1977164C2	2	STRIP,
18	87413136	1	BRUSH, Inner
19	87432971	1	CHUTE, Rear
20	87432970	1	CHUTE, Front
21	87432973	1	CHUTE, Lower
22	87432972	1	STRAP, Chute
23	87412289	1	PANEL, Chute, Upper
24	87413935	1	SUPPORT, Horizontal Brush
25	414883A2	1	BRUSH,
26	87414124	1	BRUSH, Angled
27	409-7512	13	BOLT, Hex Flg, 5/16"-18 x 3/4", Serr,
28	231-5145	18	NUT, Flg, USR, 5/16"-18,
29	256873	3	BOLT, Hex Flg, 5/16"-18 x 1/2", Serr,
30	477-73108	2	SCREW, Sltd Serr Truss Hd, 5/16"-18 x 1/2",
31	87429394	1	SEAL,
31A	87302735	1	KIT, REPAIR, Includes Wear Strip, Hardware and Instructions, Not Illustrated
32	86976658	1	CLAMP,
33	409-7416	1	BOLT, Hex Flg, 1/4"-20 x 1", Serr,
34	231-1444	1	NUT, LOCK, 1/4"-20, GB,
35	1327979C1	1	MOLDING, Cut 152 mm (6") from 196707C1, Not Illustrated



02-08 PLASTIC DOOR ASSY - ROTARY AIR SCREEN - BSN HAJ0295001

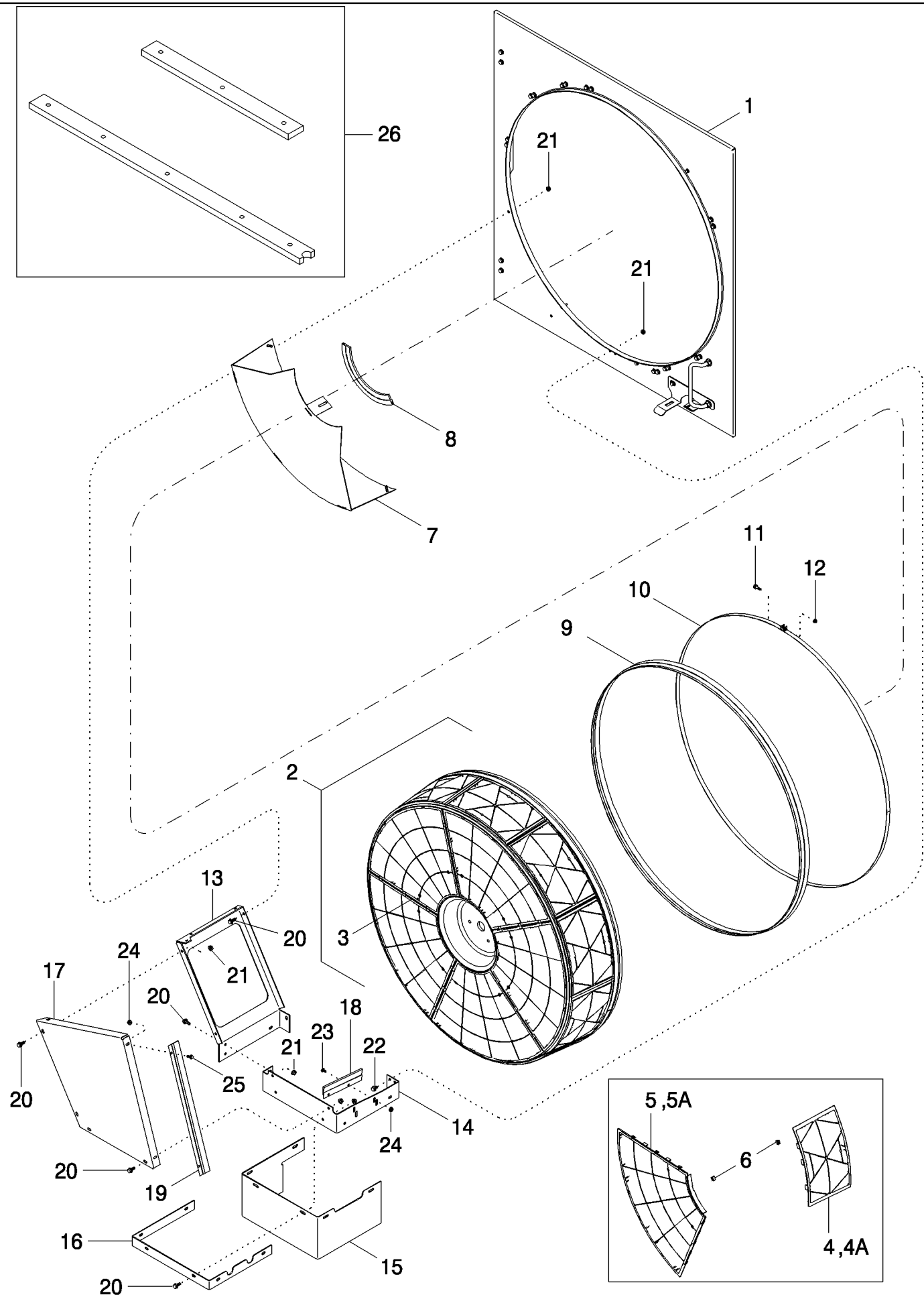
сылка	Номер детали	Кол-во	Описание
1	87430947	1	DOOR, Cooler Access
2	87413881	1	GUIDE, Door Latch
3	409-7812	1	BOLT, Hex Flg, 1/2"-13 x 3/4", Serr,
4	231-5148	5	NUT, Flg, USR, 1/2"-13,
5	1329715C1	1	HANDLE,
6	434-624	1	BOLT, CARRIAGE, Short NK, 3/8"-16 x 1 1/2", G5,
7	495-51053	1	WASHER, 1/2",
8	87036413	1	SPACER, 5/8" Pipe x 15/16", 5/8" x 15/16"
9	231-5146	1	NUT, Flg, USR, 3/8"-16,
11	87417094	2	HINGE,
12	409-7512	20	BOLT, Hex Flg, 5/16"-18 x 3/4", Serr,
13	231-5145	20	NUT, Flg, USR, 5/16"-18,
14	87425804	1	HINGE,
15	86985597	2	WASHER, Special
16	495-81116	7	WASHER, .344" x 1" x .060",
17	87425802	1	COVER, Door Hinge, Shown
18	231-5144	12	NUT, Flg, USR, 1/4"-20,
19	87413896	1	BRACKET, Blockoff Assy
20	409-7412	7	BOLT, Hex Flg, 1/4"-20 x 3/4", Serr,
21	485093C1	1	CLAMP,
22	409-7416	1	BOLT, Hex Flg, 1/4"-20 x 1", Serr,
23	87413830	1	SUPPORT,
24	435624A1	1	MOTOR, HYDRAULIC, Rotary Screen, See Figure 08-23, Ref. 1
25	87021006	4	BOLT, Hex Flg, M10 x 16, 10.9, Full Thd,
26	412506A1	1	HUB,
27	864-8016	1	SCREW, Hex Soc Hd, M8 x 16, 8.8,
28	87409347	1	SUPPORT, Inner Baffle
29	87413898	1	SUPPORT,
30	409-7416	1	BOLT, Hex Flg, 1/4"-20 x 1", Serr,
31	231-5144	1	NUT, Flg, USR, 1/4"-20,
32	87407751	1	BRACKET,
33	87407737	2	BRACKET,
34	87408568	4	BEARING, BALL, Roller
35	444034A2	1	SUPPORT, Roller
36	411-416	4	BOLT, CARRIAGE, Short NK, 1/4"-20 x 1", G2,
37	86984222	2	PAD,
38	857-10025	3	BOLT, Hex Flg, M10 x 25, 10.9, Full Thd,
39	306132C1	1	STRAP, CABLE, .30" x 14.5", 14" Tie
40	1327979C1	1	MOLDING, Trim, Cut 152 mm (6") from 196707C1, Not Illustrated
41	87435C1	1	MOLDING, Trim, Cut 76 mm (3") from 196707C1, Not Illustrated



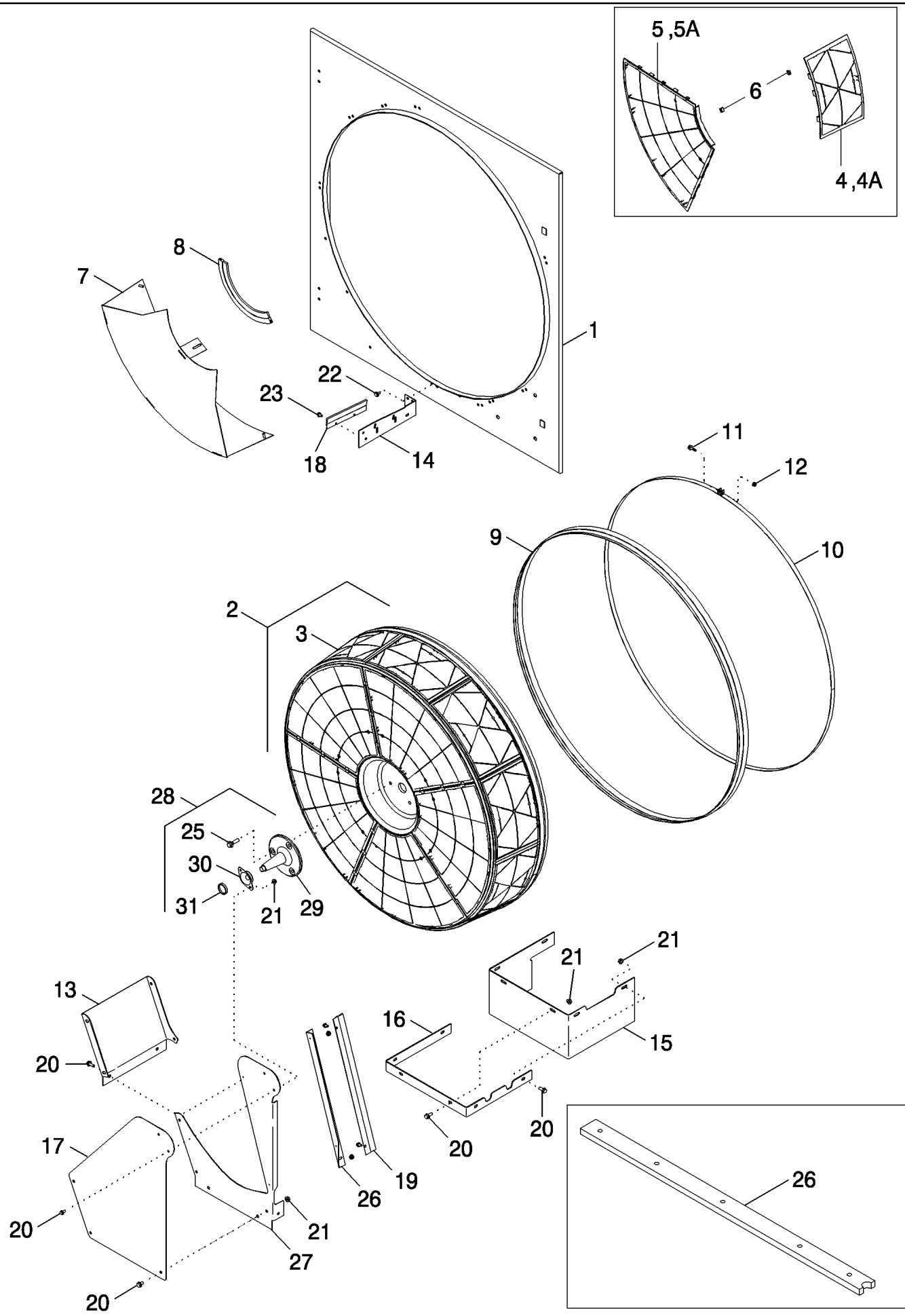
02-09 PLASTIC DOOR ASSY - ROTARY AIR SCREEN - ASN HAJ0295001

сылка	Номер детали	Кол-во	Описание
1	87311540	1	DOOR, Cooler Access
2	87413881	1	GUIDE, Door Latch
3	409-7812	1	BOLT, Hex Flg, 1/2"-13 x 3/4", Serr,
4	231-5148	5	NUT, Flg, USR, 1/2"-13,
5	1329715C1	1	HANDLE,
6	434-624	1	BOLT, CARRIAGE, Short NK, 3/8"-16 x 1 1/2", G5,
7	495-51053	1	WASHER, 1/2",
11	87417094	2	HINGE,
12	409-7512	36	BOLT, Hex Flg, 5/16"-18 x 3/4", Serr,
13	231-5145	33	NUT, Flg, USR, 5/16"-18,
14	87425804	1	HINGE,
15	86985597	2	WASHER, Special
17	87425802	1	COVER, Door Hinge, Shown
18	231-5144	22-23	NUT, Flg, USR, 1/4"-20,
19	87413896	1	BRACKET, Blockoff Assy
20	409-7412	5 - 6	BOLT, Hex Flg, 1/4"-20 x 3/4", Serr,
21	485093C1	1	CLAMP,
22	409-7416	1	BOLT, Hex Flg, 1/4"-20 x 1", Serr,
23	87413830	1	SUPPORT,
24	435624A1	1	MOTOR, HYDRAULIC, Rotary Screen, See Figure 08-23, Ref. 1
25	87021006	4	BOLT, Hex Flg, M10 x 16, 10.9, Full Thd,
26	412506A1	1	HUB,
27	864-8016	1	SCREW, Hex Soc Hd, M8 x 16, 8.8,
28	87409347	1	SUPPORT, Inner Baffle
29	87413898	1	SUPPORT,
30	409-7416	1	BOLT, Hex Flg, 1/4"-20 x 1", Serr,
31	231-4144	1	NUT, LOCK, 1/4"-20, GB,
34	87408568	4	BEARING, BALL, Roller
35	444034A2	4	SUPPORT, Roller
36	411-416	4	BOLT, CARRIAGE, Short NK, 1/4"-20 x 1", G2,
37	86984222	2	PAD,
39	306132C1	1	STRAP, CABLE, .30" x 14.5", 14" Tie
40	1327979C1	1	MOLDING, Cut 152 mm (6") from 196707C1

02-10 PLASTIC ROTARY AIR SCREEN ASSY, WITH DIRT DROP BOX AND BRUSHES - BSN HAJ0295001

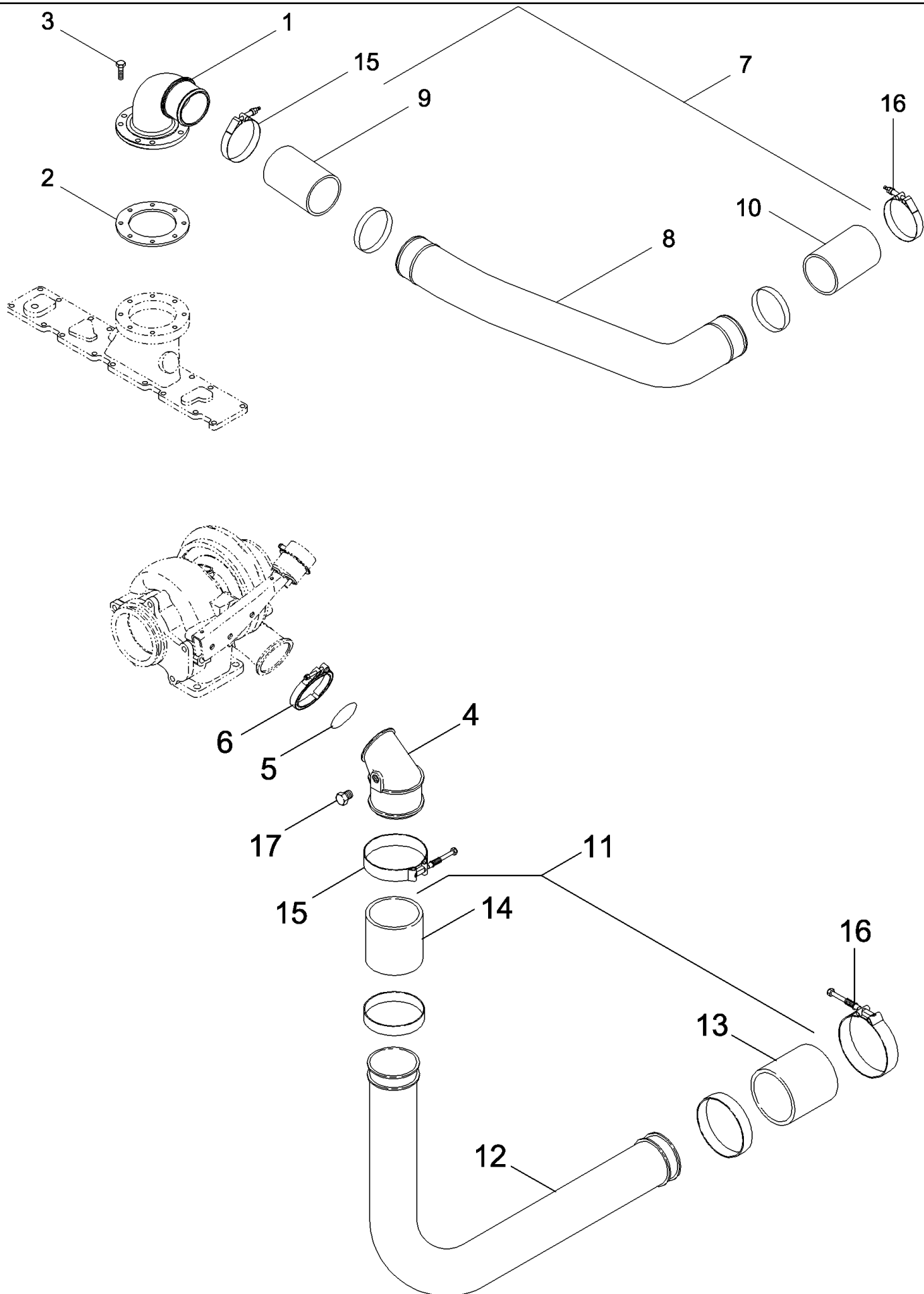


сылка	Номер детали	Кол-во	Описание
1	NSS	1	NOT SERVICED SEPARATELY, DOOR ASSY, Cooler Access, See Figure 02-08
2	87409301	1	SCREEN, Assy Rotary Air, Plastic Fine Mesh, Includes 3, 4, 5, 6
2	87409302	1	SCREEN, Assy Rotary Air, Plastic Coarse Mesh, Includes 3, 4A, 5A, 6
3	87410086	1	SUPPORT, Frame
	86988943	1	KIT, Rotary Air Screen Side, Fine Mesh, Includes 4 (1), 6 (10)
	86988941	1	KIT, Rotary Air Screen Side, Coarse Mesh, Includes 4A (1), 6 (10)
4	NSS	10	NOT SERVICED SEPARATELY, SCREEN, Side, Fine Mesh
4A	NSS	10	NOT SERVICED SEPARATELY, SCREEN, Side, Coarse Mesh
	87301194	1	KIT, KIT Rotary Air Screen Front, Fine Mesh, Includes 5 (1), 6 (10)
	87301195	1	KIT, KIT Rotary Air Screen Front, Coarse Mesh, Includes 5A (1), 6 (10)
5	NSS	5	NOT SERVICED SEPARATELY, SCREEN Front, Fine Mesh
5A	NSS	5	NOT SERVICED SEPARATELY, SCREEN Front, Coarse Mesh
6	86983638	145	CLIP, Screen Locking
7	87409151	1	SHEET, Blockoff Assy
8	87412677	1	BRUSH, Inner
9	87429394	1	SEAL,
9A	87302735	1	KIT, REPAIR, Includes Wear Strip, Hardware and Instructions, Not Illustrated
10	86976658	1	CLAMP,
11	409-7416	1	BOLT, Hex Flg, 1/4"-20 x 1", Serr,
12	231-1444	1	NUT, LOCK, 1/4"-20, GB,
13	87432971	1	CHUTE, Rear
14	87432970	1	CHUTE, Front
15	87432973	1	CHUTE, Chute, Lower
16	87432972	1	STRAP,
17	87412289	1	PANEL, Chute, Upper
18	414883A2	1	BRUSH,
19	87414124	1	BRUSH, Angled
20	409-7512	13	BOLT, Hex Flg, 5/16"-18 x 3/4", Serr,
21	231-5145	16	NUT, Flg, USR, 5/16"-18,
22	256873	3	BOLT, Hex Flg, 5/16"-18 x 1/2", Serr,
23	477-82508	2	SCREW, Slt'd Serr Truss Hd, 1/4"-20 x 1/2",
24	231-5144	4	NUT, Flg, USR, 1/4"-20,
25	409-7412	2	BOLT, Hex Flg, 1/4"-20 x 3/4", Serr,
26	87301188	1	BAR, Package, Disrupter Bars, Hardware and Instructions
	87301156	1	KIT, CONVERSION, Plastic to Metal Rotary Air Screen Conversion

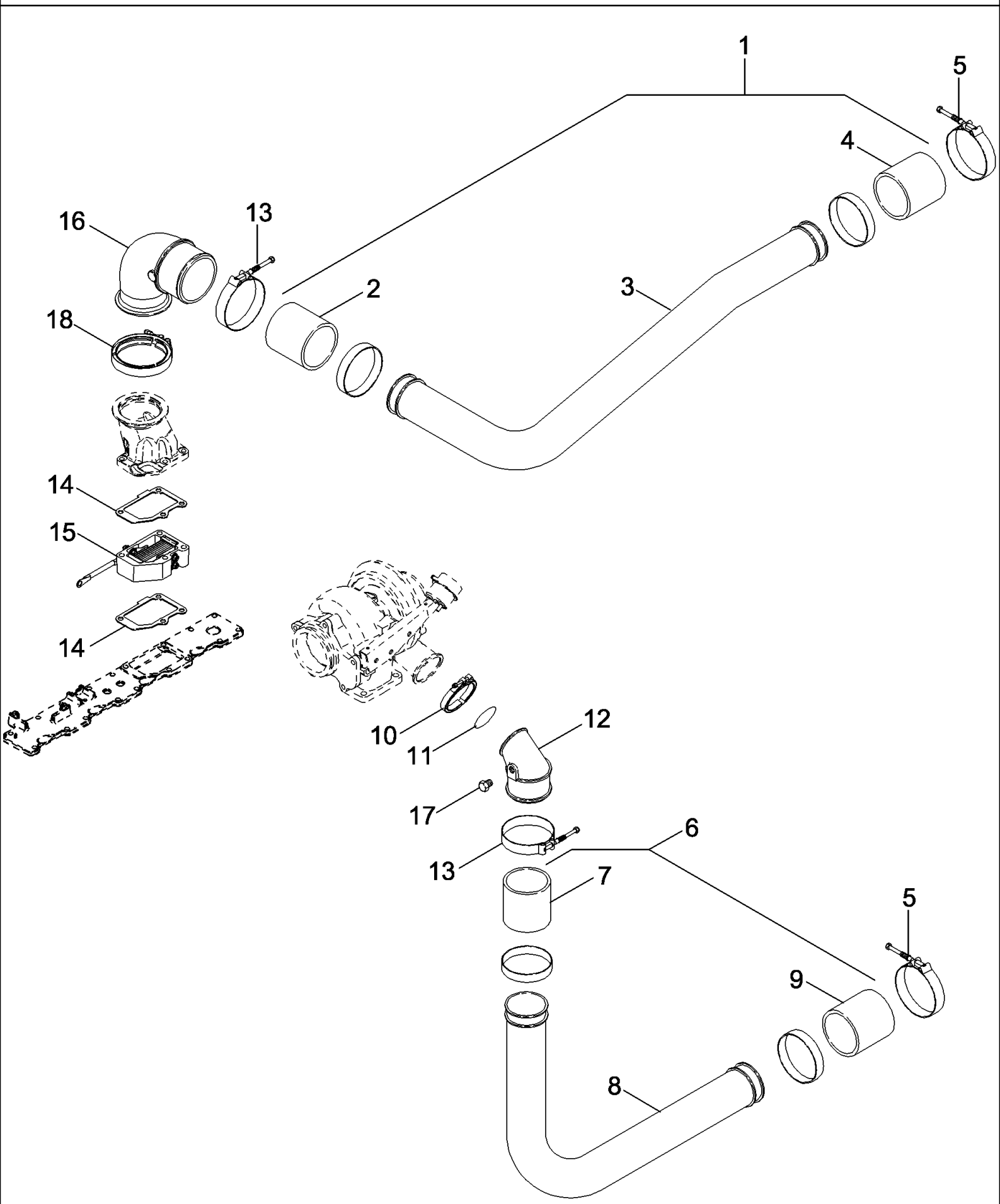


сылка	Номер детали	Кол-во	Описание
1	REF	1	INSTRUCTION, DOOR ASSY, Cooler Access, See Figure 02-08
2	87409301	1	SCREEN, Assy Rotary Air, Plastic Fine Mesh, Includes 3, 4, 5, 6
2	87409302	1	SCREEN, Assy Rotary Air, Plastic Coarse Mesh, Includes 3, 4A, 5A, 6
3	87410086	1	SUPPORT, Frame Assy
	86988943	1	KIT, Rotary Air Screen Side, Fine Mesh, Includes 4 (1), 6 (10)
	86988941	1	KIT, Rotary Air Screen Side, Coarse Mesh, Includes 4A (1), 6 (10)
4	NSS	10	NOT SERVICED SEPARATELY, SCREEN, Side, Fine Mesh
4A	NSS	10	NOT SERVICED SEPARATELY, SCREEN, Side, Coarse Mesh
	87301194	1	KIT, Rotary Air Screen Front, Fine Mesh, Includes 5 (1), 6 (10)
	87301195	1	KIT, Rotary Air Screen Front, Coarse Mesh, Includes 5A (1), 6 (10)
5	NSS	5	NOT SERVICED SEPARATELY, SCREEN Front, Fine Mesh
5A	NSS	5	NOT SERVICED SEPARATELY, SCREEN Front, Coarse Mesh
6	86983638	145	CLIP, Screen Locking
7	87409151	1	SHEET, Blockoff Assy
8	87412677	1	BRUSH, Inner
9	87429394	1	SEAL,
10	86976658	1	CLAMP,
11	409-7416	1	BOLT, Hex Flg, 1/4"-20 x 1", Serr,
12	231-1444	1	NUT, LOCK, 1/4"-20, GB,
13	87311544	1	CHUTE, Rear
14	87311541	1	CHUTE, Front
15	87432973	1	CHUTE, Lower
16	87432972	1	STRAP,
17	87311543	1	CHUTE, Upper
18	414883A2	1	BRUSH,
19	87414124	1	BRUSH, Angled
20	409-7512	13	BOLT, Hex Flg, 5/16"-18 x 3/4", Serr,
21	231-5145	16	NUT, Flg, USR, 5/16"-18,
22	256873	6	BOLT, Hex Flg, 5/16"-18 x 1/2", Serr,
23	409-748	6	BOLT, Hex Flg, 1/4"-20 x 1/2", Serr,
24	231-5144	4	NUT, Flg, USR, 1/4"-20,
25	857-10035	3	BOLT, Hex Flg, M10 x 35, 10.9,
26	87301188	1	BAR, Package, Disrupter Bar, Hardware and Instructions
27	87311542	1	SHEET, Outer Blockoff
28	87307435	1	HUB, Outer Blockoff, Includes 29, 30, 31
29	87306986	1	HUB, Outer Blockoff
30	87302841	1	BEARING, BALL,
31	84017501	1	HOUSING, BEARING,

02-12 INTAKE SYSTEM, CHARGE AIR COOLER - BSN HAJ0295001 AND ALL CIS MARKETS



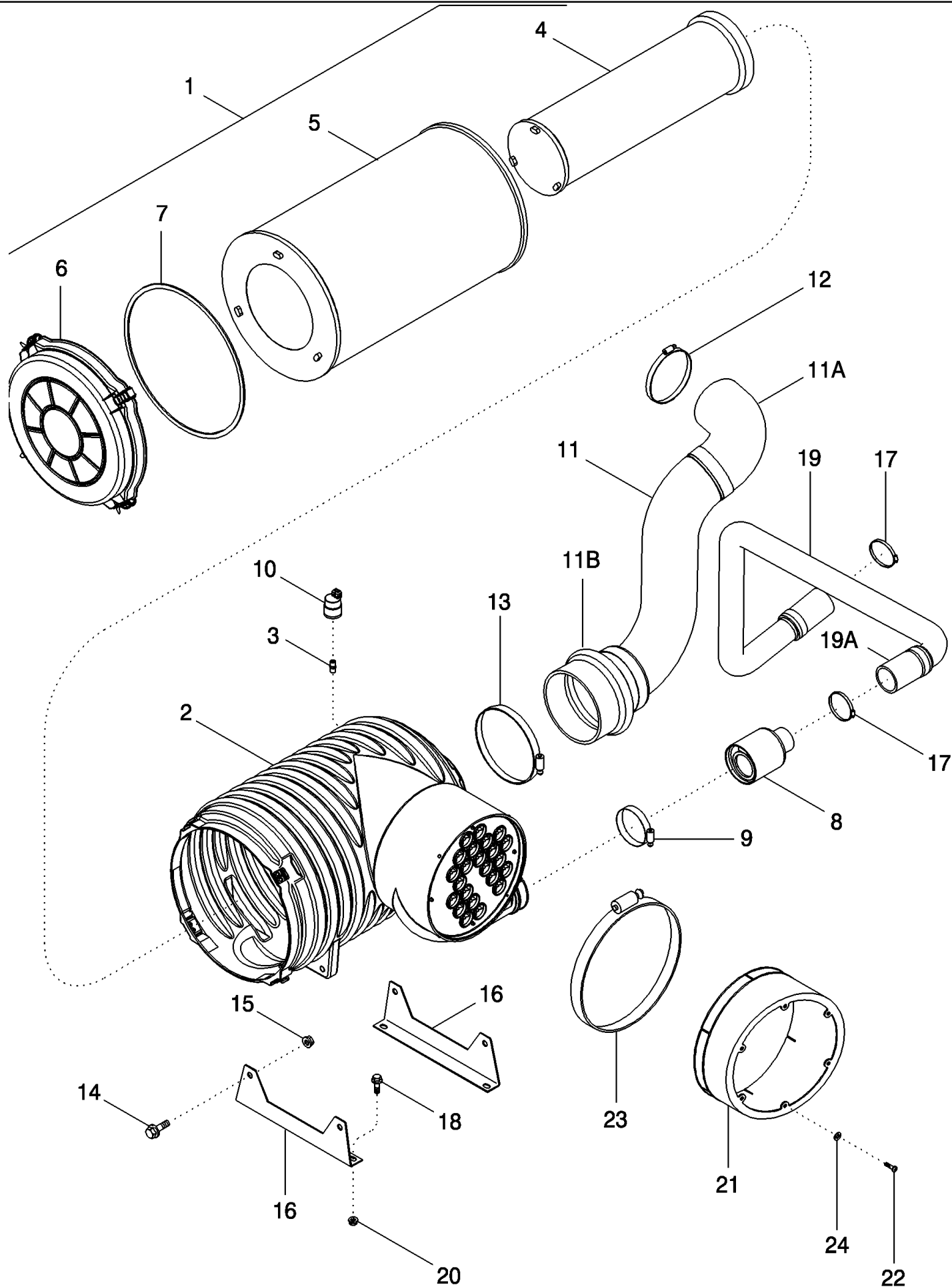
сылка	Номер детали	Кол-во	Описание
1	87404219	1	ELBOW, Engine Intake Manifold
2	J917892	1	GASKET,
3	87030775	4	BOLT, Hex Flg, M8 x 30, 10.9, Full Thd,
4	87301923	1	ELBOW, Turbo Outlet
5	J883284	1	O-RING,
6	J069053	1	CLAMP, Turbo Outlet
7	87302166	1	TUBE, Charge Air Cooler, Cold Side, Inc. 8 - 10
8	NSS	1	NOT SERVICED SEPARATELY, Tube
9	87402764	1	HOSE, 3"
10	87402762	1	HOSE, 4"
11	87313867	1	TUBE ASSY., Charge Air Cooler, Hot Side, Inc. 12 - 14
12	NSS	1	NOT SERVICED SEPARATELY, Tube
13	87402761	1	HOSE, 4"
14	87402763	1	HOSE, 3"
15	87421230	2	CLAMP,
16	87420676	2	CLAMP, HOSE, 4"
17	217-84	2	PLUG, Hex Hd, 1/8"-27, Brass,



CIS Refers to Commonwealth of Independent States (Russian Market). "BSN HAJ0295001" and "All CIS Markets" are Tier II Mechanical Engines. "ASN HAJ0295001 Except All CIS Markets" are Tier III Engines (NA Market Only).

сылка	Номер детали	Кол-во	Описание
1	87302166	1	TUBE, Charge Air Cooler, Cold Side, Includes 2 - 4
2	87402764	1	HOSE, 3"
3	NSS	1	NOT SERVICED SEPARATELY, Tube
4	87402762	1	HOSE, 4"
5	87420676	2	CLAMP, HOSE, 4"
6	87302164	1	TUBE, Charge Air Cooler, Hot Side, Includes 7 - 9
7	87402763	1	HOSE, 3"
8	NSS	1	NOT SERVICED SEPARATELY, Tube
9	87402761	1	HOSE, 4"
10	J069053	1	CLAMP, Turbo Outlet
11	J883284	1	O-RING,
12	87301923	1	ELBOW, Turbo Outlet
13	87421230	2	CLAMP,
14	87335272	1	GASKET,
15	87335271	1	HEATER, Air Intake
16	87350416	1	ELBOW, Engine Intake Manifold
17	217-84	2	PLUG, Hex Hd, 1/8"-27, Brass,
18	J067979	1	CLAMP,

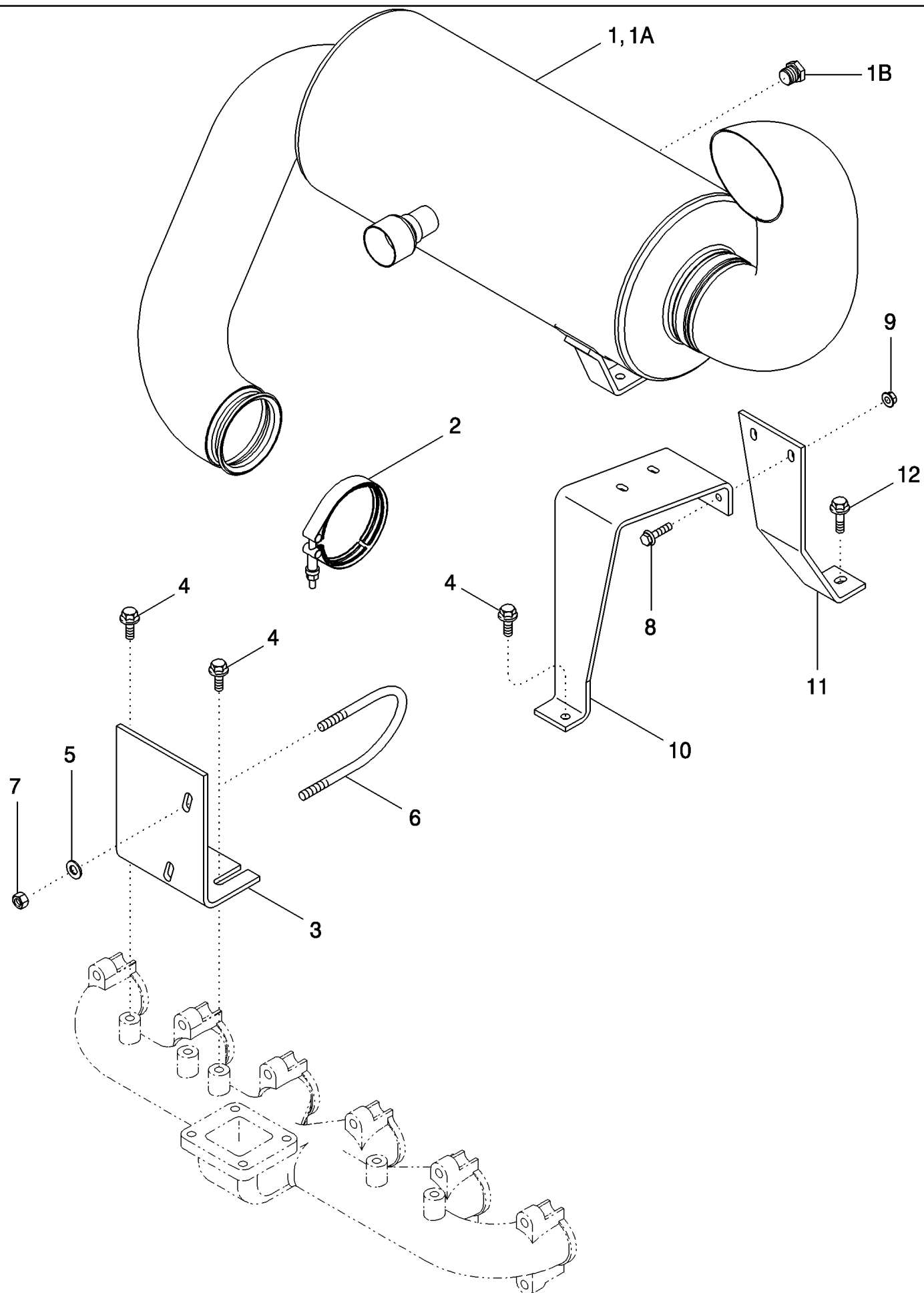
02-14 AIR CLEANER - AIR INDUCTION SYSTEM



CIS Refers to Commonwealth of Independent States (Russian Market). "BSN HAJ0295001" and "All CIS Markets" are Tier II Mechanical Engines. "ASN HAJ0295001 Except All CIS Markets" are Tier III Engines (NA Market Only).

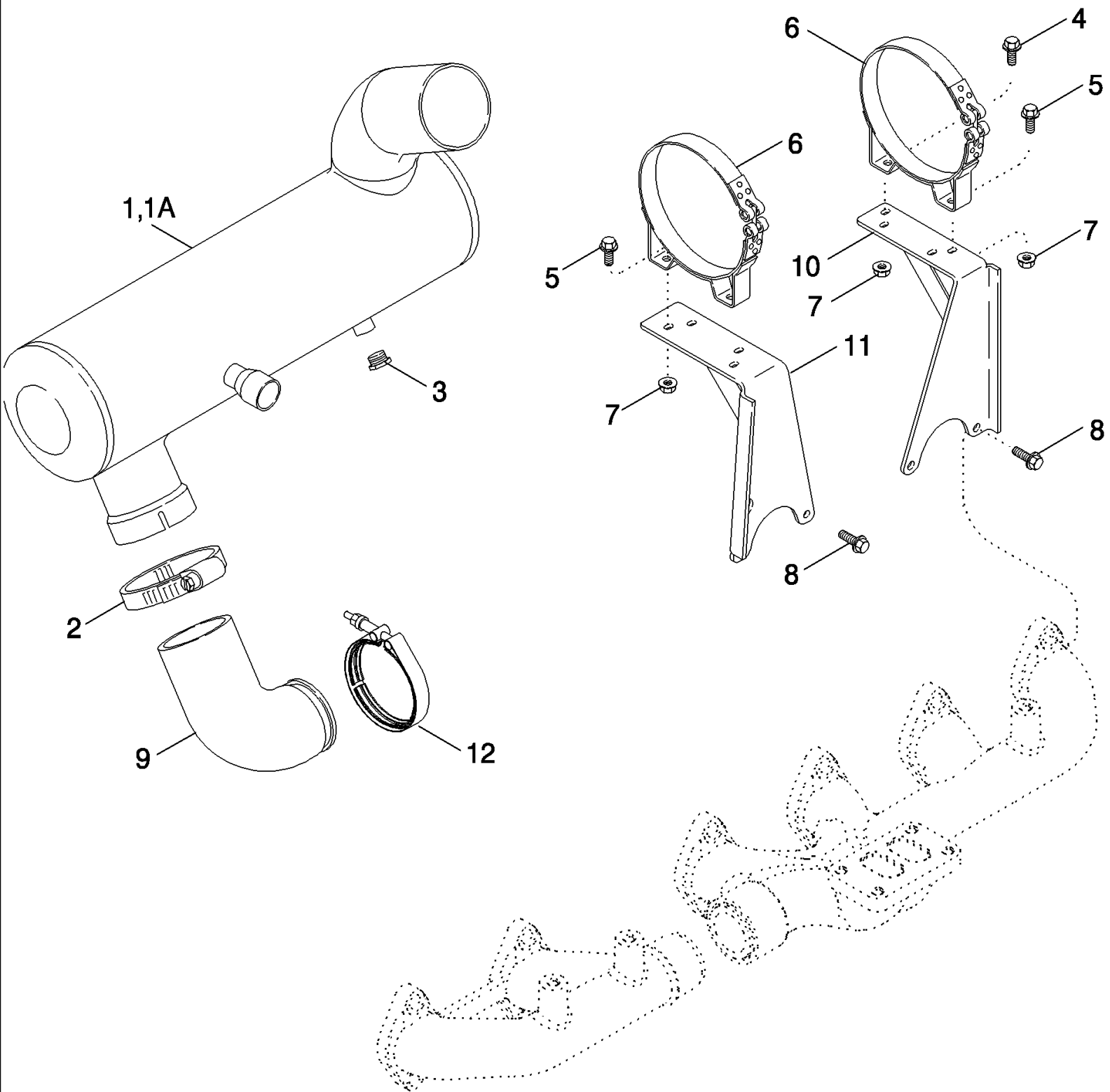
02-14 AIR CLEANER - AIR INDUCTION SYSTEM

сылка	Номер детали	Кол-во	Описание
1	414188A3	1	AIR CLEANER, Includes 2 - 10
2	NSS	1	NOT SERVICED SEPARATELY, Housing
3	86976679	1	ADAPTER,
4	86998332	1	FILTER, AIR, Secondary
5	86998333	1	FILTER, AIR, Primary
6	87414982	1	COVER, Includes 7
7	87414805	1	GASKET,
8	86983468	1	VALVE, CHECK,
9	214-3264	1	CLAMP, HOSE, 3.25/4.125 HD Worm, W/liner,
10	279492A1	1	SWITCH, Air Restriction
11	446432A2	1	TUBE, Air Inlet, BSN HAJ0295001
11	87312735	1	TUBE, Air Inlet, ASN HAJ0295001
11A	86984234	1	ELBOW, , BSN HAJ0295001
11A	87313999	1	ELBOW, , ASN HAJ0295001
11B	446434A1	1	TUBE,
12	214-3280	1	CLAMP, HOSE, 4.25/5.125 HD Worm, W/liner,
13	214-32112	1	CLAMP, HOSE, 6.25/7.125 HD Worm, W/liner,
14	409-7632	4	BOLT, Hex Flg, 3/8"-16 x 2", Serr,
15	231-5346	4	NUT, LOCK, Flg, 3/8"-16,
16	87414123	2	SUPPORT,
17	214-3240	2	CLAMP, HOSE, 1.75/2.625 HD Worm, W/liner,
18	409-7512	4	BOLT, Hex Flg, 5/16"-18 x 3/4", Serr,
19	87408778	1	TUBE, (Shown), BSN HAJ0295001
19	87302271	1	TUBE, (Not Shown), ASN HAJ0295001
19A	87402766	1	HOSE,
20	131-137	4	NUT, Ret, 5/16"-18,
21	451775A1	1	DUCT,
	87302039	1	SEAL, Air Inlet Duct (Not Shown), ASN HAJ0295001
22	409-7412	6	BOLT, Hex Flg, 1/4"-20 x 3/4", Serr,
23	87012918	1	CLAMP, HOSE, #188, 12.25/2.50 Type F Worm,
24	495-11028	6	WASHER, 1/4", SAE,
25	231-1444	6	NUT, LOCK, 1/4"-20, GB, Not Illustrated



02-15 EXHAUST SYSTEM - MUFFLER - BSN HAJ0295001

сылка	Номер детали	Кол-во	Описание
1	445295A1	1	MUFFLER, Muffler
1A	416717A1	1	MUFFLER, With Spark Arrester, Includes 1B
1B	217-409	1	PLUG, Hex Hd, 1/2"-14, Brass,
2	A170807	1	CLAMP,
3	430386A2	1	SUPPORT, Rear
4	857-10020	2	BOLT, Hex Flg, M10 x 20, 10.9,
5	495-81140	4	WASHER, 13/32" x 1 1/4" x .060",
6	430388A1	1	U-BOLT, 4"
7	231-4116	2	NUT, LOCK, 3/8"-16, GB,
8	409-7520	2	BOLT, Hex Flg, 5/16"-18 x 1 1/4", Serr,
9	231-5145	2	NUT, Flg, USR, 5/16"-18,
10	87433615	1	SUPPORT, Muffler
11	430016A2	1	BRACKET, Muffler
12	87028324	1	SCREW, Hex Soc But Hd, M10 x 1.5 x 20, 8.8, M10 x 30

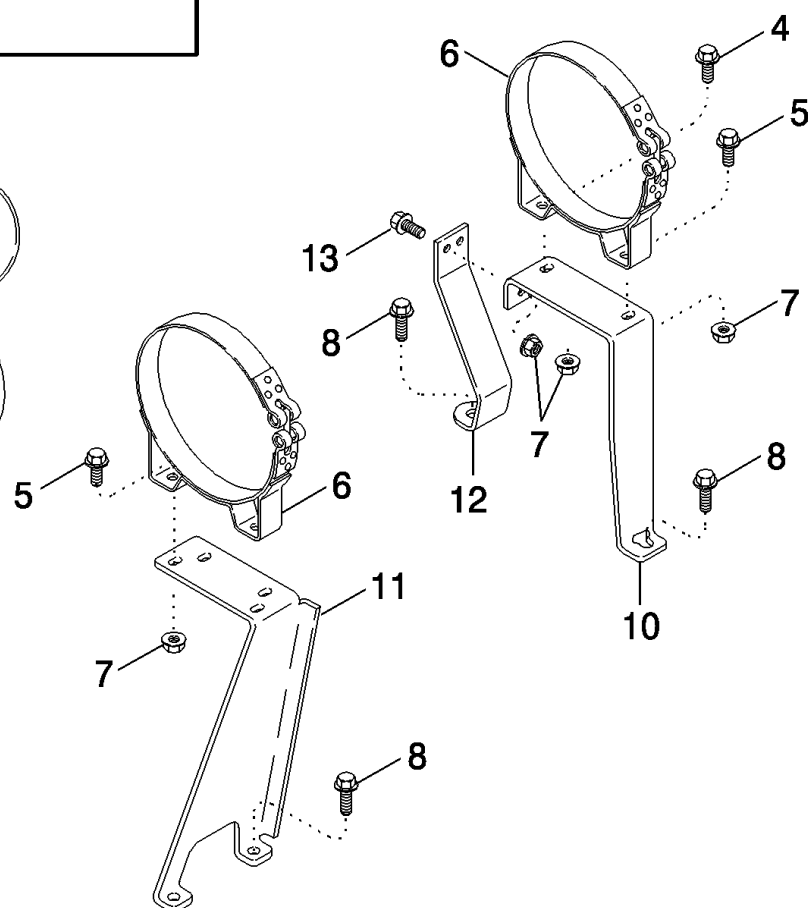
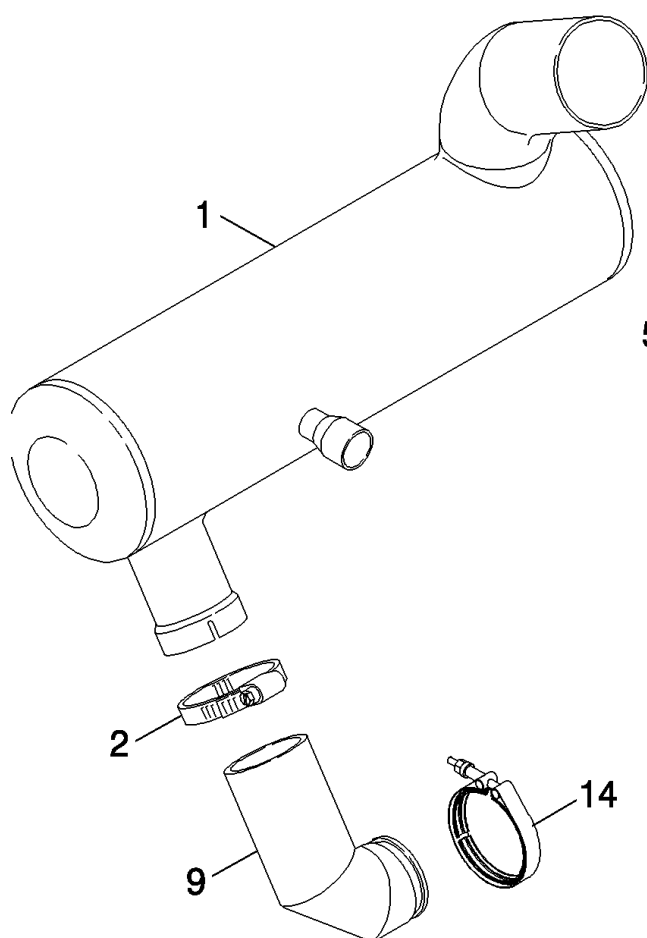
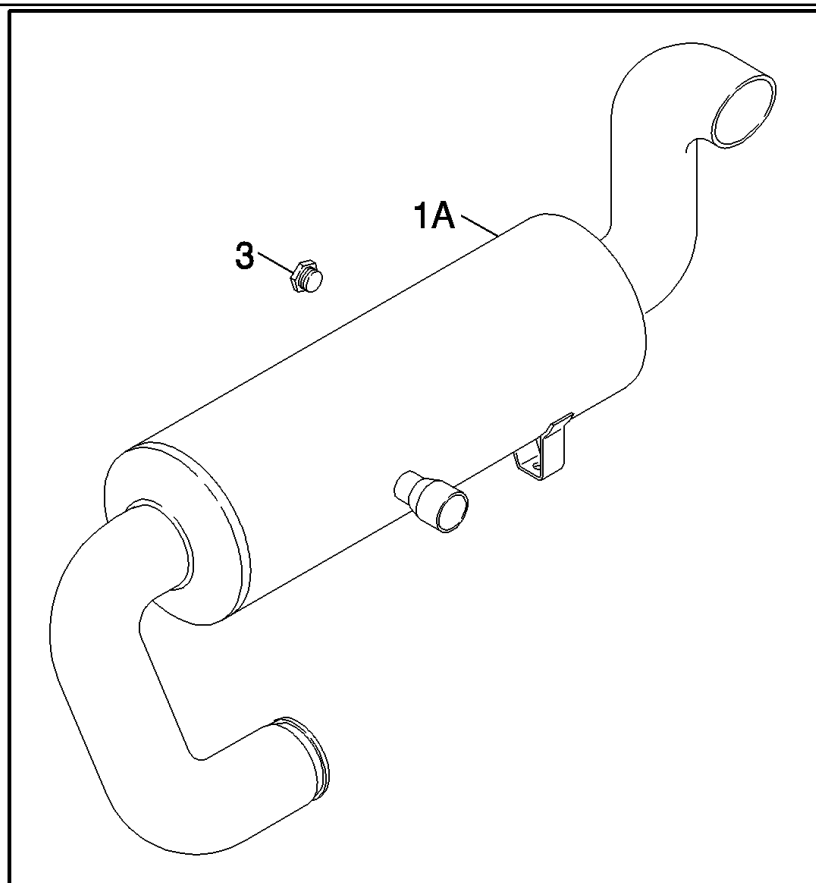


2388 CASE IH AXIAL-FLOW COMBINE (NA) BTW HAJ0292001 & HAJ0300000 (10/04-)

02-16 EXHAUST SYSTEM - MUFFLER - ASN HAJ0295001 EXCEPT ALL CIS MARKETS

сылка	Номер детали	Кол-во	Описание
1	87301603	1	MUFFLER, Includes 2
1A	87302273	1	MUFFLER, With Spark Arrester, Includes 2, 3
2	87314920	1	CLAMP,
3	217-409	1	PLUG, Hex Hd, 1/2"-14, Brass,
4	409-7520	1	BOLT, Hex Flg, 5/16"-18 x 1 1/4", Serr,
5	409-7512	3	BOLT, Hex Flg, 5/16"-18 x 3/4", Serr,
6	87301605	2	CLAMP,
7	231-5145	4	NUT, Flg, USR, 5/16"-18,
8	857-10025	4	BOLT, Hex Flg, M10 x 25, 10.9, Full Thd,
9	87301604	1	ELBOW, Engine Exhaust
10	87310387	1	BRACKET, Muffler
11	87311461	1	BRACKET, Muffler, Rear
12	A170807	1	CLAMP,

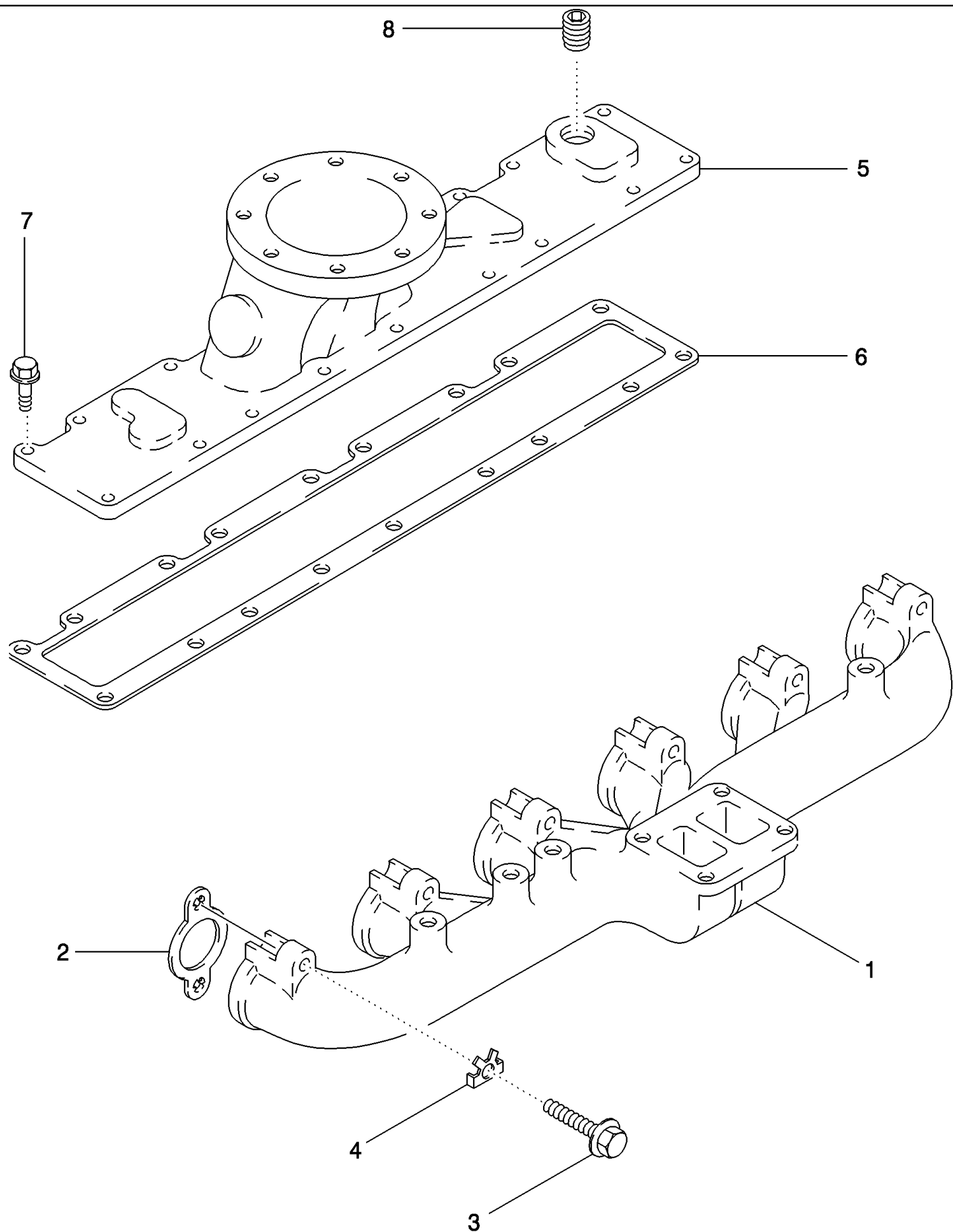
CIS Refers to Commonwealth of Independent States (Russian Market). "BSN HAJ0295001" and "All CIS Markets" are Tier II Mechanical Engines. "ASN HAJ0295001 Except All CIS Markets" are Tier III Engines (NA Market Only).



02-17 EXHAUST SYSTEM - MUFFLER - ASN HAJ0295001 ALL CIS MARKETS

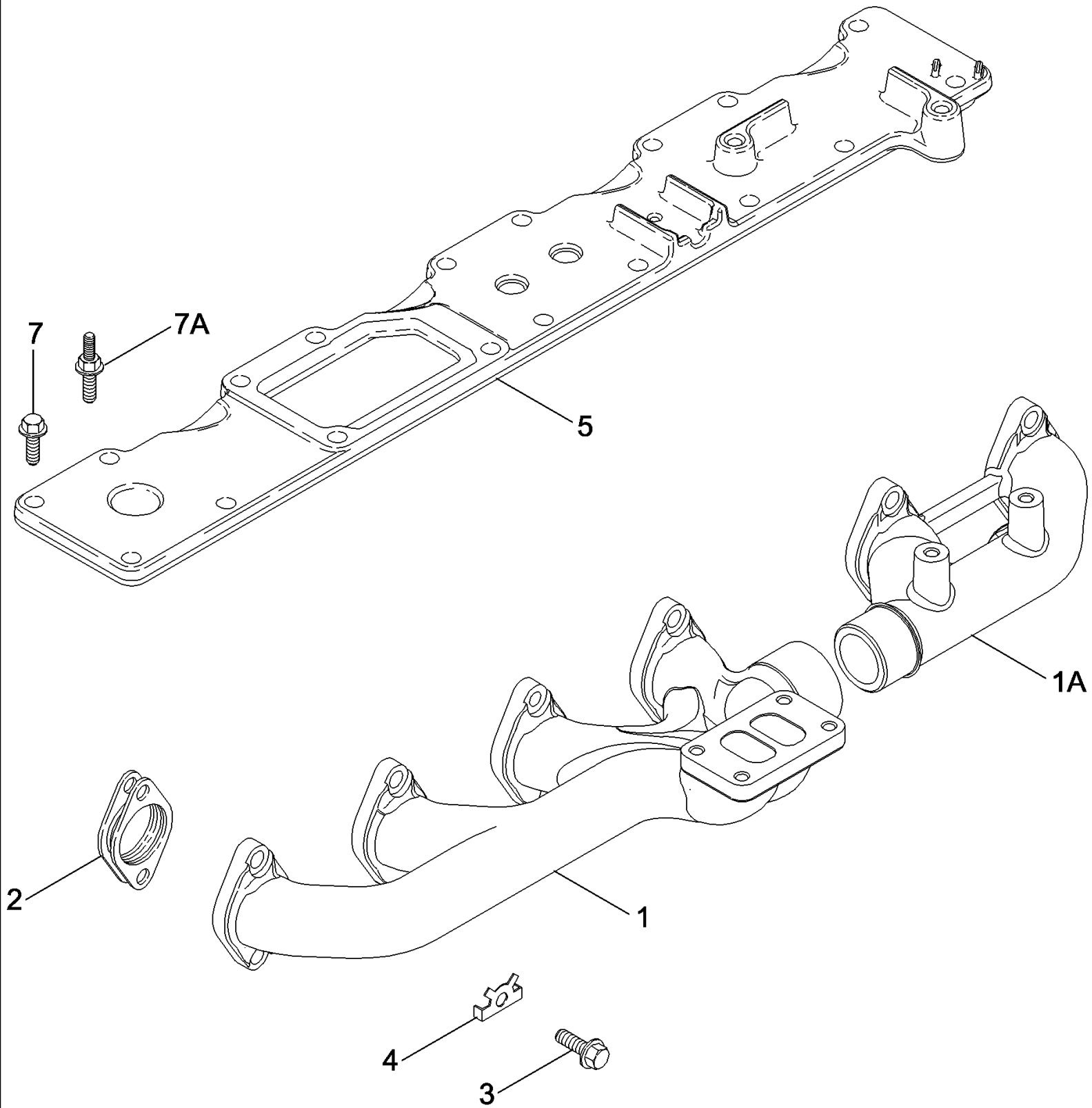
сылка	Номер детали	Кол-во	Описание
1	87301603	1	MUFFLER, Includes 2
1A	416717A1	1	MUFFLER, With Spark Arrester, Includes 3
2	87314920	1	CLAMP,
3	217-409	1	PLUG, Hex Hd, 1/2"-14, Brass,
4	409-7520	1	BOLT, Hex Flg, 5/16"-18 x 1 1/4", Serr,
5	409-7512	3	BOLT, Hex Flg, 5/16"-18 x 3/4", Serr,
6	87301605	2	CLAMP,
7	231-5145	6	NUT, Flg, USR, 5/16"-18,
8	857-10025	4	BOLT, Hex Flg, M10 x 25, 10.9, Full Thd,
9	87310019	1	ELBOW, Engine Exhaust
10	87333804	1	BRACKET, Muffler
11	87314136	1	BRACKET, Muffler, Rear
12	87315143	1	BRACKET, Muffler
13	409-7516	2	BOLT, Hex Flg, 5/16"-18 x 1", Serr,
14	A170807	1	CLAMP,

CIS Refers to Commonwealth of Independent States (Russian Market). "BSN HAJ0295001" and "All CIS Markets" are Tier II Mechanical Engines. "ASN HAJ0295001 Except All CIS Markets" are Tier III Engines (NA Market Only).



02-18 MANIFOLDS - BSN HAJ0295001 AND ALL CIS MARKETS

сылка	Номер детали	Кол-во	Описание
1	87405601	1	MANIFOLD, Exhaust
2	J932063	6	GASKET, MANIFOLD,
3	J929537	12	BOLT, M10 x 70
4	J914708	12	PLATE, LOCKING,
5	J926044	1	COVER, Intake
6	J936993	1	GASKET, MANIFOLD,
7	J938036	18	SCREW, M8 x 30; 8.8
8	217-438	1	PLUG, Hex Soc, 1/2"-14,



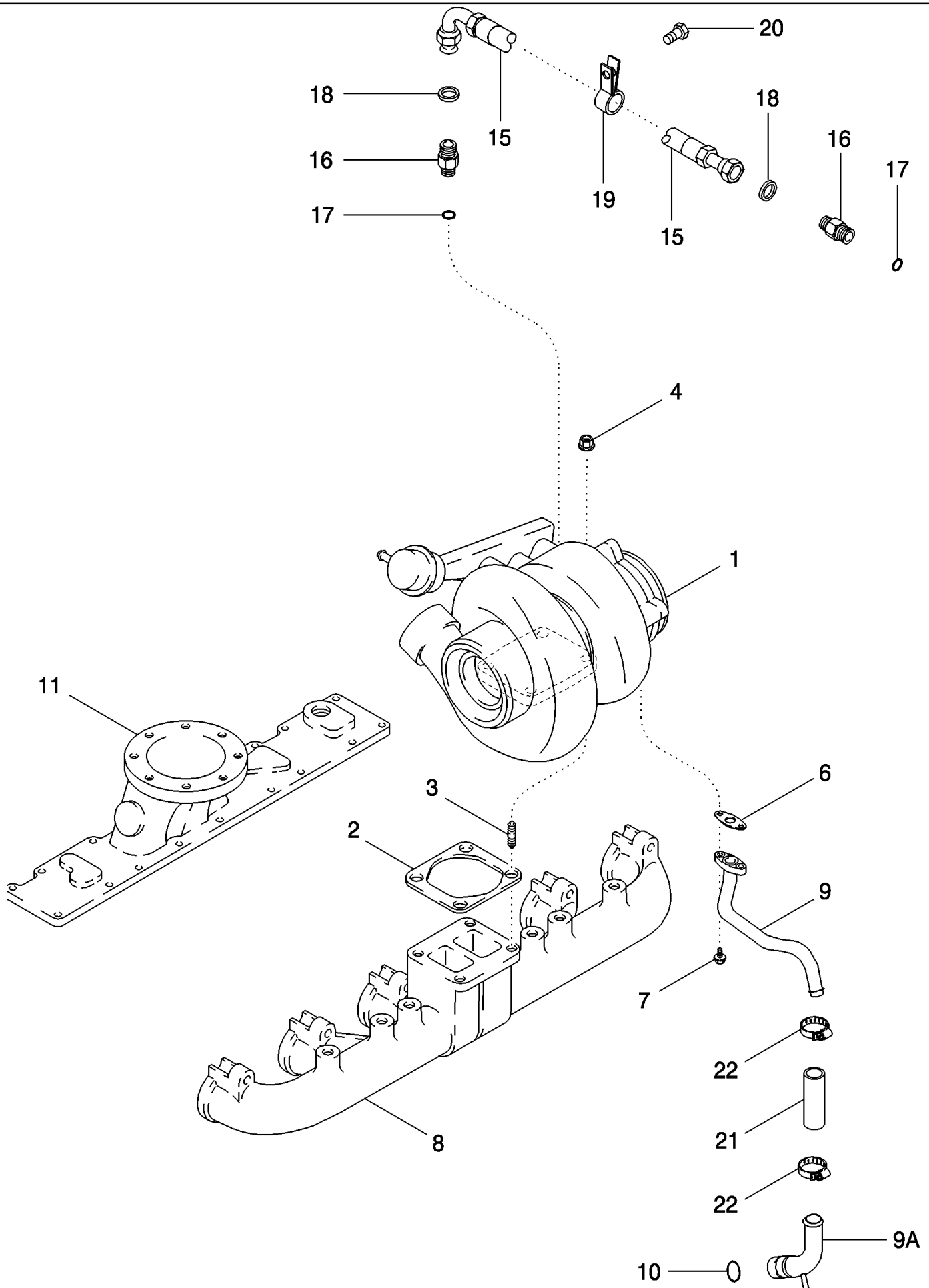
CIS Refers to Commonwealth of Independent States (Russian Market). "BSN HAJ0295001" and "All CIS Markets" are Tier II Mechanical Engines. "ASN HAJ0295001 Except All CIS Markets" are Tier III Engines (NA Market Only).

2388 CASE IH AXIAL-FLOW COMBINE (NA) BTW HAJ0292001 & HAJ0300000 (10/04-)

02-19 MANIFOLDS - ASN HAJ0295001 EXCEPT ALL CIS MARKETS

сылка	Номер детали	Кол-во	Описание
1	87344862	1	MANIFOLD, EXHAUST,
1A	87344861	1	MANIFOLD, EXHAUST,
2	J937479	6	GASKET, MANIFOLD,
3	J944593	12	BOLT, 10 x 70 mm
4	J945252	12	SPACER,
5	87340282	1	COVER, Intake
7	845-8030	18	BOLT, Hex Flg, M8 x 30, 8.8,
7A	87340279	1	SCREW, M8 x 35

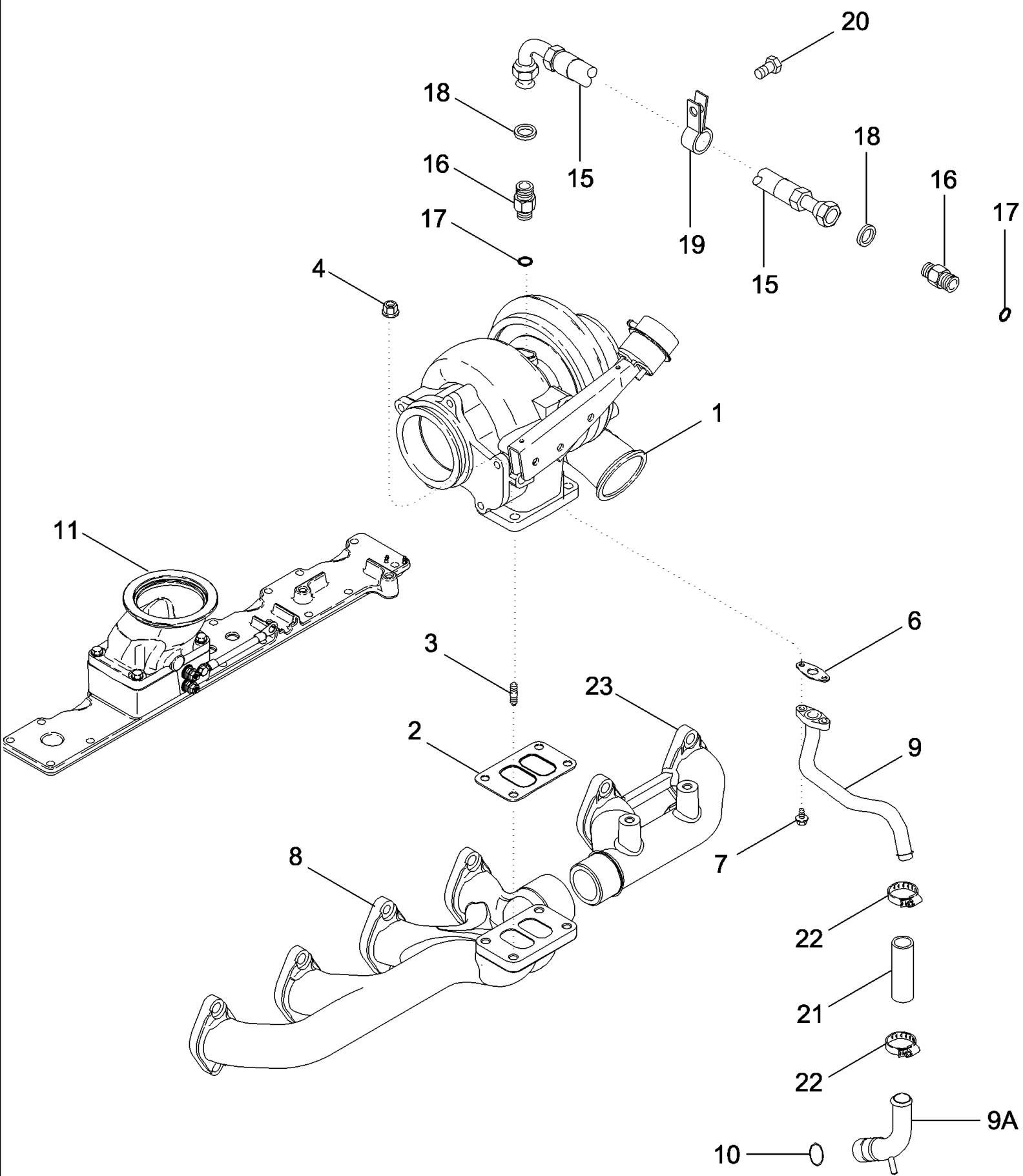
CIS Refers to Commonwealth of Independent States (Russian Market). "BSN HAJ0295001" and "All CIS Markets" are Tier II Mechanical Engines. "ASN HAJ0295001 Except All CIS Markets" are Tier III Engines (NA Market Only).



CIS Refers to Commonwealth of Independent States (Russian Market). "BSN HAJ0295001" and "All CIS Markets" are Tier II Mechanical Engines. "ASN HAJ0295001 Except All CIS Markets" are Tier III Engines (NA Market Only).

02-20 TURBOCHARGER SYSTEM - BSN HAJ0295001 AND ALL CIS MARKETS

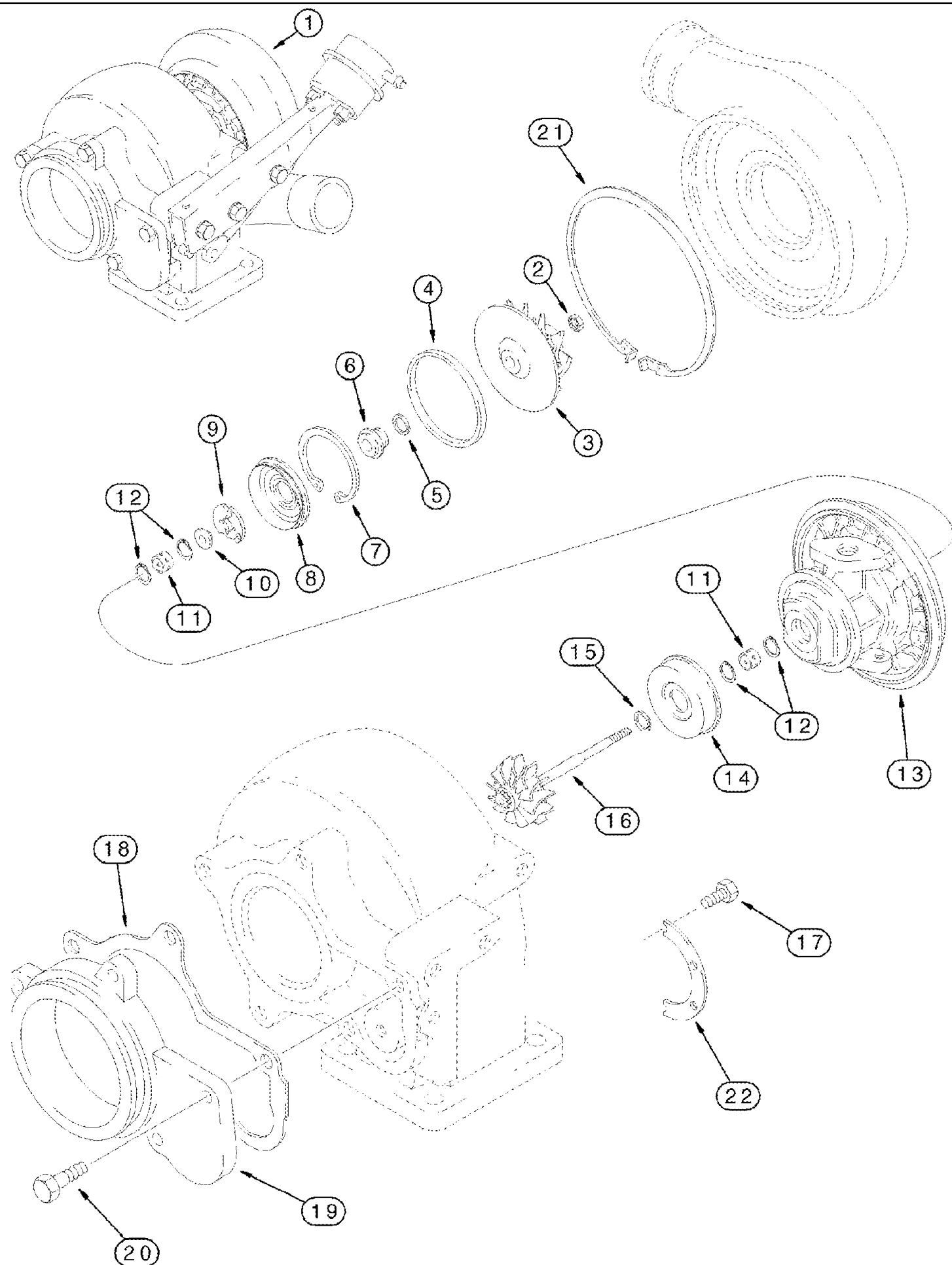
сылка	Номер детали	Кол-во	Описание
1	87561561	1	KIT, REPAIR, Turbocharger, Includes 2, 6, See Figure 02-22
2	J755843	1	GASKET, Turbo Mount
3	J818823	4	STUD, M10 x 1.5
4	J818824	4	NUT, M10
6	J937706	1	GASKET, Oil Drain
7	845-8020	2	BOLT, Hex Flg, M8 x 20, 8.8, Full Thd,
8	87405601	1	MANIFOLD, Exhaust
9	86993028	1	TUBE, Turbo Drain at Turbo
9A	J931973	1	TUBE, Turbo Drain
10	238-7018	1	O-RING, -018, CI 7, .739" ID x .070" Thk,
11	J926044	1	COVER, Intake
15	87345099	1	HOSE, FLEXIBLE, 533 mm (21")
16	J922789	2	CONNECTOR, HYD., Male, Includes 17
17	J678603	1	O-RING, 9 mm x 2 mm
18	313262A1	2	SEAL,
19	87434675	1	CLAMP,
20	615-8012	1	BOLT, Hex, M8 x 12, 8.8, Full Thd,
21	J286499	1	HOSE, 76 mm (3"), Turbo Drain Tube
22	214-1512	2	CLAMP, HOSE, #12, .69/1.25 Type F Worm, W/liner,



02-21 TURBOCHARGER SYSTEM - ASN HAJ0295001 EXCEPT ALL CIS MARKETS

сылка	Номер детали	Кол-во	Описание
1	87351239	1	KIT, Turbocharger, See Figure 02-22
2	J901356	1	GASKET, Turbo Mount
3	J818823	4	STUD, M10 x 1.5
4	J818824	4	NUT, M10
6	J937706	1	GASKET, Oil Drain
7	845-8020	2	BOLT, Hex Flg, M8 x 20, 8.8, Full Thd,
8	87344862	1	MANIFOLD, EXHAUST,
9	86993028	1	TUBE, Turbo Drain at Turbo
9A	J945108	1	TUBE, Turbo Drain
10	238-7018	1	O-RING, -018, CI 7, .739" ID x .070" Thk,
11	87340282	1	COVER, Intake
15	87345099	1	HOSE, FLEXIBLE, 533 mm (21")
16	J922789	2	CONNECTOR, HYD., Male, Includes 17
17	J678603	1	O-RING, 9 mm x 2 mm
18	313262A1	2	SEAL,
19	87434675	1	CLAMP,
20	615-8012	1	BOLT, Hex, M8 x 12, 8.8, Full Thd,
21	J286499	1	HOSE, 76 mm (3"), Turbo Drain Tube
22	214-1512	2	CLAMP, HOSE, #12, .69/1.25 Type F Worm, W/liner,
	87351239	1	KIT, Turbocharger
23	87344861	1	MANIFOLD, EXHAUST,

02-22 TURBOCHARGER ASSY



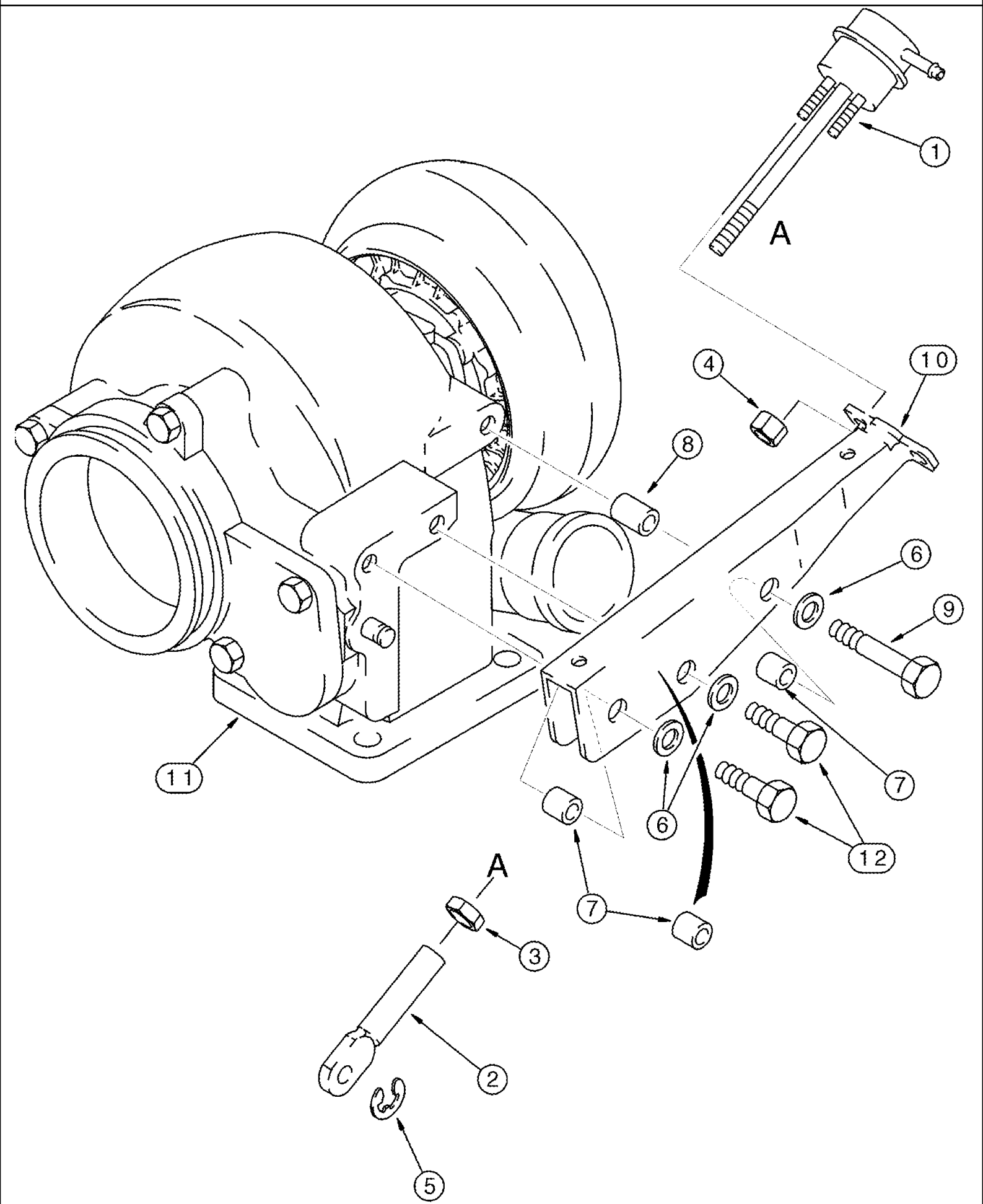
CIS Refers to Commonwealth of Independent States (Russian Market). "BSN HAJ0295001" and "All CIS Markets" are Tier II Mechanical Engines. "ASN HAJ0295001 Except All CIS Markets" are Tier III Engines (NA Market Only).

02-22 TURBOCHARGER ASSY

сылка	Номер детали	Кол-во	Описание
	87410624	1	Reman-Turbocharger, Includes J937706, J755843, Not Illustrated, All CIS Markets, BSN HAJ0295001
	87410627	1	Core Return Number, Turbocharger, All CIS Markets, BSN HAJ0295001
	87561561	1	KIT, REPAIR, Turbocharger, Includes J937706, J755843, All CIS Markets, BSN HAJ0295001
	87351239	1	KIT, Turbocharger, ASN HAJ0295001
1	NSS	1	NOT SERVICED SEPARATELY, Turbocharger, Includes 2 - 22; Also Includes 1 -12, See Figure 02-23
	J538379	1	HOUSING, Includes 2 - 16
2	NSS	1	NOT SERVICED SEPARATELY, Nut
3	NSS	1	NOT SERVICED SEPARATELY, Impeller
4	NSS	1	NOT SERVICED SEPARATELY, Seal
5	NSS	1	NOT SERVICED SEPARATELY, Seal
6	NSS	1	NOT SERVICED SEPARATELY, Slinger
7	NSS	1	NOT SERVICED SEPARATELY, Ring
8	NSS	1	NOT SERVICED SEPARATELY, Baffle
9	NSS	1	NOT SERVICED SEPARATELY, Bearing, Thrust
10	NSS	1	NOT SERVICED SEPARATELY, Collar
11	NSS	2	NOT SERVICED SEPARATELY, Bearing, Journal
12	NSS	4	NOT SERVICED SEPARATELY, Ring
13	NSS	1	NOT SERVICED SEPARATELY, Housing
14	NSS	1	NOT SERVICED SEPARATELY, Shield
15	NSS	1	NOT SERVICED SEPARATELY, Seal
16	NSS	1	NOT SERVICED SEPARATELY, Rotor and Shaft
17	J759917	6	SET SCREW,
18	J535243	1	GASKET,
19	J528010	1	ADAPTER,
20	J503533	5	BOLT, M8 x 20
21	J533163	1	RING, SNAP,
22	J534309	2	PLATE,
	J575169	1	KIT, REPAIR, Overhaul, Includes 2, 4, 5, 7, 8, 9, 11, 12, 15, 17

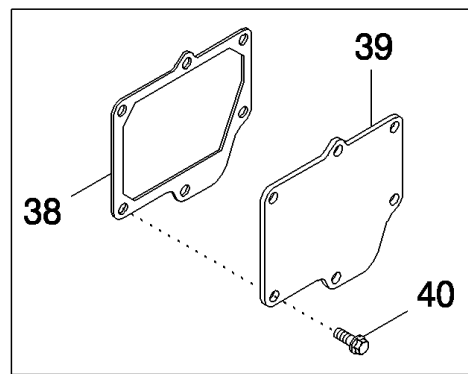
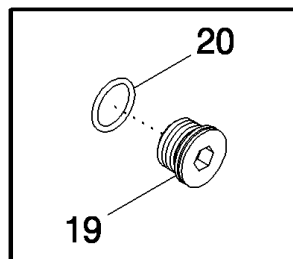
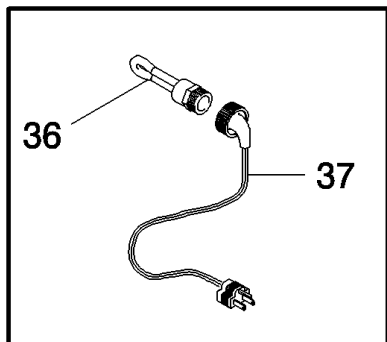
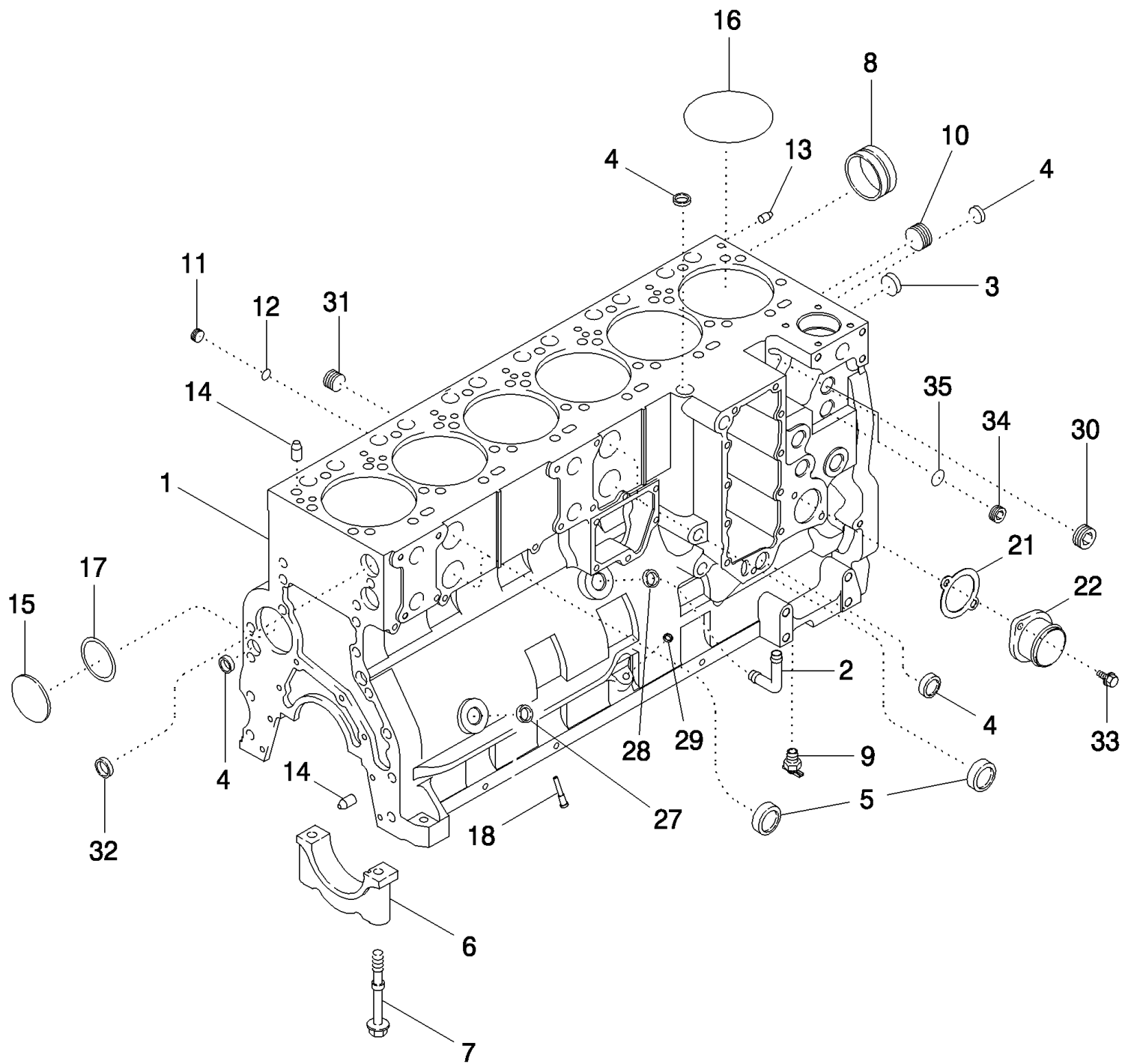
CIS Refers to Commonwealth of Independent States (Russian Market). "BSN HAJ0295001" and "All CIS Markets" are Tier II Mechanical Engines. "ASN HAJ0295001 Except All CIS Markets" are Tier III Engines (NA Market Only).

02-23 WASTEGATE ACTUATOR



02-23 WASTEGATE ACTUATOR

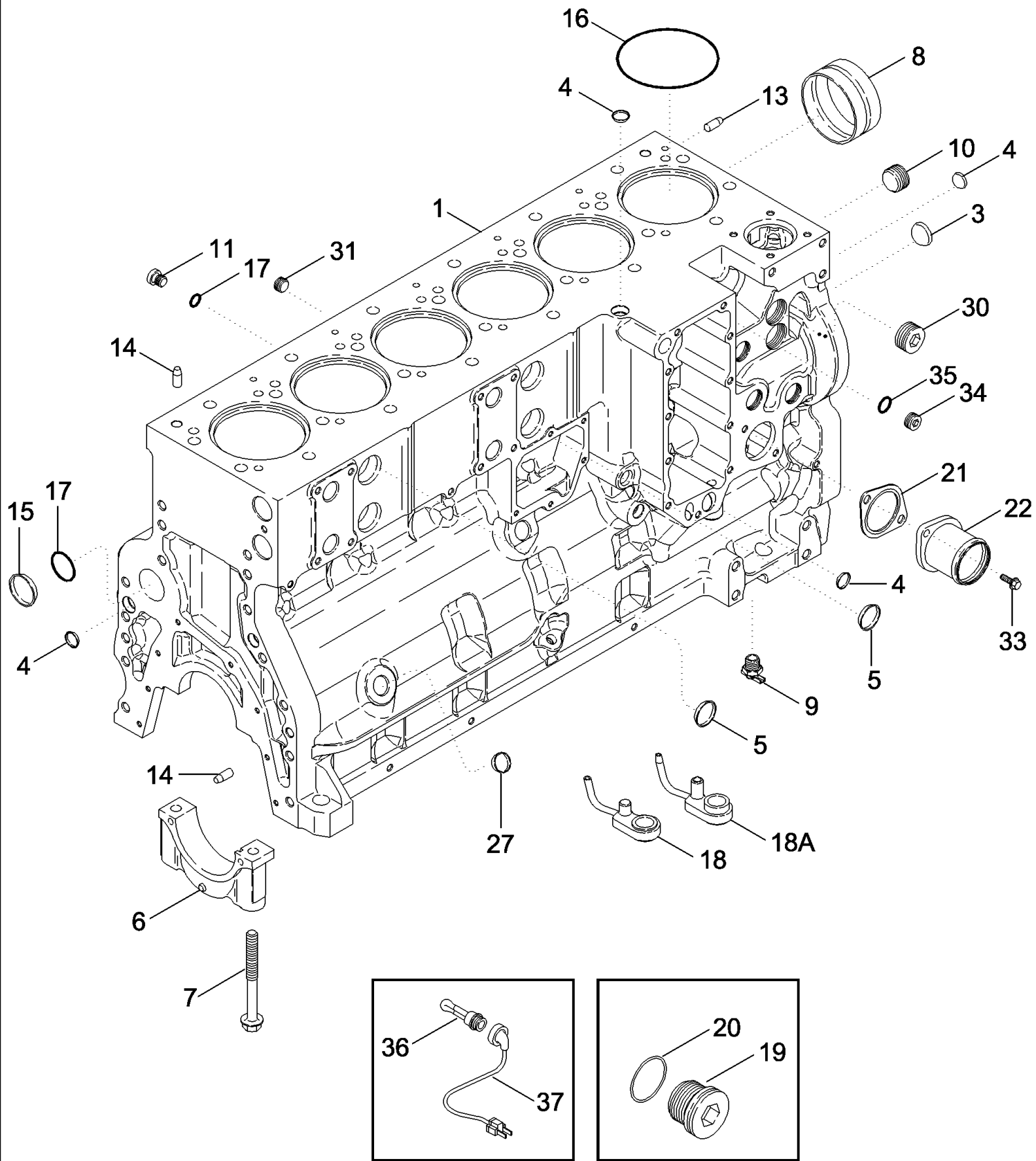
сылка	Номер детали	Кол-во	Описание
	NSS	1	NOT SERVICED SEPARATELY, Turbocharger, Includes 1 - 12 , Also See Figure 02-22, Includes 2 - 22
1	J593678	1	ACTUATOR,
2	J528177	1	LINK,
3	425-155	1	NUT, Jam, 5/16"-24, G5,
4	J592050	2	NUT, LOCK,
5	J528221	1	RING, SNAP,
	NSS	1	NOT SERVICED SEPARATELY, Housing Assy, Includes 6 - 12
6	895-11008	3	WASHER, M8 x 16 x 1.6,
7	J532195	3	SPACER, 13.6 mm
8	J532196	1	SPACER, 19 mm
9	814-8050	1	BOLT, Hex, M8 x 50, 8.8,
10	J532671	1	BRACKET,
11	NSS	1	NOT SERVICED SEPARATELY, Housing
12	814-8035	2	BOLT, Hex, M8 x 35, 8.8,



сылка	Номер детали	Кол-во	Описание
	87411283	1	ENGINE, BASIC, Service, 6TAA-830 Tier 2, Basic Service Engine, Less, Starter, Alternator, Fan, Fan Belt, Air Cleaner, Muffler, Exhaust Manifold, Flywheel and Housing, Oil Fill and Dipstick, Fuel Injection Pump, Injectors and Lines, Front Pulley, Belt Tensioner, Turbocharger and Aftercooler; See Note, Note: Basic engines and reman engines are generic engines. The engines are complete internally; however, externally all parts are not supplied with the engines. Check the configuration of the engine being removed, with the configuration of the engine being installed. For any external components not supplied with the engine being installed, reuse those parts from the engine that has just been removed. Do not return the old engine, until the unit is reassembled.
	87411284	1	ENGINE, BASIC Remanufactured, N.A. Only, Note: Basic engines and reman engines are generic engines. The engines are complete internally; however, externally all parts are not supplied with the engines. Check the configuration of the engine being removed, with the configuration of the engine being installed. For any external components not supplied with the engine being installed, reuse those parts from the engine that has just been removed. Do not return the old engine, until the unit is reassembled.
	6830LBC	1	CORE-ENGINE,
	87411286	1	BLOCK, Short, Remanufactured, N.A. Only
	6830SHBC	1	CORE-ENGINE,
	87411285	1	BLOCK, Short, Includes 1 - 8, Stripped Short Block, Pistons, Connecting Rods and Bearings, Crankshaft and Bearings
1	87444562	1	BASIC BLOCK, Stripped, Includes 3 - 8, Also Order 87444569
2	87437056	1	TUBE, Turbo Drain
3	A77586	2	PLUG, 43 mm
4	A77506	4	PLUG, 21 mm
5	J905401	4	PLUG, 35 mm
6	87444056	7	CAP, Main Bearing
7	87444059	14	BOLT, M14 x 128
8	J945329	7	BEARING, CAMSHAFT, Camshaft
	87444569	1	KIT, SERVICE, Includes 9 - 20
9	217-103	1	COCK, DRAIN, 1/4" PT
10	86625135	1	PLUG, Hex Soc, 1"-11 1/2 NPTF,
11	J678923	5	PLUG, 10 mm, Includes 12
12	86625087	5	O-RING, CI 7, 8.1MM ID x 1.6 Thk,
13	J900257	2	PIN, 10 mm
14	J901846	4	PIN,
15	41-3044	1	PLUG, Exp, 2 3/4", (70 mm)
16	J907177	6	O-RING,
17	J926048	1	O-RING, 66 mm ID
18	J928031	12	NOZZLE,
19	J678921	2	PLUG, 14 mm, Includes 20
20	J678912	2	O-RING,
21	J945603	1	GASKET, Water Inlet
22	J913030	1	FITTING, Water Inlet
27	A77530	1	PLUG, 1-13/64" OD (30 mm)
28	238-7018	1	O-RING, -018, CI 7, .739" ID x .070" Thk,
29	J943808	1	PLUG, 13 mm

CIS Refers to Commonwealth of Independent States (Russian Market). "BSN HAJ0295001" and "All CIS Markets" are Tier II Mechanical Engines. "ASN HAJ0295001 Except All CIS Markets" are Tier III Engines (NA Market Only).

сылка	Номер детали	Кол-во	Описание
30	263136	2	PLUG, MAGNETIC, Hex Soc, 3/4"-14 NPTF,
31	217-438	2	PLUG, Hex Soc, 1/2"-14,
32	J920443	2	PLUG, 30 mm
33	845-8020	2	BOLT, Hex Flg, M8 x 20, 8.8, Full Thd,
34	313244A1	2	PLUG, Hex Socket, 22 mm, Includes 35
35	313246A1	1	O-RING, 19 ID x 2.2 mm
	310493A1	1	KIT, Engine Block Heater, 120 Volt, Includes 36 - 37
36	196466A1	1	CABLE, ELECTRIC, 1829 mm (72")
37	NSS	1	NOT SERVICED SEPARATELY, Element
	310494A1	1	KIT, Coolant Heater, 240V, Includes 36 - 37
36	J913112	1	HARNESS, WIRE, 305 mm (12")
37	NSS	1	NOT SERVICED SEPARATELY, Element
38	87436828	1	GASKET,
39	87413814	1	COVER, Used without Side Crankcase Breather
40	87409160	6	SCREW,
	A78017	1	KIT, REPAIR, Engine Overhaul, Not Illustrated, See Figure 02-45



сылка	Номер детали	Кол-во	Описание
	87351542	1	ENGINE, BASIC, Service, Tier 3, See Note, Less, Starter, Alternator, Fan, Fan Belt, Air Cleaner, Muffler, Exhaust Manifold, Flywheel and Housing, Oil Fill and Dipstick, Fuel Injection Pump, Injectors and Lines, Front Pulley, Belt Tensioner, Turbocharger and Aftercooler, Note: Basic engines and reman engines are generic engines. The engines are complete internally; however, externally all parts are not supplied with the engines. Check the configuration of the engine being removed, with the configuration of the engine being installed. For any external components not supplied with the engine being installed, reuse those parts from the engine that has just been removed. Do not return the old engine, until the unit is reassembled.
1	87336996	1	CYLINDER BLOCK, Short, Includes 2 - 8, Stripped Short Block, Pistons, Connecting Rods and Bearings, Crankshaft and Bearings
3	A77586	3	PLUG, 43 mm
4	A77506	4	PLUG, 21 mm
5	J905401	4	PLUG, 35 mm
6	87444056	7	CAP, Main Bearing
7	87444059	14	BOLT, M14 x 128
8	J945329	7	BEARING, CAMSHAFT,
	87338079	1	KIT, Includes 9 - 20
9	217-103	2	COCK, DRAIN, 1/4" PT
10	86625135	1	PLUG, Hex Soc, 1"-11 1/2 NPTF,
11	J678923	6	PLUG, 10 mm, Includes 12
12	637-72081	1	O-RING, CI 7, 8.1MM ID x 1.6 Thk,
13	J900257	4	PIN, 16 mm
14	J901846	8	PIN,
15	41-3044	2	PLUG, Exp, 2 3/4", (70 mm)
16	J907177	6	O-RING,
17	J926048	2	O-RING, 66 mm ID
18	87338171	6	NOZZLE,
18A	87337015	12	NOZZLE,
19	J678921	1	PLUG, 14 mm, Includes 20
20	J678912	1	O-RING,
21	J945603	1	GASKET, Water Inlet
22	J913030	1	FITTING, Water Inlet
27	A77530	4	PLUG, 1-13/64" OD (30 mm)
30	263136	5	PLUG, MAGNETIC, Hex Soc, 3/4"-14 NPTF,
31	217-438	6	PLUG, Hex Soc, 1/2"-14,
33	845-8020	2	BOLT, Hex Flg, M8 x 20, 8.8, Full Thd,
34	313244A1	2	PLUG, Hex Socket, 22 mm, Includes 35
35	313246A1	1	O-RING, 19 ID x 2.2 mm
	310493A1	1	KIT, Engine Block Heater, 120 Volt, Includes 36 - 37
36	87105748	1	CABLE, ELECTRIC, 1829 mm (72")
37	NSS	1	NOT SERVICED SEPARATELY, Element
	310494A1	1	KIT, Coolant Heater, 240V, Includes 36 - 37
36	J913112	1	HARNESS, WIRE, 305 mm (12")
37	NSS	1	NOT SERVICED SEPARATELY, Element
	87348859	1	KIT, ENGINE OVERHAUL, Engine Overhaul, Not Illustrated, See Figure 02-46

CIS Refers to Commonwealth of Independent States (Russian Market). "BSN HAJ0295001" and "All CIS Markets" are Tier II Mechanical Engines. "ASN HAJ0295001 Except All CIS Markets" are Tier III Engines (NA Market Only).

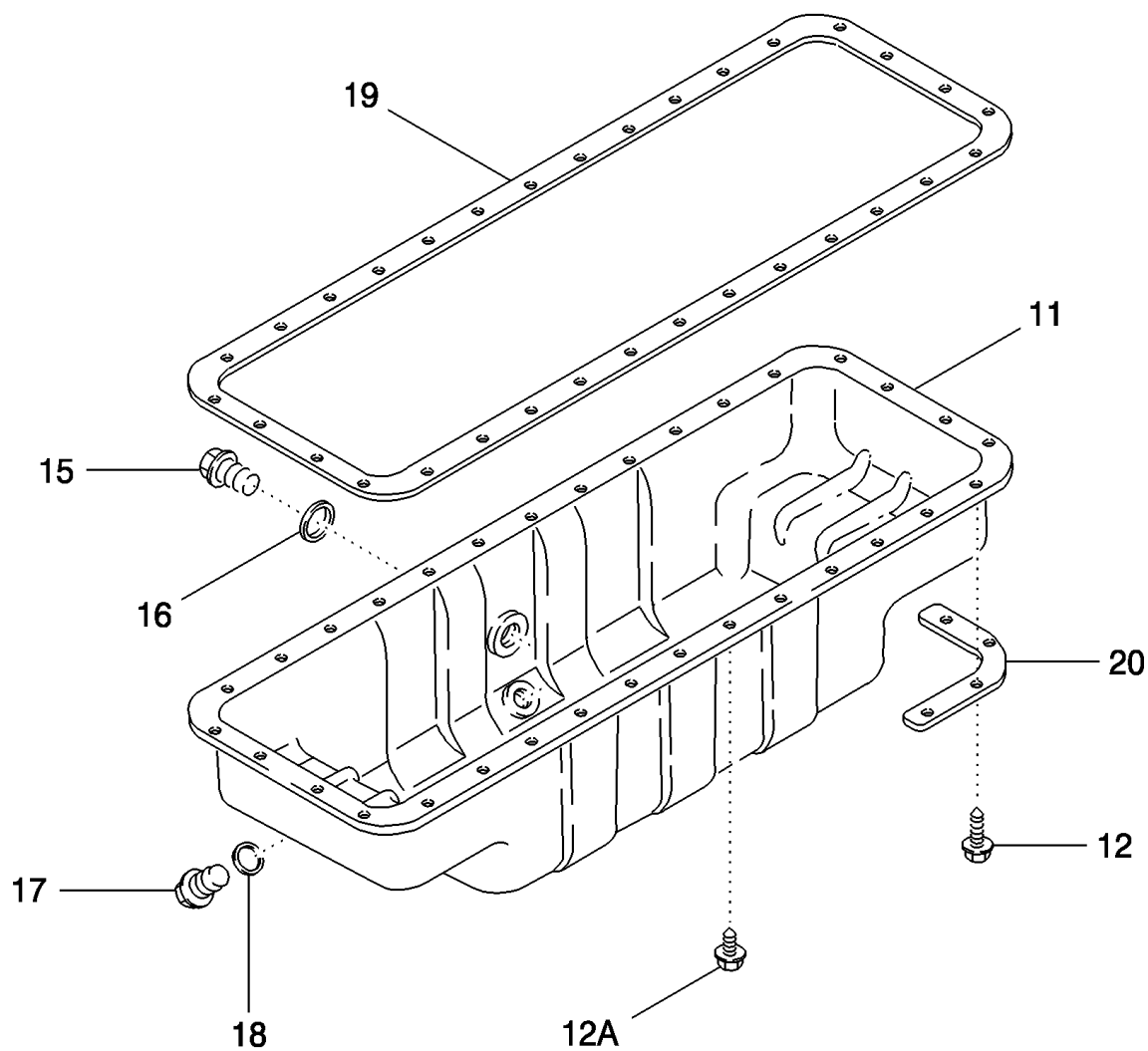
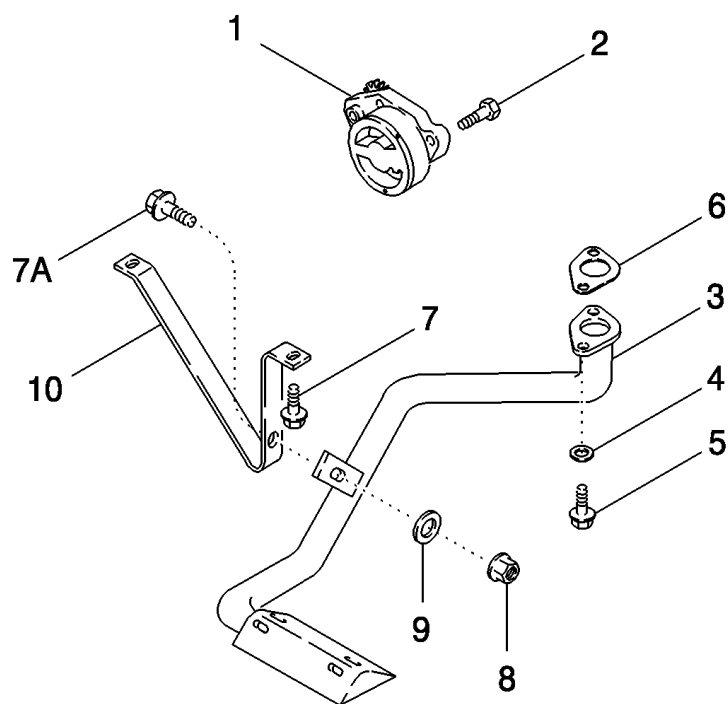
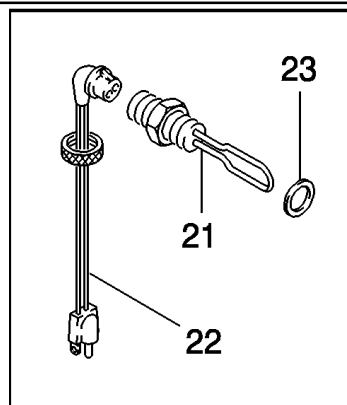
2388 CASE IH AXIAL-FLOW COMBINE (NA) BTW HAJ0292001 & HAJ0300000 (10/04-)

02-25 CYLINDER BLOCK - ENGINE BLOCK HEATERS - ASN HAJ0295001 EXCEPT ALL CIS MARKETS

сылка	Номер детали	Кол-во	Описание
41	J900956	3	PLUG, (Not Shown)
42	87338185	1	BOLT, (Not Shown)
43	217-432	1	PLUG, Hex Soc, 1/4"-18, (Not Shown)
44	87337018	6	BOLT, (Not Shown)
45	J678923	6	PLUG, (Not Shown)
46	637-72081	1	O-RING, CI 7, 8.1MM ID x 1.6 Thk, (Not Shown)
47	J678921	1	PLUG, (Not Shown)
48	J678912	1	O-RING, (Not Shown)
49	A77586	3	PLUG, (Not Shown)
50	J909025	6	SCREW, M8 x 1.25 x 55 (Not Shown)

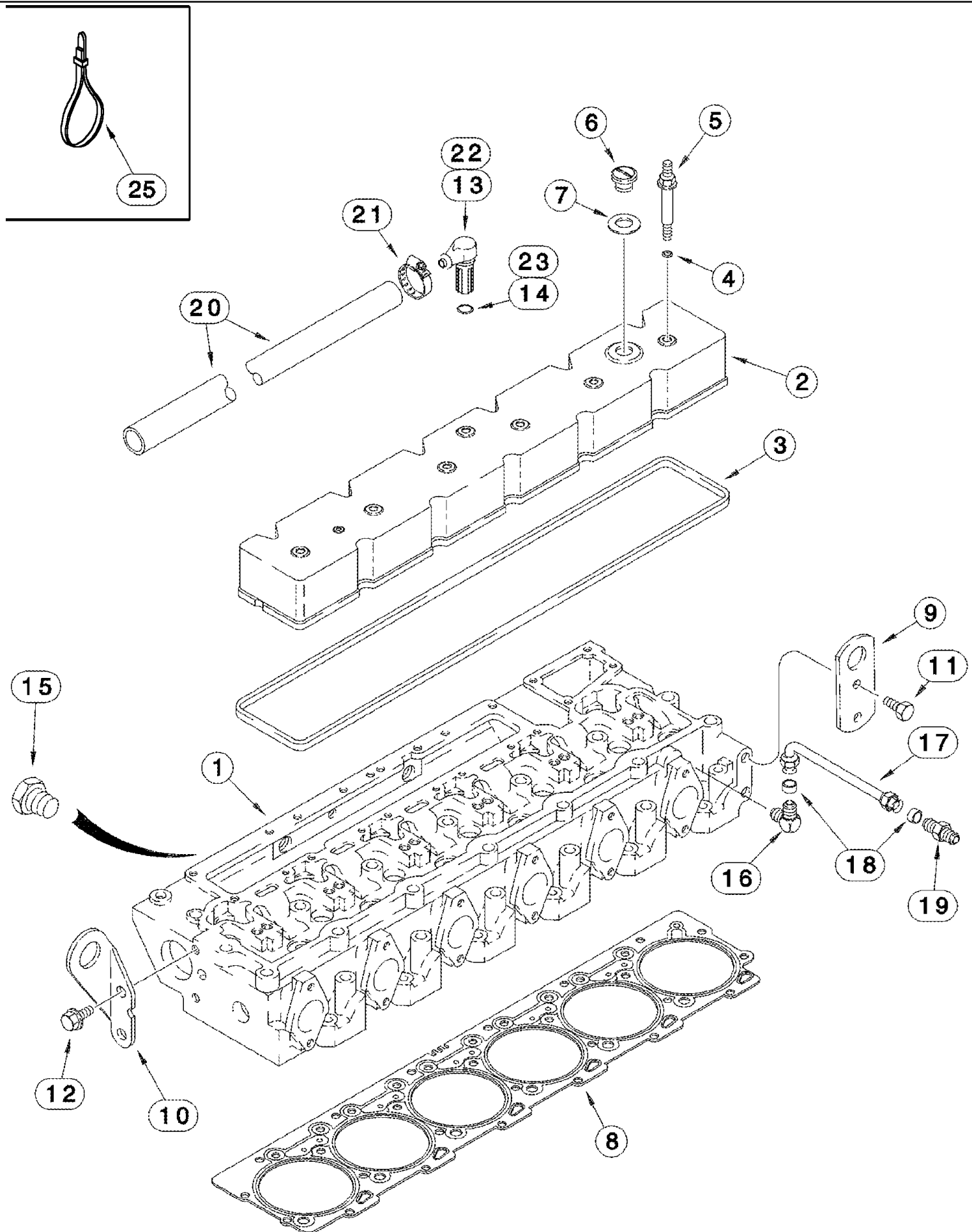
CIS Refers to Commonwealth of Independent States (Russian Market). "BSN HAJ0295001" and "All CIS Markets" are Tier II Mechanical Engines. "ASN HAJ0295001 Except All CIS Markets" are Tier III Engines (NA Market Only).

02-26 OIL PUMP, PAN - OIL PAN HEATER KIT



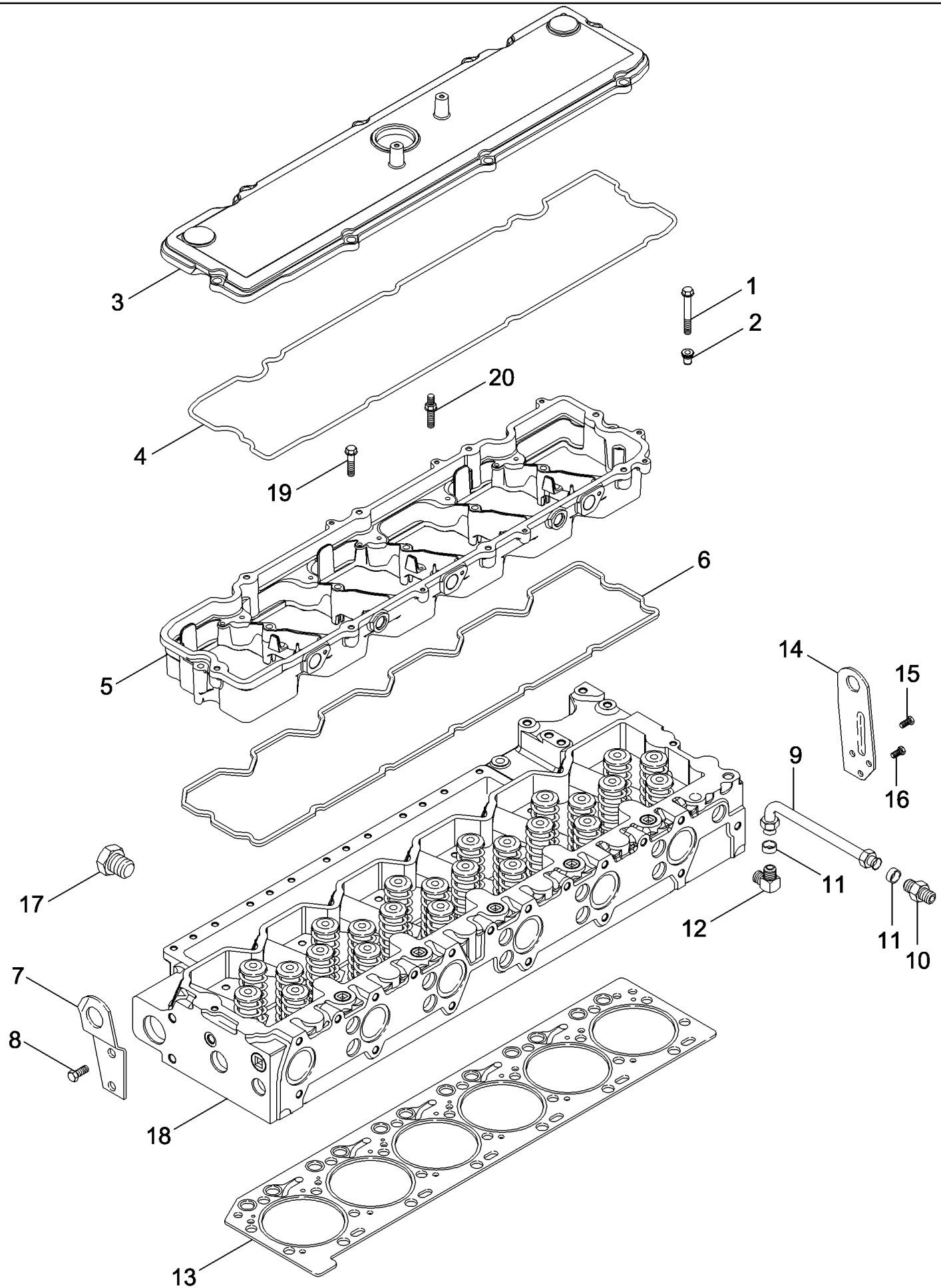
02-26 OIL PUMP, PAN - OIL PAN HEATER KIT

сылка	Номер детали	Кол-во	Описание
	JR948072	1	REMAN-PUMP, ENGINE OIL, N.A. Only, All CIS Markets, BSN HAJ0295001
	JR991123	1	REMAN-PUMP, ENGINE OIL, Remanufactured, Only for N.A., Except All CIS Markets, ASN HAJ0295001
	JC948072	1	CORE-PUMP, ENGINE OIL, , All CIS Markets, BSN HAJ0295001
	JC991123	1	CORE-PUMP, ENGINE OIL, , Except All CIS Markets, ASN HAJ0295001
1	J948072	1	PUMP, ENGINE OIL, , All CIS Markets, BSN HAJ0295001
1	J991123	1	PUMP, ENGINE OIL, , Except All CIS Markets, ASN HAJ0295001
2	J900677	4	BOLT, M8 x 30
3	J921719	1	TUBE,
4	J926865	2	SPACER,
5	845-6030	2	BOLT, Hex Flg, M6 x 30, 8.8,
6	J914302	1	GASKET, , All CIS Markets, BSN HAJ0295001
6	87447959	1	GASKET, , Except All CIS Markets, ASN HAJ0295001
7	845-6015	2	BOLT, Hex Flg, M6 x 15, 8.8, Full Thd,
7A	845-6020	1	BOLT, Hex Flg, M6 x 20, 8.8, Full Thd,
8	825-2406	1	NUT, M6 x 1, Flg, Cl 8,
9	J910960	1	WASHER,
10	J927611	1	BRACKET,
11	J914015	1	PAN, ENGINE OIL, , All CIS Markets, BSN HAJ0295001
11	87351053	1	PAN, ENGINE OIL, , Except All CIS Markets, ASN HAJ0295001
12	J920400	16	BOLT, M8 x 25, All CIS Markets, BSN HAJ0295001
12A	J907860	16	BOLT, M8 x 21, All CIS Markets, BSN HAJ0295001
12A	J907860	32	BOLT, M8 x 21, Except All CIS Markets, ASN HAJ0295001
15	J924148	1	PLUG, M22
16	J902425	1	WASHER,
17	J924147	1	PLUG, M18
18	J920773	1	WASHER, SEALING,
19	J938160	1	GASKET, Pan, All CIS Markets, BSN HAJ0295001
19	87308050	1	GASKET, Pan, Except All CIS Markets, ASN HAJ0295001
20	87414461	4	SUPPORT, Pan
	A77580	1	KIT, SERVICE, 120V, Heater, Includes 21, 22, Also Order J902425, Ref. 16
21	NSS	1	NOT SERVICED SEPARATELY, Element
22	196466A1	1	CABLE, ELECTRIC, 1829 mm (72")
	A77666	1	KIT, SERVICE, 240V Heater, Includes 21, 22, Also Order J902425, Ref. 16
21	NSS	1	NOT SERVICED SEPARATELY, Element
22	J905114	1	CABLE, ELECTRIC, 1829 mm (72")

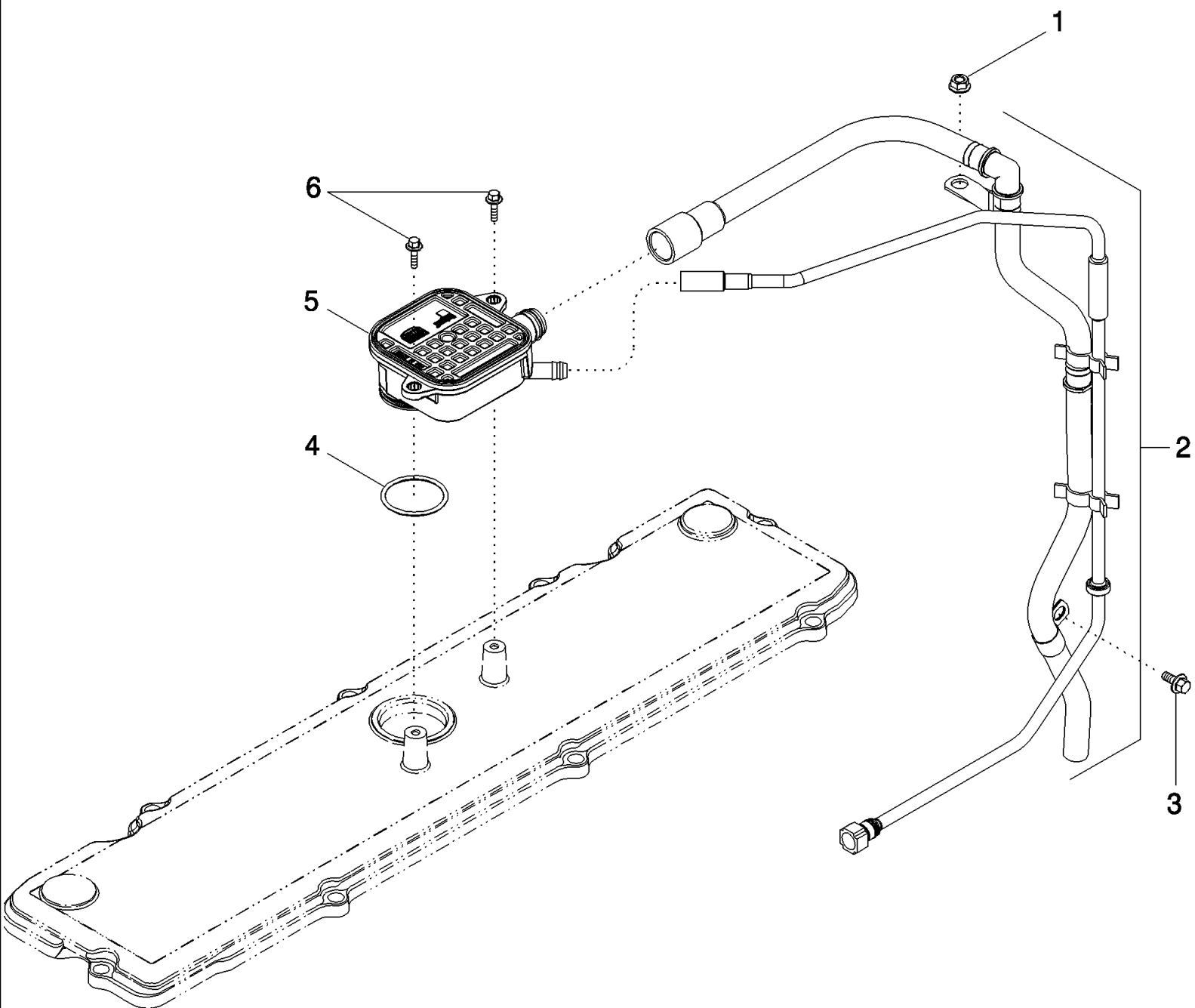


CIS Refers to Commonwealth of Independent States (Russian Market). "BSN HAJ0295001" and "All CIS Markets" are Tier II Mechanical Engines. "ASN HAJ0295001 Except All CIS Markets" are Tier III Engines (NA Market Only).

сылка	Номер детали	Кол-во	Описание
1	NSS	1	NOT SERVICED SEPARATELY, HEAD Assy , See Figure 02-28
2	J930903	1	COVER, VALVE,
3	J905449	1	SEAL, RUBBER,
4	J910824	6	O-RING,
5	J922639	6	STUD,
6	J902468	1	PLUG,
7	J902466	1	SEAL,
8	J938267	1	GASKET, CYLINDER HEAD, Standard
8	J935586	1	GASKET, CYLINDER HEAD, 0.25 mm
8	J935587	1	GASKET, CYLINDER HEAD, 0.50 mm
9	J907861	1	EYE, LIFTING, Front
10	J906440	1	EYE, LIFTING, Rear
11	844-12025	4	BOLT, Hex Flg, M12 x 25, 8.8,
15	J906619	1	PLUG, 1/8" PT
16	87026320	1	ELBOW, 90°, 1/2"-24 Fem x 1/8"-27 NPTF, 1/4 tube OD x 1/8 PT
17	J924589	1	TUBE, Includes 18
18	222-153	2	SLEEVE, 1/4" Tube,
19	87026319	1	CONNECTOR, HYD., 1/2"-24 x 1/8" NPTF w/Nut, 1/4 tube OD x 1/8
20	1541750C1	1	HOSE, FLEXIBLE, Crankcase Breather, 3760 mm (148-1/8"), Cut from 364360C2
21	214-1516	1	CLAMP, HOSE, #16, .81/1.50 Type F Worm, W/liner,
22	J935113	1	ELBOW,
23	J936331	1	SEAL, 17.4 mm ID x 4.3 mm
24	515-25286	1	CLAMP, 1 1/8", Insul, 3/8" Bolt,
25	306132C1	1	STRAP, CABLE, .30" x 14.5", 14" Tie



сылка	Номер детали	Кол-во	Описание
1	J900632	7	BOLT, Hex Flg, M8 x 35, 8.8,
2	87342136	8	ISOLATOR,
3	87345871	1	COVER, VALVE,
4	87345861	1	GASKET,
5	87344767	1	HOUSING, Rocker Arm
6	87344755	1	GASKET, Rocker Lever Housing
7	87340305	1	BRACKET, Lift, Front
8	854-12025	2	BOLT, Hex Flg, M12 x 25, 10.9,
9	J924589	1	TUBE, Includes 18
10	87026319	1	CONNECTOR, HYD., 1/2"-24 x 1/8" NPTF w/Nut, 1/4 tube OD x 1/8
11	222-153	2	SLEEVE, 1/4" Tube,
12	87026320	1	ELBOW, 90e, 1/2"-24 Fem x 1/8"-27 NPTF, 1/4 tube OD x 1/8 PT
13	87344132	1	GASKET, CYLINDER HEAD, Standard
14	87340301	1	EYE, LIFTING, Rear
15	854-10020	2	BOLT, Hex Flg, M10 x 20, 10.9,
16	87340324	1	BOLT,
17	J906619	1	PLUG, 1/8" PT
18	87351061	1	CYLINDER HEAD, With Valves, See Figure 02-31
19	845-8075	7	BOLT, Hex Flg, M8 x 75, 8.8,
20	87340279	1	SCREW, M8 x 35

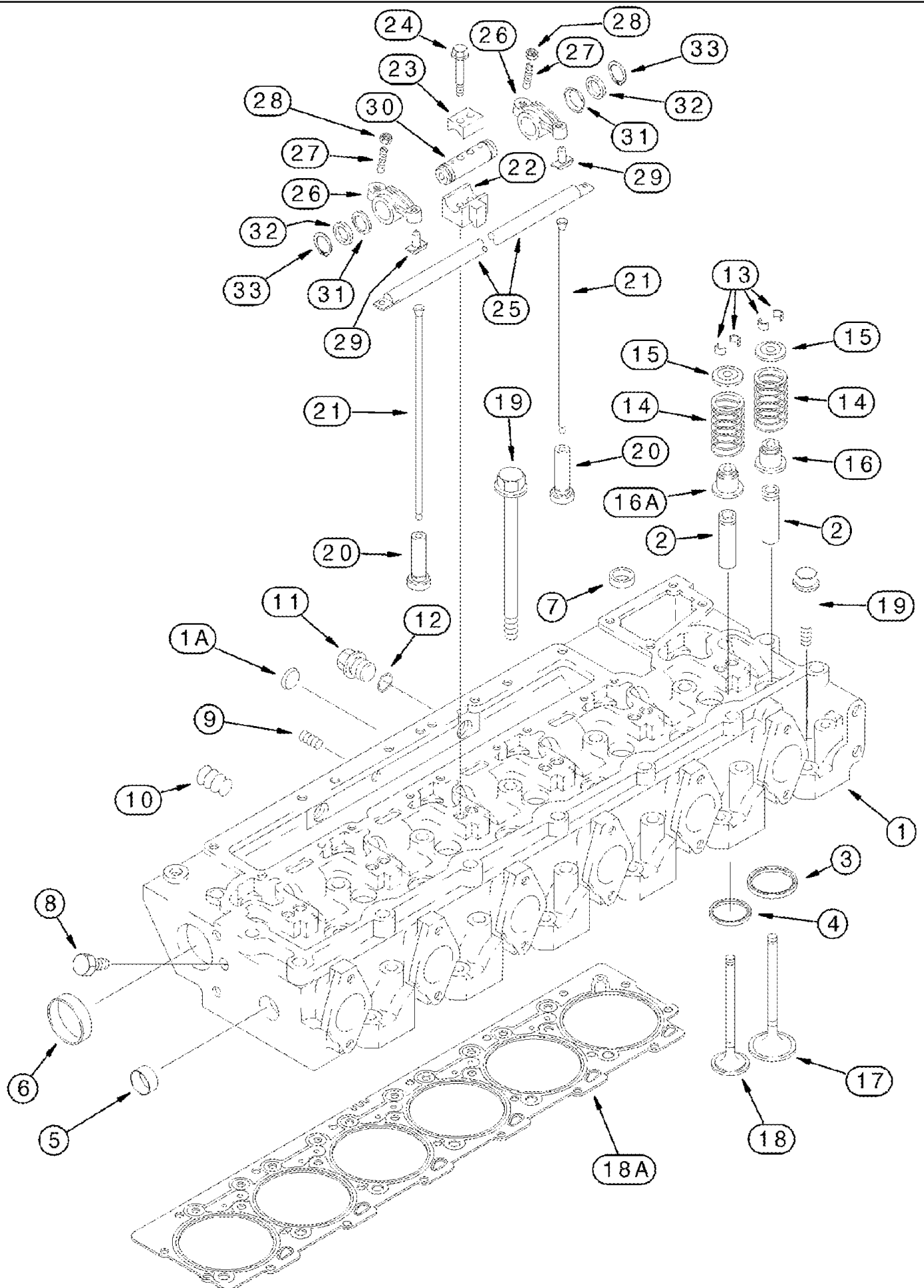


2388 CASE IH AXIAL-FLOW COMBINE (NA) BTW HAJ0292001 & HAJ0300000 (10/04-)

02-29 CRANKCASE, BREATHER - ASN HAJ0295001 EXCEPT ALL CIS MARKETS

сылка	Номер детали	Кол-во	Описание
1	J900589	1	NUT, M8 x 1.25
2	87338653	1	TUBE, Lub Oil Drain
3	J925883	1	SCREW, M8 x 16:10.9
4	87338651	1	O-RING,
5	87338649	1	BREATHER, Includes Ref. 4
6	J901865	2	BOLT, Hex Flg, M6 x 20, 8.8, Full Thd,

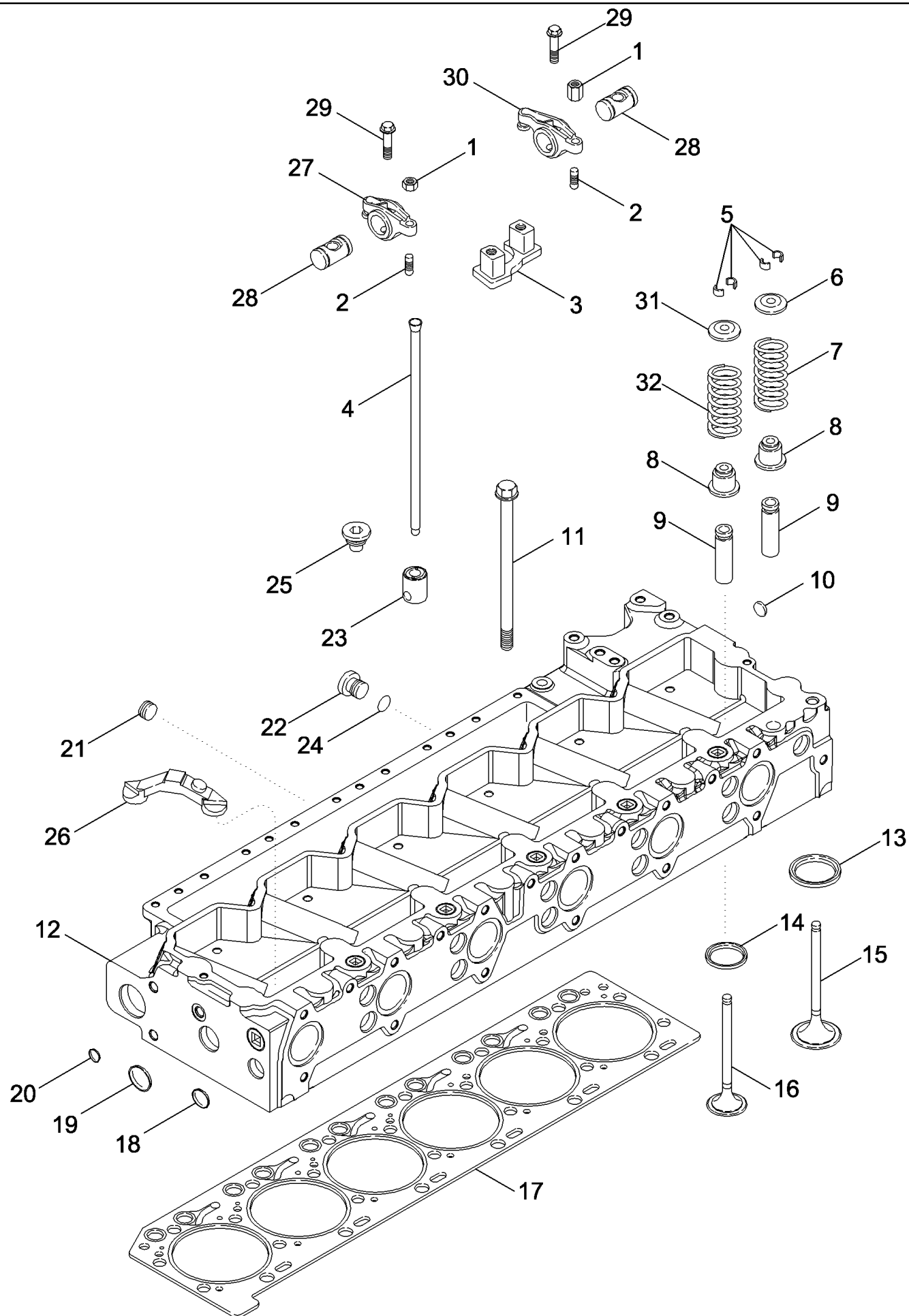
CIS Refers to Commonwealth of Independent States (Russian Market). "BSN HAJ0295001" and "All CIS Markets" are Tier II Mechanical Engines. "ASN HAJ0295001 Except All CIS Markets" are Tier III Engines (NA Market Only).



CIS Refers to Commonwealth of Independent States (Russian Market). "BSN HAJ0295001" and "All CIS Markets" are Tier II Mechanical Engines. "ASN HAJ0295001 Except All CIS Markets" are Tier III Engines (NA Market Only).

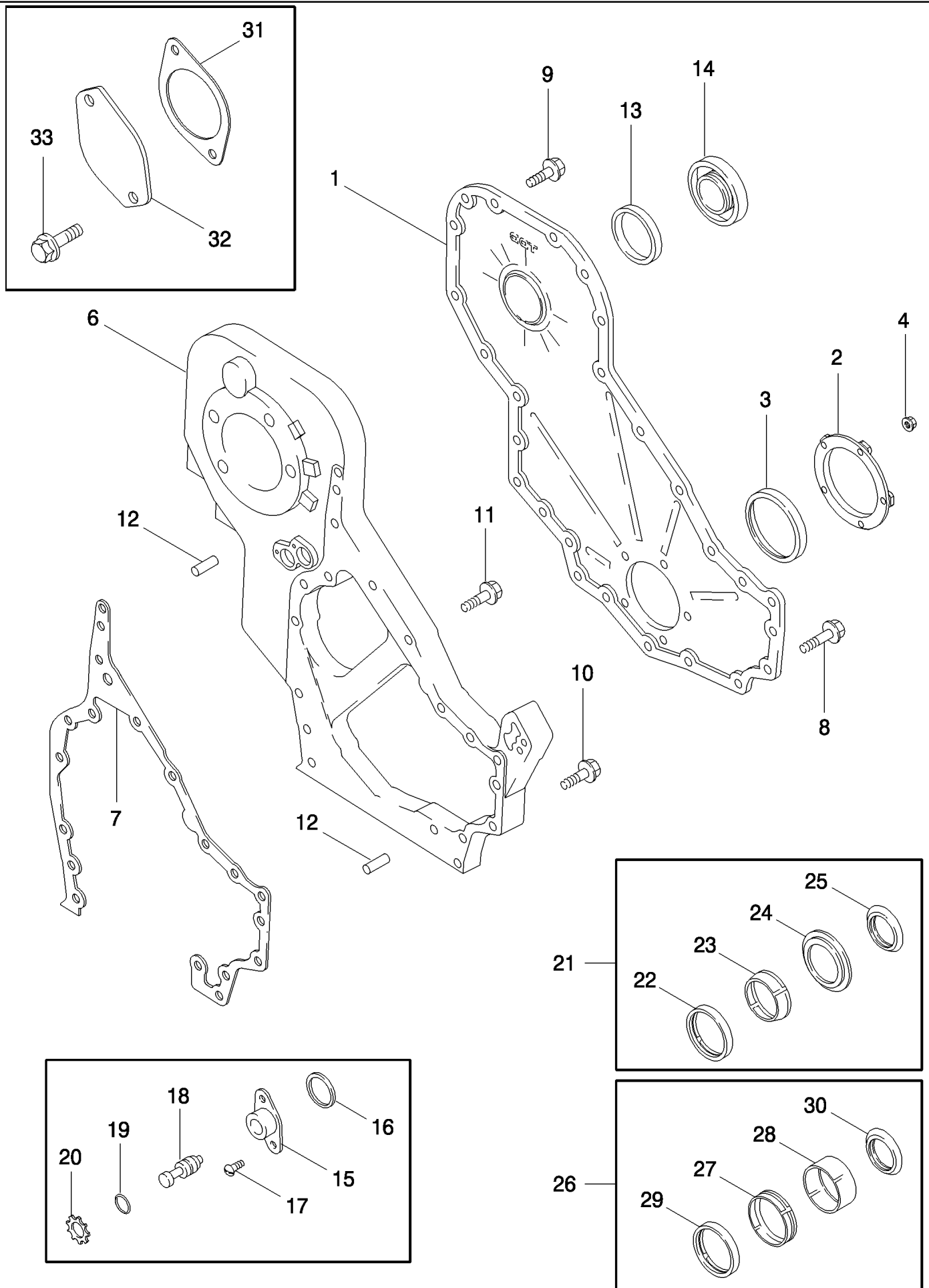
сылка	Номер детали	Кол-во	Описание
	JR936293	1	REMAN-CYLINDER HEAD, N.A. Only
	JC936293	1	REMAN-CYLINDER HEAD,
	J936293	1	CYLINDER HEAD, With Valves, Includes 1 - 18
1A	J912900	1	PLUG, 24 mm
2	J923564	12	GUIDE, VALVE,
3	J924582	6	INSERT, Intake
3	J925468	6	SEAT, VALVE, .25 mm, Oversize, Service Repair Only
3	J925470	6	SEAT, VALVE, .50 mm, Oversize, Service Repair Only
4	J929005	6	INSERT, Exhaust
4	J929006	6	INSERT, .25 mm, Oversize, Service Repair Only
4	J929007	6	INSERT, .50 mm, Oversize, Service Repair Only
5	J920443	1	PLUG, 30 mm
6	A77782	2	PLUG, 58 mm
7	41-1616	5	PLUG, Cup, 1", Stainless,
8	217-426	1	PLUG, Hex Soc, 1/16"-27,
9	217-432	1	PLUG, Hex Soc, 1/4"-18,
10	217-438	1	PLUG, Hex Soc, 1/2"-14,
11	J924148	2	PLUG, M22
12	J902425	2	WASHER,
13	J901177	24	KEY,
14	J925272	12	SPRING, VALVE,
15	J925273	12	ROTATOR, Valve
16	J927642	6	SEAL,
16A	J927642	6	SEAL,
17	J924492	6	VALVE, ENGINE, INLET, STD,
18	J921444	6	VALVE, ENG EXHAUST, STD,
18A	J938267	1	GASKET, CYLINDER HEAD, , See Figure 02-46
19	J917728	14	BOLT, 160 mm
19	J917729	12	SCREW, 80 mm
20	J931623	12	TAPPET,
21	J905194	12	ROD, PUSH,
22	J905870	6	SUPPORT,
23	J901693	6	CLAMP,
24	868-10065	12	SCREW, 12 Pt Hd, M10 x 65, 12.9,
25	J919677	1	MANIFOLD, Rocker Arm Oil
26	J901717	12	ROCKER, Includes 27 - 29
27	J937438	1	SET SCREW, Hex Skt, 3/8"-24 x 33mm, Adj, Ball Point,
28	A77902	1	NUT, 3/8"-24 NF
29	NSS	1	NOT SERVICED SEPARATELY, Insert
30	J919435	6	SHAFT,
31	J906100	12	CUP, SPRING,
32	J907206	12	WASHER,
33	100-1187	12	RING, SNAP, #87, Ext,

CIS Refers to Commonwealth of Independent States (Russian Market). "BSN HAJ0295001" and "All CIS Markets" are Tier II Mechanical Engines. "ASN HAJ0295001 Except All CIS Markets" are Tier III Engines (NA Market Only).



сылка	Номер детали	Кол-во	Описание
	87351061	1	CYLINDER HEAD, With Valves, Includes 1 - 18
1	A77902	1	NUT, 3/8"-24 NF
2	NSS	1	NOT SERVICED SEPARATELY, Insert
3	J941140	6	SUPPORT,
4	87435955	12	ROD, PUSH,
5	J900250	48	SCREW, Collet
6	87351062	12	VALVE, Rotator
7	87351063	12	SPRING, VALVE,
8	87352235	12	SEAL,
9	J948102	24	GUIDE, VALVE,
10	J945093	1	PLUG,
11	87344079	6	PLUG,
12	NSS	1	NOT SERVICED SEPARATELY, HEAD ASSY, Stripped
13	J940152	12	INSERT, Intake
14	87344002	12	INSERT, Exhaust
15	87343688	12	VALVE, ENGINE, INLET, STD, Inlet
16	87343693	12	VALVE, ENG EXHAUST, STD, Exhaust
17	87344132	1	GASKET, CYLINDER HEAD,
18	A77590	2	PLUG,
19	87344118	1	PLUG, Expansion
20	87344108	1	PLUG,
21	217-438	1	PLUG, Hex Soc, 1/2"-14,
22	J678923	1	PLUG, 10 mm
23	87435851	12	TAPPET,
24	637-72081	1	O-RING, CI 7, 8.1MM ID x 1.6 Thk,
25	87435854	12	GUIDE,
26	J943445	12	VALVE,
27	87435953	6	ROCKER ARM,
28	87435951	6	SHAFT,
29	J943933	12	SCREW,
30	87435952	6	ROCKER ARM,
31	J944452	12	RETAINER,
32	J944711	12	SPRING, VALVE,
33	87344126	26	BOLT, M14 x 160

02-32 FRONT GEAR COVER - BSN HAJ0295001 AND ALL CIS MARKETS

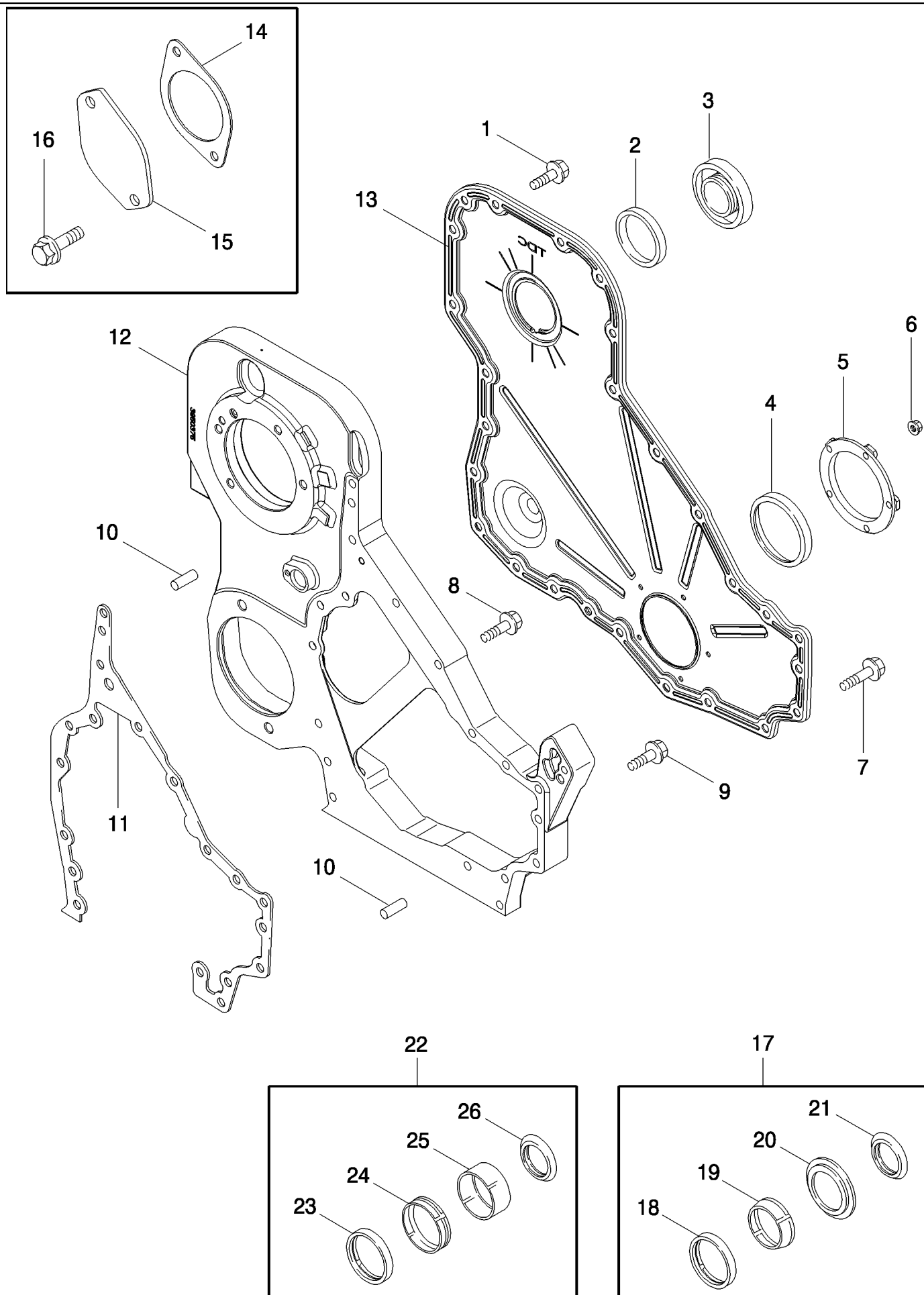


CIS Refers to Commonwealth of Independent States (Russian Market). "BSN HAJ0295001" and "All CIS Markets" are Tier II Mechanical Engines. "ASN HAJ0295001 Except All CIS Markets" are Tier III Engines (NA Market Only).

02-32 FRONT GEAR COVER - BSN HAJ0295001 AND ALL CIS MARKETS

сылка	Номер детали	Кол-во	Описание
1	J948045	1	COVER,
2	J941786	1	CARRIER,
3	NSS	1	NOT SERVICED SEPARATELY, Seal, Order A77790 or A77808
4	J938077	5	NUT, M6
5	J823494	1	SEALANT, Silicone, 3 oz, Not Illustrated
6	J938085	1	COVER,
7	J944293	1	GASKET,
8	J926863	12	BOLT, M8 x 50
9	845-8016	14	BOLT, Hex Flg, M8 x 16, 8.8, Full Thd,
10	J926846	3	BOLT, M8 x 20
11	J943885	2	BOLT, M8 x 40
13	J903475	1	SEAL,
14	J903463	1	COVER,
15	J919683	1	HOUSING, Timing Pin
16	J915772	1	SEALRING,
17	J907998	2	SCREW, LOCK, Spc Rd Torx Hd, M5 x 17,
18	J903924	1	PIN, Timing
19	J913994	1	O-RING,
20	100-2587	1	RING, SNAP, 0.875", Int, #87,
21	A77790	1	KIT, SEALS, Crankshaft, Front, Includes 22 - 25
22	NSS	1	NOT SERVICED SEPARATELY, Seal
23	NSS	1	NOT SERVICED SEPARATELY, Tool
24	NSS	1	NOT SERVICED SEPARATELY, Tool
25	J918113	1	SHIELD,
26	A77808	1	KIT, SERVICE, Crankshaft, Front, Includes 27 - 30
27	NSS	1	NOT SERVICED SEPARATELY, Sleeve
28	NSS	1	NOT SERVICED SEPARATELY, Tool
29	NSS	1	NOT SERVICED SEPARATELY, Seal, Oil, Oversized
30	J924987	1	SHIELD,
31	J938655	1	GASKET,
32	J914868	1	COVER, Accessory Drive
33	854-12025	2	BOLT, Hex Flg, M12 x 25, 10.9,

02-33 FRONT GEAR COVER - ASN HAJ0295001 EXCEPT ALL CIS MARKETS

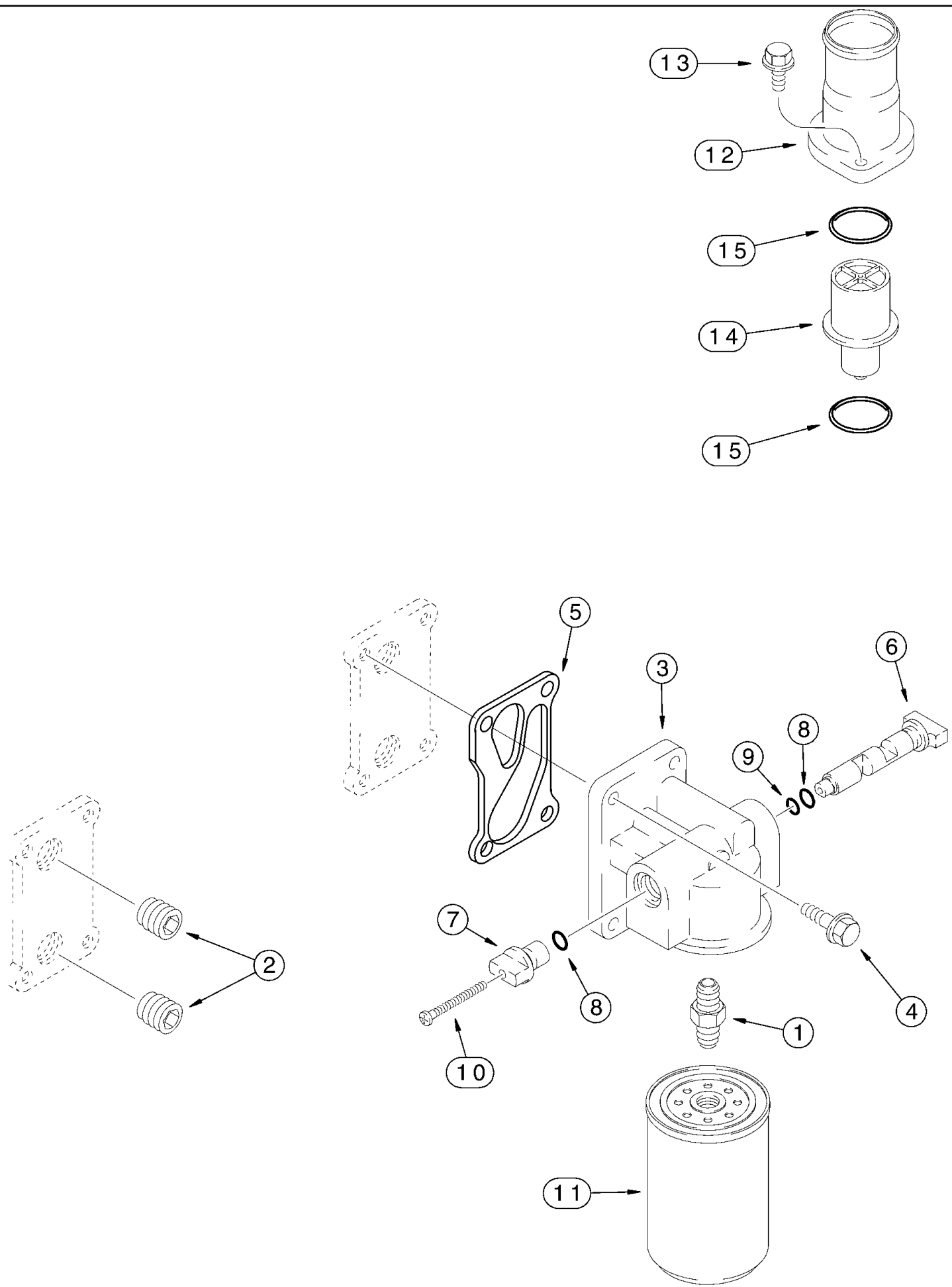


CIS Refers to Commonwealth of Independent States (Russian Market). "BSN HAJ0295001" and "All CIS Markets" are Tier II Mechanical Engines. "ASN HAJ0295001 Except All CIS Markets" are Tier III Engines (NA Market Only).

02-33 FRONT GEAR COVER - ASN HAJ0295001 EXCEPT ALL CIS MARKETS

сылка	Номер детали	Кол-во	Описание
1	845-8016	15	BOLT, Hex Flg, M8 x 16, 8.8, Full Thd,
2	J903475	1	SEAL,
3	J903463	1	COVER,
4	NSS	1	NOT SERVICED SEPARATELY, Seal, Order A77790 or A77808
5	J941786	1	CARRIER,
6	J938077	5	NUT, M6
7	J926863	11	BOLT, M8 x 50
8	J943885	3	BOLT, M8 x 40
9	J926846	3	BOLT, M8 x 20
11	J944293	1	GASKET,
12	87349295	1	HOUSING,
13	87350310	1	COVER,
14	J940245	1	GASKET,
15	J940246	1	COVER, Accessory Drive
16	857-12025	2	BOLT, Hex Flg, M12 x 25, 10.9,
17	A77790	1	KIT, SEALS, Crankshaft, Front, Includes 22 - 25
18	NSS	1	NOT SERVICED SEPARATELY, Seal
19	NSS	1	NOT SERVICED SEPARATELY, Tool
20	NSS	1	NOT SERVICED SEPARATELY, Tool
21	J918113	1	SHIELD,
22	A77808	1	KIT, SERVICE, Crankshaft, Front, Includes 27 - 30
23	NSS	1	NOT SERVICED SEPARATELY, Seal, Oil, Oversized
24	NSS	1	NOT SERVICED SEPARATELY, Sleeve
25	NSS	1	NOT SERVICED SEPARATELY, Tool
26	J924987	1	SHIELD,
27	J920706	1	PLUG, (Not Shown)
28	217-438	2	PLUG, Hex Soc, 1/2"-14, (Not Shown)
29	263136	1	PLUG, MAGNETIC, Hex Soc, 3/4"-14 NPTF, (Not Shown)

02-34 WATER FILTER AND THERMOSTAT



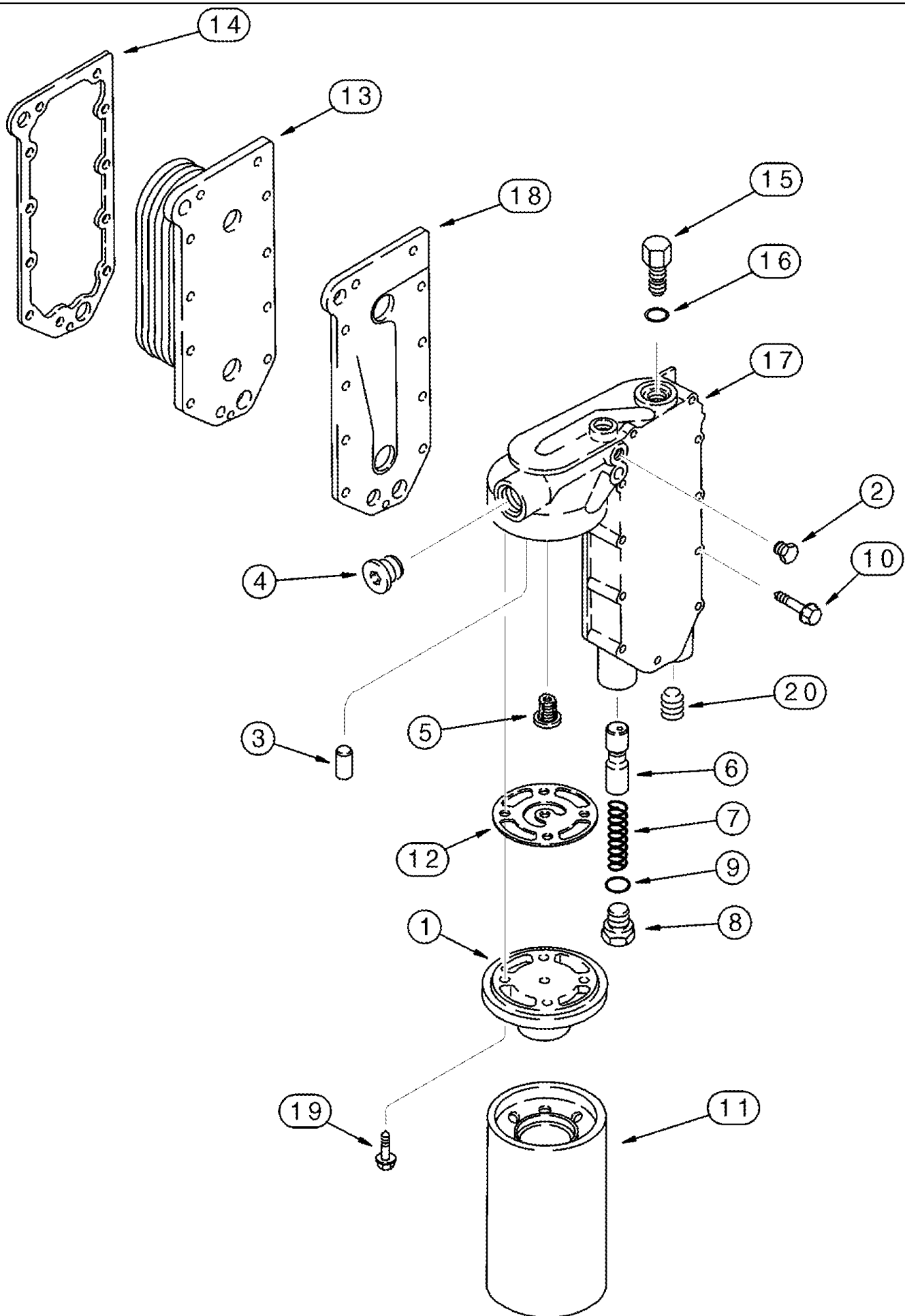
CIS Refers to Commonwealth of Independent States (Russian Market). "BSN HAJ0295001" and "All CIS Markets" are Tier II Mechanical Engines. "ASN HAJ0295001 Except All CIS Markets" are Tier III Engines (NA Market Only).

02-34 WATER FILTER AND THERMOSTAT

сылка	Номер детали	Кол-во	Описание
1	A77623	1	ADAPTER,
2	263136	2	PLUG, MAGNETIC, Hex Soc, 3/4"-14 NPTF,
3	J943738	1	HEAD, FILTER,
4	845-8025	4	BOLT, Hex Flg, M8 x 25, 8.8,
5	J937367	1	GASKET,
6	J943739	1	VALVE, SHUT-OFF,
7	J943740	1	VALVE, SHUT-OFF,
8	87423041	2	O-RING,
9	238-5013	1	O-RING, -013, 70 Duro, .426" ID x .070" Thk,
10	J944454	1	SCREW,
11	J100304	1	FILTER, ENGINE OIL,
12	J940631	1	OUTLET, , All CIS Markets, BSN HAJ0295001
12	J944429	1	OUTLET, , Except All CIS Markets, ASN HAJ0295001
13	845-8025	2	BOLT, Hex Flg, M8 x 25, 8.8,
14	87579684	1	THERMOSTAT, Includes 15
15	87579687	2	SEAL,

CIS Refers to Commonwealth of Independent States (Russian Market). "BSN HAJ0295001" and "All CIS Markets" are Tier II Mechanical Engines. "ASN HAJ0295001 Except All CIS Markets" are Tier III Engines (NA Market Only).

02-35 OIL FILTER AND COOLER



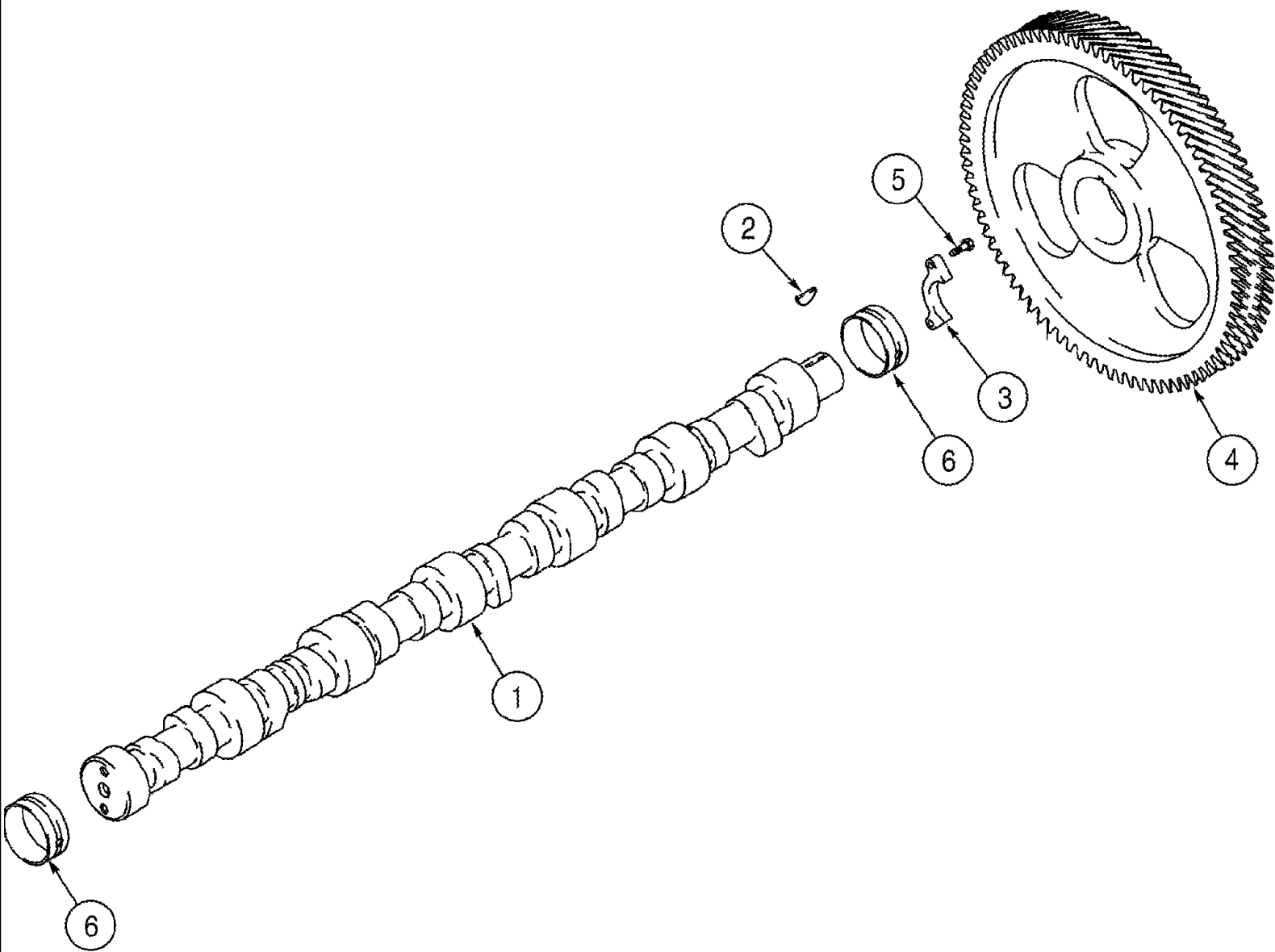
CIS Refers to Commonwealth of Independent States (Russian Market). "BSN HAJ0295001" and "All CIS Markets" are Tier II Mechanical Engines. "ASN HAJ0295001 Except All CIS Markets" are Tier III Engines (NA Market Only).

02-35 OIL FILTER AND COOLER

сылка	Номер детали	Кол-во	Описание
	J934159	1	COVER, Head Assy., Includes 1, 3, 5, 12, 17, 19, All CIS Markets, BSN HAJ0295001
1	J918334	1	HEAD, FILTER, , All CIS Markets, BSN HAJ0295001
1	87340627	1	HEAD, FILTER, , Except All CIS Markets, ASN HAJ0295001
2	J906619	2	PLUG, 1/8" PT
3	A77722	1	PIN,
4	263136	1	PLUG, MAGNETIC, Hex Soc, 3/4"-14 NPTF,
5	J936365	1	VALVE, PRESSURE RELIEF,
6	J945967	1	PLUNGER,
7	A77541	1	SPRING, , All CIS Markets, BSN HAJ0295001
7	87340755	1	SPRING, , Except All CIS Markets, ASN HAJ0295001
8	J931084	1	PLUG, 24 mm, Includes 9
9	J930911	1	O-RING, 3/4" ID x 1/16"
10	87421315	9-11	SCREW, M8 x 65; 10.9, All CIS Markets, BSN HAJ0295001
10	87421315	8	SCREW, M8 x 65; 10.9, Except All CIS Markets, ASN HAJ0295001
10	87409553	2	BOLT, With Stud, M8, All CIS Markets, BSN HAJ0295001
10	87409553	1	BOLT, With Stud, M8, Except All CIS Markets, ASN HAJ0295001
11	J919562	1	FILTER, ENGINE OIL, , All CIS Markets, BSN HAJ0295001
11	366700A1	1	FILTER, ENGINE OIL, , Except All CIS Markets, ASN HAJ0295001
12	J921605	1	GASKET, , All CIS Markets, BSN HAJ0295001
12	87447957	1	GASKET, , Except All CIS Markets, ASN HAJ0295001
13	J918175	1	CORE-OIL COOLER, , All CIS Markets, BSN HAJ0295001
13	87452245	1	CORE-OIL COOLER, , Except All CIS Markets, ASN HAJ0295001
14	J918174	1	GASKET,
15	J934410	1	VALVE, BY-PASS, Includes 16
16	A77724	1	O-RING,
17	J931077	1	COVER, , All CIS Markets, BSN HAJ0295001
17	87314031	1	COVER, , Except All CIS Markets, ASN HAJ0295001
18	J4063496	1	GASKET, , All CIS Markets, BSN HAJ0295001
18	J929011	1	GASKET, , Except All CIS Markets, ASN HAJ0295001
19	J907860	4	BOLT, M8 x 25
20	217-439	1	PLUG, Hex Soc, 1/2"-14, , All CIS Markets, BSN HAJ0295001
20	217-466	1	PLUG, DRAIN, Sq Soc, 1/2"-14, NTPF, , Except All CIS Markets, ASN HAJ0295001

CIS Refers to Commonwealth of Independent States (Russian Market). "BSN HAJ0295001" and "All CIS Markets" are Tier II Mechanical Engines. "ASN HAJ0295001 Except All CIS Markets" are Tier III Engines (NA Market Only).

02-36 CAMSHAFT



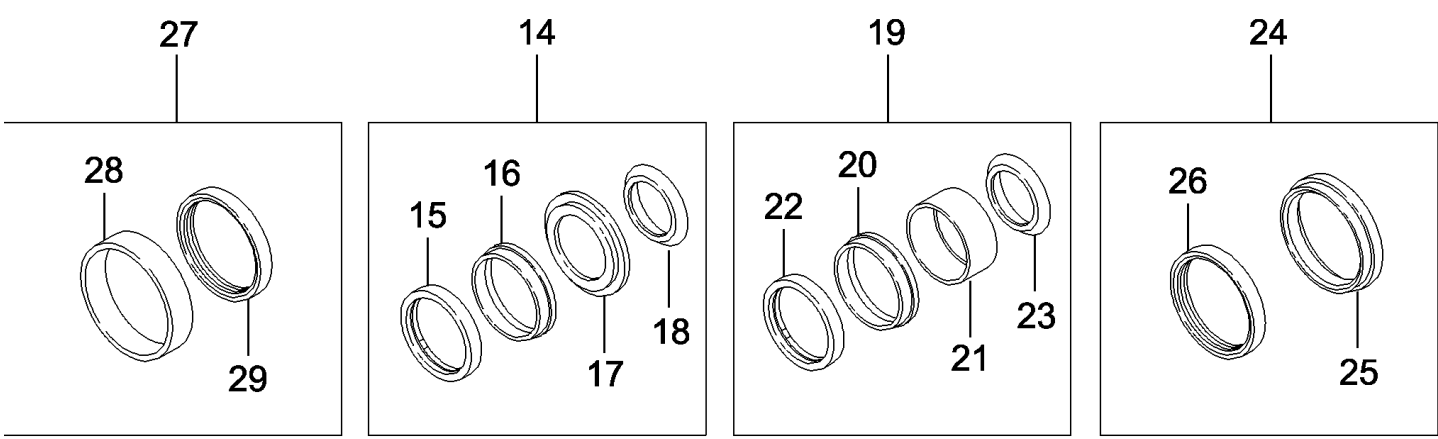
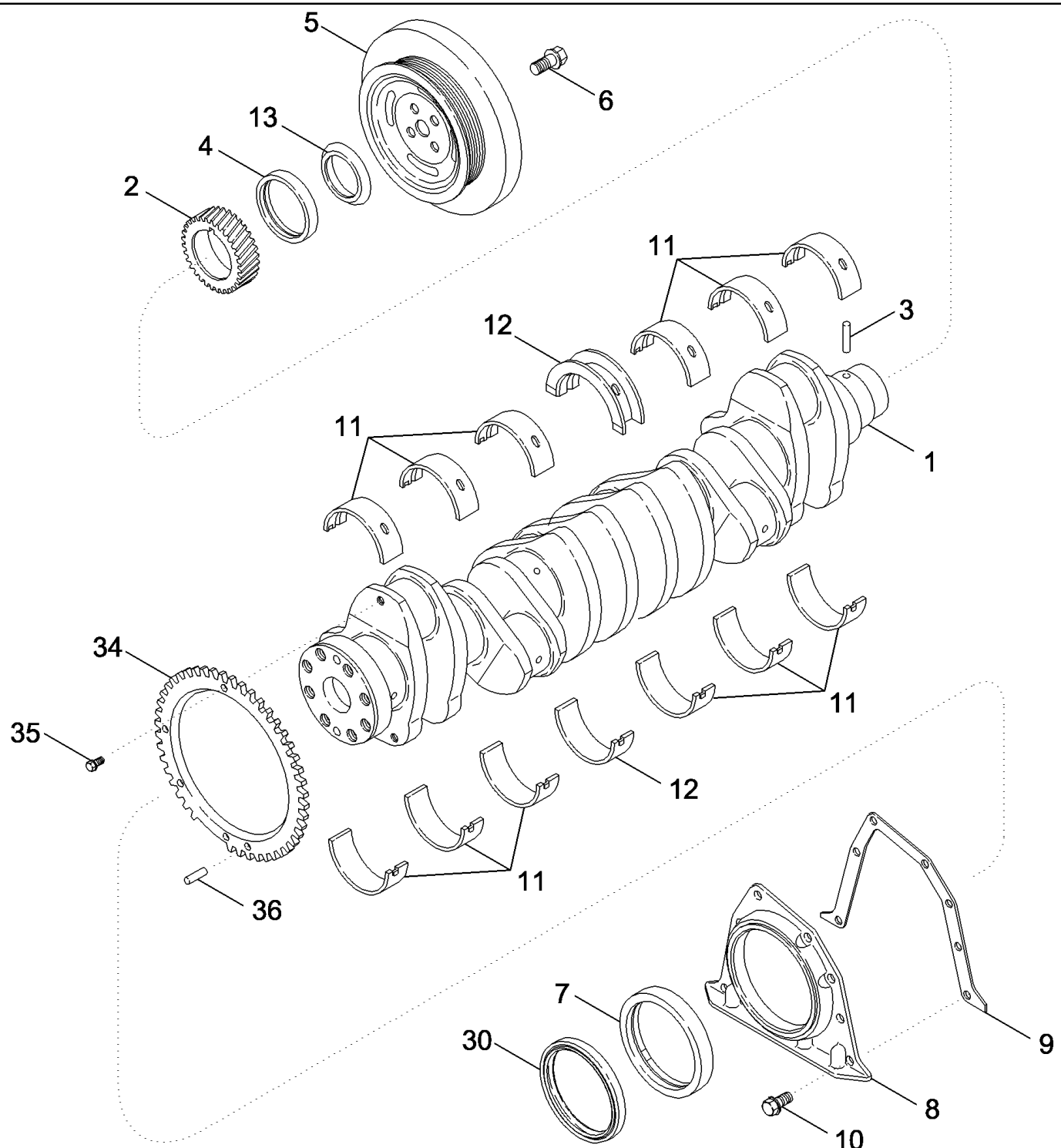
CIS Refers to Commonwealth of Independent States (Russian Market). "BSN HAJ0295001" and "All CIS Markets" are Tier II Mechanical Engines. "ASN HAJ0295001 Except All CIS Markets" are Tier III Engines (NA Market Only).

02-36 CAMSHAFT

сылка	Номер детали	Кол-во	Описание
1	J923478	1	CAMSHAFT, , All CIS Markets, BSN HAJ0295001
1	87342996	1	CAMSHAFT, Includes 2, Except All CIS Markets, ASN HAJ0295001
2	836-4065	1	WOODRUFF KEY, M4 x 6.5 x 15.72, , All CIS Markets, BSN HAJ0295001
2	87453128	1	PIN, , Except All CIS Markets, ASN HAJ0295001
3	J927155	1	SUPPORT, , All CIS Markets, BSN HAJ0295001
3	J944001	1	SUPPORT, , Except All CIS Markets, ASN HAJ0295001
4	J918777	1	GEAR, , All CIS Markets, BSN HAJ0295001
4	87342988	1	GEAR, , Except All CIS Markets, ASN HAJ0295001
5	J900227	2	SCREW, Hex, M8 x 1.25 x 22,
6	J945329	7	BEARING, CAMSHAFT,

CIS Refers to Commonwealth of Independent States (Russian Market). "BSN HAJ0295001" and "All CIS Markets" are Tier II Mechanical Engines. "ASN HAJ0295001 Except All CIS Markets" are Tier III Engines (NA Market Only).

02-37 CRANKSHAFT



CIS Refers to Commonwealth of Independent States (Russian Market). "BSN HAJ0295001" and "All CIS Markets" are Tier II Mechanical Engines. "ASN HAJ0295001 Except All CIS Markets" are Tier III Engines (NA Market Only).

02-37 CRANKSHAFT

сылка	Номер детали	Кол-во	Описание
	JR918986	1	REMAN-CRANKSHAFT, Only For N.A., Order J918986, All CIS Markets, BSN HAJ0295001
	87342925	1	REMAN-CRANKSHAFT, Only For N.A., Except All CIS Markets, ASN HAJ0295001
	JC918986	1	CORE-CRANKSHAFT, , All CIS Markets, BSN HAJ0295001
	87337253	1	CORE-CRANKSHAFT, , Except All CIS Markets, ASN HAJ0295001
1	J918986	1	CRANKSHAFT, Includes 2, 3, All CIS Markets, BSN HAJ0295001
1	87335711	1	CRANKSHAFT, With Speed Indicator Ring, Includes 34, 35, Except All CIS Markets, ASN HAJ0295001
2	J918776	1	GEAR,
3	J904483	1	PIN,
4	NSS	1	NOT SERVICED SEPARATELY, Seal, Order A77790, Ref. 14
5	J925570	1	DAMPER,
6	J906733	4	BOLT, M14 x 35
7	NSS	1	NOT SERVICED SEPARATELY, Seal, Order J934486, Ref. 24
8	J933384	1	COVER, REAR,
9	J914301	1	GASKET,
10	87409160	8	SCREW, M6 x 16; 10,9
11	J945930	6	BEARING, CRANKSHAFT, Main, Standard
11	J945931	6	BEARING, CRANKSHAFT, Main, Undersize .25 mm
11	J945932	6	BEARING, CRANKSHAFT, Main, Undersize .50 mm
11	J945933	6	BEARING, CRANKSHAFT, Main, Undersize .75 mm
11	J945934	6	BEARING, CRANKSHAFT, Main, Undersize 1.00 mm
12	J945929	1	BEARING, CRANKSHAFT, Thrust, Standard
12	J945922	1	BEARING, CRANKSHAFT, Thrust, Undersize .25 mm
12	J945923	1	BEARING, CRANKSHAFT, Thrust, Undersize .50 mm
12	J945924	1	BEARING, CRANKSHAFT, Thrust, Undersize .75 mm
12	J945925	1	BEARING, CRANKSHAFT, Thrust, Undersize 1.00 mm
12	J945926	1	BEARING, CRANKSHAFT, Thrust, Standard, Oversize .25 mm
12	J945927	1	BEARING, CRANKSHAFT, Thrust, Standard, Oversize .50 mm
12	J945928	1	BEARING, CRANKSHAFT, Thrust, Undersize .50 mm, Oversize .50 mm
13	J918113	1	SHIELD, Order A77790, Ref. 14
14	A77790	1	KIT, SEALS, Crankshaft, Front, Includes 15 - 18
15	NSS	1	NOT SERVICED SEPARATELY, Seal
16	NSS	1	NOT SERVICED SEPARATELY, Tool
17	NSS	1	NOT SERVICED SEPARATELY, Tool
18	J918113	1	SHIELD,
19	A77808	1	KIT, SERVICE, Crankshaft, Front, Includes 20 - 23
20	NSS	1	NOT SERVICED SEPARATELY, Sleeve
21	NSS	1	NOT SERVICED SEPARATELY, Tool
22	NSS	1	NOT SERVICED SEPARATELY, Seal
23	J924987	1	SHIELD,
24	J934486	1	KIT, SERVICE, Crankshaft, Rear, Includes 24A, 25, 26
24A	NSS	1	NOT SERVICED SEPARATELY, Tool, Not Illustrated
25	NSS	1	NOT SERVICED SEPARATELY, Tool
26	NSS	1	NOT SERVICED SEPARATELY, Seal
27	A77810	1	KIT, SERVICE, Crankshaft, Rear, Includes 28, 29
28	NSS	1	NOT SERVICED SEPARATELY, Sleeve

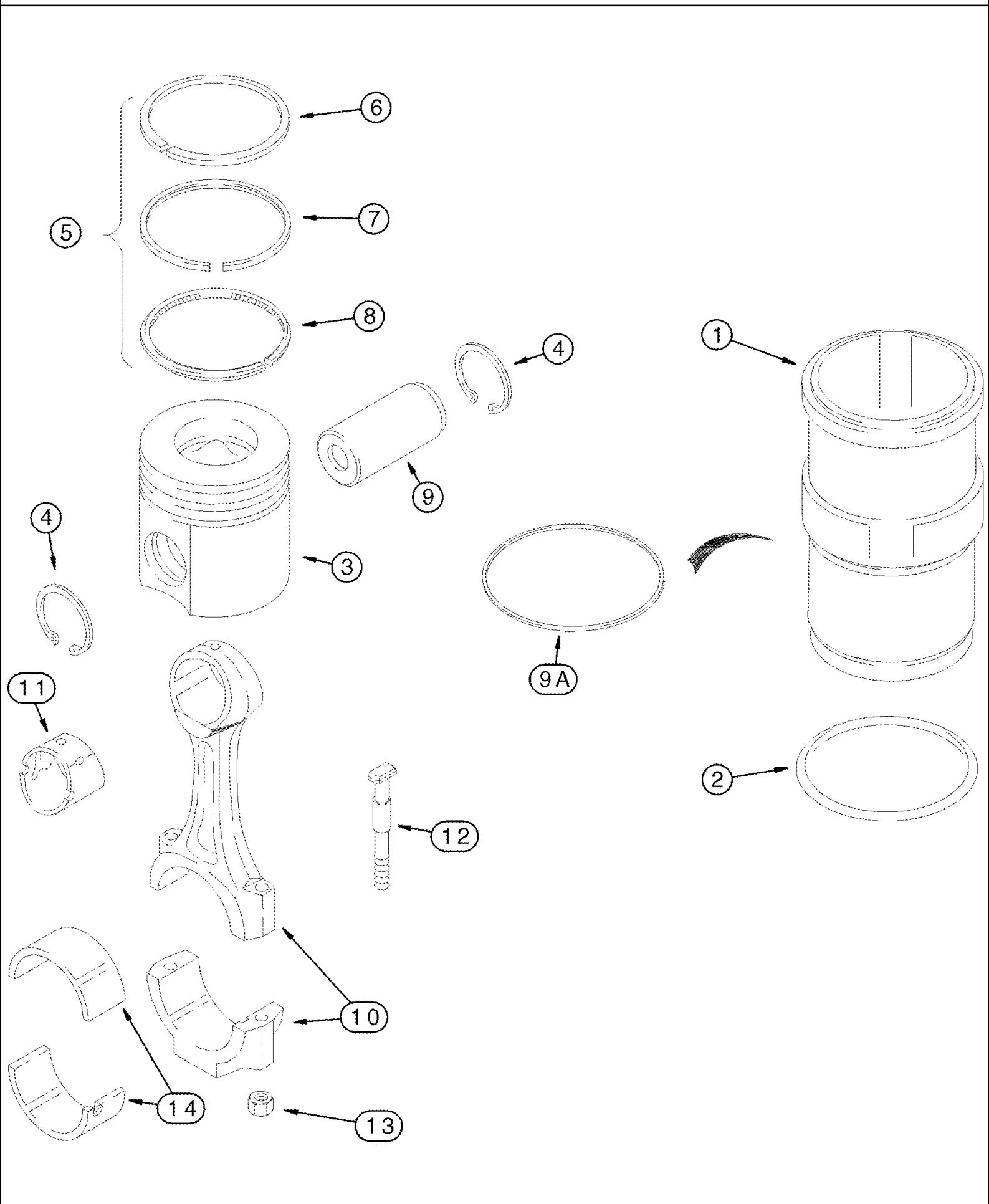
CIS Refers to Commonwealth of Independent States (Russian Market). "BSN HAJ0295001" and "All CIS Markets" are Tier II Mechanical Engines. "ASN HAJ0295001 Except All CIS Markets" are Tier III Engines (NA Market Only).

02-37 CRANKSHAFT

сылка	Номер детали	Кол-во	Описание
29	NSS	1	NOT SERVICED SEPARATELY, Seal
30	87423334	1	SEAL, Dust, All CIS Markets, BSN HAJ0295001
30	J933262	1	GASKET, Dust, Except All CIS Markets, ASN HAJ0295001
	87444550	1	KIT, Dust Excluder, Includes 31-33, Except All CIS Markets, ASN HAJ0295001
31	NSS	1	NOT SERVICED SEPARATELY, Slinger, Except All CIS Markets, ASN HAJ0295001
32	NSS	1	NOT SERVICED SEPARATELY, Spacer, Except All CIS Markets, ASN HAJ0295001
33	NSS	1	NOT SERVICED SEPARATELY, Instructions, Except All CIS Markets, ASN HAJ0295001
34	87335719	1	RING, Speed Indicator, Except All CIS Markets, ASN HAJ0295001
35	87335729	4	BOLT, M6 x 1 x 12, Except All CIS Markets, ASN HAJ0295001
36	J329899	1	DOWEL, , Except All CIS Markets, ASN HAJ0295001

CIS Refers to Commonwealth of Independent States (Russian Market). "BSN HAJ0295001" and "All CIS Markets" are Tier II Mechanical Engines. "ASN HAJ0295001 Except All CIS Markets" are Tier III Engines (NA Market Only).

02-38 PISTONS - CONNECTING RODS



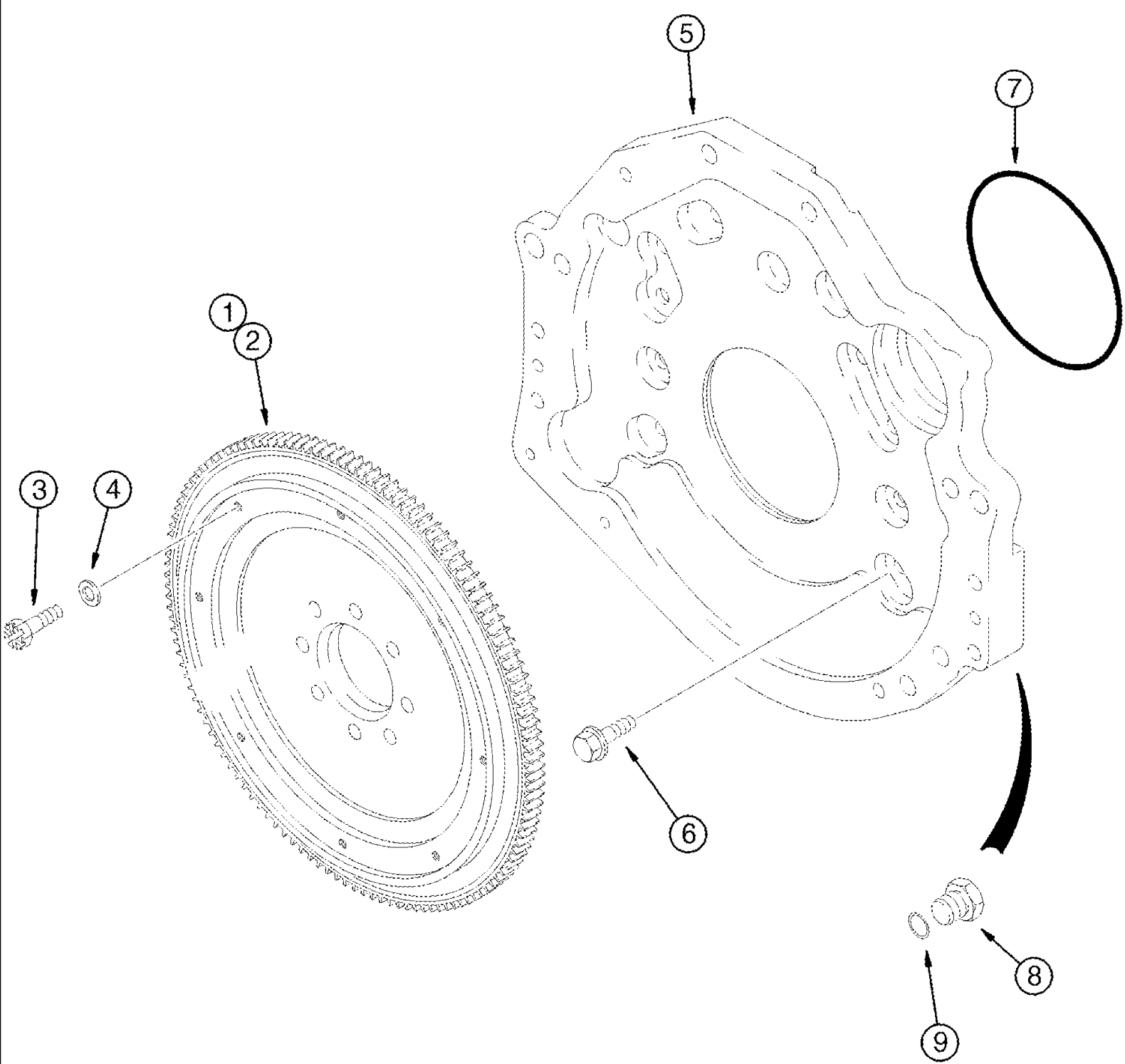
CIS Refers to Commonwealth of Independent States (Russian Market). "BSN HAJ0295001" and "All CIS Markets" are Tier II Mechanical Engines. "ASN HAJ0295001 Except All CIS Markets" are Tier III Engines (NA Market Only).

02-38 PISTONS - CONNECTING RODS

сылка	Номер детали	Кол-во	Описание
	A77912	6	PACKAGE, REPAIR, Piston & Sleeve, Standard, Includes 1 - 8, All CIS Markets, BSN HAJ0295001
	87343262	6	KIT, Piston & Sleeve, Standard, Includes 1 - 8, Except All CIS Markets, ASN HAJ0295001
1	J948095	1	SLEEVE CYLINDER,
2	J907177	1	O-RING,
	A77853	1	KIT, PISTON & RINGS, Includes 3 - 8, All CIS Markets, BSN HAJ0295001
	87378369	1	KIT, PISTON & RINGS, Includes 3 - 8, Except All CIS Markets, ASN HAJ0295001
3	NSS	1	NOT SERVICED SEPARATELY, Piston
4	100-21175	2	RING, SNAP, 1.75", Int, #175,
5	J802429	1	KIT, PISTON RINGS, Includes 6 - 8, All CIS Markets, BSN HAJ0295001
5	87343194	1	KIT, PISTON RINGS, Includes 6 - 8, Except All CIS Markets, ASN HAJ0295001
6	NSS	1	NOT SERVICED SEPARATELY, Ring, Top
7	NSS	1	NOT SERVICED SEPARATELY, Ring, Middle
8	NSS	1	NOT SERVICED SEPARATELY, Ring, Bottom
9	J934046	6	PIN, PISTON, , All CIS Markets, BSN HAJ0295001
9	87342670	6	PIN, PISTON, , Except All CIS Markets, ASN HAJ0295001
9A	J924445	AR	SHIM, .254 mm (.010")
9A	J924446	AR	SHIM, .381 mm (.015")
9A	J924447	AR	SHIM, .508 mm (.020")
9A	J924448	AR	SHIM, .762 mm (.030")
9A	J924449	AR	SHIM, 1.016 mm (.040")
	JR901383	6	REMAN-ROD CONNECTING, Remanufactured, Only for N.A., All CIS Markets, BSN HAJ0295001
	87342978	6	REMAN-ROD CONNECTING, Remanufactured, Only for N.A., Except All CIS Markets, ASN HAJ0295001
	JC901383	1	CORE-ROD CONNECTING, , All CIS Markets, BSN HAJ0295001
	87342975	1	CORE-ROD CONNECTING, , Except All CIS Markets, ASN HAJ0295001
	J901383	6	ROD, CONNECTING, Includes 10 - 13, All CIS Markets, BSN HAJ0295001
	87342865	6	ROD, CONNECTING, Includes 10 - 13, Except All CIS Markets, ASN HAJ0295001
10	NSS	1	NOT SERVICED SEPARATELY, Rod
11	J913990	1	BUSHING, , All CIS Markets, BSN HAJ0295001
11	87343250	1	BUSHING, , Except All CIS Markets, ASN HAJ0295001
12	J928870	2	BOLT,
13	J934864	2	NUT,
14	87443389	6	BEARING LINER, Kit, Standard
14	87443529	6	BEARING LINER, Kit, Undersize .25 mm
14	87443532	6	BEARING LINER, Kit, Undersize .50 mm
14	87443533	6	BEARING LINER, Kit, Undersize .75 mm
14	87443534	6	BEARING LINER, Kit, Undersize 1.00 mm

CIS Refers to Commonwealth of Independent States (Russian Market). "BSN HAJ0295001" and "All CIS Markets" are Tier II Mechanical Engines. "ASN HAJ0295001 Except All CIS Markets" are Tier III Engines (NA Market Only).

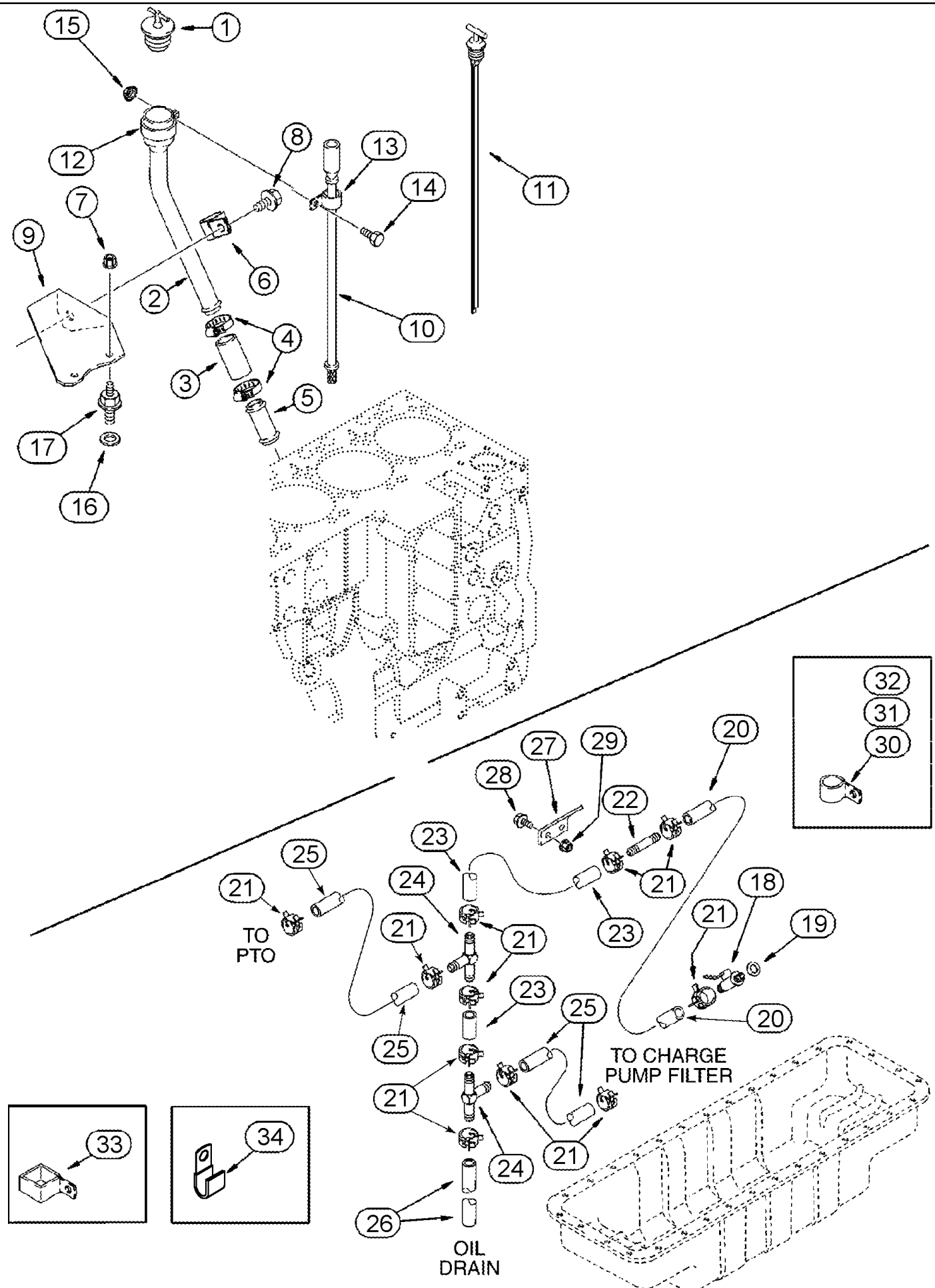
02-39 FLYWHEEL AND BACKING PLATE



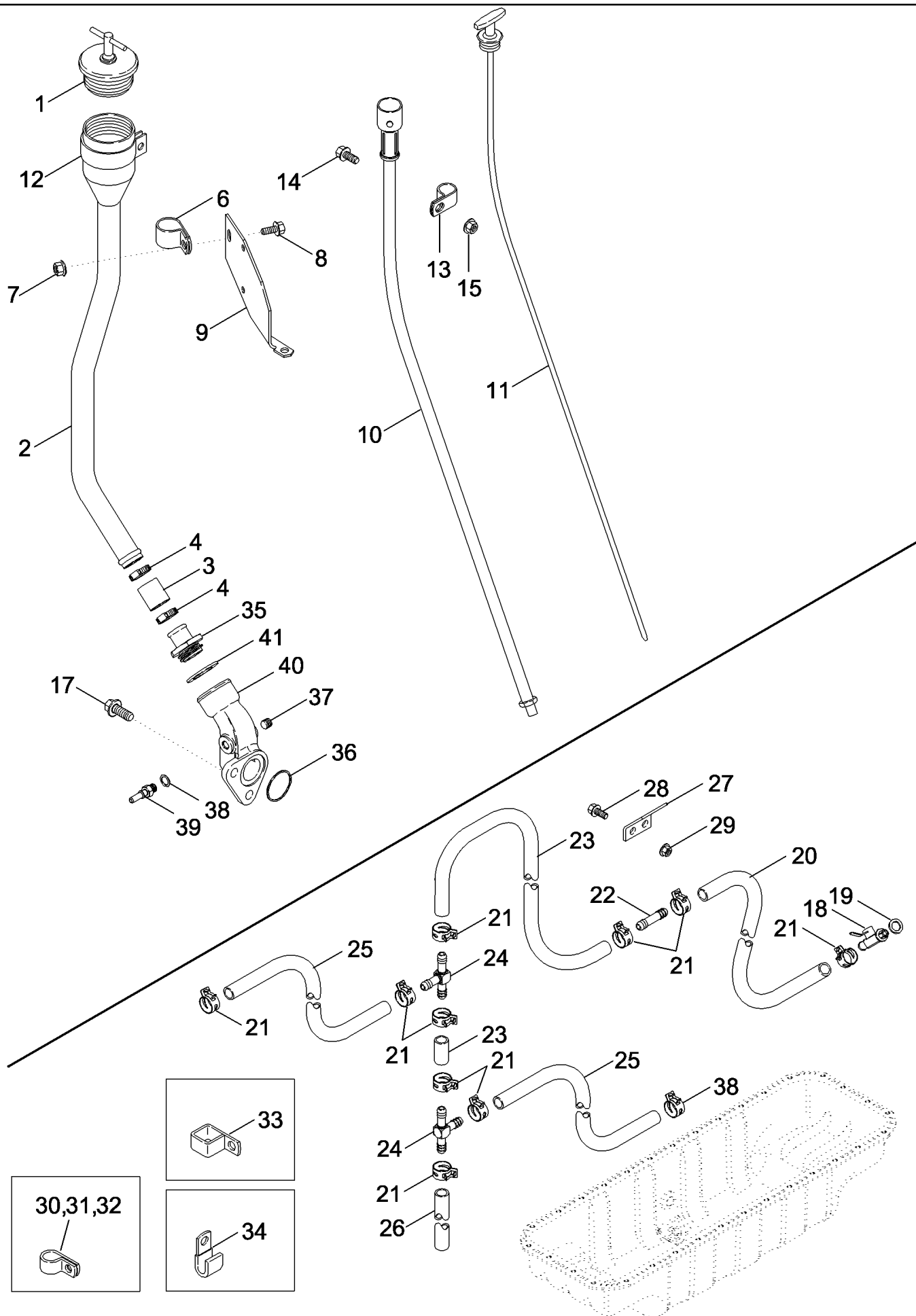
CIS Refers to Commonwealth of Independent States (Russian Market). "BSN HAJ0295001" and "All CIS Markets" are Tier II Mechanical Engines. "ASN HAJ0295001 Except All CIS Markets" are Tier III Engines (NA Market Only).

02-39 FLYWHEEL AND BACKING PLATE

сылка	Номер детали	Кол-во	Описание
1	J917052	1	FLYWHEEL, Includes 2
2	J905427	1	GEAR,
3	J908181	8	SCREW, 12 x 50 mm
4	J900269	8	WASHER,
5	J913593	1	PLATE,
6	854-12040	10	BOLT, Hex Flg, M12 x 40, 10.9,
7	J912473	1	O-RING,
8	J910248	1	PLUG, Includes 9
9	238-5212	1	O-RING, -212, 70 Duro, .859" ID x .139" Thk,

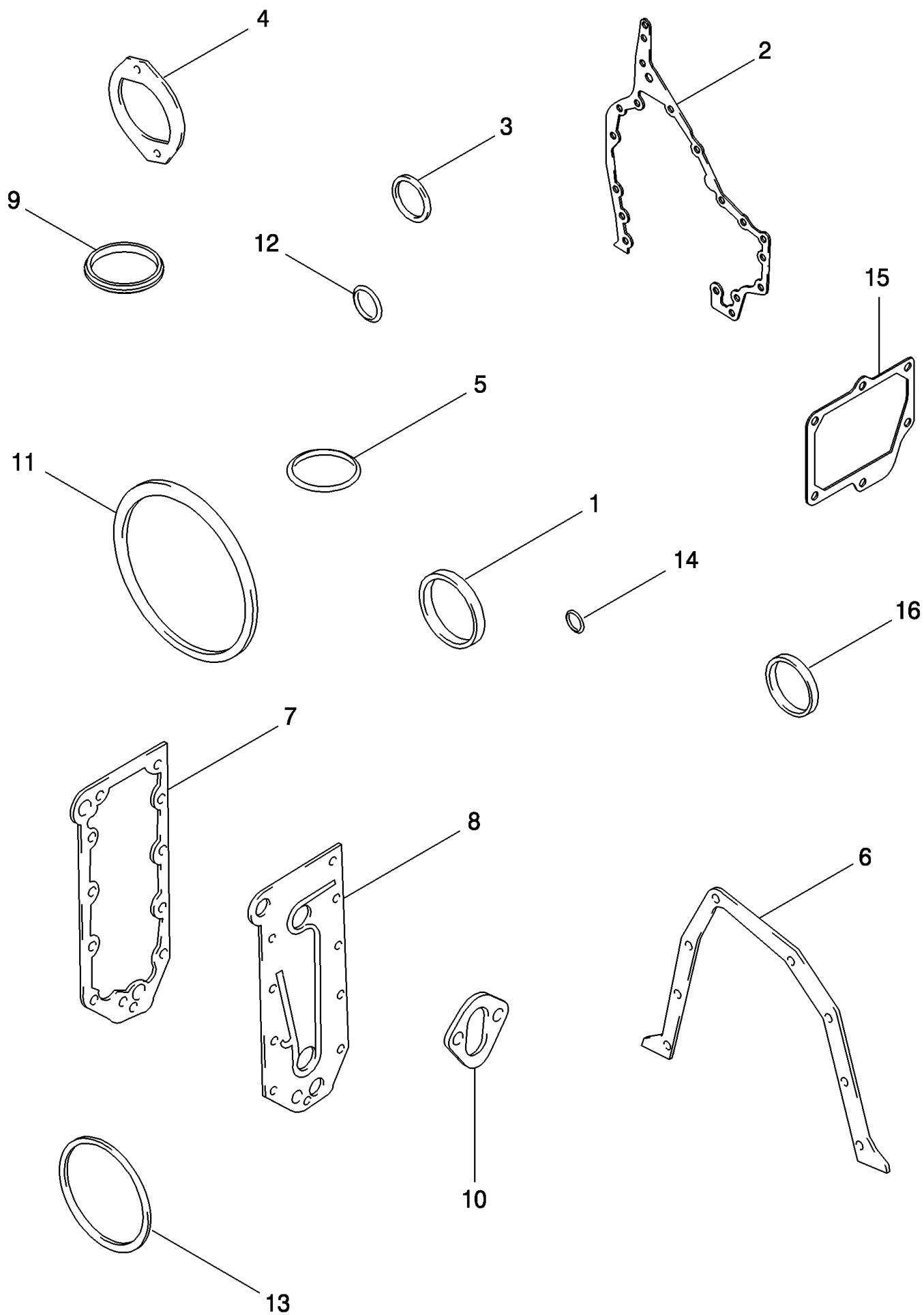


сылка	Номер детали	Кол-во	Описание
1	A77424	1	PLUG, Cap
2	J914019	1	TUBE, Oil Fill
3	A77661	1	HOSE, 64 mm (2-1/2")
4	214-1424	2	CLAMP, HOSE, #24, 1.06/2.00 Type F Worm,
5	J914163	1	TUBE,
6	J914022	1	CLAMP,
7	825-2406	2	NUT, M6 x 1, Flg, CI 8,
8	845-8025	1	BOLT, Hex Flg, M8 x 25, 8.8,
9	J914020	1	BRACKET,
10	86993181	1	TUBE,
11	86993180	1	DIPSTICK,
12	118788A1	1	CLAMP,
13	A77508	1	CLAMP, 7/16" ID
14	845-8025	1	BOLT, Hex Flg, M8 x 25, 8.8,
15	825-1408	1	NUT, M8, CI 8,
16	J918189	2	WASHER, SEALING,
17	J931061	2	SCREW,
18	1330429C1	1	VALVE, DRAIN, Includes 20
19	J920773	1	WASHER, SEALING,
20	1329978C3	1	HOSE, 430 mm (17")
21	1954736C1	10	CLAMP, HOSE, No. 24
22	1301342C1	1	FITTING,
23	1329977C2	2	HOSE, 840 mm (33"), Cut from 1977295CX, Oil Drain Upper, Oil Drain Intermediate
24	1977169C1	2	TEE,
25	394244A1	1	HOSE, 270 mm (10-5/8"), Cut from 1977295CX, Oil Drain PTO
26	293339A1	1	HOSE, 1100 mm (43-5/16"), Cut from 1977295CX, Oil Drain Lower
27	1977212C1	1	BRACKET,
28	409-7624	2	BOLT, Hex Flg, 3/8"-16 x 1 1/2", Serr,
29	231-5146	2	NUT, Flg, USR, 3/8"-16,
30	515-23317	1	CLAMP, 1 1/4", Insul, 3/8" Bolt,
31	515-23381	1	CLAMP, 1 1/2", Insul, 3/8" Bolt, , BSN HAJ0295001
31	515-23412	1	CLAMP, 1 5/8", Insul, 3/8" Bolt, 1-1/2" ID, ASN HAJ0295001
32	515-25476	3	CLAMP, 1 7/8", Insul, 1/2" Bolt,
33	1301387C2	2	CLIP, 2" ID, Square
34	97249C1	1	CLIP,



сылка	Номер детали	Кол-во	Описание
1	A77424	1	PLUG, Cap
2	87350882	1	TUBE, Oil Fill
3	87350823	1	HOSE,
4	87350865	2	CLAMP, HOSE, 1-1/16" - 2
5	87341096	1	CONNECTOR, HYD.,
6	87350859	1	CLIP,
7	825-2408	2	NUT, M8 x 1.25, Flg, Cl 8,
8	J924962	1	BOLT, M8 x 16
9	87350884	1	BRACKET,
10	87350622	1	TUBE,
11	87350502	1	DIPSTICK,
12	118788A1	1	CLAMP,
13	A77508	1	CLAMP, 7/16" ID
14	J924962	1	BOLT, M8 x 16
15	J900589	1	NUT, M8 x 1.25
17	844-12030	2	BOLT, Hex Flg, M12 x 30, 8.8,
18	1330429C1	1	VALVE, DRAIN, Includes 20
19	J920773	1	WASHER, SEALING,
20	1329978C3	1	HOSE, 430 mm (17")
21	1954736C1	10	CLAMP, HOSE, No. 24
22	1301342C1	1	FITTING,
23	1329977C2	2	HOSE, 840 mm (33"), Cut from 1977295CX, Oil Drain Upper, Oil Drain Intermediate
24	1977169C1	2	TEE,
25	394244A1	1	HOSE, 270 mm (10-5/8"), Cut from 1977295CX, Oil Drain PTO
26	293339A1	1	HOSE, 1100 mm (43-5/16"), Cut from 1977295CX, Oil Drain Lower
27	1977212C1	1	BRACKET,
28	409-7616	2	BOLT, Hex Flg, 3/8"-16 x 1", Serr,
29	231-5146	2	NUT, Flg, USR, 3/8"-16,
30	515-23317	1	CLAMP, 1 1/4", Insul, 3/8" Bolt,
31	515-23381	1	CLAMP, 1 1/2", Insul, 3/8" Bolt,
32	515-25476	3	CLAMP, 1 7/8", Insul, 1/2" Bolt,
33	1301387C2	2	CLIP, 2" ID, Square
34	97249C1	1	CLIP,
35	J943808	1	PLUG,
36	J906696	1	SEAL,
37	217-432	1	PLUG, Hex Soc, 1/4"-18,
38	87341228	1	O-RING,
39	87341106	1	ADAPTER,
40	87350868	1	ADAPTER,
41	87350871	1	SEAL,

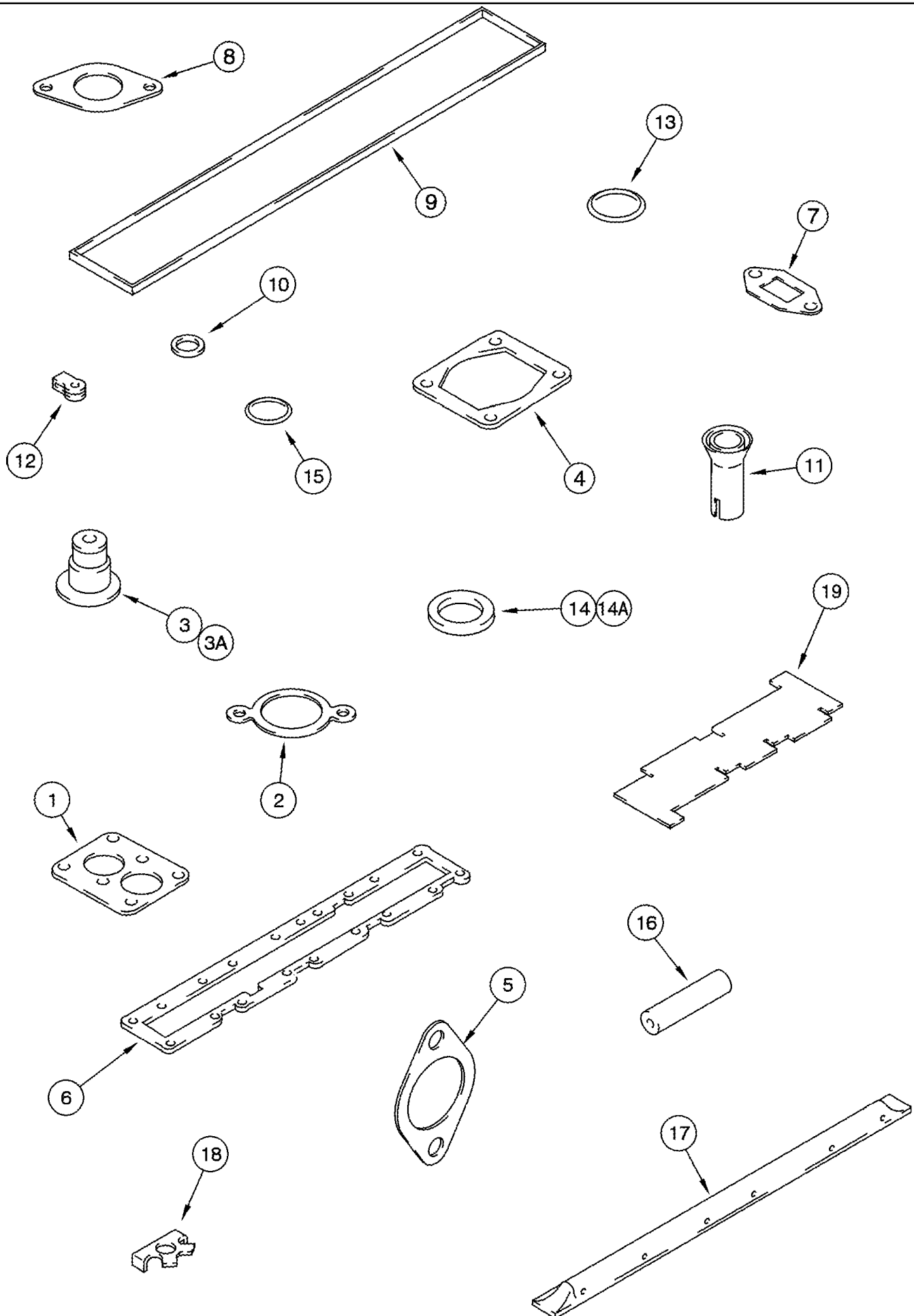
02-42 GASKET KIT - CYLINDER BLOCK



02-42 GASKET KIT - CYLINDER BLOCK

сылка	Номер детали	Кол-во	Описание
	87416435	1	KIT, GASKET, Cylinder Block, 6TAA-830, Tier 2 Engines, Includes 1 - 16
1	J903475	1	SEAL, Front Cover
2	J944293	1	GASKET, Gear Housing, Shown
3	J915772	1	SEALRING, Timing Pin Housing
4	J938655	1	GASKET, Hydraulic Pump
5	238-5244	1	O-RING, -244, 70 Duro, 4.234" ID x .139" Thk,
6	87447962	1	GASKET, Rear Cover
7	J918174	1	GASKET, Oil Cooler
8	J4063496	1	GASKET, Oil Cooler Cover
9	J924605	1	SEAL, Seal, Injection Pump to Gear Housing
10	J939258	1	GASKET, Lift Pump
11	J912473	1	O-RING, Rear Seal Cover
12	238-5212	1	O-RING, -212, 70 Duro, .859" ID x .139" Thk, Barring Hole Plug
13	J907177	6	O-RING, Sleeve to Block
14	J913994	1	O-RING, Timing Pin
15	87436828	1	GASKET, Breather, Shown
16	J926722	1	SEAL, Lube Oil Supply
17	J900830	1	O-RING, Seal, Not Shown

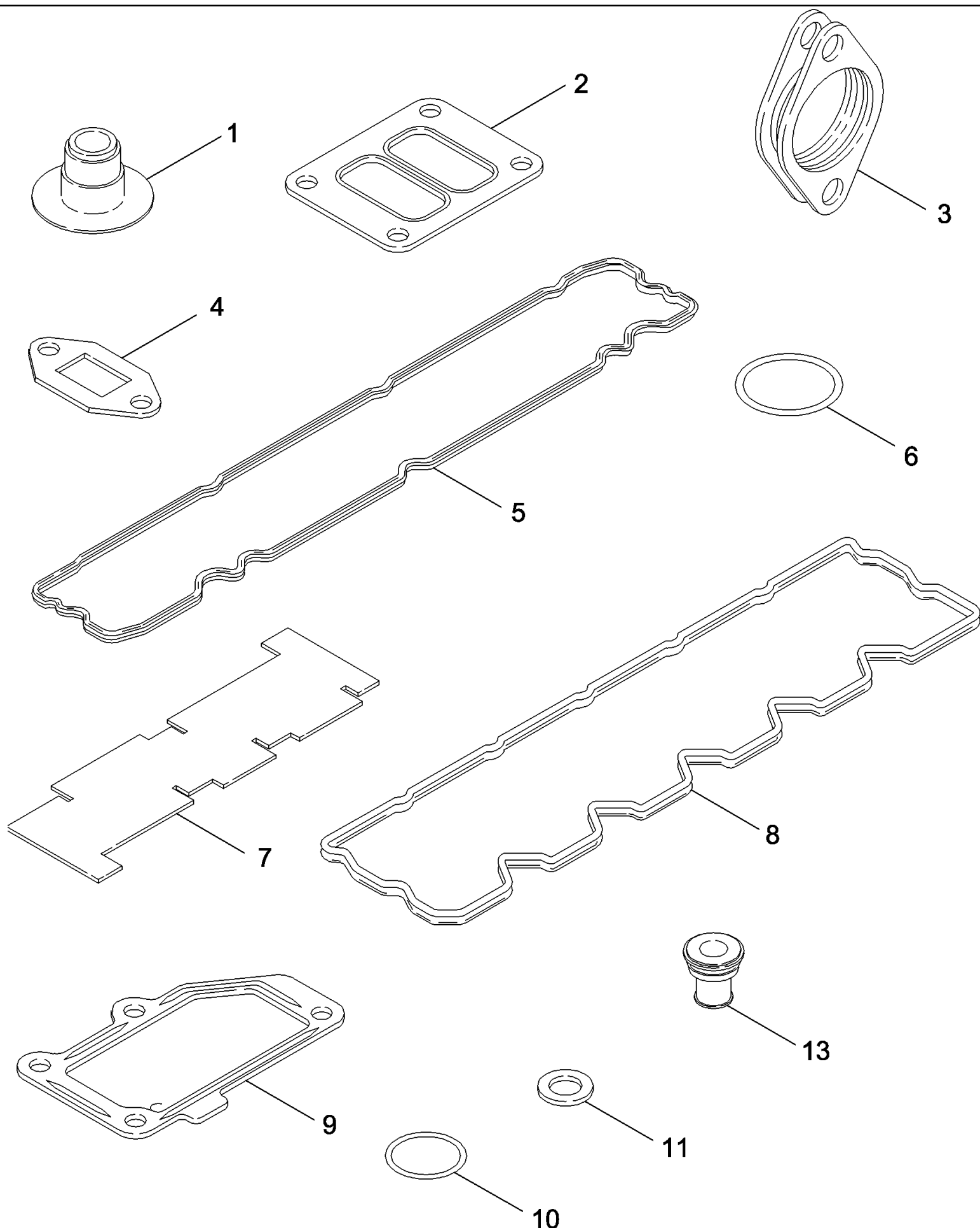
02-43 GASKET KIT - VALVE GRIND - BSN HAJ0295001 AND ALL CIS MARKETS



CIS Refers to Commonwealth of Independent States (Russian Market). "BSN HAJ0295001" and "All CIS Markets" are Tier II Mechanical Engines. "ASN HAJ0295001 Except All CIS Markets" are Tier III Engines (NA Market Only).

02-43 GASKET KIT - VALVE GRIND - BSN HAJ0295001 AND ALL CIS MARKETS

сылка	Номер детали	Кол-во	Описание
	J938267	1	GASKET, CYLINDER HEAD,
	A77976	1	KIT, GASKET, Valve Grind, Includes 1-19
1	J914310	1	GASKET, Thermostat Housing
2	J918779	1	GASKET, Water Outlet
3	J927642	12	SEAL, Valve Stem
4	J755843	1	GASKET, Turbo Mount
5	J932063	1	GASKET, MANIFOLD, Exhaust
6	J936993	1	GASKET, MANIFOLD, Intake
8	J937706	1	GASKET, Oil Drain, Replaces
9	J905449	1	SEAL, RUBBER, Valve Cover
10	J910824	6	O-RING, Valve Cover Bolts
11	J909886	6	SEAL, Injector
12	J903380	7	SEAL, Banjo Connector
13	238-5115	1	O-RING, -115, 70 Duro, .674" ID x .103" Thk,
14	J923261	6	WASHER, Injector Tip, 2.5 mm
14A	J937142	6	SEAL, Injector Tip, 1.5 mm
15	238-5111	1	O-RING, -111, 70 Duro, .424" ID x .103" Thk, Water Filter Shut-off
16	J930827	1	HOSE,
17	J919677	1	MANIFOLD, Rocker Arm Oil
18	J914708	12	PLATE, LOCKING, Exhaust Manifold Bolts
19	87404692	1	GAUGE, Cylinder Head Bolt Length



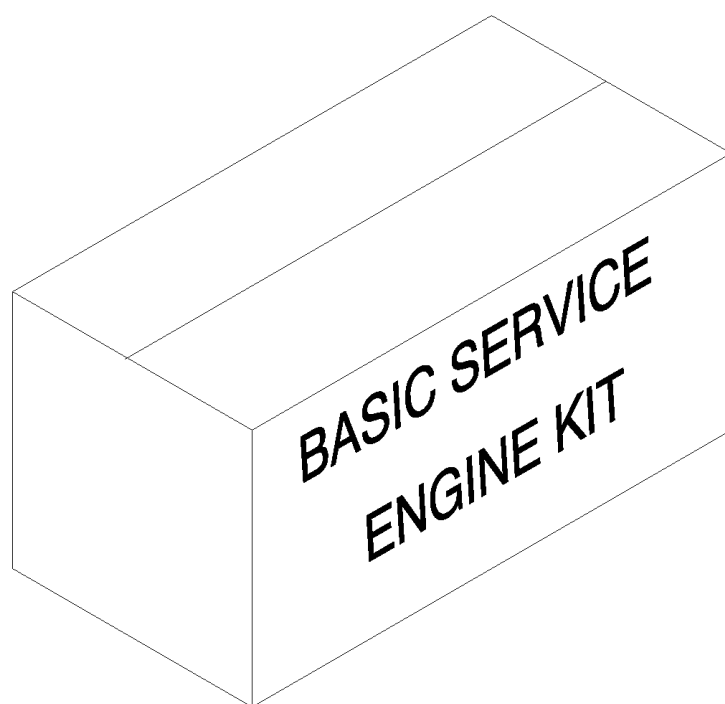
CIS Refers to Commonwealth of Independent States (Russian Market). "BSN HAJ0295001" and "All CIS Markets" are Tier II Mechanical Engines. "ASN HAJ0295001 Except All CIS Markets" are Tier III Engines (NA Market Only).

2388 CASE IH AXIAL-FLOW COMBINE (NA) BTW HAJ0292001 & HAJ0300000 (10/04-)

02-44 GASKET KIT - VALVE GRIND - ASN HAJ0295001 EXCEPT ALL CIS MARKETS

сылка	Номер детали	Кол-во	Описание
	87348974	1	KIT, GASKET, Valve Grind, Includes 1 - 19
1	J943888	12	SEAL, Valve Stem
2	J901356	1	GASKET, Turbocharger
3	J937479	6	GASKET, MANIFOLD, Exhaust
4	J937706	1	GASKET, Oil Drain
5	87345861	1	GASKET, Valve Cover
6	87348322	6	SEAL,
7	87404692	1	GAUGE, Cylinder Head Bolt Length
8	87344755	1	GASKET, Rocker Lever Housing
9	87335272	2	GASKET,
10	J678603	1	O-RING,
11	313262A1	1	SEAL,
13	87342136	5	ISOLATOR,

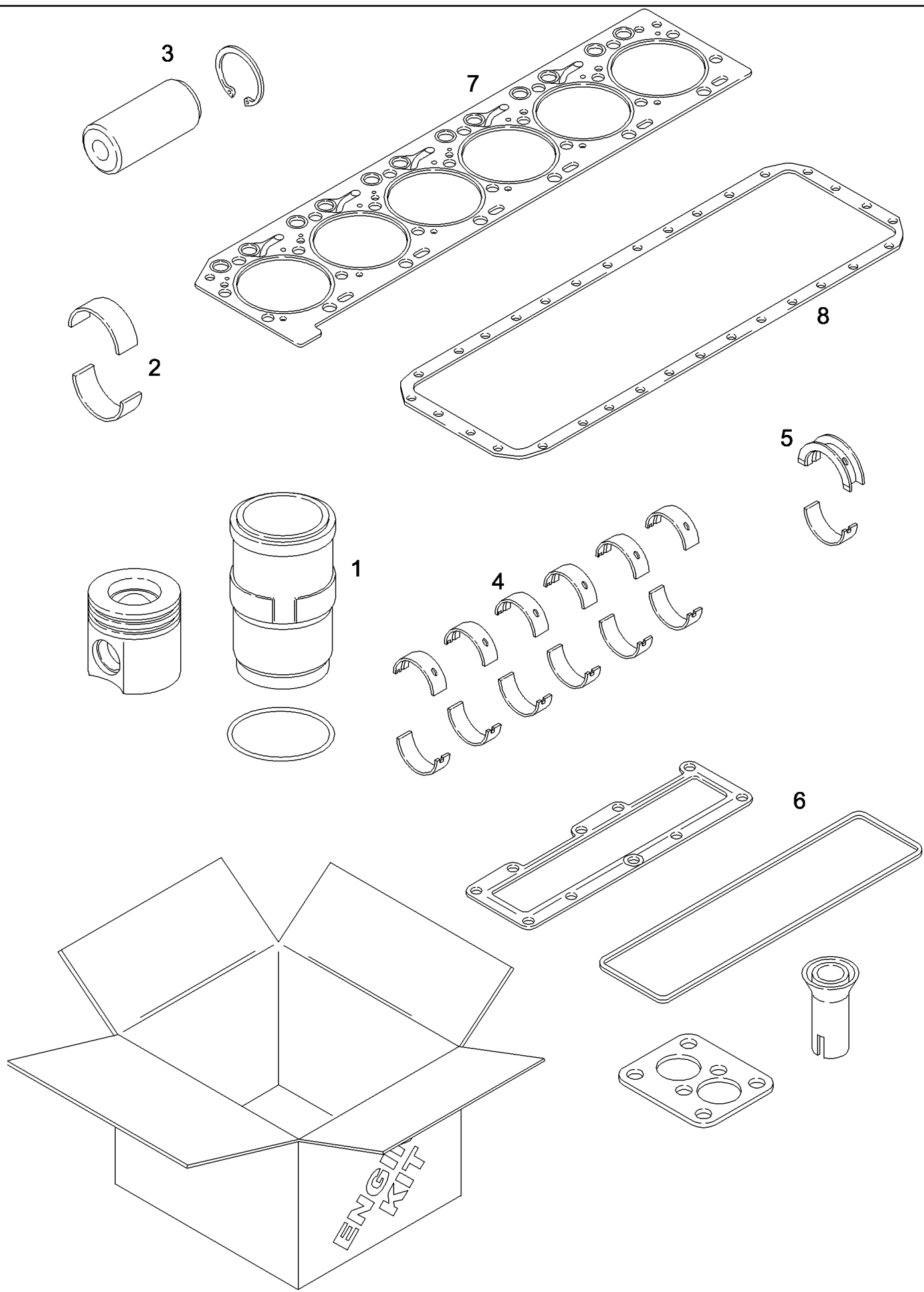
CIS Refers to Commonwealth of Independent States (Russian Market). "BSN HAJ0295001" and "All CIS Markets" are Tier II Mechanical Engines. "ASN HAJ0295001 Except All CIS Markets" are Tier III Engines (NA Market Only).



02-45 KIT, GASKET - BASIC ENGINE SERVICE

сылка	Номер детали	Кол-во	Описание
	A78043	1	GASKET, CYLINDER HEAD, Basic Engine, Includes 1 - 27
1	222-993	2	GASKET, 3/8 Tube, FI, Copper,
2	238-5013	2	O-RING, -013, 70 Duro, .426" ID x .070" Thk,
3	238-5115	2	O-RING, -115, 70 Duro, .674" ID x .103" Thk,
4	238-5120	2	O-RING, -120, 70 Duro, .987" ID x .103" Thk,
5	238-7115	2	O-RING, -115, CI 7, .674" ID x .103" Thk,
6	933697R1	2	WASHER, SEALING, M10 x 13.5 x 1,
7	J937706	1	GASKET, Oil Drain
8	J902425	2	WASHER, 22 mm ID
9	J903380	6	SEAL, Banjo Connector
10	J903475	1	SEAL, Rectangular
11	J909886	6	SEAL, Injector
12	J910517	1	O-RING,
13	J755843	1	GASKET, Turbo Mount
14	J912473	1	O-RING, Rear Cover
15	J936993	1	GASKET, MANIFOLD, Intake Manifold Cover
16	J916284	1	O-RING,
17	J918188	2	WASHER, Sealing
18	J918190	2	WASHER, SEALING, 10 mm ID
19	J918192	4	RING, PACKING, M14
20	J918779	1	GASKET, Water Outlet
21	J990881	2	CONNECTION, Banjo
22	J923261	6	WASHER, Injector Tip, 2.5 mm
23	J924605	1	SEAL, D-Shaped
24	J939258	1	GASKET, Lift Pump
25	238-7018	1	O-RING, -018, CI 7, .739" ID x .070" Thk,
26	J932063	6	GASKET, MANIFOLD, Exhaust Manifold
27	87415913	2	WASHER, SEALING, 12 mm

02-46 KIT ENGINE OVERHAUL

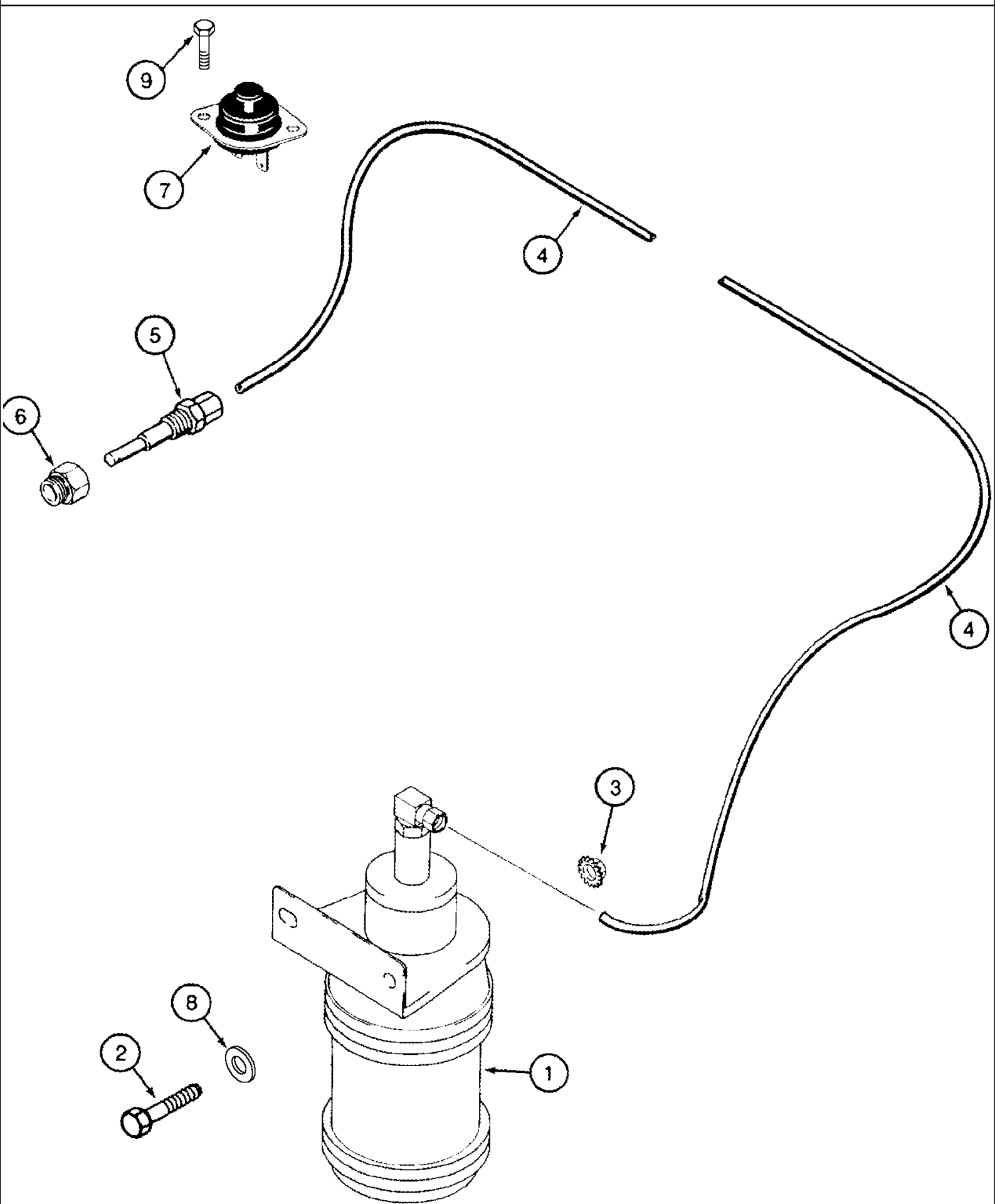


CIS Refers to Commonwealth of Independent States (Russian Market). "BSN HAJ0295001" and "All CIS Markets" are Tier II Mechanical Engines. "ASN HAJ0295001 Except All CIS Markets" are Tier III Engines (NA Market Only).

02-46 KIT ENGINE OVERHAUL

сылка	Номер детали	Кол-во	Описание
	A78017	1	KIT, REPAIR, Engine Overhaul, Includes 1 - 7, All CIS Markets, BSN HAJ0295001
	87348859	1	KIT, ENGINE OVERHAUL, Includes 1 - 7, Except All CIS Markets, ASN HAJ0295001
1	A77912	6	PACKAGE, REPAIR, Piston & Sleeve, All CIS Markets, See Figure 02-38, BSN HAJ0295001
1	87343262	6	KIT, Piston & Sleeve, See Figure 02-38, Except All CIS Markets, ASN HAJ0295001
2	87443389	6	BEARING LINER, Connecting Rod, Standard, See Figure 02-38
3	J934046	6	PIN, PISTON, Piston, See Figure 02-38, All CIS Markets, BSN HAJ0295001
3	87342670	6	PIN, PISTON, Piston, See Figure 02-38, Except All CIS Markets, ASN HAJ0295001
4	J945930	6	BEARING, CRANKSHAFT, Main, Standard, See Figure 02-37
5	J945929	1	BEARING, CRANKSHAFT, Thrust, Standard, See Figure 02-37
6	A78042	1	KIT, Valve Grind, All CIS Markets, See Figure 02-43, BSN HAJ0295001
6	87348974	1	KIT, GASKET, Valve Grind, Tier III, See Figure 02-44, Except All CIS Markets, ASN HAJ0295001
7	J943366	1	GASKET, CYLINDER HEAD, , All CIS Markets, See Figure 02-30, BSN HAJ0295001
7	87344132	1	GASKET, CYLINDER HEAD, , See Figure 02-31, Except All CIS Markets, ASN HAJ0295001
8	J938160	1	GASKET, Oil Pan, All CIS Markets, See Figure 02-26, BSN HAJ0295001
8	87308050	1	GASKET, Oil Pan, See Figure 02-26, Except All CIS Markets, ASN HAJ0295001

CIS Refers to Commonwealth of Independent States (Russian Market). "BSN HAJ0295001" and "All CIS Markets" are Tier II Mechanical Engines. "ASN HAJ0295001 Except All CIS Markets" are Tier III Engines (NA Market Only).

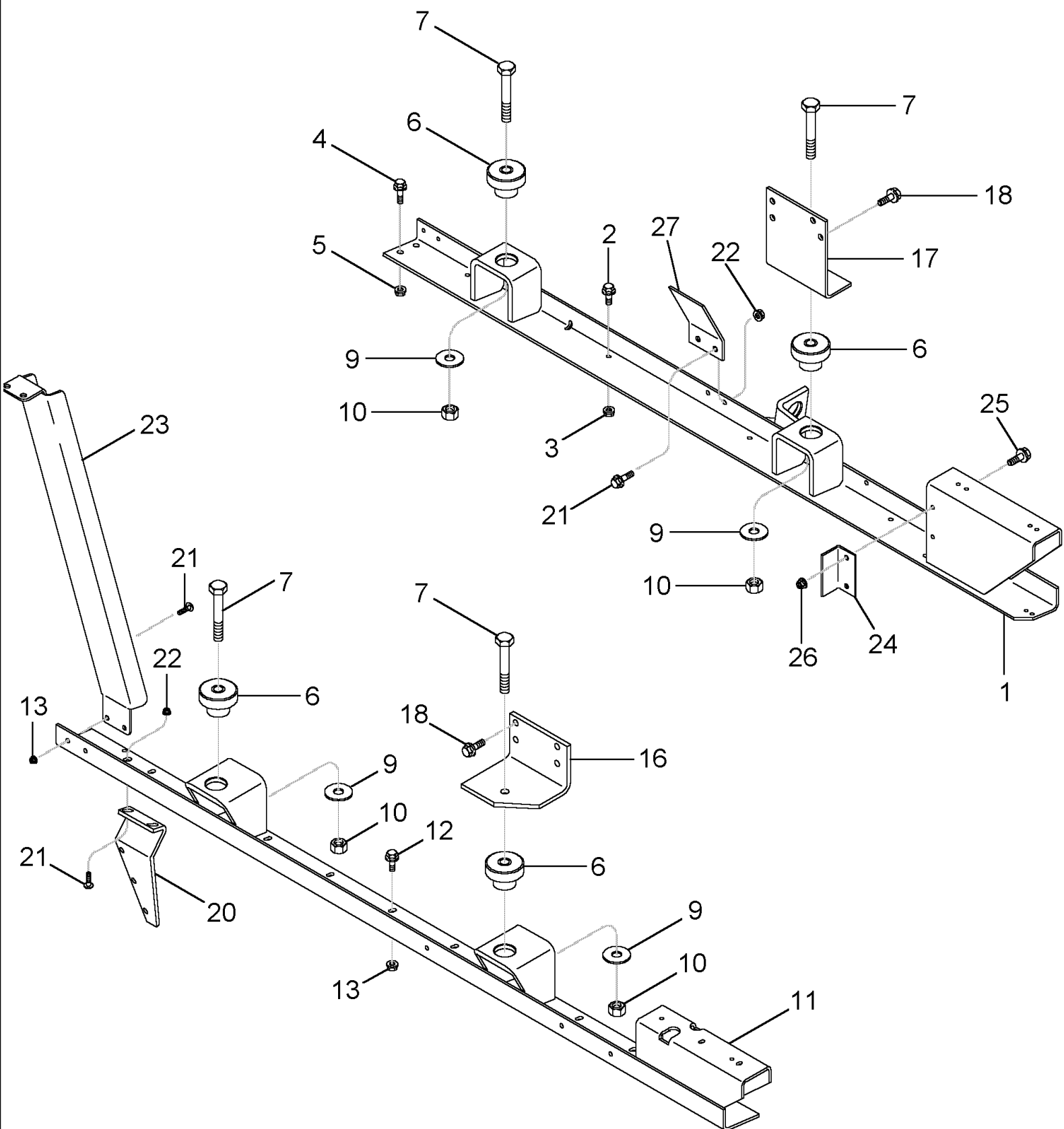


CIS Refers to Commonwealth of Independent States (Russian Market). "BSN HAJ0295001" and "All CIS Markets" are Tier II Mechanical Engines. "ASN HAJ0295001 Except All CIS Markets" are Tier III Engines (NA Market Only).

02-47 ETHER START SYSTEM - BSN HAJ0295001 AND ALL CIS MARKETS

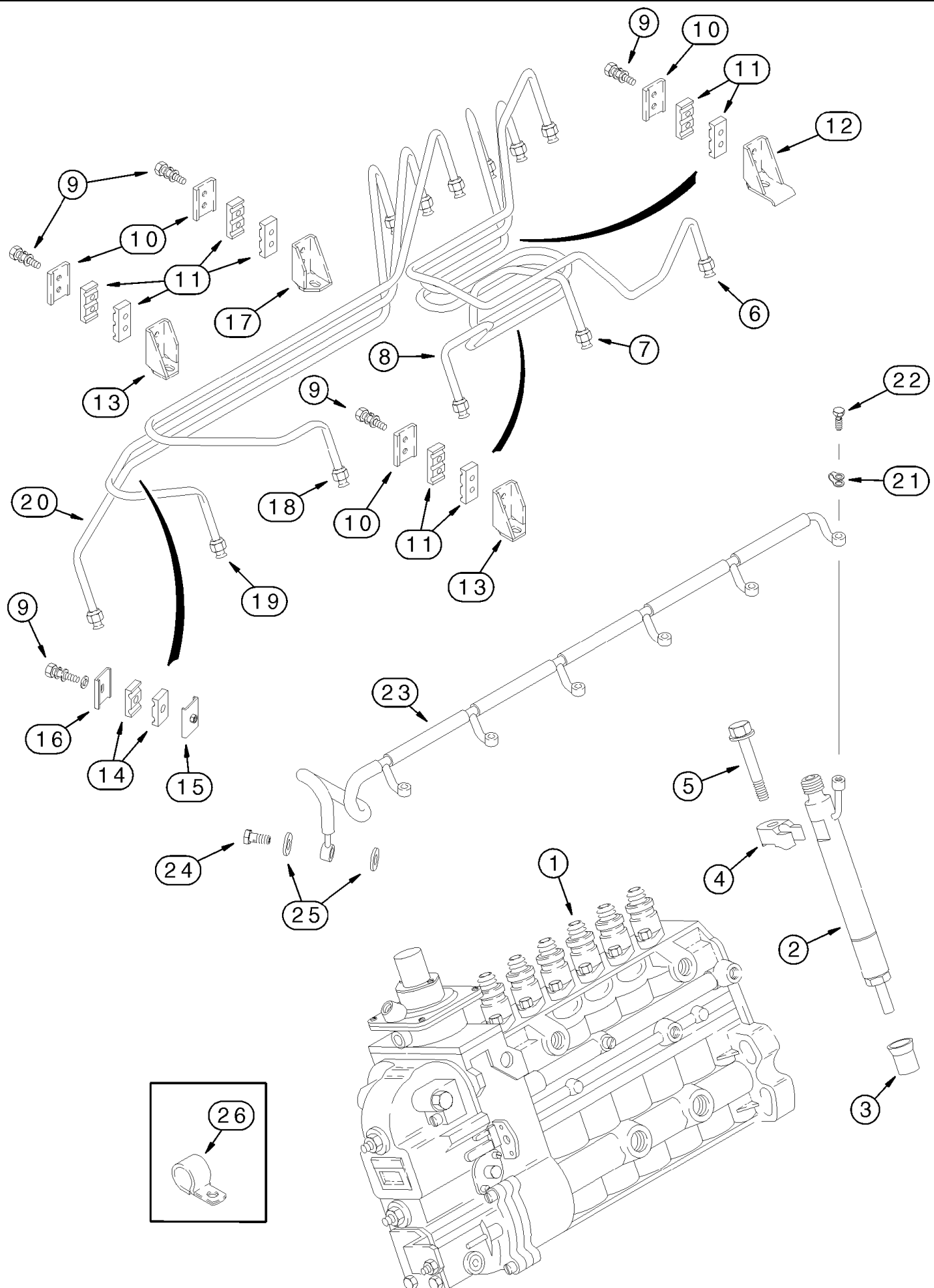
сылка	Номер детали	Кол-во	Описание
1	185552A2	1	SOLENOID, 12V, Includes 1A
1A	190752A1	1	HOUSING, Not Illustrated
2	477-73116	2	SCREW, Sltd Serr Truss Hd, 5/16"-18 x 1",
3	231-5145	4	NUT, Flg, USR, 5/16"-18,
4	87402718	1	TUBE, 2438 mm (96"), Cut from 1954063CX
5	A172900	1	NOZZLE CAP,
6	217-40	1	REDUCER, 1/4"-18 NPTF x 1/8"-27 Fem NPTF,
7	D67872	1	SWITCH, Ether Start
8	495-81120	2	WASHER, .344" x 1 1/4" x .120",
9	281-5358	2	SCREW, SELF TAP, Hex Wash Hd, #10 x 1/2",

02-48 MOUNTING, ENGINE



02-48 MOUNTING, ENGINE

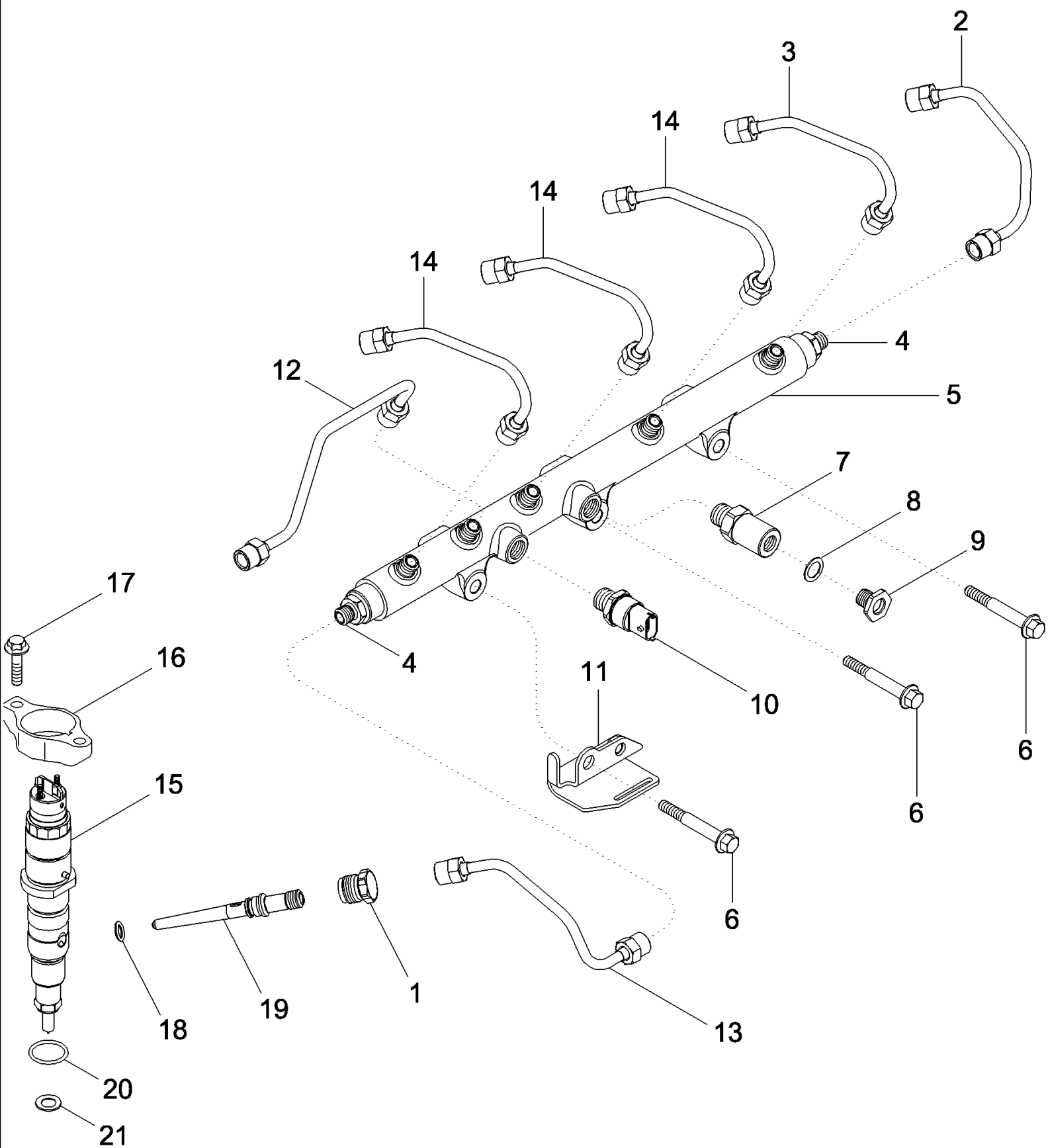
сылка	Номер детали	Кол-во	Описание
1	87404493	1	MOUNT, ENGINE, LH, BSN HAJ0295001
1	87309818	1	MOUNT, ENGINE, LH, ASN HAJ0295001
2	409-7612	4	BOLT, Hex Flg, 3/8"-16 x 3/4", Serr,
3	231-5146	4	NUT, Flg, USR, 3/8"-16,
4	409-7820	4	BOLT, Hex Flg, 1/2"-13 x 1 1/4", Serr,
5	231-5148	4	NUT, Flg, USR, 1/2"-13,
6	194915C2	4	ISOLATOR,
7	413-1056	4	BOLT, Hex, 5/8"-11 x 3 1/2", G5, 9/16" x 3-1/2", Gr 5
8	413-1052	8	BOLT, Hex, 5/8"-11 x 3 1/4", G5,
9	107813R1	4	WASHER, 21/32" x 2-1/2" x 11/64"
10	231-41110	4	NUT, LOCK, 5/8"-11, GB,
11	87427481	1	HANDRAIL, RH
12	409-7612	9	BOLT, Hex Flg, 3/8"-16 x 3/4", Serr,
13	231-5146	9	NUT, Flg, USR, 3/8"-16,
14	409-7820	4	BOLT, Hex Flg, 1/2"-13 x 1 1/4", Serr,
15	231-5148	4	NUT, Flg, USR, 1/2"-13,
16	400752A1	1	BRACKET, RH Front
17	400753A1	1	BRACKET, LH Front
18	857-12025	8	BOLT, Hex Flg, M12 x 25, 10.9,
19	1330098C2	1	SUPPORT, LH
20	87416055	1	SUPPORT, RH
21	477-73812	4	SCREW, Sltd Serr Truss Hd, 3/8" x 3/4", , BSN HAJ0295001
21	409-7616	4	BOLT, Hex Flg, 3/8"-16 x 1", Serr, , ASN HAJ0295001
22	231-5146	4	NUT, Flg, USR, 3/8"-16,
23	237714A1	1	SUPPORT, Rear Engine Deck
24	86985754	2	SUPPORT,
25	409-7512	6	BOLT, Hex Flg, 5/16"-18 x 3/4", Serr,
26	231-5145	4	NUT, Flg, USR, 5/16"-18,
27	1977212C1	1	BRACKET, Oil Drain Shield
28	477-73816	4	SCREW, Sltd Serr Truss Hd, 3/8" x 1",



CIS Refers to Commonwealth of Independent States (Russian Market). "BSN HAJ0295001" and "All CIS Markets" are Tier II Mechanical Engines. "ASN HAJ0295001 Except All CIS Markets" are Tier III Engines (NA Market Only).

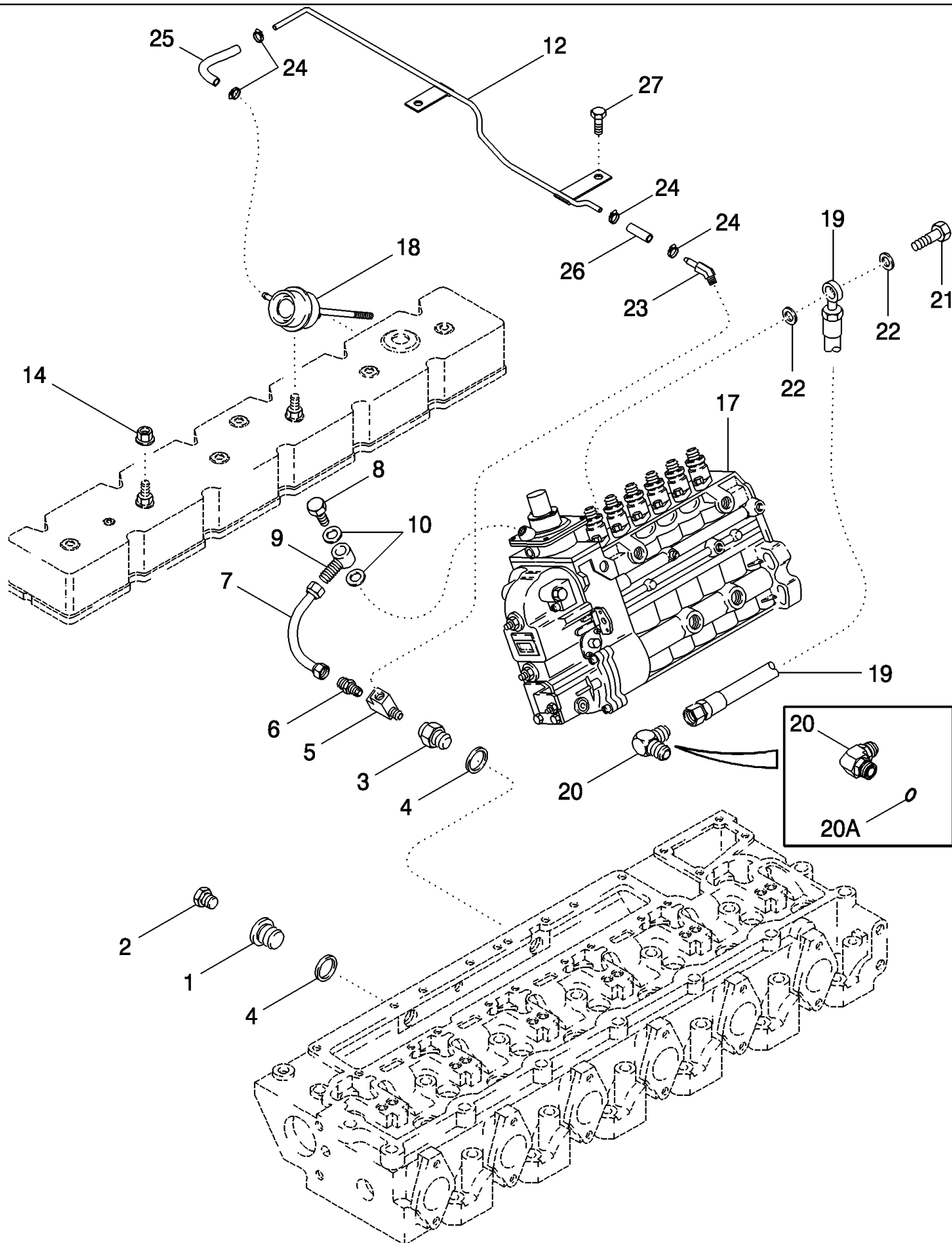
03-01 FUEL INJECTION SYSTEM - BSN HAJ0295001 AND ALL CIS MARKETS

сылка	Номер детали	Кол-во	Описание
1	87402490	1	PUMP, FUEL INJECTION, , See Figure 3 -04
2	J931735	6	INJECTOR, FUEL SYSTEM, , See Figure 3 -05
3	J909886	6	SEAL,
4	J910279	6	CLAMP,
5	845-8080	6	BOLT, Hex Flg, M8 x 80, 8.8,
6	J930391	1	PIPE INJECTION, No. 1
7	J930392	1	PIPE INJECTION, No. 2
8	J930393	1	PIPE INJECTION, No. 3
9	J920854	9	SCREW, Hex Hd, M5 x .8 x 20, w/LW,
10	J991275	4	BRACKET,
11	J917747	8	CLAMP,
12	J919622	1	BRACE,
13	J282942	1	BRACKET,
14	J917746	2	CLAMP,
15	J991277	1	BRACE,
16	J991276	1	BRACE,
17	J282942	1	BRACKET,
18	J930394	1	PIPE INJECTION, No. 4
19	J930395	1	PIPE INJECTION, No. 5
20	J930396	1	PIPE INJECTION, No. 6
21	J903380	6	SEAL,
22	J905307	6	BOLT, BANJO, M6 x 1 x 14.3,
23	J920595	1	MANIFOLD,
24	J924726	1	BOLT, BANJO,
25	J918188	2	WASHER,
26	515-2363	1	CLAMP, M6.3, Insul, 3/8" Bolt,



03-02 FUEL INJECTION SYSTEM - ASN HAJ0295001 EXCEPT ALL CIS MARKETS

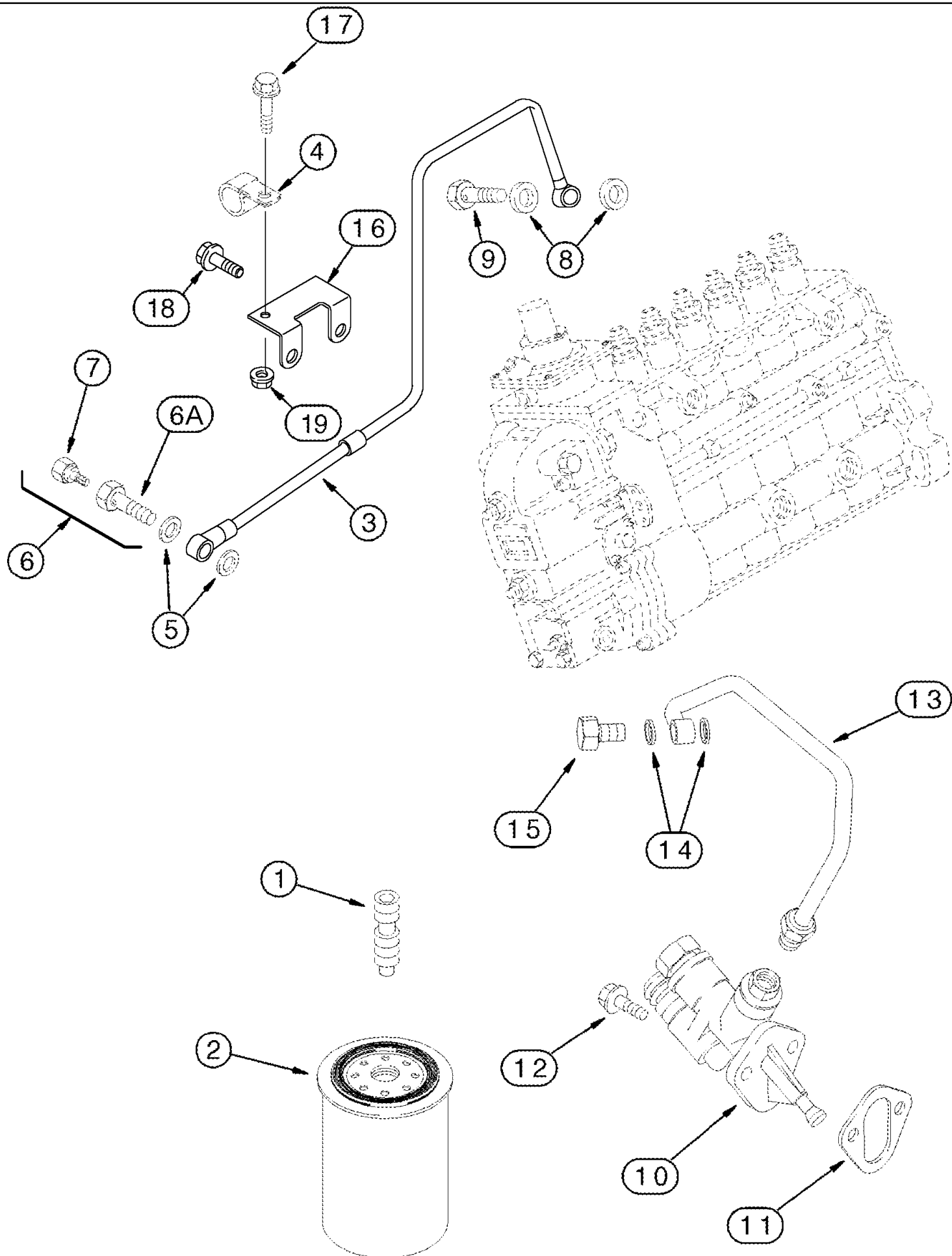
сылка	Номер детали	Кол-во	Описание
1	87347221	6	RETAINER,
2	87348184	1	TUBE,
3	87348175	1	TUBE,
4	87348150	2	FITTING, High Pressure Fuel
5	87347257	1	KIT, Manifold, Includes 2 Decals, See Figure 09H-19, Ref. 22
6	854-10070	3	BOLT, Hex Flg, M10 x 70, 10.9,
7	87347275	1	VALVE, PRESSURE RELIEF,
8	87348161	1	WASHER, SEALING,
9	87348154	1	ADAPTER,
10	87347273	1	SENSOR, Fuel Pressure
11	87348302	1	BRACKET, Tube
12	87348190	1	TUBE,
13	87348171	1	TUBE,
14	87348283	3	TUBE,
15	87351060	6	INJECTOR, FUEL SYSTEM,
16	87343005	6	CLAMP,
17	87343006	12	BOLT,
18	87348322	6	SEAL,
19	87348301	6	FITTING, Injector Fuel Supply, Includes 18
20	NSS	6	NOT SERVICED SEPARATELY, Seal
21	J937142	6	SEAL, Injector Tip, 2.5 mm



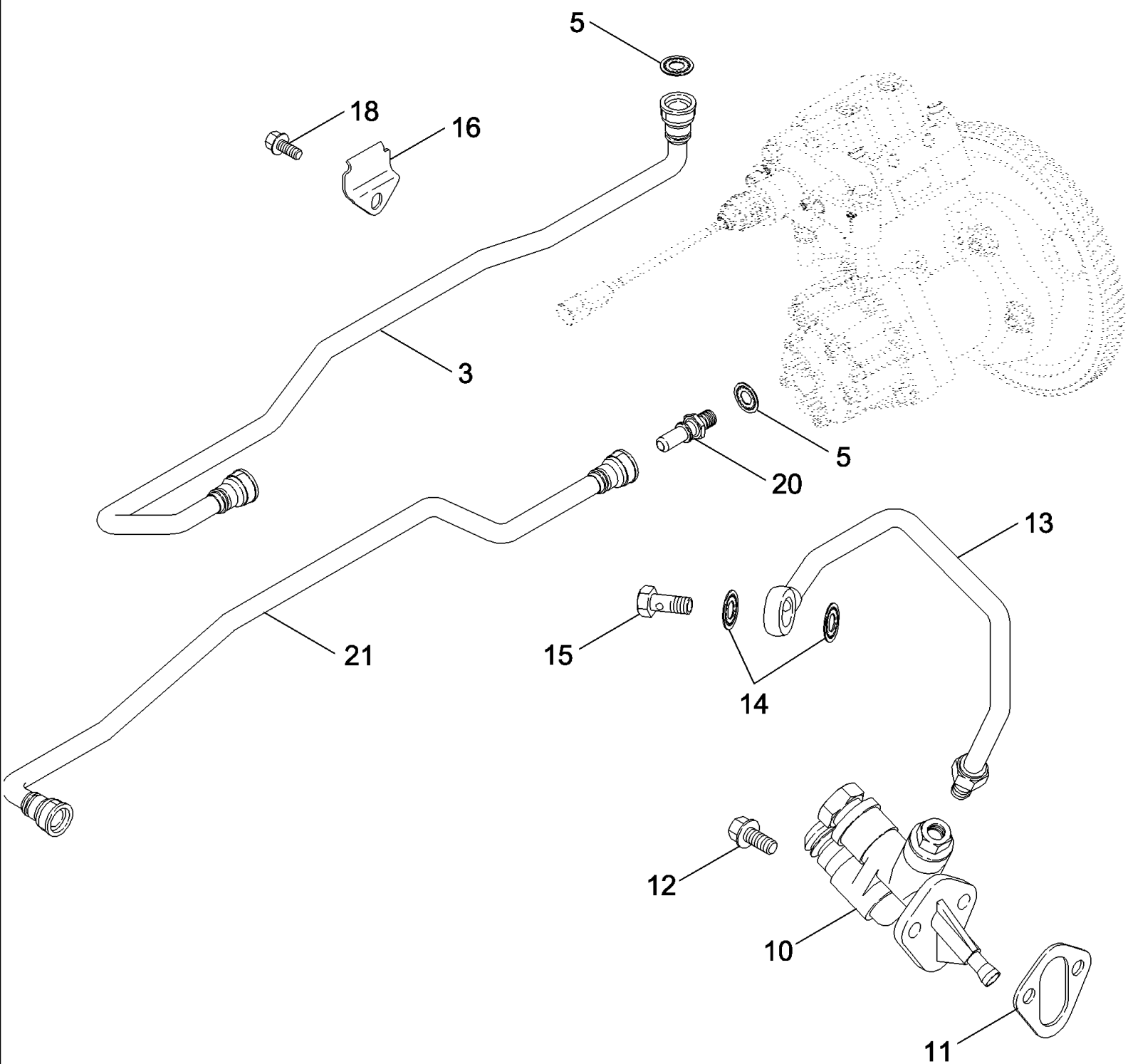
CIS Refers to Commonwealth of Independent States (Russian Market). "BSN HAJ0295001" and "All CIS Markets" are Tier II Mechanical Engines. "ASN HAJ0295001 Except All CIS Markets" are Tier III Engines (NA Market Only).

03-03 WASTEGATE SYSTEM - BSN HAJ0295001 AND ALL CIS MARKETS

сылка	Номер детали	Кол-во	Описание
1	J924148	1	PLUG,
2	217-432	1	PLUG, Hex Soc, 1/4"-18,
3	J921594	1	PLUG,
4	J902425	2	WASHER,
5	J930789	1	TEE, 1/8" x 1/8" x 1/8"
6	222-21	1	FITTING, 7/16"-24 x 1/8" NPTF,
7	J991512	1	TUBE, 120 mm
8	J903035	1	BOLT, BANJO, M12 x 24
9	J990881	1	CONNECTION,
10	87415913	2	WASHER, SEALING, 12 mm
12	J935612	1	PIPE, Air Fuel Control
14	825-2408	1	NUT, M8 x 1.25, Flg, CI 8, Replaces 825-2410
17	87402490	1	PUMP, FUEL INJECTION, , See Figure 03-06
18	J593678	1	ACTUATOR, , See Figure 02-23
19	J930690	1	HOSE, 420 mm (16-1/2")
20	J945212	1	ELBOW,
20A	637-72081	1	O-RING, CI 7, 8.1MM ID x 1.6 Thk,
21	J918002	1	BOLT, BANJO,
22	J918190	2	WASHER, SEALING, 10 x 15.5 x 1 mm
23	217-281	1	FITTING, 45e, 1/4" Hose x 1/8" NPTF, Barbed,
24	214-1704	4	CLAMP, HOSE, #4, 0.25/0.62 Type M Worm,
25	J938056	1	HOSE, Cut 51 mm (2") from J991038
26	NS	1	NOT SERVICED, HOSE, Cut 182 mm (7-5/32") from J991038
27	844-10020	1	BOLT, Hex Flg, M10 x 20, 8.8,



сылка	Номер детали	Кол-во	Описание
1	J925955	1	ADAPTER,
2	J931063	1	FILTER, FUEL,
3	87436149	1	TUBE, Fuel Supply, Combination Flexible Hose and Rigid Tube
4	515-2363	1	CLAMP, M6.3, Insul, 3/8" Bolt,
5	J918192	2	RING, PACKING, 14 mm
6	J905860	1	SCREW, Includes 6A, 7
6A	J911446	1	BOLT, BANJO, M12 x 1.5 x 24,
7	J939570	1	SCREW, BLEED, M6 x 10
8	J863988	1	WASHER, SEALING,
9	J924725	1	BOLT, BANJO,
10	J936316	1	PUMP, FUEL,
11	J939258	1	GASKET,
12	J909310	2	SCREW,
13	J918539	1	TUBE,
14	87415913	2	WASHER, SEALING, 12 mm
15	J916361	1	BOLT, BANJO,
16	87436150	1	BRACKET,
17	283264A1	1	BOLT, M8 x 14; 10,9
18	J924962	2	BOLT, M8 x 16
19	825-1408	1	NUT, M8, CI 8,

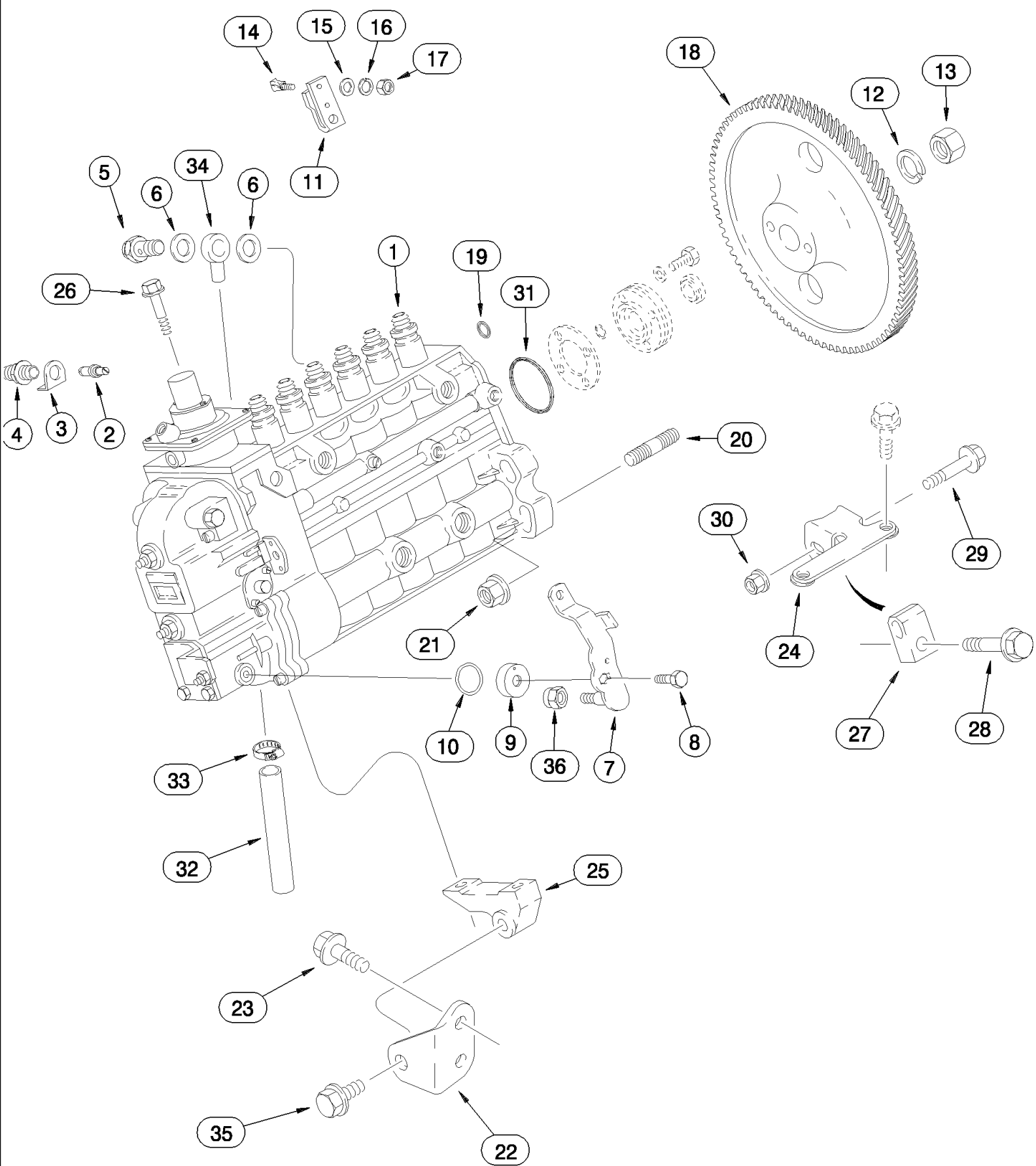


2388 CASE IH AXIAL-FLOW COMBINE (NA) BTW HAJ0292001 & HAJ0300000 (10/04-)

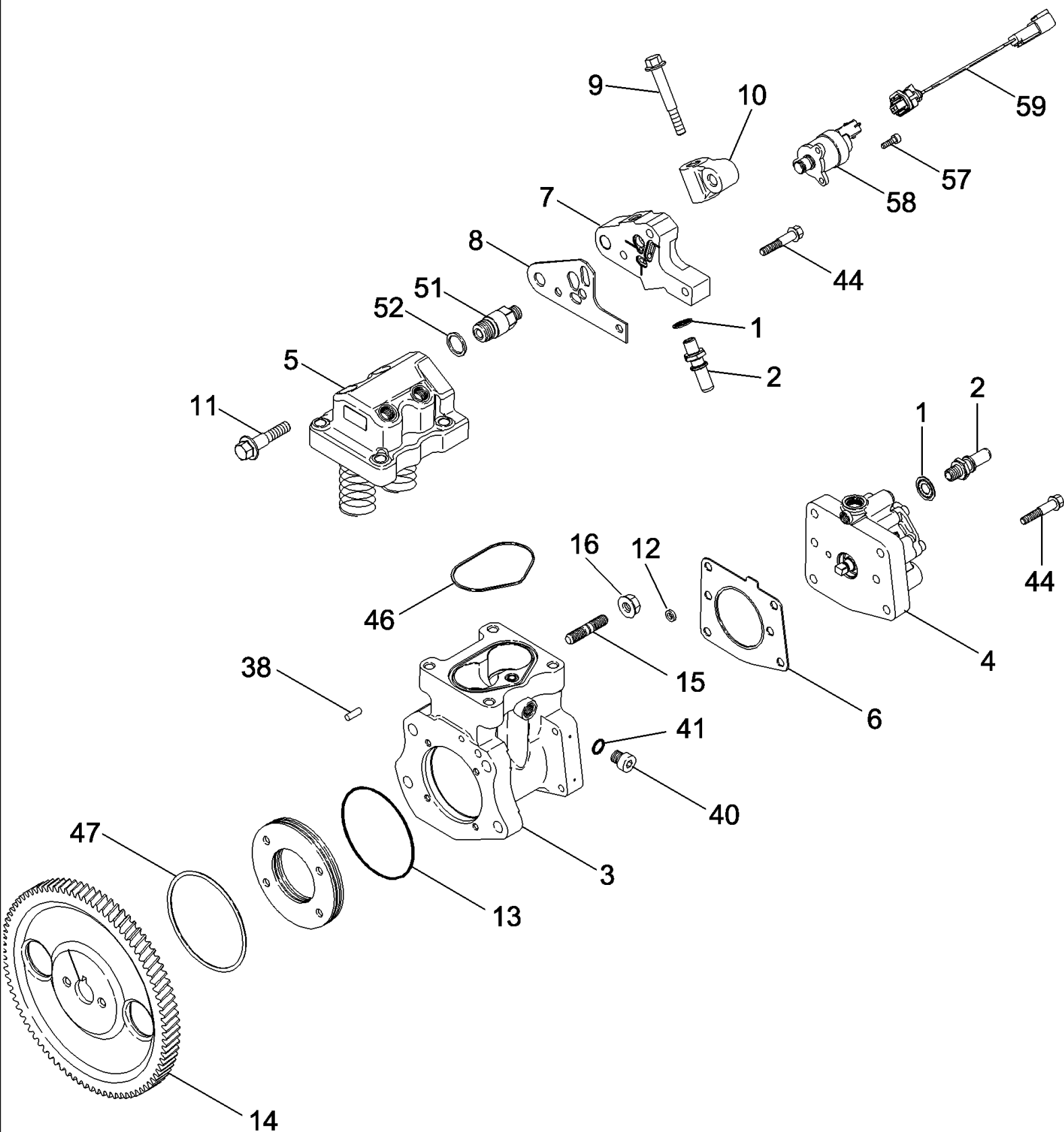
03-05 FUEL FILTER - PUMP, TRANSFER - ASN HAJ0295001 EXCEPT ALL CIS MARKETS

сылка	Номер детали	Кол-во	Описание
3	87349483	1	TUBE, Fuel Supply
5	87346600	2	WASHER, SEALING,
10	J936316	1	PUMP, FUEL,
11	J939258	1	GASKET,
12	J909310	2	SCREW,
13	J918539	1	TUBE,
14	87415913	3	WASHER, SEALING, 12 mm
15	J916361	1	BOLT, BANJO, M12 x 24
16	87339057	1	BRACKET,
18	J925883	1	SCREW, M8 x 16; 10.9
20	87349484	2	ADAPTER,
21	87349485	1	TUBE ASSY., Fuel Supply

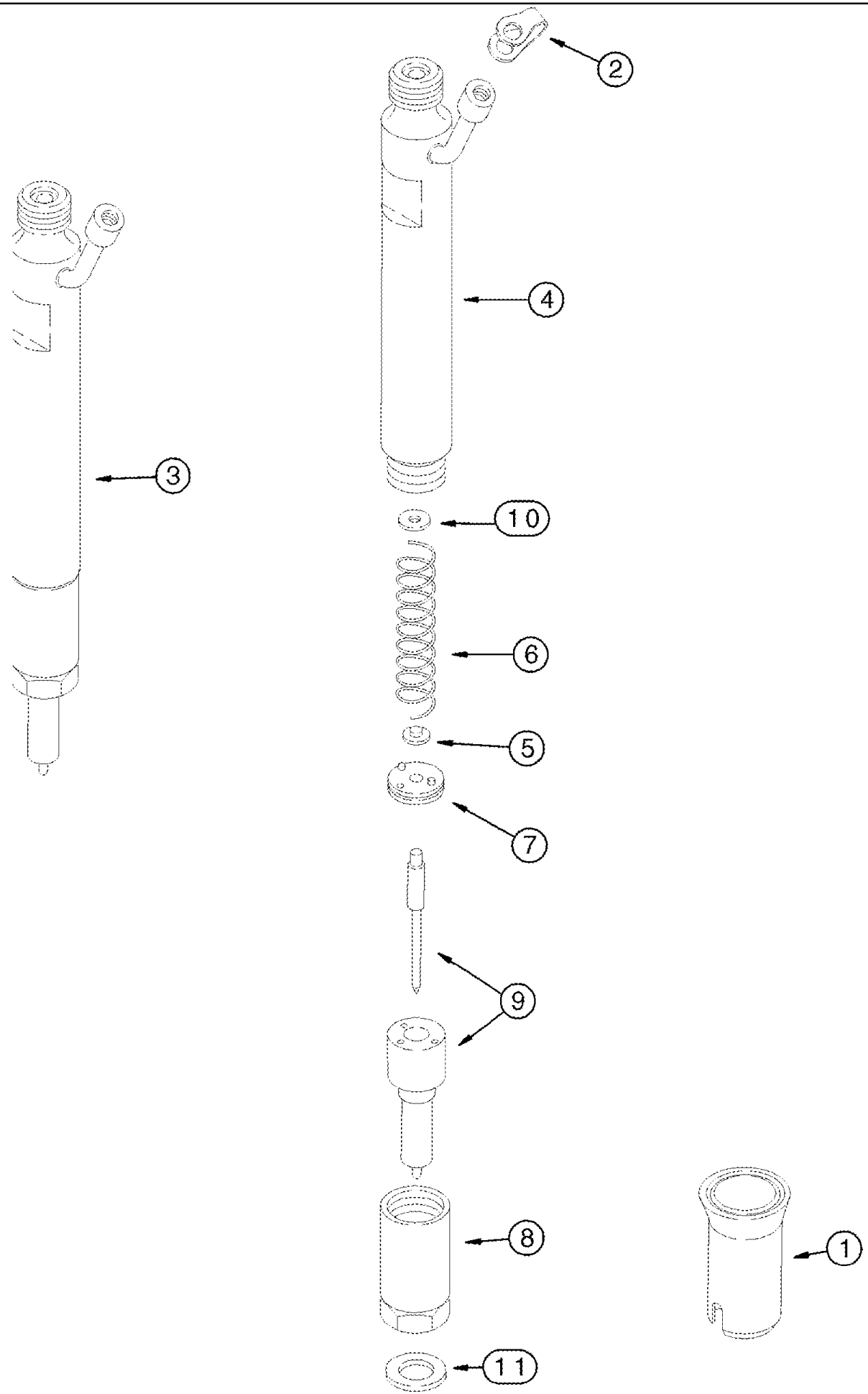
CIS Refers to Commonwealth of Independent States (Russian Market). "BSN HAJ0295001" and "All CIS Markets" are Tier II Mechanical Engines. "ASN HAJ0295001 Except All CIS Markets" are Tier III Engines (NA Market Only).



сылка	Номер детали	Кол-во	Описание
1	87402490	1	PUMP, FUEL INJECTION, New, Includes 2 - 17, 37
1	87402491	1	REMAN-INJECTION PUMP, Remanufactured, N.A. Only
1	87402492	1	CORE-INJECTION PUMP,
2	A77720	1	PIN,
3	J928981	1	WASHER, LOCK,
4	J912888	1	PLUG, Timing
5	87409051	1	VALVE, Overflow
6	J918192	2	RING, PACKING, M14
7	J929322	1	LEVER,
8	628-6016	1	BOLT, Hex, M6 x 16, 10.9, Full Thd,
9	691292C1	1	BUSHING,
10	680187C1	1	O-RING,
11	87438537	1	LEVER,
12	J920922	1	WASHER, LOCK,
13	J920921	1	NUT, M20 x 1.5
14	1808822C1	1	THUMB SCREW, M6 x 26,
15	895-11006	1	WASHER, M6,
16	892-11006	1	WASHER, LOCK, M6,
17	829-1306	1	NUT, M6, CI 10,
18	J931380	1	GEAR, Drive
19	J926722	1	SEAL,
20	86991263	4	STUD, M10 x 55 mm (2-5/32")
21	825-2410	4	NUT, M10 x 1.5, Flg, CI 8,
22	J938091	1	SUPPORT,
23	844-10020	2	BOLT, Hex Flg, M10 x 20, 8.8,
24	J921357	1	HOLDER,
25	J926273	1	SUPPORT,
26	845-8090	2	BOLT, Hex Flg, M8 x 90, 8.8,
27	J926781	1	SUPPORT,
28	J920622	1	BOLT, Hex Flg, M10 x 30, 10.9,
29	845-8045	1	BOLT, Hex Flg, M8 x 45, 8.8,
30	J900589	1	NUT, M8
31	J924605	1	SEAL,
32	J918176	1	HOSE, 330 mm (13")
33	A171099	1	CLAMP, HOSE,
34	J935740	1	BOLT, BANJO, 30 Degree
35	844-10040	1	BOLT, Hex Flg, M10 x 40, 8.8,
36	J930683	1	NUT, LOCK,
37	J912890	1	SPRING, Shut Off, Not Illustrated



сылка	Номер детали	Кол-во	Описание
	87351412	1	PUMP, FUEL,
1	87346600	3	WASHER, SEALING,
2	87349484	3	ADAPTER,
3	87351467	1	BODY, Fuel Pump
4	87351478	1	PUMP, FUEL,
5	87351480	1	HEAD, Fuel Pump
6	87377387	1	GASKET, Cover Plate
7	87351486	1	ADAPTER, Fuel Pump
8	87351493	1	GASKET, Fuel Pump to Gear Pump
9	844-10070	1	BOLT, Hex Flg, M10 x 70, 8.8,
10	87346420	1	SUPPORT,
11	854-12050	1	BOLT, Hex Flg, M12 x 50, 10.9,
12	J926722	1	SEAL,
13	238-7241	2	O-RING, -241, CI 7, 3.859" ID x .139" Thk,
14	J942764	1	GEAR, Fuel Pump
15	86991263	4	STUD, M10 x 55 mm (2-5/32")
16	825-2410	4	NUT, M10 x 1.5, Flg, CI 8,
38	J329899	1	DOWEL,
39	J330252	1	WASHER, (Not Shown)
40	J678923	3	PLUG, 10 mm, Includes 41
41	637-72081	1	O-RING, CI 7, 8.1MM ID x 1.6 Thk,
42	J867640	1	O-RING, (Not Shown)
43	J926593	1	NUT, M20 x 1.5 (Not Shown)
44	854-8040	7	BOLT, Hex Flg, M8 x 40, 10.9,
45	87351459	4	SCREW, (Not Shown)
46	J4010636	1	O-RING, Pump Body
47	87351514	1	SEAL,
48	87351521	4	BOLT, (Not Shown)
49	J867641	4	O-RING, (Not Shown)
50	J867651	2	SEAL, (Not Shown)
51	87351522	1	FITTING, High Pressure
52	87351523	1	WASHER, SEALING,
53	87351524	2	WASHER, SEALING, (Not Shown)
54	87351525	2	PLUG, (Not Shown)
55	87351528	2	PLUG, (Not Shown)
56	87351531	2	WASHER, SEALING, (Not Shown)
57	87351533	3	SCREW,
58	87351534	1	ACTUATOR, ETR Fuel
59	NSS	1	NOT SERVICED SEPARATELY, Harness, Wire, Order 87351534
60	87351536	1	ADAPTER, Fuel Pump (Not Shown)
61	87351504	1	HUB, Distributor Drive (Not Shown)

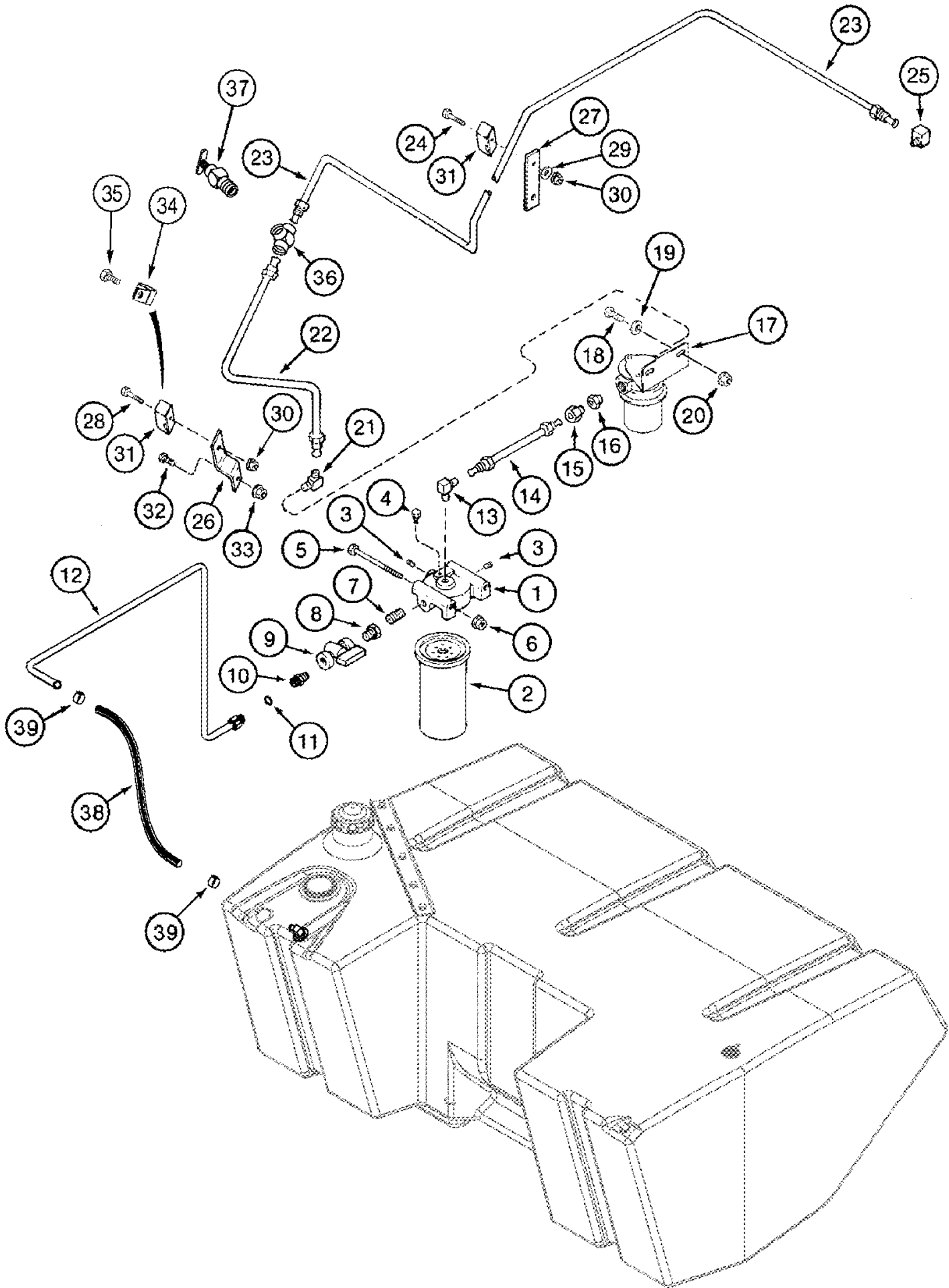


CIS Refers to Commonwealth of Independent States (Russian Market). "BSN HAJ0295001" and "All CIS Markets" are Tier II Mechanical Engines. "ASN HAJ0295001 Except All CIS Markets" are Tier III Engines (NA Market Only).

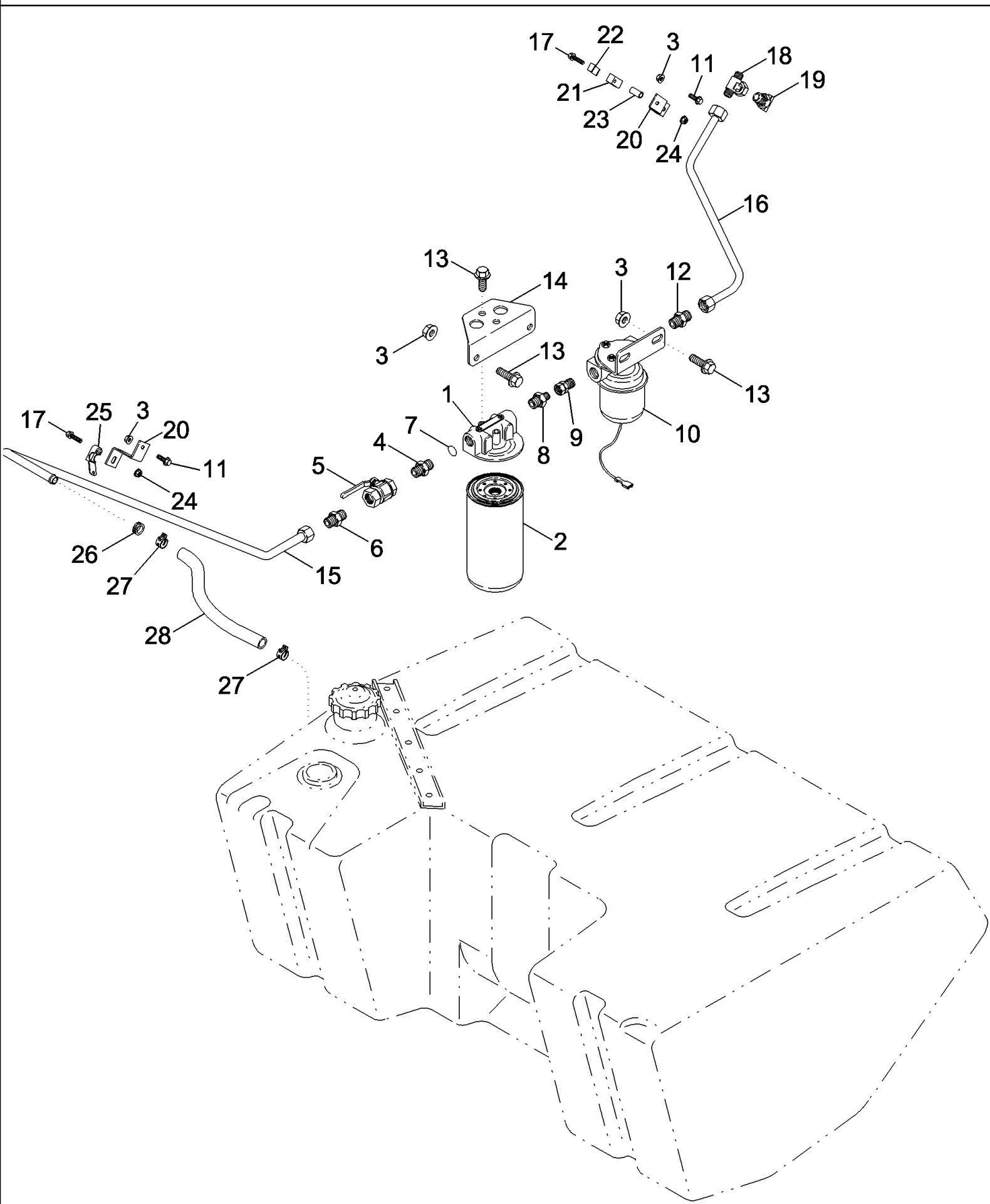
03-08 FUEL INJECTION - NOZZLE - BSN HAJ0295001

сылка	Номер детали	Кол-во	Описание
	JR931735	6	REMAN-NOZZLE, INJECT, Remanufactured, Only For N.A.
	JC931735	6	CORE-INJECTION PUMP,
1	J909886	6	SEAL,
2	J903380	6	SEAL,
3	J931735	6	INJECTOR, FUEL SYSTEM, Includes 4- 9
4	NSS	1	NOT SERVICED SEPARATELY, Body
5	NSS	1	NOT SERVICED SEPARATELY, Spindle
6	NSS	1	NOT SERVICED SEPARATELY, Spring
7	NSS	1	NOT SERVICED SEPARATELY, Plate
8	NSS	1	NOT SERVICED SEPARATELY, Nut
9	NSS	1	NOT SERVICED SEPARATELY, Tip, Tooth
10	1806233C1	AR	SHIM, 1.00 mm
10	1806234C1	AR	SHIM, 1.04 mm
10	1806235C1	AR	SHIM, 1.08 mm
10	1806236C1	AR	SHIM, 1.10 mm
10	1806237C1	AR	SHIM, 1.14 mm
10	1806238C1	AR	SHIM, 1.18 mm
10	1806239C1	AR	SHIM, 1.20 mm
10	1806240C1	AR	SHIM, 1.24 mm
10	1806241C1	AR	SHIM, 1.28 mm
10	1806242C1	AR	SHIM, 1.30 mm
10	1806243C1	AR	SHIM, 1.34 mm
10	1806244C1	AR	SHIM, 1.38 mm
10	1806245C1	AR	SHIM, 1.40 mm
10	1806246C1	AR	SHIM, 1.44 mm
10	1806247C1	AR	SHIM, 1.48 mm
10	1806248C1	AR	SHIM, 1.50 mm
10	1806249C1	AR	SHIM, 1.54 mm
10	1806250C1	AR	SHIM, 1.58 mm
10	1806251C1	AR	SHIM, 1.60 mm
10	1806252C1	AR	SHIM, 1.64 mm
10	1806253C1	AR	SHIM, 1.68 mm
10	1806254C1	AR	SHIM, 1.70 mm
10	1806255C1	AR	SHIM, 1.74 mm
10	1806256C1	AR	SHIM, 1.78 mm
10	1806257C1	AR	SHIM, 1.80 mm
10	1806258C1	AR	SHIM, 1.84 mm
10	1806259C1	AR	SHIM, 1.88 mm
10	1806260C1	AR	SHIM, 1.90 mm
10	1806261C1	AR	SHIM, 1.94 mm
10	1806262C1	AR	SHIM, 1.98 mm
11	J937142	6	SEAL, 7 mm injector tip

CIS Refers to Commonwealth of Independent States (Russian Market). "BSN HAJ0295001" and "All CIS Markets" are Tier II Mechanical Engines. "ASN HAJ0295001 Except All CIS Markets" are Tier III Engines (NA Market Only).



сылка	Номер детали	Кол-во	Описание
1	612277C2	1	HEAD, FILTER,
2	87307432	1	FILTER, FUEL,
3	217-86	2	PLUG, Hex Hd, 1/4"-18, Brass,
4	217-84	1	PLUG, Hex Hd, 1/8"-27, Brass,
5	424-564	2	BOLT, Hex, 5/16"-18 x 4", G2,
6	231-5145	2	NUT, Flg, USR, 5/16"-18,
7	217-1080	1	CONNECTOR, HYD., 1/4"-18 NPTF,
8	217-43	1	REDUCER, 1/2"-14 NPTF x 1/4"-18 Fem NPTF,
9	1345205C1	1	VALVE, SHUT-OFF,
10	383519A1	1	FITTING, 1/2" PT x 1/2" OR, Includes 11
11	238-6014	1	O-RING, -014, 90 Duro, .489" ID x .070" Thk,
12	399754A1	1	TUBE, Fuel Supply
13	222-1026	1	ELBOW, 90e, 5/8"-18 Inv Fl x 1/4" NPT,
14	384401A1	1	TUBE, Filter to Pump
15	222-1016	1	CONNECTOR, HYD., 5/8"-18 Inv Fl x 1/4" NPT,
16	217-42	1	REDUCER, 3/8"-18 NPTF x 1/4"-18 Fem NPTF,
17	302867A1	1	PUMP, FUEL, Fuel Lift
18	477-73120	2	SCREW, Slt'd Serr Truss Hd, 5/16"-18 x 1 1/4",
19	496-41041	8	WASHER, 13/32" x 1 1/8" x .134",
20	231-5145	2	NUT, Flg, USR, 5/16"-18,
21	144535R1	1	ELBOW, 3/8" inv fl
22	1977001C1	1	TUBE, Lower Supply
23	86988949	1	TUBE, Upper Supply
24	413-424	1	BOLT, Hex, 1/4"-20 x 1 1/2", G5,
25	222-1026	1	ELBOW, 90e, 5/8"-18 Inv Fl x 1/4" NPT,
26	1977005C1	1	SUPPORT,
27	1330564C1	1	PLATE,
28	413-420	4	BOLT, Hex, 1/4"-20 x 1 1/4", G5, , Use with 236558A1
29	495-81121	1	WASHER, .344" x 1 1/2" x .060",
30	231-5344	5	NUT, LOCK, Flg, 1/4"-20,
31	236558A1	5	CLAMP,
32	409-7516	4	BOLT, Hex Flg, 5/16"-18 x 1", Serr,
33	231-5145	4	NUT, Flg, USR, 5/16"-18,
34	515-2395	1	CLAMP, 3/8", Insul, 3/8" Bolt,
35	477-73812	1	SCREW, Slt'd Serr Truss Hd, 3/8" x 3/4",
36	408255A1	1	UNION,
37	86982771	1	VALVE, 1/4" PT, Drain Cock
38	364782A1	1	HOSE, 300 mm (11-13/16")
39	1348264C1	2	CLAMP, HOSE, 3/8" ID

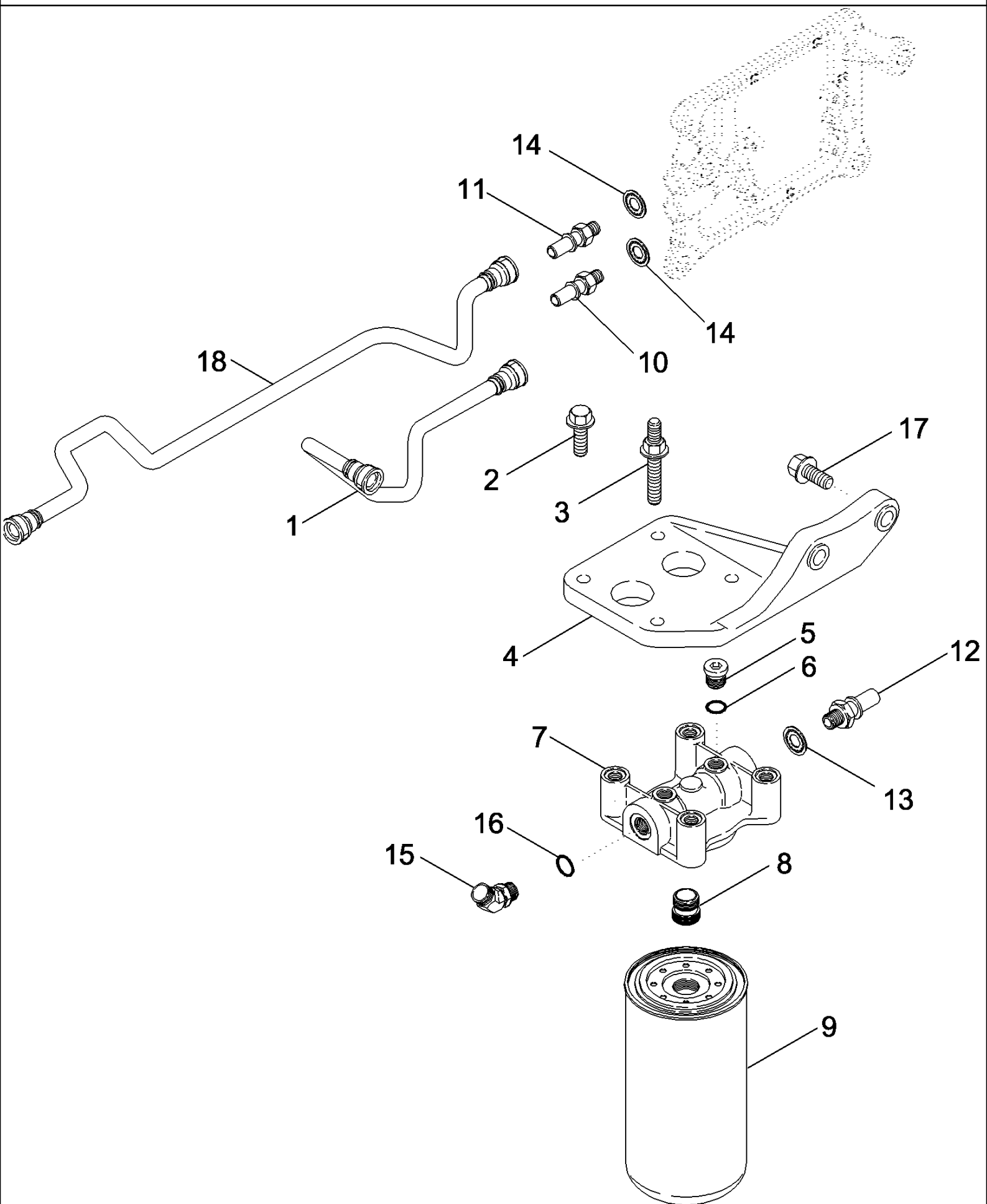


CIS Refers to Commonwealth of Independent States (Russian Market). "BSN HAJ0295001" and "All CIS Markets" are Tier II Mechanical Engines. "ASN HAJ0295001 Except All CIS Markets" are Tier III Engines (NA Market Only).

03-10 FUEL, SUPPLY - ASN HAJ0295001 AND ALL CIS MARKETS

сылка	Номер детали	Кол-во	Описание
1	87302103	1	FILTER ASSY., Fuel, Includes 2
2	87307432	1	FILTER, FUEL,
3	231-5145	6	NUT, Flg, USR, 5/16"-18,
4	217-43	1	REDUCER, 1/2"-14 NPTF x 1/4"-18 Fem NPTF, 1/2 PT x 5/8 Tube
5	1345205C1	1	VALVE, SHUT-OFF,
6	132341	1	CONNECTOR, HYD., 3/4"-16, 37e x 1/2"-14, NPTF, 1/2 PT x 1/2 or, Includes 11
7	167269	1	O-RING, 10-1, 90 Duro, .755" ID x .097" Thk,
8	218-5354	1	CONNECTOR, HYD., 9/16"-18, 37e x 7/8"-14, O-Ring, 5/8 inv fl x 3/8 PT
9	218-959	1	CONNECTOR, HYD., 37e, Sw, 9/16"-18, Fem x 9/16"-18 NPT, Male, Brass,
10	87307545	1	PUMP, FUEL, Fuel Lift
11	477-73120	2	SCREW, SltD Serr Truss Hd, 5/16"-18 x 1 1/4",
12	218-1024	1	CONNECTOR, HYD., 9/16"-18, 37e x 3/8"-18, NPTF, 3/8 Tube
13	409-7512	6	BOLT, Hex Flg, 5/16"-18 x 3/4", Serr,
14	87311131	1	BRACKET, Fuel Filter
15	87305320	1	TUBE, Supply Tank
16	87305323	1	TUBE, Fuel
17	413-424	1	BOLT, Hex, 1/4"-20 x 1 1/2", G5,
18	218-573	1	TEE, 9/16"-18, 37e x 1/4"-18, NPTF Fem Br, 3/8 x 3/8 x 1/4 PT
19	86982771	1	VALVE, 1/4" PT, Drain Cock
20	87311456	1	BRACKET, Fuel Line Supply
21	449127A1	1	CLAMP, Tube
22	449128A1	1	PLATE, Tube Clamp
23	418785A1	1	SPACER, Tube Clamp
24	231-5344	2	NUT, LOCK, Flg, 1/4"-20,
25	196447C1	1	CLAMP, Tube
26	198824C1	1	GROMMET,
27	214-1706	2	CLAMP, HOSE, #6, 0.44/0.78 Type M Worm,
28	364782A1	1	HOSE, Inlet

CIS Refers to Commonwealth of Independent States (Russian Market). "BSN HAJ0295001" and "All CIS Markets" are Tier II Mechanical Engines. "ASN HAJ0295001 Except All CIS Markets" are Tier III Engines (NA Market Only).

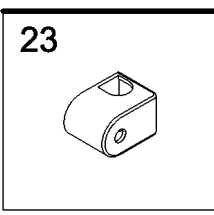
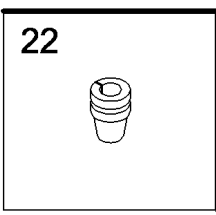
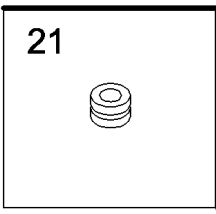
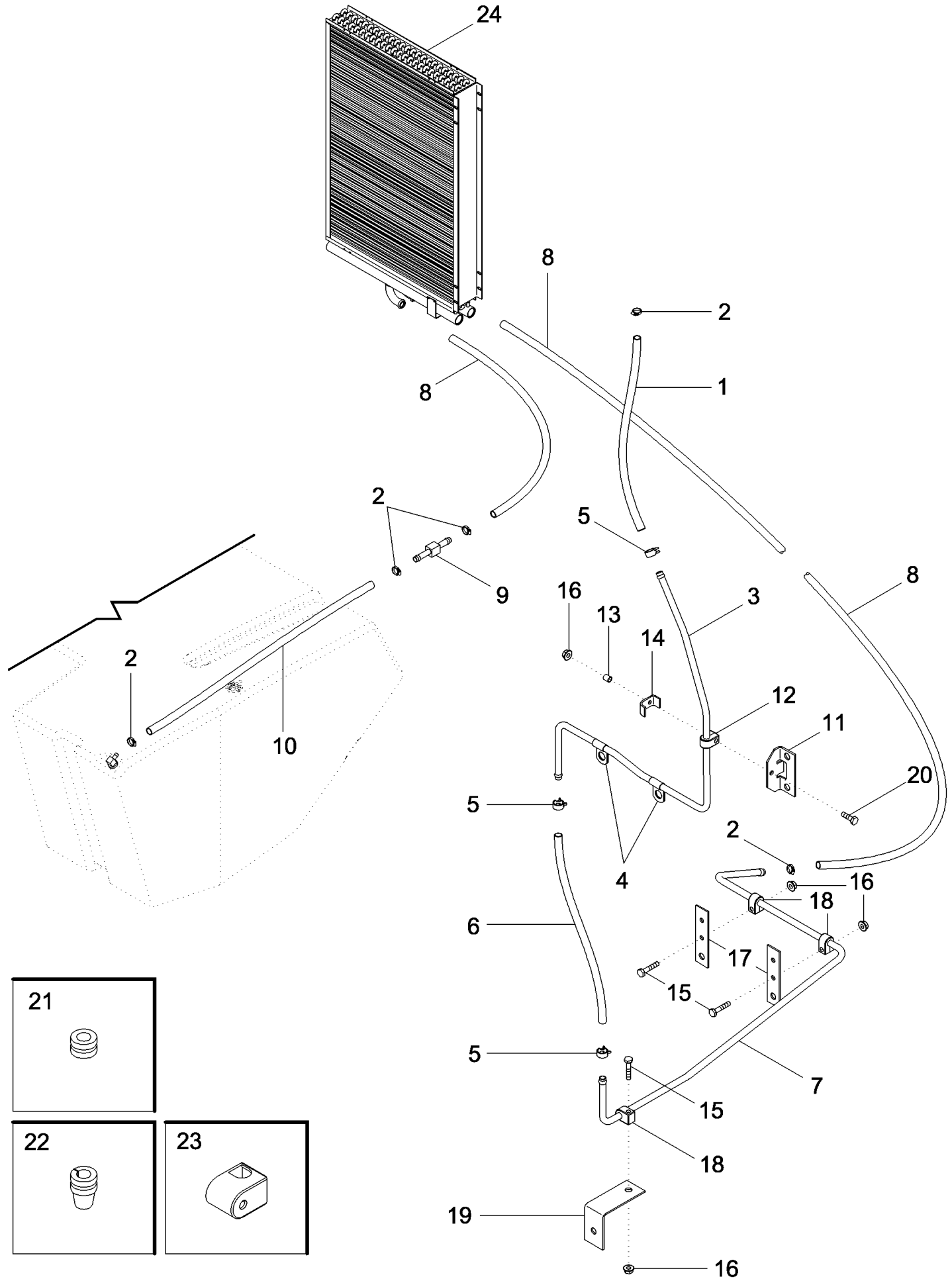


03-11 FUEL FILTER, ENGINE - ASN HAJ0295001 EXCEPT ALL CIS MARKETS

сылка	Номер детали	Кол-во	Описание
	87349746	1	FILTER ASSY., Fuel, Includes 1, 2, 3, 6
1	87351057	1	TUBE, Upper Supply
2	87349737	2	BOLT,
3	845-8030	2	BOLT, Hex Flg, M8 x 30, 8.8,
4	87349731	1	SUPPORT,
5	J678923	2	PLUG, 10 mm, Includes 4
6	637-72081	1	O-RING, CI 7, 8.1MM ID x 1.6 Thk,
7	87349758	1	HEAD, FILTER,
8	87349753	1	ADAPTER,
9	87360565	1	FILTER, FUEL,
10	87351059	1	ADAPTER,
11	87351058	1	ADAPTER,
12	87349484	1	ADAPTER,
13	87417767	1	WASHER, SEALING,
14	87346600	2	WASHER, SEALING,
15	311214A1	1	ELBOW, Includes 11
16	237-8010	1	O-RING, 10-1, CI 8, .755" ID x .097" Thk,
17	87349727	2	BOLT,
18	87341277	1	TUBE, Lower Supply

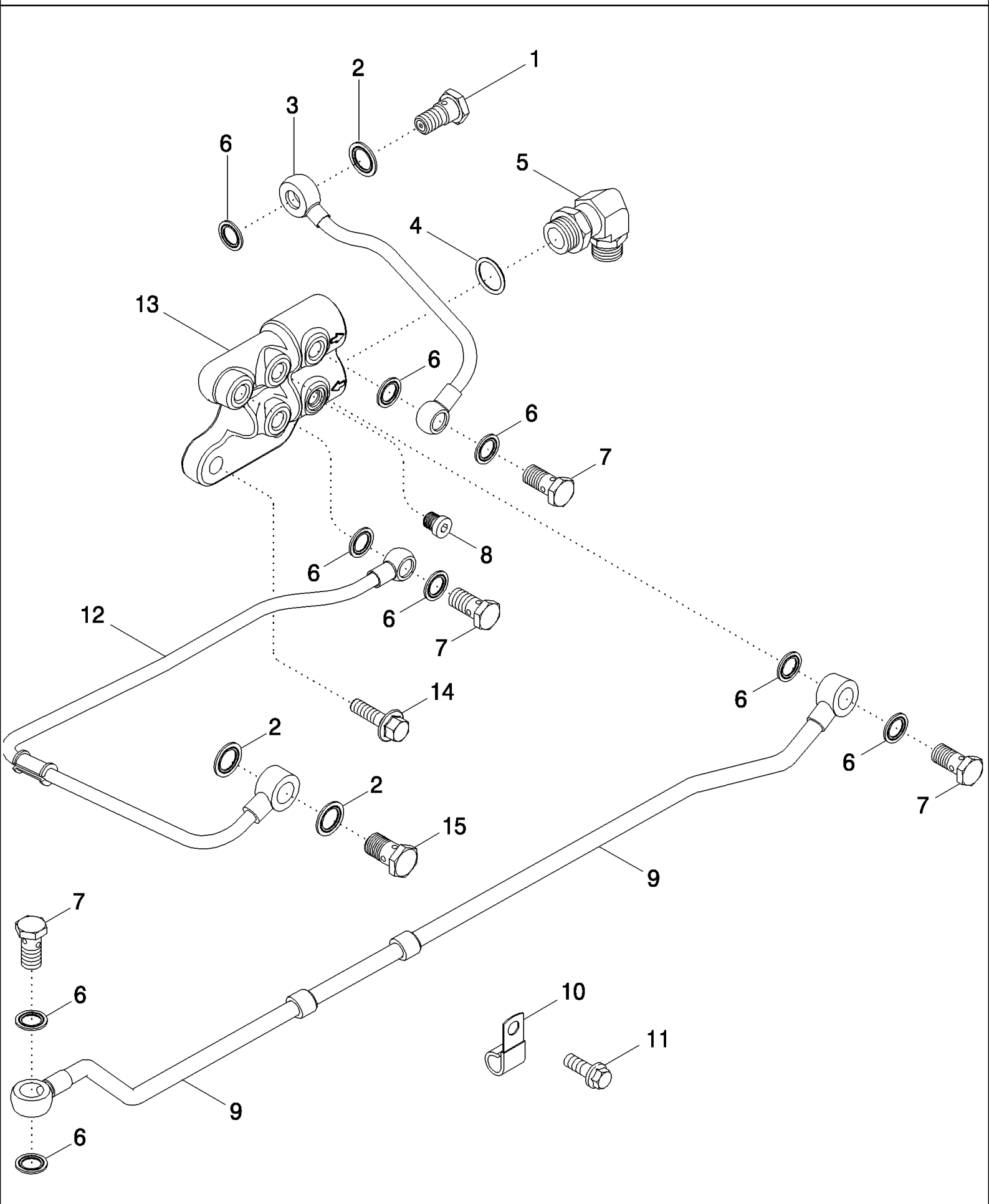
CIS Refers to Commonwealth of Independent States (Russian Market). "BSN HAJ0295001" and "All CIS Markets" are Tier II Mechanical Engines. "ASN HAJ0295001 Except All CIS Markets" are Tier III Engines (NA Market Only).

03-12 FUEL, RETURN



03-12 FUEL, RETURN

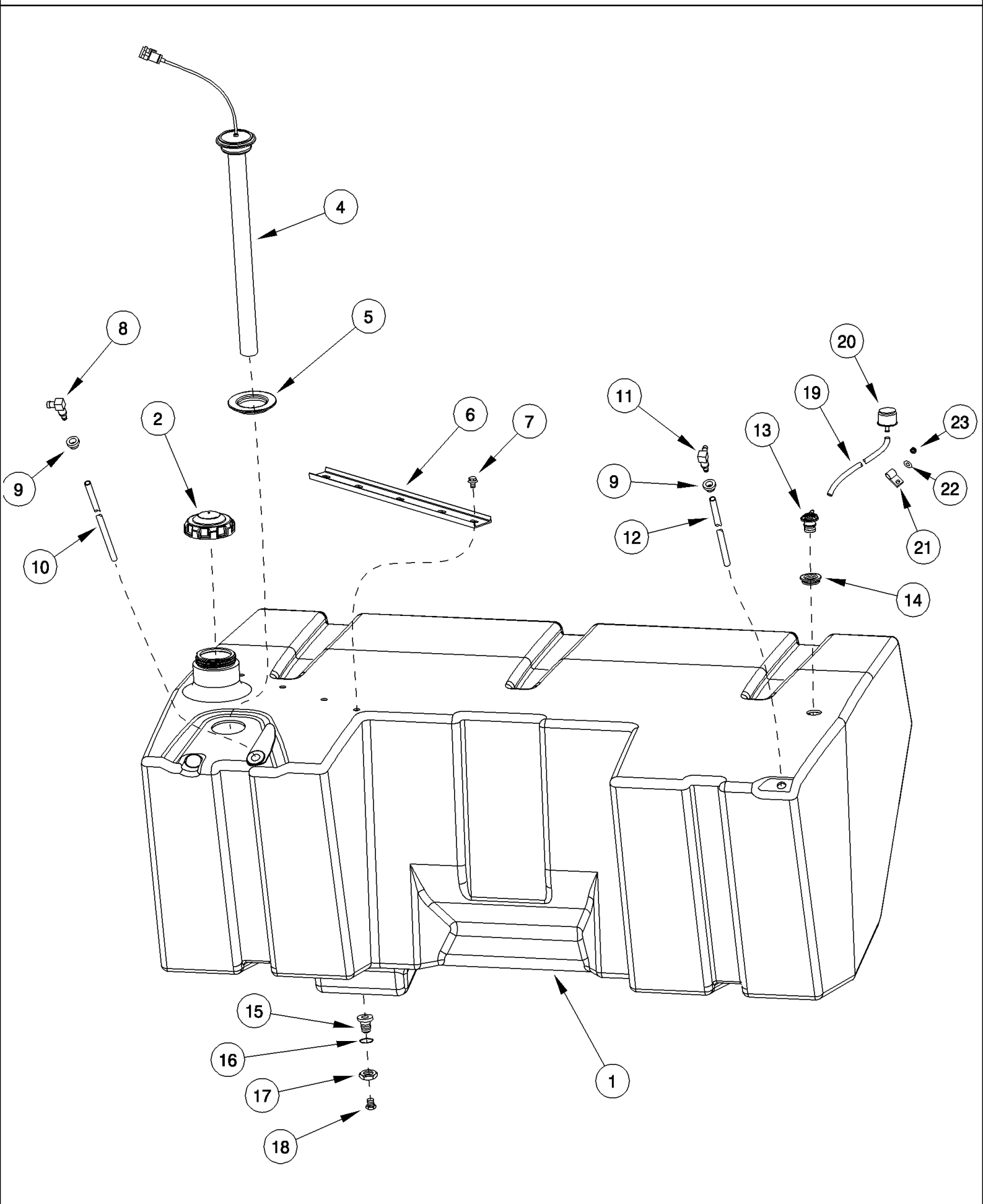
сылка	Номер детали	Кол-во	Описание
1	390653A1	1	HOSE, 191 mm (7-1/2"), Cut from S118400
2	214-1706	5	CLAMP, HOSE, #6, 0.44/0.78 Type M Worm,
3	426604A2	1	TUBE, HYD,
4	515-2595	2	CLAMP, 3/8", Insul, 1/2" Bolt,
5	1348264C1	3	CLAMP, HOSE, 3/8" ID
6	87421440	1	HOSE, 124 mm (4-7/8"), Cut from S118400
7	87404417	1	TUBE, , BSN HAJ0295001
7	87323591	1	TUBE ASSY., , All CIS Markets, ASN HAJ0295001
8	86989651	2	HOSE, 1170 mm (46"), Cut from S118400
9	87405016	1	FITTING, Connector
10	87404885	1	HOSE, 1250 mm (49-1/4"), Cut from S118400
11	409390A2	1	BRACKET,
12	449127A1	1	CLAMP, 3/8" ID
13	418785A1	1	SPACER,
14	449128A1	1	PLATE,
15	413-420	3	BOLT, Hex, 1/4"-20 x 1 1/4", G5,
16	231-5344	3	NUT, LOCK, Flg, 1/4"-20,
16	231-5144	1	NUT, Flg, USR, 1/4"-20,
17	87404841	2	SUPPORT,
18	236558A1	3	CLAMP,
19	178950C2	1	ANGLE,
20	326-424	1	BOLT, Hex, 1/4"-20 x 1 1/2", G8,
21	198824C1	2	GROMMET, 1/2" ID
22	198828C1	1	GROMMET, 1"
23	196447C1	1	CLAMP, 1/2 Tube



CIS Refers to Commonwealth of Independent States (Russian Market). "BSN HAJ0295001" and "All CIS Markets" are Tier II Mechanical Engines. "ASN HAJ0295001 Except All CIS Markets" are Tier III Engines (NA Market Only).

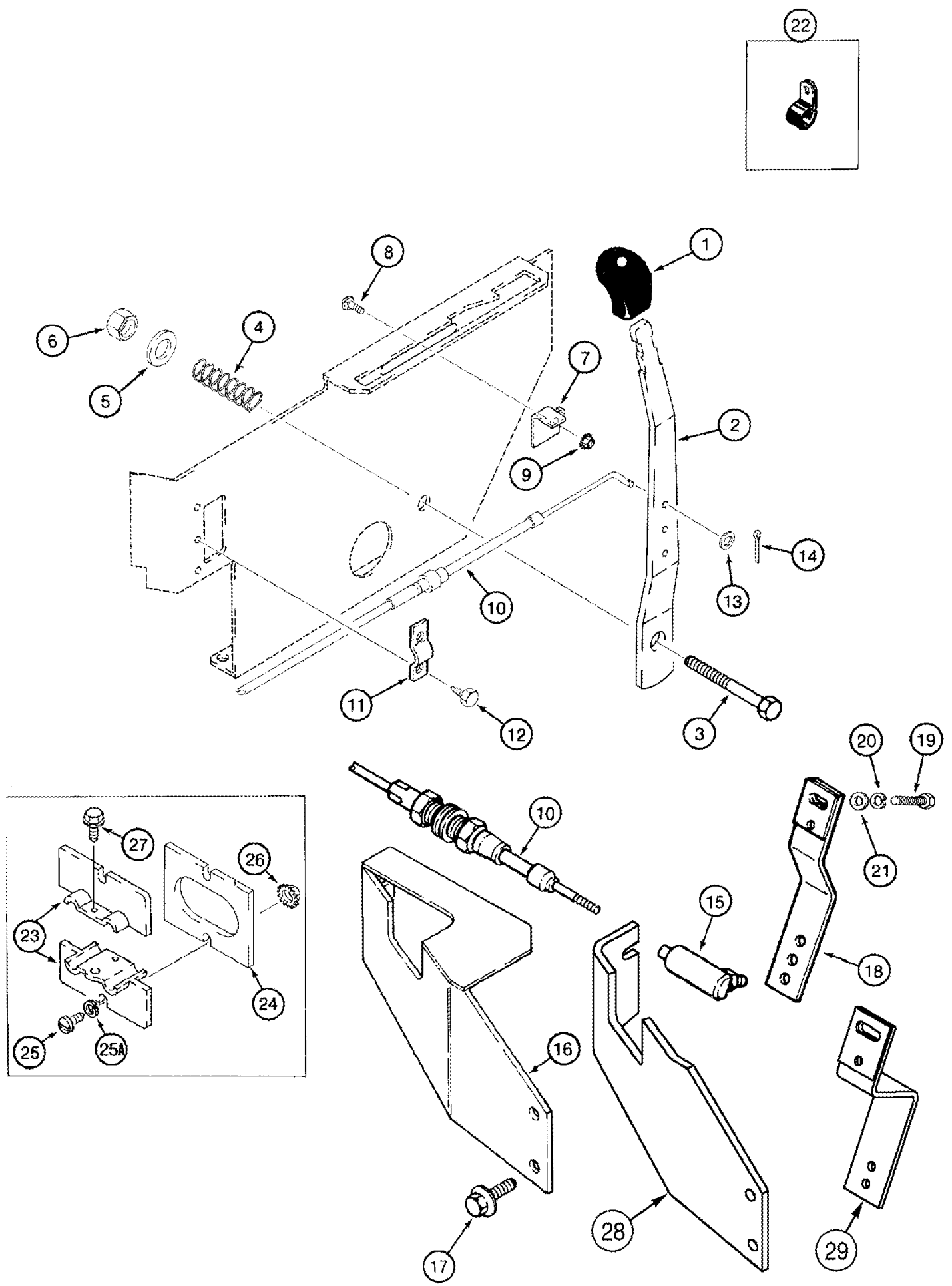
сылка	Номер детали	Кол-во	Описание
1	87346562	1	VALVE, CHECK,
2	87417767	3	WASHER, SEALING,
3	87350046	1	TUBE,
4	9617873	1	O-RING, 6-1, 90 Duro, .468" ID x .078" Thk,
5	86512938	1	ELBOW, 90є, 3/4"-16, 37є x 9/16"-18, O-Ring,
6	87346600	9	WASHER, SEALING,
7	J903035	1	BOLT, BANJO, M12 x 1.50 x 24
8	J678923	1	PLUG, 10 mm
9	87350033	1	TUBE,
10	87350023	1	CLIP,
11	844-10020	1	BOLT, Hex Flg, M10 x 20, 8.8,
12	87350034	1	TUBE,
13	87350030	1	BLOCK, CONNECTING,
14	87349727	2	BOLT, M10 x 1.50 x 35
15	J924725	1	BOLT, BANJO, M14 x 1.50 x 26

03-14 FUEL TANK



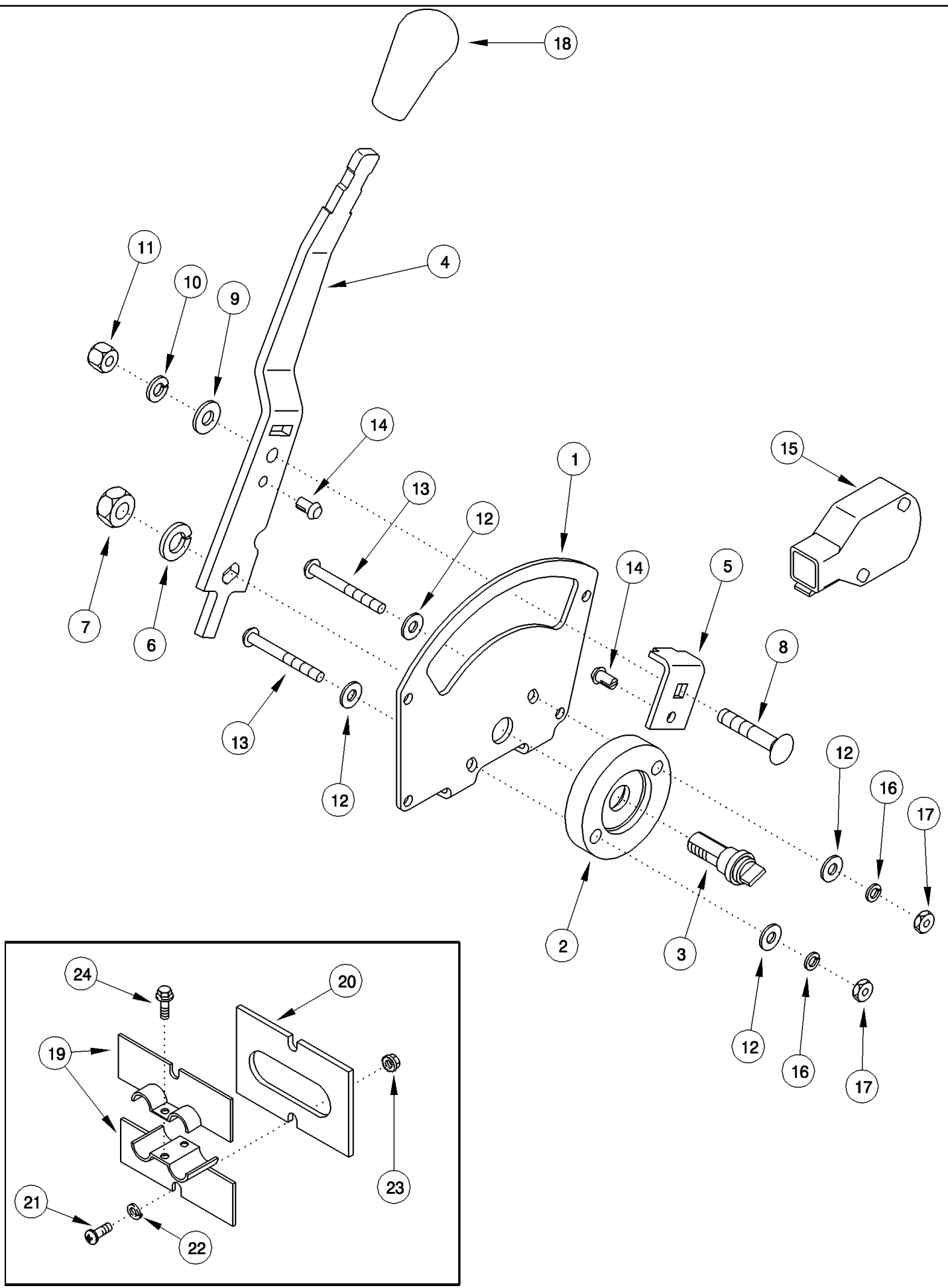
03-14 FUEL TANK

сылка	Номер детали	Кол-во	Описание
	392074A3	1	FUEL TANK, 170 Gal., Includes 1 - 18, BSN HAJ0295001
	87348514	1	FUEL TANK, 170 Gal., Includes 1 - 18, ASN HAJ0295001
1	349601A3	1	FUEL TANK, , ASN HAJ0295001
2	257349A1	1	CAP, FILLER,
4	356872A1	1	SENDER UNIT, Fuel Level, BSN HAJ0295001
4	87332223	1	SENDER UNIT, Fuel Level, ASN HAJ0295001
5	255095A1	1	GROMMET,
6	402197A1	1	SUPPORT,
7	409-768	5	BOLT, Hex Flg, 3/8"-16 x 1/2", Serr,
8	392075A1	1	ELBOW,
9	394692A1	2	GROMMET,
10	392076A1	1	TUBE,
11	392077A1	1	ELBOW,
12	392078A1	1	TUBE,
13	86999948	1	VALVE, SAFETY,
14	86999947	1	GROMMET,
15	282708A1	1	FITTING,
16	238-5214	1	O-RING, -214, 70 Duro, .984" ID x .139" Thk,
17	282709A1	1	NUT,
18	217-407	1	PLUG, Hex Hd, 3/8"-18,
19	402929A1	1	TUBE, Fuel Vent, 1350 mm (53-5/32"), Cut from 74813C1, BSN HAJ0295001
19	NS	1	NOT SERVICED, TUBE Fuel Vent, 1475 mm (58-1/8"), Cut from 87311634, ASN HAJ0295001
20	316078A2	1	BREATHER,
21	515-23412	1	CLAMP, 1 5/8", Insul, 3/8" Bolt,
23	231-5145	1	NUT, Flg, USR, 5/16"-18,
22	495-11034	1	WASHER, 5/16", SAE,
23	231-5145	1	NUT, Flg, USR, 5/16"-18,
24	214-1704	2	CLAMP, HOSE, #4, 0.25/0.62 Type M Worm, Not Illustrated



03-15 THROTTLE CONTROL - BSN HAJ0295001

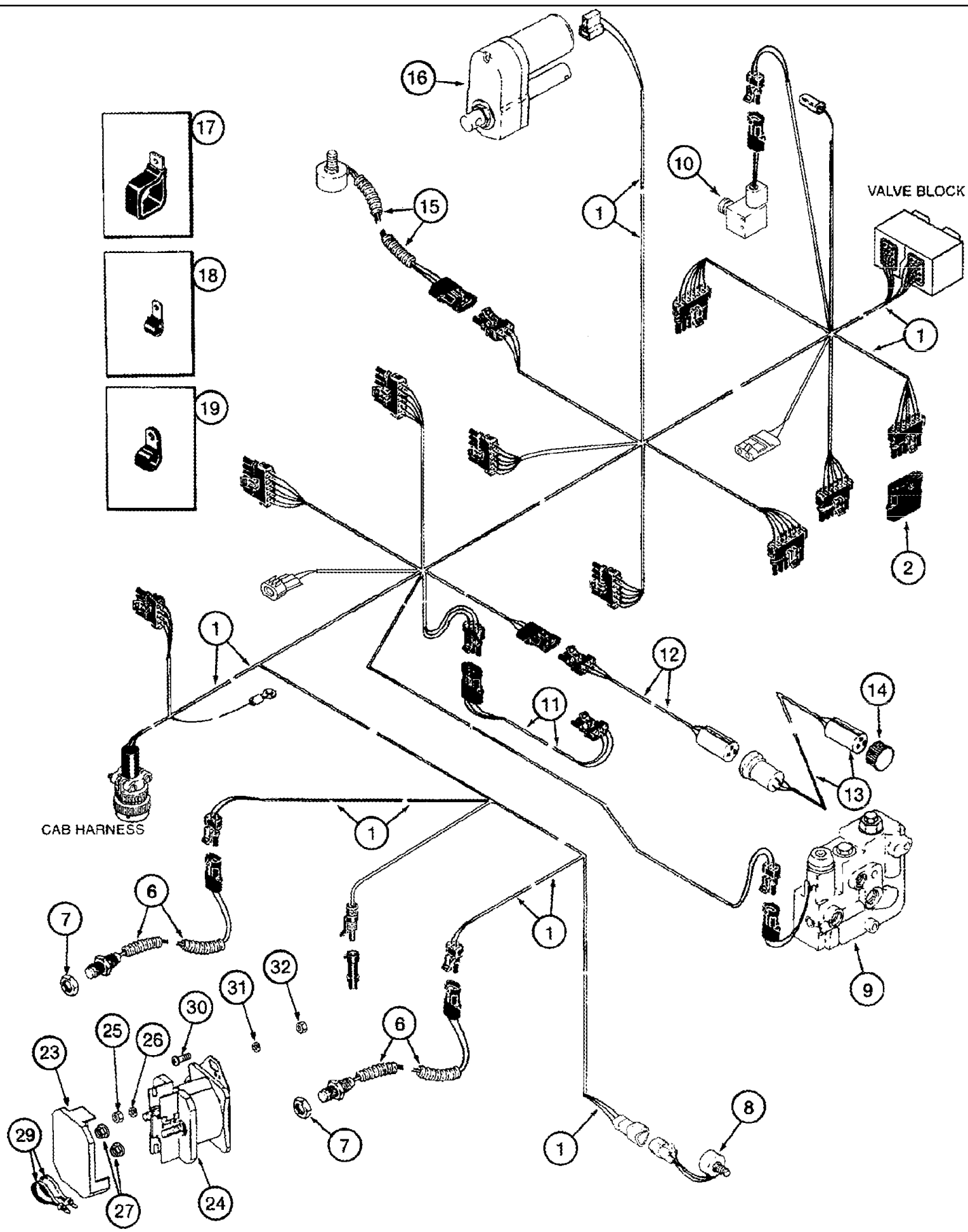
сылка	Номер детали	Кол-во	Описание
1	134071A1	1	KNOB,
2	116434A1	1	LEVER,
3	814-10060	1	BOLT, Hex, M10 x 60, 8.8,
4	PO22	1	SPRING,
5	495-81145	1	WASHER, 13/32" x 1 3/4" x .120",
6	829-1410	1	NUT, M10, CI 10,
7	116433A2	1	STOP,
8	434-48	1	BOLT, CARRIAGE, Short NK, 1/4"-20 x 1/2", G5, Full Thd,
9	231-5144	1	NUT, Flg, USR, 1/4"-20,
10	115396A1	1	CABLE,
11	A75815	1	CLAMP,
12	841-4410	2	SCREW, Hex Wash Hd, M4 x 10,
13	895-11005	2	WASHER, M5 x 10 x 1,
14	432-48	1	PIN, SPLIT (COTTER), 1/16" x 1/2",
15	1977009C4	1	BALL JOINT, No. 10
16	NSS	1	NOT SERVICED SEPARATELY, SUPPORT
17	857-10020	2	BOLT, Hex Flg, M10 x 20, 10.9,
18	NSS	1	NOT SERVICED SEPARATELY, BRACKET
19	614-6016	2	BOLT, Hex, M6 x 16, 8.8,
20	892-11006	2	WASHER, LOCK, M6,
21	495-81006	2	WASHER, .266" x 3/4" x .060",
22	515-23222	2	CLAMP, 7/8", Insul, 3/8" Bolt,
23	119314A1	2	CLAMP,
24	119328A1	1	GASKET,
25	117067A1	2	SCREW, SELF TAP, Cross Pan Hd, #10-24 x 3/4",
25A	492-11010	2	WASHER, LOCK, #10,
26	231-51409	2	NUT, Flg, USR, #10-24,
27	191216A1	2	SCREW, SELF TAP, Hex Wash Hd, #10-24 x 5/8",
28	344951A1	1	SUPPORT,
29	344952A1	1	LEVER,



03-16 THROTTLE CONTROL - ASN HAJ0295001

сылка	Номер детали	Кол-во	Описание
1	344988A1	1	PLATE, Throttle Control
2	302688A1	1	SPACER, Potentiometer
3	344990A1	1	PIN, Drive
4	344989A1	1	LEVER, Throttle
5	344991A1	1	BRACKET,
6	892-11010	1	WASHER, LOCK, M10,
7	829-1410	1	NUT, M10, CI 10,
8	411-424	1	BOLT, CARRIAGE, Short NK, 1/4"-20 x 1 1/2", G2,
9	495-11028	1	WASHER, 1/4", SAE,
10	492-11025	1	WASHER, LOCK, 1/4",
11	231-1444	1	NUT, LOCK, 1/4"-20, GB,
12	495-31022	4	WASHER, #10,
13	440-11028	2	SCREW, Cross Pan Hd, #10-24 x 1 3/4",
14	259040A1	2	PAD, WEAR,
15	231426A1	1	POTENTIOMETER,
16	492-11010	2	WASHER, LOCK, #10,
17	225-14110	2	NUT, #10-24,
18	134071A1	1	KNOB,
19	119314A1	2	CLAMP,
20	119328A1	1	GASKET,
21	117067A1	2	SCREW, SELF TAP, Cross Pan Hd, #10-24 x 3/4",
22	492-11010	2	WASHER, LOCK, #10,
23	231-51409	2	NUT, Flg, USR, #10-24,
24	191216A1	2	SCREW, SELF TAP, Hex Wash Hd, #10-24 x 5/8",

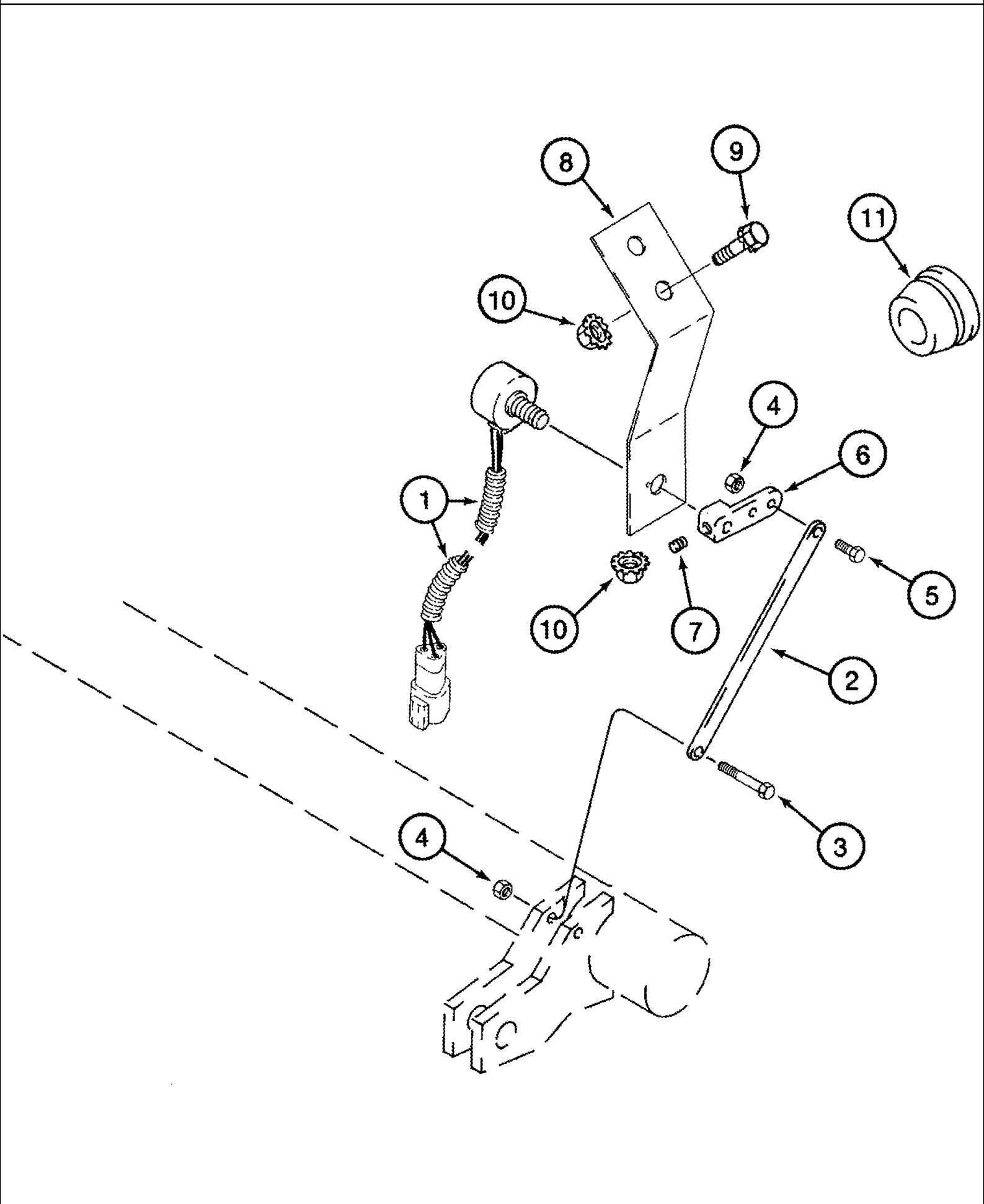
04-01 HARNESS - FRONT



04-01 HARNESS - FRONT

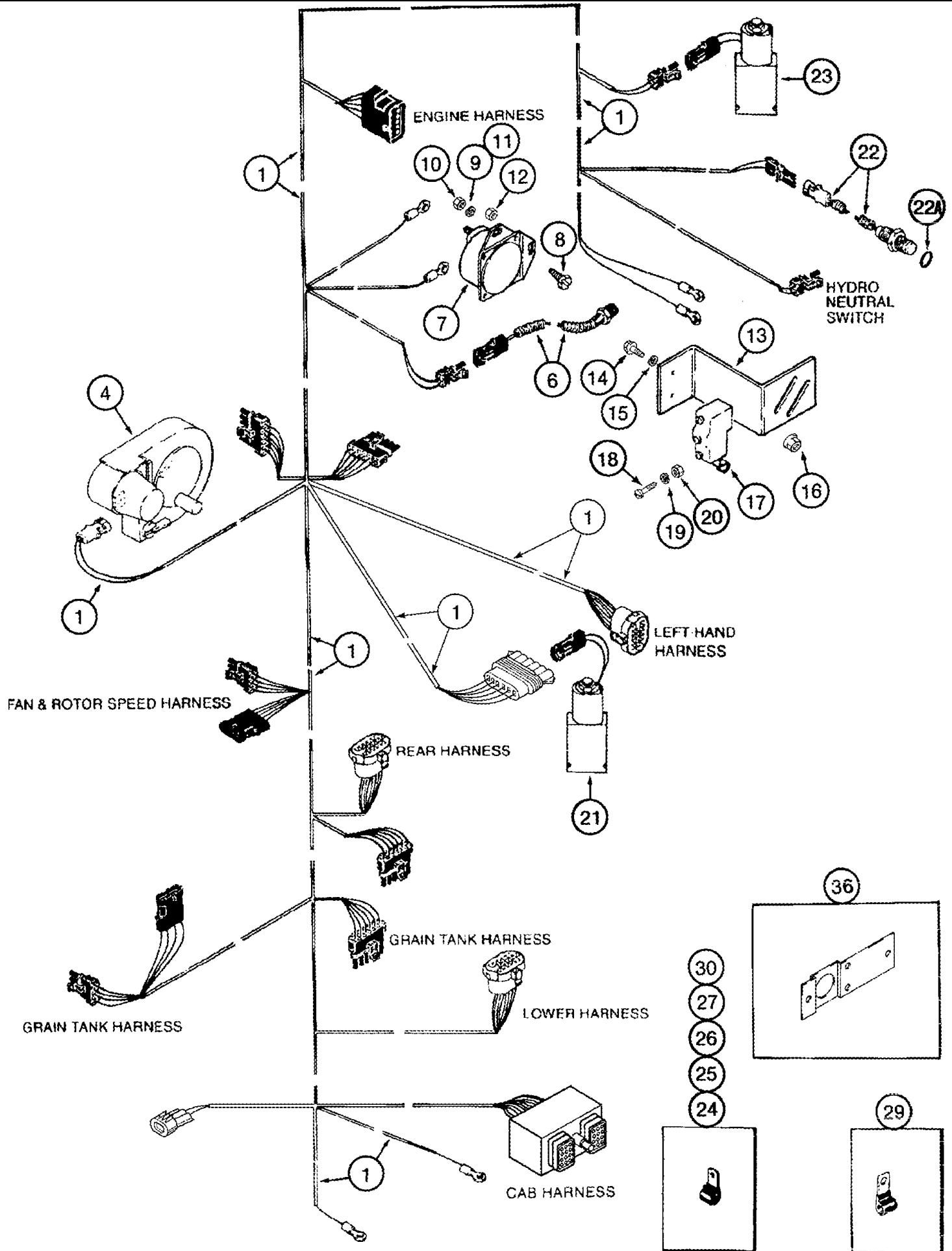
сылка	Номер детали	Кол-во	Описание
1	388314A2	1	HARNESS, WIRE, Front, Includes 2 - 4 (Shown), BSN HAJ0295001
1	87314488	1	HARNESS, WIRE, Front, Includes 2 - 4 (Not Shown), ASN HAJ0295001
1	87538544	1	HARNESS, WIRE, Front, Includes 2 - 4 (Not Shown)
2	127290A1	1	DIODE,
3	187308A1	6	CAP, Not Illustrated
4	187309A1	6	BAR, Splice, Not Illustrated
6	245193C2	2	SENSOR, Rotor Speed, Feeder Speed
7	425-1512	2	NUT, Jam, 3/4"-10, G5,
8	122756A3	1	POTENTIOMETER, 1K, Feeder Position, For Mounting, See Figure 04-24
9	114856A3	1	VALVE, CONTROL, Reel Drive, See Figure 08-20
10	368154A1	1	VALVE, CONTROL, Accumulator, See Figure 08-30
13	1331312C1	1	HARNESS, WIRE, Extension, Header Height Control, If Used
14	225290C1	1	DUST CAP, Header Height Control Harness
15	122756A3	1	POTENTIOMETER, 1K, Concave Position, For Mounting, See Figure 04-02
16	143239A2	1	MOTOR, ELECTRIC, Concave Control, For Mounting, See Figure 09B-19
17	1301387C2	1	CLIP, 2" ID, Square
18	516-23127	6	CLAMP, J, 9/16" Insul, 3/8" Bolt,
18	515-2395	1	CLAMP, 3/8", Insul, 3/8" Bolt,
	409-7512	1	BOLT, Hex Flg, 5/16"-18 x 3/4", Serr,
	231-5145	1	NUT, Flg, USR, 5/16"-18,
19	515-23254	1	CLAMP, 1", Insul, 3/8" Bolt,
20	844-8025	1	BOLT, Hex Flg, M8 x 25, 8.8, Not Illustrated
21	825-2408	1	NUT, M8 x 1.25, Flg, CI 8, Not Illustrated
22	142533A1	1	SUPPORT, Not Illustrated, With Field Tracker, With Accumulator
	178149A1	1	SWITCH, SOLENOID, Assy, Includes 23 - 29
23	178148A1	1	COVER,
24	183038A1	1	SWITCH, SOLENOID,
25	225-14210	1	NUT, #10-32, Battery Cable to Solenoid Terminal 30
26	492-11010	1	WASHER, LOCK, #10,
27	231-5145	2	NUT, Flg, USR, 5/16"-18,
27	825-2405	1	NUT, M5 x .8, Flg, CI 8, Harness to Solenoid Terminal 50
28	892-11005	1	WASHER, LOCK, M5, Not Illustrated
29	L18331	2	STRAP, CABLE, 15"
29	435437A1	5	STRAP, CABLE, 3/16" x 7 1/4", 7"
30	281-1458	2	SCREW, SELF TAP, Hex Wash Hd, #10 x 1/2",
31	492-11031	2	WASHER, LOCK, 5/16",
32	425-105	2	NUT, 5/16"-18, G5,
33	492-11010	1	WASHER, LOCK, #10,
34	225-14210	1	NUT, #10-32,

04-02 POTENTIOMETER, CONCAVE POSITION - MOUNTING



04-02 POTENTIOMETER, CONCAVE POSITION - MOUNTING

сылка	Номер детали	Кол-во	Описание
1	122756A3	1	POTENTIOMETER, 1K, Concave Position, Note: See Figure 04-01 For Front Harness
2	181760A2	1	LEVER,
3	463-11024	1	SCREW, Hex Hd, #10-24 x 1 1/2",
4	230-42409	2	NUT, LOCK, #10-24, GA,
5	463-11010	1	SCREW, Hex Hd, #10-24 x 5/8",
6	131175A1	1	ARM,
7	483-1084	1	SET SCREW, Hex Soc, #8-32 x 1/4",
8	142402A2	1	SUPPORT,
9	409-7512	2	BOLT, Hex Flg, 5/16"-18 x 3/4", Serr,
10	231-5145	2	NUT, Flg, USR, 5/16"-18,
11	198824C1	1	GROMMET, 1/2" ID



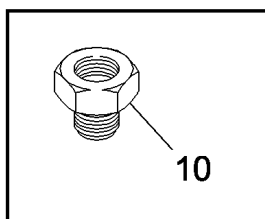
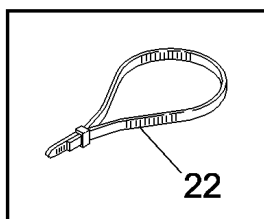
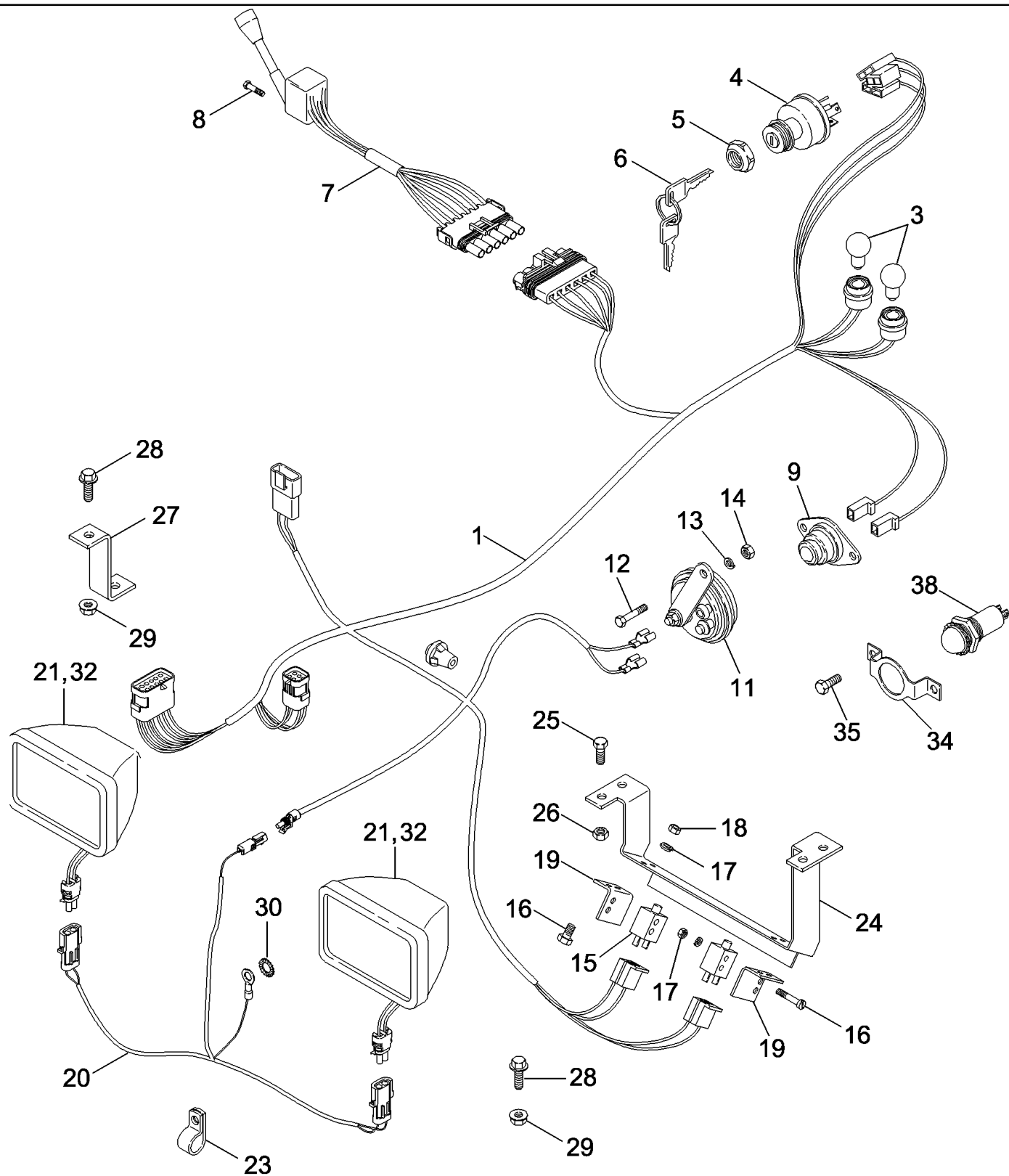
04-03 HARNESS, CENTER

сылка	Номер детали	Кол-во	Описание
1	441974A1	1	HARNESS, WIRE, Center, Includes 2, 3 (Shown), BSN HAJ0295001
1	87361204	1	HARNESS, WIRE, Center, Includes 2, 3 (Not Shown), ASN HAJ0295001
1	87304010	1	HARNESS, WIRE, Center, Pilot Machines
2	187308A1	4	CAP, (Not Illustrated)
3	187309A1	4	BAR, Splice, (Not Illustrated)
4	127813A1	1	LAMP, Service, Reel, Includes 5
5	H40556	1	BULB, 12V, (Not Illustrated)
6	122428A1	1	SWITCH, Hydraulic Oil Level
7	178149A1	1	SWITCH, SOLENOID, , See Figure 04-01
8	276-1458	2	SCREW, SELF TAP, Hex Hd, #10 x 1/2",
9	492-11031	2	WASHER, LOCK, 5/16",
10	425-105	2	NUT, 5/16"-18, G5,
11	492-11010	1	WASHER, LOCK, #10,
12	225-14210	1	NUT, #10-32,
13	141944A1	1	SUPPORT,
14	409-7412	2	BOLT, Hex Flg, 1/4"-20 x 3/4", Serr,
15	492-11031	2	WASHER, LOCK, 5/16",
16	231-5144	2	NUT, Flg, USR, 1/4"-20,
17	141655A1	1	SWITCH, Unloader In
18	470-10620	2	SCREW, Slotted Pan Hd, #6-32 x 1 1/4",
19	280384	2	WASHER, LOCK, Int Tooth, #6,
20	225-14106	2	NUT, #6-32,
21	384307A1	1	VALVE, SOLENOID, Unloader Clutch, See Figure 08-24
22	177678A1	1	SWITCH, Hydraulic Oil Temperature, Includes 22A
22A	237-6008	1	O-RING, 8-1, 90 Duro, .644" ID x .087" Thk,
23	275986A2	1	VALVE, Separator Clutch, See Figure 08-26
24	515-25476	2	CLAMP, 1 7/8", Insul, 1/2" Bolt,
25	515-23381	5	CLAMP, 1 1/2", Insul, 3/8" Bolt, , BSN HAJ0295001
25	515-23412	5	CLAMP, 1 5/8", Insul, 3/8" Bolt, , ASN HAJ0295001
	434-512	4	BOLT, CARRIAGE, Short NK, 5/16"-18 x 3/4", G5, Full Thd,
	231-5145	8	NUT, Flg, USR, 5/16"-18,
26	515-23222	3	CLAMP, 7/8", Insul, 3/8" Bolt,
27	515-23190	2	CLAMP, 3/4", Insul, 3/8" Bolt,
29	516-23127	4	CLAMP, J, 9/16" Insul, 3/8" Bolt,
30	515-23254	1	CLAMP, 1", Insul, 3/8" Bolt,
	844-12025	1	BOLT, Hex Flg, M12 x 25, 8.8, M12 x 25; 10.9
	9804279	1	NUT, M12 x 1.75, Flg, CI 8,
	844-8025	9	BOLT, Hex Flg, M8 x 25, 8.8,
35	197514A2	1	SWITCH, Neutral Start, Not Illustrated, See Figure 06-09, Ref. 20
	825-2408	14	NUT, M8 x 1.25, Flg, CI 8,
	102251A1	1	CLIP,
	231-5144	1	NUT, Flg, USR, 1/4"-20,
	409-748	1	BOLT, Hex Flg, 1/4"-20 x 1/2", Serr,
36	1988723C1	1	SUPPORT,
	87302571	3	SCREW, Hex Wash Hd, #10-24 x 1",

04-03 HARNESS, CENTER

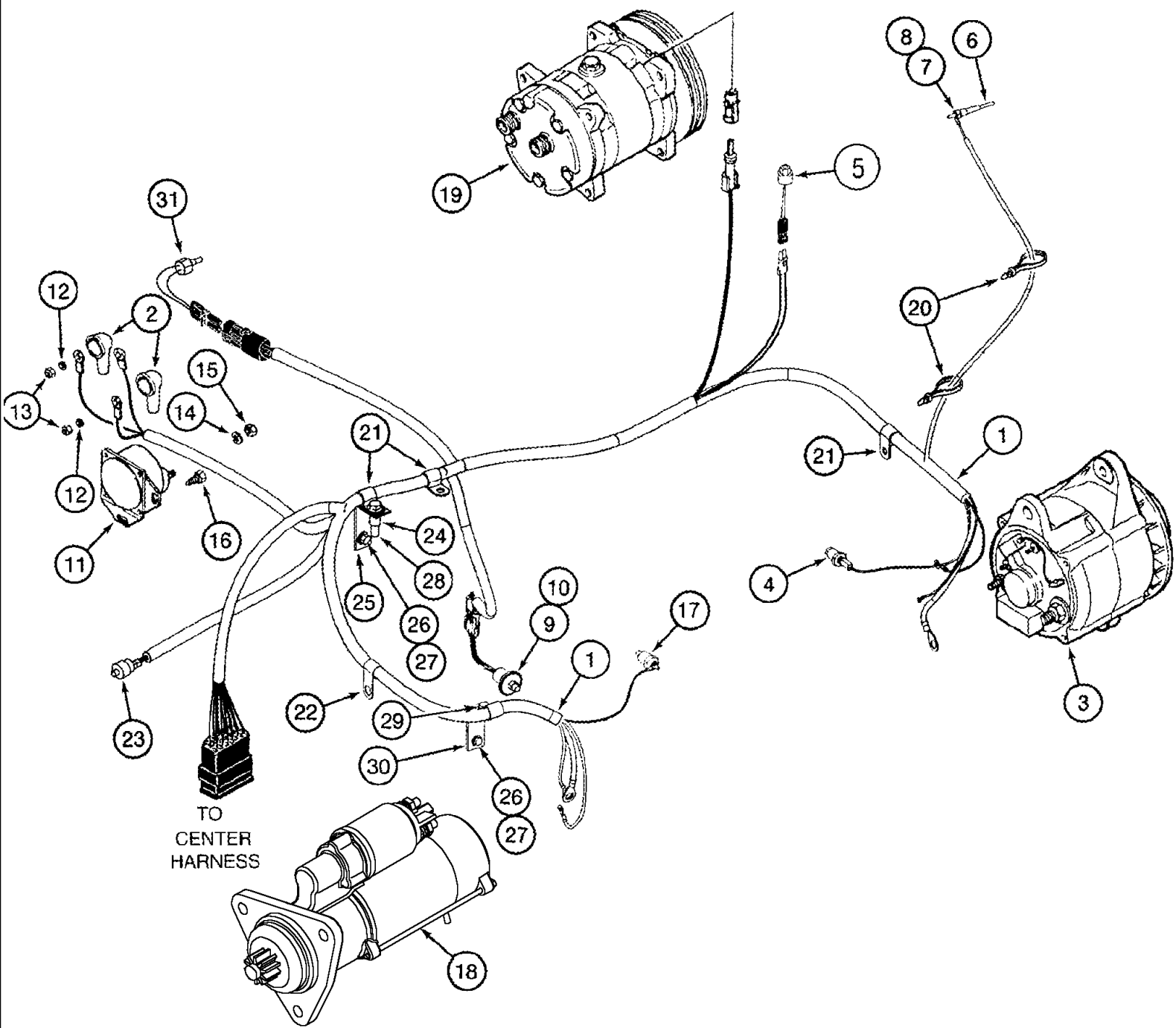
сылка	Номер детали	Кол-во	Описание
	231-51409	3	NUT, Flg, USR, #10-24,

04-04 HARNESSSES - STEERING CONSOLE AND PLATFORM



04-04 HARNESSSES - STEERING CONSOLE AND PLATFORM

сылка	Номер детали	Кол-во	Описание
1	277603A1	1	HARNESS, WIRE, Steering Console, BSN HAJ0295001
1	87305156	1	HARNESS, WIRE, Steering Console, ASN HAJ0295001
2	L18331	4	STRAP, CABLE, 7"
3	D71346	4	LAMP, TAIL, No. 168
4	282775A1	1	SWITCH, IGNITION, Includes 5, 6
5	1964785C1	1	NUT,
6	1964831C2	1	SET OF 2 KEYS, Padded
7	1500137C2	1	SWITCH, FLASHER, Horn
8	614-4008	2	BOLT, Hex, M4 x 8, 8.8, Full Thd,
9	D67872	1	SWITCH, Ether Injection, BSN HAJ0295001
10	217-40	1	REDUCER, 1/4"-18 NPTF x 1/8"-27 Fem NPTF,
11	237582A1	1	HORN,
12	614-6025	1	BOLT, Hex, M6 x 25, 8.8,
13	892-11006	1	WASHER, LOCK, M6,
14	829-1406	1	NUT, M6, CI 10,
15	127286A1	2	SWITCH, Emergency Brake
16	440-11012	8	SCREW, Cross Pan Hd, #10-24 x 3/4",
17	492-11010	8	WASHER, LOCK, #10,
18	225-14110	8	NUT, #10-24,
19	296466A1	2	BRACKET, Brake Switch
20	184848A2	1	HARNESS, WIRE, Platform
21	185117A1	2	HEADLIGHT, Aftercut, Includes 22
22	323094A1	1	BULB, Type C-6, No. 894, Not Illustrated
23	515-23159	4	CLAMP, 5/8", Insul, 3/8" Bolt,
24	296643A1	1	SUPPORT, Brake Switch
25	614-8025	4	BOLT, Hex, M8 x 25, 8.8,
26	832-10408	4	NUT, LOCK, M8 x 1.25, CI 8,
27	183629A1	1	SUPPORT, Aftercut Lamp
28	409-7512	2	BOLT, Hex Flg, 5/16"-18 x 3/4", Serr,
29	231-5145	2	NUT, Flg, USR, 5/16"-18,
30	493-11039	1	WASHER, LOCK, 3/8", Int-Ext Tooth,
32	430506A1	2	LAMP, 35W, See Figure 04-44
34	87316983	1	SUPPORT, Indicator Light, ASN HAJ0295001
35	261-1456	2	SCREW, SELF TAP, Cross Pan Hd, #10 x 3/8", #10-24 x 1-1/2 HWH, ASN HAJ0295001
38	87307261	1	LIGHT, INDICATER, Wait to Start, ASN HAJ0295001

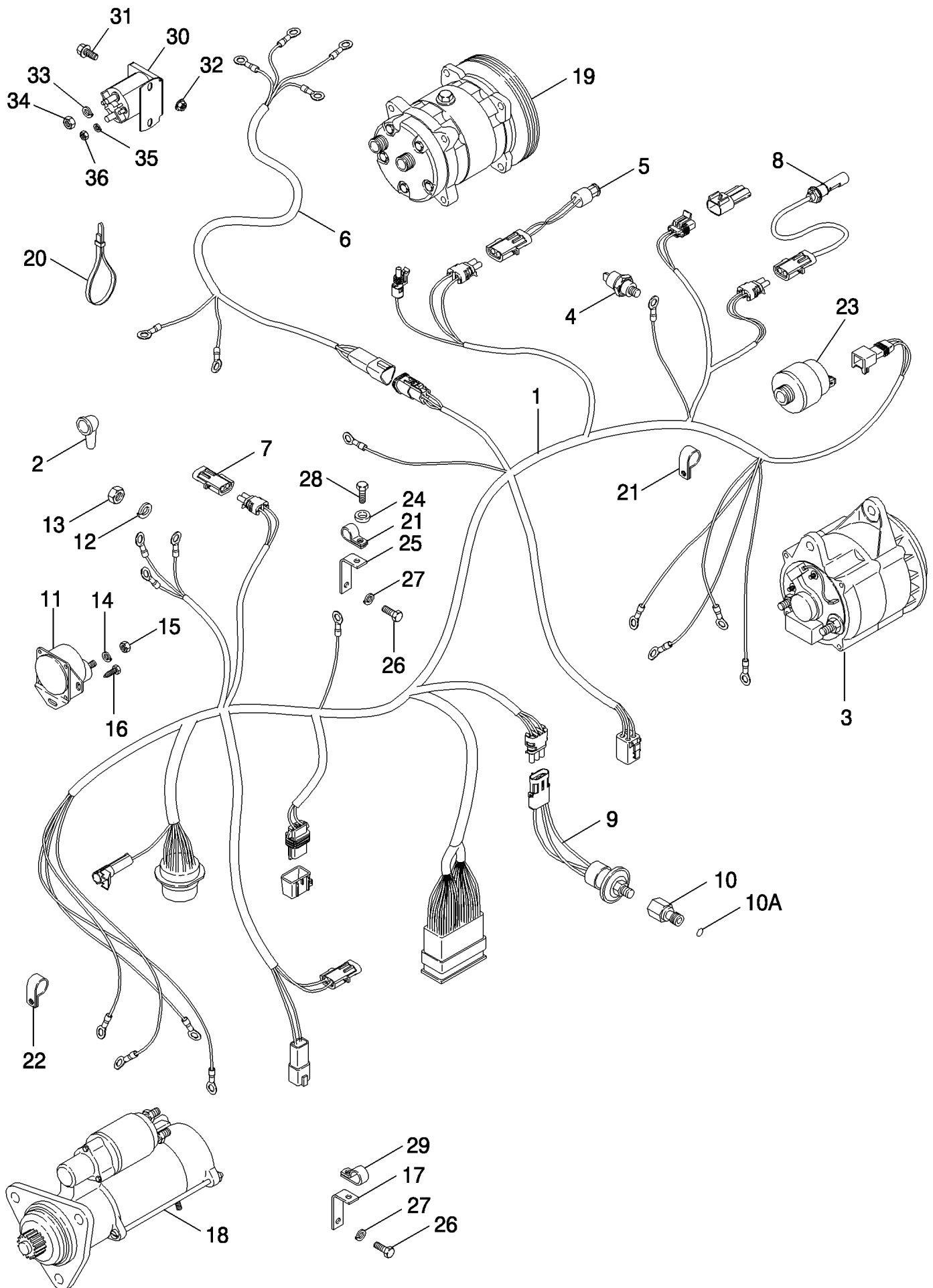


CIS Refers to Commonwealth of Independent States (Russian Market). "BSN HAJ0295001" and "All CIS Markets" are Tier II Mechanical Engines. "ASN HAJ0295001 Except All CIS Markets" are Tier III Engines (NA Market Only).

04-05 HARNESS, ENGINE - BSN HAJ0295001 AND ALL CIS MARKETS

сылка	Номер детали	Кол-во	Описание
1	87310725	1	HARNESS, WIRE, Engine, Includes 2
2	399470R1	2	BOOT,
3	125849A1	1	ALTERNATOR, 135 amp, See Figure 04-40
4	430653A1	1	SWITCH, Coolant Temperature
5	369798A2	1	SWITCH, High Pressure, Air Conditioning
6	279476A1	1	SENSOR, Coolant Level
7	492-11010	1	WASHER, LOCK, #10,
8	225-14210	1	NUT, #10-32,
9	1964960C1	1	SWITCH, PRESSURE, Engine Oil
10	250838A2	1	CONNECTOR, ELEC, M10, Includes 10A
10A	637-72081	1	O-RING, CI 7, 8.1MM ID x 1.6 Thk,
11	178149A1	1	SWITCH, SOLENOID, , See Figure 04-01
12	492-11031	2	WASHER, LOCK, 5/16",
13	425-105	2	NUT, 5/16"-18, G5,
14	492-11010	1	WASHER, LOCK, #10,
15	225-14210	1	NUT, #10-32,
16	276-1458	2	SCREW, SELF TAP, Hex Hd, #10 x 1/2",
17	121756C2	1	SENSOR, Coolant Temperature
18	87419387	1	MOTOR, STARTER, , See Figure(s) 04-38, 04-39
19	86993462	1	COMPRESSOR, AIRCOND, , See Figure 09G -20
20	435437A1	1	STRAP, CABLE, 3/16" x 7 1/4", 7"
20	L18331	8	STRAP, CABLE, 15"
21	515-30222	7	CLAMP, 7/8", 1/2" Bolt,
21	515-22127	1	CLAMP, 1/2", Insul, 5/16" Bolt,
22	1345263C1	1	CLIP, 3/4" ID
22	515-23190	1	CLAMP, 3/4", Insul, 3/8" Bolt,
23	279492A1	1	SWITCH, Air Restriction
24	87302566	1	SPACER, 3/8" x 3"
25	1317942C1	1	BRACKET, Grain Tank Light
26	614-8020	1	BOLT, Hex, M8 x 20, 8.8,
26	87032825	1	BOLT, Hex Flg, M12 x 100, 10.9,
27	495-11034	2	WASHER, 5/16", SAE,
28	854-12050	1	BOLT, Hex Flg, M12 x 50, 10.9,
29	825-2408	1	NUT, M8 x 1.25, Flg, CI 8,
30	1317942C1	1	BRACKET,
31	87300499	1	SENSOR, Air to Air Temperature

CIS Refers to Commonwealth of Independent States (Russian Market). "BSN HAJ0295001" and "All CIS Markets" are Tier II Mechanical Engines. "ASN HAJ0295001 Except All CIS Markets" are Tier III Engines (NA Market Only).

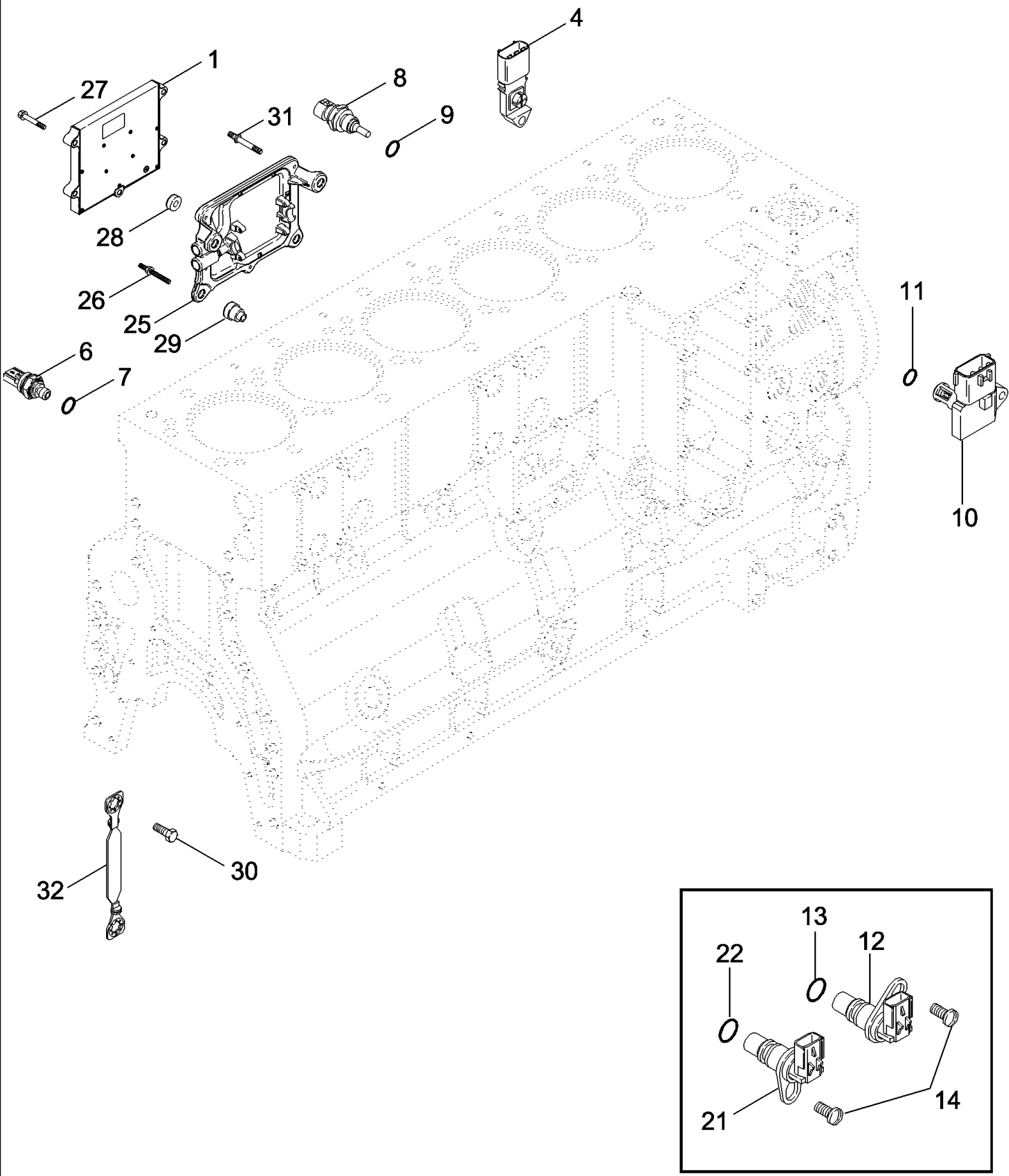


CIS Refers to Commonwealth of Independent States (Russian Market). "BSN HAJ0295001" and "All CIS Markets" are Tier II Mechanical Engines. "ASN HAJ0295001 Except All CIS Markets" are Tier III Engines (NA Market Only).

04-06 HARNESS, ENGINE - ASN HAJ0295001 EXCEPT ALL CIS MARKETS

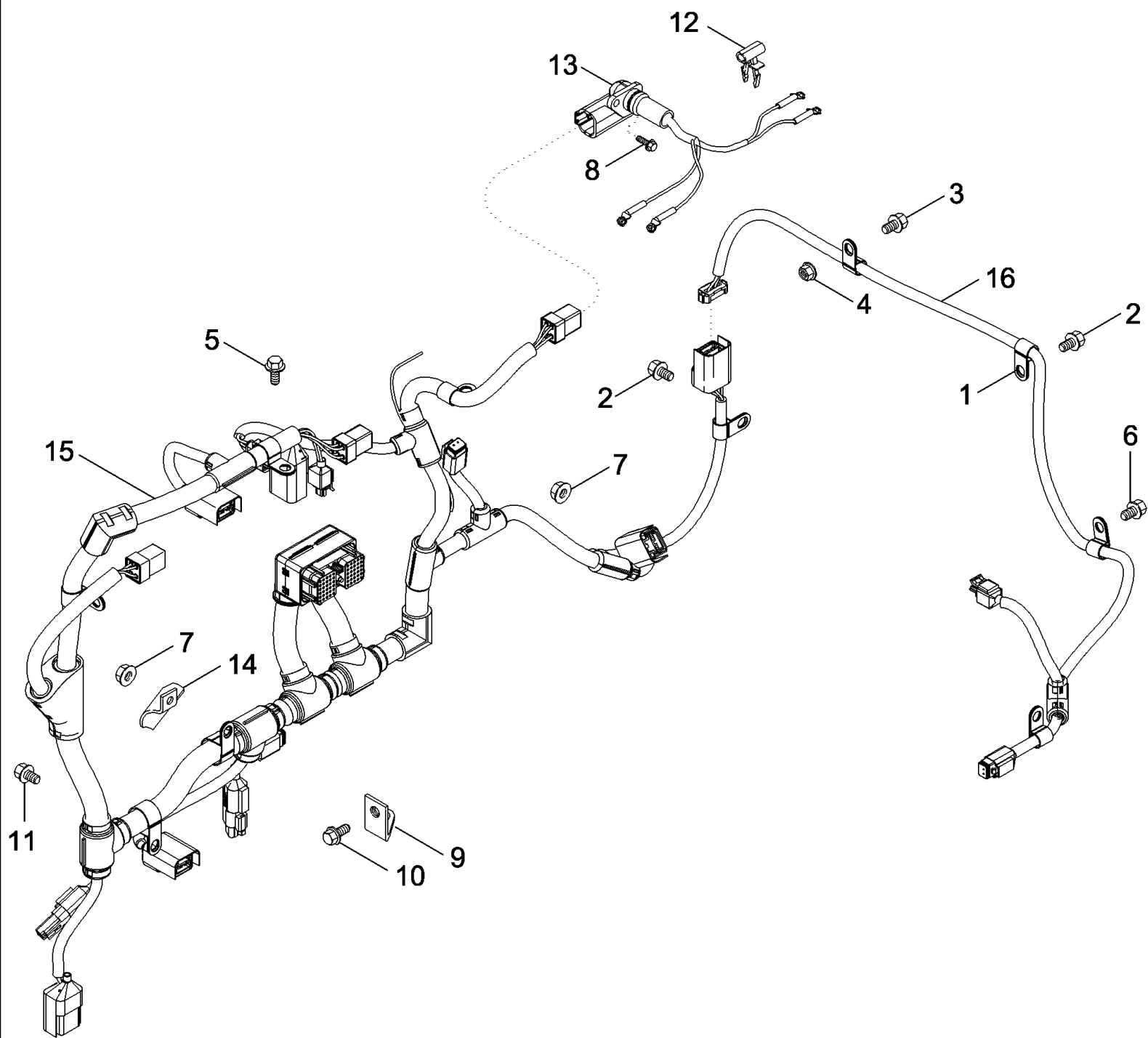
сылка	Номер детали	Кол-во	Описание
1	87310725	1	HARNESS, WIRE, Engine, Includes 2
2	399470R1	2	BOOT,
3	125849A1	1	ALTERNATOR, 135 amp, See Figure 04-40
4	430653A1	1	SWITCH, Coolant Temperature, Includes O-Ring
	637-63113	1	O-RING, CI 6, 11.3MM ID x 2.2 Thk,
5	369798A2	1	SWITCH, High Pressure, Air Conditioning
6	87302567	1	HARNESS, WIRE, Grid Heater
7	87302560	1	MODULE, Resistor
8	87109915	1	SWITCH, Switch Fluid Level
9	1964960C1	1	SWITCH, PRESSURE, Engine Oil
10	250838A2	1	CONNECTOR, ELEC, M10, Includes 10A
10A	637-72081	1	O-RING, CI 7, 8.1MM ID x 1.6 Thk,
11	178149A1	1	SWITCH, SOLENOID, , See Figure 04-01
12	492-11031	2	WASHER, LOCK, 5/16",
13	425-105	2	NUT, 5/16"-18, G5,
14	492-11010	1	WASHER, LOCK, #10,
15	225-14210	1	NUT, #10-32,
16	276-1458	2	SCREW, SELF TAP, Hex Hd, #10 x 1/2",
18	87419387	1	MOTOR, STARTER, , See Figure(s) 04-38, 04-39
17	1317942C1	1	BRACKET,
19	86993462	1	COMPRESSOR, AIRCOND, , See Figure 09G -20
20	435437A1	1	STRAP, CABLE, 3/16" x 7 1/4", 7"
20	L18331	8	STRAP, CABLE, 15"
21	515-30222	7	CLAMP, 7/8", 1/2" Bolt,
21	515-22127	1	CLAMP, 1/2", Insul, 5/16" Bolt,
22	1345263C1	1	CLIP, 3/4" ID
22	515-23190	1	CLAMP, 3/4", Insul, 3/8" Bolt,
23	279492A1	1	SWITCH, Air Restriction
24	87302566	1	SPACER, 3/8" x 3"
25	1317942C1	1	BRACKET, Grain Tank Light
26	614-8020	1	BOLT, Hex, M8 x 20, 8.8,
26	87032825	1	BOLT, Hex Flg, M12 x 100, 10.9,
27	495-11034	2	WASHER, 5/16", SAE,
28	854-12050	1	BOLT, Hex Flg, M12 x 50, 10.9,
29	825-2408	1	NUT, M8 x 1.25, Flg, CI 8,
30	87406968	1	SWITCH, SOLENOID, Grid Heater
31	409-7412	2	BOLT, Hex Flg, 1/4"-20 x 3/4", Serr,
32	231-5144	2	NUT, Flg, USR, 1/4"-20,
33	492-11031	2	WASHER, LOCK, 5/16",
34	425-105	2	NUT, 5/16"-18, G5,
35	492-11010	2	WASHER, LOCK, #10,
36	225-14210	2	NUT, #10-32,

CIS Refers to Commonwealth of Independent States (Russian Market). "BSN HAJ0295001" and "All CIS Markets" are Tier II Mechanical Engines. "ASN HAJ0295001 Except All CIS Markets" are Tier III Engines (NA Market Only).



CIS Refers to Commonwealth of Independent States (Russian Market). "BSN HAJ0295001" and "All CIS Markets" are Tier II Mechanical Engines. "ASN HAJ0295001 Except All CIS Markets" are Tier III Engines (NA Market Only).

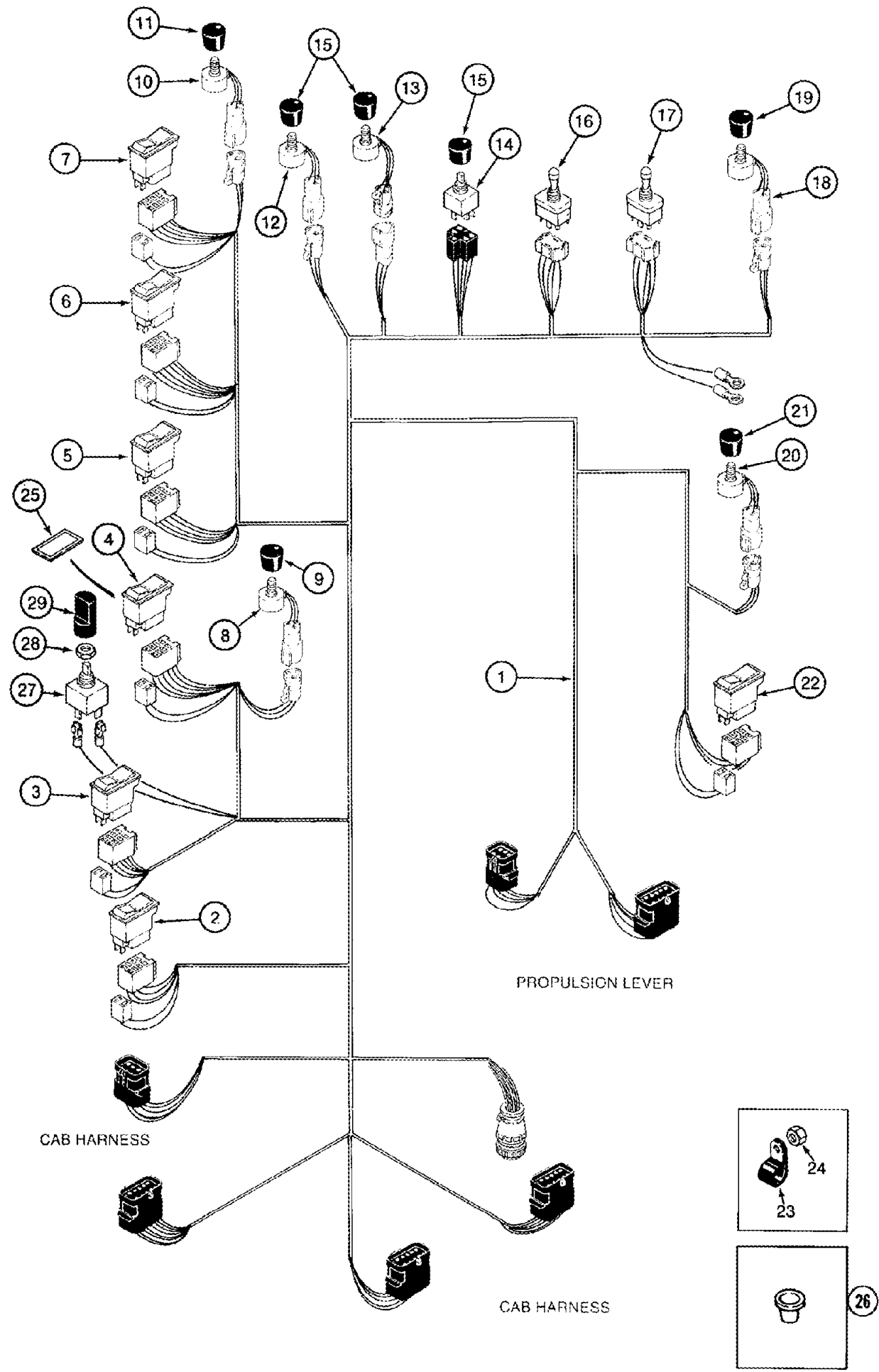
сылка	Номер детали	Кол-во	Описание
1	87342193	1	MODULE, Electronic Control
4	87341871	1	SENSOR, Pressure, Includes 5
5	J330202	1	O-RING, 11.3 ID x 2.2 mm
6	87342100	1	SENSOR, Pressure, Includes 7
7	87341887	1	O-RING, 11.3 ID x 2.2 mm
8	87341875	1	SENSOR, Temperature, Includes 9
9	87341887	1	O-RING, 11.3 ID x 2.2 mm
10	87584643	1	SENSOR, Includes 11
11	87342065	1	SEAL, RUBBER, 11.3 ID x 2.2 mm
12	87352952	1	SENSOR, Position, Includes 13
13	87352938	1	O-RING,
21	87341787	1	SENSOR, Includes 22
22	87352938	1	O-RING,
25	87341857	1	COOLER, Fuel
26	J944816	3	SCREW,
27	845-8045	4	BOLT, Hex Flg, M8 x 45, 8.8,
28	87341822	4	ISOLATOR,
29	87341823	4	ISOLATOR,
30	845-8040	2	BOLT, Hex Flg, M8 x 40, 8.8,
31	87341816	1	SCREW,
32	87341820	1	STRAP, GROUND,
33	845-8020	1	BOLT, Hex Flg, M8 x 20, 8.8, Full Thd,
34	J920854	1	SCREW, Hex Hd, M5 x .8 x 20, w/LW,
35	87341845	1	SCREW,
36	J900589	1	NUT, M8 x 1.25
37	845-6015	1	BOLT, Hex Flg, M6 x 15, 8.8, Full Thd,



CIS Refers to Commonwealth of Independent States (Russian Market). "BSN HAJ0295001" and "All CIS Markets" are Tier II Mechanical Engines. "ASN HAJ0295001 Except All CIS Markets" are Tier III Engines (NA Market Only).

сылка	Номер детали	Кол-во	Описание
1	515-23127	1	CLAMP, 1/2", Insul, 3/8" Bolt,
2	313490A1	2	BOLT, M10 x 14
3	615-8012	1	BOLT, Hex, M8 x 12, 8.8, Full Thd,
4	825-2408	1	NUT, M8 x 1.25, Flg, CI 8,
5	845-6010	1	BOLT, Hex Flg, M6 x 10, 8.8, Full Thd,
6	97010C1	1	BOLT, SPREADER, M6 x 12
7	825-2406	3	NUT, M6 x 1, Flg, CI 8,
8	845-6015	3	BOLT, Hex Flg, M6 x 15, 8.8, Full Thd,
9	J919294	1	SUPPORT, Tube Fuel Supply
10	87346341	1	BOLT,
11	J925883	1	SCREW, M8 x 16: 10.9
12	87346212	8	CLIP, WIRE, CLIP
13	87346235	3	HARNESS, WIRE, Injector Wiring
14	87346319	1	BRACE,
15	87346337	1	HARNESS, WIRE, Engine ECM
16	87346339	1	HARNESS, WIRE, Temp Sensor

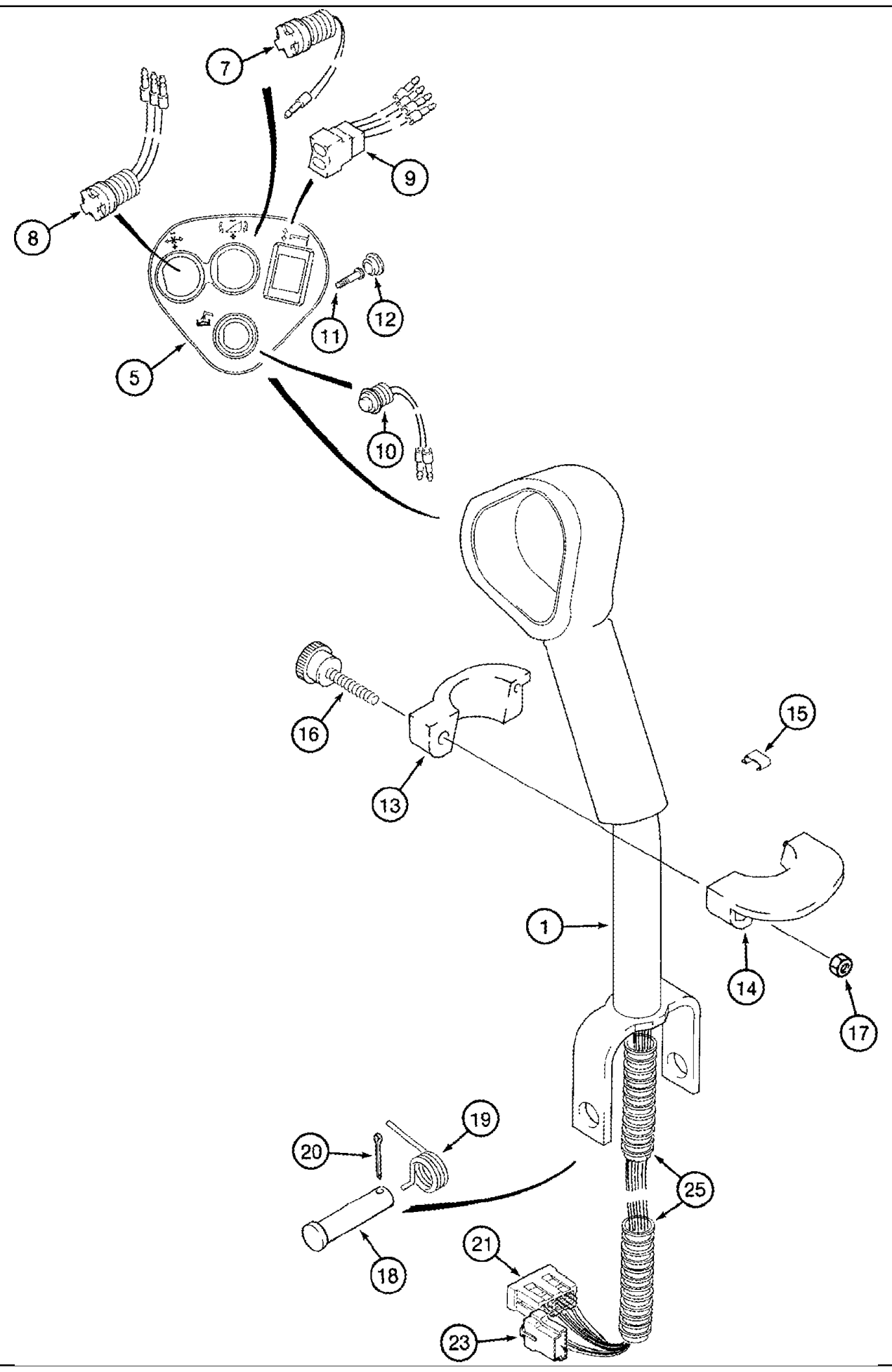
04-09 HARNESS, CONSOLE



04-09 HARNESS, CONSOLE

сылка	Номер детали	Кол-во	Описание
1	276601A2	1	HARNESS, WIRE, Console (Shown), BSN HAJ295001
1	452023A2	1	HARNESS, WIRE, Console (Not Shown), ASN HAJ295001
2	124098A1	1	SWITCH, Parking Brake
3	109821A1	1	SWITCH, Power Guide Axle, 4WD, Includes 109826A1, 109833A1, 3141107R1
	109826A1	1	SWITCH,
	109833A1	1	SYMBOLS,
	3141107R1	1	BULB, W5/1.2, 12V, 1.2W,
4	109822A1	1	SWITCH, Includes 109826A1, 109834A1, 3141107R1, With Two Speed Motor
5	143503A1	1	SWITCH, Rotor Speed
6	143502A1	1	SWITCH, Fan Speed
7	143504A1	1	SWITCH, Concave Adjust
8	114551A1	1	POTENTIOMETER, 2.5K, Reel Speed
9	A186263	1	KNOB,
10	114551A1	1	POTENTIOMETER, 2.5K, Raise Rate
11	A186263	1	KNOB,
12	114551A1	1	POTENTIOMETER, 2.5K, Header Sensitivity
13	114550A1	1	POTENTIOMETER, 1K, Header Position
14	129237A1	1	SWITCH, Header Height
15	118780A1	3	KNOB,
16	245634C2	1	SWITCH, Toggle, Feeder
17	245632C2	1	SWITCH, Toggle, Separator
18	114551A1	1	POTENTIOMETER, 2.5K, Lower Rate
19	A186263	1	KNOB,
20	114551A1	1	POTENTIOMETER, 2.5K, Reel Ratio
21	118780A1	1	KNOB,
22	109817A1	1	SWITCH, Reel Speed, Auto/Manual
23	515-23222	1	CLAMP, 7/8", Insul, 3/8" Bolt,
24	829-1410	1	NUT, M10, CI 10,
25	245918C1	AR	CAP, , Without Power Guide Axle, Without Two Speed Motor
26	353-4	1	PLUG, Cap, .366" OD, , Without Automatic Height Control
27	L70872	1	SWITCH, Accumulator
28	A42561	1	NUT,
29	280673A1	1	KNOB, Accumulator Switch

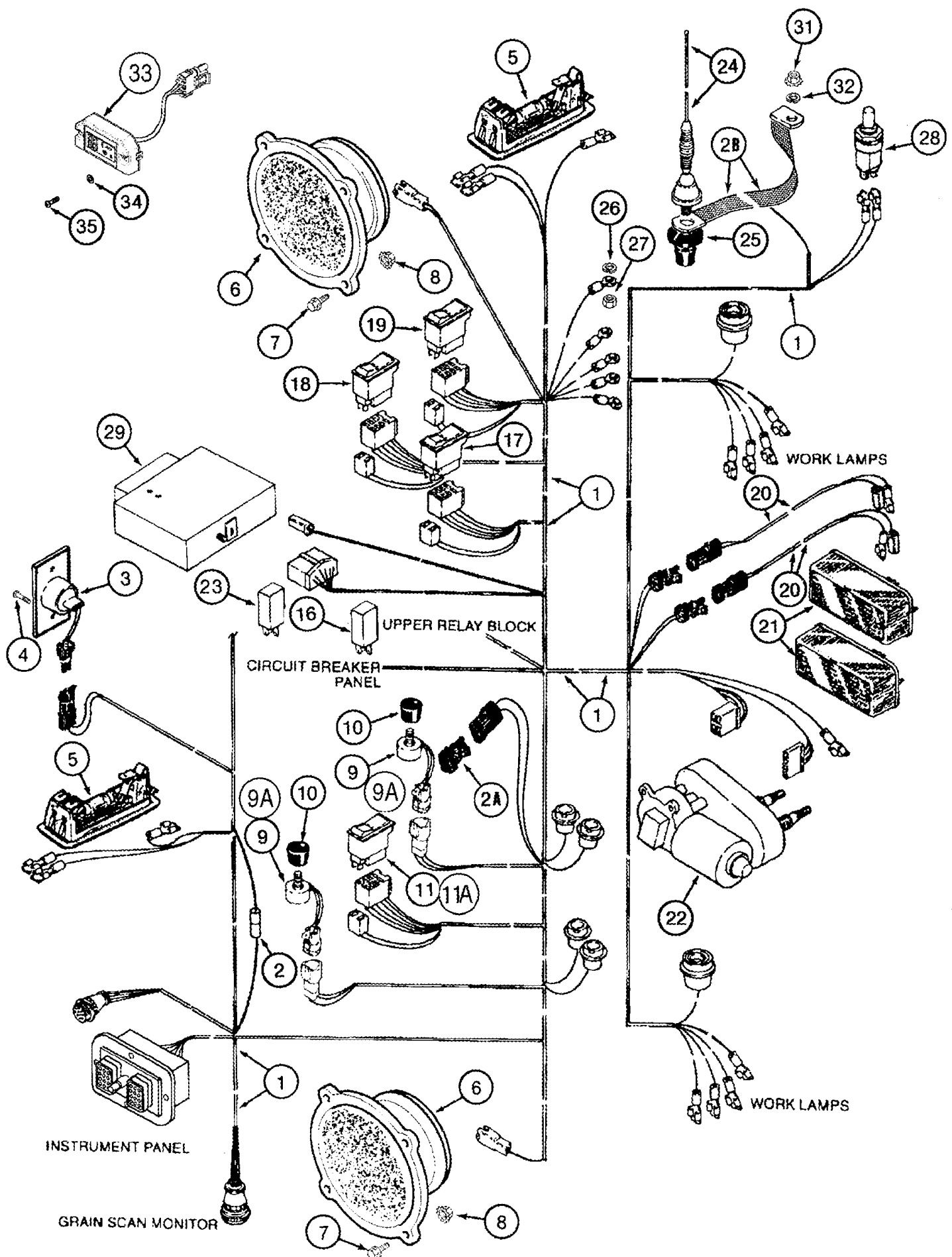
04-10 LEVER ASSY - PROPULSION CONTROLS



04-10 LEVER ASSY - PROPULSION CONTROLS

сылка	Номер детали	Кол-во	Описание
1	113314A2	1	LEVER, CONTROL, Propulsion
5	124669A1	1	PLATE,
6	144109A2	1	DECAL, Not Illustrated, See Figure 09H-23
7	132001A1	1	SWITCH, Header Control
8	118680A1	1	SWITCH, Reel Control
9	118683A1	1	SWITCH, Unloader Swing
10	127597A1	1	SWITCH, Unloader Auger
11	260-54310	1	SCREW, SELF TAP, Cross Pan Hd, #6 x 5/8",
12	353-402	1	PLUG, Dome, .375" hole, Nylon,
13	116150A1	1	SUPPORT, Palm Rest, LH
14	116152A1	1	SUPPORT, Palm Rest, RH
15	1343962C1	1	CLIP, ELECTRICAL,
16	86987885	1	KNOB, Palm Rest
17	425-104	1	NUT, 1/4"-20, G5,
18	27-8343	1	PIN, CLEVIS, 1/2" x 3 7/16",
19	128593A1	1	SPRING,
20	432-816	1	PIN, SPLIT (COTTER), 1/8" x 1",
21	225388C1	1	CONNECTOR, ELEC, Type NA
22	225390C1	1	WEDGE, Type NF, Not Illustrated
23	225350C1	1	CONNECTOR, ELEC, Type LY
24	225353C1	1	WEDGE, Type W6P, Not Illustrated
25	120344C1	1	CONDUIT, 184 mm (7-1/4")

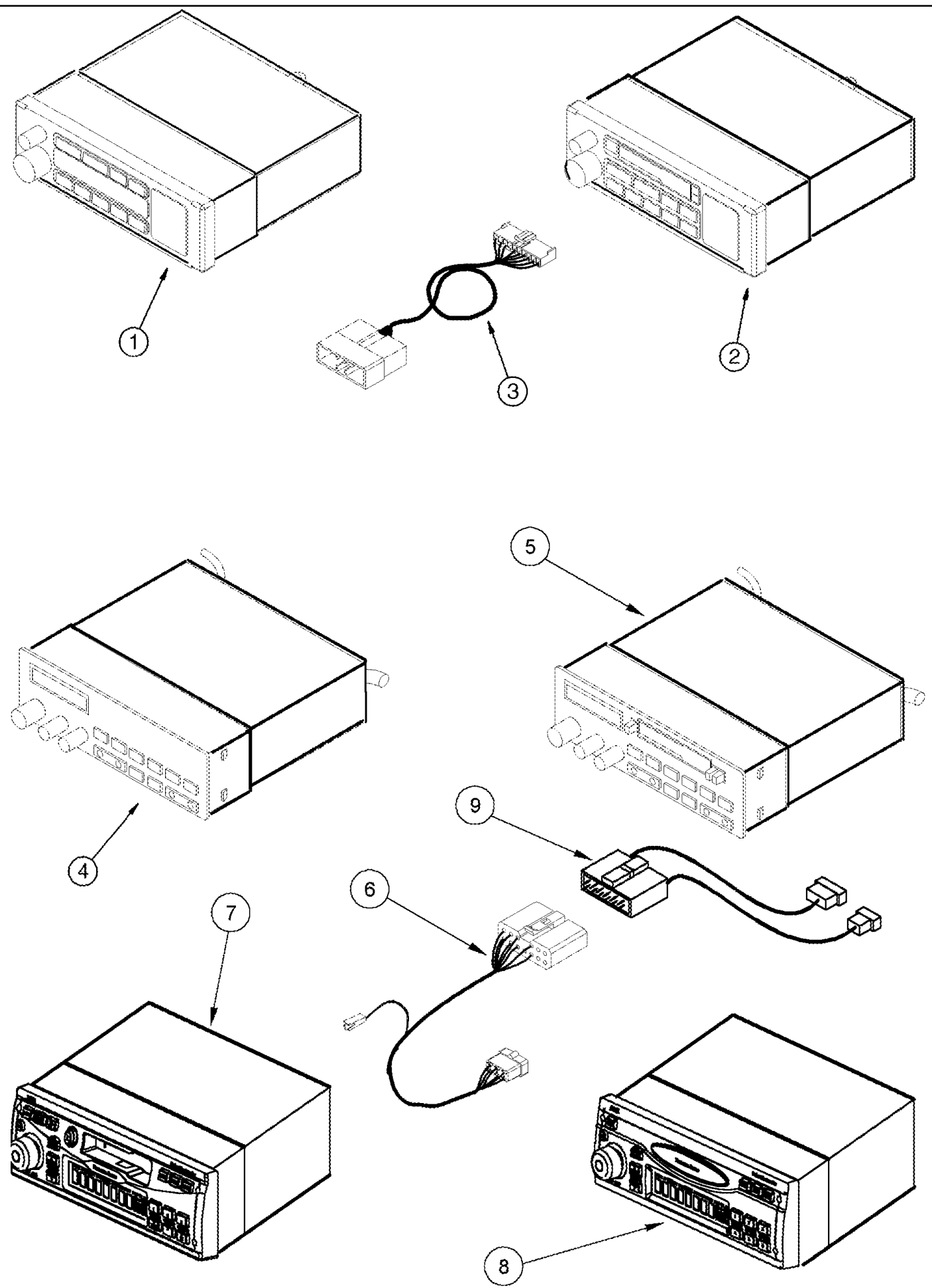
04-11 HARNESS - CAB, OVERHEAD



04-11 HARNESS - CAB, OVERHEAD

сылка	Номер детали	Кол-во	Описание
1	388671A3	1	HARNESS, WIRE, Cab, See Figure(s) 04-10, 04-11, Without Overhead Circuit Breaker Panel, BSN HAJ0295001
1	87304011	1	HARNESS, WIRE, Cab, Without Overhead Circuit Breaker Panel, See Figure(s) 04-13, 04-14, ASN HAJ0295001
2	113699A1	1	RECTIFIER, 2-5/8"
2A	A187874	2	DIODE,
2B	278032A1	1	STRAP, GROUND, Radio Antenna to Cab
3	83882C91	1	LAMP, Console Illumination, See Figure 04-32
4	440-10812	2	SCREW, Cross Pan Hd, #8-32 x 3/4",
5	429726A1	2	DOME LIGHT, , See Figure 04-29
6	375389A1	2	SPEAKER, 5-1/2"
7	276-13520	8	SCREW, SELF TAP, Hex Hd, #10 x 1 1/4",
8	231-51409	8	NUT, Flg, USR, #10-24,
9	369794A1	2	POTENTIOMETER, Air Conditioning, Fan Speed, 10K
10	1977521C1	2	KNOB,
11	369892A1	1	SWITCH, Air Conditioning, Without Automatic Temperature Control
12	26069R1	4	BULB, No. 192, Not Illustrated
13	139718A1	1	CIRCUIT BREAKER, 10 amp, Not Illustrated, Used with 276603A2
14	139719A1	2	CIRCUIT BREAKER, 15 amp, Not Illustrated, Used with 276603A2
15	139720A1	3	CIRCUIT BREAKER, 20 amp, Not Illustrated, Used with 276603A2
16	105849A1	5	RELAY, 20 amp, Continuous Duty, Mounted in Relay Block
17	176854A1	1	SWITCH, WINDSHIELD WIPER, Wiper, BSN HAJ0295001
17	87447601	1	SWITCH, WINDSHIELD WIPER, With Washer, ASN HAJ0295001
18	391065A1	1	SWITCH, Lamp
19	279263A1	1	SWITCH, FLASHER, Warning Lamp
20	143062A1	2	HARNESS, WIRE, Warning Lamp
21	130882C91	2	LIGHT, INTERIOR, , See Figure 04-32
22	137838A1	1	WIPER MOTOR, , See Figure 04-41
23	391066A1	1	RELAY, Time Delay
24	97080C1	1	ANTENNA,
25	R54547	1	GROMMET,
26	893-11008	1	WASHER, LOCK, Ext Tooth, M8,
27	825-5148	2	NUT, M8, Flg Ser,
28	1983341C1	1	SWITCH, Door Jam
29	REF	1	INSTRUCTION, Radio, Note: If Cab Is Not Equipped With A Radio, 1535219C1 Plate Is Used To Cover Opening In Headliner. See Figure 09G-06 REF 10
31	825-51410	1	NUT, M10, Flg Ser,
32	493-11039	1	WASHER, LOCK, 3/8", Int-Ext Tooth,
33	308910A2	1	DISPLAY, Air Conditioning
34	495-31022	4	WASHER, #10,
35	261-13512	2	SCREW, SELF TAP, Cross Pan Hd, #10 x 3/4",

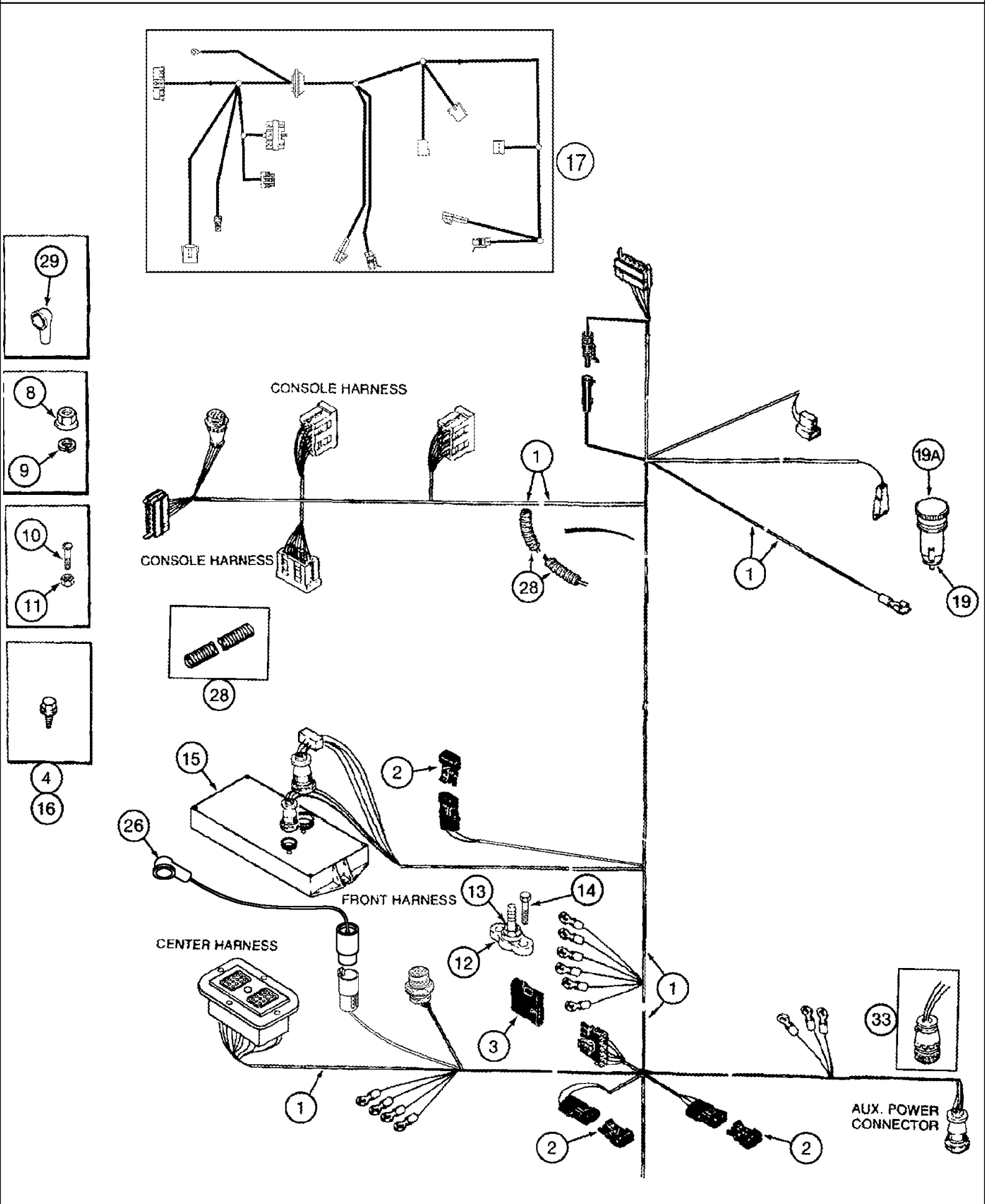
04-12 RADIO



04-12 RADIO

сылка	Номер детали	Кол-во	Описание
1	ZAE1001	1	RADIO, AM-FM Stereo, Order From Ship Direct, Also Order 321658A1 Harness
2	ZAE3001	1	RADIO, AM-FM Stereo, With Cassette Tape Player, Order From Ship Direct, Also Order 321658A1 Harness
3	321658A1	1	HARNESS, WIRE, Adapter
4	253772A1	1	RADIO, Delco, AM-FM Stereo
5	253773A1	1	RADIO, Delco, AM-FM Stereo, With Cassette Tape Player
6	245770A1	1	HARNESS, WIRE, Adapter
7	366631A2	1	RADIO, Delco, AM-FM-WB Stereo
8	355623A1	1	RADIO, Delco, AM-FM Stereo, With Cassette Tape Player
9	366526A1	1	HARNESS, WIRE, Adapter

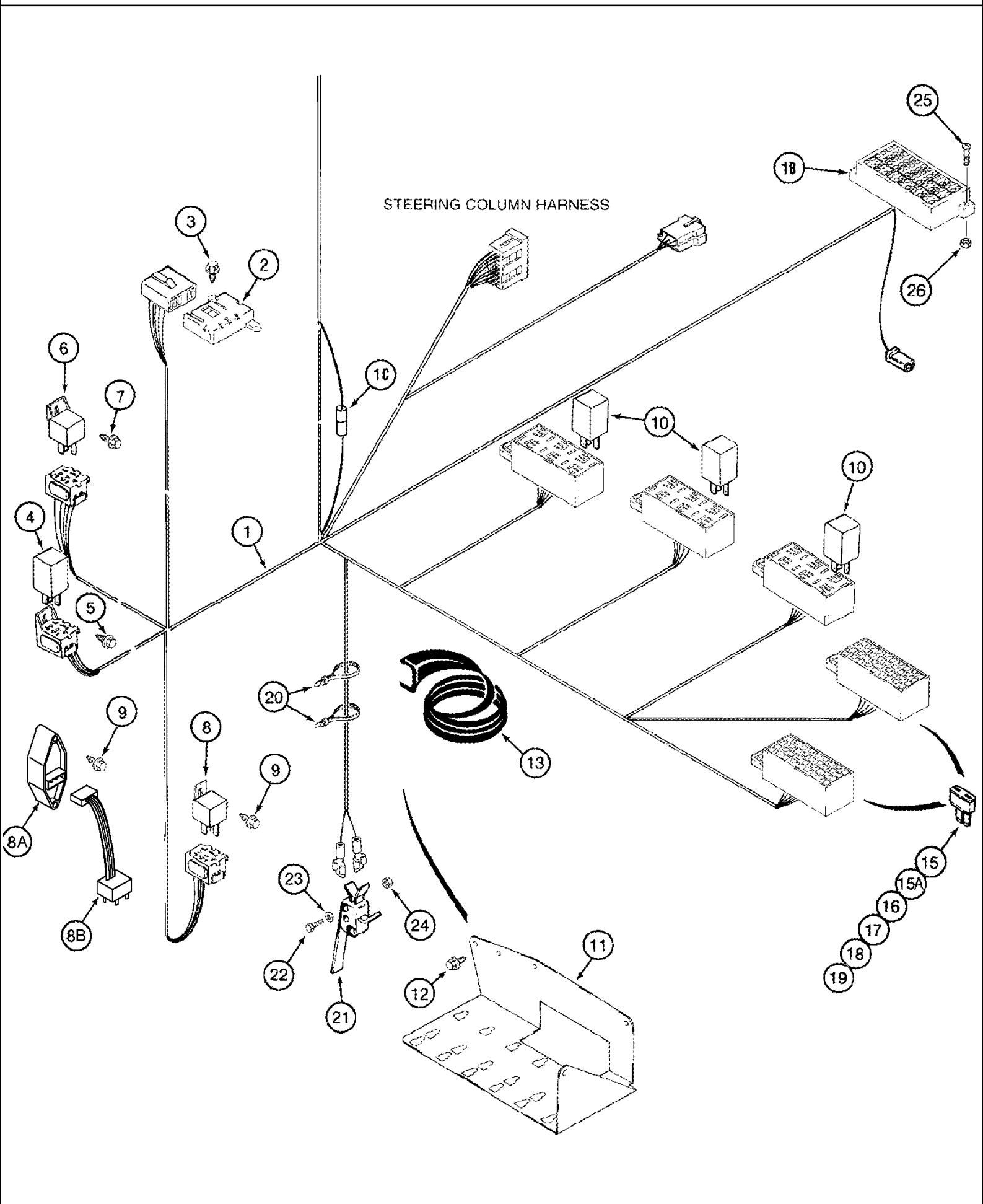
04-13 HARNESS - CAB, LOWER REAR



04-13 HARNESS - CAB, LOWER REAR

сылка	Номер детали	Кол-во	Описание
1	87314715	1	HARNESS, WIRE, Cab, See Figure 04-14, BSN HAJ0295001
1	87304011	1	HARNESS, WIRE, Cab, See Figure 04-14, ASN HAJ0295001
2	A187874	2	DIODE, Unloader Auger, Concave Clearance Request
3	127290A1	1	DIODE, Rotor/Fan Speed Request
4	191216A1	4	SCREW, SELF TAP, Hex Wash Hd, #10-24 x 5/8", Bulkhead Connector
8	825-51410	2	NUT, M10, Flg Ser,
9	493-11039	3	WASHER, LOCK, 3/8", Int-Ext Tooth,
10	440-10610	4	SCREW, Cross Pan Hd, #6-32 x 5/8",
11	231-14106	4	NUT, LOCK, #6-32, GB,
12	303717A1	2	HARNESS, WIRE, Switched, B+, Includes 13, (1) 113-235
13	425-106	1	NUT, 3/8"-16, G5,
14	440-11012	2	SCREW, Cross Pan Hd, #10-24 x 3/4",
15	239938A7	1	CONTROL, Header Control
16	191216A1	2	SCREW, SELF TAP, Hex Wash Hd, #10-24 x 5/8",
17	431091A1	1	HARNESS, WIRE, Heating and Air Conditioning, Component of 431088A2 , See Figure 09G-17
19	432212A1	1	LIGHTER, CIGARETTE, Socket Assy
19A	190812A1	1	COVER, Cigar Lighter
26	277019A2	1	CABLE, Cab Power, Includes 29, See Figure 04-35
28	236586A1	1	CONDUIT, 990 mm (39")
29	399470R1	1	BOOT,
33	187103A1	1	CONNECTOR, ELEC, Auxiliary Power, Note: Order to use with add-on radios, phones, and other accessories.
35	83822C1	2	TAPE, ADHESIVE, 610 mm (24"), Cut from 1954475C1, Not Illustrated
	311906A1	1	KIT, Cab Power, Includes 37 - 39, Not Illustrated, Note: These connectors, 277424A1 and 277431A1 are located behind Refs 6 and 7 on page 09G-01. If broken or loose cab power may be lost and emergency parking brake will engage. Purchase 311906A1 kit to repair.
37	277424A1	1	CONNECTOR, Not Illustrated
38	277431A1	1	CONNECTOR, Not Illustrated
39	311905A1	1	TOOL, Not Illustrated
40	435437A1	3	STRAP, CABLE, 3/16" x 7 1/4", 7", Not Illustrated

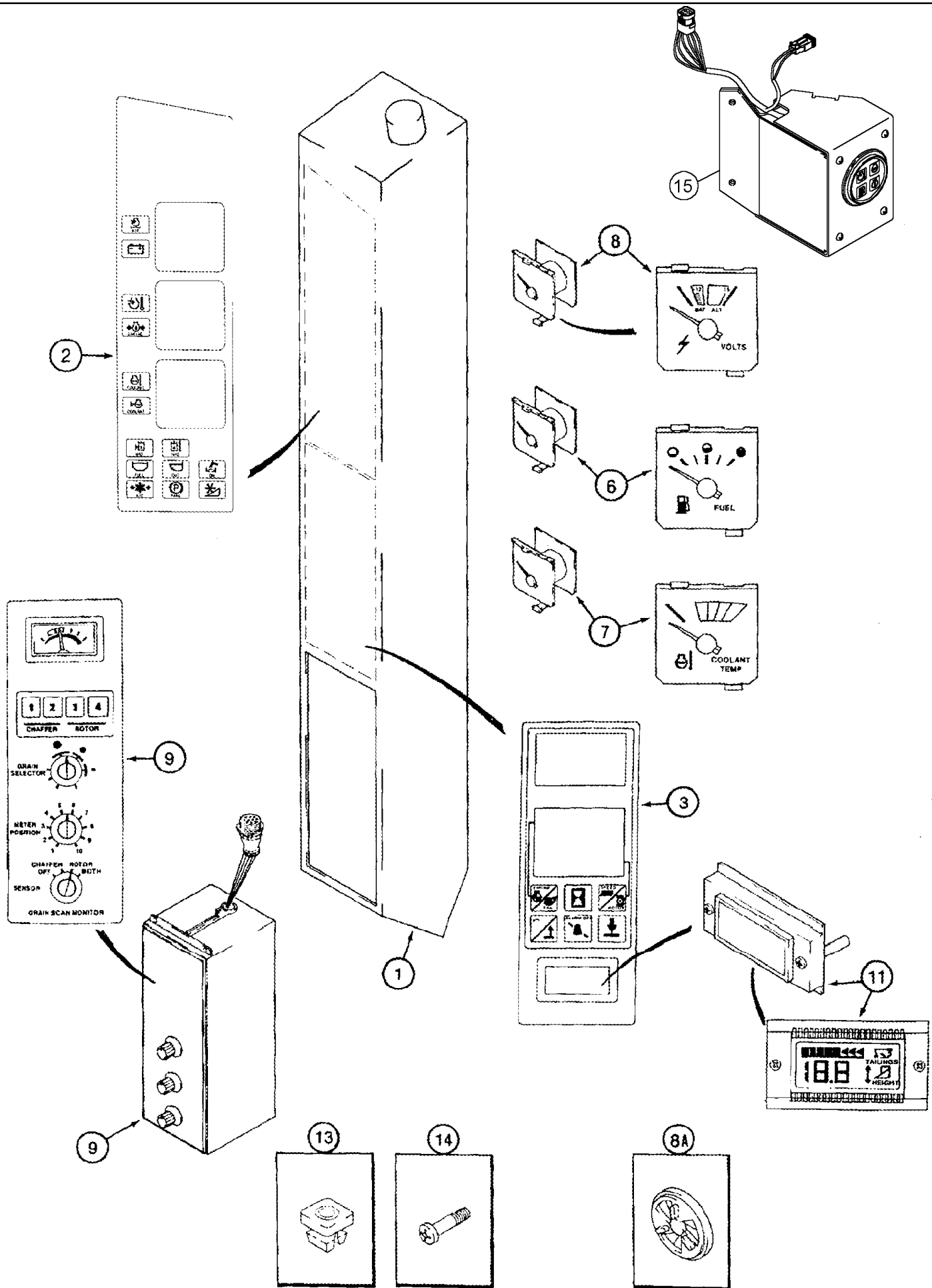
04-14 HARNESS - CAB, RELAY AND FUSE



04-14 HARNESS - CAB, RELAY AND FUSE

сылка	Номер детали	Кол-во	Описание
1	87314715	1	HARNESS, WIRE, Cab, See Figure(s) 04-11, 04-13, Without Overhead Circuit Breaker Panel, BSN HAJ0295001
1	87304011	1	HARNESS, WIRE, Cab, See Figure(s) 04-11, 04-13, ASN HAJ0295001
1B	122845A1	1	JUNCTION BLOCK, Feedback
1C	113699A1	1	RECTIFIER, 2-5/8", Included with 276603A2, 315073A1
2	284421A1	1	CONTROL UNIT, Low Coolant
3	191216A1	2	SCREW, SELF TAP, Hex Wash Hd, #10-24 x 5/8",
4	309001A1	1	FLASHER UNIT, Hazard, BSN HAJ0295001
	86578898	1	FLASHER UNIT, Hazard, ASN HAJ0295001
5	191216A1	1	SCREW, SELF TAP, Hex Wash Hd, #10-24 x 5/8",
6	1987452C1	1	RELAY, 12V, 70 amp, Cab Power
7	191216A1	1	SCREW, SELF TAP, Hex Wash Hd, #10-24 x 5/8",
8	1502351C1	1	RELAY, 12V, Unloading Circuit, Optional with 87413245 Below
	87413245	1	KIT, FIP, Service Replacement of 1502351C1, Avoids Connector Change in Cab Harness, Includes 8A, 8B
8A	87413221	1	RELAY, Module, 12V, Unloading Circuit, Optional with 1502351C1
8B	87413222	1	HARNESS, WIRE, Adapting
9	191216A1	1	SCREW, SELF TAP, Hex Wash Hd, #10-24 x 5/8", Used with 1502351C1
9	87033643	1	SCREW, SELF TAP, Hex Wash Hd, #10 x 1 1/2", Used with 87413221
10	105849A1	19	RELAY, 20 amp, Continuous Duty
11	123116A1	1	PANEL, Fuse and Relay
12	191216A1	3	SCREW, SELF TAP, Hex Wash Hd, #10-24 x 5/8",
13	1327979C1	1	MOLDING, Cut 152 mm (6") from 196707C1
14	REF	1	INSTRUCTION, Decal, Fuse and Relay, Not Illustrated, See Figure 09H-20
15	121850A1	AR	FUSE, 3 amp
15A	121410A1	AR	FUSE, 5 amp
16	121412A1	AR	FUSE, 10 amp
17	121413A1	AR	FUSE, 15 amp
18	121414A1	AR	FUSE, 20 amp
19	121416A1	AR	FUSE, 30 amp
20	702093C1	2	STRAP, CABLE,
21	60-6515T1	1	SWITCH, 3rd Gear Lockout
22	463-10412	2	SCREW, Hex Hd, #4-40 x 3/4",
23	495-31012	2	WASHER, #4, 1/8" x 5/16" x 1/32"
24	225-14104	2	NUT, #4-40,
25	440-10616	2	SCREW, Cross Pan Hd, #6-32 x 1",
26	231-14106	2	NUT, LOCK, #6-32, GB,
	222699A1	AR	KIT, FUSES, Includes 15, 15A, 16 - 19 (1 each)
27	121411A1	1	FUSE, 7.5 amp (Not Illustrated)
28	121415A1	1	FUSE, 25 amp (Not Illustrated)

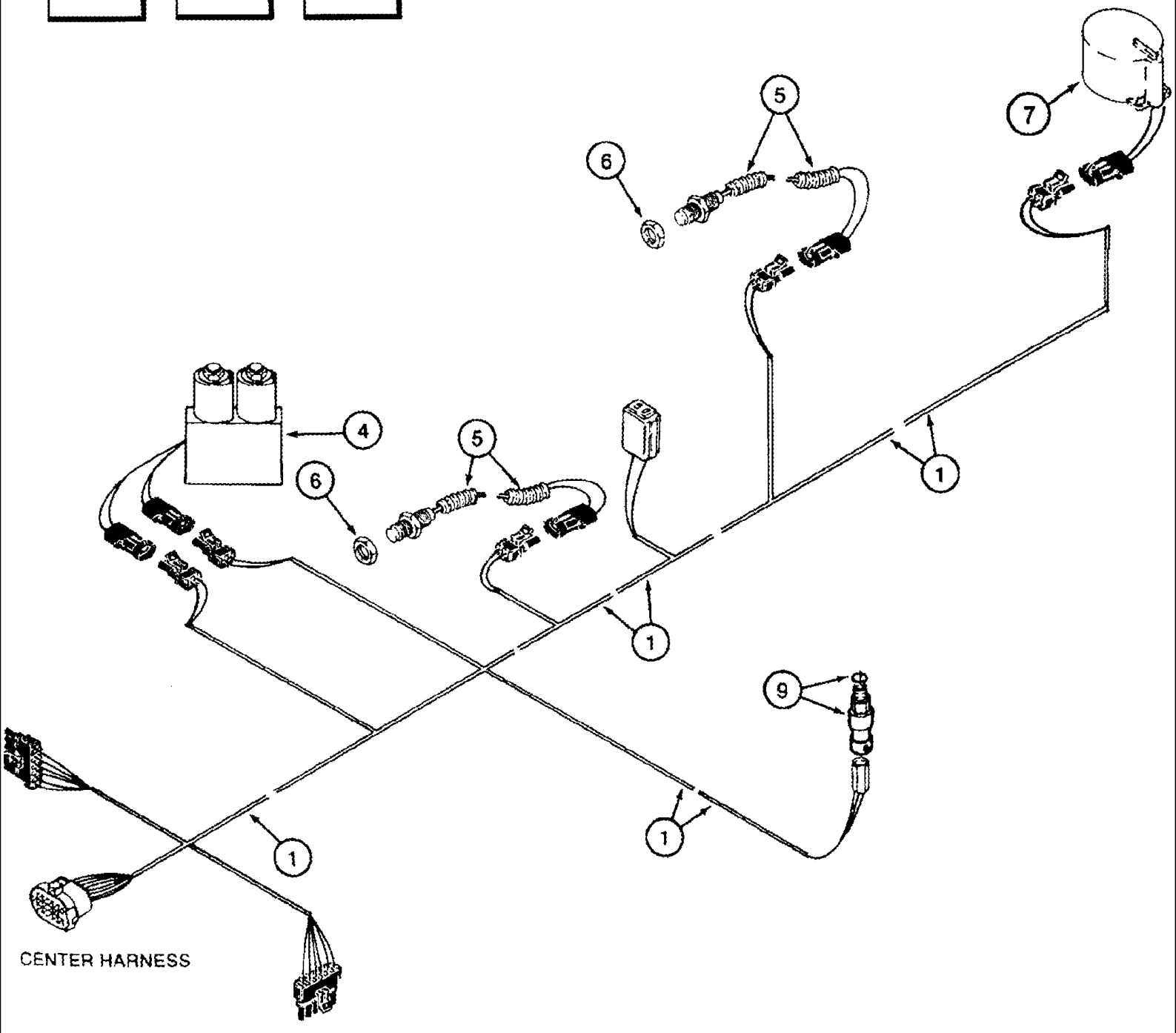
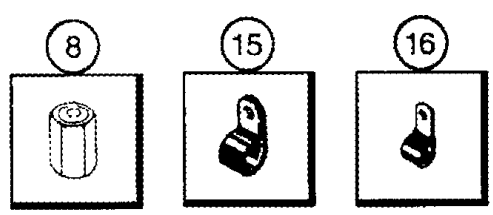
04-15 INSTRUMENT PANEL ASSY



04-15 INSTRUMENT PANEL ASSY

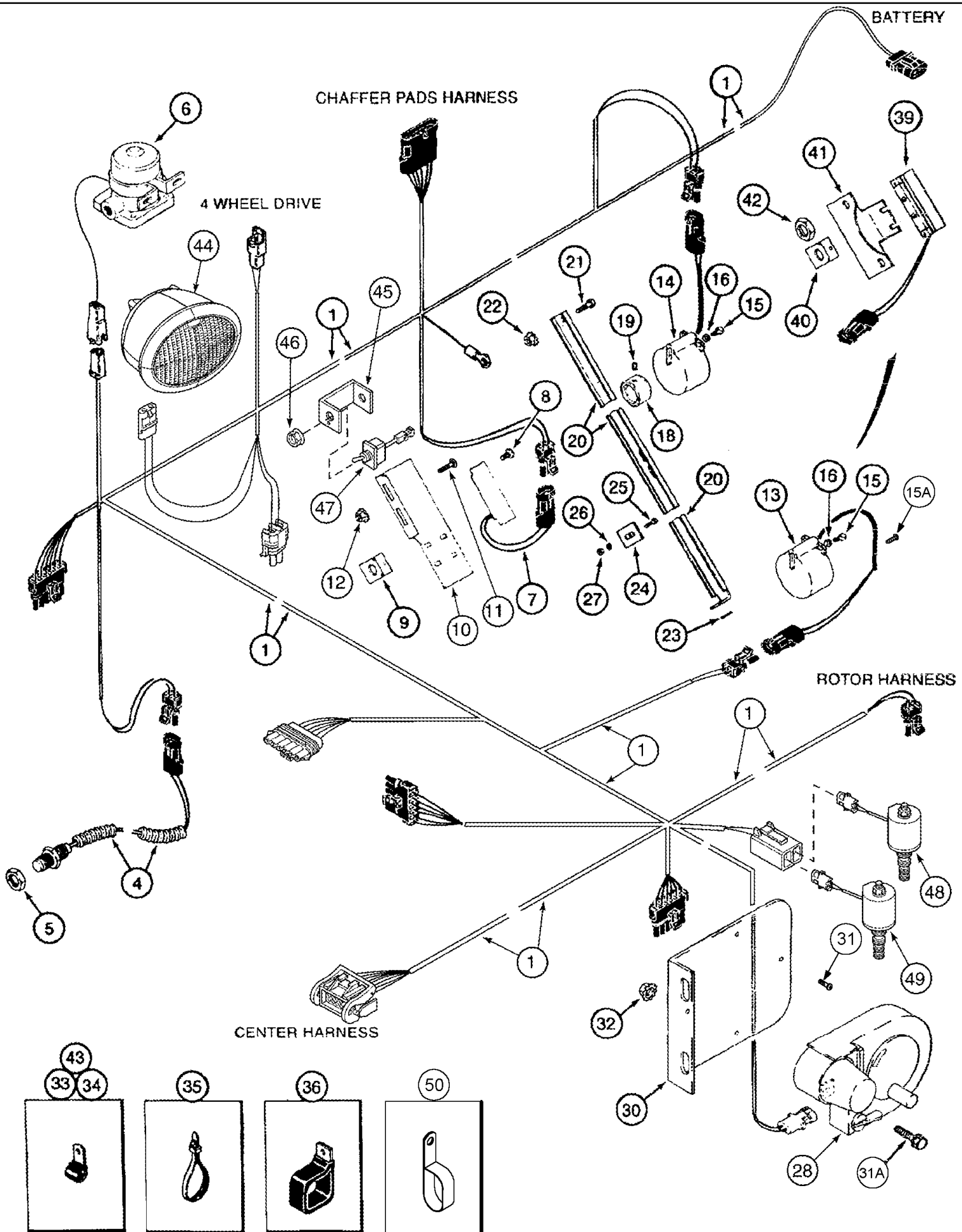
сылка	Номер детали	Кол-во	Описание
	257612A2	1	PANEL, INSTRUMENTS, Includes 1 - 8B, 11
1	NSS	1	NOT SERVICED SEPARATELY, Panel
2	238210A1	1	DECAL, Gauge And Warning
3	123716A1	1	DECAL, Instrument Panel
4	A48888	AR	BULB, Not Illustrated
5	121615A1	6	SOCKET, LAMP, Includes Bulb (Not Illustrated)
6	142825A1	1	GAUGE, FUEL,
7	142824A1	1	GAUGE, Coolant Temperature
8	142828A1	1	VOLTMETER,
8A	195359A1	1	SUPPRESSOR, Audible Warning Alarm
8B	1546441C1	1	BUZZER, Audible Warning Alarm (Not Illustrated)
9	110862A1	1	MONITOR, CONTROL, Grain Scan, Includes 10
10	A48888	AR	BULB, (Not Illustrated)
11	123715A1	1	DISPLAY, Height, Includes 12
12	121615A1	1	SOCKET, LAMP, Includes Bulb (Not Illustrated)
13	R53000	2	NUT,
14	260-13524	2	SCREW, SELF TAP, Cross Pan Hd, #10 x 1 1/2",
15	87357992	1	MODULE, Engine Warning Lights, ASN HAJ0295001

04-16 HARNESS, LOWER



04-16 HARNESS, LOWER

сылка	Номер детали	Кол-во	Описание
1	243187A1	1	HARNESS, WIRE, Lower, Includes 2, 3
2	187308A1	2	CAP, (Not Illustrated)
3	187309A1	2	BAR, Splice (Not Illustrated)
4	129010A4	1	VALVE, CONTROL, Parking Brake And Feeder Clutch, See Figure 08-17
5	245193C2	2	SENSOR, Ground Speed, Fan Speed
6	425-1512	2	NUT, Jam, 3/4"-10, G5,
7	1345482C3	1	TRANSMITTER, Clean Grain Speed, Shaft 1-1/4"
7	143956A3	1	TRANSMITTER, Clean Grain Speed, Shaft 1-3/8" (Not Illustrated)
8	106666A1	1	NUT, 3/8"
9	86975430	1	SENSOR, Header Float Pressure, See Figure 08-10
15	92386C1	3	CLAMP, 7/8", Insul, 7/16" Bolt,
16	516-23127	3	CLAMP, J, 9/16" Insul, 3/8" Bolt,
17	844-8025	2	BOLT, Hex Flg, M8 x 25, 8.8, Not Illustrated
18	825-2408	3	NUT, M8 x 1.25, Flg, Cl 8, Not Illustrated
19	435437A1	1	STRAP, CABLE, 3/16" x 7 1/4", 7", Not Illustrated



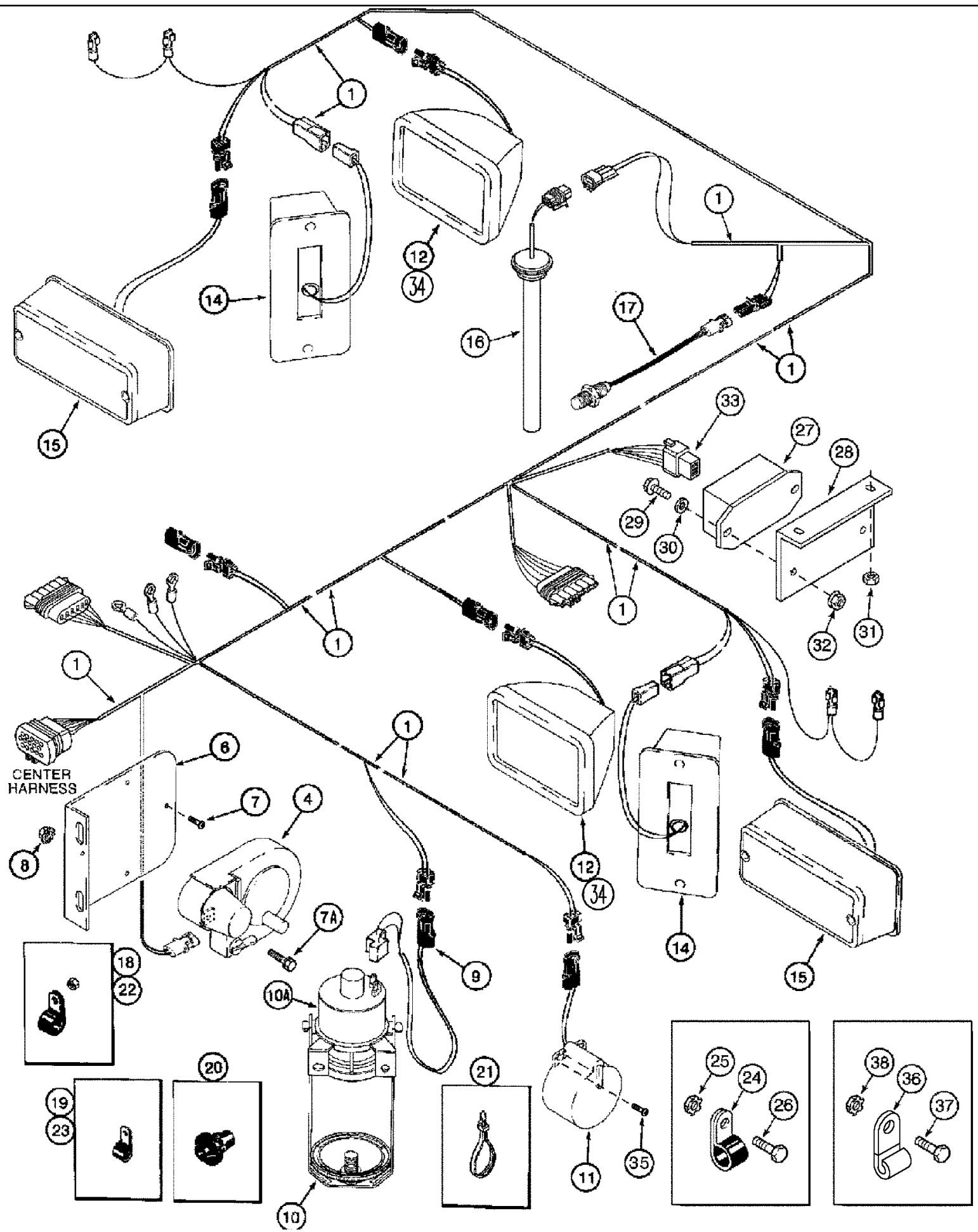
04-17 HARNESS, LEFT HAND SIDE

сылка	Номер детали	Кол-во	Описание
1	388316A3	1	HARNESS, WIRE, LH Side, Includes 2, 3, BSN HAJ0295001
1	87312806	1	HARNESS, WIRE, LH Side, ASN HAJ0295001
2	187308A1	3	CAP, Not Illustrated
3	187309A1	3	BAR, Splice, Not Illustrated
4	1252494C2	1	TRANSMITTER, Engine RPM
5	425-1512	2	NUT, Jam, 3/4"-10, G5,
6	302867A1	1	PUMP, FUEL, Lift, See Figure 03-06, Ref. 17
7	245364C1	1	SWITCH, Monitor Control, Shoe Speed
8	840-1410	2	SCREW, Cross Pan Hd, M4 x 10,
9	187996C1	1	MAGNET, Shoe Sensor
10	187998C3	1	BRACKET, Sensor
11	434-512	2	BOLT, CARRIAGE, Short NK, 5/16"-18 x 3/4", G5, Full Thd,
12	231-5145	2	NUT, Flg, USR, 5/16"-18,
13	1345485C3	1	TRANSMITTER, Beater
14	1345482C3	1	TRANSMITTER, Tailings Elevator Speed
15	263-5448	2	SCREW, SELF TAP, Slotted Pan Hd, #8 x 1/2",
15A	260-13524	2	SCREW, SELF TAP, Cross Pan Hd, #10 x 1 1/2",
16	492-11008	4	WASHER, LOCK, #8,
18	87431217	1	COLLAR, Includes Set Screw
19	280-1478	1	SCREW, SELF TAP, Hex Wash Hd, 1/4" x 1/2",
20	116892A1	1	CHANNEL,
21	477-73112	3	BOLT, Slotted Tr Hd, 5/16"-18 x 3/4",
22	231-5145	3	NUT, Flg, USR, 5/16"-18,
23	495-11034	1	WASHER, 5/16", SAE,
24	1301560C1	1	SUPPORT,
25	413-512	1	BOLT, Hex, 5/16"-18 x 3/4", G5, Full Thd,
26	492-11031	1	WASHER, LOCK, 5/16",
27	425-105	1	NUT, 5/16"-18, G5,
28	127813A1	1	LAMP, Service, LH, Includes 29
29	H40556	1	BULB, 12V, Not Illustrated
30	139049A2	1	SUPPORT, LH
31	276-1458	3	SCREW, SELF TAP, Hex Hd, #10 x 1/2",
31A	905-8020	3	BOLT, Hex Serr Flg, M8 x 20,
32	825-5148	4	NUT, M8, Flg Ser,
33	515-23222	3	CLAMP, 7/8", Insul, 3/8" Bolt,
34	515-23254	2	CLAMP, 1", Insul, 3/8" Bolt,
35	435437A1	2	STRAP, CABLE, 3/16" x 7 1/4", 7"
36	1301387C2	3	CLIP, 2" ID, Square
37	614-8025	3	BOLT, Hex, M8 x 25, 8.8, Not Illustrated
38	825-5148	4	NUT, M8, Flg Ser, Not Illustrated
39	245410C1	1	TRANSMITTER, Straw Chopper
40	178799C1	1	CLAMP, Magnet, Use with 245410C1
41	144706A4	1	SUPPORT, , With Straw Chopper
42	425-148	2	NUT, Jam, 1/2"-13, G5,
43	362666R1	2	CLIP,

04-17 HARNESS, LEFT HAND SIDE

сылка	Номер детали	Кол-во	Описание
44	402850A1	1	LAMP, WORK, Separator, See Figure 04-34
45	391064A2	1	BRACKET,
46	231-5346	1	NUT, LOCK, Flg, 3/8"-16,
47	391062A1	1	SWITCH,
48	384307A1	1	VALVE, SOLENOID, Separator Clutch, See Figure 08-27
49	384307A1	1	VALVE, SOLENOID, Unloader Clutch, See Figure 08-27
50	470375C1	1	CLAMP,
51	409-7512	1	BOLT, Hex Flg, 5/16"-18 x 3/4", Serr,
52	231-5145	1	NUT, Flg, USR, 5/16"-18,

04-18 HARNESS, REAR



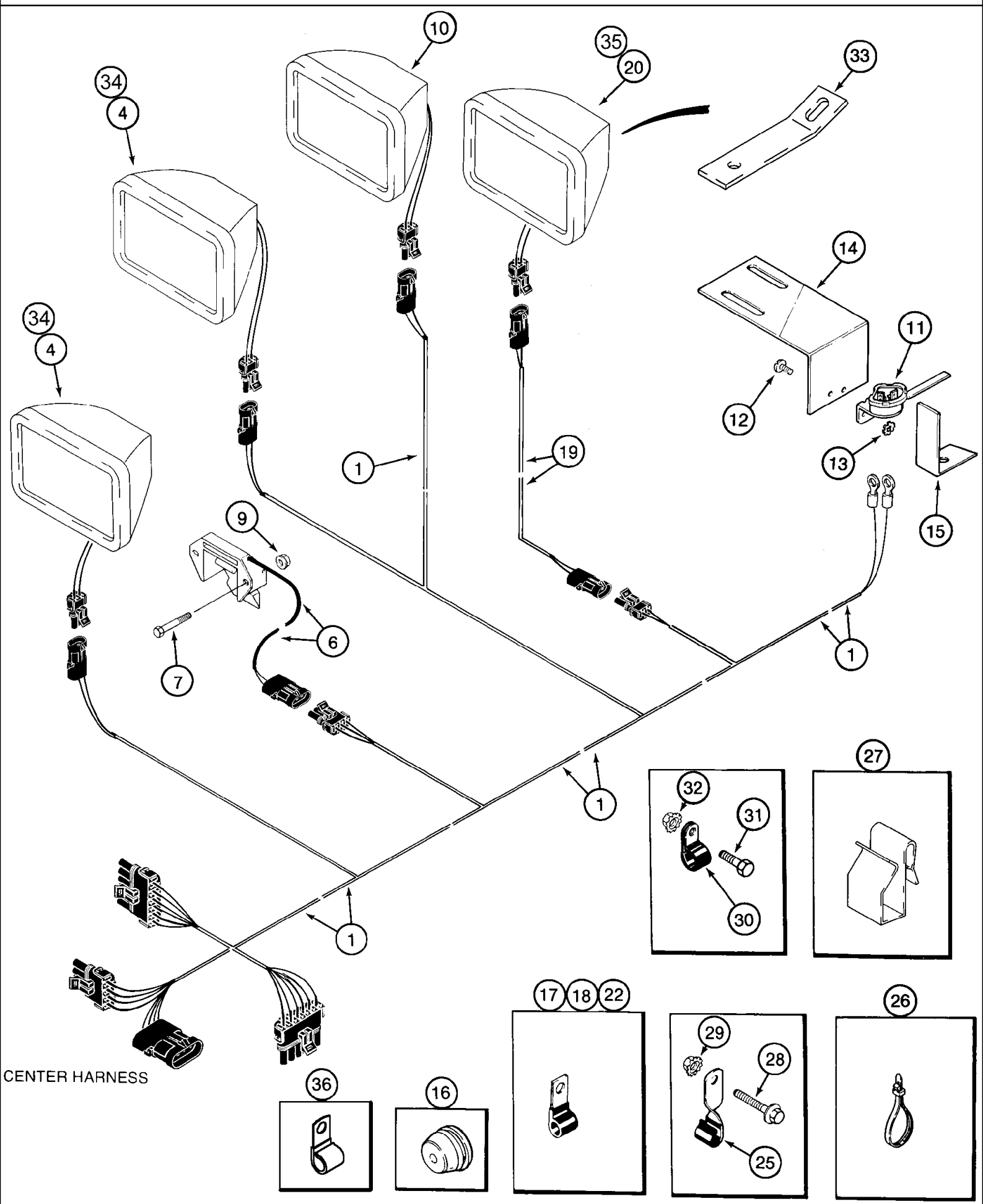
04-18 HARNESS, REAR

сылка	Номер детали	Кол-во	Описание
1	441972A2	1	HARNESS, WIRE, Rear, Includes 2, 3, BSN HAJ0295001
1	87307720	1	HARNESS, WIRE, Rear, ASN HAJ0295001
2	187308A1	1	CAP, Not Illustrated
3	187309A1	1	BAR, Splice, Not Illustrated
4	127813A1	1	LAMP, Service, RH, Includes 5
5	H40556	1	BULB, 12V, Not Illustrated
6	139049A2	1	SUPPORT,
7	276-1458	3	SCREW, SELF TAP, Hex Hd, #10 x 1/2",
7A	905-8020	4	BOLT, Hex Serr Flg, M8 x 20,
8	825-5148	4	NUT, M8, Flg Ser,
9	141730A1	1	HARNESS, WIRE, Ether Injection
10	185552A2	1	SOLENOID, 12V, Ether Injection, Includes 10A, See Figure 02-47
10A	190752A1	1	HOUSING,
11	1345485C3	1	TRANSMITTER, Rotary Air Screen
12	185116A1	2	HEADLIGHT, Rear Flood, Includes 13
13	323094A1	1	BULB, Type C-6, No. 894, Not Illustrated
14	130882C91	2	LIGHT, INTERIOR, , See Figure 04-32
15	92260C1	2	LAMP, Stop, Tail, See Figure 04-42
16	356872A1	1	SENDER UNIT, Fuel Level
17	245193C2	1	SENSOR, Speed, Straw Spreader
18	515-23175	3	CLAMP, 11/16", Insul, 3/8" Bolt,
18	515-23190	8	CLAMP, 3/4", Insul, 3/8" Bolt,
18	515-23222	4	CLAMP, 7/8", Insul, 3/8" Bolt,
18	515-23333	4	CLAMP, 1 5/16", Insul, 3/8" Bolt,
19	516-23127	3	CLAMP, J, 9/16" Insul, 3/8" Bolt,
20	195804C1	1	GROMMET,
21	435437A1	1	STRAP, CABLE, 3/16" x 7 1/4", 7"
21	L18331	1	STRAP, CABLE, 15"
22	231-5145	6	NUT, Flg, USR, 5/16"-18,
22	425-286	1	NUT, Flg, 3/8"-16, G5,
23	516-23127	1	CLAMP, J, 9/16" Insul, 3/8" Bolt,
24	515-2163	1	CLAMP, 1/8", Insul, 1/4" Bolt,
25	231-5144	1	NUT, Flg, USR, 1/4"-20,
26	409-748	1	BOLT, Hex Flg, 1/4"-20 x 1/2", Serr,
27	86561136	1	SENSOR, Flasher
28	393955A1	1	BRACKET,
29	409-7416	2	BOLT, Hex Flg, 1/4"-20 x 1", Serr,
30	495-11028	2	WASHER, 1/4", SAE,
31	231-4144	2	NUT, LOCK, 1/4"-20, GB,
32	231-5145	2	NUT, Flg, USR, 5/16"-18,
33	396377A1	1	CONNECTOR, ELEC, 6 Pin
34	430505A1	2	LAMP, , See Figure 04-44
35	260-13524	2	SCREW, SELF TAP, Cross Pan Hd, #10 x 1 1/2",
36	362120R1	1	CLAMP,
37	409-7520	1	BOLT, Hex Flg, 5/16"-18 x 1 1/4", Serr,

04-18 HARNESS, REAR

сылка	Номер детали	Кол-во	Описание
38	231-5145	1	NUT, Flg, USR, 5/16"-18,
39	87300598	1	KIT, Brake Lights, Australian Production Machines, Includes 40 - 44, Not Illustrated
40	87300500	1	HARNESS, Brake Light
41	296462A1	1	SUPPORT, Brake Light Mounting
42	1983341C1	2	SWITCH,
43	614-6020	2	BOLT, Hex, M6 x 20, 8.8,
44	L18331	15	STRAP, CABLE, 15"

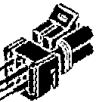
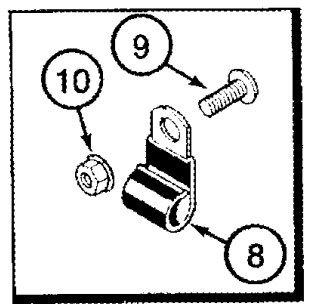
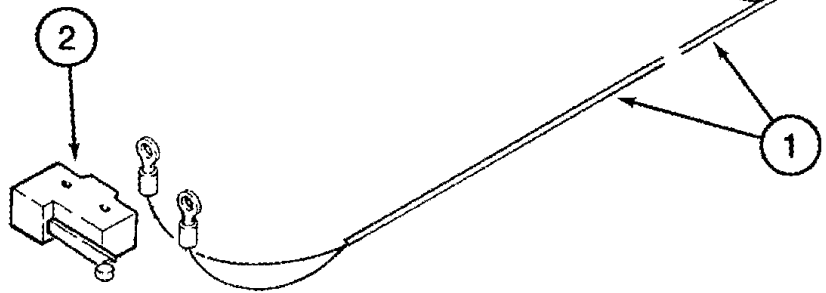
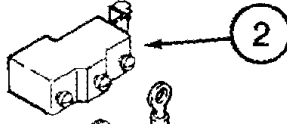
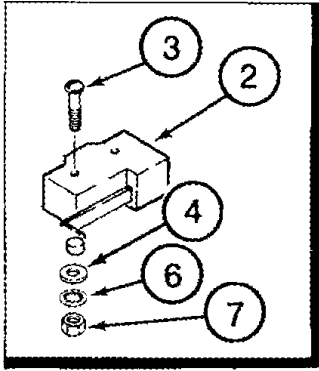
04-19 HARNESS - GRAIN TANK AND UNLOADER LAMP



04-19 HARNESS - GRAIN TANK AND UNLOADER LAMP

сылка	Номер детали	Кол-во	Описание
1	184737A2	1	HARNESS, WIRE, Grain Tank, Includes 2, 3
2	187308A1	2	CAP, Not Illustrated
3	187309A1	2	BAR, Splice, Not Illustrated
4	185118A1	2	HEADLIGHT, Flood, LH and RH, Includes 5
5	139119A1	1	BULB, No. 886, Not Illustrated
6	1987377C1	1	SWITCH, Grain Tank Level, See Figure 09E-04 For Mounting
7	409-7512	6	BOLT, Hex Flg, 5/16"-18 x 3/4", Serr,
9	231-5145	6	NUT, Flg, USR, 5/16"-18,
10	185119A1	1	HEADLIGHT, Grain Tank , See Figure 04-33
11	537641R2	1	SWITCH, Unloader Out
12	490-1108	2	SCREW, Cross Pan Hd, #10-32 x 1/2",
13	493-81000	2	WASHER, LOCK, Ext-Int Tooth, #10,
14	1338003C1	1	BRACKET,
15	1338004C2	1	BRACKET,
16	86976974	1	GROMMET, 3/4" ID
16	198823C1	2	GROMMET, 3/8" ID
17	362126R1	3	CLIP,
18	370383R1	6	CLIP, 3/4" ID
19	184740A2	1	HARNESS, WIRE, Unloader Lamp
20	185116A1	1	HEADLIGHT, Unloader, Includes 21
21	323094A1	1	BULB, Type C-6, No. 894, Not Illustrated
22	515-23127	3	CLAMP, 1/2", Insul, 3/8" Bolt,
23	844-8025	4	BOLT, Hex Flg, M8 x 25, 8.8,
24	825-2408	4	NUT, M8 x 1.25, Flg, CI 8,
25	363660R1	1	CLIP,
26	435437A1	7	STRAP, CABLE, 3/16" x 7 1/4", 7"
27	197991A1	2	CLIP, ELECTRICAL, Grain Tank Switch
28	409-7524	1	BOLT, Hex Flg, 5/16"-18 x 1 1/2", Serr,
29	231-5145	1	NUT, Flg, USR, 5/16"-18,
30	516-23127	5	CLAMP, J, 9/16" Insul, 3/8" Bolt,
31	477-73112	1	BOLT, Slotted Tr Hd, 5/16"-18 x 3/4",
32	231-5145	1	NUT, Flg, USR, 5/16"-18,
33	300433A1	1	SUPPORT, Unloader Lamp
34	430504A1	2	LAMP, 55W, Aftercut, See Figure 04-40
35	430505A1	1	LAMP, 35W , See Figure 04-40
36	370383R1	6	CLIP,

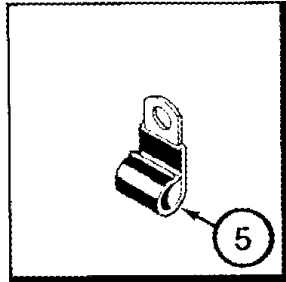
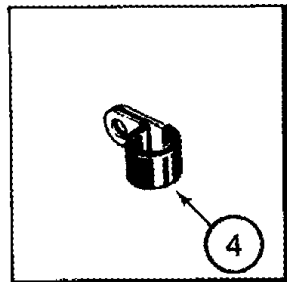
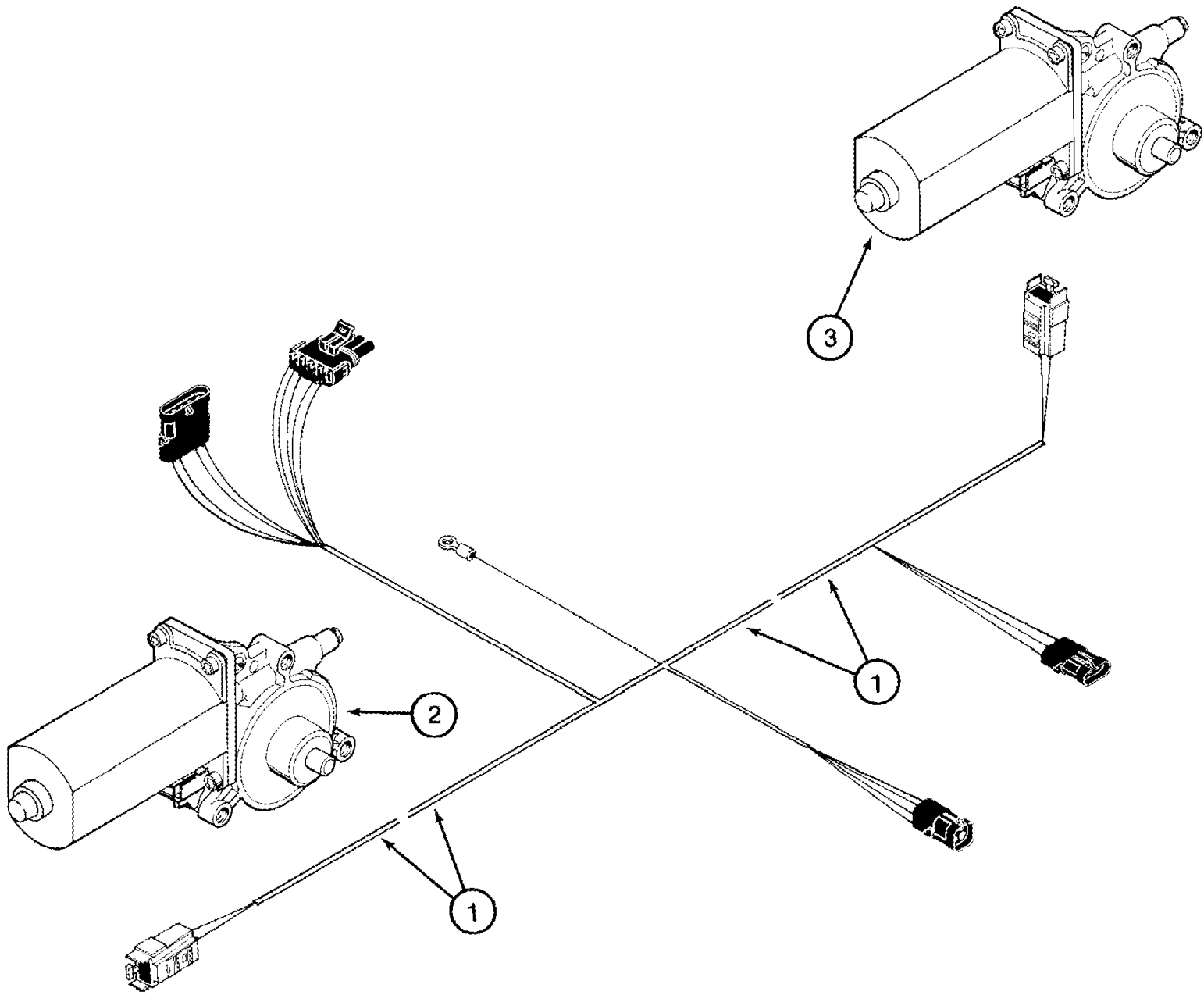
04-20 HARNESS - ROTOR LIMIT SWITCH



04-20 HARNESS - ROTOR LIMIT SWITCH

сылка	Номер детали	Кол-во	Описание
1	245240C1	1	HARNESS, WIRE, Rotor Limit Switch
2	128298A2	2	SWITCH, Rotor
3	470-10620	4	SCREW, Slotted Pan Hd, #6-32 x 1 1/4",
4	495-61020	4	WASHER, 13/64" x 1/2" x .060",
6	280384	4	WASHER, LOCK, Int Tooth, #6,
7	225-14106	4	NUT, #6-32,
8	362120R1	2	CLAMP, 9/16" ID
9	477-73808	1	SCREW, Slted Serr Truss Hd, 3/8"-16 x 1/2",
10	231-5146	1	NUT, Flg, USR, 3/8"-16,

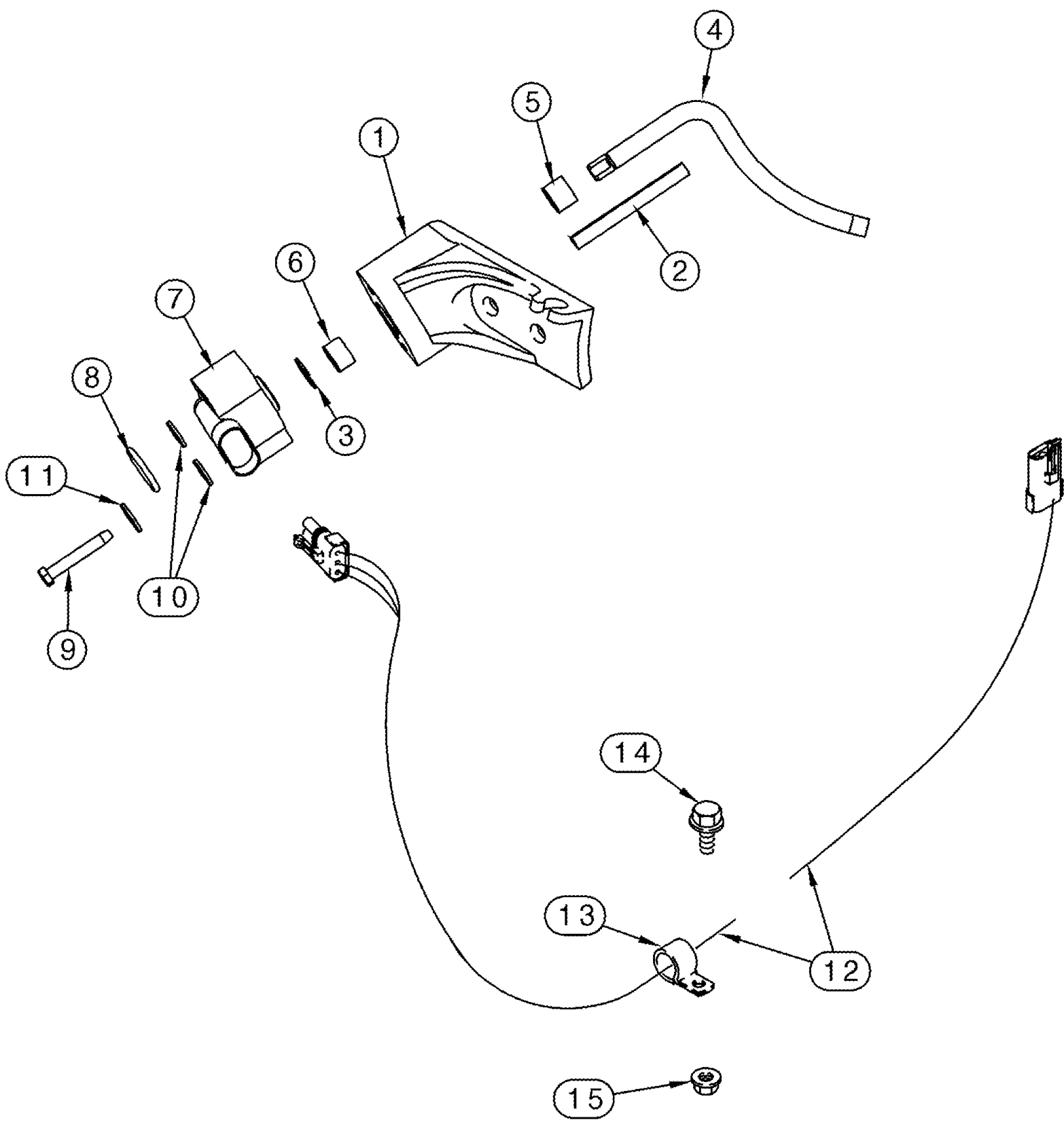
04-21 HARNESS - FAN AND ROTOR SPEED



04-21 HARNESS - FAN AND ROTOR SPEED

сылка	Номер детали	Кол-во	Описание
1	184397A2	1	HARNESS, Fan Speed, Rotor Speed
2	111787A2	1	MOTOR, ELECTRIC, Rotor Speed
3	111787A2	1	MOTOR, ELECTRIC, Fan Speed
4	515-23190	2	CLAMP, 3/4", Insul, 3/8" Bolt,
5	516-23127	8	CLAMP, J, 9/16" Insul, 3/8" Bolt,
6	434-512	3	BOLT, CARRIAGE, Short NK, 5/16"-18 x 3/4", G5, Full Thd, Not Illustrated
7	231-5145	3	NUT, Flg, USR, 5/16"-18, Not Illustrated

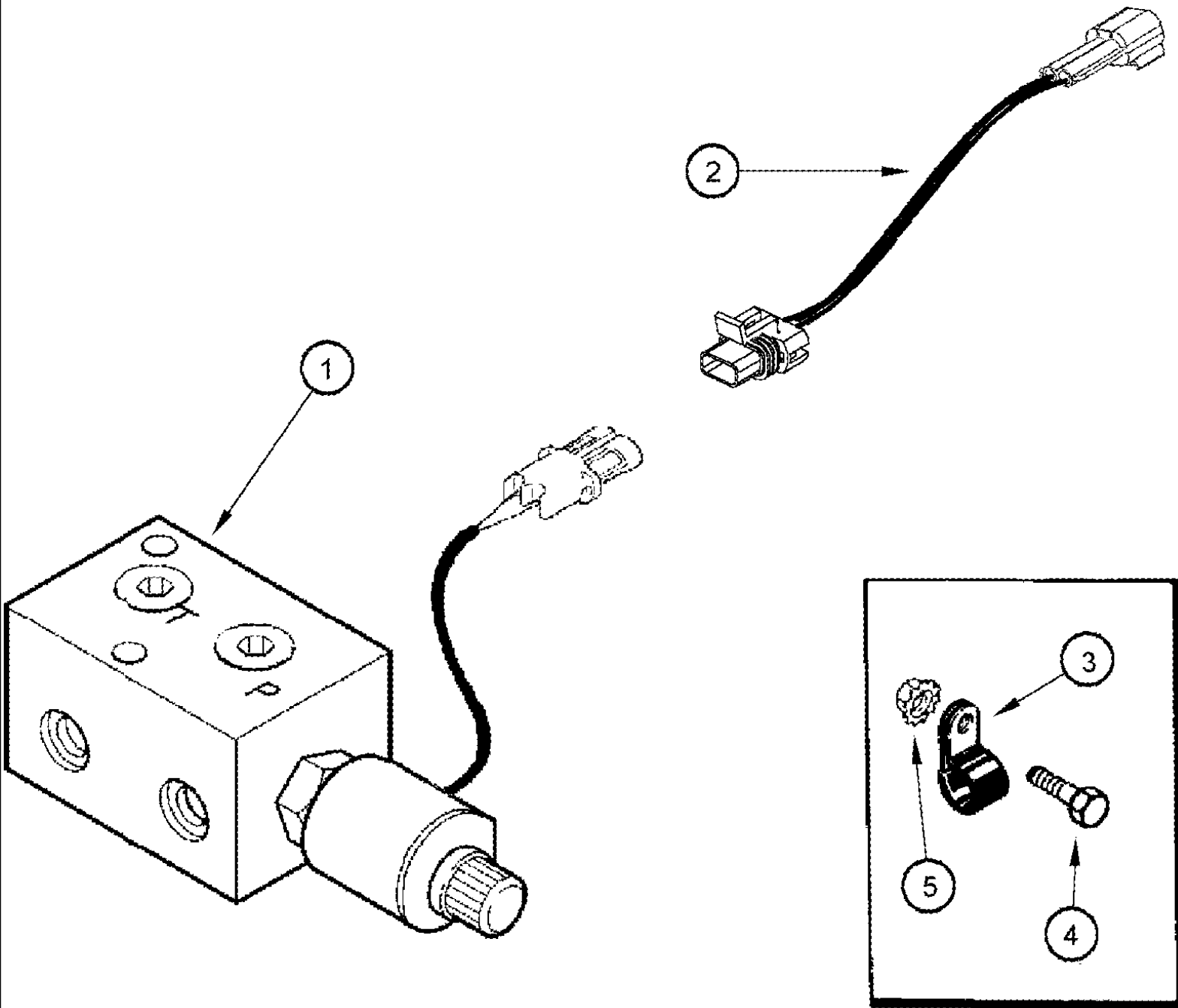
04-22 HARNESS - TAILINGS MONITOR



04-22 HARNESS - TAILINGS MONITOR

сылка	Номер детали	Кол-во	Описание
	225763A6	1	SENSOR, Includes 1 - 11
	225762A6	1	HOUSING, Tailings Sensor, Includes 1 - 6
1	NSS	1	NOT SERVICED SEPARATELY, Housing
2	38-31636	1	PIN, 1/4" x 2 1/4", Coiled,
3	103-3431	1	RING, LOCKING, #31, Ext, E-Type,
4	NSS	1	NOT SERVICED SEPARATELY, Arm
5	239246A1	1	BEARING, NEEDLE,
6	247223A1	1	BEARING, NEEDLE,
7	221847A1	1	SENSOR, Tailings Sensor
8	238-5115	1	O-RING, -115, 70 Duro, .674" ID x .103" Thk,
9	463-11024	2	SCREW, Hex Hd, #10-24 x 1 1/2",
10	495-31022	2	WASHER, #10,
11	239809A1	1	WASHER,
12	225384A4	1	HARNESS, WIRE, Tailings Monitor
13	516-2395	2	CLAMP, J, 7/16" Insul, 3/8" Bolt,
14	409-7512	2	BOLT, Hex Flg, 5/16"-18 x 3/4", Serr,
15	425-285	2	NUT, Flg, 5/16"-18, G5,

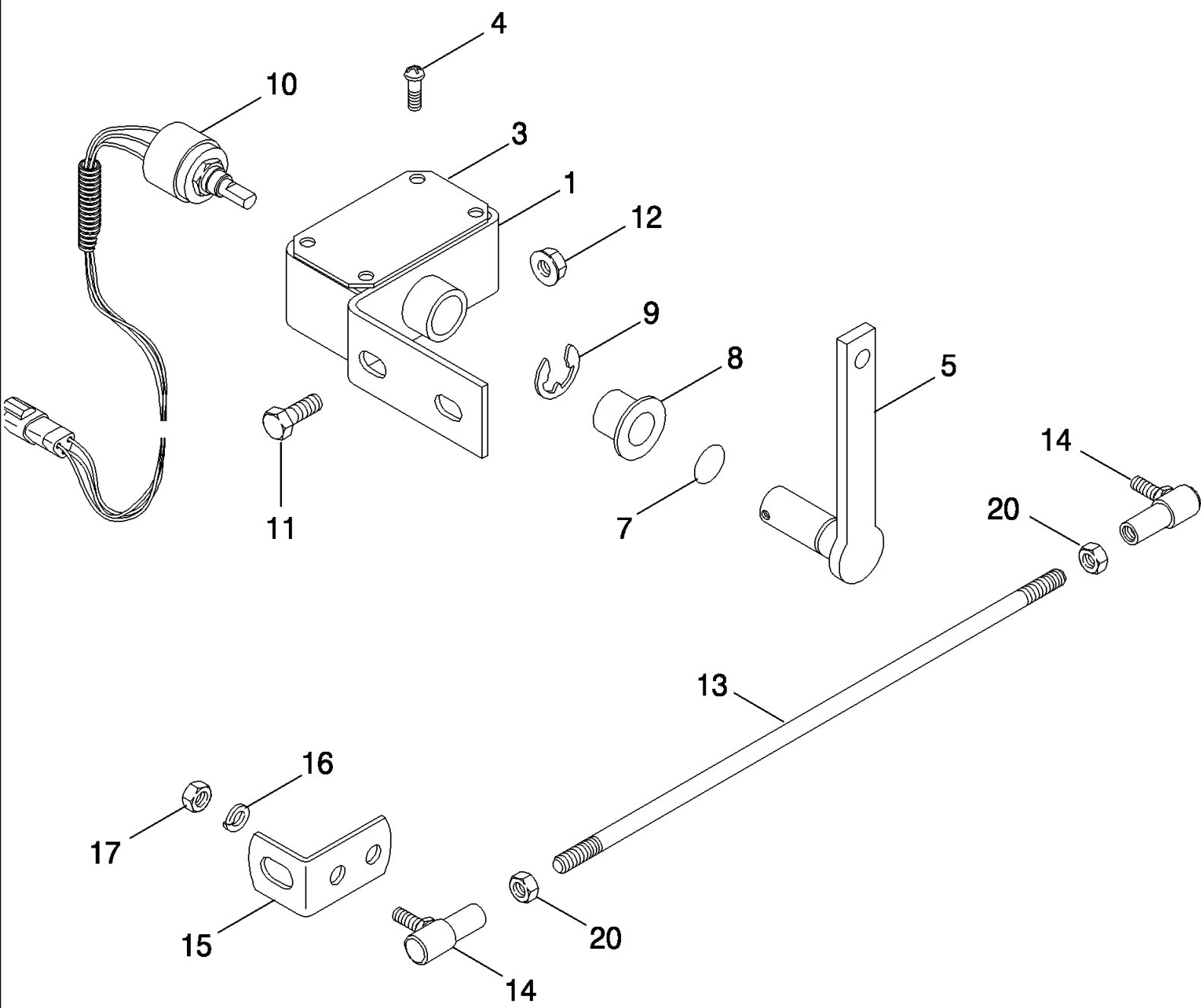
04-23 HARNESS - FEEDER REVERSER



04-23 HARNESS - FEEDER REVERSER

сылка	Номер детали	Кол-во	Описание
1	393904A1	1	VALVE, Feeder Reverser, See Figure 08-35
2	390754A2	1	HARNESS, WIRE, Feeder Reverser
3	515-2395	1	CLAMP, 3/8", Insul, 3/8" Bolt,
4	409-7512	1	BOLT, Hex Flg, 5/16"-18 x 3/4", Serr,
5	231-5145	1	NUT, Flg, USR, 5/16"-18,

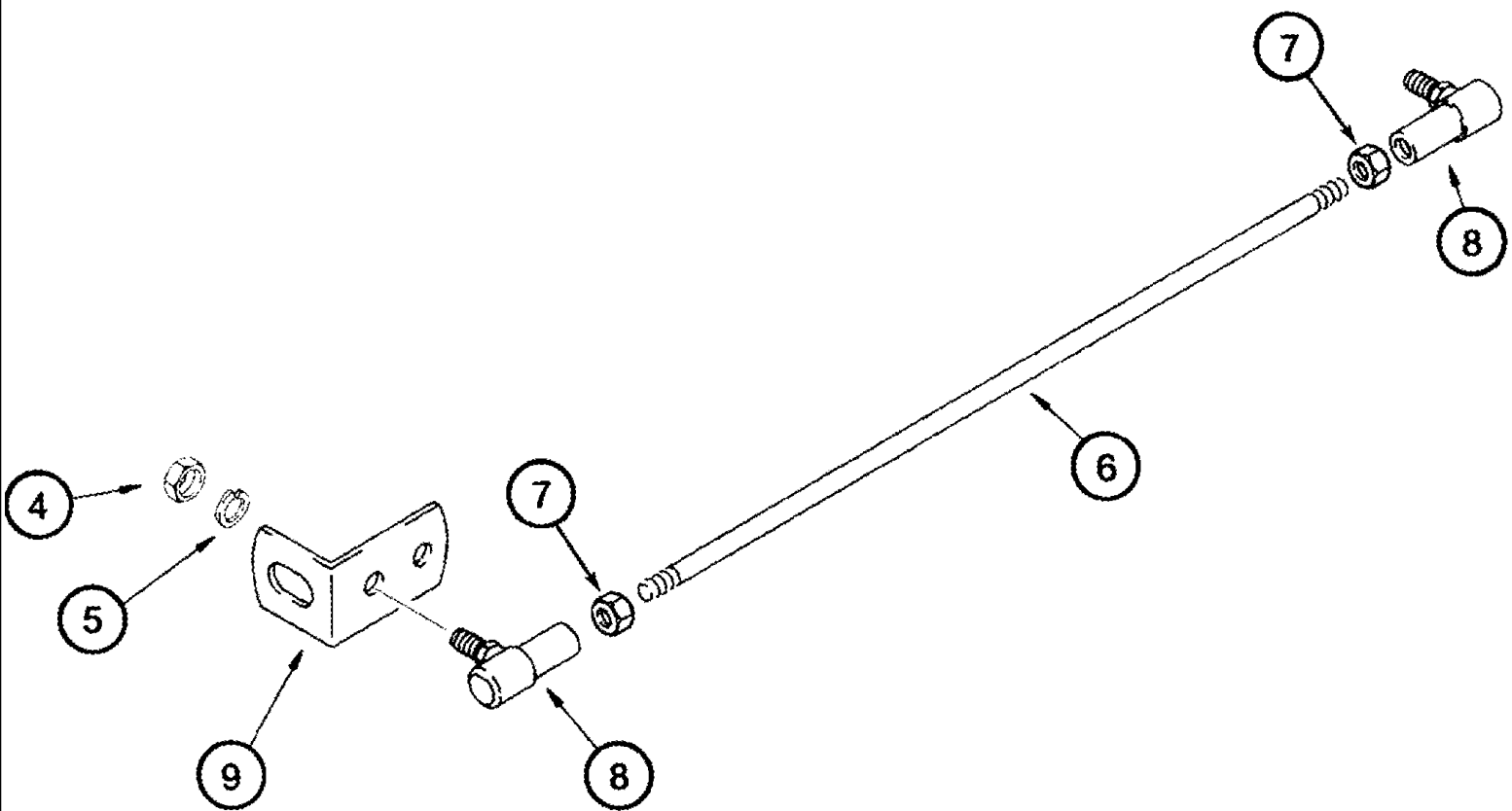
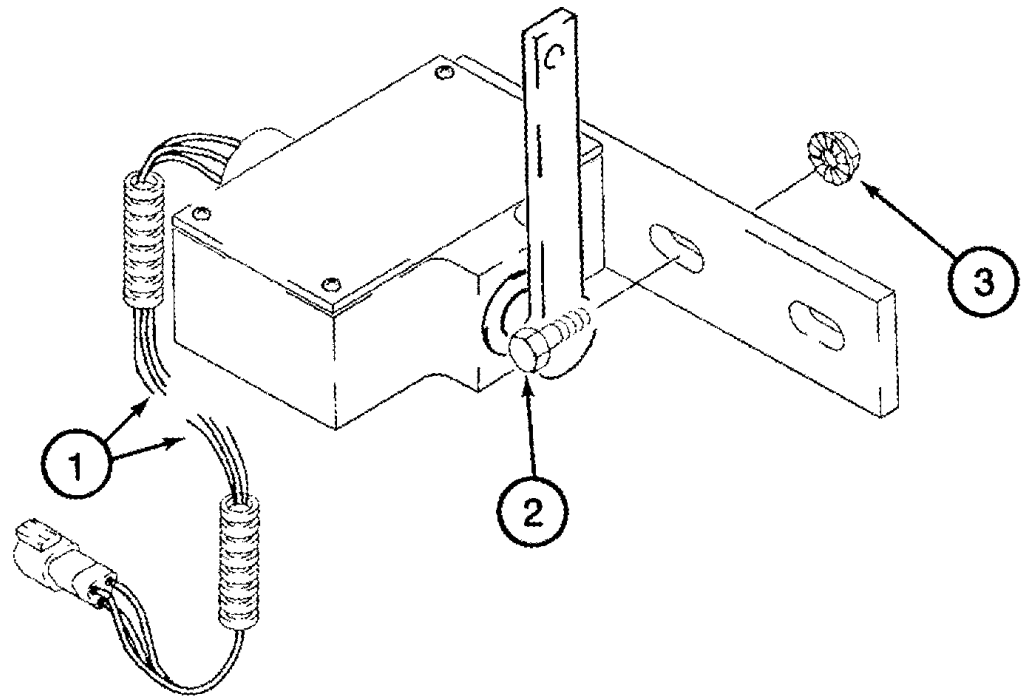
04-24 POTENTIOMETER, FEEDER POSITION - MOUNTING



04-24 POTENTIOMETER, FEEDER POSITION - MOUNTING

сылка	Номер детали	Кол-во	Описание
	NSS	1	NOT SERVICED SEPARATELY, Potentiometer Assy, Yield Monitor, RH, Includes 1 - 10, Order 239136A1, See Figure 04-25
	NSS	1	NOT SERVICED SEPARATELY, Potentiometer Assy, Return To Cut, LH, Includes 1 - 10, Order 238459A1, See Figure 04-26
1	NSS	1	NOT SERVICED SEPARATELY, Support
2	238458A1	2	COVER, Potentiometer Support
3	280001A1	2	GASKET, Potentiometer Support, Not Illustrated
4	261-5428	8	SCREW, SELF TAP, Cross Pan Hd, #4 x 1/2",
5	143225A3	1	LEVER, Position, Includes 6
6	878-1046	1	SET SCREW, Hex Soc, M4 x 6, Cup Pt,
7	238-5012	1	O-RING, -012, 70 Duro, .364" ID x .070" Thk, Not Illustrated
8	A164914	1	BUSHING, Sensor
9	103-3350	1	RING, LOCKING, #50, .392" Dia, E-Type,
10	122756A3	1	POTENTIOMETER, Position
11	413-48	1	BOLT, Hex, 1/4"-20 x 1/2", G5, Full Thd,
12	231-5144	1	NUT, Flg, USR, 1/4"-20,
13	301522A1	1	TIE-ROD, THREADED, 1/4" NF x 6-1/2", Includes 20
14	A10329	2	BALL JOINT, 1/4" NF
15	127308A2	1	SUPPORT,
16	492-11025	2	WASHER, LOCK, 1/4",
17	425-114	2	NUT, 1/4"-28, G5,
18	363660R1	1	CLIP, Rear Harness, Not Illustrated
19	516-23127	1	CLAMP, J, 9/16" Insul, 3/8" Bolt, 12.7 mm, Not Illustrated
20	425-114	2	NUT, 1/4"-28, G5,

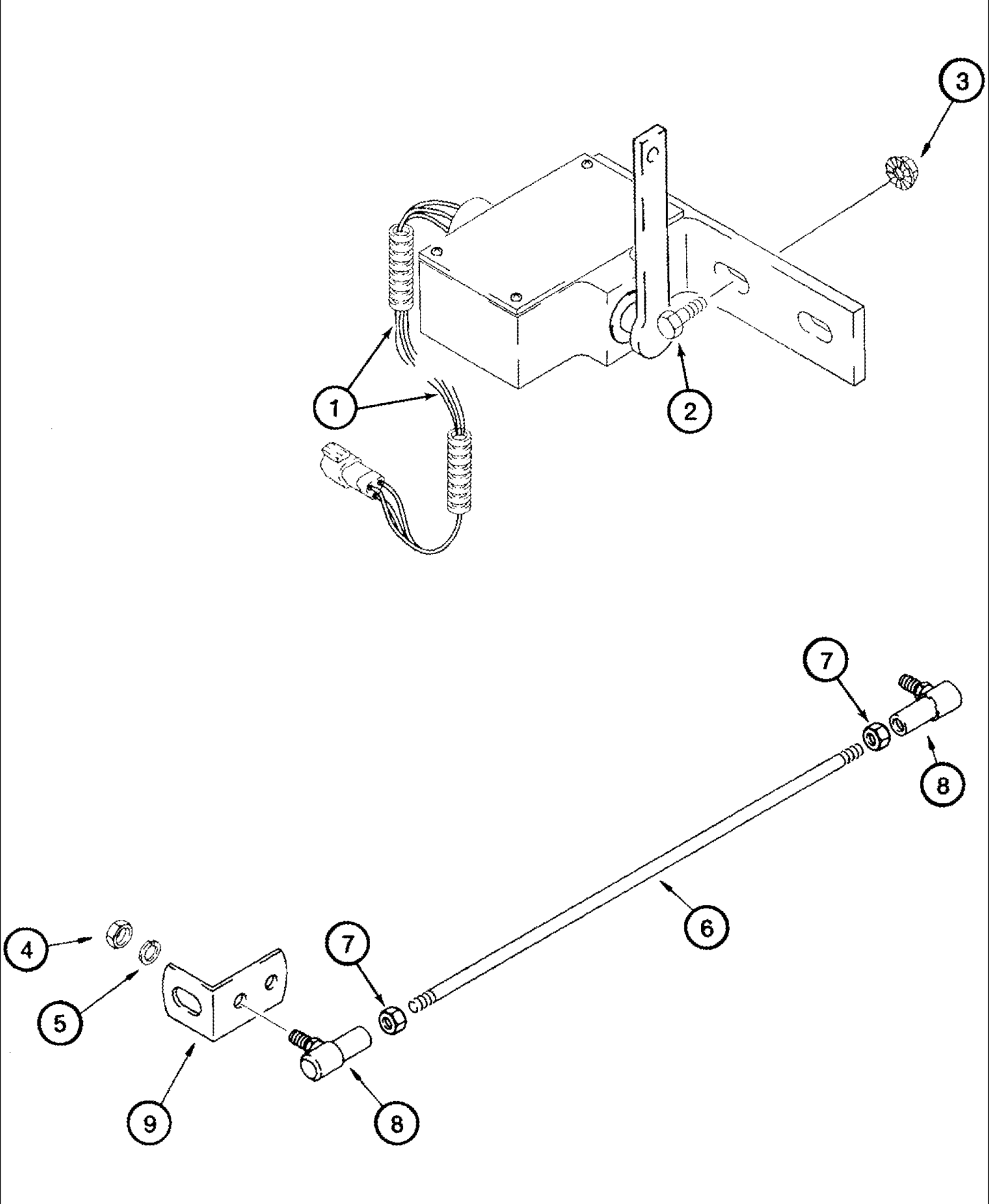
04-25 POTENTIOMETER, FEEDER POSITION - MOUNTING - YIELD MONITOR



04-25 POTENTIOMETER, FEEDER POSITION - MOUNTING - YIELD MONITOR

сылка	Номер детали	Кол-во	Описание
1	239136A1	1	POTENTIOMETER, Yield Monitor, RH, See Figure 04-24
2	413-48	1	BOLT, Hex, 1/4"-20 x 1/2", G5, Full Thd,
3	231-5144	1	NUT, Flg, USR, 1/4"-20,
4	425-114	2	NUT, 1/4"-28, G5,
5	492-11025	2	WASHER, LOCK, 1/4",
6	301522A1	1	TIE-ROD, THREADED, 1/4" NF x 6-1/2", Includes 7
7	425-114	2	NUT, 1/4"-28, G5,
8	A10329	2	BALL JOINT, 1/4" NF
9	127308A2	1	SUPPORT,

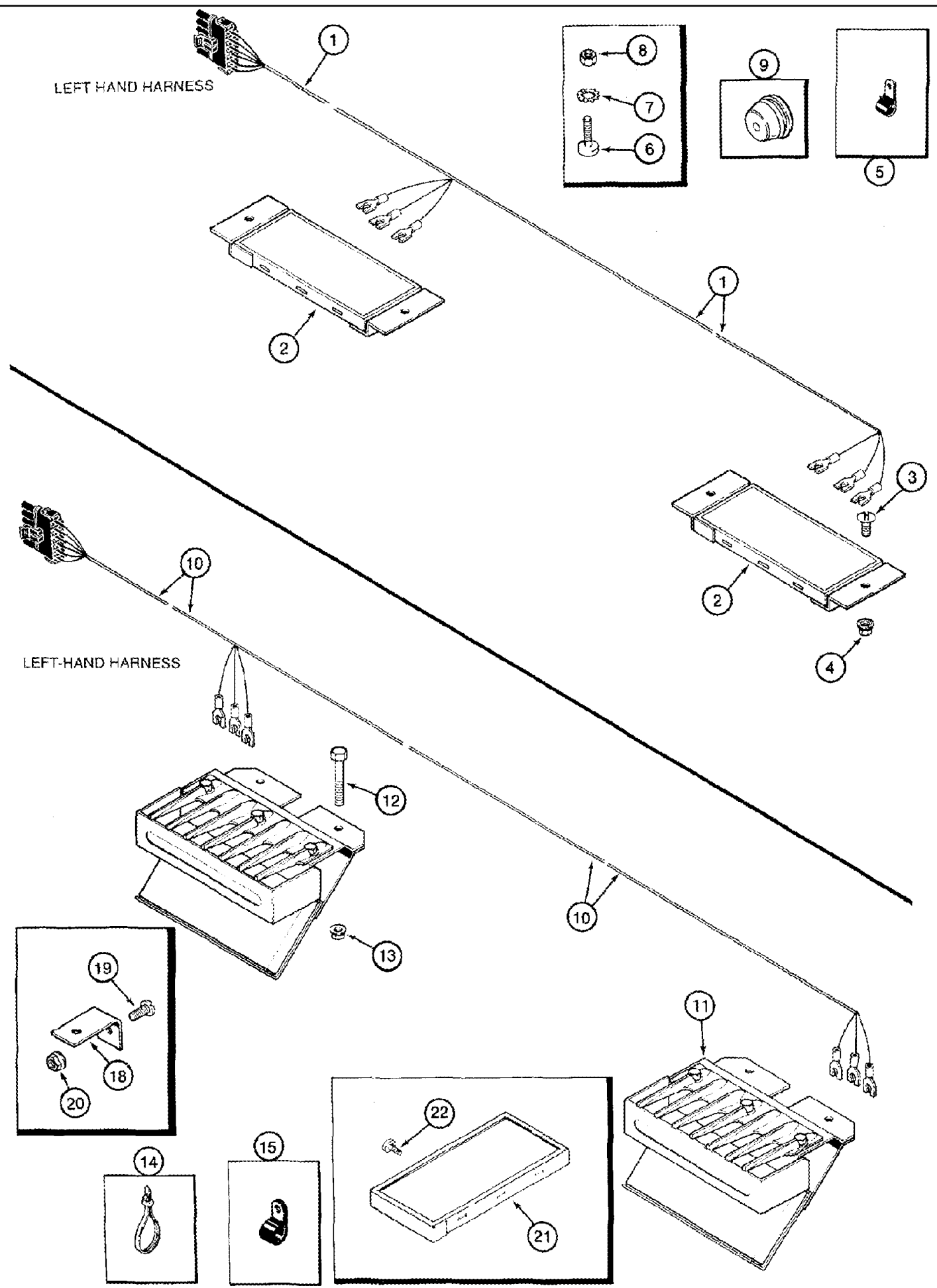
04-26 POTENTIOMETER, FEEDER POSITION - MOUNTING - RETURN TO CUT



04-26 POTENTIOMETER, FEEDER POSITION - MOUNTING - RETURN TO CUT

сылка	Номер детали	Кол-во	Описание
1	238459A1	1	POTENTIOMETER, Return To Cut, LH, See Figure 04-24
2	413-48	1	BOLT, Hex, 1/4"-20 x 1/2", G5, Full Thd,
3	231-5144	1	NUT, Flg, USR, 1/4"-20,
4	425-114	2	NUT, 1/4"-28, G5,
5	492-11025	2	WASHER, LOCK, 1/4",
6	301522A1	1	TIE-ROD, THREADED, 1/4" NF x 6-1/2", Includes 7
7	425-114	2	NUT, 1/4"-28, G5,
8	A10329	2	BALL JOINT, 1/4" NF
9	127308A2	1	SUPPORT,

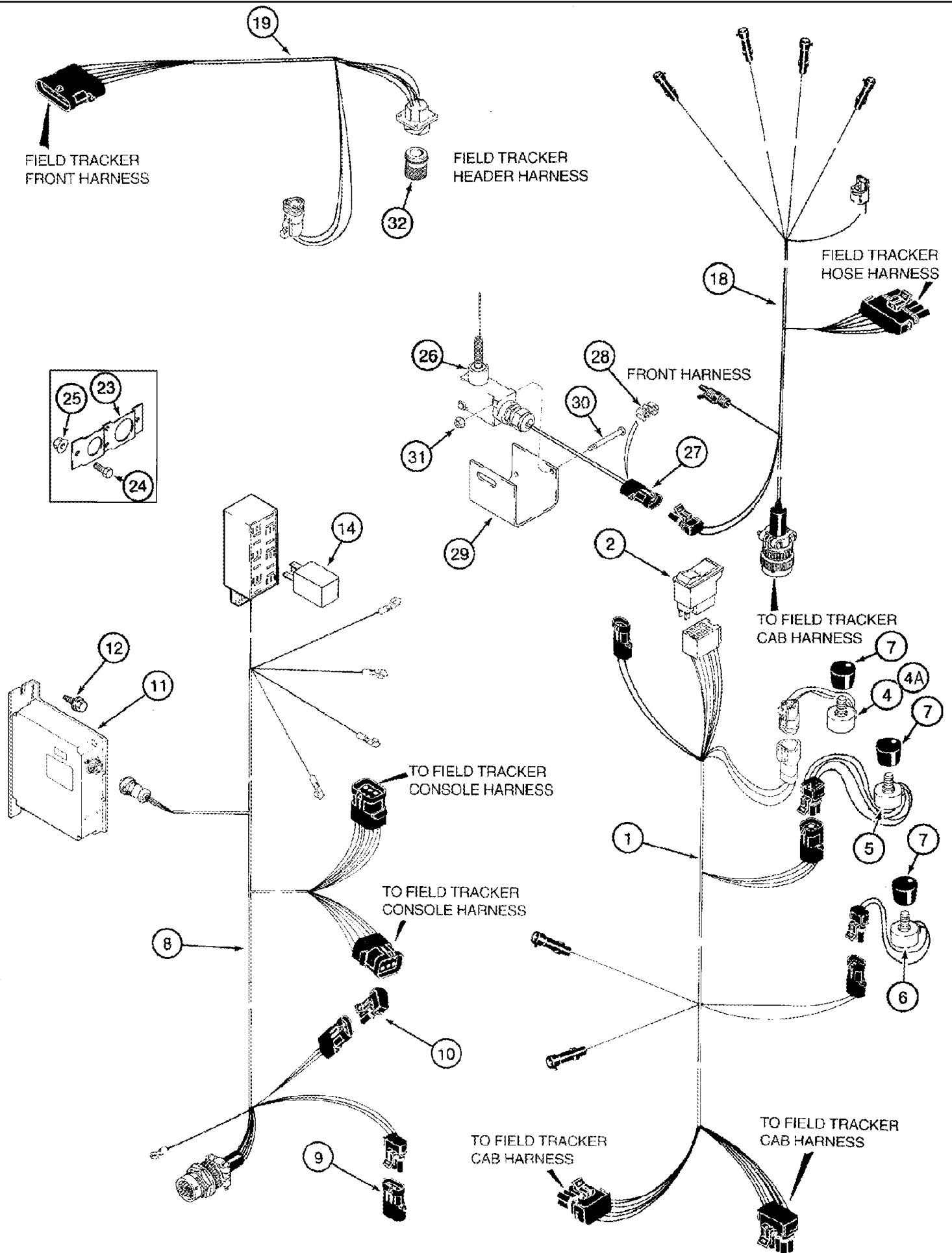
04-27 HARNESS - CHAFFER AND ROTOR



04-27 HARNESS - CHAFFER AND ROTOR

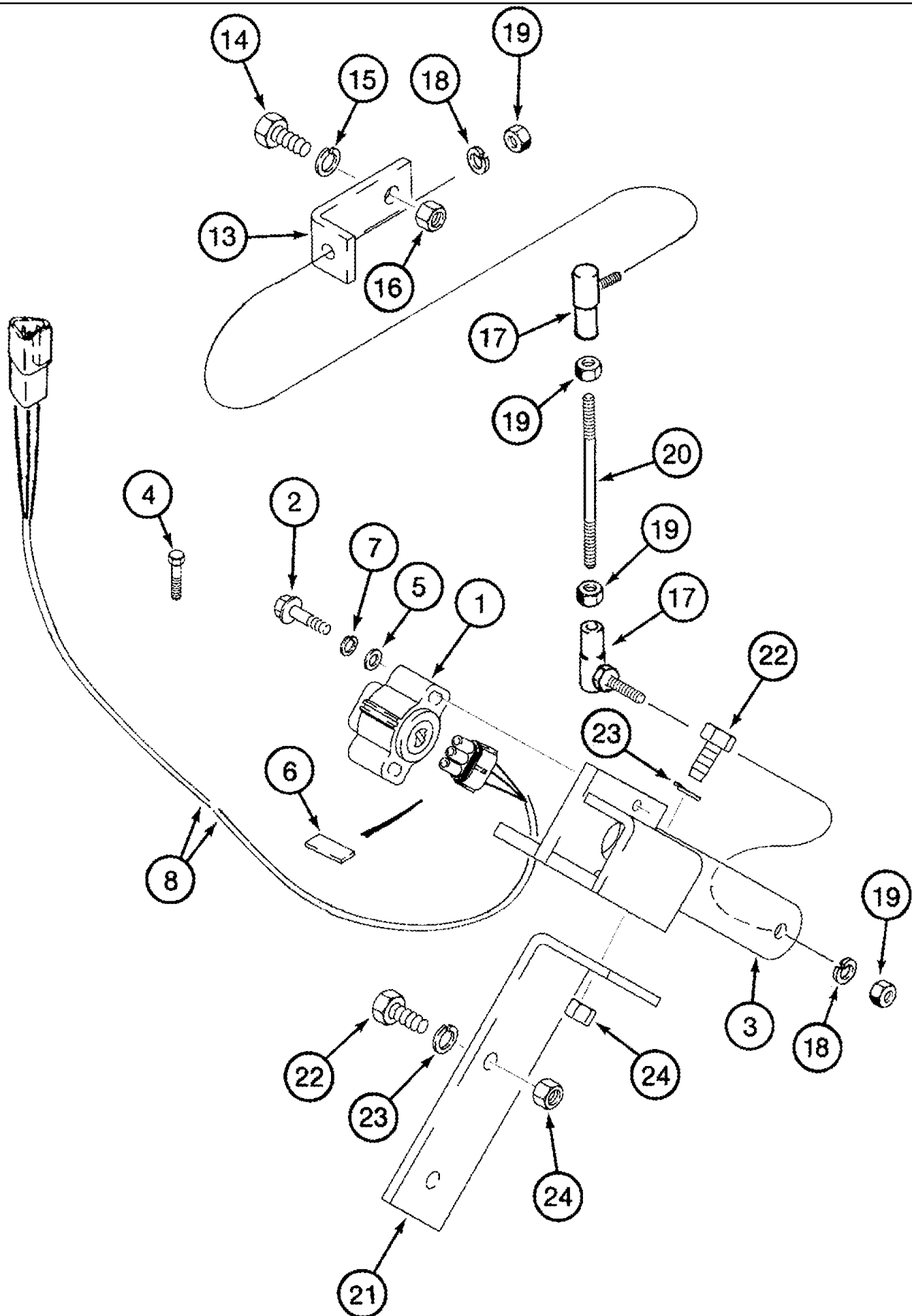
сылка	Номер детали	Кол-во	Описание
1	127831A2	1	HARNESS, WIRE, Rotor Sensor
2	245362C1	2	TRANSMITTER, Includes 21
3	477-73112	4	BOLT, Slotted Tr Hd, 5/16"-18 x 3/4",
4	231-5145	4	NUT, Flg, USR, 5/16"-18,
5	516-23127	2	CLAMP, J, 9/16" Insul, 3/8" Bolt,
5	515-2395	4	CLAMP, 3/8", Insul, 3/8" Bolt,
6	440-10610	4	SCREW, Cross Pan Hd, #6-32 x 5/8", Rotor Pad Mounting Hardware
7	493-11014	4	WASHER, LOCK, Ext-Int Tooth, #6, 1/8", Rotor Pad Mounting Hardware
8	225-14106	4	NUT, #6-32, Rotor pad mounting hardware
9	195806C1	1	GROMMET,
10	92201C1	1	HARNESS, WIRE, Chaffer Sensor
11	245361C2	2	TRANSMITTER, Includes 11A, 11B
11A	245884C1	1	TRANSMITTER, Not Illustrated
11B	231000A1	1	SIEVE, Not Illustrated
12	413-536	4	BOLT, Hex, 5/16"-18 x 2 1/4", G5,
13	231-5145	8	NUT, Flg, USR, 5/16"-18,
14	22-824	1	STRAP, CABLE, 3/16" x 7 1/4", 7"
15	515-23175	1	CLAMP, 11/16", Insul, 3/8" Bolt, 7/8" ID
15	515-23127	1	CLAMP, 1/2", Insul, 3/8" Bolt,
15	515-2163	2	CLAMP, 1/8", Insul, 1/4" Bolt,
18	1301242C1	1	BRACKET,
19	477-73112	1	BOLT, Slotted Tr Hd, 5/16"-18 x 3/4",
20	231-5145	1	NUT, Flg, USR, 5/16"-18,
21	245884C1	1	TRANSMITTER, Grain Scan Sensor Block
22	260-1356	4	SCREW, SELF TAP, Cross Pan Hd, #10 x 3/8",

04-28 HARNESS - FIELD TRACKER



04-28 HARNESS - FIELD TRACKER

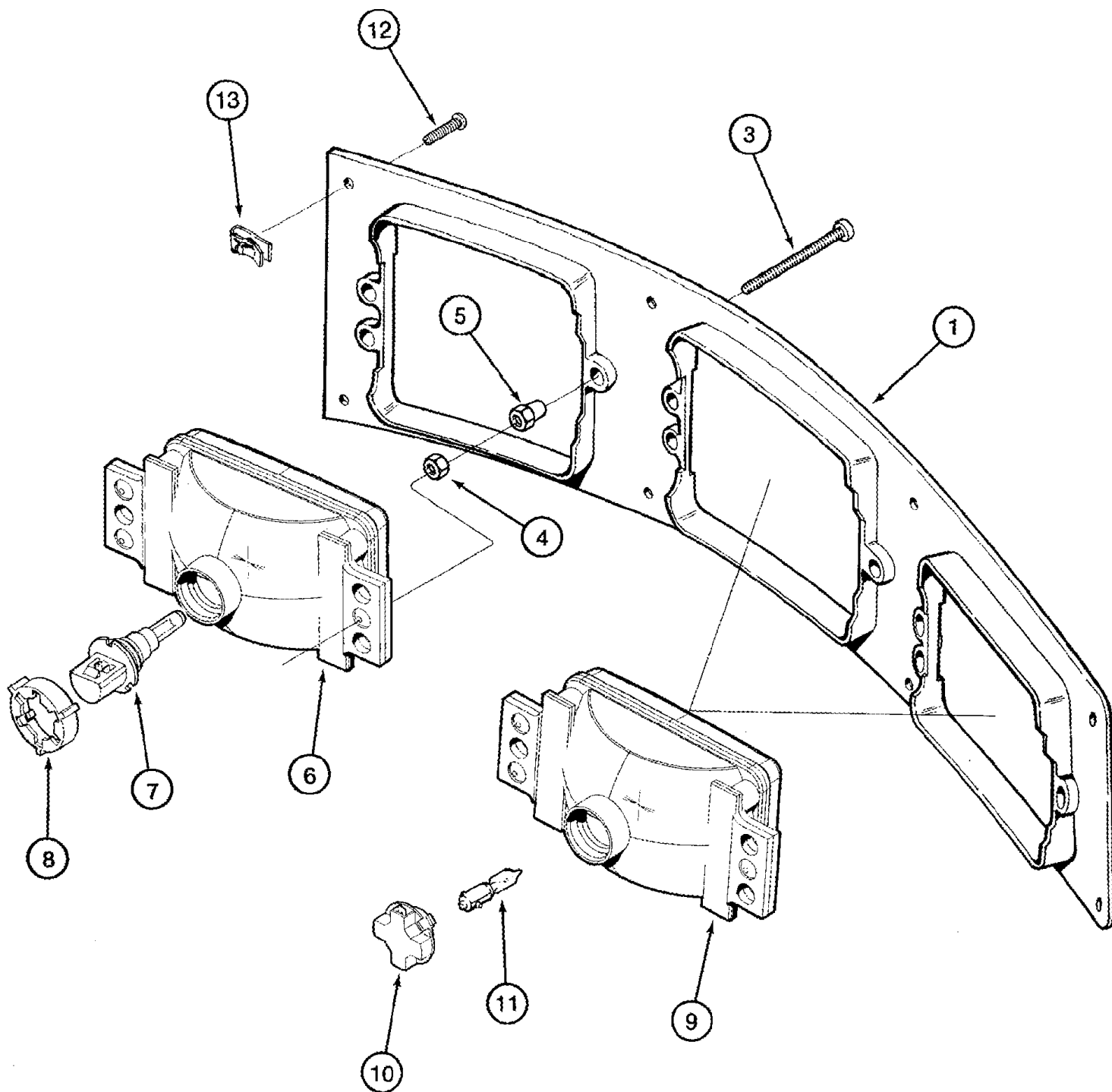
сылка	Номер детали	Кол-во	Описание
1	125838A2	1	HARNESS, WIRE, Console, Field Tracker
2	109814A1	1	SWITCH, Auto/Manual, Includes 109915A1, 109826A1, 3141107R1, 134608A1
	109915A1	1	SYMBOLS, Lens
	109826A1	1	SWITCH,
	3141107R1	1	BULB, W5/1.2, 12V, 1.2W,
	134608A1	1	SUPPORT, Socket, Lamp
4	114551A1	1	POTENTIOMETER, 2.5K, HVAC Controls
4A	345346A1	1	POTENTIOMETER, 1K, Balance Field Tracker
5	114553A1	1	POTENTIOMETER, 10K, Sensitivity
6	133498A2	1	POTENTIOMETER, 50K, Response
7	118780A1	3	KNOB,
8	276484A1	1	HARNESS, WIRE, Cab, Field Tracker, Includes 9, 10
9	126011A1	1	DIODE,
10	A187874	1	DIODE,
11	100275A2	1	ELECTRONIC UNIT, CONTROL, Replaces 100275A1
12	191216A1	2	SCREW, SELF TAP, Hex Wash Hd, #10-24 x 5/8",
13	495-31022	2	WASHER, #10, Not Illustrated
14	87414866	5	RELAY, 20 amp, Continuous Duty
18	276479A2	1	HARNESS, WIRE, Front, Field Tracker, Part of Front Harness
19	432176A1	1	Hose, Field Tracker
23	1988724C1	1	SUPPORT, Monitor
24	87302571	3	SCREW, Hex Wash Hd, #10-24 x 1",
25	231-51409	3	NUT, Flg, USR, #10-24,
	298817A1	1	SWITCH, Includes 26 - 31, With Field Tracker, With Accumulator
26	297976A1	1	SWITCH, Includes 27, 28
27	182068A1	1	CONNECTOR,
28	182070A1	1	RETAINER,
29	296852A1	1	SUPPORT,
30	440-11028	2	SCREW, Cross Pan Hd, #10-24 x 1 3/4", If Used
30	440-10828	2	SCREW, Cross Pan Hd, #8-32 x 1 3/4", If Used
31	231-51409	2	NUT, Flg, USR, #10-24, If used
31	231-14408	2	NUT, LOCK, #8-32, GB, If Used
32	302292A1	1	PLASTIC PLUG,
33	L18331	1	STRAP, CABLE, 15" (Not Illustrated)
33	435437A1	2	STRAP, CABLE, 3/16" x 7 1/4", 7", Not Illustrated



04-29 FIELD TRACKER® - MOUNTING, POTENTIOMETER

сылка	Номер детали	Кол-во	Описание
	253107A1	2	SUPPORT, Field Tracker, Includes 1 - 7
1	126771A1	1	POTENTIOMETER, Sensor, 4K
2	463-31020	2	SCREW, Hex Wash Hd, #10-24 x 1 1/4",
3	253108A1	1	SUPPORT,
4	281-14812	2	SCREW, SELF TAP, Hex Wash Hd, 5/16" x 3/4",
5	495-11022	2	WASHER, #10, 7/32" x 7/16" x 3/64"
6	189728A1	1	LEVER, Activator
7	492-11010	2	WASHER, LOCK, #10,
8	253071A1	1	HARNESS, WIRE, Sensor Wire
13	253109A1	1	SUPPORT,
14	413-516	1	BOLT, Hex, 5/16"-18 x 1", G5, Full Thd,
15	492-11031	1	WASHER, LOCK, 5/16",
16	425-105	1	NUT, 5/16"-18, G5,
17	100282A1	2	BALL JOINT, 1/4" NF
18	492-11025	2	WASHER, LOCK, 1/4",
19	425-114	4	NUT, 1/4"-28, G5,
20	100281A1	1	STEM,
21	253076A1	1	SUPPORT,
22	413-516	2	BOLT, Hex, 5/16"-18 x 1", G5, Full Thd,
23	492-11031	4	WASHER, LOCK, 5/16",
24	425-105	4	NUT, 5/16"-18, G5,

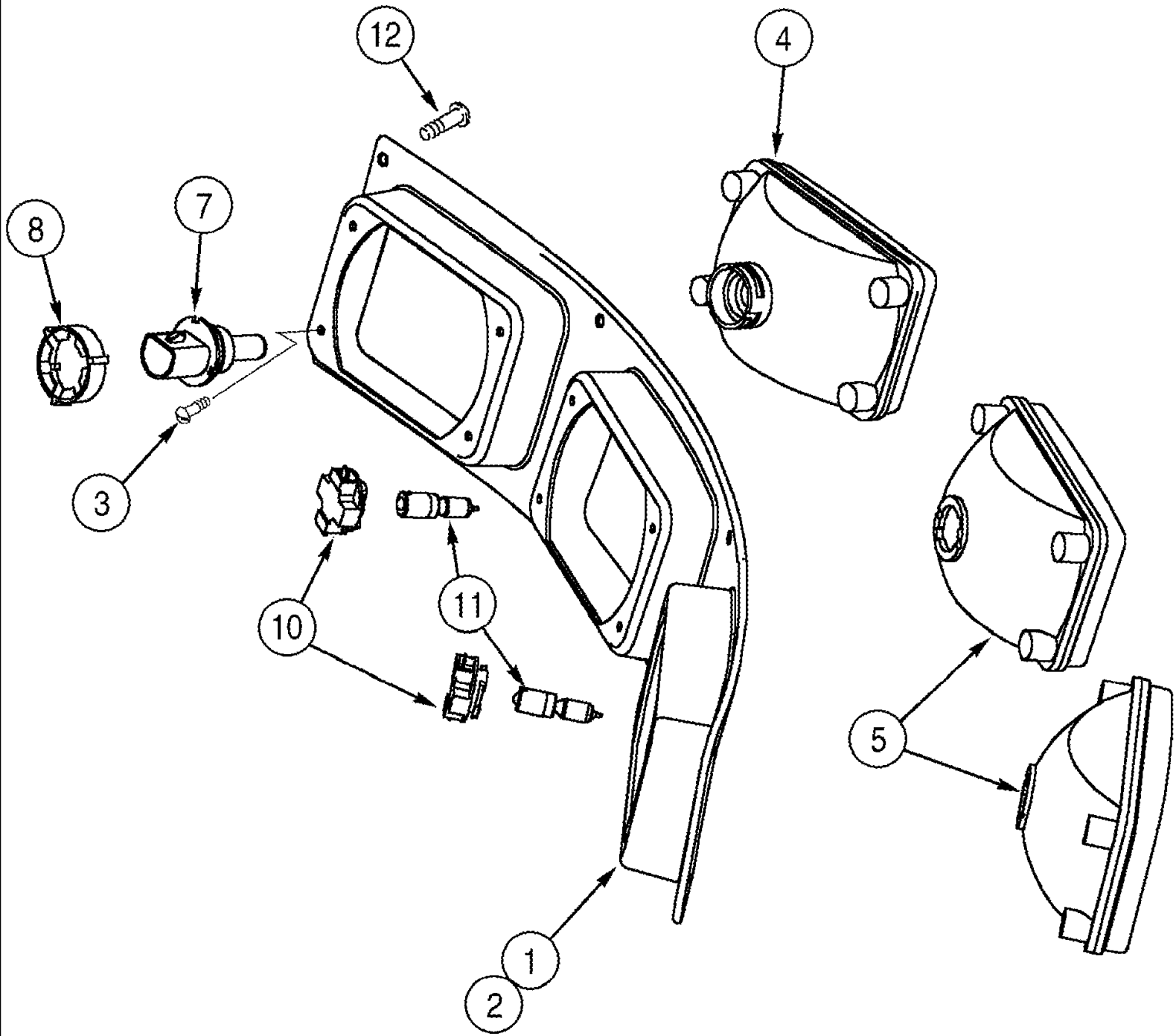
04-30 LAMP ASSY - DRIVE AND FLOOD



04-30 LAMP ASSY - DRIVE AND FLOOD

сылка	Номер детали	Кол-во	Описание
1	137821A1	1	BEZEL, Lamps, RH
2	137819A1	1	BEZEL, Lamps, LH, Not Illustrated
3	137829A1	18	SCREW, No. 10 x 3
4	86632551	18	NUT, LOCK, #10-24, GB,
5	137831A1	18	RETAINER,
6	138224A1	1	LAMP, WORK, Drive, RH
6A	183161A1	1	LAMP, WORK, Drive, LH, Not Illustrated
7	137823A1	2	BULB, 45W, 65W
8	137825A1	2	COLLAR, RETAINER,
9	138225A1	2	LAMP, WORK, Flood, RH
9A	183162A1	2	LAMP, WORK, Flood, LH, Not Illustrated
10	137827A1	4	SOCKET, LAMP,
11	137828A1	4	BULB, 65W
12	260-16512	16	SCREW, SELF TAP, Cross Pan Hd, #10 x 3/4",
13	131-648	16	NUT, Tinn, U, #10-24,

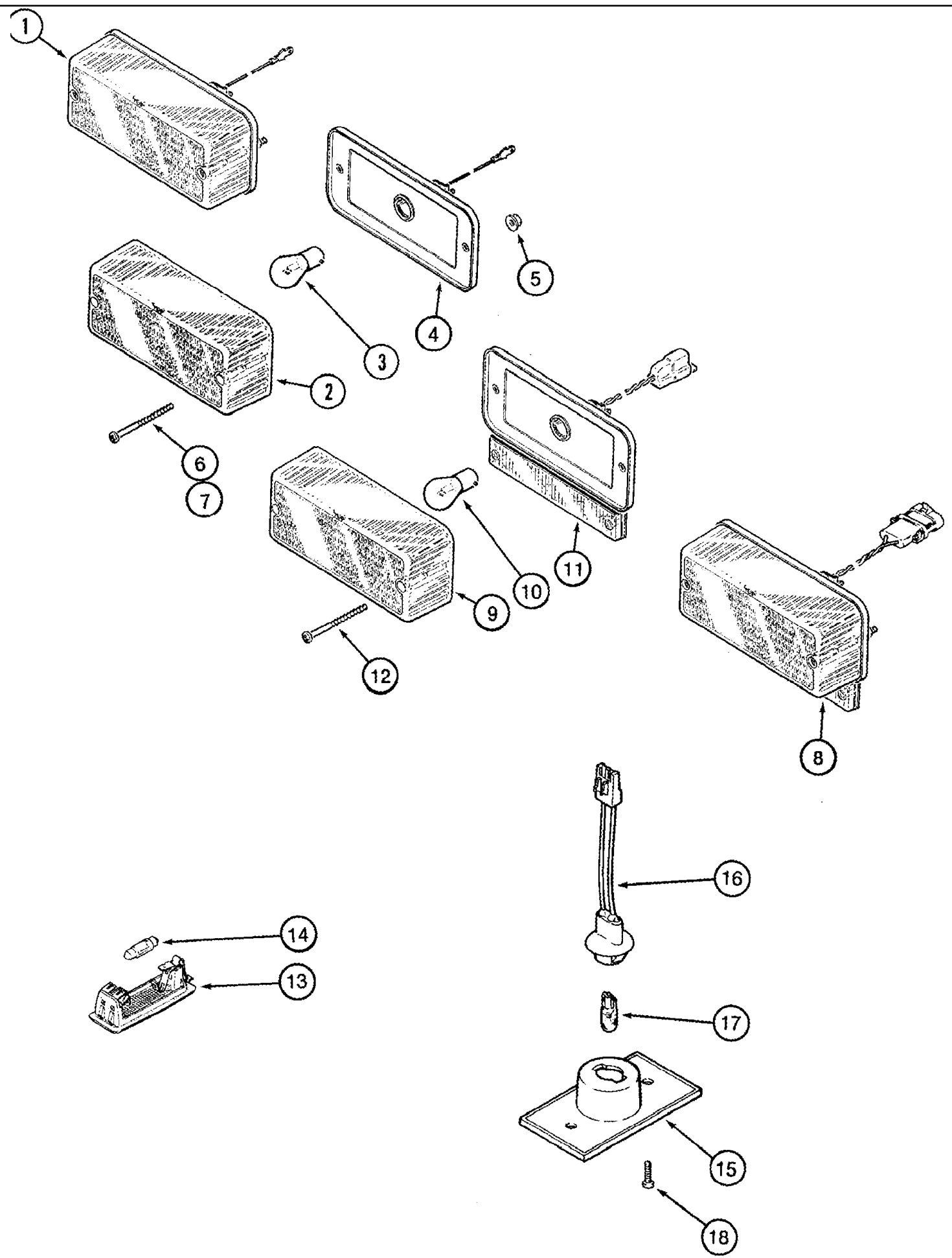
04-31 LAMP ASSY - DRIVE AND FLOOD



04-31 LAMP ASSY - DRIVE AND FLOOD

сылка	Номер детали	Кол-во	Описание
1	339704A1	1	BEZEL, Lamps, RH, Fixed
2	339705A1	1	BEZEL, Lamps, LH, Fixed, Not Illustrated
3	1327506C1	24	SCREW, SELF TAP, Cross Pan Hd, M4.8 x 19, Coated,
4	353656A1	2	HEADLIGHT, Trapezoidal
5	353657A1	4	HEADLIGHT, Flood
7	388872A1	2	BULB, 55W, 65W
8	137825A1	2	COLLAR, RETAINER,
10	137827A1	4	SOCKET, LAMP,
11	137828A1	4	BULB, 65W
12	260-16512	16	SCREW, SELF TAP, Cross Pan Hd, #10 x 3/4",

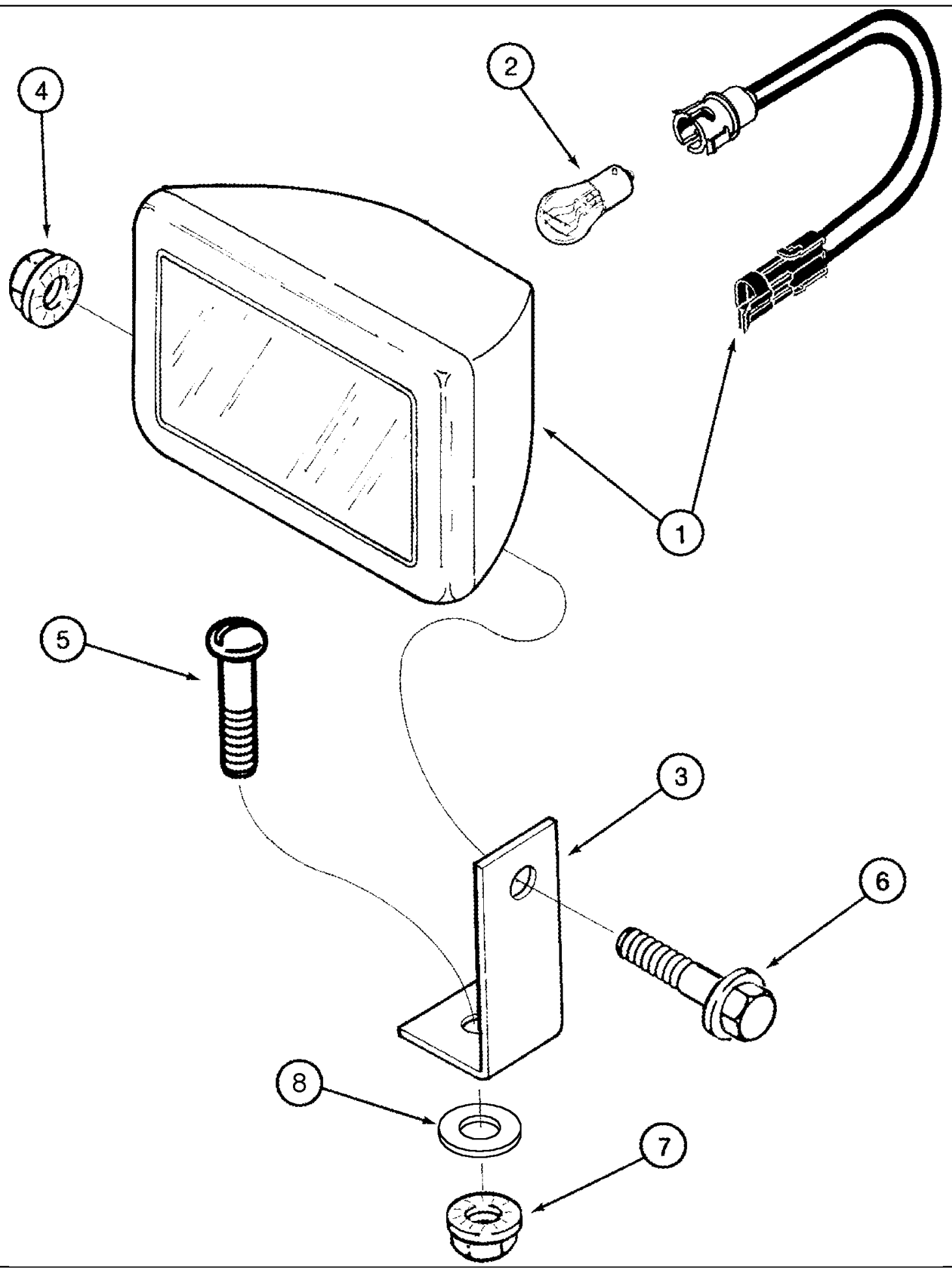
04-32 LAMP ASSYS, WARNING LAMP



04-32 LAMP ASSYS, WARNING LAMP

сылка	Номер детали	Кол-во	Описание
1	130882C91	4	LIGHT, INTERIOR, Warning, Includes 2 - 4
2	130883C1	1	LENS, Amber
3	529068	1	BULB, #1156, 12V,
4	NSS	1	NOT SERVICED SEPARATELY, Plate
5	231-51409	4	NUT, Flg, USR, #10-24,
6	261-54536	4	SCREW, SELF TAP, Cross Pan Hd, #10 x 2 1/4",
7	440-11036	4	SCREW, Cross Pan Hd, #10-24 x 2 1/4",
8	92260C1	2	LAMP, Stop And Tail, Includes 9 - 11
9	216045C1	1	LENS, Red
10	86537133	1	BULB, C6, #1157, 12.8V,
11	NSS	1	NOT SERVICED SEPARATELY, Plate
12	261-54536	4	SCREW, SELF TAP, Cross Pan Hd, #10 x 2 1/4",
13	429726A1	2	DOME LIGHT, Includes 14
14	E35556	1	BULB, 12V, 10W
	83882C91	1	LAMP, Console, Includes 15 - 17
15	NSS	1	NOT SERVICED SEPARATELY, Lens
16	107329C1	1	HARNESS, WIRE,
17	D71346	1	LAMP, TAIL, No. 168
18	260-16512	2	SCREW, SELF TAP, Cross Pan Hd, #10 x 3/4",

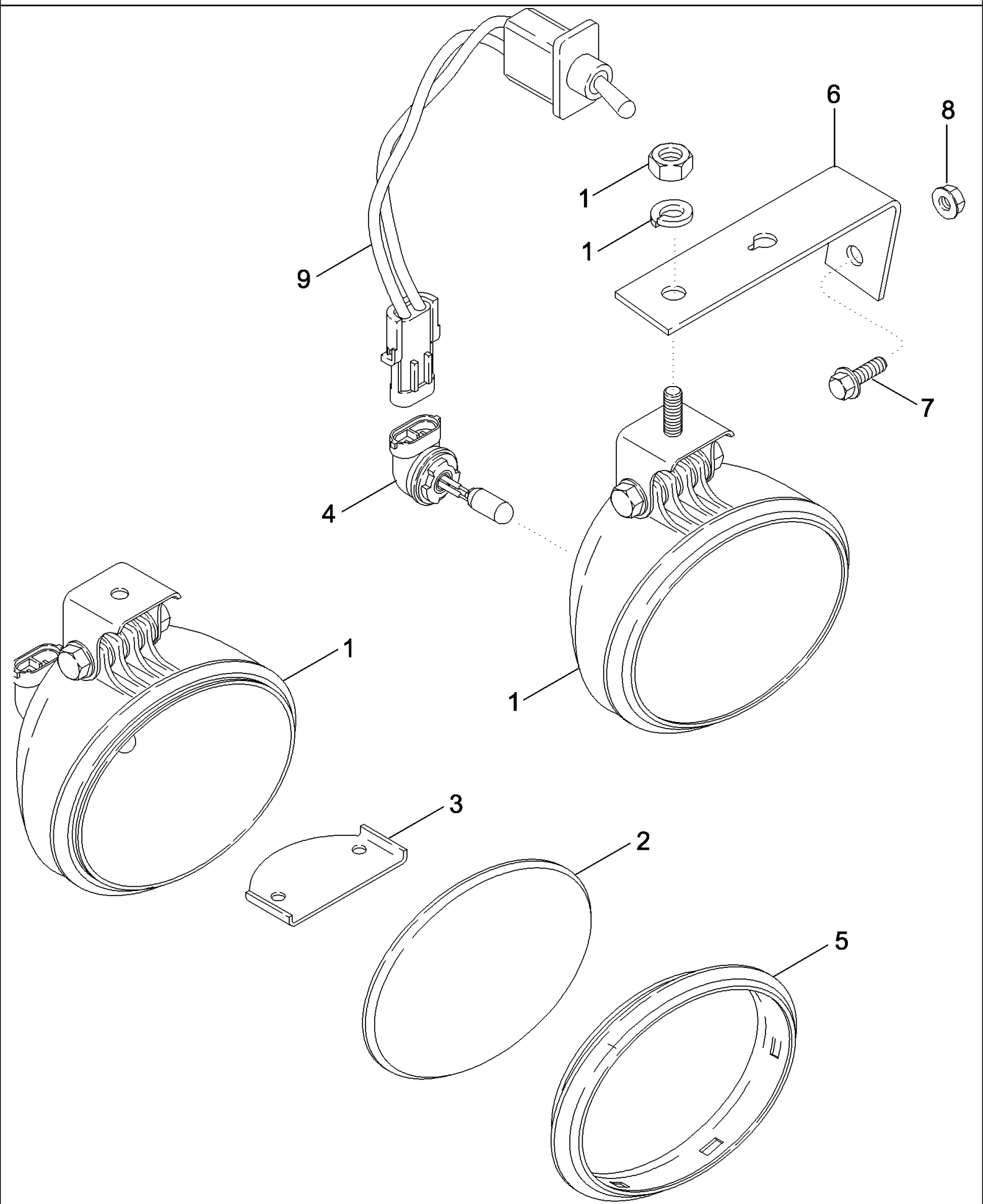
04-33 MOUNTING, LAMP - GRAIN TANK



04-33 MOUNTING, LAMP - GRAIN TANK

сылка	Номер детали	Кол-во	Описание
	185119A1	1	HEADLIGHT, Flood Lamp, Grain Tank, Includes 1, 2
1	NSS	1	NOT SERVICED SEPARATELY, Housing
2	529068	1	BULB, #1156, 12V,
3	1317942C1	1	BRACKET,
4	231-5146	1	NUT, Flg, USR, 3/8"-16,
5	409-7516	1	BOLT, Hex Flg, 5/16"-18 x 1", Serr,
6	409-7616	1	BOLT, Hex Flg, 3/8"-16 x 1", Serr,
7	231-5145	1	NUT, Flg, USR, 5/16"-18,
8	495-21038	1	WASHER, 5/16",

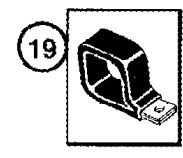
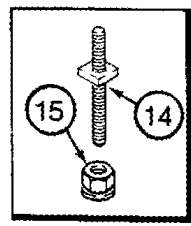
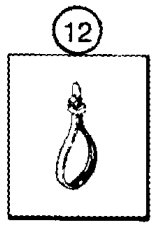
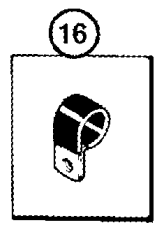
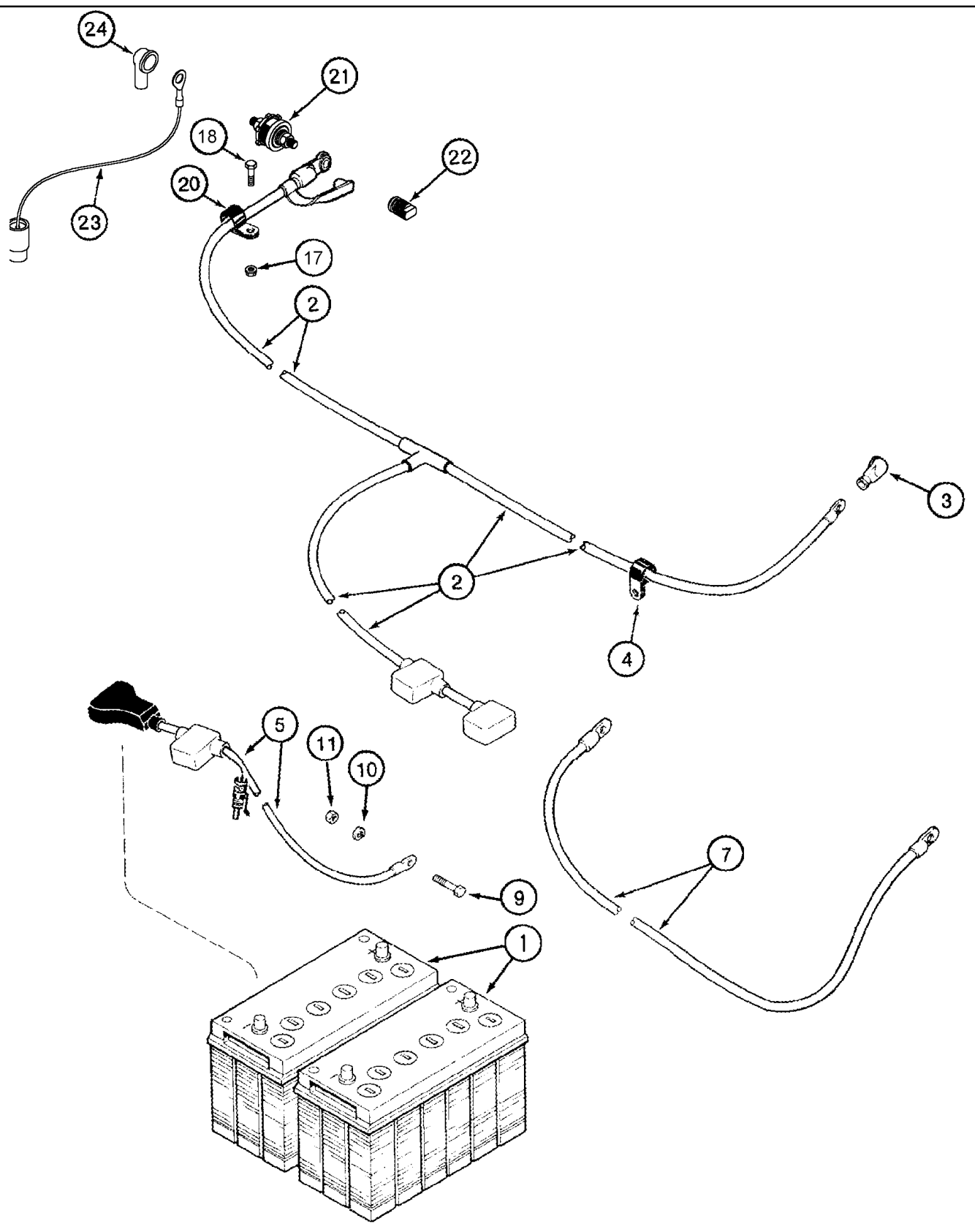
04-34 LAMP ASSY - SIEVE



04-34 LAMP ASSY - SIEVE

сылка	Номер детали	Кол-во	Описание
	402850A1	1	LAMP, WORK, Includes 1 - 5, BSN HAJ0295001
1	87344596	1	LAMP, WORK, , ASN HAJ0295001
1	NSS	1	NOT SERVICED SEPARATELY, Housing, BSN HAJ0295001
2	NSS	1	NOT SERVICED SEPARATELY, Lens, BSN HAJ0295001
3	NSS	1	NOT SERVICED SEPARATELY, Shield, Heat, BSN HAJ0295001
4	323094A1	1	BULB, 894-12V, BSN HAJ0295001
4	87107077	1	BULB, #862, 37.5w, 862-12V, ASN HAJ0295001
5	403062A1	1	BEZEL, , BSN HAJ0295001
6	87353529	1	BRACKET, Sieve Lamp, ASN HAJ0295001
7	409-7624	1	BOLT, Hex Flg, 3/8"-16 x 1 1/2", Serr, , ASN HAJ0295001
8	231-5146	1	NUT, Flg, USR, 3/8"-16, , ASN HAJ0295001
9	391062A1	1	SWITCH, Lamp

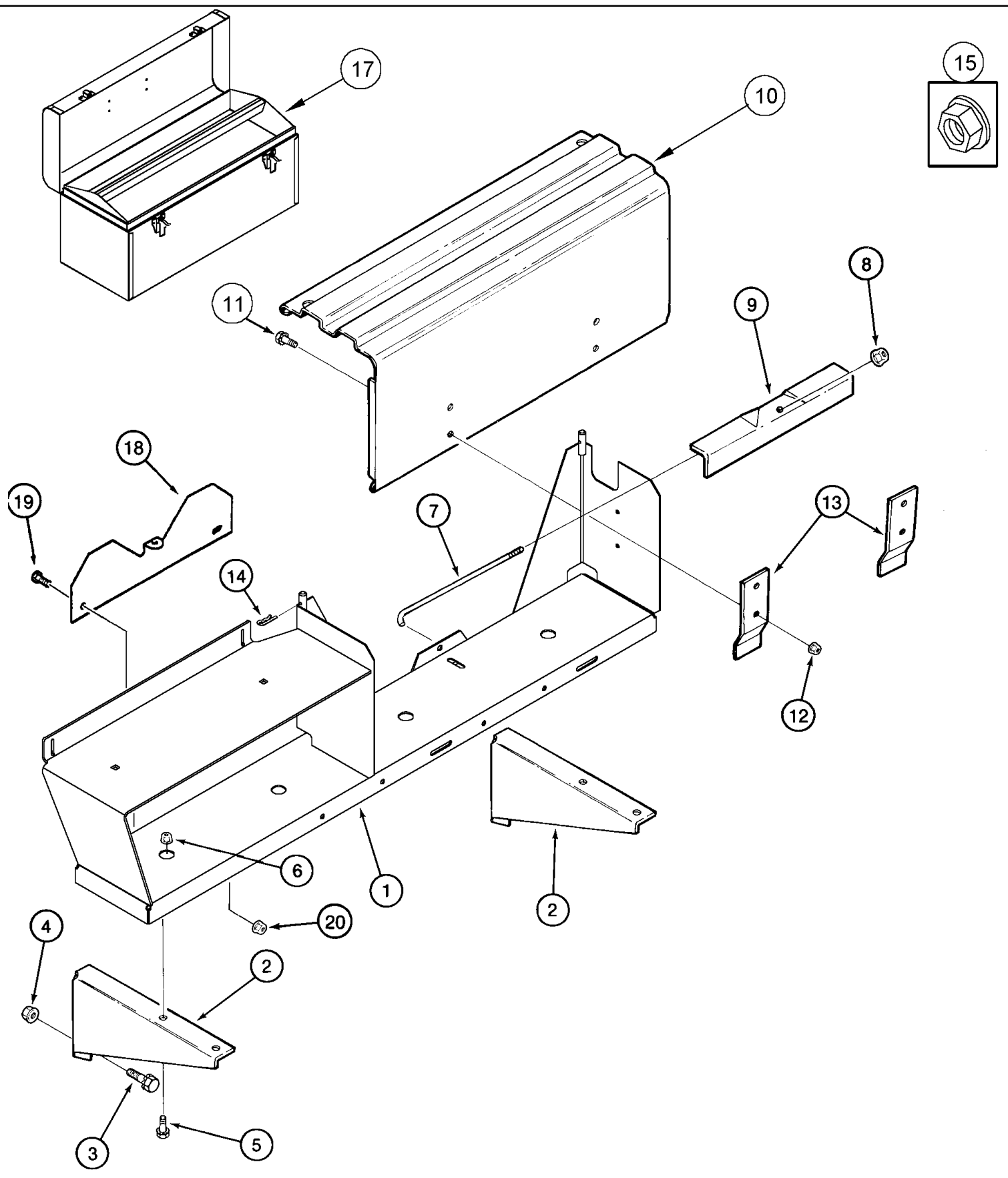
04-35 BATTERY - CABLES



04-35 BATTERY - CABLES

сылка	Номер детали	Кол-во	Описание
1	BMF31G	2	BATTERY, DRY, 12V
2	87419381	1	CABLE,
3	S115407	1	BOOT,
4	515-23286	17	CLAMP, 1 1/8", Insul, 3/8" Bolt,
4	515-25286	1	CLAMP, 1 1/8", Insul, 3/8" Bolt,
5	278043A1	1	CABLE, BATTERY (NEG), Ground, Cab Power
6	278033A2	1	CABLE, GROUND, Cab, Not Illustrated
7	128742A2	1	CABLE, GROUND, Engine
9	413-632	1	BOLT, Hex, 3/8"-16 x 2", G5,
10	492-11038	1	WASHER, LOCK, 3/8",
11	425-106	1	NUT, 3/8"-16, G5,
12	L18331	2	STRAP, CABLE, 15"
14	128289A1	2	SCREW,
15	231-5145	2	NUT, Flg, USR, 5/16"-18,
16	515-23127	1	CLAMP, 1/2", Insul, 3/8" Bolt,
17	231-5146	3	NUT, Flg, USR, 3/8"-16,
18	409-7616	1	BOLT, Hex Flg, 3/8"-16 x 1", Serr,
19	1301387C2	1	CLIP, 2" ID, Square
20	515-25254	1	CLAMP, 1", Insul, 1/2" Bolt,
21	190158A1	1	BLOCK, Junction
22	245739C1	1	BUSHING, Jump Start
23	277019A2	1	CABLE, Cab Power
24	S115407	1	BOOT,
25	102251A1	4	CLIP, Battery Cable, Not Illustrated
	409-748	4	BOLT, Hex Flg, 1/4"-20 x 1/2", Serr,
	231-5144	4	NUT, Flg, USR, 1/4"-20,

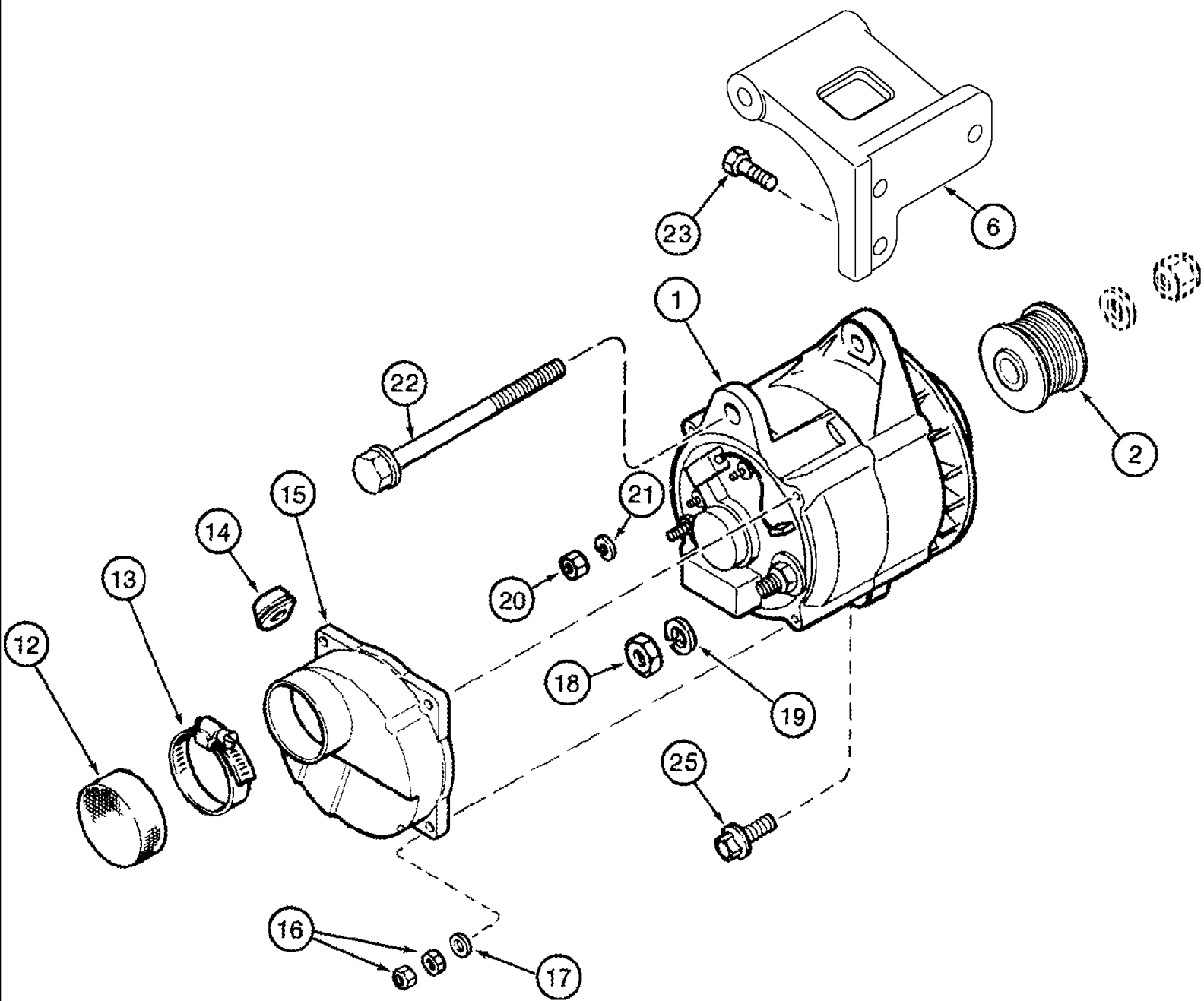
04-36 BATTERY - BOX



04-36 BATTERY - BOX

сылка	Номер детали	Кол-во	Описание
1	394365A1	1	SUPPORT,
2	142495A2	2	SUPPORT,
3	409-7616	5	BOLT, Hex Flg, 3/8"-16 x 1", Serr,
4	231-5146	5	NUT, Flg, USR, 3/8"-16,
5	409-7512	4	BOLT, Hex Flg, 5/16"-18 x 3/4", Serr,
6	231-5145	4	NUT, Flg, USR, 5/16"-18,
7	A147915	1	BOLT,
8	425-104	1	NUT, 1/4"-20, G5,
9	A162337	1	CLAMP,
10	142496A1	1	COVER,
11	256873	4	BOLT, Hex Flg, 5/16"-18 x 1/2", Serr,
12	231-5145	4	NUT, Flg, USR, 5/16"-18,
13	142497A2	2	STRAP,
14	480523R1	2	SPLIT PIN/SAFETY PIN,
15	131-415	4	NUT, LOCK, Push, Bolt Retainer, 3/8" x 25/32",
16	135370A1	1	STRIP, PROTECTION, 194 mm (7-5/8"), Cut from 1330108CX, Not Illustrated
17	392914A1	1	BOX, TOOL,
18	143481A1	1	SUPPORT,
19	409-7512	2	BOLT, Hex Flg, 5/16"-18 x 3/4", Serr,
20	231-5145	2	NUT, Flg, USR, 5/16"-18,
21	397115A2	1	TUBE,

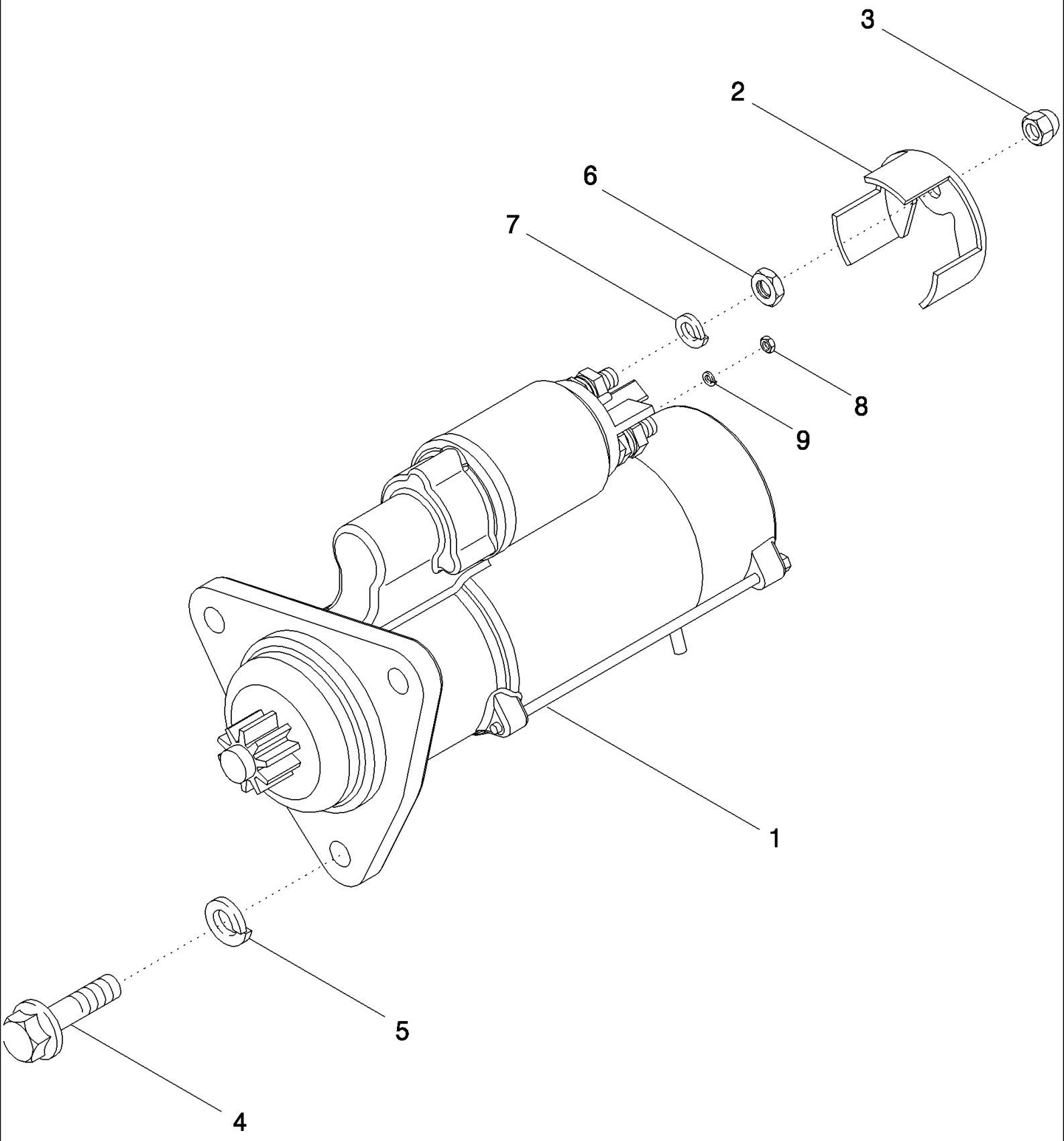
04-37 ALTERNATOR - MOUNTING



04-37 ALTERNATOR - MOUNTING

сылка	Номер детали	Кол-во	Описание
1	125849A1	1	ALTERNATOR, 135 amp, See Figure 04-40
2	87452704	1	PULLEY,
6	87360715	1	SUPPORT, Alternator
12	1979627C1	1	COVER,
13	214-1532	2	CLAMP, HOSE, #32, 1.56/2.50 Type F Worm, W/liner,
14	1964826C1	1	GROMMET,
15	1338890C1	1	COVER,
16	825-1405	8	NUT, M5, CI 8,
17	495-31025	4	WASHER, 3/16",
18	425-147	1	NUT, Jam, 7/16"-14, G5,
19	492-11044	1	WASHER, LOCK, 7/16",
20	825-1404	1	NUT, M4, CI 8,
21	892-11004	1	WASHER, LOCK, M4,
22	87030021	1	BOLT, Hex Flg, M12 x 150, 10.9,
23	844-10030	3	BOLT, Hex Flg, M10 x 30, 8.8, Full Thd,
24	829-2412	1	NUT, M12 x 1.75, Flg, CI 10,
25	409-7820	1	BOLT, Hex Flg, 1/2"-13 x 1 1/4", Serr,

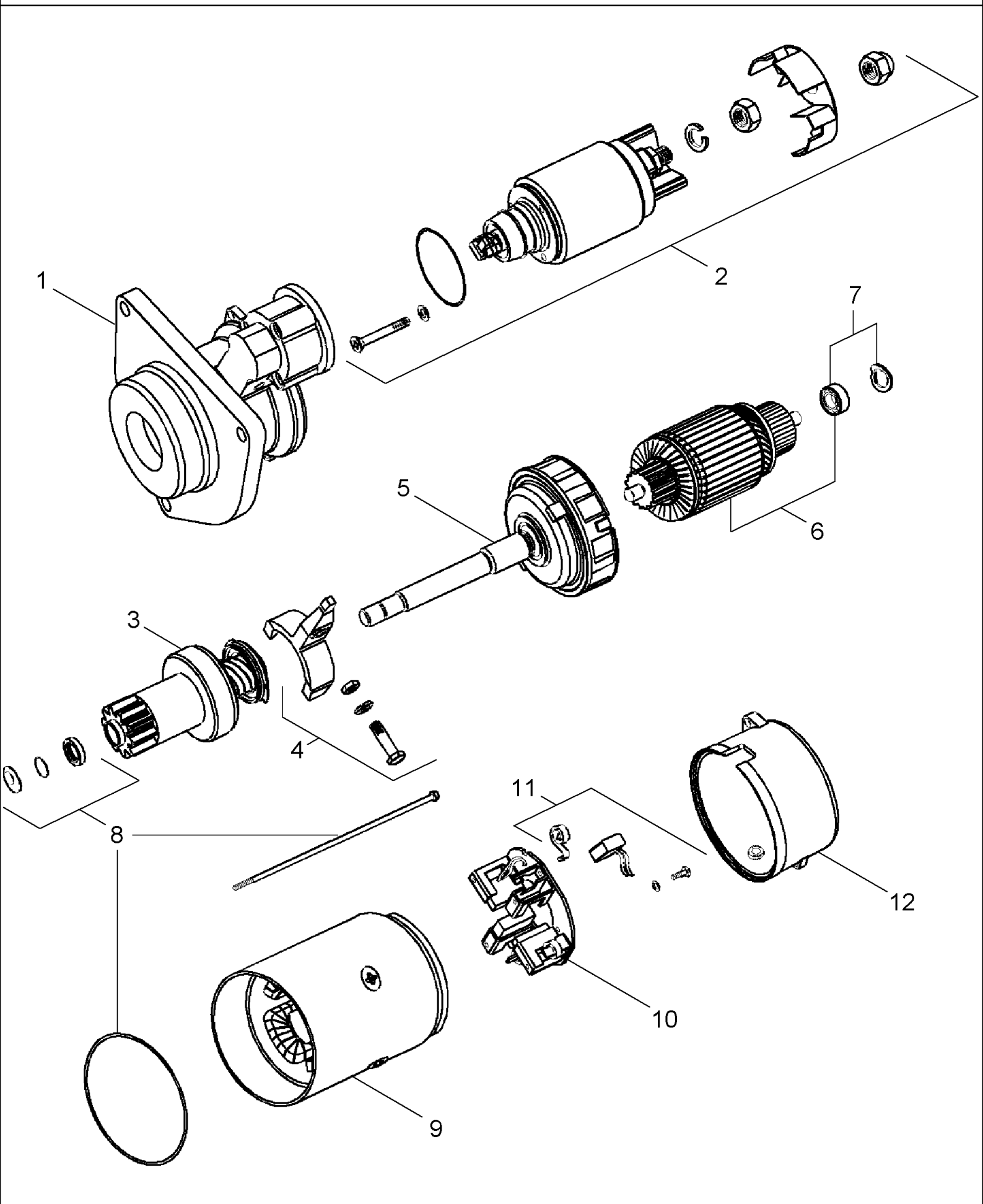
04-38 STARTER ASSY - MOUNTING



04-38 STARTER ASSY - MOUNTING

сылка	Номер детали	Кол-во	Описание
	87420661	1	REMAN-STARTER, N.A. Only
	87420662	1	CORE-STARTER,
1	87419387	1	MOTOR, STARTER,
2	87422566	1	COVER, Jump Start Protection
3	87422567	1	NUT,
4	87035075	3	SCREW, 12 Pt Hd, M12 x 35, 12.9,
5	896-11012	3	WASHER, M13.5 x 24.5 x 3, HT,
6	829-4410	1	NUT, Thin, M10 x 1.5, CI 05,
7	892-11010	1	WASHER, LOCK, M10,
8	825-1405	1	NUT, M5, CI 8,
9	892-11005	1	WASHER, LOCK, M5,
10	87345873	1	SHIELD, Starter (Not Shown)

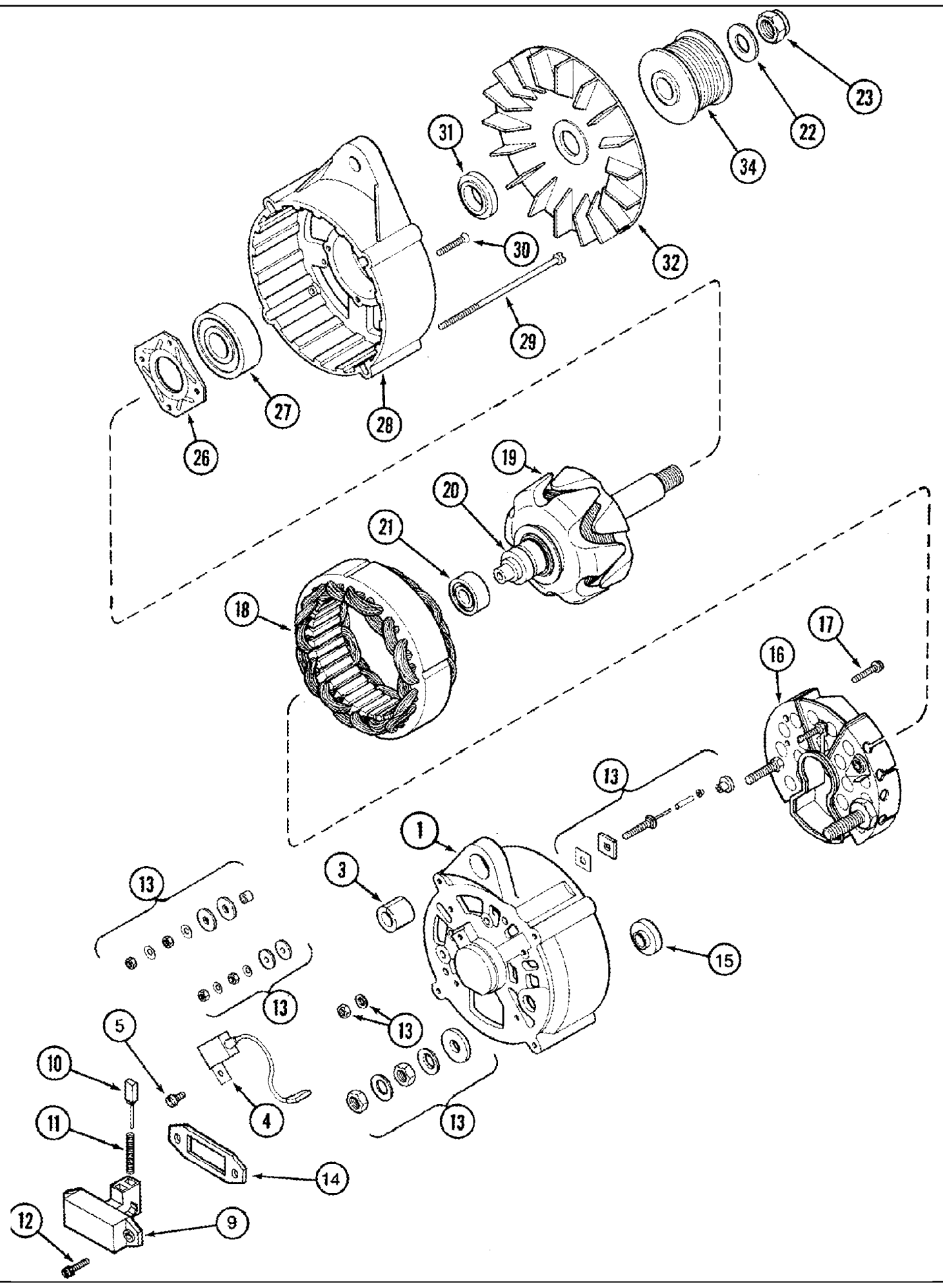
04-39 STARTER ASSY - ISKRA



04-39 STARTER ASSY - ISKRA

сылка	Номер детали	Кол-во	Описание
	87419387	1	MOTOR, STARTER, Iskra, Includes 1 - 12
1	87452304	1	BRACKET, Drive End
2	87452305	1	SOLENOID,
3	87452306	1	DRIVE ASSY.,
4	87452307	1	LEVER, Engaging
5	87452308	1	GEAR, Reduction
6	87452309	1	ARMATURE,
7	87452310	1	KIT,
8	87452311	1	KIT, STARTER MTR REPAIR,
9	87452312	1	STATOR,
10	87452313	1	BRUSH HOLDER,
11	87452314	1	BRUSH, SET, Spring
12	87452315	1	BRACKET, Commutator End

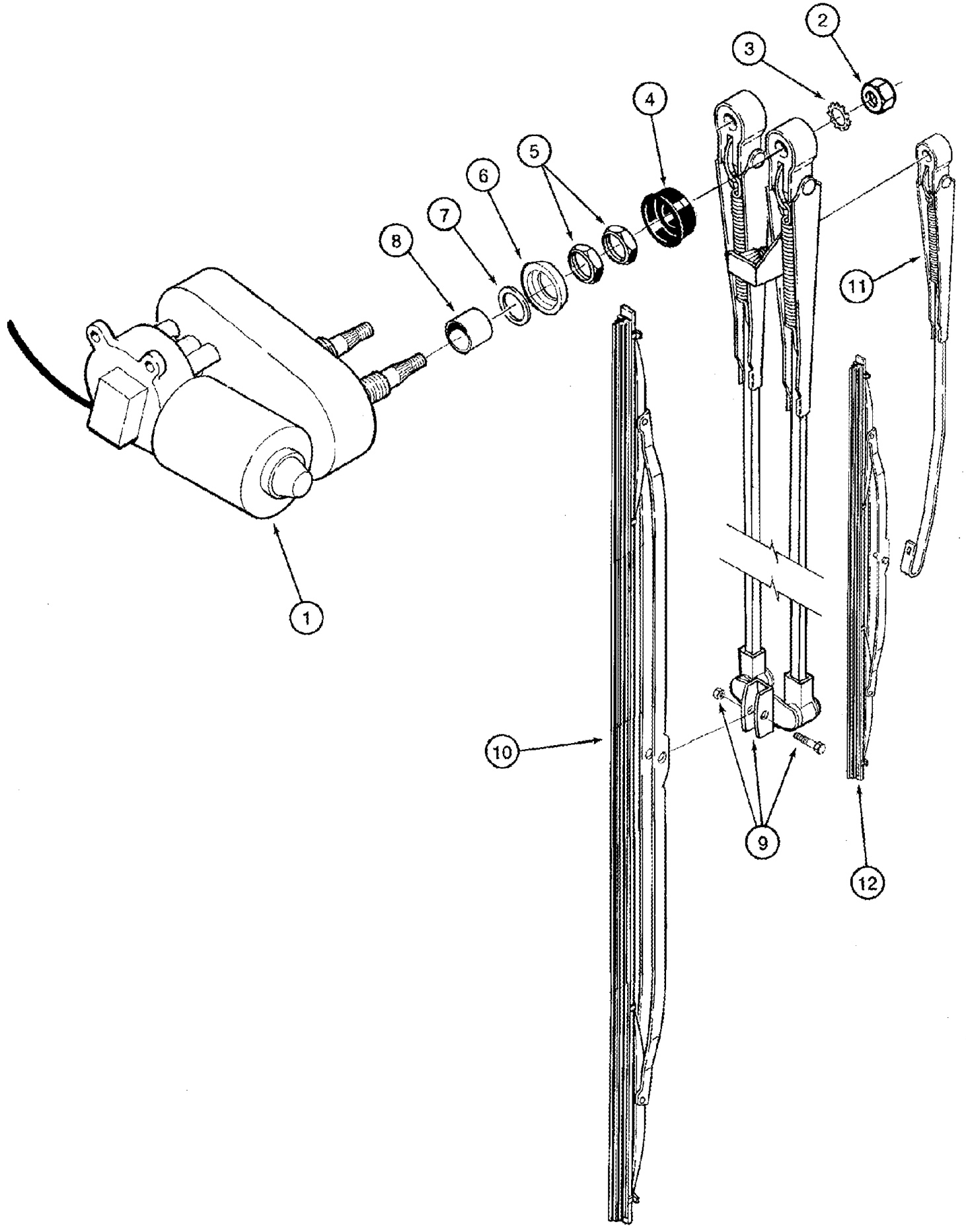
04-40 ALTERNATOR ASSY



04-40 ALTERNATOR ASSY

сылка	Номер детали	Кол-во	Описание
	125849A1R	1	REMAN-ALTERNATOR, N.A. Only
	125849A1C	1	CORE-ALTERNATOR,
	125849A1	1	ALTERNATOR, 135 amp, Includes 1 - 32
1	1964731C1	1	HOUSING,
3	1964737C1	1	BUSHING,
4	3079389R1	1	CAPACITOR,
5	840-1510	1	SCREW, Cross Pan Hd, M5 x 10,
9	111899A1	1	REGULATOR,
10	1964968C1	1	BRUSH, Set
11	P1538138P	2	SPRING, COMPRESSION,
12	1530431C1	2	BOLT,
13	1964738C1	1	KIT, REPAIR,
14	140546A1	1	GASKET,
15	140545A1	1	BUSHING,
16	1964732C1	1	RECTIFIER,
17	A186194	2	SCREW, Sltd Truss Hd, M4 x 18, w/LW,
18	140548A1	1	STATOR,
19	1964728C1	1	ROTOR,
20	140543A1	1	RING,
21	1964730C1	1	BEARING, BALL,
22	495-21063	1	WASHER, 9/16", 5/8" x 1-15/32" x 7/64"
23	86637650	1	NUT, LOCK, 5/8"-18, GB,
26	1964727C1	1	PLATE,
27	1964726C1	1	BEARING, BALL,
28	1964725C1	1	HOUSING,
29	140549A1	4	SCREW,
30	140541A1	4	SCREW,
31	1964729C1	1	SPACER,
32	1964736C1	1	FAN,
34	86975356	1	PULLEY, Not Included In Assembly

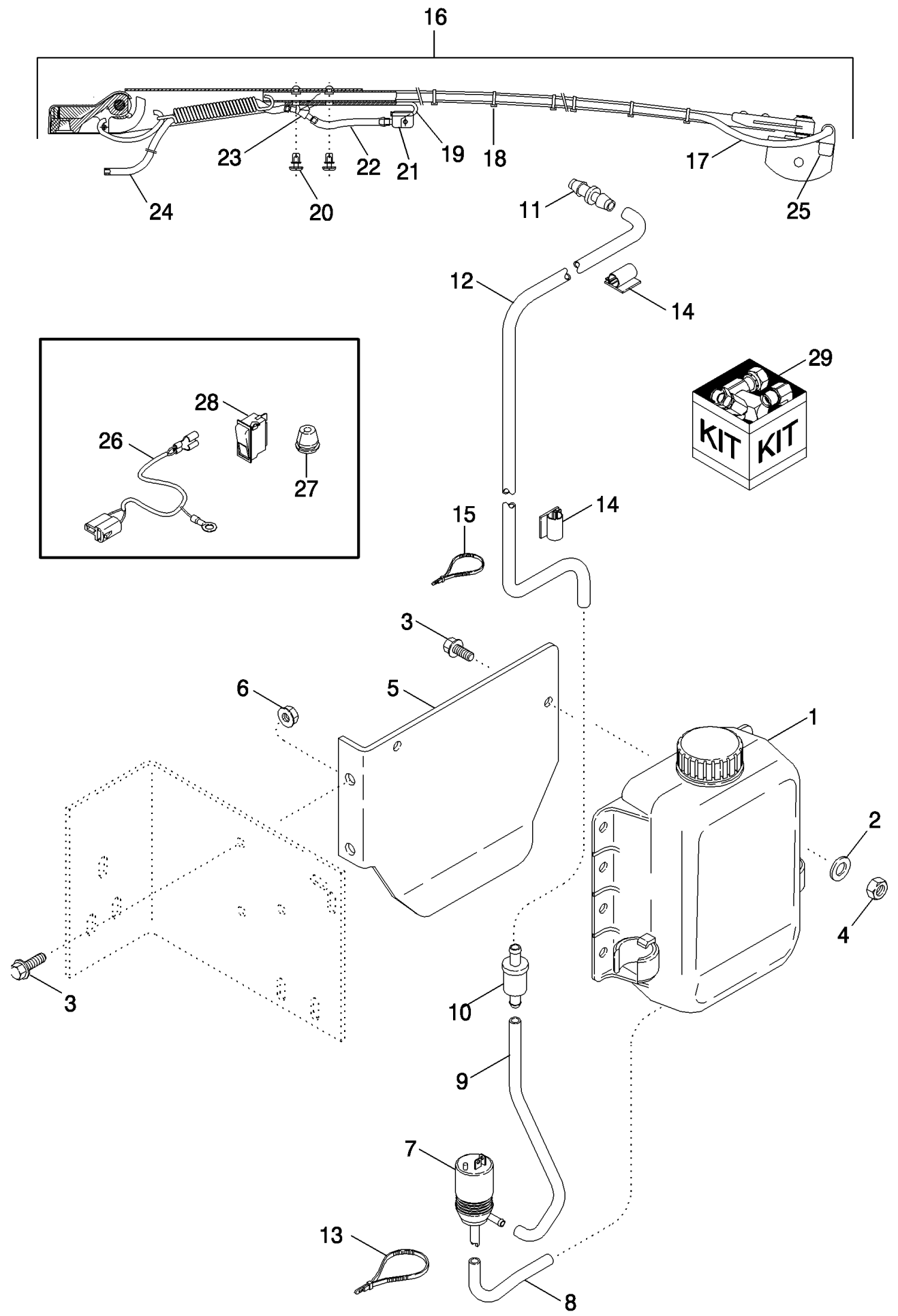
04-41 MOTOR ASSY - WIPER, WINDSHIELD



04-41 MOTOR ASSY - WIPER, WINDSHIELD

сылка	Номер детали	Кол-во	Описание
1	86976257	1	WIPER MOTOR, Windshield Wiper, Double Blade, Includes 1 - 7
	NSS	1	NOT SERVICED SEPARATELY, Motor
	138013A1	1	KIT, REPAIR, Includes 2 - 7
2	829-1408	2	NUT, M8, CI 10,
3	893-11008	2	WASHER, LOCK, Ext Tooth, M8,
4	NSS	2	NOT SERVICED SEPARATELY, Cover
5	NSS	4	NOT SERVICED SEPARATELY, Nut
6	NSS	2	NOT SERVICED SEPARATELY, Retainer
7	NSS	2	NOT SERVICED SEPARATELY, Seal
8	86975131	2	SPACER,
	352976A1	1	WIPER BLADE, Includes 9 - 12
9	86975127	1	ARM, 1000 mm
10	86975128	1	BLADE, 1000 mm (39-3/8")
11	86975133	1	WIPER ARM, 176 mm lg
12	86975129	1	BLADE, 330 mm lg

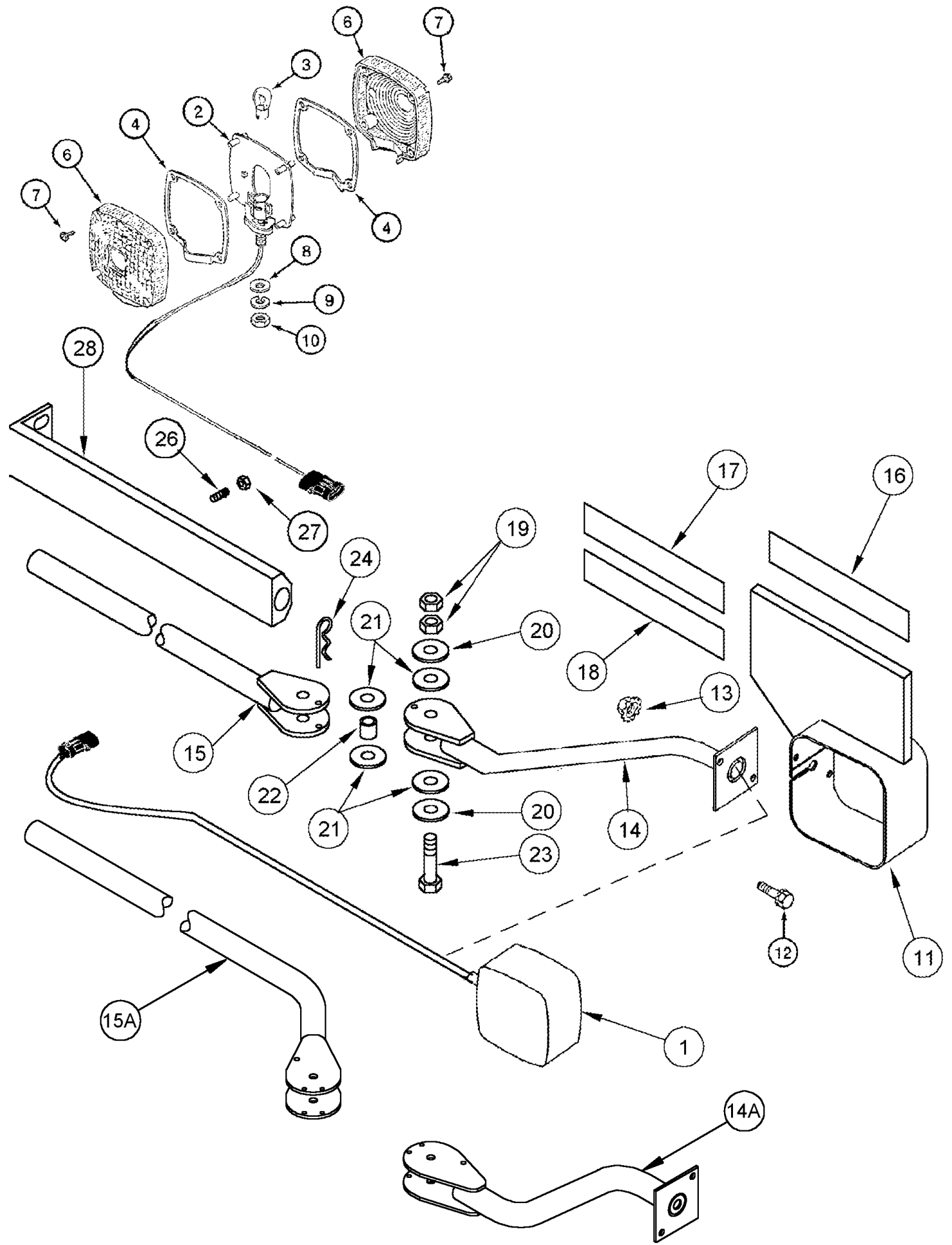
04-42 WINDSHIELD WASHER



04-42 WINDSHIELD WASHER

сылка	Номер детали	Кол-во	Описание
1	87447644	1	WASHER, WINDSHIELD,
2	495-11034	2	WASHER, 5/16", SAE,
3	409-7516	4	BOLT, Hex Flg, 5/16"-18 x 1", Serr,
4	231-1445	2	NUT, LOCK, 5/16"-18, GB,
5	87447938	1	SUPPORT, Reservoir
6	231-5145	1	NUT, Flg, USR, 5/16"-18,
7	1964696C2	1	PUMP, Windshield Washer
8	31-2368	1	HOSE, 127 mm (5"), Cut from 4-1056
9	31-2422	1	HOSE, 254 mm (10"), Cut from 4-1056
10	84037530	1	VALVE, CHECK,
11	31-2364	1	FITTING, 3/16" x 7/64"
12	31-2582	1	HOSE, 3962 mm (156"), Cut from 4-1056
13	702093C1	5	STRAP, CABLE, Tie
14	245854A1	4	CLIP,
15	58556C1	2	STRAP, CABLE, Tie, 14"
16	87281666	1	WASHER, WINDSHIELD, Includes Ref. 17 - 25
17	87282393	1	HOSE, 870 mm
18	PL	8	PROCURE LOCALLY, Bundling Tie
19	87282394	1	ARM,
20	87282395	2	RIVET, Snap
21	87282396	1	NOZZLE CAP, Single
22	87282397	1	HOSE, 70 mm
23	87282398	1	FITTING, " Y "
24	PL	1	PROCURE LOCALLY, Hose, 450 mm
25	87282392	1	HOLDER, Nozzle, Double
26	87447600	1	HARNESS, WIRE, Windshield Washer, Used With Field Installed Kit
27	195803C1	1	GROMMET, , Used With Field Installed Kit
28	87447601	1	SWITCH, WINDSHIELD WIPER, Wiper with Washer
29	87447598	1	KIT, Windshield Washer, Includes Ref. 1 - 28, BSN HAJ0295001

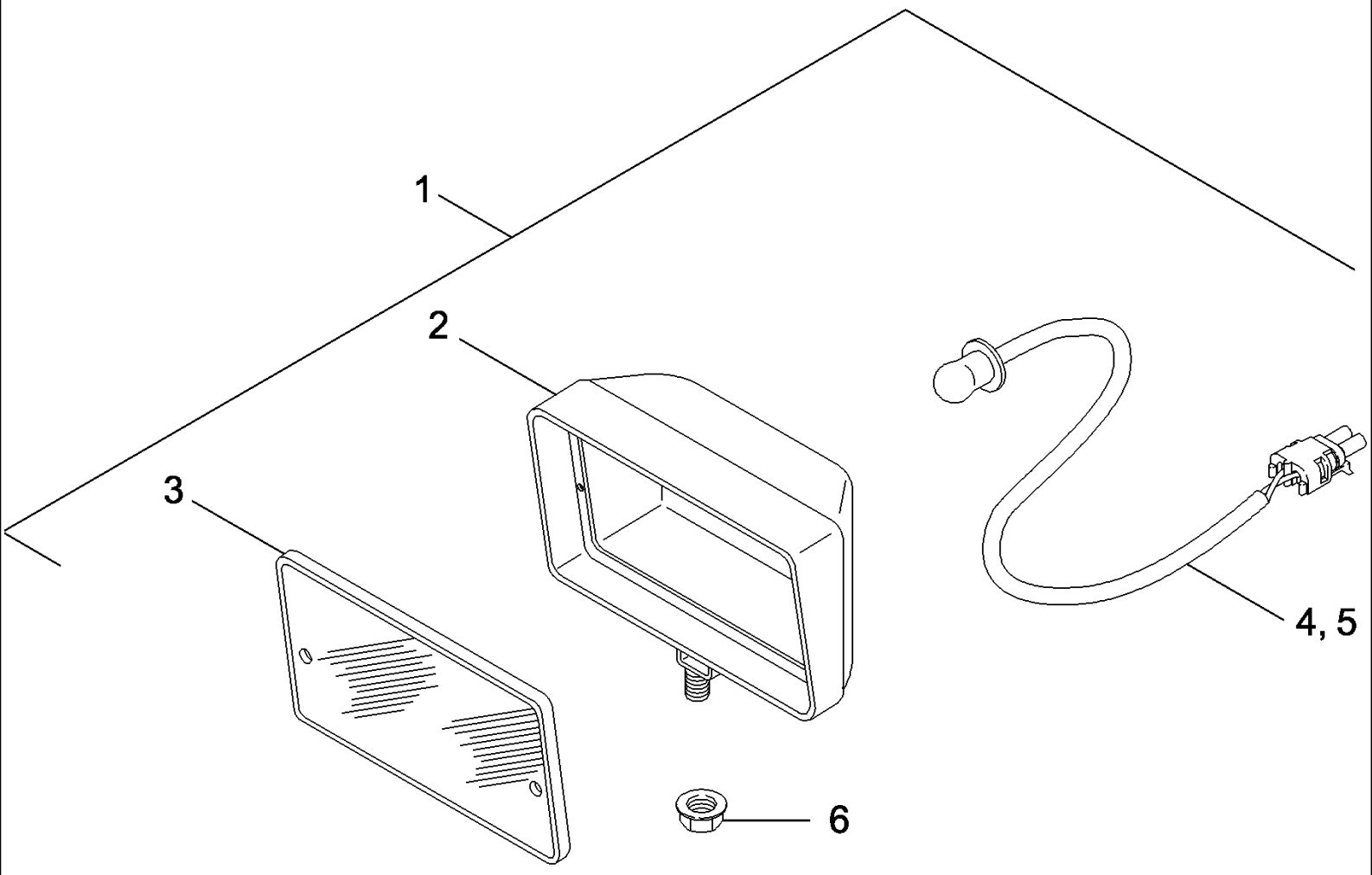
04-43 LAMP ASSY - FLASHERS, SIDE



04-43 LAMP ASSY - FLASHERS, SIDE

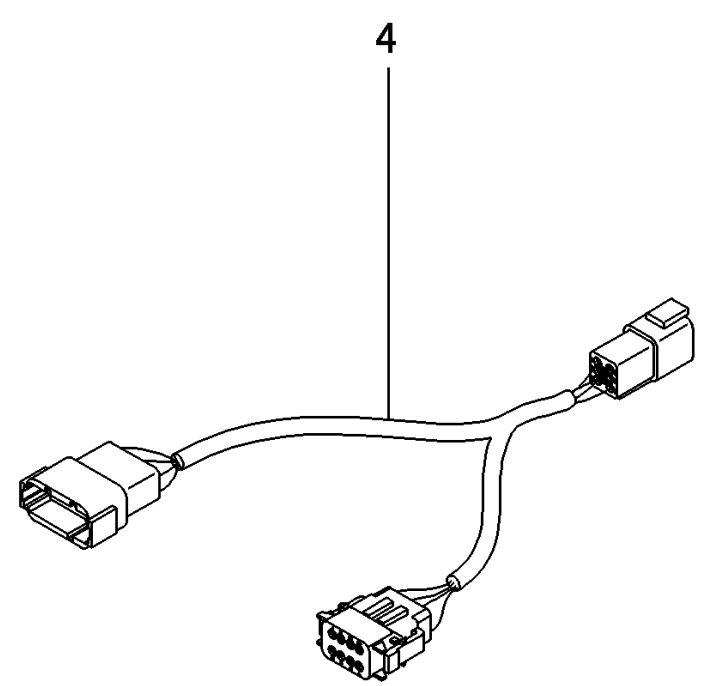
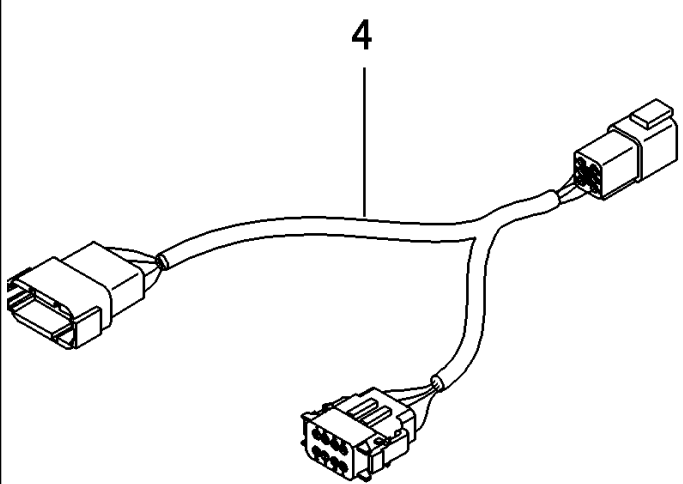
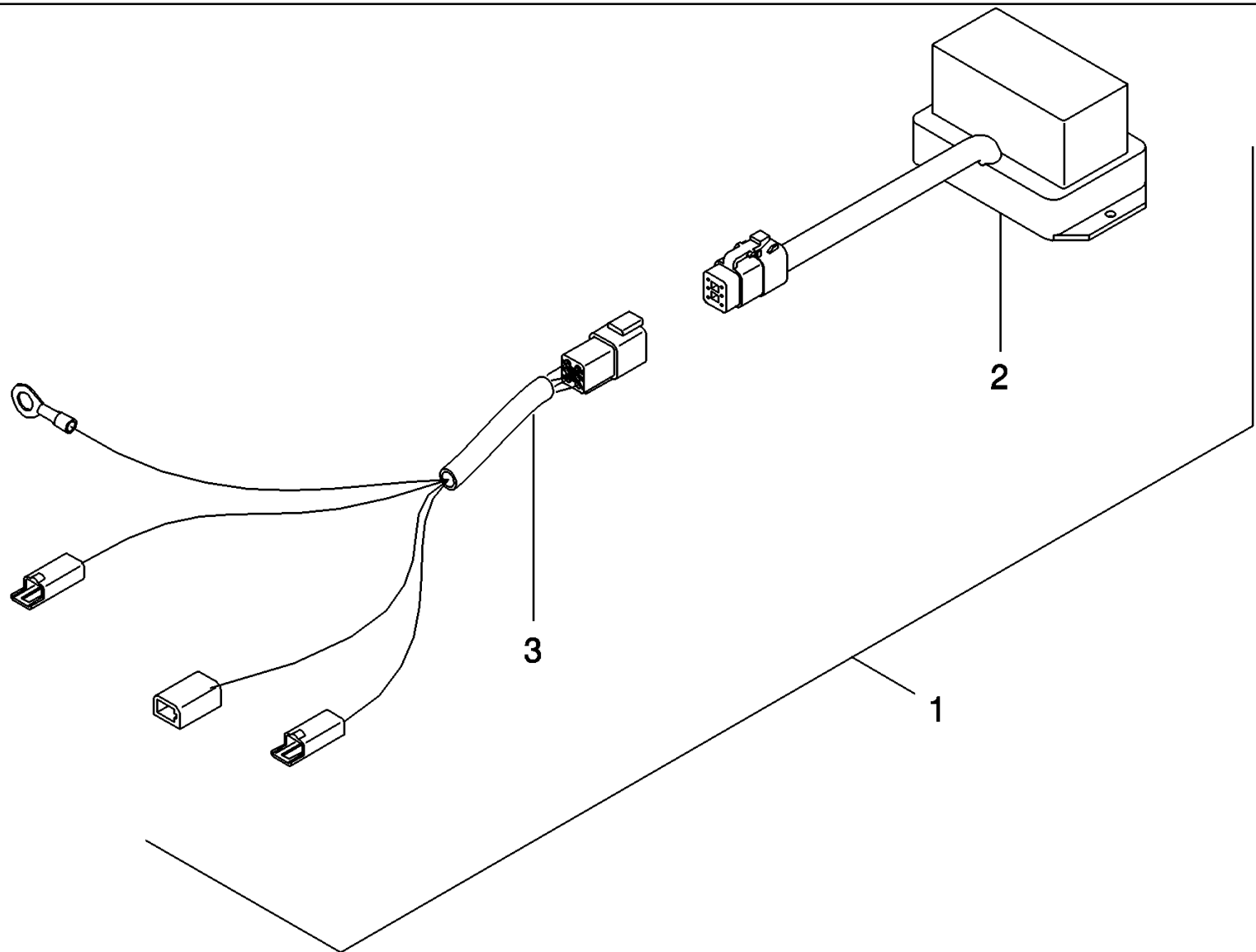
сылка	Номер детали	Кол-во	Описание
1	398378A1	2	LAMP, Includes 2 - 10
2	NSS	1	NOT SERVICED SEPARATELY, Body
3	A41264	1	BULB, #1156, 12V,
4	A43731	2	GASKET,
	A44202	1	KIT, Includes 6, 7
6	NSS	2	NOT SERVICED SEPARATELY, Lens
7	187-1083	8	SCREW, SELF TAP, Cross Pan Hd, #8 x 5/8",
8	495-11053	1	WASHER, 1/2", SAE,
9	80679	1	WASHER, LOCK, 1/2",
10	425-118	1	NUT, 1/2"-20, G5,
11	390636A1	2	BRACKET,
12	409-7512	4	BOLT, Hex Flg, 5/16"-18 x 3/4", Serr,
13	231-5145	4	NUT, Flg, USR, 5/16"-18,
14	86991379	2	ARM, Marker Lamp, Outer
15	86991378	2	ARM, Marker Lamp, Inner
16	311864A1	2	REFLECTOR, Amber
17	311863A1	2	REFLECTOR, Red
18	311865A1	2	REFLECTOR, Orange
19	231-4146	4	NUT, LOCK, 3/8"-16, GB,
20	495-81143	4	WASHER, 13/32" x 1 1/2" x .120",
21	403388A1	8	WASHER, SPECIAL, 1-1/8" x 3/8" x 1/8", Nylon
22	87036413	2	SPACER, 5/8" Pipe x 15/16", 5/8" x 15/16"
23	413-652	2	BOLT, Hex, 3/8"-16 x 3 1/4", G5,
24	480523R1	2	SPLIT PIN/SAFETY PIN,
25	473321C1	4	STRAP, CABLE, .098" x 8",
26	485-13816	4	SET SCREW, Sq Hd, 3/8"-16 x 1",
26	9706726	4	BOLT, Hex Flg, 3/8"-16 x 1", Serr,
26	477-73816	4	SCREW, Sltd Serr Truss Hd, 3/8" x 1",
27	425-106	4	NUT, 3/8"-16, G5,
27	231-5146	8	NUT, Flg, USR, 3/8"-16,
28	403052A2	2	BRACKET,

04-44 LAMP ASSY - GRAIN TANK



04-44 LAMP ASSY - GRAIN TANK

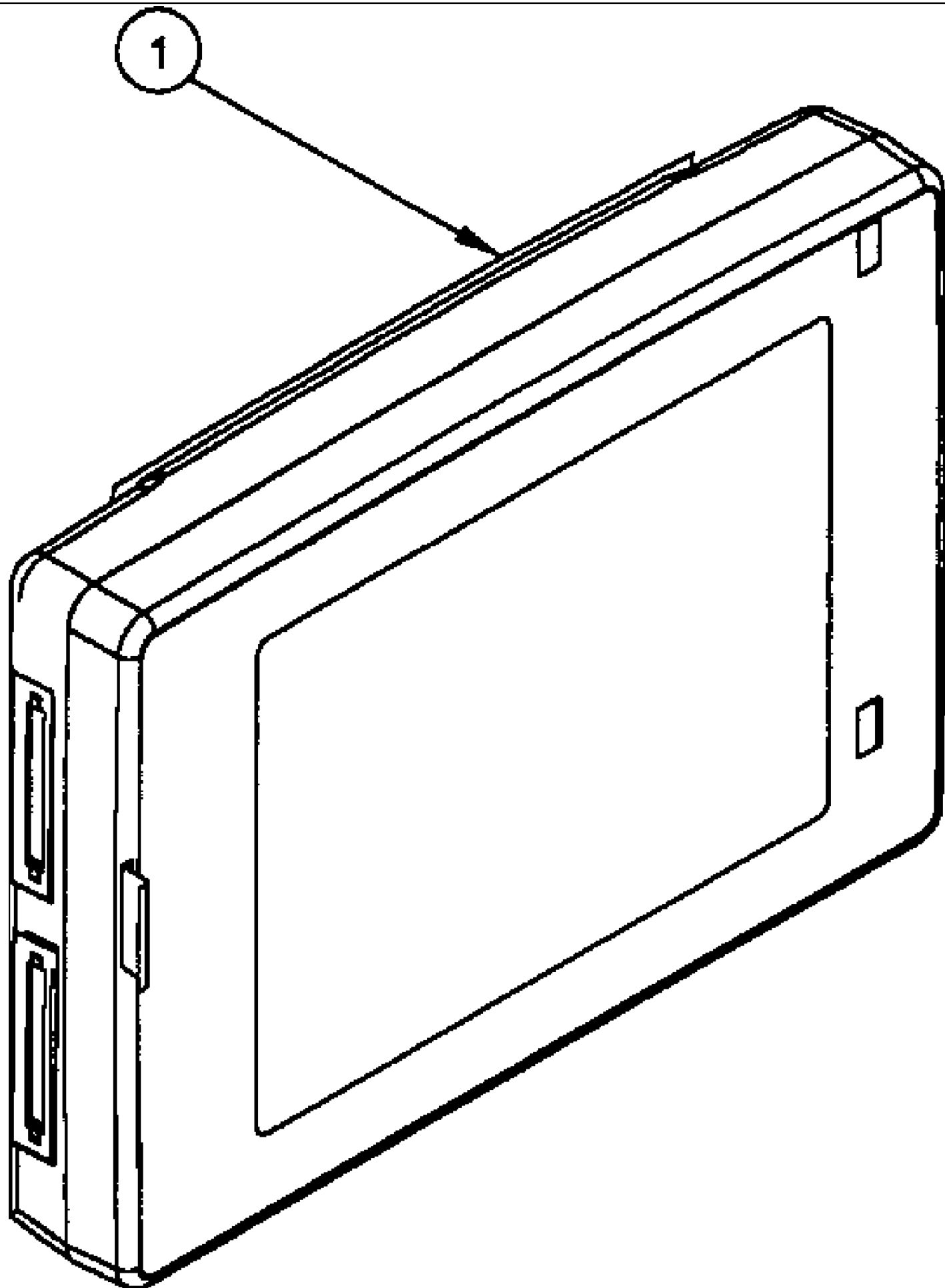
сылка	Номер детали	Кол-во	Описание
1	430504A1	2	LAMP, Aftercut, 55W, Includes 2, 3, 5
1	430505A1	AR	LAMP, 35W, Includes 2 - 4
1	430506A1	2	LAMP, Aftercut, 35W, Includes 2 - 4
2	1964806C1	1	BEZEL,
3	276498A1	1	LENS,
4	92242C2	1	BULB,
5	1312210C2	1	BULB,
6	231-5145	1	NUT, Flg, USR, 5/16"-18,



2388 CASE IH AXIAL-FLOW COMBINE (NA) BTW HAJ0292001 & HAJ0300000 (10/04-)

04-45 PACKAGE, AFS DISPLAY BATTERY BACKUP

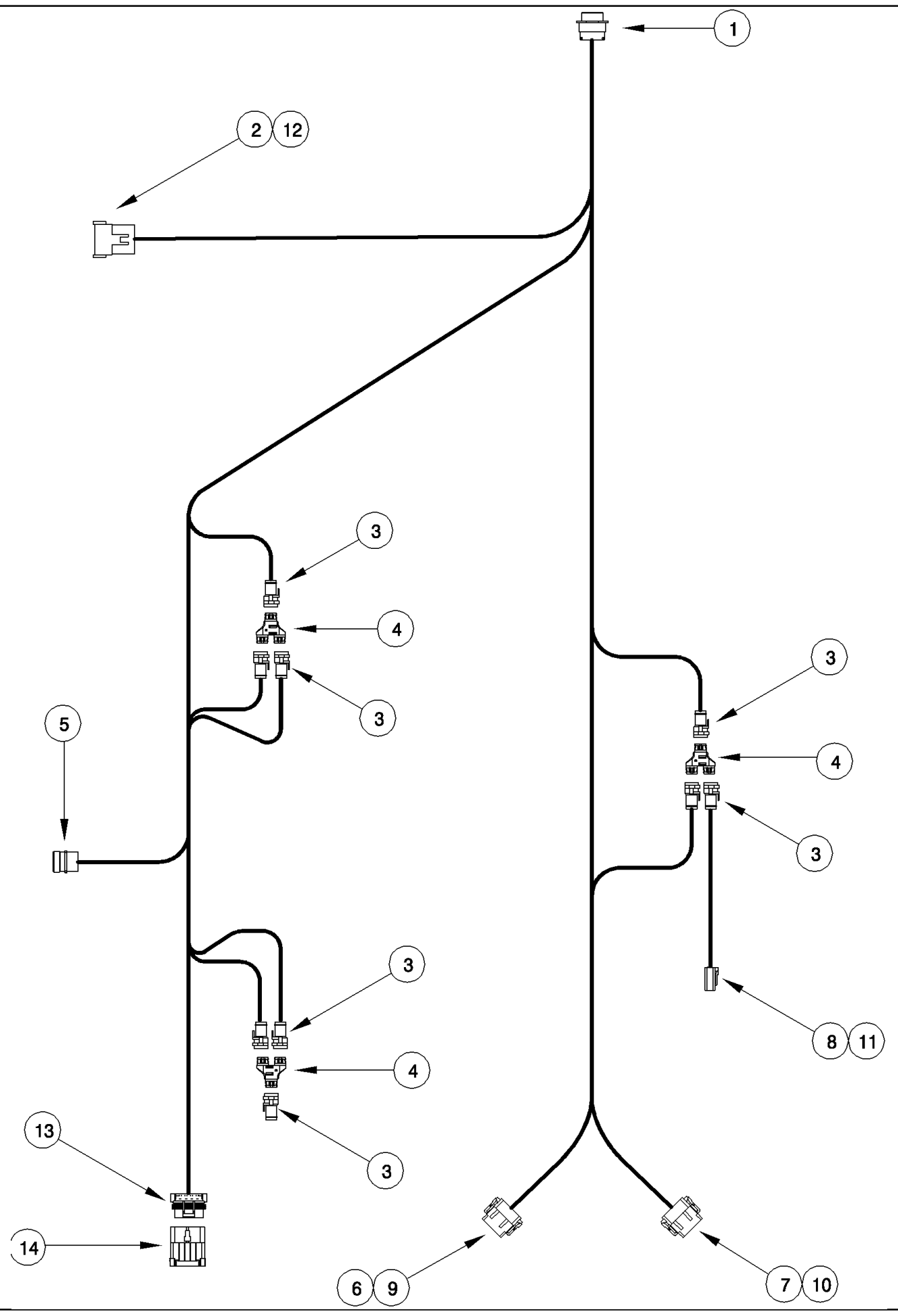
сылка	Номер детали	Кол-во	Описание
1	450376A1	1	AFS PARTS & PACKAGES, Display Backup, Includes 2, 3
2	NSS	1	NOT SERVICED SEPARATELY, Battery
3	NSS	1	NOT SERVICED SEPARATELY, Cable, Adapter
4	450367A1	1	HARNESS, WIRE, Adapter, AFS Combine
4	450368A1	1	HARNESS, WIRE, Adapter, AFS Combine, Model Year 1999



04-46 AFS - UNIVERSAL DISPLAY PLUS

сылка	Номер детали	Кол-во	Описание
1	87302709	1	KIT, SERVICE, MONITOR - AFS Universal Display
2	87341265	1	SOFTWARE, Card, 128MB Data (Not Illustrated)
5	349060A1	1	BOX, Display Storage (Not Illustrated)
6	NSS	1	NOT SERVICED SEPARATELY, BOX - Wrapper (Not Illustrated)

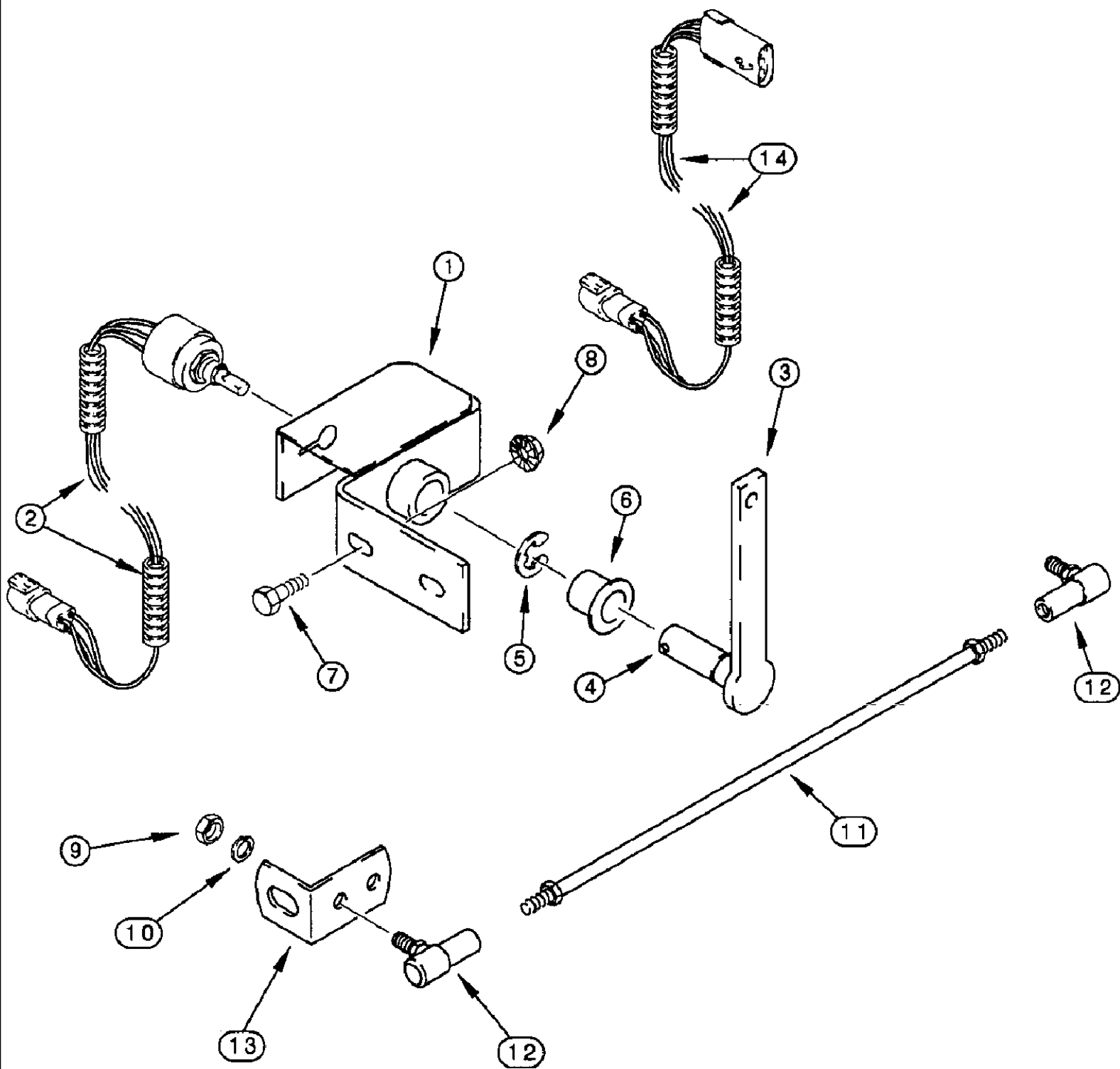
04-47 HARNESS, YIELD MONITOR CAB DISPLAY, AFS



04-47 HARNESS, YIELD MONITOR CAB DISPLAY, AFS

сылка	Номер детали	Кол-во	Описание
	365512A1	1	HARNESS, WIRE, Yield Monitor Cab Display
1	321698A1	1	CONNECTOR, ELEC, Electrical
2	225388C1	1	CONNECTOR, ELEC, Electrical, Type NA
3	298496A1	6	CONNECTOR, ELEC, Plug, 4 Pin
4	298495A1	2	CONNECTOR, ELEC, Electrical
5	310057A1	1	CONNECTOR, ELEC, HD 10 Series Receptacle
6	223679A1	1	CONNECTOR, ELEC, 12-way DTM Plug, Black
7	223671A1	1	CONNECTOR, ELEC, 12-way DTM Plug, Gray
8	239451A1	1	CONNECTOR, ELEC, 4-cav Plug DT Series
9	223674A1	1	WEDGE, Electrical Connector
10	223674A1	1	WEDGE, Electrical Connector
11	225327C1	1	WEDGE,
12	225390C1	1	WEDGE, Electrical Connector, Type W12P
13	182081A1	1	CONNECTOR, ELEC, Tower 5-way Metri-pak
14	182079A1	1	CONNECTOR, ELEC, Electrical
15	440-10610	2	SCREW, Cross Pan Hd, #6-32 x 5/8", Not Illustrated
16	492-11006	2	WASHER, LOCK, #6, Not Illustrated
17	225-14106	2	NUT, #6-32, Not Illustrated

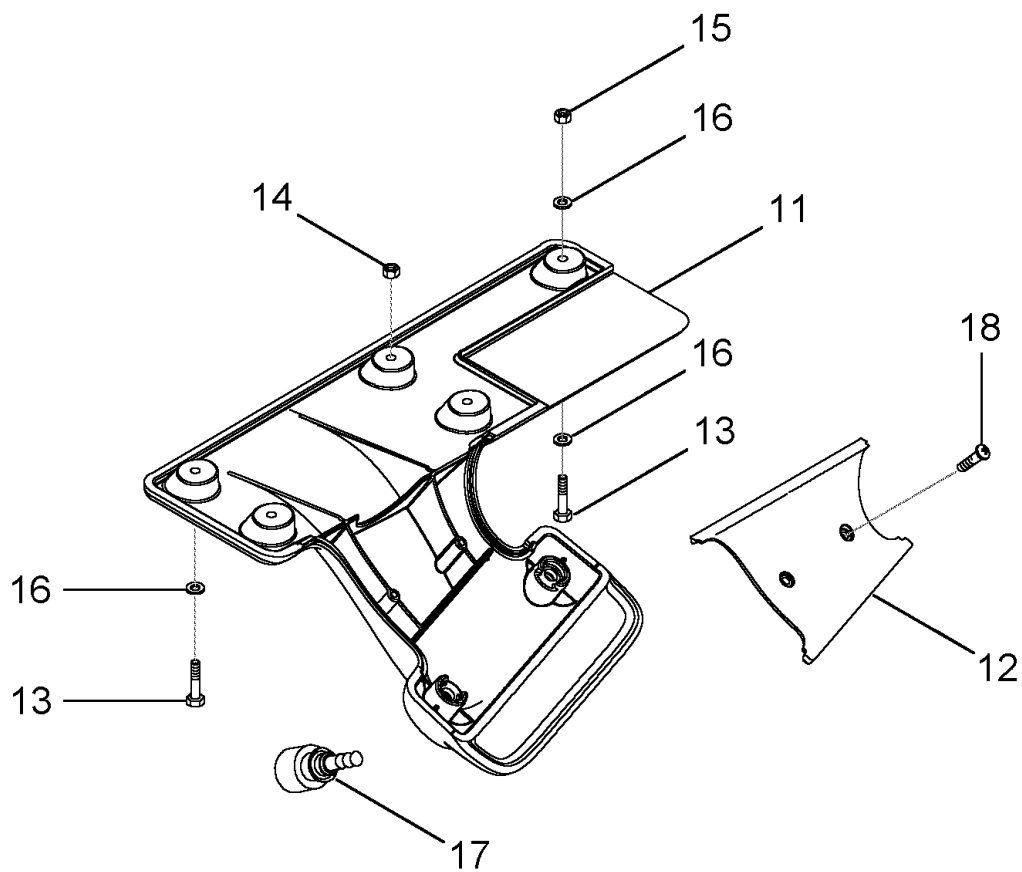
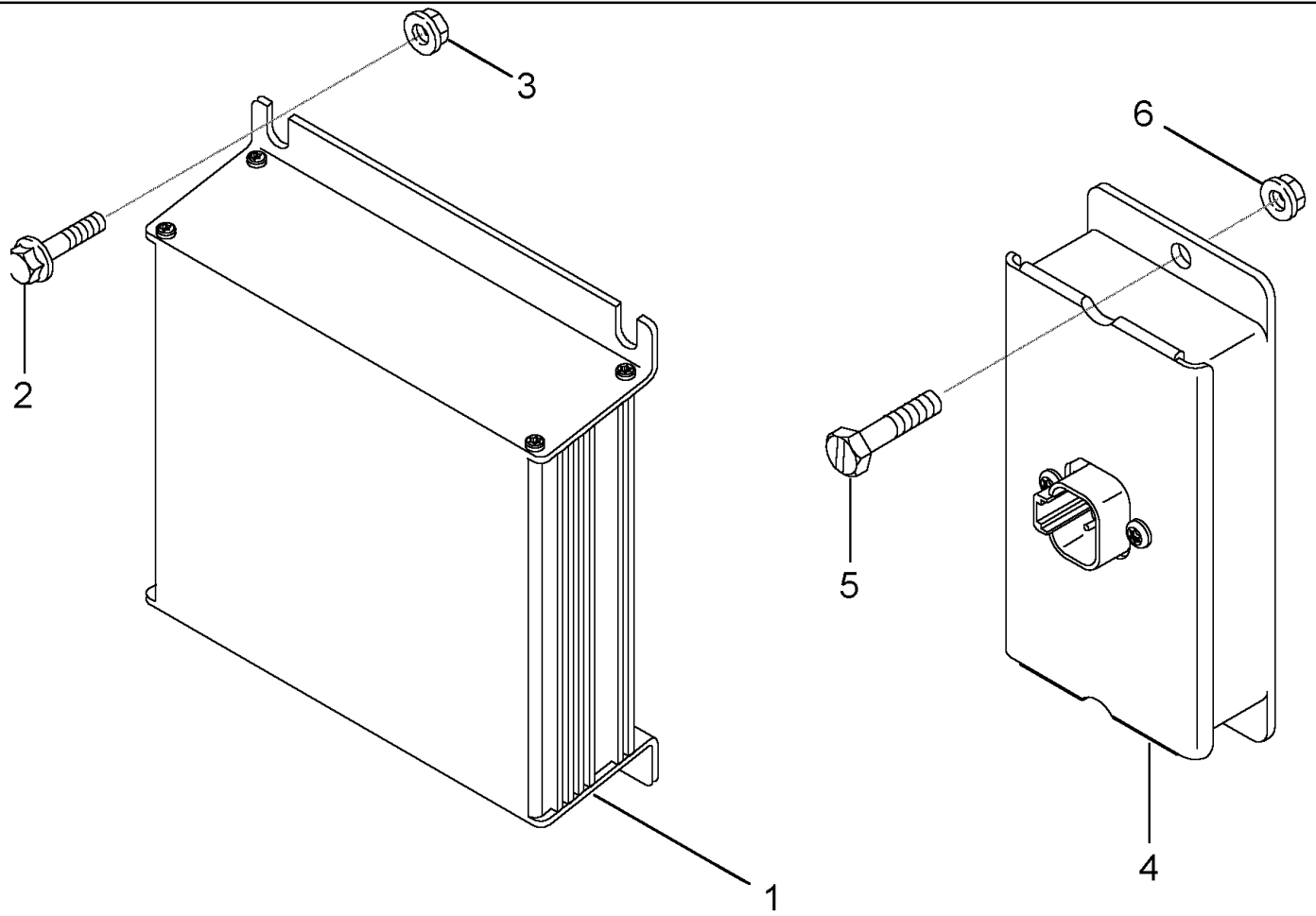
04-48 HEADER HEIGHT POTENTIOMETER AND MOUNTING, AFS



04-48 HEADER HEIGHT POTENTIOMETER AND MOUNTING, AFS

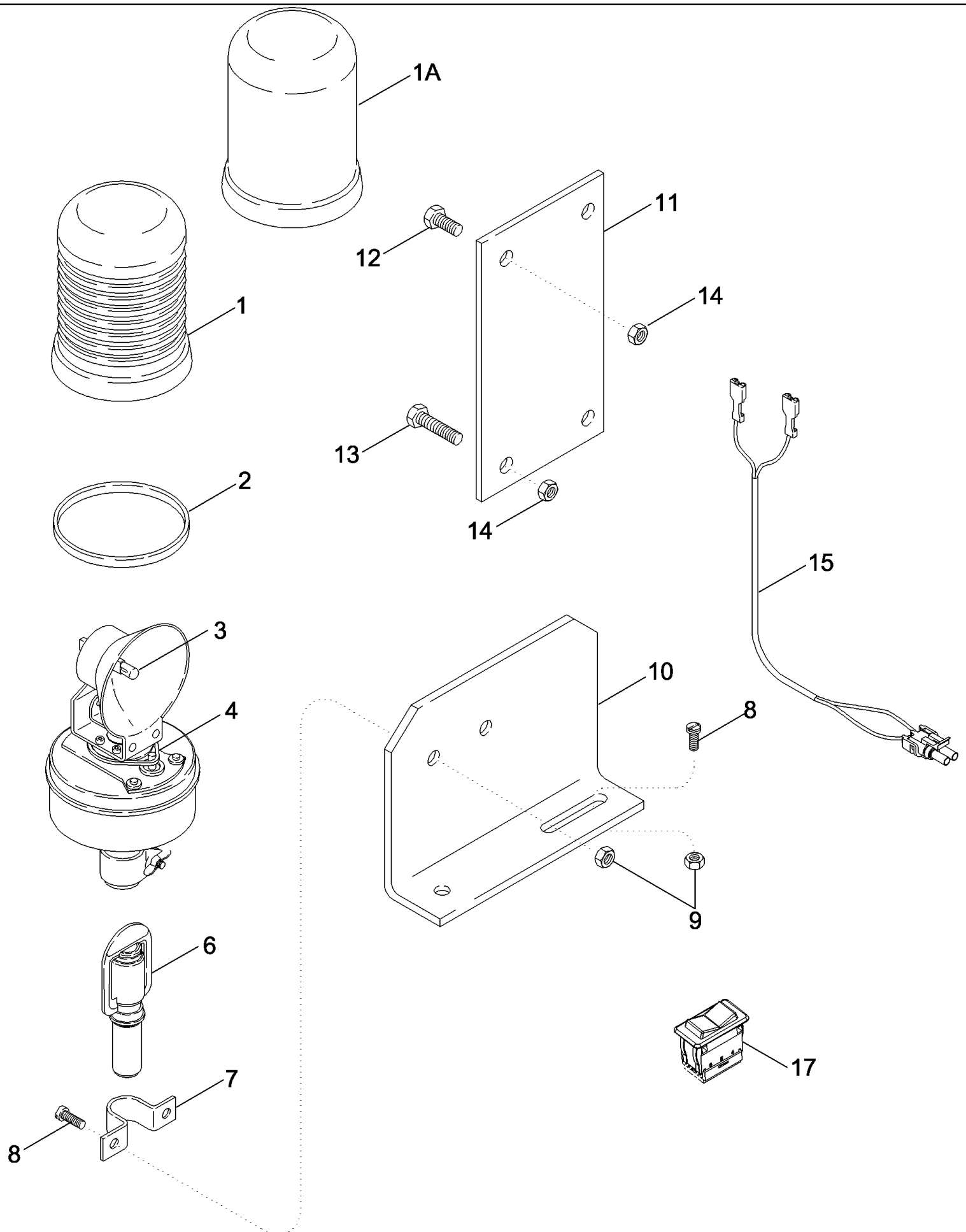
сылка	Номер детали	Кол-во	Описание
	239136A1	1	POTENTIOMETER, ASSY - Header Height, RH
1	NSS	1	NOT SERVICED SEPARATELY, SUPPORT - Potentiometer
2	NSS	1	NOT SERVICED SEPARATELY, POTENTIOMETER - Single, 1K, Header Height
3	NSS	1	NOT SERVICED SEPARATELY, LEVER - Potentiometer
4	NSS	1	NOT SERVICED SEPARATELY, SCREW - Set, Hex 4 x 6 mm
5	NSS	1	NOT SERVICED SEPARATELY, RING - E-type, External Retaining, No. 50
6	NSS	1	NOT SERVICED SEPARATELY, BUSHING - Potentiometer
7	413-48	1	BOLT, Hex, 1/4"-20 x 1/2", G5, Full Thd,
8	231-5144	1	NUT, Flg, USR, 1/4"-20,
9	425-114	2	NUT, 1/4"-28, G5,
10	492-11025	2	WASHER, LOCK, 1/4",
11	301522A1	1	TIE-ROD, THREADED, 1/4" NF x 6-1/2", Includes (2) 425-114 Nut, 1/4" NF
12	A10329	2	BALL JOINT, 1/4" NF
13	127308A2	1	SUPPORT, Rear, Potentiometer
14	253421A1	1	HARNESS, WIRE, Header Height, 2100 and 2300 Series Combines
15	363660R1	1	CLIP, Not Illustrated
15	516-23127	1	CLAMP, J, 9/16" Insul, 3/8" Bolt, 12.7 mm, Not Illustrated

04-49 AFS YIELD MONITOR INTERFACE UNIT PACKAGE



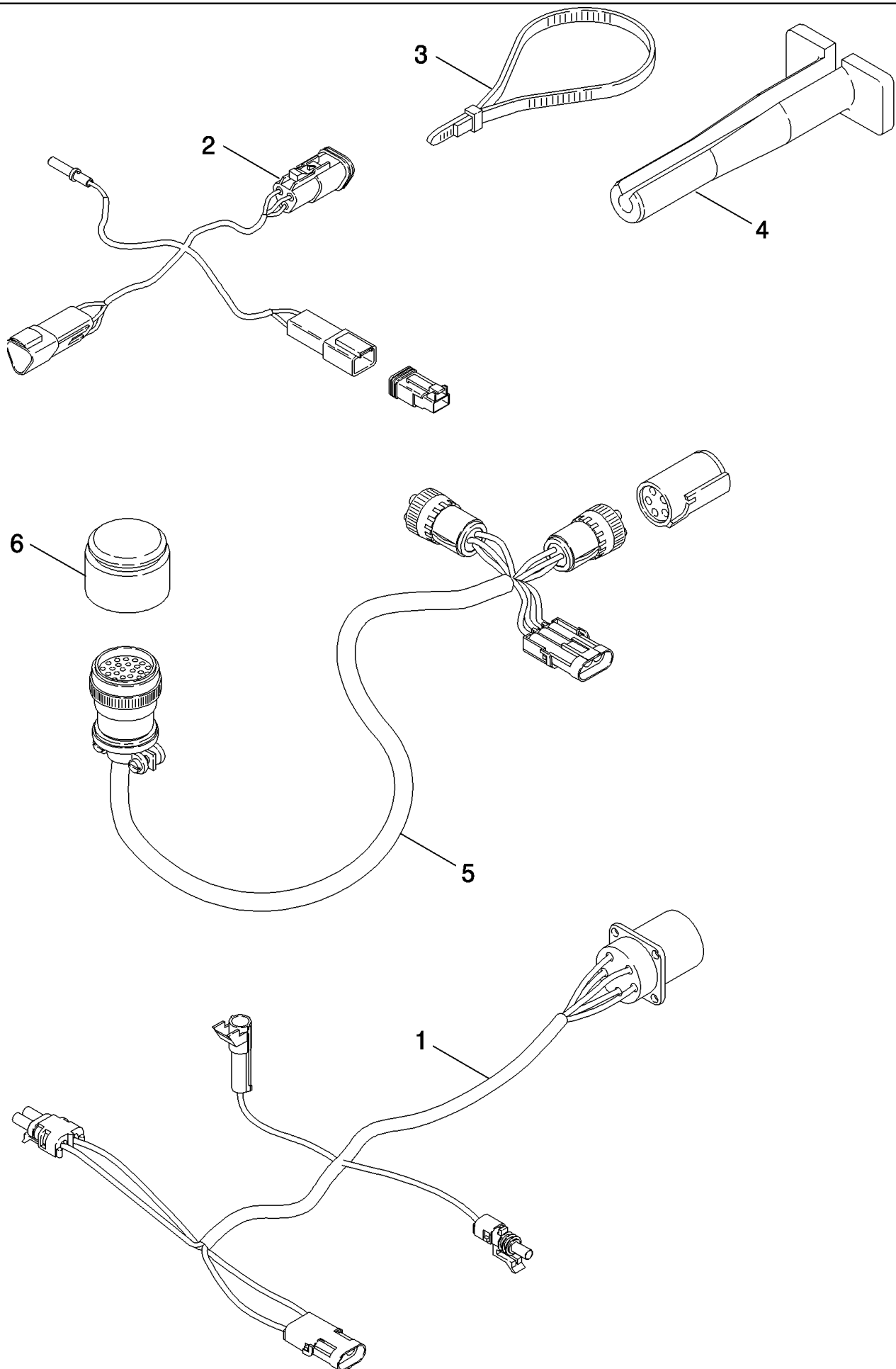
04-49 AFS YIELD MONITOR INTERFACE UNIT PACKAGE

сылка	Номер детали	Кол-во	Описание
	336469A9	1	AFS PARTS & PACKAGES, Yield Monitor Interface Unit
1	86976394	1	ELECTRONIC UNIT, CONTROL, MONITOR - Yield Monitor Interface Unit Without Software
2	256873	3	BOLT, Hex Flg, 5/16"-18 x 1/2", Serr,
3	231-5145	3	NUT, Flg, USR, 5/16"-18,
4	284638A2	1	CONNECTOR, ELEC, Terminator
5	363-31012	2	SCREW, Hex Wash Hd, #10-24 x 3/4",
6	231-51409	2	NUT, Flg, USR, #10-24,
7	365513A1	1	HARNESS, WIRE, Main Yield Monitor Interface Unit Exterior
8	365512A1	1	HARNESS, WIRE, Yield Monitor Cab Display, See Figure 04-47
9	105849A1	1	RELAY, 20 amp, Continuous Duty, (Not Illustrated)
10	121412A1	2	FUSE, Mini, 10 ampere (Not Illustrated)
10	121410A1	1	FUSE, Mini, 5 ampere (Not Illustrated)
11	351004A2	1	SUPPORT, Includes 17
12	327387A1	1	COVER, Display Mounting
13	276-14520	5	SCREW, SELF TAP, Hex Hd, #10 x 1 1/4",
14	131-893	2	NUT, Tinn, U, #10-24, Not Illustrated
15	231-51409	3	NUT, Flg, USR, #10-24,
16	495-31022	5	WASHER, #10,
17	319731A1	2	SCREW, Retractable, M5
18	1327506C1	2	SCREW, SELF TAP, Cross Pan Hd, M4.8 x 19, Coated, Not Illustrated
19	318575A1	1	HARNESS, WIRE, Yield Sensor (Not Illustrated)
20	473321C1	3	STRAP, CABLE, .098" x 8", Tie (Not Illustrated)
21	232801A1	1	GASKET, Door, 1016 mm (40") long, (Not Illustrated)
22	6-84790	1	MANUAL, OPERATOR, Universal Display and Universal Display Plus Yield Monitor (Not Illustrated) (Order Direct from DMC)
23	6-17250	1	INSTRUCTION, CARD - Quick Reference, AFS Display Operation (Not Illustrated) (Order Direct from DMC)
24	7-89241	1	INSTRUCTION, Yield Monitor Interface Installation, 2000 series combines (Not Illustrated) (Order Direct from DMC)
25	435831A1	2	FASTENER, Velcro (Not Illustrated)



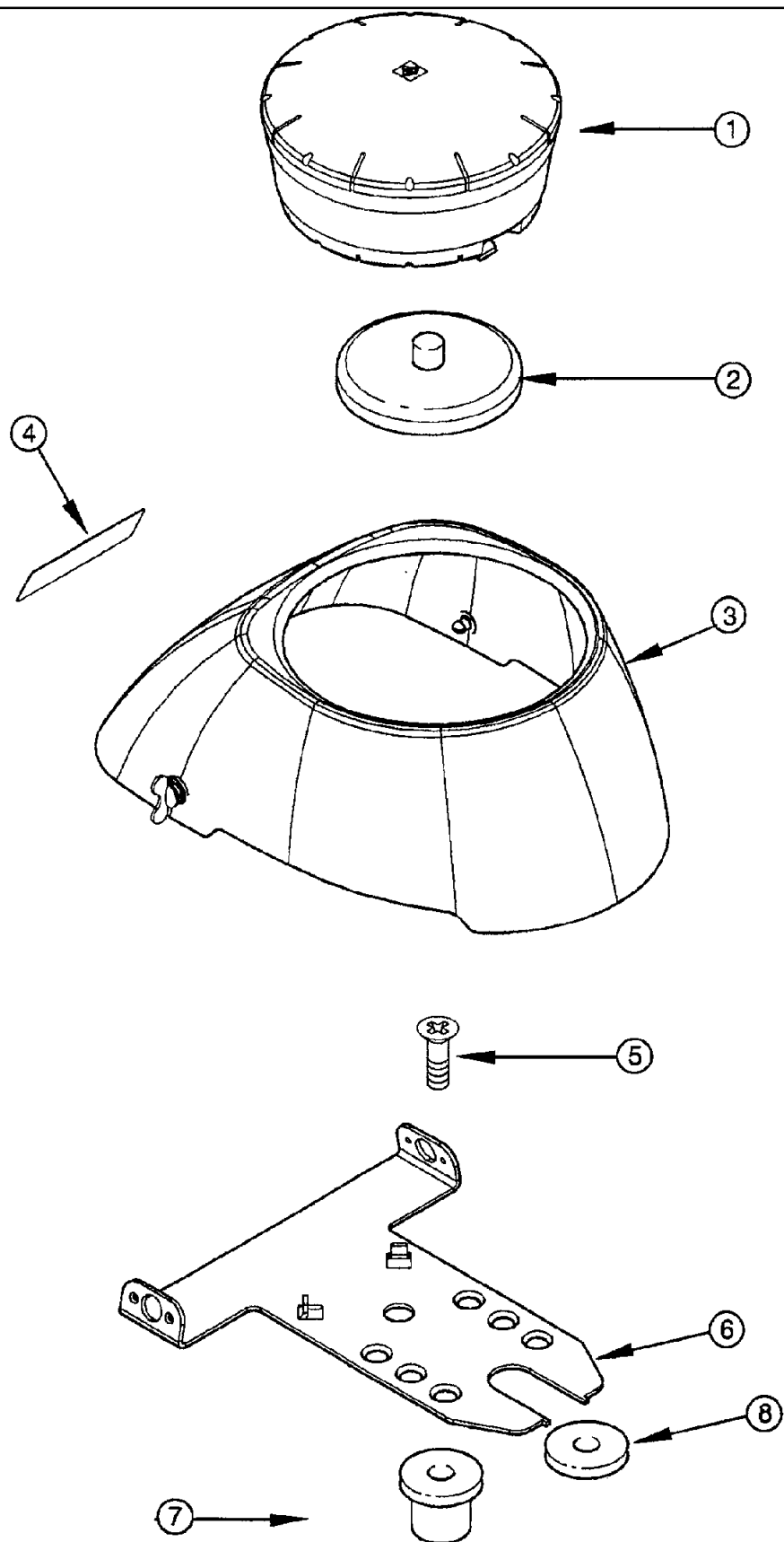
сылка	Номер детали	Кол-во	Описание
	92392C1	2	BEACON, Rotating, Includes 1A , 3, 4, If Used
1	1133187R1	1	CAP, Orange, Includes 2
1A	A187542	1	LENS, Amber
2	NSS	1	NOT SERVICED SEPARATELY, SEAL
3	3217312R1	1	BULB, H1, 12V, 55W,
4	A187575	1	BELT, Rotating Beacon
6	244106A1	2	CONNECTOR, ELEC, Front
7	3177099R1	2	CLAMP,
8	477-73112	AR	BOLT, Slotted Tr Hd, 5/16"-18 x 3/4",
9	231-5145	AR	NUT, Flg, USR, 5/16"-18,
10	101567A2	1	SUPPORT, Rear
11	180429A1	1	SUPPORT, Front
12	614-8020	2	BOLT, Hex, M8 x 20, 8.8,
13	814-8050	2	BOLT, Hex, M8 x 50, 8.8,
14	825-5148	4	NUT, M8, Flg Ser,
15	87345075	1	HARNESS, WIRE, Beacon Light
16	282459A1	2	TERMINAL CONNECTOR, Not Illustrated
17	87307828	1	SWITCH,

04-51 COMBINE HEADER ADAPTER, ELECTRICAL



04-51 COMBINE HEADER ADAPTER, ELECTRICAL

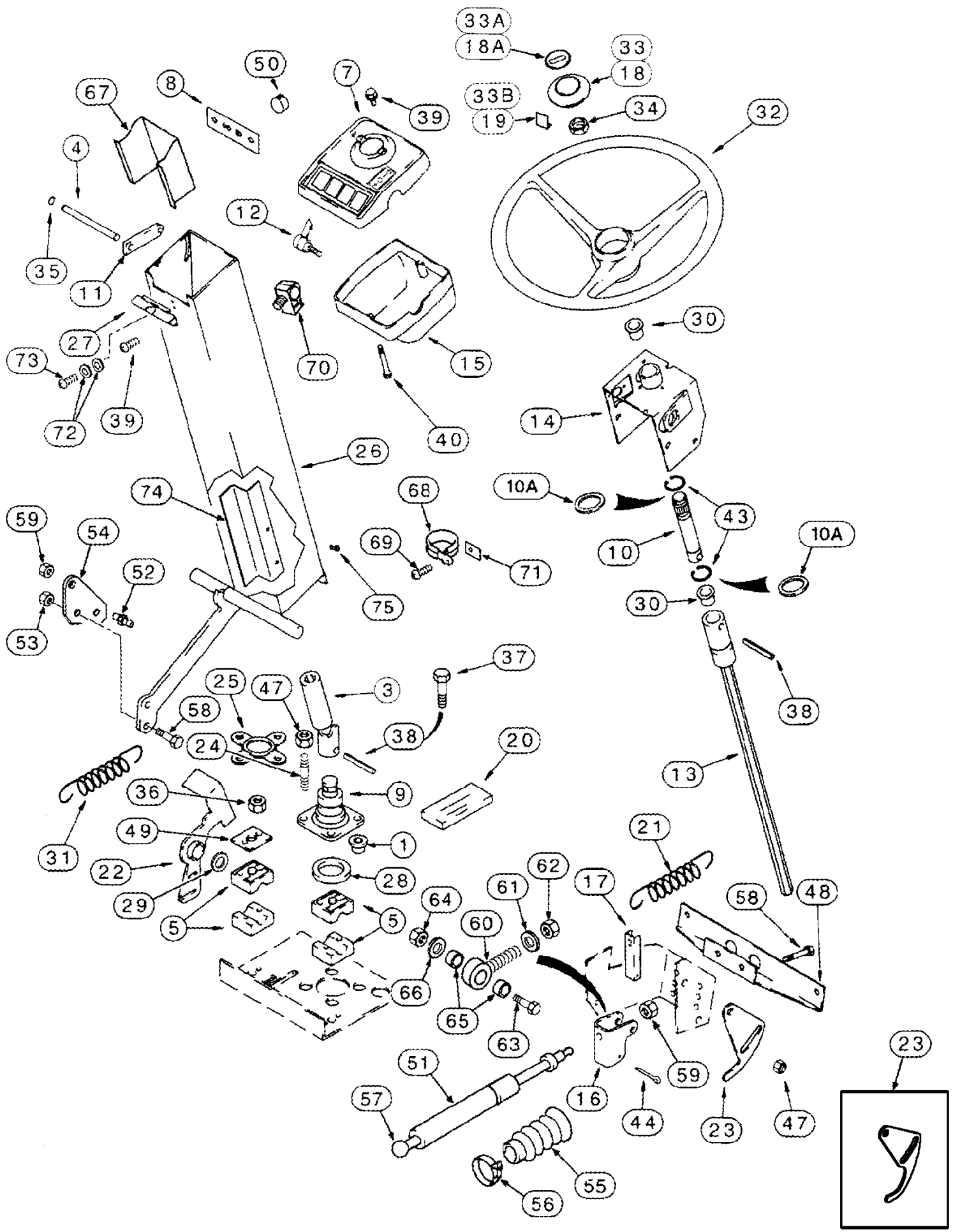
сылка	Номер детали	Кол-во	Описание
	87340862	1	KIT, REPAIR, Hydraulic and Electrical Interface, Includes 1 - 5. Also See Figure 08-37
1	87447945	1	HARNESS, WIRE, Power & Ground
2	87455341	1	HARNESS, WIRE, Lateral Tilt Adapter
3	86566989	4	STRAP, CABLE, Nylon, 8", Black
4	87050118	1	TOOL, Deutsch Extractor, Size 16, Blue
5	87447944	1	HARNESS, WIRE, Header Interface
6	87105683	1	CAP, Interface Harness



04-52 AFS - ANTENNA UNIT

сылка	Номер детали	Кол-во	Описание
1	84083170	1	DIA KIT, HARVESTER, AFS100, Antenna/Receiver
1	84083169	1	DIA KIT, HARVESTER, AFS110, Antenna/Receiver
2	277851A1	1	SUPPORT, Mount, Magnetic
3	279292A2	1	SHIELD, AFS Antenna, Assy, Includes Ref. 4
4	239258A1	1	DECAL, AFS
5	443-13116	4	SCREW, Cross Flat Hd, 5/16"-18 x 1",
6	279293A2	1	SUPPORT, AFS Antenna
7	D135342	4	ISOLATOR,
8	378194A1	1	GROMMET, 1" x 3/4"
9	87282474	1	KIT, (Not Shown)

05-01 STEERING COLUMN - WHEEL



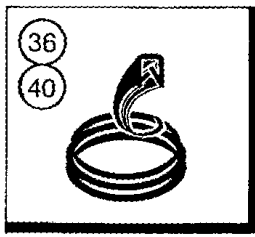
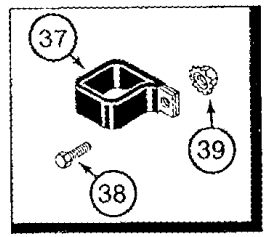
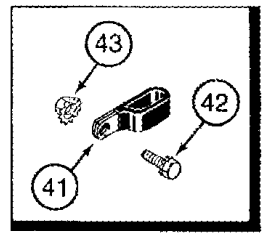
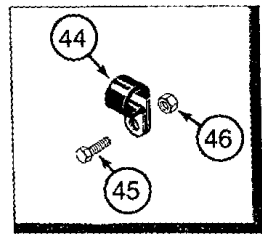
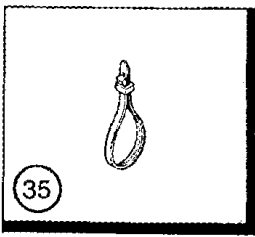
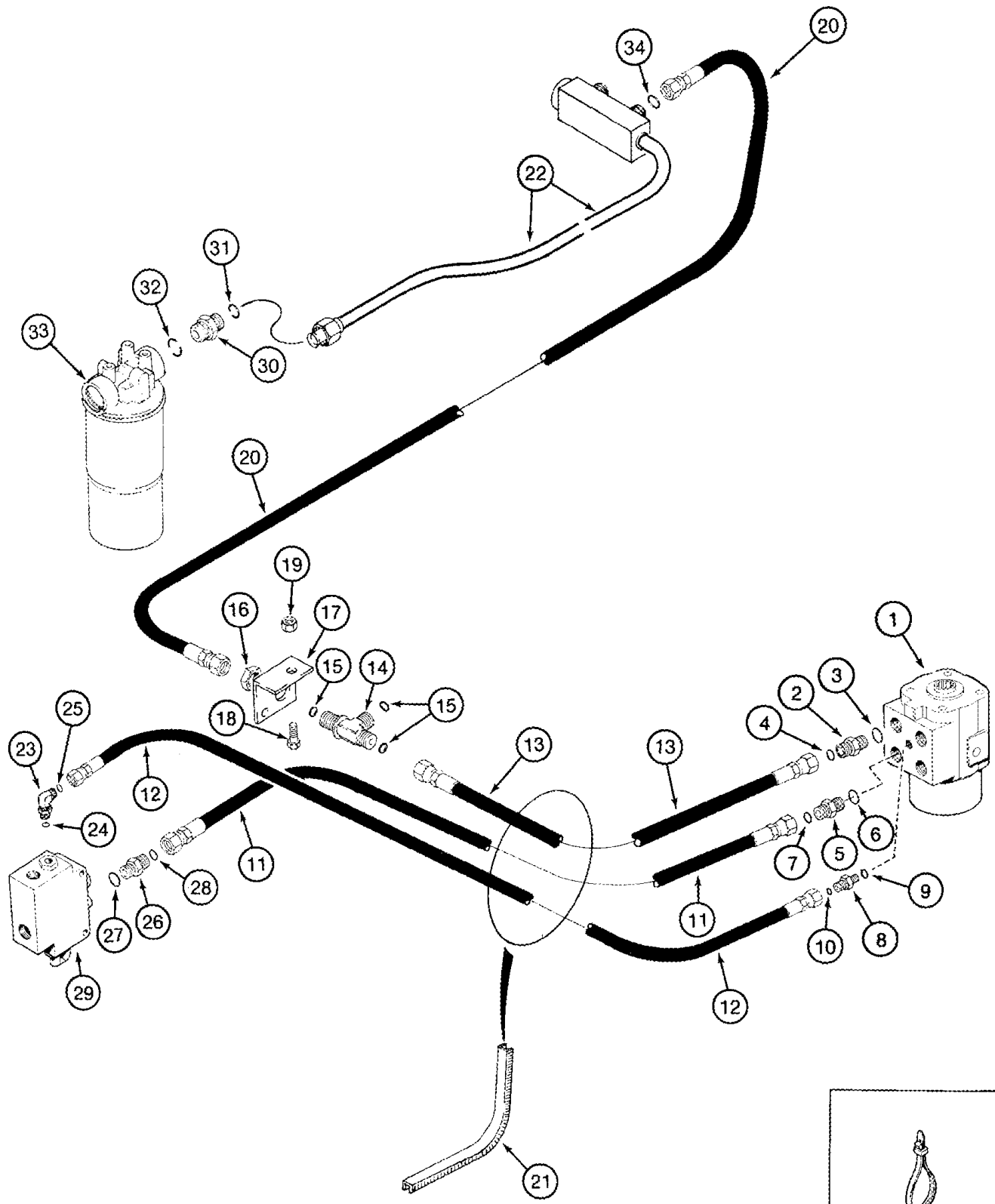
05-01 STEERING COLUMN - WHEEL

сылка	Номер детали	Кол-во	Описание
1	104809C1	4	BUSHING, Vibration Damper
3	119760A1	1	JOINT, UNIVERSAL, Lower
4	119830A1	1	ROD, 9.5 x 111 mm
5	120326A2	4	BEARING,
7	120329A4	1	COVER, Steering Console, BSN HAJ0295001
7	87313673	1	BRACKET, Steering Console, ASN HAJ0295001
8	120332A1	1	DECAL, Directional Arrows, See Figure 09H-23
9	120338A2	1	STEERING COLUMN,
10	124054A3	1	SHAFT, , Also Order Ref. 10A
10A	495-81051	2	WASHER, 29/32" x 1 1/4" x .060",
11	127040A2	1	PLATE,
12	129255A1	1	HANDLE, Tilt Linkage
13	130952A2	1	JOINT, UNIVERSAL,
14	130953A3	1	SUPPORT,
15	130956A4	1	COVER, Lower
16	224761A1	1	CLEVIS,
17	130958A2	1	CHANNEL,
18	238697A1	1	CAP, Steering Wheel, with AFS Insert, Includes 18A, 19, If Equipped
18A	238696A1	1	SYMBOLS, Advanced Farming System
19	1329896C1	3	CLASP,
20	130961A1	2	SEAL,
21	130962A2	1	SPRING, 27.9 OD x 122 mm
22	136798A1	1	PEDAL, Tilt Release
23	446632A1	1	BRACKET,
24	136802A1	1	STUD, 10 x 48 mm, Pump Mounting
25	136805A1	1	RETAINER,
26	192374A5	1	STEERING COLUMN, Includes Decal 239509A1, See Figure 09H-19
27	136919A1	1	COVER,
28	148481C1	1	SEAL,
29	185062R1	1	BUSHING,
30	373445R1	2	BUSHING,
31	182652A1	1	SPRING, 27.9 OD x 122 mm, Upper
32	251342A1	1	STEERING WHEEL,
33	187177A1	1	CAP, Includes 33A, 33B, If Equipped
33A	1342054C1	1	PLASTIC PLUG, Black
33B	1329896C1	3	CLASP,
34	F19646	1	NUT, SPECIAL, 13/16"-20, Thin,
35	100-3337	2	RING, LOCKING, #37, .300" Dia, E-Type,
36	832-10408	4	NUT, LOCK, M8 x 1.25, CI 8,
37	905-10035	3	BOLT, Hex Serr Flg, M10 x 35,
38	38-32420	2	PIN, 3/8" x 1 1/4", Coiled,
39	260-14512	2	SCREW, SELF TAP, Cross Pan Hd, #10 x 3/4",
40	540-714	2	SCREW, Cross Pan Hd, M3 x 45,
43	100-1187	2	RING, SNAP, #87, Ext,
44	432-828	2	PIN, SPLIT (COTTER), 1/8" x 1 3/4",

05-01 STEERING COLUMN - WHEEL

сылка	Номер детали	Кол-во	Описание
47	825-51410	3	NUT, M10, Flg Ser,
48	120143A4	1	SUPPORT,
49	185268A1	2	PLATE,
50	353-411	1	PLUG, Dome, 1.000" hole, Nylon, , Without Ether Start Attachment
51	224357A1	1	CYLINDER,
52	142597A1	1	STUD,
53	829-1410	1	NUT, M10, CI 10,
54	223917A1	1	PLATE,
55	195089A1	1	BOOT, Cylinder
56	214-1516	1	CLAMP, HOSE, #16, .81/1.50 Type F Worm, W/liner,
57	3233348R1	1	CLIP, Cylinder
58	614-8020	4	BOLT, Hex, M8 x 20, 8.8,
59	825-5148	4	NUT, M8, Flg Ser,
60	224235A1	1	BALL JOINT,
61	496-21034	1	WASHER, 11/32" x 11/16" x 0.89", HDN,
62	425-115	1	NUT, 5/16"-24, G5,
63	413-528	1	BOLT, Hex, 5/16"-18 x 1 3/4", G5,
64	425-105	1	NUT, 5/16"-18, G5,
65	224089A1	2	SPACER,
66	492-11031	2	WASHER, LOCK, 5/16",
67	231985A1	1	GUARD, Wiring
68	515-23254	1	CLAMP, 1", Insul, 3/8" Bolt,
69	1276119C1	1	SCREW, SELF TAP, Cross Pan Hd, #10 x 5/8",
70	233185A1	1	CLIP, ELECTRICAL,
71	233186A1	1	CLIP, ELECTRICAL,
72	492-11010	2	WASHER, LOCK, #10,
73	261-1456	3	SCREW, SELF TAP, Cross Pan Hd, #10 x 3/8",
74	400648A1	1	SHIELD,
75	191216A1	2	SCREW, SELF TAP, Hex Wash Hd, #10-24 x 5/8",

05-02 HYDRAULICS - STEERING SUPPLY AND RETURN



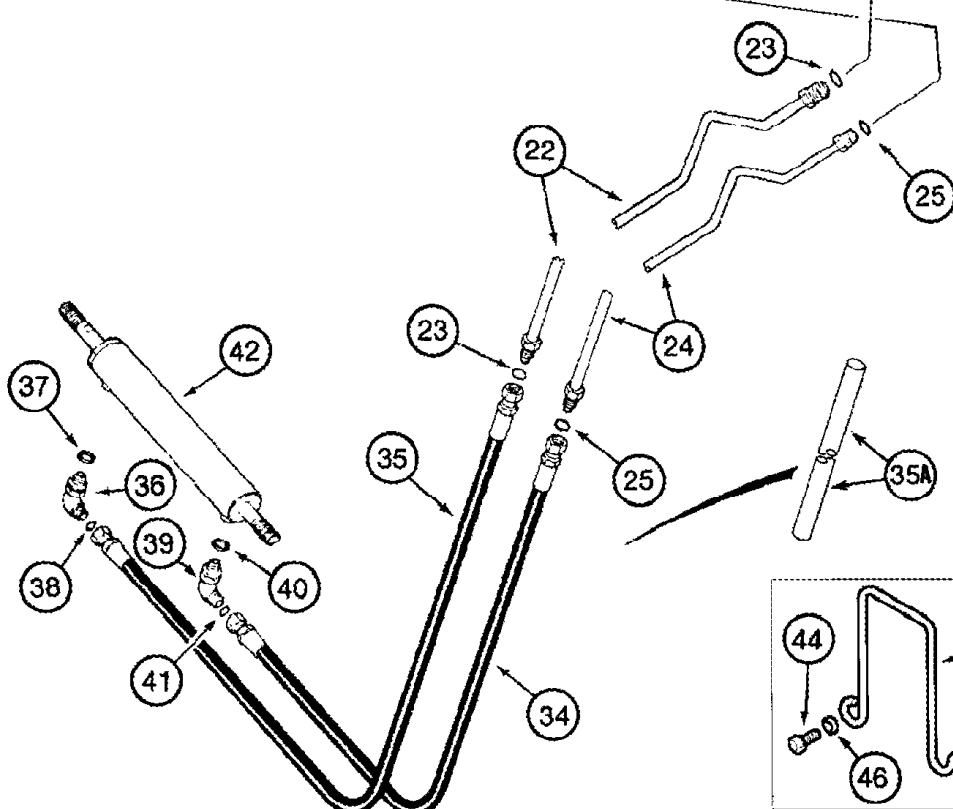
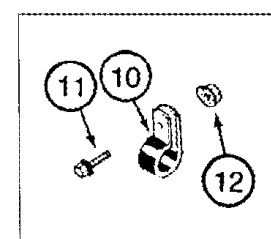
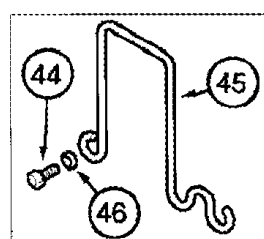
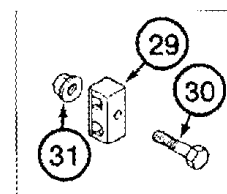
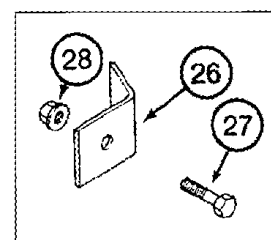
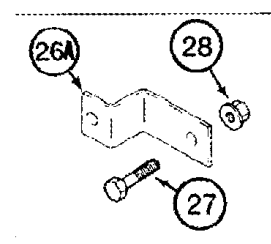
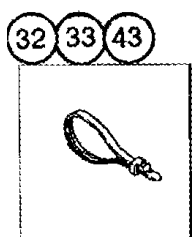
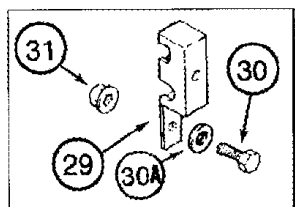
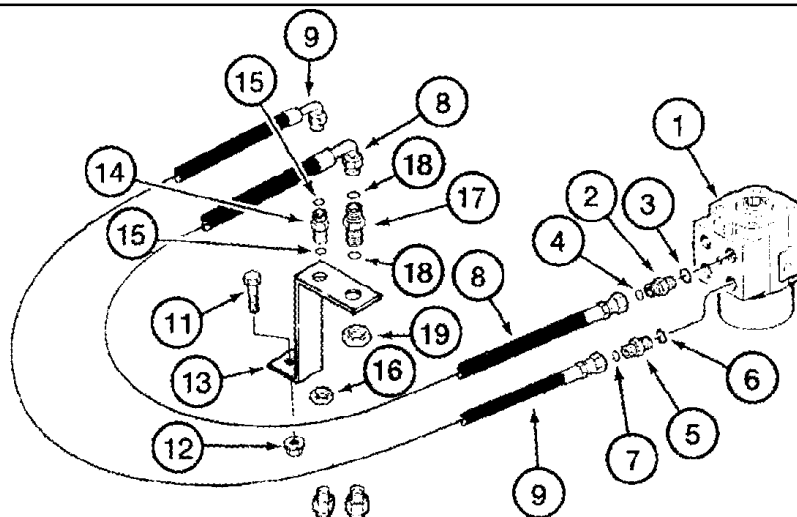
05-02 HYDRAULICS - STEERING SUPPLY AND RETURN

сылка	Номер детали	Кол-во	Описание
1	387542A1	1	VALVE, HYDRAULIC, Steering, With Single Steering Cylinder, Component Parts Not Serviced Separately
1	433742A1	1	VALVE, HYDRAULIC, Steering, With Dual Steering Cylinders, Component Parts Not Serviced Separately
2	201-102	1	CONNECTOR, HYD., 13/16"-16 ORFS x 3/4"-16 ORB, Includes 3, 4
3	237-6008	1	O-RING, 8-1, 90 Duro, .644" ID x .087" Thk,
4	238-6014	1	O-RING, -014, 90 Duro, .489" ID x .070" Thk,
5	175170A1	1	ADAPTER, 11/16 fc x 3/4 Or, Includes 6, 7
6	237-6008	1	O-RING, 8-1, 90 Duro, .644" ID x .087" Thk,
7	238-6012	1	O-RING, -012, 90 Duro, .364" ID x .070" Thk,
8	201-100	1	CONNECTOR, HYD., 9/16"-18 ORFS x 7/16"-20 ORB, Includes 9, 10
9	237-6004	1	O-RING, 4-1, 90 Duro, .351" ID x .072" Thk,
10	238-6011	1	O-RING, -011, 90 Duro, .301" ID x .070" Thk,
11	237430A1	1	HOSE, FLEXIBLE, 2160 mm (85-1/8"), Supply, Priority Valve to Steering Pump
12	237432A1	1	HOSE, FLEXIBLE, 2235 mm (88"), Steering Pump to Priority Valve
13	128009A2	1	HOSE, 850 mm (33-1/2"), Return, at Steering Pump to Filter
14	201-423	1	TEE, 9/16"-18, Blkhd, Run, ORFS, Includes 15
15	238-6014	3	O-RING, -014, 90 Duro, .489" ID x .070" Thk,
16	201-903	1	NUT, LOCK, Blkhd, 13/16"-16,
17	305076A1	1	SUPPORT,
18	614-8025	1	BOLT, Hex, M8 x 25, 8.8,
19	832-10408	1	NUT, LOCK, M8 x 1.25, Cl 8,
20	237431A1	1	HOSE, FLEXIBLE, 1250 mm (49-1/4"), Return, at Manifold Tube to Filter
21	324826A1	1	GROMMET, 294 mm (11-5/8")
22	124380A1	1	TUBE, HYD, Manifold
23	201-303	1	ELBOW, 90e, 9/16"-18 x 7/16"-20 Adj, ORFS, Includes 24, 25
24	237-6004	1	O-RING, 4-1, 90 Duro, .351" ID x .072" Thk,
25	238-6011	1	O-RING, -011, 90 Duro, .301" ID x .070" Thk,
26	201-106	1	CONNECTOR, HYD., 11/16"-16 ORFS x 3/4"-16 ORB, 11/16 fc x 3/4 Or, Includes 27, 28
27	237-6008	1	O-RING, 8-1, 90 Duro, .644" ID x .087" Thk,
28	238-6012	1	O-RING, -012, 90 Duro, .364" ID x .070" Thk,
29	114851A2	1	VALVE, , See Figure 05-24
30	201-122	1	CONNECTOR, HYD., 1 7/16"-12 ORFS x 1 5/8"-12 ORB, Includes 31, 32
31	238-6021	1	O-RING, -021, 90 Duro, .926" ID x .070" Thk,
32	237-6020	1	O-RING, 20-1, 90 Duro, 1.475" ID x .118" Thk,
33	87784C92	1	FILTER, HYDRAULIC OIL, Return, See Figure 08-03
34	238-6014	1	O-RING, -014, 90 Duro, .489" ID x .070" Thk,
35	306132C1	AR	STRAP, CABLE, .30" x 14.5", 14" Tie
36	237682A1	1	STRIP, PROTECTION, 305 mm (12"), Cut from 1330108C2
37	1301387C2	1	CLIP, 2" ID, Square
38	614-8025	1	BOLT, Hex, M8 x 25, 8.8,
39	825-5148	1	NUT, M8, Flg Ser,
40	126046A1	1	GASKET, 292 mm (11-1/2"), Cut from 196707C1
41	470375C1	1	CLAMP,
42	409-7512	1	BOLT, Hex Flg, 5/16"-18 x 3/4", Serr,

05-02 HYDRAULICS - STEERING SUPPLY AND RETURN

сылка	Номер детали	Кол-во	Описание
43	231-5145	1	NUT, Flg, USR, 5/16"-18,
44	515-23159	1	CLAMP, 5/8", Insul, 3/8" Bolt,
45	614-8025	1	BOLT, Hex, M8 x 25, 8.8,
46	832-10408	1	NUT, LOCK, M8 x 1.25, Cl 8,

05-03 HYDRAULICS - STEERING PUMP TO CYLINDER



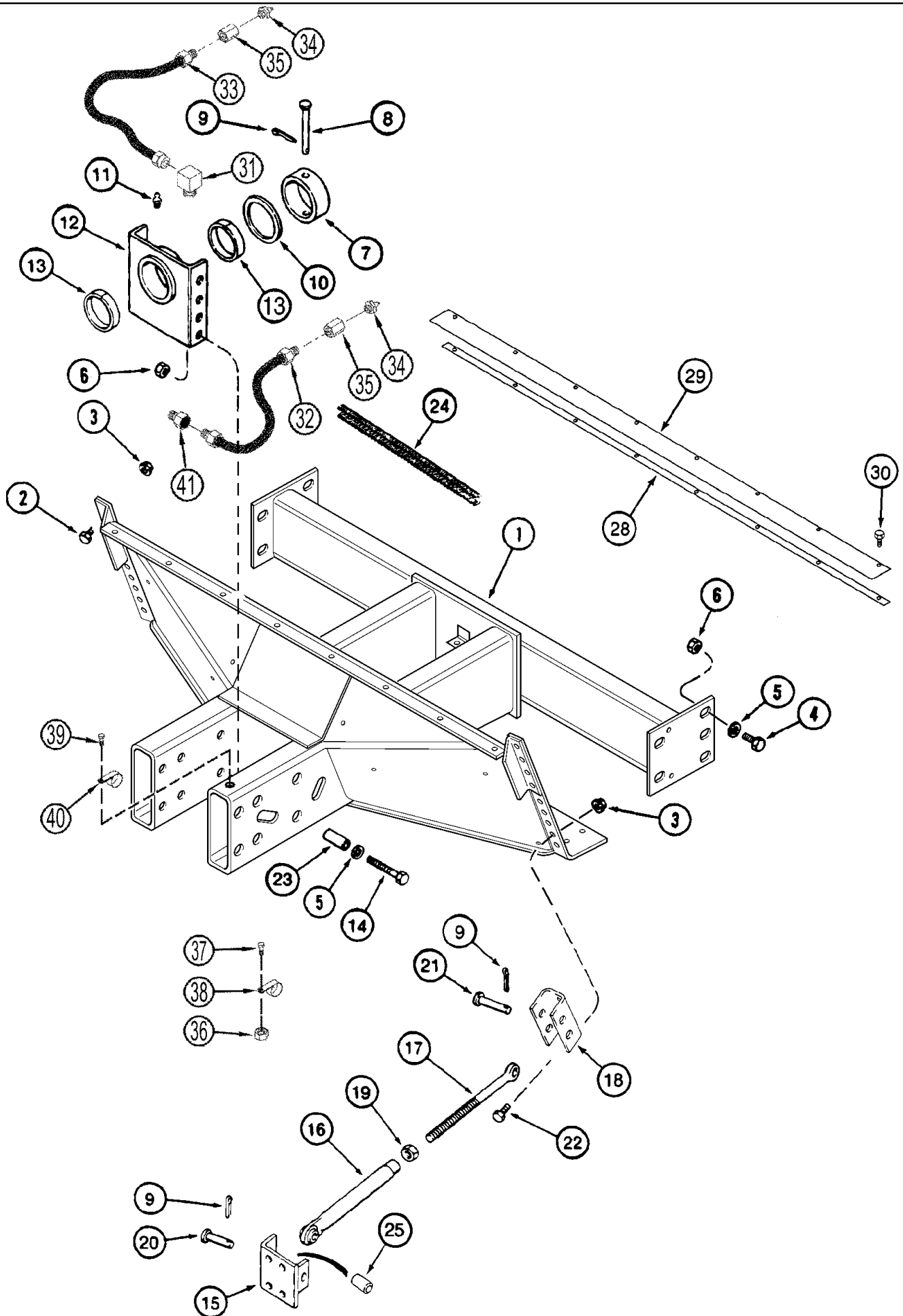
05-03 HYDRAULICS - STEERING PUMP TO CYLINDER

сылка	Номер детали	Кол-во	Описание
1	387542A1	1	VALVE, HYDRAULIC, Steering, With Single Steering Cylinder, Component Parts Not Serviced Separately
1	433742A1	1	VALVE, HYDRAULIC, Steering, With Dual Steering Cylinders, Component Parts Not Serviced Separately
2	201-102	1	CONNECTOR, HYD., 13/16"-16 ORFS x 3/4"-16 ORB, Includes 3, 4
3	237-6008	1	O-RING, 8-1, 90 Duro, .644" ID x .087" Thk,
4	238-6014	1	O-RING, -014, 90 Duro, .489" ID x .070" Thk,
5	175170A1	1	ADAPTER, 11/16 fc x 3/4 Or, Includes 6, 7
6	237-6008	1	O-RING, 8-1, 90 Duro, .644" ID x .087" Thk,
7	238-6012	1	O-RING, -012, 90 Duro, .364" ID x .070" Thk,
8	128017A2	1	HOSE, FLEXIBLE, 2670 mm (105"), LH Turn
9	128019A2	1	HOSE, FLEXIBLE, 2670 mm (105"), RH Turn
10	515-25476	1	CLAMP, 1 7/8", Insul, 1/2" Bolt,
11	409-7512	2	BOLT, Hex Flg, 5/16"-18 x 3/4", Serr,
12	231-5145	2	NUT, Flg, USR, 5/16"-18,
13	128539A1	1	SUPPORT,
14	201-120	1	CONNECTOR, HYD., 11/16"-16, Blkhd, ORFS, Includes 15
15	238-6012	2	O-RING, -012, 90 Duro, .364" ID x .070" Thk,
16	201-909	1	NUT, LOCK, Blkhd, 11/16"-16,
17	201-121	1	CONNECTOR, HYD., 13/16"-16, Blkhd, ORFS, Includes 18
18	238-6014	2	O-RING, -014, 90 Duro, .489" ID x .070" Thk,
19	201-903	1	NUT, LOCK, Blkhd, 13/16"-16,
20	128571A1	1	TUBE, HYD, 9.52 mm dia, Upper Front
21	128572A1	1	TUBE, HYD, 12.70 mm dia, Lower Front
22	364369A1	1	TUBE, HYD, Upper Rear
23	238-6012	2	O-RING, -012, 90 Duro, .364" ID x .070" Thk,
24	364370A1	1	TUBE, HYD, Lower Rear
25	238-6014	2	O-RING, -014, 90 Duro, .489" ID x .070" Thk,
26	178960C1	1	BRACKET,
26A	196517C1	1	SUPPORT,
27	409-7612	2	BOLT, Hex Flg, 3/8"-16 x 3/4", Serr,
28	231-5146	2	NUT, Flg, USR, 3/8"-16,
29	1316613C1	5	CLAMP,
30	413-428	5	BOLT, Hex, 1/4"-20 x 1 3/4", G5, 1/4" x 1-1/4"; 5
30A	495-81121	6	WASHER, .344" x 1 1/2" x .060",
31	231-5144	5	NUT, Flg, USR, 1/4"-20,
32	306132C1	1	STRAP, CABLE, .30" x 14.5", 14" Tie
33	435437A1	2	STRAP, CABLE, 3/16" x 7 1/4", 7"
34	128083A2	1	HOSE, FLEXIBLE, 1727 mm (68"), To Cylinder Closed End, With 92 - 120" Adjustable Axle
34	128084A2	1	HOSE, FLEXIBLE, 1960 mm (77-1/8"), To Cylinder Closed End, With 120 - 144" Adjustable Axle, With Power Guide Axle
35	128088A2	1	HOSE, FLEXIBLE, 1956 mm (77"), To Cylinder Rod End, With 92 - 120" Adjustable Axle
35	128091A2	1	HOSE, FLEXIBLE, 2160 mm (85"), To Cylinder Rod End, With 120 - 144" Adjustable Axle, With Power Guide Axle
35A	229298A1	1	BOOT,

05-03 HYDRAULICS - STEERING PUMP TO CYLINDER

сылка	Номер детали	Кол-во	Описание
36	201-304	1	ELBOW, 90є, 11/16"-16 x 9/16"-18 Adj, ORFS, Includes 37, 38, Single Steering Cylinder, See Figure 05-18
36	201-406	1	TEE, 11/16"-16 x 9/16"-18 Run, ORFS, Dual Steering Cylinder, See Figure 05-18
37	237-6006	1	O-RING, 6-1, 90 Duro, .468" ID x .078" Thk,
38	238-6012	1	O-RING, -012, 90 Duro, .364" ID x .070" Thk,
39	201-332	1	ELBOW, 90є, 13/16"-16 x 9/16"-18, Adj, ORFS, Includes 40, 41, Single Steering Cylinder, See Figure 05-17
39	201-416	1	TEE, 13/16"-16 ORFS x 13/16"-16 Sw Run, Dual Steering Cylinder, See Figure 05-18
40	238-6014	1	O-RING, -014, 90 Duro, .489" ID x .070" Thk,
41	238-6014	1	O-RING, -014, 90 Duro, .489" ID x .070" Thk,
42	87337226	1	CYLINDER, 64 ID x 229 mm strk, Single Steering Cylinder, See Figure 05-19
42	87337229	2	CYLINDER, 57 ID x 229 mm strk, Dual Steering Cylinder, See Figure 05-20
43	386170C1	1	STRAP, CABLE, .30" x 27 1/2", 711 mm (28")
43	L18331	1	STRAP, CABLE,
45	232707A1	1	GUIDE,
44	477-73816	2	SCREW, Sltd Serr Truss Hd, 3/8" x 1",
46	495-81135	2	WASHER, 13/32" x 1" x .120",
47	231-5146	2	NUT, Flg, USR, 3/8"-16, Not Illustrated

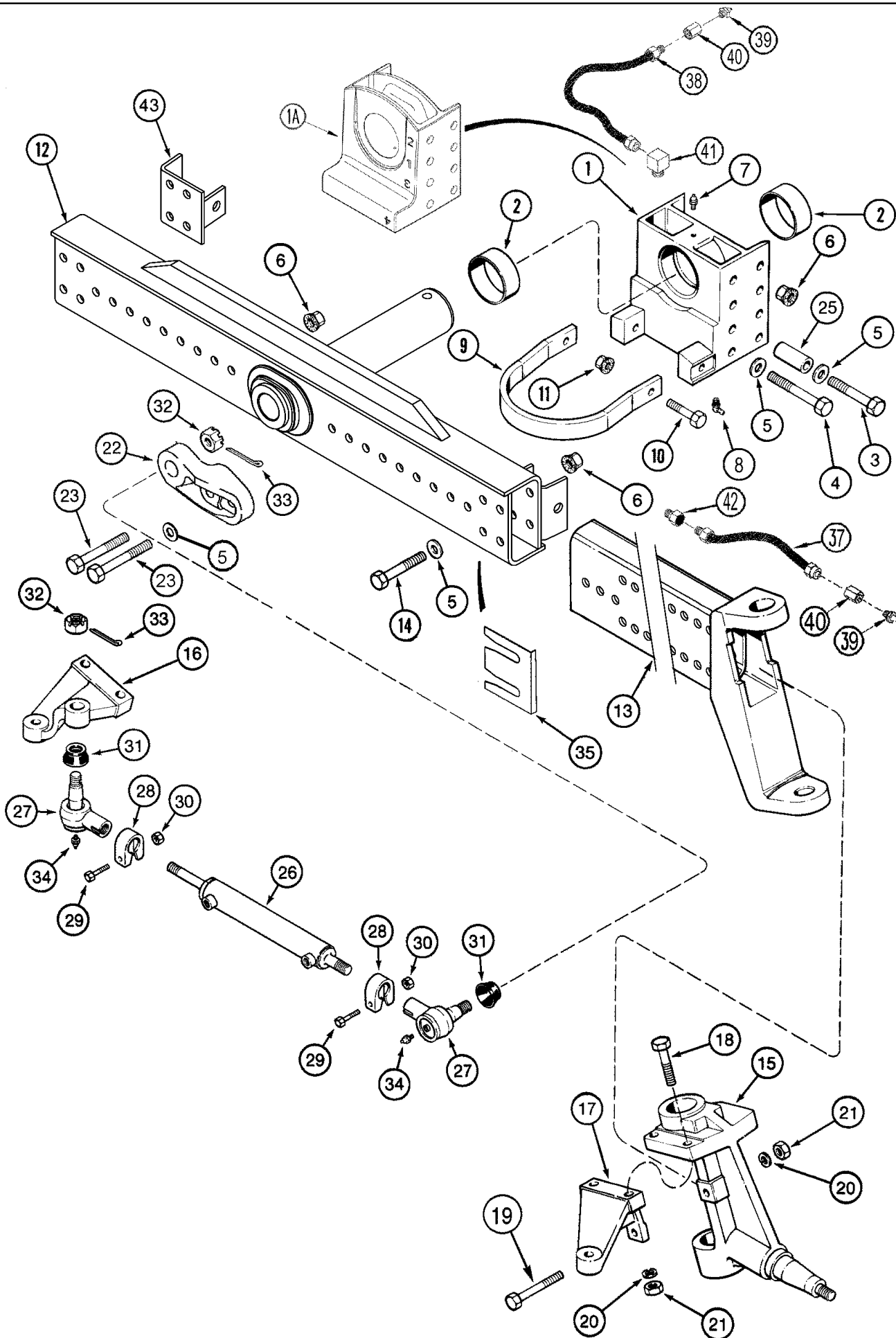
05-04 AXLE, STEERING - SUPPORT



05-04 AXLE, STEERING - SUPPORT

сылка	Номер детали	Кол-во	Описание
1	411710A2	1	SUPPORT,
2	426-816	12	BOLT, Hex, 1/2"-13 x 1", G8, Full Thd,
3	87301492	12	NUT, Flg, USR, 1/2"-13, G8,
4	426-1224	4	BOLT, Hex, 3/4"-10 x 1 1/2", G8,
5	496-21081	AR	WASHER, 13/16" x 1 1/2" x .179", HDN,
5	496-21053	12	WASHER, 17/32" x 1 1/16" x .134",
6	87301494	AR	NUT, Flg, USR, 3/4"-10, G8,
7	182795C1	1	BUSHING,
8	439-11288	1	PIN, HEADED, 3/4" x 5 1/2",
9	432-1620	AR	PIN, SPLIT (COTTER), 1/4" x 1 1/4",
10	168385C2	2	WASHER,
11	219-87	2	NIPPLE, LUBE, 1/4"-28 x .56" lg, Self-Tap,
11	219-93	1	NIPPLE, LUBE, 90с, 1/4" NPT x .75" lg, Drive,
12	182792C97	1	SUPPORT, Front, Includes 13
13	182794C1	2	RING,
14	84450	8	BOLT, Hex, 3/4"-10 x 4 1/2", G8,
14	426-1288	2	BOLT, Hex, 3/4"-10 x 5 1/2", G8,
14	426-1296	2	BOLT, Hex, 3/4"-10 x 6", G8,
15	254425A1	2	SUPPORT, Rear, With Power Guide Axle
16	181444C1	2	TIE-ROD,
17	181442C3	2	EYEBOLT,
18	1541603C1	2	SUPPORT,
19	425-1016	2	NUT, 1"-8, G5, Front
20	439-11488	2	PIN, HEADED, 7/8" x 5 1/2", Qty 4, Needed For Power Guide Axle
21	439-11456	2	PIN, HEADED, 7/8" x 3 1/2",
22	426-824	6	BOLT, Hex, 1/2"-13 x 1 1/2", G8, Full Thd,
23	177748C1	AR	SPACER, 13/16" x 1-1/4" x 2-13/16"
25	254598A1	2	SPACER,
26	76349	1	PLUG, Hex Hd, 9/16"-18 ORB, Includes 27, Not Illustrated, Without Power Guide Axle
27	237-6006	1	O-RING, 6-1, 90 Duro, .468" ID x .078" Thk,
28	316709A1	1	STRIP, Shoe Seal
29	316711A1	1	SEAL, Rubber, Shoe
30	138558A1	8	SCREW, 5/16" x 13/16"
31	219-439	1	ADAPTER, 90с, 1/4"-1/8 NPTF,
32	431724A1	1	HOSE, FLEXIBLE, 1317 mm (52")
33	428293A1	1	HOSE, FLEXIBLE, 1091 mm (43")
34	219-8	2	NIPPLE, LUBE, 1/4"-28 NPT x .54" lg,
35	F53473	2	NUT, 1/8"
36	231-5145	1	NUT, Flg, USR, 5/16"-18,
37	409-7512	1	BOLT, Hex Flg, 5/16"-18 x 3/4", Serr,
38	515-23254	1	CLAMP, 1", Insul, 3/8" Bolt,
38	515-23317	1	CLAMP, 1 1/4", Insul, 3/8" Bolt,
39	276-14912	1	SCREW, SELF TAP, Hex Hd, 3/8" x 3/4",
40	515-23317	1	CLAMP, 1 1/4", Insul, 3/8" Bolt,
41	219-418	1	ADAPTER, 1/4"-1/8 NPTF,

05-05 AXLE, ADJUSTABLE STEERING, SINGLE CYLINDER

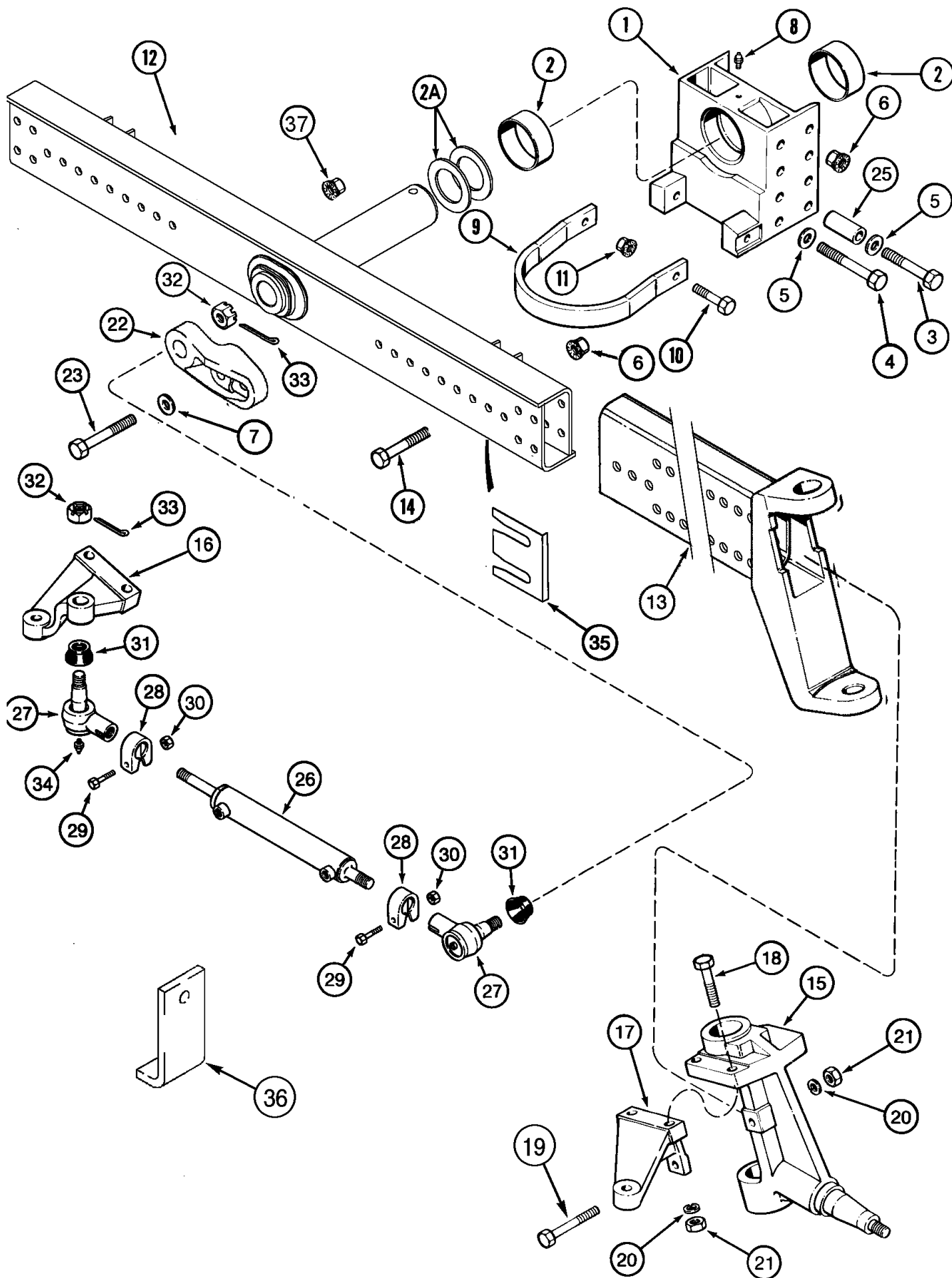


05-05 AXLE, ADJUSTABLE STEERING, SINGLE CYLINDER

сылка	Номер детали	Кол-во	Описание
1	386235A2	1	SUPPORT, Includes 2
2	177751C1	2	BUSHING,
3	426-1272	4	BOLT, Hex, 3/4"-10 x 4 1/2", G8,
3	426-1296	2	BOLT, Hex, 3/4"-10 x 6", G8,
4	426-1288	2	BOLT, Hex, 3/4"-10 x 5 1/2", G8,
5	496-21081	AR	WASHER, 13/16" x 1 1/2" x .179", HDN,
6	232-53112	2	NUT, LOCK, Flg, 3/4"-10,
7	219-93	1	NIPPLE, LUBE, 90с, 1/4" NPT x .75" lg, Drive,
8	219-87	1	NIPPLE, LUBE, 1/4"-28 x .56" lg, Self-Tap,
12	243747A2	1	AXLE, Adjustable, 92 - 120"
13	87526449	1	EXTENSION, LH
13	87526450	1	EXTENSION, RH
14	413-1280	10	BOLT, Hex, 3/4"-10 x 5", G5,
15	REF	1	INSTRUCTION, Knuckle Assy, LH, See Figure 05-07
15	REF	1	INSTRUCTION, Knuckle Assy, RH, See Figure 05-07
16	358125A1	1	ARM, STEERING, LH, 7/8" Stud Threads
17	412305A1	1	ARM, STEERING, RH, 7/8" Stud Threads
18	326-1052	4	BOLT, Hex, 5/8"-11 x 3 1/4", G8,
19	326-1080	2	BOLT, Hex, 5/8"-11 x 5", G8,
20	492-11062	6	WASHER, LOCK, 5/8",
21	429-1010	6	NUT, 5/8"-11, G8,
22	316945A1	1	SUPPORT, Steering Cylinder
23	413-1292	2	BOLT, Hex, 3/4"-10 x 5 3/4", G5,
25	177748C1	8	SPACER, 13/16" x 1-1/4" x 2-13/16"
26	1958024C1	1	CYLINDER STEERING, Steering, See Figure 05-19
26	127913C93	1	CYLINDER STEERING, Steering, See Figure 05-20
27	437222A1	2	BALL JOINT, Includes 28 - 34
28	446308C91	1	CLAMP, Includes 29, 30
29	413-730	1	BOLT, Hex, 7/16"-14 x 1 7/8", G5,
30	231-4117	1	NUT, LOCK, 7/16"-14, GB,
31	87301009	1	BOOT, End
32	425-1314	1	NUT, SLOTTED, 7/8"-14, G5,
33	432-816	1	PIN, SPLIT (COTTER), 1/8" x 1",
34	219-8	1	NIPPLE, LUBE, 1/4"-28 NPT x .54" lg,
35	236028A2	AR	SHIM, Shim
37	428853A1	1	HOSE, FLEXIBLE, 1282 mm (50")
38	428285A1	1	HOSE, FLEXIBLE, 1129 mm (44")
39	219-8	2	NIPPLE, LUBE, 1/4"-28 NPT x .54" lg,
40	F53473	2	NUT, 1/8"
41	219-439	1	ADAPTER, 90с, 1/4"-1/8 NPTF,
42	219-418	1	ADAPTER, 1/4"-1/8 NPTF,
43	254425A1	2	SUPPORT, Axle Rod

92 to 120 Inch Axle, Without Power Guide Axle

05-06 AXLE, ADJUSTABLE STEERING, DUAL CYLINDER

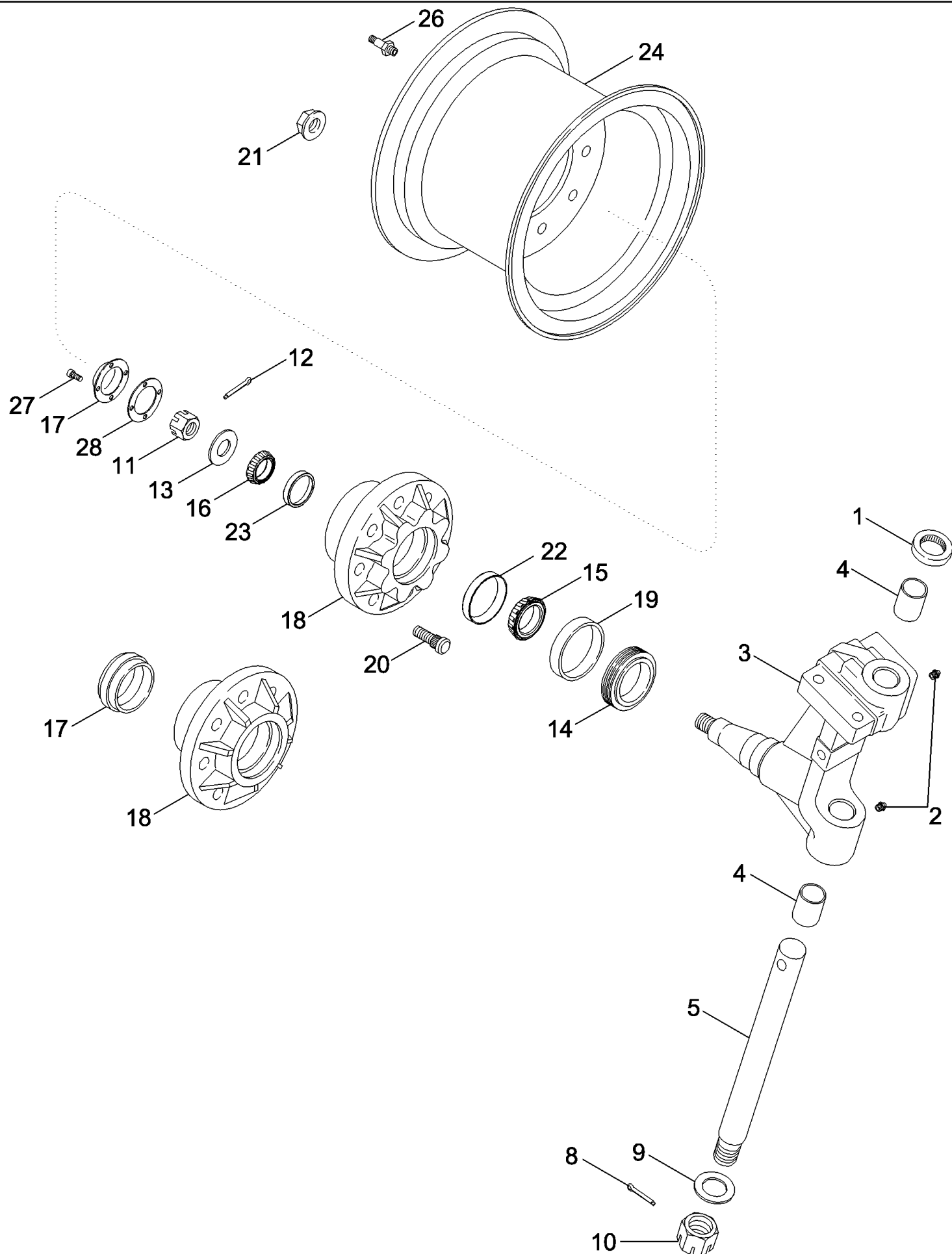


05-06 AXLE, ADJUSTABLE STEERING, DUAL CYLINDER

сылка	Номер детали	Кол-во	Описание
1	386235A2	1	SUPPORT, Includes 2
2	177751C1	2	BUSHING,
2A	168385C2	2	WASHER,
3	426-1272	4	BOLT, Hex, 3/4"-10 x 4 1/2", G8,
3	426-1296	2	BOLT, Hex, 3/4"-10 x 6", G8,
4	426-1288	2	BOLT, Hex, 3/4"-10 x 5 1/2", G8,
5	496-21081	AR	WASHER, 13/16" x 1 1/2" x .179", HDN,
6	232-51412	12	NUT, 3/4"; 5
7	496-21081	2	WASHER, 13/16" x 1 1/2" x .179", HDN,
8	219-87	1	NIPPLE, LUBE, 1/4"-28 x .56" lg, Self-Tap,
12	87565768	1	AXLE (CENTRE PART), Adjustable, 120 to 144"
13	87526449	1	EXTENSION, LH
13	87526450	1	EXTENSION, RH
14	413-1280	8	BOLT, Hex, 3/4"-10 x 5", G5,
14	413-1284	8	BOLT, Hex, 3/4"-10 x 5 1/4", G5,
15	REF	1	INSTRUCTION, Knuckle Assy, LH, See Figure 05-07
15	REF	1	INSTRUCTION, Knuckle Assy, RH, See Figure 05-07
16	358125A1	1	ARM, STEERING, LH
17	412305A1	1	ARM, STEERING, RH
18	326-1052	4	BOLT, Hex, 5/8"-11 x 3 1/4", G8,
19	326-1080	2	BOLT, Hex, 5/8"-11 x 5", G8,
20	492-11062	6	WASHER, LOCK, 5/8",
21	429-1010	6	NUT, 5/8"-11, G8,
22	412304A1	1	ARM, Steering Cylinder, RH
22	316945A1	1	SUPPORT, Steering Cylinder, LH
23	413-1292	4	BOLT, Hex, 3/4"-10 x 5 3/4", G5,
25	177748C1	8	SPACER, 13/16" x 1-1/4" x 2-13/16"
26	127913C93	2	CYLINDER STEERING, , See Figure 05-20
27	437222A1	4	BALL JOINT, Includes 28 - 32
28	446308C91	1	CLAMP, Includes 29, 30
29	413-730	1	BOLT, Hex, 7/16"-14 x 1 7/8", G5,
30	231-4117	1	NUT, LOCK, 7/16"-14, GB,
31	87301009	1	BOOT, End
32	231-51412	4	NUT, Flg, USR, 3/4"-10,
33	432-824	4	PIN, SPLIT (COTTER), 1/8" x 1 1/2",
33	432-1228	4	PIN, SPLIT (COTTER), 3/16" x 1 3/4",
34	219-8	4	NIPPLE, LUBE, 1/4"-28 NPT x .54" lg,
35	236028A2	AR	SHIM,
36	365992A1	2	SHIM, Rear Axle, Top
37	232-53112	4	NUT, LOCK, Flg, 3/4"-10,

120 to 144 Inch Axle Without Power Guide Axle

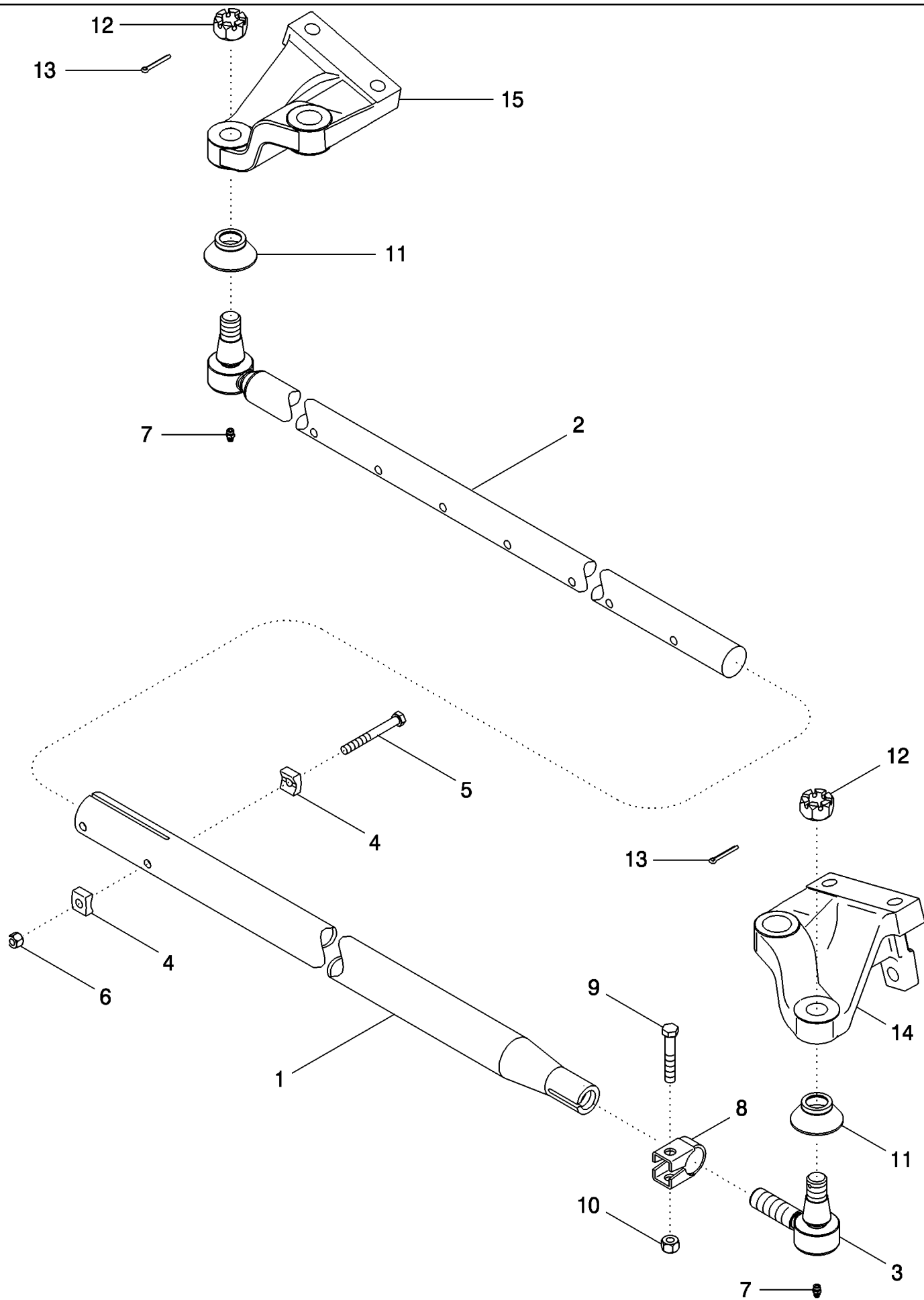
05-07 AXLE, ADJUSTABLE - STEERING KNUCKLE, HUB AND WHEELS



05-07 AXLE, ADJUSTABLE - STEERING KNUCKLE, HUB AND WHEELS

сылка	Номер детали	Кол-во	Описание
1	A27602	2	BEARING, THRUST,
2	219-87	4	NIPPLE, LUBE, 1/4"-28 x .56" lg, Self-Tap,
3	185439C91	1	KNUCKLE, STEERING, LH, Includes 4, With 92 - 120" Adjustable Axle
3	417904A1	1	KNUCKLE, STEERING, LH, HD, Includes 4, With 120 - 144" Adjustable Axle
3	185440C91	1	KNUCKLE, STEERING, RH, Includes 4, With 92 - 120" Adjustable Axle
3	417903A1	1	KNUCKLE, STEERING, RH, HD, Includes 4, With 120 - 144" Adjustable Axle
4	186680C1	2	BUSHING,
5	186052C1	2	PIN,
8	425-1224	2	NUT, SLOTTED, 1 1/2"-6, G5,
9	495-81224	2	WASHER, 1 17/32" x 2 1/2" x .109",
10	432-1648	2	PIN, SPLIT (COTTER), 1/4" x 3",
11	425-1316	2	NUT, SLOTTED, 1"-14, G5,
12	432-1228	2	PIN, SPLIT (COTTER), 3/16" x 1 3/4",
13	435688A1	2	WASHER, 1-1/32" x 2-1/4" x 1/4"
14	169329C91	2	SEAL, , With 92 - 120" Adjustable Axle
14	430139A1	2	SEAL, , With 120 - 144" Adjustable Axle
15	A61447	2	BEARING, CONE, 2-1/16" ID, With 92 - 120" Adjustable Axle
15	384546A1	2	BEARING, CONE, 2-5/32" ID, With 120 - 144" Adjustable Axle
16	663557R91	2	BEARING, CONE, 1-5/8" ID
17	560950R1	2	HUB CAP, , BSN HAJ0295001
17	84097561	2	HUB CAP, , ASN HAJ0295001
18	402622A1	2	HUB, Includes 19 - 23, With 92 - 120" Adjustable Axle, BSN HAJ0295001
18	87307671	2	HUB, Includes 19 - 23, With 92 - 120" Adjustable Axle, ASN HAJ0295001
18	427351A1	1	HUB, Assy, Heavy Duty, Includes 19 - 23, With 120 - 144" Adjustable Axle, BSN HAJ0295001
18	87307670	1	HUB, Assy, Heavy Duty, Includes 19 - 23, With 120 - 144" Adjustable Axle, ASN HAJ0295001
19	169328C1	1	SLEEVE, , With 92 - 120" Adjustable Axle
19	430141A2	1	SLEEVE, Heavy Duty, With 120 - 144" Adjustable Axle
20	431727A2	8	BOLT, 5/8" x 2-9/16"
21	401846A1	8	NUT, 5/8" NF; 8
22	625743C1	1	BEARING, CUP, , With 92 - 120" Adjustable Axle
22	529208R1	1	BEARING, CONE, Heavy Duty, With 120 - 144" Adjustable Axle
23	663558R1	1	BEARING, CUP, 2-57/64" OD
24	192201A2	2	WHEEL, 12 x 24", Heavy Duty, For 14.9 x 24" Tire
24	417734A1	2	WHEEL, 15 x 24", For 480/70 R24, 500/70R84, 19.5L-24 Tire
26	179482C1	2	VALVE STEM, 7/16" dia
26	407184R1	2	VALVE, Core
27	461-32512	8	SCREW, Hex Soc Hd, 1/4"-20 x 3/4", , ASN HAJ0295001
28	743583	2	GASKET, , ASN HAJ0295001

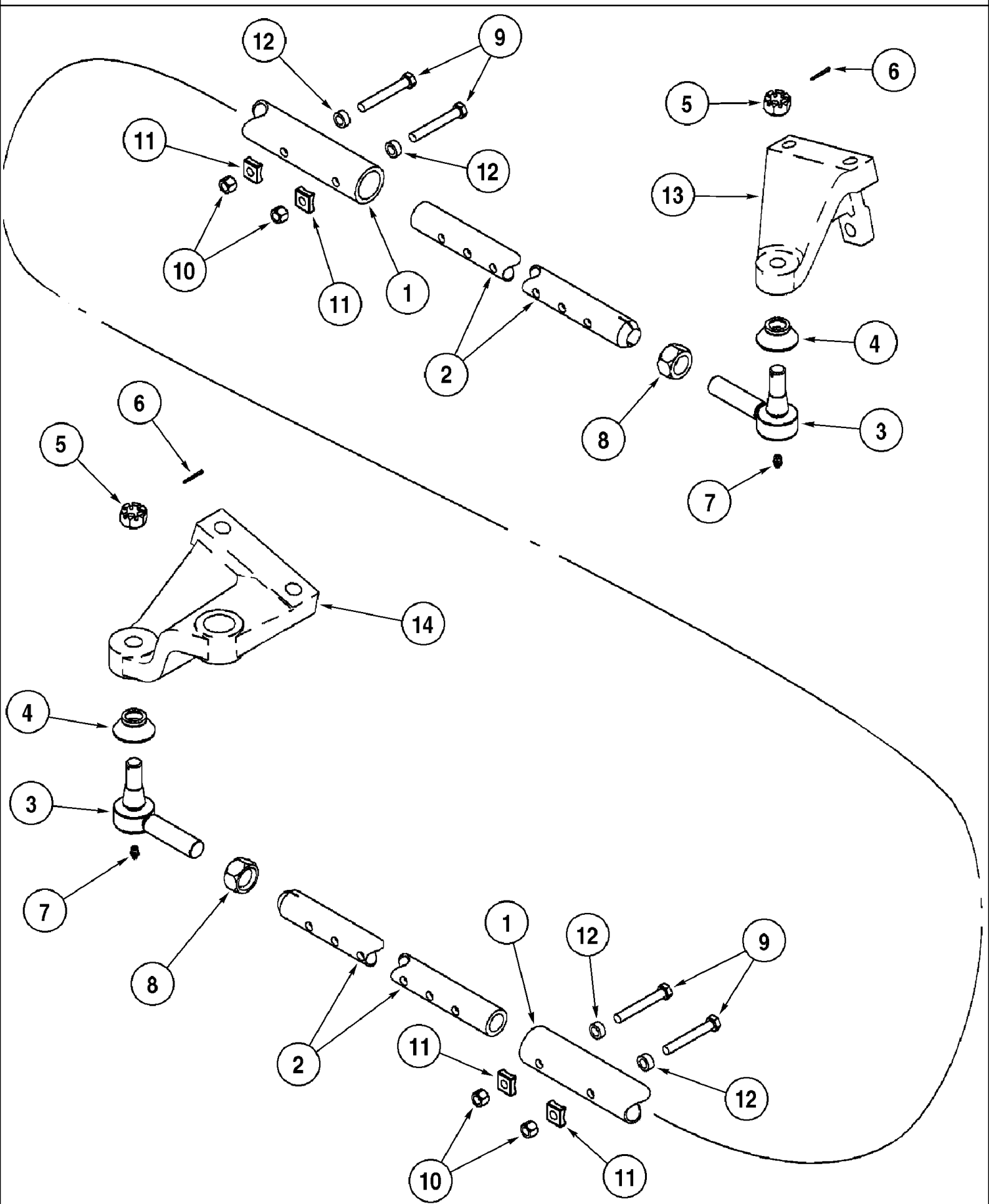
05-08 AXLE, ADJUSTABLE - TIE ROD, STEERING



05-08 AXLE, ADJUSTABLE - TIE ROD, STEERING

сылка	Номер детали	Кол-во	Описание
	86984114	1	KIT, Tie Rod, Includes 1 - 12
1	86984113	1	TIE ROD, Outer
2	86984111	1	TIE-ROD, STEERING, Inner
3	86984112	1	BALL JOINT,
4	A145857	4	CLAMP, Washer
5	326-652	2	BOLT, Hex, 3/8"-16 x 3 1/4", G8,
6	232-4146	2	NUT, LOCK, 3/8"-16, GC,
7	219-8	2	NIPPLE, LUBE, 1/4"-28 NPT x .54" lg,
8	446308C91	1	CLAMP,
9	426-740	1	BOLT, Hex, 7/16"-14 x 2 1/2", G8,
10	231-4137	1	NUT, LOCK, 7/16"-14, GB,
11	87301010	2	BOOT, Seal Assy
12	425-1314	2	NUT, SLOTTED, 7/8"-14, G5,
13	432-824	2	PIN, SPLIT (COTTER), 1/8" x 1 1/2",
14	412305A1	1	ARM, STEERING, RH
15	358125A1	1	ARM, STEERING, LH

05-09 AXLE, ADJUSTABLE - TIE ROD, WITH DUAL STEERING CYLINDERS



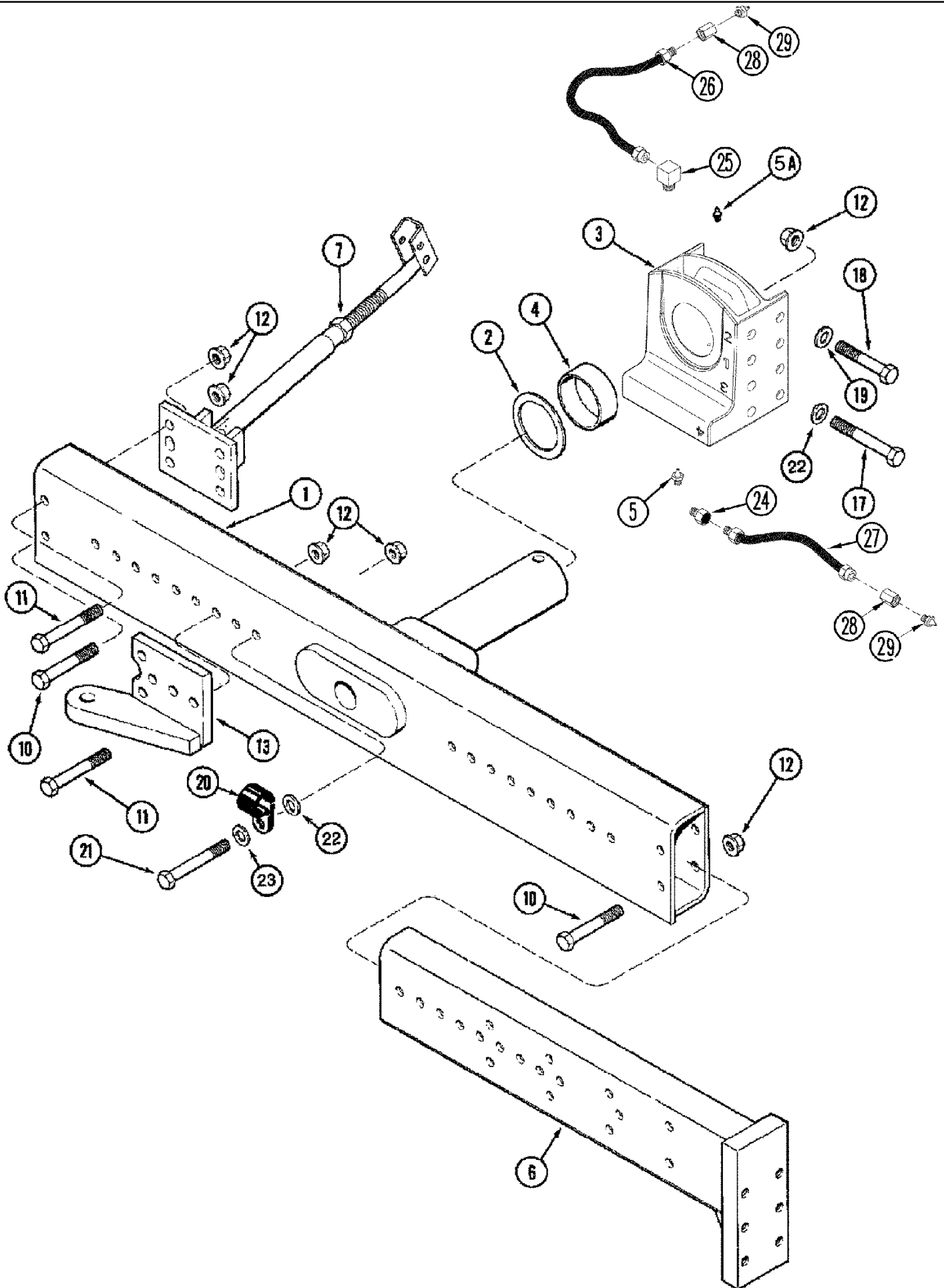
120 to 144 Inch Axle Without Power Guide Axle

05-09 AXLE, ADJUSTABLE - TIE ROD, WITH DUAL STEERING CYLINDERS

сылка	Номер детали	Кол-во	Описание
	316946A1	1	LINK DRAG, Includes 1 - 12
1	1970102C1	1	TIE-ROD, STEERING, Outer
2	361408A1	2	TIE-ROD, STEERING, Inner
3	1968998C1	2	BALL JOINT,
4	110373R1	2	DUST CAP,
5	425-1314	2	NUT, SLOTTED, 7/8"-14, G5,
6	432-816	2	PIN, SPLIT (COTTER), 1/8" x 1",
7	219-1	2	NIPPLE, LUBE, 1/8"-27 x .66 lg,
8	1970391C1	2	NUT, 1-1/8" NF
9	326-856	4	BOLT, Hex, 1/2"-13 x 3 1/2", G8,
10	232-4118	4	NUT, LOCK, 1/2"-13, GC,
11	1970101C1	4	CLAMP,
12	1970104C1	4	SPACER,
13	412305A1	1	ARM, STEERING, LH
14	358126A1	1	ARM, RH

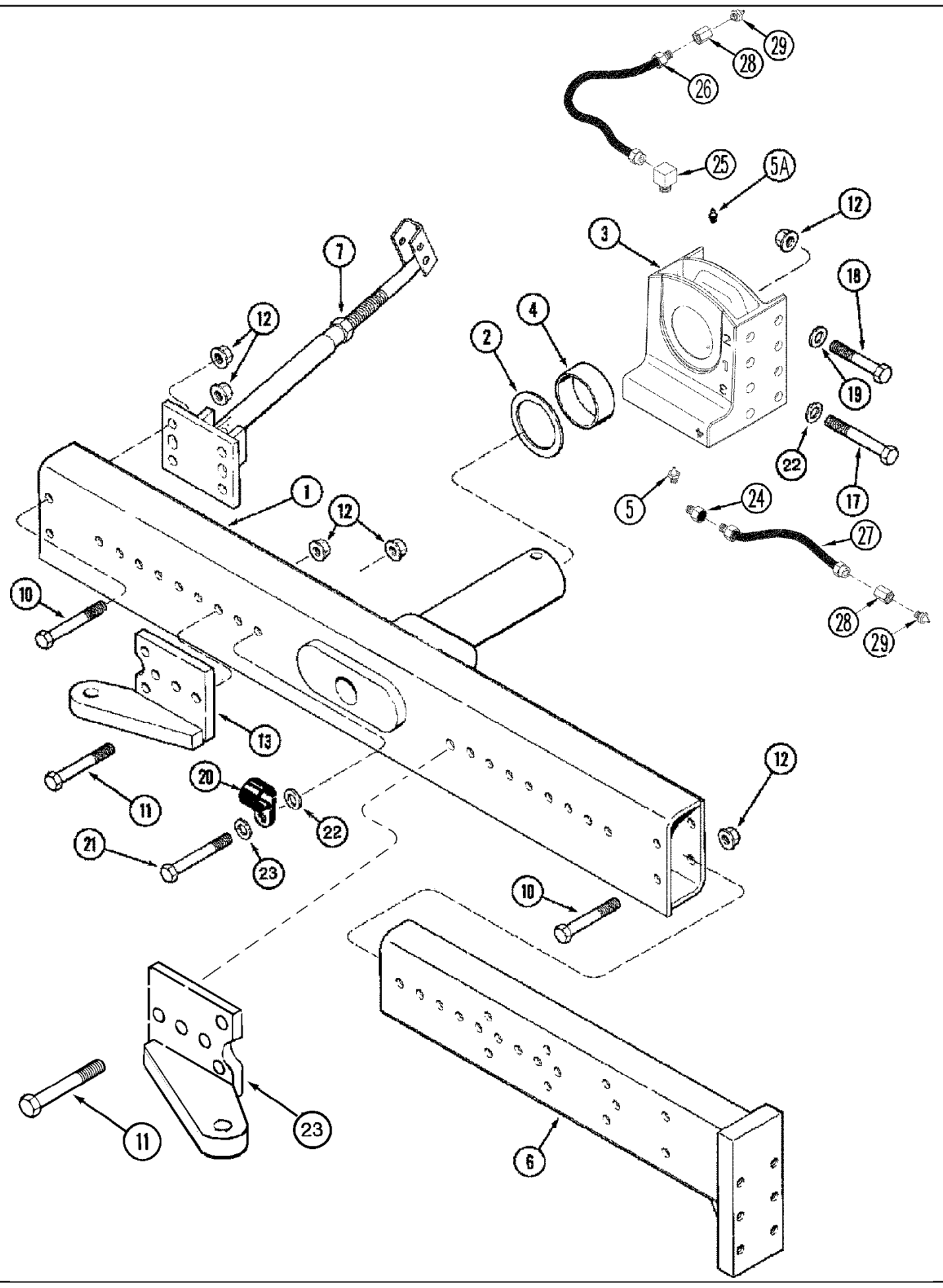
120 to 144 Inch Axle Without Power Guide Axle

05-11 AXLE, STEERING - EXTENSIONS - POWER GUIDE AXLE - SINGLE STEERING CYLINDER



05-11 AXLE, STEERING - EXTENSIONS - POWER GUIDE AXLE - SINGLE STEERING CYLINDER

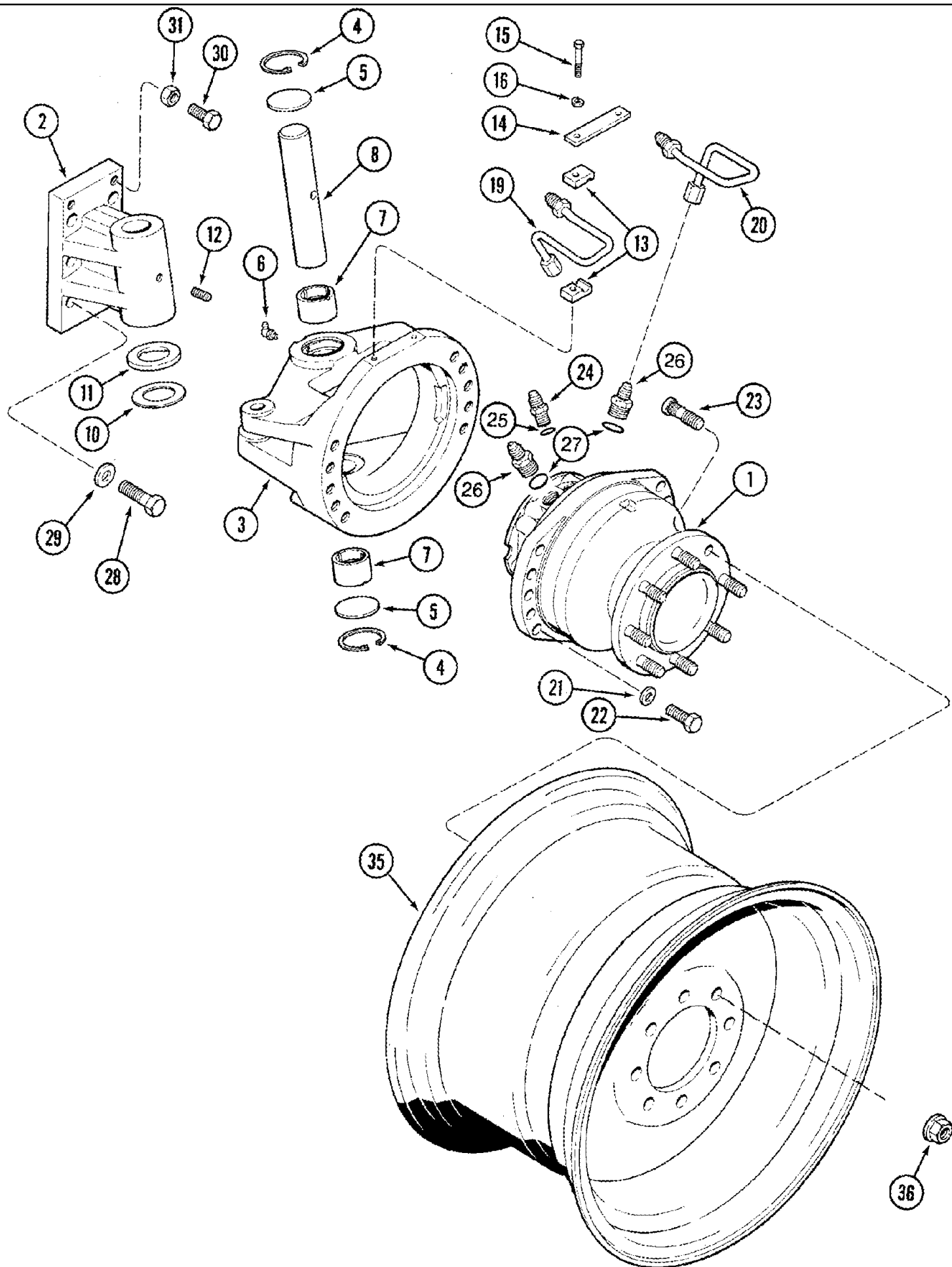
сылка	Номер детали	Кол-во	Описание
1	413204A1	1	AXLE, Adjustable, 108 to 144"
2	168385C2	4	WASHER,
3	386235A2	1	SUPPORT, Axle Pivot, Includes 4
4	177751C1	2	BUSHING,
5	219-8	2	NIPPLE, LUBE, 1/4"-28 NPT x .54" lg,
6	1968992C1	2	AXLE, Extension, 108 to 144"
7	REF	2	INSTRUCTION, Support Assy, See Figure 05-10, Ref. 16-24
10	413-1280	11	BOLT, Hex, 3/4"-10 x 5", G5,
11	426-1288	4	BOLT, Hex, 3/4"-10 x 5 1/2", G8,
12	87301494	AR	NUT, Flg, USR, 3/4"-10, G8,
13	1968993C1	1	SUPPORT,
17	426-1288	3	BOLT, Hex, 3/4"-10 x 5 1/2", G8,
18	413-1272	6	BOLT, Hex, 3/4"-10 x 4 1/2", G5,
19	496-21081	5	WASHER, 13/16" x 1 1/2" x .179", HDN,
20	195618A1	1	CLAMP, 1-7/8" ID
21	426-1296	1	BOLT, Hex, 3/4"-10 x 6", G8,
22	396-41081	3	WASHER, 13/16" x 1 3/4" x .219", HDN,
23	495-11081	1	WASHER, 3/4", SAE,
24	219-418	1	ADAPTER, 1/4"-1/8 NPTF, Hose
25	219-439	1	ADAPTER, 90°, 1/4"-1/8 NPTF,
26	428285A1	1	HOSE, FLEXIBLE, Grease, 1186 mm (46-3/4")
27	428853A1	1	HOSE, FLEXIBLE, Grease, 1282 mm (50")
28	F53473	2	NUT, 1/8"
29	219-8	2	NIPPLE, LUBE, 1/4"-28 NPT x .54" lg,



05-12 AXLE, STEERING - EXTENSIONS - POWER GUIDE AXLE - DUAL STEERING CYLINDER

сылка	Номер детали	Кол-во	Описание
1	413205A1	1	AXLE, Adjustable, 108 to 144"
2	168385C2	4	WASHER,
3	386235A2	1	SUPPORT, Axle Pivot, Includes 4
4	177751C1	2	BUSHING,
5	219-93	2	NIPPLE, LUBE, 90с, 1/4" NPT x .75" lg, Drive,
5A	219-87	1	NIPPLE, LUBE, 1/4"-28 x .56" lg, Self-Tap,
6	1968992C1	2	AXLE, Extension, 108 to 144"
7	REF	2	INSTRUCTION, Support Assy, See Figure 05-10, Ref. 16-24
10	413-1280	10	BOLT, Hex, 3/4"-10 x 5", G5,
11	426-1288	8	BOLT, Hex, 3/4"-10 x 5 1/2", G8,
12	87301494	AR	NUT, Flg, USR, 3/4"-10, G8,
13	1968993C1	1	SUPPORT,
17	426-1288	2	BOLT, Hex, 3/4"-10 x 5 1/2", G8,
18	413-1272	6	BOLT, Hex, 3/4"-10 x 4 1/2", G5,
19	496-21081	5	WASHER, 13/16" x 1 1/2" x .179", HDN,
20	406800A1	2	CLAMP,
21	426-1296	1	BOLT, Hex, 3/4"-10 x 6", G8,
22	396-41081	3	WASHER, 13/16" x 1 3/4" x .219", HDN,
23	398125A1	1	SUPPORT,
24	219-418	1	ADAPTER, 1/4"-1/8 NPTF, Hose
25	219-439	1	ADAPTER, 90с, 1/4"-1/8 NPTF,
26	428285A1	1	HOSE, FLEXIBLE, Grease, 1186 mm (46-3/4")
27	428853A1	1	HOSE, FLEXIBLE, Grease, 1282 mm (50")
28	F53473	2	NUT, 1/8"
29	219-8	2	NIPPLE, LUBE, 1/4"-28 NPT x .54" lg,
30	236028A2	AR	SHIM, Shim, Axle, Not Illustrated

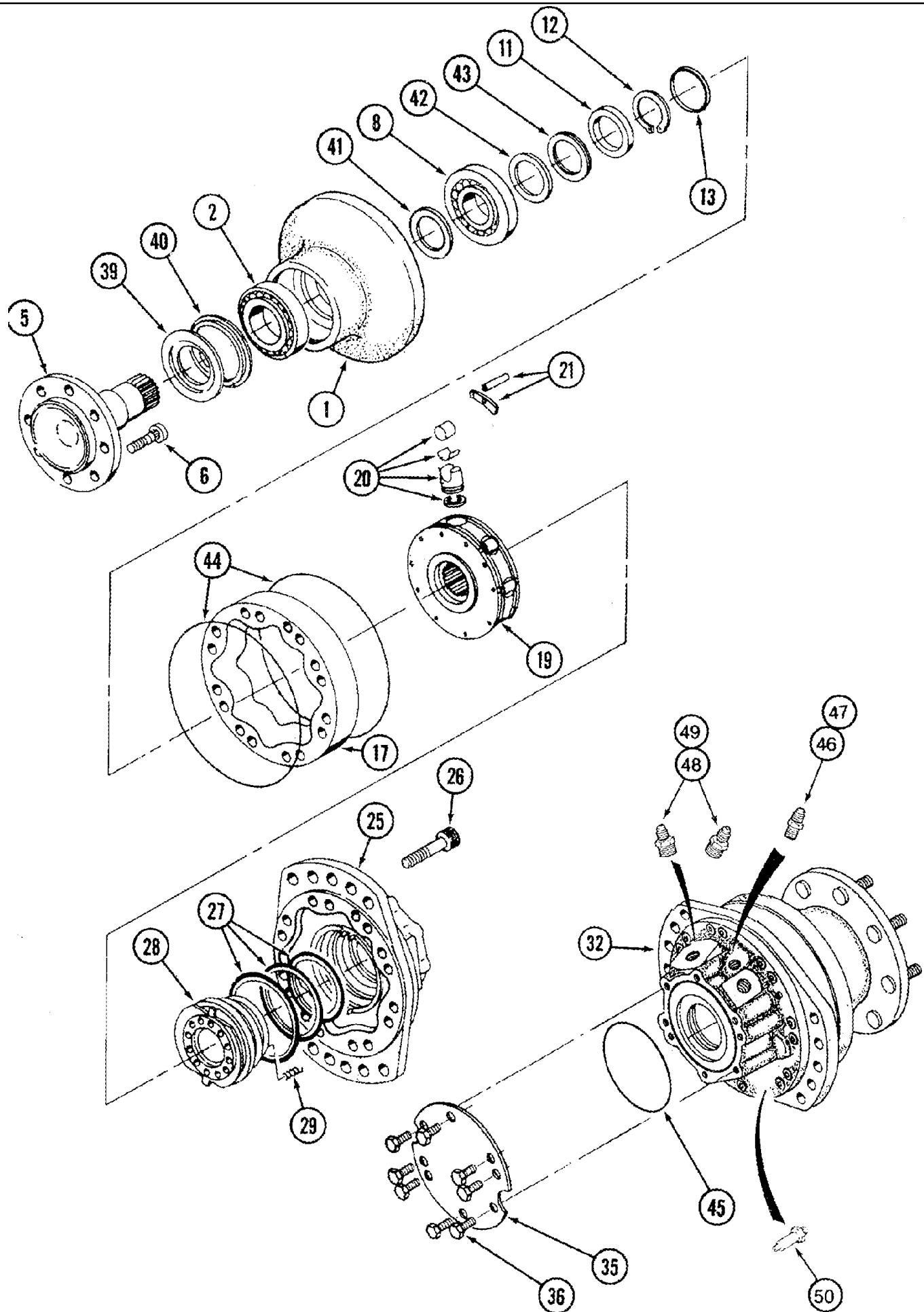
05-13 MOTOR, WHEEL - KING PIN - POWER GUIDE AXLE - AXLE DRIVE WHEEL



05-13 MOTOR, WHEEL - KING PIN - POWER GUIDE AXLE - AXLE DRIVE WHEEL

сылка	Номер детали	Кол-во	Описание
1	87300716	2	MOTOR, HYDRAULIC, Wheel Drive, Corn and Grain Combine, See Figure 05-14
2	1970138C1	2	HOUSING, King Pin
3	406799A1	1	FRAME, RH, Includes (2) 1970142C1, Ref. 7, Corn and Grain Combine
3	1970354C1	1	FRAME, LH, Includes (2) 1970142C1, Ref. 7, Corn and Grain Combine
3	431231A1	1	FRAME, RH, Includes (2) 1970142C1, Ref. 7, Rice Combine
3	1347196C1	1	FRAME, LH, Includes (2) 1970142C1, Ref. 7, Rice Combine
4	100-21244	4	RING, SNAP, 2.44", Int, #244,
5	41-3040	4	PLUG, Exp, 2 1/2",
6	219-57	4	NIPPLE, LUBE, 90с, 1/4" NPT x .75" lg,
7	1970142C1	4	BUSHING,
8	1970143C1	2	PIN, King
10	1970381C1	1-2	WASHER, Steel
11	1970382C1	4	WASHER, Bronze
12	83-15020	2	SET SCREW, Hex Soc, 1/2"-13 x 1 1/4",
13	1970148C1	8	CLAMP, , Corn and Grain Combine
14	1970150C1	2	PLATE, , Corn and Grain Combine
15	326-532	4	BOLT, Hex, 5/16"-18 x 2", G8,
16	492-11031	4	WASHER, LOCK, 5/16",
19	1970146C1	2	TUBE, HYD, Pressure, RH Rear, LH Front, Corn and Grain Combine
20	1970147C1	2	TUBE, HYD, Pressure, LH Rear, RH Front, Corn and Grain Combine
21	496-21066	20	WASHER, 21/32" x 1 5/16" x .150", , Corn and Grain Combine, 92 - 120" Power Guide Axle
22	426-1024	20	BOLT, Hex, 5/8"-11 x 1 1/2", G8, Full Thd, , 92 - 120" Power Guide Axle, Corn and Grain Combine
23	1970151C1	16	STUD, Included with Ref. 1
24	218-5059	2	CONNECTOR, HYD., 3/4"-16, 37с x 3/4"-16, O-Ring, Includes 25
25	237-6008	1	O-RING, 8-1, 90 Duro, .644" ID x .087" Thk,
26	218-5064	4	CONNECTOR, HYD., 1 1/16"-12, 37с x 1 1/16"-12, O-Ring, Includes 27
27	237-6012	1	O-RING, 12-1, 90 Duro, .924 ID x .118" Thk,
28	326-1236	12	BOLT, Hex, 3/4"-10 x 2 1/4", G8,
29	496-21081	12	WASHER, 13/16" x 1 1/2" x .179", HDN,
30	326-1028	4	BOLT, Hex, 5/8"-11 x 1 3/4", G8, Full Thd,
31	329-1410	4	NUT, Jam, 5/8"-11, G8,
35	1970153C3	2	WHEEL, 26 x 16, For 16.9 x 26" Tire, For 18.4 x 26" Tire, 8 Hole Pattern, Corn and Grain Combine
35	360213A1	2	WHEEL ASSY., 26 x 15, For 18.4 x 26" Tire, 10 Hole Pattern
35	257875A2	2	WHEEL, 28 x 18, For 600/65-R28" Tire, 8 Hole Pattern, Corn and Grain Combine
35	257878A2	2	RIM, 28 x 18 For 600/65-R28" Tire, 10 Hole Pattern
35	220201A1	2	RIM, 30 x 16 For 18.4 x 30" Tire, 10 Hole Pattern
36	1541701C1	AR	NUT,
37	179482C1	2	VALVE STEM, Tire, Not Illustrated
38	407184C1	2	VALVE STEM, Core, Tire, Not Illustrated
39	359846A1	2	PLUG, Tire Valve Hole, Not Illustrated
40	181917A2	2	DECAL, Wheel Bolt Torque, See Figure 09H-20

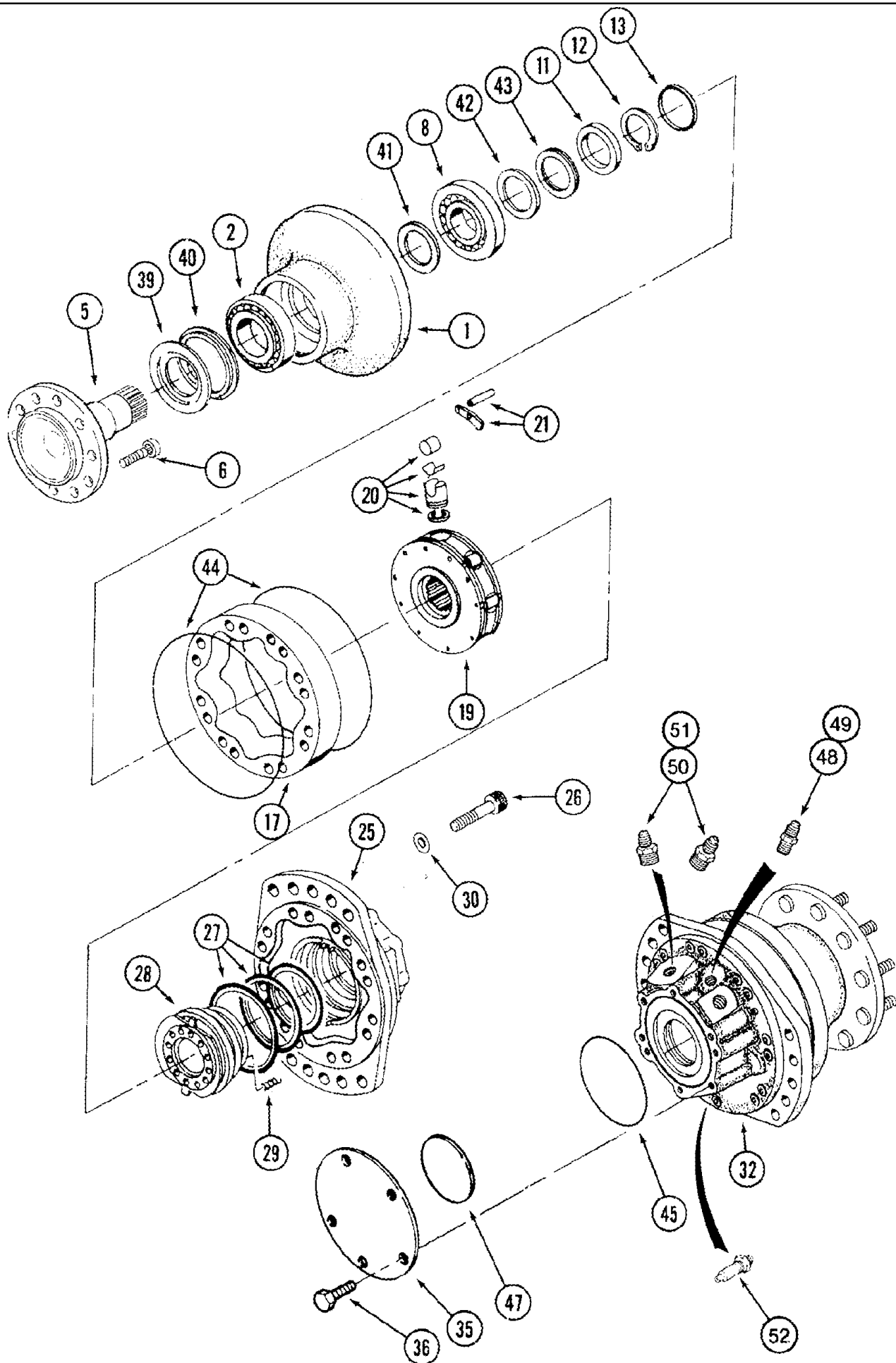
05-14 MOTOR ASSY - WHEEL DRIVE - POWER GUIDE AXLE - CORN AND GRAIN COMBINE



05-14 MOTOR ASSY - WHEEL DRIVE - POWER GUIDE AXLE - CORN AND GRAIN COMBINE

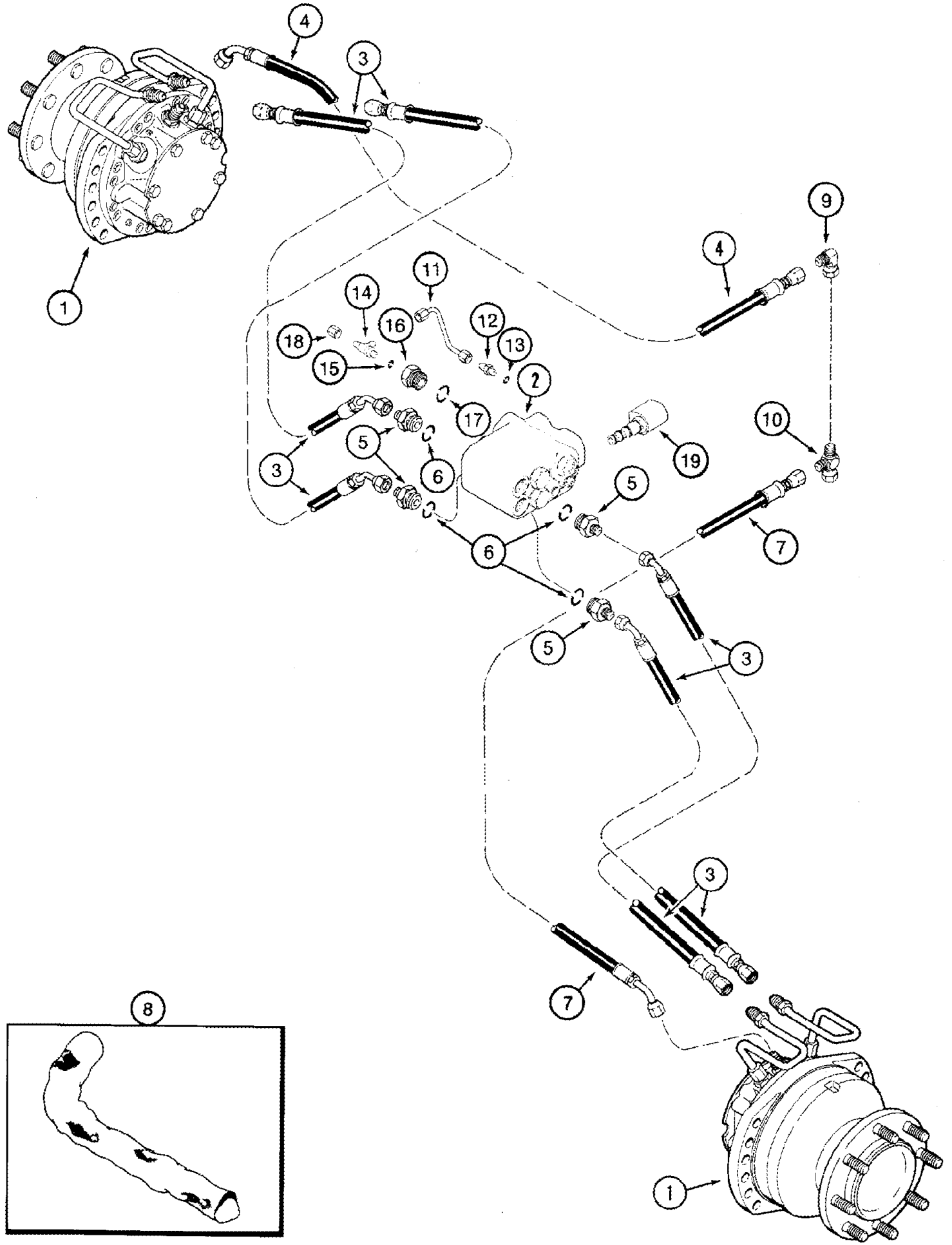
сылка	Номер детали	Кол-во	Описание
	87300716	2	MOTOR, HYDRAULIC, Wheel Drive, Includes 1 - 32, 35 - 50
1	NSS	1	NOT SERVICED SEPARATELY, Housing
2	305405A1	1	BEARING, BALL, Outer
5	NSS	1	NOT SERVICED SEPARATELY, Shaft, Wheel Hub
6	1970151C1	8	STUD,
8	NSS	1	NOT SERVICED SEPARATELY, Bearing, Ball, Inner
11	NSS	1	NOT SERVICED SEPARATELY, Spacer
12	NSS	1	NOT SERVICED SEPARATELY, Ring, Snap
13	NSS	1	NOT SERVICED SEPARATELY, Retainer
17	NSS	1	NOT SERVICED SEPARATELY, Ring
19	NSS	1	NOT SERVICED SEPARATELY, Block, Cylinder
20	NSS	10	NOT SERVICED SEPARATELY, Kit, Piston
21	NSS	1	NOT SERVICED SEPARATELY, Kit, Retainer
25	NSS	1	NOT SERVICED SEPARATELY, Cover
26	NSS	16	NOT SERVICED SEPARATELY, Bolt
27	1978004C1	1	KIT, SEALS, , Use with Ref. 28
28	NSS	1	NOT SERVICED SEPARATELY, Block, Valve
29	NSS	8	NOT SERVICED SEPARATELY, Spring
32	NSS	1	NOT SERVICED SEPARATELY, Housing, Wheel
35	1978005C1	1	COVER,
36	NSS	8	NOT SERVICED SEPARATELY, Bolt, Cover
	87300718	1	KIT, SEALS, Includes 39 - 44
39	NSS	1	NOT SERVICED SEPARATELY, Deflector
40	NSS	1	NOT SERVICED SEPARATELY, Seal
41	NSS	1	NOT SERVICED SEPARATELY, Seal
42	NSS	1	NOT SERVICED SEPARATELY, Washer
43	NSS	1	NOT SERVICED SEPARATELY, Kit
44	NSS	2	NOT SERVICED SEPARATELY, O-Ring
45	238-5162	1	O-RING, -162, 70 Duro, 5.737" ID x .103" Thk,
46	218-5059	1	CONNECTOR, HYD., 3/4"-16, 37e x 3/4"-16, O-Ring, Includes 147
47	237-6008	1	O-RING, 8-1, 90 Duro, .644" ID x .087" Thk,
48	218-5064	2	CONNECTOR, HYD., 1 1/16"-12, 37e x 1 1/16"-12, O-Ring, Includes 49
49	237-6012	1	O-RING, 12-1, 90 Duro, .924 ID x .118" Thk,
50	121434A1	1	ADAPTER, Flush Port, English Thread

05-14A MOTOR ASSY - WHEEL DRIVE - POWER GUIDE AXLE - RICE COMBINE



05-14A MOTOR ASSY - WHEEL DRIVE - POWER GUIDE AXLE - RICE COMBINE

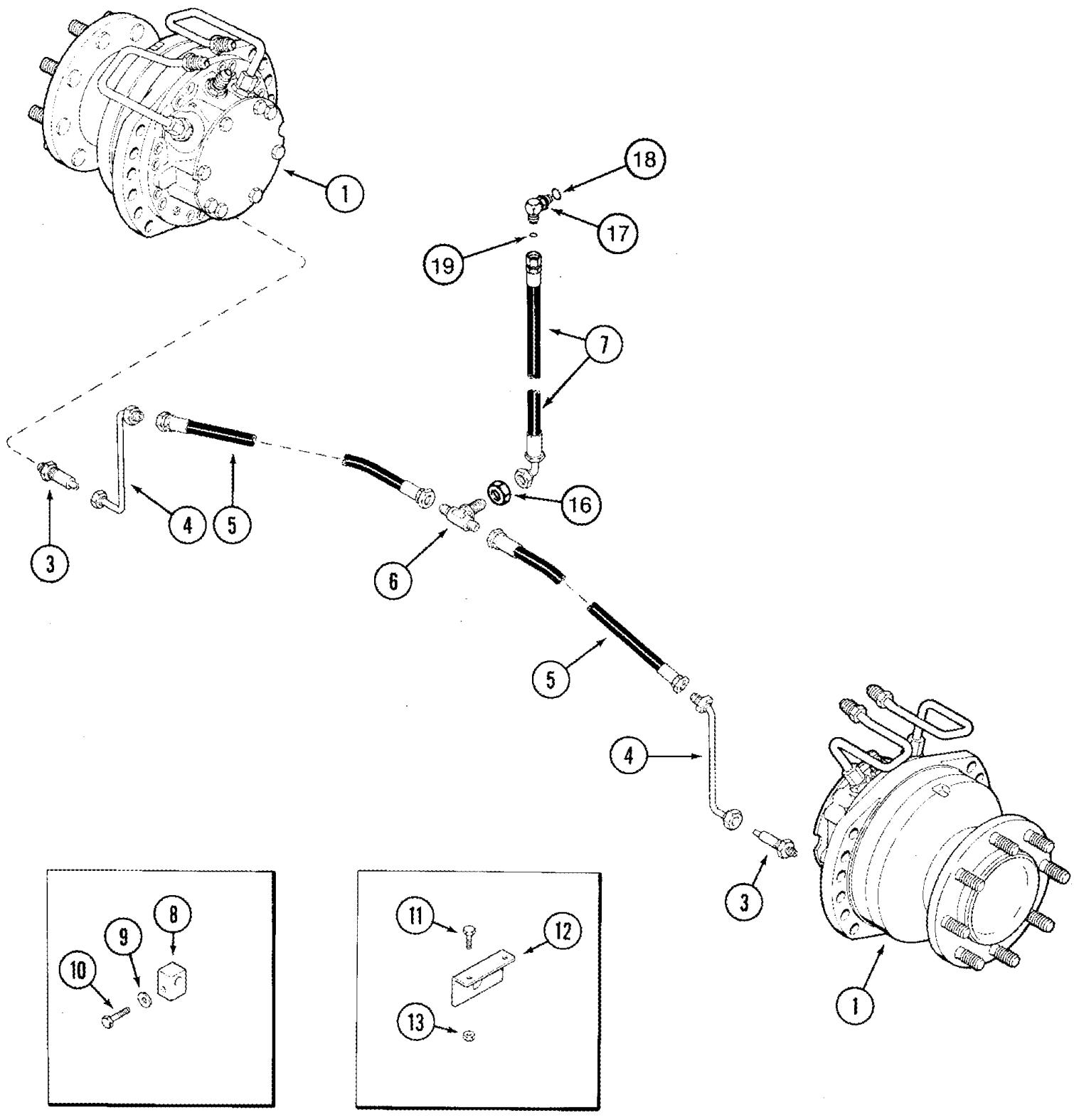
сылка	Номер детали	Кол-во	Описание
	87300717	2	MOTOR, HYDRAULIC, Wheel Drive, Includes 1 - 32, 35 - 45, 48 - 52
1	NSS	1	NOT SERVICED SEPARATELY, Housing
2	305408A1	1	BEARING, BALL, Outer
5	NSS	1	NOT SERVICED SEPARATELY, Shaft, Wheel Hub
6	1970151C1	10	STUD,
8	NSS	1	NOT SERVICED SEPARATELY, Bearing, Ball
11	NSS	1	NOT SERVICED SEPARATELY, Spacer
12	NSS	1	NOT SERVICED SEPARATELY, Ring, Snap
13	NSS	1	NOT SERVICED SEPARATELY, Retainer
17	NSS	1	NOT SERVICED SEPARATELY, Ring
19	NSS	1	NOT SERVICED SEPARATELY, Block, Cylinder
20	NSS	10	NOT SERVICED SEPARATELY, Kit, Piston
21	NSS	1	NOT SERVICED SEPARATELY, Kit, Retainer
25	NSS	1	NOT SERVICED SEPARATELY, Cover
26	426-1432	16	BOLT, Hex, 7/8"-9 x 2", G8,
27	1986737C1	1	KIT, SEALS, , Use with Ref. 28
28	NSS	1	NOT SERVICED SEPARATELY, Block, Valve
29	NSS	8	NOT SERVICED SEPARATELY, Spring
30	496-21094	16	WASHER, 15/16" x 1 3/4" x .179", HDN, 15/16 x 1-3/4 x 1/8
32	NSS	1	NOT SERVICED SEPARATELY, Housing, Wheel
35	1347321C1	1	COVER,
36	NSS	8	NOT SERVICED SEPARATELY, Bolt, Cover
	305447A1	1	KIT, SEALS, Includes 39 - 45
39	NSS	1	NOT SERVICED SEPARATELY, Deflector
40	NSS	1	NOT SERVICED SEPARATELY, Seal
41	NSS	1	NOT SERVICED SEPARATELY, Seal
42	NSS	1	NOT SERVICED SEPARATELY, Washer
43	NSS	1	NOT SERVICED SEPARATELY, Kit, Shim
44	NSS	2	NOT SERVICED SEPARATELY, O-Ring
45	238-5162	1	O-RING, -162, 70 Duro, 5.737" ID x .103" Thk,
47	1347320C1	1	SPACER, Wheel
48	218-5059	1	CONNECTOR, HYD., 3/4"-16, 37e x 3/4"-16, O-Ring, Includes 49
49	237-6008	1	O-RING, 8-1, 90 Duro, .644" ID x .087" Thk,
50	218-5064	2	CONNECTOR, HYD., 1 1/16"-12, 37e x 1 1/16"-12, O-Ring, Includes 51
51	237-6012	1	O-RING, 12-1, 90 Duro, .924 ID x .118" Thk,
52	121434A1	1	ADAPTER,



05-15 HYDRAULICS - MOTOR, DRIVE - POWER GUIDE AXLE

сылка	Номер детали	Кол-во	Описание
1	87300716	2	MOTOR, HYDRAULIC, Wheel Drive, 8 Bolt, Corn and Grain Combine, See Figure 05-14
1	87300717	2	MOTOR, HYDRAULIC, Wheel Drive, 10 Bolt, See Figure 05-14, Rice Combine
2	1978000C1	1	VALVE, , Corn and Grain Combine, See Figure 05-23
3	1968995C1	4	HOSE, FLEXIBLE, 1753 mm (69-1/8"), Wheel Motor Drain Pressure
4	1968996C1	1	HOSE, FLEXIBLE, 2007 mm (79-1/8"), Wheel Motor Drain Pressure
5	218-5070	4	CONNECTOR, HYD., 3/4"-16, 37e x 1 1/16"-12, O-Ring, Includes 6
6	237-6012	1	O-RING, 12-1, 90 Duro, .924 ID x .118" Thk,
7	1970135C1	1	HOSE, Drain
8	1970108C1	2	COVER, PROTECTIVE, Sleeve 60 ID x 1219 mm
9	218-5230	1	ELBOW, 90e, 3/4"-16, 37e x 3/4"-16, 37e Fem Sw,
10	218-845	1	TEE, 37e, 3/4"-16 x 3/4"-16, Fem Sw Run,
11	1970140C1	1	TUBE, HYD, Charge Pressure
12	218-5053	1	CONNECTOR, HYD., 7/16"-20, 37e x 7/16"-20, O-Ring, Includes 13
13	237-6004	1	O-RING, 4-1, 90 Duro, .351" ID x .072" Thk,
14	218-5289	1	TEE, 7/16"-20, 37e x 7/16"-20, O-Ring Run, Tee, 1/4 x 1/4 x 1/4, Includes 15
15	237-6004	1	O-RING, 4-1, 90 Duro, .351" ID x .072" Thk,
16	1970176C1	1	PLUG, Includes 17, Includes with 1978000C1, 1347194C1
17	237-6012	1	O-RING, 12-1, 90 Duro, .924 ID x .118" Thk,
18	218-752	1	CAP, 37e, 7/16"-20,
19	REF	1	INSTRUCTION, Solenoid Assy, Charge Pressure, See Figure 05-23, Ref. 60-64

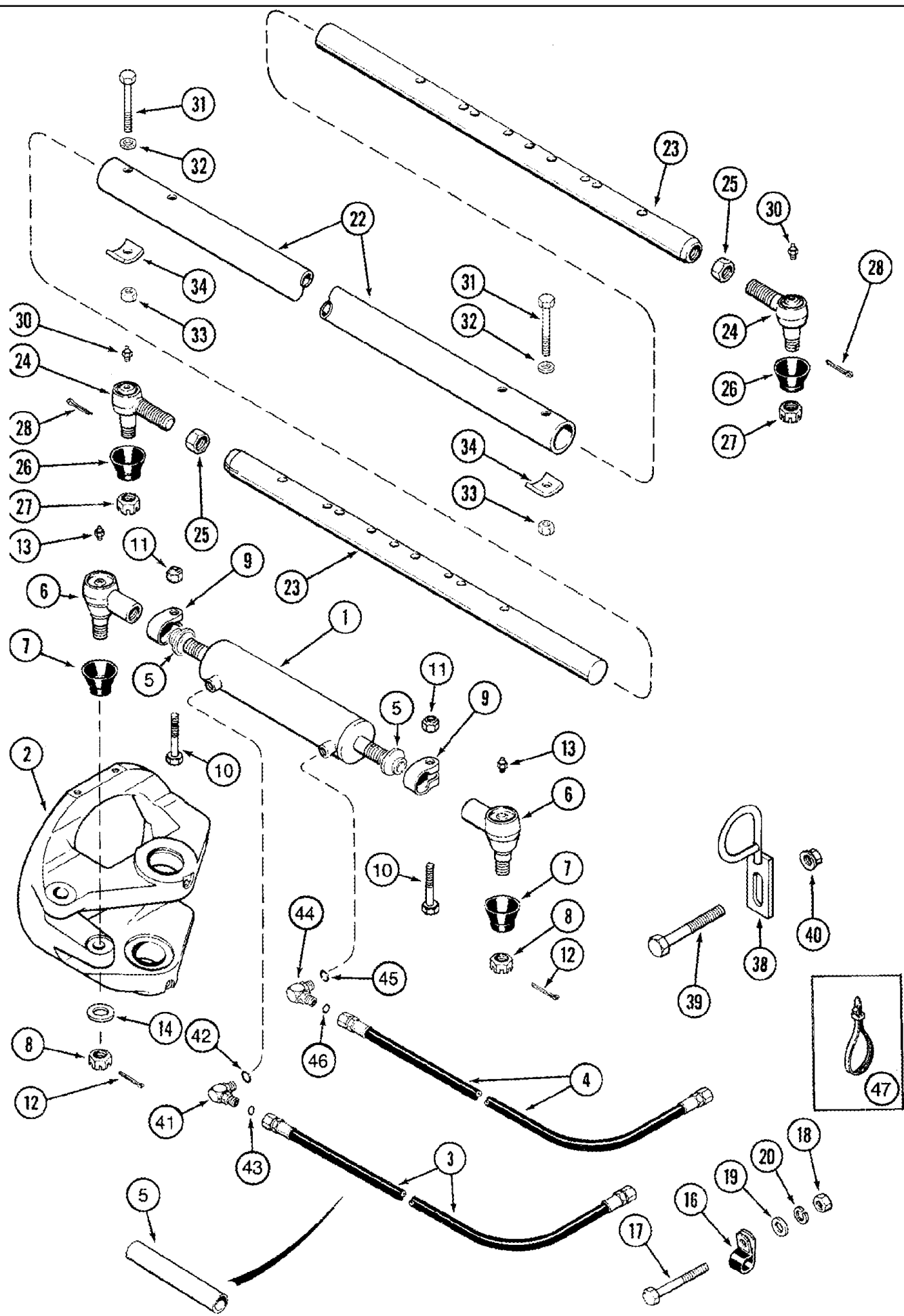
05-16 HYDRAULICS - WHEEL MOTOR FLUSH - POWER GUIDE AXLE



05-16 HYDRAULICS - WHEEL MOTOR FLUSH - POWER GUIDE AXLE

сылка	Номер детали	Кол-во	Описание
1	87300716	2	MOTOR, HYDRAULIC, Wheel Drive, 8 Bolt, Includes 3, Corn and Grain Combine, See Figure 05-14, Note: Motors do not include pressure tubes as shown in the illustration. See Figure 05-13 for pressure tubes
1	87300717	2	MOTOR, HYDRAULIC, Wheel Drive, 10 Bolt, Includes 3, See Figure 05-14, Note: Motors do not include pressure tubes as shown in the illustration. See Figure 05-13 for pressure tubes, Rice Combine
3	121434A1	2	ADAPTER, English Thread, Flush Port
4	1346971C1	2	TUBE, HYD, Motor Flush, Corn and Grain Combine
4	1347181C1	2	TUBE, HYD, Motor Flush, Rice Combine
5	1346969C1	2	HOSE, FLEXIBLE, 1803 mm (71"), Motor Flush
6	218-805	1	TEE, 3/4"-16, 37e, Blkhd,
7	129187A1	1	HOSE, FLEXIBLE, 3450 mm (135-7/8")
8	1347182C1	2	CLAMP, , Corn and Grain Combine
8	1347183C1	2	CLAMP, , Rice Combine
9	495-11053	2	WASHER, 1/2", SAE, , Corn and Grain Combine
9	495-11066	2	WASHER, 5/8", SAE, , Rice Combine
10	614-12040	2	BOLT, Hex, M12 x 40, 8.8, Full Thd, , Corn and Grain Combine
10	614-16040	2	BOLT, Hex, M16 x 40, 8.8, , Rice Combine
11	426-616	6	BOLT, Hex, 3/8"-16 x 1", G8, Full Thd,
12	1347068C1	1	SUPPORT,
13	232-4116	6	NUT, LOCK, 3/8"-16, GC,
16	218-1255	1	NUT, LOCK, Blkhd, 3/4"-16,
17	135485A1	1	ELBOW, Includes 18, 19
18	237-6004	1	O-RING, 4-1, 90 Duro, .351" ID x .072" Thk,
19	238-6012	1	O-RING, -012, 90 Duro, .364" ID x .070" Thk,

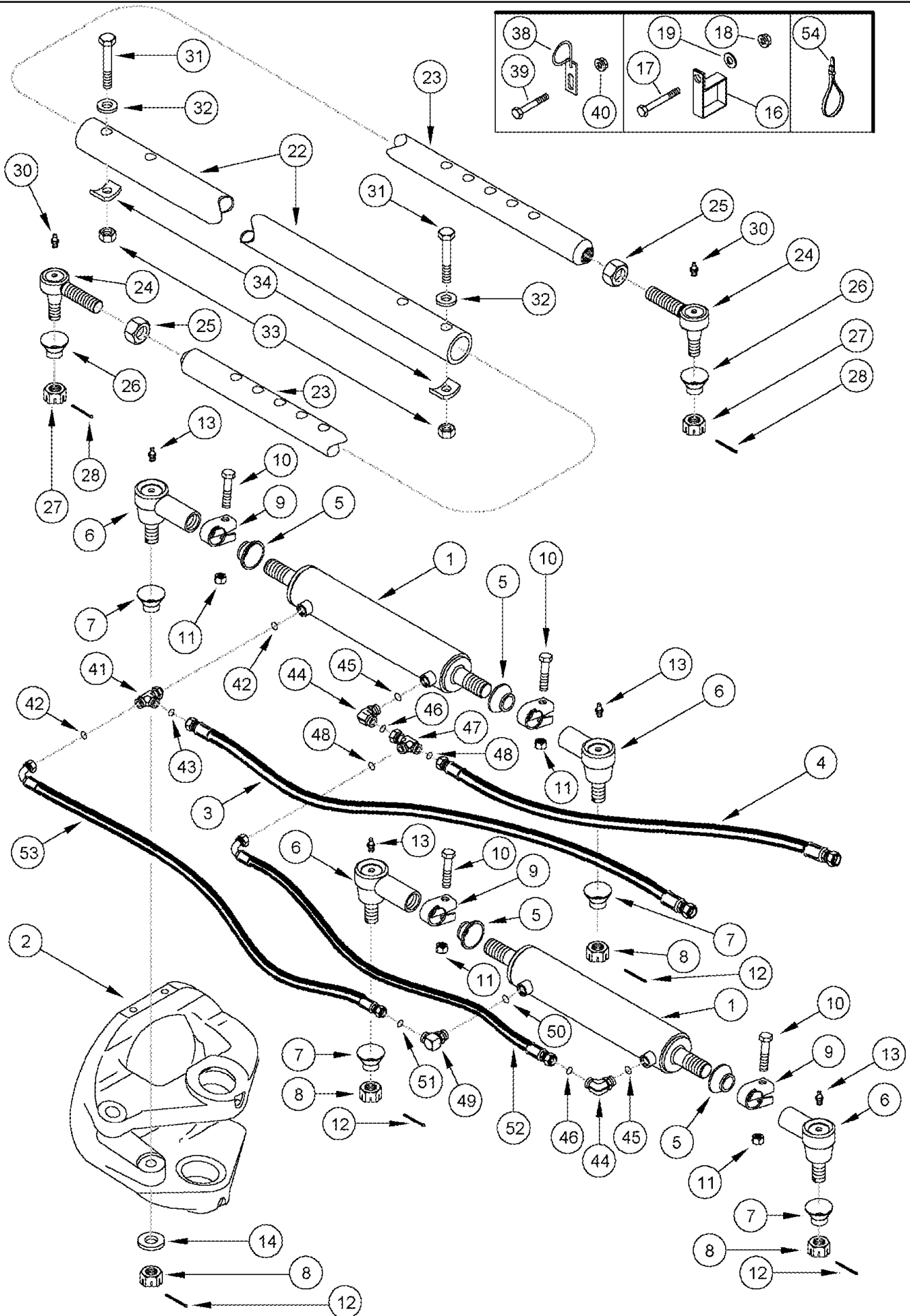
05-17 STEERING CYLINDER AND TIE ROD - POWER GUIDE AXLE - SINGLE STEERING CYLINDER



05-17 STEERING CYLINDER AND TIE ROD - POWER GUIDE AXLE - SINGLE STEERING CYLINDER

Сылка	Номер детали	Кол-во	Описание
1	87337226	1	CYLINDER, 64 ID x 229 mm strk, See Figure 05-19
2	REF	2	INSTRUCTION, CARRIER, See Figure 05-12
3	128091A2	1	HOSE, FLEXIBLE, 2160 mm (85")
4	128084A2	1	HOSE, FLEXIBLE, 1960 mm (77-1/8")
5	229298A1	1	BOOT,
6	437222A1	2	BALL JOINT, Includes 7 - 12, 13 (1)
7	87301009	1	BOOT,
8	425-1314	1	NUT, SLOTTED, 7/8"-14, G5,
9	446308C91	1	CLAMP, Includes 10, 11
10	413-730	1	BOLT, Hex, 7/16"-14 x 1 7/8", G5,
11	231-4117	1	NUT, LOCK, 7/16"-14, GB,
12	432-816	1	PIN, SPLIT (COTTER), 1/8" x 1",
12	432-824	2	PIN, SPLIT (COTTER), 1/8" x 1 1/2",
13	219-8	2	NIPPLE, LUBE, 1/4"-28 NPT x .54" lg,
14	496-21094	1	WASHER, 15/16" x 1 3/4" x .179", HDN,
16	515-25476	1	CLAMP, 1 7/8", Insul, 1/2" Bolt,
17	413-572	1	BOLT, Hex, 5/16"-18 x 4 1/2", G5,
18	425-105	1	NUT, 5/16"-18, G5,
19	495-81116	1	WASHER, .344" x 1" x .060",
20	492-11031	1	WASHER, LOCK, 5/16",
22	1970102C1	1	TIE-ROD, STEERING, Tie Rod, Outer
23	1970103C1	2	TUBE, Tie Rod, Inner
24	1968998C1	2	BALL JOINT,
25	1970391C1	2	NUT, 1-1/8" NF
26	110373R1	2	DUST CAP,
27	425-1314	2	NUT, SLOTTED, 7/8"-14, G5,
28	432-816	2	PIN, SPLIT (COTTER), 1/8" x 1",
30	219-1	2	NIPPLE, LUBE, 1/8"-27 x .66 lg,
31	326-856	4	BOLT, Hex, 1/2"-13 x 3 1/2", G8,
32	1970104C1	4	SPACER,
33	232-4118	4	NUT, LOCK, 1/2"-13, GC,
34	1970101C1	4	CLAMP,
38	1970383C1	4	GUIDE, Hose
39	413-1280	4	BOLT, Hex, 3/4"-10 x 5", G5,
40	87301494	4	NUT, Flg, USR, 3/4"-10, G8,
41	201-304	1	ELBOW, 90e, 11/16"-16 x 9/16"-18 Adj, ORFS, Includes 42, 43
42	237-6006	1	O-RING, 6-1, 90 Duro, .468" ID x .078" Thk,
43	238-6012	1	O-RING, -012, 90 Duro, .364" ID x .070" Thk,
44	201-332	1	ELBOW, 90e, 13/16"-16 x 9/16"-18, Adj, ORFS, Includes 45, 46
45	237-6006	1	O-RING, 6-1, 90 Duro, .468" ID x .078" Thk,
46	238-6014	1	O-RING, -014, 90 Duro, .489" ID x .070" Thk,
47	L18331	1	STRAP, CABLE, 15" Tie

05-18 STEERING CYLINDER AND TIE ROD - POWER GUIDE AXLE - DUAL STEERING CYLINDER



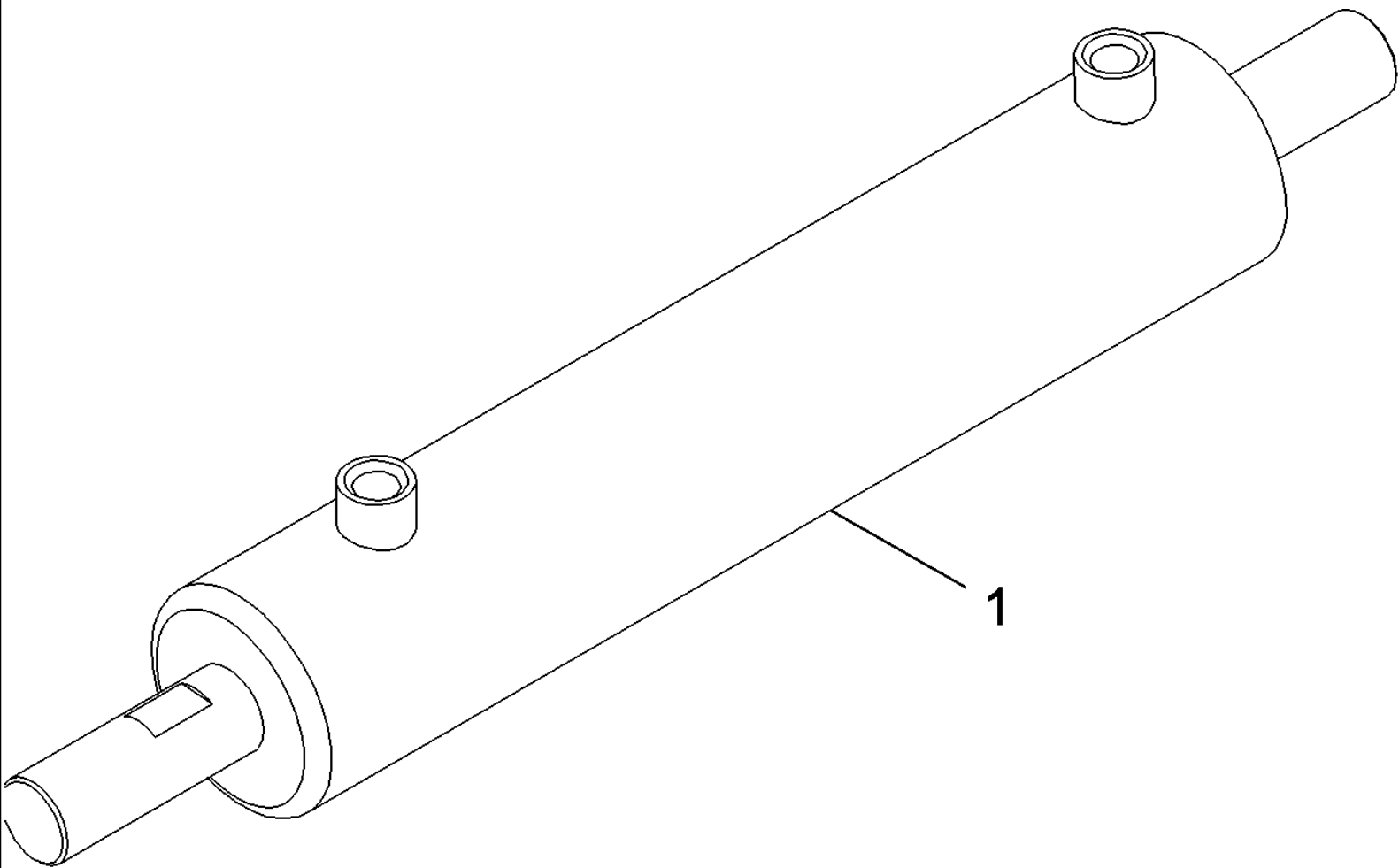
05-18 STEERING CYLINDER AND TIE ROD - POWER GUIDE AXLE - DUAL STEERING CYLINDER

сылка	Номер детали	Кол-во	Описание
1	87337229	2	CYLINDER, 57 ID x 229 mm strk, See Figure 05-20
2	REF	2	INSTRUCTION, Carrier, See Figure 05-12
3	128091A2	1	HOSE, FLEXIBLE, 2160 mm (85")
4	128084A2	1	HOSE, FLEXIBLE, 1960 mm (77-1/8")
5	229298A1	4	BOOT,
6	437222A1	4	BALL JOINT, Includes 7 - 11
7	87301009	1	BOOT,
8	425-1314	1	NUT, SLOTTED, 7/8"-14, G5,
9	446308C91	1	CLAMP, Includes 10, 11
10	413-730	1	BOLT, Hex, 7/16"-14 x 1 7/8", G5,
11	231-4117	1	NUT, LOCK, 7/16"-14, GB,
12	432-816	1	PIN, SPLIT (COTTER), 1/8" x 1",
12	432-824	4	PIN, SPLIT (COTTER), 1/8" x 1 1/2",
13	219-8	5	NIPPLE, LUBE, 1/4"-28 NPT x .54" lg,
14	496-21094	1	WASHER, 15/16" x 1 3/4" x .179", HDN,
16	406800A1	2	CLAMP,
17	426-1288	2	BOLT, Hex, 3/4"-10 x 5 1/2", G8,
18	87301494	2	NUT, Flg, USR, 3/4"-10, G8,
19	396-41081	2	WASHER, 13/16" x 1 3/4" x .219", HDN,
22	1970102C1	1	TIE-ROD, STEERING, Tie Rod, Outer
23	1970103C1	2	TUBE, Tie Rod, Inner
24	1968998C1	2	BALL JOINT,
25	1970391C1	2	NUT, 1-1/8" NF
26	110373R1	2	DUST CAP,
27	425-1314	2	NUT, SLOTTED, 7/8"-14, G5,
28	432-816	4	PIN, SPLIT (COTTER), 1/8" x 1",
30	219-1	4	NIPPLE, LUBE, 1/8"-27 x .66 lg,
31	326-856	4	BOLT, Hex, 1/2"-13 x 3 1/2", G8,
32	1970104C1	4	SPACER,
33	232-4118	4	NUT, LOCK, 1/2"-13, GC,
34	1970101C1	4	CLAMP,
38	1970383C1	4	GUIDE, Hose
39	413-1280	2	BOLT, Hex, 3/4"-10 x 5", G5,
39	413-1272	2	BOLT, Hex, 3/4"-10 x 4 1/2", G5,
40	87301494	4	NUT, Flg, USR, 3/4"-10, G8,
41	201-406	1	TEE, 11/16"-16 x 9/16"-18 Run, ORFS, Includes 42, 43
42	237-6006	2	O-RING, 6-1, 90 Duro, .468" ID x .078" Thk,
43	238-6012	1	O-RING, -012, 90 Duro, .364" ID x .070" Thk,
44	201-332	2	ELBOW, 90e, 13/16"-16 x 9/16"-18, Adj, ORFS, Includes 45, 46
45	237-6006	1	O-RING, 6-1, 90 Duro, .468" ID x .078" Thk,
46	238-6014	1	O-RING, -014, 90 Duro, .489" ID x .070" Thk,
47	201-416	1	TEE, 13/16"-16 ORFS x 13/16"-16 Sw Run, Includes 48
48	238-6014	2	O-RING, -014, 90 Duro, .489" ID x .070" Thk,
49	201-304	1	ELBOW, 90e, 11/16"-16 x 9/16"-18 Adj, ORFS, Includes 45, 51
50	237-6006	1	O-RING, 6-1, 90 Duro, .468" ID x .078" Thk,

2388 CASE IH AXIAL-FLOW COMBINE (NA) BTW HAJ0292001 & HAJ0300000 (10/04-)

05-18 STEERING CYLINDER AND TIE ROD - POWER GUIDE AXLE - DUAL STEERING CYLINDER

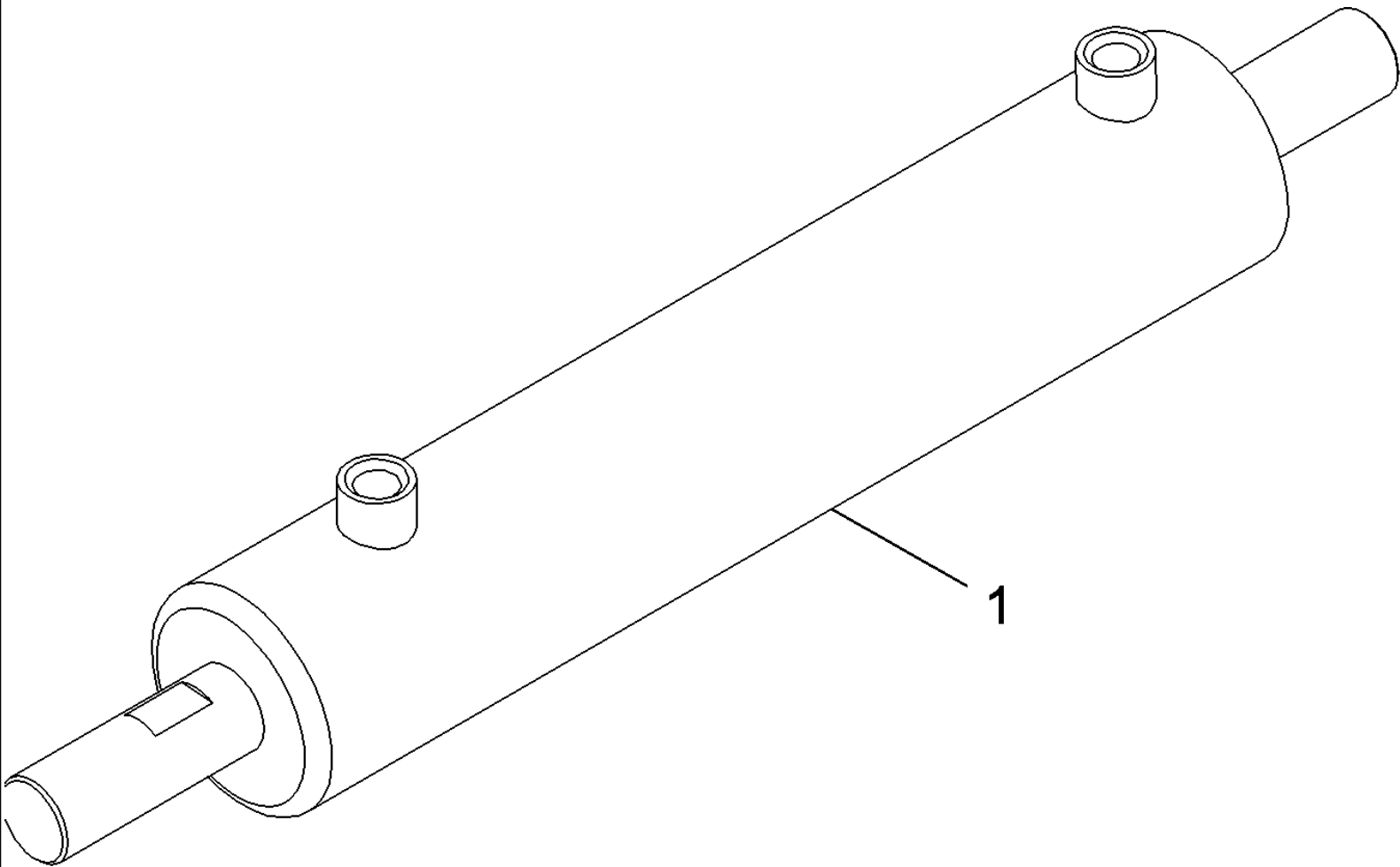
сылка	Номер детали	Кол-во	Описание
51	238-6012	1	O-RING, -012, 90 Duro, .364" ID x .070" Thk,
52	398769A1	1	HOSE, FLEXIBLE, 1670 mm (65-3/4")
53	398768A1	1	HOSE, FLEXIBLE, 1740 mm (68-1/2")
54	L18331	2	STRAP, CABLE, 15"



2388 CASE IH AXIAL-FLOW COMBINE (NA) BTW HAJ0292001 & HAJ0300000 (10/04-)

05-19 CYLINDER ASSY - STEERING, SINGLE CYLINDER APPLICATIONS

сылка	Номер детали	Кол-во	Описание
1	87337226	1	CYLINDER,
	87364276	1	KIT, SERVICE, Seals

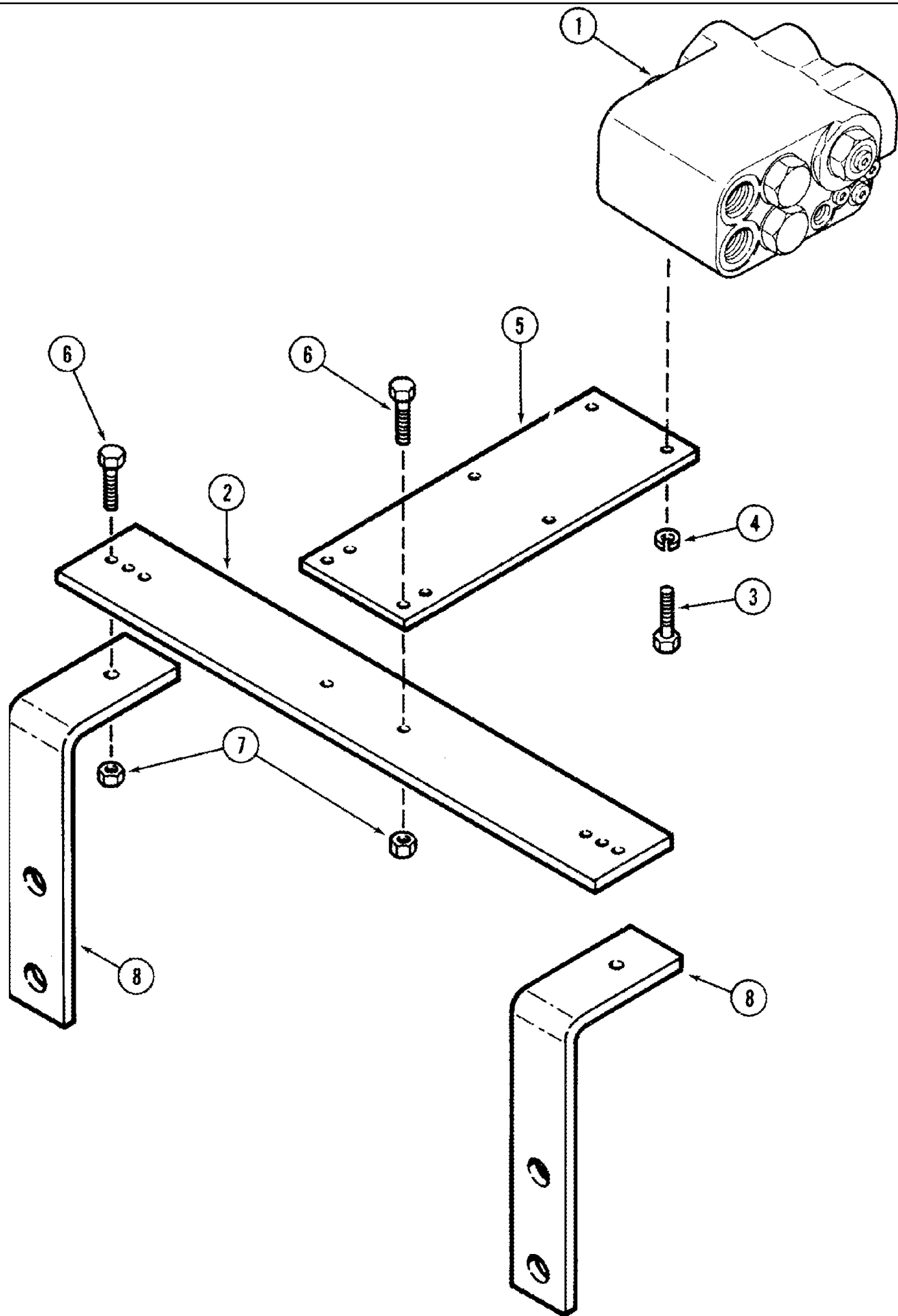


2388 CASE IH AXIAL-FLOW COMBINE (NA) BTW HAJ0292001 & HAJ0300000 (10/04-)

05-20 CYLINDER ASSY - STEERING - POWER GUIDE AXLE- DUAL CYLINDER APPLICATIONS

сылка	Номер детали	Кол-во	Описание
1	87337229 87364302	1 1	CYLINDER, KIT, SEALS,

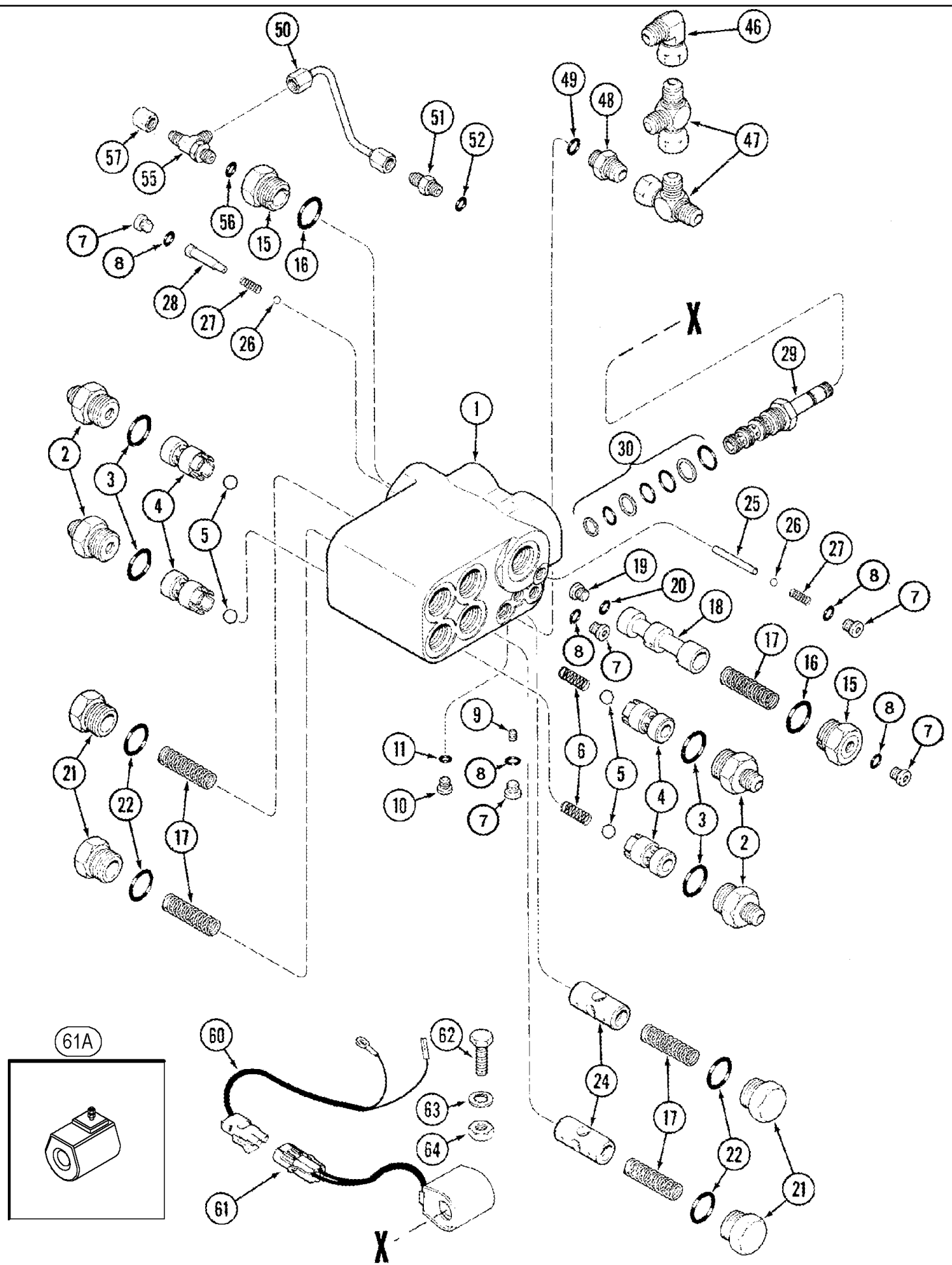
05-22 VALVE, SELECTOR CONTROL - MOUNTING - POWER GUIDE AXLE



05-22 VALVE, SELECTOR CONTROL - MOUNTING - POWER GUIDE AXLE

сылка	Номер детали	Кол-во	Описание
1	REF	1	INSTRUCTION, Valve, Control, See Figure(s) 05-23, 05-24
2	1324455C2	1	PLATE,
3	426-624	2	BOLT, Hex, 3/8"-16 x 1 1/2", G8,
4	492-11038	2	WASHER, LOCK, 3/8",
5	1324454C4	1	PLATE,
6	426-616	4	BOLT, Hex, 3/8"-16 x 1", G8, Full Thd,
7	232-4116	4	NUT, LOCK, 3/8"-16, GC,
8	1324471C1	2	BRACKET,

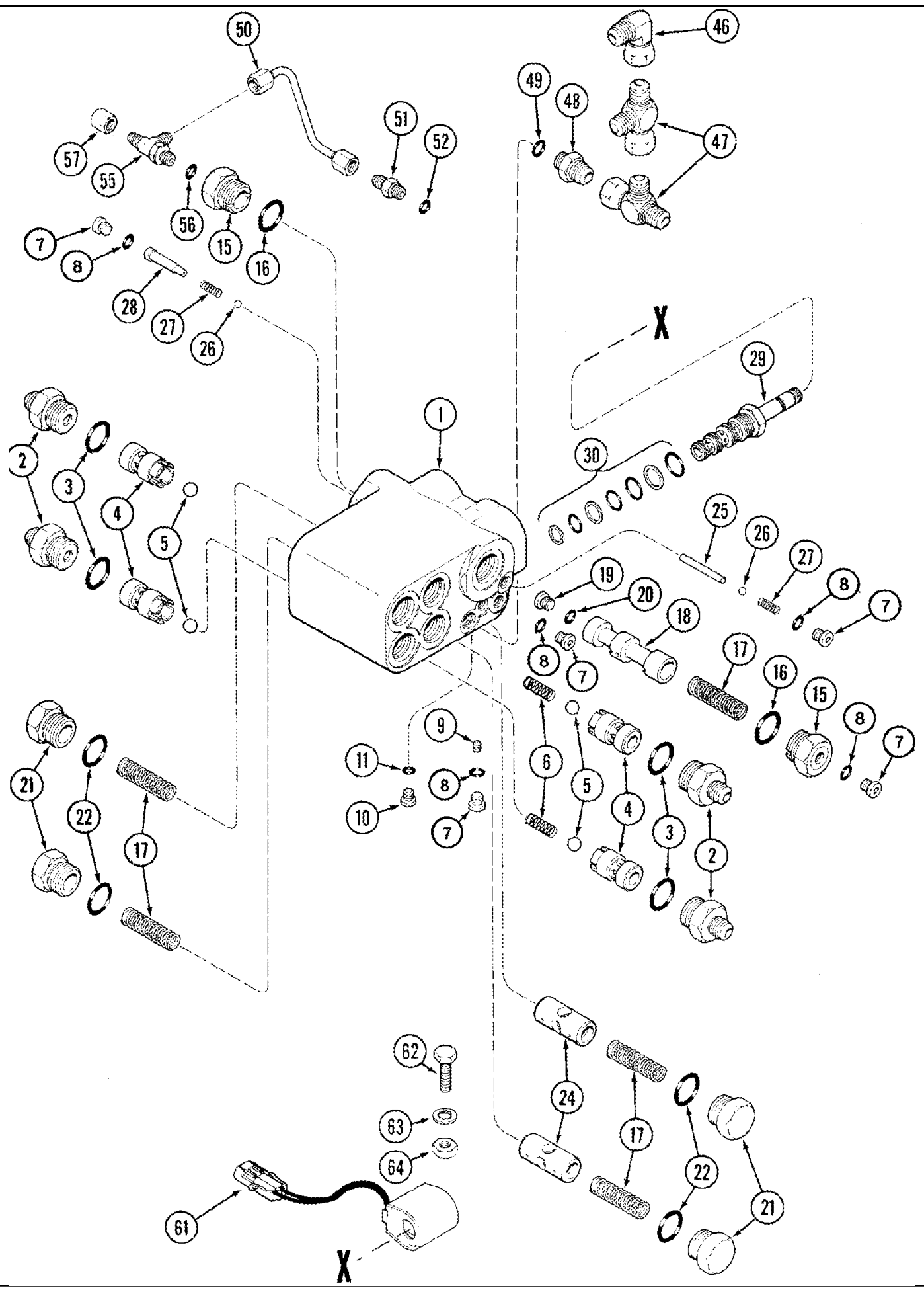
05-23 VALVE, SELECTOR CONTROL - POWER GUIDE AXLE - CORN AND GRAIN COMBINE



05-23 VALVE, SELECTOR CONTROL - POWER GUIDE AXLE - CORN AND GRAIN COMBINE

сылка	Номер детали	Кол-во	Описание
	1978000C1	1	VALVE, Selector, Rear Wheel Assist, Includes 1 - 30, 60 - 64
1	NSS	1	NOT SERVICED SEPARATELY, Body, Order 1978000C1
2	218-5070	4	CONNECTOR, HYD., 3/4"-16, 37e x 1 1/16"-12, O-Ring, Includes 3
3	237-6012	1	O-RING, 12-1, 90 Duro, .924 ID x .118" Thk,
4	NSS	4	NOT SERVICED SEPARATELY, Seat, Check Ball
5	NSS	4	NOT SERVICED SEPARATELY, 9/16" dia, Ball, Check
6	NSS	2	NOT SERVICED SEPARATELY, Spring, Check, Reverse
7	278548	6	PLUG, Hex Soc, 7/16"-20 ORB, Incl. 8
8	237-6004	1	O-RING, 4-1, 90 Duro, .351" ID x .072" Thk,
9	NSS	1	NOT SERVICED SEPARATELY, Orifice
10	218-5151	1	PLUG, Hex Hd, 5/16"-24 ORB, Includes 11
11	237-6002	1	O-RING, 2-1, .239" ID x .064" Thk,
15	1970176C1	2	PLUG,
16	237-6012	2	O-RING, 12-1, 90 Duro, .924 ID x .118" Thk,
17	NSS	5	NOT SERVICED SEPARATELY, Spring, Flow Divider and Selector Spool
18	NSS	1	NOT SERVICED SEPARATELY, Spool, Selector
19	NSS	1	NOT SERVICED SEPARATELY, Plug
20	237-6004	1	O-RING, 4-1, 90 Duro, .351" ID x .072" Thk,
21	1979118C1	4	PLUG,
22	237-6012	4	O-RING, 12-1, 90 Duro, .924 ID x .118" Thk,
24	NSS	2	NOT SERVICED SEPARATELY, Spool, Flow Divider
25	NSS	1	NOT SERVICED SEPARATELY, Pin, Dowel
26	211-1010	2	BALL, 5/16" Dia, 24, CRS
27	NSS	2	NOT SERVICED SEPARATELY, Spring, Shuttle, Low Priority
28	NSS	1	NOT SERVICED SEPARATELY, Spacer
29	187849C1	1	VALVE, SOLENOID, 4-Way, Cartridge Only, Includes 30
30	187850C1	1	KIT, SEALS,
46	218-5230	1	ELBOW, 90e, 3/4"-16, 37e x 3/4"-16, 37e Fem Sw,
47	218-845	2	TEE, 37e, 3/4"-16 x 3/4"-16, Fem Sw Run,
48	218-5351	1	CONNECTOR, HYD., 3/4"-16, 37e x 9/16"-18, O-Ring, Includes 49
49	237-6006	1	O-RING, 6-1, 90 Duro, .468" ID x .078" Thk,
50	1970140C1	1	TUBE, HYD, Charge Pressure
51	218-5053	1	CONNECTOR, HYD., 7/16"-20, 37e x 7/16"-20, O-Ring, Includes 52
52	237-6004	1	O-RING, 4-1, 90 Duro, .351" ID x .072" Thk,
55	218-5289	1	TEE, 7/16"-20, 37e x 7/16"-20, O-Ring Run, Includes 56
56	237-6004	1	O-RING, 4-1, 90 Duro, .351" ID x .072" Thk,
57	218-752	1	CAP, 37e, 7/16"-20,
61	1340843C1	1	COIL, 12V, Two Wire
62	413-616	1	BOLT, Hex, 3/8"-16 x 1", G5, Full Thd,
63	493-11039	1	WASHER, LOCK, 3/8", Int-Ext Tooth,
64	425-106	1	NUT, 3/8"-16, G5,

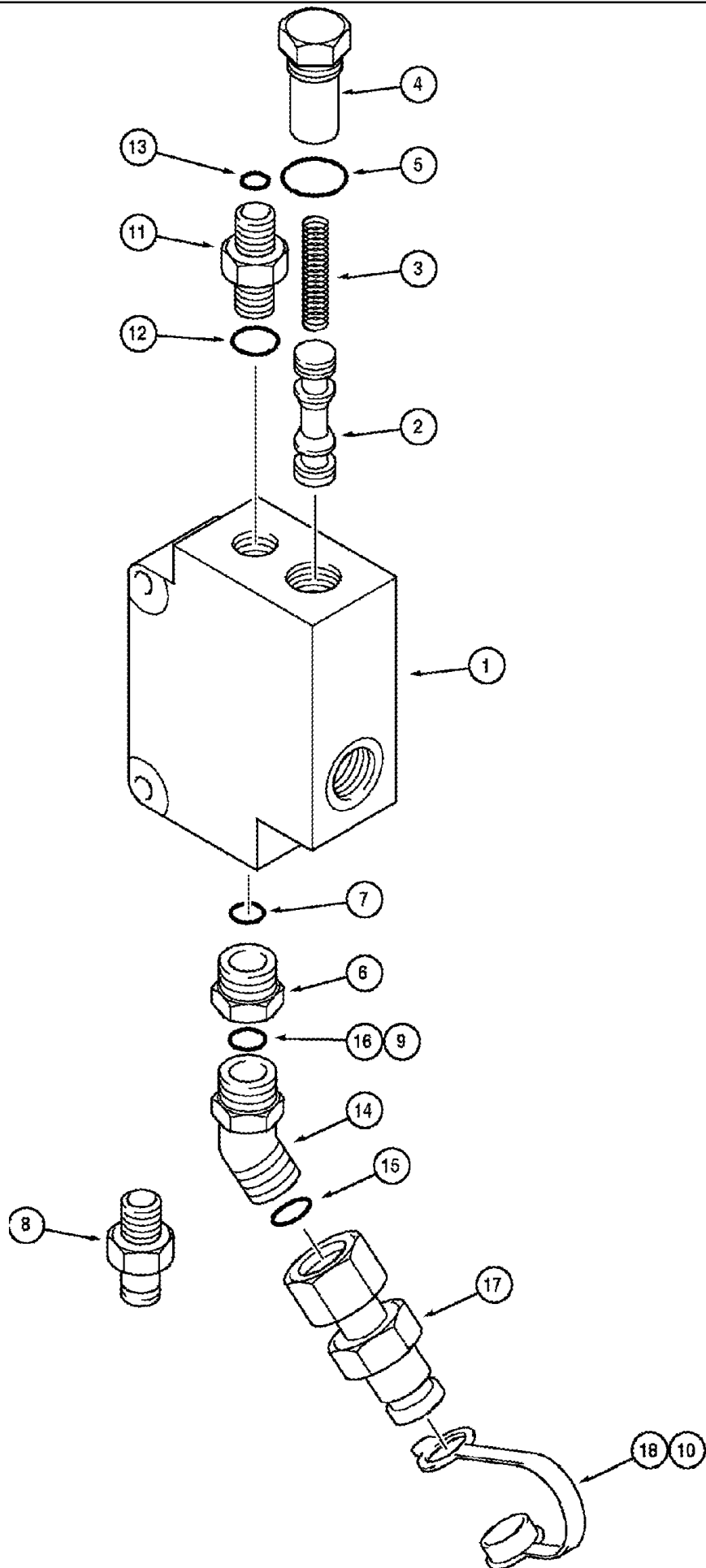
05-23A VALVE, SELECTOR CONTROL - POWER GUIDE AXLE - RICE COMBINE



05-23A VALVE, SELECTOR CONTROL - POWER GUIDE AXLE - RICE COMBINE

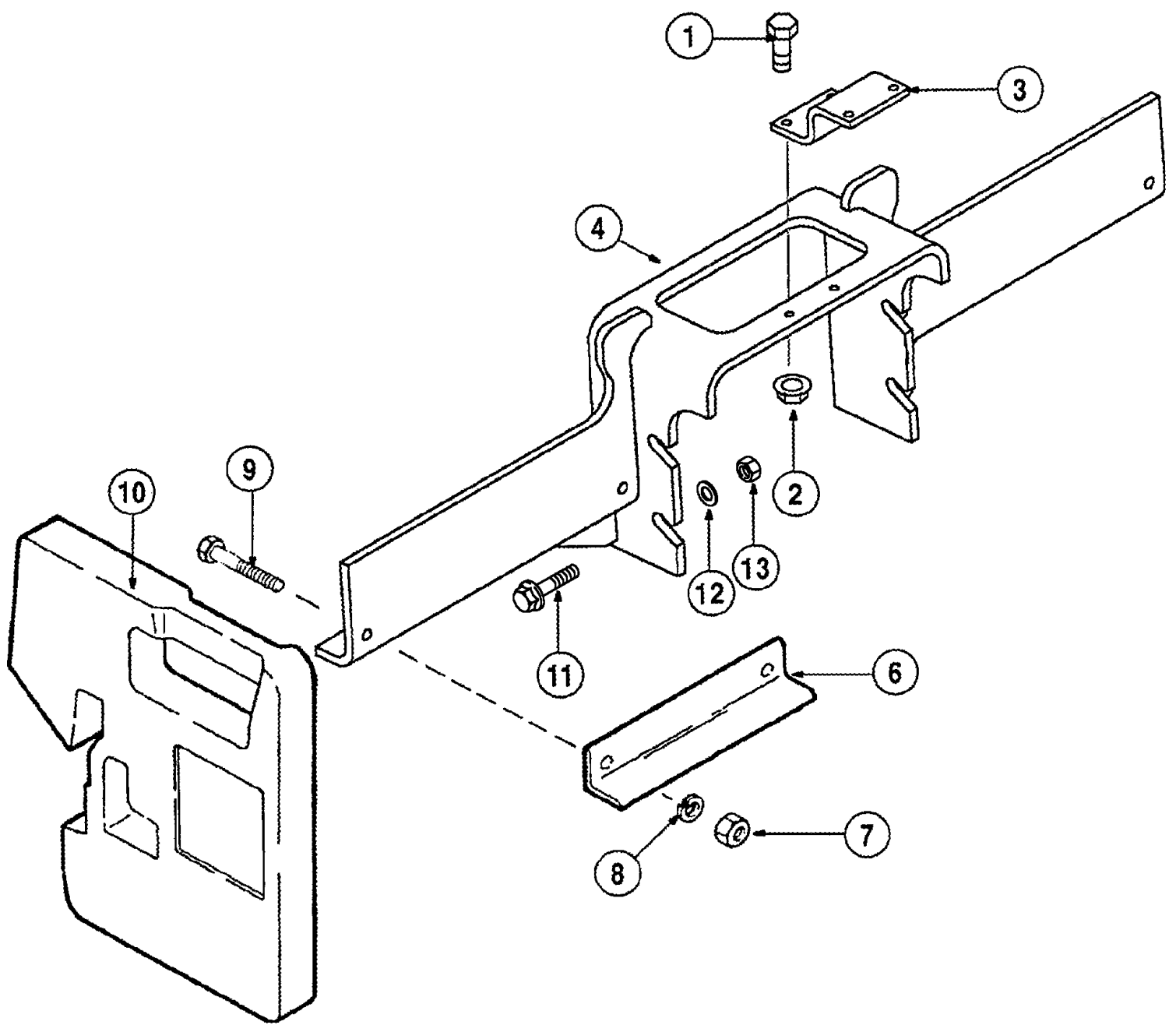
сылка	Номер детали	Кол-во	Описание
	1347194C1	1	VALVE, Selector, Rear Wheel Assist, Includes 1 - 30
1	NSS	1	NOT SERVICED SEPARATELY, Body, Order 1347194C1
2	218-5070	4	CONNECTOR, HYD., 3/4"-16, 37e x 1 1/16"-12, O-Ring, Includes 3
3	237-6012	1	O-RING, 12-1, 90 Duro, .924 ID x .118" Thk,
4	NSS	4	NOT SERVICED SEPARATELY, Seat, Check Ball
5	NSS	4	NOT SERVICED SEPARATELY, 9/16" dia, Ball, Check
6	NSS	2	NOT SERVICED SEPARATELY, Spring, Check, Reverse
7	278548	6	PLUG, Hex Soc, 7/16"-20 ORB, Incl. 8
8	237-6004	1	O-RING, 4-1, 90 Duro, .351" ID x .072" Thk,
9	NSS	1	NOT SERVICED SEPARATELY, Orifice
10	218-5151	1	PLUG, Hex Hd, 5/16"-24 ORB, Includes 11
11	237-6002	1	O-RING, 2-1, .239" ID x .064" Thk,
15	1970176C1	2	PLUG,
16	237-6012	2	O-RING, 12-1, 90 Duro, .924 ID x .118" Thk,
17	NSS	5	NOT SERVICED SEPARATELY, Spring, Flow Divider and Selector Spool
18	NSS	1	NOT SERVICED SEPARATELY, Spool, Selector
19	NSS	1	NOT SERVICED SEPARATELY, Plug
20	237-6004	1	O-RING, 4-1, 90 Duro, .351" ID x .072" Thk,
21	1979118C1	4	PLUG,
22	237-6012	4	O-RING, 12-1, 90 Duro, .924 ID x .118" Thk,
24	NSS	2	NOT SERVICED SEPARATELY, Spool
25	NSS	1	NOT SERVICED SEPARATELY, Pin, Dowel
26	211-1010	2	BALL, 5/16" Dia, CRS, Flow Divider
27	NSS	2	NOT SERVICED SEPARATELY, Spring, Shuttle, Low Priority
28	NSS	1	NOT SERVICED SEPARATELY, Spacer
26	211-1010	2	BALL, 5/16" Dia, 24, CRS
27	NSS	2	NOT SERVICED SEPARATELY, Spring, Shuttle, Low Priority
28	NSS	1	NOT SERVICED SEPARATELY, Spacer
29	187849C1	1	VALVE, SOLENOID, 4-Way, Cartridge Only, Includes 30
30	187850C1	1	KIT, SEALS,
46	218-5230	1	ELBOW, 90e, 3/4"-16, 37e x 3/4"-16, 37e Fem Sw,
47	218-845	2	TEE, 37e, 3/4"-16 x 3/4"-16, Fem Sw Run,
48	218-5351	1	CONNECTOR, HYD., 3/4"-16, 37e x 9/16"-18, O-Ring, Includes 49
49	237-6006	1	O-RING, 6-1, 90 Duro, .468" ID x .078" Thk,
50	1970140C1	1	TUBE, HYD, Charge Pressure
51	218-5053	1	CONNECTOR, HYD., 7/16"-20, 37e x 7/16"-20, O-Ring, Includes 52
52	237-6004	1	O-RING, 4-1, 90 Duro, .351" ID x .072" Thk,
55	218-5289	1	TEE, 7/16"-20, 37e x 7/16"-20, O-Ring Run, Includes 56
56	237-6004	1	O-RING, 4-1, 90 Duro, .351" ID x .072" Thk,
57	218-752	1	CAP, 37e, 7/16"-20,
61	1340843C1	1	COIL, 12V, Two Wire
62	413-616	1	BOLT, Hex, 3/8"-16 x 1", G5, Full Thd,
63	493-11039	1	WASHER, LOCK, 3/8", Int-Ext Tooth,
64	425-106	1	NUT, 3/8"-16, G5,

05-24 VALVE ASSY - STEERING PRIORITY



05-24 VALVE ASSY - STEERING PRIORITY

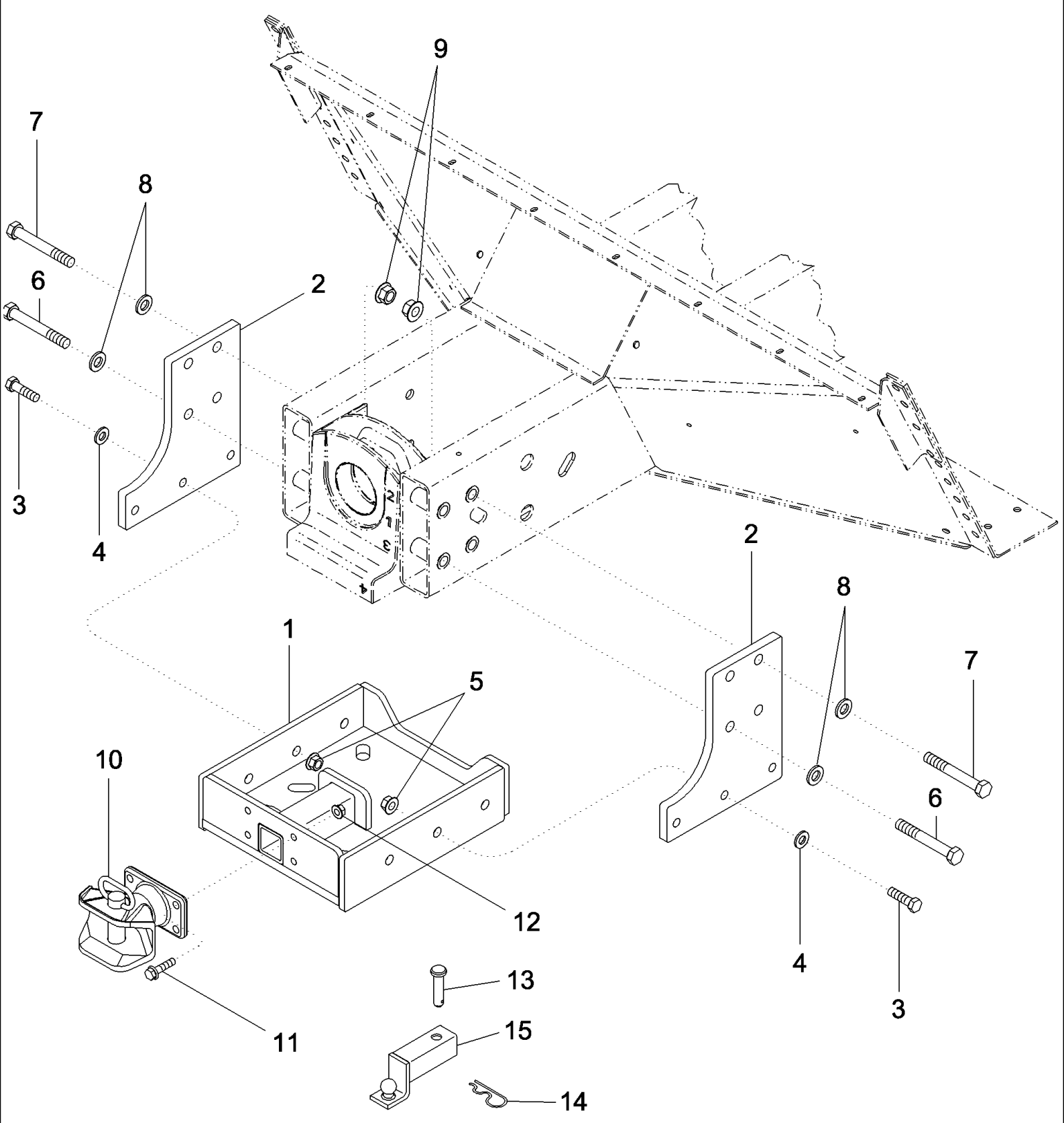
сылка	Номер детали	Кол-во	Описание
	114851A2	1	VALVE, Steering, Includes 1 - 10D
1	NSS	1	NOT SERVICED SEPARATELY, Body
2	NSS	1	NOT SERVICED SEPARATELY, Spool
3	192146A1	1	SPRING,
4	192145A1	1	PLUG, Includes 5
5	237-6008	1	O-RING, 8-1, 90 Duro, .644" ID x .087" Thk,
6	192149A1	1	FITTING, Includes 7
7	237-6008	1	O-RING, 8-1, 90 Duro, .644" ID x .087" Thk,
8	1541849C1	1	COUPLING, Diagnostic, Includes 9, 10
9	237-6006	1	O-RING, 6-1, 90 Duro, .468" ID x .078" Thk,
10	H434163	1	DUST CAP,
	230984A1	1	KIT, Screen and Orifice, Includes 10A - 10D
10A	NSS	1	NOT SERVICED SEPARATELY, Orifice, Spool, Not Illustrated
10B	NSS	1	NOT SERVICED SEPARATELY, Orifice, Spool, Not Illustrated
10C	NSS	2	NOT SERVICED SEPARATELY, Screen, Spool, Not Illustrated
10D	NSS	1	NOT SERVICED SEPARATELY, O-Ring
11	128328A1	1	FITTING, With Orifice Check Valve, Includes 12, 13
12	237-6008	1	O-RING, 8-1, 90 Duro, .644" ID x .087" Thk,
13	238-6012	1	O-RING, -012, 90 Duro, .364" ID x .070" Thk,
14	201-328	1	ELBOW, 45e, 9/16"-18 x 9/16"-18, Adj, ORFS, Includes 15, 16
15	238-6011	1	O-RING, -011, 90 Duro, .301" ID x .070" Thk,
16	237-6006	1	O-RING, 6-1, 90 Duro, .468" ID x .078" Thk,
17	190117A1	1	COUPLING, Diagnostic, Inc. 18
18	H434163	1	DUST CAP,



05-26 AXLE, STEERING - WEIGHTS - 16 WEIGHTS

сылка	Номер детали	Кол-во	Описание
1	413-620	4	BOLT, Hex, 3/8"-16 x 1 1/4", G5, Full Thd,
2	231-5146	4	NUT, Flg, USR, 3/8"-16,
3	406560A1	1	SUPPORT, Valve Mounting
4	431785A1	1	SUPPORT,
6	193442A2	2	BRACKET,
7	231-4248	4	NUT, LOCK, 1/2"-13, GB,
8	80679	4	WASHER, LOCK, 1/2",
9	413-840	4	BOLT, Hex, 1/2"-13 x 2 1/2", G5,
10	NSS	AR	NOT SERVICED SEPARATELY, Weight, 100 lb, Order From Machinery Price List
11	9602203	8	BOLT, Hex, 3/4"-10 x 5", G8,
12	496-21081	4	WASHER, 13/16" x 1 1/2" x .179", HDN,
13	87301494	4	NUT, Flg, USR, 3/4"-10, G8,

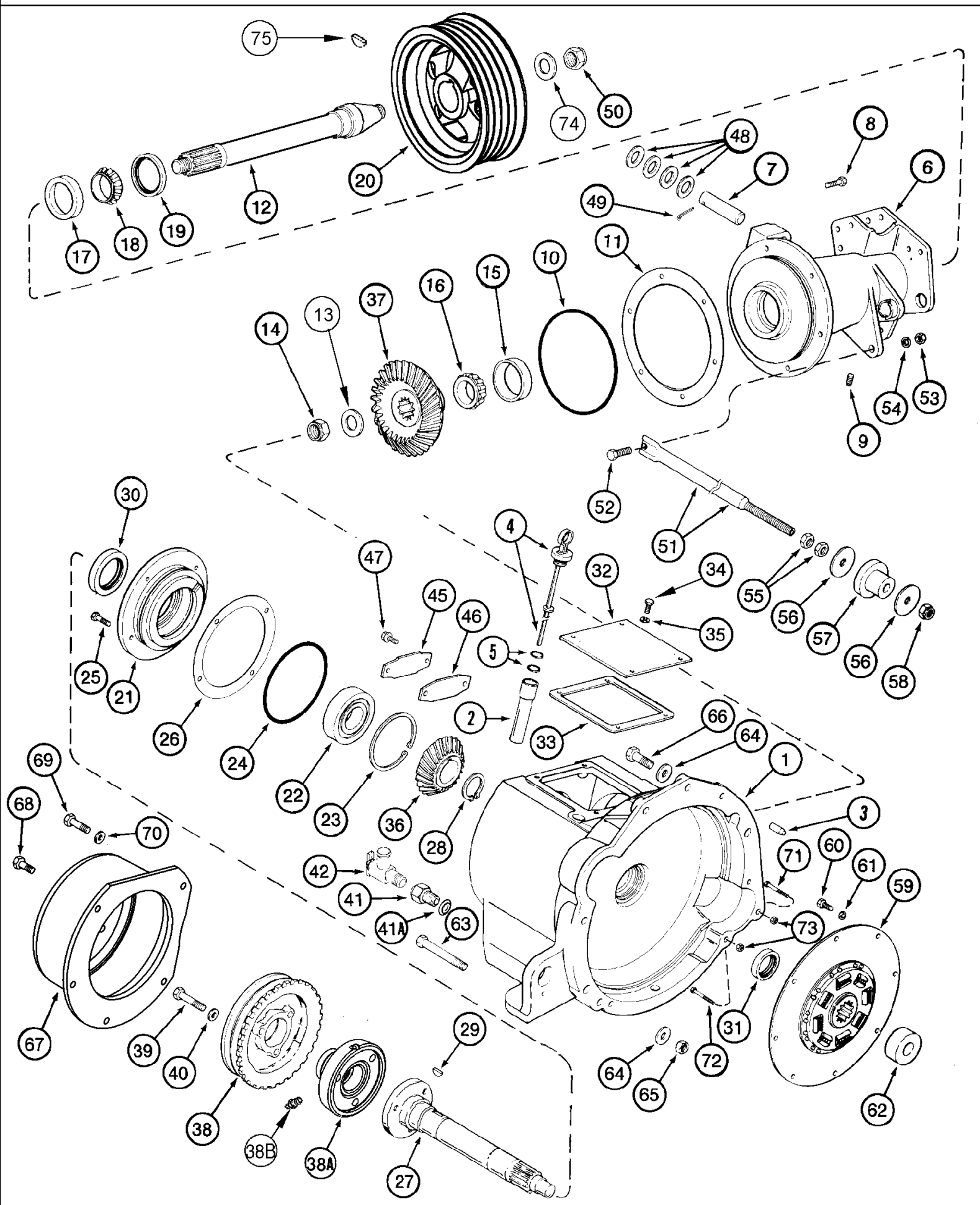
05-27 HITCH, TRAILER



05-27 HITCH, TRAILER

сылка	Номер детали	Кол-во	Описание
	86993039	1	KIT, Hitch, Position 1 & 2, Includes 1 - 9
1	86993033	1	BASE, Hitch
2	86993035	2	PLATE, Position No. 1 & 2
2	86993036	2	PLATE, Position No. 3
2	86993037	2	PLATE, Position No. 4
3	426-1036	6	BOLT, Hex, 5/8"-11 x 2 1/4", G8,
4	496-21066	6	WASHER, 21/32" x 1 5/16" x .150",
5	87301493	6	NUT, Flg, USR, 5/8"-11, G8,
6	426-1296	2	BOLT, Hex, 3/4"-10 x 6", G8,
7	426-1288	6	BOLT, Hex, 3/4"-10 x 5 1/2", G8,
8	496-21081	8	WASHER, 13/16" x 1 1/2" x .179", HDN,
9	87301494	8	NUT, Flg, USR, 3/4"-10, G8,
10	1311089C91	1	HOOK,
11	409-7832	4	BOLT, Hex Flg, 1/2"-13 x 2", Serr,
12	231-5148	4	NUT, Flg, USR, 1/2"-13,
13	87429479	1	HITCH ASSY, Ball Mount
14	87024650	1	PIN, HEADED,
15	486830R1	1	PIN, SPLIT (COTTER),

06-01 POWER TAKEOFF DRIVE



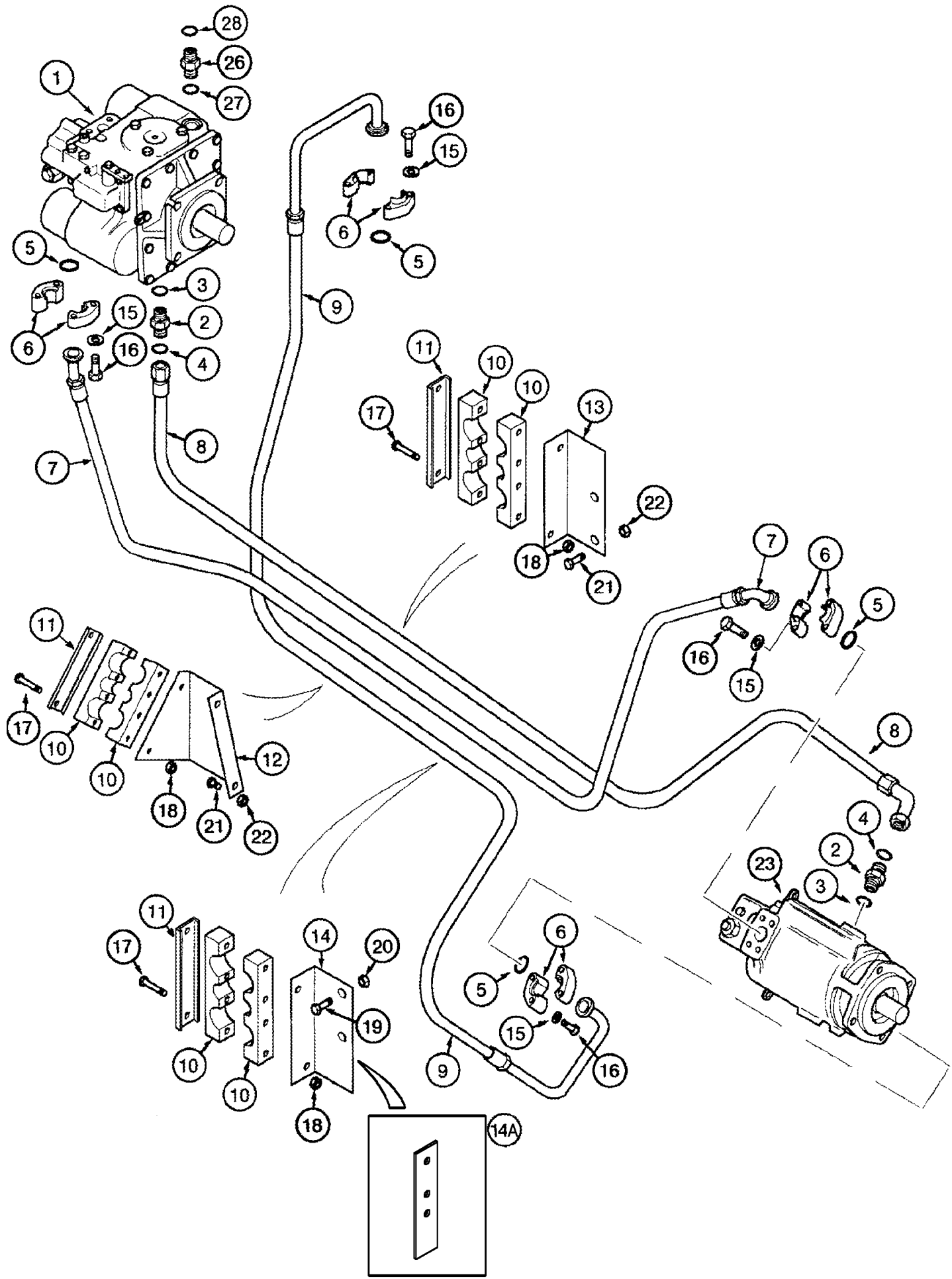
06-01 POWER TAKEOFF DRIVE

сылка	Номер детали	Кол-во	Описание
	365420A1	1	GEARBOX, Includes 1 - 19, 21 - 42
1	255400A2	1	HOUSING, Power Takeoff (PTO) Drive, Includes 2, 3
2	188072C1	1	TUBE,
3	1330136C1	2	DOWEL,
4	186019C91	1	DIPSTICK, Includes 5,
5	238-5210	2	O-RING, -210, 70 Duro, .734" ID x .139" Thk,
	364578A1	1	HOUSING, Separator Drive, Includes 6, 7
6	364406A1	1	HOUSING,
7	195439C2	1	PIN, Clutch Housing
8	426-620	6	BOLT, Hex, 3/8"-16 x 1 1/4", G8, Full Thd,
9	50057K	1	PLUG, Separator Housing
10	238-6266	1	O-RING, -266, 90 Duro, 7.984" ID x .139" Thk,
	188195C1	1	KIT, SHIM, Includes 11, Separator Drive Housing
11	NSS	AR	NOT SERVICED SEPARATELY, .005", Shim
11	NSS	AR	NOT SERVICED SEPARATELY, .007", Shim
11	NSS	AR	NOT SERVICED SEPARATELY, .010", Shim
11	NSS	AR	NOT SERVICED SEPARATELY, .030", Shim
12	362722A1	1	SHAFT, Pulley, Separator Drive
13	396-11131	1	WASHER, 1 5/16" x 2 1/2" x .150",
14	371747A1	1	NUT, LOCK, 1-1/4" NF
15	A75210	1	BEARING, CUP,
16	A75211	1	BEARING, CONE,
17	376463C1	1	BEARING, ROLLER, TAPERED, 3-1/4" OD
18	364463C91	1	BEARING, CONE,
19	194051C1	1	SEAL, Oil, Separator Housing
20	364019A2	1	PULLEY, 11" OD, Drive
21	192817C2	1	HUB, Drive Shaft Bearing Housing
22	1541766C1	1	BEARING, BALL, 4-23/32" OD, Drive Shaft, Standard
23	100-22475	1	RING, SNAP, 4.78", Int, #475,
24	238-6260	1	O-RING, -260, 90 Duro, 6.484" ID x .139" Thk,
25	426-620	4	BOLT, Hex, 3/8"-16 x 1 1/4", G8, Full Thd,
	188196C1	1	KIT, SHIM, Includes 26, PTO Drive Shaft Housing
26	NSS	AR	NOT SERVICED SEPARATELY, .030", Shim
26	NSS	AR	NOT SERVICED SEPARATELY, .010", Shim
26	NSS	AR	NOT SERVICED SEPARATELY, .007", Shim
26	NSS	AR	NOT SERVICED SEPARATELY, .005", Shim
27	192816C2	1	SHAFT,
28	100-12200	1	RING, SNAP, #200, Ext,
29	126-176	1	WOODRUFF KEY, #128, 5/16" x 2 1/8", HT,
30	173133C91	1	SEAL, 3-5/8" OD, Pump Housing End
31	173559C92	1	SEAL, 2-5/8" OD, Drive Plate End
32	192275C1	1	COVER,
33	191830C2	1	GASKET,
34	413-612	4	BOLT, Hex, 3/8"-16 x 3/4", G5, Full Thd,
35	492-11038	4	WASHER, LOCK, 3/8",

06-01 POWER TAKEOFF DRIVE

сылка	Номер детали	Кол-во	Описание
	364579A1	1	GEAR SET, Includes 36, 37, Separator Drive, Matched Set
36	NSS	1	NOT SERVICED SEPARATELY, 31T, Gear
37	NSS	1	NOT SERVICED SEPARATELY, 41T, Gear
38	1330488C1	1	PULLEY, 8.85 OD, Drive, Auxiliary Pump, Also See Figure 08-08, For Hub
38A	196482C3	1	HUB, Drive Pulley
38B	219-87	1	NIPPLE, LUBE, 1/4"-28 x .56" lg, Self-Tap,
39	426-840	3	BOLT, Hex, 1/2"-13 x 2 1/2", G8,
40	495-11053	3	WASHER, 1/2", SAE,
41	280482A1	1	ADAPTER, 1-5/16" PT x 3/8" fem, Includes 41A
41A	237-6016	1	O-RING, 16-1, 90 Duro, 1.171" ID x .118" Thk,
42	301803R1	1	VALVE, SHUT-OFF, PTO Drain
45	185056C1	1	COVER, Bolt Access Hole
46	185057C2	1	GASKET,
47	409-7612	2	BOLT, Hex Flg, 3/8"-16 x 3/4", Serr,
48	495-81073	4	WASHER, 1 1/32" x 1 3/4" x .060",
49	432-1624	1	PIN, SPLIT (COTTER), 1/4" x 1 1/2",
50	371747A1	1	NUT, LOCK, 1-1/4"
51	1315648C1	1	ROD,
52	413-824	1	BOLT, Hex, 1/2"-13 x 1 1/2", G5, Full Thd,
53	425-108	1	NUT, 1/2"-13, G5,
54	80679	1	WASHER, LOCK, 1/2",
55	425-1510	2	NUT, Jam, 5/8"-18, G5,
56	107813R1	2	WASHER, 21/32" x 2-1/2" x 11/64"
57	194915C2	1	ISOLATOR,
58	231-46110	1	NUT, LOCK, 5/8"-18, GB,
59	184429C2	1	DISC, CLUTCH, PTO Drive
60	326-612	8	BOLT, Hex, 3/8"-16 x 3/4", G8, Full Thd,
61	492-21038	8	WASHER, LOCK, 3/8",
62	1324896C2	1	BUSHING, Flywheel, Power Takeoff
63	413-1064	4	BOLT, Hex, 5/8"-11 x 4", G5,
64	496-41066	6	WASHER, 21/32" x 1 1/2" x .188", HDN,
65	425-1010	4	NUT, 5/8"-11, G5,
66	413-1028	2	BOLT, Hex, 5/8"-11 x 1 3/4", G5,
67	1303141C3	1	HOUSING, Hydrostatic Pump
68	413-820	3	BOLT, Hex, 1/2"-13 x 1 1/4", G5, Full Thd,
69	413-828	2	BOLT, Hex, 1/2"-13 x 1 3/4", G5,
70	283856C1	2	WASHER, 17/32" x 1" x 3/16"
71	413-652	1	BOLT, Hex, 3/8"-16 x 3 1/4", G5,
72	413-660	1	BOLT, Hex, 3/8"-16 x 3 3/4", G5,
73	425-106	2	NUT, 3/8"-16, G5,
74	396-11131	1	WASHER, 1 5/16" x 2 1/2" x .150",
75	126-179	1	WOODRUFF KEY, #V, 1/2" x 2 3/4", HT,

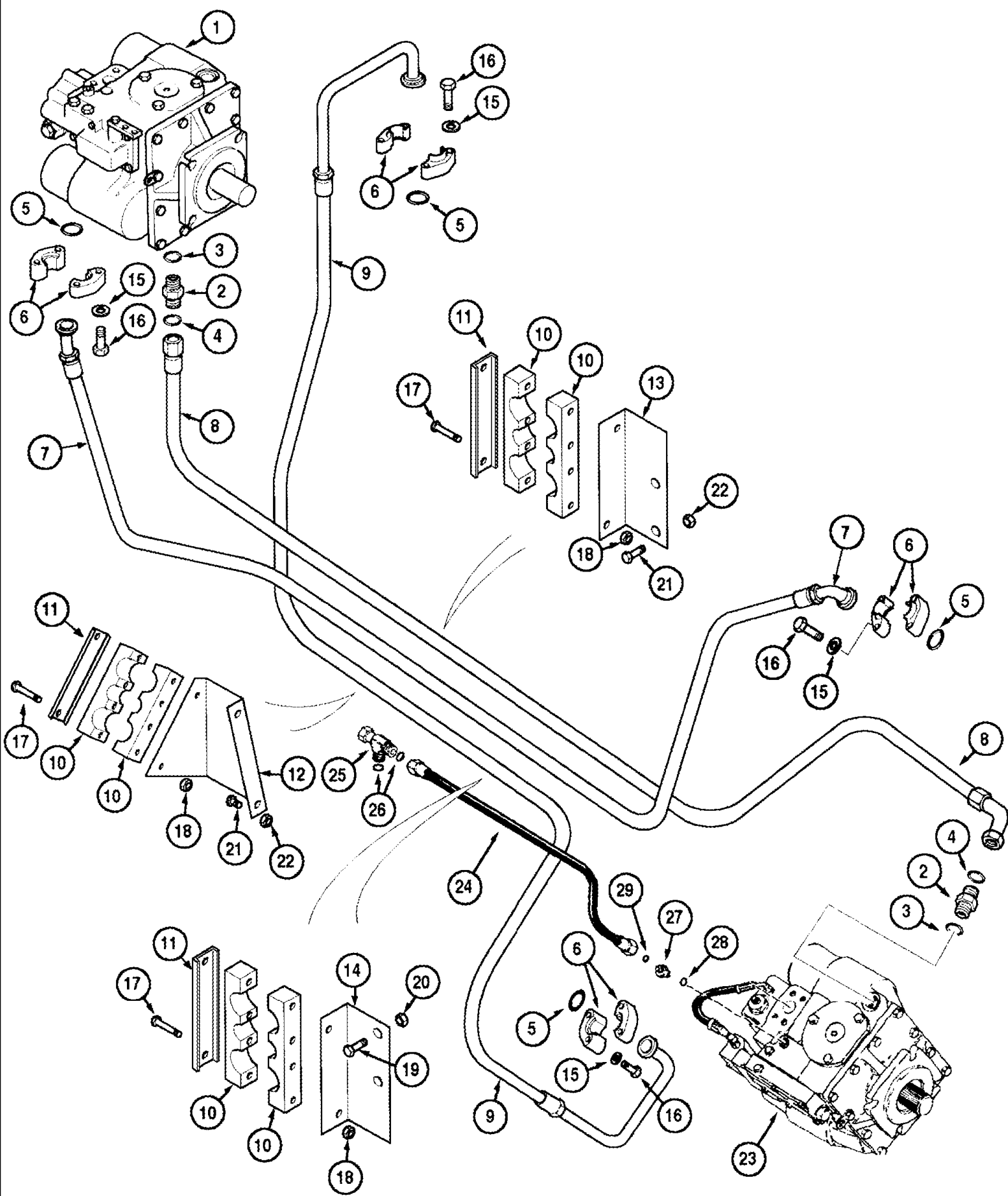
06-02 HYDROSTATICS - PUMP AND MOTOR - SINGLE SPEED MOTOR



06-02 HYDROSTATICS - PUMP AND MOTOR - SINGLE SPEED MOTOR

сылка	Номер детали	Кол-во	Описание
1	400478A1	1	PUMP, HYDROSTATIC, , See Figure 06-08
2	201-130	2	CONNECTOR, HYD., 1 7/16"-12 ORFS x 1 1/16"-12 ORB, Incl. 3, 4
3	237-6012	1	O-RING, 12-1, 90 Duro, .924 ID x .118" Thk,
4	238-6021	1	O-RING, -021, 90 Duro, .926" ID x .070" Thk,
5	238-6219	4	O-RING, -219, 90 Duro, 1.296" ID x .139" Thk,
6	S97224	8	FLANGE, 1", Split Flange
7	443578A1	1	HOSE, 3505 mm (138"), Forward
8	443581A1	1	HOSE, 3902 mm (163-5/8"), Drain
9	443579A1	1	HOSE, 4110 mm (161-7/8"), Reverse
10	221145A1	3	CLAMP, Two Piece
11	224303A1	3	GUIDE, 1-5/16" ID x 1/8" wide, Clamp Backup
12	1979941C1	1	SUPPORT, Hydrostatic Tube, Rear
13	224302A2	1	SUPPORT, Hose Clamp, Middle
14	224301A2	1	SUPPORT, Hose Clamp, Front
14A	427273A1	1	SUPPORT, Hose Clamp
15	492-11044	16	WASHER, LOCK, 7/16",
16	413-728	16	BOLT, Hex, 7/16"-14 x 1 3/4", G5,
17	413-652	6	BOLT, Hex, 3/8"-16 x 3 1/4", G5,
18	231-4146	6	NUT, LOCK, 3/8"-16, GB,
19	409-7516	2	BOLT, Hex Flg, 5/16"-18 x 1", Serr,
20	231-5145	2	NUT, Flg, USR, 5/16"-18,
21	409-7616	6	BOLT, Hex Flg, 3/8"-16 x 1", Serr,
22	231-5146	6	NUT, Flg, USR, 3/8"-16,
23	400475A2	1	MOTOR, HYDROSTATIC, , See Figure 06-13
24	515-23333	1	CLAMP, 1 5/16", Insul, 3/8" Bolt, P-Type, Not Illustrated, Used to Separate Reverse Hydrostatic and Case Drain Hoses
25	515-23381	1	CLAMP, 1 1/2", Insul, 3/8" Bolt, P-Type, Not Illustrated, Used to Separate Reverse Hydrostatic and Case Drain Hoses, BSN HAJ0295001
25	515-23412	1	CLAMP, 1 5/8", Insul, 3/8" Bolt, , ASN HAJ0295001
26	201-130	1	CONNECTOR, HYD., 1 7/16"-12 ORFS x 1 1/16"-12 ORB, Incl. 27, 28
27	237-6012	1	O-RING, 12-1, 90 Duro, .924 ID x .118" Thk,
28	238-6021	1	O-RING, -021, 90 Duro, .926" ID x .070" Thk,

06-03 HYDROSTATICS - PUMP AND MOTOR - TWO SPEED MOTOR

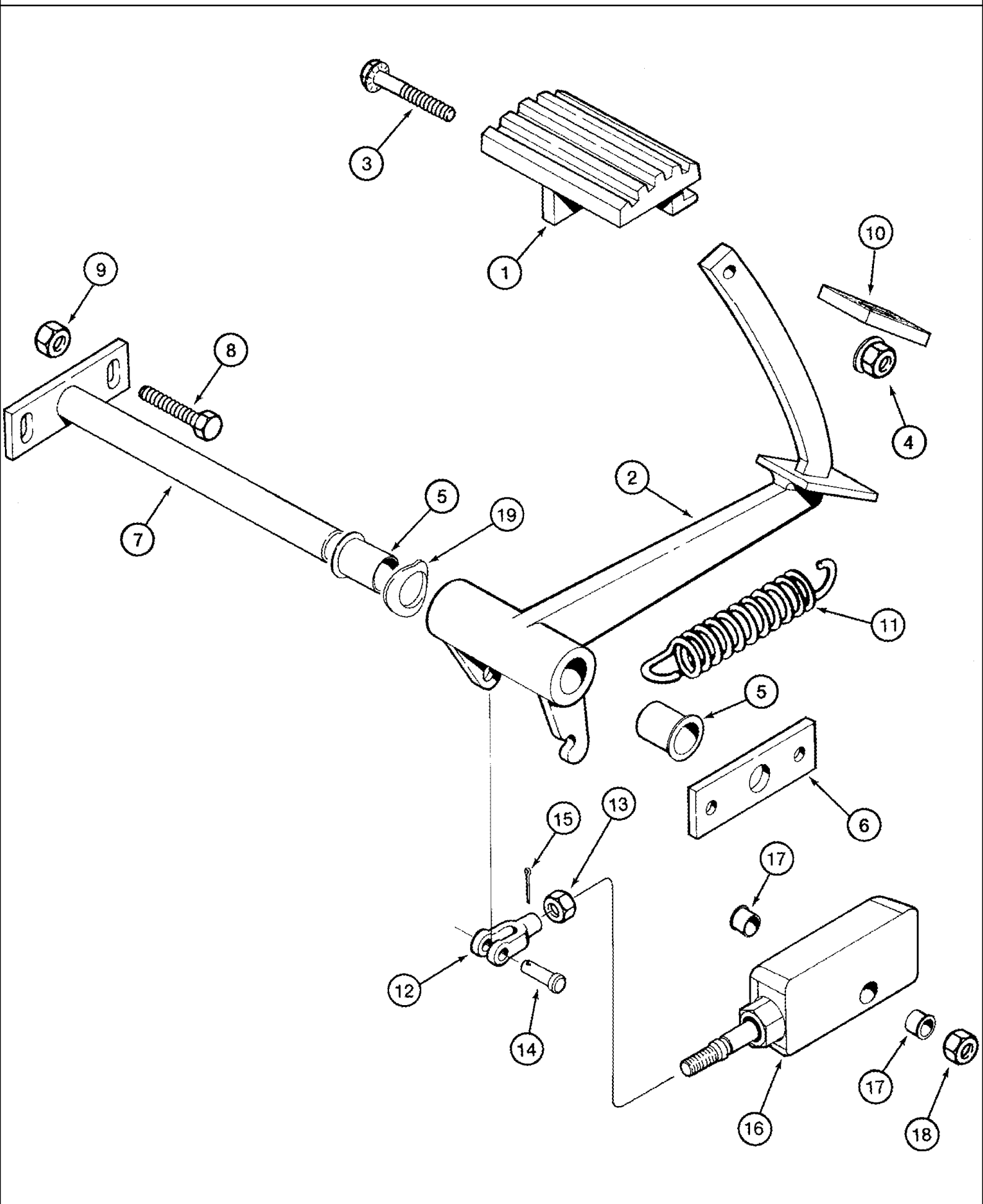


06-03 HYDROSTATICS - PUMP AND MOTOR - TWO SPEED MOTOR

сылка	Номер детали	Кол-во	Описание
1	400478A1	1	PUMP, HYDROSTATIC, , See Figure 06-09, Corn and Grain Combine
1	400479A1	1	PUMP, HYDROSTATIC, , Rice Combine, See Figure 06 -8
2	201-130	2	CONNECTOR, HYD., 1 7/16"-12 ORFS x 1 1/16"-12 ORB, Incl. 3, 4
3	237-6012	1	O-RING, 12-1, 90 Duro, .924 ID x .118" Thk,
4	238-6021	1	O-RING, -021, 90 Duro, .926" ID x .070" Thk,
5	238-6219	4	O-RING, -219, 90 Duro, 1.296" ID x .139" Thk,
6	S97224	8	FLANGE, 1", Split Flange
7	227640A1	1	HOSE, 3455 mm (136"), Forward, Pump to Motor
8	227639A2	1	HOSE, 3705 mm (145-7/8"), Drain, Pump to Motor
9	227641A2	1	HOSE, 4055 mm (159-5/8"), Reverse, Pump to Motor
10	221145A1	3	CLAMP, Two Piece
11	224303A1	3	GUIDE, 1-5/16" ID x 1/8" wide, Clamp Backup
12	1979941C1	1	SUPPORT, Hydrostatic Tube, Rear
13	224302A2	1	SUPPORT, Hose Clamp, Middle
14	224301A2	1	SUPPORT, Hose Clamp, Front
15	492-11044	16	WASHER, LOCK, 7/16",
16	413-728	16	BOLT, Hex, 7/16"-14 x 1 3/4", G5,
17	413-652	6	BOLT, Hex, 3/8"-16 x 3 1/4", G5,
18	231-4146	6	NUT, LOCK, 3/8"-16, GB,
19	409-7516	2	BOLT, Hex Flg, 5/16"-18 x 1", Serr,
20	231-5145	2	NUT, Flg, USR, 5/16"-18,
21	409-7616	4	BOLT, Hex Flg, 3/8"-16 x 1", Serr,
22	231-5146	4	NUT, Flg, USR, 3/8"-16,
23	400476A2	1	MOTOR, HYDROSTATIC, , See Figure 06-15
24	129188A1	1	HOSE, 1170 mm (46-1/8")
25	201-422	1	TEE, 11/16"-16 ORFS x 11/16"-16 Fem Sw Run, Includes 26
26	238-6012	2	O-RING, -012, 90 Duro, .364" ID x .070" Thk,
27	201-100	1	CONNECTOR, HYD., 9/16"-18 ORFS x 7/16"-20 ORB, Includes 28, 29
28	237-6004	1	O-RING, 4-1, 90 Duro, .351" ID x .072" Thk,
29	238-6011	1	O-RING, -011, 90 Duro, .301" ID x .070" Thk,
30	435437A1	6	STRAP, CABLE, 3/16" x 7 1/4", 7", Not Illustrated

Corn, Grain and Rice Combine

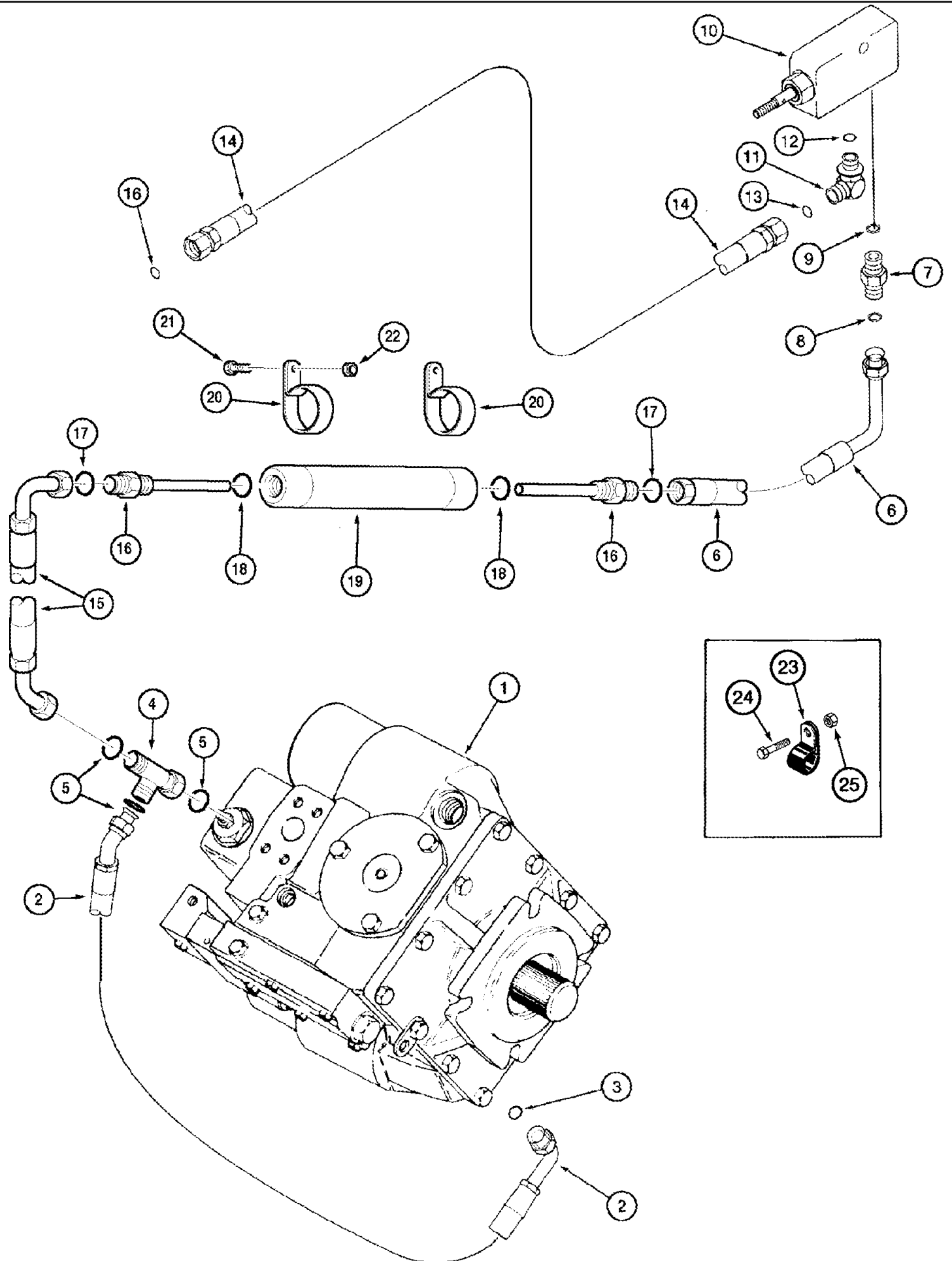
06-04 PEDAL - FOOT-N-INCH



06-04 PEDAL - FOOT-N-INCH

сылка	Номер детали	Кол-во	Описание
1	119902A1	1	PAD,
2	119901A3	1	PEDAL, Foot-N-Inch
3	905-10035	1	BOLT, Hex Serr Flg, M10 x 35,
4	825-51410	1	NUT, M10, Flg Ser,
5	72323	2	BUSHING, Used as a Spacer
6	1281794C1	1	PLATE,
7	120160A2	1	SHAFT,
8	614-8025	4	BOLT, Hex, M8 x 25, 8.8,
9	832-10408	4	NUT, LOCK, M8 x 1.25, Cl 8,
10	120159A1	1	SEAL,
11	182652A1	1	SPRING, 27.9 OD x 122 mm
12	213-125	1	CLEVIS, ADJUSTABLE, 5/16"-24,
13	425-155	1	NUT, Jam, 5/16"-24, G5,
14	327-5094	1	PIN, CLEVIS, 5/16" x .940",
15	432-612	1	PIN, SPLIT (COTTER), 3/32" x 3/4",
16	REF	1	INSTRUCTION, Valve Assy, Foot-N-Inch, See Figure 06-06
17	19-6263	2	BEARING, Valve Pivot
18	425-166	1	NUT, 3/8"-16, G5, Hvy,
19	G49413	1	WASHER,

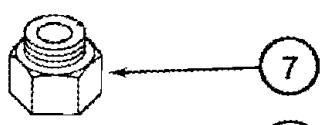
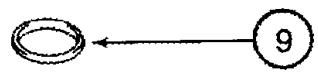
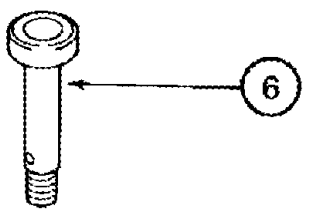
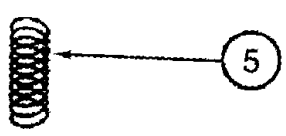
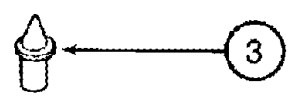
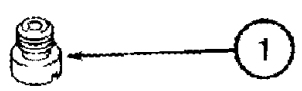
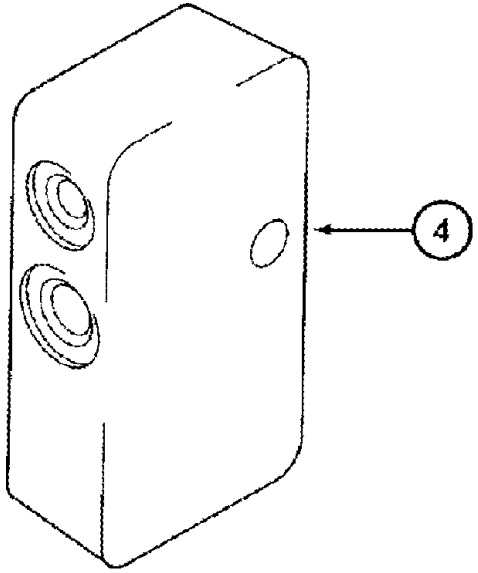
06-05 HYDRAULICS - FOOT-N-INCH VALVE



06-05 HYDRAULICS - FOOT-N-INCH VALVE

сылка	Номер детали	Кол-во	Описание
1	REF	1	INSTRUCTION, MOTOR, Hydrostatic, See Figure(s) 06-13 - 06-16, Two Speed, Illustrated
2	141127A3	1	HOSE, 400 mm (15-3/4"), At Motor Relief Valve
3	238-6011	1	O-RING, -011, 90 Duro, .301" ID x .070" Thk,
4	201-421	1	TEE, 9/16"-18 ORFS x 9/16"-18 Sw Run, Includes 5
5	238-6011	3	O-RING, -011, 90 Duro, .301" ID x .070" Thk,
6	141126A2	1	HOSE, 2800 mm (110-1/4"), Supply, Foot-N-Inch Valve
7	201-100	1	CONNECTOR, HYD., 9/16"-18 ORFS x 7/16"-20 ORB, Includes 8, 9
8	238-6011	1	O-RING, -011, 90 Duro, .301" ID x .070" Thk,
9	237-6004	1	O-RING, 4-1, 90 Duro, .351" ID x .072" Thk,
10	REF	1	INSTRUCTION, VALVE Assy, Foot-N-Inch, See Figure 06-07
11	201-332	1	ELBOW, 90°, 13/16"-16 x 9/16"-18, Adj, ORFS, Includes 12, 13
12	237-6006	1	O-RING, 6-1, 90 Duro, .468" ID x .078" Thk,
13	238-6014	1	O-RING, -014, 90 Duro, .489" ID x .070" Thk,
14	141158A2	1	HOSE, FLEXIBLE, 651 mm (25-5/8"), Return, Foot-N-Inch Valve
15	244209A3	1	HOSE, FLEXIBLE, 620 mm (24-13/32"), Foot-N-Inch Supply to Tube
16	243956A1	2	FITTING, Includes 17, 18
17	238-6011	1	O-RING, -011, 90 Duro, .301" ID x .070" Thk,
18	237-6006	1	O-RING, 6-1, 90 Duro, .468" ID x .078" Thk,
19	242967A1	1	TUBE, Supply, Foot-N-Inch Valve
20	243755A1	2	CLAMP, 1-9/16" ID
21	409-7616	2	BOLT, Hex Flg, 3/8"-16 x 1", Serr,
22	231-5146	2	NUT, Flg, USR, 3/8"-16,
23	515-23206	1	CLAMP, 13/16", Insul, 3/8" Bolt, P-type, For Return Hose
23	515-23159	1	CLAMP, 5/8", Insul, 3/8" Bolt, For Supply Hose
24	614-8025	1	BOLT, Hex, M8 x 25, 8.8,
25	832-10408	1	NUT, LOCK, M8 x 1.25, Cl 8,
26	1327979C1	1	MOLDING, 152 mm (6"), Not Illustrated

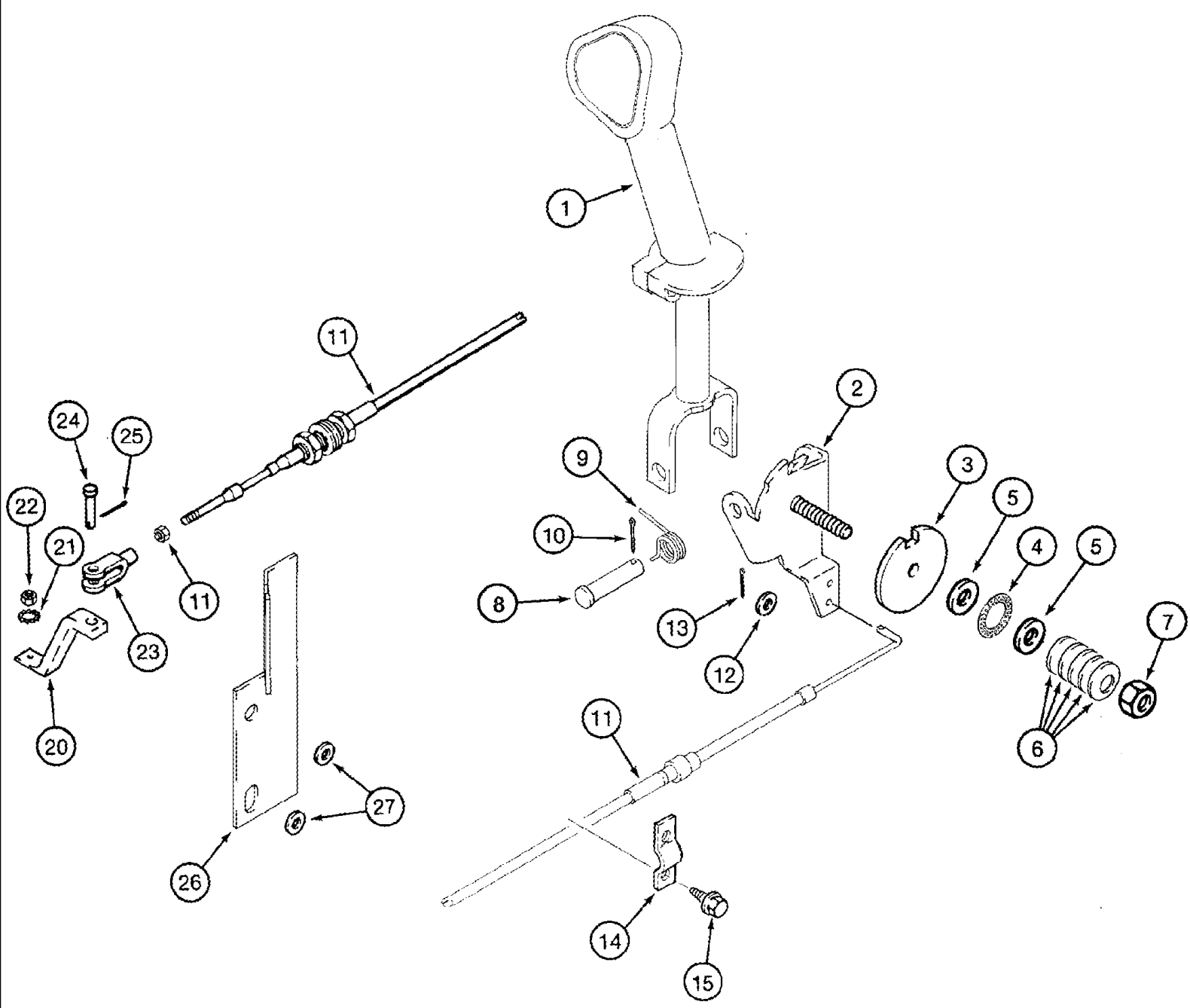
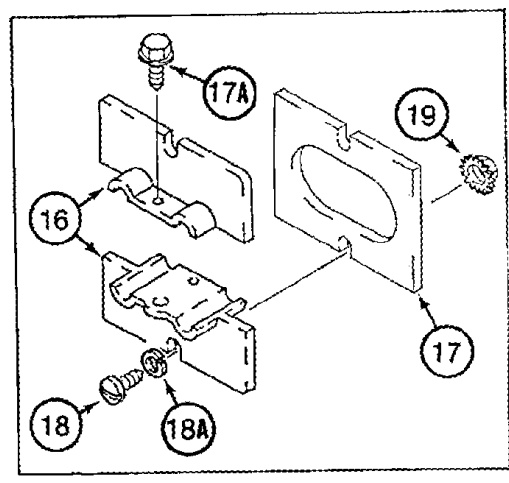
06-06 VALVE ASSY - FOOT-N-INCH



06-06 VALVE ASSY - FOOT-N-INCH

сылка	Номер детали	Кол-во	Описание
	123974A4	1	VALVE, Foot-N-Inch, 6000 psi, Includes 1 - 10, Corn and Grain Combine
	296786A2	1	VALVE, Foot-N-Inch, 6000 psi, Includes 1 - 10, Rice Combine
1	123595A2	1	SEAT, VALVE,
2	237-6002	1	O-RING, 2-1, .239" ID x .064" Thk,
3	398710R1	1	POPPET, VALVE,
4	NSS	1	NOT SERVICED SEPARATELY, Housing
5	539751R2	1	SPRING,
6	398708R1	1	STOP,
7	398707R1	1	GUIDE,
8	398701R91	1	SEAL,
9	237-6010	1	O-RING, 10-1, 90 Duro, .755" ID x .097" Thk,
	530575R91	AR	KIT, SHIM, Includes 10
10	NSS	4	NOT SERVICED SEPARATELY, .005", Shim
10	NSS	4	NOT SERVICED SEPARATELY, .007", Shim
10	NSS	2	NOT SERVICED SEPARATELY, .020", Shim
10	NSS	1	NOT SERVICED SEPARATELY, .042", Shim

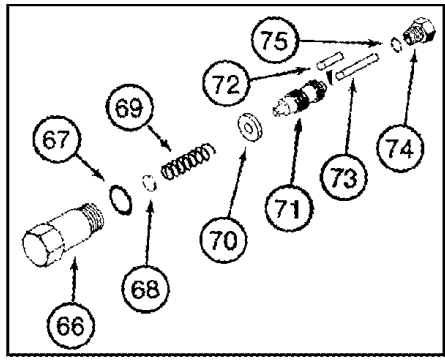
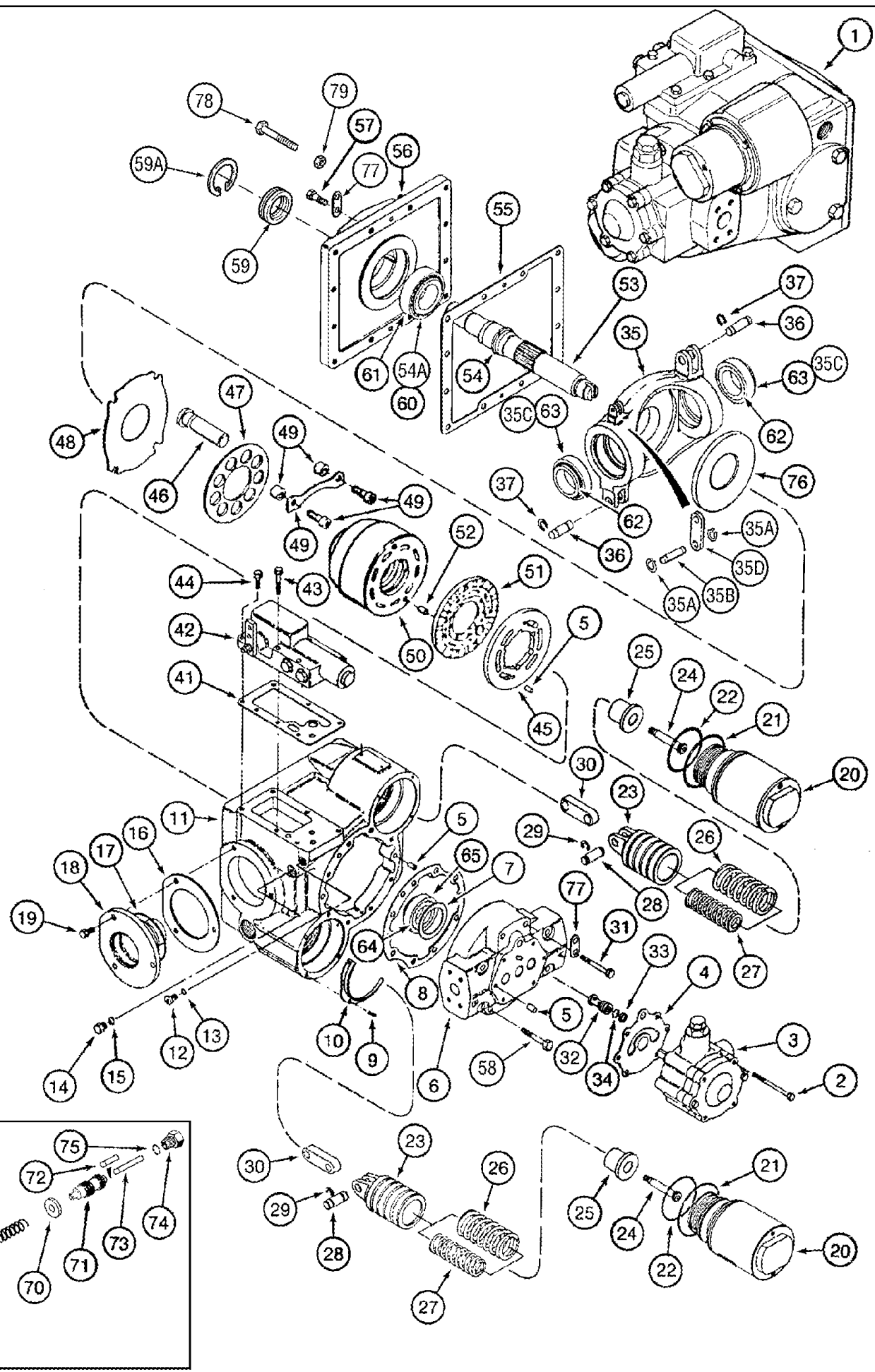
06-07 CONTROLS - PROPULSION



06-07 CONTROLS - PROPULSION

сылка	Номер детали	Кол-во	Описание
1	113314A2	1	LEVER, CONTROL, Propulsion, See Figure 04-10
2	113318A2	1	SUPPORT,
3	251090A1	1	WASHER, Wear
4	159688R91	1	BEARING, THRUST,
5	496-81010	2	WASHER, 15/32" x 1" x 7/64"
6	1994980C1	6	WASHER,
7	231-1447	1	NUT, LOCK, 7/16"-14, GB,
8	27-8343	1	PIN, CLEVIS, 1/2" x 3 7/16",
9	128593A1	1	SPRING,
10	432-816	1	PIN, SPLIT (COTTER), 1/8" x 1",
11	115396A1	1	CABLE, Throttle and Propulsion
12	895-11005	2	WASHER, M5 x 10 x 1,
13	432-48	1	PIN, SPLIT (COTTER), 1/16" x 1/2",
14	A75815	1	CLAMP,
15	841-4410	2	SCREW, Hex Wash Hd, M4 x 10,
16	119314A1	2	CLAMP, Throttle and Propulsion Cables to Cab
17	119328A1	1	GASKET,
17A	191216A1	2	SCREW, SELF TAP, Hex Wash Hd, #10-24 x 5/8",
18	117067A1	2	SCREW, SELF TAP, Cross Pan Hd, #10-24 x 3/4",
18A	492-11010	2	WASHER, LOCK, #10,
19	231-51409	2	NUT, Flg, USR, #10-24,
20	184433A1	1	LEVER, Control, Hydrostatic Pump
21	493-41033	1	WASHER, LOCK, Ext Tooth, 5/16",
22	425-105	1	NUT, 5/16"-18, G5,
23	213-123	1	CLEVIS, ADJUSTABLE, #10-32 x 1 9/16",
24	427-3058	1	PIN, CLEVIS, 3/16" x .580",
25	432-48	1	PIN, SPLIT (COTTER), 1/16" x 1/2",
26	138479A2	1	SUPPORT, Cable to Pump
27	495-81009	2	WASHER, .469" x 1" x .120",

06-08 PUMP ASSY - HYDROSTATIC



06-08 PUMP ASSY - HYDROSTATIC

Сылка	Номер детали	Кол-во	Описание
	400478A1R	1	REMAN-HYDRAUL PUMP, Remanufactured, N.A. Only, Corn and Grain Combine
	400479A1R	1	PUMP, HYDROSTATIC, Remanufactured, N.A. Only, Rice Combine
	400478A1C	1	CORE, Hydrostatic Pump, Use To Return Core For Credit, Corn and Grain Combine
	400479A1C	1	CORE, Hydrostatic Pump, Use To Return Core For Credit, Rice Combine
1	400478A1	1	PUMP, HYDROSTATIC, 105.4 cc, Includes 2 - 79, Includes Figures 06-09, 06-10, Corn and Grain Combine
1	400479A1	1	PUMP, HYDROSTATIC, 105.4 cc, Includes 2 - 79, Includes Figures 06-09, 06-11, Rice Combine
2	413-560	4	BOLT, Hex, 5/16"-18 x 3 3/4", G5, , Corn and Grain Combine
2	413-564	4	BOLT, Hex, 5/16"-18 x 4", G5, , Rice Combine
3	92740C2	1	PUMP, Charge, Corn and Grain Combine, See Figure 06-10
3	107593A2	1	PUMP, Charge, Rice Combine, See Figure 06-11
4	133760C2	1	GASKET,
5	37-1510	5	DOWEL, 5/16" x 5/8",
6	NSS	1	NOT SERVICED SEPARATELY, Cover, End Cover
	142398C91	1	KIT, SHIM, End Cover, Includes 7
7	NSS	1	NOT SERVICED SEPARATELY, .003", Shim
7	NSS	1	NOT SERVICED SEPARATELY, .005", Shim
7	NSS	1	NOT SERVICED SEPARATELY, .010", Shim
7	NSS	1	NOT SERVICED SEPARATELY, .015", Shim
7	NSS	1	NOT SERVICED SEPARATELY, .020", Shim
7	NSS	1	NOT SERVICED SEPARATELY, .030", Shim
8	92741C2	1	GASKET,
9	461-3086	6	SCREW, Hex Soc Hd, #8-32 x 3/8",
10	142408C1	2	RETAINER, Servo Piston
11	NSS	1	NOT SERVICED SEPARATELY, Housing, Pump
12	278548	1	PLUG, Hex Soc, 7/16"-20 ORB, Incl. 13
13	237-6004	1	O-RING, 4-1, 90 Duro, .351" ID x .072" Thk,
14	9672438	1	PLUG, Hex Hd, 7/16"-20 ORB, Incl. 15
15	237-6004	1	O-RING, 4-1, 90 Duro, .351" ID x .072" Thk,
	142386C91	1	KIT, SHIM, Trunnion Bearing, Includes 16
16	NSS	6	NOT SERVICED SEPARATELY, .002", Shim
16	NSS	4	NOT SERVICED SEPARATELY, .005", Shim
16	NSS	4	NOT SERVICED SEPARATELY, .010", Shim
16	NSS	4	NOT SERVICED SEPARATELY, .015", Shim
16	NSS	4	NOT SERVICED SEPARATELY, .025", Shim
17	238-5234	2	O-RING, -234, 70 Duro, 2.984" ID x .139" Thk,
18	NSS	2	NOT SERVICED SEPARATELY, Trunnion, Pump
19	413-714	6	BOLT, Hex, 7/16"-14 x 7/8", G5, Full Thd,
20	NSS	2	NOT SERVICED SEPARATELY, Sleeve Assy, Servo
21	238-5237	1	O-RING, -237, 70 Duro, 3.359" ID x .139" Thk,
22	238-5234	1	O-RING, -234, 70 Duro, 2.984" ID x .139" Thk,
23	NSS	2	NOT SERVICED SEPARATELY, Piston Assy, Servo
24	NSS	1	NOT SERVICED SEPARATELY, Screw
25	NSS	1	NOT SERVICED SEPARATELY, Retainer
26	NSS	1	NOT SERVICED SEPARATELY, Spring

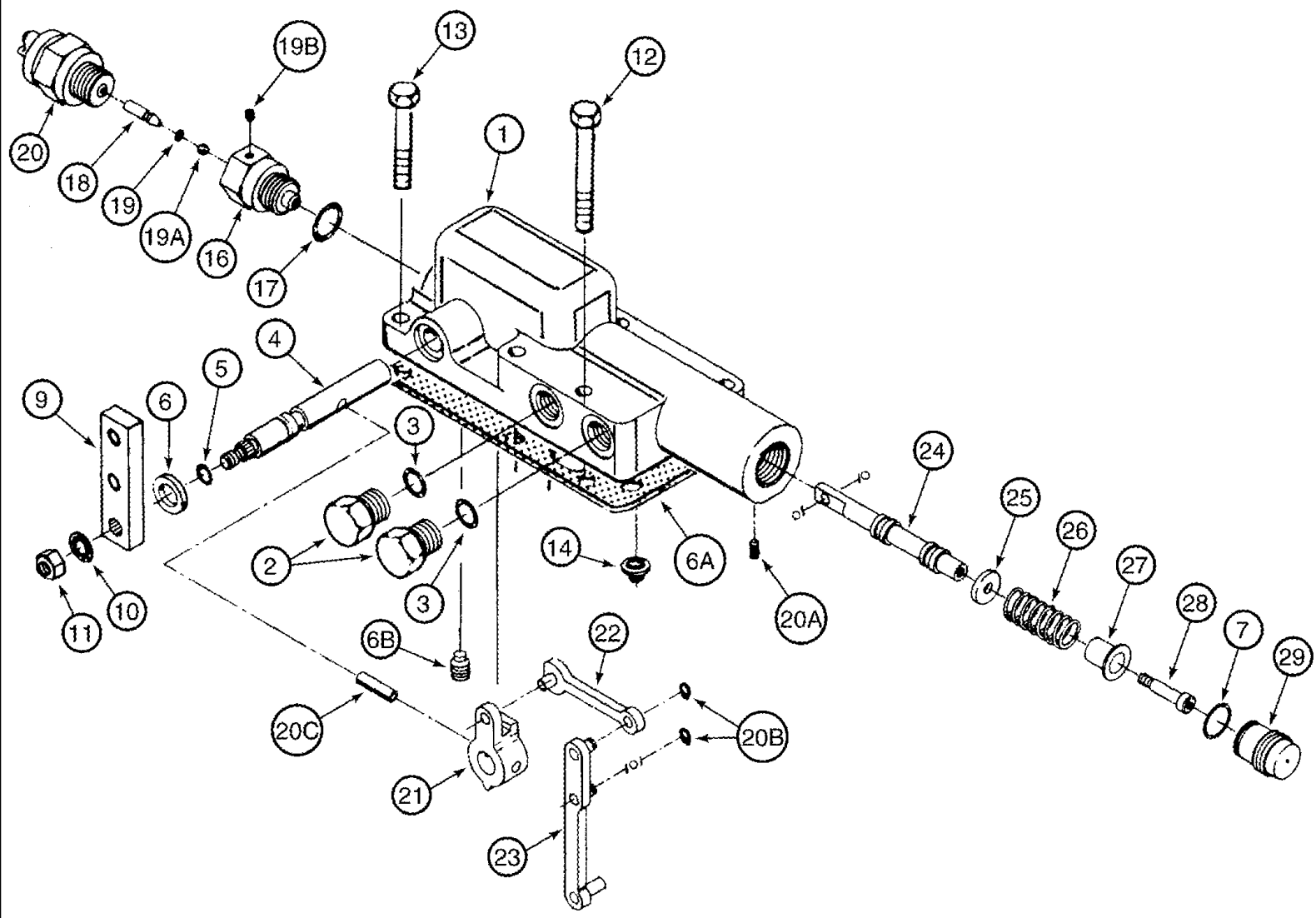
06-08 PUMP ASSY - HYDROSTATIC

сылка	Номер детали	Кол-во	Описание
27	NSS	1	NOT SERVICED SEPARATELY, Spring
28	NSS	1	NOT SERVICED SEPARATELY, Pin
29	100-1375	2	RING, SNAP, #75, Ext,
30	NSS	1	NOT SERVICED SEPARATELY, Link
31	413-748	6	BOLT, Hex, 7/16"-14 x 3", G5,
32	140769C1	2	VALVE, CHECK, Includes 33, 34
33	140770C1	1	RING,
34	238-6113	1	O-RING, -113, 90 Duro, .549" ID x .103" Thk,
35	NSS	1	NOT SERVICED SEPARATELY, Plate, Swash
35A	100-1125	2	RING, SNAP, #25, Ext,
35B	140765C1	1	PIN,
35C	NSS	2	NOT SERVICED SEPARATELY, Bearing, Cup
35D	NSS	1	NOT SERVICED SEPARATELY, Link
36	140766C1	2	PIN,
37	100-1356	4	RING, SNAP, #56, Ext,
41	133756C1	1	GASKET,
42	191065A1	1	VALVE, CONTROL, , See Figure 06-09
43	413-528	2	BOLT, Hex, 5/16"-18 x 1 3/4", G5,
44	413-516	4	BOLT, Hex, 5/16"-18 x 1", G5, Full Thd,
45	NSS	1	NOT SERVICED SEPARATELY, Plate, Valve
46	NSS	9	NOT SERVICED SEPARATELY, Piston
47	NSS	1	NOT SERVICED SEPARATELY, Plate
48	NSS	1	NOT SERVICED SEPARATELY, Plate
49	NSS	1	NOT SERVICED SEPARATELY, Kit
50	NSS	1	NOT SERVICED SEPARATELY, Barrel
51	NSS	1	NOT SERVICED SEPARATELY, Plate
52	37-1510	7	DOWEL, 5/16" x 5/8",
53	403149A1	1	SHAFT, Includes 54, 54A
54	NSS	1	NOT SERVICED SEPARATELY, Ring, Retaining
54A	NSS	1	NOT SERVICED SEPARATELY, Bearing, Cone
55	142399C1	1	GASKET,
56	NSS	1	NOT SERVICED SEPARATELY, Flange, Mounting
57	413-720	12	BOLT, Hex, 7/16"-14 x 1 1/4", G5,
58	426-732	2	BOLT, Hex, 7/16"-14 x 2", G8,
59	403145A1	1	SEAL, Shaft
59A	100-21250	1	RING, SNAP, 2.50", Int, #250,
60	56694H	1	BEARING, CONE,
61	ST863	1	BEARING, CUP,
62	NSS	2	NOT SERVICED SEPARATELY, Bearing, Cone
63	NSS	2	NOT SERVICED SEPARATELY, Bearing, Cup
64	400983R91	1	BEARING, CONE, 1-3/16" ID
65	530741R1	1	BEARING, CUP, 2-17/32" OD
	1986739C1	1	KIT, REPAIR, Spool Repair, Internal Pressure Override, Includes 66 - 75, Rice Combine
66	NSS	1	NOT SERVICED SEPARATELY, Body
67	237-6010	1	O-RING, 10-1, 90 Duro, .755" ID x .097" Thk,

06-08 PUMP ASSY - HYDROSTATIC

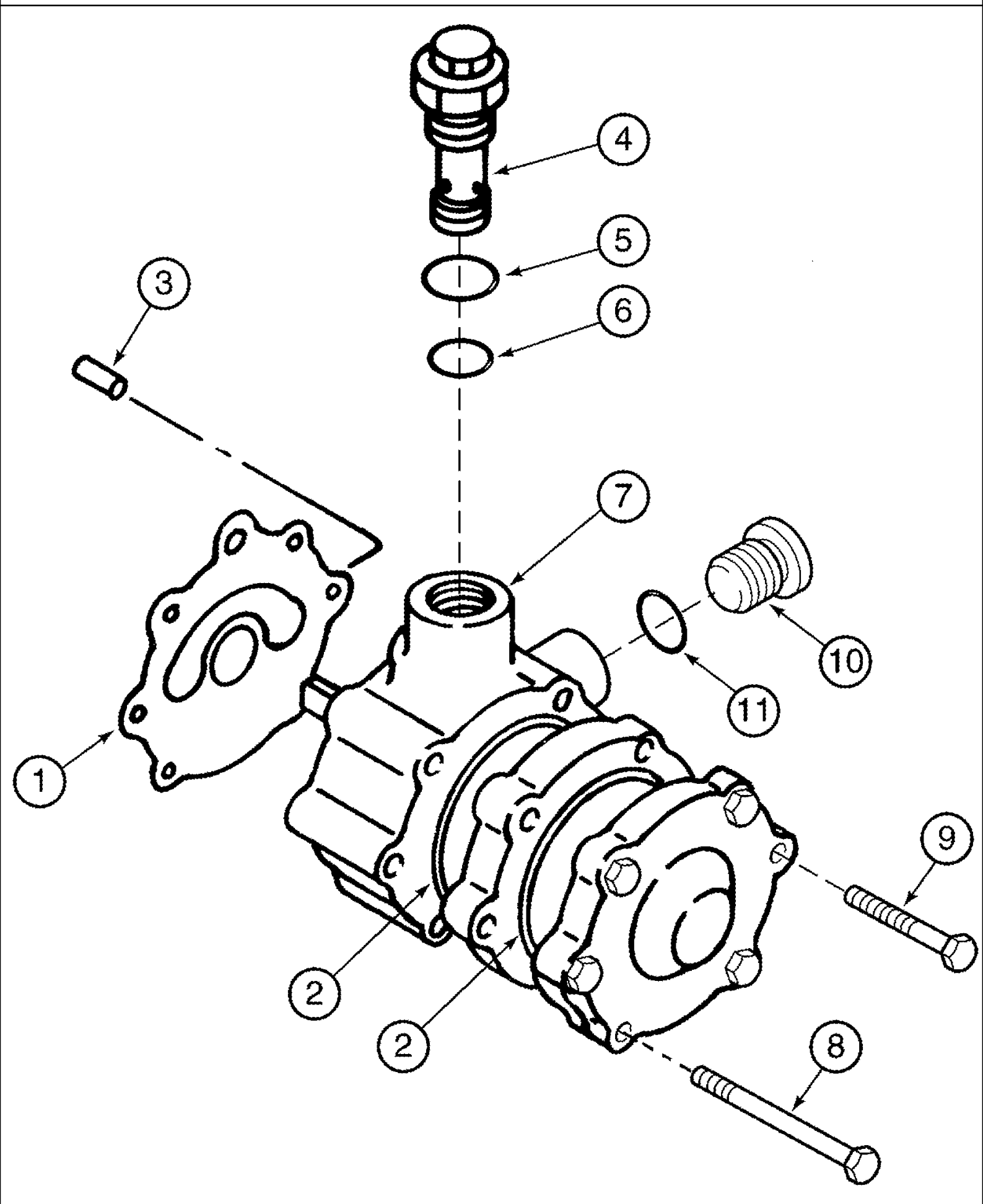
сылка	Номер детали	Кол-во	Описание
68	235419A1	1	KIT, SHIM,
69	NSS	1	NOT SERVICED SEPARATELY, Spring
70	NSS	1	NOT SERVICED SEPARATELY, Spacer
71	NSS	1	NOT SERVICED SEPARATELY, Spool
72	NSS	1	NOT SERVICED SEPARATELY, Roller
73	NSS	1	NOT SERVICED SEPARATELY, Roller
74	218-5151	1	PLUG, Hex Hd, 5/16"-24 ORB, Includes 75
75	237-6006	1	O-RING, 6-1, 90 Duro, .468" ID x .078" Thk,
76	NSS	1	NOT SERVICED SEPARATELY, Plate, Thrust
77	NSS	2	NOT SERVICED SEPARATELY, Strap, Shipping, Shown For Reference Only
78	413-832	4	BOLT, Hex, 1/2"-13 x 2", G5,
79	131-946	4	NUT, Flg, 1/2"-13, G8,

06-09 PUMP ASSY - HYDROSTATIC - CONTROL VALVE



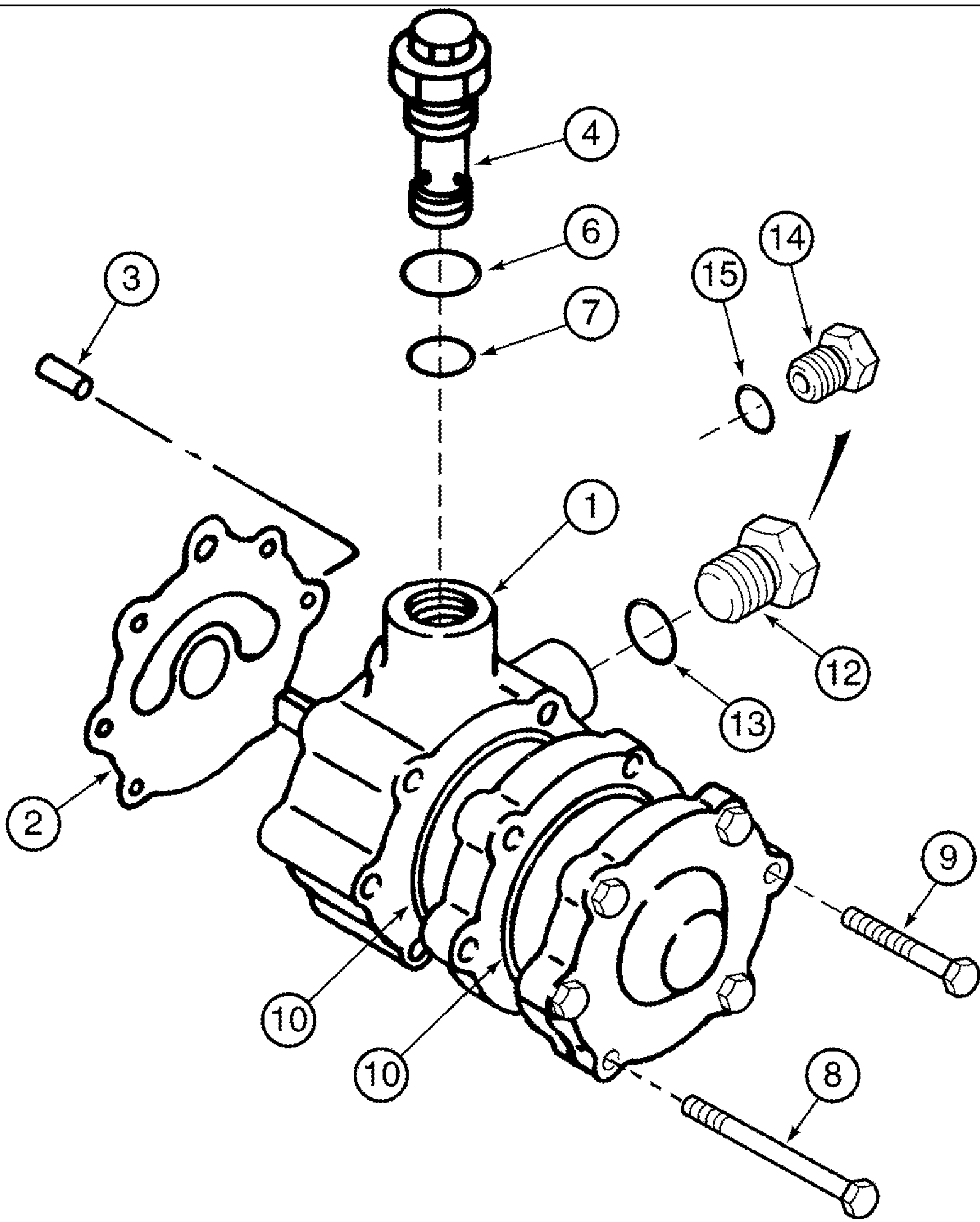
06-09 PUMP ASSY - HYDROSTATIC - CONTROL VALVE

сылка	Номер детали	Кол-во	Описание
	REF	1	INSTRUCTION, Pump, Hydrostatic, See Figure(s) 06-08 - 06-12
	191065A1	1	VALVE, CONTROL, Hydrostatic Pump, Includes 1 - 29
1	NSS	1	NOT SERVICED SEPARATELY, Body
2	76349	2	PLUG, Hex Hd, 9/16"-18 ORB, Includes 3
	1978048C3	1	SHAFT, Includes 4 - 6B
3	237-6006	1	O-RING, 6-1, 90 Duro, .468" ID x .078" Thk,
4	NSS	1	NOT SERVICED SEPARATELY, Shaft
5	238-5012	1	O-RING, -012, 70 Duro, .364" ID x .070" Thk,
6	NSS	1	NOT SERVICED SEPARATELY, Seal
6A	133756C1	1	GASKET,
6B	NSS	1	NOT SERVICED SEPARATELY, Setscrew
7	238-5016	1	O-RING, -016, 70 Duro, .614" ID x .070" Thk,
8	237-6006	1	O-RING, 6-1, 90 Duro, .468" ID x .078" Thk,
9	REF	1	INSTRUCTION, Lever, Not Used In This Application, , See Figure 06-07, Ref. 20, For Lever
10	493-11033	1	WASHER, LOCK, Ext-Int Tooth, 5/16",
11	425-105	1	NUT, 5/16"-18, G5,
12	413-528	2	BOLT, Hex, 5/16"-18 x 1 3/4", G5,
13	413-516	4	BOLT, Hex, 5/16"-18 x 1", G5, Full Thd,
14	1272750C1	1	ORIFICE, .057 in dia, Used in 1343716C4
15	238-5012	1	O-RING, -012, 70 Duro, .364" ID x .070" Thk,
	197909A2	1	ADAPTER, Special, Includes 16 - 19C, Valve to Switch
16	NSS	1	NOT SERVICED SEPARATELY, Adapter
17	238-6008	1	O-RING, -008, 90 Duro, .176" ID x .070" Thk,
18	NSS	1	NOT SERVICED SEPARATELY, Pin, Neutral Start
19	238-5004	1	O-RING, -004, 70 Duro, .07" ID x .070" Thk,
19A	211-1006	1	BALL, 3/16" Dia, Neutral Start
19B	84-1103	2	SET SCREW, Hex Soc, #10-32 x 3/16",
19C	86991254	1	SEAL, Switch, Not Illustrated
20	197514A2	1	SWITCH, Neutral Start
20A	83-1106	1	SET SCREW, Hex Soc, #10-24 x 3/8",
20B	100-1125	2	RING, SNAP, #25, Ext,
20C	38-1614	1	PIN, LOCK, 3/32" x 7/8", Slotted,
21	NSS	1	NOT SERVICED SEPARATELY, Connector
22	NSS	1	NOT SERVICED SEPARATELY, Link
23	NSS	1	NOT SERVICED SEPARATELY, Link
24	NSS	1	NOT SERVICED SEPARATELY, Spool
25	NSS	1	NOT SERVICED SEPARATELY, Spacer
26	NSS	1	NOT SERVICED SEPARATELY, Spring
27	NSS	1	NOT SERVICED SEPARATELY, Retainer
28	NSS	1	NOT SERVICED SEPARATELY, Screw
29	NSS	1	NOT SERVICED SEPARATELY, Screw



06-10 PUMP ASSY - HYDROSTATIC - CHARGE PUMP - CORN AND GRAIN COMBINE

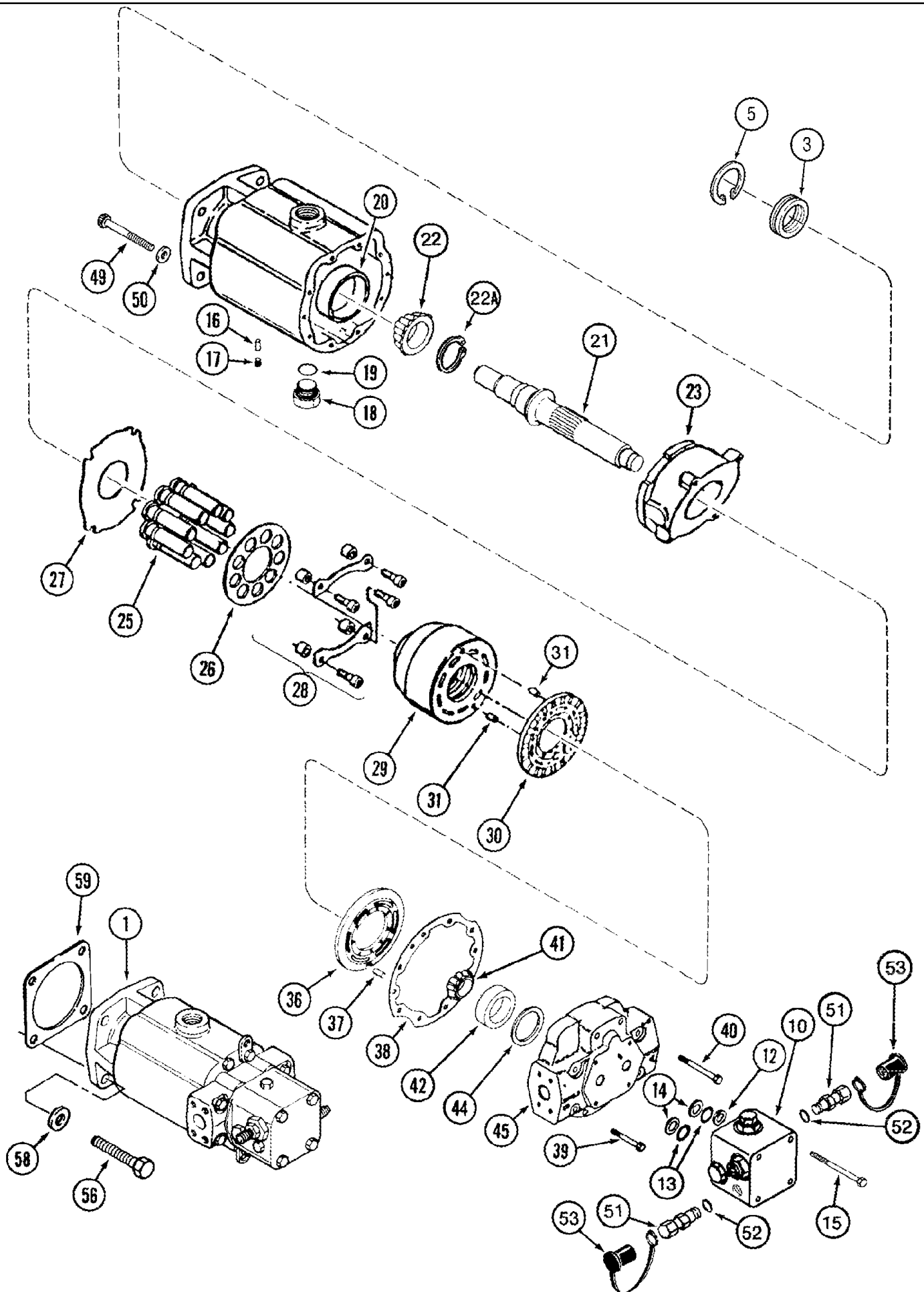
сылка	Номер детали	Кол-во	Описание
	REF	1	INSTRUCTION, Pump, Hydrostatic, See Figure(s) 06-08 - 06-12
	92740C2	1	PUMP, Charge, Includes 1 - 9
1	133760C2	1	GASKET,
2	238-5041	2	O-RING, -041, 70 Duro, 2.989" ID x .070" Thk,
3	37-1510	2	DOWEL, 5/16" x 5/8",
4	140771C1	1	VALVE, Includes 5 - 6, Low Pressure
5	237-6014	1	O-RING, 14-1, 90 Duro, 1.048" ID x .118" Thk,
6	238-6117	1	O-RING, -117, 90 Duro, .799" ID x .103" Thk,
7	NSS	1	NOT SERVICED SEPARATELY, Body
8	326-560	4	BOLT, Hex, 5/16"-18 x 3 3/4", G8,
9	413-532	2	BOLT, Hex, 5/16"-18 x 2", G5,
10	86512512	1	PLUG, Hex Hd, 7/8"-14 ORB, Includes 11
11	237-6010	1	O-RING, 10-1, 90 Duro, .755" ID x .097" Thk,
	255081A1	1	KIT, SEALS, Charge Pump, Includes 1, 5, 6, 11



06-11 PUMP ASSY - HYDROSTATIC - CHARGE PUMP - RICE COMBINE

сылка	Номер детали	Кол-во	Описание
	REF	1	INSTRUCTION, Pump, Hydrostatic, See Figure(s) 06-08 - 06-12
	107593A2	1	PUMP, Charge, Includes 1 - 13
1	NSS	1	NOT SERVICED SEPARATELY, Body
2	133760C2	1	GASKET,
3	37-1510	2	DOWEL, 5/16" x 5/8",
	1986741C1	1	VALVE, PRESSURE RELIEF, Includes 4 - 7
4	NSS	1	NOT SERVICED SEPARATELY, Body
6	237-6014	1	O-RING, 14-1, 90 Duro, 1.048" ID x .118" Thk,
7	238-6117	1	O-RING, -117, 90 Duro, .799" ID x .103" Thk,
8	326-564	4	BOLT, Hex, 5/16"-18 x 4", G8,
9	413-536	2	BOLT, Hex, 5/16"-18 x 2 1/4", G5,
10	238-5041	2	O-RING, -041, 70 Duro, 2.989" ID x .070" Thk,
12	86512512	1	PLUG, Hex Hd, 7/8"-14 ORB, Includes 13
13	237-6010	1	O-RING, 10-1, 90 Duro, .755" ID x .097" Thk,
14	196443A1	1	REDUCER, 7/16 fem x 7/8 in Or, Replaces 218-5157, Ref. 12, Includes 15
15	237-6010	1	O-RING, 10-1, 90 Duro, .755" ID x .097" Thk,
	255081A1	1	KIT, SEALS, Charge Pump, Includes 2, 6, 7, 13

06-12 MOTOR ASSY - HYDROSTATIC - SINGLE SPEED



06-12 MOTOR ASSY - HYDROSTATIC - SINGLE SPEED

сылка	Номер детали	Кол-во	Описание
	400475A2R	1	REMAN-MOTOR HYDRAUL, Hydrostatic, N.A. Only
	400475A2C	1	REMAN-MOTOR HYDRAUL, Use To Return Core For Credit
1	400475A2	1	MOTOR, HYDROSTATIC, Includes 2 - 53, Part Number Stamped On Part
	403145A1	1	SEAL, Shaft, Includes 3, 5
3	NSS	1	NOT SERVICED SEPARATELY, Seal
5	100-21250	1	RING, SNAP, 2.50", Int, #250,
10	193646A2	1	BLOCK, Relief Valve, See Figure 06-13
	140747C92	1	KIT, SEALS, Valve Block, Includes 12 - 14
12	239-5018	1	O-RING, Rect, .755" ID x .875" OD, CI 5,
13	238-6018	2	O-RING, -018, 90 Duro, .739" ID x .070" Thk,
14	631458C1	2	RING,
15	413-664	4	BOLT, Hex, 3/8"-16 x 4", G5,
16	37-1516	1	DOWEL, 5/16" x 1",
17	217-430	1	PLUG, Hex Soc, 1/8"-27,
18	218-5158	1	PLUG, Hex Hd, 1 1/16"-12 ORB, Includes 19
19	237-6012	1	O-RING, 12-1, 90 Duro, .924 ID x .118" Thk,
20	ST863	1	BEARING, CUP,
21	403147A1	1	SHAFT, Includes 22, 22A
22	NSS	1	NOT SERVICED SEPARATELY, Bearing, Cone
22A	NSS	1	NOT SERVICED SEPARATELY, No. 200, Ring, Retaining
23	NSS	1	NOT SERVICED SEPARATELY, Plate
25	NSS	9	NOT SERVICED SEPARATELY, Piston
26	NSS	1	NOT SERVICED SEPARATELY, Plate
27	NSS	1	NOT SERVICED SEPARATELY, Plate
28	NSS	1	NOT SERVICED SEPARATELY, Kit
29	NSS	1	NOT SERVICED SEPARATELY, Barrel
30	NSS	1	NOT SERVICED SEPARATELY, Plate
31	37-1510	2	DOWEL, 5/16" x 5/8",
36	NSS	1	NOT SERVICED SEPARATELY, Plate, Valve
37	37-1510	3	DOWEL, 5/16" x 5/8",
38	1980140C1	1	GASKET,
39	326-732	2	BOLT, Hex, 7/16"-14 x 2", G8,
40	326-748	6	BOLT, Hex, 7/16"-14 x 3", G8,
41	400983R91	1	BEARING, CONE, 1-3/16" ID
42	530741R1	1	BEARING, CUP, 2-17/32" OD
	142398C91	1	KIT, SHIM, Includes 44
44	NSS	1	NOT SERVICED SEPARATELY, .003", Shim
44	NSS	1	NOT SERVICED SEPARATELY, .005", Shim
44	NSS	1	NOT SERVICED SEPARATELY, .010", Shim
44	NSS	1	NOT SERVICED SEPARATELY, .015", Shim
44	NSS	1	NOT SERVICED SEPARATELY, .020", Shim
44	NSS	1	NOT SERVICED SEPARATELY, .030", Shim
45	NSS	1	NOT SERVICED SEPARATELY, Cover
49	61-33148	2	SCREW, Hex Soc Hd, 5/16"-18 x 3",
50	92734C1	2	WASHER,

Corn and Grain Combine

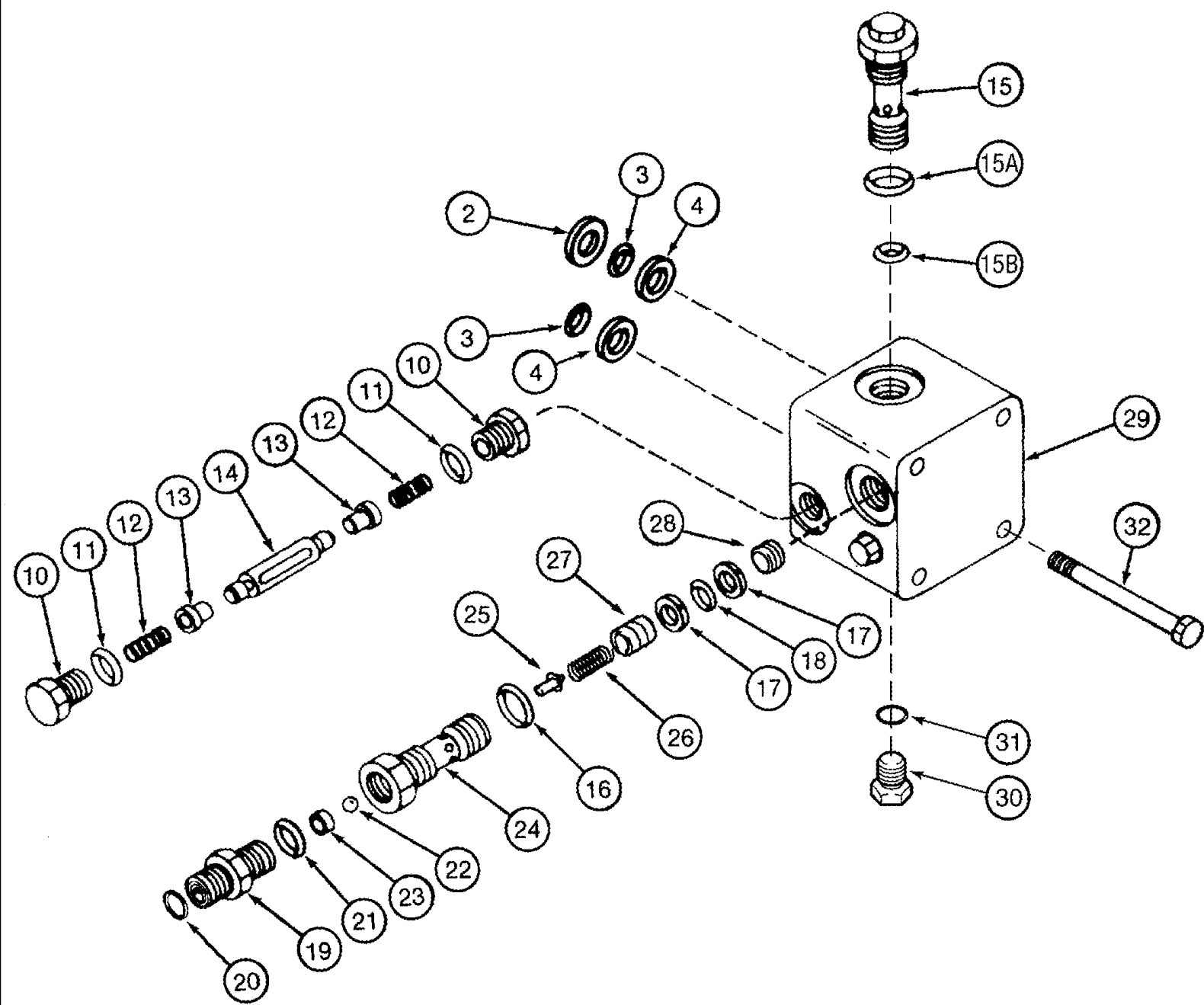
2388 CASE IH AXIAL-FLOW COMBINE (NA) BTW HAJ0292001 & HAJ0300000 (10/04-)

06-12 MOTOR ASSY - HYDROSTATIC - SINGLE SPEED

сылка	Номер детали	Кол-во	Описание
51	R55912	2	COUPLING,
52	237-6004	2	O-RING, 4-1, 90 Duro, .351" ID x .072" Thk,
53	H434163	2	DUST CAP,
56	628-12040	4	BOLT, Hex, M12 x 40, 10.9, Full Thd,
58	896-11012	4	WASHER, M13.5 x 24.5 x 3, HT,
59	166506C1	1	GASKET,

Corn and Grain Combine

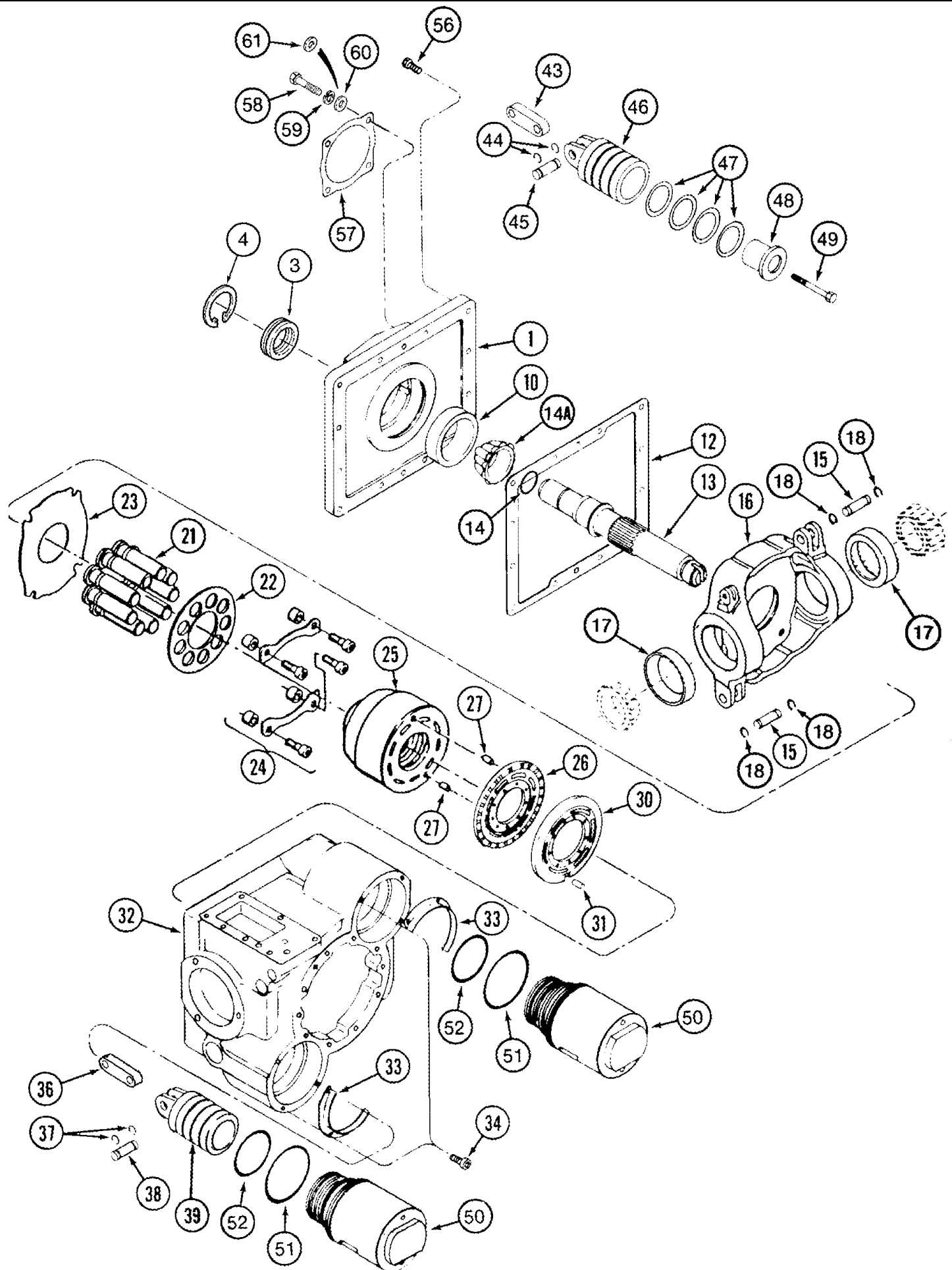
06-13 MOTOR ASSY - HYDROSTATIC - RELIEF VALVE BLOCK



06-13 MOTOR ASSY - HYDROSTATIC - RELIEF VALVE BLOCK

сылка	Номер детали	Кол-во	Описание
	REF	1	INSTRUCTION, Motor, Hydrostatic, See Figure(s) 06-12 - 06-16
	193646A2	1	BLOCK, Relief Valve, Includes 2 - 31
	140747C92	1	KIT, SEALS, Seal, Valve Block, Includes 2 - 4
2	239-5018	1	O-RING, Rect, .755" ID x .875" OD, CI 5,
3	238-6018	2	O-RING, -018, 90 Duro, .739" ID x .070" Thk,
4	631458C1	2	RING,
	145559C91	1	KIT, Shuttle Valve, Includes 10 - 14
10	86512512	2	PLUG, Hex Hd, 7/8"-14 ORB, Includes 11
11	237-6010	2	O-RING, 10-1, 90 Duro, .755" ID x .097" Thk,
12	145560C1	2	SPRING,
13	NSS	2	NOT SERVICED SEPARATELY, Valve, Regulator, Shuttle
14	NSS	1	NOT SERVICED SEPARATELY, Spool
15	140761C1	1	VALVE, PRESSURE RELIEF, Low Pressure Relief, Includes Ref. 15A, 15B
15A	237-6014	1	O-RING, 14-1, 90 Duro, 1.048" ID x .118" Thk,
15B	238-6117	1	O-RING, -117, 90 Duro, .799" ID x .103" Thk,
	193647A1	2	VALVE, PRESSURE RELIEF, Kit, Feathering Relief, Includes 393885R92, 222167A1, Ref. 16 - 22
	393885R92	3	KIT, SEALS, Relief Valve, Includes 16 - 18
16	NSS	1	NOT SERVICED SEPARATELY, O-Ring
17	NSS	2	NOT SERVICED SEPARATELY, Ring, Backup
18	NSS	1	NOT SERVICED SEPARATELY, O-Ring
	222167A1	1	KIT, REPAIR, Check Valve, Includes 19 - 22
19	NSS	1	NOT SERVICED SEPARATELY, Connector
20	238-6011	1	O-RING, -011, 90 Duro, .301" ID x .070" Thk,
21	237-6004	1	O-RING, 4-1, 90 Duro, .351" ID x .072" Thk,
22	211-1008	1	BALL, 1/4" Dia, 24, CRS
23	NSS	1	NOT SERVICED SEPARATELY, Bushing, Ball Guide
24	NSS	1	NOT SERVICED SEPARATELY, Housing
25	NSS	1	NOT SERVICED SEPARATELY, Orifice
26	NSS	1	NOT SERVICED SEPARATELY, Spring
27	NSS	1	NOT SERVICED SEPARATELY, Piston
28	NSS	1	NOT SERVICED SEPARATELY, Plug
29	NSS	1	NOT SERVICED SEPARATELY, Block
30	9672438	1	PLUG, Hex Hd, 7/16"-20 ORB, Incl. 1
31	237-6004	1	O-RING, 4-1, 90 Duro, .351" ID x .072" Thk,
32	413-664	4	BOLT, Hex, 3/8"-16 x 4", G5,

06-14 MOTOR ASSY - HYDROSTATIC - TWO SPEED



06-14 MOTOR ASSY - HYDROSTATIC - TWO SPEED

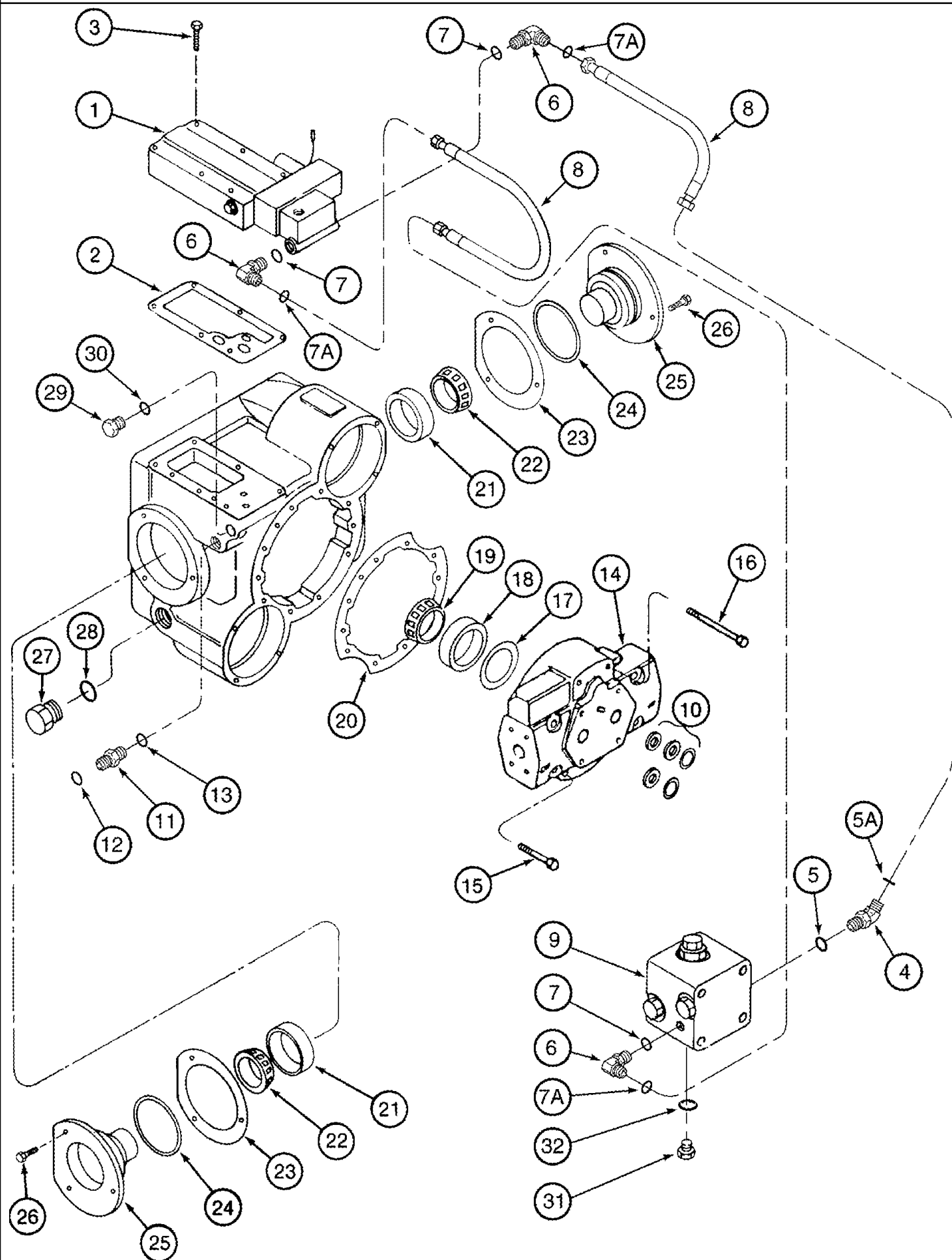
сылка	Номер детали	Кол-во	Описание
	400476A2R	1	REMAN-MOTOR HYDRAUL, Remanufactured, N.A. Only
	400476A2C	1	REMAN-MOTOR HYDRAUL, Use To Return Core For Credit
	400476A2	1	MOTOR, HYDROSTATIC, Includes 1 - 56, Inc. Figure 06-15, Part Number Stamped On Part
1	NSS	1	NOT SERVICED SEPARATELY, Flange
	403145A1	1	SEAL, Shaft, Includes 3, 4
3	NSS	1	NOT SERVICED SEPARATELY, Seal
4	100-21250	1	RING, SNAP, 2.50", Int, #250,
10	ST863	1	BEARING, CUP,
12	142399C1	1	GASKET,
13	403147A1	1	SHAFT, Output, Includes 14, 14A
14	NSS	4	NOT SERVICED SEPARATELY, No. 200, Ring, Retaining
14A	NSS	1	NOT SERVICED SEPARATELY, Bearing, Cone
15	140766C1	2	PIN,
16	NSS	1	NOT SERVICED SEPARATELY, Plate, Swash
17	NSS	2	NOT SERVICED SEPARATELY, Bearing, Cup
18	100-1356	4	RING, SNAP, #56, Ext,
21	NSS	9	NOT SERVICED SEPARATELY, Piston
22	NSS	1	NOT SERVICED SEPARATELY, Plate
23	NSS	1	NOT SERVICED SEPARATELY, Plate
24	NSS	1	NOT SERVICED SEPARATELY, Kit
25	NSS	1	NOT SERVICED SEPARATELY, Barrel
26	NSS	1	NOT SERVICED SEPARATELY, Plate
27	37-1510	2	DOWEL, 5/16" x 5/8",
30	NSS	1	NOT SERVICED SEPARATELY, Plate, Valve
31	37-1510	1	DOWEL, 5/16" x 5/8",
32	NSS	1	NOT SERVICED SEPARATELY, Housing, Motor
33	142408C1	2	RETAINER,
34	461-3086	6	SCREW, Hex Soc Hd, #8-32 x 3/8",
36	NSS	1	NOT SERVICED SEPARATELY, Link
37	100-1375	2	RING, SNAP, #75, Ext,
38	NSS	1	NOT SERVICED SEPARATELY, Pin
39	NSS	1	NOT SERVICED SEPARATELY, Piston
	145308C1	1	PISTON, Servo, Includes 43 - 49
43	NSS	1	NOT SERVICED SEPARATELY, Link
44	100-1375	2	RING, SNAP, #75, Ext,
45	NSS	1	NOT SERVICED SEPARATELY, Pin
46	NSS	1	NOT SERVICED SEPARATELY, Piston
47	NSS	4	NOT SERVICED SEPARATELY, Shim
48	NSS	1	NOT SERVICED SEPARATELY, Spacer
49	413-540	1	BOLT, Hex, 5/16"-18 x 2 1/2", G5,
50	NSS	2	NOT SERVICED SEPARATELY, Sleeve Assy, Servo, Includes 51, 52
51	238-5237	2	O-RING, -237, 70 Duro, 3.359" ID x .139" Thk,
52	238-5234	2	O-RING, -234, 70 Duro, 2.984" ID x .139" Thk,
56	413-720	12	BOLT, Hex, 7/16"-14 x 1 1/4", G5,
57	166506C1	1	GASKET,

2388 CASE IH AXIAL-FLOW COMBINE (NA) BTW HAJ0292001 & HAJ0300000 (10/04-)

06-14 MOTOR ASSY - HYDROSTATIC - TWO SPEED

сылка	Номер детали	Кол-во	Описание
58	828-12045	4	BOLT, Hex, M12 x 45, 10.9, Full Thd,
61	396-41053	4	WASHER, 17/32" x 1 1/4" x .188", HDN,

06-15 MOTOR ASSY - HYDROSTATIC - TWO SPEED



06-15 MOTOR ASSY - HYDROSTATIC - TWO SPEED

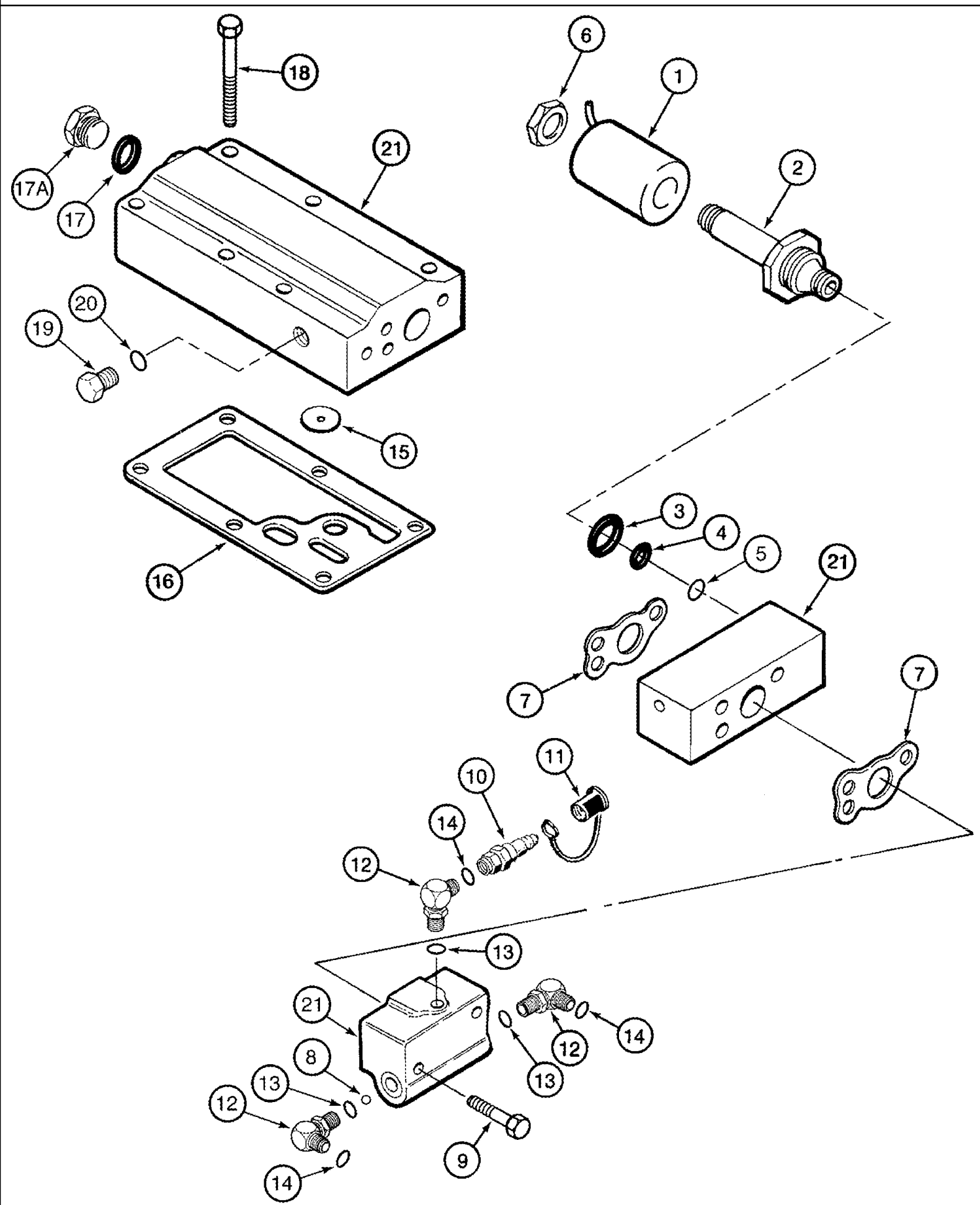
сылка	Номер детали	Кол-во	Описание
	400476A2	1	MOTOR, HYDROSTATIC, 89.13 cc, Includes 1 - 32, Includes Figure 06-14, Part Number Stamped On Part
1	255825A1	1	KIT, REPAIR, , See Figure 06-14
2	145337C1	1	GASKET,
3	413-528	6	BOLT, Hex, 5/16"-18 x 1 3/4", G5,
4	201-331	1	ELBOW, 45e, 9/16"-18 x 7/16"-20. Adj, ORFS, Includes 5, 5A
5	237-6004	1	O-RING, 4-1, 90 Duro, .351" ID x .072" Thk,
5A	238-6011	1	O-RING, -011, 90 Duro, .301" ID x .070" Thk,
6	201-303	3	ELBOW, 90e, 9/16"-18 x 7/16"-20 Adj, ORFS, Includes 7, 7A
7	237-6004	1	O-RING, 4-1, 90 Duro, .351" ID x .072" Thk,
7A	238-6011	1	O-RING, -011, 90 Duro, .301" ID x .070" Thk,
8	192384A1	2	HOSE, 254 mm (10"), Valve to Block, One 90 Degree Hose End and One Straight Hose End
9	193646A2	1	BLOCK, Relief Valve, See Figure 06-13
10	140747C92	1	KIT, SEALS, , See Figure 06-12
11	201-100	1	CONNECTOR, HYD., 9/16"-18 ORFS x 7/16"-20 ORB, Includes 12, 13
12	238-6011	1	O-RING, -011, 90 Duro, .301" ID x .070" Thk,
13	237-6004	1	O-RING, 4-1, 90 Duro, .351" ID x .072" Thk,
14	NSS	1	NOT SERVICED SEPARATELY, Housing, End Cover
15	426-732	2	BOLT, Hex, 7/16"-14 x 2", G8,
16	413-748	6	BOLT, Hex, 7/16"-14 x 3", G5,
	142398C91	1	KIT, SHIM, Includes 17
17	NSS	1	NOT SERVICED SEPARATELY, .003", Shim
17	NSS	1	NOT SERVICED SEPARATELY, .005", Shim
17	NSS	1	NOT SERVICED SEPARATELY, .010", Shim
17	NSS	1	NOT SERVICED SEPARATELY, .015", Shim
17	NSS	1	NOT SERVICED SEPARATELY, .020", Shim
17	NSS	1	NOT SERVICED SEPARATELY, .030", Shim
18	530741R1	1	BEARING, CUP, 2-17/32" OD, Output Shaft
19	400983R91	1	BEARING, CONE, 1-3/16" ID, Output Shaft
20	92741C2	1	GASKET,
21	NSS	2	NOT SERVICED SEPARATELY, Bearing, Cup, Trunnion
22	NSS	2	NOT SERVICED SEPARATELY, Bearing, Cone, Trunnion
	142386C91	1	KIT, SHIM, Includes 23
23	NSS	6	NOT SERVICED SEPARATELY, .002", Shim
23	NSS	4	NOT SERVICED SEPARATELY, .005", Shim
23	NSS	4	NOT SERVICED SEPARATELY, .010", Shim
23	NSS	4	NOT SERVICED SEPARATELY, .015", Shim
23	NSS	4	NOT SERVICED SEPARATELY, .025", Shim
24	238-5234	2	O-RING, -234, 70 Duro, 2.984" ID x .139" Thk,
25	NSS	2	NOT SERVICED SEPARATELY, Trunnion, Motor
26	413-714	6	BOLT, Hex, 7/16"-14 x 7/8", G5, Full Thd,
27	218-5158	1	PLUG, Hex Hd, 1 1/16"-12 ORB, Includes 28
28	237-6012	1	O-RING, 12-1, 90 Duro, .924 ID x .118" Thk,
29	278548	1	PLUG, Hex Soc, 7/16"-20 ORB, Incl. 30
30	237-6004	1	O-RING, 4-1, 90 Duro, .351" ID x .072" Thk,

2388 CASE IH AXIAL-FLOW COMBINE (NA) BTW HAJ0292001 & HAJ0300000 (10/04-)

06-15 MOTOR ASSY - HYDROSTATIC - TWO SPEED

сылка	Номер детали	Кол-во	Описание
31	9672438	1	PLUG, Hex Hd, 7/16"-20 ORB, Incl. 32
32	237-6004	1	O-RING, 4-1, 90 Duro, .351" ID x .072" Thk,

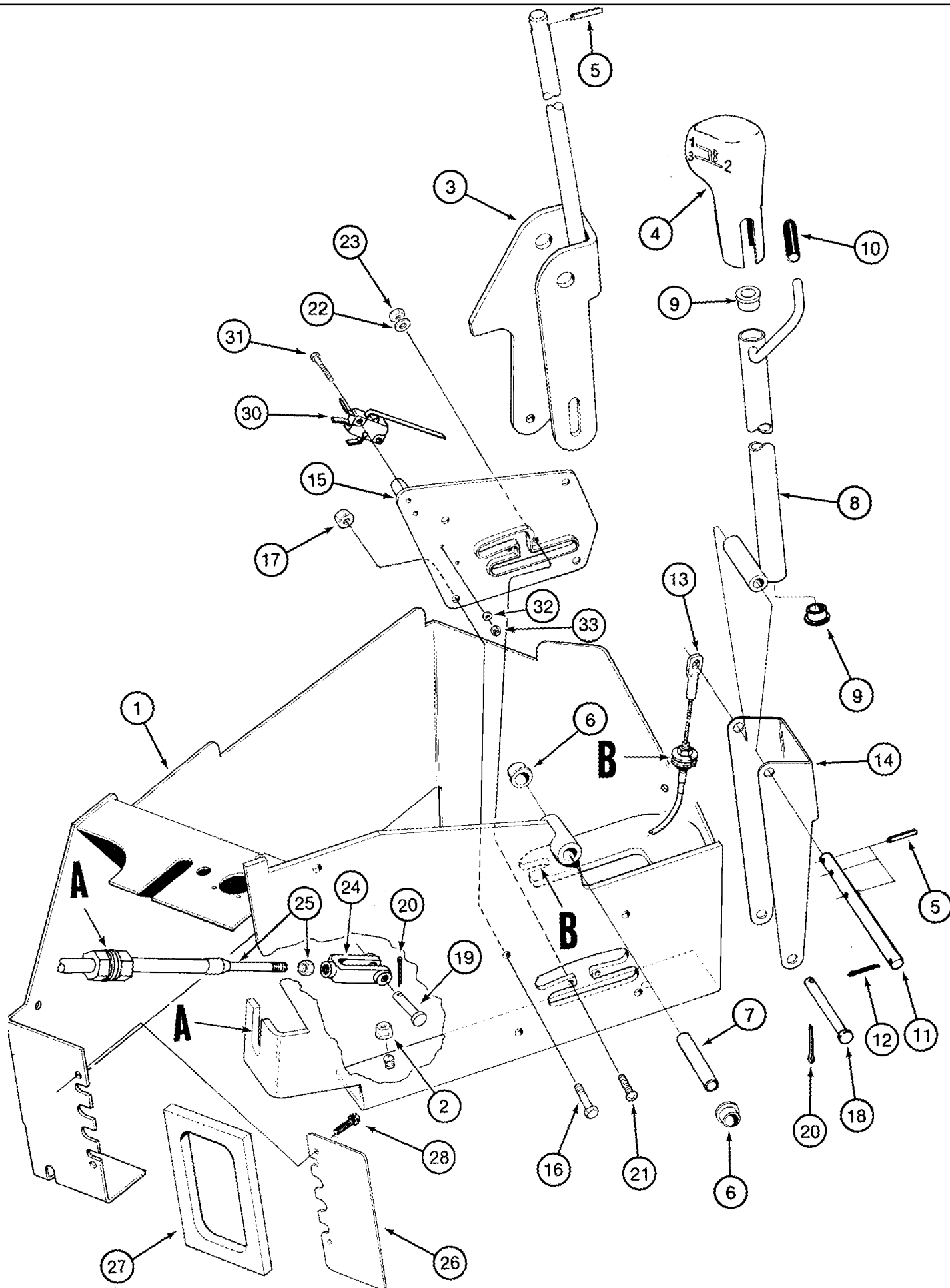
06-16 MOTOR ASSY - HYDROSTATIC - CONTROL VALVE - TWO SPEED



06-16 MOTOR ASSY - HYDROSTATIC - CONTROL VALVE - TWO SPEED

сылка	Номер детали	Кол-во	Описание
	REF	1	INSTRUCTION, Motor, Hydrostatic, See Figure(s) 06-12 - 06-13
	255825A1	1	KIT, REPAIR, Includes 1 - 21
	244387A1	1	VALVE, Includes 1 - 6
1	230594A1	1	SOLENOID,
2	255834A1	1	CARTRIDGE,
	1542831C1	1	KIT, SEALS, Includes 3 - 5
3	NSS	1	NOT SERVICED SEPARATELY, O-Ring
4	NSS	1	NOT SERVICED SEPARATELY, O-Ring
5	NSS	1	NOT SERVICED SEPARATELY, Ring, Backup
6	298986A1	1	NUT, 1/2 NF
	92649C1	1	KIT, Includes 7 - 9
7	1272954C1	2	GASKET,
8	211-1012	1	BALL, 3/8" Dia, 24,CRS
9	413-560	2	BOLT, Hex, 5/16"-18 x 3 3/4", G5,
10	190117A1	1	COUPLING, Diagnostic, Includes 11
11	H434163	1	DUST CAP,
12	413432A1	3	ELBOW, 9/16" fc x 7/16" Or, Includes 13, 14
13	237-6004	1	O-RING, 4-1, 90 Duro, .351" ID x .072" Thk,
14	238-6011	1	O-RING, -011, 90 Duro, .301" ID x .070" Thk,
15	255843A1	1	PORT,
16	145337C1	1	GASKET,
17	237-6010	1	O-RING, 10-1, 90 Duro, .755" ID x .097" Thk,
17A	NSS	1	NOT SERVICED SEPARATELY, Cap
18	413-528	6	BOLT, Hex, 5/16"-18 x 1 3/4", G5,
19	9672438	1	PLUG, Hex Hd, 7/16"-20 ORB, Incl. 20
20	237-6004	1	O-RING, 4-1, 90 Duro, .351" ID x .072" Thk,
21	NSS	1	NOT SERVICED SEPARATELY, Body

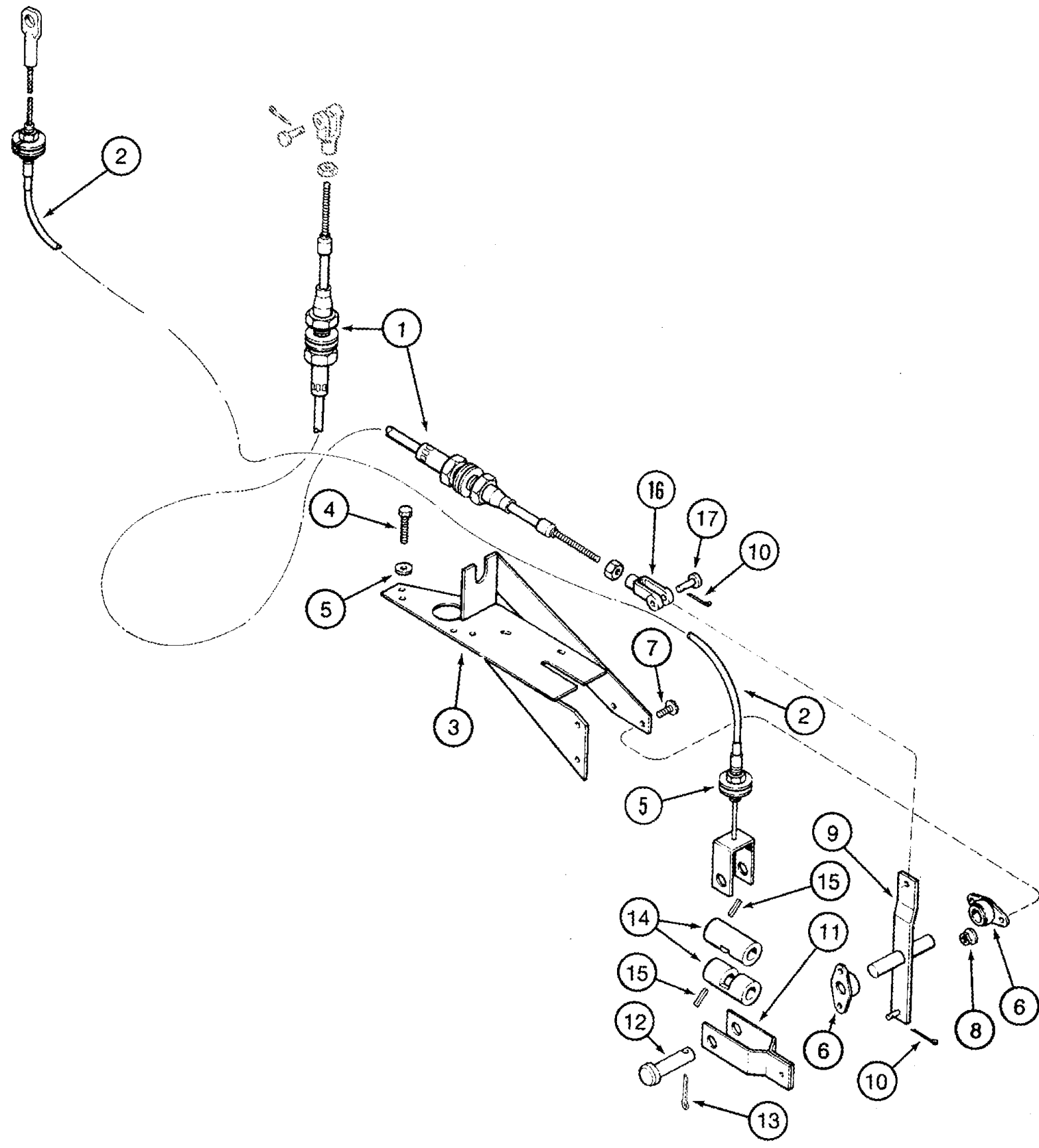
06-17 CONTROLS - TRANSMISSION UPPER SHIFT



06-17 CONTROLS - TRANSMISSION UPPER SHIFT

сылка	Номер детали	Кол-во	Описание
1	122744A8	1	BRACKET,
2	825-5148	4	NUT, M8, Flg Ser,
3	122751A3	1	LEVER, Transmission Shift, 2nd and 3rd Speed
4	122205A3	1	HANDLE,
5	838-1428	4	PIN, LOCK, M4 x 28, Slotted,
6	S115001	2	BEARING,
7	122199A1	1	PIN, PIVOT,
	197971A2	1	TUBE, Transmission Shift, 1st Speed, Includes 8, 9
8	NSS	1	NOT SERVICED SEPARATELY, Tube
9	90-4368T1	2	BUSHING,
10	125803A1	1	SLEEVE,
11	122197A2	1	SPLIT PIN/SAFETY PIN,
12	432-612	3	PIN, SPLIT (COTTER), 3/32" x 3/4",
13	115398A1	1	CABLE, 3209 mm (126"), Transmission Shift, 1st Speed
14	124714A2	1	SUPPORT,
15	122757A3	1	GUIDE,
16	614-6020	4	BOLT, Hex, M6 x 20, 8.8,
17	825-5146	4	NUT, M6, Flg Ser,
18	427-6325	1	PIN, CLEVIS, 3/8" x 3 1/4",
19	427-5094	1	PIN, CLEVIS, 5/16" x .940",
20	432-612	2	PIN, SPLIT (COTTER), 3/32" x 3/4",
21	840-1420	2	SCREW, Cross Pan Hd, M4 x 20,
22	895-11004	2	WASHER, M4,
23	824-1404	2	NUT, M4, CI 5,
24	213-125	1	CLEVIS, ADJUSTABLE, 5/16"-24,
25	115397A1	1	CABLE, Transmission Shift, 2nd and 3rd Speed
26	122750A1	1	PLATE,
27	122758A1	1	GASKET, No Longer Used
28	191216A1	2	SCREW, SELF TAP, Hex Wash Hd, #10-24 x 5/8",
30	60-6515T1	1	SWITCH, Third Gear Lockout, See Figure 04-14
31	463-10412	2	SCREW, Hex Hd, #4-40 x 3/4",
32	495-31022	2	WASHER, #10,
33	225-14104	2	NUT, #4-40,

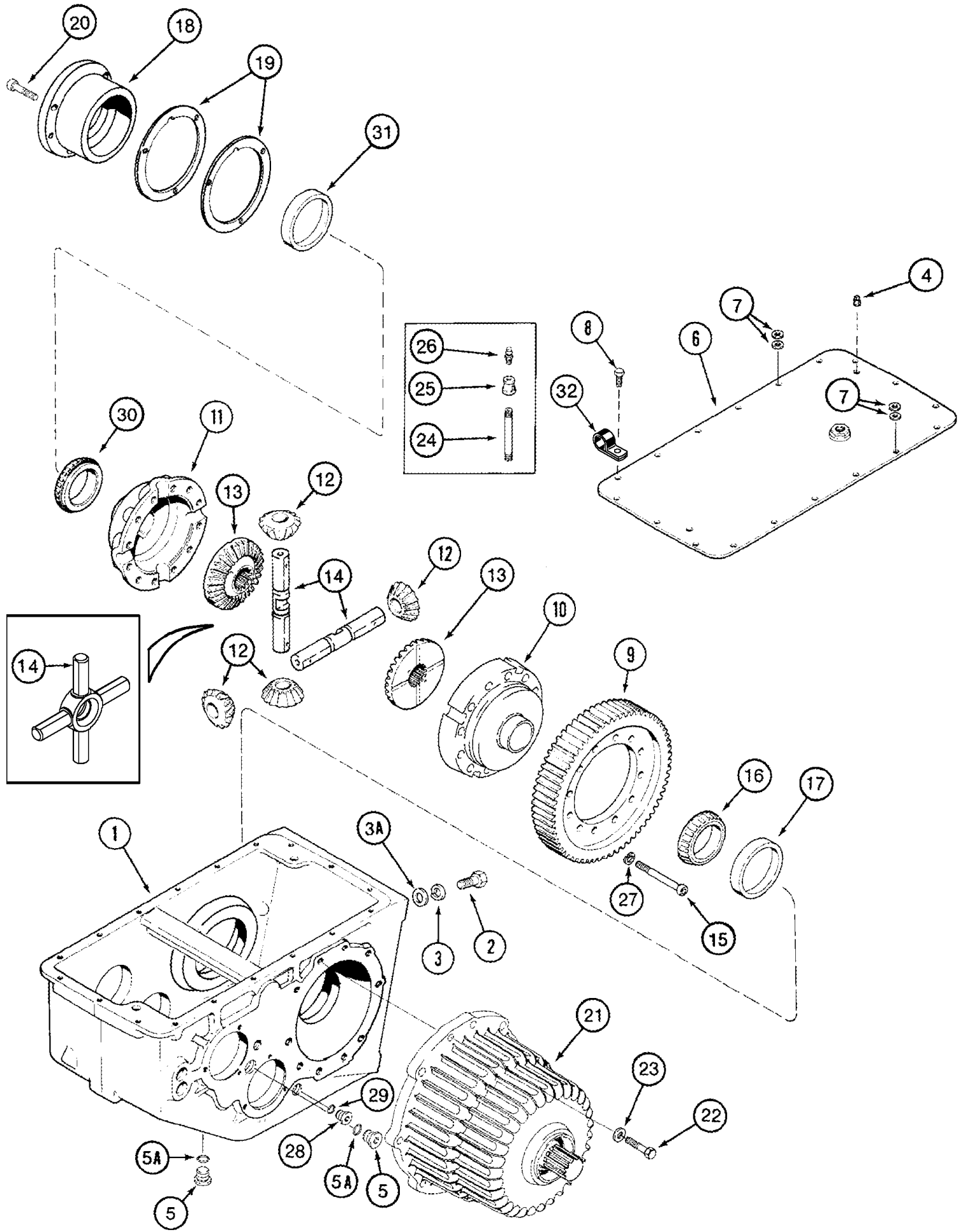
06-18 CONTROLS - TRANSMISSION LOWER SHIFT



06-18 CONTROLS - TRANSMISSION LOWER SHIFT

сылка	Номер детали	Кол-во	Описание
1	115397A1	1	CABLE, Transmission Shift, 2nd and 3rd Speed
2	115398A1	1	CABLE, 3209 mm (126"), Transmission Shift, 1st Speed
3	181376A1	1	SUPPORT,
4	614-10030	3	BOLT, Hex, M10 x 30, 8.8,
5	895-11010	3	WASHER, M10 x 20 x 2,
6	A63366	2	BEARING,
7	477-73112	4	BOLT, Slotted Tr Hd, 5/16"-18 x 3/4",
8	231-5145	4	NUT, Flg, USR, 5/16"-18,
9	143588A1	1	LEVER,
10	432-612	2	PIN, SPLIT (COTTER), 3/32" x 3/4",
11	194437C1	1	LINK, Shift Rail Control
12	439-51240	1	PIN, HEADED, 3/4" x 2 1/2",
13	432-1624	1	PIN, SPLIT (COTTER), 1/4" x 1 1/2",
14	192689C1	2	PIN,
15	38-31620	2	PIN, 1/4" x 1 1/4", Coiled,
16	213-125	1	CLEVIS, ADJUSTABLE, 5/16"-24,
17	427-5094	1	PIN, CLEVIS, 5/16" x .940",

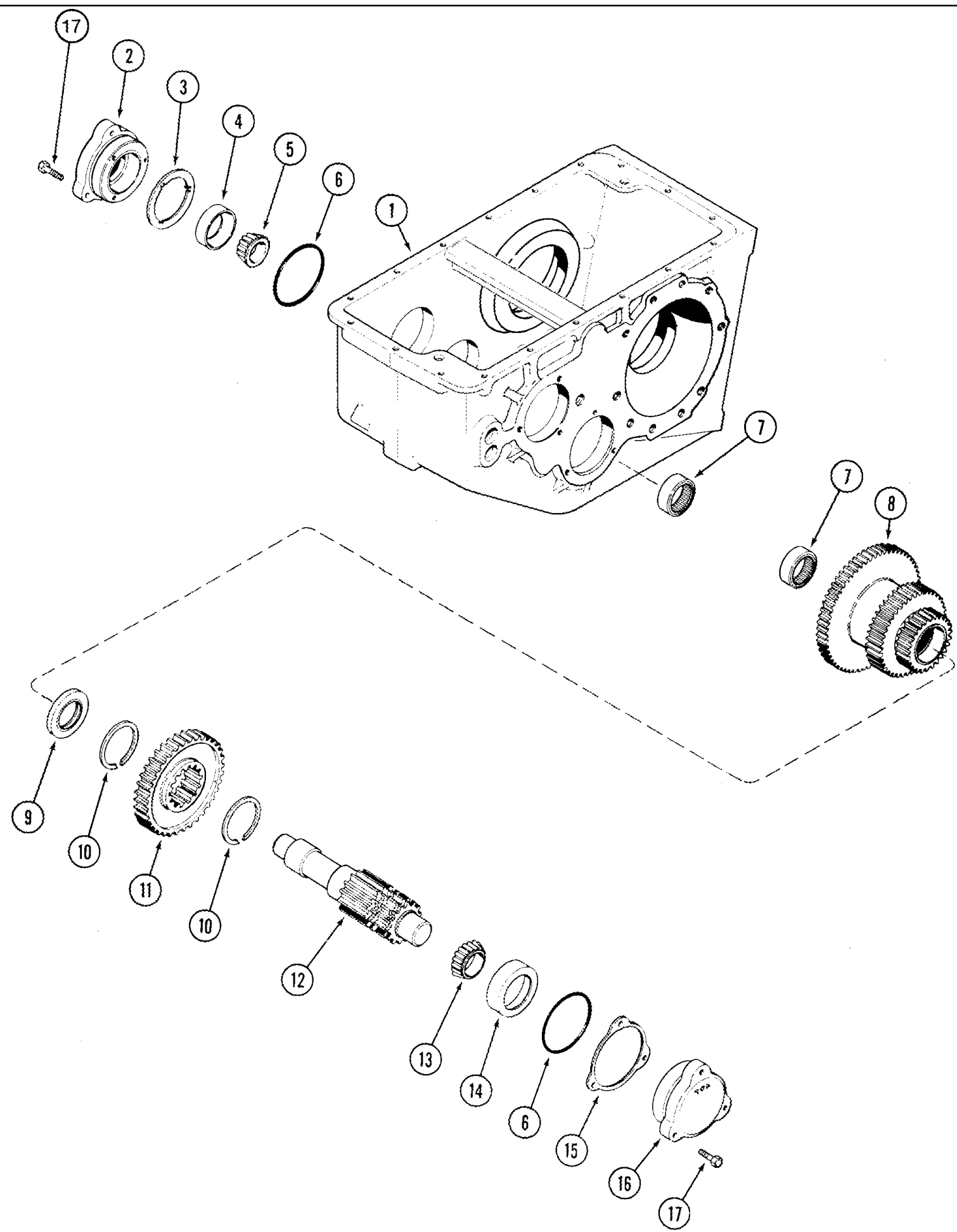
06-19 TRANSMISSION ASSY - HOUSING AND DIFFERENTIAL



06-19 TRANSMISSION ASSY - HOUSING AND DIFFERENTIAL

сылка	Номер детали	Кол-во	Описание
	236707A1R	1	REMAN-TRANSMISSION, Remanufactured, N.A. Only
	236707A1C	1	CORE-TRANSMISSION, Use To Return Core For Credit
	236707A1	1	TRANSMISSION, 37/35 Change Gears, Includes 1 - 31, Also Includes Parts On Figure(s) 06-20, 06-21 Corn and Grain Combine
	236706A1	1	TRANSMISSION, 34/38 Change Gears, Includes 1 - 31, Also Includes Parts On Figure(s) 06-20, 06-21 Rice Combine
1	236715A1	1	HOUSING,
2	627-16050	4	BOLT, Hex, M16 x 50, 10.9,
3	892-16016	4	WASHER, M16, Hvy,
3A	896-11016	4	WASHER, M17.5 x 30 x 4, HT,
4	217-433	2	PLUG, Hex Soc, 1/4"-18 NPTF,
5	9841223	2	PLUG, Hex Soc, 1 1/16"-12 ORB, Incl. 5A
5A	237-6012	1	O-RING, 12-1, 90 Duro, .924 ID x .118" Thk,
6	239456A1	1	COVER, Housing, Use Loctite No. 596, 1 ml
7	396-21041	4	WASHER, 13/32" x 13/16" x .09", HDN, If Required
8	613-10020	18	BOLT, Hex, M10 x 20, 8.8, Full Thd,
9	1997997C2	1	GEAR, DRIVEN, 66T, Differential
	236380A1	1	HOUSING, Differential, Includes 10, 11
10	NSS	1	NOT SERVICED SEPARATELY, Housing, RH
11	NSS	1	NOT SERVICED SEPARATELY, Housing, LH
12	361061R3	4	PINION, 15T, Pinion
13	236377A1	2	GEAR, BEVEL, 28T
14	197469A1	2	SHAFT, Two Pieces Required
14	393637R2	1	SPIDER, DIFF., Replaces 197469A1
15	230447A1	12	SCREW, M16 x 90; 10.9
16	ST2096	1	BEARING, CONE,
17	ST981	1	BEARING SET,
18	1997956C2	1	CAGE,
19	1997957C1	AR	SHIM, .813 mm
19	1997958C2	AR	SHIM, .127 mm
19	1997947C2	AR	SHIM, .076 mm
20	863-10025	5	SCREW, Hex Soc Hd, M10 x 25, 12.9,
21	236388A1	2	BRAKE ASSY., Master, See Figure 07-03
22	963-12040	20	SCREW, Hex Soc Hd, M12 x 40, 10.9,
23	896-11012	20	WASHER, M13.5 x 24.5 x 3, HT,
24	121210	1	PIPE, Nipple, 1/4" NPT x 4 1/2",
25	144098	1	REDUCER, Housing Cover
26	219-434	1	BREATHING, 1/8"-27 NPT, Short, w/washer, Transmission Case Oil
27	896-12016	12	WASHER, M17.5 x 30 x 4, HT,
28	86625138	1	PLUG, Hex Soc, 7/8"-14 ORB, Includes 29
29	218-5007	1	O-RING, 10-1, 90 Duro, .755" ID x .097" Thk,
30	ST2133	1	BEARING, ROLLER, TAPERED,
31	ST990	1	CUP,
32	516-23127	3	CLAMP, J, 9/16" Insul, 3/8" Bolt, 12.7 mm

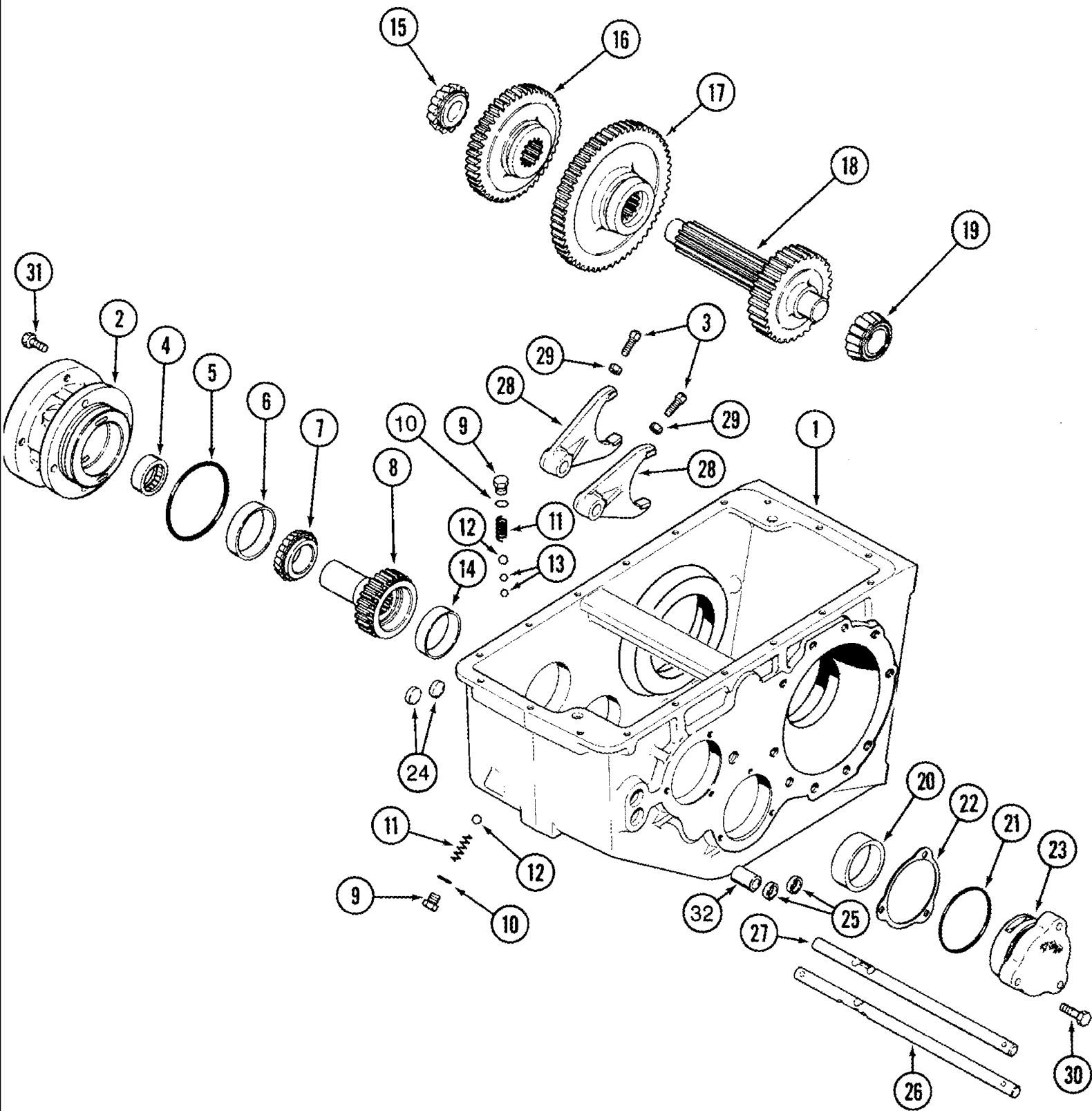
06-20 TRANSMISSION ASSY - DIFFERENTIAL PINION SHAFT AND GEARS



06-20 TRANSMISSION ASSY - DIFFERENTIAL PINION SHAFT AND GEARS

сылка	Номер детали	Кол-во	Описание
	236707A1	1	TRANSMISSION, 37/35 Change Gears, Includes 1 - 17, Also Includes Parts on Figure(s) 06-19, 06-21, Corn and Grain Combine
	236706A1	1	TRANSMISSION, 34/38 Change Gears, Includes 1 - 17, Also Includes Parts on Figure(s) 06-19, 06-21, Rice Combine
1	REF	1	INSTRUCTION, Housing, See Figure 06-19, Ref. 1
2	1997933C1	1	HOUSING, BEARING, LH
3	530704R2	1	WASHER,
4	131312C1	1	BEARING, CUP, LH Pinion Shaft
5	131311C91	1	BEARING, CONE,
6	238-7154	2	O-RING, -154, CI 7, 3.737" ID x .103" Thk,
7	675708R91	2	BEARING, NEEDLE,
8	530699R1	1	PINION, 59T, 39T, 27T
9	401879R1	1	SPACER,
10	196693H1	2	RING,
11	1997649C1	1	PINION, 35T, Change Driven, Corn and Grain Combine
11	1349045C1	1	PINION, 38T, Change Driven, Rice Combine
12	401878R1	1	PINION, 14T
13	57862H	1	BEARING, CONE,
14	57861H	1	BEARING, CUP,
14	ST951	1	BEARING, CUP,
15	401883R2	AR	SHIM, .076 mm (.003")
15	401884R2	AR	SHIM, .127 mm (.005")
15	401885R2	AR	SHIM, .178 mm (.007")
15	184195C2	AR	SHIM, .762 mm (.030")
16	1997984C1	1	HOUSING, BEARING, RH
17	628-10035	6	BOLT, Hex, M10 x 35, 10.9, Full Thd, , Use 345-181 Loctite No. 516, 1 ml

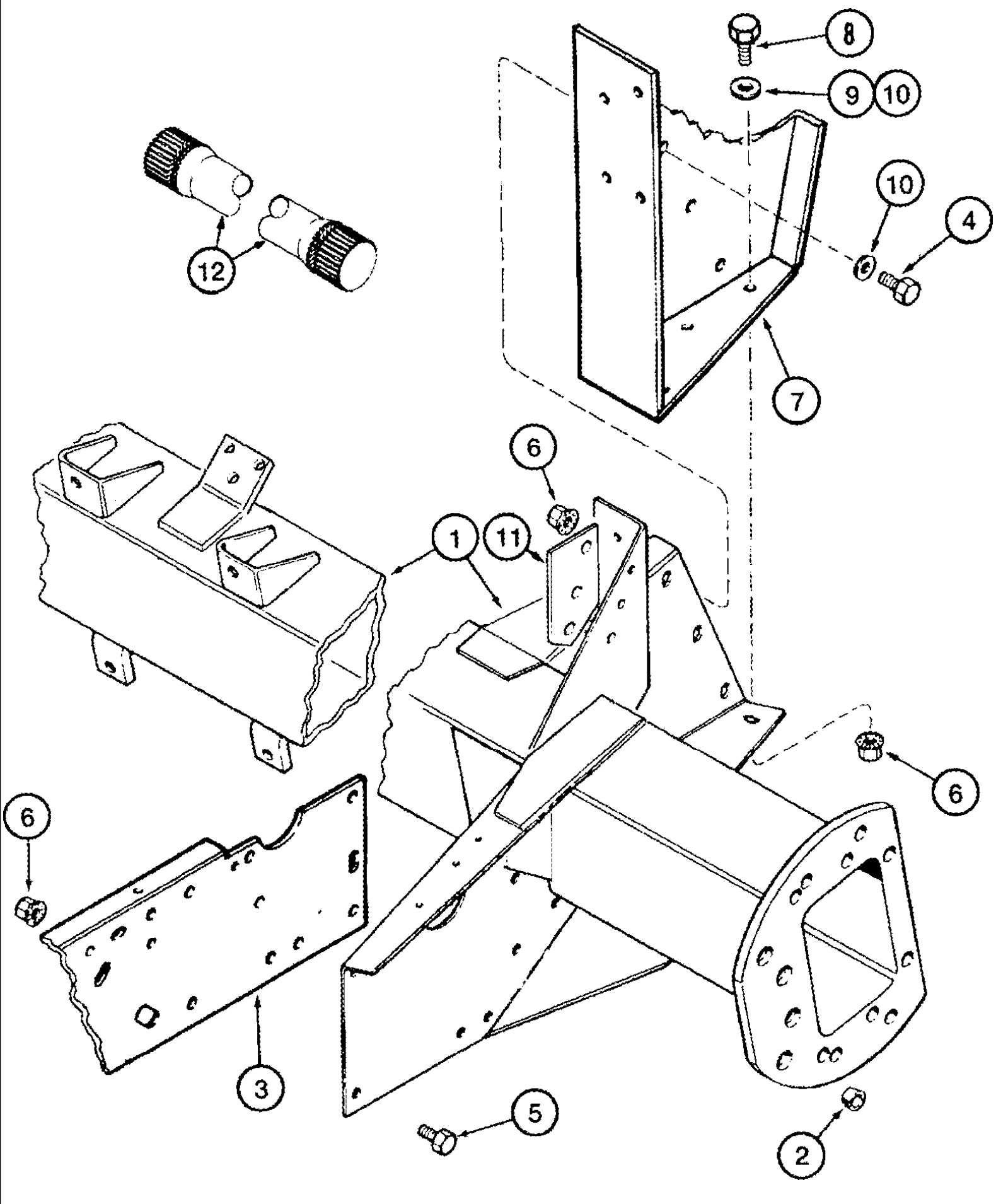
06-21 TRANSMISSION ASSY - INPUT SHAFT, GEARS AND SHIFTER RAILS



06-21 TRANSMISSION ASSY - INPUT SHAFT, GEARS AND SHIFTER RAILS

сылка	Номер детали	Кол-во	Описание
	236707A1	1	TRANSMISSION, 37/35 Change Gears, Includes 1 - 32, Also Includes Parts On Figure(s) 06-19, 06-20 Corn and Grain Combine
	236706A1	1	TRANSMISSION, 34/38 Change Gears, Includes 1 - 32, Also Includes Parts On Figure(s) 06-19, 06-20 Rice Combine
1	REF	1	INSTRUCTION, Housing, See Figure 06-19, Ref. 1
2	1997934C1	1	HOUSING, Input Shaft
3	1997657C1	2	SET SCREW,
4	359950R91	1	BEARING, NEEDLE, 1-3/4" ID
5	238-5348	1	O-RING, -348, 70 Duro, 4.35" ID x .210" Thk,
6	130503H	1	BEARING, CUP, 3-17/64" OD
7	300426R91	1	BEARING, CONE, 1-25/32" ID
8	184217C1	1	SHAFT, Input Pinion, 26T
9	76349	2	PLUG, Hex Hd, 9/16"-18 ORB, Includes 10
10	237-6006	1	O-RING, 6-1, 90 Duro, .468" ID x .078" Thk,
11	64600C1	2	SPRING,
12	211-1016	2	BALL, 1/2" Dia, 24, CRS
13	211-1014	2	BALL, 7/16" Dia, 24, CRS
14	51200379	1	BEARING, CUP, 2-3/4" OD
15	50212VA	1	BEARING, CONE, 1-5/16" ID
16	530700R1	1	GEAR, 26T, 46T, Second and Third Sliding
17	401889R1	1	GEAR, 58T, First Sliding
18	1997650C1	1	SHAFT, 37T, Drive Gear, Corn and Grain Combine
18	1349044C1	1	SHAFT, 34T, Drive Gear, Rice Combine
19	290099C91	1	BEARING, CONE, 1-9/16" ID
20	290100C1	1	BEARING, CUP, 2-7/8" OD
21	238-7154	1	O-RING, -154, CI 7, 3.737" ID x .103" Thk,
22	401883R2	AR	SHIM, .076 mm (.003")
22	401884R2	AR	SHIM, .127 mm (.005")
22	401885R2	AR	SHIM, .178 mm (.007")
22	184195C2	AR	SHIM, .762 mm (.030")
23	1997998C1	1	COVER,
24	41-1012	2	PLUG, Cup, 3/4",
25	1997906C1	2	SEAL,
26	1342442C3	1	SHIFT RAIL, Second and Third Gear
27	1342443C3	1	SHIFT RAIL, First Gear
28	1997656C1	2	FORK, SHIFTER,
29	829-1310	2	NUT, M10, CI 10,
30	628-10035	3	BOLT, Hex, M10 x 35, 10.9, Full Thd, , Use 345-181 Loctite No. 516, 1 ml
31	613-10025	4	BOLT, Hex, M10 x 25, 8.8, Full Thd, , Use Loctite No. 596, 1 ml
32	189168A1	1	SPACER, Shift Rail

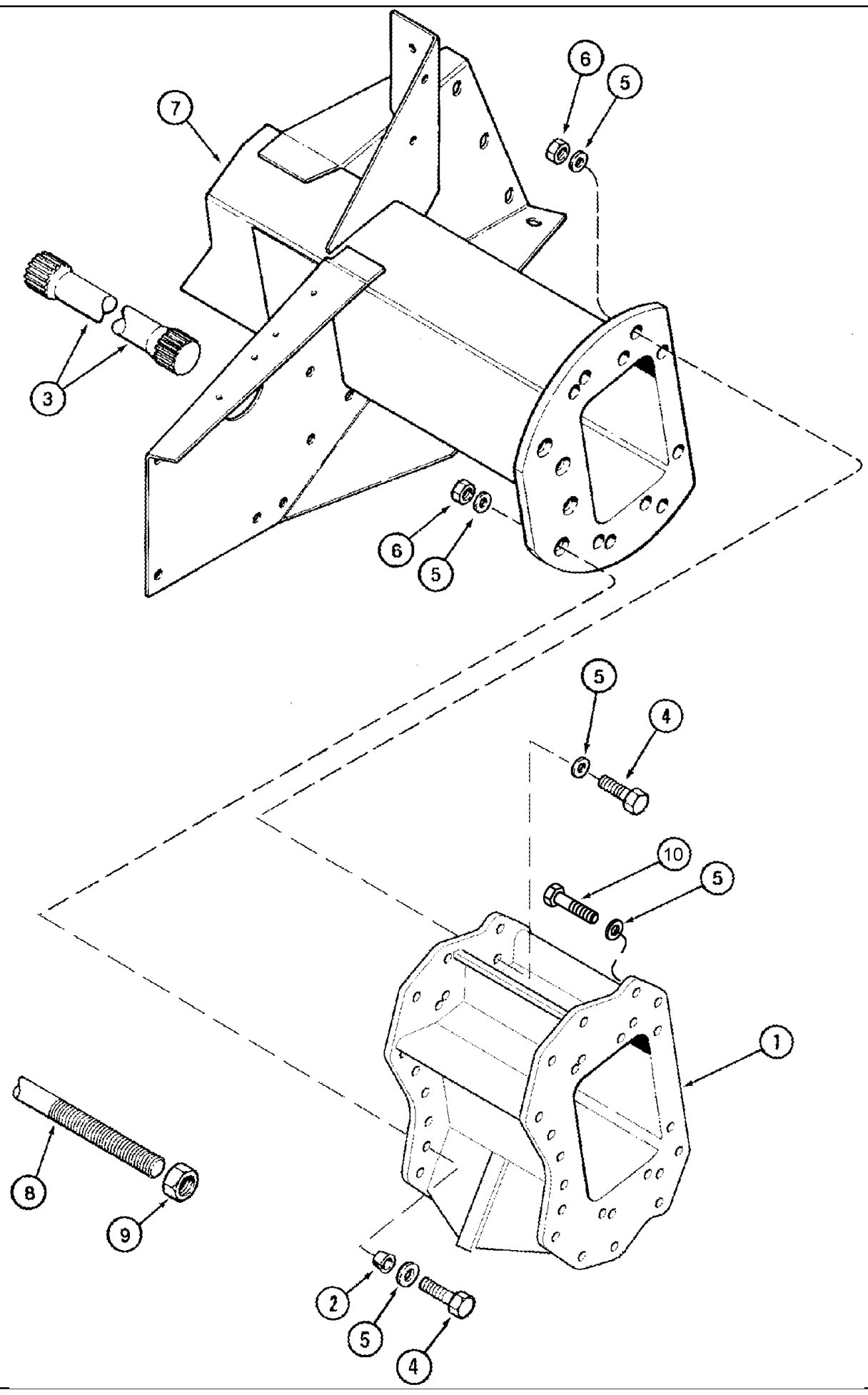
06-22 AXLE ASSY - DRIVE, WITHOUT EXTENSIONS



06-22 AXLE ASSY - DRIVE, WITHOUT EXTENSIONS

сылка	Номер детали	Кол-во	Описание
1	400968A2	1	AXLE, , With Hillside Option, Models with Wheels
2	135314A1	4	BUSHING,
3	REF	1	INSTRUCTION, Support, RH Shown, See Figure(s) 09H-03, Ref. 18; 09H-04, Ref. 8
4	426-1020	AR	BOLT, Hex, 5/8"-11 x 1 1/4", G8, Full Thd,
4	426-1036	AR	BOLT, Hex, 5/8"-11 x 2 1/4", G8,
4	426-1024	AR	BOLT, Hex, 5/8"-11 x 1 1/2", G8, Full Thd,
5	627-20060	AR	BOLT, Hex, M20 x 60, 10.9,
6	87301493	AR	NUT, Flg, USR, 5/8"-11, G8,
7	REF	1	INSTRUCTION, Separator, RH Shown, See Figure(s) 09H-03, Ref. 19; 09H-04, Ref. 9
8	326-1024	AR	BOLT, Hex, 5/8"-11 x 1 1/2", G8, Full Thd,
9	496-41066	AR	WASHER, 21/32" x 1 1/2" x .188", HDN, If Used
10	496-11066	AR	WASHER, 21/32" x 1 5/16" x .095", HDN,
11	236510A1	2	PLATE, Reinforcement
12	REF	2	INSTRUCTION, Shaft, Axle, Drive, Without Extensions, 748 mm, Models with Wheels, See Figure 06-24, Ref. 40

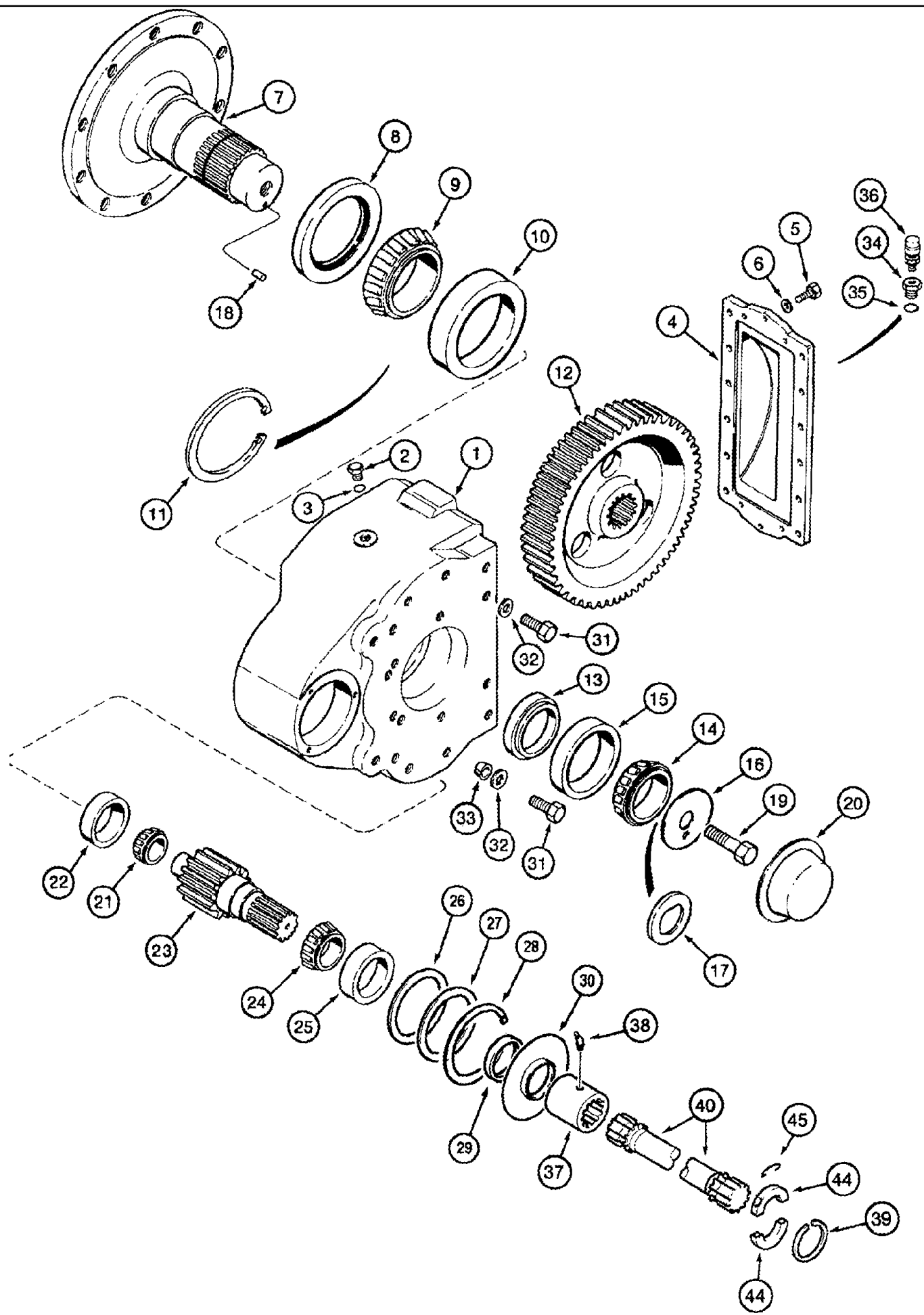
06-23 AXLE - EXTENSIONS



06-23 AXLE - EXTENSIONS

сылка	Номер детали	Кол-во	Описание
1	242462A1	2	EXTENSION, 6", Drive Axle, Not Illustrated
1	370220A1	2	EXTENSION, 6", Drive Axle, Not Illustrated, Models with Narrow Dual Wheels
1	240851A1	2	EXTENSION, 12", Drive Axle, Shown
1	240851A2	2	EXTENSION, 12", Drive Axle, If Used, Used for low clearance positioning with 76 x 50.00 - 32 tires
1	356418A1	2	AXLE, Extension Assy., 13", Drive Axle, If Used, Not Illustrated, Models with Narrow Dual Wheels
2	135314A1	12	BUSHING,
3	REF	1	INSTRUCTION, Shaft, Axle, With Extensions, See Figure 06-24, Ref. 40
4	827-20070	AR	BOLT, Hex, M20 x 70, 10.9,
4	627-20060	AR	BOLT, Hex, M20 x 60, 10.9, , Models with Narrow Dual Wheels
5	137339A2	AR	WASHER, 22 x 34 x 3.4 mm
6	832-41320	AR	NUT, LOCK, M20 x 2.5, Cl 10,
7	136416A5	1	AXLE, , See Figure 06-23, Ref. 1
8	335400A1	1	REINFORCEMENT, 2960 mm, Used with 240851A2
8	356459A1	1	REINFORCEMENT, 3020 mm, Used with 356418A1
8	370221A2	1	REINFORCEMENT, With 6" Axle Extension, Models with Narrow Dual Wheels
9	232-41320	2	NUT, LOCK, 1 1/4"-7, GC,
9	425-1020	2	NUT, 1 1/4"-7, G5,
10	861-20060	26	SCREW, Hex Soc Hd, M20 x 60, 12.9,
11	370223A1	2	SPACER, With 6" Axle Extension, Models with Narrow Dual Wheels
12	425-1020	2	NUT, 1 1/4"-7, G5, With 6" Axle Extension, Models with Narrow Dual Wheels
13	232-41320	2	NUT, LOCK, 1 1/4"-7, GC, With 6" axle extension, Models with Narrow Dual Wheels
14	396-31131	2	WASHER, 1 3/8" x 2 1/2" x 1/4", HDN, With 6" Axle Extension, Models with Narrow Dual Wheels

06-24 FINAL DRIVE ASSY



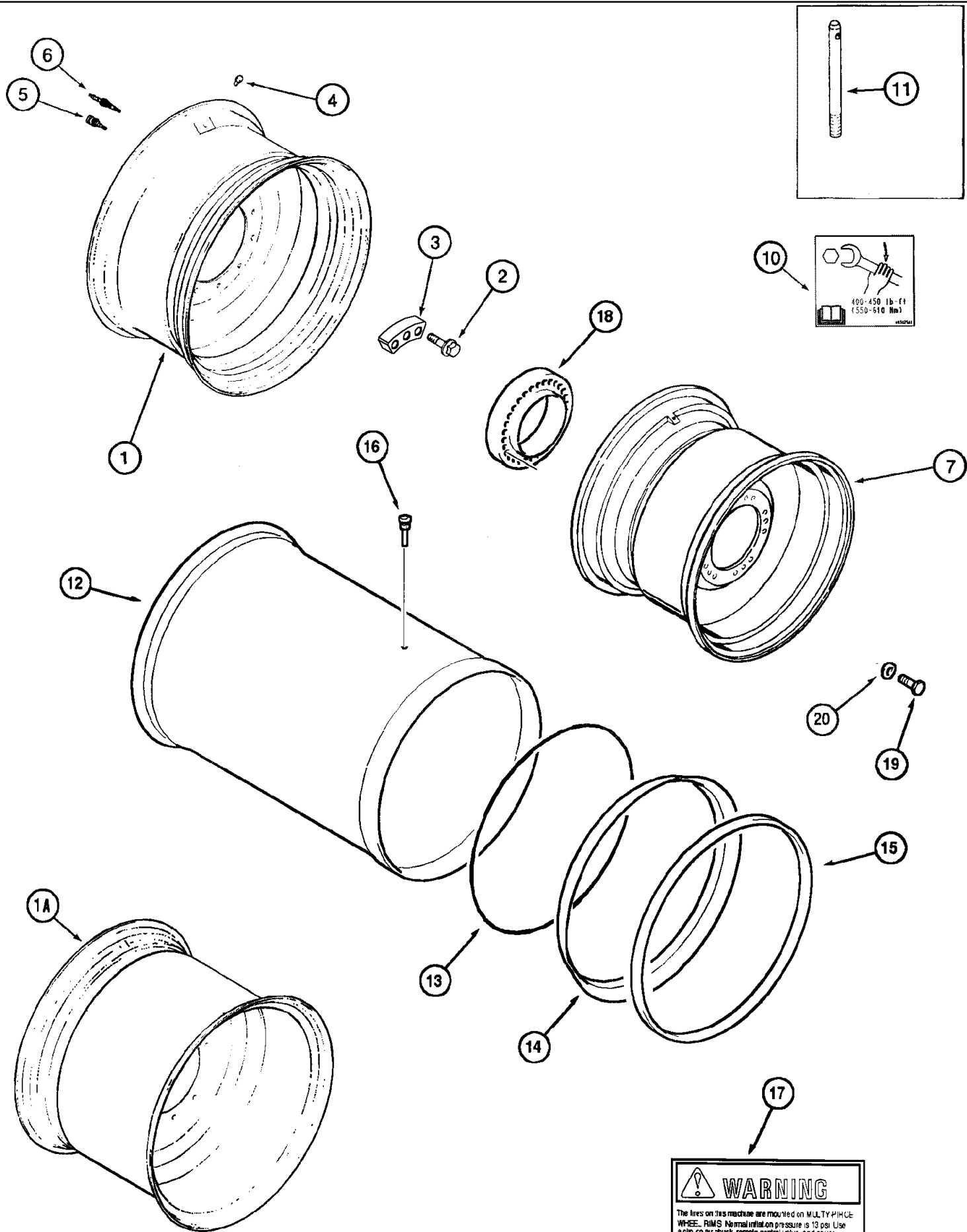
06-24 FINAL DRIVE ASSY

сылка	Номер детали	Кол-во	Описание
	1997415C4R	2	GEARBOX, FINAL REDUCTION, Remanufactured, HD, N.A. Only
	1997415C4C	2	GEARBOX, FINAL REDUCTION, Use To Return Core For Credit
	1997415C4	2	GEARBOX, FINAL REDUCTION, Final Drive, Heavy Duty, Includes 1 - 6, 7A, 8, 9A, 10 - 30
1	135285A2	1	HOUSING,
2	218-5158	1	PLUG, Hex Hd, 1 1/16"-12 ORB, Includes 3
3	237-6012	1	O-RING, 12-1, 90 Duro, .924 ID x .118" Thk,
4	135286A1	1	COVER,
5	628-16050	14	BOLT, Hex, M16 x 50, 10.9, Full Thd,
6	896-11016	14	WASHER, M17.5 x 30 x 4, HT,
7	335948A1	1	SHAFT, Output
8	135293A1	1	SEAL,
9	335947A1	1	BEARING, CONE,
10	135649A1	1	BEARING, CUP,
11	135297A1	1	CIRCLIP,
12	135287A1	1	PINION, 73T, Final Drive
13	135307A1	1	SPACER,
14	135294A1	1	BEARING, CONE,
15	71455R1	1	BEARING, ROLLER, TAPERED,
16	135289A1	1	RETAINER,
17	135299A1	AR	SHIM, .051 mm (.002")
17	135300A1	AR	SHIM, .457 mm (.018")
17	135301A1	AR	SHIM, .635 mm (.025")
18	37-1512	1	DOWEL, 5/16" x 3/4",
19	828-24090	1	BOLT, Hex, M24 x 90 10.9,
20	135296A1	1	COVER,
21	135295A1	1	BEARING, CONE,
22	135650A1	1	BEARING, CUP,
23	135290A1	1	SHAFT, 12T, Input
24	K4729	1	BEARING, CONE,
25	135651A1	1	BEARING, CUP,
26	135302A1	AR	SHIM, .051 mm (.002")
26	135303A1	AR	SHIM, .457 mm (.018")
26	135305A1	AR	SHIM, .635 mm (.025")
27	193652A1	1	WASHER,
28	101-21412	1	RING, SNAP, #412, 4.430", Int,
29	135292A1	1	SEAL,
30	135291A1	1	GUARD,
31	627-20060	26	BOLT, Hex, M20 x 60, 10.9,
32	137339A2	26	WASHER, 22 x 34 x 3.4 mm
33	135314A1	AR	BUSHING,
34	135950A1	2	ADAPTER, 1/8" PT x 1-1/16" Or, Includes 35
35	237-6012	1	O-RING, 12-1, 90 Duro, .924 ID x .118" Thk,
36	219-434	2	BREATHER, 1/8"-27 NPT, Short, w/washer,
37	248600A1	4	COUPLING, Includes 38
38	219-45	1	NIPPLE, LUBE, 65c, 1/4" NPT x .77" lg, Drive,

06-24 FINAL DRIVE ASSY

сылка	Номер детали	Кол-во	Описание
39	123763A1	4	RING, SNAP,
40	242846A1	2	SHAFT, 748 mm, Models without Axle Extensions, See Figure 06-23, Ref. 3
40	242852A1	2	SHAFT, 904 mm, Used with 242462A1, 370220A1 Extensions, See Figure 06-23, Ref. 3
40	242859A1	2	SHAFT, 1046 mm, Used with 240851A1 Extension, See Figure 06-23, Ref. 3
40	356460A1	2	SHAFT, 1092 mm, Used with 356418A1 Extension, See Figure 06-23, Ref. 3
44	244549A1	4	COLLAR, Includes 44A
44A	62-33116	1	SCREW, Hex Soc Hd, 5/16"-24 x 1", Not Illustrated
45	245105A2	4	CLIP, SPRING,

06-25 WHEELS - DRIVE - SINGLE

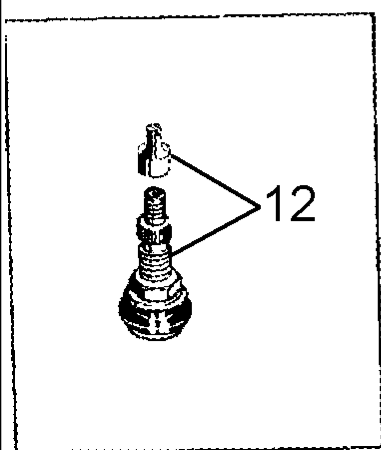
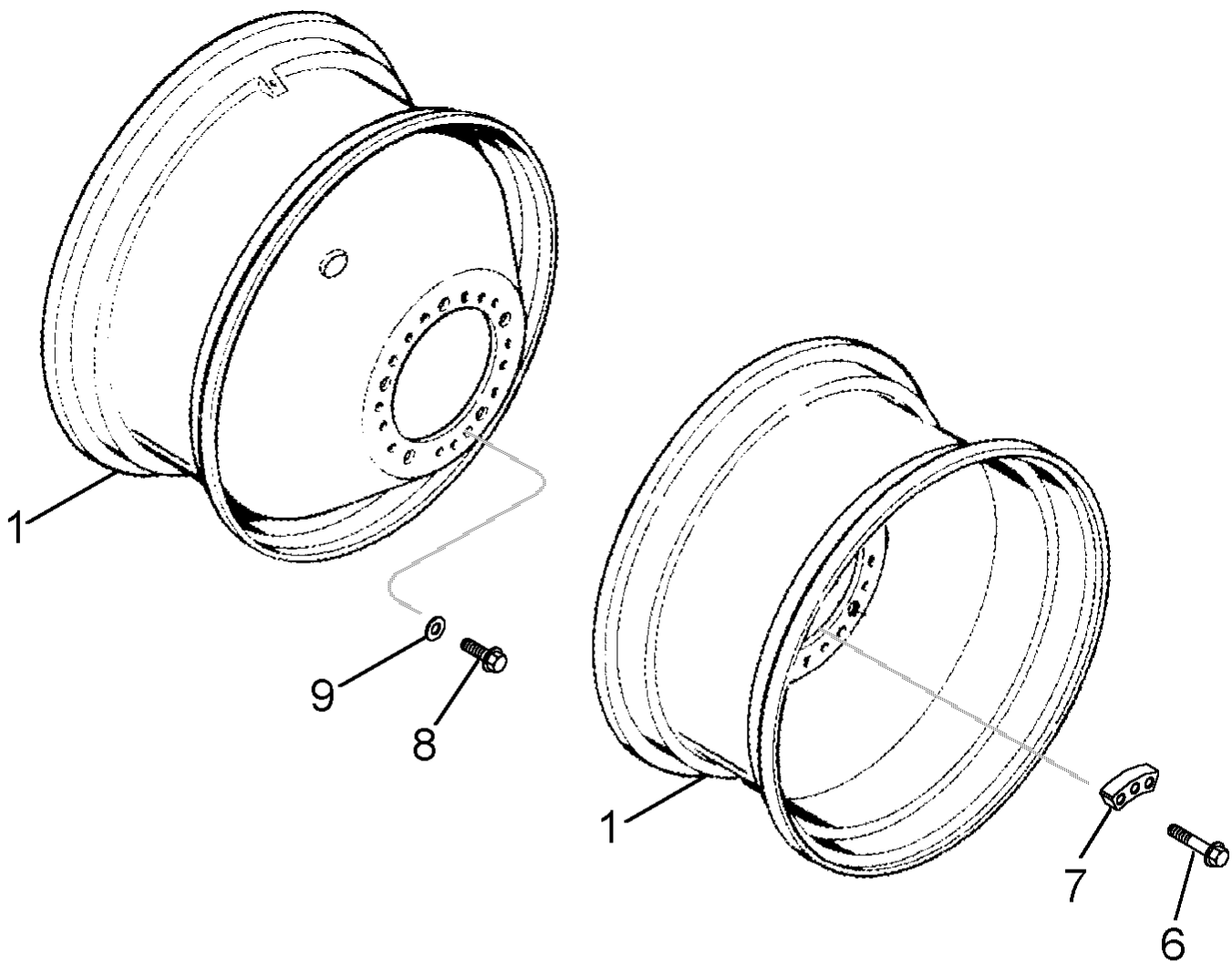


WARNING

The tires on this machine are mounted on MULTI-PURPOSE WHEEL RIMS. Normal inflation pressure is 13 psi. Use a clip on air chuck, remote control valve and gauge to add air. If pressure drops below 9 psi, refer to your Operator's Manual and contact qualified tire personnel to repair the tire/wheel assembly.

06-25 WHEELS - DRIVE - SINGLE

сылка	Номер детали	Кол-во	Описание
1	184482C4	2	WHEEL, Used with Bias 24.5 x 32" Tire, With 10 Bolt Mounting
1	87411121	2	WHEEL, HD, 24.5 x 32" Tire, With 10 Bolt Mounting
1A	184480C4	2	WHEEL, Used with Bias 30.5L x 32" Tire, With 10 Bolt Mounting
1A	87406489	2	WHEEL, HD, 30.5LR32 Tire, 800/65 - R32 Tire, 900/60-R32 Tire, With 10 Bolt Mounting
2	87327478	20	BOLT, Flange, M20 x 75; 12.9
3	87598803	20	PLATE, Wheel Mounting, 25 mm
4	417194C1	2	PLUG, Used With Tubeless Tires, If Used
4	359846A1	2	PLUG, Used With Tubeless Tires, If Used
4	383697R1	2	PLUG, Used With Tube Type Tires
5	179482C1	2	VALVE STEM, 7/16" dia, Used With Tubeless Tires
6	407184R1	2	VALVE, Core, Used With Tubeless Tires
7	132694A1	2	RIM, 35.5L x 32" Tube Type Tire
10	403425A1	2	DECAL, Bolt Torque, Single Drive Wheel, See Figure 09H-21
11	131443A1	2	SCREW, Stud, Drive Wheel Starter
12	237825A2	2	WHEEL, 76 x 50.00, 16pr hf3 Hi-Flotation Tire
13	184473C1	2	O-RING,
14	237824A1	2	BACK-UP RING, Side Wheel
15	184472C1	2	RING, Lock
16	1984006C2	2	VALVE STEM, Used With Tubeless Tires
17	301049A1	4	DECAL, Warning, Multi Piece Rims, See Figure 09H-19, Ref. 15
18	87342973	2	SPACER, 76 mm
19	514-1224	20	BOLT, Hex, M20 x 1.5 x 125, 10.9,
20	137339A2	20	WASHER, 22 x 34 x 3.4 mm



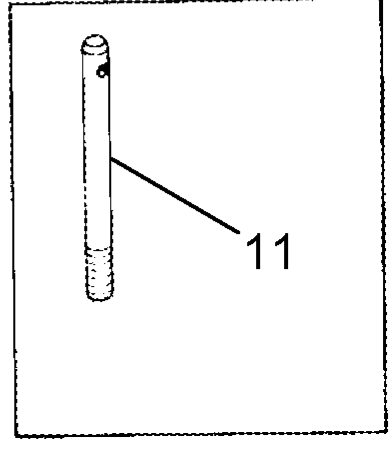
DUAL WHEEL BOLT TORQUE INSTRUCTIONS

PRECAUTION
 When wheels are repositioned or replaced, mounting surfaces, sockets, and bolt threads must be clean. Torque (5) start wheel bolts on front wheel. Torque (10) drive wheel bolts on dual wheel. After operating one hour, retorque all wheel bolts.

TRANSPORT
 Lathings may be transported with wheel nuts with exactly 3/4" (19 mm) and 1/2" (13 mm) leader. Do not exceed torque (5) on wheel bolts. Clear bolt threads and interior of 1/2" (13 mm) drive wheel bolts and spacers.

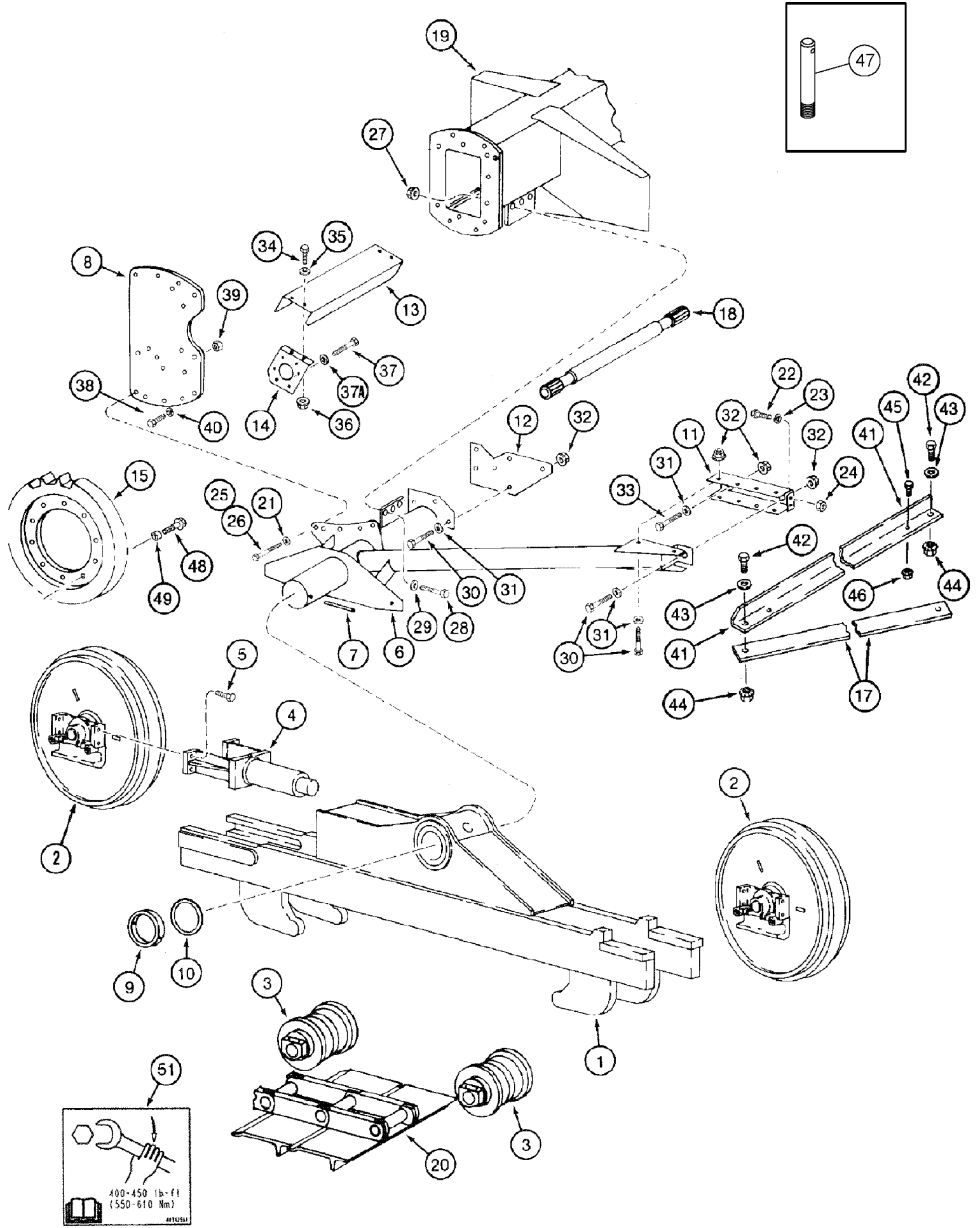
BOLT TORQUE VALUE: 1 In 225 to 315 plus initial break wear on 1/2" (13 mm) leader.

Clean head & threaded ends are required to maintain proper clamping force.



06-26 WHEELS - DRIVE- DUAL

сылка	Номер детали	Кол-во	Описание
1	184352C2	4	WHEEL, 18.4 x 38" Tire
1	184458C2	4	WHEEL, 18.4 x 42" Tire
1	129948A1	4	WHEEL, 20.8 x 38" Tire
1	184456C2	4	WHEEL, 20.8 x 42" Tire
1	356461A1	4	WHEEL, 46 x W12" Tire
2	417194C1	4	PLUG, Used With Tubeless Tires, Not Illustrated
2	383697R1	4	PLUG, Used With Tube Type Tires, Not Illustrated
5	407184R1	4	VALVE, Core, Used With Tubeless Tires, Not Illustrated
6	87367560	AR	BOLT, M20 x 95; 12.9
7	87327940	10	PLATE, Dual Wheel Mounting
8	87340028	AR	BOLT, M20 x 55; 10.9
9	137339A2	AR	WASHER, 22 x 34 x 3.4 mm, If Used
10	448670A1	1	DECAL, Bolt Torque, Dual Wheel, See Figure 09H-21
11	131443A1	2	SCREW, Stud, Drive Wheel Starter
12	179482C1	2	VALVE STEM, 7/16" dia, Used With Tubeless Tires, If Used



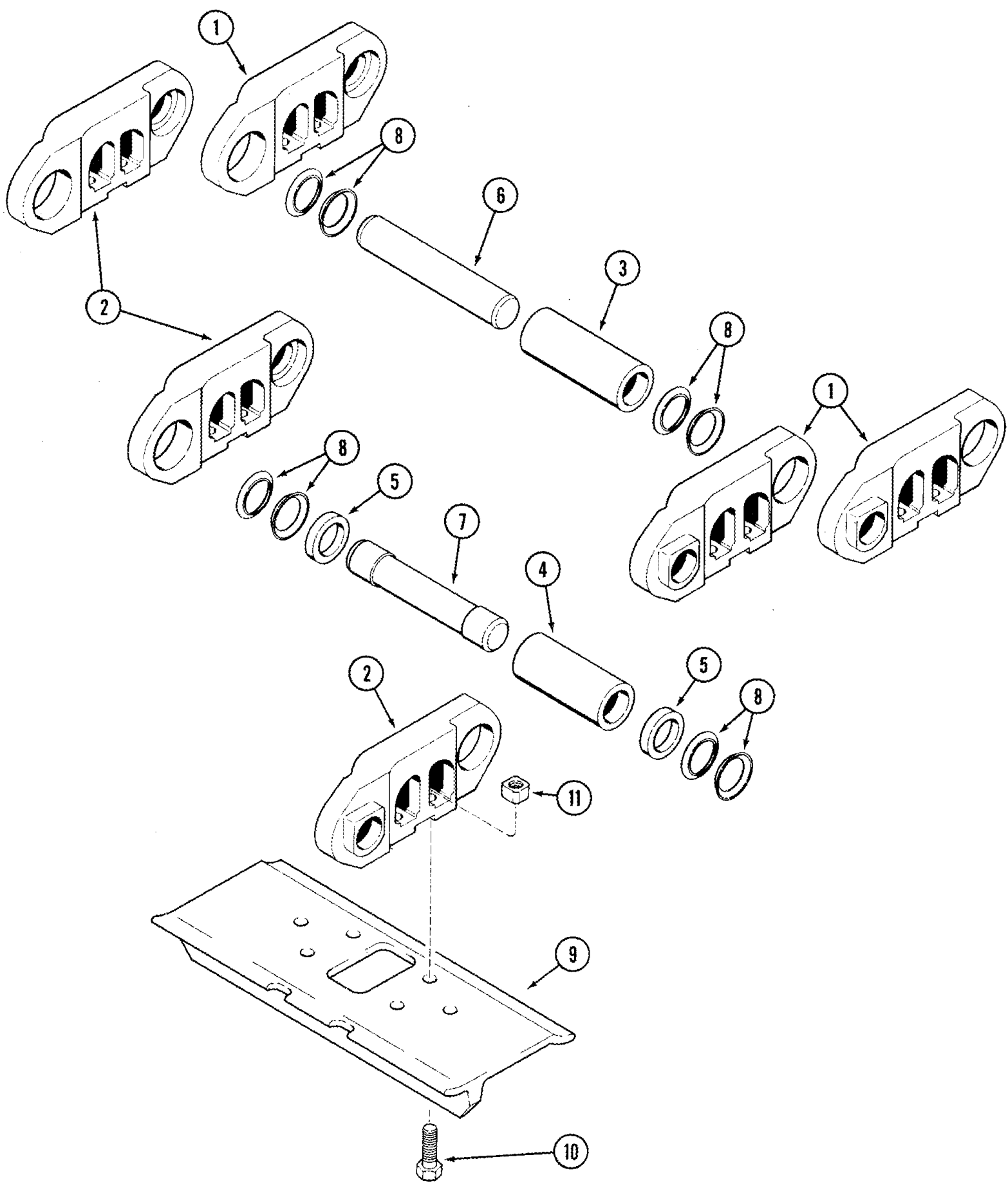
06-27 TRACK - FRAME

сылка	Номер детали	Кол-во	Описание
	1541592C1	2	FRAME ASSY, Track, 6 Roller, Includes 1 - 5
1	NSS	1	NOT SERVICED SEPARATELY, Frame, Track
2	R53591	2	IDLER, FRONT, Track, Front And Rear, See Figure 06-29
3	R57357	6	TRACK ROLLER, , See Figure 06-30
4	1541714C1	1	ADJUSTER, Idler, Not Serviced Separately
5	426-828	4	BOLT, Hex, 1/2"-13 x 1 3/4", G8,
6	188487C2	1	FRAME, Track, LH
6	188488C3	1	FRAME, Track, RH
7	38-13280	2	PIN, LOCK, 1/2" x 5", Slotted, Replaces 23854R1
8	186832C2	2	PLATE, Outer Pivot Support
9	167791C1	2	SPACER, Pivot Retainer
10	168385C2	4	WASHER,
11	188496C1	1	SUPPORT, Pivot Rear Anchor, LH
11	188497C1	1	SUPPORT, Pivot Rear Anchor, RH
12	186006C1	2	SUPPORT, Inner Pivot
13	1338130C1	2	SHIELD, Axle Drive Shaft
14	186016C4	1	SUPPORT, Outer Shaft, LH
14	186017C4	1	SUPPORT, Outer Shaft, RH
15	184490C2	2	SPROCKET,
17	186018C1	2	STRAP, , See Figure(s) 09H-03, Ref. 28; 09H-04, Ref. 22
18	135705A1	2	SHAFT, , Models with Track Attachment
19	136417A3	1	AXLE, , Models with Track Attachment
20	1541593C1	2	CHAIN, TRACK, Track With Shoes, Order Components, See Figure 06-28
21	496-11081	14	WASHER, 13/16" x 1 1/2" x .065", HDN, 13/16" x 1-1/2" x 9/64"
22	426-616	4	BOLT, Hex, 3/8"-16 x 1", G8, Full Thd,
23	492-11038	4	WASHER, LOCK, 3/8",
24	429-106	4	NUT, 3/8"-16, G8,
25	426-1244	10	BOLT, Hex, 3/4"-10 x 2 3/4", G8,
26	426-1248	4	BOLT, Hex, 3/4"-10 x 3", G8,
27	186852C1	6	NUT, 1/2", 8
28	426-820	6	BOLT, Hex, 1/2"-13 x 1 1/4", G8, Full Thd,
29	496-21053	6	WASHER, 17/32" x 1 1/16" x .134",
30	426-1028	22	BOLT, Hex, 5/8"-11 x 1 3/4", G8, Full Thd,
31	396-41066	26	WASHER, 21/32" x 1 1/2" x .188", HDN,
32	186851C1	24	NUT, 5/8"; 8
33	426-1020	2	BOLT, Hex, 5/8"-11 x 1 1/4", G8, Full Thd,
34	413-612	4	BOLT, Hex, 3/8"-16 x 3/4", G5, Full Thd,
35	495-11041	4	WASHER, 3/8", SAE,
36	231-5146	4	NUT, Flg, USR, 3/8"-16,
37	614-10025	6	BOLT, Hex, M10 x 25, 8.8, Full Thd,
37A	895-11010	6	WASHER, M10 x 20 x 2,
38	426-1240	10	BOLT, Hex, 3/4"-10 x 2 1/2", G8,
39	429-1012	10	NUT, 3/4"-10, G8,
40	392-21075	10	WASHER, LOCK, 3/4",
41	186025C1	1	BRACKET, Main Sill Center Cross

06-27 TRACK - FRAME

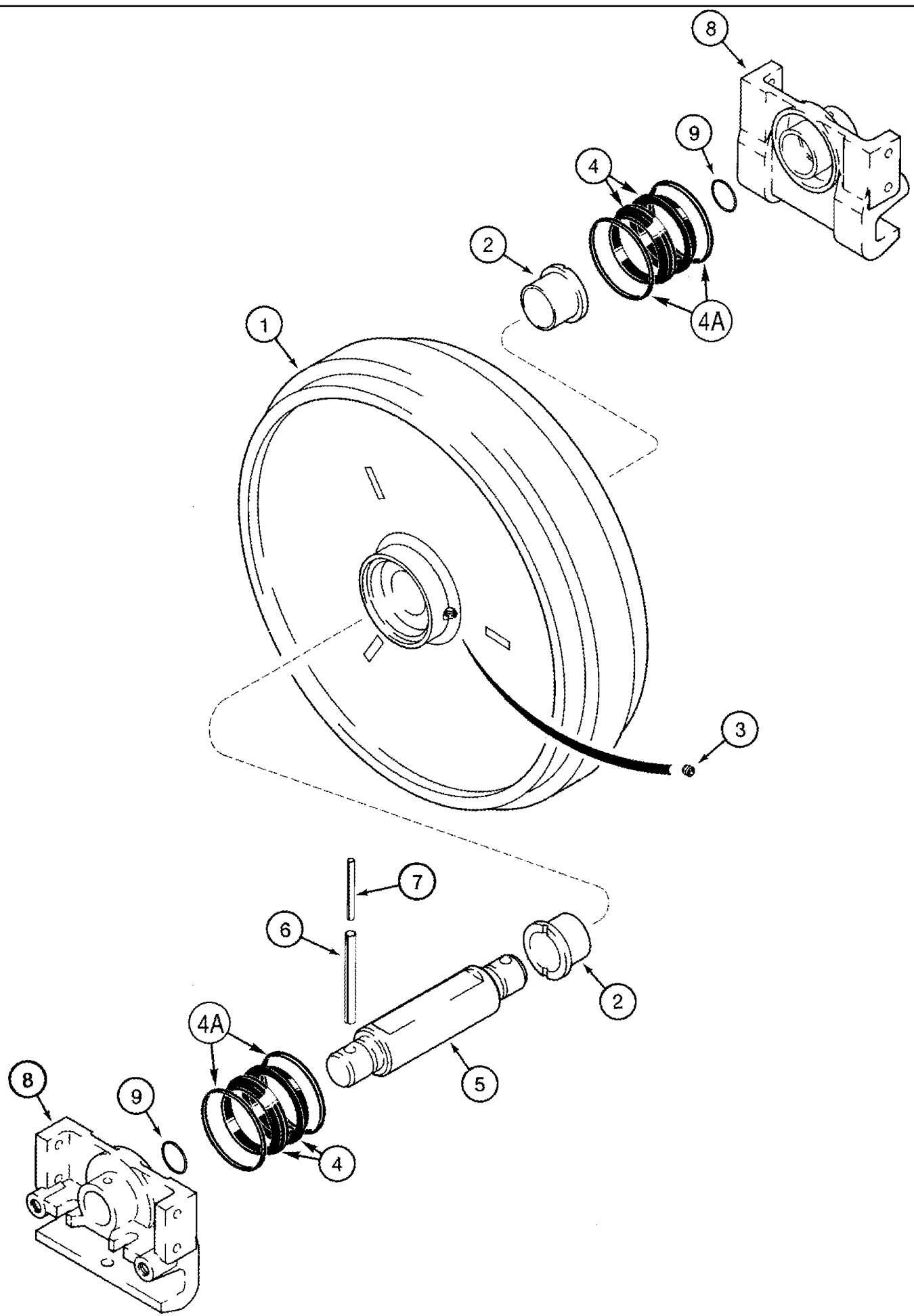
сылка	Номер детали	Кол-во	Описание
42	426-828	2	BOLT, Hex, 1/2"-13 x 1 3/4", G8,
43	496-21053	2	WASHER, 17/32" x 1 1/16" x .134",
44	186852C1	2	NUT, 1/2", 8
45	413-516	2	BOLT, Hex, 5/16"-18 x 1", G5, Full Thd,
46	231-5145	2	NUT, Flg, USR, 5/16"-18,
47	131443A1	2	SCREW, Stud, Drive Wheel Starter
48	87327478	20	BOLT, M20 x 75; 12.9
49	130871A2	20	SPACER,
51	403425A1	1	DECAL, Bolt Torque, Single Drive Wheel, See Figure 09H-21

06-28 TRACK - CHAINS



06-28 TRACK - CHAINS

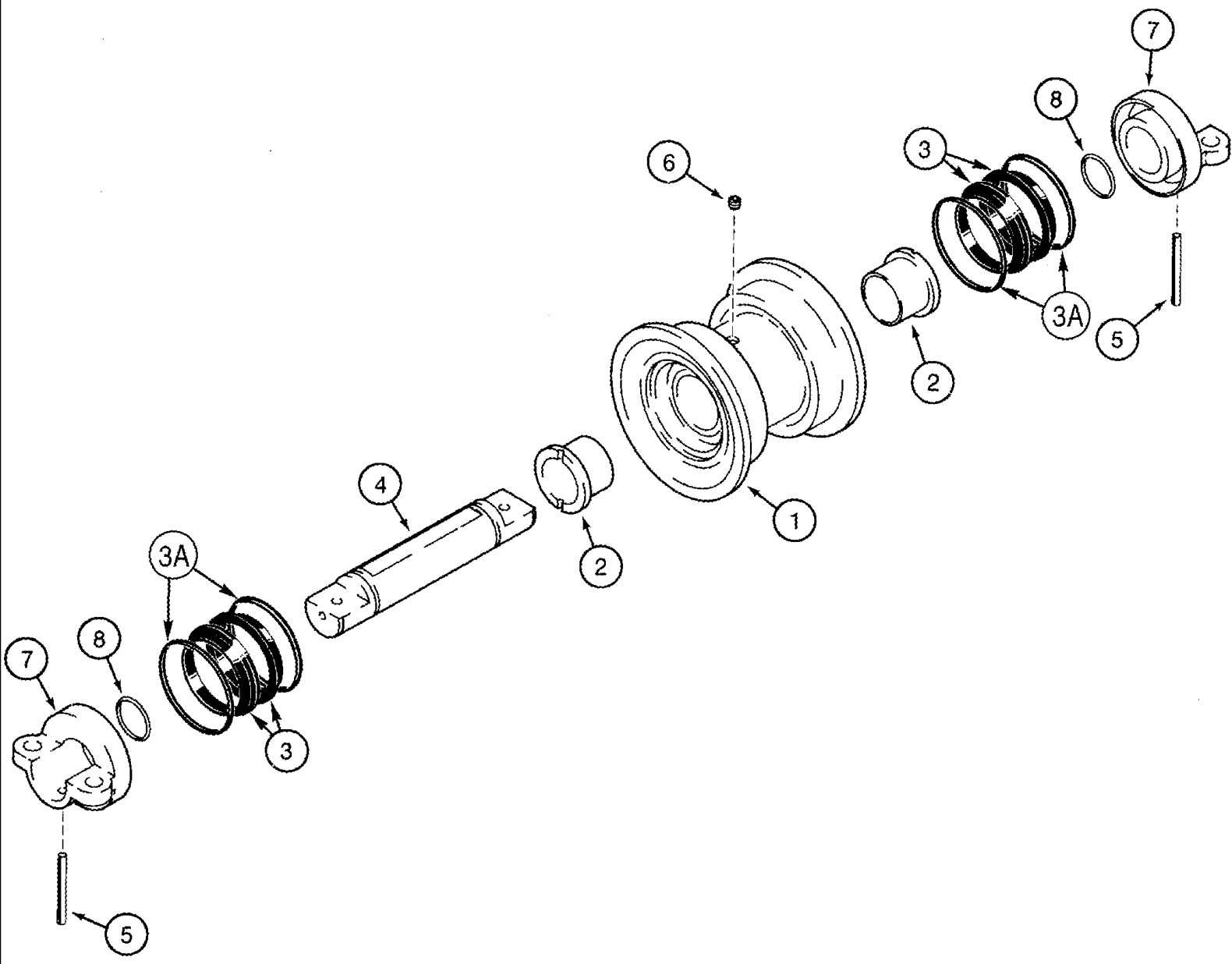
сылка	Номер детали	Кол-во	Описание
	1541710C1	1	CHAIN, TRACK, Without Shoes, Includes 1 - 8
1	R57403	39	LINK, CHAIN, Track, LH
2	R57404	39	LINK, CHAIN, Track, RH
3	R57378	38	BUSHING, Link
4	R57379	1	BUSHING, Master Link
5	R57411	2	SPACER,
6	R57367	38	PIN, Chain Link
7	R57366	1	PIN, Master Link
8	R52291	154	SEAL,
9	R57420	39	SHOE, TRACK, 20" (508 mm), Single Grouser
10	R57374	154	SCREW,
11	R57375	154	NUT,



06-29 TRACK - IDLER

сылка	Номер детали	Кол-во	Описание
	R53591	4	IDLER, FRONT, Track, Front and Rear, Includes 1 - 9
1	NSS	1	NOT SERVICED SEPARATELY, Idler Assy, Track, Includes 2
2	R33556	2	BUSHING,
3	R33557	1	PLUG,
	S113075	2	SEAL,
4	NSS	2	NOT SERVICED SEPARATELY, Seal
4A	N6846	2	O-RING,
5	R53596	1	SHAFT, Idler
6	838-51065	2	PIN, LOCK, M10 x 65, Slotted,
7	R53595	2	PIN, ROLL, 6 x 65 mm
8	R53599	2	BRACKET, Idler End Cap
9	238-5221	2	O-RING, -221, 70 Duro, 1.421" ID x .139" Thk,

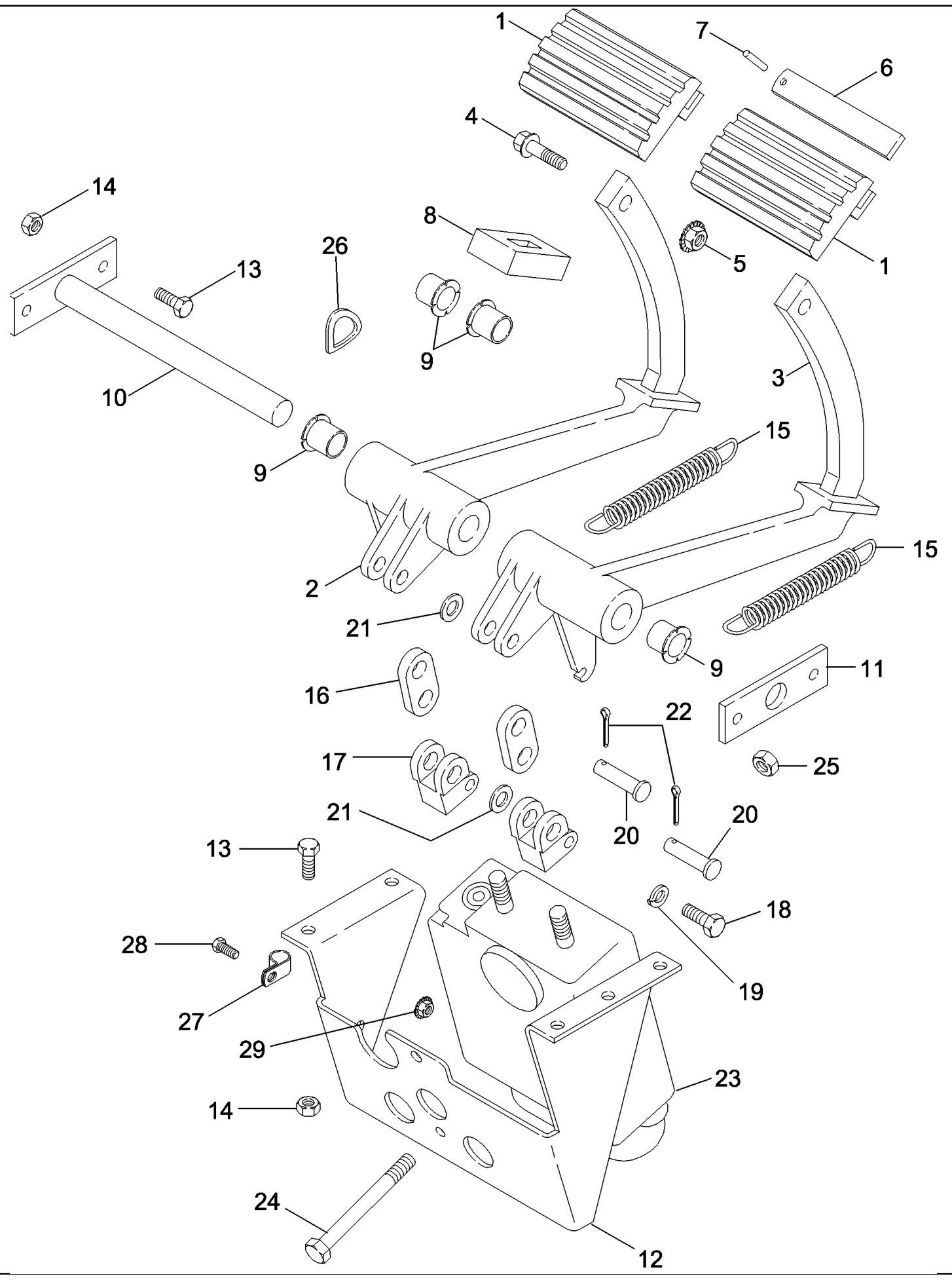
06-30 TRACK - ROLLER



06-30 TRACK - ROLLER

сылка	Номер детали	Кол-во	Описание
	R57357	12	TRACK ROLLER, Track, Includes 1 - 8
1	NSS	1	NOT SERVICED SEPARATELY, Shell, Includes 2
2	R33556	2	BUSHING,
	S113075	2	SEAL, Shaft
3	NSS	2	NOT SERVICED SEPARATELY, Seal
3A	N6846	2	O-RING,
4	R33569	1	SHAFT, Roller
5	R33570	2	PIN,
6	R33557	1	PLUG,
7	R33568	2	BRACKET,
8	238-5224	2	O-RING, -224, 70 Duro, 1.734" ID x .139" Thk,

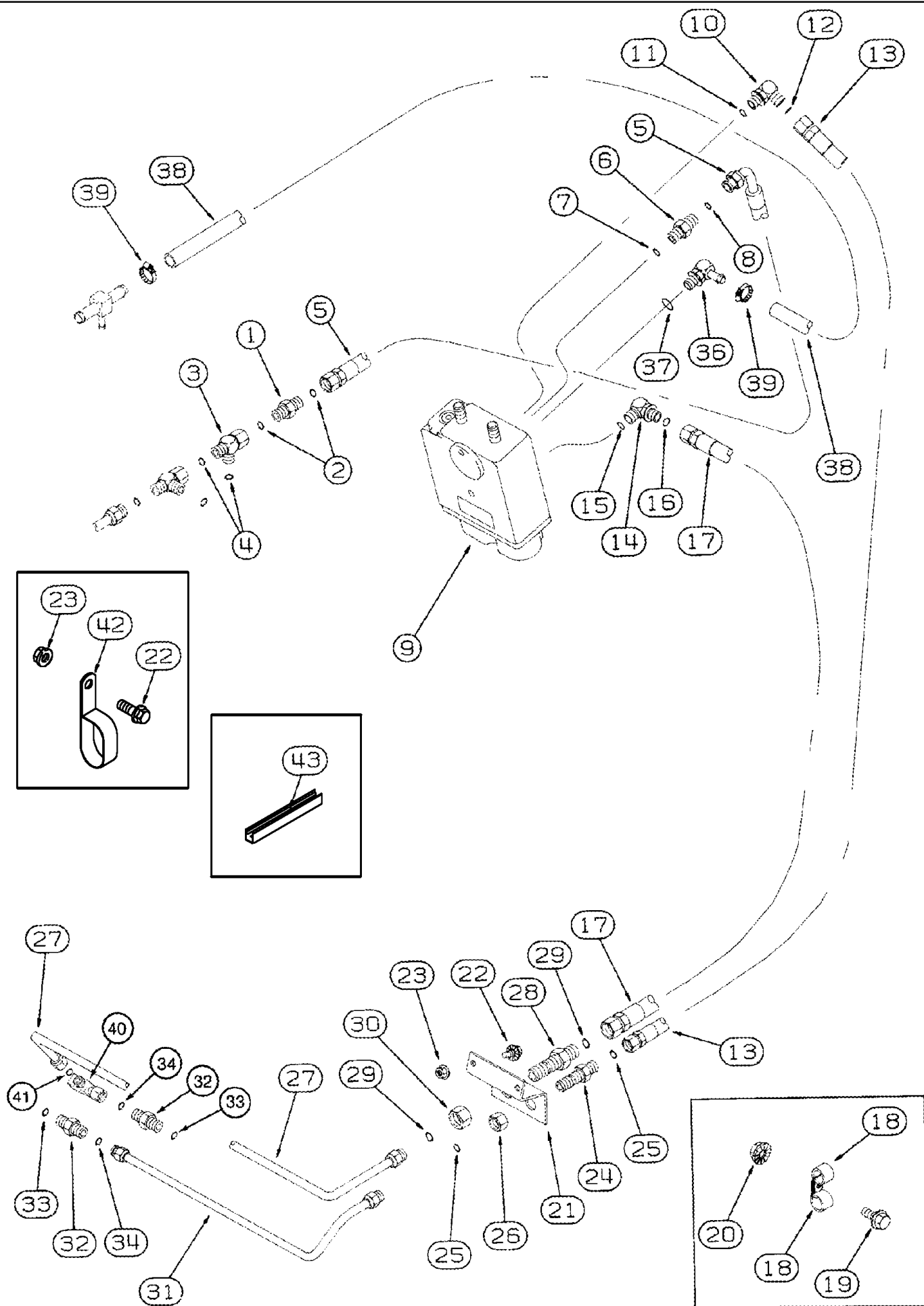
07-01 CONTROLS - BRAKES, MASTER



07-01 CONTROLS - BRAKES, MASTER

сылка	Номер детали	Кол-во	Описание
1	119902A1	2	PAD, Brake Pedal
2	138017A4	1	PEDAL, Brake, LH
3	138016A4	1	PEDAL, Brake, RH
4	905-10035	2	BOLT, Hex Serr Flg, M10 x 35,
5	825-51410	2	NUT, M10, Flg Ser,
6	119903A1	1	PLATE, Brake Locking
7	38-3814	1	PIN, 1/8" x 7/8", Coiled,
8	120159A1	2	SEAL,
9	72323	4	BUSHING, , BSN HAJ0295001
9	185062R1	4	BUSHING, , ASN HAJ0295001
10	120160A2	1	SHAFT,
11	1281794C1	1	PLATE,
12	121496A3	1	SUPPORT,
13	614-8025	9	BOLT, Hex, M8 x 25, 8.8,
14	832-10408	9	NUT, LOCK, M8 x 1.25, CI 8,
15	182652A1	2	SPRING, 27.9 OD x 122 mm
16	384082R1	2	LINK,
17	384083R2	2	CLEVIS,
18	413-518	2	BOLT, Hex, 5/16"-18 x 1 1/8", G5, Full Thd,
19	492-11031	2	WASHER, LOCK, 5/16",
20	427-8168	4	PIN, CLEVIS, 1/2" x 1 11/16",
21	495-11053	4	WASHER, 1/2", SAE,
22	432-816	4	PIN, SPLIT (COTTER), 1/8" x 1",
23	137449A2	1	VALVE, BRAKE, Master Brake Control, See Figure(s) 07-02 - 07-04
24	413-656	2	BOLT, Hex, 3/8"-16 x 3 1/2", G5,
25	425-166	2	NUT, 3/8"-16, G5, Hvy,
26	G49413	1	WASHER,
27	516-23127	1	CLAMP, J, 9/16" Insul, 3/8" Bolt,
28	614-8016	1	BOLT, Hex, M8 x 16, 8.8,
29	825-2408	1	NUT, M8 x 1.25, Flg, CI 8,

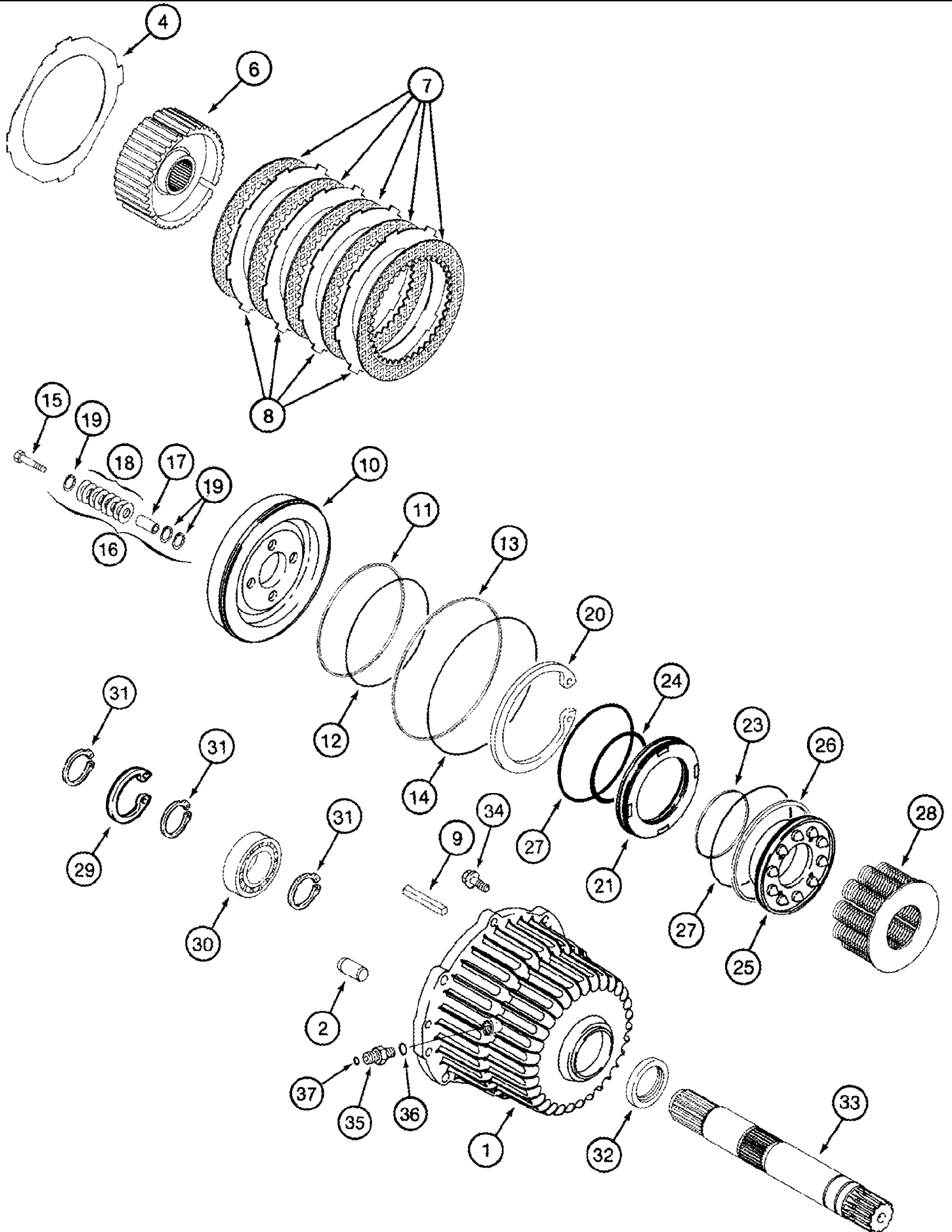
07-02 HYDRAULICS - BRAKES, MASTER



07-02 HYDRAULICS - BRAKES, MASTER

сылка	Номер детали	Кол-во	Описание
1	235705A1	1	VALVE, Includes 2
2	238-6014	2	O-RING, -014, 90 Duro, .489" ID x .070" Thk,
3	201-416	1	TEE, 13/16"-16 ORFS x 13/16"-16 Sw Run, Includes 4, For Attaching Parts, See Figure 07-05, Ref. 1
4	238-6014	2	O-RING, -014, 90 Duro, .489" ID x .070" Thk,
5	237433A1	1	HOSE, FLEXIBLE, 2460 mm (96-7/8"), Master Brake Valve Supply
6	201-126	1	CONNECTOR, HYD., 13/16"-16 ORFS x 9/16"-20 ORB, Includes 7, 8
7	237-6006	1	O-RING, 6-1, 90 Duro, .468" ID x .078" Thk,
8	238-6014	1	O-RING, -014, 90 Duro, .489" ID x .070" Thk,
9	137449A2	1	VALVE, BRAKE, Master Brake Control, See Figure(s) 07-01, 07-04
10	201-304	1	ELBOW, 90e, 11/16"-16 x 9/16"-18 Adj, ORFS, Includes 42,43
11	237-6006	1	O-RING, 6-1, 90 Duro, .468" ID x .078" Thk,
12	238-6012	1	O-RING, -012, 90 Duro, .364" ID x .070" Thk,
13	128059A2	1	HOSE, FLEXIBLE, 2440 mm (96-1/16"), Valve to LH Brake
14	201-332	1	ELBOW, 90e, 13/16"-16 x 9/16"-18, Adj, ORFS, Includes 15, 16
15	237-6006	1	O-RING, 6-1, 90 Duro, .468" ID x .078" Thk,
16	238-6014	1	O-RING, -014, 90 Duro, .489" ID x .070" Thk,
17	128057A2	1	HOSE, FLEXIBLE, 2290 mm (90-1/8"), Valve to RH Brake
18	515-23317	2	CLAMP, 1 1/4", Insul, 3/8" Bolt,
19	409-7616	1	BOLT, Hex Flg, 3/8"-16 x 1", Serr,
20	231-5146	1	NUT, Flg, USR, 3/8"-16,
21	128540A1	1	SUPPORT,
22	409-7512	3	BOLT, Hex Flg, 5/16"-18 x 3/4", Serr,
23	231-5145	3	NUT, Flg, USR, 5/16"-18,
24	201-120	1	CONNECTOR, HYD., 11/16"-16, Bikhhd, ORFS, Includes 25
25	238-6012	2	O-RING, -012, 90 Duro, .364" ID x .070" Thk,
26	201-909	1	NUT, LOCK, Bikhhd, 11/16"-16,
27	277960A1	1	BRAKE LINE, Valve to LH Brake, For Attaching Parts, See Figure 07-05, Ref. 21
28	201-121	1	CONNECTOR, HYD., 13/16"-16, Bikhhd, ORFS, Includes 29
29	238-6014	2	O-RING, -014, 90 Duro, .489" ID x .070" Thk,
30	201-903	1	NUT, LOCK, Bikhhd, 13/16"-16,
31	128745A1	1	TUBE, RH Service Brake
32	201-101	2	CONNECTOR, HYD., 11/16"-16 ORFS x 9/16"-18 ORB, Includes 33, 34, At Brake Housing
33	237-6006	1	O-RING, 6-1, 90 Duro, .468" ID x .078" Thk,
34	238-6012	1	O-RING, -012, 90 Duro, .364" ID x .070" Thk,
35	236388A1	2	BRAKE ASSY., Master Brake, Not Illustrated, See Figure 07-03
36	217-363	1	FITTING, 90e, 5/8" Hose x 1 1/16"-12 ORB Beaded, Includes Ref. 37
37	237-6012	1	O-RING, 12-1, 90 Duro, .924 ID x .118" Thk,
38	128053A1	1	HOSE, FLEXIBLE, 2130 mm, Brake Return to Valve, Cut from S118576X, BSN HAJ0295001
38	237434A1	1	HOSE, FLEXIBLE, 2180 mm, Brake Return to Valve, Cut from S118576X, ASN HAJ0295001
39	214-1410	2	CLAMP, HOSE, #10, 0.56/1.06 Type F Worm,
40	277963A1	1	FITTING, Includes 41, Tow Check, For Attaching Parts, See Figure 07-05, Ref. 21
41	238-6012	1	O-RING, -012, 90 Duro, .364" ID x .070" Thk,
42	470375C1	1	CLAMP,
43	1545944C1	1	SEAL, Trim, Cut 127 mm (5") from S118576

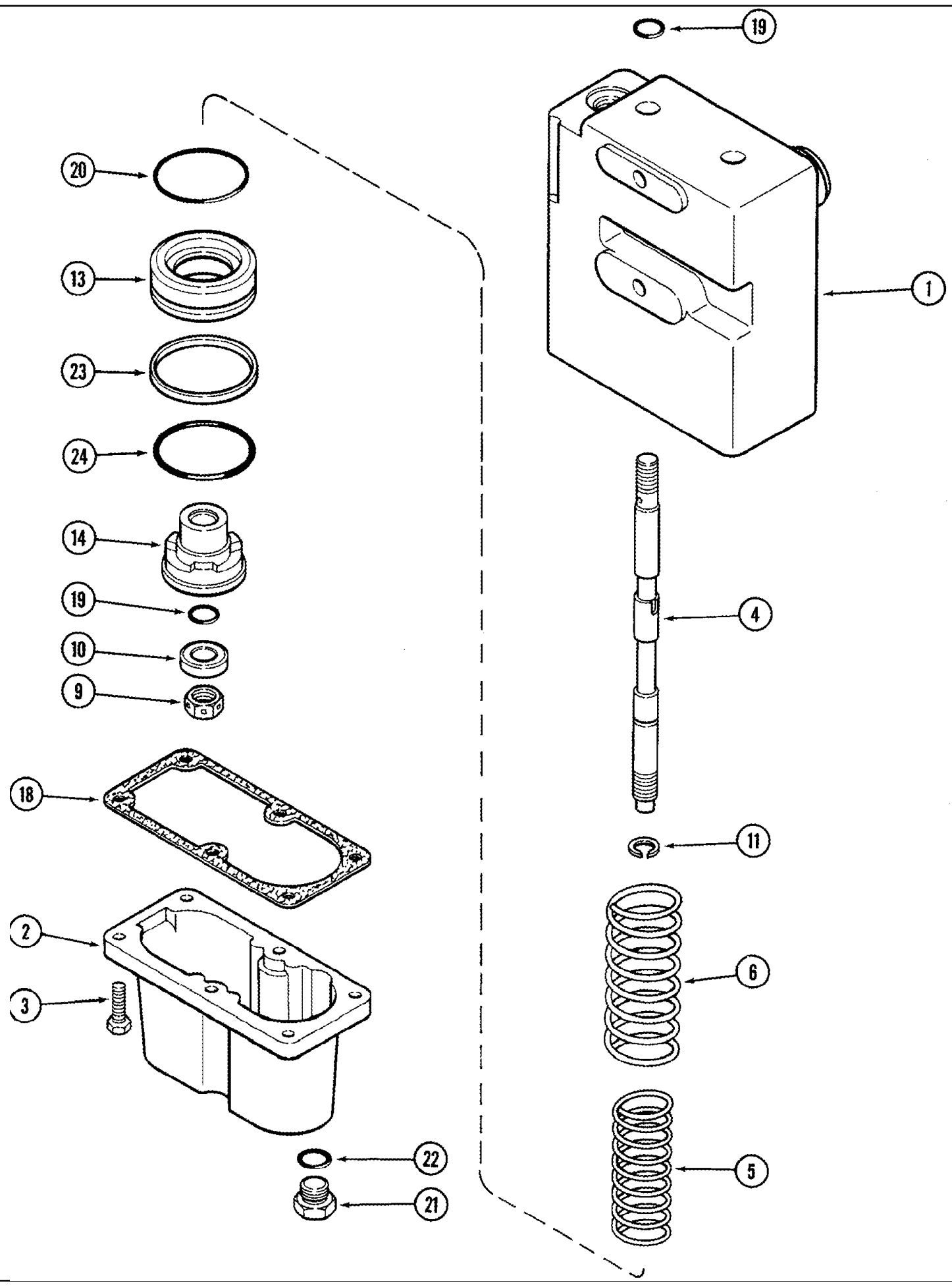
07-03 BRAKES, MASTER



07-03 BRAKES, MASTER

сылка	Номер детали	Кол-во	Описание
	236388A1R	2	BRAKE ASSY., Remanufactured, N.A. Only
	236388A1C	2	CORE, Use To Return Core For Credit
	236388A1	2	BRAKE ASSY., Includes 1 - 37, Master
1	1997395C1	1	HOUSING,
2	837-16030	2	DOWEL, M16 x 30,
4	NSS	2	NOT SERVICED SEPARATELY, 0.5 mm thk, Shim
4	NSS	2	NOT SERVICED SEPARATELY, 1.062 mm thk, Shim
6	1997394C1	1	HUB,
7	1997959C1	12	BRAKE DISC,
8	1285974C1	13	PLATE, BRAKE,
9	221254A1	8	SPACER,
10	1997398C1	1	PISTON,
11	1997617C4	1	SEAL,
12	238-7168	1	O-RING, -168, CI 7, 7.237" ID x .103" Thk,
13	1997616C4	1	SEAL,
14	238-7174	1	O-RING, -174, CI 7, 8.737" ID x .103" Thk,
15	828-8070	4	BOLT, Hex, M8 x 70, 10.9,
16	1997900C1	4	SPRING, Includes 17 - 19
17	NSS	1	NOT SERVICED SEPARATELY, Spacer
18	1997912C1	8	WASHER,
19	100-1462	3	RING, SNAP, #62, Ext,
20	102-22625	1	RING, SNAP, #625, 6.474", Int, Spiral,
21	1997399C1	1	PISTON,
23	1997619C4	1	GASKET,
24	238-7157	1	O-RING, -157, CI 7, 4.487" ID x .103" Thk,
25	1997400C1	1	PISTON,
26	1997618C4	1	SEAL,
27	238-7162	2	O-RING, -162, CI 7, 5.737" ID x .103" Thk,
28	1997999C2	1	SPRING,
29	101-21393	1	RING, SNAP, #393, 4.234", Int,
30	ST265	1	BEARING, BALL,
31	358059R1	3	RING, SNAP,
32	184072C1	1	SEAL,
33	236378A1	1	SHAFT, Output
34	845-8020	4	BOLT, Hex Flg, M8 x 20, 8.8, Full Thd,
35	201-101	2	CONNECTOR, HYD., 11/16"-16 ORFS x 9/16"-18 ORB, Includes 36, 37
36	237-6006	1	O-RING, 6-1, 90 Duro, .468" ID x .078" Thk,
37	238-6012	1	O-RING, -012, 90 Duro, .364" ID x .070" Thk,
	221598A1	2	KIT, SHIM, Includes 4, 4, 9

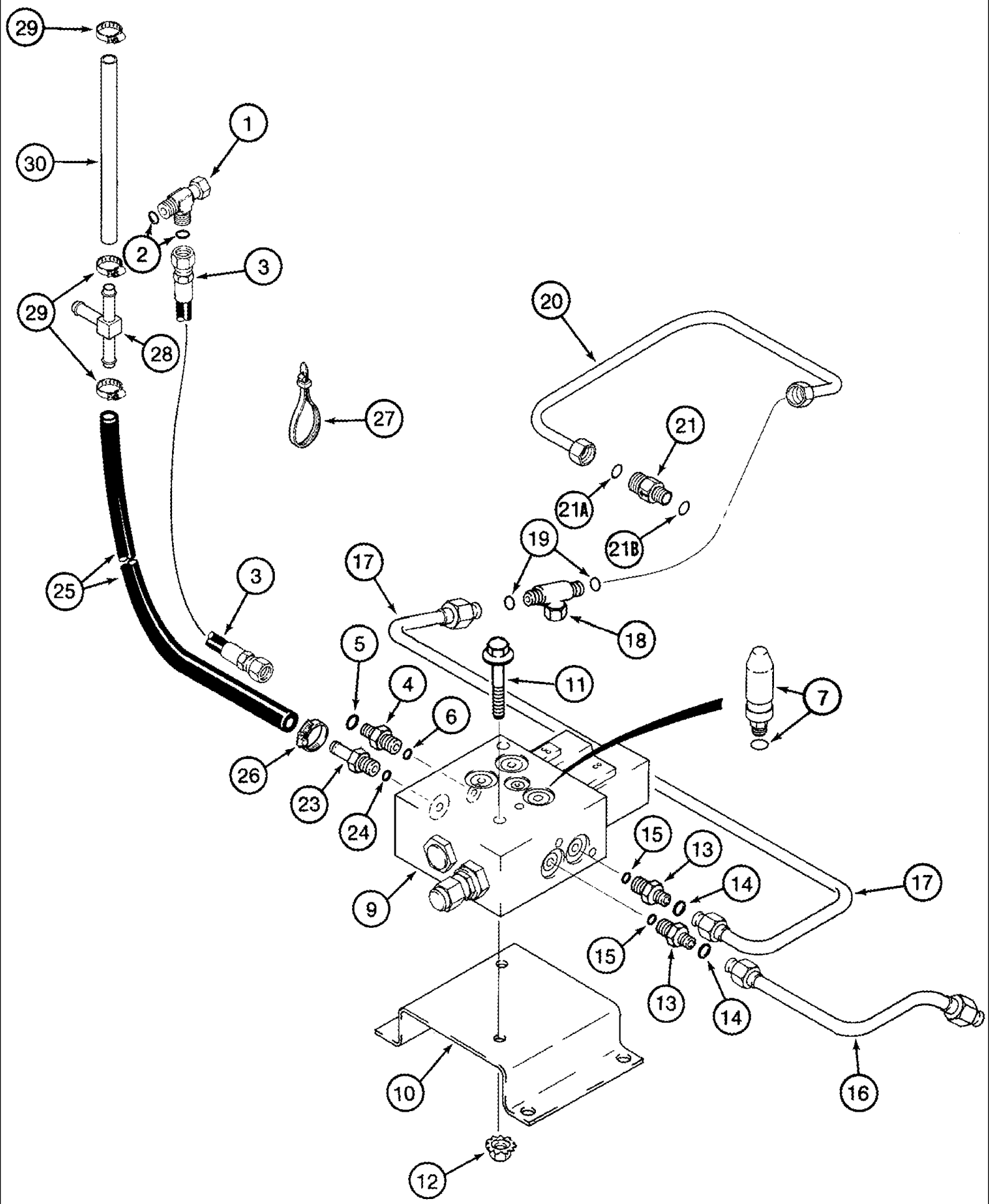
07-04 VALVE ASSY - BRAKES, MASTER



07-04 VALVE ASSY - BRAKES, MASTER

сылка	Номер детали	Кол-во	Описание
	137449A2	1	VALVE, BRAKE, Includes 1 - 24, Master Brake Control
1	NSS	1	NOT SERVICED SEPARATELY, Body
2	384495R1	1	CAP,
3	413-414	6	BOLT, Hex, 1/4"-20 x 7/8", G5, Full Thd,
4	NSS	2	NOT SERVICED SEPARATELY, Spool
5	1263125C1	2	SPRING,
6	1263124C1	2	SPRING,
9	9411648	2	NUT, LOCK, 1/2"-20, GC,
10	69158C1	2	RETAINER,
11	A27020	2	RING,
13	NSS	2	NOT SERVICED SEPARATELY, Piston
14	NSS	2	NOT SERVICED SEPARATELY, Piston
	71487C92	1	KIT, SEALS, Includes 18 - 24
18	384503R2	1	GASKET,
19	NSS	4	NOT SERVICED SEPARATELY, O-Ring
20	NSS	2	NOT SERVICED SEPARATELY, O-Ring
21	76349	1	PLUG, Hex Hd, 9/16"-18 ORB,
22	237-6006	1	O-RING, 6-1, 90 Duro, .468" ID x .078" Thk,
23	1986769C1	2	BACK-UP RING,
24	238-5135	2	O-RING, -135, 70 Duro, 1.925" ID x .103" Thk, 2-1/16" ID x 3/32"

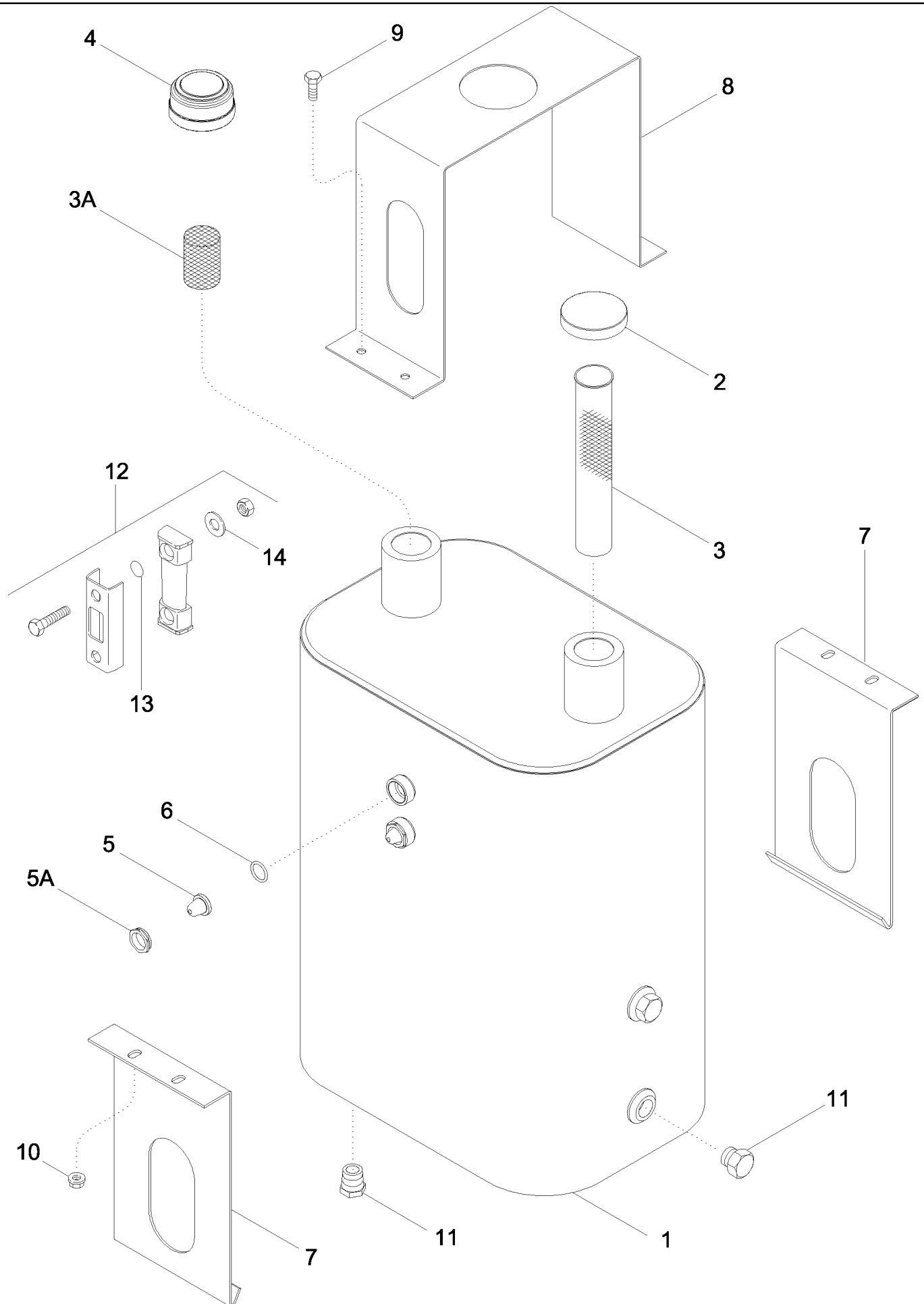
07-05 HYDRAULICS - BRAKE, PARKING AND TOW VALVE



07-05 HYDRAULICS - BRAKE, PARKING AND TOW VALVE

сылка	Номер детали	Кол-во	Описание
1	201-416	1	TEE, 13/16"-16 ORFS x 13/16"-16 Sw Run, , For Attaching Parts, See Figure 07-02, Ref. 3
2	238-6014	2	O-RING, -014, 90 Duro, .489" ID x .070" Thk,
3	128039A2	1	HOSE, FLEXIBLE, 2330 mm (91-3/4"), Valve Supply
4	201-101	1	CONNECTOR, HYD., 11/16"-16 ORFS x 9/16"-18 ORB, Includes 5, 6
5	237-6012	1	O-RING, 12-1, 90 Duro, .924 ID x .118" Thk,
6	238-6006	1	O-RING, 6-1, .114" ID x .070" Thk,
7	125829A1	1	SWITCH, Parking Brake, Includes 237-6005 O-ring
9	129010A4	1	VALVE, CONTROL, Parking Brake and Feeder Clutch, Note: See Hydraulics - Feeder Clutch, Figure 08-22, for a continuation of hydraulic lines at the valve., See Figure 08-17
10	128293A1	1	SUPPORT,
11	845-8070	2	BOLT, Hex Flg, M8 x 70, 8.8,
12	825-5148	2	NUT, M8, Flg Ser,
13	201-101	2	CONNECTOR, HYD., 11/16"-16 ORFS x 9/16"-18 ORB, Includes 14, 15
14	237-6006	1	O-RING, 6-1, 90 Duro, .468" ID x .078" Thk,
15	238-6012	1	O-RING, -012, 90 Duro, .364" ID x .070" Thk,
16	177158A2	1	BRAKE LINE, Parking Brake, RH
17	177159A2	1	BRAKE LINE, Parking Brake, LH
18	201-434	2	TEE, 11/16"-18 ORFS x 11/16"-18 Sw Br, Includes 19
19	238-6012	2	O-RING, -012, 90 Duro, .364" ID x .070" Thk,
20	277962A1	1	TUBE,
21	277961A1	1	VALVE, Includes 21A, 21B, In-Line Check, Tow, See Figure 07-02, Ref. 27, 40
21A	238-6012	1	O-RING, -012, 90 Duro, .364" ID x .070" Thk,
21B	237-6006	1	O-RING, 6-1, 90 Duro, .468" ID x .078" Thk,
23	217-386	1	FITTING, 3/8" Hose x 3/4"-18 ORB, Beaded, Includes 24
24	237-6008	1	O-RING, 8-1, 90 Duro, .644" ID x .087" Thk,
25	128078A2	1	HOSE, FLEXIBLE, 1090 mm (43"), Cut from S118400X, Brake Valve Return
26	214-1704	1	CLAMP, HOSE, #4, 0.25/0.62 Type M Worm,
27	435437A1	AR	STRAP, CABLE, 3/16" x 7 1/4", 7"
28	123949A1	1	TEE, 3/8" stem, Park Brake to Header Lift and Reel Drive, For Attaching Parts, See Figure 08-10, Ref. 32, 34
29	214-1706	4	CLAMP, HOSE, #6, 0.44/0.78 Type M Worm,
30	254733A1	1	HOSE, FLEXIBLE, 760 mm (30"), Cut from S118400X, Tee to Reel Drive Valve Return, For Attaching Parts, See Figure 08-18, Ref. 28

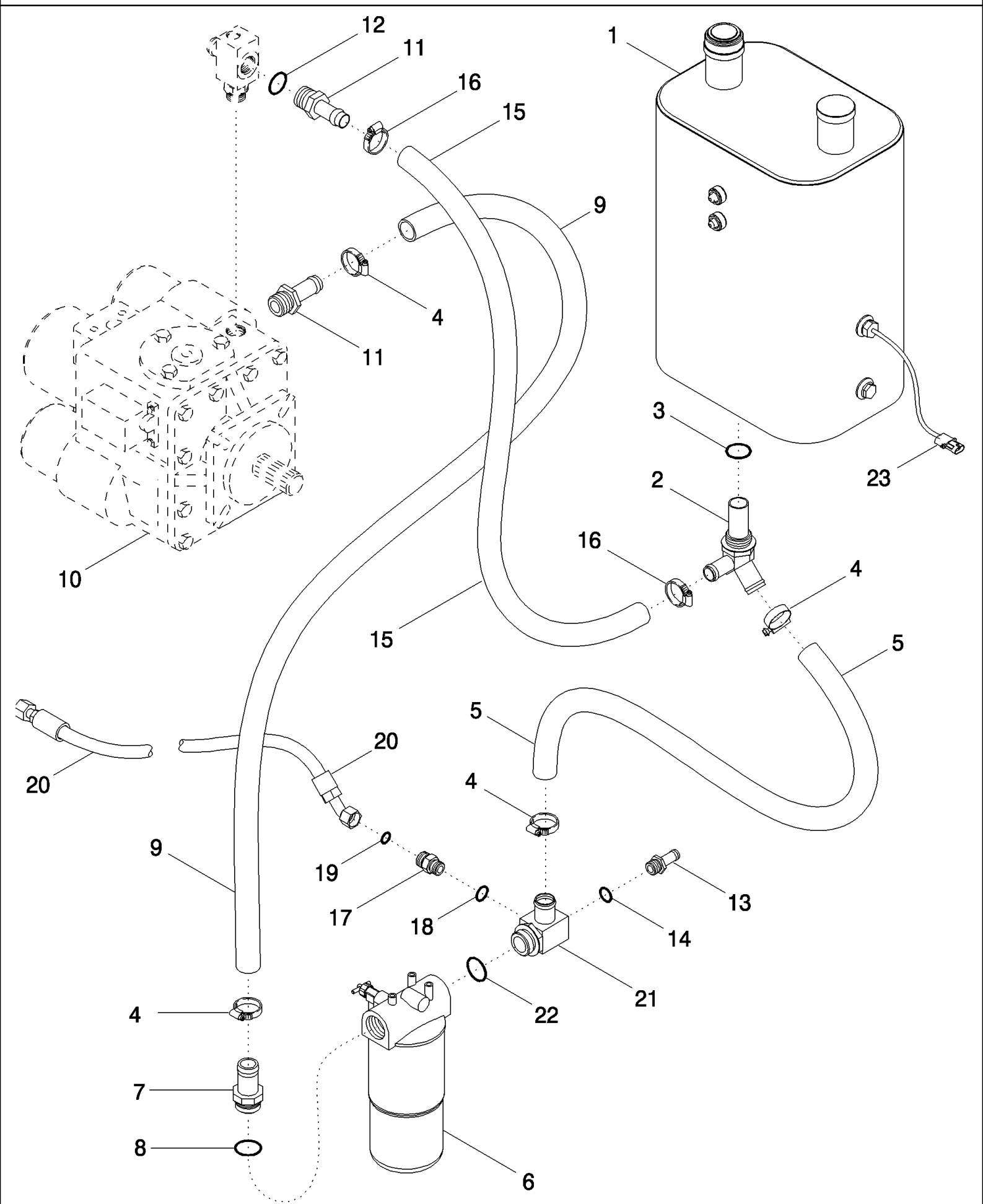
08-01 RESERVOIR - OIL, HYDRAULIC



08-01 RESERVOIR - OIL, HYDRAULIC

сылка	Номер детали	Кол-во	Описание
	86991459	1	RESERVOIR, HYDRAULIC OIL, Includes 1-6, 11, BSN HAJ0295001
	87311894	1	RESERVOIR, HYDRAULIC OIL, Includes 1-4, 11-12, ASN HAJ0295001
1	NSS	1	NOT SERVICED SEPARATELY, Tank
2	1346309C2	1	CAP, FILLER,
3	104407A1	2	SCREEN,
3A	191116A1	1	BAFFLE,
4	1272941C2	1	BREATHER,
5	86990536	2	LENS, Sightglass
5A	86990537	2	NUT, Lens Retainer
6	238-6115	2	O-RING, -115, 90 Duro, .674" ID x .103" Thk,
7	1979829C1	2	SUPPORT,
8	1347146C1	1	CLAMP,
9	409-7512	4	BOLT, Hex Flg, 5/16"-18 x 3/4", Serr,
10	231-5145	4	NUT, Flg, USR, 5/16"-18,
11	217-410	2	PLUG, Hex Hd, 1/2"-14 NPTF, , BSN HAJ0295001
11	214389	2	PLUG, Hex Hd, 3/4"-16 ORB, 1/2" OD Tube, ASN HAJ0295001
12	87107405	1	GAUGE, LEVEL, Reservoir, ASN HAJ0295001
13	86598100	2	O-RING, CI 6, 13.3MM ID x 2.2 Thk, , ASN HAJ0295001
14	720060	2	WASHER, RUBBER,

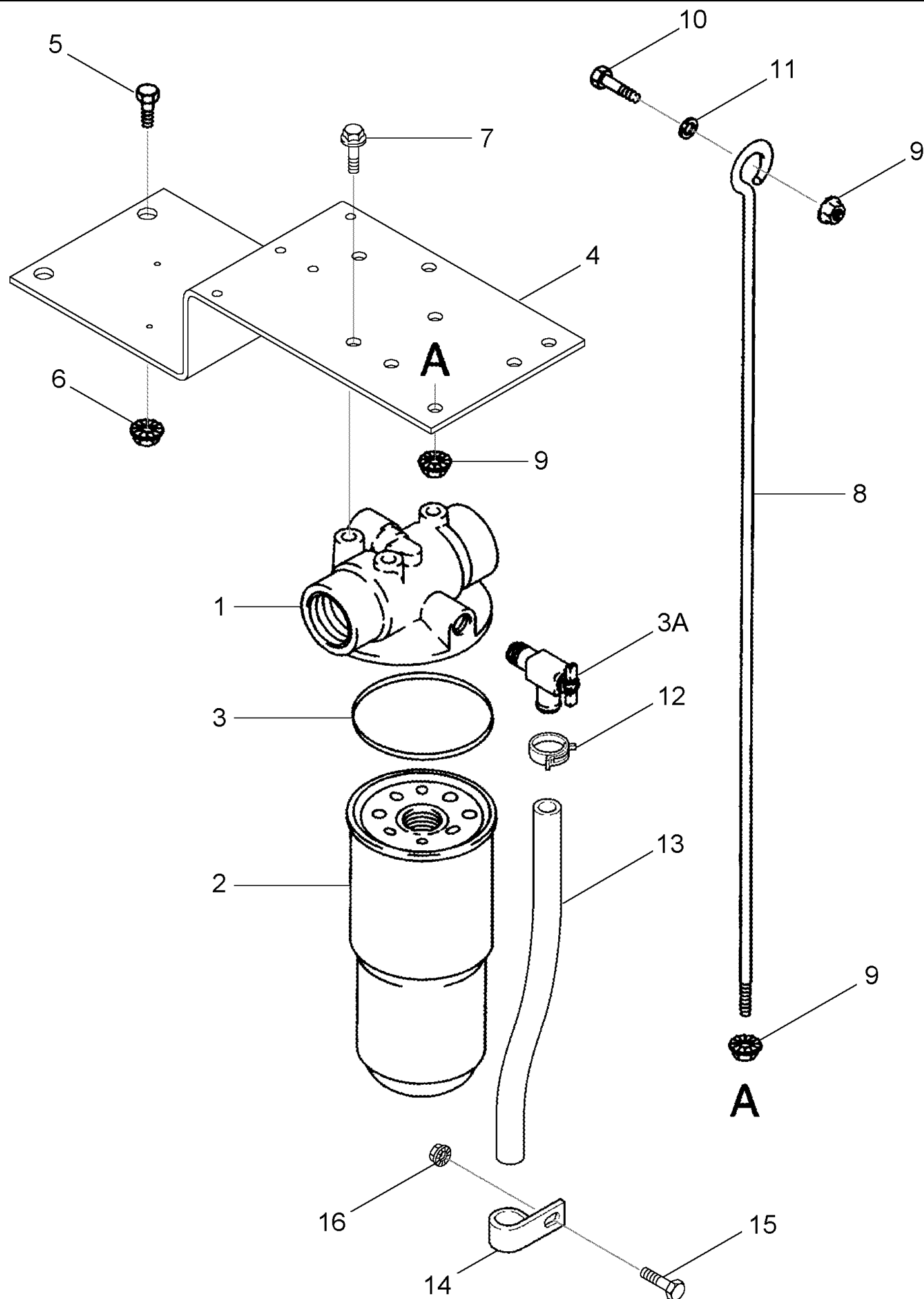
08-02 HYDRAULICS - RESERVOIR TO HYDROSTATIC PUMP



08-02 HYDRAULICS - RESERVOIR TO HYDROSTATIC PUMP

сылка	Номер детали	Кол-во	Описание
1	86991459	1	RESERVOIR, HYDRAULIC OIL, , See Figure 08-01
2	182812A1	1	TEE, Includes 3
3	237-6020	1	O-RING, 20-1, 90 Duro, 1.475" ID x .118" Thk,
4	214-3232	4	CLAMP, HOSE, 1.25/2.125 HD Worm, W/liner,
5	1541691C1	1	HOSE, FLEXIBLE, 815 mm (32"), Filter To Reservoir
6	87784C92	1	FILTER, HYDRAULIC OIL, Return, See Figure(s) 08-03, 08-04
7	123487A1	1	VALVE, 1-1/4" stem x 1-5/8" Or, Includes 8
8	237-6020	1	O-RING, 20-1, 90 Duro, 1.475" ID x .118" Thk,
9	109207A1	1	HOSE, FLEXIBLE, 737 mm (29"), Charge Pump Suction, Cut from 1541953C1
10	REF	1	INSTRUCTION, Pump, Hydrostatic Charge, See Figure(s) 06-09 - 06-12
11	217-184	1	FITTING, 1 1/4" Hose X 1 5/16"-12 ORB, Beaded,
12	237-6016	1	O-RING, 16-1, 90 Duro, 1.171" ID x .118" Thk,
13	217-175	1	FITTING, 5/8" Hose x 7/8"-14 ORB, Beaded, Includes 14
14	237-6010	1	O-RING, 10-1, 90 Duro, .755" ID x .097" Thk,
15	238622A1	1	HOSE, FLEXIBLE, 737 mm (29"), To Unloader Clutch Valve, Cut from S118576X
16	214-1410	2	CLAMP, HOSE, #10, 0.56/1.06 Type F Worm,
17	201-103	1	CONNECTOR, HYD., 1"-14 ORFS x 7/8"-14 ORB, Includes 18, 19
18	237-6010	1	O-RING, 10-1, 90 Duro, .755" ID x .097" Thk,
19	238-6021	1	O-RING, -021, 90 Duro, .926" ID x .070" Thk,
20	370263A1	1	HOSE, FLEXIBLE, 660 mm (26"), To Air Screen Motor
21	370228A1	1	ELBOW, 90, Special, Includes 22
22	237-6020	1	O-RING, 20-1, 90 Duro, 1.475" ID x .118" Thk,
23	122428A1	1	SWITCH, Fluid Level

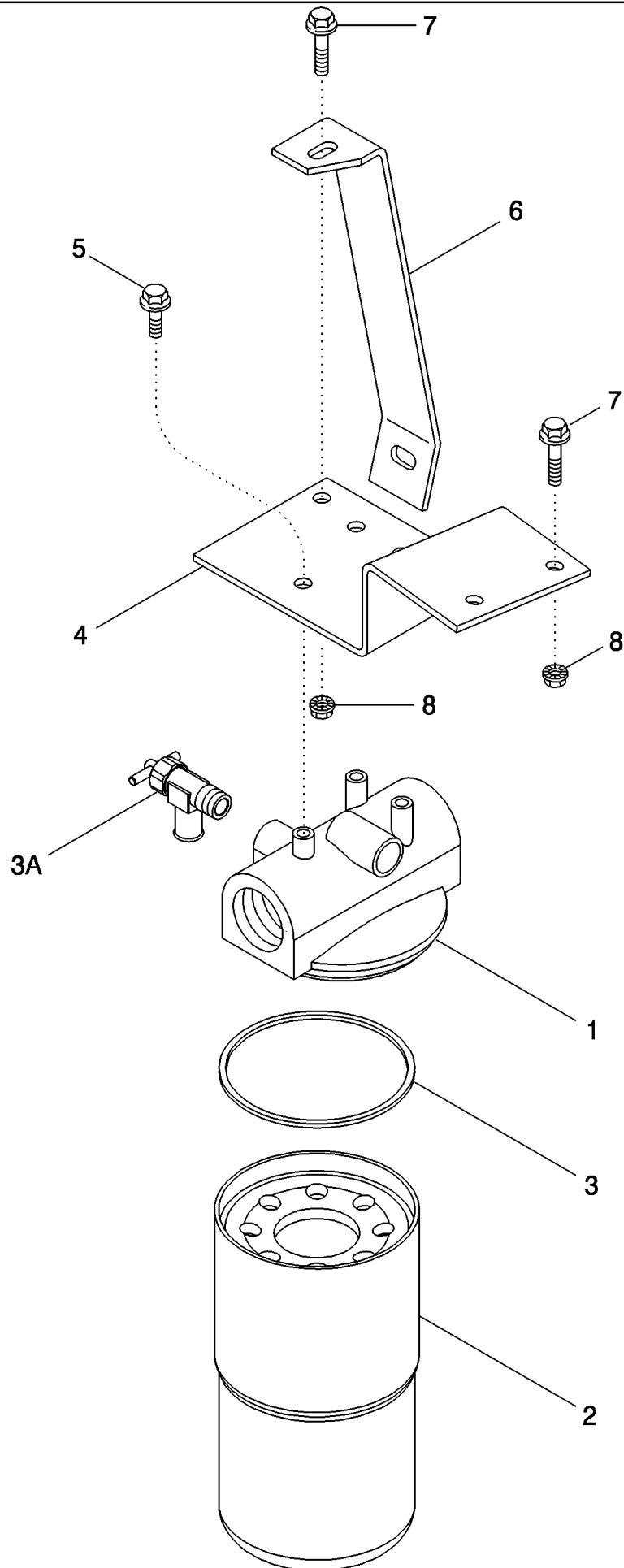
08-03 FILTER ASSY - OIL, RETURN - RETURN FILTER MOUNTING



08-03 FILTER ASSY - OIL, RETURN - RETURN FILTER MOUNTING

сылка	Номер детали	Кол-во	Описание
	87784C92	1	FILTER, HYDRAULIC OIL, Includes 1 - 3A
1	NSS	1	NOT SERVICED SEPARATELY, Head, Order 87784C92
2	A177605	1	FILTER, HYDRAULIC OIL, Order Kit 1329214C1, Note: Both elements must be changed at the same time.
3	93196C1	1	O-RING, Order Kit 1329214C1
3A	301803R1	1	VALVE, SHUT-OFF,
4	124803A2	1	SUPPORT, Charge Filter
5	409-7616	2	BOLT, Hex Flg, 3/8"-16 x 1", Serr,
6	231-5146	2	NUT, Flg, USR, 3/8"-16,
7	409-768	3	BOLT, Hex Flg, 3/8"-16 x 1/2", Serr,
8	1541544C2	1	STEM,
9	231-5146	3	NUT, Flg, USR, 3/8"-16,
10	413-616	1	BOLT, Hex, 3/8"-16 x 1", G5, Full Thd,
11	495-81143	1	WASHER, 13/32" x 1 1/2" x .120",
12	1954736C1	1	CLAMP, HOSE, No. 24
13	1347069C1	1	HOSE, FLEXIBLE, 1550 mm (61"), Cut from 1977295C1
14	515-23286	2	CLAMP, 1 1/8", Insul, 3/8" Bolt, 1-1/32" ID
15	409-7512	2	BOLT, Hex Flg, 5/16"-18 x 3/4", Serr,
16	231-5145	2	NUT, Flg, USR, 5/16"-18,
	1329214C1	1	KIT, SERVICE, Includes Two Elements and Four Seals, Note: Both elements must be changed at the same time.

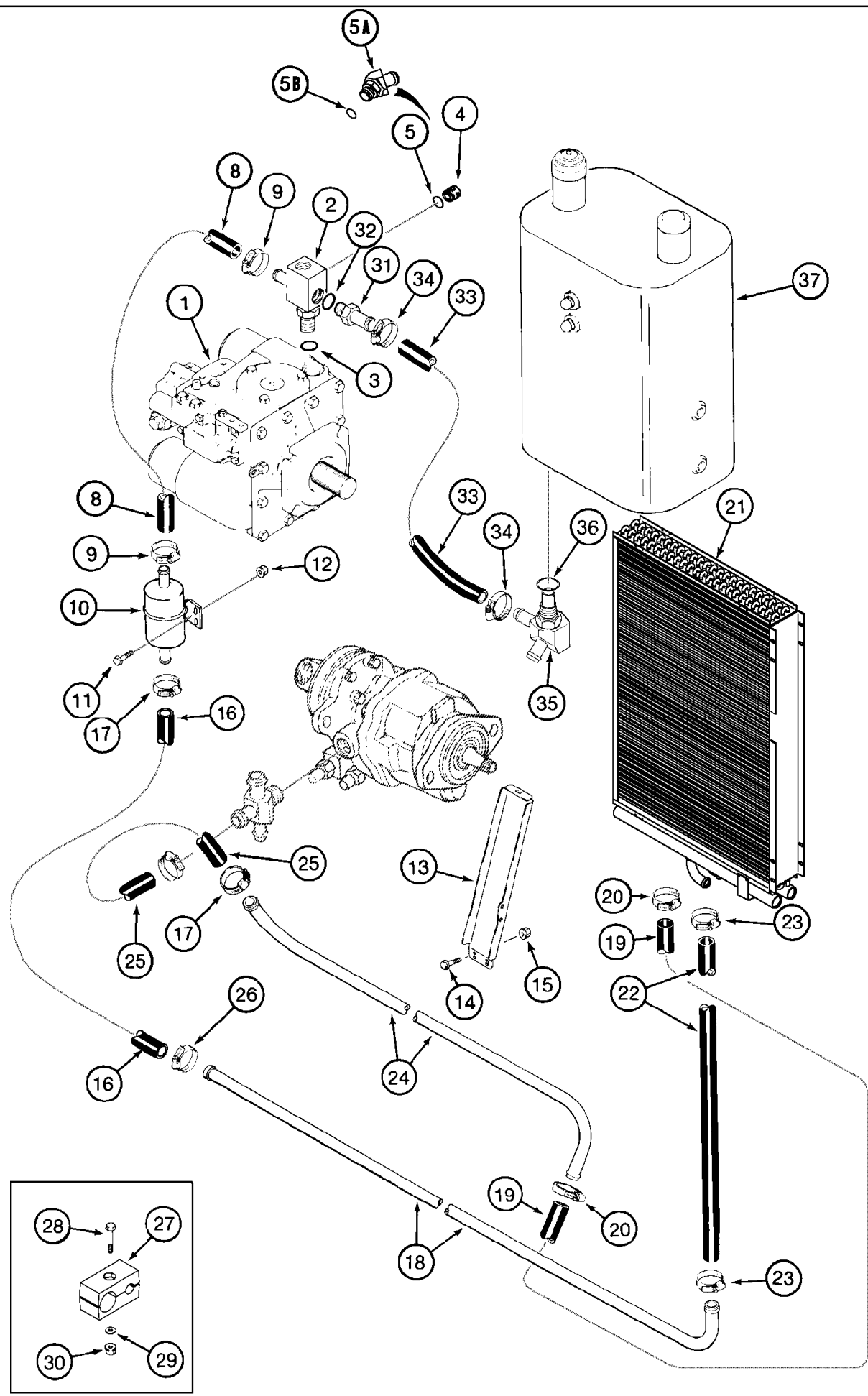
08-04 HYDROSTATIC - FILTER, PUMP SUCTION - SUCTION FILTER MOUNTING



08-04 HYDROSTATIC - FILTER, PUMP SUCTION - SUCTION FILTER MOUNTING

сылка	Номер детали	Кол-во	Описание
	87784C92	1	FILTER, HYDRAULIC OIL, Includes 1 - 3A
1	NSS	1	NOT SERVICED SEPARATELY, Head, Order 87784C92
2	A177605	1	FILTER, HYDRAULIC OIL, Order Kit 1329214C1, Note: Both elements must be changed at the same time.
3	93196C1	1	O-RING, Order Kit 1329214C1
3A	301803R1	1	VALVE, SHUT-OFF,
4	444454A1	1	BRACKET,
5	409-768	4	BOLT, Hex Flg, 3/8"-16 x 1/2", Serr,
6	444455A1	1	STRAP,
7	409-7616	4	BOLT, Hex Flg, 3/8"-16 x 1", Serr,
8	231-5146	4	NUT, Flg, USR, 3/8"-16,
	1329214C1	1	KIT, SERVICE, Includes Two Elements and Four Seals, Note: Both elements must be changed at the same time.

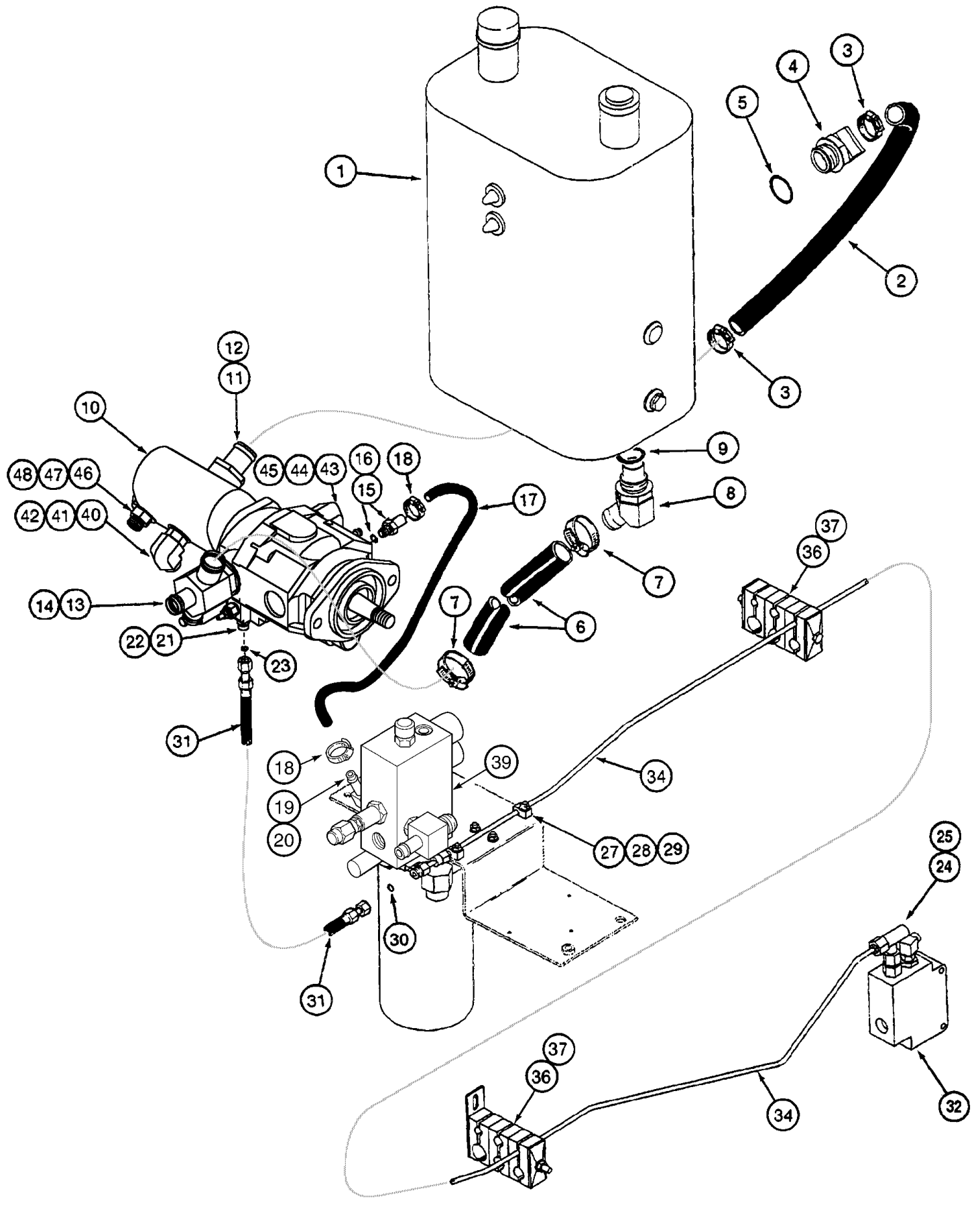
08-05 OIL COOLER SYSTEM



08-05 OIL COOLER SYSTEM

сылка	Номер детали	Кол-во	Описание
1	REF	1	INSTRUCTION, Pump Assy, Hydrostatic, See Figure(s) 06-09 - 06-12
2	123521A2	1	TEE, Includes 3
3	237-6012	1	O-RING, 12-1, 90 Duro, .924 ID x .118" Thk,
4	76349	1	PLUG, Hex Hd, 9/16"-18 ORB, Includes 5, Without Power Guide Axle
5	237-6006	1	O-RING, 6-1, 90 Duro, .468" ID x .078" Thk,
5A	87302140	1	FITTING, 45e, 1/2" Hose x 9/16"-18 ORB Beaded, Includes 5B, With Power Guide Axle
5B	237-6006	1	O-RING, 6-1, 90 Duro, .468" ID x .078" Thk,
6	177678A1	1	SWITCH, Includes 7, Oil Temperature, Not Illustrated, See Figure 04-03, Ref. 22
7	237-6008	1	O-RING, 8-1, 90 Duro, .644" ID x .087" Thk, , See Figure 04-03, Ref. 22A
8	87301580	1	HOSE, FLEXIBLE, 510 mm (20-1/16"), Pump to Filter, Cut from 364361C1
9	214-1516	2	CLAMP, HOSE, #16, .81/1.50 Type F Worm, W/liner,
10	123488A1	1	SCREEN, FILTER, In-Line
11	409-7616	2	BOLT, Hex Flg, 3/8"-16 x 1", Serr,
12	231-5146	2	NUT, Flg, USR, 3/8"-16,
13	237714A1	1	SUPPORT,
14	409-7616	2	BOLT, Hex Flg, 3/8"-16 x 1", Serr,
15	231-5146	2	NUT, Flg, USR, 3/8"-16,
16	127983A1	1	HOSE, FLEXIBLE, 430 mm (16-15/16"), Filter to Tube, Cut from 1541952C1
17	214-3228	2	CLAMP, HOSE, 1.00/1.875 HD Worm, W/liner,
18	126850A1	1	TUBE, Oil Cooler Supply
19	238622A1	1	HOSE, FLEXIBLE, 737 mm (29"), Cut from 364361C2, BSN HAJ0295001
19	87415583	1	HOSE, FLEXIBLE, 2070 mm (81.5"), Cut from 1541952C1, ASN HAJ0295001
20	214-1516	1-2	CLAMP, HOSE, #16, .81/1.50 Type F Worm, W/liner,
20	214-3228	1	CLAMP, HOSE, 1.00/1.875 HD Worm, W/liner,
21	444921A3	1	COOLER, OIL, Oil, Corn and Grain Combine
22	121298A1	1	HOSE, FLEXIBLE, 890 mm (35"), Cooler to Tube, Cut from 364361C1, BSN HAJ0295001
22	87415583	1	HOSE, FLEXIBLE, 2070 mm (81.5"), Cut from 1541952C1, ASN HAJ0295001
23	214-1516	2	CLAMP, HOSE, #16, .81/1.50 Type F Worm, W/liner,
24	126851A1	1	TUBE, Cooler Return
25	128080A1	1	HOSE, FLEXIBLE, 762 mm (30"), Cut from 1541952C1
26	214-3228	2	CLAMP, HOSE, 1.00/1.875 HD Worm, W/liner,
27	1347071C1	2	CLAMP, 1" Dual
28	413-540	2	BOLT, Hex, 5/16"-18 x 2 1/2", G5,
28A	413-528	2	BOLT, Hex, 5/16"-18 x 1 3/4", G5, Not Illustrated
29	495-11041	2	WASHER, 3/8", SAE,
30	231-5345	4	NUT, LOCK, Flg, 5/16"-18,
31	123487A1	1	VALVE, 40 psi, Includes 32
32	237-6014	1	O-RING, 14-1, 90 Duro, 1.048" ID x .118" Thk,
33	238622A1	1	HOSE, FLEXIBLE, 737 mm (29"), Cut from 364361C1
34	214-3228	2	CLAMP, HOSE, 1.00/1.875 HD Worm, W/liner,
35	182812A1	1	TEE, Includes 36
36	237-6020	1	O-RING, 20-1, 90 Duro, 1.475" ID x .118" Thk,
37	REF	1	INSTRUCTION, Tank, Hydraulic Oil, See Figure 08-01

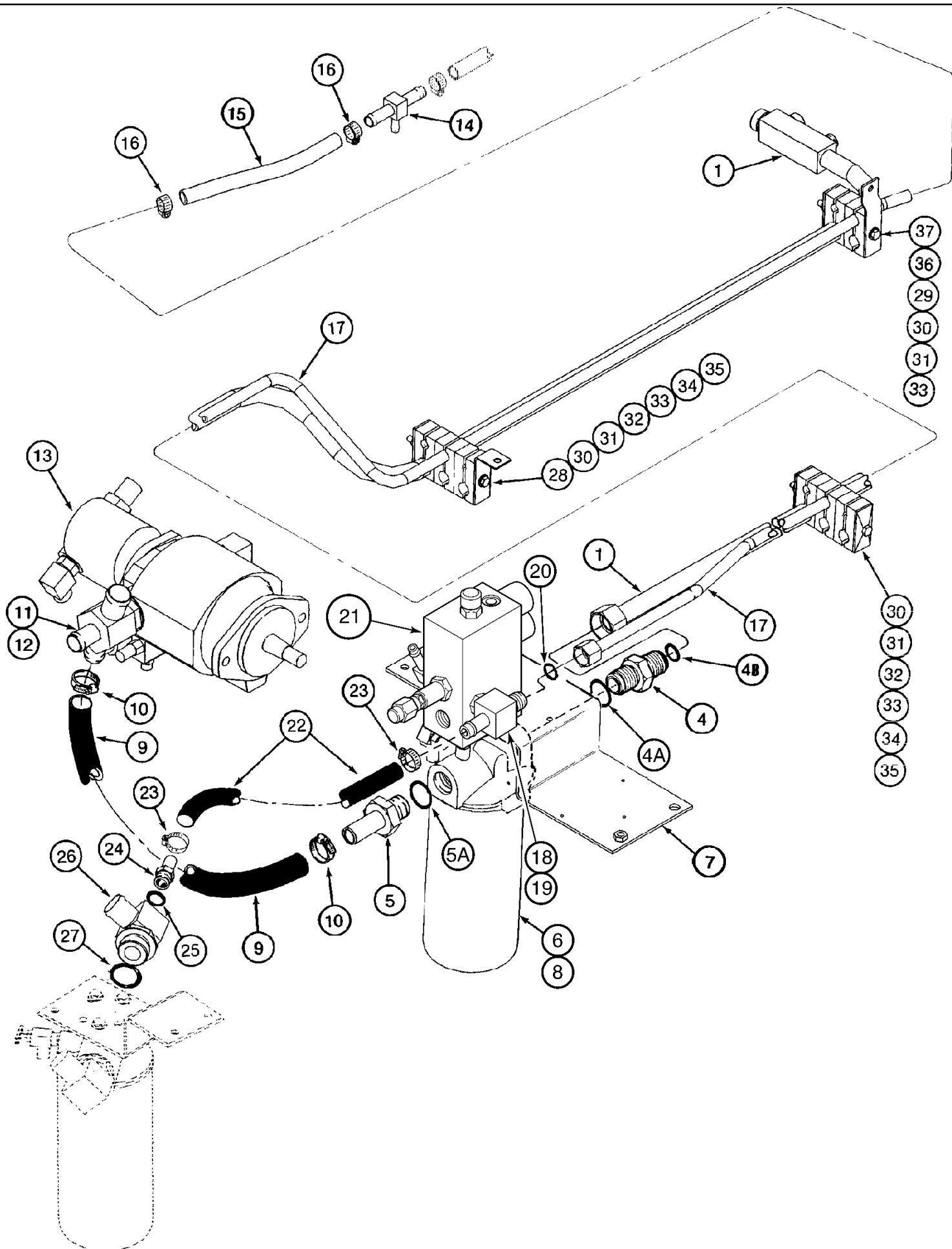
08-06 HYDRAULICS - AUXILIARY PUMP SUPPLY



08-06 HYDRAULICS - AUXILIARY PUMP SUPPLY

сылка	Номер детали	Кол-во	Описание
1	86991459	1	RESERVOIR, HYDRAULIC OIL, , See Figure 08-01
2	1541688C1	1	HOSE, FLEXIBLE, 660 mm (26"), Suction to Reel Drive Pump, Cut from 1541953C1
3	214-3232	2	CLAMP, HOSE, 1.25/2.125 HD Worm, W/liner,
4	217-317	1	FITTING, 45e, 1 1/4" Hose x 1 5/8"-12 ORB Beaded, Includes 5
5	237-6020	1	O-RING, 20-1, 90 Duro, 1.475" ID x .118" Thk,
6	184618A1	1	HOSE, FLEXIBLE, 305 mm (12-1/8"), Suction to Header Lift Pump, Cut from 1541953C1
7	214-3232	2	CLAMP, HOSE, 1.25/2.125 HD Worm, W/liner,
8	182811A1	1	ELBOW, Includes 9
9	237-6020	1	O-RING, 20-1, 90 Duro, 1.475" ID x .118" Thk,
10	NSS	1	NOT SERVICED SEPARATELY, Pump, Hydraulic, Auxiliary, Order Component Parts, See Figure 08-01
11	217-178	1	FITTING, 1 1/4" Hose X 1 5/8"-12 ORB, Beaded,
12	237-6016	1	O-RING, 16-1, 90 Duro, 1.171" ID x .118" Thk,
13	182813A1	1	TEE, 1-1/4" x 1" x 1", Includes 14
14	237-6020	1	O-RING, 20-1, 90 Duro, 1.475" ID x .118" Thk,
15	217-387	1	FITTING, 3/8" Hose x 9/16"-18 ORB, Beaded, Includes 16
16	237-6006	1	O-RING, 6-1, 90 Duro, .468" ID x .078" Thk,
17	128005A1	1	HOSE, FLEXIBLE, 445 mm (17-5/8"), Pump Case Drain, Cut from S118400X
18	214-1706	2	CLAMP, HOSE, #6, 0.44/0.78 Type M Worm,
19	217-347	1	FITTING, 90e, 3/8" Hose x 9/16"-18 ORB Beaded, Includes 20
20	237-6006	1	O-RING, 6-1, 90 Duro, .468" ID x .078" Thk,
21	201-100	1	CONNECTOR, HYD., 9/16"-18 ORFS x 7/16"-20 ORB, Includes 22, 23
22	237-6004	1	O-RING, 4-1, 90 Duro, .351" ID x .072" Thk,
23	238-6011	1	O-RING, -011, 90 Duro, .301" ID x .070" Thk,
24	201-434	1	TEE, 11/16"-18 ORFS x 11/16"-18 Sw Br, Includes 25
25	238-6012	2	O-RING, -012, 90 Duro, .364" ID x .070" Thk,
27	236558A1	2	CLAMP,
28	413-420	2	BOLT, Hex, 1/4"-20 x 1 1/4", G5,
29	231-5344	2	NUT, LOCK, Flg, 1/4"-20,
30	238-6011	1	O-RING, -011, 90 Duro, .301" ID x .070" Thk,
31	255209A1	1	HOSE, FLEXIBLE, 530 mm (20-7/8"), Pump Signal
31A	201-145	1	REDUCER, 9/16"-18 Male x 11/16"-16 Fem, ORFS, Not Illustrated
32	114851A2	1	VALVE, Steering, See Figure 05-26, Ref. 3
34	252596A1	1	TUBE, Signal
36	255212A1	AR	CLAMP,
37	413-420	AR	BOLT, Hex, 1/4"-20 x 1 1/4", G5,
39	384307A1	1	VALVE, SOLENOID, Pressure Regulator, See Figure 08-27
40	201-306	1	ELBOW, 90e, 1"-14 x 7/8"-14 Adj, ORFS, 90, 5/8 or x 5/8 fc sl, Inc. 41, 42
41	237-6010	1	O-RING, 10-1, 90 Duro, .755" ID x .097" Thk,
42	238-6016	1	O-RING, -016, 90 Duro, .614" ID x .070" Thk,
43	201-307	1	ELBOW, 90e, 1 3/16"-12 x 1 1/16"-12 Adj, ORFS, 90, 3/4 or x 3/4 fc sl, Inc.44, 45
44	237-6012	1	O-RING, 12-1, 90 Duro, .924 ID x .118" Thk,
45	238-6018	1	O-RING, -018, 90 Duro, .739" ID x .070" Thk,
46	201-112	1	CONNECTOR, HYD., 13/16"-16 ORFS x 7/8"-14 ORB, 1/4 fc x 1/4 Or
47	238-6014	1	O-RING, -014, 90 Duro, .489" ID x .070" Thk,
48	237-6010	1	O-RING, 10-1, 90 Duro, .755" ID x .097" Thk,

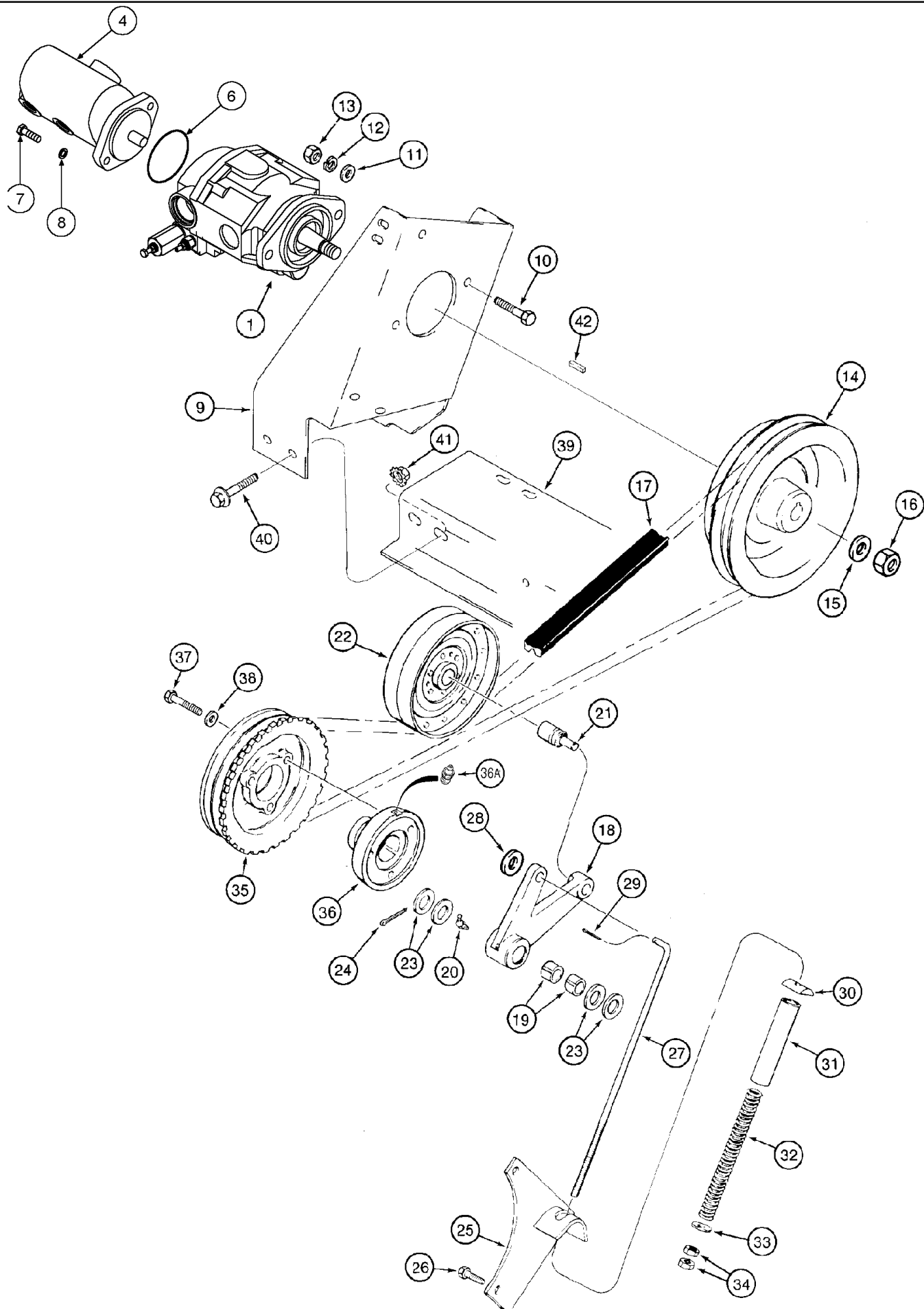
08-07 HYDRAULICS - AUXILIARY PUMP RETURN



08-07 HYDRAULICS - AUXILIARY PUMP RETURN

сылка	Номер детали	Кол-во	Описание
1	124380A1	1	TUBE, HYD, Manifold, Return
4	201-122	1	CONNECTOR, HYD., 1 7/16"-12 ORFS x 1 5/8"-12 ORB, Includes 4A, 4B
4A	237-6020	1	O-RING, 20-1, 90 Duro, 1.475" ID x .118" Thk,
4B	238-6021	1	O-RING, -021, 90 Duro, .926" ID x .070" Thk,
5	217-173	1	FITTING, 1" Hose x 1 5/8"-12 ORB, Beaded, Includes Ref. 5A
5A	237-6020	1	O-RING, 20-1, 90 Duro, 1.475" ID x .118" Thk,
6	87784C92	1	FILTER, HYDRAULIC OIL, Return Oil,, See Figure 08-03
7	124803A2	1	SUPPORT,
8	409-768	3	BOLT, Hex Flg, 3/8"-16 x 1/2", Serr,
9	1541692C1	1	HOSE, FLEXIBLE, 640 mm (25-1/4"), Cut from 1541952C1
10	214-3228	2	CLAMP, HOSE, 1.00/1.875 HD Worm, W/liner,
11	182813A1	1	TEE, 1-1/4" x 1" x 1", Includes 12
12	237-6020	1	O-RING, 20-1, 90 Duro, 1.475" ID x .118" Thk,
13	NSS	1	NOT SERVICED SEPARATELY, Pump, Hydraulic, Auxiliary, See Figure 08-08
14	177975A1	1	TEE, 5/8" x 3/8" x 5/8", For Attaching Parts, See Figure 08-18, Ref. 32
15	128104A2	1	HOSE, FLEXIBLE, 250 mm (9-7/8"), Cut from S118576X
16	214-1410	2	CLAMP, HOSE, #10, 0.56/1.06 Type F Worm,
17	141659A1	1	TUBE, Return, Low Pressure
18	141657A1	1	TEE, Includes 19, 20, Return Tube at Regulator Valve
19	237-6008	1	O-RING, 8-1, 90 Duro, .644" ID x .087" Thk,
20	238-6016	1	O-RING, -016, 90 Duro, .614" ID x .070" Thk,
21	384307A1	1	VALVE, SOLENOID, Pressure Regulator, See Figure 08-27
22	87408006	1	HOSE, 685 mm (27"), Return, Cut from S118576X
23	214-1410	2	CLAMP, HOSE, #10, 0.56/1.06 Type F Worm,
24	217-175	1	FITTING, 5/8" Hose x 7/8"-14 ORB, Beaded, 5/8 stem x 3/4 Or, Includes 25
25	237-6010	1	O-RING, 10-1, 90 Duro, .755" ID x .097" Thk,
26	370228A1	1	ELBOW, Suction, Charge Pump Filter, Includes 27
27	237-6020	1	O-RING, 20-1, 90 Duro, 1.475" ID x .118" Thk,
28	135355A1	1	SUPPORT, Center
29	122950A1	1	SUPPORT, Front
30	118577A1	3	CLAMP, , Matched Set for 1 and 1/2" Diameter Tubes
31	124668A1	3	CLAMP, , Matched Set for 3/4 and 5/8" Diameter Tubes
32	255212A1	2	CLAMP, , Matched Set for 3/4 and 5/8" Diameter Tubes
33	1347127C1	4	PLATE,
34	413-588	2	BOLT, Hex, 5/16"-18 x 5 1/2", G5,
35	231-5315	2	NUT, LOCK, Flg, 5/16"-18,
36	413-564	1	BOLT, Hex, 5/16"-18 x 4", G5,
37	231-5315	1	NUT, LOCK, Flg, 5/16"-18,

08-08 PUMP, AUXILIARY - MOUNTING AND DRIVE



08-08 PUMP, AUXILIARY - MOUNTING AND DRIVE

сылка	Номер детали	Кол-во	Описание
	NSS	1	NOT SERVICED SEPARATELY, Pump, Hydraulic, Auxiliary, Includes 1- 8, 8B, Order Component Parts
1	187702A1	1	PUMP, HYDRAULIC, Piston Type, Front, Includes 2, 3
2	87510575	1	KIT, SEALS, Piston Pump, Not Illustrated
3	87510576	1	COMPENSATOR, Piston Pump, Includes 3A, Not Illustrated
3A	87510577	1	KIT, SEALS, Compensator Spool, Not Illustrated
4	375147A1	1	PUMP, HYDRAULIC, Rear, Includes 5
5	291744A1	1	KIT, SEALS, Not Illustrated
6	238-6042	1	O-RING, -042, 90 Duro, 3.239" ID x .070" Thk, Used between pumps
7	413-620	2	BOLT, Hex, 3/8"-16 x 1 1/4", G5, Full Thd,
8	495-81265	2	WASHER, .391" x 5/8" x .065",
8A	62-32520	4	SCREW, Hex Soc Hd, 1/4"-28 x 1 1/4", Mounts Regulator to Pump Assembly, Not Illustrated
8B	237-6020	1	O-RING, 20-1, 90 Duro, 1.475" ID x .118" Thk,
9	443255A1	1	SUPPORT, Auxiliary Pump
10	413-824	2	BOLT, Hex, 1/2"-13 x 1 1/2", G5, Full Thd,
11	495-81287	2	WASHER, 17/32" x 1 1/4" x .120",
12	80679	2	WASHER, LOCK, 1/2",
13	425-108	2	NUT, 1/2"-13, G5,
14	122948A1	1	PULLEY, Drive, Auxiliary Pump
15	496-21081	1	WASHER, 13/16" x 1 1/2" x .179", HDN,
16	231-46112	1	NUT, LOCK, 3/4"-16, GB,
17	440498A3	1	BELT, Drive
18	1330517C1	1	LEVER, Auxiliary Pump Drive, Includes 19
19	188068C1	2	BUSHING,
20	219-90	1	NIPPLE, LUBE, 45c, 1/4" NPT x .80" lg, Drive,
21	274844R91	1	BEARING, Idler Pulley
22	192865C1	1	PULLEY, 8" OD, Idler
23	495-81073	AR	WASHER, 1 1/32" x 1 3/4" x .060",
24	432-1624	1	PIN, SPLIT (COTTER), 1/4" x 1 1/2",
25	194729C2	1	SUPPORT, Pump Drive
26	413-828	2	BOLT, Hex, 1/2"-13 x 1 3/4", G5,
27	191823C2	1	ROD, Auxiliary Drive Jackshaft
28	495-11053	1	WASHER, 1/2", SAE,
29	432-1216	1	PIN, SPLIT (COTTER), 3/16" x 1",
30	194652C1	1	PIVOT,
31	1989254C1	1	SPACER, 165 mm (6-1/2")
32	V368	1	SPRING,
33	495-81287	1	WASHER, 17/32" x 1 1/4" x .120",
34	425-108	2	NUT, 1/2"-13, G5,
35	1330488C1	1	PULLEY, 8.85 OD, Drive, Auxiliary Pump, Items 35 - 38 are part of the gearbox assembly. See Figure 06-01.
36	196482C3	1	HUB, Grease Fitting Access Hole
36A	219-87	1	NIPPLE, LUBE, 1/4"-28 x .56" lg, Self-Tap,
37	426-840	3	BOLT, Hex, 1/2"-13 x 2 1/2", G8,
38	495-11053	3	WASHER, 1/2", SAE,
39	112454A5	1	SUPPORT, Jackshaft and Auxiliary Pump, For Mounting, See Figure 09A-05

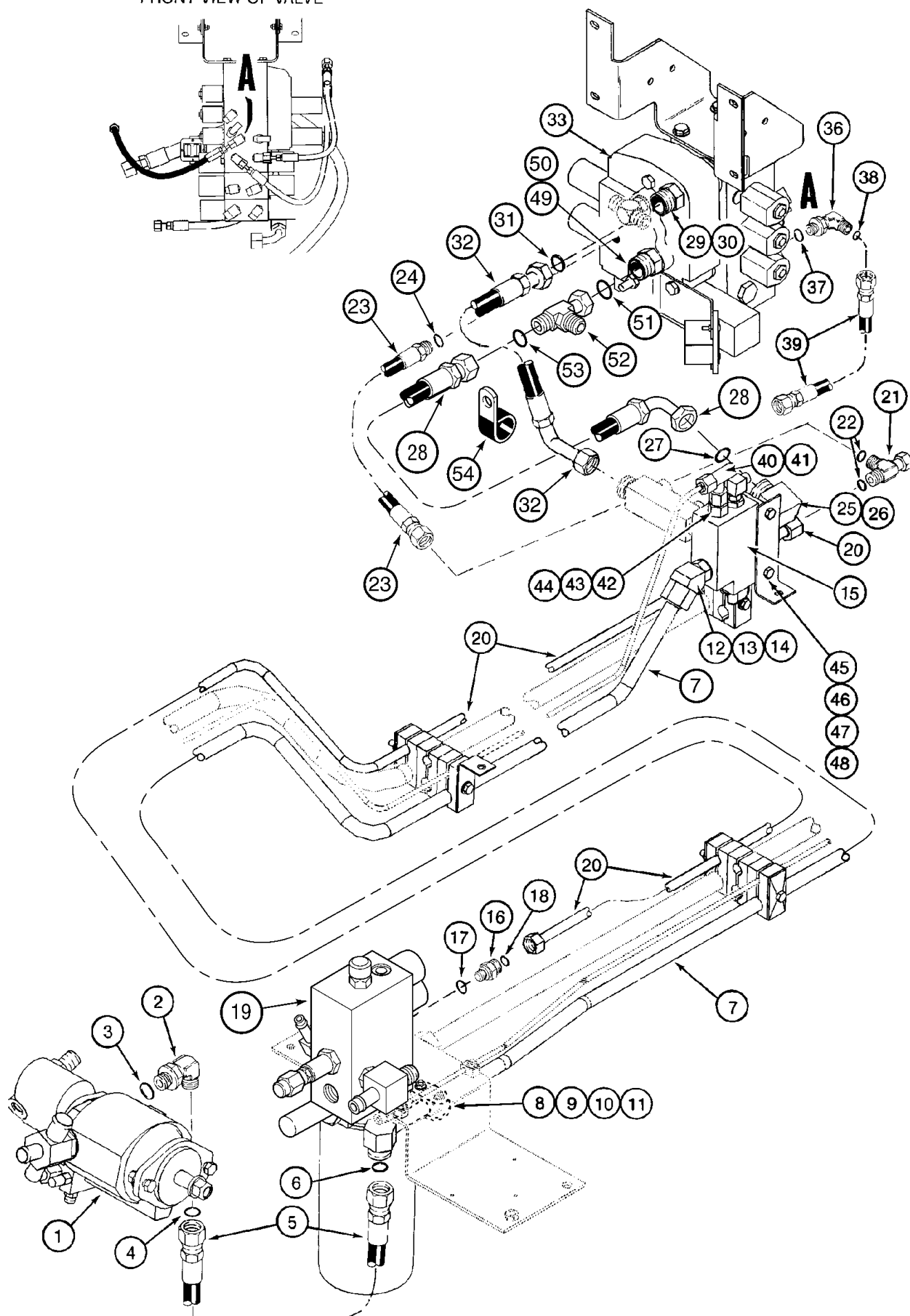
2388 CASE IH AXIAL-FLOW COMBINE (NA) BTW HAJ0292001 & HAJ0300000 (10/04-)

08-08 PUMP, AUXILIARY - MOUNTING AND DRIVE

сылка	Номер детали	Кол-во	Описание
40	87302717	4	SCREW, 1/2" x 1-1/4"; 8
41	87301492	4	NUT, Flg, USR, 1/2"-13, G8,
42	194022A1	1	NIPPLE, LUBE, Pump Shaft

08-09 HYDRAULICS - HEADER LIFT VALVE SUPPLY

FRONT VIEW OF VALVE



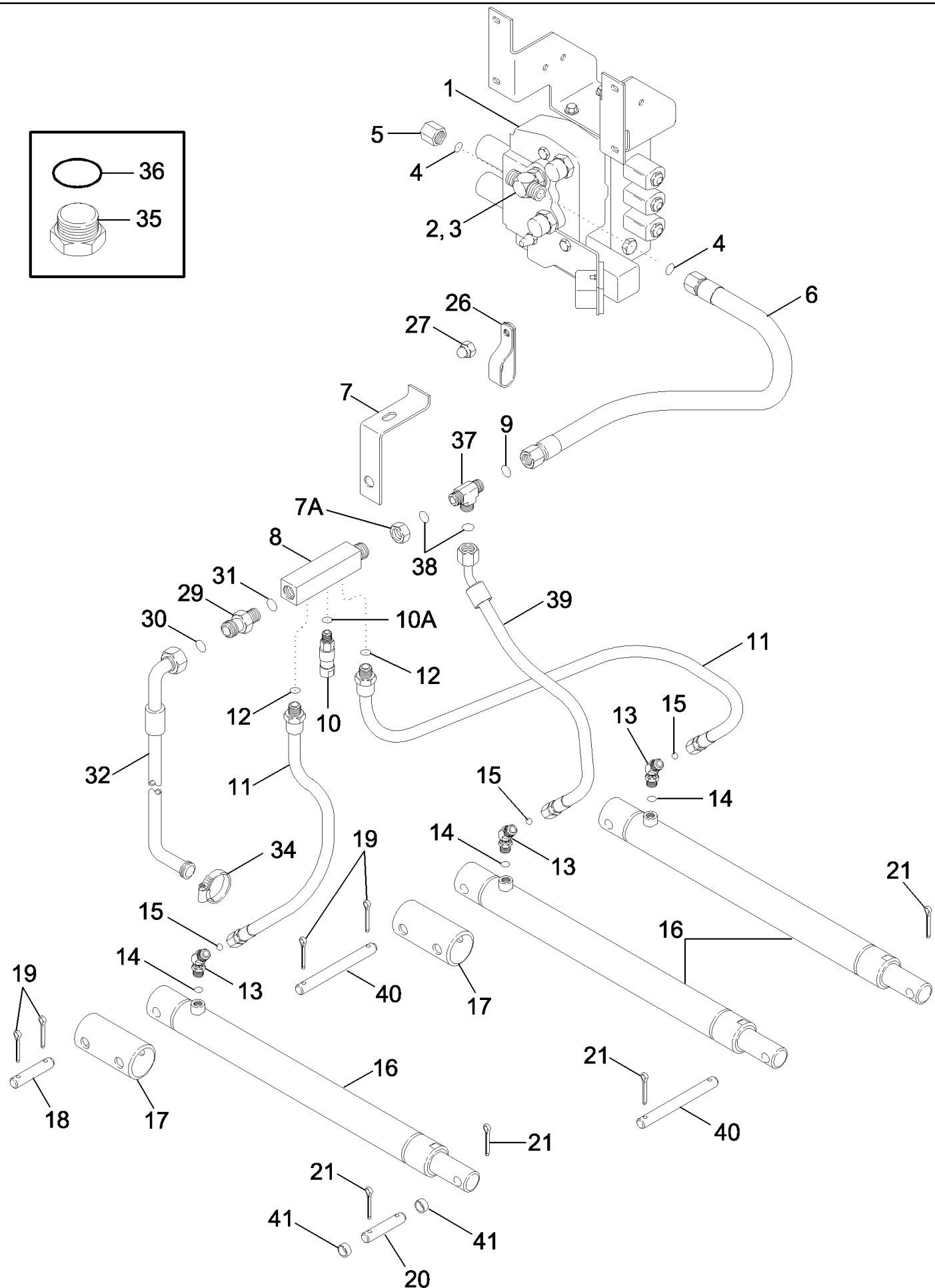
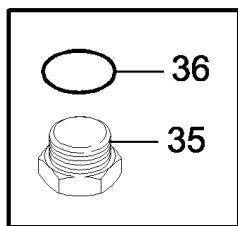
08-09 HYDRAULICS - HEADER LIFT VALVE SUPPLY

сылка	Номер детали	Кол-во	Описание
1	NSS	1	NOT SERVICED SEPARATELY, Pump, Hydraulic, Auxiliary, Order Component Parts, See Figure 08-0
2	201-307	1	ELBOW, 90°, 1 3/16"-12 x 1 1/16"-12 Adj, ORFS, Includes 3, 4
3	237-6012	1	O-RING, 12-1, 90 Duro, .924 ID x .118" Thk,
4	238-6018	1	O-RING, -018, 90 Duro, .739" ID x .070" Thk,
5	127988A1	1	HOSE, FLEXIBLE, 840 mm (33-1/8"), Header Lift Supply, BSN HAJ0295001
5	87338783	1	HOSE, FLEXIBLE, 840 mm (33-1/8"), Header Lift Supply, ASN HAJ0295001
6	238-6018	1	O-RING, -018, 90 Duro, .739" ID x .070" Thk,
7	124375A2	1	TUBE, HYD, Header Lift Supply
8	1541538C1	1	CLAMP, Two Piece, 3/4" OD Tube
9	1541537C1	1	PLATE,
10	413-432	2	BOLT, Hex, 1/4"-20 x 2", G5,
11	231-5344	2	NUT, LOCK, Flg, 1/4"-20,
12	201-352	1	ELBOW, 45°, 1 3/16"-12 x 7/8"-14. Adj, ORFS, Includes Ref. 13, 14
13	237-6010	1	O-RING, 10-1, 90 Duro, .755" ID x .097" Thk,
14	238-6018	1	O-RING, -018, 90 Duro, .739" ID x .070" Thk,
15	114851A2	1	VALVE, Steering, See Figure 05-26
16	201-126	1	CONNECTOR, HYD., 13/16"-16 ORFS x 9/16"-20 ORB, Includes 17, 18
17	237-6006	1	O-RING, 6-1, 90 Duro, .468" ID x .078" Thk,
18	238-6014	1	O-RING, -014, 90 Duro, .489" ID x .070" Thk,
19	384307A1	1	VALVE, SOLENOID, Pressure Regulator, See Figure 08-27
20	126870A1	1	TUBE, Supply, From Pressure Regulator
21	201-416	1	TEE, 13/16"-16 ORFS x 13/16"-16 Sw Run, Includes 22
22	238-6014	2	O-RING, -014, 90 Duro, .489" ID x .070" Thk,
23	128101A1	1	HOSE, FLEXIBLE, 690 mm (27-1/4"), Includes 24, Header Lift Valve Regulator Supply
24	237-6006	1	O-RING, 6-1, 90 Duro, .468" ID x .078" Thk,
25	201-306	1	ELBOW, 90°, 1"-14 x 7/8"-14 Adj, ORFS, Includes 26, 27
26	237-6010	1	O-RING, 10-1, 90 Duro, .755" ID x .097" Thk,
27	238-6016	1	O-RING, -016, 90 Duro, .614" ID x .070" Thk,
28	400633A1	1	HOSE, FLEXIBLE, 735 mm (28-15/16"), Header Lift Valve Supply
29	201-104	1-2	CONNECTOR, HYD., 1 3/16"-12 ORFS x 1 1/16"-12 ORB, Includes 30, 31
30	237-6012	1	O-RING, 12-1, 90 Duro, .924 ID x .118" Thk,
31	238-6018	1	O-RING, -018, 90 Duro, .739" ID x .070" Thk,
32	128097A1	1	HOSE, 710 mm (28"), Header Lift Valve Return
33	124565A3	1	VALVE, CONTROL, Header Lift, See Figure 08-12
33	124566A3	1	VALVE, CONTROL, Header Lift With Reel Fore and Aft, See Figure 08-14
33	124567A3	1	VALVE, CONTROL, Header Lift With Reel Fore and Aft and Field Tracker, See Figure 08-15
36	201-324	1	ELBOW, 90°, 9/16"-18 x 9/16"-18, Adj, ORFS, Includes Ref. 37, 38
37	237-6006	1	O-RING, 6-1, 90 Duro, .468" ID x .078" Thk,
38	238-6011	1	O-RING, -011, 90 Duro, .301" ID x .070" Thk,
39	127997A1	1	HOSE, FLEXIBLE, 640 mm (25-1/4"), Pump Signal to Header Lift Valve
40	201-434	1	TEE, 11/16"-18 ORFS x 11/16"-18 Sw Br, Includes 41
41	238-6012	2	O-RING, -012, 90 Duro, .364" ID x .070" Thk,
42	128328A1	1	FITTING, With Orifice Check Valve, Includes 43, 44
43	237-6008	1	O-RING, 8-1, 90 Duro, .644" ID x .087" Thk,
44	238-6012	1	O-RING, -012, 90 Duro, .364" ID x .070" Thk,

08-09 HYDRAULICS - HEADER LIFT VALVE SUPPLY

сылка	Номер детали	Кол-во	Описание
45	124576A1	1	SUPPORT,
46	413-540	2	BOLT, Hex, 5/16"-18 x 2 1/2", G5,
47	495-11034	1	WASHER, 5/16", SAE,
48	231-5315	2	NUT, LOCK, Flg, 5/16"-18,
49	201-131	1	CONNECTOR, HYD., 1"-12 ORFS x 9/16"-18 ORB, 1-14 fc x 1-1/16-12 Or, Includes 50, 51
50	237-6012	1	O-RING, 12-1, 90 Duro, .924 ID x .118" Thk,
51	238-6016	1	O-RING, -016, 90 Duro, .614" ID x .070" Thk,
52	201-433	1	TEE, 1"-14 ORFS x 1"-14 Sw Run,
53	238-6016	2	O-RING, -016, 90 Duro, .614" ID x .070" Thk,
54	515-23254	1	CLAMP, 1", Insul, 3/8" Bolt, Used with Ref. 32
55	409-7512	1	BOLT, Hex Flg, 5/16"-18 x 3/4", Serr,
56	231-5145	1	NUT, Flg, USR, 5/16"-18,

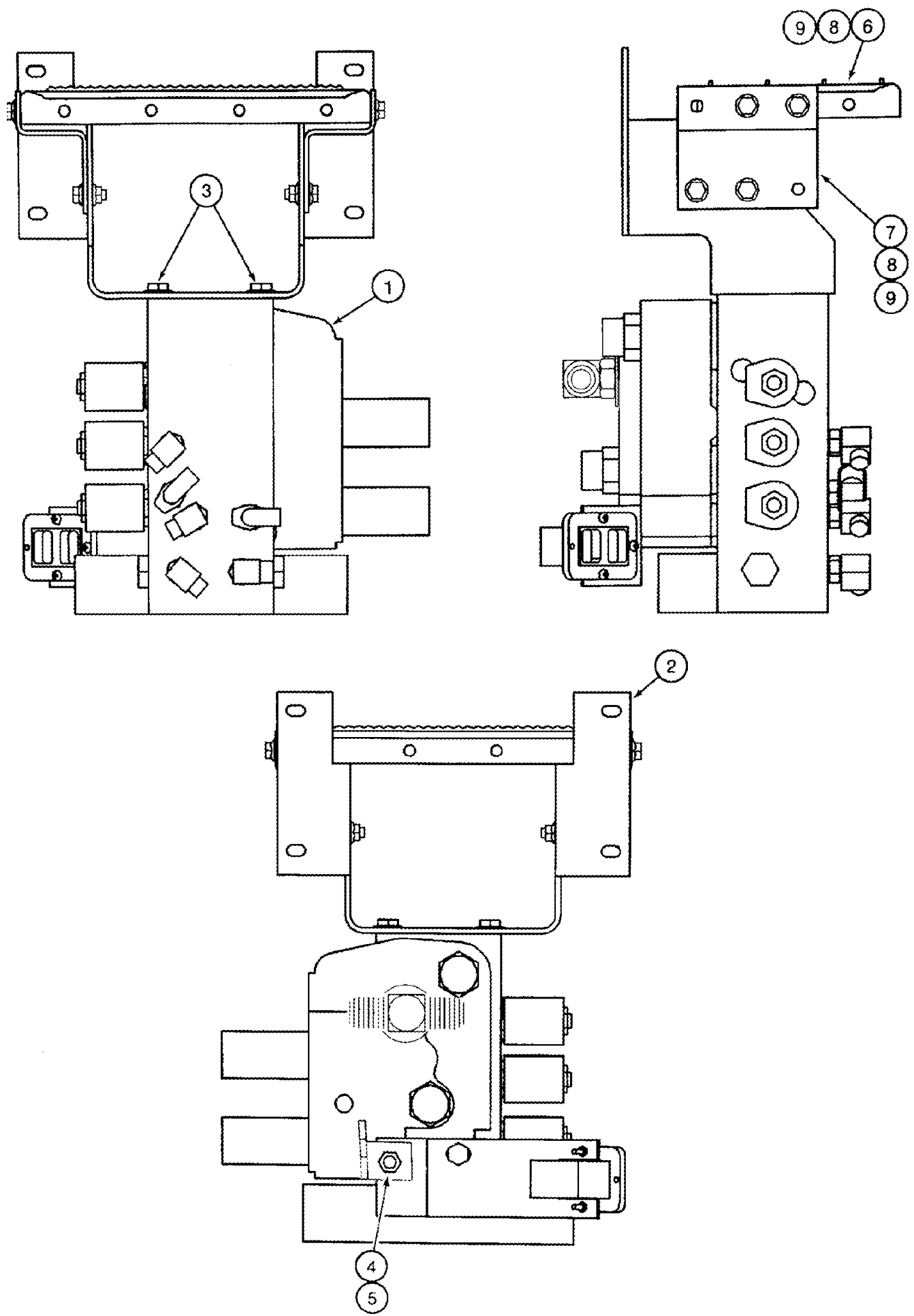
08-10 HYDRAULICS - HEADER LIFT



08-10 HYDRAULICS - HEADER LIFT

сылка	Номер детали	Кол-во	Описание
1	124565A3	1	VALVE, CONTROL, Header Lift , See Figure(s) 08-09, 08-11, 08-12, 08-14, 08-15
2	201-403	1	TEE, 1"-14 x 7/8"-14 Br, ORFS, Includes Ref. 3, 4, For Attaching Parts, See Figure 08-30
3	237-6010	1	O-RING, 10-1, 90 Duro, .755" ID x .097" Thk,
4	238-6016	2	O-RING, -016, 90 Duro, .614" ID x .070" Thk,
5	201-906	1	CAP, 1"-14 ORFS, , Without Accumulator
6	128024A2	1	HOSE, 2160 mm (85-1/8"), Header Lift Supply
7	136489A1	1	SUPPORT, Manifold Bulkhead Fitting
7A	201-919	1	NUT, LOCK, Blkhd, 1"-14,
8	249910A1	1	MANIFOLD, Includes 9, Feeder Lift Valve Cylinders, Thermal Relief
9	238-6016	1	O-RING, -016, 90 Duro, .614" ID x .070" Thk,
10	86975430	1	SENSOR, Includes 10A, Header Float Pressure, For Attaching Parts, See Figure 04-16
10A	237-6003	1	O-RING, 3-1, .301" ID x .064" Thk,
11	128027A1	2	HOSE, 1070 mm (42-1/8"), Manifold to Header Lift Cylinders, Includes 12
12	238-6008	1	O-RING, -008, 90 Duro, .176" ID x .070" Thk,
13	201-348	2	ELBOW, 45є, 13/16"-16 x 3/4"-16. Adj, ORFS, Includes Ref. 14, 15, Without Power Guide Axle
13A	201-305	2	ELBOW, 90є, 13/16"-18 x 3/4"-18 Adj, ORFS, Incl. 14, 15, Not Illustrated, With Rock Trap
14	237-6008	1	O-RING, 8-1, 90 Duro, .644" ID x .087" Thk,
15	238-6014	1	O-RING, -014, 90 Duro, .489" ID x .070" Thk,
16	87385882	2-3	CYLINDER ASSY., Includes 16A, Header Lift, Part Number Stamped On Cylinder
16A	87552535	1	KIT, SEALS, Not Illustrated
17	124059A2	2-3	TUBE SPACER, Extension, Lift Cylinder, With Rock Trap, With 54-1/2" Feeder
18	242303A1	2	PIN, 1-1/4" x 6-1/2", Extension Tube to Cylinder
19	432-1632	2-4	PIN, SPLIT (COTTER), 1/4" x 2",
20	242303A1	4	PIN, 1-1/4" x 6-1/2", Header Lift Cylinder Mounting
21	432-1632	4-8	PIN, SPLIT (COTTER), 1/4" x 2",
26	470375C1	1	CLAMP, Double, Purchase Locally
27	231-5145	1	NUT, Flg, USR, 5/16"-18,
29	252300A2	1	VALVE, Thermal Relief
30	237-6006	1	O-RING, 6-1, 90 Duro, .468" ID x .078" Thk,
31	238-6012	1	O-RING, -012, 90 Duro, .364" ID x .070" Thk, Thermal Relief Valve
32	254734A1	1	HOSE, FLEXIBLE, 860 mm (33-7/8"), Thermal Relief Valve Drain, For Attaching Parts, See Figure 07-05, Ref. 28
34	214-1706	1	CLAMP, HOSE, #6, 0.44/0.78 Type M Worm,
35	218-5152	1	PLUG, Hex Hd, 3/8"-24 ORB, Includes 36, Feeder Lift without Float
36	237-6003	1	O-RING, 3-1, .301" ID x .064" Thk,
37	201-433	1	TEE, 1"-14 ORFS x 1"-14 Sw Run, Includes 38, 12 Row Ready
38	238-6016	2	O-RING, -016, 90 Duro, .614" ID x .070" Thk,
39	128028A1	1	HOSE, FLEXIBLE, 1140 mm (44-7/8"), 12 Row Ready
40	403002A1	2-3	PIN, 1-1/4" x 10-1/4", 12 Row Ready
41	87351138	2	SPACER, Lift Cylinder Pin, BSN HAJ0295001

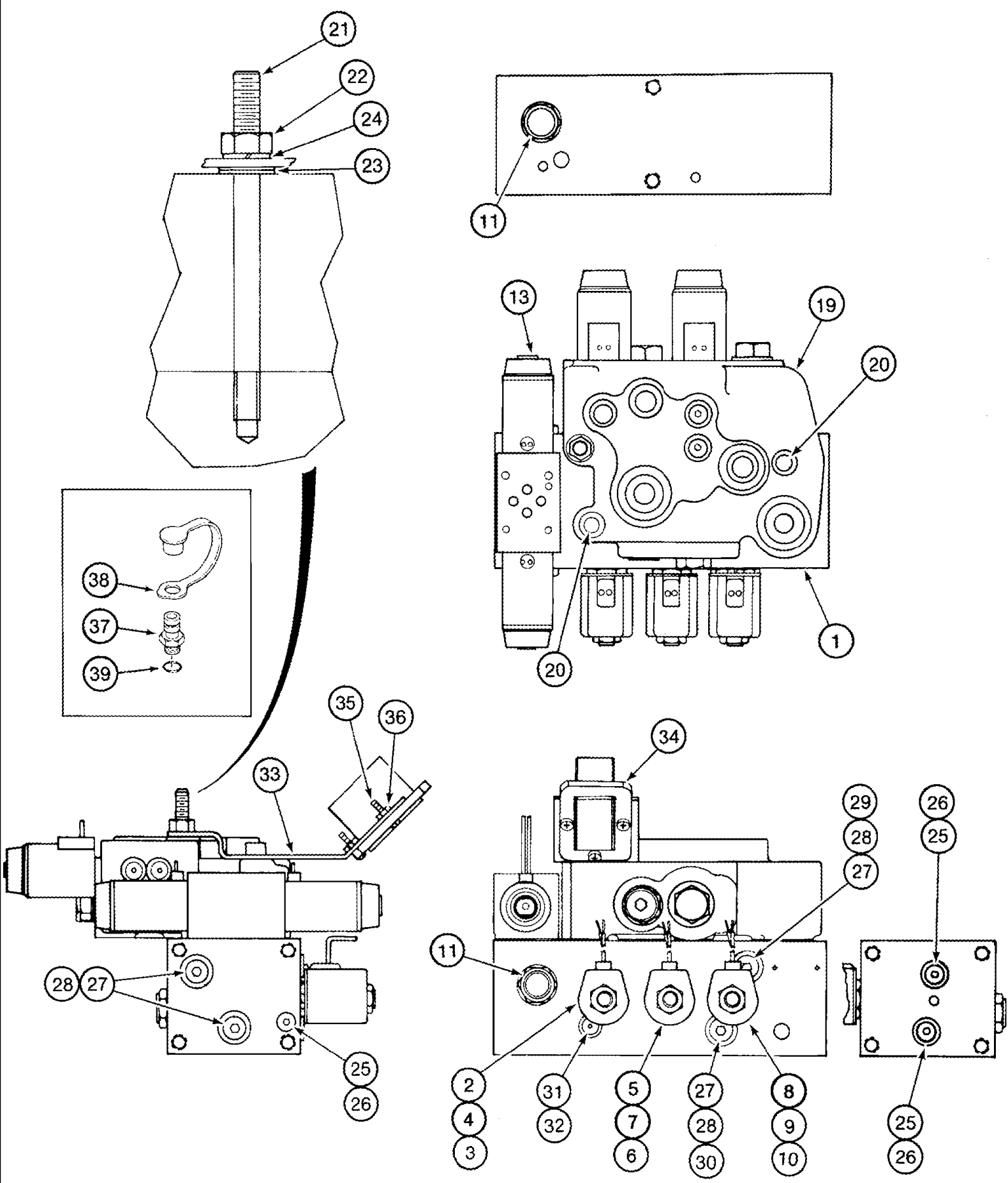
08-11 VALVE, CONTROL - MOUNTING



08-11 VALVE, CONTROL - MOUNTING

сылка	Номер детали	Кол-во	Описание
1	124565A3	1	VALVE, CONTROL, Header Lift , See Figure(s) 08-09, 08-10, 08-12, 08-14, 08-15, If Used
1	124566A3	1	VALVE, CONTROL, Header Lift With Reel Fore and Aft, See Figure(s) 08-09, 08-14, If Used
1	124567A3	1	VALVE, CONTROL, Header Lift With Reel Fore and Aft and Field Tracker, See Figure(s) 08-09, 08-15, If Used
2	123883A4	1	SUPPORT,
3	905-10020	4	BOLT, Hex Serr Flg, M10 x 20,
4	127379A2	1	SUPPORT, Valve, Rear, Mounts to Tube Clamp Support Bolt
5	829-1410	1	NUT, M10, CI 10, , See Figure 08-12 Ref. 21, For Mounting Stud
6	1531337C1	2	STEP, Service, At Valve Mounting Bracket, Front Grain Tank Inspection, For Additional Mounting, See Figure 09E-06
7	141410A1	2	SUPPORT,
8	409-7512	16	BOLT, Hex Flg, 5/16"-18 x 3/4", Serr,
9	231-5145	16	NUT, Flg, USR, 5/16"-18,
	409-7516	4	BOLT, Hex Flg, 5/16"-18 x 1", Serr,
	231-5145	4	NUT, Flg, USR, 5/16"-18,
	100-1531	4	RING, SNAP, #31, Ext,

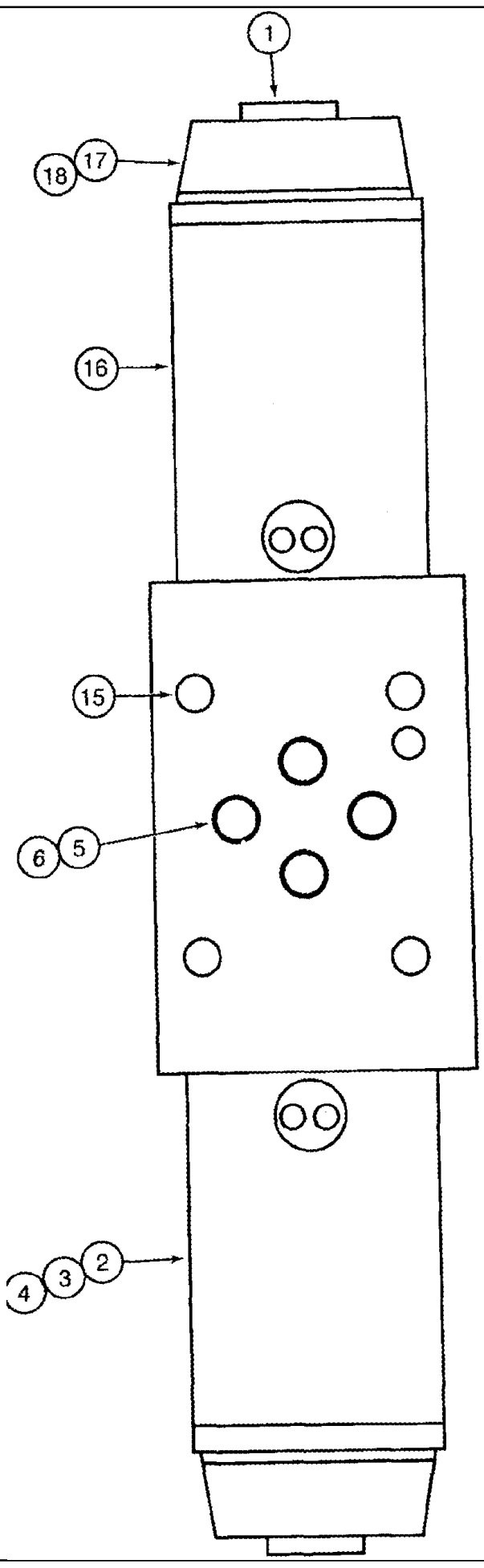
08-12 VALVE ASSY - CONTROL - HEADER LIFT VALVE ASSY



08-12 VALVE ASSY - CONTROL - HEADER LIFT VALVE ASSY

сылка	Номер детали	Кол-во	Описание
	124565A3	1	VALVE, CONTROL, Header Lift, Includes 1 - 36
1	NSS	1	NOT SERVICED SEPARATELY, Body, Order 124565A3
	NSS	1	NOT SERVICED SEPARATELY, Valve, Solenoid, Includes 2 - 4, 2-Way, Sense Line, Order Components
2	191121A1	1	VALVE, 2-Way, Cartridge Only, Sense Line
3	149942C1	1	KIT, SEALS,
4	190715A1	1	SOLENOID, Coil, With Diode and Connector, 12 Volt, DC
	NSS	1	NOT SERVICED SEPARATELY, Valve, Solenoid, Includes 5 - 7, 2-Way, Reel Lift, Order Components
5	87436627	1	VALVE, 2-Way, Cartridge Only, Reel Lift, Includes 6
6	86508168	1	KIT, SEALS,
7	190715A1	3	SOLENOID, Coil, With Diode and Connector, 12 Volt, DC
	NSS	1	NOT SERVICED SEPARATELY, Valve, Solenoid, Includes 8-10, 3-Way, Reel Lift, Order Components
8	190711A1	1	VALVE, 3-Way, Cartridge Only, Reel Lift, Includes 9, 10
9	1260872C91	1	KIT, SEALS,
10	190715A1	1	SOLENOID, Coil, With Diode and Connector, 12 Volt, DC
11	190712A1	2	VALVE, Includes 12, Single Pilot Operated
12	1260872C91	1	KIT, SEALS, Check Valve, Not Illustrated
13	190717A1	1	VALVE, 4-Way, 3 Position, Stack, Complete, See Figure 08-13
14	195683A1	3	NUT, 1/2"-13, Thin, Solenoid Coil, Not Illustrated
19	186572A1	1	VALVE, CONTROL, Header Height, See Figure 08-16
20	864-10080	2	SCREW, Hex Soc Hd, M10 x 80, 8.8,
21	190716A1	1	STUD, 10 x 130 mm
22	829-1410	1	NUT, M10, CI 10,
23	895-18010	2-4	WASHER, M10 x 18 x 1.6,
24	892-11010	1	WASHER, LOCK, M10,
25	278548	3	PLUG, Hex Soc, 7/16"-20 ORB, Incl. 26
26	237-6004	1	O-RING, 4-1, 90 Duro, .351" ID x .072" Thk,
27	9625178	4	PLUG, Hex Soc, 9/16"-18 ORB, Includes 28
28	237-6006	1	O-RING, 6-1, 90 Duro, .468" ID x .078" Thk,
29	190713A1	1	PLUG, .914 mm (.036") dia
30	190714A1	1	PLUG, 1.40 mm (.055") dia
31	86632547	1-4	PLUG, Hex Soc, 5/16"-24 ORB, Includes 32
32	237-6002	1	O-RING, 2-1, .239" ID x .064" Thk,
33	141440A1	1	SUPPORT, Electrical Connector
34	225417C1	1	CONNECTOR, ELEC, 24 Pin
35	840-1420	3	SCREW, Cross Pan Hd, M4 x 20,
36	832-10404	3	NUT, LOCK, M4 x .7, CI 8,
37	1541849C1	2	COUPLING, Diagnostic, Includes 38, 39, Not Included with Header Lift Valve Assy
38	H434163	1	DUST CAP,
39	237-6006	1	O-RING, 6-1, 90 Duro, .468" ID x .078" Thk,

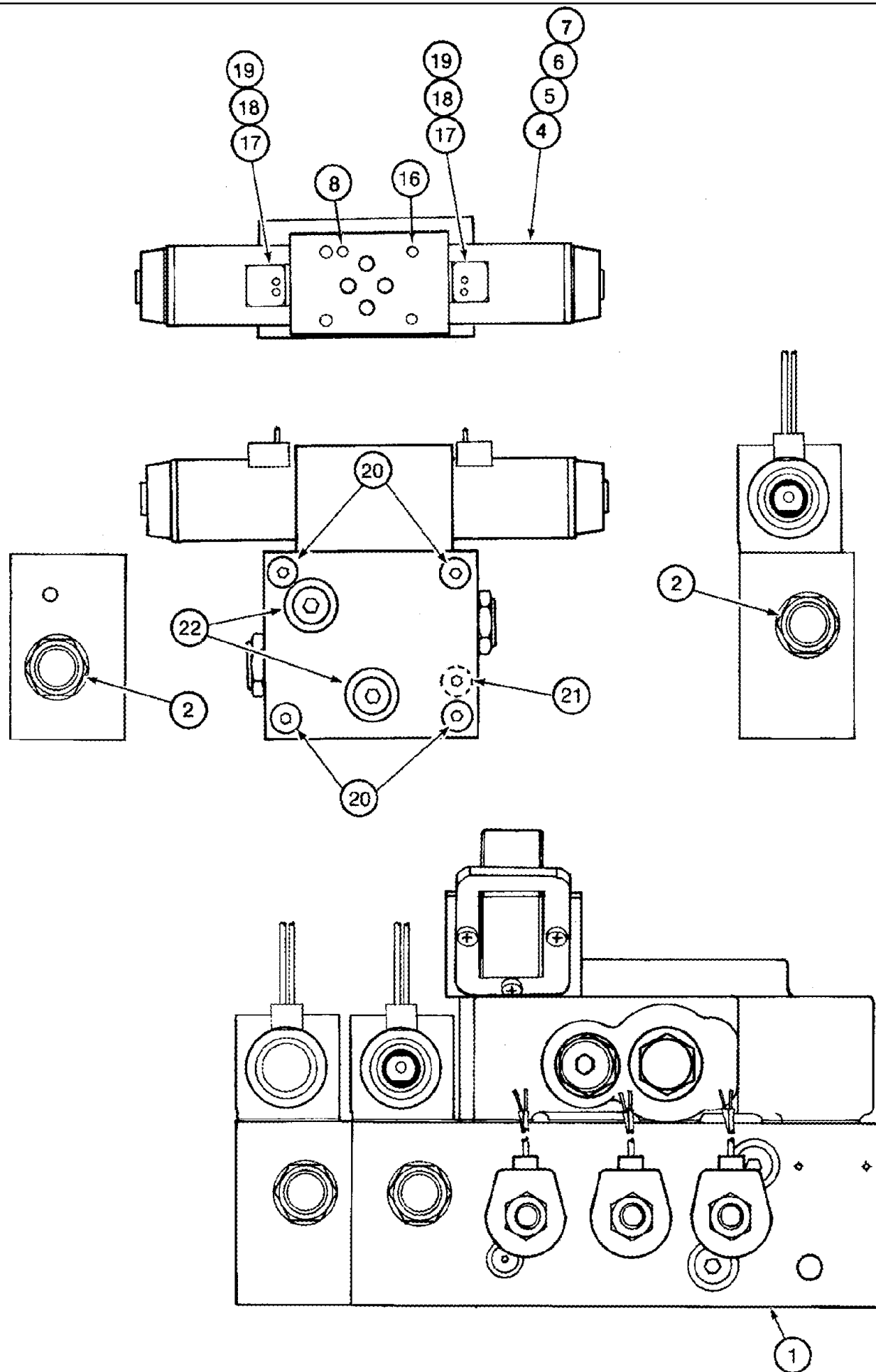
08-13 VALVE ASSY - CONTROL - 4-WAY, 3 POSITION



08-13 VALVE ASSY - CONTROL - 4-WAY, 3 POSITION

сылка	Номер детали	Кол-во	Описание
	190717A1	1	VALVE, 4-Way, 3 Position, Stack, Complete, Includes 1 - 18
1	196736A1	2	BODY, Solenoid
2	196737A1	2	SPLIT PIN/SAFETY PIN,
3	196738A1	2	SPRING,
4	196739A1	2	WASHER,
5	196710A1	1	PLUG, Orifice .030"
6	196711A1	1	PLUG, Orifice .040"
	191120A1	1	KIT, SEALS, Includes 7 - 12, Order Components, Not Illustrated
7	238-5012	4	O-RING, -012, 70 Duro, .364" ID x .070" Thk,
8	238-5015	2	O-RING, -015, 70 Duro, .551" ID x .070" Thk,
9	238-5017	2	O-RING, -017, 70 Duro, .676" ID x .070" Thk,
10	238-5020	2	O-RING, -020, 70 Duro, .864" ID x .070" Thk,
11	238-5114	2	O-RING, -114, 70 Duro, .612" ID x .103" Thk,
12	S83071	2	BACK-UP RING,
15	61-31020	4	SCREW, Hex Soc Hd, #10-24 x 1 1/4",
16	191119A1	2	SOLENOID, Coil, With Diode, 12 Volt, DC
17	188106A1	2	NUT,
18	238-5017	2	O-RING, -017, 70 Duro, .676" ID x .070" Thk,

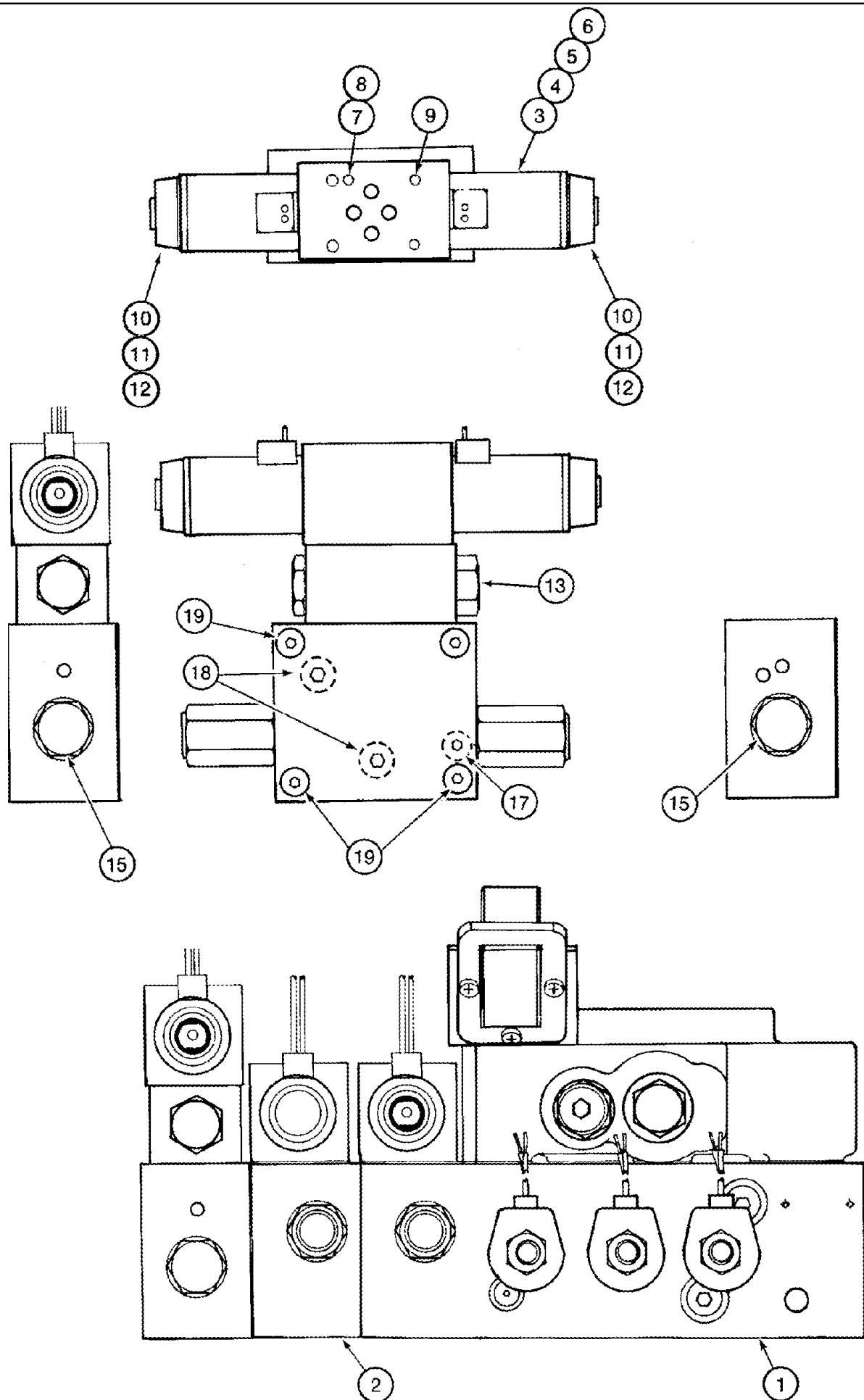
08-14 VALVE ASSY - CONTROL - HEADER LIFT WITH FORE AND AFT VALVE ASSY



08-14 VALVE ASSY - CONTROL - HEADER LIFT WITH FORE AND AFT VALVE ASSY

сылка	Номер детали	Кол-во	Описание
	124566A3	1	VALVE, CONTROL, Includes 1 - 22, Header Lift With Reel Fore and Aft
1	124565A3	1	VALVE, CONTROL, Header Lift, See Figure(s) 08-09, 08-10, 08-11, 08-12, 08-15
	131153A2	1	VALVE, CONTROL, Includes 2 - 22, Reel Fore And Aft
2	190712A1	2	VALVE, Includes 3, Single Pilot Operated
3	1260872C91	1	KIT, SEALS, Repair, Not Illustrated
	190990A1	1	VALVE, Includes 4 - 19, 4-Way, 3 Position, Stack
4	196736A1	2	BODY, Solenoid
5	196737A1	2	SPLIT PIN/SAFETY PIN,
6	196738A1	2	SPRING,
7	196739A1	2	WASHER,
8	196710A1	1	PLUG, Orifice 0.030 in.
9	191120A1	1	KIT, SEALS, Includes 10 - 15, Seal Repair, 4-Way, 3 Position Valve, Order Components, Not Illustrated
10	238-5012	4	O-RING, -012, 70 Duro, .364" ID x .070" Thk,
11	238-5015	2	O-RING, -015, 70 Duro, .551" ID x .070" Thk,
12	238-5017	2	O-RING, -017, 70 Duro, .676" ID x .070" Thk,
13	238-5020	2	O-RING, -020, 70 Duro, .864" ID x .070" Thk,
14	238-5114	2	O-RING, -114, 70 Duro, .612" ID x .103" Thk,
15	S83071	2	BACK-UP RING,
16	61-31020	4	SCREW, Hex Soc Hd, #10-24 x 1 1/4",
16	61-31044	4	SCREW, Hex Soc Hd, #10-24 x 2 3/4",
17	191119A1	2	SOLENOID, Coil, With Diode, 12 Volt, DC
18	188106A1	2	NUT,
19	238-5017	2	O-RING, -017, 70 Duro, .676" ID x .070" Thk,
20	864-10080	4	SCREW, Hex Soc Hd, M10 x 80, 8.8,
21	238-5111	1	O-RING, -111, 70 Duro, .424" ID x .103" Thk,
22	238-5117	2	O-RING, -117, 70 Duro, .799" ID x .103" Thk,

08-15 VALVE ASSY - CONTROL - HEADER LIFT WITH REEL FORE AND AFT AND FIELD TRACKER



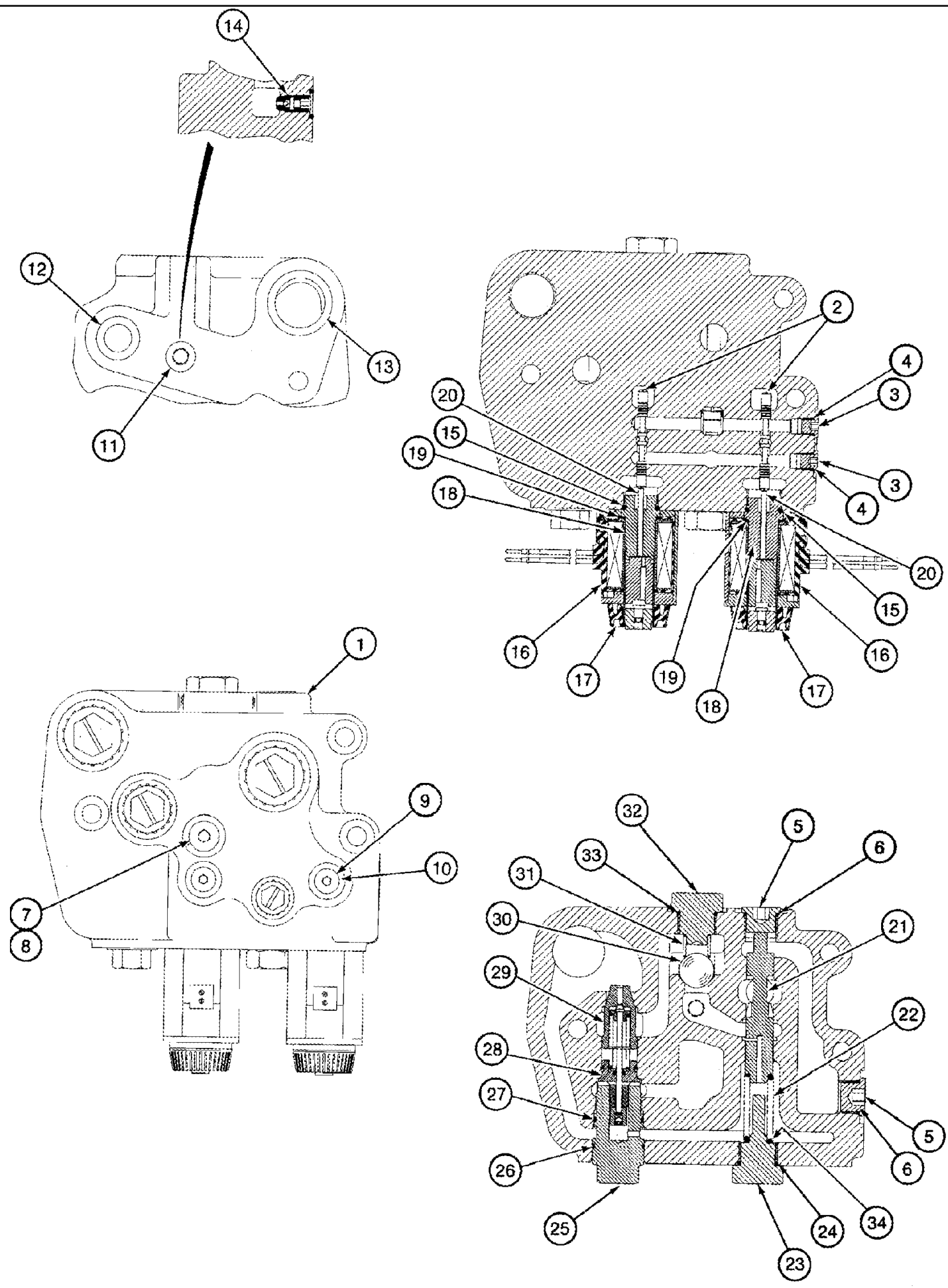
Header Lift With Reel Fore and Aft and Field Tracker

08-15 VALVE ASSY - CONTROL - HEADER LIFT WITH REEL FORE AND AFT AND FIELD TRACKER

сылка	Номер детали	Кол-во	Описание
	124567A3	1	VALVE, CONTROL, Multi Section Valve, Includes 1 - 20, Header Lift With Reel Fore and Aft and Field Tracker
	REF	1	INSTRUCTION, Body, One Piece Valve, Production Only, Service Body With Complete Valve Assy 124567A3 Above, Includes 3 - 20
1	124565A3	1	VALVE, CONTROL, Header Lift, See Figure(s) 08-09, 08-10, 08-11, 08-12, 08-14
2	131153A2	1	VALVE, CONTROL, Reel Fore And Aft, See Figure 08-14
	114854A1	1	VALVE, CONTROL, Includes 190984A1, Ref. 3 - 20, Field Tracker
	190984A1	1	VALVE, Includes 3 - 12, 4-Way, 3 Position, Stack
3	196736A1	2	BODY, Solenoid
4	196737A1	2	SPLIT PIN/SAFETY PIN,
5	196738A1	2	SPRING,
6	196739A1	2	WASHER,
7	196712A1	1	PLUG, Orifice .035"
8	196713A1	1	PLUG, Orifice .043".
	191120A1	1	KIT, SEALS, Seal Repair, 4-Way, 3 Position Valve, Not Illustrated, See Figure(s) 08-13, 08-14
9	61-31020	4	SCREW, Hex Soc Hd, #10-24 x 1 1/4",
9	61-31044	4	SCREW, Hex Soc Hd, #10-24 x 2 3/4",
10	191119A1	2	SOLENOID, Coil, With Diode, 12 Volt, DC
11	188106A1	2	NUT,
12	238-5017	2	O-RING, -017, 70 Duro, .676" ID x .070" Thk,
13	190985A1	1	VALVE, Includes 14, Double Pilot Operated
14	191120A1	1	KIT, SEALS, Seal Repair, Check Valve, Not Illustrated, See Figure(s) 08-13, 08-14
15	190986A1	2	VALVE, PRESSURE RELIEF, Includes 16
16	149942C1	1	KIT, SEALS, Relief Valve, Not Illustrated
17	238-5111	1	O-RING, -111, 70 Duro, .424" ID x .103" Thk,
18	238-5117	4	O-RING, -117, 70 Duro, .799" ID x .103" Thk,
19	861-10130	4	SCREW, Hex Soc Hd, M10 x 130, 12.9,
20	864-10070	4	SCREW, Hex Soc Hd, M10 x 70, 8.8, Not Used In This Application, Not Illustrated

Header Lift With Reel Fore and Aft and Field Tracker

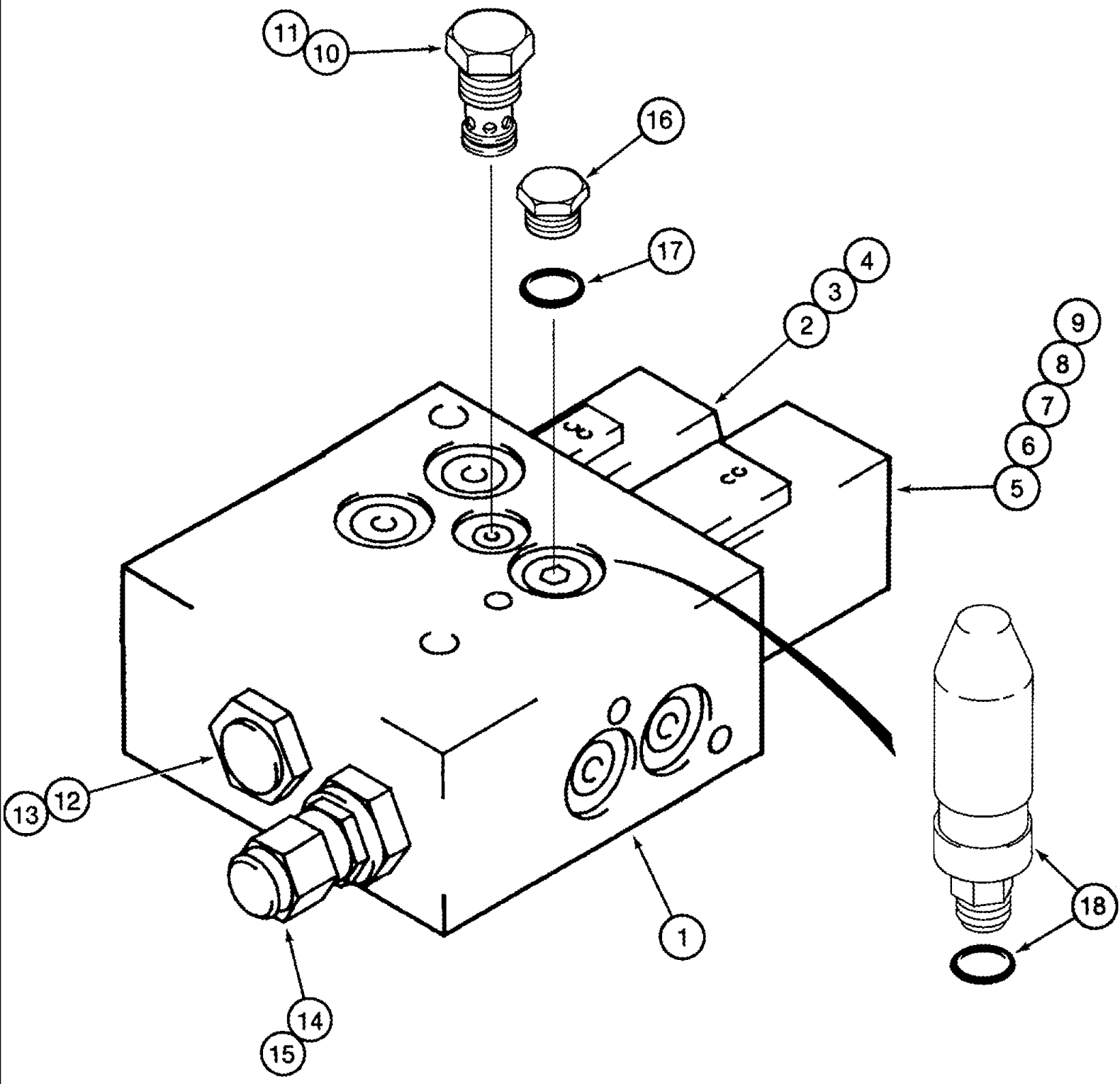
08-16 VALVE ASSY - HEADER HEIGHT



08-16 VALVE ASSY - HEADER HEIGHT

сылка	Номер детали	Кол-во	Описание
	186572A1	1	VALVE, CONTROL, Includes 1 - 34, Header Height
1	NSS	1	NOT SERVICED SEPARATELY, Body
2	188104A1	2	SPOOL, Pilot
3	86529630	2	PLUG, Hex Soc, 3/8"-24 ORB, Includes 4
4	237-6003	1	O-RING, 3-1, .301" ID x .064" Thk,
5	71100209	2	PLUG, Hex Soc, 3/4"-16 ORB, Includes Ref. 6
6	237-6008	1	O-RING, 8-1, 90 Duro, .644" ID x .087" Thk,
7	9625178	1	PLUG, Hex Soc, 9/16"-18 ORB, Includes 8
8	237-6006	1	O-RING, 6-1, 90 Duro, .468" ID x .078" Thk,
9	278548	2	PLUG, Hex Soc, 7/16"-20 ORB, Incl. 10
10	237-6004	1	O-RING, 4-1, 90 Duro, .351" ID x .072" Thk,
11	238-6112	1	O-RING, -112, 90 Duro, .487" ID x .103" Thk, 7/8" ID x 1/8"
12	238-6117	1	O-RING, -117, 90 Duro, .799" ID x .103" Thk,
13	238-6125	1	O-RING, -125, 90 Duro, 1.237" ID x .103" Thk, 1-5/16" ID x 3/32"
14	188115A1	1	POPPET, VALVE, Signal
15	238-5114	2	O-RING, -114, 70 Duro, .612" ID x .103" Thk,
	243254A1	2	KIT, Includes 16 - 16B, Without Diode, 12 Volt, DC
16	188105A1	1	SOLENOID, Without Diode, 12 Volt, DC
16A	225318C1	1	WEDGE, Not Illustrated
16B	225315C1	1	CONNECTOR, ELEC, Wedge, Not Illustrated
17	188106A1	2	NUT,
18	188117A1	2	TUBE, Solenoid
19	238-5017	2	O-RING, -017, 70 Duro, .676" ID x .070" Thk,
20	188116A1	2	PIN, Solenoid Actuating
21	190698A2	1	SPOOL, Meter In, Main Flow
22	190699A1	1	SPRING, Meter In, Main Flow
23	188110A1	1	PLUG,
24	237-6010	1	O-RING, 10-1, 90 Duro, .755" ID x .097" Thk,
	243255A1	1	KIT, SERVICE, Meter Out, Includes 25 - 29
25	188111A1	1	PLUG, Meter Out Poppet
26	238-5023	1	O-RING, -023, 70 Duro, 1.051" ID x .070" Thk,
27	238-5022	1	O-RING, -022, 70 Duro, .989" ID x .070" Thk,
28	188112A1	1	POPPET, VALVE, Servo, Meter Out
29	188113A1	1	POPPET, VALVE,
30	511-10200	1	BALL, 20mm Dia,
31	188114A1	1	SPRING, Load Check
32	188107A1	1	PLUG,
33	237-6010	1	O-RING, 10-1, 90 Duro, .755" ID x .097" Thk,
34	NSS	AR	NOT SERVICED SEPARATELY, Shim, Spring
	243253A1	1	KIT, SEALS, Includes 4, 6, 8, 10-13, 15, 19, 24, 26, 27, 33

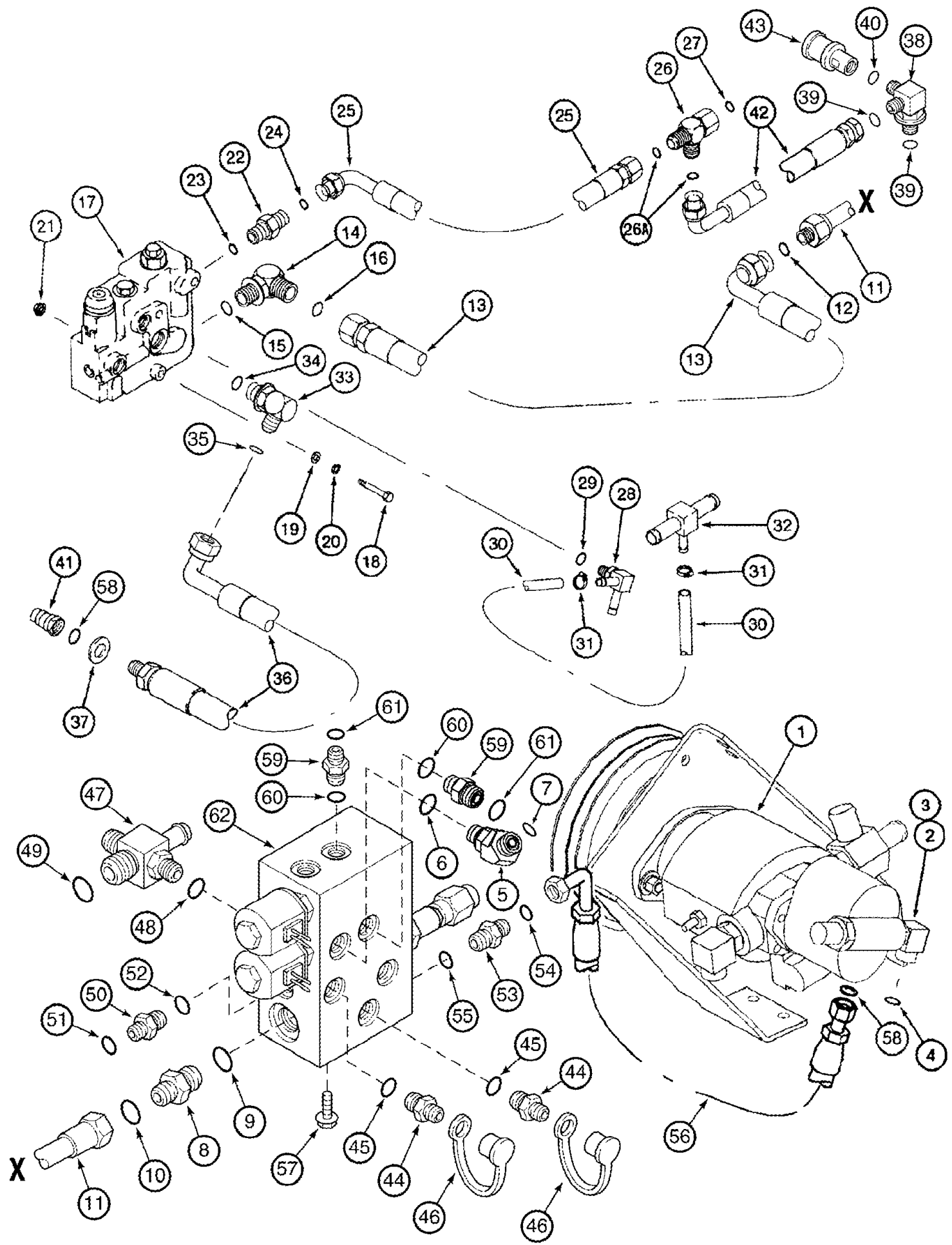
08-17 VALVE ASSY - PARKING BRAKE AND FEEDER CLUTCH



08-17 VALVE ASSY - PARKING BRAKE AND FEEDER CLUTCH

сылка	Номер детали	Кол-во	Описание
	129010A4	1	VALVE, CONTROL, Parking Brake and Feeder Clutch, Includes 1 - 17
1	NSS	1	NOT SERVICED SEPARATELY, Body, Order 129010A4
	NSS	1	NOT SERVICED SEPARATELY, 4-Way, Valve, Solenoid, Includes 2 - 4, Order Components
2	187849C1	1	VALVE, SOLENOID, 4-Way, Cartridge Only
3	187850C1	1	KIT, SEALS, Not Illustrated
4	1340843C1	1	COIL, 12 V
	NSS	1	NOT SERVICED SEPARATELY, 3-Way, Valve, Solenoid, Includes 5 - 9, Order Components
5	1986618C1	1	VALVE, SOLENOID, 3-Way, Includes 6 - 10
6	190703A1	1	SOLENOID,
7	237-6010	1	O-RING, 10-1, 90 Duro, .755" ID x .097" Thk,
8	238-5015	1	O-RING, -015, 70 Duro, .551" ID x .070" Thk,
9	238-5014	1	O-RING, -014, 70 Duro, .489" ID x .070" Thk,
10	190704A1	1	VALVE, CHECK, Service with 11
11	190707A1	1	KIT, SEALS, Not Illustrated
12	190705A1	1	POPPET, VALVE, Orifice, Service with 13
13	149942C1	1	KIT, SEALS, Not Illustrated
14	190706A2	1	VALVE, CHECK, Service with 15
15	149942C1	1	KIT, SEALS, Not Illustrated
16	87035062	1	PLUG, Hex Soc, 1/2"-20 ORB, Includes Ref. 17
17	237-6005	1	O-RING, 5-1, 90 Duro, .414" ID x .072" Thk,
18	125829A1	1	SWITCH, Parking Brake, See Figure 07-05

08-18 HYDRAULICS - REEL DRIVE



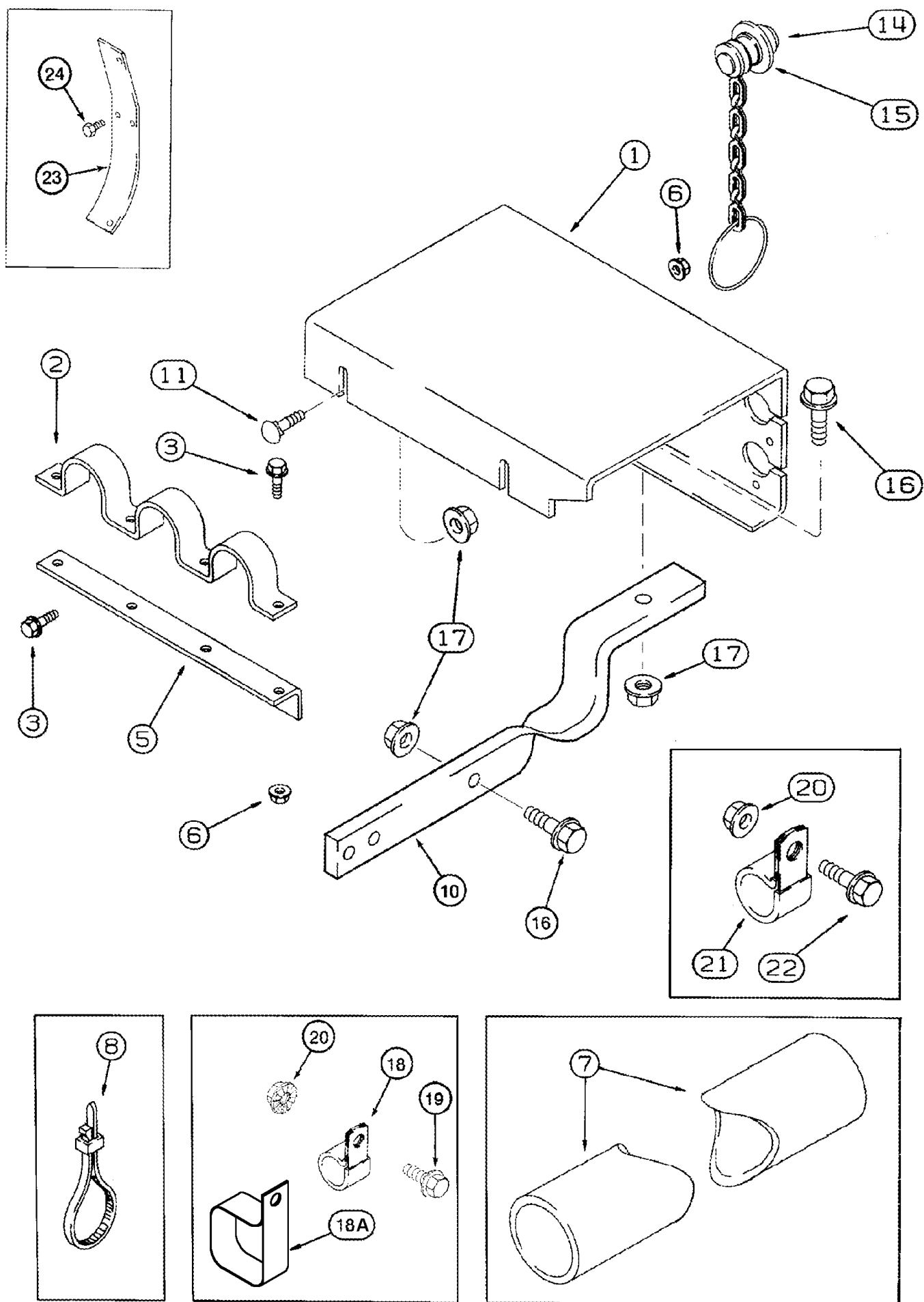
08-18 HYDRAULICS - REEL DRIVE

сылка	Номер детали	Кол-во	Описание
1	NSS	1	NOT SERVICED SEPARATELY, Pump, Hydraulic, Auxiliary, See Figure 08-08, Order Component Part
2	201-306	1	ELBOW, 90ε, 1"-14 x 7/8"-14 Adj, ORFS, Includes 3, 4
3	237-6010	1	O-RING, 10-1, 90 Duro, .755" ID x .097" Thk,
4	238-6016	1	O-RING, -016, 90 Duro, .614" ID x .070" Thk,
5	201-315	1	ELBOW, 45ε, 11/16"-16 x 9/16"-18. Adj, ORFS, 3/4" x 13/16", Includes 6, 7
6	237-6004	1	O-RING, 4-1, 90 Duro, .351" ID x .072" Thk,
7	238-6012	1	O-RING, -012, 90 Duro, .364" ID x .070" Thk,
8	201-104	1	CONNECTOR, HYD., 1 3/16"-12 ORFS x 1 1/16"-12 ORB, Includes 9, 10
9	237-6012	1	O-RING, 12-1, 90 Duro, .924 ID x .118" Thk,
10	238-6018	1	O-RING, -018, 90 Duro, .739" ID x .070" Thk,
11	124376A1	1	PIPE, Reel Drive Supply
12	238-6018	1	O-RING, -018, 90 Duro, .739" ID x .070" Thk,
13	135827A2	1	HOSE, FLEXIBLE, 680 mm (26-7/8"), Reel Drive Valve Supply
14	201-307	1	ELBOW, 90ε, 1 3/16"-12 x 1 1/16"-12 Adj, ORFS, Includes 15, 16
15	237-6012	1	O-RING, 12-1, 90 Duro, .924 ID x .118" Thk,
16	238-6018	1	O-RING, -018, 90 Duro, .739" ID x .070" Thk,
17	114856A3	1	VALVE, CONTROL, Reel Drive, Control, See Figure 08-20
18	413-656	2	BOLT, Hex, 3/8"-16 x 3 1/2", G5,
19	495-11041	2	WASHER, 3/8", SAE,
20	492-11038	2	WASHER, LOCK, 3/8",
21	425-106	2	NUT, 3/8"-16, G5,
22	201-104	1	CONNECTOR, HYD., 1 3/16"-12 ORFS x 1 1/16"-12 ORB, Includes 23, 24
23	237-6012	1	O-RING, 12-1, 90 Duro, .924 ID x .118" Thk,
24	238-6018	1	O-RING, -018, 90 Duro, .739" ID x .070" Thk,
25	128036A1	1	HOSE, FLEXIBLE, 640 mm (25-1/4"), Reel Drive Valve Return
26	201-433	1	TEE, 1"-14 ORFS x 1"-14 Sw Run, Includes 26A
26A	238-6016	2	O-RING, -016, 90 Duro, .614" ID x .070" Thk,
27	238-6016	1	O-RING, -016, 90 Duro, .614" ID x .070" Thk,
28	113896A1	1	TEE, Includes 29, For Attaching Parts, See Figure 07-05, Ref. 30
29	237-6004	1	O-RING, 4-1, 90 Duro, .351" ID x .072" Thk,
30	128037A2	1	HOSE, 405 mm (16"), Reel Drive Valve Case Drain, Cut from S118400X
31	214-1706	2	CLAMP, HOSE, #6, 0.44/0.78 Type M Worm,
32	177975A1	1	TEE, 5/8" x 3/8" x 5/8"
33	201-306	1	ELBOW, 90ε, 1"-14 x 7/8"-14 Adj, ORFS, Includes 34, 35
34	237-6010	1	O-RING, 10-1, 90 Duro, .755" ID x .097" Thk,
35	238-6016	1	O-RING, -016, 90 Duro, .614" ID x .070" Thk,
36	430390A1	1	HOSE, FLEXIBLE, Reel Supply, 3320 mm (130-3/4")
37	1345266C1	1	WASHER, White
38	395408A1	1	TEE, Includes 39, 40
39	238-6016	2	O-RING, -016, 90 Duro, .614" ID x .070" Thk,
40	237-6010	1	O-RING, 10-1, 90 Duro, .755" ID x .097" Thk,
41	1272399C2	1	COUPLING, QUICK, MALE, 7/8" NF, Self-Sealing, Male
42	430391A1	1	HOSE, FLEXIBLE, Reel Drive Return, 2455 mm (96-21/32")
43	1282338C91	1	COUPLING, QUICK, FEMALE, 7/8" NF
44	1541849C1	2	COUPLING, Diagnostic, Includes 45, 46

08-18 HYDRAULICS - REEL DRIVE

сылка	Номер детали	Кол-во	Описание
45	237-6004	1	O-RING, 4-1, 90 Duro, .351" ID x .072" Thk,
46	H434163	1	DUST CAP,
47	141657A1	1	TEE, Includes 48, 49
48	237-6008	1	O-RING, 8-1, 90 Duro, .644" ID x .087" Thk,
49	238-6016	1	O-RING, -016, 90 Duro, .614" ID x .070" Thk,
50	201-126	1	CONNECTOR, HYD., 13/16"-16 ORFS x 9/16"-20 ORB, Includes 51, 52
51	237-6004	1	O-RING, 4-1, 90 Duro, .351" ID x .072" Thk,
52	238-6014	1	O-RING, -014, 90 Duro, .489" ID x .070" Thk,
53	201-131	1	CONNECTOR, HYD., 1"-12 ORFS x 9/16"-18 ORB, 1-14 fc x 1-1/16-12 Or, Includes 54, 55
54	238-6016	1	O-RING, -016, 90 Duro, .614" ID x .070" Thk,
55	237-6012	1	O-RING, 12-1, 90 Duro, .924 ID x .118" Thk,
56	231735A1	1	HOSE, FLEXIBLE, 830 mm (32-3/4")
57	409-7612	2	BOLT, Hex Flg, 3/8"-16 x 3/4", Serr,
58	237-6010	1	O-RING, 10-1, 90 Duro, .755" ID x .097" Thk,
59	201-101	2	CONNECTOR, HYD., 11/16"-16 ORFS x 9/16"-18 ORB, Includes 60, 61
60	237-6004	1	O-RING, 4-1, 90 Duro, .351" ID x .072" Thk,
61	238-6012	1	O-RING, -012, 90 Duro, .364" ID x .070" Thk,
62	384307A1	1	VALVE, SOLENOID, , See Figure 08-26

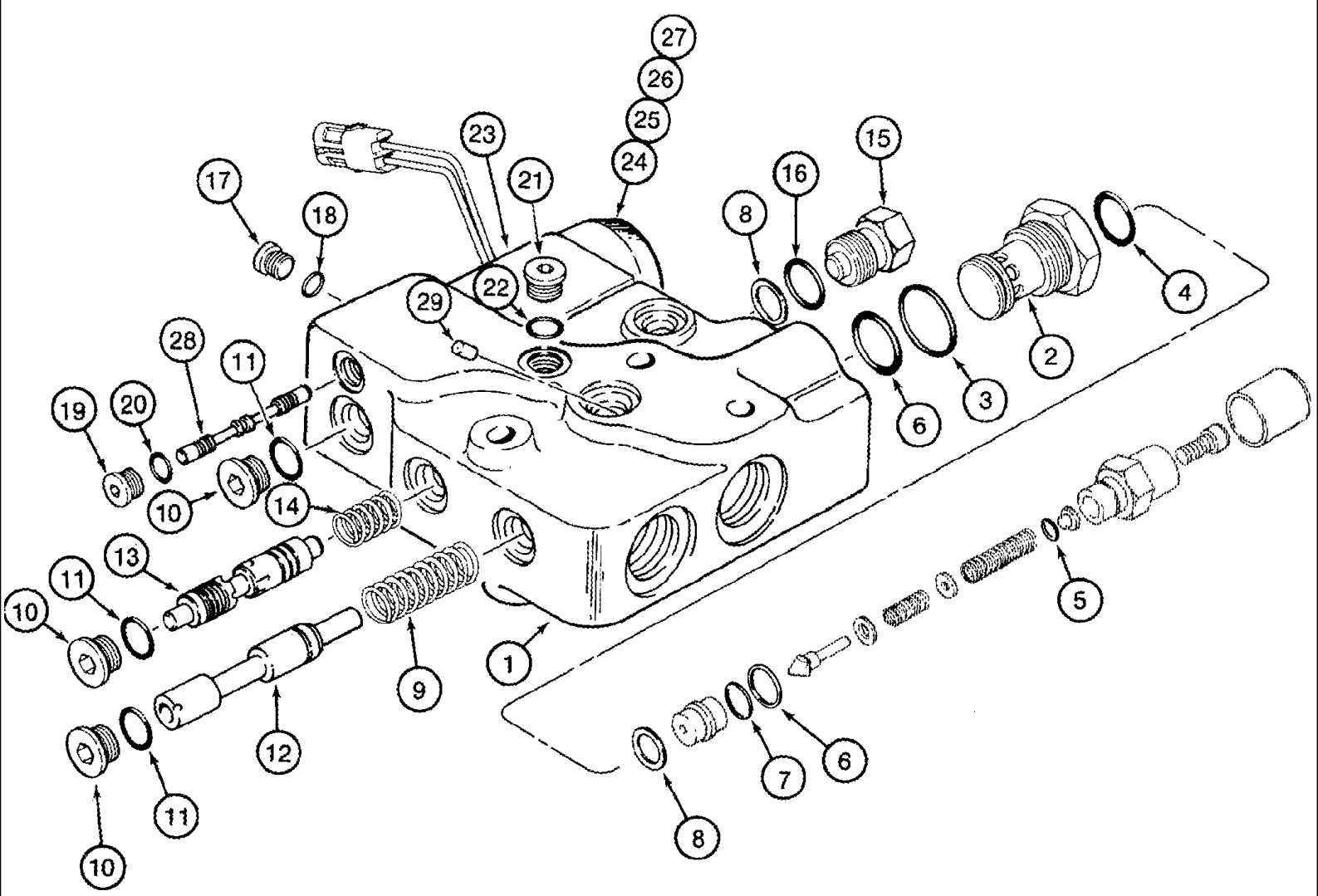
08-19 REEL DRIVE - COUPLING MOUNTING



08-19 REEL DRIVE - COUPLING MOUNTING

сылка	Номер детали	Кол-во	Описание
1	139828A2	1	SUPPORT, Feeder Hoses
2	1321990C1	1	CLAMP,
3	409-7412	4	BOLT, Hex Flg, 1/4"-20 x 3/4", Serr,
5	1321989C2	1	SUPPORT, Coupling
6	231-5144	4	NUT, Flg, USR, 1/4"-20,
7	395784A1	1	SLEEVE, 2000 mm (78-3/4")
8	306132C1	2	STRAP, CABLE, .30" x 14.5", 14" Tie
10	139045A2	1	SUPPORT, Feeder Hoses
11	434-620	2	BOLT, CARRIAGE, Short NK, 3/8"-16 x 1 1/4", G5, Full Thd,
14	1954133C1	1	DUST CAP, Includes 15
15	401758R1	1	WASHER,
16	409-7612	2	BOLT, Hex Flg, 3/8"-16 x 3/4", Serr,
17	231-5146	10	NUT, Flg, USR, 3/8"-16,
18	515-25476	3	CLAMP, 1 7/8", Insul, 1/2" Bolt,
18A	1301387C2	2	CLIP, 2" ID, Square
19	409-7620	3	BOLT, Hex Flg, 3/8"-16 x 1 1/4", Serr,
20	231-5146	2	NUT, Flg, USR, 3/8"-16,
21	485093C1	1	CLAMP,
22	409-7612	1	BOLT, Hex Flg, 3/8"-16 x 3/4", Serr,
23	294511A1	1	SUPPORT, Feeder Hoses
24	477-73816	2	SCREW, Sltd Serr Truss Hd, 3/8" x 1",

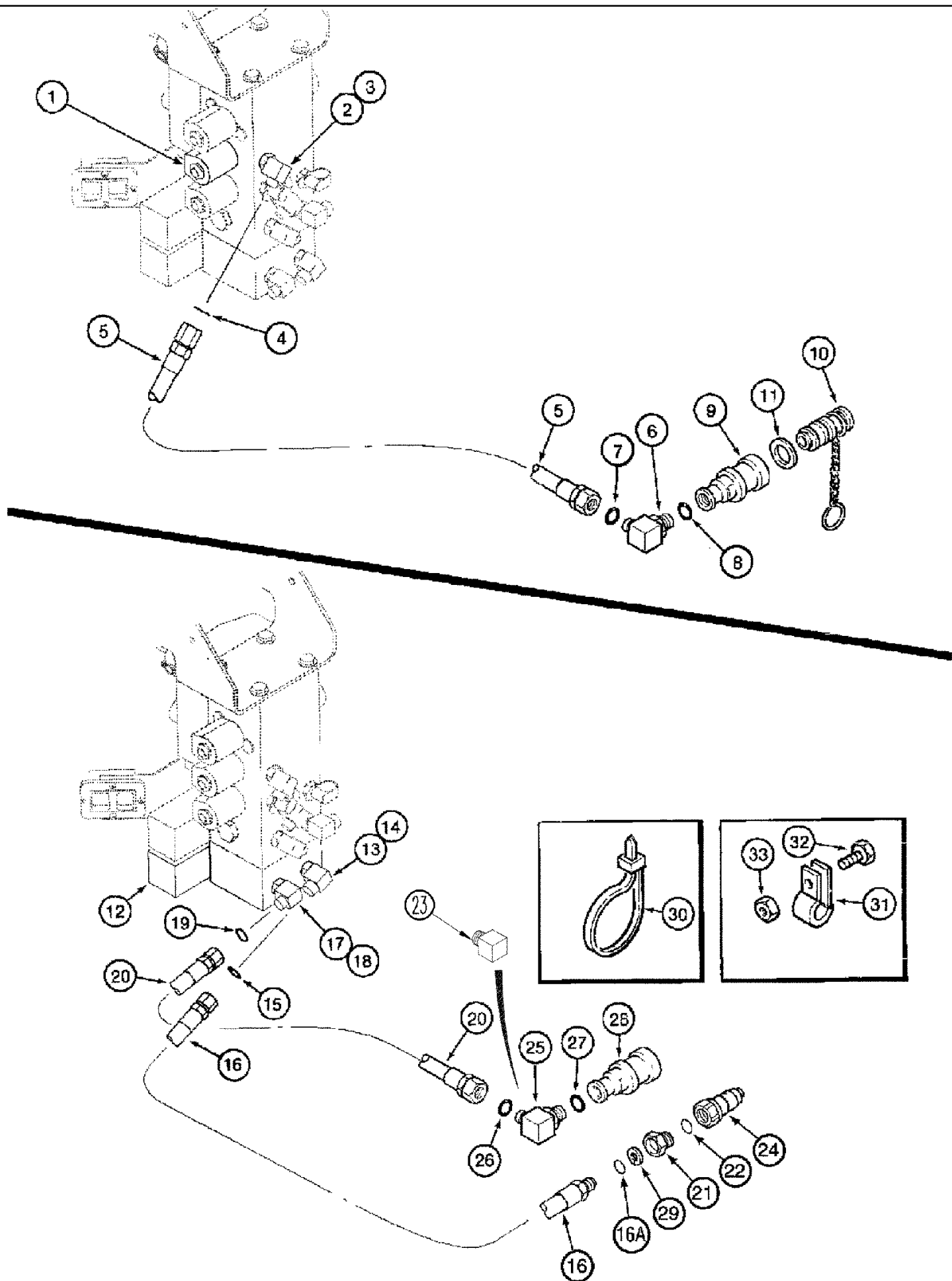
08-20 VALVE ASSY - REEL DRIVE



08-20 VALVE ASSY - REEL DRIVE

сылка	Номер детали	Кол-во	Описание
	114856A3	1	VALVE, CONTROL, Includes 1 - 29, Reel Drive
1	NSS	1	NOT SERVICED SEPARATELY, Body, Order 114856A3
	190702A1	1	VALVE, PRESSURE RELIEF, Includes 2 - 7, Relief, Cartridge
2	NSS	1	NOT SERVICED SEPARATELY, Valve, Relief, Order 190702A1
3	237-6010	1	O-RING, 10-1, 90 Duro, .755" ID x .097" Thk,
4	237-6004	1	O-RING, 4-1, 90 Duro, .351" ID x .072" Thk,
5	238-5004	1	O-RING, -004, 70 Duro, .07" ID x .070" Thk,
6	A34493	1	RING,
7	238-5016	1	O-RING, -016, 70 Duro, .614" ID x .070" Thk,
8	190696A1	2	KIT, SHIM,
9	190695A1	1	SPRING, Pressure Regulating
10	71100209	3	PLUG, Hex Soc, 3/4"-16 ORB, Includes Ref. 11
11	237-6008	1	O-RING, 8-1, 90 Duro, .644" ID x .087" Thk,
12	190697A1	1	SPOOL, Pressure Regulating
13	190698A2	1	SPOOL, Flow Metering
14	190699A1	1	SPRING, Flow Metering
15	188110A1	1	PLUG, Includes 16
16	237-6010	1	O-RING, 10-1, 90 Duro, .755" ID x .097" Thk,
17	278548	3	PLUG, Hex Soc, 7/16"-20 ORB, Incl. 18
18	237-6004	1	O-RING, 4-1, 90 Duro, .351" ID x .072" Thk,
19	86632547	4	PLUG, Hex Soc, 5/16"-24 ORB, Includes 20
20	237-6002	1	O-RING, 2-1, .239" ID x .064" Thk,
21	9625178	1	PLUG, Hex Soc, 9/16"-18 ORB, Includes 22
22	237-6006	1	O-RING, 6-1, 90 Duro, .468" ID x .078" Thk,
23	190700A2	1	SOLENOID, Without Diode, 12 Volt, DC
24	188106A1	1	NUT,
25	188117A1	1	TUBE,
26	238-5017	1	O-RING, -017, 70 Duro, .676" ID x .070" Thk,
27	188116A1	1	PIN,
28	188104A1	1	SPOOL, Pilot
29	190694A1	1	PLUG, Orifice

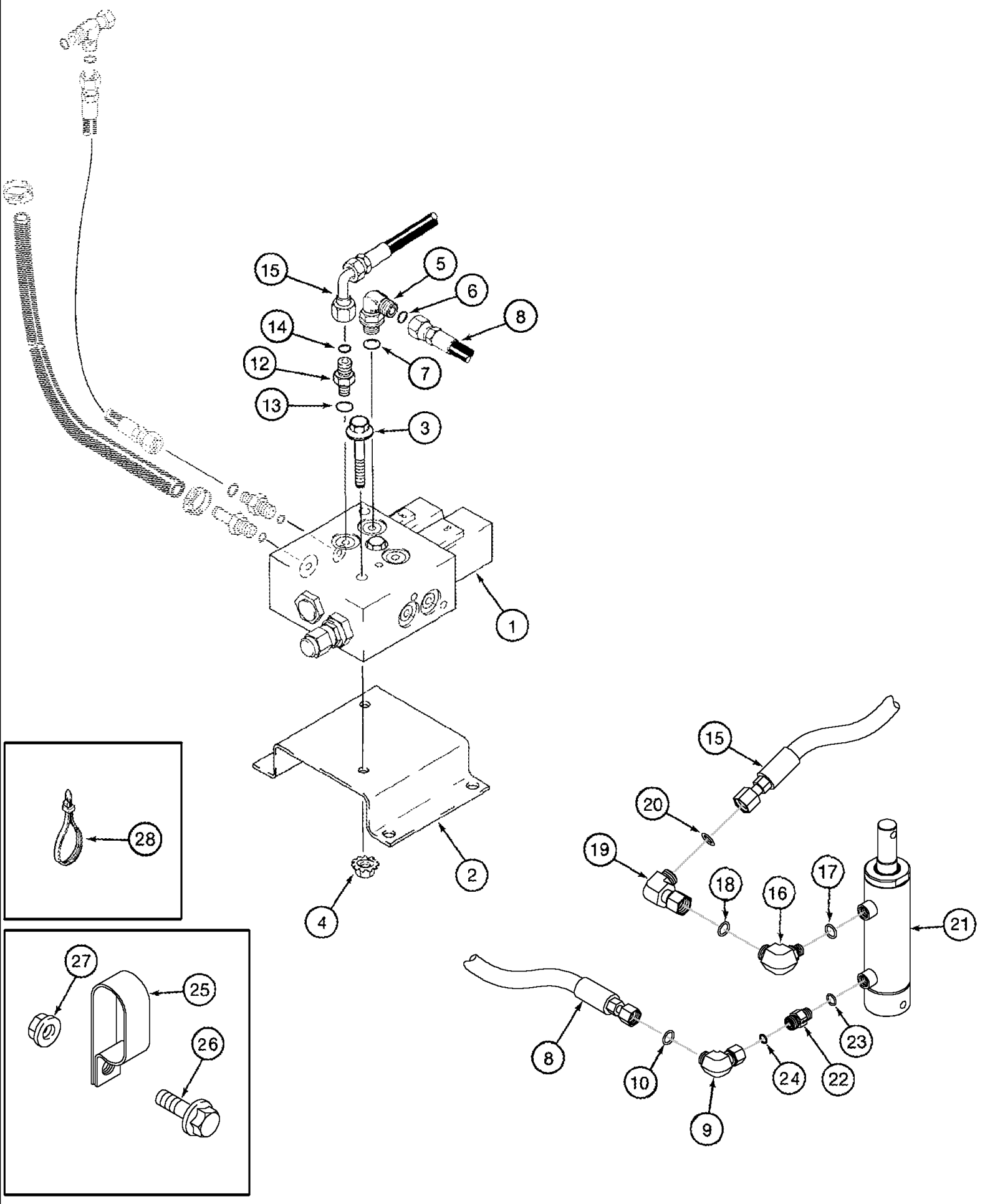
08-21 HYDRAULICS - REEL LIFT AND FORE/AFT



08-21 HYDRAULICS - REEL LIFT AND FORE/AFT

сылка	Номер детали	Кол-во	Описание
1	124566A3	1	VALVE, CONTROL, Header Lift with Reel Fore and Aft, See Figure(s) 08-11, 08-14
2	201-324	1	ELBOW, 90°, 9/16"-18 x 9/16"-18, Adj, ORFS, Includes Ref. 3, 4
3	237-6006	1	O-RING, 6-1, 90 Duro, .468" ID x .078" Thk,
4	238-6011	1	O-RING, -011, 90 Duro, .301" ID x .070" Thk,
5	430392A1	1	HOSE, FLEXIBLE, 2700 mm (106-5/16"), Reel Lift, Includes 7A
6	430494A1	1	ELBOW, 90 deg, Includes 7
7	237-6010	1	O-RING, 10-1, 90 Duro, .755" ID x .097" Thk,
7A	237-6004	1	O-RING, 4-1, 90 Duro, .351" ID x .072" Thk,
8	238-6012	1	O-RING, -012, 90 Duro, .364" ID x .070" Thk,
9	1282338C91	1	COUPLING, QUICK, FEMALE, 7/8" NF, Self-Sealing, Female
10	1954133C1	1	DUST CAP, Includes 11, Coupling, Dust
11	401758R1	1	WASHER,
	134112A2	1	VALVE, Field Kit, Reel Fore and Aft, Includes 12 - 33
12	131153A2	1	VALVE, CONTROL, Reel Fore and Aft, See Figure(s) 08-14, 08-15
13	201-304	1	ELBOW, 90°, 11/16"-16 x 9/16"-18 Adj, ORFS, Includes 14, 15
14	237-6006	1	O-RING, 6-1, 90 Duro, .468" ID x .078" Thk,
15	238-6012	1	O-RING, -012, 90 Duro, .364" ID x .070" Thk,
16	430393A1	1	HOSE, FLEXIBLE, 3675 mm (144-11/16"), Includes 16A, Reel Aft
16A	237-6004	1	O-RING, 4-1, 90 Duro, .351" ID x .072" Thk,
17	201-324	1	ELBOW, 90°, 9/16"-18 x 9/16"-18, Adj, ORFS, Includes Ref. 18, 19
18	237-6006	1	O-RING, 6-1, 90 Duro, .468" ID x .078" Thk,
19	238-6011	1	O-RING, -011, 90 Duro, .301" ID x .070" Thk,
20	430488A1	1	HOSE, FLEXIBLE, 2650 mm (104-11/32"), Includes 20A, Reel Fore
20A	237-6004	1	O-RING, 4-1, 90 Duro, .351" ID x .072" Thk,
21	196443A1	1	REDUCER, 7/16" fem x 7/8" Or, Includes 22
22	237-6010	1	O-RING, 10-1, 90 Duro, .755" ID x .097" Thk,
24	1272399C2	1	COUPLING, QUICK, MALE, 7/8" NF, Self-Sealing, Male
25	201-362	1	ELBOW, 90°, 11/16"-16 x 7/8"-14, Adj, ORFS, Includes 26, 27
26	237-6010	1	O-RING, 10-1, 90 Duro, .755" ID x .097" Thk,
27	238-6012	1	O-RING, -012, 90 Duro, .364" ID x .070" Thk,
28	1282338C91	1	COUPLING, QUICK, FEMALE, 7/8" NF, Self-Sealing, Female
29	1541792C1	1	WASHER, LOCK, Red, Special
30	306132C1	AR	STRAP, CABLE, .30" x 14.5", 14" Tie
31	515-23127	1	CLAMP, 1/2", Insul, 3/8" Bolt,
32	409-7612	1	BOLT, Hex Flg, 3/8"-16 x 3/4", Serr,
33	231-5146	1	NUT, Flg, USR, 3/8"-16,

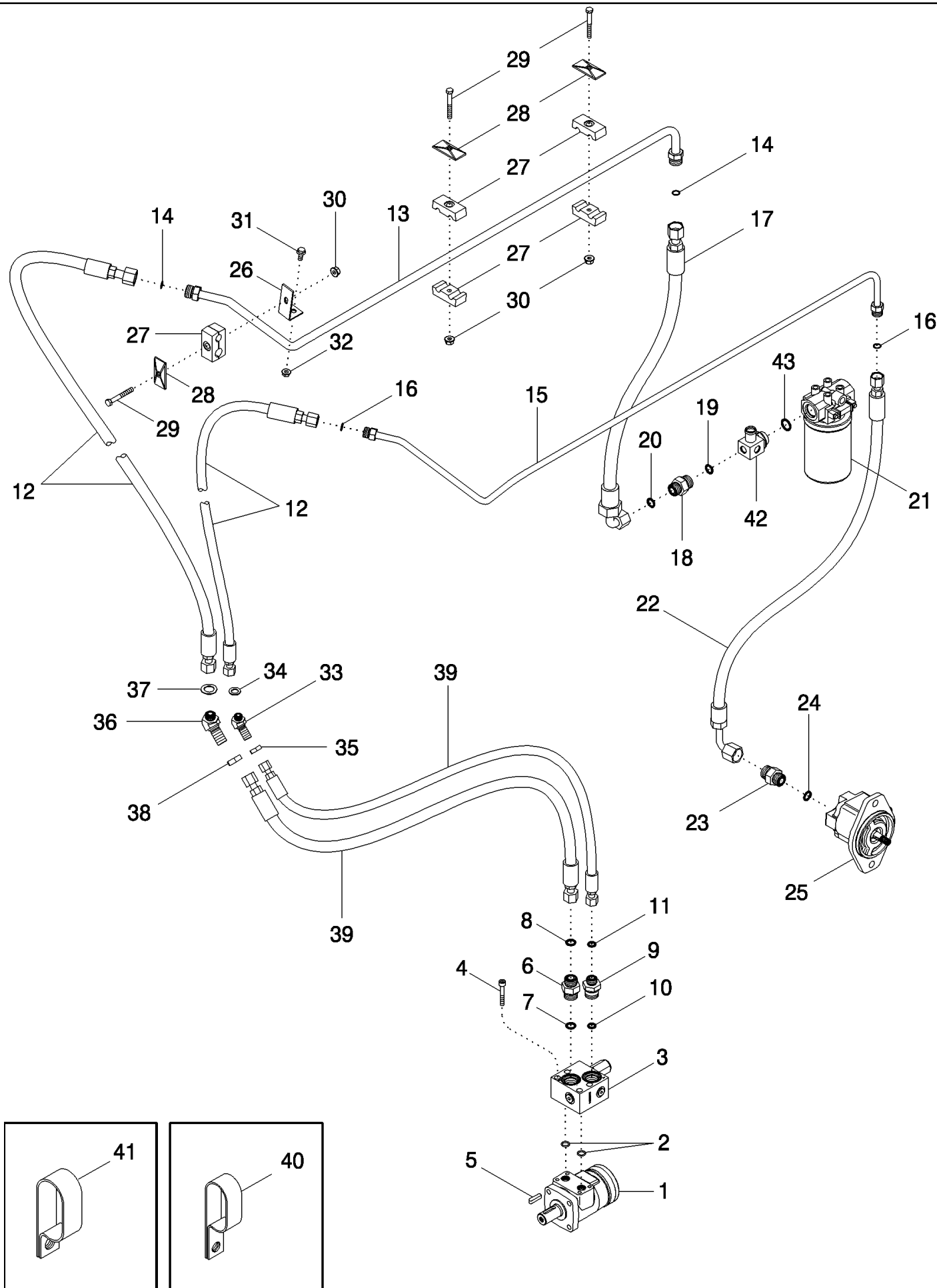
08-22 HYDRAULICS - FEEDER CLUTCH



08-22 HYDRAULICS - FEEDER CLUTCH

сылка	Номер детали	Кол-во	Описание
1	129010A4	1	VALVE, CONTROL, Parking Brake And Feeder Clutch, See Figure 08-17
2	128293A1	1	SUPPORT,
3	845-8070	2	BOLT, Hex Flg, M8 x 70, 8.8,
4	825-5148	2	NUT, M8, Flg Ser,
5	201-304	1	ELBOW, 90є, 11/16"-16 x 9/16"-18 Adj, ORFS, Includes 6, 7
6	238-6012	1	O-RING, -012, 90 Duro, .364" ID x .070" Thk,
7	237-6006	1	O-RING, 6-1, 90 Duro, .468" ID x .078" Thk,
8	434296A1	1	HOSE, FLEXIBLE, 1570 mm (61-7/8") Feeder Clutch Cylinder Closed End
9	201-319	1	ELBOW, 90є, 11/16"-16 x 1/16"-16 Fem Sw ORFS, 11/16 fc x 9/16 Or, Includes 10
10	238-6012	1	O-RING, -012, 90 Duro, .364" ID x .070" Thk,
12	201-101	1	CONNECTOR, HYD., 11/16"-16 ORFS x 9/16"-18 ORB, Includes 13, 14
13	237-6006	1	O-RING, 6-1, 90 Duro, .468" ID x .078" Thk,
14	238-6012	1	O-RING, -012, 90 Duro, .364" ID x .070" Thk,
15	131391A3	1	HOSE, FLEXIBLE, 1570 mm (61-7/8"), Feeder Clutch Cylinder Rod End, Note: See Parking Brake Hydraulic System, Figure 07-05 For the Common Supply and Return Lines Used With the Feeder Clutch System.
16	201-332	1	ELBOW, 90є, 13/16"-16 x 9/16"-18, Adj, ORFS, Includes 17, 18
17	238-6014	1	O-RING, -014, 90 Duro, .489" ID x .070" Thk,
18	237-6006	1	O-RING, 6-1, 90 Duro, .468" ID x .078" Thk,
19	201-320	1	ELBOW, 90є, 13/16"-16 x 13/16"-16 Fem Sw ORFS, 13/16 fc x 9/16 Or, Includes 20
20	238-6014	1	O-RING, -014, 90 Duro, .489" ID x .070" Thk,
21	87387239	1	51 ID x 63 mm strk, Feeder Clutch, See Figure 08-29
22	134713A1	1	VALVE, CHECK, Includes 24, 25
23	237-6006	1	O-RING, 6-1, 90 Duro, .468" ID x .078" Thk,
24	238-6012	1	O-RING, -012, 90 Duro, .364" ID x .070" Thk,
25	470375C1	1	CLAMP,
26	409-7512	1	BOLT, Hex Flg, 5/16"-18 x 3/4", Serr,
27	231-5145	1	NUT, Flg, USR, 5/16"-18,
28	435437A1	2	STRAP, CABLE, 3/16" x 7 1/4", 7"

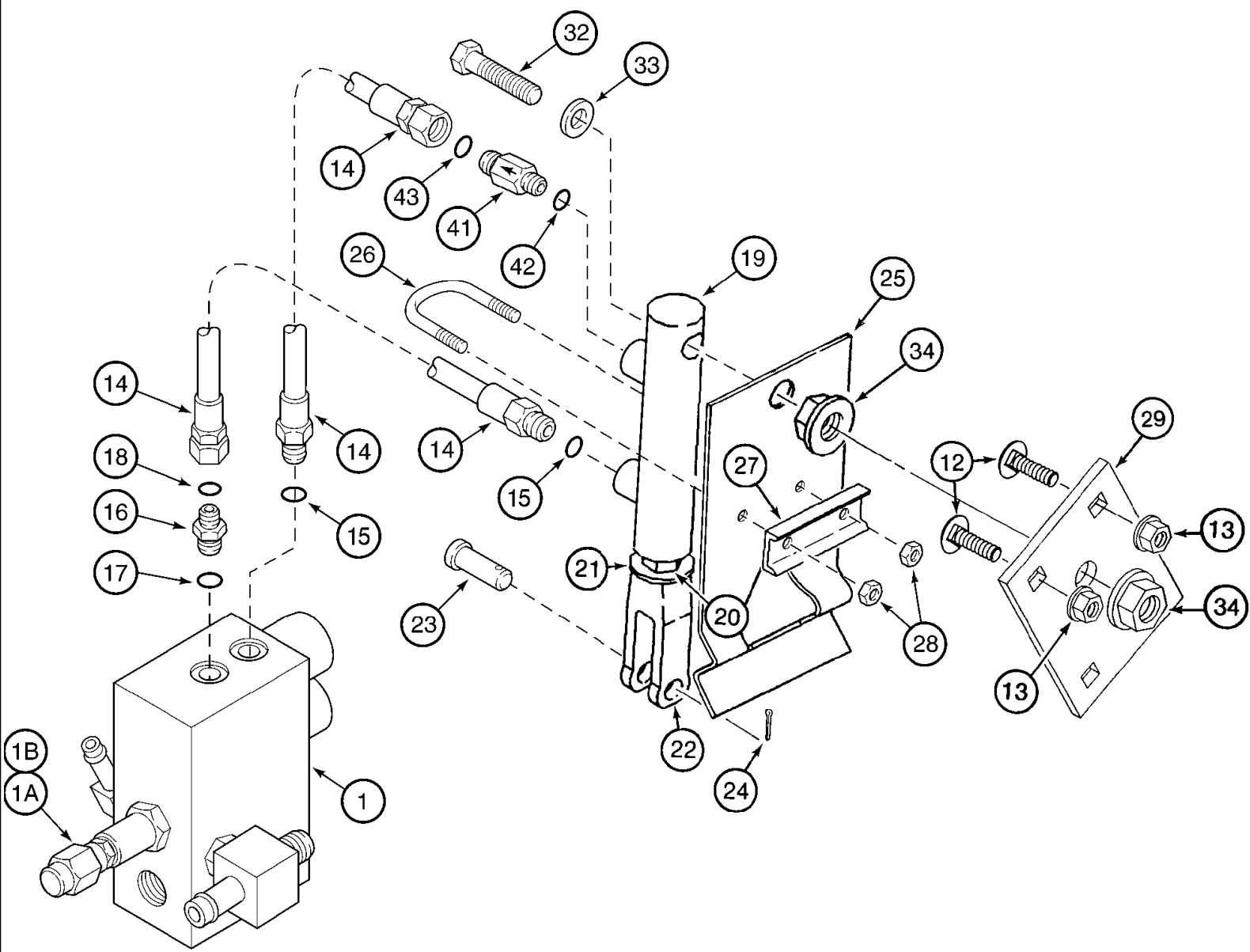
08-23 HYDRAULICS - ROTARY AIR SCREEN CIRCUIT



08-23 HYDRAULICS - ROTARY AIR SCREEN CIRCUIT

сылка	Номер детали	Кол-во	Описание
1	435624A1	1	MOTOR, HYDRAULIC, Rotary Air Screen
1A	1542724C1	1	KIT, SEALS,
2	272344	2	O-RING, -112, 90 Duro, .487" ID x .103" Thk,
3	86987869	1	VALVE, PRESSURE RELIEF, , See Figure 08-28
4	864-8050	4	SCREW, Hex Soc Hd, M8 x 50, 8.8,
5	906093R1	1	KEY, M8 x 7 x 32, Par,
6	86597760	1	CONNECTOR, HYD., 1"-14 ORFS x M27 x 2 ORB, 16 mm fs x 27 mm OR, Includes 7, 8
7	238-6014	1	O-RING, -014, 90 Duro, .489" ID x .070" Thk,
8	237-6012	1	O-RING, 12-1, 90 Duro, .924 ID x .118" Thk, 3/8 ID x 1/16
9	86597761	1	CONNECTOR, HYD., 13/16"-16 ORFS x M27 x 2 ORB, 12 mm fs x 27 mm OR, Incl. 10, 11
10	238-6016	1	O-RING, -016, 90 Duro, .614" ID x .070" Thk,
11	237-6012	1	O-RING, 12-1, 90 Duro, .924 ID x .118" Thk,
12	87404065	2	HOSE, FLEXIBLE, Tube to Valve
13	370261A2	1	TUBE, HYD, Return
14	238-6016	2	O-RING, -016, 90 Duro, .614" ID x .070" Thk,
15	370257A3	1	TUBE, HYD, Supply Pressure
16	238-6014	2	O-RING, -014, 90 Duro, .489" ID x .070" Thk,
17	370263A1	1	HOSE, FLEXIBLE, Tube to Filter, Return
18	201-103	1	CONNECTOR, HYD., 1"-14 ORFS x 7/8"-14 ORB, Includes 19, 20
19	238-6016	1	O-RING, -016, 90 Duro, .614" ID x .070" Thk,
20	237-6010	1	O-RING, 10-1, 90 Duro, .755" ID x .097" Thk,
21	REF	1	INSTRUCTION, Filter Assy
22	370255A1	1	HOSE, Pump to Tube
23	201-112	1	CONNECTOR, HYD., 13/16"-16 ORFS x 7/8"-14 ORB,
24	237-6010	1	O-RING, 10-1, 90 Duro, .755" ID x .097" Thk,
25	REF	1	INSTRUCTION, Pump Hydraulic
26	135355A1	1	SUPPORT, Center
27	109619A1	3	CLAMP,
28	1347127C1	3	PLATE, Tube Clamp
29	413-540	3	BOLT, Hex, 5/16"-18 x 2 1/2", G5,
30	231-5315	3	NUT, LOCK, Flg, 5/16"-18,
31	409-7512	1	BOLT, Hex Flg, 5/16"-18 x 3/4", Serr,
32	231-5145	1	NUT, Flg, USR, 5/16"-18,
33	201-382	1	ELBOW, 45e, 13/16"-16 Blkhd, ORFS, 45 deg, 1/2"
34	495-81057	2	WASHER, 29/32" x 1 1/2" x .120",
35	201-903	1	NUT, LOCK, Blkhd, 13/16"-16,
36	87017731	1	ELBOW, 45e, 1"-14 Blkhd, ORFS, 45 deg, 5/8"
37	495-81070	2	WASHER, 1 1/32" x 1 1/2" x .120",
38	201-919	1	NUT, LOCK, Blkhd, 1"-14, 5/8" OD Tube
39	86987926	2	HOSE, FLEXIBLE,
40	470375C1	1	CLAMP,
41	485093C1	1	CLAMP,
42	370228A1	1	ELBOW, 90, Special, Includes 43
43	237-6020	1	O-RING, 20-1, 90 Duro, 1.475" ID x .118" Thk,

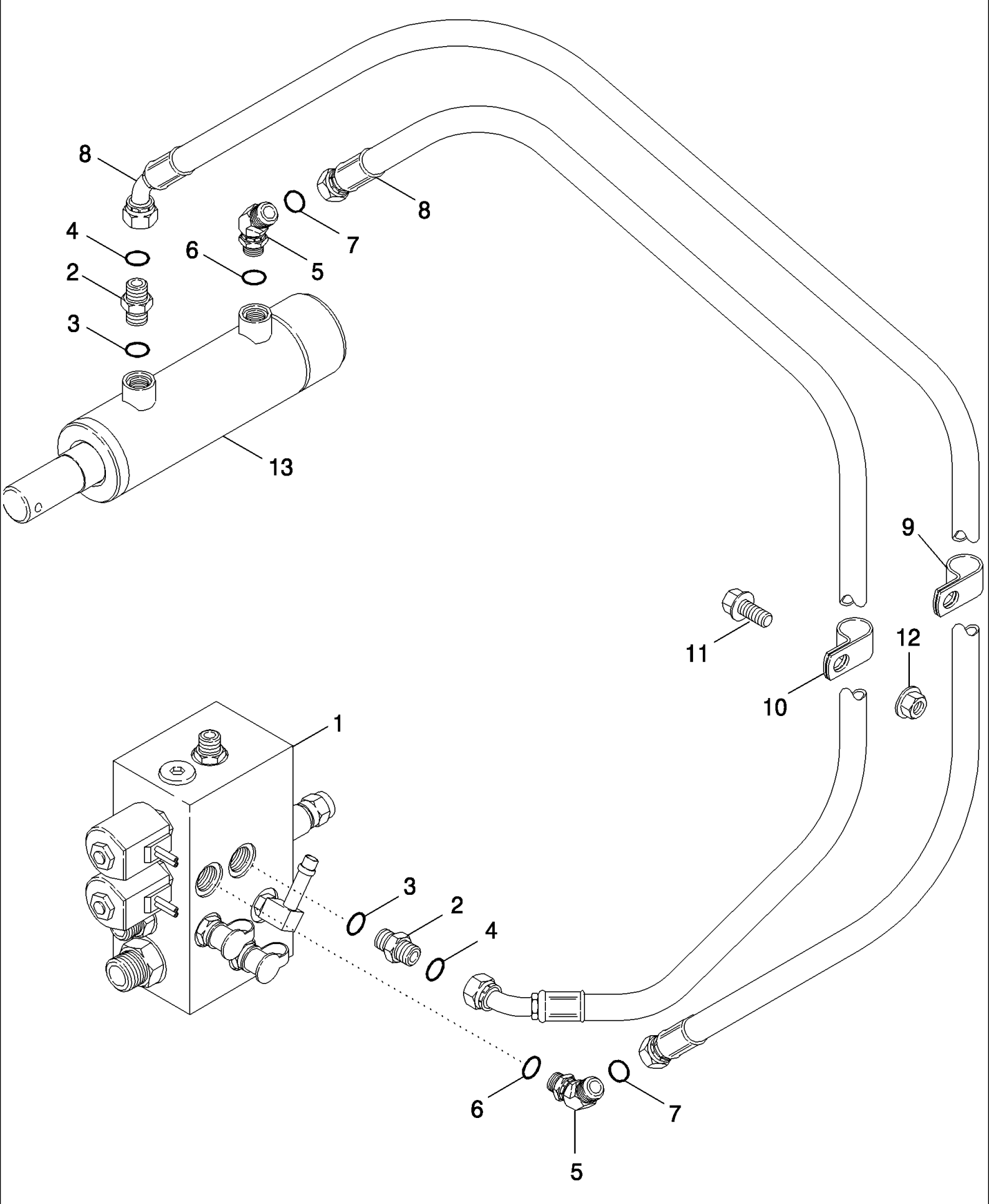
08-24 HYDRAULICS - UNLOADER CLUTCH



08-24 HYDRAULICS - UNLOADER CLUTCH

сылка	Номер детали	Кол-во	Описание
1	384307A1	1	VALVE, SOLENOID, Pressure Regulator, Includes 1A, 1B, See Figure 08-27
1A	377593A1	1	VALVE, PRESSURE RELIEF, Regulator, Includes 1B
1B	190709A1	1	KIT, SEALS, Valve Cartridge, Not Illustrated
12	434-612	4	BOLT, CARRIAGE, Short NK, 3/8"-16 x 3/4", G5, Full Thd,
13	231-5146	4	NUT, Flg, USR, 3/8"-16,
14	128068A2	2	HOSE, FLEXIBLE, 760 mm (30"), Includes 15, At Unloader Clutch Cylinder
15	237-6006	1	O-RING, 6-1, 90 Duro, .468" ID x .078" Thk,
16	201-101	1	CONNECTOR, HYD., 11/16"-16 ORFS x 9/16"-18 ORB, Includes 17, 18
17	237-6006	1	O-RING, 6-1, 90 Duro, .468" ID x .078" Thk,
18	238-6012	1	O-RING, -012, 90 Duro, .364" ID x .070" Thk,
19	87337242	1	CYLINDER, Includes 19A, Unloader Clutch
19A	87364305	1	SEAL, Kit, Not Illustrated
20	425-118	1	NUT, 1/2"-20, G5,
21	189153A1	1	WASHER,
22	213-128	1	CLEVIS, ADJUSTABLE, 1/2"-20 x 3",
23	427-8136	1	PIN, CLEVIS, 1/2" x 1.360",
24	432-820	1	PIN, SPLIT (COTTER), 1/8" x 1 1/4",
25	175611A2	1	HOLDER,
26	188528A1	1	U-BOLT,
27	176023A2	1	SUPPORT,
28	425-104	2	NUT, 1/4"-20, G5,
29	112942A2	1	PLATE,
32	413-1048	1	BOLT, Hex, 5/8"-11 x 3", G5,
33	495-11066	1	WASHER, 5/8", SAE,
34	231-51410	2	NUT, Flg, USR, 5/8"-11,
41	327679A1	1	VALVE, CHECK, Inline, Includes 42, 43, To Slow Unloader Engagement
42	237-6006	1	O-RING, 6-1, 90 Duro, .468" ID x .078" Thk,
43	238-6012	1	O-RING, -012, 90 Duro, .364" ID x .070" Thk,

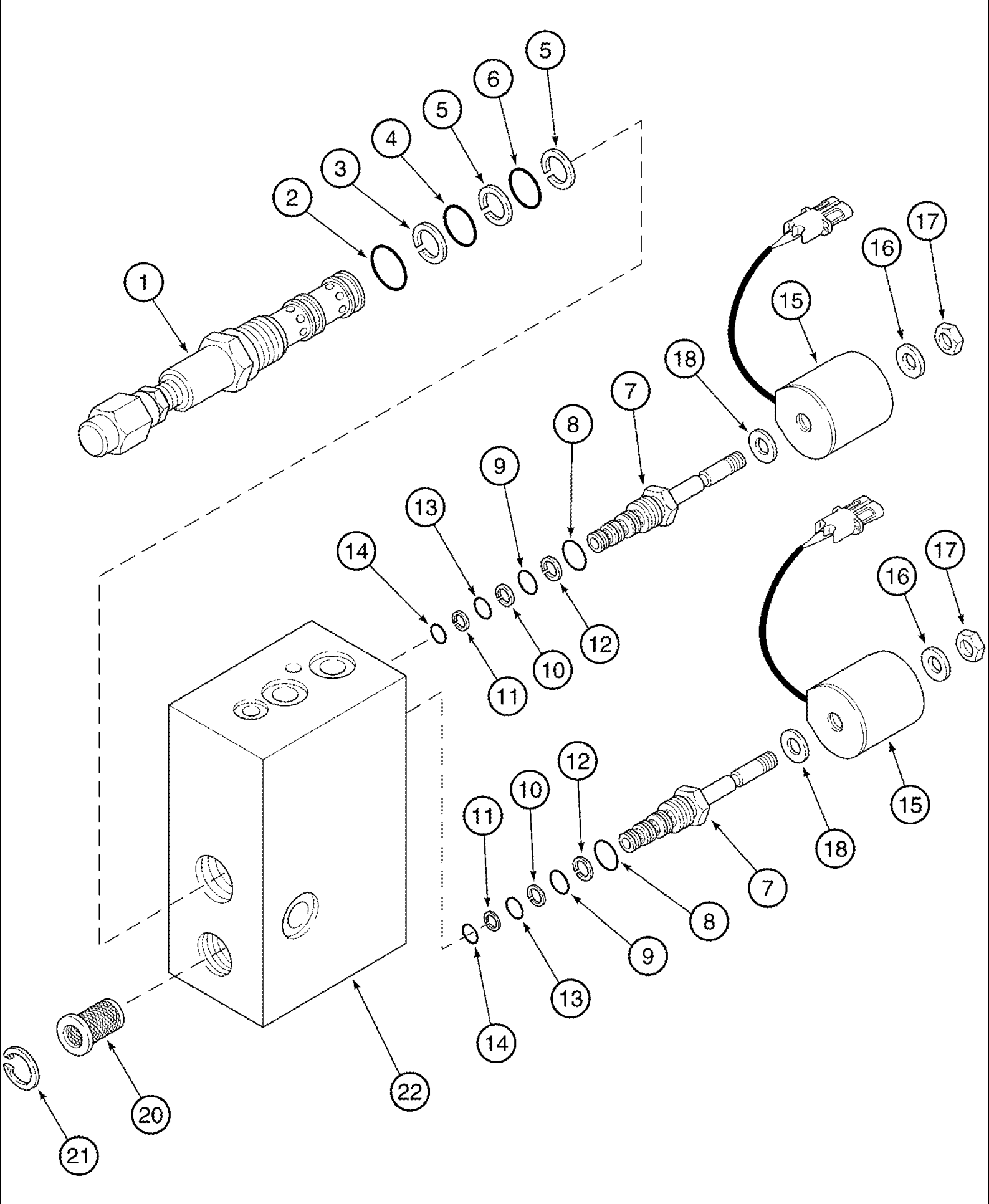
08-26 HYDRAULICS - SEPARATOR CLUTCH



08-26 HYDRAULICS - SEPARATOR CLUTCH

сылка	Номер детали	Кол-во	Описание
1	384307A1	1	VALVE, SOLENOID, Separator Clutch, See Figure 08-27
2	201-101	2	CONNECTOR, HYD., 11/16"-16 ORFS x 9/16"-18 ORB, Includes 3, 4, BSN HAJ0295001
2	134713A1	1	VALVE, CHECK, 11/16 fc sl x 9/16 Or, Includes 3, 4, ASN HAJ0295001
3	237-6006	1	O-RING, 6-1, 90 Duro, .468" ID x .078" Thk,
4	238-6012	1	O-RING, -012, 90 Duro, .364" ID x .070" Thk,
5	201-315	2	ELBOW, 45e, 11/16"-16 x 9/16"-18. Adj, ORFS, 3/4 x 13/16, Includes 6, 7
6	237-6006	1	O-RING, 6-1, 90 Duro, .468" ID x .078" Thk,
7	238-6012	1	O-RING, -012, 90 Duro, .364" ID x .070" Thk,
8	390011A1	2	HOSE, FLEXIBLE, 760 mm (30"), Separator Clutch
9	515-25476	1	CLAMP, 1 7/8", Insul, 1/2" Bolt,
10	515-23317	1	CLAMP, 1 1/4", Insul, 3/8" Bolt,
11	409-7516	2	BOLT, Hex Flg, 5/16"-18 x 1", Serr,
12	231-5145	2	NUT, Flg, USR, 5/16"-18,
13	398539A1	1	CYLINDER, 51 ID x 318 mm strk, Separator Clutch, Includes 14, BSN HAJ0295001
13	87337232	1	CYLINDER, Separator Clutch, ASN HAJ0295001
14	414106A1	1	KIT, Separator Clutch, Includes 15 - 21, Not Illustrated, BSN HAJ0295001
14	87364303	1	KIT, SEALS, Separator Clutch, ASN HAJ0295001
15	381850R2	2	BACK-UP RING,
16	238-6326	1	O-RING, -326, 90 Duro, 1.60" ID x .210" Thk,
17	377230R1	1	BACK-UP RING,
18	238-5224	1	O-RING, -224, 70 Duro, 1.734" ID x .139" Thk,
19	389500A1	1	SEAL, 1", Rod
20	532773R1	1	WIPER, Rod
21	461180R1	1	RETAINER,

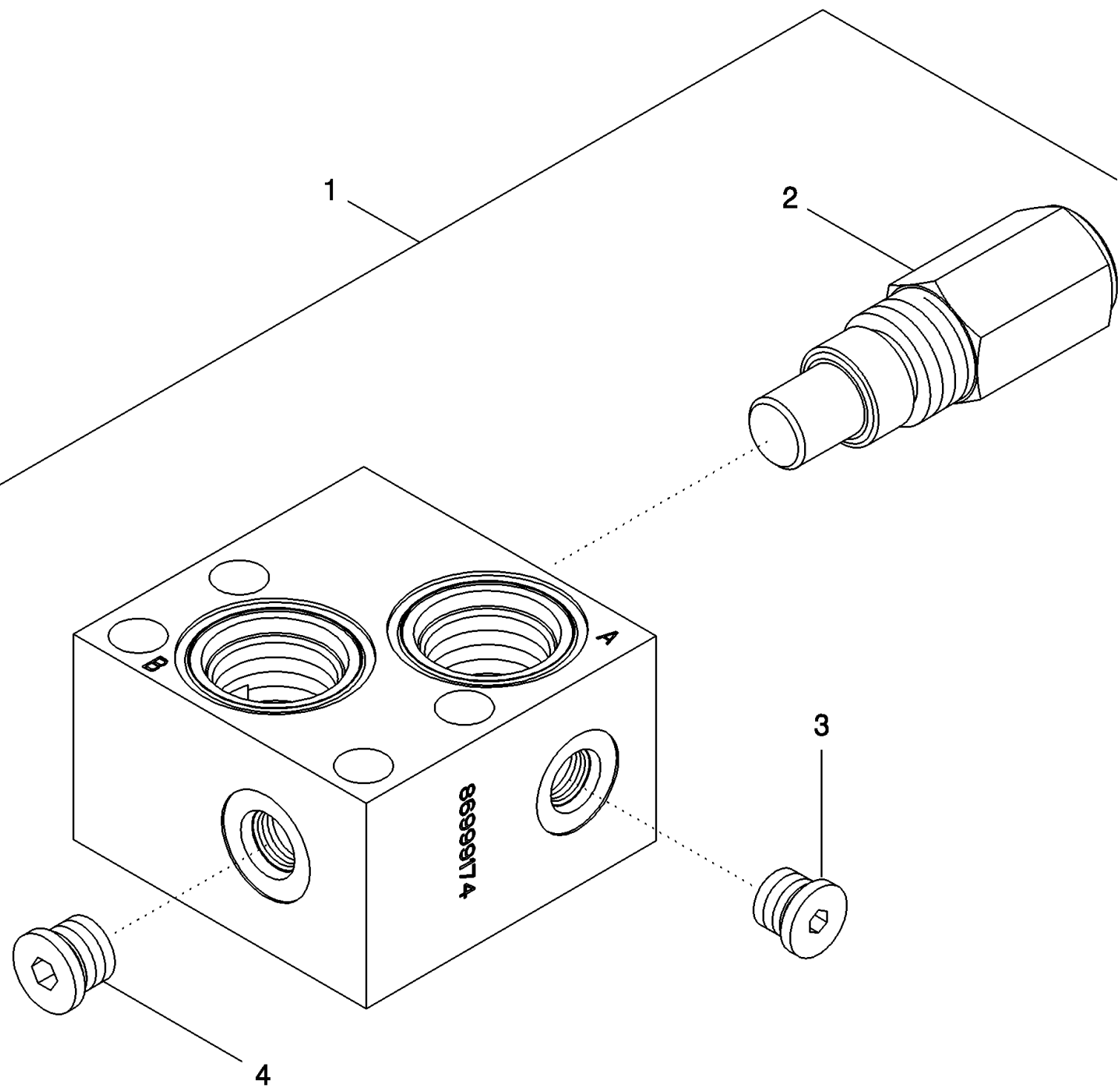
08-27 VALVE ASSY - CLUTCH, SEPARATOR/UNLOADER



08-27 VALVE ASSY - CLUTCH, SEPARATOR/UNLOADER

сылка	Номер детали	Кол-во	Описание
	384307A1	1	VALVE, SOLENOID, Pressure Regulator, Includes 1 - 22
1	377593A1	1	VALVE, PRESSURE RELIEF, Includes 190709A1
	190709A1	1	KIT, SEALS, Valve Cartridge, Includes 2 - 6
2	NSS	1	NOT SERVICED SEPARATELY, O-Ring
3	NSS	11	NOT SERVICED SEPARATELY, Ring, Backup
4	NSS	1	NOT SERVICED SEPARATELY, O-Ring
5	NSS	2	NOT SERVICED SEPARATELY, Ring, Backup
6	NSS	1	NOT SERVICED SEPARATELY, O-Ring
7	187849C1	2	VALVE, SOLENOID, 4-Way, Cartridge Only, Includes 187850C1
	187850C1	2	KIT, SEALS, Includes 8 - 14
8	NSS	1	NOT SERVICED SEPARATELY, O-Ring
9	NSS	1	NOT SERVICED SEPARATELY, O-Ring
10	NSS	1	NOT SERVICED SEPARATELY, O-Ring
11	NSS	1	NOT SERVICED SEPARATELY, O-Ring
12	NSS	1	NOT SERVICED SEPARATELY, Washer
13	NSS	1	NOT SERVICED SEPARATELY, Washer
14	NSS	1	NOT SERVICED SEPARATELY, Washer
	1340843C1	2	COIL, 12V, Includes 15 - 18
15	NSS	1	NOT SERVICED SEPARATELY, Coil
16	NSS	1	NOT SERVICED SEPARATELY, Plate
17	NSS	1	NOT SERVICED SEPARATELY, Nut
18	NSS	1	NOT SERVICED SEPARATELY, Plate
20	241892A1	1	SCREEN, FILTER,
21	100-2187	1	RING, SNAP, 0.875", Int, #87,
22	NSS	1	NOT SERVICED SEPARATELY, Body, Valve, Order 399067A1

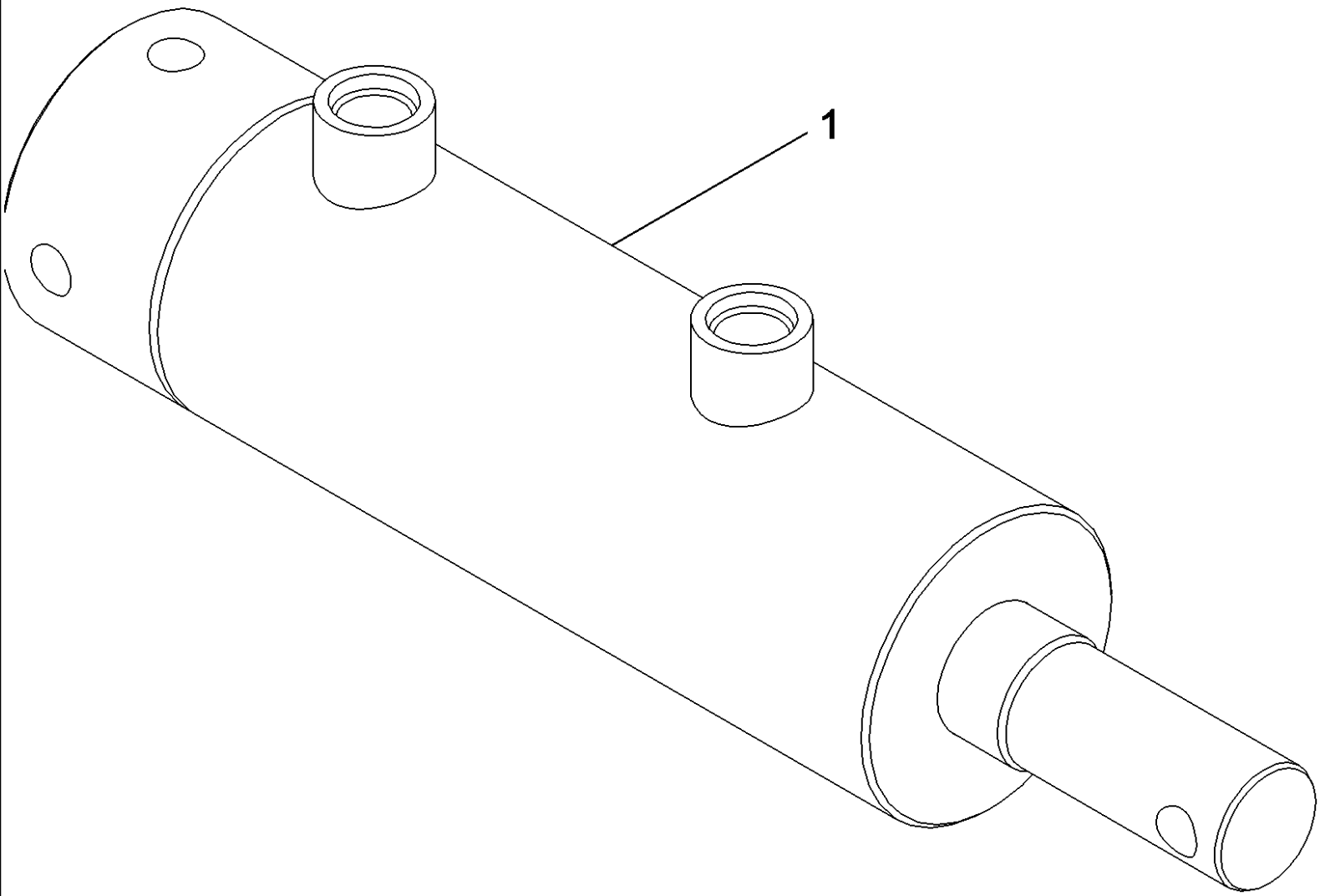
08-28 VALVE ASSY - ROTARY SCREEN BYPASS



08-28 VALVE ASSY - ROTARY SCREEN BYPASS

сылка	Номер детали	Кол-во	Описание
1	86999174	1	VALVE, PRESSURE RELIEF, Rotary Air Screen, Includes 2 - 4
2	86987869	1	VALVE, PRESSURE RELIEF, Includes 3
3	87035062	1	PLUG, Hex Soc, 1/2"-20 ORB,
4	9625178	1	PLUG, Hex Soc, 9/16"-18 ORB,
5	149942C1	1	KIT, SEALS, Includes (2) O-rings And Back-up Ring, Not Illustrated

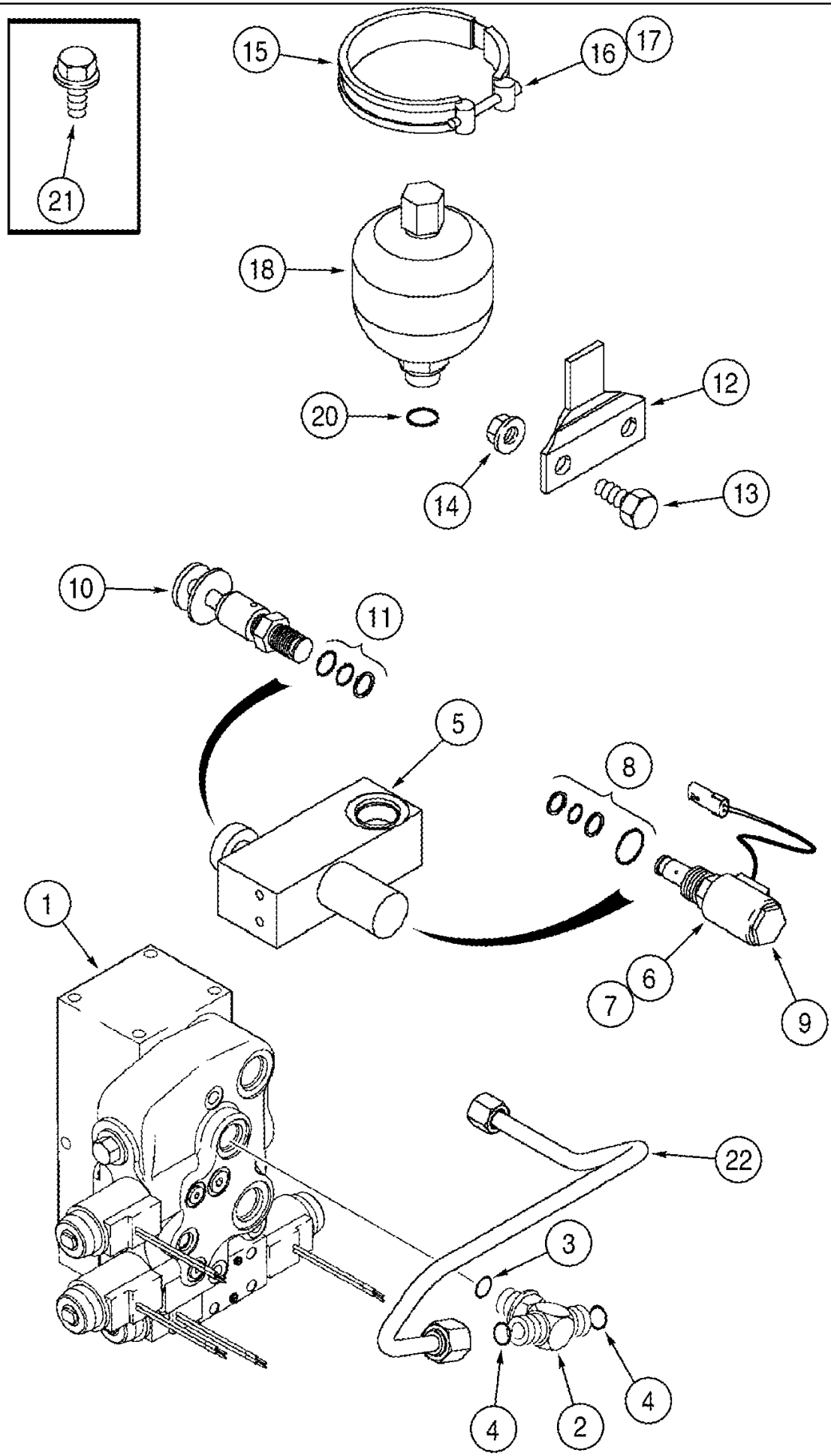
08-29 CYLINDER ASSYS - FEEDER CLUTCH



08-29 CYLINDER ASSYS - FEEDER CLUTCH

сылка	Номер детали	Кол-во	Описание
1	87337239	1	CYLINDER,
	87364303	1	KIT, SEALS, Kit

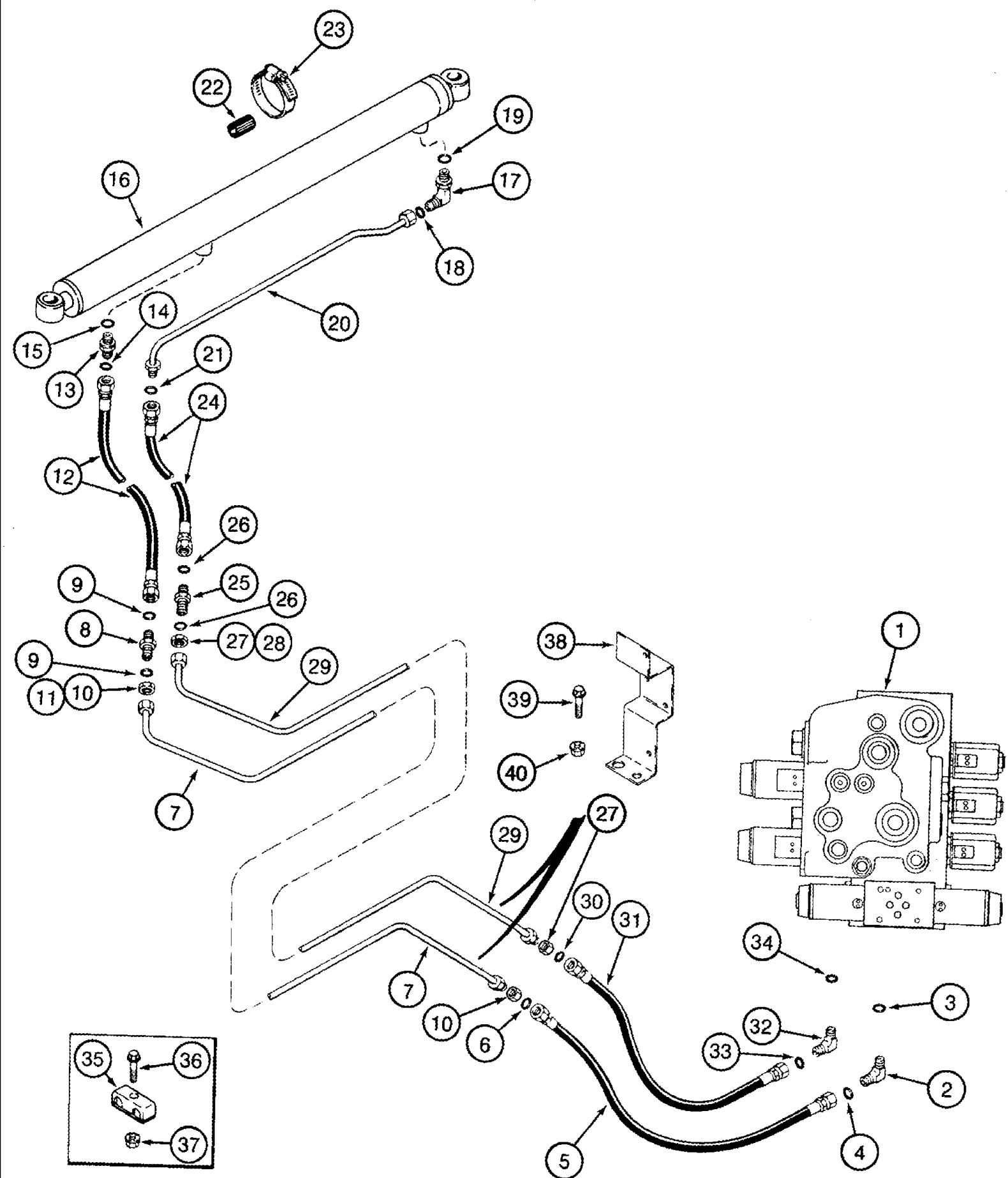
08-30 ACCUMULATOR - MOUNTING AND SYSTEM



08-30 ACCUMULATOR - MOUNTING AND SYSTEM

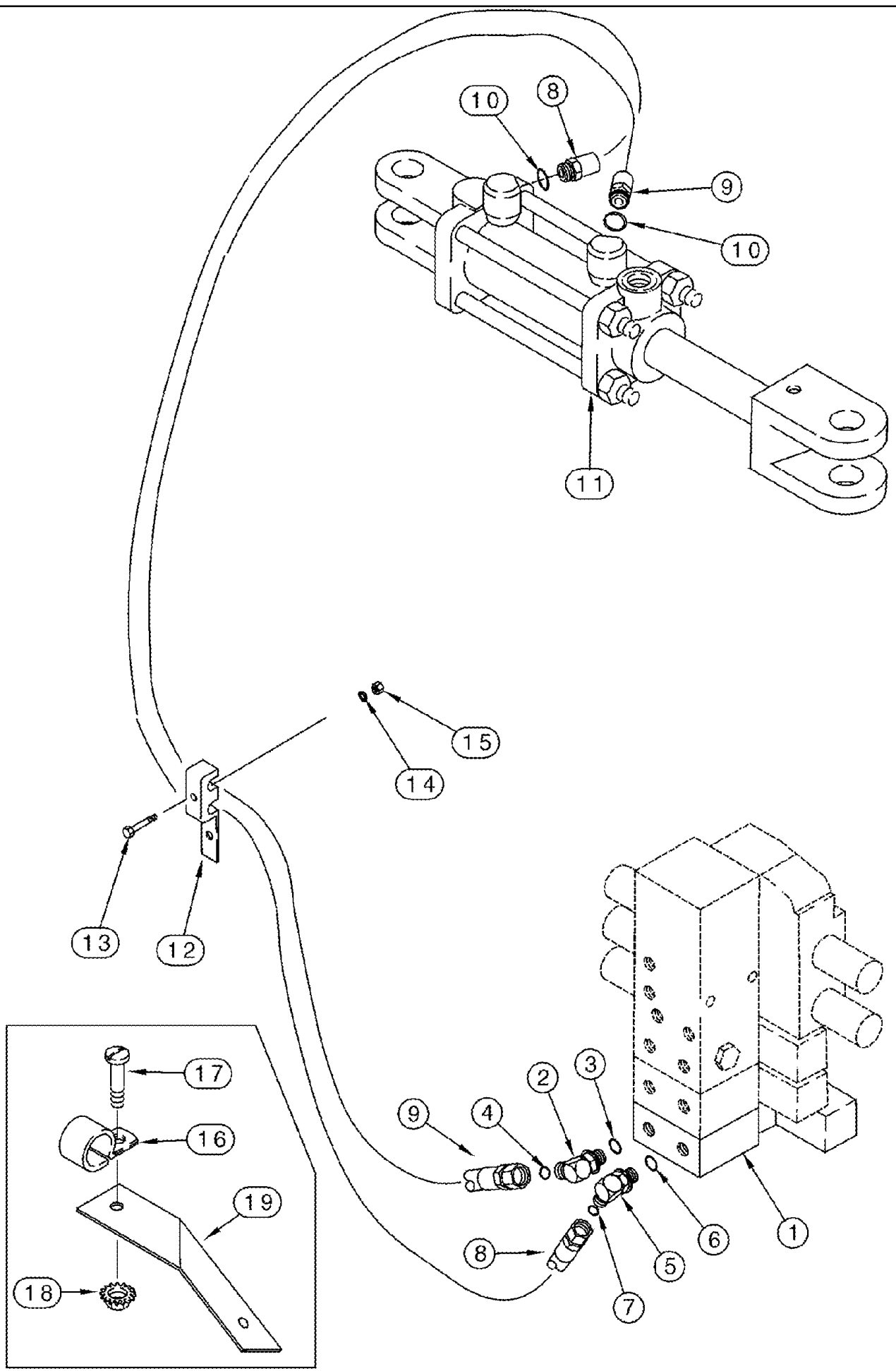
сылка	Номер детали	Кол-во	Описание
1	124565A3	1	VALVE, CONTROL, Header Lift, See Figure(s) 08-09, 08-11, 08-12, 08-14, 08-15
2	201-403	1	TEE, 1"-14 x 7/8"-14 Br, ORFS, Includes Ref. 3, 4, For Attaching Parts, See Figure 08-10
3	237-6010	1	O-RING, 10-1, 90 Duro, .755" ID x .097" Thk,
4	238-6016	2	O-RING, -016, 90 Duro, .614" ID x .070" Thk,
5	368154A1	1	VALVE, CONTROL, Includes 6 - 11, Accumulator, Solenoid Operated
6	377447A1	1	VALVE, Includes 7, 8, Cartridge
7	NSS	1	NOT SERVICED SEPARATELY, Valve, Solenoid
8	377450A1	1	KIT, SEALS, Includes (2) O-Rings and (2) Backup Ring
9	377448A1	1	COIL, 12V
10	377449A1	1	VALVE, Needle, Adjustable, Includes 11
11	377451A1	1	KIT, SEALS, Includes (2) O-Rings and (1) Backup Ring
12	368156A2	1	SUPPORT,
13	413-516	2	BOLT, Hex, 5/16"-18 x 1", G5, Full Thd,
14	231-5145	2	NUT, Flg, USR, 5/16"-18,
15	368157A1	1	CLAMP, Includes 16, 17
16	864-8070	1	SCREW, Hex Soc Hd, M8 x 70, 8.8,
17	829-1408	1	NUT, M8, CI 10,
18	377446A1	1	ACCUMULATOR, Feeder Lift, Includes 19 - 20
19	87106501	1	KIT, Accumulator Charging, Not Illustrated
20	237-6016	1	O-RING, 16-1, 90 Duro, 1.171" ID x .118" Thk,
21	409-7512	2	BOLT, Hex Flg, 5/16"-18 x 3/4", Serr,
22	368155A2	1	TUBE, HYD, Accumulator Valve to Header Lift Valve
23	201-305	1	ELBOW, 90e, 13/16"-18 x 3/4"-18 Adj, ORFS, 1/2 orfs x 1/2 orb, Incl. 24, 25, Not Illustrated
24	237-6008	1	O-RING, 8-1, 90 Duro, .644" ID x .087" Thk,
25	238-6014	1	O-RING, -014, 90 Duro, .489" ID x .070" Thk, Not Illustrated

08-31 HYDRAULICS - UNLOADER TUBE SWING CYLINDER



08-31 HYDRAULICS - UNLOADER TUBE SWING CYLINDER

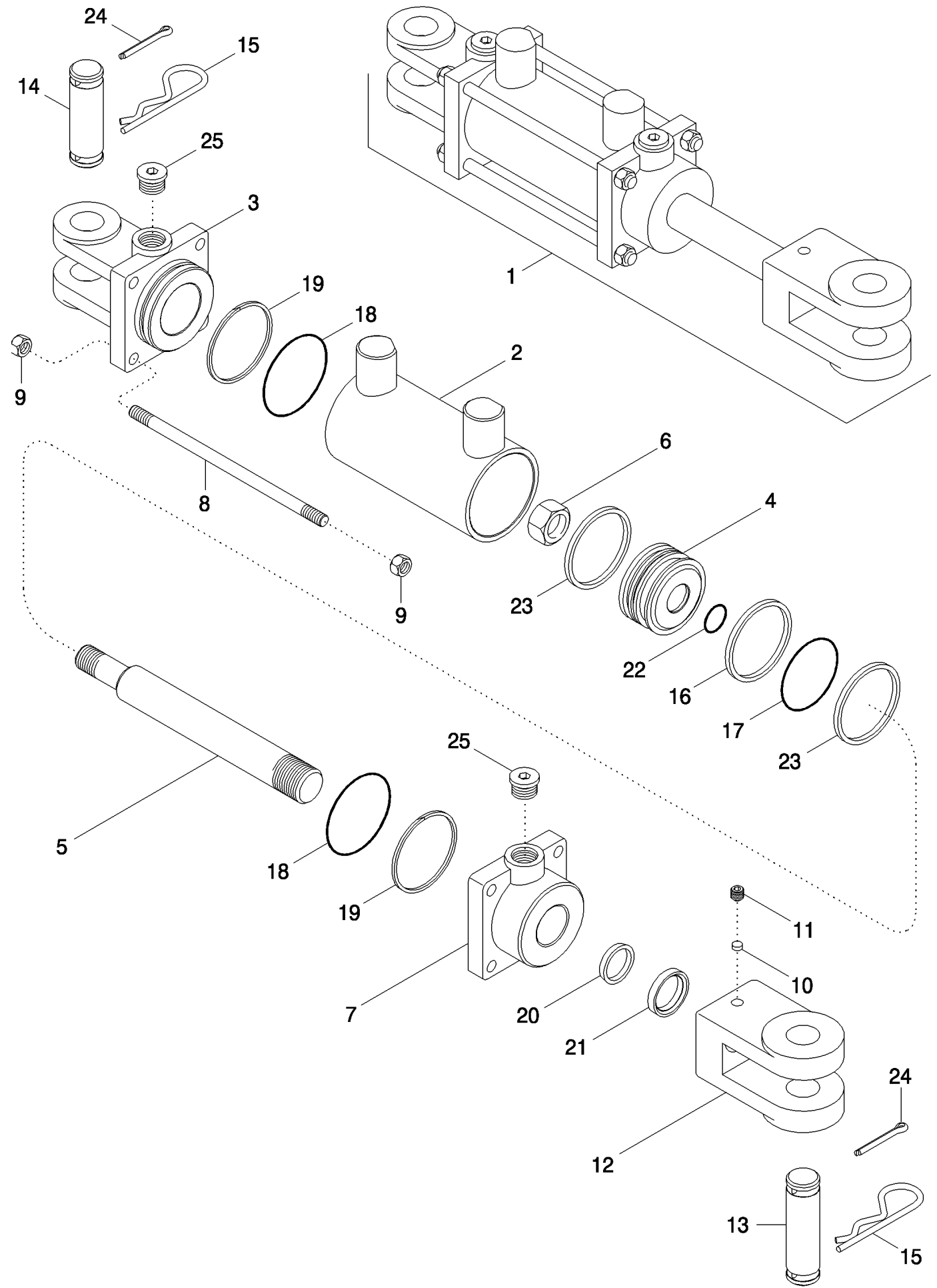
сылка	Номер детали	Кол-во	Описание
1	124565A3	1	VALVE, CONTROL, Header Lift, See Figure(s) 08-11, 08-12, 08-14, 08-15
2	201-324	1	ELBOW, 90є, 9/16"-18 x 9/16"-18, Adj, ORFS, Includes Ref. 3, 4
3	237-6006	1	O-RING, 6-1, 90 Duro, .468" ID x .078" Thk,
4	238-6011	1	O-RING, -011, 90 Duro, .301" ID x .070" Thk,
5	300718A1	1	HOSE, FLEXIBLE, Unloader Tube Swing Out, At Valve
6	238-6011	1	O-RING, -011, 90 Duro, .301" ID x .070" Thk,
7	292406A1	1	TUBE, HYD, Unloader Swing Out
8	201-108	1	CONNECTOR, HYD., 9/16"-18, Blkhd, ORFS, Includes 9
9	238-6011	2	O-RING, -011, 90 Duro, .301" ID x .070" Thk,
10	218-1254	2	NUT, LOCK, Blkhd, 9/16"-18,
11	495-11059	1	WASHER, 9/16",
12	134978A2	1	HOSE, 540 mm (21-1/4"), Unloader Tube Swing Out, At Cylinder
13	201-100	1	CONNECTOR, HYD., 9/16"-18 ORFS x 7/16"-20 ORB, Includes 14, 15
14	238-6011	1	O-RING, -011, 90 Duro, .301" ID x .070" Thk,
15	237-6004	1	O-RING, 4-1, 90 Duro, .351" ID x .072" Thk,
16	87337241	1	CYLINDER ASSY., 38 ID x 508 mm strk, Includes 16A - 16C, Unloader Tube Swing
16	87597336	1	CYLINDER ASSY., Includes 16A - 16C, Unloader Tube Swing
16A	87364304	1	KIT, LINK ARM ASSY, Seal Kit, Not Illustrated
16B	87611478	1	ROD, Cylinder End, Not Illustrated
16C	425-1510	1	NUT, Jam, 5/8"-18, G5, Not Illustrated
17	201-303	1	ELBOW, 90є, 9/16"-18 x 7/16"-20 Adj, ORFS, Includes 18, 19
18	238-6011	1	O-RING, -011, 90 Duro, .301" ID x .070" Thk,
19	237-6004	1	O-RING, 4-1, 90 Duro, .351" ID x .072" Thk,
20	134643A2	1	TUBE, HYD,
21	238-6012	1	O-RING, -012, 90 Duro, .364" ID x .070" Thk,
22	163489C1	1	STRIP, 1/4" ID x 1-13/64"
23	214-1432	1	CLAMP, HOSE, #32, 1.56/2.50 Type F Worm,
24	134976A1	1	HOSE, FLEXIBLE, 510 mm (20-1/16")
25	201-120	1	CONNECTOR, HYD., 11/16"-16, Blkhd, ORFS, Includes 26
26	238-6012	2	O-RING, -012, 90 Duro, .364" ID x .070" Thk,
27	201-909	2	NUT, LOCK, Blkhd, 11/16"-16,
28	495-81033	1	WASHER, 23/32" x 1 1/2" x .120",
29	292405A1	1	TUBE, HYD, Unloader Swing In
30	238-6012	1	O-RING, -012, 90 Duro, .364" ID x .070" Thk,
31	293482A1	1	HOSE, FLEXIBLE, Unloader Tube Swing In, At Valve
32	201-304	1	ELBOW, 90є, 11/16"-16 x 9/16"-18 Adj, ORFS, Includes 33, 34
33	238-6012	1	O-RING, -012, 90 Duro, .364" ID x .070" Thk,
34	237-6006	1	O-RING, 6-1, 90 Duro, .468" ID x .078" Thk,
35	183824C1	2	CLAMP,
36	409-7416	2	BOLT, Hex Flg, 1/4"-20 x 1", Serr,
37	231-5144	2	NUT, Flg, USR, 1/4"-20,
38	292407A2	1	SUPPORT, Unloader Tubes
39	409-7416	2	BOLT, Hex Flg, 1/4"-20 x 1", Serr,
40	231-5144	2	NUT, Flg, USR, 1/4"-20,



08-32 HYDRAULICS - FIELD TRACKER

сылка	Номер детали	Кол-во	Описание
1	114854A1	1	VALVE, CONTROL, Field Tracker, See Figure 08-15
2	201-332	1	ELBOW, 90°, 13/16"-16 x 9/16"-18, Adj, ORFS, Includes 3, 4
3	237-6006	1	O-RING, 6-1, 90 Duro, .468" ID x .078" Thk,
4	238-6014	1	O-RING, -014, 90 Duro, .489" ID x .070" Thk,
5	201-304	1	ELBOW, 90°, 11/16"-16 x 9/16"-18 Adj, ORFS, Includes 6, 7
6	237-6006	1	O-RING, 6-1, 90 Duro, .468" ID x .078" Thk,
7	238-6012	1	O-RING, -012, 90 Duro, .364" ID x .070" Thk,
8	100268A1	1	HOSE, FLEXIBLE, 3510 mm (138-1/4"), Field Tracker Cylinder, Clockwise Rotation, Includes 10
9	128032A1	1	HOSE, FLEXIBLE, 3510 mm (138-1/4"), Field Tracker Cylinder, Counterclockwise Rotation, Includes 10
10	237-6006	1	O-RING, 6-1, 90 Duro, .468" ID x .078" Thk,
11	87424022	1	CYLINDER, Field Tracker Tilt, 64 ID x 89 mm strk, See Figure 08-33
12	1330242C1	1	CLAMP,
13	411-572	2	BOLT, CARRIAGE, Short NK, 5/16"-18 x 4 1/2", G2,
14	492-11031	2	WASHER, LOCK, 5/16",
15	425-105	2	NUT, 5/16"-18, G5,
16	515-23254	1	CLAMP, 1", Insul, 3/8" Bolt,
17	477-73816	1	SCREW, Sltd Serr Truss Hd, 3/8" x 1",
18	231-5146	1	NUT, Flg, USR, 3/8"-16,
19	189926A1	1	SUPPORT,

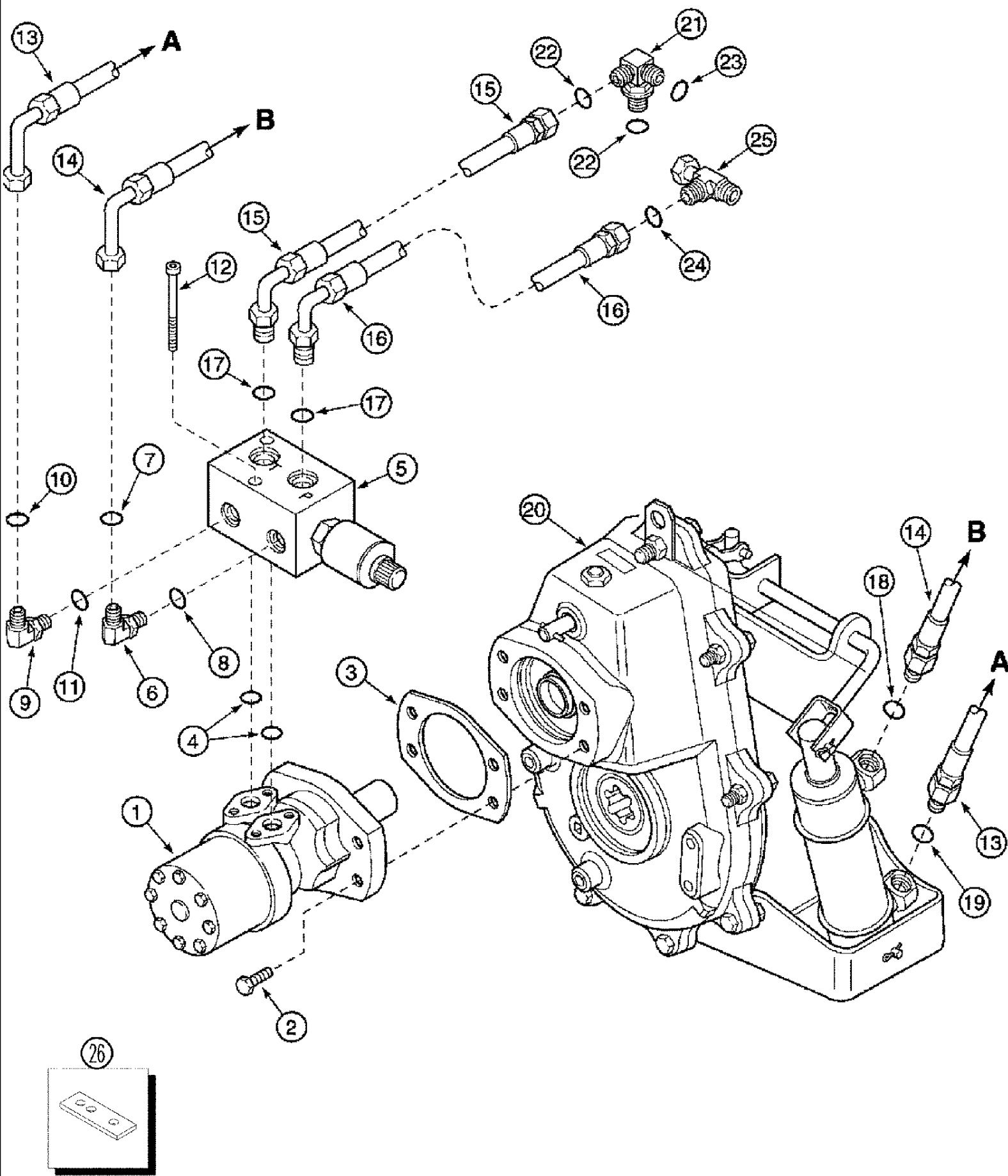
08-33 CYLINDER ASSY - FIELD TRACKER, TILT



08-33 CYLINDER ASSY - FIELD TRACKER, TILT

сылка	Номер детали	Кол-во	Описание
1	87424022	1	CYLINDER, Field Tracker Tilt, 64 ID x 89 mm strk, Includes 2 - 23
2	NSS	1	NOT SERVICED SEPARATELY, Tube
3	NSS	1	NOT SERVICED SEPARATELY, Head
4	NSS	1	NOT SERVICED SEPARATELY, Piston
5	NSS	1	NOT SERVICED SEPARATELY, Rod, Piston
6	232-46112	1	NUT, LOCK, 3/4"-16, GC,
7	NSS	1	NOT SERVICED SEPARATELY, Jack Head
8	NSS	4	NOT SERVICED SEPARATELY, Screw
9	425-106	8	NUT, 3/8"-16, G5,
10	145453C1	1	PLUG, Pad
11	483-1386	1	SET SCREW, Hex Soc, 3/8"-16 x 3/8",
12	NSS	1	NOT SERVICED SEPARATELY, Ram Fork, Clevis Rod
13	1266753C1	1	PIN,
14	1266752C1	1	PIN,
15	1978738C1	2	PIN, SPLIT (COTTER), 3/16"
16	NSS	1	NOT SERVICED SEPARATELY, Seal
17	NSS	1	NOT SERVICED SEPARATELY, O-Ring
18	NSS	2	NOT SERVICED SEPARATELY, O-Ring
19	NSS	2	NOT SERVICED SEPARATELY, Ring
20	NSS	1	NOT SERVICED SEPARATELY, Seal
21	NSS	1	NOT SERVICED SEPARATELY, Seal
22	NSS	1	NOT SERVICED SEPARATELY, O-Ring
23	NSS	2	NOT SERVICED SEPARATELY, Ring
24	432-1224	2	PIN, SPLIT (COTTER), 3/16" x 1 1/2",
25	71100209	2	PLUG, Hex Soc, 3/4"-16 ORB,
	87424023	1	KIT, SEALS, Includes 16 - 23

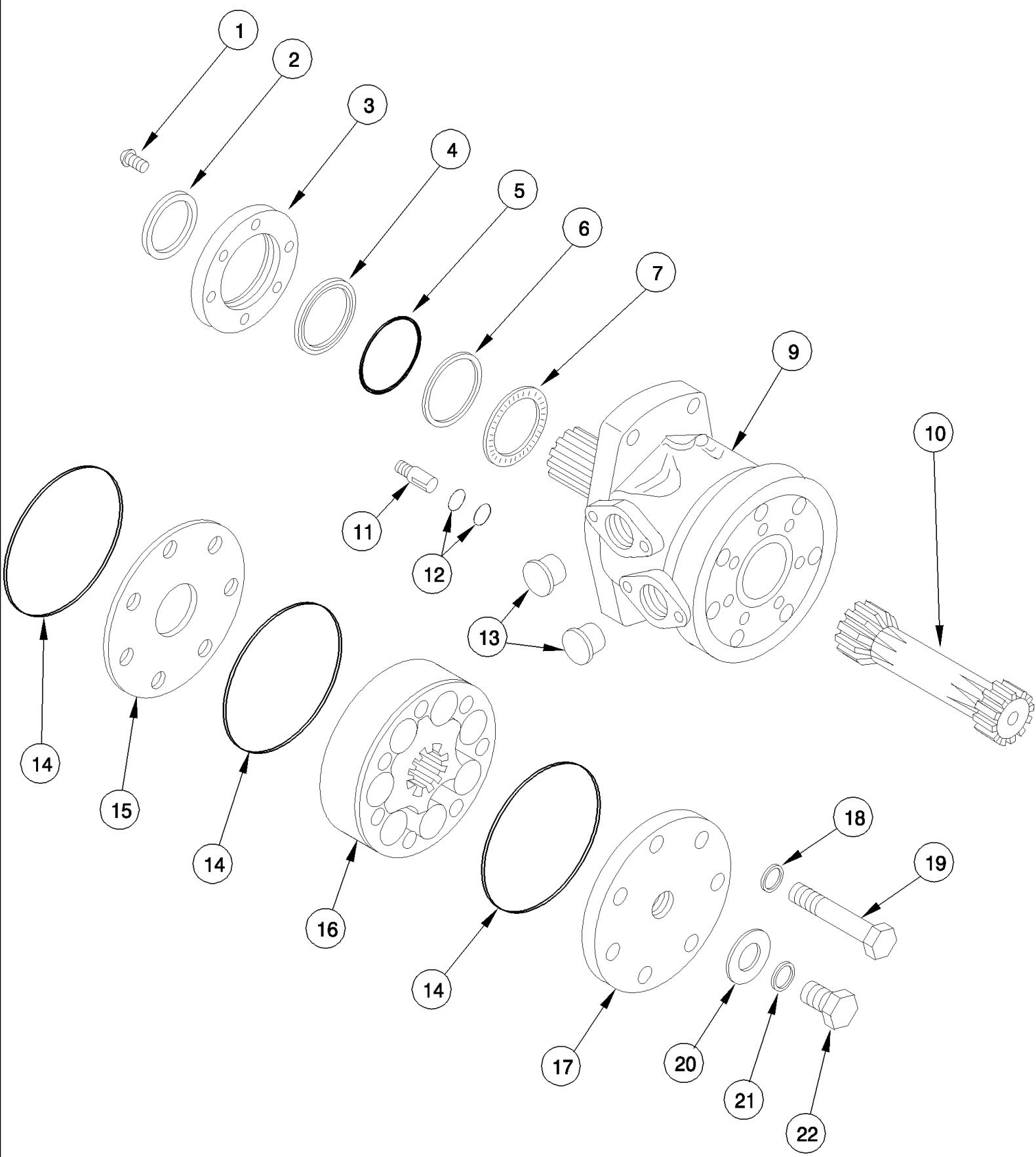
08-34 HYDRAULICS - FEEDER REVERSER



08-34 HYDRAULICS - FEEDER REVERSER

сылка	Номер детали	Кол-во	Описание
1	393903A1	1	MOTOR, HYDRAULIC, , See Figure 08-35
2	87302570	4	SCREW, 12 Pt Flg, 1/2"-20 x 1 1/4",
3	400998A1	1	GASKET,
4	277634	2	O-RING, -117, 90 Duro, .799" ID x .103" Thk,
5	393904A1	1	VALVE, Feeder Reverser Motor, See Figure 08-36
6	201-304	1	ELBOW, 90e, 11/16"-16 x 9/16"-18 Adj, ORFS, Includes 7, 8
7	238-6012	1	O-RING, -012, 90 Duro, .364" ID x .070" Thk,
8	238-6006	1	O-RING, 6-1, .114" ID x .070" Thk,
9	201-332	1	ELBOW, 90e, 13/16"-16 x 9/16"-18, Adj, ORFS, Includes 10, 11
10	238-6014	1	O-RING, -014, 90 Duro, .489" ID x .070" Thk,
11	237-6006	1	O-RING, 6-1, 90 Duro, .468" ID x .078" Thk,
12	865-8085	2	SCREW, Hex Soc Hd, M8 x 85, 8.8,
13	391969A1	1	HOSE, FLEXIBLE, 750 mm (29-1/2"), Extend
14	391970A1	1	HOSE, FLEXIBLE, 610 mm (24"), Retract
15	395853A2	1	HOSE, FLEXIBLE, 520 mm (20-1/2"), Return
16	430394A1	1	HOSE, FLEXIBLE, 3050 mm (120"), Supply
17	237-6010	2	O-RING, 10-1, 90 Duro, .755" ID x .097" Thk,
18	237-6006	1	O-RING, 6-1, 90 Duro, .468" ID x .078" Thk,
19	237-6006	1	O-RING, 6-1, 90 Duro, .468" ID x .078" Thk,
20	401134A2	1	GEARBOX, , See Figure 09A-21
21	395408A1	1	TEE, Includes 22, 23
22	237-6010	1	O-RING, 10-1, 90 Duro, .755" ID x .097" Thk,
23	238-6016	2	O-RING, -016, 90 Duro, .614" ID x .070" Thk,
24	238-6016	1	O-RING, -016, 90 Duro, .614" ID x .070" Thk,
25	201-433	1	TEE, 1"-14 ORFS x 1"-14 Sw Run,
26	427273A1	1	SUPPORT, Clamp
27	409-7616	1	BOLT, Hex Flg, 3/8"-16 x 1", Serr, Not Illustrated
28	231-5146	1	NUT, Flg, USR, 3/8"-16, Not Illustrated

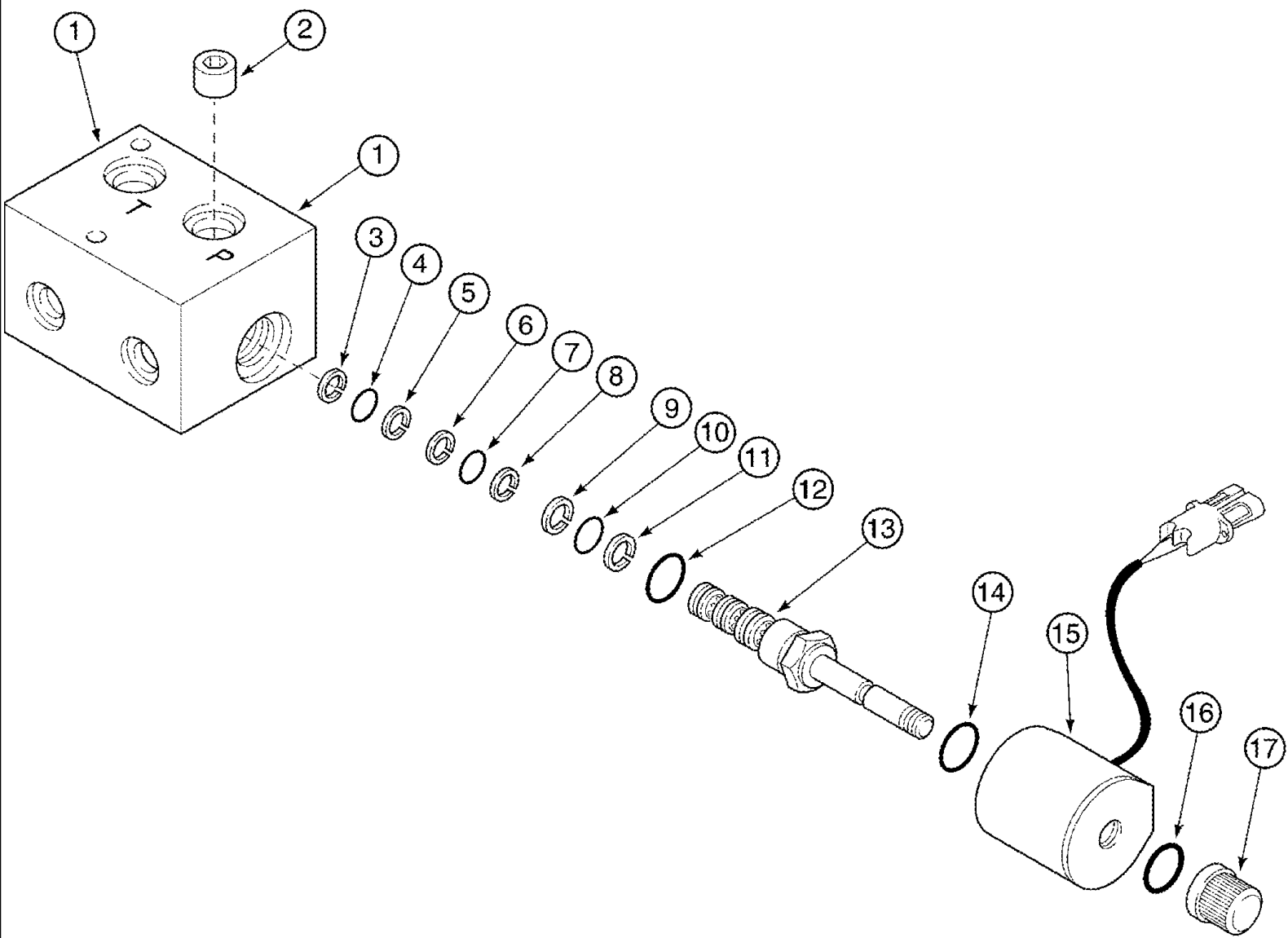
08-35 FEEDER REVERSER MOTOR - HYDRAULIC



08-35 FEEDER REVERSER MOTOR - HYDRAULIC

сылка	Номер детали	Кол-во	Описание
	393903A1	1	MOTOR, HYDRAULIC, Includes 1 - 22
1	NSS	6	NOT SERVICED SEPARATELY, Bolt
2	NSS	1	NOT SERVICED SEPARATELY, Seal
3	NSS	1	NOT SERVICED SEPARATELY, Flange
4	NSS	1	NOT SERVICED SEPARATELY, Seal
5	NSS	1	NOT SERVICED SEPARATELY, O-Ring
6	NSS	1	NOT SERVICED SEPARATELY, Race
7	NSS	1	NOT SERVICED SEPARATELY, Bearing, Needle
9	NSS	1	NOT SERVICED SEPARATELY, Body
10	NSS	1	NOT SERVICED SEPARATELY, Shaft
11	NSS	1	NOT SERVICED SEPARATELY, Pin
12	NSS	2	NOT SERVICED SEPARATELY, O-Ring
13	NSS	2	NOT SERVICED SEPARATELY, Plug
14	NSS	3	NOT SERVICED SEPARATELY, O-Ring
15	NSS	1	NOT SERVICED SEPARATELY, Plate
16	NSS	1	NOT SERVICED SEPARATELY, Gerotor
17	NSS	1	NOT SERVICED SEPARATELY, Cap
18	NSS	7	NOT SERVICED SEPARATELY, Washer
19	NSS	7	NOT SERVICED SEPARATELY, Bolt
20	NSS	1	NOT SERVICED SEPARATELY, Washer
21	NSS	1	NOT SERVICED SEPARATELY, Washer
22	NSS	1	NOT SERVICED SEPARATELY, Bolt
	397924A1	1	KIT, SEALS, Kit for 393903A1

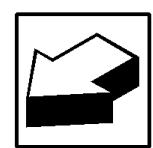
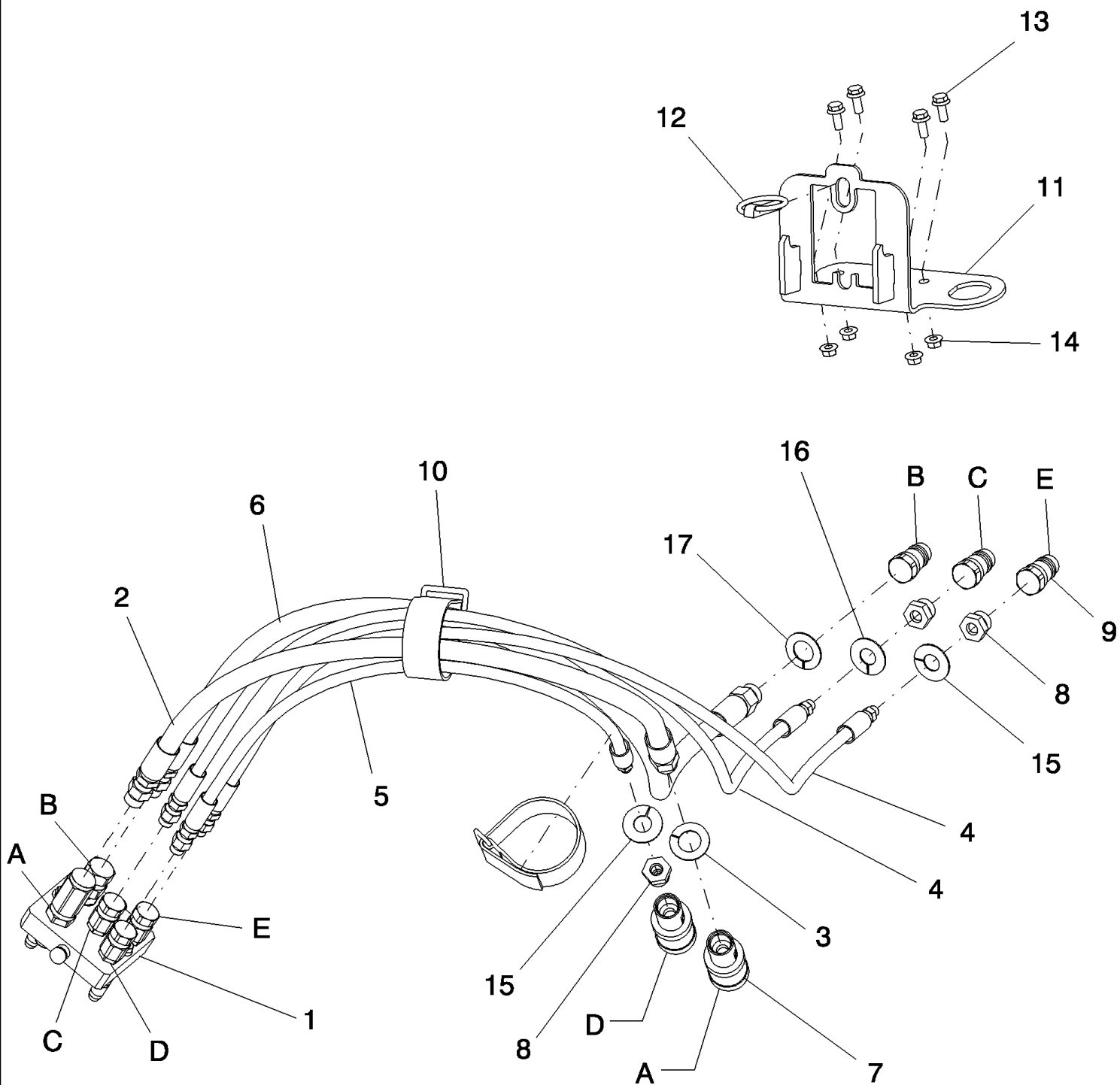
08-36 VALVE ASSY - FEEDER REVERSER



08-36 VALVE ASSY - FEEDER REVERSER

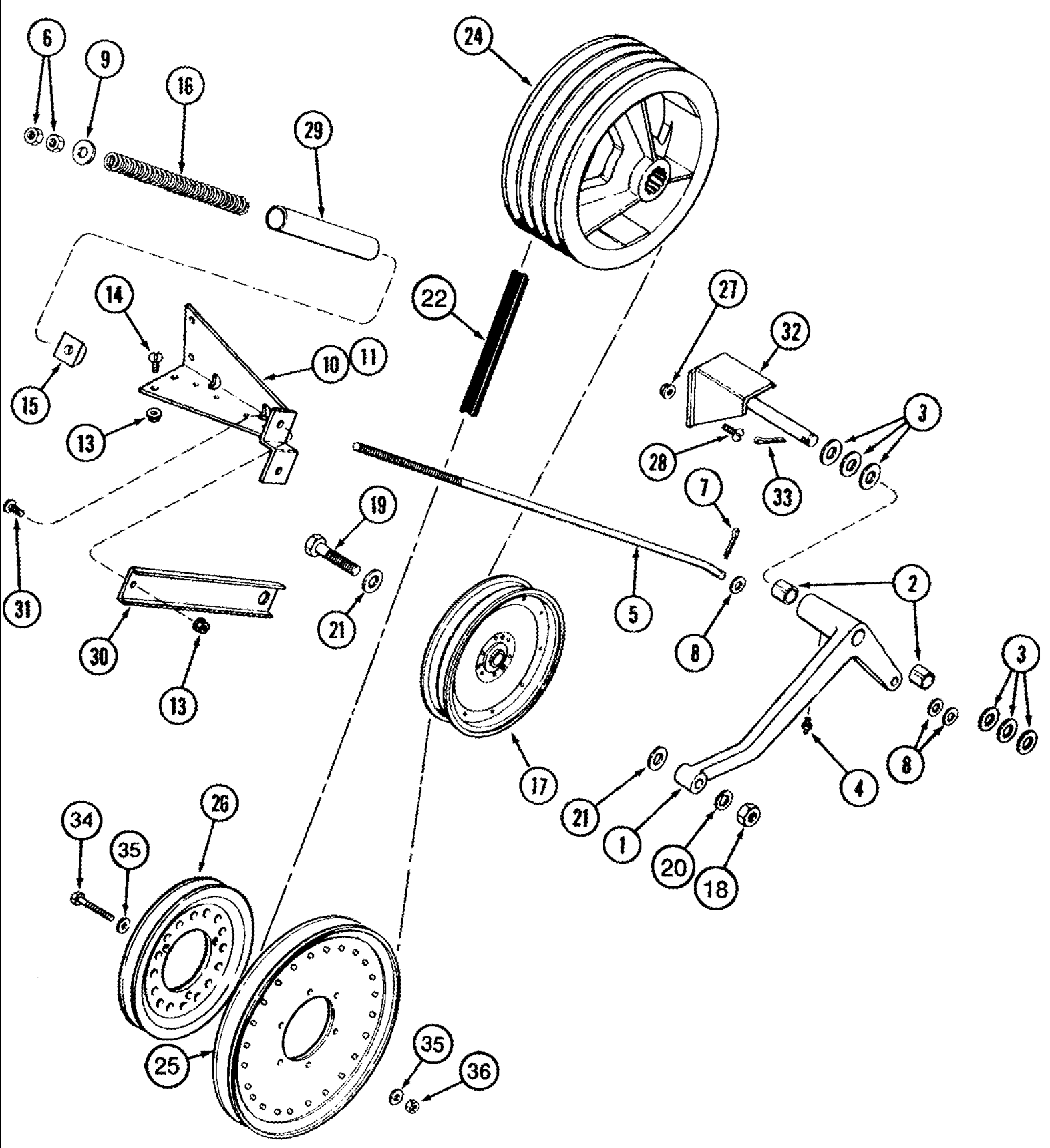
сылка	Номер детали	Кол-во	Описание
	393904A1	1	VALVE, Feeder Reverser Motor, Includes 1 - 17
1	NSS	1	NOT SERVICED SEPARATELY, Body, Valve
2	397923A1	1	ORIFICE,
	397921A1	1	VALVE, Includes 3 - 13
	397925A1	1	KIT, SEALS, Includes 3 - 11
3	NSS	1	NOT SERVICED SEPARATELY, Ring, Backup
4	NSS	1	NOT SERVICED SEPARATELY, O-Ring
5	NSS	1	NOT SERVICED SEPARATELY, Ring, Backup
6	NSS	1	NOT SERVICED SEPARATELY, Ring, Backup
7	NSS	1	NOT SERVICED SEPARATELY, O-Ring
8	NSS	1	NOT SERVICED SEPARATELY, Ring, Backup
9	NSS	1	NOT SERVICED SEPARATELY, Ring, Backup
10	NSS	1	NOT SERVICED SEPARATELY, O-Ring
11	NSS	1	NOT SERVICED SEPARATELY, Ring, Backup
12	237-6012	1	O-RING, 12-1, 90 Duro, .924 ID x .118" Thk,
13	NSS	1	NOT SERVICED SEPARATELY, Valve, Solenoid
	405378A1	1	COIL, Includes 14 -17
14	238-6120	1	O-RING, -120, 90 Duro, .987" ID x .103" Thk,
15	NSS	1	NOT SERVICED SEPARATELY, Coil
16	238-6212	1	O-RING, -212, 90 Duro, .859" ID x .139" Thk,
17	397926A1	1	NUT,
18	9625178	1	PLUG, Hex Soc, 9/16"-18 ORB, Not Illustrated

08-37 COMBINE HEADER ADAPTER, HOSES AND COUPLINGS



08-37 COMBINE HEADER ADAPTER, HOSES AND COUPLINGS

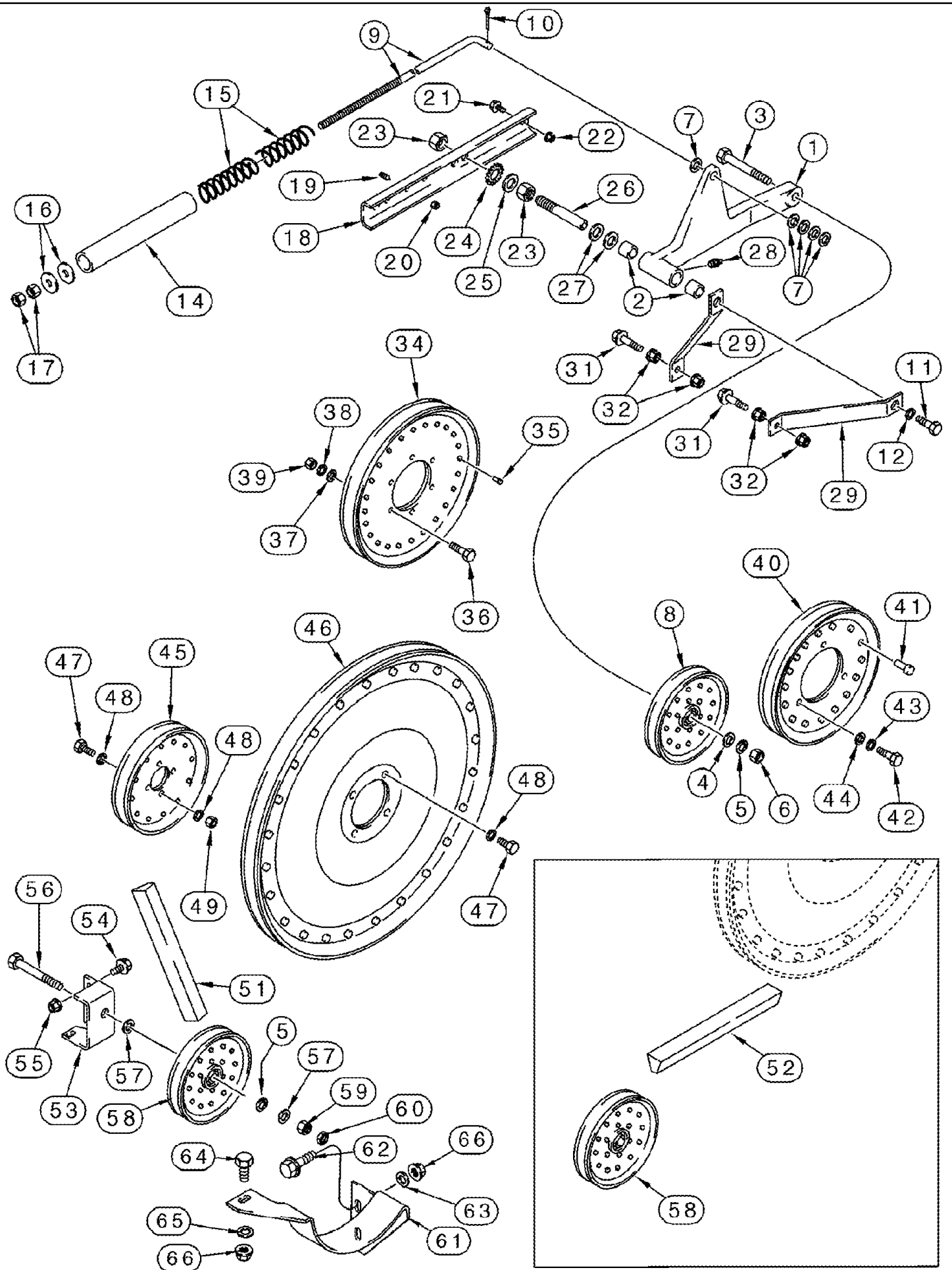
сылка	Номер детали	Кол-во	Описание
	87340862	1	KIT, REPAIR, Hydraulic and Electrical Interface, Includes 1 - 16. Also See Figure 04-46
1	84435010	1	COUPLING, QUICK, MALE,
2	87301376	1	HOSE, FLEXIBLE, Reel Drive Supply, A Connection
3	1345266C1	2	WASHER, Plastic, White
4	87301378	2	HOSE, FLEXIBLE, Reel Lift [C] and Aft [E]
5	87301380	1	HOSE, FLEXIBLE, Reel Fore, D Connection
6	87301377	1	HOSE, FLEXIBLE, Reel Drive Return, B Connection
7	1282338C91	2	COUPLING, QUICK, FEMALE, Female
8	196443A1	3	REDUCER, -10 ORB x -4 ORB
9	1272399C2	3	COUPLING, QUICK, MALE,
10	87108048	2	STRAP, SECURING,
11	87301385	1	BRACKET, Header Coupling
12	378704A1	1	PIN, LOCK,
13	409-7512	4	BOLT, Hex Flg, 5/16"-18 x 3/4", Serr,
14	231-5145	4	NUT, Flg, USR, 5/16"-18,
15	1541792C1	2	WASHER, LOCK, Plastic, Red
16	1541804C1	1	WASHER, Plastic, Black



09A-01 BELT DRIVE - JACKSHAFT, FAN

сылка	Номер детали	Кол-во	Описание
1	194179C92	1	ARM, Idler, Includes 2
2	556448R1	2	BUSHING,
3	495-11081	6	WASHER, 3/4", SAE,
4	219-8	1	NIPPLE, LUBE, 1/4"-28 NPT x .54" lg,
5	174520C2	1	ROD,
6	425-108	2	NUT, 1/2"-13, G5,
7	432-1220	1	PIN, SPLIT (COTTER), 3/16" x 1 1/4",
8	495-11053	3	WASHER, 1/2", SAE,
9	495-81162	1	WASHER, 17/32" x 1 1/2" x .179",
10	188485C2	1	SUPPORT, Includes 11
11	191777C2	1	SUPPORT, Not Illustrated
13	231-5146	3	NUT, Flg, USR, 3/8"-16,
14	477-73812	2	SCREW, Sltd Serr Truss Hd, 3/8" x 3/4",
15	194652C1	1	PIVOT,
16	155311C1	1	SPRING,
17	663887R91	1	PULLEY, 8" OD, Fan Jackshaft Idler
18	425-1410	1	NUT, Jam, 5/8"-11, G5,
19	413-1048	1	BOLT, Hex, 5/8"-11 x 3", G5,
20	492-11062	1	WASHER, LOCK, 5/8",
21	495-11066	2	WASHER, 5/8", SAE,
22	317904A1	1	BELT, Fan Jackshaft
24	193999C3	1	PULLEY, 12" OD, Feeder
25	295918A1	1	PULLEY, 13" OD, Fan Jackshaft
26	193948C1	1	PULLEY, 9-3/4" OD, Cleaning Unit
27	231-5146	2	NUT, Flg, USR, 3/8"-16,
28	477-73816	2	SCREW, Sltd Serr Truss Hd, 3/8" x 1",
29	185396C1	1	TUBE,
30	188486C1	1	CHANNEL,
31	477-73812	1	SCREW, Sltd Serr Truss Hd, 3/8" x 3/4",
32	192277C2	1	SUPPORT,
33	432-1620	1	PIN, SPLIT (COTTER), 1/4" x 1 1/4",
34	426-824	3	BOLT, Hex, 1/2"-13 x 1 1/2", G8, Full Thd,
35	496-21053	6	WASHER, 17/32" x 1 1/16" x .134",
36	87301492	3	NUT, Flg, USR, 1/2"-13, G8,
	303188A1	1	KIT, Cleaning System Slow Down, Includes 317904A1 (Ref. 22), 295918A1 (Ref. 25), 1327534C92, 1302671C92, 3011346A1, 301141A1, 296022A1, 296023A1, 1862283C2, See Figure(s) 09C-07, 09D-10, 09D-15, 09D-16

09A-02 BELT DRIVE - RIGHT-HAND SIDE



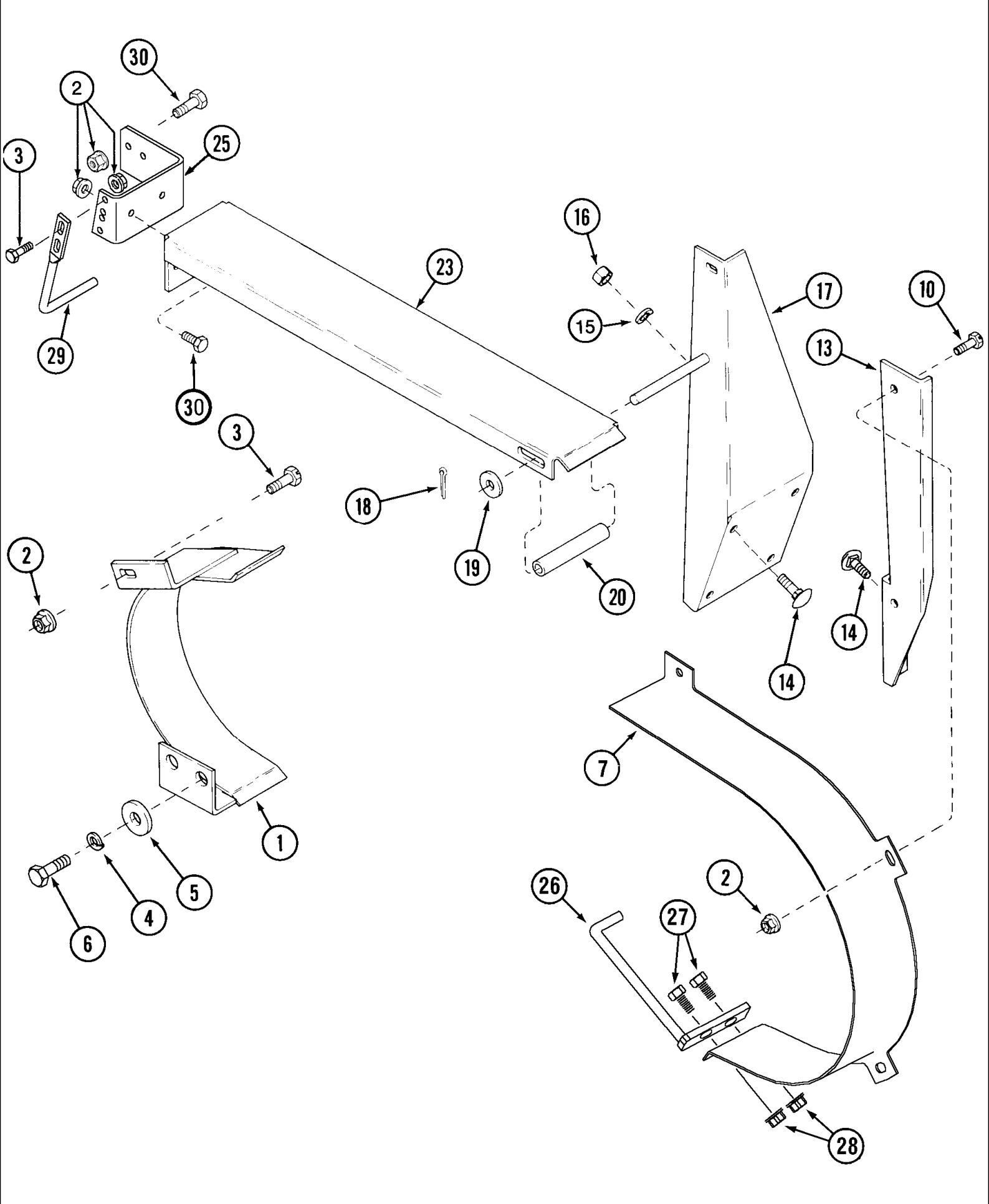
09A-02 BELT DRIVE - RIGHT-HAND SIDE

сылка	Номер детали	Кол-во	Описание
1	193447C91	1	ARM, Idler, Includes 2
2	556448R1	2	BUSHING,
3	413-1048	1	BOLT, Hex, 5/8"-11 x 3", G5,
4	495-11066	3	WASHER, 5/8", SAE,
5	492-11062	2	WASHER, LOCK, 5/8",
6	425-1010	1	NUT, 5/8"-11, G5,
7	495-11053	4	WASHER, 1/2", SAE,
8	86996213	1	PULLEY, 186 mm (7-5/16"), Elevator Drive
9	115160A1	1	ROD,
10	432-1216	1	PIN, SPLIT (COTTER), 3/16" x 1",
11	413-620	1	BOLT, Hex, 3/8"-16 x 1 1/4", G5, Full Thd,
12	492-11038	1	WASHER, LOCK, 3/8",
14	1994931C1	1	TUBE,
15	155311C1	1	SPRING,
16	495-81162	2	WASHER, 17/32" x 1 1/2" x .179",
17	425-108	2	NUT, 1/2"-13, G5,
18	186588C3	1	CHANNEL,
19	409-7624	1	BOLT, Hex Flg, 3/8"-16 x 1 1/2", Serr,
19	477-73820	1	SCREW, Sltd Serr Truss Hd, 3/8"-16 x 1 1/4",
20	231-5146	2	NUT, Flg, USR, 3/8"-16,
21	409-7612	1	BOLT, Hex Flg, 3/8"-16 x 3/4", Serr,
22	231-5146	1	NUT, Flg, USR, 3/8"-16,
23	425-1012	2	NUT, 3/4"-10, G5,
24	493-41078	1	WASHER, LOCK, Ext Tooth, 3/4",
25	495-11081	1	WASHER, 3/4", SAE,
26	1327538C1	1	STUD,
27	495-11081	2	WASHER, 3/4", SAE,
28	219-87	1	NIPPLE, LUBE, 1/4"-28 x .56" lg, Self-Tap,
29	1327619C1	2	SUPPORT,
31	409-7624	1	BOLT, Hex Flg, 3/8"-16 x 1 1/2", Serr,
32	231-5146	3	NUT, Flg, USR, 3/8"-16,
34	295918A1	1	PULLEY, Cleaning Unit, Includes 35
35	104235	24	RIVET, FH, 3/16" x 1/2",
36	413-620	3	BOLT, Hex, 3/8"-16 x 1 1/4", G5, Full Thd,
37	495-11041	3	WASHER, 3/8", SAE,
38	492-11038	3	WASHER, LOCK, 3/8",
39	231-4116	3	NUT, LOCK, 3/8"-16, GB,
40	193948C1	1	PULLEY, 9-3/4" OD, Cleaning Unit, Includes 41, See Figure 09C-06
41	47-49	16	RIVET, FH, 1/4" x 9/16",
42	413-620	3	BOLT, Hex, 3/8"-16 x 1 1/4", G5, Full Thd,
43	492-11038	3	WASHER, LOCK, 3/8",
44	495-81137	3	WASHER, 13/32" x 1" x .224",
45	195161C1	1	PULLEY, 8-3/8" OD, Beater, See Figure 09C-01
46	359099A1	1	PULLEY, Shaker Shaft, See Figure 09B-21
47	413-516	8	BOLT, Hex, 5/16"-18 x 1", G5, Full Thd,

09A-02 BELT DRIVE - RIGHT-HAND SIDE

сылка	Номер детали	Кол-во	Описание
48	492-11031	12	WASHER, LOCK, 5/16",
49	425-105	4	NUT, 5/16"-18, G5,
51	186509C2	1	BELT, 255" ov cntr, Without Straw Chopper
52	181055C1	1	BELT, 201" ov cntr, With Straw Chopper
53	188253C3	1	SUPPORT, Fixed Idler
54	409-7616	3	BOLT, Hex Flg, 3/8"-16 x 1", Serr,
55	231-5146	3	NUT, Flg, USR, 3/8"-16,
56	413-1040	1	BOLT, Hex, 5/8"-11 x 2 1/2", G5,
57	495-11066	3	WASHER, 5/8", SAE,
58	86996213	1	PULLEY, 186 mm (7-5/16"), Fixed Idler
59	425-1010	1	NUT, 5/8"-11, G5,
60	425-1410	1	NUT, Jam, 5/8"-11, G5,
61	1302068C2	1	GUIDE, Elevator Belt, Lower
62	409-7620	2	BOLT, Hex Flg, 3/8"-16 x 1 1/4", Serr,
63	495-81135	2	WASHER, 13/32" x 1" x .120",
64	477-73816	1	SCREW, Sltd Serr Truss Hd, 3/8" x 1",
65	495-81135	1	WASHER, 13/32" x 1" x .120",
66	231-5146	3	NUT, Flg, USR, 3/8"-16,

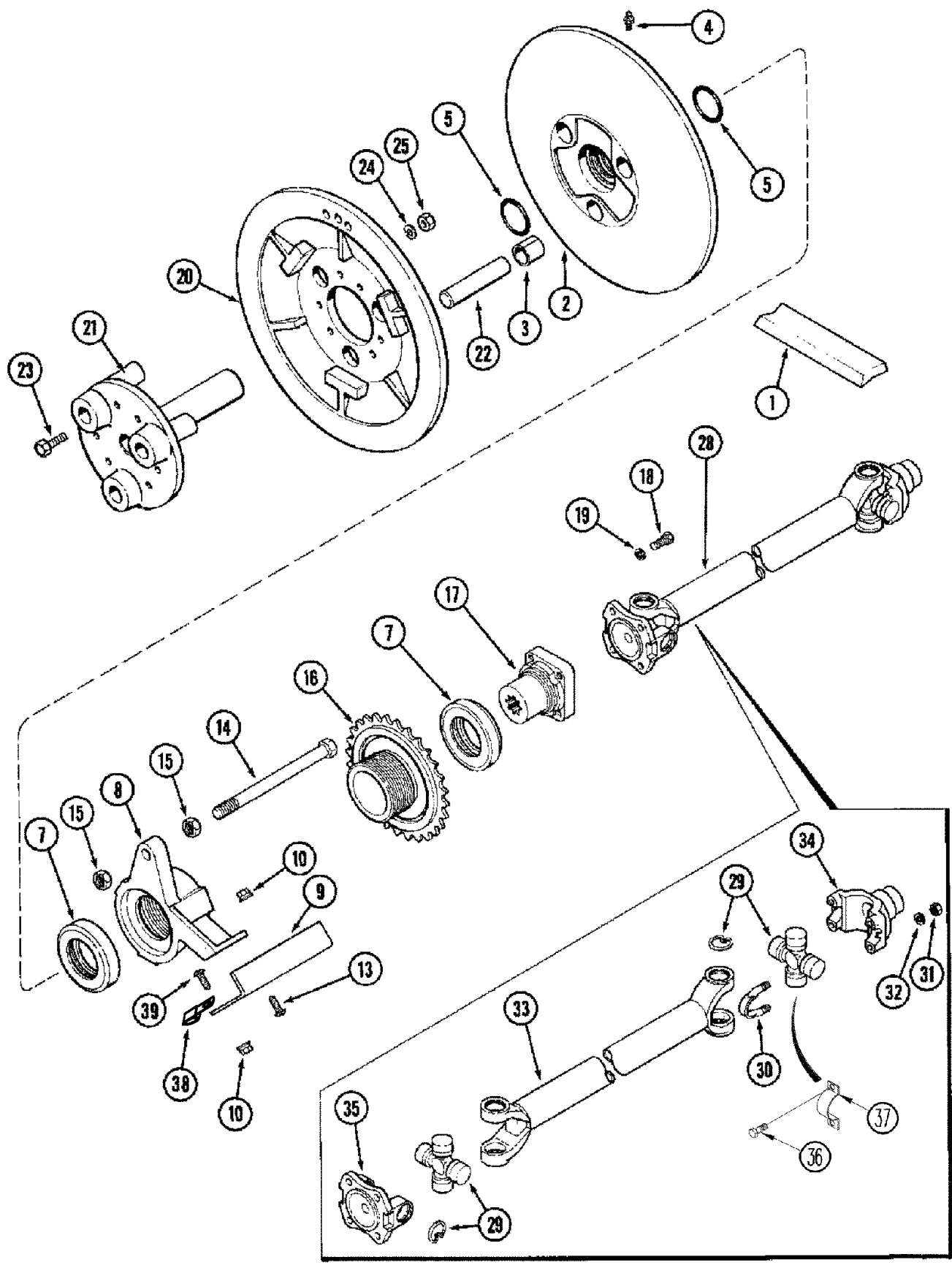
09A-03 SEPARATOR SHIELD, DRIVE



09A-03 SEPARATOR SHIELD, DRIVE

сылка	Номер детали	Кол-во	Описание
1	364357A1	1	SHIELD, Drive Pulley
2	231-5146	11	NUT, Flg, USR, 3/8"-16,
3	477-73816	3	SCREW, Sltd Serr Truss Hd, 3/8" x 1",
4	492-11038	2	WASHER, LOCK, 3/8",
5	495-81135	2	WASHER, 13/32" x 1" x .120",
6	413-616	2	BOLT, Hex, 3/8"-16 x 1", G5, Full Thd,
7	364359A2	1	SHIELD, Driven Pulley
8	131-415	2	NUT, LOCK, Push, Bolt Retainer, 3/8" x 25/32", Not Illustrated
10	413-612	4	BOLT, Hex, 3/8"-16 x 3/4", G5, Full Thd,
13	181168C1	1	SUPPORT,
14	433-820	4	BOLT, CARRIAGE, Short NK, 1/2"-13 x 1 1/4", G5,
15	80679	4	WASHER, LOCK, 1/2",
16	425-108	4	NUT, 1/2"-13, G5,
17	398584A1	1	SUPPORT,
18	432-1216	1	PIN, SPLIT (COTTER), 3/16" x 1",
19	495-11053	1	WASHER, 1/2", SAE,
20	413161A1	1	HOSE, 130 mm (5"), Cut from 526602R2
23	394513A2	1	CHANNEL,
25	394514A2	1	BRACKET,
26	293817A1	1	GUIDE,
27	477-73112	2	BOLT, Slotted Tr Hd, 5/16"-18 x 3/4",
28	425-285	2	NUT, Flg, 5/16"-18, G5,
29	394486A2	1	GUIDE,
30	477-73812	4	SCREW, Sltd Serr Truss Hd, 3/8" x 3/4",

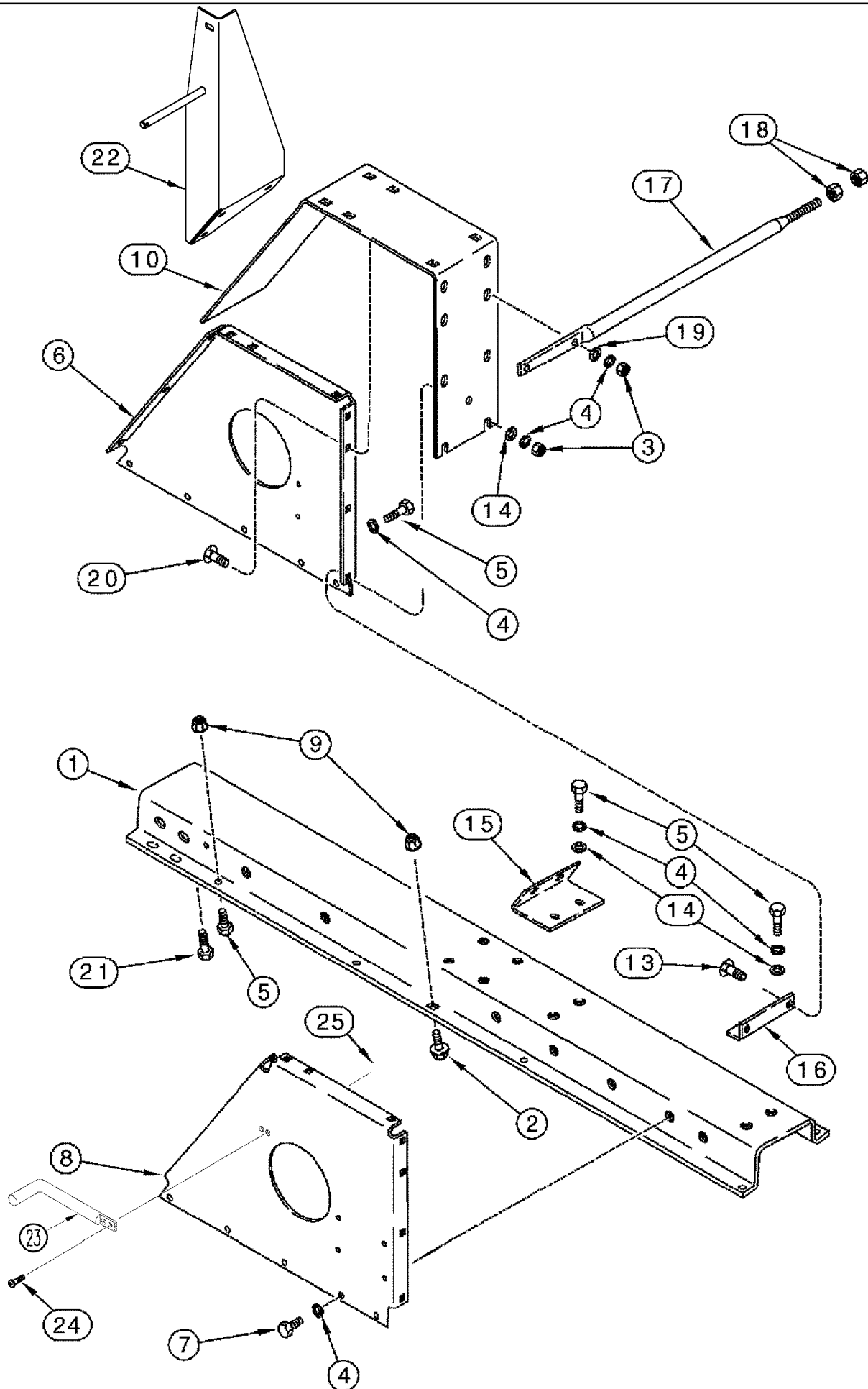
09A-04 SEPARATOR - JACKSHAFT DRIVE



09A-04 SEPARATOR - JACKSHAFT DRIVE

сылка	Номер детали	Кол-во	Описание
1	413159A1	1	BELT, Rotor Drive
2	413164A1	1	PULLEY, 20-1/2" OD, Rotor Drive Variable, Includes 3
3	87307839	3	BUSHING,
4	219-86	1	NIPPLE, LUBE, 1/8" x .62" lg, Drive,
5	238-5226	2	O-RING, -226, 70 Duro, 1.984" ID x .139" Thk,
7	278927A1	2	BEARING, THRUST,
8	194394C1	1	HUB,
9	249397A1	1	SUPPORT, Rotor Speed Limit Switch
10	231-5146	2	NUT, Flg, USR, 3/8"-16,
13	477-73816	2	SCREW, Sltd Serr Truss Hd, 3/8" x 1",
14	413-12176	1	BOLT, Hex, 3/4"-10 x 11", G5,
15	425-1412	2	NUT, Jam, 3/4"-10, G5,
16	194464C2	1	SPROCKET, 25T
17	411042A1	1	COUPLING, SPLINED,
18	426-720	4	BOLT, Hex, 7/16"-14 x 1 1/4", G8,
19	492-11044	4	WASHER, LOCK, 7/16",
20	411406A1	1	PULLEY, 20-1/2" OD, Rotor Drive, Stationary
21	411046A1	1	HUB, Includes 22
22	191544C2	3	PIN,
23	426-828	6	BOLT, Hex, 1/2"-13 x 1 3/4", G8,
24	492-21050	6	WASHER, LOCK, 1/2",
25	9803187	6	NUT, 1/2"-13, G8,
28	443298A1	1	SHAFT, DRIVE, Includes 29, 33 - 37
29	383499A1	1	SPIDER, U-JOINT, Includes (4) R13992 Snap Rings
30	1300501C1	2	U-BOLT, If Used
31	425-116	4	NUT, 3/8"-24, G5,
32	492-11038	4	WASHER, LOCK, 3/8",
33	NSS	1	NOT SERVICED SEPARATELY, Shaft
34	NSS	1	NOT SERVICED SEPARATELY, Yoke
35	S80726	1	YOKE, Flange
36	D137627	4	BOLT, 5/16"
37	D137626	2	CLAMP, Bearing
38	362120R1	1	CLAMP,
39	477-73808	1	SCREW, Sltd Serr Truss Hd, 3/8"-16 x 1/2",

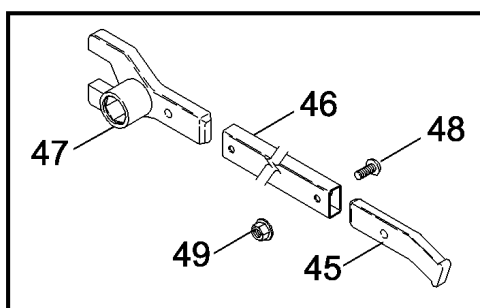
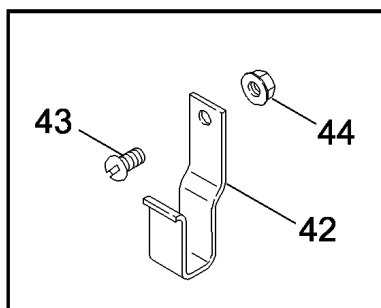
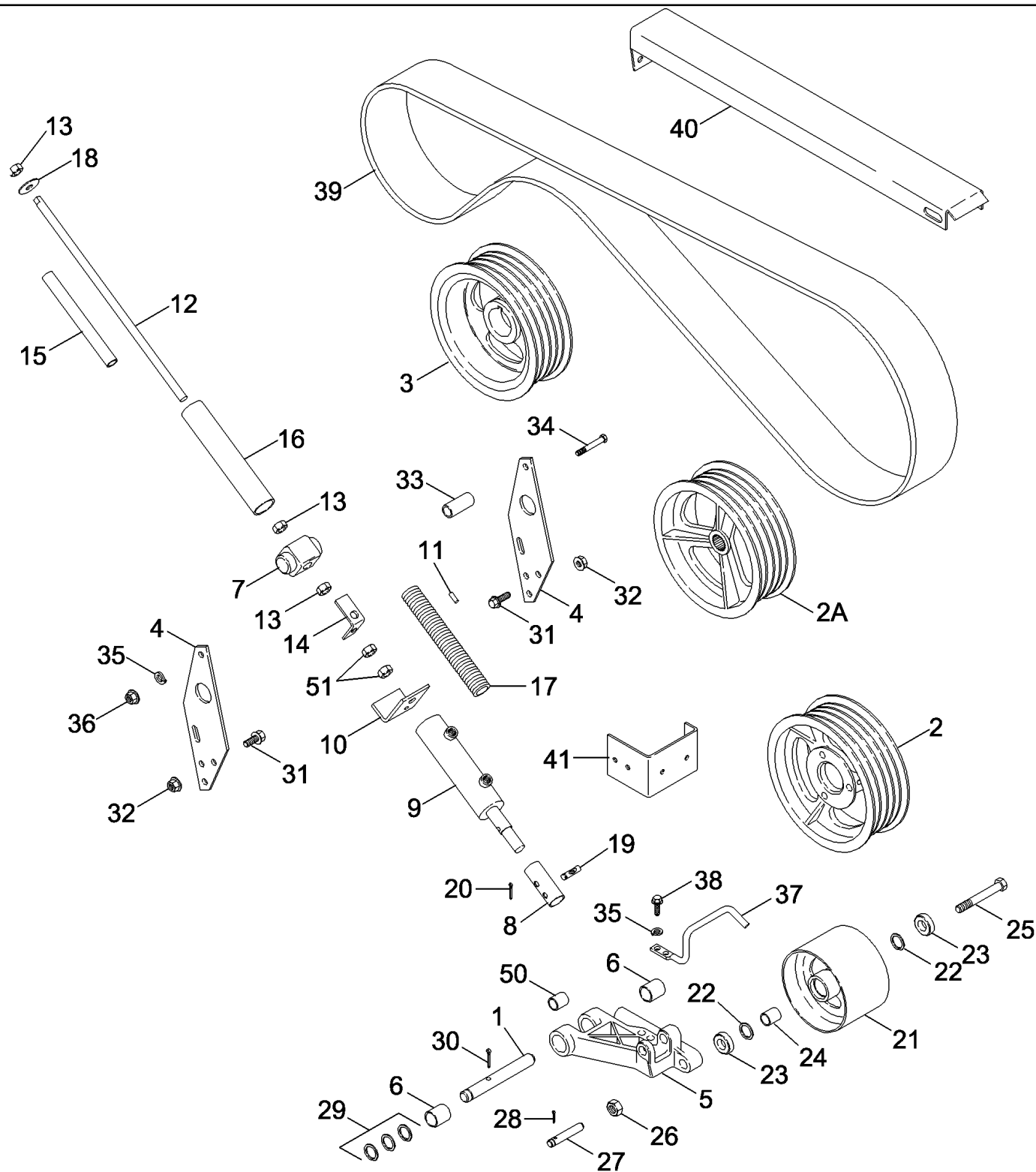
09A-05 SEPARATOR - JACKSHAFT SUPPORT



09A-05 SEPARATOR - JACKSHAFT SUPPORT

сылка	Номер детали	Кол-во	Описание
1	112454A5	1	SUPPORT, Jackshaft and Auxiliary Pump
2	409-7816	4	BOLT, Hex Flg, 1/2"-13 x 1", Serr,
3	425-108	14	NUT, 1/2"-13, G5,
4	80679	18	WASHER, LOCK, 1/2",
5	413-820	12	BOLT, Hex, 1/2"-13 x 1 1/4", G5, Full Thd,
6	181175C2	1	SUPPORT, LH
7	413-816	5	BOLT, Hex, 1/2"-13 x 1", G5, Full Thd,
8	181176C2	1	SUPPORT, RH
9	231-5148	7	NUT, Flg, USR, 1/2"-13,
10	181177C2	1	SUPPORT, Upper
13	433-820	12	BOLT, CARRIAGE, Short NK, 1/2"-13 x 1 1/4", G5,
14	495-81287	4	WASHER, 17/32" x 1 1/4" x .120",
15	181178C1	1	SUPPORT,
16	181172C1	1	SUPPORT, Rear
17	443257A1	1	ROD, THREADED, Jackshaft Support
18	425-1110	2	NUT, 5/8"-18, G5,
19	495-81287	2	WASHER, 17/32" x 1 1/4" x .120",
20	434-824	2	BOLT, CARRIAGE, Short NK, 1/2"-13 x 1 1/2", G5, Full Thd,
21	413-824	1	BOLT, Hex, 1/2"-13 x 1 1/2", G5, Full Thd,
22	398584A1	1	SUPPORT, Separator Drive Clutched
23	194901C1	1	ROD, Separator Guide
24	86508748	2	BOLT, CARRIAGE, Short NK, 3/8"-16 x 3/4", G5, Full Thd,
25	231-5146	2	NUT, Flg, USR, 3/8"-16,

09A-06 SEPARATOR DRIVE PULLEY AND IDLER



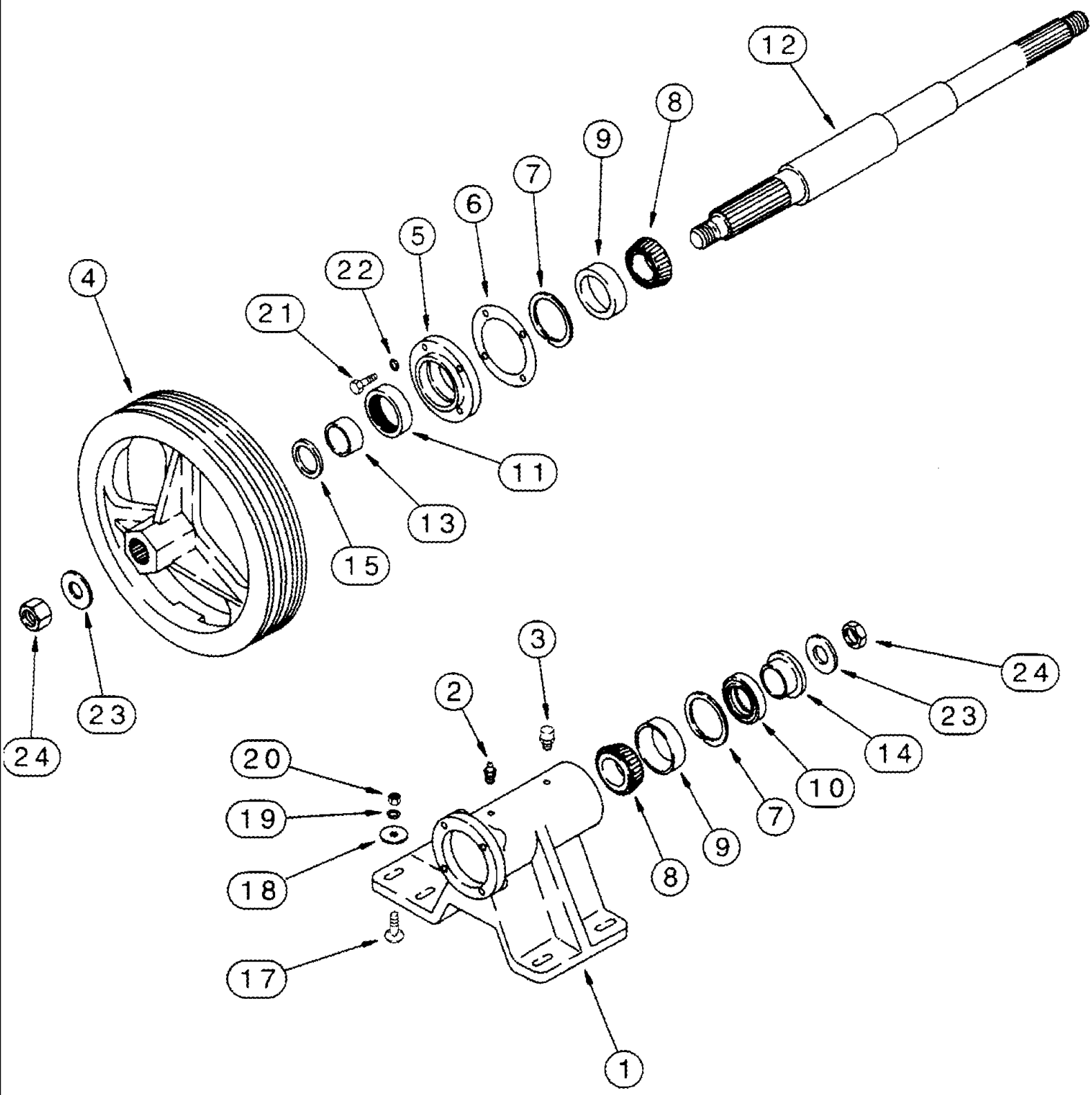
09A-06 SEPARATOR DRIVE PULLEY AND IDLER

сылка	Номер детали	Кол-во	Описание
1	362678A1	1	PIN, Pivot, IdlerArm
2	364320A2	1	PULLEY, 14-3/4" OD, Separator, Driven
2A	371748A2	1	PULLEY, 14-3/4" OD, Separator, Driven, Without Straw Chopper
3	364019A2	1	PULLEY, Separator Drive, Clutched Belt
3A	126-179	1	WOODRUFF KEY, #V, 1/2" x 2 3/4", HT, Not Illustrated
4	125380A1	2	SUPPORT, Cylinder
5	398560A1	1	ARM, Idler Pulley, Includes 6
6	391285A1	2	BUSHING,
7	186747C3	1	PIVOT, Feeder Drive Assy.
8	125381A1	1	TUBE, Reel Speed Control
9	398539A1	1	CYLINDER, Separator Clutch, See Figure 08-26, BSN HAJ0295001
9	87337232	1	CYLINDER, Separator Clutch, ASN HAJ0295001
10	186749C1	1	BRACKET,
11	38-11612	1	PIN, LOCK, 1/4" x 3/4", Slotted,
12	363446A1	1	ROD, Tension
13	425-1010	3	NUT, 5/8"-11, G5,
14	186748C1	1	BRACKET,
15	363449A2	1	TUBE,
16	363447A1	1	SLEEVE, Spring
17	363445A2	1	SPRING,
18	495-81030	1	WASHER, 21/32" x 2" x .179",
19	427-6178	1	PIN, CLEVIS, 3/8" x 1.781",
20	432-612	1	PIN, SPLIT (COTTER), 3/32" x 3/4",
21	362674A2	1	PULLEY, Separator Idler, BSN HAJ0295001
21	87323202	1	PULLEY, Separator Idler, ASN HAJ0295001
22	800-2140	2	RING, SNAP, M40, Int, , BSN HAJ0295001
22	800-2147	2	RING, SNAP, M47, Int, , ASN HAJ0295001
23	414615A1	2	BEARING, BALL, , BSN HAJ0295001
23	87306803	2	BEARING, BALL, , ASN HAJ0295001
24	362676A1	1	SPACER, , BSN HAJ0295001
24	87301564	1	SPACER, , ASN HAJ0295001
25	362675A1	1	BOLT,
26	129-347	1	NUT, Jam, 5/8"-11, G5, LH,
27	362679A1	1	PIN,
28	432-1232	1	PIN, SPLIT (COTTER), 3/16" x 2",
29	495-81073	3	WASHER, 1 1/32" x 1 3/4" x .060",
30	432-1224	3	PIN, SPLIT (COTTER), 3/16" x 1 1/2",
31	409-7620	6	BOLT, Hex Flg, 3/8"-16 x 1 1/4", Serr,
32	231-5146	6	NUT, Flg, USR, 3/8"-16,
33	196676C1	1	SPACER, Hub, Reel Spacer Control
34	413-656	1	BOLT, Hex, 3/8"-16 x 3 1/2", G5,
35	492-11038	1	WASHER, LOCK, 3/8", If Used
36	231-5146	1	NUT, Flg, USR, 3/8"-16,
37	371746A2	1	ROD, Separator Bolt Clutch
38	413-612	2	BOLT, Hex, 3/8"-16 x 3/4", G5, Full Thd,

09A-06 SEPARATOR DRIVE PULLEY AND IDLER

сылка	Номер детали	Кол-во	Описание
39	400427A1	1	BELT,
40	394513A2	1	CHANNEL, Lower Clutch Belt
41	394514A2	1	BRACKET, Drive Pulley
42	1979908C1	2	CLIP, Rocking Wrench
43	477-73112	2	BOLT, Slotted Tr Hd, 5/16"-18 x 3/4",
44	231-5145	2	NUT, Flg, USR, 5/16"-18,
45	1979751C2	1	BAR,
46	1979526C2	1	HANDLE,
47	1979527C1	1	WRENCH-HOOK,
48	477-73820	4	SCREW, Sltd Serr Truss Hd, 3/8"-16 x 1 1/4",
49	231-5146	4	NUT, Flg, USR, 3/8"-16,
50	87034740	1	SPACER, 1 Pipe x 1.181",
51	425-1410	2	NUT, Jam, 5/8"-11, G5, , ASN HAJ0295001

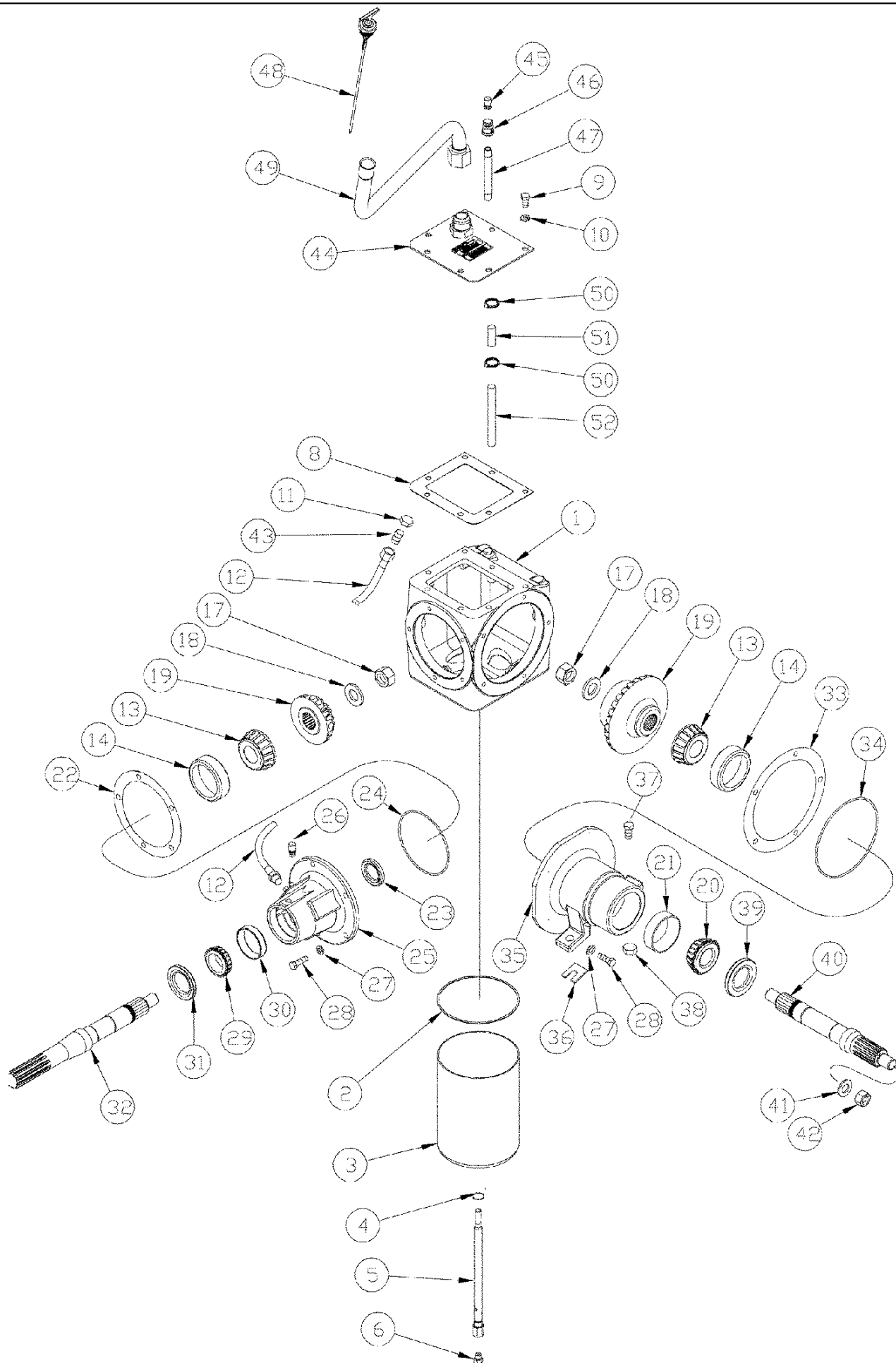
09A-07 JACKSHAFT BEARING BLOCK - FOR USE WITH DISCHARGE BEATER



09A-07 JACKSHAFT BEARING BLOCK - FOR USE WITH DISCHARGE BEATER

сылка	Номер детали	Кол-во	Описание
1	181369C1	1	HOUSING,
2	219-1	1	NIPPLE, LUBE, 1/8"-27 x .66 lg,
3	219-434	1	BREATHER, 1/8"-27 NPT, Short, w/washer,
4	371748A2	1	PULLEY, 15-5/32" OD, Driven
5	189419C1	1	HUB,
6	156229C1	5	SHIM, .005"
6	188183C1	2	SHIM, .007"
6	188184C1	2	SHIM, .010"
7	378691R1	2	RING,
	61803C91	2	BEARING, ROLLER, TAPERED, Includes 8, 9
8	61802C91	1	BEARING, CONE, 1-15/32" ID
9	61801C1	1	BEARING, CUP, 2-31/64" OD
10	188931C1	1	SEAL, Front
11	384386R91	1	SEAL, Rear
12	411044A1	1	SHAFT,
13	191518C2	1	BUSHING,
14	188930C1	1	RING,
15	162678C1	5	WASHER, 1-1/2" x 2" x 1/16"
17	433-828	6	BOLT, CARRIAGE, Short NK, 1/2"-13 x 1 3/4", G5,
18	496-41053	6	WASHER, 17/32" x 1 1/4" x 3/16",
19	80679	6	WASHER, LOCK, 1/2",
20	425-108	6	NUT, 1/2"-13, G5,
21	426-516	4	BOLT, Hex, 5/16"-18 x 1", G8, Full Thd,
22	492-11031	4	WASHER, LOCK, 5/16",
23	496-21106	2	WASHER, 1 1/16" x 2" x .209",
24	231-42116	2	NUT, LOCK, 1"-8, GB,

09A-08 FEEDER - HOUSING, DRIVE AND FAN GEAR



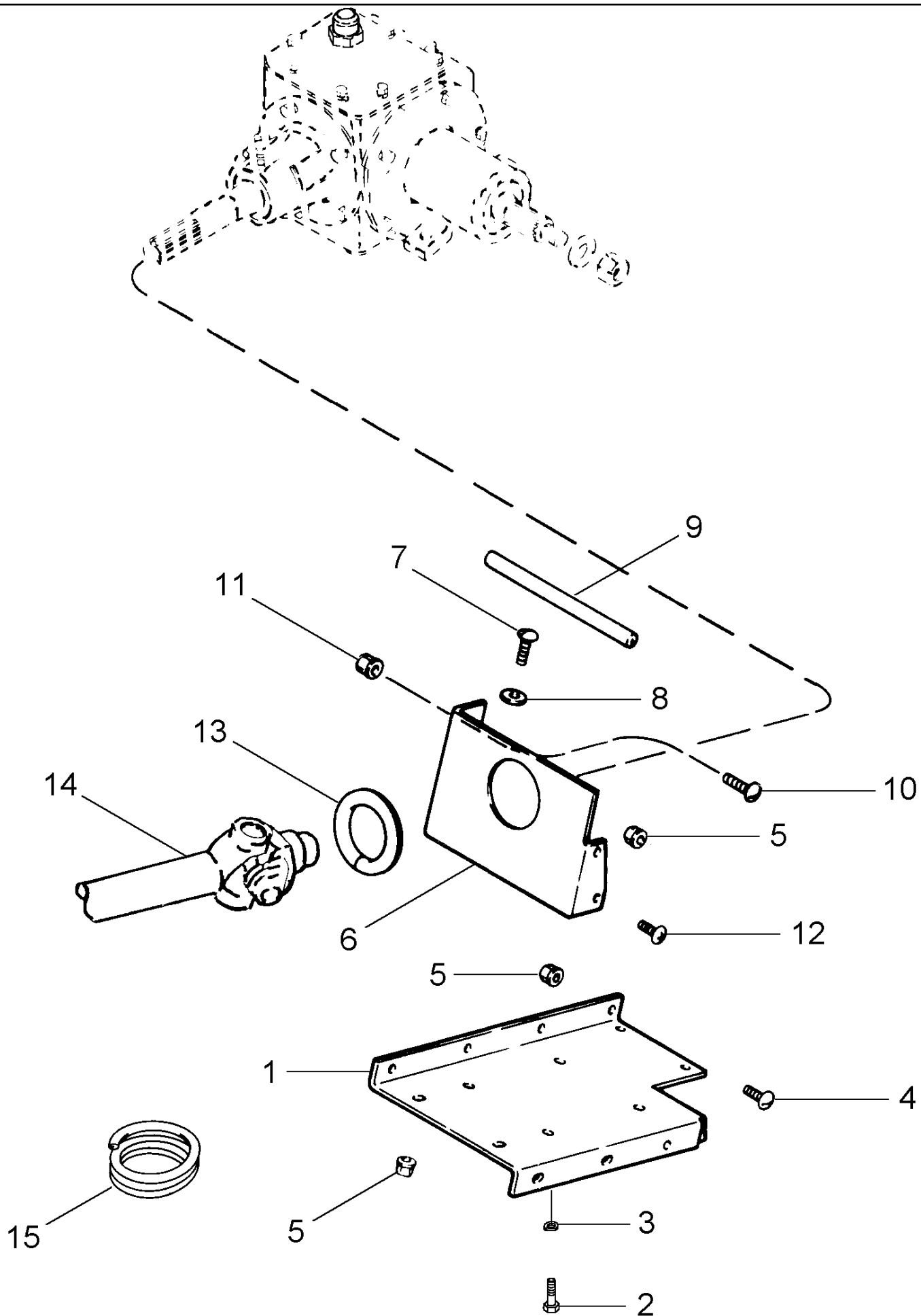
09A-08 FEEDER - HOUSING, DRIVE AND FAN GEAR

сылка	Номер детали	Кол-во	Описание
	393577A2	1	GEARBOX, Forward, Includes 1 - 10, 13, 14, 17 - 22, 23 - 35, 39, 40, 44 - 47, 51, 52
1	397128A1	1	HOUSING,
2	405462R1	1	SEAL,
3	242234A1	1	SHELL, Filter
4	238-5013	1	O-RING, -013, 70 Duro, .426" ID x .070" Thk,
5	398059A1	1	BOLT, SPECIAL,
6	9672438	1	PLUG, Hex Hd, 7/16"-20 ORB,
7	353-200	1	PLUG, 1/8"-27 NTPF (Not Illustrated)
8	191397C2	1	GASKET,
9	413-612	7	BOLT, Hex, 3/8"-16 x 3/4", G5, Full Thd,
10	492-11038	7	WASHER, LOCK, 3/8",
11	F53473	1	NUT, 1/8" PT
12	1339006C1	1	HOSE, 914 mm (36") Grease Line
13	390952A1	2	BEARING, CONE,
14	57861H	2	BEARING, CUP,
17	185413C1	2	NUT,
18	496-21094	2	WASHER, 15/16" x 1 3/4" x .179", HDN,
19	1315597C1	1	GEAR SET, 18/31T
20	197609R91	1	BEARING, CONE, 1-3/8" ID
21	197608R1	1	BEARING, CUP, 3" OD
	195484C2	1	KIT, SHIM, Includes 22
22	194548C1	AR	SHIM, .127 mm
22	194549C1	AR	SHIM, .178 mm
22	194550C1	AR	SHIM, .508 mm
23	938294R91	1	SEAL,
24	238-5250	1	O-RING, -250, 70 Duro, 4.984" ID x .139" Thk,
25	390547A1	1	HOUSING,
26	219-434	1	BREATHER, 1/8"-27 NPT, Short, w/washer,
26A	218-758	1	CAP, 37c, 1 5/16"-12, Not Illustrated
27	492-11038	10	WASHER, LOCK, 3/8",
28	413-620	10	BOLT, Hex, 3/8"-16 x 1 1/4", G5, Full Thd,
29	618023R91	1	BEARING, CONE, 1-3/8" ID
30	618024R1	1	BEARING, CUP, 2-1/2" OD
31	192527C1	1	SEAL,
32	191396C1	1	SHAFT, Input
	195485C1	1	KIT, SHIM, Includes 33
33	NSS	AR	NOT SERVICED SEPARATELY, Shim, .127 mm
33	NSS	AR	NOT SERVICED SEPARATELY, Shim, .178 mm
33	NSS	AR	NOT SERVICED SEPARATELY, Shim, .508 mm
34	238-5259	1	O-RING, -259, 70 Duro, 6.234" ID x .139" Thk,
35	390549A1	1	HOUSING,
36	935915R1	8	SHIM, .015"
37	426-824	2	BOLT, Hex, 1/2"-13 x 1 1/2", G8, Full Thd,
38	231-5148	2	NUT, Flg, USR, 1/2"-13,
39	192528C1	1	SEAL,

09A-08 FEEDER - HOUSING, DRIVE AND FAN GEAR

сылка	Номер детали	Кол-во	Описание
40	191384C2	1	SHAFT, Output
41	496-21094	1	WASHER, 15/16" x 1 3/4" x .179", HDN,
42	87301257	1	NUT, LOCK, 7/8"-14, GC,
43	219-8	1	NIPPLE, LUBE, 1/4"-28 NPT x .54" lg,
44	416615A1	1	COVER,
45	219-434	1	BREATHER, 1/8"-27 NPT, Short, w/washer,
46	221-1344	1	COUPLING, 1/4"x 1/8"
47	221-1142	1	PIPE, Nipple, 1/4" NPT x 4 1/2",
48	336513A1	1	DIPSTICK, Non-Vented
49	122113A1	1	TUBE,
50	214-3228	2	CLAMP, HOSE, 1.00/1.875 HD Worm, W/liner,
51	426559A1	1	HOSE,
52	426552A1	1	TUBE,

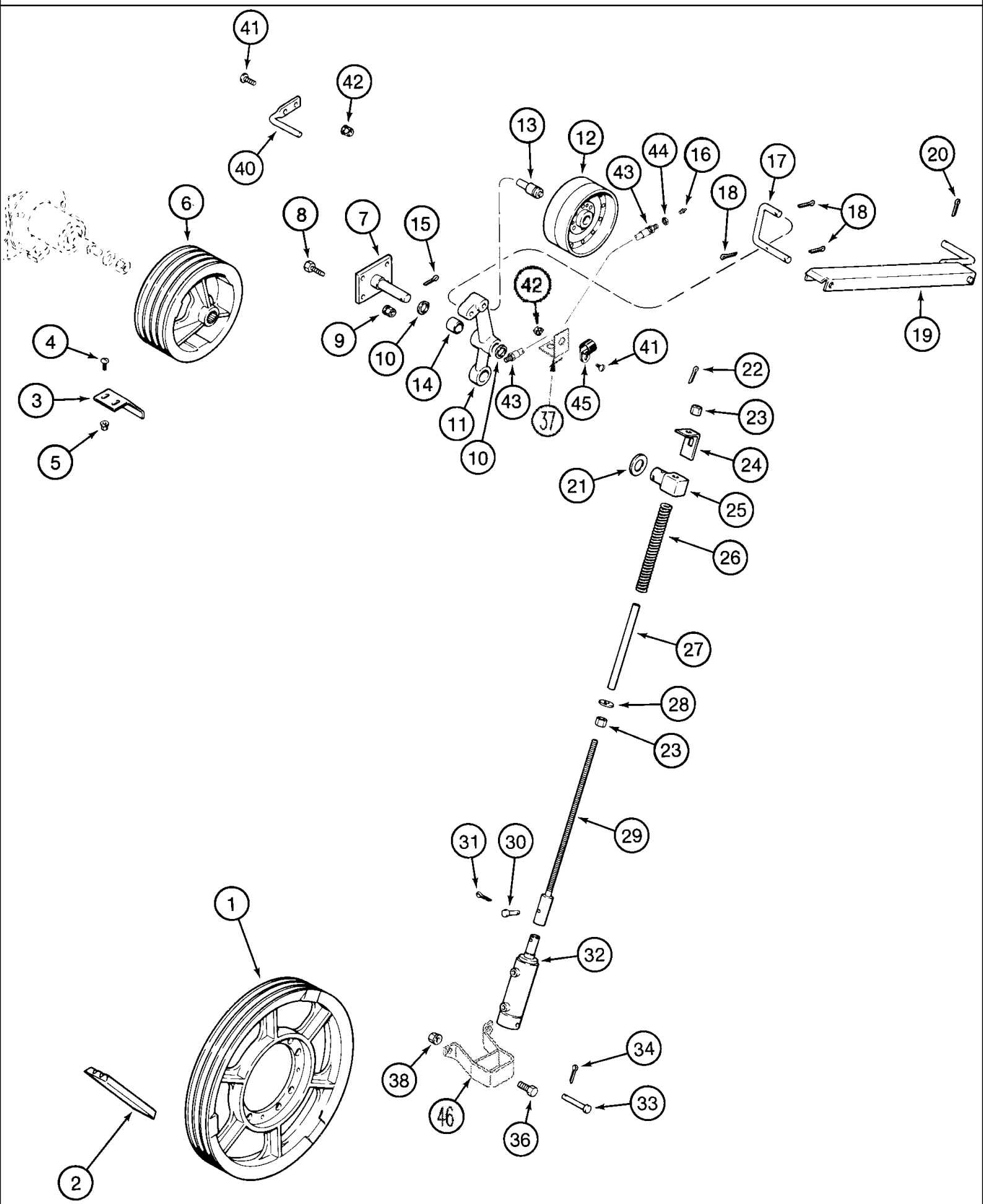
09A-09 FEEDER - MOUNTING, DRIVE AND FAN GEAR



09A-09 FEEDER - MOUNTING, DRIVE AND FAN GEAR

сылка	Номер детали	Кол-во	Описание
1	378152A1	1	SUPPORT,
2	413-816	4	BOLT, Hex, 1/2"-13 x 1", G5, Full Thd,
3	80679	4	WASHER, LOCK, 1/2",
4	477-73812	5	SCREW, Sltd Serr Truss Hd, 3/8" x 3/4",
5	231-5146	7	NUT, Flg, USR, 3/8"-16,
6	191399C2	1	SUPPORT, Rear
7	477-73812	2	SCREW, Sltd Serr Truss Hd, 3/8" x 3/4",
8	496-21053	4	WASHER, 17/32" x 1 1/16" x .134",
9	191497C1	1	STRIP, 270 mm (10-5/8")
10	477-73812	2	SCREW, Sltd Serr Truss Hd, 3/8" x 3/4",
11	231-5146	7	NUT, Flg, USR, 3/8"-16,
12	477-73812	5	SCREW, Sltd Serr Truss Hd, 3/8" x 3/4",
13	191496C1	1	STRIP, 300 mm (11-7/8")
14	443298A1	1	SHAFT, DRIVE, , See Figure 09A-04
15	191498C1	1	STRIP, 528 mm (20-13/16")

09A-10 FEEDER - DRIVE



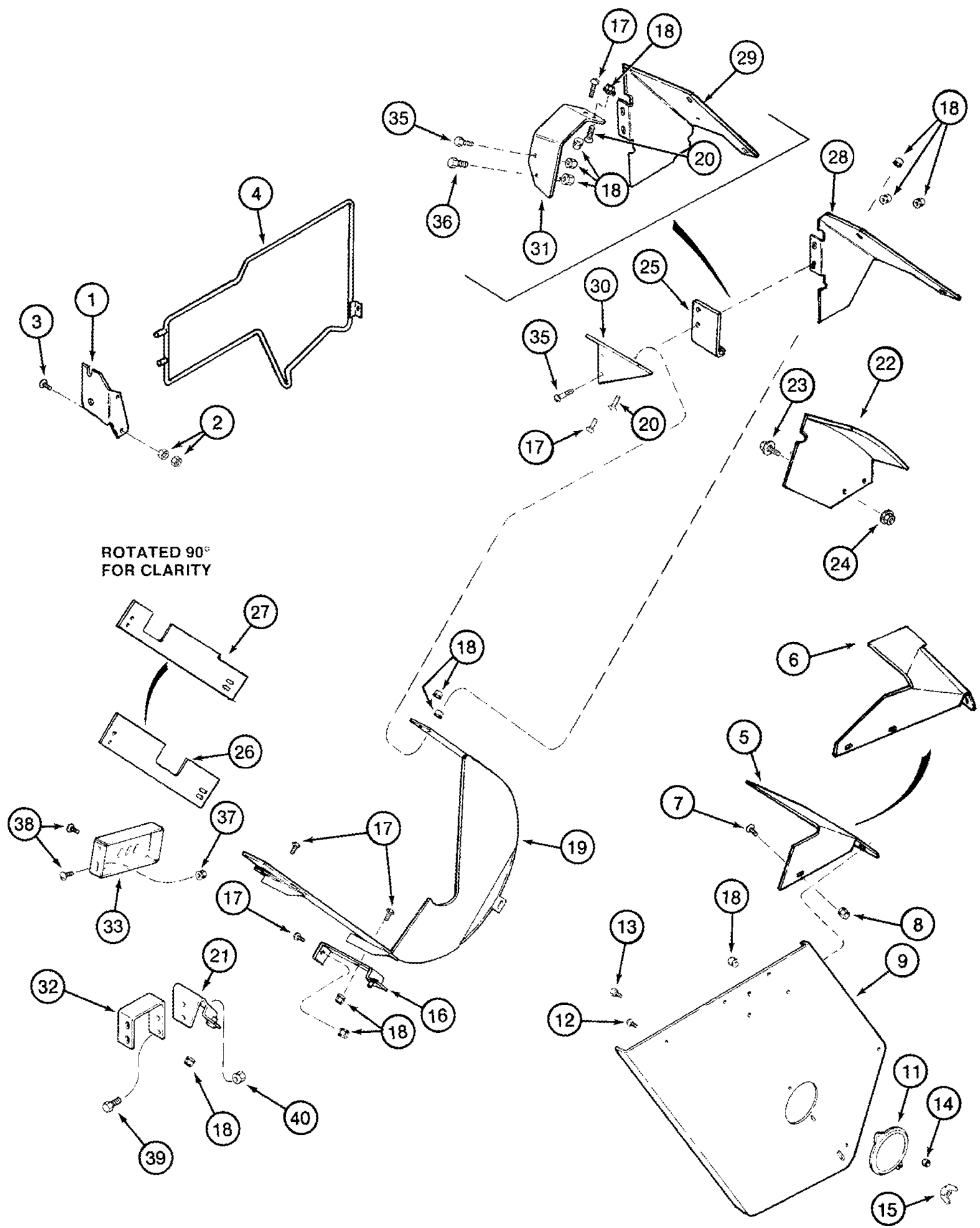
09A-10 FEEDER - DRIVE

сылка	Номер детали	Кол-во	Описание
1	396781A1	1	PULLEY, 22-9/16" OD, Driven
2	194528C2	1	BELT, 143-3/8" ov cntr, Without Power Guide Axle
2	1315074C2	1	BELT, 158-5/8" ov cntr, With Rock Trap
3	186513C1	1	SUPPORT,
4	477-73112	2	BOLT, Slotted Tr Hd, 5/16"-18 x 3/4",
5	231-5145	2	NUT, Flg, USR, 5/16"-18,
6	193999C3	1	PULLEY, 12" OD, Drive
7	185414C2	1	SUPPORT,
8	477-73816	4	SCREW, Sltd Serr Truss Hd, 3/8" x 1",
9	231-5146	4	NUT, Flg, USR, 3/8"-16,
10	495-81069	6	WASHER, 1 1/32" x 1 1/2" x .060",
	194494C93	1	ARM, Idler, Includes 11 -14
11	NSS	1	NOT SERVICED SEPARATELY, Lever
12	174757C1	1	PULLEY, 8" OD, Idler
13	86976596	1	BEARING,
14	1302308C1	2	BUSHING, 1" x 1-1/4" x 1-1/8"
15	432-1624	1	PIN, SPLIT (COTTER), 1/4" x 1 1/2",
16	219-8	1	NIPPLE, LUBE, 1/4"-28 NPT x .54" lg,
17	116032A1	1	HOOK,
18	432-1216	3	PIN, SPLIT (COTTER), 3/16" x 1",
19	116029A1	1	HOLDER, , Without Power Guide Axle
19	116030A1	1	HOLDER, , With Rock Trap
20	432-1216	1	PIN, SPLIT (COTTER), 3/16" x 1",
21	495-81225	1	WASHER, 1 17/32" x 2 1/2" x .060",
22	432-1240	1	PIN, SPLIT (COTTER), 3/16" x 2 1/2",
23	425-1010	2	NUT, 5/8"-11, G5,
24	450553A2	1	CLIP, 5/8"
25	450554A1	1	PIVOT, 5/8"
26	450555A1	1	SPRING, 5/8"
27	450551A1	1	SPACER, 5/8"
28	496-41066	2	WASHER, 21/32" x 1 1/2" x .188", HDN,
29	450556A1	1	ROD, 5/8"
30	427-6156	1	PIN, CLEVIS, 3/8" x 1 9/16",
31	432-612	1	PIN, SPLIT (COTTER), 3/32" x 3/4",
32	133405C92	1	CYLINDER, Fan Engage, 51 ID x 63 mm strk, See Figure(s) 08-29, 08-22
32A	134713A1	1	VALVE, CHECK, Check Valve
33	439-1652	1	PIN, HEADED, 3/8" x 3 1/4",
34	432-812	1	PIN, SPLIT (COTTER), 1/8" x 3/4",
36	413-816	2	BOLT, Hex, 1/2"-13 x 1", G5, Full Thd,
37	419744A1	1	BRACKET, Hose
38	231-5148	2	NUT, Flg, USR, 1/2"-13,
40	188316C1	1	ROD,
41	477-73812	2-3	SCREW, Sltd Serr Truss Hd, 3/8" x 3/4",
41	477-73816	2	SCREW, Sltd Serr Truss Hd, 3/8" x 1",
42	231-5146	3-4	NUT, Flg, USR, 3/8"-16,

09A-10 FEEDER - DRIVE

сылка	Номер детали	Кол-во	Описание
43	937781R92	1	HOSE, 686 mm (27-1/8")
44	F53473	1	NUT, 1/8" PT
45	516-23127	1	CLAMP, J, 9/16" Insul, 3/8" Bolt,
46	417407A1	1	SUPPORT,

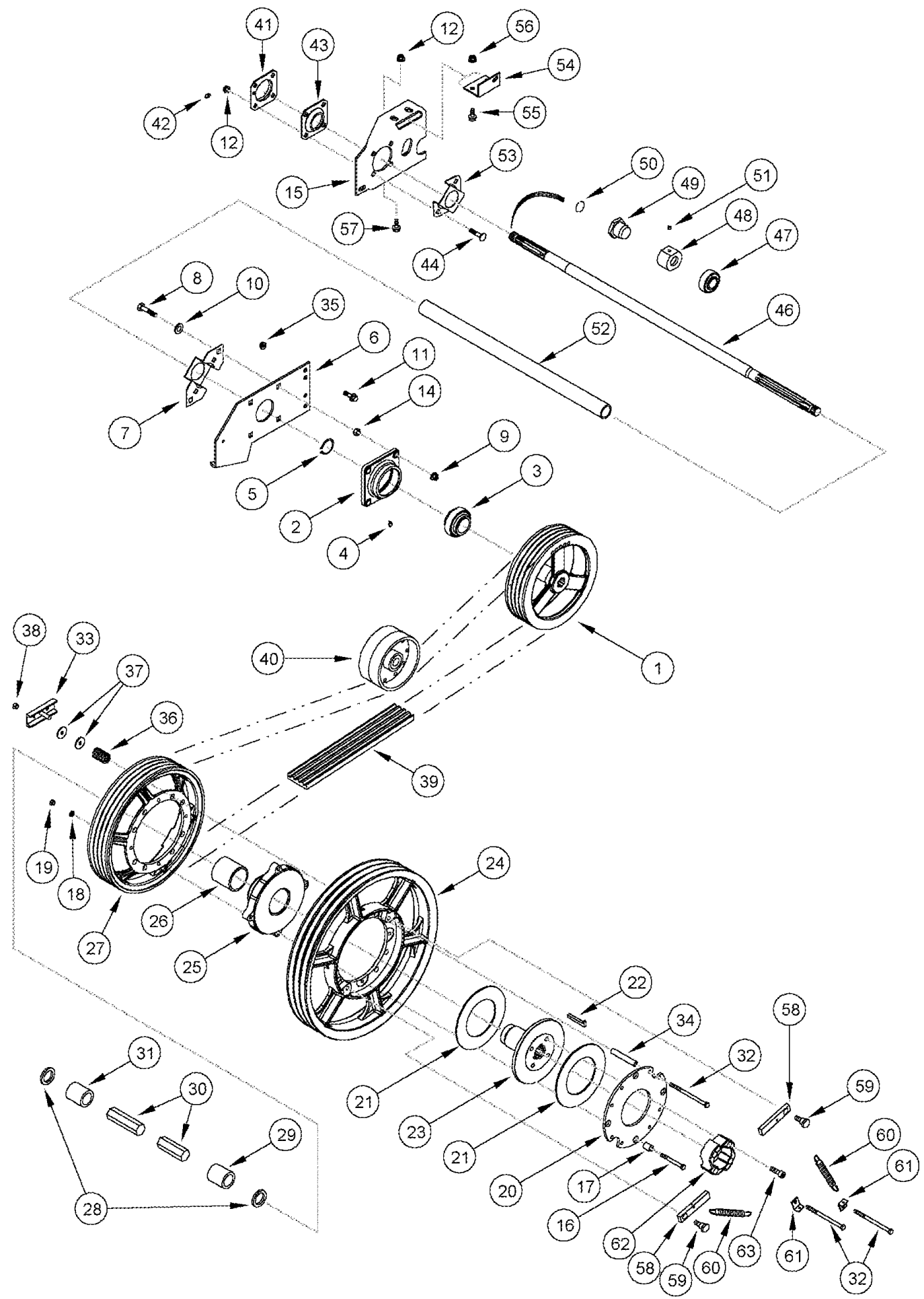
09A-11 FEEDER - SHIELDS, DRIVE



09A-11 FEEDER - SHIELDS, DRIVE

сылка	Номер детали	Кол-во	Описание
1	183740A2	1	SUPPORT,
2	231-5145	4	NUT, Flg, USR, 5/16"-18,
3	477-73116	2	SCREW, Slt'd Serr Truss Hd, 5/16"-18 x 1",
4	144102A2	1	GUARD,
5	175072A2	1	SHIELD, , Without Power Guide Axle
6	175073A3	1	SHIELD, , With Rock Trap
7	477-73812	1	SCREW, Slt'd Serr Truss Hd, 3/8" x 3/4",
8	231-5146	AR	NUT, Flg, USR, 3/8"-16,
9	194501C6	1	COVER,
11	188315C1	1	DOOR,
12	477-82508	1	SCREW, Slt'd Serr Truss Hd, 1/4"-20 x 1/2",
13	413-48	1	BOLT, Hex, 1/4"-20 x 1/2", G5, Full Thd,
14	231-1444	1	NUT, LOCK, 1/4"-20, GB,
15	129-409	1	NUT, WING, 1/4"-20,
16	135602A1	1	SUPPORT,
17	477-73812	AR	SCREW, Slt'd Serr Truss Hd, 3/8" x 3/4",
17	477-73820	AR	SCREW, Slt'd Serr Truss Hd, 3/8"-16 x 1 1/4",
17	477-73816	6	SCREW, Slt'd Serr Truss Hd, 3/8" x 1", , With Rock Trap
18	231-5146	AR	NUT, Flg, USR, 3/8"-16,
19	194499C4	1	HOUSING, , Without Rock Trap
19	1315088C4	1	HOUSING, , With Rock Trap
20	477-73820	1	SCREW, Slt'd Serr Truss Hd, 3/8"-16 x 1 1/4",
21	188288C1	1	SUPPORT,
22	175680A3	1	SHIELD,
23	409-7512	3	BOLT, Hex Flg, 5/16"-18 x 3/4", Serr,
24	231-5145	4	NUT, Flg, USR, 5/16"-18,
25	194364C2	1	HINGE, Bracket
26	133952A2	1	SHIELD, , Without Rock Trap
27	133950A1	1	SHIELD, , With Rock Trap
28	131155A4	1	COVER, , Without Rock Trap
29	131066A4	1	COVER, , With Rock Trap
30	188323C3	1	SUPPORT, , Without Rock Trap
31	1989333C3	1	SUPPORT, , With Rock Trap
32	1315084C2	1	SUPPORT, , With Rock Trap
33	1315083C1	1	SUPPORT, , With Rock Trap
35	409-7624	2	BOLT, Hex Flg, 3/8"-16 x 1 1/2", Serr,
36	409-7620	1	BOLT, Hex Flg, 3/8"-16 x 1 1/4", Serr,
37	231-5146	2	NUT, Flg, USR, 3/8"-16,
38	477-73812	5	SCREW, Slt'd Serr Truss Hd, 3/8" x 3/4", , With Rock Trap
39	413-816	2	BOLT, Hex, 1/2"-13 x 1", G5, Full Thd,
39	426-824	2	BOLT, Hex, 1/2"-13 x 1 1/2", G8, Full Thd, , With Rock Trap
40	231-5148	2	NUT, Flg, USR, 1/2"-13,
40	87301492	2	NUT, Flg, USR, 1/2"-13, G8, , With Rock Trap
41	496-21053	4	WASHER, 17/32" x 1 1/16" x .134", , With Rock Trap

09A-12 FEEDER - JACKSHAFT DRIVE



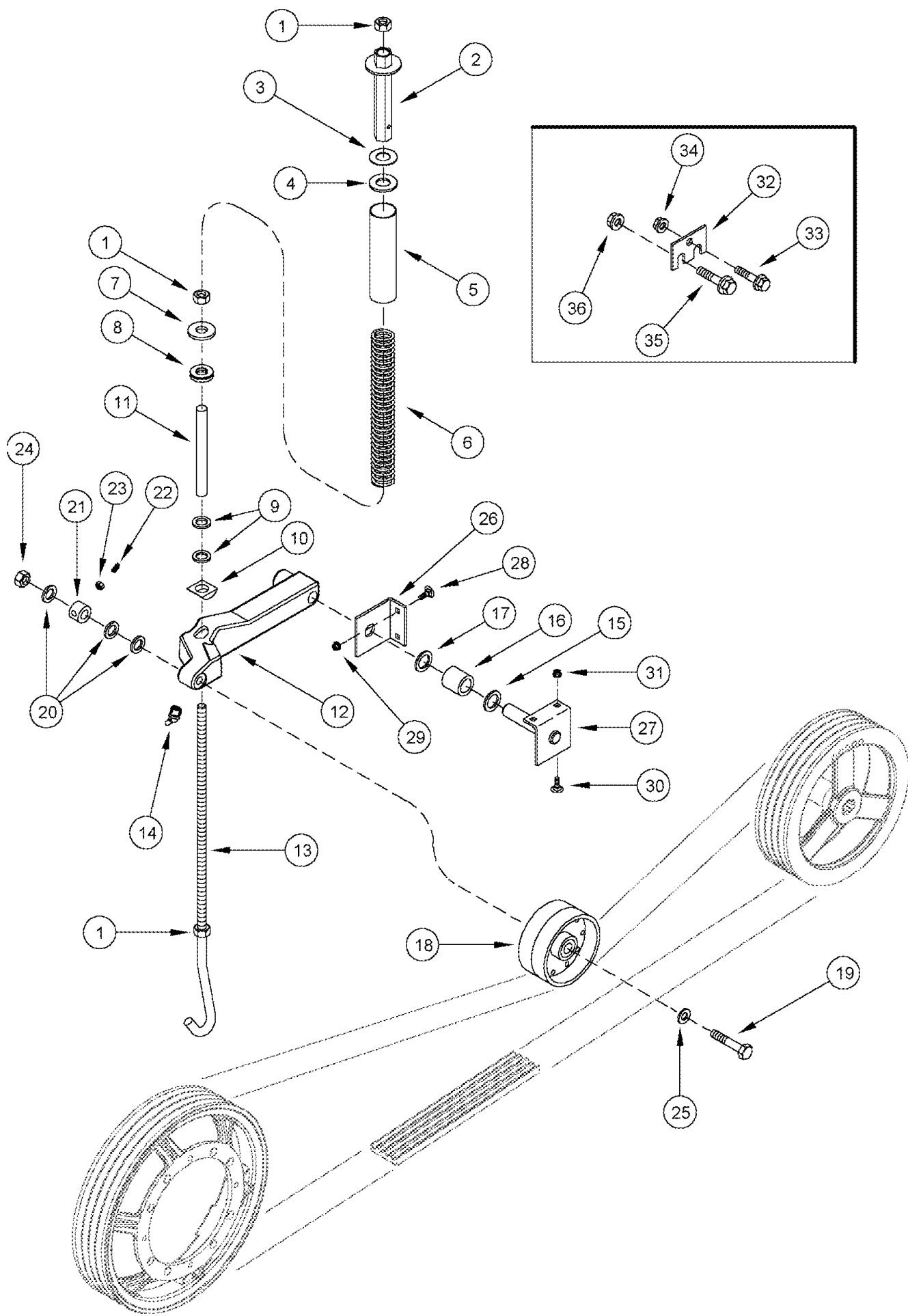
09A-12 FEEDER - JACKSHAFT DRIVE

сылка	Номер детали	Кол-во	Описание
	391085A1	1	PULLEY, Includes 1 - 5
1	388396A1	1	PULLEY,
	241929A2	1	BEARING ASSY, Includes 2 - 4
2	NSS	1	NOT SERVICED SEPARATELY, Housing
3	193282C91	1	BEARING, BALL,
4	219-40	1	NIPPLE, LUBE, 65c, 1/8" NPT x 7/8" lg,
5	100-11200	1	RING, SNAP, #200, Ext,
6	239239A2	1	SUPPORT, RH
7	240436A2	1	SUPPORT,
8	433-1036	4	BOLT, CARRIAGE, Short NK, 5/8"-11 x 2 1/4", G5,
9	231-51410	4	NUT, Flg, USR, 5/8"-11,
10	498-81010	4	WASHER, 41/64" x 1 1/2" x .105", Sq Hole,
11	477-73112	2	BOLT, Slotted Tr Hd, 5/16"-18 x 3/4",
12	231-5148	5	NUT, Flg, USR, 1/2"-13,
14	425-1410	4	NUT, Jam, 5/8"-11, G5,
15	396133A1	1	SUPPORT, LH
16	426-656	4	BOLT, Hex, 3/8"-16 x 3 1/2", G8,
17	1305375C1	4	SPACER,
18	492-11038	4	WASHER, LOCK, 3/8",
19	429-106	4	NUT, 3/8"-16, G8,
20	398550A2	1	PLATE,
21	181579C1	2	LINING,
22	Q3959	2	KEY, Gib, 3/8" Sq x 4 1/2",
23	398526A1	1	HUB,
24	396781A1	1	PULLEY, 22-9/16" OD, Driven, See Figure 09A-10
25	1305220C91	1	HUB ASSY., Includes 26
26	610435C1	1	BUSHING,
27	388395A1	1	PULLEY, 16-11/16" OD, Drive
28	495-81093	3	WASHER, 1 25/32" x 2 1/2" x .120",
29	1305393C1	1	SPACER, 2-35/64"
30	REF	1	INSTRUCTION, Shaft, Conveyor, See Figure 09A-18
31	162172C1	1	SPACER, 1-13/16" x 2-1/4" x 1-15/16"
32	1315319C1	8	BOLT, 3/8 x 6"; 8
33	1315316C1	2	SUPPORT, , With Rock Trap
34	1305370C3	8	SPACER,
35	231-5145	2	NUT, Flg, USR, 5/16"-18,
36	1305692C2	8-10	SPRING,
37	495-81143	8-16	WASHER, 13/32" x 1 1/2" x .120",
37	495-81135	8	WASHER, 13/32" x 1" x .120",
38	231-4116	8	NUT, LOCK, 3/8"-16, GB,
39	402368A1	1	BELT, , With 60" Feeder
39	402370A1	1	BELT, , With 54-1/2" Feeder
40	176579C1	1	PULLEY, 8" OD, Drive Tightener
41	87430517	1	FLANGE, Includes 42
42	219-87	1	NIPPLE, LUBE, 1/4"-28 x .56" lg, Self-Tap,

09A-12 FEEDER - JACKSHAFT DRIVE

сылка	Номер детали	Кол-во	Описание
43	86974037	1	FLANGE,
44	434-820	4	BOLT, CARRIAGE, Short NK, 1/2"-13 x 1 1/4", G5, Full Thd,
45	413-820	3	BOLT, Hex, 1/2"-13 x 1 1/4", G5, Full Thd,
	388777A1	1	SHAFT, Includes 46 - 51
46	388771A1	1	SHAFT,
47	240746A1	1	BEARING, BALL,
48	253469A1	1	COLLAR,
49	253533A1	1	HUB,
50	253462A1	1	RING, SPECIAL,
51	484-1386	1	SET SCREW, Hex Soc, 3/8"-24 x 3/8",
52	240438A2	1	TUBE, Plastic
53	388770A1	1	BRACKET,
54	396135A1	1	BRACKET,
55	87301495	2	BOLT, 5/8" x 1-1/4"; 8
56	87301493	2	NUT, Flg, USR, 5/8"-11, G8,
57	409-7820	1	BOLT, Hex Flg, 1/2"-13 x 1 1/4", Serr,
58	398547A2	2	PAWL, Ratchet
59	396073A1	2	BOLT, SPECIAL,
60	86989592	2	SPRING,
61	86988966	2	CLIP,
62	398098A1	1	RATCHET,
63	461-35024	4	SCREW, Hex Soc Hd, 1/2"-13 x 1 1/2",

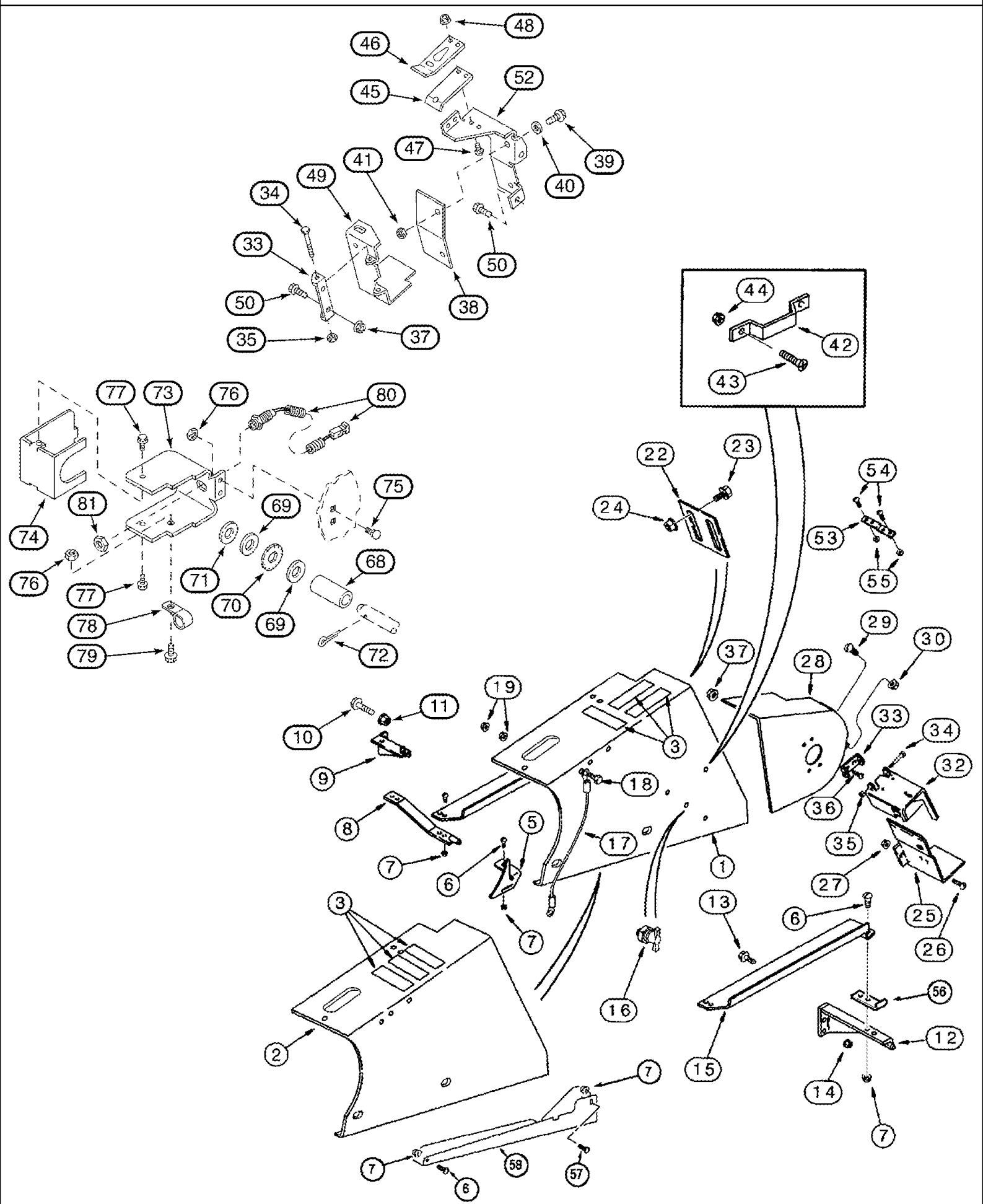
09A-13 FEEDER - JACKSHAFT IDLER PIVOT



09A-13 FEEDER - JACKSHAFT IDLER PIVOT

сылка	Номер детали	Кол-во	Описание
1	425-1010	2	NUT, 5/8"-11, G5,
1	86990149	1	NUT, 5/8"
2	86988850	1	TENSIONER, 5/8"
3	413528A1	1	WASHER, 1-1/16" x 2" x 1/16", Plastic
4	495-81191	2	WASHER, 1 5/32" x 2" x .060",
5	389973A2	1	TUBE,
6	389972A2	1	SPRING,
7	389974A1	1	WASHER, Spring Guide
8	413909A1	1	WASHER, Includes 8A, 8B
8A	416747A1	1	WASHER, Special, Spherical Upper
8B	416749A1	1	WASHER, Special, Spherical Lower
9	495-81039	2	WASHER, 25/32" x 1 1/4" x .120",
10	413984A1	1	PIVOT,
11	413513A1	1	SLEEVE,
12	411925A1	1	ARM,
	413827A1	1	HOOK, Includes 13, (1) 425-1010
13	413526A1	1	ROD, 5/8"
14	219-37	1	NIPPLE, LUBE, 45с, 1/4" NPT x .81" lg,
15	495-81069	7	WASHER, 1 1/32" x 1 1/2" x .060",
16	87036419	1	SPACER, 1" Pipe x 3/4",
17	495-81069	AR	WASHER, 1 1/32" x 1 1/2" x .060",
18	176579C1	1	PULLEY, 8" OD, Drive Tightener
19	135260A1	1	SCREW, 5/8" x 5"
20	495-11066	3	WASHER, 5/8", SAE,
21	1345410C1	1	BUSHING, 17 x 35 x 15 mm
22	485-13116	2	SET SCREW, Sq Hd, 5/16"-18 x 1",
23	425-105	2	NUT, 5/16"-18, G5,
24	232-41110	1	NUT, LOCK, 5/8"-11, GC,
25	496-41066	1	WASHER, 21/32" x 1 1/2" x .188", HDN,
26	182323C1	1	SUPPORT,
27	182322C1	1	SUPPORT,
28	434-612	4	BOLT, CARRIAGE, Short NK, 3/8"-16 x 3/4", G5, Full Thd,
29	231-5146	4	NUT, Flg, USR, 3/8"-16,
30	434-612	4	BOLT, CARRIAGE, Short NK, 3/8"-16 x 3/4", G5, Full Thd,
31	231-5146	4	NUT, Flg, USR, 3/8"-16,
32	412294A1	1	STRAP,
33	413-616	1	BOLT, Hex, 3/8"-16 x 1", G5, Full Thd,
34	425-106	1	NUT, 3/8"-16, G5,
35	409-7816	1	BOLT, Hex Flg, 1/2"-13 x 1", Serr,
36	231-5148	1	NUT, Flg, USR, 1/2"-13,

09A-14 FEEDER - SHIELDS, JACKSHAFT DRIVE



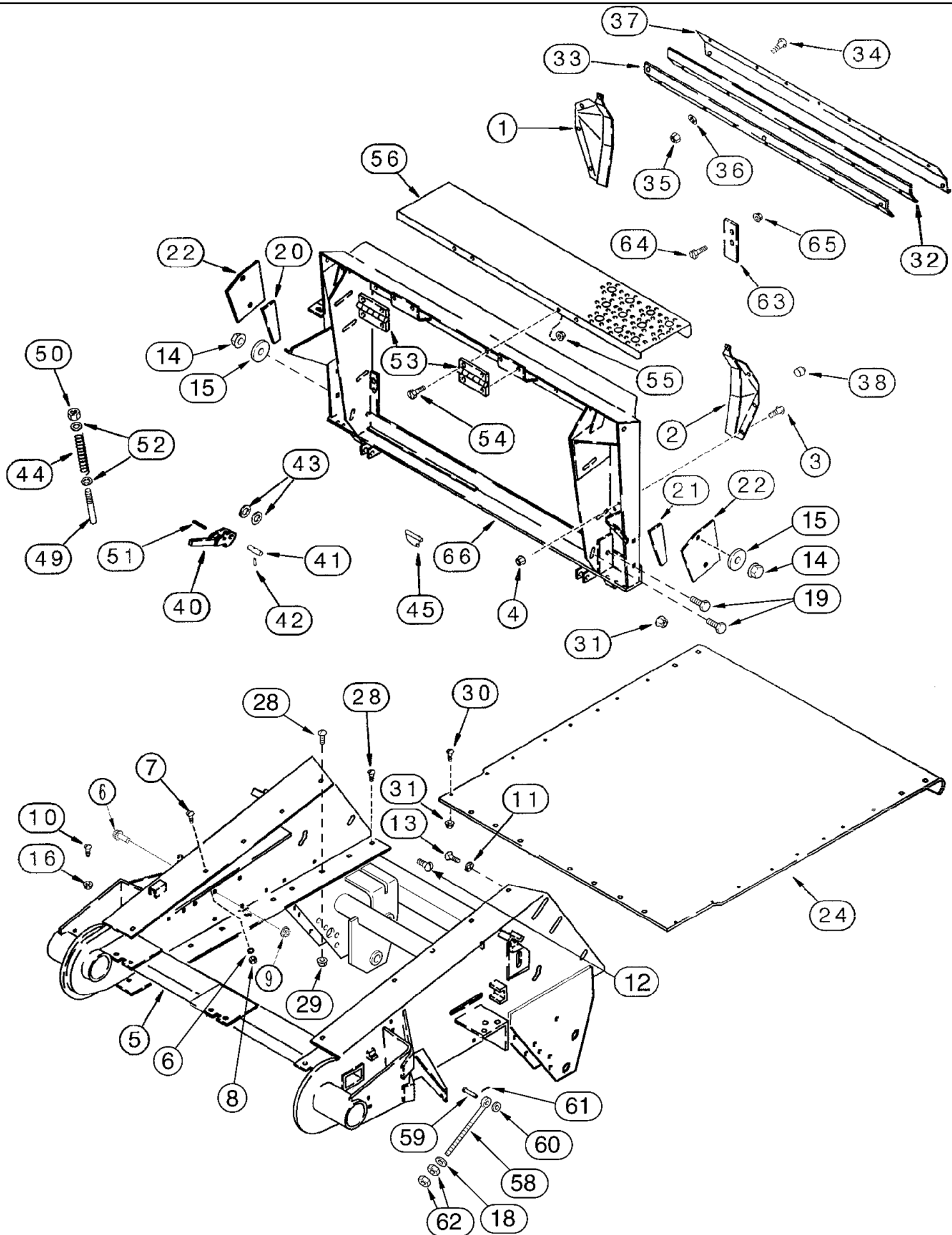
09A-14 FEEDER - SHIELDS, JACKSHAFT DRIVE

сылка	Номер детали	Кол-во	Описание
1	390383A1	1	SHIELD, Rear, Includes 3, Includes Decal, See Figure 09H-19, Ref. 4, With 60" Feeder
2	390390A1	1	SHIELD, Rear, Includes 3, Includes Decal, See Figure 09H-19, Ref. 4, With 54-1/2" Feeder
3	D55216	3	STRIP, ANTI-SKID, 2 x 9"
4	138627A1	1	COVER, Australia Only, Not Illustrated
5	186675A2	1	GUARD,
6	477-73112	6	BOLT, Slotted Tr Hd, 5/16"-18 x 3/4",
6	413-512	2	BOLT, Hex, 5/16"-18 x 3/4", G5, Full Thd,
7	231-5145	4	NUT, Flg, USR, 5/16"-18,
7	231-5345	3	NUT, LOCK, Flg, 5/16"-18,
8	1321851C2	1	SUPPORT, Lower Rear
9	1327779C1	1	SUPPORT, Upper Rear
10	434-612	2	BOLT, CARRIAGE, Short NK, 3/8"-16 x 3/4", G5, Full Thd,
11	231-5146	2	NUT, Flg, USR, 3/8"-16,
12	1321878C2	1	SUPPORT, Lower Front
13	413-524	1	BOLT, Hex, 5/16"-18 x 1 1/2", G5,
14	231-5145	2	NUT, Flg, USR, 5/16"-18,
15	139079A2	1	SUPPORT, Rear
16	138699A1	1	LOCK,
17	132657A2	1	CABLE,
18	413-416	2	BOLT, Hex, 1/4"-20 x 1", G5,
19	231-5144	4	NUT, Flg, USR, 1/4"-20,
20	138629A1	1	COVER, LH, Australia Only, Not Illustrated
21	138179A3	2	LATCH, Australia Only, Not Illustrated
22	139108A1	1	PLATE,
23	256873	2	BOLT, Hex Flg, 5/16"-18 x 1/2", Serr,
24	231-5145	2	NUT, Flg, USR, 5/16"-18,
25	129902A2	1	GUARD, RH Rear
26	477-73816	2	SCREW, Sltd Serr Truss Hd, 3/8" x 1",
27	231-5146	2	NUT, Flg, USR, 3/8"-16,
28	129707A4	1	SHIELD, Front
29	256873	2	BOLT, Hex Flg, 5/16"-18 x 1/2", Serr,
30	231-5145	2	NUT, Flg, USR, 5/16"-18,
32	129715A2	1	GUARD, RH Front
33	1345199C2	2	SUPPORT,
34	413-472	2	BOLT, Hex, 1/4"-20 x 4 1/2", G5,
35	231-4144	2	NUT, LOCK, 1/4"-20, GB,
36	477-73816	2	SCREW, Sltd Serr Truss Hd, 3/8" x 1",
37	231-5146	2	NUT, Flg, USR, 3/8"-16,
38	406610A1	1	SHIELD,
39	409-7616	2	BOLT, Hex Flg, 3/8"-16 x 1", Serr,
40	495-11041	2	WASHER, 3/8", SAE,
41	231-4116	2	NUT, LOCK, 3/8"-16, GB,
42	160638C2	1	HANDLE,
43	477-73108	2	SCREW, Sltd Serr Truss Hd, 5/16"-18 x 1/2",
44	231-5145	2	NUT, Flg, USR, 5/16"-18,

09A-14 FEEDER - SHIELDS, JACKSHAFT DRIVE

сылка	Номер детали	Кол-во	Описание
45	407153A1	1	GUIDE,
46	138179A3	1	LATCH,
47	477-73112	2	BOLT, Slotted Tr Hd, 5/16"-18 x 3/4",
48	231-5145	2	NUT, Flg, USR, 5/16"-18,
49	406609A1	1	SHIELD, LH Rear
50	409-7612	6	BOLT, Hex Flg, 3/8"-16 x 3/4", Serr,
52	406608A1	1	SHIELD, LH Front
53	1321880C1	1	SUPPORT, Front
54	477-73112	4	BOLT, Slotted Tr Hd, 5/16"-18 x 3/4",
55	231-5145	4	NUT, Flg, USR, 5/16"-18,
56	235885A1	1	SUPPORT,
57	477-73108	2	SCREW, Sltd Serr Truss Hd, 5/16"-18 x 1/2",
58	235873A1	1	SHIELD, Lower, With 54-1/2" Feeder
58	235874A1	1	SHIELD, Lower, With 60" Feeder
59	240438A2	1	TUBE, Not Illustrated, See Figure 09A-12
63	495-21044	2	WASHER, 3/8", Australia Only, Not Illustrated
64	231-4116	2	NUT, LOCK, 3/8"-16, GB, Australia Only, Not Illustrated
65	138180A1	1	COVER, Australia Only, Not Illustrated
66	248406A1	1	GUARD, Rubber, Not Illustrated
66A	256873	2	BOLT, Hex Flg, 5/16"-18 x 1/2", Serr, Not Illustrated
67	252441A1	1	RETAINER, SEAL, Not Illustrated
68	584608R1	1	SPACER, 86 mm (3-3/8")
69	495-81093	7	WASHER, 1 25/32" x 2 1/2" x .120",
70	390532A1	1	PLATE, Transducer, 20T, Without Power Guide Axle
71	495-81093	1	WASHER, 1 25/32" x 2 1/2" x .120",
72	432-2440	1	PIN, SPLIT (COTTER), 3/8" x 2 1/2",
73	392857A2	1	BRACKET, , Without Power Guide Axle
74	392858A2	1	SHIELD, , Without Power Guide Axle
75	434-512	2	BOLT, CARRIAGE, Short NK, 5/16"-18 x 3/4", G5, Full Thd,
76	231-5145	4	NUT, Flg, USR, 5/16"-18,
77	281-1478	2	SCREW, SELF TAP, Hex Wash Hd, 1/4" x 1/2",
78	515-2395	1	CLAMP, 3/8", Insul, 3/8" Bolt,
79	409-7512	2	BOLT, Hex Flg, 5/16"-18 x 3/4", Serr,
80	REF	1	INSTRUCTION, Sensor, Feeder Speed, See Figure 04-01, Ref. 6
81	425-1512	1	NUT, Jam, 3/4"-10, G5,

09A-15 FEEDER - HOUSING AND ADAPTER



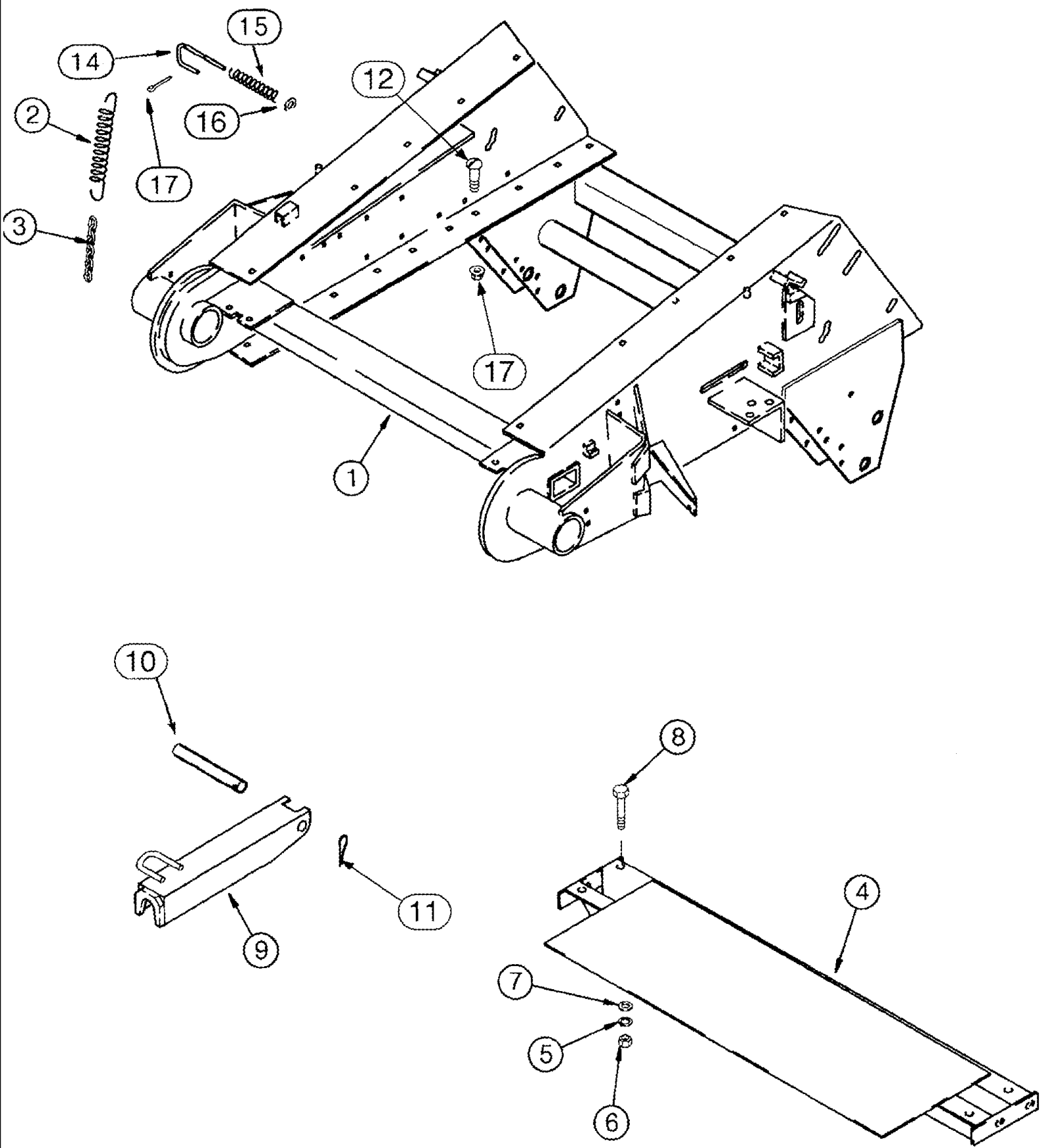
09A-15 FEEDER - HOUSING AND ADAPTER

сылка	Номер детали	Кол-во	Описание
1	184853C1	1	DEFLECTOR, LH Front
2	184854C1	1	DEFLECTOR, RH Front
3	477-73112	6	BOLT, Slotted Tr Hd, 5/16"-18 x 3/4",
4	231-5145	8	NUT, Flg, USR, 5/16"-18,
5	400722A3	1	FEEDER, , Includes Decals 144379A1, See Figure 09H-19, Ref. 4; 144385A1, Ref. 9, With 54-1/2" Feeder
5	400723A3	1	FEEDER, , With 60" Feeder, Includes Decals 144379A1, See Figure 09H-19, Ref. 4; 144385A1, Ref. 9
6	409-7812	2	BOLT, Hex Flg, 1/2"-13 x 3/4", Serr,
7	434-616	2	BOLT, CARRIAGE, Short NK, 3/8"-16 x 1", G5, Full Thd,
8	425-106	2	NUT, 3/8"-16, G5,
9	231-5148	2	NUT, Flg, USR, 1/2"-13,
10	434-612	3	BOLT, CARRIAGE, Short NK, 3/8"-16 x 3/4", G5, Full Thd,
11	498-81010	6	WASHER, 41/64" x 1 1/2" x .105", Sq Hole,
12	433-1028	2	BOLT, CARRIAGE, Short NK, 5/8"-11 x 1 3/4", G5,
13	416-1036	6	BOLT, CARRIAGE, Short NK, 5/8"-11 x 2 1/4", G8,
14	400025A1	6	NUT, 5/8"; 8
15	145678C3	6	WASHER, 17 mm
16	231-5146	3	NUT, Flg, USR, 3/8"-16,
18	496-41053	2	WASHER, 17/32" x 1 1/4" x 3/16",
19	413-828	4	BOLT, Hex, 1/2"-13 x 1 3/4", G5,
20	1327752C1	1	SEAL, Side, LH
21	1327753C1	1	SEAL, Side, RH
22	1327737C2	2	PLATE, Side
24	1324572C2	1	PANEL, Lower, With 54-1/2" Feeder
24	1345455C1	1	PANEL, Lower, Perforated, With 54-1/2" Feeder
24	1324574C2	1	PANEL, Lower, With 60" Feeder
24	118846A1	1	BOTTOM, Lower, Perforated, With 60" Feeder
28	415-820	4	BOLT, CARRIAGE, Short NK, 1/2"-13 x 1 1/4", G8, Full Thd,
29	131-946	4	NUT, Flg, 1/2"-13, G8,
30	477-73816	16	SCREW, Sltd Serr Truss Hd, 3/8" x 1",
31	425-286	16	NUT, Flg, 3/8"-16, G5,
32	109254A1	1	PLATE,
33	1319473C1	1	COVER, Upper
34	409-7516	5	BOLT, Hex Flg, 5/16"-18 x 1", Serr,
35	232-4115	5	NUT, LOCK, 5/16"-18, GC,
35	231-4115	7	NUT, LOCK, 5/16"-18, GB,
36	495-11041	5	WASHER, 3/8", SAE,
36	495-81116	7	WASHER, .344" x 1" x .060",
37	1319475C1	1	COVER, Adapter
38	1321640C1	2	GROMMET, Cover
40	179024C1	2	HINGE,
41	177141C1	2	PIN,
42	438-11616	2	PIN, LOCK, 1/4" x 1", Slotted,
43	495-81175	4	WASHER, 21/32" x 1" x .120",
44	367833R1	2	SPRING,

09A-15 FEEDER - HOUSING AND ADAPTER

сылка	Номер детали	Кол-во	Описание
45	1338021C1	2	PIN,
49	177138C1	2	ROD,
50	231-1445	2	NUT, LOCK, 5/16"-18, GB,
51	38-1816	2	PIN, LOCK, 1/8" x 1", Slotted,
52	495-11034	4	WASHER, 5/16", SAE,
54	477-73812	22	SCREW, Sltd Serr Truss Hd, 3/8" x 3/4",
55	231-5146	25	NUT, Flg, USR, 3/8"-16,
56	140768A4	1	STEP,
58	1321735C3	2	EYEBOLT,
59	439-5836	2	PIN, HEADED, 1/2" x 2 1/4",
60	496-41053	2	WASHER, 17/32" x 1 1/4" x 3/16",
61	432-1216	2	PIN, SPLIT (COTTER), 3/16" x 1",
62	9803187	4	NUT, 1/2"-13, G8,
63	181646C1	2	SUPPORT,
64	477-73116	4	SCREW, Sltd Serr Truss Hd, 5/16"-18 x 1",
65	231-5145	4	NUT, Flg, USR, 5/16"-18,
66	140764A4	1	ADAPTER, Feeder
67	126046A1	2	GASKET, 292 mm (11-1/2"), Cut from 196707C1, Not Illustrated

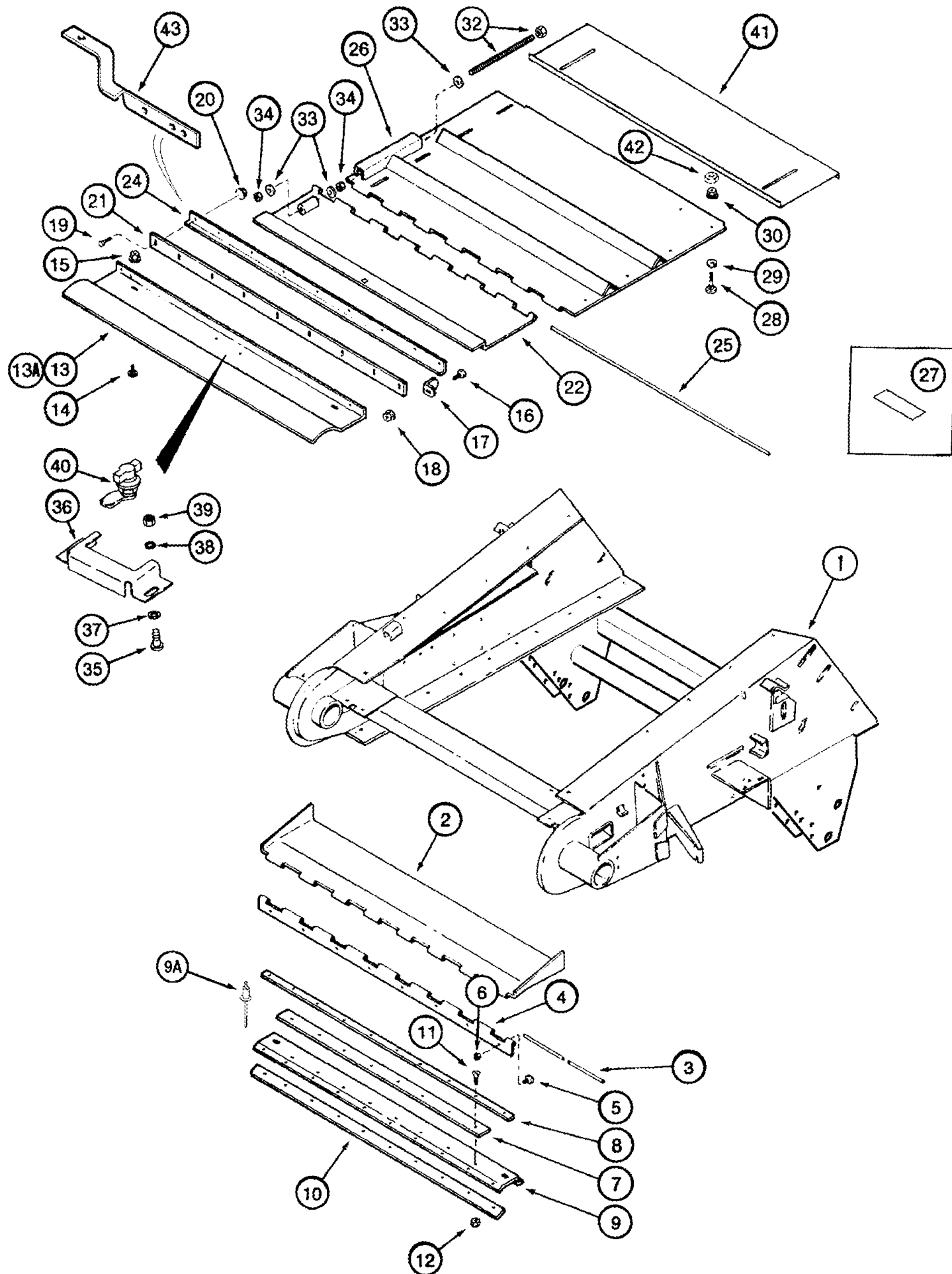
09A-16 FEEDER - SUPPORTS AND LIFT BRACKET



09A-16 FEEDER - SUPPORTS AND LIFT BRACKET

сылка	Номер детали	Кол-во	Описание
1	REF	1	INSTRUCTION, FEEDER HOUSING, See Figure 09A-15
2	635503R1	2	SPRING,
3	167570C1	2	CHAIN,
4	252123A1	1	SUPPORT,
5	80679	4	WASHER, LOCK, 1/2",
6	425-108	4	NUT, 1/2"-13, G5,
7	195-81030	4	WASHER, 17/32" x 1-1/2" x 3/16"
8	413-824	2	BOLT, Hex, 1/2"-13 x 1 1/2", G5, Full Thd,
8	413-828	2	BOLT, Hex, 1/2"-13 x 1 3/4", G5,
9	87301427	1	STAND,
10	242303A1	2	PIN, 1-1/4" x 6-1/2" (Not Illustrated)
10	403002A1	1	PIN, 1-1/4" x 10-1/4", 12 Row Ready
11	432-1632	2-4	PIN, SPLIT (COTTER), 1/4" x 2",
12	477-73820	8	SCREW, Slt'd Serr Truss Hd, 3/8"-16 x 1 1/4",
13	231-5146	8	NUT, Flg, USR, 3/8"-16,
14	243058A3	1	PIN,
15	M296	1	SPRING,
16	495-11041	1	WASHER, 3/8", SAE,
17	432-812	3	PIN, SPLIT (COTTER), 1/8" x 3/4",

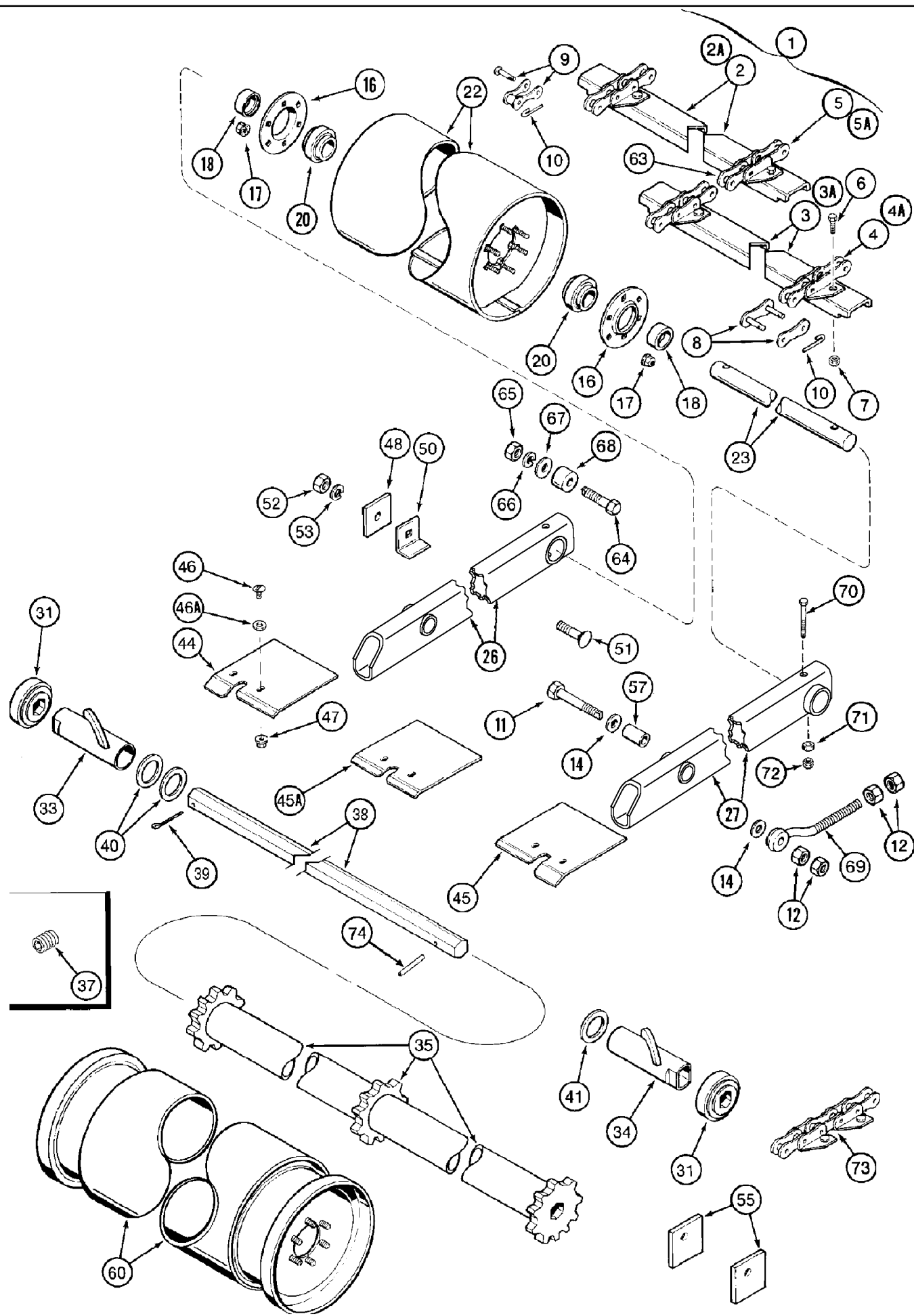
09A-17 FEEDER - COVERS



09A-17 FEEDER - COVERS

сылка	Номер детали	Кол-во	Описание
1	REF	1	INSTRUCTION, Housing, Feeder, See Figure 09A-15
2	242745A1	1	DOOR, Lower
3	175931C1	1	ROD,
4	193611C2	1	HINGE,
5	477-73816	8	SCREW, Sltd Serr Truss Hd, 3/8" x 1",
6	231-5146	8	NUT, Flg, USR, 3/8"-16,
7	1319964C1	1	STRIP,
	NSS	1	NOT SERVICED SEPARATELY, Seal Assy, Includes 8 - 10
8	197526C1	1	STRIP,
9	1319960C1	1	SUPPORT,
9A	151-559	8	RIVET, Pop, 3/16" x .700",
10	1319962C1	1	SEAL,
11	443-11012	8	SCREW, Cross Flat Hd, #10-24 x 3/4",
12	196922C1	8	NUT, No. 10
13	131022A1	1	COVER,
14	434-816	2	BOLT, CARRIAGE, Short NK, 1/2"-13 x 1", G5, Full Thd,
15	131-946	2	NUT, Flg, 1/2"-13, G8,
16	409-7416	2	BOLT, Hex Flg, 1/4"-20 x 1", Serr,
17	1322144C2	2	CLIP,
18	231-5144	2	NUT, Flg, USR, 1/4"-20,
19	409-7616	6	BOLT, Hex Flg, 3/8"-16 x 1", Serr,
20	231-5146	6	NUT, Flg, USR, 3/8"-16,
21	634248R2	1	SEAL,
22	138250A1	1	FLAP, Upper Door
24	197527C2	1	ANGLE,
25	175907C1	1	ROD,
26	186356A1	1	SHEET, Upper, Includes 27, With 54-1/2" Feeder
26	186357A1	1	SHEET, Upper, Includes 27, With 60" Feeder
27	D80270	1	STRIP, Non-Slip, 635 mm (25") x 51 mm (2")
28	415-824	8	BOLT, CARRIAGE, Short NK, 1/2"-13 x 1 1/2", G8,
29	195-81030	8	WASHER, 17/32" x 1-1/2" x 3/16"
30	131-946	8	NUT, Flg, 1/2"-13, G8,
32	1321504C1	2	SCREW,
33	496-21081	4	WASHER, 13/16" x 1 1/2" x .179", HDN,
34	425-1012	3	NUT, 3/4"-10, G5,
35	477-73812	2	SCREW, Sltd Serr Truss Hd, 3/8" x 3/4",
36	130658A1	1	SUPPORT,
37	495-11041	2	WASHER, 3/8", SAE,
38	492-11038	2	WASHER, LOCK, 3/8",
39	425-106	2	NUT, 3/8"-16, G5,
40	138699A1	1	LOCK,
41	1321639C1	1	PLATE, Upper Front
42	425-148	8-10	NUT, Jam, 1/2"-13, G5,
43	139045A2	1	SUPPORT, Feeder Hoses

09A-18 FEEDER - CONVEYOR - 3 STRAND CONVEYOR CHAIN



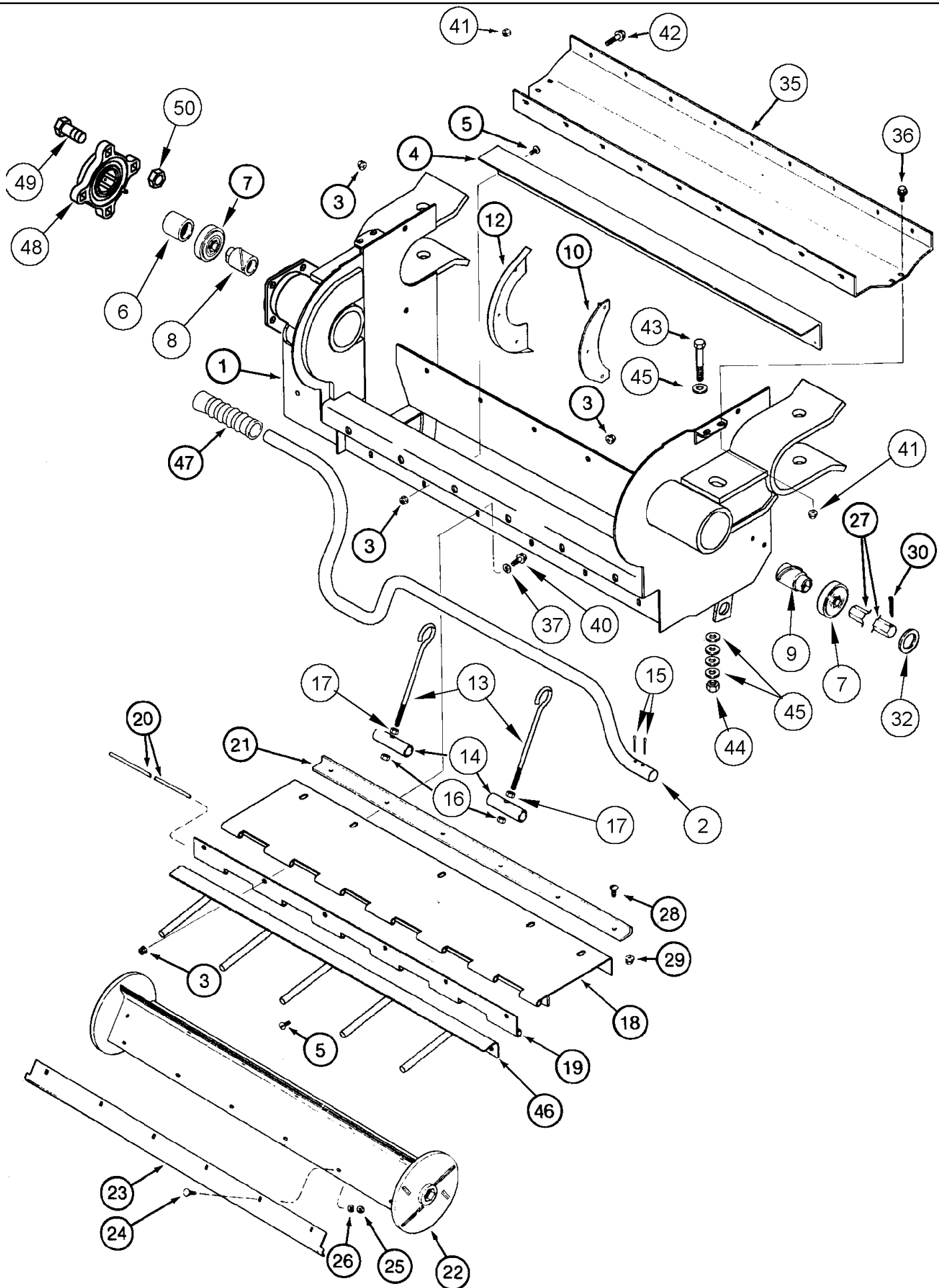
09A-18 FEEDER - CONVEYOR - 3 STRAND CONVEYOR CHAIN

сылка	Номер детали	Кол-во	Описание
1	195666A2	1	CHAIN, Feeder Assy, Serrated Slats, Includes 2A, 3A (11 ea), 4 (2), 5, 8, With 54-1/2" Feeder, Corn, Grain and Rice Combine
1	195670A2	1	CHAIN, Feeder Assy, Serrated Slats, Includes 2A, 3A (12 ea), 4A (2), 5A, 8, Corn, Grain and Rice Combine, With 60" Feeder
2	196359A2	AR	SLAT, Package, Serrated, RH, Includes (1) Slat & 6, 7 (4 ea), With 60" Feeder, With 54-1/2" Feeder
3	196360A3	AR	SLAT, Package, Serrated, LH, Includes (1) Slat & 6, 7 (4 ea), With 54-1/2" Feeder, With 60" Feeder
4	1989520C1	2	CHAIN, End, With 54-1/2" Feeder
4A	118661A1	2	CHAIN, A557, End, With 60" Feeder
5	1989519C1	1	CHAIN, Center, With 54-1/2" Feeder
5A	1989529C1	1	CHAIN, Center, With 60" Feeder
6	426-616	44-48	BOLT, Hex, 3/8"-16 x 1", G8, Full Thd,
7	1306680C1	44-48	NUT, LOCK, 3/8"
8	1324294C1	3	LINK, CONNECTING, A557
9	1324835C1	1	LINK, OFFSET, A557
10	1329837C2	2	PIN,
11	187218C2	2	SCREW, 5/8" x 4-1/2"
12	425-1010	4	NUT, 5/8"-11, G5,
14	496-41066	6	WASHER, 21/32" x 1 1/2" x .188", HDN,
16	1330461C1	4	FLANGE,
17	1306680C1	12	NUT, LOCK, 3/8"
18	557995R11	2	COLLAR,
20	619737R91	2	BEARING, BALL,
22	1957438C1	1	DRUM,
23	187208C2	1	ROD,
26	1338287C3	1	ARM, With Stone Retarder, LH
26	1319875C5	1	ARM, Without Stone Retarder, LH
27	1338288C3	1	ARM, With Stone Retarder, RH
27	1319876C5	1	ARM, Without Stone Retarder, RH
31	179665C91	2	BEARING, BALL,
33	178780C3	1	SPACER, LH
34	178781C3	1	SPACER, RH
35	87315913	1	SPROCKET ASSY.,
37	197643C1	4	SCREW,
38	389071A1	1	SHAFT, 1756 mm (69-1/8")
39	38-12440	1-2	PIN, LOCK, 3/8" x 2 1/2", Slotted, Used with 389071A1
39	402485A1	1	PIN,
40	495-81093	AR	WASHER, 1 25/32" x 2 1/2" x .120",
41	495-81092	AR	WASHER, 1 25/32" x 2 1/2" x .060",
	197233A2	1	PACKAGE, Includes 44 - 46, 47
44	1989592C1	1	SUPPORT, LH
45	1989593C1	1	SUPPORT, RH
45A	1989395C1	1	SUPPORT, Center
46	477-73812	6	SCREW, Sltd Serr Truss Hd, 3/8" x 3/4",
46A	495-81092	6	WASHER, 1 25/32" x 2 1/2" x .060",
47	231-5146	6	NUT, Flg, USR, 3/8"-16,

09A-18 FEEDER - CONVEYOR - 3 STRAND CONVEYOR CHAIN

сылка	Номер детали	Кол-во	Описание
48	187347C1	2	PLATE, , Without Stone Retarder
50	1345418C2	2	BRACKET,
51	433-1036	2	BOLT, CARRIAGE, Short NK, 5/8"-11 x 2 1/4", G5,
52	425-1010	6	NUT, 5/8"-11, G5,
53	492-11062	2	WASHER, LOCK, 5/8",
55	187225C1	2	BAR, , With Stone Retarder
57	87036417	2	SPACER, 7/8" Tube x 1 13/16",
60	196409A2	1	DRUM, , With Stone Retarder
63	1989692C1	AR	LINK, Attaching
64	189709C1	2	BOLT,
65	425-108	2	NUT, 1/2"-13, G5,
66	80679	2	WASHER, LOCK, 1/2",
67	495-81162	2	WASHER, 17/32" x 1 1/2" x .179",
68	197211C1	2	SPACER,
69	176508C1	2	BOLT,
70	426-656	2	BOLT, Hex, 3/8"-16 x 3 1/2", G8,
71	314148R1	2	SPACER, 3/8" X-Strng Pipe x .469",
72	231-1446	2	NUT, LOCK, 3/8"-16, GB,
73	305191A1	AR	LINK, Three Strand Feeder Chain, Service Repair Only
74	402485A1	1	PIN,

09A-19 ROCK TRAP



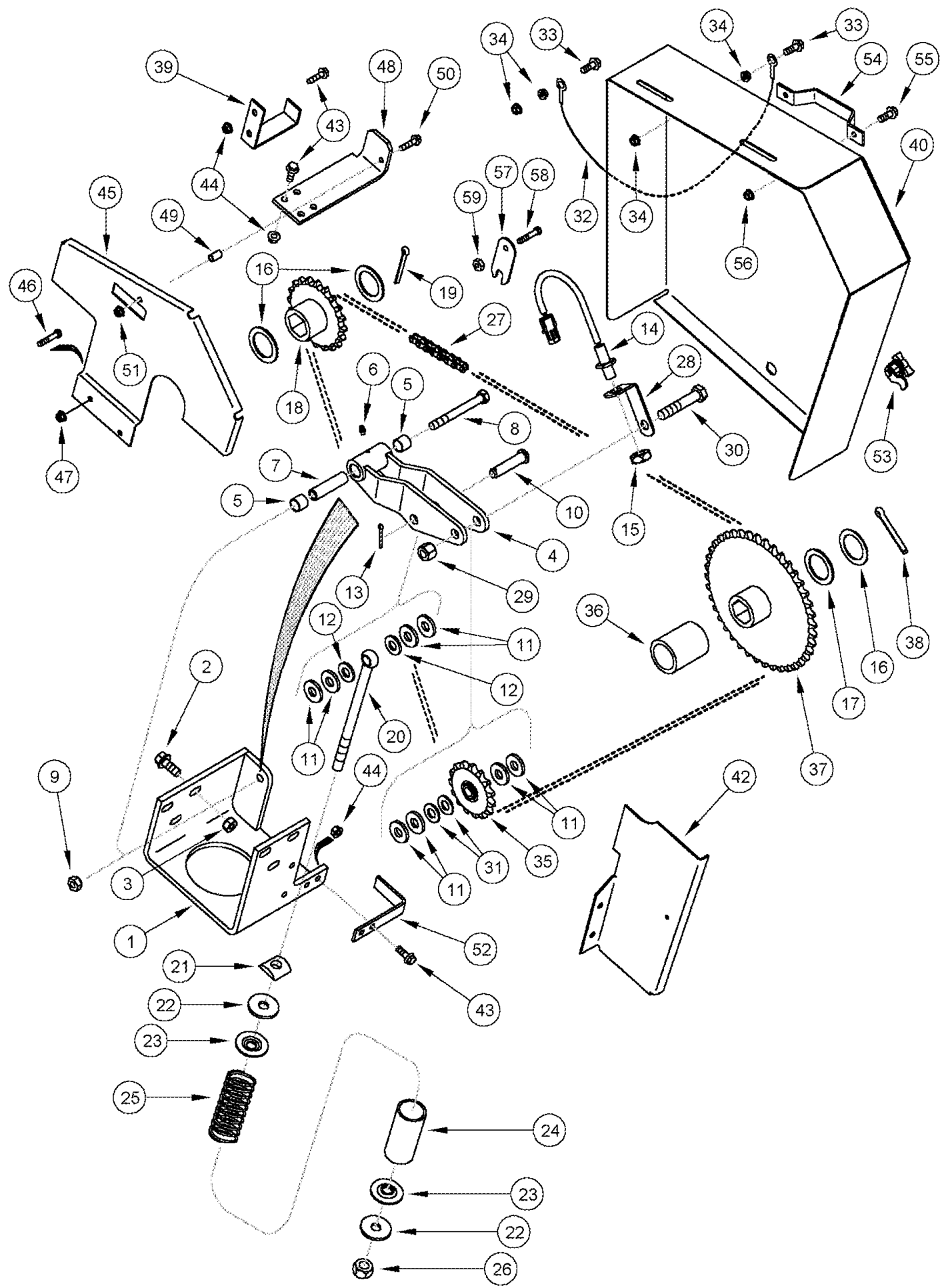
09A-19 ROCK TRAP

сылка	Номер детали	Кол-во	Описание
	389585A1	1	STONE TRAP, Rock Trap, Includes 1 - 23, 24 - 28, 30, 32, 48 - 50
1	386208A1	1	HOUSING,
2	241654A1	1	STEM, Rod Door Latch
3	231-5145	37	NUT, Flg, USR, 5/16"-18,
4	1320278C1	1	BRACKET,
5	477-73112	15	BOLT, Slotted Tr Hd, 5/16"-18 x 3/4",
6	162172C1	1	SPACER, 1-13/16" x 2-1/4" x 1-15/16"
7	179665C91	2	BEARING, BALL,
8	390631A1	1	SPACER, LH
9	390632A1	1	SPACER, RH
10	1320254C1	2	PLATE,
12	195202C1	2	SEAL,
13	131950A1	2	STEM, Rod
14	131964A1	2	TUBE, Pivot
15	432-1224	2	PIN, SPLIT (COTTER), 3/16" x 1 1/2",
16	231-4146	2	NUT, LOCK, 3/8"-16, GB,
17	425-106	2	NUT, 3/8"-16, G5,
	241643A2	1	TRAP DOOR, Includes 18 - 20
18	NSS	1	NOT SERVICED SEPARATELY, Door
19	243445A1	1	HINGE,
20	1320120C1	1	ROD,
21	1324881C1	1	ANGLE,
22	1319832C2	1	DRUM,
23	1324437C1	3	EXTENSION, Smooth
23A	1320922C2	1	BLADE, Serrated, Not Illustrated
24	434-624	18	BOLT, CARRIAGE, Short NK, 3/8"-16 x 1 1/2", G5,
25	425-106	18	NUT, 3/8"-16, G5,
26	492-11038	18	WASHER, LOCK, 3/8",
27	389022A1	1	BAR,
28	477-73812	6	SCREW, Sltd Serr Truss Hd, 3/8" x 3/4",
29	231-5146	6	NUT, Flg, USR, 3/8"-16,
30	432-2040	2	PIN, SPLIT (COTTER), 5/16" x 2 1/2",
32	495-81093	2	WASHER, 1 25/32" x 2 1/2" x .120",
35	1327926C4	1	COVER,
36	409-7616	4	BOLT, Hex Flg, 3/8"-16 x 1", Serr,
36	409-7620	6	BOLT, Hex Flg, 3/8"-16 x 1 1/4", Serr,
37	495-81135	8	WASHER, 13/32" x 1" x .120",
40	409-7516	9	BOLT, Hex Flg, 5/16"-18 x 1", Serr,
41	231-5146	30	NUT, Flg, USR, 3/8"-16,
41	1306680C1	4	NUT, LOCK, 3/8"
42	409-7612	8	BOLT, Hex Flg, 3/8"-16 x 3/4", Serr,
43	326-16128	2	BOLT, Hex, 1"-8 x 8", G8, If used
43	426-16104	2	BOLT, Hex, 1"-8 x 6 1/2", G8, If Used
44	231-42116	2	NUT, LOCK, 1"-8, GB,
45	495-11106	10	WASHER, 1", SAE,

09A-19 ROCK TRAP

сылка	Номер детали	Кол-во	Описание
46	1320776C1	1	SUPPORT,
47	283483A1	1	GRIP,
48	389588A1	1	BEARING ASSY,
49	409-7824	4	BOLT, Hex Flg, 1/2"-13 x 1 1/2", Serr,
50	231-5148	4	NUT, Flg, USR, 1/2"-13,

09A-20 ROCK TRAP DRIVE



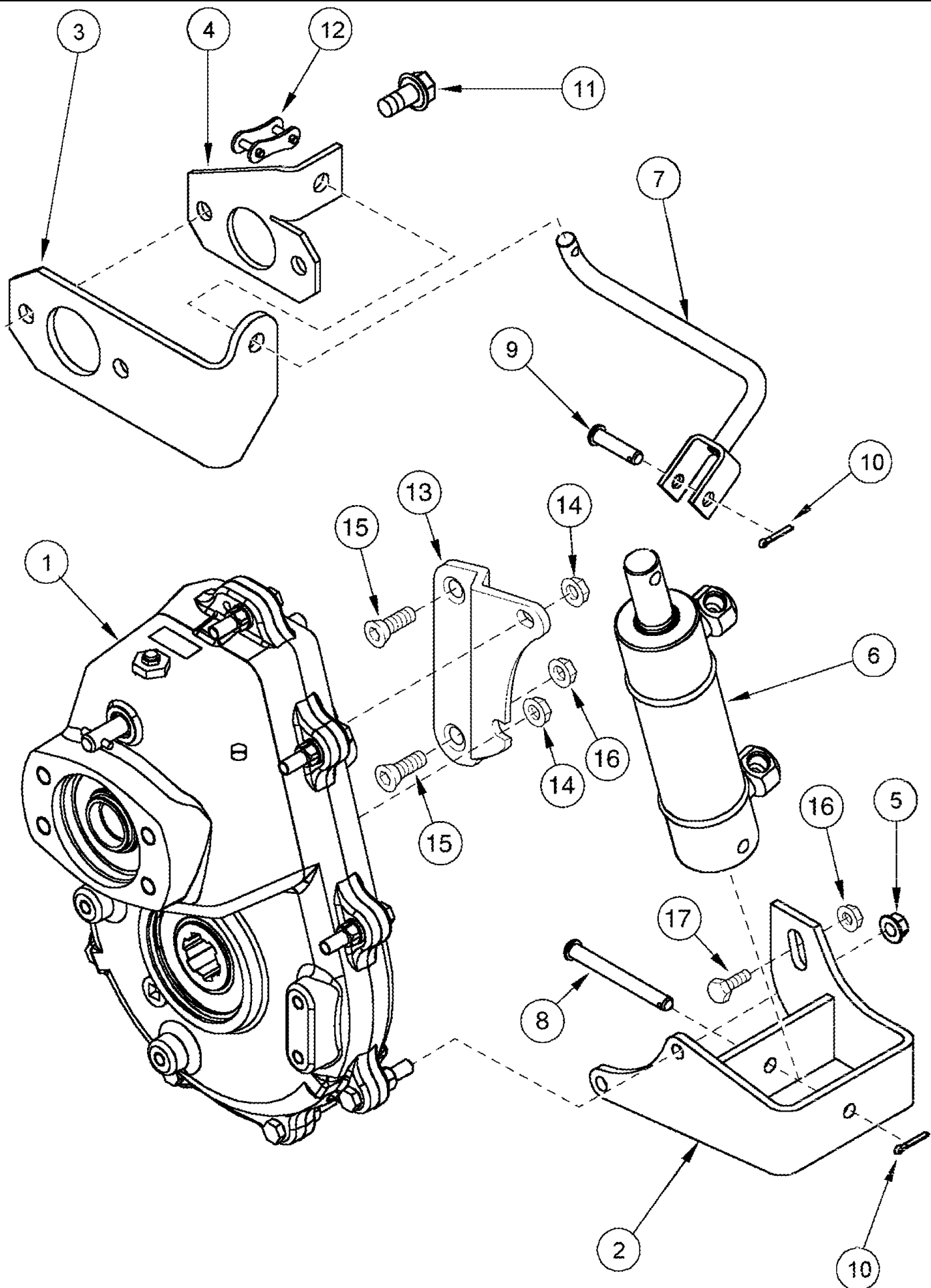
09A-20 ROCK TRAP DRIVE

сылка	Номер детали	Кол-во	Описание
1	390744A2	1	SUPPORT,
2	86521614	6	BOLT, Hex Flg, 1/2"-13 x 1 1/4", G5, Full Thd,
3	231-5148	3	NUT, Flg, USR, 1/2"-13,
4	390737A1	1	ARM, Includes 5
5	1280291C1	2	BUSHING, 19 mm (3/4") dia
6	219-87	1	NIPPLE, LUBE, 1/4"-28 x .56" lg, Self-Tap,
7	390822A1	1	BUSHING,
8	413-864	1	BOLT, Hex, 1/2"-13 x 4", G5,
9	231-5148	1	NUT, Flg, USR, 1/2"-13,
10	439-11044	1	PIN, HEADED, 5/8" x 2 3/4", G2,
11	496-41066	9	WASHER, 21/32" x 1 1/2" x .188", HDN,
12	496-21066	2	WASHER, 21/32" x 1 5/16" x .150",
13	432-1220	1	PIN, SPLIT (COTTER), 3/16" x 1 1/4",
14	REF	1	INSTRUCTION, Sensor, Feeder Speed, See Figure 04-01
15	425-1512	1	NUT, Jam, 3/4"-10, G5,
16	495-81093	AR	WASHER, 1 25/32" x 2 1/2" x .120",
17	495-81092	AR	WASHER, 1 25/32" x 2 1/2" x .060",
18	1329719C2	1	SPROCKET, 20T, Beater Driven
18	125407A1	1	SPROCKET, 30T, Beater Driven
19	432-2040	2	PIN, SPLIT (COTTER), 5/16" x 2 1/2",
20	390871A1	1	EYEBOLT,
21	390870A1	1	PIVOT,
22	495-81030	2	WASHER, 21/32" x 2" x .179",
23	394120A1	2	WASHER,
24	390869A1	1	SPACER,
25	390872A1	1	SPRING,
26	425-1010	1	NUT, 5/8"-11, G5,
27	390967A1	1	CHAIN, 49-1/2", 66 links
	111716A1	AR	CHAIN, 3 Link Extension
	111714A1	AR	CLIP, SPRING, Connecting Link
28	394014A1	1	BRACKET,
29	232-41110	1	NUT, LOCK, 5/8"-11, GC,
30	413-1052	1	BOLT, Hex, 5/8"-11 x 3 1/4", G5,
31	495-11066	4	WASHER, 5/8", SAE,
32	132657A2	1	CABLE,
33	413-416	2	BOLT, Hex, 1/4"-20 x 1", G5,
34	231-5144	4	NUT, Flg, USR, 1/4"-20,
35	541857R92	1	SPROCKET, 15T, Idler
36	584608R1	1	SPACER, 86 mm (3-3/8")
37	1329720C2	1	SPROCKET, 40T, Driven
38	432-2440	1	PIN, SPLIT (COTTER), 3/8" x 2 1/2",
39	132685A2	1	SUPPORT,
40	391651A1	1	SHIELD, Feeder Reverser
42	391656A1	1	SHIELD, Lower
43	409-7616	4	BOLT, Hex Flg, 3/8"-16 x 1", Serr,

09A-20 ROCK TRAP DRIVE

сылка	Номер детали	Кол-во	Описание
43	413-872	5	BOLT, Hex, 1/2"-13 x 4 1/2", G5,
44	231-5146	4	NUT, Flg, USR, 3/8"-16,
45	405570A1	1	SHIELD, Upper, Includes Decal 144385A1, See Figure 09H-19, Ref. 9
46	409-7512	1	BOLT, Hex Flg, 5/16"-18 x 3/4", Serr,
47	231-5145	1	NUT, Flg, USR, 5/16"-18,
48	138185A3	1	SUPPORT, Upper
49	87036415	1	SPACER, 1/4" Pipe x 3/4",
50	409-7520	2	BOLT, Hex Flg, 5/16"-18 x 1 1/4", Serr,
51	231-5145	1	NUT, Flg, USR, 5/16"-18,
52	391658A1	1	BRACKET, Lower Front
53	138699A1	1	LOCK,
53	135476A1	1	LOCK, Australia Only
54	160638C2	1	HANDLE,
55	477-73108	2	SCREW, Sltd Serr Truss Hd, 5/16"-18 x 1/2",
56	231-5145	2	NUT, Flg, USR, 5/16"-18,
57	399382A1	AR	SHIM,
58	409-7520	1	BOLT, Hex Flg, 5/16"-18 x 1 1/4", Serr,
59	231-5145	1	NUT, Flg, USR, 5/16"-18,

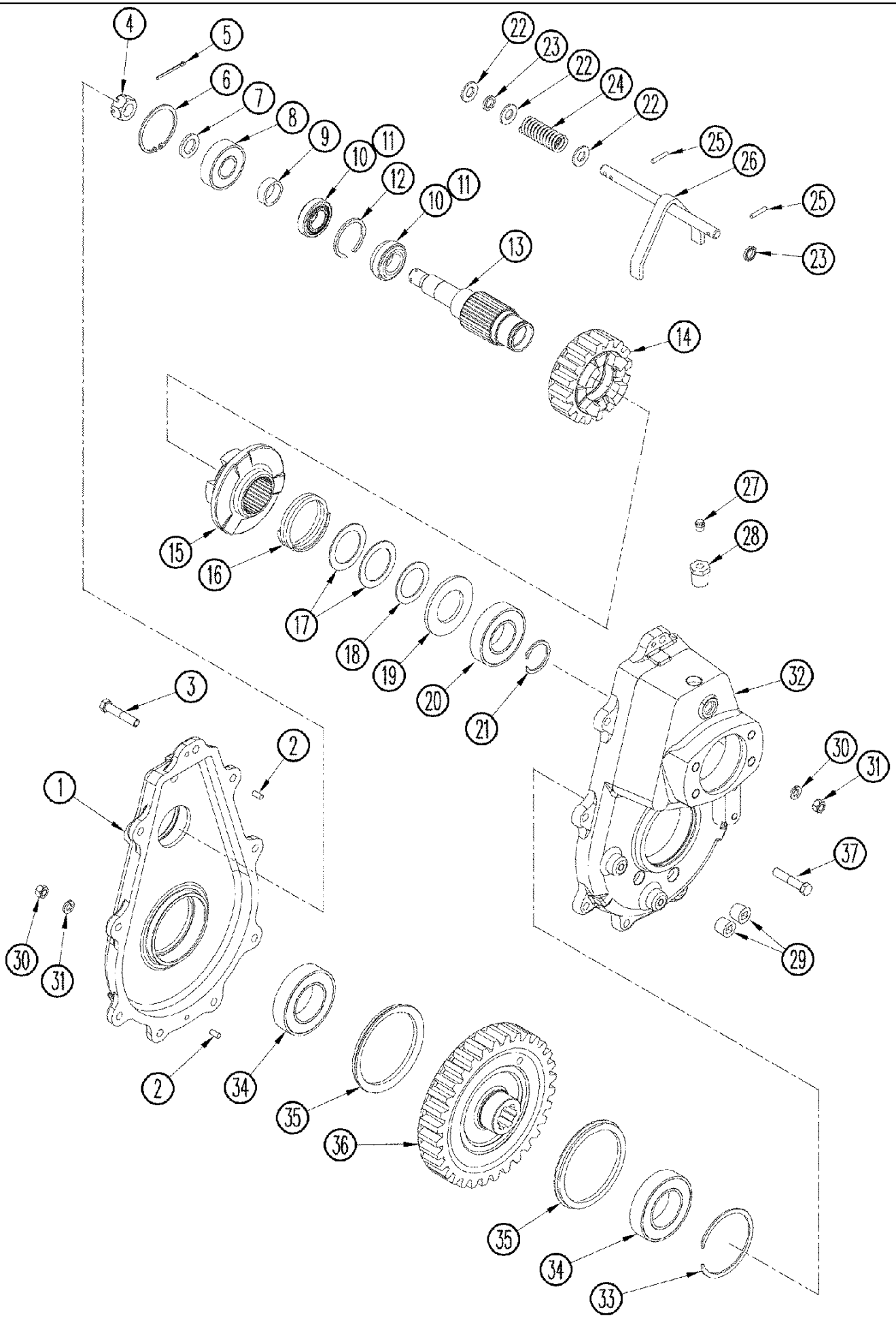
09A-21 GEARBOX ASSY - FEEDER REVERSER



09A-21 GEARBOX ASSY - FEEDER REVERSER

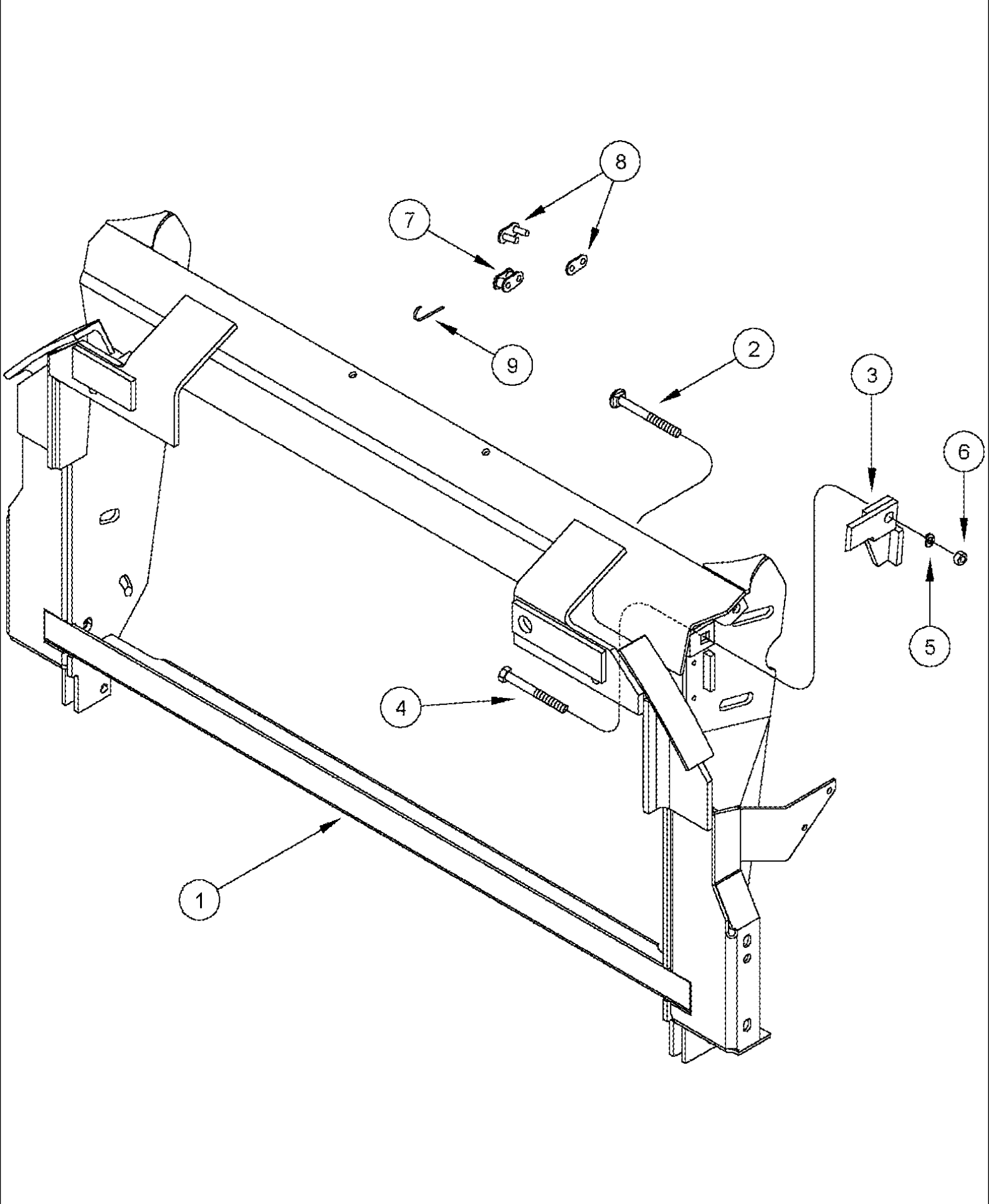
сылка	Номер детали	Кол-во	Описание
1	86980131	1	GEARBOX, , See Figure 09A-22
2	405720A1	1	SUPPORT,
3	388772A1	1	BRACKET,
4	388773A1	1	BRACKET,
5	231-5146	2	NUT, Flg, USR, 3/8"-16,
6	382543A1	1	CYLINDER, Clutch
7	391768A1	1	ROD,
8	439-1656	1	PIN, HEADED, 3/8" x 3 1/2",
9	439-5624	1	PIN, HEADED, 3/8" x 1 1/2",
10	432-812	2	PIN, SPLIT (COTTER), 1/8" x 3/4",
11	409-7816	2	BOLT, Hex Flg, 1/2"-13 x 1", Serr,
12	242-1410	1	LINK, CHAIN,
13	405718A1	1	SUPPORT,
14	231-5146	2	NUT, Flg, USR, 3/8"-16,
15	87301496	2	SCREW, Hex Soc Hd, 1/2"-13 x 1 1/2",
16	231-5148	4	NUT, Flg, USR, 1/2"-13,
17	87670	3	BOLT, Hex, 1/2"-13 x 1 1/4", G5, Full Thd,

09A-22 GEARBOX - FEEDER REVERSER



09A-22 GEARBOX - FEEDER REVERSER

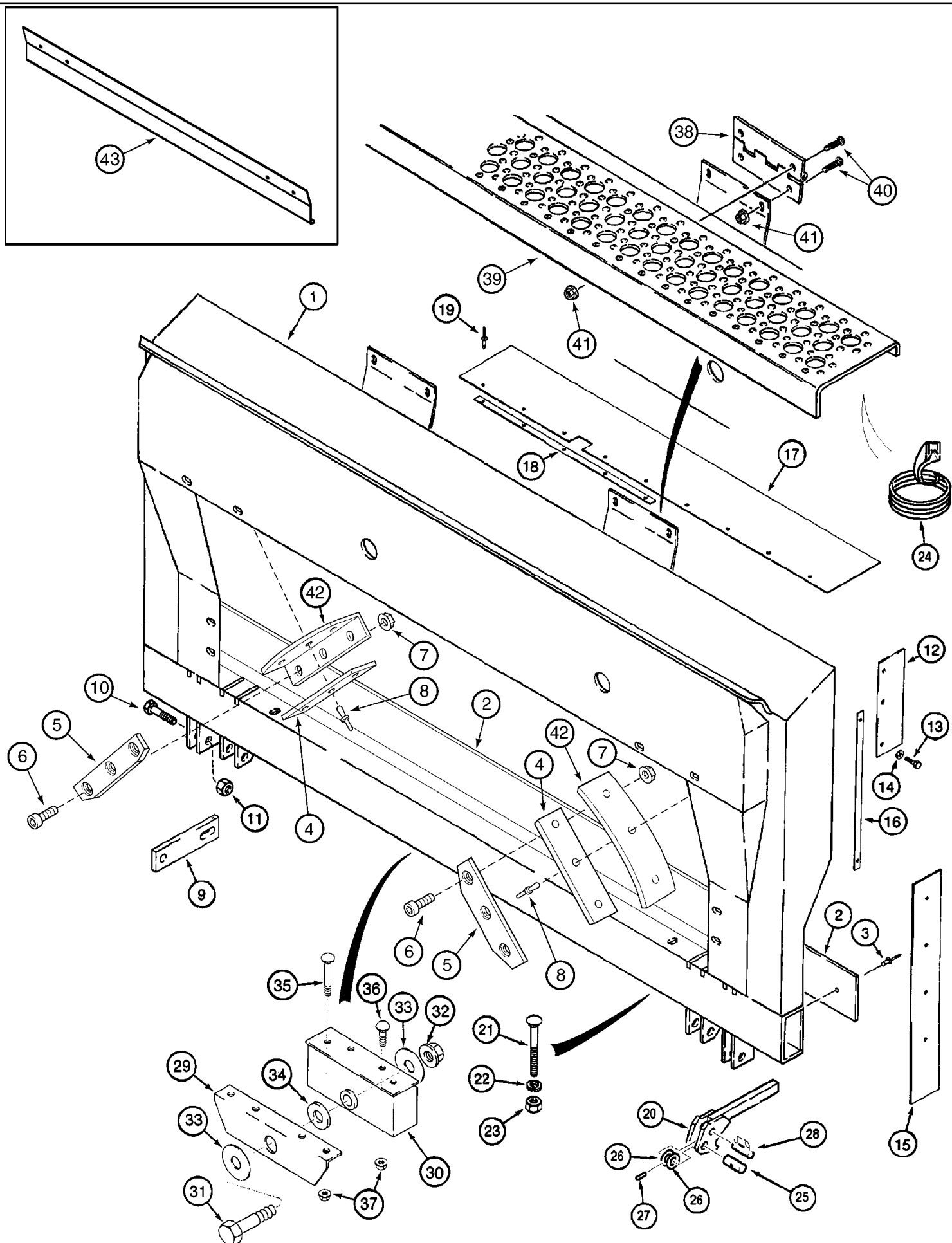
сылка	Номер детали	Кол-во	Описание
	86980131	1	GEARBOX, Includes 1 - 36
1	681631	1	HOUSING, Includes 2
2	64780	2	DOWEL, 1/4" x 1/2"
3	413-632	7	BOLT, Hex, 3/8"-16 x 2", G5,
4	425-1312	1	NUT, SLOTTED, 3/4"-16, G5,
5	432-824	1	PIN, SPLIT (COTTER), 1/8" x 1 1/2",
6	100-21244	1	RING, SNAP, 2.44", Int, #244,
7	95-81051	1	WASHER, 25/32" x 1 1/4" x .134",
8	86548977	1	BEARING, BALL,
9	144929	1	SPACER,
10	132709	2	BEARING, CUP,
11	132710	2	BEARING, CONE,
12	685097	1	RING, SNAP,
13	681639	1	SHAFT,
14	681629	1	GEAR, 16T
15	681637	1	CLUTCH,
16	646518	1	SPRING,
17	26224	2	WASHER, 1-25/32 x 2-1/2 x .060"
18	704377	1	WASHER, 1-25/32 x 3-5/16 x 3/16"
19	50519	1	WASHER, 1.58 x 2-1/4 x .060"
20	80330052	1	BEARING, BALL,
21	37184	1	RING, SNAP,
22	495-11053	3	WASHER, 1/2", SAE,
23	163024	2	SEAL,
24	681902	1	SPRING,
25	435-5616	2	PIN, GROOVED, 3/16" x 1", Type E,
26	681650	1	ROD,
27	572820	1	BREATHER,
28	444030	1	REDUCER, 1/2"-14 NPTF x 1/8"-27 Fem NPTF,
29	217-465	2	PLUG, DRAIN, Hex Soc, 1/2"-14, NPTF, 1/4 PT
30	425-106	9	NUT, 3/8"-16, G5,
31	492-11038	7	WASHER, LOCK, 3/8",
32	86980130	1	HOUSING,
33	42447	1	RING, SNAP,
34	2031	2	BEARING, BALL,
35	781754	2	RING,
36	681627	1	GEAR, 32T
37	113-250	2	BOLT, Hex, 3/8"-16 x 2 1/2", G5, Full Thd,



09A-23 FIELD TRACKER® - SUPPORT, FEEDER PIVOT

сылка	Номер детали	Кол-во	Описание
1	197389A3	1	FRAME ASSY,
2	433-1032	4	BOLT, CARRIAGE, Short NK, 5/8"-11 x 2", G5,
3	238369A1	1	STOP, RH
3	238370A1	1	STOP, LH
4	434-1032	2	BOLT, CARRIAGE, Short NK, 5/8"-11 x 2", G5, Full Thd,
5	492-11062	2	WASHER, LOCK, 5/8",
6	425-1010	2-3	NUT, 5/8"-11, G5,
7	100487A1	2-3	LINK,
8	1324294C1	2-3	LINK, CONNECTING, A557
9	1329837C2	4-6	PIN,

09A-24 FIELD TRACKER® - SUPPORT, HEADER PIVOT



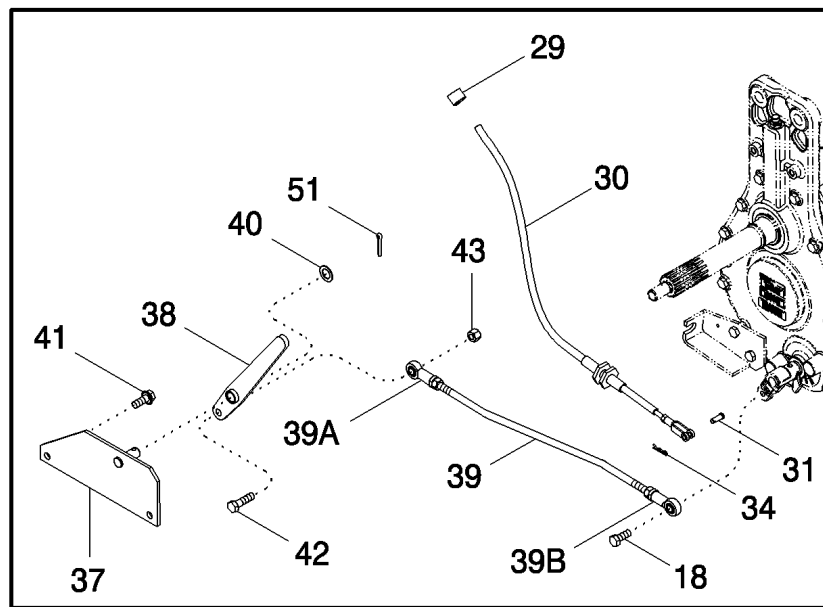
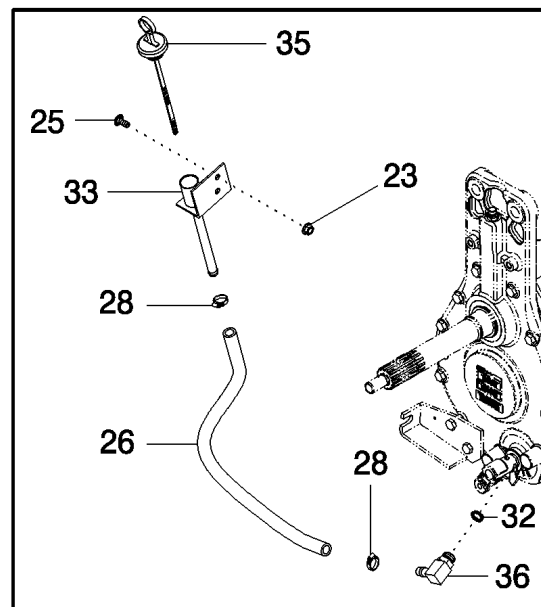
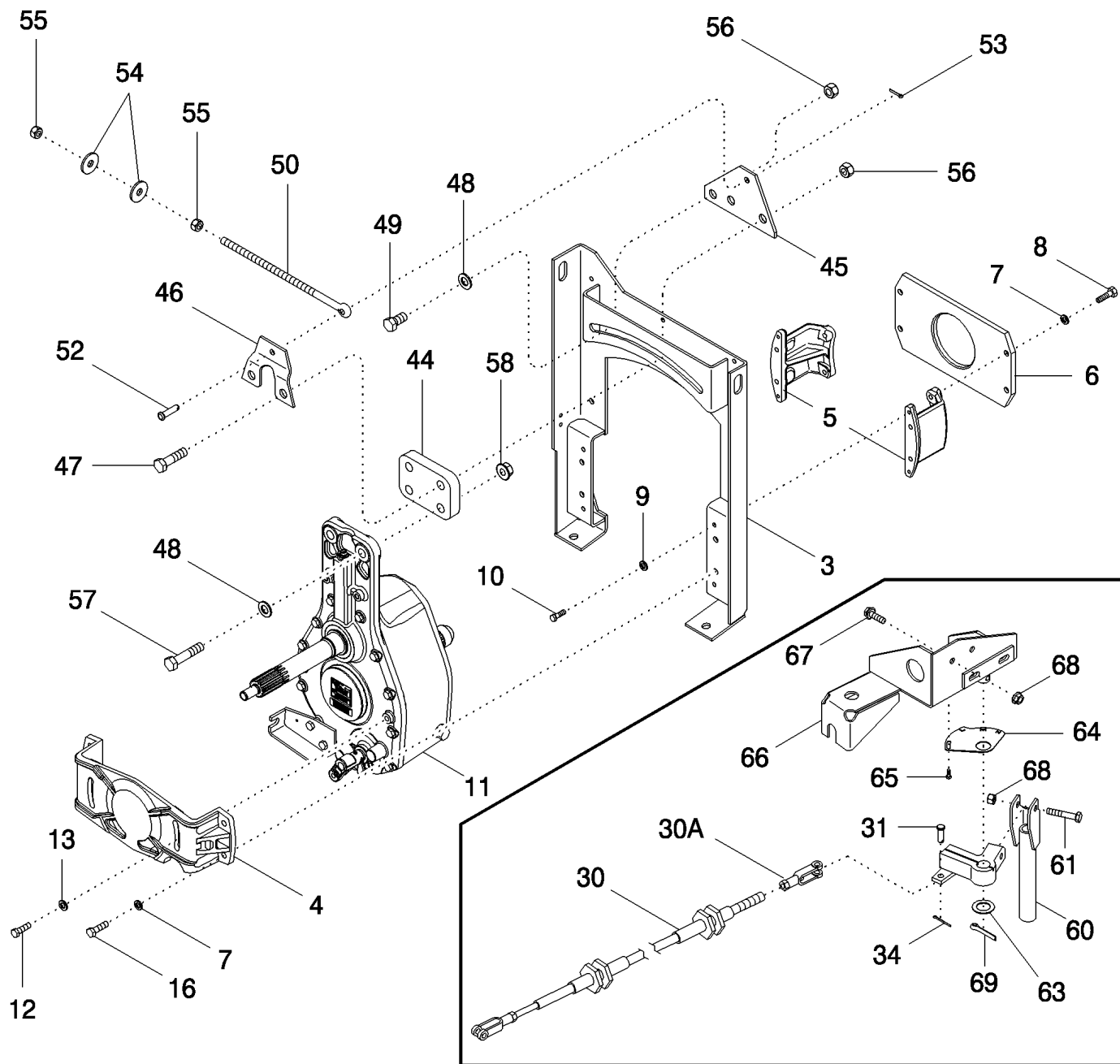
09A-24 FIELD TRACKER® - SUPPORT, HEADER PIVOT

сылка	Номер детали	Кол-во	Описание
	144255A3	1	SUPPORT, Includes 1 - 8
1	NSS	1	NOT SERVICED SEPARATELY, Support
2	100274A1	1	SUPPORT,
3	151-559	7	RIVET, Pop, 3/16" x .700",
	416757A1	1	KIT, Slide, Includes 4 - 8
4	350017A1	2	SLIDE, Horizontal
5	350018A1	2	SLIDE, Vertical
6	461-7258	6	SCREW, Hex Soc But Hd, 1/4"-20 x 1/2",
7	231-5144	6	NUT, Flg, USR, 1/4"-20,
8	151-570	6	RIVET, Pop, 1/4" x 3/4",
9	100287A1	2	STOP,
10	413-828	4	BOLT, Hex, 1/2"-13 x 1 3/4", G5,
11	231-4218	4	NUT, LOCK, 1/2"-13, GB,
12	108739A1	2	SEAL,
13	281-5488	6	SCREW, SELF TAP, Hex Wash Hd, 5/16"-18 x 1/2",
14	495-11041	6	WASHER, 3/8", SAE,
15	108740A1	2	SEAL,
16	108645A2	3	STRIP, 300 mm (11-13/16")
16	226606A2	1	STRIP, 210 mm (8-1/4")
16A	495-61020	1	WASHER, 13/64" x 1/2" x .060", Not Illustrated
17	144934A1	2	GUARD,
18	144935A2	2	STRAP, 370 mm (14-9/16")
19	390747A1	26	RIVET, 3/16" x 0.78"
20	100295A1	2	HANDLE,
21	411-572	2	BOLT, CARRIAGE, Short NK, 5/16"-18 x 4 1/2", G2,
22	492-11031	2	WASHER, LOCK, 5/16",
23	425-105	2	NUT, 5/16"-18, G5,
24	87029779	2	SEAL, Cut 292 mm (11-1/2") from 1330108CX
25	177141C1	2	PIN,
26	495-81175	4	WASHER, 21/32" x 1" x .120",
27	438-11616	2	PIN, LOCK, 1/4" x 1", Slotted,
28	1338021C1	2	PIN,
29	240586A2	1	SUPPORT,
30	240587A1	1	SUPPORT,
31	413-1680	1	BOLT, Hex, 1"-8 x 5", G5,
32	232-53116	1	NUT, LOCK, Flg, 1"-8,
33	936727R1	2	WASHER, 1-1/32" x 2-1/4" x 1/4"
34	240613A2	1	SPACER,
35	434-820	4	BOLT, CARRIAGE, Short NK, 1/2"-13 x 1 1/4", G5, Full Thd,
36	433-872	4	BOLT, CARRIAGE, Short NK, 1/2"-13 x 4 1/2", G5,
37	231-5148	8	NUT, Flg, USR, 1/2"-13,
38	140767A2	2	HINGE,
39	140768A4	1	STEP, Includes 24
40	477-73112	8	BOLT, Slotted Tr Hd, 5/16"-18 x 3/4",
40	477-73812	8	SCREW, Sltd Serr Truss Hd, 3/8" x 3/4",

09A-24 FIELD TRACKER® - SUPPORT, HEADER PIVOT

сылка	Номер детали	Кол-во	Описание
41	231-5145	8	NUT, Flg, USR, 5/16"-18,
41	231-5146	8	NUT, Flg, USR, 3/8"-16,
42	416756A1	1	KIT, Slide Angle
43	87409088	1	DEFLECTOR, Field Tracker

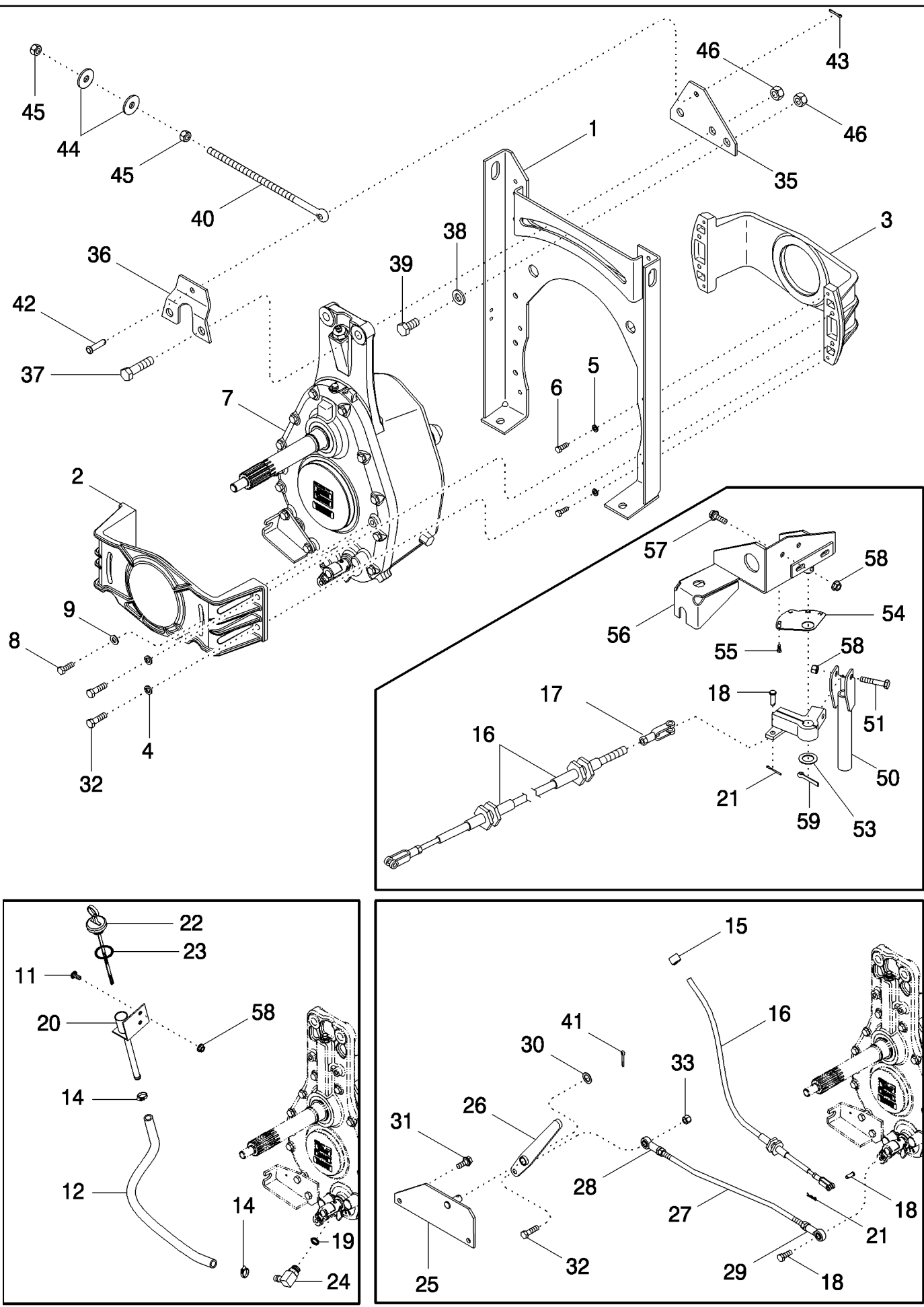
09B-01 ROTOR DRIVE - GEARBOX MOUNTING - BSN HAJ0295001



09B-01 ROTOR DRIVE - GEARBOX MOUNTING - BSN HAJ0295001

сылка	Номер детали	Кол-во	Описание
3	86992365	1	SUPPORT, Rotor Gearbox
4	194058C1	1	SUPPORT, Rear
5	181314C2	2	BLOCK, Front
6	181315C1	2	PLATE, Front Support
7	80679	8	WASHER, LOCK, 1/2",
8	413-824	4	BOLT, Hex, 1/2"-13 x 1 1/2", G5, Full Thd,
9	492-11038	4	WASHER, LOCK, 3/8",
10	413-616	4	BOLT, Hex, 3/8"-16 x 1", G5, Full Thd,
11	87401155	1	GEARBOX, , See Figure 09B-04
12	614-12040	2	BOLT, Hex, M12 x 40, 8.8, Full Thd,
13	896-11012	2	WASHER, M13.5 x 24.5 x 3, HT,
16	413-828	4	BOLT, Hex, 1/2"-13 x 1 3/4", G5,
25	135270	2	BOLT, Slotted Tr Hd, 5/16"-18 x 3/4",
26	194043C1	1	HOSE,
27	163493C1	1	STRIP,
28	214-1706	2	CLAMP, HOSE, #6, 0.44/0.78 Type M Worm,
29	515-23254	1	CLAMP, 1", Insul, 3/8" Bolt,
30	236859A2	1	CABLE, Shift, Includes 30A
30A	213-325	2	CLEVIS, 5/16" NF
31	427-5094	1	PIN, CLEVIS, 5/16" x .940",
32	237-6008	1	O-RING, 8-1, 90 Duro, .644" ID x .087" Thk,
33	193946C1	1	TUBE,
34	432-612	2	PIN, SPLIT (COTTER), 3/32" x 3/4",
35	194066C91	1	DIPSTICK, Includes 35A
35A	238-5210	2	O-RING, -210, 70 Duro, .734" ID x .139" Thk,
36	188272C1	1	ELBOW, 90 deg
37	87400381	1	GUIDE, Shift Handle
38	86991655	1	HANDLE,
39	86991658	1	ROD, Includes 39A, 39B
39A	86582884	2	END,
39B	280963	2	NUT, 1/2"-20, G5,
40	495-81037	1	WASHER, 25/32" x 1 1/4" x .060",
41	413-820	1	BOLT, Hex, 1/2"-13 x 1 1/4", G5, Full Thd,
42	413-828	1	BOLT, Hex, 1/2"-13 x 1 3/4", G5,
43	232-4118	1	NUT, LOCK, 1/2"-13, GC,
44	86991660	1	PLATE, Gearbox Spacer
45	276078A2	1	PLATE,
46	282906A1	1	STRAP,
47	426-1244	2	BOLT, Hex, 3/4"-10 x 2 3/4", G8,
48	496-21081	3	WASHER, 13/16" x 1 1/2" x .179", HDN,
49	426-1224	1	BOLT, Hex, 3/4"-10 x 1 1/2", G8,
50	188143C1	1	EYEBOLT,
51	432-1620	1	PIN, SPLIT (COTTER), 1/4" x 1 1/4",
52	439-5832	1	PIN, HEADED, 1/2" x 2",
53	432-1216	1	PIN, SPLIT (COTTER), 3/16" x 1",

сылка	Номер детали	Кол-во	Описание
54	495-81030	2	WASHER, 21/32" x 2" x .179",
55	425-1010	2	NUT, 5/8"-11, G5,
56	429-1012	3	NUT, 3/4"-10, G8,
57	426-1256	2	BOLT, Hex, 3/4"-10 x 3 1/2", G8,
58	232-53112	2	NUT, LOCK, Flg, 3/4"-10,
59	254982A2	1	SHAFT, 3 Speed Gearbox
60	276073A2	1	HANDLE, 3 Speed Rotor Shift
61	413-528	1	BOLT, Hex, 5/16"-18 x 1 3/4", G5,
62	280736	1	NUT, LOCK, 5/16"-18, GC,
63	495-81039	1	WASHER, 25/32" x 1 1/4" x .120",
64	255651A5	1	PLATE, Shift Indicator
65	281-1458	1	SCREW, SELF TAP, Hex Wash Hd, #10 x 1/2",
66	253851A3	1	SUPPORT, Front Shift Support
67	409-7516	2	BOLT, Hex Flg, 5/16"-18 x 1", Serr,
68	231-5145	2	NUT, Flg, USR, 5/16"-18,
69	432-1620	1	PIN, SPLIT (COTTER), 1/4" x 1 1/4",

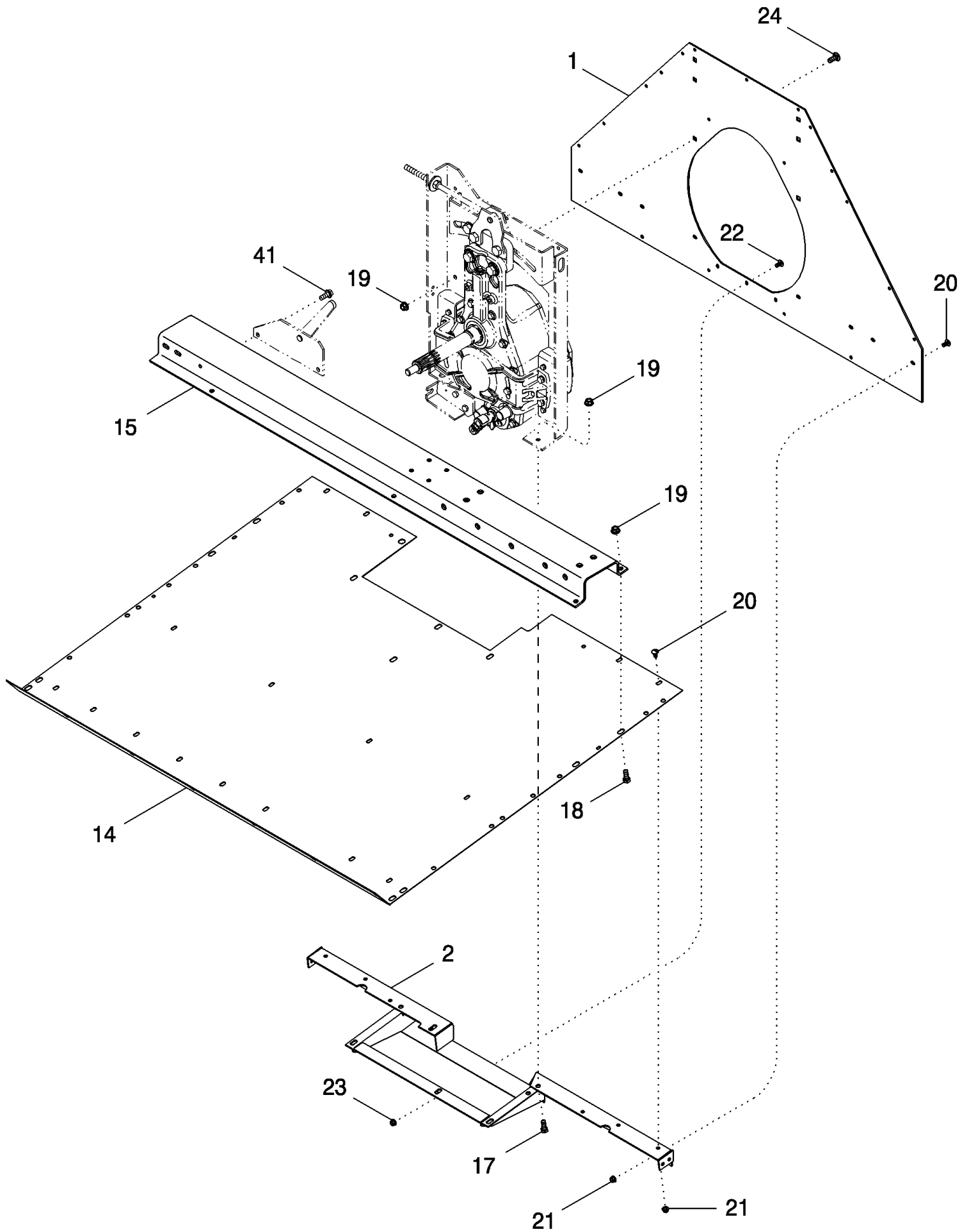


09B-02 ROTOR DRIVE - GEARBOX MOUNTING - ASN HAJ0295001

сылка	Номер детали	Кол-во	Описание
1	87406693	1	SUPPORT, Rotor Gearbox
2	87406698	1	SUPPORT, Rear
3	87406699	1	SUPPORT, Front
4	80679	8	WASHER, LOCK, 1/2",
5	492-11038	4	WASHER, LOCK, 3/8",
6	413-616	4	BOLT, Hex, 3/8"-16 x 1", G5, Full Thd,
7	87331237	1	GEARBOX, , See Figure 09B-04
8	614-12040	2	BOLT, Hex, M12 x 40, 8.8, Full Thd,
9	896-11012	2	WASHER, M13.5 x 24.5 x 3, HT,
10	413-828	4	BOLT, Hex, 1/2"-13 x 1 3/4", G5,
11	477-73112	2	BOLT, Slotted Tr Hd, 5/16"-18 x 3/4",
12	194043C1	1	HOSE,
13	163493C1	1	STRIP,
14	214-1706	2	CLAMP, HOSE, #6, 0.44/0.78 Type M Worm,
15	515-23254	1	CLAMP, 1", Insul, 3/8" Bolt,
16	236859A2	1	CABLE, Shift, Includes 30A
17	213-325	2	CLEVIS, 5/16" NF
18	427-5094	1	PIN, CLEVIS, 5/16" x .940",
19	237-6008	1	O-RING, 8-1, 90 Duro, .644" ID x .087" Thk,
20	193946C1	1	TUBE, Assembly
21	432-612	2	PIN, SPLIT (COTTER), 3/32" x 3/4",
22	194066C91	1	DIPSTICK, Includes 35A
23	238-5210	2	O-RING, -210, 70 Duro, .734" ID x .139" Thk,
24	217-348	1	FITTING, 90e, 1/2" Hose x 3/4"-16 ORB Beaded,
25	87400381	1	GUIDE, Shift Handle
26	86991655	1	HANDLE,
27	87304527	1	SHIFT RAIL, ROD, Includes 28, 29
28	86582884	2	END,
29	425-118	2	NUT, 1/2"-20, G5,
30	495-81037	1	WASHER, 25/32" x 1 1/4" x .060",
31	413-820	1	BOLT, Hex, 1/2"-13 x 1 1/4", G5, Full Thd,
32	413-828	1	BOLT, Hex, 1/2"-13 x 1 3/4", G5,
33	232-4118	1	NUT, LOCK, 1/2"-13, GC,
34	86991660	1	PLATE, Gearbox Spacer
35	87406697	1	PLATE,
36	87406696	1	BRACKET,
37	426-1248	2	BOLT, Hex, 3/4"-10 x 3", G8,
38	496-21081	3	WASHER, 13/16" x 1 1/2" x .179", HDN,
39	426-1224	1	BOLT, Hex, 3/4"-10 x 1 1/2", G8,
40	188143C1	1	EYEBOLT,
41	432-1620	1	PIN, SPLIT (COTTER), 1/4" x 1 1/4",
42	439-5832	1	PIN, HEADED, 1/2" x 2",
43	432-1216	1	PIN, SPLIT (COTTER), 3/16" x 1",
44	495-81030	2	WASHER, 21/32" x 2" x .179",
45	425-1010	2	NUT, 5/8"-11, G5,

сылка	Номер детали	Кол-во	Описание
46	429-1012	3	NUT, 3/4"-10, G8,
47	426-1256	2	BOLT, Hex, 3/4"-10 x 3 1/2", G8,
48	232-53112	2	NUT, LOCK, Flg, 3/4"-10,
49	254982A2	1	SHAFT, 3 Speed Gearbox
50	276073A2	1	HANDLE, 3 Speed Rotor Shift
51	413-528	1	BOLT, Hex, 5/16"-18 x 1 3/4", G5,
52	280736	1	NUT, LOCK, 5/16"-18, GC,
53	495-81039	1	WASHER, 25/32" x 1 1/4" x .120",
54	255651A5	1	PLATE, Shift Indicator
55	281-1458	1	SCREW, SELF TAP, Hex Wash Hd, #10 x 1/2",
56	253851A3	1	SUPPORT, Front Shift
57	409-7516	2	BOLT, Hex Flg, 5/16"-18 x 1", Serr,
58	231-5145	2	NUT, Flg, USR, 5/16"-18,
59	432-1620	1	PIN, SPLIT (COTTER), 1/4" x 1 1/4",

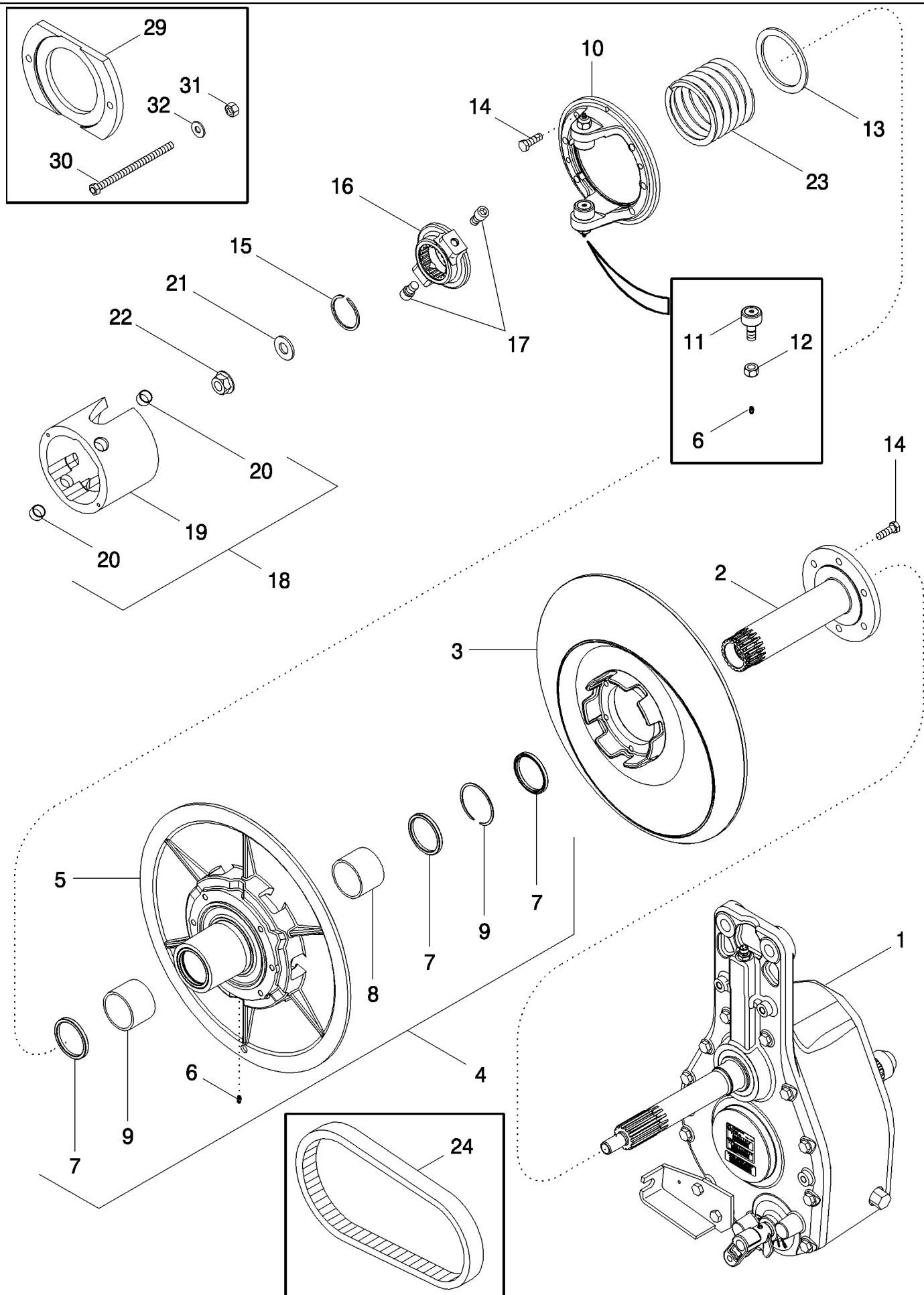
09B-03 ROTOR DRIVE - MOUNTING SUPPORTS



09B-03 ROTOR DRIVE - MOUNTING SUPPORTS

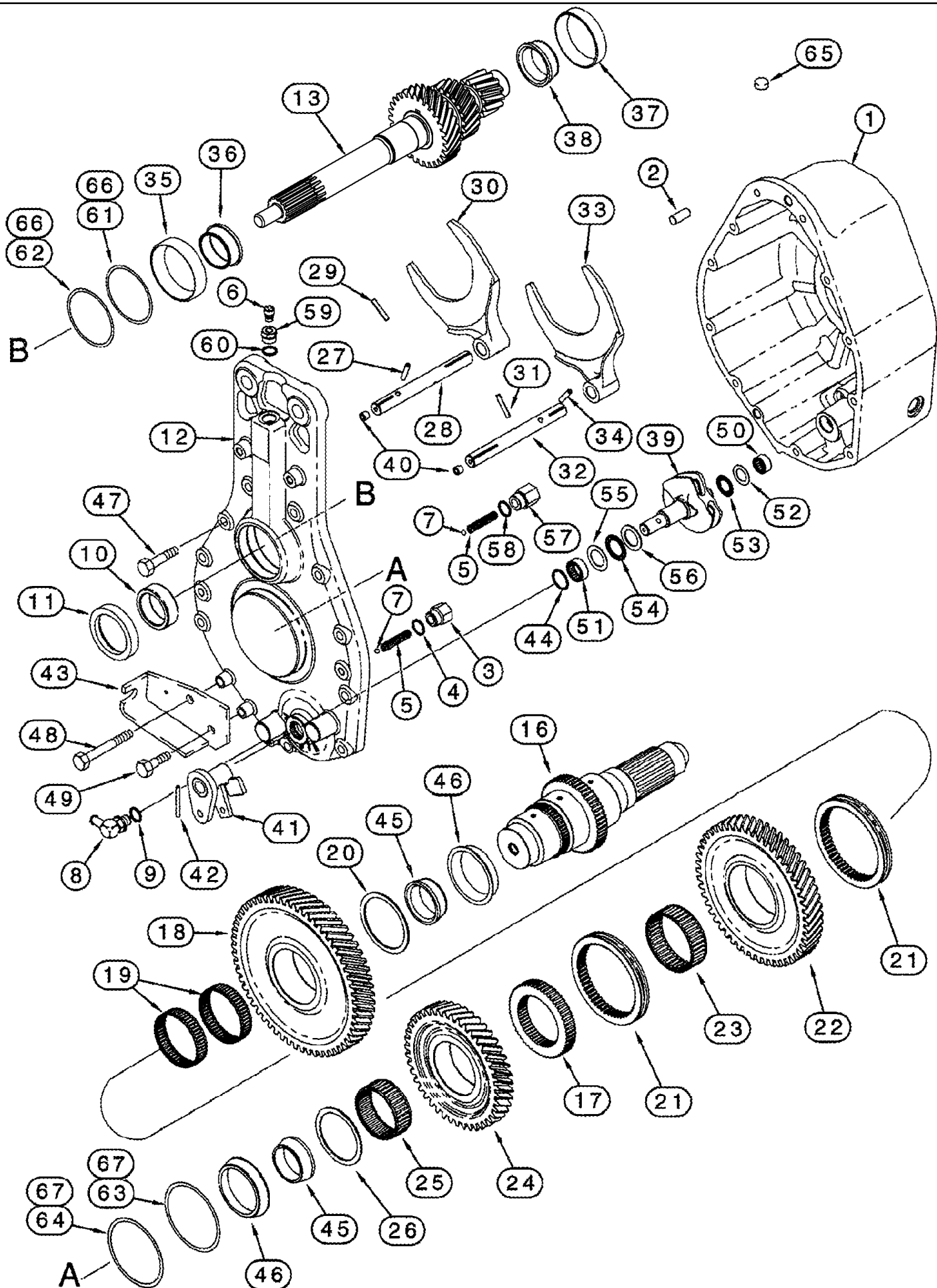
сылка	Номер детали	Кол-во	Описание
1	443254A1	1	SHEET, Rear Rotor Discharge
2	443242A1	1	SUPPORT, Angle
14	443253A1	1	SHEET, Engine Deck
15	112454A5	1	SUPPORT, Jackshaft
17	409-7824	2	BOLT, Hex Flg, 1/2"-13 x 1 1/2", Serr,
18	409-7820	2	BOLT, Hex Flg, 1/2"-13 x 1 1/4", Serr,
19	231-5148	16	NUT, Flg, USR, 1/2"-13,
20	477-73812	18	SCREW, Sltd Serr Truss Hd, 3/8" x 3/4",
21	231-5146	18	NUT, Flg, USR, 3/8"-16,
22	477-73112	3	BOLT, Slotted Tr Hd, 5/16"-18 x 3/4",
23	231-5145	5	NUT, Flg, USR, 5/16"-18,
24	434-820	6	BOLT, CARRIAGE, Short NK, 1/2"-13 x 1 1/4", G5, Full Thd,
41	413-820	2	BOLT, Hex, 1/2"-13 x 1 1/4", G5, Full Thd,

09B-04 ROTOR DRIVE - PULLEY AND CAM



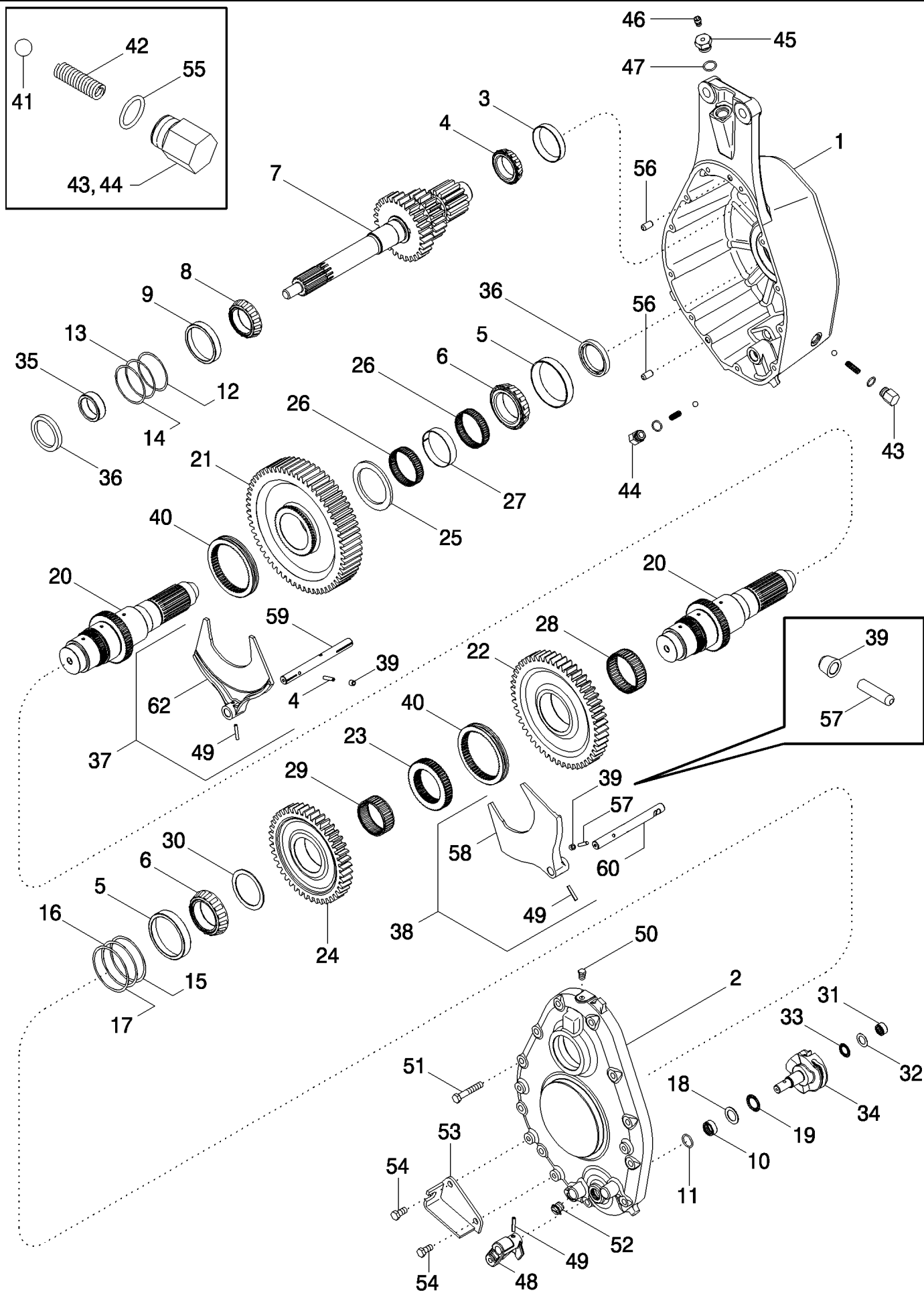
09B-04 ROTOR DRIVE - PULLEY AND CAM

сылка	Номер детали	Кол-во	Описание
1	87401155	1	GEARBOX, , See Figure 09B-05, BSN HAJ0295001
1	87330127	1	GEARBOX, , See Figure 09B-06, ASN HAJ0295001
2	184489C1	1	HUB, Fixed Half
3	411408A1	1	PULLEY, Fixed
4	413163A1	1	PULLEY, Variable, Includes 5 - 9
5	NSS	1	NOT SERVICED SEPARATELY, Pulley
6	219-87	3	NIPPLE, LUBE, 1/4"-28 x .56" lg, Self-Tap,
7	193965C92	3	SEAL,
	87400246	1	KIT, Bushing Service, Includes 7, 8, Plus Adhesive and Instructions
8	NSS	2	NOT SERVICED SEPARATELY, Bushing
9	537602R1	1	RING,
10	411411A1	1	HUB, Cam Follower
11	418732A1	2	FOLLOWER, CAM,
12	425-1110	2	NUT, 5/8"-18, G5,
13	188210C91	1	FOLLOWER, CAM,
14	310-1824	12	BOLT, Locking, 1/2"-13 x 1 1/2", G8,
15	360171R1	1	RING,
16	411410A1	1	HUB, Sensing Cam
17	194167C1	2	SCREW, 5/8" x 1"
18	87436839	1	CAM, Torque Sensing, Includes 19, 20
19	NSS	1	NOT SERVICED SEPARATELY, Cam
20	193941C1	2	BUSHING,
21	370255R2	1	WASHER,
22	1315288C1	1	NUT, 7/8"; 8
23	413160A1	1	SPRING,
24	413159A1	1	BELT, Rotor Drive, Seamless, BSN HAJ0295001
24	87301455	1	BELT, Rotor Drive, Seamless, ASN HAJ0295001
29	86992943	1	PLATE,
30	86992947	2	ROD, Torque Sensing, Includes (1) 9803187 Nut
31	429-108	4	NUT, 1/2"-13, G8,
32	495-11053	2	WASHER, 1/2", SAE,



сылка	Номер детали	Кол-во	Описание
	87401155R	1	REMAN-TRANSMISSION, Remanufactured, N.A. Only
	87401155C	1	GEARBOX, Use To Return Core For Credit
	87401155	1	GEARBOX, Includes 1- 7, 10 - 65
1	235569A4	1	HOUSING, Includes 2
2	37-1816	2	DOWEL, 1/2" x 1",
3	307411A1	1	PLUG, 7/8", Includes 4
4	237-6010	1	O-RING, 10-1, 90 Duro, .755" ID x .097" Thk,
5	295537A1	2	SPRING,
6	219-433	1	BREATHER, 1/8"-27, Short,
7	211-1014	2	BALL, 7/16" Dia, 24,CRS
8	217-348	1	FITTING, 90c, 1/2" Hose x 3/4"-16 ORB Beaded,
9	237-6008	2	O-RING, 8-1, 90 Duro, .644" ID x .087" Thk,
10	194047C2	1	BUSHING,
11	194051C1	2	SEAL,
12	235571A3	1	COVER,
13	235575A2	1	SHAFT,
16	235578A4	1	SHAFT, Output
17	235579A2	1	RING, 50T; 54T
18	235581A2	1	PINION, 58T, Low Output
19	235584A1	2	BEARING, NEEDLE,
20	235587A1	1	WASHER, FRICTION,
21	235589A3	2	SLIPPER,
22	235590A1	1	PINION, 51T, Middle Output
23	235591A1	1	BEARING, NEEDLE,
24	235593A1	1	PINION, 43T, High Output
25	235594A1	1	BEARING, NEEDLE,
26	235595A1	1	WASHER, FRICTION,
	235597A4	1	FORK, SHIFTER, Includes 27 - 30
27	37-1420	1	DOWEL, 1/4" x 1 1/4",
28	235598A4	1	SHIFT RAIL,
29	38-21622	1	PIN, 1/4" x 1 3/8", Coiled,
30	236848A1	1	FORK, SHIFTER,
	235599A4	1	FORK, SHIFTER, Includes 31 - 34
31	37-1420	1	DOWEL, 1/4" x 1 1/4",
32	235600A4	1	SHIFT RAIL,
33	236848A1	1	FORK, SHIFTER,
34	38-21622	1	PIN, 1/4" x 1 3/8", Coiled,
35	ST964	1	BEARING, CUP,
36	186621A1	1	BEARING, CONE,
37	ST877	1	BEARING, CUP,
38	T27785	1	BEARING, CONE,
39	307483A3	1	CAM,
40	236851A1	2	ROLLER,
41	86991804	1	ARM,
42	38-21622	1	PIN, 1/4" x 1 3/8", Coiled,

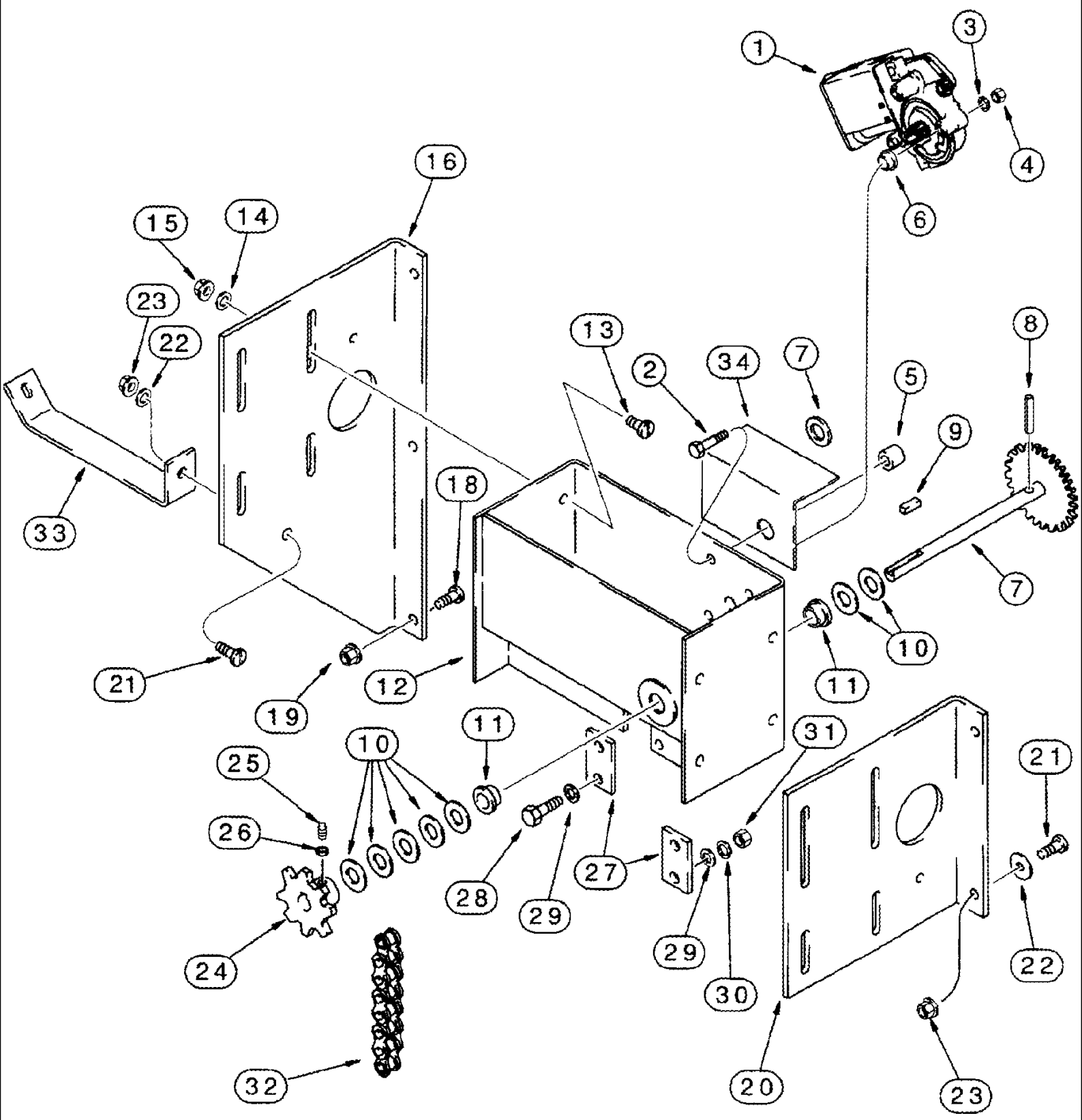
сылка	Номер детали	Кол-во	Описание
43	254526A2	1	SUPPORT,
44	238-5214	1	O-RING, -214, 70 Duro, .984" ID x .139" Thk,
45	ST2026	2	BEARING, CONE,
46	G15208	2	BEARING, CUP,
47	828-12050	10	BOLT, Hex, M12 x 50, 10.9,
48	828-12070	1	BOLT, Hex, M12 x 70, 10.9,
49	627-12030	1	BOLT, Hex, M12 x 30, 10.9,
50	A27999	1	BEARING, NEEDLE,
51	96423C1	1	BEARING, NEEDLE,
52	396795R1	1	WASHER, THRUST,
53	324105R91	1	BEARING, THRUST,
54	G13609	1	BEARING, THRUST,
55	G46081	1	WASHER,
56	T40066	1	WASHER, Race
	307410A1	1	PLUG, Includes 57, 58
57	294702A1	1	PLUG,
58	237-6010	1	O-RING, 10-1, 90 Duro, .755" ID x .097" Thk,
59	276846A1	1	PLUG,
60	237-6008	1	O-RING, 8-1, 90 Duro, .644" ID x .087" Thk,
61	253177A1	AR	SHIM, .254
62	253178A1	AR	SHIM, .381
63	258818A1	AR	SHIM, .254
64	258819A1	AR	SHIM, .381
65	41-1012	1	PLUG, Cup, 3/4",
66	337374A1	AR	SHIM, .203, 91.5 mm OD
67	337375A1	AR	SHIM, .203, 109.0 mm OD



сылка	Номер детали	Кол-во	Описание
	87330127	1	GEARBOX, Includes 1- 60
1	87330128	1	HOUSING, Includes 56
2	87330131	1	COVER, Rotor Drive Gear Case
3	130503H	1	BEARING, CUP,
4	300426R91	1	BEARING, CONE,
5	29214H	2	BEARING, CUP,
6	80572270	2	BEARING, CONE,
7	451231A2	1	SHAFT, Rotor Drive Input
8	87326176	1	BEARING, ROLLER, TAPERED,
9	114979H	1	BEARING, CUP,
10	96423C1	1	BEARING, NEEDLE,
11	238-5214	1	O-RING, -214, 70 Duro, .984" ID x .139" Thk,
12	253178A1	1	SHIM, Input Shaft 91.5 OD x 0.381 Thk
13	253177A1	1	SHIM, Input Shaft 91.5 OD x 0.254 Thk
14	337374A1	1	SHIM, Input Shaft 91.5 OD x 0.203 Thk
15	258819A1	1	SHIM, Input Shaft 109 OD x 0.381 Thk
16	258818A1	1	SHIM, Input Shaft 109 OD x 0.254 Thk
17	337375A1	1	SHIM, Input Shaft 109 OD x 0.203 Thk
18	T40066	1	WASHER, Thrust
19	G13609	1	BEARING, THRUST, Thrust
20	87367599	1	SHAFT, Rotor Drive Output
21	87330133	1	GEAR, Low Driven 61T
22	87326186	1	GEAR, Mid Driven 51T
23	451244A1	1	COLLAR, Spline
24	87326187	1	GEAR, High Driven 43T
25	451245A2	1	WASHER, THRUST,
26	235584A1	2	BEARING, NEEDLE,
27	451255A1	1	SPACER, Low Driven Gear Bearing
28	235591A1	1	BEARING, NEEDLE,
29	235594A1	1	BEARING, NEEDLE,
30	235595A2	1	WASHER, THRUST,
31	A27999	1	BEARING, NEEDLE,
32	396795R1	1	WASHER, THRUST,
33	324105R91	1	BEARING, THRUST,
34	307483A3	1	CAM, Gear Shift
35	194047C2	1	BUSHING, Input Shaft
36	194051C1	2	SEAL, Rotor Gear Case
37	451249A1	1	SHIFT RAIL, Low/Mid
38	451253A1	1	SHIFT RAIL, High
39	236851A1	2	ROLLER, CAM, 3 Spd Rotor Drive
40	451240A1	2	COLLAR, Shift
41	211-1014	2	BALL, 7/16" Dia, In Grd; 24
42	295537A1	2	SPRING, Detent Ball
43	307410A1	1	PLUG, 7/8 -14
44	451237A1	1	PLUG, 7/8 -14

сылка	Номер детали	Кол-во	Описание
45	87326175	1	PLUG, Adapter Vent
46	219-433	1	BREATHER, 1/8"-27, Short,
47	237-6012	1	O-RING, 12-1, 90 Duro, .924 ID x .118" Thk,
48	87402650	1	ARM, Cam Shift 3 Spd Rotor Gearbox
49	38-21622	1	PIN, 1/4" x 1 3/8", Coiled,
50	86568834	1	PLUG, Hex Hd, 1/4"-18 NPTF,
51	828-12070	11	BOLT, Hex, M12 x 70, 10.9,
52	353-779	1	PLUG, Sltd Hd, 3/4"-16, w/O-Ring,
53	451241A2	1	BRACKET, Shift Cable
54	628-12025	2	BOLT, Hex, M12 x 25, 10.9, Full Thd,
55	237-6010	1	O-RING, 10-1, 90 Duro, .755" ID x .097" Thk,
56	37-1816	2	DOWEL, 1/2" x 1",
57	37-1420	2	DOWEL, 1/4" x 1 1/4",
58	451251A1	2	FORK, SHIFTER,
59	451250A1	1	SHIFT RAIL, Lo-Mid Gear
60	451254A1	1	SHIFT RAIL, Hi Gear

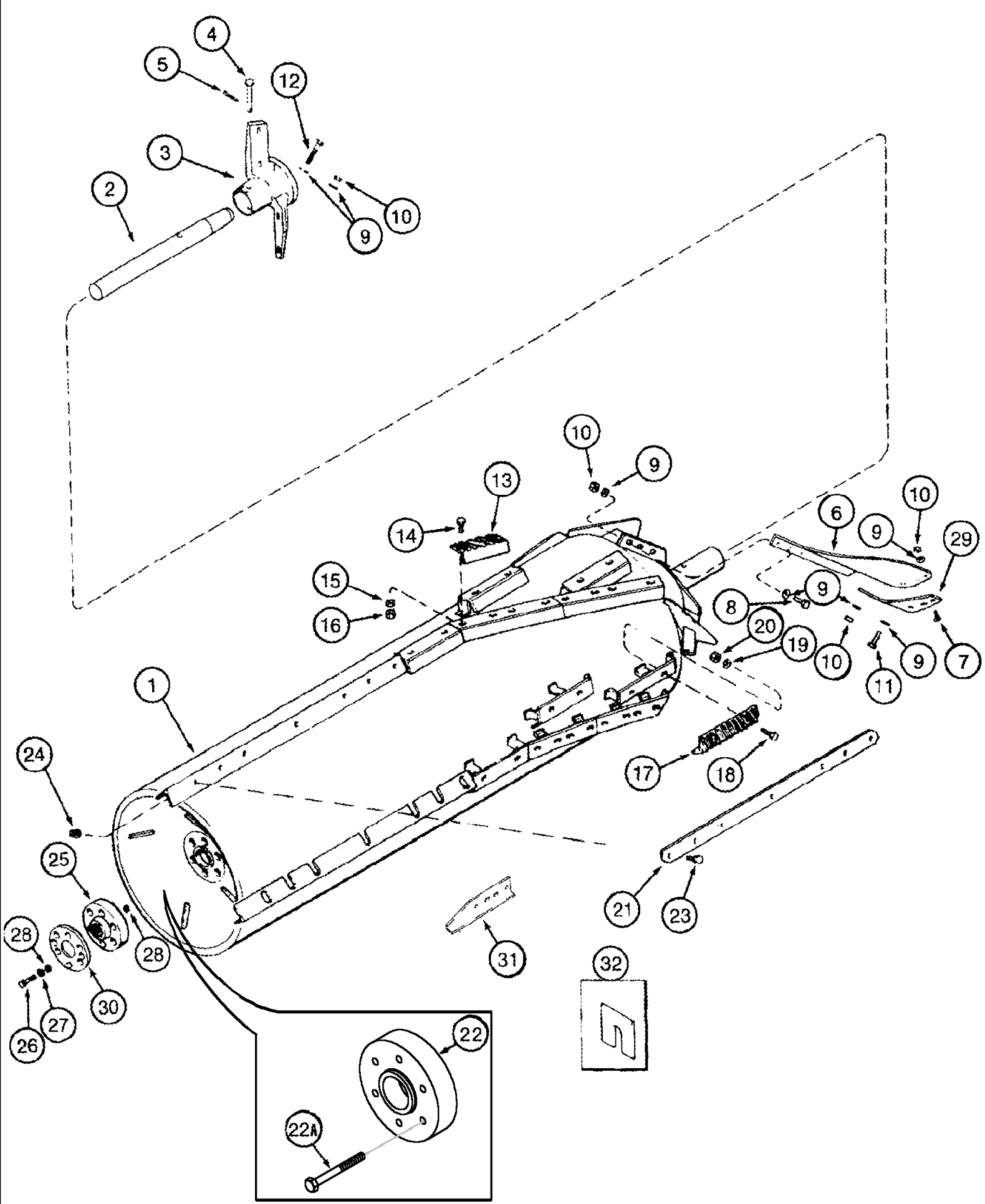
09B-07 ROTOR DRIVE - SPEED ADJUSTMENT



09B-07 ROTOR DRIVE - SPEED ADJUSTMENT

сылка	Номер детали	Кол-во	Описание
1	111787A2	1	MOTOR, ELECTRIC, Variable Speed
2	413-432	2	BOLT, Hex, 1/4"-20 x 2", G5,
3	492-11025	4	WASHER, LOCK, 1/4",
4	425-104	2	NUT, 1/4"-20, G5,
5	113485A1	2	SPACER, 17 mm
6	55825C1	1	BUSHING,
7	194338C2	1	GEAR,
8	38-11020	1	PIN, LOCK, 5/32" x 1 1/4", Slotted,
9	Q5024	1	KEY, 3/16" Sq x 1", Par,
10	495-11066	8	WASHER, 5/8", SAE,
11	55826C1	2	BUSHING,
12	183227C2	1	SUPPORT,
13	409-7616	8	BOLT, Hex Flg, 3/8"-16 x 1", Serr,
14	495-81135	8	WASHER, 13/32" x 1" x .120",
15	231-5146	8	NUT, Flg, USR, 3/8"-16,
16	188215C3	1	SUPPORT, LH
18	477-73812	3	SCREW, Sltd Serr Truss Hd, 3/8" x 3/4",
19	231-5146	3	NUT, Flg, USR, 3/8"-16,
20	194336C2	1	SUPPORT, RH
21	477-73816	4	SCREW, Sltd Serr Truss Hd, 3/8" x 1",
22	495-81143	2	WASHER, 13/32" x 1 1/2" x .120",
23	231-5146	4	NUT, Flg, USR, 3/8"-16,
24	194337C1	1	SPROCKET, 8T
25	485-12512	2	SET SCREW, Sq Hd, 1/4"-20 x 3/4",
26	425-144	2	NUT, Jam, 1/4"-20, G5,
27	1302173C1	2	PAD,
28	413-624	2	BOLT, Hex, 3/8"-16 x 1 1/2", G5,
29	495-11041	4	WASHER, 3/8", SAE,
30	492-11038	2	WASHER, LOCK, 3/8",
31	425-106	2	NUT, 3/8"-16, G5,
32	617107R91	1	CHAIN, Drive, Use 2040 (31), 457113R91 (1), 457114R92 (2)
33	188216C1	1	SUPPORT, LH
34	199704A1	1	GUARD,
35	1545944C1	1	SEAL, Trim, Cut 129 mm (5") from 1330108CX, Not Illustrated
35	1327979C1	1	MOLDING, Cut 152 mm (6") from 196707C1, Not Illustrated

09B-08 ROTOR ASSY - CORN AND GRAIN



09B-08 ROTOR ASSY - CORN AND GRAIN

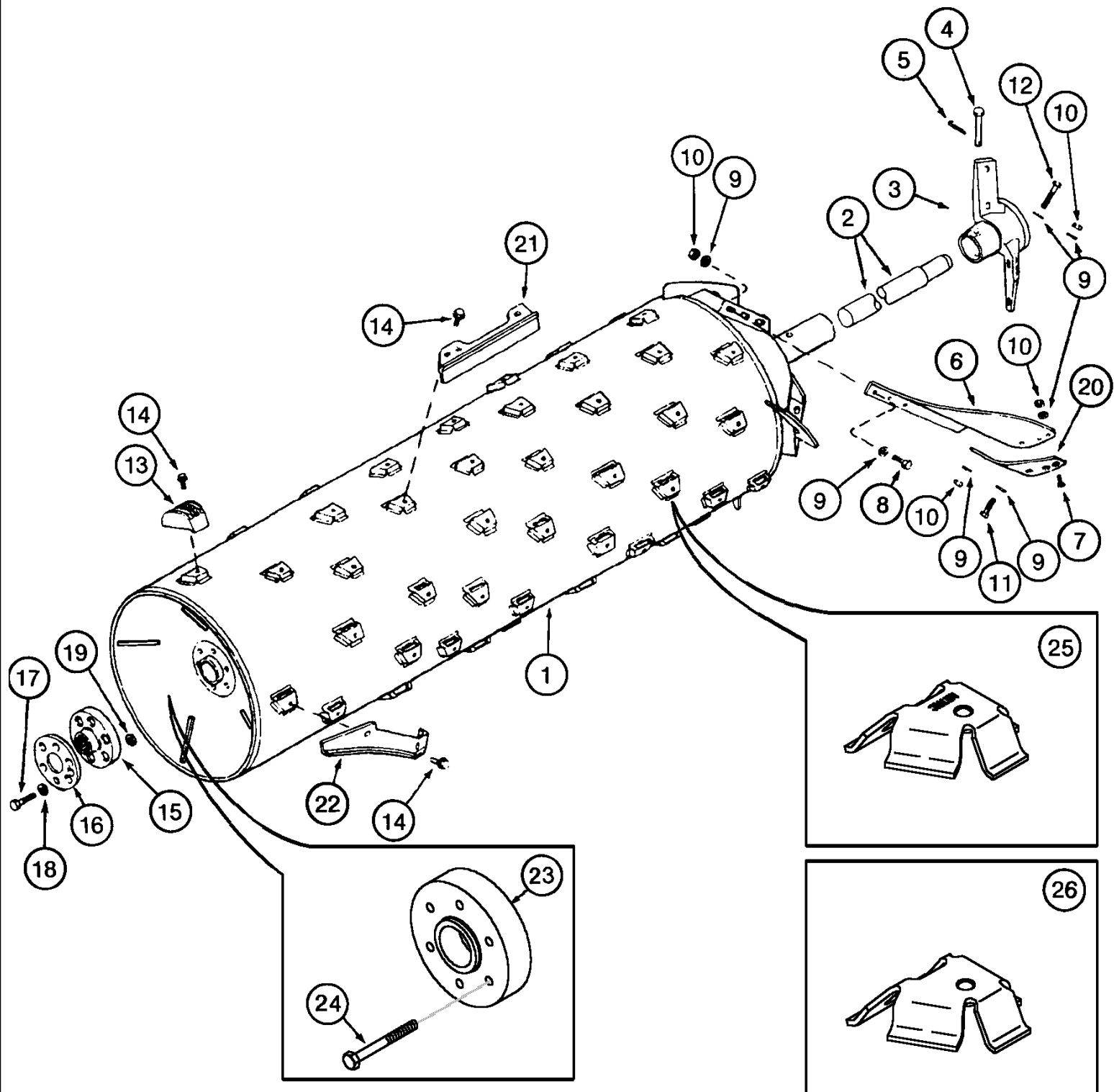
сылка	Номер детали	Кол-во	Описание
	256608A1	1	ROTOR, Standard Grain, Includes 1 - 21, 23 - 30, Without Chrome Bars
	256614A1	1	ROTOR, Standard Grain, Includes 1 - 21, 23 - 30, With Chrome Bars
1	NSS	1	NOT SERVICED SEPARATELY, Rotor
2	191545C2	1	SHAFT,
3	184460C1	1	IMPELLER,
4	439-51272	1	PIN, HEADED, 3/4" x 4 1/2", G5,
5	432-1620	1	PIN, SPLIT (COTTER), 1/4" x 1 1/4",
	1957445C3	1	SET OF BLADES, Rotor, Includes 6 - 12
6	1309114C2	2	BLADE, Rotor
7	87301496	6	SCREW, Hex Soc Hd, 1/2"-13 x 1 1/2",
8	426-828	6	BOLT, Hex, 1/2"-13 x 1 3/4", G8,
9	396-41053	26	WASHER, 17/32" x 1 1/4" x .188", HDN,
10	199528A1	16	NUT, 1/2"; 8
11	326-844	2	BOLT, Hex, 1/2"-13 x 2 3/4", G8,
12	326-848	2	BOLT, Hex, 1/2"-13 x 3", G8,
13	1308830C2	16	RASP BAR, , Used with 256608A1
13	1324581C3	16	RASP BAR, Chrome, Used with 256614A1
13	1994892C1	16	RASP BAR, Smooth, Helical
14	426-620	32	BOLT, Hex, 3/8"-16 x 1 1/4", G8, Full Thd,
15	86624186	32	WASHER, 13/32" x 1 1/8" x .134",
16	232-4146	32	NUT, LOCK, 3/8"-16, GC,
17	1308668C1	12	RASP BAR, Straight, Used with 256608A1
17	1324582C2	12	RASP BAR, Straight, Chrome, Used with 256614A1
17	1994890C1	4	RASP BAR, Smooth, Straight
18	426-620	24	BOLT, Hex, 3/8"-16 x 1 1/4", G8, Full Thd,
19	86624186	24	WASHER, 13/32" x 1 1/8" x .134",
20	232-4146	24	NUT, LOCK, 3/8"-16, GC,
21	1303038C2	4	BAR, Rear, Straight, Used with 256608A1
21	1324580C2	4	BAR, Rear, Straight, Chrome, Used with 256614A1
	86990684	1	KIT, Kit, Rotor Drive Spacer, Includes 22, 22A
22	443256A1	1	SPACER,
22A	326-880	6	BOLT, Hex, 1/2"-13 x 5", G8,
23	409-7620	28	BOLT, Hex Flg, 3/8"-16 x 1 1/4", Serr,
24	231-5146	28	NUT, Flg, USR, 3/8"-16,
25	1345307C1	1	COUPLING, Includes 25A
25A	1345453C1	6	INSULATOR, RUBBER,
26	326-852	6	BOLT, Hex, 1/2"-13 x 3 1/4", G8,
27	396-41053	6	WASHER, 17/32" x 1 1/4" x .188", HDN,
28	195-81030	6	WASHER, 17/32" x 1-1/2" x 3/16"
29	1309186C3	2	BAR, Wear
30	221189A1	1	SPACER,
31	183335C3	4	SUPPORT, Extension, Rotor Rear Bar
	1324208C1	1	KIT, SHIM, Includes 32
32	NSS	28	NOT SERVICED SEPARATELY, Shim, .254 mm (.010")
32	NSS	28	NOT SERVICED SEPARATELY, Shim, .762 mm (.030")

2388 CASE IH AXIAL-FLOW COMBINE (NA) BTW HAJ0292001 & HAJ0300000 (10/04-)

09B-08 ROTOR ASSY - CORN AND GRAIN

сылка	Номер детали	Кол-во	Описание
32	NSS	28	NOT SERVICED SEPARATELY, Shim, 1.346 mm (.053")
32	NSS	28	NOT SERVICED SEPARATELY, Shim, 2.362 mm (.093")

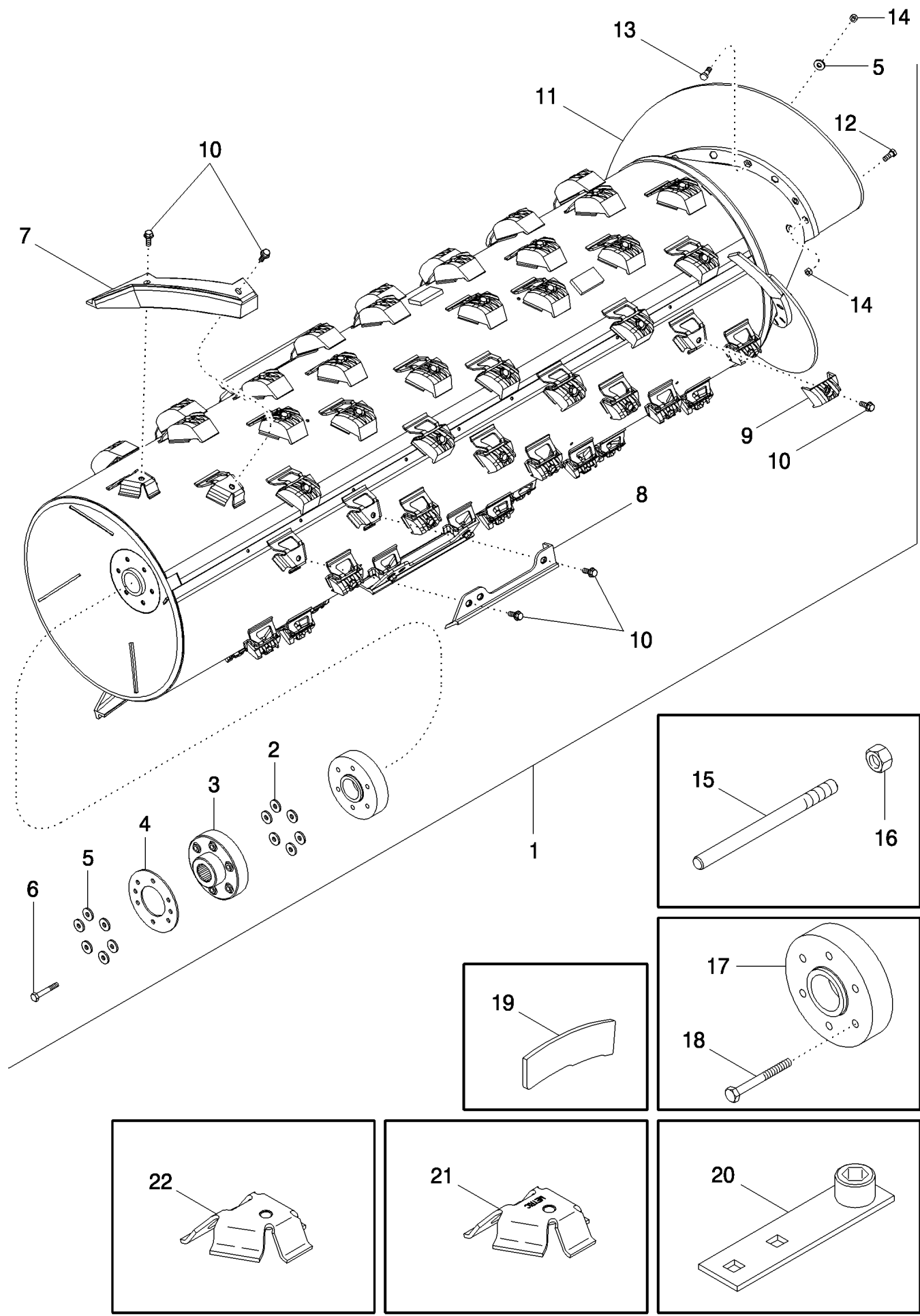
09B-09 ROTOR ASSY - SPECIALTY



09B-09 ROTOR ASSY - SPECIALTY

сылка	Номер детали	Кол-во	Описание
	87434967	1	ROTOR, Corn, Includes 1 - 22
	87434966	1	ROTOR, Grain, Includes 1 - 22
	352424A2	1	ROTOR, Rice, Extended Wear Chrome Bars, Includes 1-22
1	NSS	1	NOT SERVICED SEPARATELY, ROTOR
2	191545C2	1	SHAFT,
3	184460C1	1	IMPELLER,
4	439-51272	1	PIN, HEADED, 3/4" x 4 1/2", G5,
5	432-1620	1	PIN, SPLIT (COTTER), 1/4" x 1 1/4",
	1957445C3	1	SET OF BLADES, Rotor Blade, Includes 6 - 12
6	1309114C2	2	BLADE, Rotor, 30"
7	87301496	6	SCREW, Hex Soc Hd, 1/2"-13 x 1 1/2",
8	426-828	6	BOLT, Hex, 1/2"-13 x 1 3/4", G8,
9	396-41053	26	WASHER, 17/32" x 1 1/4" x .188", HDN,
10	199528A1	16	NUT, 1/2"; 8
11	326-844	2	BOLT, Hex, 1/2"-13 x 2 3/4", G8,
12	326-848	2	BOLT, Hex, 1/2"-13 x 3", G8,
13	1309336C2	58	RASP BAR, Without Rear Spike, Corn
13	278821A2	66	RASP BAR, Without Spike, Grain
13	111709A1	AR	RASP BAR, Smooth, Optional
14	86981487	78	BOLT, Hex Flg, M12 x 35, 10.9, Full Thd,
15	1345307C1	1	COUPLING, Includes 15A
15A	1345453C1	6	INSULATOR, RUBBER, Not Illustrated
16	221189A1	1	SPACER,
17	326-852	6	BOLT, Hex, 1/2"-13 x 3 1/4", G8,
18	396-41053	6	WASHER, 17/32" x 1 1/4" x .188", HDN,
19	195-81030	6	WASHER, 17/32" x 1-1/2" x 3/16"
20	1309186C3	2	BAR, Wear, Impeller Blade, Chrome
21	1318976C2	8	BAR, Straight Separator, Standard Wear Corn
21	86992047	4	BAR, Straight Separator, Extended Wear Grain
22	1327676C1	2	BAR, Helical Kicker, Standard Wear
22	86992048	2	BAR, Helical Kicker, Extended Wear
	86990684	1	KIT, Spacer, Includes 23, 24
23	443256A1	1	SPACER,
24	326-880	6	BOLT, Hex, 1/2"-13 x 5", G8,
25	87281664	AR	SUPPORT, Rasp Bar w/Metric Nut, Accepts M12 Bolt, S/N HAJ0292001 and After
26	411421A2	AR	BRACKET, Rasp Bar w/Inch Nut, Accepts 1/2" Bolt, If Equipped

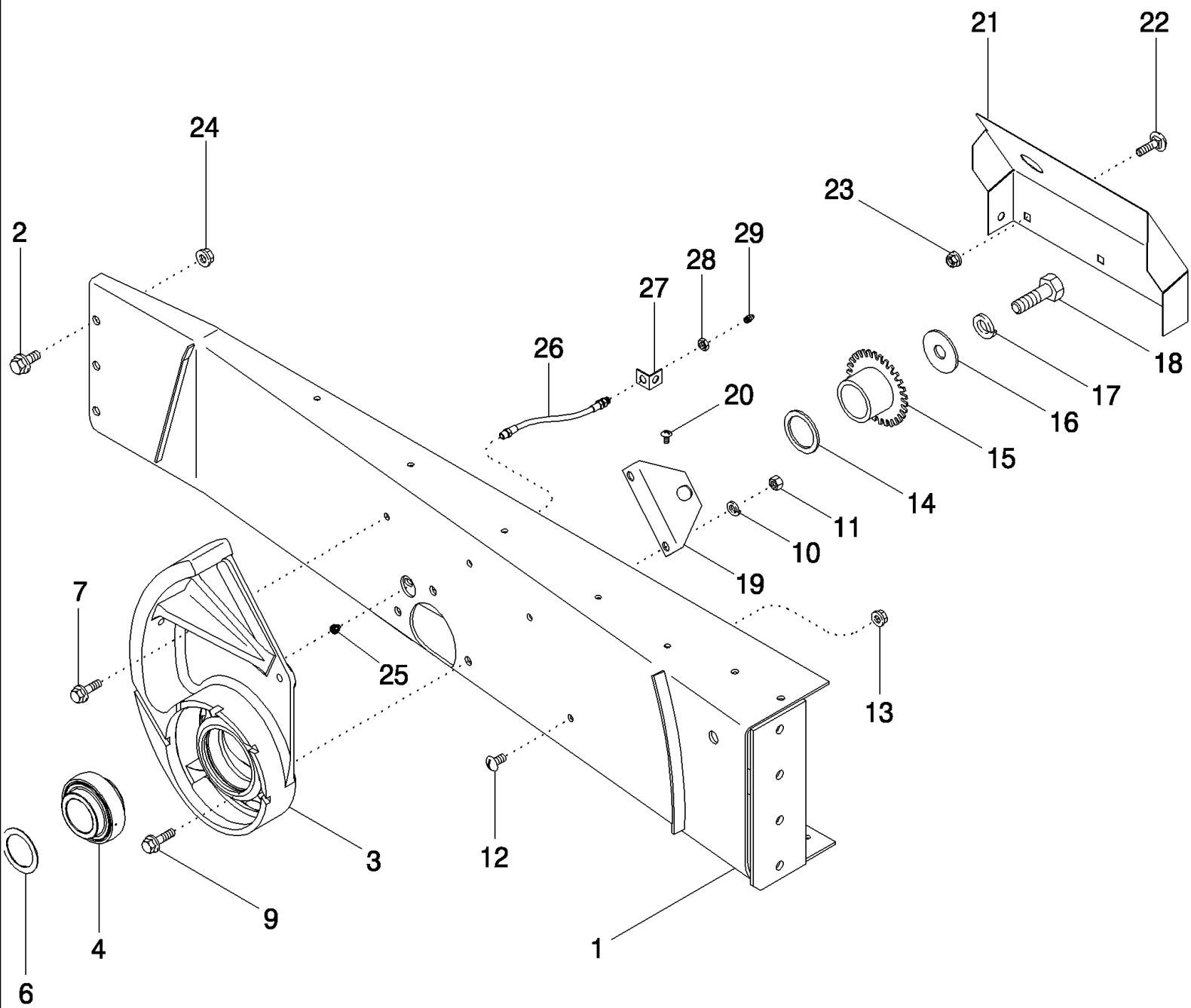
09B-10 ROTOR ASSY - SPECIALTY AFX



09B-10 ROTOR ASSY - SPECIALTY AFX

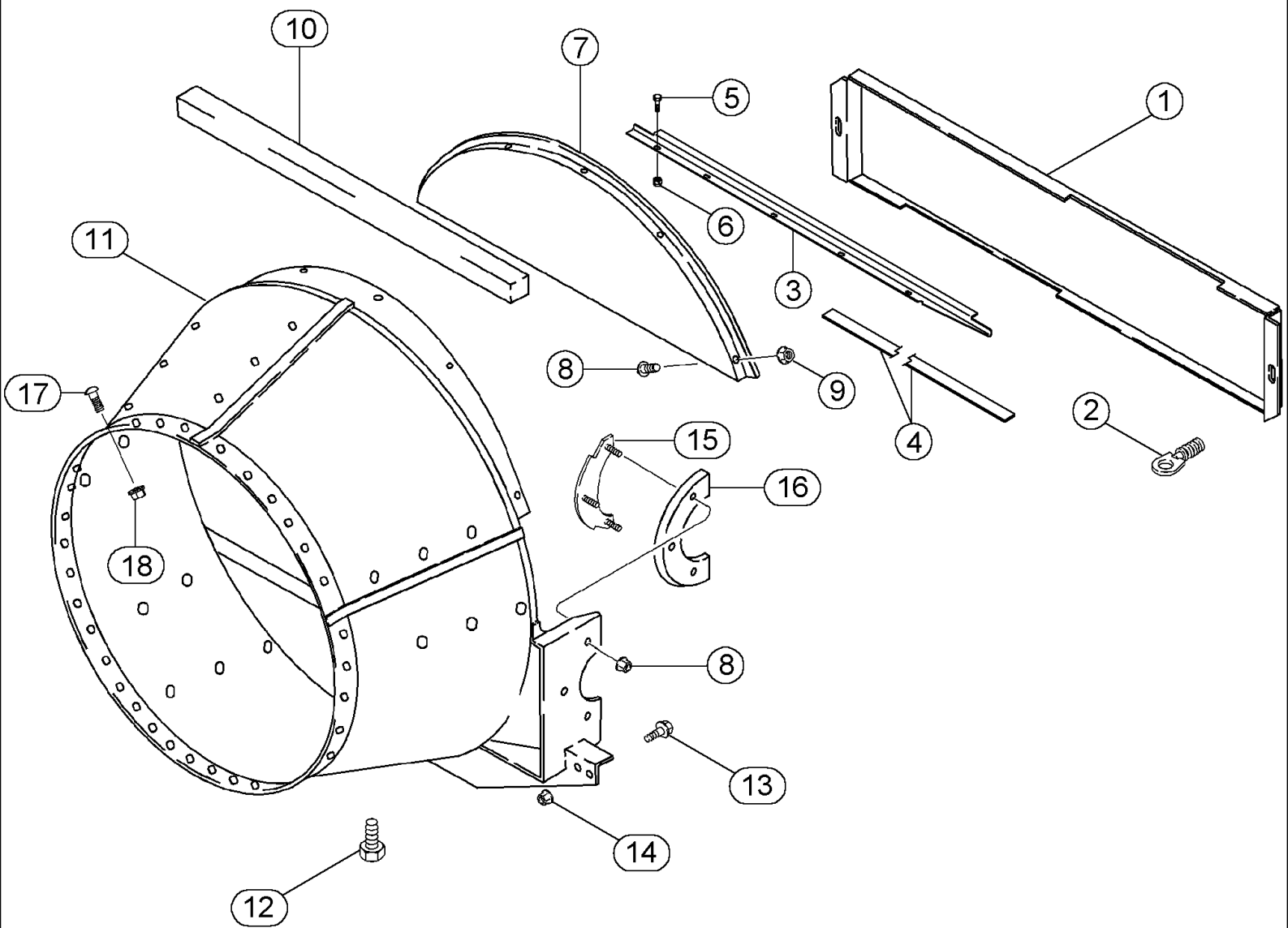
сылка	Номер детали	Кол-во	Описание
	87432480	1	ROTOR, ASSY, AFX Speciality Corn, Standard Wear, Includes 1 - 14
	87432245	1	ROTOR, ASSY, AFX Speciality Grain, Extended Wear, Includes 1 - 14
	446449A2	1	ROTOR, ASSY, AFX Speciality Rice, Extended Wear, Includes 1 - 14
1	NSS	1	NOT SERVICED SEPARATELY, ROTOR ASSY, With Supports and Nuts
2	195-81030	6	WASHER, 17/32" x 1-1/2" x 3/16"
3	1345307C1	1	COUPLING, Rotor Drive, Includes 3A
3A	1345453C1	6	INSULATOR, RUBBER, Not Illustrated
4	221189A1	1	SPACER, Rotor Load Ring
5	396-41053	18	WASHER, 17/32" x 1 1/4" x .188", HDN,
6	326-852	6	BOLT, Hex, 1/2"-13 x 3 1/4", G8,
7	1327676C1	2	BAR, Helical Kicker, Standard Wear
7	86996452	2	BAR, Helical Kicker, Extended Wear
8	86996451	8	BAR, Straight Separator, Standard Wear
8	86992047	4	BAR, Straight Separator, Extended Wear
9	1309336C2	62	RASP BAR, Without Rear Spike, Standard Wear
9	278821A2	70	RASP BAR, Without Spike, Extended Wear
9	278820A4	AR	RASP BAR, With Spike, Extended Wear, Rice
10	86981487	82	BOLT, Hex Flg, M12 x 35, 10.9, Full Thd,
	434525A3	1	KIT, AFX Rotor Inlet Flight with Extensions, Includes 11, 12 (16), 13 (12), 14 - 16, 5 (12)
11	NSS	2	NOT SERVICED SEPARATELY, FLIGHT, Inlet
12	326-820	4	BOLT, Hex, 1/2"-13 x 1 1/4", G8, Full Thd,
13	326-824	12	BOLT, Hex, 1/2"-13 x 1 1/2", G8, Full Thd,
14	199528A1	16	NUT,
15	86989978	1	ROD, Installation Guide, AFX Inlet Flight
16	425-108	1	NUT, 1/2"-13, G5,
	86990684	1	KIT, Rotor Drive Spacer, Includes 17, 18
17	443256A1	1	SPACER,
18	326-880	6	BOLT, Hex, 1/2"-13 x 5", G8,
19	446451A2	2	PLATE, Inlet Flight Extension
20	87417745	1	WRENCH, SPECIAL, Rasp Bar
21	87281664	AR	SUPPORT, Rasp Bar w/Metric Nut, Accepts M12 Bolt, S/N HAJ0292001 and After
22	411421A2	AR	BRACKET, Rasp Bar w/Inch Nut, Accepts 1/2" Bolt, If Equipped

09B-11 ROTOR INSTALLATION PARTS



09B-11 ROTOR INSTALLATION PARTS

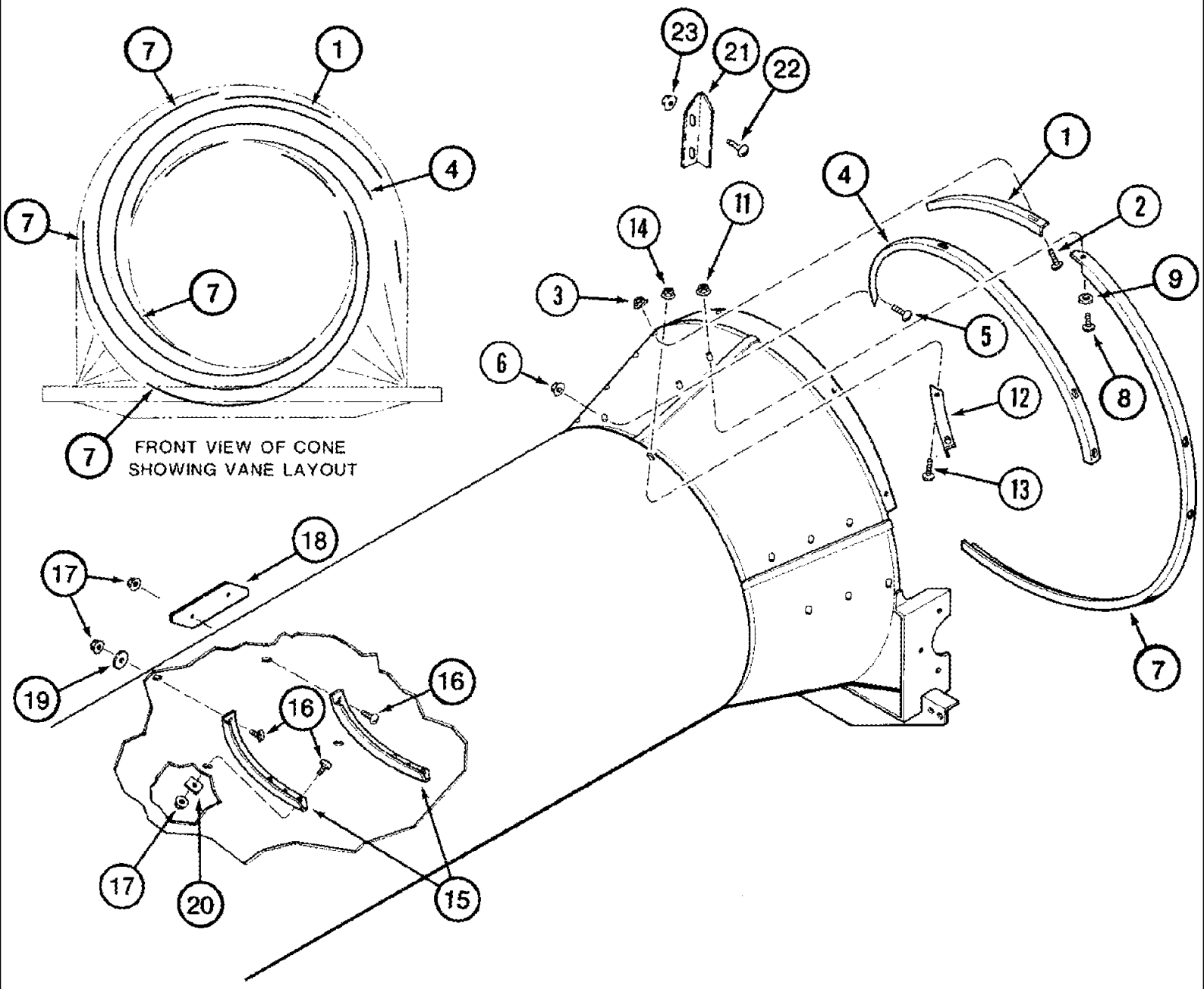
сылка	Номер детали	Кол-во	Описание
1	193384C8	1	SUPPORT, Front Bearing, Standard Wear
1	249247A1	1	SUPPORT, Front Bearing, Extended Wear
2	409-7820	4	BOLT, Hex Flg, 1/2"-13 x 1 1/4", Serr,
	293431A3	1	HOUSING, Front Bearing, Includes 3 - 5
3	253439A3	1	HOUSING, Rotor Front Bearing
4	193282C91	1	BEARING, BALL,
6	183449C1	1	WASHER, 2" x 2-3/4" x 1/32"
7	477-73820	2	SCREW, Sltd Serr Truss Hd, 3/8"-16 x 1 1/4",
9	413-824	3	BOLT, Hex, 1/2"-13 x 1 1/2", G5, Full Thd,
10	80679	3	WASHER, LOCK, 1/2",
11	425-108	3	NUT, 1/2"-13, G5,
12	477-73812	2	SCREW, Sltd Serr Truss Hd, 3/8" x 3/4",
13	231-5146	4	NUT, Flg, USR, 3/8"-16,
14	70330C1	1	WASHER, 25/32" x 2-1/2" x 1/4"
15	1979965C1	1	ROTOR, Magnetic Speed Pickup
16	495-81097	5	WASHER, 2 1/32" x 2 3/4" x .075",
17	492-11075	1	WASHER, LOCK, 3/4",
18	424-1228	1	BOLT, Hex, 3/4"-10 x 1 3/4", G2,
19	1301239C1	1	SUPPORT, Cylinder Tachometer
20	1310675C1	2	SCREW, LOCK, Sltd Truss Hd, #10-24 x 3/4", w/nylon LW,
21	182845C5	1	SHIELD, RPM Sensor
22	409-7612	3	BOLT, Hex Flg, 3/8"-16 x 3/4", Serr,
23	131-872	3	NUT, Ret, 3/8"-16,
24	231-5145	8	NUT, Flg, USR, 5/16"-18, 1/2"
25	219-8	1	NIPPLE, LUBE, 1/4"-28 NPT x .54" lg, Hose
26	937781R92	1	HOSE, 686 mm (27")
27	419744A1	1	BRACKET,
28	F53473	1	NUT, 1/8"
29	219-8	1	NIPPLE, LUBE, 1/4"-28 NPT x .54" lg,



09B-12 CONE

сылка	Номер детали	Кол-во	Описание
1	193608C6	1	SHEET, Rotor Front Door
2	188029C1	2	LATCH,
3	231848A1	1	RETAINER, Front Door Lower Seal Retainer
4	231849A2	1	GASKET, Front Door Lower Seal
5	409-7516	5	BOLT, Hex Flg, 5/16"-18 x 1", Serr,
6	231-5145	5	NUT, Flg, USR, 5/16"-18,
7	193607C3	1	SUPPORT, Rotor Front, Standard Wear
7	291127A1	1	GUARD, Rotor Front, Extended Wear, Rice Combine
8	145913	4	BOLT, Hex Flg, 5/16"-18 x 3/4", Serr,
9	145458	10	NUT, Flg, USR, 5/16"-18,
10	233482A1	2	SEAL,
11	428242A1	1	CONE, Standard Wear, Includes 12
11	428873A1	1	CONE, Extended Wear, Includes 12
11	428872A1	1	CONE, Extended Wear, Includes 12, Rice Combine
12	413-88	1	BOLT, Hex, 1/2"-13 x 1/2", G5, Full Thd,
13	409-7820	4	BOLT, Hex Flg, 1/2"-13 x 1 1/4", Serr,
14	231-5148	4	NUT, Flg, USR, 1/2"-13,
15	195409C1	2	PLATE,
16	195202C1	2	SEAL,
17	135320A1	2	SCREW, 3/8" x 1-1/4"
17	139727A1	23	SCREW, 3/8" x 1"
18	231-5146	25	NUT, Flg, USR, 3/8"-16,
19	419957A1	1	STRIP, Seal, Rear Service Deck Connection, Cut 1260 mm from 195917C2, Not Illustrated

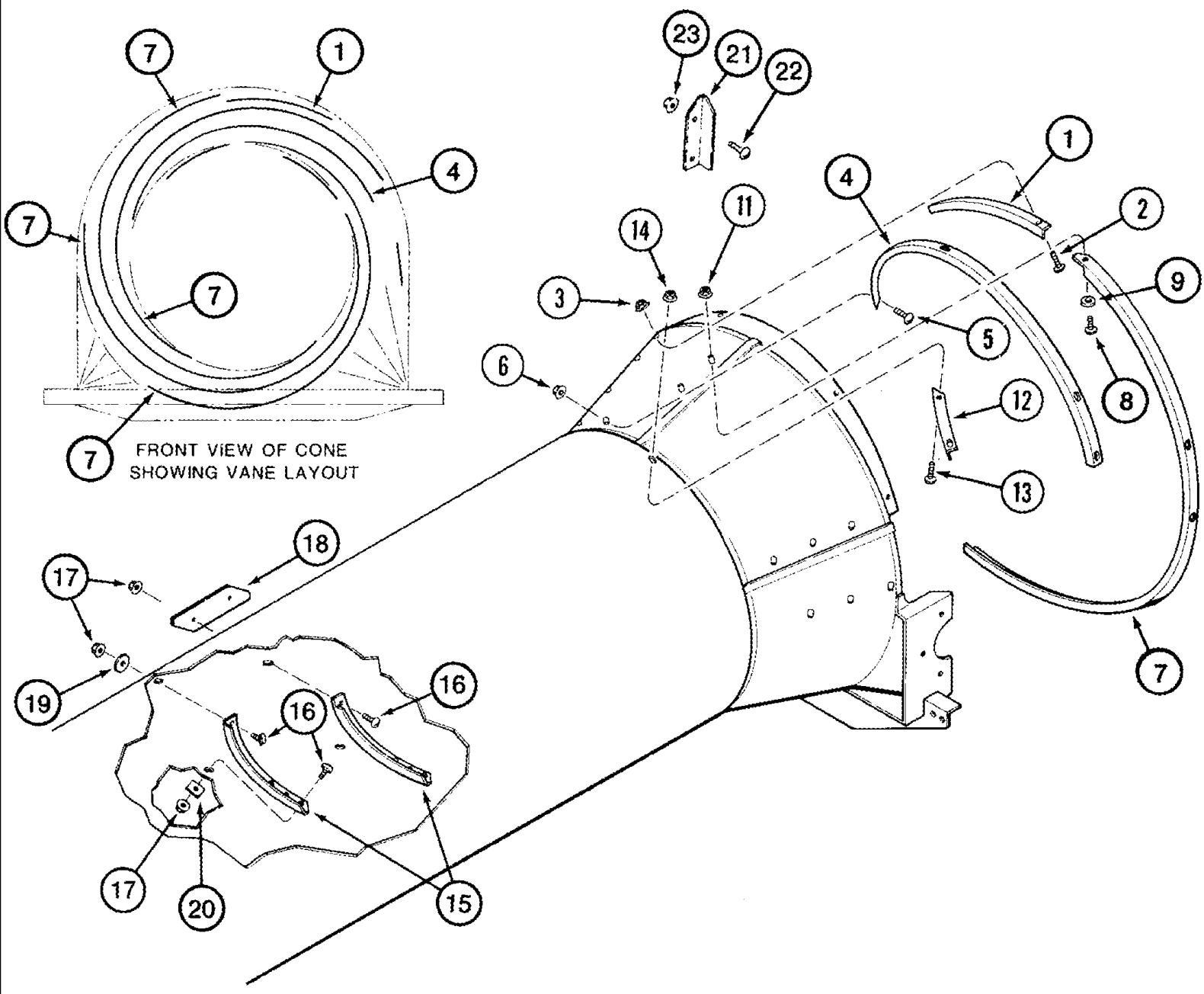
09B-13 VANE - EXTENDED WEAR



09B-13 VANE - EXTENDED WEAR

сылка	Номер детали	Кол-во	Описание
1	347913A1	1	STIFFENER, VANE, Cone Extension
2	433734A1	2	BOLT, T-Type
3	231-5346	2	NUT, LOCK, Flg, 3/8"-16,
4	418655A2	1	STIFFENER, VANE, Cone Short
5	433734A1	8	BOLT, T-Type
6	231-5346	8	NUT, LOCK, Flg, 3/8"-16,
7	418654A2	4	STIFFENER, VANE, Cone Front
8	433734A1	40-52	BOLT, T-Type
9	495-81116	1	WASHER, .344" x 1" x .060",
11	231-5346	40-52	NUT, LOCK, Flg, 3/8"-16,
12	411518A2	3	STIFFENER, VANE, Transport Short Extension
13	139727A1	10	SCREW, 3/8" x 1"
14	231-5146	6	NUT, Flg, USR, 3/8"-16,
15	347917A1	13	STIFFENER, VANE, Transport
16	1324105C1	39	BOLT, Tee
17	231-5146	39	NUT, Flg, USR, 3/8"-16,
18	1318581C1	6	PLATE,
19	55805C1	11	WASHER, 13/32" x 2-1/2" x 5/32"
20	570052R1	2	WASHER, 13/32" x 1-1/2" x 3/16"
21	347918A1	1	STIFFENER, Vane, Cone Pocket
22	433734A1	2	BOLT,
23	231-5346	2	NUT, LOCK, Flg, 3/8"-16,

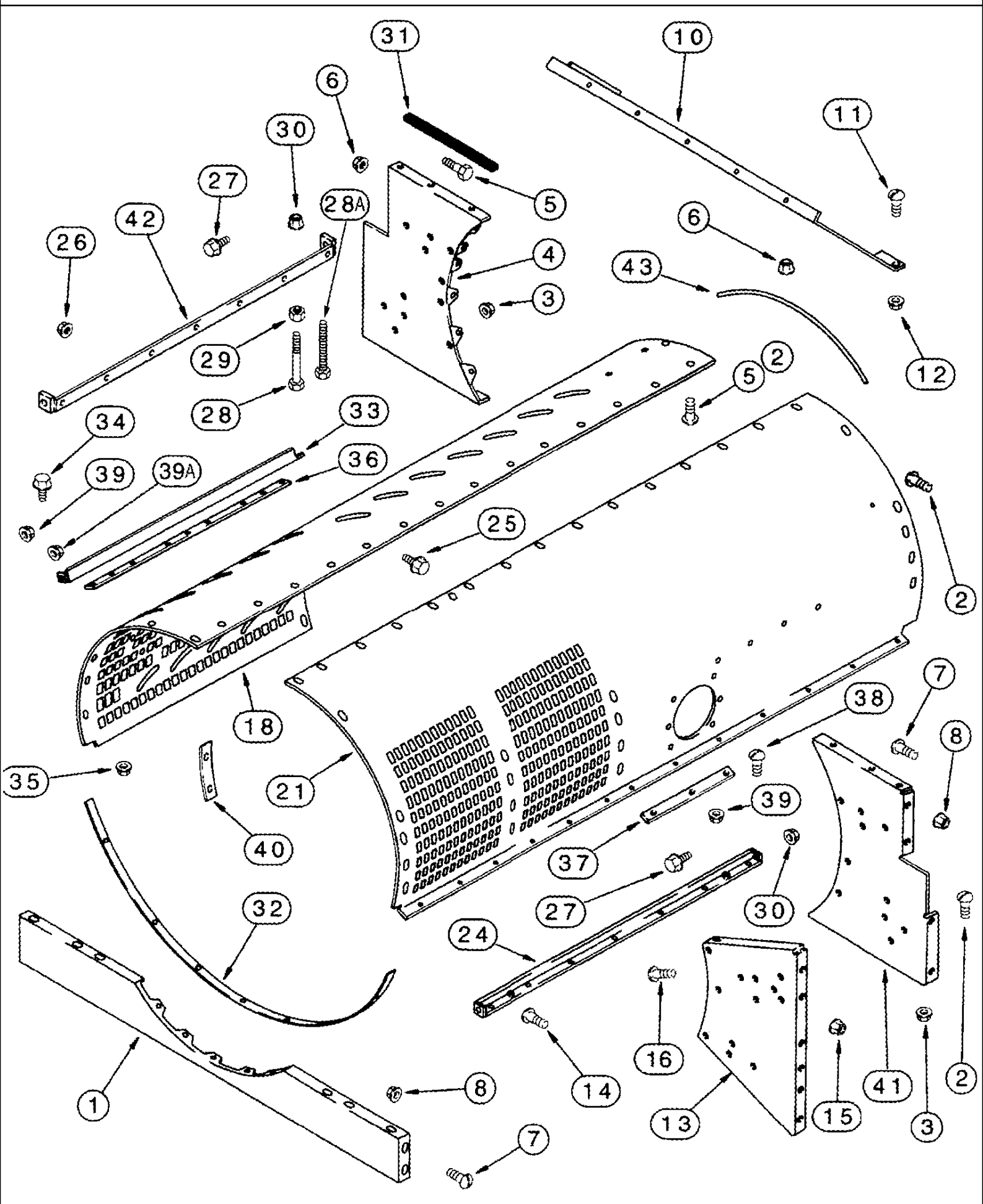
09B-14 VANE - AFX WITH EXTENDED WEAR



09B-14 VANE - AFX WITH EXTENDED WEAR

сылка	Номер детали	Кол-во	Описание
1	428281A1	1	STIFFENER, VANE, Cone Extension
2	477-73112	2	BOLT, Slotted Tr Hd, 5/16"-18 x 3/4",
3	231-5145	2	NUT, Flg, USR, 5/16"-18,
4	428280A2	1	STIFFENER, VANE, Cone Short
5	477-73112	4-5	BOLT, Slotted Tr Hd, 5/16"-18 x 3/4",
6	231-5145	4-5	NUT, Flg, USR, 5/16"-18,
7	428279A2	4	STIFFENER, VANE, Cone Front
8	433734A1	23	BOLT, 1-1/8
9	495-81116	1	WASHER, .344" x 1" x .060",
11	231-5346	52	NUT, LOCK, Flg, 3/8"-16, Flange, 3/4
12	411517A2	3	STIFFENER, VANE, Transport Extension
13	139727A1	3	SCREW, 3/8" x 1"
14	231-5146	3	NUT, Flg, USR, 3/8"-16, Transport
15	186075C2	13	TUBE, SUPPORT, VANE, Transport
16	1324105C1	39	BOLT,
17	231-5146	39	NUT, Flg, USR, 3/8"-16,
18	1318581C1	6	PLATE,
19	55805C1	11	WASHER, 13/32" x 2-1/2" x 5/32"
20	570052R1	2	WASHER, 13/32" x 1-1/2" x 3/16"
21	428282A1	1	STIFFENER, VANE, Pocket
22	477-73112	2	BOLT, Slotted Tr Hd, 5/16"-18 x 3/4",
23	231-5145	2	NUT, Flg, USR, 5/16"-18,
	437319A1	1	KIT, AFX Cone Vanes, 3/16", Includes 1, 4, 7, 8, 11, 21

09B-15 CAGE - FRONT



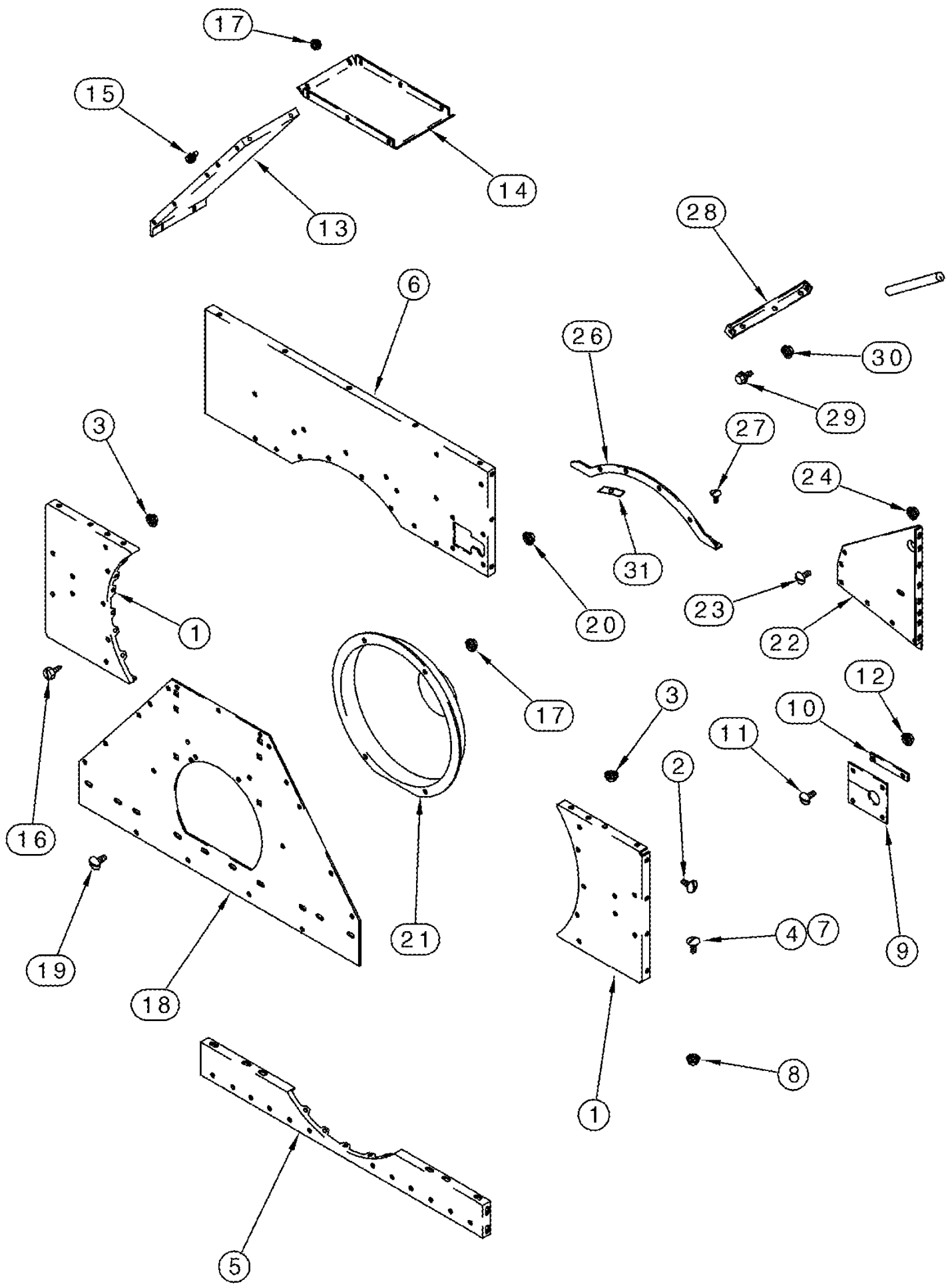
09B-15 CAGE - FRONT

сылка	Номер детали	Кол-во	Описание
1	192385C1	1	SUPPORT,
2	477-73812	20	SCREW, Sltd Serr Truss Hd, 3/8" x 3/4",
2	477-73816	14	SCREW, Sltd Serr Truss Hd, 3/8" x 1",
3	231-5146	34	NUT, Flg, USR, 3/8"-16,
4	1338053C3	1	SUPPORT, LH Front
5	409-7820	4	BOLT, Hex Flg, 1/2"-13 x 1 1/4", Serr,
5	477-73812	8	SCREW, Sltd Serr Truss Hd, 3/8" x 3/4",
5	477-73120	2	SCREW, Sltd Serr Truss Hd, 5/16"-18 x 1 1/4",
6	231-5148	4	NUT, Flg, USR, 1/2"-13,
7	477-73112	10	BOLT, Slotted Tr Hd, 5/16"-18 x 3/4",
8	231-5145	10	NUT, Flg, USR, 5/16"-18,
10	176200A2	1	SHEET, Front
11	477-73112	8	BOLT, Slotted Tr Hd, 5/16"-18 x 3/4",
11	477-73120	1	SCREW, Sltd Serr Truss Hd, 5/16"-18 x 1 1/4",
12	231-5145	9	NUT, Flg, USR, 5/16"-18,
13	1338042C1	1	SUPPORT, RH, Intermediate, Adjusting, Includes 13A
13A	1338057C1	2	SUPPORT, RH, Intermediate
13B	1338052C1	5	SCREW, 5/8" x 1-1/2"
14	1302160C1	11	SCREW, LOCK, Sltd Truss Hd, 3/8"-16 x 3/4",
15	231-5146	17	NUT, Flg, USR, 3/8"-16,
16	410-7620	6	BOLT, Hex Flg, 3/8"-16 x 1 1/4", Serr,
18	1318729C5	1	CAGE, Rotor, LH
21	1321661C3	1	CAGE, Rotor, RH
24	188333C1	1	SUPPORT, RH
25	477-73812	8	SCREW, Sltd Serr Truss Hd, 3/8" x 3/4",
25	139727A1	6	SCREW, 3/8" x 1"
25	477-73816	1	SCREW, Sltd Serr Truss Hd, 3/8" x 1",
26	231-5146	14	NUT, Flg, USR, 3/8"-16,
27	1302143C1	2	BOLT, 1/2" x 1"
28	931008R1	2	BOLT, 1/2" x 3-1/2"
28A	820430C1	2	BOLT, 1/2" x 5-1/2", If Used
29	425-148	2	NUT, Jam, 1/2"-13, G5,
30	231-5148	2	NUT, Flg, USR, 1/2"-13,
31	NSS	2	NOT SERVICED SEPARATELY, Seal, Cut from 73220C1
32	186750C1	1	SUPPORT,
33	185386C1	1	SUPPORT, LH
34	1319250C1	15	SCREW, 3/8" x 1"
35	231-5146	AR	NUT, Flg, USR, 3/8"-16,
36	183323C1	1	STRAP,
37	186785C2	1	REINFORCEMENT, Front, RH
38	186917C1	5	SCREW, 3/8" x 3/4"
39	231-5146	5	NUT, Flg, USR, 3/8"-16,
39A	231-5346	1	NUT, LOCK, Flg, 3/8"-16,
40	1318900C1	1	SUPPORT, LH Front
41	1338043C4	1	SUPPORT, RH Front

09B-15 CAGE - FRONT

сылка	Номер детали	Кол-во	Описание
42	1309191C2	1	SUPPORT, LH
43	1309111C1	1	GASKET, 725 mm (28-9/16")

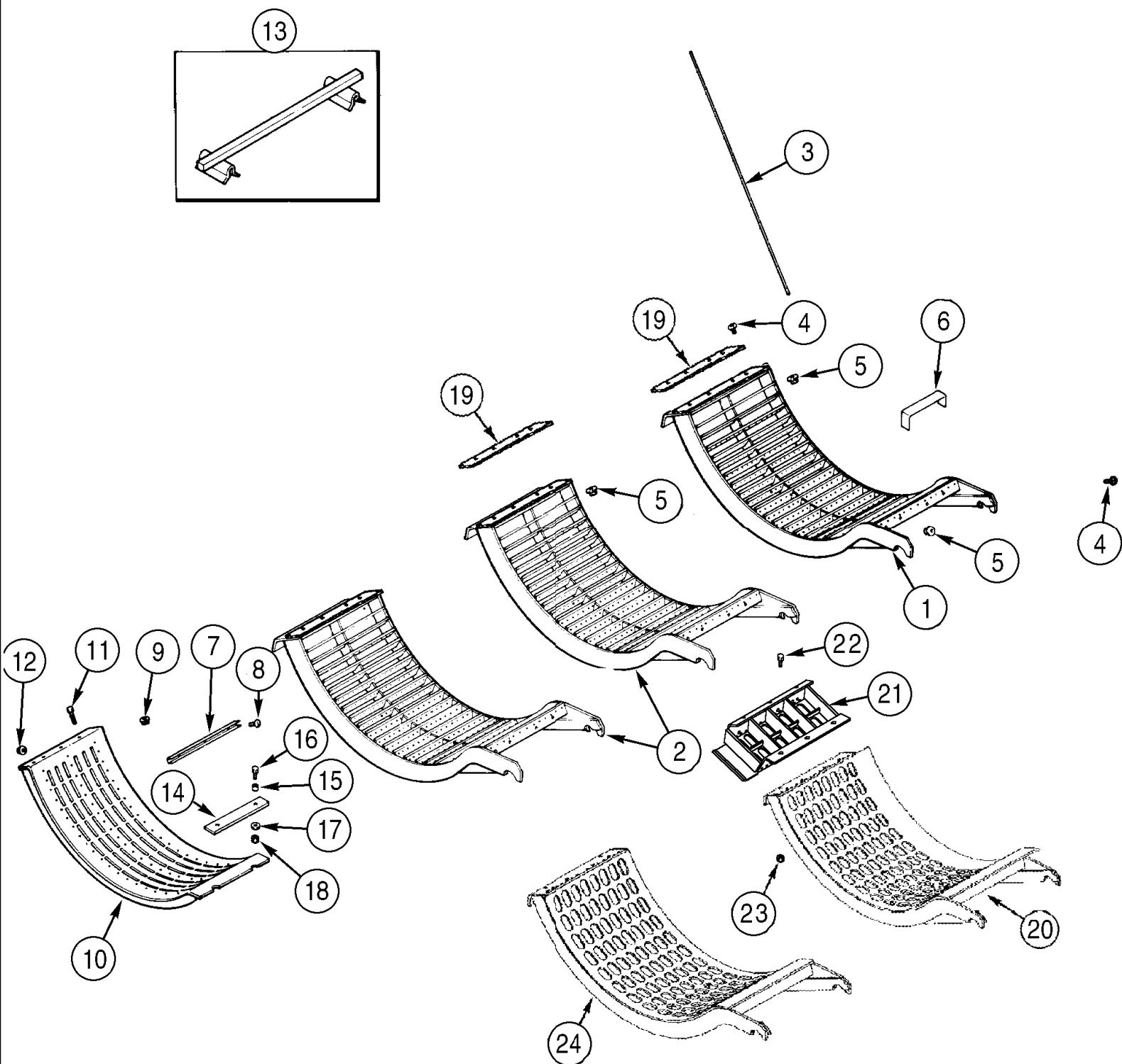
09B-16 CAGE - REAR



09B-16 CAGE - REAR

сылка	Номер детали	Кол-во	Описание
1	191269C4	2	SUPPORT, Rear
2	477-73812	8	SCREW, Sltd Serr Truss Hd, 3/8" x 3/4",
2	477-73816	24	SCREW, Sltd Serr Truss Hd, 3/8" x 1",
3	231-5146	40	NUT, Flg, USR, 3/8"-16,
4	1302160C1	8	SCREW, LOCK, Sltd Truss Hd, 3/8"-16 x 3/4",
5	182931C1	1	SUPPORT, Lower Rear
6	176201A1	1	SHEET, Upper Rear
7	477-73812	15	SCREW, Sltd Serr Truss Hd, 3/8" x 3/4",
8	231-5146	15	NUT, Flg, USR, 3/8"-16,
9	191191C2	1	STRIP,
10	191192C1	2	BAR,
11	477-73112	4	BOLT, Slotted Tr Hd, 5/16"-18 x 3/4",
12	231-5145	4	NUT, Flg, USR, 5/16"-18,
13	193393C1	2	SUPPORT,
14	193170C1	1	COVER,
15	409-7512	4	BOLT, Hex Flg, 5/16"-18 x 3/4", Serr,
16	138558A1	3	SCREW, 5/16" x 13/16"
17	231-5145	7	NUT, Flg, USR, 5/16"-18,
18	443254A1	1	SHEET,
19	477-73112	28	BOLT, Slotted Tr Hd, 5/16"-18 x 3/4",
19	477-73116	2	SCREW, Sltd Serr Truss Hd, 5/16"-18 x 1",
20	231-5145	28	NUT, Flg, USR, 5/16"-18,
21	182550C2	1	HOUSING,
22	191398C2	1	GUARD, Gear Housing, Inner
23	477-73812	4	SCREW, Sltd Serr Truss Hd, 3/8" x 3/4",
24	231-5146	4	NUT, Flg, USR, 3/8"-16,
26	1308696C1	1	SUPPORT, Upper Rear
27	1302160C1	4	SCREW, LOCK, Sltd Truss Hd, 3/8"-16 x 3/4",
28	182634C3	1	SUPPORT,
29	1302143C1	2	BOLT, 1/2" x 1"
30	231-5148	2	NUT, Flg, USR, 1/2"-13,
31	186797C2	1	SUPPORT,

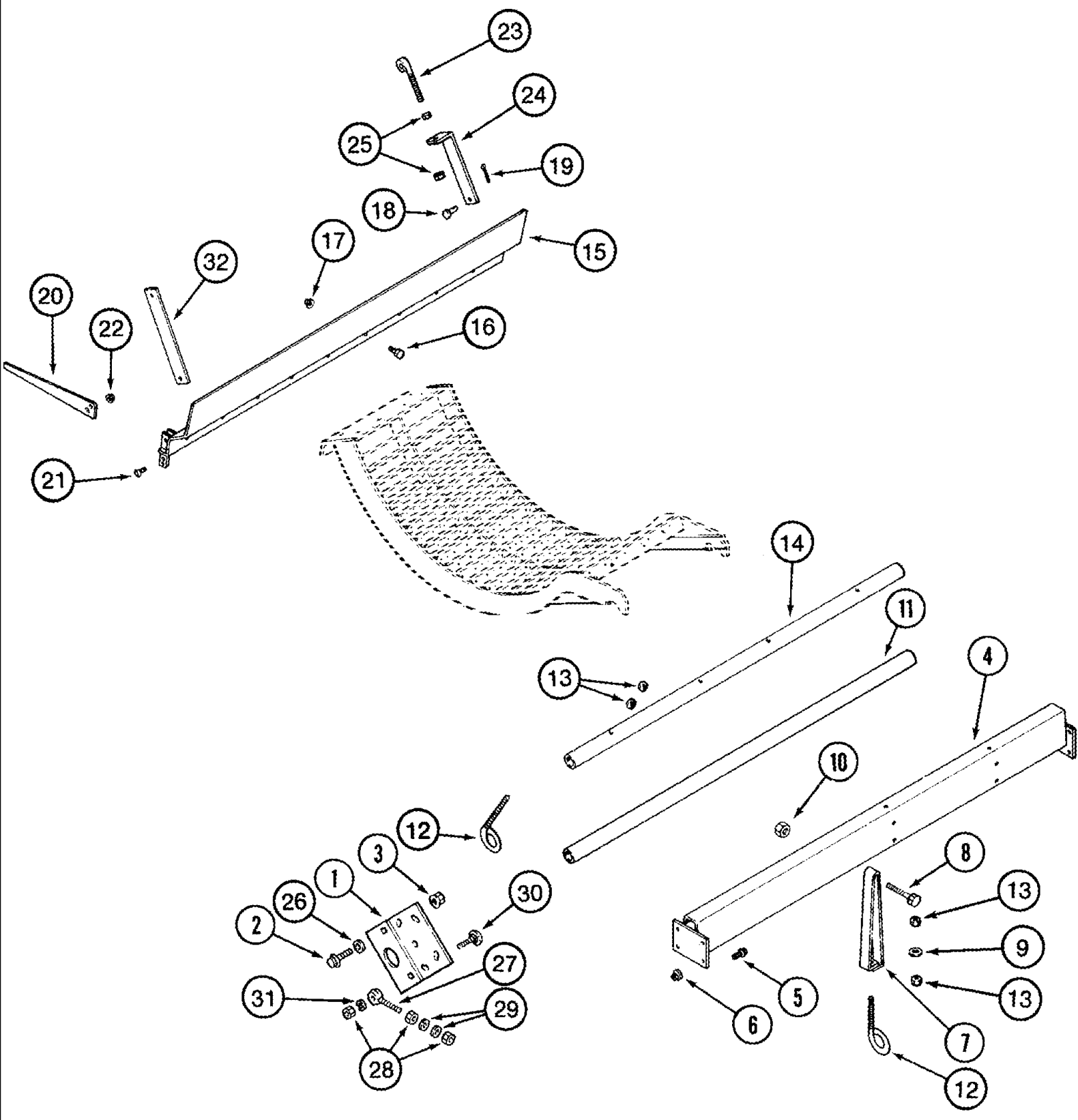
09B-17 CONCAVES - GRATES AND CONCAVES



09B-17 CONCAVES - GRATES AND CONCAVES

сылка	Номер детали	Кол-во	Описание
1	418647A1	1	CONCAVE, Front, Small Wire, Includes 3 - 5, 19, With Heat Treatment
1	386188A1	1	CONCAVE, Front, Large Wire Extension, Includes 3 - 5, Without Heat Treatment
1	418645A1	1	CONCAVE, Front, Large Wire Extension, Includes 3 - 5, 19, With Heat Treatment
2	386189A1	1	DIA KIT, HARVESTER, No. 2 and 3, Large Wire Extension, Includes 3 - 5, Without Heat Treatment
2	418646A1	1	CONCAVE, No. 2 and 3, Large Wire Extension, Includes 3 - 5, 19, With Heat Treatment
2	418648A1	1	CONCAVE, No. 2 and 3, Small Wire Extension, Includes 3 - 5, 19, With Heat Treatment
3	386352A1	14	WIRE, Concave, Large
3	418158A1	30	WIRE, Concave, Small
4	450-73816	8	SCREW, CrossSerr Truss Hd, 3/8"-16 x 1",
5	231-5146	8	NUT, Flg, USR, 3/8"-16,
6	1309425C1	6	CHANNEL, Small Wire
6	1309424C1	6	CHANNEL, Large Wire
7	191536C1	AR	CHANNEL, Grate Adjusting, Corn, Used with 191535C2, Ref. 10
8	477-73112	AR	BOLT, Slotted Tr Hd, 5/16"-18 x 3/4",
9	231-5145	AR	NUT, Flg, USR, 5/16"-18,
10	191535C2	3	GRATE, Slotted, Grain
10	1302563C1	3	GRATE, Keystock
11	410-7620	AR	BOLT, Hex Flg, 3/8"-16 x 1 1/4", Serr,
12	231-5146	AR	NUT, Flg, USR, 3/8"-16,
13	1324046C3	1	BAR, Small Wire
14	186784C2	3	BAR,
15	600179R1	6	SPACER, 1/2" X-Strng Pipe x 9/16",
16	281058	6	BOLT, Hex, 1/2"-13 x 2", G8,
17	495-11053	6	WASHER, 1/2", SAE,
18	232-4118	6	NUT, LOCK, 1/2"-13, GC,
19	193859C1	2	PLATE, Concave
	352729A1	1	CONCAVE, Assy. Includes 20 - 23
20	316772A1	1	CONCAVE, Front Smooth Slotted, No. 1
21	316773A1	1	EXTENSION, Concave, Front
22	410-7616	4	BOLT, Hex Flg, 3/8"-16 x 1", Serr, G8,
23	231-5146	4	NUT, Flg, USR, 3/8"-16,
24	316778A1	1	CONCAVE, Front Smooth Slotted, No. 2. No. 3

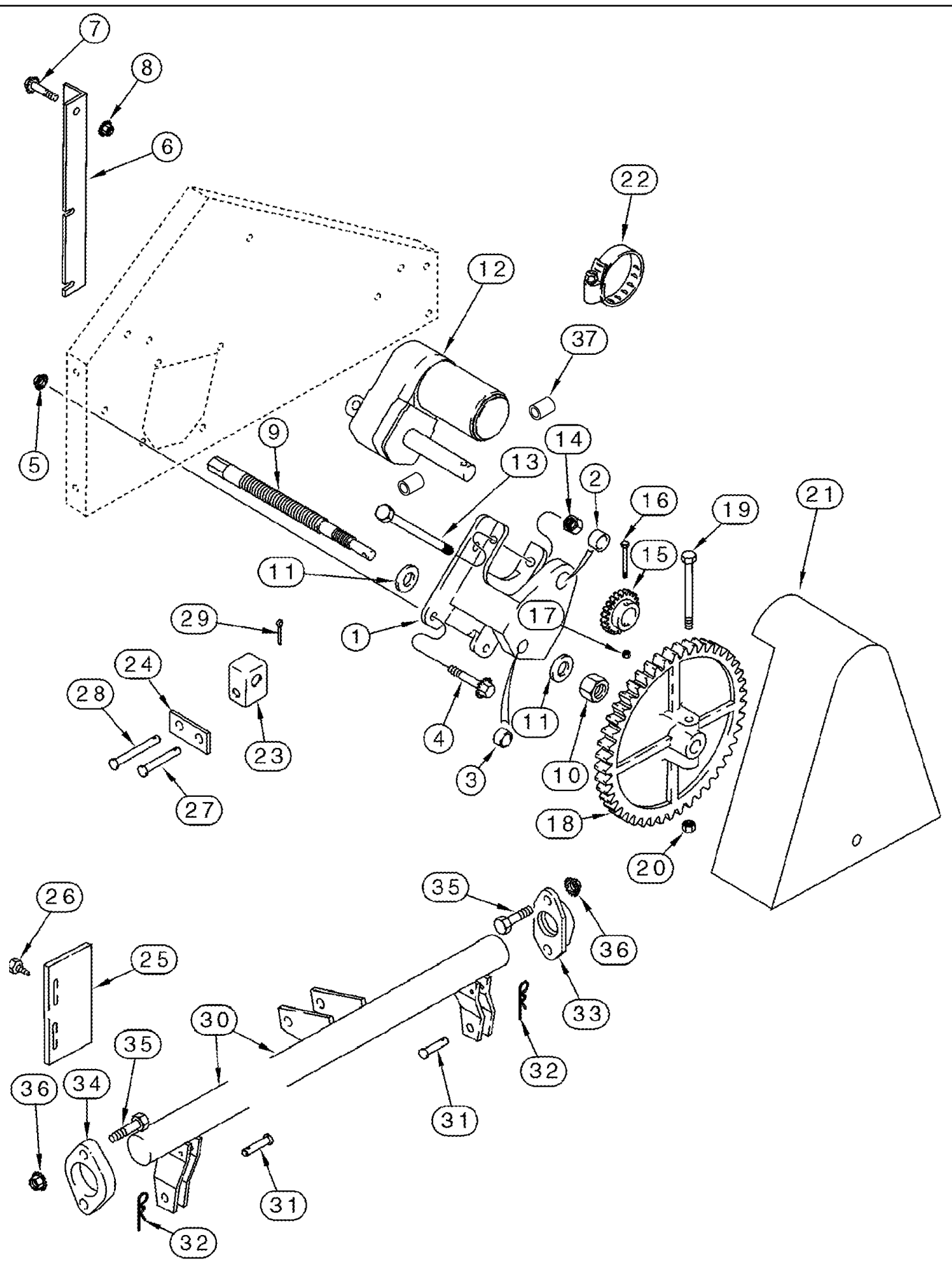
09B-18 CONCAVES - ANCHOR SUPPORTS



09B-18 CONCAVES - ANCHOR SUPPORTS

сылка	Номер детали	Кол-во	Описание
1	1338041C2	2	SUPPORT,
2	1338052C1	5	SCREW, 5/8" x 1-1/2"
3	87301493	5	NUT, Flg, USR, 5/8"-11, G8,
3	1338079C1	5	NUT, 5/8"
4	1317229C1	1	SUPPORT, RH
5	1302142C1	6	SCREW, 1/2" x 1-1/4"
6	231-5148	6	NUT, Flg, USR, 1/2"-13,
7	1317233C1	2	SUPPORT,
8	426-848	2	BOLT, Hex, 1/2"-13 x 3", G8,
9	496-41053	2	WASHER, 17/32" x 1 1/4" x 3/16",
10	232-4118	2	NUT, LOCK, 1/2"-13, GC,
11	282766A1	1	SUPPORT,
12	279088A1	6	EYEBOLT,
13	425-108	12	NUT, 1/2"-13, G5,
14	279086A1	1	TUBE,
15	1318433C3	1	SUPPORT,
16	410-7616	15	BOLT, Hex Flg, 3/8"-16 x 1", Serr, G8,
17	231-5146	15	NUT, Flg, USR, 3/8"-16,
18	439-1823	2	PIN, HEADED, 1/2" x 1 7/16",
19	432-1216	2	PIN, SPLIT (COTTER), 3/16" x 1",
20	1318880C1	1	SUPPORT,
21	477-82512	2	SCREW, Sltd Serr Truss Hd, 1/4"-20 x 3/4",
22	231-5144	2	NUT, Flg, USR, 1/4"-20,
23	1317348C1	1	BOLT,
24	1318894C2	1	SUPPORT,
25	425-108	2	NUT, 1/2"-13, G5,
26	496-41066	10	WASHER, 21/32" x 1 1/2" x .188", HDN,
27	177662C2	2	EYEBOLT,
28	425-108	6	NUT, 1/2"-13, G5,
29	496-21053	4	WASHER, 17/32" x 1 1/16" x .134",
30	412-824	2	BOLT, CARRIAGE, Short NK, 1/2"-13 x 1 1/2", G2, Full Thd,
31	80679	2	WASHER, LOCK, 1/2",
32	1318893C2	1	BAR,

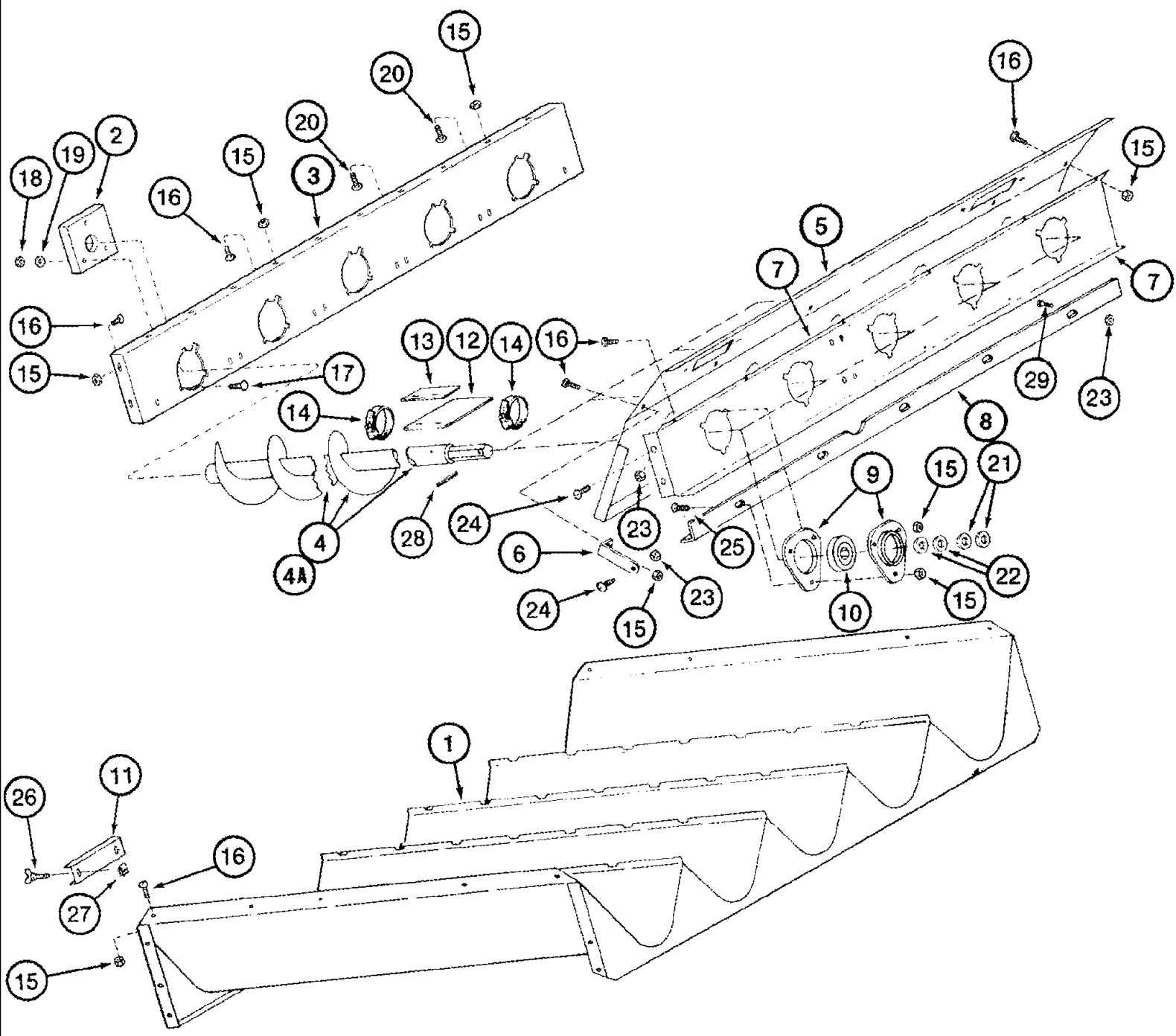
09B-19 CONCAVES - CONTROL



09B-19 CONCAVES - CONTROL

сылка	Номер детали	Кол-во	Описание
1	142607A2	1	HOUSING, Includes 2, 3
2	551068R1	2	BUSHING,
3	568921R1	1	BUSHING,
4	409-7620	2	BOLT, Hex Flg, 3/8"-16 x 1 1/4", Serr,
4	409-7624	2	BOLT, Hex Flg, 3/8"-16 x 1 1/2", Serr, 3/8 x 1-1/4
5	231-5146	4	NUT, Flg, USR, 3/8"-16,
6	185779A2	1	SUPPORT,
7	409-7616	1	BOLT, Hex Flg, 3/8"-16 x 1", Serr,
8	231-5146	1	NUT, Flg, USR, 3/8"-16,
9	131436A2	1	SHAFT,
10	232-41110	1	NUT, LOCK, 5/8"-11, GC,
11	496-11066	2	WASHER, 21/32" x 1 5/16" x .095", HDN,
12	143239A2	1	MOTOR, ELECTRIC, Concave Control
13	413-880	1	BOLT, Hex, 1/2"-13 x 5", G5,
14	231-1448	1	NUT, LOCK, 1/2"-13, GB,
15	135406A2	1	GEAR, 20T, Driver
16	413-428	1	BOLT, Hex, 1/4"-20 x 1 3/4", G5,
17	230-4214	1	NUT, LOCK, 1/4"-20, GA,
18	135410A2	1	GEAR, 70T, Driven
19	413-436	1	BOLT, Hex, 1/4"-20 x 2 1/4", G5,
20	230-4214	1	NUT, LOCK, 1/4"-20, GA,
21	144528A1	1	SHIELD,
22	214-1540	1	CLAMP, HOSE, #40, 2.06/3.00 Type F Worm, W/liner,
23	192886C1	1	NUT,
24	192888C1	2	PLATE, Concave Control
25	188168C1	1	PLATE, Concave Indicator
26	276-1458	2	SCREW, SELF TAP, Hex Hd, #10 x 1/2",
27	439-1848	1	PIN, HEADED, 1/2" x 3",
28	439-1838	1	PIN, HEADED, 1/2" x 2 3/8",
29	432-1216	2	PIN, SPLIT (COTTER), 3/16" x 1",
30	191422C2	1	LEVER,
31	439-1823	2	PIN, HEADED, 1/2" x 1 7/16",
32	432-1216	2	PIN, SPLIT (COTTER), 3/16" x 1",
33	188351C1	1	HUB,
34	192890C2	1	HUB,
35	413-824	4	BOLT, Hex, 1/2"-13 x 1 1/2", G5, Full Thd,
36	231-5148	4	NUT, Flg, USR, 1/2"-13,
37	87036416	2	SPACER, 3/4" Pipe x 1 1/16",

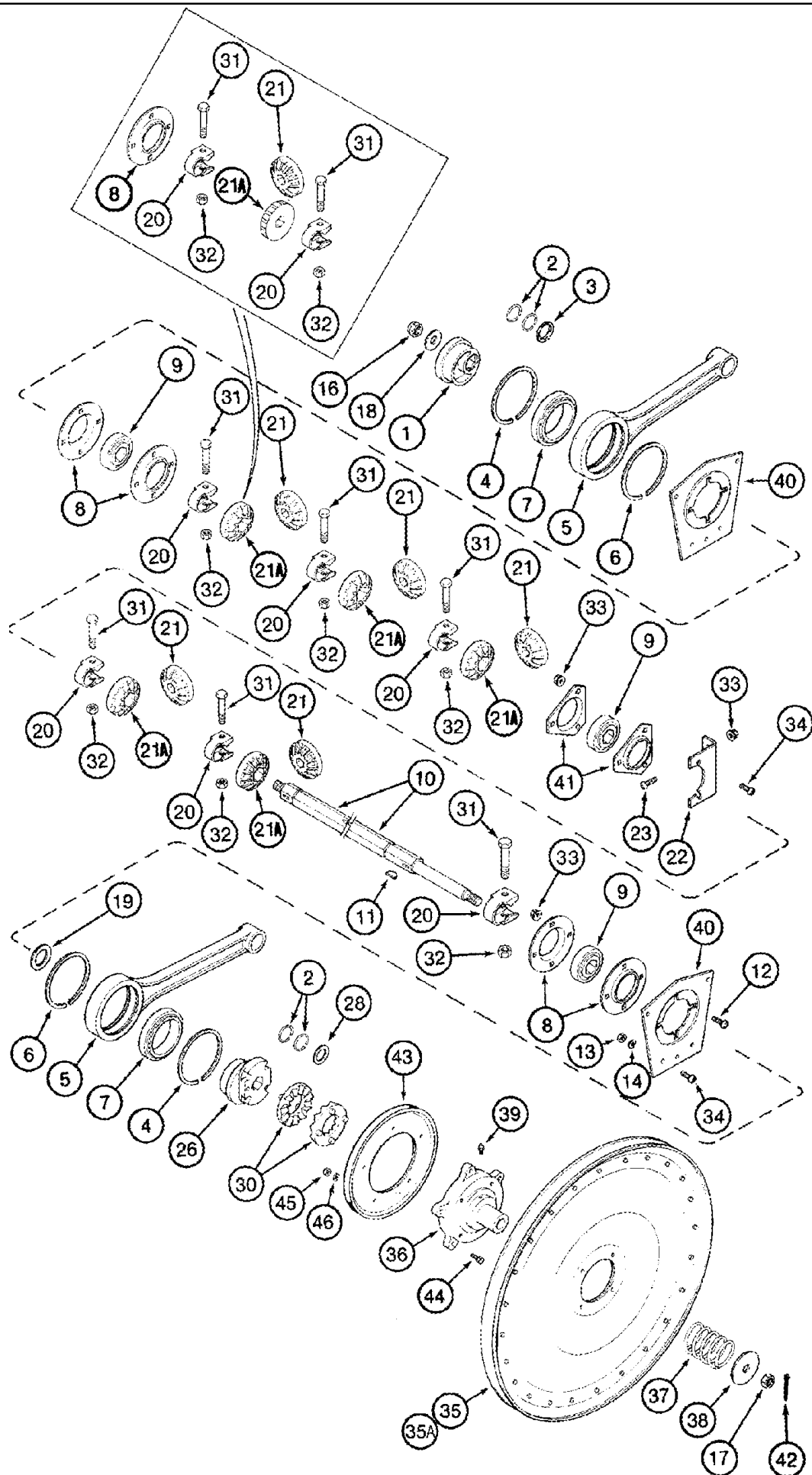
09B-20 AUGER BED



09B-20 AUGER BED

сылка	Номер детали	Кол-во	Описание
1	191645C6	1	TROUGH,
2	193414C2	5	BOARD,
3	1345014C3	1	SUPPORT, Front
4	249278A1	4	AUGER, RH Rotation
4A	282955A1	1	AUGER, LH Rotation, Mounted in Left Most Position on the Auger Bed
5	1321372C2	1	SHEET,
6	193554C1	2	SUPPORT,
7	1309226C1	1	SUPPORT,
8	188360C1	1	STIFFENER,
9	86603075	10	FLANGE,
10	195293C91	5	BEARING, BALL,
11	185068C1	5	COVER,
12	1302112C1	1	STRIP,
13	1302113C1	1	BAR,
14	214-1428	2	CLAMP, HOSE, #28, 1.31/2.25 Type F Worm,
15	231-5145	AR	NUT, Flg, USR, 5/16"-18,
16	477-73112	AR	BOLT, Slotted Tr Hd, 5/16"-18 x 3/4",
16	477-73108	4	SCREW, Sltd Serr Truss Hd, 5/16"-18 x 1/2",
16	477-73116	4	SCREW, Sltd Serr Truss Hd, 5/16"-18 x 1",
17	433-636	15	BOLT, CARRIAGE, Short NK, 3/8"-16 x 2 1/4", G5,
18	231-4116	15	NUT, LOCK, 3/8"-16, GB,
19	495-11041	15	WASHER, 3/8", SAE,
20	477-73112	4	BOLT, Slotted Tr Hd, 5/16"-18 x 3/4",
21	495-81191	10	WASHER, 1 5/32" x 2" x .060", Standard Wear
21	495-81211	10	WASHER, 1 11/32" x 2" x .120", Extended Wear
22	495-11106	10	WASHER, 1", SAE,
23	231-5146	AR	NUT, Flg, USR, 3/8"-16,
24	477-73812	4	SCREW, Sltd Serr Truss Hd, 3/8" x 3/4",
25	477-73116	19	SCREW, Sltd Serr Truss Hd, 5/16"-18 x 1",
26	166667C1	10	SCREW,
27	564791R1	10	NUT, 1/4"
28	38-12032	5	PIN, LOCK, 5/16" x 2", Slotted,
29	409-7616	2	BOLT, Hex Flg, 3/8"-16 x 1", Serr,
30	492-11038	15	WASHER, LOCK, 3/8",

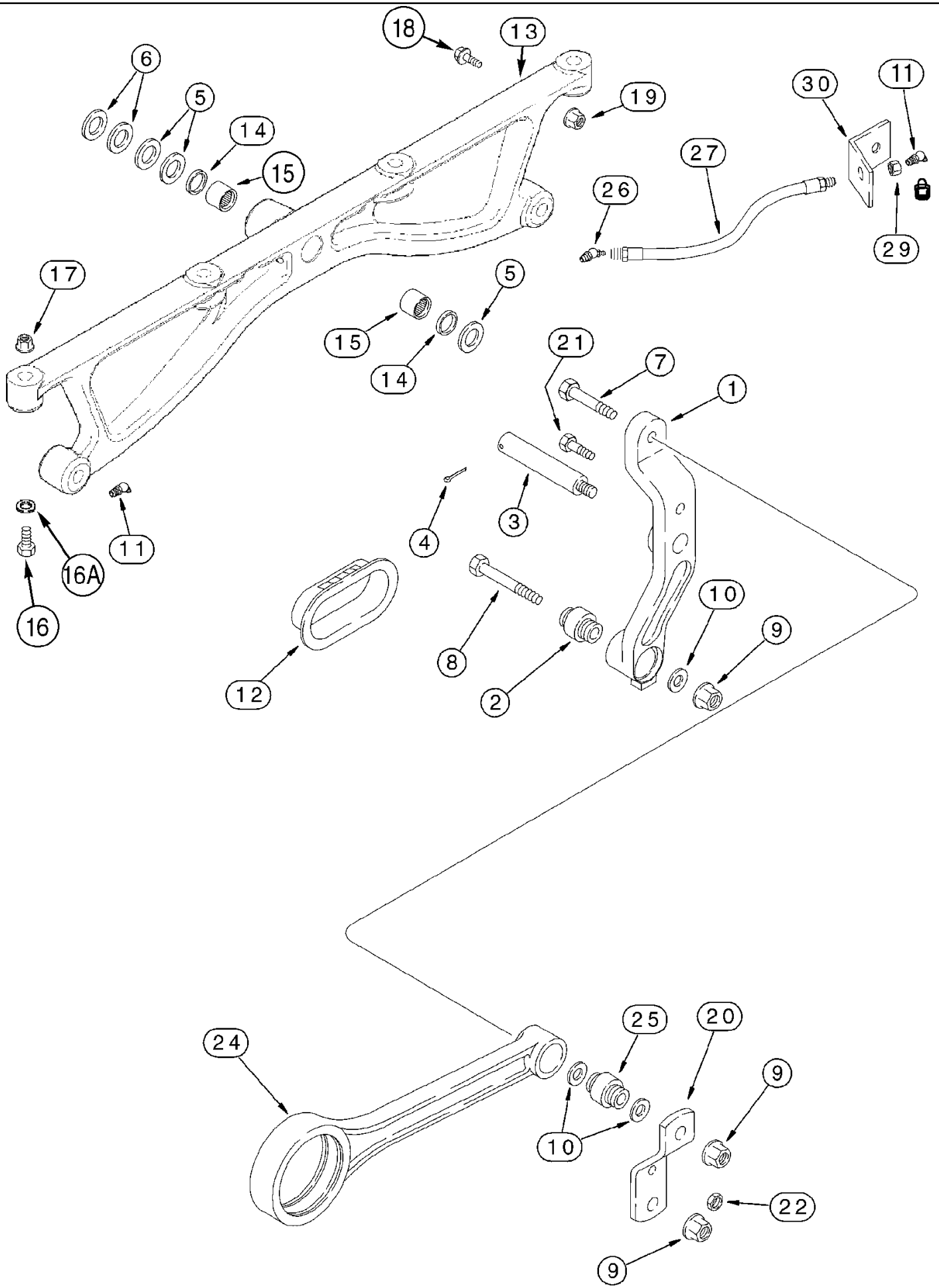
09B-21 DRIVE - SHAKER SHAFT AND AUGER



09B-21 DRIVE - SHAKER SHAFT AND AUGER

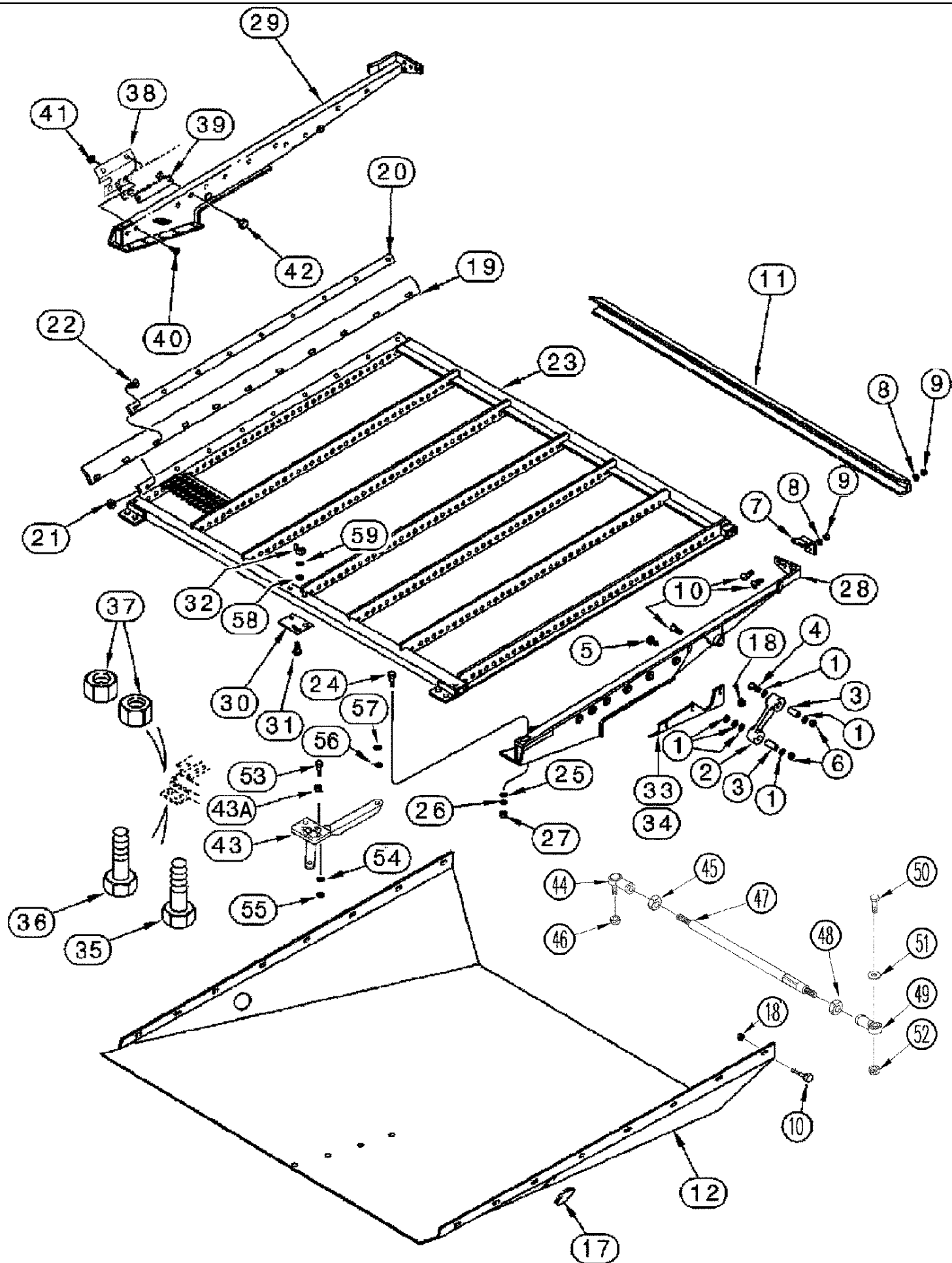
сылка	Номер детали	Кол-во	Описание
1	1322573C1	1	CAM, LH
2	1322623C1	4	RETAINER, 1-13/64"
3	1330336C1	1	WASHER, 29/32" x 1-1/4" x 1/8"
4	1979190C1	2	RETAINER,
5	1989251C1	2	ARM, Shaker Shaft, See Figure 09B-22, Ref. 24
6	1322624C1	2	RETAINER, 5-1/8"
7	1345226C1	2	BEARING, BALL,
8	87430518	4	FLANGE,
9	156816C91	3	BEARING, BALL,
10	1322616C2	1	SHAFT,
11	126-124	2	WOODRUFF KEY, #15, 1/4" x 1", HT,
12	477-73812	8	SCREW, Sltd Serr Truss Hd, 3/8" x 3/4",
13	425-106	8	NUT, 3/8"-16, G5,
14	492-11038	8	WASHER, LOCK, 3/8",
16	231-41112	1	NUT, LOCK, 3/4"-10, GB,
17	425-1212	1	NUT, SLOTTED, 3/4"-10, G5,
18	1979580C1	1	WASHER,
19	495-81213	1	WASHER, 1 13/32" x 2" x .060",
20	225265R1	6	CLAMP,
21	194194C1	5	GEAR, 14T
21A	191677C1	5	GEAR, 14T, Note: The Left Most Bevel Drive Gear, Ref. 21A, On the Shaker Shaft Must Be turned 180 Degrees, So That the Gear Teeth are Mounted Facing Ref. 8 Flange When Using a 1309229C1 LH Rotation Auger. See Inset Illustration Figure(s) 9B-21. See Figure(s) 9B-20
22	186589C1	1	SUPPORT,
23	477-73816	2	SCREW, Sltd Serr Truss Hd, 3/8" x 1",
26	1322574C1	1	CAM, RH
28	1979191C1	1	WASHER, 1-1/16" x 1-1/4" x 1/8"
30	B12170	2	RATCHET,
31	413-840	6	BOLT, Hex, 1/2"-13 x 2 1/2", G5,
32	231-41118	6	NUT, LOCK, 1/2"-13, GB,
33	231-5146	13	NUT, Flg, USR, 3/8"-16,
34	477-73812	3	SCREW, Sltd Serr Truss Hd, 3/8" x 3/4",
34	477-73816	8	SCREW, Sltd Serr Truss Hd, 3/8" x 1",
35	359099A1	1	PULLEY, Driven, See Figure 09A-02
36	1303136C2	1	HUB,
37	19302K	1	SPRING,
38	388418C1	1	WASHER,
39	219-87	1	NIPPLE, LUBE, 1/4"-28 x .56" lg, Self-Tap,
40	1302221C1	2	RETAINER,
41	86620026	2	FLANGE,
42	432-828	1	PIN, SPLIT (COTTER), 1/8" x 1 3/4",
43	566516R92	1	PULLEY, 9-3/4" OD
44	413-516	5	BOLT, Hex, 5/16"-18 x 1", G5, Full Thd,
45	425-105	5	NUT, 5/16"-18, G5,
46	492-11031	5	WASHER, LOCK, 5/16",

09B-22 CHAFFER - DRIVE HANGER



09B-22 CHAFFER - DRIVE HANGER

сылка	Номер детали	Кол-во	Описание
1	1957467C3	2	LEVER, Includes 2, 3, BSN HAJ0295001
1	87313325	2	LEVER, Includes 2, 3, 20, ASN HAJ0295001
2	1330323C2	1	BUSHING, 5/8" x 1-1/2" x 2-57/64"
3	1979251C1	1	SHAFT,
4	432-1228	2	PIN, SPLIT (COTTER), 3/16" x 1 3/4",
5	495-81057	6	WASHER, 29/32" x 1 1/2" x .120",
6	495-81056	4	WASHER, 29/32" x 1 1/2" x .060",
7	87306801	2	BOLT, 5/8" x 4-3/4"; 8
8	426-1084	2	BOLT, Hex, 5/8"-11 x 5 1/4", G8,
9	232-41110	4	NUT, LOCK, 5/8"-11, GC,
9	232-42410	2	NUT, LOCK, 5/8"-11, GC,
10	496-11066	4	WASHER, 21/32" x 1 5/16" x .095", HDN,
11	219-8	2	NIPPLE, LUBE, 1/4"-28 NPT x .54" lg, LH
12	1302644C2	2	SEAL,
	352013A1	2	SUPPORT, Includes 13 - 15
13	NSS	1	NOT SERVICED SEPARATELY, SUPPORT
14	372756R91	2	SEAL,
15	G10642	2	BEARING, NEEDLE,
16	433-840	4	BOLT, CARRIAGE, Short NK, 1/2"-13 x 2 1/2", G5,
16A	498-81006	4	WASHER, 17/32" x 1 1/4" x .120", Sq Hole,
17	231-5148	8	NUT, Flg, USR, 1/2"-13,
18	409-7512	2	BOLT, Hex Flg, 5/16"-18 x 3/4", Serr,
19	231-5145	2	NUT, Flg, USR, 5/16"-18,
20	131198A1	2	BRACKET, , BSN HAJ0295001
20	87323537	2	BRACKET, , ASN HAJ0295001
21	426-832	2	BOLT, Hex, 1/2"-13 x 2", G8,
22	232-5318	4	NUT, LOCK, Flg, 1/2"-13, , BSN HAJ0295001
22	87301492	4	NUT, Flg, USR, 1/2"-13, G8, , ASN HAJ0295001
23	496-21053	2	WASHER, 17/32" x 1 1/16" x .134", Not Illustrated
24	1989251C1	2	ARM, Includes 25
25	1979383C1	1	BUSHING,
26	219-418	1	ADAPTER, 1/4"-1/8 NPTF, RH Front
27	937773R91	1	HOSE, 279 mm (11")
29	F53473	1	NUT, 1/8" PT
30	178960C1	1	BRACKET,



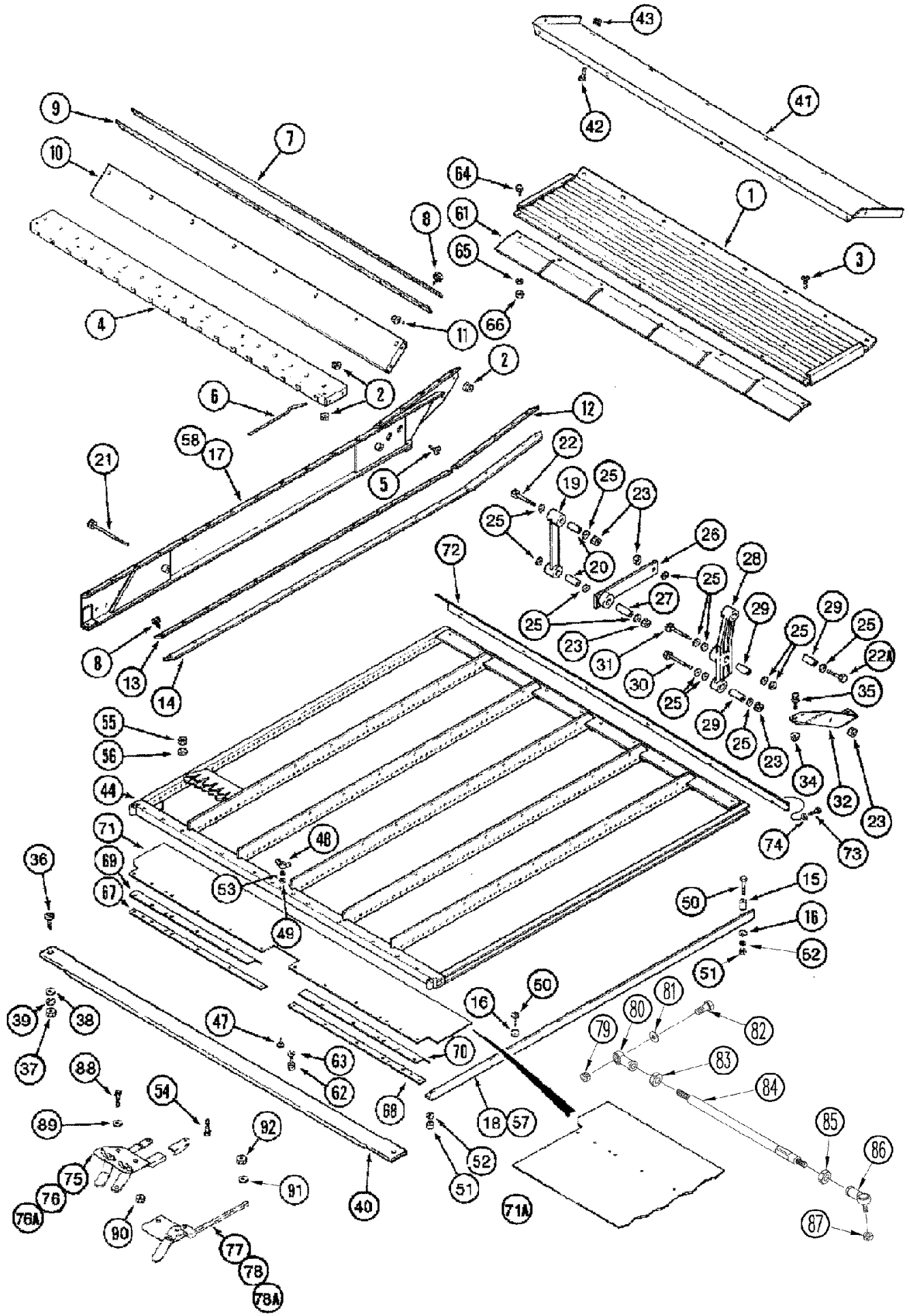
09B-23 SIEVE, SHOE

сылка	Номер детали	Кол-во	Описание
1	169256C2	12	WASHER, 41/64" x 1-1/4" x 1/8"
2	1957450C1	2	ARM, Includes 3
3	1330324C1	2	BUSHING,
4	433-1064	2	BOLT, CARRIAGE, Short NK, 5/8"-11 x 4", G5,
5	426-1080	2	BOLT, Hex, 5/8"-11 x 5", G8,
6	232-41110	4	NUT, LOCK, 5/8"-11, GC,
7	182684C3	2	CLIP,
8	492-11031	8	WASHER, LOCK, 5/16",
9	425-105	8	NUT, 5/16"-18, G5,
10	477-73112	AR	BOLT, Slotted Tr Hd, 5/16"-18 x 3/4",
11	1319239C1	1	ANGLE,
12	1322461C1	1	PAN,
13	434-612	2	BOLT, CARRIAGE, Short NK, 3/8"-16 x 3/4", G5, Full Thd, Not Illustrated
14	231-5146	2	NUT, Flg, USR, 3/8"-16, Not Illustrated
15	477-73112	16	BOLT, Slotted Tr Hd, 5/16"-18 x 3/4", Not Illustrated
16	231-5145	16	NUT, Flg, USR, 5/16"-18, Not Illustrated
17	205-126	2	BUTTON, HOLE PLUG, 1 3/4",
18	231-5145	AR	NUT, Flg, USR, 5/16"-18,
19	198925A1	2	SEAL, 1790 mm (70-1/2")
20	1325325C1	2	RETAINER,
21	231-5144	18	NUT, Flg, USR, 1/4"-20,
22	477-82508	18	SCREW, Sltd Serr Truss Hd, 1/4"-20 x 1/2",
23	1322464C7	1	SIEVE, GRAIN, 1-1/8", Extended, With Piano Wire, See Figure 09D -11 or 09D -12 for 106743A1 adjusting lever.
23	374477A1	1	SIEVE, GRAIN, 1-1/8", Extended, If Used, See Figure 09D -11 or 09D -12 for 106743A1 adjusting lever.
23	1979328C8	1	SIEVE, GRAIN, 1-5/8", Closz, Slat, Extended, With Piano Wire, See Figure 09D -11 or 09D -12 for 106743A1 adjusting lever.
23	1347365C2	1	SIEVE, GRAIN, With 2.5 mm Round Holes, Corn and Grain, See Figure 09D -11 or 09D -12 for 106743A1 adjusting lever.
23	1347370C2		SIEVE, GRAIN, With 5 mm Round Holes, Corn and Grain, See Figure 09D -11 or 09D -12 for 106743A1 adjusting lever.
23	1347367C2	1	SIEVE, GRAIN, With 10 mm Round Holes, Corn and Grain, See Figure 09D -11 or 09D -12 for 106743A1 adjusting lever.
23	1347374C2	1	SIEVE, GRAIN, With 13 mm Round Holes, Corn and Grain, See Figure 09D -11 or 09D -12 for 106743A1 adjusting lever.
24	326-644	2	BOLT, Hex, 3/8"-16 x 2 3/4", G8,
25	495-81138	2	WASHER, 13/32" x 1" x .179",
26	492-11038	2	WASHER, LOCK, 3/8",
27	429-106	2	NUT, 3/8"-16, G8,
28	1979901C5	1	RAIL, RH, Includes 28A
28A	184916C1	1	SUPPORT, Front, RH
29	1979900C5	1	RAIL, LH, Includes 29A
29A	184915C1	1	SUPPORT, Front, LH
30	186675C1	1-2	INDICATOR, Used with 1979328C8 (2), 1322464C7 (1), Ref. 23

09B-23 SIEVE, SHOE

сылка	Номер детали	Кол-во	Описание
31	412-48	1	BOLT, CARRIAGE, Short NK, 1/4"-20 x 1/2", G2, Used with 374477A1, Ref. 23
31	413-412	1	BOLT, Hex, 1/4"-20 x 3/4", G5, Full Thd,
32	129-409	1	NUT, WING, 1/4"-20, Used with 1979328C8, 374477A1, Ref. 23
32	231-4144	1	NUT, LOCK, 1/4"-20, GB,
32A	495-11028	1-2	WASHER, 1/4", SAE, Not Illustrated, Used with 1322464C7 (1), 374477A1 (2), Ref 23
33	1325321C1	1	SUPPORT, RH
34	1325320C1	1	SUPPORT, LH, Not Illustrated
35	426-688	2	BOLT, Hex, 3/8"-16 x 5 1/2", G8,
36	426-672	2	BOLT, Hex, 3/8"-16 x 4 1/2", G8,
37	232-5316	4	NUT, LOCK, Flg, 3/8"-16,
38	187187A2	2	PLATE,
39	187204A1	2	BAR,
40	477-82508	4	SCREW, Sltd Serr Truss Hd, 1/4"-20 x 1/2",
41	231-5144	4	NUT, Flg, USR, 1/4"-20,
42	138558A1	4	SCREW, 5/16" x 13/16"
43	303957A2	1	LEVER, Used with 1322464C7, Ref. 23
43	303958A2	1	LEVER, Used with 1979328C8, Ref. 23
43	418800A1	1	LEVER, Used with 374477A1, Ref. 23, Includes 43A
43A	418797A1	1	BUSHING, Not, Illustrated
44	403123A1	1	ROD, End, Studded
45	129-289	1	NUT, Jam, 3/8"-24, G5, LH,
46	232-4646	1	NUT, LOCK, 3/8"-24, GC,
47	407140A2	1	ROD, ADJUSTMENT, Upper Chaffer Sieve
48	425-156	1	NUT, Jam, 3/8"-24, G5,
49	427179A1	1	ROD, End
50	413-620	1	BOLT, Hex, 3/8"-16 x 1 1/4", G5, Full Thd,
51	495-11041	1	WASHER, 3/8", SAE,
52	231-4146	1	NUT, LOCK, 3/8"-16, GB,
53	814-10060	1	BOLT, Hex, M10 x 60, 8.8,
53	814-10050	1	BOLT, Hex, M10 x 50, 8.8,
54	895-11010	2	WASHER, M10 x 20 x 2,
55	832-10410	2	NUT, LOCK, M10 x 1.5, CI 8,
56	895-11008	1	WASHER, M8 x 16 x 1.6,
57	832-10408	1	NUT, LOCK, M8 x 1.25, CI 8,
58	495-21031	1	WASHER, 1/4",
59	492-11025	1	WASHER, LOCK, 1/4",

09B-24 CHAFFER - SIEVE



Long and short fingers, Ref 6, are installed alternately on Ref 4. Long fingers only are generally used in heavy crop conditions.

09B-24 CHAFFER - SIEVE

сылка	Номер детали	Кол-во	Описание
1	1312938C1	1	GRAIN PAN,
2	231-5145	AR	NUT, Flg, USR, 5/16"-18,
3	477-73108	AR	SCREW, Sltd Serr Truss Hd, 5/16"-18 x 1/2",
4	1312969C1	1	SUPPORT,
5	460-512	4	BOLT, Hex Flg, 5/16"-18 x 3/4", G8, Full Thd,
6	175114C1	27	FINGER, Short
6	1312476C1	27	FINGER, Long
7	192050C2	1	BAR,
8	281-1478	AR	SCREW, SELF TAP, Hex Wash Hd, 1/4" x 1/2",
9	192049C1	1	STRIP,
10	192045C1	1	SUPPORT,
11	409-7512	4	BOLT, Hex Flg, 5/16"-18 x 3/4", Serr,
12	192052C3	2	BAR, Short
13	1325332C2	2	BAR, Long
14	1325331C1	2	STRIP, SEALING,
15	645342C1	2	SPACER, 5/8" Tube x 1", 3/8 ID x 1
16	495-81138	2	WASHER, 13/32" x 1" x .179",
17	1322452C2	1	RAIL,
18	1325333C3	1	SUPPORT, LH
19	1957455C1	2	ARM, Includes 20
20	1330324C1	2	BUSHING,
21	426-10120	2	BOLT, Hex, 5/8"-11 x 7 1/2", G8,
22	426-1064	2	BOLT, Hex, 5/8"-11 x 4", G8,
22A	426-1072	2	BOLT, Hex, 5/8"-11 x 4 1/2", G8,
23	232-41110	10	NUT, LOCK, 5/8"-11, GC,
23	425-1410	1	NUT, Jam, 5/8"-11, G5,
25	496-11066	26	WASHER, 21/32" x 1 5/16" x .095", HDN,
25	495-81057	4	WASHER, 29/32" x 1 1/2" x .120",
26	1330357C1	2	ARM, Includes 27
27	1330324C1	1	BUSHING,
28	1957460C2	2	LEVER, Includes 29
29	1330323C2	3	BUSHING, 5/8" x 1-1/2" x 2-57/64"
30	426-1096	2	BOLT, Hex, 5/8"-11 x 6", G8,
31	433-1080	2	BOLT, CARRIAGE, Short NK, 5/8"-11 x 5", G5,
32	1968827C1	1	SUPPORT, LH
33	1968828C1	1	SUPPORT, RH, Not Illustrated
34	231-5146	8	NUT, Flg, USR, 3/8"-16,
35	409-7612	8	BOLT, Hex Flg, 3/8"-16 x 3/4", Serr,
36	443-13116	AR	SCREW, Cross Flat Hd, 5/16"-18 x 1",
37	425-105	AR	NUT, 5/16"-18, G5,
38	495-81116	AR	WASHER, .344" x 1" x .060",
39	492-11031	AR	WASHER, LOCK, 5/16",
40	1322458C3	1	SUPPORT,
41	192065C1	1	SUPPORT,
42	477-73112	14	BOLT, Slotted Tr Hd, 5/16"-18 x 3/4",

Long and short fingers, Ref 6, are installed alternately on Ref 4. Long fingers only are generally used in heavy crop conditions.

09B-24 CHAFFER - SIEVE

сылка	Номер детали	Кол-во	Описание
42	409-7520	8	BOLT, Hex Flg, 5/16"-18 x 1 1/4", Serr,
42	477-73116	2	SCREW, Sltd Serr Truss Hd, 5/16"-18 x 1",
43	231-5145	14	NUT, Flg, USR, 5/16"-18,
44	1322673C6	1	SIEVE, GRAIN, 1-5/8", Closz Slat Chaffer, Includes 76, 77, 88 - 93
44	374476A1	1	SIEVE, GRAIN, 1-5/8", Closz Slat Chaffer, Includes 76A, 78A, 88 - 93
44	1322659C6	1	SIEVE, GRAIN, 1-5/8", Corn Slat Chaffer, Includes (1 each) 47, 48, 53, 64, 76, 77, 78C
44	1347372C7	1	SIEVE, GRAIN, Petersen Chaffer, Includes (1 each) 47 - 48A, 53, 64, 75, 78, 78C; (2 each) 48A
44	1322467C6	1	SIEVE, GRAIN, 1-1/8", Closz Slat, Adjustable Chaffer, Includes (1 each) 47 - 48A, 53, 64; (2 each) 49, 75, If Used
44	387443A1	1	SIEVE, GRAIN, 1-1/8", Closz Slat, Adjustable Chaffer, Includes (1 each) 48, 64, 76A, 78A, 88; (2 each) 89, 91, 92; (3 each) 48, 53, 78B, 90, 93, If Used (Shown)
47	412-48	1	BOLT, CARRIAGE, Short NK, 1/4"-20 x 1/2", G2,
48	129-409	1-3	NUT, WING, 1/4"-20, (3 each) Used with 387443A1, 374476A1
48	231-4144	1	NUT, LOCK, 1/4"-20, GB,
48A	495-11028	2	WASHER, 1/4", SAE, Used with 1322673C6, 1322659C6, 1347372C7
49	495-21031	2-3	WASHER, 1/4", (2 each) Used with 1322467C6; (3 each) Used with 387443A1, 374476A1
50	326-644	2	BOLT, Hex, 3/8"-16 x 2 3/4", G8,
51	429-106	4	NUT, 3/8"-16, G8,
52	80680	4	WASHER, LOCK, 3/8",
53	492-11025	1-3	WASHER, LOCK, 1/4", Used with 387443A1, 374476A1
54	413-532	7	BOLT, Hex, 5/16"-18 x 2", G5,
54	413-536	4	BOLT, Hex, 5/16"-18 x 2 1/4", G5,
55	232-4115	14	NUT, LOCK, 5/16"-18, GC,
56	495-81119	14	WASHER, .344" x 1 1/4" x .060",
57	1325334C3	1	SUPPORT, RH
58	1322453C2	1	RAIL, RH
61	1994858C1	1	COVER,
62	1327799C2	2	BOLT, Hex Flg Hd, 3/8"-16 x 1 1/4", G5, Coated,
63	492-11038	2	WASHER, LOCK, 3/8",
64	413-412	1	BOLT, Hex, 1/4"-20 x 3/4", G5, Full Thd,
65	492-11025	8	WASHER, LOCK, 1/4",
66	425-104	8	NUT, 1/4"-20, G5,
67	1338345C2	1	RETAINER, LH
68	1338346C1	1	RETAINER, RH
69	1322698C3	1	ANGLE, LH Rear
70	1322699C3	1	ANGLE, RH Rear
71	1979332C4	1	SEAL, , With Straw Chopper
71A	124004A2	1	SEAL, , With Straw and Chaff Spreader
72	120001A1	1	DEFLECTOR, Used with 1347372C7
73	281-5458	6	SCREW, SELF TAP, Hex Wash Hd, #10 x 1/2",
74	495-31022	6	WASHER, #10,
75	280367A2	1	LEVER, Rear, Used with 1322467C6, 1347372C7
76	280369A2	1	LEVER, Rear, Used with 1322659C6, 1322673C6
76A	418798A1	1	LEVER, Rear, Used with 387443A1, 374476A1
77	280365A2	1	LEVER, Front, Used with 1322659C6, 1322673C6

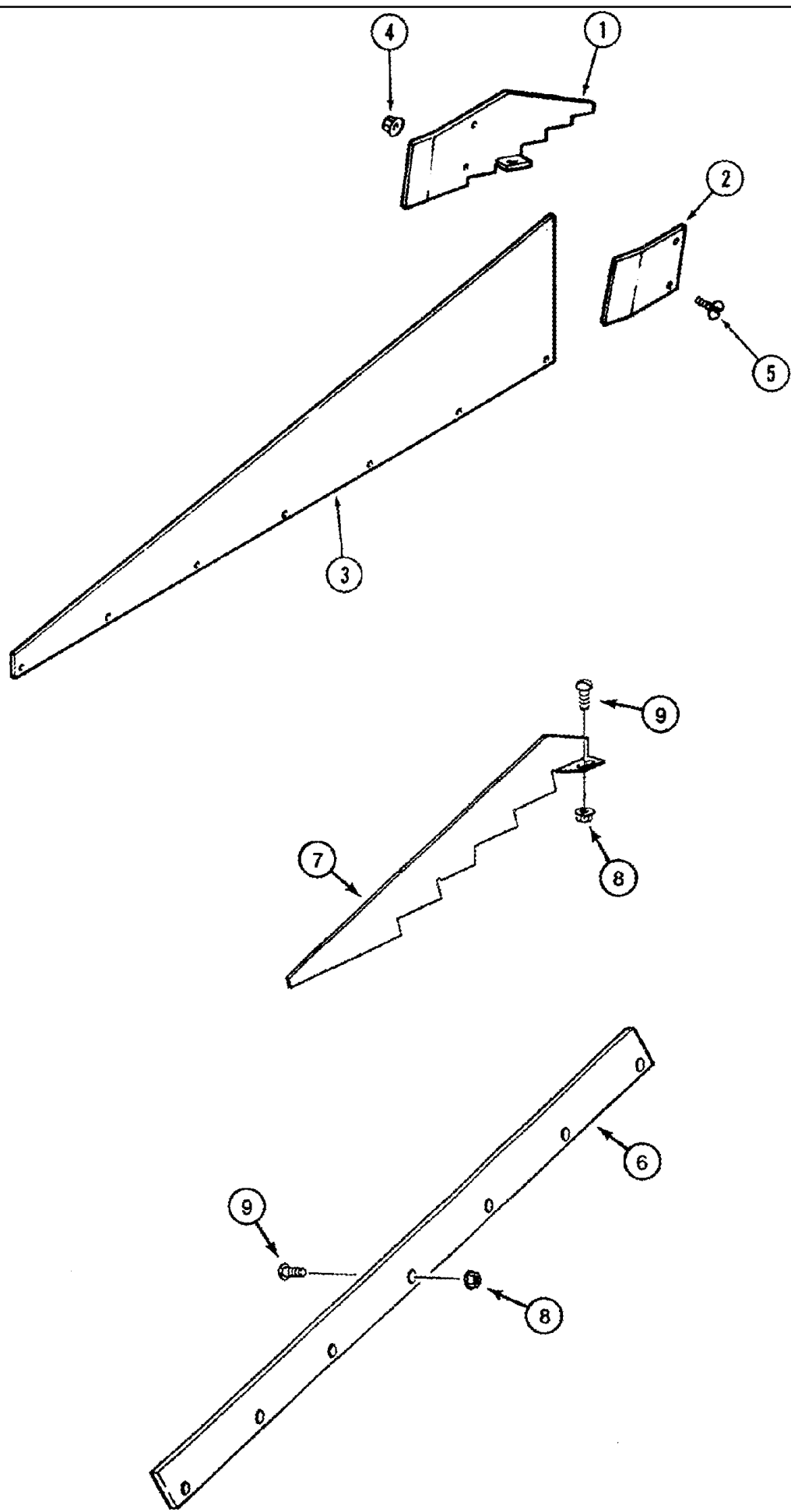
Long and short fingers, Ref 6, are installed alternately on Ref 4. Long fingers only are generally used in heavy crop conditions.

09B-24 CHAFFER - SIEVE

сылка	Номер детали	Кол-во	Описание
78	280375A1	1	LEVER, Front, Used with 1347372C7
78A	418799A1	1	LEVER, Front, Used with 387443A1, 374476A1
78B	418797A1	3	BUSHING, Used with 387443A1, 374476A1
78C	120667A1	1	PLATE, Indicator, Double Adjustment Lever, Used with 1322467C6, 1347372ZC7, 1322659C6, 1322673C6 Not Illustrated
79	231-4146	1	NUT, LOCK, 3/8"-16, GB,
80	427179A1	1	ROD, End
81	495-11041	1	WASHER, 3/8", SAE,
82	413-620	1	BOLT, Hex, 3/8"-16 x 1 1/4", G5, Full Thd,
83	425-156	1	NUT, Jam, 3/8"-24, G5,
84	407139A2	1	ROD, ADJUSTMENT, Upper Chaffer Sieve
85	129-289	1	NUT, Jam, 3/8"-24, G5, LH,
86	403123A1	1	ROD, End, Studded
87	232-4646	1	NUT, LOCK, 3/8"-24, GC,
88	814-10070	1	BOLT, Hex, M10 x 70, 8.8, Used with 387443A1, 374476A1
88	814-10060	1	BOLT, Hex, M10 x 60, 8.8, Used with 387443A1, 374476A1
88	814-10050	1	BOLT, Hex, M10 x 50, 8.8, Used with 387443A1, 374476A1
89	895-11010	2	WASHER, M10 x 20 x 2, Used with 387443A1, 374476A1
90	832-10410	3	NUT, LOCK, M10 x 1.5, CI 8, Used with 387443A1, 374476A1
91	895-11008	2	WASHER, M8 x 16 x 1.6, Used with 387443A1, 374476A1
92	832-10408	2	NUT, LOCK, M8 x 1.25, CI 8, Used with 387443A1, 374476A1
93	433-412	3	BOLT, CARRIAGE, Short NK, 1/4"-20 x 3/4", G5, Used with 387443A1, 374476A1

Long and short fingers, Ref 6, are installed alternately on Ref 4. Long fingers only are generally used in heavy crop conditions.

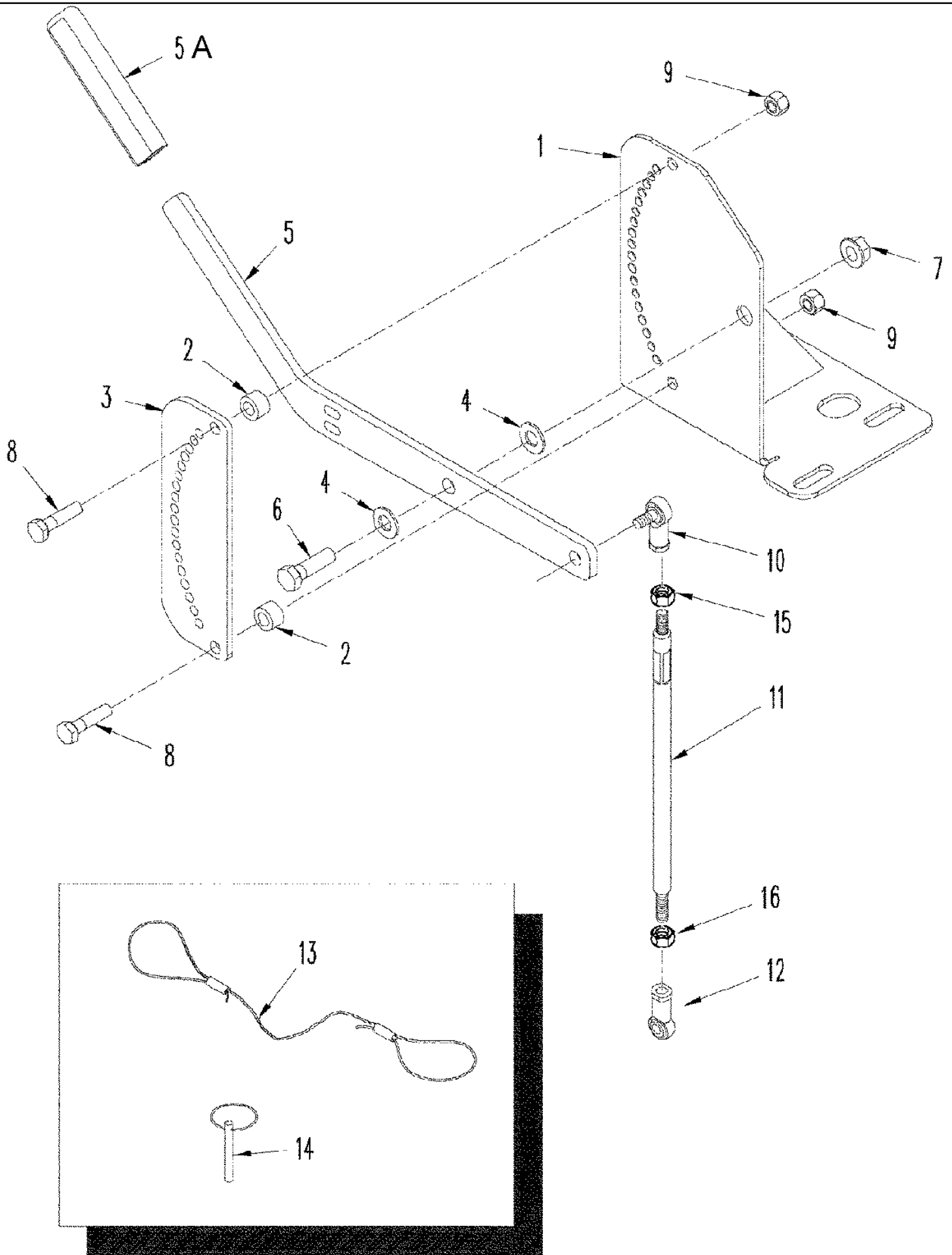
09B-25 GRAIN PAN SIDE HILL DIVIDERS



09B-25 GRAIN PAN SIDE HILL DIVIDERS

сылка	Номер детали	Кол-во	Описание
	180771C91	5	KIT, Hillside Grain Pan Divider, Tall, Includes 1 - 5
1	185115C1	1	DIVIDER,
2	185116C1	1	RETAINER,
3	185114C1	1	DIVIDER,
4	231-5144	11	NUT, Flg, USR, 1/4"-20,
5	477-82508	11	SCREW, Slt'd Serr Truss Hd, 1/4"-20 x 1/2",
	313399A1	5	KIT, Hillside Grain Pan Divider, Short, Includes 6 - 9
6	1957596C2	1	DIVIDER,
7	1957597C1	1	DIVIDER,
8	231-5144	9	NUT, Flg, USR, 1/4"-20,
9	477-82508	9	SCREW, Slt'd Serr Truss Hd, 1/4"-20 x 1/2",

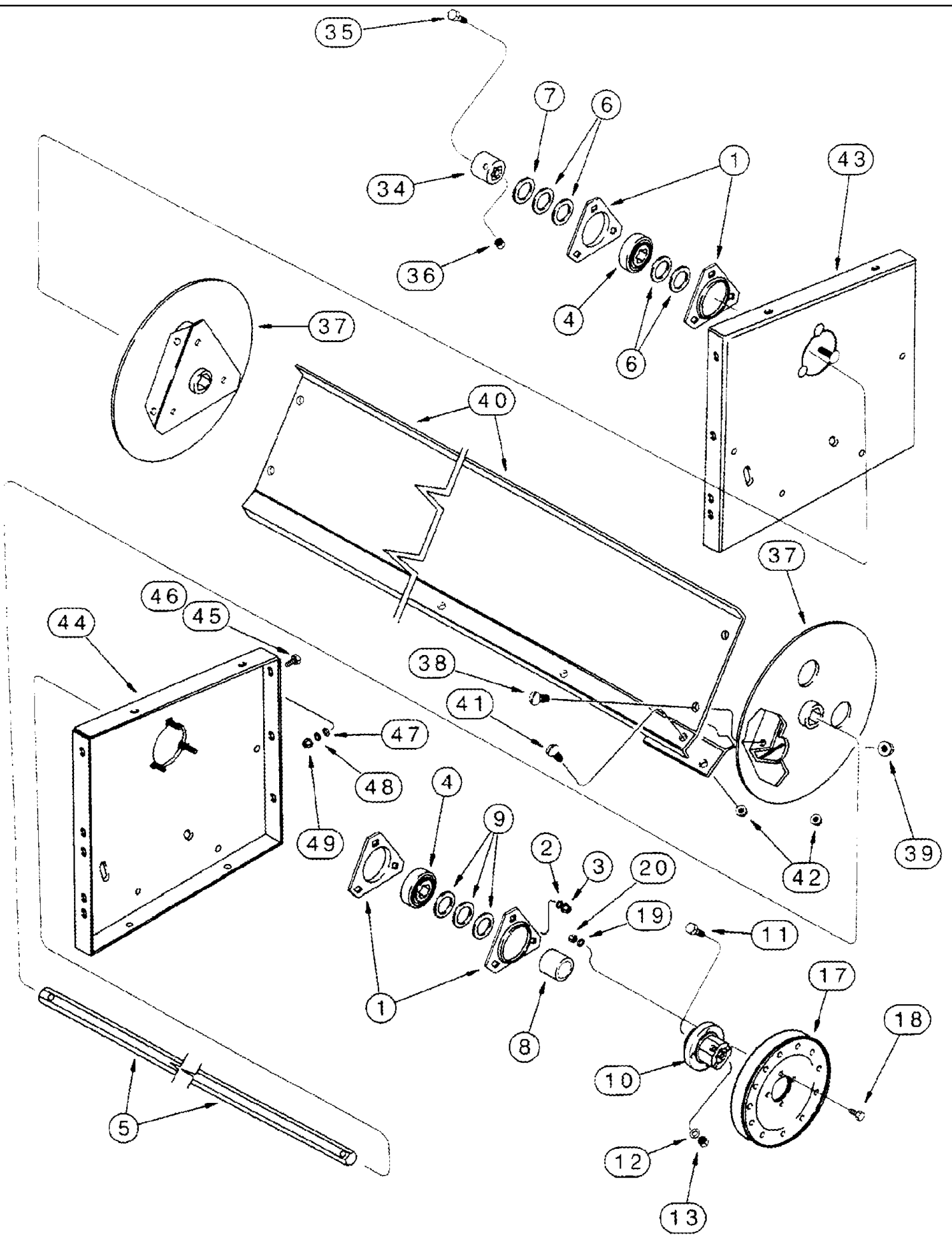
09B-26 SIEVE ADJUSTMENT



09B-26 SIEVE ADJUSTMENT

сылка	Номер детали	Кол-во	Описание
1	399898A4	1	BRACKET, Mounting
2	416491A2	2	SPACER,
3	399763A2	1	PLATE, Location Indicator
4	495-11041	2	WASHER, 3/8", SAE,
5	399778A2	1	HANDLE, Adjustment
5A	433741A1	1	GRIP,
6	413-620	1	BOLT, Hex, 3/8"-16 x 1 1/4", G5, Full Thd, 3/8 x 1-1/2; 5
7	231-5146	1	NUT, Flg, USR, 3/8"-16,
8	413-520	2	BOLT, Hex, 5/16"-18 x 1 1/4", G5,
9	231-4145	2	NUT, LOCK, 5/16"-18, GB,
10	403123A1	2	ROD, End
11	407139A2	1	ROD, ADJUSTMENT, Upper, Chaffer Sieve, Includes (1) 25-116 Nut
11	407140A2	1	ROD, ADJUSTMENT, Lower, Shoe Sieve, Includes (1) 25-116 Nut
12	427179A1	2	ROD, End
13	427336A1	2	CABLE,
14	400310A1	2	PIN, Quick Release
15	129-289	2	NUT, Jam, 3/8"-24, G5, LH,
16	425-156	2	NUT, Jam, 3/8"-24, G5,

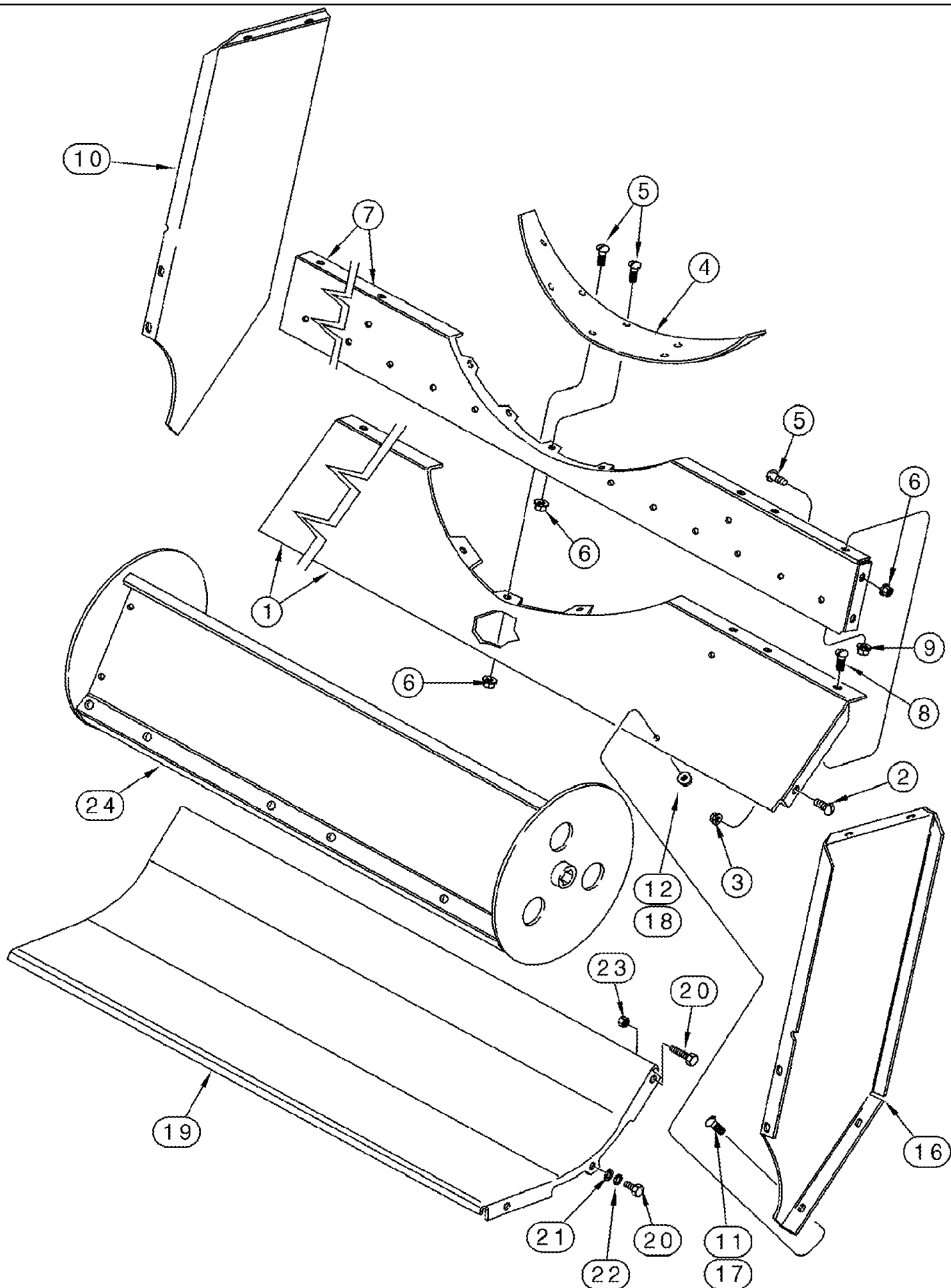
09C-01 BEATER - DISCHARGE



09C-01 BEATER - DISCHARGE

сылка	Номер детали	Кол-во	Описание
1	86620026	4	FLANGE,
2	492-11038	6	WASHER, LOCK, 3/8",
3	425-106	6	NUT, 3/8"-16, G5,
4	156816C91	2	BEARING, BALL,
5	1302176C2	1	SHAFT,
6	495-81211	5	WASHER, 1 11/32" x 2" x .120",
7	495-81210	AR	WASHER, 1 11/32" x 2" x .060",
8	632147R1	1	SPACER, 1-5/8" OD x 1-5/8"
9	495-81211	3	WASHER, 1 11/32" x 2" x .120",
10	1319402C1	1	HUB,
11	20987	1	BOLT, Hex, 1/2"-13 x 2 1/2", G8,
12	496-41053	1	WASHER, 17/32" x 1 1/4" x 3/16",
13	232-4118	1	NUT, LOCK, 1/2"-13, GC,
17	195161C1	1	PULLEY, 8-3/8" OD
18	413-516	4	BOLT, Hex, 5/16"-18 x 1", G5, Full Thd,
19	492-11031	4	WASHER, LOCK, 5/16",
20	425-105	4	NUT, 5/16"-18, G5,
34	117051A1	1	HUB,
35	413-632	1	BOLT, Hex, 3/8"-16 x 2", G5,
36	231-4116	1	NUT, LOCK, 3/8"-16, GB,
37	1319266C1	2	HUB, Triangular Beater
38	477-73812	12	SCREW, Sltd Serr Truss Hd, 3/8" x 3/4",
39	231-5146	12	NUT, Flg, USR, 3/8"-16,
40	1319270C1	3	BLADE,
41	477-73812	18	SCREW, Sltd Serr Truss Hd, 3/8" x 3/4",
42	231-5146	18	NUT, Flg, USR, 3/8"-16,
43	181061C2	1	SUPPORT, LH
44	181062C2	1	SUPPORT, RH
45	413-616	13	BOLT, Hex, 3/8"-16 x 1", G5, Full Thd,
46	413-620	1	BOLT, Hex, 3/8"-16 x 1 1/4", G5, Full Thd, LH
46	413-624	2	BOLT, Hex, 3/8"-16 x 1 1/2", G5, RH
47	495-11041	18	WASHER, 3/8", SAE,
48	492-11038	16	WASHER, LOCK, 3/8",
49	425-106	18	NUT, 3/8"-16, G5,

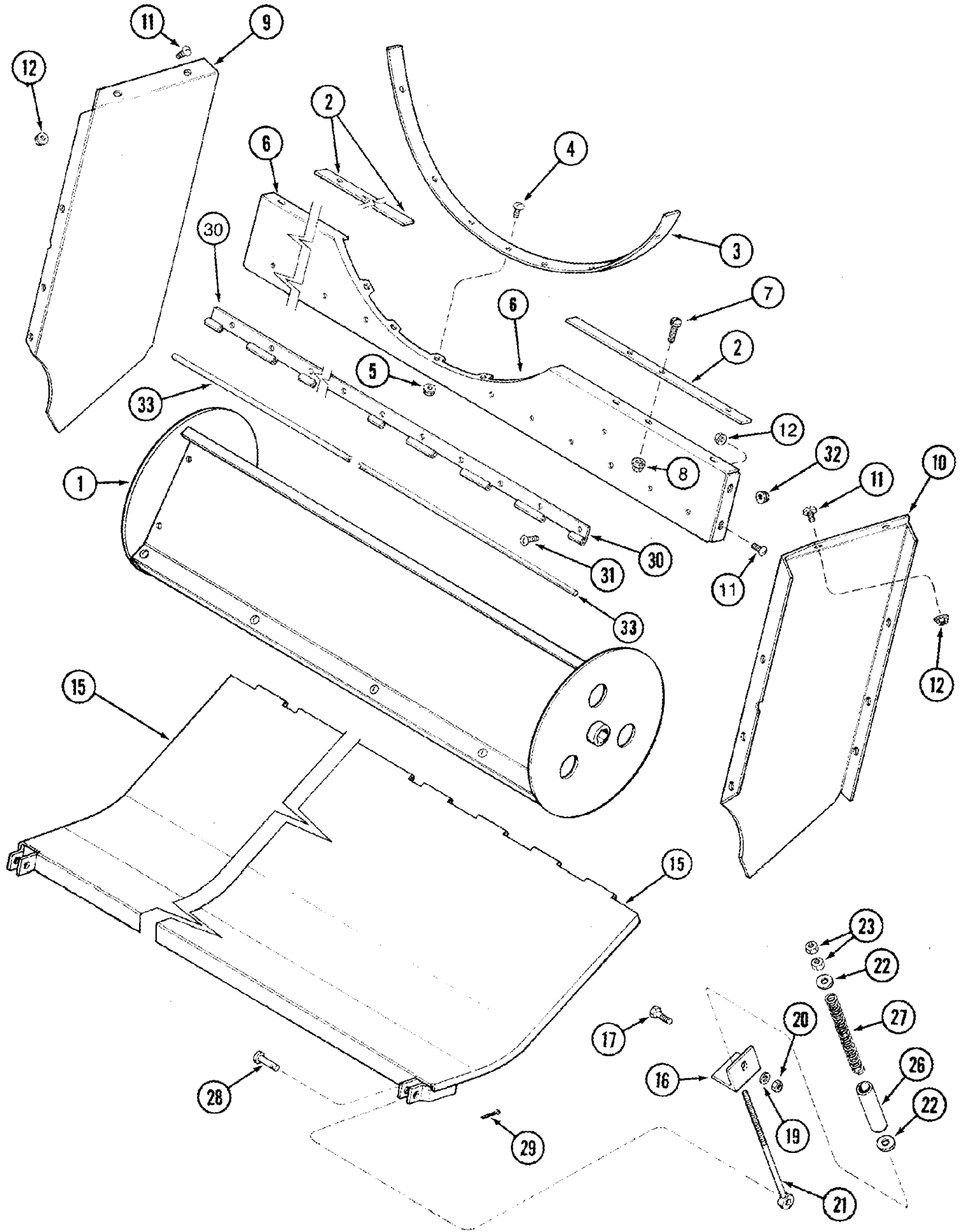
09C-02 BEATER PAN - DISCHARGE - CORN AND GRAIN - FIXED



09C-02 BEATER PAN - DISCHARGE - CORN AND GRAIN - FIXED

сылка	Номер детали	Кол-во	Описание
1	191000C1	1	SUPPORT, Beater Discharge
2	477-73812	2	SCREW, Sltd Serr Truss Hd, 3/8" x 3/4",
3	231-5146	2	NUT, Flg, USR, 3/8"-16,
4	193916C1	1	SUPPORT, Beater Pan, Front Bottom
5	477-73812	7	SCREW, Sltd Serr Truss Hd, 3/8" x 3/4",
6	231-5146	7	NUT, Flg, USR, 3/8"-16,
7	182931C1	1	SUPPORT, Cage, Lower Rear
8	477-73112	6	BOLT, Slotted Tr Hd, 5/16"-18 x 3/4",
9	231-5145	6	NUT, Flg, USR, 5/16"-18,
10	193454C1	1	DEFLECTOR, Discharge, LH
11	477-73812	5	SCREW, Sltd Serr Truss Hd, 3/8" x 3/4",
11	477-73816	1	SCREW, Sltd Serr Truss Hd, 3/8" x 1",
12	231-5146	6	NUT, Flg, USR, 3/8"-16,
16	193455C1	1	DEFLECTOR, Discharge, RH
17	477-73812	5	SCREW, Sltd Serr Truss Hd, 3/8" x 3/4",
17	477-73816	1	SCREW, Sltd Serr Truss Hd, 3/8" x 1",
18	231-5146	6	NUT, Flg, USR, 3/8"-16,
19	195454C2	1	SUPPORT, Rear Bottom
20	413-616	6	BOLT, Hex, 3/8"-16 x 1", G5, Full Thd,
21	496-41041	4	WASHER, 13/32" x 1 1/8" x .134",
22	492-11038	4	WASHER, LOCK, 3/8",
23	232-4116	2	NUT, LOCK, 3/8"-16, GC,
24	REF	1	INSTRUCTION, Beater Assy, Discharge, See Figure 09C-01

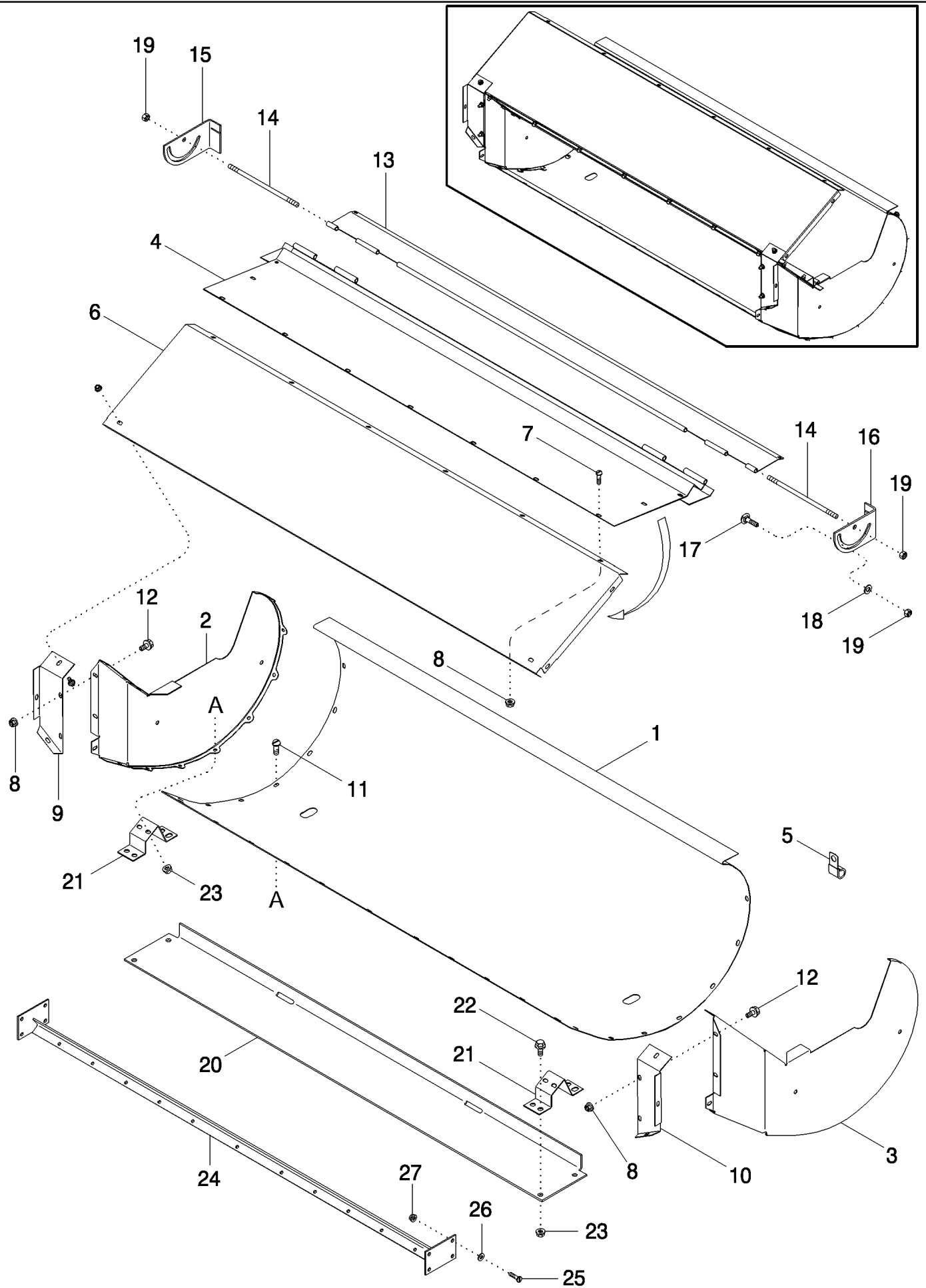
09C-03 BEATER PAN - DISCHARGE - RICE - SPRING LOADED



09C-03 BEATER PAN - DISCHARGE - RICE - SPRING LOADED

сылка	Номер детали	Кол-во	Описание
1	REF	1	INSTRUCTION, Beater Assy. Discharge, See Figure 09C-01
2	182895C1	2	FILLER,
3	182950C1	1	SUPPORT, Rear
4	477-73812	7	SCREW, Sltd Serr Truss Hd, 3/8" x 3/4",
5	231-5146	7	NUT, Flg, USR, 3/8"-16,
6	182931C1	1	SUPPORT, Cage, Lower Rear
7	477-73112	6	BOLT, Slotted Tr Hd, 5/16"-18 x 3/4",
8	231-5145	6	NUT, Flg, USR, 5/16"-18,
9	182948C2	1	DEFLECTOR, Discharge Support, LH
10	182949C2	1	DEFLECTOR, Discharge Support, RH
11	477-73812	14	SCREW, Sltd Serr Truss Hd, 3/8" x 3/4",
12	231-5146	14	NUT, Flg, USR, 3/8"-16,
15	182926C2	1	BOTTOM, Beater
16	182896C2	2	SUPPORT, Spring
17	280165	2	BOLT, Hex, 3/8"-16 x 1 1/4", G8, Full Thd,
19	496-41041	2	WASHER, 13/32" x 1 1/8" x .134",
20	232-4116	2	NUT, LOCK, 3/8"-16, GC,
21	182892C2	2	BOLT,
22	495-81162	4	WASHER, 17/32" x 1 1/2" x .179",
23	425-108	4	NUT, 1/2"-13, G5,
26	182981C1	2	SPACER, Spring
27	391745R1	2	SPRING,
28	439-1828	2	PIN, HEADED, 1/2" x 1 3/4",
29	432-1216	2	PIN, SPLIT (COTTER), 3/16" x 1",
30	182893C1	2	HINGE,
31	477-73812	14	SCREW, Sltd Serr Truss Hd, 3/8" x 3/4",
32	231-5146	14	NUT, Flg, USR, 3/8"-16,
33	182980C1	1	ROD,

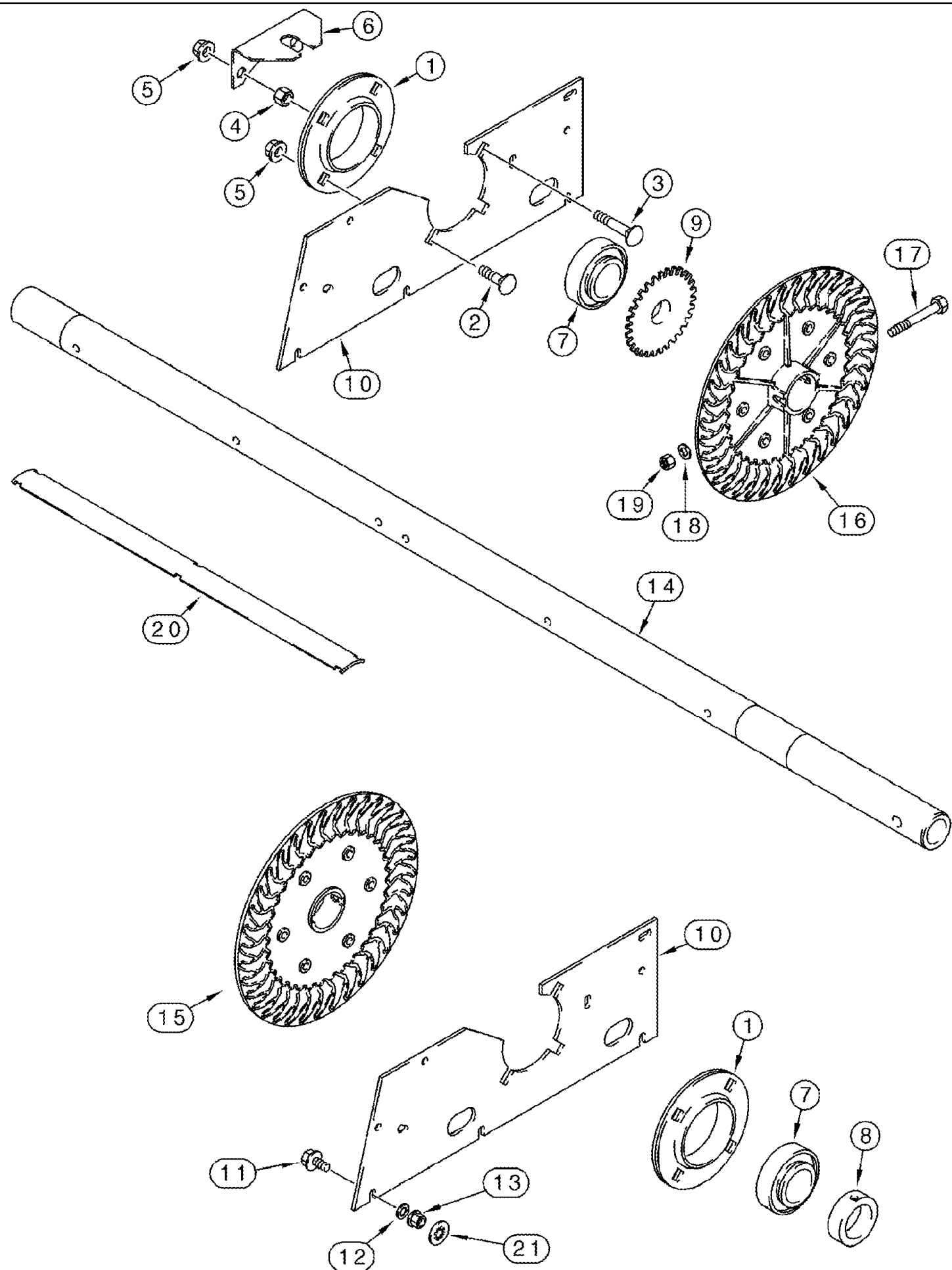
09C-04 CLEANING FAN - HOUSING



09C-04 CLEANING FAN - HOUSING

сылка	Номер детали	Кол-во	Описание
1	1347466C1	1	HOUSING,
2	1347012C2	1	PLATE, LH
3	1347013C2	1	PLATE, RH
4	1541547C1	1	PLATE, Upper
5	516-23127	1	CLAMP, J, 9/16" Insul, 3/8" Bolt,
6	1989340C1	1	PLATE,
7	477-73112	7	BOLT, Slotted Tr Hd, 5/16"-18 x 3/4",
8	231-5145	29	NUT, Flg, USR, 5/16"-18,
9	1541928C1	1	SUPPORT, Filler LH
10	1541929C1	1	SUPPORT, Filler RH
11	477-73108	12	SCREW, Sltd Serr Truss Hd, 5/16"-18 x 1/2",
12	409-7512	10	BOLT, Hex Flg, 5/16"-18 x 3/4", Serr,
13	1347030C1	1	HOOD,
14	185197C1	1	ROD,
15	1989693C2	1	PLATE, LH
16	1989694C2	1	PLATE, RH
17	434-512	2	BOLT, CARRIAGE, Short NK, 5/16"-18 x 3/4", G5, Full Thd,
18	495-81116	2	WASHER, .344" x 1" x .060",
19	231-5345	2	NUT, LOCK, Flg, 5/16"-18,
20	1989627C2	1	SUPPORT, Front
21	1541543C1	2	BRACKET, Front
22	409-7820	4	BOLT, Hex Flg, 1/2"-13 x 1 1/4", Serr,
23	231-5148	4	NUT, Flg, USR, 1/2"-13,
24	191928C1	1	SUPPORT, Rear
25	477-73812	6	SCREW, Sltd Serr Truss Hd, 3/8" x 3/4",
26	495-81135	4	WASHER, 13/32" x 1" x .120",
27	231-5146	6	NUT, Flg, USR, 3/8"-16,

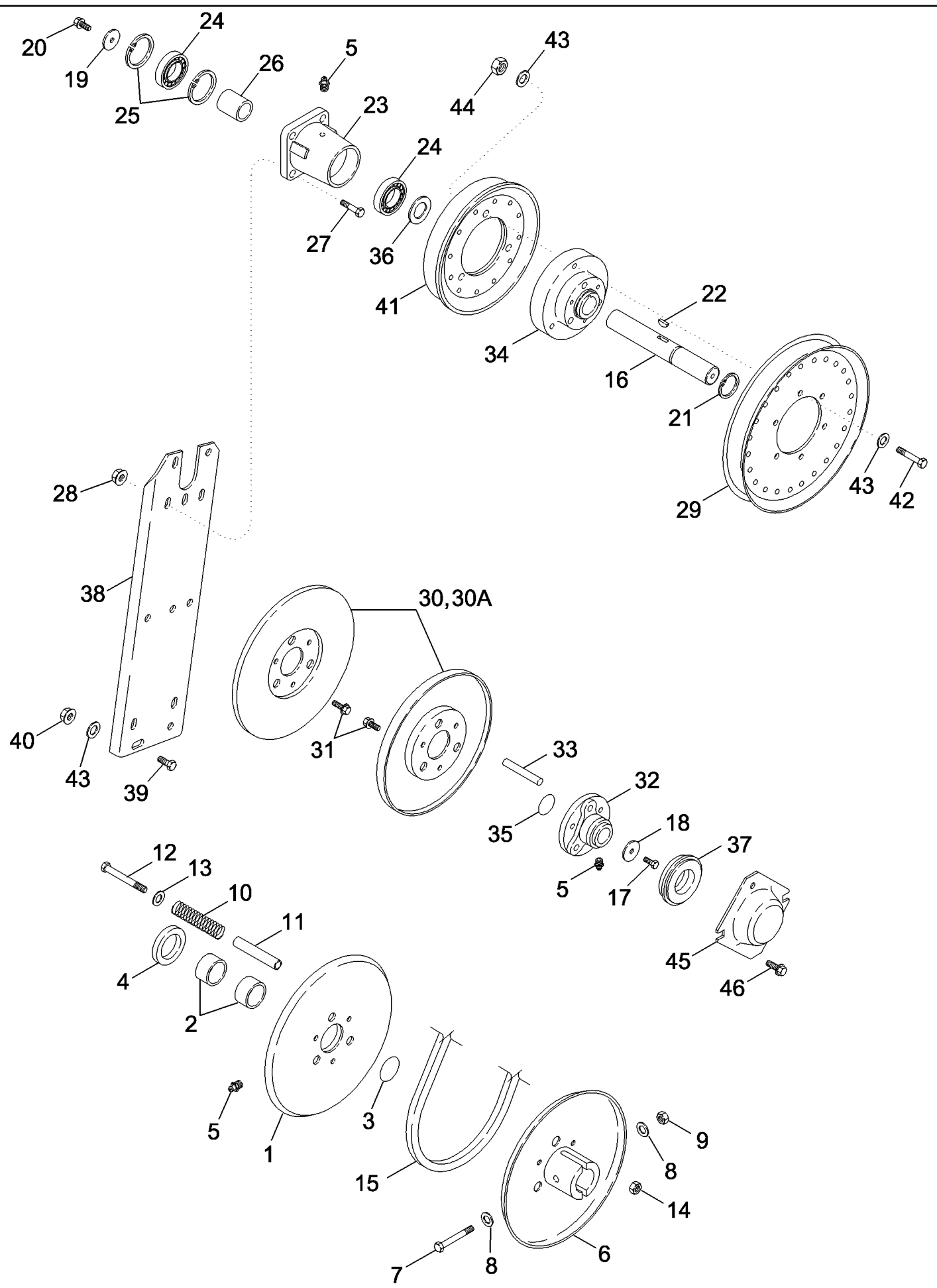
09C-05 CLEANING FAN - SHAFT AND SUPPORTS



09C-05 CLEANING FAN - SHAFT AND SUPPORTS

сылка	Номер детали	Кол-во	Описание
1	716840	4	FLANGE,
2	434-816	6	BOLT, CARRIAGE, Short NK, 1/2"-13 x 1", G5, Full Thd,
3	434-824	2	BOLT, CARRIAGE, Short NK, 1/2"-13 x 1 1/2", G5, Full Thd,
4	425-108	2	NUT, 1/2"-13, G5,
5	231-5148	10	NUT, Flg, USR, 1/2"-13,
6	1541554C1	1	SUPPORT,
7	668719R92	2	BEARING, BALL,
8	86999734	1	COLLAR,
9	1541555C1	1	SPROCKET,
10	120870A1	2	SUPPORT, Includes Decal ZA211862, See Figure 09H-19, Ref. 14
11	409-7616	6	BOLT, Hex Flg, 3/8"-16 x 1", Serr,
12	495-81143	6	WASHER, 13/32" x 1 1/2" x .120",
13	231-5146	6	NUT, Flg, USR, 3/8"-16,
	1541936C3	1	FAN, Includes 14 - 20
14	1989543C3	1	SHAFT,
15	1541560C1	3	DISC, Fan, RH
16	1541570C1	3	DISC, Fan, LH
17	413-548	6	BOLT, Hex, 5/16"-18 x 3", G5,
18	495-11034	12	WASHER, 5/16", SAE,
19	230-4135	6	NUT, LOCK, 5/16"-18, GA,
20	1347001C1	72	PADDLE,
21	131-415	6	NUT, LOCK, Push, Bolt Retainer, 3/8" x 25/32",

09C-06 CLEANING FAN - DRIVE



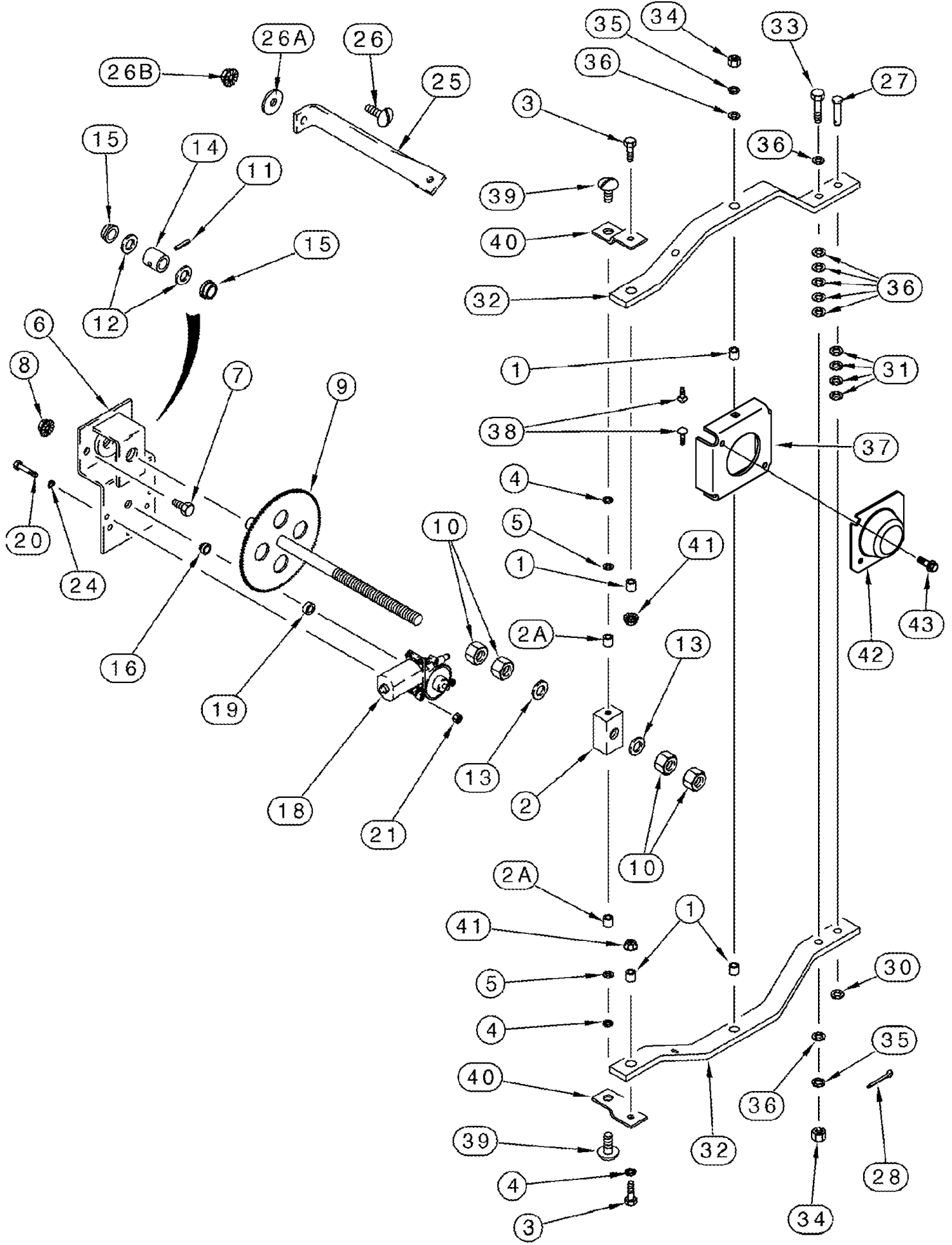
09C-06 CLEANING FAN - DRIVE

сылка	Номер детали	Кол-во	Описание
	1541552C2	1	PULLEY, 11-1/4" OD, Includes 2 - 4
1	NSS	1	NOT SERVICED SEPARATELY, Pulley
2	1541551C1	2	BUSHING,
3	238-5327	1	O-RING, -327, 70 Duro, 1.725" ID x .210" Thk,
4	1541775C1	1	SEAL, 1-47/64" ID x 2-21/64"
5	219-87	3	NIPPLE, LUBE, 1/4"-28 x .56" lg, Self-Tap,
6	1541553C2	1	PULLEY, 11-1/4" OD
7	426-856	1	BOLT, Hex, 1/2"-13 x 3 1/2", G8,
8	496-31053	2	WASHER, 17/32" x 1 1/16" x .188", HDN,
9	232-4118	1	NUT, LOCK, 1/2"-13, GC,
10	1302181C2	3	SPRING,
11	1302180C2	3	BUSHING,
12	413-580	3	BOLT, Hex, 5/16"-18 x 5", G5,
13	495-81116	3	WASHER, .344" x 1" x .060",
14	231-4115	3	NUT, LOCK, 5/16"-18, GB,
15	301146A1	1	BELT, 72-3/4"
16	194853C3	1	SHAFT,
17	413-58	1	BOLT, Hex, 5/16"-18 x 1/2", G5, Full Thd,
18	495-81121	1	WASHER, .344" x 1 1/2" x .060",
19	195-81030	1	WASHER, 17/32" x 1-1/2" x 3/16"
20	1302143C1	1	BOLT, 1/2" x 1"
21	100-16125	1	RING, SNAP, #125, Ext,
22	126-125	1	WOODRUFF KEY, #B, 5/16" x 1", HT,
23	192418C1	1	HUB,
24	1302725C91	2	BEARING, BALL,
25	360936R1	2	RING,
26	152926C1	1	SPACER, 2" x 1-5/8" x 1-7/8"
27	413-624	3	BOLT, Hex, 3/8"-16 x 1 1/2", G5,
28	231-5146	3	NUT, Flg, USR, 3/8"-16,
29	295918A1	1	PULLEY,
30	301141A1	2	PULLEY, 12" OD
31	115745A1	6	SCREW,
32	185286C91	1	HUB, Includes 33
33	37-1856	3	DOWEL, 1/2" x 3 1/2",
34	183333C1	1	HUB,
35	238-5218	1	O-RING, -218, 70 Duro, 1.234" ID x .139" Thk,
36	183274C2	1	WASHER, 1-9/32" x 1-7/8" x 3/16"
37	168215C92	1	BEARING, THRUST,
38	189967A1	1	SUPPORT, Includes Decal 144385A1, See Figure 09H-19, Ref. 9
39	477-73812	6	SCREW, Sltd Serr Truss Hd, 3/8" x 3/4",
40	231-5146	6	NUT, Flg, USR, 3/8"-16,
41	193948C1	1	PULLEY, 9-3/4" OD
42	413-640	3	BOLT, Hex, 3/8"-16 x 2 1/2", G5,
43	495-81135	9	WASHER, 13/32" x 1" x .120",
44	231-4116	3	NUT, LOCK, 3/8"-16, GB,

09C-06 CLEANING FAN - DRIVE

сылка	Номер детали	Кол-во	Описание
45	86990344	1	COVER, Fan Drive Bearing, ASN HAJ0295001
46	281-24812	2	SCREW, SELF TAP, Hex Wash Hd, 5/16" x 3/4", , ASN HAJ0295001

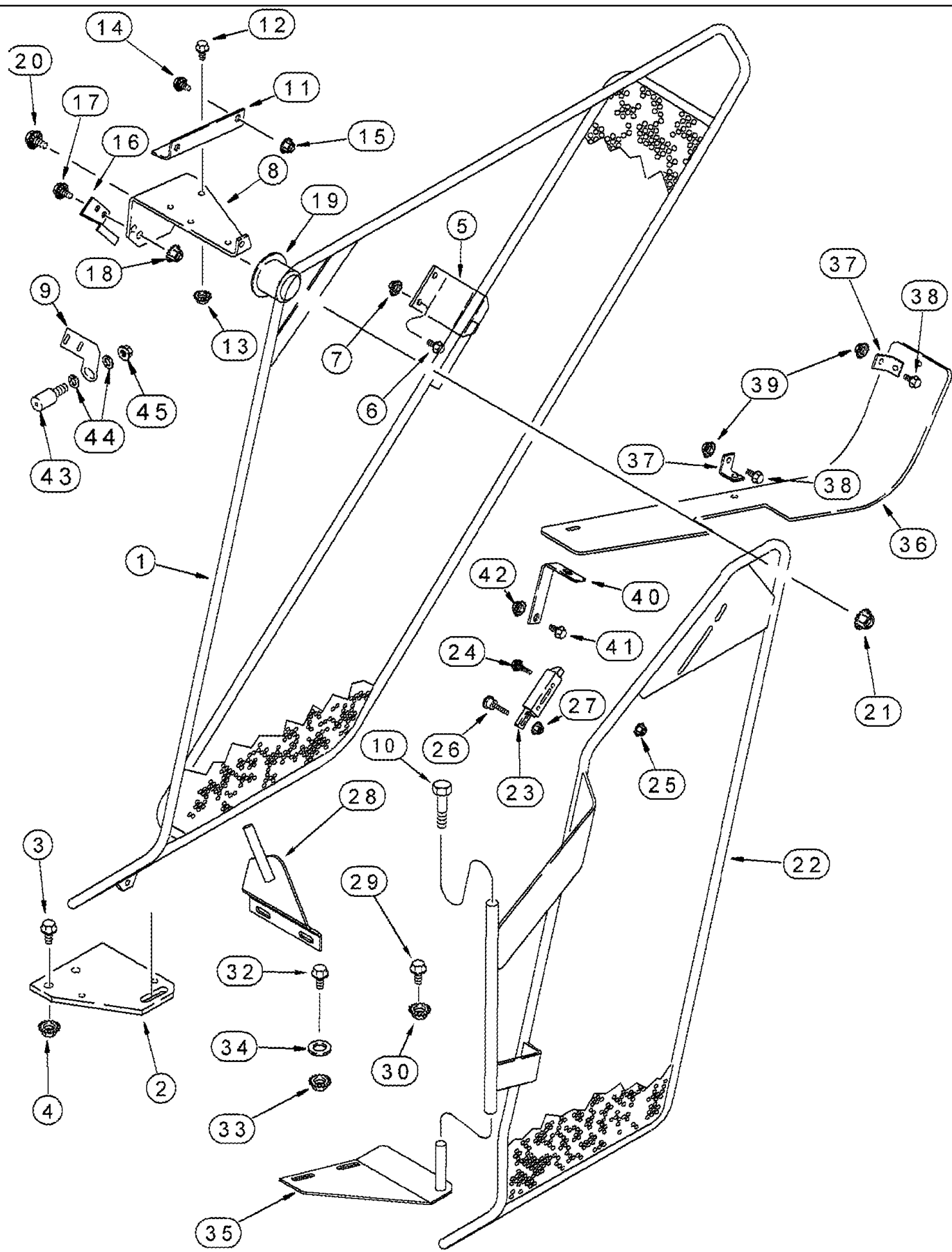
09C-07 CLEANING FAN - DRIVE SPEED CONTROL



09C-07 CLEANING FAN - DRIVE SPEED CONTROL

сылка	Номер детали	Кол-во	Описание
1	87035448	4	SPACER, 1/2" Tube x 1/2",
2	181206C1	1	BLOCK,
2A	183916A1	2	SPACER, 1/2" x 3/16"
3	477-73116	2	SCREW, Sltd Serr Truss Hd, 5/16"-18 x 1",
4	492-11031	4	WASHER, LOCK, 5/16",
5	495-11034	4	WASHER, 5/16", SAE,
6	181199C2	1	SUPPORT,
7	413-612	2	BOLT, Hex, 3/8"-16 x 3/4", G5, Full Thd,
8	231-5146	2	NUT, Flg, USR, 3/8"-16,
9	142848A1	1	GEAR,
10	425-1010	4	NUT, 5/8"-11, G5,
11	38-11216	1	PIN, LOCK, 3/16" x 1", Slotted,
12	495-81177	2	WASHER, 21/32" x 1" x .030",
13	1302054C1	2	WASHER,
14	181205C1	1	SPACER,
15	55826C1	2	BUSHING,
16	55825C1	1	BUSHING,
18	111787A2	1	MOTOR, ELECTRIC,
19	113485A1	2	SPACER, 17 mm
20	413-432	2	BOLT, Hex, 1/4"-20 x 2", G5,
21	425-104	2	NUT, 1/4"-20, G5,
24	492-11025	2	WASHER, LOCK, 1/4",
25	186283C2	1	SUPPORT,
26	477-73820	1	SCREW, Sltd Serr Truss Hd, 3/8"-16 x 1 1/4",
26A	495-81143	1	WASHER, 13/32" x 1 1/2" x .120",
26B	231-5146	1	NUT, Flg, USR, 3/8"-16,
27	439-1624	1	PIN, HEADED, 3/8" x 1 1/2",
28	432-812	1	PIN, SPLIT (COTTER), 1/8" x 3/4",
30	495-11041	1	WASHER, 3/8", SAE,
31	495-81142	AR	WASHER, 13/32" x 1 1/2" x .060",
32	194850C2	2	SUPPORT,
33	413-532	1	BOLT, Hex, 5/16"-18 x 2", G5,
34	425-105	3	NUT, 5/16"-18, G5,
35	492-11031	3	WASHER, LOCK, 5/16",
36	495-11034	10	WASHER, 5/16", SAE,
37	194852C3	1	SUPPORT,
38	412-520	2	BOLT, CARRIAGE, Short NK, 5/16"-18 x 1 1/4", G2,
39	413-512	2	BOLT, Hex, 5/16"-18 x 3/4", G5, Full Thd,
40	142853A2	2	SUPPORT,
41	231-5145	2	NUT, Flg, USR, 5/16"-18,
42	86990344	1	COVER,
43	281-24812	2	SCREW, SELF TAP, Hex Wash Hd, 5/16" x 3/4",

09C-08 SHIELD, FAN INLET - DOOR - RIGHT-HAND



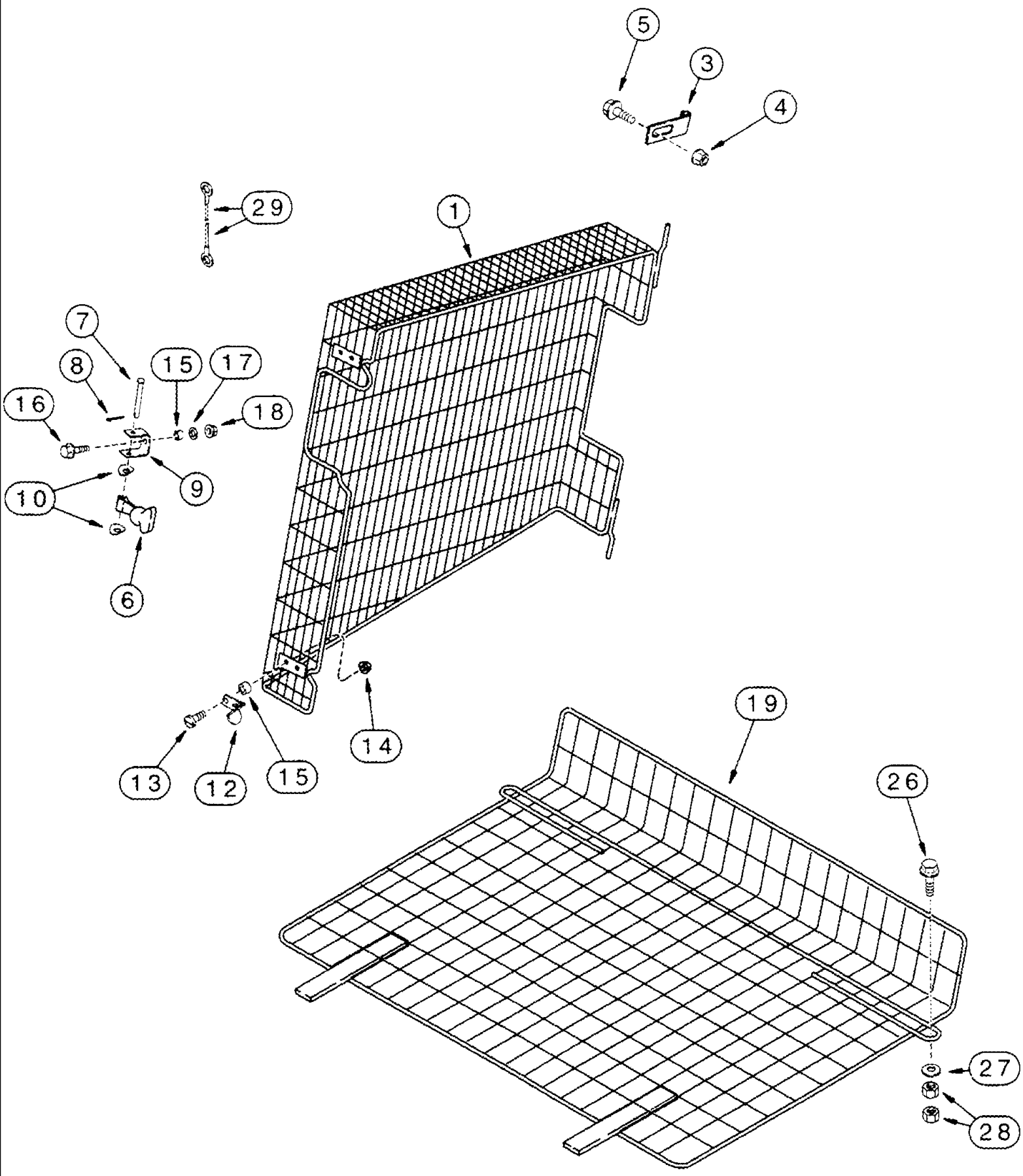
09C-08 SHIELD, FAN INLET - DOOR - RIGHT-HAND

сылка	Номер детали	Кол-во	Описание
1	142443A2	1	SHIELD, , Models with Wheels
1	226463A1	1	SHIELD, , Models with Track Attachment
2	142450A2	1	SUPPORT, Lower
3	409-7816	2	BOLT, Hex Flg, 1/2"-13 x 1", Serr,
4	231-5148	2	NUT, Flg, USR, 1/2"-13,
5	142451A2	1	SUPPORT, Side
6	409-7512	4	BOLT, Hex Flg, 5/16"-18 x 3/4", Serr,
7	231-5145	4	NUT, Flg, USR, 5/16"-18,
8	142452A2	1	SUPPORT, Upper
9	182240A2	1	BRACKET,
10	413-416	1	BOLT, Hex, 1/4"-20 x 1", G5,
11	142453A1	1	ANGLE,
12	409-7612	2	BOLT, Hex Flg, 3/8"-16 x 3/4", Serr,
13	231-5146	2	NUT, Flg, USR, 3/8"-16,
14	409-7512	2	BOLT, Hex Flg, 5/16"-18 x 3/4", Serr,
15	231-5145	2	NUT, Flg, USR, 5/16"-18,
16	142454A1	1	BRACKET,
17	409-748	2	BOLT, Hex Flg, 1/4"-20 x 1/2", Serr,
18	231-5144	2	NUT, Flg, USR, 1/4"-20,
19	142455A1	1	TUBE,
20	409-7812	1	BOLT, Hex Flg, 1/2"-13 x 3/4", Serr,
21	231-5145	1	NUT, Flg, USR, 5/16"-18,
22	368361A1	1	GUARD, Includes Decals 181595A1, 184094A1, & 184094A1. Must Also Order 356467A1, Ref. 28 & 360482A1, Ref. 35 from this section, Models with Wheels, See Figure 09H-19, Ref. 2, 3
22	368376A1	1	GUARD, Includes Decals 181595A1, 184094A1, & 184094A1. Also Order 356467A1, Ref. 28 & 360482A1, Ref. 35 from this section, See Figure 09H-19, Ref. 2, 3, Models with Track Attachment
23	142588A1	1	LOCK,
24	413-424	2	BOLT, Hex, 1/4"-20 x 1 1/2", G5,
25	231-5144	2	NUT, Flg, USR, 1/4"-20,
26	96860C1	1	KNOB,
27	231-5144	2	NUT, Flg, USR, 1/4"-20,
28	356467A1	1	SUPPORT, RH Upper, Door
29	409-7512	2	BOLT, Hex Flg, 5/16"-18 x 3/4", Serr,
30	231-5145	2	NUT, Flg, USR, 5/16"-18,
30A	495-81135	2	WASHER, 13/32" x 1" x .120", Not Illustrated
32	409-7616	2	BOLT, Hex Flg, 3/8"-16 x 1", Serr,
33	231-5146	2	NUT, Flg, USR, 3/8"-16,
34	495-21044	2	WASHER, 3/8",
35	360482A1	1	SUPPORT, Lower RH
36	142477A2	1	SHEET,
37	142478A2	2	BRACKET,
38	409-7512	2	BOLT, Hex Flg, 5/16"-18 x 3/4", Serr,
39	231-5145	2	NUT, Flg, USR, 5/16"-18,
40	182838A2	1	PLATE,
41	256873	1	BOLT, Hex Flg, 5/16"-18 x 1/2", Serr,

09C-08 SHIELD, FAN INLET - DOOR - RIGHT-HAND

сылка	Номер детали	Кол-во	Описание
42	231-5145	1	NUT, Flg, USR, 5/16"-18,
43	282145A1	1	BOLT, SPECIAL,
44	495-21050	1	WASHER, 7/16",
45	231-5148	1	NUT, Flg, USR, 1/2"-13,
46	495-11034	2	WASHER, 5/16", SAE,

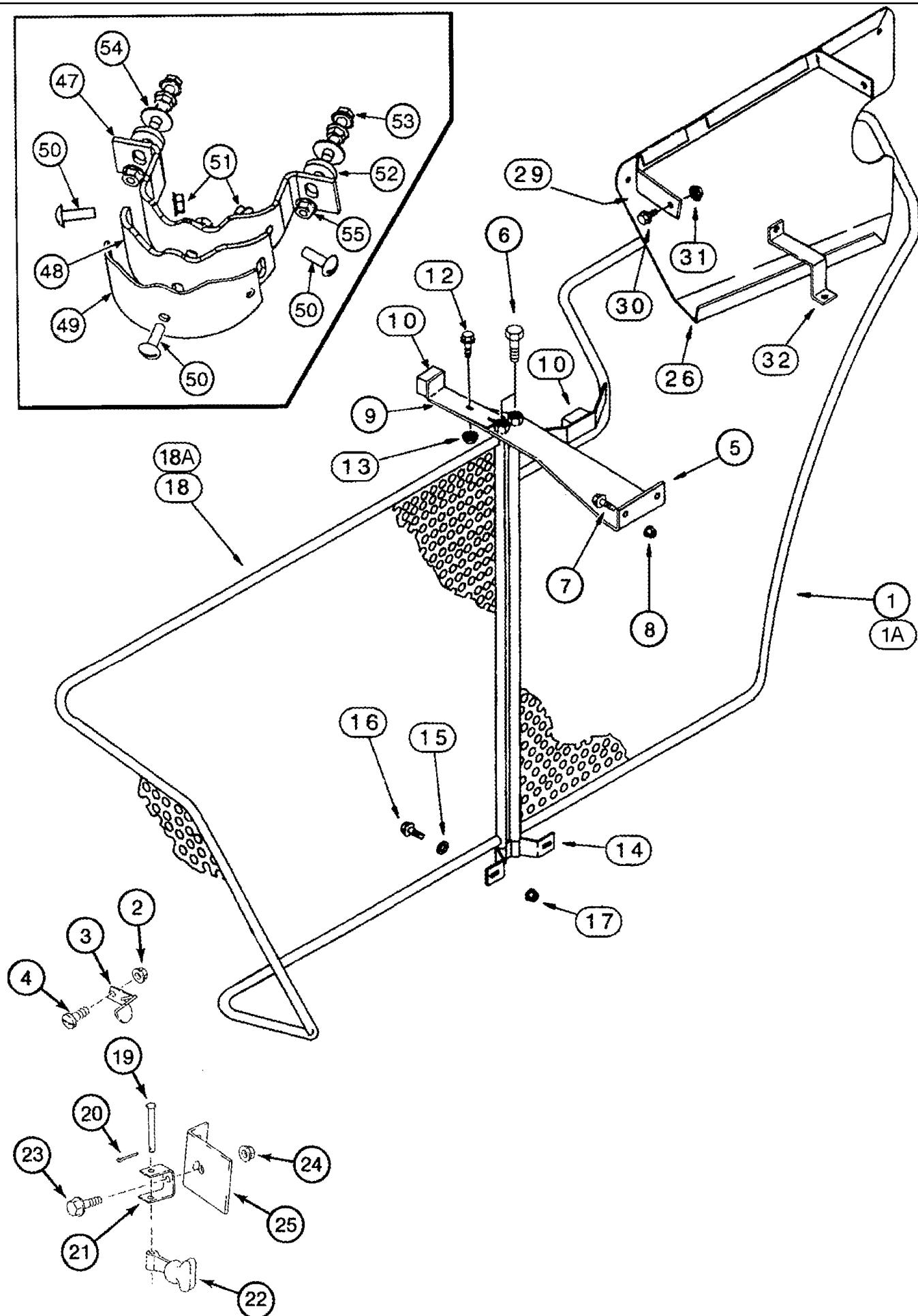
09C-09 CLEANING FAN - SHIELDS



09C-09 CLEANING FAN - SHIELDS

сылка	Номер детали	Кол-во	Описание
1	239930A2	1	SHIELD, LH
3	1541763C3	2	HINGE,
4	231-5145	2	NUT, Flg, USR, 5/16"-18,
5	409-7512	2	BOLT, Hex Flg, 5/16"-18 x 3/4", Serr,
6	494307C1	2	LATCH,
7	439-1424	2	PIN, HEADED, 1/4" x 1 1/2", G2,
8	432-812	2	PIN, SPLIT (COTTER), 1/8" x 3/4",
9	188103C2	2	BRACKET,
10	1324377C1	2	WASHER, 5/16"
12	L105124	2	HOOK, LATCH,
13	470-11012	4	SCREW, Slotted Pan Hd, #10-24 x 3/4",
13	470-11020	4	SCREW, Slotted Pan Hd, #10-24 x 1 1/4",
14	231-51409	4	NUT, Flg, USR, #10-24,
15	1277909C1	6	SPACER,
16	409-7524	2	BOLT, Hex Flg, 5/16"-18 x 1 1/2", Serr,
17	495-81121	2	WASHER, .344" x 1 1/2" x .060",
18	231-5145	2	NUT, Flg, USR, 5/16"-18,
19	1541759C2	1	GUARD, Lower
26	409-7624	2	BOLT, Hex Flg, 3/8"-16 x 1 1/2", Serr,
27	495-81135	2	WASHER, 13/32" x 1" x .120",
28	280136	4	NUT, 3/8"-16, G8,
29	132657A2	1	CABLE,

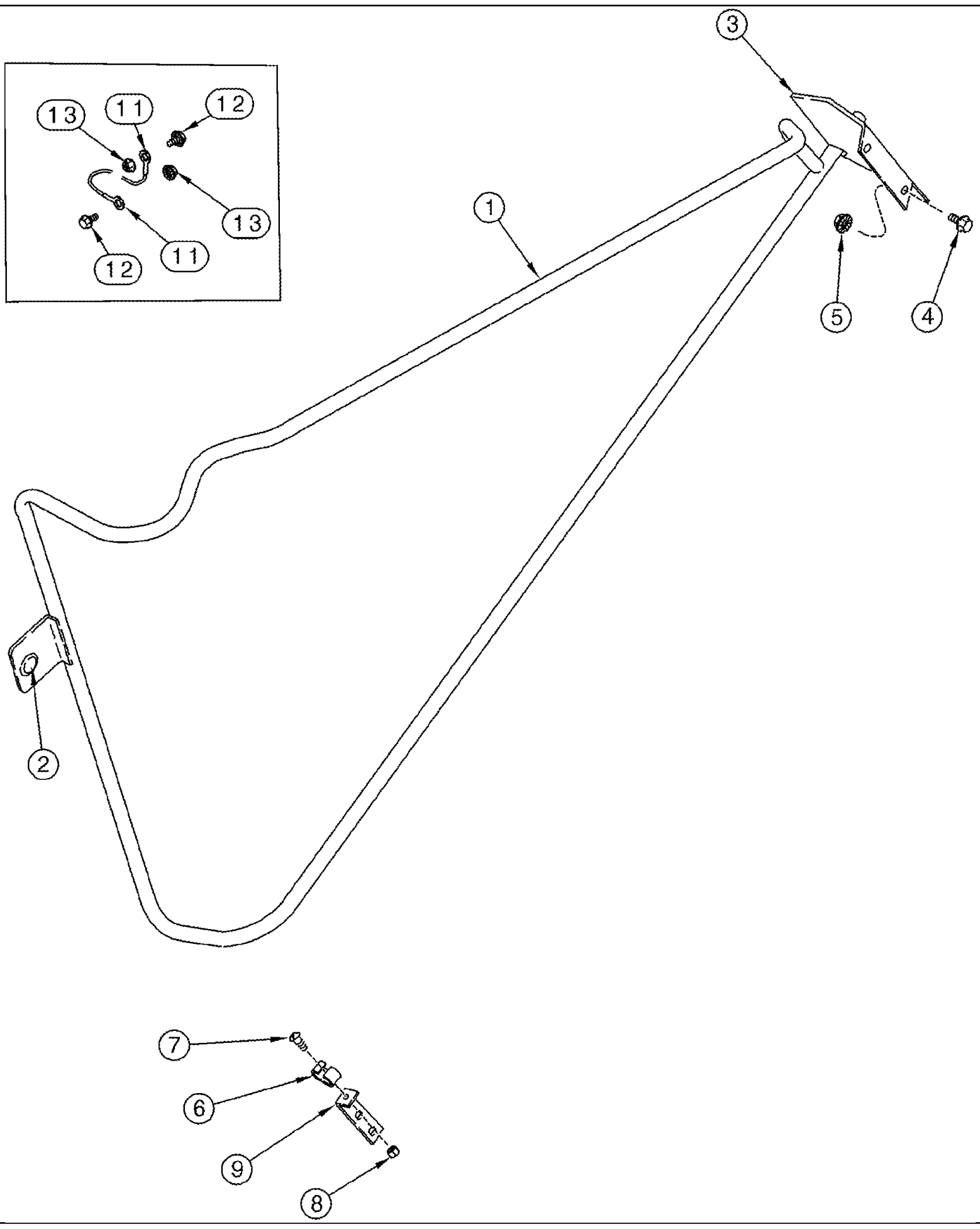
09C-10 SHIELDS, INLET AND SEPARATOR - LEFT HAND



09C-10 SHIELDS, INLET AND SEPARATOR - LEFT HAND

сылка	Номер детали	Кол-во	Описание
1	189353A2	1	GUARD, LH Front, Includes 1A and Decal 181595A1, See Figure 09H-19, Ref. 2
1A	240826A2	1	SHIELD, LH
2	231-51409	2	NUT, Flg, USR, #10-24,
3	L105124	2	HOOK, LATCH,
4	470-11012	2	SCREW, Slotted Pan Hd, #10-24 x 3/4",
5	142424A1	1	SUPPORT, Upper
6	413-1024	2	BOLT, Hex, 5/8"-11 x 1 1/2", G5, Full Thd,
7	409-7612	2	BOLT, Hex Flg, 3/8"-16 x 3/4", Serr,
8	231-5146	2	NUT, Flg, USR, 3/8"-16,
9	142427A3	1	SUPPORT, Upper
10	187885C1	2	SEAL, 660 mm (26"), Cut from 87281C1, Lower
10	187884C1	2	SEAL, 51 mm (2"), Cut from 187885C1
12	409-7512	2	BOLT, Hex Flg, 5/16"-18 x 3/4", Serr,
13	231-5145	2	NUT, Flg, USR, 5/16"-18,
14	142430A2	1	SUPPORT,
15	495-11066	2	WASHER, 5/8", SAE,
16	409-7512	2	BOLT, Hex Flg, 5/16"-18 x 3/4", Serr,
17	231-5145	2	NUT, Flg, USR, 5/16"-18,
18	404920A1	1	SHIELD, Rear, Includes 18A and Decal 181595A1, See Figure 09H-19, Ref. 2
18A	392028A2	1	SHIELD, Rear, LH
19	439-1424	1	PIN, HEADED, 1/4" x 1 1/2", G2,
20	432-812	1	PIN, SPLIT (COTTER), 1/8" x 3/4",
21	188103C2	1	BRACKET,
22	494307C1	1	LATCH,
23	409-7516	3	BOLT, Hex Flg, 5/16"-18 x 1", Serr,
24	231-5145	3	NUT, Flg, USR, 5/16"-18,
25	229268A2	1	BRACKET,
26	243165A1	1	GUARD, Unloader Drive, Includes Decal 181475A1, Use with 243170A1, Ref. 32, See Figure 09H-19, Ref. 11
29	185524A2	1	SUPPORT, Unloader Drive Shield
30	409-7612	2	BOLT, Hex Flg, 3/8"-16 x 3/4", Serr,
31	231-5146	2	NUT, Flg, USR, 3/8"-16,
32	243170A1	1	SUPPORT, , Use with 610784R1, Ref. 34
34	610784R1	1	SPLIT PIN/SAFETY PIN, Not Illustrated, Use with 243170A1, Ref. 32
47	241070A2	1	SUPPORT,
48	246444A2	1	INDEX,
49	251517A1	1	SUPPORT,
50	477-73116	3	SCREW, Sltd Serr Truss Hd, 5/16"-18 x 1",
51	231-5145	5	NUT, Flg, USR, 5/16"-18,
52	251987A1	2	WASHER,
53	409-7524	2	BOLT, Hex Flg, 5/16"-18 x 1 1/2", Serr,
54	495-81116	2	WASHER, .344" x 1" x .060",
55	231-5345	2	NUT, LOCK, Flg, 5/16"-18,
56	135370A1	2	STRIP, PROTECTION, 194 mm (7-5/8"), Cut from 1330108CX, Not Illustrated

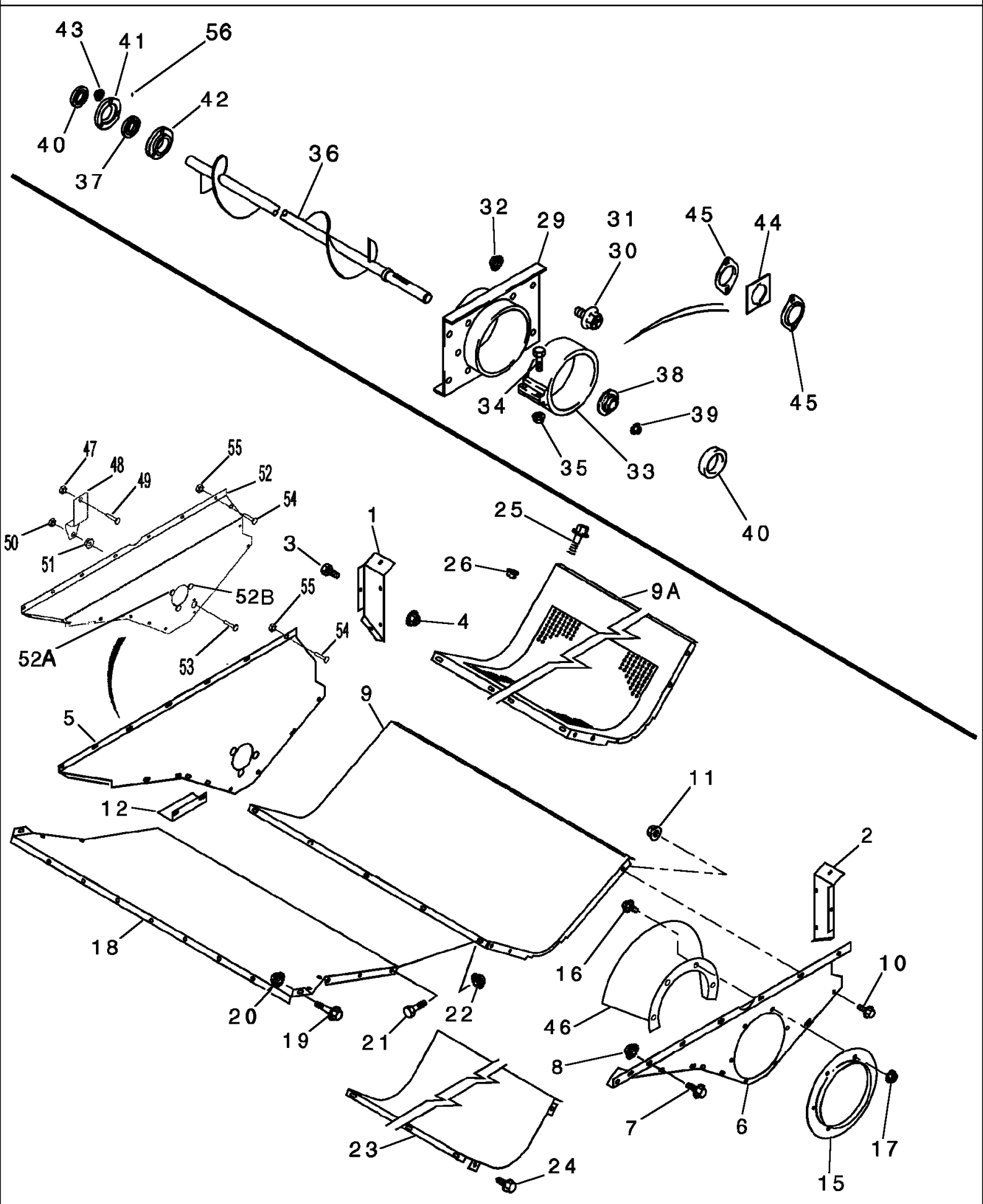
09C-11 SHIELDS, INLET AND SEPARATOR - RIGHT HAND REAR



09C-11 SHIELDS, INLET AND SEPARATOR - RIGHT HAND REAR

сылка	Номер детали	Кол-во	Описание
1	142480A3	1	GUARD,
2	182925A1	1	LOCK,
2	182926A1	1	LOCK, Australia Only
3	142484A2	1	SUPPORT,
4	409-7512	2	BOLT, Hex Flg, 5/16"-18 x 3/4", Serr,
5	231-5145	2	NUT, Flg, USR, 5/16"-18,
6	185224A1	1	CLIP,
7	840-148	1	SCREW, Cross Pan Hd, M4 x 8,
8	824-1404	1	NUT, M4, CI 5,
9	142485A3	1	BRACKET, Lower
10	231-5145	2	NUT, Flg, USR, 5/16"-18,
11	132657A2	1	CABLE,
12	409-748	1	BOLT, Hex Flg, 1/4"-20 x 1/2", Serr,
12	413-416	1	BOLT, Hex, 1/4"-20 x 1", G5,
13	231-5344	3	NUT, LOCK, Flg, 1/4"-20,

09D-01 GRAIN AUGER TROUGH



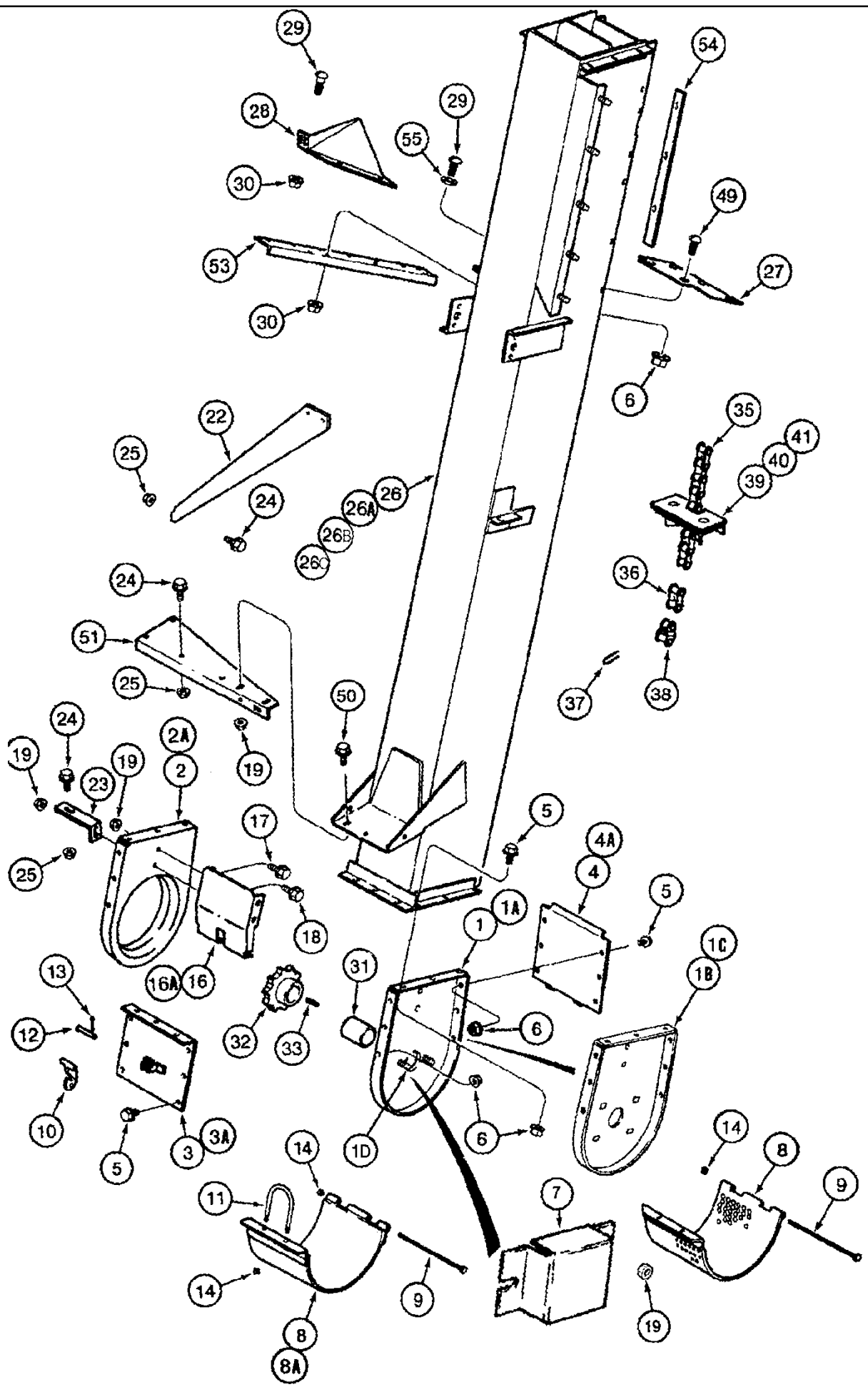
09D-01 GRAIN AUGER TROUGH

сылка	Номер детали	Кол-во	Описание
1	1541928C1	1	SUPPORT, LH
2	1541929C1	1	SUPPORT, RH
3	477-73108	10	SCREW, Sltd Serr Truss Hd, 5/16"-18 x 1/2",
4	231-5145	10	NUT, Flg, USR, 5/16"-18,
5	143955A2	1	SUPPORT, LH
6	1541541C2	1	SUPPORT, RH
7	409-7512	14	BOLT, Hex Flg, 5/16"-18 x 3/4", Serr,
8	231-5145	14	NUT, Flg, USR, 5/16"-18,
9	1989374C1	1	TROUGH, Non-perforated, Clean Grain
9A	1541800C1	1	TROUGH, Perforated, Clean Grain
10	256873	12	BOLT, Hex Flg, 5/16"-18 x 1/2", Serr,
11	231-5345	12	NUT, LOCK, Flg, 5/16"-18,
12	1317407C3	1	BRACKET,
15	1317401C1	1	RETAINER,
16	409-7512	6	BOLT, Hex Flg, 5/16"-18 x 3/4", Serr,
17	231-5145	6	NUT, Flg, USR, 5/16"-18,
18	191984C3	1	SUPPORT, Extension
19	409-7512	12	BOLT, Hex Flg, 5/16"-18 x 3/4", Serr,
20	231-5145	12	NUT, Flg, USR, 5/16"-18,
21	413-512	19	BOLT, Hex, 5/16"-18 x 3/4", G5, Full Thd,
22	231-5145	19	NUT, Flg, USR, 5/16"-18,
23	1541802C1	1	COVER,
24	281-14816	4	SCREW, SELF TAP, Hex Wash Hd, 5/16" x 1",
25	409-7512	14	BOLT, Hex Flg, 5/16"-18 x 3/4", Serr,
26	231-5145	14	NUT, Flg, USR, 5/16"-18,
29	1317398C1	1	SUPPORT,
30	1302143C1	9	BOLT, 1/2" x 1"
31	1302142C1	1	SCREW, 1/2" x 1-1/4"
32	231-5148	10	NUT, Flg, USR, 1/2"-13,
33	1317442C1	1	CLAMP,
34	424-516	2	BOLT, Hex, 5/16"-18 x 1", G2,
35	231-4115	2	NUT, LOCK, 5/16"-18, GB,
36	249279A1	1	AUGER, Clean Grain
37	473093R92	1	BEARING, BALL, LH
38	473093R92	1	BEARING, BALL, RH
39	231-5146	2	NUT, Flg, USR, 3/8"-16,
40	87431215	2	COLLAR, Locking, with Set Screw
41	86620418	1	FLANGE, LH, Includes Grease Port
42	86620026	1	FLANGE, Grooved, LH
43	231-5146	3	NUT, Flg, USR, 3/8"-16,
44	176111A1	1	SPACER,
45	599382R1	2	FLANGE, RH
46	197620A1	1	CONE,
47	86625057	1	NUT, LOCK, #10-24, GB,
48	431114A1	1	BRACKET,

09D-01 GRAIN AUGER TROUGH

сылка	Номер детали	Кол-во	Описание
49	440-11024	1	SCREW, Cross Pan Hd, #10-24 x 1 1/2",
50	231-4145	1	NUT, LOCK, 5/16"-18, GB,
51	231-5145	1	NUT, Flg, USR, 5/16"-18,
52	430035A1	1	SUPPORT, Includes 52A, 52B
52A	51-13832	1	SCREW, Stud, 3/8" x 2"
52B	51-13816	2	STUD, 3/8" x 1"
53	409-7520	1	BOLT, Hex Flg, 5/16"-18 x 1 1/4", Serr,
54	409-7512	7	BOLT, Hex Flg, 5/16"-18 x 3/4", Serr,
55	231-5145	7	NUT, Flg, USR, 5/16"-18,
56	219-37	1	NIPPLE, LUBE, 45с, 1/4" NPT x .81" lg,

09D-02 GRAIN ELEVATOR - HOUSING AND BOOT



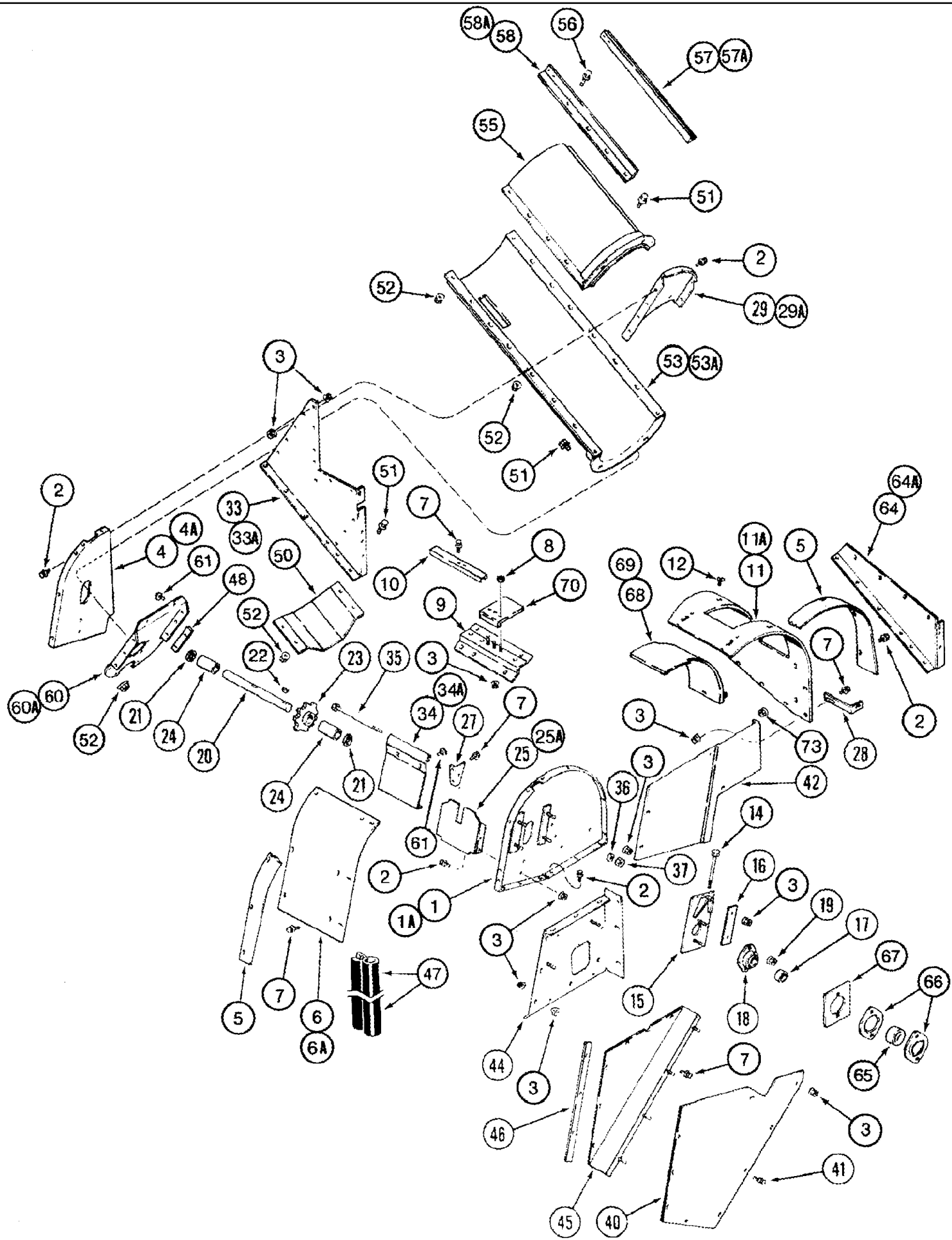
09D-02 GRAIN ELEVATOR - HOUSING AND BOOT

сылка	Номер детали	Кол-во	Описание
1	176175A2	1	PLATE, SIDE, Outer, If Used
1A	325508A1	1	PLATE, SIDE, Outer, Extended Wear, If Used
1B	223237A1	1	PLATE, SIDE, Outer, If Used, With Yield Monitor, With Advanced Farming System
1C	251473A2	1	PLATE, SIDE, Outer, Extended Wear, Includes 1D, If Used, With Advanced Farming System, With Yield Monitor
1D	433-620	4	BOLT, CARRIAGE, Short NK, 3/8"-16 x 1 1/4", G5,
2	1318584C2	1	SUPPORT, Inner
2A	249260A1	1	SUPPORT, Inner, Extended Wear
3	1317437C1	1	COVER, Rear
3A	249262A1	1	COVER, Rear, Extended Wear
4	1317439C1	1	COVER, Front
4A	249264A1	1	COVER, Front, Extended Wear
5	409-7512	12	BOLT, Hex Flg, 5/16"-18 x 3/4", Serr,
6	231-5145	12	NUT, Flg, USR, 5/16"-18,
7	177208A1	1	COVER, Australia Only
8	1317430C1	1	DOOR, Non-perforated
8	1317842C1	1	DOOR, Perforated
8A	249270A1	1	DOOR, Non-perforated, Extended Wear
9	424-5152	1	BOLT, Hex, 5/16"-18 x 9 1/2", G2,
10	155909C1	1	LATCH,
11	87302569	1	U-BOLT, 5/16"
12	439-1420	1	PIN, HEADED, 1/4" x 1 1/4",
13	432-812	1	PIN, SPLIT (COTTER), 1/8" x 3/4",
14	231-4115	3	NUT, LOCK, 5/16"-18, GB,
16	1318590C3	1	SUPPORT, Grain
16A	249266A1	1	DEFLECTOR, Grain, Extended Wear
17	409-7612	3	BOLT, Hex Flg, 3/8"-16 x 3/4", Serr,
18	409-7616	1	BOLT, Hex Flg, 3/8"-16 x 1", Serr,
19	231-5146	4	NUT, Flg, USR, 3/8"-16,
20	495-11041	4	WASHER, 3/8", SAE, Not Illustrated
22	1317362C5	1	SUPPORT, Lower
23	186729C2	1	SUPPORT,
24	409-7612	5	BOLT, Hex Flg, 3/8"-16 x 3/4", Serr,
25	231-5146	5	NUT, Flg, USR, 3/8"-16,
26	1317456C6	1	HOUSING,
26A	249268A4	1	HOUSING, Extended Wear
26B	367310A5	1	HOUSING, AFS , Extended Wear
26C	367308A5	1	HOUSING, AFS
27	303955A1	1	PLATE,
28	1317699C1	1	SUPPORT, Inner
29	477-73108	16	SCREW, Sltd Serr Truss Hd, 5/16"-18 x 1/2",
30	231-5145	16	NUT, Flg, USR, 5/16"-18,
31	176181A2	1	SPACER,
32	143960A1	1	SPROCKET, 9T, Clean Grain
33	Q1443	1	KEY, 5/16" Sq x 1 1/2", Par,

09D-02 GRAIN ELEVATOR - HOUSING AND BOOT

сылка	Номер детали	Кол-во	Описание
35	1317482C92	1	CHAIN, ELEVATOR, Includes 35A, 40 (38), 41 (76)
35A	NSS	1	NOT SERVICED SEPARATELY, Chain Assy, Includes 36 - 38, 38A, 38B
36	241-15113	1	LINK, CONNECTING, No. C550, 1-5/8 P
37	23442R1	2	PIN, S Type, No. 550
38	241-18113	1	LINK, CHAIN, Offset, No. C550, 1-5/8P
38A	NSS	38	NOT SERVICED SEPARATELY, Link Attaching
38B	NSS	112	NOT SERVICED SEPARATELY, Link, No. C550
39	1317614C92	38	FLIGHT, RUBBER, Assy, Includes 36 (2), 38A (1), 40, 41
40	1318493C2	1	FLIGHT, RUBBER,
41	185053C1	2	RIVET,
50	409-7620	2	BOLT, Hex Flg, 3/8"-16 x 1 1/4", Serr,
51	192223C2	1	BRACKET,
53	1317475C1	1	BRACKET, LH
54	1321155C1	1	SPACER,
55	495-81121	7	WASHER, .344" x 1 1/2" x .060",

09D-03 GRAIN ELEVATOR HEAD, INCLINED



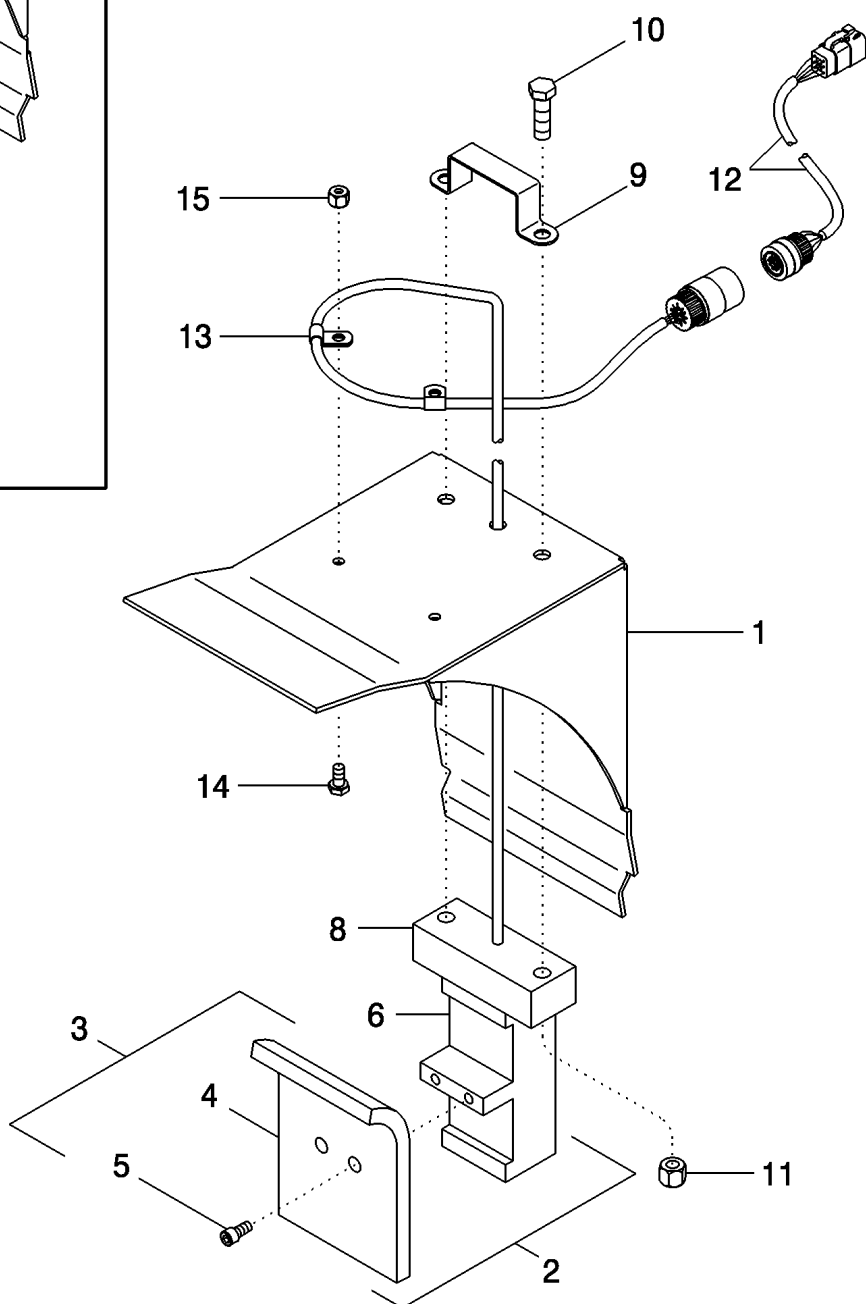
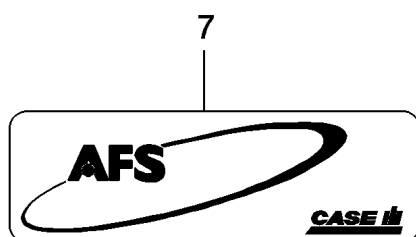
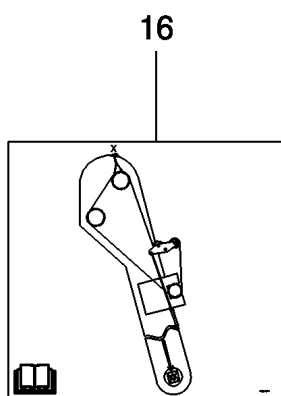
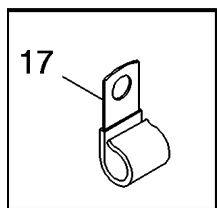
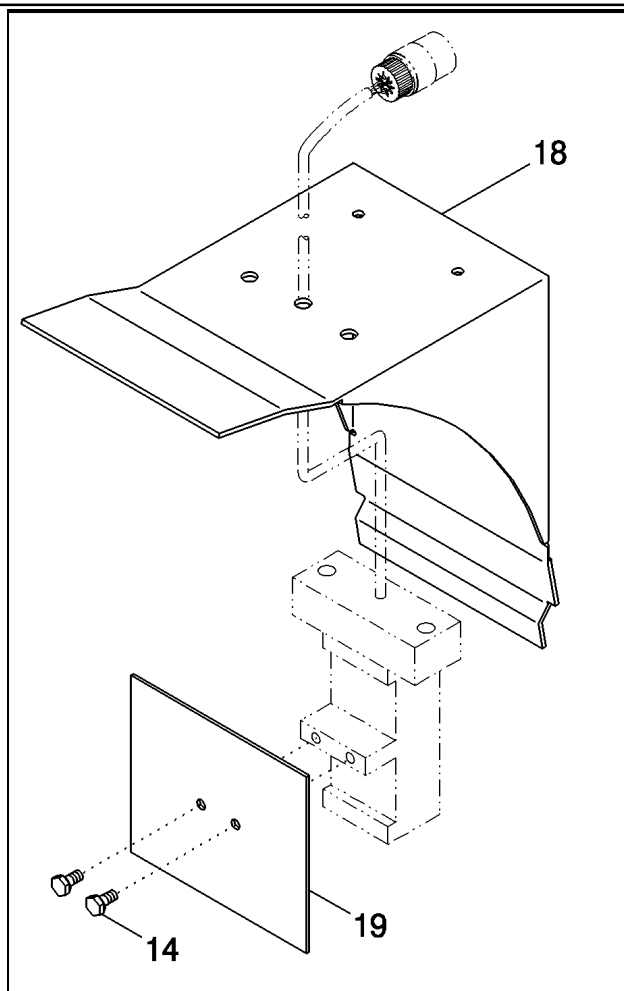
09D-03 GRAIN ELEVATOR HEAD, INCLINED

сылка	Номер детали	Кол-во	Описание
1	1319908C1	1	PLATE, SIDE, RH
1A	251458A1	1	PLATE, SIDE, RH, Extended Wear
2	256873	AR	BOLT, Hex Flg, 5/16"-18 x 1/2", Serr,
3	231-5145	AR	NUT, Flg, USR, 5/16"-18,
4	1319901C1	1	PLATE, SIDE, LH
4A	282600A1	1	PLATE, SIDE, LH, Extended Wear
5	87301284	1	PLATE, Head Sealing
6	1319940C1	1	COVER, Rear
6A	251459A1	1	COVER, Rear, Extended Wear
7	409-7512	AR	BOLT, Hex Flg, 5/16"-18 x 3/4", Serr,
8	231-4116	3	NUT, LOCK, 3/8"-16, GB,
9	198581A2	1	STIFFENER, Anchor Assy
10	1317474C2	1	CHANNEL,
11	198602A1	1	COVER, Front, Without Advanced Farming System, Without Yield Monitor
11	238646A1	1	COVER, Front, With Advanced Farming System, With Yield Monitor
11A	251464A1	1	COVER, Front, Extended Wear, With Yield Monitor, With Advanced Farming System
12	477-73112	8	BOLT, Slotted Tr Hd, 5/16"-18 x 3/4",
14	820430C1	2	BOLT, 1/2" x 5-1/2"
15	1317251C3	2	SUPPORT,
16	1310040C1	4	BAR,
17	87431216	2	COLLAR, With Set Screw
18	1317250C91	2	BEARING, BALL, If Used, Optional with 65 - 67
19	231-5146	4	NUT, Flg, USR, 3/8"-16,
20	1317470C1	1	SHAFT,
21	495-81202	4	WASHER, 1 9/32" x 1 3/4" x .060",
22	126-125	2	WOODRUFF KEY, #B, 5/16" x 1", HT,
23	1317192C1	1	SPROCKET, Drive, 9T
24	1317471C1	2	SPACER,
25	1318476C1	1	PLATE,
25A	251468A1	1	COVER, Extended Wear
27	1321553C1	1	BRACKET,
28	1321833C1	1	STRAP,
29	121370A1	1	PLATE, LH Front, Includes Decal 1319494C1, See Figure 09H-19, Ref. 7
29A	334204A1	1	PLATE, LH Front, Extended Wear, Includes Decal 144383A1, See Figure 09H-19, Ref. 7
33	1321550C2	1	SUPPORT, Rear
33A	298841A1	1	SHEET, Rear, Extended Wear
34	1319954C1	1	BRACKET,
34A	251470A1	1	BRACKET, Extended Wear
35	413-5144	1	BOLT, Hex, 5/16"-18 x 9", G5,
36	492-11031	1	WASHER, LOCK, 5/16",
37	425-105	1	NUT, 5/16"-18, G5,
40	1321095C1	1	PANEL, RH
41	409-7516	1	BOLT, Hex Flg, 5/16"-18 x 1", Serr,
42	1321097C2	1	COVER,
44	1321060C1	1	SUPPORT,

09D-03 GRAIN ELEVATOR HEAD, INCLINED

сылка	Номер детали	Кол-во	Описание
45	1321497C1	1	PANEL, LH
46	1321155C1	1	SPACER,
47	1321263C1	2	SEAL,
48	1321554C1	1	PLATE,
50	1321556C1	1	COVER,
51	256873	AR	BOLT, Hex Flg, 5/16"-18 x 1/2", Serr,
52	231-5145	AR	NUT, Flg, USR, 5/16"-18,
53	199006A2	1	TUBE, Lower
53A	251472A1	1	GUARD, Lower, Extended Wear
55	1321560C3	1	SHEET, Upper
56	409-7512	4	BOLT, Hex Flg, 5/16"-18 x 3/4", Serr,
56	409-7520	4	BOLT, Hex Flg, 5/16"-18 x 1 1/4", Serr,
57	1321568C3	1	ANGLE, Front
57A	297934A1	1	SUPPORT, Front, Extended Wear
58	1321569C3	1	ANGLE, Rear
58A	297936A1	1	SUPPORT, Rear, Extended Wear
60	1979134C1	1	SUPPORT,
60A	249274A1	1	SUPPORT, Extended Wear
61	477-73108	4	SCREW, Sltd Serr Truss Hd, 5/16"-18 x 1/2",
64	1321552C2	1	SUPPORT, Front
64A	253270A1	1	GUARD, Front, Extended Wear
65	156010C92	2	BEARING, BALL, If Used, Optional with Ref. 18
66	87106572	4	FLANGE, Used with Ref. 65, 67
67	1979642C1	2	SPACER, Used with Ref. 65, 66
68	229609A2	1	COWL, Front, Corn and Grain
69	325494A1	1	HOOD, Extended Wear
70	197877A2	1	SUPPORT, Front
71	353-147	1	PLUG, Sleeve, Not Illustrated
72	410009A1	6	NUT, 5/16", U-type

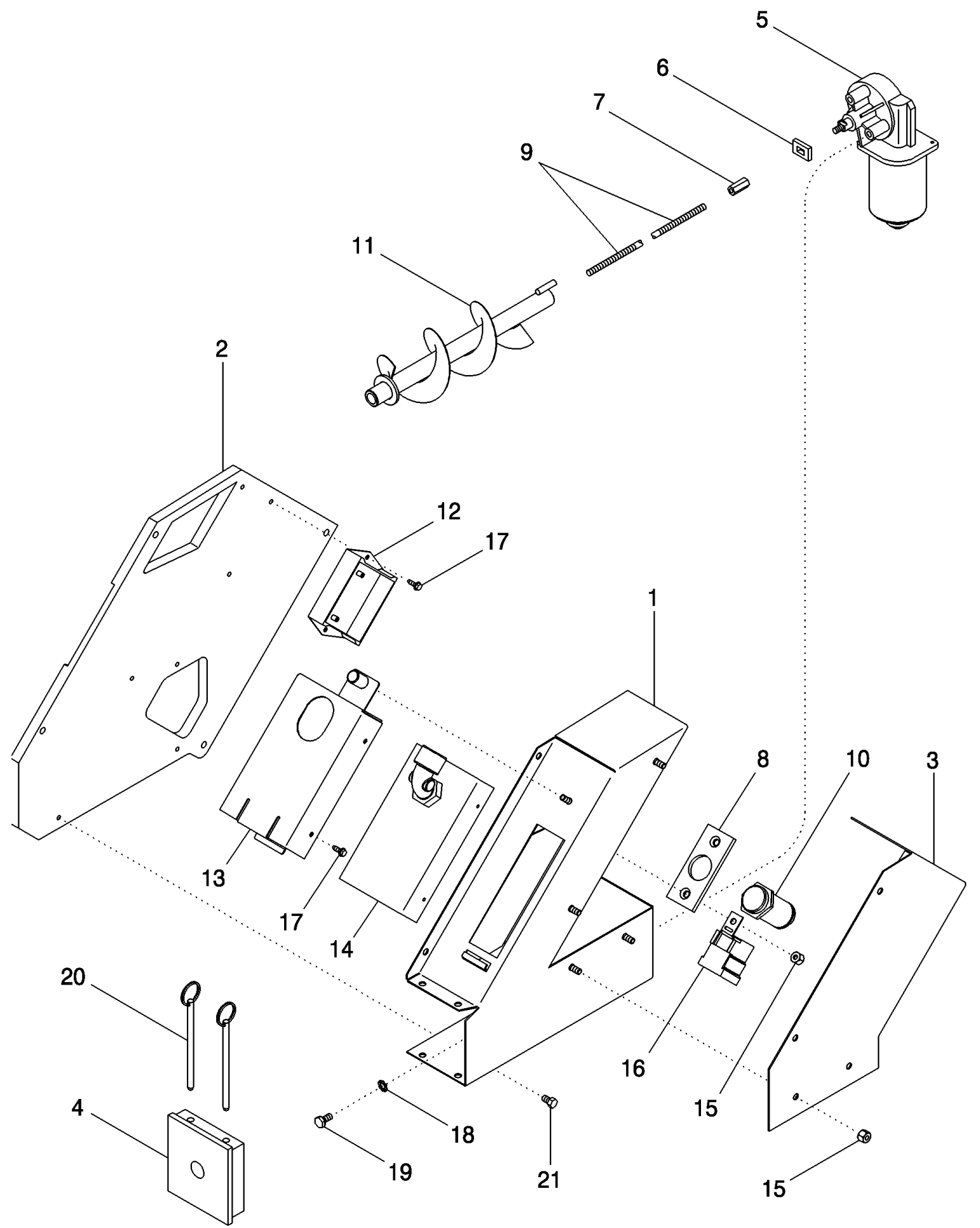
09D-04 GRAIN ELEVATOR HEAD, INCLINED - AFS FLOW SENSOR



09D-04 GRAIN ELEVATOR HEAD, INCLINED - AFS FLOW SENSOR

сылка	Номер детали	Кол-во	Описание
1	87301201	1	COVER, Flow Sensor, Includes 2 - 17
2	224597A3	1	SENSOR, Assy, Flow, Includes 3 - 7
3	87301202	1	KIT, Impact Plate - Yield Monitor, Includes 4, 5
4	NSS	1	NOT SERVICED SEPARATELY, Plate, Impact
5	61-3258	2	SCREW, Hex Soc Hd, 1/4"-20 x 1/2",
6	NSS	1	NOT SERVICED SEPARATELY, Flow Sensor
7	239258A1	1	DECAL, AFS Logo
8	224605A1	1	BLOCK, Deflector Mounting
9	NSS	1	NOT SERVICED SEPARATELY, Handle
10	326-628	2	BOLT, Hex, 3/8"-16 x 1 3/4", G8,
11	231-1446	2	NUT, LOCK, 3/8"-16, GB,
12	318575A1	1	HARNES, WIRE,
13	473321C1	2	STRAP, CABLE, .098" x 8",
14	413-48	1	BOLT, Hex, 1/4"-20 x 1/2", G5, Full Thd,
15	230-4214	1	NUT, LOCK, 1/4"-20, GA,
16	239313A1	1	DECAL, Inclined Delivery GPS/AFS
17	516-23127	2	CLAMP, J, 9/16" Insul, 3/8" Bolt,
18	437111A1	1	SENSOR, Low Flow
19	437112A1	1	PLATE, Impact, Low Flow

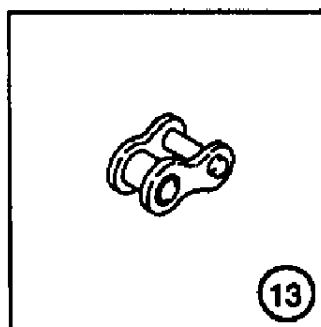
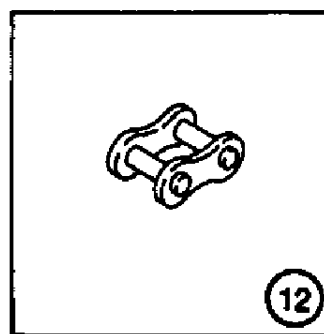
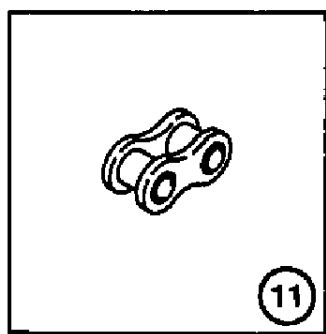
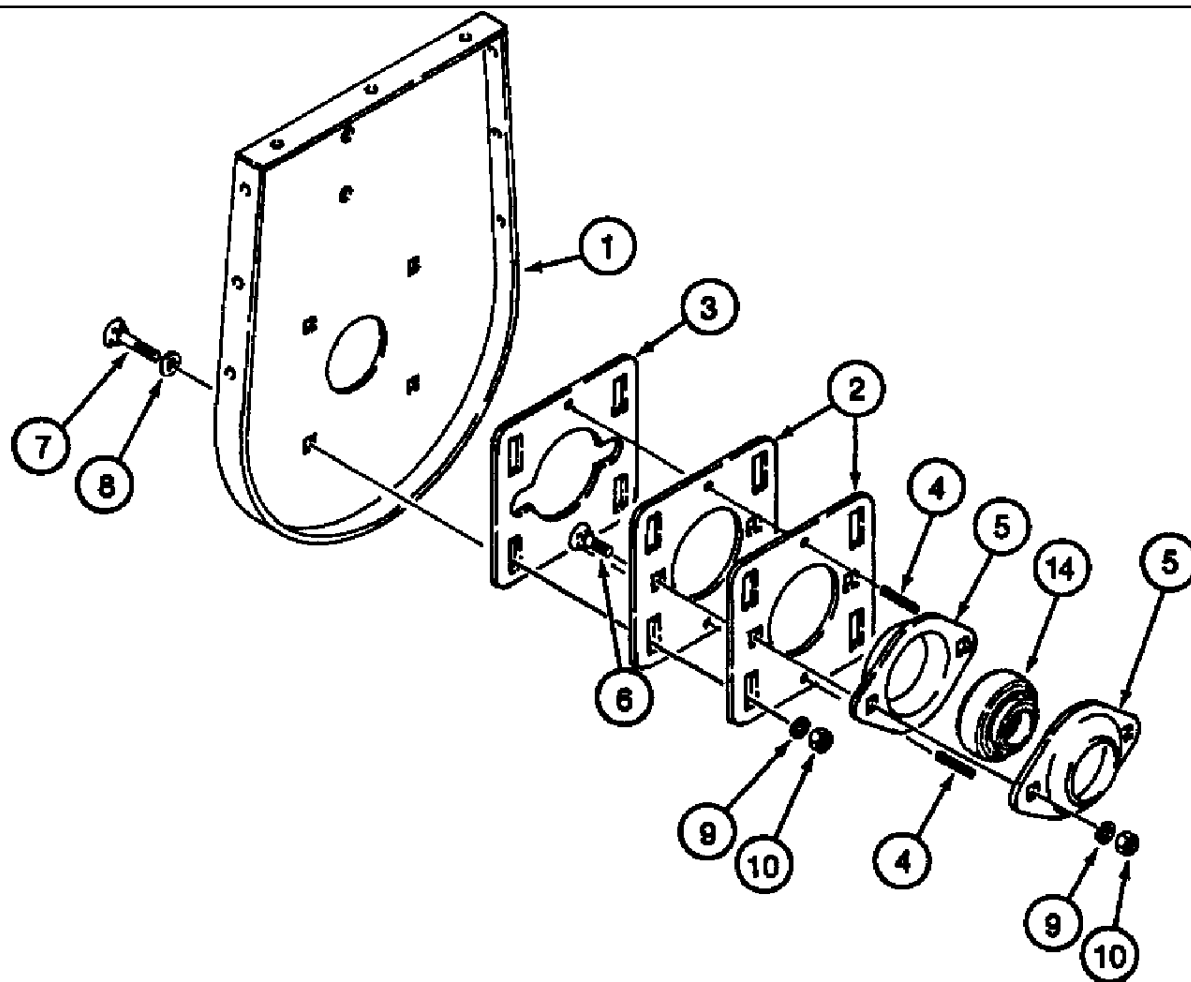
09D-05 GRAIN ELEVATOR HEAD, INCLINED - AFS MOISTURE SENSOR



09D-05 GRAIN ELEVATOR HEAD, INCLINED - AFS MOISTURE SENSOR

сылка	Номер детали	Кол-во	Описание
1	333033A1	1	HOUSING, Outer Moisture Sensor
2	363860A1	1	SUPPORT,
3	361020A1	1	COVER, Moisture Sensor
4	363154A1	1	BLOCK,
5	364837A1	1	MOTOR, ELECTRIC, By-pass Moisture Sensor
6	364845A1	1	GUIDE, Auger Driving
7	368947A1	1	COUPLING, 1/4" x 7/8"
8	368948A1	1	PLATE, Proximity Mounting
9	364843A1	1	ROD, MOUNTING, Guide
10	364838A1	1	SWITCH, Moisture Sensor Proximity
11	364194A1	1	AUGER,
12	364842A2	1	CONTROL UNIT, Automatic Cleanout
13	364195A1	1	COVER,
14	368950A1	1	SENSOR, Moisture Monitor
15	231-1404	6	NUT, LOCK, 1/4"-20, GB,
16	293256A2	1	RELAY, 40 AMP
17	280-2448	10	SCREW, SELF TAP, Hex Wash Hd, #8 x 1/2",
18	493-41026	3	WASHER, LOCK, Ext Tooth, 1/4",
19	413-48	3	BOLT, Hex, 1/4"-20 x 1/2", G5, Full Thd,
20	373712A1	2	PIN, Quick Release
21	275-1478	5	SCREW, SELF TAP, Hex Hd, 1/4" x 1/2",

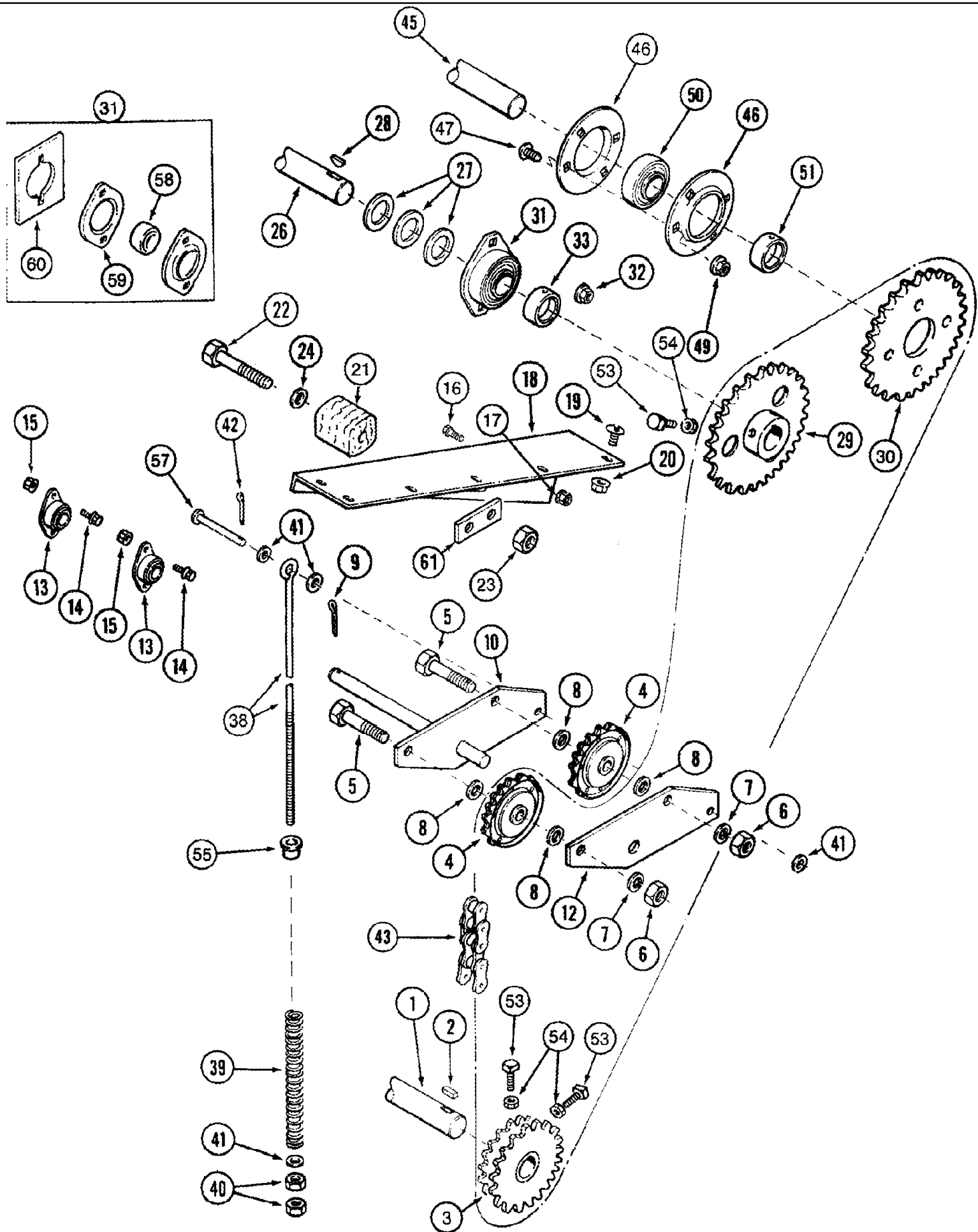
09D-06 GRAIN ELEVATOR, OUTER BOOT AND ELEVATOR SLIDE ADJUSTER



09D-06 GRAIN ELEVATOR, OUTER BOOT AND ELEVATOR SLIDE ADJUSTER

сылка	Номер детали	Кол-во	Описание
1	223237A1	1	PLATE, SIDE, Boot, Outer
	224768A1	1	PLATE, ADJUSTING, Elevator Slide Adjuster, Includes 2 - 10
	252686A1	1	PLATE, ADJUSTING, Elevator Adjuster, Extended Wear, Includes 2 - 4
2	224769A1	1	SUPPORT, Slide Adjuster, Outer
3	224770A1	2	SUPPORT, Slide Adjuster, Inner
4	87040774	2	PIN, LOCK, 1/4" x 1/2", Slotted,
5	136978	2	FLANGE, Bearing Retaining
6	434-620	2	BOLT, CARRIAGE, Short NK, 3/8"-16 x 1 1/4", G5, Full Thd,
7	434-620	4	BOLT, CARRIAGE, Short NK, 3/8"-16 x 1 1/4", G5, Full Thd,
8	495-11041	4	WASHER, 3/8", SAE, 13/32 x 13/16 x 1/16
9	492-11038	6	WASHER, LOCK, 3/8",
10	425-106	6	NUT, 3/8"-16, G5,
11	241-1115	3	LINK, Roller, Single Pitch, No. 50, Use to Extend the Elevator Drive Chain, If Required
12	241-1315	3	LINK, CONNECTING, Single Pitch, No. 50, Use to Extend the Elevator Drive Chain, If Required
13	241-18113	2	LINK, CHAIN, Offset, Single Pitch, No. C550, If Required
14	473093R92	1	BEARING, BALL, Ball
15	87034815	1	LINK, CONNECTING, No. 50, If Required

09D-07 GRAIN ELEVATOR DRIVE



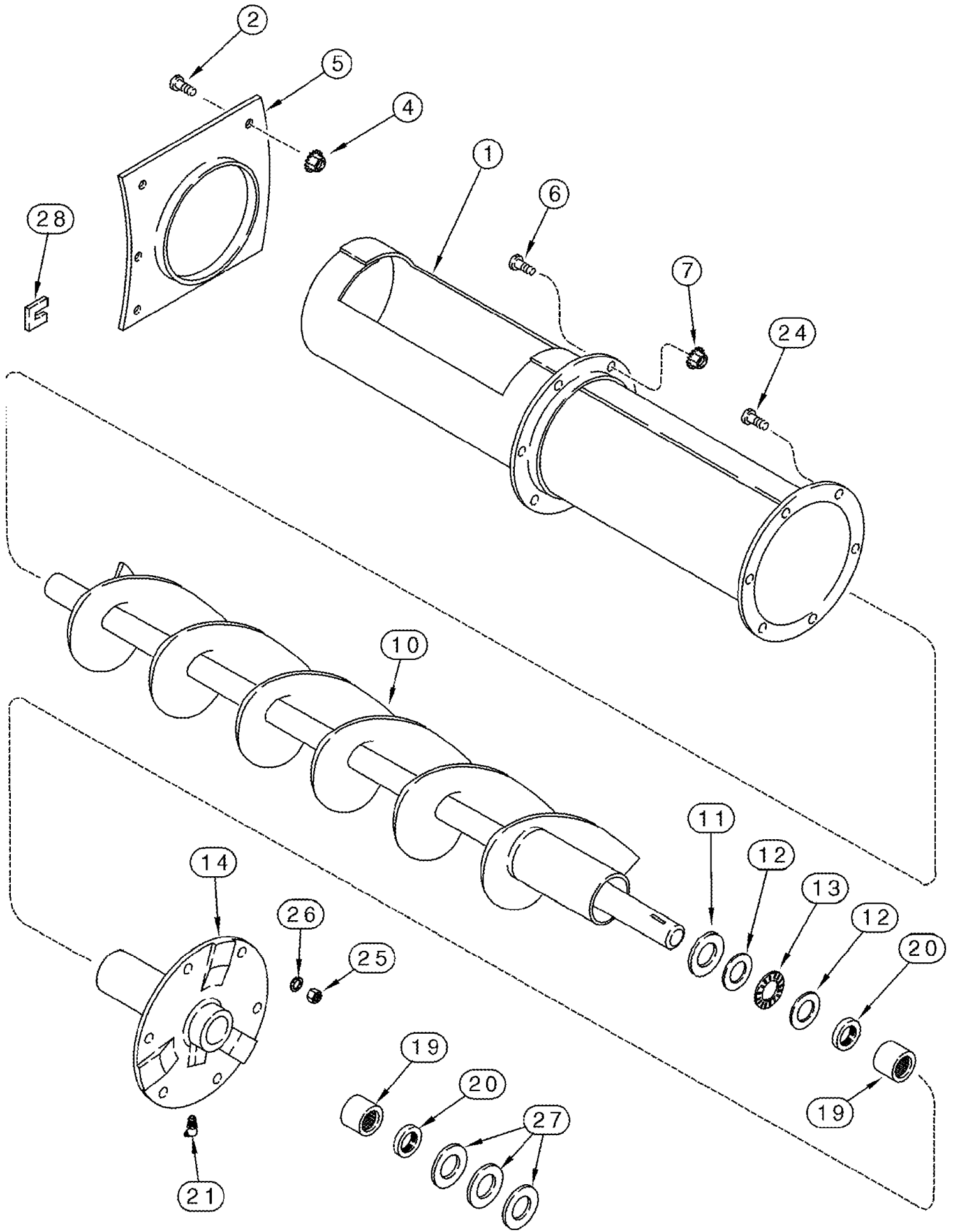
09D-07 GRAIN ELEVATOR DRIVE

сылка	Номер детали	Кол-во	Описание
1	1319247C1	1	SHAFT,
2	581306R1	2	KEY, 5/16" Sq x 1 1/4", Par,
3	296023A1	1	SPROCKET, 27T, 32T, Drive
3	348324A1	1	SPROCKET, 20T, 27T, Drive, Edible Bean
4	103244	2	SPROCKET, Idler, 17T
5	413-1044	2	BOLT, Hex, 5/8"-11 x 2 3/4", G5,
6	425-1010	2	NUT, 5/8"-11, G5,
7	492-11062	2	WASHER, LOCK, 5/8",
8	495-81175	4	WASHER, 21/32" x 1" x .120",
9	432-1224	1	PIN, SPLIT (COTTER), 3/16" x 1 1/2",
10	1345065C1	1	SUPPORT,
12	1345066C1	1	PLATE,
13	A63366	2	BEARING,
14	409-7512	4	BOLT, Hex Flg, 5/16"-18 x 3/4", Serr,
15	231-5145	4	NUT, Flg, USR, 5/16"-18,
16	413-516	1	BOLT, Hex, 5/16"-18 x 1", G5, Full Thd,
17	231-5145	1	NUT, Flg, USR, 5/16"-18,
18	1317476C4	1	SUPPORT,
19	477-73108	6	SCREW, Sltd Serr Truss Hd, 5/16"-18 x 1/2",
20	231-5145	6	NUT, Flg, USR, 5/16"-18,
21	582018R1	2	BLOCK,
22	413-1056	2	BOLT, Hex, 5/8"-11 x 3 1/2", G5,
23	232-41110	2	NUT, LOCK, 5/8"-11, GC,
24	495-81030	2	WASHER, 21/32" x 2" x .179",
26	1317470C1	1	SHAFT,
27	495-81202	6	WASHER, 1 9/32" x 1 3/4" x .060",
28	126-125	1	WOODRUFF KEY, #B, 5/16" x 1", HT,
29	1317412C1	1	SPROCKET, 32T, Driven
30	1321039C1	1	SPROCKET, 29T, Driven
31	156010C92	1	BEARING, BALL,
32	231-5146	4	NUT, Flg, USR, 3/8"-16,
33	87431216	1	COLLAR,
38	1345005C1	1	EYEBOLT,
39	523677R1	1	SPRING,
40	425-106	2	NUT, 3/8"-16, G5,
41	495-81143	4	WASHER, 13/32" x 1 1/2" x .120",
42	432-612	1	PIN, SPLIT (COTTER), 3/32" x 3/4",
43	1327534C92	1	CHAIN, Order 1791D (255), 241-1315 (3), 241-1115 (3), Inclined Delivery Auger Elevator
45	249275A2	1	AUGER, Inclined Delivery Auger Elevator, See Figure 09D-09, Ref. 35
46	87430518	2	FLANGE,
47	434-612	4	BOLT, CARRIAGE, Short NK, 3/8"-16 x 3/4", G5, Full Thd,
49	231-5146	4	NUT, Flg, USR, 3/8"-16,
50	611583R91	1	BEARING, BALL,
51	87431215	1	COLLAR,
53	485-13816	2	SET SCREW, Sq Hd, 3/8"-16 x 1",

09D-07 GRAIN ELEVATOR DRIVE

сылка	Номер детали	Кол-во	Описание
54	425-146	2	NUT, Jam, 3/8"-16, G5,
55	S113843	1	BUSHING,
57	427-6240	1	PIN, CLEVIS, 3/8" x 2.406",
58	156010C92	1	BEARING, BALL,
59	87106572	2	FLANGE,
60	1979642C1	1	SPACER,
61	87422237	1	PLATE, Strap, Elevator Idler

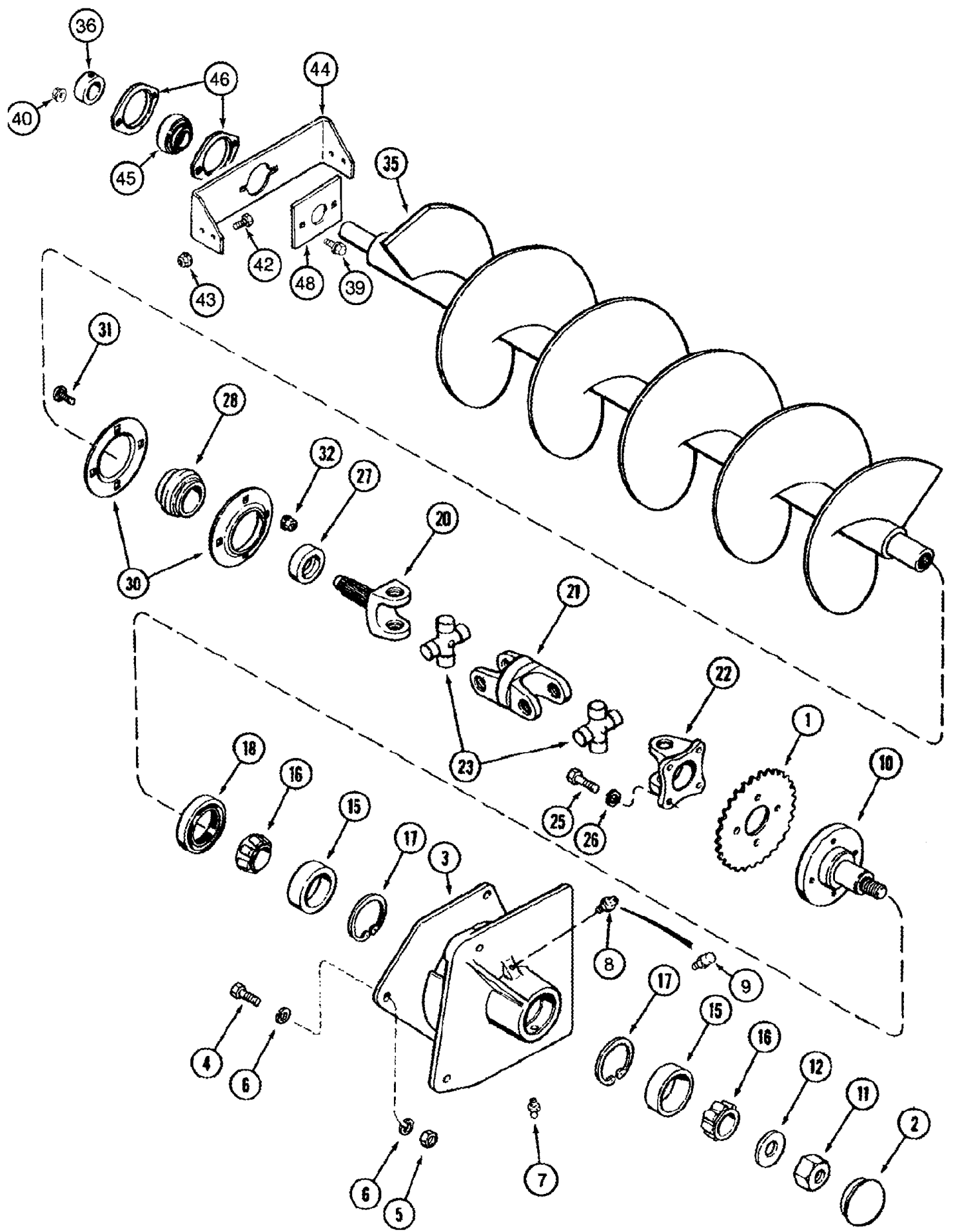
09D-08 AUGER ASSEMBLY - TAILINGS DELIVERY



09D-08 AUGER ASSEMBLY - TAILINGS DELIVERY

сылка	Номер детали	Кол-во	Описание
1	191854C1	1	TUBE,
2	477-73112	5	BOLT, Slotted Tr Hd, 5/16"-18 x 3/4",
4	231-5145	5	NUT, Flg, USR, 5/16"-18,
5	186700C1	1	COVER,
6	477-73112	12	BOLT, Slotted Tr Hd, 5/16"-18 x 3/4",
7	231-5145	12	NUT, Flg, USR, 5/16"-18,
10	192563C1	1	AUGER,
11	495-11106	1	WASHER, 1", SAE,
12	T38017	2	WASHER,
13	G13609	1	BEARING, THRUST,
14	1324840C1	1	HUB,
19	574940R91	2	BEARING, NEEDLE,
20	564592R91	2	SEAL,
21	219-90	1	NIPPLE, LUBE, 45с, 1/4" NPT x .80" lg, Drive,
24	413-516	5	BOLT, Hex, 5/16"-18 x 1", G5, Full Thd,
25	425-105	5	NUT, 5/16"-18, G5,
26	492-11031	5	WASHER, LOCK, 5/16",
27	495-81069	7	WASHER, 1 1/32" x 1 1/2" x .060",
28	151670C1	4	PLATE, LOCKING, .036"

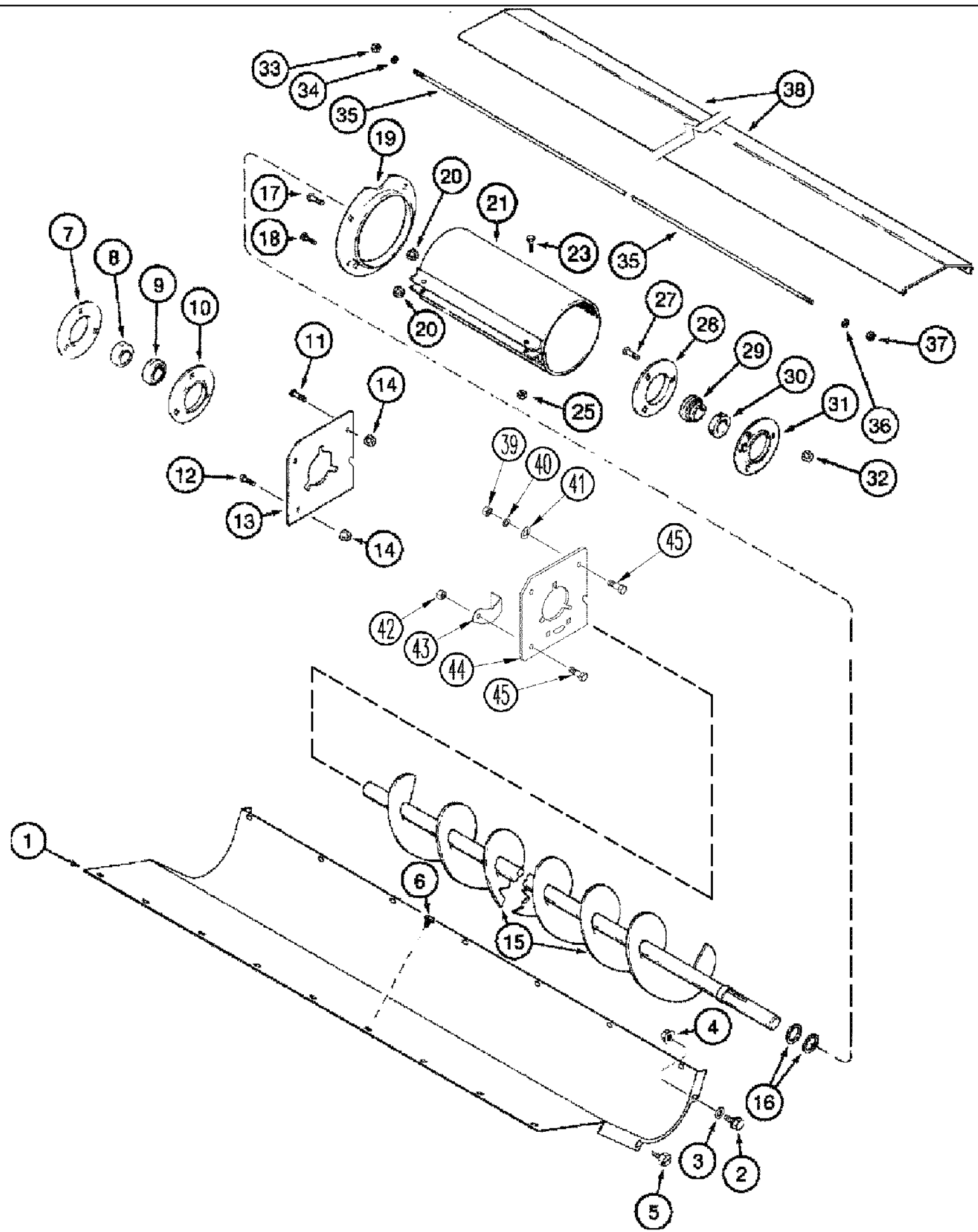
09D-09 INCLINED DELIVERY - AUGER



09D-09 INCLINED DELIVERY - AUGER

сылка	Номер детали	Кол-во	Описание
1	1321039C1	1	SPROCKET, 29T, Driven
2	453771R1	1	PLUG,
3	1321020C1	1	HOUSING,
4	413-816	2	BOLT, Hex, 1/2"-13 x 1", G5, Full Thd,
5	425-108	4	NUT, 1/2"-13, G5,
6	80679	4	WASHER, LOCK, 1/2",
7	219-87	1	NIPPLE, LUBE, 1/4"-28 x .56" lg, Self-Tap,
8	219-434	1	BREATHER, 1/8"-27 NPT, Short, w/washer,
9	219-430	1	NIPPLE, LUBE, 1/8"-27 NPT x .50" lg, Press Relief,
10	1321021C1	1	SHAFT,
11	185413C1	1	NUT, 7/8"
12	238633R1	1	WASHER, 29/32" x 2-3/64" x 1-1/64"
15	618024R1	2	BEARING, CUP, 2-1/2" OD
16	618023R91	2	BEARING, CONE, 1-3/8" ID
17	100-21256	2	RING, SNAP, 2.562", Int, #256,
18	380200R92	1	SEAL,
	1321055C91	1	UNIVERSAL JOINT, Includes 20 - 23
20	87302539	1	YOKE, Shaft
21	1321057C1	1	CLEVIS, Center
22	1321058C1	1	CLEVIS, Flange
23	1321059C91	1	SPIDER, U-JOINT, Journal and Bearing
25	426-724	4	BOLT, Hex, 7/16"-14 x 1 1/2", G8,
26	492-11044	4	WASHER, LOCK, 7/16",
27	87431215	1	COLLAR,
28	611583R91	1	BEARING, BALL,
30	87430518	2	FLANGE,
31	434-612	4	BOLT, CARRIAGE, Short NK, 3/8"-16 x 3/4", G5, Full Thd,
32	231-5146	4	NUT, Flg, USR, 3/8"-16,
35	249275A2	1	AUGER, Chrome
36	87431214	1	COLLAR,
39	409-7512	3	BOLT, Hex Flg, 5/16"-18 x 3/4", Serr,
40	231-5145	6	NUT, Flg, USR, 5/16"-18,
42	409-7512	4	BOLT, Hex Flg, 5/16"-18 x 3/4", Serr,
43	231-5145	4	NUT, Flg, USR, 5/16"-18,
44	297992A1	1	SUPPORT,
45	204807C91	1	BEARING, BALL,
46	50591	2	FLANGE,
48	297931A1	1	PLATE, Extended Wear

09D-10 TAILINGS AUGER TROUGH



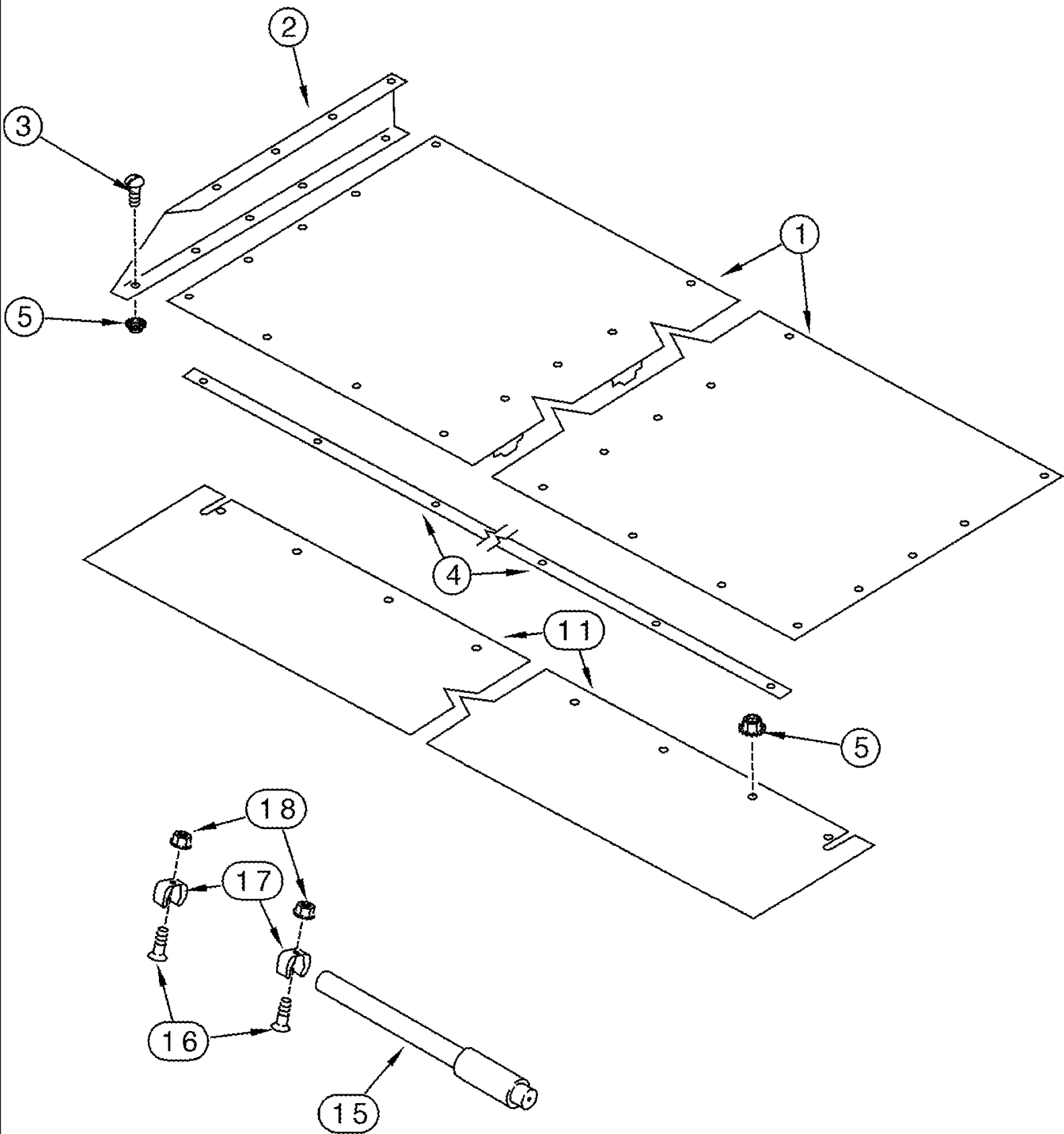
09D-10 TAILINGS AUGER TROUGH

сылка	Номер детали	Кол-во	Описание
1	1346938C2	1	TROUGH,
2	409-7512	2	BOLT, Hex Flg, 5/16"-18 x 3/4", Serr,
3	495-11034	2	WASHER, 5/16", SAE,
4	231-5345	AR	NUT, LOCK, Flg, 5/16"-18,
5	138558A1	8	SCREW, 5/16" x 13/16"
6	413-516	8	BOLT, Hex, 5/16"-18 x 1", G5, Full Thd,
7	87430514	1	FLANGE, With Fitting
8	38767	1	COLLAR, With Set Screw
9	156011C92	1	BEARING, BALL,
10	86636169	1	FLANGE,
11	477-73108	AR	SCREW, Sltd Serr Truss Hd, 5/16"-18 x 1/2",
12	138558A1	AR	SCREW, 5/16" x 13/16"
13	183158C1	1	COVER,
14	231-5145	AR	NUT, Flg, USR, 5/16"-18,
15	144028A2	1	AUGER,
16	495-81202	AR	WASHER, 1 9/32" x 1 3/4" x .060",
17	477-73108	AR	SCREW, Sltd Serr Truss Hd, 5/16"-18 x 1/2",
18	138558A1	AR	SCREW, 5/16" x 13/16"
19	199665A2	1	FLANGE,
20	231-5145	AR	NUT, Flg, USR, 5/16"-18,
21	199700A3	1	TUBE, Non-perforated
21	240811A2	1	TUBE, Perforated, Not Illustrated
23	413-516	3	BOLT, Hex, 5/16"-18 x 1", G5, Full Thd,
23	409-7512	1	BOLT, Hex Flg, 5/16"-18 x 3/4", Serr,
25	231-4115	3	NUT, LOCK, 5/16"-18, GB,
25	425-285	1	NUT, Flg, 5/16"-18, G5,
27	477-73832	1	SCREW, Sltd Serr Truss Hd, 3/8"-16 x 2",
27	477-73820	3	SCREW, Sltd Serr Truss Hd, 3/8"-16 x 1 1/4",
27	477-73816	2	SCREW, Sltd Serr Truss Hd, 3/8" x 1",
28	86636169	2	FLANGE, Grooved, RH
29	156011C92	2	BEARING, BALL,
30	38767	2	COLLAR, With Set Screw
31	87430514	2	FLANGE, With Fitting
32	231-5146	9	NUT, Flg, USR, 3/8"-16,
33	231-5345	1	NUT, LOCK, Flg, 5/16"-18,
34	492-11031	1	WASHER, LOCK, 5/16",
35	185197C1	1	ROD,
36	495-11034	1	WASHER, 5/16", SAE,
37	425-105	1	NUT, 5/16"-18, G5,
38	185196C1	1	DOOR,
39	129-409	1	NUT, WING, 1/4"-20,
40	492-11025	1	WASHER, LOCK, 1/4",
41	495-11028	1	WASHER, 1/4", SAE,
42	231-5344	1	NUT, LOCK, Flg, 1/4"-20,
43	429985A2	1	COVER, Plate, Grain Cleanout

09D-10 TAILINGS AUGER TROUGH

сылка	Номер детали	Кол-во	Описание
44	430002A1	1	PLATE, Cover
45	434-412	2	BOLT, CARRIAGE, Short NK, 1/4"-20 x 3/4", G5, Full Thd,
46	446246A1	2	STRAP, Not Illustrated

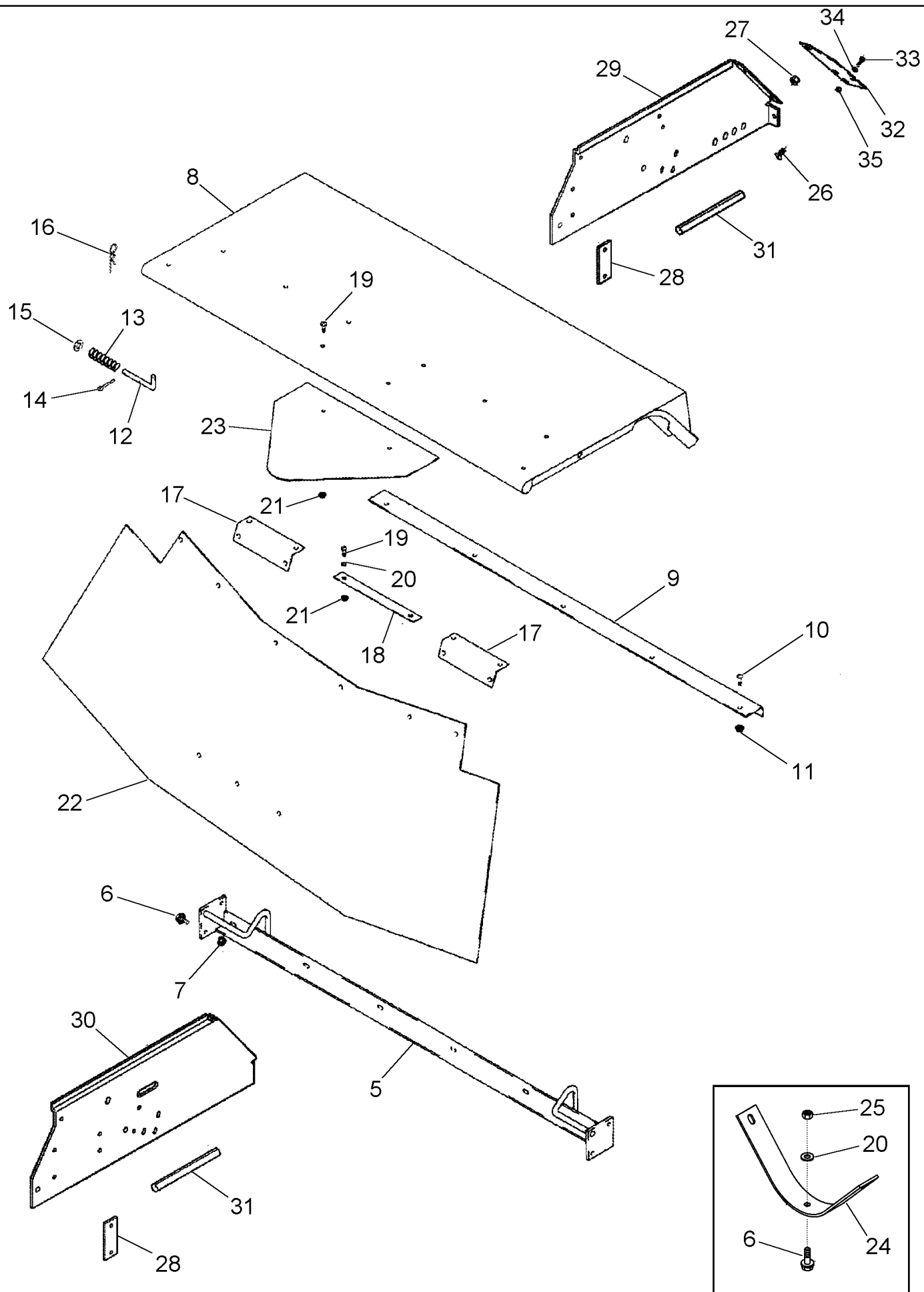
09D-11 TAILINGS AUGER TROUGH PANEL AND GATE



09D-11 TAILINGS AUGER TROUGH PANEL AND GATE

сылка	Номер детали	Кол-во	Описание
1	1970423C1	1	SHEET,
2	1346963C1	2	SUPPORT,
3	256873	8	BOLT, Hex Flg, 5/16"-18 x 1/2", Serr,
3	477-73112	AR	BOLT, Slotted Tr Hd, 5/16"-18 x 3/4",
3	477-73116	2	SCREW, Sltd Serr Truss Hd, 5/16"-18 x 1",
4	122851A1	1	STRAP,
5	231-5145	AR	NUT, Flg, USR, 5/16"-18,
11	1979194C2	1	SEAL,
15	106743A1	1	HANDLE, , Note: Item 15 is Used to Adjust Shoe Sieves On Figure 09B-23
16	340-1108	2	SCREW, Cross Pan Hd, #10-24 x 1/2",
17	106744A1	2	CLIP,
18	231-51409	2	NUT, Flg, USR, #10-24,

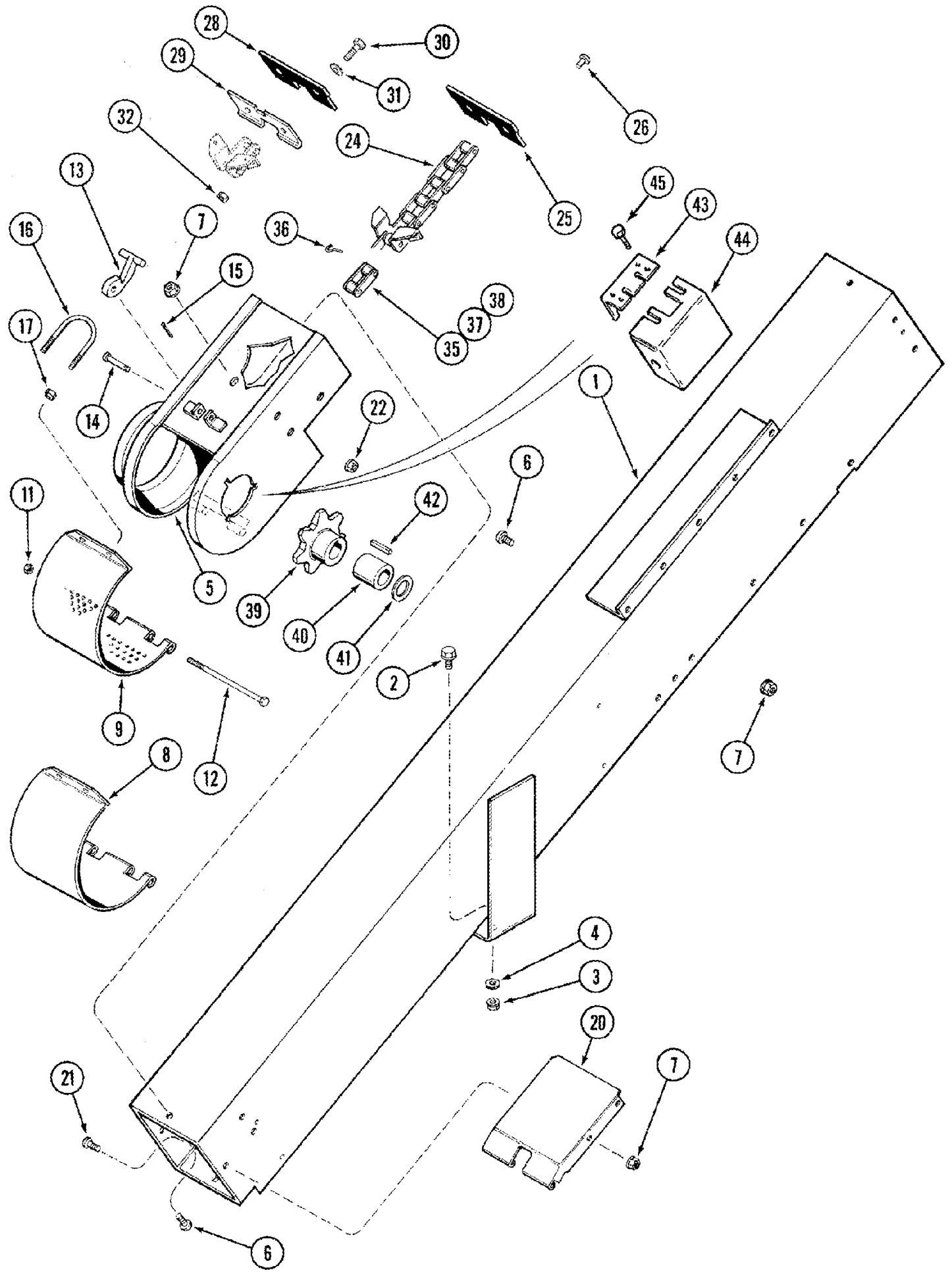
09D-12 CLEANING SHOE DOOR - SHIELD - MODELS WITH STRAW AND CHAFF SPREADER



09D-12 CLEANING SHOE DOOR - SHIELD - MODELS WITH STRAW AND CHAFF SPREADER

сылка	Номер детали	Кол-во	Описание
5	126091A1	1	SUPPORT,
6	409-7512	4-7	BOLT, Hex Flg, 5/16"-18 x 3/4", Serr,
7	231-5145	4	NUT, Flg, USR, 5/16"-18,
8	447681A1	1	DOOR,
9	126094A2	1	SUPPORT,
10	477-73112	6	BOLT, Slotted Tr Hd, 5/16"-18 x 3/4",
11	231-5145	6	NUT, Flg, USR, 5/16"-18,
12	186736C3	2	ROD,
13	540815R2	2	SPRING,
14	432-612	2	PIN, SPLIT (COTTER), 3/32" x 3/4",
15	495-11041	2	WASHER, 3/8", SAE,
16	586591R1	2	PIN, SPLIT (COTTER), 1/8"
17	137480A1	2	SUPPORT,
18	137527A2	1	SUPPORT,
19	477-73112	10	BOLT, Slotted Tr Hd, 5/16"-18 x 3/4",
20	495-81116	8-11	WASHER, .344" x 1" x .060",
21	231-5145	10	NUT, Flg, USR, 5/16"-18,
22	87301089	1	SHIELD, Rubber
23	190692A2	1	DEFLECTOR,
24	87300945	1	STRAP,
25	231-5345	3	NUT, LOCK, Flg, 5/16"-18,
26	477-73812	4	SCREW, Sltd Serr Truss Hd, 3/8" x 3/4",
26	477-73108	4	SCREW, Sltd Serr Truss Hd, 5/16"-18 x 1/2",
27	231-5146	4	NUT, Flg, USR, 3/8"-16,
27	231-5145	4	NUT, Flg, USR, 5/16"-18,
28	1325376C1	2	PLATE, Hood Extension
29	87307501	1	PLATE, Hood Extension, RH, With Straw Chopper
30	87307502	1	PLATE, Hood Extension, LH, With Straw and Chaff Spreader
31	1968976C1	2	STRIP,
32	316715A1	2	SEAL, Rubber, Hood Extension, Used with 1322478C6
33	409-7612	2	BOLT, Hex Flg, 3/8"-16 x 3/4", Serr,
34	495-21044	2	WASHER, 3/8",
35	231-4146	2	NUT, LOCK, 3/8"-16, GB,

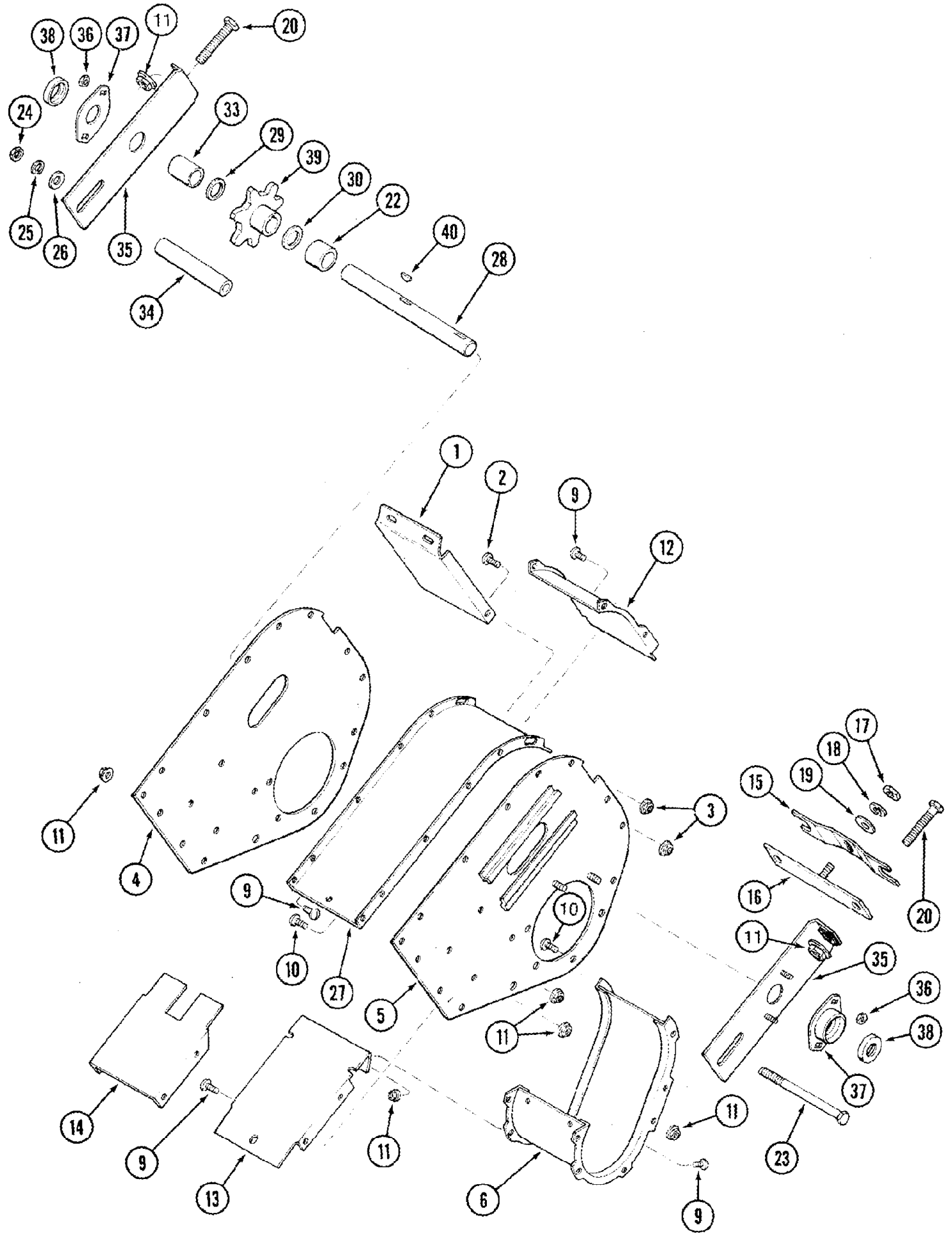
09D-13 TAILINGS - ELEVATOR HOUSING AND CONVEYOR



09D-13 TAILINGS - ELEVATOR HOUSING AND CONVEYOR

сылка	Номер детали	Кол-во	Описание
1	192430C3	1	TUBE,
2	409-7616	2	BOLT, Hex Flg, 3/8"-16 x 1", Serr,
3	231-5146	2	NUT, Flg, USR, 3/8"-16,
4	495-11041	8	WASHER, 3/8", SAE,
5	222814A2	1	BASE,
6	477-73108	8	SCREW, Sltd Serr Truss Hd, 5/16"-18 x 1/2",
7	231-5145	8	NUT, Flg, USR, 5/16"-18,
8	156910C1	1	DOOR, Non-perforated
9	174193C1	1	DOOR, Perforated
11	231-4115	1	NUT, LOCK, 5/16"-18, GB,
12	413-5104	1	BOLT, Hex, 5/16"-18 x 6 1/2", G5,
13	155909C1	1	LATCH,
14	439-1420	1	PIN, HEADED, 1/4" x 1 1/4",
15	432-812	1	PIN, SPLIT (COTTER), 1/8" x 3/4",
16	664360R1	1	BOLT,
17	231-1444	2	NUT, LOCK, 1/4"-20, GB,
20	191790C2	1	END,
21	477-73112	2	BOLT, Slotted Tr Hd, 5/16"-18 x 3/4",
21	477-73116	2	SCREW, Sltd Serr Truss Hd, 5/16"-18 x 1",
22	231-5145	4	NUT, Flg, USR, 5/16"-18,
	1303114C91	1	CHAIN, ELEVATOR, Includes 24, 25 (27), 26 (54), 27 (27)
24	NSS	1	NOT SERVICED SEPARATELY, Chain, Tailings Elevator Conveyor Assy, Includes 35 - 38
	1303123C91	27	CONVEYOR, Flight, Includes 25 - 27
25	1303116C1	1	FLIGHT, RUBBER,
26	185315C1	2	RIVET, 3/8" x 5/8"
27	185330C91	1	LINK, Attaching
	1303124C92	AR	FLIGHT, RUBBER, /Steel Assy, Includes 28 - 32
28	1303116C1	1	FLIGHT, RUBBER,
29	1303125C1	1	FLIGHT, STEEL,
30	413-520	2	BOLT, Hex, 5/16"-18 x 1 1/4", G5,
31	495-11034	2	WASHER, 5/16", SAE,
32	232-4115	2	NUT, LOCK, 5/16"-18, GC,
35	241-15113	1	LINK, CONNECTING, Connecting, No. C550, 1-5/8" P
36	23442R1	AR	PIN, S Type, No. 550
37	241-18113	1	LINK, CHAIN, Offset, No. C550, 1-5/8" P
38	241-12113	AR	LINK, CHAIN, No. C550, 1-5/8" P
39	144031A1	1	SPROCKET, 7T
40	144038A1	1	SPACER, 1-1/4" x 1-3/8"
41	495-81202	AR	WASHER, 1 9/32" x 1 3/4" x .060",
42	Q1443	1	KEY, 5/16" Sq x 1 1/2", Par,
43	183869C3	1	SUPPORT, Australia Only
44	177449A2	1	COVER, Australia Only
45	280-1478	2	SCREW, SELF TAP, Hex Wash Hd, 1/4" x 1/2",

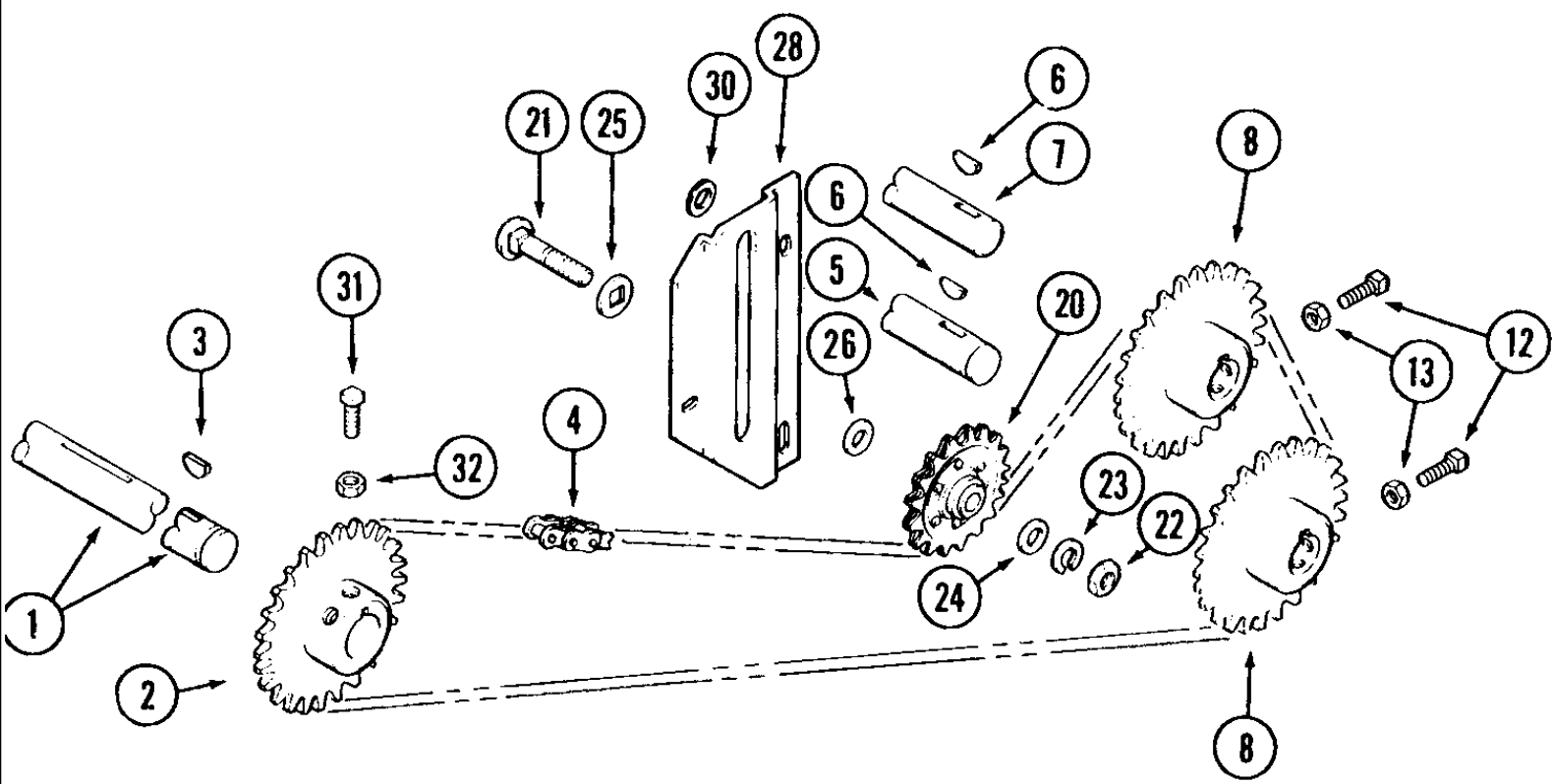
09D-14 TAILINGS - ELEVATOR HEAD



09D-14 TAILINGS - ELEVATOR HEAD

сылка	Номер детали	Кол-во	Описание
1	192426C1	1	SUPPORT, Upper
2	477-73112	2	BOLT, Slotted Tr Hd, 5/16"-18 x 3/4",
3	231-5145	2	NUT, Flg, USR, 5/16"-18,
4	181366C1	1	PLATE, SIDE, LH
5	181367C1	1	PLATE, SIDE, RH
6	188119C1	1	TROUGH,
9	477-73108	24	SCREW, Sltd Serr Truss Hd, 5/16"-18 x 1/2",
10	477-73112	11	BOLT, Slotted Tr Hd, 5/16"-18 x 3/4",
11	231-5145	36	NUT, Flg, USR, 5/16"-18,
12	191776C1	1	SUPPORT,
13	191782C1	1	SUPPORT, Lower
14	181327C1	1	BOTTOM, Lower
15	181376C1	1	CLAMP,
16	181375C1	1	SUPPORT,
17	425-106	1	NUT, 3/8"-16, G5,
18	492-11038	1	WASHER, LOCK, 3/8",
19	495-81135	1	WASHER, 13/32" x 1" x .120",
20	667486R1	2	SCREW, 1/2" x 3-1/2"
22	87036418	1	SPACER, 1" Pipe x 1 9/16",
23	424-5112	1	BOLT, Hex, 5/16"-18 x 7", G2,
24	425-105	1	NUT, 5/16"-18, G5,
25	492-11031	1	WASHER, LOCK, 5/16",
26	495-11034	2	WASHER, 5/16", SAE,
26	495-81057	3	WASHER, 29/32" x 1 1/2" x .120",
27	191783C1	1	COVER, TOP,
28	191785C1	1	SHAFT,
29	495-81069	2	WASHER, 1 1/32" x 1 1/2" x .060",
30	495-81073	2	WASHER, 1 1/32" x 1 3/4" x .060",
33	516327R1	1	SPACER, 1" Pipe x 2 3/4",
34	87302565	2	SPACER, 1/4" x 5-13/16"
35	181364C1	2	SUPPORT,
36	231-5145	4	NUT, Flg, USR, 5/16"-18,
37	214490C91	2	BEARING, BALL,
38	38260	2	COLLAR, Includes Set Screw
39	168683C1	1	SPROCKET,
40	126-124	1	WOODRUFF KEY, #15, 1/4" x 1", HT,

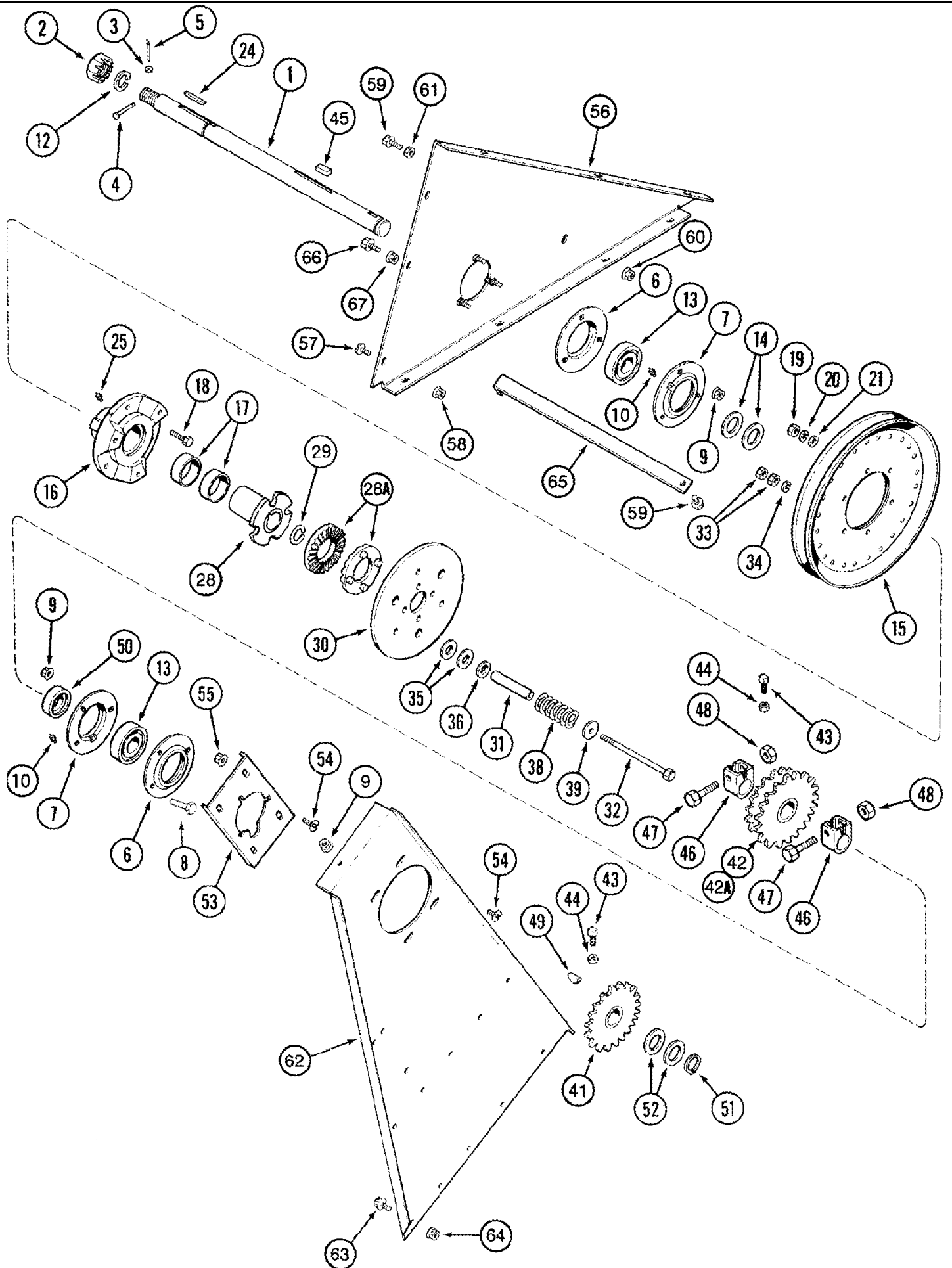
09D-15 TAILINGS - ELEVATOR DRIVE



09D-15 TAILINGS - ELEVATOR DRIVE

сылка	Номер детали	Кол-во	Описание
1	1319247C1	1	SHAFT,
2	296022A1	1	SPROCKET, 27T, Drive
3	126-125	1	WOODRUFF KEY, #B, 5/16" x 1", HT,
4	1302671C92	1	CHAIN, Order 1791D (155), 241-1315 (1), Tailings Drive
5	192563C1	1	AUGER, Delivery, See Figure 09D-08
6	126-124	2	WOODRUFF KEY, #15, 1/4" x 1", HT,
7	191785C1	1	SHAFT,
8	1345472C1	2	SPROCKET, 27T
12	485-13816	2	SET SCREW, Sq Hd, 3/8"-16 x 1",
13	425-146	2	NUT, Jam, 3/8"-16, G5,
20	103244	1	SPROCKET, 17T
21	433-1048	1	BOLT, CARRIAGE, Short NK, 5/8"-11 x 3", G5,
22	425-1010	1	NUT, 5/8"-11, G5,
23	492-11062	1	WASHER, LOCK, 5/8",
24	495-11066	4	WASHER, 5/8", SAE,
25	498-81010	2	WASHER, 41/64" x 1 1/2" x .105", Sq Hole,
26	495-81182	2	WASHER, 21/32" x 1 1/4" x .060",
28	1302069C2	1	SUPPORT,
30	495-81135	3	WASHER, 13/32" x 1" x .120",
31	485-13816	2	SET SCREW, Sq Hd, 3/8"-16 x 1",
32	425-146	2	NUT, Jam, 3/8"-16, G5,

09D-16 ELEVATOR - JACKSHAFT, DRIVE



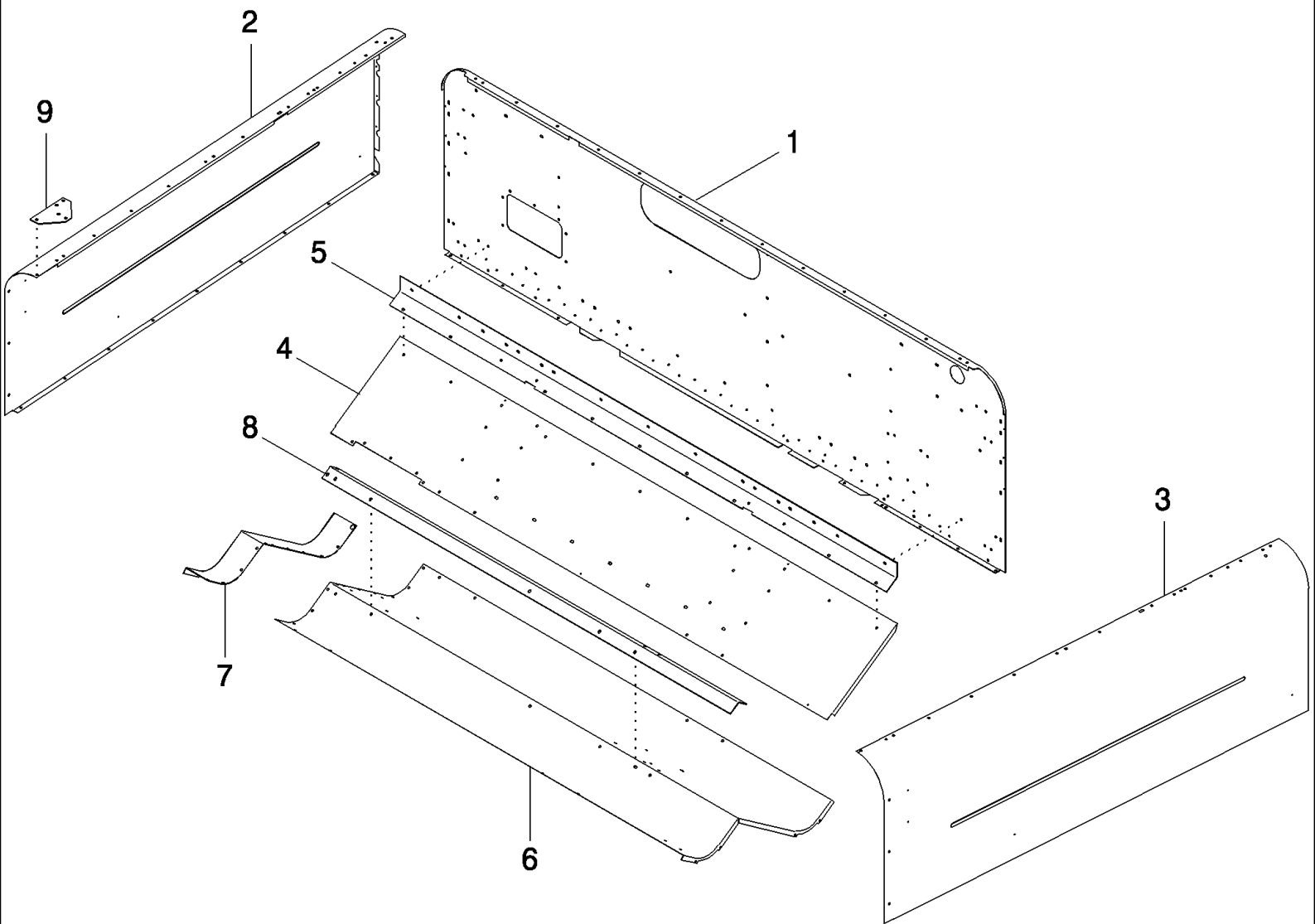
09D-16 ELEVATOR - JACKSHAFT, DRIVE

сылка	Номер детали	Кол-во	Описание
1	1319247C1	1	SHAFT,
2	425-1316	1	NUT, SLOTTED, 1"-14, G5,
3	495-31022	AR	WASHER, #10,
4	427-3175	1	PIN, CLEVIS, 3/16" x 1 3/4",
5	432-48	1	PIN, SPLIT (COTTER), 1/16" x 1/2",
6	86620026	2	FLANGE,
7	86620418	2	FLANGE, With Fitting Hole
8	477-73816	3	SCREW, Sltd Serr Truss Hd, 3/8" x 1",
9	231-5146	6	NUT, Flg, USR, 3/8"-16,
10	219-37	2	NIPPLE, LUBE, 45с, 1/4" NPT x .81" lg,
12	492-11100	1	WASHER, LOCK, 1",
13	473097R92	2	BEARING, BALL,
14	183274C2	AR	WASHER, 1-9/32" x 1-7/8" x 3/16"
15	183325C1	1	PULLEY, 13" OD
16	183210C91	1	HUB, Includes 17
17	936744R1	2	BUSHING,
18	413-620	3	BOLT, Hex, 3/8"-16 x 1 1/4", G5, Full Thd,
19	231-4116	3	NUT, LOCK, 3/8"-16, GB,
20	492-11038	3	WASHER, LOCK, 3/8",
21	495-11041	3	WASHER, 3/8", SAE,
24	586879R1	1	KEY, 5/16" x 2"
25	219-87	1-2	NIPPLE, LUBE, 1/4"-28 x .56" lg, Self-Tap,
28	198279A1	1	HUB,
28A	168370C2	2	CLUTCH, PLATE,
29	1319235C1	1	RING,
30	194835C2	1	RETAINER,
31	186916C2	3	BUSHING,
32	413-6104	3	BOLT, Hex, 3/8"-16 x 6 1/2", G5,
33	425-106	6	NUT, 3/8"-16, G5,
34	492-11038	3	WASHER, LOCK, 3/8",
35	495-11081	AR	WASHER, 3/4", SAE,
36	495-81037	AR	WASHER, 25/32" x 1 1/4" x .060",
38	300549A1	3	SPRING,
39	495-81143	3	WASHER, 13/32" x 1 1/2" x .120",
41	296022A1	1	SPROCKET, 27T
42	296023A1	1	SPROCKET, 27T, 32T
42A	348324A1	AR	SPROCKET, 27T, 20T, Edible Bean
43	485-13816	4	SET SCREW, Sq Hd, 3/8"-16 x 1", Used with 296023A1
43	385-13820	2	SET SCREW, Sq Hd, 3/8"-16 x 1 1/4", Used with 348324A1
44	425-146	4	NUT, Jam, 3/8"-16, G5, Used with 296023A1
44	425-126	2	NUT, SLOTTED, 3/8"-16, G5, Used with 348324A1
45	581306R1	1	KEY, 5/16" Sq x 1 1/4", Par,
46	225265R1	2	CLAMP,
47	413-836	2	BOLT, Hex, 1/2"-13 x 2 1/4", G5,
48	231-4118	2	NUT, LOCK, 1/2"-13, GB,

09D-16 ELEVATOR - JACKSHAFT, DRIVE

сылка	Номер детали	Кол-во	Описание
49	126-125	1	WOODRUFF KEY, #B, 5/16" x 1", HT,
50	87431217	1	COLLAR,
51	100-16125	1	RING, SNAP, #125, Ext,
52	495-81203	2	WASHER, 1 9/32" x 2" x .120",
52	495-81211	1	WASHER, 1 11/32" x 2" x .120",
53	192138C2	1	BRACKET, Outer
54	477-73812	4	SCREW, Sltd Serr Truss Hd, 3/8" x 3/4",
55	231-5146	4	NUT, Flg, USR, 3/8"-16,
56	183206C2	1	SUPPORT, Inner, Includes 56A
56A	51-13816	3	STUD, 3/8" x 1", Not Illustrated
57	477-73112	6	BOLT, Slotted Tr Hd, 5/16"-18 x 3/4",
58	231-5145	6	NUT, Flg, USR, 5/16"-18,
59	409-7616	2	BOLT, Hex Flg, 3/8"-16 x 1", Serr,
60	231-5146	2	NUT, Flg, USR, 3/8"-16,
61	425-146	1	NUT, Jam, 3/8"-16, G5,
62	192190C3	1	SUPPORT, Outer
63	409-7612	10	BOLT, Hex Flg, 3/8"-16 x 3/4", Serr,
64	231-5146	10	NUT, Flg, USR, 3/8"-16,
65	192230C1	1	SUPPORT, Outer
66	409-7516	1	BOLT, Hex Flg, 5/16"-18 x 1", Serr,
67	231-5145	1	NUT, Flg, USR, 5/16"-18,

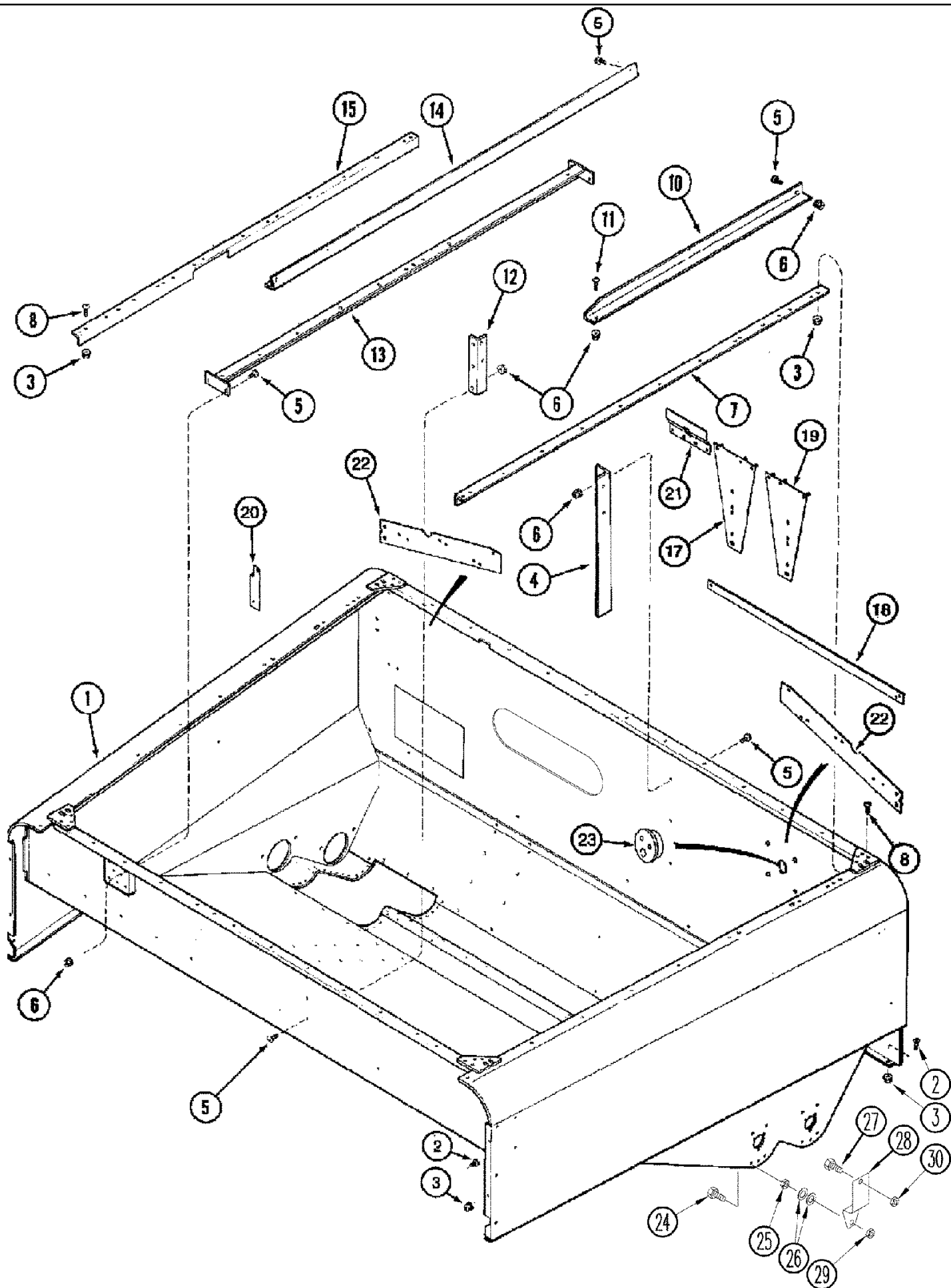
09E-01 GRAIN TANK ASSEMBLY



09E-01 GRAIN TANK ASSEMBLY

сылка	Номер детали	Кол-во	Описание
	87371346	1	TANK, Includes 1 - 9
1	123006A8	1	SHEET, Grain Tank Front
2	252130A1	1	SHEET, Grain Tank, LH
3	252129A1	1	SHEET, Grain Tank, RH
4	192754C4	1	SHEET, Grain Tank, Bottom Front
5	253800A1	1	STIFFENER, Front Lower
6	192756C3	1	SHEET, Grain Tank, Bottom, RH
7	192755C1	1	SUPPORT, Grain Tank , Bottom LH
8	192759C1	1	STIFFENER, Bottom
9	256027A1	1	PLATE, Upper LH Stiffener

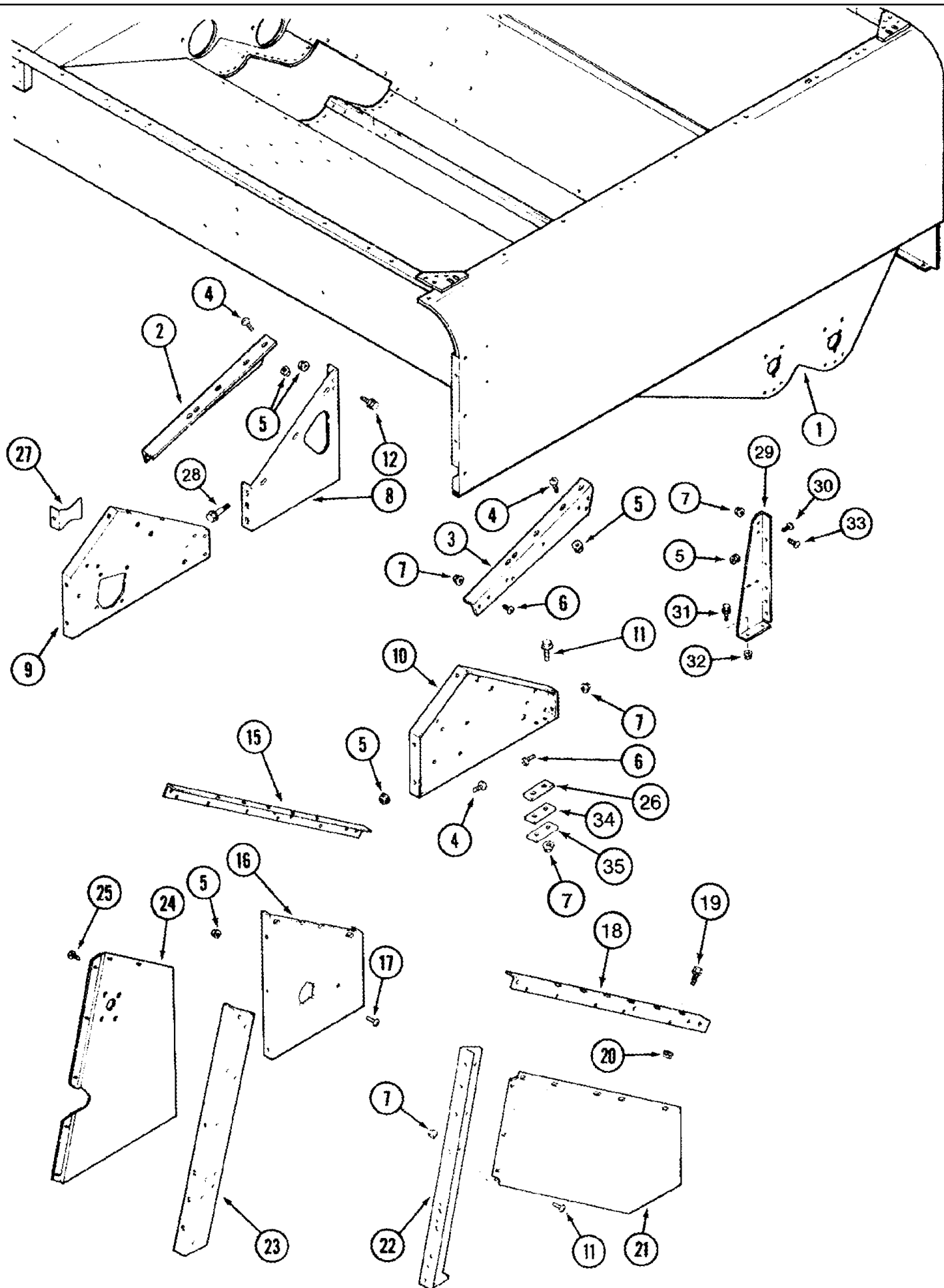
09E-02 GRAIN TANK - SUPPORTS, UPPER



09E-02 GRAIN TANK - SUPPORTS, UPPER

сылка	Номер детали	Кол-во	Описание
1	87371346	1	TANK, Assy, See Figure 09E-01
2	477-73108	AR	SCREW, Sltd Serr Truss Hd, 5/16"-18 x 1/2",
2	409-7520	1	BOLT, Hex Flg, 5/16"-18 x 1 1/4", Serr,
3	231-5145	AR	NUT, Flg, USR, 5/16"-18,
4	192765C1	1	SUPPORT, Front
5	477-73812	AR	SCREW, Sltd Serr Truss Hd, 3/8" x 3/4",
6	231-5146	AR	NUT, Flg, USR, 3/8"-16,
7	195398C3	1	SUPPORT, Upper RH
8	477-73112	AR	BOLT, Slotted Tr Hd, 5/16"-18 x 3/4",
10	188414C6	1	ANGLE,
11	477-73816	AR	SCREW, Sltd Serr Truss Hd, 3/8" x 1",
12	181682C2	1	SUPPORT, Rear
13	192855C1	1	SUPPORT, Assy
14	192767C8	1	SUPPORT,
15	195397C4	1	SUPPORT, Upper LH
17	255265A3	1	PLATE, LH, Includes 17A, 17B
17A	255267A3	1	PLATE,
17B	51-13816	3	STUD,
	409-7616	3	BOLT, Hex Flg, 3/8"-16 x 1", Serr,
	231-5146	6	NUT, Flg, USR, 3/8"-16,
18	255684A1	1	STRAP, RH Front
	409-7612	2	BOLT, Hex Flg, 3/8"-16 x 3/4", Serr,
	231-5146	2	NUT, Flg, USR, 3/8"-16,
19	255269A3	1	PLATE, RH, Includes 17A, 17B
	409-7616	3	BOLT, Hex Flg, 3/8"-16 x 1", Serr,
	231-5146	6	NUT, Flg, USR, 3/8"-16,
20	255724A1	1	SUPPORT, Tool
	409-7516	2	BOLT, Hex Flg, 5/16"-18 x 1", Serr,
	231-5145	2	NUT, Flg, USR, 5/16"-18,
21	255448A1	1	PLATE, Front
	256873	7	BOLT, Hex Flg, 5/16"-18 x 1/2", Serr,
	231-5145	7	NUT, Flg, USR, 5/16"-18,
22	259235A3	2	SUPPORT,
23	258336A1	1	GROMMET,
24	409-7520	2	BOLT, Hex Flg, 5/16"-18 x 1 1/4", Serr,
25	231-5145	2	NUT, Flg, USR, 5/16"-18,
26	495-11034	6	WASHER, 5/16", SAE,
27	440-1108	2	SCREW, Cross Pan Hd, #10-24 x 1/2",
28	431114A1	2	BRACKET,
29	231-1445	2	NUT, LOCK, 5/16"-18, GB,
30	86625057	2	NUT, LOCK, #10-24, GB,
31	129-419	2	NUT, WING, 5/16"-18, Not Illustrated
32	492-11031	2	WASHER, LOCK, 5/16", Not Illustrated

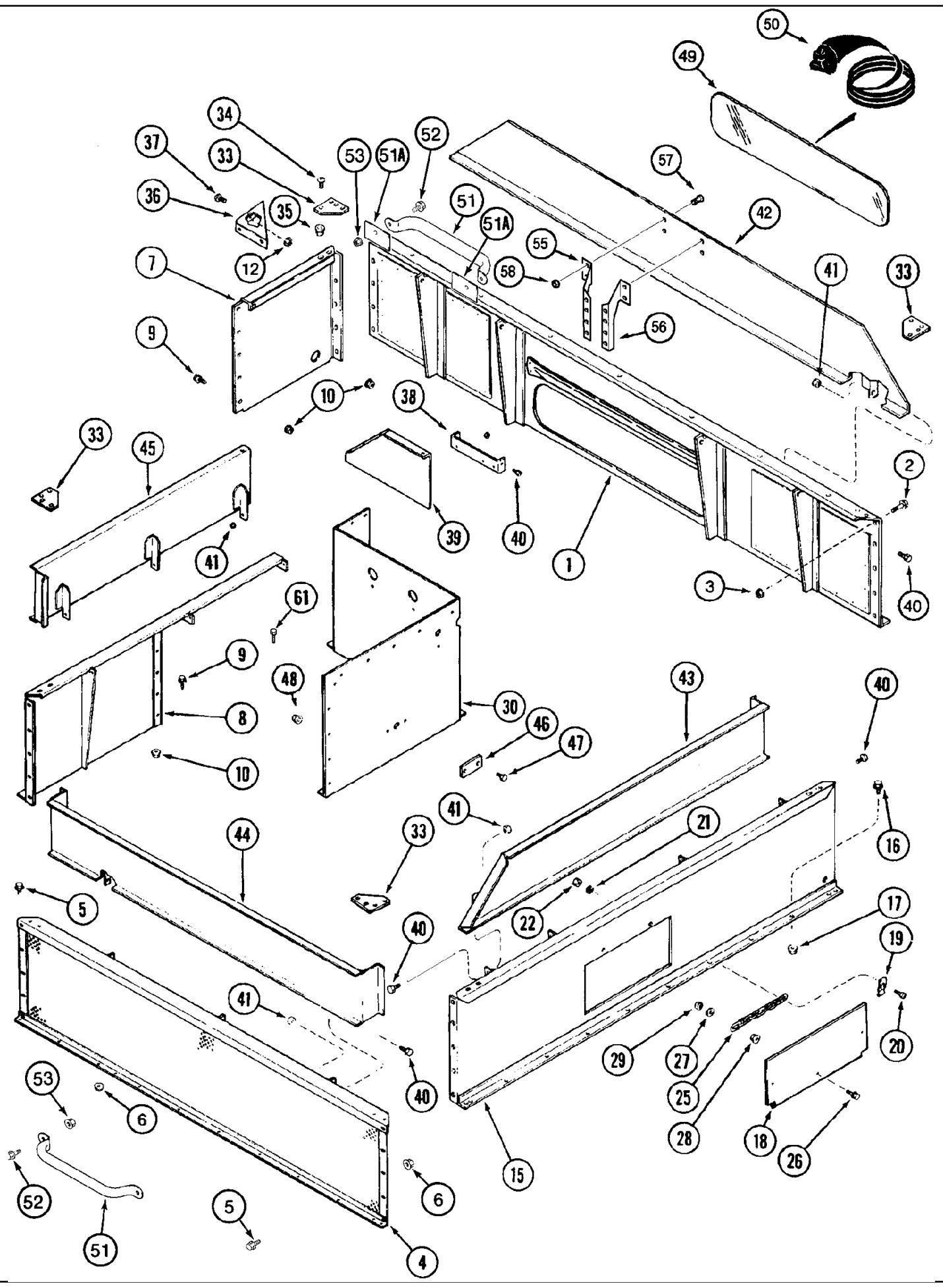
09E-03 GRAIN TANK - SUPPORTS, LOWER



09E-03 GRAIN TANK - SUPPORTS, LOWER

сылка	Номер детали	Кол-во	Описание
1	87371346	1	TANK, , See Figure 09E-01
2	192768C3	1	SUPPORT, Diagonal LH
3	192769C3	1	SUPPORT, Diagonal RH
4	477-73112	AR	BOLT, Slotted Tr Hd, 5/16"-18 x 3/4",
4	477-73116	3	SCREW, Sltd Serr Truss Hd, 5/16"-18 x 1",
5	231-5145	AR	NUT, Flg, USR, 5/16"-18,
6	477-73812	AR	SCREW, Sltd Serr Truss Hd, 3/8" x 3/4",
7	231-5146	AR	NUT, Flg, USR, 3/8"-16,
8	176194A4	1	SUPPORT, LH Front
9	192771C3	1	SUPPORT, Center LH
10	192772C3	1	SUPPORT, Center RH
11	409-7612	17	BOLT, Hex Flg, 3/8"-16 x 3/4", Serr,
12	409-7512	6	BOLT, Hex Flg, 5/16"-18 x 3/4", Serr,
15	193469C1	1	SUPPORT, LH Rear, Bottom
16	1347380C2	1	SUPPORT, LH Rear
17	477-73108	AR	SCREW, Sltd Serr Truss Hd, 5/16"-18 x 1/2",
18	193470C1	1	SUPPORT, RH Rear, Bottom
19	409-7816	4	BOLT, Hex Flg, 1/2"-13 x 1", Serr,
20	231-5148	10	NUT, Flg, USR, 1/2"-13,
21	193465C2	1	COVER, RH Rear
22	181394C2	1	SUPPORT, Vertical, RH Rear
23	193462C4	1	SUPPORT, Vertical, LH Rear
24	193464C3	1	SUPPORT, LH Rear
25	138558A1	17	SCREW, 5/16" x 13/16"
26	1302549C2	AR	PLATE, LH Front
27	193531C1	4	SUPPORT,
28	409-7824	2	BOLT, Hex Flg, 1/2"-13 x 1 1/2", Serr,
29	193430C4	1	SUPPORT, RH Front
30	477-73116	5	SCREW, Sltd Serr Truss Hd, 5/16"-18 x 1",
31	409-7824	6	BOLT, Hex Flg, 1/2"-13 x 1 1/2", Serr,
32	231-5148	8	NUT, Flg, USR, 1/2"-13,
33	477-73816	7	SCREW, Sltd Serr Truss Hd, 3/8" x 1",
34	302454A1	AR	PLATE, Front Middle
35	302455A1	AR	PLATE, Front Top
36	1301560C2	1	STIFFENER, Under Rear Tank Wall, Not Illustrated

09E-04 GRAIN TANK EXTENSIONS



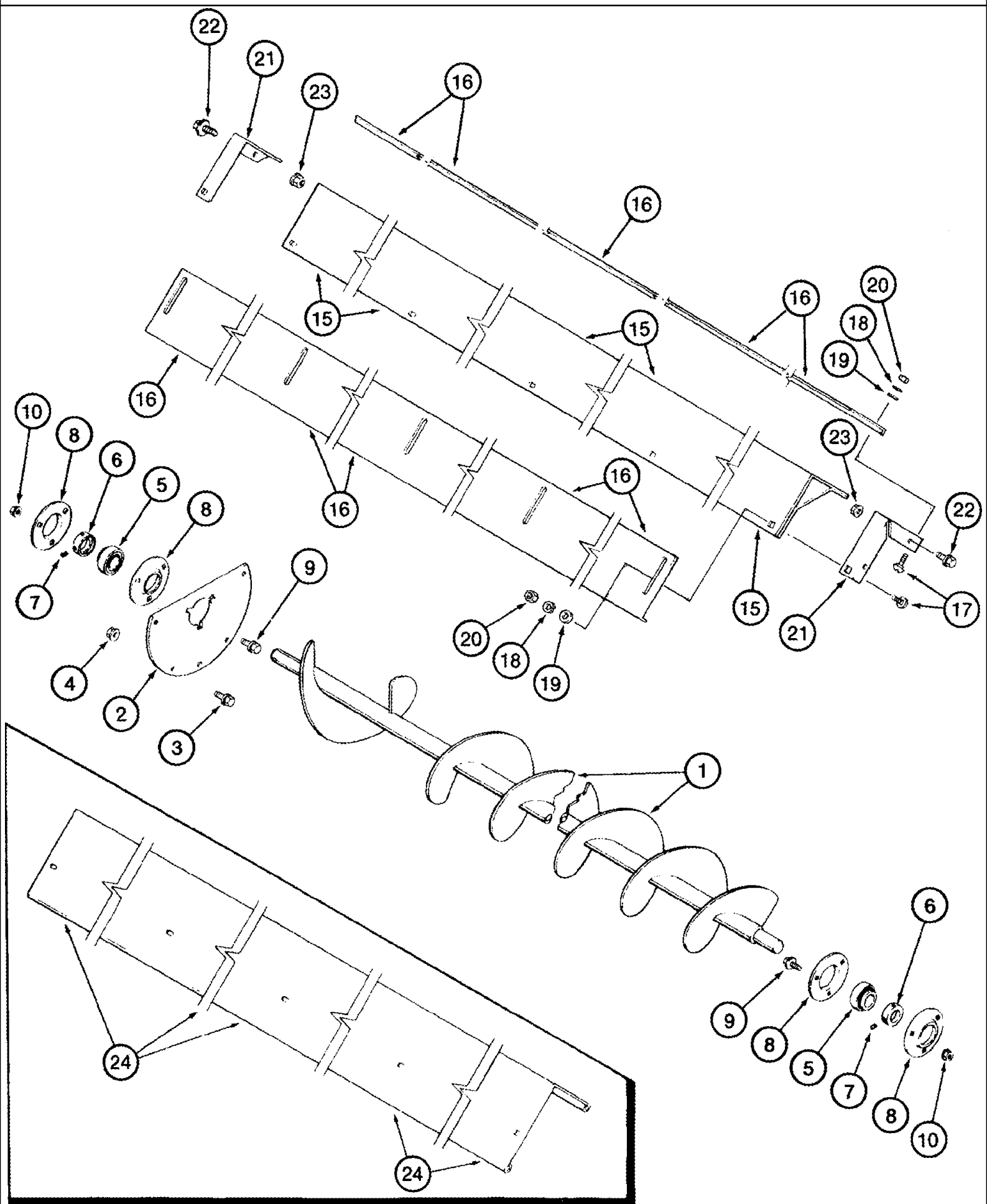
09E-04 GRAIN TANK EXTENSIONS

сылка	Номер детали	Кол-во	Описание
1	189452A2	1	EXTENSION, Front, Includes Decal, See Figure 09H-23, Ref. 7
2	409-7512	25	BOLT, Hex Flg, 5/16"-18 x 3/4", Serr,
3	231-5145	25	NUT, Flg, USR, 5/16"-18,
4	442743A3	1	EXTENSION, Rear
5	409-7512	26	BOLT, Hex Flg, 5/16"-18 x 3/4", Serr,
6	231-5145	26	NUT, Flg, USR, 5/16"-18,
7	1321775C3	1	EXTENSION, LH Front
8	1321771C1	1	EXTENSION, LH Rear
9	409-7512	29	BOLT, Hex Flg, 5/16"-18 x 3/4", Serr,
10	231-5145	29	NUT, Flg, USR, 5/16"-18,
12	231-5146	4	NUT, Flg, USR, 3/8"-16,
15	1327640C2	1	RISER, RH
16	409-7516	12	BOLT, Hex Flg, 5/16"-18 x 1", Serr,
17	231-5145	12	NUT, Flg, USR, 5/16"-18,
18	1327644C2	1	PLATE,
19	167800C1	2	FASTENER,
20	470-11012	2	SCREW, Slotted Pan Hd, #10-24 x 3/4",
21	492-11010	2	WASHER, LOCK, #10,
22	225-14110	2	NUT, #10-24,
25	167570C1	1	CHAIN,
26	409-7416	2	BOLT, Hex Flg, 1/4"-20 x 1", Serr,
27	495-11028	2	WASHER, 1/4", SAE,
28	231-5144	2	NUT, Flg, USR, 1/4"-20,
29	231-4144	2	NUT, LOCK, 1/4"-20, GB,
30	1317635C2	1	SHEET, LH
33	1321757C1	4	PLATE,
34	477-73112	16	BOLT, Slotted Tr Hd, 5/16"-18 x 3/4",
35	231-5145	16	NUT, Flg, USR, 5/16"-18,
36	1327510C1	1	SUPPORT,
37	477-73816	4	SCREW, Sltd Serr Truss Hd, 3/8" x 1",
38	1321802C1	1	CHANNEL, LH Front
39	1321829C1	1	EXTENSION, LH Front
40	413-512	16	BOLT, Hex, 5/16"-18 x 3/4", G5, Full Thd,
41	231-1445	16	NUT, LOCK, 5/16"-18, GB,
42	141426A2	1	EXTENSION, Upper Front
43	1979256C1	1	EXTENSION, RH
44	1979230C3	1	EXTENSION, Rear
45	1979232C1	1	EXTENSION CABLE, LH Rear
46	1317645C2	1	PLATE,
47	256873	2	BOLT, Hex Flg, 5/16"-18 x 1/2", Serr,
48	231-5145	2	NUT, Flg, USR, 5/16"-18,
49	184957A1	1	GLASS,
50	188214A1	1	SEAL, WINDOW,
51	256952A2	1-2	HANDRAIL,
51A	275731A1	2-4	PLATE,

09E-04 GRAIN TANK EXTENSIONS

сылка	Номер детали	Кол-во	Описание
52	279182A3	2-4	BOLT, 3/8" x 1"
53	231-5346	2-4	NUT, LOCK, Flg, 3/8"-16,
54	198820C1	1	GROMMET, Not Illustrated
55	241682A1	1	SUPPORT, LH
56	241683A1	1	SUPPORT, RH
57	409-7512	4	BOLT, Hex Flg, 5/16"-18 x 3/4", Serr,
58	231-5145	4	NUT, Flg, USR, 5/16"-18,
59	258728A1	3	STRIP, SEALING, Not Illustrated
61	409-7520	1	BOLT, Hex Flg, 5/16"-18 x 1 1/4", Serr,
62	444672A2	1	SUPPORT, Rotor Service Cover

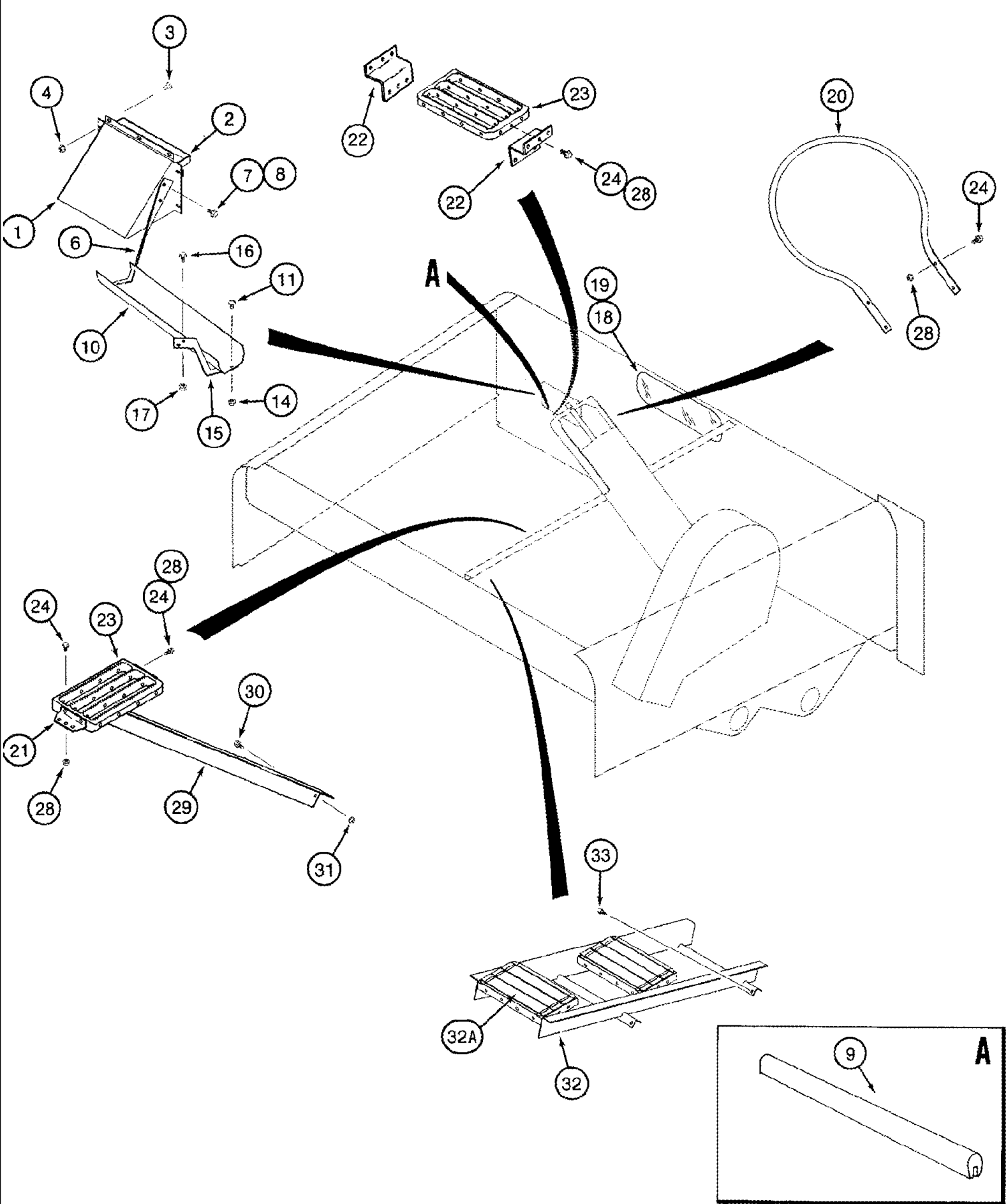
09E-05 AUGERS - GRAIN TANK, LOWER



09E-05 AUGERS - GRAIN TANK, LOWER

сылка	Номер детали	Кол-во	Описание
1	249276A2	2	AUGER, Grain Tank, Lower
2	192789C1	2	RETAINER,
3	409-7512	9	BOLT, Hex Flg, 5/16"-18 x 3/4", Serr,
3	409-7520	1	BOLT, Hex Flg, 5/16"-18 x 1 1/4", Serr,
4	231-5145	10	NUT, Flg, USR, 5/16"-18,
5	204807C91	4	BEARING, BALL,
6	38260	4	COLLAR, Includes 7
7	83-1254	1	SET SCREW, Hex Soc, 1/4"-20 x 1/4",
8	86603075	8	FLANGE,
9	409-7512	12	BOLT, Hex Flg, 5/16"-18 x 3/4", Serr,
10	231-5145	12	NUT, Flg, USR, 5/16"-18,
15	1321082C5	1	COVER,
16	1321089C1	3	PLATE,
17	434-516	15	BOLT, CARRIAGE, Short NK, 5/16"-18 x 1", G5, Full Thd,
18	492-11031	15	WASHER, LOCK, 5/16",
19	496-21034	15	WASHER, 11/32" x 11/16" x 0.89", HDN,
20	425-105	15	NUT, 5/16"-18, G5,
21	1321242C1	4	SUPPORT,
22	409-7612	8	BOLT, Hex Flg, 3/8"-16 x 3/4", Serr,
23	231-5146	8	NUT, Flg, USR, 3/8"-16,
24	1979940C3	1	COVER,

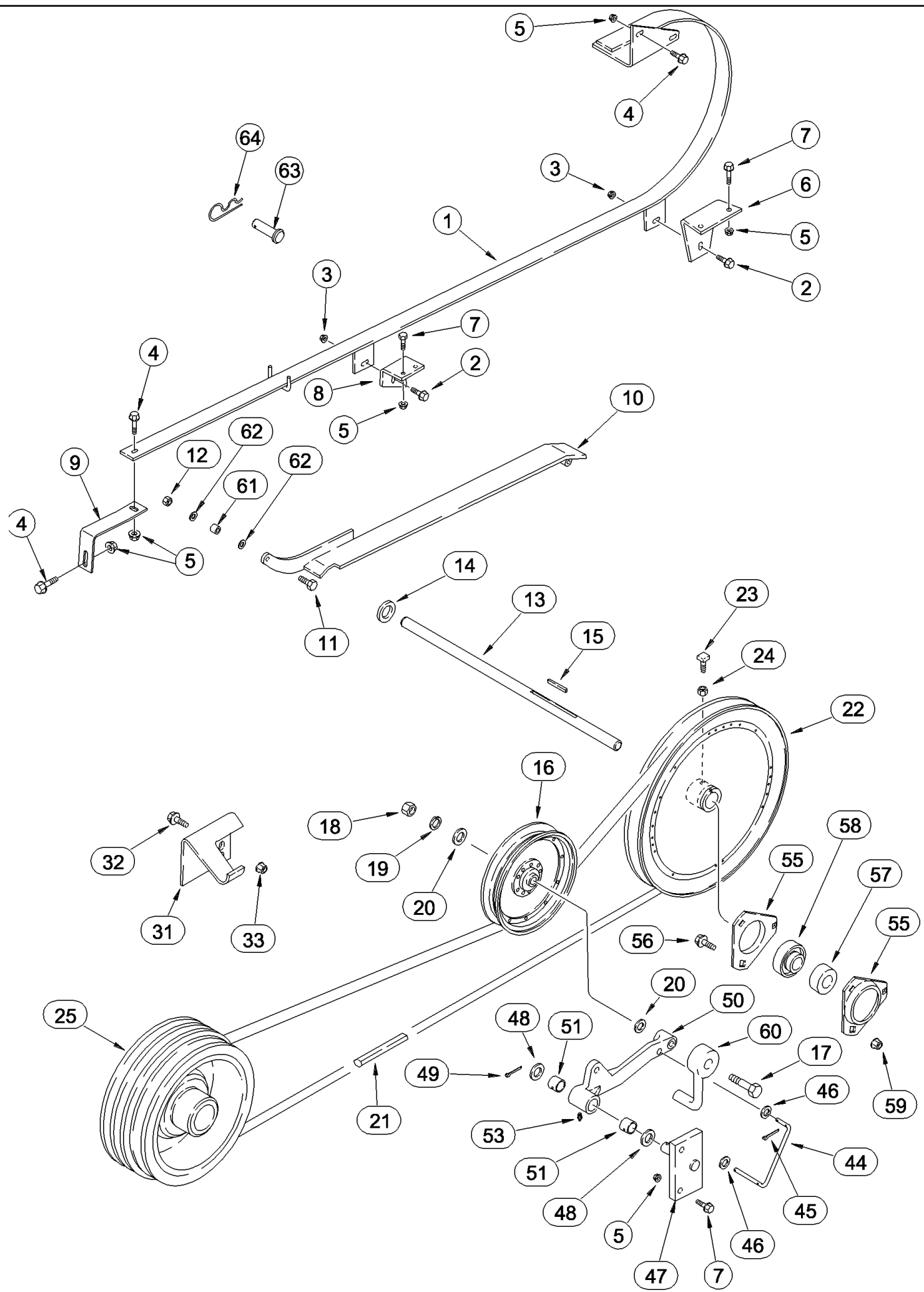
09E-06 GRAIN TANK - STEPS AND SAMPLE TROUGH



09E-06 GRAIN TANK - STEPS AND SAMPLE TROUGH

сылка	Номер детали	Кол-во	Описание
1	115730A1	1	SHEET,
2	185668A1	1	SUPPORT,
3	477-73112	7	BOLT, Slotted Tr Hd, 5/16"-18 x 3/4",
4	231-5145	7	NUT, Flg, USR, 5/16"-18,
6	124001A1	1	SUPPORT,
7	409-7512	2	BOLT, Hex Flg, 5/16"-18 x 3/4", Serr,
8	231-5145	2	NUT, Flg, USR, 5/16"-18,
9	126046A1	1	GASKET, 292 mm (11-1/2"), Cut from 1330108CX
10	123977A2	1	BOTTOM,
11	477-73112	2	BOLT, Slotted Tr Hd, 5/16"-18 x 3/4",
14	231-5145	2	NUT, Flg, USR, 5/16"-18,
15	124000A1	1	SUPPORT,
16	409-7512	2	BOLT, Hex Flg, 5/16"-18 x 3/4", Serr,
17	231-5145	2	NUT, Flg, USR, 5/16"-18,
18	120550A1	1	GLASS,
19	123579A1	1	STRIP, 1524 mm (60"), Cut from 198131C2
20	129073A1	1	HANDLE,
21	129077A3	2	SUPPORT,
22	141410A1	2	SUPPORT,
23	1531337C1	2	STEP,
24	409-7512	16	BOLT, Hex Flg, 5/16"-18 x 3/4", Serr,
28	231-5145	16	NUT, Flg, USR, 5/16"-18,
29	129079A2	1	SUPPORT,
30	409-7512	3	BOLT, Hex Flg, 5/16"-18 x 3/4", Serr,
31	231-5145	3	NUT, Flg, USR, 5/16"-18,
32	129080A3	1	LADDER, Includes 32A
32A	1531337C1	2	STEP,
33	275-14712	4	SCREW, SELF TAP, Hex Hd, 1/4" x 3/4",
34	D80270	8	STRIP, Non-Slip, 635 mm (25") x 51 mm (2"), Not Illustrated

09E-07 UNLOADER, BELT DRIVE



09E-07 UNLOADER, BELT DRIVE

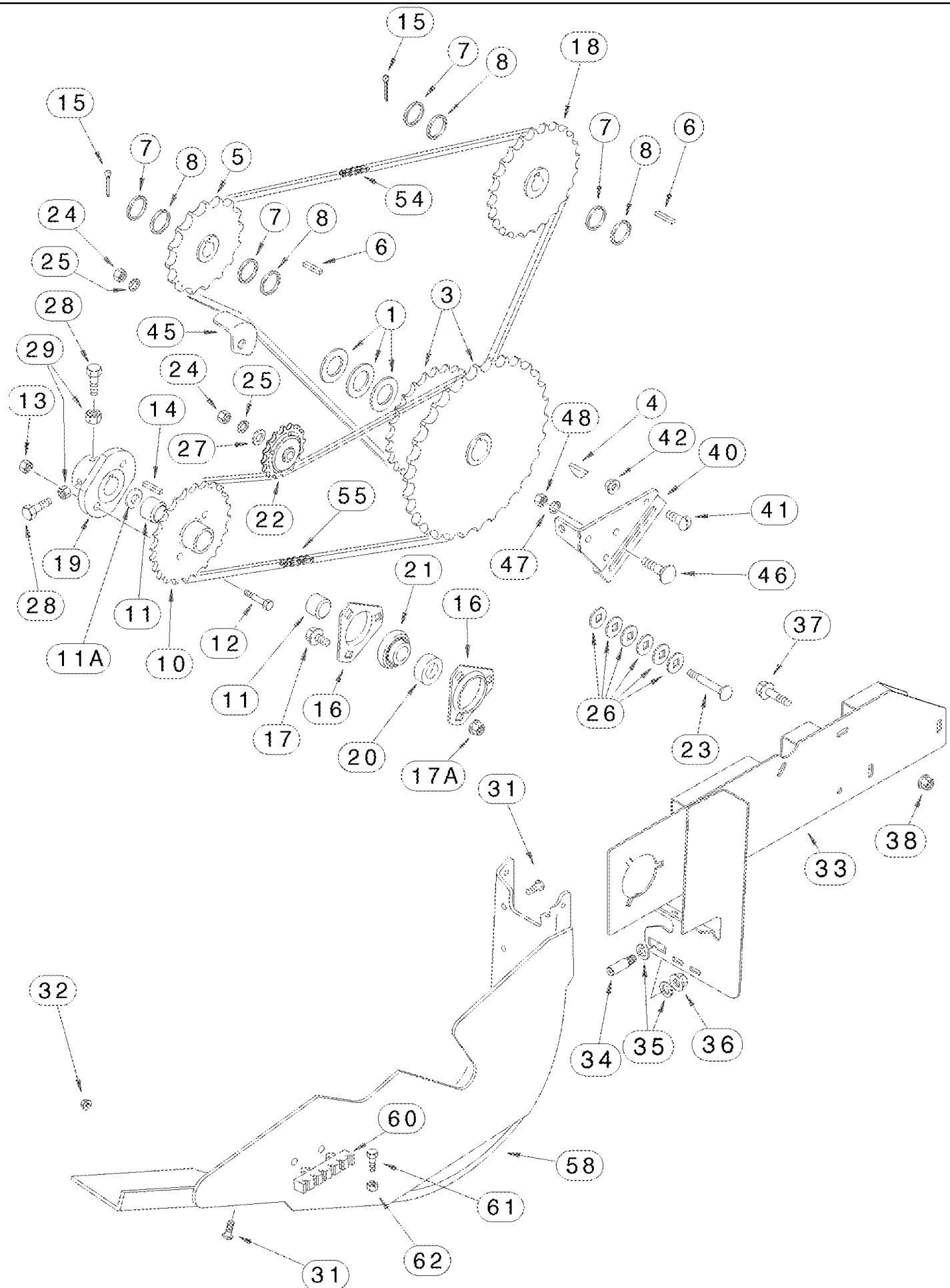
сылка	Номер детали	Кол-во	Описание
1	126544A2	1	GUIDE, , BSN HAJ0295001
1	87318425	1	GUIDE, , ASN HAJ0295001
2	409-7516	2	BOLT, Hex Flg, 5/16"-18 x 1", Serr,
3	231-5145	2	NUT, Flg, USR, 5/16"-18,
4	409-7616	4	BOLT, Hex Flg, 3/8"-16 x 1", Serr,
5	231-5146	8	NUT, Flg, USR, 3/8"-16,
6	192870C2	1	SUPPORT,
7	409-7620	4	BOLT, Hex Flg, 3/8"-16 x 1 1/4", Serr,
8	126540A1	1	SUPPORT, Center
9	87421474	1	SUPPORT, Upper
10	193759C5	1	SUPPORT,
11	413-516	1	BOLT, Hex, 5/16"-18 x 1", G5, Full Thd,
12	231-5345	1	NUT, LOCK, Flg, 5/16"-18,
13	1347352C1	1	SHAFT,
14	495-81202	1	WASHER, 1 9/32" x 1 3/4" x .060",
15	586879R1	1	KEY, 5/16" x 2"
16	663887R91	1	PULLEY, Drive
17	413-1060	1	BOLT, Hex, 5/8"-11 x 3 3/4", G5,
18	425-1010	1	NUT, 5/8"-11, G5,
19	492-11062	1	WASHER, LOCK, 5/8",
20	496-21066	2	WASHER, 21/32" x 1 5/16" x .150",
21	1989217C1	1	BELT,
22	1994762C2	1	PULLEY, Driven
23	485-13116	2	SET SCREW, Sq Hd, 5/16"-18 x 1",
24	425-145	2	NUT, Jam, 5/16"-18, G5,
25	122948A1	1	PULLEY, Drive, Auxiliary Pump, See Figure 08-08, Ref. 14
31	443919A2	1	SUPPORT, Upper, Belt Trap
32	409-7616	2	BOLT, Hex Flg, 3/8"-16 x 1", Serr,
33	231-5146	2	NUT, Flg, USR, 3/8"-16,
44	193820C1	1	ROD,
45	432-812	2	PIN, SPLIT (COTTER), 1/8" x 3/4",
46	495-11034	4	WASHER, 5/16", SAE,
47	1324456C1	1	SUPPORT, Arm
48	495-81039	2	WASHER, 25/32" x 1 1/4" x .120",
49	432-1620	1	PIN, SPLIT (COTTER), 1/4" x 1 1/4",
50	112008A1	1	ARM, Includes 51
51	382638R2	2	BUSHING, 3/4" ID x 7/8" OD x 3/4"
53	219-87	1	NIPPLE, LUBE, 1/4"-28 x .56" lg, Self-Tap,
55	86620026	4	FLANGE,
56	409-7612	6	BOLT, Hex Flg, 3/8"-16 x 3/4", Serr,
57	565672R92	2	BEARING, BALL,
58	87431214	2	COLLAR,
59	231-5146	6	NUT, Flg, USR, 3/8"-16,
60	194894C1	1	ROD,
61	87035448	1	SPACER, 1/2" Tube x 1/2",

2388 CASE IH AXIAL-FLOW COMBINE (NA) BTW HAJ0292001 & HAJ0300000 (10/04-)

09E-07 UNLOADER, BELT DRIVE

сылка	Номер детали	Кол-во	Описание
62	495-81116	2	WASHER, .344" x 1" x .060",
63	439-1548	2	PIN, HEADED, 5/16" x 3", , ASN HAJ0295001
64	432-812	2	PIN, SPLIT (COTTER), 1/8" x 3/4", , ASN HAJ0295001

09E-08 UNLOADER, CHAIN DRIVE



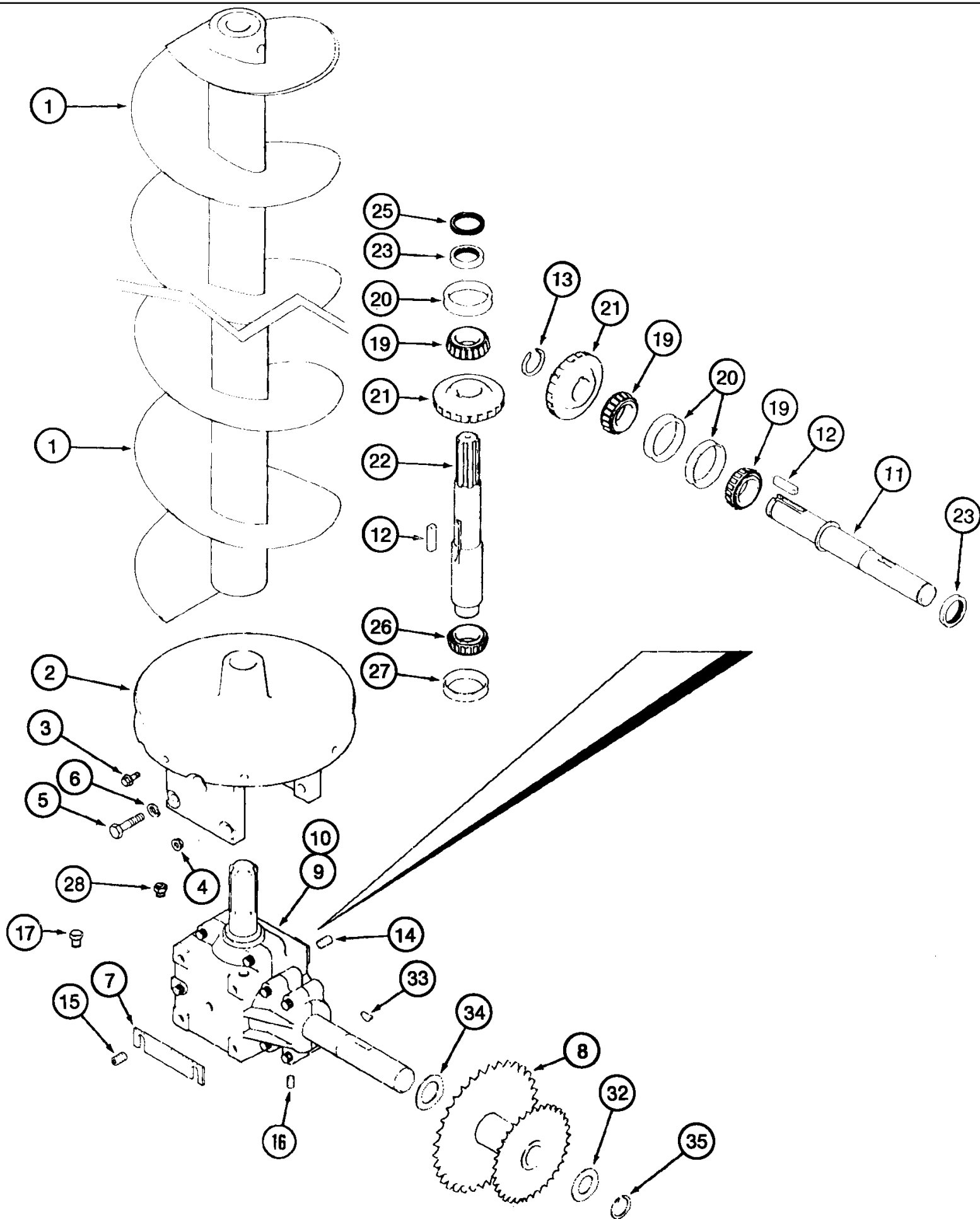
09E-08 UNLOADER, CHAIN DRIVE

сылка	Номер детали	Кол-во	Описание
1	188354C1	1	WASHER, 1-13/32" x 2-1/4" x 1/8"
1	1327731C1	3	WASHER, THRUST, 1-13/32" x 2-1/4" x 1/8"
3	1347402C1	1	SPROCKET, 33T, 57T
4	126-133	1	WOODRUFF KEY, #D, 5/16" x 1 1/4", HT,
5	192922C1	1	SPROCKET, 43T
6	Q53	2	KEY, 1/4" Sq x 1", Par,
7	495-81069	4	WASHER, 1 1/32" x 1 1/2" x .060",
8	495-81069	10	WASHER, 1 1/32" x 1 1/2" x .060",
10	1347360C1	1	SPROCKET, Drive, Includes 11
11	1347384C1	1	BEARING,
11A	495-81202	2	WASHER, 1 9/32" x 1 3/4" x .060",
12	242628A1	2	BOLT, SHEAR, 5/16" x 1-1/4"
13	231-1445	2	NUT, LOCK, 5/16"-18, GB,
14	126-147	1	WOODRUFF KEY, #28, 5/16" x 2 1/8", HT,
15	432-1624	2	PIN, SPLIT (COTTER), 1/4" x 1 1/2",
16	86620026	2	FLANGE,
17	409-7612	3	BOLT, Hex Flg, 3/8"-16 x 3/4", Serr,
17A	231-5146	3	NUT, Flg, USR, 3/8"-16,
18	192925C1	1	SPROCKET, 37T, Driven
19	1347399C1	1	HUB,
20	565672R92	1	BEARING, BALL,
21	87431214	1	COLLAR,
22	87302107	1	SPROCKET, 17T
23	434-832	1	BOLT, CARRIAGE, Short NK, 1/2"-13 x 2", G5, Full Thd,
24	425-108	1	NUT, 1/2"-13, G5,
25	80679	1	WASHER, LOCK, 1/2",
26	498-81005	2	WASHER, 17/32" x 1" x .060", Sq Hole,
27	496-21053	2	WASHER, 17/32" x 1 1/16" x .134",
28	485-13116	2	SET SCREW, Sq Hd, 5/16"-18 x 1",
29	425-145	2	NUT, Jam, 5/16"-18, G5,
31	409-7512	4	BOLT, Hex Flg, 5/16"-18 x 3/4", Serr,
31	477-73108	3	SCREW, Sltd Serr Truss Hd, 5/16"-18 x 1/2",
32	231-5145	7	NUT, Flg, USR, 5/16"-18,
33	139706A3	1	SUPPORT, Outer
34	282145A1	1	BOLT, SPECIAL,
35	495-21050	2	WASHER, 7/16",
36	231-5148	1	NUT, Flg, USR, 1/2"-13,
37	409-7612	4	BOLT, Hex Flg, 3/8"-16 x 3/4", Serr,
38	231-5146	4	NUT, Flg, USR, 3/8"-16,
40	175595A1	1	SUPPORT,
41	409-7512	3	BOLT, Hex Flg, 5/16"-18 x 3/4", Serr,
42	231-5145	3	NUT, Flg, USR, 5/16"-18,
45	936878R1	1	BLOCK,
46	434-820	1	BOLT, CARRIAGE, Short NK, 1/2"-13 x 1 1/4", G5, Full Thd,
47	80679	1	WASHER, LOCK, 1/2",

09E-08 UNLOADER, CHAIN DRIVE

сылка	Номер детали	Кол-во	Описание
48	425-108	1	NUT, 1/2"-13, G5,
54	113200A1	1	CHAIN, Order 1790D (149), 1301D (1)
55	1303207C91	1	CHAIN, Order 1791D (127), 1310D (2), 1315D (1) and 1309D (1)
58	140181A3	1	SHIELD,
60	3102155R1	1	HOLDER,
61	242628A1	6	BOLT, SHEAR, 5/16" x 1-1/4"
62	231-1445	6	NUT, LOCK, 5/16"-18, GB,

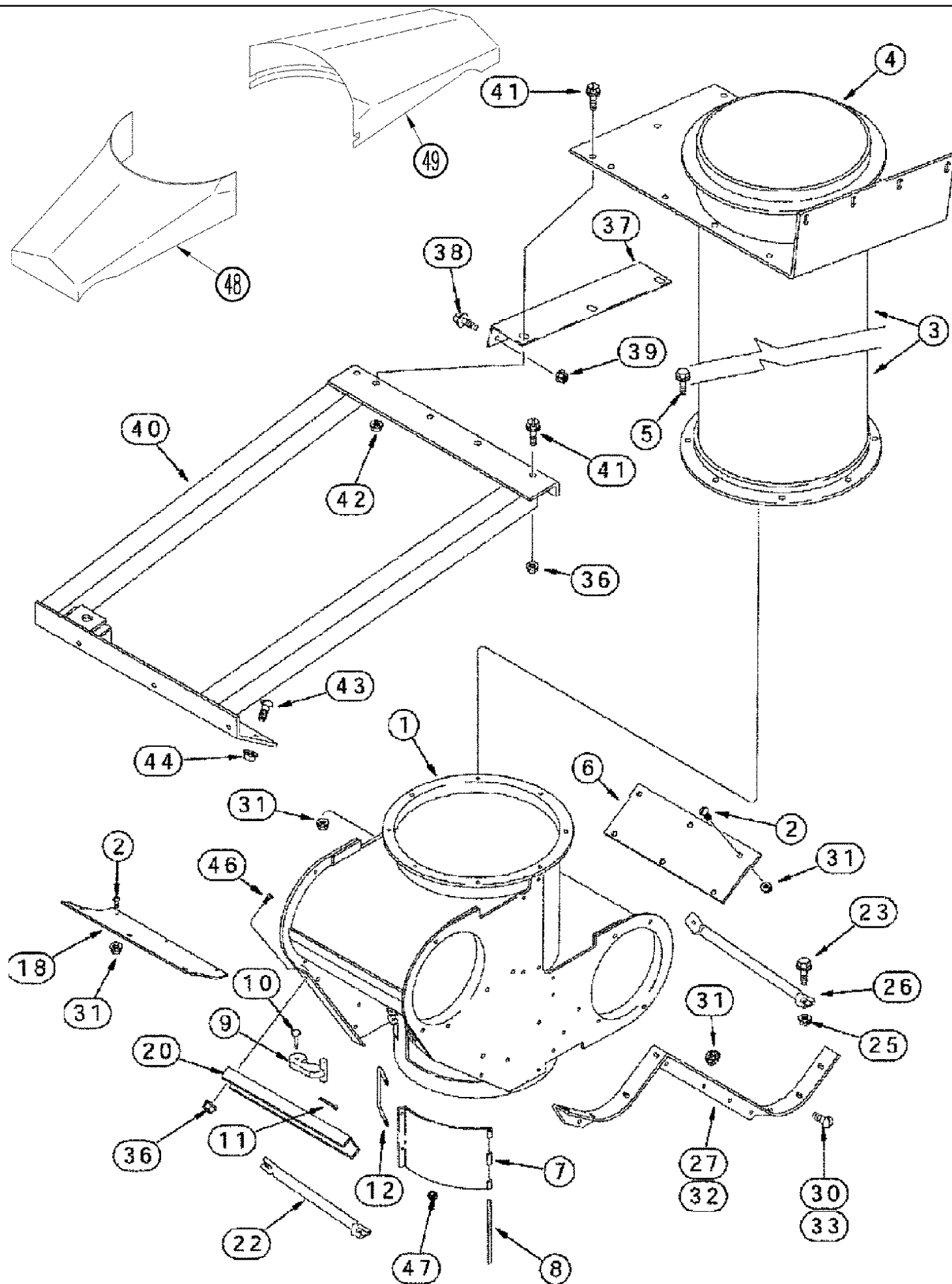
09E-09 AUGER, UNLOADER - GRAIN TANK, LOWER



09E-09 AUGER, UNLOADER - GRAIN TANK, LOWER

сылка	Номер детали	Кол-во	Описание
1	249277A1	1	AUGER, Vertical, Unloader
2	1347177C1	1	SUPPORT,
3	409-7616	7	BOLT, Hex Flg, 3/8"-16 x 1", Serr,
3	409-7620	2	BOLT, Hex Flg, 3/8"-16 x 1 1/4", Serr,
4	231-5146	9	NUT, Flg, USR, 3/8"-16,
5	413-824	6	BOLT, Hex, 1/2"-13 x 1 1/2", G5, Full Thd,
6	80679	6	WASHER, LOCK, 1/2",
7	1347337C1	AR	SHIM,
8	1347402C1	1	SPROCKET, 33T, 57T, Driven
9	1347336C2	1	GEARBOX, Includes 10 - 28
10	NSS	1	NOT SERVICED SEPARATELY, Housing
11	1989462C1	1	SHAFT, 1-1/2" OD
12	1989564C1	2	KEY, 3/8"
13	1989563C1	1	RING, SNAP,
14	217-439	1	PLUG, Hex Soc, 1/2"-14,
15	221-667	1	PLUG, DRAIN, Hex Soc, 1/2" NPT,
16	221-671	1	PLUG, DRAIN, Hex Soc, 1/4" NPT,
17	436993A1	1	CAP, Rubber
19	779103R91	3	BEARING, CONE,
20	518819R1	3	BEARING, CUP,
21	1989464C1	2	PINION,
22	1989463C1	1	SHAFT, 1-3/8" OD
23	1989581C1	2	SEAL,
24	61-33836	1	SCREW, Hex Soc Hd, 3/8"-16 x 2 1/4", Not Illustrated
25	1347432C2	1	SEAL,
26	20879D	1	BEARING, CONE,
27	ST991	1	BEARING, CUP,
28	219-431	1	NIPPLE, LUBE, 1/8"-27 NPT x .50" lg, Press Relief, 7-1/2 to 15 psi
32	1327731C1	1	WASHER, THRUST,
33	126-133	1	WOODRUFF KEY, #D, 5/16" x 1 1/4", HT,
34	188354C1	1	WASHER, 1-13/32" x 2-1/4" x 1/8"
35	A21619	1	CIRCLIP,
36	353-404	2	PLUG, Dome, .500" hole, Nylon, Not Illustrated

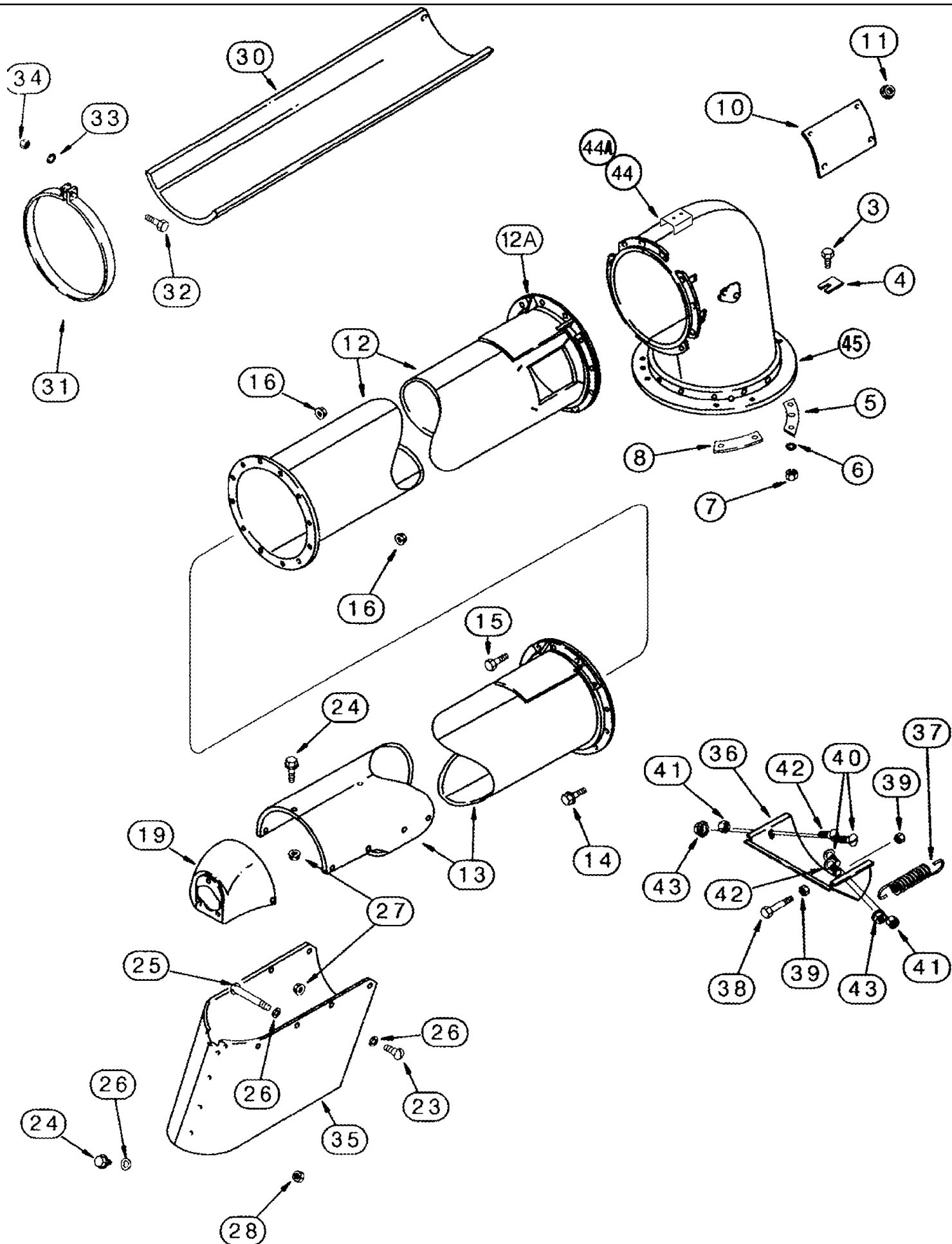
09E-10 UNLOADER HOUSING - GRAIN TANK, LOWER



09E-10 UNLOADER HOUSING - GRAIN TANK, LOWER

сылка	Номер детали	Кол-во	Описание
1	192475C3	1	HOUSING,
2	477-73108	28	SCREW, Sltd Serr Truss Hd, 5/16"-18 x 1/2",
3	248307A2	1	TUBE, Includes 4, 4A
4	237009A1	1	RING,
4A	49-516	12	RIVET, Tr Hd, 5/16" x 1", Not Illustrated
5	409-7512	8	BOLT, Hex Flg, 5/16"-18 x 3/4", Serr,
6	191087C1	1	PLATE, Front
7	189284A1	1	DOOR, Includes Decal 144386A1, See Figure 09H-19, Ref. 8
8	393069R1	1	PIN,
9	155909C1	1	LATCH,
10	439-1420	1	PIN, HEADED, 1/4" x 1 1/4",
11	432-812	1	PIN, SPLIT (COTTER), 1/8" x 3/4",
12	195332C1	1	U-BOLT,
18	191110C1	1	SUPPORT, Rear
20	192834C1	1	CHANNEL,
22	191112C2	1	ROD,
23	409-7624	2	BOLT, Hex Flg, 3/8"-16 x 1 1/2", Serr,
25	231-5146	2	NUT, Flg, USR, 3/8"-16,
26	191111C3	1	ROD,
27	192828C1	1	SUPPORT, LH
30	477-73108	20	SCREW, Sltd Serr Truss Hd, 5/16"-18 x 1/2",
31	231-5145	58	NUT, Flg, USR, 5/16"-18,
32	192829C1	1	SUPPORT, RH
33	477-73112	2	BOLT, Slotted Tr Hd, 5/16"-18 x 3/4",
36	231-5146	9	NUT, Flg, USR, 3/8"-16,
37	1338393C2	1	ANGLE,
38	450-73816	3	SCREW, CrossSerr Truss Hd, 3/8"-16 x 1",
39	231-5146	3	NUT, Flg, USR, 3/8"-16,
40	176208A2	1	SUPPORT,
41	409-7612	10	BOLT, Hex Flg, 3/8"-16 x 3/4", Serr,
42	231-5146	10	NUT, Flg, USR, 3/8"-16,
43	477-73116	6	SCREW, Sltd Serr Truss Hd, 5/16"-18 x 1",
43	138558A1	1	SCREW, 5/16" x 13/16"
44	231-5145	7	NUT, Flg, USR, 5/16"-18,
46	477-73812	2	SCREW, Sltd Serr Truss Hd, 3/8" x 3/4",
47	231-1444	2	NUT, LOCK, 1/4"-20, GB,
48	434785A1	1	INSERT, Unloader Sump, Front
49	434786A1	1	INSERT, Unloader Sump, Rear
50	192269A1	2	FOAM, Seal, 500 mm (19-3/4"), Not Illustrated

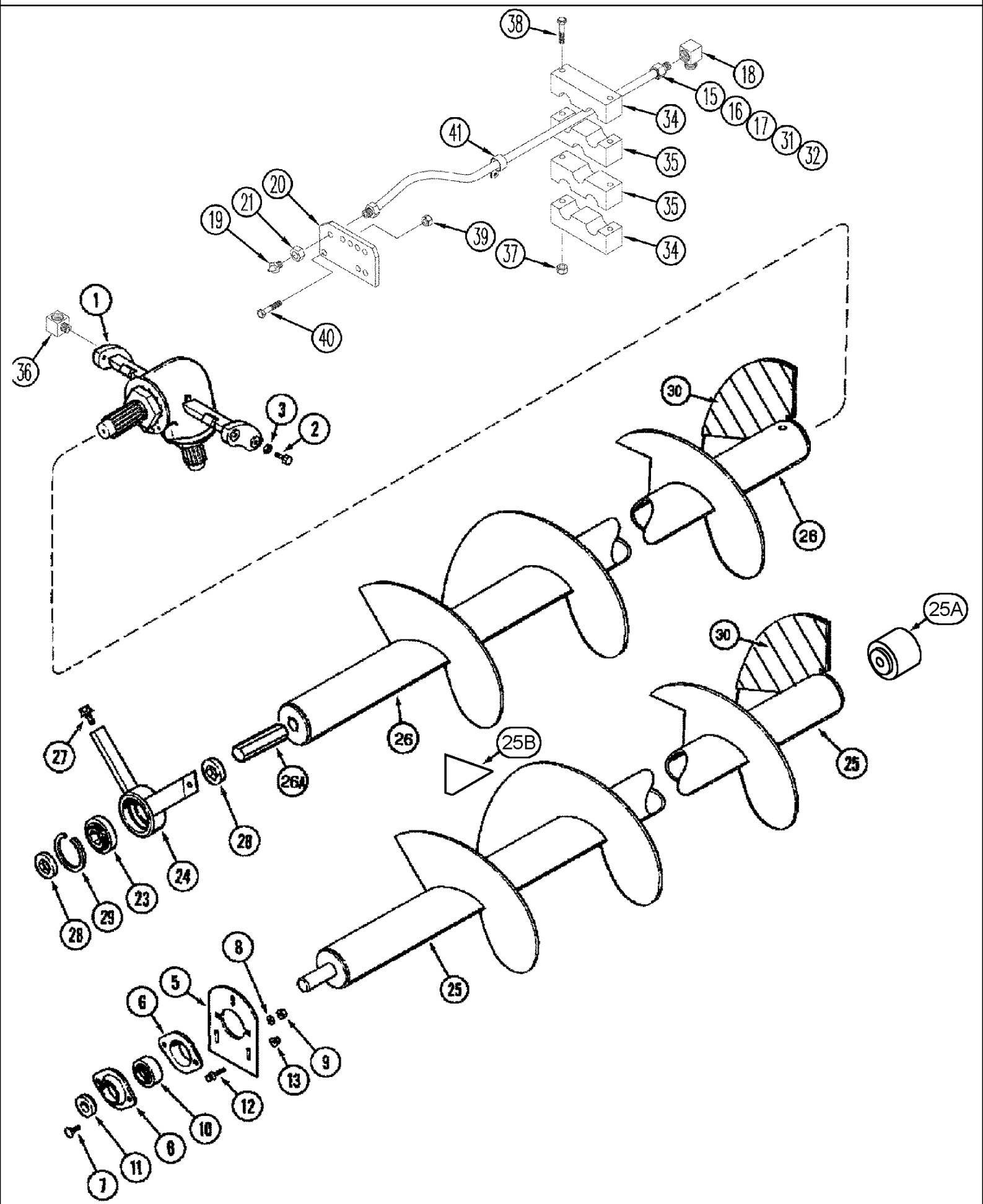
09E-11 UNLOADER - TUBE, UPPER



09E-11 UNLOADER - TUBE, UPPER

сылка	Номер детали	Кол-во	Описание
3	413-628	4	BOLT, Hex, 3/8"-16 x 1 3/4", G5,
4	151670C1	AR	PLATE, LOCKING, .036"
5	186657C3	1	SUPPORT,
6	492-11038	4	WASHER, LOCK, 3/8",
7	425-106	4	NUT, 3/8"-16, G5,
8	193472C2	1	PLATE,
10	178158C1	1	PLATE,
11	231-5145	4	NUT, Flg, USR, 5/16"-18,
12	1317738C1	1	TUBE, Plain, Front, 89.96" Auger, Includes 12A
12	1317873C1	1	TUBE, Perforated, Front, 89.96" Auger, Includes 12A
12A	178155C1	2	FLANGE,
13	1317783C5	1	TUBE, 82.47" Auger, Rear
13	1317899C4	1	TUBE, 118.031" Auger, Rear
14	409-7612	18	BOLT, Hex Flg, 3/8"-16 x 3/4", Serr,
15	409-7616	6	BOLT, Hex Flg, 3/8"-16 x 1", Serr,
16	231-5146	24	NUT, Flg, USR, 3/8"-16,
19	182837C2	1	CAP,
23	477-73112	4-6	BOLT, Slotted Tr Hd, 5/16"-18 x 3/4",
24	409-7516	7	BOLT, Hex Flg, 5/16"-18 x 1", Serr,
25	477-73120	6	SCREW, Sltd Serr Truss Hd, 5/16"-18 x 1 1/4",
26	495-81121	22	WASHER, .344" x 1 1/2" x .060",
27	231-5145	17	NUT, Flg, USR, 5/16"-18,
28	231-4115	4	NUT, LOCK, 5/16"-18, GB,
30	178165C2	1	COVER, Perforated
31	178166C1	4	CLAMP, Perforated
32	185856C1	4	SCREW, 5/16" x 2"
33	492-11031	4	WASHER, LOCK, 5/16",
34	425-105	4	NUT, 5/16"-18, G5,
35	113488A1	1	SPOUT, Down
36	115867A1	1	DOOR, Grain Saver
37	1338869C2	2	SPRING,
38	113-250	1	BOLT, Hex, 3/8"-16 x 2 1/2", G5, Full Thd,
39	231-5146	2	NUT, Flg, USR, 3/8"-16,
40	477-82516	2	SCREW, Sltd Serr Truss Hd, 1/4"-20 x 1",
41	425-104	4	NUT, 1/4"-20, G5,
42	477-73116	2	SCREW, Sltd Serr Truss Hd, 5/16"-18 x 1",
43	231-5145	2	NUT, Flg, USR, 5/16"-18,
44	248308A2	1	ELBOW, Includes 45 - 47, Standard Wear
44A	291131A2	1	ELBOW, Includes 45 - 47, Extended Wear
45	237007A2	1	RING,
46	49-516	20	RIVET, Tr Hd, 5/16" x 1", Not Illustrated
47	275-14712	3	SCREW, SELF TAP, Hex Hd, 1/4" x 3/4", Not Illustrated

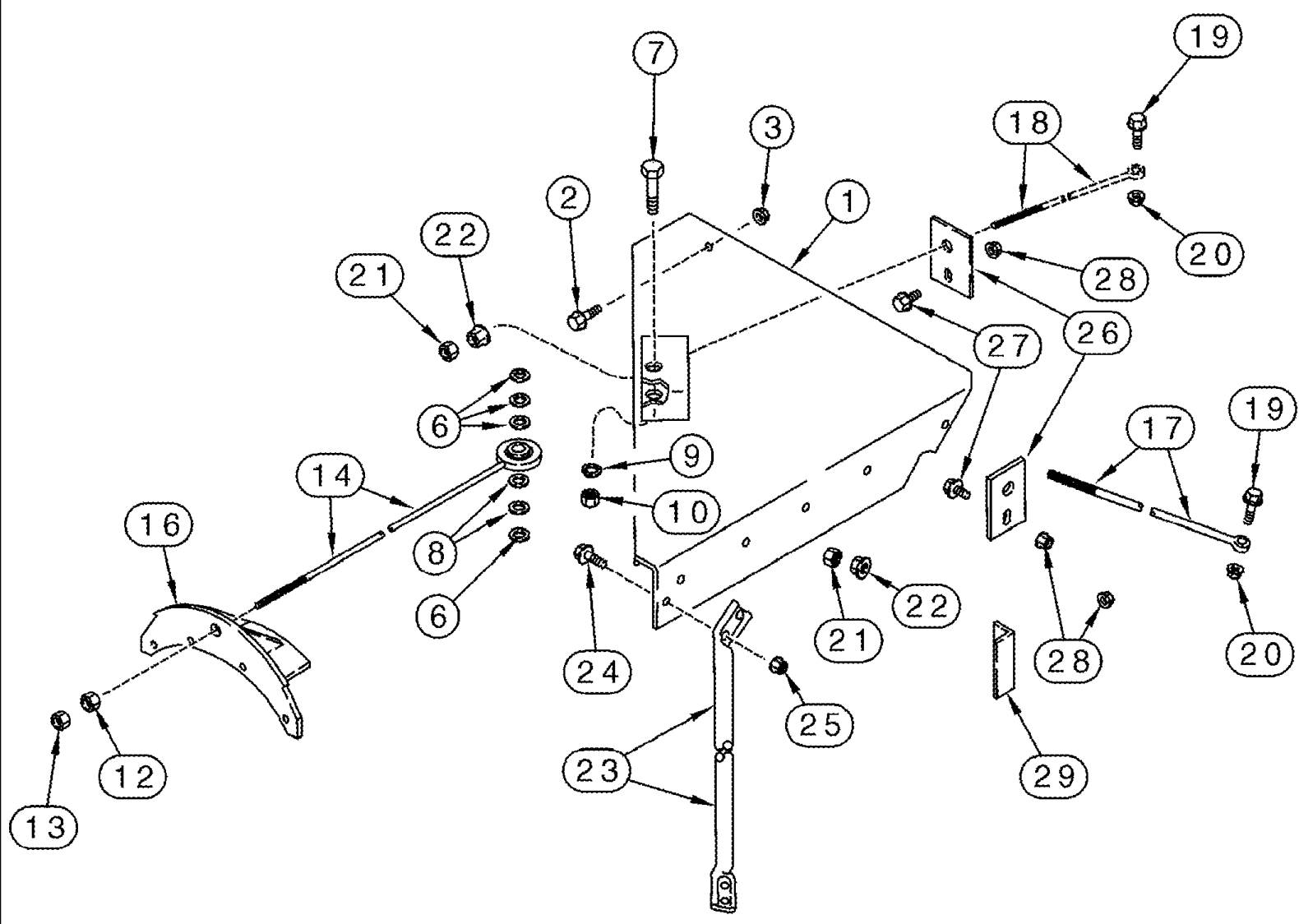
09E-12 UNLOADER - AUGER, UPPER



09E-12 UNLOADER - AUGER, UPPER

сылка	Номер детали	Кол-во	Описание
1	1347351C2	1	HOUSING, , See Figure 09E-16
2	426-612	4	BOLT, Hex, 3/8"-16 x 3/4", G8, Full Thd,
3	492-11038	4	WASHER, LOCK, 3/8",
5	182838C1	1	SUPPORT,
6	50591	2	FLANGE,
7	434-512	2	BOLT, CARRIAGE, Short NK, 5/16"-18 x 3/4", G5, Full Thd,
8	492-11031	2	WASHER, LOCK, 5/16",
9	425-105	2	NUT, 5/16"-18, G5,
10	160796C91	1	BEARING, BALL,
11	87315151	1	COLLAR,
12	409-7516	3	BOLT, Hex Flg, 5/16"-18 x 1", Serr,
13	231-5145	3	NUT, Flg, USR, 5/16"-18,
15	1339004C1	2	HOSE, Grease, 1778 mm (70")
16	430376A1	1	HOSE, Grease, 1935 mm (76")
17	428284A1	1	HOSE, Grease, 1720 mm (68")
18	219-438	2	ADAPTER, 45e, 1/4"-1/8 NPTF, 1/4-28 tpr x 13/16
19	219-8	5	NIPPLE, LUBE, 1/4"-28 NPT x .54" lg,
20	418495A1	1	BRACKET, Lube Bank
21	F53473	5	NUT, 1/8" PT
23	203389C91	1	BEARING, BALL,
24	1317859C1	1	SUPPORT,
25	199018A2	1	AUGER, 172", Rear Split
25	199023A2	1	AUGER, 208", Rear Split, Includes 25A, 25B
25A	198994A1	1	HUB, End
25B	220336A1	1	STIFFENER,
26	198987A2	1	AUGER, 172/208", Front Split
26	282176A2	1	AUGER, 208", Front Split, Extended Wear
26A	220040A2	1	SHAFT, 152 mm (6")
27	409-7512	2	BOLT, Hex Flg, 5/16"-18 x 3/4", Serr,
28	1277949C1	4	SPACER,
29	360936R1	1	RING,
30	182587A1	AR	KIT, Unloader Auger Reinforcements
31	428294A1	1	HOSE, Grease, 1925 mm (76")
32	1345098C1	1	HOSE, Grease, 1524 mm (60")
34	429629A1	2	CLAMP,
35	419590A1	2	CLAMP,
36	219-439	3	ADAPTER, 90e, 1/4"-1/8 NPTF,
37	231-5144	2	NUT, Flg, USR, 1/4"-20,
38	413-448	2	BOLT, Hex, 1/4"-20 x 3", G5,
39	231-5145	6	NUT, Flg, USR, 5/16"-18,
39	231-5146	12	NUT, Flg, USR, 3/8"-16,
40	477-73112	2	BOLT, Slotted Tr Hd, 5/16"-18 x 3/4",
41	515-23381	1	CLAMP, 1 1/2", Insul, 3/8" Bolt, , BSN HAJ0295001
41	515-23412	1	CLAMP, 1 5/8", Insul, 3/8" Bolt, , ASN HAJ0295001

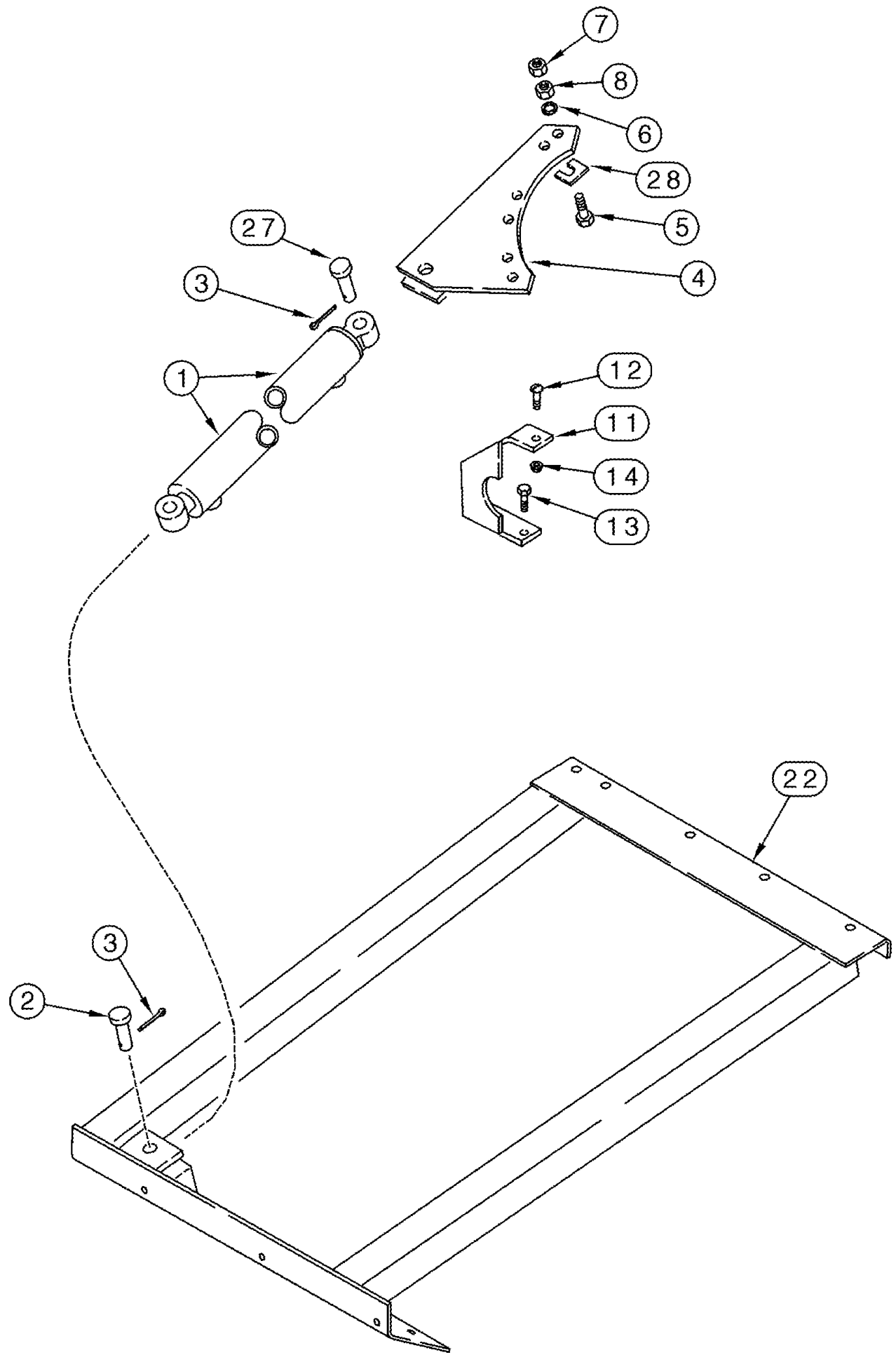
09E-13 UNLOADER - SUPPORTS



09E-13 UNLOADER - SUPPORTS

сылка	Номер детали	Кол-во	Описание
1	1327529C2	1	BRACKET,
2	409-7616	8	BOLT, Hex Flg, 3/8"-16 x 1", Serr,
2	409-7516	1	BOLT, Hex Flg, 5/16"-18 x 1", Serr,
3	231-5146	8	NUT, Flg, USR, 3/8"-16,
3	231-5145	1	NUT, Flg, USR, 5/16"-18,
6	495-81175	6	WASHER, 21/32" x 1" x .120",
7	413-1048	1	BOLT, Hex, 5/8"-11 x 3", G5,
8	496-21066	2	WASHER, 21/32" x 1 5/16" x .150",
9	492-11062	1	WASHER, LOCK, 5/8",
10	425-1010	1	NUT, 5/8"-11, G5,
12	554480R1	1	NUT, 5/8" NF
13	425-1110	1	NUT, 5/8"-18, G5,
14	1979616C2	1	ROD,
16	1317516C1	1	SUPPORT,
17	193625C1	2	ROD,
18	1979494C1	1	ROD,
19	409-7620	3	BOLT, Hex Flg, 3/8"-16 x 1 1/4", Serr,
20	231-5146	3	NUT, Flg, USR, 3/8"-16,
21	425-108	3	NUT, 1/2"-13, G5,
22	231-5148	3	NUT, Flg, USR, 1/2"-13,
23	1338378C1	1	ROD,
24	409-7620	4	BOLT, Hex Flg, 3/8"-16 x 1 1/4", Serr,
25	231-5146	4	NUT, Flg, USR, 3/8"-16,
26	186691C1	3	PLATE,
27	409-7512	4	BOLT, Hex Flg, 5/16"-18 x 3/4", Serr,
28	231-5145	4	NUT, Flg, USR, 5/16"-18,
29	186690C1	1	BRACKET,

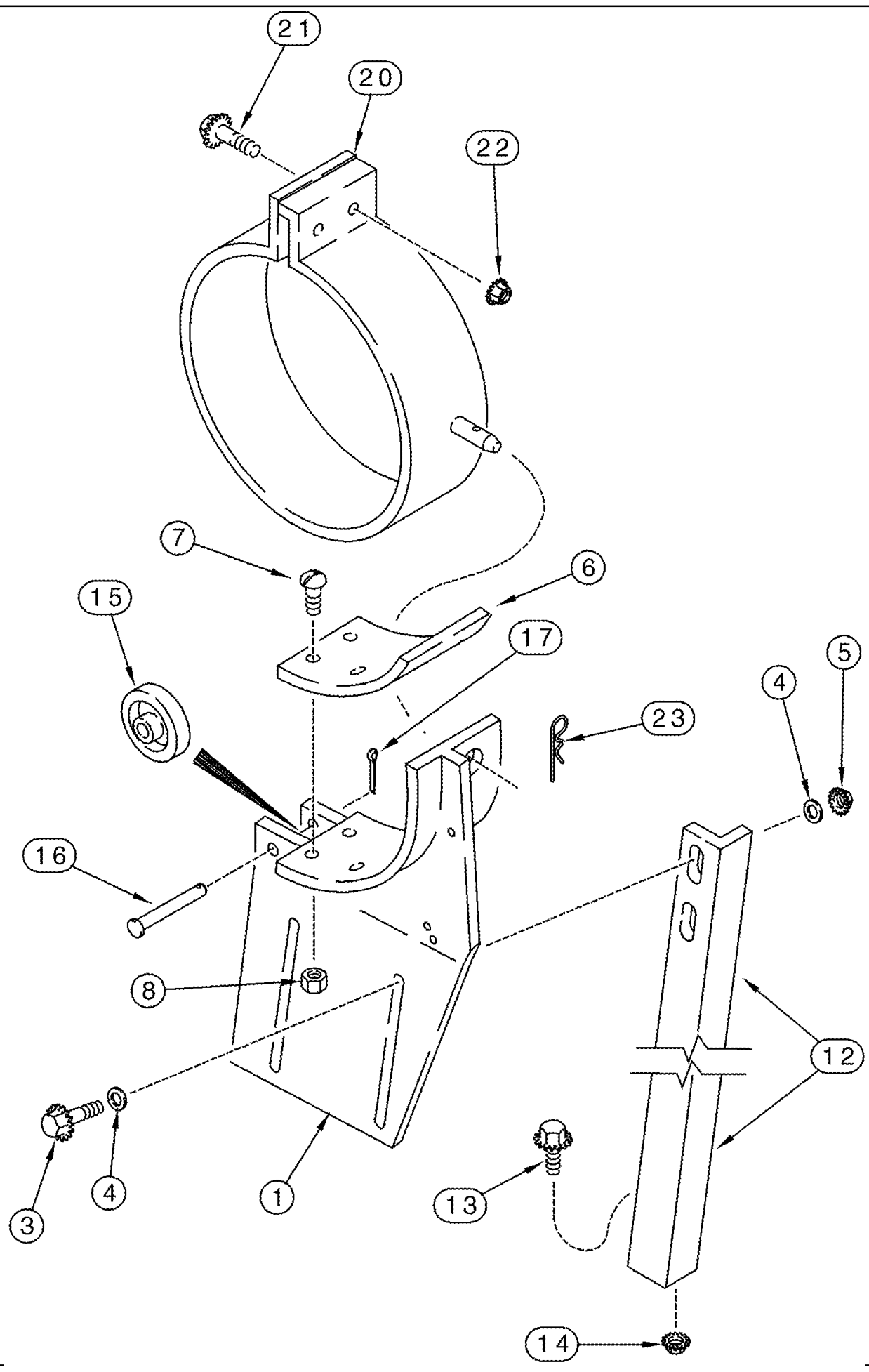
09E-14 UNLOADER - SUPPORTS, SWING CYLINDER



09E-14 UNLOADER - SUPPORTS, SWING CYLINDER

сылка	Номер детали	Кол-во	Описание
1	175679A2	1	CYLINDER, 38 ID x 508 mm strk, Unloader Swing, See Figure 08-31, Ref. 16
2	427-10225	1	PIN, CLEVIS, 5/8" x 1 1/4", 5/8" x 2-1/4"
3	432-816	2	PIN, SPLIT (COTTER), 1/8" x 1",
4	1321541C2	1	SUPPORT,
5	426-732	6	BOLT, Hex, 7/16"-14 x 2", G8,
6	492-11044	6	WASHER, LOCK, 7/16",
7	425-147	6	NUT, Jam, 7/16"-14, G5, 7/16; 8
8	429-107	6	NUT, 7/16"-14, G8,
11	1321509C2	1	SUPPORT,
12	477-73820	1	SCREW, Sltd Serr Truss Hd, 3/8"-16 x 1 1/4",
13	409-7616	2	BOLT, Hex Flg, 3/8"-16 x 1", Serr,
14	231-5146	3	NUT, Flg, USR, 3/8"-16,
22	176208A2	1	SUPPORT,
27	427-10225	1	PIN, CLEVIS, 5/8" x 1 1/4", 5/8 x 2-1/4
28	151670C1	AR	PLATE, LOCKING, .036"

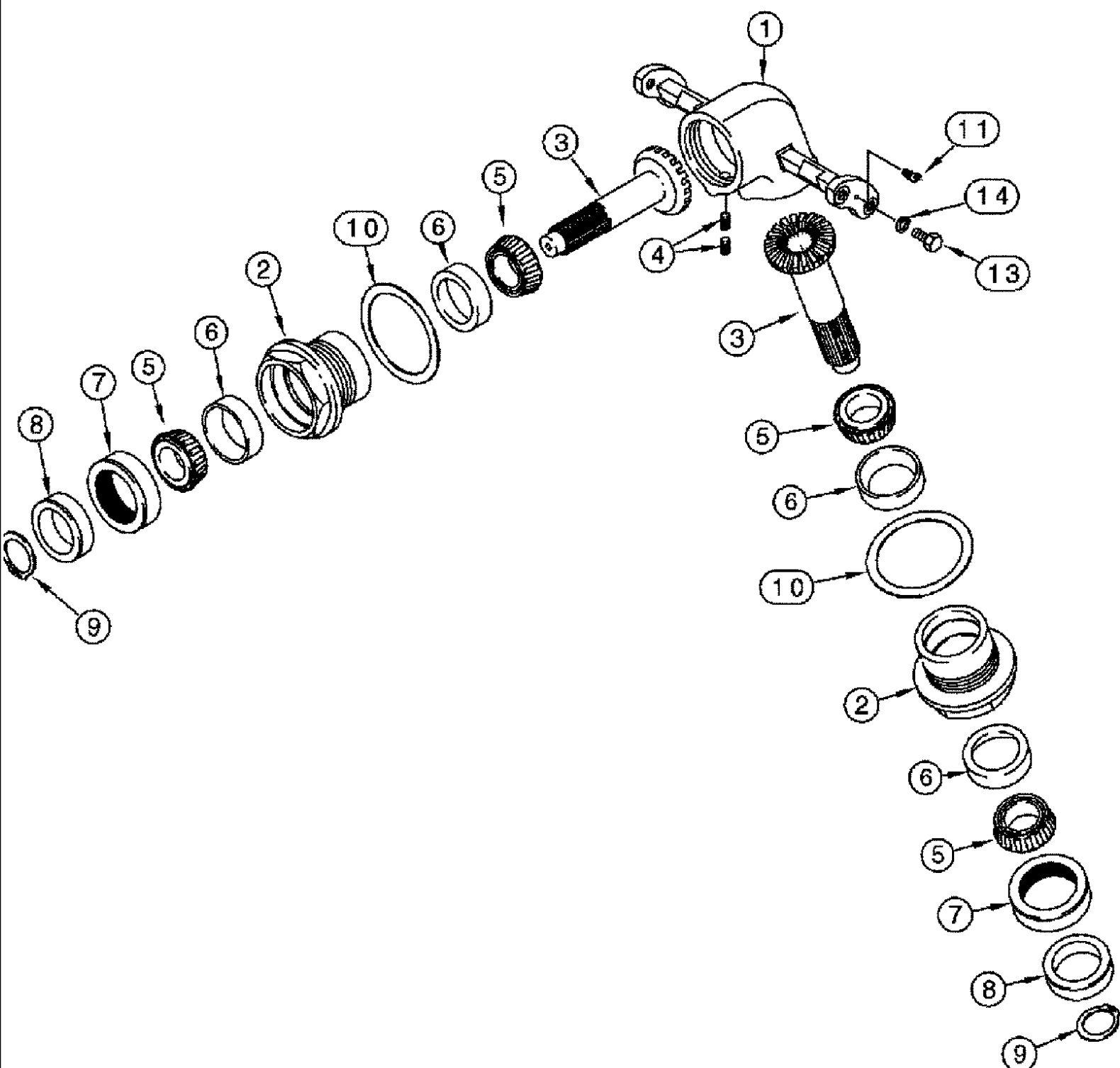
09E-15 UNLOADER - TUBE SADDLE



09E-15 UNLOADER - TUBE SADDLE

сылка	Номер детали	Кол-во	Описание
1	1321500C2	1	STIRRUP,
3	409-7620	4	BOLT, Hex Flg, 3/8"-16 x 1 1/4", Serr,
4	495-81143	8	WASHER, 13/32" x 1 1/2" x .120",
5	231-5146	4	NUT, Flg, USR, 3/8"-16,
6	1321498C1	1	PAD,
7	477-82512	6	SCREW, Sltd Serr Truss Hd, 1/4"-20 x 3/4",
8	231-4144	6	NUT, LOCK, 1/4"-20, GB,
12	1319221C1	1	SUPPORT,
13	409-7512	1	BOLT, Hex Flg, 5/16"-18 x 3/4", Serr,
14	231-5145	1	NUT, Flg, USR, 5/16"-18,
15	1321499C1	1	ROLLER,
16	439-5436	1	PIN, HEADED, 1/4" x 2 1/4", G5,
17	432-812	1	PIN, SPLIT (COTTER), 1/8" x 3/4",
20	137953A1	1	CLAMP,
21	409-7520	2	BOLT, Hex Flg, 5/16"-18 x 1 1/4", Serr,
22	231-5145	2	NUT, Flg, USR, 5/16"-18,
23	480523R1	1	SPLIT PIN/SAFETY PIN,
24	495-81030	1	WASHER, 21/32" x 2" x .179",

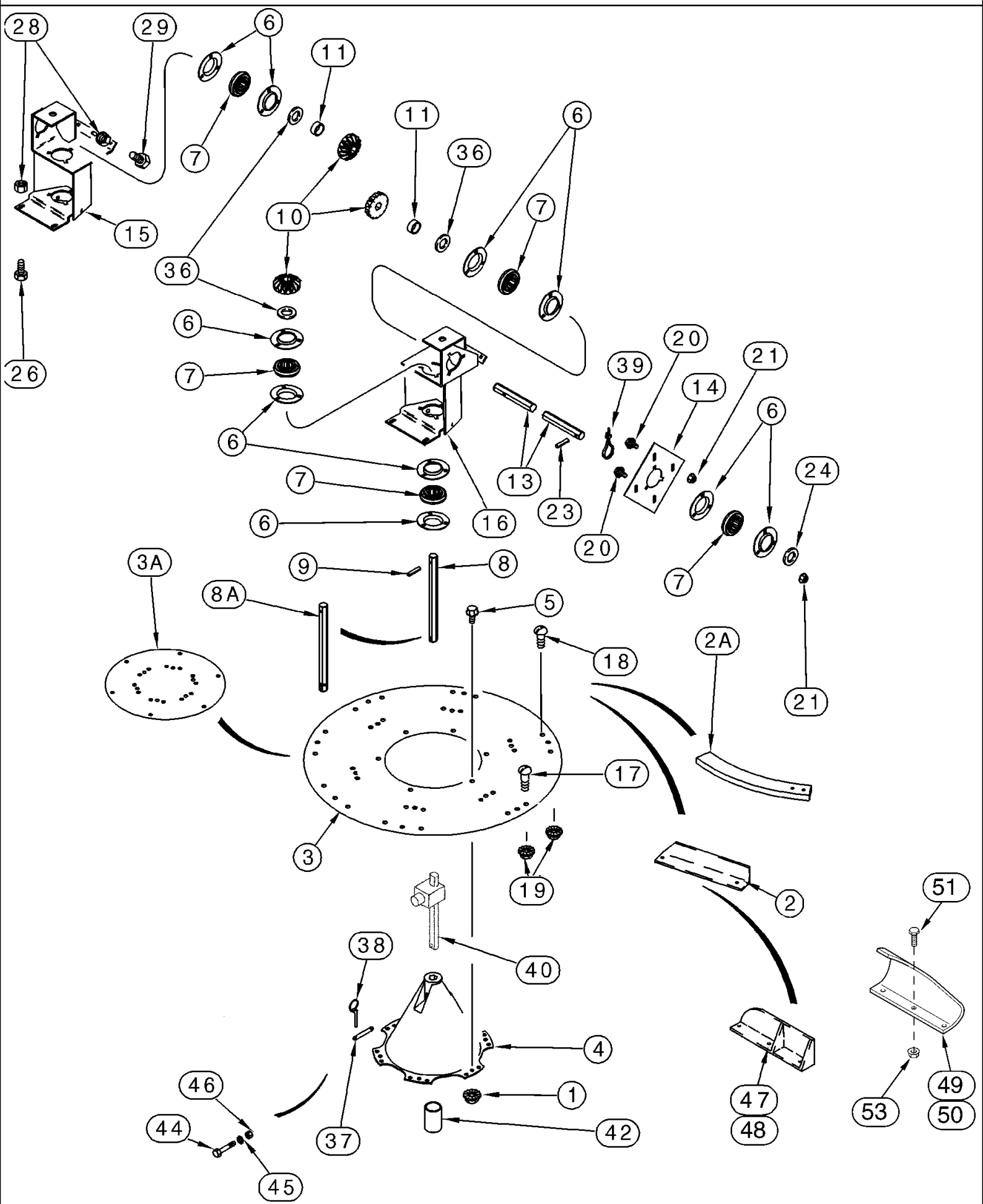
09E-16 UNLOADER - UPPER GEAR HOUSING



09E-16 UNLOADER - UPPER GEAR HOUSING

сылка	Номер детали	Кол-во	Описание
	1347351C2	1	HOUSING, Includes 1 - 10
1	NSS	1	NOT SERVICED SEPARATELY, Housing, Upper Gears
2	NSS	2	NOT SERVICED SEPARATELY, Housing, Gear Bearing
3	1347260C1	2	PINION, 18T
4	83-1316	4	SET SCREW, Hex Soc, 5/16"-18 x 3/8",
5	651818R91	4	BEARING, CONE,
6	651817R1	4	BEARING, CUP,
7	1347339C1	2	SEAL,
8	1347312C1	2	RETAINER,
9	100-16125	2	RING, SNAP, #125, Ext,
10	1347338C1	AR	SHIM,
11	219-90	1	NIPPLE, LUBE, 45с, 1/4" NPT x .80" lg, Drive,
13	426-612	4	BOLT, Hex, 3/8"-16 x 3/4", G8, Full Thd,
14	492-11038	4	WASHER, LOCK, 3/8",

09F-01 STRAW SPREADER



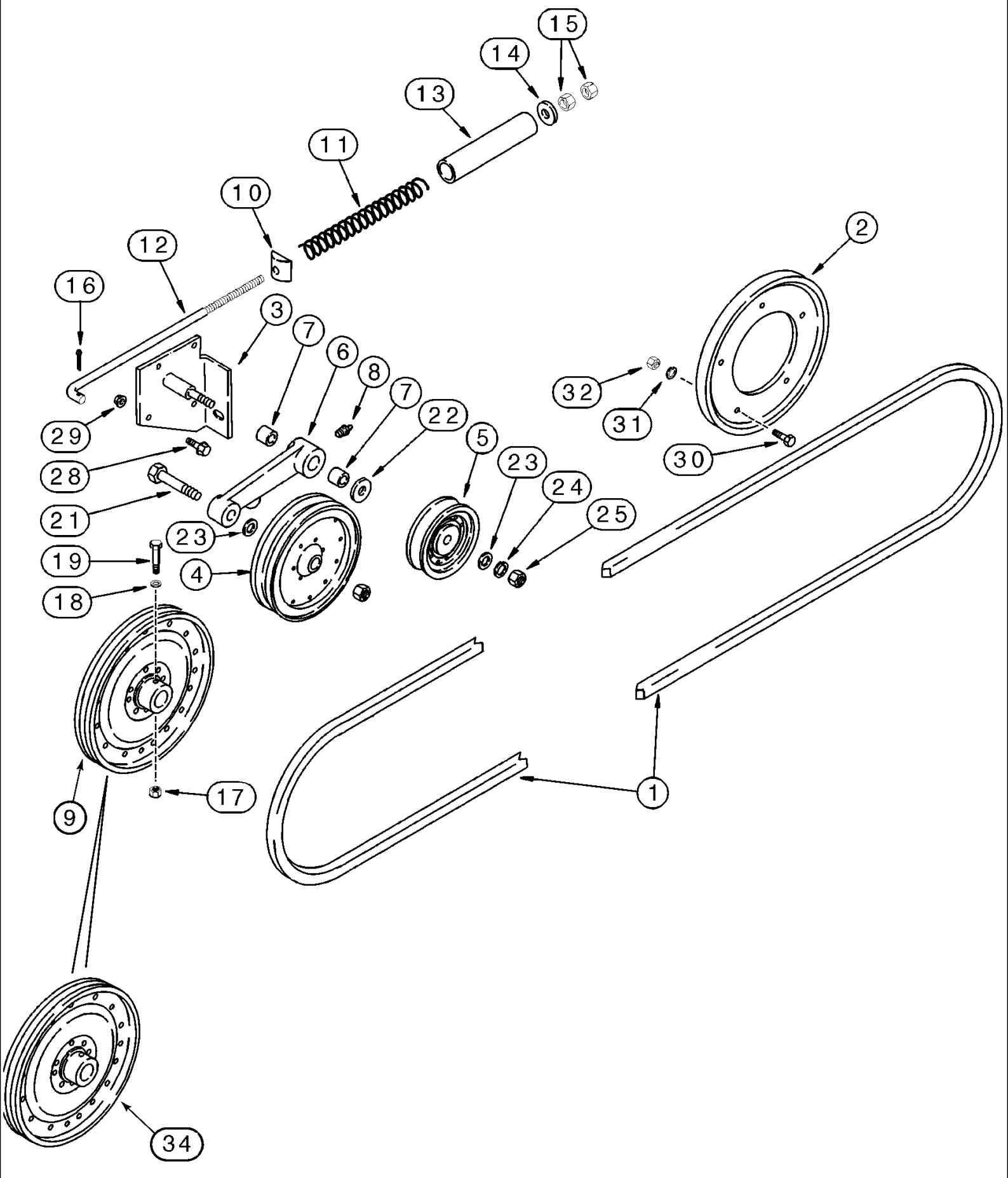
09F-01 STRAW SPREADER

сылка	Номер детали	Кол-во	Описание
1	231-5315	24	NUT, LOCK, Flg, 5/16"-18, Used with 2, 2B, 3, 3B
2	103170A2	12	BAT, , With Straw and Chaff Spreader
2A	1302790C1	12	STRIP, Rice, With Straw Chopper
3	140189A1	2	DISC, , With Straw and Chaff Spreader
3A	1302791C1	2	RETAINER, Rice, With Straw Chopper
4	188218C6	2	CONE,
5	409-7520	AR	BOLT, Hex Flg, 5/16"-18 x 1 1/4", Serr, Used with 2A, 3A
5	409-7524	12	BOLT, Hex Flg, 5/16"-18 x 1 1/2", Serr, Used with 2A, 3A
6	86603075	14	FLANGE,
7	195293C91	7	BEARING, BALL,
8	128440A1	2	SHAFT, 12", Grain, Rice, With Straw Chopper
8A	109485A1	2	SHAFT, 12", With Straw and Chaff Spreader
9	438-11624	2	PIN, LOCK, 1/4" x 1 1/2", Slotted,
10	194194C1	4	GEAR, 14T
11	87036414	2	SPACER, 1 1/4" Tube x 5/8",
13	427270A1	1	SHAFT, Hex
14	186506C1	1	SUPPORT,
15	109487A2	1	SUPPORT, LH
16	109488A2	1	SUPPORT, RH
17	477-73116	6	SCREW, Sltd Serr Truss Hd, 5/16"-18 x 1", Used with 2, 3
18	477-73112	18	BOLT, Slotted Tr Hd, 5/16"-18 x 3/4", Used with 2, 3
19	231-5145	24	NUT, Flg, USR, 5/16"-18, Used with 2, 3
20	409-7512	28	BOLT, Hex Flg, 5/16"-18 x 3/4", Serr,
20	409-7516	1	BOLT, Hex Flg, 5/16"-18 x 1", Serr,
21	231-5145	29	NUT, Flg, USR, 5/16"-18,
23	87040620	1	PIN, LOCK, 3/8" x 1 1/2", Slotted,
24	495-81068	AR	WASHER, 1 1/32" x 1 1/2" x .030",
26	409-7512	4	BOLT, Hex Flg, 5/16"-18 x 3/4", Serr,
28	231-5145	8	NUT, Flg, USR, 5/16"-18,
29	477-73116	4	SCREW, Sltd Serr Truss Hd, 5/16"-18 x 1",
36	495-81069	6	WASHER, 1 1/32" x 1 1/2" x .060",
37	120270A2	2	PIN, , With Straw Chopper
38	A33497	4	PIN, LINCH, , With Straw Chopper
39	289862C1	6	STRAP, CABLE, 3/16" x 7", Strap 7"
40	429194A1	2	COUPLING,
42	432330A1	2	TUBE, Tube, 77 mm (3")
43	140432A1	2	BOOT, , With Straw and Chaff Spreader
44	413-640	2	BOLT, Hex, 3/8"-16 x 2 1/2", G5, , With Straw and Chaff Spreader
45	495-11041	4	WASHER, 3/8", SAE, , With Straw and Chaff Spreader
46	231-1446	2	NUT, LOCK, 3/8"-16, GB, , With Straw and Chaff Spreader
47	321372A1	3	BAT, RH, Tall, With Straw and Chaff Spreader
48	321373A1	3	BAT, LH, Tall, Not Illustrated, With Straw and Chaff Spreader
49	371055A1	3	BAT, RH, Curved, Service Option Only, Shown
50	371056A1	3	BAT, LH, Curved, Service Option Only, Not Illustrated
51	477-73112	18	BOLT, Slotted Tr Hd, 5/16"-18 x 3/4",

09F-01 STRAW SPREADER

сылка	Номер детали	Кол-во	Описание
52	477-73812	2	SCREW, Sltd Serr Truss Hd, 3/8" x 3/4",
53	231-5145	18	NUT, Flg, USR, 5/16"-18,
54	231-5146	2	NUT, Flg, USR, 3/8"-16,
	400505A1	1	KIT, Includes 49 - 54, Service Option Only

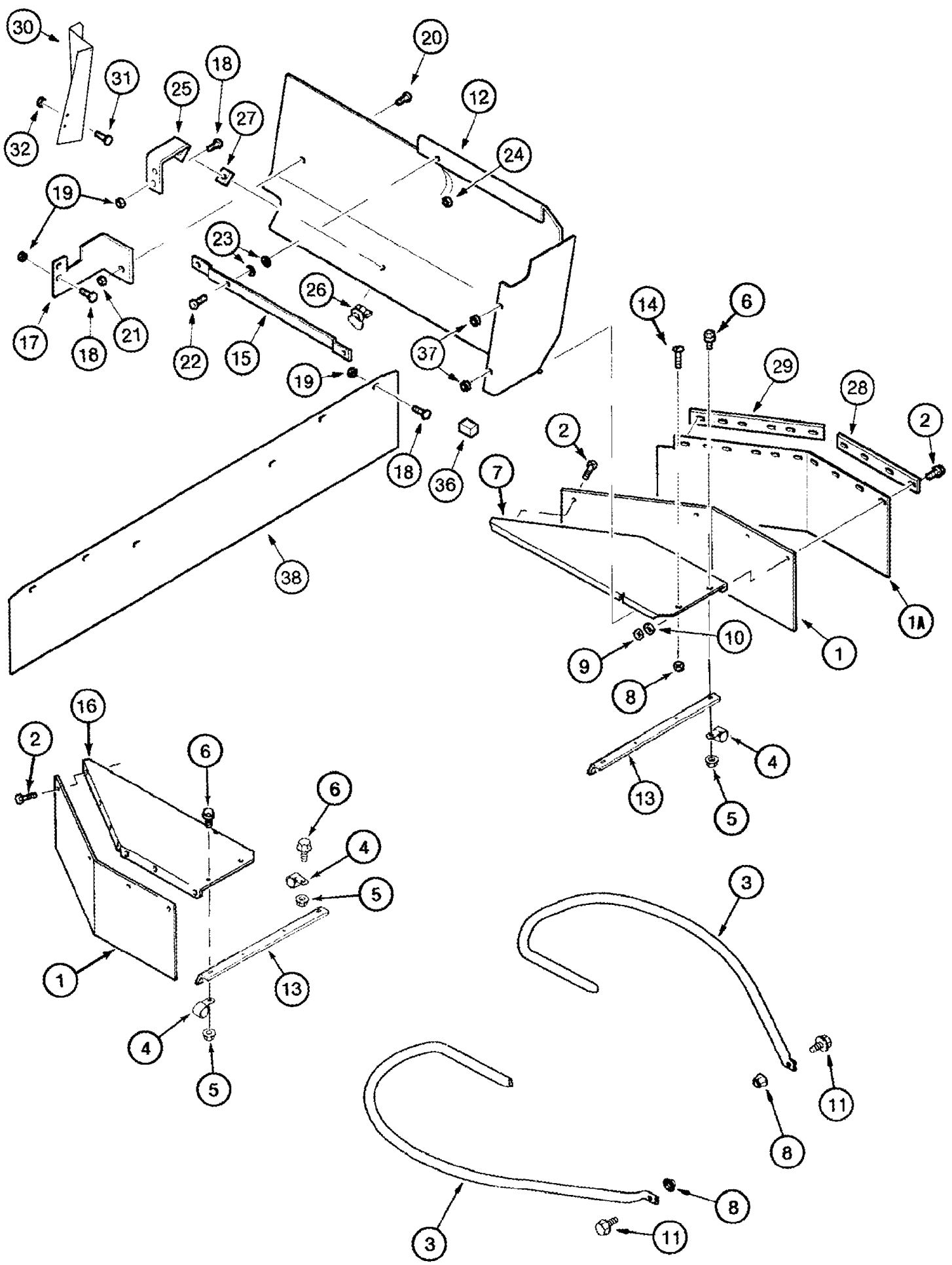
09F-02 STRAW SPREADER - DRIVE



09F-02 STRAW SPREADER - DRIVE

сылка	Номер детали	Кол-во	Описание
1	196371C1	1	BELT, 223-1/2"
2	566516R92	1	PULLEY, 9-3/4" OD
3	427266A1	1	TIGHTENER, 4-3/8"
4	1338456C1	1	PULLEY, 6" OD
5	428848A1	1	PULLEY, 4-3/8" OD
6	1979591C1	1	LEVER, Includes 7
7	1979989C1	2	BUSHING,
8	219-87	1	NIPPLE, LUBE, 1/4"-28 x .56" lg, Self-Tap,
9	418093A1	1	PULLEY, 203 mm (8") OD
10	194652C1	1	PIVOT,
11	1315223C1	1	SPRING,
12	181152C1	1	ROD,
13	1315197C1	1	SPACER,
14	495-81162	1	WASHER, 17/32" x 1 1/2" x .179",
15	425-108	2	NUT, 1/2"-13, G5,
16	432-816	1	PIN, SPLIT (COTTER), 1/8" x 1",
17	232-4115	1	NUT, LOCK, 5/16"-18, GC,
18	496-21034	1	WASHER, 11/32" x 11/16" x 0.89", HDN,
19	426-536	1	BOLT, Hex, 5/16"-18 x 2 1/4", G8,
21	413-848	1	BOLT, Hex, 1/2"-13 x 3", G5,
22	496-21081	1	WASHER, 13/16" x 1 1/2" x .179", HDN, 13/16 x 1-1/2 x 11/32, If Used
23	496-11053	2	WASHER, 17/32" x 1 1/16" x .095", HDN, If Used
23	496-21053	1	WASHER, 17/32" x 1 1/16" x .134",
24	80679	2	WASHER, LOCK, 1/2",
25	425-108	2	NUT, 1/2"-13, G5,
28	409-7512	3	BOLT, Hex Flg, 5/16"-18 x 3/4", Serr,
29	231-5145	3	NUT, Flg, USR, 5/16"-18,
30	413-516	5	BOLT, Hex, 5/16"-18 x 1", G5, Full Thd,
31	492-11031	5	WASHER, LOCK, 5/16",
32	425-105	5	NUT, 5/16"-18, G5,
33	232-5318	1	NUT, LOCK, Flg, 1/2"-13,
34	418092A1	1	PULLEY, 254 mm (10") OD

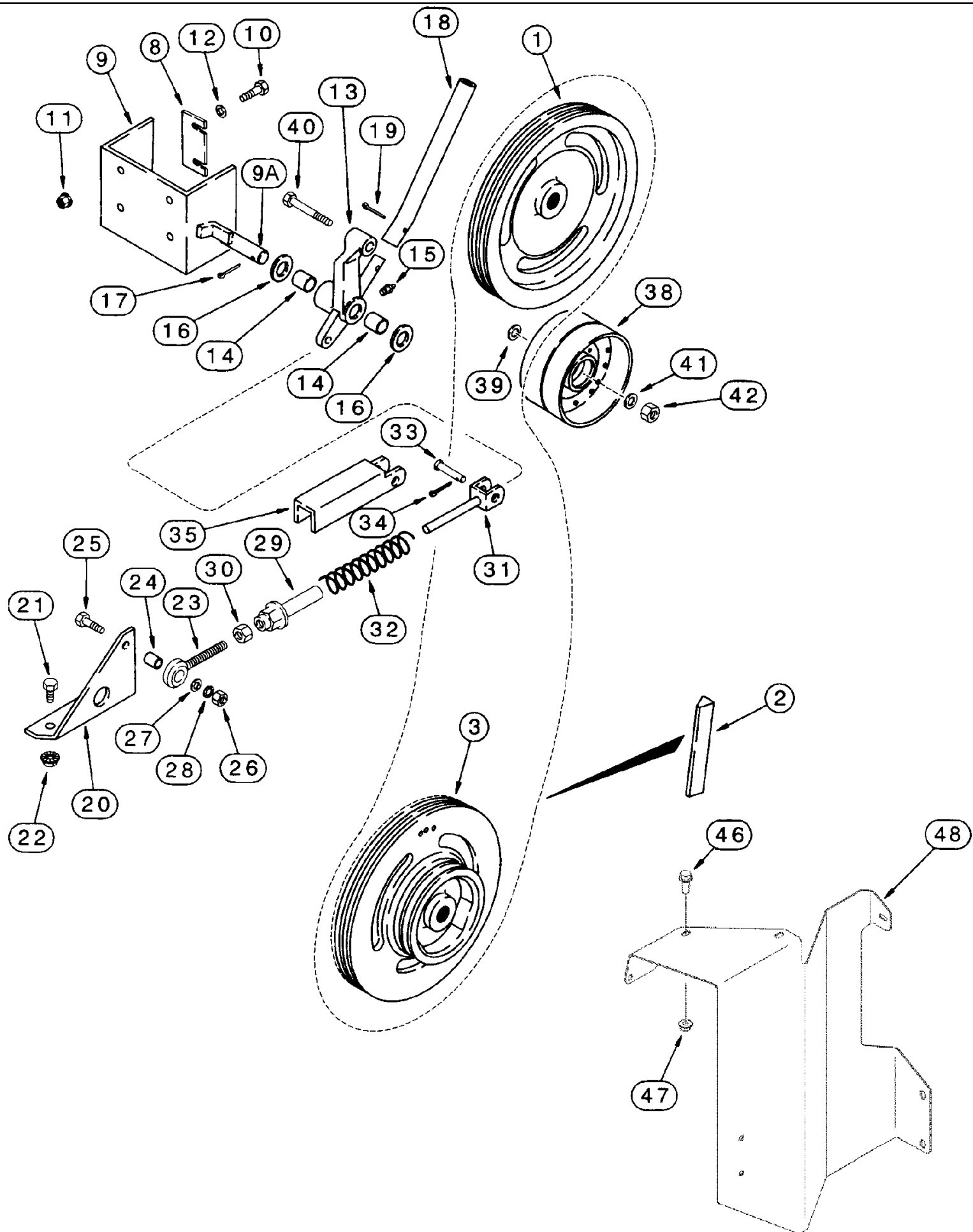
09F-03 STRAW SPREADER - SHIELDS



09F-03 STRAW SPREADER - SHIELDS

сылка	Номер детали	Кол-во	Описание
1	1308916C2	2	SHIELD, , Straw Spreader
1A	103211A2	2	SHIELD, , Straw and Chaff Spreader
2	256873	AR	BOLT, Hex Flg, 5/16"-18 x 1/2", Serr,
3	1308912C3	2	PIPE,
4	515-28175	6	CLAMP, 11/16", 3/8" Bolt,
5	231-5145	8	NUT, Flg, USR, 5/16"-18,
6	409-7512	6	BOLT, Hex Flg, 5/16"-18 x 3/4", Serr,
7	183958A2	1	SUPPORT, RH, Straw Spreader
8	231-5145	2	NUT, Flg, USR, 5/16"-18,
9	231-4115	14	NUT, LOCK, 5/16"-18, GB,
10	495-81116	8	WASHER, .344" x 1" x .060", Used with 1
11	409-7512	2	BOLT, Hex Flg, 5/16"-18 x 3/4", Serr,
12	441749A1	1	GUARD,
13	1308913C1	2	SUPPORT,
	231-5146	4	NUT, Flg, USR, 3/8"-16,
14	477-73108	3	SCREW, Slt'd Serr Truss Hd, 5/16"-18 x 1/2",
15	186697A1	1	SUPPORT, Upper
16	1308914C4	1	SUPPORT, LH, Straw Spreader
17	237965A1	1	SUPPORT, Front
18	477-73112	7	BOLT, Slotted Tr Hd, 5/16"-18 x 3/4",
19	231-5145	7	NUT, Flg, USR, 5/16"-18,
20	409-7516	1	BOLT, Hex Flg, 5/16"-18 x 1", Serr,
21	231-5145	2	NUT, Flg, USR, 5/16"-18,
22	477-73116	3	SCREW, Slt'd Serr Truss Hd, 5/16"-18 x 1",
23	495-11034	6	WASHER, 5/16", SAE,
24	231-5145	6	NUT, Flg, USR, 5/16"-18,
25	257526A2	1	BRACKET, Lower
26	182925A1	1	LOCK,
27	191030A1	1	STRIP,
28	140286A1	2	STRIP, Front, Straw and Chaff Spreader
29	140287A1	2	STRIP, Rear, Straw and Chaff Spreader
30	230413A2	1	GUARD, RH Rear
31	409-7512	2	BOLT, Hex Flg, 5/16"-18 x 3/4", Serr,
32	231-5145	2	NUT, Flg, USR, 5/16"-18,
36	187884C1	1	SEAL, 51 mm (2"), Cut from 187885C1
37	1321640C1	2	GROMMET,
38	140277A1	1	GUARD, Rubber

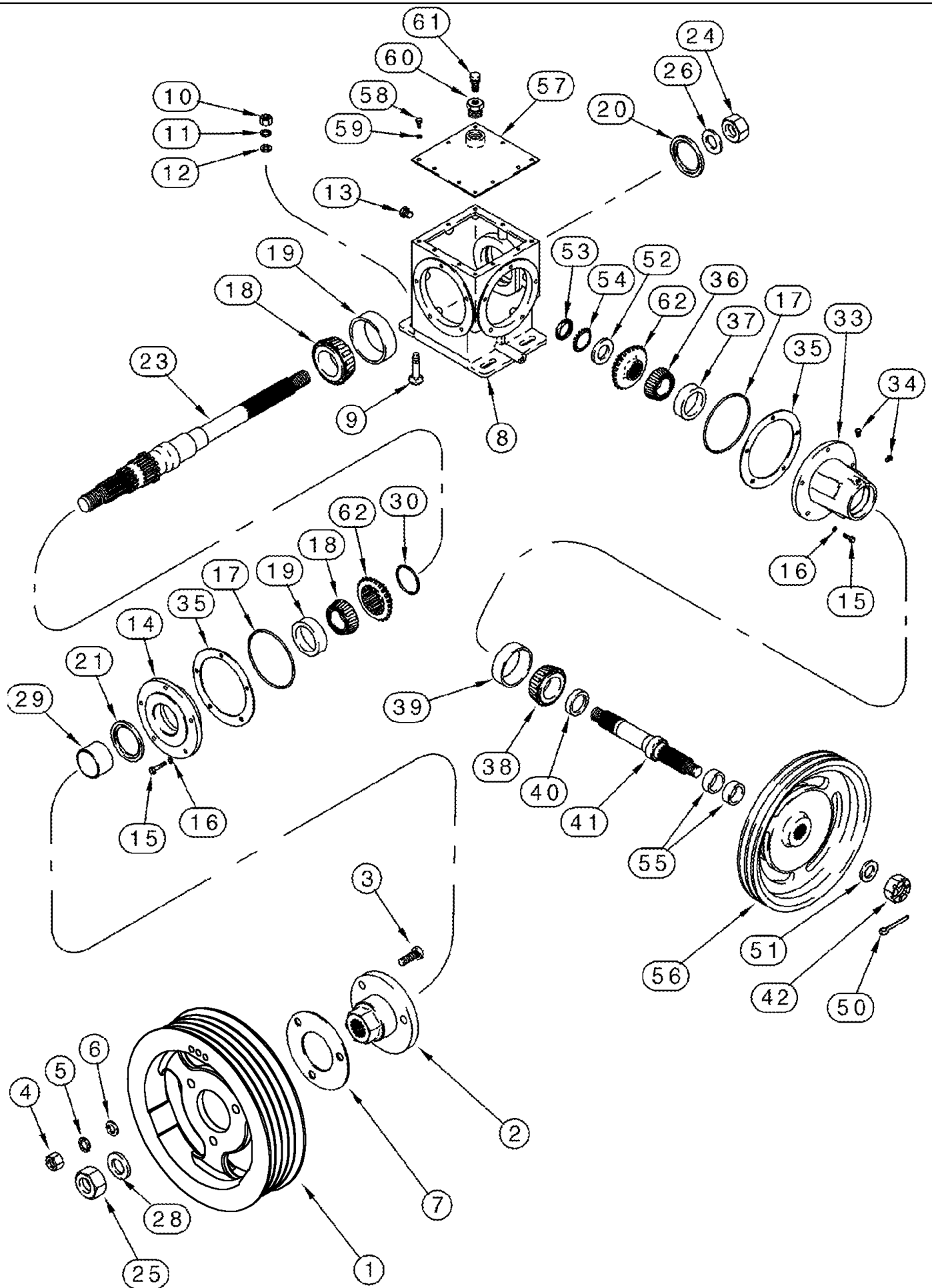
09F-04 STRAW CHOPPER - DRIVE



09F-04 STRAW CHOPPER - DRIVE

сылка	Номер детали	Кол-во	Описание
1	1315264C1	1	PULLEY, Drive, 7" OD, 14" OD
2	1315266C1	1	BELT, 110-3/4"
3	1315264C1	1	PULLEY, Driven, 7" OD, 14" OD
8	1302709C1	AR	SHIM,
9	1315251C1	1	SUPPORT, Includes 9A
9A	1315473C1	1	PIN,
10	413-616	4	BOLT, Hex, 3/8"-16 x 1", G5, Full Thd,
11	231-5146	4	NUT, Flg, USR, 3/8"-16,
12	495-81135	4	WASHER, 13/32" x 1" x .120",
13	1315249C92	1	LEVER, Includes 14
14	559154R1	2	BUSHING,
15	219-87	1	NIPPLE, LUBE, 1/4"-28 x .56" lg, Self-Tap,
16	495-11106	2	WASHER, 1", SAE,
17	432-1624	1	PIN, SPLIT (COTTER), 1/4" x 1 1/2",
18	1315248C1	1	TUBE,
19	432-1224	1	PIN, SPLIT (COTTER), 3/16" x 1 1/2",
20	436631A2	1	SUPPORT, RH
21	413-816	2	BOLT, Hex, 1/2"-13 x 1", G5, Full Thd,
21	413-820	2	BOLT, Hex, 1/2"-13 x 1 1/4", G5, Full Thd,
22	231-5148	4	NUT, Flg, USR, 1/2"-13,
23	1315259C1	1	BOLT,
24	87036416	1	SPACER, 3/4" Pipe x 1 1/16",
25	281058	1	BOLT, Hex, 1/2"-13 x 2", G8,
26	9803187	1	NUT, 1/2"-13, G8,
27	496-21053	1	WASHER, 17/32" x 1 1/16" x .134",
28	492-21050	1	WASHER, LOCK, 1/2",
29	1315260C1	1	CONNECTOR,
30	425-1012	1	NUT, 3/4"-10, G5,
31	1315256C1	1	ROD,
32	1315247C1	1	SPRING,
33	86837477	1	PIN, CLEVIS, 1/2" x 2 1/4",
34	432-816	1	PIN, SPLIT (COTTER), 1/8" x 1",
35	1315364C1	1	CHANNEL,
38	1345048C1	1	PULLEY,
39	496-41066	5	WASHER, 21/32" x 1 1/2" x .188", HDN,
40	413-1072	1	BOLT, Hex, 5/8"-11 x 4 1/2", G5,
41	496-41066	1	WASHER, 21/32" x 1 1/2" x .188", HDN,
42	231-41110	1	NUT, LOCK, 5/8"-11, GB,
46	409-7512	8	BOLT, Hex Flg, 5/16"-18 x 3/4", Serr,
47	231-5145	8	NUT, Flg, USR, 5/16"-18,
48	REF	1	INSTRUCTION, Shield, RH, See Figure 09H-06

09F-05 STRAW CHOPPER - HOUSING, GEAR



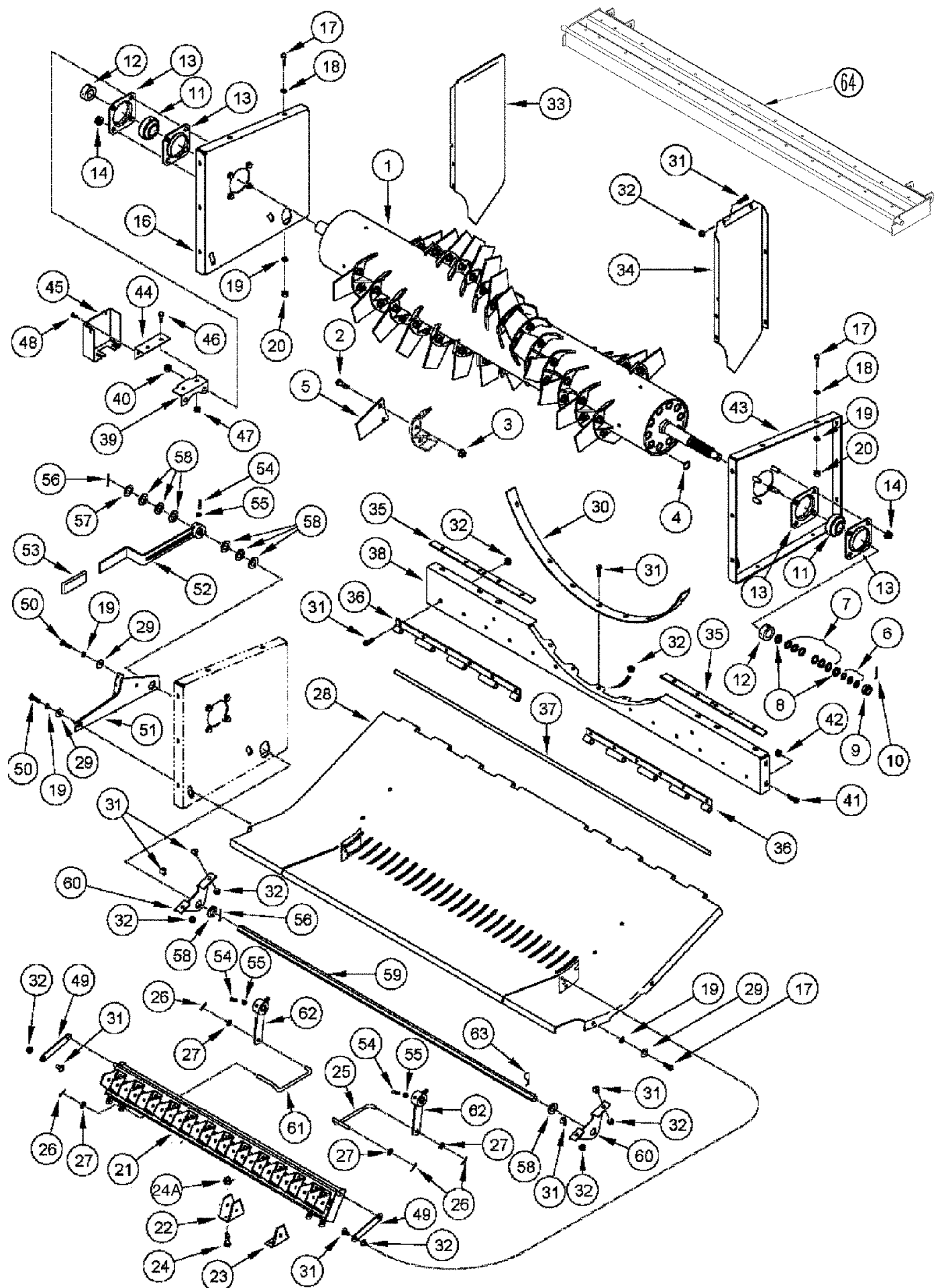
09F-05 STRAW CHOPPER - HOUSING, GEAR

сылка	Номер детали	Кол-во	Описание
	419764A1	1	GEARBOX, Includes 8, 13 - 23, 29 - 41, 52 - 54, 57 - 62
1	364320A2	1	PULLEY, Drive, 15 OD, 5 Groove Pulley
2	181211C1	1	HUB,
3	566206R2	3	BOLT,
4	429-1110	3	NUT, 5/8"-18, G8,
5	492-21062	3	WASHER, LOCK, 5/8",
6	496-41066	3	WASHER, 21/32" x 1 1/2" x .188", HDN,
7	181363C1	AR	SHIM, .06"
8	181278C1	1	HOUSING,
9	433-828	6	BOLT, CARRIAGE, Short NK, 1/2"-13 x 1 3/4", G5,
10	425-108	6	NUT, 1/2"-13, G5,
11	80679	6	WASHER, LOCK, 1/2",
12	496-41053	6	WASHER, 17/32" x 1 1/4" x 3/16",
13	86568834	2	PLUG, Hex Hd, 1/4"-18 NPTF,
14	181274C1	1	HUB,
15	413-620	10	BOLT, Hex, 3/8"-16 x 1 1/4", G5, Full Thd,
16	492-11038	10	WASHER, LOCK, 3/8",
17	238-5250	2	O-RING, -250, 70 Duro, 4.984" ID x .139" Thk,
18	298029R91	2	BEARING, CONE,
19	ST874A	2	BEARING, CUP,
20	181287C1	1	SEAL, Front
21	181288C1	1	SEAL, Rear
23	411043A1	1	SHAFT,
24	231-42116	1	NUT, LOCK, 1"-8, GB,
25	231-41120	1	NUT, LOCK, 1 1/4"-7, GB,
26	496-21106	1	WASHER, 1 1/16" x 2" x .209",
28	87301675	1	WASHER, 1 3/8" x 2 1/2" x 1/4", HDN,
29	181269C1	1	BUSHING,
	1315284C1	1	PACKAGE, Includes 30
30	181255C1	1	RING, SNAP, 2.59 mm (.102")
30	181256C1	1	SNAP RING, 2.67 mm (.105")
30	181257C1	1	SNAP RING, 2.74 mm (.108")
30	181258C1	1	SNAP RING, 2.82 mm (.111")
30	181259C1	1	SNAP RING, 2.89 mm (.114")
30	181260C1	1	SNAP RING, 2.97 mm (.117")
30	181261C1	1	SNAP RING, 3.05 mm (.120")
30	181262C1	1	SNAP RING, 3.12 mm (.123")
30	181263C1	1	SNAP RING, 3.20 mm (.126")
30	181264C1	1	SNAP RING, 3.28 mm (.129")
30	181265C1	1	SNAP RING, 3.35 mm (.132")
30	181266C1	1	SNAP RING, 3.43 mm (.135")
33	191245C2	1	HUB,
34	217-84	2	PLUG, Hex Hd, 1/8"-27, Brass,
	195484C2	1	KIT, SHIM, Includes 35
35	194548C1	4	SHIM, 0.005

09F-05 STRAW CHOPPER - HOUSING, GEAR

сылка	Номер детали	Кол-во	Описание
35	194549C1	4	SHIM, 0.007
35	194550C1	2	SHIM, 0.020
36	ST2071	1	BEARING, CONE,
37	17498D	1	BEARING, CUP,
38	618023R91	1	BEARING, CONE, 1-3/8" ID
39	618024R1	1	BEARING, CUP, 2-1/2" OD
40	192527C1	1	SEAL,
41	181195C1	1	SHAFT,
42	425-1314	1	NUT, SLOTTED, 7/8"-14, G5,
50	432-828	1	PIN, SPLIT (COTTER), 1/8" x 1 3/4",
51	496-21094	1	WASHER, 15/16" x 1 3/4" x .179", HDN,
52	396-11119	1	WASHER, 1 3/16" x 2 1/4" x .134", HDN,
53	54-2006	1	NUT, LOCK, Bearing, 1.1811" Bore, TN-06
54	55-2006	1	WASHER, LOCK, Type TW-106,
55	181156C2	2	SPACER,
56	1315264C1	1	PULLEY, Chopper Drive & Driven Dual, 7" OD, 14" OD
57	181281C1	1	COVER,
58	413-512	10	BOLT, Hex, 5/16"-18 x 3/4", G5, Full Thd,
59	492-11031	10	WASHER, LOCK, 5/16",
60	217-46	1	REDUCER, 3/4"-14 NPTF x 3/8"-18 Fem NPTF,
61	219-436	1	BREATHER, 3/8"-18 NPT, Short, w/washer,
	188814C1	1	GEAR, BEVEL, Cut Bevel, If Used, Includes 62
62	181280C1	1	GEAR, BEVEL, 23T
62	181279C1	1	GEAR, BEVEL, 24T
	243333A1	1	GEAR, BEVEL, Forged, If Used, Includes 62
62	NSS	1	NOT SERVICED SEPARATELY, Gear
62	NSS	1	NOT SERVICED SEPARATELY, Gear

09F-06 STRAW CHOPPER - ROTOR AND CONCAVE



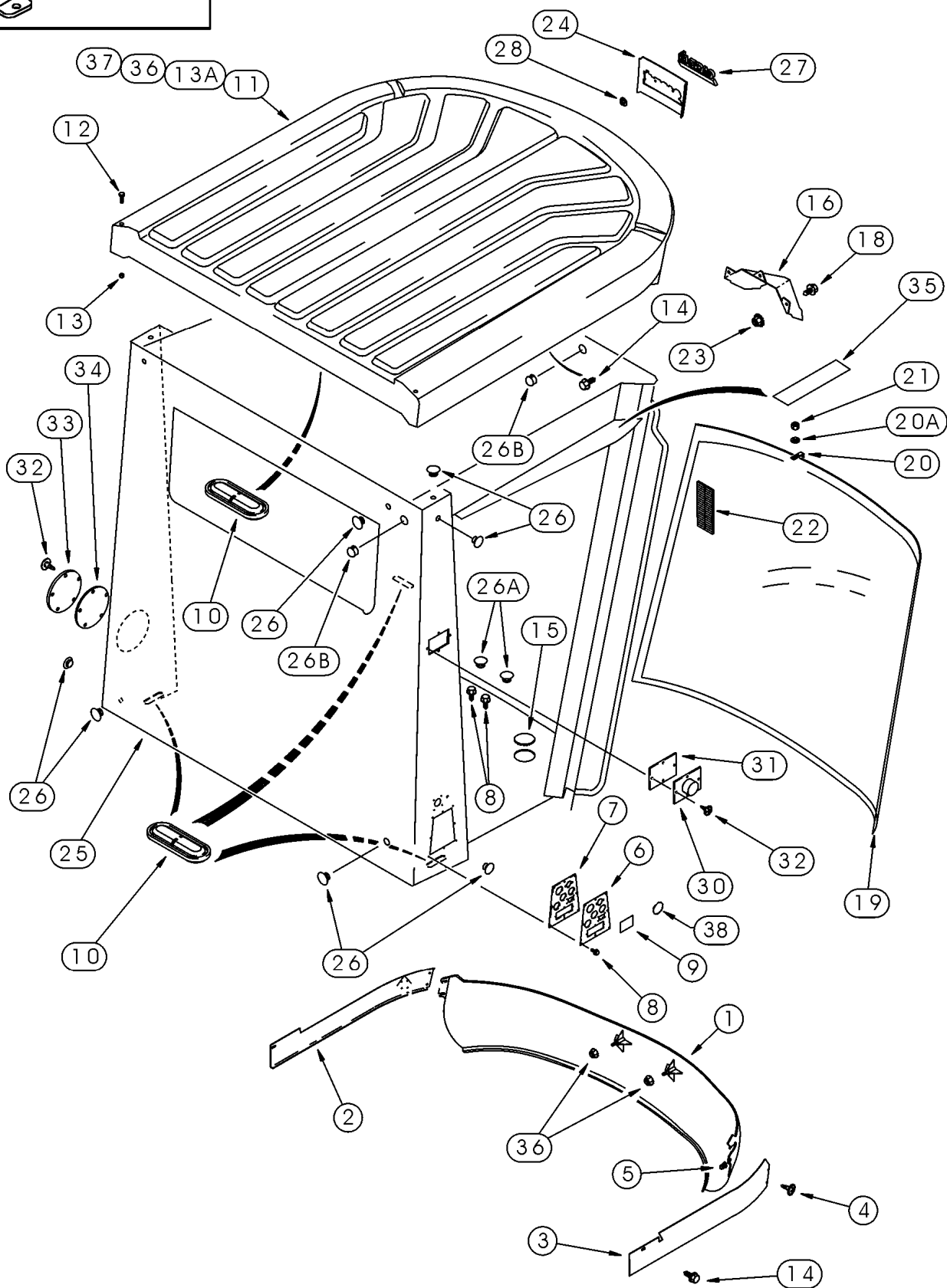
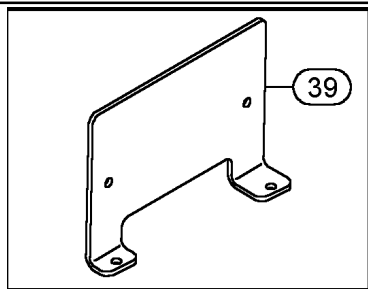
09F-06 STRAW CHOPPER - ROTOR AND CONCAVE

сылка	Номер детали	Кол-во	Описание
1	410004A1	1	ROTOR, Includes 2 - 5, 9
2	413-816	56	BOLT, Hex, 1/2"-13 x 1", G5, Full Thd,
3	231-5148	56	NUT, Flg, USR, 1/2"-13,
4	1346984C1	18	PLUG,
5	442832A1	1	SET OF BLADES, Chopper Rotor, Set of 2 Includes Hardware
6	495-81063	2	WASHER, 29/32" x 2" x .179",
6	495-81062	1	WASHER, 29/32" x 2" x .120",
7	495-81211	6	WASHER, 1 11/32" x 2" x .120",
8	294604A1	1	SPACER,
9	425-1314	2	NUT, SLOTTED, 7/8"-14, G5,
10	432-828	1	PIN, SPLIT (COTTER), 1/8" x 1 3/4",
11	455111R91	2	BEARING, BALL,
12	87313329	2	COLLAR,
13	1307583C1	4	FLANGE, If Used
13	663562R1	4	FLANGE, If Used
14	231-5148	12	NUT, Flg, USR, 1/2"-13,
16	144700A2	1	SUPPORT, LH
17	413-616	7	BOLT, Hex, 3/8"-16 x 1", G5, Full Thd,
17	413-620	1	BOLT, Hex, 3/8"-16 x 1 1/4", G5, Full Thd,
17	9706726	8	BOLT, Hex Flg, 3/8"-16 x 1", Serr,
18	495-11041	16	WASHER, 3/8", SAE,
19	492-11038	20	WASHER, LOCK, 3/8",
20	425-106	8	NUT, 3/8"-16, G5,
20	231-5146	8	NUT, Flg, USR, 3/8"-16,
21	87323280	1	PACKAGE, Includes 22 - 24A
22	87315088	12	BLADE,
23	87315089	1	BLADE, Concave End
24	412-412	26	BOLT, CARRIAGE, Short NK, 1/4"-20 x 3/4", G2,
24A	231-5344	26	NUT, LOCK, Flg, 1/4"-20,
25	395513A1	1	ROD, RH
26	432-812	4	PIN, SPLIT (COTTER), 1/8" x 3/4",
27	495-11041	4	WASHER, 3/8", SAE,
28	181147C4	1	BOTTOM,
29	496-41041	4	WASHER, 13/32" x 1 1/8" x .134",
30	182950C1	1	SUPPORT, Rear
31	477-73812	27	SCREW, Sltd Serr Truss Hd, 3/8" x 3/4",
32	231-5146	27	NUT, Flg, USR, 3/8"-16,
33	182948C2	1	DEFLECTOR, LH
34	182949C2	1	DEFLECTOR, RH
35	182895C1	2	FILLER,
36	182893C1	2	HINGE,
37	182980C1	1	ROD,
38	182931C1	1	SUPPORT, Rear
39	144706A4	1	SUPPORT,
40	425-148	2	NUT, Jam, 1/2"-13, G5,

09F-06 STRAW CHOPPER - ROTOR AND CONCAVE

сылка	Номер детали	Кол-во	Описание
41	477-73812	14	SCREW, Sltd Serr Truss Hd, 3/8" x 3/4",
42	231-5146	14	NUT, Flg, USR, 3/8"-16,
43	144701A1	1	PLATE, SIDE, Rotor, RH
44	248583A1	1	SUPPORT, Sensor, Outer, Australia Only
45	181208C3	1	SUPPORT, Sensor, Australia Only
46	477-82508	2	SCREW, Sltd Serr Truss Hd, 1/4"-20 x 1/2", Australia Only
47	425-104	2	NUT, 1/4"-20, G5, Australia Only
48	280-1478	2	SCREW, SELF TAP, Hex Wash Hd, 1/4" x 1/2", Australia Only
49	391218A1	2	STRAP,
50	409-7620	2	BOLT, Hex Flg, 3/8"-16 x 1 1/4", Serr,
51	396337A1	1	PLATE,
52	396277A1	1	SHAFT,
53	402987A1	1	GRIP,
54	485-13116	6	SET SCREW, Sq Hd, 5/16"-18 x 1",
55	425-105	6	NUT, 5/16"-18, G5,
56	432-820	2	PIN, SPLIT (COTTER), 1/8" x 1 1/4",
57	495-81056	AR	WASHER, 29/32" x 1 1/2" x .060",
58	495-81057	AR	WASHER, 29/32" x 1 1/2" x .120",
59	391221A1	1	SHAFT,
60	391229A1	2	SUPPORT,
61	391222A1	1	ROD, LH
62	391230A1	2	PIVOT,
63	480523R1	1	SPLIT PIN/SAFETY PIN,
64	418493A1	1	BAR, Chopper Concave

09G-01 CAB - FRAME AND WINDSHIELD



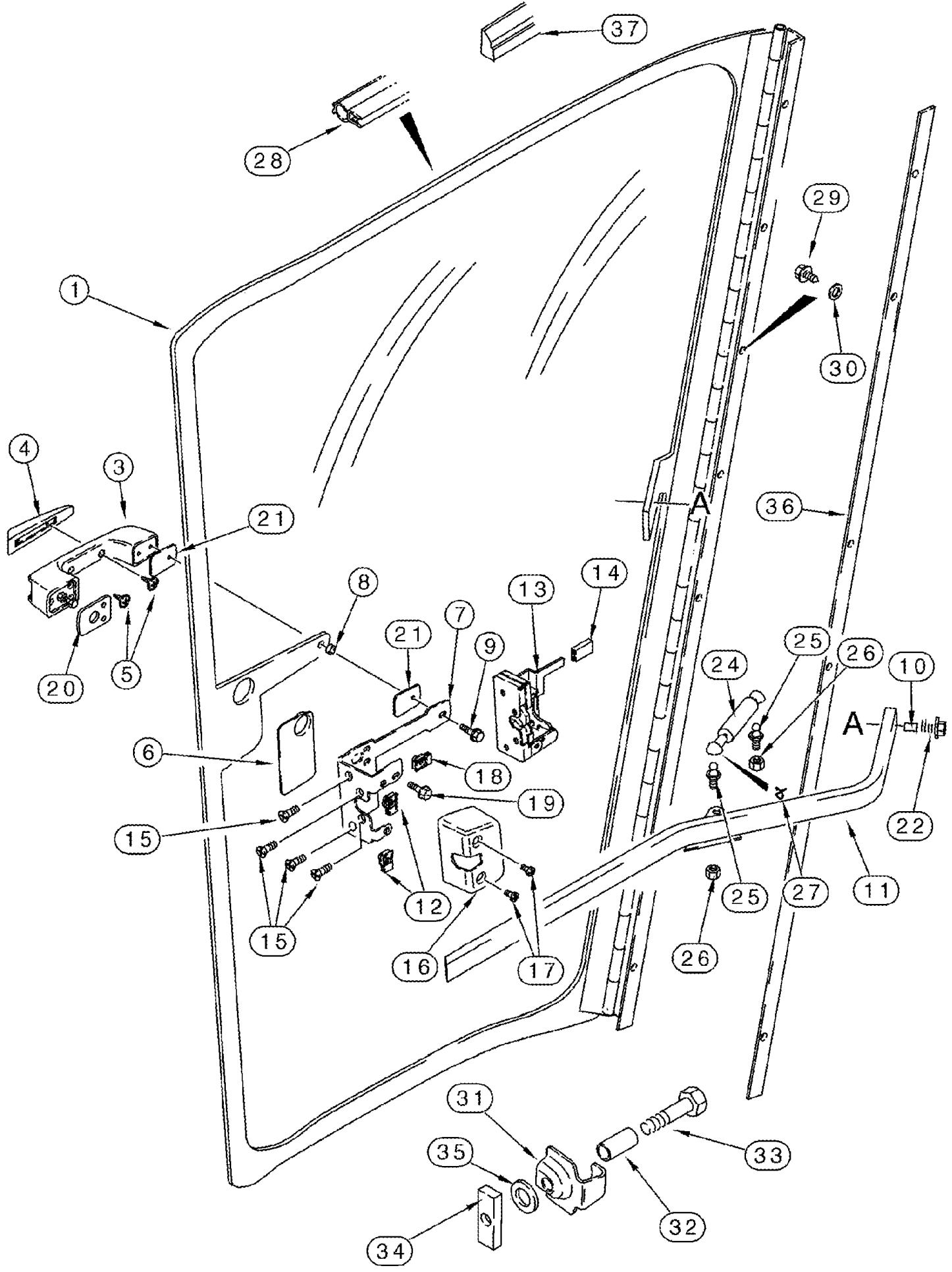
09G-01 CAB - FRAME AND WINDSHIELD

сылка	Номер детали	Кол-во	Описание
1	387393A1	1	CAB, ROPS
1	120140A2	1	COVER, Cab, Front
2	139597A2	1	COVER, Cab, LH
3	139598A3	1	COVER, Cab, RH
4	260-16516	6	SCREW, SELF TAP, Cross Pan Hd, #10 x 1",
5	60-6708T1	4	NUT, SPECIAL,
6	275196A2	1	PLATE, Includes 9, 38, Note: Power Positive Cable Connector Kit, 311906A1, Mounts Behind Ref. 6 and 7. See Figure 04-10
7	275195A2	1	GASKET, , Note: Power Positive Cable Connector Kit, 311906A1, Mounts Behind Ref. 6 and 7. See Figure 04-10
8	191216A1	8	SCREW, SELF TAP, Hex Wash Hd, #10-24 x 5/8",
9	282857A1	1	DECAL, Connector Cover
10	137293A1	4	PLUG,
11	122819A2	1	ROOF, Includes 12, 13
12	614-8040	4	BOLT, Hex, M8 x 40, 8.8, Full Thd,
13	230484A1	4	NUT, M8 - 1.25
13A	131-648	16	NUT, Tinn, U, #10-24,
14	191216A1	7	SCREW, SELF TAP, Hex Wash Hd, #10-24 x 5/8",
15	353-593	4	PLUG, 2-1/2" ID
16	141758A3	1	COVER,
17	1987144C1	1	DECAL, Axial-Flow, Not Illustrated, See Figure 09H-18, Ref. 16
18	413-416	3	BOLT, Hex, 1/4"-20 x 1", G5,
19	116809A5	1	WINDSHIELD,
20	117707A3	4	CLAMP,
20A	495-11041	6	WASHER, 3/8", SAE,
21	825-5148	4	NUT, M8, Flg Ser,
21	829-1408	4	NUT, M8, CI 10,
22	97268C1	16	SPACER,
23	425-104	3	NUT, 1/4"-20, G5,
24	232846A2	1	COVER,
25	320444A3	1	FRAME ASSY, , BSN HAJ0295001
25	87316988	1	FRAME, CAB, , ASN HAJ0295001
26	353-402	10	PLUG, Dome, .375" hole, Nylon, Exterior Trim
26A	353-400	2-4	PLUG, Dome, .250" hole, Nylon, Cab Exterior
26B	353-411	2	PLUG, Dome, 1.000" hole, Nylon, Antenna Hole
27	238638A1	1	EMBLEM, AFS, If Used, See Figure 09H-18, Ref. 13A
27	186882A1	1	EMBLEM CASE/IH, Case IH, If Used, See Figure 09H-18, Ref. 8
28	131-431	2	NUT, LOCK, Self, Threading, 1/4",
30	246752A1	1	PLATE, RH, For Attaching Parts, See Figure 09G-15, Ref. 12
31	247058A1	1	GASKET,
32	191216A1	4	SCREW, SELF TAP, Hex Wash Hd, #10-24 x 5/8",
33	246753A1	1	PLATE, LH
34	252676A1	1	GASKET,
35	251548A1	3	TAPE, ADHESIVE, 63.5 mm (2-1/2"), Cut from 251550A1
35	251549A1	1	TAPE, ADHESIVE, 160 mm (6-1/4"), Cut from 251550A1

09G-01 CAB - FRAME AND WINDSHIELD

сылка	Номер детали	Кол-во	Описание
36	825-5148	6	NUT, M8, Flg Ser,
37	495-81135	2	WASHER, 13/32" x 1" x .120",
38	282855A1	3	DECAL, Connector Cover, See Figure 09H-23, Ref. 17
39	320451A1	1	BRACKET, Weldment, Display Mounting

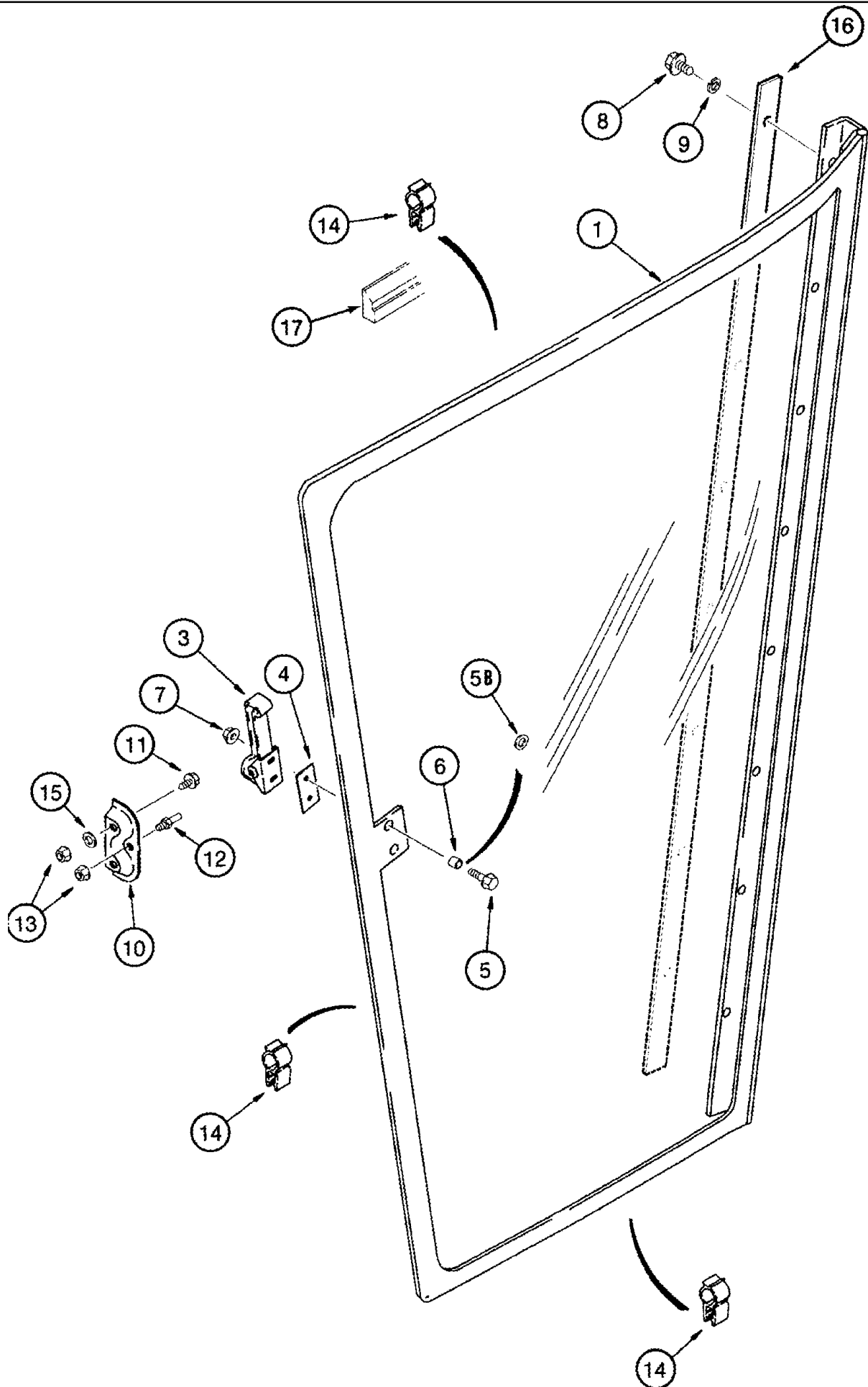
09G-02 CAB - DOOR ASSY, LEFT HAND



09G-02 CAB - DOOR ASSY, LEFT HAND

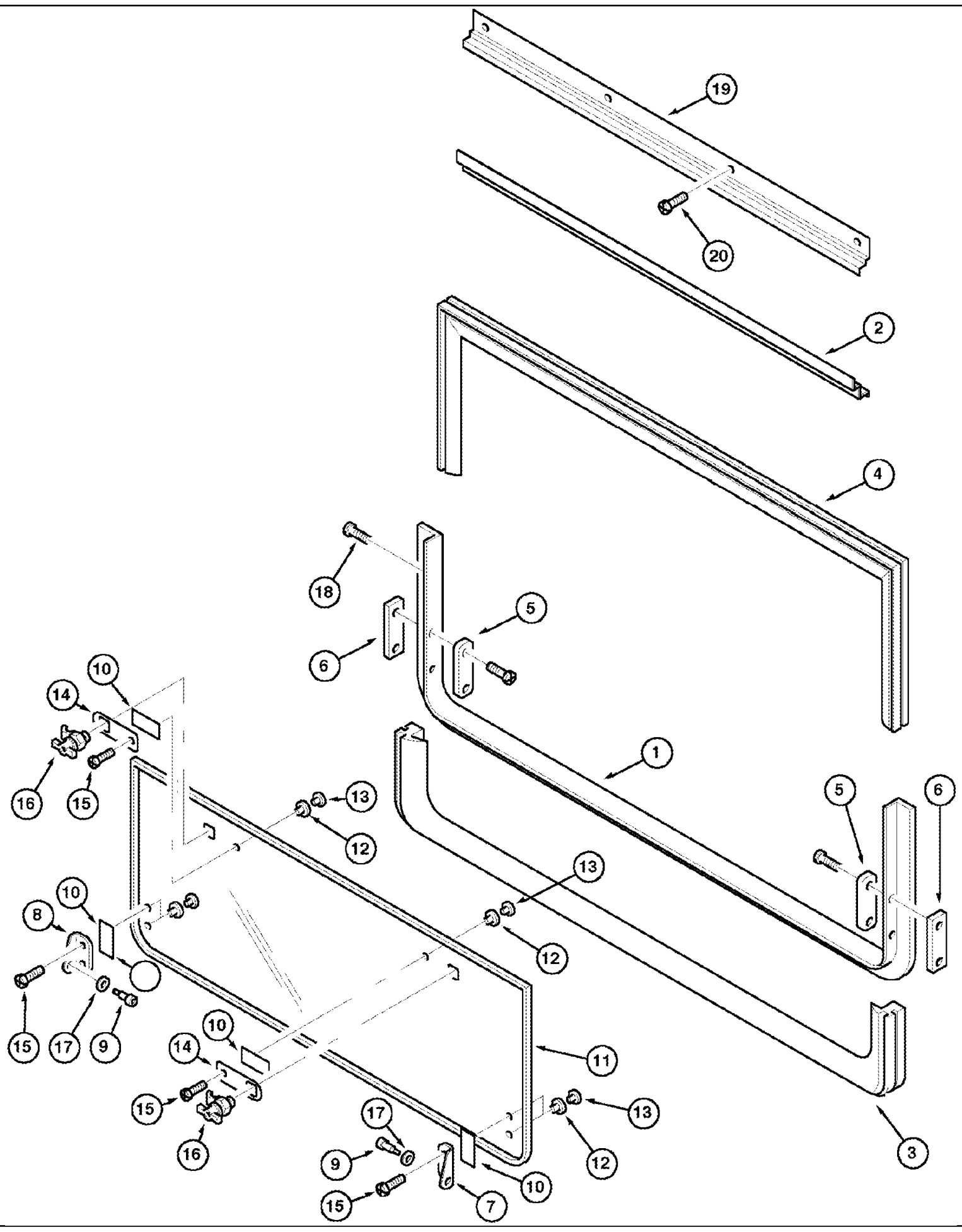
сылка	Номер детали	Кол-во	Описание
	259688A2	1	DOOR, LH, Includes 1 - 22
1	NSS	1	NOT SERVICED SEPARATELY, Door, Includes Hinge
3	117711A1	1	HANDLE,
4	176022A2	1	BUMPER,
5	177092A1	2	SCREW, SELF TAP,
6	123946A2	1	GASKET,
7	123937A2	1	SUPPORT,
8	109171C1	1	BUSHING,
9	303888A1	3	SCREW,
10	175578C1	1	INSULATOR,
11	195649A1	1	HANDLE,
12	564791R1	2	NUT, 1/4"
13	117714A1	1	LATCH,
14	60-6423T1	1	CAP,
15	443-12512	4	SCREW, Cross Flat Hd, 1/4"-20 x 3/4",
16	127498A2	1	COVER,
17	140-111	2	SCREW, Cross Pan Hd, 1/4"-20 x 1/2",
18	131-610	1	NUT, U, Ret, 1/4"-20,
19	458-48	1	BOLT, Hex Flg, 1/4"-20 x 1/2", G5, Full Thd,
20	194174A1	1	GASKET, Large
21	194175A1	2	GASKET, Small
22	458-416	1	BOLT, Hex Flg, 1/4"-20 x 1", G5, Full Thd,
24	144006A1	1	CYLINDER,
25	1340345C1	2	PIN, BALL, Includes 230-4215 Nut
26	231-1445	2	NUT, LOCK, 5/16"-18, GB,
27	F44883	2	CLIP,
28	234089A1	1	DOOR SEAL, 4483 mm (176-1/2"), Door
29	281-53510	16	SCREW, SELF TAP, Hex Wash Hd, #10 x 5/8",
30	495-31022	16	WASHER, #10,
31	117716A1	1	PROTECTOR,
32	117717A2	1	SPACER,
33	814-12060	1	BOLT, Hex, M12 x 60, 8.8,
34	117718A1	1	PLATE,
35	496-41053	AR	WASHER, 17/32" x 1 1/4" x 3/16",
36	193316A1	1	SHIM,
37	232801A1	1	GASKET, 1016 mm (40"), Door
38	613-8020	2	BOLT, Hex, M8 x 20, 8.8, Full Thd, Not Illustrated

09G-03 CAB - DOOR ASSY, RIGHT HAND



09G-03 CAB - DOOR ASSY, RIGHT HAND

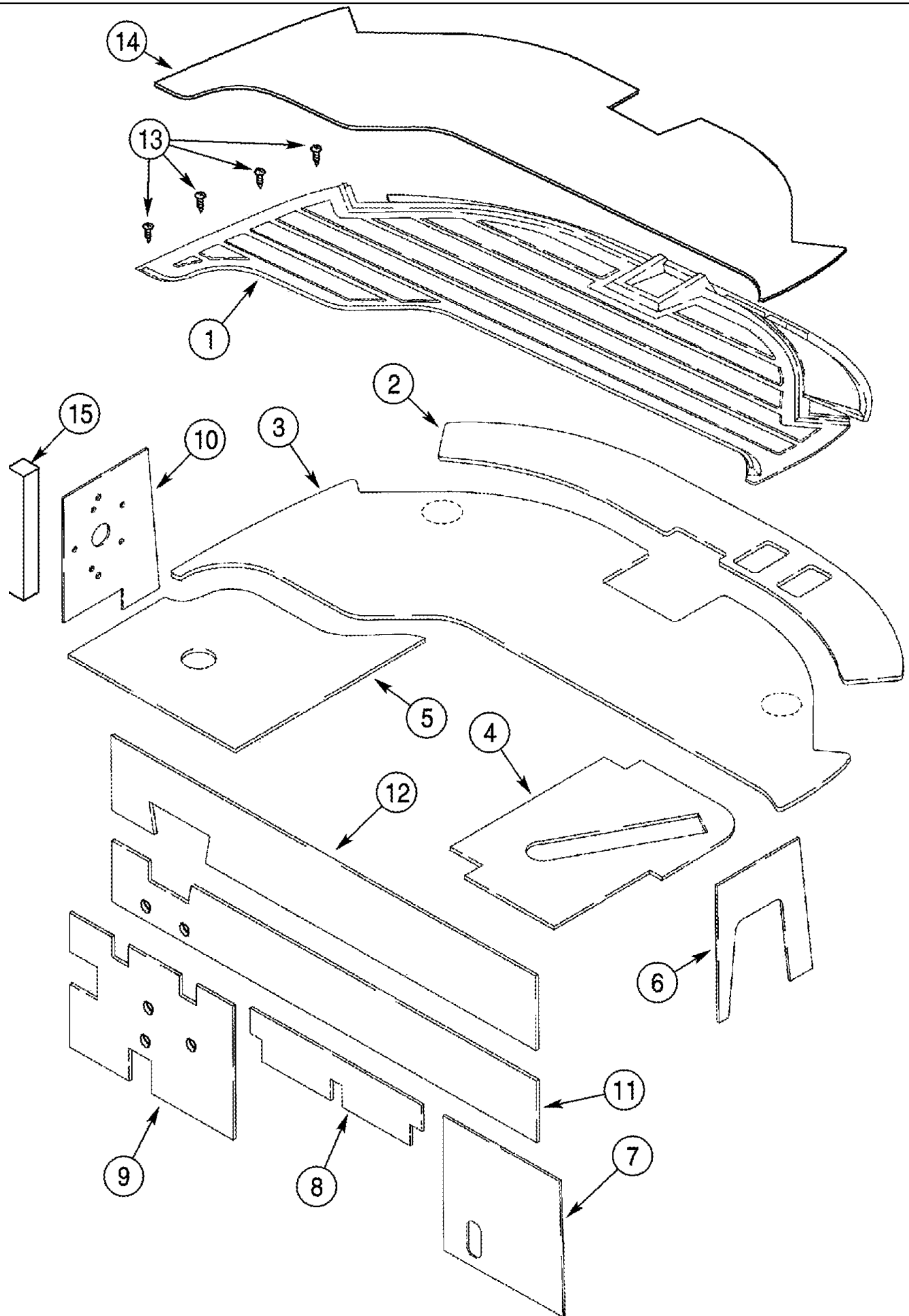
сылка	Номер детали	Кол-во	Описание
1	186390A2	1	DOOR, RH
3	1955184C1	1	LEVER,
4	194190A2	1	GASKET,
5	97006C1	2	BOLT, M6 x 20
5A	225913A1	2	WASHER,
6	109171C1	2	BUSHING,
7	97005C1	2	NUT, M6
8	117067A1	8	SCREW, SELF TAP, Cross Pan Hd, #10-24 x 3/4",
9	492-11010	8	WASHER, LOCK, #10,
10	117723A2	1	SUPPORT,
11	613-8020	2	BOLT, Hex, M8 x 20, 8.8, Full Thd,
12	117724A1	1	PIN, Door Catch
13	825-5148	3	NUT, M8, Flg Ser,
14	234089A1	1	DOOR SEAL, 4483 mm (176-1/2"), Door
15	495-21038	2	WASHER, 5/16",
16	193316A1	1	SHIM,
17	232801A1	1	GASKET, 1016 mm (40"), Door



09G-04 CAB - WINDOW, REAR - OPENABLE

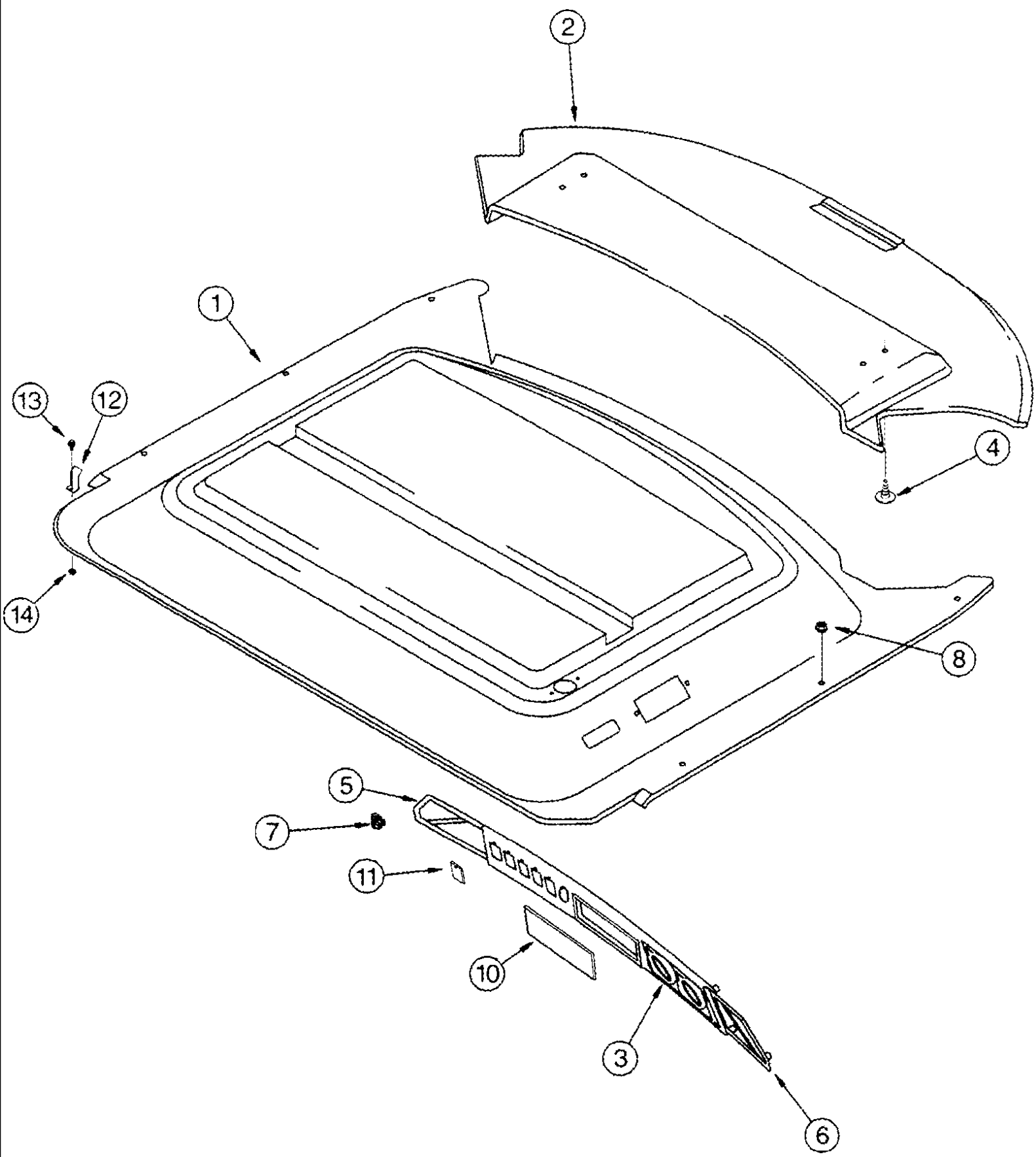
сылка	Номер детали	Кол-во	Описание
	247703A1	1	GLASS, Openable, Includes 1 - 18
1	247904A1	1	FRAME, WINDOW, Lower
2	247903A1	1	FRAME, WINDOW, Upper
3	246010A1	1	SEAL, Lower Frame
4	246009A1	1	SEAL, Upper Frame
5	248379A1	2	PLATE, Hinge, Inner
6	248377A1	2	PLATE, Hinge, Outer
7	248380A1	1	HINGE, RH
8	248381A1	1	HINGE, LH
9	248410A1	2	SCREW, 5/16"
10	249363A1	4	ADHESIVE STRIP, 40 mm, Cut from 248383A1
11	248375A1	1	GLASS,
12	248385A1	6	BUSHING,
13	248384A1	6	NUT,
14	248376A1	2	PLATE,
15	249009A1	8	SCREW, SELF TAP, Cross Pan Hd, #8-32 x 3/8",
16	249364A1	2	LOCK,
17	249684A1	2	WASHER, Plastic
18	260-14416	4	SCREW, SELF TAP, Cross Pan Hd, #8 x 1",
19	253771A1	1	SUPPORT,
20	191216A1	AR	SCREW, SELF TAP, Hex Wash Hd, #10-24 x 5/8",
21	231-51409	4	NUT, Flg, USR, #10-24, Not Illustrated

09G-05 CAB - FLOOR MAT AND INSULATION



09G-05 CAB - FLOOR MAT AND INSULATION

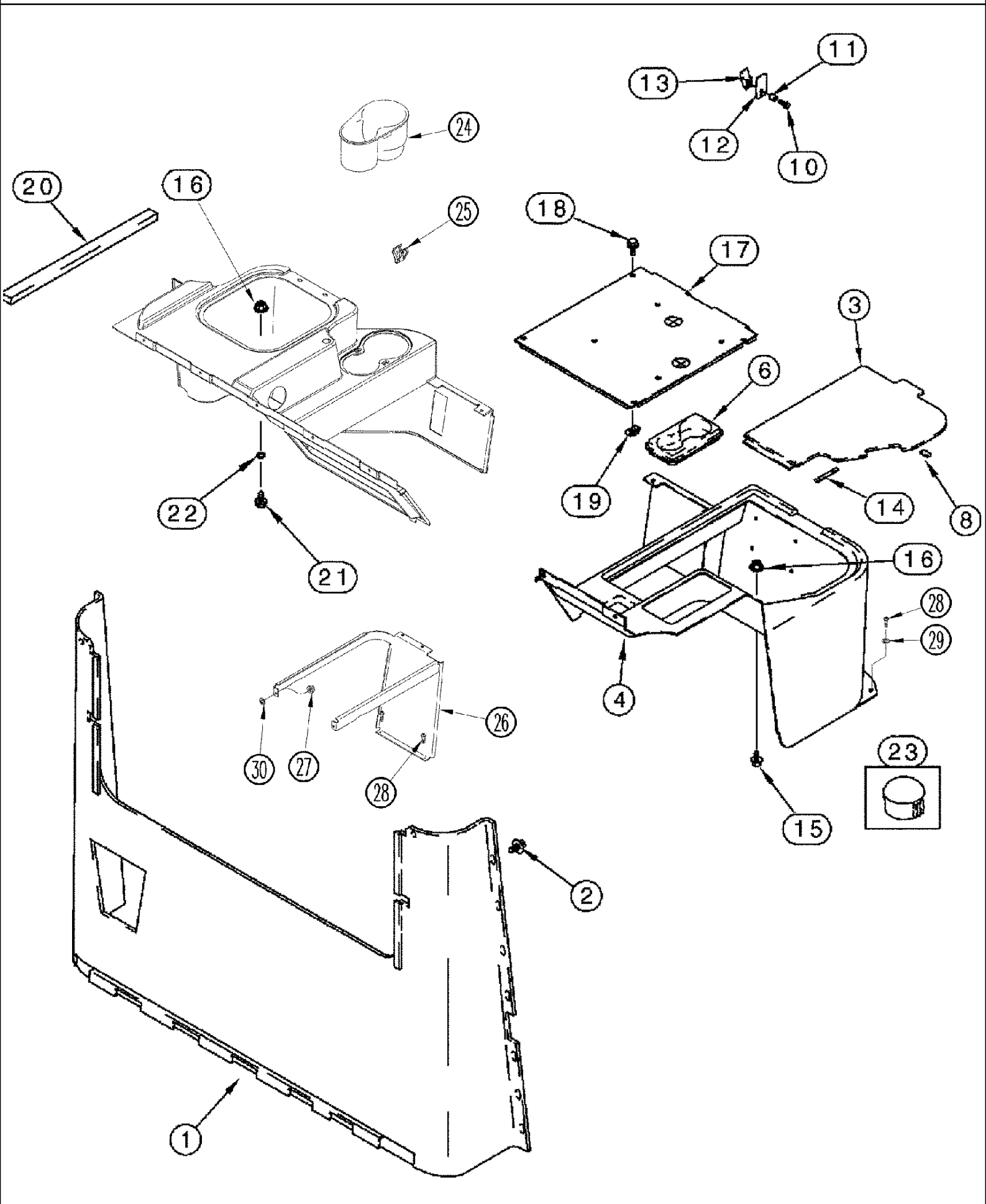
сылка	Номер детали	Кол-во	Описание
1	132228A1	1	MAT, Cab
2	136485A1	1	MAT, Floor, Front
3	136484A1	1	MAT, Floor
4	125038A1	1	INSULATION, FOAM, Floor, RH Rear
5	125037A2	1	INSULATION, FOAM, Floor, LH Rear
6	247007A1	1	INSULATION, FOAM, Lower RH
7	125040A2	1	INSULATION, FOAM, Lower RH Rear
8	119486A1	1	INSULATION, FOAM, Lower Rear Center
9	125041A3	1	INSULATION, FOAM, Lower LH Rear
10	125042A2	1	GASKET,
11	137944A2	1	INSULATION, FOAM, Center Rear
12	137945A1	1	INSULATION, FOAM, Upper Rear
13	266-53516	4	SCREW, SELF TAP, Cross Oval Hd, #10 x 1",
14	182658A1	1	CARPET,
15	192269A1	2	FOAM, 500 mm (19-5/8"), Cut from 1971350C1



09G-06 CAB - HEADLINER

сылка	Номер детали	Кол-во	Описание
1	121570A8	1	LINING, ROOF, Rear
2	121815A3	1	LINING, ROOF, Front
3	371552A1	1	PANEL, , BSN HAJ0295001
3	87309490	1	PANEL, , ASN HAJ0295001
4	260-16524	12	SCREW, SELF TAP, Cross Pan Hd, #10 x 1 1/2",
5	1971229C2	1	COVER, LH
6	1971349C2	1	COVER, RH
7	97058C1	4	CLIP,
8	825-2406	6	NUT, M6 x 1, Flg, Cl 8,
10	1535219C1	1	COVER, , Used on models without a radio
11	245918C1	AR	CAP,
12	116812A1	2	CLIP,
13	281-53510	2	SCREW, SELF TAP, Hex Wash Hd, #10 x 5/8",
14	231-51409	2	NUT, Flg, USR, #10-24,

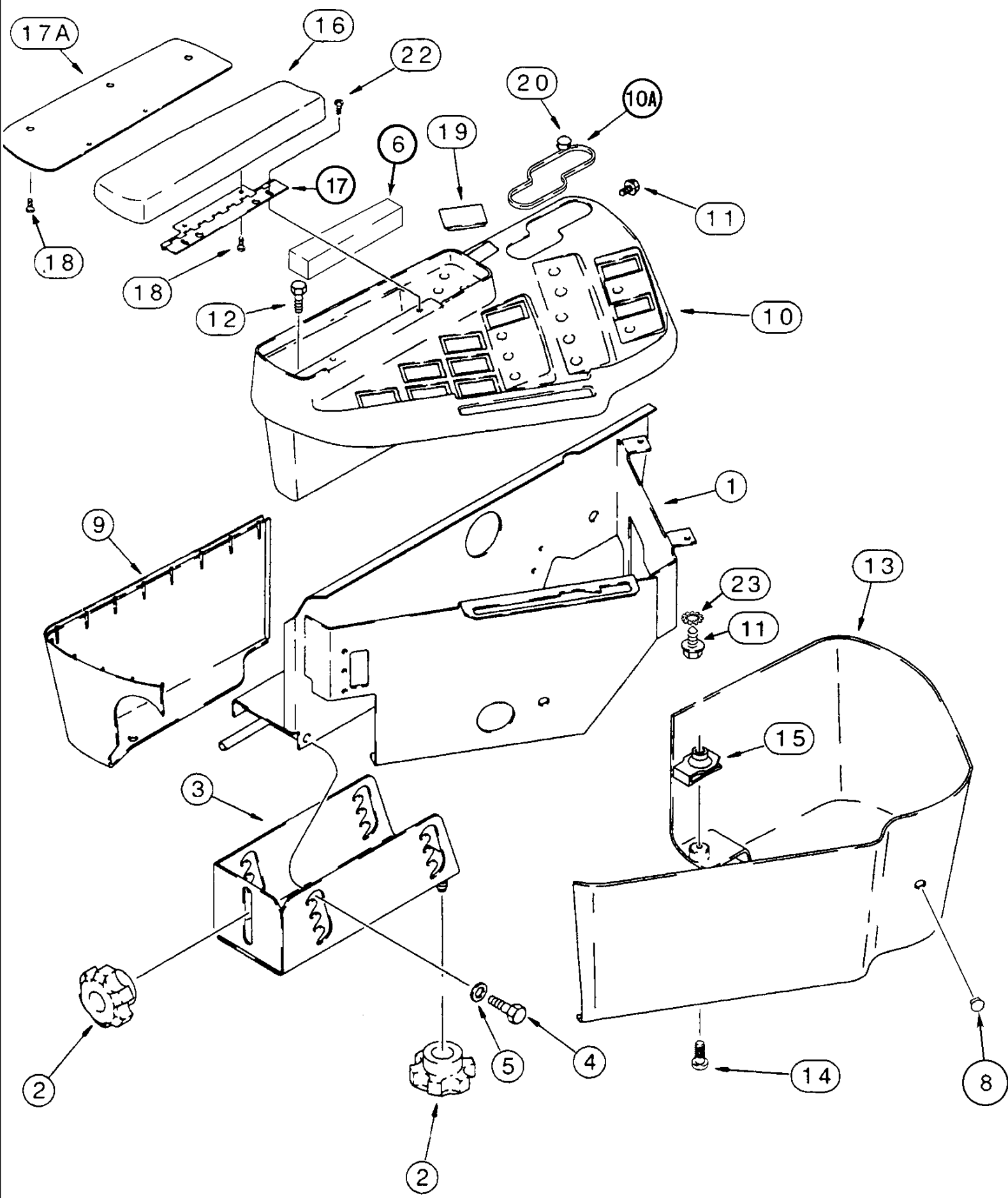
09G-07 CAB - INTERIOR



09G-07 CAB - INTERIOR

сылка	Номер детали	Кол-во	Описание
	224515A1	1	PANEL, Rear Trim, Includes 1, 2
1	NSS	1	NOT SERVICED SEPARATELY, Panel
2	121064A1	14	CLASP,
3	401090A1	1	COVER, Fuse Access
4	401088A1	1	COVER, Pedestal, RH
5	401089A1	1	COVER, Pedestal, LH
6	1344244C1	1	TRAY, Utility
8	121067A1	4	FASTENER, 1 x 12, Cut from 121068A1 Velcro
10	276-13520	1	SCREW, SELF TAP, Hex Hd, #10 x 1 1/4",
11	2-3010T1	1	SPACER,
12	60-6520T1	1	PLATE,
13	3234176R1	1	COAT HOOK,
14	1990258C1	2	GASKET, 80 mm (3-5/32"), Cut from 187874C1
15	191216A1	13	SCREW, SELF TAP, Hex Wash Hd, #10-24 x 5/8",
16	231-51409	23	NUT, Flg, USR, #10-24,
17	NSS	1	NOT SERVICED SEPARATELY, Support
18	458-512	4	BOLT, Hex Flg, 5/16"-18 x 3/4", G5, Full Thd,
19	786618C1	4	NUT, 5/16"
20	192269A1	1	FOAM, 500 mm (19-5/8"), Cut from 1971350C1
21	117067A1	12	SCREW, SELF TAP, Cross Pan Hd, #10-24 x 3/4",
22	492-11010	12	WASHER, LOCK, #10,
23	353-411	1	PLUG, Dome, 1.000" hole, Nylon,
23	353-410	1	PLUG, Dome, .875" hole, Nylon,
24	401091A1	1	HOLDER, Cup
25	278316A2	2	CLIP,
26	398456A1	1	SUPPORT, Pedestal, LH
27	825-5146	2	NUT, M6, Flg Ser,
28	191216A1	13	SCREW, SELF TAP, Hex Wash Hd, #10-24 x 5/8",
29	495-31022	11	WASHER, #10,
30	195-81026	2	WASHER, .266" x 13/16" x .079",

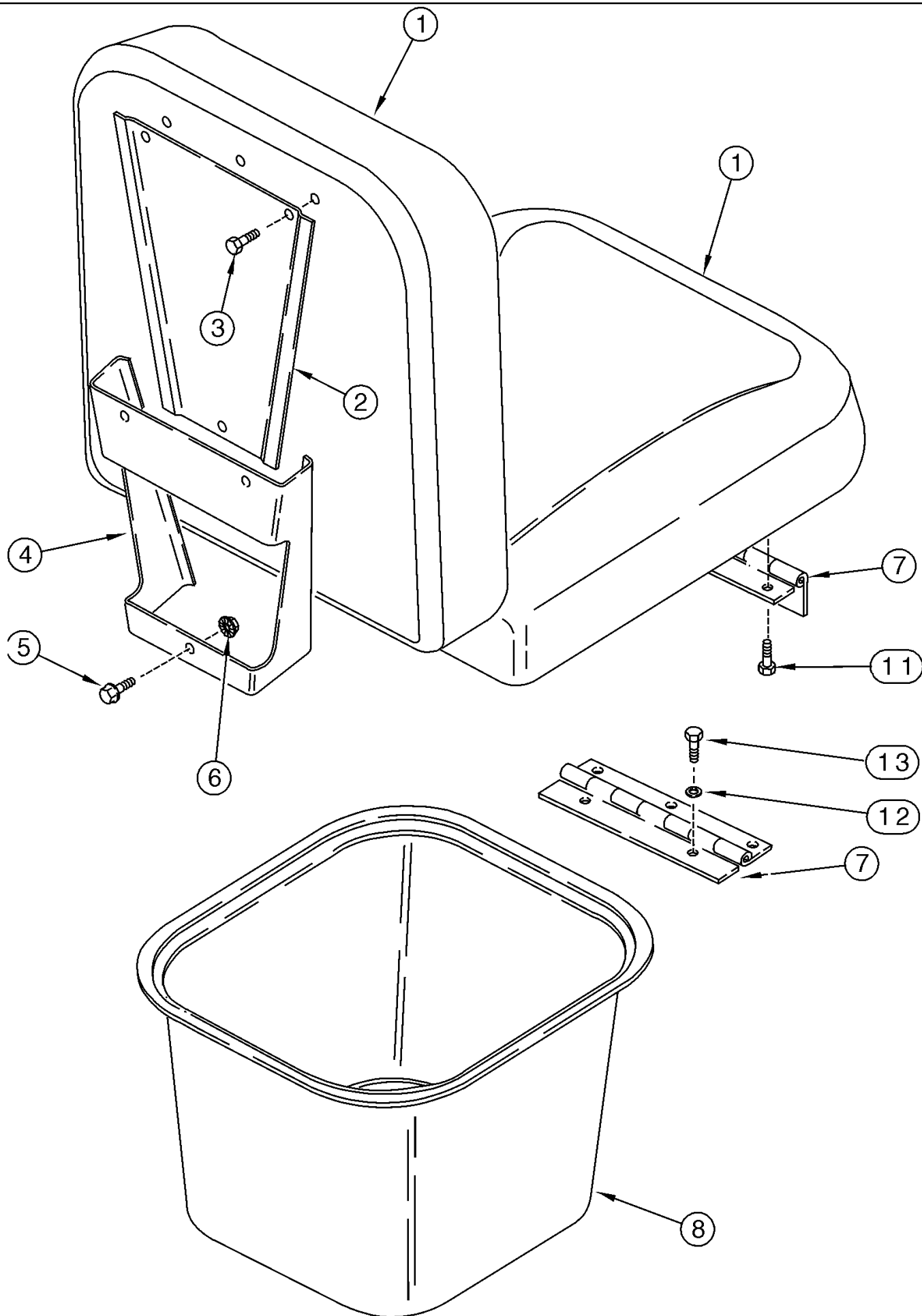
09G-08 CAB - CONSOLE, RIGHT HAND



09G-08 CAB - CONSOLE, RIGHT HAND

сылка	Номер детали	Кол-во	Описание
1	117580A6	1	CONSOLE, Frame (Shown), BSN HAJ0295001
1	345286A1	1	FRAME ASSY, Frame (Not Shown), ASN HAJ0295001
2	118781A1	3	KNOB,
3	117107A2	1	SUPPORT,
4	814-8035	4	BOLT, Hex, M8 x 35, 8.8,
5	895-15008	4	WASHER, M8 x 20 x 1.6,
6	251495A1	AR	FOAM, No Longer Used
7	282056A1	1	PLUG, If Used, Not Illustrated, Without Accumulator
8	353-411	1	PLUG, Dome, 1.000" hole, Nylon,
9	130412A1	1	COVER, Rear
10	144114A4	1	CONSOLE, RH, Includes 10A, Includes Decals (Shown), BSN HAJ0295001
10	87313015	1	CONSOLE, RH, Includes 10A, Includes Decals (Not Shown), ASN HAJ0295001
10A	128833A2	1	GUIDE,
11	841-4410	2	SCREW, Hex Wash Hd, M4 x 10,
12	614-6030	1	BOLT, Hex, M6 x 30, 8.8, Full Thd,
13	118321A2	1	SKIRT, Front
14	440-1106	4	SCREW, Cross Pan Hd, #10-24 x 3/8",
15	131-861	4	NUT, Tinn, U, #10-24,
	128970A3	1	ARMREST, Includes 16 - 18
16	NSS	1	NOT SERVICED SEPARATELY, Support
17	128849A2	1	HINGE,
17A	185546A1	1	PLATE,
18	185544A1	5	SCREW,
19	245918C1	AR	CAP, Rocker Switch Opening
20	353-402	AR	PLUG, Dome, .375" hole, Nylon, Switch Opening
22	841-4410	2	SCREW, Hex Wash Hd, M4 x 10,
23	493-81000	2	WASHER, LOCK, Ext-Int Tooth, #10,

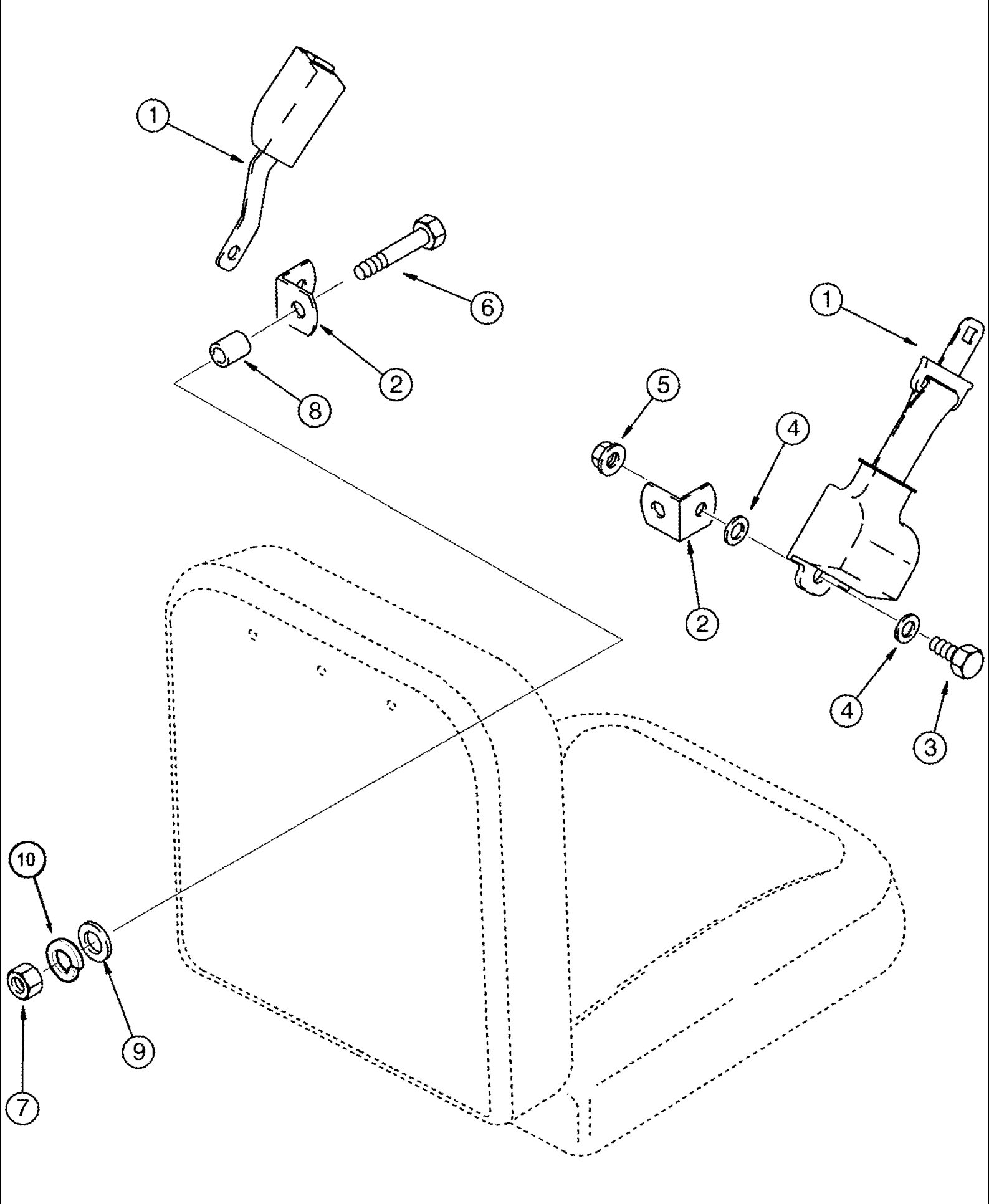
09G-09 SEAT, INSTRUCTIONAL - STORAGE TRAY



09G-09 SEAT, INSTRUCTIONAL - STORAGE TRAY

сылка	Номер детали	Кол-во	Описание
1	304474A2	2	CUSHION,
2	119890A1	1	SUPPORT,
3	413-412	3	BOLT, Hex, 1/4"-20 x 3/4", G5, Full Thd,
4	119891A1	1	SUPPORT,
5	281-53510	3	SCREW, SELF TAP, Hex Wash Hd, #10 x 5/8",
6	231-51409	3	NUT, Flg, USR, #10-24,
7	121062A1	1	HINGE,
8	119308A2	1	ASH TRAY,
11	413-412	6	BOLT, Hex, 1/4"-20 x 3/4", G5, Full Thd,
12	614-6020	2	BOLT, Hex, M6 x 20, 8.8,
13	895-11006	2	WASHER, M6,

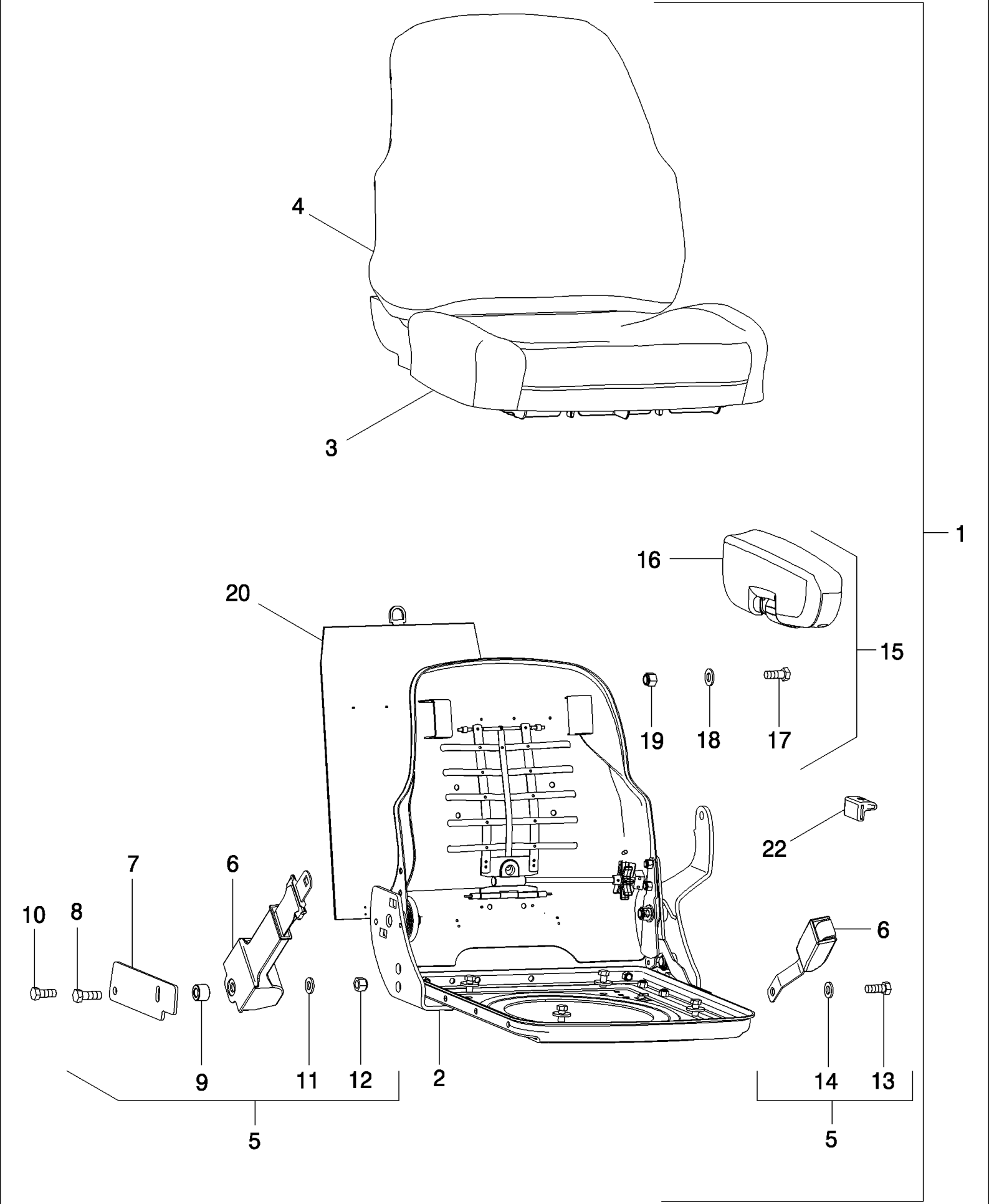
09G-10 SEAT, INSTRUCTIONAL - BELTS



09G-10 SEAT, INSTRUCTIONAL - BELTS

сылка	Номер детали	Кол-во	Описание
1	224808A1	1	SEAT BELT,
2	224809A1	2	SUPPORT,
3	414-716	2	BOLT, Hex, 7/16"-20 x 1", G5, Full Thd,
4	495-81009	3	WASHER, .469" x 1" x .120",
5	231-5447	2	NUT, LOCK, Flg, 7/16"-20,
6	413-832	2	BOLT, Hex, 1/2"-13 x 2", G5,
7	425-108	2	NUT, 1/2"-13, G5,
8	224368A1	2	SPACER,
9	495-91167	2	WASHER, 17/32" x 2" x .120",
10	80679	2	WASHER, LOCK, 1/2",
11	353-410	1	PLUG, Dome, .875" hole, Nylon, Not Illustrated

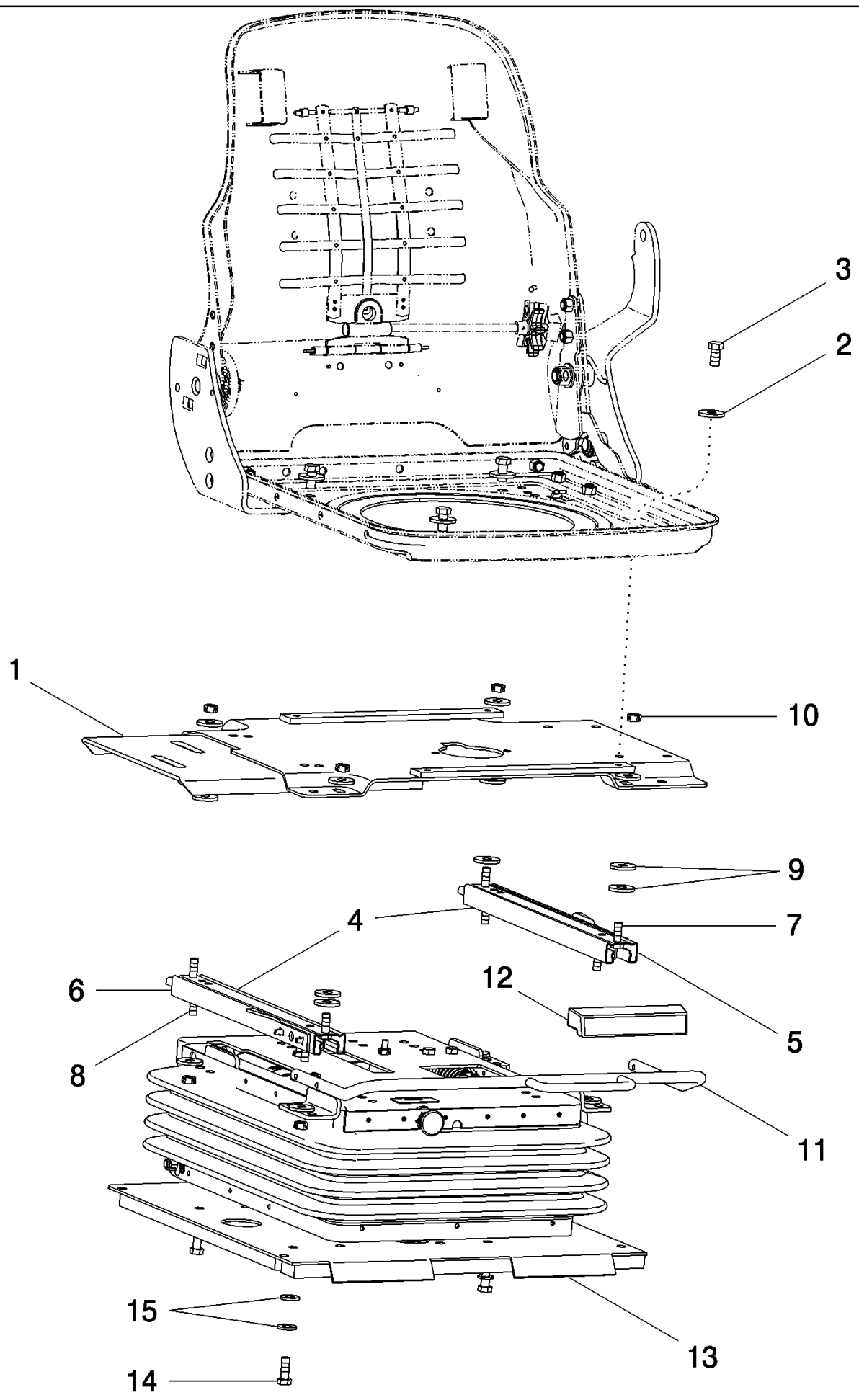
09G-11 SEAT, OPERATOR - AIR SUSPENSION - CUSHIONS AND KNOBS



09G-11 SEAT, OPERATOR - AIR SUSPENSION - CUSHIONS AND KNOBS

сылка	Номер детали	Кол-во	Описание
	86989910	1	SEAT, Includes 1 - 22, Includes Figure(s) 09G-12, 09G-13
1	87413044	1	SEAT, Top, Includes 2 - 22
2	87416485	1	KIT, Seat Top
3	87416486	1	CUSHION, SEAT, With Operator's Presence System
4	87416487	1	KIT, Back Cushion
5	87416490	1	KIT, Seat Belt, Includes 6 - 14
6	279671A1	1	SEAT BELT,
7	87416920	1	PLATE, Seat Belt Mounting
8	815-12050	1	BOLT, Hex, M12 x 50, 8.8,
9	NSS	1	NOT SERVICED SEPARATELY, Spacer, Mounting Plate
10	615-10025	1	BOLT, Hex, M10 x 25, 8.8, Full Thd,
11	895-10010	1	WASHER, M10 x 20 x 2,
12	832-41410	1	NUT, LOCK, M10 x 1.5, CI 10,
13	613-12025	1	BOLT, Hex, M12 x 25, 8.8, Full Thd,
14	896-11012	1	WASHER, M13.5 x 24.5 x 3, HT,
15	87416488	1	KIT, LH Armrest, Includes 16 - 19
16	NSS	1	NOT SERVICED SEPARATELY, Armrest
17	854-12040	1	BOLT, Hex Flg, M12 x 40, 10.9,
18	395-11053	1	WASHER, 1/2",
19	832-10312	1	NUT, LOCK, M12 x 1.75, CI8,
20	86994172	1	KIT, SERVICE, Manual Holder, If Equipped
21	86994165	1	SEAT ACCESSORY, KIT, Recliner Service, Not Illustrated
22	87416475	1	KNOB, Recliner

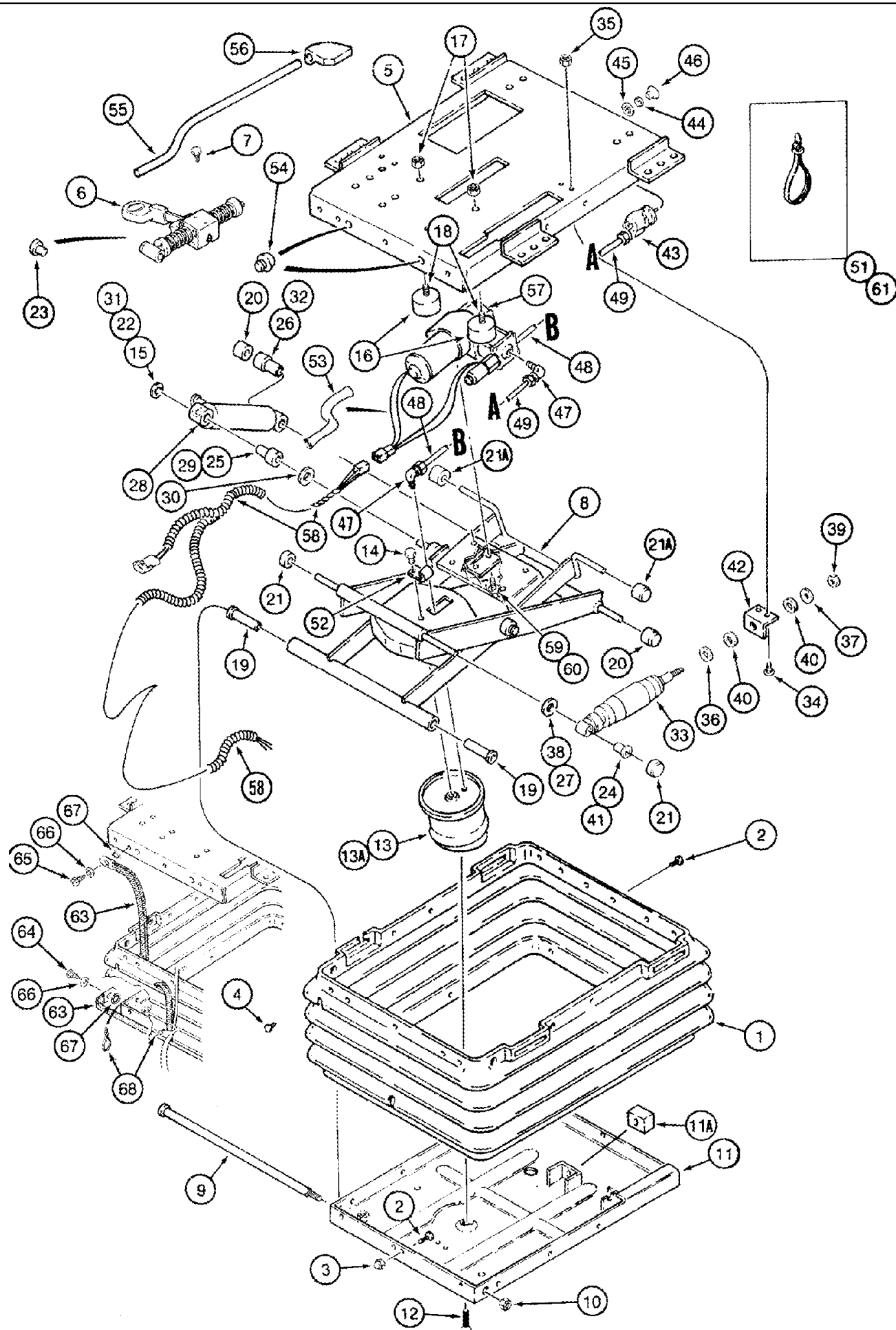
09G-12 SEAT, OPERATOR - AIR SUSPENSION - PLATE AND SLIDES



09G-12 SEAT, OPERATOR - AIR SUSPENSION - PLATE AND SLIDES

сылка	Номер детали	Кол-во	Описание
	86989910	1	SEAT, Includes 1 - 18, Includes Figure(s) 09G-11, 09G-13
1	87413045	1	PLATE, Seat Adapter
2	1974732C1	4	WASHER,
3	413-612	4	BOLT, Hex, 3/8"-16 x 3/4", G5, Full Thd,
4	87416482	1	KIT, Locking Slides, Includes 5 - 11
5	NSS	1	NOT SERVICED SEPARATELY, Slide Assy, LH
6	NSS	1	NOT SERVICED SEPARATELY, Slide Assy, RH
7	413-514	4	BOLT, Hex, 5/16"-18 x 7/8", G5, Full Thd,
8	117-109	4	BOLT, Sq Hd, 5/18"-16 x 3/4", G5,
9	1974732C1	16	WASHER,
10	231-5145	8	NUT, Flg, USR, 5/16"-18,
11	86994163	1	KIT, SERVICE, BAR, Fore / Aft Slide
12	180587A1	1	HANDLE, Knob
13	87413043	1	PLATE, Seat Mounting
14	614-8020	4	BOLT, Hex, M8 x 20, 8.8,
15	495-11034	4	WASHER, 5/16", SAE,
16	263-10610	1	SCREW, SELF TAP, Slotted Pan Hd, #12 x 5/8", Not Shown
17	492-11012	1	WASHER, LOCK, #12, Not Shown
18	495-31022	1	WASHER, #10, Not Shown

09G-13 SEAT, OPERATOR - SUSPENSION



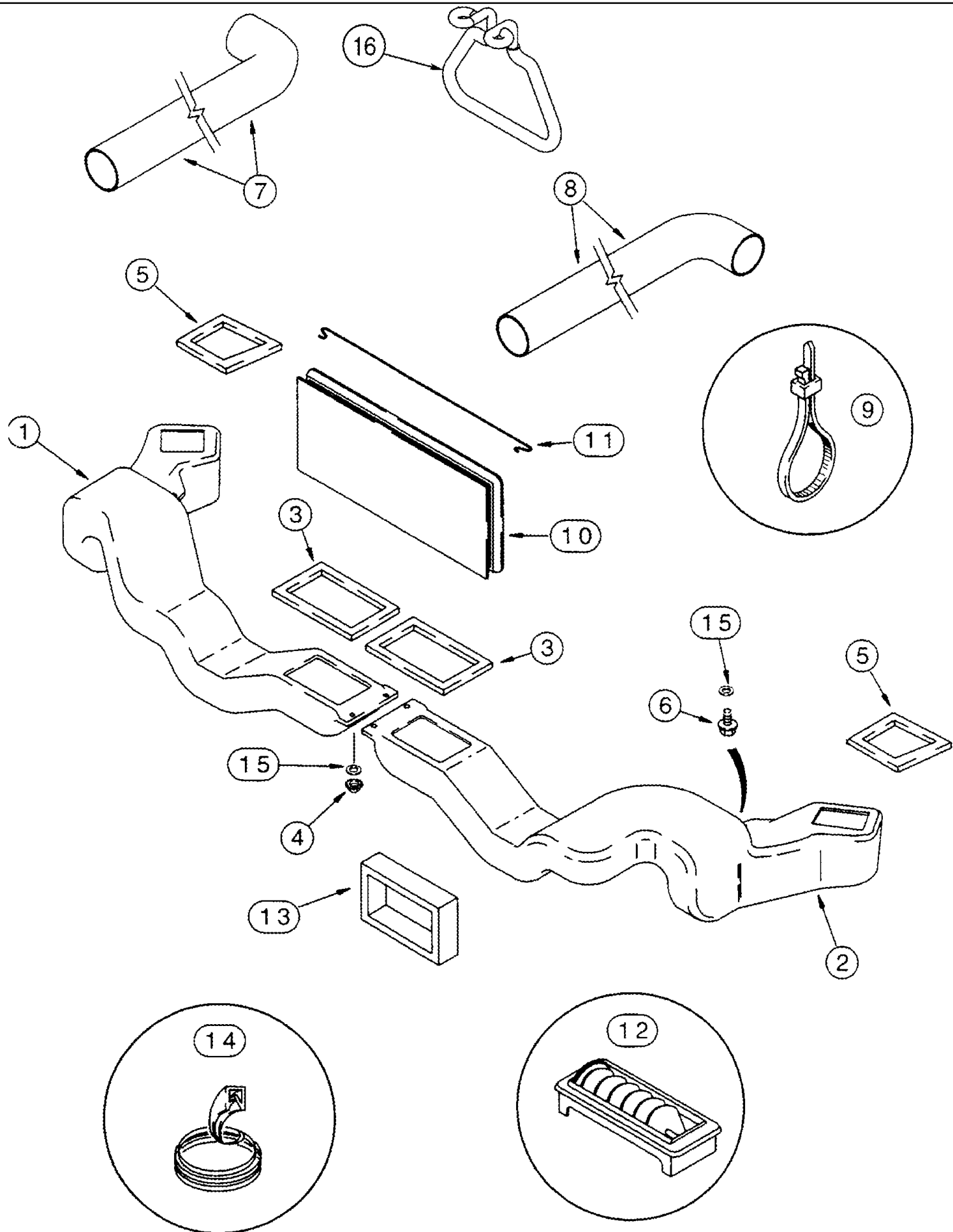
09G-13 SEAT, OPERATOR - SUSPENSION

сылка	Номер детали	Кол-во	Описание
	86989910	1	SEAT, Includes 1 - 68, Includes Figure(s) 09G-11, 09G-12
	1990647C2	1	KIT, Boot, Suspension, Includes 1 - 4
1	NSS	1	NOT SERVICED SEPARATELY, Boot
	132872A1	1	KIT, Boot Pin, Includes 2 - 4
2	NSS	20	NOT SERVICED SEPARATELY, Fastener
3	NSS	3	NOT SERVICED SEPARATELY, Nut
4	NSS	3	NOT SERVICED SEPARATELY, Clip
	87416447	1	KIT, Suspension Service, Includes 5 - 63
5	180591A1	1	PLATE, Upper
6	180592A1	1	SHOCK ABSORBER,
7	276-24812	2	SCREW, SELF TAP, Hex Hd, 5/16" x 3/4",
8	1990643C1	1	FRAME ASSY,
9	A49529	1	SHAFT,
10	231-4206	1	NUT, LOCK, 3/8"-16, GB,
11	226560A1	1	HOUSING, Lower, Also Order 132872A1, A45054
11A	A45054	1	BUMPER,
12	443-13812	1	SCREW, Cross Flat Hd, 3/8"-16 x 3/4",
	197793A1	1	SPRING, Includes 13, 13A
13	NSS	1	NOT SERVICED SEPARATELY, Spring
13A	NSS	1	NOT SERVICED SEPARATELY, Clamp
14	413-68	1	BOLT, Hex, 3/8"-16 x 1/2", G5, Full Thd,
15	131-425	1	NUT, LOCK, Push, 1/2",
	180593A1	2	KIT, Bumper, Includes 16 - 18
16	NSS	2	NOT SERVICED SEPARATELY, Bumper
17	231-1444	2	NUT, LOCK, 1/4"-20, GB,
18	340-12520	2	SCREW, Cross Pan Hd, 1/4"-20 x 1 1/4",
	180594A3	1	KIT, Rollers and Bearings, Includes 19 - 27
19	NSS	2	NOT SERVICED SEPARATELY, Bushing
20	NSS	2	NOT SERVICED SEPARATELY, Roller
21	NSS	4	NOT SERVICED SEPARATELY, Roller
21A	NSS	2	NOT SERVICED SEPARATELY, Roller
22	131-425	1	NUT, LOCK, Push, 1/2",
23	NSS	1	NOT SERVICED SEPARATELY, Bearing, Pivot
24	NSS	1	NOT SERVICED SEPARATELY, Bearing, Pivot
25	NSS	1	NOT SERVICED SEPARATELY, Bearing, Pivot
26	NSS	1	NOT SERVICED SEPARATELY, Bearing, Pivot
27	NSS	1	NOT SERVICED SEPARATELY, Spacer
	1344250C2	1	KIT, Shock Absorber, Includes 28 - 32
28	NSS	1	NOT SERVICED SEPARATELY, Shock Absorber
29	NSS	1	NOT SERVICED SEPARATELY, Bearing, Pivot
30	A45519	1	WASHER,
31	131-425	1	NUT, LOCK, Push, 1/2",
32	NSS	1	NOT SERVICED SEPARATELY, Bearing, Pivot
	227546A1	1	KIT, Shock, Fore/Aft, Includes 33 - 41
33	NSS	1	NOT SERVICED SEPARATELY, Shock Absorber

09G-13 SEAT, OPERATOR - SUSPENSION

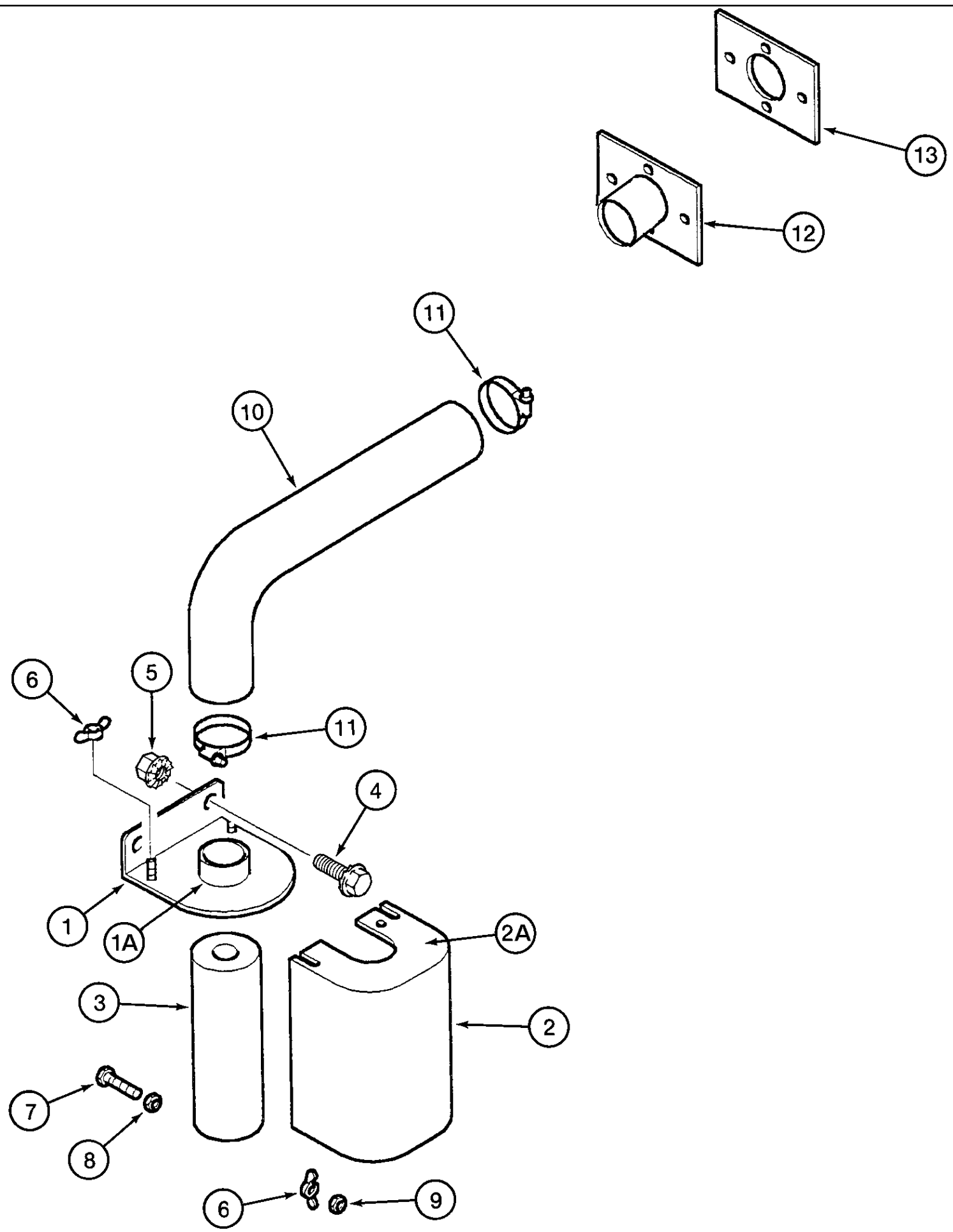
сылка	Номер детали	Кол-во	Описание
34	434-48	2	BOLT, CARRIAGE, Short NK, 1/4"-20 x 1/2", G5, Full Thd,
35	231-1444	2	NUT, LOCK, 1/4"-20, GB,
36	495-11041	2	WASHER, 3/8", SAE,
37	NSS	1	NOT SERVICED SEPARATELY, Washer
38	NSS	1	NOT SERVICED SEPARATELY, Spacer
39	230-4715	1	NUT, LOCK, 5/16"-24, GA,
40	A49679	2	BUSHING,
41	NSS	1	NOT SERVICED SEPARATELY, Bearing, Pivot
42	1981845C1	1	ANGLE,
	1981852C3	1	SWITCH, Air Control, Includes 43 - 46
43	NSS	1	NOT SERVICED SEPARATELY, Switch
44	NSS	1	NOT SERVICED SEPARATELY, Nut
45	493-11065	1	WASHER, LOCK, Ext-Int Tooth, 5/8",
46	1987186C2	1	KNOB,
	1990548C4	1	KIT, Air Line & Fittings, Includes 47 - 52
47	NSS	2	NOT SERVICED SEPARATELY, Elbow, 90
48	NSS	1	NOT SERVICED SEPARATELY, Tube
49	NSS	1	NOT SERVICED SEPARATELY, Tube
51	L18337	4	STRAP, CABLE, 9.95"-12.1" lg, 15"
52	NSS	1	NOT SERVICED SEPARATELY, Clamp
53	179026A1	1	TUBE, PLASTIC-RUBBER, 3/8" ID x 24-1/4"
54	133422A1	2	BUMPER,
55	180596A2	1	LEVER,
56	180597A2	1	HANDLE,
	358903A2	1	KIT, Compressor, Includes 57 - 61
57	NSS	1	NOT SERVICED SEPARATELY, Compressor
58	87413247	1	HARNES, WIRE,
59	495-31022	2	WASHER, #10,
60	440-1086	2	SCREW, Cross Pan Hd, #8-32 x 3/8",
61	L18337	6	STRAP, CABLE, 9.95"-12.1" lg, 15"
	291280A1	1	KIT, Ground Strap, Includes 63 - 68
63	NSS	1	NOT SERVICED SEPARATELY, Strap, Ground
64	NSS	1	NOT SERVICED SEPARATELY, Screw
65	NSS	1	NOT SERVICED SEPARATELY, Screw
66	NSS	2	NOT SERVICED SEPARATELY, Washer
67	NSS	2	NOT SERVICED SEPARATELY, Washer, Lock
68	NSS	2	NOT SERVICED SEPARATELY, Strap, Tie Down

09G-14 HEATER - AIR CONDITIONING - LOUVERS AND AIR DUCTS



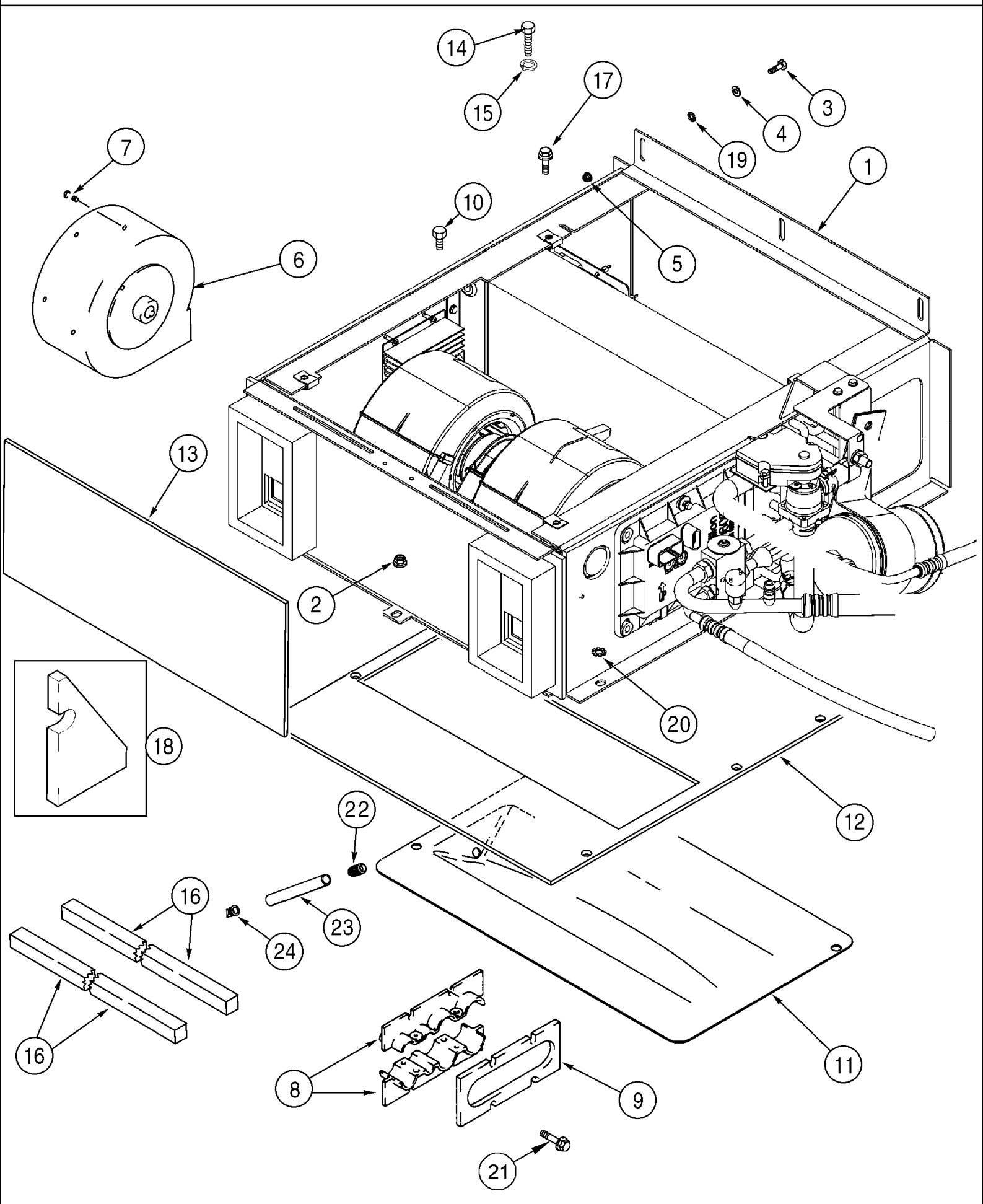
09G-14 HEATER - AIR CONDITIONING - LOUVERS AND AIR DUCTS

сылка	Номер детали	Кол-во	Описание
1	129225A2	1	DUCT, AIR, LH
2	129227A2	1	DUCT, AIR, RH
3	129228A4	2	GASKET,
4	231-51409	4	NUT, Flg, USR, #10-24,
5	196542A2	2	SEAL,
6	191216A1	6	SCREW, SELF TAP, Hex Wash Hd, #10-24 x 5/8",
7	380524A1	1	HOSE, 545 mm (21-1/2"), Cut from 380526A1
8	383833A1	1	HOSE, 710 mm (28"), Cut from 236559A1
9	58556C1	4	STRAP, CABLE, 14" TIE
10	120486A2	1	FILTER, Recirculation
11	143486A1	2	SUPPORT,
12	1990950C2	11	VENT,
13	124999A1	2	GASKET,
14	1545944C1	2	SEAL, Cut 127 mm (5") from 1330108CX
15	495-81101	6	WASHER, 7/32" x 3/4" x .060",
16	275432A1	1	GUIDE,



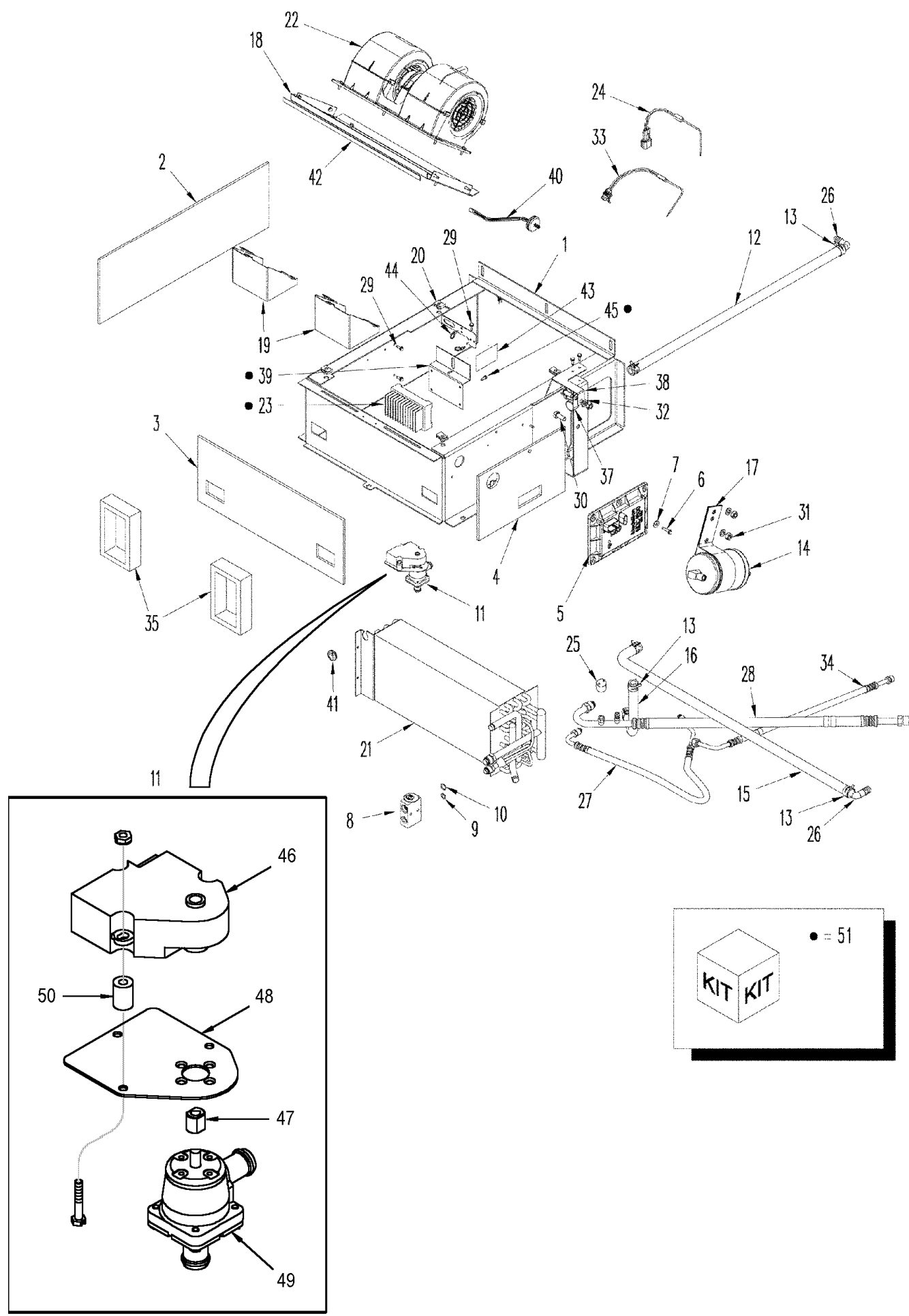
сылка	Номер детали	Кол-во	Описание
1	243176A2	1	HOLDER, Includes 1A
1A	243284A1	1	TUBE, Air
2	247720A3	1	COVER, Includes 2A, 2B
2A	248130A1	1	COVER, End
2B	248131A2	1	SUPPORT, Shield, Not Illustrated
3	247752A1	1	FILTER, CAB,
4	409-7612	2	BOLT, Hex Flg, 3/8"-16 x 3/4", Serr,
5	231-5146	2	NUT, Flg, USR, 3/8"-16,
6	129-409	3	NUT, WING, 1/4"-20,
7	113-83	1	BOLT, Hex, 1/4"-20 x 1 1/2", G5, Full Thd,
8	425-104	1	NUT, 1/4"-20, G5,
9	231-1444	1	NUT, LOCK, 1/4"-20, GB,
10	380524A1	1	HOSE, 545 mm (21-1/2")
11	214-1540	2	CLAMP, HOSE, #40, 2.06/3.00 Type F Worm, W/liner,
12	246752A1	1	PLATE,
13	247058A1	1	GASKET,

09G-16 HEATER - AIR CONDITIONING



09G-16 HEATER - AIR CONDITIONING

сылка	Номер детали	Кол-во	Описание
1	431088A2	1	HEATER UNIT, Air Conditioning BSN HAJ0295001, See Figure 09G-17
1	87313891	1	HEATER UNIT, Air Conditioning ASN HAJ0295001
2	825-5148	6	NUT, M8, Flg Ser,
3	117067A1	3	SCREW, SELF TAP, Cross Pan Hd, #10-24 x 3/4",
4	492-11010	3	WASHER, LOCK, #10,
5	231-51409	3	NUT, Flg, USR, #10-24,
6	175435A3	1	BLOWER,
7	840-1516	5	SCREW, Cross Pan Hd, M5 x 16,
8	125264A2	2	CLAMP,
9	125000A2	1	GASKET,
10	191216A1	4	SCREW, SELF TAP, Hex Wash Hd, #10-24 x 5/8",
11	121595A2	1	HOUSING, Drip Pan
12	279438A1	1	INSULATOR, Center Floor
13	279305A2	1	INSULATOR, Rear Wall
14	276-13520	4	SCREW, SELF TAP, Hex Hd, #10 x 1 1/4",
15	492-11010	4	WASHER, LOCK, #10,
16	192269A1	2	FOAM, 500 mm (19-5/8"), Cut from 1971350C1
17	458-512	4	BOLT, Hex Flg, 5/16"-18 x 3/4", G5, Full Thd,
18	297573A1	1	SEAL,
19	493-81000	3	WASHER, LOCK, Ext-Int Tooth, #10,
20	493-11039	1	WASHER, LOCK, 3/8", Int-Ext Tooth,
21	191216A1	10	SCREW, SELF TAP, Hex Wash Hd, #10-24 x 5/8",
22	1250522C3	2	ELBOW, Drain
23	122116A1	2	HOSE, 75", Cut from 198901C1
24	109239C2	2	VALVE, Drain

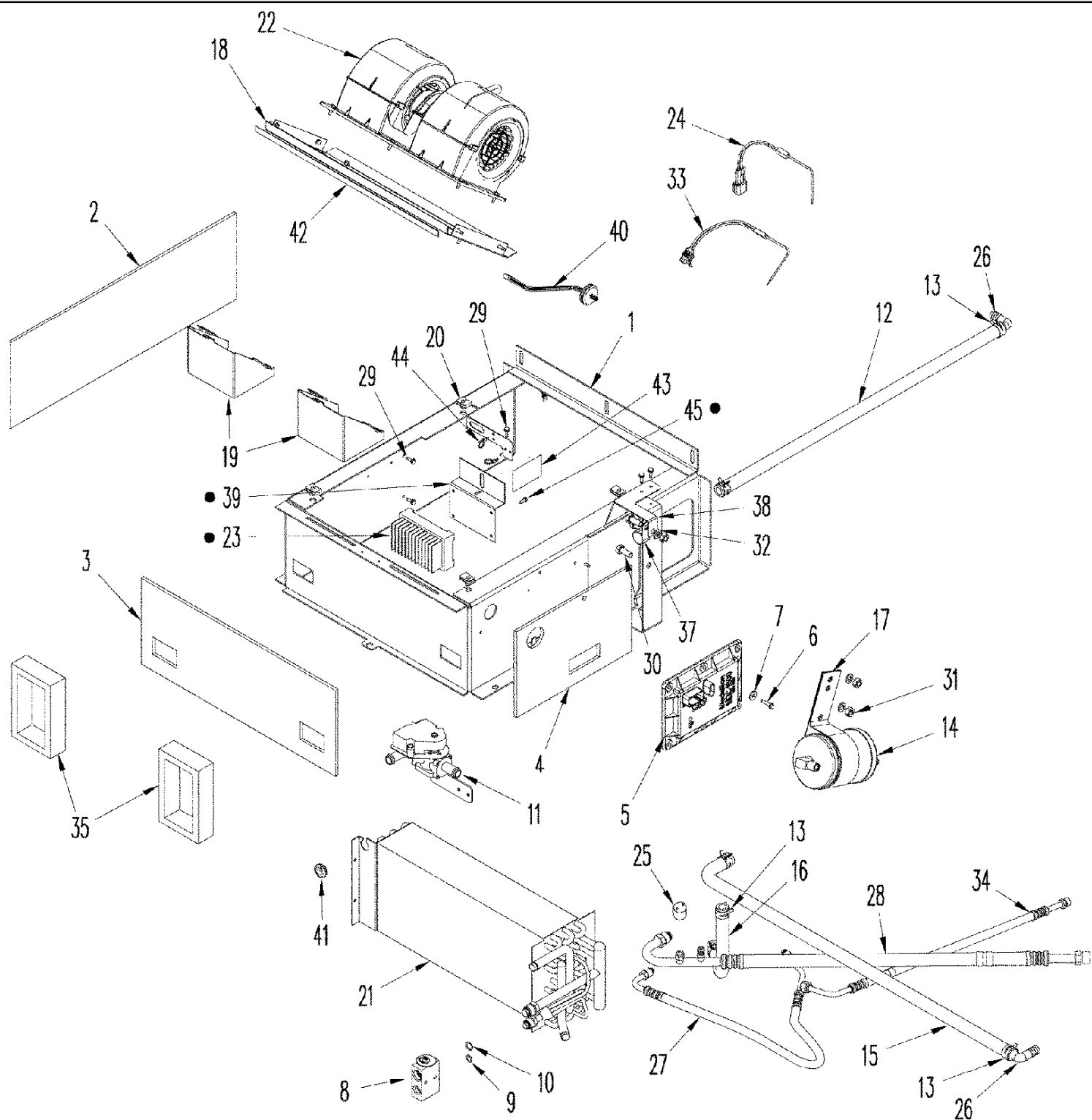


сылка	Номер детали	Кол-во	Описание
	431088A2	1	HEATER UNIT, Air Conditioning, Includes 1 - 45
1	377374A1	1	SUPPORT, Air Conditioning Module
2	279230A2	1	INSULATOR, RH
3	279233A1	1	INSULATOR, Front
4	377557A1	1	INSULATOR, LH
5	411438A1	1	CONTROL,
6	281-54516	1	SCREW, SELF TAP, Hex Wash Hd, #10 x 1",
7	895-25006	1	WASHER, M6 x 18 x 1.6,
	449221A1	1	BODY, Core Assy, Includes 8 - 10, 21
8	386535A1	1	VALVE, Thermal Expansion
9	128484A1	1	O-RING, 7/16" ID x 1/16"
10	128485A1	1	O-RING, 9/16" ID x 1/16"
11	87333840	1	VALVE, Heater
12	1958774C1	1	HOSE, 710 mm (28"), Cut from 97252CX
13	1954736C1	6	CLAMP, HOSE, No. 24
14	1990758C2	1	RECEIVER-DRYER,
15	377551A1	1	HOSE, Return
16	377547A1	1	HOSE, Valve to Core
17	377562A1	1	BRACKET, Receiver-Drier
18	377565A2	1	PLATE, Blower
19	377563A1	2	BAFFLE, Deflector
20	488837C1	4	NUT, 5/16"
21	377560A1	1	CORE-COMPRESSOR, Evaporator And Heater
22	323610A1	1	BLOWER,
23	393289A1	1	ELECTRONIC UNIT, CONTROL, Blower Motor
24	197319A2	1	SENSOR, Cab Temperature
25	284272A3	1	SWITCH, PRESSURE, Low Pressure, Air Conditioning
26	127083A1	2	ELBOW,
27	124912A2	1	HOSE, 540 mm (21-1/4")
28	124913A2	1	HOSE, 900 mm (35-7/16")
29	281-54510	16	SCREW, SELF TAP, Hex Wash Hd, #10 x 5/8",
30	614-10025	3	BOLT, Hex, M10 x 25, 8.8, Full Thd,
31	829-1410	3	NUT, M10, CI 10,
32	892-11010	3	WASHER, LOCK, M10,
33	184720A2	1	SENSOR, Temperature, Evaporator
34	124914A1	1	HOSE, 662 mm (26-1/8"), Receiver-Dryer to Cab Wall
35	124999A1	2	GASKET,
36	377567A1	1	SEAL, 8 ft, Not Illustrated
37	515-23254	1	CLAMP, 1", Insul, 3/8" Bolt,
38	377564A1	1	BRACKET,
39	431090A1	1	BRACKET, Blower Controller
40	431091A1	1	HARNES, WIRE, Heating and Air Conditioning, See Figure 04-11
41	248-1243	1	GROMMET, 1/2" ID x 13/16" Groove Dia, Diag Cut,
42	377566A1	1	GASKET, 3 ft
43	NSS	1	NOT SERVICED SEPARATELY, Plate, Decal Name, Kysor Logo

2388 CASE IH AXIAL-FLOW COMBINE (NA) BTW HAJ0292001 & HAJ0300000 (10/04-)

09G-17 BOX ASSY - AIR CONDITIONING, BSN HAJ0295001

сылка	Номер детали	Кол-во	Описание
44	377559A1	2	STRAP,
45	280-1448	4	SCREW, SELF TAP, Hex Wash Hd, #8 x 1/2",
51	429866A1	1	KIT, Automatic Temperature Control Linear Driver, Also Includes (1) 394350A1, (1) 432276A1 & (1) 432277A1



KIT KIT

● = 51

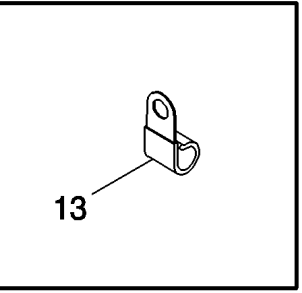
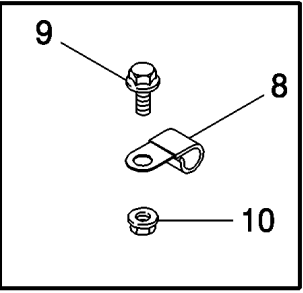
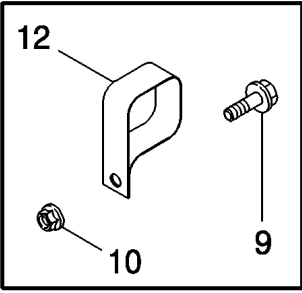
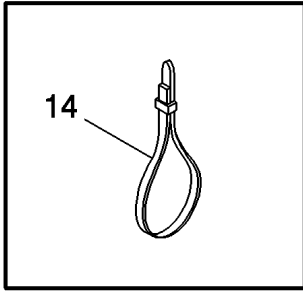
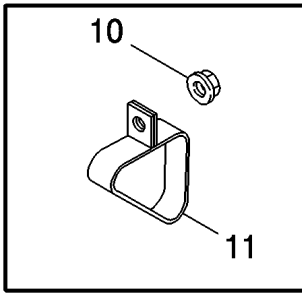
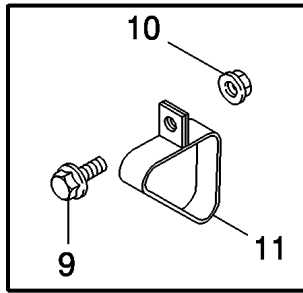
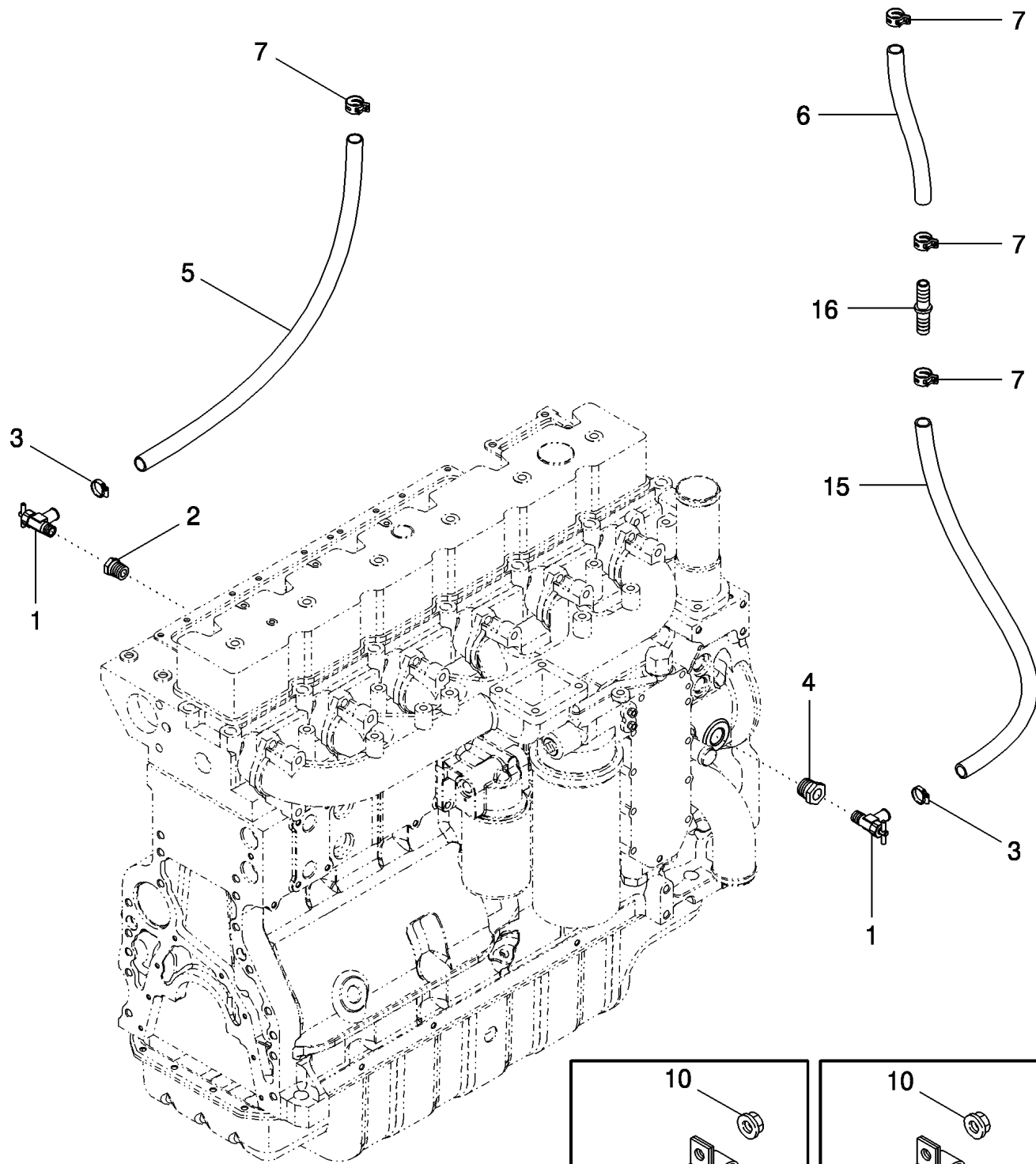
сылка	Номер детали	Кол-во	Описание
	87313891	1	HEATER UNIT, Air Conditioning, Includes 1 - 46
1	87333840	1	VALVE, Control, Heater
	449221A1	1	BODY, Core Assembly, Includes 2, 18, 19, 27
2	386535A1	1	VALVE, Thermal Expansion, Not Serviced Separately, Order 449221A
3	377547A1	1	HOSE, Valve to Core
4	377551A1	1	HOSE, Return
5	1958774C1	1	HOSE, 710 mm (28"), Cut from 97252CX
6	87454442	1	SENSOR, Cab Temperature
7	124912A2	1	HOSE, 540 mm (21- 1/4")
8	NSS	1	NOT SERVICED SEPARATELY, Plate, Decal Name, Kysor Logo
9	87314291	1	MODULE, Module, ATC, with Software Loaded
10	281-54510	15	SCREW, SELF TAP, Hex Wash Hd, #10 x 5/8",
11	614-10025	2	BOLT, Hex, M10 x 25, 8.8, Full Thd,
12	87323829	1	SWITCH, PRESSURE, Low Pressure, Air Conditioning
13	260-1448	2	SCREW, SELF TAP, Cross Pan Hd, #8 x 1/2",
14	184720A2	1	SENSOR, Temperature, Evaporator
15	87333919	1	SCREW, Taplite Slot
16	1954736C1	6	CLAMP, HOSE, No. 24
17	488837C1	4	NUT, 5/16"
18	128485A1	1	O-RING, 9/16" ID x 1/16", Not Serviced Separately, Order 449221A
19	128484A1	1	O-RING, 7/16" ID x 1/16", Not Serviced Separately, Order 449221A
20	248-1243	1	GROMMET, 1/2" ID x 13/16" Groove Dia, Diag Cut,
21	127083A1	2	ELBOW,
22	377566A1	1	GASKET, 3 ft
23	124999A1	2	GASKET,
24	87333847	1	INSULATION, FOAM, LH
25	279230A2	1	INSULATOR, RH
26	279233A1	1	INSULATOR, Front
27	377560A1	1	CORE-COMPRESSOR, Evaporator and Heater, Not Serviced Separately, Order 449221A
28	1990758C2	1	RECEIVER-DRYER,
29	124913A2	1	HOSE, 900 mm (35-7/16")
30	124914A1	1	HOSE, 662 mm (26-1/8"), Receiver-Dryer to Cab Wall
31	87333848	1	HARNESS, WIRE, Heating and Air Conditioning
32	323610A1	1	BLOWER,
33	87333857	1	BOX, Air Conditioning Module
34	377562A1	1	BRACKET, Receiver-Drier
35	702093C1	5	STRAP, CABLE,
37	377559A1	2	STRAP,
38	377567A1	1	SEAL, 8 ft, Not Illustrated
40	1978896C1	4	STRAP, 30.6" Tie-down, Not Illustrated
41	87318294	1	CLIP, Sensor
42	87306706	1	TERMINAL CONNECTOR, Blower Motor
43	829-1410	2	NUT, M10, CI 10,
44	892-11010	2	WASHER, LOCK, M10,
45	87351204	1	BRACKET, Sensor

2388 CASE IH AXIAL-FLOW COMBINE (NA) BTW HAJ0292001 & HAJ0300000 (10/04-)

09G-17A BOX ASSY - AIR CONDITIONING ASN HAJ0295001

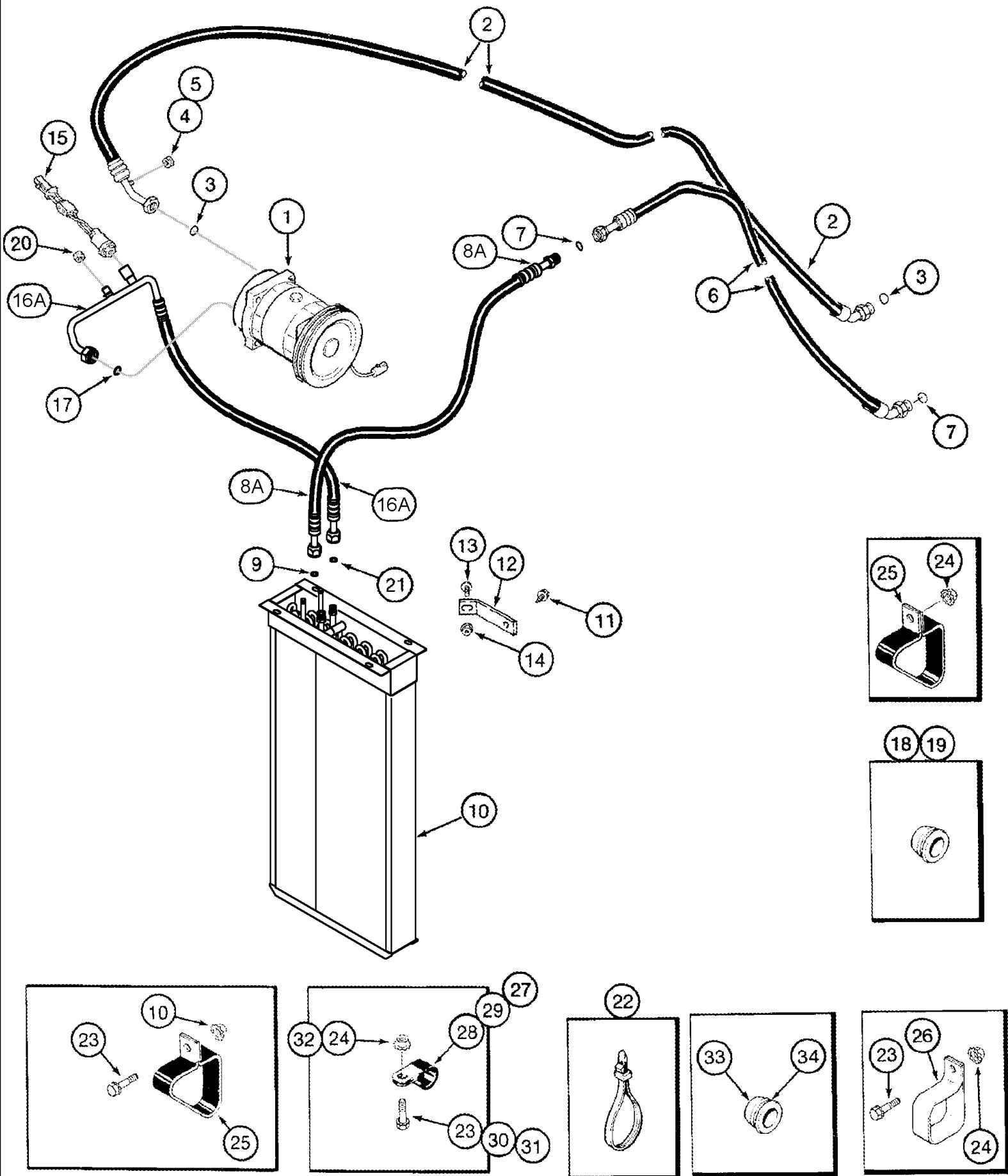
сылка	Номер детали	Кол-во	Описание
46	231-14408	1	NUT, LOCK, #8-32, GB,

09G-18 HEATING SYSTEM - CAB/CHASSIS CONNECTIONS TO ENGINE



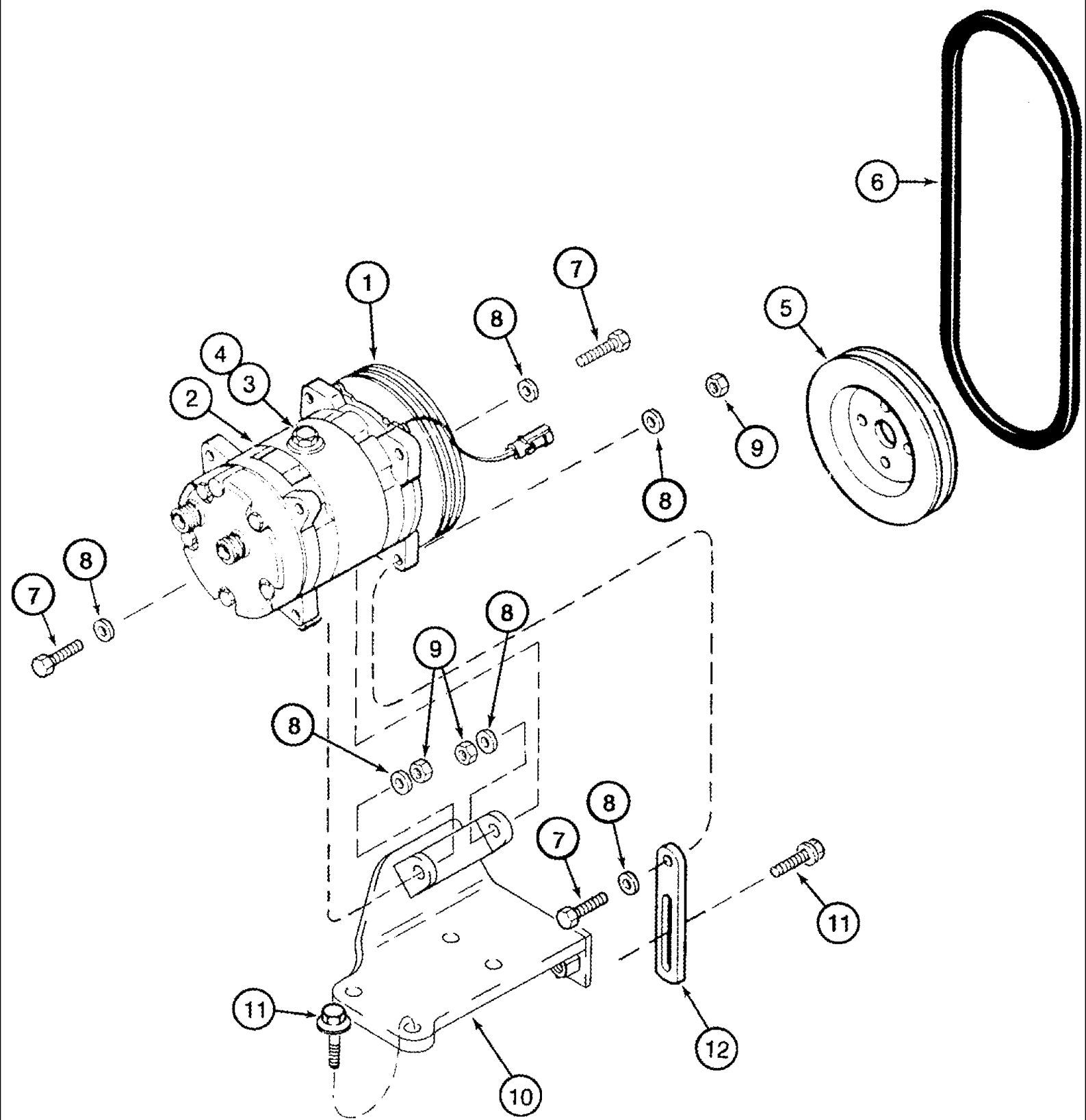
09G-18 HEATING SYSTEM - CAB/CHASSIS CONNECTIONS TO ENGINE

сылка	Номер детали	Кол-во	Описание
1	301803R1	2	VALVE, SHUT-OFF,
2	217-44	1	REDUCER, 1/2"-14 NPTF x 3/8"-18 Fem NPTF,
3	1954736C1	2	CLAMP, HOSE, No. 24
4	221-92	1	REDUCER, Hex, 3/4" x 3/8" NPT,
5	87106559	1	HOSE (METRES), 4470 mm (176") Cut from 97252CX
6	1324999C2	1	HOSE, 6731 mm (265"), Cut from 97252CX
7	1954736C1	4	CLAMP, HOSE, No. 24
8	515-23381	1	CLAMP, 1 1/2", Insul, 3/8" Bolt, , BSN HAJ0295001
8	515-23412	1	CLAMP, 1 5/8", Insul, 3/8" Bolt, , ASN HAJ0295001
9	409-7512	3	BOLT, Hex Flg, 5/16"-18 x 3/4", Serr,
10	231-5145	5	NUT, Flg, USR, 5/16"-18,
11	1994983C2	3	CLAMP,
12	1301387C2	5	CLIP, 2" ID, Square
13	515-23254	1	CLAMP, 1", Insul, 3/8" Bolt,
14	306132C1	AR	STRAP, CABLE, .30" x 14.5", 14" Tie
15	1975734C1	1	HOSE, 255 mm (10"), Cut from 97252CX
16	1301342C1	1	FITTING, Connector



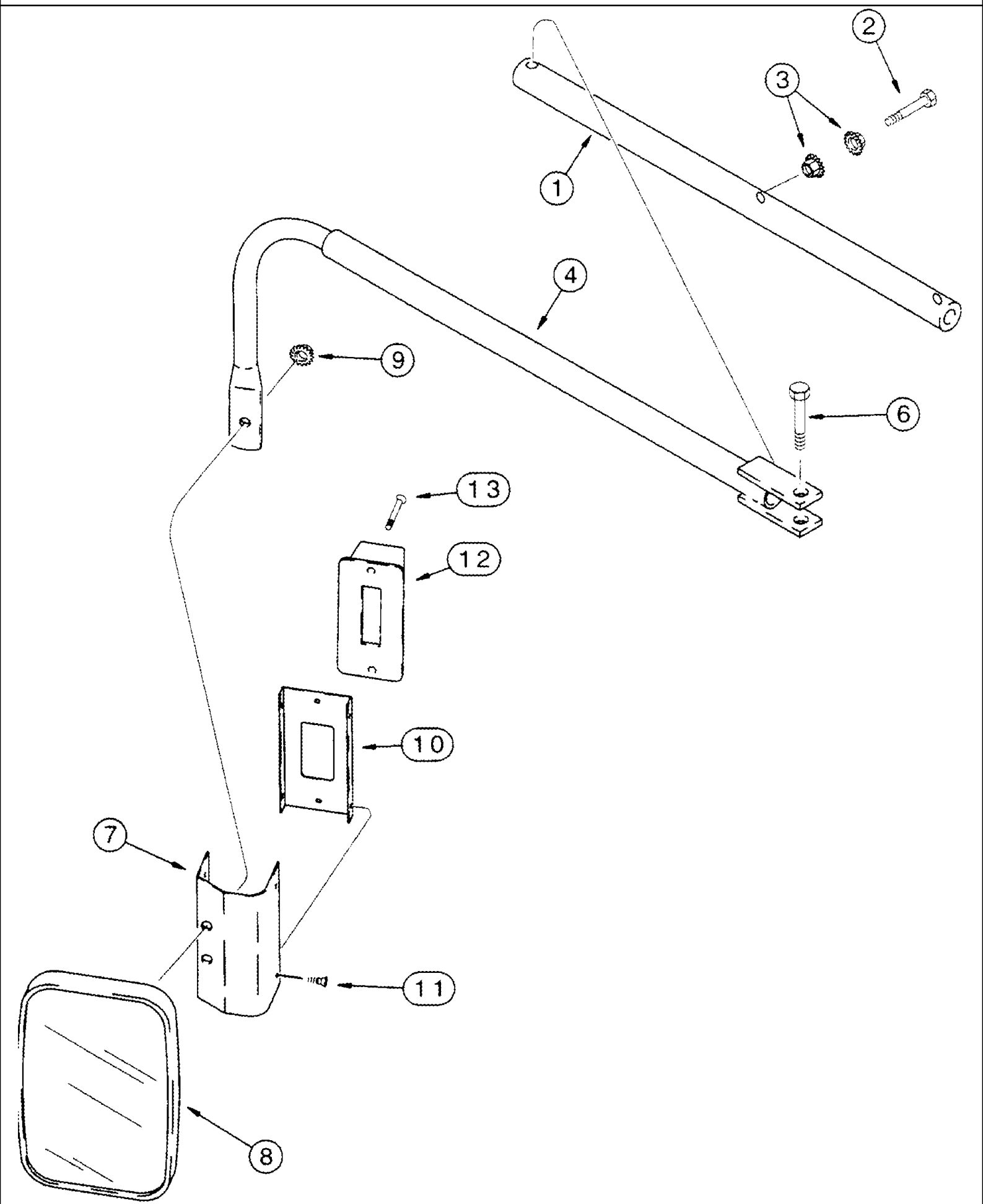
09G-19 HEATER - AIR CONDITIONING - COMPRESSOR TO CONDENSER AND CAB/CHASSIS CONNECTIONS

сылка	Номер детали	Кол-во	Описание
1	86993462	1	COMPRESSOR, AIRCOND, , See Figure 09G-20
2	279158A1	1	HOSE, Includes 3 - 5
3	128485A1	2	O-RING, 9/16" ID x 1/16"
4	1250594C1	1	CORE,
5	122553A1	1	CAP,
6	279159A1	1	HOSE, Includes 7
7	128483A1	2	O-RING, 5/16" ID x 1/16"
8	87403249	1	HOSE, Outlet, Includes 9
9	128483A1	1	O-RING, 5/16" ID x 1/16"
10	275094A3	1	COOLER, Condenser
11	138558A1	4	SCREW, 5/16" x 13/16"
12	197432A1	2	SUPPORT,
13	477-73112	2	BOLT, Slotted Tr Hd, 5/16"-18 x 3/4",
14	231-5145	2	NUT, Flg, USR, 5/16"-18,
15	369798A2	1	SWITCH, High Pressure
16	87403250	1	HOSE, Compressor to Condenser, Includes 16A - 21
16A	414082A1	1	CORE, Valve, High Flow, Not Illustrated
17	128485A1	1	O-RING, 9/16" ID x 1/16"
18	1250594C2	1-2	CORE,
19	128483A1	1	O-RING, 5/16" ID x 1/16"
20	414080A1	1	CAP,
21	128484A1	1	O-RING, 7/16" ID x 1/16"
22	702093C1	AR	STRAP, CABLE,
22	306132C1	AR	STRAP, CABLE, .30" x 14.5", 14" Tie
22	L18331	AR	STRAP, CABLE, 15"
23	409-7516	2	BOLT, Hex Flg, 5/16"-18 x 1", Serr,
23	409-7520	2	BOLT, Hex Flg, 5/16"-18 x 1 1/4", Serr,
24	231-5145	5	NUT, Flg, USR, 5/16"-18,
25	1994983C2	3	CLAMP,
26	1301387C2	4	CLIP, 2" ID, Square
27	470375C1	2	CLAMP,
28	515-25476	5	CLAMP, 1 7/8", Insul, 1/2" Bolt,
29	515-23333	1	CLAMP, 1 5/16", Insul, 3/8" Bolt,
30	905-10020	1	BOLT, Hex Serr Flg, M10 x 20,
31	409-7616	4	BOLT, Hex Flg, 3/8"-16 x 1", Serr,
32	231-5146	4	NUT, Flg, USR, 3/8"-16,
33	87107420	AR	GROMMET, 5/8" ID
34	86976974	AR	GROMMET, 3/4" ID



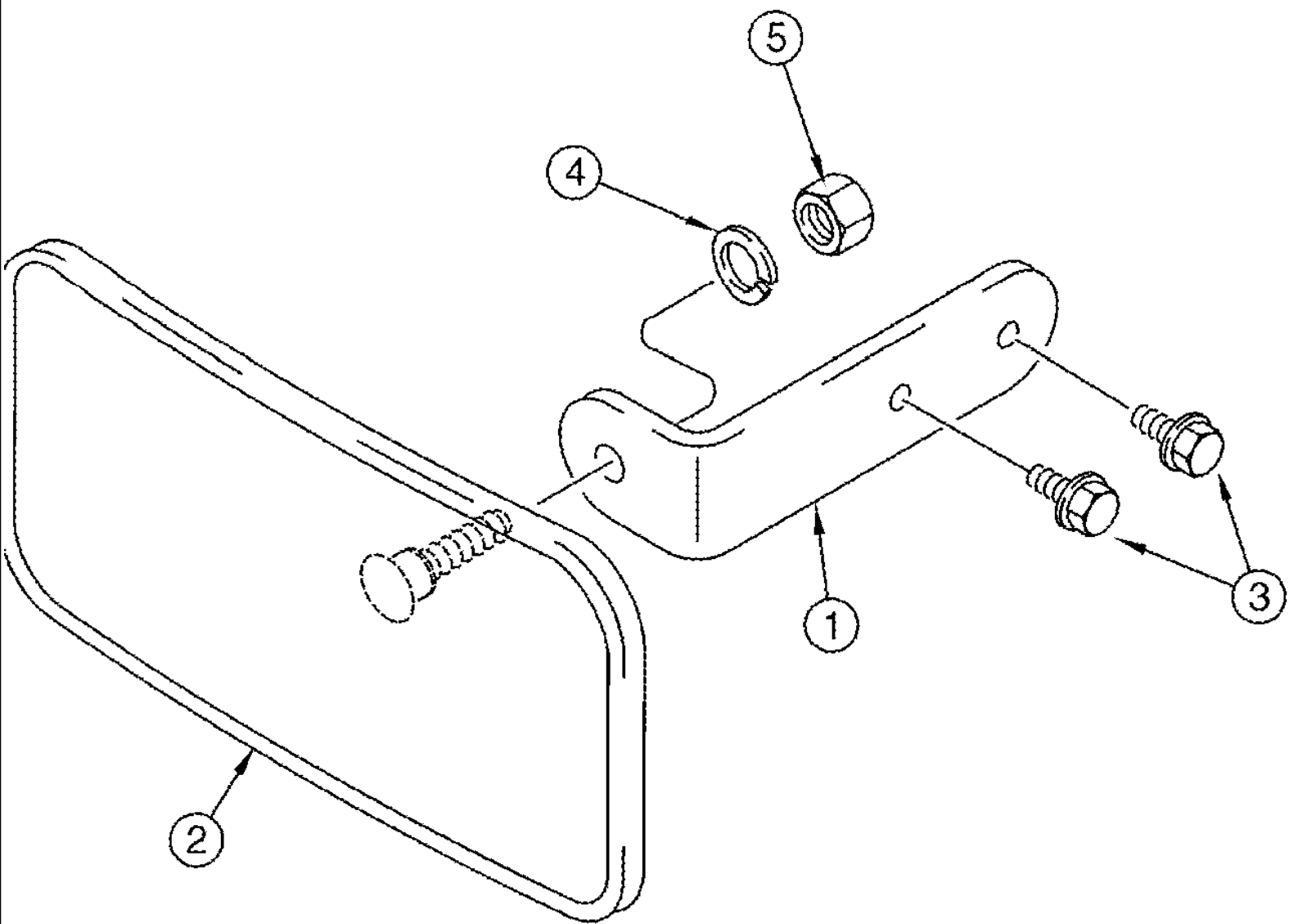
09G-20 AIR CONDITIONING - COMPRESSOR MOUNTING AND DRIVE

сылка	Номер детали	Кол-во	Описание
	86993462	1	COMPRESSOR, AIRCOND, Includes 1 - 4
1	135324A2	1	CLUTCH,
2	NSS	1	NOT SERVICED SEPARATELY, Compressor
3	A49667	1	PLUG,
4	128483A1	1	O-RING, 5/16" ID x 1/16"
5	431716A1	1	PULLEY, Drive
6	235414A1	1	BELT, Used with 86993462
7	614-10035	3	BOLT, Hex, M10 x 35, 8.8, Full Thd,
8	896-15010	6	WASHER, M10 x 24.5 x 3, HT,
9	86512554	3	NUT, LOCK, M10 x 1.5, CI 10,
10	87000275	1	BRACKET,
11	905-10025	5	BOLT, Hex Serr Flg, M10 x 25,
12	87000300	1	BRACKET,



09G-21 CAB - MIRROR, REAR VIEW WITH WARNING LAMP

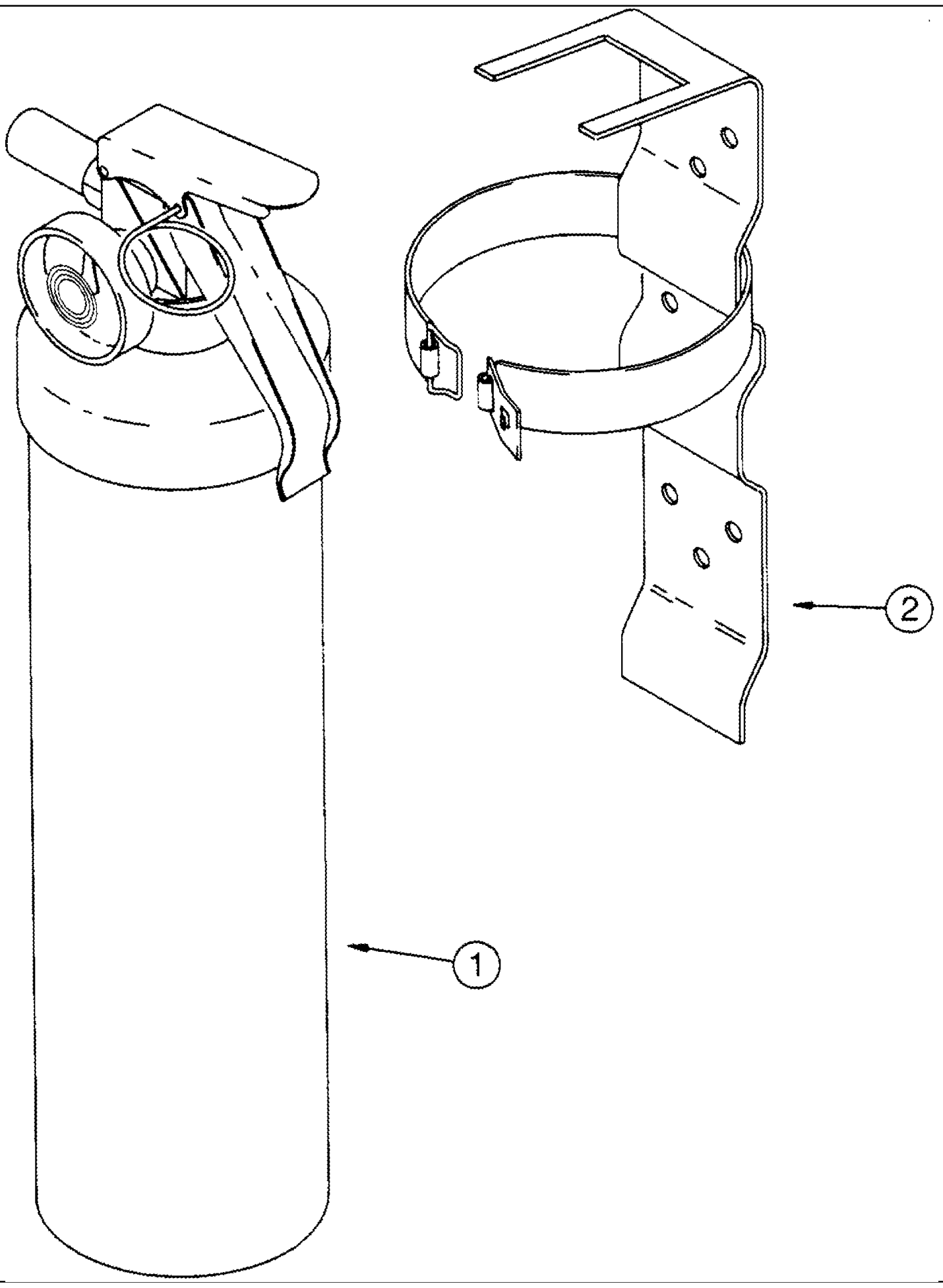
сылка	Номер детали	Кол-во	Описание
1	178325A2	2	TUBE,
2	614-12060	4	BOLT, Hex, M12 x 60, 8.8, Full Thd,
3	825-51412	4	NUT, M12, Flg Ser,
4	178591A3	1	SUPPORT, LH (Shown), BSN HAJ0295001
4	87314046	1	SUPPORT, LH (Shown), ASN HAJ0295001
5	178342A3	1	SUPPORT, RH (Not Shown), BSN HAJ0295001
5	87314047	1	SUPPORT, RH (Not Shown), ASN HAJ0295001
6	814-12065	2	BOLT, Hex, M12 x 65, 8.8,
7	291911A1	2	SUPPORT,
8	1283403C1	2	MIRROR,
9	122379A1	2	NUT, 3/8"
10	127960A1	2	SUPPORT,
11	1321447C1	8	SCREW, SELF TAP, Cross Pan Hd, 1/4"-20 x 1/2",
12	130882C91	2	LIGHT, INTERIOR, , See Figure 04-32
13	1974614C2	4	SCREW, SELF TAP, Cross Pan Hd, #10-24 x 2 1/4",



09G-22 CAB - MIRROR, REAR VIEW - INTERIOR

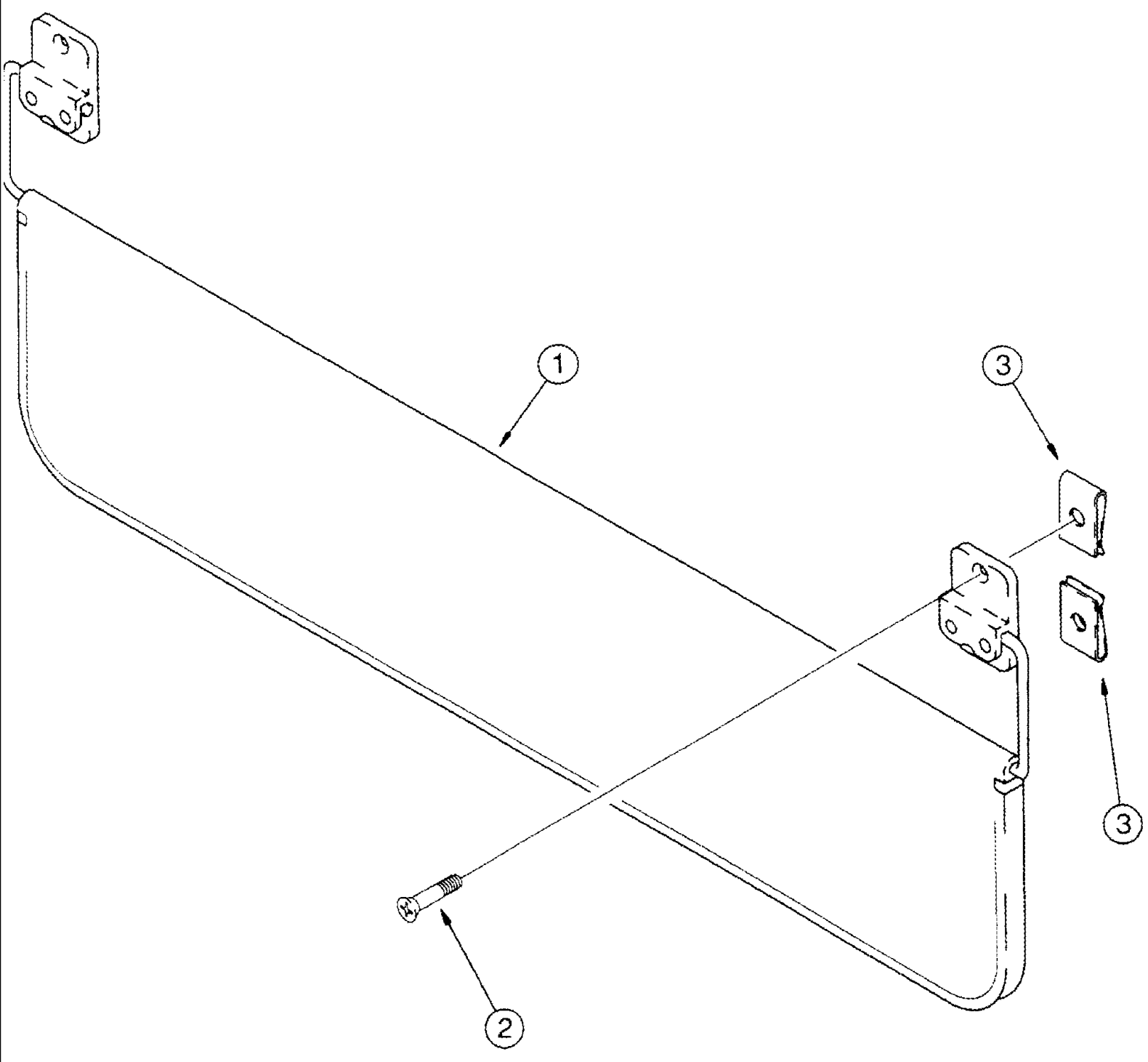
сылка	Номер детали	Кол-во	Описание
1	242570A1	1	BRACKET,
2	A177462	1	MIRROR,
3	191216A1	2	SCREW, SELF TAP, Hex Wash Hd, #10-24 x 5/8",
4	492-11031	1	WASHER, LOCK, 5/16",
5	425-105	1	NUT, 5/16"-18, G5,

09G-23 FIRE EXTINGUISHER



09G-23 FIRE EXTINGUISHER

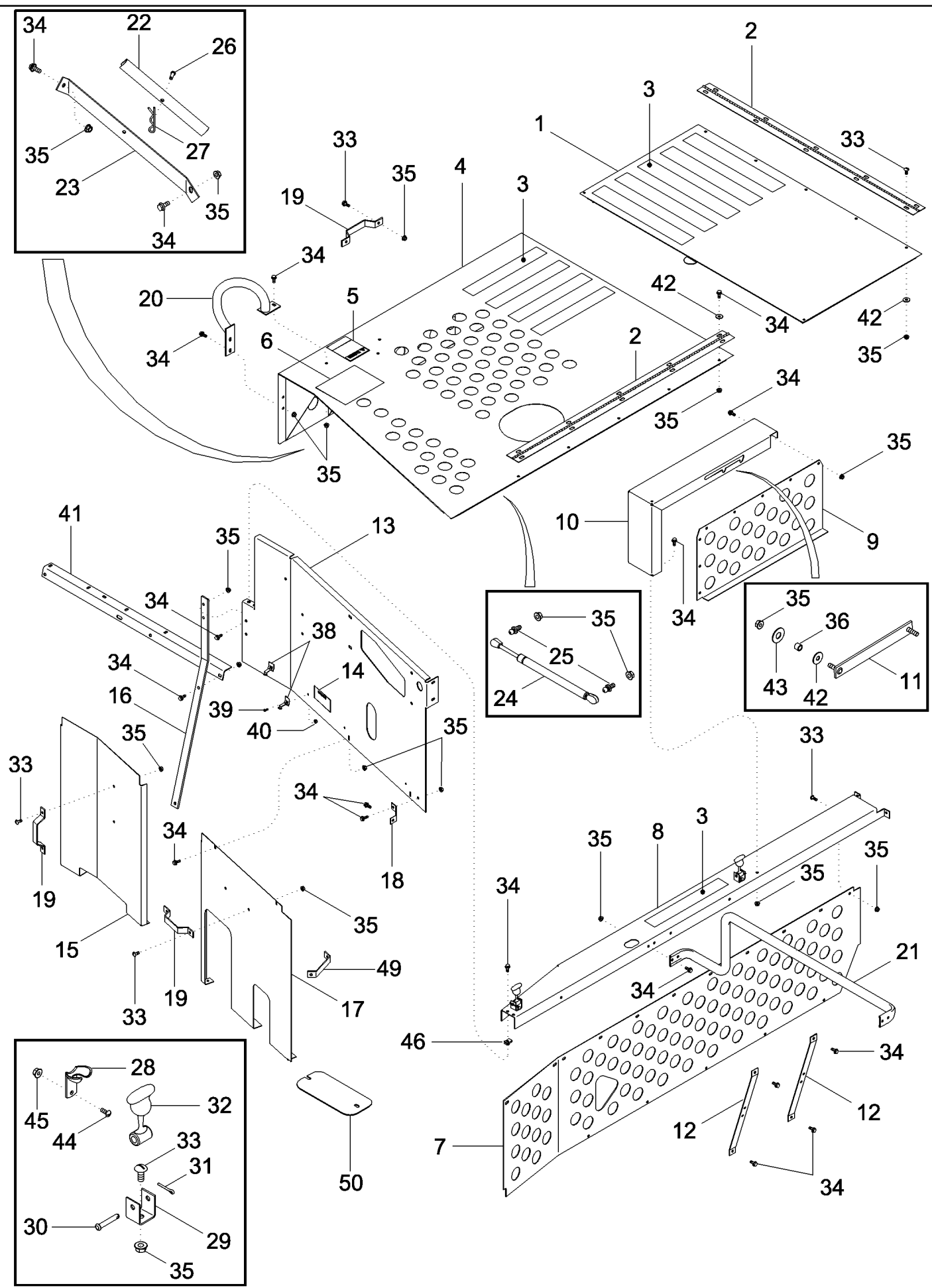
сылка	Номер детали	Кол-во	Описание
1	549975C91	1	FIRE EXTINGUISHER, 10 lb
2	549978C91	1	BRACKET,



09G-24 SUNVISOR

сылка	Номер детали	Кол-во	Описание
1	123452A1	1	VISOR, SUN,
2	260-16524	4	SCREW, SELF TAP, Cross Pan Hd, #10 x 1 1/2",
3	60-6708T1	4	NUT, SPECIAL,

09H-01 ENGINE SHIELDS AND SERVICE DECK



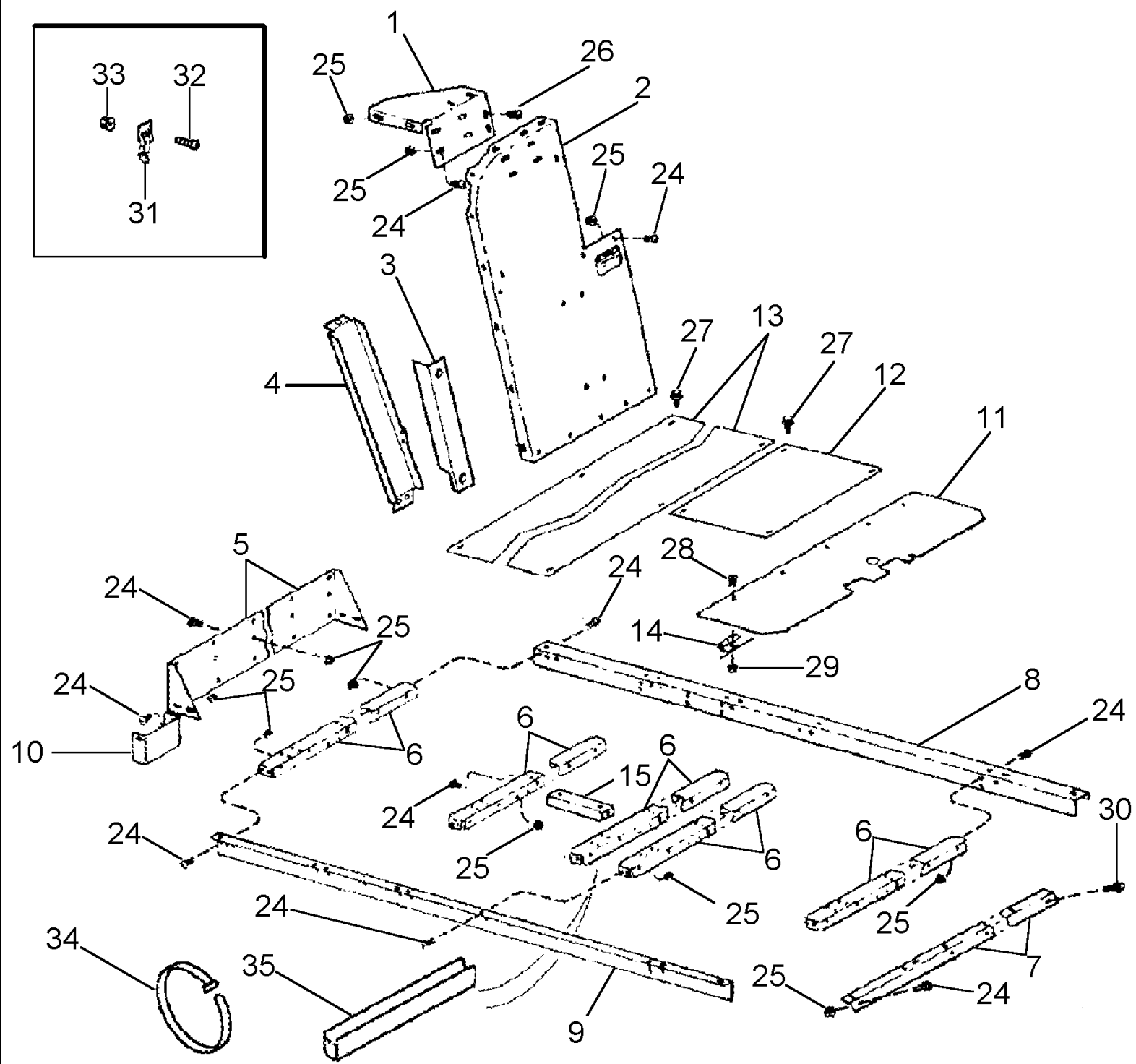
09H-01 ENGINE SHIELDS AND SERVICE DECK

сылка	Номер детали	Кол-во	Описание
1	442187A3	1	SUPPORT, Door, BSN HAJ0295001
1	87306863	1	Rotor, ASN HAJ0295001
2	442774A2	2	HINGE,
3	D80270	8	STRIP, Non-Slip, 635 mm (25 in) x 51 mm (2 in)
4	87412593	1	DOOR, Engine Cover, BSN HAJ0295001
4	87343628	1	DOOR, DOOR Engine Cover, ASN HAJ0295001
5	181597A1	1	DECAL, Warning
6	435798A1	1	DECAL, Top Lube Fittings
7	443460A4	1	SHIELD, Engine , BSN HAJ0295001
7	87362502	1	SHIELD, Service Deck, ASN HAJ0295001
8	444053A3	1	CHANNEL, Door and Hood Support, LH
9	451545A2	1	SHIELD, Rotor Drive
10	444055A2	1	CHANNEL, Upper
11	1302413C1	1	PROP, Door Hold-up
12	451648A2	2	SUPPORT, Engine Cover
13	442178A4	1	SHIELD, Rear
14	173881C1	1	DECAL, Important, Clean Engine
15	444682A2	1	SHIELD, Lower Rear, BSN HAJ0295001
15	87313659	1	SHIELD, Engine Air L.H., ASN HAJ0295001
16	87422854	1	SUPPORT,
17	86985913	1	SHIELD, Lower Rear, BSN HAJ0295001
17	87363206	1	SHIELD, Engine Air R.H., ASN HAJ0295001
18	444680A2	1	BRACKET, Engine Shield
19	160638C2	3	HANDLE,
20	445183A2	1	HANDRAIL, Service Deck
21	447180A2	1	HANDRAIL, Service Deck, BSN HAJ0295001
21	87313662	1	HANDRAIL, Engine Compartment, ASN HAJ0295001
22	448354A1	1	BRACKET, Cylinder Lockout
23	445549A1	1	SUPPORT, Dearation Tank , BSN HAJ0295001
23	87313660	1	SUPPORT, Dearation Panel, ASN HAJ0295001
24	446346A1	2	GAS STRUT, Engine Door Lift
25	87025782	4	STUD,
26	439-1420	1	PIN, HEADED, 1/4" x 1 1/4",
27	473443R1	1	PIN, 5/16"
28	L105124	2	HOOK, LATCH,
29	188103C2	2	BRACKET, Hook Anchor
30	439-1424	2	PIN, HEADED, 1/4" x 1 1/2", G2,
31	432-812	2	PIN, SPLIT (COTTER), 1/8" x 3/4",
32	494307C1	2	LATCH,
33	477-73112	25	BOLT, Slotted Tr Hd, 5/16"-18 x 3/4",
34	409-7512	37	BOLT, Hex Flg, 5/16"-18 x 3/4", Serr,
35	231-5145	61	NUT, Flg, USR, 5/16"-18,
36	87026609	2	SPACER, 1/2" Pipe x 3/8", 11/32" x 1/2" x 3/8"
38	167800C1	4	FASTENER,
39	440-1108	4	SCREW, Cross Pan Hd, #10-24 x 1/2",

09H-01 ENGINE SHIELDS AND SERVICE DECK

сылка	Номер детали	Кол-во	Описание
40	231-51409	4	NUT, Flg, USR, #10-24,
41	442193A1	1	SUPPORT, Engine Deck Rear
42	495-81116	11	WASHER, .344" x 1" x .060",
43	495-81024	1	WASHER, 17/32" x 1 1/4" x .060",
44	470-1108	2	SCREW, Slotted Pan Hd, #10-24 x 1/2",
45	231-51409	2	NUT, Flg, USR, #10-24,
46	488837C1	2	NUT, 5/16", Speed
47	231-5315	1	NUT, LOCK, Flg, 5/16"-18,
48	1327979C1	1	MOLDING, Cut 152 mm (6") from 196707C1, Not Illustrated
49	87313658	1	SUPPORT, Dearation Panel, ASN HAJ0295001
50	87338173	1	PLATE, Cooler Box, Lower, ASN HAJ0295001

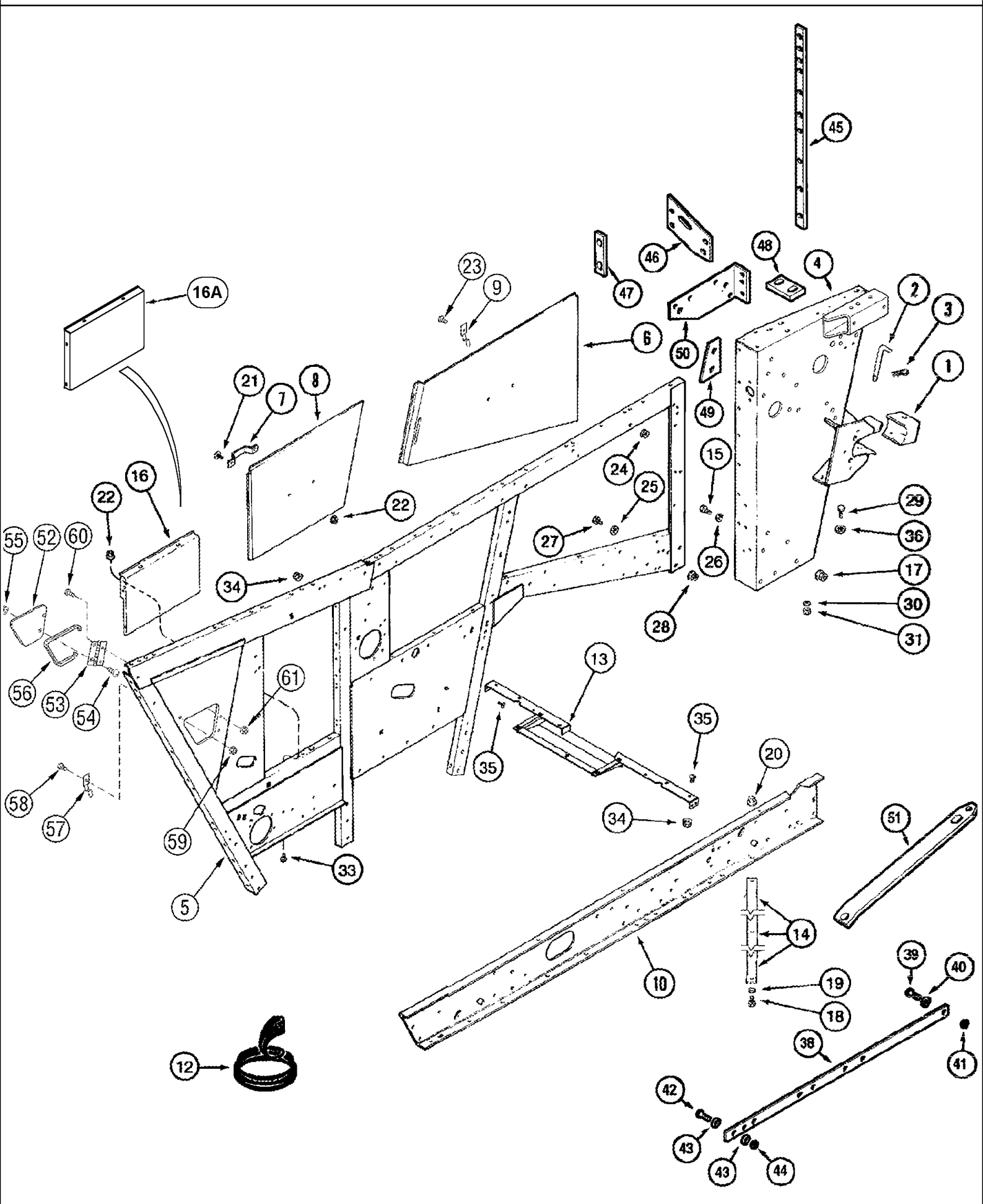
09H-02 ENGINE SHIELDS AND SERVICE DECK SUPPORTS



09H-02 ENGINE SHIELDS AND SERVICE DECK SUPPORTS

сылка	Номер детали	Кол-во	Описание
1	1330481C2	1	SUPPORT, LH Rear
2	1330482C3	1	SUPPORT, LH Rear
3	237716A1	1	BRACKET,
4	237714A1	1	SUPPORT, Rear
5	193435C3	1	SUPPORT,
6	192959C6	5	SUPPORT,
7	304310A1	1	SUPPORT, Rear
8	192961C7	1	SUPPORT, RH
9	304309A2	1	SUPPORT, LH
10	186105C1	1	CHANNEL, Upper, LH Rear
11	1977155C3	3	DOOR,
12	1979827C2	1	PLATE,
13	1979828C2	1	PLATE, Front
14	186695C1	3	HINGE,
15	1979830C1	1	SUPPORT,
24	477-73112	AR	BOLT, Slotted Tr Hd, 5/16"-18 x 3/4",
25	231-5145	AR	NUT, Flg, USR, 5/16"-18,
26	413-532	1	BOLT, Hex, 5/16"-18 x 2", G5,
27	281-1478	10	SCREW, SELF TAP, Hex Wash Hd, 1/4" x 1/2",
28	477-82508	30	SCREW, Sltd Serr Truss Hd, 1/4"-20 x 1/2",
28	477-82512	2	SCREW, Sltd Serr Truss Hd, 1/4"-20 x 3/4",
29	231-5144	32	NUT, Flg, USR, 1/4"-20,
30	409-7516	1	BOLT, Hex Flg, 5/16"-18 x 1", Serr,
32	440-1108	4	SCREW, Cross Pan Hd, #10-24 x 1/2",
33	231-51409	4	NUT, Flg, USR, #10-24,
34	435437A1	1	STRAP, CABLE, 3/16" x 7 1/4", 7"
35	1327979C1	1	MOLDING, Cut 152 mm (6") from 1330108CX

09H-03 SEPARATOR - DOORS - LEFT HAND



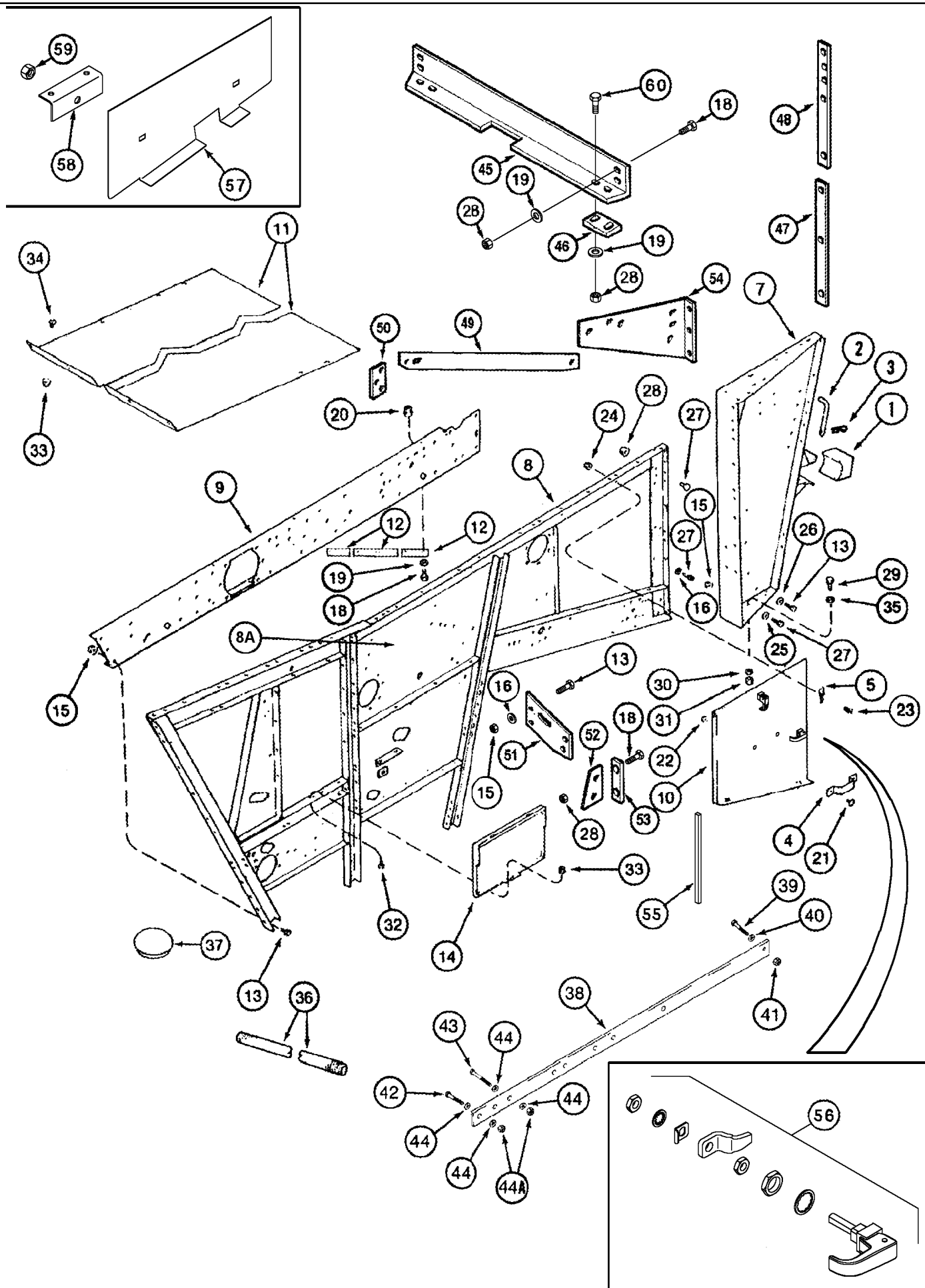
09H-03 SEPARATOR - DOORS - LEFT HAND

сылка	Номер детали	Кол-во	Описание
1	1989327C2	1	RETAINER,
1	1989327C3	1	RETAINER, 12 Row Ready
2	418694A1	1	ROD,
3	1978738C1	1	PIN, SPLIT (COTTER), 3/16"
4	393184A1	1	POST, LH Front, Includes Decal 144385A1, See Figure 09H-23, Ref. 9, BSN HAJ0295001
4	87383812	1	POST, LH Front, Includes Decal 144385A1, ASN HAJ0295001
4A	120253C1	1	CONDUIT, 210 mm (8-1/4"), Cut from 1262114C1, Not Illustrated
5	443249A1	1	FRAME, Side, LH
6	193223C2	1	DOOR, LH Front
7	160638C2	2	HANDLE, Replaces 160638C1
8	193353C1	1	DOOR, LH
9	167800C1	10	FASTENER,
10	359826A2	1	SILL, Main, LH
12	188062C2	1	SEAL, 140 mm (5-1/2"), Cut from 1338148CX
13	237975A5	1	SUPPORT,
14	186018C1	1	STRAP,
15	426-1020	20	BOLT, Hex, 5/8"-11 x 1 1/4", G8, Full Thd,
15	426-1028	3	BOLT, Hex, 5/8"-11 x 1 3/4", G8, Full Thd,
16A	87301105	1	DOOR,
17	87301493	24	NUT, Flg, USR, 5/8"-11, G8,
18	426-824	21	BOLT, Hex, 1/2"-13 x 1 1/2", G8, Full Thd,
19	232-5318	39	NUT, LOCK, Flg, 1/2"-13,
20	186852C1	3	NUT, 1/2", 8
21	477-73108	4	SCREW, Sltd Serr Truss Hd, 5/16"-18 x 1/2",
22	231-5145	9	NUT, Flg, USR, 5/16"-18,
23	440-1108	10	SCREW, Cross Pan Hd, #10-24 x 1/2",
24	231-51409	10	NUT, Flg, USR, #10-24,
25	396-41066	6	WASHER, 21/32" x 1 1/2" x .188", HDN,
26	496-11066	13	WASHER, 21/32" x 1 5/16" x .095", HDN,
27	426-816	11	BOLT, Hex, 1/2"-13 x 1", G8, Full Thd,
28	232-5138	12	NUT, Flg, USR, 1/2"-13, G8,
29	413-1028	2	BOLT, Hex, 5/8"-11 x 1 3/4", G5,
30	492-11062	2	WASHER, LOCK, 5/8",
31	425-1010	2	NUT, 5/8"-11, G5,
33	477-73112	8	BOLT, Slotted Tr Hd, 5/16"-18 x 3/4",
33	477-73116	1	SCREW, Sltd Serr Truss Hd, 5/16"-18 x 1",
33	409-7524	4	BOLT, Hex Flg, 5/16"-18 x 1 1/2", Serr,
34	231-5146	9	NUT, Flg, USR, 3/8"-16,
34	231-5145	4	NUT, Flg, USR, 5/16"-18,
35	477-73812	20	SCREW, Sltd Serr Truss Hd, 3/8" x 3/4",
35	477-73816	2	SCREW, Sltd Serr Truss Hd, 3/8" x 1",
36	493-21065	2	WASHER, LOCK, Int Tooth, 5/8",
37	188062C2	4	SEAL, 140 mm (5-1/2"), Cut from 1338149C1, Not Illustrated
38	198572A3	2	STRAP, 12 Row Ready
39	426-632	2	BOLT, Hex, 3/8"-16 x 2", G8, 12 Row Ready

09H-03 SEPARATOR - DOORS - LEFT HAND

сылка	Номер детали	Кол-во	Описание
40	496-41041	4	WASHER, 13/32" x 1 1/8" x .134",
41	429-106	4	NUT, 3/8"-16, G8, 12 Row Ready
42	426-832	14	BOLT, Hex, 1/2"-13 x 2", G8,
43	496-21053	28	WASHER, 17/32" x 1 1/16" x .134",
44	429-108	14	NUT, 1/2"-13, G8,
45	236933A1	1	PLATE,
46	238987A1	1	PLATE, LH Front
47	239001A1	1	PLATE,
48	236509A1	2	SPACER,
49	239289A1	1	SPACER, Lower RH
50	236370A2	1	PLATE, LH
51	236726A1	1	PLATE, LH
	387815A1	1	DOOR, Separator, Includes 52 - 56
52	383558A1	1	DOOR,
53	397586A1	1	HINGE,
54	477-82508	2	SCREW, Sltd Serr Truss Hd, 1/4"-20 x 1/2",
55	231-5144	2	NUT, Flg, USR, 1/4"-20,
56	383559A1	1	SEAL,
57	167800C1	1	FASTENER,
58	440-1108	1	SCREW, Cross Pan Hd, #10-24 x 1/2",
59	231-51409	1	NUT, Flg, USR, #10-24,
60	477-82508	2	SCREW, Sltd Serr Truss Hd, 1/4"-20 x 1/2",
61	231-5144	2	NUT, Flg, USR, 1/4"-20,
62	131-946	6	NUT, Flg, 1/2"-13, G8,
63	409-7620	2	BOLT, Hex Flg, 3/8"-16 x 1 1/4", Serr,
64	426-1036	1	BOLT, Hex, 5/8"-11 x 2 1/4", G8,
	426155A1	1	KIT, Sieve Light / Viewing Door, Includes 23, 24, 34, 52, 54 - 56, 60 - 61. Also Includes 1347069C1. , Use to retrofit machines built prior to P.I.N. JJC0270499., See Figure(s) 04-6, 09H-03, 09H-25, 09H-26

09H-04 SEPARATOR - DOORS - RIGHT HAND



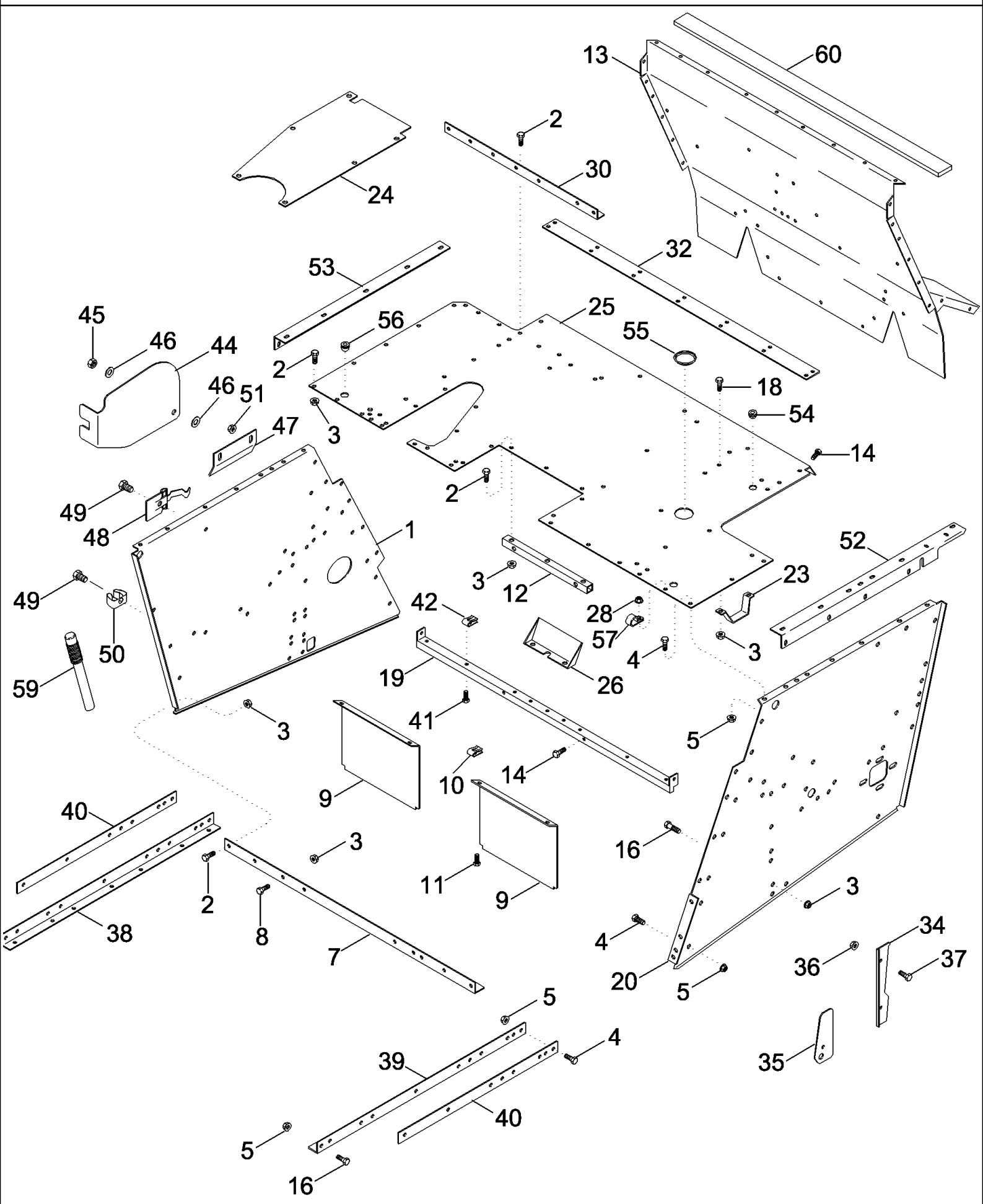
09H-04 SEPARATOR - DOORS - RIGHT HAND

сылка	Номер детали	Кол-во	Описание
1	1989327C2	1	RETAINER,
1	1989327C3	1	RETAINER, 12 Row Ready
2	418694A1	1	ROD,
3	1978738C1	1	PIN, SPLIT (COTTER), 3/16"
4	160638C2	1	HANDLE,
5	86991204	2	LATCH,
7	398473A2	1	POST, RH, BSN HAJ0295001
7	87372904	1	POST, RH, ASN HAJ0295001
8	443250A1	1	PLATE, SIDE, RH, Includes 8A
8A	192626C3	1	SHEET, RH, Upper Center
9	359827A2	1	SILL, RH, Main, BSN HAJ0295001
9	87335705	1	SILL, RH, Main, ASN HAJ0295001
10	86991350	1	DOOR, RH, Front
11	238463A6	1	SHEET,
12	186018C1	1	STRAP,
13	426-1020	21	BOLT, Hex, 5/8"-11 x 1 1/4", G8, Full Thd,
14	87301105	1	DOOR,
15	232-51310	23	NUT, Flg, USR, 5/8"-12,
16	495-21044	3	WASHER, 3/8",
17	409-7616	1	BOLT, Hex Flg, 3/8"-16 x 1", Serr, Not Illustrated
18	426-824	14	BOLT, Hex, 1/2"-13 x 1 1/2", G8, Full Thd,
19	496-21053	44	WASHER, 17/32" x 1 1/16" x .134",
20	186852C1	2	NUT, 1/2", 8
21	477-73108	2	SCREW, Sltd Serr Truss Hd, 5/16"-18 x 1/2",
22	231-5145	2	NUT, Flg, USR, 5/16"-18,
23	440-1108	4	SCREW, Cross Pan Hd, #10-24 x 1/2",
24	231-51409	4	NUT, Flg, USR, #10-24,
25	396-41066	4	WASHER, 21/32" x 1 1/2" x .188", HDN,
26	496-11066	13	WASHER, 21/32" x 1 5/16" x .095", HDN,
27	426-816	10	BOLT, Hex, 1/2"-13 x 1", G8, Full Thd,
28	232-5138	21	NUT, Flg, USR, 1/2"-13, G8,
29	413-1028	2	BOLT, Hex, 5/8"-11 x 1 3/4", G5,
30	492-11062	2	WASHER, LOCK, 5/8",
31	425-1010	2	NUT, 5/8"-11, G5,
32	477-73112	5	BOLT, Slotted Tr Hd, 5/16"-18 x 3/4",
33	231-5146	3	NUT, Flg, USR, 3/8"-16,
34	477-73812	1	SCREW, Sltd Serr Truss Hd, 3/8" x 3/4",
35	493-21065	2	WASHER, LOCK, Int Tooth, 5/8",
36	1319395C1	1	CONDUIT, 12-1/8", Cut from 1262114C1
37	353-414	1	PLUG, Dome, 1.375" hole, Nylon,
38	198572A1	1	STRAP, 12 Row Ready
39	326-632	1	BOLT, Hex, 3/8"-16 x 2", G8, 12 Row Ready
40	496-41041	2	WASHER, 13/32" x 1 1/8" x .134", 12 Row Ready
41	429-106	1	NUT, 3/8"-16, G8, 12 Row Ready
42	326-832	6	BOLT, Hex, 1/2"-13 x 2", G8, 12 Row Ready

09H-04 SEPARATOR - DOORS - RIGHT HAND

сылка	Номер детали	Кол-во	Описание
43	426-836	2	BOLT, Hex, 1/2"-13 x 2 1/4", G8, 12 Row Ready
44	496-21053	16	WASHER, 17/32" x 1 1/16" x .134", 12 Row Ready
44A	429-108	8	NUT, 1/2"-13, G8, 12 Row Ready
45	237623A1	1	SUPPORT, Front
46	236509A1	1	SPACER,
47	236935A1	1	PLATE, Lower RH
48	236934A1	1	PLATE, Upper RH
49	236727A1	1	PLATE, RH
	426-1028	1	BOLT, Hex, 5/8"-11 x 1 3/4", G8, Full Thd,
	426-1036	1	BOLT, Hex, 5/8"-11 x 2 1/4", G8,
50	236728A1	1	PLATE,
51	238987A1	1	PLATE, LH Front
52	239289A1	1	SPACER, LH
53	239001A1	1	PLATE,
54	236317A1	1	SUPPORT, RH
	409-7620	2	BOLT, Hex Flg, 3/8"-16 x 1 1/4", Serr,
55	86991662	1	SEAL, 362 mm (14-1/4"), Cut from 1971350C1
56	86991204	2	LATCH,
57	87422278	1	SHEET, Air Flow Restriction
58	86985754	2	SUPPORT,
59	131-137	2	NUT, Ret, 5/16"-18,
60	426-832	4	BOLT, Hex, 1/2"-13 x 2", G8,

09H-05 SEPARATOR - HOOD



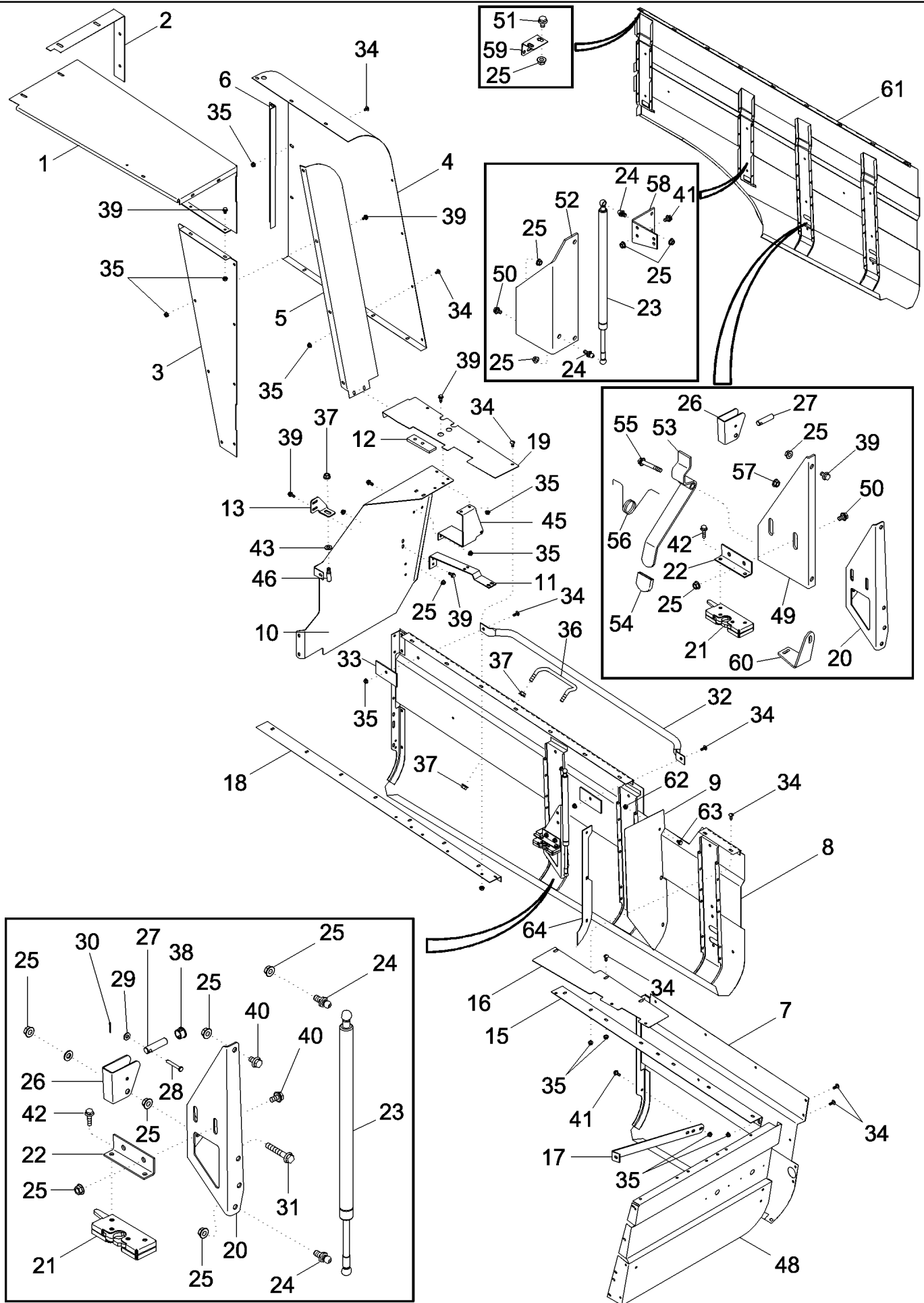
09H-05 SEPARATOR - HOOD

сылка	Номер детали	Кол-во	Описание
1	418679A1	1	SHEET, LH, Includes Decals 144388A1 & 179620A2, See Figure(s) 09H-19, Ref. 6; 09H-20, Ref. 6, BSN HAJ0295001
1	87344263	1	SHEET, LH, Includes Decals 144388A1 & 179620A2, See Figure(s) 09H-19, Ref. 6; 09H-20, Ref. 6, ASN HAJ0295001
2	477-73112	69	BOLT, Slotted Tr Hd, 5/16"-18 x 3/4",
3	231-5145	87	NUT, Flg, USR, 5/16"-18,
4	477-73816	13	SCREW, Slt'd Serr Truss Hd, 3/8" x 1",
5	231-5146	21	NUT, Flg, USR, 3/8"-16,
7	192304C2	1	RAIL, Rear
8	477-73120	6	SCREW, Slt'd Serr Truss Hd, 5/16"-18 x 1 1/4",
9	441739A1	2	SUPPORT, Rear, Includes Decals 144370A1 & 435799A1, See Figure(s) 09H-19, Ref. 1; 09H-20, Ref. 9
10	488837C1	14	NUT, 5/16"
11	409-7512	13	BOLT, Hex Flg, 5/16"-18 x 3/4", Serr,
12	186971C1	1	ANGLE, Rear
13	364626A3	1	SUPPORT, Fuel Tank
14	409-7512	6	BOLT, Hex Flg, 5/16"-18 x 3/4", Serr,
16	477-73812	6	SCREW, Slt'd Serr Truss Hd, 3/8" x 3/4",
17	138558A1	9	SCREW, 5/16" x 13/16"
17	409-7516	1	BOLT, Hex Flg, 5/16"-18 x 1", Serr,
18	488837C1	16	NUT, 5/16"
19	358622A1	1	SUPPORT,
20	412623A1	1	SHEET, RH, BSN HAJ0295001
20	87362289	1	SHEET, RH, ASN HAJ0295001
23	380043A1	2	STOP, Fuel Tank
24	441454A1	1	COVER, Engine
25	445910A5	1	SHEET, Rear Deck, BSN HAJ0295001
25	87310986	1	SHEET, Rear Deck, ASN HAJ0295001
26	364781A1	1	RETAINER, Fuel Tank
	131-137	4	NUT, Ret, 5/16"-18,
30	279682A1	1	SUPPORT, Rear Deck
32	87412923	1	SHEET, Rear Deck
33	280059A1	1	SEAL, Not Illustrated
34	418095A1	1	SHEET, Seal
35	418096A2	1	SHEET, Seal
36	231-5145	4	NUT, Flg, USR, 5/16"-18,
37	477-73112	4	BOLT, Slotted Tr Hd, 5/16"-18 x 3/4",
38	412620A1	1	SUPPORT, Angle, LH Separator Hood
39	412622A1	1	SUPPORT, Angle, RH Separator Hood
40	418632A1	2	STRAP, Spacer
41	410-7620	8	BOLT, Hex Flg, 3/8"-16 x 1 1/4", Serr,
42	410009A1	8	NUT, 5/16", U-type
43	1302758C1	1	PLUG, Clean Out Hole, Not Illustrated
44	87314912	1	SHIELD, Sieve Lamp
45	231-1444	1	NUT, LOCK, 1/4"-20, GB,

09H-05 SEPARATOR - HOOD

сылка	Номер детали	Кол-во	Описание
46	87308449	2	WASHER, 1/4" x 1/2"
47	87314913	1	RETAINER,
48	167800C1	1	FASTENER, Door Retainer
49	440-1108	3	SCREW, Cross Pan Hd, #10-24 x 1/2",
50	106744A1	2	CLIP, Sieve Handle
51	231-5144	2	NUT, Flg, USR, 1/4"-20,
52	87415390	1	SUPPORT, RH Rear Trim Panel
53	183368A2	1	SUPPORT, LH Rear Trim
54	195806C1	1	GROMMET,
55	87000778	1	PLUG,
56	198828C1	1	GROMMET, 1"
57	515-23190	3	CLAMP, 3/4", Insul, 3/8" Bolt,
58	231-51409	3	NUT, Flg, USR, #10-24,
59	106743A1	1	HANDLE, Extension Assy
60	280059A1	1	SEAL, Foam Tape

09H-06 DOOR - SHIELD - RIGHT HAND



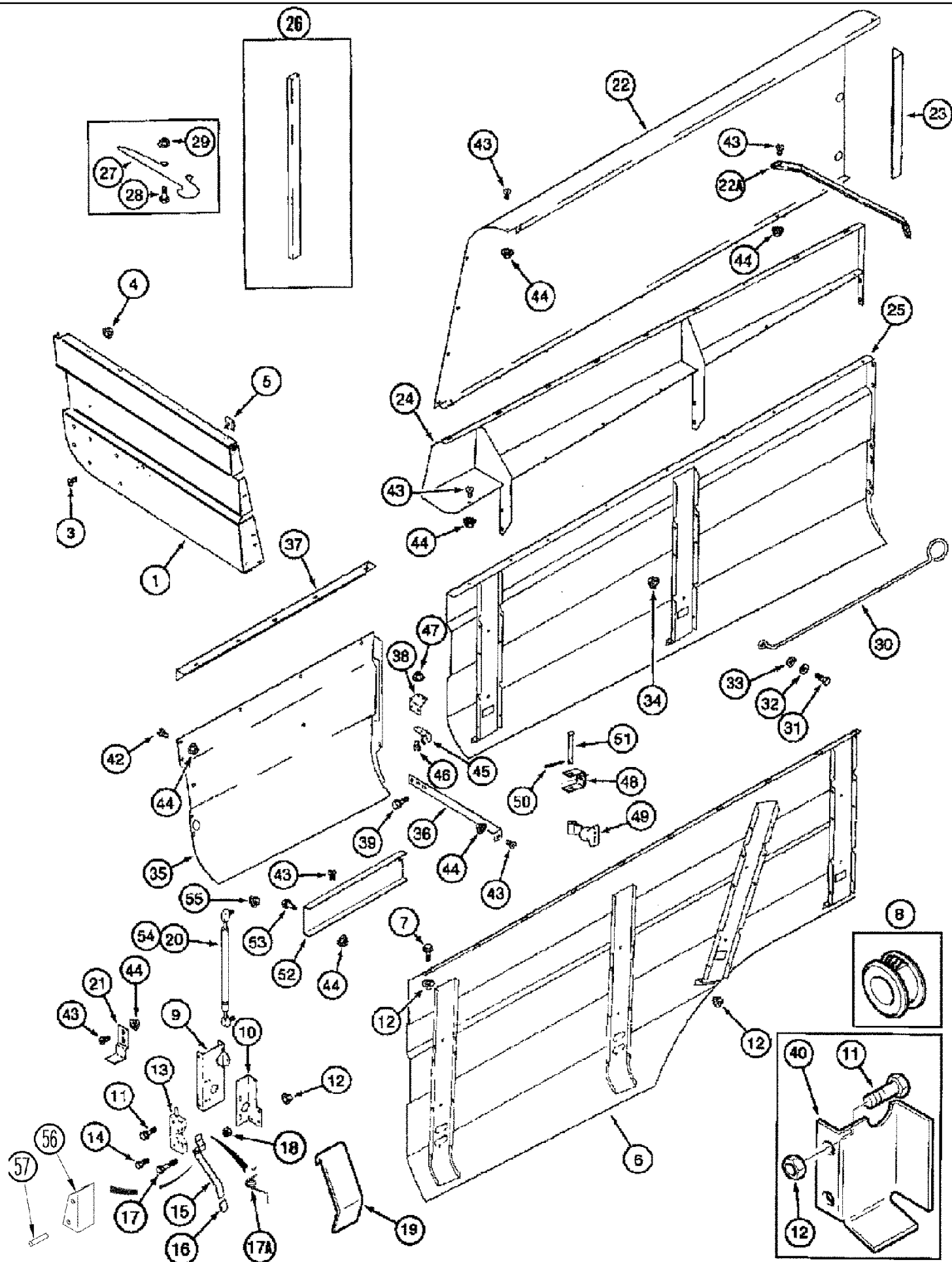
09H-06 DOOR - SHIELD - RIGHT HAND

сылка	Номер детали	Кол-во	Описание
1	87313665	1	SUPPORT, Engine Cover
2	87414239	1	SUPPORT,
3	87413554	1	SHIELD,
4	87413551	1	SHIELD,
5	87413556	1	SHIELD,
6	140514A1	1	SUPPORT,
7	413998A1	1	SUPPORT,
8	87415382	1	SHIELD,
10	87413640	1	SHIELD,
11	87385907	1	STRAP,
12	87428556	1	PLATE,
13	87413642	1	BRACKET,
15	87415390	1	SUPPORT, Right Hand
16	87413646	1	PLATE,
17	416559A1	1	STRAP,
18	87427282	1	SUPPORT,
19	87427283	1	SHIELD,
20	432210A1	2	BRACKET,
21	141224A1	2	LATCH,
22	182195A2	2	BRACKET,
23	140311A3	2	GAS STRUT,
24	87025782	4	STUD,
25	231-5145	AR	NUT, Flg, USR, 5/16"-18,
26	432278A1	2	LEVER,
27	432307A1	2	PIN, Rear Trim Panel Latch
28	127-218	1	PIN, CLEVIS, 3/16" x 1 5/16",
29	495-31022	1	WASHER, #10,
30	432-412	1	PIN, SPLIT (COTTER), 1/16" x 3/4",
31	121-232	1	BOLT, Hex Flg, 5/16"-18 x 2", Serr,
32	143775A2	1	HANDRAIL,
33	418690A1	2	PLATE,
34	477-73108	7	SCREW, Sltd Serr Truss Hd, 5/16"-18 x 1/2",
34	477-73112	5	BOLT, Slotted Tr Hd, 5/16"-18 x 3/4",
35	231-5145	10	NUT, Flg, USR, 5/16"-18,
36	1329715C1	1	HANDLE,
37	231-5148	5	NUT, Flg, USR, 1/2"-13,
38	353-462	1	BUSHING,
39	409-7512	13	BOLT, Hex Flg, 5/16"-18 x 3/4", Serr,
39	409-7516	9	BOLT, Hex Flg, 5/16"-18 x 1", Serr,
40	256873	3	BOLT, Hex Flg, 5/16"-18 x 1/2", Serr,
41	477-73112	4	BOLT, Slotted Tr Hd, 5/16"-18 x 3/4",
42	413-416	8	BOLT, Hex, 1/4"-20 x 1", G5,
43	495-21050	2	WASHER, 7/16",
45	87413643	1	BRACKET,
46	282145A1	1	BOLT, SPECIAL,

09H-06 DOOR - SHIELD - RIGHT HAND

сылка	Номер детали	Кол-во	Описание
47	495-11034	1	WASHER, 5/16", SAE,
48	398211A1	1	SUPPORT, Tail Lamp, Right Hand
49	182219A1	1	SUPPORT, Right Hand Lower
50	256873	7	BOLT, Hex Flg, 5/16"-18 x 1/2", Serr,
51	409-7516	9	BOLT, Hex Flg, 5/16"-18 x 1", Serr,
52	182262A2	1	SUPPORT,
53	182204A1	1	LEVER,
54	176203A2	1	PROTECTOR,
55	413-528	1	BOLT, Hex, 5/16"-18 x 1 3/4", G5,
56	284170A1	1	SPRING,
57	425-145	1	NUT, Jam, 5/16"-18, G5,
58	139771A2	1	SUPPORT, Upper Right Hand
59	181333A2	1	BRACKET,
60	414002A1	1	BRACKET, Latch Mounting
61	139775A5	1	HOOD,
62	231-5145	3	NUT, Flg, USR, 5/16"-18,
63	409-758	3	BOLT, Hex Flg, 5/16"-18 x 1/2", Serr,
64	87630529	1	PLATE, Reinforcement

09H-07 DOOR - SHIELDS - LEFT HAND



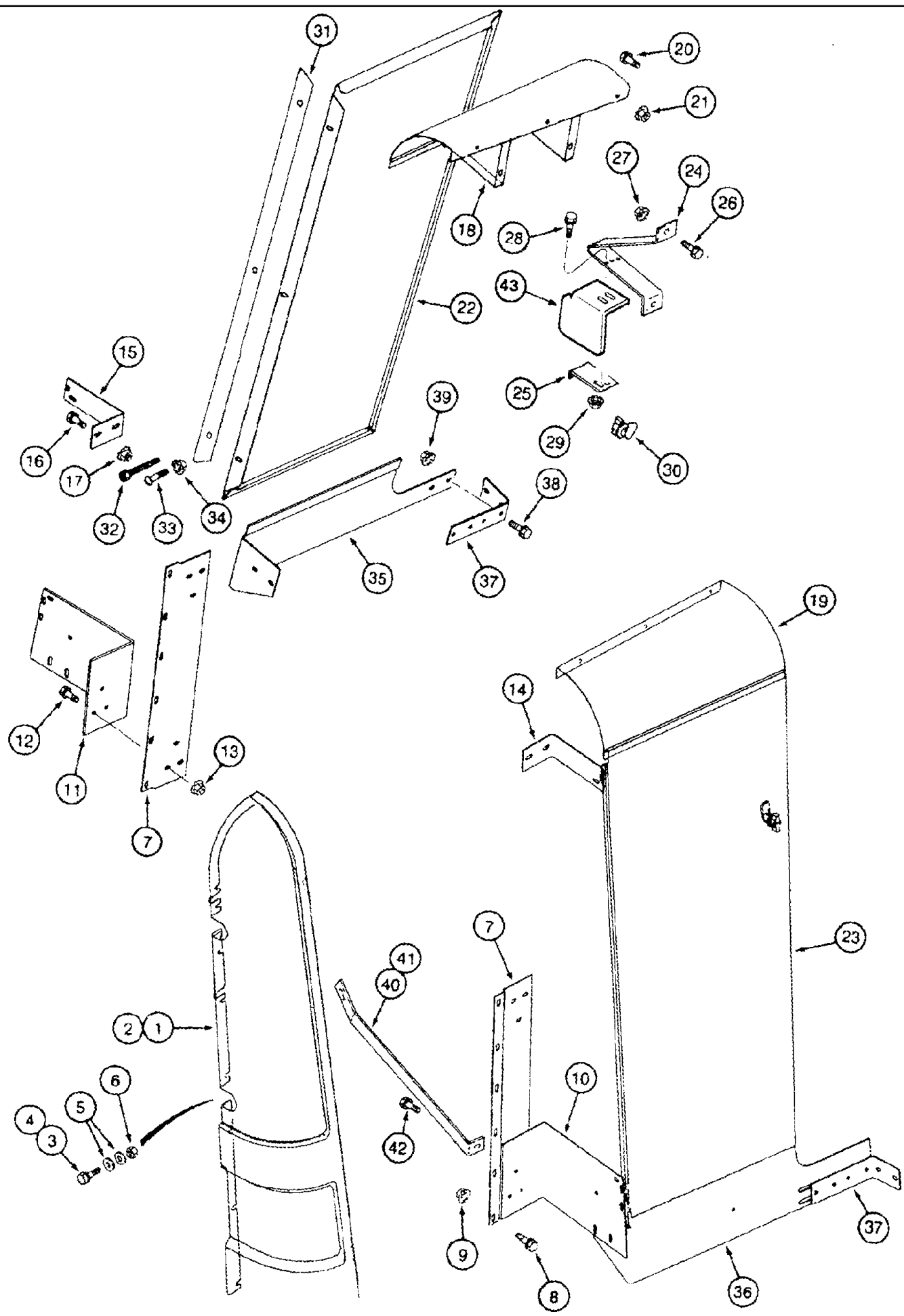
09H-07 DOOR - SHIELDS - LEFT HAND

сылка	Номер детали	Кол-во	Описание
1	403280A1	1	SUPPORT, Tail Lamp, Includes Decal 1546335C1, See Figure 09H-19, Ref. 16
3	477-73112	5	BOLT, Slotted Tr Hd, 5/16"-18 x 3/4",
4	231-5145	5	NUT, Flg, USR, 5/16"-18,
5	488837C1	3	NUT, 5/16"
6	139774A5	1	DOOR, LH
7	409-7516	9	BOLT, Hex Flg, 5/16"-18 x 1", Serr,
8	353-462	1	BUSHING, Australia Only
9	175605A2	1	SUPPORT, Lower
10	139680A3	1	SUPPORT, Lower LH
11	256873	6	BOLT, Hex Flg, 5/16"-18 x 1/2", Serr,
12	231-5145	16	NUT, Flg, USR, 5/16"-18,
13	141224A1	1	LATCH,
14	413-416	2	BOLT, Hex, 1/4"-20 x 1", G5,
15	182204A1	1	LEVER,
16	176203A2	1	PROTECTOR,
17	185856C1	3	SCREW, 5/16" x 2"
17A	284171A1	1	SPRING,
18	425-145	3	NUT, Jam, 5/16"-18, G5,
19	182582A2	1	LEVER, Australia Only
20	140311A3	1	GAS STRUT,
21	143442A3	1	SUPPORT, Front
22	140369A3	1	SHIELD, Rear, Upper LH
22A	223711A2	1	SUPPORT, Rear, Upper LH
23	140514A1	1	SUPPORT, Upper LH
24	140339A4	1	SHIELD, Rear, Upper LH
25	140840A3	1	SHIELD, Rear, Lower LH
26	187885C1	3	SEAL, 660 mm (26"), Cut from 87281C1
26	187884C1	1	SEAL, 51 mm (2"), Cut from 187885C1
27	176438A1	1	STEM,
28	409-7616	2	BOLT, Hex Flg, 3/8"-16 x 1", Serr,
29	231-5146	2	NUT, Flg, USR, 3/8"-16,
30	176953A3	1	PROP, LH Rear
31	413-636	1	BOLT, Hex, 3/8"-16 x 2 1/4", G5,
32	495-21044	2	WASHER, 3/8",
33	495-81143	2	WASHER, 13/32" x 1 1/2" x .120",
34	231-5146	2	NUT, Flg, USR, 3/8"-16,
35	398203A1	1	SHIELD, LH Rear
36	129694A1	1	SUPPORT, Lower LH, Rear
37	183368A2	1	SUPPORT, LH Rear
38	130184A2	1	BRACKET,
39	256873	7	BOLT, Hex Flg, 5/16"-18 x 1/2", Serr,
40	183475A1	1	COVER, Australia Only
42	190553A1	9	SCREW, 5/16" x 3/4"
43	477-73112	AR	BOLT, Slotted Tr Hd, 5/16"-18 x 3/4",
44	231-5145	AR	NUT, Flg, USR, 5/16"-18,

09H-07 DOOR - SHIELDS - LEFT HAND

сылка	Номер детали	Кол-во	Описание
45	L105124	1	HOOK, LATCH,
46	470-11012	2	SCREW, Slotted Pan Hd, #10-24 x 3/4",
47	231-51409	2	NUT, Flg, USR, #10-24,
48	188103C2	4	BRACKET,
49	494307C1	4	LATCH,
50	432-812	4	PIN, SPLIT (COTTER), 1/8" x 3/4",
50A	439-1412	4	PIN, HEADED, 1/4" x 3/4", Not Illustrated
51	439-1424	4	PIN, HEADED, 1/4" x 1 1/2", G2,
52	1319563C1	1	SUPPORT,
53	256873	2	BOLT, Hex Flg, 5/16"-18 x 1/2", Serr,
54	87025782	2	STUD,
55	231-5145	2	NUT, Flg, USR, 5/16"-18,
56	432278A1	1	LEVER, Latch Release
57	432307A1	1	PIN,
58	51-13112	1	STUD, 5/16"x 3/4", Not Illustrated
59	229578A1	1	PLUG, Not Illustrated

09H-08 GRAIN TANK, CORNER COVER PARTS



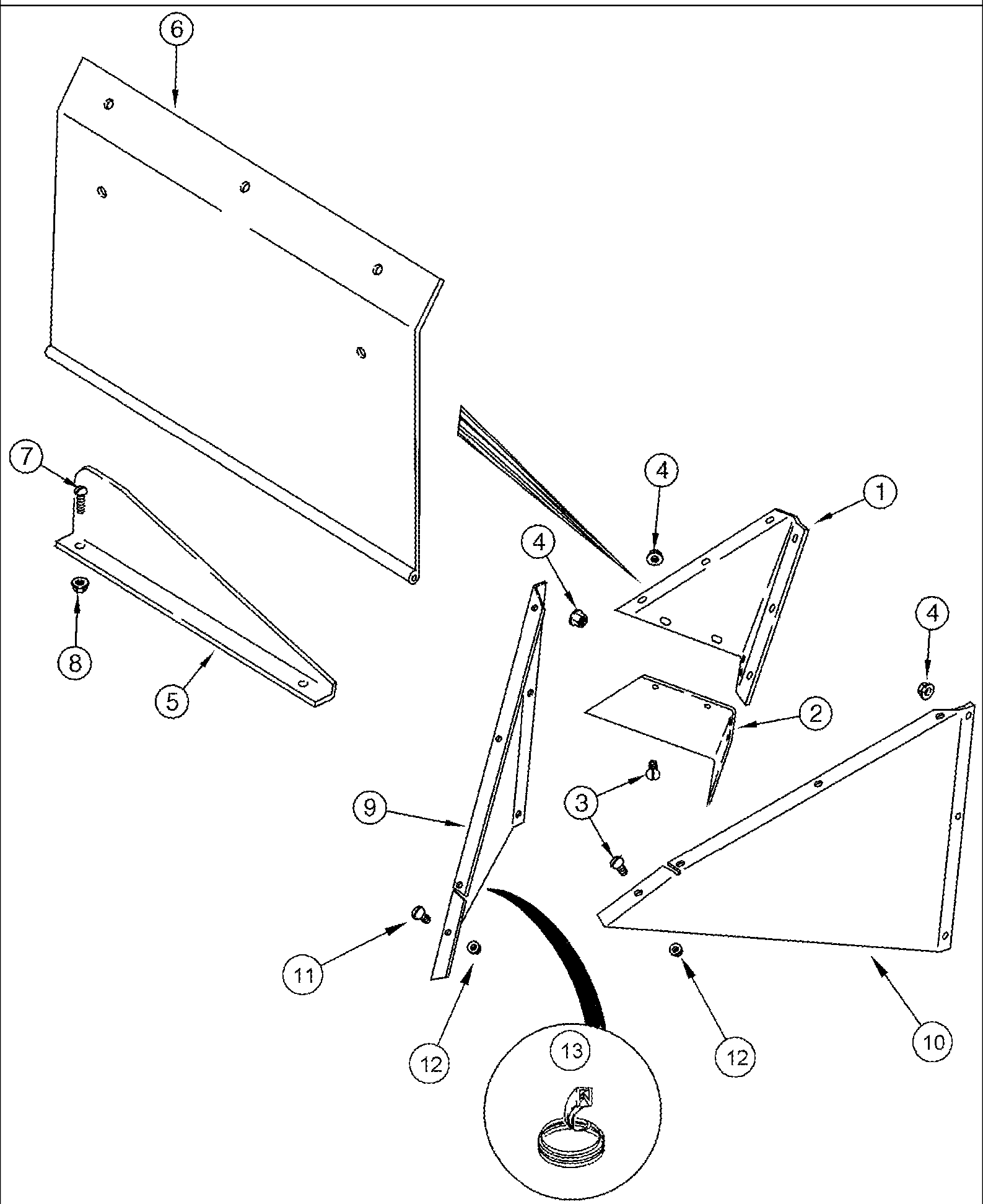
09H-08 GRAIN TANK, CORNER COVER PARTS

сылка	Номер детали	Кол-во	Описание
1	115687A2	1	SHIELD, LH
2	115751A2	1	SHIELD, RH
3	409-7512	12	BOLT, Hex Flg, 5/16"-18 x 3/4", Serr,
4	409-7516	AR	BOLT, Hex Flg, 5/16"-18 x 1", Serr,
5	495-11034	AR	WASHER, 5/16", SAE,
6	231-1445	AR	NUT, LOCK, 5/16"-18, GB,
7	128913A4	2	BRACKET, Vertical
8	409-7512	9	BOLT, Hex Flg, 5/16"-18 x 3/4", Serr,
8	409-7516	2	BOLT, Hex Flg, 5/16"-18 x 1", Serr,
9	231-5145	11	NUT, Flg, USR, 5/16"-18,
10	141419A2	1	SUPPORT, Lower RH
11	141420A2	1	SUPPORT, Lower LH
12	409-7512	6	BOLT, Hex Flg, 5/16"-18 x 3/4", Serr,
13	231-5145	6	NUT, Flg, USR, 5/16"-18,
14	259234A2	1	SUPPORT, RH
15	259233A1	1	SUPPORT, LH
16	409-7516	4	BOLT, Hex Flg, 5/16"-18 x 1", Serr,
16A	495-11041	4	WASHER, 3/8", SAE, Not Illustrated
17	231-5145	4	NUT, Flg, USR, 5/16"-18,
18	189743A3	1	COVER, Upper LH, Includes Decals 182269A1 & 175607A1, See Figure(s) 09H-19, Ref. 10; Figure 09H-22, Ref. 15
19	138880A3	1	SHIELD, Upper RH
20	409-7512	5	BOLT, Hex Flg, 5/16"-18 x 3/4", Serr,
21	231-5145	5	NUT, Flg, USR, 5/16"-18,
22	189306A2	1	DOOR, LH, Includes Decals 144383A1 & 144483A1, See Figure(s) 09H-19, Ref. 7; 09H-22, Ref. 7
23	366817A1	1	DOOR, RH
24	141785A1	2	SUPPORT,
25	141786A3	2	SUPPORT,
26	409-7412	4	BOLT, Hex Flg, 1/4"-20 x 3/4", Serr,
27	231-5144	4	NUT, Flg, USR, 1/4"-20,
28	409-7512	4	BOLT, Hex Flg, 5/16"-18 x 3/4", Serr,
29	231-5145	4	NUT, Flg, USR, 5/16"-18,
30	182925A1	2	LOCK,
30	182926A1	2	LOCK, Australia Only
31	128919A3	2	HINGE,
32	758-6	6	SCREW, SELF TAP, Hex Hd, M6.3 x 19,
33	477-73108	10	SCREW, Sltd Serr Truss Hd, 5/16"-18 x 1/2",
34	231-5145	10	NUT, Flg, USR, 5/16"-18,
35	128909A4	1	SHIELD, LH
36	128910A5	1	SHIELD, RH
37	239535A3	2	SUPPORT,
38	409-7512	12	BOLT, Hex Flg, 5/16"-18 x 3/4", Serr,
39	231-5145	12	NUT, Flg, USR, 5/16"-18,
40	193118A1	1	SUPPORT, RH
41	193120A1	1	SUPPORT, LH

09H-08 GRAIN TANK, CORNER COVER PARTS

сылка	Номер детали	Кол-во	Описание
42	409-7516	2	BOLT, Hex Flg, 5/16"-18 x 1", Serr,
43	190232A2	1	SUPPORT, Australia
	102251A1	1	CLIP, Not Shown
	231-5144	1	NUT, Flg, USR, 1/4"-20, Not Shown
	409-748	1	BOLT, Hex Flg, 1/4"-20 x 1/2", Serr, Not Shown

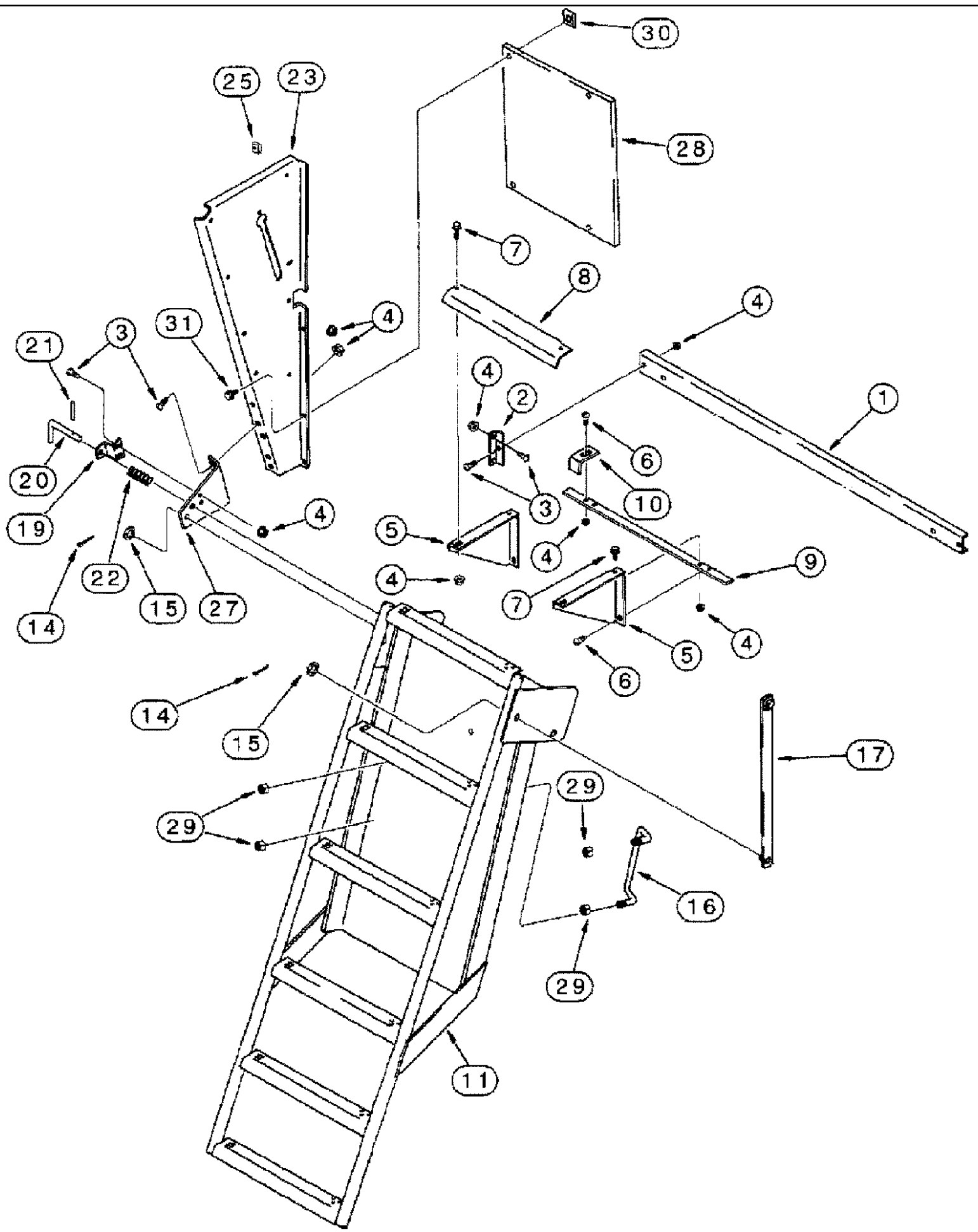
09H-09 DEFLECTORS - SUPPORTS



09H-09 DEFLECTORS - SUPPORTS

сылка	Номер детали	Кол-во	Описание
1	1319485C1	1	DEFLECTOR, Rear, Hood, With Straw Chopper
2	1321019C1	1	DEFLECTOR, Guard, With Straw Chopper
3	477-73112	6	BOLT, Slotted Tr Hd, 5/16"-18 x 3/4",
4	231-5145	6	NUT, Flg, USR, 5/16"-18,
5	115497A1	1	DEFLECTOR, Rotor, Discharge, With Straw and Chaff Spreader
6	109991A3	1	DEFLECTOR, Rear, Hood, With Straw and Chaff Spreader
7	477-73112	10	BOLT, Slotted Tr Hd, 5/16"-18 x 3/4",
8	231-5145	10	NUT, Flg, USR, 5/16"-18,
9	426762A1	1	SUPPORT, LH
10	426763A1	1	SUPPORT, RH
11	477-73108	10	SCREW, Slt'd Serr Truss Hd, 5/16"-18 x 1/2",
12	231-5145	10	NUT, Flg, USR, 5/16"-18,
13	1545944C1	1	SEAL, Cut 127 mm (5") from 1330108CX

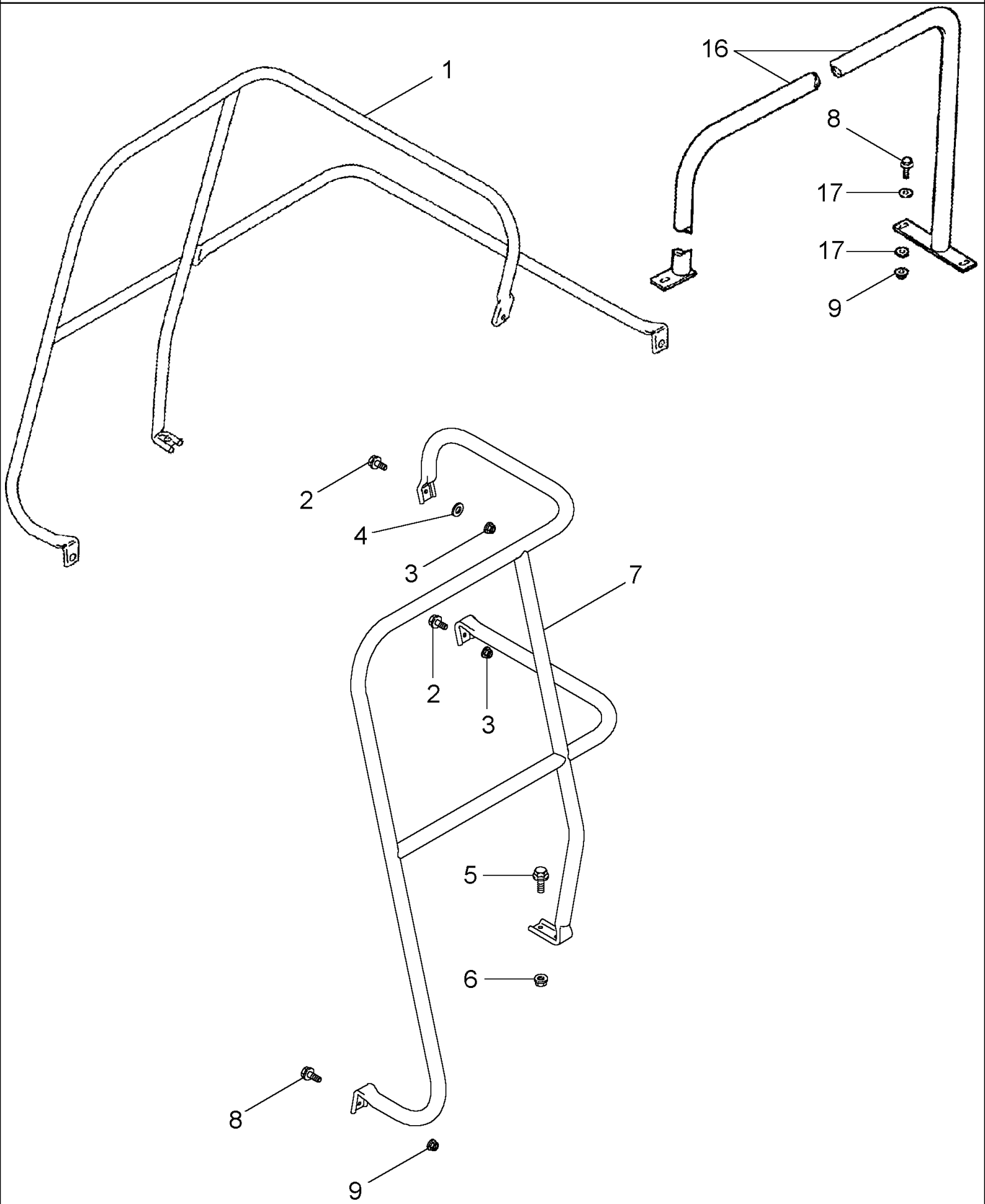
09H-10 LADDER, SERVICE - LADDER EXTENSION



09H-10 LADDER, SERVICE - LADDER EXTENSION

сылка	Номер детали	Кол-во	Описание
1	382341A1	1	CHANNEL,
2	1327997C2	2	BRACKET,
3	477-73112	12	BOLT, Slotted Tr Hd, 5/16"-18 x 3/4",
4	231-5145	17	NUT, Flg, USR, 5/16"-18,
5	1347489C1	2	SUPPORT,
6	477-73116	1	SCREW, Sltd Serr Truss Hd, 5/16"-18 x 1",
7	409-7512	4	BOLT, Hex Flg, 5/16"-18 x 3/4", Serr,
8	1327607C1	1	PLATE,
9	1319722C1	1	BAR,
10	1321975C1	1	BRACKET,
11	410715A2	1	LADDER, Includes Decal 311858A1, See Figure 09H-18, Ref. 9
14	432-1212	4	PIN, SPLIT (COTTER), 3/16" x 3/4",
15	495-11066	6	WASHER, 5/8", SAE,
16	1329715C1	1	HANDLE,
17	1321698C1	2	LINK,
19	1319739C1	1	BRACKET,
20	1319740C2	1	PIN,
21	38-1813	1	PIN, LOCK, 1/8" x 13/16", Slotted,
22	540815R2	1	SPRING,
23	364129A1	1	SUPPORT, LH (Shown)
24	364130A1	1	SUPPORT, RH (Not Shown)
25	488837C1	4	NUT, 5/16"
27	1319738C1	2	BRACKET,
28	364784A1	1	PLATE,
29	231-5148	4	NUT, Flg, USR, 1/2"-13,
30	231-5144	2	NUT, Flg, USR, 1/4"-20,
31	409-748	2	BOLT, Hex Flg, 1/4"-20 x 1/2", Serr,

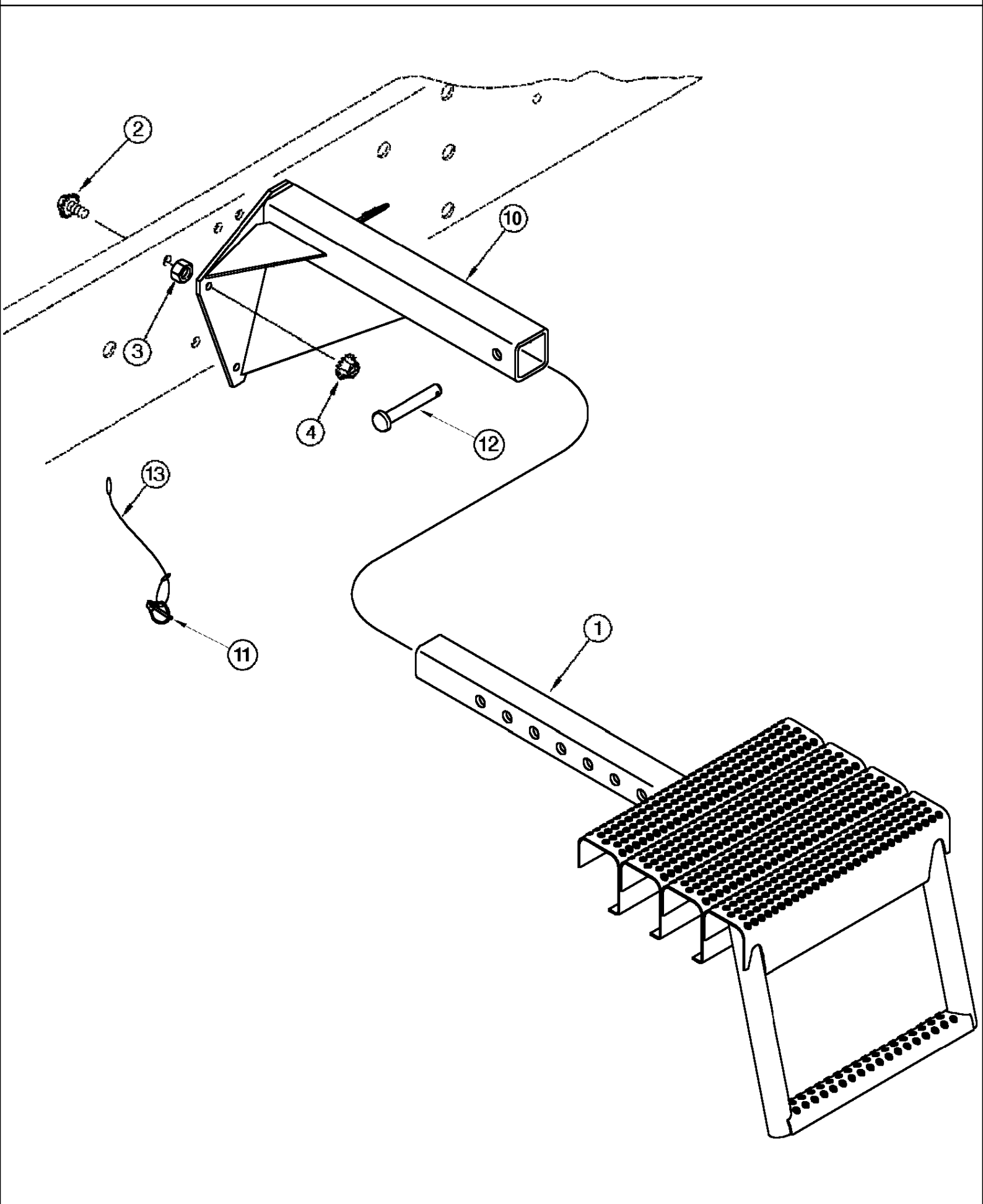
09H-11 HAND RAILS - DECK, SERVICE



09H-11 HAND RAILS - DECK, SERVICE

сылка	Номер детали	Кол-во	Описание
1	356330A1	1	HANDRAIL, LH
2	477-73112	2	BOLT, Slotted Tr Hd, 5/16"-18 x 3/4",
3	231-5145	2	NUT, Flg, USR, 5/16"-18,
4	495-81121	1	WASHER, .344" x 1 1/2" x .060",
5	477-73112	3	BOLT, Slotted Tr Hd, 5/16"-18 x 3/4",
6	231-5145	3	NUT, Flg, USR, 5/16"-18,
7	442186A1	1	HANDRAIL, RH
8	409-7512	4	BOLT, Hex Flg, 5/16"-18 x 3/4", Serr,
9	231-5145	4	NUT, Flg, USR, 5/16"-18,
11	477-73116	3	SCREW, Sltd Serr Truss Hd, 5/16"-18 x 1",
12	231-5145	3	NUT, Flg, USR, 5/16"-18,
14	477-73112	2	BOLT, Slotted Tr Hd, 5/16"-18 x 3/4",
15	231-5145	6	NUT, Flg, USR, 5/16"-18,
16	3179827R1	1	HANDRAIL, Australia Only
17	495-11034	6	WASHER, 5/16", SAE,
18	495-81024	2	WASHER, 17/32" x 1 1/4" x .060",

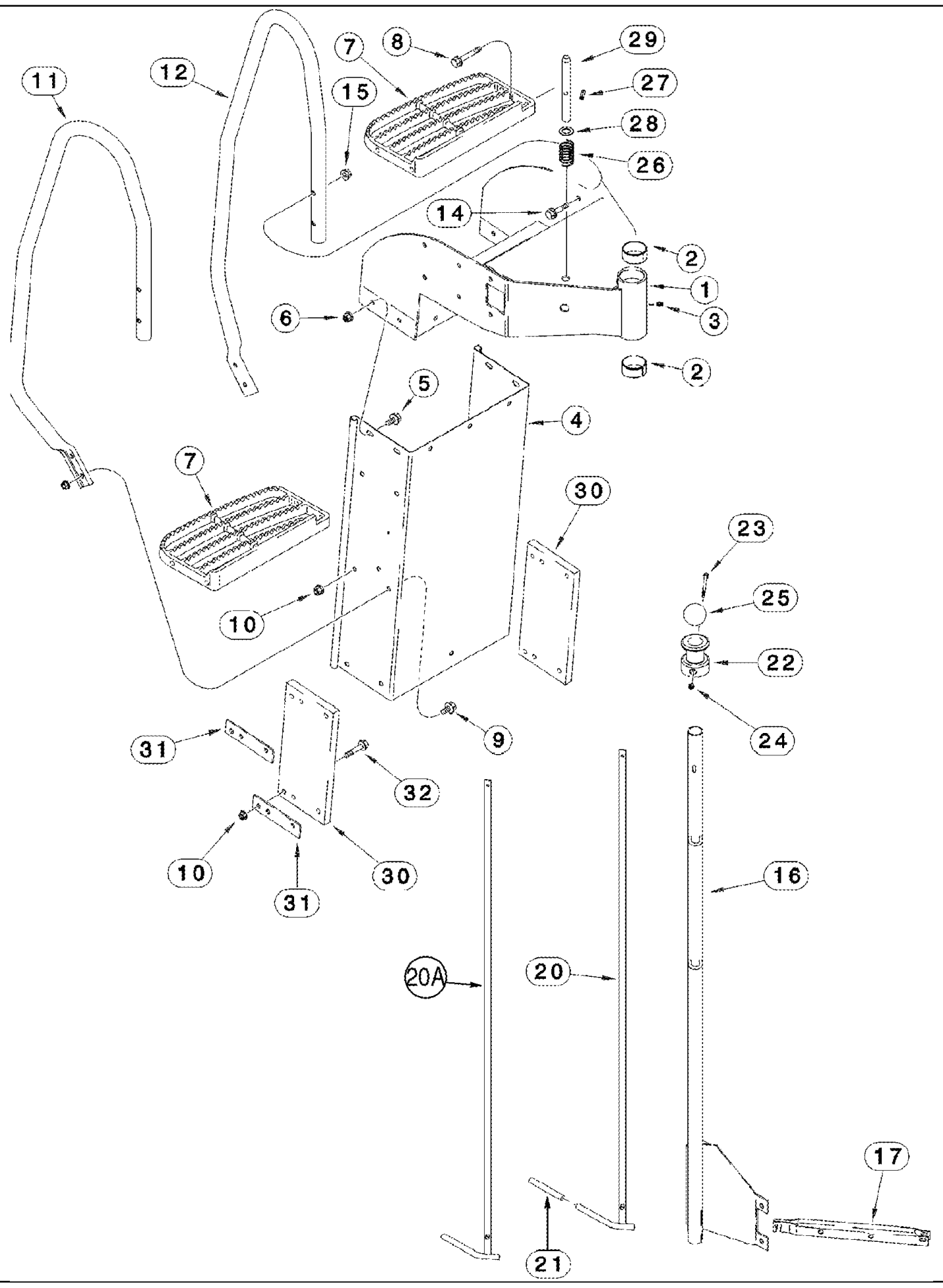
09H-12 LADDER - RADIATOR ACCESS



09H-12 LADDER - RADIATOR ACCESS

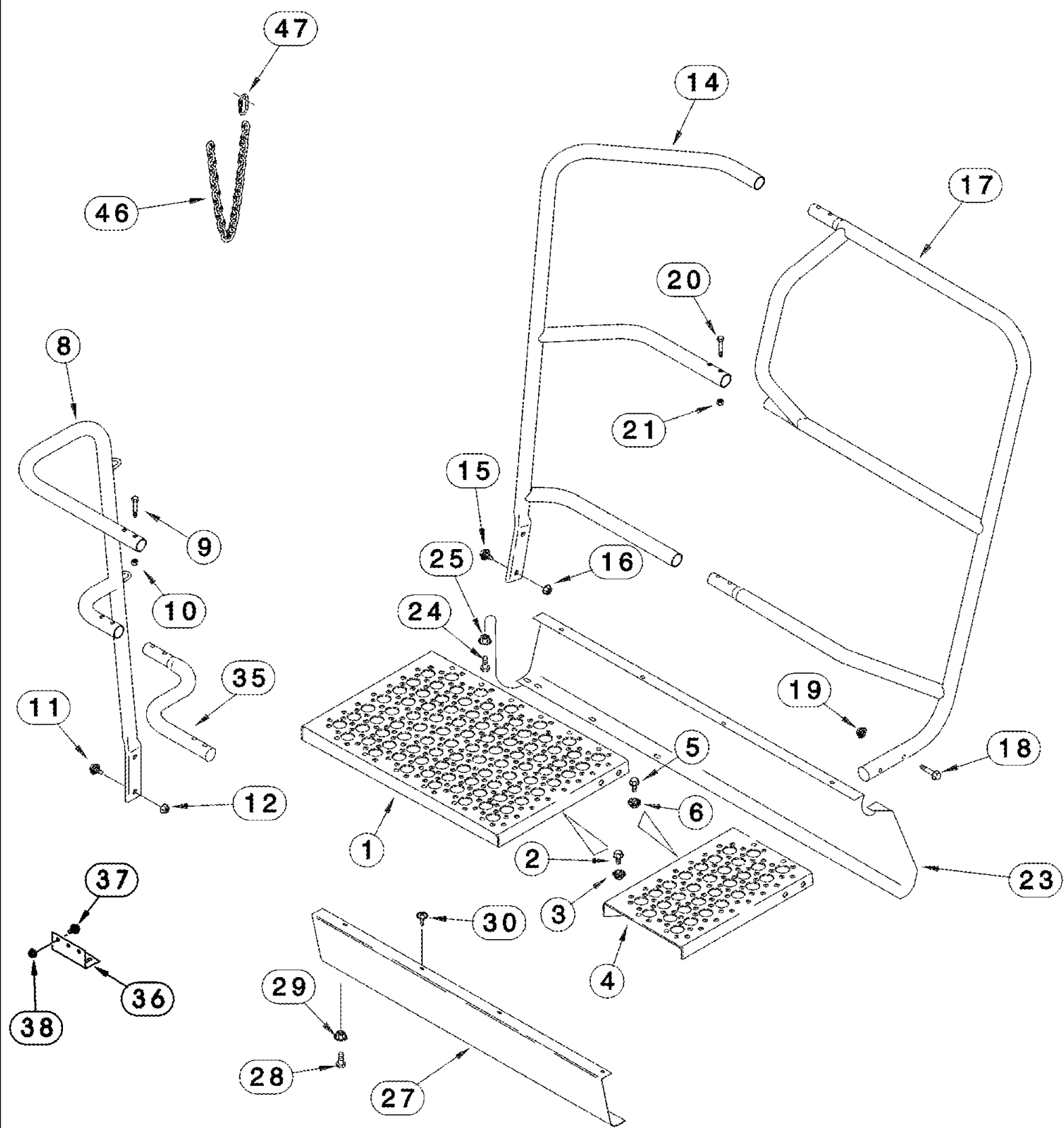
сылка	Номер детали	Кол-во	Описание
1	87412228	1	STEP, Radiator Access
2	409-7612	4	BOLT, Hex Flg, 3/8"-16 x 3/4", Serr,
3	131-415	4	NUT, LOCK, Push, Bolt Retainer, 3/8" x 25/32",
4	231-5146	4	NUT, Flg, USR, 3/8"-16,
5	231-5346	1	NUT, LOCK, Flg, 3/8"-16,
6	418690A1	2	PLATE,
7	477-73112	2	BOLT, Slotted Tr Hd, 5/16"-18 x 3/4",
8	231-5145	2	NUT, Flg, USR, 5/16"-18,
10	87412230	1	SUPPORT, Step, Radiator Access
11	A33497	1	PIN, LINCH,
12	87024650	1	PIN, HEADED, 5/8" x 3"
13	427336A1	1	CABLE, 457 mm (18")

09H-13 LADDER, OPERATORS



09H-13 LADDER, OPERATORS

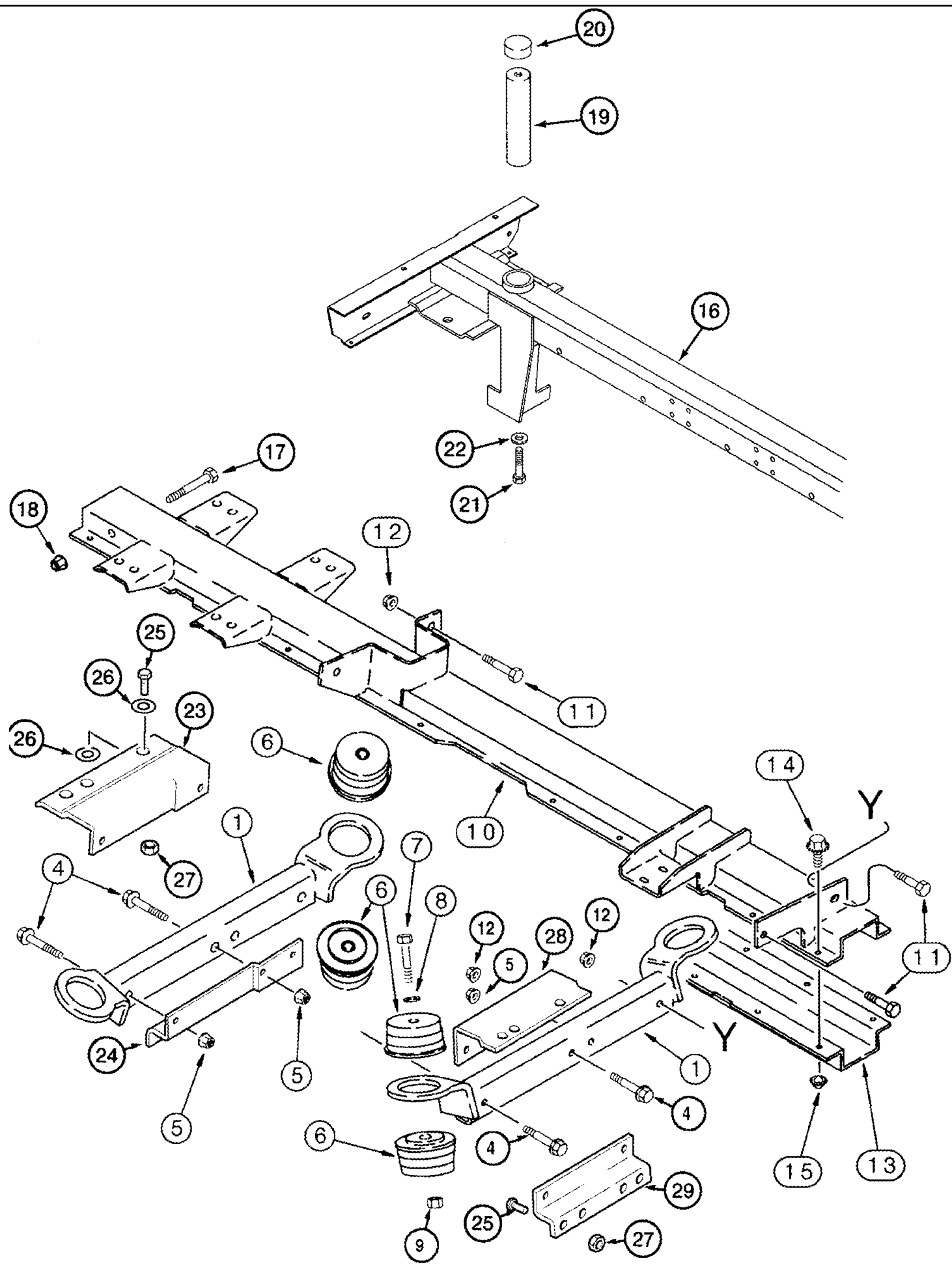
сылка	Номер детали	Кол-во	Описание
1	87301166	1	SUPPORT, Includes 2, 3
2	142381A1	2	BUSHING,
3	219-87	1	NIPPLE, LUBE, 1/4"-28 x .56" lg, Self-Tap,
4	87301175	1	SCREW, Ladder, Rear
5	409-7612	7	BOLT, Hex Flg, 3/8"-16 x 3/4", Serr,
6	231-5146	7	NUT, Flg, USR, 3/8"-16,
7	87301185	5	STEP,
8	409-7640	2	BOLT, Hex Flg, 3/8"-16 x 2 1/2", Serr,
9	409-7616	16	BOLT, Hex Flg, 3/8"-16 x 1", Serr,
10	231-5146	16	NUT, Flg, USR, 3/8"-16,
10	231-5346	3	NUT, LOCK, Flg, 3/8"-16,
11	320924A1	1	HANDRAIL, RH
12	320925A1	1	HANDRAIL, LH
14	409-7632	10	BOLT, Hex Flg, 3/8"-16 x 2", Serr,
15	231-5346	10	NUT, LOCK, Flg, 3/8"-16,
	87301181	1	POST, Includes 16, 16A, If Used
16	87301173	1	SUPPORT,
16A	349005A1	1	DECAL, Ladder Unlatch, Not Illustrated, See Figure 09H-22, Ref. 15A
17	320916A3	1	LEVER, Latch, Ladder
20A	364437A1	1	LATCH, If Used
21	324455A1	1	PROTECTOR, Cap
22	349015A1	1	KNOB, Ladder Latch
23	840-1660	1	SCREW, Cross Pan Hd, M6 x 60,
24	832-10406	1	NUT, LOCK, M6 x 1, CI 8,
25	349014A1	1	KNOB, Use Loctite No. 425, See Below 35
26	338153A1	1	SPRING,
27	38-32024	1	PIN, 5/16" x 1 1/2", Coiled,
28	495-81039	1	WASHER, 25/32" x 1 1/4" x .120",
29	320917A1	1	PIN, 176.25 mm Long
30	87301176	2	SUPPORT, Ladder Bottom Step
31	87301177	4	PLATE,
32	409-7620	3	BOLT, Hex Flg, 3/8"-16 x 1 1/4", Serr,
32	121-437	1	SCREW, Hex Soc Hd, Shdr, 3/8"-16 x 1 1/2",
35	REF	AR	INSTRUCTION, Adhesive, Loctite 425, Purchase Locally



09H-14 PLATFORM, OPERATORS - LEFT HAND

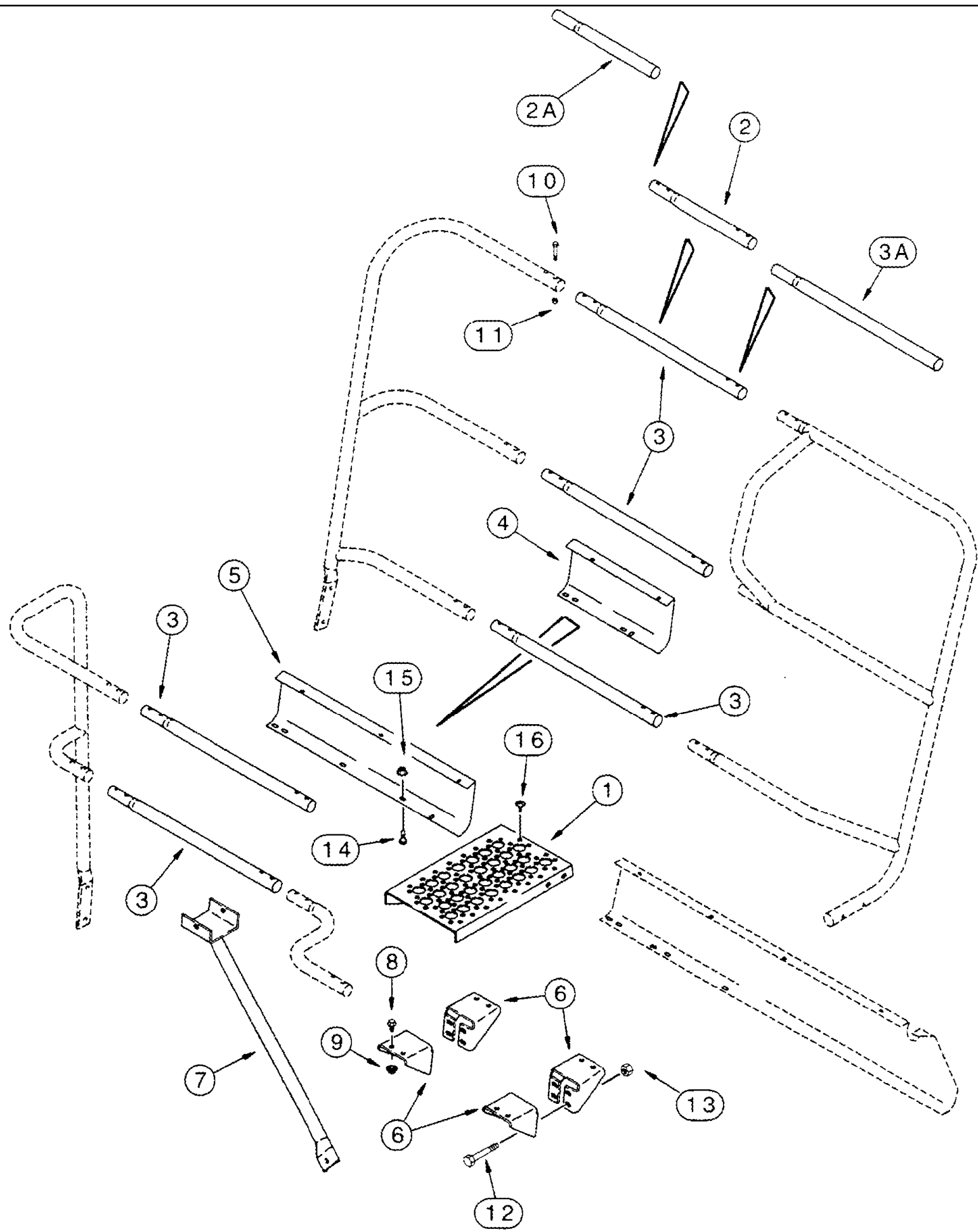
сылка	Номер детали	Кол-во	Описание
1	142163A2	1	PLATFORM, 30"
2	409-7616	4	BOLT, Hex Flg, 3/8"-16 x 1", Serr,
3	231-5146	4	NUT, Flg, USR, 3/8"-16,
4	124315A1	1	STEP, 10", See Figure 09H-16
5	409-7616	4	BOLT, Hex Flg, 3/8"-16 x 1", Serr,
6	231-5146	4	NUT, Flg, USR, 3/8"-16,
8	324256A1	1	HANDRAIL, 40", Rear
9	413-528	2	BOLT, Hex, 5/16"-18 x 1 3/4", G5,
9	413-532	4	BOLT, Hex, 5/16"-18 x 2", G5,
10	231-1445	6	NUT, LOCK, 5/16"-18, GB,
11	409-7512	2	BOLT, Hex Flg, 5/16"-18 x 3/4", Serr,
12	231-5145	2	NUT, Flg, USR, 5/16"-18,
14	324258A1	1	HANDRAIL, 40", Front
15	409-7616	2	BOLT, Hex Flg, 3/8"-16 x 1", Serr,
16	231-5146	2	NUT, Flg, USR, 3/8"-16,
17	141579A3	1	HANDRAIL, Front
18	409-7632	2	BOLT, Hex Flg, 3/8"-16 x 2", Serr,
19	231-5346	2	NUT, LOCK, Flg, 3/8"-16,
20	413-528	6	BOLT, Hex, 5/16"-18 x 1 3/4", G5,
21	231-1445	6	NUT, LOCK, 5/16"-18, GB,
23	127718A2	1	SUPPORT,
24	477-82512	1	SCREW, Sltd Serr Truss Hd, 1/4"-20 x 3/4",
25	231-5144	1	NUT, Flg, USR, 1/4"-20,
27	326938A1	1	CHANNEL, 40", LH Rear
28	477-82512	1	SCREW, Sltd Serr Truss Hd, 1/4"-20 x 3/4",
29	231-5144	1	NUT, Flg, USR, 1/4"-20,
30	282-1448	8	SCREW, SELF TAP, Hex Wash Hd, #8 x 1/2",
35	182282A1	1	TUBE, Center
36	141049A2	2	SUPPORT,
37	409-7512	4	BOLT, Hex Flg, 5/16"-18 x 3/4", Serr,
38	231-5145	4	NUT, Flg, USR, 5/16"-18,
46	324546A1	2	CHAIN,
47	326376A2	4	LINK, Ladder Chain

09H-15 PLATFORM SUPPORT - LADDER PIVOT



09H-15 PLATFORM SUPPORT - LADDER PIVOT

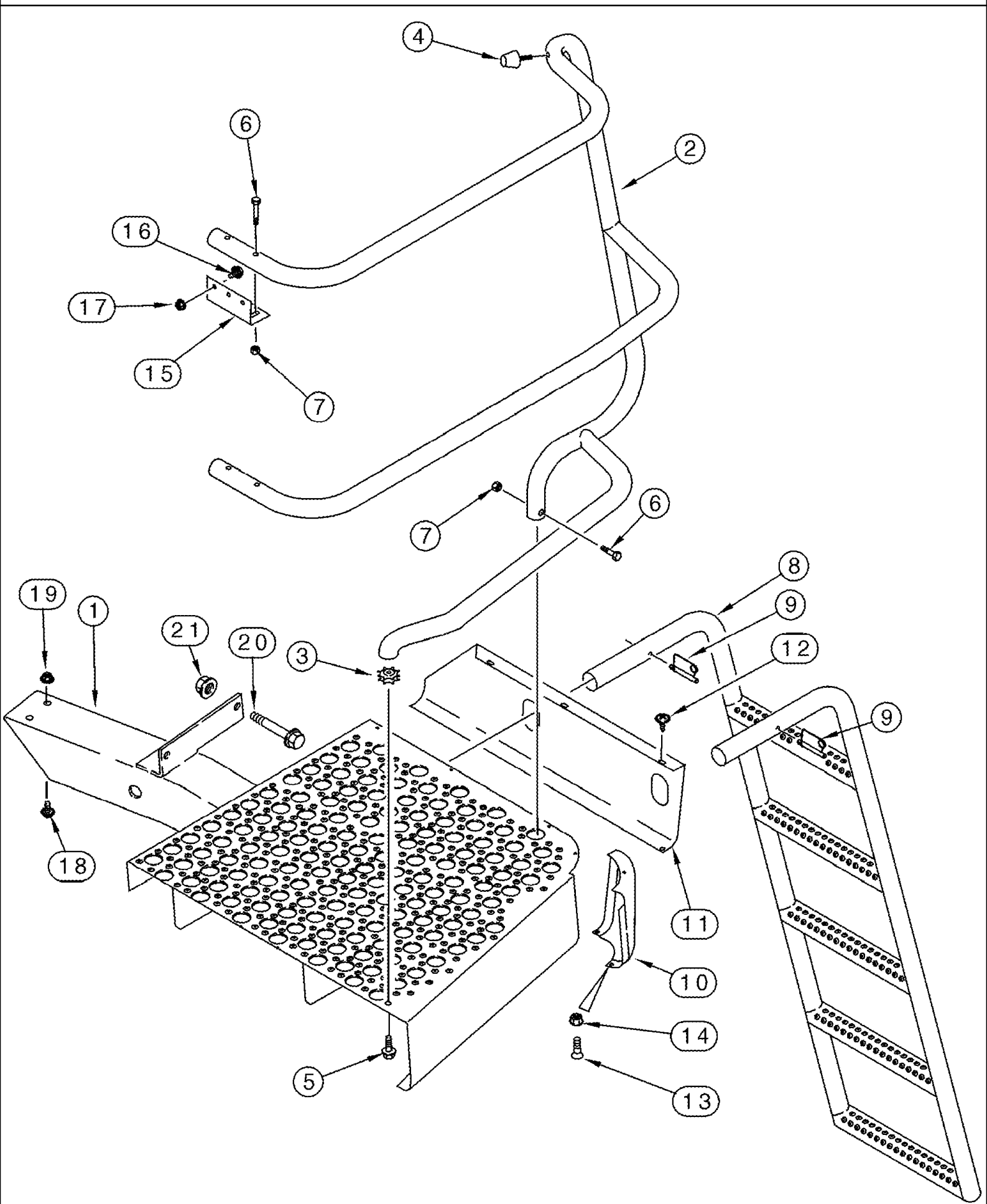
сылка	Номер детали	Кол-во	Описание
1	112052A1	2	SUPPORT,
4	87032825	4	BOLT, Hex Flg, M12 x 100, 10.9,
5	829-2412	4	NUT, M12 x 1.75, Flg, CI 10,
6	123566A1	8	ISOLATOR,
7	426-1096	4	BOLT, Hex, 5/8"-11 x 6", G8,
8	D35009	4	WASHER,
9	232-41110	4	NUT, LOCK, 5/8"-11, GC,
10	143520A2	1	SUPPORT, LH
11	857-12080	3	BOLT, Hex Flg, M12 x 80, 10.9,
12	829-2412	3	NUT, M12 x 1.75, Flg, CI 10,
13	182648A1	1	SUPPORT, LH
14	409-7616	23	BOLT, Hex Flg, 3/8"-16 x 1", Serr,
15	231-5146	23	NUT, Flg, USR, 3/8"-16,
16	324547A1	1	BEAM, LH, Includes 16A
16A	191129A1	1	DECAL, Not Illustrated, See Figure 09H-19, Ref. 13
17	413-880	1	BOLT, Hex, 1/2"-13 x 5", G5,
18	231-5348	1	NUT, LOCK, Flg, 1/2"-13,
19	320946A1	1	PIN,
20	324464A1	1	PLUG,
21	413-620	1	BOLT, Hex, 3/8"-16 x 1 1/4", G5, Full Thd,
22	495-21044	1	WASHER, 3/8",
23	236272A3	1	BRACKET, LH, Upper, BSN HAJ0295001
23	87378783	1	BRACKET, LH, Upper, ASN HAJ0295001
24	233243A3	1	SUPPORT, LH, Lower, BSN HAJ0295001
24	87379085	1	LH, Lower, ASN HAJ0295001
25	627-12040	4	BOLT, Hex, M12 x 40, 10.9, Full Thd,
25	627-12035	6	BOLT, Hex, M12 x 35, 10.9,
26	496-21053	12	WASHER, 17/32" x 1 1/16" x .134",
27	829-2412	10	NUT, M12 x 1.75, Flg, CI 10,
28	236274A2	1	BRACKET, RH, Upper, BSN HAJ0295001
28	87378782	1	BRACKET, RH, Upper, ASN HAJ0295001
29	233246A3	1	SUPPORT, RH, Lower, BSN HAJ0295001
29	87379086	1	SUPPORT, RH, Lower, ASN HAJ0295001



09H-16 PLATFORM, OPERATORS - EXTENSION

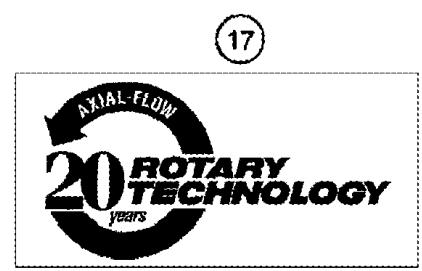
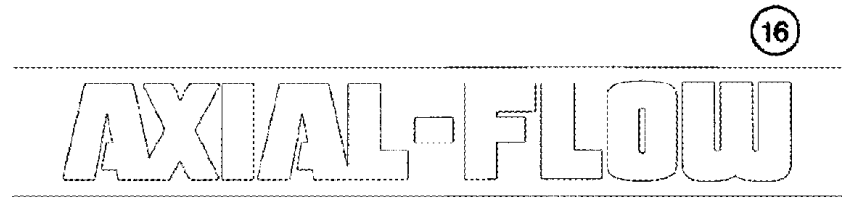
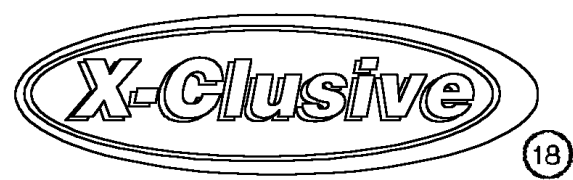
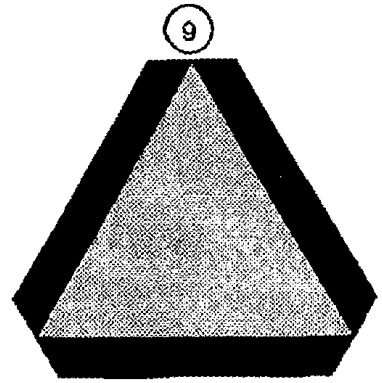
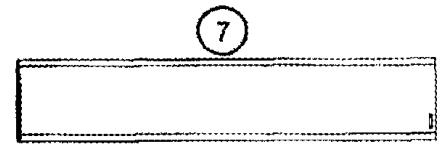
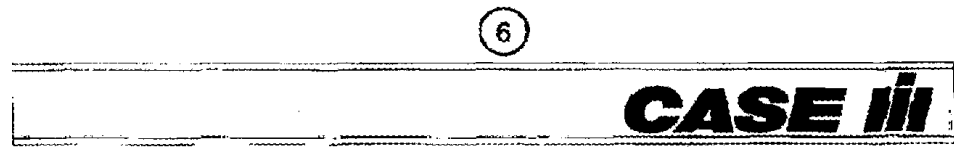
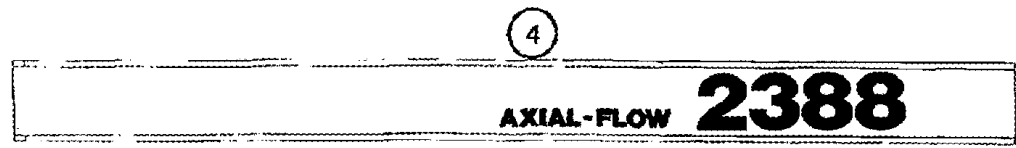
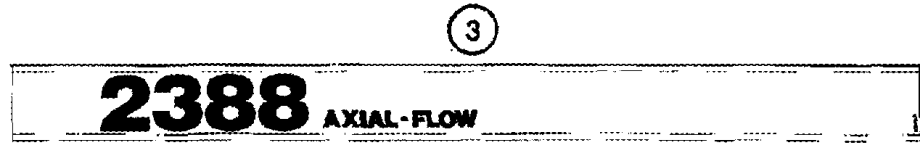
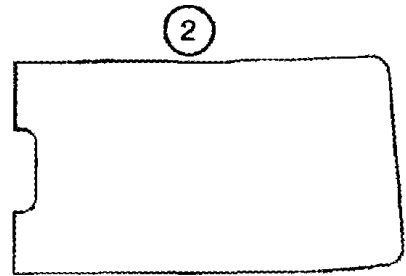
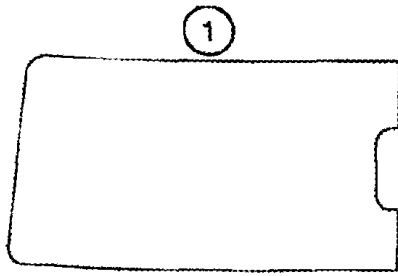
сылка	Номер детали	Кол-во	Описание
1	124315A1	1-2	STEP, 10" Extension
2	141588A1	4	HANDRAIL, 12-3/4", For 10" Extension
2A	195625A1	1	HANDRAIL, 12-3/4", Upper, For 10" Extension
3	141589A1	4	HANDRAIL, 22-3/4", For 20" Extension
3A	195627A1	1	HANDRAIL, 22-3/4", Upper, For 20" Extension
4	127719A2	1	SHIELD, For 10" Extension
5	127720A2	1	SHIELD, For 20" Extension
6	143819A1	2-4	SUPPORT,
7	143822A1	1	SUPPORT,
8	409-7616	8	BOLT, Hex Flg, 3/8"-16 x 1", Serr,
9	231-5146	8	NUT, Flg, USR, 3/8"-16,
10	413-528	4	BOLT, Hex, 5/16"-18 x 1 3/4", G5,
11	231-1445	4	NUT, LOCK, 5/16"-18, GB,
12	413-672	8	BOLT, Hex, 3/8"-16 x 4 1/2", G5,
13	231-5146	8	NUT, Flg, USR, 3/8"-16,
14	477-82512	1	SCREW, Sltd Serr Truss Hd, 1/4"-20 x 3/4",
15	231-5144	1	NUT, Flg, USR, 1/4"-20,
16	260-1448	4	SCREW, SELF TAP, Cross Pan Hd, #8 x 1/2",

09H-17 PLATFORM - LADDER, RIGHT HAND



09H-17 PLATFORM - LADDER, RIGHT HAND

сылка	Номер детали	Кол-во	Описание
1	111247A5	1	PLATFORM, RH, BSN HAJ0295001
1	87348330	1	PLATFORM, RH, ASN HAJ0295001
2	111353A3	1	HANDRAIL, RH
3	140225A2	1	TUBE, Connector
4	87109195	1	BUMPER,
5	409-7520	1	BOLT, Hex Flg, 5/16"-18 x 1 1/4", Serr,
6	413-532	5	BOLT, Hex, 5/16"-18 x 2", G5,
7	231-1445	5	NUT, LOCK, 5/16"-18, GB,
8	127137A3	1	LADDER, RH
9	1338021C1	2	PIN,
10	118938A1	1	SUPPORT, RH, Corner
11	118937A2	1	SUPPORT, RH, Front
12	282-1448	4	SCREW, SELF TAP, Hex Wash Hd, #8 x 1/2",
13	440-1258	2	SCREW, Cross Pan Hd, 1/4"-20 x 1/2",
14	231-5344	2	NUT, LOCK, Flg, 1/4"-20,
15	141049A2	2	SUPPORT,
16	409-7512	2	BOLT, Hex Flg, 5/16"-18 x 3/4", Serr,
17	231-5145	4	NUT, Flg, USR, 5/16"-18,
18	409-7616	2	BOLT, Hex Flg, 3/8"-16 x 1", Serr,
19	231-5146	2	NUT, Flg, USR, 3/8"-16,
20	857-12080	2	BOLT, Hex Flg, M12 x 80, 10.9,
21	86512497	2	NUT, M12 x 1.75, Flg, CI 10,



09H-18 DECALS

сылка	Номер детали	Кол-во	Описание
1	144396A1	1	DECAL, Stripe, LH Front
2	144397A1	1	DECAL, Stripe, RH Front
3	258881A1	1	DECAL, LH Side, Front
3	258878A1	1	DECAL, AFS, LH Side, Not Illustrated
3	376227A1	1	DECAL, LH Side, Rice Special, Not Illustrated
3	376228A1	1	DECAL, AFS, LH Side, Rice Special, Not Illustrated
4	258882A1	1	DECAL, RH Side, Front
4	258879A1	1	DECAL, AFS, RH Side, Front, Not Illustrated
4	376223A1	1	DECAL, RH Side, Front, Rice Special, Not Illustrated
4	376224A1	1	DECAL, AFS, Front, RH Side, Rice Special, Not Illustrated
5	144416A2	1	DECAL, RH Side, Rear
6	144415A2	1	DECAL, LH Side
7	144411A2	1	DECAL, LH Side, Rear
8	186822A1	2	DECAL, Stripe, LH and RH, Rear
9	311858A1	1	DECAL, SMV Emblem
10	1284374C1	2	REFLECTOR, Red
13	186882A1	1	EMBLEM CASE/IH,
13A	238638A1	1	EMBLEM, AFS, Not Illustrated
13A	239258A1	1	DECAL, AFS Logo, Not Illustrated
14	131-431	1	NUT, LOCK, Self, Threading, 1/4",
15	239504A1	2	DECAL, AFS
16	1987144C1	1	DECAL, Axial-Flow
17	279142A1	1	DECAL, Axial-Flow
18	87413737	1	DECAL, X-Clusive, Australia Only
19	87432133	2	DECAL, Axial-Flow (Not Shown)

1

WARNING

Ladder force varies.
Stay clear when lowering.

2

WARNING

Do not open until all mechanisms have stopped.

4

DANGER

Avoid injury. Always lock feeder lift cylinder before working under header or feeder.

5

WARNING

- Carefully read Operator's Manual before operating the machine. Observe instructions and safety rules when operating.
- Do not turn off key switch while machine is in motion. The machine will stop rapidly. Personal injury may occur.
- Engine shut off is located at the rear position of the engine speed control, on the right console.

6

WARNING

Stay clear while machine is running.

7

DANGER

Do not enter grain tank when machine is running.

8

DANGER

Keep hand out of auger sump when machine is running.

9

WARNING

Shields are provided to guard these moving parts. Avoid injury. Keep them in place.

13

WARNING

Avoid injury. Shut off engine before adjusting, cleaning, repairing, servicing or unplugging the machine.

10

WARNING

Avoid falls. Do not enter grain tank in this area.

11

WARNING

Contact with belt may engage drive. Stop engine to avoid injury.

12

WARNING

Do not enter drive area when engine is running.

18

WARNING

PRESSURIZED VESSEL!
Discharge before disassembly. Read the Operator's Manual. Precharge only with dry inert gas.

14

WARNING

SHIELDS are provided to guard these moving parts. AVOID INJURY. Keep them in place.

15

WARNING

The tires on this machine are mounted on MULTI-PORCE WHEEL RIMS. Normal inflation pressure is 12 psi. Use a clip on air chuck, remove control valve, and gauge to add air. If pressure is low below 8 psi, refer to your Operator's Manual and contact qualified tire person to repair the tire/wheel assembly.

16

WARNING

The force required to lower this ladder changes with ladder position. Firmly grip the handle. Stand clear and keep everyone clear of ladder while lowering.

17

CAUTION

Check for fuel leaks before starting. Fuel leaks can cause fire. Fuel leaks can cause serious injury or death. Fuel leaks can cause property damage.

20

WARNING

HOT LIQUID UNDER PRESSURE HAZARD
Service when cool.

19

WARNING

INSTRUCTIONAL SEAT

- Read the Instructional Seat before using or disassembling.
- Use correct seating position.
- Use seat belt.
- Read Operator's Manual for safety information.

An accident could result in death or serious injury to the occupant.

21

WARNING

HOT SURFACE HAZARD
STAY CLEAR

22

WARNING

Do not open high pressure fuel system with engine running. Engine operation causes high fuel pressure. High pressure fuel spray can cause serious injury or death.

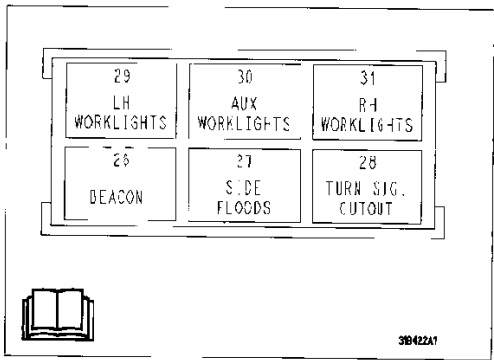
09H-19 DECALS - WARNING AND DANGER

сылка	Номер детали	Кол-во	Описание
1	144370A1	1	DECAL, Ladder Force Varies, English
1	182172A2	1	DECAL, Ladder Force Varies, French
1	182177A1	1	DECAL, Ladder Force Varies, Spanish
1	278565A2	1	DECAL, Ladder Force Varies, Portuguese
1	144371A1	1	DECAL, Ladder Force Varies, Europe/Russian
2	181595A1	2	DECAL, Do Not Open, English
2	182179A2	2	DECAL, Do Not Open, French
2	182180A1	2	DECAL, Do Not Open, Spanish
2	278579A2	2	DECAL, Do Not Open, Portuguese
2	144373A1	3	DECAL, Do Not Open, Europe/Russian
3	184094A1	2	DECAL, Use with Ref. 2, Not Illustrated
4	144379A1	2	DECAL, Avoid Injury, English
4	182187A1	2	DECAL, Avoid Injury, French
4	182188A1	2	DECAL, Avoid Injury, Spanish
4	278567A1	2	DECAL, Avoid Injury, Portuguese
5	239509A1	1	DECAL, Read the Operator's Manual, English, BSN HAJ0295001
5	182185A2	1	DECAL, Read the Operator's Manual, French, BSN HAJ0295001
5	182186A1	1	DECAL, Read the Operator's Manual, Spanish, BSN HAJ0295001
5	278568A2	1	DECAL, Read the Operator's Manual, Portuguese/Brazil, BSN HAJ0295001
5	233448A1	1	DECAL, Read the Operator's Manual, Europe/Russian, BSN HAJ0295001
5	394986A1	1	DECAL, Read the Operator's Manual, English, ASN HAJ0295001
5	87338365	1	DECAL, Read the Operator's Manual, French, ASN HAJ0295001
5	87338790	1	DECAL, Read the Operator's Manual, Spanish, ASN HAJ0295001
5	233448A1	1	DECAL, Read the Operator's Manual, Russian, ASN HAJ0295001
5	144382A1	1	DECAL, Read the Operator's Manual, Europe, ASN HAJ0295001
6	144388A1	2	DECAL, Stay Clear, English
6	182189A2	2	DECAL, Stay Clear, French
6	182190A1	2	DECAL, Stay Clear, Spanish
6	278573A2	2	DECAL, Stay Clear, Portuguese
6	144389A1	2	DECAL, Stay Clear, Europe/Russian
7	144383A1	3	DECAL, Do Not Enter Grain Tank, English
7	182193A1	3	DECAL, Do Not Enter Grain Tank, French
7	182194A1	3	DECAL, Do Not Enter Grain Tank, Spanish
7	278569A1	3	DECAL, Do Not Enter Grain Tank, Portuguese
7	144374A1	3	DECAL, Do Not Enter Grain Tank Europe/Russian
8	144386A1	1	DECAL, Keep Hand Out Of Auger, English
8	184631A1	1	DECAL, Keep Hand Out Of Auger, French
8	184632A1	1	DECAL, Keep Hand Out Of Auger, Spanish
8	278572A1	1	DECAL, Keep Hand Out Of Auger, Portuguese
8	144387A2	1	DECAL, Keep Hand Out of Auger, Europe/Russian
9	144385A1	4	DECAL, Shields Are Provided, English
9	182191A3	4	DECAL, Shields Are Provided, French
9	182192A2	4	DECAL, Shields Are Provided, Spanish
9	278571A2	4	DECAL, Shields Are Provided, Portuguese
10	182269A1	1	DECAL, Avoid Falls, English

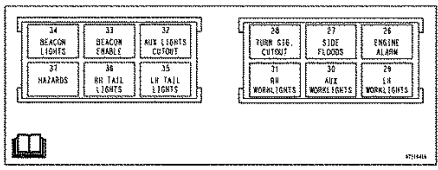
09H-19 DECALS - WARNING AND DANGER

сылка	Номер детали	Кол-во	Описание
10	184633A2	1	DECAL, Avoid Falls, French
10	184634A1	1	DECAL, Avoid Falls, Spanish
10	278581A2	1	DECAL, Avoid Falls, Portuguese
10	182270A1	1	DECAL, Avoid Falls, Europe/Russian
11	181475A1	1	DECAL, Contact With Belt May Engage Drive, English
11	182181A2	1	DECAL, Contact With Belt May Engage Drive, French
11	182182A1	1	DECAL, Contact With Belt May Engage Drive, Spanish
11	278578A2	1	DECAL, Contact With Belt May Engage Drive, Portuguese
12	181597A1	1	DECAL, Do Not Enter Drive Area, English
12	182183A2	1	DECAL, Do Not Enter Drive Area, French
12	182184A1	1	DECAL, Do Not Enter Drive Area, Spanish
12	278577A2	1	DECAL, Do Not Enter Drive Area, Portuguese
13	191129A1	1	DECAL, Avoid Injury, English
13	191787A2	1	DECAL, Avoid Injury, French
13	191788A1	1	DECAL, Avoid Injury, Spanish
13	278562A2	1	DECAL, Avoid Injury, Portuguese
14	ZA211862	2	DECAL, Shields Are Provided, English
15	301049A1	4	DECAL, Multi Piece Rims, English
15	301050A1	4	DECAL, Multi Piece Rims, French
15	301051A1	4	DECAL, Multi Piece Rims, Spanish
15	301052A1	4	DECAL, Multi Piece Rims, Portuguese
16	1546335C1	1	DECAL, Service Ladder
17	68819C1	1	DECAL, Electrical System is 12 Volt Negative Ground
18	344945A1	1	DECAL, Pressurized Vessel, English
18	344949A1	1	DECAL, Pressurized Vessel, French
18	344947A1	1	DECAL, Pressurized Vessel, Spanish
18	344948A1	1	DECAL, Pressurized Vessel, Portuguese
18	344946A1	1	DECAL, Pressurized Vessel, Europe/Russian
19	410704A1	1	DECAL, Instructional Seat
20	329044A1	1	DECAL, Hot Liquid, English
20	334663A1	1	DECAL, Hot Liquid, French
20	334664A1	1	DECAL, Hot Liquid, Spanish
20	334665A1	1	DECAL, Hot Liquid, Portuguese
20	329045A1	1	DECAL, Hot Liquid, Europe/Russian
21	418242A3	1	DECAL, Hot Surface, English
21	87415862	1	DECAL, Hot Surface, French
21	87415863	1	DECAL, Hot Surface, Spanish
21	87415864	1	DECAL, Hot Surface, Portuguese
21	87415865	1	DECAL, Hot Surface, Europe/Russian
22	87347223	2	DECAL, Fuel Pressure, English
22	87378046	2	DECAL, Fuel Pressure, French
22	87378045	2	DECAL, Fuel Pressure, Spanish
22	87378047	2	DECAL, Fuel Pressure, Portuguese
22	87378042	2	DECAL, Fuel Pressure, Europe/Russian

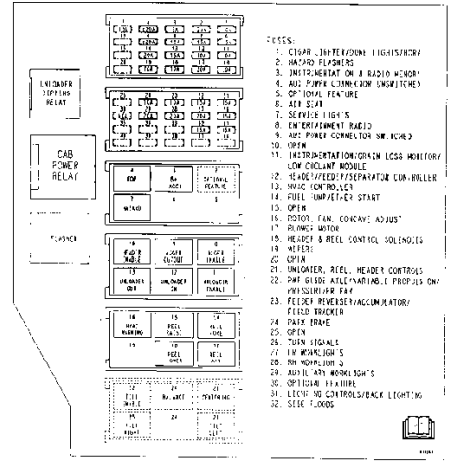
09H-20 DECALS - INFORMATION DECALS WITH READ OPERATORS MANUAL SYMBOL



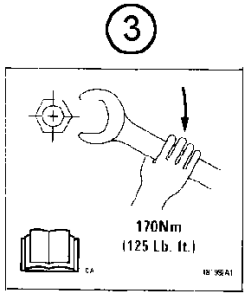
1



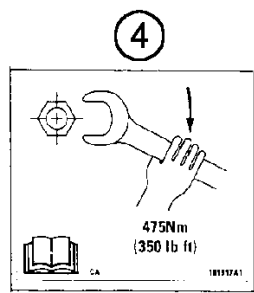
1A



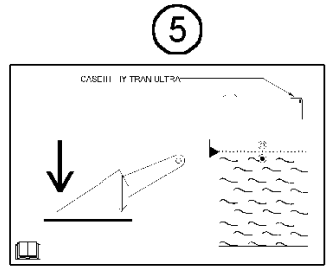
2



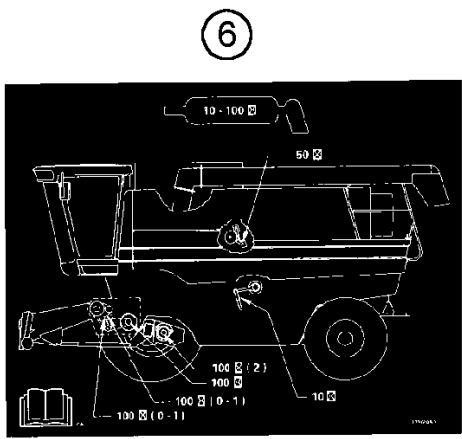
3



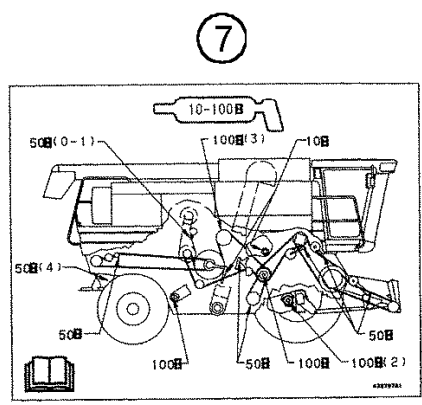
4



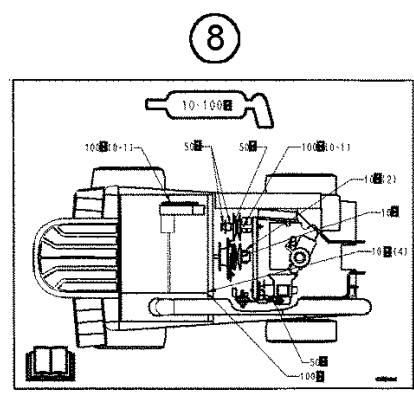
5



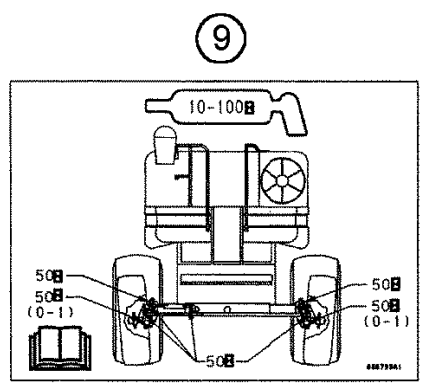
6



7



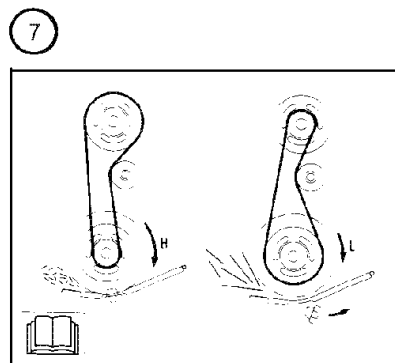
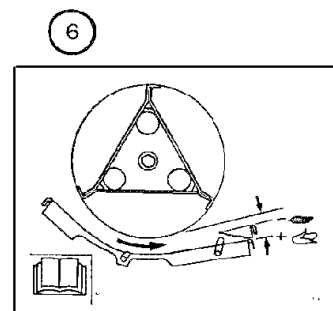
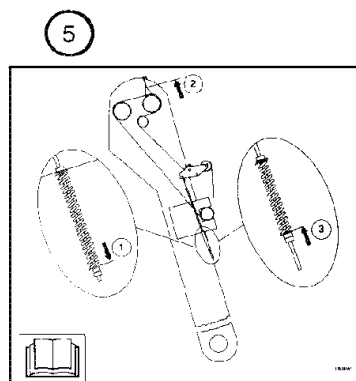
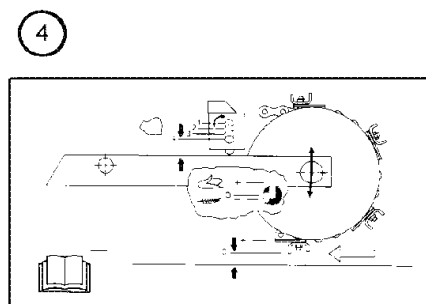
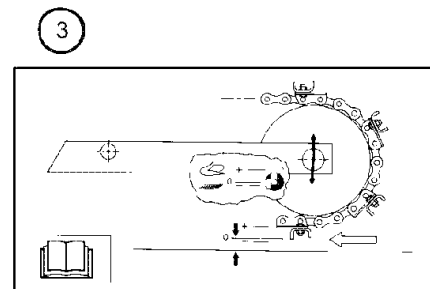
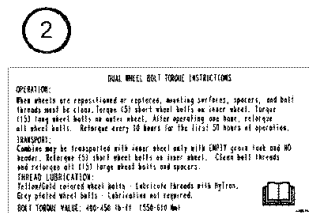
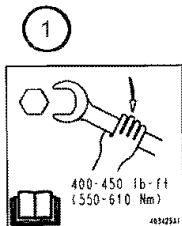
8



9

09H-20 DECALS - INFORMATION DECALS WITH READ OPERATORS MANUAL SYMBOL

сылка	Номер детали	Кол-во	Описание
1	319422A1	1	DECAL, Upper Relay, English, BSN HAJ0295001
1	319423A1	1	DECAL, Upper Relay, French, BSN HAJ0295001
1	319424A1	1	DECAL, Upper Relay, Spanish, BSN HAJ0295001
1	319426A1	1	DECAL, Upper Relay, Portuguese/Brazil, BSN HAJ0295001
1	319425A1	1	DECAL, Upper Relay, Europe/Russian, BSN HAJ0295001
1A	87310415	1	DECAL, Upper Relay, European, ASN HAJ0295001
1A	87310416	1	DECAL, Upper Relay, English, ASN HAJ0295001
1A	87310417	1	DECAL, Upper Relay, French, ASN HAJ0295001
1A	87310418	1	DECAL, Upper Relay, Spanish, ASN HAJ0295001
1A	87310419	1	DECAL, Upper Relay, Non-Text North America Only, ASN HAJ0295001
1A	87310420	1	DECAL, Upper Relay, Portuguese/Brazil, ASN HAJ0295001
2	392896A1	1	DECAL, Lower Fuse and Relay, English, Use with 388671A3, Not Illustrated, BSN HAJ0295001
2	392897A1	1	DECAL, Lower Fuse and Relay, French, Use with 388671A3, Not Illustrated, BSN HAJ0295001
2	392901A1	1	DECAL, Lower Fuse and Relay, Spanish, Use with 388671A3, Not Illustrated, BSN HAJ0295001
2	392899A1	1	DECAL, Lower Fuse and Relay, Portuguese/Brazil, Use with 388671A3, Not Illustrated, BSN HAJ0295001
2	392898A1	1	DECAL, Lower Fuse and Relay, Europe/Russian, Not Illustrated, BSN HAJ0295001
2	87308557	1	DECAL, Lower Fuse and Relay, English, ASN HAJ0295001
2	87310263	1	DECAL, Lower Fuse and Relay, French, ASN HAJ0295001
2	87310265	1	DECAL, Lower Fuse and Relay, Spanish, ASN HAJ0295001
2	87308558	1	DECAL, Lower Fuse and Relay, Non-Text North America Only, ASN HAJ0295001
2	87310266	1	DECAL Lower Fuse and Relay, Portuguese/Brazil, ASN HAJ0295001
2	87309149	1	DECAL, Lower Fuse and Relay, Non Text Europe Only, ASN HAJ0295001
3	181992A1	2	DECAL, Without Power Guide Axle System
4	181917A2	2	DECAL, With Power Guide Axle System
5	401533A1	1	DECAL, Hydraulic Oil Level
6	179620A2	1	DECAL, Lubrication Chart, LH
7	435797A1	1	DECAL, Lubrication Chart, RH
8	435798A1	1	DECAL, Lubrication Chart, Upper
9	435799A1	1	DECAL, Inclined Delivery Auger Elevator



09H-21 DECALS - INFORMATION DECALS WITH READ OPERATORS MANUAL SYMBOL

сылка	Номер детали	Кол-во	Описание
1	403425A1	2	DECAL, Bolt Torque, Single Drive Wheel
2	448670A1	2	DECAL, Bolt Torque, Dual Wheel
3	175782A1	1	DECAL, Feeder Drum Adjuster, Without Stone Retarder
4	175783A1	1	DECAL, Feeder Drum Adjuster, With Stone Retarder
5	175168A1	1	DECAL, Inclined, Delivery Auger Elevator
6	175786A1	1	DECAL, Beater Bottom Adjuster
7	175788A1	1	DECAL, Straw Chopper Drive

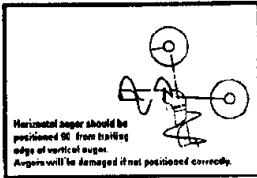
09H-22 DECALS - IMPORTANT INSTRUCTIONS, DECAL KITS



IMPORTANT Drive hoses must always be connected to drive pressure coupler whenever not connected to header.

1

IMPORTANT



Horizontal auger should be positioned 90° from trailing edge of vertical auger. Augers will be damaged if not positioned correctly.

2

IMPORTANT
Keep engine and engine compartment clean of oil, chaff and straw to prevent fires.

3

Adjustment of fuel pump beyond factory specs will void warranty on machine.

4



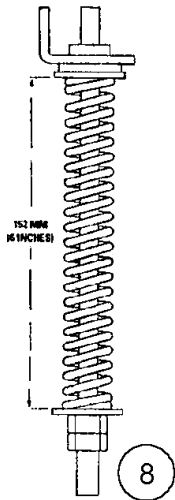
5

CASE IH
135 HEP

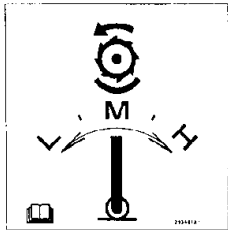
6



7



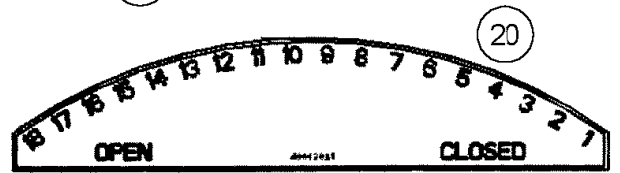
8



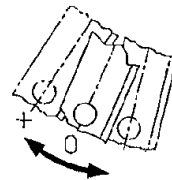
9



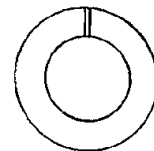
10



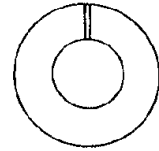
20



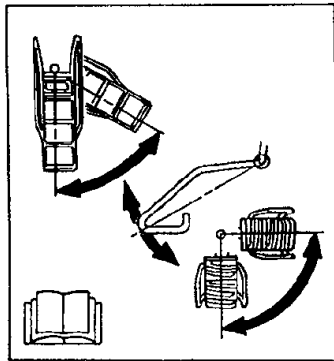
11



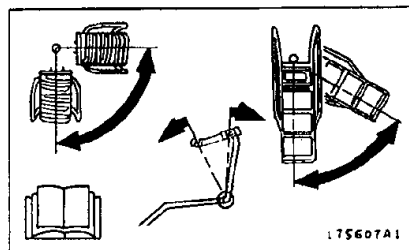
12



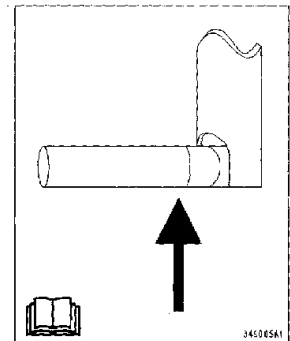
13



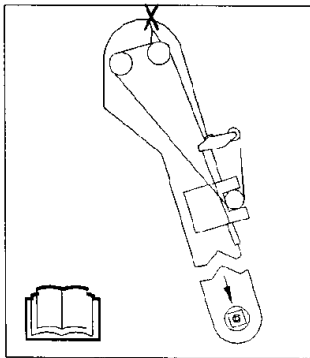
14



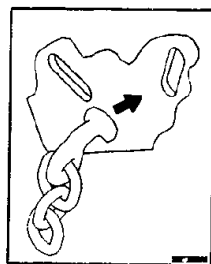
15



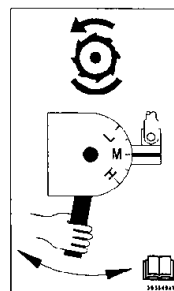
15A



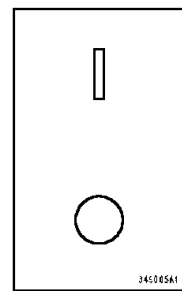
16



17



18

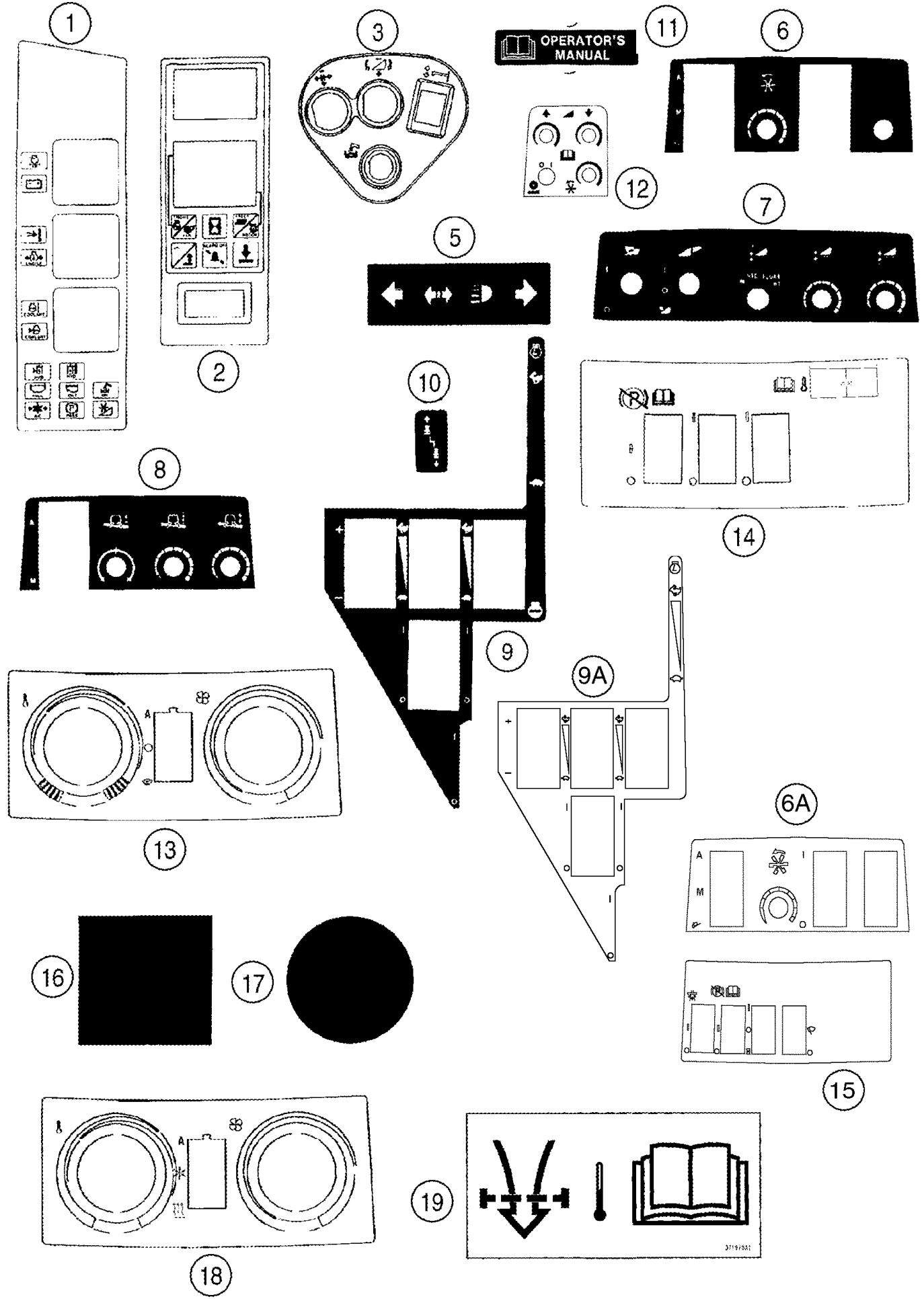


19

09H-22 DECALS - IMPORTANT INSTRUCTIONS, DECAL KITS

сылка	Номер детали	Кол-во	Описание
1	1989604C1	1	DECAL, Drive Return Instructions, English
1	1989607C1	1	DECAL, Drive Return Instructions, French
1	1989605C1	1	DECAL, Drive Return Instructions, Spanish
1	278560A1	1	DECAL, Drive Return Instructions, Portuguese
1	233453A1	1	DECAL, Drive Return Instructions, Europe/Russian
2	1989314C1	1	DECAL, Horizontal Auger Instructions, English
2	1989648C1	1	DECAL, Horizontal Auger Instructions, French
2	1989650C1	1	DECAL, Horizontal Auger Instructions, Spanish
2	278561A1	1	DECAL, Horizontal Auger Instructions, Portuguese
2	233455A1	1	DECAL, Horizontal Auger Instructions, Europe/Russian
3	173881C1	1	DECAL, Keep Engine and Compartment Clean, English
3	1300039C1	1	DECAL, Keep Engine and Compartment Clean, French
3	1300395C1	1	DECAL, Keep Engine and Compartment Clean, Spanish
3	278559A1	1	DECAL, Keep Engine and Compartment Clean, Portuguese
3	234924A1	1	DECAL, Keep Engine and Compartment Clean, Europe/Russian
4	184666A1	1	DECAL, Warranty, Fuel Pump, English
4	184668A1	1	DECAL, Warranty, Fuel Pump, French
4	184669A1	1	DECAL, Warranty, Fuel Pump, Spanish
4	278583A1	1	DECAL, Warranty, Fuel Pump, Portuguese
4	233452A1	1	DECAL, Warranty, Fuel Pump, Europe/Russian
5	J910778	1	DECAL, Open During Fill
6	144378A1	3	DECAL, 135 HEP
7	144483A1	2	DECAL, Fire Extinguisher
8	144369A1	1	DECAL, Elevator Drive Adjustment
9	293460A1	1	DECAL, 3 Speed Rotor Shift
10	1312068C1	1	DECAL, Concave Indicator
11	175784A1	1	DECAL, Vane Position
12	1345266C1	1	WASHER, White, See Figure 08-18 for Reel Drive System
13	1541792C1	1	WASHER, LOCK, Red , See Figure 08-21 for Reel Fore and Aft System
14	175606A1	1	DECAL, Lower Control, Operator Ladder
15	175607A1	1	DECAL, Upper Control, Operator Ladder
15A	349005A1	1	DECAL, Ladder Unlatch
16	239313A1	1	DECAL, Elevator Inclined Delivery, GPS/AFS
17	283528A1	4	DECAL, T-Hook
18	303849A1	1	DECAL, 3 Speed Rotor Shift
19	405826A1	1	DECAL, 3 Speed Rotor Shift
20	400620A1	1	DECAL, Sieve Adjustment
20	368842A2	1	KIT, DECALS, French
	368843A2	1	KIT, DECALS, Spanish
	368844A2	1	KIT, DECALS, Portuguese
	402600A2	1	KIT, DECALS, Europe/Russian

09H-23 DECALS - CAB



09H-23 DECALS - CAB

сылка	Номер детали	Кол-во	Описание
1	238210A1	1	DECAL, Instrument Panel
2	123716A1	1	DECAL, Instrument Panel
3	144109A2	1	DECAL, Propulsion Control
5	120332A1	1	DECAL, Directional Arrows, Steering Console
	405221A1	1	KIT, DECALS, RH Console, Includes 6 -12, BSN HAJ0295001
	87313021	1	KIT, DECALS, RH Console, Includes 6A, 7, 8, 9A, 10, 11, 12, ASN HAJ0295001
6	NSS	1	NOT SERVICED SEPARATELY, Decal, Reel Speed, RH Console, BSN HAJ0295001
6A	NSS	1	NOT SERVICED SEPARATELY, Decal, Reel Speed, RH Console, ASN HAJ0295001
7	NSS	1	NOT SERVICED SEPARATELY, Decal, Separator, RH Console
8	NSS	1	NOT SERVICED SEPARATELY, Decal, Field Tracker, RH Console
9	NSS	1	NOT SERVICED SEPARATELY, Decal, Concave, RH Console
9A	NSS	1	NOT SERVICED SEPARATELY, Decal, Concave, RH Console
10	NSS	1	NOT SERVICED SEPARATELY, Decal, Propulsion, RH Console
11	NSS	1	NOT SERVICED SEPARATELY, Decal, Operators Manual, RH Console
12	NSS	1	NOT SERVICED SEPARATELY, Decal, Remote Potentiometer, RH Console
13	368873A2	1	DECAL, Heating and Air Conditioning, Overhead
14	392895A1	1	DECAL, Rocker Switch, Overhead, BSN HAJ0295001
15	87314018	1	DECAL, Overhead Switch, ASN HAJ0295001
16	224636A1	1	DECAL, Connector Cover, Cab Exterior
17	282855A1	1	DECAL, Connector Cover
18	259832A2	1	DECAL, Automatic Temperature, Overhead
19	371078A1	1	DECAL, Do Not Block Filter

