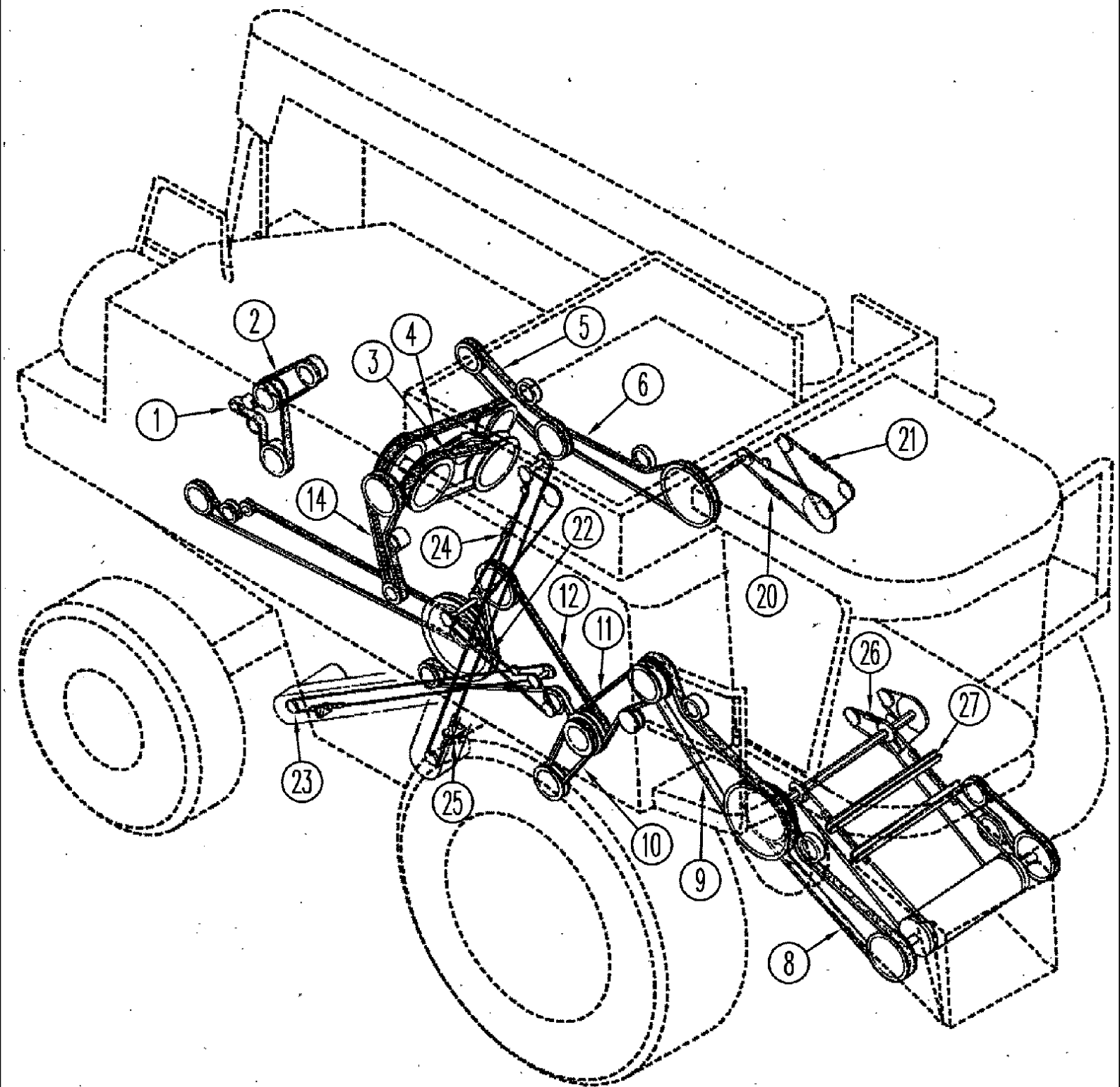


01-19 BELTS - CHAINS

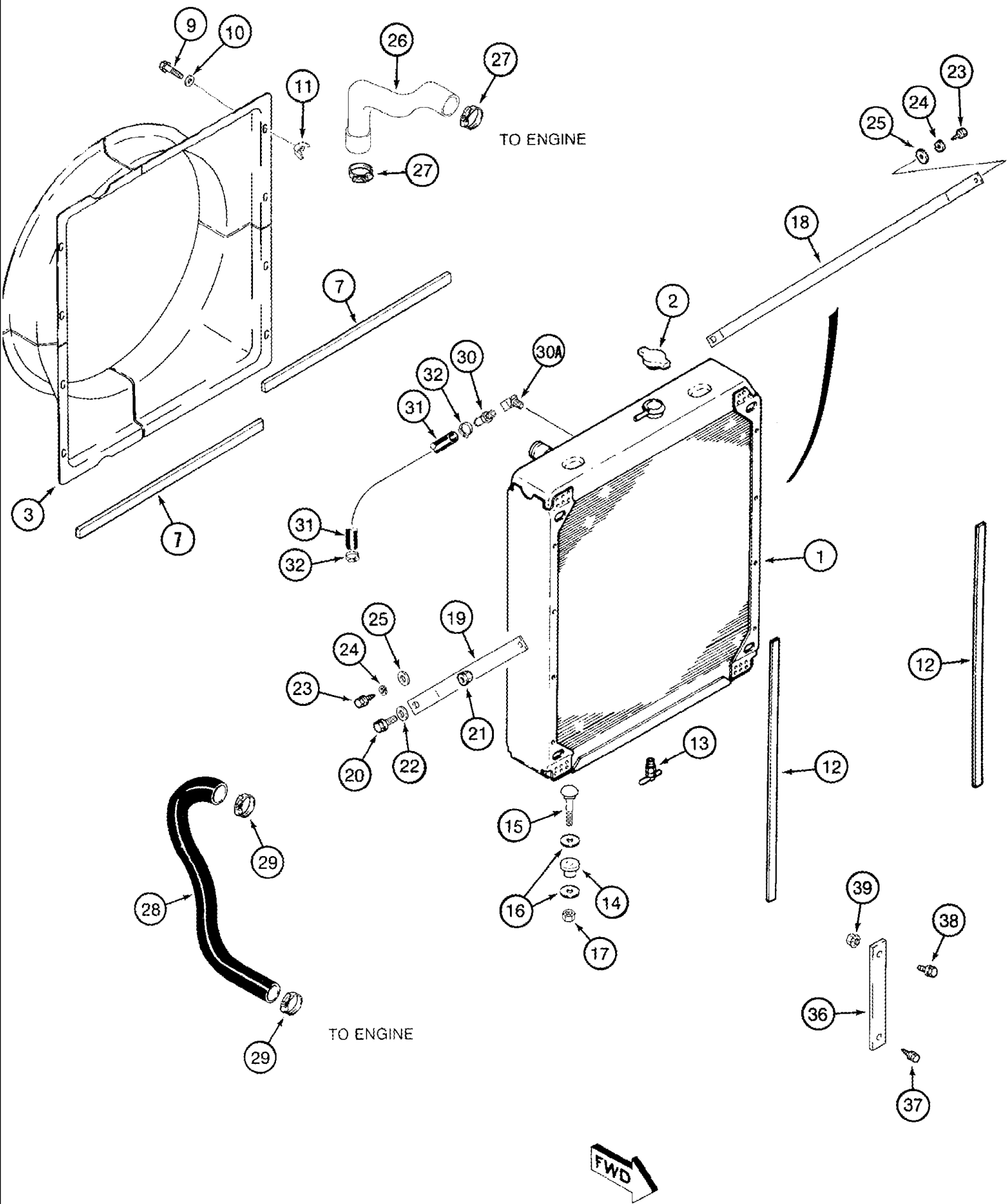


01-19 BELTS - CHAINS

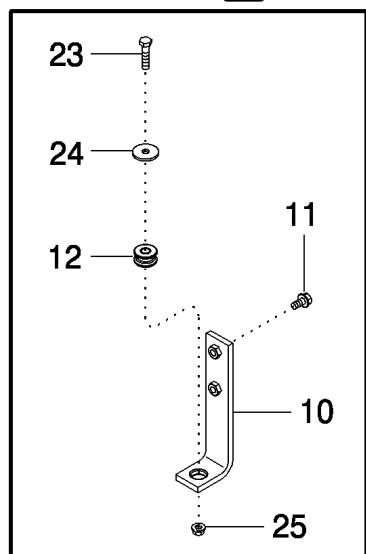
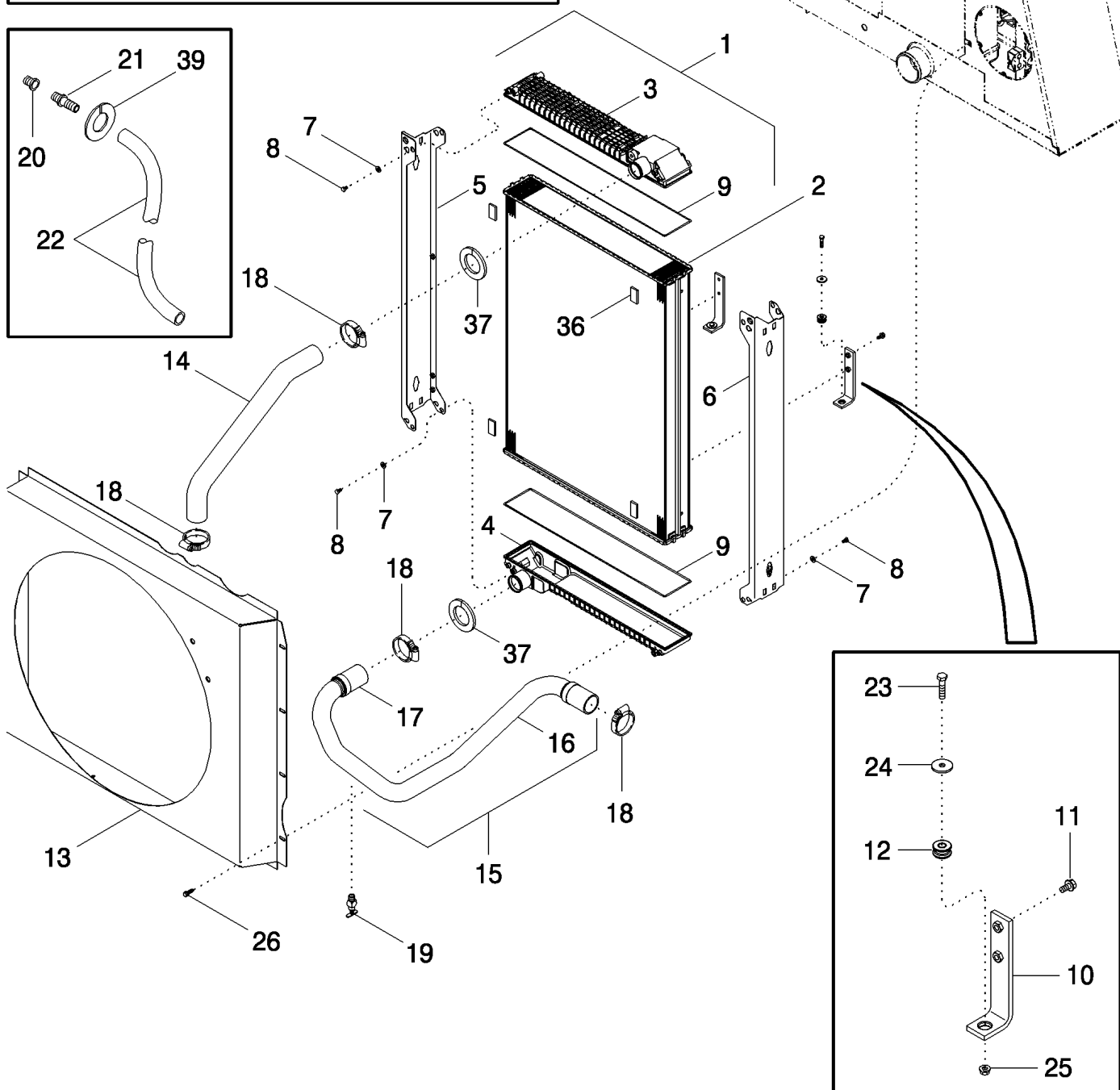
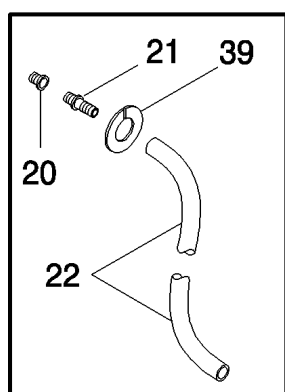
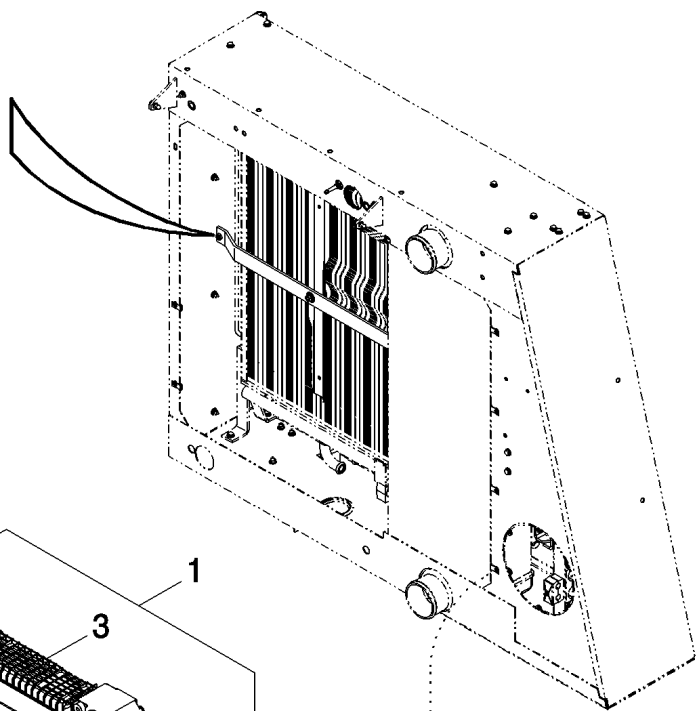
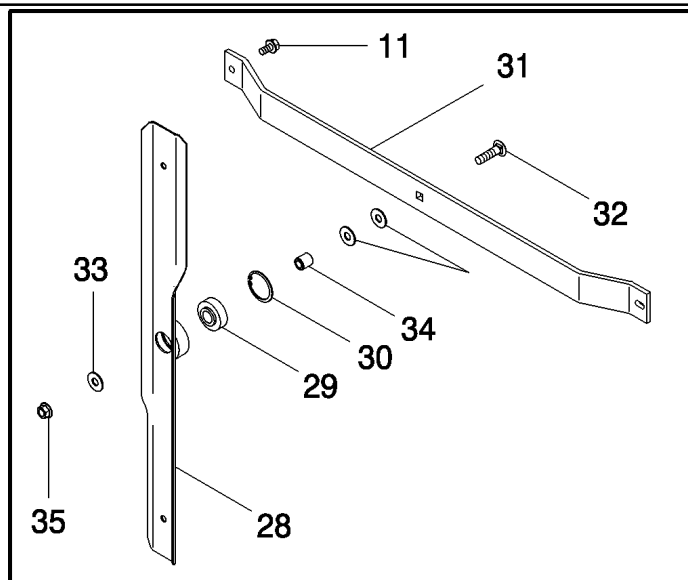
сылка	Номер детали	Кол-во	Описание
1			BELT, See Figure 02-11 ENGINE Fan and Alternator
2			BELT, See Figure 09G-25 COMPRESSOR Air Conditioning
3			BELT, See Figure 09A-03, 09B-02 DRIVE Rotor
4			BELT, See Figure 09A-06 DRIVE Separator
5			BELT, See Figure 08-11 DRIVE Auxiliary Pump
6			BELT, See Figure 09E-06 DRIVE Grain Tank Unloader
8			BELT, See Figure(s) 09A-12, 09A-13 DRIVE Feeder Jackshaft
9			BELT, See Figure 09A-10 DRIVE Feeder
10			BELT, See Figure 09C-06 DRIVE Cleaning Fan
11			BELT, See Figure 09A-01 JACKSHAFT Cleaning Fan
12			BELT, 09A-02 DRIVE Elevator
13			BELT, See Figure 09F-02 DRIVE Straw Spreader
14			BELT, See Figure 09F-04 DRIVE Straw Chopper
20			CHAIN, See Figure 09E-07 DRIVE Grain Tank Unloader
21			CHAIN, See Figure 09E-07 DRIVE Rear Horizontal Auger
22			CHAIN, See Figure 09D-15 DRIVE Tailings Elevator
23			CHAIN, See Figure 09D-13 CONVEYOR Tailings Elevator
24			CHAIN, See Figure 09D-07 DRIVE Clean Grain Elevator
25			CHAIN, See Figure 09D-03 CONVEYOR Clean Grain Elevator
26			CHAIN, See Figure(s) 09A-25 - 09A-28 DRIVE Feeder Reverser
27			CHAIN, See Figure 09A-22 CONVEYOR Feeder
28			CHAIN, See Figure 09B-03

01-19 BELTS - CHAINS

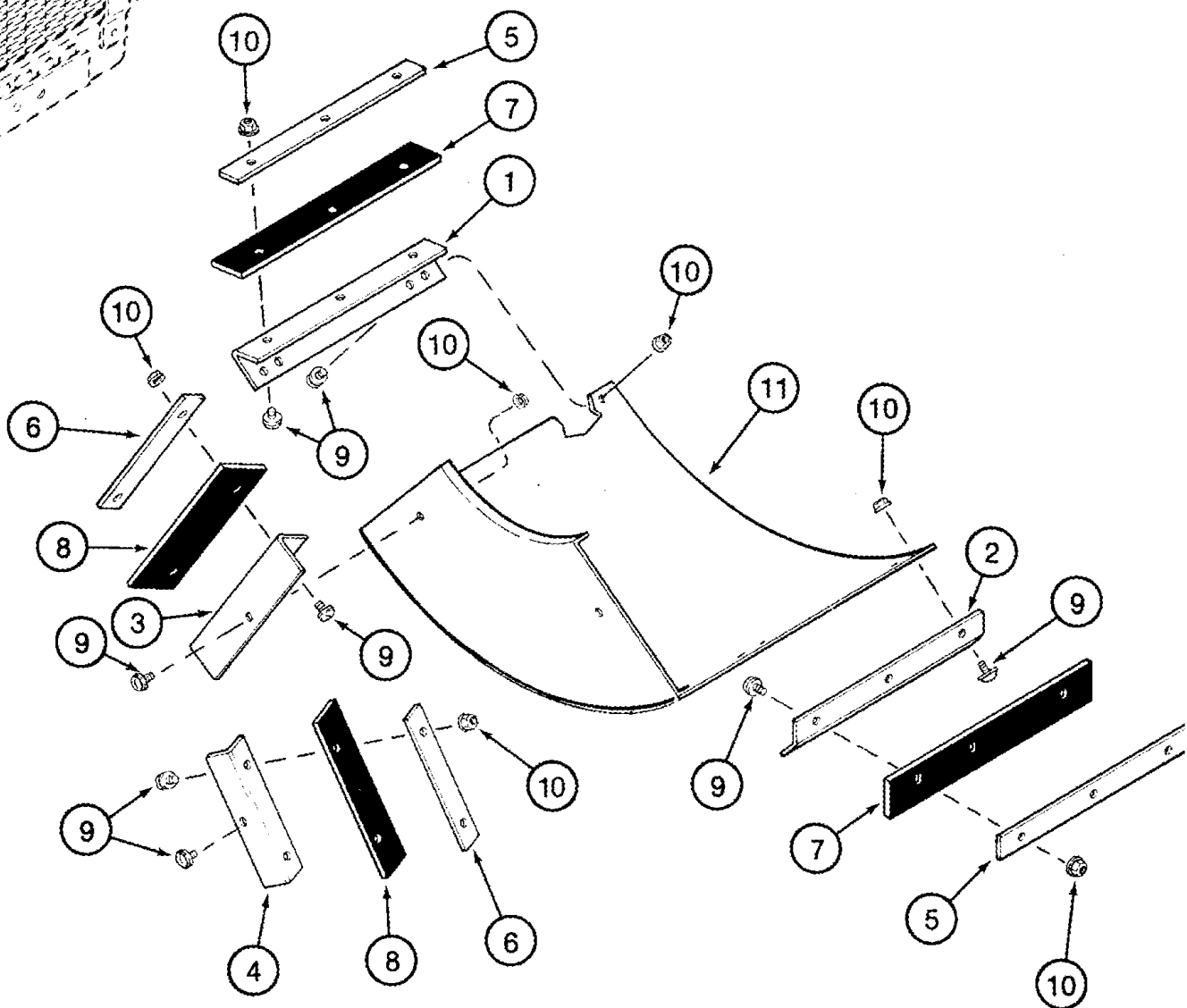
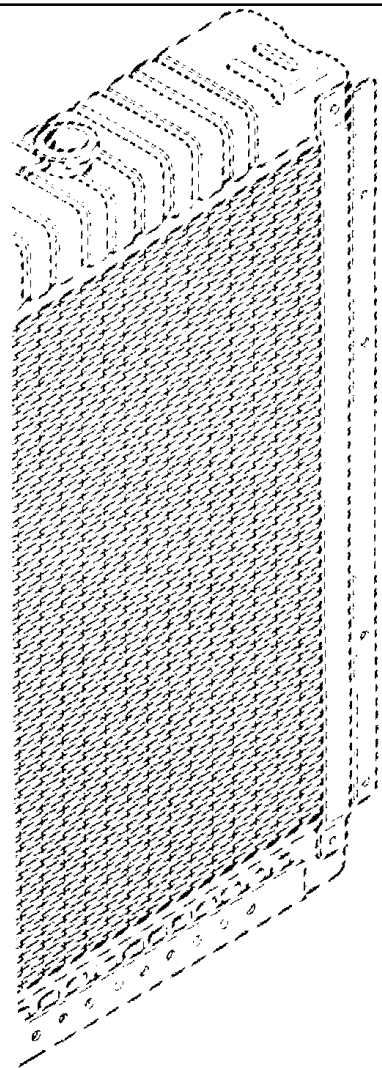
сылка	Номер детали	Кол-во	Описание
			ADJUSTMENT Rotor Drive Speed Not Illustrated



сылка	Номер детали	Кол-во	Описание
1	194951A1	1	RADIATOR,
2	A170241	1	CAP, RADIATOR, 15 psi
3	251462A1	1	SHROUD,
7	220742A1	2	SEAL, Radiator To Shroud, 865 mm (34 in), Cut From 1974883CX
9	409-7512	8	BOLT, Hex Flg, 5/16"-18 x 3/4", Serr,
10	495-81001	8	WASHER, 5/16", 3/8 x 1-1/8 x 1/16
11	488837C1	8	NUT, 5/16
12	1970536C1	2	SEAL, 875 mm (34-1/2 in), Cut From 195917C1
13	86982771	1	VALVE, 1/4 PT
14	R29799	2	SHOCK ABSORBER,
15	434-736	2	BOLT, CARRIAGE, Short NK, 7/16"-14 x 2 1/4", G5,
16	495-81013	4	WASHER, .469" x 1 3/4" x .120",
17	231-1447	2	NUT, LOCK, 7/16"-14, GB,
18	195095A2	1	SUPPORT, Lower Front
19	195096A1	1	SUPPORT, Rear
20	409-7620	2	BOLT, Hex Flg, 3/8"-16 x 1 1/4", Serr,
21	231-5146	2	NUT, Flg, USR, 3/8"-16,
22	495-81140	2	WASHER, 13/32" x 1 1/4" x .060",
23	199953C1	2	SCREW, SELF TAPPING, Hex Wash Hd, 5/16"-18 x 13/16",
24	492-11031	2	WASHER, LOCK, 5/16",
25	495-81001	2	WASHER, 5/16", 3/8 x 1-1/8 x 1/16
26	195297A1	1	HOSE, LARGE, Engine Outlet, Radiator, Upper
27	214-3240	2	CLAMP, HOSE, 1.75/2.625 HD Worm, W/liner,
28	1979382C2	1	HOSE, Engine Inlet, Radiator, Lower, 660 mm (26 in)
29	214-3248	2	CLAMP, HOSE, 2.25/3.125 HD Worm, W/liner,
30	217-151	1	FITTING, 3/8" Hose X 1/4" NPTF Beaded, Vent
30A	217-1085	1	ELBOW, 45c, 1/4"-18 Female x 1/4"-18 Male,
31	1960764C1	1	HOSE, 560 mm (22-1/8 in)
32	214-1706	2	CLAMP, HOSE, #6, 0.44/0.78 Type M Worm,
36	195094A2	1	SUPPORT, Upper Front
37	199953C1	1	SCREW, SELF TAPPING, Hex Wash Hd, 5/16"-18 x 13/16",
38	409-7516	1	BOLT, Hex Flg, 5/16"-18 x 1", Serr,
39	231-5145	1	NUT, Flg, USR, 5/16"-18,

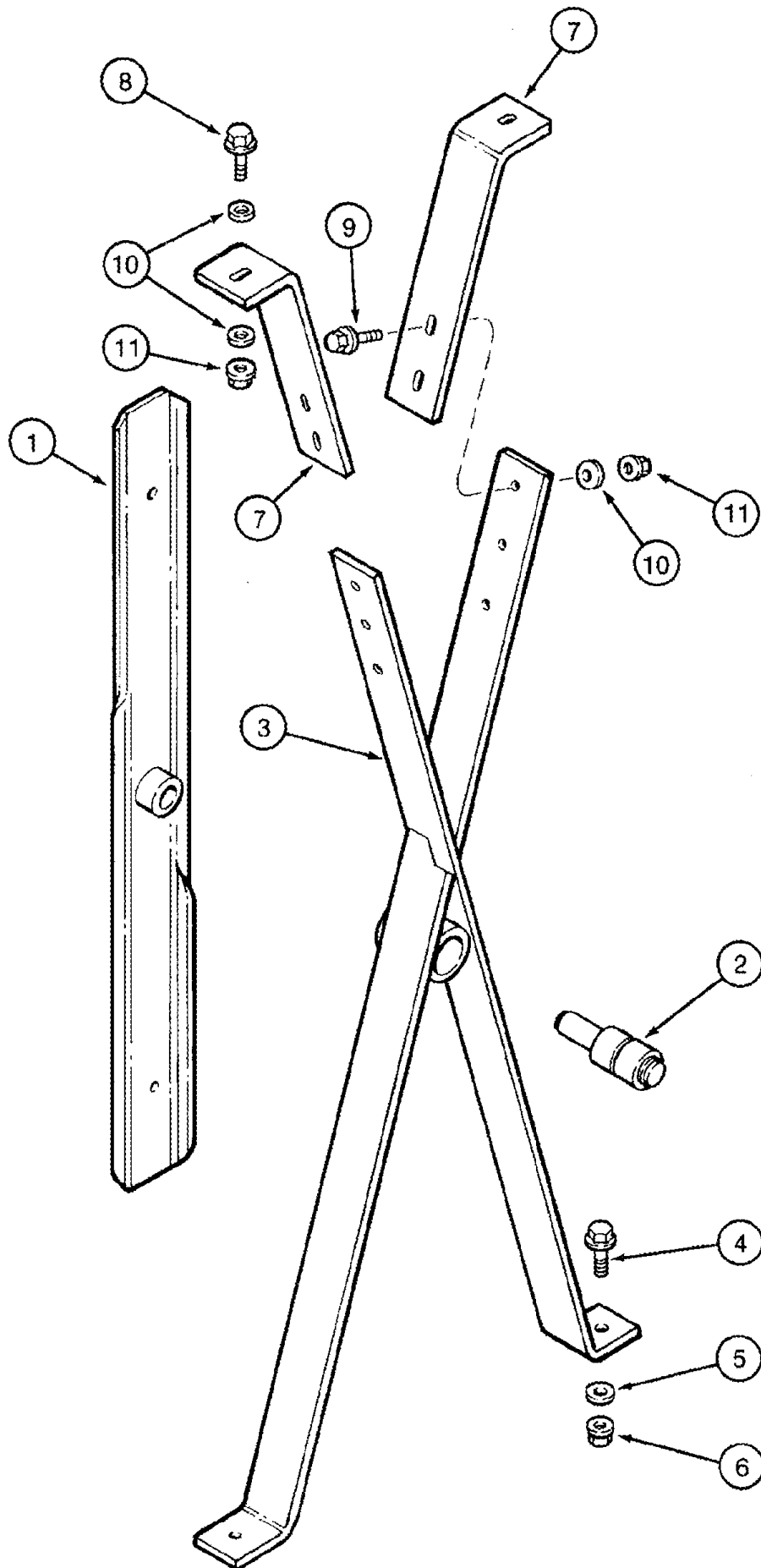


сылка	Номер детали	Кол-во	Описание
1	411567A3	1	RADIATOR, Inc. 2 - 9
2	NSS	1	NOT SERVICED SEPARATELY, Core, Radiator
3	451398A1	1	TANK, Radiator Top
4	451397A1	1	TANK, Radiator Lower
5	450624A2	1	CHANNEL, LH
6	450625A2	1	CHANNEL, RH
8	614-8012	8	BOLT, Hex, M8 x 12, 8.8, Full Thd,
9	87000188	1	GASKET,
10	411572A1	2	BRACKET, Radiator Isomount
11	844-8016	6	BOLT, Hex Flg, M8 x 16, 8.8,
12	434177A1	2	ISOLATOR,
13	87417447	1	SHROUD, Fan
14	86983602	1	HOSE, LARGE, Radiator Upper
15	87408811	1	TUBE, Inc. 16, 17
16	NSS	1	NOT SERVICED SEPARATELY, Tube
17	87402765	1	HOSE, Radiator 2-1/4" ID
18	214-3248	4	CLAMP, HOSE, 2.25/3.125 HD Worm, W/liner,
19	86982771	1	VALVE, Drain Cock
20	217-1034	1	REDUCER, 1/4"-18 Male NPTF x 1/8"-27 Female NPTF,
21	241173A1	1	FITTING, 1/8" PT x 5/16" Hose
22	87408617	1	HOSE, Radiator Drain, Cut 4850 mm (191 in) From Bulk Hose 86989959
23	614-8035	2	BOLT, Hex, M8 x 35, 8.8,
24	495-81120	2	WASHER, .344" x 1 1/4" x .120", 11/32 x 1-1/4 x 1/8
25	825-5148	2	NUT, M8, Flg Ser,
26	1327545C1	8	SCREW, 5/16"
27	87411126	1	WIPER, Assy, Radiator, Inc. 28 -35
28	87411125	1	BLADE, Radiator Wiper
29	149261C91	1	BEARING, BALL,
30	100-21156	1	RING, SNAP, 1.562", Int, #156,
31	87404678	1	SUPPORT,
32	433-624	1	BOLT, CARRIAGE, Short NK, 3/8"-16 x 1 1/2", G5,
33	495-61041	3	WASHER, 3/8" x 1" x .063",
34	87404683	1	BUSHING,
35	231-5146	1	NUT, Flg, USR, 3/8"-16,
36	87420911	2	SEAL, Seal, Radiator, Cut 340 mm (13-3/8 in) From 1319664C3
37	87420912	4	SEAL, Seal, Radiator, Cut 70 mm (2-3/4 in) From 1319664C3
38	87420945	1	SOCKET, BALL, Seal, Radiator, Cut 217 mm (8-1/2 in) From 1319664C3
39	87415941	1	Seal, Fan Shroud, Cut 4005 mm (157-5/8 in) From 1319664C3
7	895-15008	8	WASHER, M8 x 20 x 1.6,



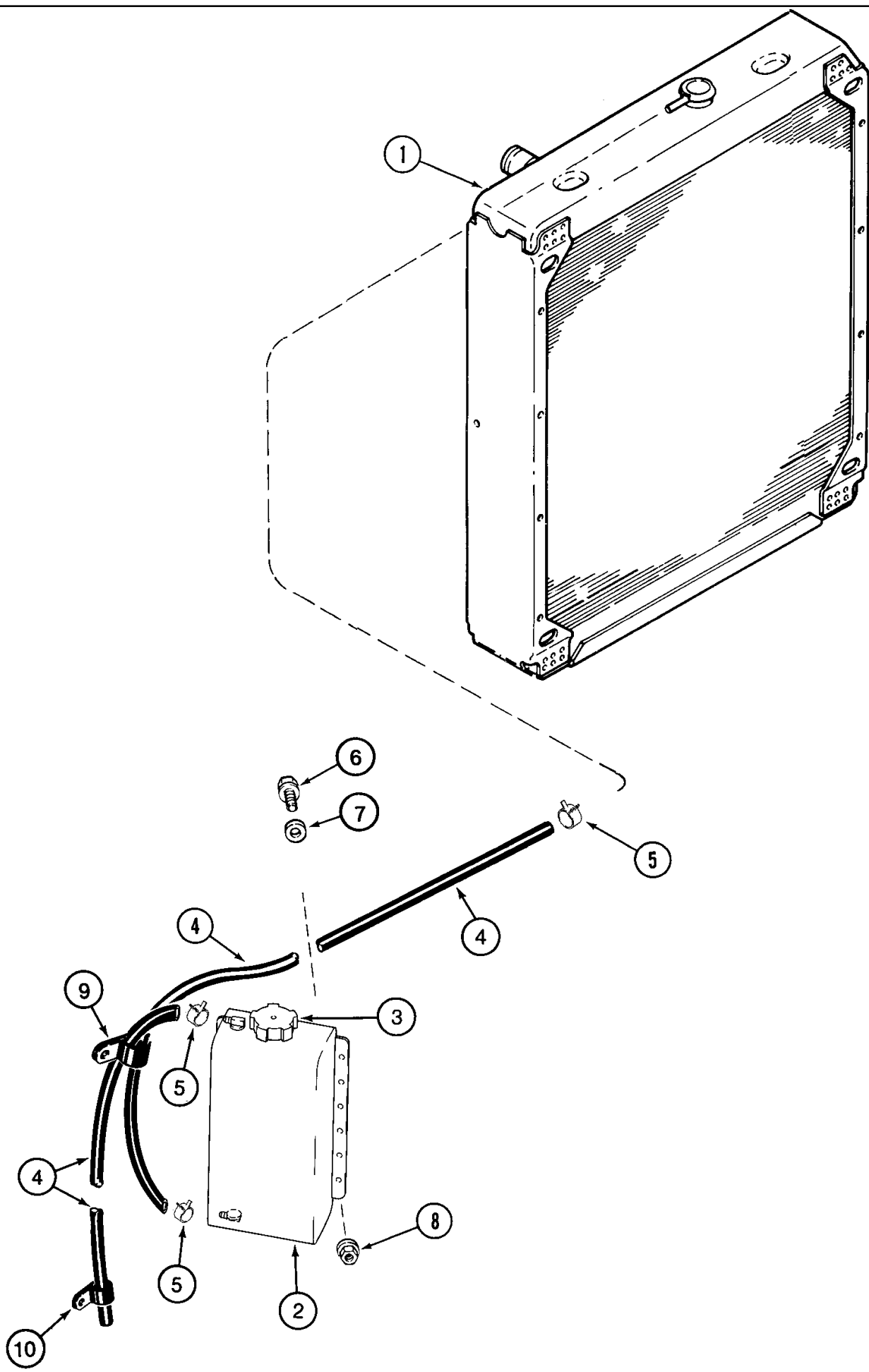
сылка	Номер детали	Кол-во	Описание
1	1977159C1	1	SUPPORT, Left Hand
2	1977160C1	1	SUPPORT, Right Hand
3	1977161C1	1	SUPPORT, Left Hand Rear
4	1977162C1	1	SUPPORT, Right Hand Rear
5	1977163C1	2	PLATE, LARGE, Side, 300 mm (11-13/16 in)
6	1977164C1	2	STRIP, Rear, 165 mm (6-1/2 in)
7	1977165C1	2	SEAL, Side, 304 mm (12 in)
8	1977166C1	2	SEAL, Rear, 203 mm (8 in)
9	409-748	12	BOLT, Hex Flg, 1/4"-20 x 1/2", Serr,
10	231-4144	12	NUT, LOCK, 1/4"-20, GB,
11	194224C1	1	BAFFLE ASSY., See Figure 02-05, Ref. 6

02-03 RADIATOR CLEANING FAN

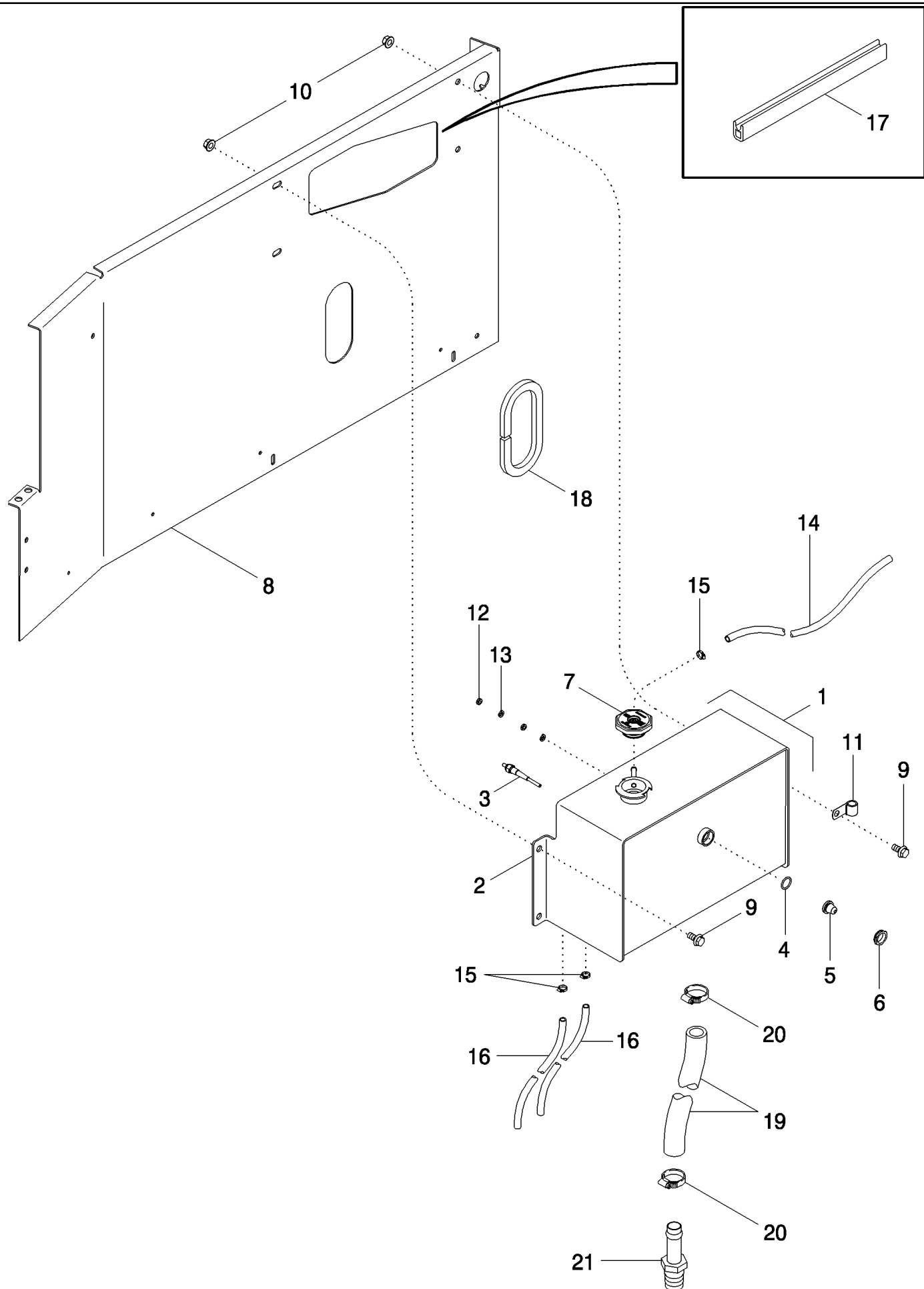


02-03 RADIATOR CLEANING FAN

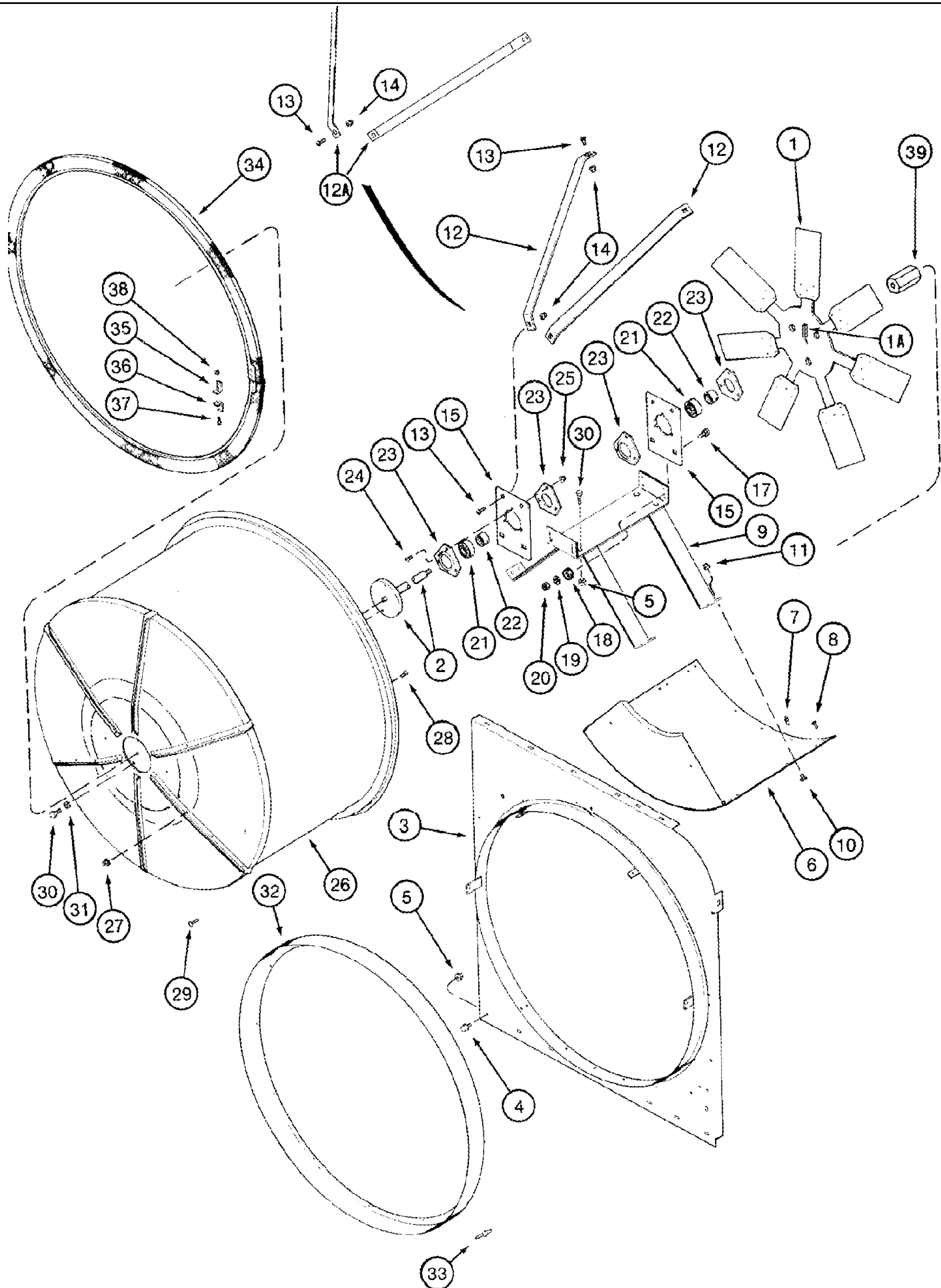
сылка	Номер детали	Кол-во	Описание
1	1345399C1	1	FAN,
2	559205R91	1	BEARING,
3	1345404C1	1	SUPPORT,
4	409-7516	2	BOLT, Hex Flg, 5/16"-18 x 1", Serr,
5	495-81253	4	WASHER, .344" x 7/8" x 120", 11/32 x 7/8 x 1/16
6	231-5145	2	NUT, Flg, USR, 5/16"-18,
7	1345403C1	2	SUPPORT,
8	409-7516	2	BOLT, Hex Flg, 5/16"-18 x 1", Serr,
9	409-7520	4	BOLT, Hex Flg, 5/16"-18 x 1 1/4", Serr, 5/16 x 1-1/4
10	495-81253	8	WASHER, .344" x 7/8" x 120", 11/32 x 7/8 x 1/16
11	231-5145	6	NUT, Flg, USR, 5/16"-18,



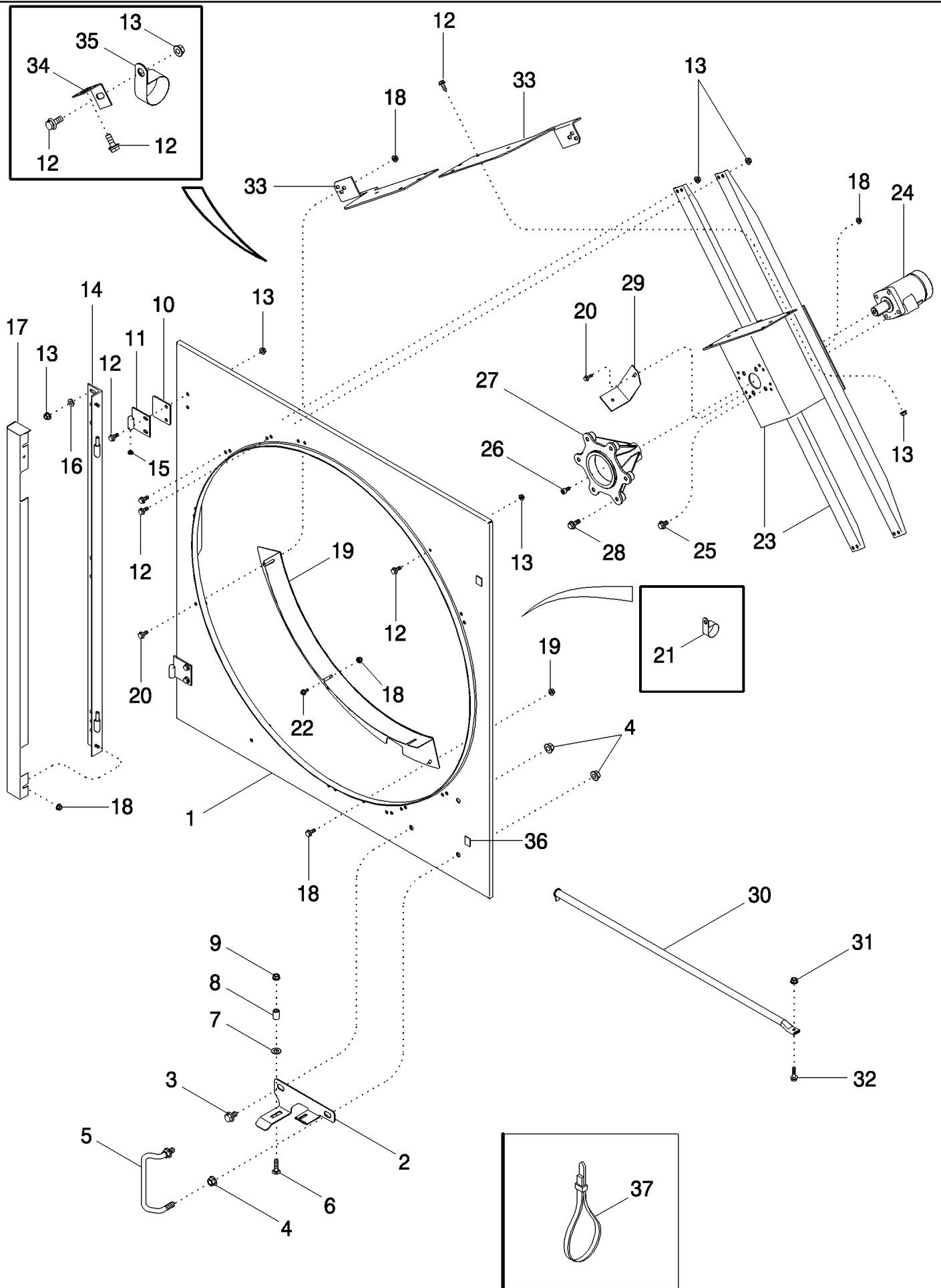
сылка	Номер детали	Кол-во	Описание
1	194951A1	1	RADIATOR, See Figure 02-01 (01)
2	251245A1	1	RESERVOIR, COOLANT EXPNSN, Includes 3
3	238903A1	1	CAP, FILLER,
4	300085A2	2	HOSE, 1330 mm (52-3/8"), Cut from L126767
5	322140A1	3	CLAMP,
6	409-7416	4	BOLT, Hex Flg, 1/4"-20 x 1", Serr,
7	495-81109	4	WASHER, .281" x 1" x .048", 9/32 x 1 x 3/64
8	231-5144	8	NUT, Flg, USR, 1/4"-20,
9	515-23317	1	CLAMP, 1 1/4", Insul, 3/8" Bolt,
10	515-23127	2	CLAMP, 1/2", Insul, 3/8" Bolt,



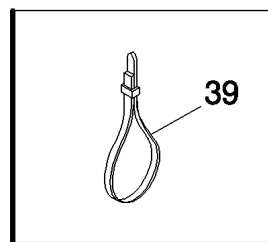
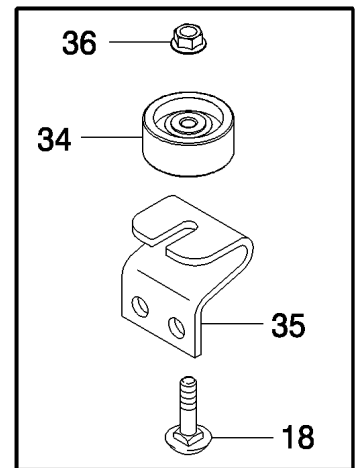
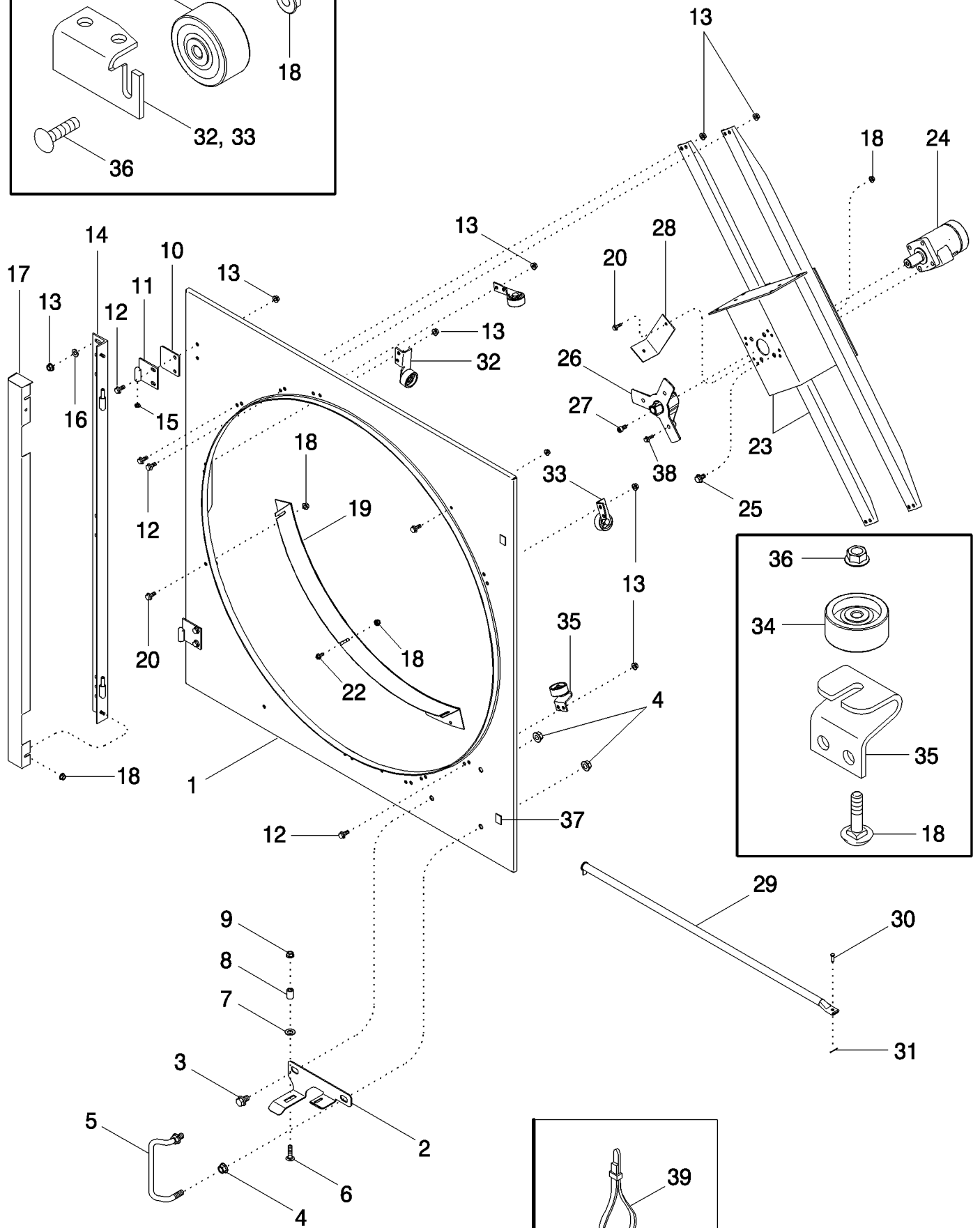
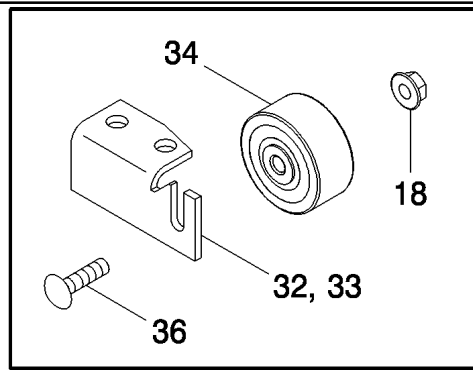
сылка	Номер детали	Кол-во	Описание
1	87403849	1	TANK, Deaeration Assy, Includes 2 - 6
2	87403850	1	TANK, Deaeration
3	279476A1	1	SENSOR, Coolant Probe
4	238-6115	1	O-RING, -115, 90 Duro, .674" ID x .103" Thk,
5	86990536	1	LENS, Sight
6	86990537	1	NUT, Lens Retainer
7	87109814	1	CAP, FILLER, Deaeration Tank
8	418212A3	1	SUPPORT, Rear
9	409-7612	4	BOLT, Hex Flg, 3/8"-16 x 3/4", Serr,
10	231-5146	4	NUT, Flg, USR, 3/8"-16,
11	516-23127	1	CLAMP, J, 9/16" Insul, 3/8" Bolt,
12	225-14210	2	NUT, #10-32,
13	80684	2	WASHER, LOCK, #10,
14	87408617	1	HOSE, 4850 mm (191 in), Cut From 86989959
15	214-1406	3	CLAMP, HOSE, #06, .44/.78 Type F Worm,
16	86989649	2	HOSE, FLEXIBLE, Deaeration, Cut 900 mm (35-3/8") from Bulk Hose 86989959
17	87029779	2	SEAL, Cut 287 mm (11-5/16 in) From 196707C1
18	87063C3	1	SEAL, Cut 422 mm (16 in) from 196707C1
19	87404884	1	HOSE, LARGE, Deaeration Supply, Cut 940 mm (37 in) From Bulk Hose 86989961
20	214-1516	2	CLAMP, HOSE, #16, .81/1.50 Type F Worm, W/liner,
21	217-375	1	FITTING, 1" Hose X 3/4" NPTF Beaded,



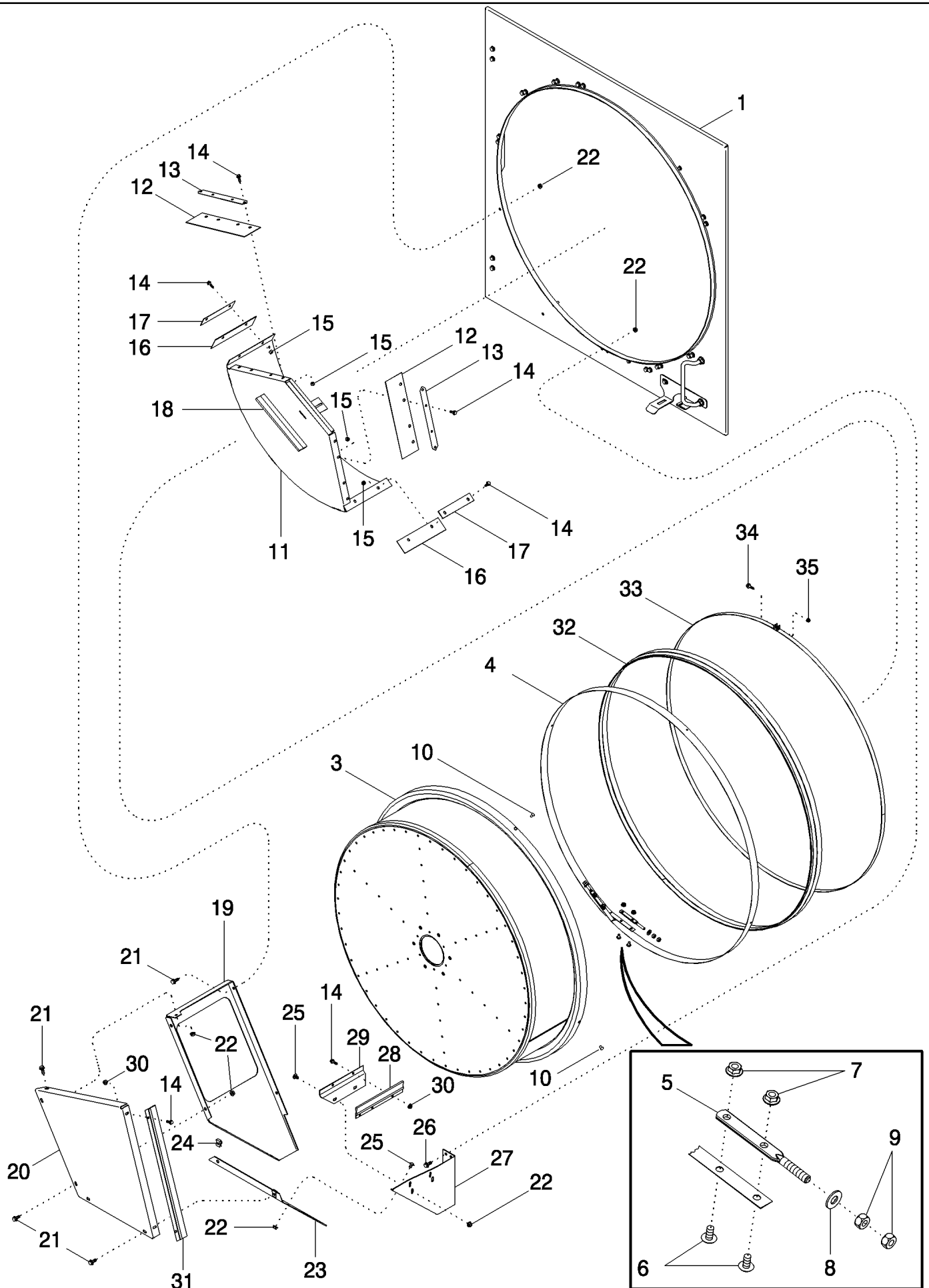
сылка	Номер детали	Кол-во	Описание
	1347257C1	1	FAN, Includes: Ref. 1 & 1A
1	1957272C2	1	FAN,
1A	Q5024	1	KEY, 3/16" Sq x 1", Par,
2	234067A3	1	SHAFT,
3	1317755C6	1	ADAPTER,
4	256873	17	BOLT, Hex Flg, 5/16"-18 x 1/2", Serr,
4	409-7516	2	BOLT, Hex Flg, 5/16"-18 x 1", Serr,
5	231-5145	23	NUT, Flg, USR, 5/16"-18,
6	194224C1	1	BAFFLE ASSY.,
7	151-558	3	RIVET, Pop, 3/16" x .450", 3/16 x 1/2
8	104235	4	RIVET, FH, 3/16" x 1/2",
9	234279A1	1	SUPPORT,
10	477-82508	8	SCREW, Sltd Serr Truss Hd, 1/4"-20 x 1/2", 1/4 x 1/2; 8
11	231-5144	8	NUT, Flg, USR, 1/4"-20,
12	194221C2	2	STAY,
12A	175258A1	2	SUPPORT,
13	477-73112	8	BOLT, Slotted Tr Hd, 5/16"-18 x 3/4",
14	231-5145	8	NUT, Flg, USR, 5/16"-18,
15	164605C1	2	PLATE, LARGE,
17	434-512	4	BOLT, CARRIAGE, Short NK, 5/16"-18 x 3/4", G5, Full Thd,
18	495-81112	4	WASHER, .344" x 3/4" x .120", 11/32 x 3/4 x 7/64
19	492-11031	4	WASHER, LOCK, 5/16",
20	425-105	4	NUT, 5/16"-18, G5,
21	455957R92	2	BEARING,
22	455958R11	2	COLLAR,
23	H333534	4	FLANGE,
24	477-73112	6	BOLT, Slotted Tr Hd, 5/16"-18 x 3/4",
25	231-5145	6	NUT, Flg, USR, 5/16"-18,
26	279083A1	1	SIEVE, Includes: Ref. 27 - 29
27	231-5144	6	NUT, Flg, USR, 1/4"-20,
28	477-82508	6	SCREW, Sltd Serr Truss Hd, 1/4"-20 x 1/2", 1/4 x 1/2; 8
29	151-218	12	RIVET, Tr Hd, 3/16" x .281", Alum.,
30	409-7512	7	BOLT, Hex Flg, 5/16"-18 x 3/4", Serr,
32	1338011C1	1	RING,
33	151-509	12	RIVET, Pop, 3/16" x .325", 3/16 x 5/16
34	164615C92	1	BRUSH, Includes: Ref. 35 - 38
35	164616C1	1	ANGLE,
36	164617C1	1	ANGLE,
37	463-11016	1	SCREW, Hex Hd, #10-24 x 1",
38	86625057	1	NUT, LOCK, #10-24, GB,
39	106666A1	1	NUT, 3/8



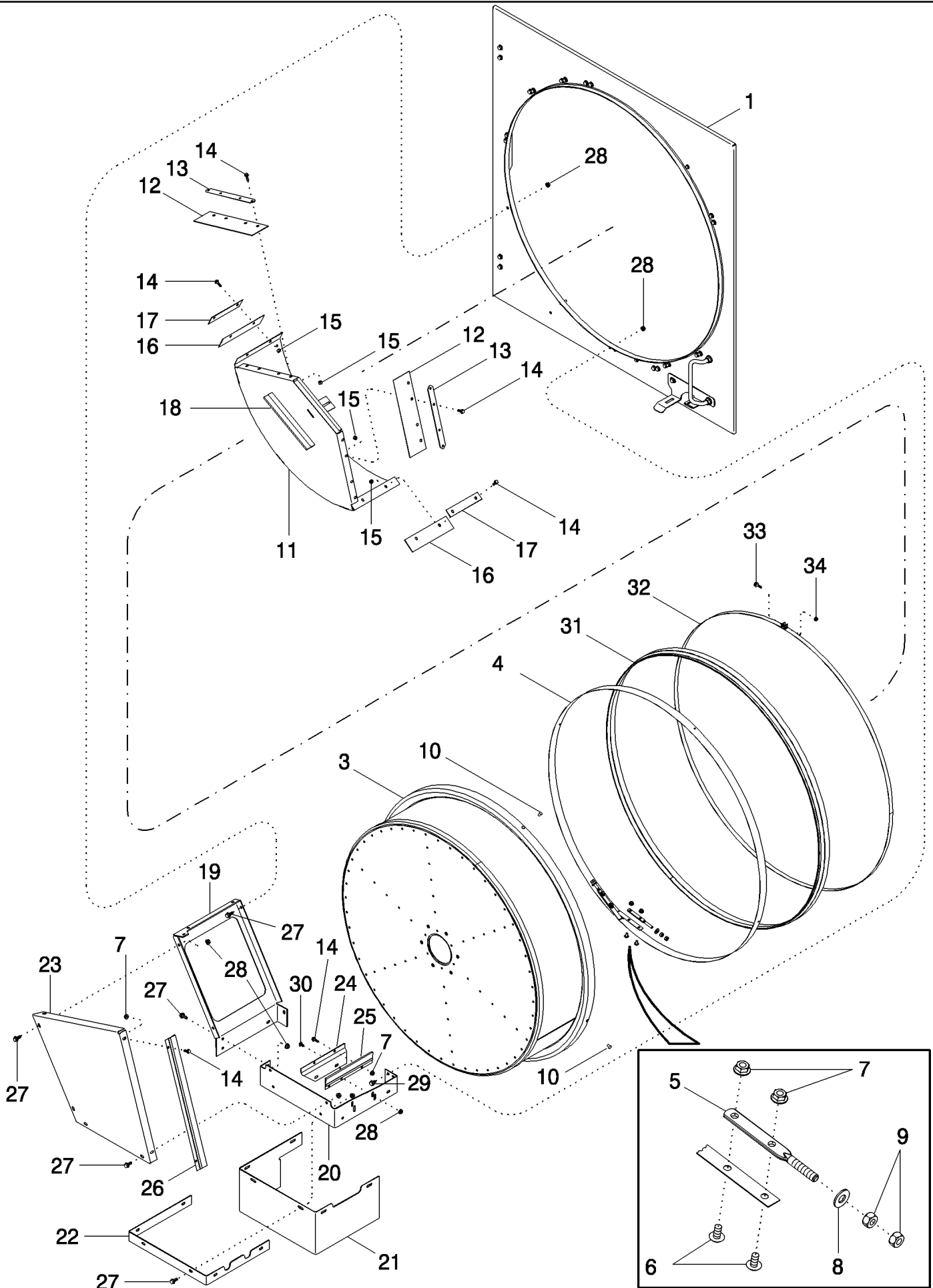
сылка	Номер детали	Кол-во	Описание
1	87413638	1	DOOR, Cooler Access, BTW JJC0255700 & JJC0256341
1	87430947	1	DOOR, Cooler Access, ASN JJC0256400
2	87413881	1	GUIDE, Door Latch
3	409-7812	1	BOLT, Hex Flg, 1/2"-13 x 3/4", Serr, 1/2 x 3/4
4	231-5148	5	NUT, Flg, USR, 1/2"-13,
5	1329715C1	1	HANDLE,
6	434-624	1	BOLT, CARRIAGE, Short NK, 3/8"-16 x 1 1/2", G5, 3/8 x 1-1/2
7	495-51053	1	WASHER, 1/2", 17/32 x 1 x 1/16
8	186646C1	1	SPACER, 5/8" Tube x 15/16",
9	231-5146	1	NUT, Flg, USR, 3/8"-16,
10	87430707	2	SPACER, Hinge, ASN JJC0256400
11	87417094	2	HINGE,
12	409-7512	28	BOLT, Hex Flg, 5/16"-18 x 3/4", Serr,
13	231-5145	28	NUT, Flg, USR, 5/16"-18,
14	87413905	1	HINGE, , BTW JJC0255700 & JJC0256341
14	87425804	1	HINGE, Shown, ASN JJC0256400
15	86985597	2	WASHER, Special, ASN JJC0256400
16	495-81116	7	WASHER, .344" x 1" x .060", 11/32 x 1 x 1/16
17	87413836	1	COVER, Door Hinge, BTW JJC0255700 & JJC0256341
17	87425802	1	COVER, Door Hinge, Shown, ASN JJC0256400
18	231-5144	9	NUT, Flg, USR, 1/4"-20,
19	87412953	1	BRACKET, Blockoff Assy
20	409-7412	6	BOLT, Hex Flg, 1/4"-20 x 3/4", Serr, 1/4 x 3/4
21	485093C1	1	CLAMP,
22	409-7416	1	BOLT, Hex Flg, 1/4"-20 x 1", Serr,
23	87413830	1	SUPPORT,
24	435624A1	1	MOTOR, HYDRAULIC, Rotary Screen, See Figure 08-42
25	87021006	4	BOLT, Hex Flg, M10 x 16, 10.9, Full Thd, M10 x 16; 10.9
26	864-8016	1	SCREW, Hex Soc Hd, M8 x 16, 8.8,
27	87413134	1	HUB, Rotary Air Screen
28	857-10025	6	BOLT, Hex Flg, M10 x 25, 10.9, Full Thd, M10 x 25; 10.9
29	87412956	1	SUPPORT, Inner Baffle
30	87413898	1	SUPPORT, Screen Door
31	427-4077	1	PIN, CLEVIS, 1/4" x .770", , BSN JJC0256341
31	409-7416	1	BOLT, Hex Flg, 1/4"-20 x 1", Serr, 1/4 x 3/4, ASN JJC0256400
32	432-412	1	PIN, SPLIT (COTTER), 1/16" x 3/4", , BSN JJC0256341
32	231-4144	1	NUT, LOCK, 1/4"-20, GB, , ASN JJC0256400
33	87413927	2	SUPPORT,
34	1301560C2	1	STIFFENER,
35	515-25476	1	CLAMP, 1 7/8", Insul, 1/2" Bolt, , BSN JJC0256341
36	86984222	2	PAD,
37	306132C1	1	STRAP, CABLE, .30" x 14.5", 15 in



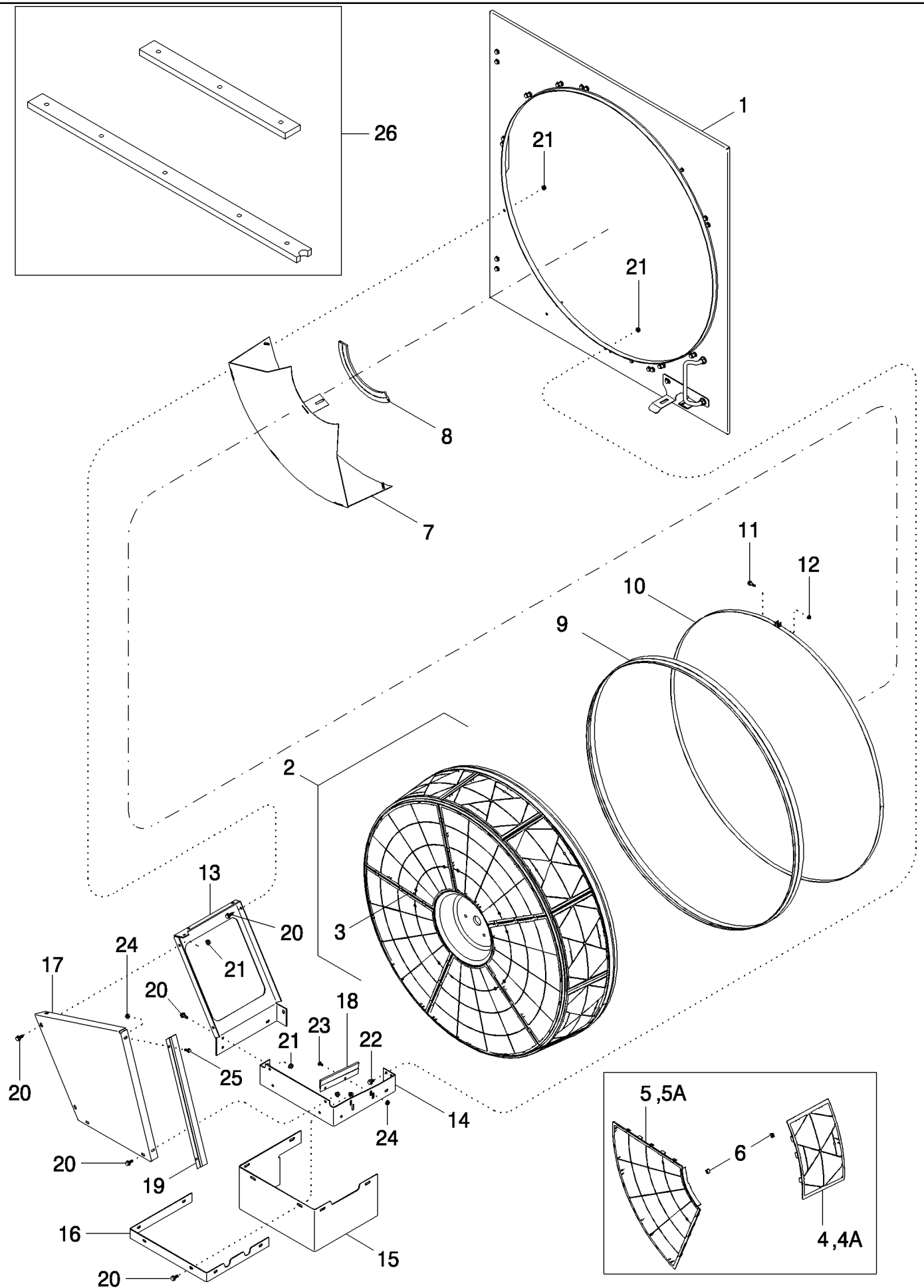
сылка	Номер детали	Кол-во	Описание
1	87430947	1	DOOR, Cooler Access
2	87413881	1	GUIDE, Door Latch
3	409-7812	1	BOLT, Hex Flg, 1/2"-13 x 3/4", Serr, 1/2 x 3/4
4	231-5148	5	NUT, Flg, USR, 1/2"-13,
5	1329715C1	1	HANDLE,
6	434-624	1	BOLT, CARRIAGE, Short NK, 3/8"-16 x 1 1/2", G5, 3/8 x 1-1/2
7	495-51053	1	WASHER, 1/2", 17/32 x 1 x 1/16
8	186646C1	1	SPACER, 5/8" Tube x 15/16",
9	231-5146	1	NUT, Flg, USR, 3/8"-16,
10	87430707	2	SPACER, Hinge
11	87417094	2	HINGE,
12	409-7512	20	BOLT, Hex Flg, 5/16"-18 x 3/4", Serr,
13	231-5145	20	NUT, Flg, USR, 5/16"-18,
14	87413905	1	HINGE, , BTW JJC0255700 & JJC0256341
14	87425804	1	HINGE, Hinge Support, ASN JJC0256400
15	86985597	2	WASHER, Special
16	495-81116	7	WASHER, .344" x 1" x .060", 11/32 x 1 x 1/16
17	87413836	1	COVER, , BTW JJC0255700 & JJC0256341
17	87425802	1	COVER, COVER Door Hinge, Shown, ASN JJC0256400
18	231-5144	9	NUT, Flg, USR, 1/4"-20, (5)
19	87413896	1	BRACKET, Blockoff Assy
20	409-7412	6	BOLT, Hex Flg, 1/4"-20 x 3/4", Serr, 1/4 x 3/4
21	485093C1	1	CLAMP,
22	409-7416	1	BOLT, Hex Flg, 1/4"-20 x 1", Serr,
23	87413830	1	SUPPORT,
24	435624A1	1	MOTOR, HYDRAULIC, Rotary Screen
25	87021006	4	BOLT, Hex Flg, M10 x 16, 10.9, Full Thd, M10 x 16; 10.9
26	412506A1	1	HUB,
27	864-8016	1	SCREW, Hex Soc Hd, M8 x 16, 8.8,
28	87409347	1	SUPPORT, Inner Baffle
30	427-4077	1	PIN, CLEVIS, 1/4" x .770", , BSN JJC0256341
30	409-7416	1	BOLT, Hex Flg, 1/4"-20 x 1", Serr, , ASN JJC0256400
31	432-412	1	PIN, SPLIT (COTTER), 1/16" x 3/4", , BSN JJC0256341
29	87413898	1	SUPPORT,
31	231-5144	1	NUT, Flg, USR, 1/4"-20, , ASN JJC0256400
32	87407751	1	BRACKET,
33	87407737	2	BRACKET,
34	87408568	4	BEARING, BALL, Roller
35	444034A2	1	SUPPORT, Roller
36	411-416	4	BOLT, CARRIAGE, Short NK, 1/4"-20 x 1", G2, 1/4 x 1
37	86984222	2	PAD,
38	857-10025	3	BOLT, Hex Flg, M10 x 25, 10.9, Full Thd, M10 x 25; 10.9
39	306132C1	1	STRAP, CABLE, .30" x 14.5",



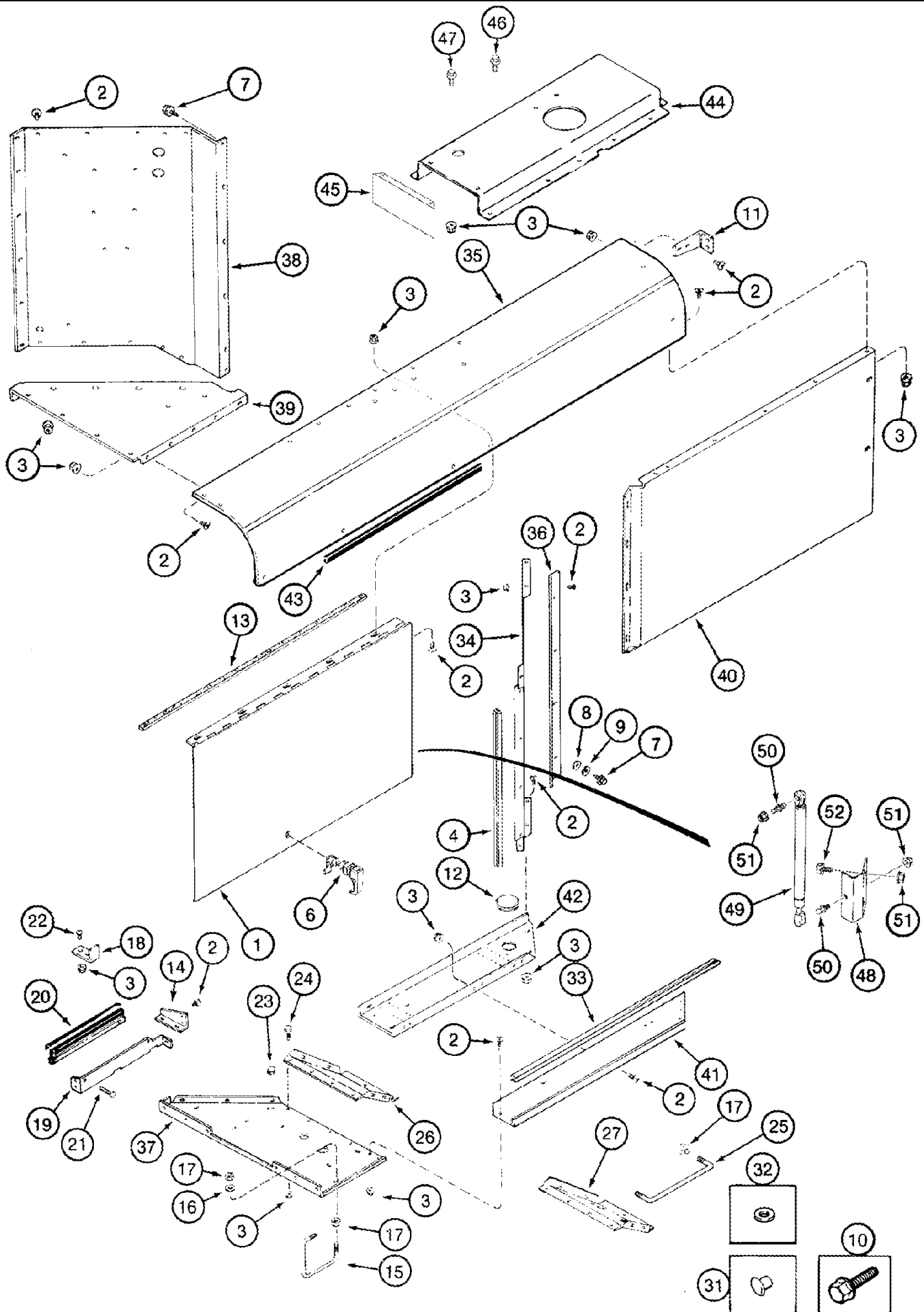
сылка	Номер детали	Кол-во	Описание
1	87413638	1	DOOR, Cooler Access, See Figure 02-05 (02)
2	REF	1	INSTRUCTION, Screen Assy Rotary Air, Inc. 3 - 10
3	87418044	1	SCREEN, Rotary Air
4	87417475	1	BAND, Assy
5	87413544	2	BOLT, Drawbolt Ring
6	477-82508	4	SCREW, Slt'd Serr Truss Hd, 1/4"-20 x 1/2",
7	231-5144	4	NUT, Flg, USR, 1/4"-20,
8	495-81114	2	WASHER, .344" x 3/4" x .060",
9	425-105	4	NUT, 5/16"-18, G5,
10	151-559	3	RIVET, Pop, 3/16" x .700",
11	87412949	1	SHEET,
12	87408561	2	SEAL,
13	87408560	2	BAR,
14	409-7412	16	BOLT, Hex Flg, 1/4"-20 x 3/4", Serr,
15	231-4144	12	NUT, LOCK, 1/4"-20, GB,
16	1977166C1	2	SEAL, Baffle Rear
17	1977164C2	2	STRIP,
18	87413136	1	BRUSH, Inner
19	87412286	1	SUPPORT, Dirt Chute Rear
20	87412289	1	PANEL, Upper
21	409-7512	6	BOLT, Hex Flg, 5/16"-18 x 3/4", Serr,
22	231-5145	13	NUT, Flg, USR, 5/16"-18,
23	87412288	1	PANEL, Lower
24	488837C1	2	NUT, Speed
25	477-73108	6	SCREW, Slt'd Serr Truss Hd, 5/16"-18 x 1/2",
26	256873	3	BOLT, Hex Flg, 5/16"-18 x 1/2", Serr,
27	87412287	1	SUPPORT, Dirt Chute Front
28	414883A2	1	BRUSH,
29	87413935	1	SUPPORT, Horizontal
30	231-5144	2	NUT, Flg, USR, 1/4"-20,
31	87414124	1	BRUSH, Angled
32	86976657	1	SEAL, Rotary Screen
33	86976658	1	CLAMP,
34	409-7416	1	BOLT, Hex Flg, 1/4"-20 x 1", Serr,
35	231-1444	1	NUT, LOCK, 1/4"-20, GB,



сылка	Номер детали	Кол-во	Описание
1	87430947	1	DOOR, Cooler Access, See Figure 02-05 (02)
2	REF	1	INSTRUCTION, Screen Assy, Rotary Air, Inc. 3 - 10
3	87418044	1	SCREEN, Rotary Air
4	87417475	1	BAND, Assy
5	87413544	2	BOLT, Drawbolt Ring
6	477-82508	4	SCREW, Slt'd Serr Truss Hd, 1/4"-20 x 1/2", 1/4 x 1/2
7	231-5144	8	NUT, Flg, USR, 1/4"-20, (5)
8	495-81114	2	WASHER, .344" x 3/4" x 060", 11/32 x 3/4 x 1/16
9	425-105	4	NUT, 5/16"-18, G5,
10	390747A1	3	RIVET,
11	87412949	1	SHEET, Blockoff Assy
12	87408561	2	SEAL,
13	87408560	2	BAR,
14	409-7412	19	BOLT, Hex Flg, 1/4"-20 x 3/4", Serr, 1/4 x 3/4; 5
15	231-4144	12	NUT, LOCK, 1/4"-20, GB,
16	1977166C1	2	SEAL, Baffle Rear
17	1977164C2	2	STRIP,
18	87413136	1	BRUSH, Inner
19	87432971	1	CHUTE, Chute, Rear
20	87432970	1	CHUTE, Front
21	87432973	1	CHUTE, Lower
22	87432972	1	STRAP, Chute
23	87412289	1	PANEL, Chute, Upper
24	87413935	1	SUPPORT, Horizontal Brush
25	414883A2	1	BRUSH,
26	87414124	1	BRUSH, Angled
27	409-7512	13	BOLT, Hex Flg, 5/16"-18 x 3/4", Serr,
28	231-5145	18	NUT, Flg, USR, 5/16"-18,
29	256873	3	BOLT, Hex Flg, 5/16"-18 x 1/2", Serr,
30	477-73108	2	SCREW, Slt'd Serr Truss Hd, 5/16"-18 x 1/2", 5/16 x 1/2
31	87429394	1	SEAL,
32	86976658	1	CLAMP,
33	409-7416	1	BOLT, Hex Flg, 1/4"-20 x 1", Serr,
34	231-1444	1	NUT, LOCK, 1/4"-20, GB,
35	1327979C1	1	MOLDING, Cut 15 mm (6 in) From 196707C1



сылка	Номер детали	Кол-во	Описание
1	87430947	1	DOOR, Cooler Access, See Figure 02-05 (02)
2	87409302	1	SCREEN, Assy Rotary Air, Plastic Coarse Mesh, Inc. 3, 4A, 5A, 6
3	87410086	1	SUPPORT, Frame Assy
	86988941	1	KIT, Rotary Air Screen Side, Coarse Mesh, Inc. 4A (1), 6 (10)
4	NSS	10	NOT SERVICED SEPARATELY, Screen, Side, Coarse Mesh
	86988942	1	KIT, Rotary Air Screen Front, Coarse Mesh, Inc. 5A (1), 6 (10)
5	NSS	5	NOT SERVICED SEPARATELY, Screen, Front, Coarse Mesh
6	86983638	145	CLIP, Screen Locking
7	87409151	1	SHEET, Blockoff Assy
8	87412677	1	BRUSH, Inner
9	87429394	1	SEAL,
10	86976658	1	CLAMP,
11	409-7416	1	BOLT, Hex Flg, 1/4"-20 x 1", Serr,
12	231-1444	1	NUT, LOCK, 1/4"-20, GB,
13	87432971	1	CHUTE, Chute, Rear
14	87432970	1	CHUTE, Chute, Front
15	87432973	1	CHUTE, Chute, Lower
16	87432972	1	STRAP,
17	87412289	1	PANEL, Chute, Upper
18	414883A2	1	BRUSH,
19	87414124	1	BRUSH, Angled
20	409-7512	13	BOLT, Hex Flg, 5/16"-18 x 3/4", Serr,
21	231-5145	16	NUT, Flg, USR, 5/16"-18,
22	256873	3	BOLT, Hex Flg, 5/16"-18 x 1/2", Serr,
23	477-82508	2	SCREW, Std Serr Truss Hd, 1/4"-20 x 1/2", 1/4 x 1/2
24	231-5144	4	NUT, Flg, USR, 1/4"-20, (5)
25	409-7412	2	BOLT, Hex Flg, 1/4"-20 x 3/4", Serr, 1/4 x 3/4; 5
26	87301188	1	BAR, PACKAGE, Disrupter Bars, Hardware and Instructions
	87301156	1	KIT, CONVERSION, Plastic to Metal Rotary Air Screen Conversion

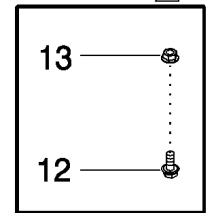
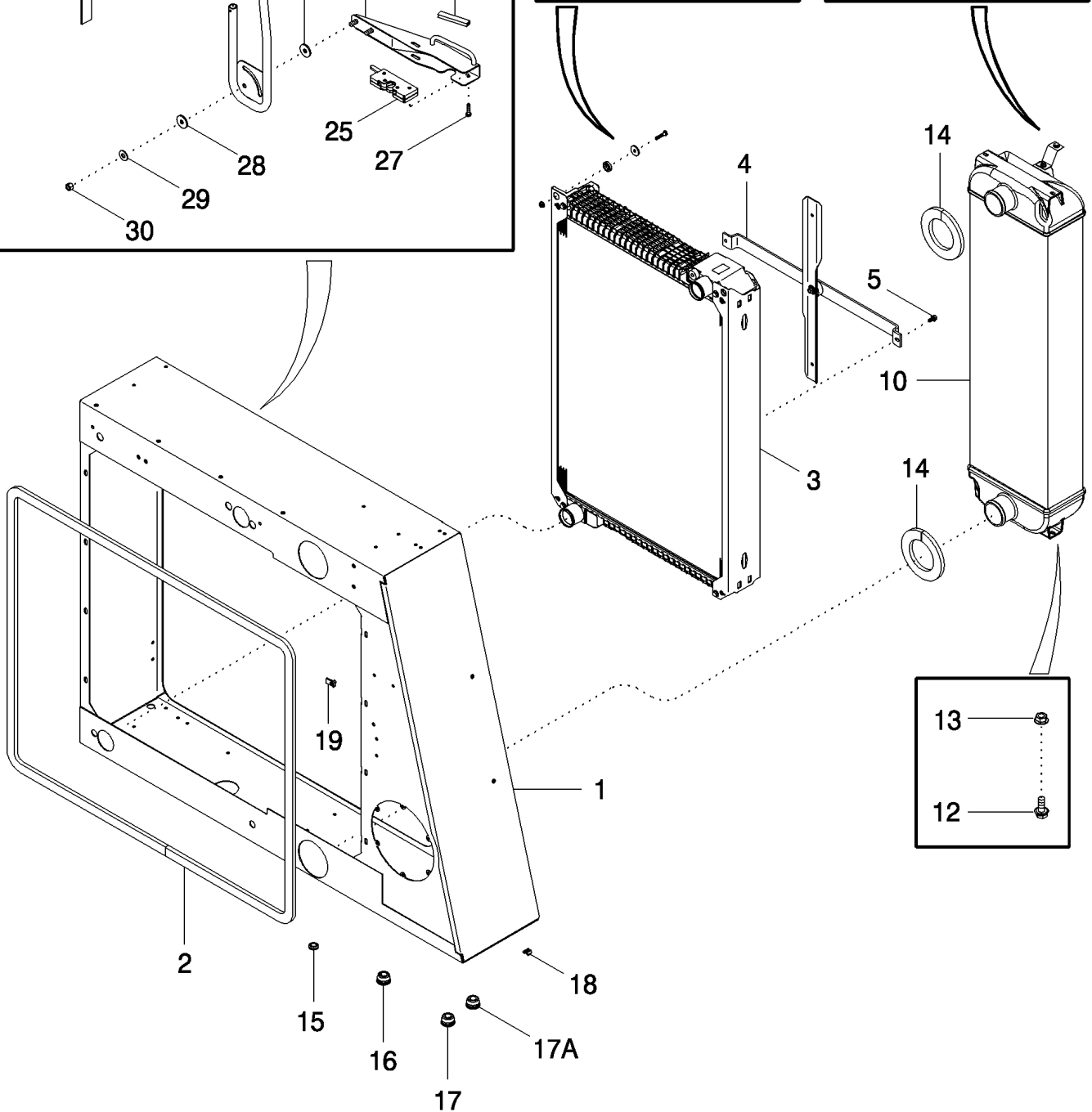
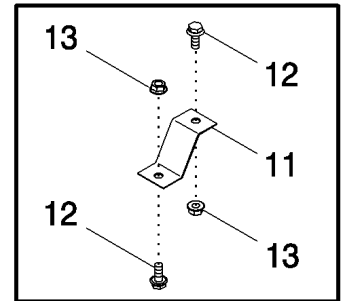
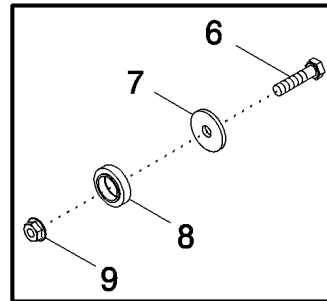
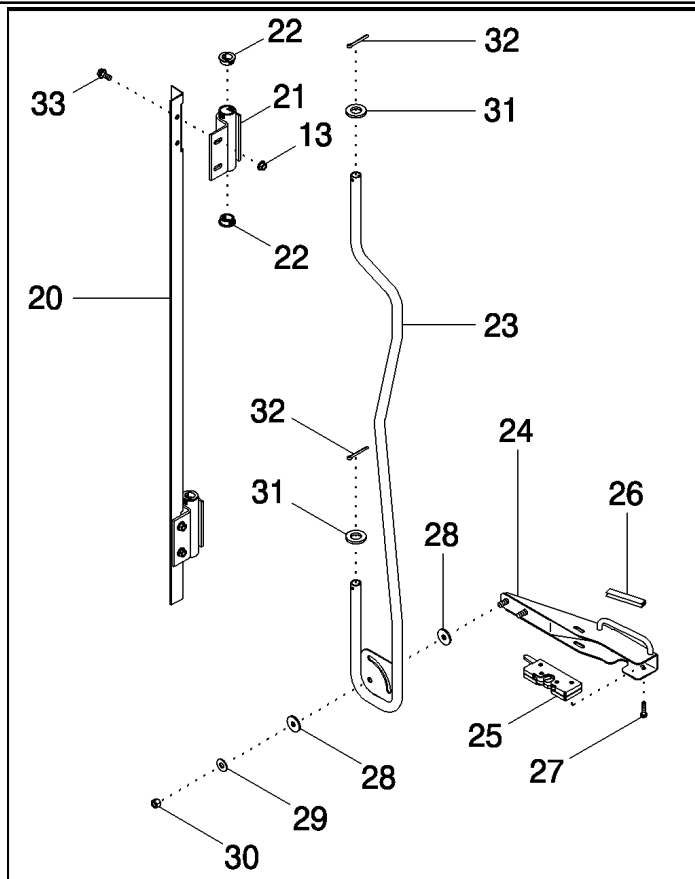


сылка	Номер детали	Кол-во	Описание
1	275780A1	1	TRAP DOOR,
2	477-73108	57	SCREW, Sltd Serr Truss Hd, 5/16"-18 x 1/2", 5/16 x 1/2
3	231-5145	89	NUT, Flg, USR, 5/16"-18,
4	1347460C1	2	SEAL, 648 mm (25-1/8")
6	1302494C2	1	LATCH,
7	199953C1	20	SCREW, SELF TAPPING, Hex Wash Hd, 5/16"-18 x 13/16",
8	495-61041	11	WASHER, 3/8" x 1" x .063",
9	492-11031	5	WASHER, LOCK, 5/16",
10	256873	13	BOLT, Hex Flg, 5/16"-18 x 1/2", Serr,
11	1317704C1	1	SUPPORT,
12	1302758C1	1	PLUG, 89 mm OD
13	NSS	1	NOT SERVICED SEPARATELY, SEAL, 953 mm (37-1/2), cut from 1338148CX,
14	1968548C1	1	SUPPORT,
15	1979918C1	1	HANDLE,
16	495-81024	1	WASHER, 17/32" x 1 1/4" x .060", 17/32 x 1-1/4 x 1/16
17	231-5148	6	NUT, Flg, USR, 1/2"-13,
18	1347430C1	1	SUPPORT,
19	1968546C2	1	SUPPORT,
20	1338012C1	1	BRUSH,
21	151-507	2	RIVET, Pop, 1/8" x .575", 1/8 x 1/2
22	477-73112	5	BOLT, Slotted Tr Hd, 5/16"-18 x 3/4",
23	1970461C1	2	GROMMET, 1-3/8 x 2 x 5/16
24	256873	6	BOLT, Hex Flg, 5/16"-18 x 1/2", Serr,
25	182995A1	1	BAR,
26	1315674C2	1	SUPPORT,
27	1979728C2	1	SUPPORT,
31	205-77	2	BUTTON, HOLE PLUG, 11/32", 11/32 ID
32	95-21044	2	WASHER, 3/8", 7/16 x 1 x 5/64
33	221469A1	1	SEAL, 40-1/4 inch (1022 mm), Long, Cut From 1319691C1
34	195083A4	1	DEFLECTOR,
35	195080A5	1	GUIDE,
36	195084A2	1	ANGLE BAR, Deflector
37	433707A1	1	SHEET, Lower Rear
38	259844A1	1	SHEET, Screen Chute, Rear
39	291266A1	1	SUPPORT,
40	195082A3	1	SHEET,
41	195085A3	1	GUIDE,
42	195090A2	1	SHEET,
43	220743A1	2	RUBBER SEAL, 865 mm (34 in.), Cut from F43996
44	291263A1	1	COVER,
45	291264A1	1	PLATE, LARGE,
46	409-7516	8	BOLT, Hex Flg, 5/16"-18 x 1", Serr,
47	256873	8	BOLT, Hex Flg, 5/16"-18 x 1/2", Serr,

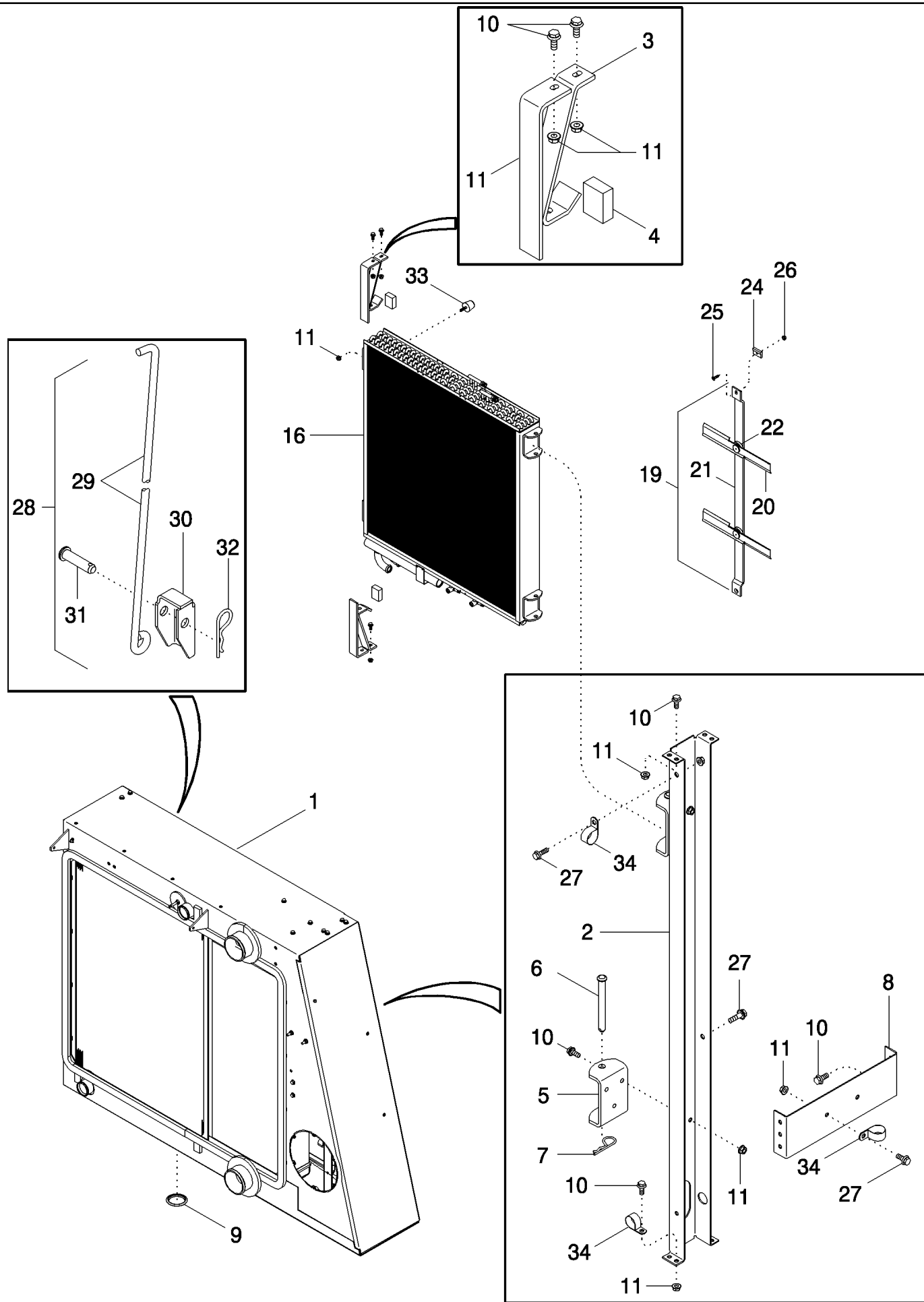
2366 CASE IH AXIAL-FLOW COMBINE (NA) (1/98-8/04)

02-06(01) ROTARY AIR SCREEN CHUTE - BSN JJC0255700

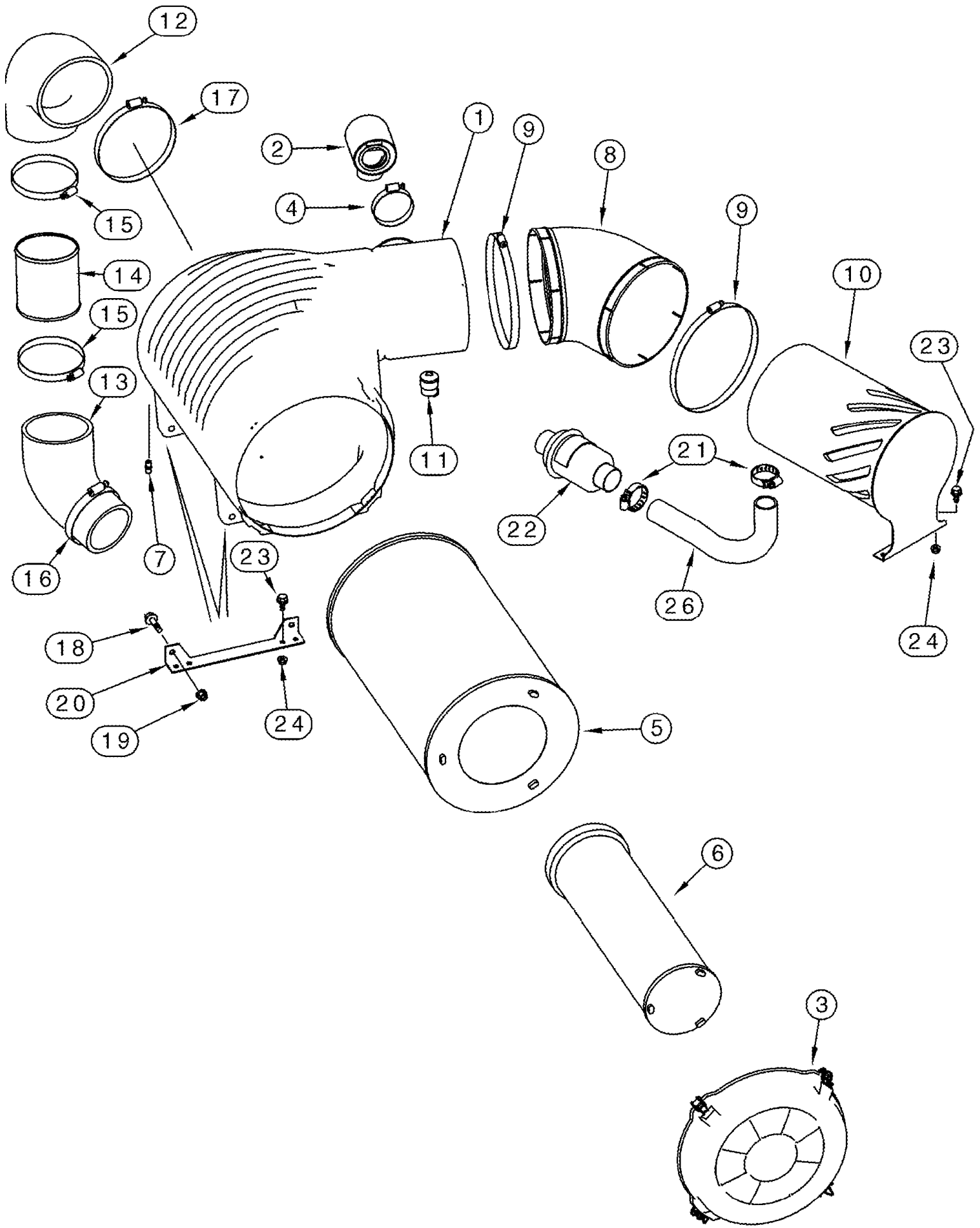
сылка	Номер детали	Кол-во	Описание
48	259983A2	1	SUPPORT,
49	229626A1	1	CYLINDER, 19 ID x 200 mm strk
50	1340345C1	2	PIN, BALL,
51	231-5145	3	NUT, Flg, USR, 5/16"-18,
52	409-7512	1	BOLT, Hex Flg, 5/16"-18 x 3/4", Serr,



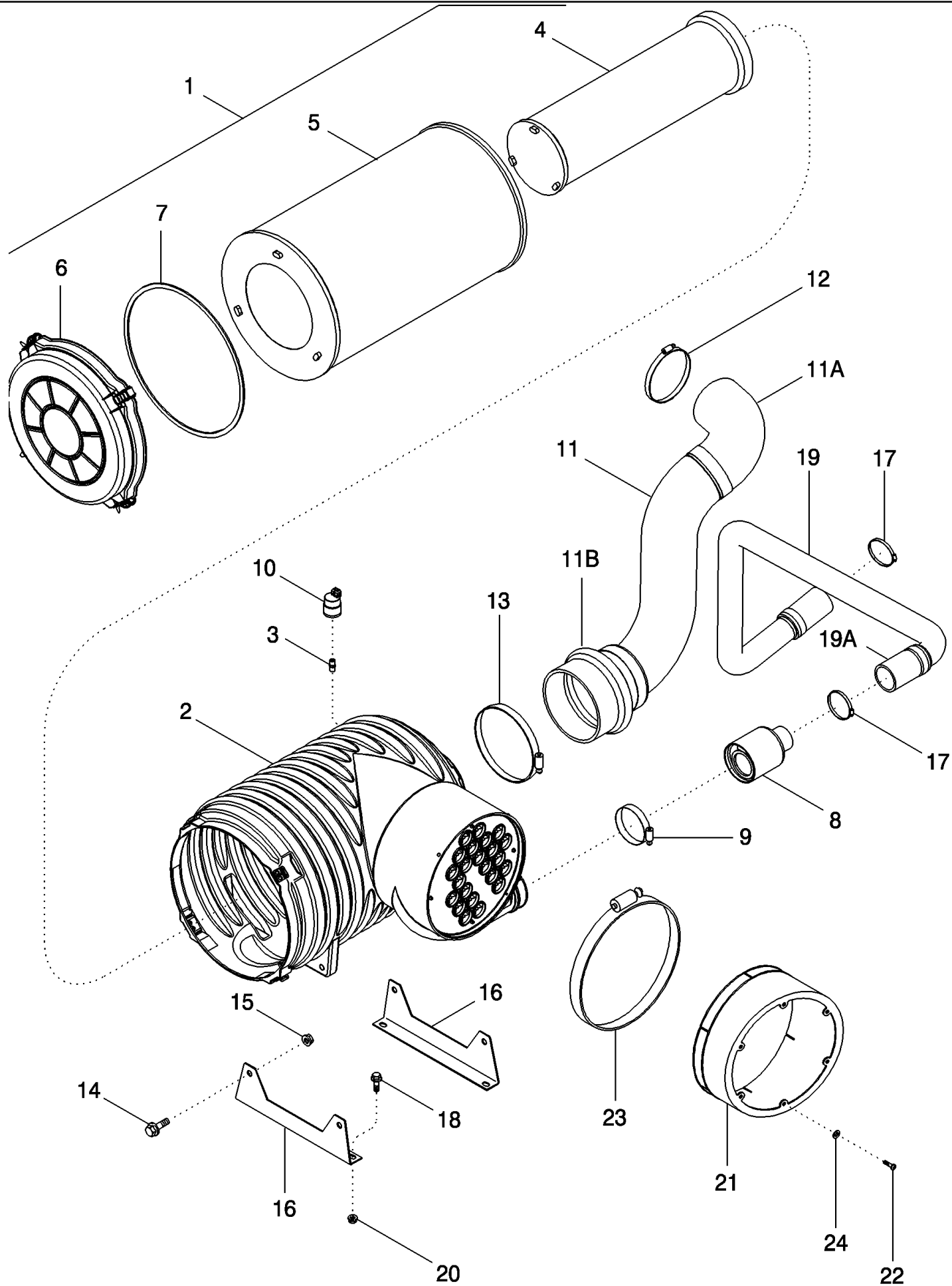
сылка	Номер детали	Кол-во	Описание
1	87423403	1	BOX, Cooler Box
2	87432788	1	SEAL, DOOR,
3	411567A3	1	RADIATOR, See Figure 02-01
4	87411126	1	WIPER, Radiator, See Figure 02-01
5	844-8016	6	BOLT, Hex Flg, M8 x 16, 8.8,
6	614-8035	4	BOLT, Hex, M8 x 35, 8.8,
7	495-81120	4	WASHER, .344" x 1 1/4" x .120", 11/32 x 1-1/4 x 1/8
8	434177A1	4	ISOLATOR,
9	825-5148	4	NUT, M8, Flg Ser,
10	411573A2	1	AFTERCOOLER, Charge Air Cooler
11	413012A1	1	BRACKET,
12	409-7512	8	BOLT, Hex Flg, 5/16"-18 x 3/4", Serr,
13	231-5145	8	NUT, Flg, USR, 5/16"-18,
14	87419198	2	SEAL Fan Shroud
15	248-2146	2	GROMMET, 5/8" ID x 7/8" Groove Dia,
16	87107420	1	GROMMET,
17	198826C1	1	GROMMET,
17A	87423314	2	GROMMET, Oil Cooler, 1-1/2" ID
18	131-137	3	NUT, Ret, 5/16"-18,
19	410009A1	8	NUT, 5/16
20	87414310	1	HINGE,
21	450736A1	2	LATCH, RH Trim Door
22	353-478	4	PLUG,
23	87413877	1	TUBE, RH Rear Latch
24	87413880	1	HOUSING, Door Latch
25	141224A1	1	LATCH,
26	87435C1	1	MOLDING,
27	413-416	2	BOLT, Hex, 1/4"-20 x 1", G5,
28	403388A1	4	WASHER, SPECIAL, 3/8 x 1-1/4 x 1/8
29	495-61041	2	WASHER, 3/8" x 1" x .063",
30	231-4246	2	NUT, LOCK, 3/8"-16, GB,
31	496-21081	2	WASHER, 13/16" x 1 1/2" x .179", HDN,
32	432-1224	2	PIN, SPLIT (COTTER), 3/16" x 1 1/2",
33	409-7516	2	BOLT, Hex Flg, 5/16"-18 x 1", Serr,
34	131-440	8	NUT, Retainer 5/16, Bolt Pushon, Not Illustrated



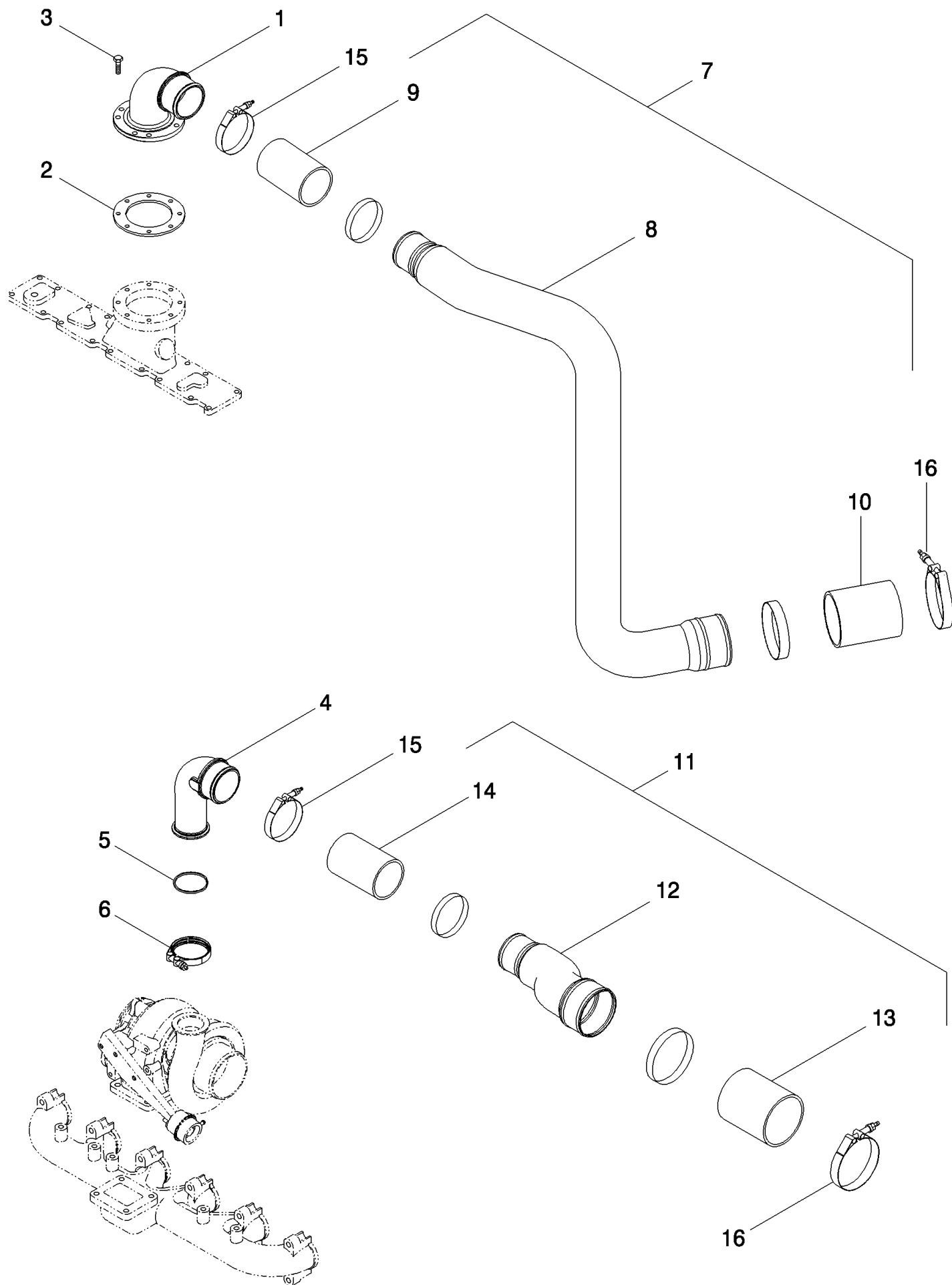
сылка	Номер детали	Кол-во	Описание
1	87423403	1	BOX, Cooler Box
2	87429529	1	BRACKET,
3	87423364	2	SUPPORT, Oil Cooler
4	187884C1	2	SEAL, Cut 2 Inches From 187885C1
5	87429534	2	CHANNEL,
6	439-5880	2	PIN, HEADED, 1/2" x 5", 1/2 x 5
7	480523R1	2	SPLIT PIN/SAFETY PIN,
8	449408A1	1	BRACKET, Cross Brace
9	87000778	1	PLUG,
10	409-7512	28	BOLT, Hex Flg, 5/16"-18 x 3/4", Serr,
11	231-5145	38	NUT, Flg, USR, 5/16"-18,
15	353-410	2	PLUG, Dome, .875" hole, Nylon,
16	416766A2	1	COOLER, Oil/Fuel
19	87412207	1	WIPER, Assy, Charge Air Cooler, Includes 20 - 23
20	NSS	2	NOT SERVICED SEPARATELY, Wiper with Pin Assy
21	87412206	1	SUPPORT,
22	362804	2	BEARING ASSY,
23	282857A1	2	DECAL, Connector Cover, Not Illustrated
24	87408871	2	CLAMP,
25	443-13116	2	SCREW, Cross Flat Hd, 5/16"-18 x 1",
26	231-5345	2	NUT, LOCK, Flg, 5/16"-18, 5/16
27	409-7516	3	BOLT, Hex Flg, 5/16"-18 x 1", Serr,
28	87413776	1	SUPPORT, Oil Cooler Prop, Includes: 29 - 32
29	87413775	1	ROD,
30	87413774	1	SUPPORT,
31	439-5832	1	PIN, HEADED, 1/2" x 2",
32	136-159	1	PIN, SPLIT (COTTER), Int, 3/16 x .080",
33	87109195	2	BUMPER,
34	515-25476	3	CLAMP, 1 7/8", Insul, 1/2" Bolt,
35	495-81116	7	WASHER, .344" x 1" x .060", 11/32 x 1 x 1/16
36	231-5144	2	NUT, Flg, USR, 1/4"-20, (5)



сылка	Номер детали	Кол-во	Описание
	275284A2	1	AIR CLEANER, Inc. 1 - 11
1	243966A3	1	AIR CLEANER, Inc. 2 - 7
2	249788A1	1	VALVE,
3	259988A1	1	COVER, FILTER,
3A	371266A1	1	LATCH, Includes Hardware, Not Illustrated
4	214-3264	1	CLAMP, HOSE, 3.25/4.125 HD Worm, W/liner,
5	243968A1	1	FILTER, ELEMENT, Primary
6	243969A1	1	FILTER, ELEMENT, Secondary
7	D36264	1	FITTING,
8	259995A1	1	ELBOW, Intake
9	214-31160	2	CLAMP, HOSE, 9.25/10.125 HD Worm, W/liner,
10	259993A1	1	PRECLEANER,
11	279492A1	1	SWITCH, RESTRICTION, Air Restriction
	259351A1	1	HOSE, LARGE, Inc. 12 - 15
12	277094A1	1	HOSE, LARGE, Turbo Inlet, Upper
13	277095A1	1	HOSE, LARGE, Turbo Inlet, Lower
14	277096A1	1	TUBE,
15	214-3296	2	CLAMP, HOSE, 5.25/6.125 HD Worm, W/liner,
16	214-3280	1	CLAMP, HOSE, 4.25/5.125 HD Worm, W/liner,
17	214-32112	1	CLAMP, HOSE, 6.25/7.125 HD Worm, W/liner,
18	409-7632	4	BOLT, Hex Flg, 3/8"-16 x 2", Serr, 3/8 x 2
19	231-5346	4	NUT, LOCK, Flg, 3/8"-16,
20	258967A1	2	SUPPORT,
21	214-3240	2	CLAMP, HOSE, 1.75/2.625 HD Worm, W/liner,
22	245976A1	1	VENT,
23	409-7512	6	BOLT, Hex Flg, 5/16"-18 x 3/4", Serr,
24	231-5145	6	NUT, Flg, USR, 5/16"-18,
26	255062A2	1	HOSE, Precleaner To Check Valve, 290 mm (11-3/8 in.)

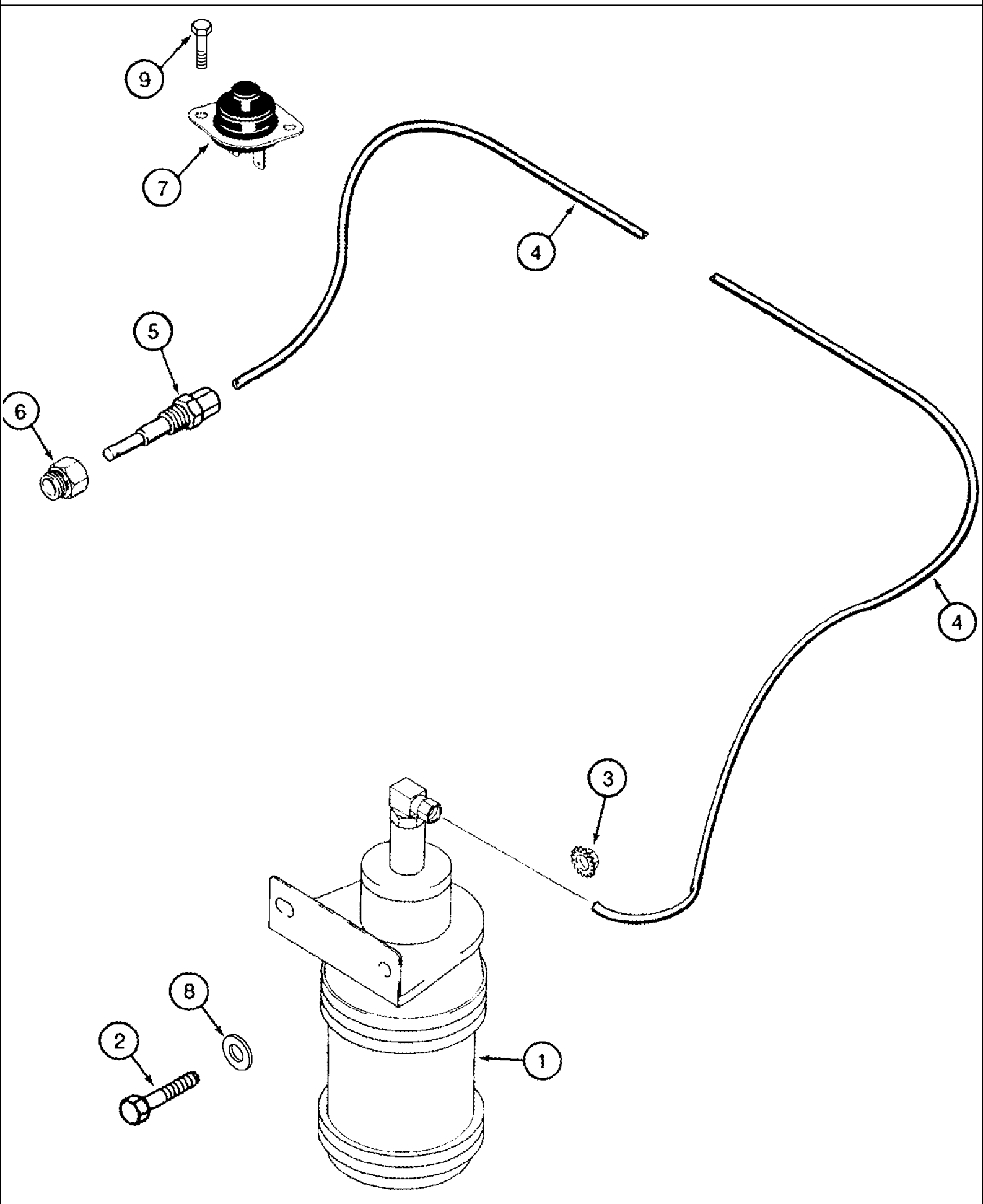


сылка	Номер детали	Кол-во	Описание
1	414188A3	1	AIR CLEANER, Includes 2 - 10
2	NSS	1	NOT SERVICED SEPARATELY, Housing
3	D36264	1	FITTING,
4	243969A1	1	FILTER, ELEMENT, Secondary
5	243968A1	1	FILTER, ELEMENT, Primary
6	87414982	1	COVER, Includes 7
7	87414805	1	GASKET,
8	86983468	1	VALVE, CHECK, Check Valve
9	214-3264	1	CLAMP, HOSE, 3.25/4.125 HD Worm, W/liner,
10	279492A1	1	SWITCH, RESTRICTION, Air Restriction
11	446432A2	1	TUBE, Air Inlet
11A	86984234	1	ELBOW, Hose, 90 deg
11B	446434A1	1	TUBE, Hose, Straight
12	214-3280	1	CLAMP, HOSE, 4.25/5.125 HD Worm, W/liner,
13	214-32112	1	CLAMP, HOSE, 6.25/7.125 HD Worm, W/liner,
14	409-7632	4	BOLT, Hex Flg, 3/8"-16 x 2", Serr, 3/8 x 2
15	231-5346	4	NUT, LOCK, Flg, 3/8"-16,
16	87414123	2	SUPPORT,
17	214-3240	2	CLAMP, HOSE, 1.75/2.625 HD Worm, W/liner,
18	409-7512	4	BOLT, Hex Flg, 5/16"-18 x 3/4", Serr,
19	87408778	1	TUBE,
19A	87402766	1	HOSE,
20	131-137	4	NUT, Ret, 5/16"-18,
21	451775A1	1	DUCT,
22	409-7412	6	BOLT, Hex Flg, 1/4"-20 x 3/4", Serr, 1/4 x 3/4
23	87012918	1	CLAMP, HOSE, #188, 12.25/2.50 Type F Worm,
24	495-11028	6	WASHER, 1/4", SAE, (9/32 x 5/8 x 1/16")
25	231-1444	6	NUT, LOCK, 1/4"-20, GB, Not Illustrated



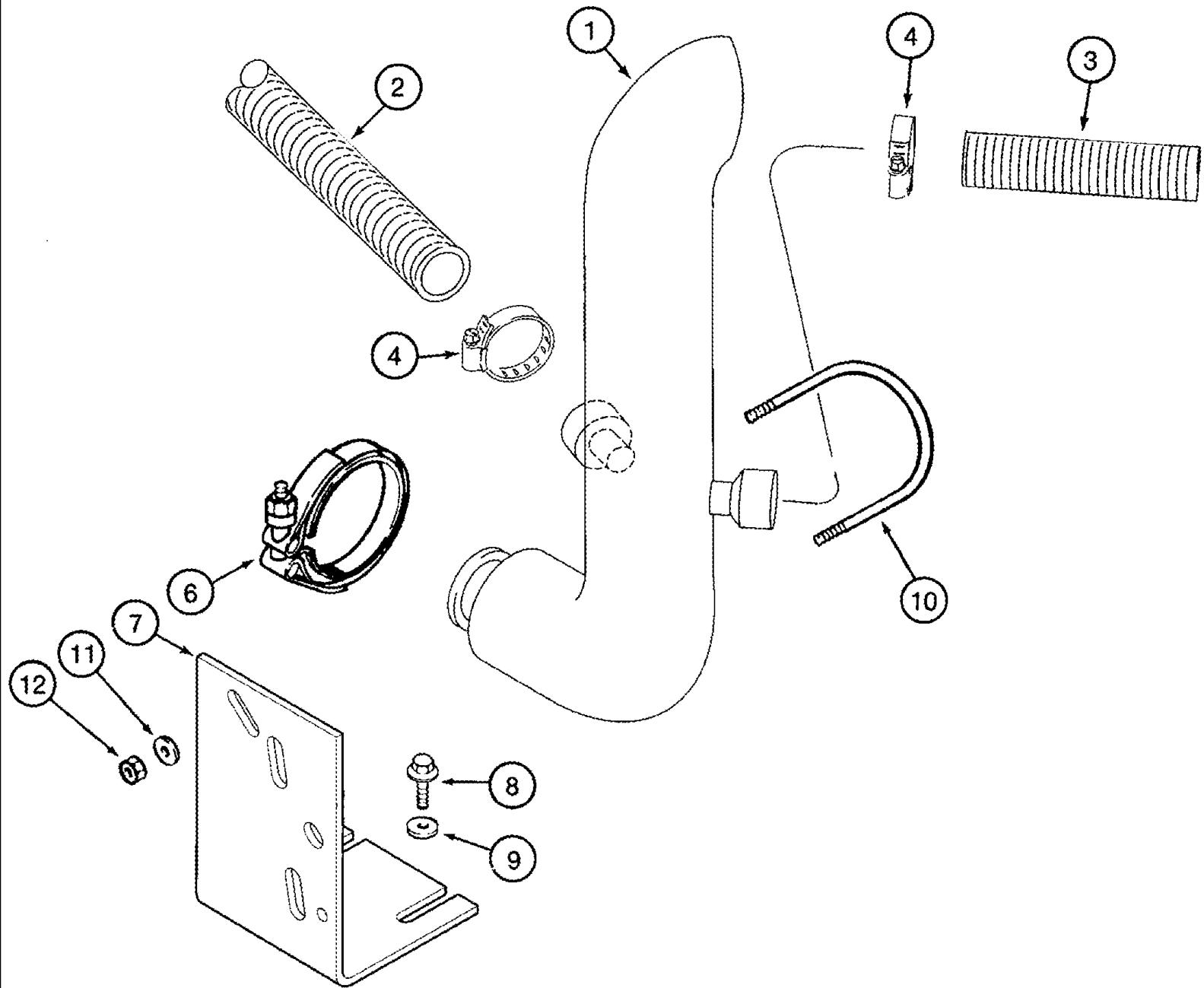
сылка	Номер детали	Кол-во	Описание
1	87404219	1	ELBOW, Engine Intake Manifold
2	J917892	1	GASKET,
3	87030775	4	BOLT, Hex Flg, M8 x 30, 10.9, Full Thd,
4	254609A2	1	ELBOW, Turbo Outlet
5	J883284	1	O-RING,
6	J069053	1	CLAMP, Turbo Outlet
7	87404287	1	TUBE, Charge Air Cooler, Cold Side, Inc. 8 - 9
8	NSS	1	NOT SERVICED SEPARATELY, Tube
9	87402764	2	HOSE, 3"
10	87402762	1	HOSE, 4"
11	87404292	1	TUBE, Charge Air Cooler, Hot Side, Inc. 12 - 13
12	NSS	1	NOT SERVICED SEPARATELY, Tube
13	87402763	2	HOSE, 3"
15	87421230	4	CLAMP, Clamp, Hose
16	87420676	2	CLAMP, HOSE, 4 inch

02-08 ETHER START SYSTEM



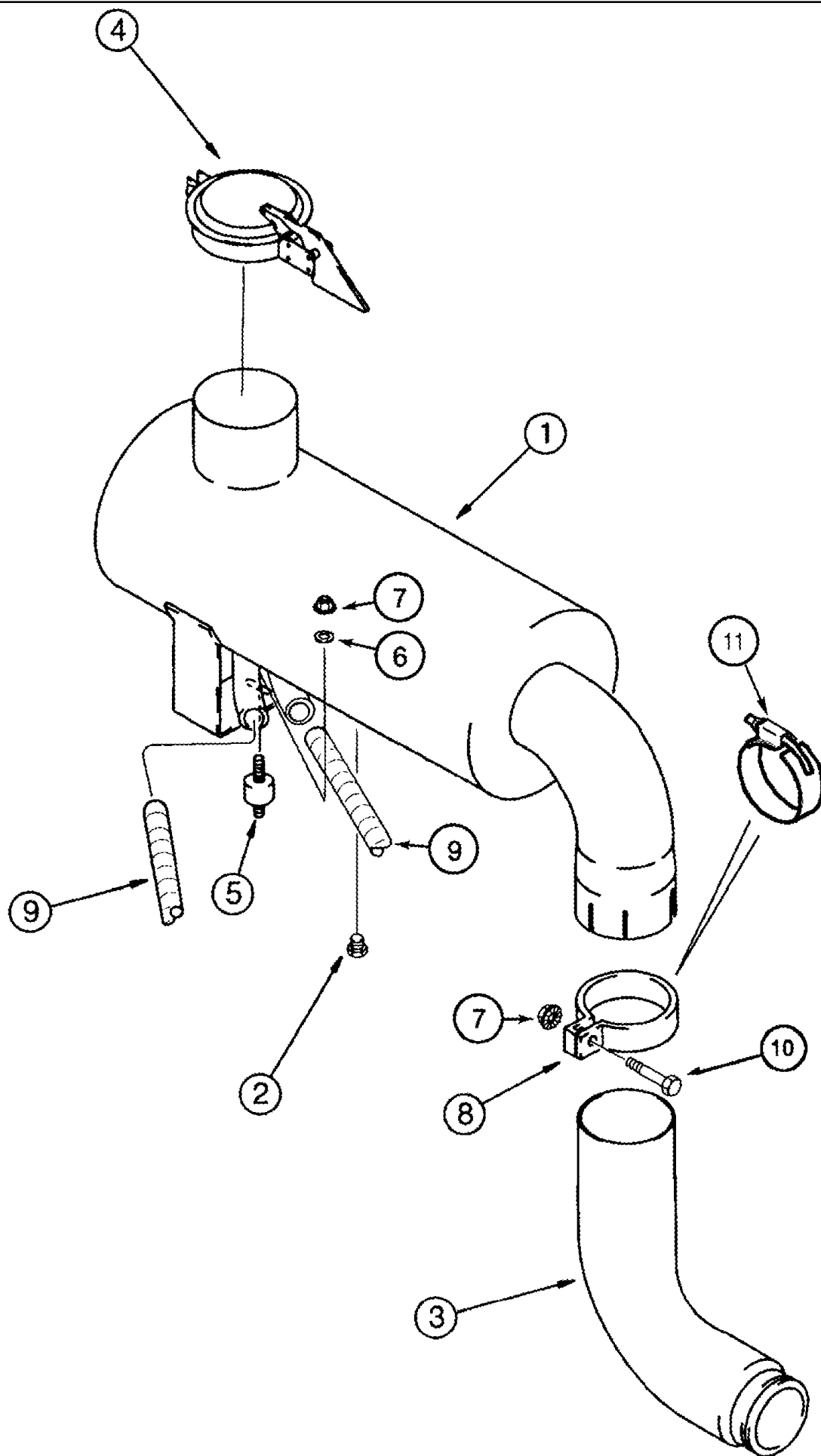
02-08 ETHER START SYSTEM

сылка	Номер детали	Кол-во	Описание
1	185552A2	1	SOLENOID, 12V, Inc. 1A
1A	190752A1	1	HOUSING, ,Not Illustrated
2	477-73116	2	SCREW, Sltd Serr Truss Hd, 5/16"-18 x 1", 5/16 x 1
3	231-5145	2	NUT, Flg, USR, 5/16"-18,
4	86829C1	1	PIPE, 356 mm (14"), Cut from 1954063CX, BSN JJC0255699
4	87402718	1	TUBE, 2438 mm (96"), Cut from 1954063CX, ASN JJC0255700
5	A172900	1	NOZZLE CAP,
6	217-40	1	REDUCER, 1/4"-18 NPTF x 1/8"-27 Fem NPTF, 1/4 x 1/8 PT
7	D67872	1	SWITCH, Ether Start
8	495-81120	2	WASHER, .344" x 1 1/4" x .120", 11/32 x 1-1/4 x 1/8
9	281-5358	2	SCREW, SELF TAPPING, Hex Wash Hd, #10 x 1/2", No. 10 x 1/2
10	138764A1	1	COVER, Ether Switch, Not Illustrated

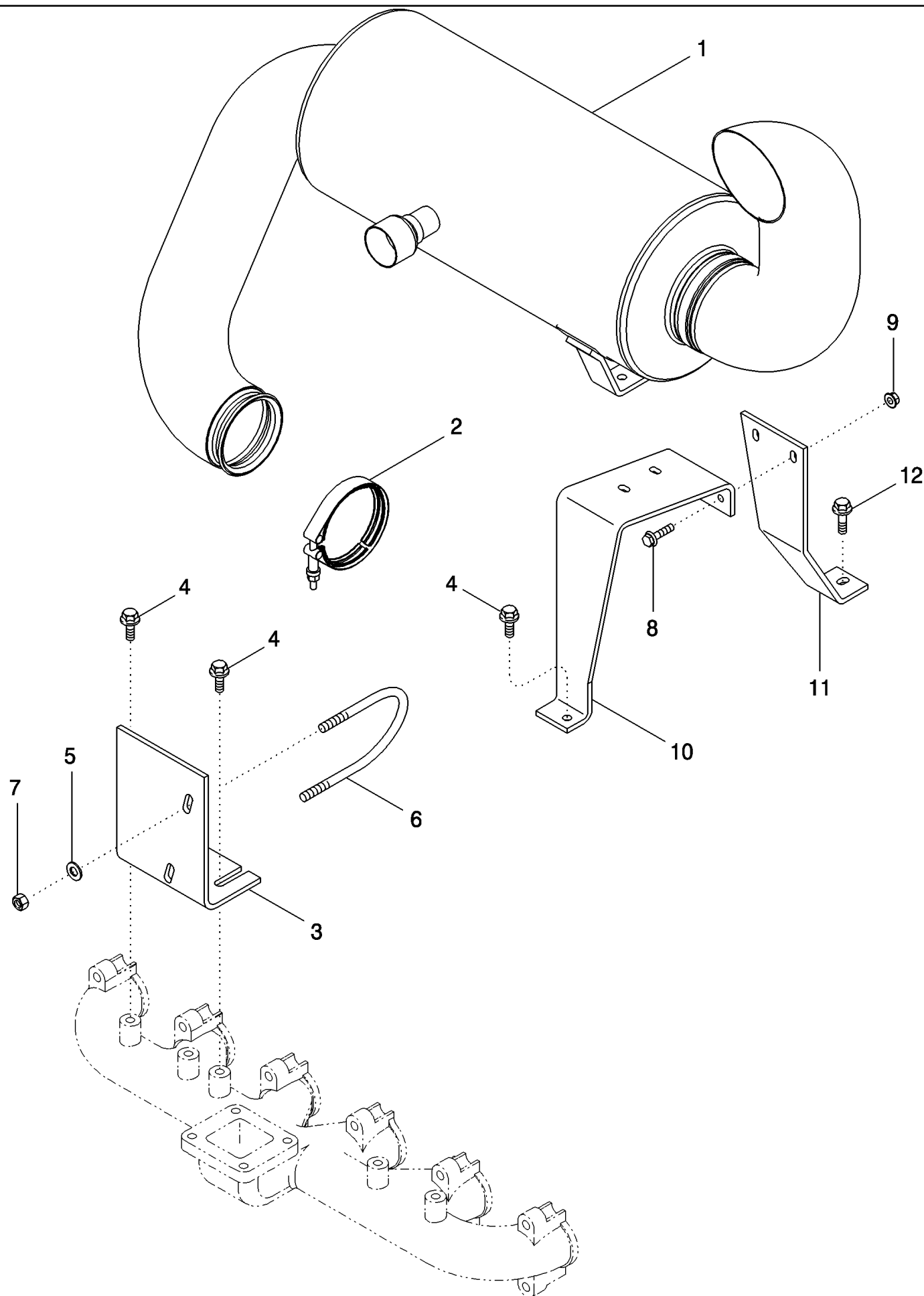


02-09 EXHAUST SYSTEM - PIPE

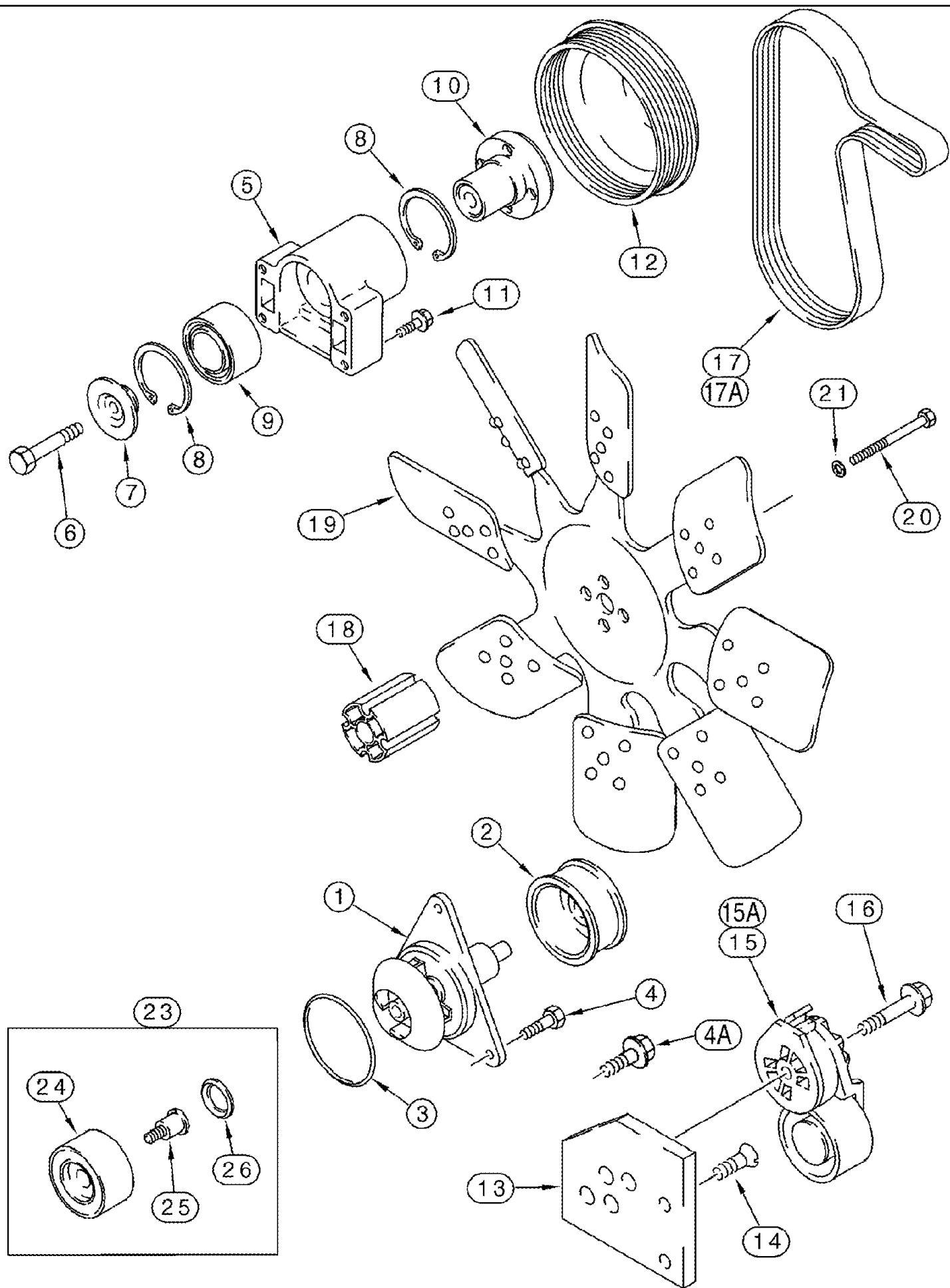
сылка	Номер детали	Кол-во	Описание
1	297522A1	1	PIPE, EXHAUST SYSTEM,
2	255060A2	1	HOSE, Strata To Exhaust Pipe, 820 mm (32-1/4 in.)
3	255061A2	1	HOSE, Check Valve To Exhaust Pipe, 620 mm (24-3/8 in.)
4	214-3240	4	CLAMP, HOSE, 1.75/2.625 HD Worm, W/liner,
6	A170807	1	CLAMP, Includes Hardware
7	84569C8	1	SUPPORT,
8	854-10020	2	BOLT, Hex Flg, M10 x 20, 10.9,
9	495-81140	2	WASHER, 13/32" x 1 1/4" x .060",
10	117410A2	1	U-BOLT, 3/8"
11	495-81140	2	WASHER, 13/32" x 1 1/4" x .060",
12	231-4116	2	NUT, LOCK, 3/8"-16, GB, 3/8



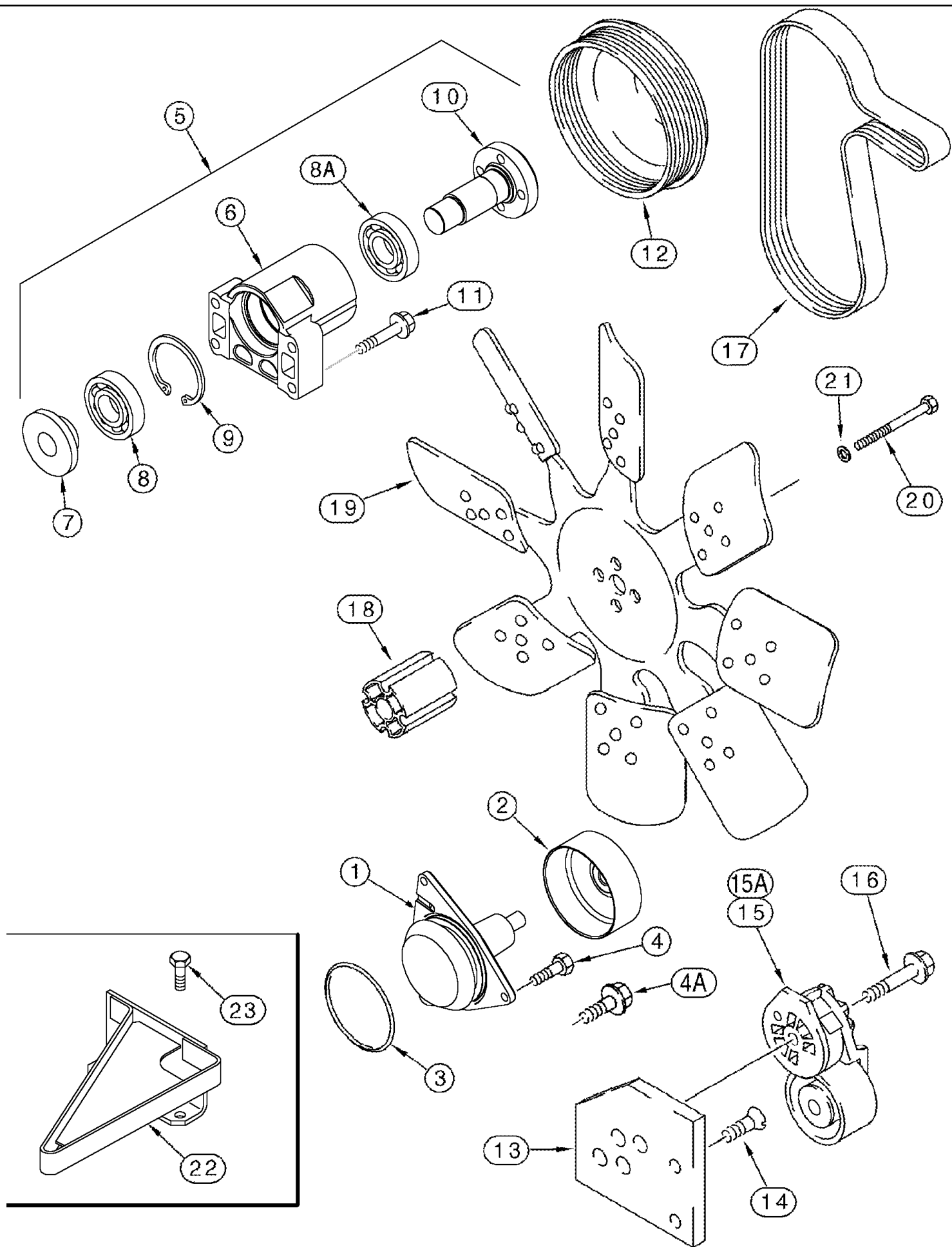
сылка	Номер детали	Кол-во	Описание
1	254334A1	1	MUFFLER, Spark Arrester
2	217-409	1	PLUG, Hex Hd, 1/2"-14, Brass,
3	182503A1	1	TUBE,
4	182770A1	1	CAP,
5	1979761C1	1	SPACER, 3/8" ID x 1
6	495-21038	1	WASHER, 5/16", 3/8 x 7/8 x 3/32
7	231-5146	1-2	NUT, Flg, USR, 3/8"-16,
8	650986C1	1	CLAMP, No Longer Used, Order: A173381
9	255057A1	2	HOSE, 1100 mm (43-5/16"), Check Valve to Spark Arrester, Strata to Spark Arrester
10	409-7624	1	BOLT, Hex Flg, 3/8"-16 x 1 1/2", Serr,
11	A173381	1	CLAMP, Includes Hardware



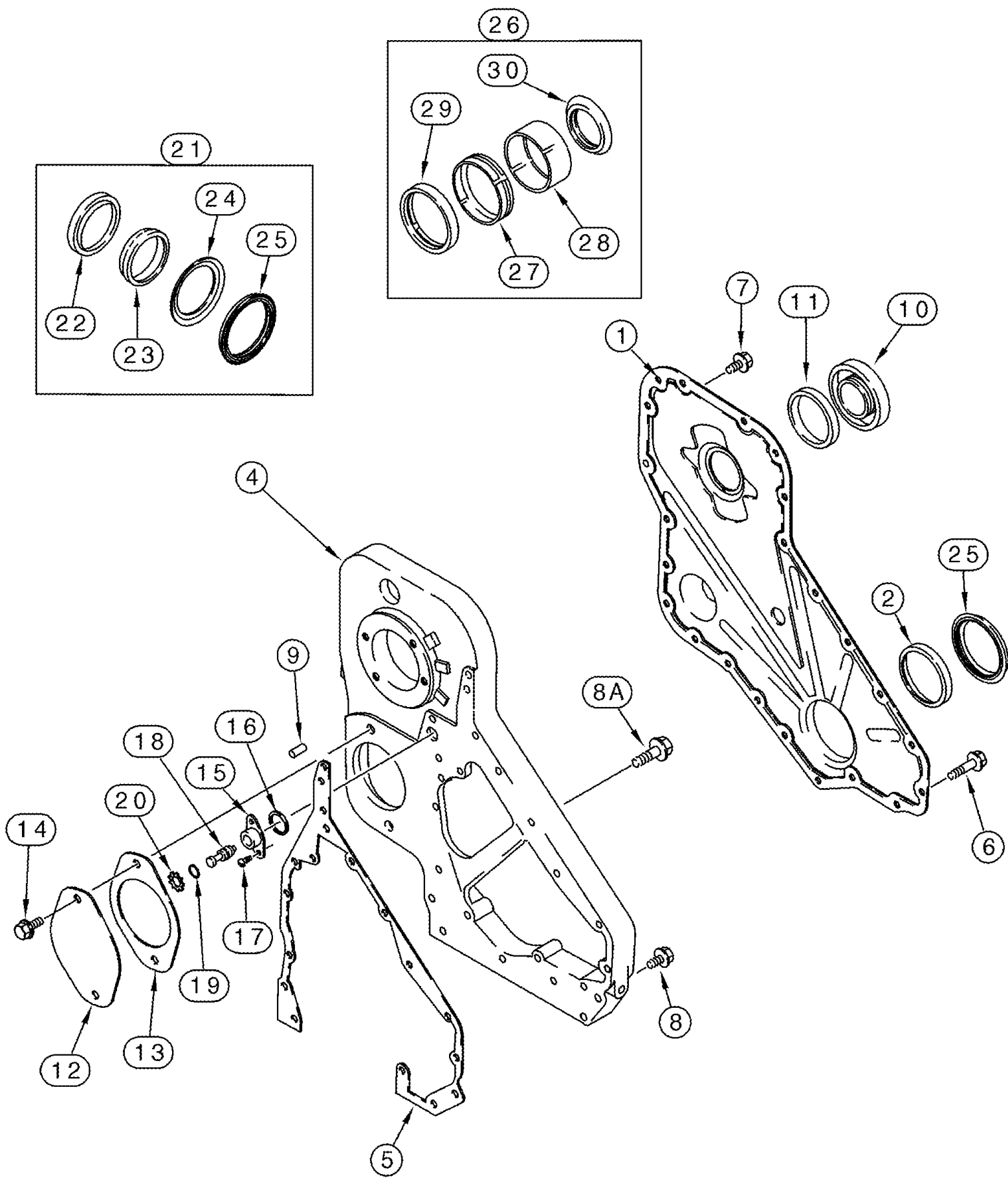
сылка	Номер детали	Кол-во	Описание
1	416716A1	1	MUFFLER, Shown, Optional With 416717A1
1A	416717A1	1	MUFFLER, Spark Arrestor, Inc. 1B, Optional With 416716A1
1B	217-409	1	PLUG, Hex Hd, 1/2"-14, Brass, Not Illustrated
2	A170807	1	CLAMP,
3	430386A2	1	SUPPORT, Rear
4	854-10020	3	BOLT, Hex Flg, M10 x 20, 10.9,
4	87028324	1	SCREW, Hex Soc But Hd, M10 x 1.5 x 20, 8.8,
5	495-81140	4	WASHER, 13/32" x 1 1/4" x .060",
6	430388A1	1	U-BOLT, 4"
7	231-4116	2	NUT, LOCK, 3/8"-16, GB, 3/8
8	409-7520	2	BOLT, Hex Flg, 5/16"-18 x 1 1/4", Serr, 5/16 x 1-1/4
9	231-5145	2	NUT, Flg, USR, 5/16"-18,
10	426146A1	1	SUPPORT, Muffler, BSN JJC0256341
10	87433615	1	SUPPORT, Muffler, ASN JJC0256400
11	430016A2	1	BRACKET, Engine Muffler
12	87028324	1	SCREW, Hex Soc But Hd, M10 x 1.5 x 20, 8.8, M10 x 30



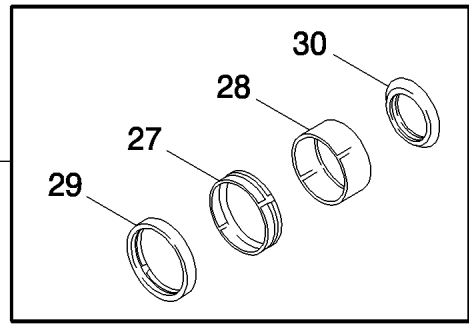
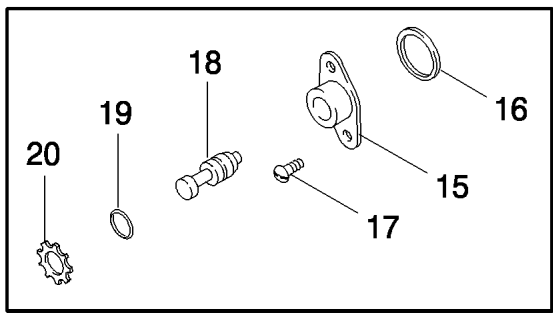
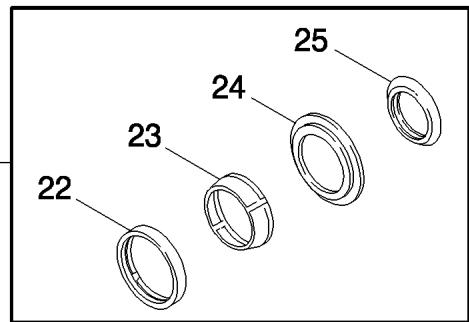
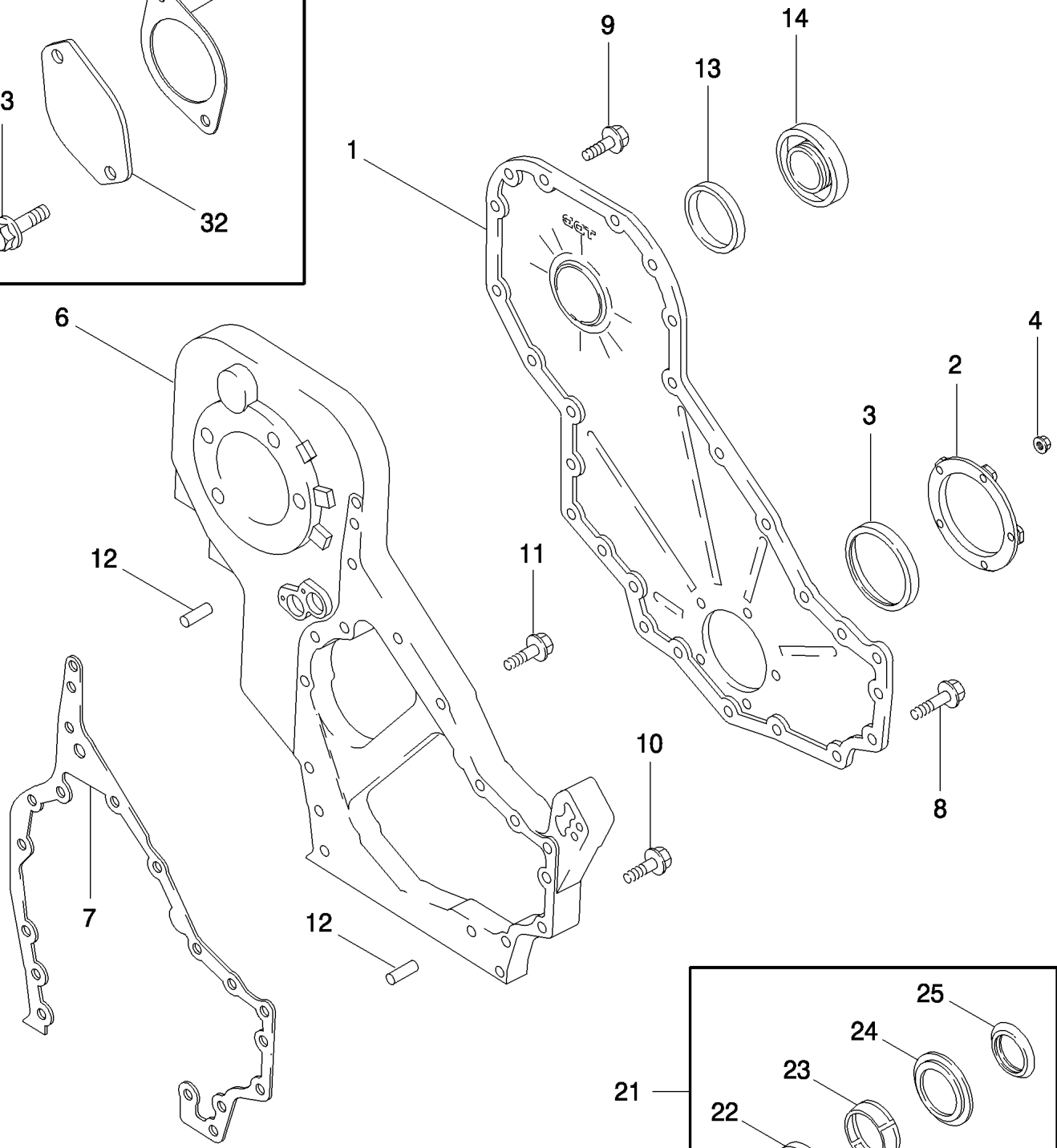
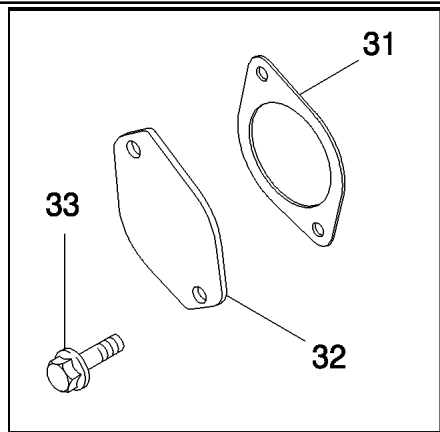
сылка	Номер детали	Кол-во	Описание
	J802479	1	PUMP, WATER, Inc. 1 - 3, No Longer Used, Order J800976
	J802975	1	PUMP, WATER, Inc. 1 - 3, Replaces J802479, No Longer Used, Order J800976
	J800974	1	PUMP, WATER, Inc. 1 - 3, Replaces J802479 & J802975, No Longer Used, Order J800976
	J800976		PUMP, WATER, Includes 1 - 3, Replaces J800974
1	NSS	1	NOT SERVICED SEPARATELY, PUMP
2	NSS	1	NOT SERVICED SEPARATELY, PULLEY
3	J902089	1	SEAL,
4	J926125	3	SCREW, M8 x 28, No Longer Used, Order J934054
4A	J934054	3	BOLT, M8 x 28, Replaces J926125
5	J942896	1	SUPPORT, Includes 6 - 10, Replaces J929458
6	J907769	1	BOLT, M10 x 70
7	J923044	1	RETAINER,
8	100-21250	2	RING, SNAP, 2.50", Int, #250,
9	J910739	1	BEARING, BALL,
10	J911924	1	HUB,
11	845-8050	4	BOLT, Hex Flg, M8 x 50, 8.8,
12	J914462	1	PULLEY,
13	J925211	1	BRACKET,
14	845-8025	2	BOLT, Hex Flg, M8 x 25, 8.8,
15	J934817	1	TENSIONER, Replaces J918944, No Longer Used, Order J936203
15A	J936203	1	TENSIONER, BELT,
16	854-10075	1	BOLT, Hex Flg, M10 x 75, 10.9, Replaces J901757
17	J911572	1	BELT, No Longer Used, Order A77938
17A	A77938	1	BELT,
18	A184548	1	SPACER, 90 mm
19	117036A1	1	FAN,
20	814-10125	4	BOLT, Hex, M10 x 125, 8.8, M10 x 125
21	896-12010	4	WASHER, M10 x 21.5 x 2.5, HT, 11 x 21 x 2.5 mm
22	96-81004	4	WASHER, 13/32" x 1 1/4" x .239", HDN, 13/32 x 1-1/4 x 1/4, Not Illustrated
23	A77817	1	PACKAGE, REPAIR, Tensioner, Used with J934817, Ref. 15, Inc. 24 - 26
24	NSS	1	NOT SERVICED SEPARATELY, PULLEY
25	NSS	1	NOT SERVICED SEPARATELY, BOLT
26	NSS	1	NOT SERVICED SEPARATELY, SEAL



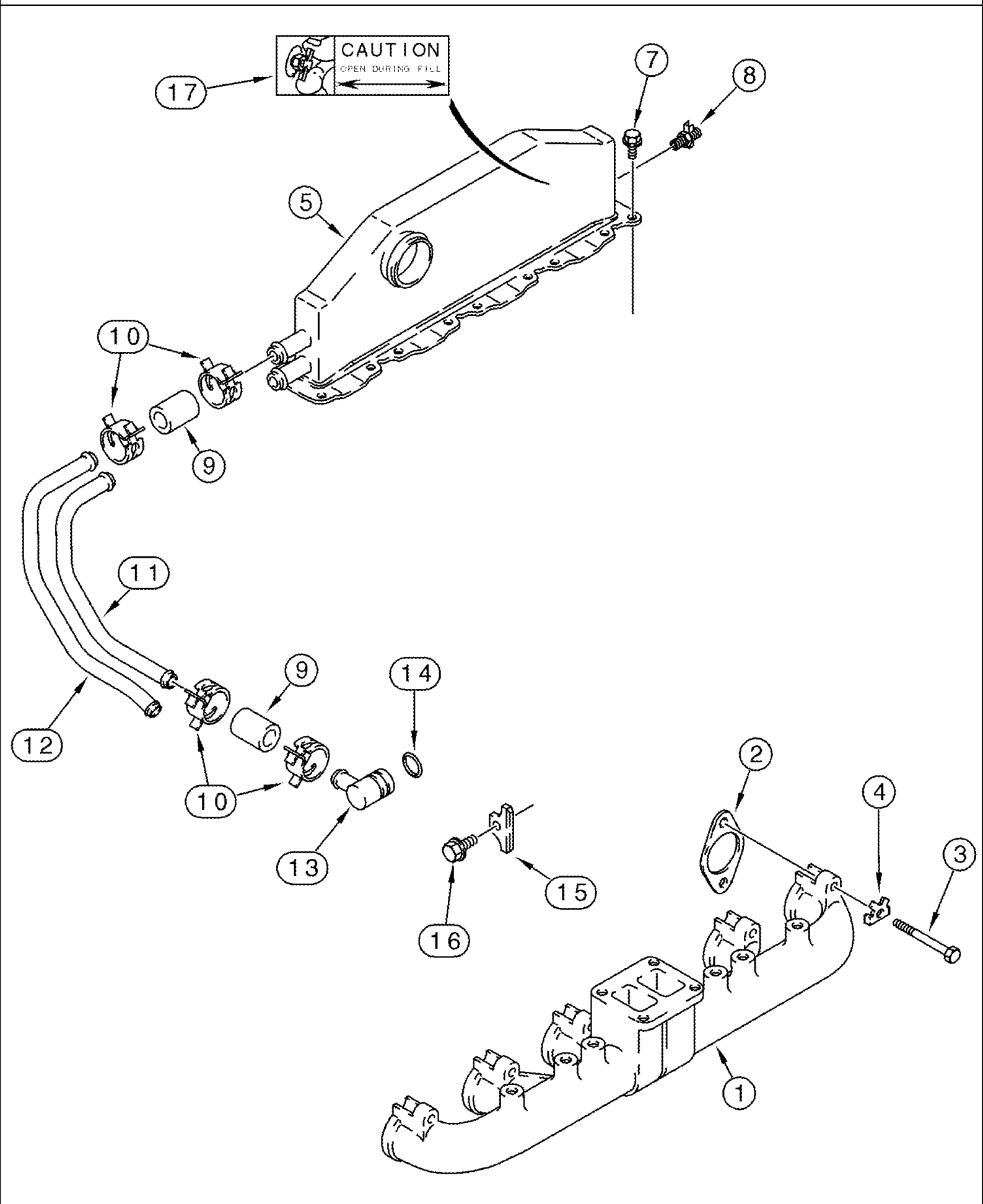
сылка	Номер детали	Кол-во	Описание
	J804927	1	PUMP, WATER, Includes 1 - 3
1	NSS	1	NOT SERVICED SEPARATELY, Pump
2	NSS	1	NOT SERVICED SEPARATELY, Pulley
3	238-5244	1	O-RING, -244, 70 Duro, 4.234" ID x .139" Thk,
4	J934054	3	BOLT, M8 x 28
5	87408931	1	SUPPORT, Fan, Includes 6 - 10
6	NSS	1	NOT SERVICED SEPARATELY, Hub
7	NSS	1	NOT SERVICED SEPARATELY,
8	NSS	1	NOT SERVICED SEPARATELY,
8A	NSS	1	NOT SERVICED SEPARATELY,
9	NSS	2	NOT SERVICED SEPARATELY,
10	NSS	1	NOT SERVICED SEPARATELY,
11	845-8050	4	BOLT, Hex Flg, M8 x 50, 8.8,
12	J926854	1	PULLEY,
13	J925211	1	BRACKET,
14	845-8025	2	BOLT, Hex Flg, M8 x 25, 8.8,
15	J945849	1	TENSIONER, Belt, Replaced by 87436755
15A	87436755	1	TENSIONER, BELT,
16	J282433	1	SCREW, Hex Flg, M10 x 1.5 x 85,
17	A78022	1	BELT, Tensioner
18	A184751	1	SPACER, 75 mm
19	446926A1	1	FAN, Corn and Grain
19	444610A1	1	FAN, Rice
20	814-10100	4	BOLT, Hex, M10 x 100, 8.8,
21	896-16010	4	WASHER, M10 x 24.5 x 3, HT, 11 x 24 x 3 mm
22	87411538	1	GUIDE, Engine Fan Belt
23	857-10020	2	BOLT, Hex Flg, M10 x 20, 10.9,



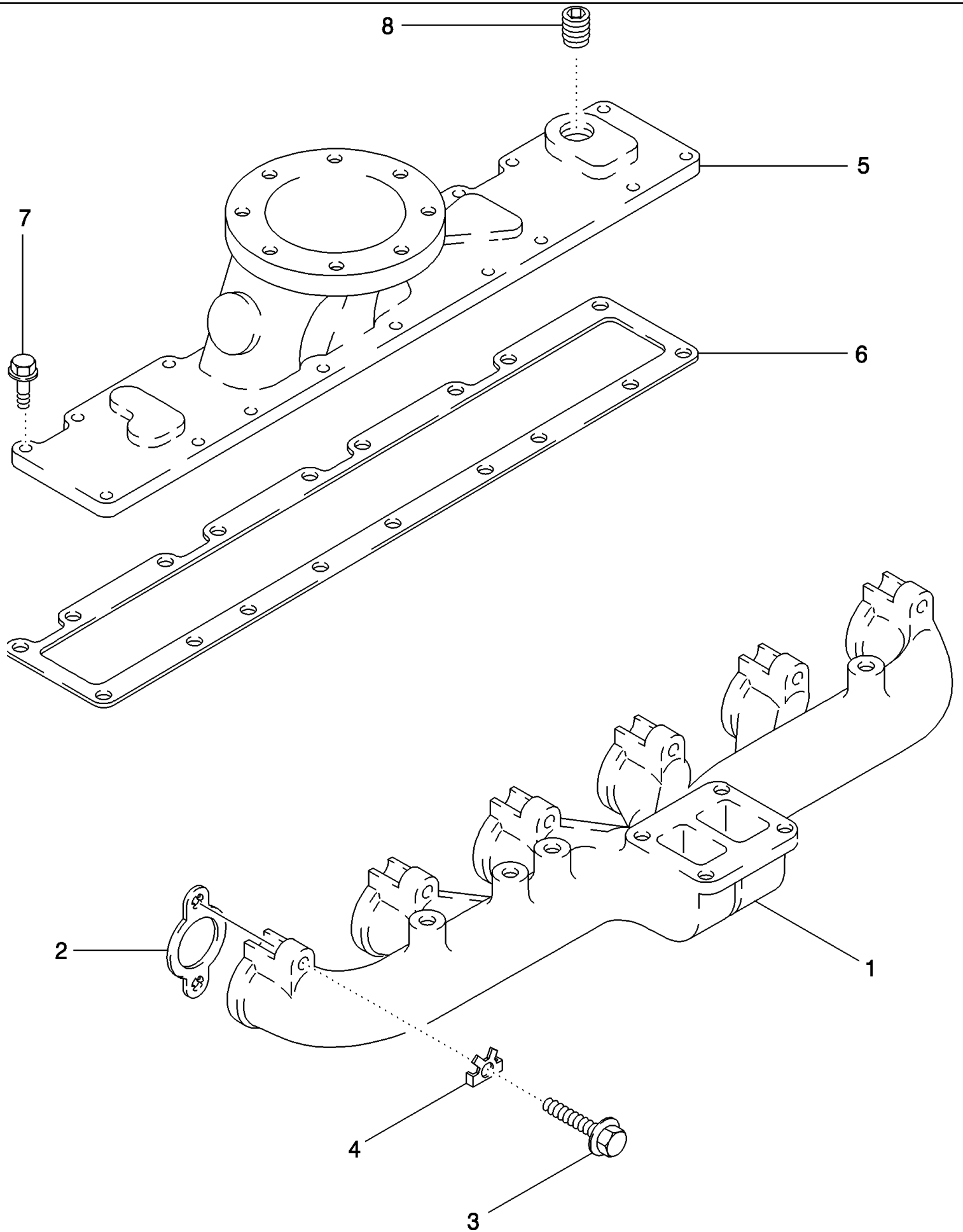
сылка	Номер детали	Кол-во	Описание
1	J926838	1	COVER,
2	NSS	1	NOT SERVICED SEPARATELY, SEAL, Order: A77790 & A77808, See Figure 02-25
3	J823494	1	SEALANT, 3 oz, Not Illustrated
4	J926719	1	MOTOR HOUSING,
5	J938737	1	GASKET, Replaces J929253
6	J926863	6	BOLT, M8 x 50
7	J924962	17	BOLT, M8 x 16
8	J926846	5	BOLT, M8 x 20
8A	854-12050	4	BOLT, Hex Flg, M12 x 50, 10.9,
9	J900257	2	PIN, 16 mm
10	J903463	1	COVER,
11	J903475	1	SEAL,
12	J914868	1	COVER,
13	J931608	1	GASKET,
14	854-12025	2	BOLT, Hex Flg, M12 x 25, 10.9,
15	J919683	1	HOUSING,
16	J915772	1	SEALRING,
17	J907998	2	SCREW, LOCK, Spc Rd Torx Hd, M5 x 17,
18	J903924	1	PIN,
19	J913994	1	O-RING,
20	100-2587	1	RING, SNAP, 0.875", Int, #87,
21	A77790	1	KIT, SEALS, Crankshaft, Front, Inc. 22 - 25
22	NSS	1	NOT SERVICED SEPARATELY, SEAL
23	NSS	1	NOT SERVICED SEPARATELY, TOOL
24	NSS	1	NOT SERVICED SEPARATELY, TOOL
25	J918113	1	SHIELD,
26	A77808	1	KIT, SERVICE, Crankshaft, Front, Inc. 27 - 30
27	NSS	1	NOT SERVICED SEPARATELY, SLEEVE
28	NSS	1	NOT SERVICED SEPARATELY, TOOL
29	NSS	1	NOT SERVICED SEPARATELY, SEAL
30	J924987	1	SHIELD,



сылка	Номер детали	Кол-во	Описание
1	J948045	1	COVER,
2	J941786	1	CARRIER,
3	NSS	1	NOT SERVICED SEPARATELY, Seal, Order A77790 or A77808
4	87493304	5	NUT, M6
5	J823494	1	SEALANT, Silicone, 3 oz, Not Illustrated
6	J938085	1	COVER,
7	J944293	1	GASKET,
8	J926863	12	BOLT, M8 x 50
9	845-8016	14	BOLT, Hex Flg, M8 x 16, 8.8, Full Thd,
10	J926846	3	BOLT, M8 x 20
11	J943885	2	BOLT, M8 x 40
13	J903475	1	SEAL,
14	J903463	1	COVER,
15	J919683	1	HOUSING, Timing Pin
16	J915772	1	SEALRING,
17	J907998	2	SCREW, LOCK, Spc Rd Torx Hd, M5 x 17,
18	J903924	1	PIN, Timing
19	J913994	1	O-RING,
20	100-2587	1	RING, SNAP, 0.875", Int, #87,
21	A77790	1	KIT, SEALS, Crankshaft, Front, Inc. 22 - 25
22	NSS	1	NOT SERVICED SEPARATELY, Seal
23	NSS	1	NOT SERVICED SEPARATELY, Tool
24	NSS	1	NOT SERVICED SEPARATELY, Tool
25	J918113	1	SHIELD,
26	A77808	1	KIT, SERVICE, Crannkshaft, Front, Inc. 27 - 30
27	NSS	1	NOT SERVICED SEPARATELY, Sleeve
28	NSS	1	NOT SERVICED SEPARATELY, Tool
29	NSS	1	NOT SERVICED SEPARATELY, Seal, Oil, Oversized
30	J924987	1	SHIELD,
31	J938655	1	GASKET,
32	J914868	1	COVER, Accessory Drive
33	854-12025	2	BOLT, Hex Flg, M12 x 25, 10.9,



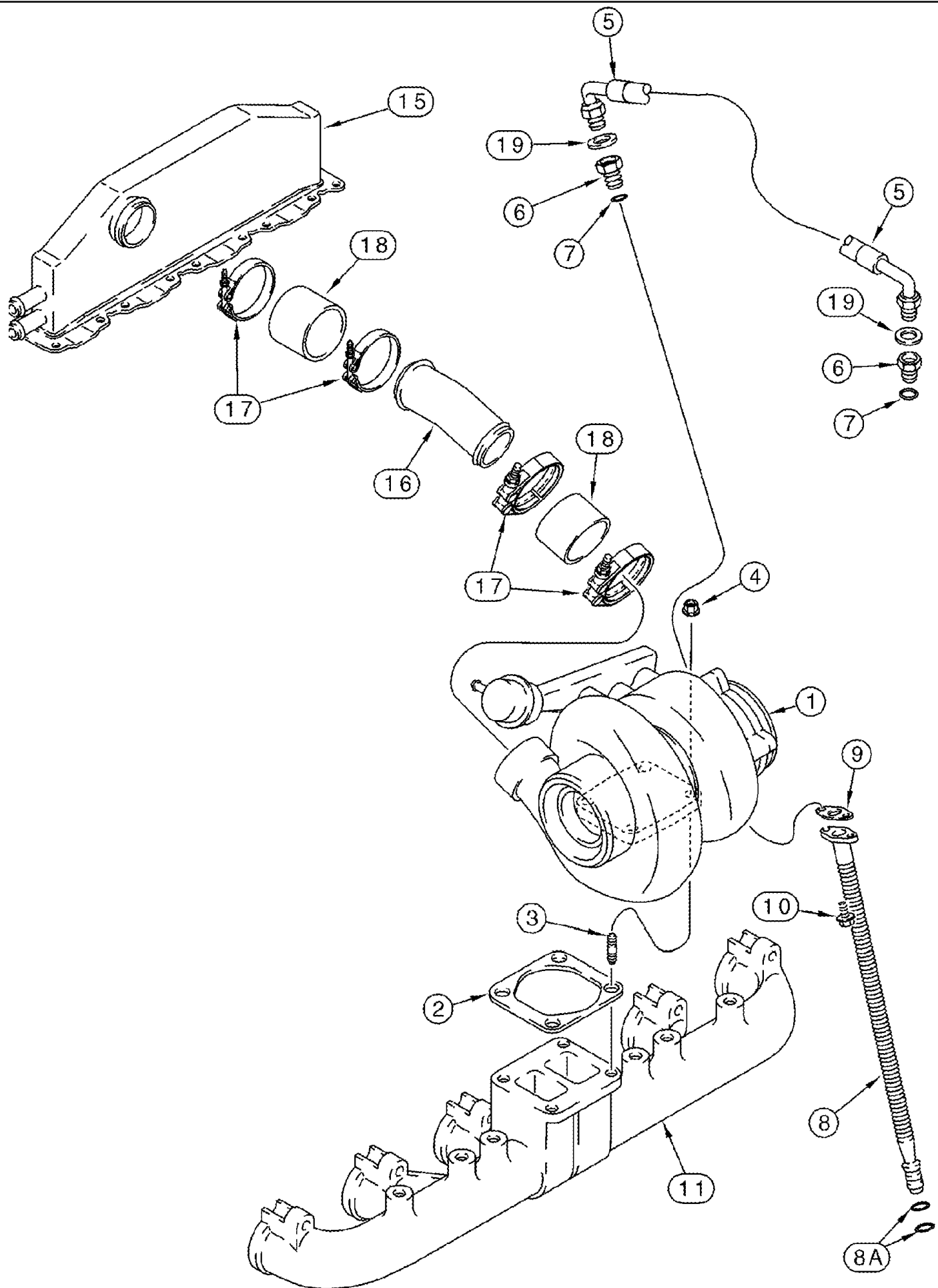
сылка	Номер детали	Кол-во	Описание
1	J932180	1	MANIFOLD, Exhaust
2	J932063	6	GASKET, MANIFOLD, Replaces: J929012
3	J929537	12	BOLT, 10 x 70 mm
4	J914708	12	PLATE, LOCKING,
5	J924731	1	AFTERCooler, Intake
6	J823494	1	SEALANT, 3 oz, Not Illustrated
7	J918109	18	SCREW, Hex Flg Hd, M8 x 1.25 x 25,
8	J909394	1	COCK, DRAIN,
9	J918611	4	HOSE, LARGE, 63 mm (2-1/2 in.)
10	J918163	8	CLIP,
11	J906436	1	PIPE ASSY.,
12	J908402	1	PIPE ASSY.,
13	J917394	2	ELBOW,
14	238-5120	2	O-RING, -120, 70 Duro, .987" ID x .103" Thk,
15	J906439	1	PLATE,
16	845-8016	1	BOLT, Hex Flg, M8 x 16, 8.8, Full Thd,
17	J910778	1	DECAL, Open During Fill



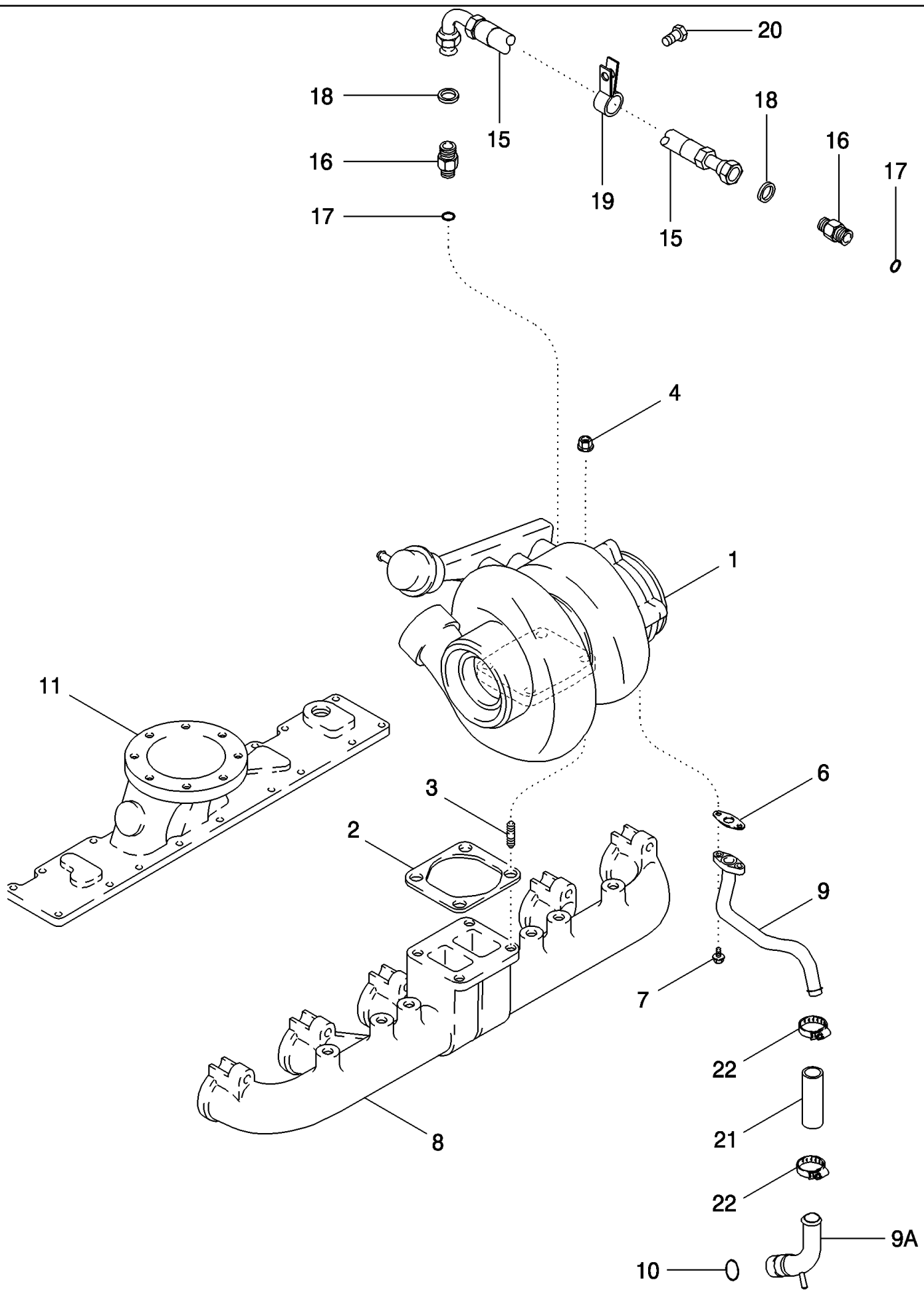
2366 CASE IH AXIAL-FLOW COMBINE (NA) (1/98-8/04)

02-13(02) MANIFOLDS - ASN JJC0255700

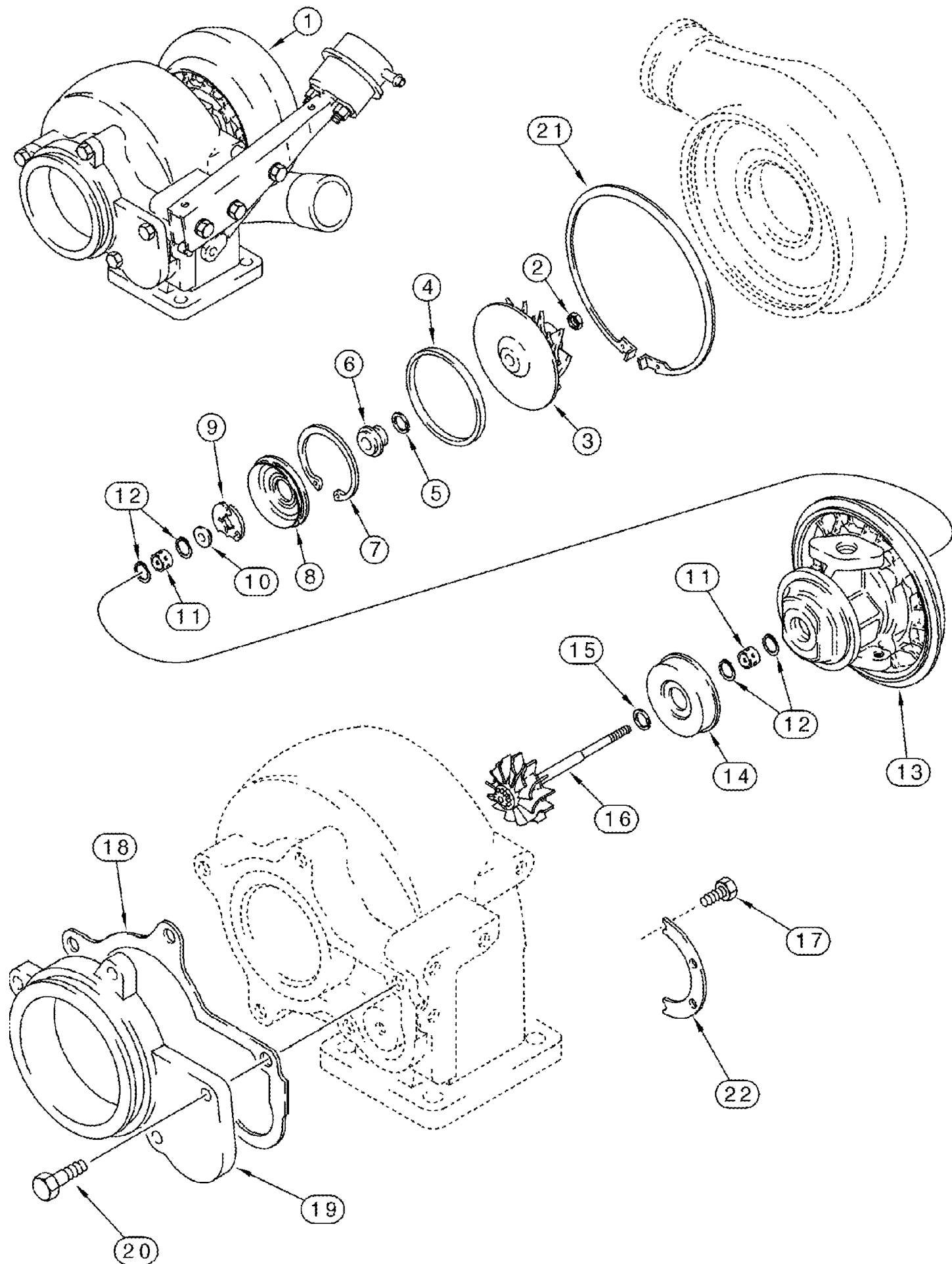
сылка	Номер детали	Кол-во	Описание
1	87405601	1	MANIFOLD, Exhaust
2	J932063	6	GASKET, MANIFOLD,
3	J929537	12	BOLT, 10 x 70 mm
4	J914708	12	PLATE, LOCKING,
5	J926044	1	COVER, Intake
6	J936993	1	GASKET, MANIFOLD,
7	J938036	18	SCREW, M8 x 30; 8.8
8	217-438	1	PLUG, Hex Soc, 1/2"-14,



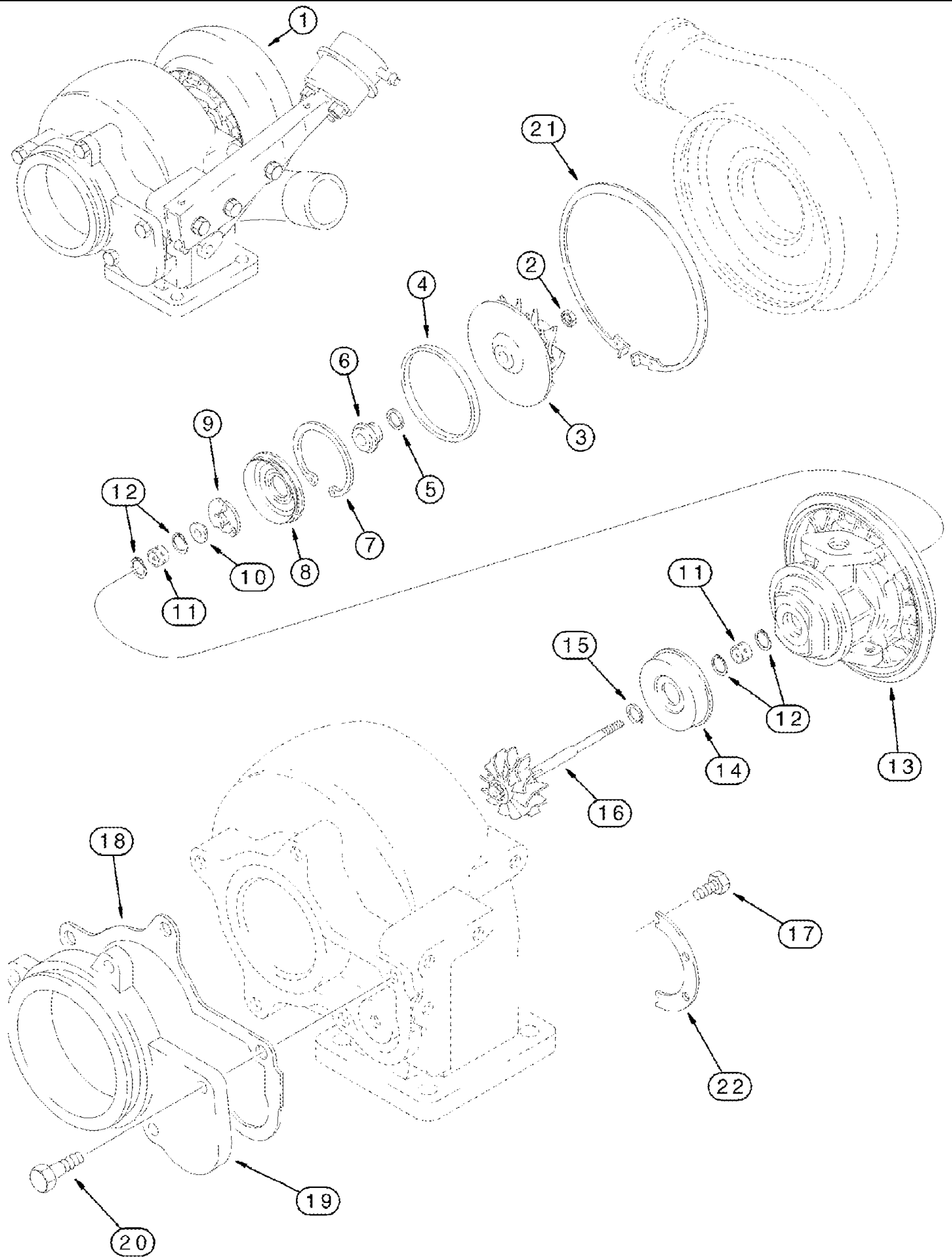
сылка	Номер детали	Кол-во	Описание
1	J802810	1	TURBOCHARGER, Replaces: J537127, See Figure(s) 02-15, 02-16
2	J911941	1	GASKET,
3	J818823	4	STUD, M10 x 40
4	J818824	4	NUT, M10
5	J918562	1	HOSE, 538 mm (21-1/4")
6	J919687	2	CONNECTOR, ELEC, Inc. 7
7	238-5013	1	O-RING, -013, 70 Duro, .426" ID x .070" Thk,
8	J928629	1	TUBE, Inc. 8A
8A	238-7115	2	O-RING, -115, CI 7, .674" ID x .103" Thk,
9	J819378	1	GASKET, No Longer Used, Order J285747
9	J285747	1	GASKET, Replaces J819378 & J942725
10	844-8020	2	BOLT, Hex Flg, M8 x 20, 8.8,
11	J932180	1	MANIFOLD,
15	J924731	1	AFTERCOOLER,
16	J914942	1	TUBE,
17	J924386	4	COLLAR CLAMP,
18	J916437	2	HOSE,
19	222-993	2	GASKET, 3/8 Tube, FI, Copper,



сылка	Номер детали	Кол-во	Описание
	86993017	1	TURBOCHARGER, Turbocharger with Gaskets, Inc. 1, 2, 6
1	87410622	1	TURBOCHARGER, Includes 2, 6, See Figure 02-15 (02)
2	J755843	1	GASKET, Turbo Mount
3	J818823	4	STUD, M10 x 40
4	J818824	4	NUT, M10
6	J937706	1	GASKET, Oil Drain
7	845-8020	2	BOLT, Hex Flg, M8 x 20, 8.8, Full Thd,
8	J932180	1	MANIFOLD, Exhaust, BSN JJC0255699
8	87405601	1	MANIFOLD, Exhaust, ASN JJC0255700
9	86993028	1	TUBE, Turbo Drain at Turbo
9A	J948079	1	TUBE, Turbo Drain, BSN JJC0256341
9A	87437056	1	TUBE, Turbo Drain, BTW JJC0256342 & Eng. 46325443
9A	J931973	1	TUBE, Turbo Drain, ASN Eng. 46325
10	238-7018	1	O-RING, -018, CI 7, .739" ID x .070" Thk,
11	J926044	1	COVER, Intake
15	J282159	1	HOSE, FLEXIBLE, 533 mm (21")
16	J922789	2	CONNECTOR, HYD., Male, Includes 17
17	J678603	1	O-RING, 9.3MM ID x 2.2 Thk,
18	313262A1	2	O-RING, .364" ID x .070" Thk,
19	515-23127	1	CLAMP, 1/2", Insul, 3/8" Bolt, , BSN JJC0256341
19	87434675	1	CLAMP, , ASN JJC0256400
20	615-8012	1	BOLT, Hex, M8 x 12, 8.8, Full Thd, M8 x 12
21	J286499	1	HOSE, 76 mm (3"), Turbo Drain Tube
22	214-1512	2	CLAMP, HOSE, #12, .69/1.25 Type F Worm, W/liner,

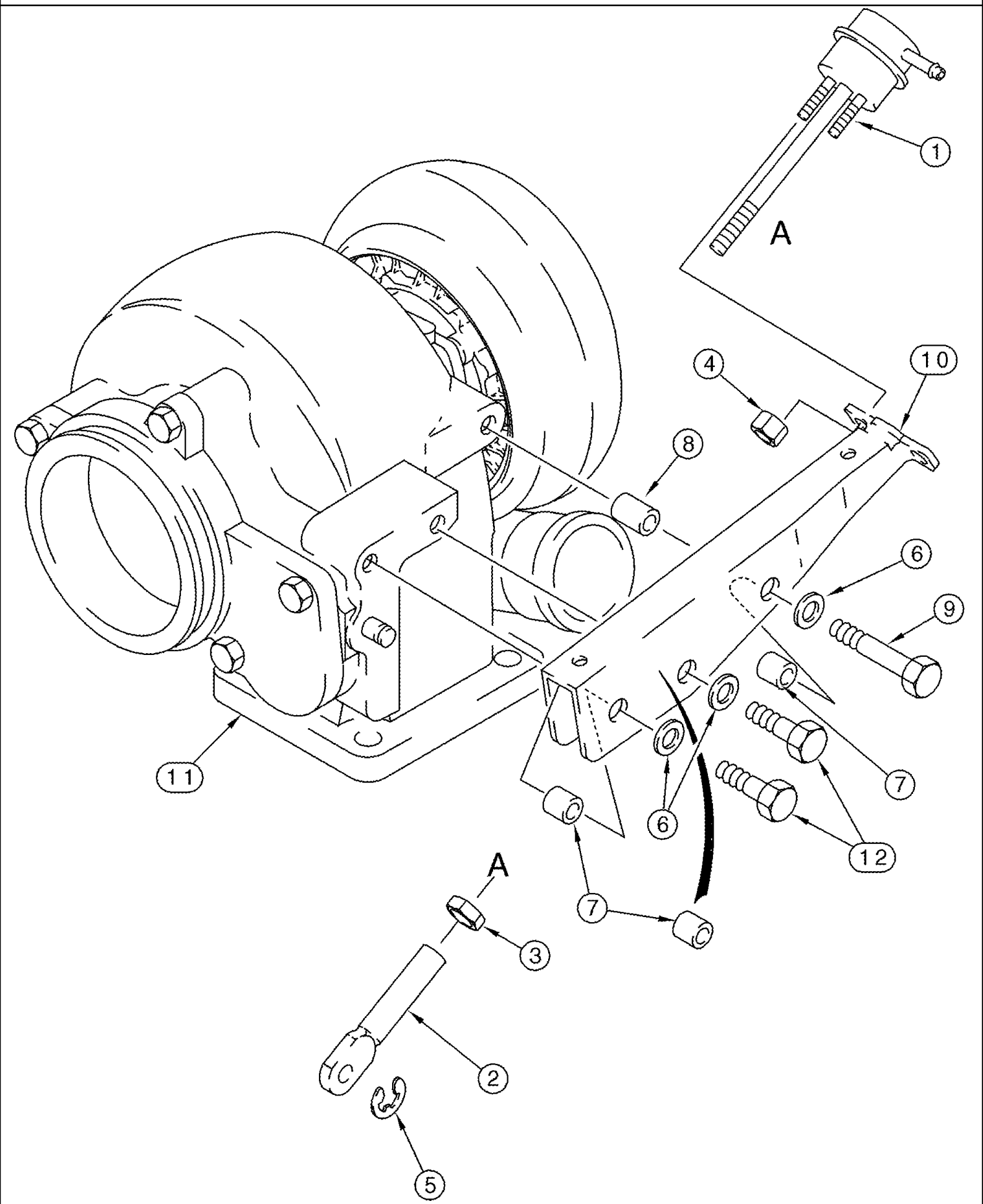


сылка	Номер детали	Кол-во	Описание
	JR802810	1	REMAN-TURBOCHARGER, Remanufactured, N.A.Only, Replaces: JR537127
	JC537127	1	CORE-TURBOCHARGER,
1	J802810	1	TURBOCHARGER, Inc. 2 - 22, Also See Figure(s) 02-14, 02-16, Inc. 1 - 12, Replaces: J537127,
	J535324	1	HOUSING, Includes: Ref. 2 - 16
2	NSS	1	NOT SERVICED SEPARATELY, NUT
3	NSS	1	NOT SERVICED SEPARATELY, IMPELLER
4	NSS	1	NOT SERVICED SEPARATELY, SEAL
5	NSS	1	NOT SERVICED SEPARATELY, SEAL
6	NSS	1	NOT SERVICED SEPARATELY, SLINGER
7	NSS	1	NOT SERVICED SEPARATELY, RING
8	NSS	1	NOT SERVICED SEPARATELY, BAFFLE
9	NSS	1	NOT SERVICED SEPARATELY, BEARING, Thrust
10	NSS	1	NOT SERVICED SEPARATELY, COLLAR
11	NSS	2	NOT SERVICED SEPARATELY, BEARING, Journal
12	NSS	4	NOT SERVICED SEPARATELY, RING
13	NSS	1	NOT SERVICED SEPARATELY, HOUSING
14	NSS	1	NOT SERVICED SEPARATELY, SHIELD
15	NSS	1	NOT SERVICED SEPARATELY, SEAL
16	NSS	1	NOT SERVICED SEPARATELY, ROTOR and SHAFT
17	J759917	6	SET SCREW,
18	J535243	1	GASKET,
19	J528010	1	ADAPTER,
20	614-8020	4	BOLT, Hex, M8 x 20, 8.8,
21	J533163	1	RING, SNAP,
22	J534309	2	PLATE,
	J575169	1	KIT, REPAIR, Overhaul, Inc. 2, 4, 5, 7, 8, 9, 11, 12, 15, & 17



сылка	Номер детали	Кол-во	Описание
	86993019	1	PACKAGE, Reman-Turbocharger, Inc. J937706, J755843, Not Illustrated
	JC598070	1	CORE-TURBOCHARGER, Core Return Number, Turbocharger
	87410622	1	TURBOCHARGER, Includes J937706, J755843
1	NSS	1	NOT SERVICED SEPARATELY, Turbocharger, Inc. 2 - 22; Also See Figure 02-16, Inc. 1 -12
	J538379	1	HOUSING, Includes 2 - 16
2	NSS	1	NOT SERVICED SEPARATELY, Nut
3	NSS	1	NOT SERVICED SEPARATELY, Impeller
4	NSS	1	NOT SERVICED SEPARATELY, Seal
5	NSS	1	NOT SERVICED SEPARATELY, Seal
6	NSS	1	NOT SERVICED SEPARATELY, Slinger
7	NSS	1	NOT SERVICED SEPARATELY, Ring
8	NSS	1	NOT SERVICED SEPARATELY, Baffle
9	NSS	1	NOT SERVICED SEPARATELY, Bearing, Thrust
10	NSS	1	NOT SERVICED SEPARATELY, Collar
11	NSS	2	NOT SERVICED SEPARATELY, Bearing, Journal
12	NSS	4	NOT SERVICED SEPARATELY, Ring
13	NSS	1	NOT SERVICED SEPARATELY, Housing
14	NSS	1	NOT SERVICED SEPARATELY, Shield
15	NSS	1	NOT SERVICED SEPARATELY, Seal
16	NSS	1	NOT SERVICED SEPARATELY, Rotor and Shaft
17	J759917	6	SET SCREW,
18	J535243	1	GASKET,
19	J528010	1	ADAPTER,
20	J503533	5	BOLT, M8 x 20
21	J533163	1	RING, SNAP,
22	J597308	2	PLATE,
	J575169	1	KIT, REPAIR, Overhaul, Inc. 2, 4, 5, 7, 8, 9, 11, 12, 15, 17

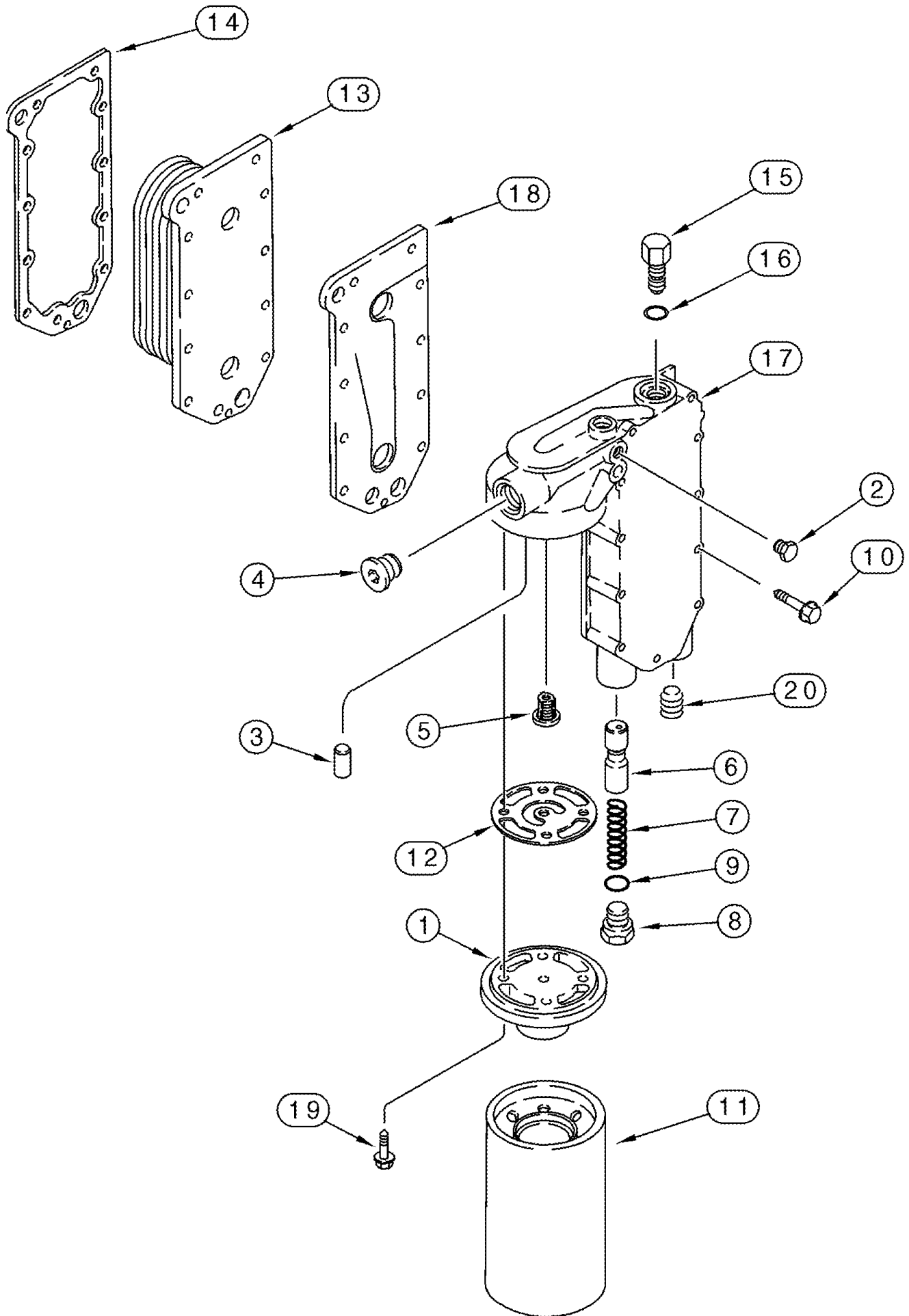
02-16 WASTEGATE ACTUATOR



02-16 WASTEGATE ACTUATOR

сылка	Номер детали	Кол-во	Описание
	REF	1	INSTRUCTION, TURBOCHARGER, Inc. 1 - 12, Also See Figure(s) 02-14, 02-15, Inc. 2 - 22, Replaces: J537127
1	J531892	1	ACTUATOR, , BSN JJC0255699
1	J593678	1	ACTUATOR, , ASN JJC0255700
2	J528177	1	LINK,
3	425-155	1	NUT, Jam, 5/16"-24, G5,
4	J528204	2	NUT, , BSN JJC0255699
4	J592050	2	NUT, LOCK, , ASN JJC0255700
5	J528221	1	CIRCLIP,
	NSS	1	NOT SERVICED SEPARATELY, HOUSING ASSY., Inc. 6 - 12
6	895-11008	3	WASHER, M8 x 16 x 1.6,
7	J532195	3	SPACER, 13.6 mm
8	J532196	1	SPACER, 19 mm
9	814-8055	1	BOLT, Hex, M8 x 55, 8.8, M8 x 55; 8.8, BSN JJC0255699
9	814-8050	1	BOLT, Hex, M8 x 50, 8.8, , ASN JJC0255700
10	J533328	1	SUPPORT, , BSN JJC0255699
10	J532671	1	BRACKET, , ASN JJC0255700
11	NSS	1	NOT SERVICED SEPARATELY, HOUSING
12	814-8035	2	BOLT, Hex, M8 x 35, 8.8,

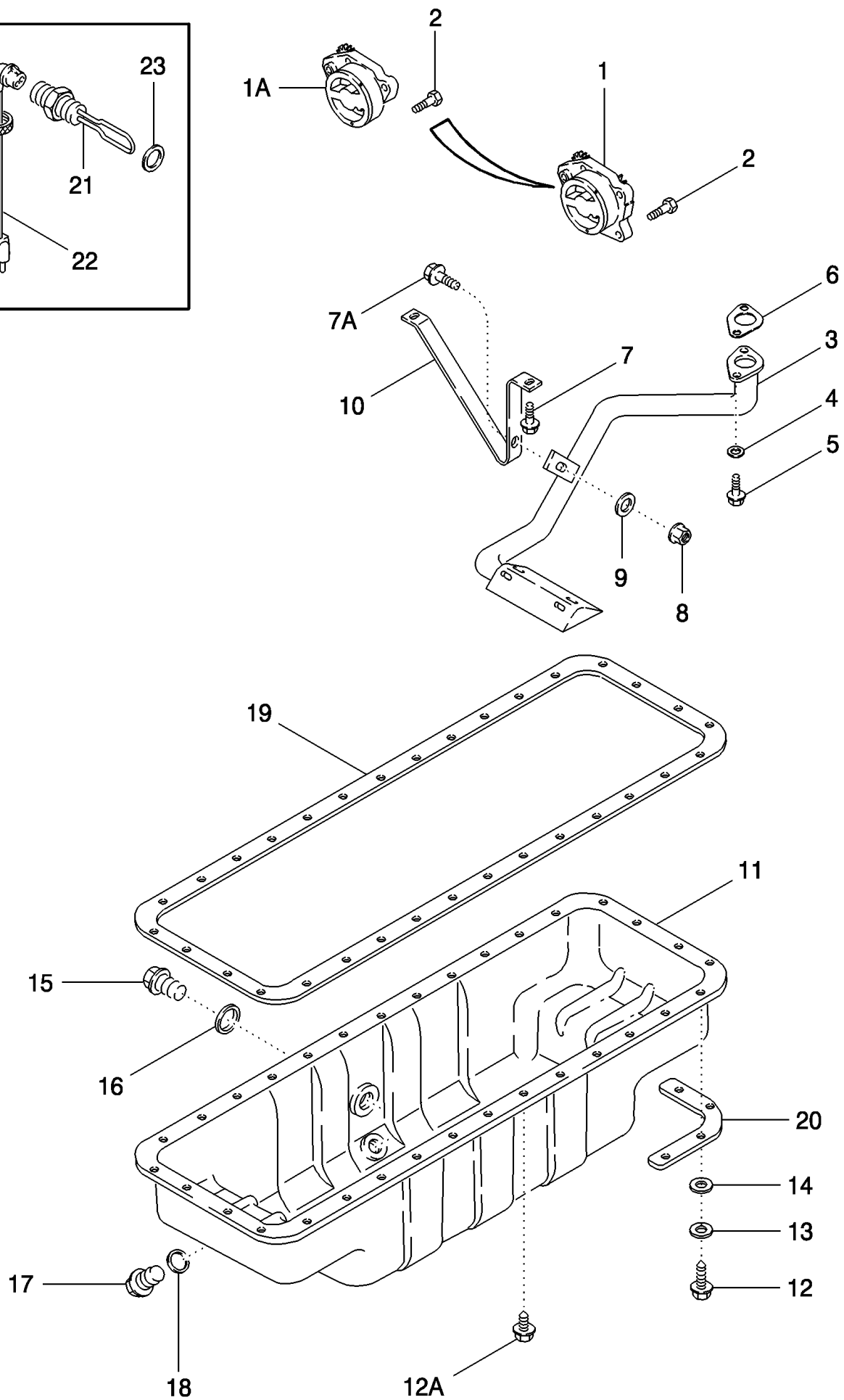
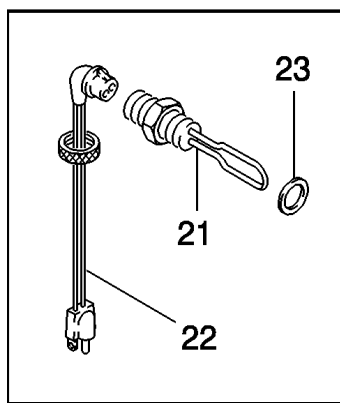
02-17 FILTER AND COOLER - OIL



02-17 FILTER AND COOLER - OIL

сылка	Номер детали	Кол-во	Описание
1	J918334	1	HEAD, FILTER,
2	J906619	2	PLUG, 1/8 PT
3	A77722	1	PIN,
4	263136	1	PLUG, MAGNETIC, Sq. Soc, 3/4"-14 NPTF,
5	J927622	1	VALVE, PRESSURE RELIEF, No Longer Used, Order J936365
5	J936365	1	VALVE, PRESSURE RELIEF, Replaces J927622 & J933615
6	J945967	1	PLUNGER, Replaces J918532
7	A77541	1	SPRING,
8	J931084	1	PLUG, 24 mm, Includes 9
9	J930911	1	O-RING, 3/4" ID x 1/16"
10	87421315	11	SCREW, M8 x 65; 10.9
11	J919562	1	FILTER, ENGINE OIL, Oil, BSN JJC0255699
11	366700A1	1	FILTER, ENGINE OIL, , ASN JJC0255700
12	J921605	1	GASKET,
13	J918175	1	CORE-OIL COOLER,
14	J918174	1	GASKET,
	J923477	1	THERMOSTAT, Inc. 15 & 16, No Longer Used, Order J934410
	J934410	1	VALVE, BY-PASS, Inc. 15A & 16, Replaces J923477
15	NSS	1	NOT SERVICED SEPARATELY, THERMOSTAT
15A	NSS	1	NOT SERVICED SEPARATELY, VALVE By-pass, Not Illustrated
16	A77724	1	O-RING,
17	J931077	1	COVER,
18	J4063496	1	GASKET, Replaces J929011
19	J907860	4	BOLT, Hex, Flg Hd, M8 x 25, Spcl,
20	217-439	1	PLUG, Hex Soc, 1/2"-14,

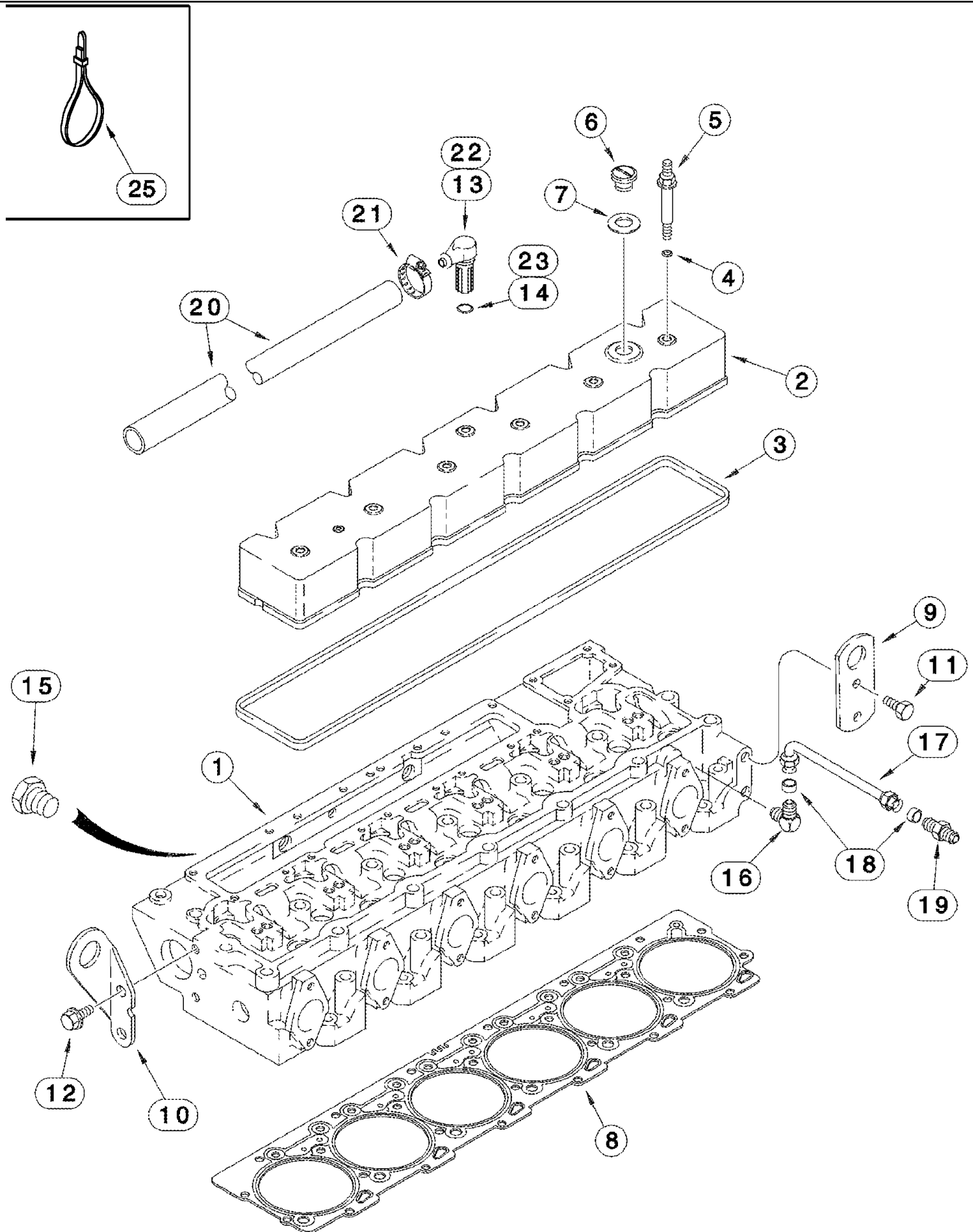
02-18 OIL PUMP, PAN - HEATER



02-18 OIL PUMP, PAN - HEATER

сылка	Номер детали	Кол-во	Описание
	JR948071	1	REMAN-PUMP, ENGINE OIL, N.A. Only, Replaces JR930338, BSN JJC0255699
	JR948072	1	REMAN-PUMP, ENGINE OIL, N.A. Only, ASN JJC0255700
	JC948071	1	CORE-PUMP, ENGINE OIL, Replaces JC926201, BSN JJC0255699
	JC948072	1	CORE-PUMP, ENGINE OIL, , ASN JJC0255700
1	J948071	1	PUMP, Engine Oil, Replaces J930338, BSN JJC0255699
1A	J948072	1	PUMP, ENGINE OIL, , ASN JJC0255700
2	J900677	4	BOLT, M8 x 30
3	J921719	1	TUBE,
4	J926865	2	SPACER,
5	845-6030	2	BOLT, Hex Flg, M6 x 30, 8.8, M6 x 30
6	J914302	1	GASKET,
7	845-6015	2	BOLT, Hex Flg, M6 x 15, 8.8, Full Thd,
7A	845-6020	1	BOLT, Hex Flg, M6 x 20, 8.8, Full Thd, M6 x 20; 8.8
8	825-2406	1	NUT, M6 x 1, Flg, Cl 8, Replaces J906216
9	J910960	1	WASHER,
10	J927611	1	BRACKET,
11	J914015	1	PAN, ENGINE OIL,
12	J920400	16	BOLT, Hex, Flg Hd, M8 x 21, Spcl, M8 x 25, ASN JJC0255700
12A	J907860	16-32	BOLT, Hex, Flg Hd, M8 x 25, Spcl, M8 x 21
13	J910266	32	WASHER, No Longer Used
14	J908316	32	WASHER, No Longer Used, M9 x 16 x 1
15	J924148	1	PLUG, M22
16	J902425	1	WASHER,
17	J924147	1	PLUG, M18
18	J920773	1	WASHER, SEALING,
19	J938160	1	GASKET, Pan
20	87414461	4	SUPPORT, , ASN JJC0255700
	A77580	1	KIT, SERVICE, Heater, 120V/300W, Inc. 21 & 22, Also Order: J902425, Ref. 23
21	NSS	1	NOT SERVICED SEPARATELY, ELEMENT
22	196466A1	1	CABLE, ELECTRIC, 1829 mm (72 in)
23	J902425	1	WASHER,
	A77666	1	KIT, SERVICE, Heater, 240V/300W, Inc. 21 & 22
21	NSS	1	NOT SERVICED SEPARATELY, ELEMENT
22	J905114	1	CABLE, ELECTRIC, 1829 mm (72")
23	J902425	1	WASHER, Sealing, 22 mm OD

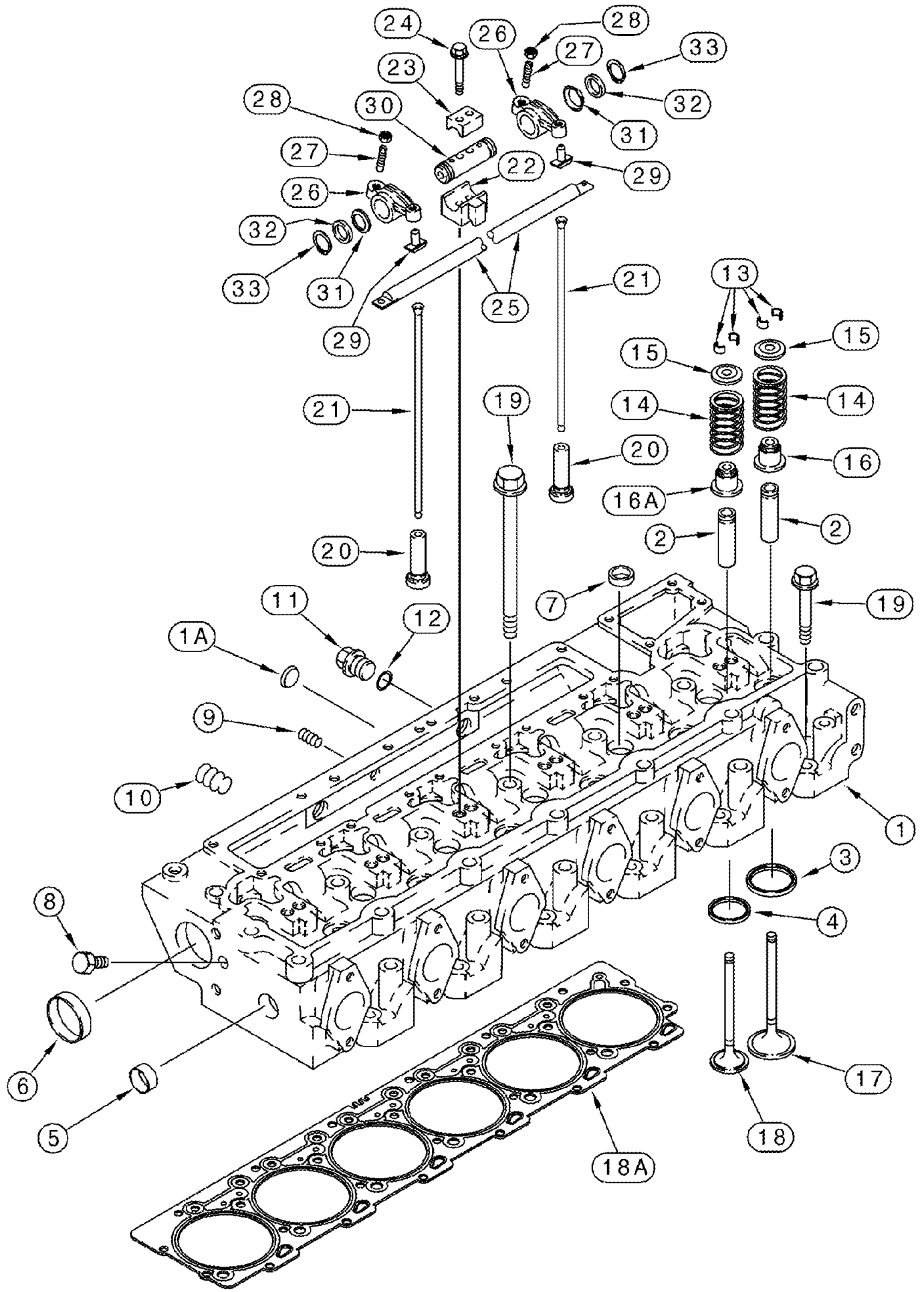
02-19 CYLINDER HEAD, COVER AND BREATHER



02-19 CYLINDER HEAD, COVER AND BREATHER

сылка	Номер детали	Кол-во	Описание
1	REF	1	INSTRUCTION, HEAD, See Figure 02-20
2	J930903	1	COVER, VALVE,
3	J905449	1	SEAL, RUBBER,
4	J910824	6	O-RING,
5	J922639	6	STUD,
6	J902468	1	PLUG,
7	J902466	1	SEAL,
8	J938267	1	GASKET, CYLINDER HEAD, Replaces J935585
8	J935586	1	GASKET, CYLINDER HEAD, 0.25 mm, Replaces J931026
8	J935587	1	GASKET, CYLINDER HEAD, 0.50 mm, Replaces J931027
9	J907861	1	EYE, LIFTING,
10	J906440	1	EYE, LIFTING,
11	614-12025	2	BOLT, Hex, M12 x 25, 8.8, If used
12	854-12025	2-4	BOLT, Hex Flg, M12 x 25, 10.9,
13	J920497	1	ELBOW, No Longer Available, Order: J935113 & J934865, Ref. 22 - 23
14	238-5115	1	O-RING, -115, 70 Duro, .674" ID x .103" Thk, , Use with J920497
15	J906619	1	PLUG, 1/8 PT
16	87026320	1	ELBOW, 90e, 1/2"-24 Fem x 1/8"-27 NPTF, 1/4 Tube, OD x 1/8 PT
17	J924589	1	TUBE, Includes 18
18	222-153	2	SLEEVE, 1/4" Tube,
19	87026319	1	CONNECTOR, HYD., 1/2"-24 x 1/8" NPTF w/Nut, 1/4 tube OD x 1/8
20	1541750C1	1	HOSE, FLEXIBLE, Crankcase Breather, 3760 mm (148-1/8 in.), Cut From 364360C1, BSN JJC0256400 See Figure 02-23 (03) for Side Crankcase Breather, ASN JJC0256400
21	214-1416	1	CLAMP, HOSE, #16, 0.81/1.50 Type F Worm,
22	J935113	1	ELBOW,
23	J934865	1	SEAL, 17.4 mm ID x 4.3 mm
24	515-25286	1	CLAMP, 1 1/8", Insul, 3/8" Bolt, , ASN JJC0256400
25	306132C1	1	STRAP, CABLE, .30" x 14.5", , ASN JJC0256400

02-20 CYLINDER HEAD - VALVE MECHANISM

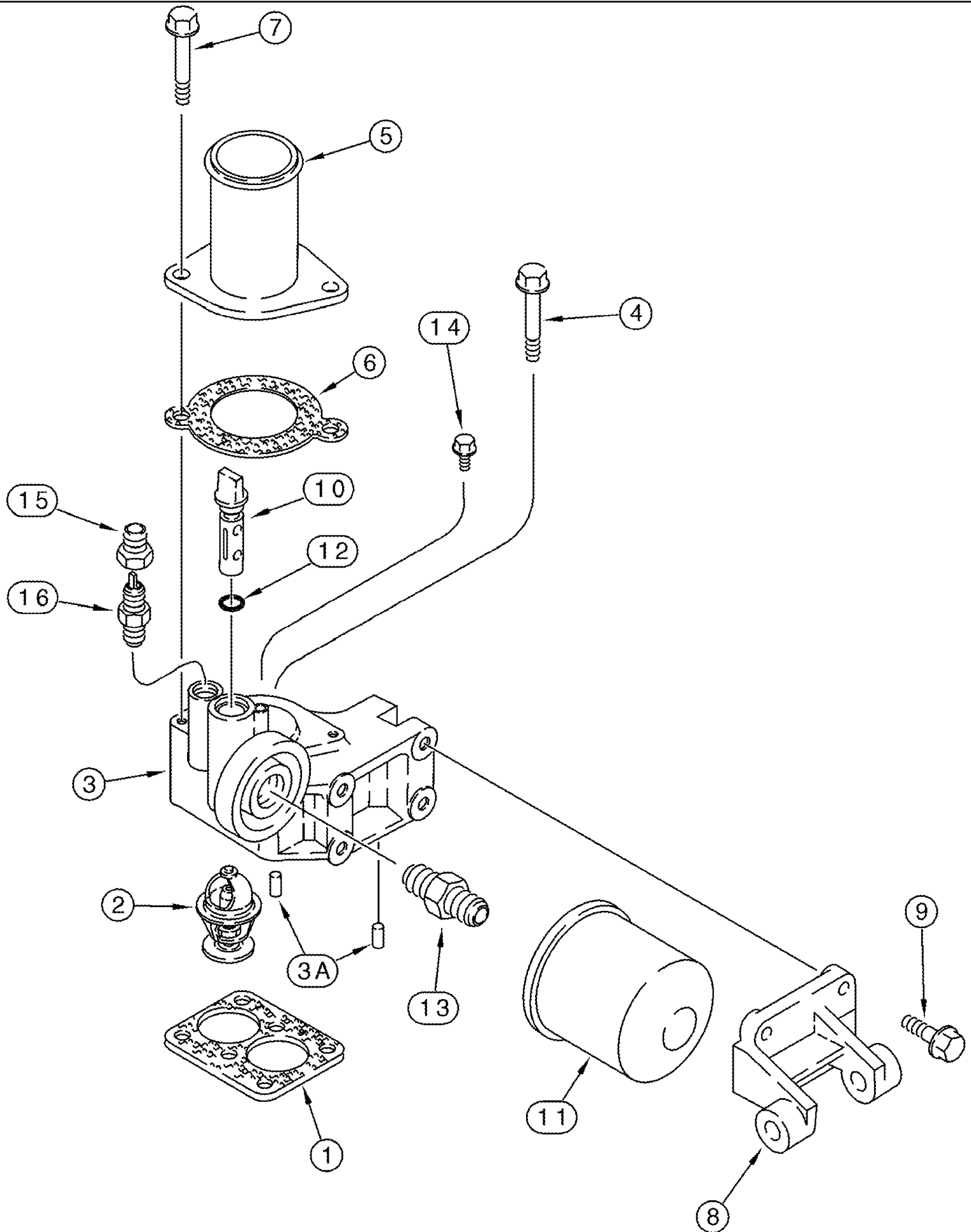


02-20 CYLINDER HEAD - VALVE MECHANISM

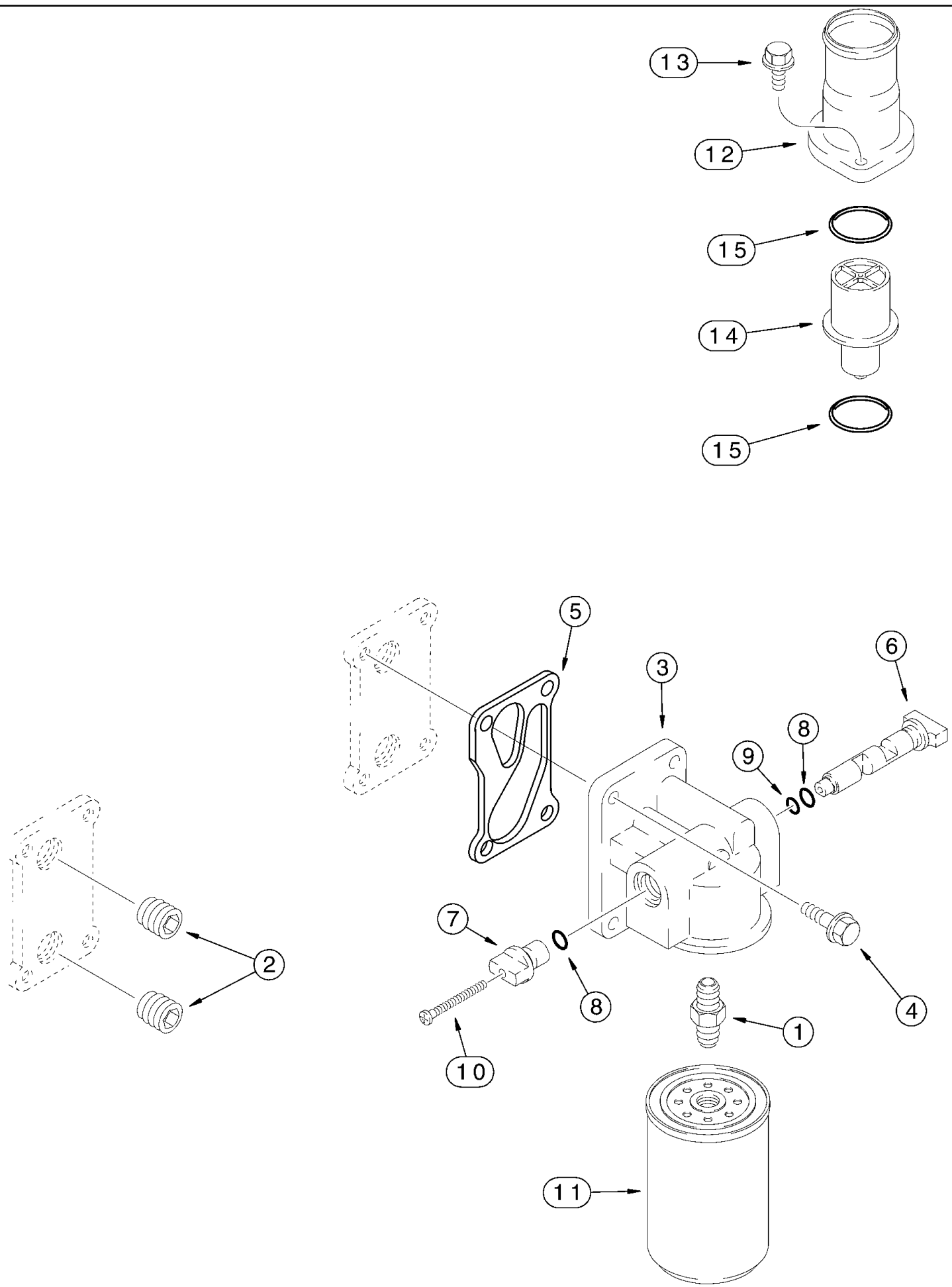
сылка	Номер детали	Кол-во	Описание
	JR936280	1	REMAN-CYLINDER HEAD, Remanufactured, N.A. Only, Replaces JR925642, BSN JJC0255699
	86990827	1	REMAN-CYLINDER HEAD, Remanufactured, N.A. Only, ASN JJC0255700
	JC936280	1	REMAN-CYLINDER HEAD, Core, Replaces JC916464, BSN JJC0255699
	86990828	1	CORE, , ASN JJC0255700
	J936280	1	HEAD, Inc. 1 - 18, Replaces : J925642, BSN JJC0255699
	86990822	1	HEAD, Assy With Valves, Inc. 1 - 18, ASN JJC0255700
1	J936180	1	HEAD ASSY., Stripped, Inc. 1A - 7, Replaces J920031
1A	J912900	1	PLUG, 24 mm
2	J923564	12	GUIDE, VALVE,
3	J924582	6	INSERT,
3	J925468	6	SEAT, VALVE, 0.25 mm, Oversize, Service Repair Only
3	J925470	6	SEAT, VALVE, 0.50 mm, Oversize, Service Repair Only
4	J929005	6	INSERT,
4	J929006	6	INSERT, 0.25 mm, Oversize, Service Repair Only
4	J929007	6	INSERT, 0.50 mm, Oversize, Service Repair Only
5	J920443	1	PLUG, 30 mm
6	A77782	2	PLUG, 58 mm
7	41-1616	5	PLUG, Cup, 1", Stainless,
8	217-426	1	PLUG, Hex Soc, 1/16"-27,
9	217-432	1	PLUG, Hex Soc, 1/4"-18, Replaces A77428
10	217-438	2	PLUG, Hex Soc, 1/2"-14,
11	J924148	2	PLUG, M22
12	J902425	2	WASHER,
13	J901177	24	KEY,
14	J991085	12	SPRING, VALVE,
15	J912976	12	RETAINER,
16	J927642	6	SEAL, Replaces J915707
16A	J927642	6	SEAL, Replaces J919038
17	J924492	6	VALVE, ENGINE, INLET, STD,
18	J921444	6	VALVE, ENG EXHAUST, STD,
18A	REF	1	INSTRUCTION, GASKET Cyl. Head, See Figure 02-19
19	J917728	14	BOLT, M14 x 160 mm
19	J917729	12	SCREW, 80 mm
20	J931623	12	TAPPET,
21	J905194	12	ROD, PUSH,
	J934921	6	ROCKER ARM, Assy, Inc. 22 - 33
22	J905870	1	SUPPORT,
23	J901693	1	CLAMP,
24	868-10065	2	SCREW, 12 Pt Hd, M10 x 65, 12.9, M10 x 65; 12.9
25	J919677	1	MANIFOLD,
26	J901717	2	ROCKER, Includes 27 - 29
27	J934086	1	SCREW, Replaces J900706
28	A77902	1	NUT, 3/8 - 24 NF, Replaces 425-116

02-20 CYLINDER HEAD - VALVE MECHANISM

сылка	Номер детали	Кол-во	Описание
29	NSS	1	NOT SERVICED SEPARATELY, Insert
30	J919435	1	SHAFT,
31	J906100	2	CUP, SPRING,
32	J907206	2	WASHER,
33	100-1187	2	RING, SNAP, #87, Ext,

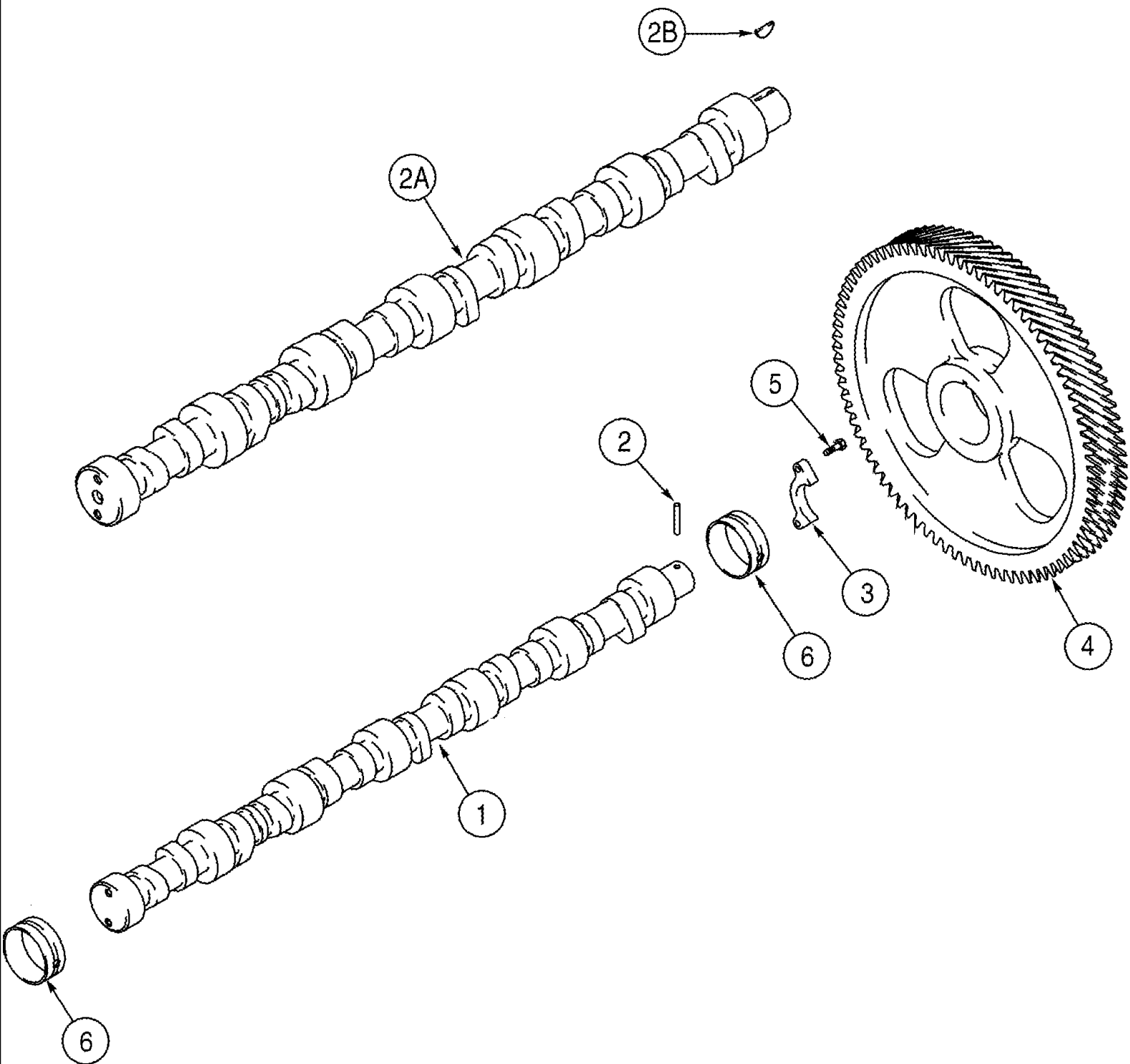


сылка	Номер детали	Кол-во	Описание
1	J914310	1	GASKET,
2	J928639	1	THERMOSTAT, , BSN JJC0255699
2	J940632	1	THERMOSTAT, Inc. 238-5227 (2), ASN JJC0255700
	J926509	1	HOUSING, Includes 3, 3A
3	NSS	1	NOT SERVICED SEPARATELY, HOUSING, Order J926509
3A	180811A1	2	PIN, ROLL,
4	845-8080	2	BOLT, Hex Flg, M8 x 80, 8.8,
5	J912800	1	CONNECTION,
6	J918779	1	GASKET,
7	845-8095	2	BOLT, Hex Flg, M8 x 95, 8.8, M8 x 95
8	J918544	1	SUPPORT,
9	845-8025	4	BOLT, Hex Flg, M8 x 25, 8.8,
10	J912837	1	COCK, No Longer Used, Order 294926A1
10	294926A1	1	VALVE, SHUT-OFF, Replaces J912837
11	A77544	1	FILTER,
12	238-5111	1	O-RING, -111, 70 Duro, .424" ID x .103" Thk,
13	A77623	1	ADAPTER,
14	845-6010	1	BOLT, Hex Flg, M6 x 10, 8.8, Full Thd, M6 x 10; 8.8
15	J911925	1	COUPLING,
16	J911901	1	VALVE, CHECK,



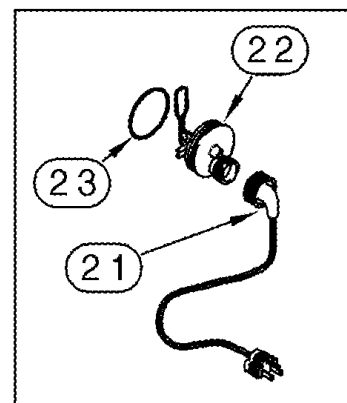
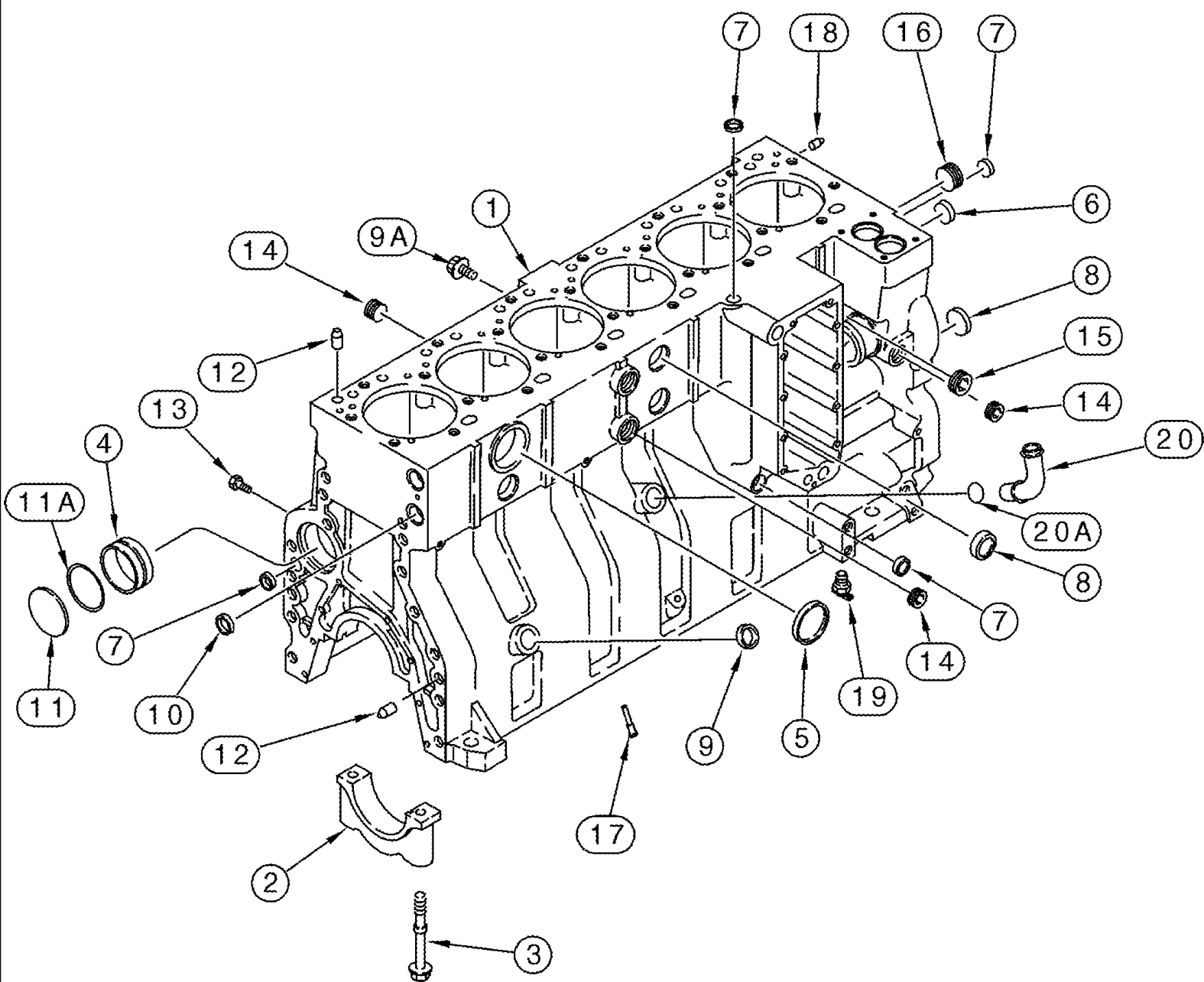
сылка	Номер детали	Кол-во	Описание
1	A77623	1	ADAPTER,
2	263136	2	PLUG, MAGNETIC, Sq. Soc, 3/4"-14 NPTF,
3	J943738	1	HEAD, FILTER, Corrosion Resistor
4	845-8025	4	BOLT, Hex Flg, M8 x 25, 8.8,
5	J937367	1	GASKET, Corrosion Resistor
6	J943739	1	VALVE, SHUT-OFF,
7	J943740	1	VALVE, SHUT-OFF,
8	87423041	2	O-RING,
9	238-5013	1	O-RING, -013, 70 Duro, .426" ID x .070" Thk,
10	J944454	1	SCREW,
11	J100304	1	FILTER, ELEMENT, Corrosion Resistor
12	J940631	1	OUTLET, Outlet
13	845-8025	2	BOLT, Hex Flg, M8 x 25, 8.8,
14	J940632	1	THERMOSTAT,
15	238-5227	2	O-RING, -227, 70 Duro, 2.109" ID x .139" Thk,

02-22 CAMSHAFT



02-22 CAMSHAFT

сылка	Номер детали	Кол-во	Описание
1	J924471	1	CAMSHAFT, Includes: 2, No Longer Available, Order J923478, Ref. 2A
2	J917883	1	PIN,
2A	J923478	1	CAMSHAFT,
2B	836-4065	1	KEY, WOODRUFF, M4 x 6.5 x 15.72,
3	J927155	1	SUPPORT,
4	J918777	1	GEAR,
5	J900227	2	SCREW, Hex, M8 x 1.25 x 22,
6	J945329	7	BEARING, CAMSHAFT, Replaces J901685 & J943199



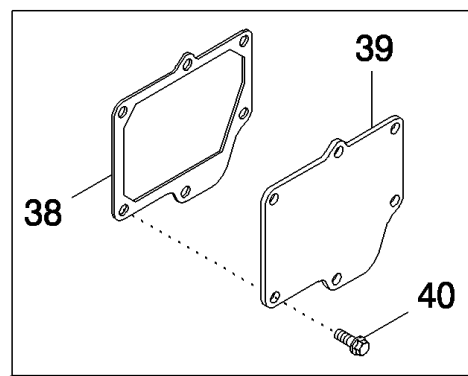
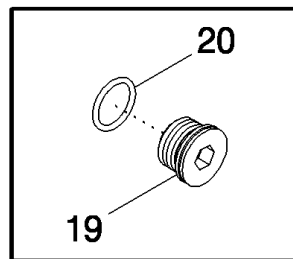
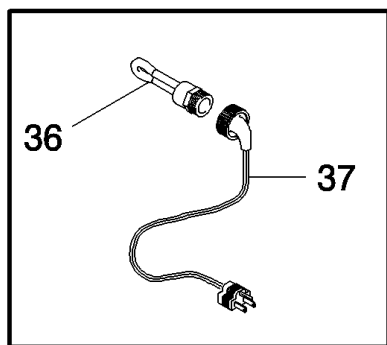
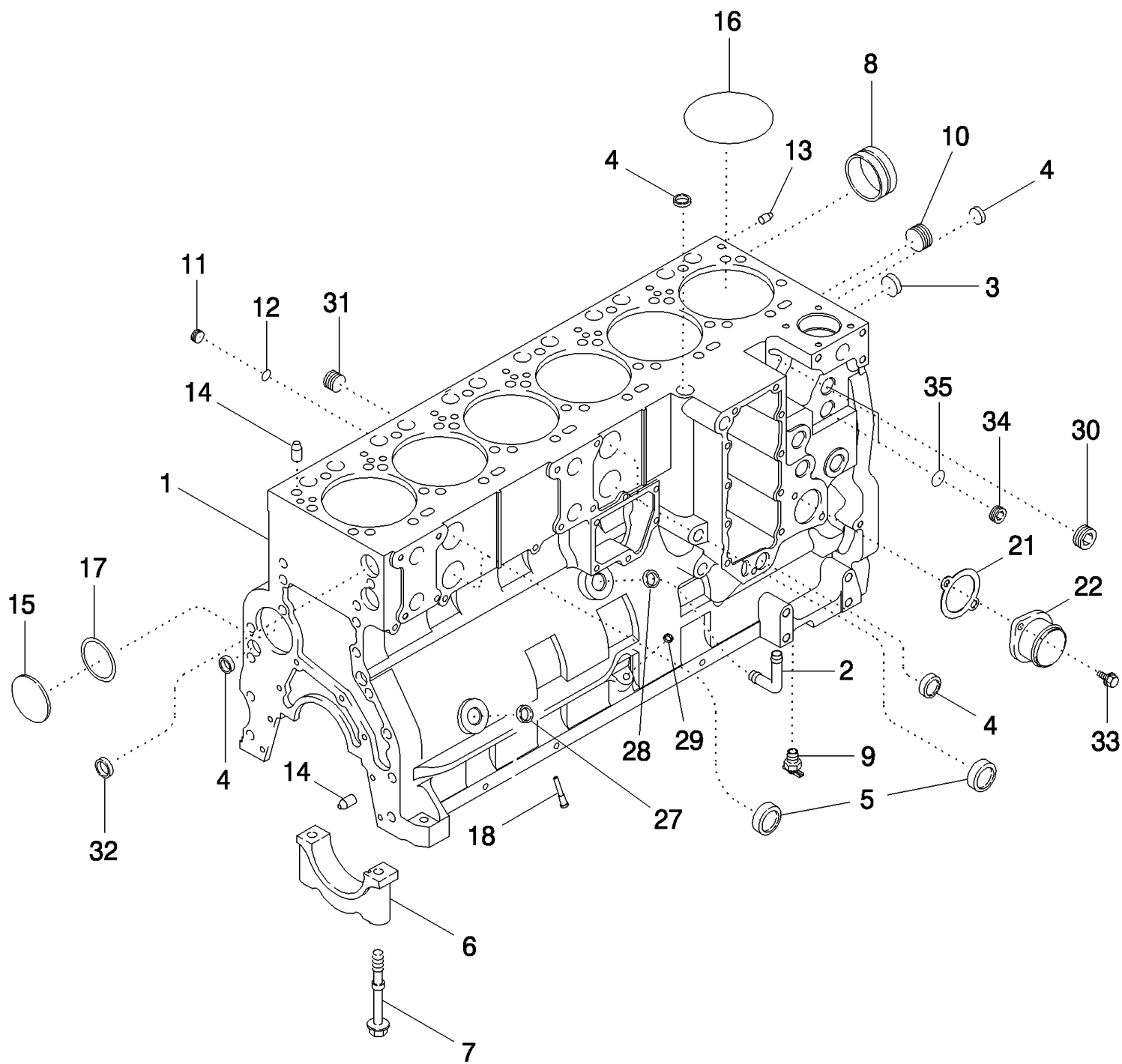
Note: Basic engines and reman engines are generic engines. The engines are complete internally; however, externally all parts are not supplied with the engines. Check the configuration of the engine being removed, with the configuration of the engine being installed. For any external components not supplied with the engine being installed, reuse those parts from the engine that has just been removed. Do not return the old engine, until the unit is reassembled.

сылка	Номер детали	Кол-во	Описание
	199949A1R	1	ENGINE (EXCHANGE), Remanufactured, N.A. Only; See Note
	6-830-LBC	1	CORE, Replaces 199949A1C
	JR934600	1	ENGINE (EXCHANGE), Short, Remanufactured, N.A.Only, Replaces JR931187
	JC925187	1	BLOCK, Replaces JC931187
1	J934900	1	ENGINE, SHORT, Stripped, Inc. 2 - 20, Also Order A77716
2	J917313	7	CAP,
3	J916369	14	SCREW, Hex Flg Hd, M14 x 128,
4	J901685	7	BUSHING, No Longer Used, Order J945329
4	J945329	7	BEARING, CAMSHAFT, Replaces J901685, J934199
5	A77782	1	PLUG, 58 mm
6	A77586	1	PLUG, 43 mm
7	A77506	4	PLUG, 21 mm
8	J905401	4	PLUG, 35 mm
9	A77530	2	PLUG, Not Used
9A	J929561	1	SCREW, Not Used
10	J920706	1	PLUG, Not Used
11	41-3044	1	PLUG, Exp, 2 3/4", (70 mm)
11A	J926048	1	O-RING, 66 mm ID
12	J901846	4	PIN,
13	J906619	6	PLUG, 1/8 PT
14	217-438	5	PLUG, Hex Soc, 1/2"-14,
15	A77505	2	PLUG, 3/4 PT
16	A77533	1	PLUG, 1 PT
17	J928031	12	NOZZLE,
18	J900257	2	PIN, 16 mm
19	217-103	1	COCK, DRAIN, 1/4" PT
20	J931973	1	TUBE, Replaces J903744, Not Used in This Application
20A	J931824	1	GASKET, Not Used in This Application
	196804A1	1	KIT, Engine Block Heater, Inc. 21 - 23
21	196466A1	1	CABLE, ELECTRIC, 1829 mm (72 in.)
22	NSS	1	NOT SERVICED SEPARATELY, ELEMENT
23	J910517	1	O-RING,
24	L18337	1	STRAP, CABLE, 9.95"-12.1" lg, 15 in, Not Illustrated
	A77885	1	PACKAGE, REPAIR, Engine Block, Not Illustrated, Inc. 25 - 32, BSN 45636465
	A77913	1	PACKAGE, REPAIR, Engine Block, Not Illustrated, Inc. 25 - 32, ASN 45636466
25	A77854	6	PACKAGE, REPAIR, Piston and Sleeve, Standard, See Figure 02-27, BSN 45636466
25	A77912	6	PACKAGE, REPAIR, Piston, See Figure 02-27, ASN 45636466
26	A77563	6	BEARING LINER, See Figure 02-27
27	J901597	6	PIN, See Figure 02-27
28	J945930	6	BEARING, CRANKSHAFT, See Figure 02-25
29	J945929	1	BEARING, CRANKSHAFT, See Figure 02-25
30	A77976	1	KIT, GASKET, Valve Grind
31	J935585	1	GASKET, See Figure 02-19

Note: Basic engines and reman engines are generic engines. The engines are complete internally; however, externally all parts are not supplied with the engines. Check the configuration of the engine being removed, with the configuration of the engine being installed. For any external components not supplied with the engine being installed, reuse those parts from the engine that has just been removed. Do not return the old engine, until the unit is reassembled.

сылка	Номер детали	Кол-во	Описание
32	A77679	1	KIT, GASKET, See Figure 02-18

Note: Basic engines and reman engines are generic engines. The engines are complete internally; however, externally all parts are not supplied with the engines. Check the configuration of the engine being removed, with the configuration of the engine being installed. For any external components not supplied with the engine being installed, reuse those parts from the engine that has just been removed. Do not return the old engine, until the unit is reassembled.



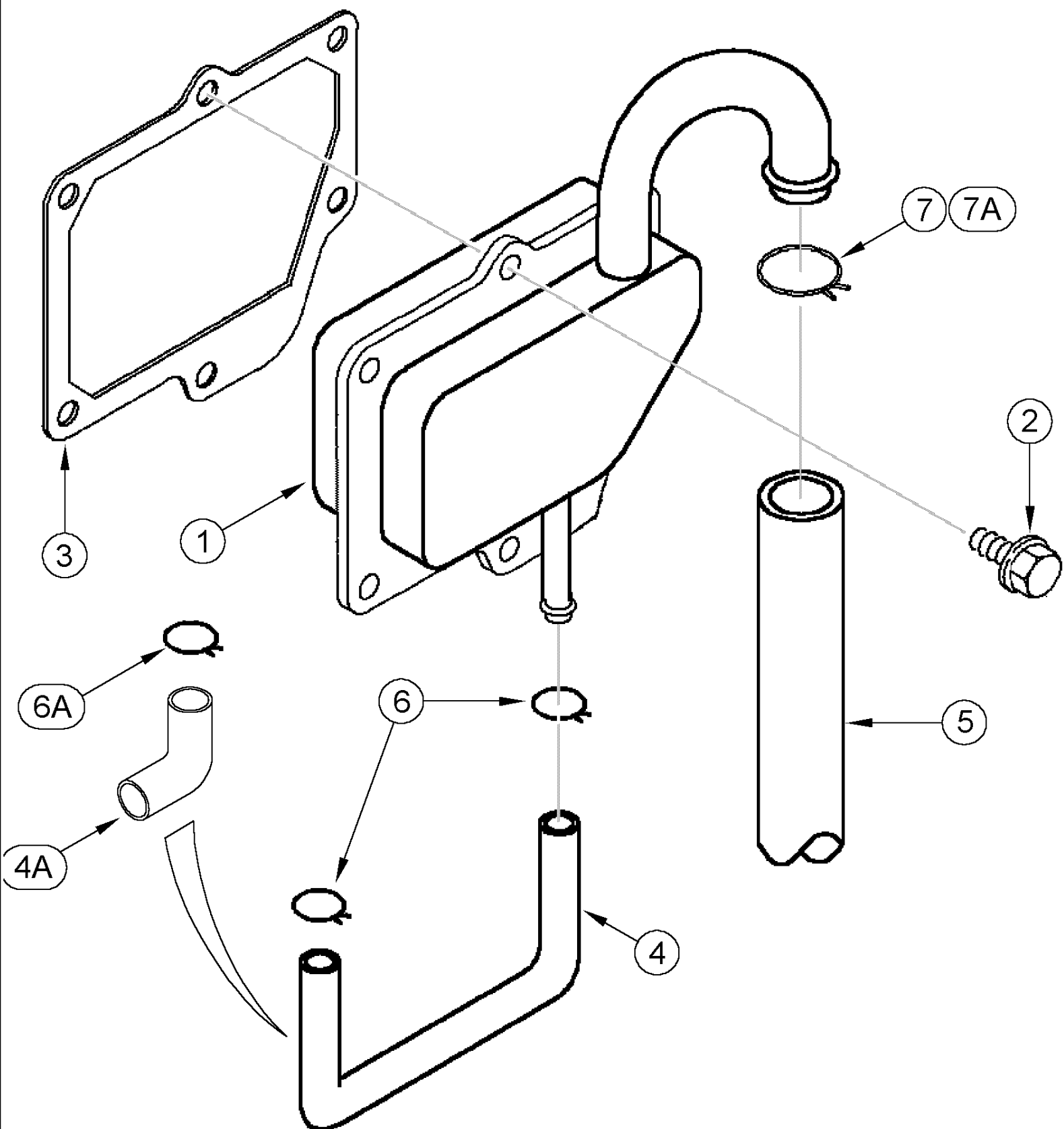
Note: Basic engines and reman engines are generic engines. The engines are complete internally; however, externally all parts are not supplied with the engines. Check the configuration of the engine being removed, with the configuration of the engine being installed. For any external components not supplied with the engine being installed, reuse those parts from the engine that has just been removed. Do not return the old engine, until the unit is reassembled.

сылка	Номер детали	Кол-во	Описание
	401359A3	1	ENGINE, Assy., Complete, Complete Engine, Less, Starter, Alternator, Fan, Fan Belt, Air Cleaner, Muffler and Exhaust Pipe.
	450560A1	1	ENGINE, BASIC, , See Note, Less, Starter, Alternator, Fan, Fan Belt, Air Cleaner, Muffler, Exhaust Manifold, Flywheel and Housing, Oil Fill and Dipstick, Fuel Injection Pump, Injectors and Lines, Front Pulley, Belt Tensioner, Turbocharger and Aftercooler
	450560A1R	1	ENGINE, BASIC, Remanufactured, N.A. Only; See Note
	6830LBC	1	CORE-ENGINE,
	87400266	1	ENGINE, SHORT, Short, Remanufactured, N.A. Only
	6830SHBC	1	CORE-ENGINE,
	A78041	1	CYLINDER BLOCK, Short, Inc. 1 - 8, Stripped Short Block, Pistons, Connecting Rods and Bearings, Crankshaft and Bearings
1	J939313	1	BASIC BLOCK, Stripped, Inc. 3 - 8, Also Order 449019A1
2	J948079	1	TUBE, Turbo Drain, BSN 46325443
2	87437056	1	TUBE, Turbo Drain, ASN 46325444
3	A77586	2	PLUG, 43 mm
4	A77506	4	PLUG, 21 mm
5	J905401	4	PLUG, 35 mm
6	J936058	7	CAP,
7	J916369	14	SCREW, Hex Flg Hd, M14 x 128,
8	J945329	7	BEARING, CAMSHAFT,
	87444569		KIT, SERVICE, Inc. 9 - 15, 17 - 20, 30 (1), Replaces 449019A1
9	217-103	1	COCK, DRAIN, 1/4" PT
10	86625135	1	PLUG, Hex Soc, 1"-11 1/2 NPTF,
11	J678923	6	PLUG, 10 mm, Includes 12
12	86625087	6	O-RING, CI 7, 8.1MM ID x 1.6 Thk, 8.1 ID x 1.6 mm
13	J900257	2	PIN, 16 mm
14	J901846	4	PIN,
15	41-3044	1	PLUG, Exp, 2 3/4", (70 mm)
16	J907177	6	O-RING,
17	J926048	1	O-RING, 66 mm ID
18	J928031	12	NOZZLE,
19	J678921	2	PLUG, 14 mm, Includes 20
20	J678912	2	O-RING, 11.3MM ID x 2.2 Thk,
21	J945603	1	GASKET, Water Inlet
22	J913030	1	FITTING, Water Inlet
27	A77530	1	PLUG, 1-13/64 OD
28	238-7018	1	O-RING, -018, CI 7, .739" ID x .070" Thk,
29	J943808	1	PLUG, 13 mm
30	263136	2	PLUG, MAGNETIC, Sq. Soc, 3/4"-14 NPTF,
31	217-438	2	PLUG, Hex Soc, 1/2"-14,
32	J920443	2	PLUG, 30 mm
33	845-8020	2	BOLT, Hex Flg, M8 x 20, 8.8, Full Thd,
34	313244A1	2	PLUG, Hex Socket, 22 mm, Inc. 35

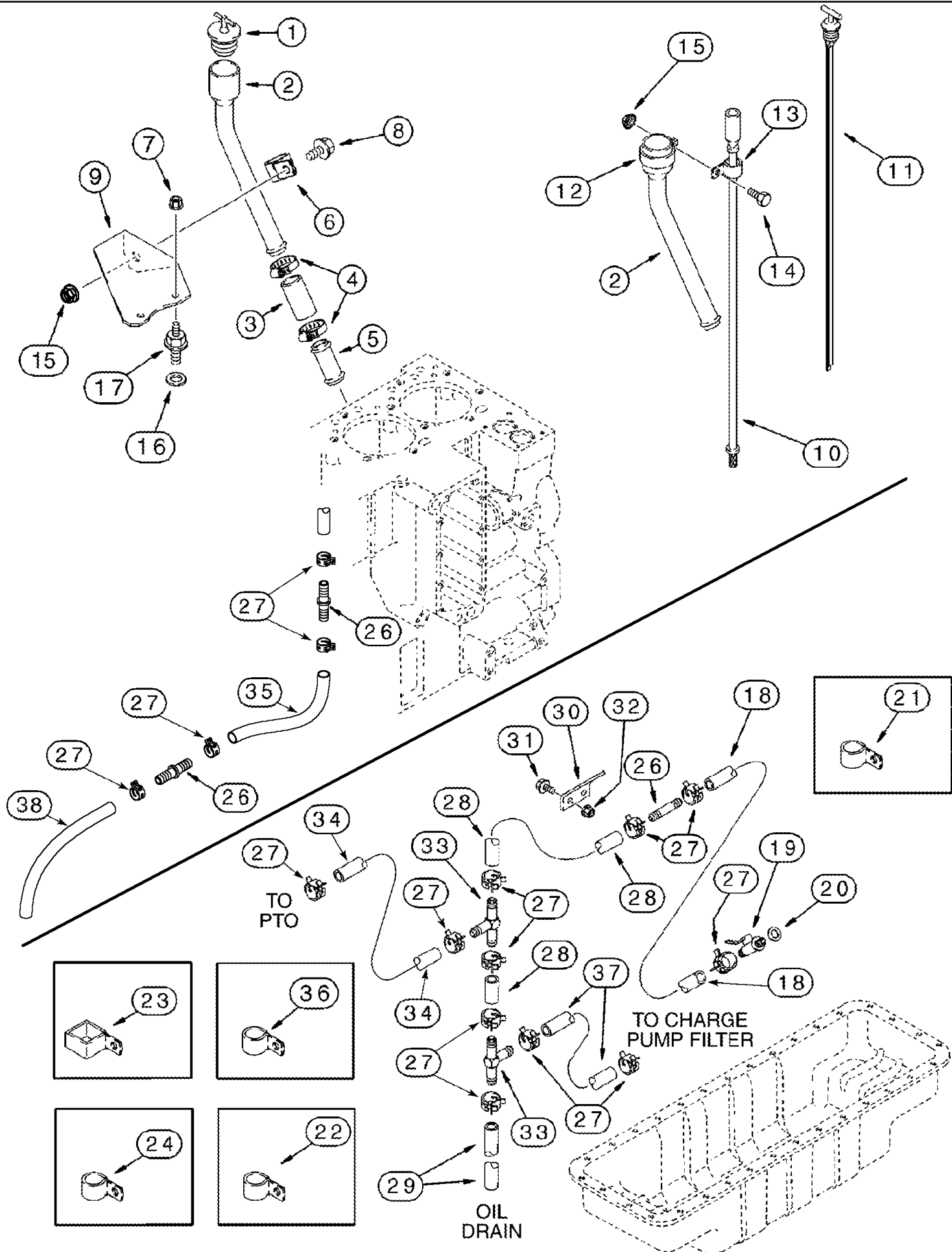
Note: Basic engines and reman engines are generic engines. The engines are complete internally; however, externally all parts are not supplied with the engines. Check the configuration of the engine being removed, with the configuration of the engine being installed. For any external components not supplied with the engine being installed, reuse those parts from the engine that has just been removed. Do not return the old engine, until the unit is reassembled.

сылка	Номер детали	Кол-во	Описание
35	313246A1	1	O-RING, 19 ID x 2,2 mm
	310493A1	1	KIT, Engine Block Heater, 120 Volt, Inc. 36 - 37
36	196466A1	1	CABLE, ELECTRIC, 1829 mm (72 in)
37	NSS	1	NOT SERVICED SEPARATELY, Element
	310494A1	1	KIT, Coolant Heater, 240V, Inc. 36 - 37
36	J913112	1	HARNESS, WIRE, 305 mm (12")
37	NSS	1	NOT SERVICED SEPARATELY, Element
38	87436828	1	GASKET, , ASN JJC0256400
39	87413814	1	COVER, Used Without Side Crankcase Breather, ASN JJC0256400
40	87409160	6	SCREW, , ASN JJC0256400
	A78039	1	KIT, ENGINE OVERHAUL, Not Illustrated, See Figure 02-27 (02)

Note: Basic engines and reman engines are generic engines. The engines are complete internally; however, externally all parts are not supplied with the engines. Check the configuration of the engine being removed, with the configuration of the engine being installed. For any external components not supplied with the engine being installed, reuse those parts from the engine that has just been removed. Do not return the old engine, until the unit is reassembled.



сылка	Номер детали	Кол-во	Описание
1	J937652	1	BREATHER, , BSN Eng. 46325
1	87437062	1	BREATHER, , ASN Eng. 46325444
2	845-6015	6	BOLT, Hex Flg, M6 x 15, 8.8, Full Thd, , BSN JJC0255699
2	87409160	6	SCREW, M6 x 16; 10.9, BTW JJC0255700 & JJC0256341
3	87436828	1	GASKET, Replaces J944683
4	J948068	1	HOSE, , BSN Eng. 46325443
4A	87437060	1	HOSE, , ASN Eng. 46325444
5	J944714	1	HOSE, 320 mm (12-5/8")
6	214-1318	1	CLAMP, HOSE, #18, 1 1/8", Spring, , BSN Eng. 46325443
6	214-1315	1	CLAMP, HOSE, #15, 15/16", Spring, , ASN Eng. 46325444
7	214-1310	2	CLAMP, HOSE, #10, 5/8", Spring, , BSN Eng. 46325443
7A	214-1314	1	CLAMP, HOSE, #14, 7/8", Spring, , ASN Eng. 46325444

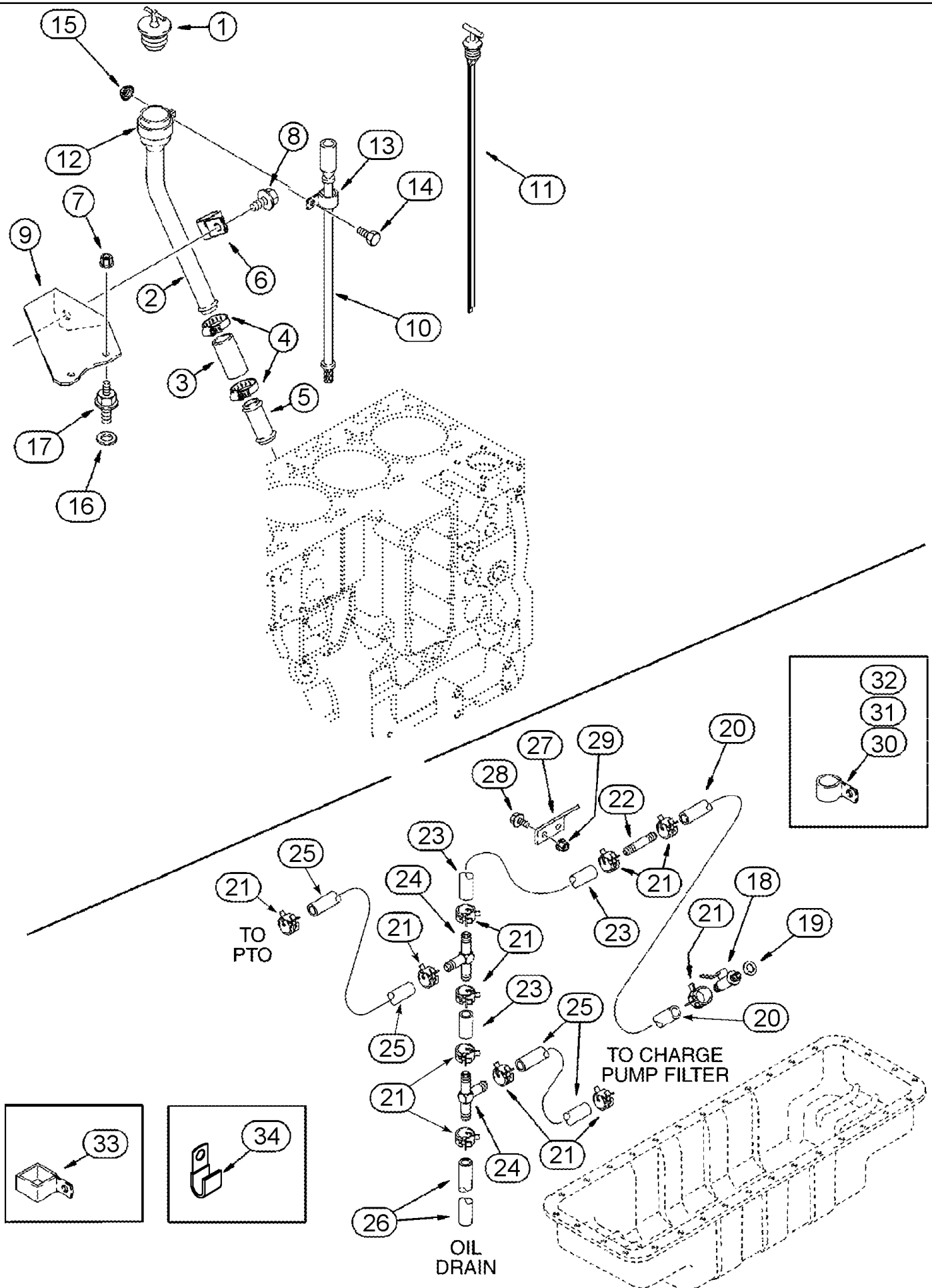


сылка	Номер детали	Кол-во	Описание
1	A77424	1	PLUG,
2	J914019	1	TUBE,
3	A77661	1	HOSE, 64 mm (2-5/8 in.)
4	214-1424	2	CLAMP, HOSE, #24, 1.06/2.00 Type F Worm,
5	J914163	1	TUBE,
6	J914022	1	CLAMP,
7	825-2405	2	NUT, M5 x .8, Flg, CI 8, M6, Replaces 825-2406
8	845-8025	1	BOLT, Hex Flg, M8 x 25, 8.8, Replaces 613-8020
9	J914020	1	BRACKET,
10	J931265	1	TUBE, , BSN JJC0255699
10	86993181	1	TUBE, , BTW JJC0255700 & JJC0256341
11	J931266	1	DIPSTICK, , BSN JJC0255699
11	86993180	1	DIPSTICK, , BTW JJC0255700 & JJC0256341
12	118788A1	1	CLAMP,
13	A77508	1	CLAMP, 7/16" ID
14	845-8025	1	BOLT, Hex Flg, M8 x 25, 8.8,
15	829-1408	1	NUT, M8, CI 10,
16	J918189	2	WASHER, SEALING,
17	J931061	2	SCREW,
18	1329978C3	1	HOSE, 430 mm (17"), Drain
19	1330429C1	1	VALVE, DRAIN,
20	J920773	1	WASHER, SEALING,
21	515-23317	1	CLAMP, 1 1/4", Insul, 3/8" Bolt,
22	515-23381	1	CLAMP, 1 1/2", Insul, 3/8" Bolt,
23	1301387C2	3	CLIP, Square, 2 in ID
24	515-25476	3	CLAMP, 1 7/8", Insul, 1/2" Bolt,
26	1301342C1	1	FITTING,
27	1954736C1	9	CLAMP, HOSE, No. 24
28	293685A1	2	HOSE, 650 mm (25-5/8 in.), Cut From 1977295CX, BSN JJC0255699
28	1329977C2	2	HOSE, 840 mm (33 in), Cut From 1977295CX, Oil Drain Upper, Oil Drain Intermediate, BTW JJC0255700 & JJC0256341
29	293339A1	1	HOSE, 1100 mm (43-5/16 in.), Cut From 1977295CX
30	1977212C1	1	BRACKET,
31	409-7616	2	BOLT, Hex Flg, 3/8"-16 x 1", Serr,
32	231-5146	2	NUT, Flg, USR, 3/8"-16,
33	1977169C1	2	TEE,
34	293687A1	1	HOSE, 400 mm (15-3/4 in.), Cut From 1977295CX, PTO Drain, BSN JJC0255699
34	394244A1	1	HOSE, 270 mm (10-5/8 in), Cut From 1977295CX, Oil Drain PTO, BTW JJC0255700 & JJC0256341
35	1977293C3	1	HOSE, 170 mm (6-5/8 in), Cut From 1977295CX, Engine Blowby Upper, BTW JJC0255700 & JJC0256341
36	97249C1	1	CLIP,
37	1546368C2	1	HOSE, 1000 mm, Cut From 1977295CX, BSN JJC0255699

2366 CASE IH AXIAL-FLOW COMBINE (NA) (1/98-8/04)

02-24(01) OIL SYSTEM, ENGINE - OIL FILL TUBE AND DIPSTICK - OIL DRAIN SYSTEM - BSN JJC0256400

сылка	Номер детали	Кол-во	Описание
37	129097A1	1	HOSE, 1270 mm (50 in), Cut From 1977295CX, Engine Blowby Lower, BTW JJC0255700 & JJC0256341



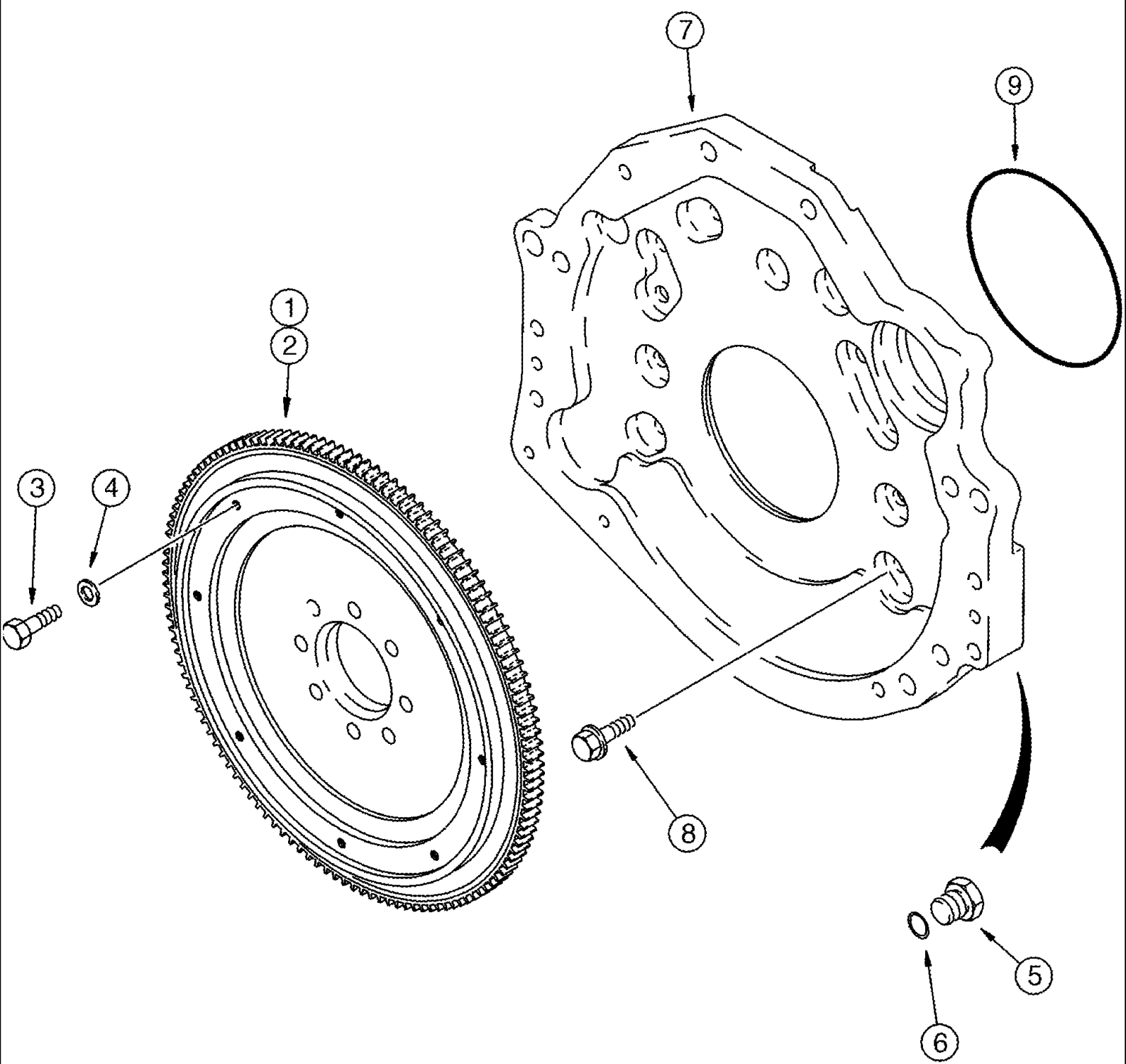
сылка	Номер детали	Кол-во	Описание
1	A77424	1	PLUG, Cap
2	J914019	1	TUBE,
3	A77661	1	HOSE,
4	214-1424	2	CLAMP, HOSE, #24, 1.06/2.00 Type F Worm,
5	J914163	1	TUBE,
6	J914022	1	CLAMP,
7	825-2406	2	NUT, M6 x 1, Flg, Cl 8,
8	845-8025	1	BOLT, Hex Flg, M8 x 25, 8.8,
9	J914020	1	BRACKET,
10	J931265	1	TUBE,
11	J931266	1	DIPSTICK,
12	118788A1	1	CLAMP,
13	A77508	1	CLAMP, 7/16" ID
14	845-8025	1	BOLT, Hex Flg, M8 x 25, 8.8,
15	825-1408	1	NUT, M8, Cl 8,
16	J918189	2	WASHER, SEALING,
17	J931061	2	SCREW,
18	1330429C1	1	VALVE, DRAIN, Includes 20
19	J920773	1	WASHER, SEALING,
20	1329978C3	1	HOSE, 430 mm (17")
21	1954736C1	10	CLAMP, HOSE, No. 24
22	1301342C1	1	FITTING,
23	1329977C2	2	HOSE, 840 mm (33 in), Cut From 1977295CX, Oil Drain Upper, Oil Drain Intermediate
24	1977169C1	2	TEE,
25	394244A1	1	HOSE, 270 mm (10-5/8 in), Cut From 1977295CX, Oil Drain Pto
26	293339A1	1	HOSE, 1100 mm (43-5/16 in), Cut From 1977295CX, Oil Drain Lower
27	1977212C1	1	BRACKET,
28	409-7616	2	BOLT, Hex Flg, 3/8"-16 x 1", Serr,
29	231-5146	2	NUT, Flg, USR, 3/8"-16,
30	515-23317	1	CLAMP, 1 1/4", Insul, 3/8" Bolt,
31	515-23381	1	CLAMP, 1 1/2", Insul, 3/8" Bolt,
32	515-25476	3	CLAMP, 1 7/8", Insul, 1/2" Bolt,
33	1301387C2	2	CLIP, 2 in ID Square
34	97249C1	1	CLIP,

02-25 CRANKSHAFT

сылка	Номер детали	Кол-во	Описание
	JR918986	1	REMAN-CRANKSHAFT, Remanufactured, N.A. Only
	JC918986	1	CORE-CRANKSHAFT,
1	J918986	1	CRANKSHAFT, Inc. 2 & 3
2	J918776	1	GEAR,
3	J904483	1	PIN,
4	NSS	1	NOT SERVICED SEPARATELY, SEAL, Order: A77790
5	J925568	1	DAMPER, , BSN JJC0255699
5	J925570	1	DAMPER, , ASN JJC0255700
6	J906733	4	BOLT, M14 x 35
7	NSS	1	NOT SERVICED SEPARATELY, SEAL, Order: J934486
8	J933384	1	COVER, REAR, Replaces: J921042
9	J914301	1	GASKET,
10	87409160	8	SCREW, M6 x 16; 10.9
11	J945930	6	BEARING, CRANKSHAFT, Main, Standard, Replaces: A77711
11	J945931	6	BEARING, CRANKSHAFT, Undersize, 0.25 mm, Replaces: A77712
11	J945932	6	BEARING, CRANKSHAFT, Undersize, 0.50 mm, Replaces: A77713
11	J945933	6	BEARING, CRANKSHAFT, Undersize, 0.75 mm, Replaces: A77714
11	J945934	6	BEARING, CRANKSHAFT, Undersize, 1.00 mm, Replaces: A77715
12	J945929	1	BEARING, CRANKSHAFT, Main Thrust Standard, Replaces: A77843
12	J945922	1	BEARING, CRANKSHAFT, Undersize, 0.25 mm, Replaces: A77844
12	J945923	1	BEARING, CRANKSHAFT, Undersize, 0.50 mm, Replaces: A77845
12	J945924	1	BEARING, CRANKSHAFT, Undersize, 0.75 mm, Replaces: A77846
12	J945925	1	BEARING, CRANKSHAFT, Undersize, 1.00 mm, Replaces: A77847
12	J945926	1	BEARING, CRANKSHAFT, Standard, oversize 0.25 mm, Replaces: A77848
12	J945927	1	BEARING, CRANKSHAFT, Standard, oversize 0.50 mm, Replaces: A77849
12	J945928	1	BEARING, CRANKSHAFT, Undersize, 0.50 mm, oversize 0.50 mm, Replaces: A77850
13	J918113	1	SHIELD, Order: A77790
14	A77790	1	KIT, SEALS, Crankshaft, Front, Inc. 15 - 18
15	NSS	1	NOT SERVICED SEPARATELY, SEAL
16	NSS	1	NOT SERVICED SEPARATELY, TOOL
17	NSS	1	NOT SERVICED SEPARATELY, TOOL
18	J918113	1	SHIELD,
19	A77808	1	KIT, SERVICE, Crankshaft, Front, Inc. 20 - 23
20	NSS	1	NOT SERVICED SEPARATELY, SLEEVE
21	NSS	1	NOT SERVICED SEPARATELY, TOOL
22	NSS	1	NOT SERVICED SEPARATELY, SEAL
23	J924987	1	SHIELD,
24	J934486	1	KIT, SERVICE, Crankshaft, Rear, Inc. 25, 26, Replaces: A77809 & J353978
24A	NSS	1	NOT SERVICED SEPARATELY, TOOL, Not Illustrated
25	NSS	1	NOT SERVICED SEPARATELY, TOOL
26	NSS	1	NOT SERVICED SEPARATELY, SEAL
27	A77810	1	KIT, SERVICE, Crankshaft, Rear, Inc. 28, 29
28	NSS	1	NOT SERVICED SEPARATELY, SLEEVE

02-25 CRANKSHAFT

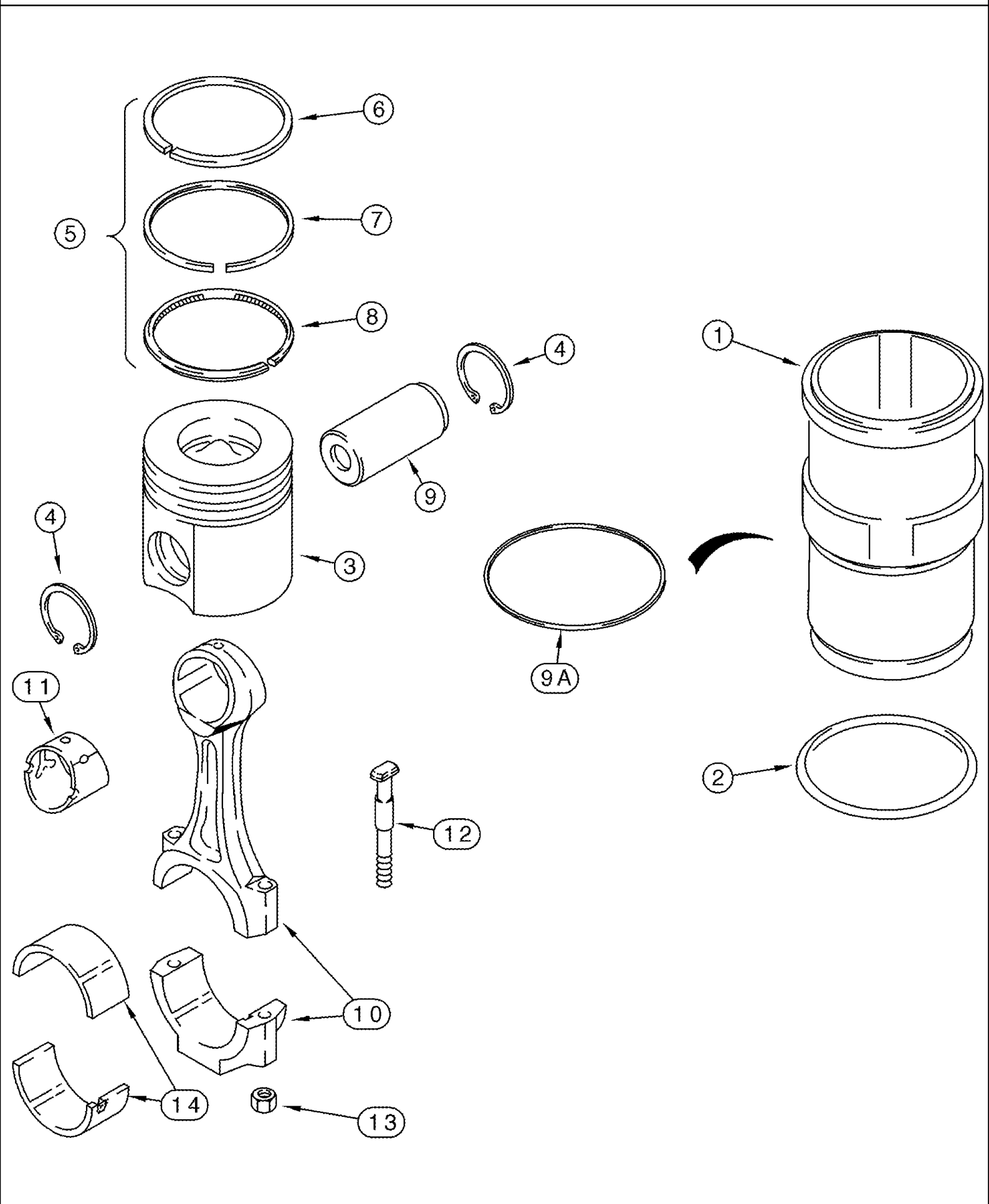
сылка	Номер детали	Кол-во	Описание
29	NSS	1	NOT SERVICED SEPARATELY, SEAL
30	87423334	1	SEAL, Dust



02-26 FLYWHEEL AND BACKING PLATE

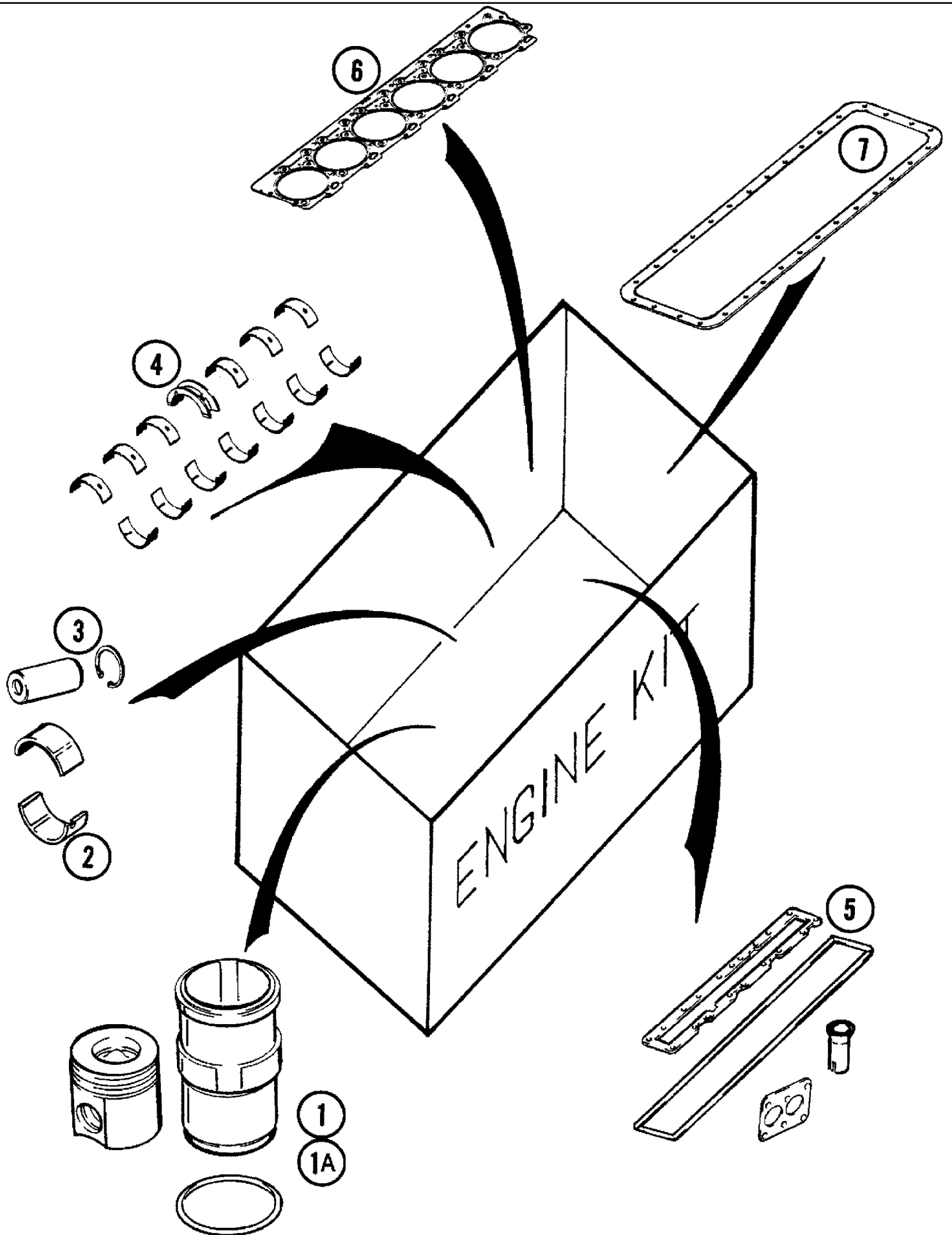
сылка	Номер детали	Кол-во	Описание
1	J917052	1	FLYWHEEL, Includes 2
2	J905427	1	GEAR,
3	J908181	8	SCREW, 12 x 50 mm
4	J900269	8	WASHER,
5	J910248	1	PLUG, Includes 6
6	238-5212	1	O-RING, -212, 70 Duro, .859" ID x .139" Thk,
7	J913593	1	PLATE,
8	854-12040	10	BOLT, Hex Flg, M12 x 40, 10.9,
9	J912473	1	SEALRING,

02-27(01) PISTONS - CONNECTING RODS



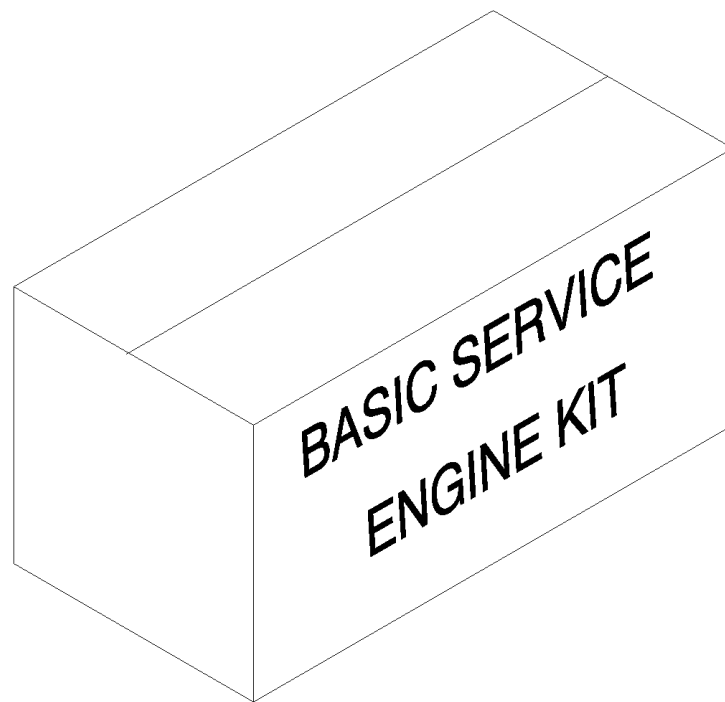
02-27(01) PISTONS - CONNECTING RODS

сылка	Номер детали	Кол-во	Описание
	A77854	6	PACKAGE, REPAIR, Piston and Sleeve, Standard, Inc. 1 - 8, BSN 45636465
	A77912	6	PACKAGE, REPAIR, Piston and Sleeve, Standard, Inc. 1 - 8, BTW 45636466 & JJC0255699
	A78038	6	KIT, Piston and Sleeve, Standard, Inc. 1 - 8, ASN JJC0255700
1	J919937	1	SLEEVE CYLINDER, , BSN 45636465
1	J944344	1	SLEEVE CYLINDER, , BTW 45636466 & JJC0255699
1	J948095	1	SLEEVE CYLINDER, , ASN JJC0255700
2	J907177	1	O-RING,
	A77853	1	KIT, PISTON & RINGS, Includes 3 - 8, BSN JJC0255699
	J802263	1	KIT, PISTON & RINGS, Inc. 3 - 8, ASN JJC0255700
3	NSS	1	NOT SERVICED SEPARATELY, PISTON
4	100-21175	2	RING, SNAP, 1.75", Int, #175,
5	J802429	1	KIT, PISTON RINGS, Inc. 6 - 8, Replaces A77802
6	NSS	1	NOT SERVICED SEPARATELY, RING, Top
7	NSS	1	NOT SERVICED SEPARATELY, RING, Middle
8	NSS	1	NOT SERVICED SEPARATELY, RING, Bottom
9	J934046	6	PIN, PISTON,
9A	J924445	AR	SHIM, 0.254mm Thk, (.010")
9A	J924446	AR	SHIM, 0.381mm Thk, (.015")
9A	J924447	AR	SHIM, 0.508mm Thk, (.020")
9A	J924448	AR	SHIM, 0.762mm Thk, (.030")
9A	J924449	AR	SHIM, 1.000mm Thk, (.040")
	JR901383	6	REMAN-ROD CONNECTING, Remanufactured, N.A. Only
	JC901383	1	CORE-ROD CONNECTING,
	J901383	6	ROD, CONNECTING, Inc. 10 - 13
10	NSS	1	NOT SERVICED SEPARATELY, ROD
11	J913990	1	BUSHING,
12	J928870	2	BOLT,
13	J934864	2	NUT, Replaces: J901381
14	A77563	6	BEARING LINER, Standard
14	A77564	6	BEARING LINER, Undersize, 0.25 mm
14	A77565	6	BEARING LINER, Undersize, 0.50 mm
14	A77566	6	BEARING LINER, Undersize, 0.75 mm
14	A77567	6	BEARING LINER, Undersize, 1.00 mm



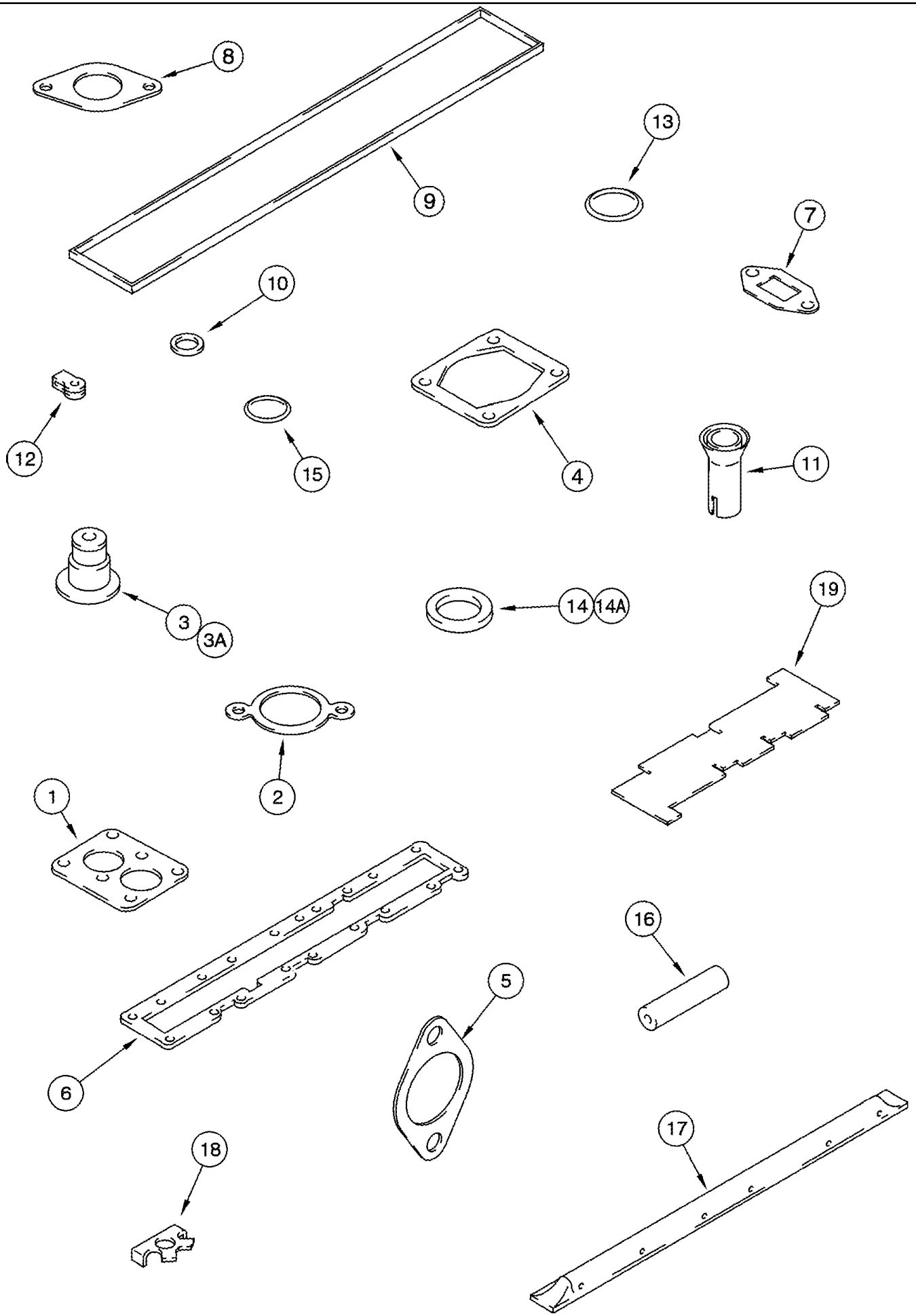
02-27(02) KIT ENGINE OVERHAUL

сылка	Номер детали	Кол-во	Описание
	A78039	1	KIT, ENGINE OVERHAUL, Inc. 1 - 8
1	A78038	6	KIT, Piston and Sleeve, See Figure 02-27 (01)
2	A77563	6	BEARING LINER, Kit, Connecting Rod, Standard, See Figure 02-27 (01)
3	J934046	6	PIN, PISTON, Piston, See Figure 02-27 (01)
4	J945930	6	BEARING, CRANKSHAFT, Main, Standard, See Figure 02-25
4	J945929	1	BEARING, CRANKSHAFT, Thrust, Standard, See Figure 02-25
5	A78042	1	KIT, Valve Grind, See Figure 02-28
6	REF	1	INSTRUCTION, Gasket, Cylinder Head, See Figure 02-19
7	J938160	1	GASKET, Oil Pan, See Figure 02-18



сылка	Номер детали	Кол-во	Описание
	A78043	1	GASKET, CYLINDER HEAD, Basic Engine, Inc. 1 - 27
1	222-993	2	GASKET, 3/8 Tube, FI, Copper,
2	238-5013	2	O-RING, -013, 70 Duro, .426" ID x .070" Thk,
3	238-5115	2	O-RING, -115, 70 Duro, .674" ID x .103" Thk,
4	238-5120	2	O-RING, -120, 70 Duro, .987" ID x .103" Thk,
5	238-7115	2	O-RING, -115, CI 7, .674" ID x .103" Thk,
6	933697R1	2	WASHER, SEALING, M10 x 13.5 x 1,
7	J937706	1	GASKET, Oil Drain
8	J902425	2	WASHER, 22 mm ID
9	J903380	6	SEAL, Banjo Connector
10	J903475	1	SEAL, Rectangular
11	J909886	6	SEAL, Injector
12	J910517	1	O-RING,
13	J755843	1	GASKET, Turbo Mount
14	J912473	1	SEALRING, Rear Cover
15	J936993	1	GASKET, MANIFOLD, Intake Manifold Cover
16	J916284	1	O-RING,
17	J918188	2	WASHER, Sealing
18	J918190	2	WASHER, SEALING, 10 mm ID
19	J918192	4	RING, PACKING, M14
20	J918779	1	GASKET, Water Outlet
21	J990881	2	CONNECTION, Banjo
22	J923261	6	WASHER, Injector Tip, 2.5 mm
23	J924605	1	SEAL, D-Shaped
24	J939258	1	GASKET, Lift Pump
25	238-7018	1	O-RING, -018, CI 7, .739" ID x .070" Thk,
26	J932063	6	GASKET, MANIFOLD, Exhaust Manifold
27	87415913	2	WASHER, SEALING, 12 mm

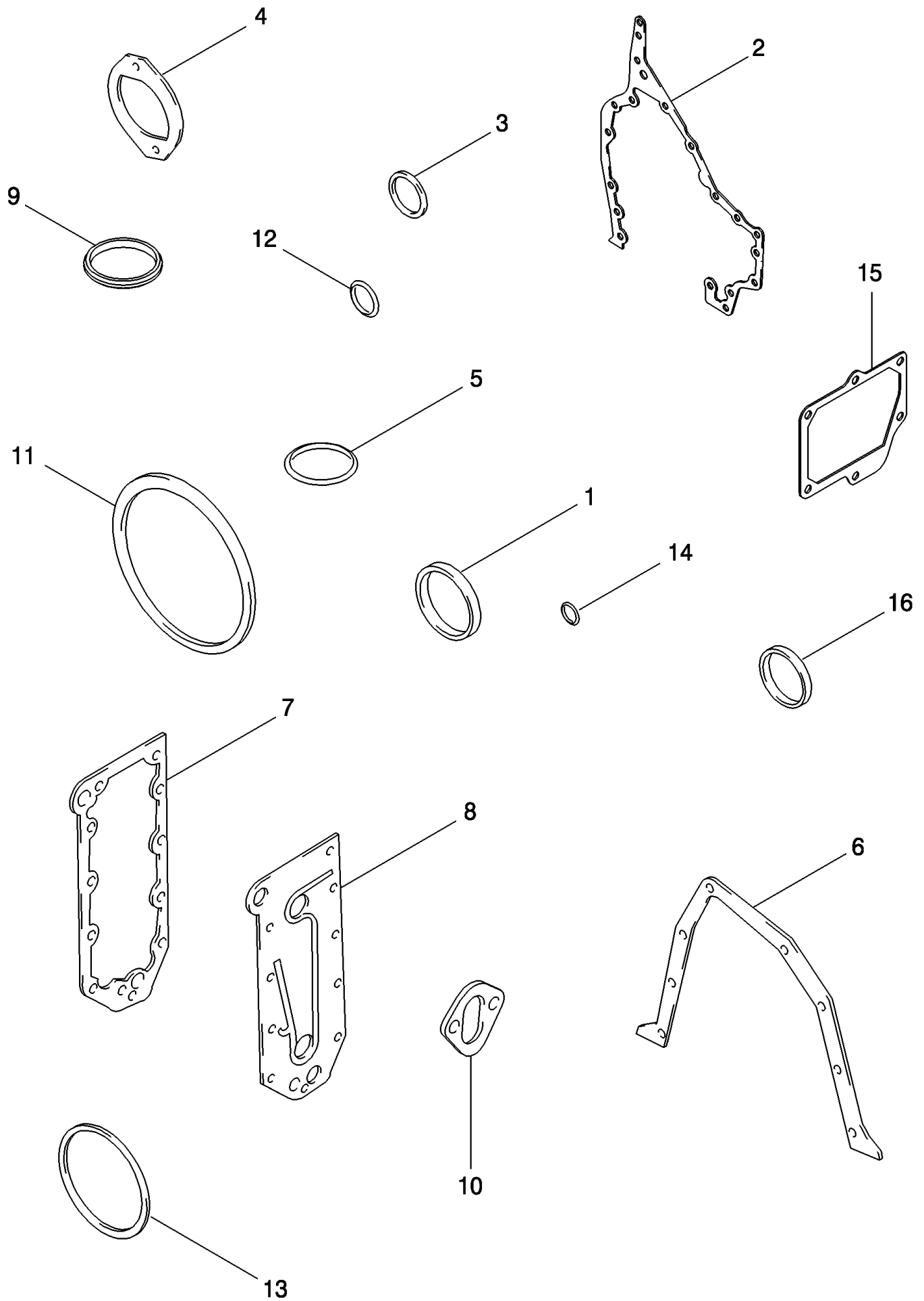
02-28 GASKET KIT - VALVE GRIND



02-28 GASKET KIT - VALVE GRIND

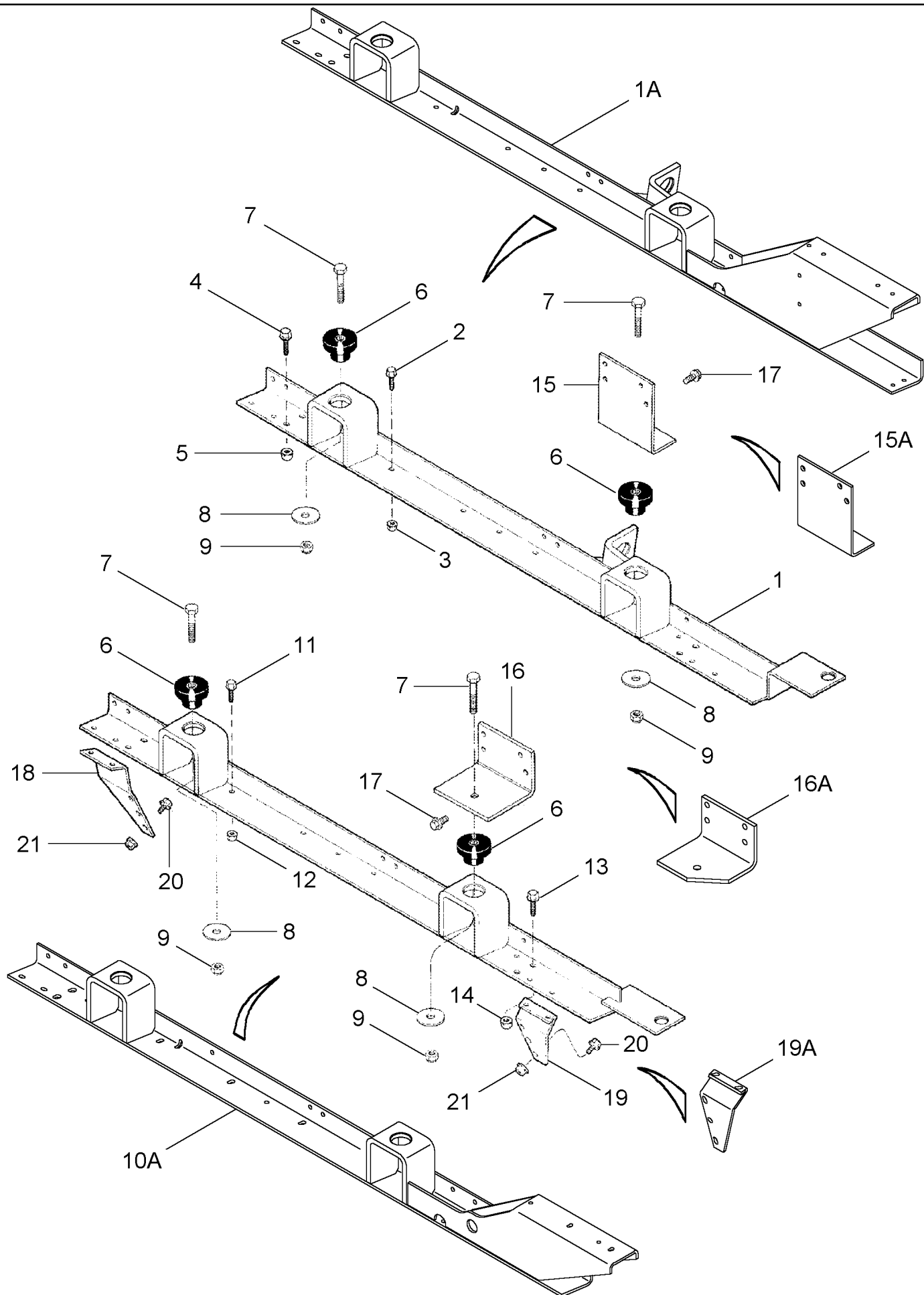
сылка	Номер детали	Кол-во	Описание
	A77842	1	KIT, GASKET, Kit, Includes: Ref. 1 - 19, No Longer Available, Order A78042
	A77976	1	KIT, GASKET, Includes: Ref. 1, 2, 3A - 6, 8 - 19, BSN JJC0255699
	A78042	1	KIT, Valve Grind, Inc. 1, 2, 3A, 4, 6, 8 - 20, ASN JJC0255700
1	J914310	1	GASKET, Thermostat Housing
2	J918779	1	GASKET, Water Outlet
3	J915707	6	SEAL,
3A	J927642	6	SEAL, Valve Stem, Exhaust
4	J911941	1	GASKET, , BSN JJC0255699
4	J755843	1	GASKET, Turbo Mount, ASN JJC0255700
5	J932063	1	GASKET, MANIFOLD, Exhaust Manifold
6	J936993	1	GASKET, MANIFOLD, Intake Manifold
7	J931350	1	GASKET, Not Used in This Application
8	J937706	1	GASKET, Oil Drain, Replaces: J819378 & J942725
9	J905449	1	SEAL, RUBBER, Valve Cover
10	J910824	6	O-RING, Valve Cover Bolts
11	J909886	6	SEAL, Injector
12	J903380	7	SEAL, Banjo Connector
13	238-5115	1	O-RING, -115, 70 Duro, .674" ID x .103" Thk,
14	J937142	6	SEAL, 1.5 mm
14	J923261	6	WASHER, 2.5 mm, Injector Tip, ASN JJC0255700
14A	J906659	6	SEAL, 7 mm, Used With A77976
15	238-5111	1	O-RING, -111, 70 Duro, .424" ID x .103" Thk, Water Filter Shut-off
16	J930827	1	HOSE, Not Used in This Application
17	J919677	1	MANIFOLD,
18	J914708	12	PLATE, LOCKING, Exhaust Manifold Bolts
19	87404692	1	GAUGE, Cylinder Head Bolt Length, Replaces J823921
20	J929012	6	GASKET, Exhaust Manifold, Not Illustrated

02-29 GASKET KIT - CYLINDER BLOCK



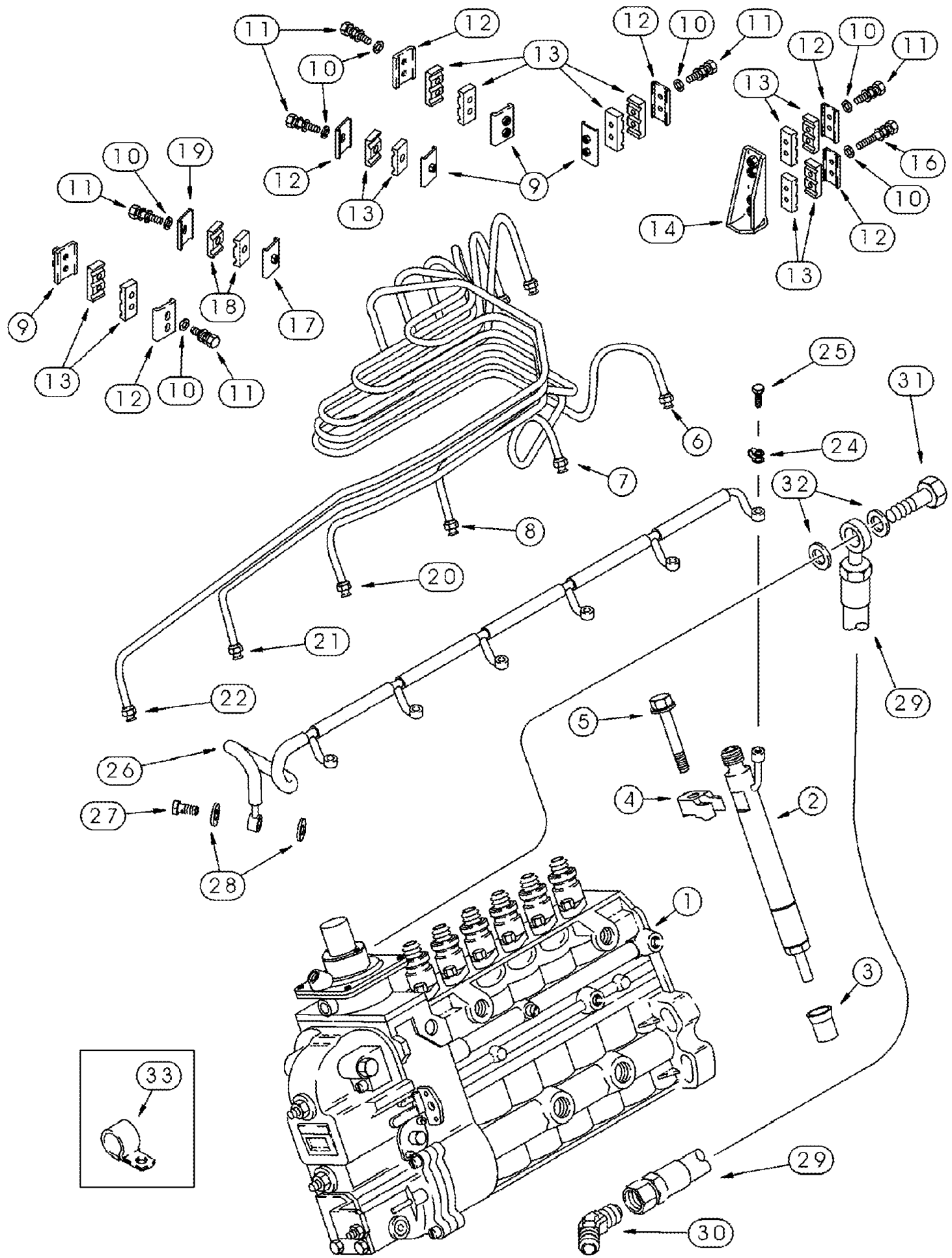
02-29 GASKET KIT - CYLINDER BLOCK

сылка	Номер детали	Кол-во	Описание
	A77855	1	KIT, Cylinder Block, Inc. 1 -16, BSN JJC0255699
	87416435	1	KIT, GASKET, Cylinder Block, 6TAA-830, Tier 2 Engines, Inc. 1 - 16, ASN JJC0255700
1	J903475	1	SEAL, Front Cover
2	J938737	1	GASKET, Gear Housing, Replaces J929253, BSN JJC0255699
2	J944293	1	GASKET, Gear Housing, Shown, ASN JJC0255700
3	J915772	1	SEALRING, Timing Pin Housing
4	J938655	1	GASKET, Hydraulic Pump
5	J902089	1	SEAL, Water Pump to Block, BSN JJC0255699
5	238-5244	1	O-RING, -244, 70 Duro, 4.234" ID x .139" Thk, , ASN JJC0255700
6	J914301	1	GASKET, Rear Cover
7	J918174	1	GASKET, Oil Cooler
8	J929011	1	GASKET, Oil Cooler Cover, BSN JJC0255699
8	J4063496	1	GASKET, Oil Cooler Cover, ASN JJC0255700
9	J901798	1	WASHER, SEALING, Lube Oil Cooler, BSN JJC0255699
9	J924605	1	SEAL, Seal, Injection Pump to Gear Housing, ASN JJC0255700
10	J939258	1	GASKET, Replaces: J931348
11	J912473	1	SEALRING, Rear Seal Cover
12	238-5212	1	O-RING, -212, 70 Duro, .859" ID x .139" Thk, Barring Hole Plug
13	J907177	6	O-RING, Sleeve to Block
14	J913994	1	O-RING, Timing Pin, BSN JJC0255699
14	J915772	1	SEALRING, , ASN JJC0255700
15	J916284	1	O-RING, Lube Oil Supply, BSN JJC0255699
15	87436828	1	GASKET, Breather, Shown, ASN JJC0255700
16	J926722	1	SEAL, Lube Oil Supply

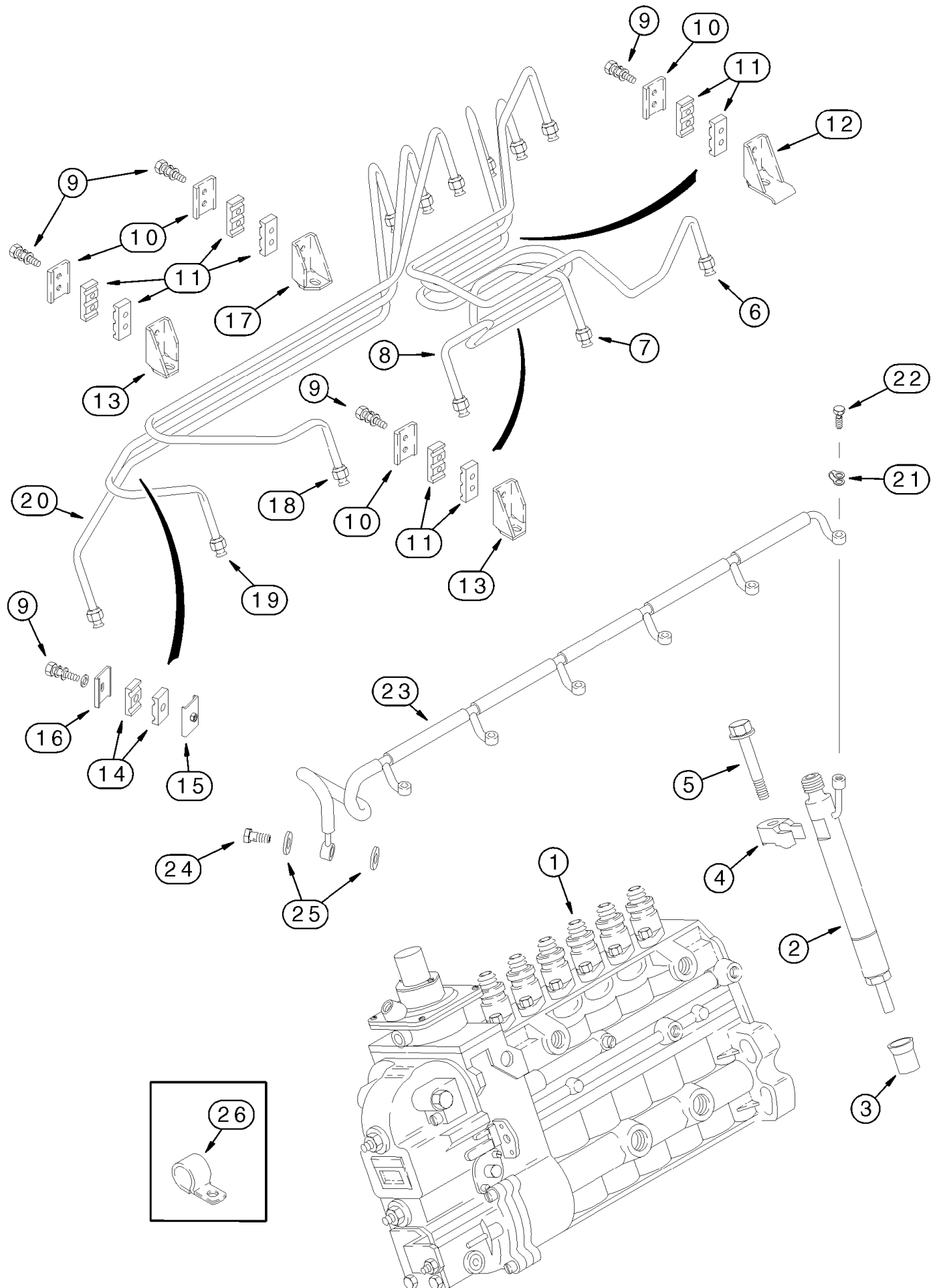


02-30 MOUNTING, ENGINE

сылка	Номер детали	Кол-во	Описание
1	195113A1	1	RAIL, Left Hand, BSN JJC0255699
1A	87416103	1	RAIL ASSY., LH, ASN JJC0255700
2	409-7612	6	BOLT, Hex Flg, 3/8"-16 x 3/4", Serr,
3	231-5146	4	NUT, Flg, USR, 3/8"-16,
4	409-7820	4	BOLT, Hex Flg, 1/2"-13 x 1 1/4", Serr,
5	231-5148	4	NUT, Flg, USR, 1/2"-13,
6	194915C2	4	ISOLATOR, Front and Rear
7	413-1056	4	BOLT, Hex, 5/8"-11 x 3 1/2", G5,
8	107813R1	4	WASHER, 21/32 x 2-1/2 x 11/64
9	231-41110	4	NUT, LOCK, 5/8"-11, GB,
10	195116A4	1	RAIL, Right Hand, BSN JJC0255699
10A	87416054	1	RAIL ASSY., Right Hand, ASN JJC0255700
11	409-7616	6	BOLT, Hex Flg, 3/8"-16 x 1", Serr,
12	231-5146	6	NUT, Flg, USR, 3/8"-16,
13	409-7820	4	BOLT, Hex Flg, 1/2"-13 x 1 1/4", Serr,
14	231-5148	4	NUT, Flg, USR, 1/2"-13,
15	1315644C1	1	SUPPORT, LH Front, BSN JJC0255699
15A	400753A1	1	BRACKET, LH Front, ASN JJC0255700
16	1315645C1	1	SUPPORT, RH Front, BSN JJC0255699
16A	400752A1	1	BRACKET, RH Front, ASN JJC0255700
17	854-12025	6	BOLT, Hex Flg, M12 x 25, 10.9,
18	1330098C2	1	SUPPORT, Right Hand Rear
19	1330099C2	1	SUPPORT, RH Front, BSN JJC0255699
19A	87416055	1	SUPPORT, RH Front, ASN JJC0255700
21	231-5146	10	NUT, Flg, USR, 3/8"-16,
22	L116914	1	GROMMET,
20	477-73816	10	SCREW, Sltd Serr Truss Hd, 3/8" x 1",

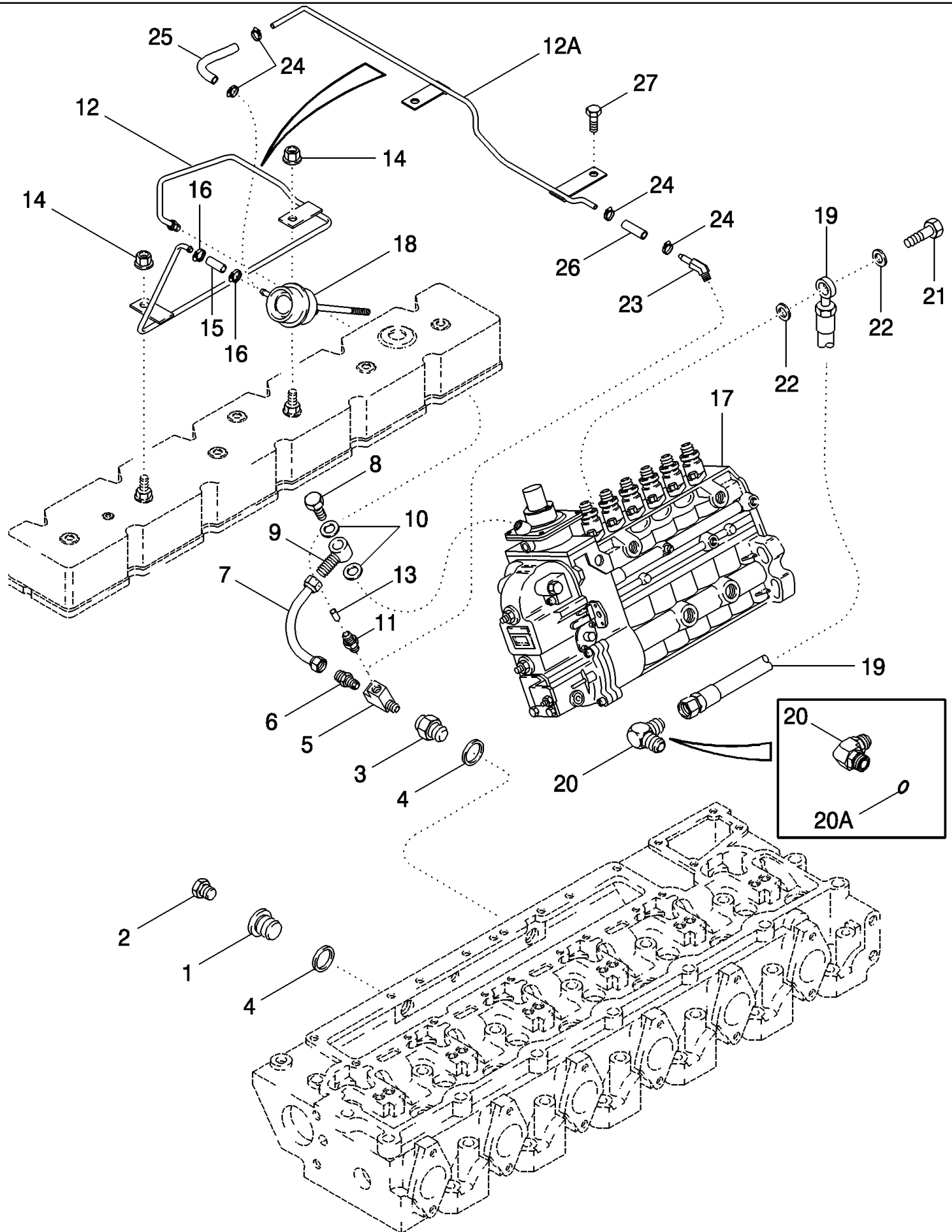


сылка	Номер детали	Кол-во	Описание
1	J930453	1	PUMP, FUEL INJECTION, No Longer Available, Order: J935478 & J935073, See Figure 03-04, BSN JJC0252059
1	J935478	1	PUMP, FUEL INJECTION, See Figure 3-04, ASN JJC0252060
2	REF	6	INSTRUCTION, INJECTOR ASSY., See Figure 03-05
3	J909886	6	SEAL,
4	J910279	6	CLAMP,
5	J922018	6	SCREW, M8 x 80; 12
6	J930355	1	PIPE INJECTION,
7	J930356	1	PIPE INJECTION,
8	J930357	1	PIPE INJECTION, , This Tube Has Two Different Sized Nuts On Injector Line. If Looking For A Line With 14 M Nuts On Both Ends, Use Part Number J935078.
9	J917716	3	BRACE,
10	895-11005	12	WASHER, M5 x 10 x 1,
11	J920854	10	SCREW, Hex Hd, M5 x .8 x 20, w/LW,
12	J904519	5	SUPPORT,
13	J917747	10	CLAMP,
14	J917776	1	BRACE,
16	J920855	2	BOLT, M5 x 35
17	J917717	2	BRACE,
18	J917746	4	CLAMP,
19	J904711	2	CLAMP,
20	J930358	1	PIPE INJECTION,
21	J930359	1	PIPE INJECTION,
22	J930360	1	PIPE INJECTION, , This Tube Has Two Different Sized Nuts On Injector Line. If Looking For A Line With 14 M Nuts On Both Ends, Use Part Number J935084.
24	J903380	6	SEAL,
25	J905307	6	BOLT, BANJO, M6 x 1 x 14.3,
26	J920595	1	TUBE ASSY.,
27	J924726	1	BOLT, BANJO,
28	J918188	2	WASHER,
29	J916779	1	HOSE, FLEXIBLE, 508 mm (20 in.)
30	222-1704	1	ELBOW, 45c, 7/16"-24, 45c Fl x 1/4 NPT, 7/16 fl x 1/8 PT
31	J918002	1	BOLT, BANJO,
32	J918190	2	WASHER, SEALING, 10 x 15.5 x 1 mm
33	515-2363	AR	CLAMP, M6.3, Insul, 3/8" Bolt,



сылка	Номер детали	Кол-во	Описание
1	87402490	1	PUMP, FUEL INJECTION, See Figure 03-04
2	87402526	6	INJECTOR ASSY., With Cylindrical Type Nozzle, See Figure 03-05
2	87433377	6	INJECTOR ASSY., With Conical Type Nozzle, See Figure 03-05
3	J909886	6	SEAL,
4	J910279	6	CLAMP,
5	845-8080	6	BOLT, Hex Flg, M8 x 80, 8.8,
6	J930391	1	PIPE INJECTION, No. 1
7	J930392	1	PIPE INJECTION, No. 2
8	J930393	1	PIPE INJECTION, No. 3
9	J920854	9	SCREW, Hex Hd, M5 x .8 x 20, w/LW,
10	J991275	4	BRACKET,
11	J917747	8	CLAMP,
12	J919622	1	BRACE,
13	J282942	1	BRACKET,
14	J917746	2	CLAMP,
15	J991277	1	BRACE,
16	J991276	1	BRACE,
17	J282942	1	BRACKET,
18	J930394	1	PIPE INJECTION, No. 4
19	J930395	1	PIPE INJECTION, No. 5
20	J930396	1	PIPE INJECTION, No. 6
21	J903380	6	SEAL,
22	J905307	6	BOLT, BANJO, M6 x 1 x 14.3,
23	J920595	1	TUBE ASSY.,
24	J924726	1	BOLT, BANJO,
25	J918188	2	WASHER,
26	515-2363	2	CLAMP, M6.3, Insul, 3/8" Bolt,

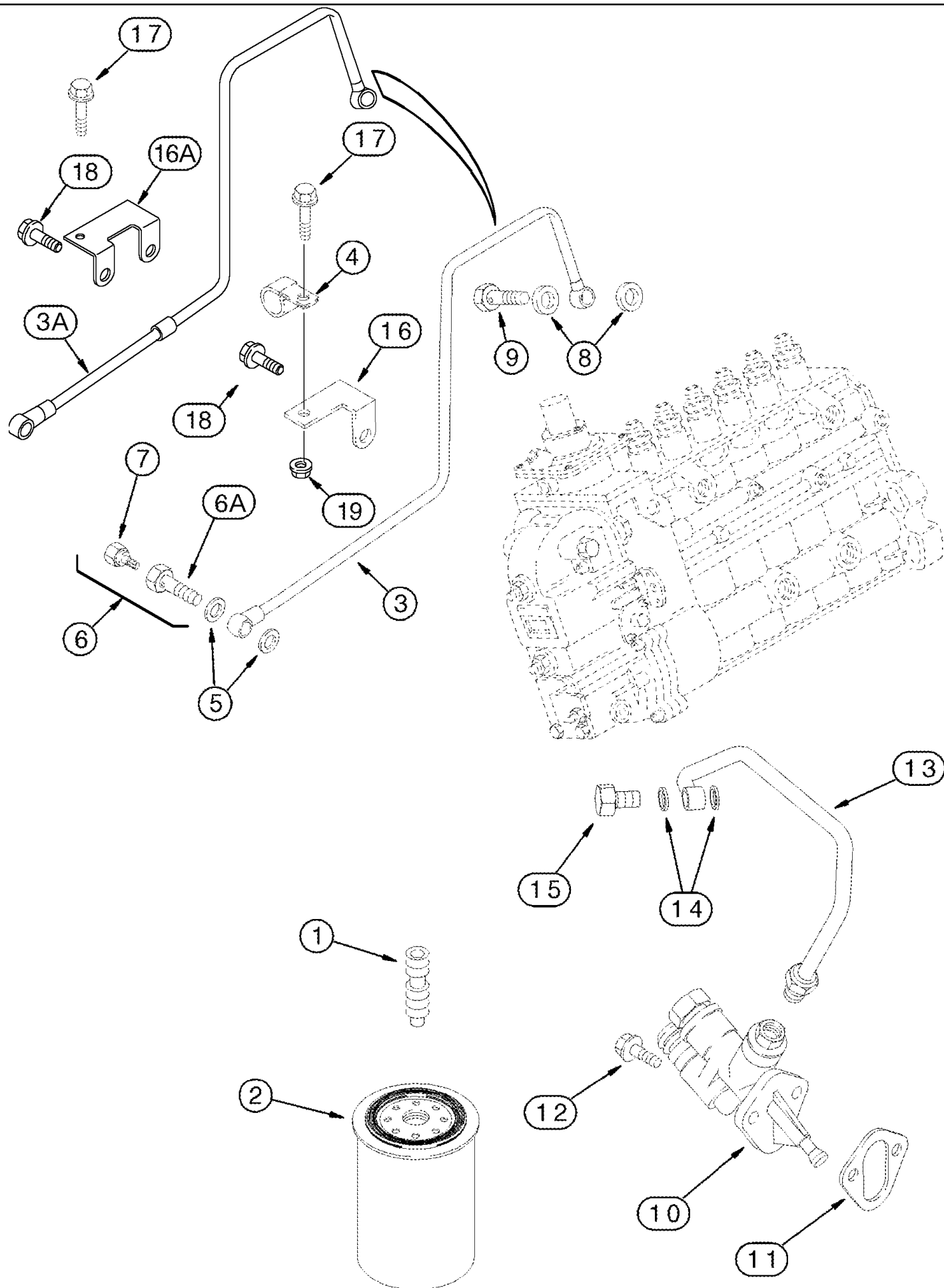
03-02 ANEROID AND WASTEGATE SYSTEM



03-02 ANEROID AND WASTEGATE SYSTEM

сылка	Номер детали	Кол-во	Описание
1	J924148	1	PLUG, M22
2	86637724	1	PLUG, Hex Soc, 1/8"-27 NPTF,
3	J921594	1	PLUG,
4	J902425	1	WASHER,
5	J930789	1	TEE, 1/8 x 1/8 x 1/8
6	222-21	1	FITTING, 7/16"-24 x 1/8" NPTF,
7	J926739	1	TUBE, 150 mm (6 in.), No Longer Used, Order J934608
7	J934608	1	TUBE, Replaces: J926739 & J929102, BSN JJC0255699
7	J991512	1	TUBE, , ASN JJC0255700
8	J903035	1	BOLT, BANJO, M12 x 24
9	J919644	1	FITTING, , BSN JJC0255699
9	J990881	1	CONNECTION, , ASN JJC0255700
10	87415913	2	WASHER, SEALING, 12 mm, Replaces: J918191 & J935171
11	A77796	1	CONNECTOR,
12	J926732	1	TUBE, Replaces: J929846, BSN JJC0255699
12A	J935612	1	PIPE, , ASN JJC255700
13	222-102	1	SLEEVE, 1/4" Tube,
14	J900589	1-2	NUT, M8, BSN JJC0255699
15	J920871	1	HOSE, 51 mm (2-1/8 in.)
16	214-1404	2	CLAMP, HOSE, #4, 0.25/0.62 Type M Worm,
17	J930453	1	PUMP, FUEL INJECTION, See Figure 03-04, No Longer Available, Order: J935478, BSN JJC0252059
17	J935478	1	PUMP, FUEL INJECTION, See Figure 03-04, BTW JJC0252060 & JJC0255699
17	87402490	1	PUMP, FUEL INJECTION, See Figure 03-04, ASN JJC0255700
18	REF	1	INSTRUCTION, Actuator, See Figure 02-16
19	J930690	1	HOSE, 420 mm (16-1/2 in)
20	J945212	1	ELBOW,
20A	637-72081	1	O-RING, CI 7, 8.1MM ID x 1.6 Thk,
21	J918002	1	BOLT, BANJO,
22	J918190	2	WASHER, SEALING, 10 x 15,5 x 1 mm
23	217-281	1	FITTING, 45c, 1/4" Hose x 1/8" NPTF, Barbed, Stem, Barb
24	214-1704	4	CLAMP, HOSE, #4, 0.25/0.62 Type M Worm, , ASN JJC0255700
25	J238056	1	HOSE 51 mm (2 in), Cut From J991038, ASN JJC0255700
26	J938057	1	HOSE 182 mm (7-5/32 in), Cut From J991038, ASN JJC0255700
27	844-10020	1	BOLT, Hex Flg, M10 x 20, 8.8, , ASN JJC0255700

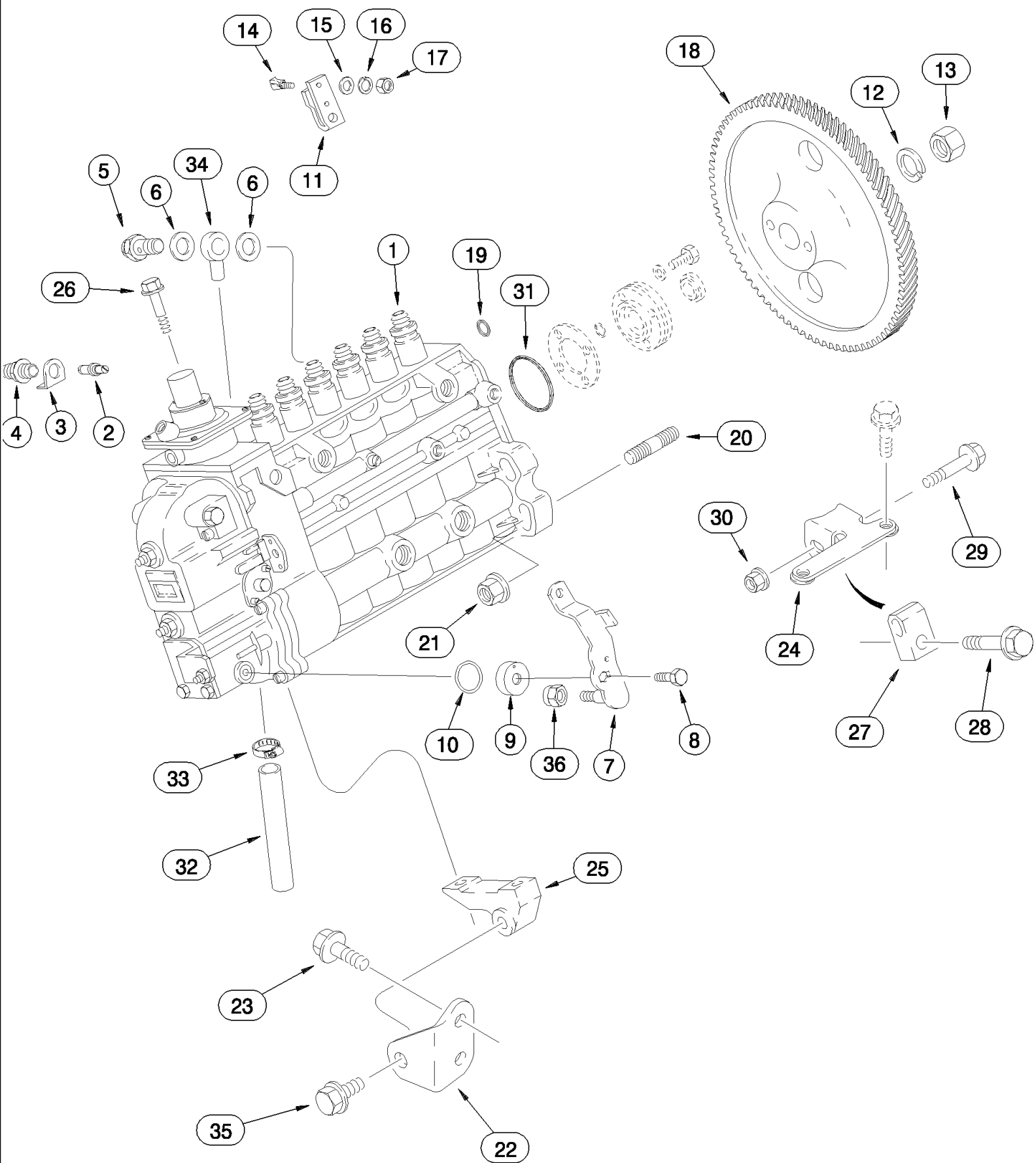
03-03 FUEL FILTER - PUMP, TRANSFER



03-03 FUEL FILTER - PUMP, TRANSFER

сылка	Номер детали	Кол-во	Описание
1	J925955	1	ADAPTER,
2	J931063	1	FILTER, FUEL, Replaces: J903640
3	J918873	1	TUBE, , BSN JJC0255699
3A	87411149	1	TUBE, Fuel Supply, Combination Flexible, BTW JJC0255700 & Eng. 46348831
3A	87436149	1	TUBE, Fuel Supply, Combination Flexible Hose and Rigid Tube, ASN Eng. 46348832
4	J914711	1	CLIP, CLEVIS, BSN JJC0255699
4	87411159	1	SUPPORT, , ASN JJC0255700
5	87415913	2	WASHER, SEALING, Replaces: J935172
6	J905860	1	SCREW, Inc. 6, 7
6A	J911446	1	BOLT, BANJO, M12 x 1.5 x 24,
7	J939570	1	SCREW, BLEED, Replaces J905403
8	J918192	2	RING, PACKING,
9	J924725	1	BOLT, BANJO,
10	J936317	1	PUMP, , BSN JJC0255699
10	J936316	1	PUMP, FUEL, , ASN JJC0255700
11	J939258	1	GASKET, Replaces: J931059
12	844-8020	2	BOLT, Hex Flg, M8 x 20, 8.8, , BSN JJC0255699
12	J909310	2	SCREW, , ASN JJC0255700
13	J918539	1	TUBE,
14	87415913	2	WASHER, SEALING, 12 mm, Replaces: J935171
15	J916361	1	BOLT, BANJO, M12 x 24
16	J930375	1	BRACE, Used with Ref. 3
16A	87436150	1	BRACKET, Used with Ref. 3A
17	283264A1	1	BOLT, M8 x 14; 10.9
18	845-8016	2	BOLT, Hex Flg, M8 x 16, 8.8, Full Thd,
19	825-1408	1	NUT, M8, CI 8,

03-04 FUEL INJECTION - PUMP AND DRIVE



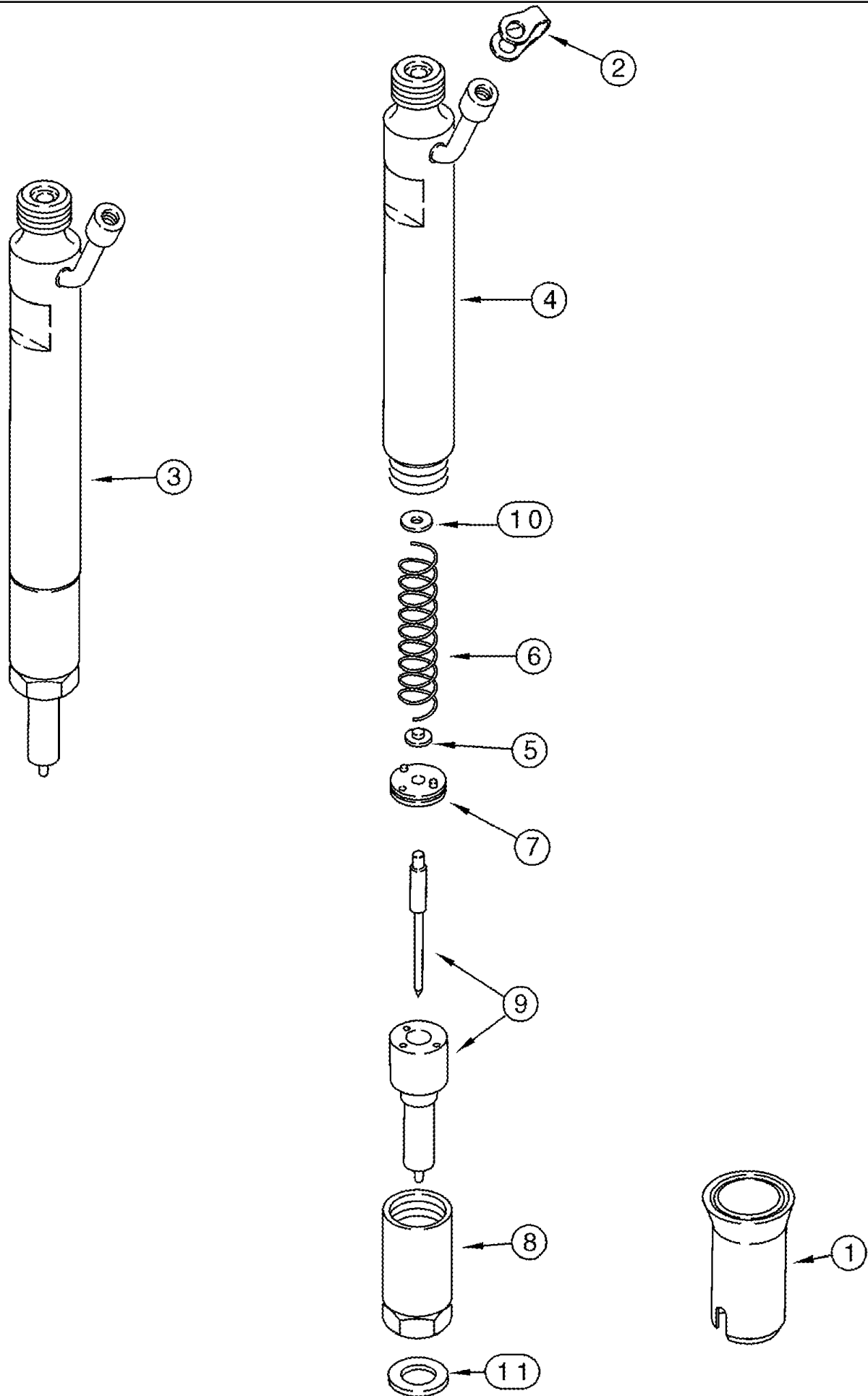
03-04 FUEL INJECTION - PUMP AND DRIVE

сылка	Номер детали	Кол-во	Описание
1	J930453	1	PUMP, FUEL INJECTION, New, Inc. 2 - 17, No Longer Available, Order J935478, J935073
1	J935478	1	PUMP, FUEL INJECTION, New, Inc. 2 - 17, BSN JJC0255699
1	87402490	1	PUMP, FUEL INJECTION, New, Inc. 2 - 17, 37, ASN JJC0255700
1	JR930453	1	REMAN-INJECTION PUMP, Remanufactured, N.A. Only, No Longer Available, Order JR935478
1	JR935478	1	REMAN-INJECTION PUMP, Remanufactured, N.A. Only, BSN JJC0255699
1	87402491	1	REMAN-INJECTION PUMP, Remanufactured, N.A. Only, ASN JJC0255700
1	JC923235	1	CORE-INJECTION PUMP,
1	JC935106	1	CORE-INJECTION PUMP,
1	87402492	1	CORE-INJECTION PUMP,
2	A77720	1	PIN,
3	J928981	1	WASHER, LOCK,
4	J912888	1	PLUG, Timing
5	J912886	1	VALVE, No Longer Used, Order 87409051
5	J932096	1	VALVE, Replaced J912886, No Longer Available, Order 87409051
5	87409051	1	VALVE, Overflow, Replaces J932096
6	933697R1	2	WASHER, SEALING, M10 x 13.5 x 1,
6	J918192	2	RING, PACKING, M14, Used With 87409051
7	J929322	1	LEVER,
8	628-6016	1	BOLT, Hex, M6 x 16, 10.9, Full Thd,
9	691292C1	1	RETAINER,
10	680187C1	1	O-RING,
11	1808728C1	1	LEVER,
12	J912897	1	WASHER,
12	J920922	1	WASHER, LOCK, Used With 87409051
13	J912896	1	NUT,
13	J920921	1	NUT, M20, Used With 87409051
14	1808822C1	1	THUMB SCREW, M6 x 26,
15	895-11006	1	WASHER, M6,
16	892-11006	1	WASHER, LOCK, M6,
17	829-1306	1	NUT, M6, CI 10,
18	J931380	1	GEAR, Drive
19	J926722	1	SEAL,
20	86991263	4	STUD, M10 x 1.5 x 55, (2-5/32")
21	825-2410	4	NUT, M10 x 1.5, Flg, CI 8,
22	J938091	1	SUPPORT,
23	844-10020	2	BOLT, Hex Flg, M10 x 20, 8.8,
24	J921357	1	HOLDER,
25	J926273	1	SUPPORT,
26	845-8090	2	BOLT, Hex Flg, M8 x 90, 8.8,
27	J926781	1	SUPPORT,
28	J920622	1	BOLT, Hex Flg, M10 x 30, 10.9, Replaces 844-10040
29	845-8045	1	BOLT, Hex Flg, M8 x 45, 8.8, M8 x 45
30	J900589	1	NUT, M8

03-04 FUEL INJECTION - PUMP AND DRIVE

сылка	Номер детали	Кол-во	Описание
31	J924605	1	SEAL,
32	J918176	1	HOSE, 330 mm (13 in)
33	A171099	1	CLAMP, HOSE,
34	J935740	1	BOLT, BANJO, 30 Degree
35	854-10040	1	BOLT, Hex Flg, M10 x 40, 10.9,
36	J930683	1	NUT, LOCK,
37	J912890	1	SPRING, Shut Off, Not Illustrated

03-05 FUEL INJECTION - NOZZLE

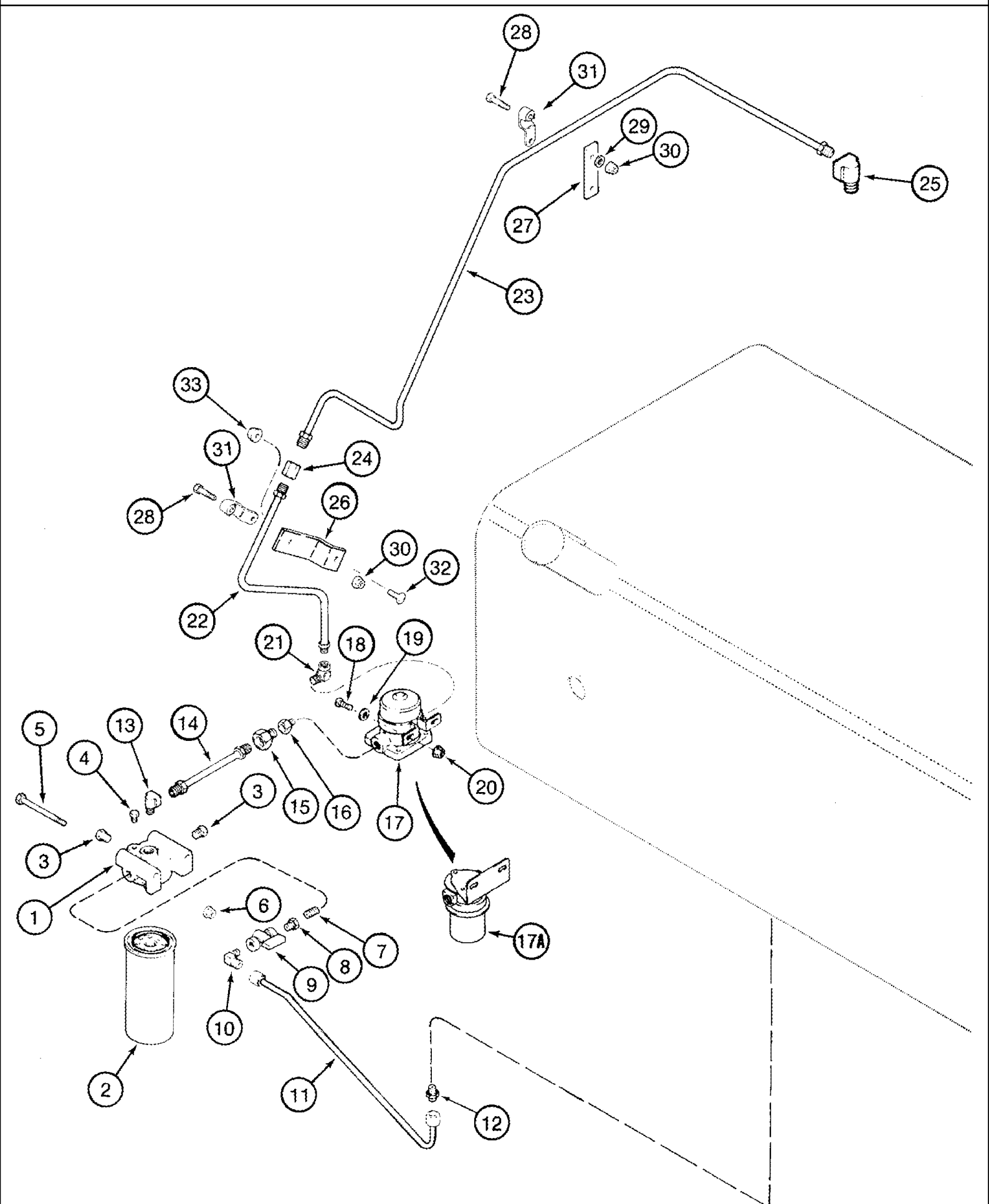


03-05 FUEL INJECTION - NOZZLE

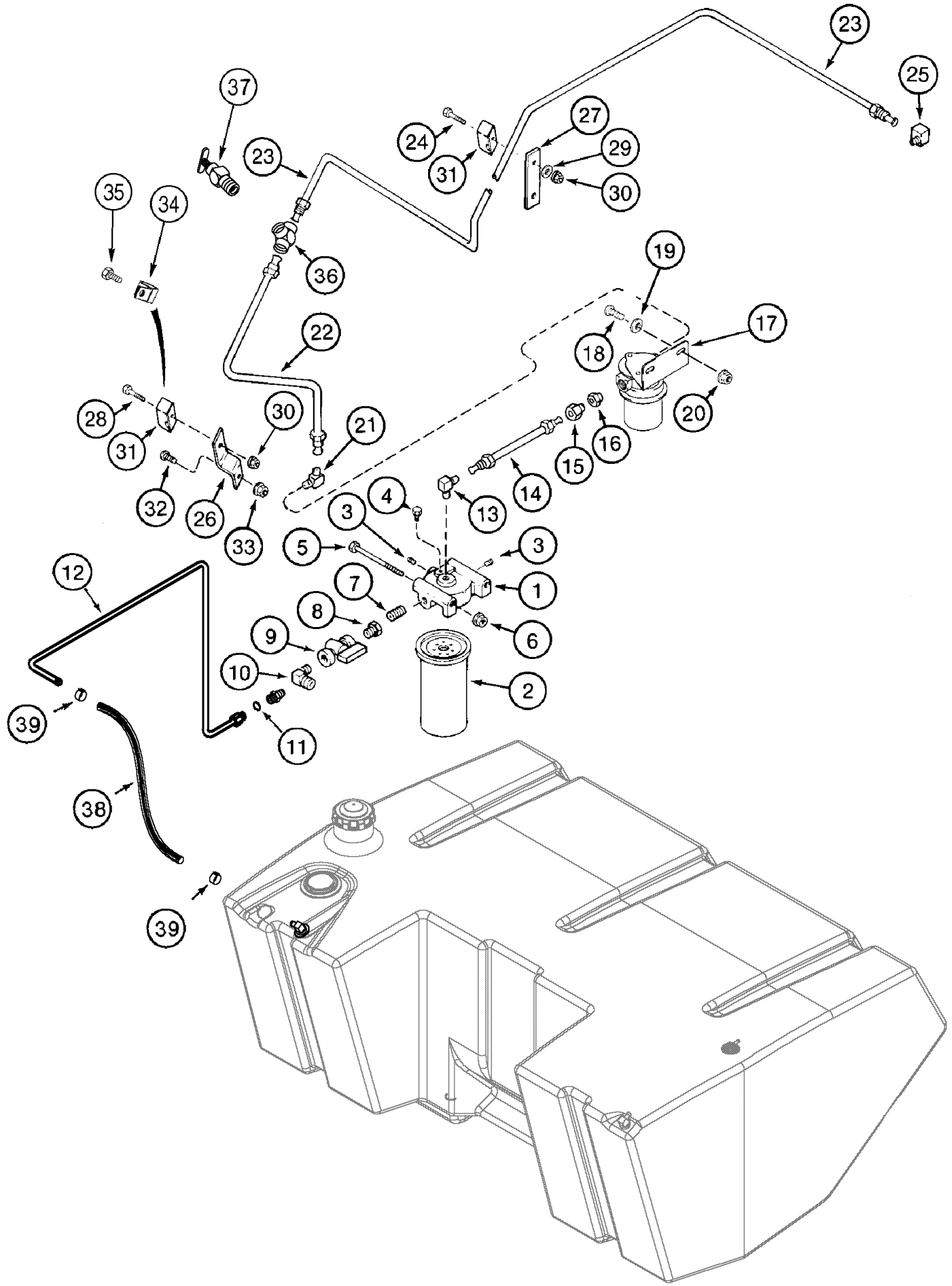
сылка	Номер детали	Кол-во	Описание
	JR930525	6	REMAN-NOZZLE, INJECT, Remanufactured, N.A. Only, BSN JJC0255699
	87402528	6	INJECTOR ASSY., Remanufactured, N.A. Only, With Cylindrical Type Nozzle, ASN JJC0255700
	87433378	6	INJECTOR ASSY., INJECTOR ASSY. Remanufactured, N.A. Only, With Conical Type Nozzle, ASN JJC0255700
	JC930525	6	CORE, , BSN JJC0255699
	87402529	6	CORE-NOZZLE, INJECT, With Cylindrical Type Nozzle, ASN JJC0255700
	87433379	6	INJECTOR ASSY., CORE, With Conical Type Nozzle, ASN JJC0255700
1	J909886	6	SEAL,
2	J903380	6	SEAL,
3	J930525	6	INJECTOR ASSY., Inc. 4 - 9, BSN JJC0255699
3	87402526	6	INJECTOR ASSY., With Cylindrical Type Nozzle, Inc. 4 - 9, ASN JJC0255700
3	87433377	6	INJECTOR ASSY., INJECTOR ASSY. With Conical Type Nozzle, Inc. 4 - 9, ASN JJC0255700
4	NSS	1	NOT SERVICED SEPARATELY, BODY
5	J905153	1	SPINDLE,
6	J905152	1	SPRING,
7	J905154	1	PLATE,
8	NSS	1	NOT SERVICED SEPARATELY, NUT
9	NSS	1	NOT SERVICED SEPARATELY, TIP, Tooth
10	1806233C1	AR	SHIM, 1.00mm Thk,
10	1806234C1	AR	SHIM, 1.04mm Thk,
10	1806235C1	AR	SHIM, 1.08mm Thk,
10	1806236C1	AR	SHIM, 1.10mm Thk,
10	1806237C1	AR	SHIM, 1.14mm Thk,
10	1806238C1	AR	SHIM, 1.18mm Thk,
10	1806239C1	AR	SHIM, 1.20mm Thk,
10	1806240C1	AR	SHIM, 1.24mm Thk,
10	1806241C1	AR	SHIM, 1.28mm Thk,
10	1806242C1	AR	SHIM, 1.30mm Thk,
10	1806243C1	AR	SHIM, 1.34mm Thk,
10	1806244C1	AR	SHIM, 1.38mm Thk,
10	1806245C1	AR	SHIM, 1.40mm Thk,
10	1806246C1	AR	SHIM, 1.44mm Thk,
10	1806247C1	AR	SHIM, 1.48mm Thk,
10	1806248C1	AR	SHIM, 1.50mm Thk,
10	1806249C1	AR	SHIM, 1.54mm Thk,
10	1806250C1	AR	SHIM, 1.58mm Thk,
10	1806251C1	AR	SHIM, 1.60mm Thk,
10	1806252C1	AR	SHIM, 1.64mm Thk,
10	1806253C1	AR	SHIM, 1.68mm Thk,
10	1806254C1	AR	SHIM, 1.70mm Thk,
10	1806255C1	AR	SHIM, 1.74mm Thk,
10	1806256C1	AR	SHIM, 1.78mm Thk,
10	1806257C1	AR	SHIM, 1.80mm Thk,

03-05 FUEL INJECTION - NOZZLE

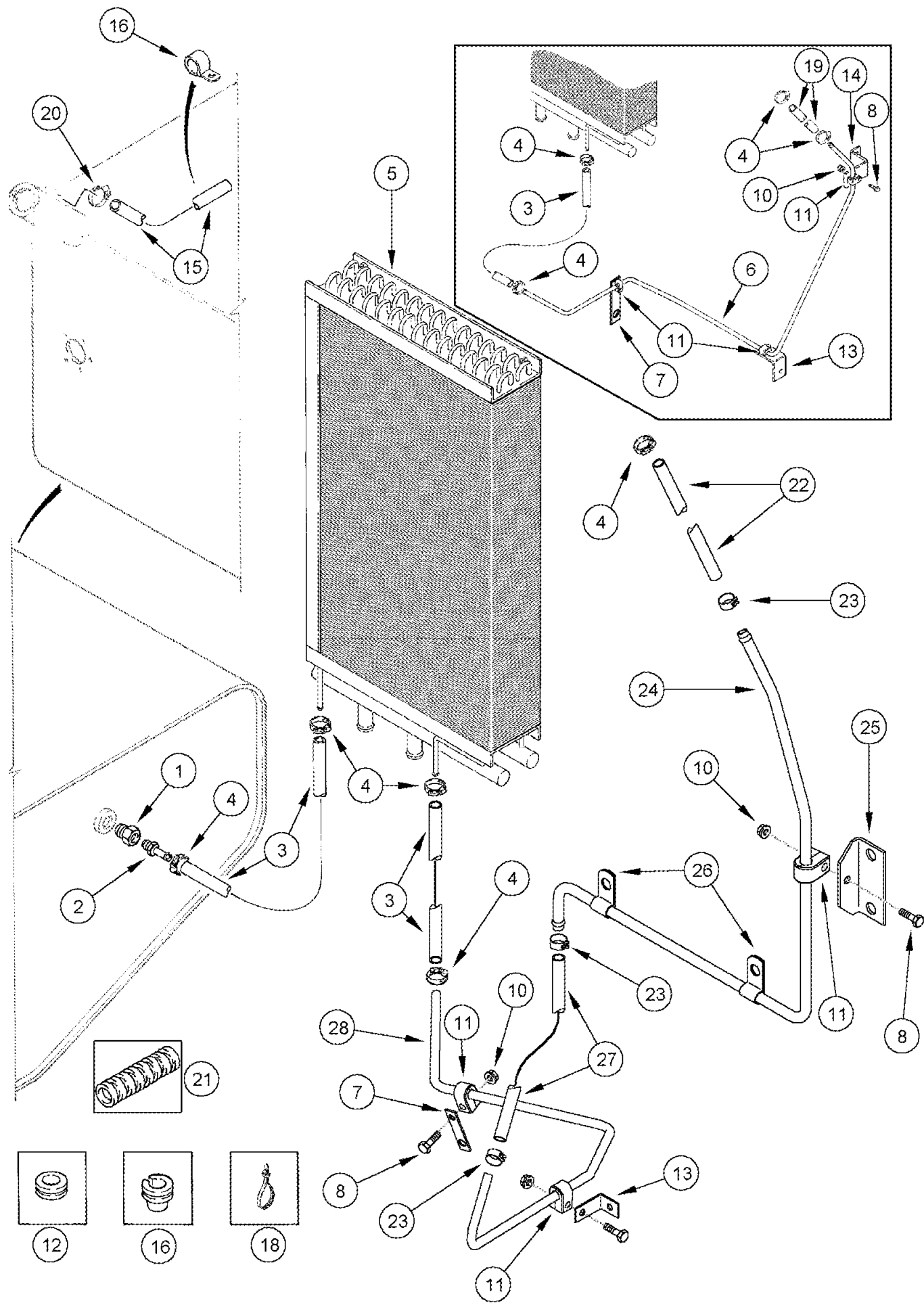
сылка	Номер детали	Кол-во	Описание
10	1806258C1	AR	SHIM, 1.84mm Thk,
10	1806259C1	AR	SHIM, 1.88mm Thk,
10	1806260C1	AR	SHIM, 1.90mm Thk,
10	1806261C1	AR	SHIM, 1.94mm Thk,
10	1806262C1	AR	SHIM, 1.98mm Thk,
11	J923261	6	WASHER, 2.5 mm



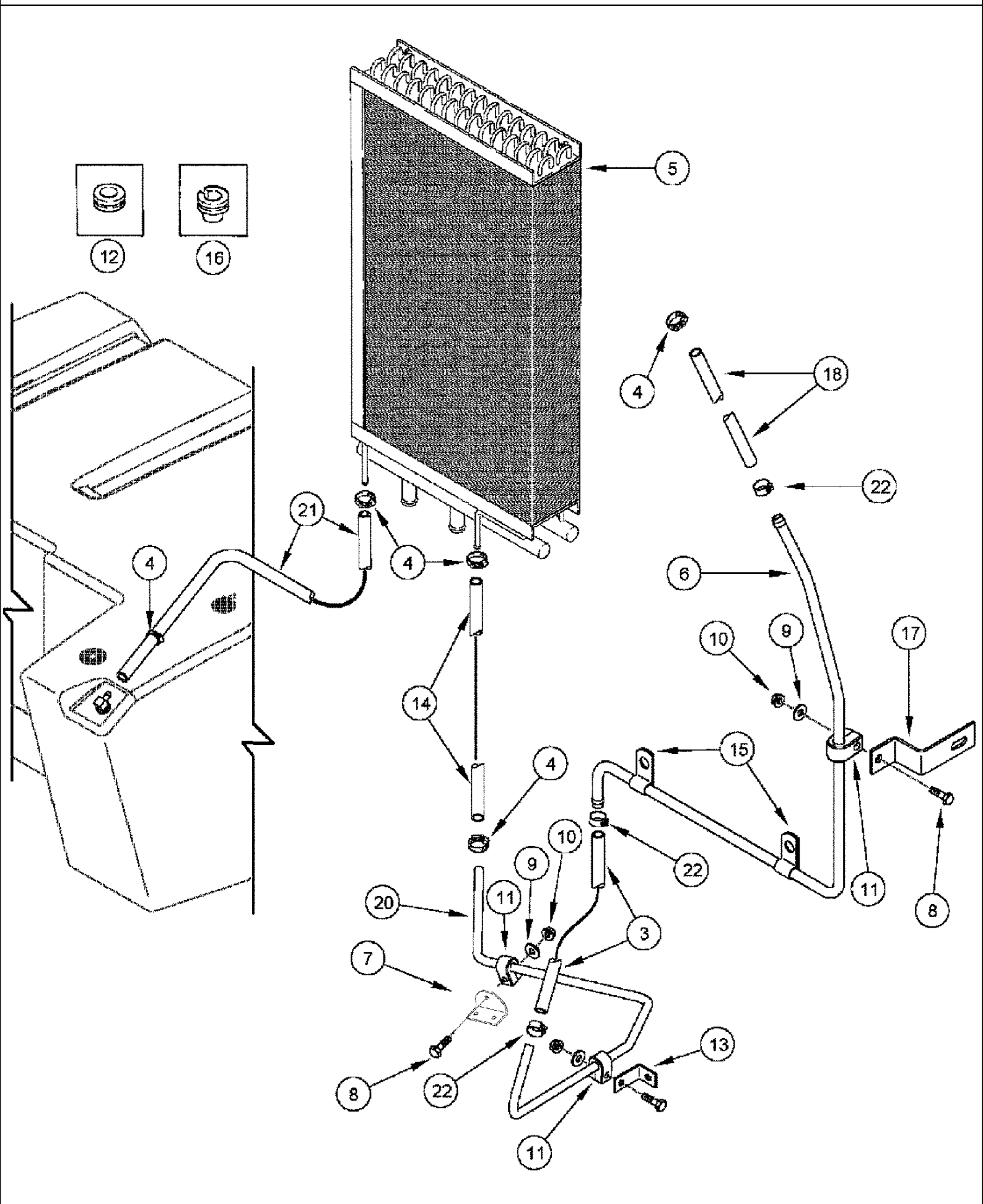
сылка	Номер детали	Кол-во	Описание
1	612277C2	1	HEAD, FILTER,
2	90-3941T1	1	FILTER, FUEL,
3	217-86	2	PLUG, Hex Hd, 1/4"-18, Brass, 1/4 PT
4	217-84	1	PLUG, Hex Hd, 1/8"-27, Brass, 1/8 PT
5	424-564	2	BOLT, Hex, 5/16"-18 x 4", G2, 5/16 x 4; 2
6	231-5145	2	NUT, Flg, USR, 5/16"-18,
7	217-1080	1	CONNECTOR, HYD., 1/4"-18 NPTF, x 1-7/16" lg.
8	217-43	1	REDUCER, 1/2"-14 NPTF x 1/4"-18 Fem NPTF,
9	1345205C1	1	VALVE, SHUT-OFF,
10	218-493	1	ELBOW, 90e, 3/4"-16, 37e x 1/2"-14, NPTF, 3/4 fl x 1/2 PT
11	1994884C1	1	TUBE,
12	218-444	1	CONNECTOR, HYD., 3/4"-16, 37e x 3/8"-18, NPTF, 3/4 fl x 3/8 PT
13	222-1026	1	ELBOW, 90e, 5/8"-18 Inv Fl x 1/4" NPT,
14	1977000C1	1	TUBE,
15	222-1016	1	CONNECTOR, HYD., 5/8"-18 Inv Fl x 1/4" NPT,
16	217-42	1	REDUCER, 3/8"-18 NPTF x 1/4"-18 Fem NPTF,
17	196503C2	1	PUMP, No Longer Used, Order: 302867A1, Ref. 17A
17A	302867A1	1	PUMP, FUEL,
18	477-73120	2	SCREW, Sltd Serr Truss Hd, 5/16"-18 x 1 1/4",
19	496-41041	8	WASHER, 13/32" x 1 1/8" x .134",
20	231-5145	2	NUT, Flg, USR, 5/16"-18,
21	144535R1	1	ELBOW, 3/8" inv fl
22	1977001C1	1	TUBE, Lower
23	1330563C1	1	TUBE, Upper
24	222-1055	1	CONNECTOR, HYD., 3/8" Inv Fl, 5/8 inv fl
25	222-1026	1	ELBOW, 90e, 5/8"-18 Inv Fl x 1/4" NPT,
26	196517C1	1	SUPPORT,
27	1330564C1	1	PLATE,
28	413-424	1	BOLT, Hex, 1/4"-20 x 1 1/2", G5,
29	495-81121	1	WASHER, .344" x 1 1/2" x .060", 11/32 x 1-1/2 x 1/16
30	231-5144	2	NUT, Flg, USR, 1/4"-20,
31	236558A1	2	CLAMP,
32	477-73116	2	SCREW, Sltd Serr Truss Hd, 5/16"-18 x 1", 1.74 mm
33	231-5145	2	NUT, Flg, USR, 5/16"-18,
28	413-420	1	BOLT, Hex, 1/4"-20 x 1 1/4", G5,



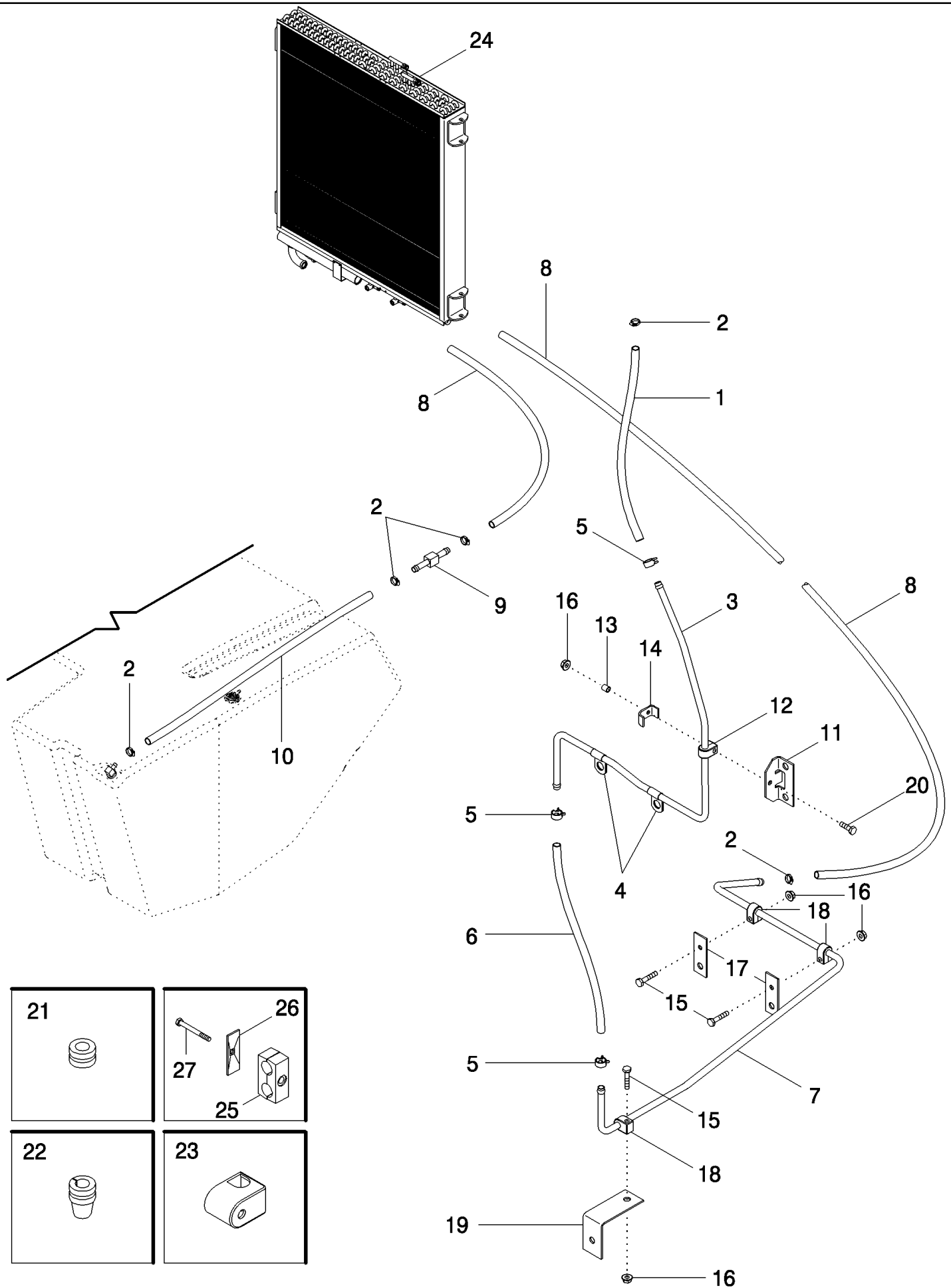
сылка	Номер детали	Кол-во	Описание
1	612277C2	1	HEAD, FILTER,
2	90-3941T1	1	FILTER, FUEL,
3	217-86	2	PLUG, Hex Hd, 1/4"-18, Brass, 1/4 PT
4	217-84	1	PLUG, Hex Hd, 1/8"-27, Brass, 1/8 PT
5	424-564	2	BOLT, Hex, 5/16"-18 x 4", G2, 5/16 x 4; 2
6	231-5145	2	NUT, Flg, USR, 5/16"-18,
7	217-1080	1	CONNECTOR, HYD., 1/4"-18 NPTF, x 1-7/16" lg.
8	217-43	1	REDUCER, 1/2"-14 NPTF x 1/4"-18 Fem NPTF,
9	1345205C1	1	VALVE, SHUT-OFF,
10	383519A1	1	FITTING, 1/2" PT x 1/2" OR, Includes 11
11	238-6014	1	O-RING, -014, 90 Duro, .489" ID x .070" Thk,
12	399754A1	1	TUBE,
13	222-1026	1	ELBOW, 90€, 5/8"-18 Inv Fl x 1/4" NPT,
14	384401A1	1	TUBE,
15	222-1016	1	CONNECTOR, HYD., 5/8"-18 Inv Fl x 1/4" NPT,
16	217-42	1	REDUCER, 3/8"-18 NPTF x 1/4"-18 Fem NPTF,
17	302867A1	1	PUMP, FUEL,
18	477-73120	2	SCREW, Sltd Serr Truss Hd, 5/16"-18 x 1 1/4",
19	496-41041	8	WASHER, 13/32" x 1 1/8" x .134",
20	231-5145	2	NUT, Flg, USR, 5/16"-18,
21	144535R1	1	ELBOW, 3/8" inv fl
22	1977001C1	1	TUBE, Lower
23	1330563C1	1	TUBE, Upper
24	413-424	1	BOLT, Hex, 1/4"-20 x 1 1/2", G5,
25	222-1026	1	ELBOW, 90€, 5/8"-18 Inv Fl x 1/4" NPT,
26	1977005C1	1	SUPPORT,
27	1330564C1	1	PLATE,
29	495-81121	1	WASHER, .344" x 1 1/2" x .060", 11/32 x 1-1/2 x 1/16
30	231-5344	1	NUT, LOCK, Flg, 1/4"-20,
31	449127A1	1	CLAMP,
32	477-73116	1	SCREW, Sltd Serr Truss Hd, 5/16"-18 x 1", 5/16 x 1
33	231-5145	2	NUT, Flg, USR, 5/16"-18,
34	515-2395	1	CLAMP, 3/8", Insul, 3/8" Bolt,
35	477-73812	1	SCREW, Sltd Serr Truss Hd, 3/8" x 3/4", 3/8 x 3/4
36	408255A1	1	UNION,
37	86982771	1	VALVE, 1/4 PT
38	413079A1	1	HOSE, LARGE, 198 mm (7-53/64 in)
39	1348264C1	2	CLAMP, HOSE, 3/8 ID
28	413-420	1	BOLT, Hex, 1/4"-20 x 1 1/4", G5,



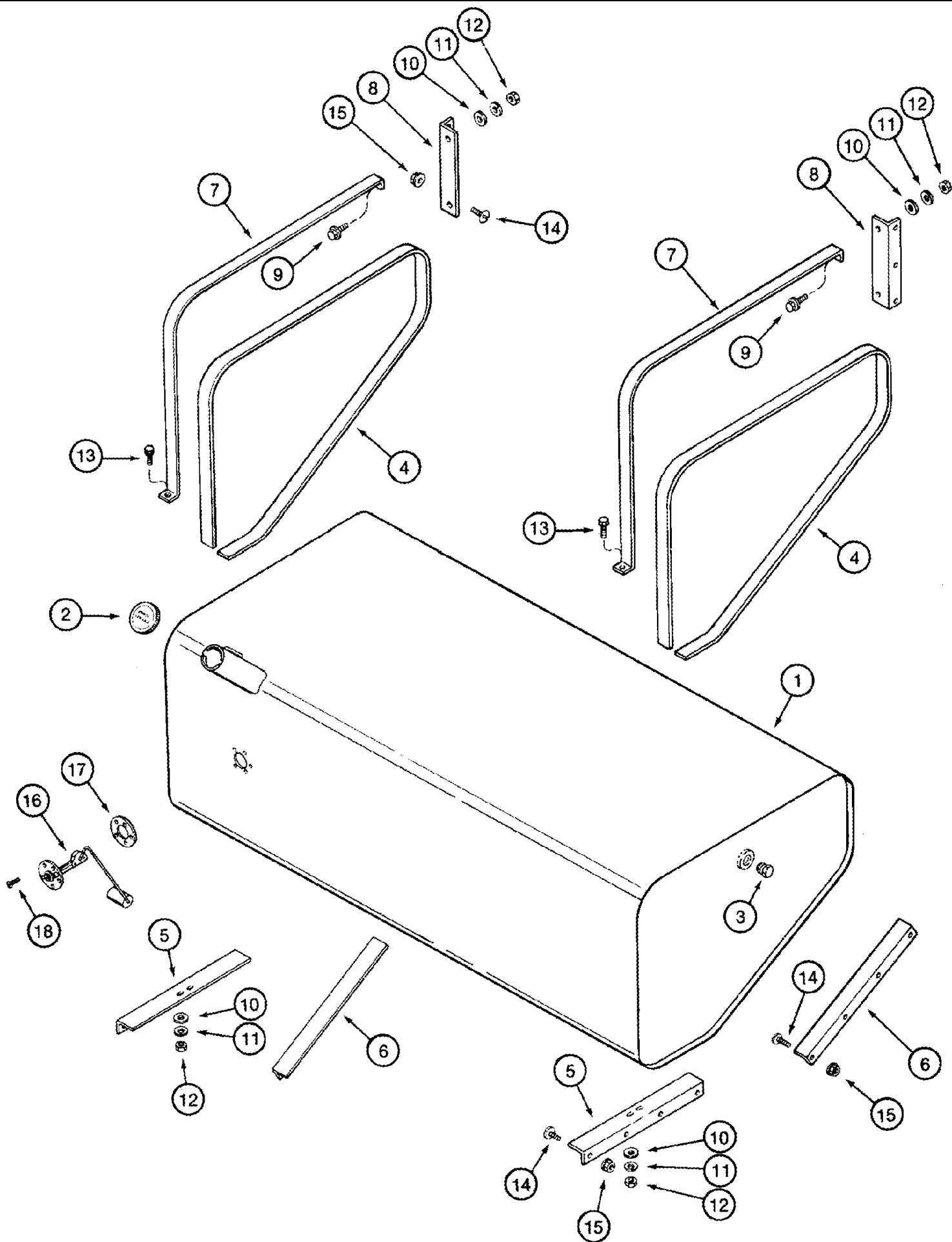
сылка	Номер детали	Кол-во	Описание
1	217-42	1	REDUCER, 3/8"-18 NPTF x 1/4"-18 Fem NPTF,
2	217-151	1	FITTING, 3/8" Hose X 1/4" NPTF Beaded,
3	193624A2	2	HOSE, 770 mm (30-3/8 in.), Cut From 364357C1
4	214-1406	6	CLAMP, HOSE, #06, .44/.78 Type F Worm,
5	195441A3	1	COOLER, For Mounting, See Figure 08-07
6	198136A2	1	TUBE, No Longer Available, Order: 406293A2, BSN JJC0253451
7	1330564C1	1	PLATE,
10	231-5144	2	NUT, Flg, USR, 1/4"-20,
11	236558A1	3	CLAMP,
12	248-2117	2	GROMMET, 5/8" ID x 7/8" Groove Dia,
13	178950C1	1	ANGLE,
14	121525A1	1	SUPPORT,
15	1251794C1	1	HOSE, 3175 mm (125 in.), Cut From 74813C2
16	362120R1	3	CLAMP,
17	195803C1	1	GROMMET,
18	306132C1	1	STRAP, CABLE, .30" x 14.5", 14 in., Replaces L18337
19	1979437C1	1	HOSE, LARGE, 331 mm (13-1/8 in.), Cut From 364357C1
20	214-1704	1	CLAMP, HOSE, #4, 0.25/0.62 Type M Worm,
21	375918A1	1	CONDUIT, Fuel Return
22	390653A1	1	HOSE, 191 mm (7-1/2 in.), Cut From S118400, ASN JJC0253452
23	1348264C1	3	CLAMP, HOSE, 3/8 ID, ASN JJC0253452
24	384824A1	1	TUBE, , ASN JJC0253452
25	409390A1	1	BRACKET, , ASN JJC0253452
26	515-2595	3	CLAMP, 3/8", Insul, 1/2" Bolt, , ASN JJC0253452
27	385579A1	1	HOSE, 152 mm (6 in.), Cut From S118400, ASN JJC0253452
28	390576A1	1	TUBE, , ASN JJC0253452
	406293A2	1	KIT, Includes: 21, 22, 23, 26, 27, & 28
8	413-420	2	BOLT, Hex, 1/4"-20 x 1 1/4", G5,



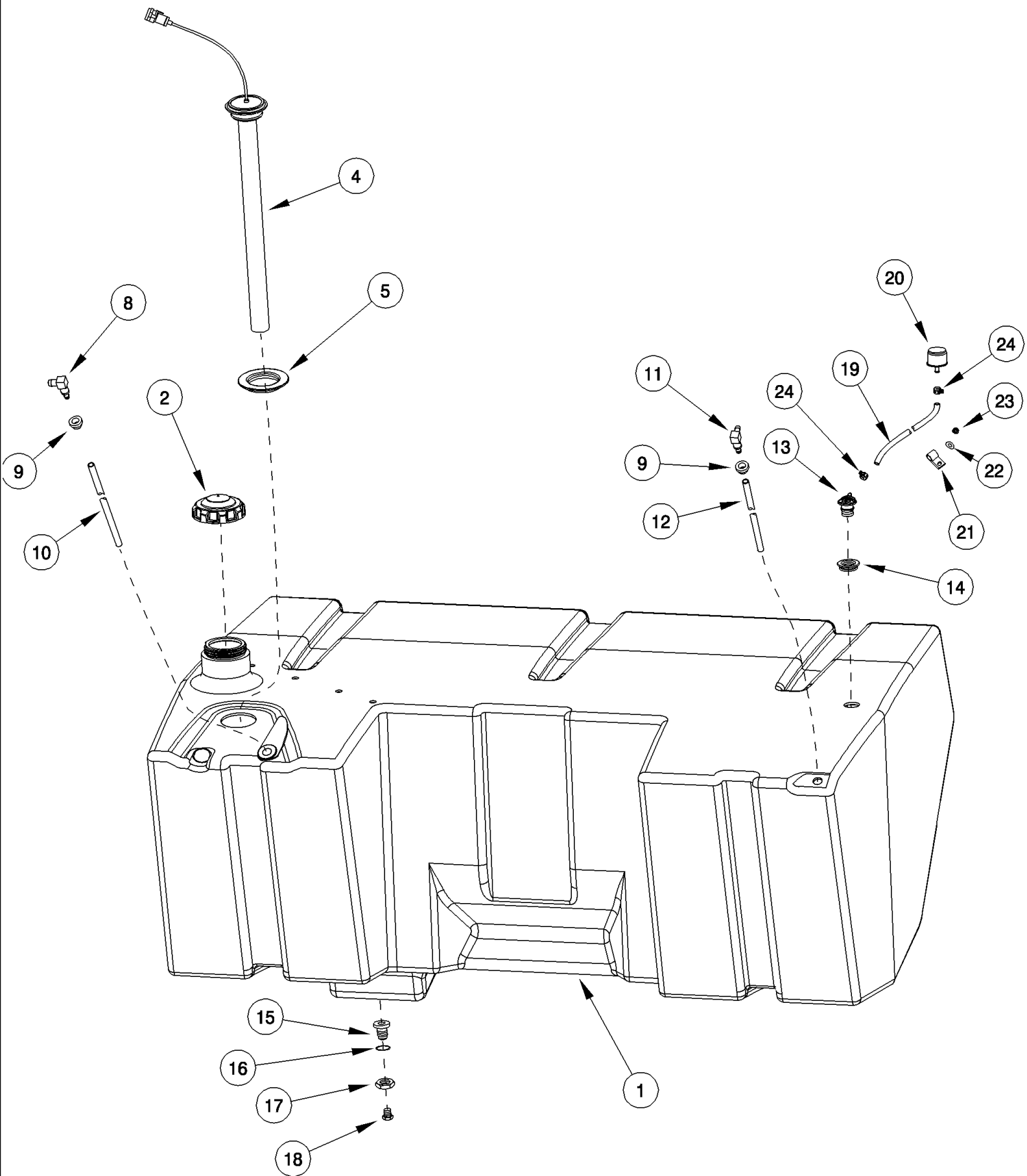
сылка	Номер детали	Кол-во	Описание
3	385579A1	1	HOSE, 152 mm (6 in.), Cut From S118400
4	214-1406	5	CLAMP, HOSE, #06, .44/.78 Type F Worm,
5	REF	1	INSTRUCTION, Oil Cooler, See Figure(s) 08-05, 08-06
6	384824A1	1	TUBE,
7	409390A2	1	BRACKET, Support
9	495-81121	4	WASHER, .344" x 1 1/2" x .060", 11/32 x 1-1/2 x 1/16
10	231-5344	4	NUT, LOCK, Flg, 1/4"-20,
11	236558A1	3	CLAMP,
12	198824C1	2	GROMMET, 1/2" ID
13	178950C2	1	ANGLE,
14	193624A2	1	HOSE, 770 mm (30-3/8 in.), Cut From 364357C1
15	515-2595	2	CLAMP, 3/8", Insul, 1/2" Bolt,
16	198828C1	1	GROMMET, 1"
17	1977005C1	1	SUPPORT,
18	413079A1	1	HOSE, LARGE, 198 mm (7-1/2 in.), Cut From S118400
20	390576A1	1	TUBE, Fuel Return
21	364783A1	1	TUBE, 1750 mm (68-7/8 in.)
22	1348264C1	2	CLAMP, HOSE, 3/8 ID
8	413-420	3	BOLT, Hex, 1/4"-20 x 1 1/4", G5,



сылка	Номер детали	Кол-во	Описание
1	390653A1	1	HOSE, 191 mm (7-1/2 in), Cut From S118400
2	214-1706	5	CLAMP, HOSE, #6, 0.44/0.78 Type M Worm,
3	426604A1	1	TUBE, HYD, , BSN JJC0256399
3	426604A2	1	TUBE, HYD, , ASN JJC0256400
4	515-2595	2	CLAMP, 3/8", Insul, 1/2" Bolt,
5	1348264C1	3	CLAMP, HOSE, 3/8 ID
6	87421440	1	HOSE, 124 mm (4-7/8 in), Cut From S118400
7	87404417	1	TUBE,
8	86989651	2	HOSE, 1170 mm (46 in), Cut From S118400
9	87405016	1	FITTING, Connector
10	87404885	1	HOSE, 1250 mm (49-1/4 in), Cut From S118400
11	409390A2	1	BRACKET,
12	449127A1	1	CLAMP, 3/8 ID
13	418785A1	1	SPACER,
14	449128A1	1	PLATE,
15	413-420	3	BOLT, Hex, 1/4"-20 x 1 1/4", G5,
16	231-5344	3	NUT, LOCK, Flg, 1/4"-20,
16	231-5144	1	NUT, Flg, USR, 1/4"-20, (5)
17	87404841	2	SUPPORT,
18	236558A1	3	CLAMP,
19	178950C2	1	ANGLE,
20	326-424	1	BOLT, Hex, 1/4"-20 x 1 1/2", G8,
21	198824C1	2	GROMMET, 1/2" ID
22	198828C1	1	GROMMET, 1"
23	196447C1	1	CLAMP, 1/2 Tube
24	REF	1	INSTRUCTION, Cooler, Oil, See Figure 08-06
25	87000921	1	CLAMP, HOSE,
26	1347127C1	1	PLATE,
27	413-580	1	BOLT, Hex, 5/16"-18 x 5", G5,

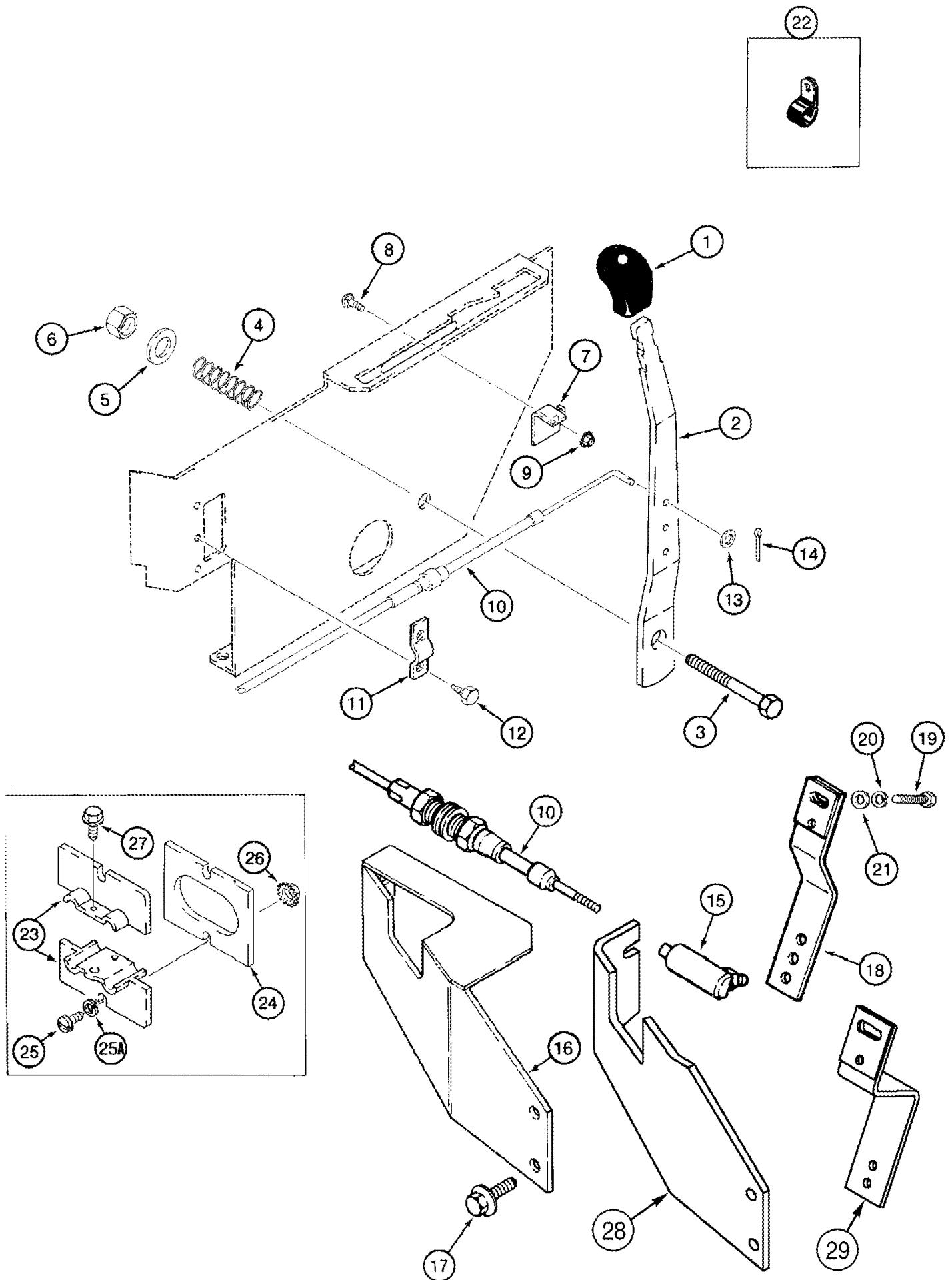


сылка	Номер детали	Кол-во	Описание
1	197681A2	1	TANK, FUEL, Includes: Ref. 2
2	104781C1	1	CAP,
3	217-87	1	PLUG, Hex Hd, 3/8"-18 NPTF, Brass,
4	1308798C1	2	STRIP, 1829 mm (72 in.), Cut From 990541R1
5	192381C3	2	SUPPORT, Lower
6	1302029C1	2	SUPPORT, Front
7	1302031C1	2	STRAP,
8	1302030C1	2	BRACKET,
9	409-7520	2	BOLT, Hex Flg, 5/16"-18 x 1 1/4", Serr, 5/16 x 1-1/4
10	495-81112	4	WASHER, .344" x 3/4" x .120", 11/32 x 3/4 x 7/64
11	492-11031	4	WASHER, LOCK, 5/16",
12	425-105	4	NUT, 5/16"-18, G5,
13	413-516	2	BOLT, Hex, 5/16"-18 x 1", G5, Full Thd, 5/16 x 1
14	477-73112	22	BOLT, Slotted Tr Hd, 5/16"-18 x 3/4",
14	477-73120	1	SCREW, Sltd Serr Truss Hd, 5/16"-18 x 1 1/4",
15	231-5145	23	NUT, Flg, USR, 5/16"-18,
16	198024C1	1	GAUGE, FUEL, Fuel Level
17	168515C1	1	GASKET,
18	1310675C1	5	SCREW, LOCK, Sltd Truss Hd, #10-24 x 3/4", w/nylon LW,



сылка	Номер детали	Кол-во	Описание
1	409767A1	1	TANK, FUEL, 130 Gal
2	257349A1	1	CAP, FILLER,
4	356872A1	1	SENDER UNIT, Fuel Level
5	255095A1	1	GROMMET,
8	392075A1	1	ELBOW, Elbow
9	394692A1	2	GROMMET,
10	392076A1	1	TUBE,
11	392077A1	1	ELBOW, Elbow
12	392078A1	1	TUBE,
13	275800A1	1	VALVE STEM,
14	255094A1	1	GROMMET,
15	282708A1	1	FITTING,
16	238-5214	1	O-RING, -214, 70 Duro, .984" ID x .139" Thk,
17	282709A1	1	NUT,
18	217-407	1	PLUG, Hex Hd, 3/8"-18,
19	402929A1	1	TUBE, 1350 mm (53-5/32 in.), Cut From 74813C2, BSN JJC0255699
19	87403825	1	1760 mm (69-1/4 in), Cut From 74813C2, ASN JJC0255700
20	316078A2	1	BREATHER,
21	515-23412	1	CLAMP, 1 5/8", Insul, 3/8" Bolt,
22	495-11034	1	WASHER, 5/16", SAE, (11/32 x 11/16 x 1/16")
23	231-5145	1	NUT, Flg, USR, 5/16"-18,
24	214-1704	2	CLAMP, HOSE, #4, 0.25/0.62 Type M Worm,
25	516-23127	1	CLAMP, J, 9/16" Insul, 3/8" Bolt, 1/2

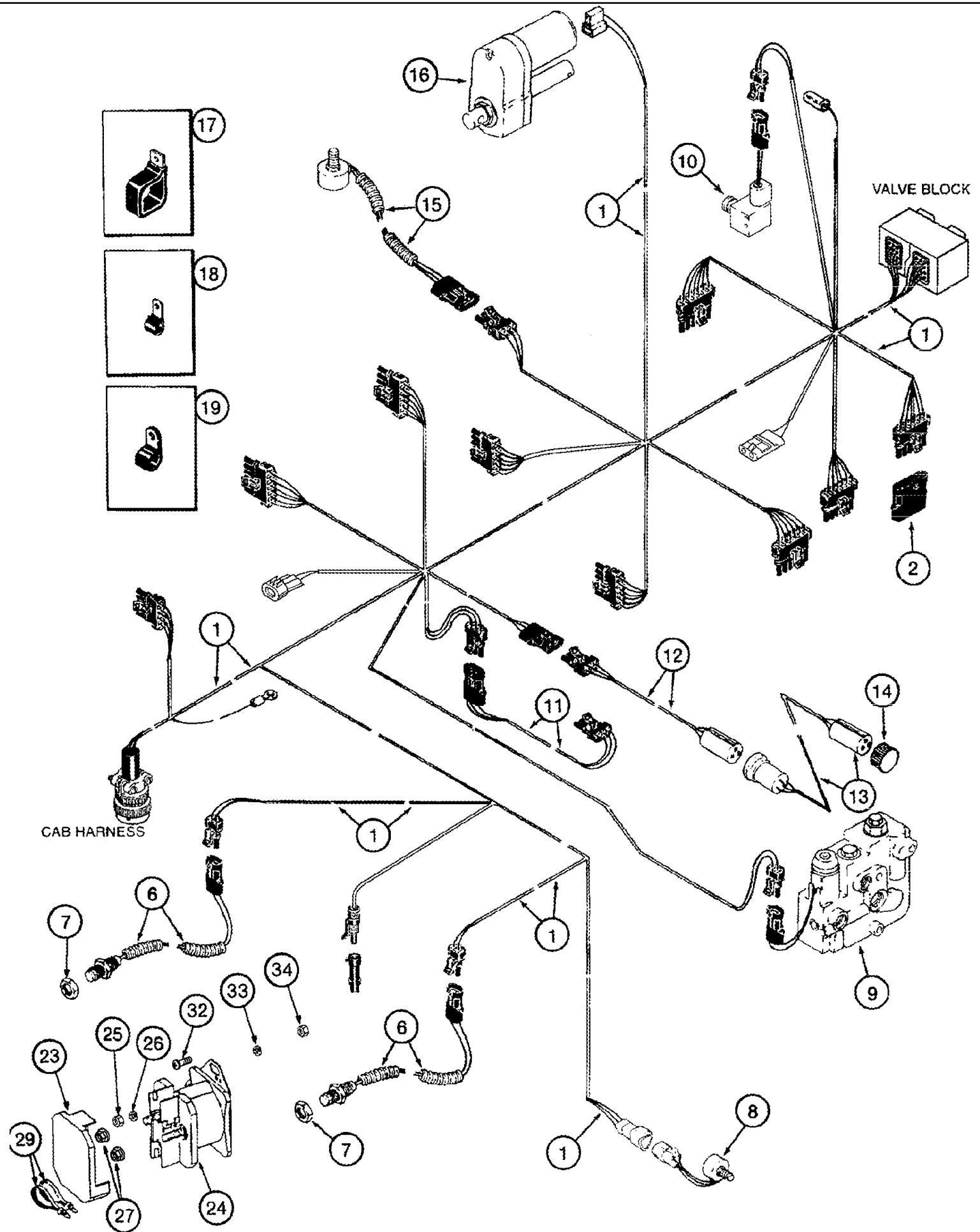
03-09 THROTTLE CONTROL



03-09 THROTTLE CONTROL

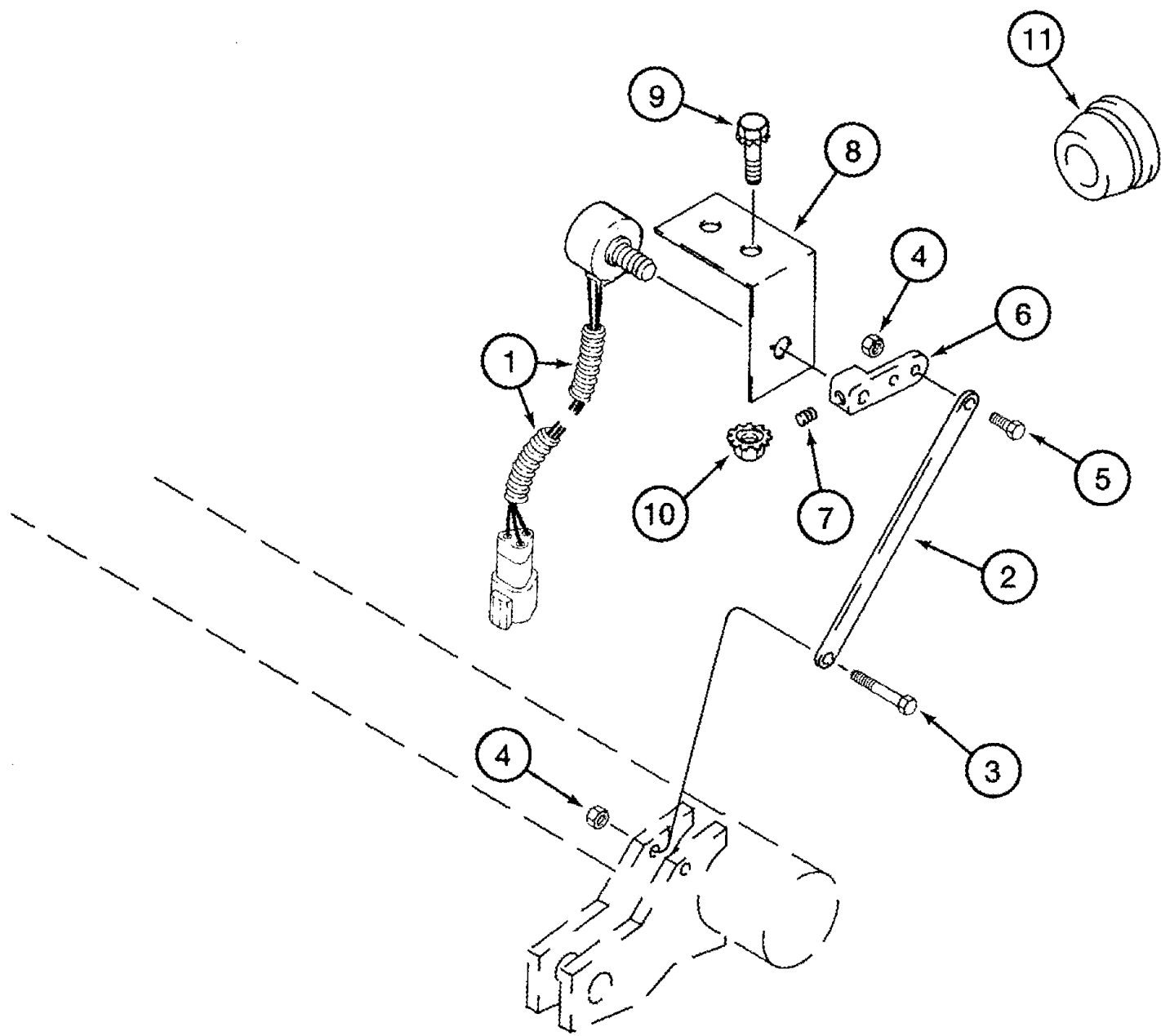
сылка	Номер детали	Кол-во	Описание
1	134071A1	1	KNOB,
2	116434A1	1	LEVER,
3	814-10060	1	BOLT, Hex, M10 x 60, 8.8,
4	PO22	1	SPRING,
7	116433A2	1	STOP,
8	434-48	1	BOLT, CARRIAGE, Short NK, 1/4"-20 x 1/2", G5, Full Thd,
9	231-5144	1	NUT, Flg, USR, 1/4"-20,
10	115396A1	1	CABLE,
11	A75815	1	CLAMP,
12	841-4410	2	SCREW, Hex Wash Hd, M4 x 10, M4 x 10; 4.8
13	895-11005	2	WASHER, M5 x 10 x 1,
14	432-48	1	PIN, SPLIT (COTTER), 1/16" x 1/2",
15	1977009C4	1	BALL JOINT, No. 10
16	197085A2	1	SUPPORT, No Longer Used, Order: 344951A1, Ref. 28; 344952A1, Ref. 29
17	857-10020	2	BOLT, Hex Flg, M10 x 20, 10.9,
18	1977046C6	1	LEVER, No Longer Used, Order: 344951A1, Ref. 28; 344952A1, Ref. 29
19	615-6016	2	BOLT, Hex, M6 x 16, 8.8, Full Thd, M6 x 16
20	892-11006	2	WASHER, LOCK, M6,
21	495-81006	2	WASHER, .266" x 3/4" x .060", 17/64 x 3/4 x 1/16
22	515-23222	2	CLAMP, 7/8", Insul, 3/8" Bolt,
23	119314A1	2	CLAMP,
24	119328A1	1	GASKET,
25	117067A1	2	SCREW, SELF TAPPING, Cross Pan Hd, #10-24 x 3/4",
25A	492-11010	2	WASHER, LOCK, #10,
26	231-51409	2	NUT, Flg, USR, #10-24,
27	191216A1	2	SCREW, SELF TAPPING, Hex Wash Hd, #10-24 x 5/8",
28	344951A1	1	SUPPORT,
29	344952A1	1	LEVER, Injection Pump
5	895-15010	1	WASHER, M11 x 24 x 2,
6	829-1410	1	NUT, M10, CI 10,

04-01 HARNESS, FRONT



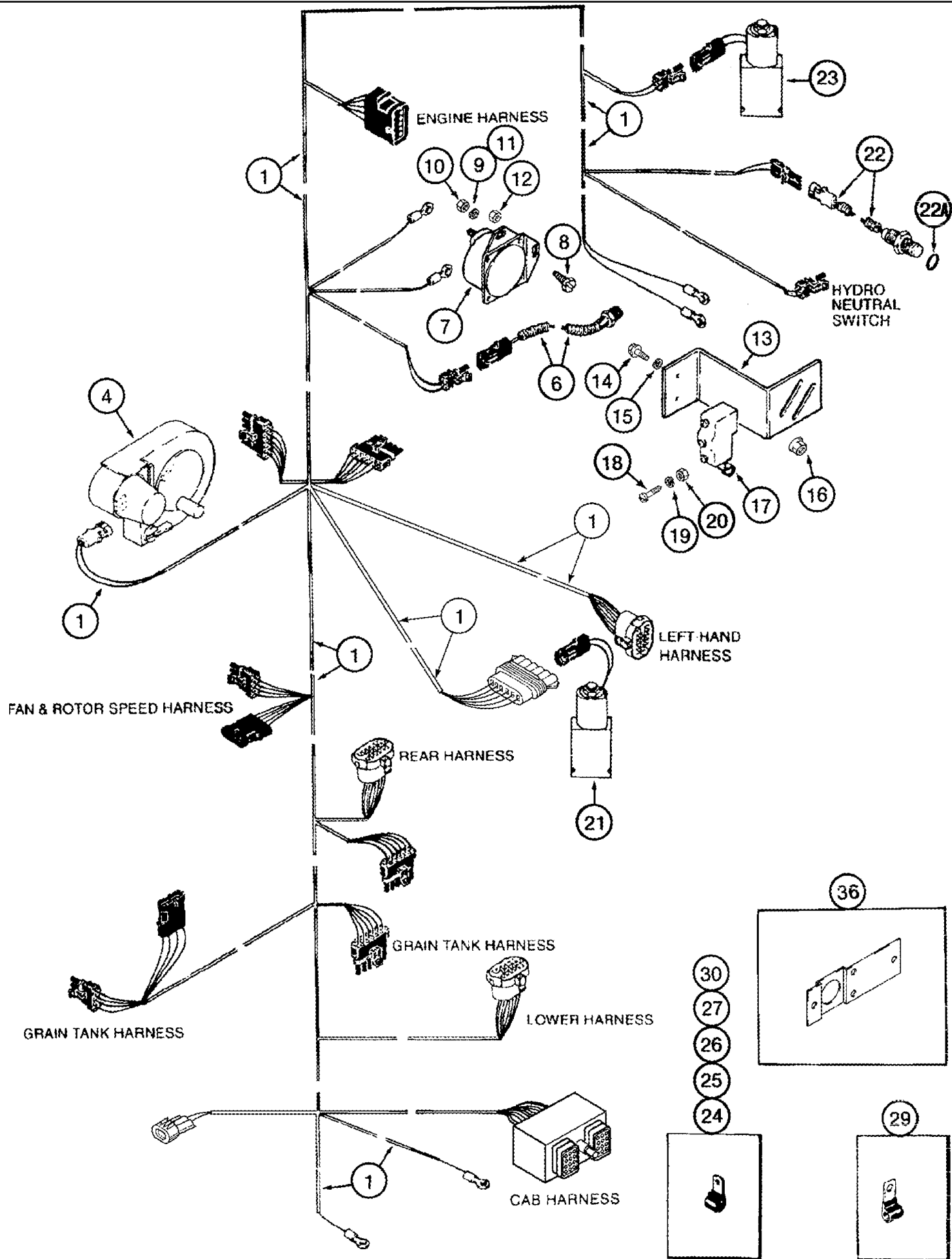
04-01 HARNESS, FRONT

сылка	Номер детали	Кол-во	Описание
1	276600A1	1	HARNESS, WIRE, Front, Inc. 2 - 4, BSN JJC0253999
1	388314A2	1	HARNESS, WIRE, Front, Inc. 2 - 4, ASN JJC0254000
2	127290A1	1	DIODE,
3	187308A1	6	CAP, Not Illustrated
4	187309A1	6	BAR, Splice, Not Illustrated
6	245193C2	2	SENSOR, Rotor Speed, Feeder
7	425-1512	2	NUT, Jam, 3/4"-10, G5, 3/4 NF
8	122756A3	1	POTENTIOMETER, 1K, Feeder Position, For Mounting, See Figure 04-25
9	114856A3	1	VALVE, CONTROL, Reel Drive, See Figure 08-24
10	276035A1	1	VALVE, Control, Accumulator, See Figure 08-34, BSN JJC0252949
10	368154A1	1	VALVE, CONTROL, Control, Accumulator, See Figure 08-35, ASN JJC0252950
11	142570A1	1	HARNESS, WIRE, Header Lighting
12	142553A1	1	HARNESS, WIRE, Automatic Header Height Control
13	1331312C1	1	HARNESS, WIRE, Extension, Header Height Control, If Used
14	225290C1	1	DUST CAP, Header Height Control Harness
15	122756A3	1	POTENTIOMETER, 1K, Concave Position, For Mounting, See Figure 04-02
16	143239A2	1	MOTOR, ELECTRIC, Concave Control, For Mounting, See Figure 09B-13
17	1301387C2	1	CLIP, 2 in. ID
18	516-23127	5	CLAMP, J, 9/16" Insul, 3/8" Bolt,
18	515-30222	3	CLAMP, 7/8", 1/2" Bolt,
18	515-2395	1	CLAMP, 3/8", Insul, 3/8" Bolt,
19	515-23254	1	CLAMP, 1", Insul, 3/8" Bolt,
20	844-8025	1	BOLT, Hex Flg, M8 x 25, 8.8, Not Illustrated
21	825-2408	1	NUT, M8 x 1.25, Flg, CI 8, Not Illustrated
22	142533A1	1	SUPPORT, Not Illustrated, With Accumulator, With Field Tracker
	178149A1	1	SWITCH, SOLENOID, Inc. 23 - 29, BSN JJC0253999 , ASN JJC0255700
23	178148A1	1	COVER, , BSN JJC0253999 , ASN JJC0255700
24	NSS	1	NOT SERVICED SEPARATELY, SWITCH, BSN JJC0253999 , ASN JJC0255700
25	829-4410	1	NUT, Thin, M10 x 1.5, CI 05, , BSN JJC0253999 , ASN JJC0255700
26	492-11010	1	WASHER, LOCK, #10, , BSN JJC0253999
27	231-5145	2	NUT, Flg, USR, 5/16"-18,
27	825-2405	1	NUT, M5 x .8, Flg, CI 8, M5, Harness to Solenoid Terminal 50
28	892-11005	2	WASHER, LOCK, M5, Not Illustrated
29	L18331	2	STRAP, CABLE, 15 in., BSN JJC0253999
29	435437A1	5	STRAP, CABLE, 3/16" x 7 1/4",
30	409-7512	1	BOLT, Hex Flg, 5/16"-18 x 3/4", Serr,
32	276-1458	1	SCREW, SELF TAPPING, Hex Hd, #10 x 1/2", No. 10 x 1/2
33	492-11010	1	WASHER, LOCK, #10,
34	225-14210	1	NUT, #10-32,



04-02 POTENTIOMETER, CONCAVE POSITION - MOUNTING

сылка	Номер детали	Кол-во	Описание
1	122756A3	1	POTENTIOMETER, Concave Position, 1K
2	181760A2	1	LEVER,
3	463-11024	1	SCREW, Hex Hd, #10-24 x 1 1/2", No. 10 x 1-1/2
4	230-42409	2	NUT, LOCK, #10-24, GA, No. 10
5	463-11010	1	SCREW, Hex Hd, #10-24 x 5/8", No. 10 x 5/8
6	131175A1	1	ARM,
7	483-1084	1	SET SCREW, Hex Soc, #8-32 x 1/4", No. 8 x 1/4
8	142401A1	1	SUPPORT,
9	409-7512	2	BOLT, Hex Flg, 5/16"-18 x 3/4", Serr,
10	231-5145	2	NUT, Flg, USR, 5/16"-18,
11	198824C1	1	GROMMET,



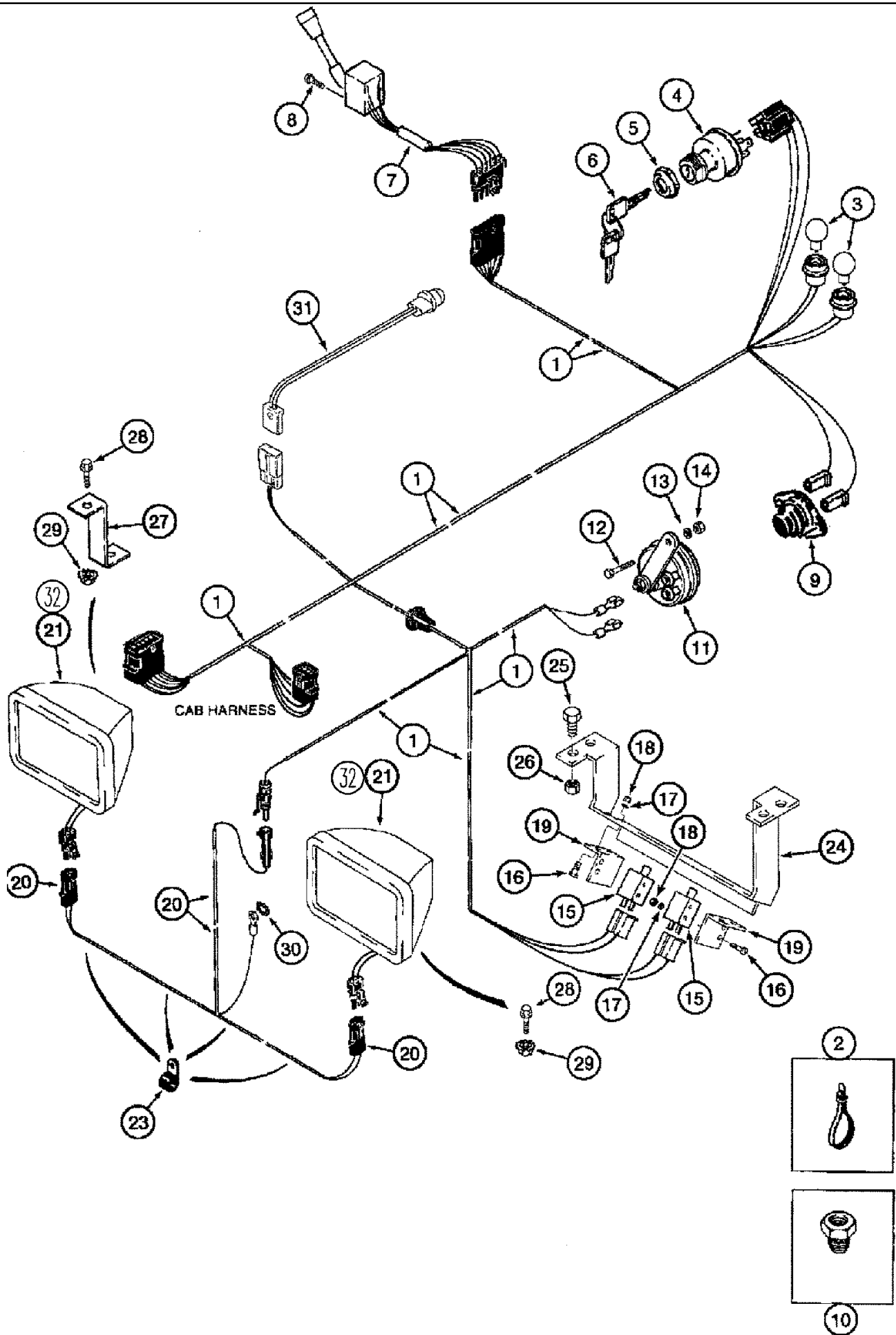
04-03 HARNESS, CENTER

сылка	Номер детали	Кол-во	Описание
1	242037A2	1	HARNESS, WIRE, Center, Inc. 2, 3, BSN JJC0253999
1	386518A3	1	HARNESS, WIRE, Center, Inc. 2, 3, BTW JJC0254000 & JJC0255699
1	441974A1	1	HARNESS, WIRE, Center, Inc. 2, 3, ASN JJC0255700
2	187308A1	4	CAP, Not Illustrated
3	187309A1	4	BAR, Splice, Not Illustrated
4	127813A1	1	LAMP, Service, Reel, Inc. 5
5	P40556	1	BULB, 12V, Not Illustrated
6	122428A1	1	SWITCH, Hydraulic Oil Level
7	178149A1	1	SWITCH, SOLENOID, See Figure 04-01
8	276-1458	2	SCREW, SELF TAPPING, Hex Hd, #10 x 1/2", No. 10 x 1/2
9	492-11031	2	WASHER, LOCK, 5/16",
10	425-105	2	NUT, 5/16"-18, G5,
11	492-11010	1	WASHER, LOCK, #10,
12	225-14210	1	NUT, #10-32,
13	141944A1	1	SUPPORT,
14	409-7412	2	BOLT, Hex Flg, 1/4"-20 x 3/4", Serr, 1/4 x 3/4
15	492-11031	2	WASHER, LOCK, 5/16", If used
16	231-5144	2	NUT, Flg, USR, 1/4"-20,
17	141655A1	1	SWITCH, Unloader In
18	470-10620	2	SCREW, Slotted Pan Hd, #6-32 x 1 1/4", No. 6 x 1-1/4
19	138526	2	WASHER, No. 6
20	225-14106	2	NUT, #6-32,
21	131152A1	1	VALVE, CONTROL, Unloader Clutch, See Figure 08-31, BSN JJC0253999
21	384307A1	1	VALVE, SOLENOID, Unloader Clutch, See Figure 08-32, ASN JJC0254000
22	177678A1	1	SWITCH, Hydraulic Oil Temperature, Inc. 22A
22A	237-6008	1	O-RING, 8-1, 90 Duro, .644" ID x .087" Thk,
23	131152A1	1	VALVE, CONTROL, Separator Clutch, See Figure 08-31, BSN JJC0253999
23	384307A1	1	VALVE, SOLENOID, Separator Clutch, See Figure 08-32, ASN JJC0254000
24	515-25476	2	CLAMP, 1 7/8", Insul, 1/2" Bolt,
25	515-23381	5	CLAMP, 1 1/2", Insul, 3/8" Bolt,
26	515-23222	3	CLAMP, 7/8", Insul, 3/8" Bolt,
	434-512	4	BOLT, CARRIAGE, Short NK, 5/16"-18 x 3/4", G5, Full Thd,
	231-5145	8	NUT, Flg, USR, 5/16"-18,
27	515-23190	2	CLAMP, 3/4", Insul, 3/8" Bolt,
29	516-23127	4	CLAMP, J, 9/16" Insul, 3/8" Bolt,
30	515-23254	1	CLAMP, 1", Insul, 3/8" Bolt,
	844-12025	1	BOLT, Hex Flg, M12 x 25, 8.8, M12 x 25; 10.9
	9804279	1	NUT, M12 x 1.75, Flg, Cl 8, M12
	844-8025	9	BOLT, Hex Flg, M8 x 25, 8.8,
	825-2408	14	NUT, M8 x 1.25, Flg, Cl 8,
35	197514A2	1	SWITCH, Neutral Start, Not Illustrated, See Figure 06-11, Ref. 20
	102251A1	5	CLIP,
	231-5144	1	NUT, Flg, USR, 1/4"-20,

04-03 HARNESS, CENTER

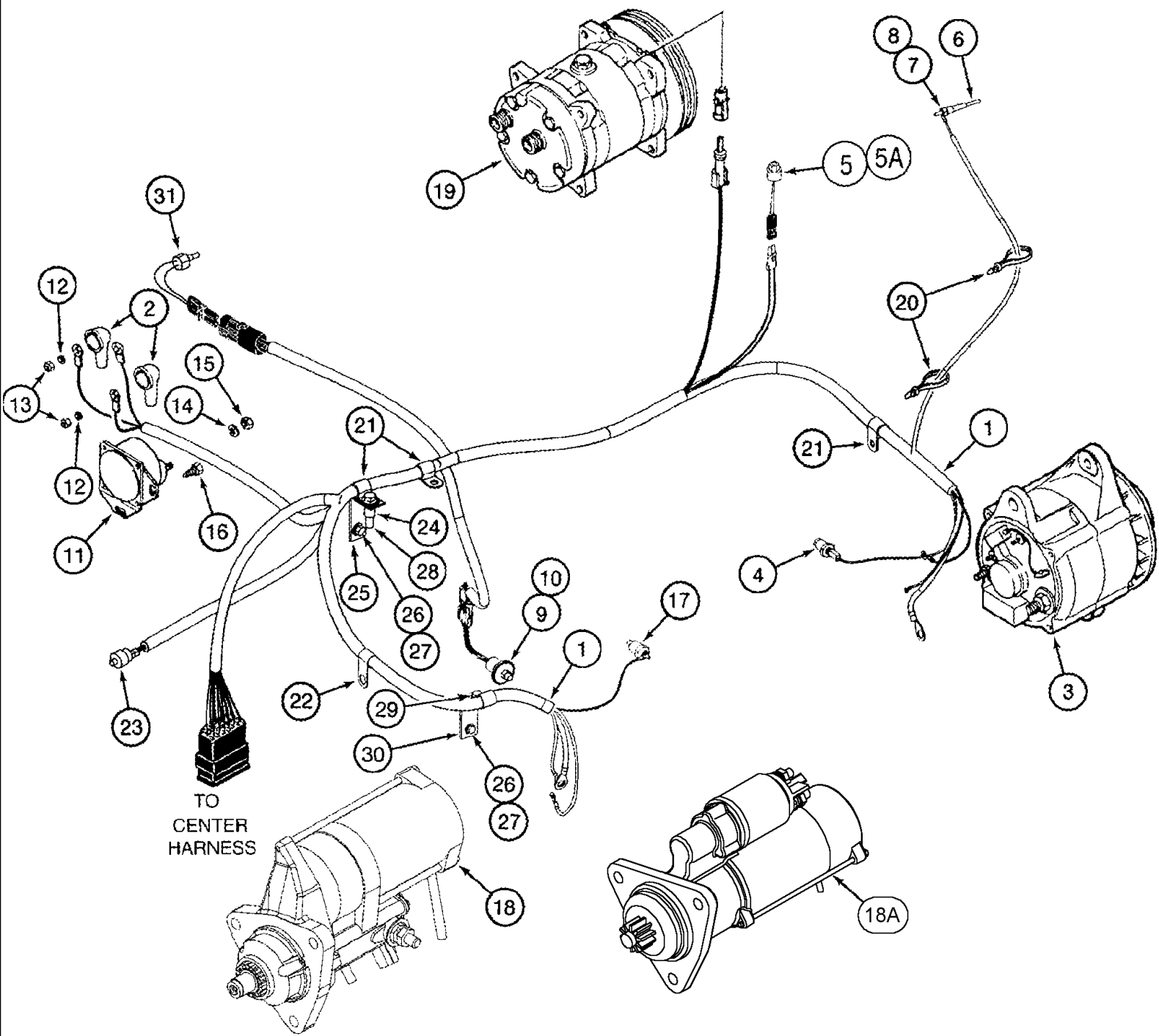
сылка	Номер детали	Кол-во	Описание
36	409-748	1	BOLT, Hex Flg, 1/4"-20 x 1/2", Serr,
	1988723C1	1	SUPPORT,
	363-31016	3	SCREW, Hex Wash Hd, #10-24 x 1", No. 10 x 1
	231-51409	3	NUT, Flg, USR, #10-24,

04-04 HARNESSES - STEERING CONSOLE AND PLATFORM



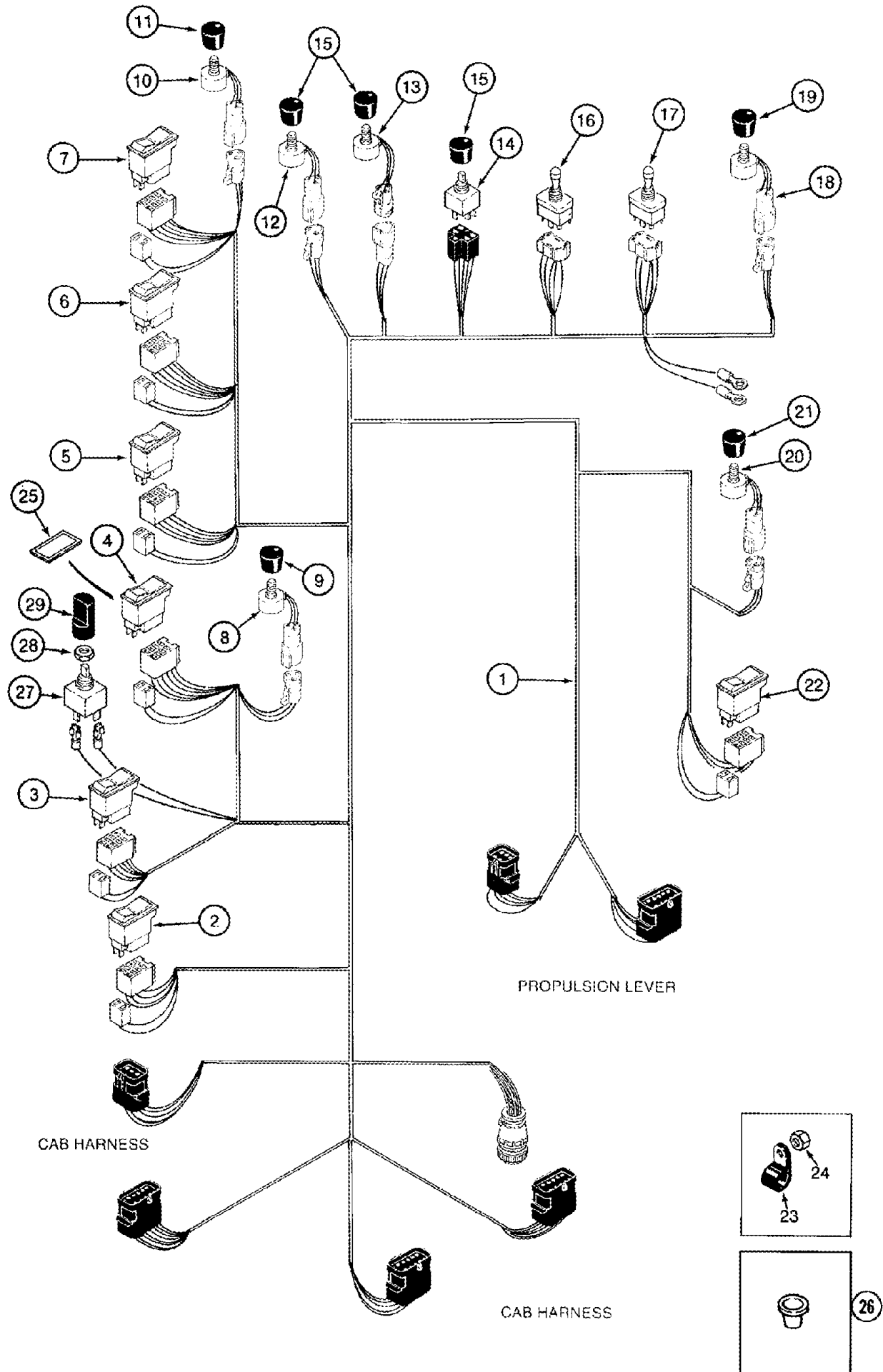
04-04 HARNESSSES - STEERING CONSOLE AND PLATFORM

сылка	Номер детали	Кол-во	Описание
1	277603A1	1	HARNESS, WIRE, Steering Console
2	435437A1	2	STRAP, CABLE, 3/16" x 7 1/4",
3	D71346	2	LAMP, TAIL, No. 168, Replaces 26069R1
4	282775A1	1	SWITCH, IGNITION, Inc. 5 & 6; Replaces D134737 Switch Which Used A77313 Metal Key Without Padding
5	1964785C1	1	NUT, 1 in
6	1964831C2	1	SET OF 2 KEYS, Padded
7	1500137C2	1	SWITCH, FLASHER, Horn
8	614-4008	2	BOLT, Hex, M4 x 8, 8.8, Full Thd,
9	D67872	1	SWITCH, Ether Injection
10	217-40	1	REDUCER, 1/4"-18 NPTF x 1/8"-27 Fem NPTF,
11	3057542R91	1	HORN,
12	614-6025	1	BOLT, Hex, M6 x 25, 8.8, Full Thd,
13	892-11006	1	WASHER, LOCK, M6,
14	829-1406	1	NUT, M6, CI 10,
15	127286A1	2	SWITCH, Emergency Brake
16	440-11012	8	SCREW, Cross Pan Hd, #10-24 x 3/4",
17	492-11010	8	WASHER, LOCK, #10,
18	225-14110	8	NUT, #10-24,
19	296466A1	2	BRACKET, Emergency Switch
20	184848A2	1	HARNESS, WIRE, PLATFORM, BSN JJC0254999 , ASN JJC0255700
21	185117A1	2	HEADLIGHT, Aftercut, Inc. 22, BSN JJC0254999
22	139120A1	1	BULB, Type C-6, No. 894, Not Illustrated
23	515-23159	4	CLAMP, 5/8", Insul, 3/8" Bolt,
24	296643A1	1	SUPPORT, Brake Switch
25	614-8025	4	BOLT, Hex, M8 x 25, 8.8,
26	832-10408	4	NUT, LOCK, M8 x 1.25, CI 8,
27	183629A1	1	SUPPORT, Aftercut Lamp
28	409-7512	2	BOLT, Hex Flg, 5/16"-18 x 3/4", Serr,
29	231-5145	2	NUT, Flg, USR, 5/16"-18,
30	493-11039	1	WASHER, LOCK, 3/8", Int-Ext Tooth,
31	197321A1	1	SENSOR, Solar, BSN JJC0252949
32	430506A1	2	LAMP, Aftercut, See Figure 04-46, ASN JJC0255000



04-05 HARNESS, ENGINE

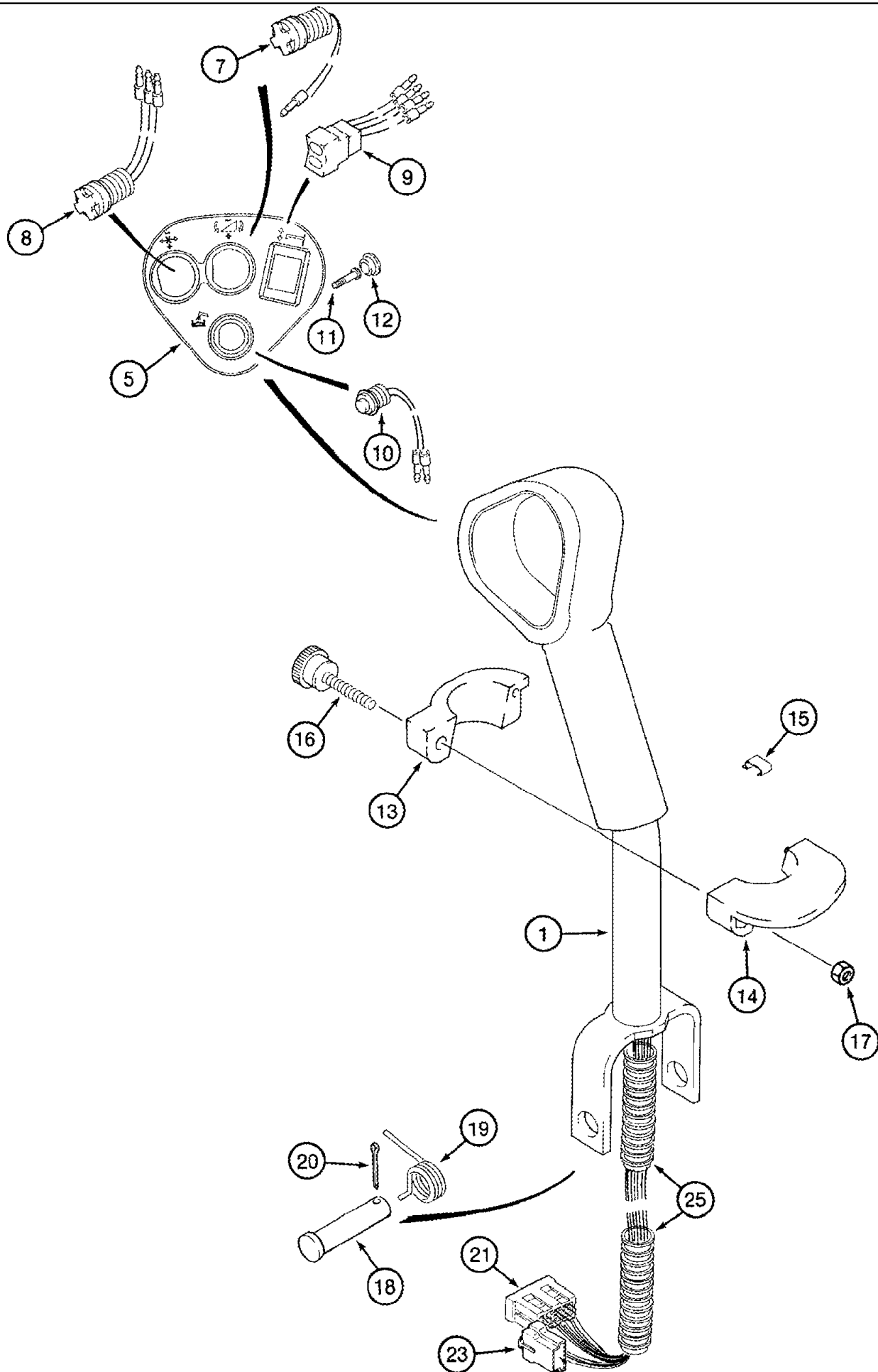
сылка	Номер детали	Кол-во	Описание
1	241938A3	1	HARNESS, WIRE, Engine, Inc. 2, BSN JJC0255699
1	436197A2	1	HARNESS, WIRE, Engine, Inc. 2, ASN JJC0255700
2	399470R1	2	BOOT,
3	125849A1	1	ALTERNATOR, 135 amp, See Figure(s) 04-38, 04-40
4	1345488C3	1	SWITCH, TEMPERATURE, Coolant Temperature , BSN JJC0255699
4	430653A1	1	SWITCH, Coolant Temperature, 230 deg, ASN JJC0255700
5	232948A1	1	SWITCH, PRESSURE, High, Air Conditioning, BSN JJC0252949
5A	369798A2	1	SWITCH, High Pressure, Air Conditioning, ASN JJC0252950
6	279476A1	1	SENSOR, Coolant Level
7	492-11010	1	WASHER, LOCK, #10,
8	225-14210	1	NUT, #10-32,
9	1964960C1	1	SWITCH, PRESSURE, Engine Oil Pressure
10	217-9	1	ADAPTER, 1/8"-27 Fem NPTF x 1/8"-27 NPTF Male, , BSN JJC0255699
10	250838A2	1	CONNECTOR, ELEC, M10, Inc. 10A, ASN JJC0255700
10A	637-72081	1	O-RING, CI 7, 8.1MM ID x 1.6 Thk,
11	178149A1	1	SWITCH, SOLENOID, See Figure 04-01
12	492-11031	2	WASHER, LOCK, 5/16",
13	425-105	2	NUT, 5/16"-18, G5,
14	492-11010	1	WASHER, LOCK, #10,
15	225-14210	1	NUT, #10-32,
16	276-1458	2	SCREW, SELF TAPPING, Hex Hd, #10 x 1/2", No. 10 x 1/2
17	121756C2	1	SENSOR, Coolant Temperature
18	87413500	1	MOTOR, STARTER, Case Branded, Replaces 193432A2, See Figure(s) 04-39, 04-41, BSN JJC0256399
18A	87419387	1	MOTOR, STARTER, Iskra Brand, See Figure 04-39A, 04-39B, ASN JJC0256400
19	86993462	1	COMPRESSOR, AIRCOND, Replaces 1999755C3, See Figure 09G-25
20	22-824	1	STRAP, CABLE, 3/16" x 7 1/4",
20	L18337	8	STRAP, CABLE, 9.95"-12.1" lg, 15 in
21	515-30222	4	CLAMP, 7/8", 1/2" Bolt,
21	515-23190	1	CLAMP, 3/4", Insul, 3/8" Bolt,
21	515-22127	1	CLAMP, 1/2", Insul, 5/16" Bolt,
22	1345263C1	1	CLIP, 3/4 ID
23	279492A1	1	SWITCH, RESTRICTION, Air Restriction
24	80438R1	1	SPACER, 3/8" Pipe x 3",
25	1317942C1	1	BRACKET,
26	614-8020	2	BOLT, Hex, M8 x 20, 8.8,
26	854-12100	1	BOLT, Hex Flg, M12 x 100, 10.9,
27	496-21034	2	WASHER, 11/32" x 11/16" x 0.89", HDN,
28	854-12050	1	BOLT, Hex Flg, M12 x 50, 10.9,
29	825-2408	1	NUT, M8 x 1.25, Flg, CI 8,
30	1317942C1	1	BRACKET,
31	194346A1	1	SENSOR, Air To Air Temperature, BSN JJC0255699
31	87300499	1	SENSOR, Air to Air Temperature, ASN JJC0255700



04-06 HARNESS, CONSOLE

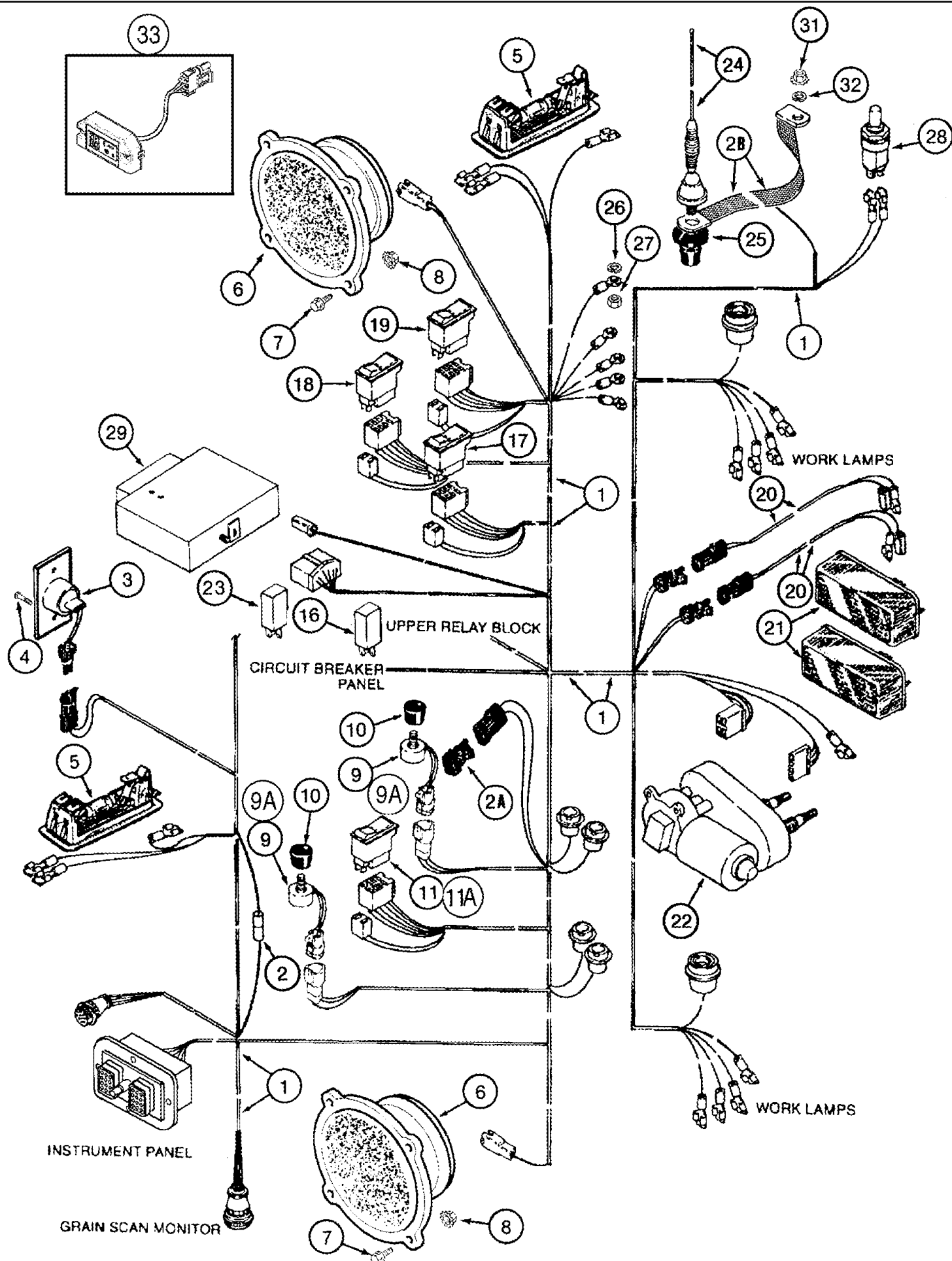
сылка	Номер детали	Кол-во	Описание
1	276601A2	1	HARNESS, WIRE, Console
2	124098A1	1	SWITCH, Parking Brake
3	109821A1	1	SWITCH, Power Guide Axle, 4 Wheel Drive, Inc. 109826A1, 109833A1, 3141107R1
	109826A1	1	SWITCH,
	109833A1	1	SYMBOLS, Lens
	3141107R1	1	BULB, W5/1.2, 12V, 1.2W,
4	109822A1	1	SWITCH, Inc. 109826A1, 109834A1, 3141107R1, With Two Speed Motor
5	143503A1	1	SWITCH, Rotor Speed
6	143502A1	1	SWITCH, Fan Speed
7	143504A1	1	SWITCH, Concave Adjust
8	114551A1	1	POTENTIOMETER, Reel Speed, 2.5K
9	A186263	1	KNOB,
10	114551A1	1	POTENTIOMETER, Raise Rate, 2.5K
11	A186263	1	KNOB,
12	114551A1	1	POTENTIOMETER, Header Sensitivity, 2.5K
13	114550A1	1	POTENTIOMETER, Header Position, 1K
14	129237A1	1	SWITCH, Header Height
15	118780A1	3	KNOB,
16	245634C2	1	SWITCH, Toggle, Feeder
17	245632C2	1	SWITCH, Toggle, Separator
18	114551A1	1	POTENTIOMETER, Lower Rate, 2.5K
19	A186263	1	KNOB,
20	114551A1	1	POTENTIOMETER, Reel Ratio, 2.5K
21	118780A1	1	KNOB,
22	109817A1	1	SWITCH, Reel Speed, Auto/Manual
23	515-23222	1	CLAMP, 7/8", Insul, 3/8" Bolt,
25	245918C1	AR	CAP, , Without Power Guide Axle, Without Two Speed Motor
26	353-4	1	PLUG, Cap, .366" OD, 23/64, Without Automatic Height Control
27	L70872	1	SWITCH, Accumulator
28	A42561	1	NUT,
29	280673A1	1	KNOB, Accumulator Switch
24	829-1410	1	NUT, M10, CI 10,

04-07 LEVER ASSY - PROPULSION CONTROLS



04-07 LEVER ASSY - PROPULSION CONTROLS

сылка	Номер детали	Кол-во	Описание
1	113314A2	1	LEVER, CONTROL, Propulsion
5	124669A1	1	PLATE,
6	144109A2	1	DECAL, Not Illustrated, See Figure 09H-24, Ref. 3
7	132001A1	1	SWITCH, Header Control
8	118680A1	1	SWITCH, Reel Control
9	118683A1	1	SWITCH, Unloader Swing
10	127597A1	1	SWITCH, Unloader Auger
11	260-54310	1	SCREW, SELF TAPPING, Cross Pan Hd, #6 x 5/8",
12	353-402	1	PLUG, Dome, .375" hole, Nylon,
13	116150A1	1	SUPPORT, Palm Rest, LH
14	116152A1	1	SUPPORT, Palm Rest, Right Hand
15	1343962C1	1	CLIP, ELECTRICAL,
16	96860C1	1	KNOB, Palm Rest, BSN JJC0255699
16	86987885	1	KNOB, Palm Rest, ASN JJC0255700
17	425-104	1	NUT, 1/4"-20, G5,
18	27-8343	1	PIN, CLEVIS, 1/2" x 3 7/16", 1/2 x 3-7/16
19	128593A1	1	SPRING,
20	432-816	1	PIN, SPLIT (COTTER), 1/8" x 1",
21	225388C1	1	CONNECTOR, ELEC, Type NA
22	225390C1	1	WEDGE, Type NF, Not Illustrated
23	225350C1	1	CONNECTOR, ELEC, Type LY
24	225353C1	1	WEDGE, Type W6P, Not Illustrated
25	120344C1	1	CONDUIT, 184 mm (7-1/4 in.)



Note: Circuit breakers, Refs. 13 - 15, are located in cab headliner upper relay block on 276603A2 harness only.

04-08 HARNESS - CAB, OVERHEAD

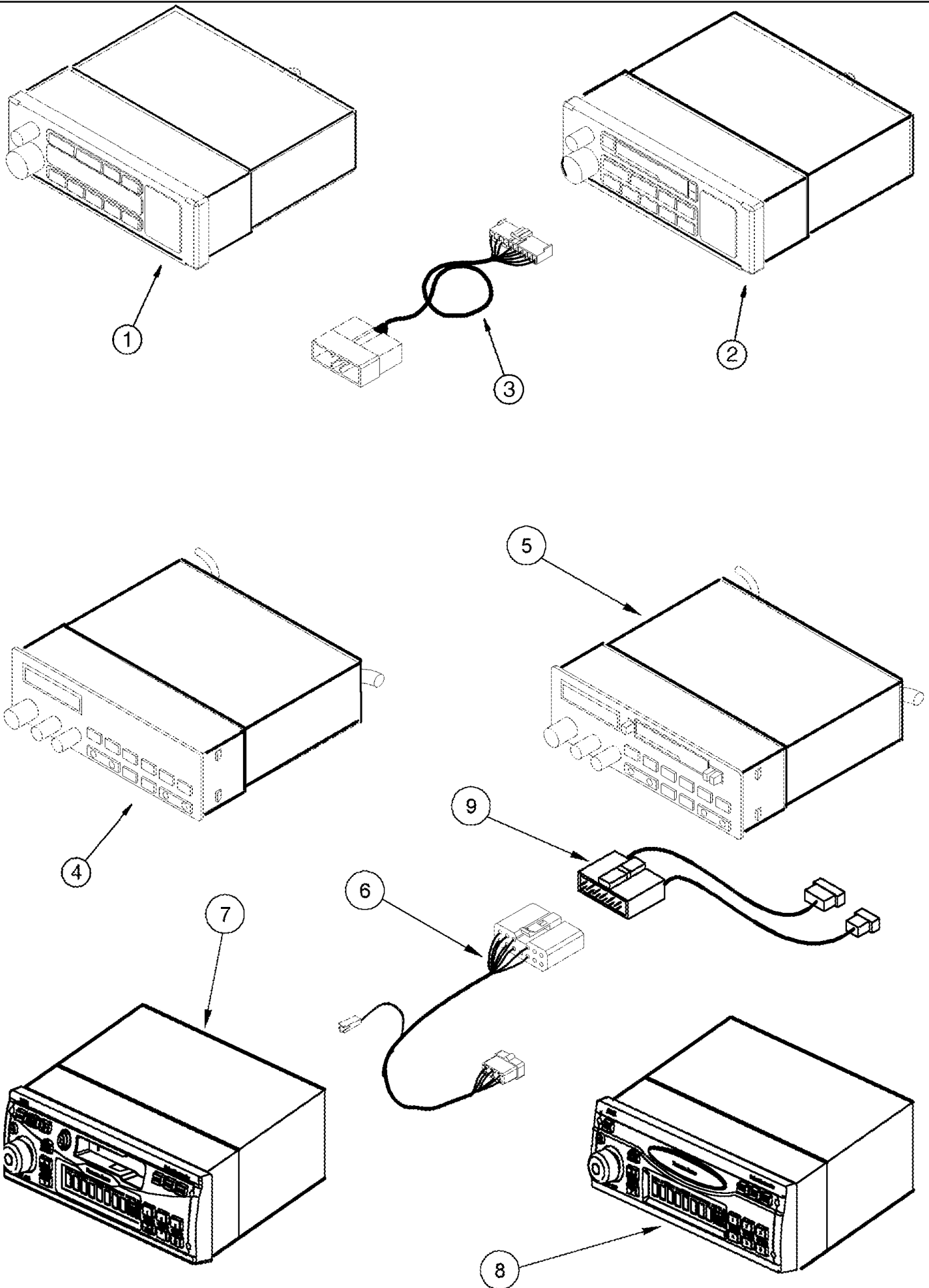
сылка	Номер детали	Кол-во	Описание
1	276603A2	1	HARNESS, WIRE, Cab, See Figure(s) 04-10, 04-12, With Overhead Circuit Breaker Panel, BSN JJC0252303
1A	315073A1	1	HARNESS, WIRE, Cab, See Figure(s) 04-10, 04-12, Not Illustrated, Without Overhead Circuit Breaker Panel, BTW JJC0252304 & JJC0252949
1B	370779A1	1	HARNESS, WIRE, Cab, See Figure(s) 04-11, 04-12, Not Illustrated, Without Overhead Circuit Breaker Panel, BTW JJC0252950 & JJC0253999
1C	388671A3	1	HARNESS, WIRE, Cab, See Figure(s) 04-11, 04-12, Not Illustrated, Without Overhead Circuit Breaker Panel, ASN JJC0254000
2	113699A1	1	RECTIFIER, 2-5/8
2A	A187874	1	DIODE,
2B	278032A1	1	STRAP, GROUND, Radio Antenna To Cab
3	83882C91	1	LAMP, Console Illumination, See Figure 04-33
4	440-10812	2	SCREW, Cross Pan Hd, #8-32 x 3/4", No. 8 x 3/4
5	429726A1	2	DOME LIGHT, See Figure 04-33
6	182721A2	2	SPEAKER, 5-1/2, BSN JJC0253127
6	375389A1	2	SPEAKER, 5-1/2, ASN JJC0253128
7	276-13520	8	SCREW, SELF TAPPING, Hex Hd, #10 x 1 1/4", No. 10 x 1-1/4
8	231-51409	8	NUT, Flg, USR, #10-24,
9	114551A1	2	POTENTIOMETER, Air Conditioning, Fan Speed, Temperature, 2.5K, BSN JJC0252949
9A	369794A1	2	POTENTIOMETER, Air Conditioning, Fan Speed, Temperature, 10K, ASN JJC0252950
10	1977521C1	2	BUTTON,
11	124535A1	1	SWITCH, Air Conditioning, Without Automatic Temperature Control, BSN JJC0252949
11A	369892A1	1	SWITCH, Air Conditioning, Not Illustrated, ASN JJC0252950
12	26069R1	4	BULB, No. 192, Not Illustrated
13	139718A1	1	CIRCUIT BREAKER, 10 Amp, Mini, Not Illustrated, Use with 276603A2
14	139719A1	2	CIRCUIT BREAKER, 15 Amp, Mini, Not Illustrated, Use with 276603A2
15	139720A1	3	CIRCUIT BREAKER, 20 Amp, Mini, Not Illustrated, Use with 276603A2
16	105849A1	5	RELAY, Continuous Duty, Mounted In Block, 20 amp
17	176854A1	1	SWITCH, WINDSHIELD WIPER, Wiper
18	124095A1	1	SWITCH, LIGHTS, Lamp, BSN JJC0253999
18	391065A1	1	SWITCH, Lamp, ASN JJC0254000
19	279263A1	1	SWITCH, FLASHER, Warning Lamp
20	143062A1	2	HARNESS, WIRE, Warning Lamp
21	130882C91	2	LIGHT, INTERIOR, See Figure 04-33
22	137838A1	1	WIPER MOTOR, See Figure 04-43
23	391066A1	1	RELAY, Time Delay, ASN JJC0254000
24	97080C1	1	ANTENNA,
25	R54547	1	GROMMET,
26	893-11008	1	WASHER, LOCK, Ext Tooth, M8,
27	825-5148	1	NUT, M8, Flg Ser,
28	1983341C1	1	SWITCH, JAM Door
29	REF	1	INSTRUCTION, Radio, See Figure 04-09
31	825-51410	1	NUT, M10, Flg Ser,

Note: Circuit breakers, Refs. 13 - 15, are located in cab headliner upper relay block on 276603A2 harness only.

04-08 HARNESS - CAB, OVERHEAD

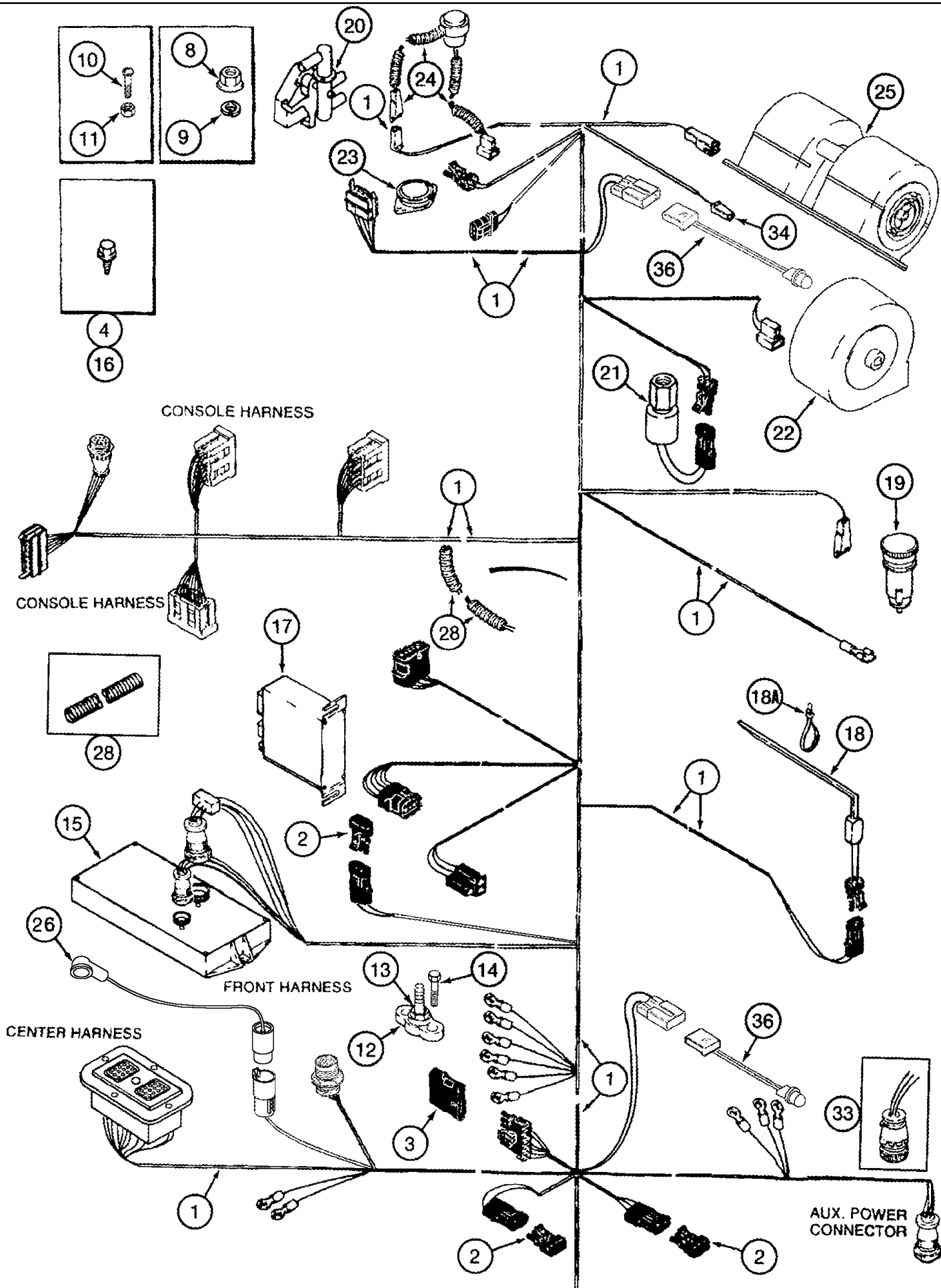
сылка	Номер детали	Кол-во	Описание
32	493-11039	1	WASHER, LOCK, 3/8", Int-Ext Tooth,
33	308910A2	1	DISPLAY, Air Conditioning Display, ASN JJC0252950

Note: Circuit breakers, Refs. 13 - 15, are located in cab headliner upper relay block on 276603A2 harness only.



04-09 RADIO

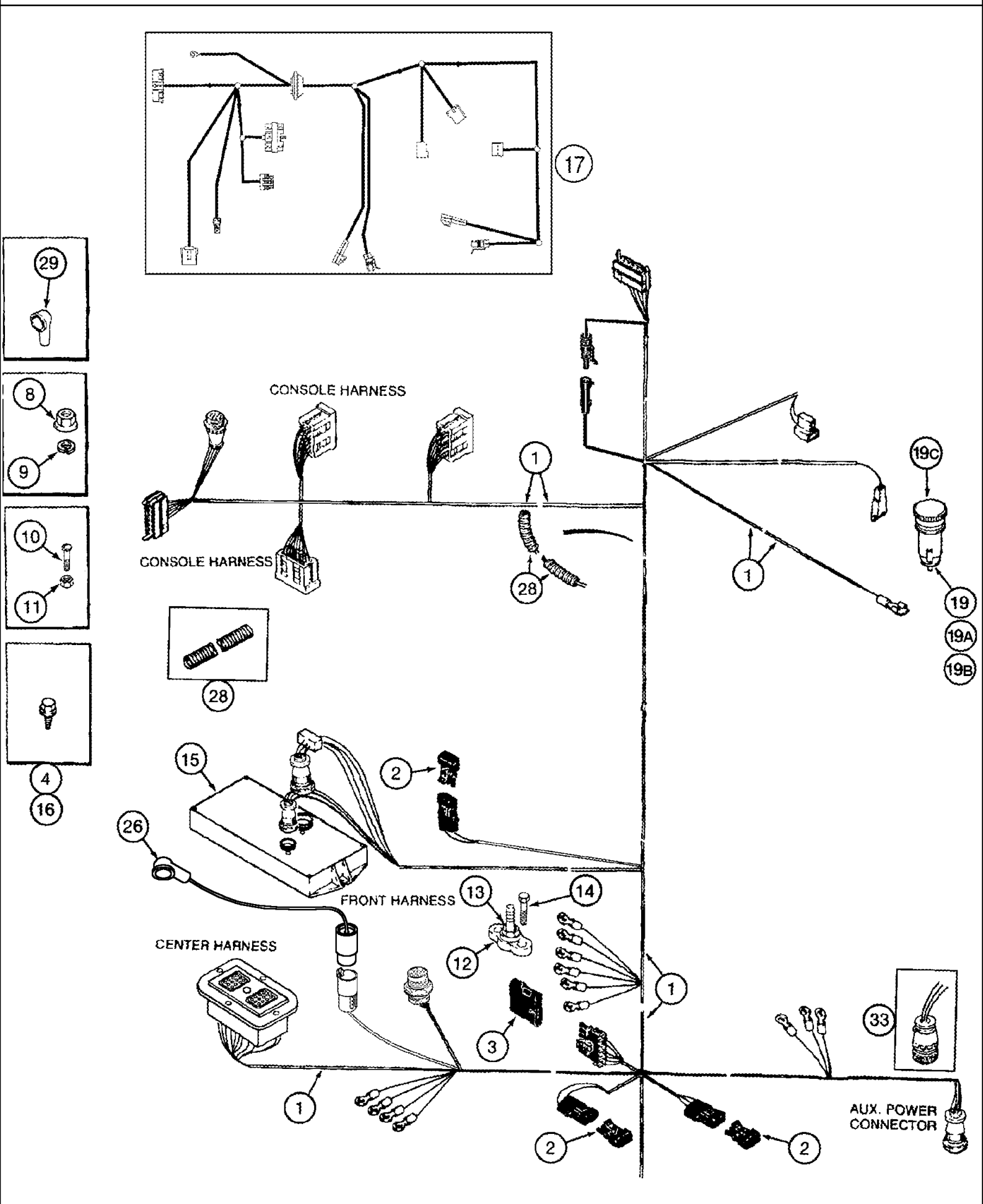
сылка	Номер детали	Кол-во	Описание
1	ZAE1001	1	RADIO, AM-FM Stereo, Order From Ship Direct, Also Order: 321658A1 Harness For Combines P.I.N. JJC0252304 And After, Replaces : ZAE1000
2	ZAE3001	1	RADIO, AM-FM Stereo, With Cassette Tape Player, Order From Ship Direct Also Order: 321658A1 Harness For Combines P.I.N. JJC0252304 And After, Replaces ZAE3000
3	321658A1	1	HARNESS, WIRE, ADAPTER
4	253772A1	1	RADIO, Delco, AM-FM Stereo, Also Order: 245770A1 Harness For Combines Prior To P.I.N. JJC0252304, BSN JJC0253127
5	253773A1	1	RADIO, Delco, AM-FM Stereo, Also Order: 245770A1 Harness For Combines Prior To P.I.N. JJC0252304, With Cassette Tape Player, BSN JJC0253127
6	245770A1	1	HARNESS, WIRE, ADAPTER
7	366631A2	1	RADIO, Delco, AM-FM Stereo, ASN JJC0253128
8	355623A1	1	RADIO, Delco, AM-FM Stereo, With Cassette Tape Player, ASN JJC0253128
9	366526A1	1	HARNESS, WIRE, ADAPTER, BTW JJC0253128 & JJC0253999



Ref 33 - Note: Order to use with add-on radios, phones, and other accessories. Ref 37 - 39 - Note: These connectors, 277424A1 and 277431A1 are located behind Refs 6 and 7 on page 9G-3. If broken or loose cab power may be lost and emergency parking brake will engage. Purchase 311906A1 kit to repair.

сылка	Номер детали	Кол-во	Описание
1	276603A2	1	HARNESS, WIRE, Cab, See Figure(s) 04-10, 04-12, With Overhead Circuit Breaker Panel, BSN JJC0252303
1A	315073A1	1	HARNESS, WIRE, Cab, See Figure(s) 04-10, 04-12, Not Illustrated, Without Overhead Circuit Breaker Panel, BTW JJC0252304 & JJC0252949
2	A187874	3	DIODE, Unloader Auger, Concave Clearance Request, Brake Solenoid
3	127290A1	1	DIODE, Rotor/Fan Speed Request
4	191216A1	4	SCREW, SELF TAPPING, Hex Wash Hd, #10-24 x 5/8", Bulkhead Connector
8	825-51410	2	NUT, M10, Flg Ser,
9	493-11039	2	WASHER, LOCK, 3/8", Int-Ext Tooth,
10	440-10610	4	SCREW, Cross Pan Hd, #6-32 x 5/8", No. 6 x 5/8
11	231-14106	4	NUT, LOCK, #6-32, GB, No. 6
12	303717A1	2	JUNCTION BLOCK, Junction, Switched, B+, Replaces 20-1451T1
13	425-106	2	NUT, 3/8"-16, G5,
14	113-235	2	BOLT, Hex, 3/8"-16 x 1 3/4", G5, Full Thd,
15	239938A5	1	CONTROL, Header
16	191216A1	2	SCREW, SELF TAPPING, Hex Wash Hd, #10-24 x 5/8",
17	239951A2	1	CASE, Air Conditioning Control
18	184720A2	1	SENSOR, Temperature, Evaporator
18A	702093C1	1	STRAP, CABLE,
19	371831A1	1	LIGHTER, CIGARETTE,
20	141336A2	1	VALVE, CONTROL, Heater
21	122579A1	1	SWITCH, PRESSURE, Low, Air Conditioning
22	175435A3	1	BLOWER, Pressurizer
23	242306A2	1	SWITCH, Seat
24	180601A1	1	HARNESS, WIRE, Operator Presence
24A	180599A1	1	HARNESS, WIRE, Compressor Seat, Not Illustrated
25	355190A1	1	BLOWER, Cab
26	277019A1	1	CABLE, Cab Power
28	236586A1	1	CONDUIT, 990 mm (39 in.)
33	187103A1	1	CONNECTOR, ELEC, Auxiliary Power
34	225257C1	1	PLUG, Blower Motor
35	83822C1	2	TAPE, ADHESIVE, 610 mm (24 in.), Cut From 1954475A1, Not Illustrated
36	197321A1	2	SENSOR, Solar
	311906A1	1	KIT, Cab Power, Inc. 37 - 39, Not Illustrated
37	277424A1	1	CONNECTOR, Not Illustrated
38	277431A1	1	CONNECTOR, Not Illustrated
39	311905A1	1	TOOL, Not Illustrated

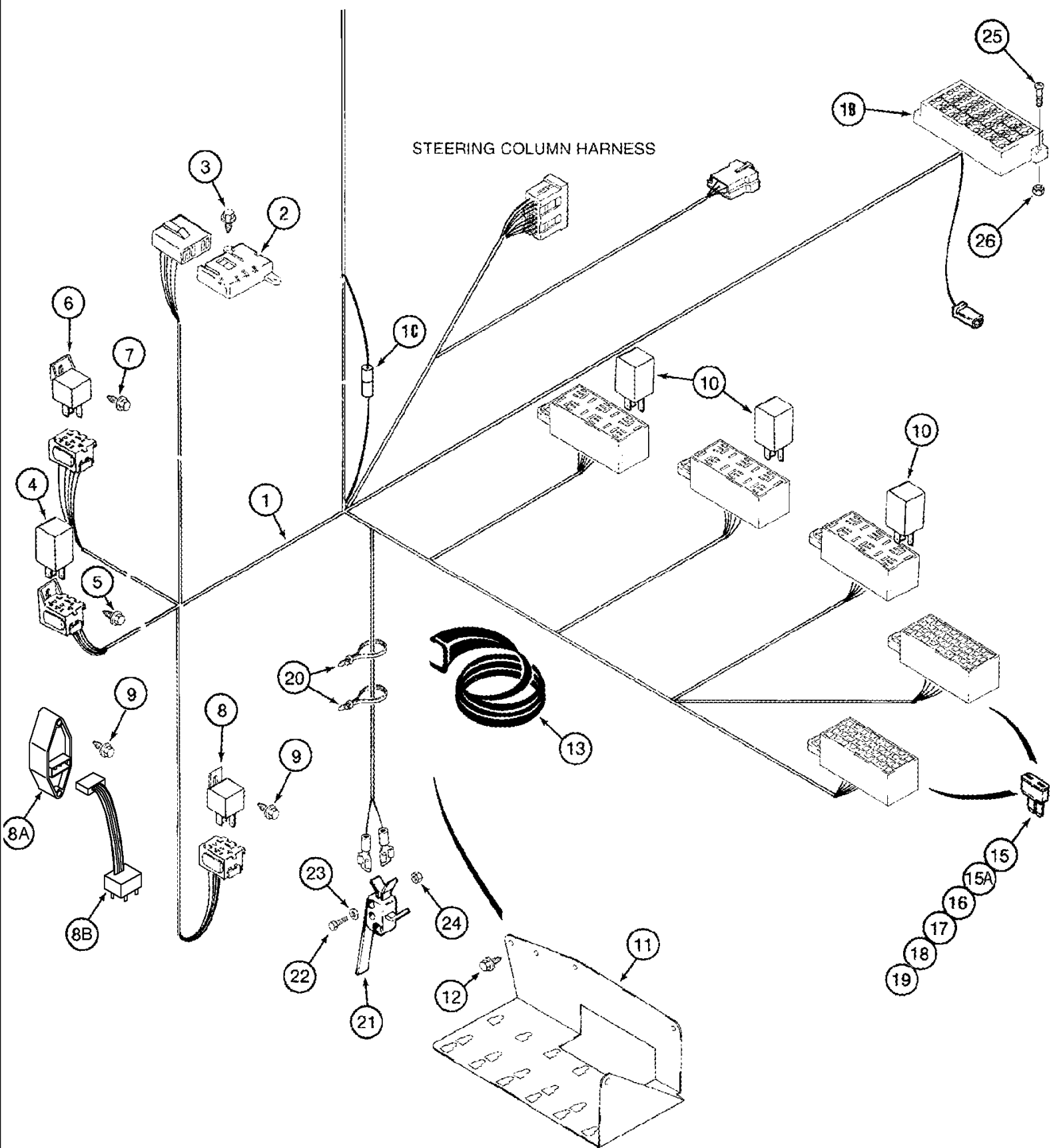
Ref 33 - Note: Order to use with add-on radios, phones, and other accessories. Ref 37 - 39 - Note: These connectors, 277424A1 and 277431A1 are located behind Refs 6 and 7 on page 9G-3. If broken or loose cab power may be lost and emergency parking brake will engage. Purchase 311906A1 kit to repair.



Ref 33 - Note (1) : Order to use with add-on radios, phones, and other accessories. Ref 37 - 39 - Note (2) : These connectors, 277424A1 and 277431A1 are located behind Refs 6 and 7 on page 9G-3. If broken or loose cab power may be lost and emergency parking brake will engage. Purchase 311906A1 kit to repair.

сылка	Номер детали	Кол-во	Описание
1	370779A1	1	HARNESS, WIRE, Cab, See Figure(s) 04-11, 04-12, BSN JJC0253999
1	388671A3	1	HARNESS, WIRE, Cab, See Figure(s) 04-11, 04-12, ASN JJC0254000
2	A187874	2	DIODE, Cab, See Figure(s) 04-10, 04-12, Not Illustrated
3	127290A1	1	DIODE, Rotor/Fan Speed Request
4	191216A1	4	SCREW, SELF TAPPING, Hex Wash Hd, #10-24 x 5/8", Bulkhead Connector
8	825-51410	2	NUT, M10, Flg Ser,
9	493-11039	2	WASHER, LOCK, 3/8", Int-Ext Tooth,
10	440-10610	4	SCREW, Cross Pan Hd, #6-32 x 5/8", No. 6 x 5/8
11	231-14106	4	NUT, LOCK, #6-32, GB, No. 6
12	303717A1	2	JUNCTION BLOCK, Junction, Switched, B+, Replaces 20-1451T1
13	425-106	2	NUT, 3/8"-16, G5,
14	113-235	2	BOLT, Hex, 3/8"-16 x 1 3/4", G5, Full Thd,
15	239938A3	1	CASE, Header Control, BSN JJC0254399
15	239938A5	1	CONTROL, Header Control, ASN JJC0254400
16	191216A1	2	SCREW, SELF TAPPING, Hex Wash Hd, #10-24 x 5/8",
17	377537A1	1	HARNESS, WIRE, Heating and Air Conditioning, Component Of 366852A1, See Figure 09G-20 (01), BSN JJC0254999
17	431091A1	1	HARNESS, WIRE, Heating and Air Conditioning, See Figure 09G-20 (02), ASN JJC0255000
19	1964773C1	1	LIGHTER, CIGARETTE, 12V, BSN JJC0253999
19A	371831A1	1	LIGHTER, CIGARETTE, 12V, ASN JJC0254000
19B	432212A1	1	LIGHTER, CIGARETTE, Socket Assy, ASN JJC0254000
19C	190812A1	1	COVER, Cigar Lighter, ASN JJC0254000
26	277019A2	1	CABLE, Power, Inc. 29
28	236586A1	1	CONDUIT, 990 mm (39 in.)
29	399470R1	1	BOOT, , ASN JJC0254000
33	187103A1	1	CONNECTOR, ELEC, Auxiliary Power, See Note (1)
35	83822C1	2	TAPE, ADHESIVE, 610 mm (24 in.), Cut From 1954475C1, Not Illustrated
	311906A1	1	KIT, Cab Power, Inc. 37 - 39, Not Illustrated, See Note (2)
37	277424A1	1	CONNECTOR, Not Illustrated
38	277431A1	1	CONNECTOR, Not Illustrated
39	311905A1	1	TOOL, Not Illustrated

Ref 33 - Note (1) : Order to use with add-on radios, phones, and other accessories. Ref 37 - 39 - Note (2) : These connectors, 277424A1 and 277431A1 are located behind Refs 6 and 7 on page 9G-3. If broken or loose cab power may be lost and emergency parking brake will engage. Purchase 311906A1 kit to repair.

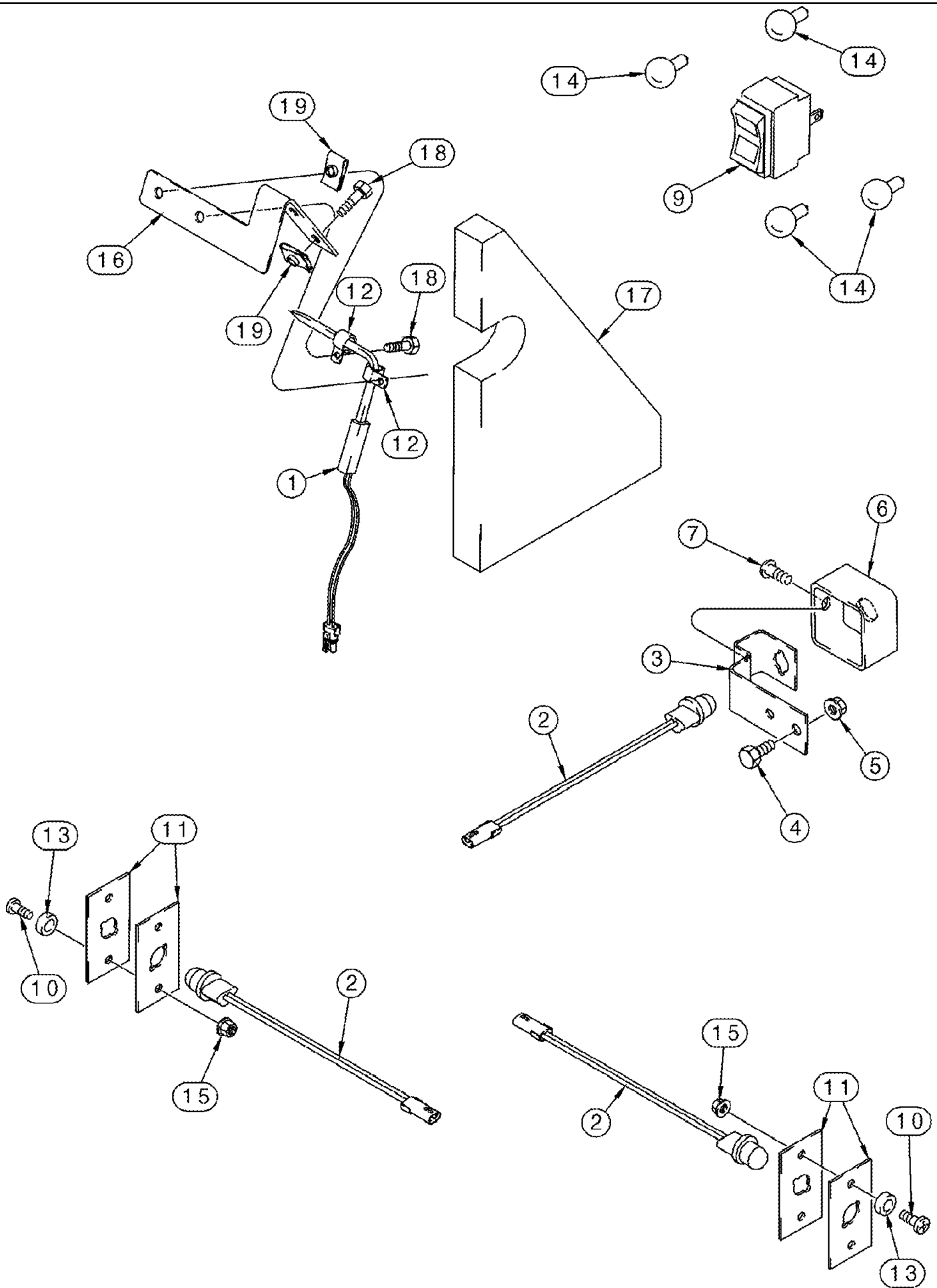


When replacing D137240 switch with 333268A1 switch, and not replacing D137431 harness with H436121 harness, rework the harness by replacing the plastic receptacle with two 223-59 No. 8 eyelet terminals .

04-12 HARNESS - CAB, RELAY AND FUSE

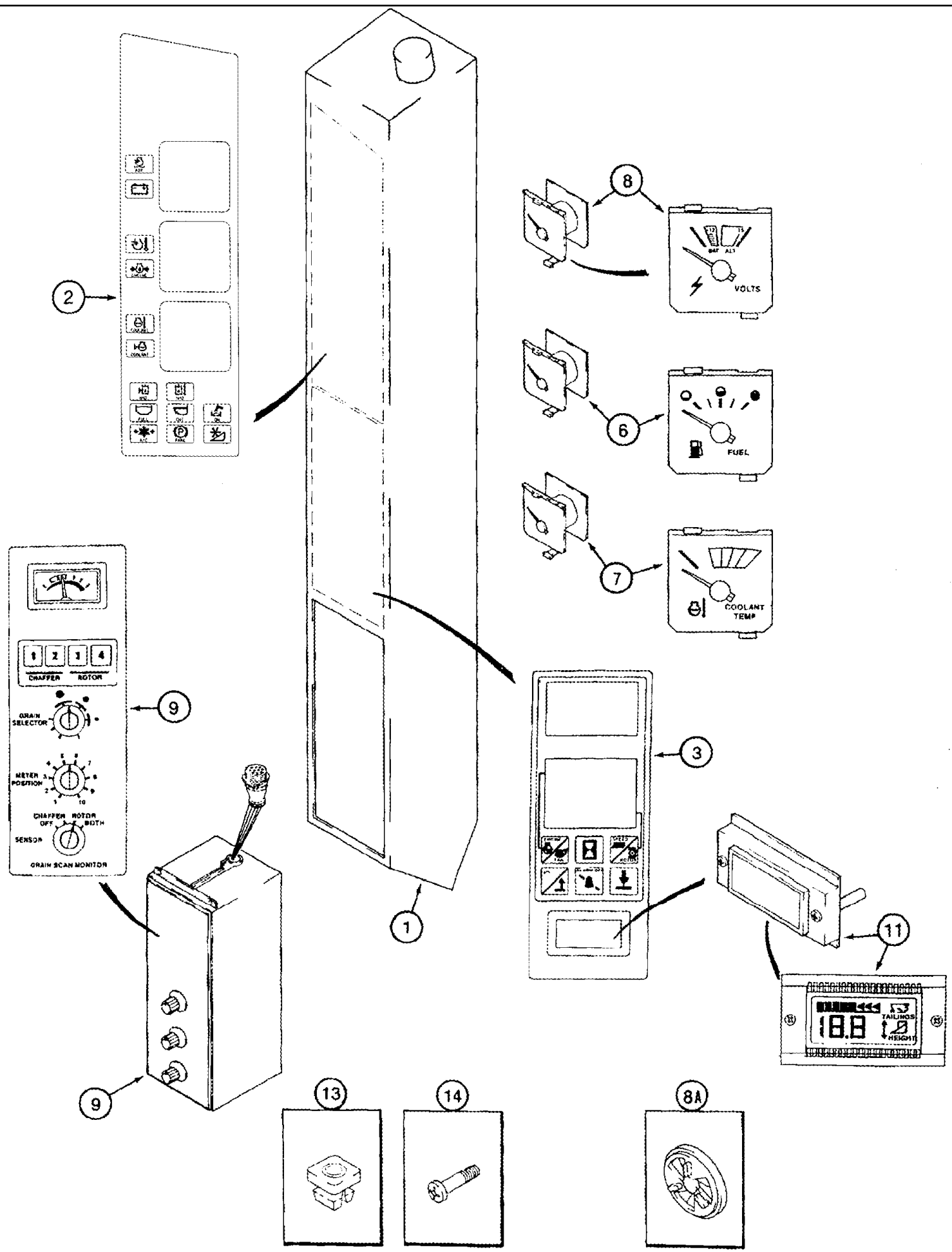
сылка	Номер детали	Кол-во	Описание
1	276603A2	1	HARNESS, WIRE, Cab, See Figure(s) 04-10, 04-12, With Overhead Circuit Breaker Panel, BSN JJC0252303
1A	315073A1	1	HARNESS, WIRE, Cab, See Figure(s) 04-10, 04-12, Not Illustrated, Without Overhead Circuit Breaker Panel, BTW JJC0252304 & JJC0252949
1A	370779A1	1	HARNESS, WIRE, Cab, See Figure(s) 04-11, 04-12, Not Illustrated, Without Overhead Circuit Breaker Panel, BTW JJC0252950 & JJC0253999
1A	388671A2	1	HARNESS, Cab, See Figure(s) 04-11, 04-12, Not Illustrated, Without Overhead Circuit Breaker Panel, ASN JJC0254000
1B	122845A1	1	JUNCTION BLOCK, Feedback
1C	113699A1	1	RECTIFIER, 2-5/8, Included With 276603A2 & 315073A1
2	284421A1	1	CONTROL UNIT, Low Coolant
3	191216A1	2	SCREW, SELF TAPPING, Hex Wash Hd, #10-24 x 5/8",
4	92389C2	1	UNIT, FLASHER, Hazard, BSN JJC0253999
4	309001A1	1	FLASHER UNIT, Hazard, ASN JJC0254000
5	191216A1	1	SCREW, SELF TAPPING, Hex Wash Hd, #10-24 x 5/8",
6	1987452C1	1	RELAY, Cab Power, 12V, 70 amp
7	191216A1	1	SCREW, SELF TAPPING, Hex Wash Hd, #10-24 x 5/8",
8	1502351C1	1	RELAY, 12V, Unloader Circuit, Optional with 87413245 Below
	87413245	1	KIT, FIP, Service Replacement of 1502351C1, Avoids Conector Change in Cab Harness, Inc. 8A, 8B
8A	87413221	1	RELAY, Module, 12V, Unloading Circuit, Optional with 1502351C1
8B	87413222	1	HARNESS, WIRE, Adapting
9	191216A1	1	SCREW, SELF TAPPING, Hex Wash Hd, #10-24 x 5/8", Used with 1502351C1
9	87033643	1	SCREW, SELF TAPPING, Hex Wash Hd, #10 x 1 1/2", No. 10 x 1-1/2, Used with 87413221
10	105849A1	19	RELAY, Continuous Duty, 20 amp
11	123116A1	1	PANEL, Fuse and Relay
12	191216A1	3	SCREW, SELF TAPPING, Hex Wash Hd, #10-24 x 5/8",
13	1327979C1	1	MOLDING, 152 mm (6 in.), Cut From 196707C1
14	REF	1	INSTRUCTION, DECAL Fuse and Relay, See Figure 09H-22, Not Illustrated
15	121850A1	AR	FUSE, 3 Amp, Mini,
15A	121410A1	AR	FUSE, 5 Amp, Mini,
16	121412A1	AR	FUSE, 10 Amp, Mini,
17	121413A1	AR	FUSE, 15 Amp, Mini,
18	121414A1	AR	FUSE, 20 Amp, Mini,
19	121416A1	AR	FUSE, 30 Amp, Mini,
20	702093C1	2	STRAP, CABLE,
21	60-6515T1	1	SWITCH, 3rd Gear Lockout
22	463-10412	2	SCREW, Hex Hd, #4-40 x 3/4", No. 4 x 3/4
23	495-31022	2	WASHER, #10,
24	225-14104	2	NUT, #4-40,
25	440-10616	2	SCREW, Cross Pan Hd, #6-32 x 1",
26	231-14106	2	NUT, LOCK, #6-32, GB, No. 6
	222699A1	AR	KIT, FUSES, Incudes: (1) Each Of 3, 5, 7.5, 10, 15, 20, 25, 30 amp

When replacing D137240 switch with 333268A1 switch, and not replacing D137431 harness with H436121 harness, rework the harness by replacing the plastic receptacle with two 223-59 No. 8 eyelet terminals .



сылка	Номер детали	Кол-во	Описание
1	184720A2	1	SENSOR, Evaporator Temperature
2	197321A1	3	SENSOR, Solar
3	238748A1	1	SUPPORT,
4	614-6020	2	BOLT, Hex, M6 x 20, 8.8,
5	825-5146	2	NUT, M6, Flg Ser,
6	241002A1	1	COVER,
7	261-1456	1	SCREW, SELF TAPPING, Cross Pan Hd, #10 x 3/8",
8	259832A2	1	DECAL, Not Illustrated, See Figure 09H-24, Ref. 18
9	234998A2	1	SWITCH, Automatic Temperature
10	117067A1	4	SCREW, SELF TAPPING, Cross Pan Hd, #10-24 x 3/4",
11	222037A1	4	PLATE,
12	515-2132	2	CLAMP, 1/8", Insul, 1/4" Bolt, (M3.2 ID)
13	224089A1	4	SPACER,
14	D71346	4	LAMP, TAIL, No. 168
15	231-51409	4	NUT, Flg, USR, #10-24,
16	297523A1	1	SUPPORT, Temperature Probe
17	297573A1	1	SEAL, Temperature Probe
18	191216A1	4	SCREW, SELF TAPPING, Hex Wash Hd, #10-24 x 5/8",
19	131-648	4	NUT, Tinn, U, #10-24, No. 10

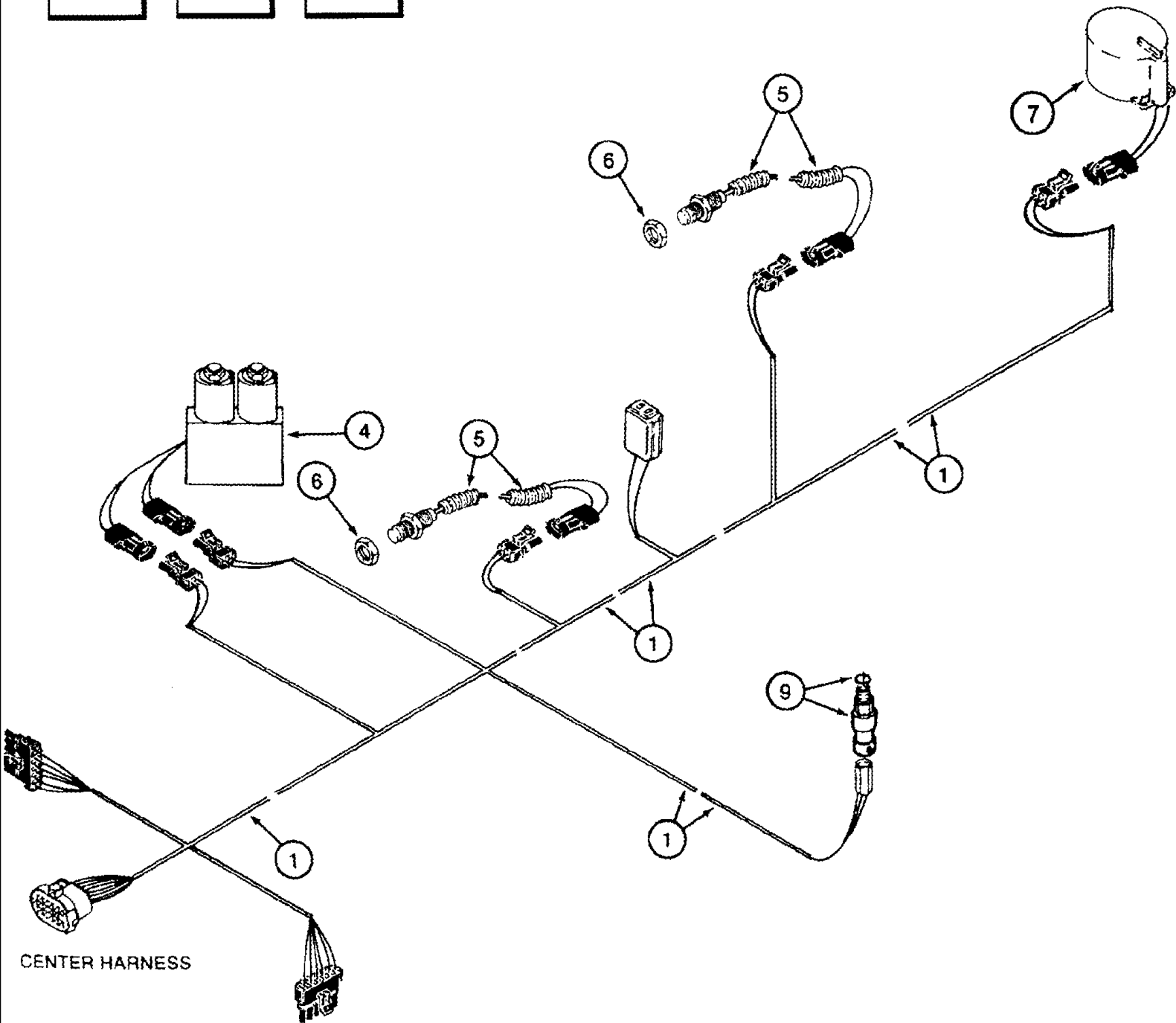
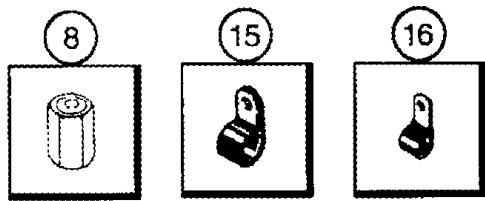
04-14 INSTRUMENT PANEL ASSY



04-14 INSTRUMENT PANEL ASSY

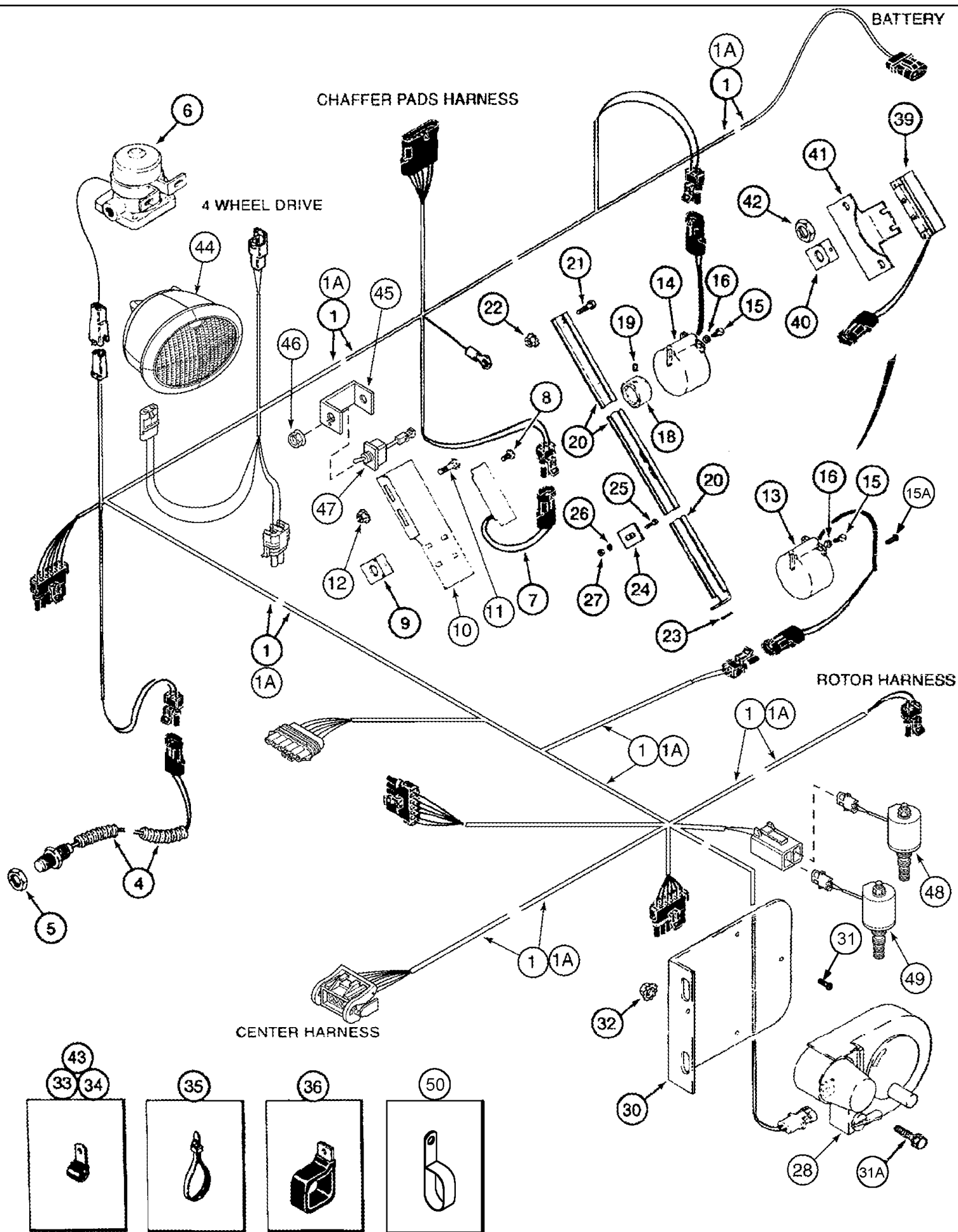
сылка	Номер детали	Кол-во	Описание
	257612A2	1	PANEL, INSTRUMENTS, Inc. 1 - 8B, 11
1	NSS	1	NOT SERVICED SEPARATELY, PANEL
2	238210A1	1	DECAL, Gauge and Warning, See Figure 09H-24, Ref. 1
3	123716A1	1	DECAL, Instrument Panel
4	A48888	AR	BULB, Not Illustrated
5	121615A1	6	SOCKET, LAMP, Includes Bulb, Not Illustrated
6	142825A1	1	GAUGE, FUEL,
7	142824A1	1	GAUGE, Coolant Temperature
8	142828A1	1	VOLTMETER, Voltmeter
8A	195359A1	1	SUPPRESSOR, Audible Warning Alarm
8B	1546441C1	1	BUZZER, Audible Warning Alarm, Not Illustrated, Replaces 245854C1
9	110862A1	1	MONITOR, CONTROL, Grain Scan, Inc. 10
10	A48888	AR	BULB, Not Illustrated
11	123715A1	1	DISPLAY, Height Display, Inc. 12
12	121615A1	2	SOCKET, LAMP, Includes Bulb, Not Illustrated
13	R53000	2	NUT,
14	260-13524	2	SCREW, SELF TAPPING, Cross Pan Hd, #10 x 1 1/2",
15	200720002	3	KNOB, Control Monitor (Not Shown)

04-15 HARNESS, LOWER



04-15 HARNESS, LOWER

сылка	Номер детали	Кол-во	Описание
1	243187A1	1	HARNESS, WIRE, Lower, Inc. 2, 3
2	187308A1	2	CAP, Not Illustrated
3	187309A1	2	BAR, Splice, Not Illustrated
4	129010A4	1	VALVE, CONTROL, Parking Brake and Feeder Clutch, See Figure 08-20
5	245193C2	2	SENSOR, Ground, Fan Speed
6	425-1512	2	NUT, Jam, 3/4"-10, G5, 3/4 NF
7	1345482C3	1	TRANSMITTER, Clean Grain Speed
8	106666A1	1	NUT, 3/8
9	122761A1	1	SENSOR, Header Float Pressure, See Figure 08-13
15	92386C1	3	CLAMP, 7/8", Insul, 7/16" Bolt,
16	516-23127	6	CLAMP, J, 9/16" Insul, 3/8" Bolt,
17	844-8025	2	BOLT, Hex Flg, M8 x 25, 8.8, Not Illustrated
18	825-2408	3	NUT, M8 x 1.25, Flg, CI 8, Not Illustrated
19	435437A1	1	STRAP, CABLE, 3/16" x 7 1/4", Not Illustrated

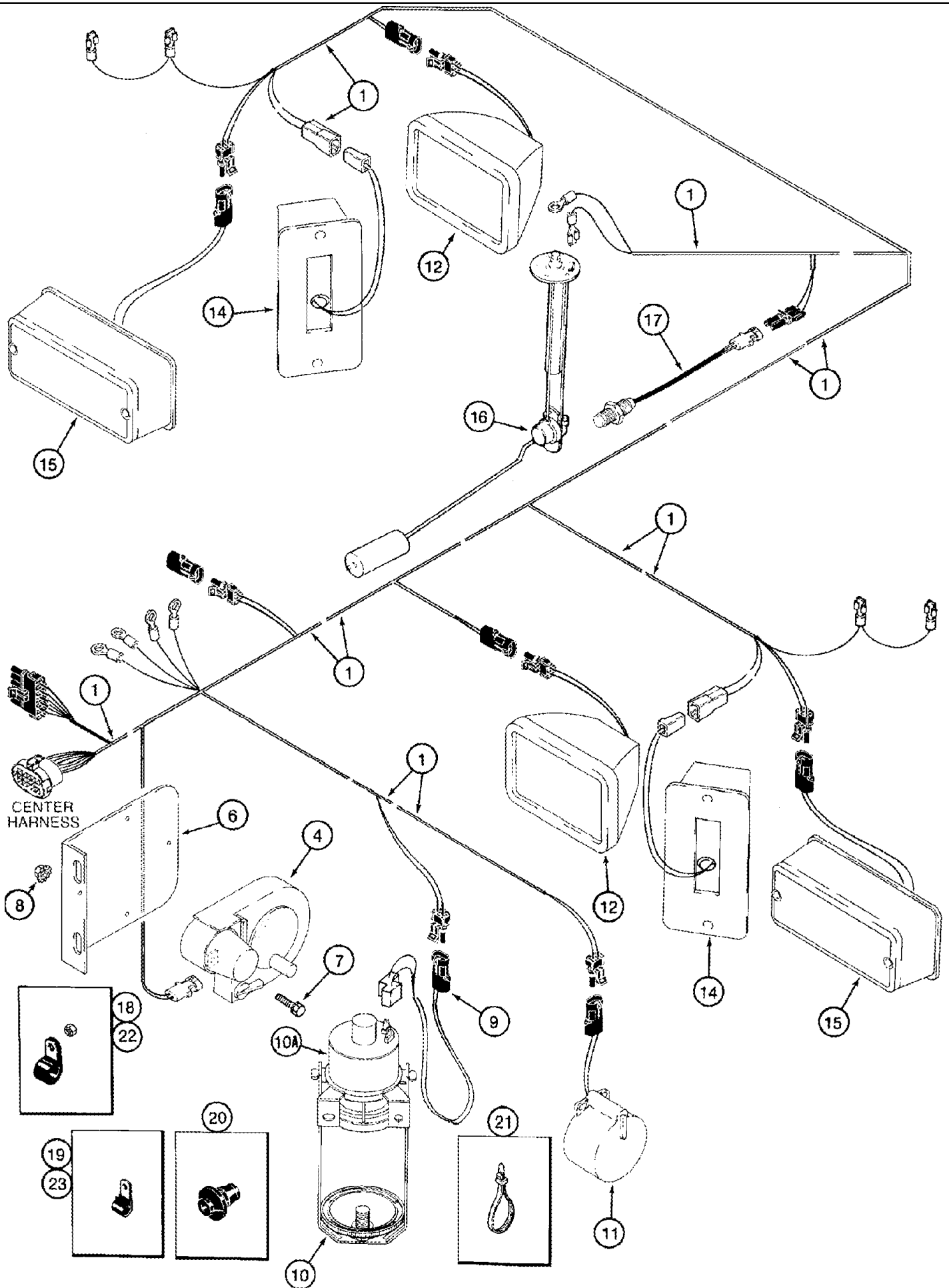


04-16 HARNESS, LEFT HAND SIDE

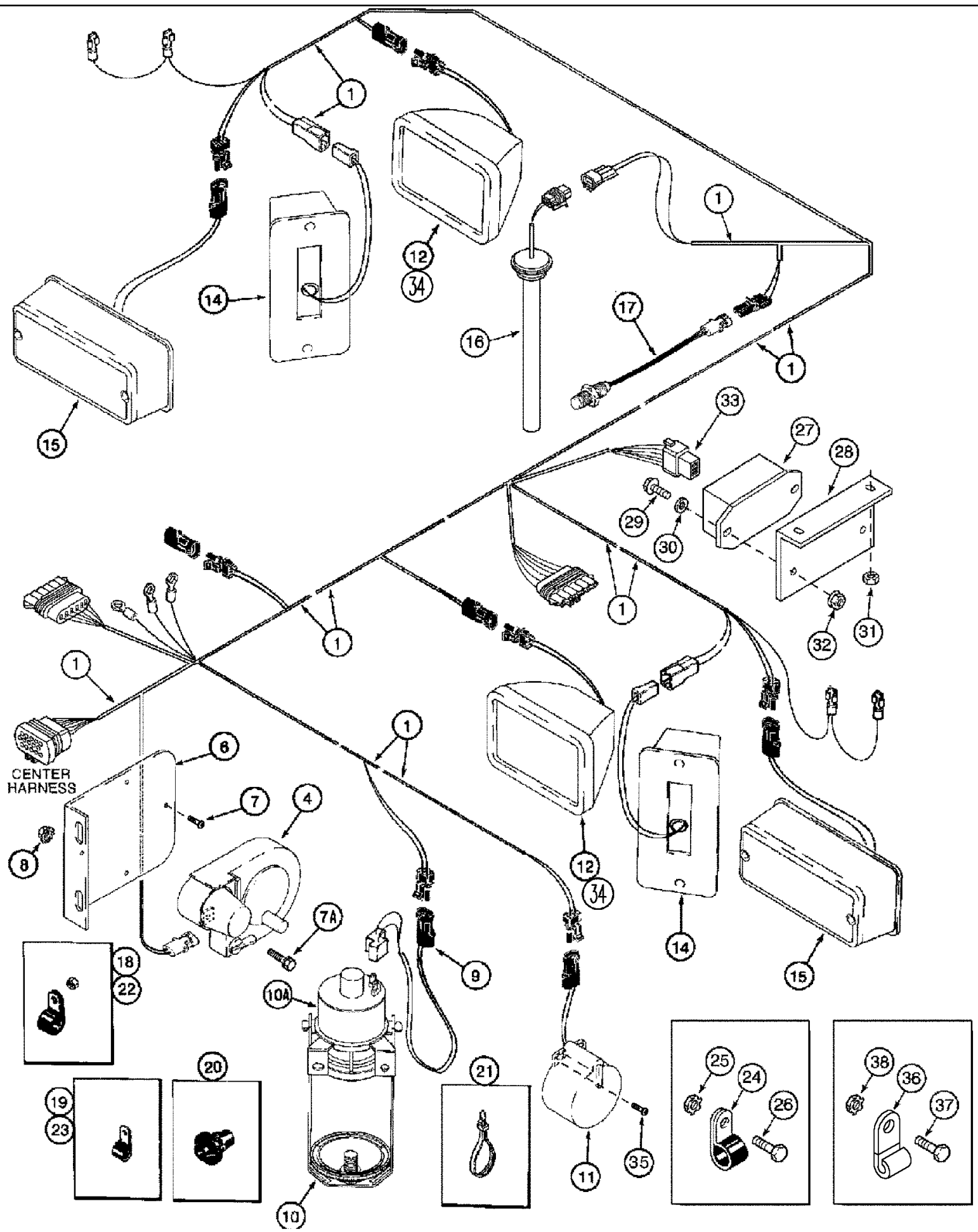
сылка	Номер детали	Кол-во	Описание
1	276602A1	1	HARNESS, WIRE, Left Hand Side, Inc.. 2 & 3, BSN JJC0253999
1A	388316A3	1	HARNESS, WIRE, Left Hand Side, Inc.. 2 & 3, ASN JJC0254000
2	187308A1	3	CAP, Not Illustrated
3	187309A1	3	BAR, Splice, Not Illustrated
4	1252494C2	1	TRANSMITTER, Engine RPM
5	425-1512	2	NUT, Jam, 3/4"-10, G5, 3/4 NF
6	REF	1	INSTRUCTION, Pump, Fuel, See Figure(s) 3-06, 03-06 (01), Ref. 17 & 17A
7	245364C1	1	SWITCH, Monitor Control, Shoe Speed
8	840-1410	2	SCREW, Cross Pan Hd, M4 x 10, 4.8,
9	187996C1	1	MAGNET, Shoe Sensor
10	187998C3	1	BRACKET, Sensor
11	434-58	2	BOLT, CARRIAGE, Short NK, 5/16"-18 x 1/2", G5, Full Thd,
12	231-5145	2	NUT, Flg, USR, 5/16"-18,
13	1345485C3	1	TRANSMITTER, Beater
14	1345482C3	1	TRANSMITTER, Tailings Elevator Speed
15	470-1086	4	SCREW, Slotted Pan Hd, #8-32 x 3/8", No. 8 x 3/8
15A	260-13524	2	SCREW, SELF TAPPING, Cross Pan Hd, #10 x 1 1/2",
16	492-11008	4	WASHER, LOCK, #8,
18	455102R21	1	COLLAR, Includes Setscrew
19	280-1478	1	SCREW, SELF TAPPING, Hex Wash Hd, 1/4" x 1/2", 1/4 x 1/2
20	116892A1	1	CHANNEL,
21	477-73112	3	BOLT, Slotted Tr Hd, 5/16"-18 x 3/4",
22	231-5145	3	NUT, Flg, USR, 5/16"-18,
23	495-11034	1	WASHER, 5/16", SAE, (11/32 x 11/16 x 1/16")
24	1301560C1	1	SUPPORT,
25	413-512	1	BOLT, Hex, 5/16"-18 x 3/4", G5, Full Thd,
26	492-11031	1	WASHER, LOCK, 5/16",
27	425-105	1	NUT, 5/16"-18, G5,
28	127813A1	1	LAMP, Service, Left Hand, Inc. 29
29	H40556	1	BULB, 12V, Not Illustrated
30	139049A2	1	SUPPORT, LH
31	276-1458	3	SCREW, SELF TAPPING, Hex Hd, #10 x 1/2", No. 10 x 1/2
31A	905-8020	3	BOLT, Hex Serr Flg, M8 x 20, M8 x 20
32	825-5148	4	NUT, M8, Flg Ser,
33	515-23222	3	CLAMP, 7/8", Insul, 3/8" Bolt,
34	515-23254	2	CLAMP, 1", Insul, 3/8" Bolt,
35	435437A1	2	STRAP, CABLE, 3/16" x 7 1/4",
36	1301387C2	3	CLIP, 2 in. ID, Square
37	844-8025	3	BOLT, Hex Flg, M8 x 25, 8.8, Not Illustrated
38	825-2408	3	NUT, M8 x 1.25, Flg, Cl 8, Not Illustrated
39	245410C1	1	TRANSMITTER, Straw Chopper
40	178799C1	1	CLAMP, Sensor, Use with 245410C1
41	144706A4	1	SUPPORT, , With Straw Chopper

04-16 HARNESS, LEFT HAND SIDE

сылка	Номер детали	Кол-во	Описание
42	425-148	2	NUT, Jam, 1/2"-13, G5,
43	362666R1	2	CLIP,
44	402850A1	1	LAMP, WORK, Separator, See Figure 04-35, ASN JJC0254000
45	391064A2	1	BRACKET, , ASN JJC0254000
46	231-5346	1	NUT, LOCK, Flg, 3/8"-16, , ASN JJC0254000
47	391062A1	1	SWITCH, , ASN JJC0254000
48	REF	1	INSTRUCTION, Valve, Separator Clutch, See Figure 08-32, ASN JJC0254000
49	REF	1	INSTRUCTION, Valve, Unloader Clutch, See Figure 08-32, ASN JJC0254000
50	470375C1	1	CLAMP,
51	409-7512	1	BOLT, Hex Flg, 5/16"-18 x 3/4", Serr,
52	231-5145	1	NUT, Flg, USR, 5/16"-18,
	426155A1	1	KIT, Sieve Lighting/Viewing Door, Includes: Ref. 44, 45, 47, Also Includes 121410A1 (1), 418672A1 (1), See Figure(s): 09H-02, 09H-22 (01), 09H-23



сылка	Номер детали	Кол-во	Описание
1	184748A4	1	HARNESS, WIRE, Rear, Inc. 2, 3
2	187308A1	1	CAP, Not Illustrated
3	187309A1	1	BAR, Splice, Not Illustrated
4	127813A1	1	LAMP, Service Right Hand, Inc. 5
5	H40556	1	BULB, 12V, Not Illustrated
6	139049A2	1	SUPPORT,
7	905-8020	4	BOLT, Hex Serr Flg, M8 x 20, M8 x 20
8	825-5148	4	NUT, M8, Flg Ser,
9	141730A1	1	HARNESS, WIRE, Ether Injection
10	185552A2	1	SOLENOID, 12V, Ether Injection, See Figure 02-08, Inc. 10A
10A	190752A1	1	HOUSING,
11	1345485C3	1	TRANSMITTER, Rotary Air Screen
12	185116A1	2	HEADLIGHT, Rear Flood, Inc. 13
13	139120A1	1	BULB, Type C-6, No. 894, Not Illustrated
14	130882C91	2	LIGHT, INTERIOR, See Figure 04-33
15	92260C1	2	LAMP, Stop, Tail, See Figure 04-33
16	198024C1	1	GAUGE, FUEL, Fuel Level
17	245193C2	1	SENSOR, Straw Spreader Speed
18	515-23175	8	CLAMP, 11/16", Insul, 3/8" Bolt, 7/8 ID
19	516-23127	3	CLAMP, J, 9/16" Insul, 3/8" Bolt,
20	195804C1	2	GROMMET,
21	22-824	1	STRAP, CABLE, 3/16" x 7 1/4",
22	825-2408	8	NUT, M8 x 1.25, Flg, Cl 8,
23	516-23127	1	CLAMP, J, 9/16" Insul, 3/8" Bolt,
24	87300599	1	KIT, KIT Brake Lights, Australian Production Machines, Inc. 25 - 30, Not Illustrated
25	87300500	1	HARNESS, HARNESS Brake Light
26	296462A1	1	SUPPORT, Brake Light Mounting
27	1983341C1	2	SWITCH,
28	614-6020	2	BOLT, Hex, M6 x 20, 8.8,
29	87300521	1	ADAPTER, HARNESS Rear Brake
30	L18331	23	STRAP, CABLE, 15 in

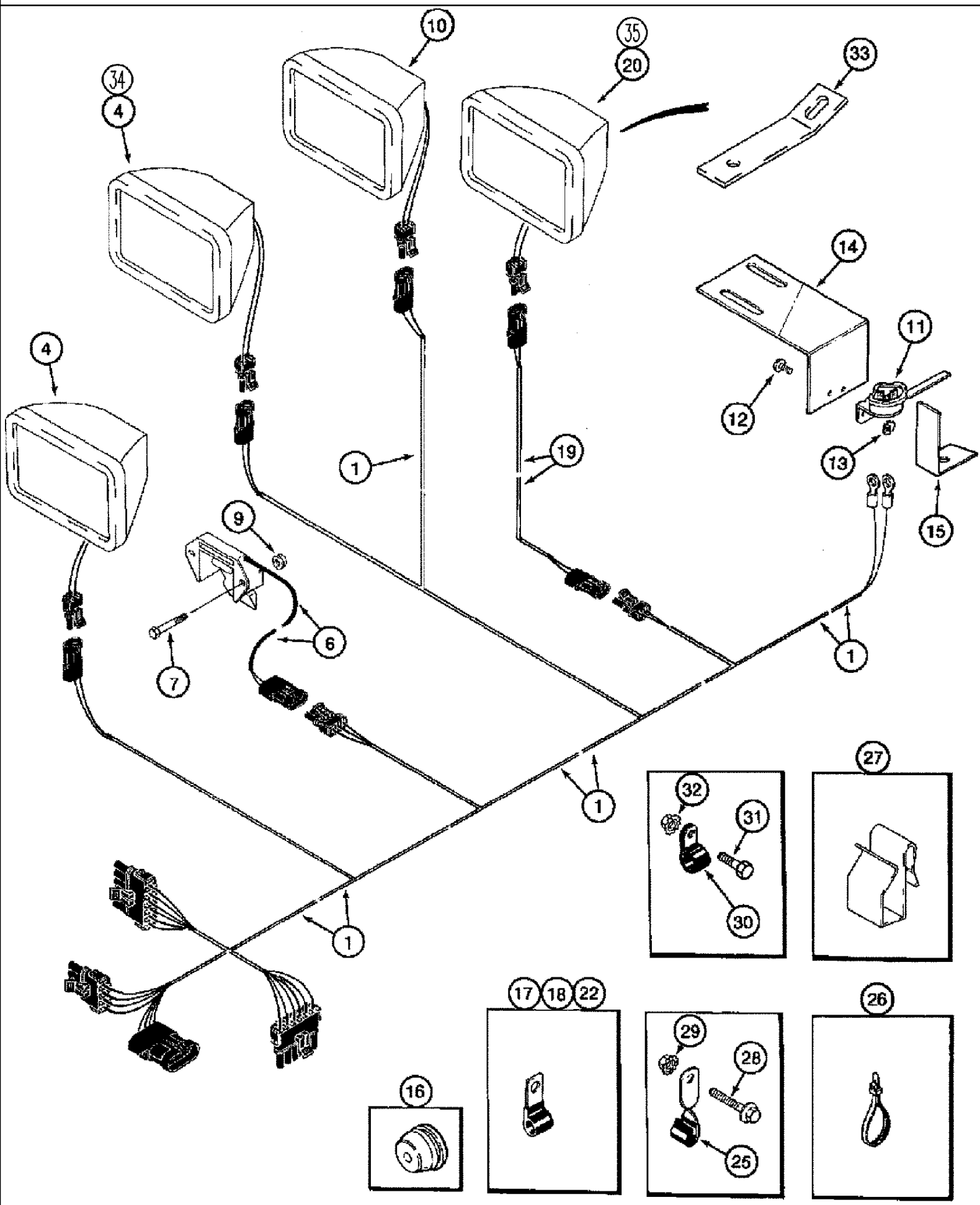


сылка	Номер детали	Кол-во	Описание
1	388318A5	1	HARNESS, WIRE, Rear, Inc. 2, 3, BTW JJC0254000 & JJC0255699
1	441972A2	1	HARNESS, WIRE, Rear, Inc. 2, 3, ASN JJC0255700
2	187308A1	1	CAP, Not Illustrated
3	187309A1	1	BAR, Splice, Not Illustrated
4	127813A1	1	LAMP, Service, Right Hand, Inc. 5
5	H40556	1	BULB, 12V, Not Illustrated
6	139049A2	1	SUPPORT,
7	276-1458	3	SCREW, SELF TAPPING, Hex Hd, #10 x 1/2", No. 10 x 1/2
7	905-8020	4	BOLT, Hex Serr Flg, M8 x 20, M8 x 20
8	825-5148	4	NUT, M8, Flg Ser,
9	141730A1	1	HARNESS, WIRE, Ether Injection
10	185552A2	1	SOLENOID, 12V, Ether Injection, See Figure 02-08, Inc. 10A
10A	190752A1	1	HOUSING,
11	1345485C3	1	TRANSMITTER, Rotary Air Screen
12	185116A1	2	HEADLIGHT, Rear, Flood, Inc. 13, BSN JJC0254999
13	139120A1	1	BULB, Type C-6, No. 894, Not Illustrated, BSN JJC0254999
14	130882C91	2	LIGHT, INTERIOR, See Figure(s) 4-33
15	92260C1	2	LAMP, Stop, Tail, See Figure(s) 4-33
16	356872A1	1	SENDER UNIT, Fuel Level
17	245193C2	1	SENSOR, Straw Spreader Speed
18	515-23175	3	CLAMP, 11/16", Insul, 3/8" Bolt, 11/16 ID
18	515-23190	7	CLAMP, 3/4", Insul, 3/8" Bolt,
18	515-23222	4	CLAMP, 7/8", Insul, 3/8" Bolt,
19	516-23127	4	CLAMP, J, 9/16" Insul, 3/8" Bolt,
20	195804C1	2	GROMMET,
21	435437A1	1	STRAP, CABLE, 3/16" x 7 1/4",
22	231-5145	7	NUT, Flg, USR, 5/16"-18,
23	516-23127	1	CLAMP, J, 9/16" Insul, 3/8" Bolt,
24	515-2163	1	CLAMP, 1/8", Insul, 1/4" Bolt, 1/4 ID
25	231-5144	1	NUT, Flg, USR, 1/4"-20,
26	409-748	1	BOLT, Hex Flg, 1/4"-20 x 1/2", Serr,
27	86561136	1	MODULE, Flasher
28	393955A1	1	BRACKET,
29	409-7416	2	BOLT, Hex Flg, 1/4"-20 x 1", Serr,
30	495-11028	2	WASHER, 1/4", SAE, (9/32 x 5/8 x 1/16")
31	231-4144	2	NUT, LOCK, 1/4"-20, GB,
32	231-5145	2	NUT, Flg, USR, 5/16"-18,
33	396377A1	1	CONNECTOR, ELEC, Pin, 6
34	430505A1	2	LAMP, 35W, See Figure 04-46, ASN JJC0255000
35	260-13524	2	SCREW, SELF TAPPING, Cross Pan Hd, #10 x 1 1/2",
36	362120R1	1	CLAMP,
37	409-7520	1	BOLT, Hex Flg, 5/16"-18 x 1 1/4", Serr, 5/16 X 1-1/4
38	231-5145	1	NUT, Flg, USR, 5/16"-18,

2366 CASE IH AXIAL-FLOW COMBINE (NA) (1/98-8/04)

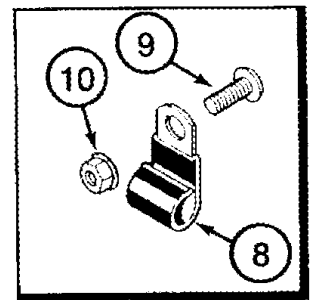
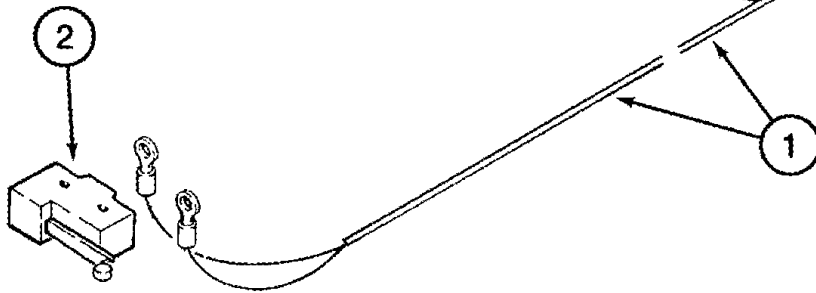
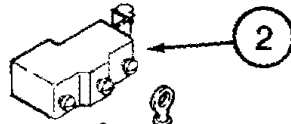
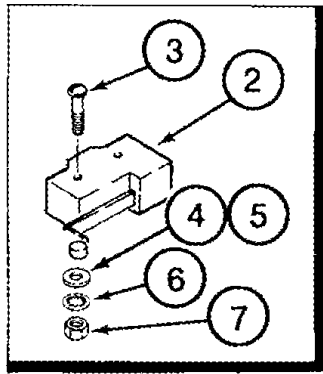
04-18 HARNESS, REAR - ASN JJC0254000

сылка	Номер детали	Кол-во	Описание
39	87300598	1	KIT, KIT Brake Lights, Australian Production Machines, Inc. 33 - 37, Not Illustrated
40	87300500	1	HARNESS, HARNESS Brake Light
41	296462A1	1	SUPPORT, Brake Light Mounting
42	1983341C1	2	SWITCH,
43	614-6020	2	BOLT, Hex, M6 x 20, 8.8,
44	L18331	15	STRAP, CABLE, 15 in



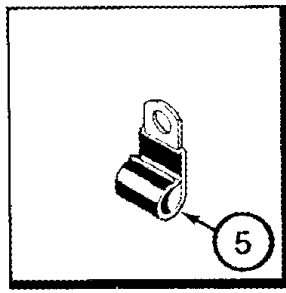
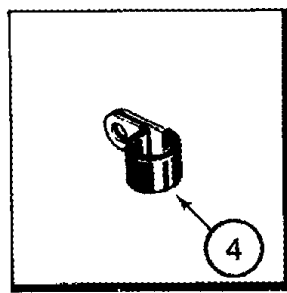
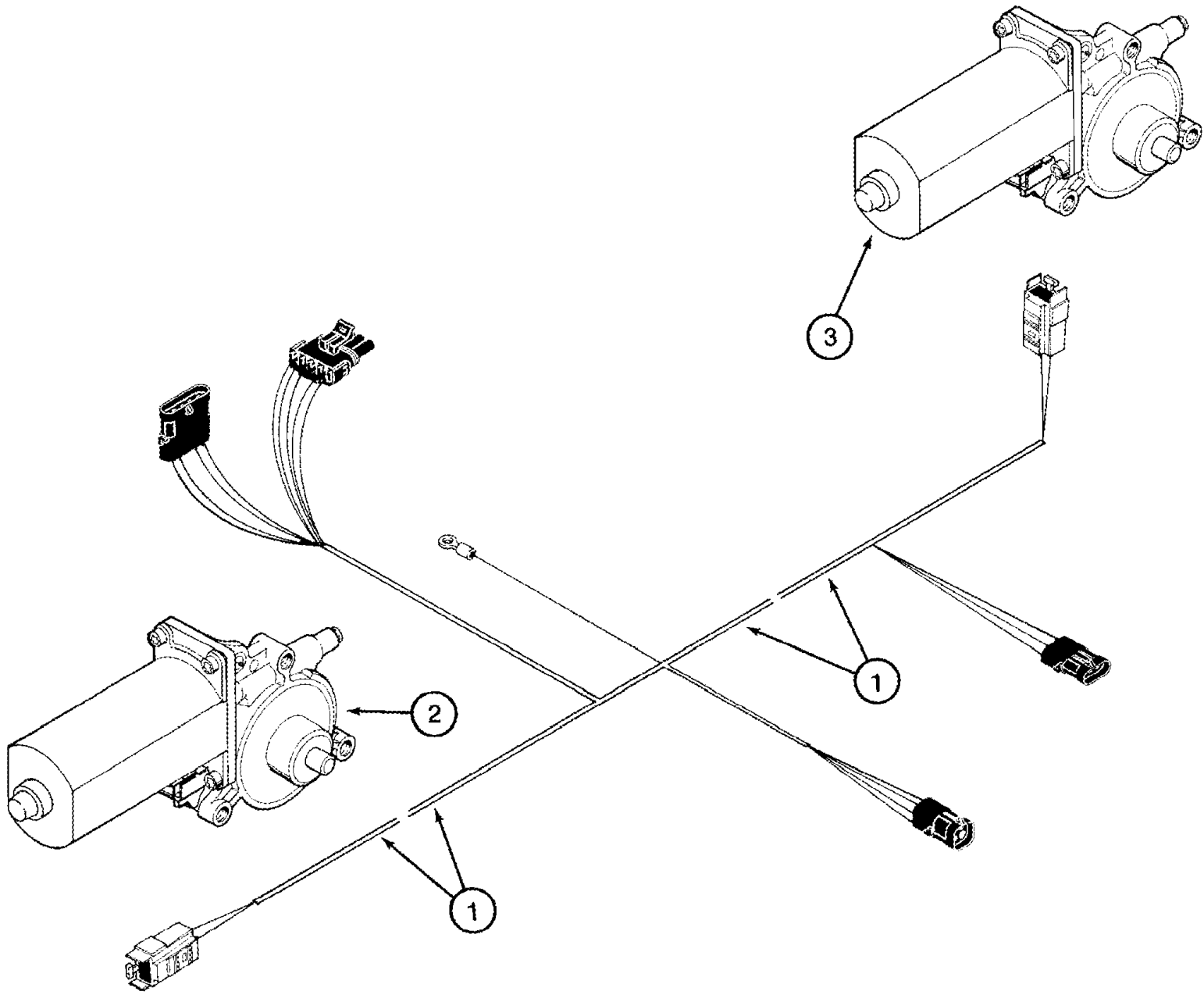
04-19 HARNESS - GRAIN TANK AND UNLOADER LAMP

сылка	Номер детали	Кол-во	Описание
1	184737A2	1	HARNESS, WIRE, Grain Tank, Inc. 2, 3
2	187308A1	2	CAP, Not Illustrated
3	187309A1	2	BAR, Splice, Not Illustrated, BSN JJC0254999 , ASN JJC0255700
4	185118A1	2	HEADLIGHT, Flood, Left and Right Hand, Inc. 5
5	139119A1	1	BULB, #886, 12V, 50W , Not Illustrated, BSN JJC0254999
6	1987377C1	1	SWITCH, Grain Tank Level
7	409-7512	2	BOLT, Hex Flg, 5/16"-18 x 3/4" , Serr,
9	231-5145	2	NUT, Flg, USR, 5/16"-18,
10	185119A1	1	HEADLIGHT, Grain Tank, See Figure 04-34
11	537641R2	1	SWITCH, Unloader Out
12	490-1108	2	SCREW, Cross Pan Hd, #10-32 x 1/2", No. 10 NF x 1/2
14	1338003C1	1	BRACKET,
15	1338004C2	1	BRACKET,
16	86976974	1	GROMMET, 3/4 ID
16	198823C1	2	GROMMET, 3/8 ID
17	362126R1	3	CLIP,
18	370383R1	6	CLIP, 3/4 ID
19	184740A2	1	HARNESS, WIRE, Unloader Lamp
20	185116A1	1	HEADLIGHT, Unloader, Inc. 21
21	139120A1	1	BULB, Type C-6, No. 894, Not Illustrated
22	515-23127	3	CLAMP, 1/2", Insul, 3/8" Bolt,
23	844-8025	4	BOLT, Hex Flg, M8 x 25, 8.8,
24	825-2408	4	NUT, M8 x 1.25, Flg, Cl 8,
13	493-81000	2	WASHER, LOCK, Ext-Int Tooth, #10, 3/16
25	363660R1	1	CLIP,
26	435437A1	7	STRAP, CABLE, 3/16" x 7 1/4",
27	197991A1	2	CLIP, ELECTRICAL, Grain Tank Switch
28	409-7524	1	BOLT, Hex Flg, 5/16"-18 x 1 1/2" , Serr, 5/16 x 1-1/2
29	231-5145	1	NUT, Flg, USR, 5/16"-18,
30	516-23127	1	CLAMP, J, 9/16" Insul, 3/8" Bolt,
31	477-73112	1	BOLT, Slotted Tr Hd, 5/16"-18 x 3/4",
32	231-5145	1	NUT, Flg, USR, 5/16"-18,
33	300433A1	1	SUPPORT, Unloader Lamp
34	430504A1	2	LAMP, 55W, See Figure 04-46, ASN JJC0255000
35	430505A1	1	LAMP, 35W, See Figure 04-46, ASN JJC0255000



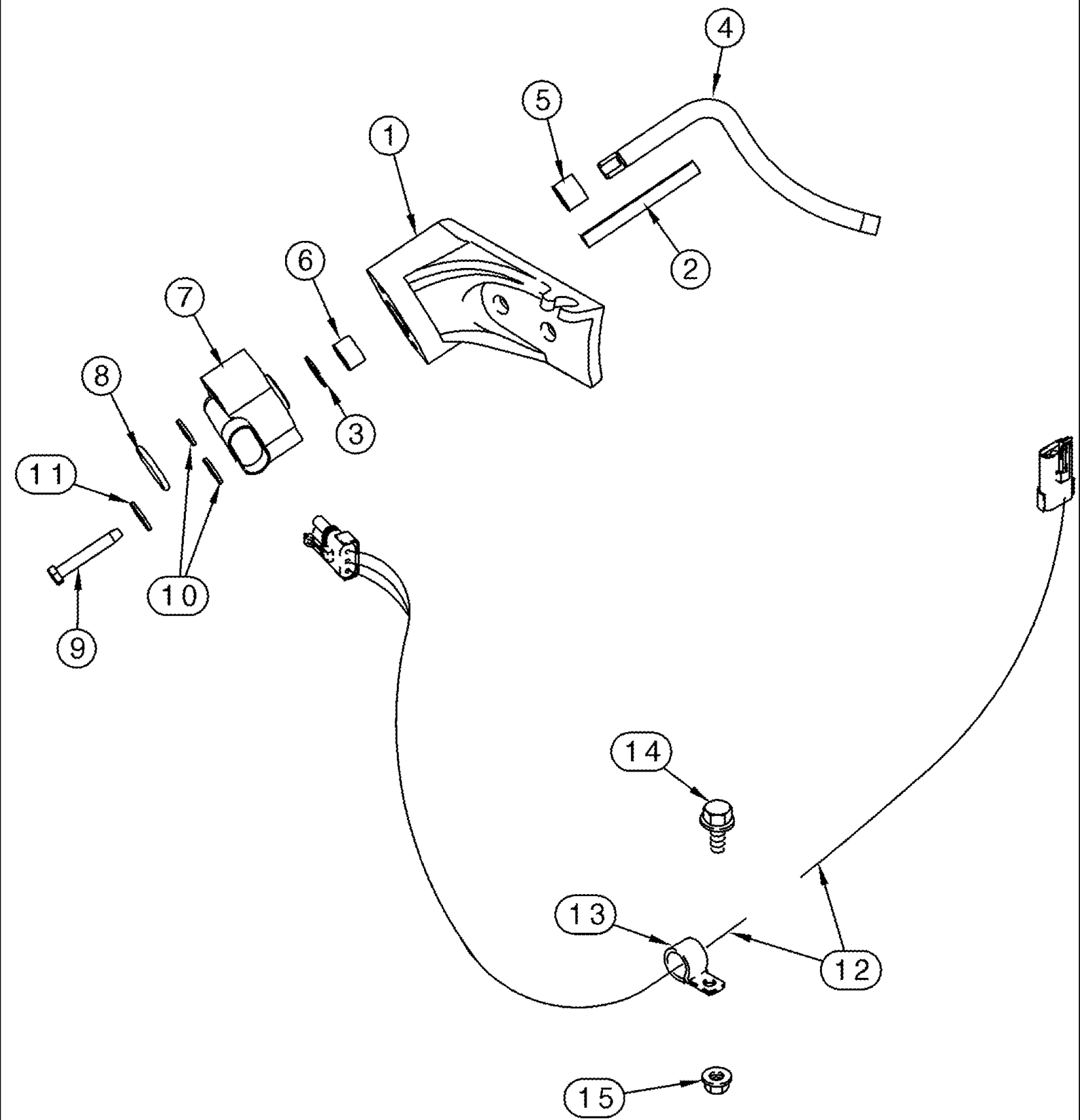
04-20 HARNESS - ROTOR LIMIT SWITCH

сылка	Номер детали	Кол-во	Описание
1	245240C1	1	HARNESS, WIRE, Rotor Limit Switch
2	128298A2	2	SWITCH, Rotor
3	470-10620	4	SCREW, Slotted Pan Hd, #6-32 x 1 1/4", No. 6 x 1-1/4
4	495-81006	2	WASHER, .266" x 3/4" x .060", 17/64 x 3/4 x 1/16
5	495-31016	2	WASHER, #6,
6	138526	4	WASHER, No. 6
7	225-14106	4	NUT, #6-32,
8	516-23127	2	CLAMP, J, 9/16" Insul, 3/8" Bolt,
9	477-73812	1	SCREW, Sltd Serr Truss Hd, 3/8" x 3/4", 3/8 x 3/4
10	231-5146	1	NUT, Flg, USR, 3/8"-16,
11	370383R1	1	CLIP, Not Illustrated
12	435437A1	1	STRAP, CABLE, 3/16" x 7 1/4", Not Illustrated



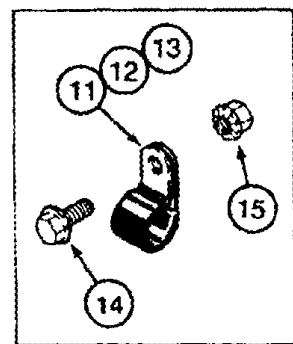
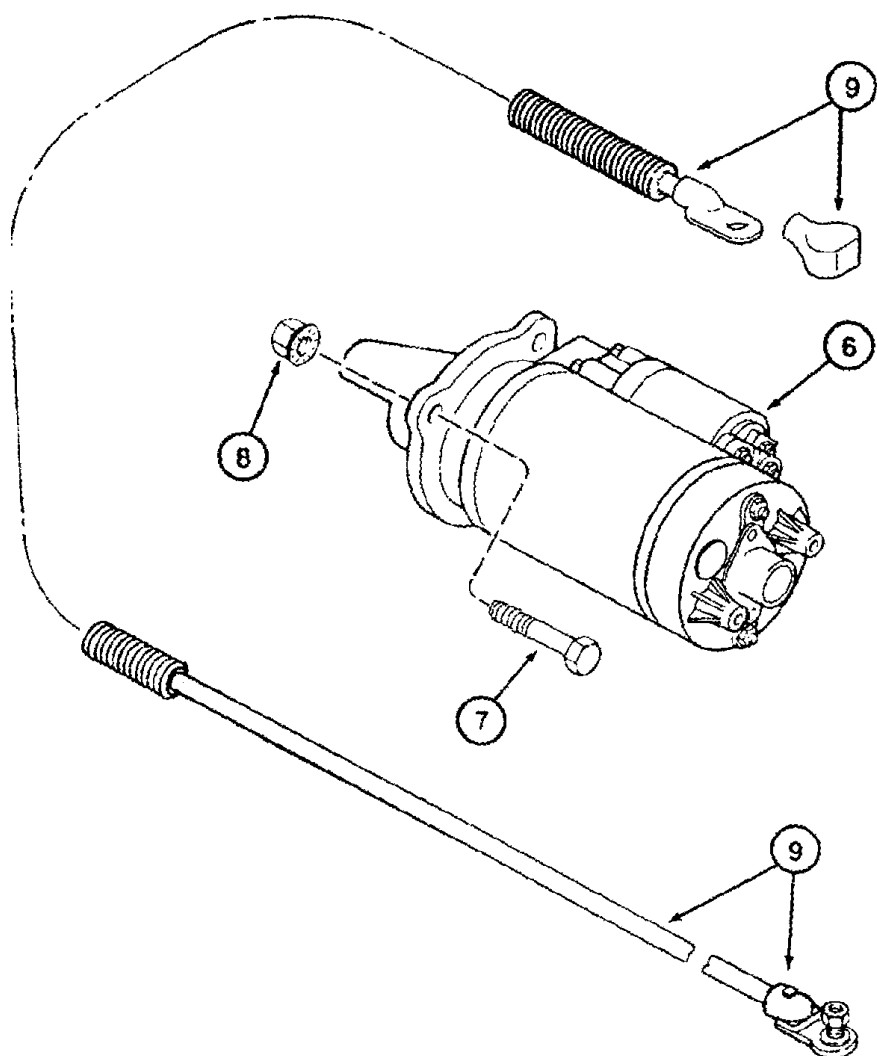
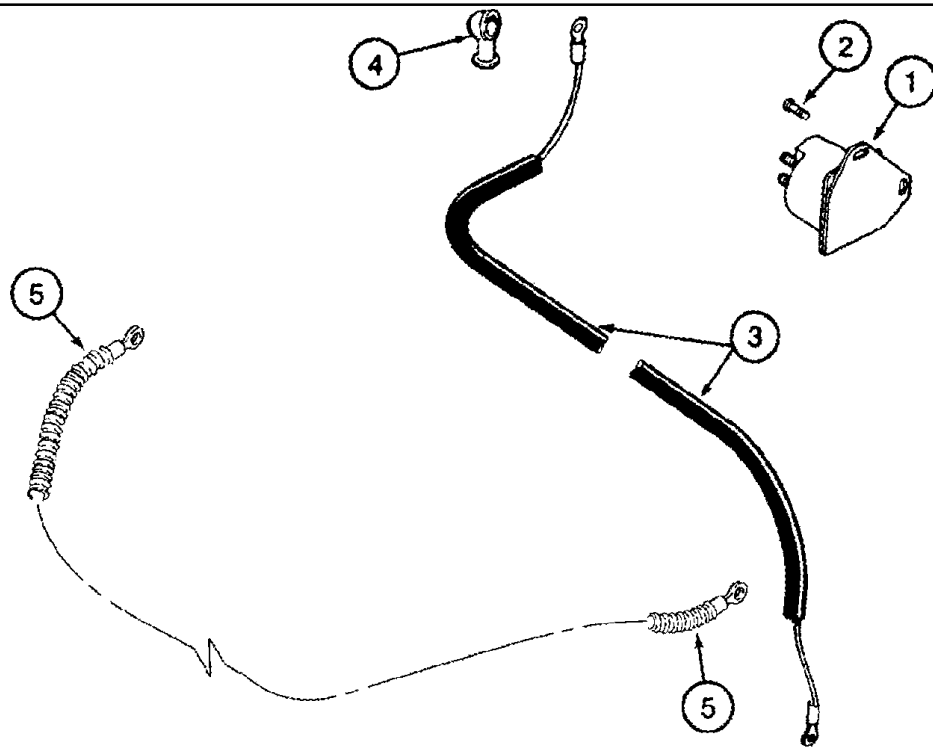
04-21 HARNESS - FAN AND ROTOR SPEED

сылка	Номер детали	Кол-во	Описание
1	184397A2	1	HARNESS, Fan Speed, Rotor
2	111787A2	1	MOTOR, ELECTRIC, Rotor Speed
3	111787A2	1	MOTOR, ELECTRIC, Fan Speed
4	515-23190	2	CLAMP, 3/4", Insul, 3/8" Bolt,
5	516-23127	7	CLAMP, J, 9/16" Insul, 3/8" Bolt,
6	434-512	3	BOLT, CARRIAGE, Short NK, 5/16"-18 x 3/4", G5, Full Thd, Not Illustrated
7	231-5145	3	NUT, Flg, USR, 5/16"-18, Not Illustrated

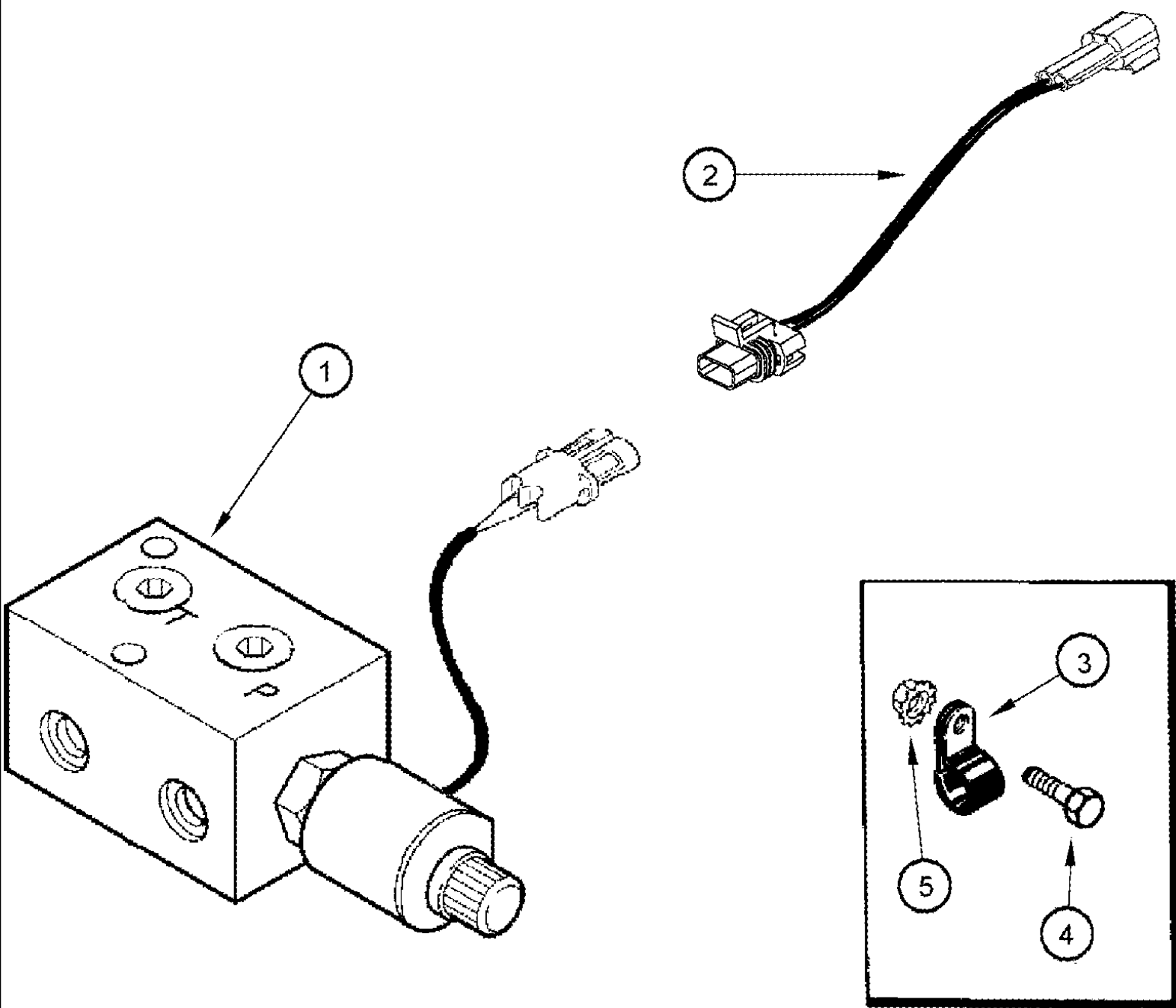


04-22 HARNESS - TAILINGS MONITOR

сылка	Номер детали	Кол-во	Описание
	225763A6	1	SENSOR, Inc. 1 - 11
	225762A6	1	HOUSING, Tailings Sensor, Inc. 1 - 6
1	NSS	1	NOT SERVICED SEPARATELY, HOUSING
2	38-31636	1	PIN, 1/4" x 2 1/4", Coiled, 1/4" x 2 1/4", Coiled
3	103-3431	1	RING, LOCKING, #31, Ext, E-Type,
4	NSS	1	NOT SERVICED SEPARATELY, ARM
5	239246A1	1	BEARING, NEEDLE,
6	247223A1	1	BEARING, NEEDLE,
7	221847A1	1	SENSOR, Tailings
8	238-5115	1	O-RING, -115, 70 Duro, .674" ID x .103" Thk,
9	463-11024	2	SCREW, Hex Hd, #10-24 x 1 1/2", No. 10 x 1-1/2, Replaces 276-13520
10	495-31022	2	WASHER, #10,
11	239809A1	1	WASHER,
12	225384A4	1	HARNESS, WIRE, Tailings Monitor
13	516-2395	2	CLAMP, J, 7/16" Insul, 3/8" Bolt,
14	409-7512	2	BOLT, Hex Flg, 5/16"-18 x 3/4", Serr,
15	425-285	2	NUT, Flg, 5/16"-18, G5,



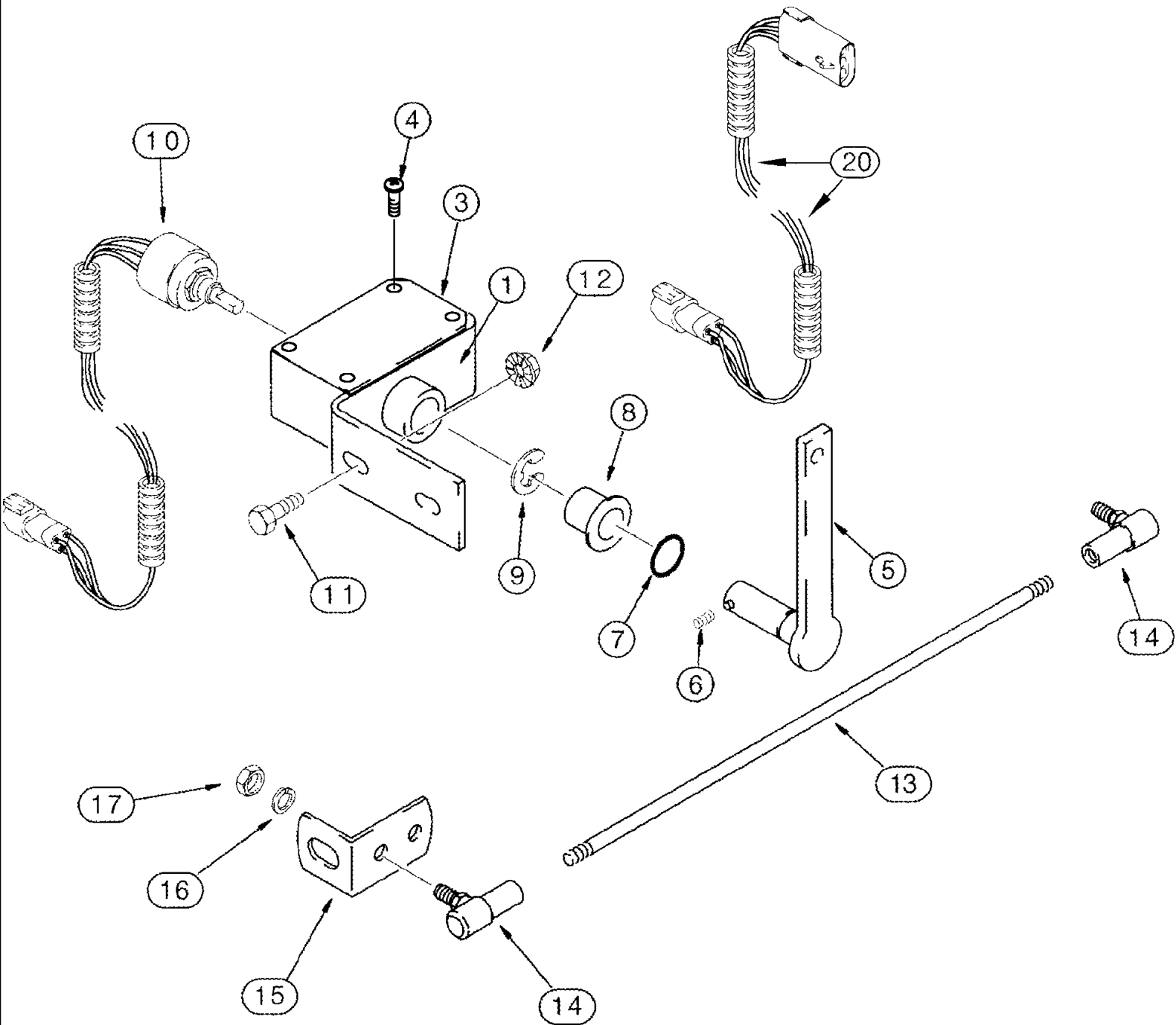
сылка	Номер детали	Кол-во	Описание
1	178149A1	1	SWITCH, SOLENOID, See Figure 04-01
2	261-1478	2	SCREW, SELF TAPPING, Cross Pan Hd, 1/4" x 1/2", 1/4 x 1/2
3	231322A1	1	CABLE, Reverser Relay, Inc. 4
4	399470R1	1	BOOT,
5	231400A1	1	CABLE, Feeder Reverser
6	245927C93	1	MOTOR, STARTER, Feeder Reverser, See Figure 04-42
7	413-636	3	BOLT, Hex, 3/8"-16 x 2 1/4", G5,
8	231-5146	3	NUT, Flg, USR, 3/8"-16,
9	232263A1	1	CABLE, Feeder Reverser Motor
11	515-25317	2	CLAMP, 1 1/4", Insul, 1/2" Bolt,
12	515-23286	2	CLAMP, 1 1/8", Insul, 3/8" Bolt,
13	516-23127	2	CLAMP, J, 9/16" Insul, 3/8" Bolt,
14	477-73112	2	BOLT, Slotted Tr Hd, 5/16"-18 x 3/4",
15	231-5145	2	NUT, Flg, USR, 5/16"-18,



2366 CASE IH AXIAL-FLOW COMBINE (NA) (1/98-8/04)

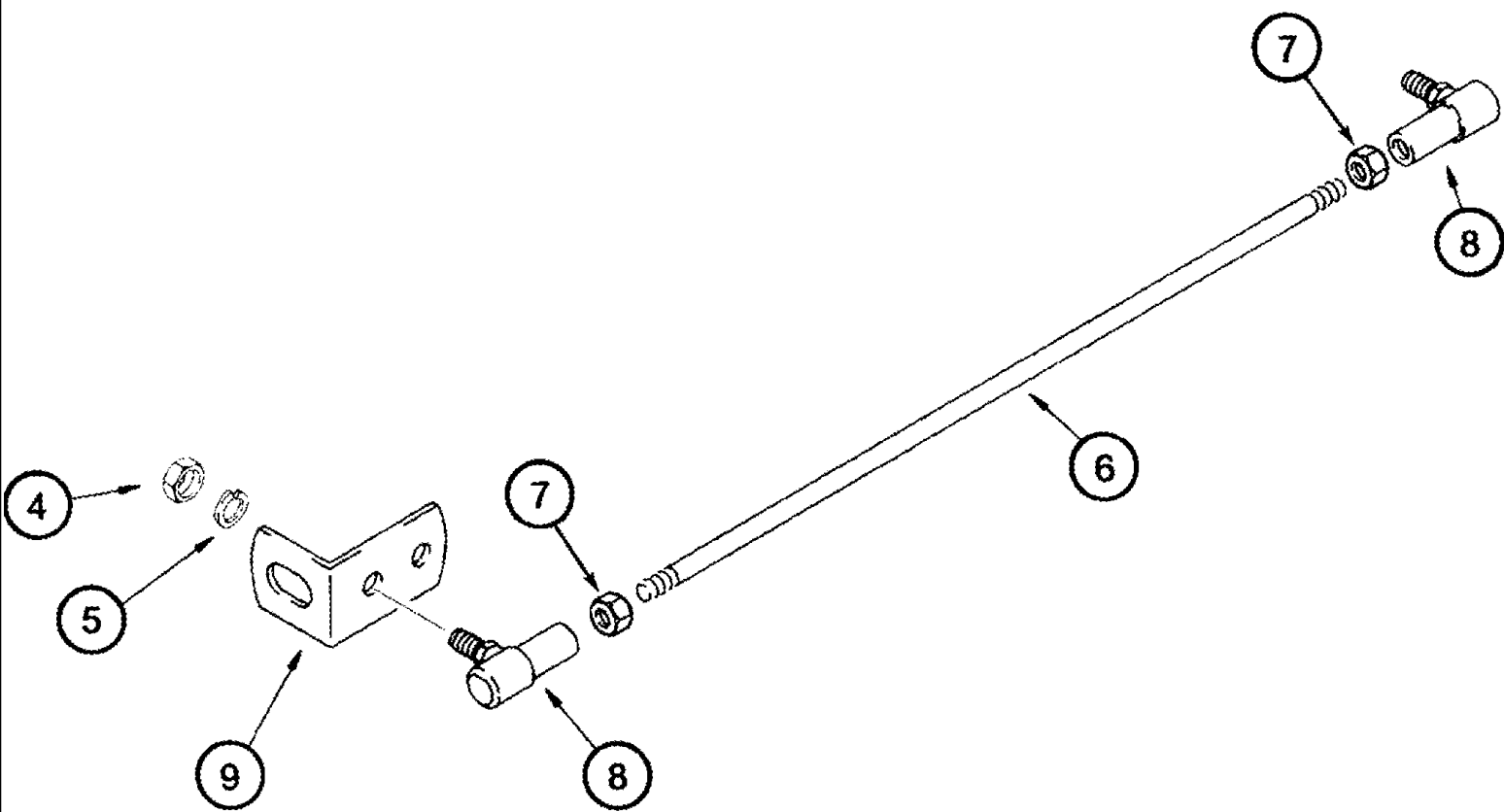
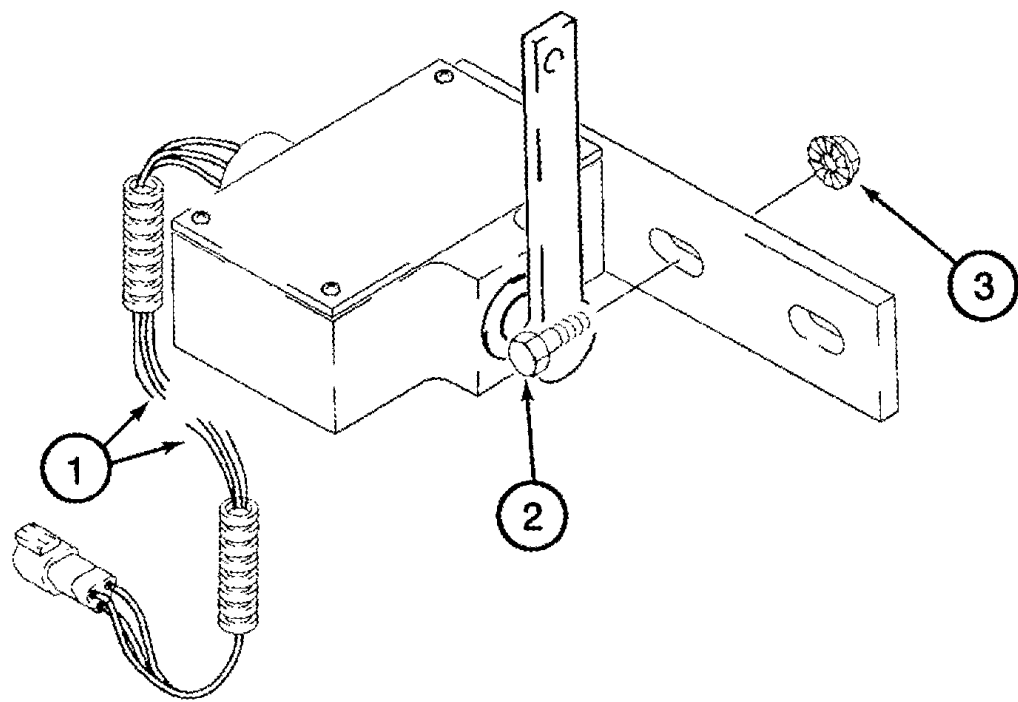
04-24 HARNESS - FEEDER REVERSER - ASN JJC0254000

сылка	Номер детали	Кол-во	Описание
1	393904A1	1	VALVE, Feeder Reverser, See Figure 08-41
2	390754A2	1	HARNESS, WIRE, Feeder Reverser
3	515-2395	1	CLAMP, 3/8", Insul, 3/8" Bolt,
4	409-7512	1	BOLT, Hex Flg, 5/16"-18 x 3/4", Serr,
5	231-5145	1	NUT, Flg, USR, 5/16"-18,



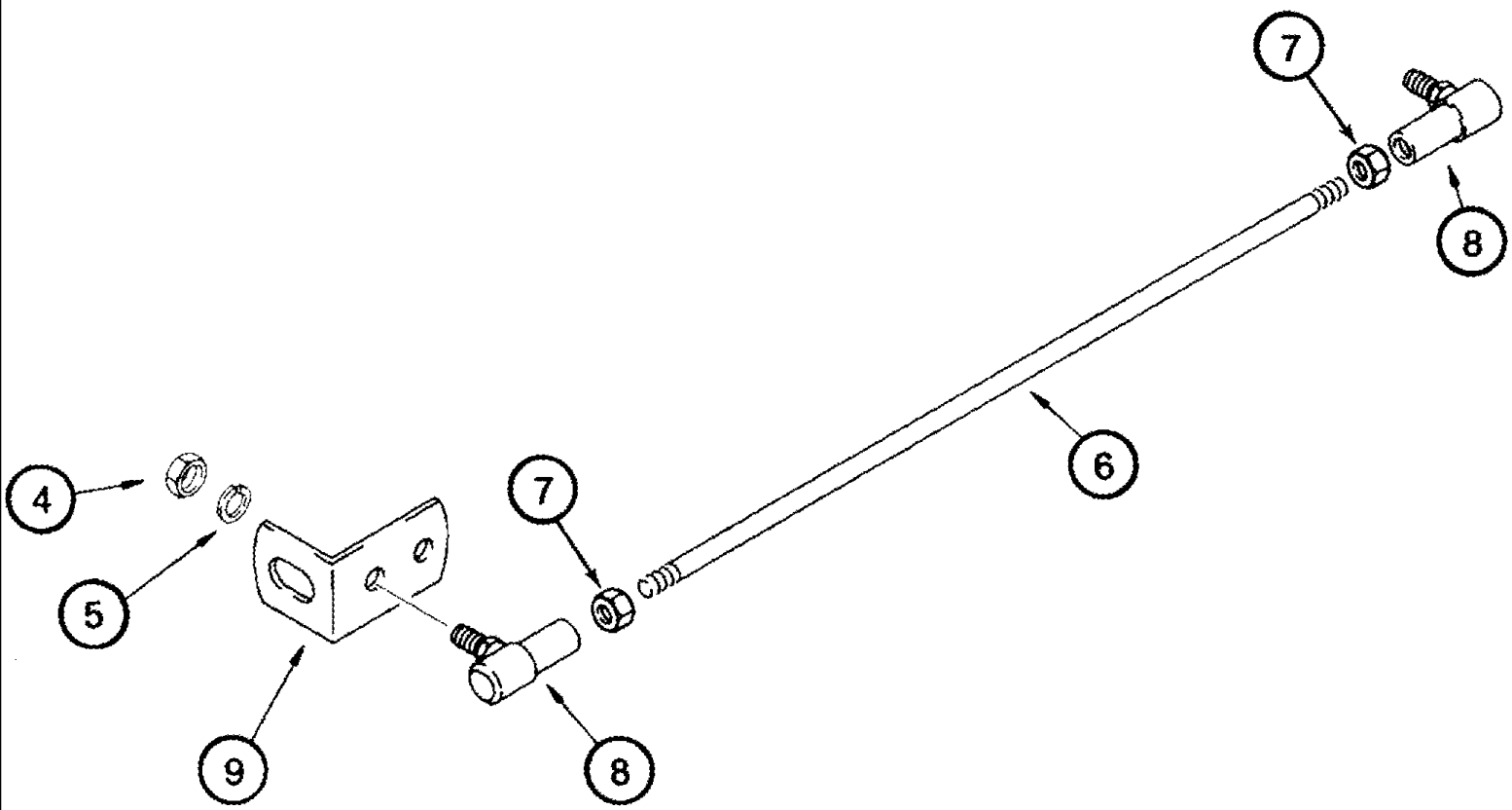
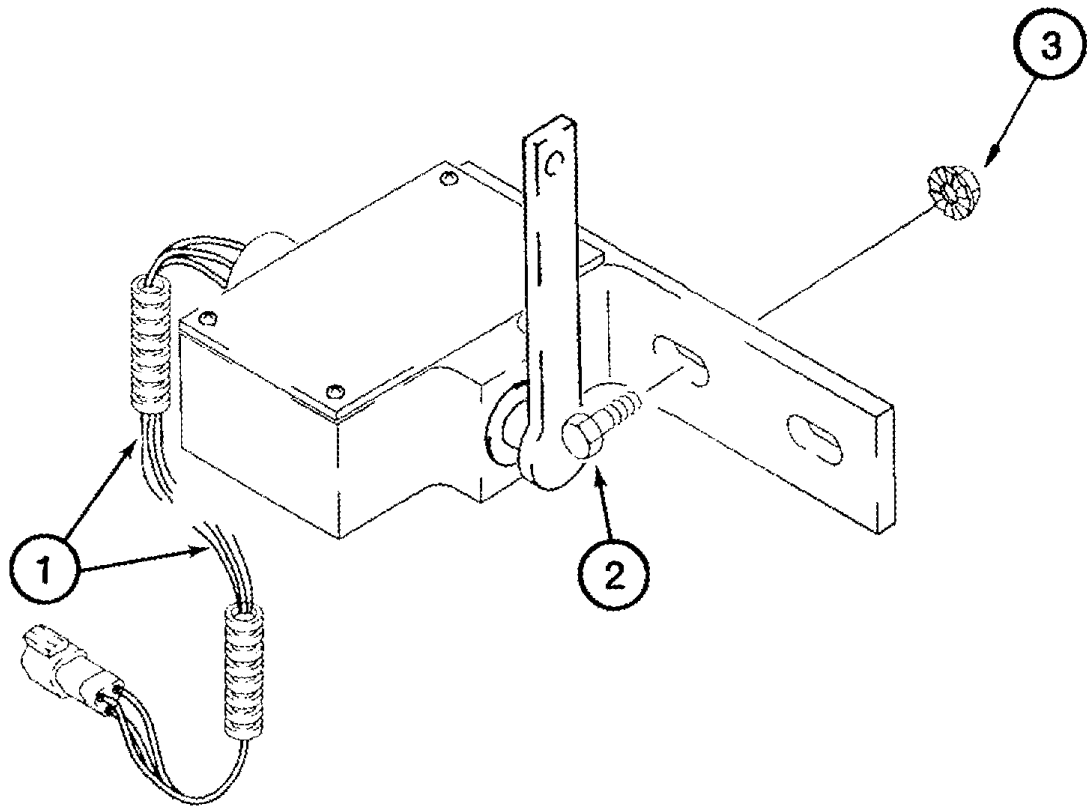
04-25 POTENTIOMETER, FEEDER POSITION - MOUNTING

сылка	Номер детали	Кол-во	Описание
	NSS	1	NOT SERVICED SEPARATELY, Potentiometer Assy, Yield Monitor, Right Hand, Inc. 1 - 10, Order 239136A1, Replaces 226071A2, See Figure 04-26
	NSS	1	NOT SERVICED SEPARATELY, Potentiometer Assy, Return To Cut, Left Hand, Inc. 1 - 10, Order 238459A1, Replaces 143220A3, See Figure 04-27
1	NSS	1	NOT SERVICED SEPARATELY, Support
2	238458A1	2	COVER, Potentiometer Support
3	280001A1	2	GASKET, Potentiometer Support, Not Illustrated
4	261-5428	8	SCREW, SELF TAPPING, Cross Pan Hd, #4 x 1/2", No. 4 x 1/2
5	143225A3	1	LEVER, Position, Inc. 6
6	878-1046	1	SET SCREW, Hex Soc, M4 x 6, Cup Pt,
7	238-5012	1	O-RING, -012, 70 Duro, .364" ID x .070" Thk, Not Illustrated
8	A164914	1	BUSHING, Sensor
9	103-3350	1	RING, LOCKING, #50, .392" Dia, E-Type,
10	122756A3	1	POTENTIOMETER, Position
11	413-48	1	BOLT, Hex, 1/4"-20 x 1/2", G5, Full Thd, 1/4 x 1/2
12	231-5144	1	NUT, Flg, USR, 1/4"-20,
13	127474A1	1	STUD, 1/4 NF x 6-1/2
14	A10329	2	BALL JOINT, 1/4 NF
15	127308A2	1	SUPPORT,
16	492-11025	2	WASHER, LOCK, 1/4",
17	425-114	4	NUT, 1/4"-28, G5,
18	363660R1	1	CLIP, Rear Harness, Not Illustrated
19	516-23127	1	CLAMP, J, 9/16" Insul, 3/8" Bolt, 12.7 mm, Not Illustrated
20	253421A1	1	HARNESS, WIRE, Feeder Position



04-26 POTENTIOMETER, FEEDER POSITION - MOUNTING - YIELD MONITOR

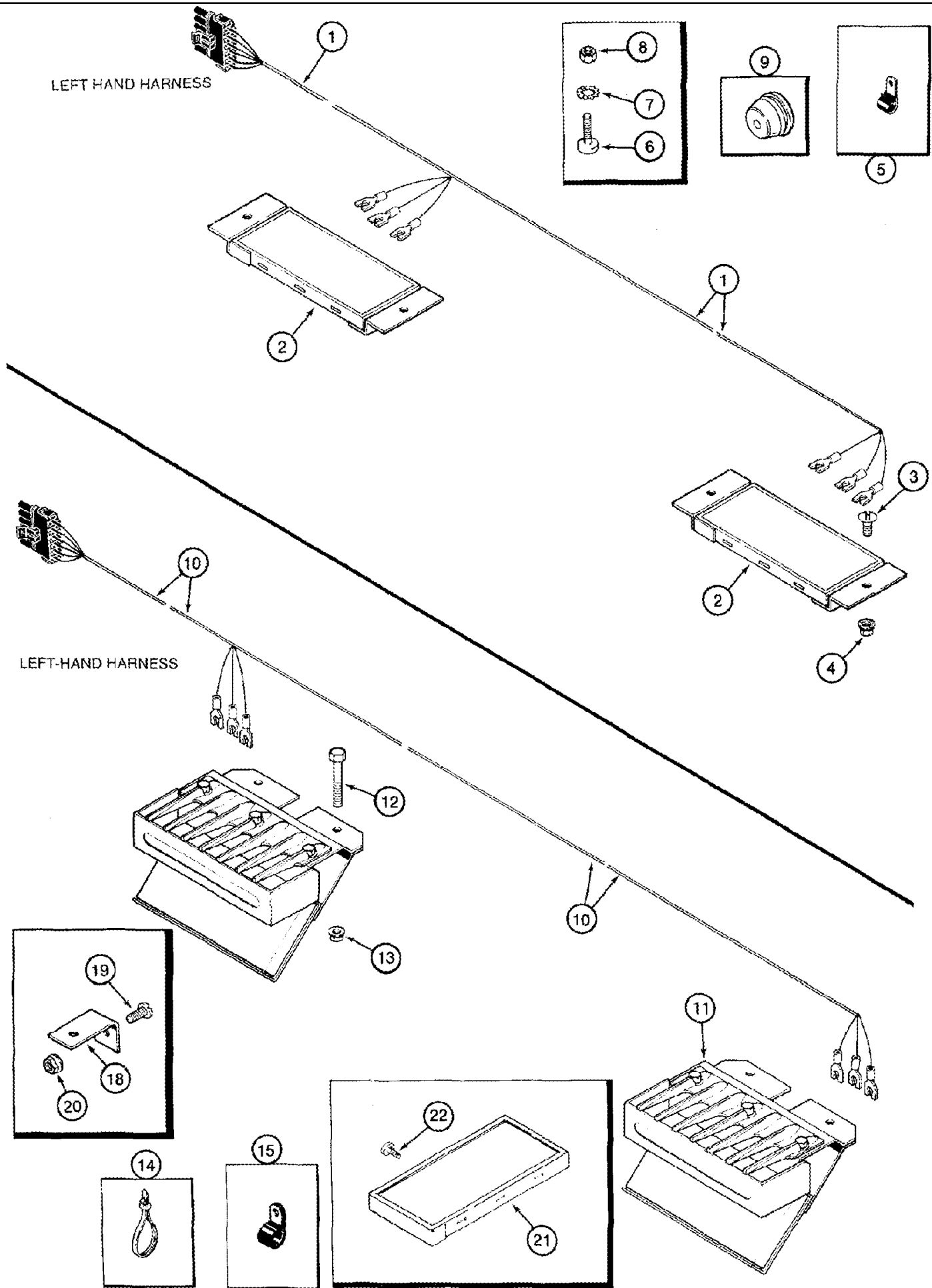
сылка	Номер детали	Кол-во	Описание
1	239136A1	1	POTENTIOMETER, Yield Monitor, Right Hand, See Figure 04-25
2	413-48	1	BOLT, Hex, 1/4"-20 x 1/2", G5, Full Thd, 1/4 x 1/2
3	231-5144	1	NUT, Flg, USR, 1/4"-20,
4	425-114	2	NUT, 1/4"-28, G5,
5	492-11025	2	WASHER, LOCK, 1/4",
6	301522A1	1	TIE-ROD, THREADED, Inc. 7
7	425-114	2	NUT, 1/4"-28, G5,
8	A10329	2	BALL JOINT, 1/4 NF
9	127308A2	1	SUPPORT,



04-27 POTENTIOMETER, FEEDER POSITION - MOUNTING - RETURN TO CUT

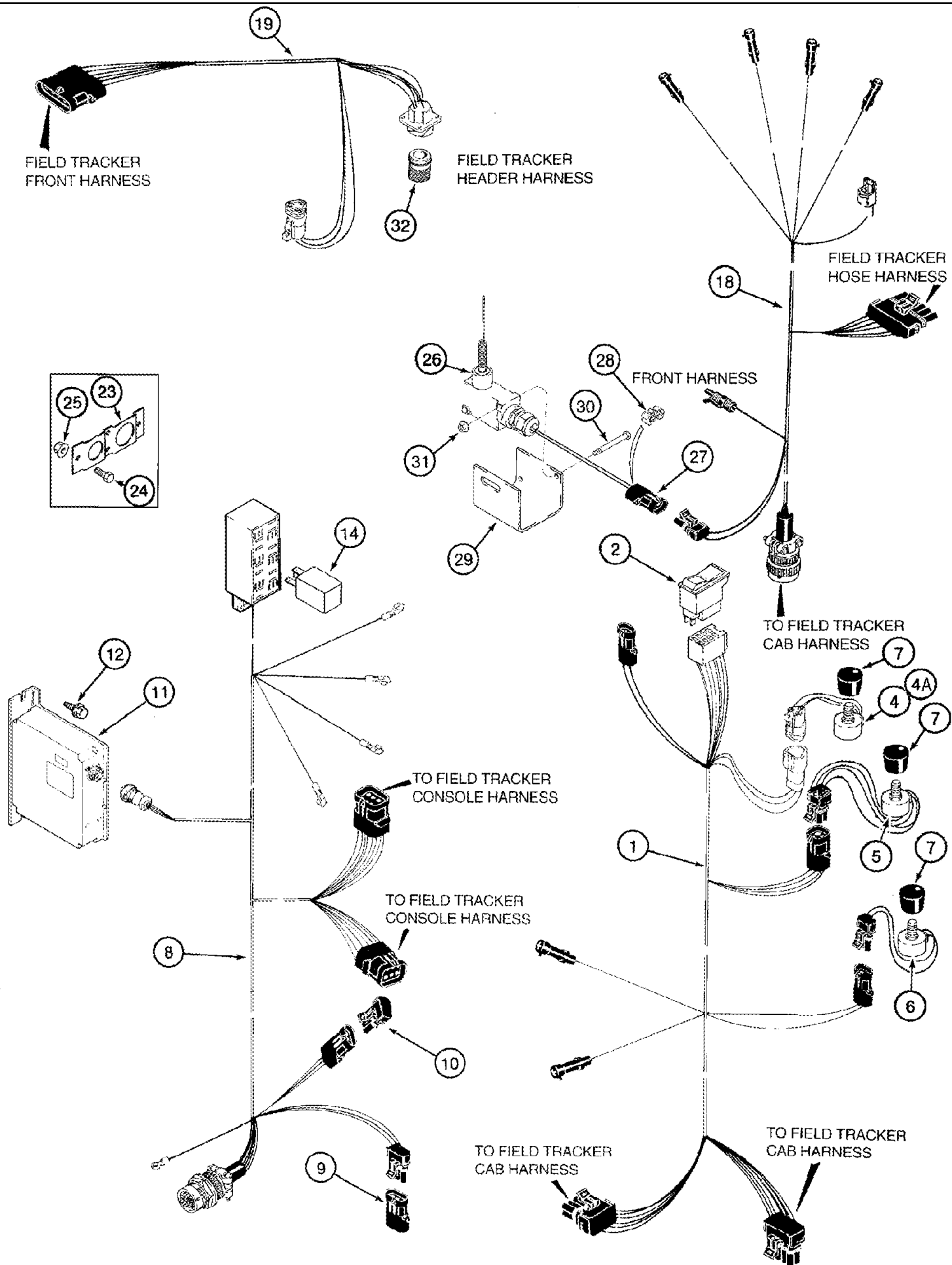
сылка	Номер детали	Кол-во	Описание
1	238459A1	1	POTENTIOMETER, Return To Cut, Left Hand, See Figure 04-25
2	413-48	1	BOLT, Hex, 1/4"-20 x 1/2", G5, Full Thd, 1/4 x 1/2
3	231-5144	1	NUT, Flg, USR, 1/4"-20,
4	425-114	2	NUT, 1/4"-28, G5,
5	492-11025	2	WASHER, LOCK, 1/4",
6	301522A1	1	TIE-ROD, THREADED, Inc. 7
7	425-114	2	NUT, 1/4"-28, G5,
8	A10329	2	BALL JOINT, 1/4 NF
9	127308A2	1	SUPPORT,

04-28 HARNESS - CHAFFER AND ROTOR



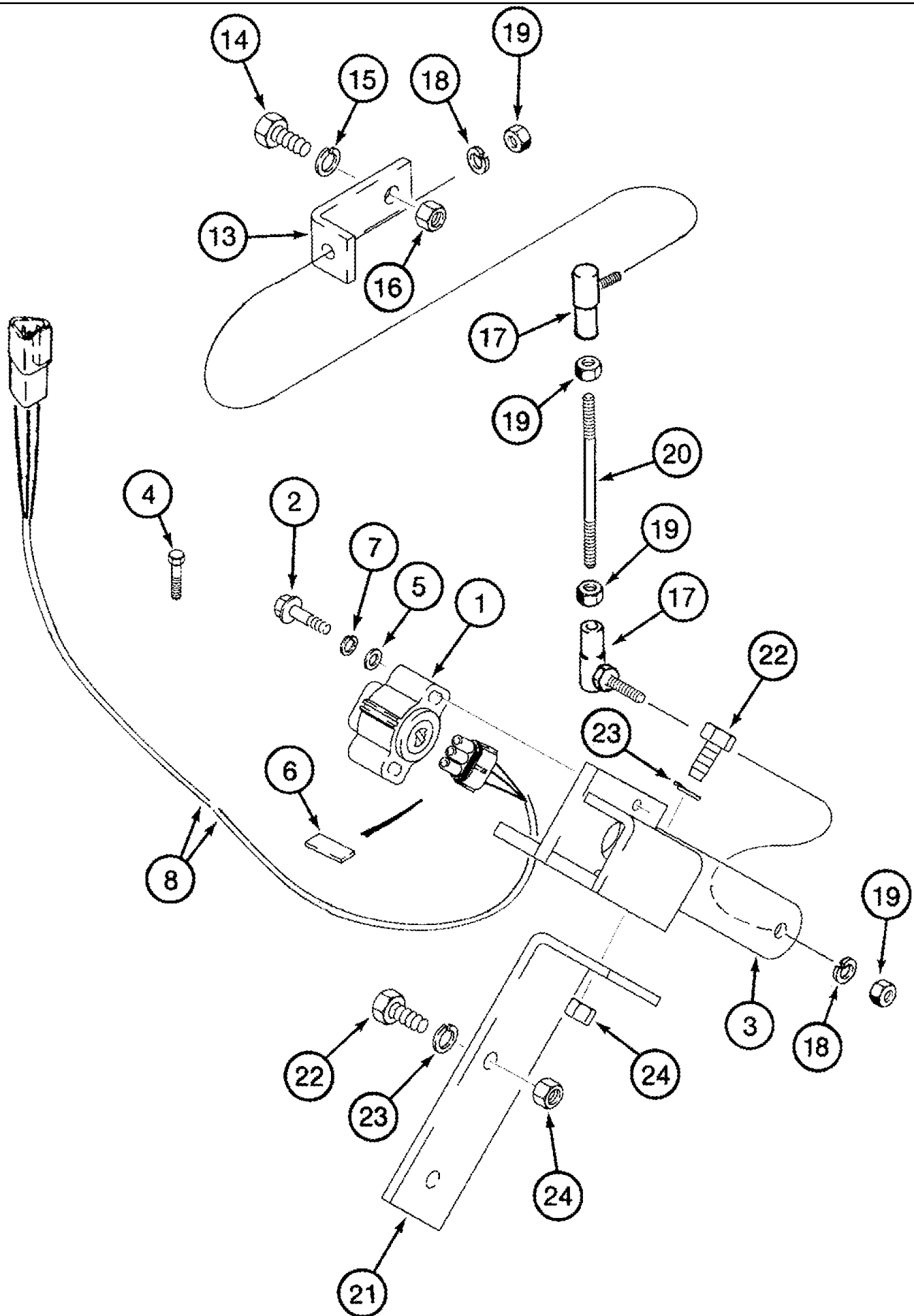
04-28 HARNESS - CHAFFER AND ROTOR

сылка	Номер детали	Кол-во	Описание
1	127831A2	1	HARNESS, WIRE, Rotor Sensor
2	245362C1	2	TRANSMITTER, Inc. 21
3	477-73112	4	BOLT, Slotted Tr Hd, 5/16"-18 x 3/4",
4	231-5145	4	NUT, Flg, USR, 5/16"-18,
5	516-23127	2	CLAMP, J, 9/16" Insul, 3/8" Bolt,
5	515-2395	5	CLAMP, 3/8", Insul, 3/8" Bolt,
6	440-10610	4	SCREW, Cross Pan Hd, #6-32 x 5/8", Rotor Pad Mounting Hardware, No. 6 x 5/8
7	493-11014	4	WASHER, LOCK, Ext-Int Tooth, #6, Rotor Pad Mounting Hardware, 1/8
8	225-14106	4	NUT, #6-32, Rotor pad mounting hardware
9	195806C1	1	GROMMET, 3/4 ID
10	92047C1	1	HARNESS, Chaffer Sensor, Standard (Short) Chaffer
11	245361C2	2	TRANSMITTER, Includes: Ref. 11A & 11B
11A	245884C1	1	TRANSMITTER, Not Illustrated
11B	231000A1	1	SIEVE, Not Illustrated
12	413-536	4	BOLT, Hex, 5/16"-18 x 2 1/4", G5,
13	231-5145	8	NUT, Flg, USR, 5/16"-18,
14	22-824	1	STRAP, CABLE, 3/16" x 7 1/4",
15	515-23127	1	CLAMP, 1/2", Insul, 3/8" Bolt,
15	515-2163	2	CLAMP, 1/8", Insul, 1/4" Bolt, 1/4 ID
15	515-23175	1	CLAMP, 11/16", Insul, 3/8" Bolt, 7/8 ID
18	1301242C1	1	BRACKET,
19	477-73112	1	BOLT, Slotted Tr Hd, 5/16"-18 x 3/4",
20	231-5145	1	NUT, Flg, USR, 5/16"-18,
21	245884C1	1	TRANSMITTER, Grain Scan Sensor Block
22	260-1356	4	SCREW, SELF TAPPING, Cross Pan Hd, #10 x 3/8", No. 10 x 3/8

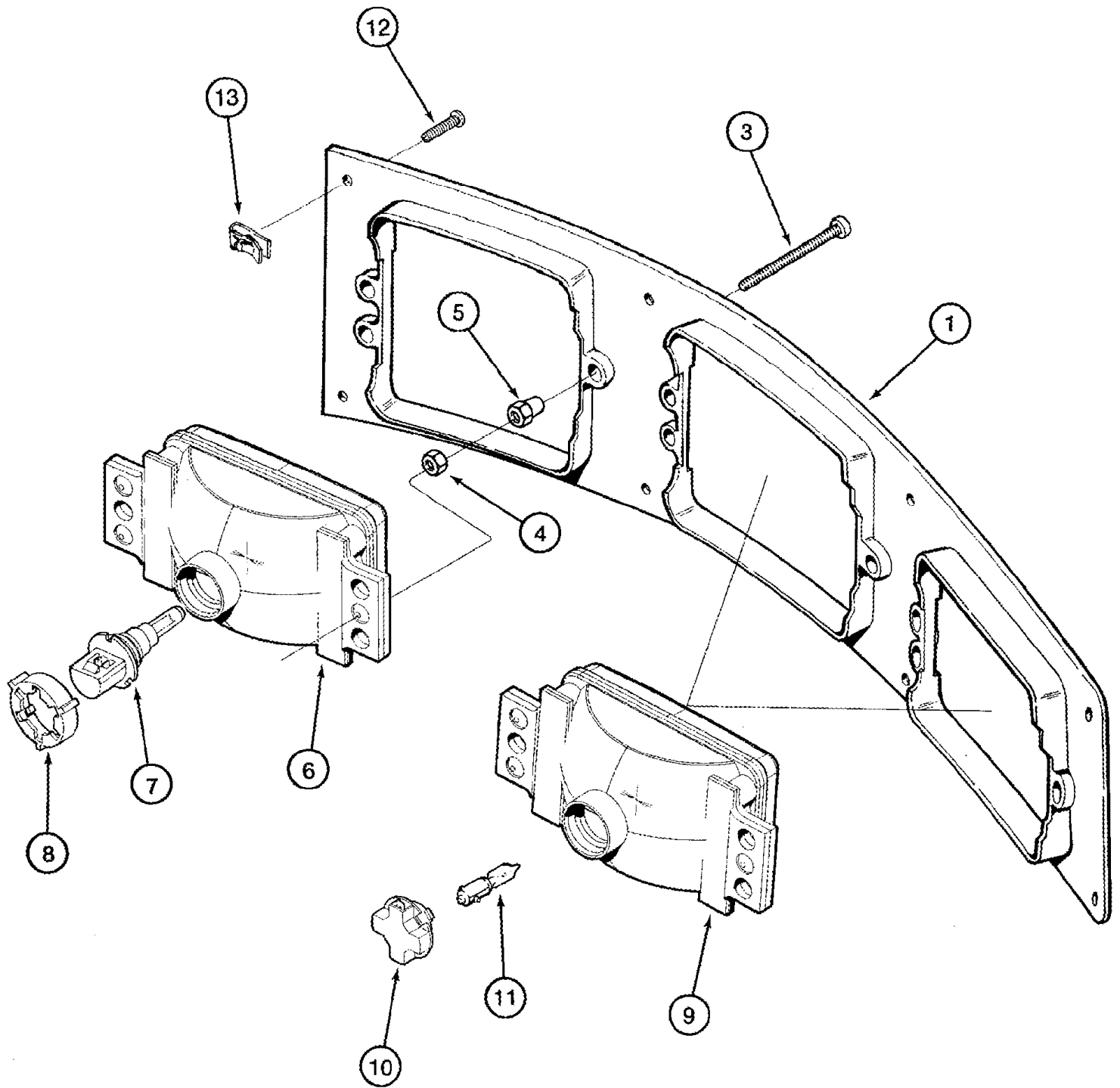


04-29 HARNESS - FIELD TRACKER

сылка	Номер детали	Кол-во	Описание
1	125838A2	1	HARNESS, WIRE, Console, Field Tracker
2	109814A1	1	SWITCH, Auto/Manual, Inc. 109915A1, 109826A1, 3141107R1, 134608A1
	109915A1	1	SYMBOLS,
	109826A1	1	SWITCH,
	3141107R1	1	BULB, W5/1.2, 12V, 1.2W,
	134608A1	1	SUPPORT,
4	114551A1	1	POTENTIOMETER, 2.5K, Balance, BSN JJC0252949
4A	345346A1	1	POTENTIOMETER, 1K, Balance, ASN JJC0252949
5	114553A1	1	POTENTIOMETER, 10K, Sensitivity
6	133498A2	1	POTENTIOMETER, 50K, Response
7	118780A1	3	KNOB,
8	276484A1	1	HARNESS, WIRE, Cab, Field Tracker, Inc. 9, 10
9	126011A1	1	DIODE,
10	A187874	1	DIODE,
11	100275A2	1	ELECTRONIC UNIT, CONTROL,
12	191216A1	2	SCREW, SELF TAPPING, Hex Wash Hd, #10-24 x 5/8",
13	495-31022	2	WASHER, #10,
14	105849A1	5	RELAY, Continuous Duty, 20 amp,
18	276479A1	1	HARNESS, Front, Field Tracker, BSN JJC0253999
18	276479A2	1	HARNESS, WIRE, Front, Field Tracker, ASN JJC0254000
19	141729A1	1	HARNESS, WIRE, Hose, Field Tracker
23	1988724C1	1	SUPPORT, Monitor
24	363-31016	3	SCREW, Hex Wash Hd, #10-24 x 1", No. 10 x 1
25	231-51409	3	NUT, Flg, USR, #10-24,
	298817A1	1	SWITCH, Inc. 26 - 31, With Accumulator, With Field Tracker
26	297976A1	1	SWITCH, Inc. 27, 28
27	182068A1	1	CONNECTOR,
28	182070A1	1	RETAINER,
29	296852A1	1	SUPPORT,
30	440-10828	2	SCREW, Cross Pan Hd, #8-32 x 1 3/4", No. 8 x 1-3/4, If Used
30	440-11028	2	SCREW, Cross Pan Hd, #10-24 x 1 3/4", No. 10 x 1-3/4, If Used
31	231-14408	2	NUT, LOCK, #8-32, GB, No. 8, If Used
31	231-51409	2	NUT, Flg, USR, #10-24, If used
32	302292A1	1	PLASTIC PLUG,
33	L18337	1	STRAP, CABLE, 9.95"-12.1" lg, 15 in
33	435437A1	1	STRAP, CABLE, 3/16" x 7 1/4",

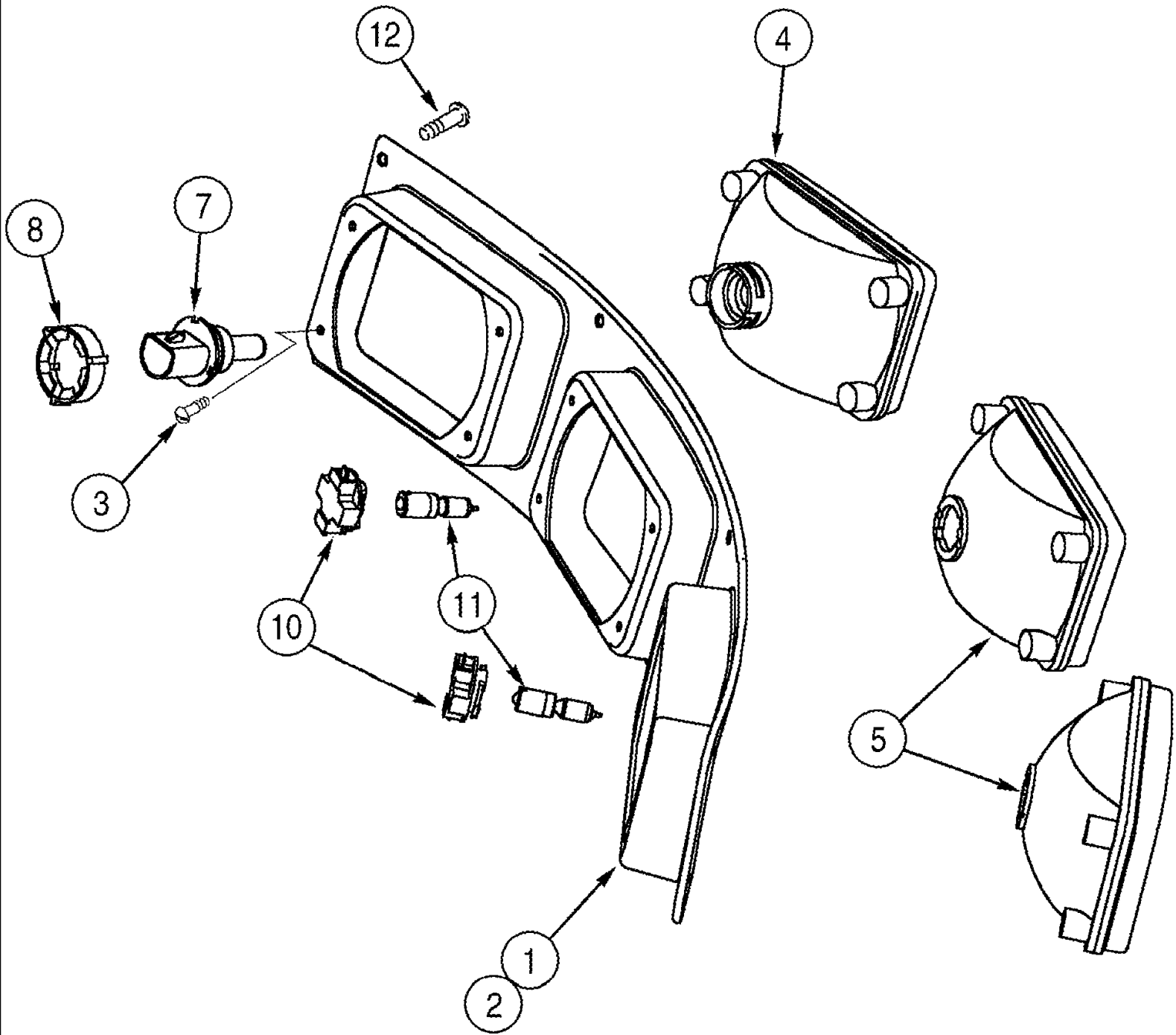


сылка	Номер детали	Кол-во	Описание
	253107A1	2	SUPPORT, Field Tracker, Inc. 1 - 7
1	126771A1	1	POTENTIOMETER, Sensor, 4K
2	463-31020	2	SCREW, Hex Wash Hd, #10-24 x 1 1/4", No. 10 x 1-1/4
3	253108A1	1	SUPPORT,
4	281-14812	2	SCREW, SELF TAPPING, Hex Wash Hd, 5/16" x 3/4", 5/16 x 3/4
5	495-11022	2	WASHER, #10, (7/32" x 7/16" x 3/64")
6	189728A1	1	LEVER, Activator
7	492-11010	2	WASHER, LOCK, #10,
8	253071A1	1	HARNESS, WIRE, Sensor Wire
13	253109A1	1	SUPPORT,
14	413-516	1	BOLT, Hex, 5/16"-18 x 1", G5, Full Thd, 5/16 x 1
15	492-11031	1	WASHER, LOCK, 5/16",
16	425-105	1	NUT, 5/16"-18, G5,
17	100282A1	2	BALL JOINT, 1/4 NF
18	492-11025	2	WASHER, LOCK, 1/4",
19	425-114	4	NUT, 1/4"-28, G5,
20	100281A1	1	STEM,
21	253076A1	1	SUPPORT,
22	413-516	2	BOLT, Hex, 5/16"-18 x 1", G5, Full Thd, 5/16 x 1
23	492-11031	4	WASHER, LOCK, 5/16",
24	425-105	4	NUT, 5/16"-18, G5,



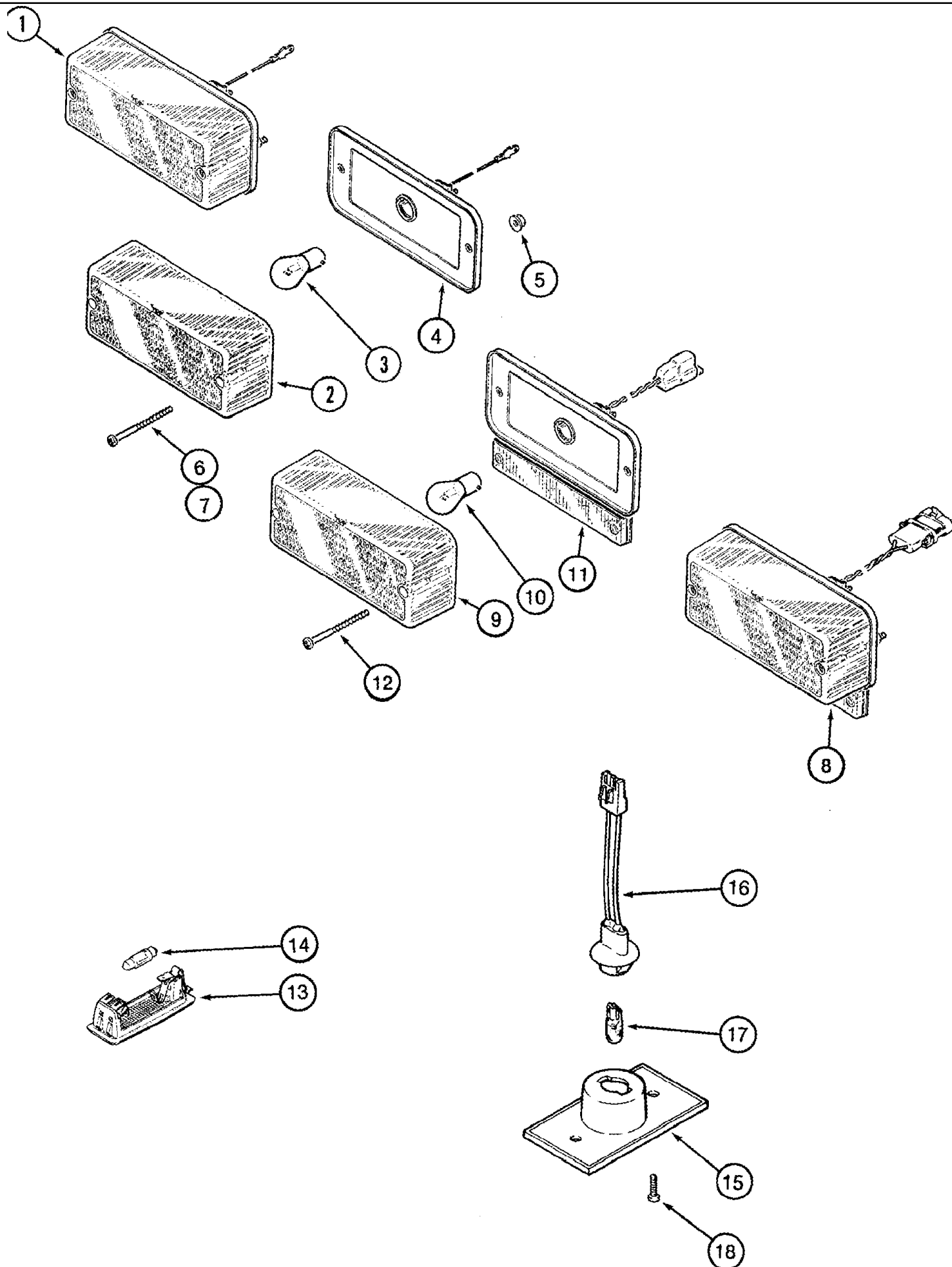
04-31 LAMP ASSY - DRIVE AND FLOOD

сылка	Номер детали	Кол-во	Описание
1	137821A1	1	BEZEL, Lamps, RH
2	137819A1	1	BEZEL, Lamps, LH, Not Illustrated
3	137829A1	18	SCREW, No. 10 x 3
4	86632551	18	NUT, LOCK, #10-24, GB,
5	137831A1	18	RETAINER,
6	138224A1	1	LAMP, WORK, Drive, Right Hand
6A	183161A1	1	LAMP, WORK, Drive, Left Hand, Not Illustrated
7	137823A1	2	BULB, 45W, 65W
8	137825A1	2	COLLAR, RETAINER,
9	138225A1	2	LAMP, WORK, Flood, Right Hand
9A	183162A1	2	LAMP, WORK, Flood, Left Hand, Not Illustrated
10	137827A1	4	SOCKET, LAMP,
11	137828A1	4	BULB, 65W
12	260-16512	16	SCREW, SELF TAPPING, Cross Pan Hd, #10 x 3/4",
13	131-648	16	NUT, Tinn, U, #10-24, No. 10



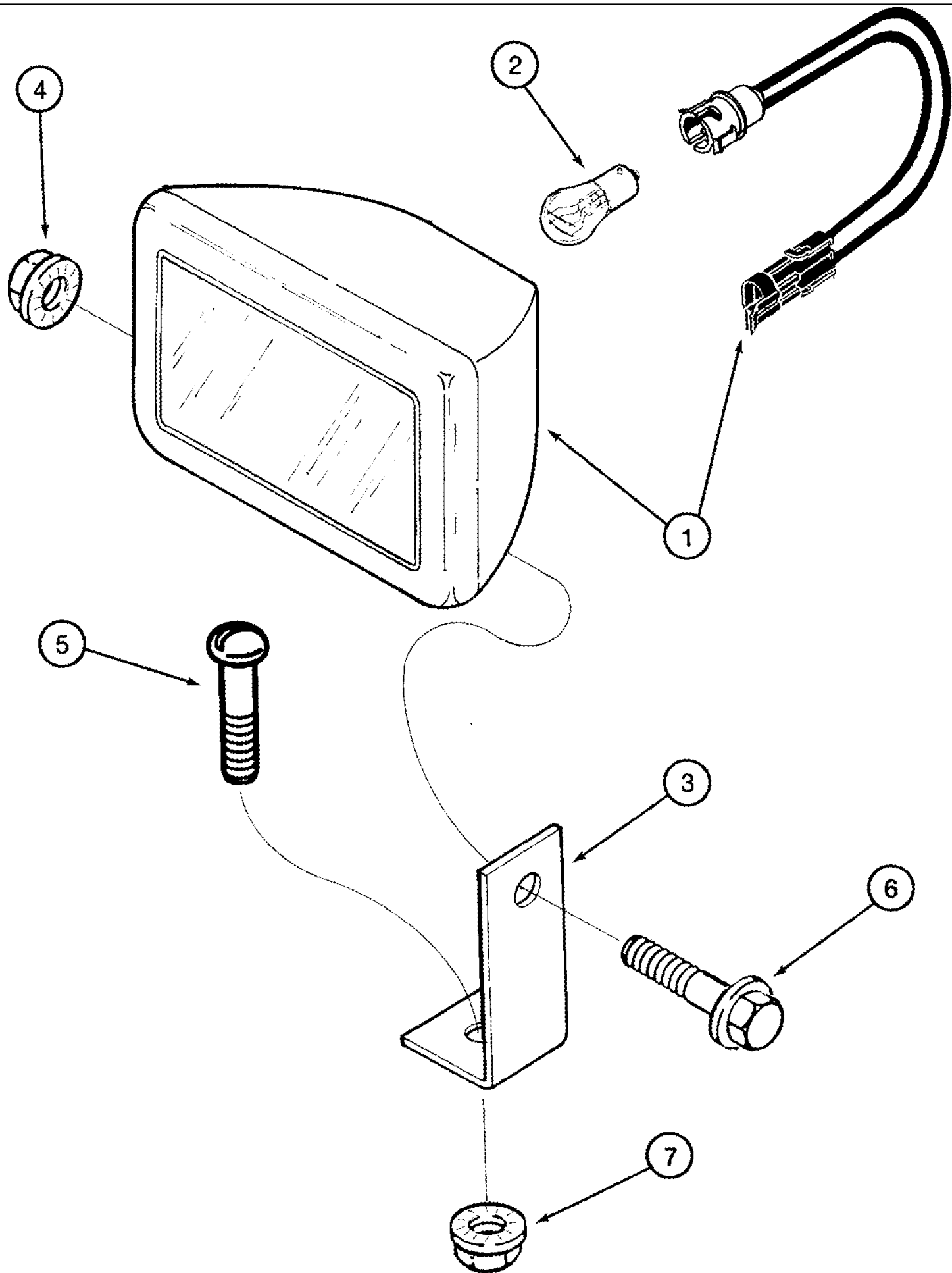
04-32 LAMP ASSY - DRIVE AND FLOOD

сылка	Номер детали	Кол-во	Описание
1	339704A1	1	BEZEL, Lamps, Right Hand, Fixed
2	339705A1	1	BEZEL, Lamps, Left Hand, Fixed, Not Illustrated
3	1327506C1	24	SCREW, SELF TAPPING, Cross Pan Hd, M4.8 x 19, Coated,
4	353656A1	2	HEADLIGHT, Trapezoidal
5	353657A1	4	HEADLIGHT, Flood
7	137823A1	2	BULB, 45W & 65W
8	137825A1	2	COLLAR, RETAINER,
10	137827A1	4	SOCKET, LAMP,
11	137828A1	4	BULB, 65W
12	260-16512	16	SCREW, SELF TAPPING, Cross Pan Hd, #10 x 3/4",



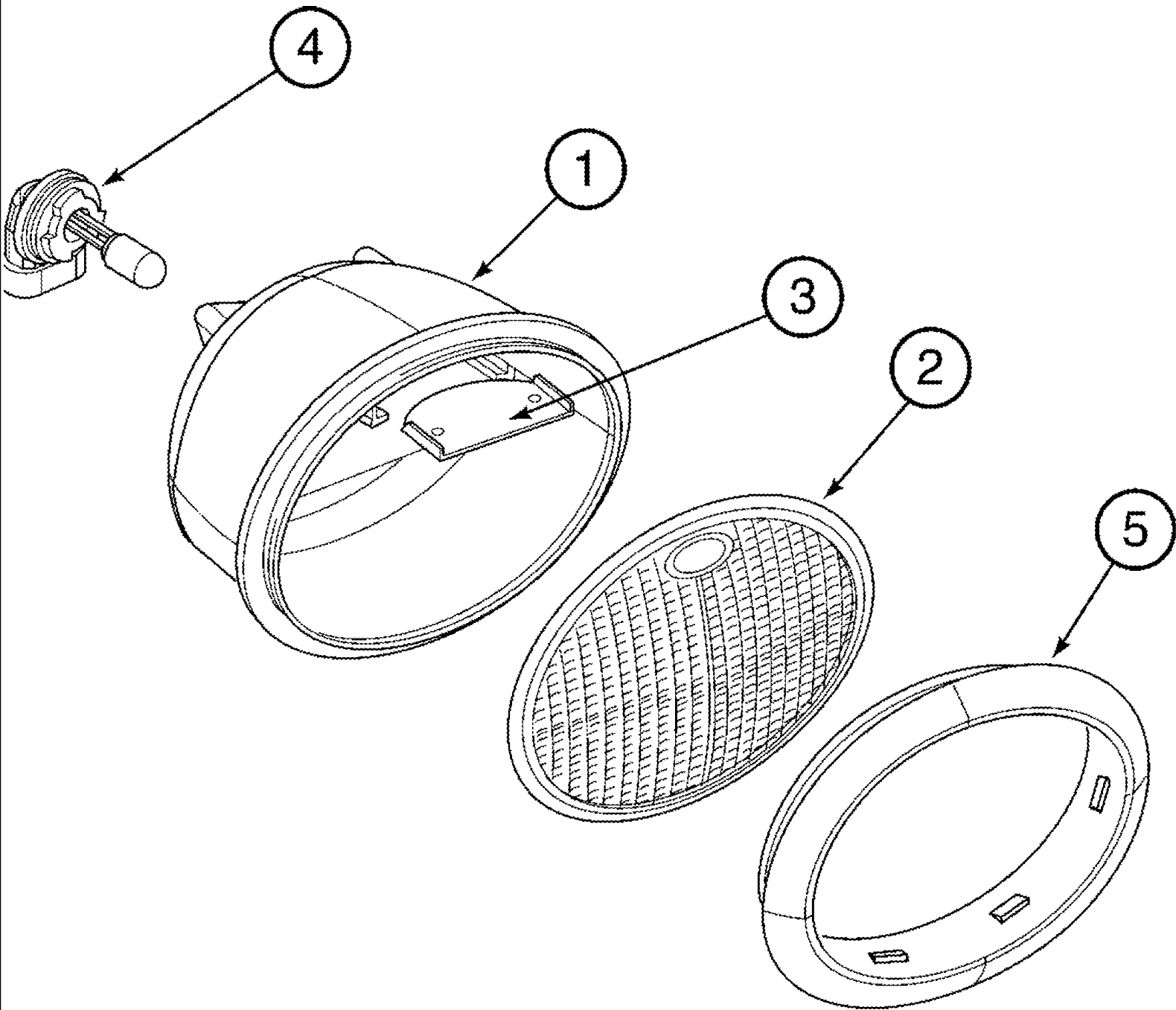
04-33 LAMP ASSYS - WARNING - CONSOLE LAMP ASSY

сылка	Номер детали	Кол-во	Описание
1	130882C91	4	LIGHT, INTERIOR, WARNING ASSEMBLY, Inc. 2 - 4
2	130883C1	1	LENS, Amber
3	A41264	1	BULB, #1156, 12V,
4	NSS	1	NOT SERVICED SEPARATELY, PLATE
5	231-51409	4	NUT, Flg, USR, #10-24,
6	261-54536	4	SCREW, SELF TAPPING, Cross Pan Hd, #10 x 2 1/4", No. 10 x 2-1/4
7	440-11036	4	SCREW, Cross Pan Hd, #10-24 x 2 1/4", No. 10 x 2-1/4
8	92260C1	2	LAMP, Stop and Tail Assembly, Inc. 9 - 11
9	216045C1	1	LENS, Red
10	T34857	1	BULB, C6, #1157, 12.8V,
11	NSS	1	NOT SERVICED SEPARATELY, PLATE
12	261-54536	4	SCREW, SELF TAPPING, Cross Pan Hd, #10 x 2 1/4", No. 10 x 2-1/4
13	429726A1	2	DOME LIGHT, ASSEMBLY, Inc. 14
14	E35556	1	BULB, 12V, 10w
	83882C91	1	LAMP, CONSOLE ASSEMBLY, Inc. 15 - 17
15	NSS	1	NOT SERVICED SEPARATELY, LENS
16	107329C1	1	HARNESS, WIRE,
17	D71346	1	LAMP, TAIL, No. 168
18	440-10812	2	SCREW, Cross Pan Hd, #8-32 x 3/4", No. 8 x 3/4



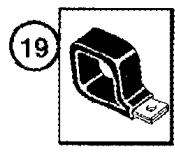
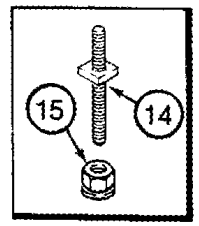
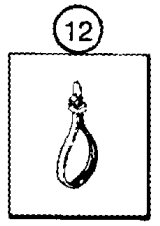
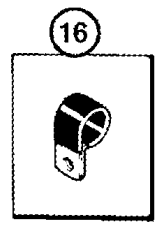
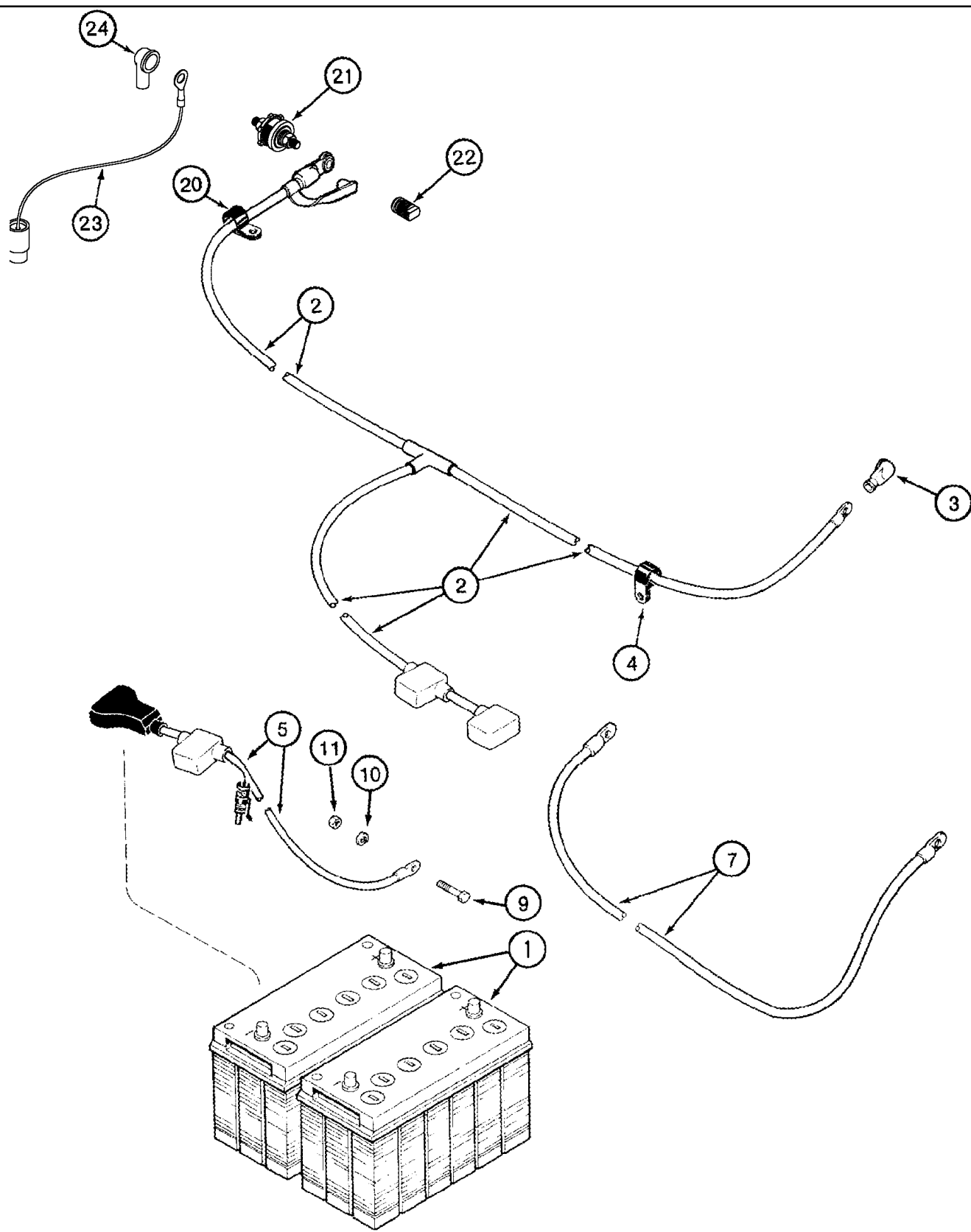
04-34 MOUNTING, LAMP - GRAIN TANK

сылка	Номер детали	Кол-во	Описание
	185119A1	1	HEADLIGHT, Grain Tank, Inc. 1, 2
1	NSS	1	NOT SERVICED SEPARATELY, HOUSING
2	A41264	1	BULB, #1156, 12V,
3	1317942C1	1	BRACKET,
4	231-5146	1	NUT, Flg, USR, 3/8"-16,
5	477-73116	1	SCREW, Slt'd Serr Truss Hd, 5/16"-18 x 1", 5/16 x 1
6	409-7616	1	BOLT, Hex Flg, 3/8"-16 x 1", Serr,
7	231-5145	1	NUT, Flg, USR, 5/16"-18,



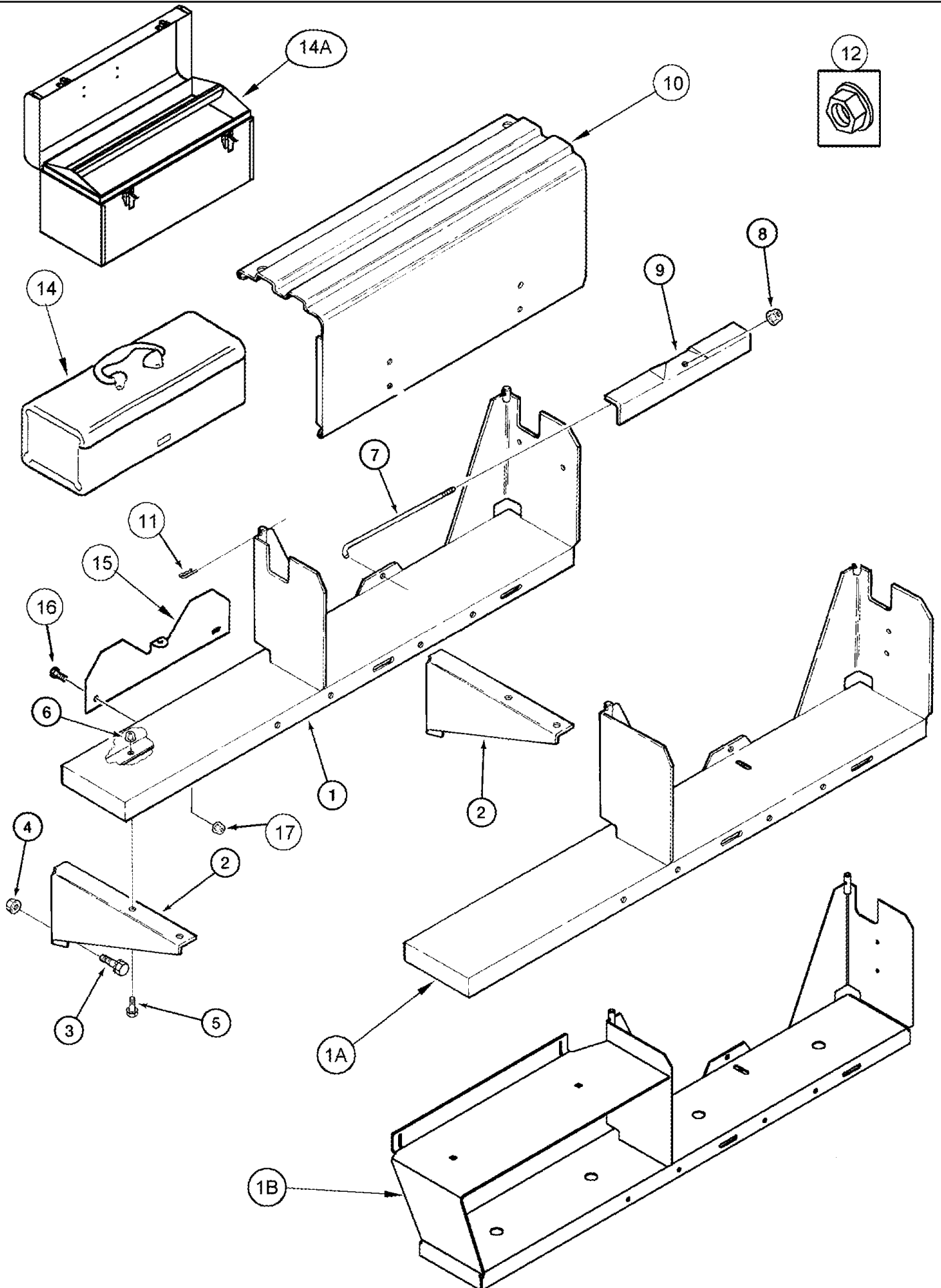
сылка	Номер детали	Кол-во	Описание
	402850A1	1	LAMP, WORK, Inc. 1 - 5
1	NSS	1	NOT SERVICED SEPARATELY, HOUSING
2	NSS	1	NOT SERVICED SEPARATELY, LENS
3	NSS	1	NOT SERVICED SEPARATELY, SHIELD, Heat
4	323094A1	1	BULB, Halogen, 894-12V
5	403062A1	1	BEZEL,

04-36 BATTERY - CABLES



04-36 BATTERY - CABLES

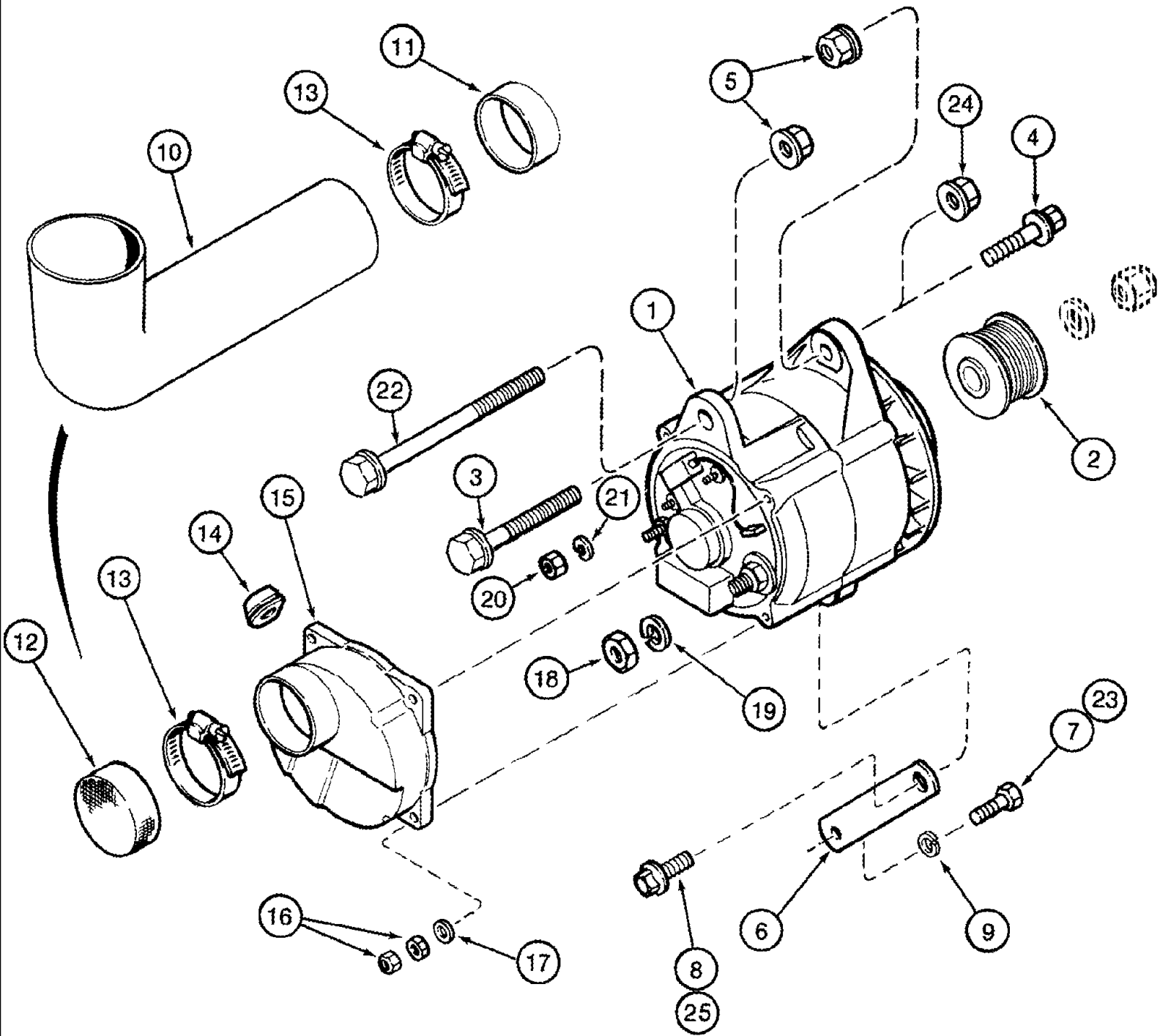
сылка	Номер детали	Кол-во	Описание
1	BMF31G	2	BATTERY, DRY, 12V
2	278034A2	1	CABLE, Positive, Inc. 3, BSN JJC0256399
2	87419381	1	CABLE, Positive, Inc. 3, ASN JJC0256400
3	S115407	1	BOOT,
4	515-23286	17	CLAMP, 1 1/8", Insul, 3/8" Bolt, Replaces 515-23254
4	515-25286	1	CLAMP, 1 1/8", Insul, 3/8" Bolt,
5	278043A1	1	CABLE, BATTERY (NEG), Ground
7	128742A2	1	CABLE, GROUND, Engine Ground
9	413-632	1	BOLT, Hex, 3/8"-16 x 2", G5,
10	492-11038	1	WASHER, LOCK, 3/8",
11	425-106	1	NUT, 3/8"-16, G5,
12	L18337	2	STRAP, CABLE, 9.95"-12.1" lg, 15 in.
14	128289A1	2	SCREW,
15	231-5145	2	NUT, Flg, USR, 5/16"-18,
16	515-23127	1	CLAMP, 1/2", Insul, 3/8" Bolt,
17	231-5146	2	NUT, Flg, USR, 3/8"-16, Not Illustrated
18	409-7616	1	BOLT, Hex Flg, 3/8"-16 x 1", Serr, Not Illustrated
19	1301387C2	1	CLIP, 2 in ID, Square
20	515-25254	1	CLAMP, 1", Insul, 1/2" Bolt,
21	190158A1	1	BLOCK, Junction
22	245739C1	1	BUSHING, Jump Start
23	277019A2	1	CABLE, Cab Power
24	399470R1	1	BOOT,



04-37 BATTERY - BOX

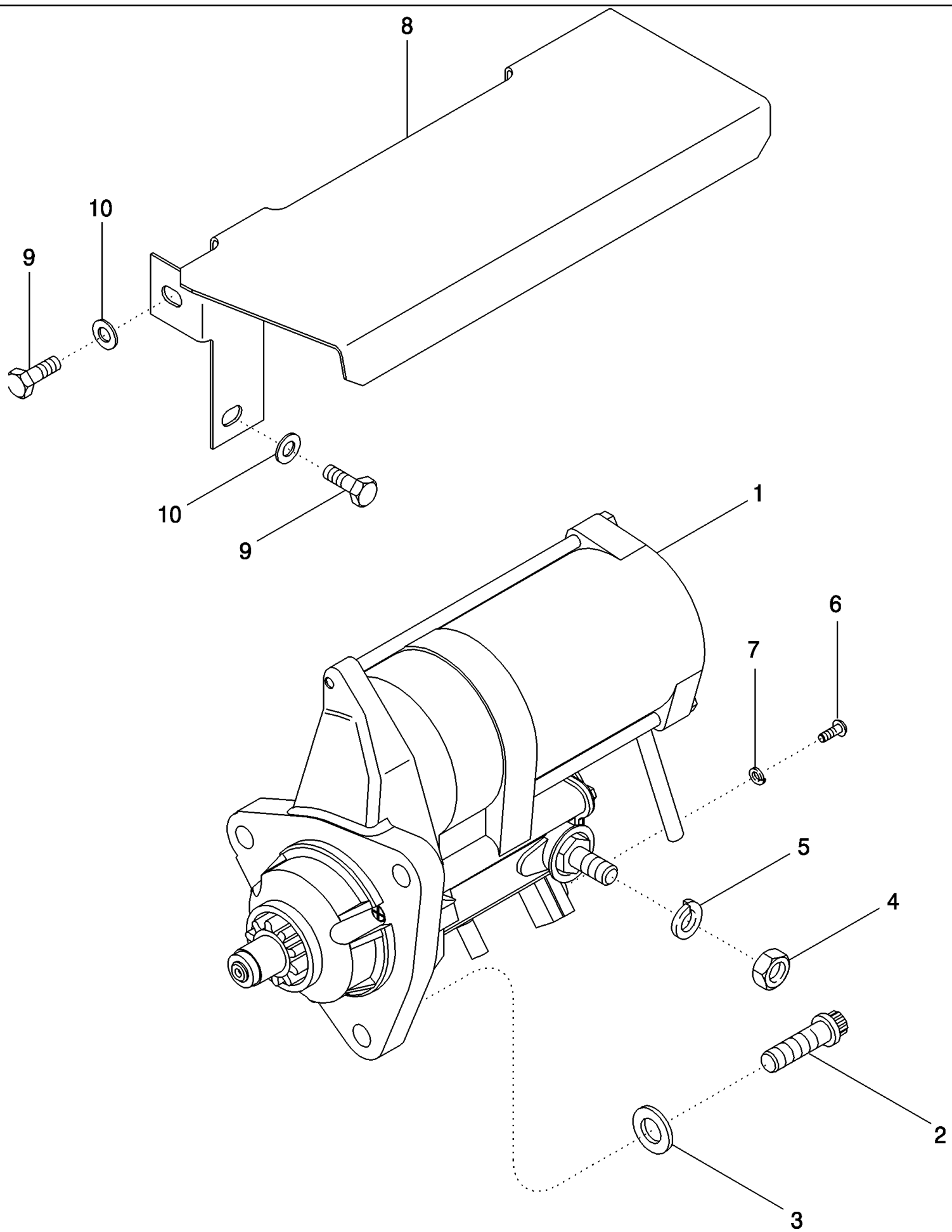
сылка	Номер детали	Кол-во	Описание
1	142490A2	1	SUPPORT, No Longer Used, Order 307071A1
1A	307071A1	1	SUPPORT, Replaces: 142490A2, BSN JJC0253999
1B	394365A1	1	SUPPORT, , ASN JJC0254000
2	142495A2	2	SUPPORT,
3	409-7616	5	BOLT, Hex Flg, 3/8"-16 x 1", Serr,
4	231-5146	5	NUT, Flg, USR, 3/8"-16,
5	409-7512	4	BOLT, Hex Flg, 5/16"-18 x 3/4", Serr,
6	231-5145	4	NUT, Flg, USR, 5/16"-18,
7	A147915	1	BOLT,
8	425-104	1	NUT, 1/4"-20, G5,
9	A162337	1	CLAMP,
10	142496A1	1	COVER,
11	480523R1	2	SPLIT PIN/SAFETY PIN,
12	131-415	4	NUT, LOCK, Push, Bolt Retainer, 3/8" x 25/32",
13	135370A1	2	STRIP, PROTECTION, 194 mm (7-5/8 in), Cut From 1330108CX, Not Illustrated
14	A181436	1	BOX, TOOL, , BSN JJC0253999
14A	392914A1	1	BOX, TOOL, , ASN JJC0254000
15	143481A1	1	SUPPORT, , BSN JJC0253999
16	409-7512	2	BOLT, Hex Flg, 5/16"-18 x 3/4", Serr,
17	231-5145	2	NUT, Flg, USR, 5/16"-18,
18	397115A2	1	TUBE, , ASN JJC0254000

04-38 ALTERNATOR - MOUNTING

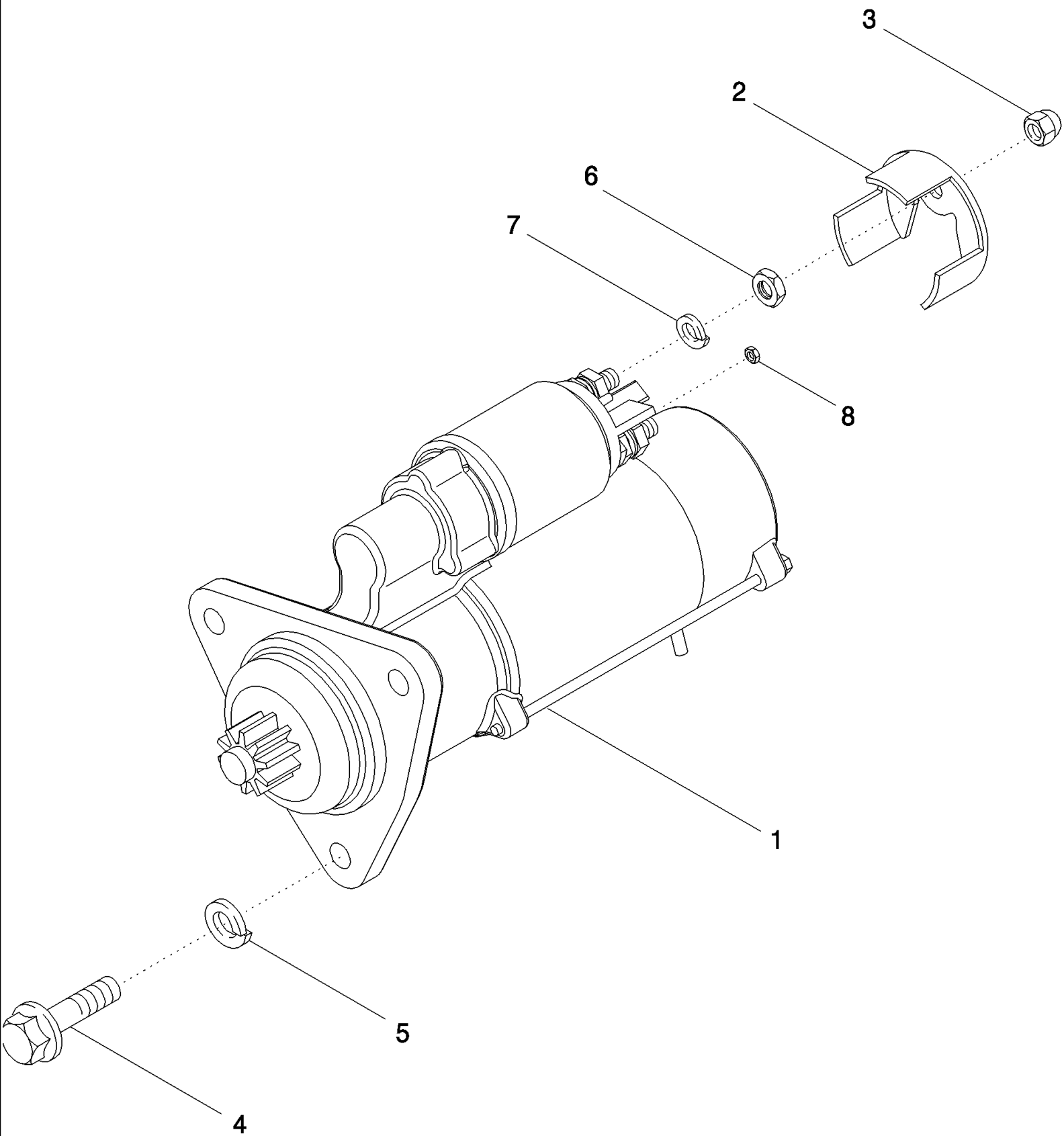


04-38 ALTERNATOR - MOUNTING

сылка	Номер детали	Кол-во	Описание
1	125849A1	1	ALTERNATOR, 135 amp, See Figure 04-40
2	86975356	1	PULLEY, , BSN JJC0255699
2	J926858	1	PULLEY, , ASN JJC0255700
3	854-12065	1	BOLT, Hex Flg, M12 x 65, 10.9, M12 x 65; 10.9, BSN JJC0255699
4	854-12050	1	BOLT, Hex Flg, M12 x 50, 10.9, , BSN JJC0255699
5	829-2312	2	NUT, M12 x 1.75, Flg, CI 10, M12; 10.9, BSN JJC0255699
6	J911485	1	SUPPORT, , BSN JJC0255699
6	J944312	1	BRACE, , ASN JJC0255700
7	614-8030	1	BOLT, Hex, M8 x 30, 8.8, , BSN JJC0255699
8	360-820	1	BOLT, Hex Flg, 1/2"-13 x 1 1/4", G8, Full Thd, 1/2 x 1-1/4, BSN JJC0255699
9	892-11008	1	WASHER, LOCK, M8,
10	143953A1	1	ELBOW, 90 degree, BSN JJC0255699
11	179418A1	1	TUBE, , BSN JJC0255699
12	1979627C1	1	COVER,
13	214-1532	2	CLAMP, HOSE, #32, 1.56/2.50 Type F Worm, W/liner, , BSN JJC0255699
14	1964826C1	1	GROMMET,
15	1338890C1	1	COVER,
16	825-1405	8	NUT, M5, CI 8,
17	495-31025	4	WASHER, 3/16", 1/4 x 9/16 x 3/64
18	425-147	1	NUT, Jam, 7/16"-14, G5, 7/16
19	492-11044	1	WASHER, LOCK, 7/16",
20	825-1404	1	NUT, M4, CI 8,
21	892-11004	1	WASHER, LOCK, M4,
22	87030021	1	BOLT, Hex Flg, M12 x 150, 10.9, M12 x 150, ASN JJC0255700
23	857-10020	1	BOLT, Hex Flg, M10 x 20, 10.9, , ASN JJC0255700
24	825-2412	1	NUT, M12 x 1.75, Flg, CI 8, M12; 8, ASN JJC0255700
25	409-7820	1	BOLT, Hex Flg, 1/2"-13 x 1 1/4", Serr, , ASN JJC0255700



сылка	Номер детали	Кол-во	Описание
1	193432A2	1	MOTOR, See Figure 04-41
2	868-12035	3	SCREW, 12 Pt Hd, M12 x 35, 12.9, M12 x 35; 12.9
3	892-11012	3	WASHER, LOCK, M12,
4	829-1412	1	NUT, M12, CI 10, Used with 193432A2
4	829-4410	1	NUT, Thin, M10 x 1.5, CI 05, Used with 87419387
5	892-11012	1	WASHER, LOCK, M12, Used with 193432A2
5	892-11010	1	WASHER, LOCK, M10, Used with 87419387
6	258820A1	1	SCREW, M5 x 8
7	892-11005	1	WASHER, LOCK, M5,
8	430382A2	1	SHIELD, Starter
9	614-8020	3	BOLT, Hex, M8 x 20, 8.8,
10	496-21034	3	WASHER, 11/32" x 11/16" x 0.89", HDN,



2366 CASE IH AXIAL-FLOW COMBINE (NA) (1/98-8/04)

04-39A STARTER ASSY - MOUNTING - ASN JJC0256400

сылка	Номер детали	Кол-во	Описание
	87420661	1	REMAN-STARTER, N.A. Only
	87420662	1	CORE-STARTER,
1	87419387	1	MOTOR, STARTER, Iskra Brand, See Figure 04-39B
2	87422566	1	COVER, Jump Start Protection
3	87422567	1	NUT,
4	868-12035	3	SCREW, 12 Pt Hd, M12 x 35, 12.9, M12 x 35; 10.9
5	896-11012	3	WASHER, M13.5 x 24.5 x 3, HT,
6	829-4410	1	NUT, Thin, M10 x 1.5, Cl 05,
7	892-11010	1	WASHER, LOCK, M10,
8	825-2405	1	NUT, M5 x .8, Flg, Cl 8, M5; 8

ART

NOT

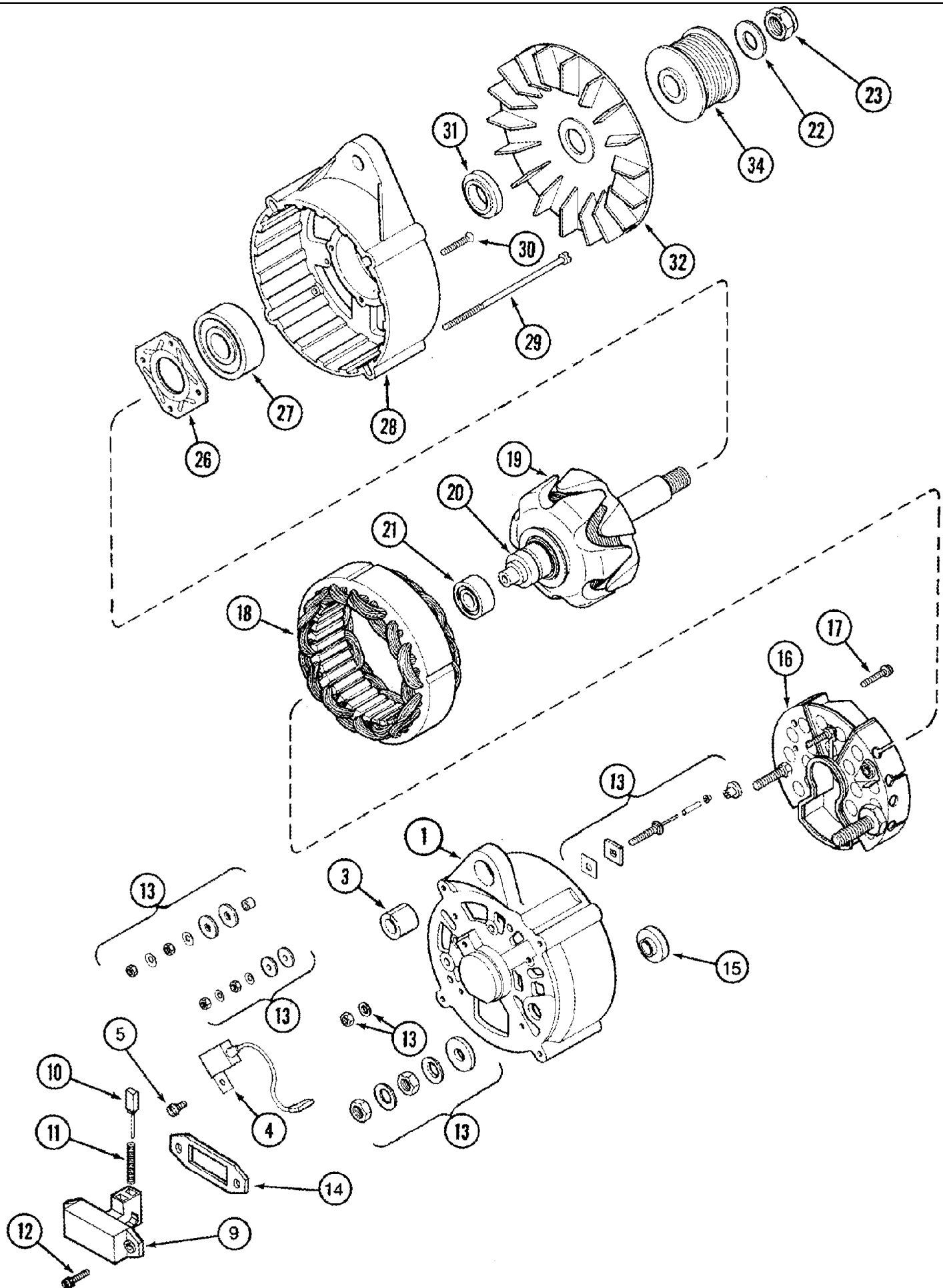
AVAILABLE

2366 CASE IH AXIAL-FLOW COMBINE (NA) (1/98-8/04)

04-39B STARTER ASSY - ISKRA BRAND - ASN JJC0177800

сылка	Номер детали	Кол-во	Описание
	87419387	1	MOTOR, STARTER, Iskra Brand, Inc. 1 - 12
1	87452304	1	BRACKET, Drive End
2	87452305	1	SOLENOID,
3	87452306	1	DRIVE ASSY.,
4	87452307	1	LEVER, Engaging
5	87452308	1	GEAR, Reduction
6	87452309	1	ARMATURE,
7	87452310	1	KIT,
8	87452311	1	KIT, STARTER MTR REPAIR, SET Fixing Parts
9	87452312	1	STATOR,
10	87452313	1	BRUSH HOLDER,
11	87452314	1	BRUSH, SET Spring
12	87452315	1	BRACKET, Commutator End

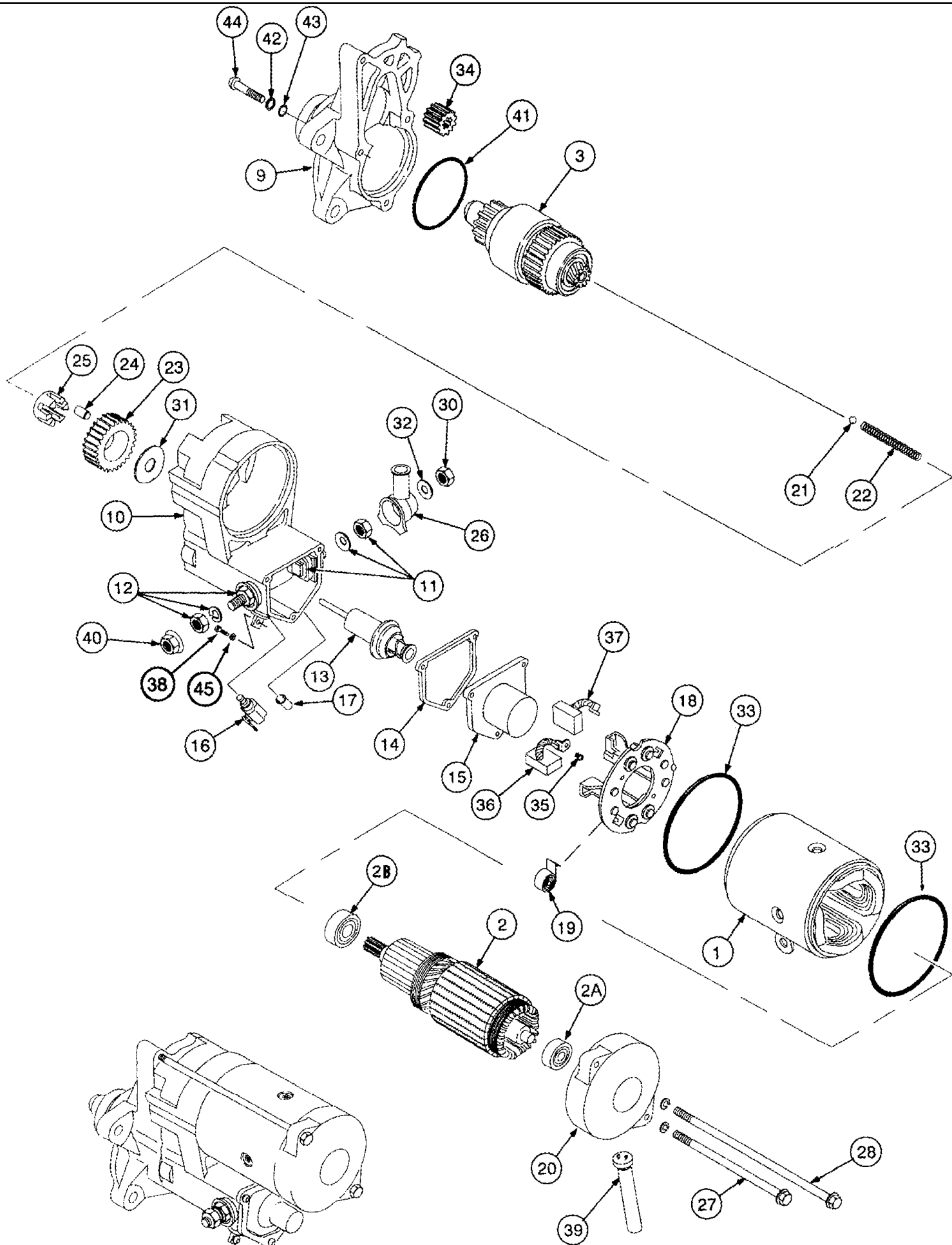
04-40 ALTERNATOR ASSY



04-40 ALTERNATOR ASSY

сылка	Номер детали	Кол-во	Описание
	125849A1R	1	REMAN-ALTERNATOR, Remanufactured, N.A. Only
	125849A1C	1	CORE-ALTERNATOR,
	125849A1	1	ALTERNATOR, 135 amp, Inc. 1 - 32
1	1964731C1	1	HOUSING,
3	1964737C1	1	BUSHING,
4	3079389R1	1	CAPACITOR,
5	840-1510	1	SCREW, Cross Pan Hd, M5 x 10,
9	111899A1	1	REGULATOR,
10	1964968C1	1	BRUSH, Set
11	1964734C1	2	SPRING,
12	1530431C1	2	BOLT,
13	1964738C1	1	KIT, REPAIR,
14	140546A1	1	GASKET,
15	140545A1	1	RING,
16	1964732C1	1	RECTIFIER,
17	A186194	2	SCREW, Slt'd Truss Hd, M4 x 18, w/LW,
18	140548A1	1	STATOR,
19	1964728C1	1	ROTOR,
20	140543A1	1	RING,
21	1964730C1	1	BEARING, BALL,
22	495-21063	1	WASHER, 9/16", 5/8 x 1-15/32 x 7/64
23	86637650	1	NUT, LOCK, 5/8"-18, GB, 5/8 NF
26	1964727C1	1	PLATE,
27	1964726C1	1	BEARING, BALL,
28	1964725C1	1	HOUSING,
29	140549A1	4	SCREW,
30	140541A1	4	SCREW,
31	1964729C1	1	SPACER,
32	1964736C1	1	FAN,
34	86975356	1	PULLEY, Replaces A189616, Not Included In Assembly

04-41 STARTER ASSY - 193432A2

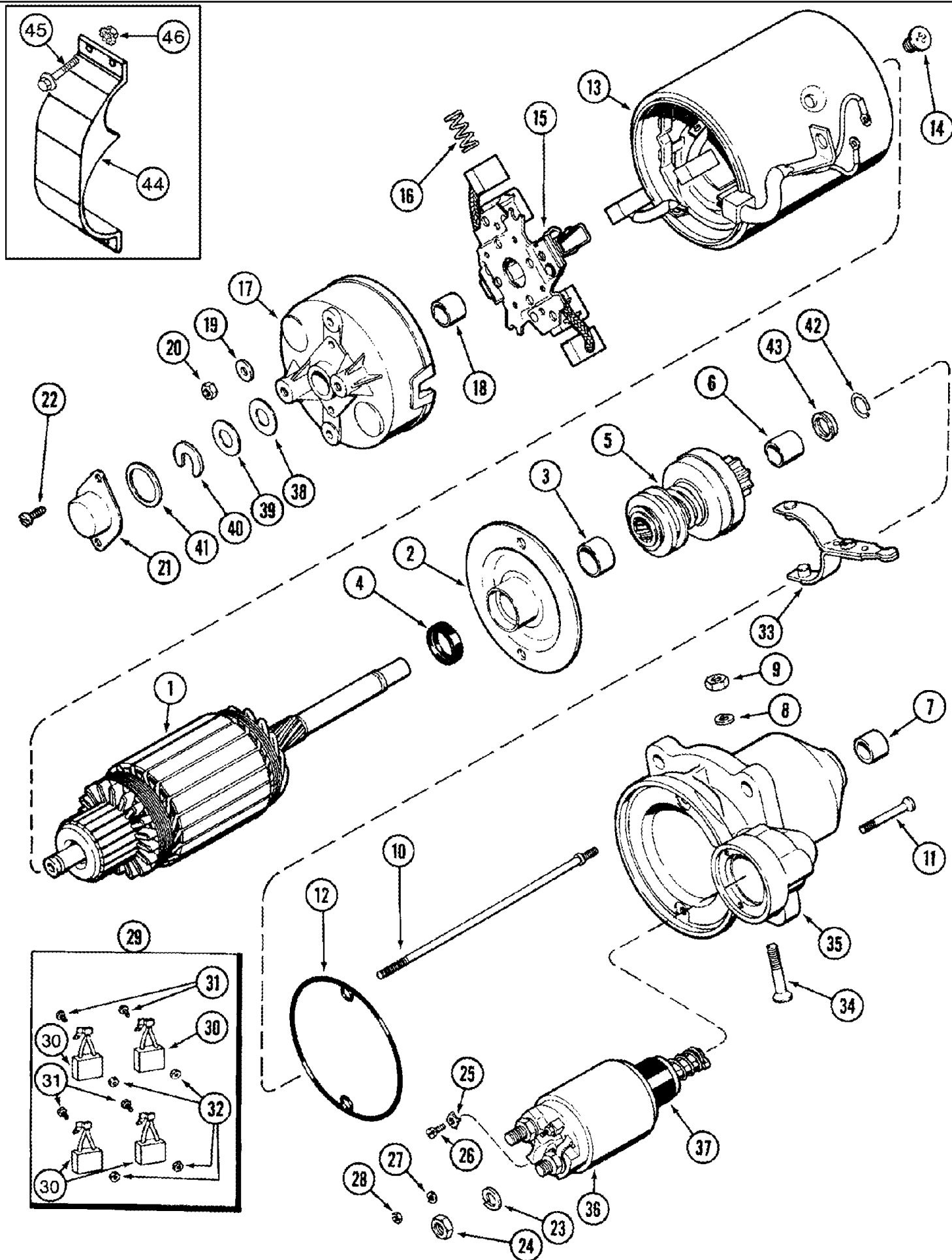


04-41 STARTER ASSY - 193432A2

сылка	Номер детали	Кол-во	Описание
	193432A1R	1	REMAN-STARTER, N.A. Only
	193432A1C	1	MOTOR,
	193432A2	1	MOTOR, Includes: Ref. 1 - 45
1	258884A1	1	YOKE,
2	258885A1	1	ARMATURE, Includes: Ref. 2A, 2B
2A	452698C1	1	BEARING, BALL,
2B	298254A1	1	BEARING, BALL,
3	258840A1	1	CLUTCH ASSEMBLY,
9	258841A1	1	HOUSING,
10	258886A1	1	SWITCH, SOLENOID, Magnetic, Includes: Ref. 11 - 17
11	258871A1	1	KIT, SERVICE,
12	258869A1	1	KIT, SERVICE,
13	258874A1	1	PLUNGER,
14	NSS	1	NOT SERVICED SEPARATELY, SEAL
15	NSS	1	NOT SERVICED SEPARATELY, COVER
16	258877A1	1	TERMINAL CONNECTOR,
17	141353A1	1	BUSHING,
18	A49806	1	BRUSH HOLDER, Includes: Ref. 19
19	NSS	4	NOT SERVICED SEPARATELY, SPRING
20	258880A1	1	FRAME,
21	211-1311	1	BALL, 11/32" Dia, 200, CRS
22	A47232	1	SPRING, 2-13/16
23	A49810	1	GEAR,
24	A47235	1	ROLLER,
25	A47236	1	RETAINER,
26	A49805	1	COVER,
27	104594A1	1	BOLT, 7 x 144 mm
28	104593A1	1	BOLT, 7 x 206 mm
30	829-1412	1	NUT, M12, CI 10,
31	141360A1	1	RETAINER,
32	892-11012	1	WASHER, LOCK, M12,
33	A49812	2	SEAL,
34	A49809	1	PINION,
35	141361A1	4	SCREW,
36	A49807	2	BRUSH,
37	A49808	2	BRUSH,
38	258820A1	1	SCREW, M5 x 8
39	258883A1	1	BUSHING,
40	NSS	1	NOT SERVICED SEPARATELY, NUT
41	A47229	1	O-RING,
	A47230	3	BOLT, Includes: Ref. 42 - 44
42	195-516	1	WASHER, #12, 1/4 x 9/16 x 1/16
43	A47130	1	O-RING,

04-41 STARTER ASSY - 193432A2

сылка	Номер детали	Кол-во	Описание
44	A47129	1	BOLT,
45	892-11005	1	WASHER, LOCK, M5,

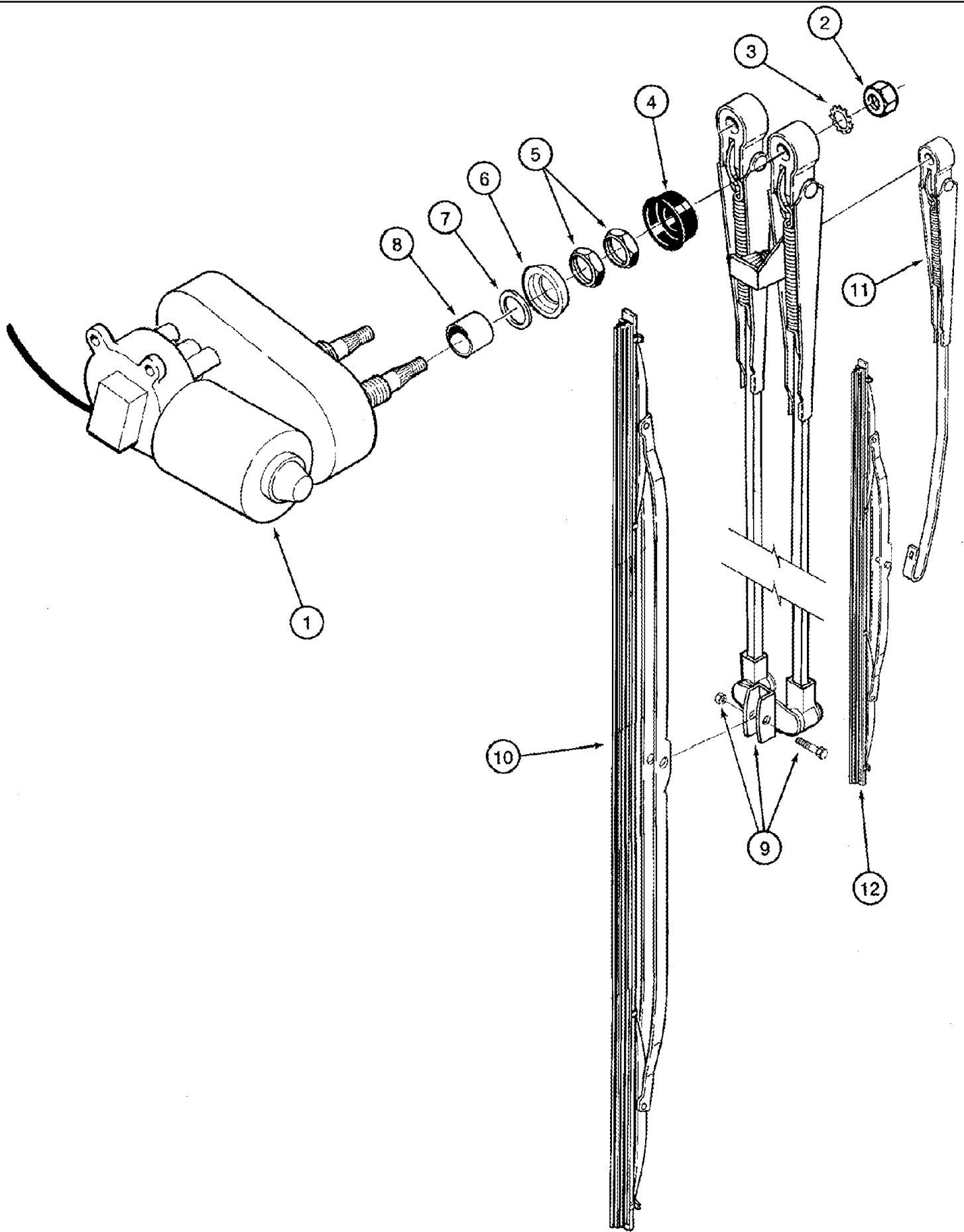


сылка	Номер детали	Кол-во	Описание
	245927C93	1	MOTOR, STARTER, Inc. 1 - 46
1	A186232	1	ARMATURE,
2	A186233	1	HOUSING, BEARING,
3	3079432R1	1	BUSHING,
4	A186234	1	SEAL,
5	A186235	1	CLUTCH, Drive
6	3079254R1	2	BUSHING,
7	3055738R2	1	BUSHING,
8	3053133R1	1	WASHER, SEALING, M8 x 11.5 x 1,
9	691265C1	1	NUT,
10	3079172R1	2	STUD,
11	A186236	3	SCREW,
12	A186237	1	RETAINER,
13	A186238	1	COIL,
14	3079552R1	4	BOLT,
15	K965157	1	BRUSH,
16	3079420R1	4	SPRING,
17	A186239	1	COVER,
18	K965145	1	BUSHING,
19	K965147	2	WASHER,
20	825-1406	2	NUT, M6, CI 8,
21	K965149	1	COVER,
22	K965146	2	SCREW,
23	A186240	2	WASHER,
24	825-1410	2	NUT, M10, CI 8,
25	A186241	1	CLAMP,
26	K965151	1	SCREW,
27	A186243	2	WASHER,
28	933824R1	2	NUT, Thin, M4 x .5, CI 04, M4
29	3079359R91	1	BRUSH, Inc. 30 - 32
30	NSS	4	NOT SERVICED SEPARATELY, BRUSH
31	NSS	4	NOT SERVICED SEPARATELY, SCREW
32	NSS	4	NOT SERVICED SEPARATELY, NUT
33	K965134	1	LEVER,
34	3079430R1	1	BOLT,
35	A186246	1	FRAME, M5 x 8
36	A186244	1	SWITCH,
36	251829A1	1	SOLENOID,
37	A186245	1	DIAPHRAGM,
	3079555R91	1	PACKAGE, Motor Repair, Inc. 38 - 43
38	NSS	1	NOT SERVICED SEPARATELY, SHIM
39	NSS	1	NOT SERVICED SEPARATELY, SHIM
40	NSS	1	NOT SERVICED SEPARATELY, WASHER

2366 CASE IH AXIAL-FLOW COMBINE (NA) (1/98-8/04)

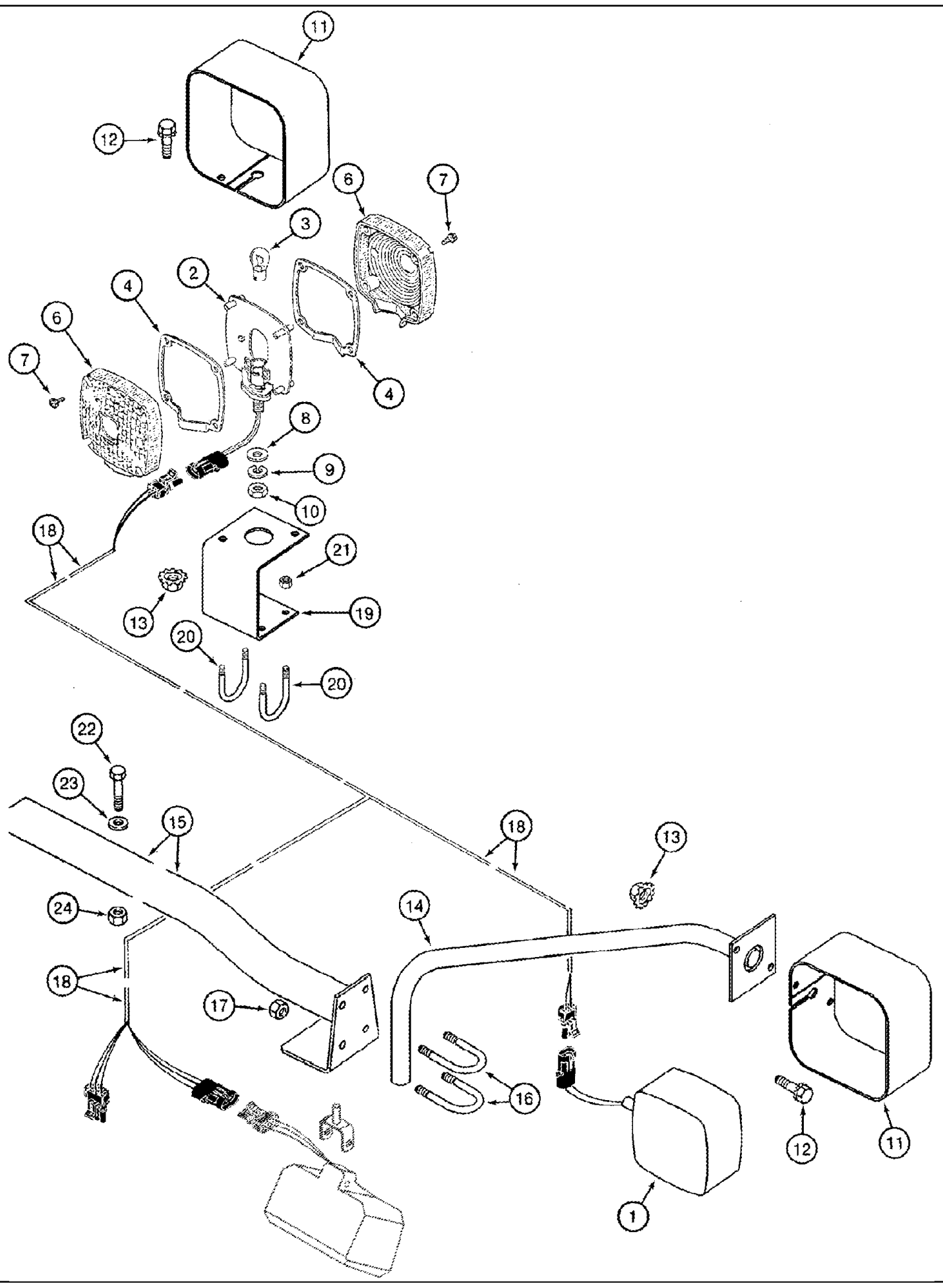
04-42 MOTOR ASSY - FEEDER REVERSER - BSN JJC0253999

сылка	Номер детали	Кол-во	Описание
41	NSS	1	NOT SERVICED SEPARATELY, RING
42	NSS	1	NOT SERVICED SEPARATELY, RETAINER
43	NSS	1	NOT SERVICED SEPARATELY, RING
44	246652A1	2	GUARD,
45	409-7416	4	BOLT, Hex Flg, 1/4"-20 x 1", Serr,
46	231-5144	4	NUT, Flg, USR, 1/4"-20,

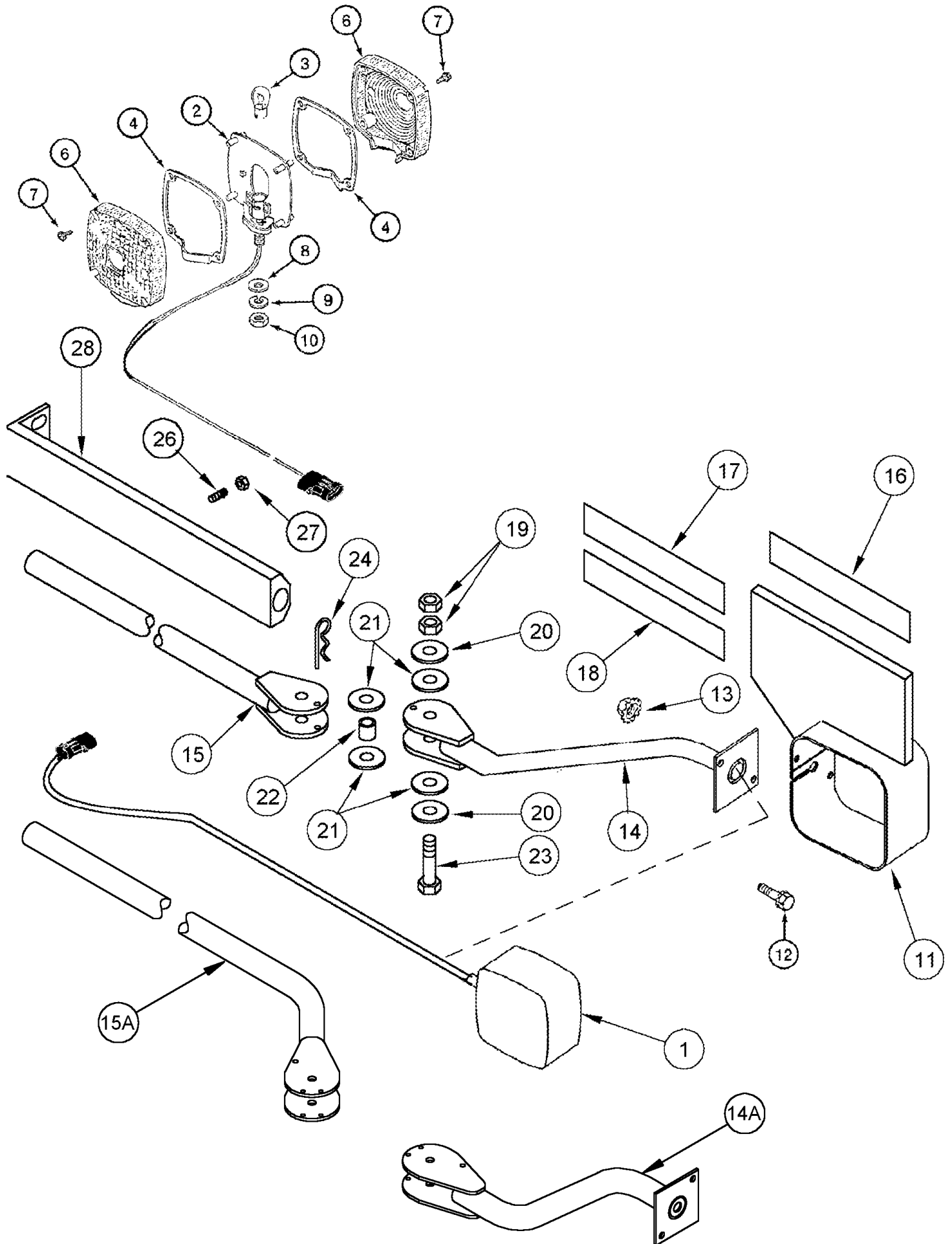


04-43 MOTOR ASSY - WIPER, WINDSHIELD

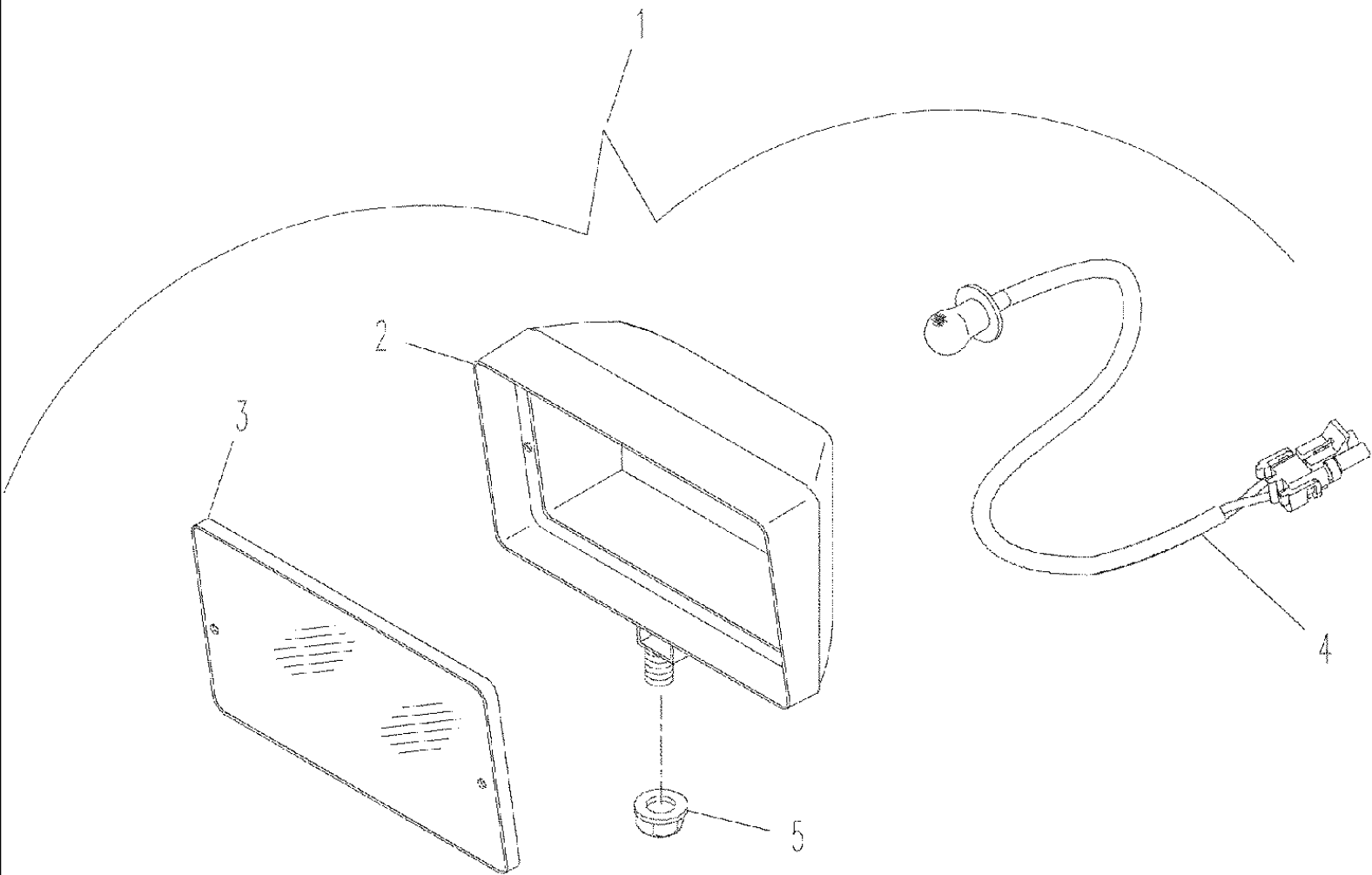
сылка	Номер детали	Кол-во	Описание
1	137838A1	1	WIPER MOTOR, Windshield, Double Blade, Inc. 1 - 7
	NSS	1	NOT SERVICED SEPARATELY, MOTOR
	138013A1	1	KIT, REPAIR, Inc. 2 - 7
2	829-1408	2	NUT, M8, CI 10,
3	893-11008	2	WASHER, LOCK, Ext Tooth, M8,
4	NSS	2	NOT SERVICED SEPARATELY, COVER
5	NSS	4	NOT SERVICED SEPARATELY, NUT
6	NSS	2	NOT SERVICED SEPARATELY, RETAINER
7	NSS	2	NOT SERVICED SEPARATELY, SEAL
8	123936A1	2	SPACER,
	352976A1	1	WIPER BLADE, Inc. 9 - 12
9	123150A1	1	WIPER ARM, 1000 mm
10	123151A1	1	WIPER BLADE, 1000 mm (39-3/8 in)
11	231284A1	1	WIPER ARM, 176 mm lg
12	231283A1	1	WIPER BLADE, 330 mm lg



сылка	Номер детали	Кол-во	Описание
1	134454A1	2	LAMP, Inc. 2 - 10
2	NSS	1	NOT SERVICED SEPARATELY, BODY
3	A41264	1	BULB, #1156, 12V,
4	A43731	2	GASKET,
	A44202	1	KIT, Inc. 6 & 7
6	NSS	2	NOT SERVICED SEPARATELY, LENS
7	187-1083	8	SCREW, SELF TAPPING, Cross Pan Hd, #8 x 5/8", No. 8 x 5/8
8	495-11053	1	WASHER, 1/2", SAE, (17/32" x 1-1/16" x 3/32")
9	80679	1	WASHER, LOCK, 1/2",
10	425-118	1	NUT, 1/2"-20, G5, 1/2 NF
11	126890A1	2	SHIELD,
12	409-7512	4	BOLT, Hex Flg, 5/16"-18 x 3/4", Serr,
13	231-5145	4	NUT, Flg, USR, 5/16"-18,
14	191919A1	1	SUPPORT, Extension Lamp, Marker, Right Hand
15	192112A1	1	SUPPORT, Mounting Lamp, Aftercut, Right Hand
16	140374A1	2	U-BOLT,
17	231-1445	4	NUT, LOCK, 5/16"-18, GB,
18	192474A1	1	HARNESS, WIRE, Flasher Lamps Extension
19	192093A1	1	SUPPORT, Mounting Lamp, Marker, Left Hand
20	188528A1	2	U-BOLT,
21	231-1444	4	NUT, LOCK, 1/4"-20, GB,
22	413-532	2	BOLT, Hex, 5/16"-18 x 2", G5,
23	495-11034	2	WASHER, 5/16", SAE, (11/32 x 11/16 x 1/16")
24	231-1445	2	NUT, LOCK, 5/16"-18, GB,



сылка	Номер детали	Кол-во	Описание
1	398378A1	2	LAMP, Inc. 2 - 10
2	NSS	1	NOT SERVICED SEPARATELY, BODY
3	A41264	1	BULB, #1156, 12V,
4	A43731	2	GASKET,
	A44202	1	KIT, Inc. 6 & 7
6	NSS	2	NOT SERVICED SEPARATELY, LENS
7	187-1083	8	SCREW, SELF TAPPING, Cross Pan Hd, #8 x 5/8", No. 8 x 5/8
8	495-11053	1	WASHER, 1/2", SAE, (17/32" x 1-1/16" x 3/32")
9	80679	1	WASHER, LOCK, 1/2",
10	425-118	1	NUT, 1/2"-20, G5, 1/2 NF
11	390636A1	2	BRACKET,
12	409-7512	4	BOLT, Hex Flg, 5/16"-18 x 3/4", Serr,
13	231-5145	4	NUT, Flg, USR, 5/16"-18,
14	398043A2	2	ARM, Marker Lamp, Outer, BSN JJC0255699
14A	86991379	2	ARM, Marker Lamp, Outer, ASN JJC0255700
15	403387A1	2	TUBE, Marker Lamp, Inner, BSN JJC0255699
15A	86991378	2	ARM, Marker Lamp, Inner, ASN JJC0255700
16	311864A1	2	REFLECTOR, Amber
17	311863A1	2	REFLECTOR, Red
18	311865A1	2	REFLECTOR, Orange
19	231-4146	4	NUT, LOCK, 3/8"-16, GB,
20	495-81143	4	WASHER, 13/32" x 1 1/2" x .120", 13/32 x 1-1/2 x 1/8
21	403388A1	8	WASHER, SPECIAL, Nylon, 1-1/8 x 3/8 x 1/8
22	186646C1	2	SPACER, 5/8" Tube x 15/16",
23	413-648	2	BOLT, Hex, 3/8"-16 x 3", G5, 3/8 x 3
24	480523R1	2	SPLIT PIN/SAFETY PIN,
25	473321C1	AR	STRAP, CABLE, .098" x 8",
26	485-13816	4	SET SCREW, Sq Hd, 3/8"-16 x 1",
27	425-106	4	NUT, 3/8"-16, G5,
28	403053A2	2	BRACKET,

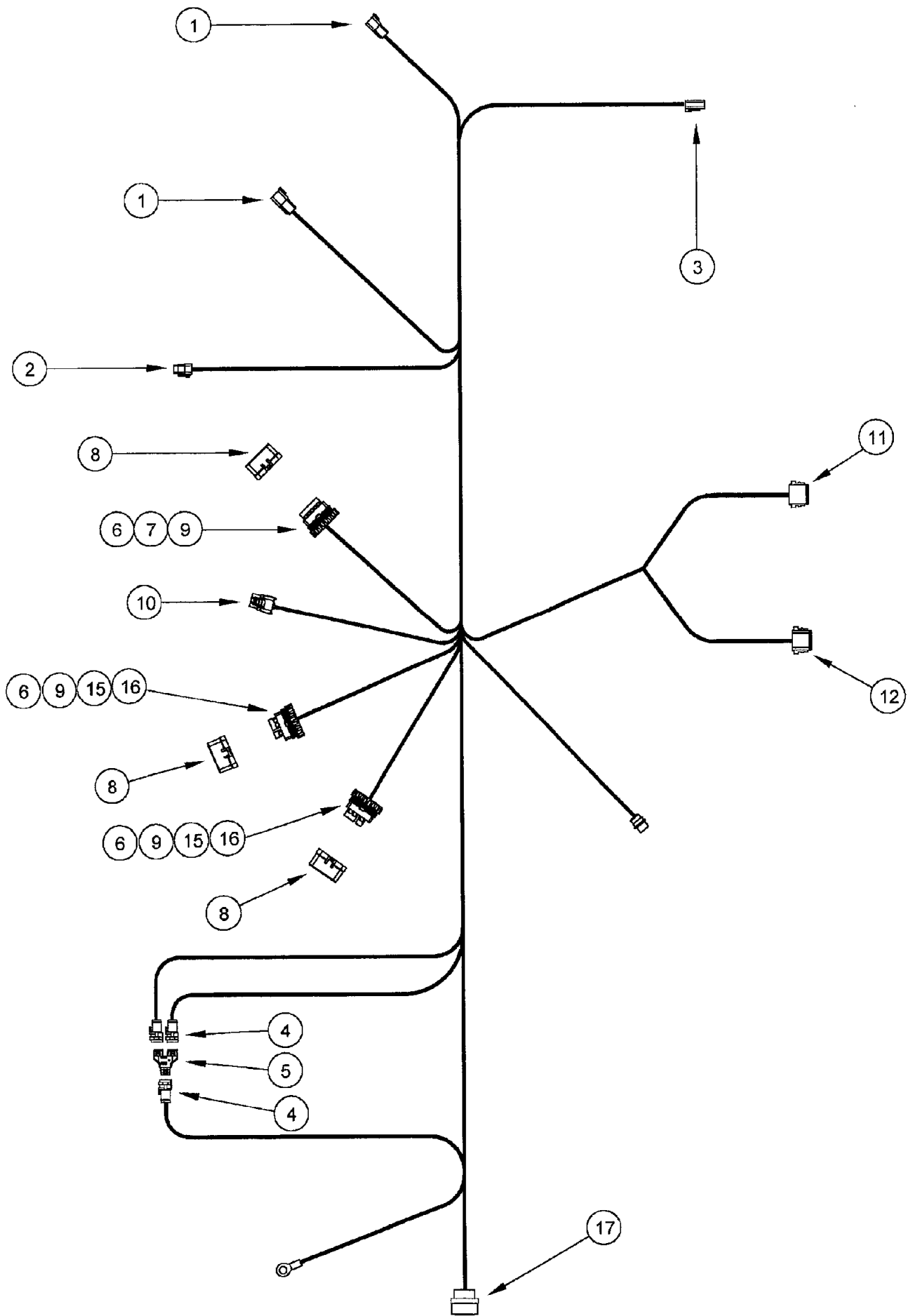


2366 CASE IH AXIAL-FLOW COMBINE (NA) (1/98-8/04)

04-46 LAMP ASSY - GRAIN TANK - ASN JJC0255000

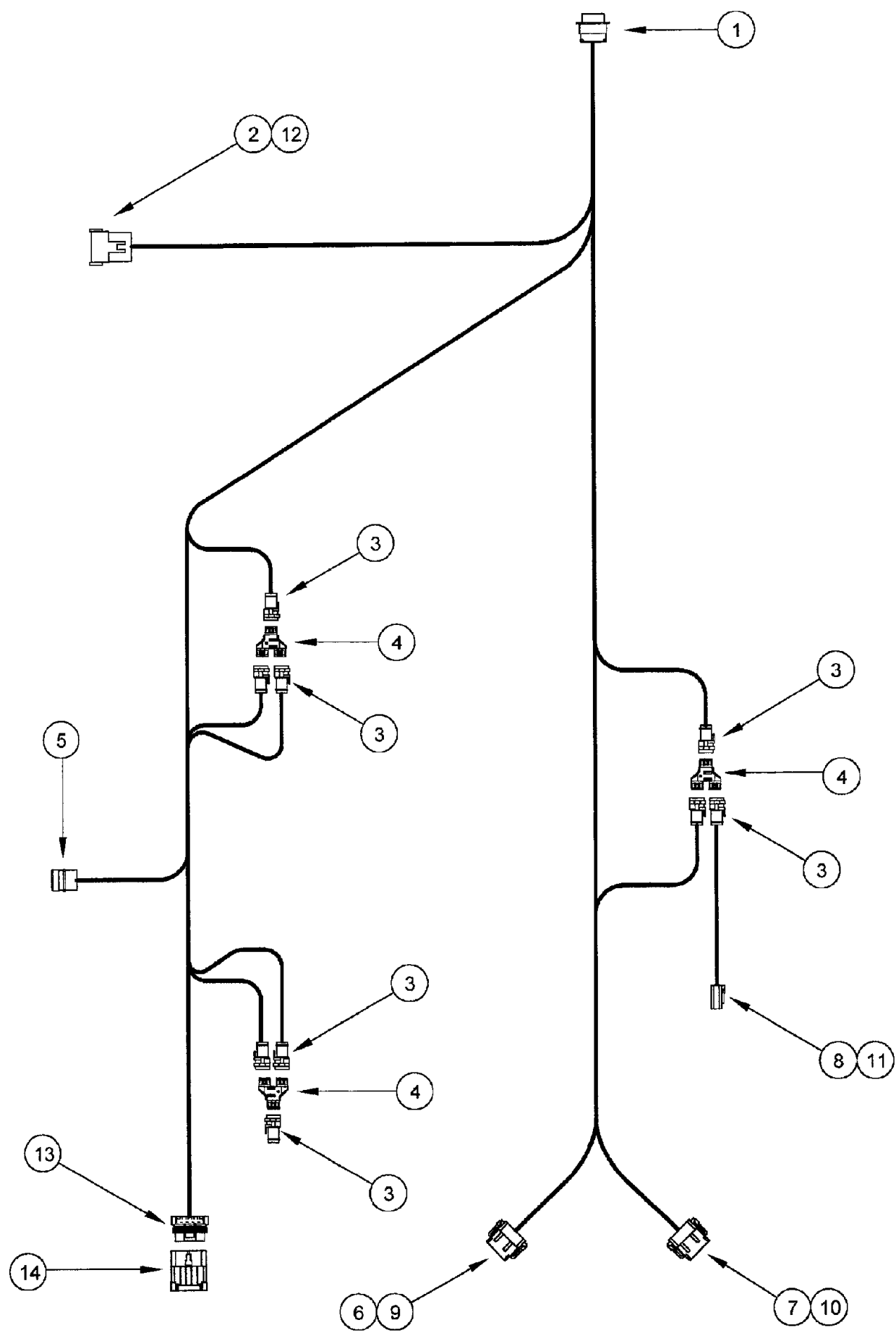
сылка	Номер детали	Кол-во	Описание
1	430504A1	2	LAMP, Aftercut, 55 W, Inc. 2, 3, 5
1	430505A1	AR	LAMP, 35 w, Inc. 2 - 4
1	430506A1	2	LAMP, Aftercut, 35 W, Inc. 2 - 4
2	1964806C1	1	BEZEL,
3	276498A1	1	LENS,
4	92242C2	1	BULB, 35 w
4	323094A1	1	BULB, Halogen, 37 w, If Used
5	1312210C2	1	BULB, Halogen, 55W
6	231-5145	1	NUT, Flg, USR, 5/16"-18,

04-47 HARNESS, AFS YIELD MONITOR INTERFACE UNIT EXTERIOR



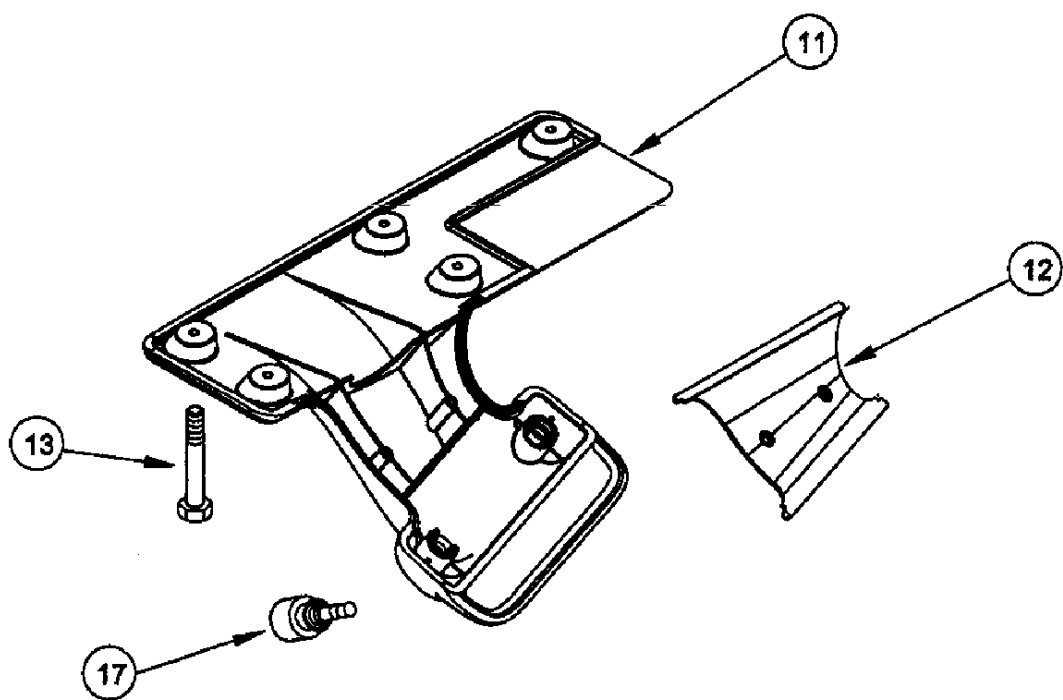
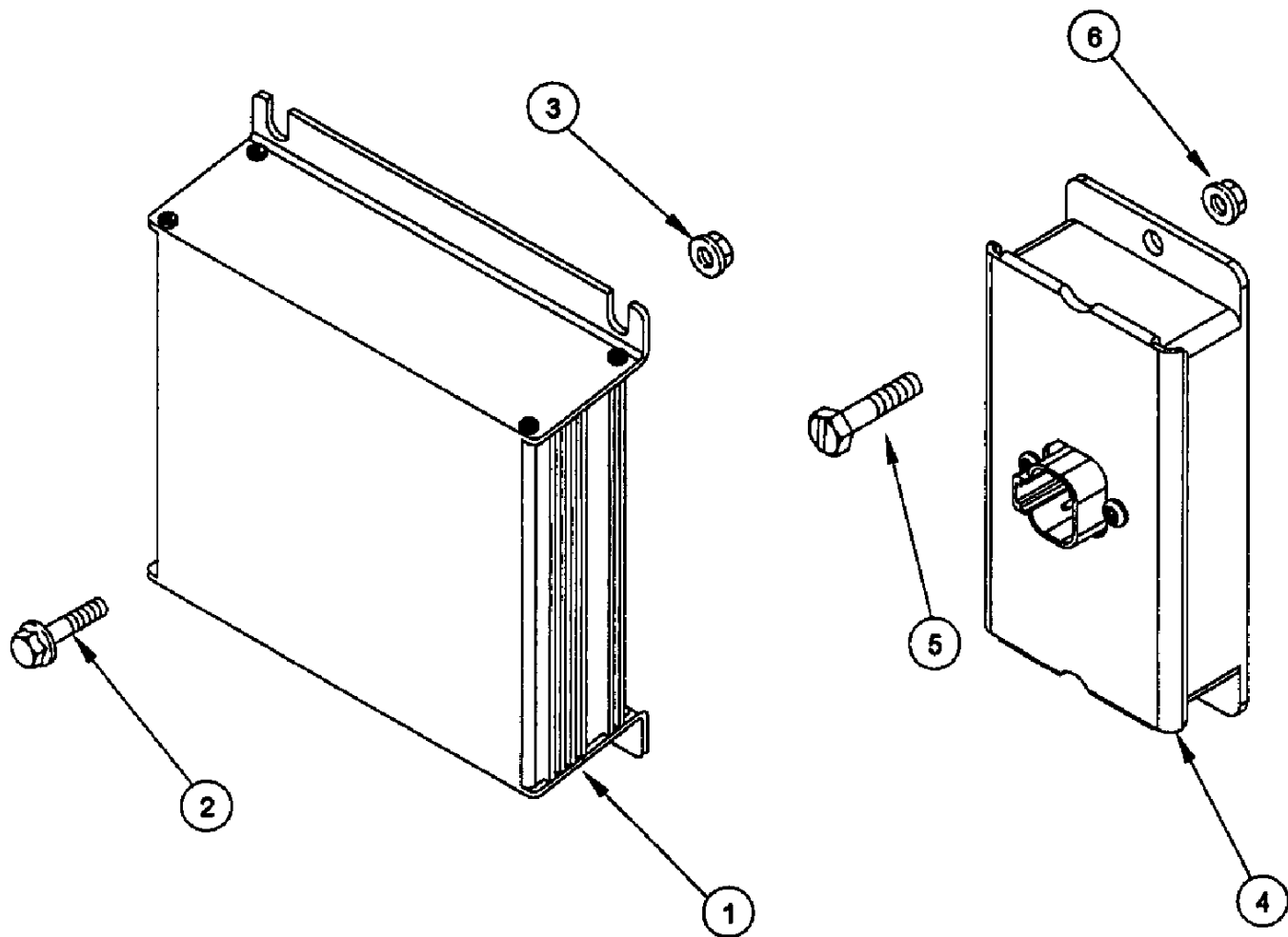
04-47 HARNESS, AFS YIELD MONITOR INTERFACE UNIT EXTERIOR

сылка	Номер детали	Кол-во	Описание
	365513A1	1	Main Yield Monitor Interface Unit, Inc. 1 - 17
1	225350C1	2	CONNECTOR - electrical, type LY
2	225351C1	1	CONNECTOR - electrical, 6 pin
3	239451A1	1	CONNECTOR - 4-cav plug DT series
4	298496A1	3	CONNECTOR - plug, 4 pin
5	298495A1	1	CONNECTOR - electrical
6	182083A1	3	CONNECTOR - electrical
7	187309A1	1	BAR - buss, 6 terminal
8	187308A1	3	CAP - splice connector
9	182084A1	3	CONNECTOR - lock
10	245484C1	1	CONNECTOR - 3 pin plug
11	225389C1	1	CONNECTOR - electrical
12	225402C1	1	CONNECTOR - electrical
15	194976A1	2	BAR - buss, 3 terminal
16	356509A1	1	BAR - buss, 2 terminal
17	321699A1	1	CONNECTOR - electrical



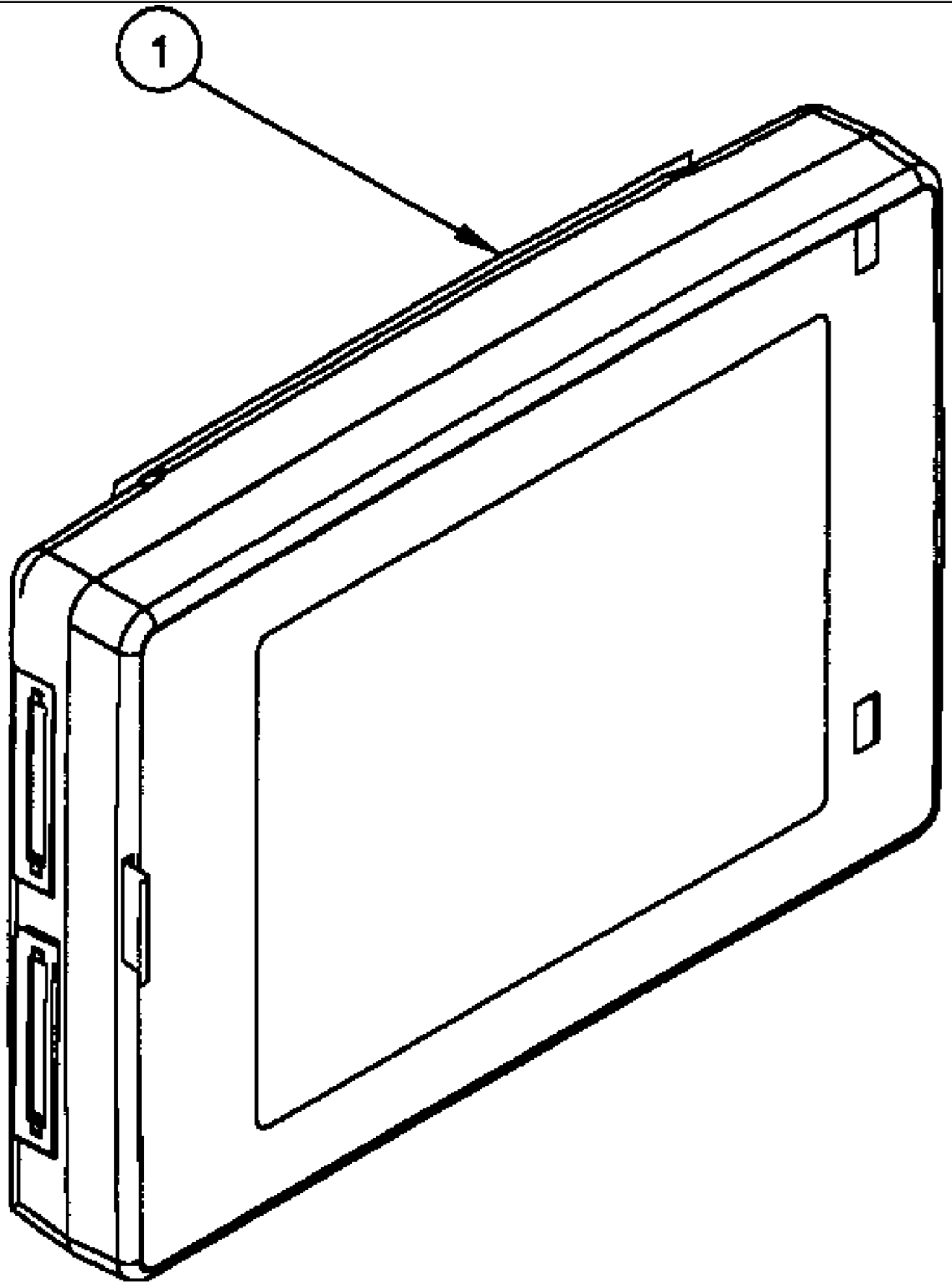
04-48 HARNESS - AFS YIELD MONITOR CAB DISPLAY

сылка	Номер детали	Кол-во	Описание
	365512A1	1	Yield Monitor Cab Display, Inc. 1 - 14
1	321698A1	1	CONNECTOR - electrical
2	225388C1	1	CONNECTOR - electrical, type NA
3	298496A1	9	CONNECTOR - plug, 4 pin
4	298495A1	3	CONNECTOR - electrical
5	310057A1	1	CONNECTOR - HD 10 series receptical
6	223679A1	1	CONNECTOR - 12-way DTM plug, black
7	223671A1	1	CONNECTOR - 12-way DTM plug, gray
8	239451A1	1	CONNECTOR - 4-cav plug DT series
9	223674A1	1	WEDGE - electrical connector
10	223674A1	1	WEDGE - electrical connector
11	225327C1	1	WEDGE - electrical connector
12	225390C1	1	WEDGE - electrical connector, type W12P
13	182081A1	1	CONNECTOR - tower 5-way metn-pak
14	182079A1	1	CONNECTOR - electrical



04-49 AFS - YIELD MONITOR INTERFACE UNIT PACKAGE

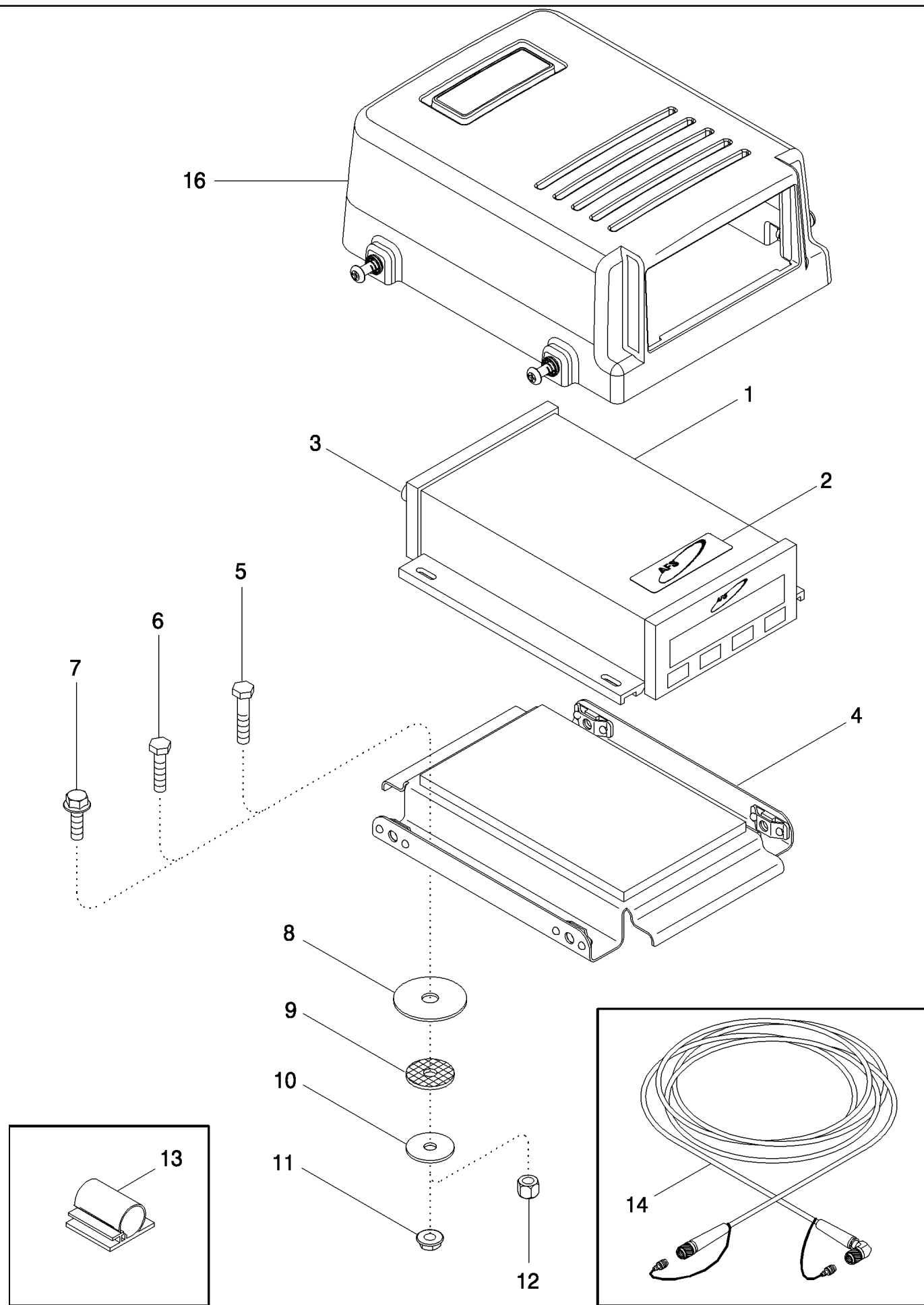
сылка	Номер детали	Кол-во	Описание
	336469A9	1	PACKAGE - Yield Monitor Interface Unit, Inc. 1 - 24
1	86976394	1	Yield Monitor Interface Unit, Without Software, Replaces 348084A3
2	256873	3	BOLT, Hex Flg, 5/16"-18 x 1/2", Serr
3	231-5145	3	NUT, Flg, USR, 5/16"-18
4	284638A2	1	Active Terminator
5	363-31012	2	No. 10 NC x 3/4 inch
6	231-51409	2	NUT, Flg, USR, #10-24
7	365513A1	1	HARNESS - Main Yield Monitor Interface Unit Exterior, Not Illustrated, See Figure 04-47
8	365512A1	1	HARNESS - Yield Monitor Cab Display, Not Illustrated, See Figure 04-48
9	105849A1	1	RELAY - Continuous Duty, 20 amp, Not Illustrated
10	121412A1	2	FUSE, 10 Amp, Mini, Not Illustrated
10	121410A1	1	FUSE, 5 Amp, Mini, Not Illustrated
11	351004A2	1	SUPPORT - Inc. 17
12	327387A1	1	COVER - Display Mounting
13	276-14520	5	No. 10 x 1-1/4
14	131-893	2	No. 10, Not Illustrated
15	231-51409	3	NUT, Flg, USR, #10-24 , Not illustrated
16	495-31022	8	WASHER, #10, Not Illustrated
17	319731A1	2	M5
18	1327506C1	2	SCREW, SELF TAP, Cross Pan Hd, M4.8 x 19, Coated, Not Illustrated
19	318575A1	1	Yield Sensor, Not Illustrated
20	437321C1	12	tie, Not Illustrated
21	232801A1	1	SEAL - door, 1016 mm (40 in), Not Illustrated
22	6-35690	1	Universal Display and Universal Display Plus Yield Monitor, Not Illustrated, (Order direct from DMC)
23	6-13830	1	MANUAL, Quick Reference, AFS Display Operation, Not Illustrated, (Order direct from DMC)
24	7-89241	1	Yield Monitor Interface Installation, Not Illustrated, (Order direct from DMC)



RI99D112

04-50 AFS - UNIVERSAL DISPLAY PLUS

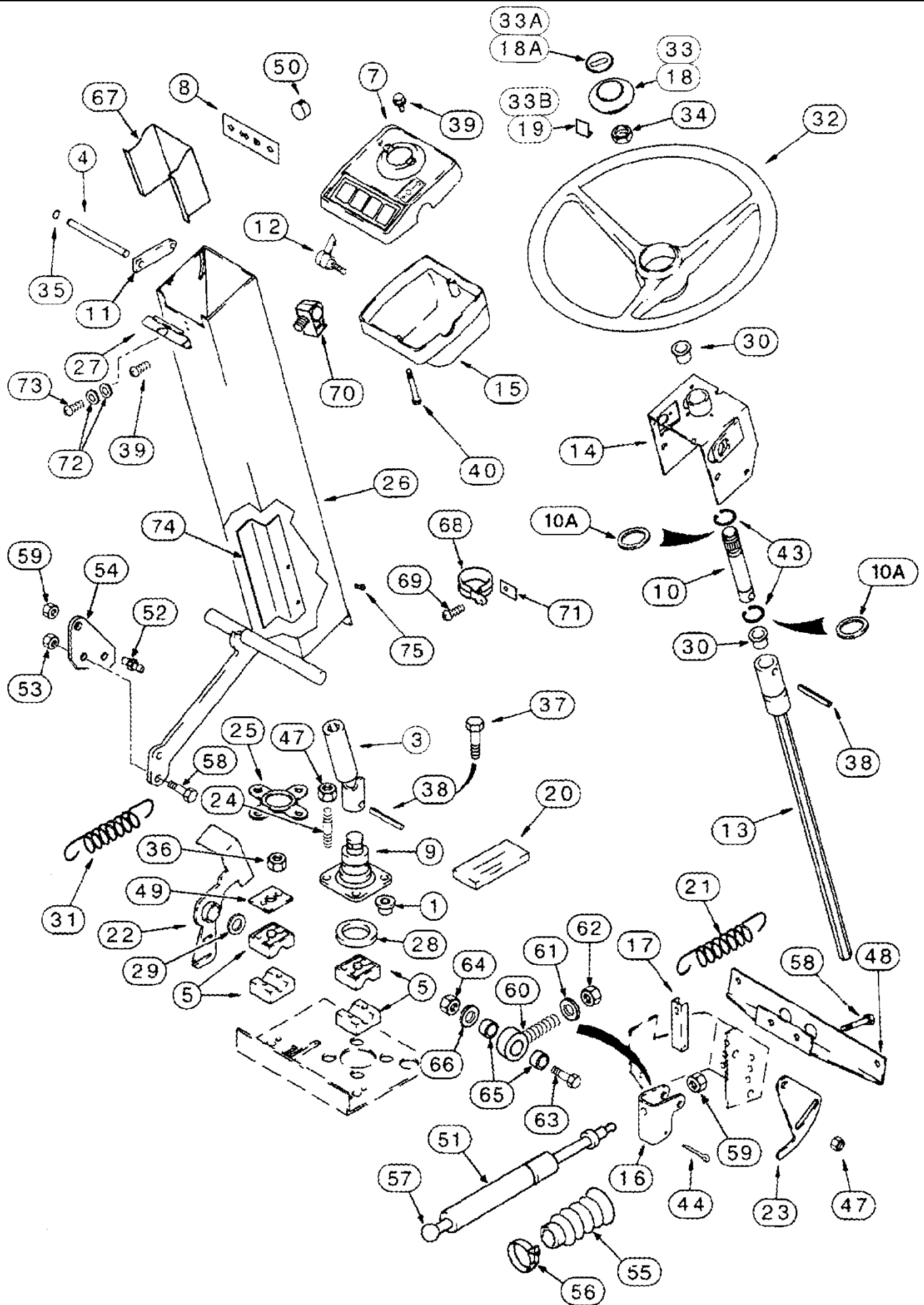
сылка	Номер детали	Кол-во	Описание
	436516A1	1	PACKAGE, UNIVERSAL DISP PLUS
1	295133A5	1	MONITOR - AFS Universal Display
2	370441A1	1	16 MB - Data ATA Flash (Not Illustrated)
5	349060A1	1	Display Storage (Not Illustrated)
6	NSS	1	BOX - Wrapper (Not Illustrated)



04-51 AFS - RECEIVER ENCLOSURE MOUNTING, INTERNAL

сылка	Номер детали	Кол-во	Описание
1	293594A9	1	RECEIVER - AFS SB2400 Universal, Inc. 2, 3
2	239258A1	1	DECAL - AFS
3	277123A1	1	Connector
4	329426A1	1	Receiver Mounting
5	814-6030	4	BOLT, Hex, M6 x 30, 8.8
6	614-6025	4	BOLT, Hex, M6 x 25, 8.8, Full Thd
7	845-6020	4	M6 x 20; 8.8
8	495-81121	4	11/32 x 1-1/2 x 1/16
9	319725A1	4	
10	895-15006	4	WASHER, M6 x 25 x 1.6
11	825-5146	4	NUT, M6, Flg Ser
12	832-10406	4	NUT, LOCK, M6 x 1, Cl 8
13	245854A1	4	CLIP - adhesive
14	277852A1	1	CABLE - AFS antenna
15	226455A1	1	TAPE - vaporwrap, not shown
16	331660A2	1	Receiver

05-01 STEERING COLUMN - WHEEL

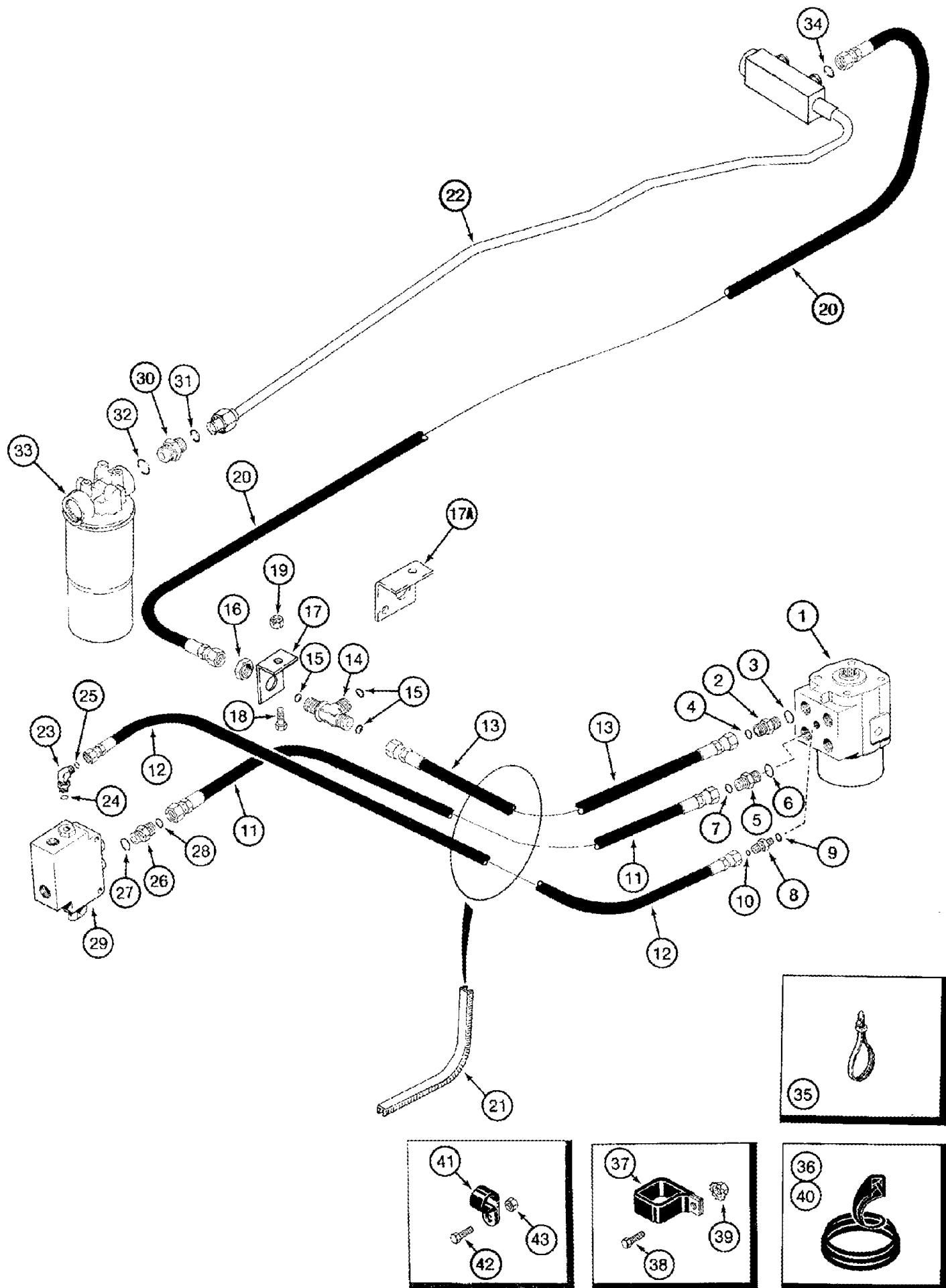


05-01 STEERING COLUMN - WHEEL

сылка	Номер детали	Кол-во	Описание
1	104809C1	4	BUSHING, Vibration Damper
3	119760A1	1	JOINT, UNIVERSAL, Lower
4	119830A1	1	ROD, 9.5 x 111 mm
5	120326A2	4	BEARING, Pivot Pin At Console Base, For 9.5 mm
7	120329A4	1	COVER, Steering Console
8	120332A1	1	DECAL, Directional Arrows
9	120338A2	1	STEERING COLUMN,
10	124054A3	1	SHAFT, Also Order Ref. 10A
10A	495-81051	2	WASHER, 29/32" x 1 1/4" x .060", 29/32 x 1-1/4 x 1/16
11	127040A2	1	PLATE,
12	129255A1	1	HANDLE, Tilt Linkage
13	130952A2	1	JOINT, UNIVERSAL,
14	130953A3	1	SUPPORT,
15	130956A4	1	COVER,
16	224761A1	1	CLEVIS,
17	130958A2	1	CHANNEL,
18	238697A1	1	CAP, Steering Wheel, Inc. 18A, 19, If Equipped, With Advanced Farming System Insert
18A	238696A1	1	SYMBOLS, Advanced Farming System
19	1329896C1	3	CLASP,
20	130961A1	1	SEAL,
21	130962A2	1	SPRING, 27.9 OD x 122 mm
22	136798A1	1	PEDAL, Tilt Release
23	136800A1	1	SUPPORT, , BSN JJC0253999
23	391361A1	1	BRACKET, , BTW JJC0254000 & JJC0255699
23	446632A1	1	BRACKET, , ASN JJC0255700
24	136802A1	1	STUD, Pump Mounting, 10 x 48 mm
25	136805A1	1	RETAINER,
26	192374A5	1	STEERING COLUMN, Inc. Decal 239509A1
27	136919A1	1	COVER,
28	148481C1	1	SEAL,
29	72323	1	BUSHING,
30	373445R1	2	BUSHING,
31	182652A1	1	SPRING, Upper, 27.9 OD x 122 mm
32	251342A1	1	STEERING WHEEL,
33	187177A1	1	CAP, Inc. 33A, 33B, If Equipped
33A	1342054C1	1	PLASTIC PLUG, Black
33B	1329896C1	3	CLASP,
34	F19646	1	NUT, SPECIAL, 13/16"-20, Thin,
35	100-3337	2	RING, LOCKING, #37, .300" Dia, E-Type,
36	832-10408	4	NUT, LOCK, M8 x 1.25, Cl 8,
37	628-10035	3	BOLT, Hex, M10 x 35, 10.9, Full Thd,
38	38-32420	2	PIN, 3/8" x 1 1/4", Coiled, 3/8" x 1 1/4", Coiled
39	260-14512	2	SCREW, SELF TAPPING, Cross Pan Hd, #10 x 3/4", No.10-16 x 3/4

05-01 STEERING COLUMN - WHEEL

сылка	Номер детали	Кол-во	Описание
40	540-714	2	SCREW, Cross Pan Hd, M3 x 45, 3 x 45 mm; 4.8
43	100-1187	2	RING, SNAP, #87, Ext,
44	432-828	2	PIN, SPLIT (COTTER), 1/8" x 1 3/4", 1/8" x 1 3/4"
47	825-51410	3	NUT, M10, Flg Ser,
48	120143A4	1	SUPPORT,
49	185268A1	2	PLATE,
50	353-411	1	PLUG, Dome, 1.000" hole, Nylon,
51	224357A1	1	CYLINDER, Gas Strut
52	142597A1	1	STUD,
54	223917A1	1	PLATE,
55	195089A1	1	BOOT, Cylinder
56	214-1516	1	CLAMP, HOSE, #16, .81/1.50 Type F Worm, W/liner,
57	3233348R1	1	CLIP, Cylinder
58	614-8020	4	BOLT, Hex, M8 x 20, 8.8,
59	825-5148	4	NUT, M8, Flg Ser,
60	224235A1	1	BALL JOINT,
61	496-21034	1	WASHER, 11/32" x 11/16" x 0.89", HDN,
62	425-115	1	NUT, 5/16"-24, G5,
63	413-528	1	BOLT, Hex, 5/16"-18 x 1 3/4", G5,
64	425-105	1	NUT, 5/16"-18, G5,
65	224089A1	2	SPACER,
66	492-11031	2	WASHER, LOCK, 5/16",
67	231985A1	1	GUARD, Wiring
68	515-23254	1	CLAMP, 1", Insul, 3/8" Bolt,
69	1276119C1	1	SCREW, SELF TAPPING, Cross Pan Hd, #10 x 5/8", No. 10-16 x 5/8
70	233185A1	1	CLIP, ELECTRICAL,
71	233186A1	1	CLIP, ELECTRICAL,
72	492-11010	2	WASHER, LOCK, #10,
73	261-1456	1	SCREW, SELF TAPPING, Cross Pan Hd, #10 x 3/8",
74	400648A1	1	SHIELD, Wiring
75	1276119C1	2	SCREW, SELF TAPPING, Cross Pan Hd, #10 x 5/8", No. 10-16 x 5/8
53	829-1410	1	NUT, M10, CI 10,



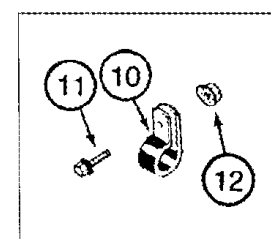
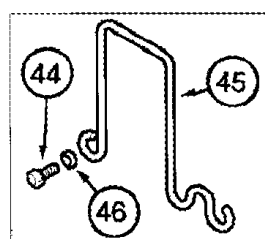
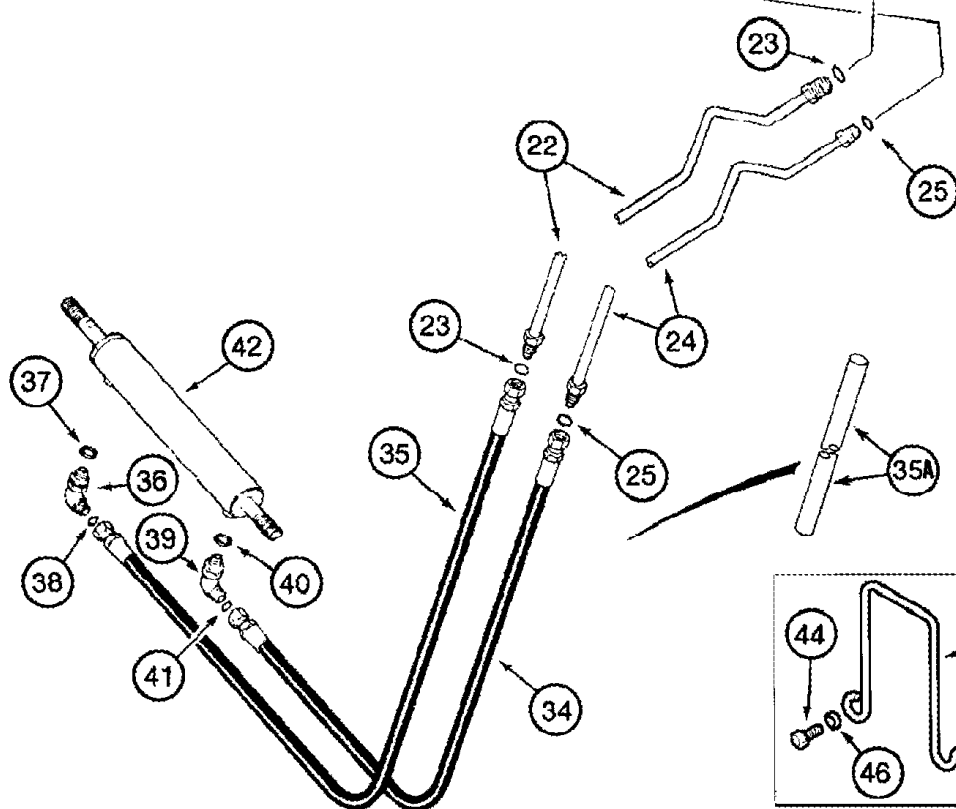
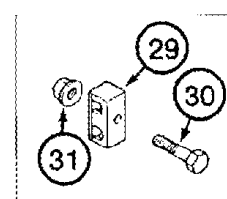
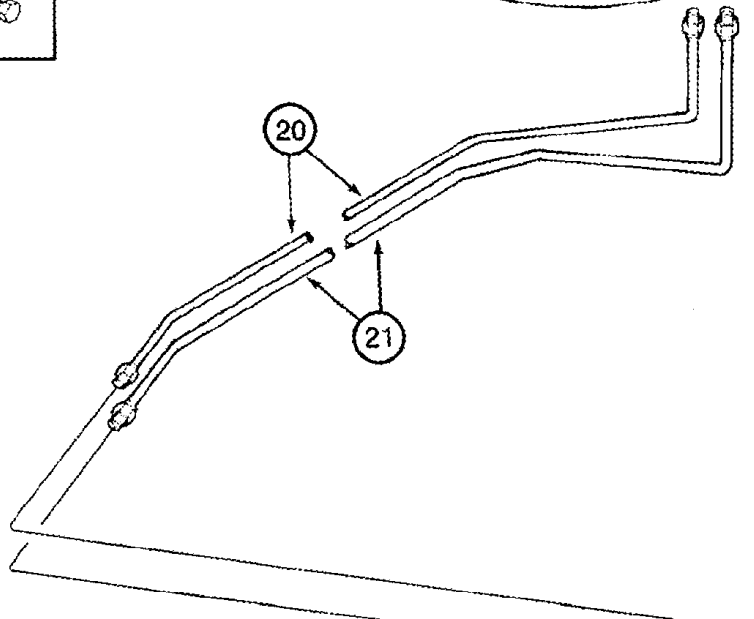
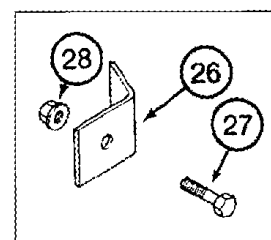
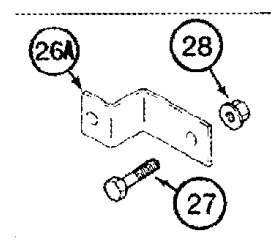
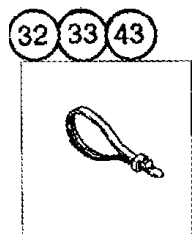
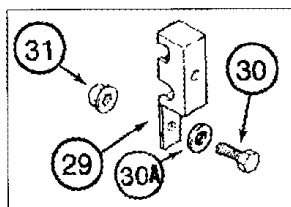
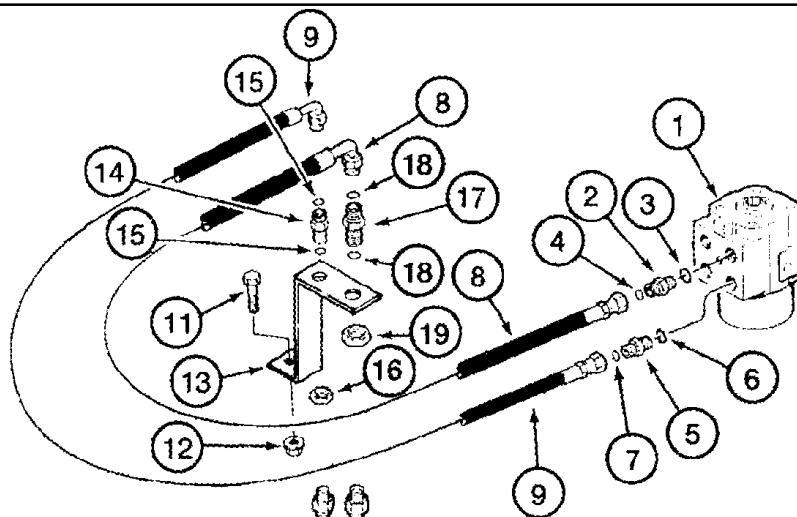
05-02 HYDRAULICS - STEERING SUPPLY AND RETURN

сылка	Номер детали	Кол-во	Описание
1	123273A1	1	PUMP, Steering, See Figure(s) 05-03, 05-04, BSN JJC0253999
1	387542A1	1	VALVE, HYDRAULIC, Steering, See Figure(s) 05-03, 05-05, ASN JJC0254000
2	201-102	1	CONNECTOR, HYD., 13/16"-16 ORFS x 3/4"-16 ORB, Includes 3, 4
3	237-6008	1	O-RING, 8-1, 90 Duro, .644" ID x .087" Thk,
4	238-6014	1	O-RING, -014, 90 Duro, .489" ID x .070" Thk,
5	175170A1	1	ADAPTER, 11/16 fc x 3/4, Inc. 6, 7
6	237-6008	1	O-RING, 8-1, 90 Duro, .644" ID x .087" Thk,
7	238-6012	1	O-RING, -012, 90 Duro, .364" ID x .070" Thk,
8	201-100	1	CONNECTOR, HYD., 9/16"-18 ORFS x 7/16"-20 ORB, 9/16 fc x 7/16, Inc. 9, 10
9	237-6004	1	O-RING, 4-1, 90 Duro, .351" ID x .072" Thk,
10	238-6011	1	O-RING, -011, 90 Duro, .301" ID x .070" Thk,
11	128006A1	1	HOSE, Supply, Priority Valve To Steering Pump, 2030 mm (80 in.)
12	128012A1	1	HOSE, Signal, Steering Pump To Priority Valve, 2130 mm (83-7/8 in.)
13	128009A2	1	HOSE, Return, At Steering Pump To Filter, 850 mm (33-1/2 in.)
14	201-423	1	TEE, 9/16"-18, Blkhd, Run, ORFS, Inc. 15
15	238-6014	3	O-RING, -014, 90 Duro, .489" ID x .070" Thk,
16	201-903	1	NUT, LOCK, Blkhd, 13/16"-16, 13/16 NF
17	141130A1	1	SUPPORT, No Longer Available, Order 305076A1
17A	305076A1	1	SUPPORT, Replaces 141130A1
18	614-8025	1	BOLT, Hex, M8 x 25, 8.8,
19	832-10408	1	NUT, LOCK, M8 x 1.25, Cl 8,
20	141128A1	1	HOSE, Return, At Manifold Tube To Filter, 1220 mm (48 in)
21	137818A1	1	GROMMET, 210 mm (8-1/4 in.), BSN JJC0252303
21	324826A1	1	GROMMET, 294 mm (11-5/8 in.), ASN JJC0252304
22	124372A1	1	TUBE, Manifold
23	201-303	1	ELBOW, 90e, 9/16"-18 x 7/16"-20 Adj, ORFS, 9/16 fc x 7/16, Inc. 24, 25
24	237-6004	1	O-RING, 4-1, 90 Duro, .351" ID x .072" Thk,
25	238-6011	1	O-RING, -011, 90 Duro, .301" ID x .070" Thk,
26	201-106	1	CONNECTOR, HYD., 11/16"-16 ORFS x 3/4"-16 ORB, 11/16 fc x 3/4, Inc. 27, 28
27	237-6008	1	O-RING, 8-1, 90 Duro, .644" ID x .087" Thk,
28	238-6012	1	O-RING, -012, 90 Duro, .364" ID x .070" Thk,
29	114851A2	1	VALVE, See Figure 05-32
30	201-122	1	CONNECTOR, HYD., 1 7/16"-12 ORFS x 1 5/8"-12 ORB, 1-7/16 fc x 1-5/8, Inc. 31, 32
32	237-6020	1	O-RING, 20-1, 90 Duro, 1.475" ID x .118" Thk,
33	87784C92	1	FILTER, HYDRAULIC OIL, Return, See Figure 08-03
34	238-6014	1	O-RING, -014, 90 Duro, .489" ID x .070" Thk,
35	306132C1	AR	STRAP, CABLE, .30" x 14.5", 14" TIE
36	121574A1	1	SEAL PROTECTION, 254 mm (10 in.), Cut From 1330108C2
37	1301387C2	1	CLIP, 2 in ID
38	614-8025	1	BOLT, Hex, M8 x 25, 8.8,
39	825-5148	1	NUT, M8, Flg Ser,
40	87029779	1	SEAL, 287 mm (11-5/16 in.), Cut From 196707C1
41	515-23159	1	CLAMP, 5/8", Insul, 3/8" Bolt,

2366 CASE IH AXIAL-FLOW COMBINE (NA) (1/98-8/04)

05-02 HYDRAULICS - STEERING SUPPLY AND RETURN

сылка	Номер детали	Кол-во	Описание
41	515-23127	1	CLAMP, 1/2", Insul, 3/8" Bolt,
42	614-8025	1	BOLT, Hex, M8 x 25, 8.8,
43	832-10408	1	NUT, LOCK, M8 x 1.25, CI 8,
31	238-6021	1	O-RING, -021, 90 Duro, .926" ID x .070" Thk,

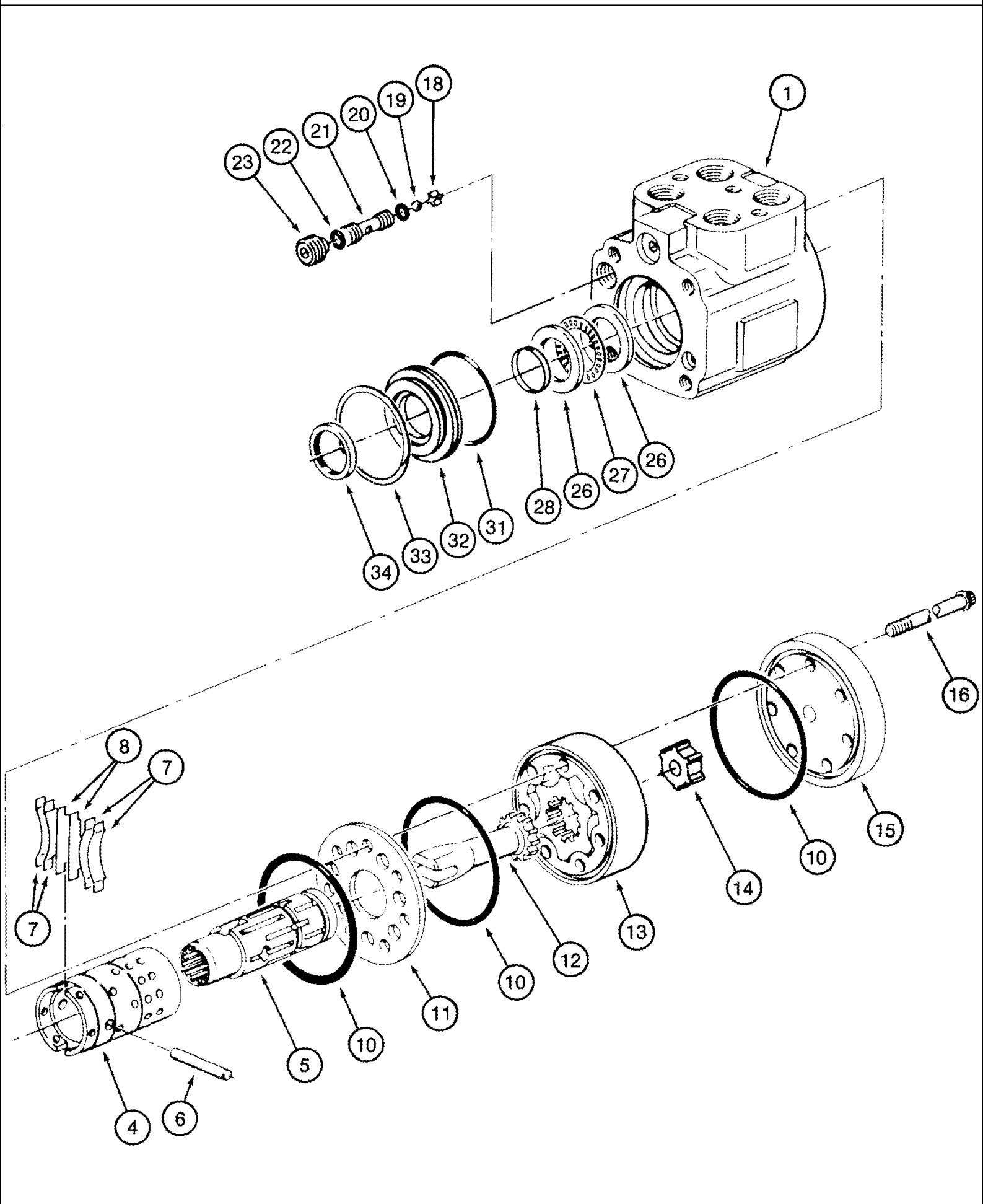


05-03 HYDRAULICS - STEERING PUMP TO CYLINDER

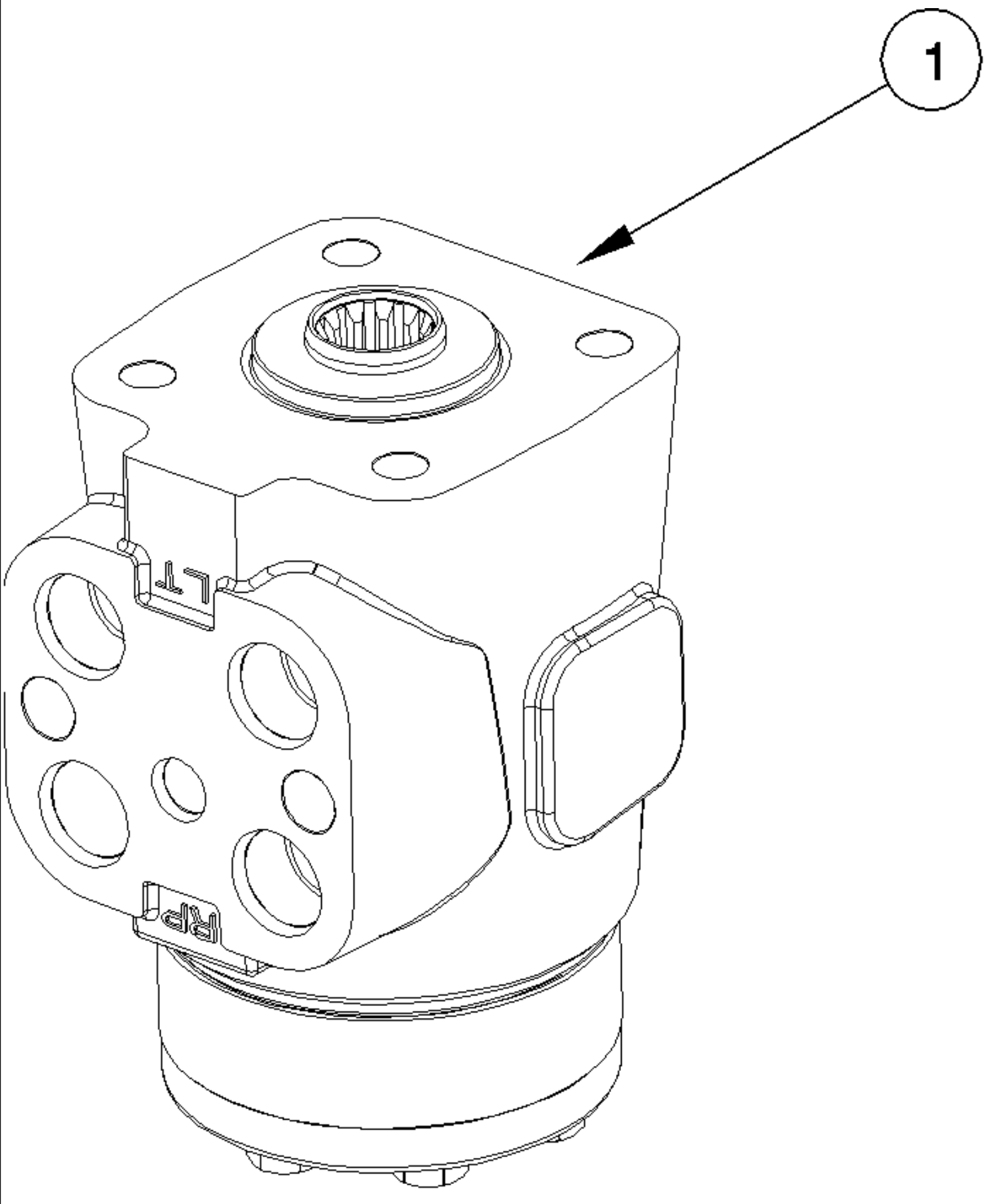
сылка	Номер детали	Кол-во	Описание
1	123273A1	1	PUMP, See Figure(s) 05-02, 05-04, BSN JJC0253999
1	387542A1	1	VALVE, HYDRAULIC, See Figure(s) 05-02, 05-05, ASN JJC0254000
2	201-102	1	CONNECTOR, HYD., 13/16"-16 ORFS x 3/4"-16 ORB, Includes 3, 4
3	237-6008	1	O-RING, 8-1, 90 Duro, .644" ID x .087" Thk,
4	238-6014	1	O-RING, -014, 90 Duro, .489" ID x .070" Thk,
5	175170A1	1	ADAPTER, 11/16 fc x 3/4, Inc. 6, 7
6	237-6008	1	O-RING, 8-1, 90 Duro, .644" ID x .087" Thk,
7	238-6012	1	O-RING, -012, 90 Duro, .364" ID x .070" Thk,
8	128016A3	1	HOSE, Left Hand Turn, 2340 mm (92-1/8 in.)
9	128018A3	1	HOSE, Right Hand Turn, 2340 mm (92-1/8 in.)
10	515-25476	1	CLAMP, 1 7/8", Insul, 1/2" Bolt,
11	409-7512	2	BOLT, Hex Flg, 5/16"-18 x 3/4", Serr,
12	231-5145	2	NUT, Flg, USR, 5/16"-18,
13	128539A1	1	SUPPORT,
14	201-120	1	CONNECTOR, HYD., 11/16"-16, Blkhd, ORFS, 11/16 fc x blkhd fc, Inc. 15
15	238-6012	2	O-RING, -012, 90 Duro, .364" ID x .070" Thk,
16	201-909	1	NUT, LOCK, Blkhd, 11/16"-16,
17	201-121	1	CONNECTOR, HYD., 13/16"-16, Blkhd, ORFS, Includes 18
18	238-6014	2	O-RING, -014, 90 Duro, .489" ID x .070" Thk,
19	201-903	1	NUT, LOCK, Blkhd, 13/16"-16, 13/16 NF
20	128571A1	1	TUBE, HYD, Upper Front, 9.52 mm dia.
21	128572A1	1	TUBE, HYD, Lower Front, 12.70 mm dia.
22	135939A1	1	TUBE, 9.52 mm dia., Upper Rear, BSN JJC0253999
22	364369A1	1	TUBE, HYD, Upper Rear, BTW JJC0254000 & JJC0254999
22	419812A1	1	TUBE ASSY., Upper Rear, 863 mm (34 in.), ASN JJC0255000
23	238-6012	2	O-RING, -012, 90 Duro, .364" ID x .070" Thk,
24	135940A1	1	TUBE, Lower Rear, 12.70 mm dia., BSN JJC0253999
24	364370A1	1	TUBE, HYD, Lower Rear, BTW JJC0254000 & JJC0254999
24	419813A1	1	TUBE ASSY., Lower Rear, ASN JJC0255000
25	238-6014	2	O-RING, -014, 90 Duro, .489" ID x .070" Thk,
26	178960C1	1	BRACKET, , BSN JJC0253999
26A	196517C1	1	SUPPORT,
27	409-7612	2	BOLT, Hex Flg, 3/8"-16 x 3/4", Serr,
28	231-5146	2	NUT, Flg, USR, 3/8"-16,
29	1316613C1	4	CLAMP, Replaces 183825C1
30	413-424	4	BOLT, Hex, 1/4"-20 x 1 1/2", G5,
30A	495-81121	4	WASHER, .344" x 1 1/2" x .060", 11/32 x 1-1/2 x 1/16
31	231-5144	4	NUT, Flg, USR, 1/4"-20,
32	L18337	1	STRAP, CABLE, 9.95"-12.1" lg, 15 inch
33	435437A1	2	STRAP, CABLE, 3/16" x 7 1/4",
34	128083A2	1	HOSE, FLEXIBLE, To Cylinder Closed End, 1730 mm (68 in.), With Adjustable Axles, With 108 to 120 Inch Power Guide Axles.

05-03 HYDRAULICS - STEERING PUMP TO CYLINDER

сылка	Номер детали	Кол-во	Описание
34	128084A2	1	HOSE, FLEXIBLE, To Cylinder Closed End, 1960 mm (77-1/8 in.), With 120 to 144 Inch Power Guide Axles.
34	128084A2	1	HOSE, FLEXIBLE, To Cylinder Closed End, 1960 mm (77-1/8 in.), With 120 to 144 Inch Power Guide Axles.
35	128088A2	1	HOSE, FLEXIBLE, To Cylinder Closed End, 1960 mm (77 in.), With Adjustable Axles, With 108 to 120 Inch Power Guide Axles.
35	128091A2	1	HOSE, FLEXIBLE, To Cylinder Closed End, 2160 mm (85 in.), With 120 to 144 Inch Power Guide Axles.
35A	229298A1	1	BOOT,
36	201-304	1	ELBOW, 90°, 11/16"-16 x 9/16"-18 Adj, ORFS, Inc. 37, 38
38	238-6012	1	O-RING, -012, 90 Duro, .364" ID x .070" Thk,
39	201-332	1	ELBOW, 90°, 13/16"-16 x 9/16"-18, Adj, ORFS, 13/16 fc x 9/16, Inc. 40, 41
41	238-6014	1	O-RING, -014, 90 Duro, .489" ID x .070" Thk,
42	548247R91	1	CYLINDER ASSY., 51 ID x 229 mm strk, See Figure 05-24, Without Power Guide Axle, BSN JJC0253999
42	127913C93	1	CYLINDER STEERING, 57 ID x 229 mm strk, See Figure 05-25, With Power Guide Axle, BSN JJC0253999
42	1958024C1	1	CYLINDER STEERING, 64 ID x 229 mm strk, See Figure 05-25, ASN JJC0254000
43	386170C1	1	STRAP, CABLE, .30" x 27 1/2", 711 mm (28 in.)
44	477-73120	2	SCREW, Sltd Serr Truss Hd, 5/16"-18 x 1 1/4",
45	232707A1	1	GUIDE,
46	495-81135	2	WASHER, 13/32" x 1" x .120", 13/32 x 1 x 1/8
37	237-6006	1	O-RING, 6-1, 90 Duro, .468" ID x .078" Thk,
40	237-6006	1	O-RING, 6-1, 90 Duro, .468" ID x .078" Thk,



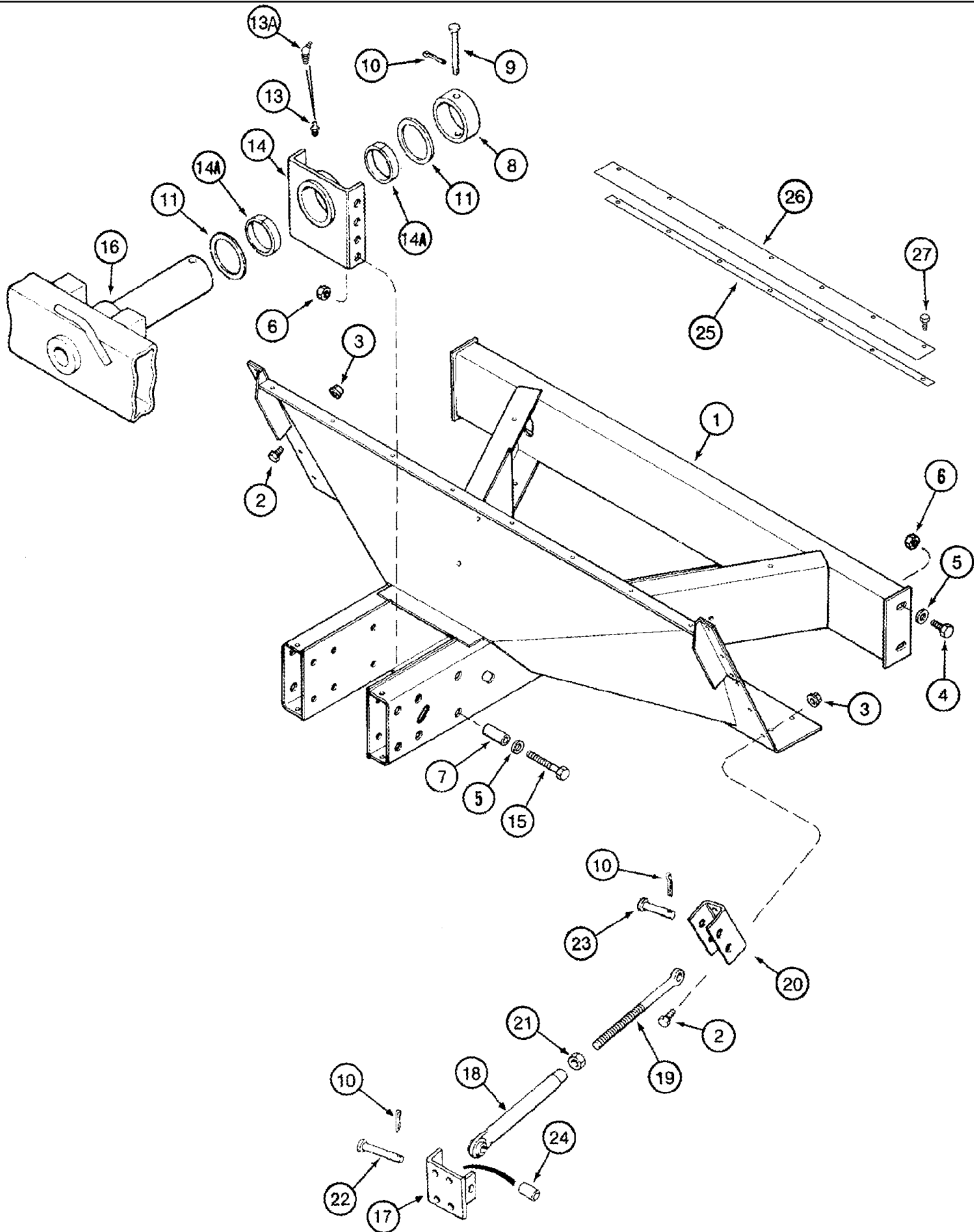
сылка	Номер детали	Кол-во	Описание
	123273A1	1	PUMP, Inc. 1 - 34
1	NSS	1	NOT SERVICED SEPARATELY, HOUSING ASSY., Inc. 2, 3
2	NSS	1	NOT SERVICED SEPARATELY, VALVE Check, Manual Steering, Not Illustrated
3	NSS	1	NOT SERVICED SEPARATELY, VALVE Check, Inlet, Not Illustrated
4	NSS	1	NOT SERVICED SEPARATELY, SLEEVE
5	NSS	1	NOT SERVICED SEPARATELY, SPOOL
6	L30888	1	PIN,
	1986600C1	1	KIT, Inc. 7, 8
7	NSS	AR	NOT SERVICED SEPARATELY, SPRING
8	NSS	2	NOT SERVICED SEPARATELY, SPACER
10	238-6040	3	O-RING, -040, 90 Duro, 2.864" ID x .070" Thk,
11	S113037	1	PLATE,
12	L30878	1	SHAFT, DRIVE,
13	1343638C1	1	ROTOR,
14	143723A1	1	SPACER,
15	136493A1	1	COVER,
16	135866A1	7	SCREW,
18	L35368	1	RETAINER,
19	211-1010	1	BALL, 5/16" Dia, 5/16; 24, CRS
20	238-6011	1	O-RING, -011, 90 Duro, .301" ID x .070" Thk,
21	D82806	1	VALVE SEAT,
22	238-5012	1	O-RING, -012, 70 Duro, .364" ID x .070" Thk,
23	D82805	1	PLUG,
26	D82804	2	RACE,
27	G13609	1	BEARING, THRUST,
28	121179A1	1	SEAL,
31	238-5225	1	O-RING, -225, 70 Duro, 1.859" ID x .139" Thk,
32	N13312	1	CAP CYLINDER END,
33	S110169	1	WASHER,
34	697494R91	1	SEAL, SHAFT, 1 ID
	1343658C3	1	KIT, SEALS, Inc. 10, 20, 22, 28, 31, 34



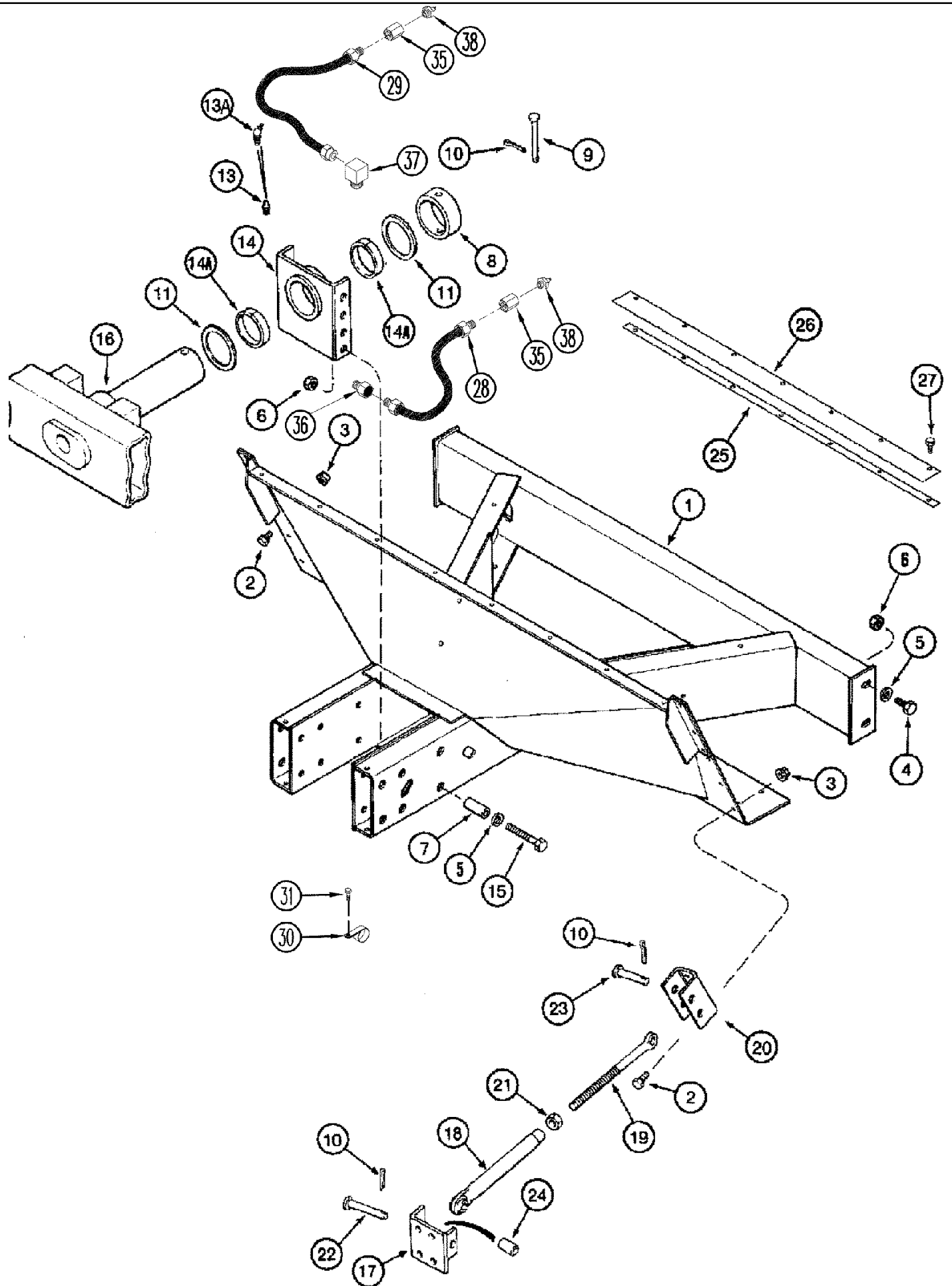
2366 CASE IH AXIAL-FLOW COMBINE (NA) (1/98-8/04)

05-05 PUMP ASSY - STEERING HAND - ASN JJC0254000

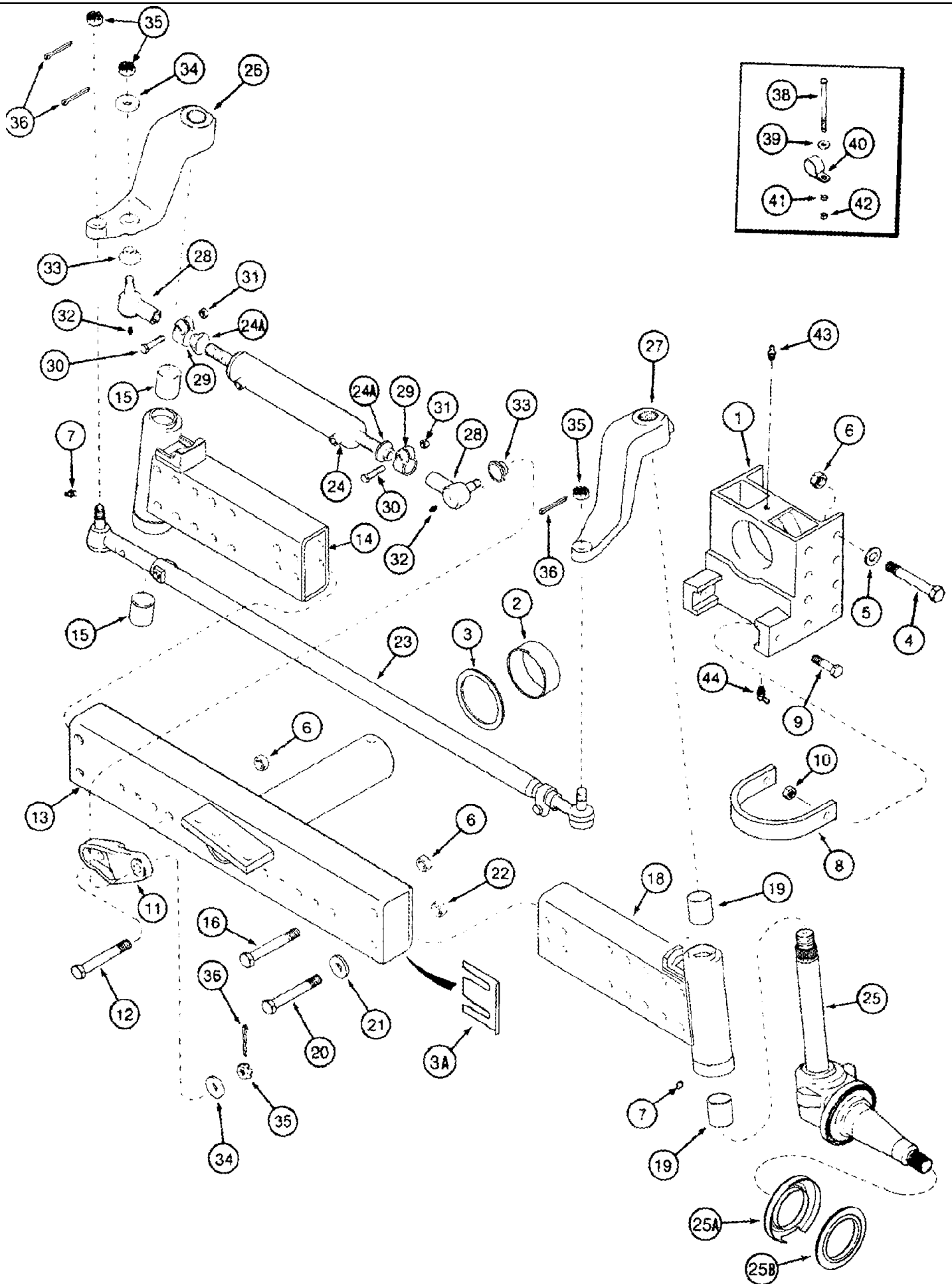
сылка	Номер детали	Кол-во	Описание
1	387542A1	1	VALVE, HYDRAULIC, Component Parts Not Serviced Separately



сылка	Номер детали	Кол-во	Описание
1	1322258C4	1	SUPPORT,
2	426-816	10	BOLT, Hex, 1/2"-13 x 1", G8, Full Thd,
3	232-5138	10	NUT, Flg, USR, 1/2"-13, G8,
4	426-1224	4	BOLT, Hex, 3/4"-10 x 1 1/2", G8, 3/4 x 1-1/2; 8
5	496-21081	8	WASHER, 13/16" x 1 1/2" x .179", HDN,
6	232-51312	8	NUT, Flg, USR, 3/4"-10,
7	177748C1	12	SPACER, 13/16 x 1-1/4 x 2-13/16
8	182795C1	1	BUSHING,
9	439-11288	1	PIN, HEADED, 3/4" x 5 1/2", 3/4 x 5-1/2; 2
10	432-1620	4	PIN, SPLIT (COTTER), 1/4" x 1 1/4", 1/4" x 1 1/4"
11	168385C2	2	WASHER,
13	219-87	1-2	NIPPLE, LUBE, 1/4"-28 x .56" lg, Self-Tap,
13A	219-90	1	NIPPLE, LUBE, 45c, 1/4" NPT x .80" lg, Drive, 1/4 tpr x 13/16
14	182792C96	1	SUPPORT, Front, Inc. 14A
14A	182794C1	2	RING,
15	326-1272	4	BOLT, Hex, 3/4"-10 x 4 1/2", G8,
16	REF	1	INSTRUCTION, AXLE, Steering, See Figure 05-07
17	254425A1	2	SUPPORT, Rear
18	181444C1	2	TIE-ROD,
19	181442C3	2	EYEBOLT,
20	1541603C1	2	SUPPORT, Front
21	425-1016	2	NUT, 1"-8, G5,
22	439-11488	2	PIN, HEADED, 7/8" x 5 1/2", 7/8 x 5-1/2; 2
23	439-11456	2	PIN, HEADED, 7/8" x 3 1/2", 7/8 x 3-1/2; 2
24	254598A1	2	SPACER,
25	316710A1	1	BAR, Shoe Seal
26	316712A1	1	SEAL, Rubber Shoe
27	477-73116	6	SCREW, Sltd Serr Truss Hd, 5/16"-18 x 1", 5/16 x 1



сылка	Номер детали	Кол-во	Описание
1	413215A2	1	SUPPORT,
2	426-832	4	BOLT, Hex, 1/2"-13 x 2", G8,
2	426-824	6	BOLT, Hex, 1/2"-13 x 1 1/2", G8, Full Thd,
3	232-5138	10	NUT, Flg, USR, 1/2"-13, G8,
4	426-1224	4	BOLT, Hex, 3/4"-10 x 1 1/2", G8, 3/4 x 1-1/2; 8
5	496-21081	8	WASHER, 13/16" x 1 1/2" x .179", HDN,
6	232-51312	8	NUT, Flg, USR, 3/4"-10,
6	232-5316	2	NUT, LOCK, Flg, 3/8"-16, 3/8
7	177748C1	12	SPACER, 13/16 x 1-1/4 x 2-13/16
8	182795C1	1	BUSHING,
9	439-11288	1	PIN, HEADED, 3/4" x 5 1/2", 3/4 x 5-1/2; 2
10	432-1620	4	PIN, SPLIT (COTTER), 1/4" x 1 1/4", 1/4" x 1 1/4"
11	168385C2	2	WASHER,
13	219-87	1-2	NIPPLE, LUBE, 1/4"-28 x .56" lg, Self-Tap,
13A	219-90	1	NIPPLE, LUBE, 45c, 1/4" NPT x .80" lg, Drive, 1/4 tpr x 13/16
14	182792C97	1	SUPPORT, Front, Inc. 14A
14A	182794C1	2	RING,
15	326-1272	4	BOLT, Hex, 3/4"-10 x 4 1/2", G8,
15	326-688	2	BOLT, Hex, 3/8"-16 x 5 1/2", G8,
16	REF	1	INSTRUCTION, AXLE, Steering, See Figure 05-07
17	254425A1	2	SUPPORT, Rear
18	181444C1	2	TIE-ROD,
19	181442C3	2	EYEBOLT,
20	1541603C1	2	SUPPORT, Front
21	425-1016	2	NUT, 1"-8, G5,
22	439-11488	2	PIN, HEADED, 7/8" x 5 1/2", 7/8 x 5-1/2; 2
23	439-11456	2	PIN, HEADED, 7/8" x 3 1/2", 7/8 x 3-1/2; 2
24	254598A1	2	SPACER,
25	316710A1	1	BAR, Shoe Seal
26	316712A1	1	SEAL, Rubber Shoe
27	477-73116	6	SCREW, Sltd Serr Truss Hd, 5/16"-18 x 1", 5/16 x 1
28	431749A1	1	HOSE, Grease, 892 mm (35 in.)
29	428285A1	1	HOSE, FLEXIBLE, Grease, 1186 mm (46-1/2 in.)
30	515-23317	1	CLAMP, 1 1/4", Insul, 3/8" Bolt,
31	276-14912	1	SCREW, SELF TAPPING, Hex Hd, 3/8" x 3/4",
32	231-5145	1	NUT, Flg, USR, 5/16"-18,
33	515-22254	1	CLAMP, 1", Insul, 5/16" Bolt,
34	477-73112	1	BOLT, Slotted Tr Hd, 5/16"-18 x 3/4",
35	F53473	2	NUT, 1/8
36	219-418	1	ADAPTER, 1/4"-1/8 NPTF,
37	219-439	1	ADAPTER, 90c, 1/4"-1/8 NPTF,
38	219-8	2	NIPPLE, LUBE, 1/4"-28 NPT x .54" lg,
39	1545944C1	1	SEAL, 127 mm (5 in), Cut From 196707C1, Not Illustrated



сылка	Номер детали	Кол-во	Описание
1	186599C94	1	SUPPORT, Inc. 2
2	177751C1	2	BUSHING,
3	168385C2	1	WASHER,
3A	236028A2	AR	SHIM, Axle Tube
4	326-1288	AR	BOLT, Hex, 3/4"-10 x 5 1/2", G8,
5	496-21081	8	WASHER, 13/16" x 1 1/2" x .179", HDN,
6	232-51312	AR	NUT, Flg, USR, 3/4"-10,
7	219-17	2	NIPPLE, LUBE, 3/16" x .55" lg, Drive,
8	1302625C1	1	CHANNEL, Tow, 249 mm wide, 13 mm drop
9	326-1044	AR	BOLT, Hex, 5/8"-11 x 2 3/4", G8,
10	232-51310	2	NUT, Flg, USR, 5/8"-12, 5/8; 8
11	182782C1	1	ANCHOR, Steering Cylinder
12	413-1288	AR	BOLT, Hex, 3/4"-10 x 5 1/2", G5, 3/4 x 5-1/2
13	242643A2	1	AXLE, Adjustable, 92 - 120 in.
13	243747A2	1	AXLE, Adjustable, 92 - 120 in., Australia Only
14	183454C93	1	EXTENSION, Left Hand, Inc. 15
15	358958R2	2	BUSHING,
16	413-1272	AR	BOLT, Hex, 3/4"-10 x 4 1/2", G5, 3/4 x 4-1/2
18	183455C93	1	EXTENSION, Right Hand, Inc. 19
19	358958R2	2	BUSHING,
20	413-1280	AR	BOLT, Hex, 3/4"-10 x 5", G5, 3/4 x 5
21	496-21081	AR	WASHER, 13/16" x 1 1/2" x .179", HDN,
22	232-51312	AR	NUT, Flg, USR, 3/4"-10,
23	NSS	1	NOT SERVICED SEPARATELY, ROD Tie, See Figure 05-08
24	548247R91	1	CYLINDER ASSY., 51 ID x 229 mm strk, Steering, See Figure 05-24
24A	A41424	2	SEAL, Cylinder Ball Socket
25	1315374C2	1	KNUCKLE, STEERING, Inc. 25A, 25B
25A	1259522C1	1	SHIELD,
25B	491641C1	1	SEAL,
26	193911C4	1	ARM, Left Hand
27	193912C3	1	ARM, Right Hand
28	186796C1	2	BALL JOINT, Inc. 29 - 32
29	384371R1	1	CLAMP,
30	413-730	1	BOLT, Hex, 7/16"-14 x 1 7/8", G5, 7/16 x 1-7/8
31	231-4117	1	NUT, LOCK, 7/16"-14, GB, 7/16
32	219-8	1	NIPPLE, LUBE, 1/4"-28 NPT x .54" lg,
33	A41424	2	SEAL, Cylinder Ball Socket
34	95-81019	2	WASHER, 23/32" x 1 1/2" x .120", 23/32 x 1-1/2 x 1/8
35	425-1310	4	NUT, SLOTTED, 5/8"-18, G5, 5/8 NF
36	432-816	4	PIN, SPLIT (COTTER), 1/8" x 1",
38	413-572	1	BOLT, Hex, 5/16"-18 x 4 1/2", G5, 5/16 x 4-1/2
39	495-81116	1	WASHER, .344" x 1" x .060", 11/32 x 1 x 3/64
40	515-25476	1	CLAMP, 1 7/8", Insul, 1/2" Bolt,

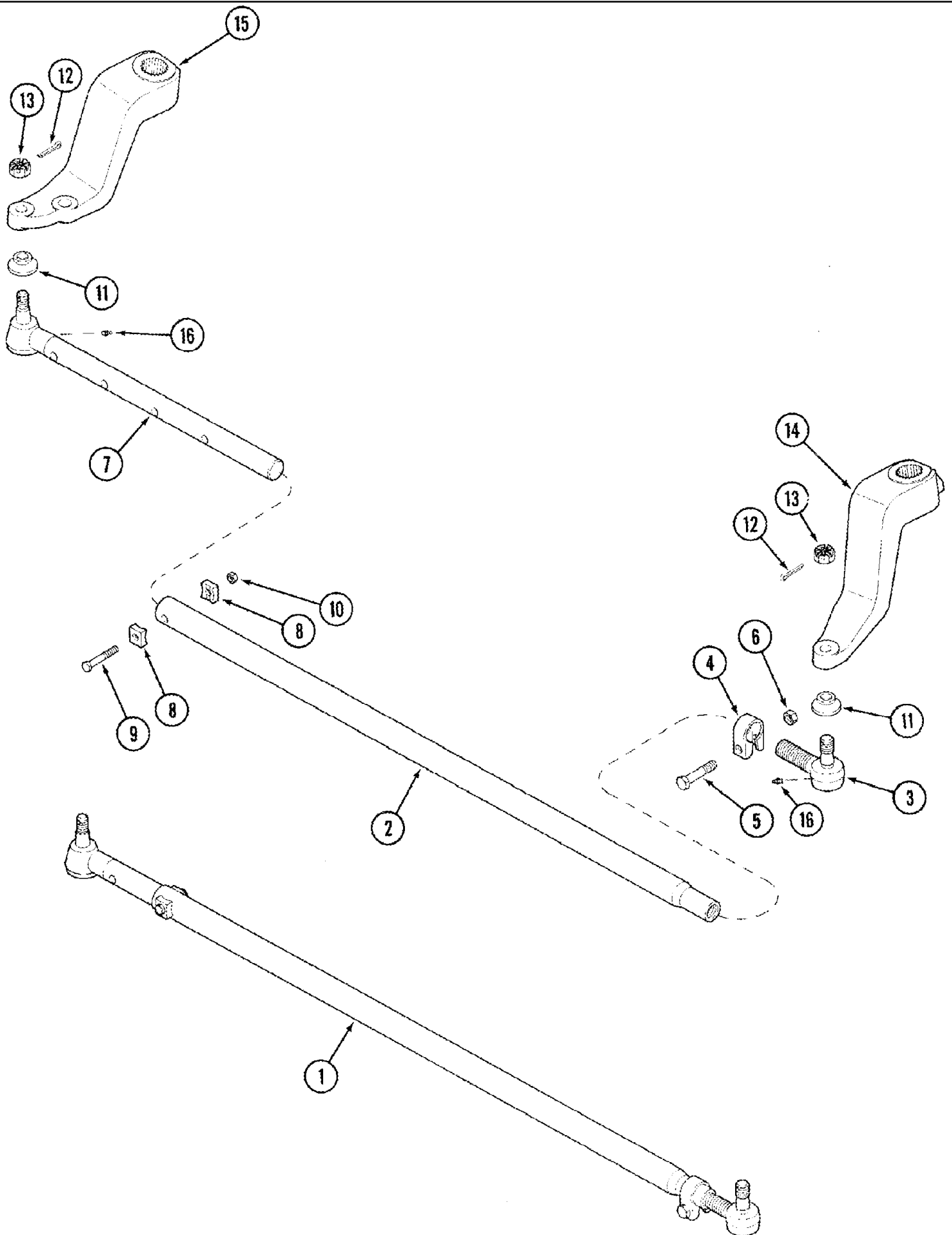
Corn and Grain Combine, Without Power Guide Axle

2366 CASE IH AXIAL-FLOW COMBINE (NA) (1/98-8/04)

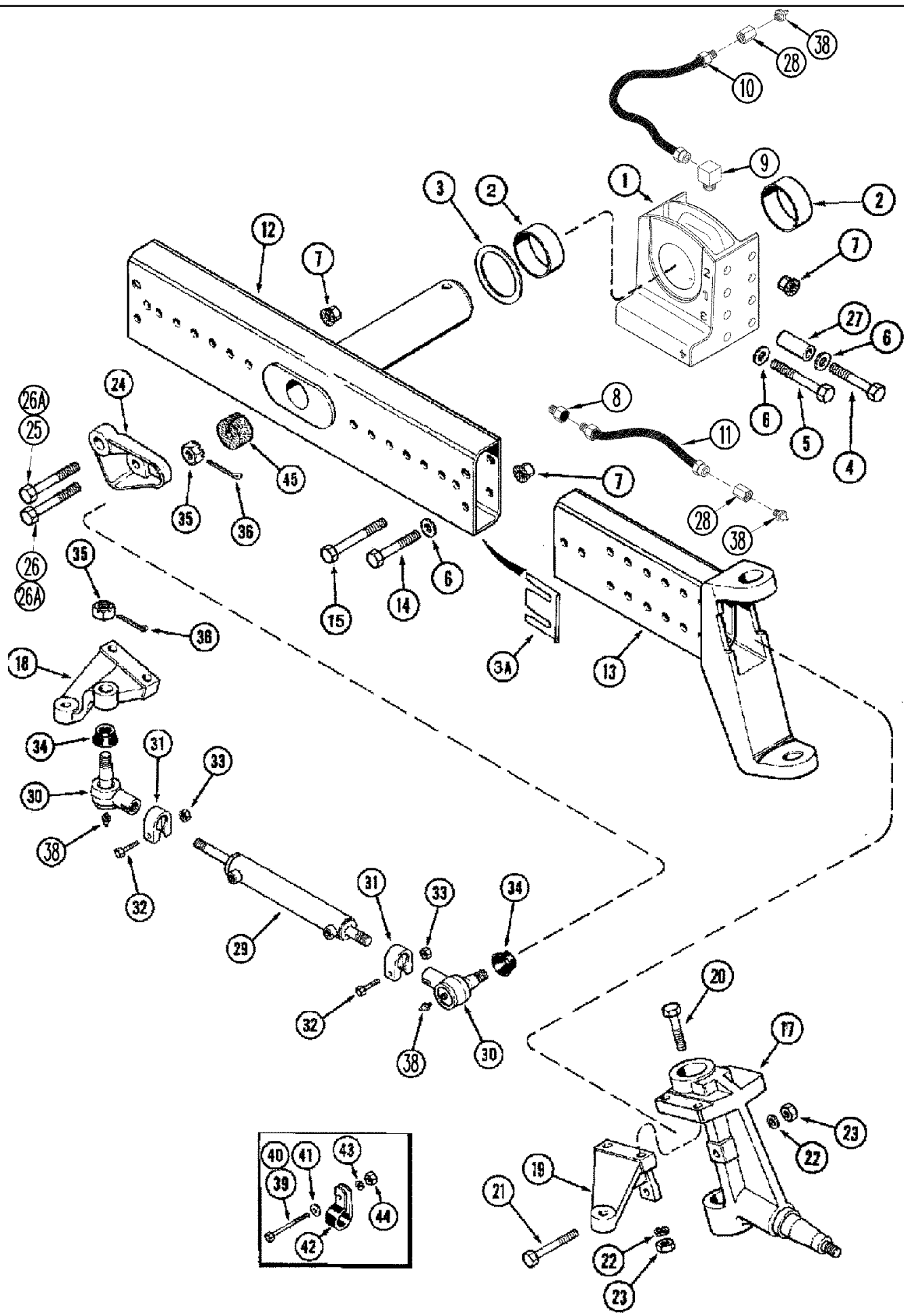
05-07 AXLE, ADJUSTABLE - STEERING - 92 TO 120 INCH AXLE - BSN JJC0252949

сылка	Номер детали	Кол-во	Описание
41	492-11031	1	WASHER, LOCK, 5/16",
42	425-105	1	NUT, 5/16"-18, G5,
43	219-87	1	NIPPLE, LUBE, 1/4"-28 x .56" lg, Self-Tap,
44	219-93	1	NIPPLE, LUBE, 90с, 1/4" NPT x .75" lg, Drive, 1/4 tpr x 3/4

Corn and Grain Combine, Without Power Guide Axle



сылка	Номер детали	Кол-во	Описание
1	NSS	1	NOT SERVICED SEPARATELY, ROD ASSY., Inc. 2 - 10
2	1300170C1	1	TUBE,
3	1302687C1	1	JOINT, Right Hand
4	225265R1	1	CLAMP,
5	413-840	1	BOLT, Hex, 1/2"-13 x 2 1/2", G5, 1/2 x 2-1/2
6	231-4118	1	NUT, LOCK, 1/2"-13, GB, 1/2
7	1302686C1	1	JOINT, Left Hand
8	A145857	4	CLAMP, Replaces A43369
9	328-648	2	BOLT, Hex, 3/8"-24 x 3", G8,
10	232-4636	2	NUT, LOCK, 3/8"-24, GC,
11	A41424	2	SEAL,
12	432-816	2	PIN, SPLIT (COTTER), 1/8" x 1",
13	425-1310	2	NUT, SLOTTED, 5/8"-18, G5, 5/8 NF
14	193911C4	1	ARM, Left Hand
15	193912C3	1	ARM, Right Hand
16	219-1	2	NIPPLE, LUBE, 1/8"-27 x .66 lg,



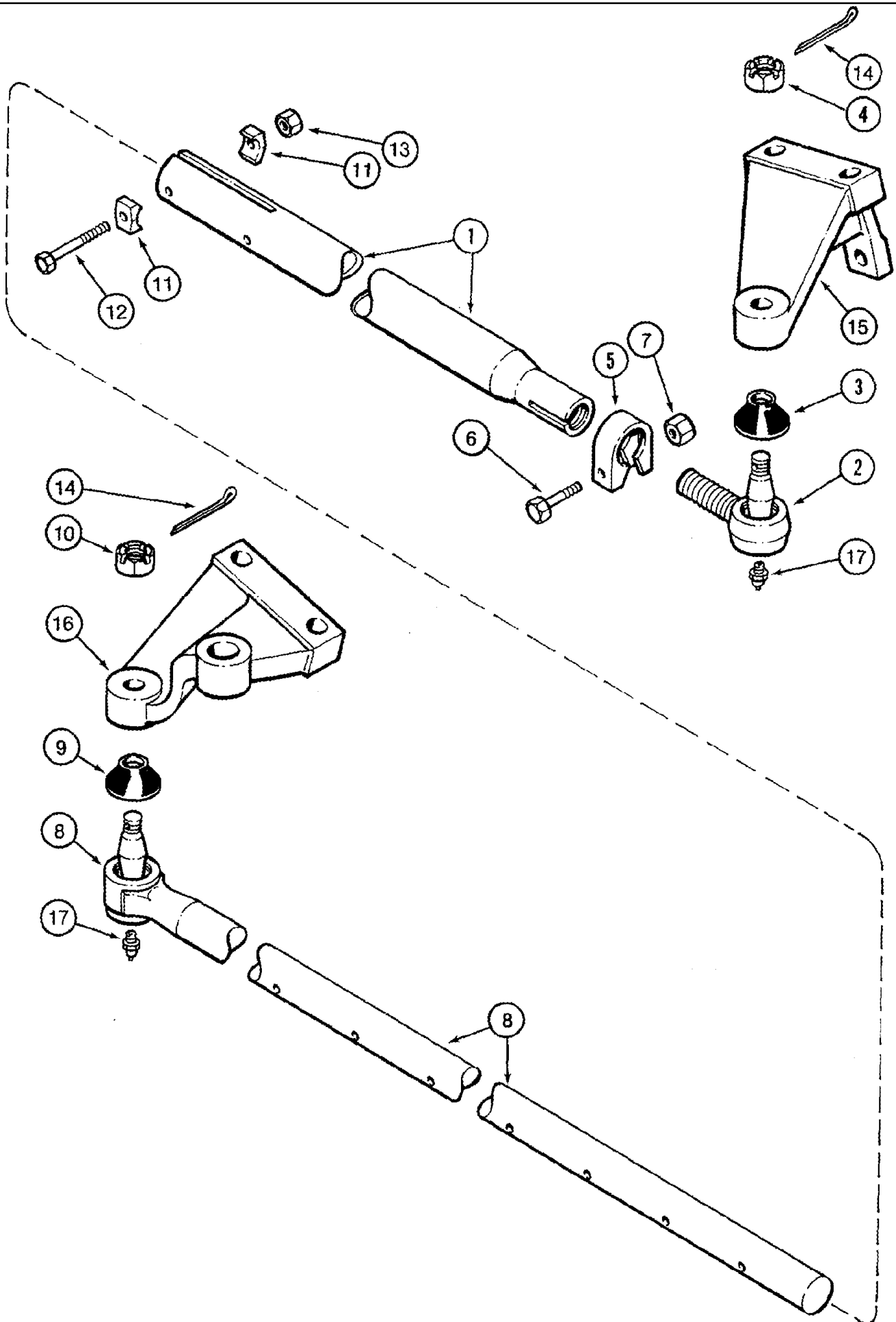
Сылка	Номер детали	Кол-во	Описание
1	386235A1	1	SUPPORT, Inc. 2, BTW JJC0252950 & JJC0254999
1	386235A2	1	SUPPORT, Inc. 2, ASN JJC0255000
2	177751C1	2	BUSHING,
3	168385C2	AR	WASHER,
3A	236028A2	AR	SHIM,
4	326-1272	2-4	BOLT, Hex, 3/4"-10 x 4 1/2", G8,
4	326-1296	2	BOLT, Hex, 3/4"-10 x 6", G8,
5	326-1288	2	BOLT, Hex, 3/4"-10 x 5 1/2", G8,
6	496-21081	11	WASHER, 13/16" x 1 1/2" x .179", HDN,
7	232-51312	AR	NUT, Flg, USR, 3/4"-10,
8	219-418	1	ADAPTER, 1/4"-1/8 NPTF, 1/4 x 1/8
9	219-439	1	ADAPTER, 90е, 1/4"-1/8 NPTF, 90, 1/4 x 1/8
10	431726A1	1	HOSE, 938 mm (37 in.)
11	428293A1	1	HOSE, FLEXIBLE, 1148 mm (45 in.)
12	242643A2	1	AXLE, Adjustable, 92 - 120 in.
12	243747A2	1	AXLE, Adjustable, 92 - 120 in., Australia Only, Heavy Duty
13	186045C4	2	AXLE,
14	413-1272	2	BOLT, Hex, 3/4"-10 x 4 1/2", G5, 3/4 x 4-1/2
15	413-1280	8	BOLT, Hex, 3/4"-10 x 5", G5, 3/4 x 5
16	413-1288	2	BOLT, Hex, 3/4"-10 x 5 1/2", G5, 3/4 x 5-1/2, Australia Only
17	REF	2	INSTRUCTION, KNUCKLE, See Figure 05-13
18	186641C1	1	LEVER, Left Hand
19	186639C1	1	LEVER, Right Hand
20	326-1052	4	BOLT, Hex, 5/8"-11 x 3 1/4", G8,
21	326-1080	2	BOLT, Hex, 5/8"-11 x 5", G8,
22	492-11062	6	WASHER, LOCK, 5/8",
23	429-1010	6	NUT, 5/8"-11, G8,
24	133319A1	1	SUPPORT, Steering Cylinder
25	413-1292	1	BOLT, Hex, 3/4"-10 x 5 3/4", G5, 3/4 x 5-3/4
26	413-1284	1	BOLT, Hex, 3/4"-10 x 5 1/4", G5, 3/4 x 5-1/4
26A	413-12104	2	BOLT, Hex, 3/4"-10 x 6 1/2", G5, .75 x 6.5; 5, Australia Only
27	177748C1	8	SPACER, 13/16 x 1-1/4 x 2-13/16
28	F53473	2	NUT, 1/8
29	548247R91	1	CYLINDER ASSY., Steering, 51 ID x 229 mm strk, See Figure 05-24, BSN JJC0253999
29	1958024C1	1	CYLINDER STEERING, Steering, 64 ID x 229 mm strk, See Figure 05-25, ASN JJC0254000
30	181335C91	2	BALL JOINT, Inc. 31 - 35, BSN JJC0253999
30	186140C91	2	BALL JOINT, Inc. 31 - 35, BTW JJC0254000 & JJC02549999
30	437222A1	2	BALL JOINT, Inc. 31 - 38, ASN JJC0255000
31	446308C91	1	CLAMP, Inc. 32, 33
32	413-730	1	BOLT, Hex, 7/16"-14 x 1 7/8", G5, 7/16 x 1-7/8
33	231-4117	1	NUT, LOCK, 7/16"-14, GB, 7/16
34	87301009	1	BOOT, BOOT, End, Replaces 110373R1
35	425-1314	1	NUT, SLOTTED, 7/8"-14, G5,

2366 CASE IH AXIAL-FLOW COMBINE (NA) (1/98-8/04)

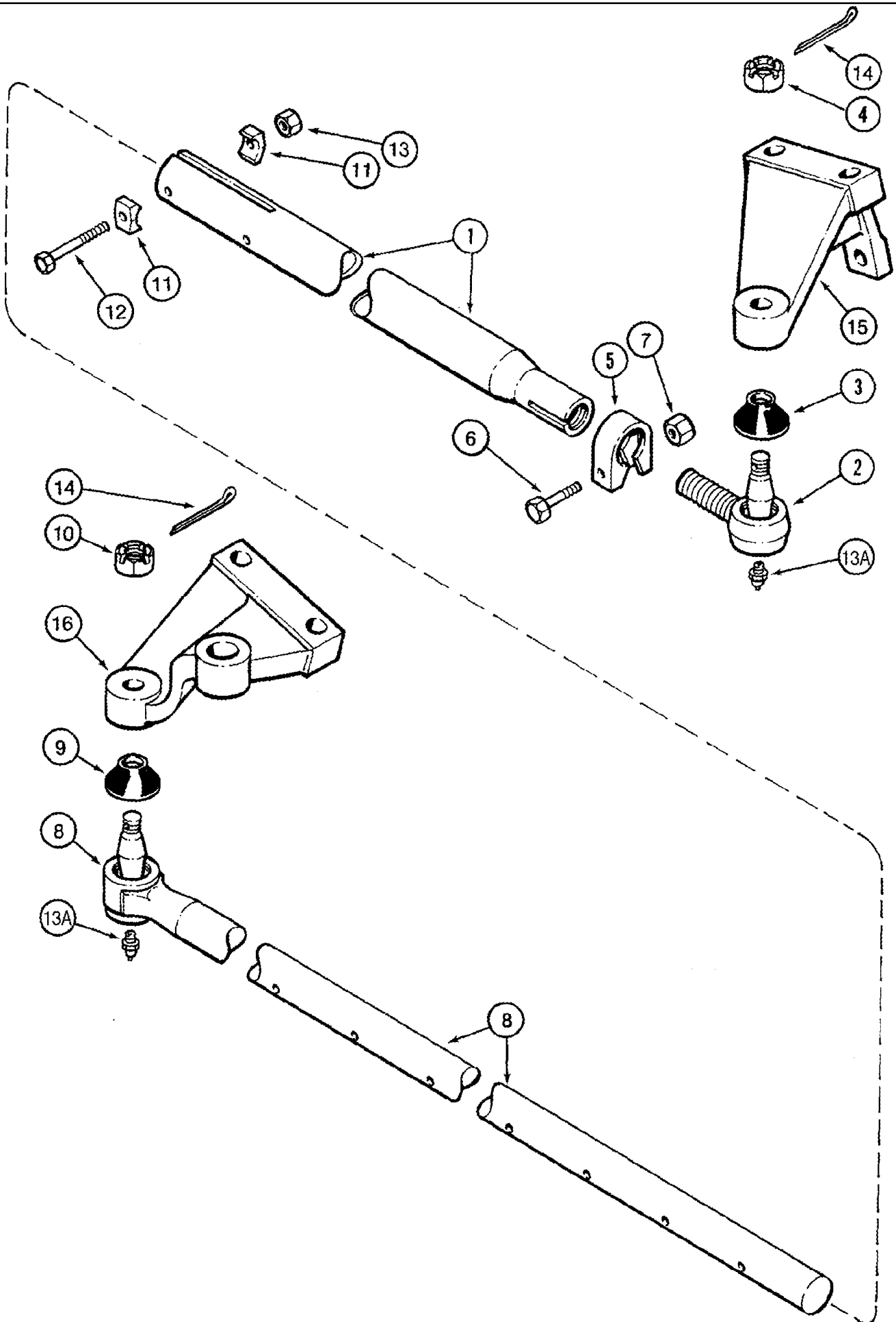
05-09 AXLE, ADJUSTABLE - STEERING - 92 TO 120 INCH AXLE - ASN JJC0252949

сылка	Номер детали	Кол-во	Описание
36	432-816	1	PIN, SPLIT (COTTER), 1/8" x 1",
38	219-8	1	NIPPLE, LUBE, 1/4"-28 NPT x .54" lg,
39	413-588	1	BOLT, Hex, 5/16"-18 x 5 1/2", G5, 5/16 x 5-1/2, Australia Only
40	413-572	1	BOLT, Hex, 5/16"-18 x 4 1/2", G5, 5/16 x 4-1/2
41	495-81116	1	WASHER, .344" x 1" x .060", 11/32 x 1 x 3/64
42	515-25476	1	CLAMP, 1 7/8", Insul, 1/2" Bolt,
43	492-11031	1	WASHER, LOCK, 5/16",
44	425-105	1	NUT, 5/16"-18, G5,
45	167955C2	1	SEAL,

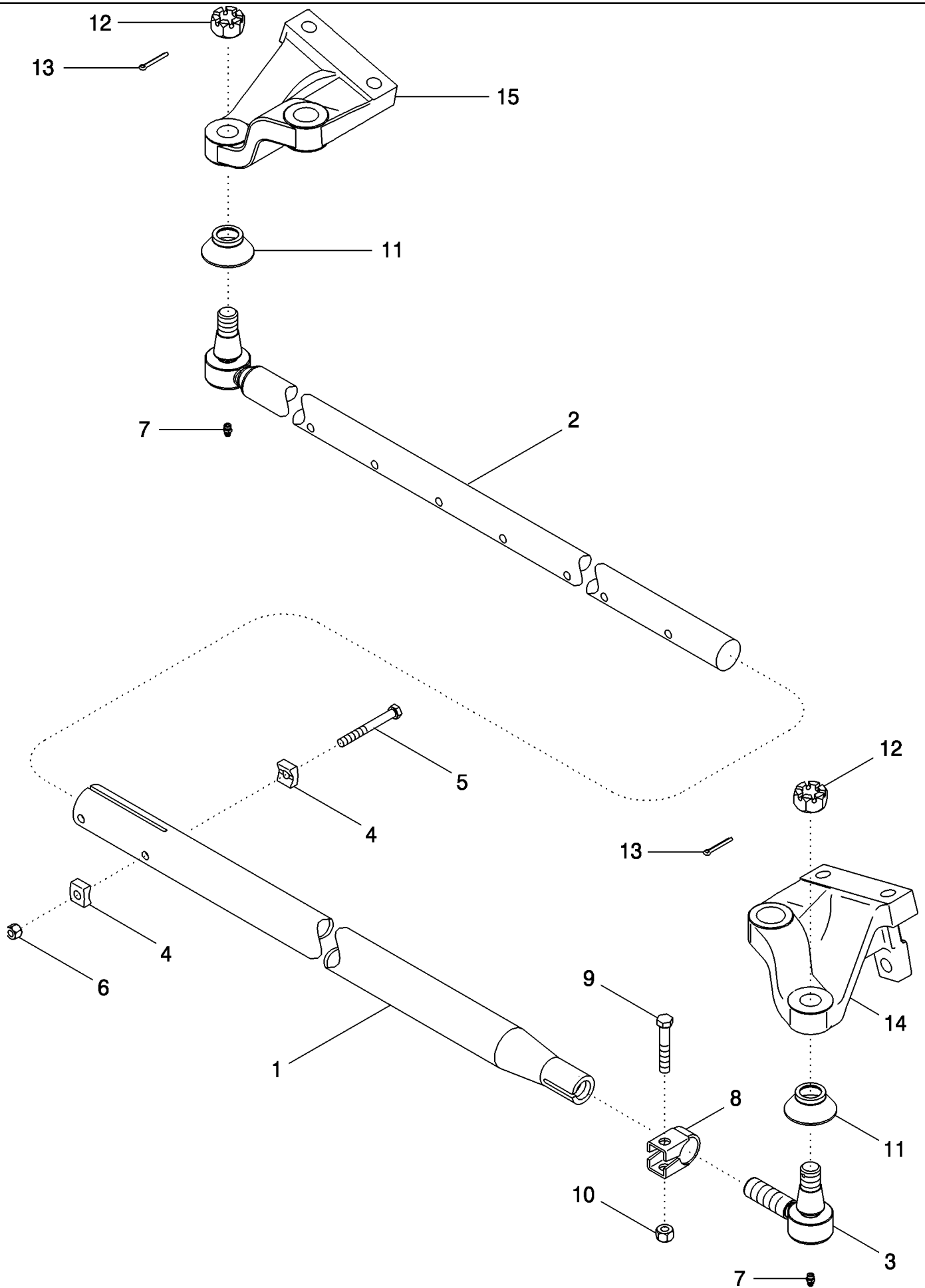
Rice, Corn and Grain Combines, Without Power Guide Axle



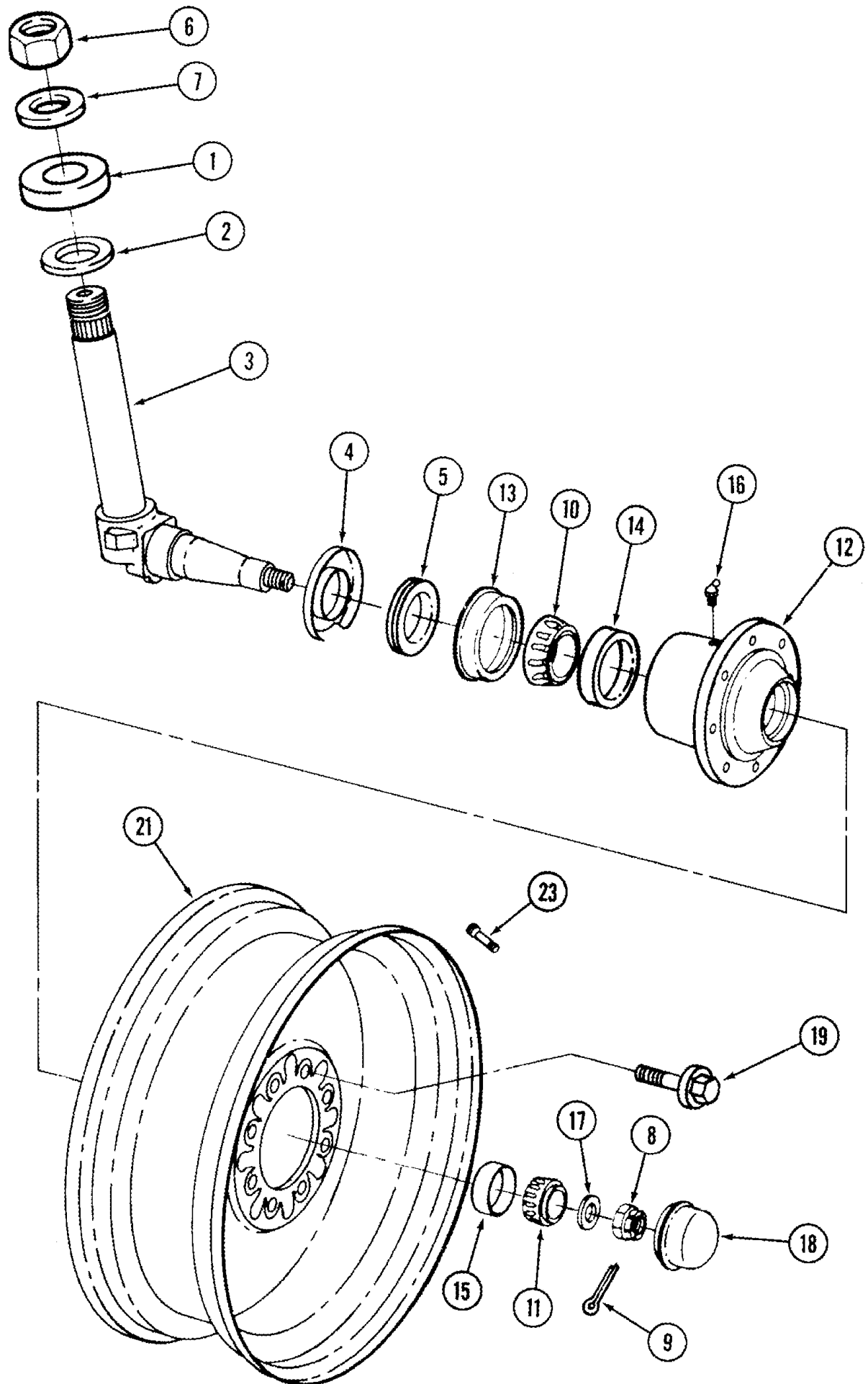
сылка	Номер детали	Кол-во	Описание
	186139C91	1	LINK DRAG, Inc. 1 - 11
1	180801C1	1	TIE ROD,
2	A43376	1	JOINT, Right Hand, Inc. 3, 4
3	A31186	1	BOOT,
4	358901R1	1	NUT, 5/8 NF
	446308C91	1	CLAMP, Inc. 5 - 7
5	1319476C91	1	CLAMP, 1-1/2
6	413-730	1	BOLT, Hex, 7/16"-14 x 1 7/8", G5, 7/16 x 1-7/8
7	231-4117	1	NUT, LOCK, 7/16"-14, GB, 7/16
8	180799C91	1	TIE-ROD, Left Hand, Inc. 9, 10
9	A31186	1	BOOT,
10	358901R1	1	NUT, 5/8 NF
11	A43369	4	CLAMP,
12	328-648	2	BOLT, Hex, 3/8"-24 x 3", G8,
13	232-4636	2	NUT, LOCK, 3/8"-24, GC,
14	432-824	2	PIN, SPLIT (COTTER), 1/8" x 1 1/2",
15	186639C1	1	LEVER, Right Hand
16	186641C1	1	LEVER, Left Hand
17	219-1	2	NIPPLE, LUBE, 1/8"-27 x .66 lg,



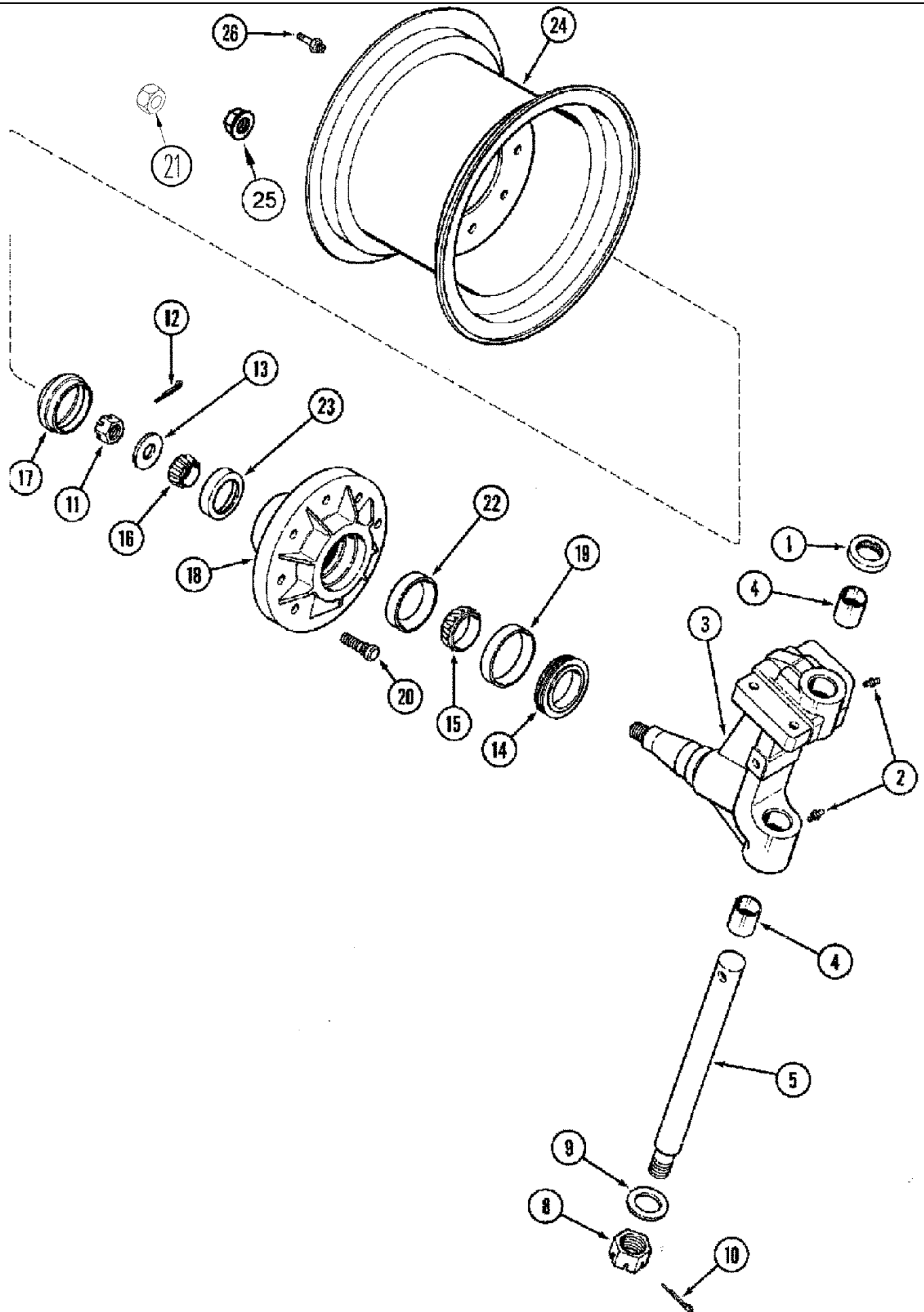
сылка	Номер детали	Кол-во	Описание
	186139C92	1	LINK DRAG, Inc. 1 - 13
1	180801C1	1	TIE ROD,
2	359775A1	1	END ASSY., Left Hand, Inc. 3, 4
3	359773A1	1	BOOT,
4	425-1310	1	NUT, SLOTTED, 5/8"-18, G5, 5/8 NF
	446308C91	1	CLAMP, Inc. 5 - 7
5	1319476C91	1	CLAMP, 1-1/2
6	413-730	1	BOLT, Hex, 7/16"-14 x 1 7/8", G5, 7/16 x 1-7/8
7	231-4117	1	NUT, LOCK, 7/16"-14, GB, 7/16
8	359774A1	1	TIE-ROD, Left Hand, Inc. 9, 10
9	359773A1	1	BOOT,
10	425-1310	1	NUT, SLOTTED, 5/8"-18, G5, 5/8 NF
11	A145857	4	CLAMP,
12	326-652	2	BOLT, Hex, 3/8"-16 x 3 1/4", G8,
13	232-4136	2	NUT, LOCK, 3/8"-16, GC,
13A	219-8	2	NIPPLE, LUBE, 1/4"-28 NPT x .54" lg,
14	432-816	2	PIN, SPLIT (COTTER), 1/8" x 1",
15	186639C1	1	LEVER, Right Hand
16	186641C1	1	LEVER, Left Hand



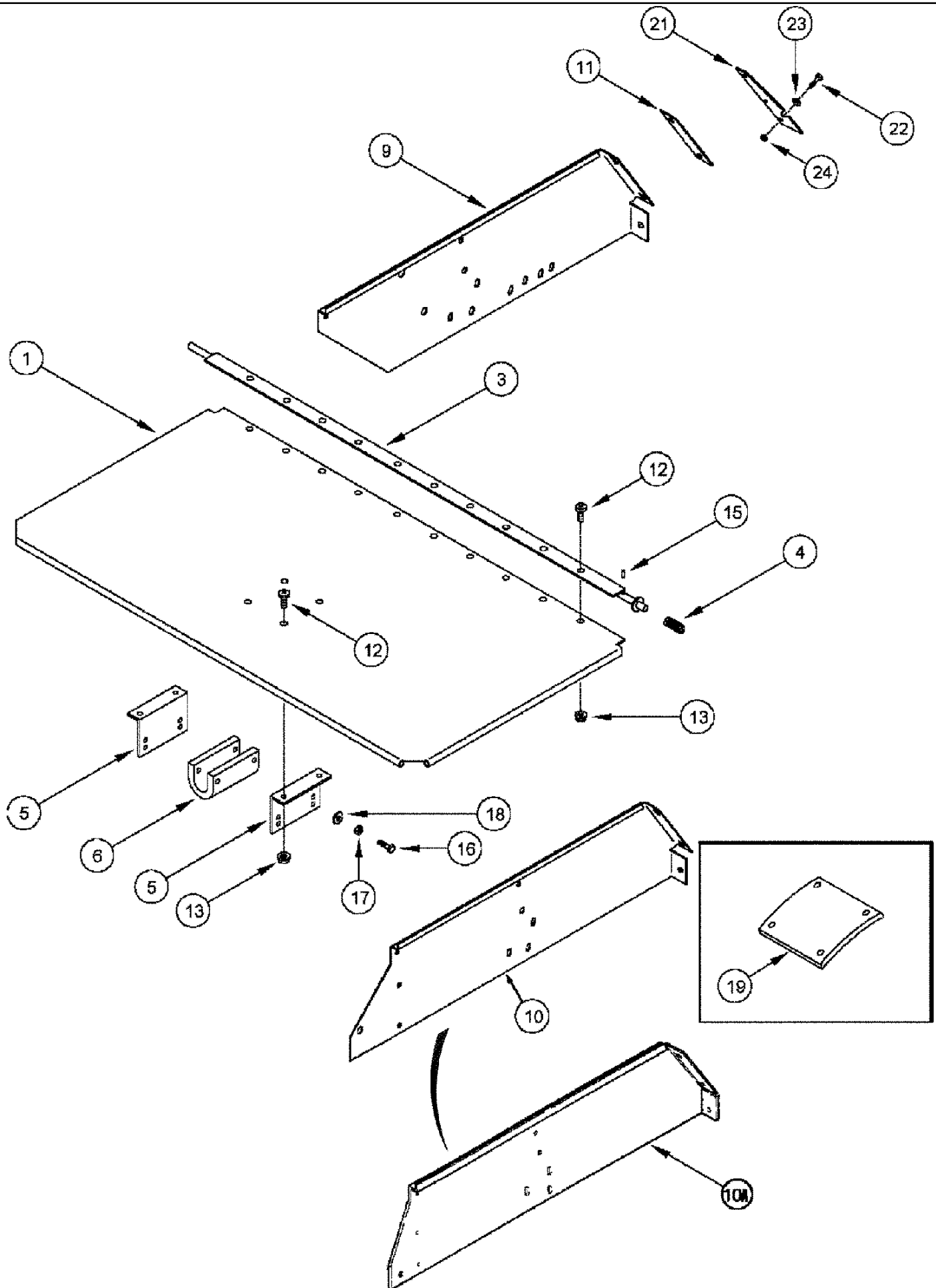
сылка	Номер детали	Кол-во	Описание
	86984114	1	KIT, Tie Rod, Inc. 1 - 12
1	86984113	1	TIE ROD, Tube
2	86984111	1	TIE-ROD, STEERING,
3	86984112	1	BALL JOINT,
4	A145857	4	CLAMP, Washer
5	326-652	2	BOLT, Hex, 3/8"-16 x 3 1/4", G8,
6	232-4136	2	NUT, LOCK, 3/8"-16, GC,
7	219-8	2	NIPPLE, LUBE, 1/4"-28 NPT x .54" lg,
8	446308C91	1	CLAMP,
9	426-740	1	BOLT, Hex, 7/16"-14 x 2 1/2", G8, 7/16 x 2-1/2; 8
10	231-4137	1	NUT, LOCK, 7/16"-14, GB, 7/16
11	87301010	2	BOOT, Replaces 110373R1
12	425-1314	2	NUT, SLOTTED, 7/8"-14, G5,
13	432-824	2	PIN, SPLIT (COTTER), 1/8" x 1 1/2",
14	412305A1	1	ARM, STEERING, Right Hand
15	358125A1	1	ARM, STEERING, Left Hand



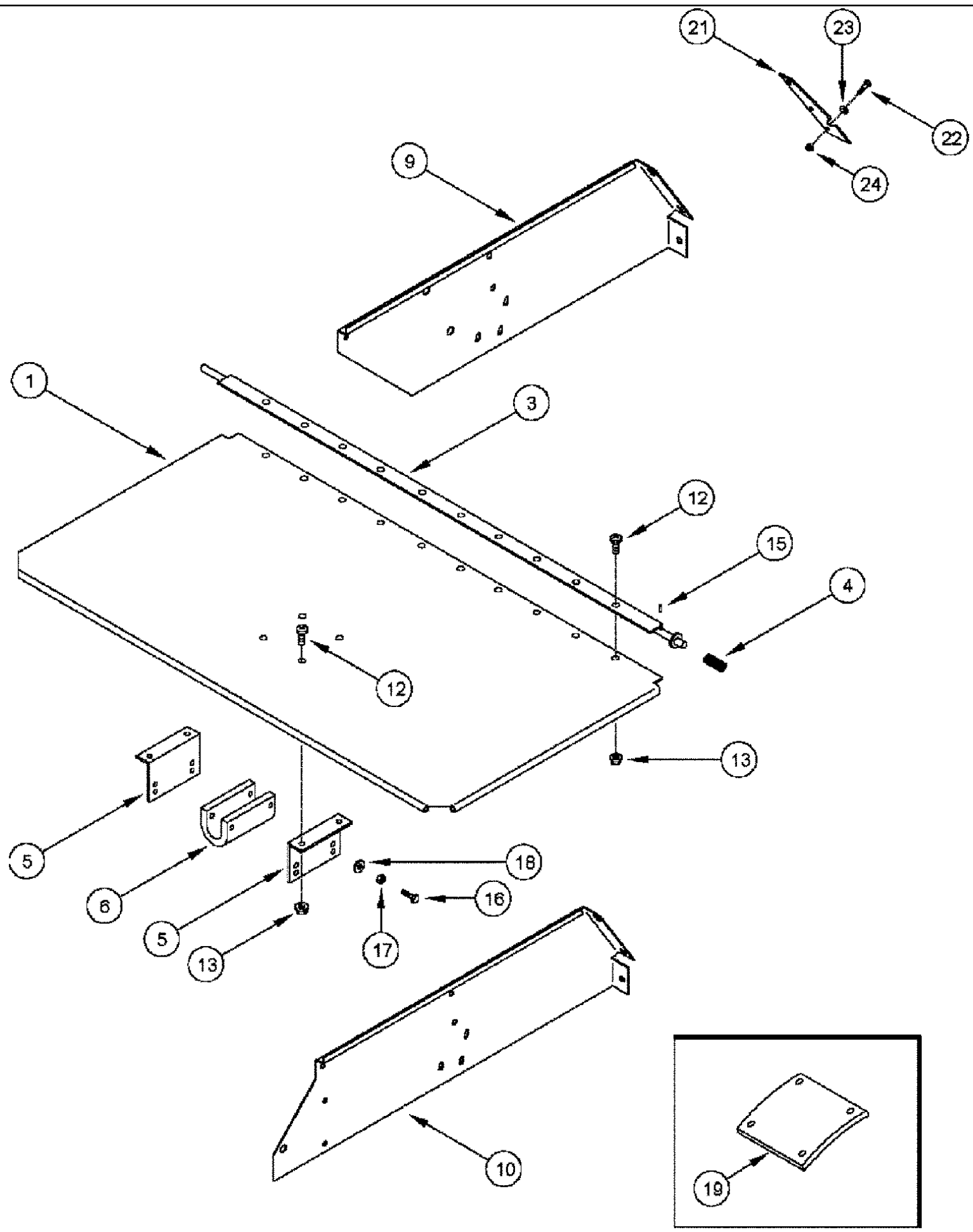
сылка	Номер детали	Кол-во	Описание
1	185106C91	2	BEARING,
2	15943DA	2	WASHER, SEALING,
3	1315374C2	2	KNUCKLE, STEERING, Inc. 4, 5
4	1259522C1	1	SHIELD,
5	491641C1	1	SEAL,
6	425-1522	2	NUT, Jam, 1 3/8"-12, G5, 1-3/8 NF
7	495-81218	2	WASHER, 1 13/32" x 2 3/4" x .048", 1-13/32 x 2-3/4 x 3/64
8	1259683C1	2	NUT, M30 - 1.5
9	432-1640	2	PIN, SPLIT (COTTER), 1/4" x 2 1/2", 1/4" x 2 1/2"
10	ST753B	2	BEARING, CONE, 2-5/8 inch ID
11	130504H	2	BEARING, CONE,
12	1259528C1	2	HUB, Inc. 13 - 15
13	1264549C1	1	WASHER, CUP,
14	29214H	1	BEARING, CUP, 4-5/16 OD
15	130503H	1	BEARING, CUP, 3-17/64 OD
16	219-17	2	NIPPLE, LUBE, 3/16" x .55" lg, Drive,
17	896-12030	2	WASHER, M30 x 56.5 x 5, HT, 33 x 56 x 5 mm
18	189425C1	2	HUB CAP, , Use Loctite No. 242
	345-49	AR	LOCTITE, Not Illustrated
19	460-924	16	BOLT, Hex Flg, 9/16"-12 x 1 1/2", G5, Full Thd, 9/16 x 1-1/2
21	186642C2	2	WHEEL, 16.1 x 16, For 18.4 x 16 inch Tire
21	1541719C2	2	WHEEL, 24 x 12, For 14.9 x 24 inch Tire
23	536705R91	2	VALVE,
23	179482C1	2	VALVE STEM, 7/16 in dia.
24	407184R1	2	VALVE, Inflation, Not Illustrated, Used with Tubeless Tires



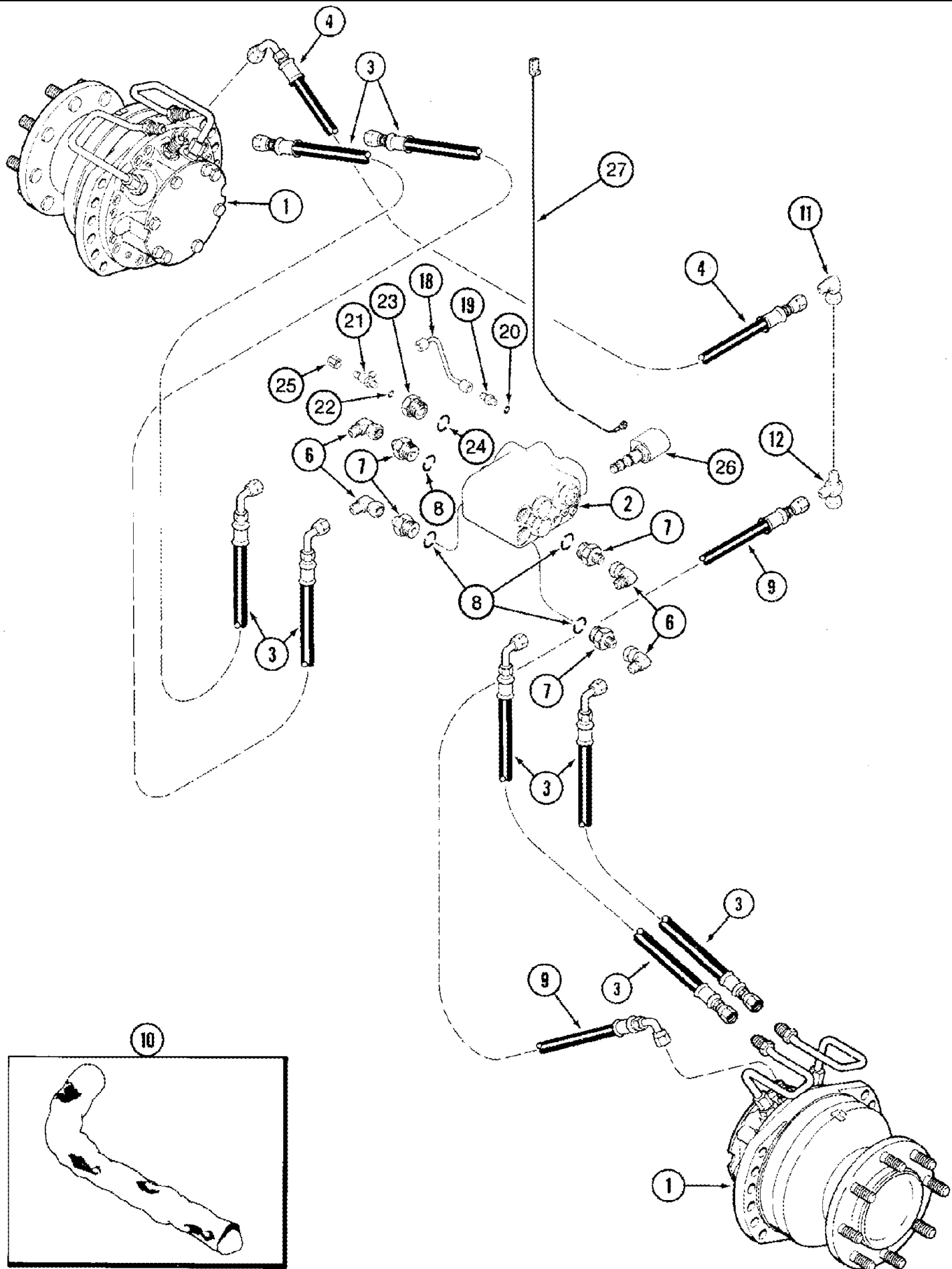
сылка	Номер детали	Кол-во	Описание
1	A27602	2	BEARING, THRUST,
2	219-87	4	NIPPLE, LUBE, 1/4"-28 x .56" lg, Self-Tap,
3	185439C91	1	KNUCKLE, STEERING, Left Hand, Inc. 4, Not Illustrated
3	185440C91	1	KNUCKLE, STEERING, Right Hand, Inc. 4
4	186680C1	2	BUSHING,
5	186052C1	2	PIN,
8	25-1224	2	NUT, SLOTTED, 1 1/2"-6, G5, 1-1/2
9	95-81041	2	WASHER, 1 17/32" x 3" x .120", 1-17/32 x 3 x 1/8
10	432-1648	2	PIN, SPLIT (COTTER), 1/4" x 3", 1/4" x 3"
11	425-1316	2	NUT, SLOTTED, 1"-14, G5, 1 NS
12	432-1228	2	PIN, SPLIT (COTTER), 3/16" x 1 3/4",
13	435688A1	2	WASHER,
14	169329C91	2	SEAL,
15	A61447	2	BEARING, CONE, 2-1/16 in. ID
16	663557R91	2	BEARING, CONE, 1-5/8 ID
17	560950R1	2	HUB CAP,
18	169293C11	2	HUB, Inc. 19 - 23, BSN JJC0255699
18	402622A1	2	HUB, Inc. 19 - 23, ASN JJC0255700
19	169328C1	1	SLEEVE, Sleeve, Oil Seal Wear
20	366021R2	8	BOLT, 5/8 x 2-1/4, BSN JJC0254999
20	431727A1	8	BOLT, 5/8 x 2-1/2, ASN JJC0255000
21	554480R1	8	NUT, 5/8 NF, Used with 1541719C2
22	625743C1	1	BEARING, CUP, 3-35/64 OD
23	663558R1	1	BEARING, CUP, 2-57/64 OD
24	1541719C2	2	WHEEL, 24 x 12, For 14.9 x 24 inch Tire, BSN JJC0254999
24	192201A2	2	WHEEL, 12 x 24 in, For 14.9 x 24 inch Tire
24	417734A1	2	WHEEL, 15 x 24, With Weights Holes, For Weights, For 480/70-R24 or 540/65R24 Tires, See Figure 05-31
25	401846A1	8	NUT, Flange, 5/8 NF; 8, Used with 192201A2, 417734A1
26	179482C1	2	VALVE STEM, 7/16 in. dia.
26	407184C1	2	VALVE STEM, Core



сылка	Номер детали	Кол-во	Описание
1	1325596C2	1	SHIELD, Steering Axle
3	195450C2	1	SUPPORT ASSY.,
4	203942C1	1	SPRING,
5	183093C1	2	BRACKET,
6	183094C1	1	CUSHION,
7	1325374C5	1	PLATE, Hood Extension, Left Hand, Not Illustrated, With Straw Spreader
8	123294A2	1	PLATE, LARGE, Hood Extension, Left Hand, Not Illustrated, With Straw and Chaff Spreader, BSN JJC253999
8A	390558A2	1	PLATE, Hood Extension, Left Hand, Not Illustrated, With Straw Chopper, BTW JJC0254000 & JJC0254999
9	1325375C4	1	PLATE, LARGE, Hood Extension, Right Hand, With Straw Spreader
10	123293A2	1	PLATE, LARGE, Hood Extension, Right Hand, With Straw and Chaff Spreader, BSN JJC0253999
10A	390558A2	1	PLATE, Hood Extension, Right Hand, With Straw and Chaff Spreader, BTW JJC0254000 & JJC0254999
11	1325376C1	2	PLATE, Hood Extension
12	477-73112	20	BOLT, Slotted Tr Hd, 5/16"-18 x 3/4",
13	231-5145	20	NUT, Flg, USR, 5/16"-18,
15	38-1814	1	PIN, LOCK, 1/8" x 7/8", Slotted, 1/8" x 7/8", Slotted
16	413-516	4	BOLT, Hex, 5/16"-18 x 1", G5, Full Thd, 5/16 x 1
17	232-4115	4	NUT, LOCK, 5/16"-18, GC,
18	495-11034	4	WASHER, 5/16", SAE, (11/32 x 11/16 x 1/16")
19	1345126C1	1	CUSHION,
20	1968976C1	2	STRIP, Not Illustrated
21	316716A1	2	SEAL, Rubber, Hood Extension
22	477-73812	2	SCREW, Slt'd Serr Truss Hd, 3/8" x 3/4", 3/8 x 3/4
23	495-21044	2	WASHER, 3/8", 7/16 x 1 x 5/64
24	231-4146	2	NUT, LOCK, 3/8"-16, GB,



сылка	Номер детали	Кол-во	Описание
1	1325596C2	1	SHIELD, Steering Axle
3	195450C2	1	SUPPORT ASSY.,
4	203942C1	1	SPRING,
5	183093C1	2	BRACKET,
6	183094C1	1	CUSHION,
7	1325374C5	1	PLATE, Hood Extension, Left Hand, Not Illustrated, With Straw Spreader
8	428287A1	1	PLATE, Hood Extension, Left Hand, Not Illustrated, With Straw and Chaff Spreader
9	428292A1		PLATE, Hood Extension, Right Hand, With Straw Spreader
10	428286A1	1	PLATE, Hood Extension, Right Hand, With Straw and Chaff Spreader
11	1325376C1	2	PLATE, Connector, Hood Extension, With Straw Spreader
12	477-73112	22	BOLT, Slotted Tr Hd, 5/16"-18 x 3/4",
13	231-5145	22	NUT, Flg, USR, 5/16"-18,
15	38-1814	1	PIN, LOCK, 1/8" x 7/8", Slotted, 1/8" x 7/8", Slotted
16	413-516	6	BOLT, Hex, 5/16"-18 x 1", G5, Full Thd, 5/16 x 1
17	231-4115	6	NUT, LOCK, 5/16"-18, GB,
18	495-11034	4	WASHER, 5/16", SAE, (11/32 x 11/16 x 1/16")
19	1345126C1	1	CUSHION,
20	1968976C1	2	STRIP, Not Illustrated
21	316716A1	2	SEAL, Rubber, Hood Extension
22	409-7612	2	BOLT, Hex Flg, 3/8"-16 x 3/4", Serr,
23	495-21044	2	WASHER, 3/8", 7/16 x 1 x 5/64
24	231-4146	2	NUT, LOCK, 3/8"-16, GB,
25	409-7616	3	BOLT, Hex Flg, 3/8"-16 x 1", Serr, Used with 8, 9, Not Illustrated
25	409-7620	1	BOLT, Hex Flg, 3/8"-16 x 1 1/4", Serr, Used with 8, 9, Not Illustrated
26	231-5346	4	NUT, LOCK, Flg, 3/8"-16, Used with 8, 9, Not Illustrated

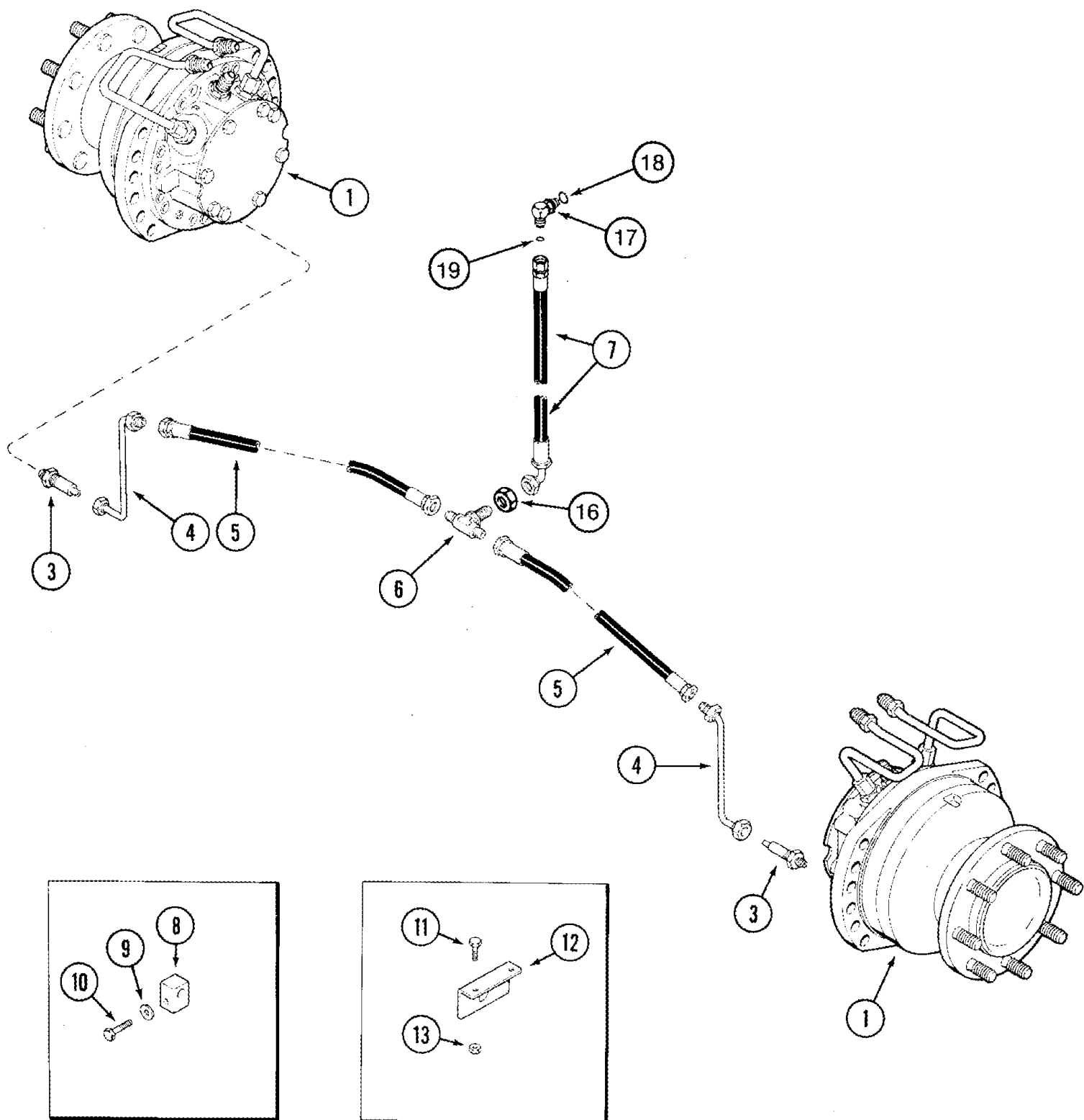


Note: Motors do not Inc. pressure tubes as shown in the illustration. See Figure 5-21 for pressure tubes.

05-16 HYDRAULICS - MOTOR, DRIVE - POWER GUIDE AXLE

сылка	Номер детали	Кол-во	Описание
1	121436A1	2	MOTOR, HYDRAULIC, Corn and Grain Drive, See Figure 05-27, See Figure Note, BSN JJC0256605
1	87300716	2	MOTOR, HYDRAULIC, See Figure 05-27, See Figure Note, ASN JJC0256606
2	1978000C1	1	VALVE, See Figure 05-26
3	1970387C1	4	HOSE, Wheel Motor Drain Pressure, 1448 mm (57-1/8 in), With 108 to 120 Inch Power Guide Axles.
3	1968995C1	4	HOSE, FLEXIBLE, Wheel Motor Drain Pressure, 1753 mm (69-1/8 in), With 120 to 144 Inch Power Guide Axles.
4	1970388C1	1	HOSE, Wheel Motor Drain Pressure, 1702 mm (67 in), With 108 to 120 Inch Power Guide Axles.
4	1968996C1	1	HOSE, FLEXIBLE, Wheel Motor Drain Pressure, 2007 mm (79-1/8 in), With 120 to 144 Inch Power Guide Axles.
6	218-5230	4	ELBOW, 90e, 3/4"-16, 37e x 3/4"-16, 37e Fem Sw,
7	218-5070	4	CONNECTOR, HYD., 3/4"-16, 37e x 1 1/16"-12, O-Ring, 3/4 fl x 1-1/16, Inc. 8
8	237-6012	1	O-RING, 12-1, 90 Duro, .924 ID x .118" Thk,
9	1970389C1	1	HOSE, Drain, 1549 mm (61 in), With 108 to 120 Inch Power Guide Axles.
9	1970135C1	1	HOSE, Drain, Corn and Grain Combine
10	1970108C1	2	COVER, PROTECTIVE, Sleeve, 60 ID x 1219 mm
11	218-5230	1	ELBOW, 90e, 3/4"-16, 37e x 3/4"-16, 37e Fem Sw,
12	218-845	1	TEE, 37e, 3/4"-16 x 3/4"-16, Fem Sw Run, 3/4 fl br x fl x sw
18	1970140C1	1	TUBE, HYD, Charge Pressure
19	218-5053	1	CONNECTOR, HYD., 7/16"-20, 37e x 7/16"-20, O-Ring, Incl. 20
20	237-6004	1	O-RING, 4-1, 90 Duro, .351" ID x .072" Thk,
21	218-5289	1	TEE, 7/16"-20, 37e x 7/16"-20, O-Ring Run, Inc. 22
22	237-6004	1	O-RING, 4-1, 90 Duro, .351" ID x .072" Thk,
23	1970176C1	1	PLUG, Inc. 24
24	237-6012	1	O-RING, 12-1, 90 Duro, .924 ID x .118" Thk,
25	218-752	1	CAP, 37e, 7/16"-20,
26	REF	1	INSTRUCTION, SOLENOID ASSY., Charge Pressure, See Figure 05-26, Ref. 60 - 64
27	1964572C2	1	HARNES, WIRE, SOLENOID

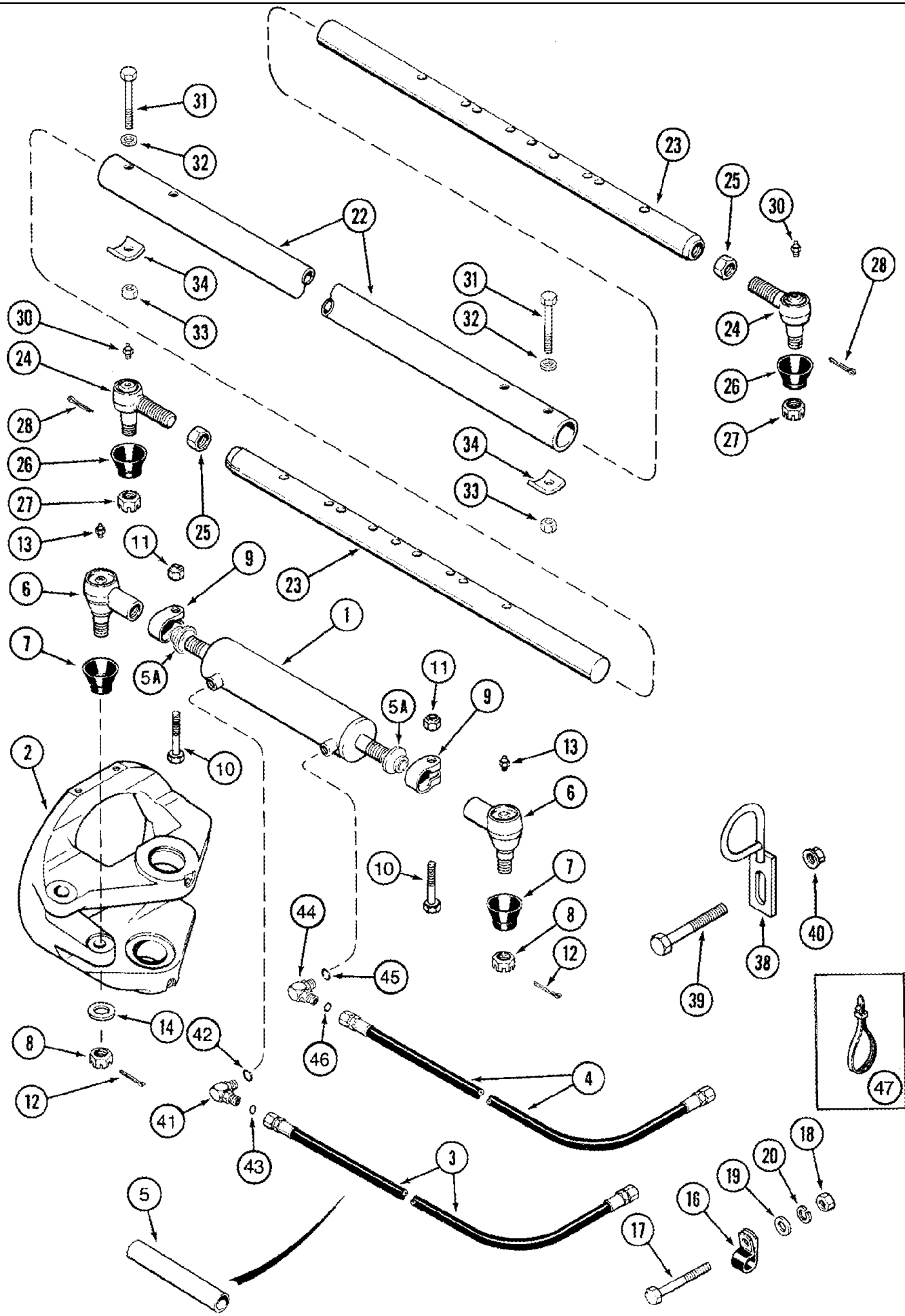
Note: Motors do not Inc. pressure tubes as shown in the illustration. See Figure 5-21 for pressure tubes.



05-17 HYDRAULICS - WHEEL MOTOR FLUSH - POWER GUIDE AXLE

сылка	Номер детали	Кол-во	Описание
1	121436A1	2	MOTOR, HYDRAULIC, Drive, Inc. 3, Corn and Grain, See Figure 05-27, BSN JJC0256605
1	87300716	2	MOTOR, HYDRAULIC, Drive, Inc. 3, See Figure 05-27, ASN JJC0256606
3	121434A1	2	ADAPTER, English Thread, Flush Port, Included With Ref. 1, 121436A1
4	1346971C1	2	TUBE, HYD, Motor Flush
5	121435A1	2	HOSE, Motor Flush, 1473 mm (58 in.), With 108 to 120 Inch Power Guide Axles.
5	1346969C1	2	HOSE, FLEXIBLE, Motor Flush, 1803 mm (71 in.), With 120 to 144 Inch Power Guide Axles.
6	218-805	1	TEE, 3/4"-16, 37e, Blkhd, 3/4 blkhd fl br x fl x fl
7	129187A1	1	HOSE, FLEXIBLE, 3450 mm (135-7/8 in.), With 108 to 120 Inch Power Guide Axles.
7	240455A1	1	HOSE, 3340 mm (131-1/2 in.), With 120 to 144 Inch Power Guide Axles.
8	1347182C1	2	CLAMP,
9	495-11053	2	WASHER, 1/2", SAE, (17/32" x 1-1/16" x 3/32")
10	614-12040	2	BOLT, Hex, M12 x 40, 8.8, Full Thd,
11	426-616	2	BOLT, Hex, 3/8"-16 x 1", G8, Full Thd,
12	1347068C1	1	SUPPORT,
13	232-4116	2	NUT, LOCK, 3/8"-16, GC,
16	218-1255	1	NUT, LOCK, Blkhd, 3/4"-16,
17	135485A1	1	ELBOW,
18	237-6004	1	O-RING, 4-1, 90 Duro, .351" ID x .072" Thk,
19	238-6012	1	O-RING, -012, 90 Duro, .364" ID x .070" Thk,

05-18 STEERING CYLINDER AND TIE ROD - POWER GUIDE AXLE

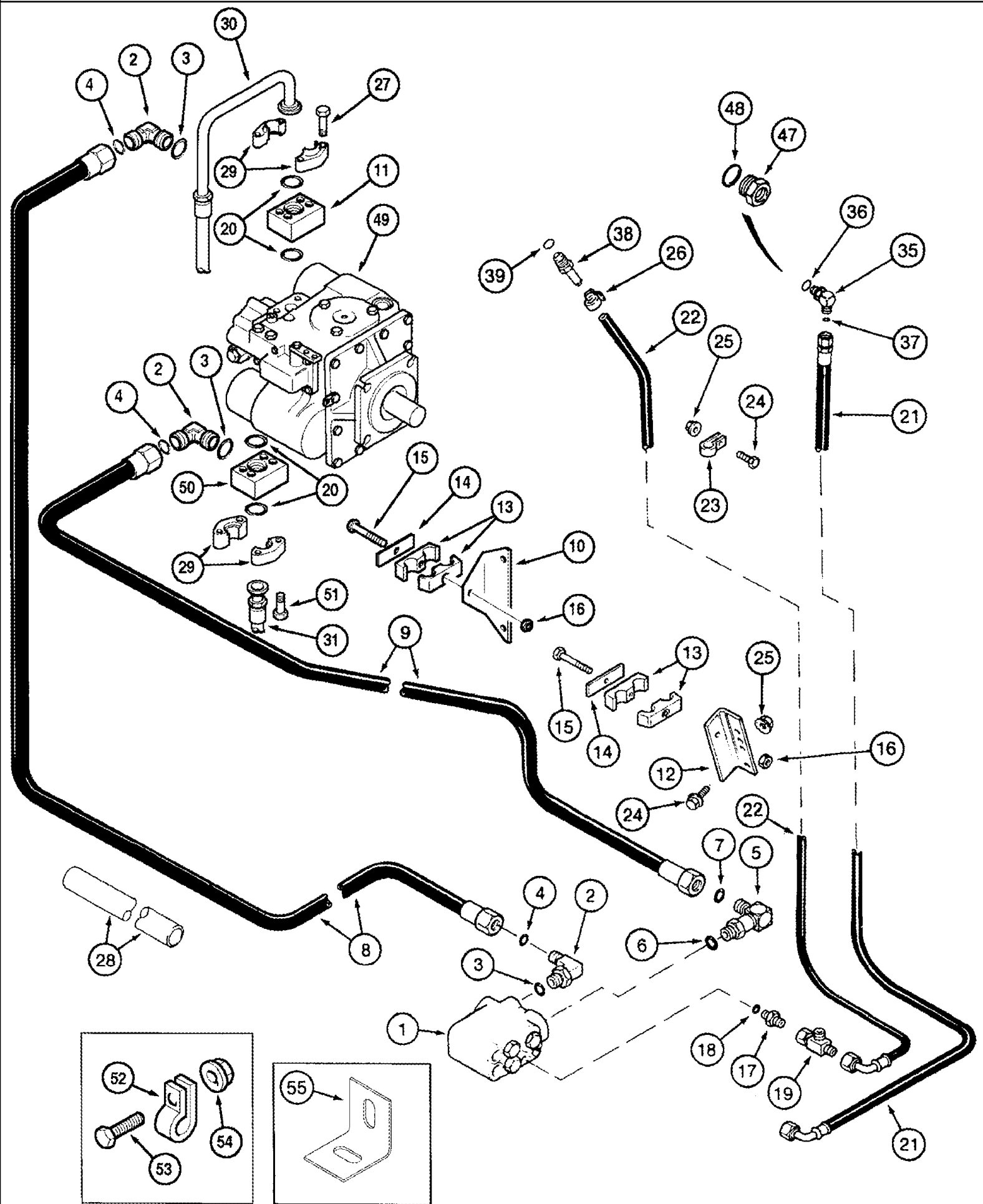


05-18 STEERING CYLINDER AND TIE ROD - POWER GUIDE AXLE

сылка	Номер детали	Кол-во	Описание
1	127913C93	1	CYLINDER STEERING, 57 ID x 229 mm strk, Steering, See Figure 05-25, BSN JJC0253999
1	1958024C1	1	CYLINDER STEERING, 64 ID x 229 mm strk, Steering, See Figure 05-25, ASN JJC0254000
2	REF	2	INSTRUCTION, CARRIER, King Pin, See Figure 5-21, Ref. 3
3	128088A2	1	HOSE, FLEXIBLE, 1960 mm (77 in.), With 108 to 120 Inch Power Guide Axles.
3	128091A2	1	HOSE, FLEXIBLE, 2160 mm (85 in.), With 120 to 144 Inch Power Guide Axles.
4	128083A2	1	HOSE, FLEXIBLE, 1730 mm (68 in.), With 108 to 120 Inch Power Guide Axles.
4	128084A2	1	HOSE, FLEXIBLE, 1960 mm (77-1/8 in.), With 120 to 144 Inch Power Guide Axles.
5	229298A1	1	BOOT,
5A	A41424	2	SEAL, Cylinder Ball Socket
6	186140C91	2	BALL JOINT, Inc. 7 - 11, BSN JJC254999
6	437222A1	2	BALL JOINT, Inc. 7 - 11, ASN JJC0255000
7	110373R1	1	DUST CAP,
8	425-1314	1	NUT, SLOTTED, 7/8"-14, G5,
9	446308C91	1	CLAMP, Inc. 10, 11
10	413-730	1	BOLT, Hex, 7/16"-14 x 1 7/8", G5, 7/16 x 1-7/8
11	231-4117	1	NUT, LOCK, 7/16"-14, GB, 7/16
12	432-824	2	PIN, SPLIT (COTTER), 1/8" x 1 1/2",
13	219-1	2	NIPPLE, LUBE, 1/8"-27 x .66 lg, , BSN JJC0255699
13	219-8	2	NIPPLE, LUBE, 1/4"-28 NPT x .54" lg, , ASN JJC0255700
14	496-21094	1	WASHER, 15/16" x 1 3/4" x .179", HDN,
16	515-25476	1	CLAMP, 1 7/8", Insul, 1/2" Bolt,
17	413-572	1	BOLT, Hex, 5/16"-18 x 4 1/2", G5, 5/16 x 4-1/2
18	425-105	1	NUT, 5/16"-18, G5,
19	495-81116	1	WASHER, .344" x 1" x .060", 11/32 x 1 x 3/64
20	492-11031	1	WASHER, LOCK, 5/16",
22	1970102C1	1	TIE-ROD, STEERING, Tie Rod, Outer
23	1970103C1	2	TUBE, Tie Rod, Inner
24	1968998C1	2	BALL JOINT,
25	1970391C1	2	NUT, 1-1/8 NF
26	110373R1	2	DUST CAP,
27	425-1314	2	NUT, SLOTTED, 7/8"-14, G5,
28	432-816	2	PIN, SPLIT (COTTER), 1/8" x 1",
30	219-1	2	NIPPLE, LUBE, 1/8"-27 x .66 lg,
31	326-856	4	BOLT, Hex, 1/2"-13 x 3 1/2", G8,
32	1970104C1	4	SPACER,
33	232-4118	4	NUT, LOCK, 1/2"-13, GC,
34	1970101C1	4	CLAMP,
38	1970383C1	2-4	GUIDE,
39	413-1280	4	BOLT, Hex, 3/4"-10 x 5", G5, 3/4 x 5
40	232-51312	4	NUT, Flg, USR, 3/4"-10,
41	201-304	1	ELBOW, 90e, 11/16"-16 x 9/16"-18 Adj, ORFS, Inc. 42, 43
43	238-6012	1	O-RING, -012, 90 Duro, .364" ID x .070" Thk,
44	201-332	1	ELBOW, 90e, 13/16"-16 x 9/16"-18, Adj, ORFS, 13/16 fc x 9/16, Inc. 45, 46

05-18 STEERING CYLINDER AND TIE ROD - POWER GUIDE AXLE

сылка	Номер детали	Кол-во	Описание
46	238-6014	1	O-RING, -014, 90 Duro, .489" ID x .070" Thk,
47	L18337	1	STRAP, CABLE, 9.95"-12.1" lg, 15 inch
42	237-6006	1	O-RING, 6-1, 90 Duro, .468" ID x .078" Thk,
45	237-6006	1	O-RING, 6-1, 90 Duro, .468" ID x .078" Thk,



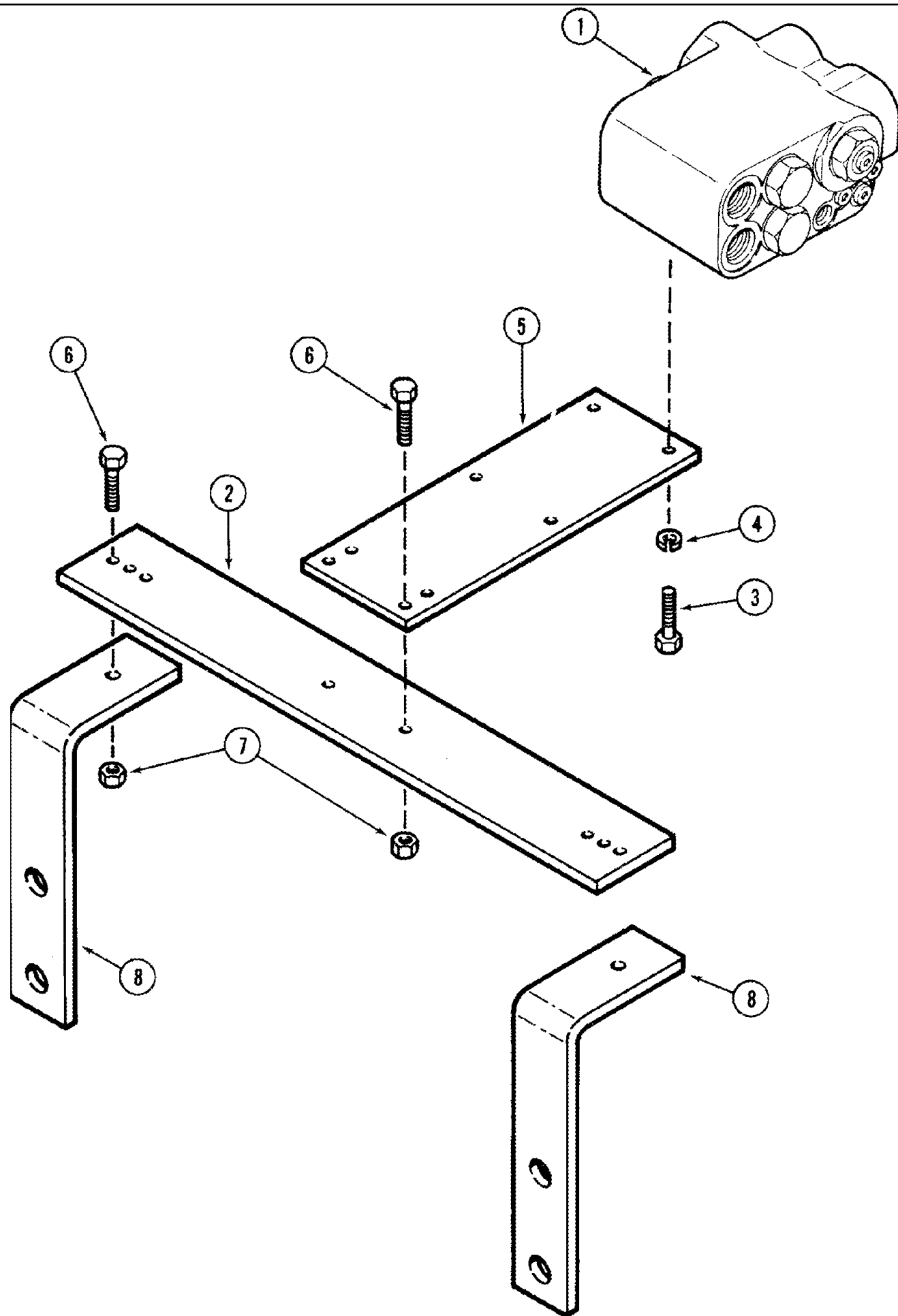
05-19 HYDRAULICS - VALVE, SELECTOR - POWER GUIDE AXLE

сылка	Номер детали	Кол-во	Описание
1	1978000C1	1	VALVE, Corn and Grain, See Figure 05-26
2	201-307	1	ELBOW, 90°, 1 3/16"-12 x 1 1/16"-12 Adj, ORFS, 1-3/16 fc x 1-1/16 Or, Inc. 3, 4
2	409733A1	2	ELBOW, 1-3/16 fc x 1-1/16 Or, Long fc End, Inc. 3, 4
3	237-6012	1	O-RING, 12-1, 90 Duro, .924 ID x .118" Thk,
4	238-6018	1	O-RING, -018, 90 Duro, .739" ID x .070" Thk,
5	201-365	1	ELBOW, 90°, 1 3/16"-12 x 1 1/16"-12 Sw, ORFS, Includes 6, 7
6	237-6012	1	O-RING, 12-1, 90 Duro, .924 ID x .118" Thk,
7	238-6018	1	O-RING, -018, 90 Duro, .739" ID x .070" Thk,
8	227643A1	1	HOSE, 3050 mm (120-1/8 in.), Supply Reverse
9	227642A1	1	HOSE, 2540 mm (100 in.), Supply Forward
10	235195A1	1	SUPPORT, Upper Hose Clamp
11	226646A1	1	BLOCK, Adapter Manifold
12	1324467C2	1	ANGLE,
13	1324473C1	2	CLAMP,
14	1324469C1	2	PLATE,
15	326-552	2	BOLT, Hex, 5/16"-18 x 3 1/4", G8,
16	232-4115	2	NUT, LOCK, 5/16"-18, GC,
17	218-5351	1	CONNECTOR, HYD., 3/4"-16, 37° x 9/16"-18, O-Ring, 3/4 fl x 9/16, Inc. 18
18	237-6006	1	O-RING, 6-1, 90 Duro, .468" ID x .078" Thk,
19	218-845	1	TEE, 37°, 3/4"-16 x 3/4"-16, Fem Sw Run, 3/4 fl br x fl x sw
20	238-6219	4	O-RING, -219, 90 Duro, 1.296" ID x .139" Thk,
21	240455A1	1	HOSE, 3340 mm (131-1/2 in.), Flush Supply, For Attaching Parts, See Figure 05-17
22	240456A1	1	HOSE, 3560 mm (140-1/4 in.), Flush Return
23	L50062	1	SHIN,
24	409-7516	3	BOLT, Hex Flg, 5/16"-18 x 1", Serr,
25	231-5345	3	NUT, LOCK, Flg, 5/16"-18, 5/16
26	214-1412	1	CLAMP, HOSE, #12, 0.69/1.25 Type F Worm,
27	413-756	4	BOLT, Hex, 7/16"-14 x 3 1/2", G5, 7/16 x 3-1/2
28	1989500C1	2	SLEEVE, 1829 mm (72 in.)
29	S97224	4	CLAMP, Split, 1 in.
30	227641A2	1	HOSE, Reverse, Pump To Motor, 4055 mm (159-5/8 in.)
31	227640A1	1	HOSE, Forward, Pump To Motor, 3455 mm (136 in.)
35	135485A1	1	ELBOW, Includes Orifice
36	237-6004	1	O-RING, 4-1, 90 Duro, .351" ID x .072" Thk,
37	238-6012	1	O-RING, -012, 90 Duro, .364" ID x .070" Thk,
38	217-397	1	FITTING, 1/2" Hose x 9/16"-18 ORB, Beaded, Includes 39
39	237-6006	1	O-RING, 6-1, 90 Duro, .468" ID x .078" Thk,
47	196443A1	1	REDUCER, Inc. 48, Rice Combine
48	237-6010	1	O-RING, 10-1, 90 Duro, .755" ID x .097" Thk,
49	REF	1	INSTRUCTION, Hydrostatic Pump, See Figure(s) 06-09, 06-10
50	226647A1	1	FITTING, Adapter Manifold
51	413-756	8	BOLT, Hex, 7/16"-14 x 3 1/2", G5, 7/16 x 3-1/2
52	515-23175	1	CLAMP, 11/16", Insul, 3/8" Bolt, 7/8 ID

2366 CASE IH AXIAL-FLOW COMBINE (NA) (1/98-8/04)

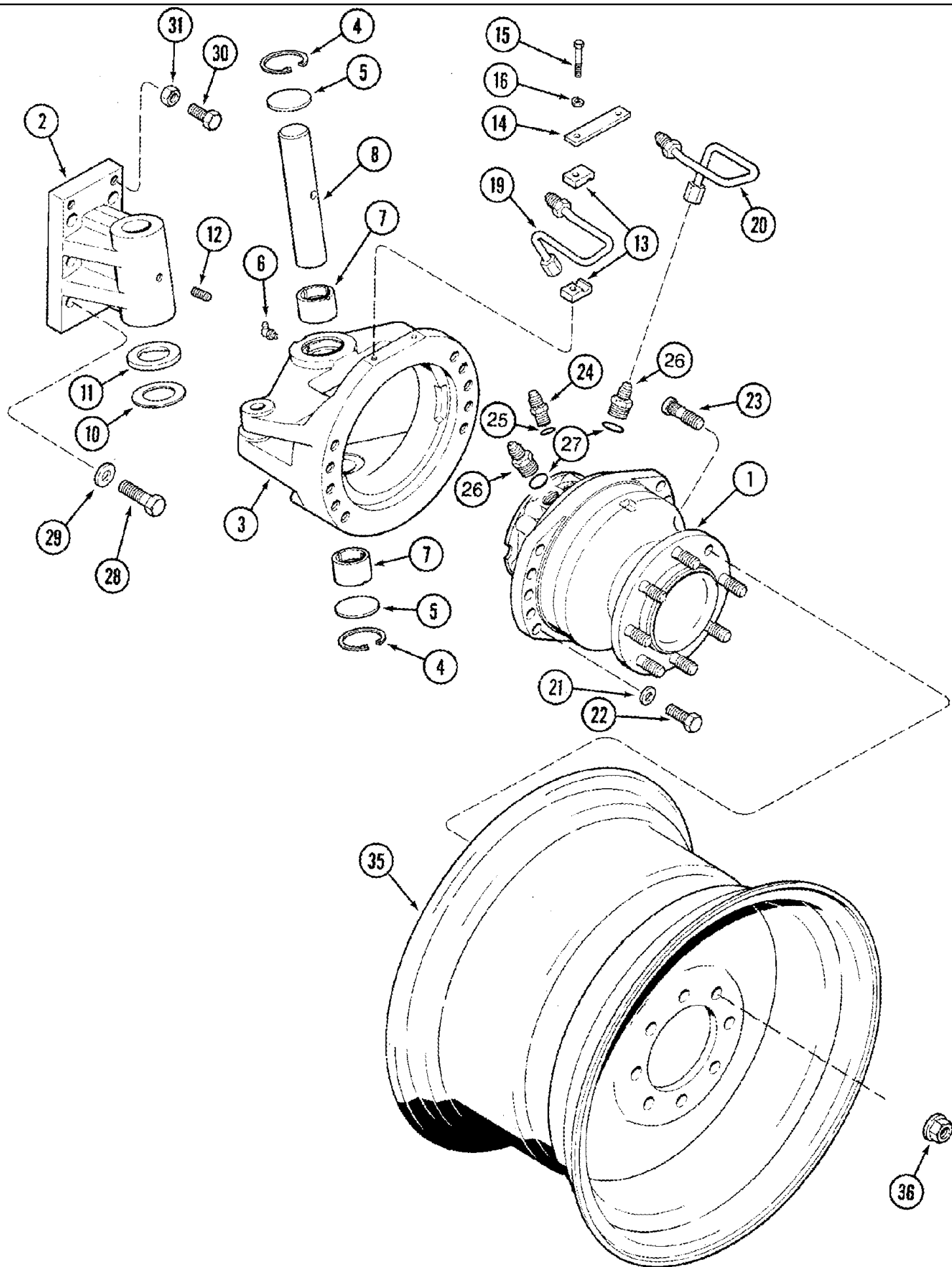
05-19 HYDRAULICS - VALVE, SELECTOR - POWER GUIDE AXLE

сылка	Номер детали	Кол-во	Описание
52	515-23238	1	CLAMP, 15/16", Insul, 3/8" Bolt,
52	515-23333	2	CLAMP, 1 5/16", Insul, 3/8" Bolt,
53	409-7516	4	BOLT, Hex Flg, 5/16"-18 x 1", Serr,
54	231-5145	4	NUT, Flg, USR, 5/16"-18,
55	1301560C2	1	STIFFENER, Mounting Clamp, Rear



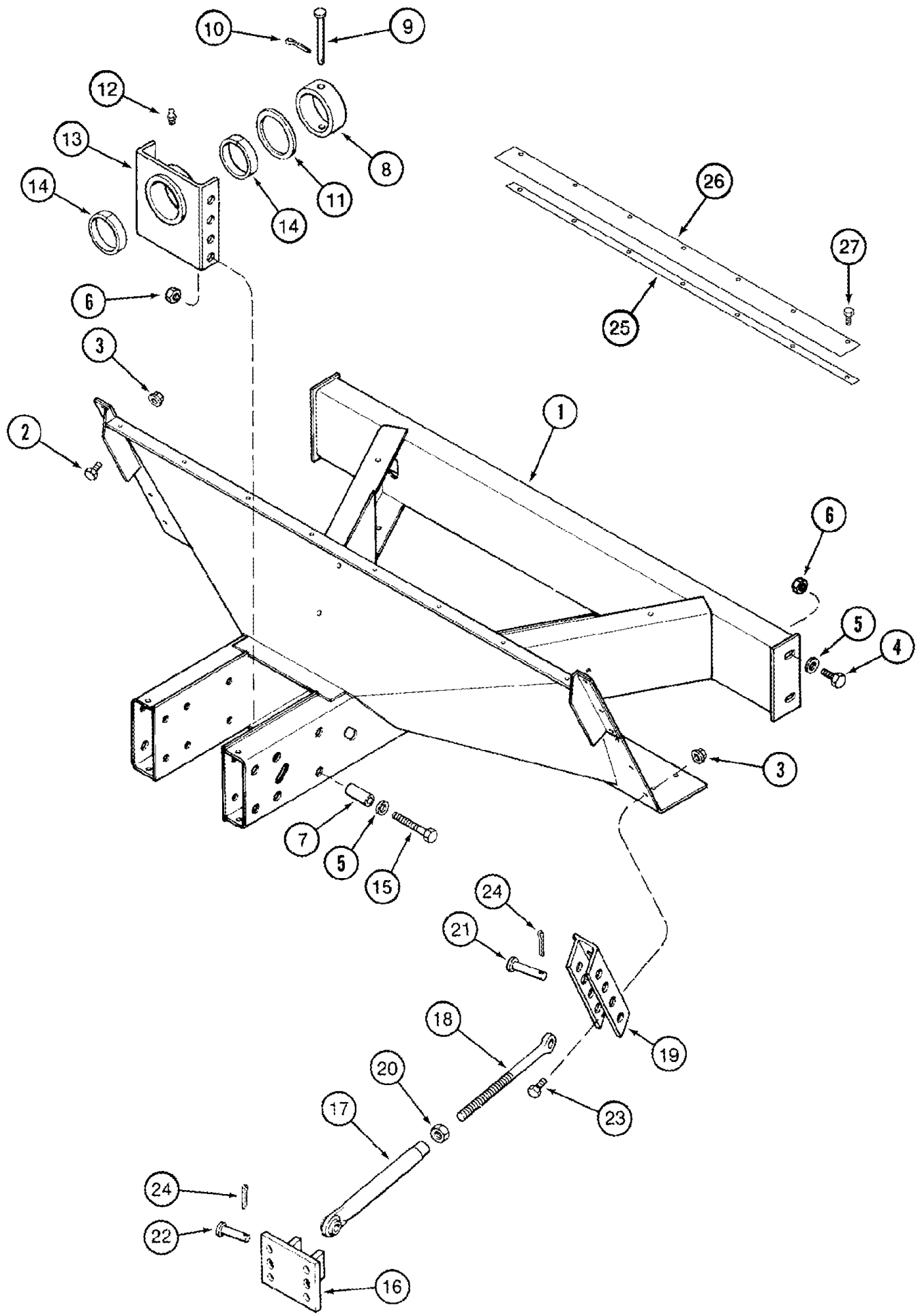
05-20 VALVE, SELECTOR CONTROL - MOUNTING - POWER GUIDE AXLE

сылка	Номер детали	Кол-во	Описание
1	1978000C1	1	VALVE, See Figure 05-26
2	1324455C2	1	PLATE,
3	426-624	2	BOLT, Hex, 3/8"-16 x 1 1/2", G8, 3/8 x 1-1/2; 8
4	492-11038	2	WASHER, LOCK, 3/8",
5	1324454C4	1	PLATE,
6	426-616	4	BOLT, Hex, 3/8"-16 x 1", G8, Full Thd,
7	232-4116	4	NUT, LOCK, 3/8"-16, GC,
8	1324471C1	2	BRACKET,

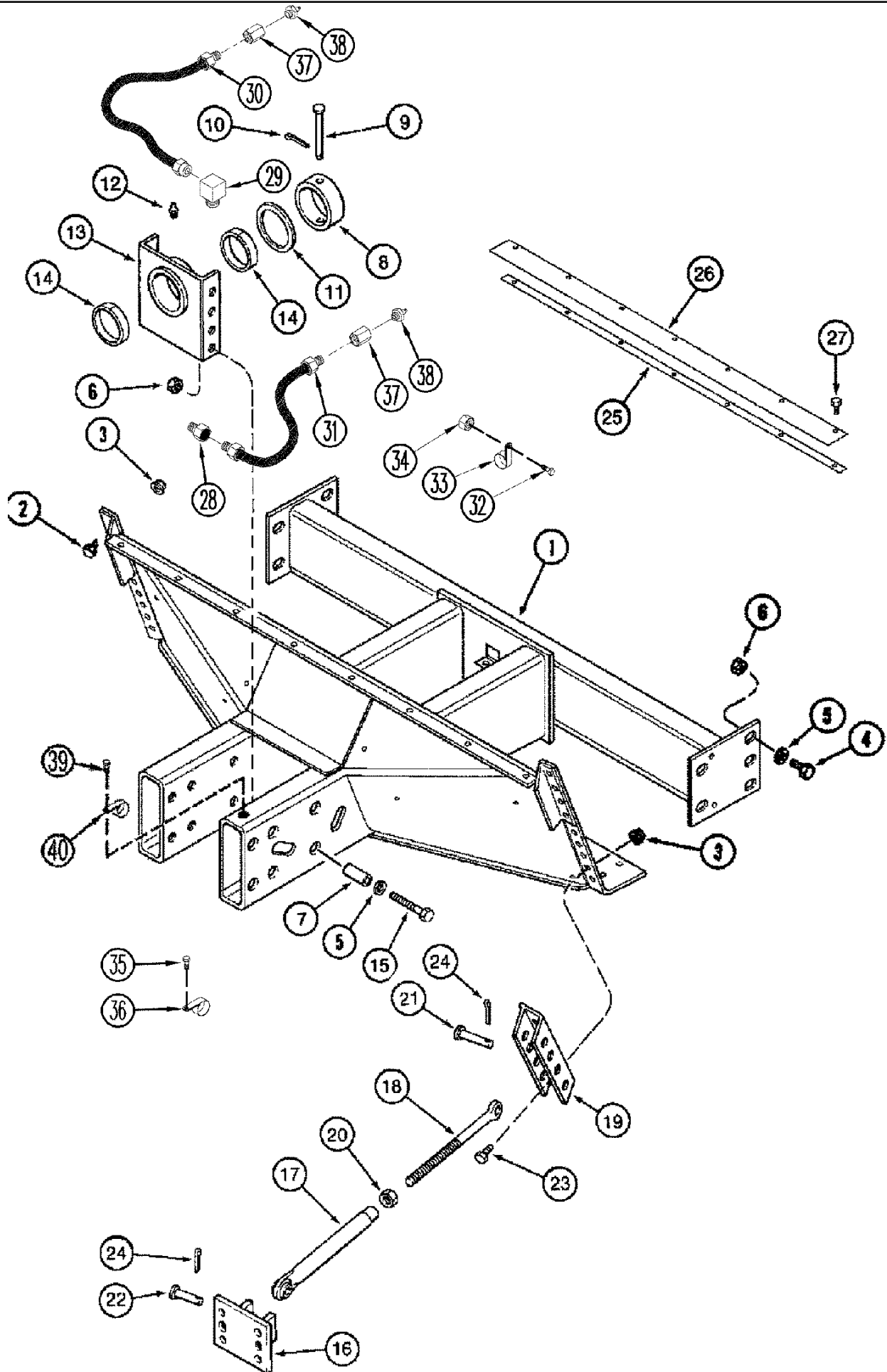


05-21 MOTOR, WHEEL - KING PIN - POWER GUIDE AXLE

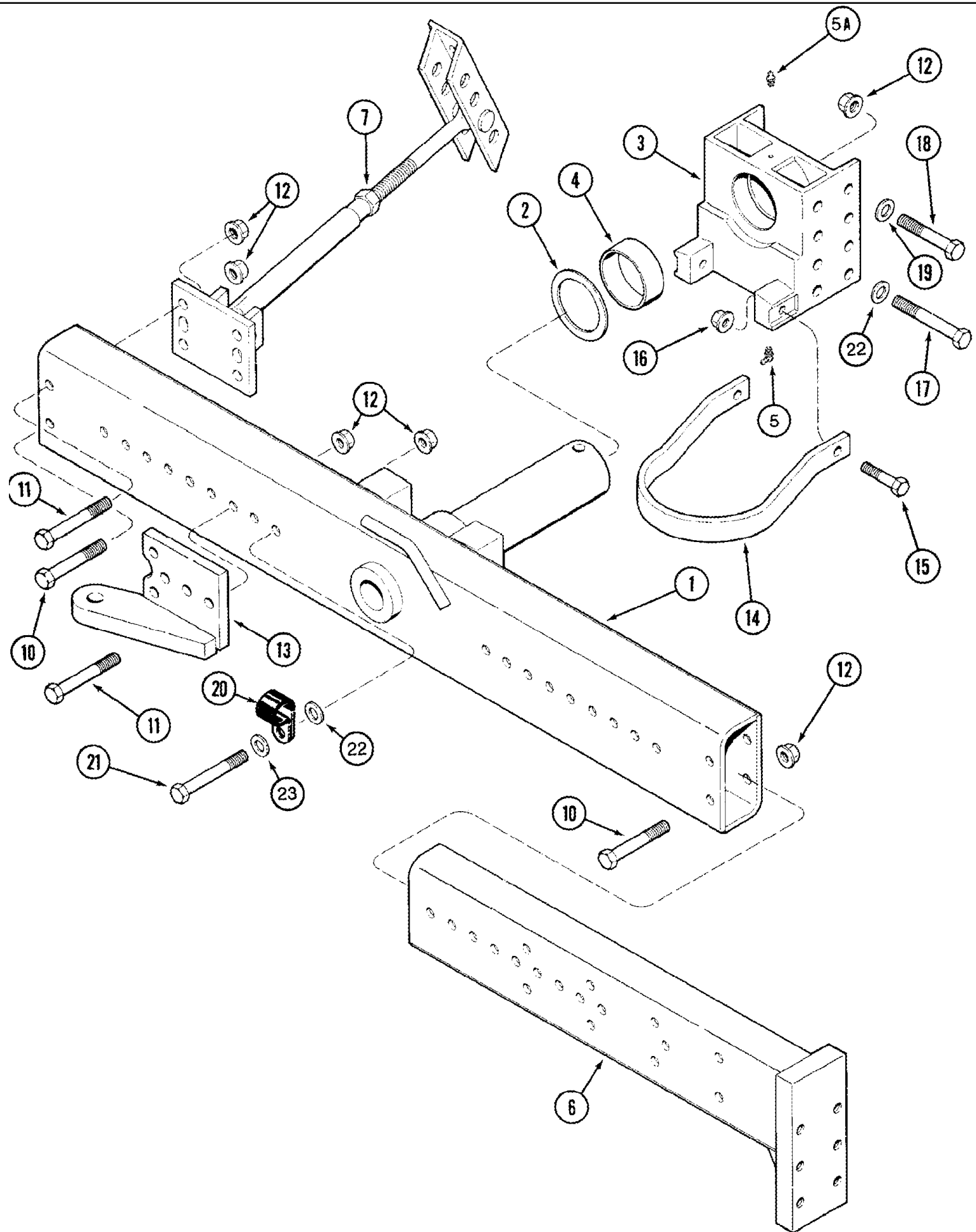
сылка	Номер детали	Кол-во	Описание
1	121436A1	2	MOTOR, HYDRAULIC, Wheel Drive, Corn and Grain, See Figure 05-27, BSN JJC0256605
1	87300716	2	MOTOR, HYDRAULIC, Wheel Drive, See Figure 05-27, ASN JJC0256606
2	1970138C1	2	HOUSING, King Pin
3	1970136C1	1	HOUSING, Right Hand, Inc. (2) 1970142C1, Ref. 7, BSN JJC0253999
3	406799A1	1	FRAME, Right Hand, Inc. (2) 1970142C1, Ref. 7, ASN JJC0254000
3	1970354C1	1	FRAME, Left Hand, Inc. (2) 1970142C1, Ref. 7
4	100-21244	4	RING, SNAP, 2.44", Int, #244,
5	41-3040	4	PLUG, Exp, 2 1/2",
6	219-57	4	NIPPLE, LUBE, 90с, 1/4" NPT x .75" lg, 1/4 tpr x 3/4
7	1970142C1	4	BUSHING,
8	1970143C1	2	PIN,
10	1970381C1	2	WASHER, Steel
11	1970382C1	4	WASHER, Bronze
12	83-15020	2	SET SCREW, Hex Soc, 1/2"-13 x 1 1/4", 1/2 x 1-1/4 cp pt
13	1970148C1	8	CLAMP,
14	1970150C1	2	PLATE,
15	326-532	4	BOLT, Hex, 5/16"-18 x 2", G8,
16	492-11031	4	WASHER, LOCK, 5/16",
19	1970146C1	2	TUBE, HYD, Pressure
20	1970147C1	2	TUBE, HYD, Pressure
21	1324470C1	20	WASHER, 41/64 x 1 x 3/64, With 92 to 120 Inch Power Guide Axle
21	496-21066	20	WASHER, 21/32" x 1 5/16" x .150", , With 120 to 144 Inch Power Guide Axles.
22	326-1026	20	BOLT, Hex, 5/8"-11 x 1 5/8", G8, Full Thd, , With 92 to 120 Inch Power Guide Axle
22	426-1024	20	BOLT, Hex, 5/8"-11 x 1 1/2", G8, Full Thd, , With 120 to 144 Inch Power Guide Axles.
23	1970151C1	16	STUD,
24	218-5059	2	CONNECTOR, HYD., 3/4"-16, 37с x 3/4"-16, O-Ring, 3/4 fl x, Inc. 25
25	237-6008	1	O-RING, 8-1, 90 Duro, .644" ID x .087" Thk,
26	218-5064	4	CONNECTOR, HYD., 1 1/16"-12, 37с x 1 1/16"-12, O-Ring, 1-1/16-12 fl x, Inc. 27
27	237-6012	1	O-RING, 12-1, 90 Duro, .924 ID x .118" Thk,
28	326-1236	12	BOLT, Hex, 3/4"-10 x 2 1/4", G8,
29	496-21081	12	WASHER, 13/16" x 1 1/2" x .179", HDN,
30	326-1028	4	BOLT, Hex, 5/8"-11 x 1 3/4", G8, Full Thd,
31	329-1410	4	NUT, Jam, 5/8"-11, G8,
35	1970153C3	2	WHEEL, 16 x 26, Used with 16.9 x 26 Inch Tire , Used with 18.4 x 26 Inch Tire
35	257875A2	2	WHEEL, 600/65-R28
36	1541701C1	16	NUT,



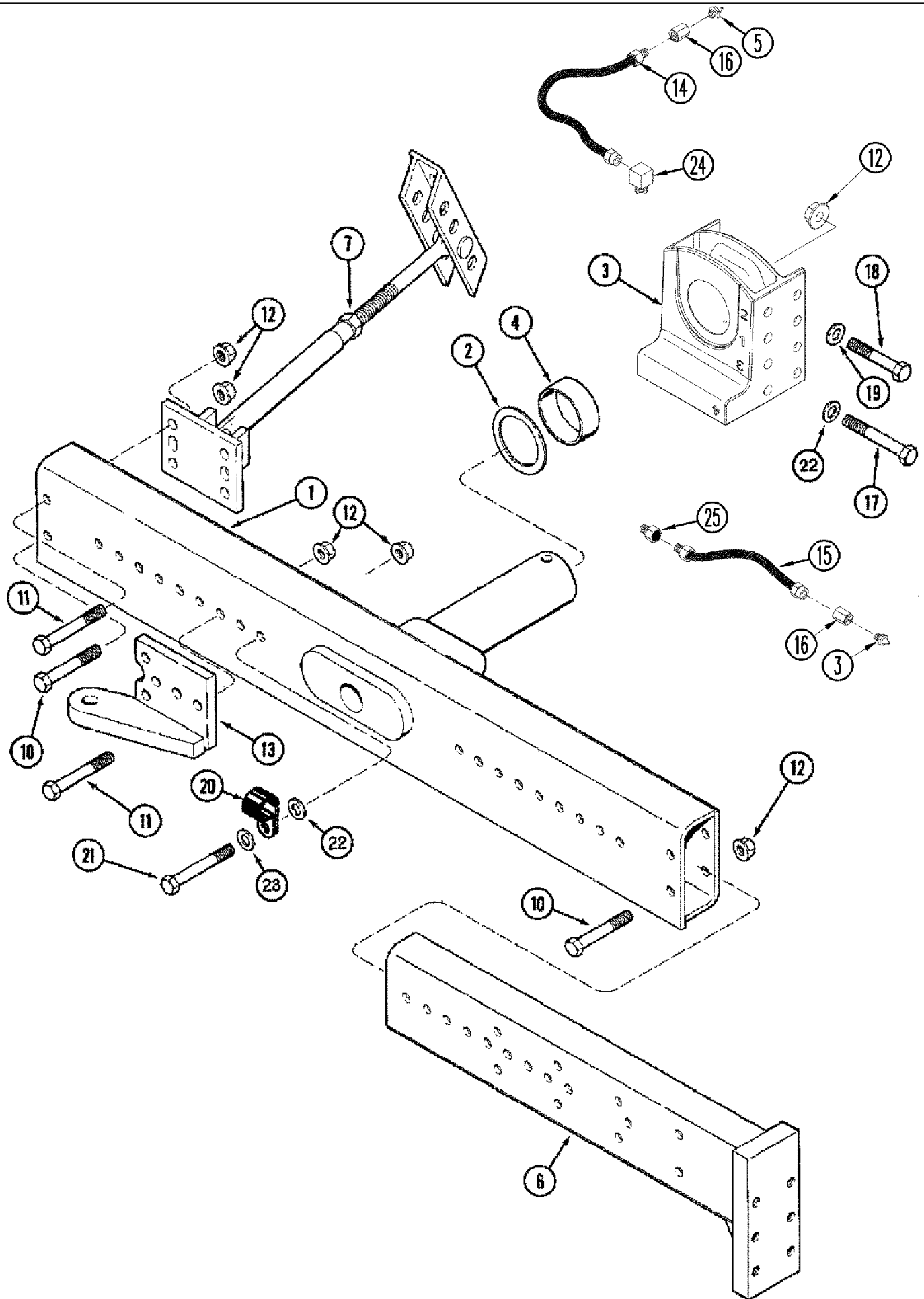
сылка	Номер детали	Кол-во	Описание
1	1322258C4	1	SUPPORT, Steering Axle
2	426-816	12	BOLT, Hex, 1/2"-13 x 1", G8, Full Thd,
3	232-5138	12	NUT, Flg, USR, 1/2"-13, G8,
4	426-1224	4	BOLT, Hex, 3/4"-10 x 1 1/2", G8, 3/4 x 1-1/2; 8
5	496-21081	8	WASHER, 13/16" x 1 1/2" x .179", HDN,
6	232-51312	8	NUT, Flg, USR, 3/4"-10,
7	177748C1	12	SPACER, 13/16 x 1-1/4 x 2-13/16
8	182795C1	1	BUSHING, Axle Pivot
9	439-11288	1	PIN, HEADED, 3/4" x 5 1/2", 3/4 x 5-1/2; 2
10	432-1620	1	PIN, SPLIT (COTTER), 1/4" x 1 1/4", 1/4" x 1 1/4"
11	168385C2	AR	WASHER,
12	219-87	2	NIPPLE, LUBE, 1/4"-28 x .56" lg, Self-Tap,
13	182792C96	1	SUPPORT, Front, Inc. 14
14	182794C1	2	RING,
15	326-1272	4	BOLT, Hex, 3/4"-10 x 4 1/2", G8,
16	1970206C1	2	BRACKET,
17	181444C1	2	TIE-ROD,
18	181442C3	2	EYEBOLT,
19	1541603C1	2	SUPPORT, Front
20	425-1016	2	NUT, 1"-8, G5,
21	439-11456	2	PIN, HEADED, 7/8" x 3 1/2", 7/8 x 3-1/2; 2
22	439-11456	2	PIN, HEADED, 7/8" x 3 1/2", 7/8 x 3-1/2; 2
23	426-824	6	BOLT, Hex, 1/2"-13 x 1 1/2", G8, Full Thd,
24	432-1620	AR	PIN, SPLIT (COTTER), 1/4" x 1 1/4", 1/4" x 1 1/4"
25	316710A1	1	BAR, Shoe Seal
26	316712A1	1	SEAL, Rubber Shoe
27	477-73116	6	SCREW, Sltd Serr Truss Hd, 5/16"-18 x 1", 5/16 x 1, Used with 316710A1, 316712A1



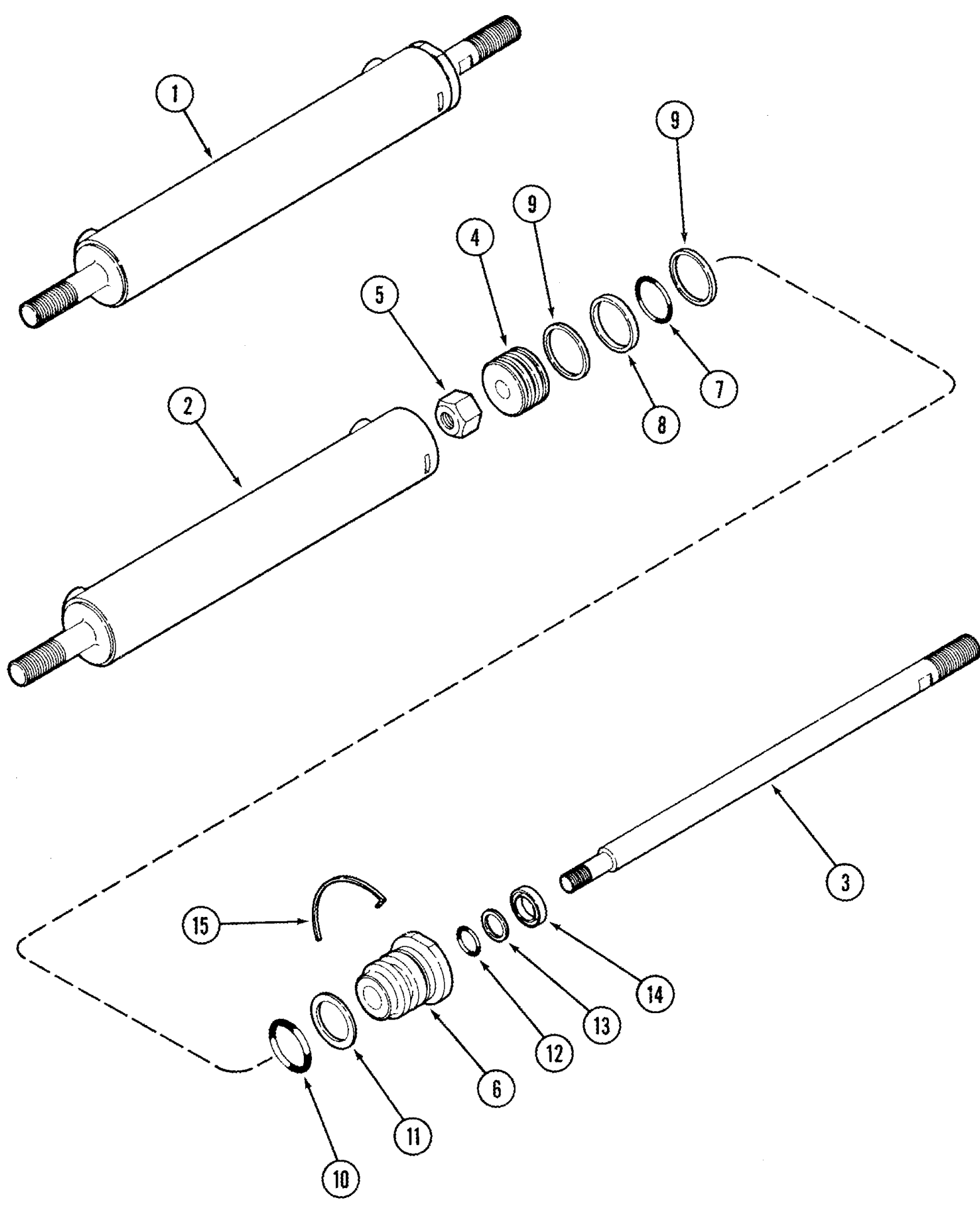
сылка	Номер детали	Кол-во	Описание
1	419868A2	1	SUPPORT, Steering Axle
2	426-816	12	BOLT, Hex, 1/2"-13 x 1", G8, Full Thd,
3	232-5138	12	NUT, Flg, USR, 1/2"-13, G8,
4	426-1224	4	BOLT, Hex, 3/4"-10 x 1 1/2", G8, 3/4 x 1-1/2; 8
5	496-21081	8	WASHER, 13/16" x 1 1/2" x .179", HDN,
6	232-51312	8	NUT, Flg, USR, 3/4"-10,
7	177748C1	12	SPACER, 13/16 x 1-1/4 x 2-13/16
8	182795C1	1	BUSHING, Axle Pivot
9	439-11288	1	PIN, HEADED, 3/4" x 5 1/2", 3/4 x 5-1/2; 2
10	432-1620	1	PIN, SPLIT (COTTER), 1/4" x 1 1/4", 1/4" x 1 1/4"
11	168385C2	AR	WASHER,
12	219-87	1	NIPPLE, LUBE, 1/4"-28 x .56" lg, Self-Tap,
12	219-93	1	NIPPLE, LUBE, 90с, 1/4" NPT x .75" lg, Drive, 1/4, 90 deg
13	182792C97	1	SUPPORT, Front, Inc. 14
14	182794C1	2	RING,
15	326-1272	4	BOLT, Hex, 3/4"-10 x 4 1/2", G8,
16	1970206C1	2	BRACKET,
17	181444C1	2	TIE-ROD,
18	181442C3	2	EYEBOLT,
19	1541603C1	2	SUPPORT, Front
20	425-1016	2	NUT, 1"-8, G5,
21	439-11456	2	PIN, HEADED, 7/8" x 3 1/2", 7/8 x 3-1/2; 2
22	439-11456	2	PIN, HEADED, 7/8" x 3 1/2", 7/8 x 3-1/2; 2
23	426-824	6	BOLT, Hex, 1/2"-13 x 1 1/2", G8, Full Thd,
24	432-1620	AR	PIN, SPLIT (COTTER), 1/4" x 1 1/4", 1/4" x 1 1/4"
25	316710A1	1	BAR, Shoe Seal
26	316712A1	1	SEAL, Rubber Shoe
27	477-73116	6	SCREW, Sltd Serr Truss Hd, 5/16"-18 x 1", 5/16 x 1, Used with 316710A1, 316712A1
28	219-418	1	ADAPTER, 1/4"-1/8 NPTF,
29	219-438	1	ADAPTER, 45с, 1/4"-1/8 NPTF,
30	431749A1	1	HOSE, 892 mm (35 in.)
31	428285A1	1	HOSE, FLEXIBLE, 1129 mm (44-1/2 in.)
32	477-73112	1	BOLT, Slotted Tr Hd, 5/16"-18 x 3/4",
33	515-22254	1	CLAMP, 1", Insul, 5/16" Bolt,
34	231-5145	1	NUT, Flg, USR, 5/16"-18,
35	276-14912	1	SCREW, SELF TAPPING, Hex Hd, 3/8" x 3/4",
36	515-23317	1	CLAMP, 1 1/4", Insul, 3/8" Bolt,
37	F53473	2	NUT, 1/8
38	219-8	2	NIPPLE, LUBE, 1/4"-28 NPT x .54" lg,



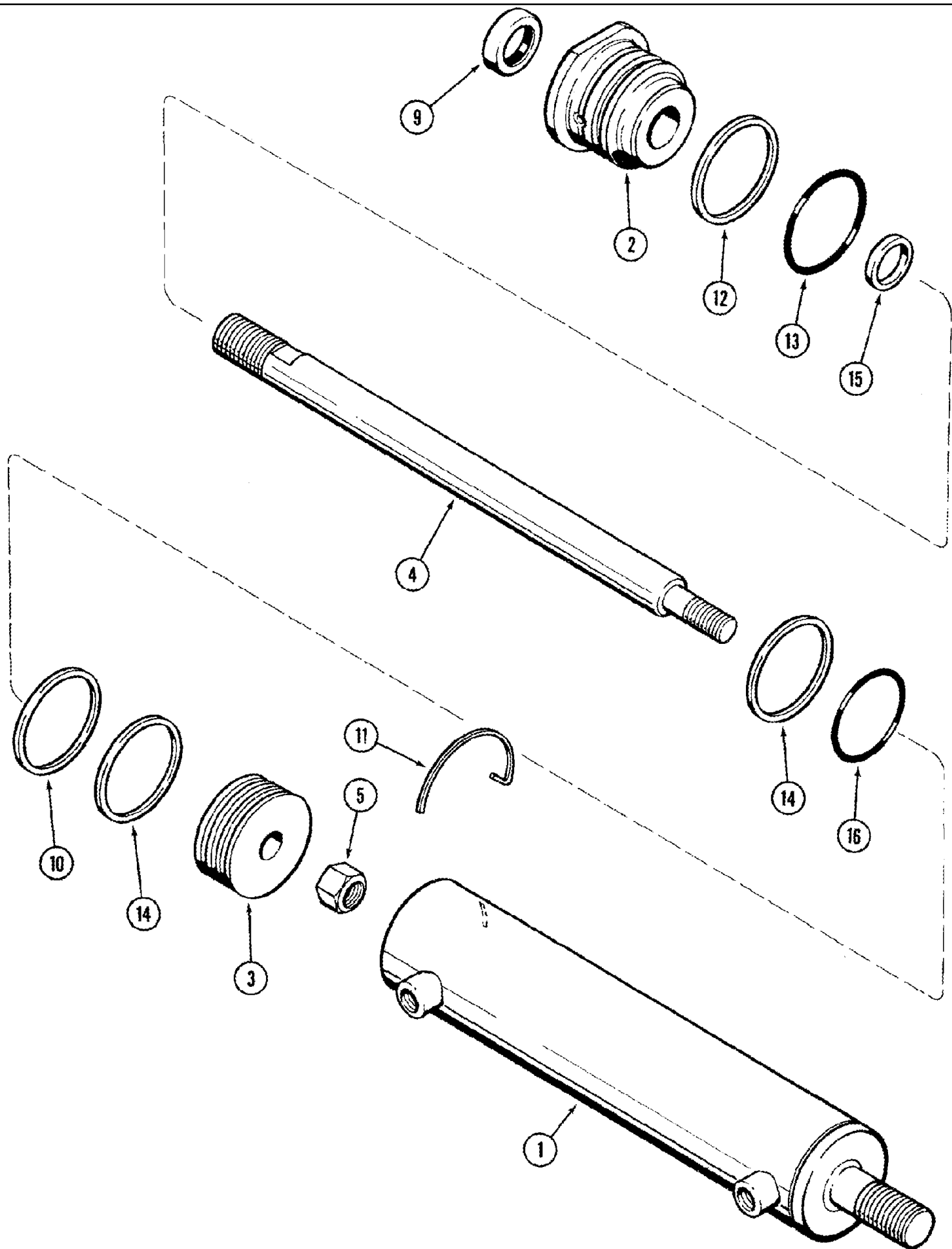
сылка	Номер детали	Кол-во	Описание
1	1968991C1	1	AXLE, Adjustable, 108 to 144 Inch
2	168385C2	4	WASHER,
3	186599C94	1	SUPPORT, Axle Pivot, Inc. 4
4	177751C1	2	BUSHING,
5	219-93	2	NIPPLE, LUBE, 90с, 1/4" NPT x .75" lg, Drive, 1/4 tpr x 3/4
5A	219-87	1	NIPPLE, LUBE, 1/4"-28 x .56" lg, Self-Tap,
6	1968992C1	2	AXLE, 108 to 144 inch
7	REF	2	INSTRUCTION, SUPPORT ASSY., See Figure 05-22 (01), Ref. 16 - 24
10	413-1280	10	BOLT, Hex, 3/4"-10 x 5", G5, 3/4 x 5
11	326-1288	4	BOLT, Hex, 3/4"-10 x 5 1/2", G8,
12	232-51312	AR	NUT, Flg, USR, 3/4"-10,
13	1968993C1	1	SUPPORT,
14	1979114C1	1	STRAP, Tow, 51 mm Drop
15	326-1048	2	BOLT, Hex, 5/8"-11 x 3", G8,
16	231-51410	2	NUT, Flg, USR, 5/8"-11,
17	326-1288	2	BOLT, Hex, 3/4"-10 x 5 1/2", G8,
18	326-1272	6	BOLT, Hex, 3/4"-10 x 4 1/2", G8,
19	496-21081	5	WASHER, 13/16" x 1 1/2" x .179", HDN,
20	195618A1	1	CLAMP,
21	326-1296	1	BOLT, Hex, 3/4"-10 x 6", G8,
22	396-41081	3	WASHER, 13/16" x 1 3/4" x .219", HDN, 13/16 x 1-3/4 x 7/32
23	495-11081	1	WASHER, 3/4", SAE,



сылка	Номер детали	Кол-во	Описание
1	413204A1	1	AXLE, Adjustable, 108 to 144 Inch
2	168385C2	4	WASHER,
3	386235A2	1	SUPPORT, Axle Pivot, Inc. 4
4	177751C1	2	BUSHING,
5	219-8	2	NIPPLE, LUBE, 1/4"-28 NPT x .54" lg,
6	1968992C1	2	AXLE, 108 to 144 inch
7	REF	2	INSTRUCTION, SUPPORT ASSY., See Figure 05-22 (02), Ref. 16 - 24
10	413-1280	10	BOLT, Hex, 3/4"-10 x 5", G5, 3/4 x 5
11	326-1288	5	BOLT, Hex, 3/4"-10 x 5 1/2", G8,
12	232-51312	AR	NUT, Flg, USR, 3/4"-10,
13	1968993C1	1	SUPPORT,
14	431726A1	1	HOSE, 938 mm (37 in.)
15	428293A1	1	HOSE, FLEXIBLE, 1091 mm (43 in.)
16	F53473	2	NUT, 1/8
17	326-1288	2	BOLT, Hex, 3/4"-10 x 5 1/2", G8,
18	326-1272	6	BOLT, Hex, 3/4"-10 x 4 1/2", G8,
19	496-21081	5	WASHER, 13/16" x 1 1/2" x .179", HDN,
20	195618A1	1	CLAMP,
21	326-1296	2	BOLT, Hex, 3/4"-10 x 6", G8,
22	396-41081	3	WASHER, 13/16" x 1 3/4" x .219", HDN, 13/16 x 1-3/4 x 7/32
23	495-11081	1	WASHER, 3/4", SAE,
24	219-439	1	ADAPTER, 90€, 1/4"-1/8 NPTF,
25	219-418	1	ADAPTER, 1/4"-1/8 NPTF,

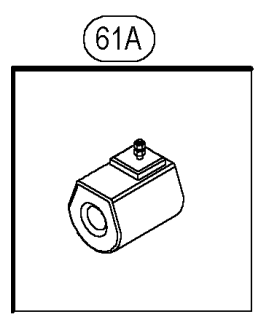
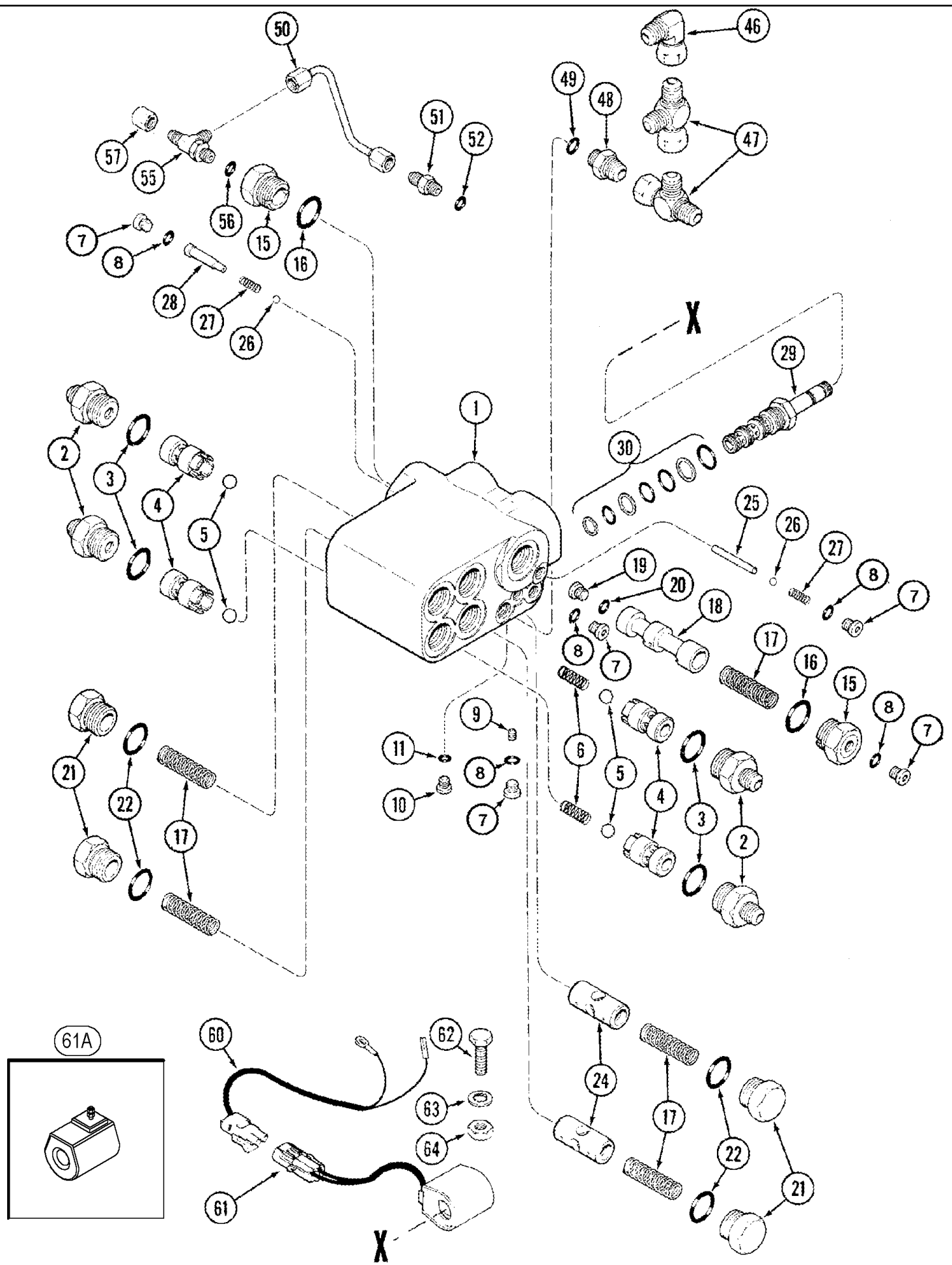


сылка	Номер детали	Кол-во	Описание
1	548247R91	1	CYLINDER ASSY., 51 ID x 229 mm strk, Inc. 2 - 15
2	NSS	1	NOT SERVICED SEPARATELY, BODY, Order: 548247R91, Ref. 1
3	548251R1	1	ROD,
4	548252R1	1	PISTON,
5	232-4609	1	NUT, LOCK, 9/16"-18, GC,
6	548354R1	1	HEAD,
	548357R91	1	KIT, Inc. 7 - 15
7	238-5129	1	O-RING, -129, 70 Duro, 1.549" ID x .103" Thk,
8	NSS	1	NOT SERVICED SEPARATELY, RING, Piston Seal
9	NSS	2	NOT SERVICED SEPARATELY, RING, Piston Bearing
10	238-6326	1	O-RING, -326, 90 Duro, 1.60" ID x .210" Thk,
11	NSS	1	NOT SERVICED SEPARATELY, WASHER, O-Ring Backup, Head
12	238-6212	1	O-RING, -212, 90 Duro, .859" ID x .139" Thk,
13	NSS	1	NOT SERVICED SEPARATELY, WASHER, O-Ring Backup, Piston
14	NSS	1	NOT SERVICED SEPARATELY, SEAL, Wiper, Piston Rod
15	NSS	1	NOT SERVICED SEPARATELY, RING, Retaining Wire



05-25 CYLINDER ASSY - STEERING - POWER GUIDE AXLE

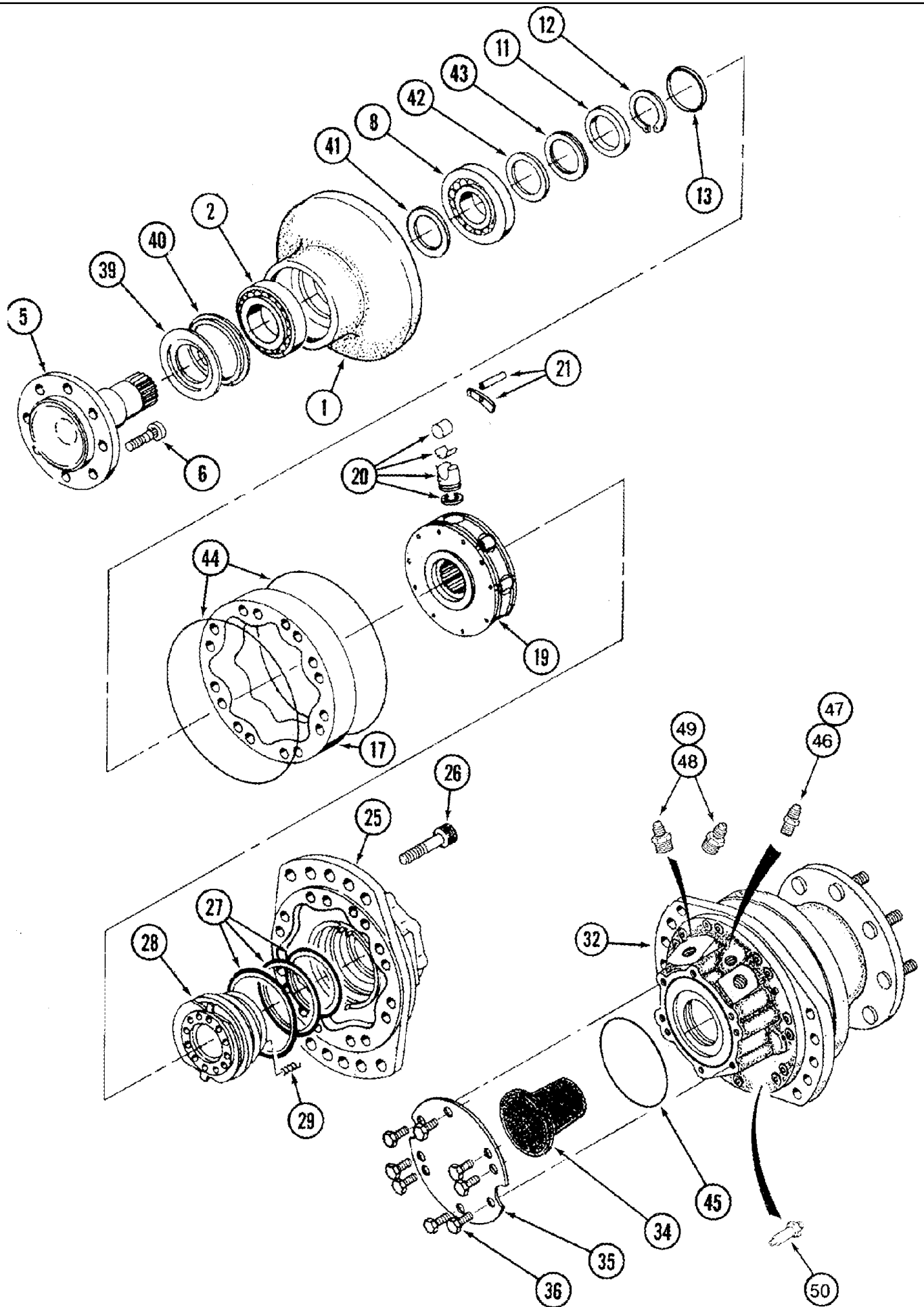
сылка	Номер детали	Кол-во	Описание
	127913C93	1	CYLINDER STEERING, 57 ID x 229 mm strk, Inc. 1 - 16, BSN JJC0253999
1	NSS	1	NOT SERVICED SEPARATELY, BODY, Order 127913C93
2	127919C1	1	GLAND,
3	127921C1	1	PISTON,
4	127920C2	1	ROD, PISTON,
5	232-46310	1	NUT, LOCK, 5/8"-11, GC,
	73661C92	1	KIT, SEALS, Inc. 9 - 16
9	G33955	1	WIPER,
10	127931C2	1	RING,
11	127922C2	1	WIRE, RETAINING, Retaining, Cut 178 mm (7 in) From 140600C1
12	127933C1	1	BACK-UP RING, Ring, Backup
13	238-5328	1	O-RING, -328, 70 Duro, 1.85" ID x .210" Thk, Packing Gland
14	127932C1	2	RING, Backup
15	389500A1	1	SEAL, Teflon, Piston
16	238-5133	1	O-RING, -132, 70 Duro, 1.799" ID x .103" Thk, Piston
	1958024C1	1	CYLINDER STEERING, 64 ID x 229 mm strk, Inc. 1 - 16, BSN JJC0253999 , ASN JJC0255700
1	NSS	1	NOT SERVICED SEPARATELY, BODY, Order 1958024C1
2	1958020C1	1	GLAND,
3	1958021C1	1	PISTON,
4	127920C2	1	ROD, PISTON,
5	232-46310	1	NUT, LOCK, 5/8"-11, GC,
	1971520C1	1	KIT, SEALS, Inc. 9 - 16
9	G33955	1	WIPER, Piston Rod
10	379959R1	1	RING, SEAL
11	385133R1	1	WIRE, RETAINING,
12	378733R1	1	RING,
13	238-6330	1	O-RING, -329, 90 Duro, 2.100" ID x .210" Thk, Packing Gland
14	379960R1	2	SEALRING,
15	389500A1	1	SEAL, Teflon, Piston
16	238-5137	1	O-RING, -137, 90 Duro, 2.05" ID x .103" Thk, Piston



05-26 VALVE, SELECTOR CONTROL - POWER GUIDE AXLE

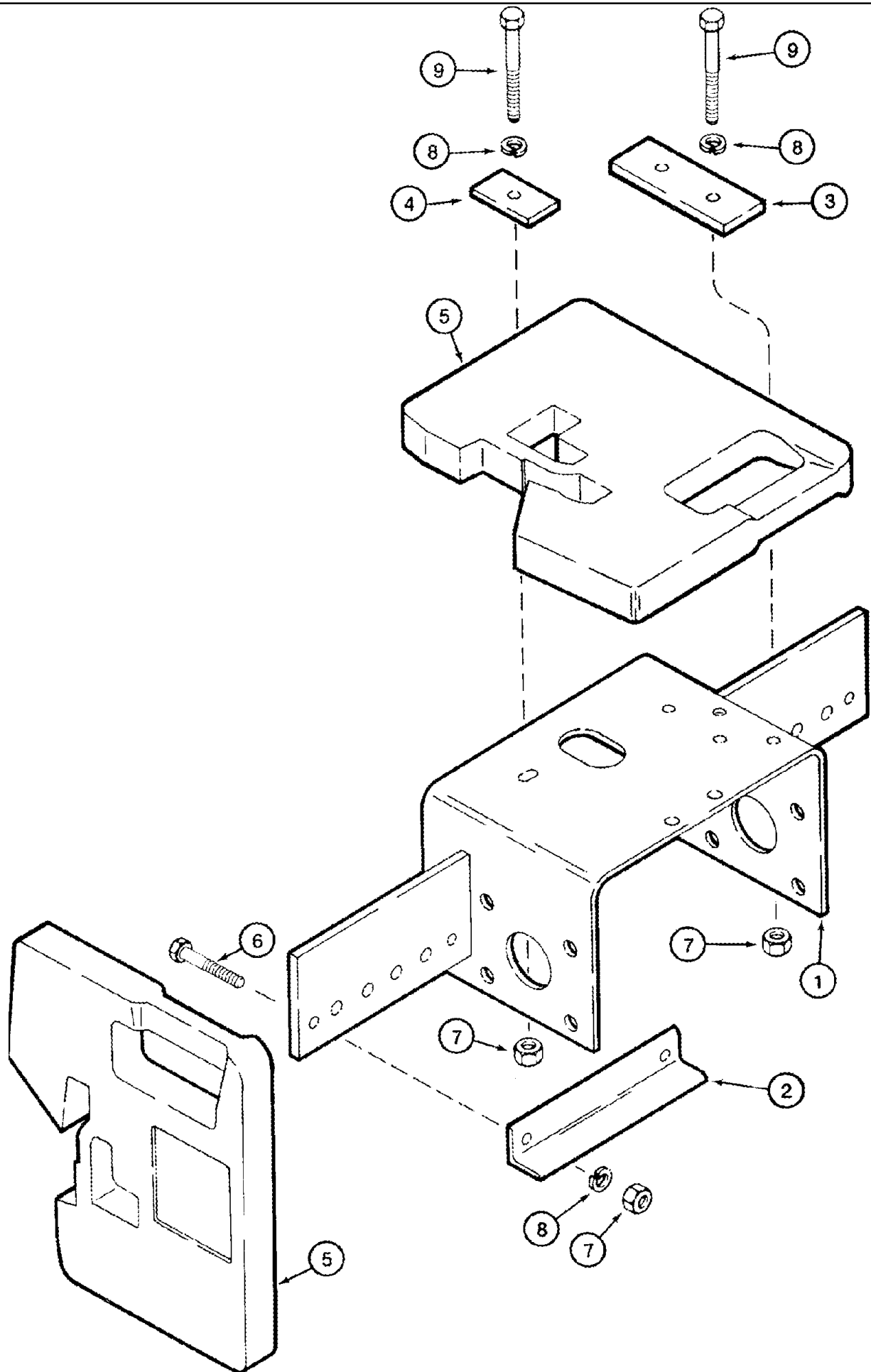
сылка	Номер детали	Кол-во	Описание
	1978000C1	1	VALVE, Selector, Rear Wheel Assist, Inc. 1 - 30
1	NSS	1	NOT SERVICED SEPARATELY, BODY, Order 1978000C1
2	218-5070	4	CONNECTOR, HYD., 3/4"-16, 37e x 1 1/16"-12, O-Ring, 3/4 fl x 1-1/16, Inc. 3
3	237-6012	1	O-RING, 12-1, 90 Duro, .924 ID x .118" Thk,
4	NSS	4	NOT SERVICED SEPARATELY, SEAT, Check Ball
5	NSS	4	NOT SERVICED SEPARATELY, 9/16 in. dia., Ball, Check
6	NSS	2	NOT SERVICED SEPARATELY, SPRING Check, Reverse
7	278548	6	PLUG, Hex Soc, 7/16"-20 ORB, Incl. 8
8	237-6004	1	O-RING, 4-1, 90 Duro, .351" ID x .072" Thk,
9	NSS	1	NOT SERVICED SEPARATELY, ORIFICE
10	218-5151	1	PLUG, Hex Hd, 5/16"-24 ORB, 5/16, Inc. 11
11	237-6002	1	O-RING, 2-1, .239" ID x .064" Thk,
15	1970176C1	2	PLUG,
16	237-6012	2	O-RING, 12-1, 90 Duro, .924 ID x .118" Thk,
17	NSS	5	NOT SERVICED SEPARATELY, SPRING, Flow Divider and Selector Spool
18	NSS	1	NOT SERVICED SEPARATELY, SPOOL, Selector
19	NSS	1	NOT SERVICED SEPARATELY, PLUG
20	237-6004	1	O-RING, 4-1, 90 Duro, .351" ID x .072" Thk,
21	1979118C1	4	PLUG,
22	237-6012	4	O-RING, 12-1, 90 Duro, .924 ID x .118" Thk,
24	NSS	2	NOT SERVICED SEPARATELY, SPOOL, Flow Divider
25	NSS	1	NOT SERVICED SEPARATELY, PIN, Dowel
26	211-1010	2	BALL, 5/16" Dia, 5/16; 24, CRS
27	NSS	2	NOT SERVICED SEPARATELY, SPRING, Shuttle, Low Priority
28	NSS	1	NOT SERVICED SEPARATELY, SPACER
29	187849C1	1	VALVE, SOLENOID, 4-Way, Cartridge Only, Inc. 30
30	187850C1	1	KIT, SEALS,
46	218-5230	1	ELBOW, 90e, 3/4"-16, 37e x 3/4"-16, 37e Fem Sw,
47	218-845	2	TEE, 37e, 3/4"-16 x 3/4"-16, Fem Sw Run, 3/4 fl br x fl x sw
48	218-5351	1	CONNECTOR, HYD., 3/4"-16, 37e x 9/16"-18, O-Ring, 3/4 fl x 9/16, Inc. 49
49	237-6006	1	O-RING, 6-1, 90 Duro, .468" ID x .078" Thk,
50	1970140C1	1	TUBE, HYD, Charge Pressure
51	218-5053	1	CONNECTOR, HYD., 7/16"-20, 37e x 7/16"-20, O-Ring, Incl. 52
52	237-6004	1	O-RING, 4-1, 90 Duro, .351" ID x .072" Thk,
55	218-5289	1	TEE, 7/16"-20, 37e x 7/16"-20, O-Ring Run, Inc. 56
56	237-6004	1	O-RING, 4-1, 90 Duro, .351" ID x .072" Thk,
57	218-752	1	CAP, 37e, 7/16"-20,
	1345300C1	1	KIT, Inc. 60 - 64, Included With 1978000C1
60	1345302C1	1	HARNESS, WIRE, SOLENOID
61	1340843C1	1	COIL, 12 V, Two Wire
61A	87301234	1	COIL, COIL 12V, Single Wire, If Used
62	413-616	1	BOLT, Hex, 3/8"-16 x 1", G5, Full Thd,
63	493-11039	1	WASHER, LOCK, 3/8", Int-Ext Tooth,

сылка	Номер детали	Кол-во	Описание
64	425-106	1	NUT, 3/8"-16, G5,



05-27 MOTOR ASSY - WHEEL DRIVE - POWER GUIDE AXLE

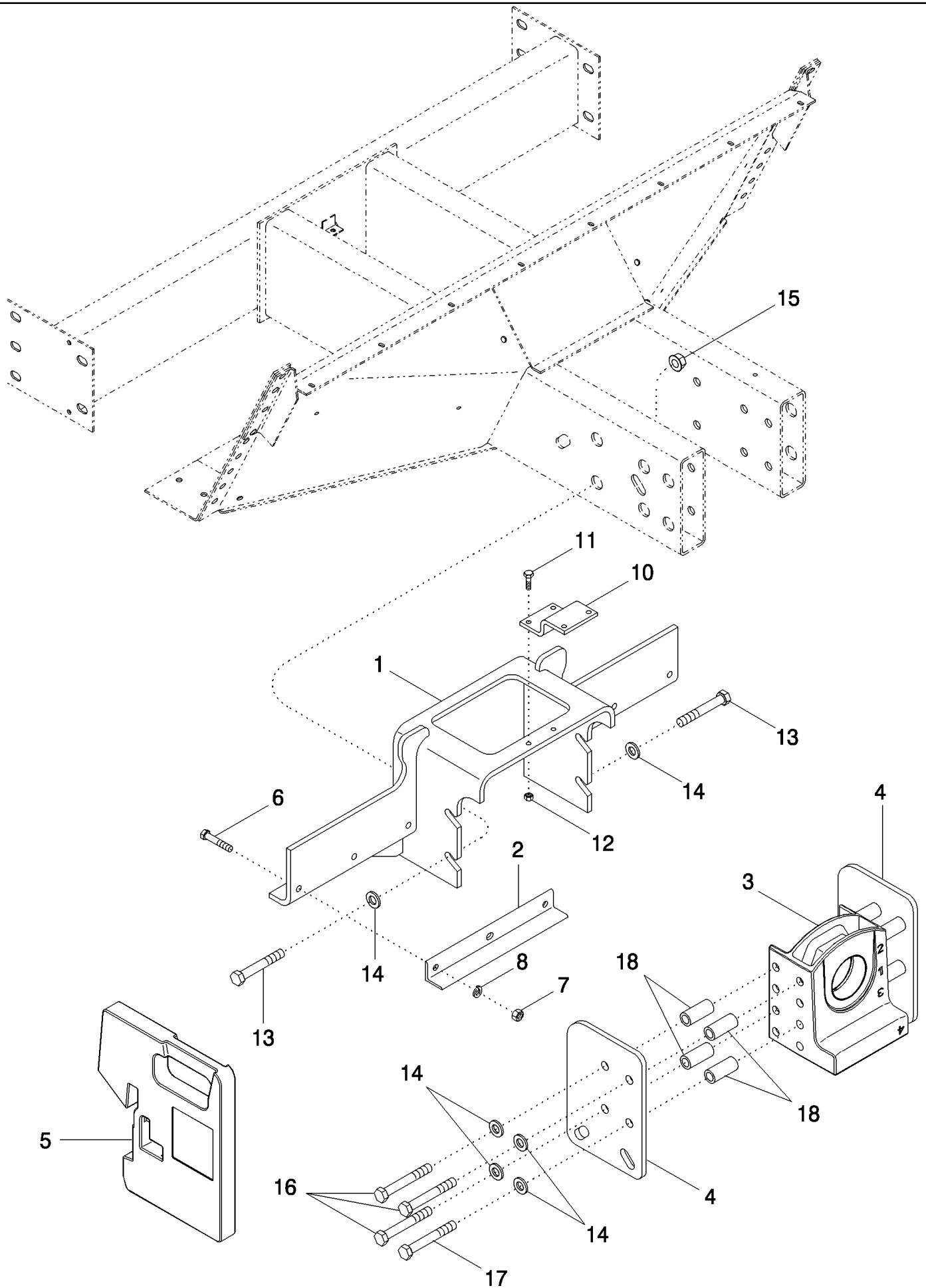
сылка	Номер детали	Кол-во	Описание
	121436A1	2	MOTOR, HYDRAULIC, Wheel Drive, Inc. 1 - 50, BSN JJC0256605
	87300716	2	MOTOR, HYDRAULIC, Wheel Drive, Inc. 1 - 32, 35 - 50, ASN JJC0256606
1	NSS	1	NOT SERVICED SEPARATELY, HOUSING
2	305405A1	1	BEARING, BALL, Outer
5	NSS	1	NOT SERVICED SEPARATELY, SHAFT Wheel Hub
6	1970151C1	8	STUD,
8	NSS	1	NOT SERVICED SEPARATELY, BEARING Ball, Inner
11	NSS	1	NOT SERVICED SEPARATELY, SPACER
12	NSS	1	NOT SERVICED SEPARATELY, RING Snap
13	NSS	1	NOT SERVICED SEPARATELY, RETAINER
17	NSS	1	NOT SERVICED SEPARATELY, RING
19	NSS	1	NOT SERVICED SEPARATELY, BLOCK Cylinder
20	NSS	10	NOT SERVICED SEPARATELY, KIT Piston
21	NSS	1	NOT SERVICED SEPARATELY, KIT Retainer
25	NSS	1	NOT SERVICED SEPARATELY, COVER
26	NSS	16	NOT SERVICED SEPARATELY, BOLT
27	1978004C1	1	KIT, SEALS, Used With Ref. 28
28	NSS	1	NOT SERVICED SEPARATELY, BLOCK Valve
29	NSS	8	NOT SERVICED SEPARATELY, SPRING
32	NSS	1	NOT SERVICED SEPARATELY, HOUSING Wheel
34	1970394C2	1	DIAPHRAGM,
35	1978005C1	1	COVER,
36	NSS	8	NOT SERVICED SEPARATELY, BOLT Cover
	1978008C1	1	KIT, SEALS, Inc. 39 - 44, BSN JJC0256605
	87300718	1	KIT, SEALS, Inc. 39 - 44, ASN JJC0256606
39	NSS	1	NOT SERVICED SEPARATELY, DEFLECTOR
40	NSS	1	NOT SERVICED SEPARATELY, SEAL
41	NSS	1	NOT SERVICED SEPARATELY, SEAL
42	NSS	1	NOT SERVICED SEPARATELY, WASHER
43	NSS	1	NOT SERVICED SEPARATELY, KIT
44	NSS	2	NOT SERVICED SEPARATELY, O-RING
45	238-5162	1	O-RING, -162, 70 Duro, 5.737" ID x .103" Thk,
46	218-5059	1	CONNECTOR, HYD., 3/4"-16, 37e x 3/4"-16, O-Ring, 3/4 fl x, Inc. 47
47	237-6008	1	O-RING, 8-1, 90 Duro, .644" ID x .087" Thk,
48	218-5064	2	CONNECTOR, HYD., 1 1/16"-12, 37e x 1 1/16"-12, O-Ring, 1-1/16-12 fl x, Inc. 49
49	237-6012	1	O-RING, 12-1, 90 Duro, .924 ID x .118" Thk,
50	121434A1	1	ADAPTER, Flush Port, English Thread



Note: Do not use weights and brackets on a combine equipped with a Power Guide Axle.

сылка	Номер детали	Кол-во	Описание
1	185365C3	1	SUPPORT, No Longer Available, See Figure 05-28 (02), Ref. 1
2	1308872C1	2	BRACKET,
3	178434C1	1	CLAMP,
4	561838R1	1	PLATE,
5	148347C1	AR	PACKAGE, WEIGHT, 100 lb, Order From Machinery Price List
6	413-840	4	BOLT, Hex, 1/2"-13 x 2 1/2", G5, 1/2 x 2-1/2
7	231-4248	6	NUT, LOCK, 1/2"-13, GB,
8	80679	7	WASHER, LOCK, 1/2",
9	413-888	3	BOLT, Hex, 1/2"-13 x 5 1/2", G5, .5 x 5.5 UNC GR5 YZD
10	326-1280	8	BOLT, Hex, 3/4"-10 x 5", G8, Not Illustrated

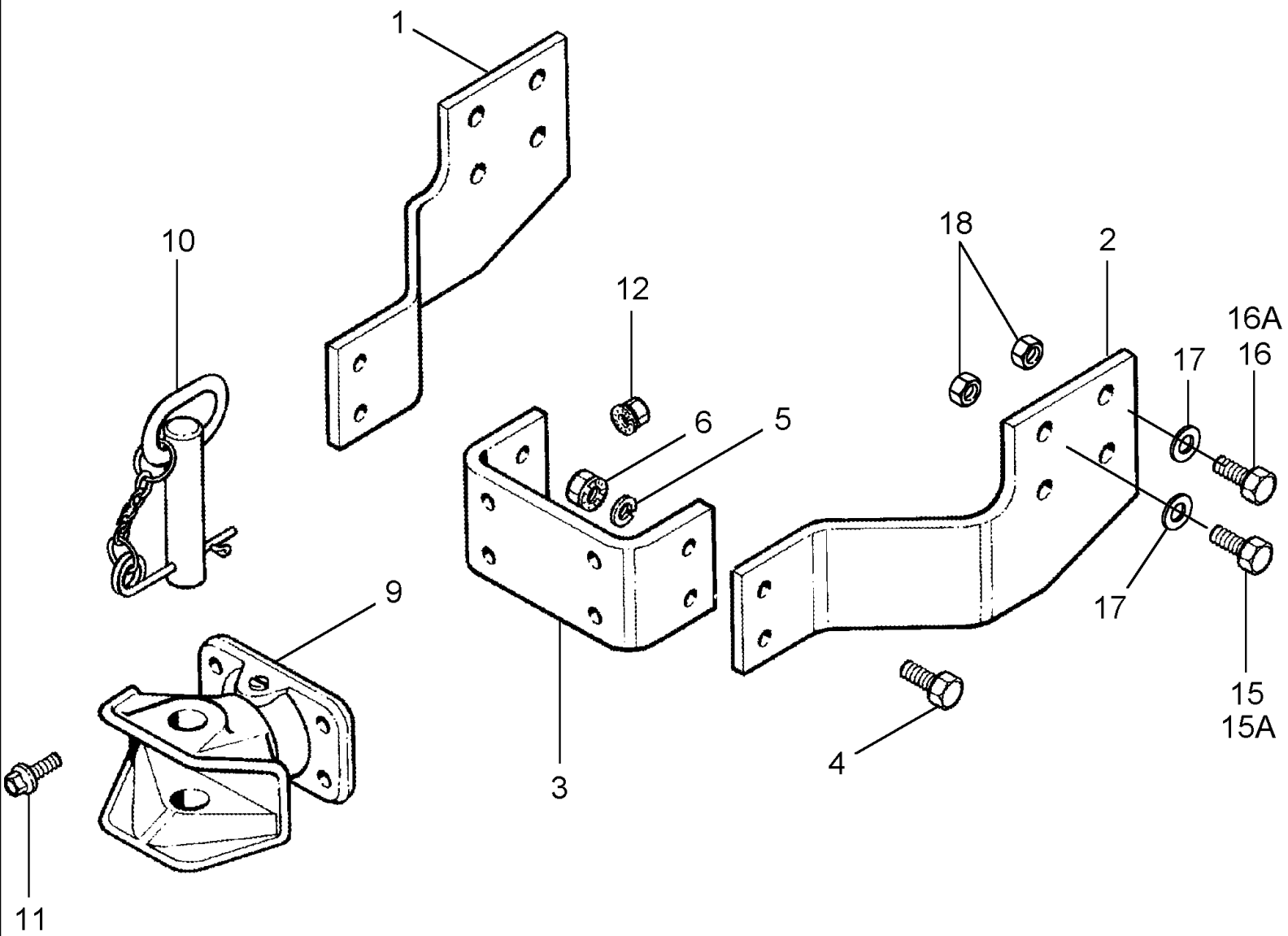
Note: Do not use weights and brackets on a combine equipped with a Power Guide Axle.



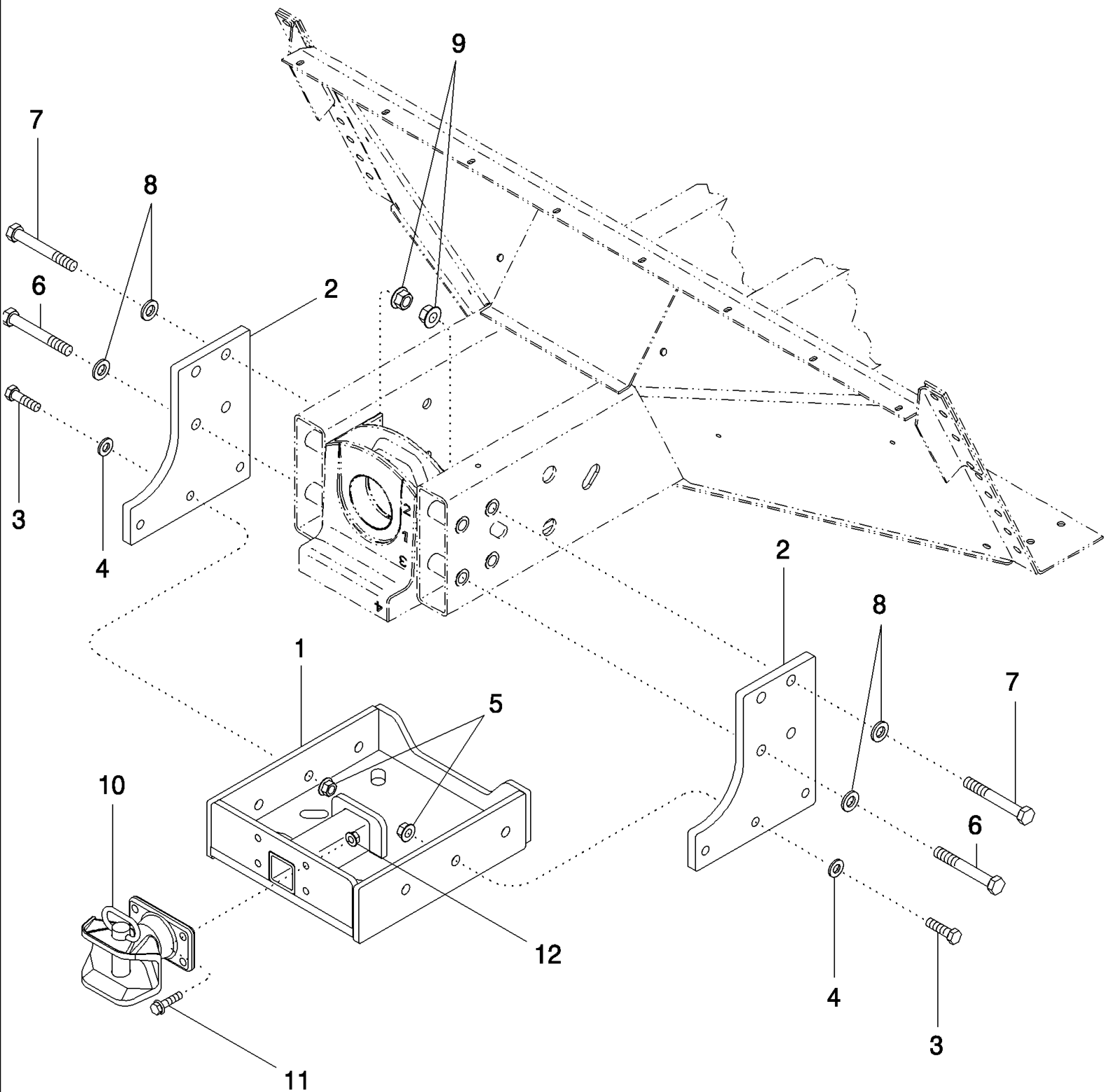
Note: Do not use weights and brackets on a combine equipped with a Power Guide Axle.

сылка	Номер детали	Кол-во	Описание
1	428191A1	1	SUPPORT ASSY., , BTW JJC0254000 & JJC0254999
1	431786A1	1	BRACKET, , ASN JJC0255000
2	292361A2	2	ANGLE,
3	386235A1	1	SUPPORT, Rear Axle
4	404422A1	2	ANCHOR, Shipping
5	148347C1	AR	PACKAGE, WEIGHT, 100 lbs., Order From Machinery Price List
6	413-840	4	BOLT, Hex, 1/2"-13 x 2 1/2", G5, 1/2 x 2-1/2
7	231-4248	4	NUT, LOCK, 1/2"-13, GB,
8	80679	4	WASHER, LOCK, 1/2",
10	406560A1	1	SUPPORT, Power Guide Axle
11	413-620	4	BOLT, Hex, 3/8"-16 x 1 1/4", G5, Full Thd,
12	231-5146	4	NUT, Flg, USR, 3/8"-16,
13	326-1280	4	BOLT, Hex, 3/4"-10 x 5", G8,
14	496-21081	12	WASHER, 13/16" x 1 1/2" x .179", HDN,
15	232-51312	12	NUT, Flg, USR, 3/4"-10,
16	326-1288	6	BOLT, Hex, 3/4"-10 x 5 1/2", G8,
17	326-1296	2	BOLT, Hex, 3/4"-10 x 6", G8,
18	177748C1	8	SPACER,

Note: Do not use weights and brackets on a combine equipped with a Power Guide Axle.



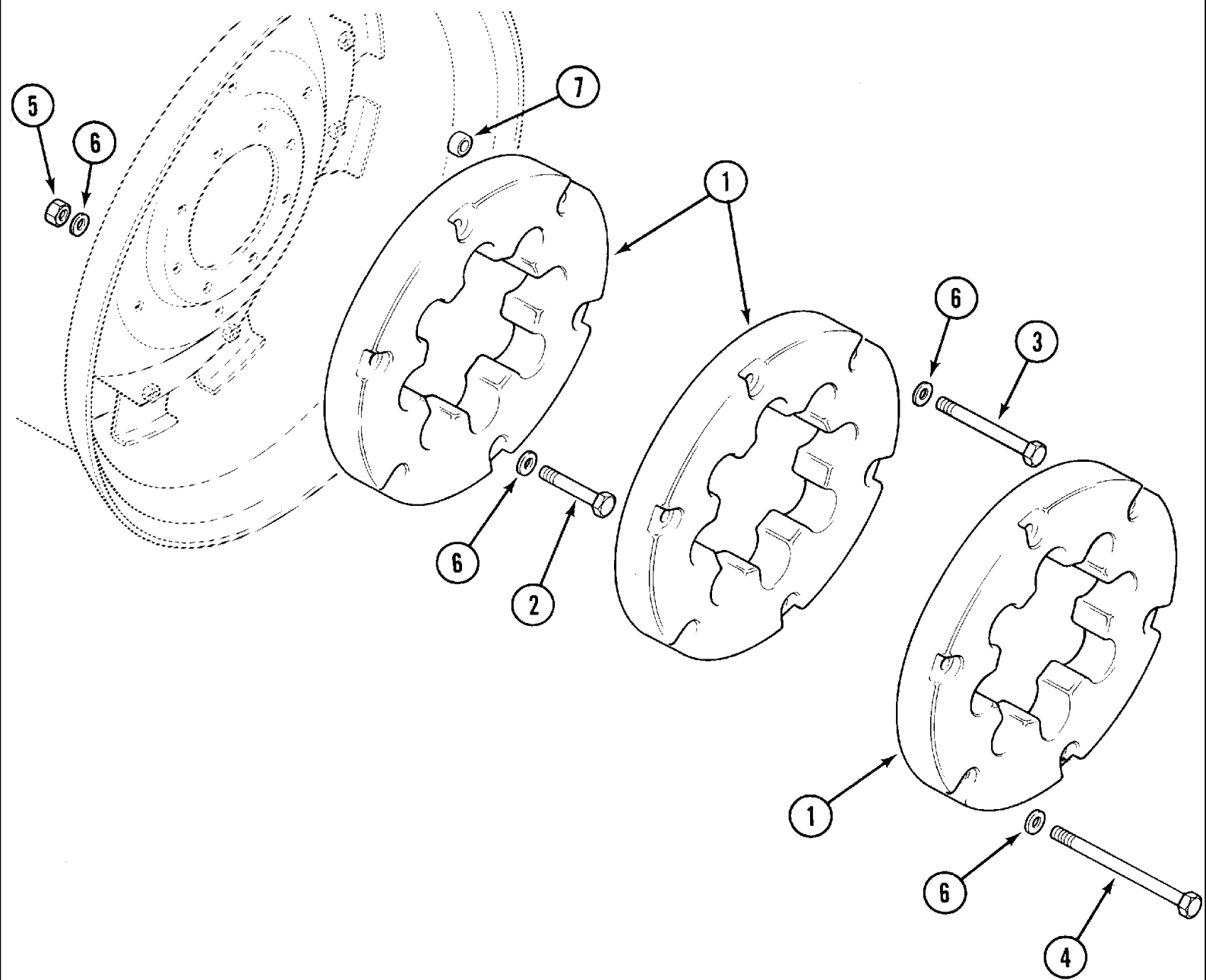
сылка	Номер детали	Кол-во	Описание
1	1311092C4	1	SUPPORT, Trailer Hitch, Left Hand, 92 to 120 Inch Adjustable Axle
1	1979841C2	1	SUPPORT, Trailer Hitch, Left Hand, With Power Guide Axle
2	1311093C4	1	SUPPORT, Trailer Hitch, Right Hand, 92 to 120 Inch Adjustable Axle
2	1979842C2	1	SUPPORT, Trailer Hitch, Right Hand, With Power Guide Axle
3	1311094C1	1	BRACKET,
4	413-1036	4	BOLT, Hex, 5/8"-11 x 2 1/4", G5, 5/8 x 2-1/4
5	492-11062	4	WASHER, LOCK, 5/8",
6	425-1010	4	NUT, 5/8"-11, G5,
9	1311089C91	1	HOOK, Inc. 10
10	1311090C1	1	PIN, No Longer Available, Order 1311089C91
11	409-7832	4	BOLT, Hex Flg, 1/2"-13 x 2", Serr, 1/2 x 2
12	231-5148	4	NUT, Flg, USR, 1/2"-13,
13	477-73112	2	BOLT, Slotted Tr Hd, 5/16"-18 x 3/4", Not Illustrated
14	231-5145	2	NUT, Flg, USR, 5/16"-18, Not Illustrated
15	326-1296	2	BOLT, Hex, 3/4"-10 x 6", G8, , Without Steer Axle Weight Support
15A	326-12104	2	BOLT, Hex, 3/4"-10 x 6 1/2", G8, , With Steer Axle Weight Support
16	326-1288	2	BOLT, Hex, 3/4"-10 x 5 1/2", G8, , Without Steer Axle Weight Support
16A	326-1296	2	BOLT, Hex, 3/4"-10 x 6", G8, , With Steer Axle Weight Support
17	496-21081	4	WASHER, 13/16" x 1 1/2" x .179", HDN,
18	232-51312	4	NUT, Flg, USR, 3/4"-10,



2366 CASE IH AXIAL-FLOW COMBINE (NA) (1/98-8/04)

05-30 HITCH, TRAILER - ASN JJC0225700

сылка	Номер детали	Кол-во	Описание
1	86993033	1	BASE, Hitch
2	86993035	2	PLATE, Position No. 1 & 2
2	86993036	2	PLATE, Position No. 3
2	86993037	2	PLATE, Position No. 4
3	326-1036	6	BOLT, Hex, 5/8"-11 x 2 1/4", G8,
4	496-21066	6	WASHER, 21/32" x 1 5/16" x .150",
5	232-51310	6	NUT, Flg, USR, 5/8"-12,
6	326-1296	2	BOLT, Hex, 3/4"-10 x 6", G8,
7	326-1288	6	BOLT, Hex, 3/4"-10 x 5 1/2", G8,
8	496-21081	8	WASHER, 13/16" x 1 1/2" x .179", HDN,
9	232-51312	8	NUT, Flg, USR, 3/4"-10,
10	1311089C91	1	HOOK,
11	409-7832	4	BOLT, Hex Flg, 1/2"-13 x 2", Serr,
12	231-5148	4	NUT, Flg, USR, 1/2"-13,

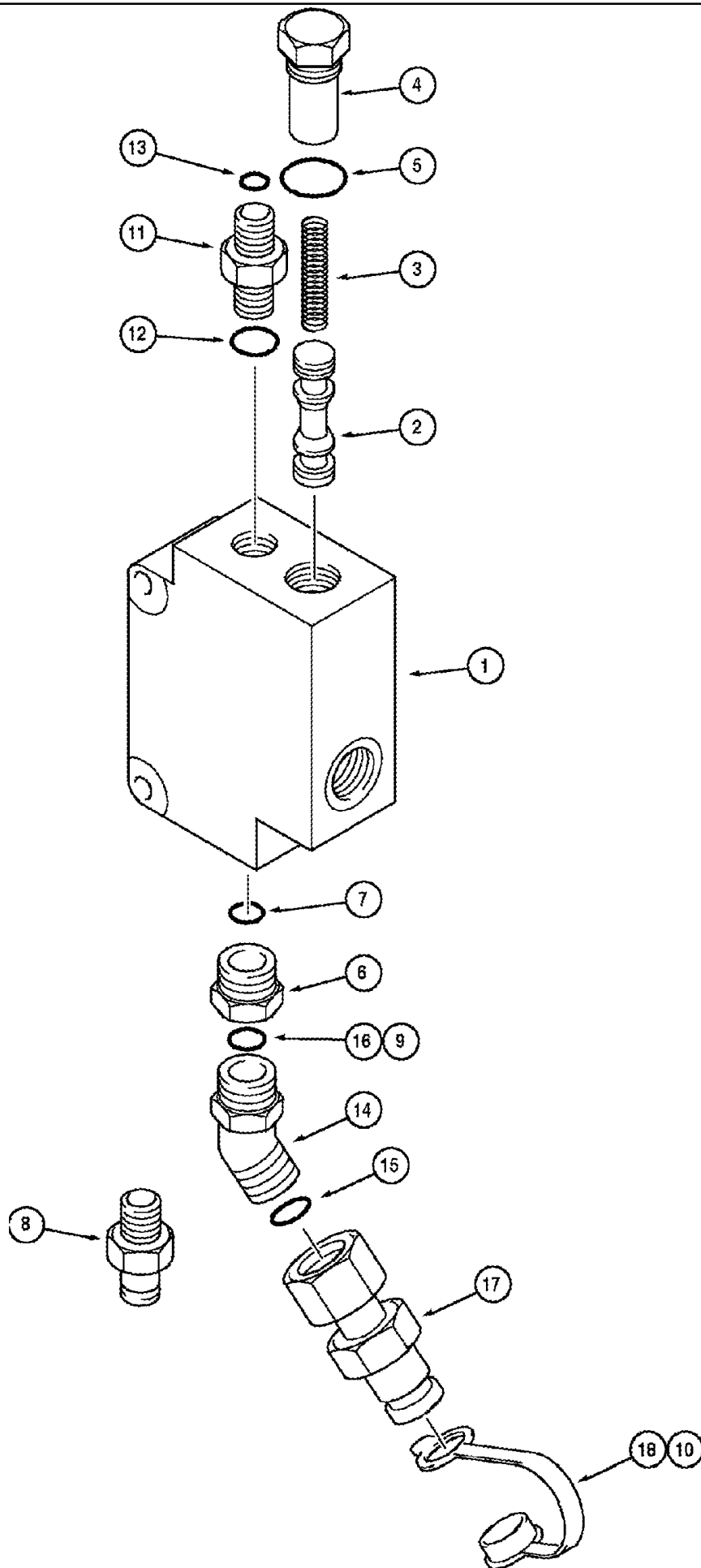


2366 CASE IH AXIAL-FLOW COMBINE (NA) (1/98-8/04)

05-31 REAR WHEEL WEIGHT, FOR USE WITH 417734A1 WHEEL

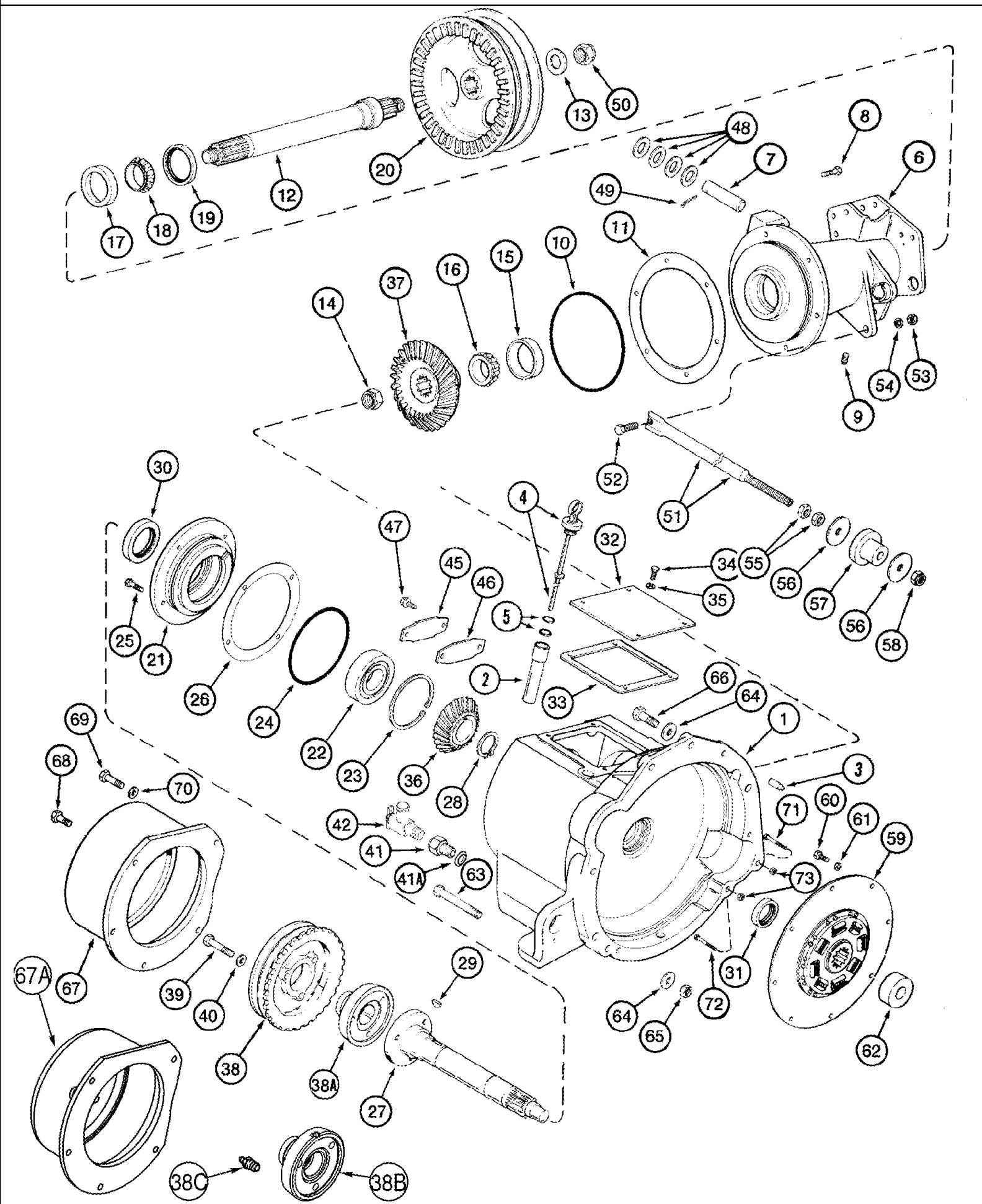
сылка	Номер детали	Кол-во	Описание
1	3140032R3	AR	WEIGHT,
2	814-16115	4	SCREW, M16 x 115; 8.8, 1st Set
3	814-16190	4	BOLT, Hex, M16 x 190, 8.8, 2nd Set
4	814-16260	4	BOLT, Hex, M16 x 260, 8.8, 3rd Set
5	825-1416	AR	NUT, M16, CI 8,
6	896-11016	AR	WASHER, M17.5 x 30 x 4, HT,
7	1534896C1	AR	SPACER,

05-32 VALVE ASSY - STEERING PRIORITY



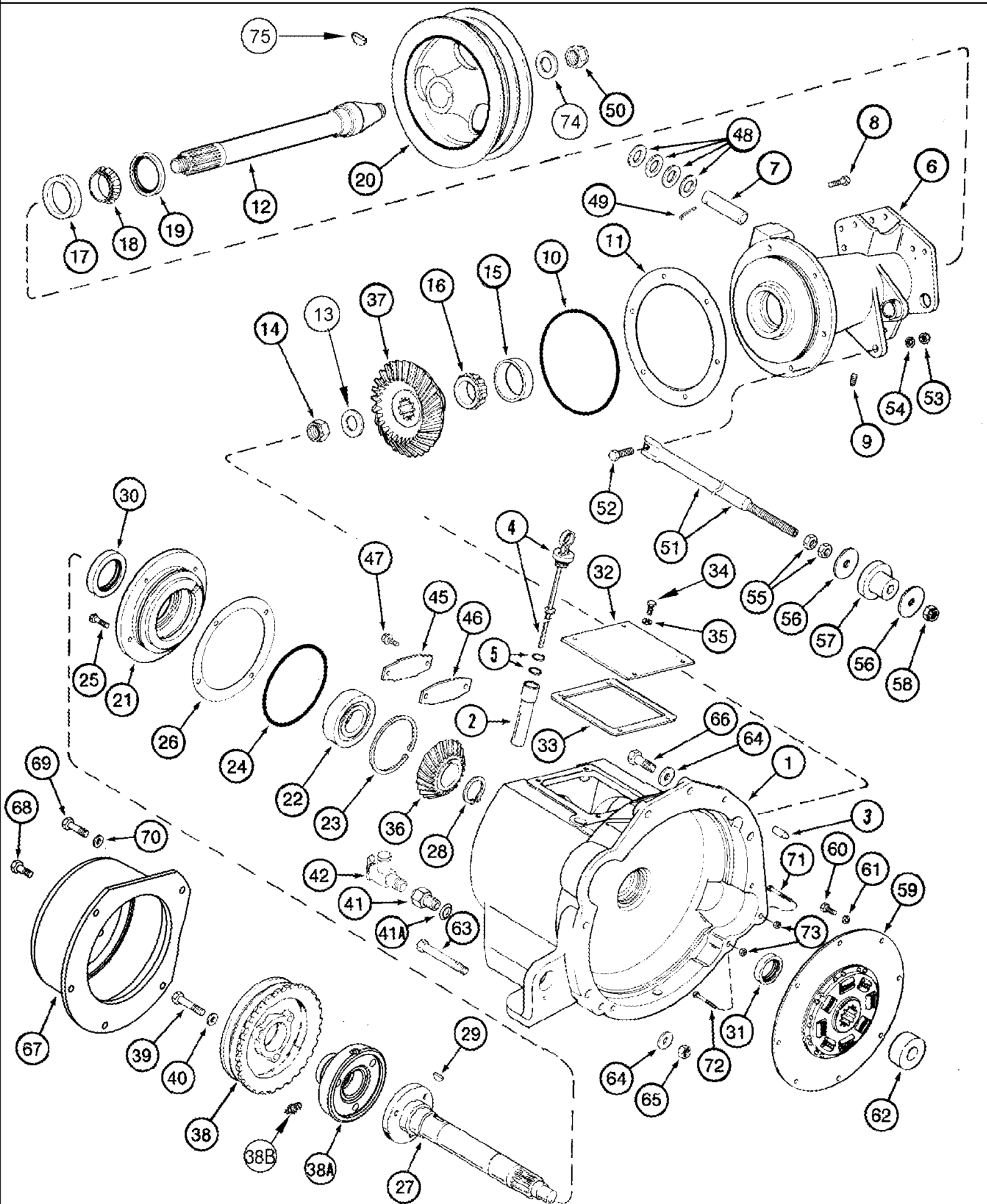
05-32 VALVE ASSY - STEERING PRIORITY

сылка	Номер детали	Кол-во	Описание
	114851A2	1	VALVE, STEERING, Inc. 1 - 10D
1	NSS	1	NOT SERVICED SEPARATELY, BODY
2	NSS	1	NOT SERVICED SEPARATELY, SPOOL
3	192146A1	1	SPRING,
4	192145A1	1	PLUG, Inc. 5
5	237-6008	1	O-RING, 8-1, 90 Duro, .644" ID x .087" Thk,
6	192149A1	1	FITTING, Inc. 7
7	237-6008	1	O-RING, 8-1, 90 Duro, .644" ID x .087" Thk,
8	1541849C1	1	COUPLING, diagnostic, Inc. 9, 10
10	H434163	1	DUST CAP,
	230984A1	1	KIT, Screen and Orifice, Inc. 10A - 10D
10A	NSS	1	NOT SERVICED SEPARATELY, ORIFICE Spool, Not Illustrated
10B	NSS	1	NOT SERVICED SEPARATELY, ORIFICE Spool, Not Illustrated
10C	NSS	2	NOT SERVICED SEPARATELY, SCREEN Spool, Not Illustrated
10D	NSS	1	NOT SERVICED SEPARATELY, O-RING
11	128328A1	1	FITTING, With Orifice Check Valve, Inc. 12, 13
12	237-6008	1	O-RING, 8-1, 90 Duro, .644" ID x .087" Thk,
13	238-6012	1	O-RING, -012, 90 Duro, .364" ID x .070" Thk,
14	201-328	1	ELBOW, 45e, 9/16"-18 x 9/16"-18, Adj, ORFS, 9/16-18 fc x adj., Inc. 15, 16
15	238-6011	1	O-RING, -011, 90 Duro, .301" ID x .070" Thk,
17	190117A1	1	COUPLING, Diagnostic, Inc. 18
18	H434163	1	DUST CAP,
9	237-6006	1	O-RING, 6-1, 90 Duro, .468" ID x .078" Thk,
16	237-6006	1	O-RING, 6-1, 90 Duro, .468" ID x .078" Thk,



сылка	Номер детали	Кол-во	Описание
	280910A3	1	PTO, GEARBOX Inc. 1 - 42
1	255400A2	1	HOUSING, Power Takeoff (PTO) Drive, Inc. 2, 3
2	188072C1	1	TUBE,
3	1330136C1	2	DOWEL,
4	186019C91	1	DIPSTICK, Power Takeoff Housing Oil, Inc. 5
5	238-5210	2	O-RING, -210, 70 Duro, .734" ID x .139" Thk,
6	1329747C1	1	HOUSING, Inc. 7, Separator Drive
7	195439C2	1	PIN, Clutch Housing
8	426-620	6	BOLT, Hex, 3/8"-16 x 1 1/4", G8, Full Thd, 3/8 x 1-1/4; 8
9	50057K	1	PLUG, Separator Housing
10	238-6266	1	O-RING, -266, 90 Duro, 7.984" ID x .139" Thk,
	188195C1	1	KIT, SHIM, Separator Drive Housing, Inc. 11
11	NSS	AR	NOT SERVICED SEPARATELY, SHIM, 0.005 in.
11	NSS	AR	NOT SERVICED SEPARATELY, SHIM, 0.007 in.
11	NSS	AR	NOT SERVICED SEPARATELY, SHIM, 0.010 in.
11	NSS	AR	NOT SERVICED SEPARATELY, SHIM, 0.030 in.
12	1329745C1	1	SHAFT, PULLEY Separator Drive
13	396-31106	1	WASHER, 1 1/16" x 2" x .219", HDN, 1-1/16 x 2 x 7/32
14	194737C1	1	NUT, 1 in. NF
15	130503H	1	BEARING, CUP, 3-17/64 OD
16	300426R91	1	BEARING, CONE, 1-25/32 ID
17	376463C1	1	BEARING, ROLLER, TAPERED, 3-1/4 OD
18	533729R91	1	BEARING, 2 ID
19	194051C1	1	SEAL, Separator Housing Oil
20	191461C1	1	PULLEY, 11 in OD, Drive
21	192817C2	1	HUB, Drive Shaft Bearing Housing
22	1541765C1	1	BEARING, BALL, Drive Shaft, Standard, 4-23/32 OD
23	100-22475	1	RING, SNAP, 4.78", Int, #475,
24	238-8260	1	O-RING, -260, CI 8, 6.484" ID x .139" Thk,
25	426-620	4	BOLT, Hex, 3/8"-16 x 1 1/4", G8, Full Thd, 3/8 x 1-1/4; 8
	188196C1	1	KIT, SHIM, Drive Shaft Housing, Inc. 26
26	NSS	AR	NOT SERVICED SEPARATELY, SHIM, 0.030 in.
26	NSS	AR	NOT SERVICED SEPARATELY, SHIM, 0.010 in.
26	NSS	AR	NOT SERVICED SEPARATELY, SHIM, 0.007 in.
26	NSS	AR	NOT SERVICED SEPARATELY, SHIM, 0.005 in.
27	192816C2	1	SHAFT,
28	100-12200	1	RING, SNAP, #200, Ext,
29	126-176	1	KEY, WOODRUFF, #128, 5/16" x 2 1/8", HT,
30	173133C91	1	SEAL, Pump Housing End, 3-5/8 OD
31	173559C92	1	SEAL, Drive Plate End, 2-5/8 OD
32	192275C1	1	COVER,
33	191830C2	1	GASKET,
34	413-612	4	BOLT, Hex, 3/8"-16 x 3/4", G5, Full Thd, 3/8 x 3/4

сылка	Номер детали	Кол-во	Описание
35	492-11038	4	WASHER, LOCK, 3/8",
	184494C1	1	GEAR-SET, Separator Drive, Matched Set, Inc. 36, 37
36	NSS	1	NOT SERVICED SEPARATELY, 31 T, gear
37	NSS	1	NOT SERVICED SEPARATELY, 41 T, gear
38	1330488C1	1	PULLEY, Auxiliary Pump, 8.85 OD, Drive, Also See Figure 08-11, For Hub
38A	196482C2	1	HUB, Drive Pulley, No Longer Available, Order 196482C3
38B	196482C3	1	HUB, Drive Pulley
38C	219-87	1	NIPPLE, LUBE, 1/4"-28 x .56" lg, Self-Tap,
39	426-840	3	BOLT, Hex, 1/2"-13 x 2 1/2", G8, 1/2 x 2-1/2; 8
40	496-11053	3	WASHER, 17/32" x 1 1/16" x .095", HDN,
41	280482A1	1	ADAPTER, 1-5/16 PT x 3/8 fem, Inc. 41A
41A	237-6016	1	O-RING, 16-1, 90 Duro, 1.171" ID x .118" Thk,
42	301803R1	1	VALVE, SHUT-OFF, Drain, PTO
45	185056C1	1	COVER, Bolt Access Hole
46	185057C2	1	GASKET,
47	1327763C1	2	SCREW, 3/8 x 3/4
48	495-81073	4	WASHER, 1 1/32" x 1 3/4" x .060", 1-1/32 x 1-3/4 x 1/16
49	432-1624	1	PIN, SPLIT (COTTER), 1/4" x 1 1/2",
50	18521R1	1	NUT, LOCK, 1"-14, G8, 1 NF
51	1315648C1	1	ROD,
52	413-824	1	BOLT, Hex, 1/2"-13 x 1 1/2", G5, Full Thd, 1/2 x 1-1/2
53	425-108	1	NUT, 1/2"-13, G5,
54	80679	1	WASHER, LOCK, 1/2",
55	425-1510	2	NUT, Jam, 5/8"-18, G5,
56	107813R1	2	WASHER, 21/32 x 2-1/2 x 11/64
57	194915C2	1	ISOLATOR,
58	232-46110	1	NUT, LOCK, 5/8"-11, GC,
59	184429C2	1	DISC, CLUTCH, Drive, PTO
60	326-612	8	BOLT, Hex, 3/8"-16 x 3/4", G8, Full Thd,
61	392-21038	8	WASHER, LOCK, 3/8", 3/8"
62	1324896C2	1	BUSHING, Flywheel, Power Takeoff
63	413-1064	4	BOLT, Hex, 5/8"-11 x 4", G5, 5/8 x 4
64	495-81027	6	WASHER, 21/32" x 1 1/2" x .120", 21/32 x 1-1/2 x 7/64
65	425-1010	4	NUT, 5/8"-11, G5,
66	413-1028	2	BOLT, Hex, 5/8"-11 x 1 3/4", G5, 5/8 x 1-3/4
67	1303141C2	1	HOUSING, Hydrostatic Pump, No Longer Used, Order 1303141C3
67A	1303141C3	1	HOUSING,
68	413-820	3	BOLT, Hex, 1/2"-13 x 1 1/4", G5, Full Thd, 1/2 x 1-1/4
69	413-828	2	BOLT, Hex, 1/2"-13 x 1 3/4", G5,
70	283856C1	2	WASHER, 17/32 x 1 x 3/16
71	413-652	1	BOLT, Hex, 3/8"-16 x 3 1/4", G5,
72	413-660	1	BOLT, Hex, 3/8"-16 x 3 3/4", G5, 3/8 x 3-3/4
73	425-106	2	NUT, 3/8"-16, G5,



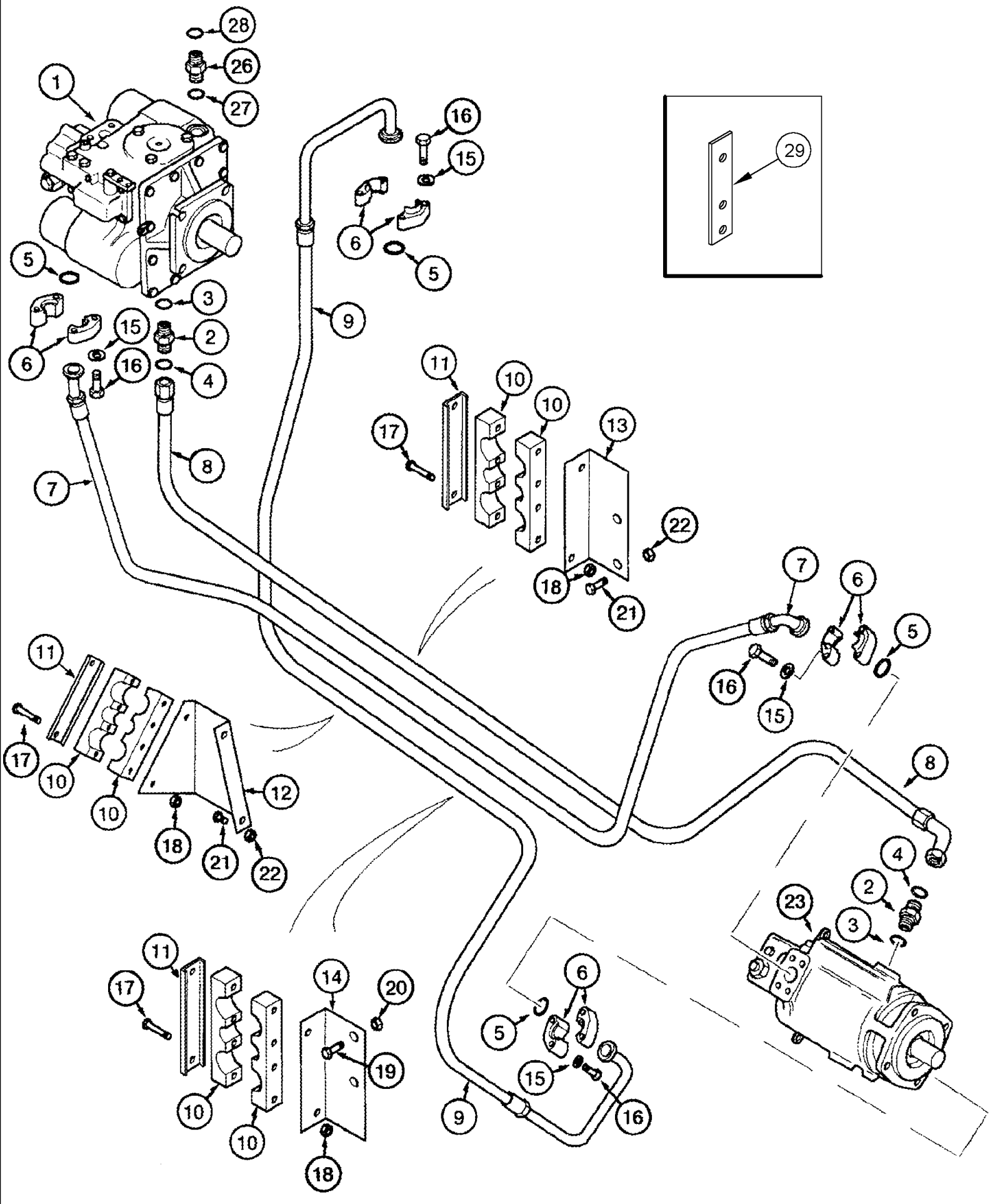
сылка	Номер детали	Кол-во	Описание
	365420A1	1	GEARBOX, Inc. 1 - 19, 21 - 42
1	255400A2	1	HOUSING, Power Takeoff (PTO) Drive, Inc. 2, 3
2	188072C1	1	TUBE,
3	1330136C1	2	DOWEL,
4	186019C91	1	DIPSTICK, Power Takeoff Housing Oil, Inc. 5
5	238-5210	2	O-RING, -210, 70 Duro, .734" ID x .139" Thk,
	364578A1	1	HOUSING, Separator Drive, Inc. 6, 7
6	364406A1	1	HOUSING,
7	195439C2	1	PIN, Clutch Housing
8	426-620	6	BOLT, Hex, 3/8"-16 x 1 1/4", G8, Full Thd, 3/8 x 1-1/4; 8
9	50057K	1	PLUG, Separator Housing
10	238-6266	1	O-RING, -266, 90 Duro, 7.984" ID x .139" Thk,
	188195C1	1	KIT, SHIM, Separator Drive Housing, Inc. 11
11	NSS	AR	NOT SERVICED SEPARATELY, SHIM, 0.005 in.
11	NSS	AR	NOT SERVICED SEPARATELY, SHIM, 0.007 in.
11	NSS	AR	NOT SERVICED SEPARATELY, SHIM, 0.010 in.
11	NSS	AR	NOT SERVICED SEPARATELY, SHIM, 0.030 in.
12	362722A1	1	SHAFT, Pulley, Separator Drive
13	396-11131	1	WASHER, 1 5/16" x 2 1/2" x .150",
14	371747A1	1	NUT, LOCK, 1-1/4 NF
15	A75210	1	BEARING, CUP,
16	A75211	1	BEARING, CONE,
17	376463C1	1	BEARING, ROLLER, TAPERED, 3-1/4 OD
18	364463C91	1	BEARING, CONE,
19	194051C1	1	SEAL, Oil, Separator Housing
20	389433A1	1	PULLEY ASSY., 11 in. OD, Drive
21	192817C2	1	HUB, HOUSING Drive Shaft Bearing
22	1541765C1	1	BEARING, BALL, Drive Shaft, Standard, 4-23/32 OD
23	100-22475	1	RING, SNAP, 4.78", Int, #475,
24	238-8260	1	O-RING, -260, CI 8, 6.484" ID x .139" Thk,
25	426-620	4	BOLT, Hex, 3/8"-16 x 1 1/4", G8, Full Thd, 3/8 x 1-1/4; 8
	188196C1	1	KIT, SHIM, PTO Drive Shaft Housing, Inc. 26
26	NSS	AR	NOT SERVICED SEPARATELY, SHIM, 0.030 in.
26	NSS	AR	NOT SERVICED SEPARATELY, SHIM, 0.010 in.
26	NSS	AR	NOT SERVICED SEPARATELY, SHIM, 0.007 in.
26	NSS	AR	NOT SERVICED SEPARATELY, SHIM, 0.005 in.
27	192816C2	1	SHAFT,
28	100-12200	1	RING, SNAP, #200, Ext,
29	126-176	1	KEY, WOODRUFF, #128, 5/16" x 2 1/8", HT,
30	173133C91	1	SEAL, Pump Housing End, 3-5/8 OD
31	173559C92	1	SEAL, Drive Plate End, 2-5/8 OD
32	192275C1	1	COVER,
33	191830C2	1	GASKET,

сылка	Номер детали	Кол-во	Описание
34	413-612	4	BOLT, Hex, 3/8"-16 x 3/4", G5, Full Thd, 3/8 x 3/4
35	492-11038	4	WASHER, LOCK, 3/8",
	364579A1	1	GEAR SET, Separator Drive, Matched Set, Inc. 36, 37
36	NSS	1	NOT SERVICED SEPARATELY, GEAR, 31 T
37	NSS	1	NOT SERVICED SEPARATELY, GEAR, 41 T
38	1330488C1	1	PULLEY, Drive, Auxiliary Pump, 8.85 OD, Also See Figure 08-11, For Hub
38A	196482C3	1	HUB, Drive Pulley
38B	219-87	1	NIPPLE, LUBE, 1/4"-28 x .56" lg, Self-Tap,
39	426-840	3	BOLT, Hex, 1/2"-13 x 2 1/2", G8, 1/2 x 2-1/2; 8
40	495-11053	3	WASHER, 1/2", SAE, (17/32" x 1-1/16" x 3/32")
41	280482A1	1	ADAPTER, 1-5/16 PT x 3/8 fem, Inc. 41A
41A	237-6016	1	O-RING, 16-1, 90 Duro, 1.171" ID x .118" Thk,
42	301803R1	1	VALVE, SHUT-OFF, Drain, PTO
45	185056C1	1	COVER, Bolt Access Hole
46	185057C2	1	GASKET,
47	409-7612	2	BOLT, Hex Flg, 3/8"-16 x 3/4", Serr,
48	495-81073	4	WASHER, 1 1/32" x 1 3/4" x .060", 1-1/32 x 1-3/4 x 1/16
49	432-1624	1	PIN, SPLIT (COTTER), 1/4" x 1 1/2",
50	231-41120	1	NUT, LOCK, 1 1/4"-7, GB,
51	1315648C1	1	ROD,
52	413-824	1	BOLT, Hex, 1/2"-13 x 1 1/2", G5, Full Thd, 1/2 x 1-1/2
53	425-108	1	NUT, 1/2"-13, G5,
54	80679	1	WASHER, LOCK, 1/2",
55	425-1510	2	NUT, Jam, 5/8"-18, G5,
56	107813R1	3	WASHER, 21/32 x 2-1/2 x 11/64
57	194915C2	1	ISOLATOR,
58	231-46110	1	NUT, LOCK, 5/8"-18, GB,
59	184429C2	1	DISC, CLUTCH, Drive, PTO
60	326-612	8	BOLT, Hex, 3/8"-16 x 3/4", G8, Full Thd,
61	492-11038	8	WASHER, LOCK, 3/8",
62	1324896C2	1	BUSHING, Power Takeoff, Flywheel
63	413-1064	4	BOLT, Hex, 5/8"-11 x 4", G5, 5/8 x 4
64	396-41066	6	WASHER, 21/32" x 1 1/2" x .188", HDN, 21/32 x 1-1/2 x 3/16
65	425-1010	4	NUT, 5/8"-11, G5,
66	413-1028	2	BOLT, Hex, 5/8"-11 x 1 3/4", G5, 5/8 x 1-3/4
67	1303141C3	1	HOUSING, Hydrostatic Pump
68	413-820	3	BOLT, Hex, 1/2"-13 x 1 1/4", G5, Full Thd, 1/2 x 1-1/4
69	413-828	2	BOLT, Hex, 1/2"-13 x 1 3/4", G5,
70	283856C1	2	WASHER, 17/32 x 1 x 3/16
71	413-652	1	BOLT, Hex, 3/8"-16 x 3 1/4", G5,
72	413-660	1	BOLT, Hex, 3/8"-16 x 3 3/4", G5, 3/8 x 3-3/4
73	425-106	2	NUT, 3/8"-16, G5,
74	396-11131	1	WASHER, 1 5/16" x 2 1/2" x .150",

2366 CASE IH AXIAL-FLOW COMBINE (NA) (1/98-8/04)

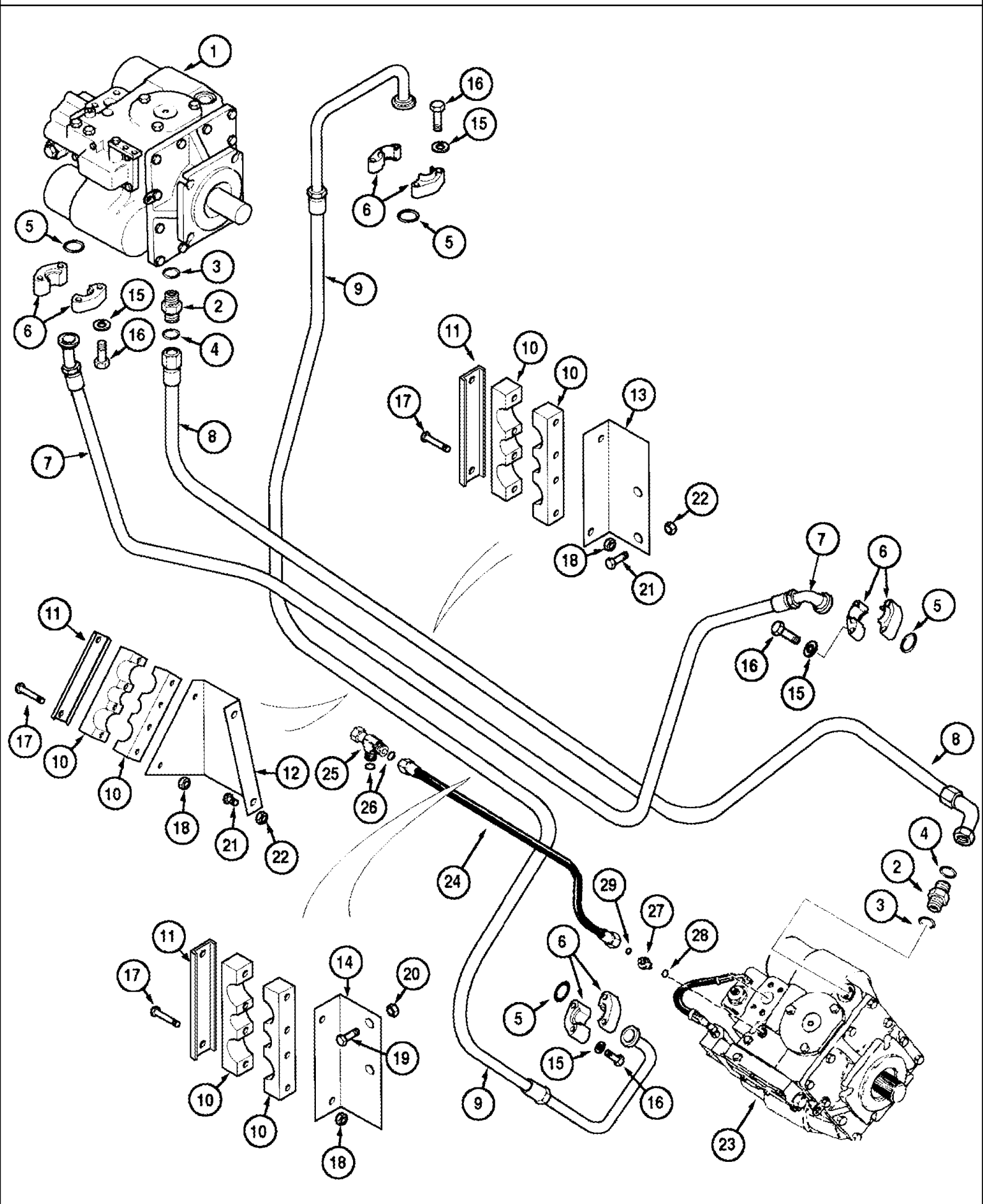
06-02 POWER TAKEOFF DRIVE - ASN JJC0254000

сылка	Номер детали	Кол-во	Описание
75	126-179	1	KEY, WOODRUFF, #V, 1/2" x 2 3/4", HT,



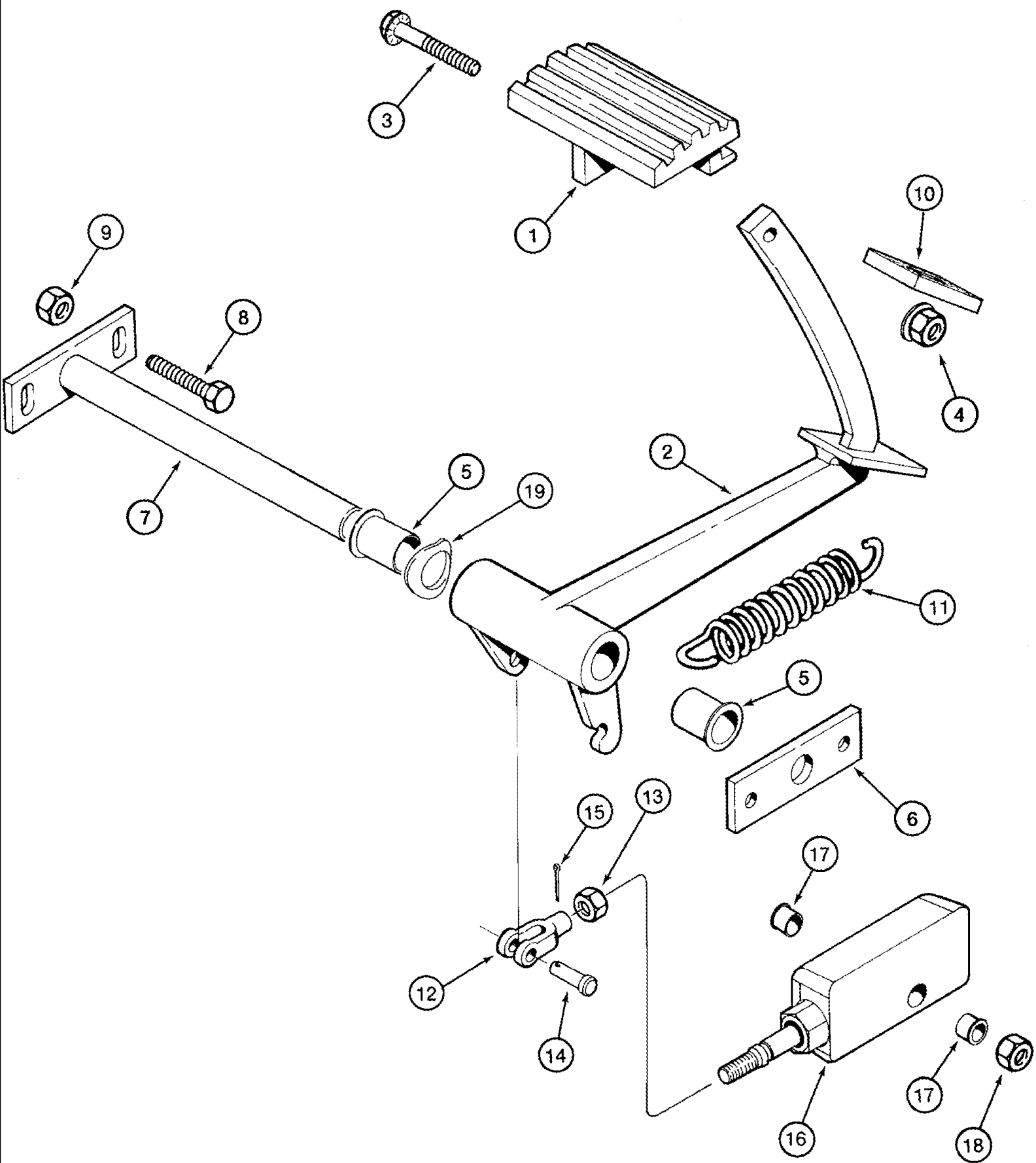
06-03 HYDROSTATICS - PUMP AND SINGLE SPEED MOTOR - CORN AND GRAIN COMBINE

сылка	Номер детали	Кол-во	Описание
1	1343716C4	1	HYDROSTATIC PUMP, See Figure 06-09, BSN JJC0254032
1	400478A1	1	PUMP, HYDROSTATIC, Hydrostatic, See Figure 06-10, ASN JJC0254033
2	201-130	2	CONNECTOR, HYD., 1 7/16"-12 ORFS x 1 1/16"-12 ORB, Incl. 3, 4
3	237-6012	1	O-RING, 12-1, 90 Duro, .924 ID x .118" Thk,
5	238-6219	4	O-RING, -219, 90 Duro, 1.296" ID x .139" Thk,
6	S97224	8	CLAMP, Split, 1 in.
7	227640A1	1	HOSE, Forward, Pump To Motor, 3455 mm (136 in)
8	227639A2	1	HOSE, Drain, Pump To Motor, 3705 mm (145-7/8 in)
9	227641A2	1	HOSE, Reverse, Pump To Motor, 4055 mm (159-5/8 in)
10	221145A1	3	CLAMP, Two Piece
11	224303A1	3	GUIDE, Clamp Backup, 1-5/16 ID x 1/8 in. Wide
12	1979941C1	1	SUPPORT, Hydrostatic Tube, Rear
13	224302A2	1	SUPPORT, Hose Clamp, Middle
14	224301A2	1	SUPPORT, Hose Clamp, Front
15	492-11044	16	WASHER, LOCK, 7/16",
16	413-728	16	BOLT, Hex, 7/16"-14 x 1 3/4", G5,
17	413-652	6	BOLT, Hex, 3/8"-16 x 3 1/4", G5,
18	231-4146	6	NUT, LOCK, 3/8"-16, GB,
19	409-7516	2	BOLT, Hex Flg, 5/16"-18 x 1", Serr,
20	231-5145	2	NUT, Flg, USR, 5/16"-18,
21	409-7616	6	BOLT, Hex Flg, 3/8"-16 x 1", Serr,
22	231-5146	6	NUT, Flg, USR, 3/8"-16,
23	183296A2	1	MOTOR, HYDRAULIC, Hydrostatic, See Figure 06-14, BSN JJC0254038
23	400475A1	1	MOTOR, HYDRAULIC, Hydrostatic, See Figure 06-15, BTW JJC0254039 & JJC0256399
23	400475A2	1	MOTOR, HYDROSTATIC, See Figure 06-15, ASN JJC0256400
24	515-23333	1	CLAMP, 1 5/16", Insul, 3/8" Bolt, P-Type, Used To Separate Reverse Hydrostatic and Case Drain Hoses, Not Illustrated
25	515-23381	1	CLAMP, 1 1/2", Insul, 3/8" Bolt, P-Type, Used to Separate Reverse Hydrostatic and Case Drain Hoses, Not Illustrated
26	201-130	1	CONNECTOR, HYD., 1 7/16"-12 ORFS x 1 1/16"-12 ORB, Incl. 27, 28
27	237-6012	1	O-RING, 12-1, 90 Duro, .924 ID x .118" Thk,
29	427273A1	1	SUPPORT, Hose Clamp
4	238-6021	1	O-RING, -021, 90 Duro, .926" ID x .070" Thk,
28	238-6021	1	O-RING, -021, 90 Duro, .926" ID x .070" Thk,



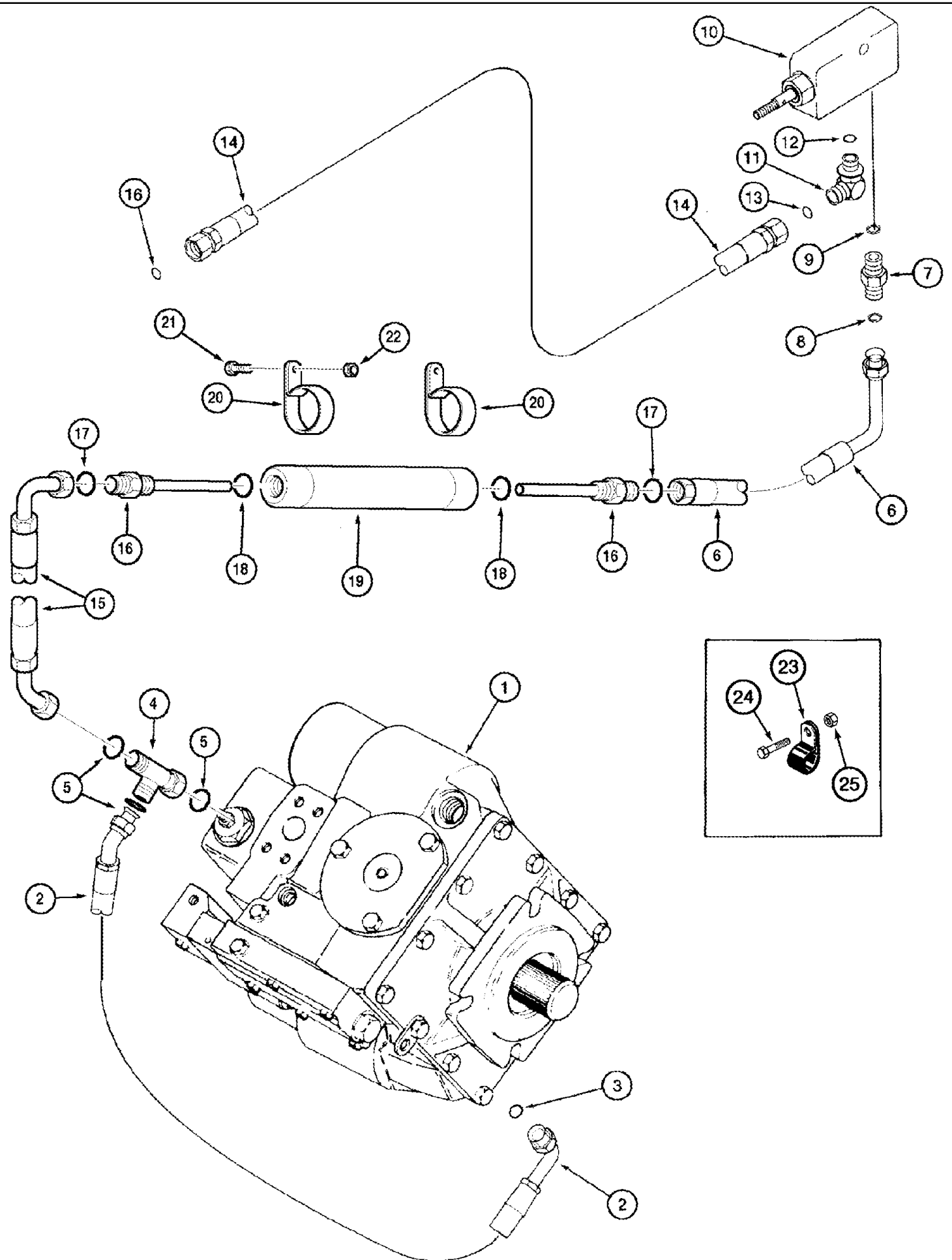
06-04 HYDROSTATICS - PUMP AND TWO SPEED MOTOR - CORN, GRAIN AND RICE COMBINE

сылка	Номер детали	Кол-во	Описание
1	1343716C4	1	HYDROSTATIC PUMP, See Figure 06-09, Corn and Grain Combine, BSN JJC0254032
1	400478A1	1	PUMP, HYDROSTATIC, See Figure 06-10, Corn and Grain Combine, ASN JJC0254033
1	108113A3	1	HYDROSTATIC PUMP, See Figure 06-09, Rice Combine, BSN JJC0254129
1	400479A1	1	PUMP, HYDROSTATIC, See Figure 06-10, Rice Combine, ASN JJC0254130
2	201-130	2	CONNECTOR, HYD., 1 7/16"-12 ORFS x 1 1/16"-12 ORB, Incl. 3, 4
3	237-6012	1	O-RING, 12-1, 90 Duro, .924 ID x .118" Thk,
5	238-6219	4	O-RING, -219, 90 Duro, 1.296" ID x .139" Thk,
6	S97224	8	CLAMP, Split, 1 in.
7	227640A1	1	HOSE, Forward, Pump To Motor, 3455 mm (136 in)
8	227639A2	1	HOSE, Drain, Pump To Motor, 3705 mm (145-7/8 in)
9	227641A2	1	HOSE, Reverse, Pump To Motor, 4055 mm (159-5/8 in)
10	221145A1	3	CLAMP, Two Piece
11	224303A1	3	GUIDE, Clamp Backup, 1-5/16 ID x 1/8 in. Wide
12	1979941C1	1	SUPPORT, Hydrostatic Tube, Rear
13	224302A1	1	SUPPORT, Hose Clamp, Middle
14	224301A1	1	SUPPORT, Hose Clamp, Front
15	492-11044	16	WASHER, LOCK, 7/16",
16	413-728	16	BOLT, Hex, 7/16"-14 x 1 3/4", G5,
17	413-652	6	BOLT, Hex, 3/8"-16 x 3 1/4", G5,
18	231-4146	6	NUT, LOCK, 3/8"-16, GB,
19	409-7516	2	BOLT, Hex Flg, 5/16"-18 x 1", Serr,
20	231-5145	2	NUT, Flg, USR, 5/16"-18,
21	409-7616	4	BOLT, Hex Flg, 3/8"-16 x 1", Serr,
22	231-5146	4	NUT, Flg, USR, 3/8"-16,
23	242507A2	1	MOTOR, HYDRAULIC, Hydrostatic, See Figure 06-17, BSN JJC0254071
23	400476A1	1	MOTOR, HYDRAULIC, Hydrostatic, See Figure 06-18, BTW JJC0254072 & JJC0256399
23	400476A2	1	MOTOR, HYDROSTATIC, Hydrostatic, See Figure 06-18, ASN JJC0256400
24	129188A1	1	HOSE, 1170 mm (46-1/8 in.), Charge Supply
25	201-422	1	TEE, 11/16"-16 ORFS x 11/16"-16 Fem Sw Run, Inc. 26
26	238-6012	2	O-RING, -012, 90 Duro, .364" ID x .070" Thk,
27	201-100	1	CONNECTOR, HYD., 9/16"-18 ORFS x 7/16"-20 ORB, 9/16 fc x 7/16, Inc. 28, 29
28	237-6004	1	O-RING, 4-1, 90 Duro, .351" ID x .072" Thk,
29	238-6011	1	O-RING, -011, 90 Duro, .301" ID x .070" Thk,
30	435437A1	6	STRAP, CABLE, 3/16" x 7 1/4", Not Illustrated
4	238-6021	1	O-RING, -021, 90 Duro, .926" ID x .070" Thk,



06-05 PEDAL - FOOT-N-INCH

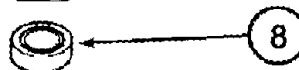
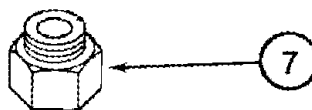
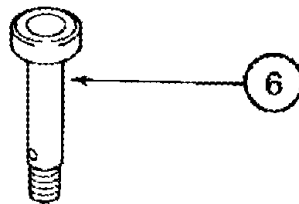
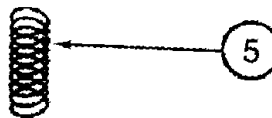
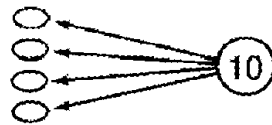
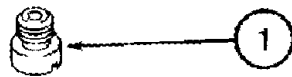
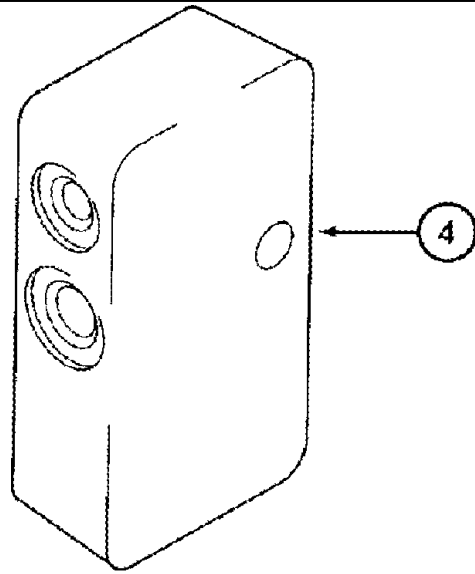
сылка	Номер детали	Кол-во	Описание
1	119902A1	1	PAD,
2	119901A3	1	PEDAL, Foot-N-Inch
3	905-10035	1	BOLT, Hex Serr Flg, M10 x 35,
4	825-51410	1	NUT, M10, Flg Ser,
5	72323	2	BUSHING, Used As A Spacer
6	1281794C1	1	PLATE,
7	120160A2	1	SHAFT,
8	614-8025	4	BOLT, Hex, M8 x 25, 8.8,
9	832-10408	4	NUT, LOCK, M8 x 1.25, Cl 8,
10	120159A1	1	SEAL,
11	182652A1	1	SPRING, 27.9 OD x 122 mm
12	213-125	1	CLEVIS, ADJUSTABLE, 5/16"-24,
13	425-155	1	NUT, Jam, 5/16"-24, G5,
14	327-5094	1	PIN, CLEVIS, 5/16" x .940", 5/16 x 15/16
15	432-612	1	PIN, SPLIT (COTTER), 3/32" x 3/4",
16	REF	1	INSTRUCTION, VALVE Control, 6500 PSI, Foot-N-Inch, See Figure 06-07
17	19-6263	2	BEARING, Valve Pivot
18	425-166	1	NUT, 3/8"-16, G5, Hvy, 3/8
19	G49413	1	WASHER,



06-06 HYDRAULICS - FOOT-N-INCH VALVE

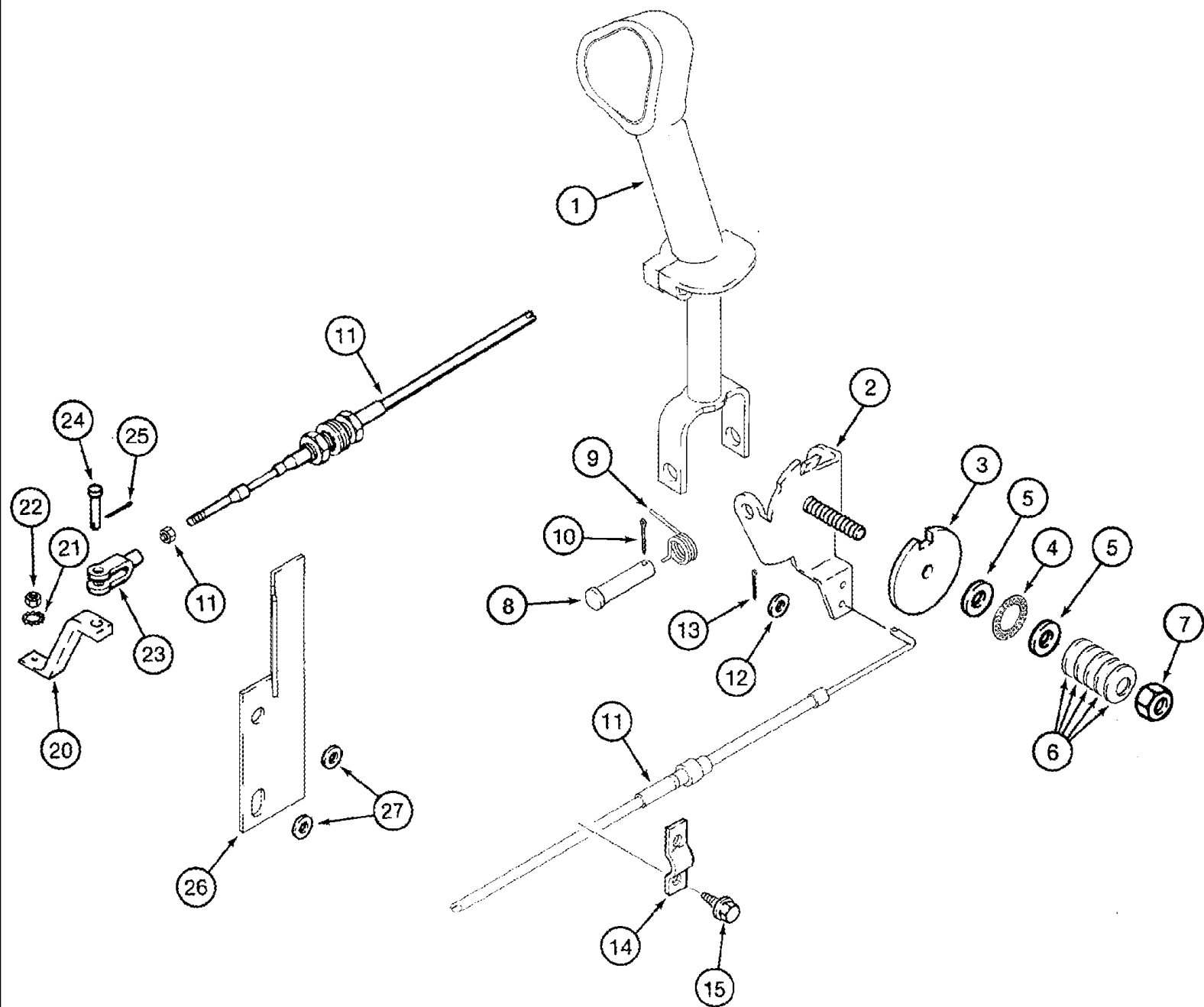
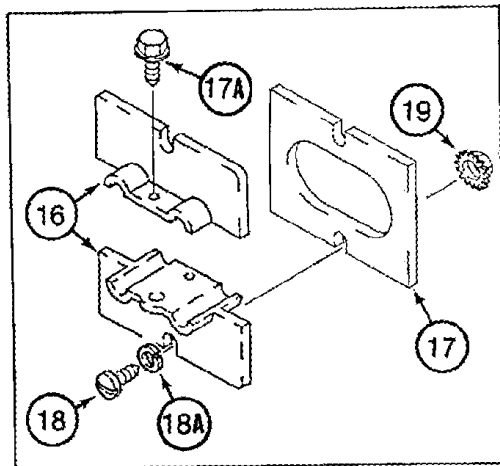
сылка	Номер детали	Кол-во	Описание
1	REF	1	INSTRUCTION, MOTOR Hydrostatic, Single Speed, See Figure(s) 06-14, 06-15, Not Illustrated
1	REF	1	INSTRUCTION, MOTOR Hydrostatic, Two Speed, See Figure(s) 06-17, 06-18, Illustrated
2	141127A2	1	HOSE, At Motor Relief Valve, 400 mm (15-3/4 in.), BSN JJC0253509
2	141127A3	1	HOSE, At Motor Relief Valve, 400 mm (15-3/4 in.), ASN JJC0253510
3	238-6011	1	O-RING, -011, 90 Duro, .301" ID x .070" Thk,
4	201-421	1	TEE, 9/16"-18 ORFS x 9/16"-18 Sw Run, Includes: Ref. 5
5	238-6011	3	O-RING, -011, 90 Duro, .301" ID x .070" Thk,
6	141126A1	1	HOSE, Supply, Foot-N-Inch Valve, 2800 mm (110-1/4 in.), BSN JJC0253509
6	141126A2	1	HOSE, Supply, Foot-N-Inch Valve, 2800 mm (110-1/4 in.), ASN JJC0253510
7	201-100	1	CONNECTOR, HYD., 9/16"-18 ORFS x 7/16"-20 ORB, 9/16 fc x 7/16, Inc. 8, 9
8	238-6011	1	O-RING, -011, 90 Duro, .301" ID x .070" Thk,
9	237-6004	1	O-RING, 4-1, 90 Duro, .351" ID x .072" Thk,
10	REF	1	INSTRUCTION, VALVE Control, Foot-N-Inch, 6500 PSI, See Figure 06-07
11	201-332	1	ELBOW, 90e, 13/16"-16 x 9/16"-18, Adj, ORFS, 13/16 fc x 9/16, Inc. 12, 13
12	237-6006	1	O-RING, 6-1, 90 Duro, .468" ID x .078" Thk,
13	238-6014	1	O-RING, -014, 90 Duro, .489" ID x .070" Thk,
14	141158A2	1	HOSE, FLEXIBLE, Return, Foot-N-Inch Valve, 651 mm (25-5/8 in.)
15	244209A2	1	HOSE, FLEXIBLE, Foot-N-Inch Supply To Tube, 585 mm (23-1/8 in.), BSN JJC0253509
15	244209A3	1	HOSE, FLEXIBLE, Foot-N-Inch Supply To Tube, 620mm (24-13/32 in.), ASN JJC0253510
16	243956A1	2	FITTING, Inc. 17, 18
17	238-6011	1	O-RING, -011, 90 Duro, .301" ID x .070" Thk,
18	237-6006	1	O-RING, 6-1, 90 Duro, .468" ID x .078" Thk,
19	242967A1	1	TUBE, Supply, Foot-N-Inch Valve
20	243755A1	2	CLAMP, 1-9/16 ID
21	409-7616	2	BOLT, Hex Flg, 3/8"-16 x 1", Serr,
22	231-5146	2	NUT, Flg, USR, 3/8"-16,
23	515-23206	1	CLAMP, 13/16", Insul, 3/8" Bolt, P-type, For Return Hose, ASN JJC0253510
23	515-23159	1	CLAMP, 5/8", Insul, 3/8" Bolt, For Supply Hose
24	614-8025	1	BOLT, Hex, M8 x 25, 8.8, , ASN JJC0253510
25	832-10408	1	NUT, LOCK, M8 x 1.25, Cl 8, , ASN JJC0253510
26	1327979C1	1	MOLDING, 150 mm (6 in), Cut From 196707C1, Not Illustrated

06-07 VALVE ASSY - FOOT-N-INCH



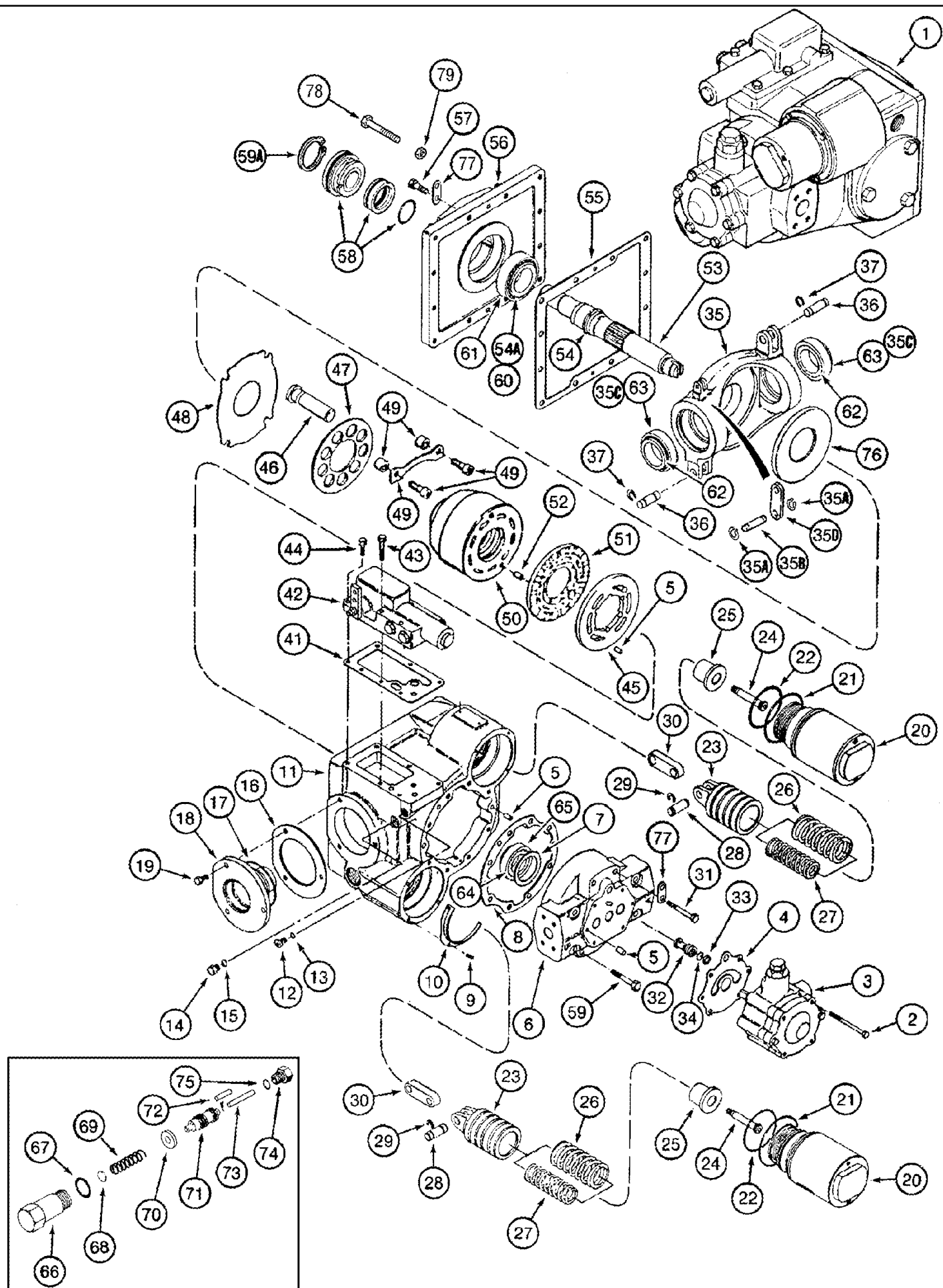
06-07 VALVE ASSY - FOOT-N-INCH

сылка	Номер детали	Кол-во	Описание
	123974A4	1	VALVE, Foot-N-Inch, 6000 PSI, Inc. 1 - 10, Corn and Grain Combine
	296786A2	1	VALVE, Foot-N-Inch, 6500 PSI, Inc. 1 - 10, Rice Combine
1	123595A2	1	SEAT, VALVE,
2	237-6002	1	O-RING, 2-1, .239" ID x .064" Thk,
3	398710R1	1	POPPET, VALVE,
4	NSS	1	NOT SERVICED SEPARATELY, HOUSING
5	539751R2	1	SPRING,
6	398708R1	1	STOP,
7	398707R1	1	GUIDE,
8	398701R91	1	SEAL,
9	237-6010	1	O-RING, 10-1, 90 Duro, .755" ID x .097" Thk,
	530575R91	AR	KIT, SHIM, Inc. 10
10	NSS	4	NOT SERVICED SEPARATELY, SHIM, 0.005 in.
10	NSS	4	NOT SERVICED SEPARATELY, SHIM, 0.007 in.
10	NSS	2	NOT SERVICED SEPARATELY, SHIM, 0.020 in.
10	NSS	1	NOT SERVICED SEPARATELY, SHIM, 0.042 in



06-08 CONTROLS - PROPULSION

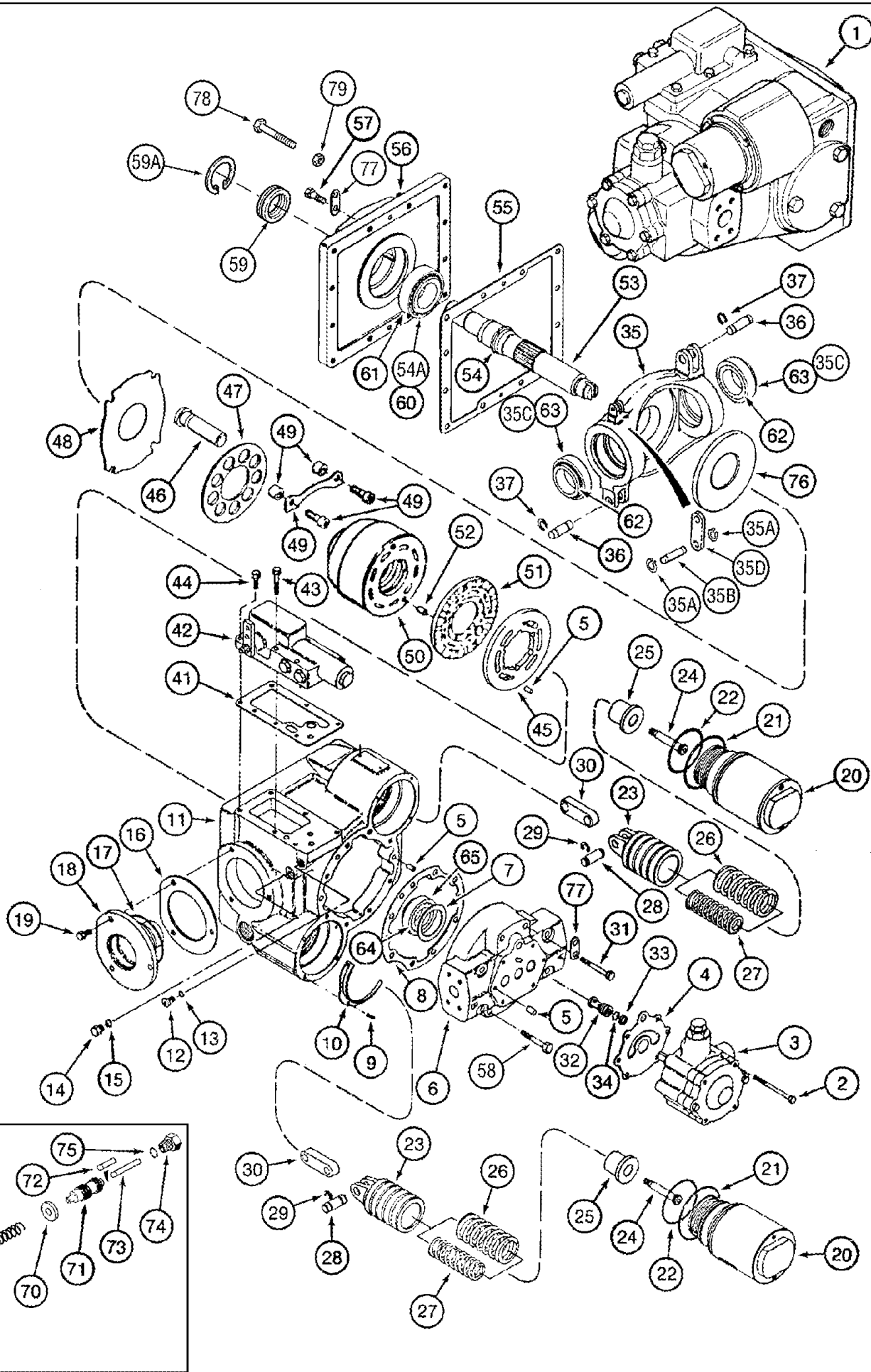
сылка	Номер детали	Кол-во	Описание
1	113314A2	1	LEVER, CONTROL, Propulsion, See Figure 04-07
2	113318A2	1	SUPPORT,
3	251090A1	1	WASHER, Wear
4	159688R91	1	BEARING, THRUST,
5	496-81010	2	WASHER, 15/32 x 1 x 7/64
6	1994980C1	5	WASHER,
7	231-1447	1	NUT, LOCK, 7/16"-14, GB,
8	27-8343	1	PIN, CLEVIS, 1/2" x 3 7/16", 1/2 x 3-7/16
9	128593A1	1	SPRING,
10	432-816	1	PIN, SPLIT (COTTER), 1/8" x 1",
11	115396A1	1	CABLE, Throttle and Propulsion
12	895-11005	2	WASHER, M5 x 10 x 1,
13	432-48	1	PIN, SPLIT (COTTER), 1/16" x 1/2",
14	A75815	1	CLAMP,
15	841-4410	2	SCREW, Hex Wash Hd, M4 x 10, M4 x 10; 4.8
16	119314A1	2	CLAMP, Throttle and Propulsion Cables To Cab
17	119328A1	1	GASKET,
17A	191216A1	2	SCREW, SELF TAPPING, Hex Wash Hd, #10-24 x 5/8", SHIM, 0.042 in.
18	117067A1	2	SCREW, SELF TAPPING, Cross Pan Hd, #10-24 x 3/4",
18A	492-11010	2	WASHER, LOCK, #10,
19	231-51409	2	NUT, Flg, USR, #10-24,
20	184433A1	1	LEVER, Hydrostatic Pump Control
21	493-41033	1	WASHER, LOCK, Ext Tooth, 5/16", 5/16
22	425-105	1	NUT, 5/16"-18, G5,
23	213-123	1	CLEVIS, ADJUSTABLE, #10-32 x 1 9/16",
24	427-3058	1	PIN, CLEVIS, 3/16" x .580",
25	432-48	1	PIN, SPLIT (COTTER), 1/16" x 1/2",
26	138479A2	1	SUPPORT, Cable To Pump
27	495-11041	2	WASHER, 3/8", SAE, (13/32 x 13/16 x 1/16")



сылка	Номер детали	Кол-во	Описание
	1343716C4R	1	REMAN-HYDRAUL PUMP, N.A. Only, Corn and Grain Combine
	1343716C4C	1	PUMP, Use To Return Core For Credit, Corn and Grain Combine
	108113A1C	1	CORE-INJECTION PUMP, Use To Return Core For Credit, Rice Combine
1	1343716C4	1	HYDROSTATIC PUMP, Inc. 2 - 79, Includes Figure(s) 06-03, 06-04, Corn and Grain Combine
1	108113A3	1	HYDROSTATIC PUMP, Inc. 2 - 79, Includes Figure 06-04, Rice Combine
2	413-556	4	BOLT, Hex, 5/16"-18 x 3 1/2", G5, 5/16 x 3-1/2
3	92740C2	1	PUMP, Charge, See Figure 06-12, Corn and Grain Combine
3	107593A2	1	PUMP, Charge, See Figure 06-13, Rice Combine
4	133760C2	1	GASKET, Charge Pump
5	140754C1	5	PIN, 5/16 x 5/8
6	NSS	1	NOT SERVICED SEPARATELY, COVER End
	142398C91	1	KIT, SHIM, End Cover, Inc. 7
7	NSS	1	NOT SERVICED SEPARATELY, SHIM, 0.003 in.
7	NSS	1	NOT SERVICED SEPARATELY, SHIM, 0.005 in.
7	NSS	1	NOT SERVICED SEPARATELY, SHIM, 0.010 in.
7	NSS	1	NOT SERVICED SEPARATELY, SHIM, 0.015 in.
7	NSS	1	NOT SERVICED SEPARATELY, SHIM, 0.020 in.
7	NSS	1	NOT SERVICED SEPARATELY, SHIM, 0.030 in.
8	92741C2	1	GASKET,
9	461-3086	6	SCREW, Hex Soc Hd, #8-32 x 3/8", No. 8 x 3/8
10	142408C1	2	RETAINER, Servo Piston
11	NSS	1	NOT SERVICED SEPARATELY, HOUSING Pump
12	278548	1	PLUG, Hex Soc, 7/16"-20 ORB, Incl. 13
13	237-6004	1	O-RING, 4-1, 90 Duro, .351" ID x .072" Thk,
14	9672438	1	PLUG, Hex Hd, 7/16"-20 ORB, Incl. 15
15	237-6004	1	O-RING, 4-1, 90 Duro, .351" ID x .072" Thk,
	142386C91	1	KIT, SHIM, Trunnion Bearing, Inc. 16
16	NSS	6	NOT SERVICED SEPARATELY, SHIM, 0.002 in.
16	NSS	4	NOT SERVICED SEPARATELY, SHIM, 0.005 in.
16	NSS	4	NOT SERVICED SEPARATELY, SHIM, 0.010 in.
16	NSS	4	NOT SERVICED SEPARATELY, SHIM, 0.015 in.
16	NSS	4	NOT SERVICED SEPARATELY, SHIM, 0.025 in.
17	238-5234	2	O-RING, -234, 70 Duro, 2.984" ID x .139" Thk,
18	NSS	2	NOT SERVICED SEPARATELY, PUMP Trunnion
19	413-714	6	BOLT, Hex, 7/16"-14 x 7/8", G5, Full Thd, 7/16 x 7/8
20	142407C2	2	KIT, Servo, Inc. 21, 22
21	238-5237	1	O-RING, -237, 70 Duro, 3.359" ID x .139" Thk,
22	238-5234	1	O-RING, -234, 70 Duro, 2.984" ID x .139" Thk,
23	224669C91	2	PISTON, Servo, Inc. 24 - 30
24	NSS	1	NOT SERVICED SEPARATELY, SCREW
25	NSS	1	NOT SERVICED SEPARATELY, RETAINER
26	NSS	1	NOT SERVICED SEPARATELY, SPRING
27	NSS	1	NOT SERVICED SEPARATELY, SPRING

сылка	Номер детали	Кол-во	Описание
28	NSS	1	NOT SERVICED SEPARATELY, PIN
29	100-1375	2	RING, SNAP, #75, Ext,
30	NSS	1	NOT SERVICED SEPARATELY, LINK
31	413-748	6	BOLT, Hex, 7/16"-14 x 3", G5, 7/16 x 3
32	140769C1	2	VALVE, CHECK, Inc. 33, 34
33	140770C1	1	RING,
34	238-6113	1	O-RING, -113, 90 Duro, .549" ID x .103" Thk,
35	1980171C1	1	HOUSING, Inc. 35A - 35C
35A	100-1125	2	RING, SNAP, #25, Ext,
35B	140765C1	1	PIN,
35C	399934C1	2	BEARING, CUP, 2-7/8 OD
35D	NSS	1	NOT SERVICED SEPARATELY, LINK
36	140766C1	2	PIN,
37	100-1356	4	RING, SNAP, #56, Ext,
41	133756C1	1	GASKET,
42	191065A1	1	VALVE, CONTROL, See Figure 06-11
43	413-528	2	BOLT, Hex, 5/16"-18 x 1 3/4", G5,
44	413-516	4	BOLT, Hex, 5/16"-18 x 1", G5, Full Thd, 5/16 x 1
45	1346255C1	1	PLATE, Valve
	1346254C1	1	KIT, Inc. 46 - 52
46	NSS	9	NOT SERVICED SEPARATELY, PISTON
47	NSS	1	NOT SERVICED SEPARATELY, PLATE
48	NSS	1	NOT SERVICED SEPARATELY, PLATE
49	NSS	1	NOT SERVICED SEPARATELY, KIT
50	NSS	1	NOT SERVICED SEPARATELY, BARREL
51	NSS	1	NOT SERVICED SEPARATELY, PLATE
52	37-1510	7	DOWEL, 5/16" x 5/8",
53	1980169C1	1	SHAFT, Inc. 54, 54A
54	101-11200	1	RING, SNAP, #200, 1.880", Ext,
54A	56694H	1	BEARING, CONE,
55	142399C1	1	GASKET,
56	NSS	1	NOT SERVICED SEPARATELY, FLANGE Mounting
57	413-720	12	BOLT, Hex, 7/16"-14 x 1 1/4", G5,
58	1346205C1	1	KIT, GASKET, SEAL, Shaft, Four-Piece, Inc. 238-5145, 238-5131
	238-5145	1	O-RING, -145, 90 Duro, 2.55" ID x .103" Thk,
	238-5131	1	O-RING, -131, 70 Duro, 1.674" ID x .103" Thk,
59	426-732	2	BOLT, Hex, 7/16"-14 x 2", G8, 7/16 x 2; 8
59A	103-21281	1	RING, SNAP, 2.812", Int, #281,
60	56694H	1	BEARING, CONE,
61	ST863	1	BEARING, CUP,
62	399933C91	2	BEARING, CONE, 1-25/32 ID
63	399934C1	2	BEARING, CUP, 2-7/8 OD
64	400983R91	1	BEARING, CONE, 1-3/16 ID

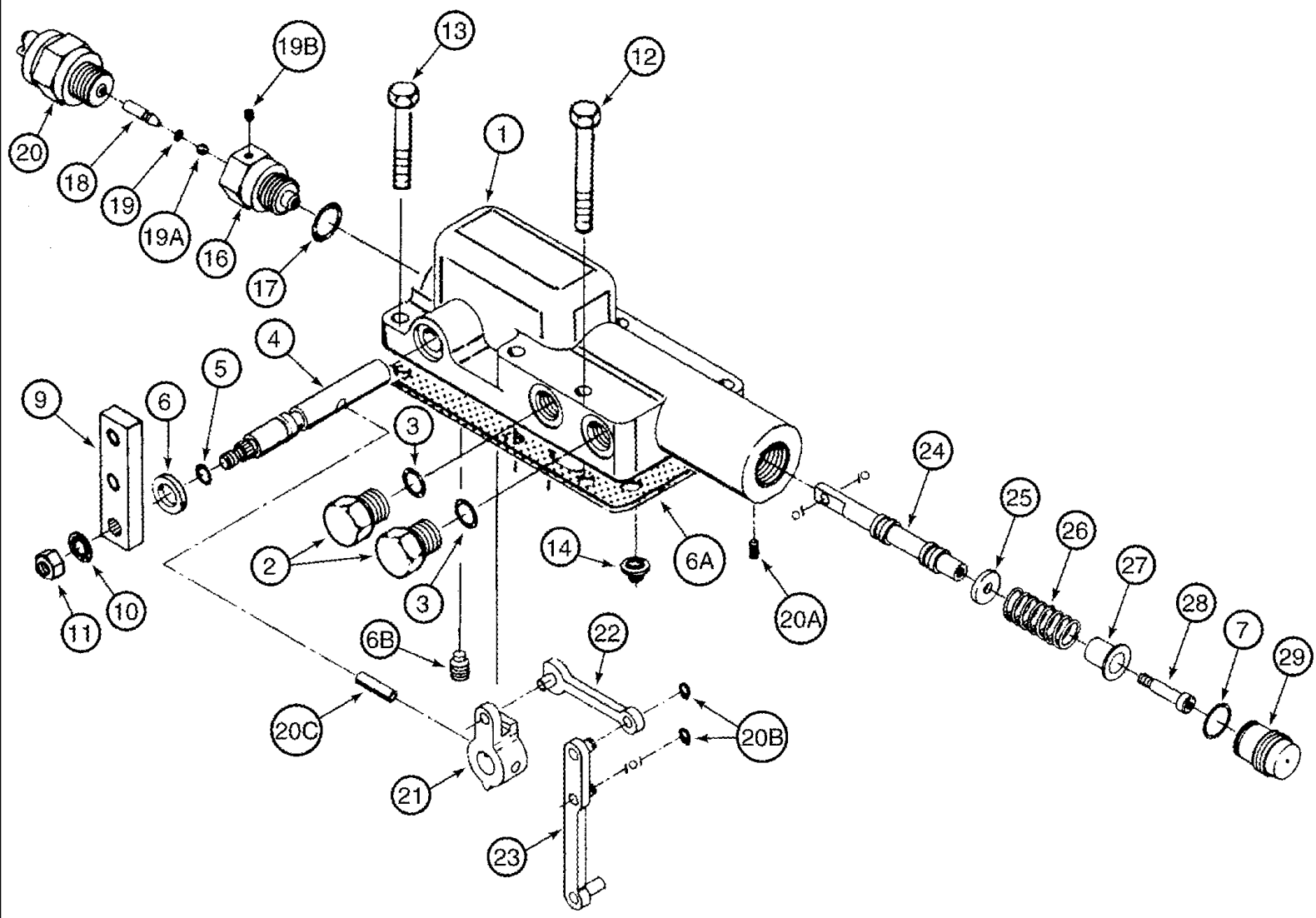
сылка	Номер детали	Кол-во	Описание
65	530741R1	1	BEARING, CUP, 2-17/32 OD
	1986739C1	1	KIT, REPAIR, Spool, Internal Pressure Override, Inc. 66 - 75, Rice Combine
66	NSS	1	NOT SERVICED SEPARATELY, BODY
67	237-6010	1	O-RING, 10-1, 90 Duro, .755" ID x .097" Thk,
68	NSS	1	NOT SERVICED SEPARATELY, KIT
69	NSS	1	NOT SERVICED SEPARATELY, SPRING
70	NSS	1	NOT SERVICED SEPARATELY, SPACER
71	NSS	1	NOT SERVICED SEPARATELY, SPOOL
72	NSS	1	NOT SERVICED SEPARATELY, ROLLER
73	NSS	1	NOT SERVICED SEPARATELY, ROLLER
74	NSS	1	NOT SERVICED SEPARATELY, PLUG, Inc. 75
75	237-6006	1	O-RING, 6-1, 90 Duro, .468" ID x .078" Thk,
76	80369C1	1	PLATE,
77	NSS	2	NOT SERVICED SEPARATELY, STRAP Shipping, Shown For Reference Only
78	413-832	4	BOLT, Hex, 1/2"-13 x 2", G5,
79	186852C1	4	NUT, 1/2, 8



сылка	Номер детали	Кол-во	Описание
	400478A1R	1	REMAN-HYDRAUL PUMP, N.A. Only, Corn and Grain Combine
	400479A1R	1	PUMP, HYDROSTATIC, Remanufactured, N. A. Only, Rice Combine
	400478A1C	1	CORE, Use To Return Core For Credit, Corn and Grain Combine
	400479A1C	1	CORE, Use To Return Core For Credit, Rice Combine
1	400478A1	1	PUMP, HYDROSTATIC, Hydrostatic, Inc. 2 - 79, See Figure(s) 06-03, 06-04, Corn and Grain Combine
1	400479A1	1	PUMP, HYDROSTATIC, Hydrostatic, Inc. 2 - 79, See Figure 06-04, Rice Combine
2	413-560		BOLT, Hex, 5/16"-18 x 3 3/4", G5, , Corn and Grain Combine
2	413-564	4	BOLT, Hex, 5/16"-18 x 4", G5, 5/16 x 4, Rice Combine
3	92740C2	1	PUMP, Charge, See Figure 06-12, Corn and Grain Combine
3	107593A2	1	PUMP, Charge, See Figure 06-13, Rice Combine
4	133760C2	1	GASKET, Charge Pump
5	37-1510	5	DOWEL, 5/16" x 5/8",
6	NSS	1	NOT SERVICED SEPARATELY, COVER End
	142398C91	1	KIT, SHIM, end cover, Inc. 7
7	NSS	1	NOT SERVICED SEPARATELY, SHIM, 0.003 in.
7	NSS	1	NOT SERVICED SEPARATELY, SHIM, 0.005 in.
7	NSS	1	NOT SERVICED SEPARATELY, SHIM, 0.010 in.
7	NSS	1	NOT SERVICED SEPARATELY, SHIM, 0.015 in.
7	NSS	1	NOT SERVICED SEPARATELY, SHIM, 0.020 in.
7	NSS	1	NOT SERVICED SEPARATELY, SHIM, 0.030 in.
8	92741C2	1	GASKET,
9	461-3086	6	SCREW, Hex Soc Hd, #8-32 x 3/8", No. 8 x 3/8
10	142408C1	2	RETAINER, Servo Piston
11	NSS	1	NOT SERVICED SEPARATELY, HOUSING Pump
12	278548	1	PLUG, Hex Soc, 7/16"-20 ORB, Incl. 13
13	237-6004	1	O-RING, 4-1, 90 Duro, .351" ID x .072" Thk,
14	9672438	1	PLUG, Hex Hd, 7/16"-20 ORB, Incl. 15
15	237-6004	1	O-RING, 4-1, 90 Duro, .351" ID x .072" Thk,
	142386C91	1	KIT, SHIM, Trunnion Bearing, Inc. 16
16	NSS	6	NOT SERVICED SEPARATELY, SHIM, 0.002 in.
16	NSS	4	NOT SERVICED SEPARATELY, SHIM, 0.005 in.
16	NSS	4	NOT SERVICED SEPARATELY, SHIM, 0.010 in.
16	NSS	4	NOT SERVICED SEPARATELY, SHIM, 0.015 in.
16	NSS	4	NOT SERVICED SEPARATELY, SHIM, 0.025 in.
17	238-5234	2	O-RING, -234, 70 Duro, 2.984" ID x .139" Thk,
18	NSS	2	NOT SERVICED SEPARATELY, PUMP Trunnion
19	413-714	6	BOLT, Hex, 7/16"-14 x 7/8", G5, Full Thd, 7/16 x 7/8
20	NSS	2	NOT SERVICED SEPARATELY, SLEEVE ASSY., Servo
21	238-5237	1	O-RING, -237, 70 Duro, 3.359" ID x .139" Thk,
22	238-5234	1	O-RING, -234, 70 Duro, 2.984" ID x .139" Thk,
23	NSS	2	NOT SERVICED SEPARATELY, PISTON ASSY., Servo
24	NSS	1	NOT SERVICED SEPARATELY, SCREW
25	NSS	1	NOT SERVICED SEPARATELY, RETAINER

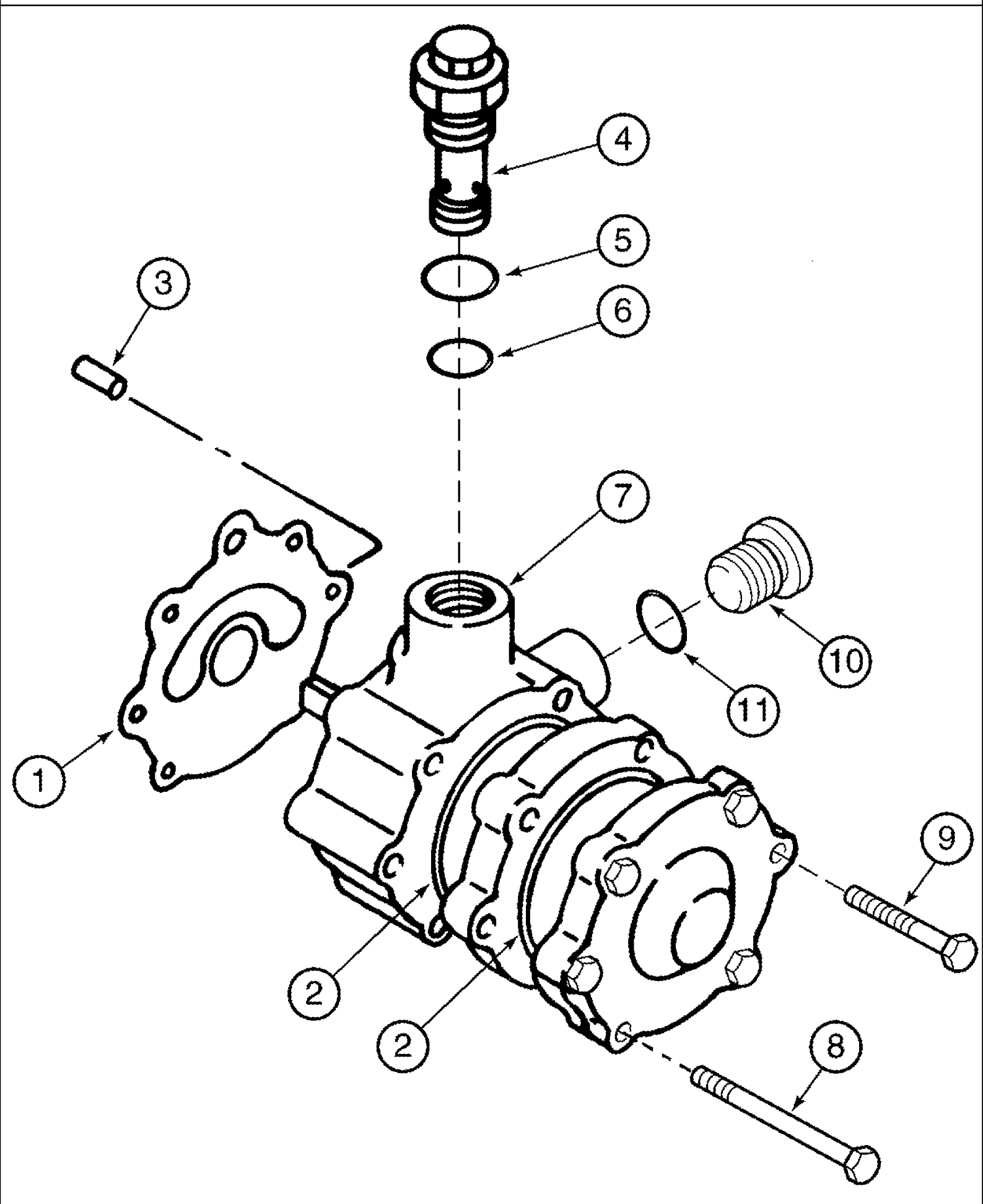
сылка	Номер детали	Кол-во	Описание
26	NSS	1	NOT SERVICED SEPARATELY, SPRING
27	NSS	1	NOT SERVICED SEPARATELY, SPRING
28	NSS	1	NOT SERVICED SEPARATELY, PIN
29	100-1375	2	RING, SNAP, #75, Ext,
30	NSS	1	NOT SERVICED SEPARATELY, LINK
31	413-748	6	BOLT, Hex, 7/16"-14 x 3", G5, 7/16 x 3
32	140769C1	2	VALVE, CHECK, Inc. 33, 34
33	140770C1	1	RING,
34	238-6113	1	O-RING, -113, 90 Duro, .549" ID x .103" Thk,
35	NSS	1	NOT SERVICED SEPARATELY, PLATE Swash
35A	100-1125	2	RING, SNAP, #25, Ext,
35B	140765C1	1	PIN,
35C	NSS	2	NOT SERVICED SEPARATELY, BEARING Cup
35D	NSS	1	NOT SERVICED SEPARATELY, LINK
36	140766C1	2	PIN,
37	100-1356	4	RING, SNAP, #56, Ext,
41	133756C1	1	GASKET,
42	191065A1	1	VALVE, CONTROL, Hydrostatic Pump, See Figure 06-11
43	413-528	2	BOLT, Hex, 5/16"-18 x 1 3/4", G5,
44	413-516	4	BOLT, Hex, 5/16"-18 x 1", G5, Full Thd, 5/16 x 1
45	NSS	1	NOT SERVICED SEPARATELY, PLATE Valve
46	NSS	9	NOT SERVICED SEPARATELY, PISTON
47	NSS	1	NOT SERVICED SEPARATELY, PLATE
48	NSS	1	NOT SERVICED SEPARATELY, PLATE
49	NSS	1	NOT SERVICED SEPARATELY, KIT
50	NSS	1	NOT SERVICED SEPARATELY, BARREL
51	NSS	1	NOT SERVICED SEPARATELY, PLATE
52	37-1510	7	DOWEL, 5/16" x 5/8",
53	403149A1	1	SHAFT, 105.4 cc, Inc. 54, 54A
54	NSS	1	NOT SERVICED SEPARATELY, RING Retaining
54A	NSS	1	NOT SERVICED SEPARATELY, CONE Bearing
55	142399C1	1	GASKET,
56	NSS	1	NOT SERVICED SEPARATELY, FLANGE Mounting
57	413-720	12	BOLT, Hex, 7/16"-14 x 1 1/4", G5,
58	426-732	2	BOLT, Hex, 7/16"-14 x 2", G8, 7/16 x 2; 8
59	403145A1	1	SEAL, Shaft
59A	100-21250	1	RING, SNAP, 2.50", Int, #250,
60	56694H	1	BEARING, CONE,
61	ST863	1	BEARING, CUP,
62	NSS	2	NOT SERVICED SEPARATELY, CONE Bearing
63	NSS	2	NOT SERVICED SEPARATELY, CUP Bearing
64	400983R91	1	BEARING, CONE, 1-3/16 ID
65	530741R1	1	BEARING, CUP, 2-17/32 OD

сылка	Номер детали	Кол-во	Описание
	1986739C1	1	KIT, REPAIR, Spool, Internal Pressure Override, Inc. 66 - 75, Rice Combine
66	NSS	1	NOT SERVICED SEPARATELY, BODY
67	237-6010	1	O-RING, 10-1, 90 Duro, .755" ID x .097" Thk,
68	235419A1	1	KIT, SHIM, KIT
69	NSS	1	NOT SERVICED SEPARATELY, SPRING
70	NSS	1	NOT SERVICED SEPARATELY, SPACER
71	NSS	1	NOT SERVICED SEPARATELY, SPOOL
72	NSS	1	NOT SERVICED SEPARATELY, ROLLER
73	NSS	1	NOT SERVICED SEPARATELY, ROLLER
74	218-5151	1	PLUG, Hex Hd, 5/16"-24 ORB, Inc. 75
75	237-6006	1	O-RING, 6-1, 90 Duro, .468" ID x .078" Thk,
76	NSS	1	NOT SERVICED SEPARATELY, PLATE, Thrust
77	NSS	2	NOT SERVICED SEPARATELY, STRAP, Shipping, Shown For Reference Only
78	413-832	4	BOLT, Hex, 1/2"-13 x 2", G5,
79	329-288	4	NUT, Flg, 1/2"-13, G8,



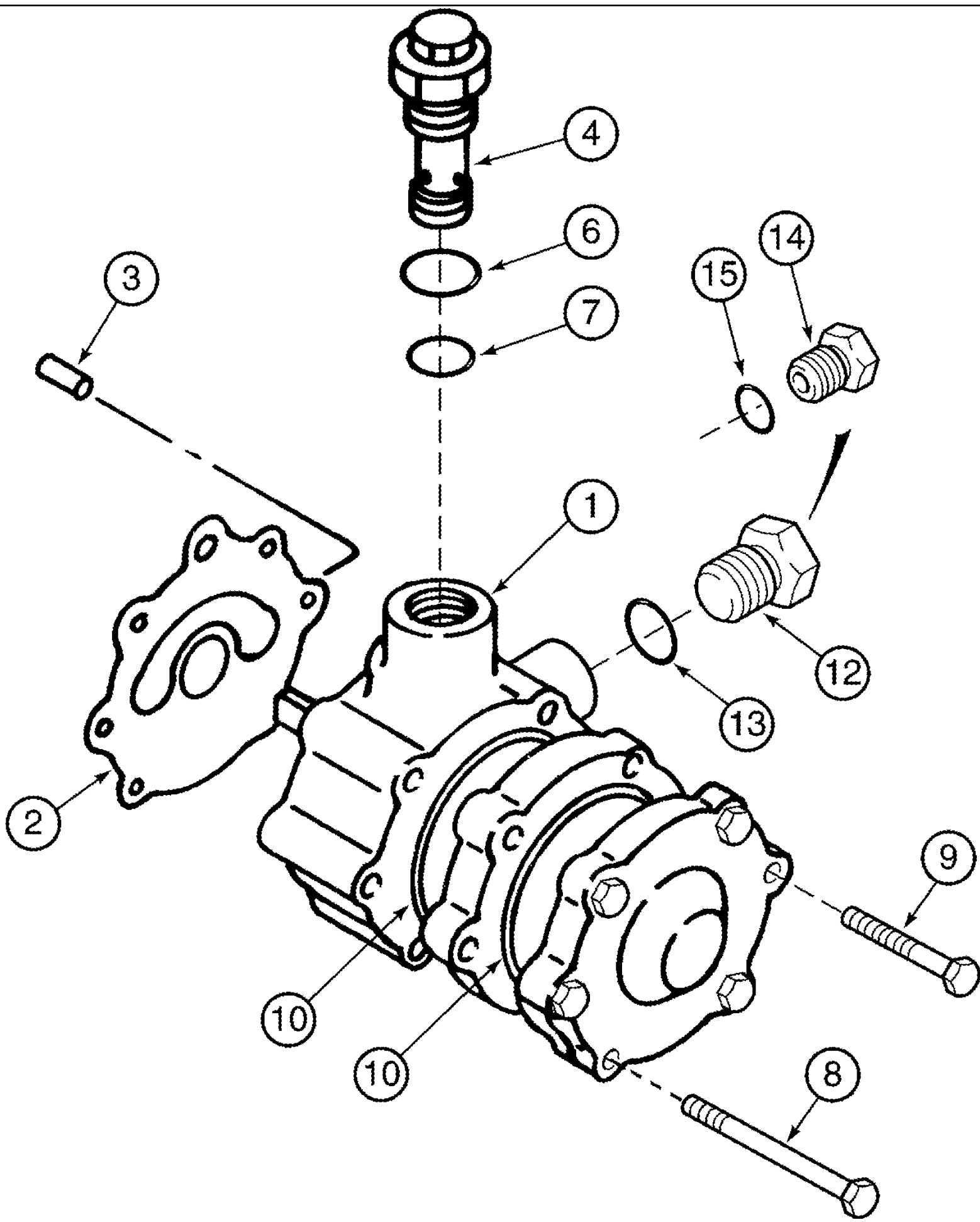
06-11 PUMP ASSY - HYDROSTATIC - CONTROL VALVE

сылка	Номер детали	Кол-во	Описание
	191065A1	1	VALVE, CONTROL, Hydrostatic Pump, Inc. 1 - 29
1	NSS	1	NOT SERVICED SEPARATELY, BODY
2	76349	2	PLUG, Hex Hd, 9/16"-18 ORB, Incl. 3
	1978048C3	1	SHAFT, Inc. 4 - 6B
3	237-6006	1	O-RING, 6-1, 90 Duro, .468" ID x .078" Thk,
4	NSS	1	NOT SERVICED SEPARATELY, SHAFT
5	238-5012	1	O-RING, -012, 70 Duro, .364" ID x .070" Thk,
6	NSS	1	NOT SERVICED SEPARATELY, SEAL
6A	133756C1	1	GASKET,
6B	NSS	1	NOT SERVICED SEPARATELY, SETSCREW
7	238-5016	1	O-RING, -016, 70 Duro, .614" ID x .070" Thk,
9	REF	1	INSTRUCTION, LEVER, Not Used In This Application, See Figure 06-08, Ref. 20, For Lever
10	493-11033	1	WASHER, LOCK, Ext-Int Tooth, 5/16",
11	425-105	1	NUT, 5/16"-18, G5,
12	413-528	2	BOLT, Hex, 5/16"-18 x 1 3/4", G5,
13	413-516	4	BOLT, Hex, 5/16"-18 x 1", G5, Full Thd, 5/16 x 1
14	1272750C1	1	ORIFICE, 0.057 in. dia., Used In Rice Applications
15	238-5012	1	O-RING, -012, 70 Duro, .364" ID x .070" Thk,
	197909A2	1	ADAPTER, Valve To Switch, Special, Inc. 16 - 19B
16	NSS	1	NOT SERVICED SEPARATELY, ADAPTER, Order 197909A2
17	238-6008	1	O-RING, -008, 90 Duro, .176" ID x .070" Thk,
18	NSS	1	NOT SERVICED SEPARATELY, PIN, Neutral Start
19	238-5004	1	O-RING, -004, 70 Duro, .07" ID x .070" Thk,
19A	211-1006	1	BALL, 3/16" Dia, Neutral Start
19B	84-1103	2	SET SCREW, Hex Soc, #10-32 x 3/16", No. 10 NF x 3/16
19C	86991254	1	SEAL, Switch, Not Illustrated
20	197514A2	1	SWITCH, Neutral Start
20A	83-1106	1	SET SCREW, Hex Soc, #10-24 x 3/8", No. 10 x 3/8
20B	100-1125	2	RING, SNAP, #25, Ext,
20C	38-1614	1	PIN, LOCK, 3/32" x 7/8", Slotted,
21	NSS	1	NOT SERVICED SEPARATELY, CONNECTOR
22	NSS	1	NOT SERVICED SEPARATELY, LINK
23	NSS	1	NOT SERVICED SEPARATELY, LINK
24	NSS	1	NOT SERVICED SEPARATELY, SPOOL
25	NSS	1	NOT SERVICED SEPARATELY, SPACER
26	NSS	1	NOT SERVICED SEPARATELY, SPRING
27	NSS	1	NOT SERVICED SEPARATELY, RETAINER
28	NSS	1	NOT SERVICED SEPARATELY, SCREW
29	NSS	1	NOT SERVICED SEPARATELY, SCREW



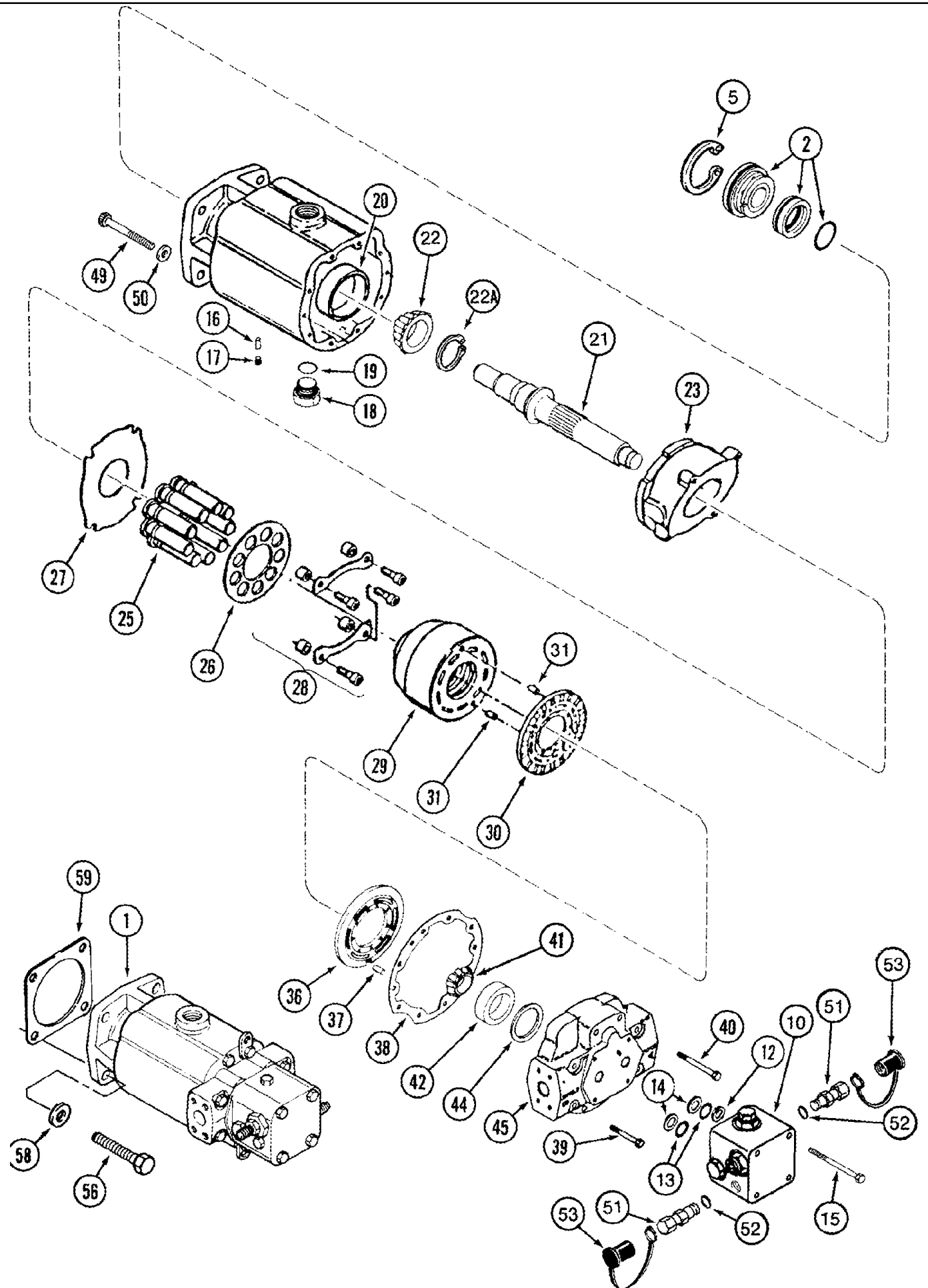
06-12 PUMP ASSY - HYDROSTATIC - CHARGE PUMP - CORN AND GRAIN COMBINE

сылка	Номер детали	Кол-во	Описание
	92740C2	1	PUMP, Charge, Inc. 1 - 9
1	133760C2	1	GASKET,
2	238-5041	2	O-RING, -041, 70 Duro, 2.989" ID x .070" Thk,
3	37-1510	2	DOWEL, 5/16" x 5/8",
4	140771C1	1	VALVE, Low Pressure, Inc. 5, 6
5	237-6014	1	O-RING, 14-1, 90 Duro, 1.048" ID x .118" Thk,
6	238-6117	1	O-RING, -117, 90 Duro, .799" ID x .103" Thk,
7	NSS	1	NOT SERVICED SEPARATELY, BODY
8	326-560	4	BOLT, Hex, 5/16"-18 x 3 3/4", G8,
9	413-532	2	BOLT, Hex, 5/16"-18 x 2", G5,
10	86512512	1	PLUG, Hex Hd, 7/8"-14 ORB, Incl. 11
11	237-6010	1	O-RING, 10-1, 90 Duro, .755" ID x .097" Thk,
	255081A1	1	KIT, SEALS, Charge Pump, Inc. 1, 5, 6, 11



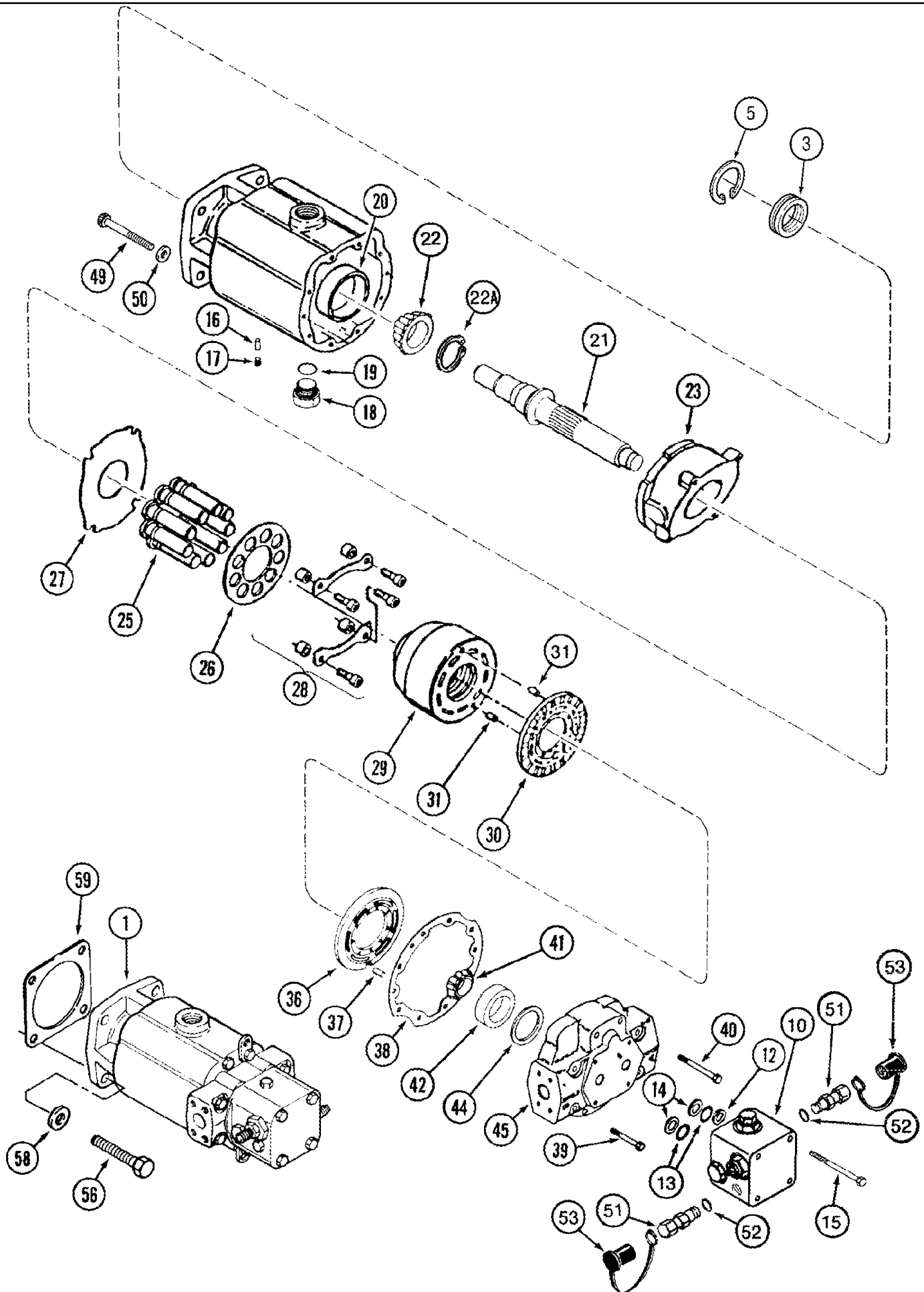
06-13 PUMP ASSY - HYDROSTATIC - CHARGE PUMP- RICE COMBINE

сылка	Номер детали	Кол-во	Описание
	107593A2	1	PUMP, Charge, Inc. 1 - 13
1	NSS	1	NOT SERVICED SEPARATELY, BODY
2	133760C2	1	GASKET,
3	37-1510	2	DOWEL, 5/16" x 5/8",
	1986741C1	1	VALVE, PRESSURE RELIEF, Inc. 4 - 7
4	NSS	1	NOT SERVICED SEPARATELY, BODY
6	237-6014	1	O-RING, 14-1, 90 Duro, 1.048" ID x .118" Thk,
7	238-6117	1	O-RING, -117, 90 Duro, .799" ID x .103" Thk,
8	326-564	4	BOLT, Hex, 5/16"-18 x 4", G8,
9	326-536	2	BOLT, Hex, 5/16"-18 x 2 1/4", G8,
10	238-5041	2	O-RING, -041, 70 Duro, 2.989" ID x .070" Thk,
12	86512512	1	PLUG, Hex Hd, 7/8"-14 ORB, Incl. 13
13	237-6010	1	O-RING, 10-1, 90 Duro, .755" ID x .097" Thk,
14	196443A1	1	REDUCER, 7/16 fem x 7/8 in., Replaces 218-5157, Ref. 12, Inc. 15, Rice Combine
15	237-6010	1	O-RING, 10-1, 90 Duro, .755" ID x .097" Thk,
	255081A1	1	KIT, SEALS, PUMP Charge, Inc. 2, 6, 7, 13



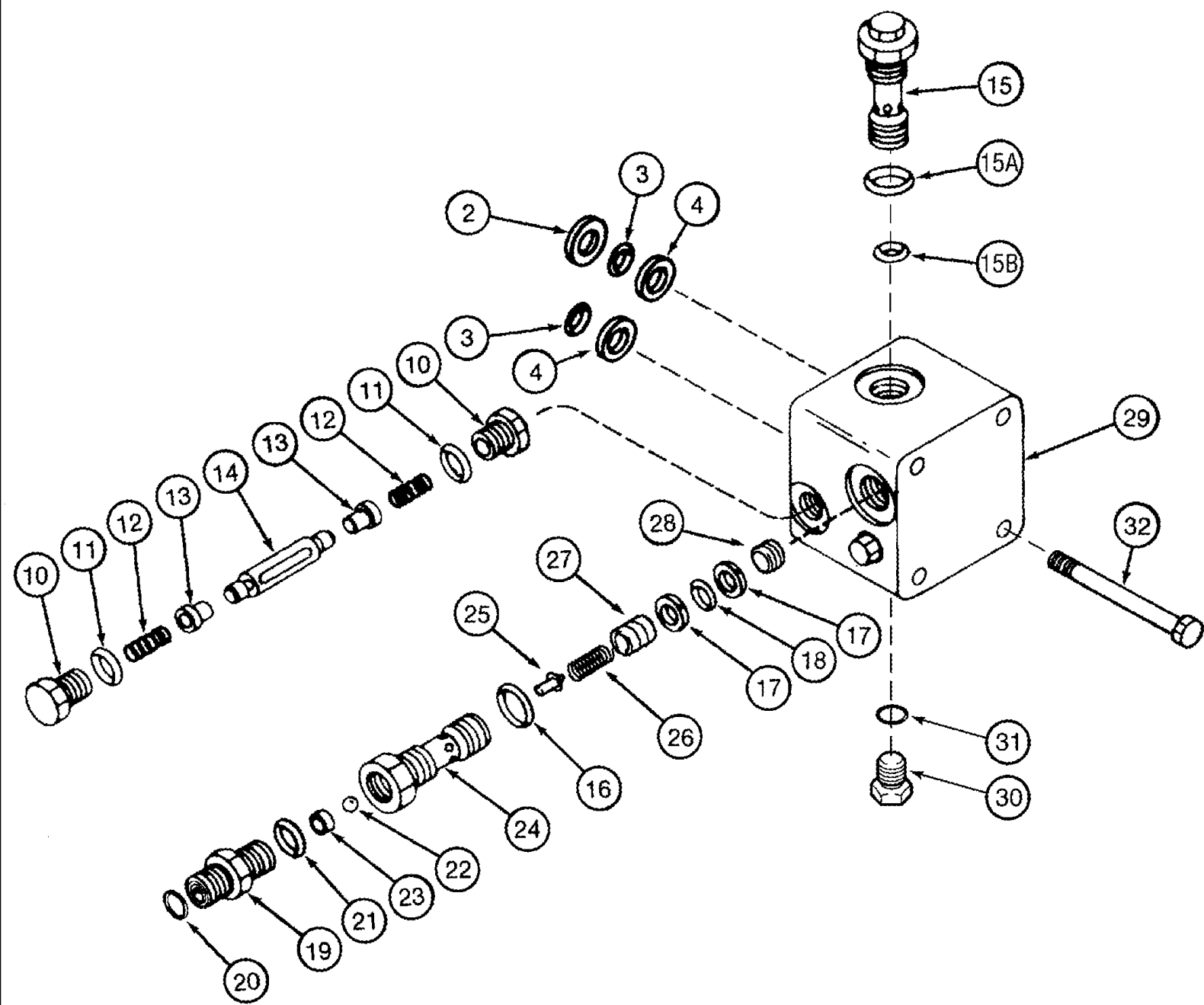
сылка	Номер детали	Кол-во	Описание
	183296A2R	1	REMAN-HYDRAUL PUMP, N.A. Only
	183296A2C	1	PUMP, Use To Return Core For Credit
1	183296A2	1	MOTOR, HYDRAULIC, Inc. 2 - 53, Part Number Stamped On Part
2	1346205C1	1	KIT, GASKET, Shaft Seal, Four-Piece, Inc. 238-5145, 238-5131
	238-5145	1	O-RING, -145, 90 Duro, 2.55" ID x .103" Thk,
	238-5131	1	O-RING, -131, 70 Duro, 1.674" ID x .103" Thk,
5	103-21281	1	RING, SNAP, 2.812", Int, #281,
10	193646A2	1	BLOCK, Relief Valve, See Figure(s) 06-15, 06-16
	140747C92	1	KIT, SEALS, Seal, Valve Block, Inc. 12 - 14
12	239-5018	1	O-RING, Rect, .755" ID x .875" OD, CI 5,
13	238-6018	2	O-RING, -018, 90 Duro, .739" ID x .070" Thk,
14	631458C1	2	RING,
15	413-664	4	BOLT, Hex, 3/8"-16 x 4", G5, 3/8 x 4
16	37-1516	1	DOWEL, 5/16" x 1", 5/16 x 1
17	217-430	1	PLUG, Hex Soc, 1/8"-27,
18	218-5158	1	PLUG, Hex Hd, 1 1/16"-12 ORB, 1-1/16, Inc. 19
19	237-6012	1	O-RING, 12-1, 90 Duro, .924 ID x .118" Thk,
20	ST863	1	BEARING, CUP,
21	1980137C1	1	SHAFT, Inc. 22, 22A
22	56694H	1	BEARING, CONE,
22B	101-11200	1	RING, SNAP, #200, 1.880", Ext,
23	NSS	1	NOT SERVICED SEPARATELY, PLATE
	1980138C1	1	KIT, Rotating Cylinder, Inc. 25 - 31
25	NSS	9	NOT SERVICED SEPARATELY, PISTON
26	NSS	1	NOT SERVICED SEPARATELY, PLATE
27	NSS	1	NOT SERVICED SEPARATELY, PLATE
28	NSS	1	NOT SERVICED SEPARATELY, KIT
29	NSS	1	NOT SERVICED SEPARATELY, BARREL
30	NSS	1	NOT SERVICED SEPARATELY, PLATE
31	37-1510	2	DOWEL, 5/16" x 5/8",
36	1980139C1	1	PLATE,
37	37-1510	3	DOWEL, 5/16" x 5/8",
38	1980140C1	1	GASKET,
39	326-732	2	BOLT, Hex, 7/16"-14 x 2", G8,
40	326-748	6	BOLT, Hex, 7/16"-14 x 3", G8,
41	400983R91	1	BEARING, CONE, 1-3/16 ID
42	530741R1	1	BEARING, CUP, 2-17/32 OD
	142398C91	1	KIT, SHIM, Inc. 44
44	NSS	1	NOT SERVICED SEPARATELY, SHIM, 0.003 in.
44	NSS	1	NOT SERVICED SEPARATELY, SHIM, 0.005 in.
44	NSS	1	NOT SERVICED SEPARATELY, SHIM, 0.010 in.
44	NSS	1	NOT SERVICED SEPARATELY, SHIM, 0.015 in.
44	NSS	1	NOT SERVICED SEPARATELY, SHIM, 0.020 in.

сылка	Номер детали	Кол-во	Описание
44	NSS	1	NOT SERVICED SEPARATELY, SHIM, 0.030 in.
45	NSS	1	NOT SERVICED SEPARATELY, COVER
49	61-33148	2	SCREW, Hex Soc Hd, 5/16"-18 x 3",
50	92734C1	2	WASHER,
51	R55912	2	COUPLING,
52	237-6004	2	O-RING, 4-1, 90 Duro, .351" ID x .072" Thk,
53	H434163	2	DUST CAP,
56	628-12040	4	BOLT, Hex, M12 x 40, 10.9, Full Thd,
58	896-11012	4	WASHER, M13.5 x 24.5 x 3, HT,
59	166506C1	1	GASKET,



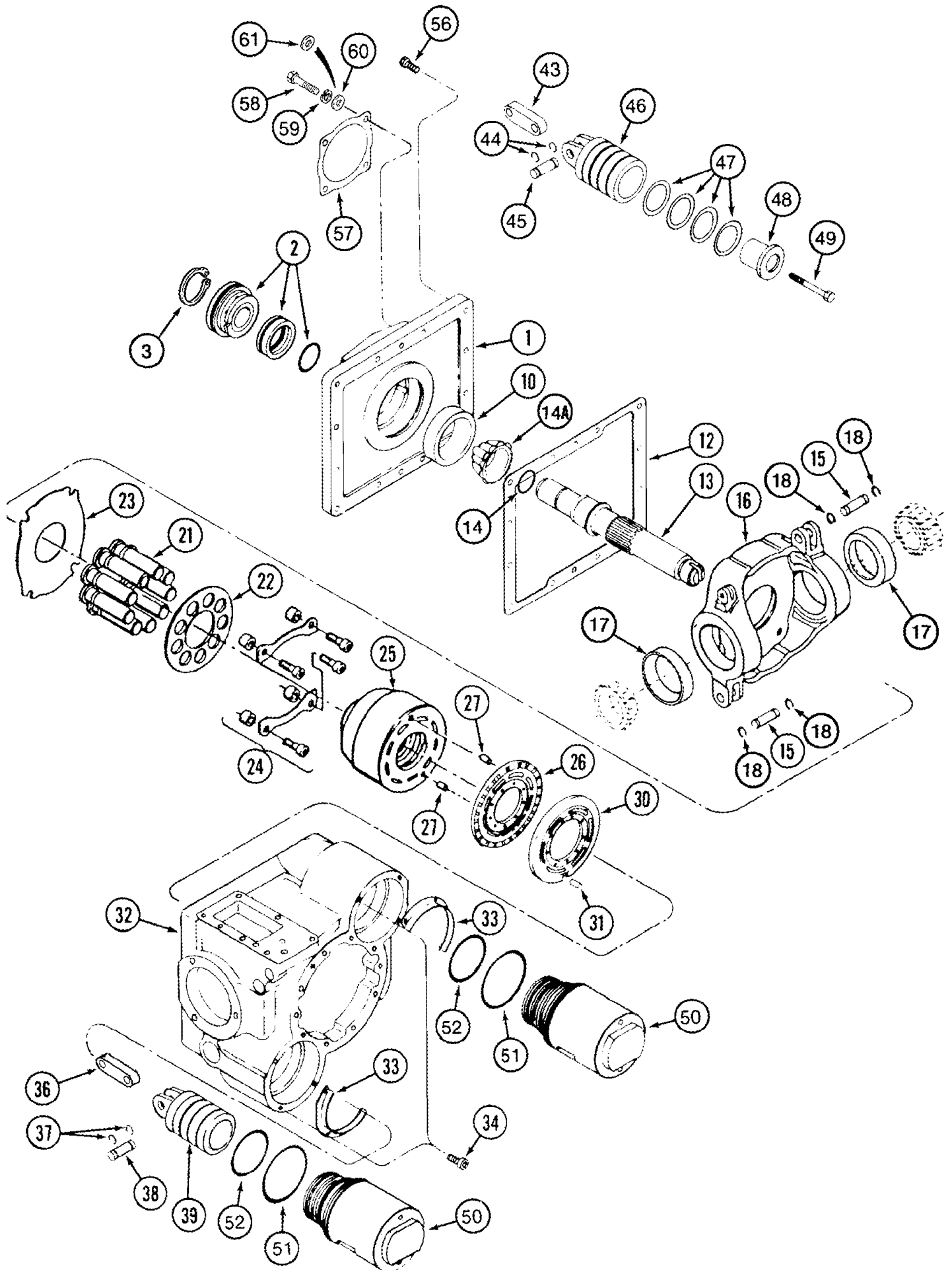
сылка	Номер детали	Кол-во	Описание
	400475A2R	1	REMAN-MOTOR HYDRAUL, Remanufactured, N.A. Only
	400475A2C	1	REMAN-MOTOR HYDRAUL, Use To Return Core For Credit
1	400475A1	1	MOTOR, HYDRAULIC, Hydrostatic, Inc. 2 - 53, Part Number Stamped On Part, BSN JJC0256399
1	400475A2	1	MOTOR, HYDROSTATIC, Inc. 2 - 53, Part Number Stamped On Part, ASN JJC0256400
	403145A1	1	SEAL, SHAFT, Inc. 3, 5
3	NSS	1	NOT SERVICED SEPARATELY, SEAL
5	100-21250	1	RING, SNAP, 2.50", Int, #250,
10	193646A2	1	BLOCK, Relief Valve, See Figure 06-16
	140747C92	1	KIT, SEALS, Seal, Valve Block, Inc. 12 - 14
12	239-5018	1	O-RING, Rect, .755" ID x .875" OD, CI 5,
13	238-6018	2	O-RING, -018, 90 Duro, .739" ID x .070" Thk,
14	631458C1	2	RING,
15	413-664	4	BOLT, Hex, 3/8"-16 x 4", G5, 3/8 x 4
16	37-1516	1	DOWEL, 5/16" x 1", 5/16 x 1
17	217-430	1	PLUG, Hex Soc, 1/8"-27,
18	218-5158	1	PLUG, Hex Hd, 1 1/16"-12 ORB, 1-1/16, Inc. 19
19	237-6012	1	O-RING, 12-1, 90 Duro, .924 ID x .118" Thk,
20	ST863	1	BEARING, CUP,
21	403147A1	1	SHAFT, Inc. 22, 22A
22	NSS	1	NOT SERVICED SEPARATELY, CONE Bearing
22A	NSS	1	NOT SERVICED SEPARATELY, RING Retaining, No. 200
23	NSS	1	NOT SERVICED SEPARATELY, PLATE
25	NSS	9	NOT SERVICED SEPARATELY, PISTON
26	NSS	1	NOT SERVICED SEPARATELY, PLATE
27	NSS	1	NOT SERVICED SEPARATELY, PLATE
28	NSS	1	NOT SERVICED SEPARATELY, KIT
29	NSS	1	NOT SERVICED SEPARATELY, BARREL
30	NSS	1	NOT SERVICED SEPARATELY, PLATE
31	37-1510	2	DOWEL, 5/16" x 5/8",
36	NSS	1	NOT SERVICED SEPARATELY, PLATE Valve
37	37-1510	3	DOWEL, 5/16" x 5/8",
38	1980140C1	1	GASKET,
39	326-732	2	BOLT, Hex, 7/16"-14 x 2", G8,
40	326-748	6	BOLT, Hex, 7/16"-14 x 3", G8,
41	400983R91	1	BEARING, CONE, 1-3/16 ID
42	530741R1	1	BEARING, CUP, 2-17/32 OD
	142398C91	1	KIT, SHIM, Inc. 44
44	NSS	1	NOT SERVICED SEPARATELY, SHIM, 0.003 in.
44	NSS	1	NOT SERVICED SEPARATELY, SHIM, 0.005 in.
44	NSS	1	NOT SERVICED SEPARATELY, SHIM, 0.010 in.
44	NSS	1	NOT SERVICED SEPARATELY, SHIM, 0.015 in.
44	NSS	1	NOT SERVICED SEPARATELY, SHIM, 0.020 in.
44	NSS	1	NOT SERVICED SEPARATELY, SHIM, 0.030 in.

сылка	Номер детали	Кол-во	Описание
45	NSS	1	NOT SERVICED SEPARATELY, COVER
49	61-33148	2	SCREW, Hex Soc Hd, 5/16"-18 x 3",
50	92734C1	2	WASHER,
51	R55912	2	COUPLING,
52	237-6004	2	O-RING, 4-1, 90 Duro, .351" ID x .072" Thk,
53	H434163	2	DUST CAP,
56	628-12040	4	BOLT, Hex, M12 x 40, 10.9, Full Thd,
58	896-11012	4	WASHER, M13.5 x 24.5 x 3, HT,
59	166506C1	1	GASKET,



06-16 MOTOR ASSY - HYDROSTATIC - RELIEF VALVE BLOCK

сылка	Номер детали	Кол-во	Описание
	193646A2	1	BLOCK, Relief Valve, Inc. 2 - 31
	140747C92	1	KIT, SEALS, Seal, Valve Block, Inc. 2 - 4
2	239-5018	1	O-RING, Rect, .755" ID x .875" OD, CI 5,
3	238-6018	2	O-RING, -018, 90 Duro, .739" ID x .070" Thk,
4	631458C1	2	RING,
	145559C91	1	KIT, Shuttle Valve, Inc. 10 - 14
10	86512512	2	PLUG, Hex Hd, 7/8"-14 ORB, Incl. 11
11	237-6010	2	O-RING, 10-1, 90 Duro, .755" ID x .097" Thk,
12	145560C1	2	SPRING,
13	NSS	2	NOT SERVICED SEPARATELY, VALVE, Regulator, Shuttle
14	NSS	1	NOT SERVICED SEPARATELY, SPOOL
15	140761C1	1	VALVE, PRESSURE RELIEF, Low, Inc. 15A, 15B
15A	237-6014	1	O-RING, 14-1, 90 Duro, 1.048" ID x .118" Thk,
15B	238-6117	1	O-RING, -117, 90 Duro, .799" ID x .103" Thk,
	193647A1	2	VALVE, PRESSURE RELIEF, Feathering , Inc. 393885R92, 222167A1, Ref. 16 - 28
	393885R92	3	KIT, SEALS, Relief Valve, Inc. 16 - 18
16	NSS	1	NOT SERVICED SEPARATELY, O-RING
17	NSS	2	NOT SERVICED SEPARATELY, RING backup
18	NSS	1	NOT SERVICED SEPARATELY, O-RING
	222167A1	1	KIT, REPAIR, Check Valve, Inc. 19 - 22
19	NSS	1	NOT SERVICED SEPARATELY, CONNECTOR
20	238-6011	1	O-RING, -011, 90 Duro, .301" ID x .070" Thk,
21	237-6004	1	O-RING, 4-1, 90 Duro, .351" ID x .072" Thk,
22	211-1008	1	BALL, 1/4" Dia, 24, CRS
23	NSS	1	NOT SERVICED SEPARATELY, BUSHING, Ball Guide
24	NSS	1	NOT SERVICED SEPARATELY, HOUSING
25	NSS	1	NOT SERVICED SEPARATELY, ORIFICE
26	NSS	1	NOT SERVICED SEPARATELY, SPRING
27	NSS	1	NOT SERVICED SEPARATELY, PISTON
28	NSS	1	NOT SERVICED SEPARATELY, PLUG
29	NSS	1	NOT SERVICED SEPARATELY, BLOCK
30	9672438	1	PLUG, Hex Hd, 7/16"-20 ORB, Incl. 31
31	237-6004	1	O-RING, 4-1, 90 Duro, .351" ID x .072" Thk,
32	413-664	4	BOLT, Hex, 3/8"-16 x 4", G5, 3/8 x 4

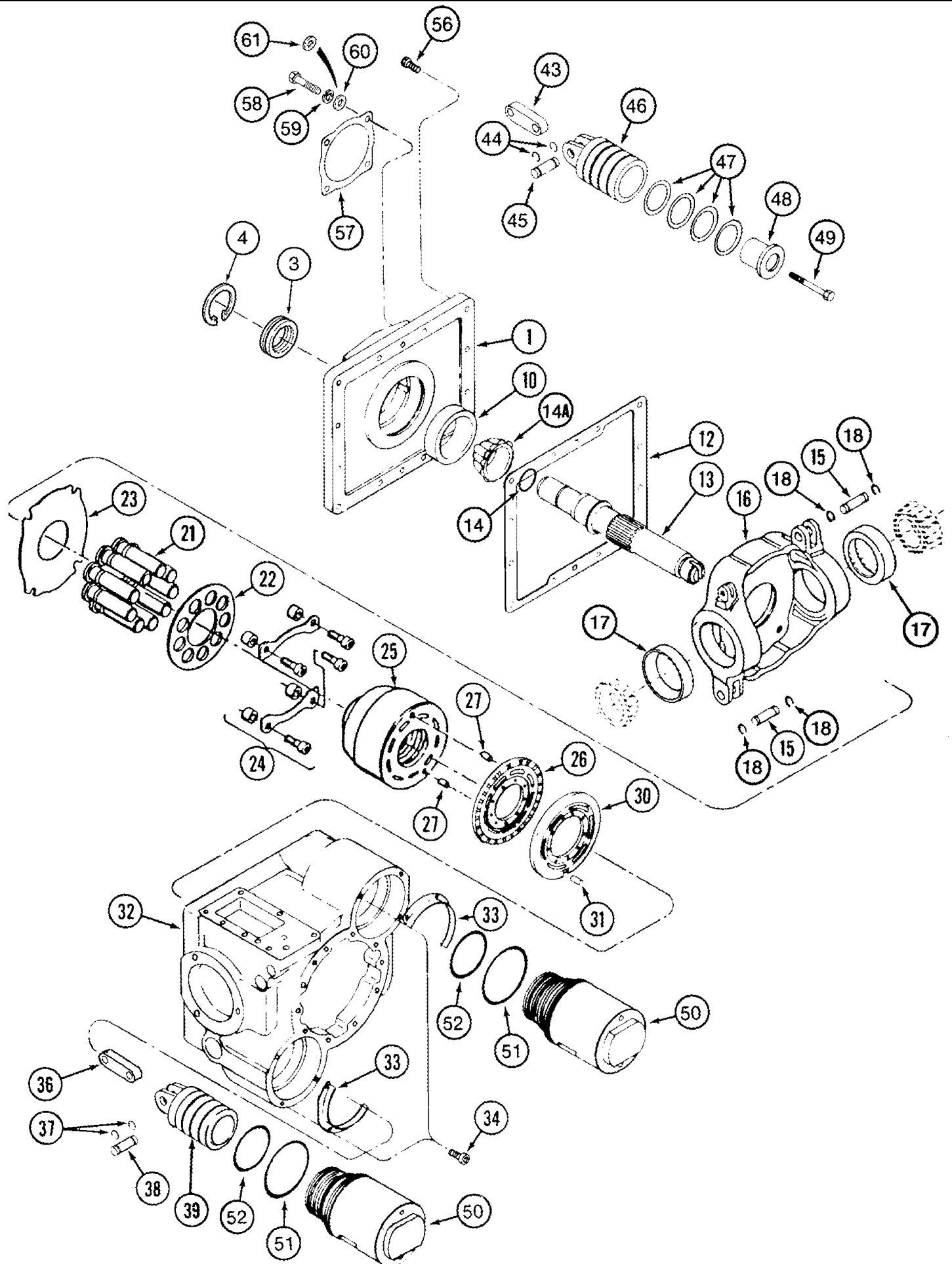


сылка	Номер детали	Кол-во	Описание
	242507A2R	1	REMAN-MOTOR HYDRAUL, N.A. Only
	242507A2C	1	CORE-MOTOR HYDRAULIC, Use To Return Core For Credit
	242507A2	1	MOTOR, HYDRAULIC, Inc. 1 - 56, Inc. Figure 06-19, Part Number Stamped On Part
1	NSS	1	NOT SERVICED SEPARATELY, FLANGE
2	1346205C1	1	KIT, GASKET, SEAL, Shaft, Four-Piece, Inc. 238-5145, 238-5131
	238-5145	1	O-RING, -145, 90 Duro, 2.55" ID x .103" Thk,
	238-5131	1	O-RING, -131, 70 Duro, 1.674" ID x .103" Thk,
3	103-21281	1	RING, SNAP, 2.812", Int, #281,
10	ST863	1	BEARING, CUP,
12	142399C1	1	GASKET,
13	1980137C1	1	SHAFT, Output, Inc. 14, 14A
14	101-11200	4	RING, SNAP, #200, 1.880", Ext,
14A	56694H	1	BEARING, CONE,
15	140766C1	2	PIN,
16	1980174C1	1	HOUSING, Inc. 17
17	399934C1	2	BEARING, CUP, 2-7/8 OD
18	100-1356	4	RING, SNAP, #56, Ext,
	1980175C1	1	KIT, Rotating Cylinder, Inc. 21 - 27
21	NSS	9	NOT SERVICED SEPARATELY, PISTON
22	NSS	1	NOT SERVICED SEPARATELY, PLATE
23	NSS	1	NOT SERVICED SEPARATELY, PLATE
24	NSS	1	NOT SERVICED SEPARATELY, KIT
25	NSS	1	NOT SERVICED SEPARATELY, BARREL
26	NSS	1	NOT SERVICED SEPARATELY, PLATE
27	37-1510	2	DOWEL, 5/16" x 5/8",
30	1980139C1	1	PLATE,
31	37-1510	1	DOWEL, 5/16" x 5/8",
32	NSS	1	NOT SERVICED SEPARATELY, HOUSING, Motor
33	142408C1	2	RETAINER,
34	461-3086	6	SCREW, Hex Soc Hd, #8-32 x 3/8", No. 8 x 3/8
	145309C1	1	PISTON, Servo, Inc. 36 - 39
36	NSS	1	NOT SERVICED SEPARATELY, LINK
37	100-1375	2	RING, SNAP, #75, Ext,
38	NSS	1	NOT SERVICED SEPARATELY, PIN
39	NSS	1	NOT SERVICED SEPARATELY, PISTON
	145308C1	1	PISTON, Servo, Inc. 43 - 49
43	NSS	1	NOT SERVICED SEPARATELY, LINK
44	100-1375	2	RING, SNAP, #75, Ext,
45	NSS	1	NOT SERVICED SEPARATELY, PIN
46	NSS	1	NOT SERVICED SEPARATELY, PISTON
47	NSS	4	NOT SERVICED SEPARATELY, SHIM
48	NSS	1	NOT SERVICED SEPARATELY, SPACER
49	413-540	1	BOLT, Hex, 5/16"-18 x 2 1/2", G5,

2366 CASE IH AXIAL-FLOW COMBINE (NA) (1/98-8/04)

06-17 MOTOR ASSY - HYDROSTATIC - TWO SPEED - CORN, GRAIN OR RICE COMBINE BSN JJC0254071

сылка	Номер детали	Кол-во	Описание
50	142407C2	2	KIT, Servo, Inc. 51, 52
51	238-5237	2	O-RING, -237, 70 Duro, 3.359" ID x .139" Thk,
52	238-5234	2	O-RING, -234, 70 Duro, 2.984" ID x .139" Thk,
56	413-720	12	BOLT, Hex, 7/16"-14 x 1 1/4", G5,
57	166506C1	1	GASKET,
58	828-12045	4	BOLT, Hex, M12 x 45, 10.9, Full Thd,
61	396-41053	4	WASHER, 17/32" x 1 1/4" x .188", HDN, 17/32 x 1-1/4 x 3/16

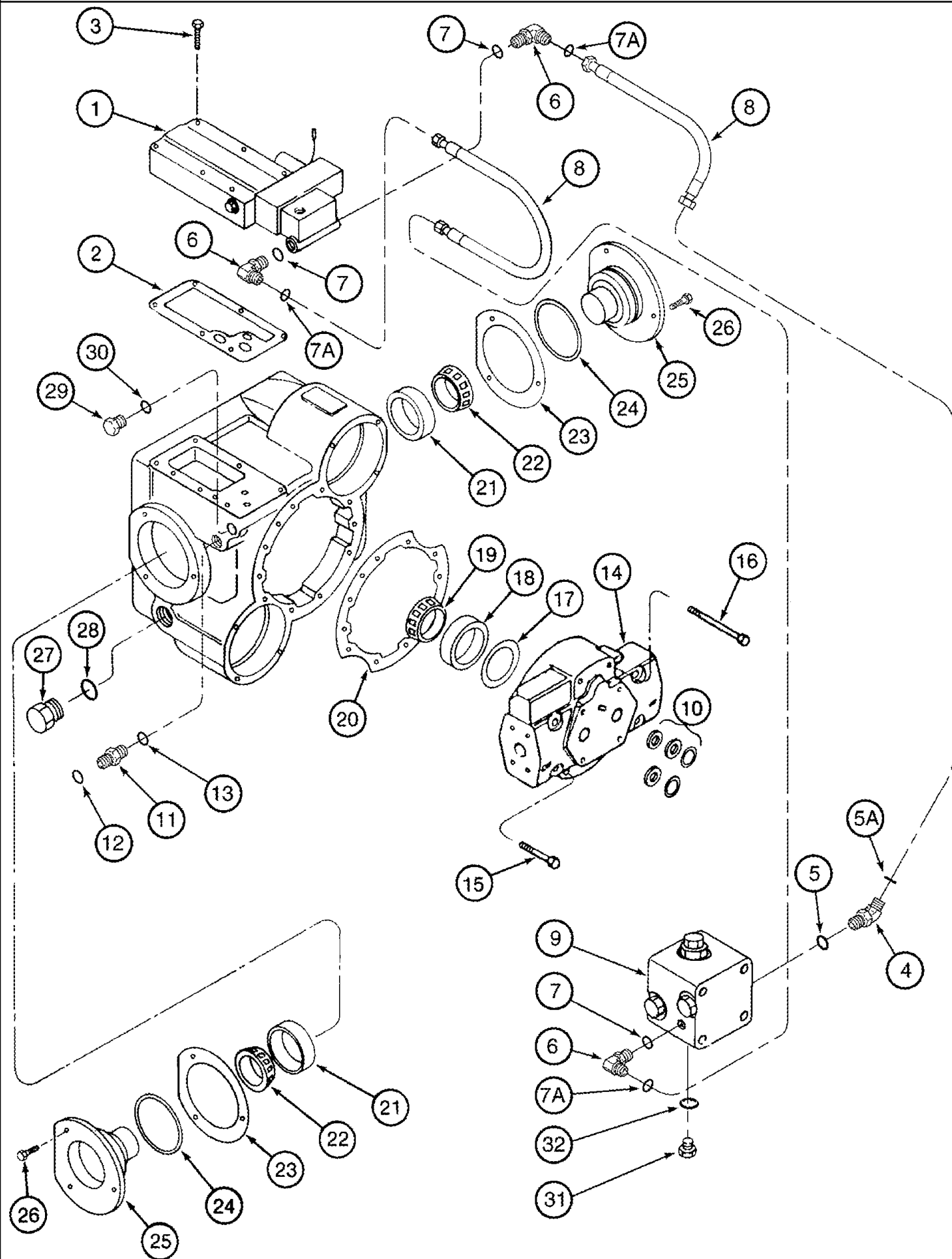


сылка	Номер детали	Кол-во	Описание
	400476A2R	1	REMAN-MOTOR HYDRAUL, N.A. Only
	400476A2C	1	REMAN-MOTOR HYDRAUL, Use To Return Core For Credit
	400476A1	1	MOTOR, HYDRAULIC, Inc. 1 - 56, Inc. Figure 06-19, Part Number Stamped On Part, BSN JJC025639
	400476A2	1	MOTOR, HYDROSTATIC, Inc. 1 - 56, Inc. Figure 06-19, Part Number Stamped On Part, ASN JJC0256400
1	NSS	1	NOT SERVICED SEPARATELY, FLANGE
	403145A1	1	SEAL, SHAFT, Inc. 3, 4
3	NSS	1	NOT SERVICED SEPARATELY, SEAL
4	100-21250	1	RING, SNAP, 2.50", Int, #250,
10	ST863	1	BEARING, CUP,
12	142399C1	1	GASKET,
13	403147A1	1	SHAFT, Output, Inc. 14, 14A
14	NSS	4	NOT SERVICED SEPARATELY, RING Retaining, No. 200
14A	NSS	1	NOT SERVICED SEPARATELY, CONE Bearing
15	140766C1	2	PIN,
16	NSS	1	NOT SERVICED SEPARATELY, PLATE Swash
17	NSS	2	NOT SERVICED SEPARATELY, CUP Bearing
18	100-1356	4	RING, SNAP, #56, Ext,
21	NSS	9	NOT SERVICED SEPARATELY, PISTON
22	NSS	1	NOT SERVICED SEPARATELY, PLATE
23	NSS	1	NOT SERVICED SEPARATELY, PLATE
24	NSS	1	NOT SERVICED SEPARATELY, KIT
25	NSS	1	NOT SERVICED SEPARATELY, BARREL
26	NSS	1	NOT SERVICED SEPARATELY, PLATE
27	37-1510	2	DOWEL, 5/16" x 5/8",
30	NSS	1	NOT SERVICED SEPARATELY, PLATE Valve
31	37-1510	3	DOWEL, 5/16" x 5/8",
32	NSS	1	NOT SERVICED SEPARATELY, HOUSING Motor
33	142408C1	2	RETAINER,
34	461-3086	6	SCREW, Hex Soc Hd, #8-32 x 3/8", No. 8 x 3/8
36	NSS	1	NOT SERVICED SEPARATELY, LINK
37	100-1375	2	RING, SNAP, #75, Ext,
38	NSS	1	NOT SERVICED SEPARATELY, PIN
	145308C1	1	PISTON, Servo, Inc. 43 - 49
39	NSS	1	NOT SERVICED SEPARATELY, PISTON
43	NSS	1	NOT SERVICED SEPARATELY, LINK
44	100-1375	2	RING, SNAP, #75, Ext,
45	NSS	1	NOT SERVICED SEPARATELY, PIN
46	NSS	1	NOT SERVICED SEPARATELY, PISTON
47	NSS	4	NOT SERVICED SEPARATELY, SHIM
48	NSS	1	NOT SERVICED SEPARATELY, SPACER
49	413-540	1	BOLT, Hex, 5/16"-18 x 2 1/2", G5,
50	NSS	2	NOT SERVICED SEPARATELY, SLEEVE ASSY., Servo, Inc. 51, 52

2366 CASE IH AXIAL-FLOW COMBINE (NA) (1/98-8/04)

06-18 MOTOR ASSY - HYDROSTATIC - TWO SPEED - CORN, GRAIN OR RICE COMBINE ASN JJC0254072

сылка	Номер детали	Кол-во	Описание
51	238-5237	2	O-RING, -237, 70 Duro, 3.359" ID x .139" Thk,
52	238-5234	2	O-RING, -234, 70 Duro, 2.984" ID x .139" Thk,
56	413-720	12	BOLT, Hex, 7/16"-14 x 1 1/4", G5,
57	166506C1	1	GASKET,
58	828-12045	4	BOLT, Hex, M12 x 45, 10.9, Full Thd,
61	396-41053	4	WASHER, 17/32" x 1 1/4" x .188", HDN, 17/32 x 1-1/4 x 3/16



06-19 MOTOR ASSY - HYDROSTATIC - TWO SPEED - CORN, GRAIN OR RICE COMBINE

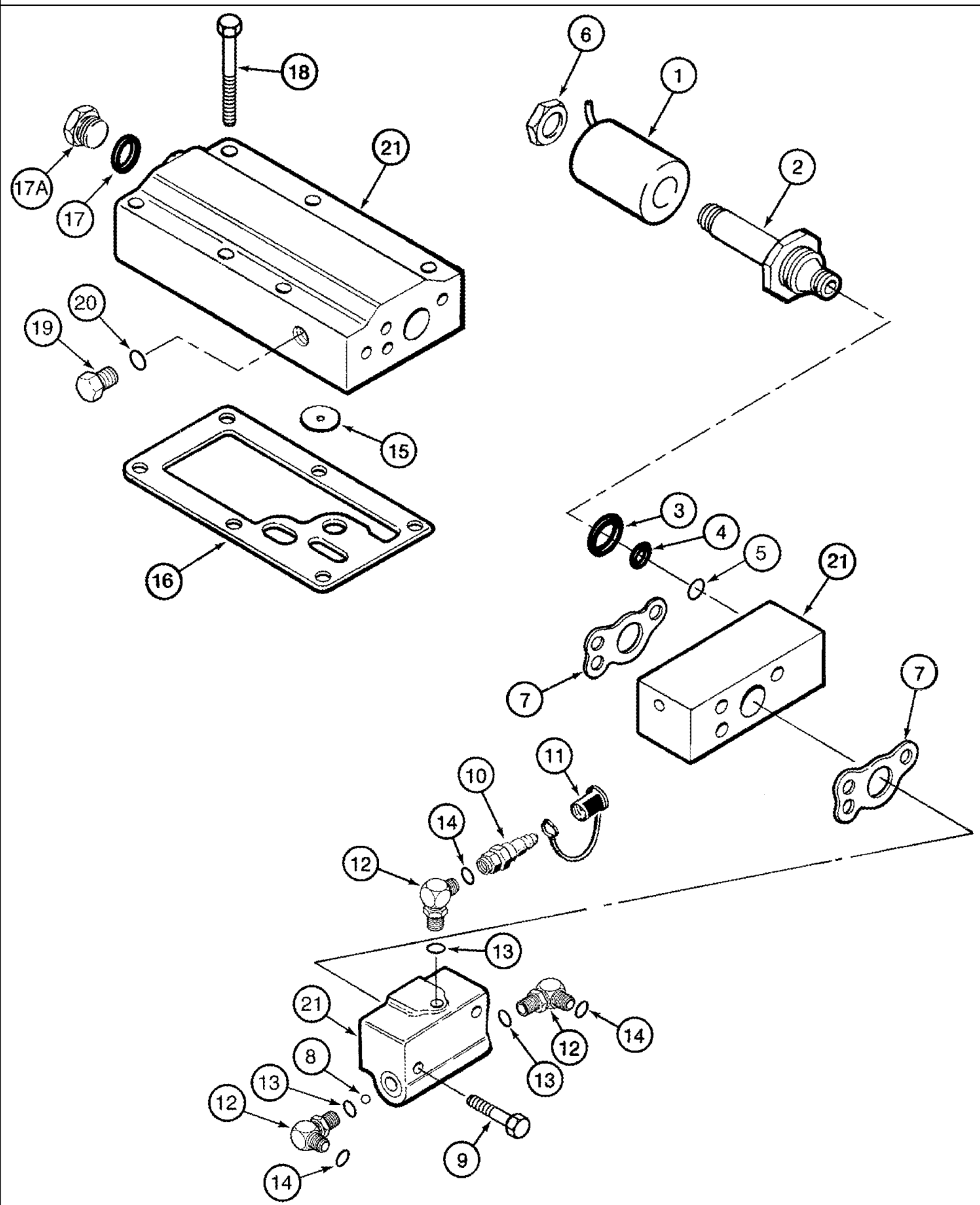
сылка	Номер детали	Кол-во	Описание
	242507A2	1	MOTOR, HYDRAULIC, Inc. 1- 32, Inc. Figure 6-17, Part Number Stamped On Part, BSN JJC0254071
	400476A1	1	MOTOR, HYDRAULIC, Inc. 1- 32, Inc. Figure 6-18, Part Number Stamped On Part, ASN JJC0254072
1	255825A1	1	KIT, REPAIR, See Figure 06-20
2	145337C1	1	GASKET,
3	413-528	6	BOLT, Hex, 5/16"-18 x 1 3/4", G5,
4	201-331	1	ELBOW, 45e, 9/16"-18 x 7/16"-20. Adj, ORFS, Includes 5, 5A
5	237-6004	1	O-RING, 4-1, 90 Duro, .351" ID x .072" Thk,
5B	238-6011	1	O-RING, -011, 90 Duro, .301" ID x .070" Thk,
6	201-303	3	ELBOW, 90e, 9/16"-18 x 7/16"-20 Adj, ORFS, 9/16 fc x 7/16, Inc. 7, 7A
7	237-6004	1	O-RING, 4-1, 90 Duro, .351" ID x .072" Thk,
7B	238-6011	1	O-RING, -011, 90 Duro, .301" ID x .070" Thk,
8	192384A1	2	HOSE, Valve To Block, 254 mm (10 in.), One 90 Degree Hose End and One Straight Hose End
9	193646A2	1	BLOCK, Relief Valve, See Figure(s) 06-15, 06-16
10	140747C92	1	KIT, SEALS, See Figure(s) 06-15, 06-16
11	201-100	1	CONNECTOR, HYD., 9/16"-18 ORFS x 7/16"-20 ORB, 9/16 fc x 7/16, Inc. 12, 13
12	238-6011	1	O-RING, -011, 90 Duro, .301" ID x .070" Thk,
13	237-6004	1	O-RING, 4-1, 90 Duro, .351" ID x .072" Thk,
14	NSS	1	NOT SERVICED SEPARATELY, HOUSING, End Cover
15	426-732	2	BOLT, Hex, 7/16"-14 x 2", G8, 7/16 x 2; 8
16	413-748	6	BOLT, Hex, 7/16"-14 x 3", G5, 7/16 x 3
	142398C91	1	KIT, SHIM, Inc. 17
17	NSS	1	NOT SERVICED SEPARATELY, SHIM, 0.003 in.
17	NSS	1	NOT SERVICED SEPARATELY, SHIM, 0.005 in.
17	NSS	1	NOT SERVICED SEPARATELY, SHIM, 0.010 in.
17	NSS	1	NOT SERVICED SEPARATELY, SHIM, 0.015 in.
17	NSS	1	NOT SERVICED SEPARATELY, SHIM, 0.020 in.
17	NSS	1	NOT SERVICED SEPARATELY, SHIM, 0.030 in.
18	530741R1	1	BEARING, CUP, Input Shaft, 2-17/32 OD
19	400983R91	1	BEARING, CONE, Input Shaft, 1-3/16 ID
20	92741C2	1	GASKET,
21	NSS	2	NOT SERVICED SEPARATELY, TRUNNION Bearing, Cup
22	NSS	2	NOT SERVICED SEPARATELY, TRUNNION Bearing, Cup
	142386C91	1	KIT, SHIM, Inc. 23
23	NSS	6	NOT SERVICED SEPARATELY, SHIM, 0.002 in.
23	NSS	4	NOT SERVICED SEPARATELY, SHIM, 0.005 in.
23	NSS	4	NOT SERVICED SEPARATELY, SHIM, 0.010 in.
23	NSS	4	NOT SERVICED SEPARATELY, SHIM, 0.015 in.
23	NSS	4	NOT SERVICED SEPARATELY, SHIM, 0.025 in.
24	238-5234	2	O-RING, -234, 70 Duro, 2.984" ID x .139" Thk,
25	NSS	2	NOT SERVICED SEPARATELY, TRUNNION, Motor
26	413-714	6	BOLT, Hex, 7/16"-14 x 7/8", G5, Full Thd, 7/16 x 7/8
27	218-5158	1	PLUG, Hex Hd, 1 1/16"-12 ORB, 1-1/16, Inc. 28
28	237-6012	1	O-RING, 12-1, 90 Duro, .924 ID x .118" Thk,

2366 CASE IH AXIAL-FLOW COMBINE (NA) (1/98-8/04)

06-19 MOTOR ASSY - HYDROSTATIC - TWO SPEED - CORN, GRAIN OR RICE COMBINE

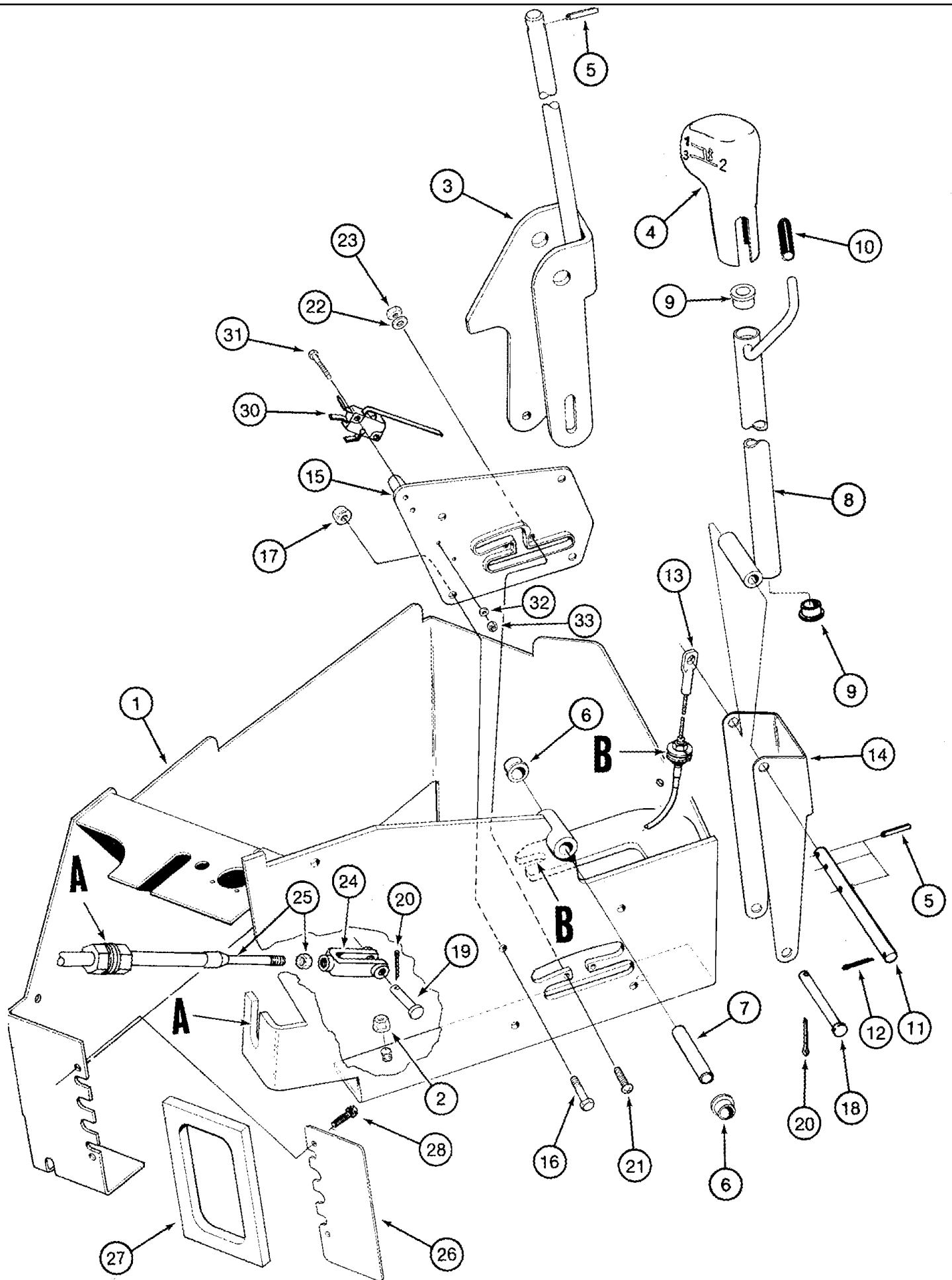
сылка	Номер детали	Кол-во	Описание
29	278548	1	PLUG, Hex Soc, 7/16"-20 ORB, Incl. 30
30	237-6004	1	O-RING, 4-1, 90 Duro, .351" ID x .072" Thk,
31	9672438	1	PLUG, Hex Hd, 7/16"-20 ORB, Incl. 32
32	237-6004	1	O-RING, 4-1, 90 Duro, .351" ID x .072" Thk,

06-20 MOTOR ASSY - HYDROSTATIC - CONTROL VALVE - TWO SPEED



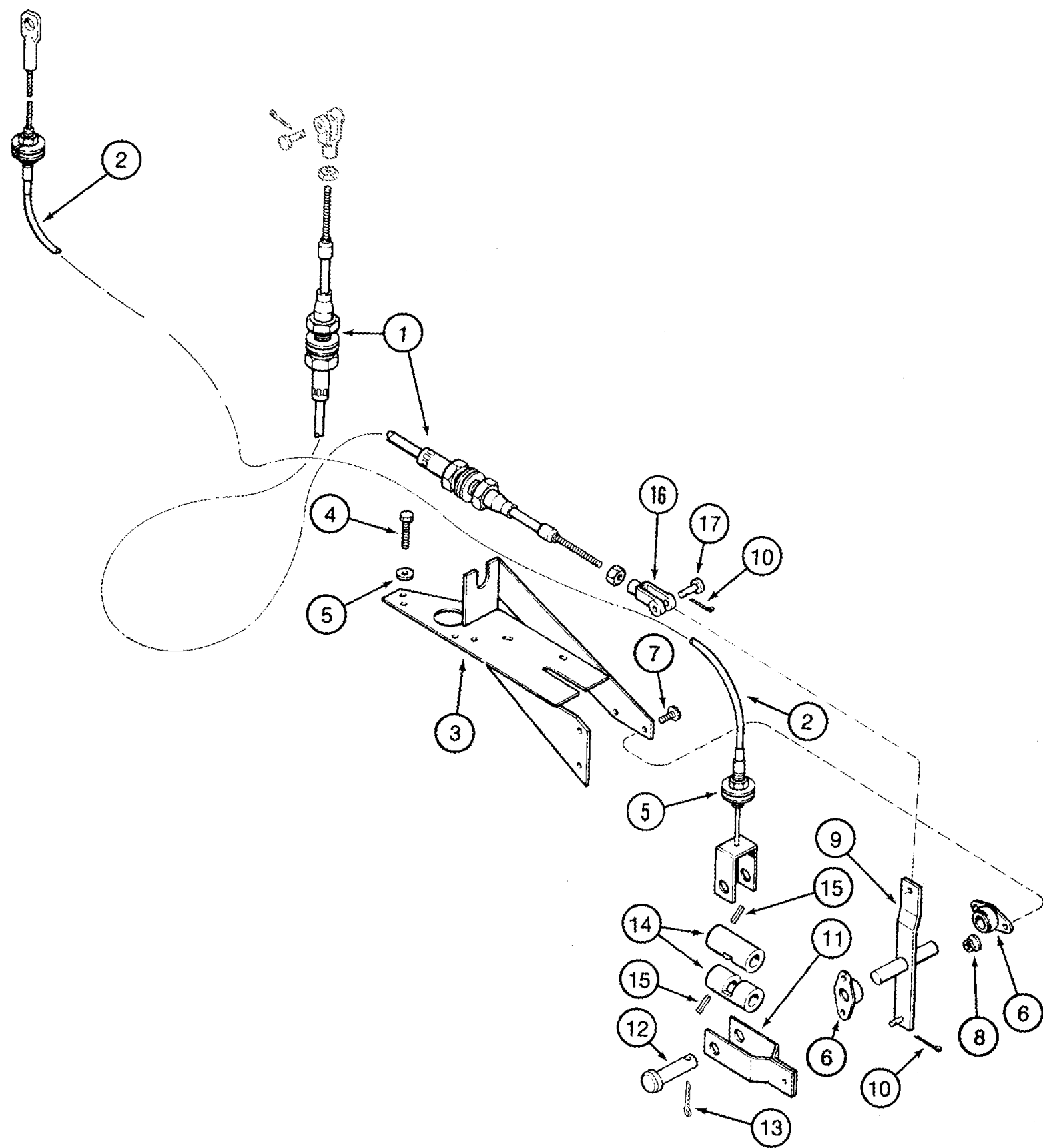
06-20 MOTOR ASSY - HYDROSTATIC - CONTROL VALVE - TWO SPEED

сылка	Номер детали	Кол-во	Описание
	255825A1	1	KIT, REPAIR, Inc. 1 - 21
	244387A1	1	VALVE, Inc. 1 - 6
1	230594A1	1	SOLENOID,
2	255834A1	1	CARTRIDGE,
	1542831C1	1	KIT, SEALS, Inc. 3 - 5
3	NSS	1	NOT SERVICED SEPARATELY, O-RING
4	NSS	1	NOT SERVICED SEPARATELY, O-RING
5	NSS	1	NOT SERVICED SEPARATELY, RING Backup
6	298986A1		NUT, 1/2 NF
	92649C1	1	KIT, Inc. 7 - 9
7	1272954C1	2	GASKET,
8	211-1012	1	BALL, 3/8" Dia, 3/8; 24, CRS
9	413-560	2	BOLT, Hex, 5/16"-18 x 3 3/4", G5,
10	190117A1	1	COUPLING, Diagnostic, Inc. 11
11	H434163	1	DUST CAP,
12	413432A1	3	ELBOW, 9/16 fc x 7/16, Inc. 13, 14
13	237-6004	1	O-RING, 4-1, 90 Duro, .351" ID x .072" Thk,
14	238-6011	1	O-RING, -011, 90 Duro, .301" ID x .070" Thk,
15	255843A1	1	PORT,
16	145337C1	1	GASKET,
17	237-6010	1	O-RING, 10-1, 90 Duro, .755" ID x .097" Thk,
17A	NSS	1	NOT SERVICED SEPARATELY, CAP
18	413-528	6	BOLT, Hex, 5/16"-18 x 1 3/4", G5,
19	9672438	1	PLUG, Hex Hd, 7/16"-20 ORB, Incl. 20
20	237-6004	1	O-RING, 4-1, 90 Duro, .351" ID x .072" Thk,
21	NSS	1	NOT SERVICED SEPARATELY, BODY



06-21 CONTROLS - TRANSMISSION UPPER SHIFT

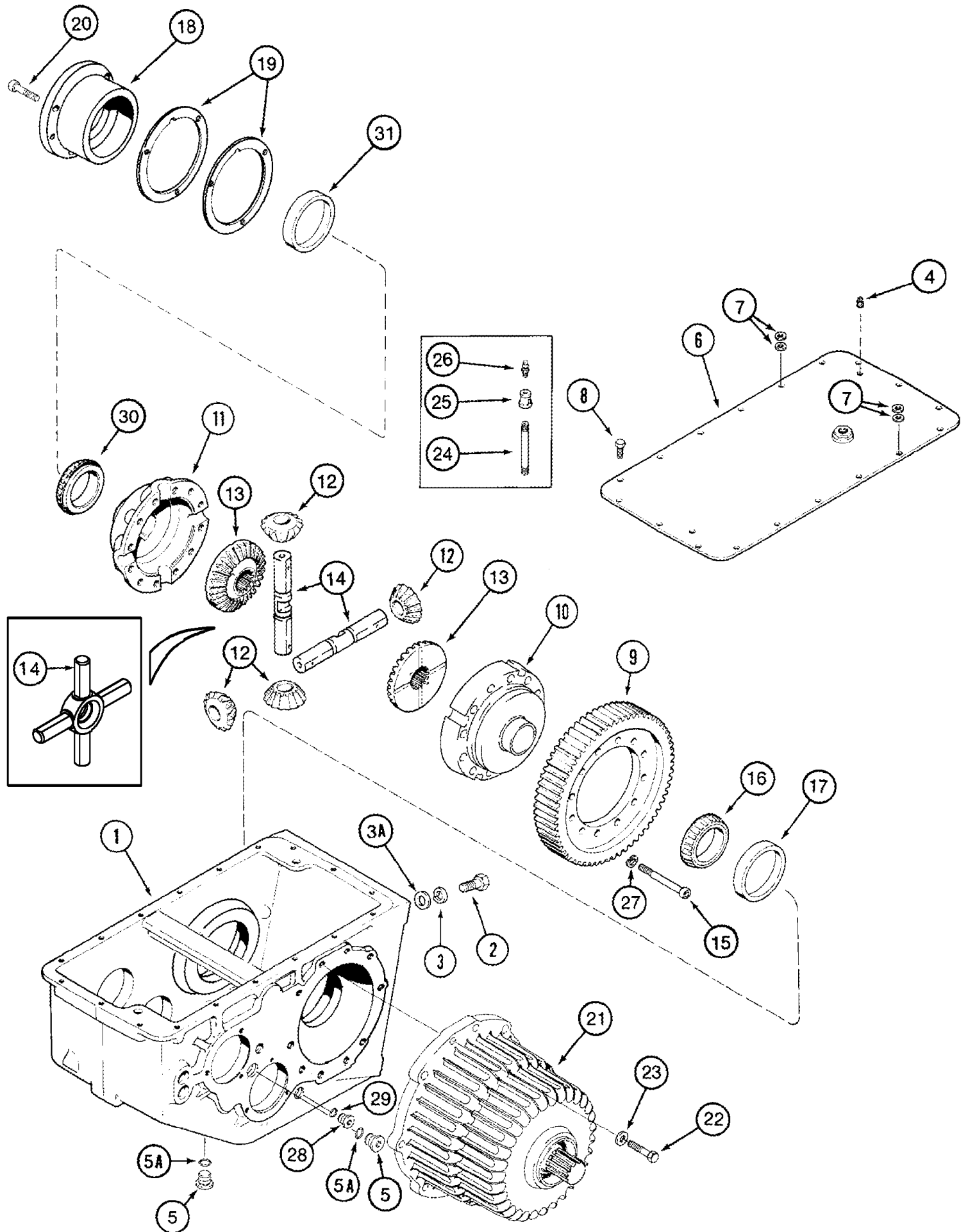
сылка	Номер детали	Кол-во	Описание
1	122744A8	1	BRACKET,
2	825-5148	4	NUT, M8, Flg Ser,
3	122751A3	1	LEVER, Transmission Shift, 2nd and 3rd Speed
4	122205A3	1	HANDLE,
5	838-1428	4	PIN, LOCK, M4 x 28, Slotted,
6	S115001	2	BEARING,
7	122199A1	1	PIN, PIVOT,
	197971A2	1	TUBE, Transmission Shift, 1st Speed, Inc. 8, 9
8	NSS	1	NOT SERVICED SEPARATELY, TUBE
9	90-4368T1	2	BUSHING,
10	125803A1	1	SLEEVE,
11	122197A2	1	SPLIT PIN/SAFETY PIN,
12	432-612	1	PIN, SPLIT (COTTER), 3/32" x 3/4",
13	115398A1	1	CABLE, Transmission Shift, 1st Speed, 3209 mm (126 in)
14	124714A2	1	SUPPORT,
15	122757A3	1	GUIDE,
16	614-6020	4	BOLT, Hex, M6 x 20, 8.8,
17	825-5146	4	NUT, M6, Flg Ser,
18	427-6325	1	PIN, CLEVIS, 3/8" x 3 1/4",
19	427-5094	1	PIN, CLEVIS, 5/16" x .940",
20	432-612	2	PIN, SPLIT (COTTER), 3/32" x 3/4",
21	840-1420	2	SCREW, Cross Pan Hd, M4 x 20,
22	895-11004	2	WASHER, M4, (4.3 x 9 x 0.8 mm)
23	824-1404	2	NUT, M4, CI 5,
24	213-125	1	CLEVIS, ADJUSTABLE, 5/16"-24,
25	115397A1	1	CABLE, Transmission Shift, 2nd and 3rd Speed
26	122750A1	1	PLATE,
27	122758A1	1	GASKET, No Longer Used
30	60-6515T1	1	SWITCH, Third Gear Lockout, See Figure 04-12
31	463-10412	2	SCREW, Hex Hd, #4-40 x 3/4", No. 4 x 3/4
32	495-31012	2	WASHER, #4, 1/8 x 5/16 x 1/32
33	225-14104	2	NUT, #4-40,
28	281-53510	2	SCREW, SELF TAPPING, Hex Wash Hd, #10 x 5/8",



06-22 CONTROLS - TRANSMISSION LOWER SHIFT

сылка	Номер детали	Кол-во	Описание
1	115397A1	1	CABLE, Transmission Shift, 2nd and 3rd Speed
2	115398A1	1	CABLE, Transmission Shift, 1st Speed, 3209 mm (126 in)
3	181376A1	1	SUPPORT,
4	614-10030	3	BOLT, Hex, M10 x 30, 8.8,
6	A63366	2	BEARING,
7	477-73112	4	BOLT, Slotted Tr Hd, 5/16"-18 x 3/4",
8	231-5145	4	NUT, Flg, USR, 5/16"-18,
9	143588A1	1	LEVER,
10	432-612	3	PIN, SPLIT (COTTER), 3/32" x 3/4",
11	194437C1	1	LINK, Shift Rail Control
12	439-51240	1	PIN, HEADED, 3/4" x 2 1/2",
13	432-1624	1	PIN, SPLIT (COTTER), 1/4" x 1 1/2",
14	192689C1	2	PIN,
15	38-31620	2	PIN, 1/4" x 1 1/4", Coiled,
16	213-125	1	CLEVIS, ADJUSTABLE, 5/16"-24,
17	427-5094	1	PIN, CLEVIS, 5/16" x .940",
5	895-11010	3	WASHER, M10 x 20 x 2, 11 x 21 x 2 mm

06-23 TRANSMISSION ASSY - HOUSING AND DIFFERENTIAL



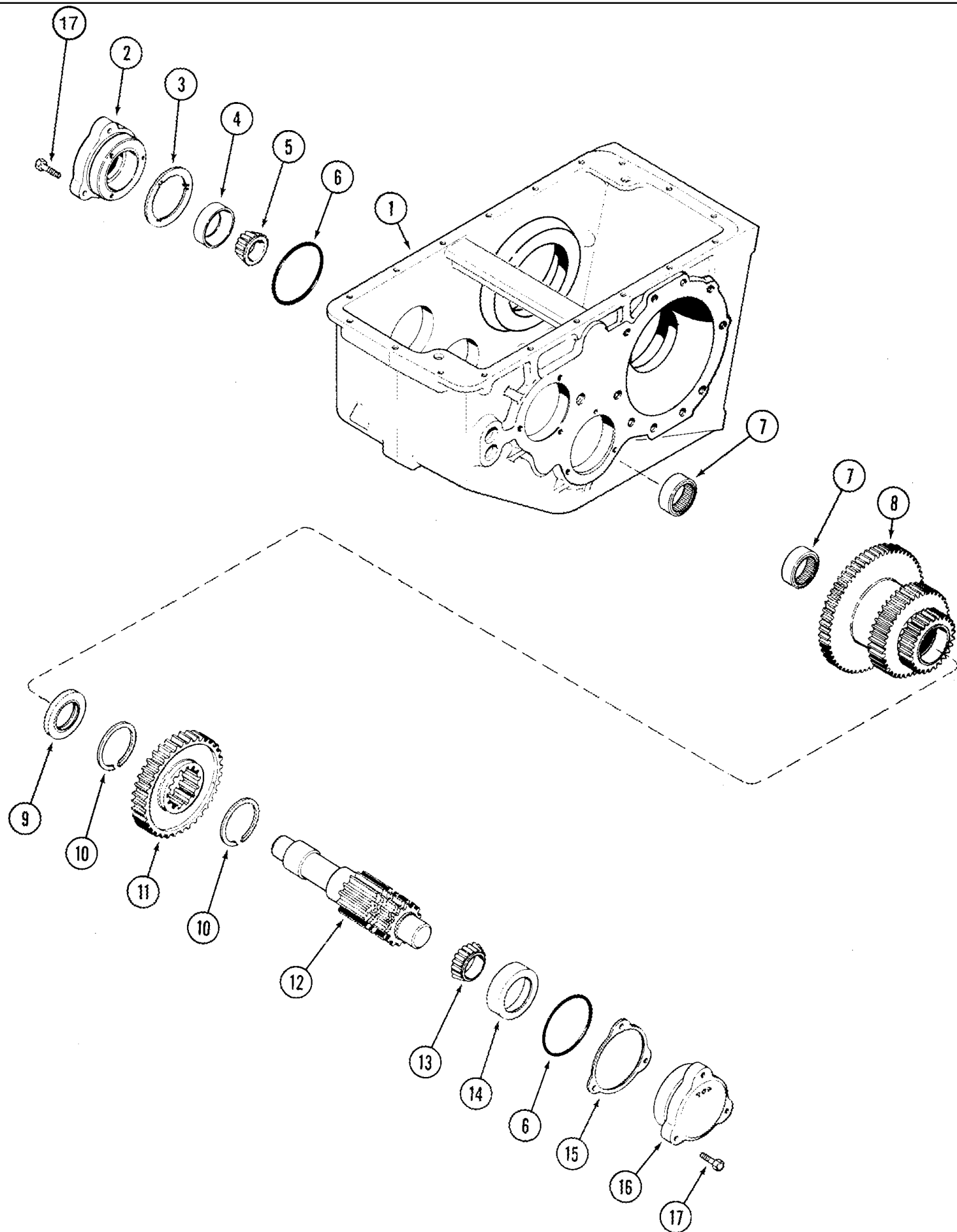
06-23 TRANSMISSION ASSY - HOUSING AND DIFFERENTIAL

сылка	Номер детали	Кол-во	Описание
	236706A1R	1	REMAN-TRANSMISSION, N.A. Only
	236706A1C	1	CORE-TRANSMISSION, Use To Return Core For Credit
	236706A1	1	TRANSMISSION, Change Gears, 34/38, Inc. 1 - 31, Also See Figure(s) 06-24, 06-25, Rice Combine
	236707A1R	1	REMAN-TRANSMISSION, N.A. Only
	236707A1C	1	CORE-TRANSMISSION, Use To Return Core For Credit
	236707A1	1	TRANSMISSION, Change Gears, 37/35, Inc. 1 - 31, Also See Figure(s) 06-24, 06-25, Corn and Grain Combine
1	236715A1	1	HOUSING,
2	627-16050	4	BOLT, Hex, M16 x 50, 10.9,
3	892-16016	4	WASHER, M16, Hvy, M16
3A	896-11016	4	WASHER, M17.5 x 30 x 4, HT,
4	217-433	2	PLUG, Hex Soc, 1/4"-18 NPTF,
5	9841223	2	PLUG, Hex Soc, 1 1/16"-12 ORB, Incl. 5A
5A	237-6012	1	O-RING, 12-1, 90 Duro, .924 ID x .118" Thk,
6	239456A1	1	COVER, Housing, Use Loctite No. 596
	345-132	AR	SEE PARTS MARKETING, Loctite, 1 ml, No. 596
7	396-21041	4	WASHER, 13/32" x 13/16" x .09", HDN, 13/32 x 13/16 x 3/32
8	613-10020	18	BOLT, Hex, M10 x 20, 8.8, Full Thd, M10 x 20
9	1997997C2	1	GEAR, DRIVEN, Differential, 66T
	236380A1	1	HOUSING, Differential, Inc. 10, 11
10	NSS	1	NOT SERVICED SEPARATELY, HOUSING, Right Hand
11	NSS	1	NOT SERVICED SEPARATELY, HOUSING, Left Hand
12	361061R3	4	PINION, 15T
13	236377A1	2	GEAR, RING, 28T
14	197469A1	2	SHAFT, Two Pieces Required, BSN JJC0255699
14	393637R2	1	SPIDER, DIFF., One Piece, Replaces 197469A1, ASN JJC0255700
15	230447A1	12	SCREW, M16 x 90; 10.9
16	ST2096	1	BEARING, CONE,
17	ST981	1	BEARING SET,
18	1997956C2	1	CAGE,
19	1997957C2	AR	SHIM, 0.813mm Thk,
19	1997958C2	AR	SHIM, 0.127mm Thk,
19	1997947C2	AR	SHIM, 0.076mm Thk,
20	863-10025	5	SCREW, Hex Soc Hd, M10 x 25, 12.9,
21	236388A1	2	BRAKE ASSY., Master, See Figure 07-03
22	963-12040	20	SCREW, Hex Soc Hd, M12 x 40, 10.9, M12 x 40; 10.9
23	896-11012	20	WASHER, M13.5 x 24.5 x 3, HT,
24	121210	1	PIPE, Nipple, 1/4" NPT x 4 1/2",
25	144098	1	REDUCER, Housing Cover
26	219-434	1	BREATHING, 1/8"-27 NPT, Short, w/washer, Transmission Case Oil, 1/8 PT x 1
27	896-12016	12	WASHER, M17.5 x 30 x 4, HT,
28	86625138	1	PLUG, Hex Soc, 7/8"-14 ORB, Includes Ref. 29
29	237-6010	1	O-RING, 10-1, 90 Duro, .755" ID x .097" Thk,

06-23 TRANSMISSION ASSY - HOUSING AND DIFFERENTIAL

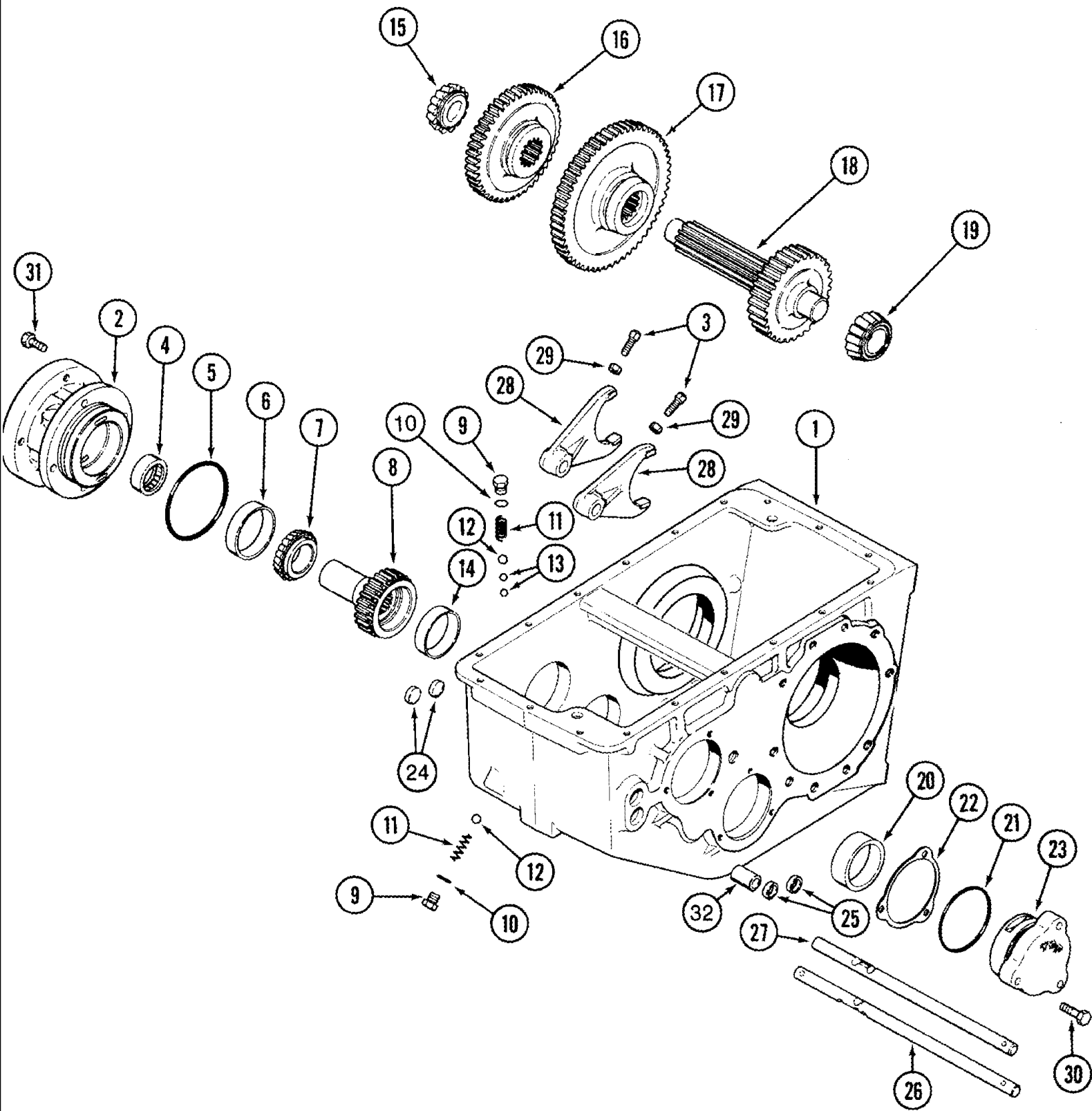
сылка	Номер детали	Кол-во	Описание
30	ST2133	1	BEARING, ROLLER, TAPERED,
31	ST990	1	CUP,

06-24 TRANSMISSION ASSY - DIFFERENTIAL PINION SHAFT AND GEARS



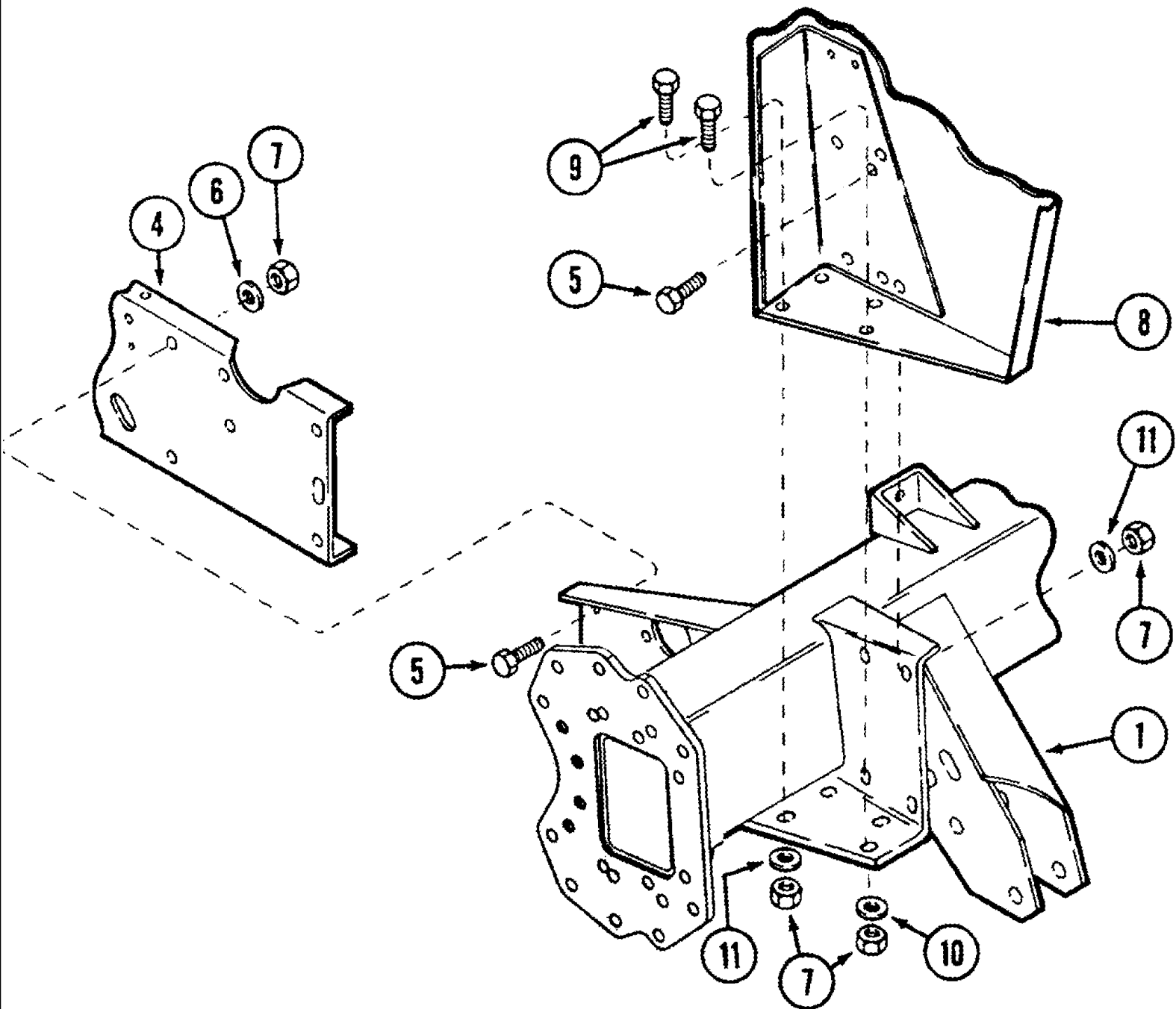
06-24 TRANSMISSION ASSY - DIFFERENTIAL PINION SHAFT AND GEARS

сылка	Номер детали	Кол-во	Описание
	236706A1	1	TRANSMISSION, Change Gears, 34/38, Inc. 1 - 17, Also See Figure(s) 06-23, 06-25, Rice Combine
	236707A1	1	TRANSMISSION, Change Gears, 37/35, Inc. 1 - 17, Also See Figure(s) 06-23, 06-25, Corn and Grain Combine
1	REF	1	INSTRUCTION, HOUSING, See Figure 06-23, Ref. 1
2	1997933C1	1	HOUSING, BEARING, Left Hand
3	530704R2	1	WASHER,
4	131312C1	1	BEARING, CUP, Left Hand Pinion Shaft
5	871244R1	1	BEARING, CONE,
6	238-7154	2	O-RING, -154, CI 7, 3.737" ID x .103" Thk,
7	A61415	2	BEARING, NEEDLE,
8	530699R1	1	PINION, 59T, 39T, 27T
9	401879R1	1	SPACER,
10	196693H1	2	RING,
11	1349045C1	1	PINION, Change Driven, 38T, Rice Combine
11	1997649C1	1	PINION, Change Driven, 35T, Corn and Grain Combine
12	401878R1	1	PINION, 14T
13	ST791	1	BEARING, CONE,
14	ST951	1	BEARING, CUP,
15	401883R2	AR	SHIM, 0.076mm Thk, (0.003")
15	401884R2	AR	SHIM, 0.127mm Thk, (0.005")
15	401885R2	AR	SHIM, 0.178mm Thk, (0.007")
15	184195C2	AR	SHIM, 0.762mm Thk, (0.030")
16	1997984C1	1	HOUSING, BEARING, Right Hand
17	628-10035	6	BOLT, Hex, M10 x 35, 10.9, Full Thd, , Use 345-620 Loctite No. 272, 1 ml



06-25 TRANSMISSION ASSY - INPUT SHAFT, GEARS AND SHIFTER RAILS

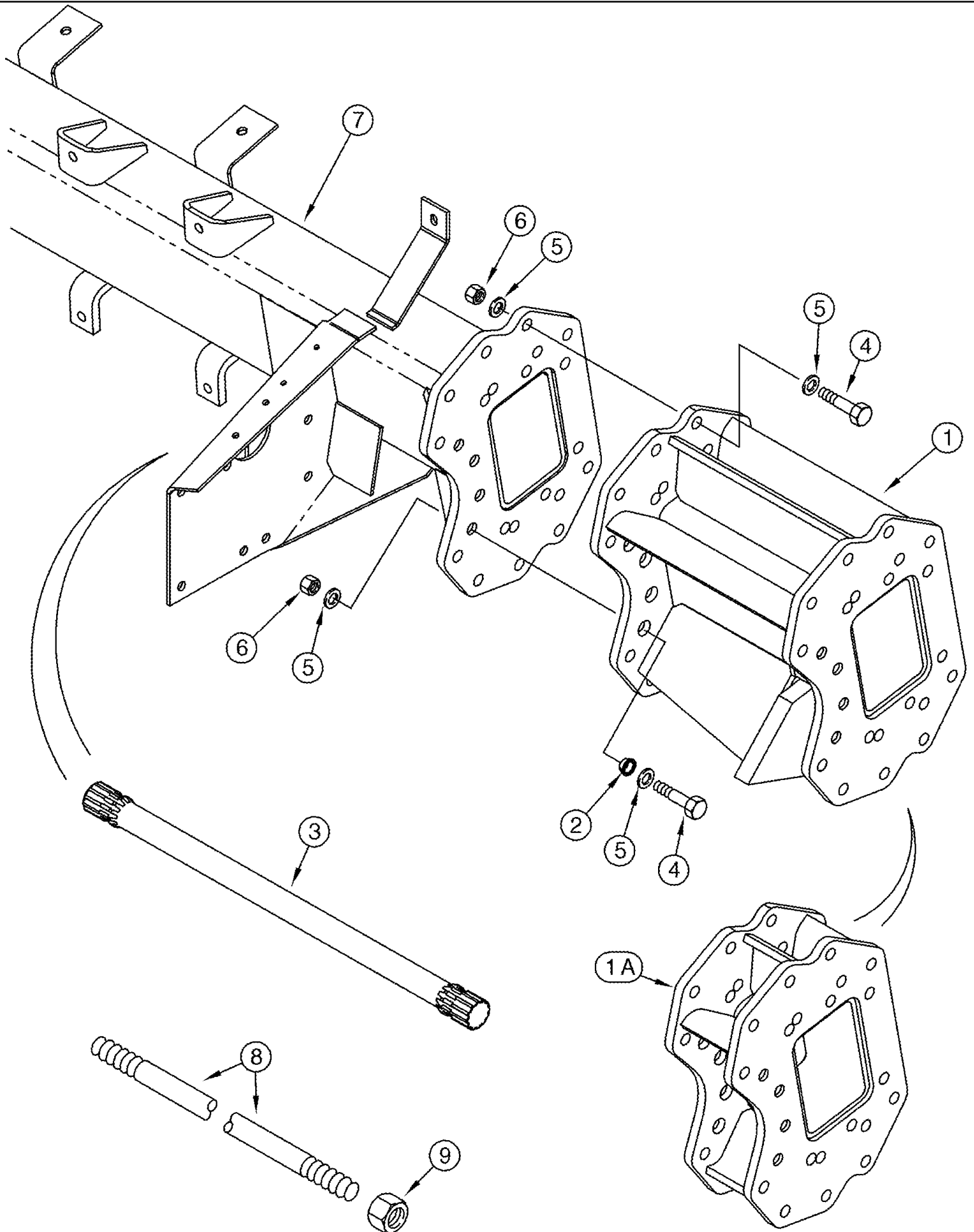
сылка	Номер детали	Кол-во	Описание
	236706A1	1	TRANSMISSION, Change Gears, 34/38, Inc. 1 - 32, Also See Figure(s) 06-23, 06-24, Rice Combine
	236707A1	1	TRANSMISSION, Change Gears, 37/35, Inc. 1 - 32, Also See Figure(s) 06-23, 06-24, Corn and Grain Combine
1	REF	1	INSTRUCTION, HOUSING, See Figure 06-23, Ref. 1
2	1997934C1	1	HOUSING, Input Shaft
3	1997657C1	2	SET SCREW,
4	R21491	1	BEARING, NEEDLE, 1-3/4 in. ID
5	238-5348	1	O-RING, -348, 70 Duro, 4.35" ID x .210" Thk,
6	130503H	1	BEARING, CUP, 3-17/64 OD
7	300426R91	1	BEARING, CONE, 1-25/32 ID
8	184217C1	1	SHAFT, Input Pinion, 26T
9	76349	2	PLUG, Hex Hd, 9/16"-18 ORB, Incl. 10
11	64600C1	2	SPRING,
12	211-1016	2	BALL, 1/2" Dia, Gr.24, CRS
13	211-1014	2	BALL, 7/16" Dia, 24,CRS
14	51200379	1	BEARING, CUP, 2-3/4 OD
15	50212VA	1	BEARING, CONE, 1-5/16 ID
16	530700R1	1	GEAR, Second and Third Siding, 26T, 46T
17	401889R1	1	GEAR, First Siding, 58T
18	1349044C1	1	SHAFT, Drive Gear, 34T, Rice Combine
18	1997650C1	1	SHAFT, Drive Gear, 37T, Corn and Grain Combine
19	290099C91	1	BEARING, CONE, 1-9/16 ID
20	290100C1	1	BEARING, CUP, 2-7/8 OD
21	238-7154	1	O-RING, -154, CI 7, 3.737" ID x .103" Thk,
22	401883R2	AR	SHIM, 0.076mm Thk, (0.003")
22	401884R2	AR	SHIM, 0.127mm Thk, (0.005")
22	401885R2	AR	SHIM, 0.178mm Thk, (0.007")
22	184195C2	AR	SHIM, 0.762mm Thk, (0.030")
23	1997998C1	1	COVER,
24	41-1612	2	PLUG, Cup, 3/4", Stainless,
25	1997906C1	2	SEAL,
26	1342442C3	1	SHIFT RAIL, Second and Third Gear Shifter
27	1342443C3	1	SHIFT RAIL, First Gear Shifter
28	1997656C1	2	FORK, SHIFTER,
29	829-1310	2	NUT, M10, CI 10,
30	628-10035	3	BOLT, Hex, M10 x 35, 10.9, Full Thd, , Use 345-181 Loctite No. 516, 1 ml
31	613-10025	4	BOLT, Hex, M10 x 25, 8.8, Full Thd, M10 x 25, Use 345-181 Loctite No. 516, 1 ml
32	189168A1	1	SPACER, Shift Rail
10	237-6006	1	O-RING, 6-1, 90 Duro, .468" ID x .078" Thk,



06-26 AXLE ASSY - DRIVE

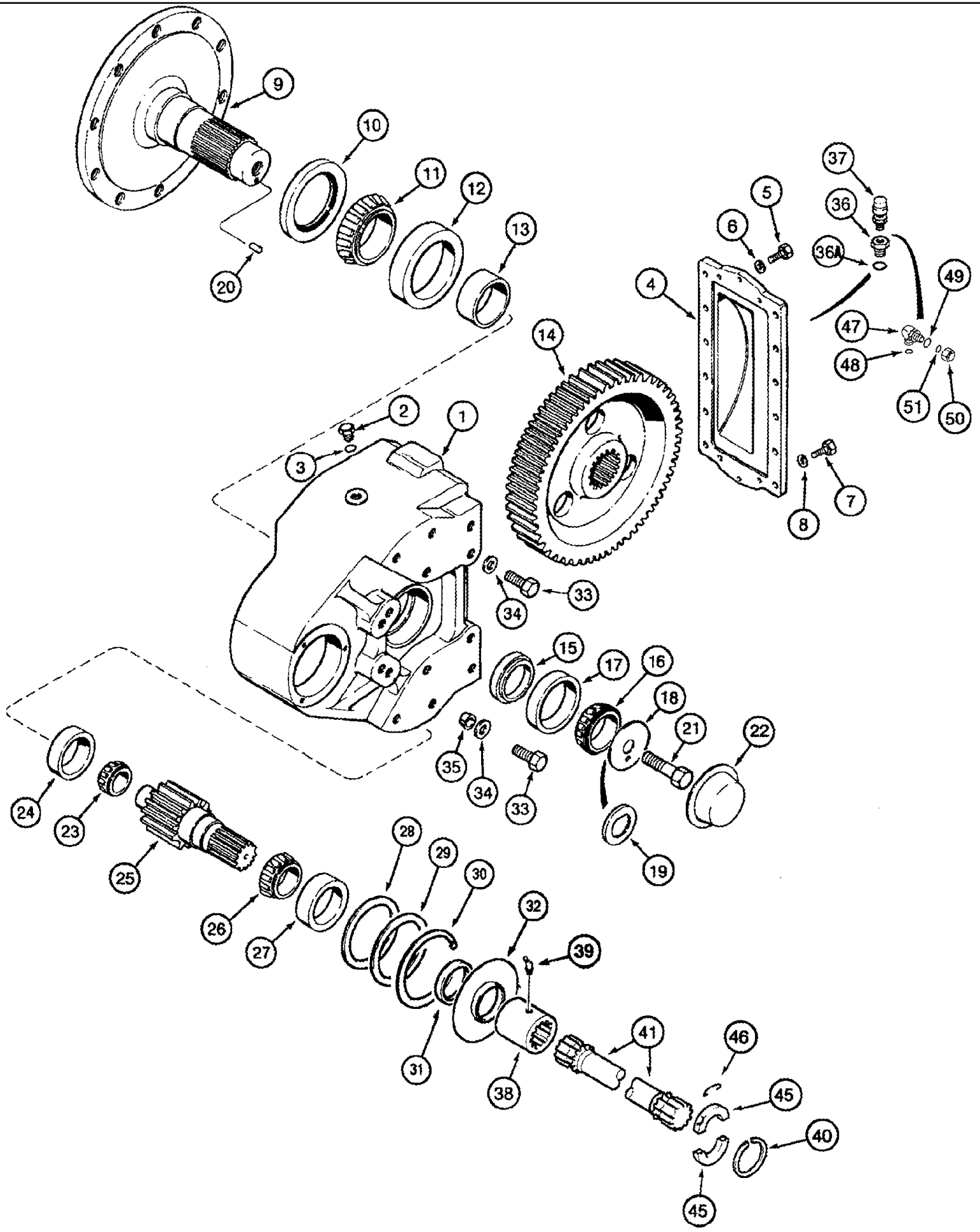
сылка	Номер детали	Кол-во	Описание
1	238567A3	1	AXLE, 88 in
4	REF	1	INSTRUCTION, SUPPORT, Separator Front, Right Hand, See Figure 09H-03, Ref. 11, Left Hand, See Figure 09H-02, Ref. 14
5	426-1020	AR	BOLT, Hex, 5/8"-11 x 1 1/4", G8, Full Thd, 5/8 x 1-1/4; 8
6	137339A2	AR	WASHER, 22 x 34 x 3.4 mm
7	232-51310	AR	NUT, Flg, USR, 5/8"-12, 5/8; 8
8	REF	1	INSTRUCTION, SEPARATOR, Right Hand, See Figure 09H-03, Ref. 6, Left Hand, See Figure 09H-02, Ref. 4
9	326-1024	8	BOLT, Hex, 5/8"-11 x 1 1/2", G8, Full Thd,
10	396-41066	4	WASHER, 21/32" x 1 1/2" x .188", HDN, 21/32 x 1-1/2 x 3/16
11	169256C2	12	WASHER, 41/64 x 1-1/4 x 1/8
12	627-20060	AR	BOLT, Hex, M20 x 60, 10.9, Not Illustrated

06-27 AXLE - EXTENSION



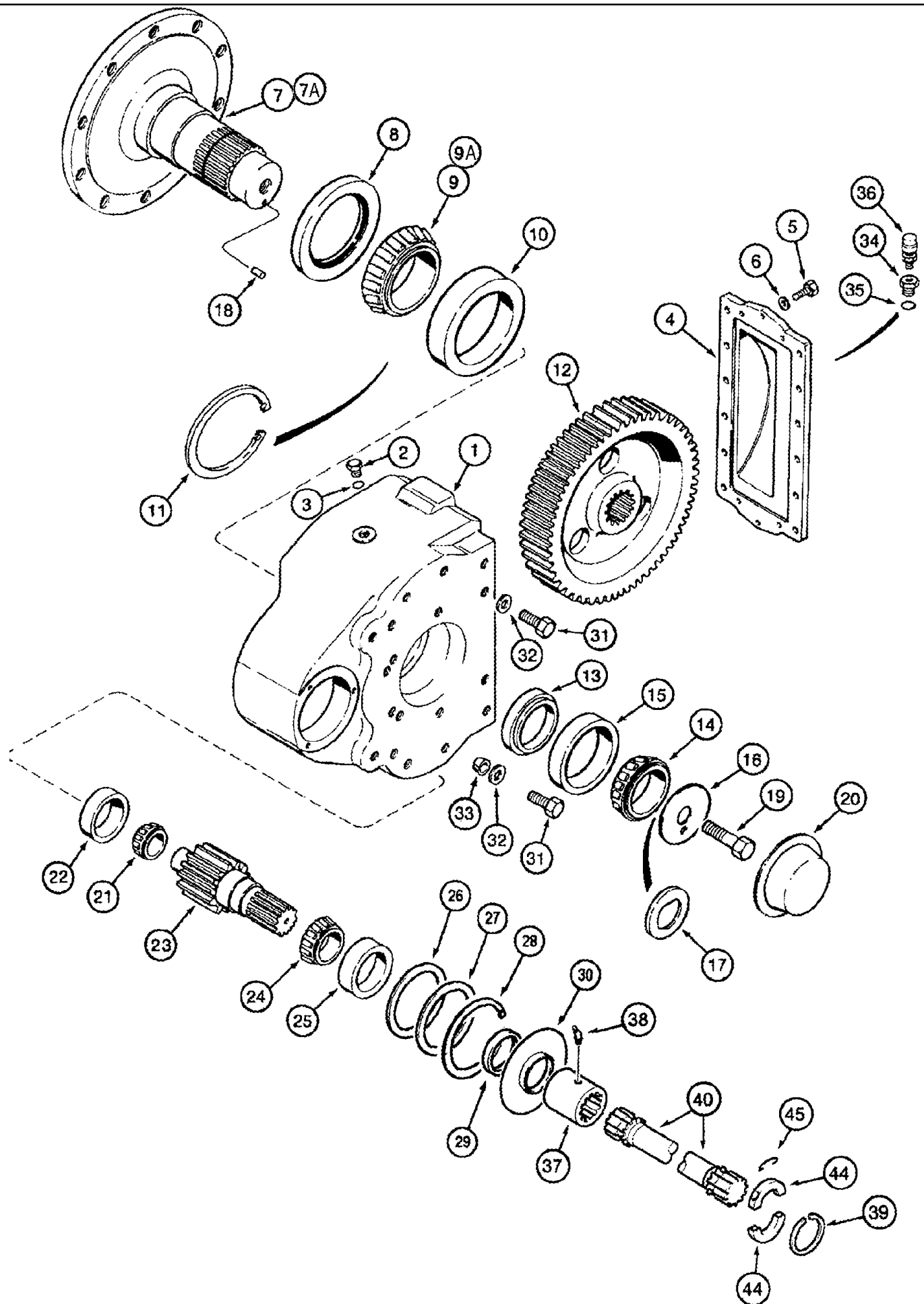
06-27 AXLE - EXTENSION

сылка	Номер детали	Кол-во	Описание
1	241106A1	1	EXTENSION ASSY., Left Hand, 18 in.
1	241107A1	1	EXTENSION ASSY., Right Hand, 18 in.
1A	240851A1	2	EXTENSION, 12 in.
2	135314A1	AR	BUSHING,
3	REF	1	INSTRUCTION, SHAFT Axle, See Figure(s) 06-28, 06-29
4	827-20070	AR	BOLT, Hex, M20 x 70, 10.9,
5	137339A2	AR	WASHER, 22 x 34 x 3.4 mm
6	832-41320	AR	NUT, LOCK, M20 x 2.5, CI 10,
7	181921A4	1	AXLE, 76 in
8	335400A1	1	REINFORCEMENT, 2960 mm, Replaces 184358C1, Use with 18 Inch Extension
8	280671A1	1	STEM, 2624 mm, Use with 12 Inch Extension
9	232-41320	4	NUT, LOCK, 1 1/4"-7, GC,
	137138A1	2	SUPPORT, Dual Rod, Welded To Axle, Not Illustrated



сылка	Номер детали	Кол-во	Описание
	141577A2	2	REDUCER, Inc. 1 - 32
1	140780A2	1	HOUSING,
2	218-5158	1	PLUG, Hex Hd, 1 1/16"-12 ORB, 1-1/16, Inc. 3
3	237-6012	1	O-RING, 12-1, 90 Duro, .924 ID x .118" Thk,
4	141578A1	1	COVER,
5	628-12035	12	SCREW, Hex, M12 x 35, 10.9, Full Thd,
6	896-12012	12	WASHER, M12 x 24.5 x 3, HT,
7	628-10035	6	BOLT, Hex, M10 x 35, 10.9, Full Thd,
8	896-12010	6	WASHER, M10 x 21.5 x 2.5, HT, 11 x 21 x 2.5 mm
9	138279A1	1	HALF SHAFT,
10	401905R91	1	SEAL,
11	283444C91	1	BEARING, CONE,
12	18241H	1	BEARING SET,
13	130809C1	1	SPACER,
14	138280A1	1	SLEWING RING, Drive, 73T
15	130808C1	1	SPACER,
16	ST2018A	1	BEARING, CONE,
17	54404R1	1	BEARING, CUP,
18	135289A1	1	RETAINER,
19	135299A1	AR	SHIM, 0.051mm Thk, (0.002")
19	135300A1	AR	SHIM, 0.457mm Thk, (0.018")
19	135301A1	AR	SHIM, 0.635mm Thk, (0.025")
20	37-1512	1	DOWEL, 5/16" x 3/4", 5/16 x 3/4
21	828-24090	1	BOLT, Hex, M24 x 90 10.9, M24 x 90; 10.9
22	403895R1	1	COVER,
23	401911R91	1	BEARING, CONE, 1-3/4 ID
24	61012R1	1	BEARING SET, 3-11/16 OD
25	135290A1	1	SHAFT, Input, 12 T
26	K4729	1	BEARING, CONE,
27	135651A1	1	BEARING, CUP,
28	135302A1	AR	SHIM, 0.051mm Thk, (0.002")
28	135303A1	AR	SHIM, 0.46mm Thk, (0.018")
28	135305A1	AR	SHIM, 0.63mm Thk, (0.025")
29	193652A1	1	WASHER,
30	101-21412	1	RING, SNAP, #412, 4.430", Int,
31	135292A1	1	SEAL,
32	135291A1	1	GUARD,
33	627-20060	26	BOLT, Hex, M20 x 60, 10.9,
34	137339A2	26	WASHER, 22 x 34 x 3.4 mm
35	135314A1	4	BUSHING,
36	135950A1	2	ADAPTER, 1/8 PT x 1-1/16 , Inc. 36A
36A	237-6012	1	O-RING, 12-1, 90 Duro, .924 ID x .118" Thk,
37	219-434	2	BREATHER, 1/8"-27 NPT, Short, w/washer, Includes Felt Washer, 1/8 PT x 1

сылка	Номер детали	Кол-во	Описание
38	248600A1	4	COUPLING, Inc. 39
39	219-45	1	NIPPLE, LUBE, 65с, 1/4" NPT x .77" lg, Drive, 1/4 dr type x 3/4, degree 65
40	123763A1	4	RING, SNAP,
41	242842A1	1	SHAFT, Left Hand, 764 mm, Without Axle Extensions
41	242841A1	1	SHAFT, Right Hand, 428 mm, Without Axle Extensions
41	280744A1	1	SHAFT, Left Hand, 1059 mm, With 12 Inch Axle Extension
41	280745A1	1	SHAFT, Right Hand, 723 mm, With 12 Inch Axle Extension
41	242844A1	1	SHAFT, Left Hand, 1217 mm, With 18 Inch Axle Extension
41	242843A1	1	SHAFT, Right Hand, 881 mm, With 18 Inch Axle Extension
45	244549A1	4	COLLAR, Inc. 45A
45A	61-33116	1	SCREW, Hex Soc Hd, 5/16"-18 x 1", 5/16 x 1, Not Illustrated
46	245105A2	4	CLIP, SPRING,
47	201-307	1	ELBOW, 90с, 1 3/16"-12 x 1 1/16"-12 Adj, ORFS, 1-3/16 fc x 1-1/16, Inc. 47, 48, Rice Combine
48	237-6014	1	O-RING, 14-1, 90 Duro, 1.048" ID x .118" Thk,
49	237-6016	1	O-RING, 16-1, 90 Duro, 1.171" ID x .118" Thk,
50	201-907	1	CAP, 1 3/16"-12 ORFS, Includes 50, Rice Combine
51	237-6014	1	O-RING, 14-1, 90 Duro, 1.048" ID x .118" Thk,

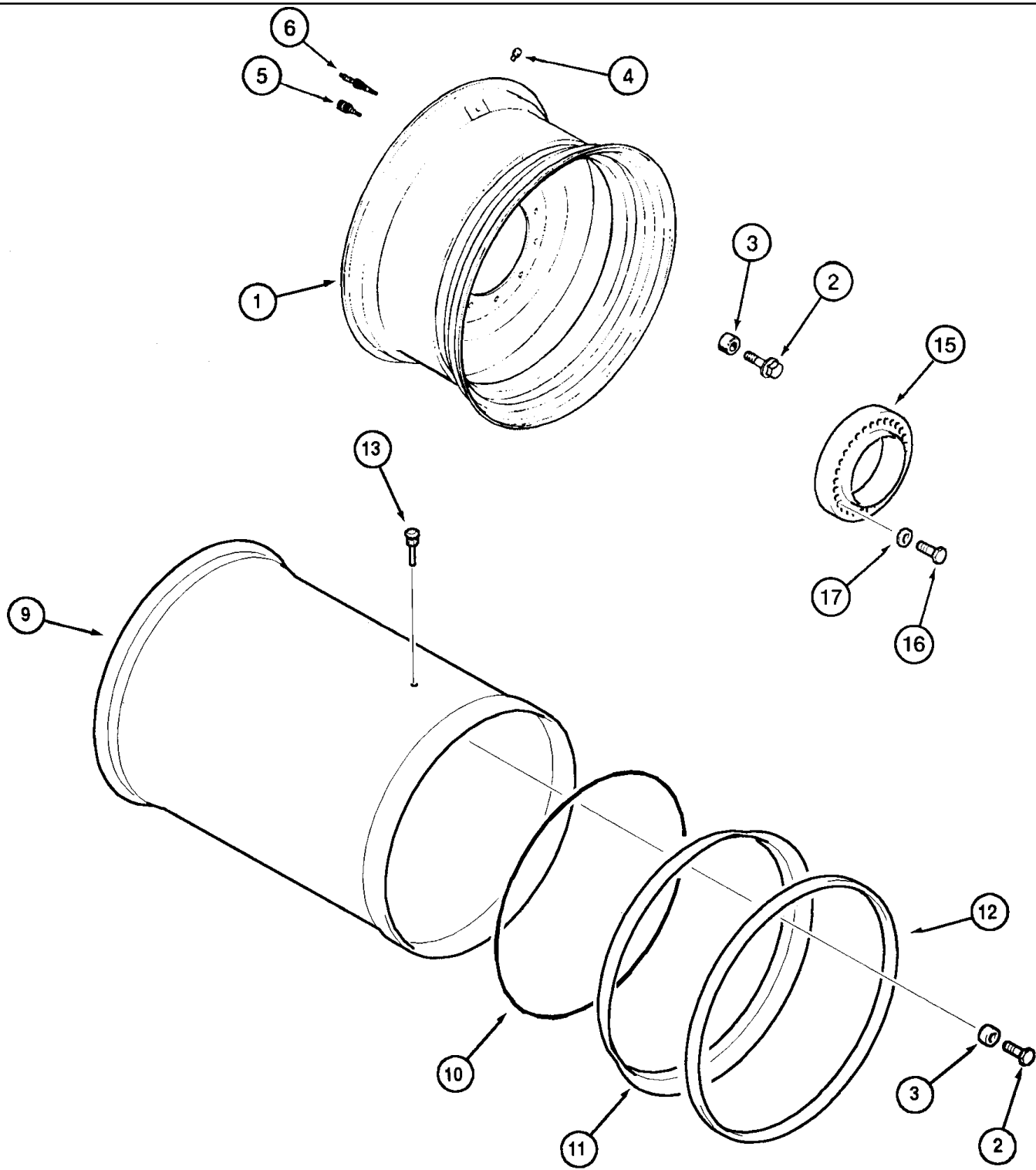


06-29 FINAL DRIVE ASSY - HEAVY DUTY

сылка	Номер детали	Кол-во	Описание
	1997415C4R	2	GEARBOX, FINAL REDUCTION, Remanufactured, N.A. Only
	1997415C4C	2	GEARBOX, FINAL REDUCTION, Use To Return Core For Credit
	1997415C3	2	REDUCER, Final, Inc. 1 - 30, BSN JJC0245120
	1997415C4	2	GEARBOX, FINAL REDUCTION, Final, Inc. 1 - 30, ASN JJC0245121
1	135285A2	1	HOUSING,
2	218-5158	1	PLUG, Hex Hd, 1 1/16"-12 ORB, 1-1/16 or, Inc. 3
3	237-6012	1	O-RING, 12-1, 90 Duro, .924 ID x .118" Thk,
4	135286A1	1	COVER,
5	628-16050	26	BOLT, Hex, M16 x 50, 10.9, Full Thd,
6	896-11016	26	WASHER, M17.5 x 30 x 4, HT,
7	135288A2	1	SHAFT, Output, Used with 1997415C3, BSN JJC0245120
7A	335948A1	1	SHAFT, Output, Used with 1997415C4, ASN JJC0245121
8	135293A1	1	SEAL,
9	135648A1	1	BEARING, CONE, , Used with 1997415C3, BSN JJC0245120
9A	335947A1	1	BEARING, CONE, , Used with 1997415C4, ASN JJC0245121
10	135649A1	1	BEARING, CUP,
11	135297A1	1	CIRCLIP,
12	135287A1	1	PINION, Final Drive, 73T
13	135307A1	1	SPACER,
14	135294A1	1	BEARING, CONE,
15	71455R1	1	BEARING, CUP,
16	135289A1	1	RETAINER,
17	135299A1	AR	SHIM, 0.051mm Thk, (0.002")
17	135300A1	AR	SHIM, 0.457mm Thk, (0.018")
17	135301A1	AR	SHIM, 0.635mm Thk, (0.025")
18	37-1512	1	DOWEL, 5/16" x 3/4", 5/16 x 3/4
19	828-24090	1	BOLT, Hex, M24 x 90 10.9, M24 x 90; 10.9
20	135296A1	1	COVER,
21	135295A1	1	BEARING, CONE,
22	135650A1	1	BEARING, CUP,
23	135290A1	1	SHAFT, Input, 12T
24	K4729	1	BEARING, CONE,
25	135651A1	1	BEARING, CUP,
26	135302A1	AR	SHIM, 0.051mm Thk, (0.002")
26	135303A1	AR	SHIM, 0.46mm Thk, (0.018")
26	135305A1	AR	SHIM, 0.63mm Thk, (0.025")
27	193652A1	1	WASHER,
28	101-21412	1	RING, SNAP, #412, 4.430", Int,
29	135292A1	1	SEAL,
30	135291A1	1	GUARD,
31	627-20060	14	BOLT, Hex, M20 x 60, 10.9,
32	137339A2	14	WASHER, 22 x 34 x 3.4 mm
33	135314A1	4	BUSHING,

06-29 FINAL DRIVE ASSY - HEAVY DUTY

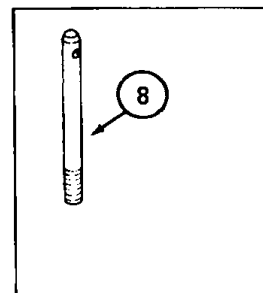
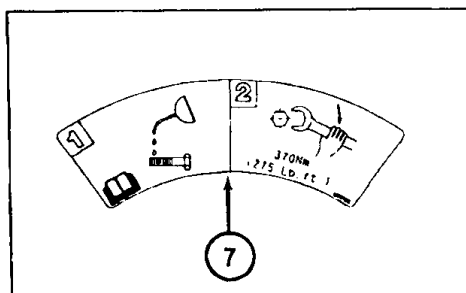
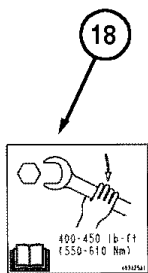
сылка	Номер детали	Кол-во	Описание
34	135950A1	2	ADAPTER, 1/8 PT x 1-1/16, Inc. 35
35	237-6012	1	O-RING, 12-1, 90 Duro, .924 ID x .118" Thk,
36	219-434	2	BREATHER, 1/8"-27 NPT, Short, w/washer, Includes Felt Washer, 1/8 PT x 1
37	248600A1	1	COUPLING, Inc. 38
38	219-45	4	NIPPLE, LUBE, 65c, 1/4" NPT x .77" lg, Drive, Fitting, Lube, 1/4 dr Type x 3/4, 65 Degree
39	123763A1	4	RING, SNAP,
40	242842A1	1	SHAFT, Left Hand, 764 mm
40	242841A1	1	SHAFT, Right Hand, 428 mm, Without Axle Extensions
40	280744A1	1	SHAFT, Left Hand, 1059 mm, With 12 Inch Axle Extension
40	280745A1	1	SHAFT, Right Hand, 723 mm, With 12 Inch Axle Extension
40	242844A1	1	SHAFT, Left Hand, 1217 mm, With 18 Inch Axle Extension
40	242843A1	1	SHAFT, Right Hand, 881 mm, With 18 Inch Axle Extension
44	244549A1	4	COLLAR, Inc. 44A
44A	61-33116	1	SCREW, Hex Soc Hd, 5/16"-18 x 1", 5/16 x 1, Not Illustrated
45	245105A2	4	CLIP, SPRING,



14

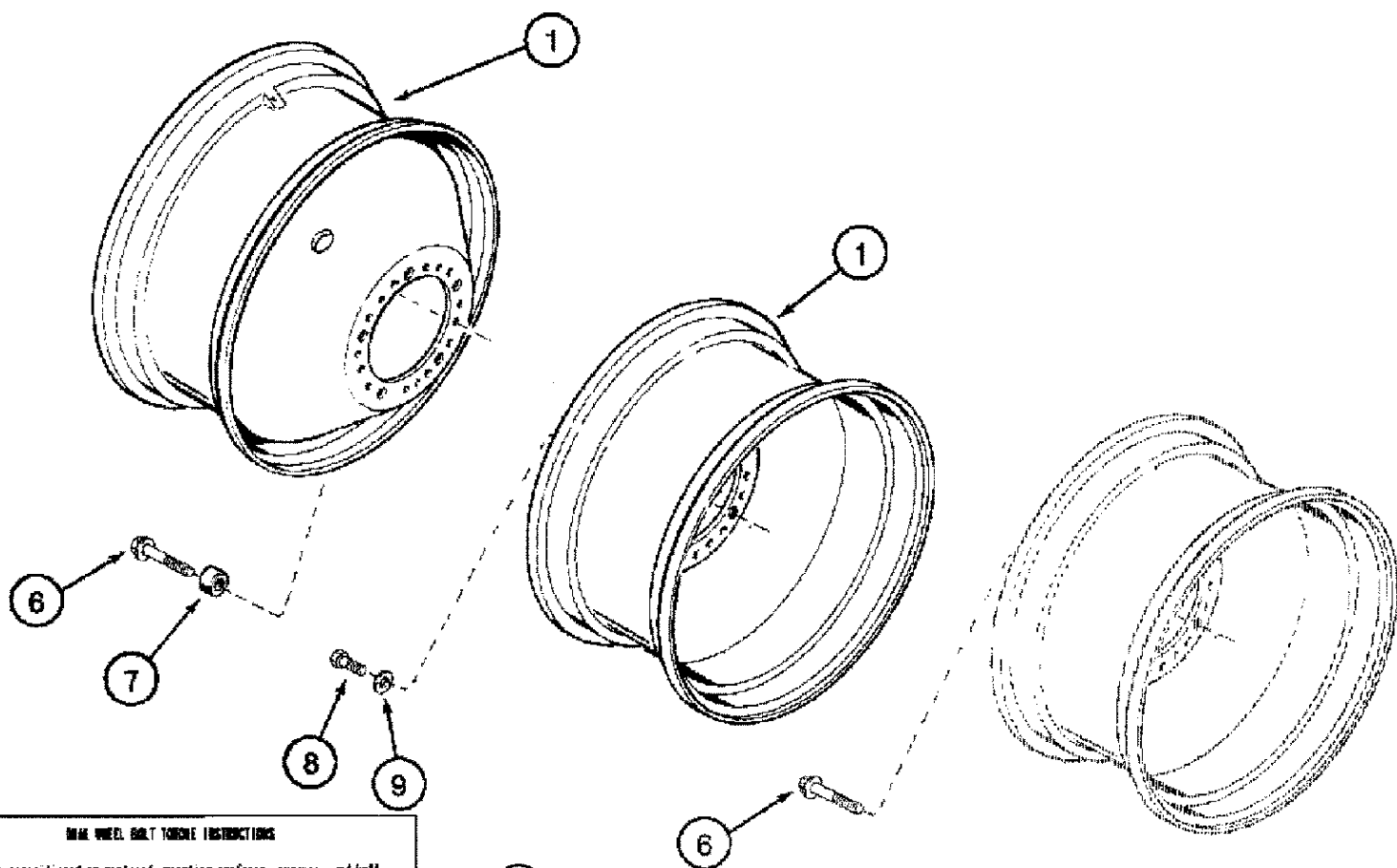
WARNING

The tires on this machine are mounted on MULTI-PURPOSE WHEEL RIMS. Normal inflation pressure is 13 psi. Use a clip on air chuck, remote control valve and gauge to add air. If pressure drops below 9 psi, refer to your Operator's Manual and contact qualified tire personnel to repair the tire/wheel assembly.



06-30 WHEELS- DRIVE - SINGLE

сылка	Номер детали	Кол-во	Описание
1	87411121	2	WHEEL, 24.5 x 32 Inch Tire, With 10 Bolt Mounting
1A	87406489	2	WHEEL, 800/65-R32 and 30.5L x 32 Tires, With 10 Bolt Mounting
2	130965A2	AR	BOLT, Wheel Mounting, M20 x 70; 10.9, BSN JJC0254999
2	427374A1	AR	BOLT, Wheel Mounting, M20 x 70; 10.9, ASN JJC0255000
3	130871A2	AR	SPACER, , BSN JJC0253999
3	130871A3	AR	SPACER, , ASN JJC0254000
4	417194C1	2	PLUG, , Used with Tubeless Tires
4	383697R1	2	PLUG, , Used with Tubeless Tires
4	359846A1	2	PLUG, , Used with Tubeless Tires
5	179482C1	2	VALVE STEM, 7/16 in. dia., Used with Tubeless Tires
6	407184C1	2	VALVE STEM, Core, Used with Tubeless Tires
7	135780A2	2	DECAL, Single Drive Wheel Bolt Torque, BSN JJC0254999
8	131443A1	2	SCREW, Drive Wheel Starter, Mounting
9	237825A2	2	WHEEL, Hi - Flotation Tire, 68 x 50 in., 16pr hf3
10	184473C1	2	O-RING, M29.8 ID x .30 Thk,
11	237824A1	2	BACK-UP RING, Side Wheel
12	184472C1	2	RING,
13	1984006C2	2	VALVE STEM, , Used with Tubeless Tires
14	REF	2	INSTRUCTION, DECAL Warning, Multi Piece Rims, See Figure 09H-21, Ref. 15
15	135171A2	2	SPACER, 76 mm
16	514-1224	20	BOLT, Hex, M20 x 1.5 x 125, 10.9, M20 x 125; 10.9
17	137339A2	20	WASHER, 22 x 34 x 3.4 mm
18	403425A1	2	DECAL, Single Drive Wheel Bolt Torque, ASN JJC0255000



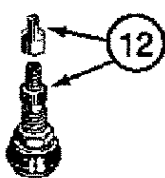
DRIVE WHEEL BOLT TORQUE INSTRUCTIONS

OPERATION:
When wheels are repositioned or replaced, mounting surfaces, spacers, and bolt threads must be clean. Torque (5) short wheel bolts on inner wheel. Torque (5) long wheel bolts on outer wheel. After operating one hour, retorque all wheel bolts. Retorque every 10 hours for the first 50 hours of operation.

TRANSPORT:
Combine may be transported with inner wheel only with EMPTY grain tank and NO header. Retorque (5) short wheel bolts on inner wheel. Clean bolt threads and retorque all (5) large wheel bolts and spacers.

THREAD LUBRICATION:
Yellow/Gold colored wheel bolts - lubricate threads with Hydrex.
Dry plated wheel bolts - lubrication not required.

BOLT TORQUE VALUE: 400-450 ft-lb (550-610 Nm)



DRIVE WHEEL BOLT TORQUE INSTRUCTIONS

CAUTION
When wheels are repositioned or replaced, mounting surfaces, spacers, and bolt threads must be clean. Torque (5) short wheel bolts on inner wheel. Torque (5) long wheel bolts on outer wheel. After operating one hour, retorque all wheel bolts. Retorque every 10 hours for the first 50 hours of operation.

TRANSPORT:
Combine may be transported with inner wheel only with EMPTY grain tank and NO header. Retorque (5) short wheel bolts on inner wheel. Clean bolt threads and retorque all (5) large wheel bolts and spacers.

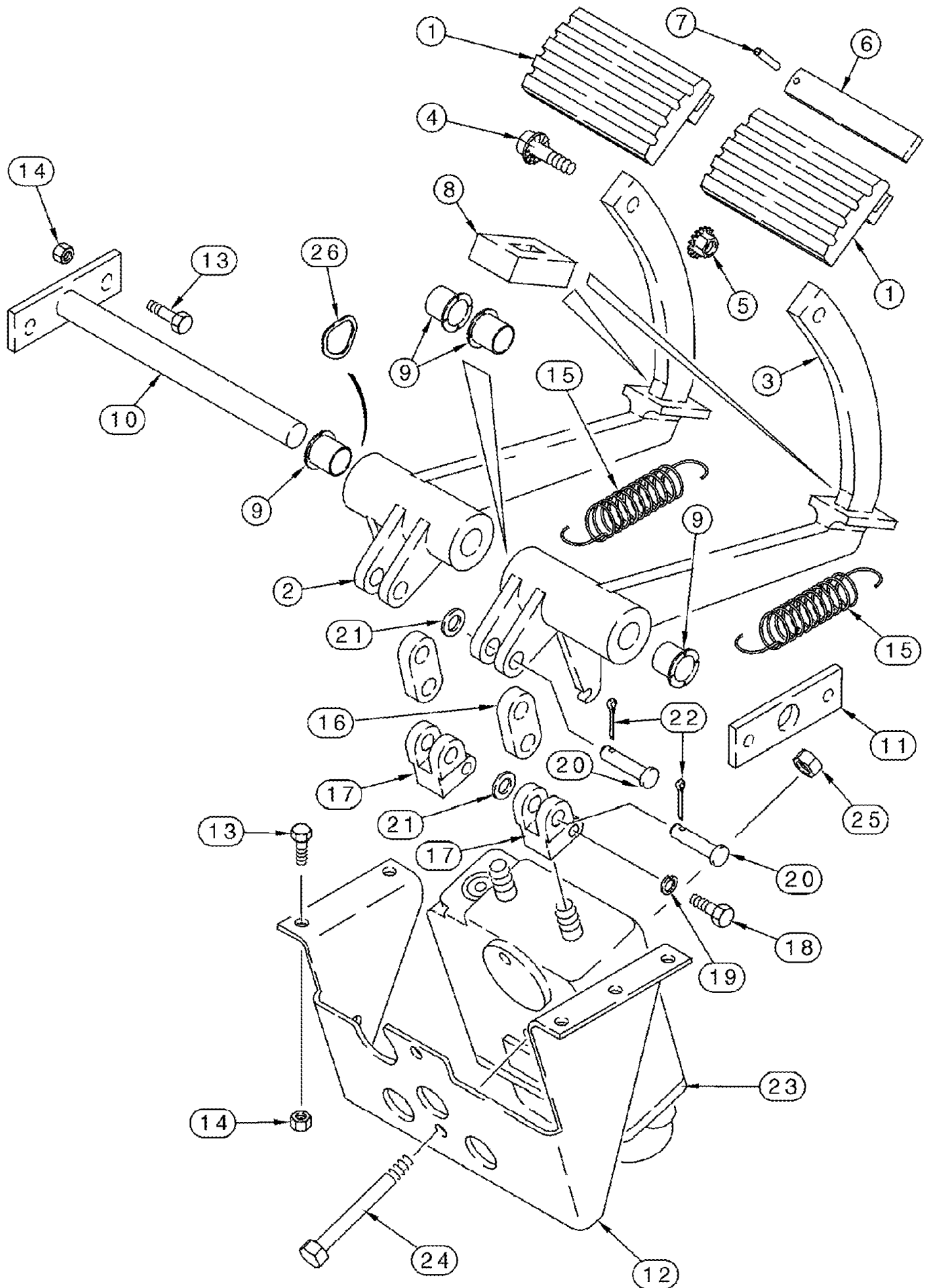
BOLT TORQUE VALUE: 400-450 ft-lb (550-610 Nm)

NOTE:
Clean and lubricate bolt threads as required to prevent slipping torque.



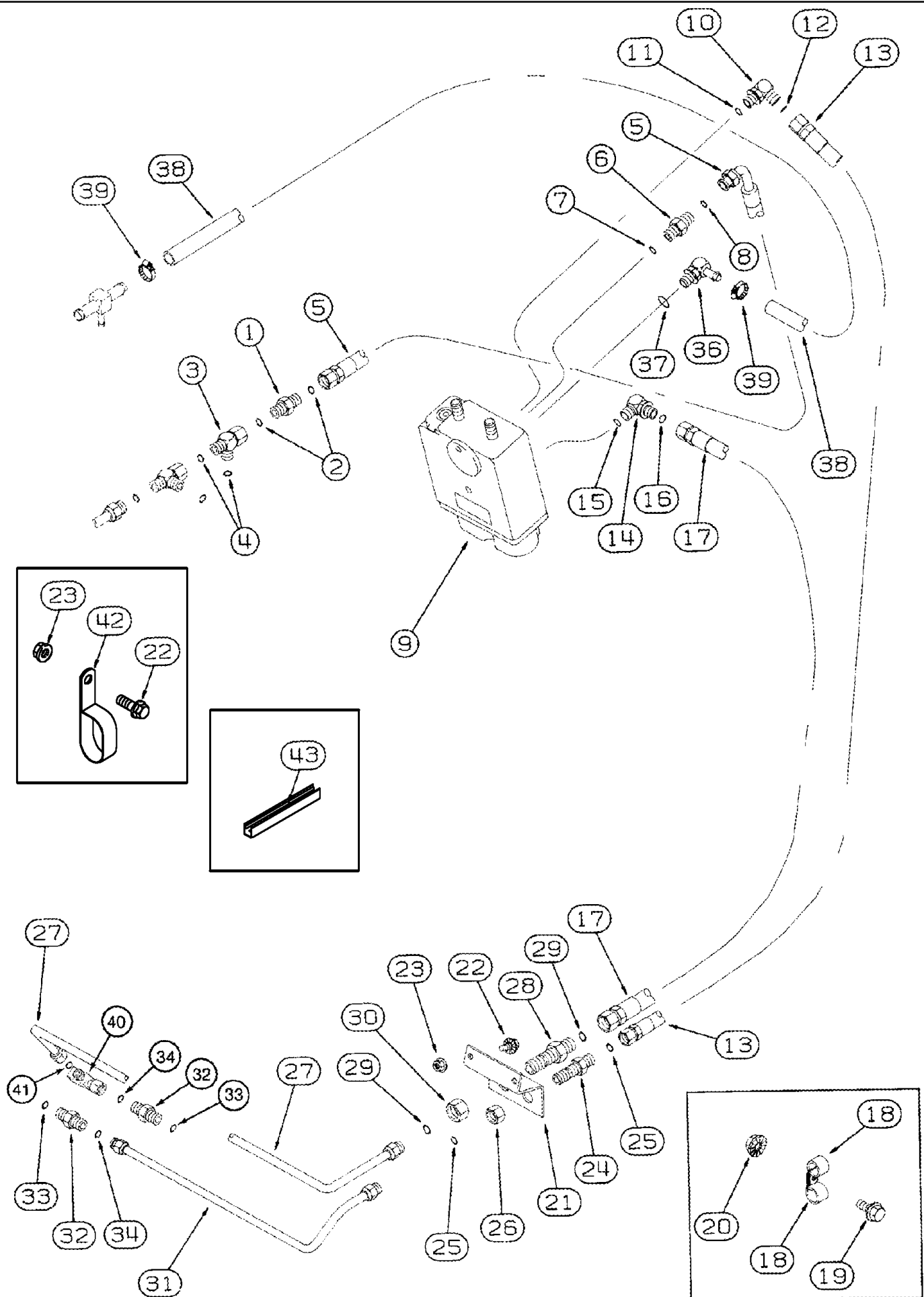
06-31 WHEELS - DRIVE - DUAL

сылка	Номер детали	Кол-во	Описание
1	184352C2	4	WHEEL, 18.4 x 38 inch Tire
1	184458C2	4	WHEEL, 18.4 x 42 inch Tire
1	184456C2	4	WHEEL, 20.8 x 42 inch Tire
2	417194C1	4	PLUG, Not Illustrated, Used with Tubeless Tires
2	383697R1	4	PLUG, Not Illustrated, Used with Tube Type Tires
4	179482C1	4	VALVE STEM, 7/16 in. dia., Not Illustrated, Used with Tubeless Tires
5	407184C1	4	VALVE STEM, Core, Not Illustrated, Used with Tubeless Tires
6	130934A2	AR	BOLT, M20 x 90; 10.9, BSN JJC0254999
6	427373A1	AR	BOLT, M20 x 85; 10.9, ASN JJC0255000
7	130871A2	AR	SPACER, , BSN JJC0253999
7	130871A3	AR	SPACER, , ASN JJC0254000
8	514-1211	AR	BOLT, Hex, M20 x 1.5 x 45, 10.9, Full Thd, M20 x 45; 10.9, No Longer Used, Order: 130934A1
9	137339A2	AR	WASHER, 22 x 34 x 3.4 mm, If Used
10	135786A2	2	DECAL, Dual Wheel Bolt Torque, BSN JJC0254999
11	131443A1	2	SCREW, Drive Wheel Starter
12	179482C1	2	VALVE STEM, 7/16 in. dia., If Used, Used with Tubeless Tires
13	448670A1	2	DECAL, Dual Wheel Bolt Torque, ASN JJC0255000



07-01 CONTROLS - BRAKES, MASTER

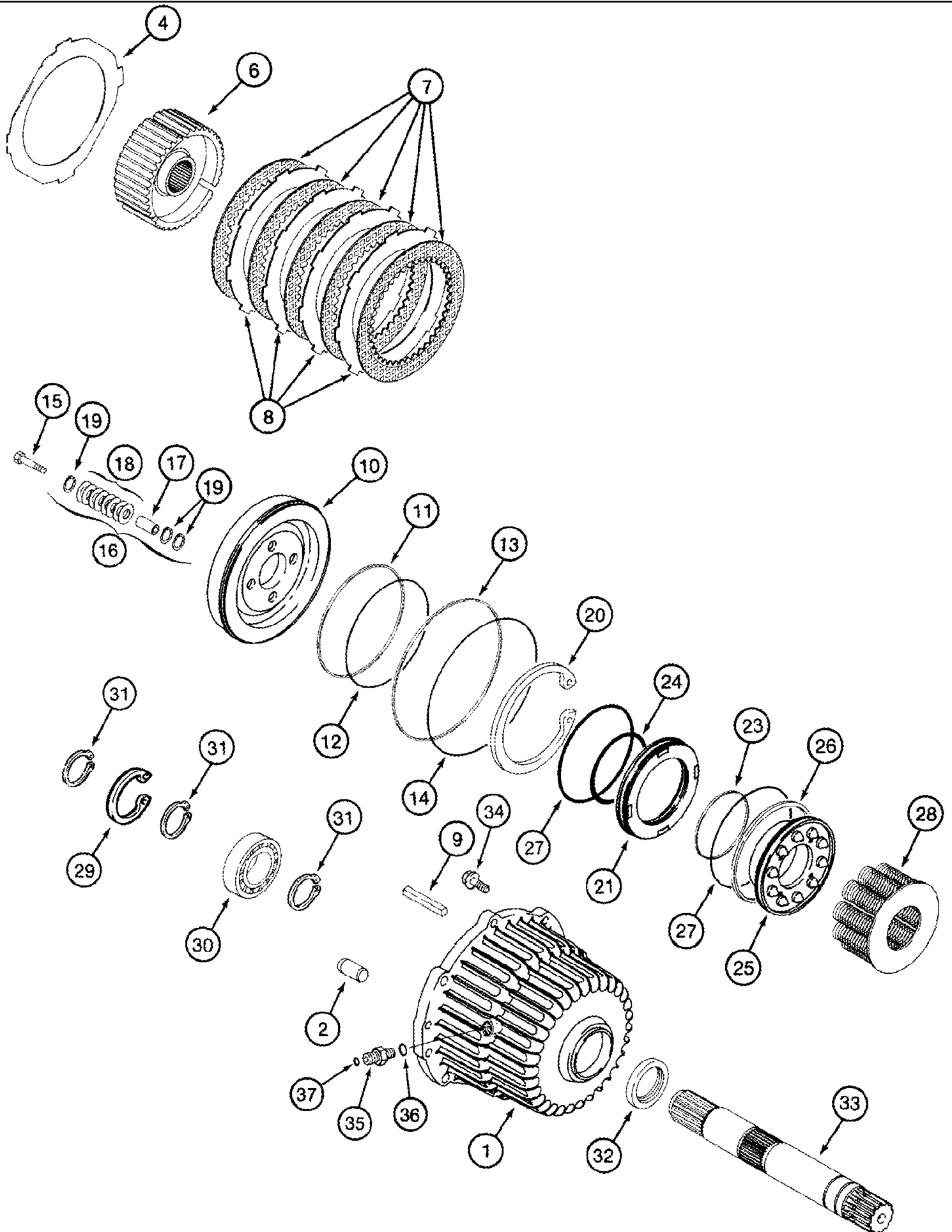
сылка	Номер детали	Кол-во	Описание
1	119902A1	2	PAD, Brake Pedal
2	138017A4	1	PEDAL, Brake, Left Hand
3	138016A4	1	PEDAL, Brake, Right Hand
4	905-10035	2	BOLT, Hex Serr Flg, M10 x 35,
5	825-51410	2	NUT, M10, Flg Ser,
6	119903A1	1	PLATE, Brake Locking
7	38-3814	1	PIN, 1/8" x 7/8", Coiled, 1/8" x 7/8", Coiled
8	120159A1	2	SEAL,
9	72323	4	BUSHING,
10	120160A2	1	SHAFT,
11	1281794C1	1	PLATE,
12	121496A3	1	SUPPORT,
13	614-8025	9	BOLT, Hex, M8 x 25, 8.8,
14	832-10408	9	NUT, LOCK, M8 x 1.25, Cl 8,
15	182652A1	2	SPRING, 27.9 OD x 122 mm
16	384082R1	2	LINK,
17	384083R2	2	CLEVIS,
18	413-518	2	BOLT, Hex, 5/16"-18 x 1 1/8", G5, Full Thd, 5/16 x 1-1/8
19	492-11031	2	WASHER, LOCK, 5/16",
20	427-8168	4	PIN, CLEVIS, 1/2" x 1 11/16",
21	495-11053	4	WASHER, 1/2", SAE, (17/32" x 1-1/16" x 3/32")
22	432-816	4	PIN, SPLIT (COTTER), 1/8" x 1",
23	137449A2	1	VALVE, BRAKE, Master Control, See Figure(s) 07-02, 07-04
24	413-656	2	BOLT, Hex, 3/8"-16 x 3 1/2", G5, 3/8 x 3-1/2
25	425-166	2	NUT, 3/8"-16, G5, Hvy, 3/8
26	G49413	1	WASHER,



07-02 HYDRAULICS - BRAKES, MASTER

сылка	Номер детали	Кол-во	Описание
1	235705A1	1	VALVE, Inc. 2
2	238-6014	2	O-RING, -014, 90 Duro, .489" ID x .070" Thk,
3	201-416	1	TEE, 13/16"-16 ORFS x 13/16"-16 Sw Run, Inc. 4, For Attaching Parts, See Figure 07-05, Ref. 1
4	238-6014	2	O-RING, -014, 90 Duro, .489" ID x .070" Thk,
5	128051A1	1	HOSE, Master Brake Valve Supply, 2340 mm (92-1/8 in)
6	201-126	1	CONNECTOR, HYD., 13/16"-16 ORFS x 9/16"-20 ORB, Inc. 7, 8
8	238-6014	1	O-RING, -014, 90 Duro, .489" ID x .070" Thk,
9	137449A2	1	VALVE, BRAKE, Master Control, See Figure 07-04
10	201-304	1	ELBOW, 90°, 11/16"-16 x 9/16"-18 Adj, ORFS, Inc. 11, 12
12	238-6012	1	O-RING, -012, 90 Duro, .364" ID x .070" Thk,
13	128058A2	1	HOSE, Valve To Left Hand Brake, 1980 mm (78 in)
14	201-332	1	ELBOW, 90°, 13/16"-16 x 9/16"-18, Adj, ORFS, 13/16 fc x 9/16, Inc. 15, 16
16	238-6014	1	O-RING, -014, 90 Duro, .489" ID x .070" Thk,
17	128056A2	1	HOSE, Valve To Right Hand Brake, 1980 mm (78 in)
18	515-25476	2	CLAMP, 1 7/8", Insul, 1/2" Bolt,
19	409-7512	1	BOLT, Hex Flg, 5/16"-18 x 3/4", Serr,
20	231-5145	1	NUT, Flg, USR, 5/16"-18,
21	128542A1	1	SUPPORT,
22	409-7512	2	BOLT, Hex Flg, 5/16"-18 x 3/4", Serr,
23	231-5145	2	NUT, Flg, USR, 5/16"-18,
24	201-120	1	CONNECTOR, HYD., 11/16"-16, Blkhd, ORFS, 11/16 fc x blkhd fc, Inc. 25
25	238-6012	2	O-RING, -012, 90 Duro, .364" ID x .070" Thk,
26	201-909	1	NUT, LOCK, Blkhd, 11/16"-16,
27	277959A1	1	BRAKE LINE, Valve To Left Hand Brake, For Attaching Parts, See Figure 07-05, Ref. 21
28	201-121	1	CONNECTOR, HYD., 13/16"-16, Blkhd, ORFS, Includes 29
29	238-6014	2	O-RING, -014, 90 Duro, .489" ID x .070" Thk,
30	201-903	1	NUT, LOCK, Blkhd, 13/16"-16, 13/16 NF
31	183800A1	1	TUBE, Valve To Right Hand Brake
32	201-101	2	CONNECTOR, HYD., 11/16"-16 ORFS x 9/16"-18 ORB, At Brake Housing, Includes 33, 34
34	238-6012	1	O-RING, -012, 90 Duro, .364" ID x .070" Thk,
35	236388A1	2	BRAKE ASSY., Master Brake, See Figure 07-03, Not Illustrated
36	217-363	1	FITTING, 90°, 5/8" Hose x 1 1/16"-12 ORB Beaded, Includes Ref. 37
37	237-6012	1	O-RING, 12-1, 90 Duro, .924 ID x .118" Thk,
38	128053A1	1	HOSE, FLEXIBLE, 2130 mm, Brake Return To Valve, Cut From S118576X
39	214-1410	2	CLAMP, HOSE, #10, 0.56/1.06 Type F Worm,
40	277963A1	1	FITTING, Tow Check, Inc. 41, For Attaching Parts, See Figure 07-05, Ref. 21
41	238-6012	1	O-RING, -012, 90 Duro, .364" ID x .070" Thk,
42	470375C1	1	CLAMP,
43	1545944C1	1	SEAL, Trim, Cut 127 mm (5 in) From S118576
7	237-6006	1	O-RING, 6-1, 90 Duro, .468" ID x .078" Thk,
11	237-6006	1	O-RING, 6-1, 90 Duro, .468" ID x .078" Thk,
15	237-6006	1	O-RING, 6-1, 90 Duro, .468" ID x .078" Thk,
33	237-6006	1	O-RING, 6-1, 90 Duro, .468" ID x .078" Thk,

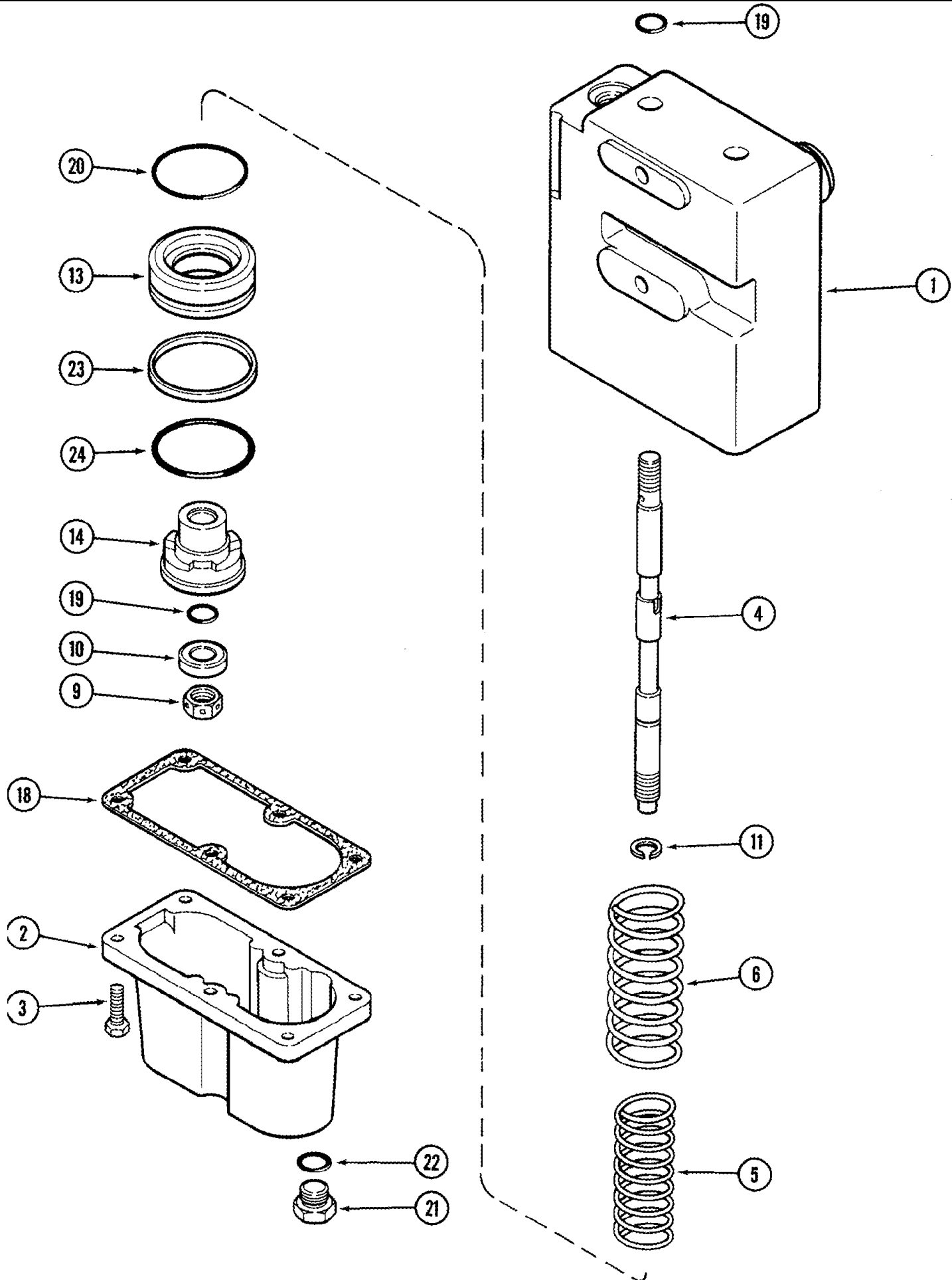
07-03 BRAKES, MASTER



07-03 BRAKES, MASTER

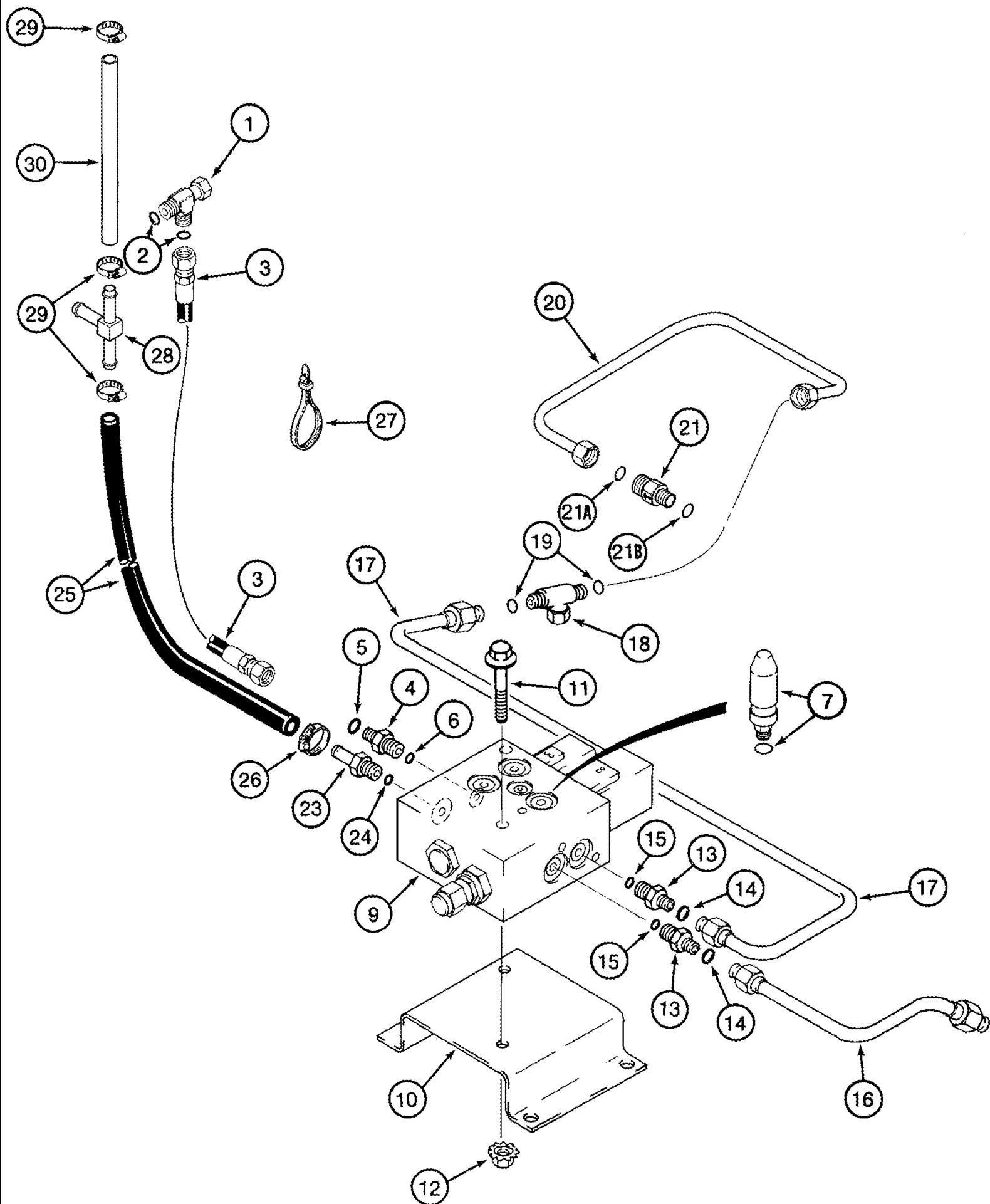
сылка	Номер детали	Кол-во	Описание
	236388A1R	2	BRAKE ASSY., Remanufactured, N.A. Only
	236388A1C	2	CORE, Use To Return Core For Credit
	236388A1	2	BRAKE ASSY., Master, Inc. 1 - 37
1	1997395C1	1	HOUSING,
2	837-16030	2	DOWEL, M16 x 30,
4	NSS	2	NOT SERVICED SEPARATELY, SHIM, 0.5 mm thk
4	NSS	2	NOT SERVICED SEPARATELY, SHIM, 1.062 mm thk
6	1997394C1	1	HUB,
7	1997959C1	12	BRAKE DISC,
8	1285974C1	13	PLATE, BRAKE,
9	221254A1	8	SPACER,
10	1997398C1	1	PISTON,
11	1997617C4	1	SEAL,
12	238-7168	1	O-RING, -168, CI 7, 7.237" ID x .103" Thk,
13	1997616C4	1	SEAL,
14	238-7174	1	O-RING, -174, CI 7, 8.737" ID x .103" Thk,
15	828-8070	4	BOLT, Hex, M8 x 70, 10.9, M8 x 70; 10.9
16	1997900C1	4	SPRING, Inc. 17 - 19
17	NSS	1	NOT SERVICED SEPARATELY, SPACER
18	1997912C1	8	WASHER,
19	100-1462	3	RING, SNAP, #62, Ext,
20	102-22625	1	RING, SNAP, #625, 6.474", Int, Spiral,
21	1997399C1	1	PISTON,
23	1997619C4	1	RING, PISTON,
24	238-7157	1	O-RING, -157, CI 7, 4.487" ID x .103" Thk,
25	1997400C1	1	PISTON,
26	1997618C4	1	SEAL,
27	238-7162	2	O-RING, -162, CI 7, 5.737" ID x .103" Thk,
28	1997999C2	1	SPRING,
29	101-21393	1	RING, SNAP, #393, 4.234", Int,
30	ST265	1	BEARING, BALL,
31	358059R1	3	RING, SNAP,
32	184072C1	1	SEAL,
33	236378A1	1	SHAFT, Output
34	845-8020	4	BOLT, Hex Flg, M8 x 20, 8.8, Full Thd,
35	201-101	2	CONNECTOR, HYD., 11/16"-16 ORFS x 9/16"-18 ORB, Includes 36, 37
37	238-6012	1	O-RING, -012, 90 Duro, .364" ID x .070" Thk,
	221598A1	2	KIT, SHIM, Inc. 4, 9
36	237-6006	1	O-RING, 6-1, 90 Duro, .468" ID x .078" Thk,

07-04 VALVE ASSY - BRAKES, MASTER



07-04 VALVE ASSY - BRAKES, MASTER

сылка	Номер детали	Кол-во	Описание
	137449A2	1	VALVE, BRAKE, Master Control, Inc. 1 - 24
1	NSS	1	NOT SERVICED SEPARATELY, BODY
2	384495R1	1	CAP,
3	413-414	6	BOLT, Hex, 1/4"-20 x 7/8", G5, Full Thd, 1/4 x 7/8
4	NSS	2	NOT SERVICED SEPARATELY, SPOOL
5	1263125C1	2	SPRING,
6	1263124C1	2	SPRING,
9	9411648	2	NUT, LOCK, 1/2"-20, GC,
10	69158C1	2	RETAINER,
11	A27020	2	RING,
13	NSS	2	NOT SERVICED SEPARATELY, PISTON
14	NSS	2	NOT SERVICED SEPARATELY, PISTON
	71487C92	1	KIT, SEALS, Inc. 18 - 24
18	384503R2	1	GASKET,
19	NSS	4	NOT SERVICED SEPARATELY, O-RING
20	NSS	2	NOT SERVICED SEPARATELY, O-RING
21	76349	1	PLUG, Hex Hd, 9/16"-18 ORB,
23	1986769C1	2	BACK-UP RING,
24	238-5135	2	O-RING, -135, 70 Duro, 1.925" ID x .103" Thk, 2-1/16 ID x 3/32
22	237-6006	1	O-RING, 6-1, 90 Duro, .468" ID x .078" Thk,



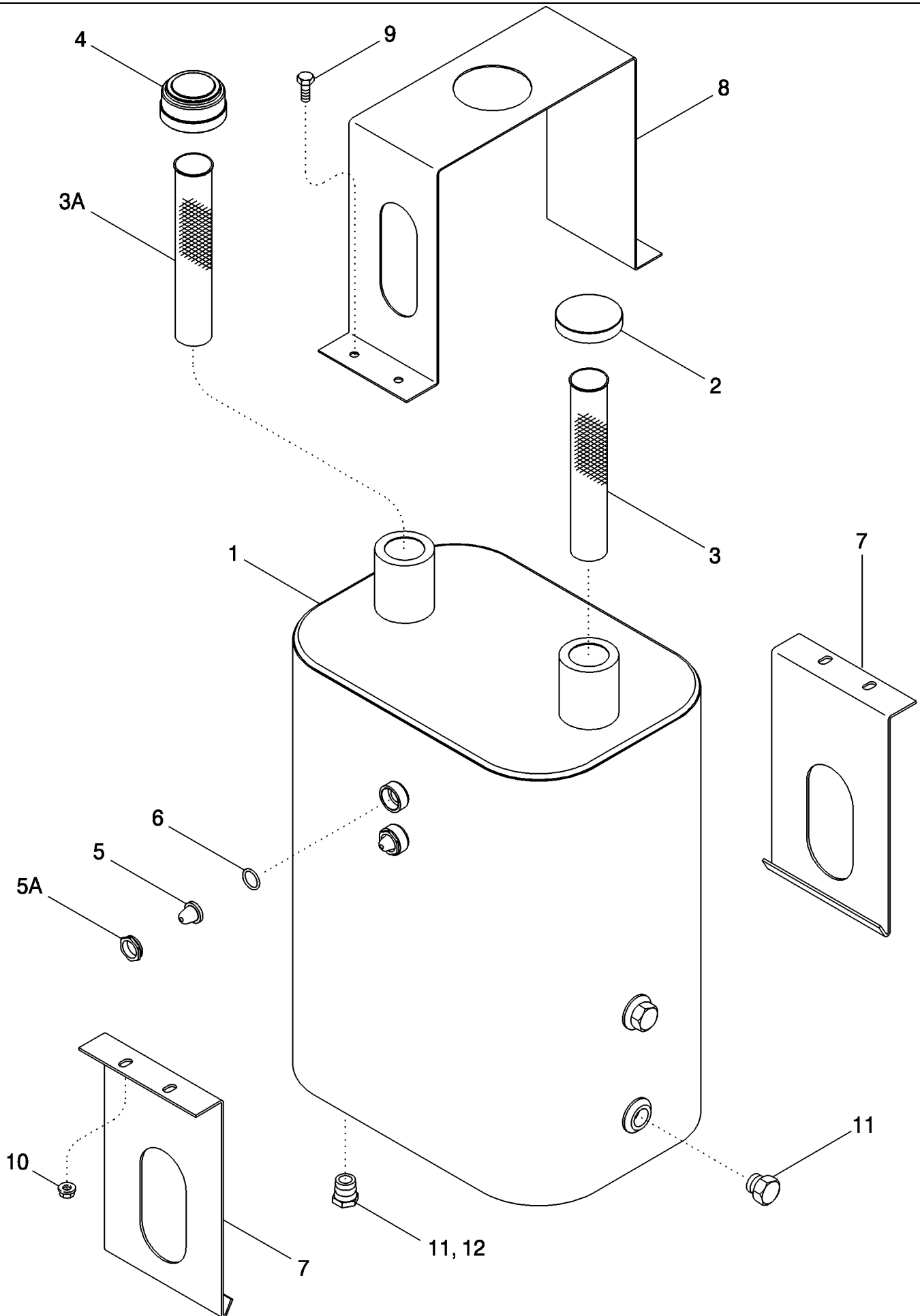
Note: See Hydraulics - Feeder Clutch, Figure 8-26, for a continuation of hydraulic lines at the valve.

07-05 HYDRAULICS - BRAKE, PARKING AND TOW VALVE

сылка	Номер детали	Кол-во	Описание
1	201-416	1	TEE, 13/16"-16 ORFS x 13/16"-16 Sw Run, Tee, For Attaching Parts, See Figure 07-02, Ref. 3
2	238-6014	2	O-RING, -014, 90 Duro, .489" ID x .070" Thk,
3	128039A2	1	HOSE, FLEXIBLE, Valve Supply, 2330 mm (91-3/4 in.)
4	201-101	1	CONNECTOR, HYD., 11/16"-16 ORFS x 9/16"-18 ORB, Includes 5, 6
5	237-6012	1	O-RING, 12-1, 90 Duro, .924 ID x .118" Thk,
6	238-6006	1	O-RING, 6-1, .114" ID x .070" Thk,
7	125829A1	1	SWITCH, Parking Brake
9	129010A4	1	VALVE, CONTROL, Parking Brake and Feeder Clutch, See Figure 08-20
10	128293A1	1	SUPPORT,
11	845-8070	2	BOLT, Hex Flg, M8 x 70, 8.8,
12	825-5148	2	NUT, M8, Flg Ser,
13	201-101	2	CONNECTOR, HYD., 11/16"-16 ORFS x 9/16"-18 ORB, Includes 14, 15
15	238-6012	1	O-RING, -012, 90 Duro, .364" ID x .070" Thk,
16	177158A2	1	BRAKE LINE, Parking Brake, Right Hand
17	177159A2	1	BRAKE LINE, Parking Brake, Left Hand
18	201-434	1	TEE, 11/16"-18 ORFS x 11/16"-18 Sw Br, 11/16 fc sl 11/16 sw, Inc. 19
19	238-6012	2	O-RING, -012, 90 Duro, .364" ID x .070" Thk,
20	277962A1	1	TUBE,
21	277961A1	1	VALVE, Inc. 21A, 21B, In-Line Check, Tow, For Attaching Parts, See Figure 07-02, Ref. 40
21A	238-6012	1	O-RING, -012, 90 Duro, .364" ID x .070" Thk,
23	217-386	1	FITTING, 3/8" Hose x 3/4"-18 ORB, Beaded, 3/8 stem x 3/4, Inc. 24
24	237-6008	1	O-RING, 8-1, 90 Duro, .644" ID x .087" Thk,
25	128078A2	1	HOSE, FLEXIBLE, Brake Valve Return, 1090 mm (43 in.), Cut From S118400X
26	214-1704	1	CLAMP, HOSE, #4, 0.25/0.62 Type M Worm,
27	435437A1	1	STRAP, CABLE, 3/16" x 7 1/4",
28	123949A1	1	TEE, Park Brake To Header Lift and Reel Drive, 3/8 Stem, For Attaching Parts, See Figure 08-11, Ref. 32, 34
29	214-1706	4	CLAMP, HOSE, #6, 0.44/0.78 Type M Worm,
30	254733A1	1	HOSE, FLEXIBLE, Tee To Reel Drive Valve Return, 760 mm (30 in.), Cut From S118400X, For Attaching Parts, See Figure 08-13, Ref. 28
14	237-6006	1	O-RING, 6-1, 90 Duro, .468" ID x .078" Thk,
21B	237-6006	1	O-RING, 6-1, 90 Duro, .468" ID x .078" Thk,

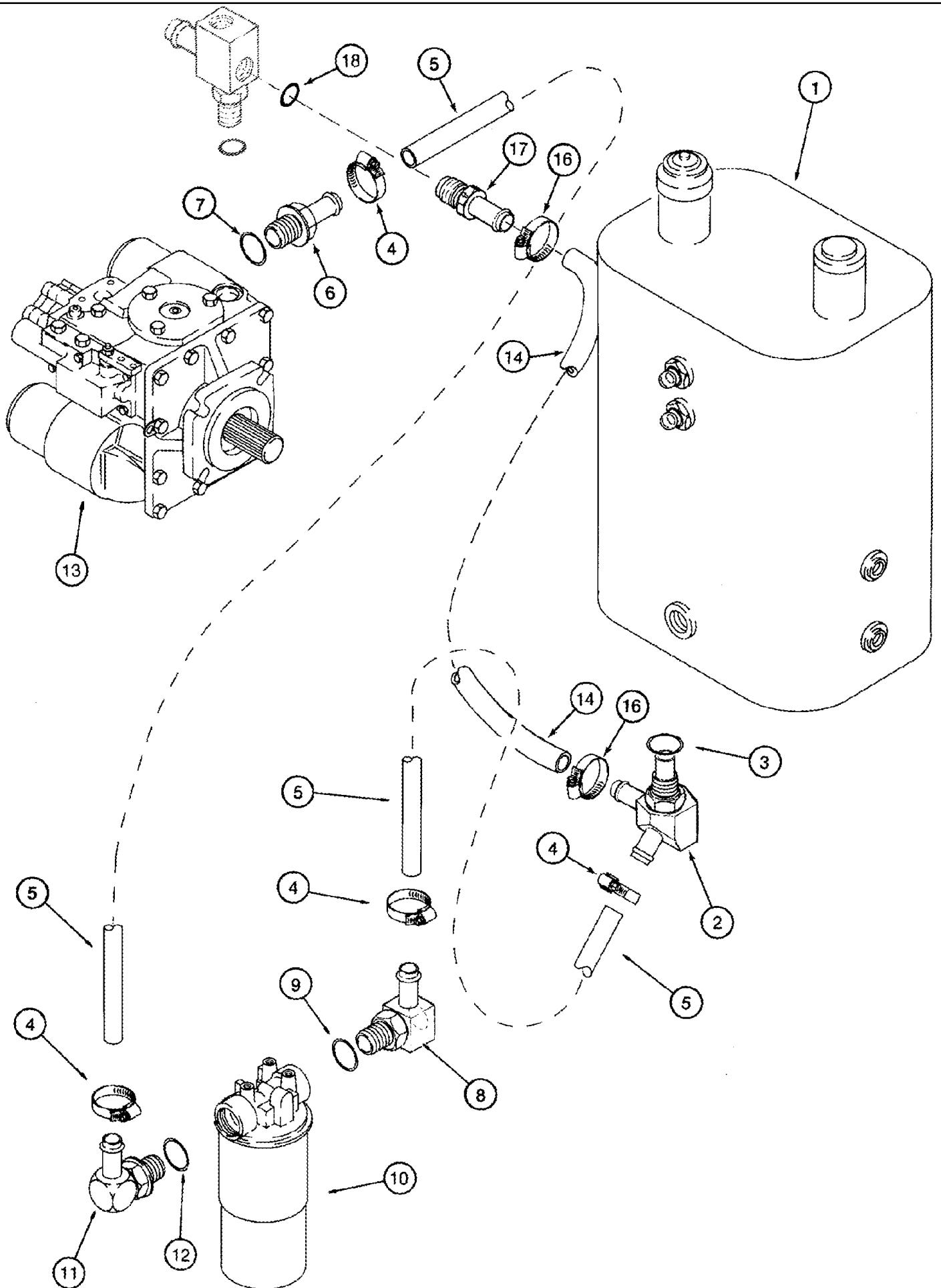
Note: See Hydraulics - Feeder Clutch, Figure 8-26, for a continuation of hydraulic lines at the valve.□□

08-01 RESERVOIR - OIL, HYDRAULIC

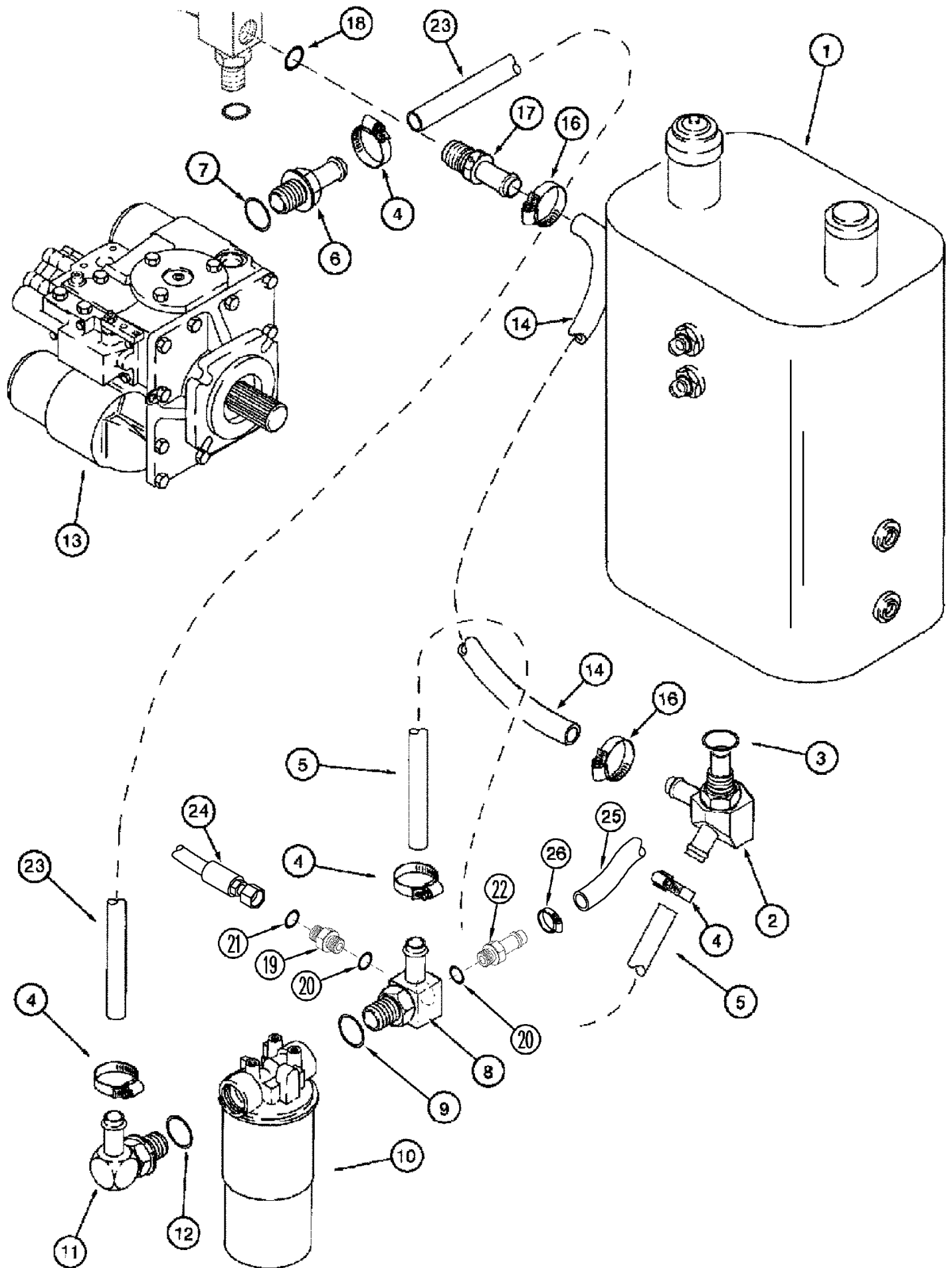


08-01 RESERVOIR - OIL, HYDRAULIC

сылка	Номер детали	Кол-во	Описание
	123413A3	1	TANK, HYDRAULIC OIL, Inc. 1 - 6, 11, BSN JJC0255699
	86991459	1	RESERVOIR, HYDRAULIC OIL, Inc. 1 - 6, 12 (Shown), ASN JJC0255700
1	NSS	1	NOT SERVICED SEPARATELY, TANK
2	1346309C2	1	CAP, FILLER,
3	104407A1	2	SCREEN,
3A	191116A1	1	BAFFLE,
4	1272941C2	1	BREATHER,
5	132865A1	2	SIGHTGLASS, , BSN JJC0255699
5	86990536	2	LENS, Sightglass, ASN JJC0255700
5A	86990537	2	NUT, Lens Retainer, ASN JJC0255700
6	238-5114	2	O-RING, -114, 70 Duro, .612" ID x .103" Thk, , BSN JJC0255699
6	238-6115	2	O-RING, -115, 90 Duro, .674" ID x .103" Thk, , ASN JJC0255700
7	1979829C1	2	SUPPORT,
8	1347146C1	1	CLAMP,
9	409-7512	4	BOLT, Hex Flg, 5/16"-18 x 3/4", Serr,
10	231-5145	4	NUT, Flg, USR, 5/16"-18,
11	217-411	1-2	PLUG, Hex Hd, 1/2"-14,
12	217-410	1	PLUG, Hex Hd, 1/2"-14 NPTF, , ASN JJC0255700

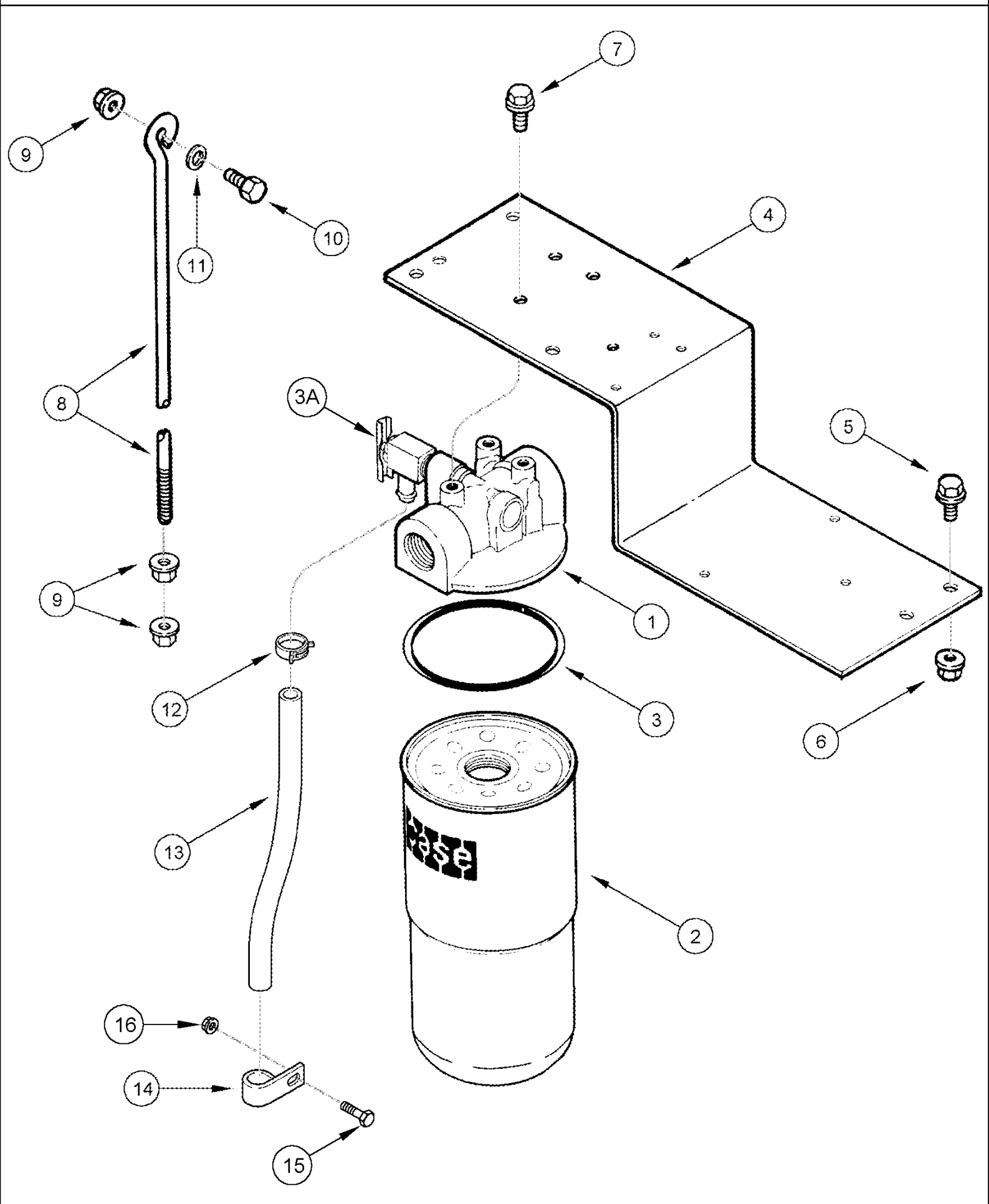


сылка	Номер детали	Кол-во	Описание
1	123413A3	1	TANK, HYDRAULIC OIL, See Figure 08-01
2	182812A1	1	TEE, Inc. 3
3	237-6020	1	O-RING, 20-1, 90 Duro, 1.475" ID x .118" Thk,
4	214-3232	4	CLAMP, HOSE, 1.25/2.125 HD Worm, W/liner,
5	1541688C1	2	HOSE, FLEXIBLE, Charge Pump Suction, 26 inch (660 mm) Long, Cut From 1541953C1
6	217-184	1	FITTING, 1 1/4" Hose X 1 5/16"-12 ORB, Beaded,
7	237-6016	1	O-RING, 16-1, 90 Duro, 1.171" ID x .118" Thk,
8	123522A1	1	FITTING, Inc. 9
9	237-6020	1	O-RING, 20-1, 90 Duro, 1.475" ID x .118" Thk,
10	87784C92	1	FILTER, HYDRAULIC OIL, See Figure 08-04
11	217-355	1	FITTING, 90e, 1 1/4" Hose x 1 5/8"-12 ORB Beaded, Includes 12
12	237-6020	1	O-RING, 20-1, 90 Duro, 1.475" ID x .118" Thk,
13	REF	1	INSTRUCTION, PUMP ASSY., See Figure(s) 06-09 - 06-13
14	1347315C3	1	HOSE, Tee To Cooler Bypass Valve, 660 mm (26 in), Cut From 364361C1
16	214-3228	2	CLAMP, HOSE, 1.00/1.875 HD Worm, W/liner,
17	123487A1	1	VALVE, 40 PSI, Inc. 18
18	237-6016	1	O-RING, 16-1, 90 Duro, 1.171" ID x .118" Thk,



сылка	Номер детали	Кол-во	Описание
1	86991459	1	RESERVOIR, HYDRAULIC OIL, See Figure 08-01
2	182812A1	1	TEE, Inc. 3
3	237-6020	1	O-RING, 20-1, 90 Duro, 1.475" ID x .118" Thk,
4	214-3232	4	CLAMP, HOSE, 1.25/2.125 HD Worm, W/liner,
5	1541688C1	1	HOSE, FLEXIBLE, 660 mm (26 in), Filter To Reservoir
6	217-184	1	FITTING, 1 1/4" Hose X 1 5/16"-12 ORB, Beaded,
7	237-6016	1	O-RING, 16-1, 90 Duro, 1.171" ID x .118" Thk,
8	370228A1	1	ELBOW, 90, Special, Inc. 9
9	237-6020	1	O-RING, 20-1, 90 Duro, 1.475" ID x .118" Thk,
10	87784C92	1	FILTER, HYDRAULIC OIL, Return, See Figure(s) 08-03, 08-04
11	217-355	1	FITTING, 90e, 1 1/4" Hose x 1 5/8"-12 ORB Beaded, Includes 12
12	237-6020	1	O-RING, 20-1, 90 Duro, 1.475" ID x .118" Thk,
13	REF	1	INSTRUCTION, PUMP, Hydrostatic Charge, See Figure(s) 06-09 - 06-13
14	238622A1	1	HOSE, FLEXIBLE, 737 mm (29 in), Cut From 364361C1
15	214-3228	1	CLAMP, HOSE, 1.00/1.875 HD Worm, W/liner,
16	214-3228	1	CLAMP, HOSE, 1.00/1.875 HD Worm, W/liner,
17	123487A1	1	VALVE, 40 psi, Inc. 18
18	237-6014	1	O-RING, 14-1, 90 Duro, 1.048" ID x .118" Thk,
19	201-103	1	CONNECTOR, HYD., 1"-14 ORFS x 7/8"-14 ORB, Includes 20, 21
20	237-6010	1	O-RING, 10-1, 90 Duro, .755" ID x .097" Thk,
21	9992069	1	O-RING, -016, 90 Duro, .614" ID x .070" Thk,
22	217-175	1	FITTING, 5/8" Hose x 7/8"-14 ORB, Beaded, Includes 20
23	1541688C1	1	HOSE, FLEXIBLE, 660 mm (26 in), Charge Pump, Cut From 1541953C1
24	400633A1	1	HOSE, FLEXIBLE, 735 mm (30 in), To Air Screen Motor
25	127999A1	1	HOSE, 460 mm (18 in), To Regulator Valve, Cut From S118576X
26	214-1410	1	CLAMP, HOSE, #10, 0.56/1.06 Type F Worm,

08-03 FILTER ASSY - OIL, RETURN



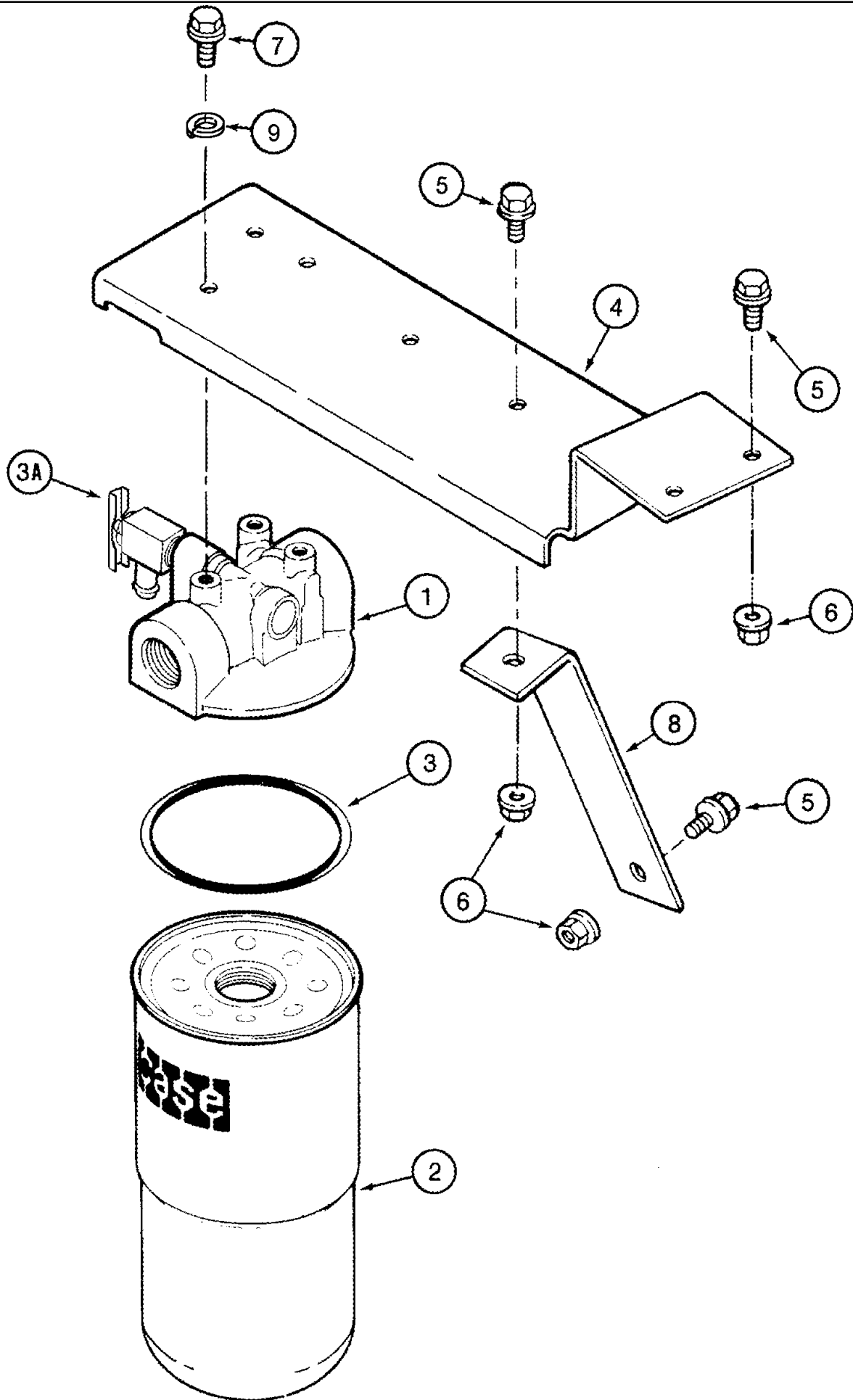
Note: Both elements must be changed at the same time.

08-03 FILTER ASSY - OIL, RETURN

сылка	Номер детали	Кол-во	Описание
	87784C92	1	FILTER, HYDRAULIC OIL, Inc.. 1 - 3A
1	NSS	1	NOT SERVICED SEPARATELY, HEAD, Order 87784C92
2	A177605	1	FILTER, HYDRAULIC OIL, Order kit 1329214C1, See Figure Note
3	93196C1	1	O-RING, Order kit 1329214C1
3A	301803R1	1	VALVE, SHUT-OFF,
4	124802A2	1	SUPPORT, Return Filter Mounting
5	409-7616	2	BOLT, Hex Flg, 3/8"-16 x 1", Serr,
6	231-5146	2	NUT, Flg, USR, 3/8"-16,
7	409-768	3	BOLT, Hex Flg, 3/8"-16 x 1/2", Serr, 3/8 x 1/2
8	1541545C2	1	STEM,
9	231-5146	3	NUT, Flg, USR, 3/8"-16,
10	413-616	1	BOLT, Hex, 3/8"-16 x 1", G5, Full Thd,
11	495-81143	1	WASHER, 13/32" x 1 1/2" x .120", 13/32 x 1-1/2 x 1/8
12	1954736C1	1	CLAMP, HOSE, Tee To Cooler Bypass Valve, 660 mm (26 in.), Cut From 364361C1
13	1347069C1	1	HOSE, FLEXIBLE, 1600 mm (63 in.), Cut From 1977295C1
14	515-23286	2	CLAMP, 1 1/8", Insul, 3/8" Bolt,
15	409-7512	2	BOLT, Hex Flg, 5/16"-18 x 3/4", Serr,
16	231-5145	2	NUT, Flg, USR, 5/16"-18,
	1329214C1	1	KIT, SERVICE, Includes Two Elements and Four Seals

Note: Both elements must be changed at the same time.

08-04 HYDROSTATIC - FILTER, PUMP SUCTION

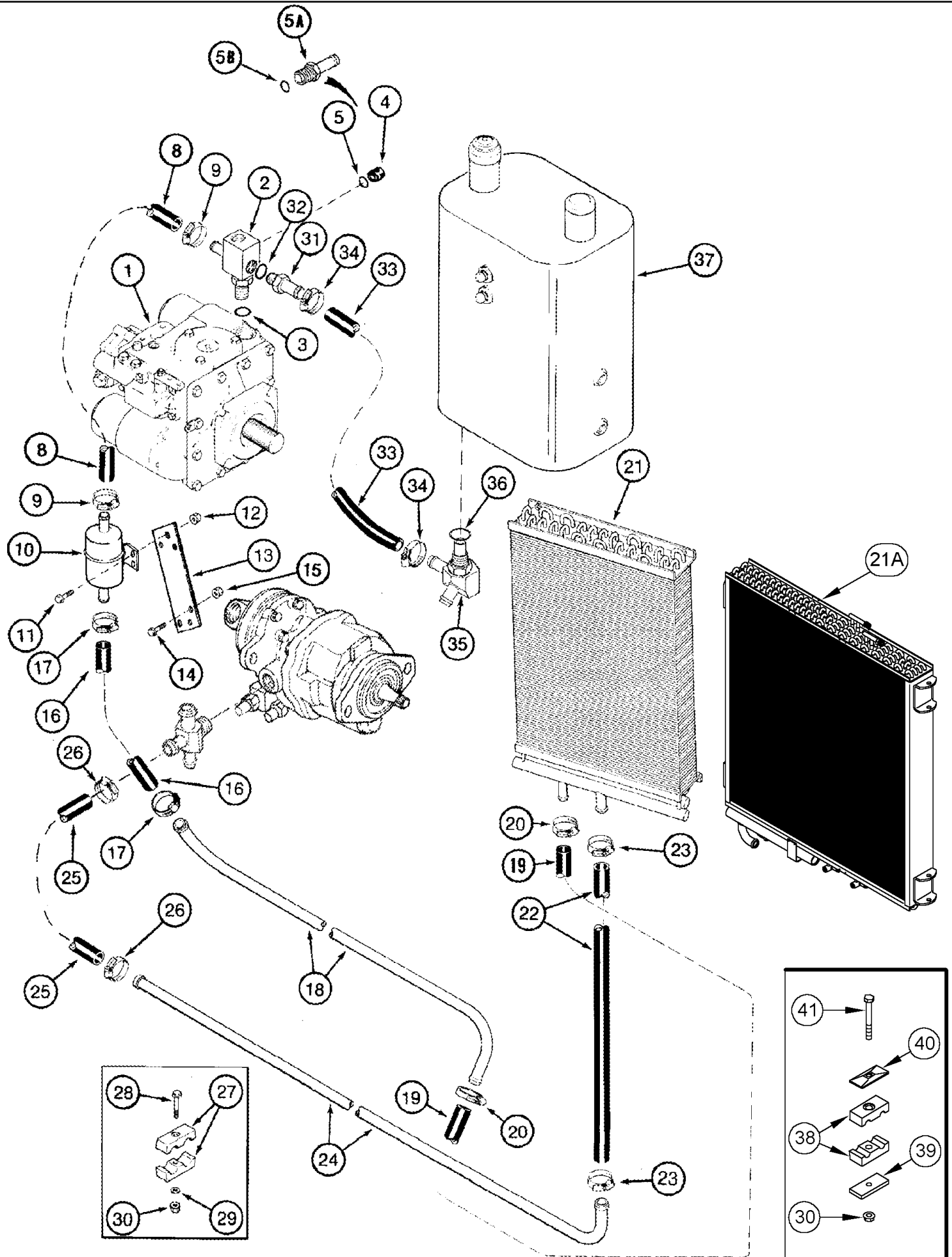


Note: Both elements must be changed at the same time.

08-04 HYDROSTATIC - FILTER, PUMP SUCTION

сылка	Номер детали	Кол-во	Описание
	87784C92	1	FILTER, HYDRAULIC OIL, Inc. 1 - 3A
1	NSS	1	NOT SERVICED SEPARATELY, HEAD, Order 87784C92
2	A177605	1	FILTER, HYDRAULIC OIL, Order Kit 1329214C1, See Figure Note
3	93196C1	1	O-RING, Order Kit 1329214C1
3A	301803R1	1	VALVE, SHUT-OFF,
4	1347113C3	1	BRACKET, Suction Filter Mounting
5	409-7616	4	BOLT, Hex Flg, 3/8"-16 x 1", Serr,
6	231-5146	4	NUT, Flg, USR, 3/8"-16,
7	413-610	3	BOLT, Hex, 3/8"-16 x 5/8", G5, Full Thd, 3/8 x 5/8
8	1347116C2	1	SUPPORT,
9	492-11038	3	WASHER, LOCK, 3/8",
	1329214C1	1	KIT, SERVICE, Includes Two Elements and Four Seals

Note: Both elements must be changed at the same time.

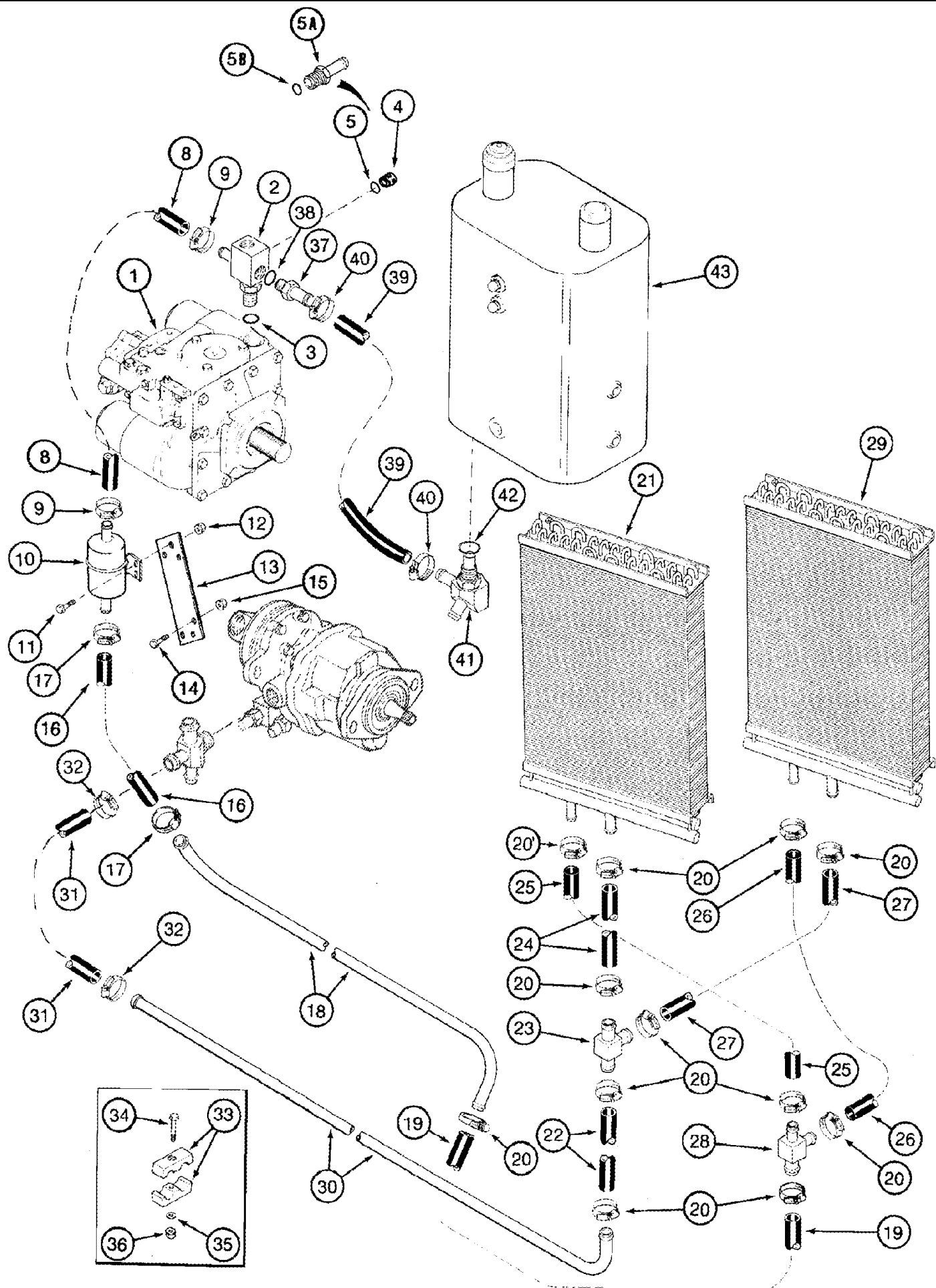


сылка	Номер детали	Кол-во	Описание
1	REF	1	INSTRUCTION, PUMP ASSY., Hydrostatic, See Figure(s) 06-09 - 06-13
2	123521A2	1	TEE, Inc. 3
3	237-6012	1	O-RING, 12-1, 90 Duro, .924 ID x .118" Thk,
4	76349	1	PLUG, Hex Hd, 9/16"-18 ORB, Incl. 5, Used without Power Guide Axle
5A	217-397	1	FITTING, 1/2" Hose x 9/16"-18 ORB, Beaded, Includes 5B, Used with Power Guide Axle
6	177678A1	1	SWITCH, Oil Temperature, See Figure 04-03, Ref. 22, Inc. 7, Not Illustrated
7	237-6008	1	O-RING, 8-1, 90 Duro, .644" ID x .087" Thk, See Figure 04-03, Ref. 22A, Not Illustrated
8	1979762C2	1	HOSE, Pump To Filter, 610 mm (24-1/8 in.), Cut From 364361C1
9	214-1516	2	CLAMP, HOSE, #16, .81/1.50 Type F Worm, W/liner,
10	123488A1	1	SCREEN, FILTER, In-Line
11	409-7616	2	BOLT, Hex Flg, 3/8"-16 x 1", Serr,
12	231-5146	2	NUT, Flg, USR, 3/8"-16,
13	238516A1	1	SUPPORT,
14	409-7616	2	BOLT, Hex Flg, 3/8"-16 x 1", Serr,
15	231-5146	2	NUT, Flg, USR, 3/8"-16,
16	127985A1	1	HOSE, Filter To Tube, 585 mm (23-1/8 in.), Cut From 1541952C1
17	214-3228	2	CLAMP, HOSE, 1.00/1.875 HD Worm, W/liner,
18	126850A1	1	TUBE, Oil Cooler Supply
19	121298A1	1	HOSE, FLEXIBLE, Tube To Cooler, 890 mm (35 in.), Cut From 364361C1, BSN JJC0255699
19	87415583	1	HOSE, FLEXIBLE, 2070 mm (81-1/2 in), Cut From 1541952C1, ASN JJC0255700
20	214-1516	2	CLAMP, HOSE, #16, .81/1.50 Type F Worm, W/liner, , BSN JJC0255699
20	214-3228	2	CLAMP, HOSE, 1.00/1.875 HD Worm, W/liner, , ASN JJC0255700
21	195441A3	1	COOLER, Combination, Fuel and Oil, For Mounting See Figure 08-07, BSN JJC0255699
21A	416766A2	1	COOLER, Combination, Fuel and Oil, For Mounting See Figure 08-07, ASN JJC0255700
22	121298A1	1	HOSE, FLEXIBLE, Cooler To Tube, 890 mm (35 in.), Cut From 364361C1, BSN JJC0255699
22	87415583	1	HOSE, FLEXIBLE, 2070 mm (81-1/2 in), Cut From 1541952C1, ASN JJC0255700
23	214-1516	2	CLAMP, HOSE, #16, .81/1.50 Type F Worm, W/liner, , BSN JJC0255699
23	214-3228	2	CLAMP, HOSE, 1.00/1.875 HD Worm, W/liner, , ASN JJC0255700
24	126851A1	1	TUBE, Cooler Return
25	128080A1	1	HOSE, FLEXIBLE, 762 mm (30 in.), Cut From 1541952C1
26	214-3228	2	CLAMP, HOSE, 1.00/1.875 HD Worm, W/liner,
27	1347071C1	2	CLAMP, 1 OD
28	413-540	2	BOLT, Hex, 5/16"-18 x 2 1/2", G5,
29	495-21038	2	WASHER, 5/16", 3/8 x 7/8 x 3/32
30	231-5145	2	NUT, Flg, USR, 5/16"-18,
31	123487A1	1	VALVE, 40 psi, Inc. 32
32	237-6014	1	O-RING, 14-1, 90 Duro, 1.048" ID x .118" Thk, 7/8 OD
33	1347315C3	1	HOSE, 660 mm (26 in.), Cut From 364361C1
34	214-3228	1-2	CLAMP, HOSE, 1.00/1.875 HD Worm, W/liner,
34	214-1516	1	CLAMP, HOSE, #16, .81/1.50 Type F Worm, W/liner,
35	182812A1	1	TEE, Inc. 36
36	237-6020	1	O-RING, 20-1, 90 Duro, 1.475" ID x .118" Thk,
37	REF	1	INSTRUCTION, Tank, Hydraulic Oil, See Figure 08-01

2366 CASE IH AXIAL-FLOW COMBINE (NA) (1/98-8/04)

08-05 OIL COOLER SYSTEM - ALL CORN AND GRAIN COMBINES AND RICE COMBINE ASN JJC0255700

сылка	Номер детали	Кол-во	Описание
38	87000923	2	CLAMP, HOSE, , ASN JJC0255700
39	86987929	1	SPACER, , ASN JJC0255700
40	1324469C1	1	PLATE, , ASN JJC0255700
41	814-8070	1	BOLT, Hex, M8 x 70, 8.8,
5	237-6006	1	O-RING, 6-1, 90 Duro, .468" ID x .078" Thk,
5B	237-6006	1	O-RING, 6-1, 90 Duro, .468" ID x .078" Thk,

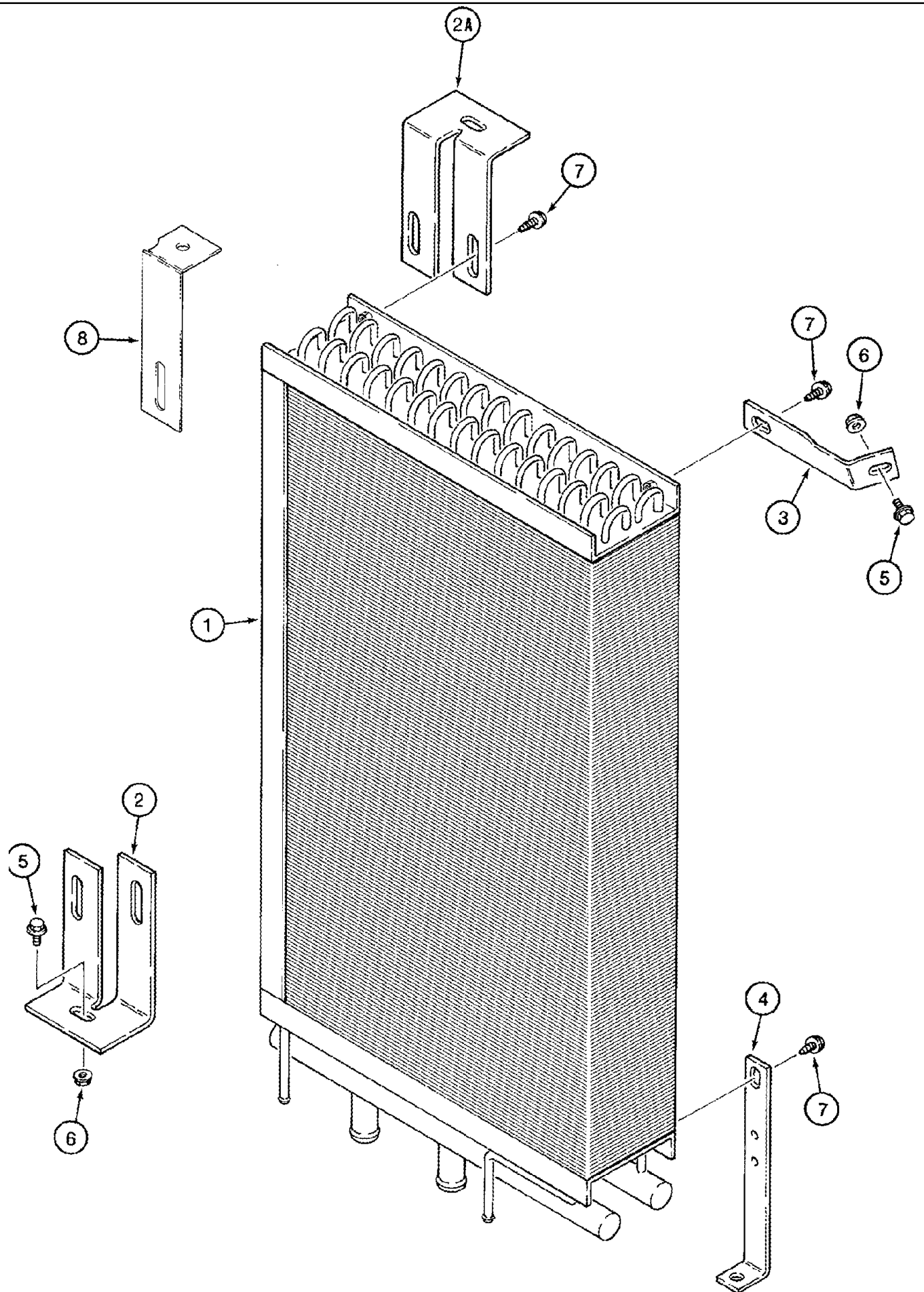


Сылка	Номер детали	Кол-во	Описание
1	REF	1	INSTRUCTION, PUMP ASSY., Hydrostatic, See Figure(s) 06-09 - 06-13
2	123521A2	1	TEE, Inc. 3
3	237-6012	1	O-RING, 12-1, 90 Duro, .924 ID x .118" Thk,
4	76349	1	PLUG, Hex Hd, 9/16"-18 ORB, Incl. 5
5B	217-397	1	FITTING, 1/2" Hose x 9/16"-18 ORB, Beaded, Includes 5C, Used with Power Guide Axle
6	177678A1	1	SWITCH, Inc. 7, Oil Temperature See Figure 04-03, Ref. 22, Not Illustrated
7	237-6008	1	O-RING, 8-1, 90 Duro, .644" ID x .087" Thk, See Figure 04-03, Ref. 22A, Not Illustrated
8	1979762C2	1	HOSE, Pump To Filter, 610 mm (24-1/8 in.) Cut From 364361C1
9	214-1516	2	CLAMP, HOSE, #16, .81/1.50 Type F Worm, W/liner,
10	123488A1	1	SCREEN, FILTER, In-Line
11	409-7616	2	BOLT, Hex Flg, 3/8"-16 x 1", Serr,
12	231-5146	2	NUT, Flg, USR, 3/8"-16,
13	238516A1	1	SUPPORT,
14	409-7616	2	BOLT, Hex Flg, 3/8"-16 x 1", Serr,
15	231-5146	2	NUT, Flg, USR, 3/8"-16,
16	127985A1	1	HOSE, Filter To Tube, 585 mm (23-1/8 in.), Cut From 1541952C1
17	214-3228	2	CLAMP, HOSE, 1.00/1.875 HD Worm, W/liner,
18	126850A1	1	TUBE, Oil Cooler Supply
19	121298A1	1	HOSE, FLEXIBLE, Tube To Cooler, 890 mm (35 in.), Cut From 364361C1
20	214-1516	11	CLAMP, HOSE, #16, .81/1.50 Type F Worm, W/liner,
21	195441A3	1	COOLER, Combination, Fuel and Oil, For Mounting, See Figure 08-07
22	87707C2	1	HOSE, Cut From
23	1979672C1	1	TEE,
24	1979762C2	1	HOSE, 610 mm (24-1/8 in.), Cut From 364361C1
25	87707C2	1	HOSE, Cut From 364361C1
26	1979763C2	1	HOSE, Cut From 364361C1
27	87707C2	1	HOSE, Cut From 364361C1
28	1979672C1	1	TEE,
29	135484A1	1	COOLER, OIL, Hydraulic Oil, Auxiliary
30	126851A1	1	TUBE, Cooler Return
31	128080A1	1	HOSE, FLEXIBLE, 762 mm (30 in.), Cut From 1541952C1
32	214-3228	2	CLAMP, HOSE, 1.00/1.875 HD Worm, W/liner,
33	1347071C1	2	CLAMP, 1 OD
34	413-540	2	BOLT, Hex, 5/16"-18 x 2 1/2", G5,
35	495-21038	2	WASHER, 5/16", 3/8 x 7/8 x 3/32
36	231-5145	2	NUT, Flg, USR, 5/16"-18,
37	123487A1	1	VALVE, 40 psi, Inc. 38
38	237-6016	1	O-RING, 16-1, 90 Duro, 1.171" ID x .118" Thk,
39	1347315C3	1	HOSE, 660 mm (26 in.), Cut From 364361C1
40	214-3228	2	CLAMP, HOSE, 1.00/1.875 HD Worm, W/liner,
41	182812A1	1	TEE, Inc. 42
42	237-6020	1	O-RING, 20-1, 90 Duro, 1.475" ID x .118" Thk,
43	123413A3	1	TANK, HYDRAULIC OIL, See Figure 08-01

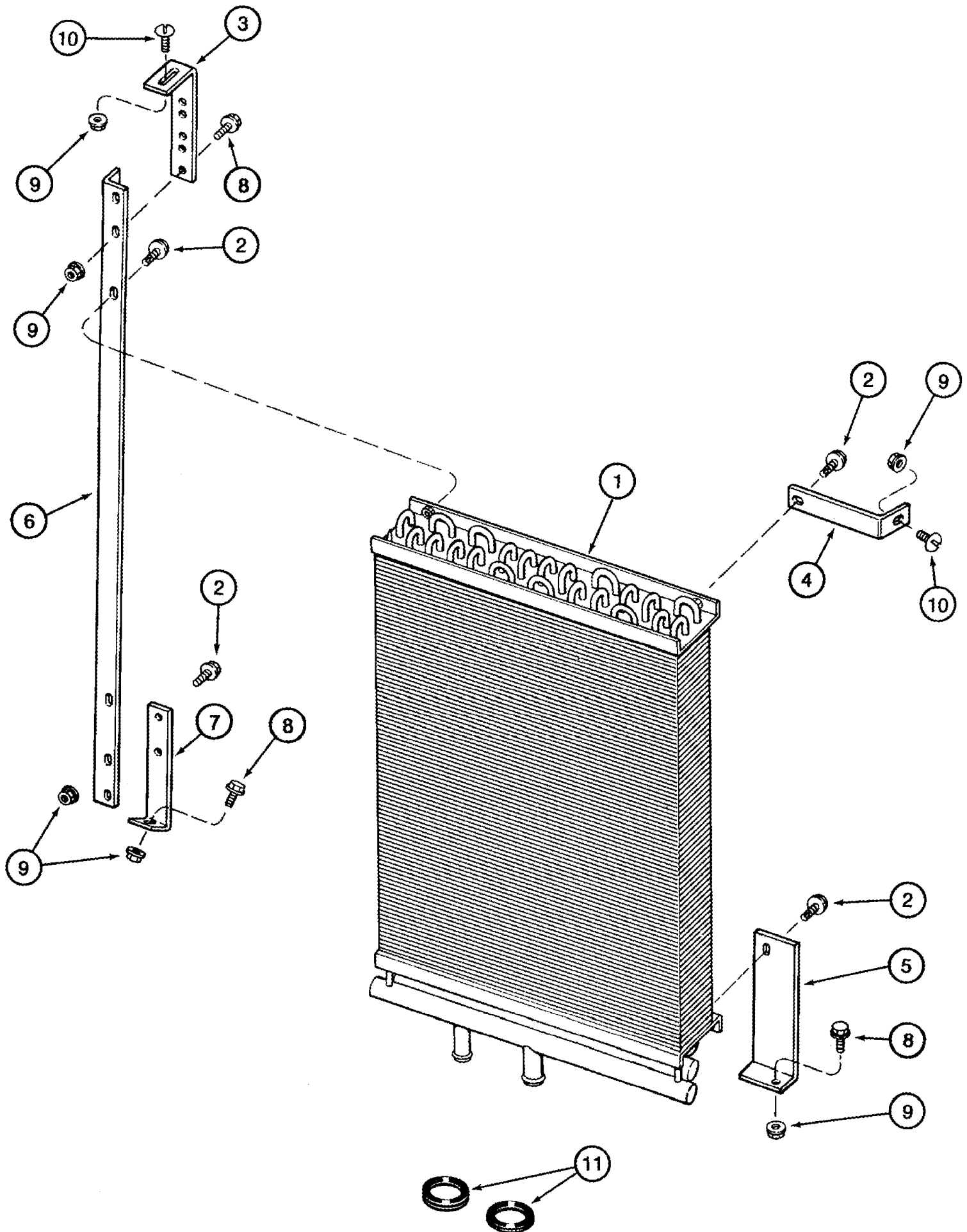
2366 CASE IH AXIAL-FLOW COMBINE (NA) (1/98-8/04)

08-06 OIL COOLER SYSTEM - RICE COMBINE- BSN JJC0255700

сылка	Номер детали	Кол-во	Описание
5	237-6006	1	O-RING, 6-1, 90 Duro, .468" ID x .078" Thk,
5C	237-6006	1	O-RING, 6-1, 90 Duro, .468" ID x .078" Thk,



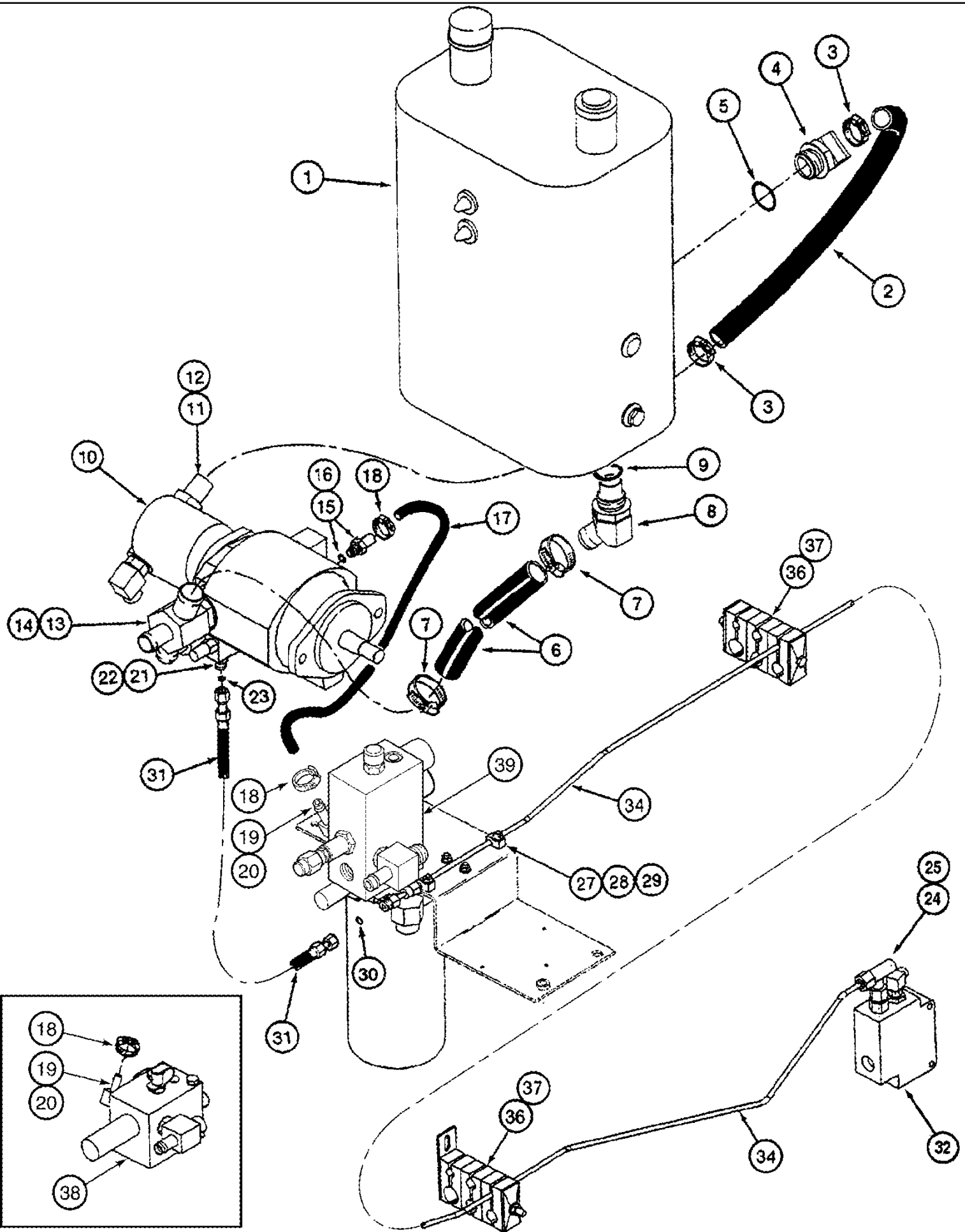
сылка	Номер детали	Кол-во	Описание
1	195441A3	1	COOLER, Combination, Fuel and Oil
2	197431A2	1	SUPPORT,
2A	197430A2	1	SUPPORT,
3	1541787C2	1	ANGLE,
4	1324914C3	1	ANGLE,
5	409-7512	4	BOLT, Hex Flg, 5/16"-18 x 3/4", Serr,
6	231-5145	3	NUT, Flg, USR, 5/16"-18,
7	199953C1	5	SCREW, SELF TAPPING, Hex Wash Hd, 5/16"-18 x 13/16",
8	254134A1	1	SUPPORT,
	495-21038	3	WASHER, 5/16", 3/8 x 7/8 x 3/32



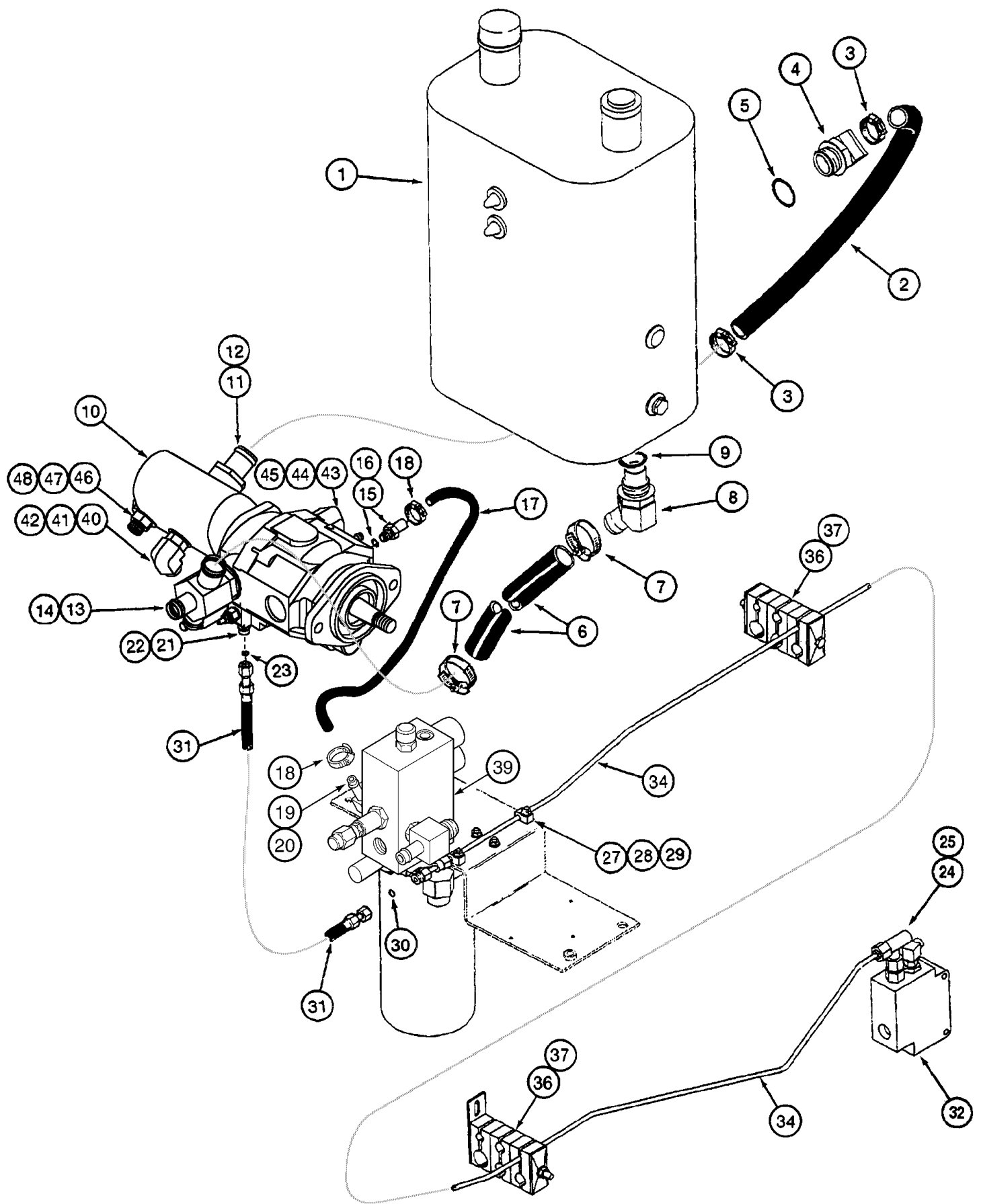
2366 CASE IH AXIAL-FLOW COMBINE (NA) (1/98-8/04)

08-08 OIL COOLER, AUXILIARY - MOUNTING - RICE COMBINE

сылка	Номер детали	Кол-во	Описание
1	135484A1	1	COOLER, OIL,
2	199953C1	4	SCREW, SELF TAPPING, Hex Wash Hd, 5/16"-18 x 13/16",
3	1979632C2	1	SUPPORT, Upper Left Hand
4	1979674C1	1	SUPPORT, Upper Right Hand
5	1979787C2	1	SUPPORT, Lower Right Hand
6	1979633C2	1	SUPPORT, Left Hand
7	1979727C1	1	SUPPORT, Lower Left Hand
8	409-7512	6	BOLT, Hex Flg, 5/16"-18 x 3/4", Serr,
9	231-5145	8	NUT, Flg, USR, 5/16"-18,
10	477-73112	2	BOLT, Slotted Tr Hd, 5/16"-18 x 3/4",
11	1970461C1	2	GROMMET, 1-3/8 x 2 x 5/16



сылка	Номер детали	Кол-во	Описание
1	123413A3	1	TANK, HYDRAULIC OIL, See Figure 08-01
2	1541616C3	1	HOSE, Suction To Reel Drive Pump, 560 mm (22-1/8 in.), Cut From 1541952C1
3	214-3228	2	CLAMP, HOSE, 1.00/1.875 HD Worm, W/liner,
4	217-322	1	FITTING, 45c, 1" Hose x 1 5/8"-12 ORB Beaded, Includes Ref. 5
5	237-6020	1	O-RING, 20-1, 90 Duro, 1.475" ID x .118" Thk,
6	1989349C3	1	HOSE, Suction To Header Lift Pump, 270 mm (10-5/8 in.), Cut From 1541953C1
7	214-3232	2	CLAMP, HOSE, 1.25/2.125 HD Worm, W/liner,
8	182811A1	1	ELBOW, Inc. 9
9	237-6020	1	O-RING, 20-1, 90 Duro, 1.475" ID x .118" Thk,
10	123266A2	1	PUMP, HYDRAULIC, Auxiliary, See Figure 08-11
11	217-179	1	FITTING, 1" Hose X 1 5/16"-12 ORB, Beaded, Includes 12
12	237-6016	1	O-RING, 16-1, 90 Duro, 1.171" ID x .118" Thk,
13	182813A1	1	TEE, 1-1/4 x 1 x 1 in., Inc. 14
14	237-6020	1	O-RING, 20-1, 90 Duro, 1.475" ID x .118" Thk,
15	217-387	1	FITTING, 3/8" Hose x 9/16"-18 ORB, Beaded, 3/8 stem x 9/16, Inc. 16
16	237-6006	1	O-RING, 6-1, 90 Duro, .468" ID x .078" Thk,
17	128005A1	1	HOSE, FLEXIBLE, Pump Case Drain, 445 mm (17-5/8 in.), Cut From S118400X
18	214-1706	2	CLAMP, HOSE, #6, 0.44/0.78 Type M Worm,
19	113896A1	1	TEE, Inc. 20
20	237-6006	1	O-RING, 6-1, 90 Duro, .468" ID x .078" Thk,
21	201-100	1	CONNECTOR, HYD., 9/16"-18 ORFS x 7/16"-20 ORB, 9/16 fc x 7/16, Inc. 22, 23
22	237-6004	1	O-RING, 4-1, 90 Duro, .351" ID x .072" Thk,
23	238-6011	1	O-RING, -011, 90 Duro, .301" ID x .070" Thk,
24	201-434	1	TEE, 11/16"-18 ORFS x 11/16"-18 Sw Br, 11/16 fc sl 11/16 sw, Inc. 25
25	238-6012	2	O-RING, -012, 90 Duro, .364" ID x .070" Thk,
27	236558A1	2	CLAMP,
29	231-5344	2	NUT, LOCK, Flg, 1/4"-20,
30	238-6011	1	O-RING, -011, 90 Duro, .301" ID x .070" Thk,
31	255209A1	1	HOSE, FLEXIBLE, Pump Signal, 530 mm (20-7/8 in.)
31A	201-145	1	REDUCER, 9/16"-18 Male x 11/16"-16 Fem, ORFS, Not Illustrated
32	114851A2	1	VALVE, Steering, See Figure 05-32
34	253503A1	1	TUBE, Signal, 2054 mm (80-13/16 in.)
36	255212A1	AR	CLAMP,
38	REF	1	INSTRUCTION, VALVE Pressure, See Figure 08-21, BSN JJC0253999
39	REF	1	INSTRUCTION, VALVE Pressure, See Figure 08-32, ASN JJC0254000
28	413-420	2	BOLT, Hex, 1/4"-20 x 1 1/4", G5,
37	413-420	AR	BOLT, Hex, 1/4"-20 x 1 1/4", G5,



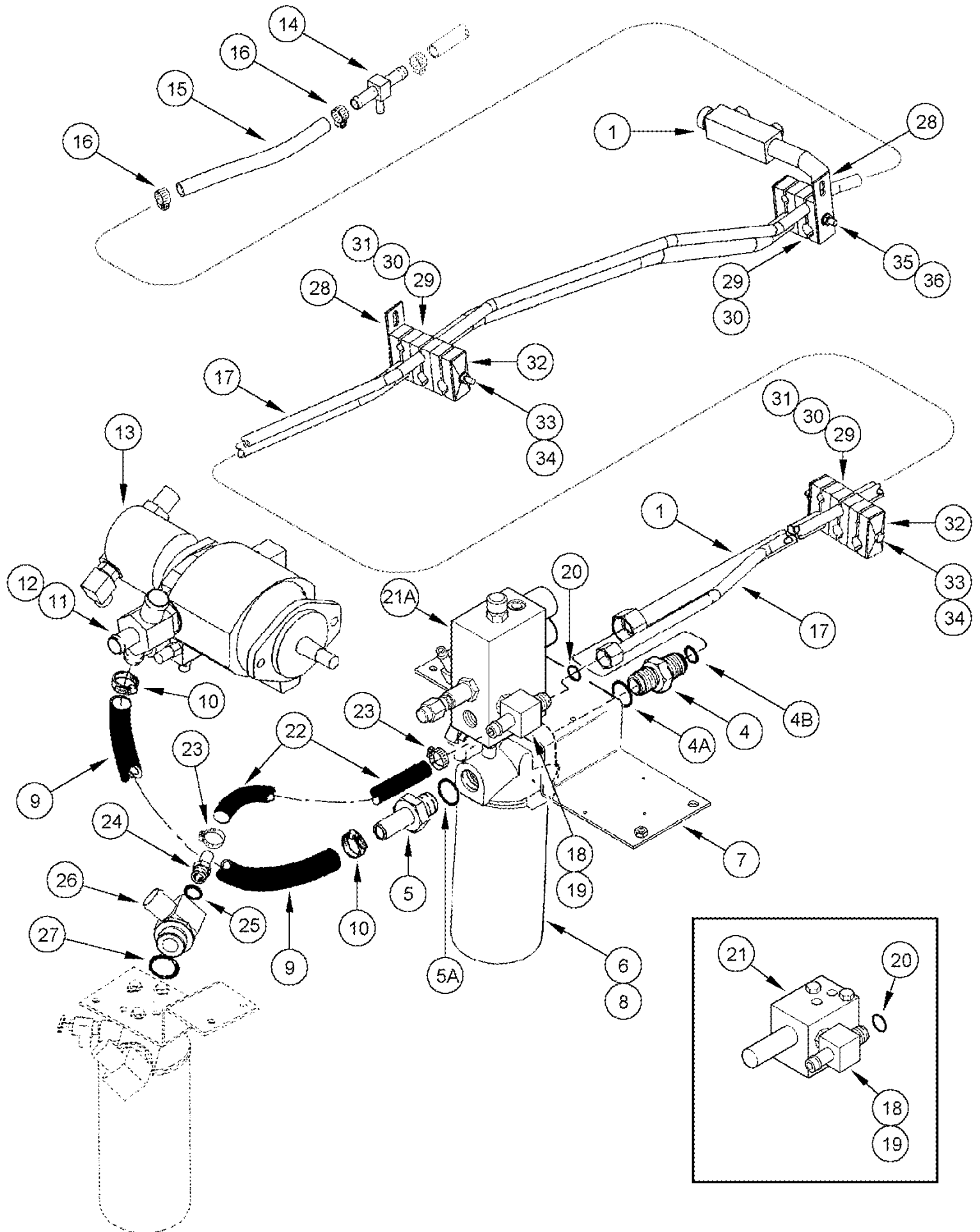
сылка	Номер детали	Кол-во	Описание
1	86991459	1	RESERVOIR, HYDRAULIC OIL, See Figure 08-01, ASN JJC0273000
2	1541688C1	1	HOSE, FLEXIBLE, 660 mm (26 in), Suction to Reel Drive Pump, Cut From 1541953C1
3	214-3232	2	CLAMP, HOSE, 1.25/2.125 HD Worm, W/liner,
4	217-317	1	FITTING, 45c, 1 1/4" Hose x 1 5/8"-12 ORB Beaded, Incl. 5
5	237-6020	1	O-RING, 20-1, 90 Duro, 1.475" ID x .118" Thk,
6	184618A1	1	HOSE, FLEXIBLE, 305 mm (12-1/8 in), Suction to Header Lift Pump, Cut From 1541953C1
7	214-3232	2	CLAMP, HOSE, 1.25/2.125 HD Worm, W/liner,
8	182811A1	1	ELBOW, Inc. 9
9	237-6020	1	O-RING, 20-1, 90 Duro, 1.475" ID x .118" Thk,
10	NSS	1	NOT SERVICED SEPARATELY, Pump, Hydraulic, Auxiliary, See Figure 08-11, Order Component Parts
11	217-178	1	FITTING, 1 1/4" Hose X 1 5/8"-12 ORB, Beaded,
12	237-6016	1	O-RING, 16-1, 90 Duro, 1.171" ID x .118" Thk,
13	182813A1	1	TEE, 1-1/4 x 1 x 1 in, Inc. 14
14	237-6020	1	O-RING, 20-1, 90 Duro, 1.475" ID x .118" Thk,
15	217-387	1	FITTING, 3/8" Hose x 9/16"-18 ORB, Beaded, 3/8 stem x 9/16 Or, Inc.16
16	237-6006	1	O-RING, 6-1, 90 Duro, .468" ID x .078" Thk,
17	400674A1	1	280 mm (11 in), Pump Case Drain, Cut From S118400X
18	214-1706	2	CLAMP, HOSE, #6, 0.44/0.78 Type M Worm,
19	217-347	1	FITTING, 90c, 3/8" Hose x 9/16"-18 ORB Beaded, 3/8 stem x 9/16 Or, Inc. 20, ASN JJC0260800
20	237-6006	1	O-RING, 6-1, 90 Duro, .468" ID x .078" Thk,
21	201-100	1	CONNECTOR, HYD., 9/16"-18 ORFS x 7/16"-20 ORB, 9/16 fc x 7/16 Or, Inc. 22, 23
22	237-6004	1	O-RING, 4-1, 90 Duro, .351" ID x .072" Thk,
23	238-6011	1	O-RING, -011, 90 Duro, .301" ID x .070" Thk,
24	201-434	1	TEE, 11/16"-18 ORFS x 11/16"-18 Sw Br, 11/16 fc sl 11/16 sw, Inc. 25
25	238-6012	2	O-RING, -012, 90 Duro, .364" ID x .070" Thk,
27	236558A1	2	CLAMP,
29	231-5344	2	NUT, LOCK, Flg, 1/4"-20,
30	238-6011	1	O-RING, -011, 90 Duro, .301" ID x .070" Thk,
31	255209A1	1	HOSE, FLEXIBLE, 530 mm (20-7/8 in), Pump Signal
31A	201-145	1	REDUCER, 9/16"-18 Male x 11/16"-16 Fem, ORFS, Not Illustrated
32	114851A2	1	VALVE, Steering, See Figure 05-32
34	252596A1	1	TUBE, Signal
36	255212A1	AR	CLAMP,
39	384307A1	1	VALVE, SOLENOID, Pressure Regulator, See Figure 08-30
40	201-306	1	ELBOW, 90c, 1"-14 x 7/8"-14 Adj, ORFS, 90, 5/8 or x 5/8 fc sl, Inc. 41, 42
41	237-6010	1	O-RING, 10-1, 90 Duro, .755" ID x .097" Thk,
42	238-6016	1	O-RING, -016, 90 Duro, .614" ID x .070" Thk,
43	201-307	1	ELBOW, 90c, 1 3/16"-12 x 1 1/16"-12 Adj, ORFS, 90, 3/4 or x 3/4 fc sl, Inc. 44, 45
44	237-6012	1	O-RING, 12-1, 90 Duro, .924 ID x .118" Thk,
45	238-6018	1	O-RING, -018, 90 Duro, .739" ID x .070" Thk,
46	201-112	1	CONNECTOR, HYD., 13/16"-16 ORFS x 7/8"-14 ORB, 1/4 fc x 1/4 Or
47	238-6014	1	O-RING, -014, 90 Duro, .489" ID x .070" Thk,

2366 CASE IH AXIAL-FLOW COMBINE (NA) (1/98-8/04)

08-09(02) HYDRAULICS - AUXILIARY PUMP SUPPLY, ASN JJC0255700

сылка	Номер детали	Кол-во	Описание
48	237-6010	1	O-RING, 10-1, 90 Duro, .755" ID x .097" Thk,
28	413-420	2	BOLT, Hex, 1/4"-20 x 1 1/4", G5,
37	413-420	AR	BOLT, Hex, 1/4"-20 x 1 1/4", G5,

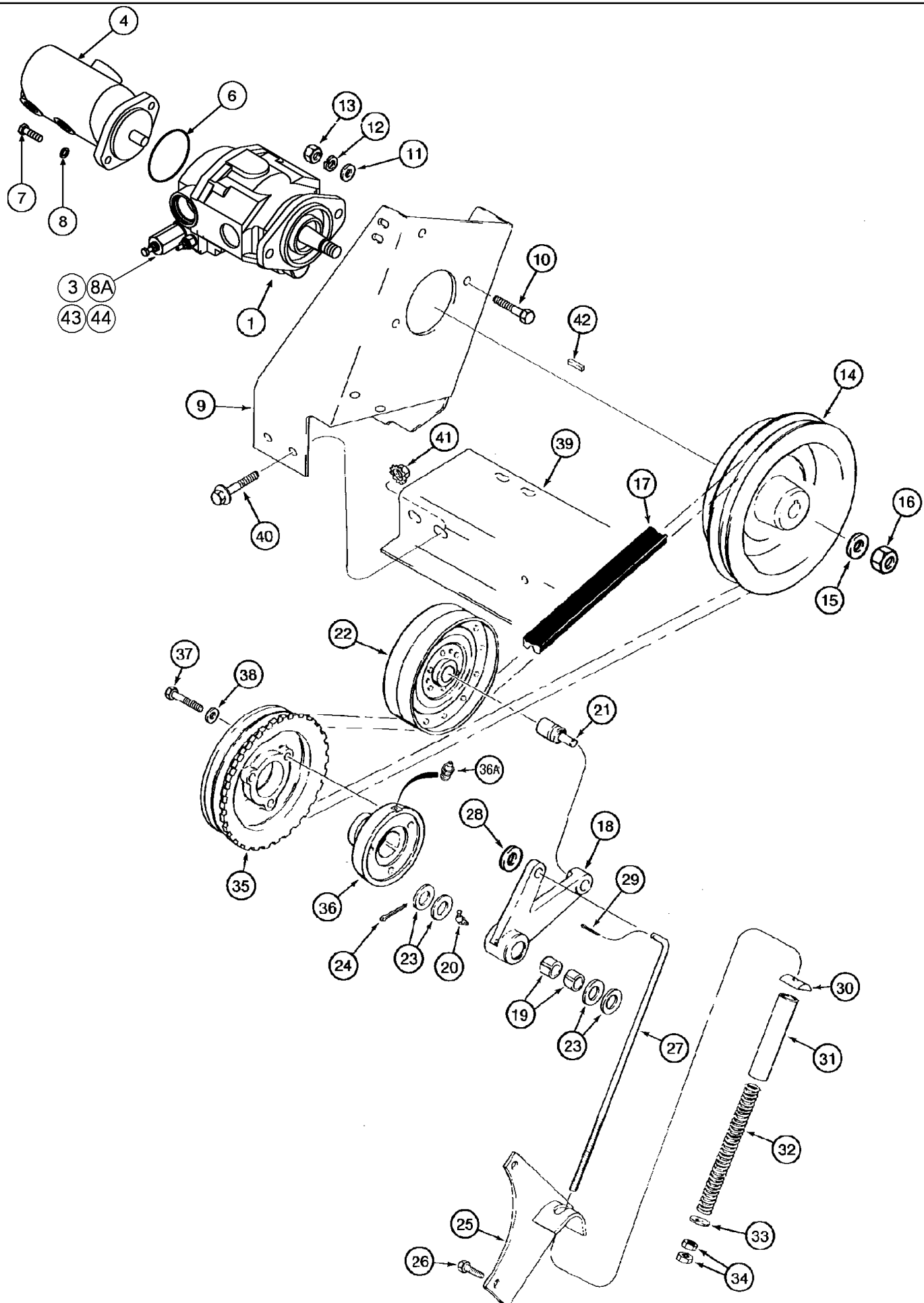
08-10 HYDRAULICS - AUXILIARY PUMP RETURN



08-10 HYDRAULICS - AUXILIARY PUMP RETURN

сылка	Номер детали	Кол-во	Описание
1	124372A1	1	TUBE, Manifold Return
4	201-122	1	CONNECTOR, HYD., 1 7/16"-12 ORFS x 1 5/8"-12 ORB, 1-7/16 fc x 1-5/8, Inc. 4A, 4B
4A	237-6020	1	O-RING, 20-1, 90 Duro, 1.475" ID x .118" Thk,
5	217-173	1	FITTING, 1" Hose x 1 5/8"-12 ORB, Beaded, Includes Ref. 5A
5A	237-6020	1	O-RING, 20-1, 90 Duro, 1.475" ID x .118" Thk,
6	87784C92	1	FILTER, HYDRAULIC OIL, Return Oil, See Figure 08-03
7	124802A2	1	SUPPORT,
8	409-768	3	BOLT, Hex Flg, 3/8"-16 x 1/2", Serr, 3/8 x 1/2
9	NSS	1	NOT SERVICED SEPARATELY, HOSE, 585 mm (23 in.), Cut From 1541952C1
10	214-3228	2	CLAMP, HOSE, 1.00/1.875 HD Worm, W/liner,
11	182813A1	1	TEE, 1-1/4 x 1 x 1 in., Inc. 12
12	237-6020	1	O-RING, 20-1, 90 Duro, 1.475" ID x .118" Thk,
13	123266A2	1	PUMP, HYDRAULIC, Auxiliary, See Figure 08-11
14	177975A1	1	TEE, 5/8 x 3/8 x 5/8, For Attaching Parts, See Figure(s) 08-21, Ref. 32 and 08-22, Ref. 32
15	128104A2	1	HOSE, FLEXIBLE, 250 mm (9-7/8 in.), Cut From S118576X
16	214-1410	2	CLAMP, HOSE, #10, 0.56/1.06 Type F Worm,
17	141658A1	1	TUBE, Return, Low Pressure
18	141657A1	1	TEE, Return Tube At Regulator Valve, Inc. 19, 20
19	237-6008	1	O-RING, 8-1, 90 Duro, .644" ID x .087" Thk,
20	238-6016	1	O-RING, -016, 90 Duro, .614" ID x .070" Thk,
21	REF	1	INSTRUCTION, VALVE Pressure, See Figure 08-21, BSN JJC0253999
21A	REF	1	INSTRUCTION, VALVE Pressure, See Figure 08-22, ASN JJC0254000
22	127999A1	1	HOSE, Return, Charge Pump Filter, 460 mm (18-1/8 in.), Cut From S118576X
23	214-1410	2	CLAMP, HOSE, #10, 0.56/1.06 Type F Worm,
24	217-395	1	FITTING, 5/8" Hose x 3/4"-16 ORB, Beaded, Includes Ref. 25
25	237-6008	1	O-RING, 8-1, 90 Duro, .644" ID x .087" Thk,
26	123522A1	1	FITTING, Suction, Charge Pump Filter, Inc. 27
27	237-6020	1	O-RING, 20-1, 90 Duro, 1.475" ID x .118" Thk,
28	124575A1	2	SUPPORT,
29	118577A1	3	CLAMP, Matched Set For 1 and 1/2 inch Diameter Tubes
30	124668A1	3	CLAMP, Matched Set For 3/4 and 5/8 inch Diameter Tubes
31	255212A1	2	CLAMP, Matched Set For 3/4 and 5/8 inch Diameter Tubes
32	1347127C1	4	PLATE,
33	413-588	2	BOLT, Hex, 5/16"-18 x 5 1/2", G5, 5/16 x 5-1/2
34	231-5315	2	NUT, LOCK, Flg, 5/16"-18,
35	413-564	1	BOLT, Hex, 5/16"-18 x 4", G5, 5/16 x 4
36	231-5315	1	NUT, LOCK, Flg, 5/16"-18,
4B	238-6021	1	O-RING, -021, 90 Duro, .926" ID x .070" Thk,

08-11 PUMP, AUXILIARY - MOUNTING AND DRIVE



Note: Items 35 - 41 are part of the gearbox assembly. See page 6-1.

08-11 PUMP, AUXILIARY - MOUNTING AND DRIVE

сылка	Номер детали	Кол-во	Описание
	123266A2	1	PUMP, HYDRAULIC, Auxiliary, Inc. 1 - 8,, BSN JJC0255699
	NSS	1	NOT SERVICED SEPARATELY, Pump, Hydraulic, Auxiliary, Inc. 1 - 8, 8A, ASN JJC0255700
1	187702A1	1	PUMP, HYDRAULIC, Piston Type, Front, Inc. 2, 3
2	187731A1	1	KIT, GASKET, Seal Repair, Piston Pump, Not Illustrated
3	187732A1	1	EQUALIZER, Compensator, Piston Pump
4	233428A1	1	PUMP, HYDRAULIC, Gear Type, Rear, Inc. 5,, BSN JJC0255699
4	375147A1	1	PUMP, HYDRAULIC, Rear, Inc. 5, ASN JJC0255700
5	233429A1	1	KIT, SEALS, Not Illustrated, BSN JJC0255699
5	291744A1	1	KIT, SEALS, Seal, Not Illustrated, ASN JJC0255700
6	238-6042	1	O-RING, -042, 90 Duro, 3.239" ID x .070" Thk, Used between pumps
7	413-620	2	BOLT, Hex, 3/8"-16 x 1 1/4", G5, Full Thd,
8	495-51041	2	WASHER, 3/8", 13/32 x 47/64 x 1/16, BSN JJC0255699
8	495-81265	2	WASHER, .391" x 5/8" x .065", 15/64 x 5/8 x 1/16, ASN JJC0255700
8A	62-32520	4	SCREW, Hex Soc Hd, 1/4"-28 x 1 1/4", 1/4 x 1-1/4, Mounts Regulator to Pump Assembly
9	112452A1	1	SUPPORT, Auxiliary Pump
10	413-824	2	BOLT, Hex, 1/2"-13 x 1 1/2", G5, Full Thd, 1/2 x 1-1/2
11	495-81287	2	WASHER, 17/32" x 1 1/4" x .120", 17/32 x 1-1/4 x 7/64
12	80679	2	WASHER, LOCK, 1/2",
13	425-108	2	NUT, 1/2"-13, G5,
14	122949A1	1	PULLEY, Drive, Auxiliary Pump
15	496-21081	1	WASHER, 13/16" x 1 1/2" x .179", HDN,
16	231-46112	1	NUT, LOCK, 3/4"-16, GB, 3/4 NF
17	124572A1	1	BELT, Drive, Auxiliary Pump
18	1330517C1	1	LEVER, Auxiliary Pump Drive, Inc. 19
19	188068C1	2	BUSHING,
20	219-90	1	NIPPLE, LUBE, 45c, 1/4" NPT x .80" lg, Drive, 1/4 tpr x 13/16
21	274844R91	1	BEARING, Idler Pulley
22	192865C1	1	PULLEY, Idler, 8 in. OD
23	495-81073	AR	WASHER, 1 1/32" x 1 3/4" x .060", 1-1/32 x 1-3/4 x 1/16
24	432-1624	1	PIN, SPLIT (COTTER), 1/4" x 1 1/2",
25	194729C2	1	SUPPORT, Pump Drive
26	413-828	2	BOLT, Hex, 1/2"-13 x 1 3/4", G5,
27	191823C2	1	ROD, Auxiliary Drive Jackshaft
28	495-11053	1	WASHER, 1/2", SAE, (17/32" x 1-1/16" x 3/32")
29	432-1216	1	PIN, SPLIT (COTTER), 3/16" x 1", 3/16" x 1"
30	194652C1	1	PIVOT,
31	1989254C1	1	SPACER, 165 mm (6-1/2 in.)
32	V368	1	SPRING,
33	495-81287	1	WASHER, 17/32" x 1 1/4" x .120", 17/32 x 1-1/4 x 7/64
34	425-108	2	NUT, 1/2"-13, G5,
35	1330488C1	1	PULLEY, Drive, Auxiliary Pump, 8.85 OD
36	196482C2	1	HUB, No Longer Used, Order 196482C3
36A	196482C3	1	HUB, Grease Fitting Access Hole

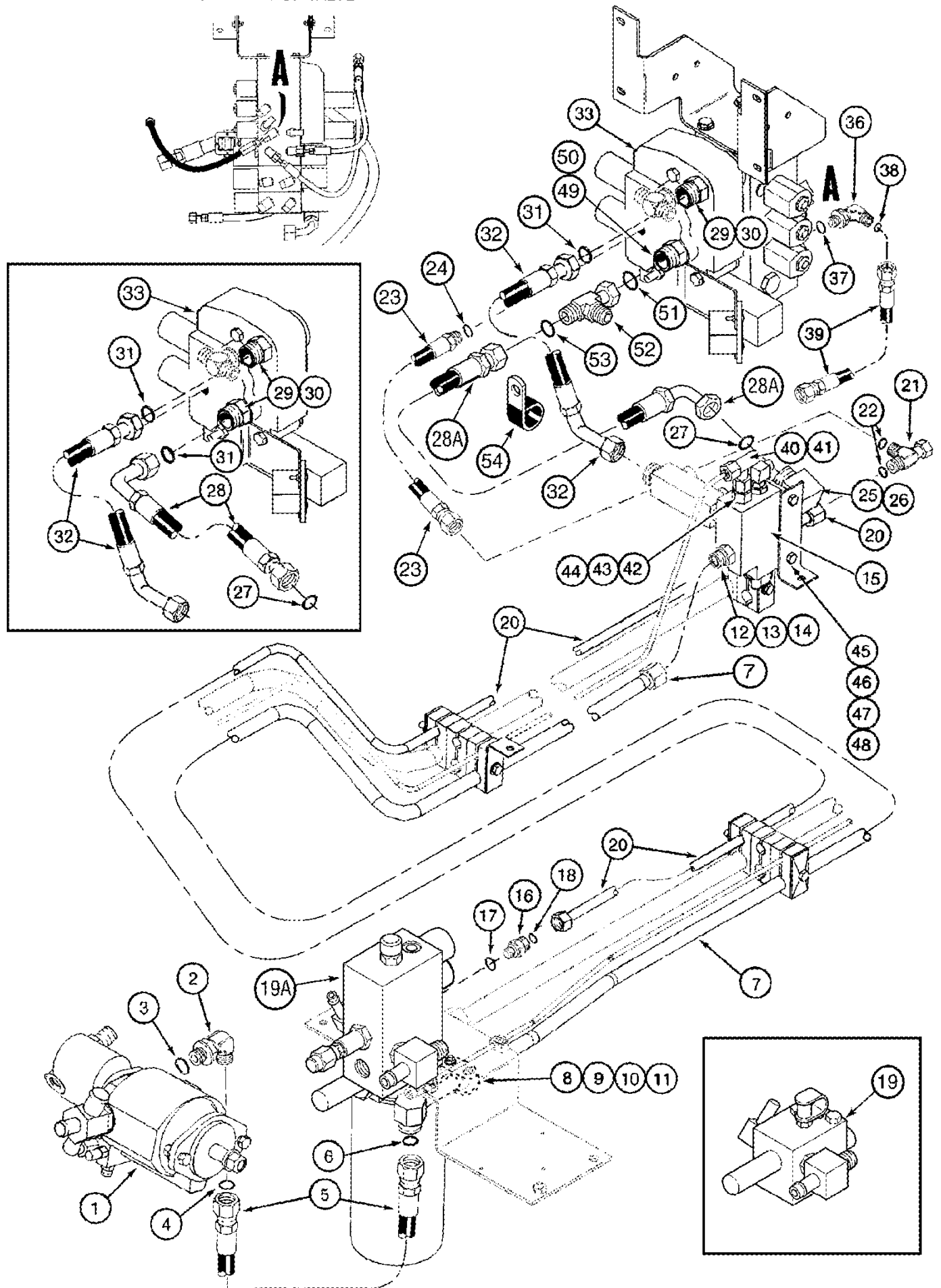
Note: Items 35 - 41 are part of the gearbox assembly. See page 6-1.

08-11 PUMP, AUXILIARY - MOUNTING AND DRIVE

сылка	Номер детали	Кол-во	Описание
36B	219-87	1	NIPPLE, LUBE, 1/4"-28 x .56" lg, Self-Tap,
37	426-840	3	BOLT, Hex, 1/2"-13 x 2 1/2", G8, 1/2 x 2-1/2; 8
38	495-11053	3	WASHER, 1/2", SAE, (17/32" x 1-1/16" x 3/32")
39	123837A2	1	SUPPORT, Jackshaft and Auxiliary Pump, For Mounting, See Figure 09A-04, Ref. 1
40	360-820	4	BOLT, Hex Flg, 1/2"-13 x 1 1/4", G8, Full Thd, 1/2 x 1-1/4; 8
41	232-5138	4	NUT, Flg, USR, 1/2"-13, G8,
42	194022A1	1	NIPPLE, LUBE, Pump Shaft
43	86512843	1	GASKET,
44	50-2809T1	1	O-RING,

Note: Items 35 - 41 are part of the gearbox assembly. See page 6-1.

FRONT VIEW OF VALVE

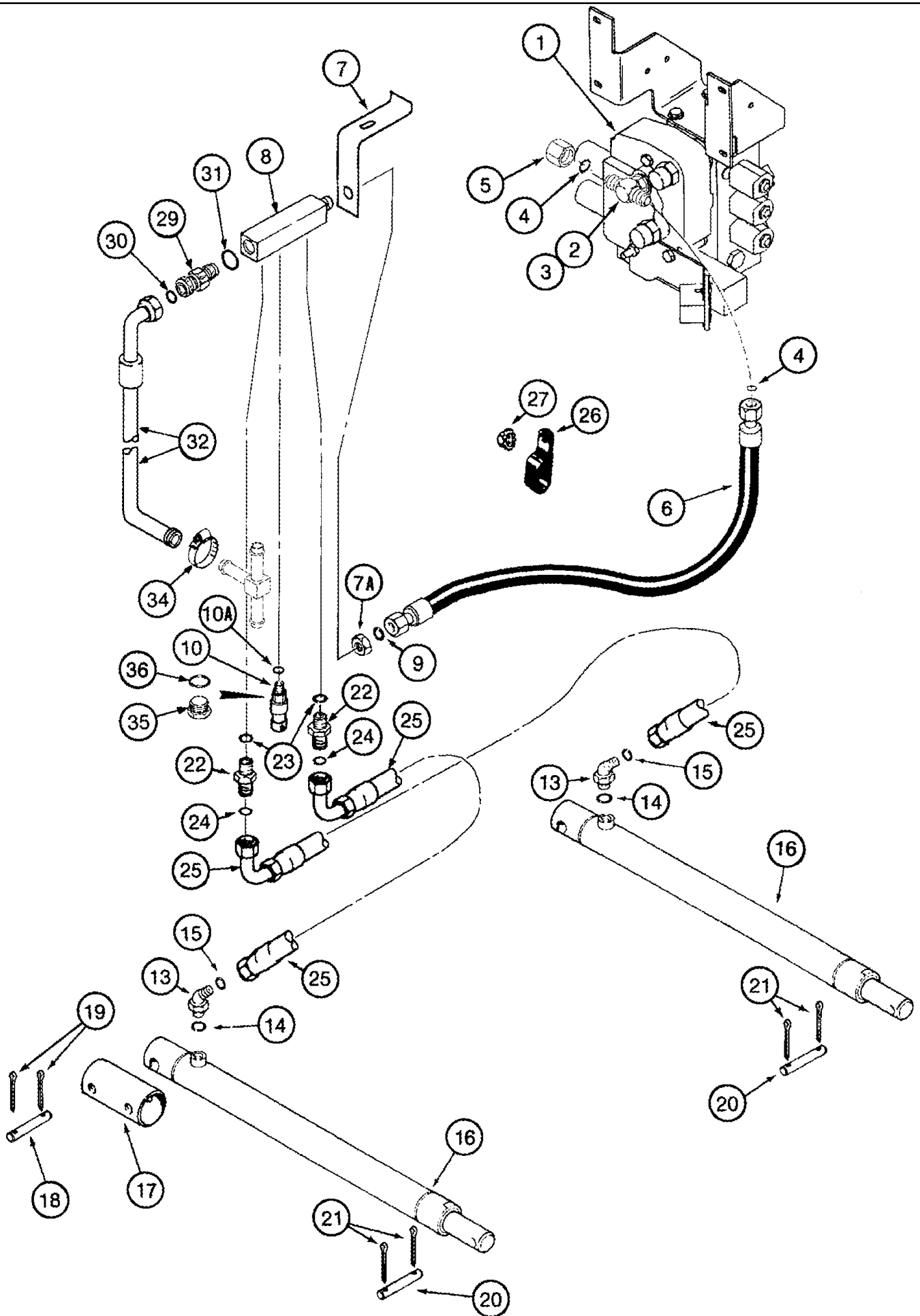


08-12 HYDRAULICS - HEADER LIFT VALVE SUPPLY

сылка	Номер детали	Кол-во	Описание
1	123266A2	1	PUMP, HYDRAULIC, Auxiliary, See Figure 08-11
2	201-307	1	ELBOW, 90є, 1 3/16"-12 x 1 1/16"-12 Adj, ORFS, 1-3/16 fc x 1-1/16, Inc. 3, 4
3	237-6012	1	O-RING, 12-1, 90 Duro, .924 ID x .118" Thk,
4	238-6018	1	O-RING, -018, 90 Duro, .739" ID x .070" Thk,
5	127988A1	1	HOSE, FLEXIBLE, Header Lift Supply, 840 mm (33-1/8 in.)
6	238-6018	1	O-RING, -018, 90 Duro, .739" ID x .070" Thk,
7	124367A2	1	TUBE, Header Lift Supply
8	1541538C1	1	CLAMP, Two Piece, 3/4 inch OD Tube
9	1541537C1	1	PLATE,
10	413-432	2	BOLT, Hex, 1/4"-20 x 2", G5,
11	231-5344	2	NUT, LOCK, Flg, 1/4"-20,
12	201-107	1	CONNECTOR, HYD., 1 3/16"-12 ORFS x 7/8"-14 ORB, Inc. 13, 14
13	237-6010	1	O-RING, 10-1, 90 Duro, .755" ID x .097" Thk,
14	238-6018	1	O-RING, -018, 90 Duro, .739" ID x .070" Thk,
15	114851A2	1	VALVE, Steering, See Figure 05-30
16	201-126	1	CONNECTOR, HYD., 13/16"-16 ORFS x 9/16"-20 ORB, Inc. 17, 18
18	238-6014	1	O-RING, -014, 90 Duro, .489" ID x .070" Thk,
19	REF	1	INSTRUCTION, VALVE Pressure, See Figure 08-21, BSN JJC0253999
19A	REF	1	INSTRUCTION, VALVE Pressure, See Figure 08-22, ASN JJC0254000
20	126869A1	1	TUBE, Supply, From Pressure Regulator
21	201-416	1	TEE, 13/16"-16 ORFS x 13/16"-16 Sw Run, Inc. 22
22	238-6014	2	O-RING, -014, 90 Duro, .489" ID x .070" Thk,
23	128101A1	1	HOSE, FLEXIBLE, Header Lift Valve Regulator Supply, 690 mm (27-1/4 in.), Inc. 24
25	201-350	1	ELBOW, 90є, 1 3/16"-12 x 7/8"-14, Adj, ORFS, Includes 26, 27, BSN JJC0253999
25	201-306	1	ELBOW, 90є, 1"-14 x 7/8"-14 Adj, ORFS, Inc. 26, 27, ASN JJC0254000
26	237-6010	1	O-RING, 10-1, 90 Duro, .755" ID x .097" Thk,
27	238-6018	1	O-RING, -018, 90 Duro, .739" ID x .070" Thk, , BSN JJC0253999
27	238-6016	1	O-RING, -016, 90 Duro, .614" ID x .070" Thk, , ASN JJC0254000
28	135829A2	1	HOSE, Header Lift Valve Supply, 470 mm (18-5/8 in.), BSN JJC0253999
28A	395775A2	1	HOSE, Header Lift Valve Supply, 490 mm (19-1/4 in.), ASN JJC0254000
29	201-104	1-2	CONNECTOR, HYD., 1 3/16"-12 ORFS x 1 1/16"-12 ORB, Includes 30, 31
30	237-6012	1	O-RING, 12-1, 90 Duro, .924 ID x .118" Thk,
31	238-6018	1	O-RING, -018, 90 Duro, .739" ID x .070" Thk,
32	128097A1	1	HOSE, Header Lift Valve Return, 710 mm (28 in.)
33	124565A3	1	VALVE, CONTROL, Header Lift, See Figure(s) 08-13 - 08-15, 08-17, 08-18, 08-34 - 08-36
33	124566A3	1	VALVE, CONTROL, Header Lift With Reel Fore and Aft, See Figure(s) 08-14, 08-17
33	124567A3	1	VALVE, CONTROL, Header Lift With Reel Fore and Aft and Field Tracker, See Figure(s) 08-14, 08-18
36	201-324	1	ELBOW, 90є, 9/16"-18 x 9/16"-18, Adj, ORFS, Includes Ref. 37, 38
38	238-6011	1	O-RING, -011, 90 Duro, .301" ID x .070" Thk,
39	127995A1	1	HOSE, Pump Signal To Header Lift Valve, 740 mm (29-1/4 in.)
40	201-434	1	TEE, 11/16"-18 ORFS x 11/16"-18 Sw Br, 11/16 fc sl 11/16 sw, Inc. 41
41	238-6012	2	O-RING, -012, 90 Duro, .364" ID x .070" Thk,
42	128328A1	1	FITTING, With Orifice Check Valve, Inc. 43, 44

08-12 HYDRAULICS - HEADER LIFT VALVE SUPPLY

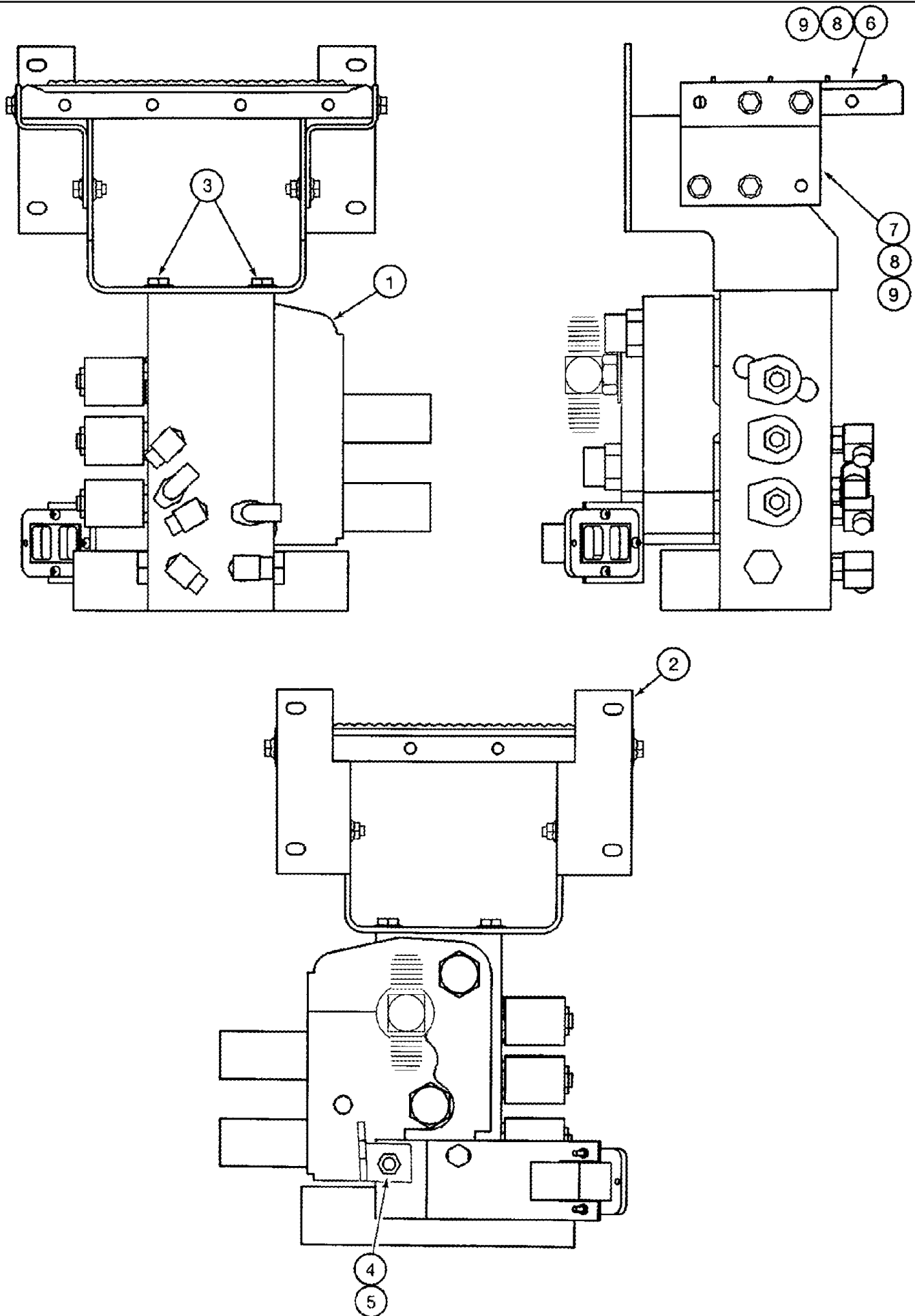
сылка	Номер детали	Кол-во	Описание
43	237-6008	1	O-RING, 8-1, 90 Duro, .644" ID x .087" Thk,
44	238-6012	1	O-RING, -012, 90 Duro, .364" ID x .070" Thk,
45	124574A1	1	SUPPORT,
46	413-540	2	BOLT, Hex, 5/16"-18 x 2 1/2", G5,
47	495-11034	1	WASHER, 5/16", SAE, (11/32 x 11/16 x 1/16")
48	231-5315	2	NUT, LOCK, Flg, 5/16"-18,
49	201-131	1	CONNECTOR, HYD., 1"-12 ORFS x 9/16"-18 ORB, 1-14 fc x 1-1/16-12, Inc. 50, 51, ASN JJC0254000
50	237-6012	1	O-RING, 12-1, 90 Duro, .924 ID x .118" Thk, , ASN JJC0254000
51	238-6016	1	O-RING, -016, 90 Duro, .614" ID x .070" Thk, , ASN JJC0254000
52	201-433	1	TEE, 1"-14 ORFS x 1"-14 Sw Run, , ASN JJC0254000
53	238-6016	2	O-RING, -016, 90 Duro, .614" ID x .070" Thk, , ASN JJC0254000
54	515-23254	1	CLAMP, 1", Insul, 3/8" Bolt, , Used with REF 32
17	237-6006	1	O-RING, 6-1, 90 Duro, .468" ID x .078" Thk,
24	237-6006	1	O-RING, 6-1, 90 Duro, .468" ID x .078" Thk,
37	237-6006	1	O-RING, 6-1, 90 Duro, .468" ID x .078" Thk,



08-13 HYDRAULICS - HEADER LIFT

сылка	Номер детали	Кол-во	Описание
1	124565A3	1	VALVE, CONTROL, Header Lift, See Figure(s) 08-12, 08-14, 08-15, 08-17, 08-18, 08-34 - 08-36
2	201-403	1	TEE, 1"-14 x 7/8"-14 Br, ORFS, Includes Ref. 3, 4, For Attaching Parts, See Figure 08-35
3	237-6010	1	O-RING, 10-1, 90 Duro, .755" ID x .097" Thk,
4	238-6016	2	O-RING, -016, 90 Duro, .614" ID x .070" Thk,
5	201-906	1	CAP, 1"-14 ORFS, , Without Accumulator
6	128024A2	1	HOSE, Header Lift Supply
7	136489A1	1	SUPPORT, Manifold Bulkhead Fitting
7A	201-919	1	NUT, LOCK, Blkhd, 1"-14,
8	249910A1	1	MANIFOLD, Feeder Lift Valve Cylinders, Thermal Relief Inc.9
9	238-6016	1	O-RING, -016, 90 Duro, .614" ID x .070" Thk,
10	122761A1	1	SENSOR, Header Float Pressure, For Attaching Parts, See Figure 04-15, Inc. 10A
10A	237-6003	1	O-RING, 3-1, .301" ID x .064" Thk,
13	201-348	2	ELBOW, 45ε, 13/16"-16 x 3/4"-16. Adj, ORFS, Includes Ref. 14, 15, Without Rock Trap
13A	201-305	2	ELBOW, 90ε, 13/16"-16 x 3/4"-16 Adj, ORFS, Incl. 14, 15, Not Illustrated, With Rock Trap
14	237-6008	1	O-RING, 8-1, 90 Duro, .644" ID x .087" Thk,
15	238-6014	1	O-RING, -014, 90 Duro, .489" ID x .070" Thk,
16	251807A2	2	CYLINDER, Header Lift, Part Number Stamped On Cylinder, Inc. 16A, 16B
16A	251811A1	1	KIT, GASKET, Not Illustrated
16B	254520A1	1	ROD, PISTON, Header Lift Cylinder, 748 mm (29-1/2 in.), Not Illustrated
17	124059A2	2	TUBE SPACER, Extension, Lift Cylinder, Used With 54-1/2 inch Feeder Models With Rock Trap, With Rock Trap, Used with 54-1/2 Inch Feeder
18	242303A1	2	PIN, Extension Tube To Cylinder, 1-1/4 x 6-1/2
19	432-1632	2-4	PIN, SPLIT (COTTER), 1/4" x 2", 1/4" x 2"
20	242303A1	4	PIN, Header Lift Cylinder Mounting, 1-1/4 x 6-1/2
21	432-1632	4-8	PIN, SPLIT (COTTER), 1/4" x 2", 1/4" x 2"
22	201-102	2	CONNECTOR, HYD., 13/16"-16 ORFS x 3/4"-16 ORB, Includes 23, 24
23	237-6008	1	O-RING, 8-1, 90 Duro, .644" ID x .087" Thk,
24	238-6014	1	O-RING, -014, 90 Duro, .489" ID x .070" Thk,
25	235849A1	2	HOSE, Manifold To Header Lift Cylinders, 1220 mm (48 in)
26	470375C1	1	CLAMP, Double, Purchase Locally
27	231-5145	2	NUT, Flg, USR, 5/16"-18,
29	252300A2	1	VALVE, Thermal Relief
30	237-6006	1	O-RING, 6-1, 90 Duro, .468" ID x .078" Thk, Thermal relief valve
31	238-6012	1	O-RING, -012, 90 Duro, .364" ID x .070" Thk, Thermal Relief Valve
32	254734A1	1	HOSE, FLEXIBLE, Thermal Relief Valve Drain, 860 mm (33-7/8 in.), For Attaching Parts, See Figure 07-05, Ref. 28
33	254733A1	1	HOSE, FLEXIBLE, Parking Brake Valve Return, 760 mm (30 in.), Cut From S118400X, Used With Ref. 32, Not Illustrated
34	214-1706	1	CLAMP, HOSE, #6, 0.44/0.78 Type M Worm,
35	218-5152	1	PLUG, Hex Hd, 3/8"-24 ORB, Includes 36, Feeder Lift without Float
36	237-6003	1	O-RING, 3-1, .301" ID x .064" Thk,
37	135370A1	1	STRIP, PROTECTION, 7-1/2 in, Not Illustrated
38	306132C1	2	STRAP, CABLE, .30" x 14.5", Not Illustrated

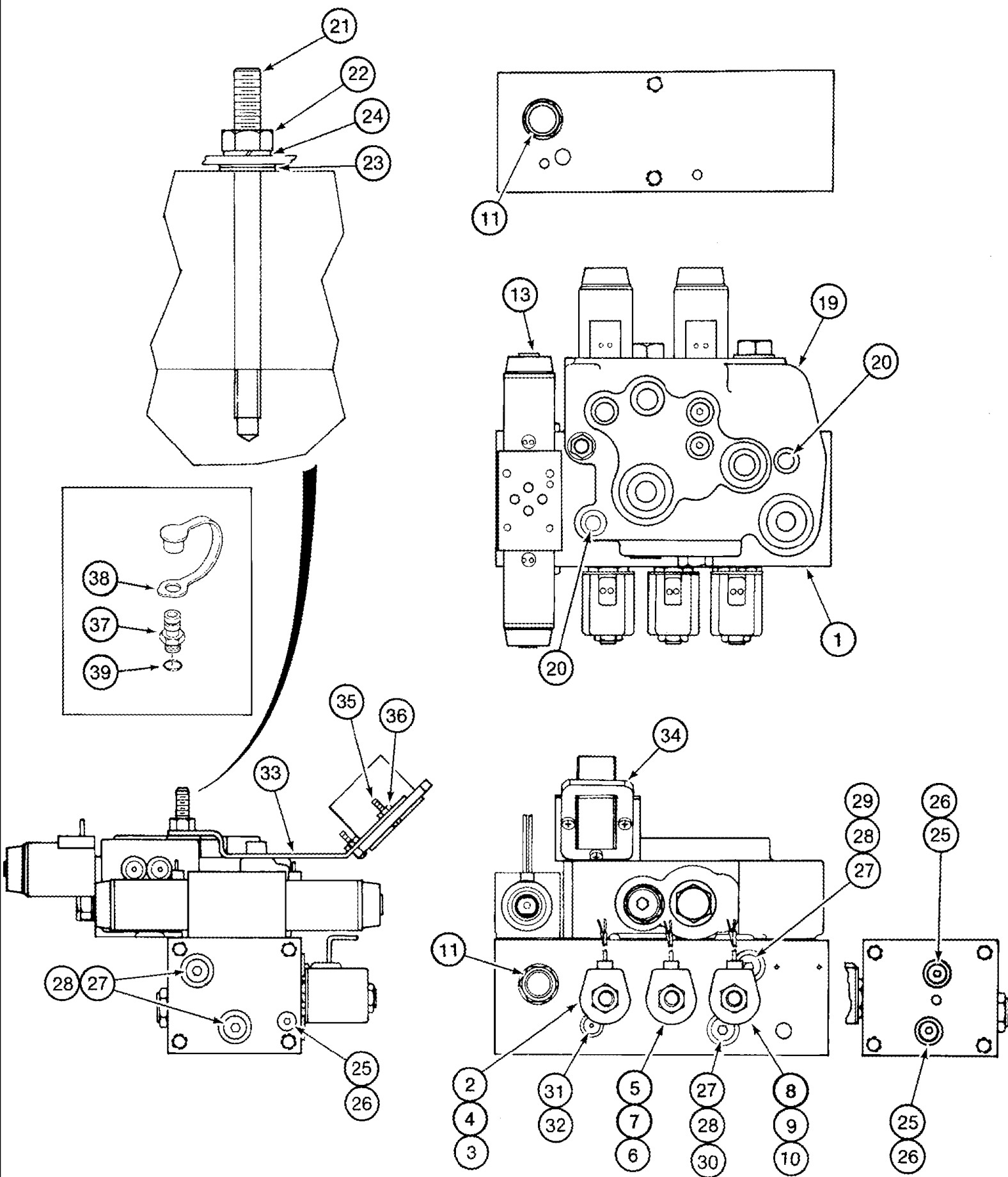
08-14 VALVE, CONTROL - MOUNTING



08-14 VALVE, CONTROL - MOUNTING

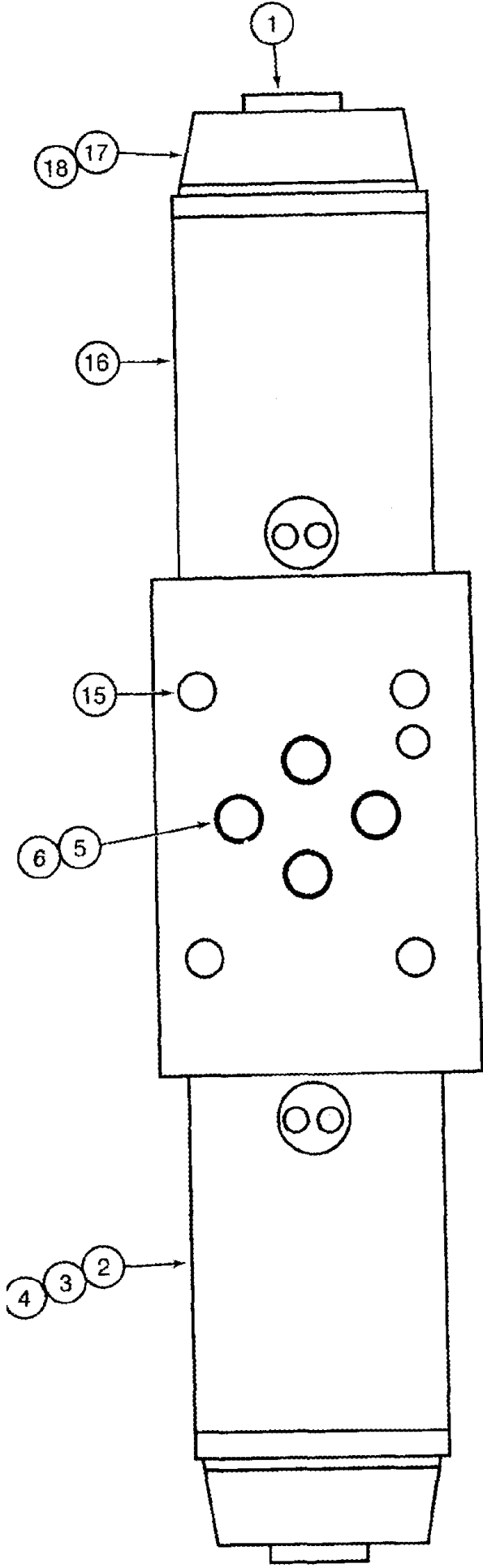
сылка	Номер детали	Кол-во	Описание
1	124565A3	1	VALVE, CONTROL, Header Lift, See Figure(s) 08-12, 08-13, 08-15 - 08-17, 08-34 - 08-36, If Used
1	124566A3	1	VALVE, CONTROL, Header Lift With Reel Fore and Aft, See Figure(s) 08-14, 08-17, If Used
1	124567A3	1	VALVE, CONTROL, Header Lift With Reel Fore and Aft and Field Tracker, See Figure(s) 08-14, 08-18, If Used
2	123883A4	1	SUPPORT,
3	905-10020	4	BOLT, Hex Serr Flg, M10 x 20,
4	127379A2	1	SUPPORT, Valve, Rear, Mounts To Tube Clamp Support Bolt
6	1531337C1	2	STEP, Service, At Valve Mounting Bracket, Front Grain Tank Inspection, For Additional Mounting, See Figure 09E-05
7	141410A1	2	SUPPORT,
8	409-7512	16	BOLT, Hex Flg, 5/16"-18 x 3/4", Serr,
9	231-5145	16	NUT, Flg, USR, 5/16"-18,
	409-7516	4	BOLT, Hex Flg, 5/16"-18 x 1", Serr,
	231-5145	4	NUT, Flg, USR, 5/16"-18,
	100-1531	4	RING, SNAP, #31, Ext,
5	829-1410	1	NUT, M10, CI 10, For Mounting Stud, See Figure 08-15

08-15 VALVE ASSY - CONTROL - HEADER LIFT VALVE ASSY



08-15 VALVE ASSY - CONTROL - HEADER LIFT VALVE ASSY

сылка	Номер детали	Кол-во	Описание
	124565A3	1	VALVE, CONTROL, Header Lift, Inc. 1 - 36
1	NSS	1	NOT SERVICED SEPARATELY, BODY, Order 124565A3
	NSS	1	NOT SERVICED SEPARATELY, VALVE Solenoid, Inc. 2 - 4, 2-Way, Sense Line, Order Components
2	191121A1	1	VALVE, 2-Way, Cartridge Only, Sense Line
3	149942C1	1	KIT, SEALS,
4	190715A1	1	SOLENOID, Coil, With Diode and Connector, 12 volt, DC
	NSS	1	NOT SERVICED SEPARATELY, VALVE Solenoid, Inc. 5 - 7, 2-Way Reel Lift, Order Components
5	87436627	1	VALVE, 2-Way, Cartridge Only, Reel Lift, Replaces 190710A1
6	86508168	1	KIT, SEALS, Replaces 149942C1
7	190715A1	1	SOLENOID, Coil, With Diode and Connector, 12 Volt, DC
	NSS	1	NOT SERVICED SEPARATELY, VALVE Solenoid, Inc. 8 - 10, 3-Way, Reel Lift, Order Components
8	190711A1	1	VALVE, 3-Way, Cartridge Only, Reel Lift
9	1260872C91	1	KIT, SEALS,
10	190715A1	1	SOLENOID, Coil, With Diode and Connector, 12 volt, DC
11	190712A1	2	VALVE, Single Pilot Operated, Inc. 12
12	1260872C91	1	KIT, SEALS, Check Valve, Not Illustrated
13	190717A1	1	VALVE, 4-Way, 3 Position, Stack, Complete, See Figure 08-16
14	195683A1	3	NUT, 1/2"-13, Thin, Solenoid Coil, Not Illustrated
19	186572A1	1	VALVE, CONTROL, Header Height, See Figure 08-19
20	864-10080	2	SCREW, Hex Soc Hd, M10 x 80, 8.8,
21	190716A1	1	STUD, 10 x 130 mm
23	895-18010	2	WASHER, M10 x 18 x 1.6,
24	892-11010	1	WASHER, LOCK, M10,
25	278548	3	PLUG, Hex Soc, 7/16"-20 ORB, Incl. 26
26	237-6004	1	O-RING, 4-1, 90 Duro, .351" ID x .072" Thk,
27	9625178	4	PLUG, Hex Soc, 9/16"-18 ORB, Incl. 28
28	237-6006	1	O-RING, 6-1, 90 Duro, .468" ID x .078" Thk,
29	190713A1	1	PLUG, 0.914 mm (0.036 in.) dia.
30	190714A1	1	PLUG, 1.40 mm (0.055 in.) dia.
31	86632547	4	PLUG, Hex Soc, 5/16"-24 ORB, Includes 32
32	237-6002	1	O-RING, 2-1, .239" ID x .064" Thk,
33	141440A1	1	SUPPORT, Electrical Connector
34	225417C1	1	CONNECTOR, ELEC, Electrical, 24 pin
35	840-1420	3	SCREW, Cross Pan Hd, M4 x 20,
36	832-10404	3	NUT, LOCK, M4 x .7, CI 8,
37	1541849C1	2	COUPLING, Diagnostic, Inc. 38, 39, Not Included With Header Lift Valve Assy.
38	H434163	1	DUST CAP,
39	237-6006	1	O-RING, 6-1, 90 Duro, .468" ID x .078" Thk,
22	829-1410	1	NUT, M10, CI 10,

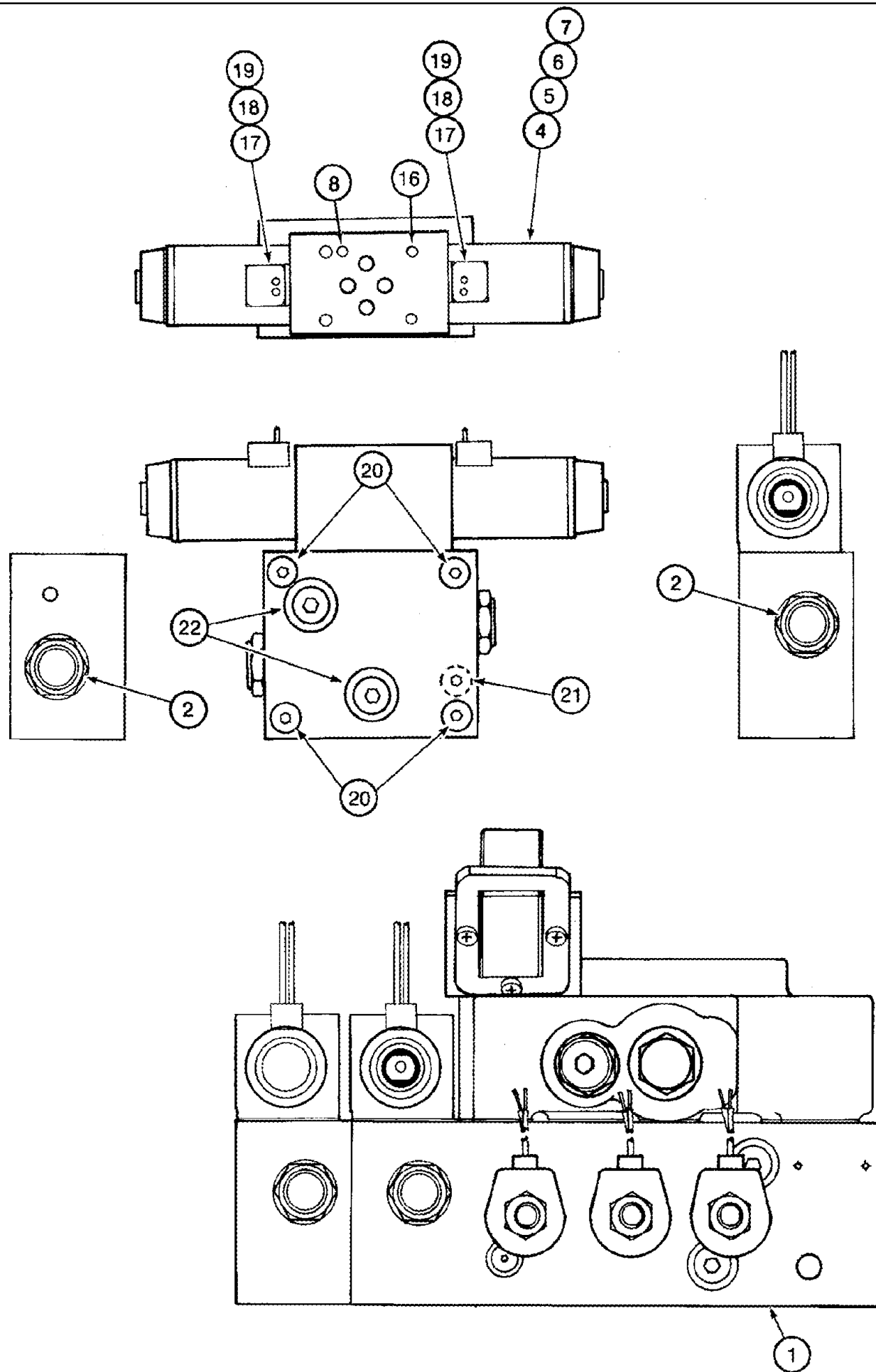


2366 CASE IH AXIAL-FLOW COMBINE (NA) (1/98-8/04)

08-16 VALVE ASSY - CONTROL - 4-WAY, 3 POSITION

сылка	Номер детали	Кол-во	Описание
	190717A1	1	VALVE, 4-Way, 3 Position, Stack, Complete, Inc. 1 - 18
1	196736A1	2	BODY, SOLENOID
2	196737A1	2	SPLIT PIN/SAFETY PIN,
3	196738A1	2	SPRING,
4	196739A1	2	WASHER,
5	196710A1	1	PLUG, Orifice, 0.030 in.
6	196711A1	1	PLUG, Orifice, 0.040 in.
	191120A1	1	KIT, SEALS, Inc. 7 - 12, Order Components, Not Illustrated
7	238-5012	4	O-RING, -012, 70 Duro, .364" ID x .070" Thk,
8	238-5015	2	O-RING, -015, 70 Duro, .551" ID x .070" Thk,
9	238-5017	2	O-RING, -017, 70 Duro, .676" ID x .070" Thk,
10	238-5020	2	O-RING, -020, 70 Duro, .864" ID x .070" Thk,
11	238-5114	2	O-RING, -114, 70 Duro, .612" ID x .103" Thk,
12	S83071	2	BACK-UP RING,
15	61-31020	4	SCREW, Hex Soc Hd, #10-24 x 1 1/4",
16	191119A1	2	SOLENOID, COIL, With Diode, 12 volt, DC
17	188106A1	2	NUT,
18	238-5017	2	O-RING, -017, 70 Duro, .676" ID x .070" Thk,

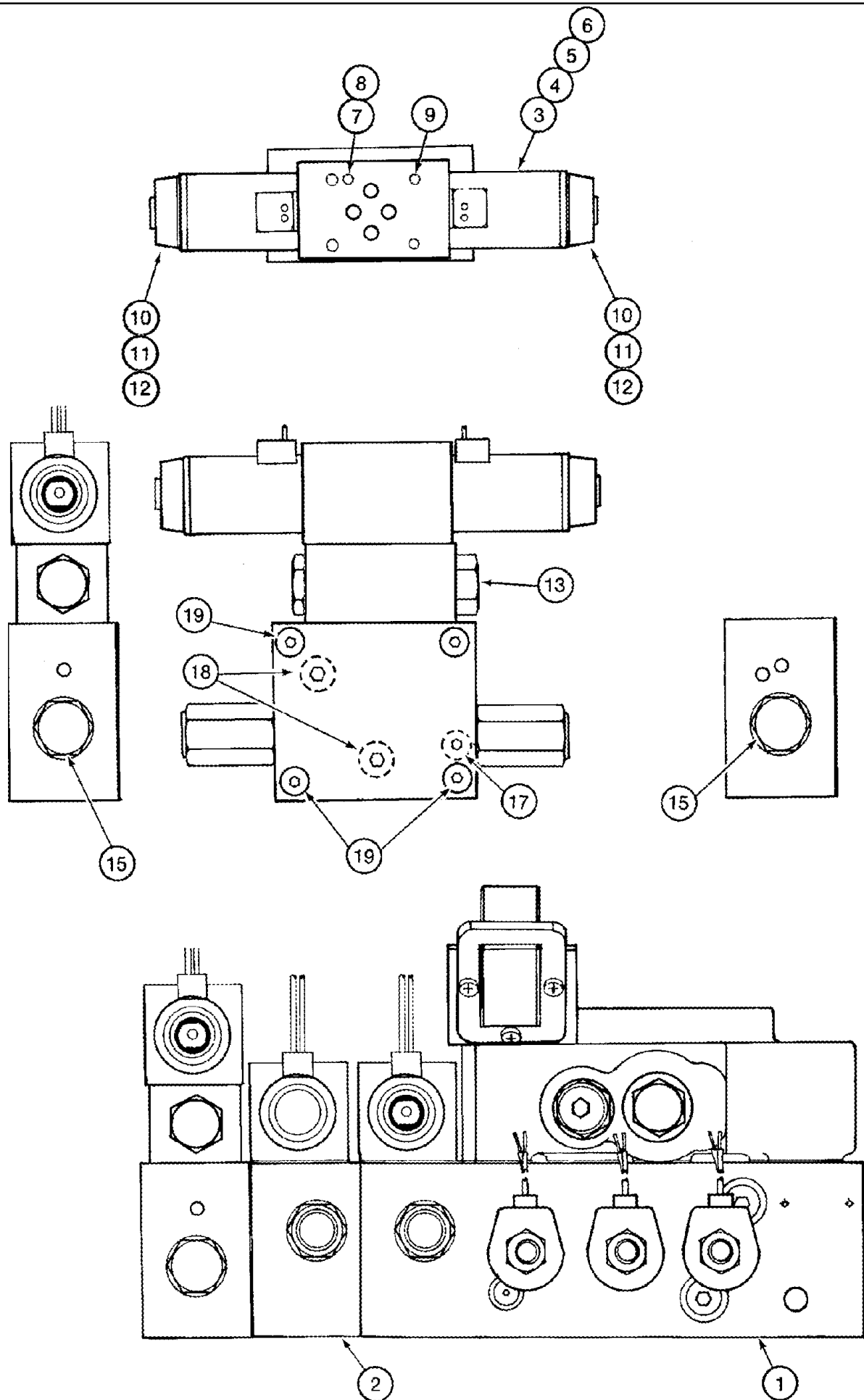
08-17 VALVE ASSY - CONTROL - HEADER LIFT WITH FORE AND AFT VALVE ASSY



08-17 VALVE ASSY - CONTROL - HEADER LIFT WITH FORE AND AFT VALVE ASSY

сылка	Номер детали	Кол-во	Описание
	124566A3	1	VALVE, CONTROL, Header Lift With Reel Fore and Aft, Inc. 1 - 22
1	124565A3	1	VALVE, CONTROL, Header Lift, See Figure(s) 08-12 - 08-18, 08-34 - 08-36
	131153A2	1	VALVE, CONTROL, Reel Fore and Aft, Inc. 2 - 22
2	190712A1	2	VALVE, Single Pilot Operated, Inc. 3
3	1260872C91	1	KIT, SEALS, Repair, Not Illustrated
	190990A1	1	VALVE, Stack, Inc. 4 - 19, 4-Way, 3 Position
4	196736A1	2	BODY, SOLENOID
5	196737A1	2	SPLIT PIN/SAFETY PIN,
6	196738A1	2	SPRING,
7	196739A1	2	WASHER,
8	196710A1	1	PLUG, Orifice, 0.030 in.
9	191120A1	1	KIT, SEALS, Seal Repair, 4-Way, 3 Position Valve, Order Components, Inc. 10 - 15, Not Illustrated
10	238-5012	4	O-RING, -012, 70 Duro, .364" ID x .070" Thk,
11	238-5015	2	O-RING, -015, 70 Duro, .551" ID x .070" Thk,
12	238-5017	2	O-RING, -017, 70 Duro, .676" ID x .070" Thk,
13	238-5020	2	O-RING, -020, 70 Duro, .864" ID x .070" Thk,
14	238-5114	2	O-RING, -114, 70 Duro, .612" ID x .103" Thk,
15	S83071	2	BACK-UP RING,
16	61-31020	4	SCREW, Hex Soc Hd, #10-24 x 1 1/4",
17	191119A1	2	SOLENOID, COIL, With Diode, 12 volt, DC
18	188106A1	2	NUT,
19	238-5017	2	O-RING, -017, 70 Duro, .676" ID x .070" Thk,
20	864-10080	4	SCREW, Hex Soc Hd, M10 x 80, 8.8,
21	238-5111	1	O-RING, -111, 70 Duro, .424" ID x .103" Thk,
22	238-5117	2	O-RING, -117, 70 Duro, .799" ID x .103" Thk,

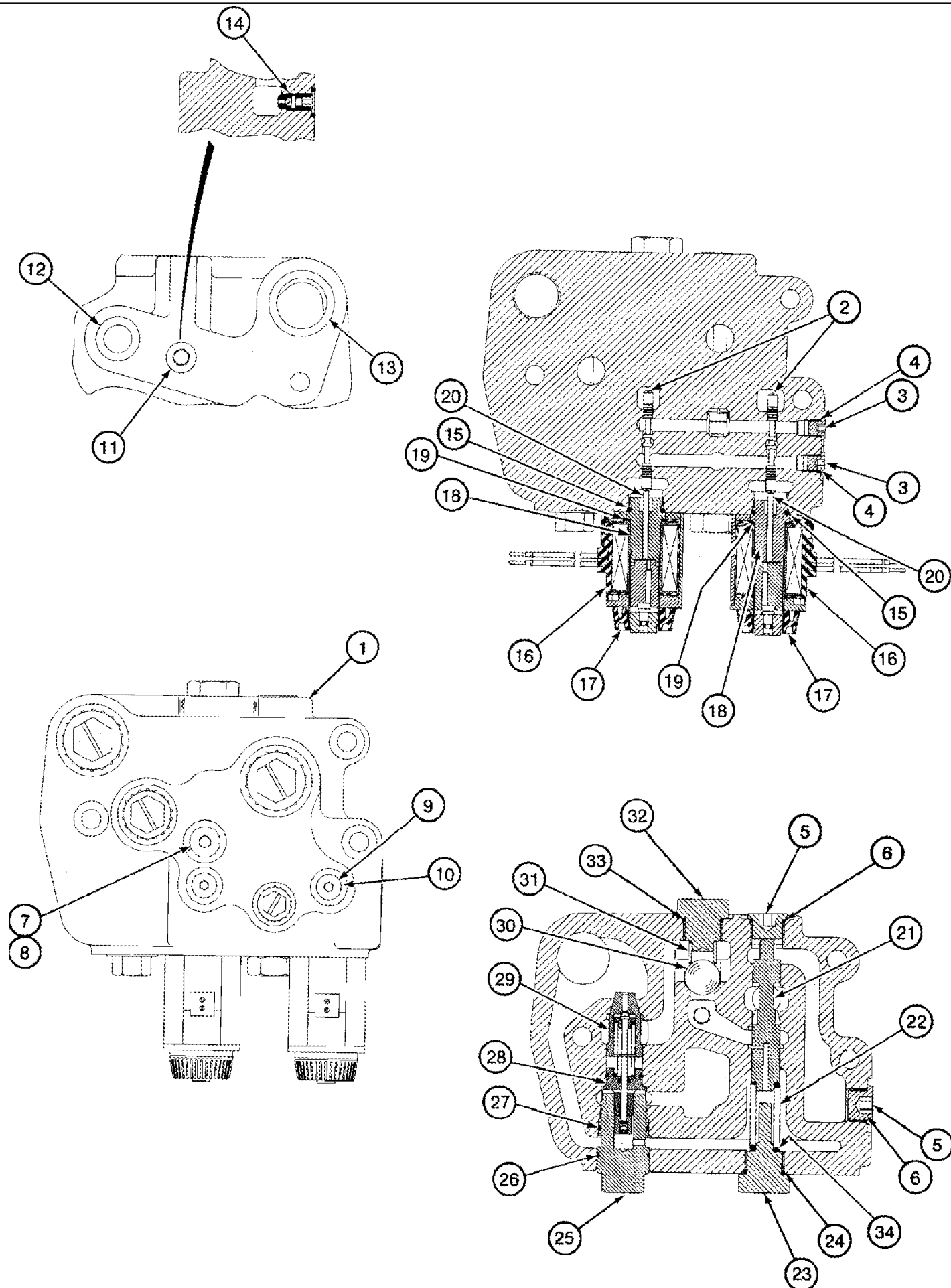
08-18 VALVE ASSY - CONTROL - HEADER LIFT WITH REEL FORE AND AFT AND FIELD TRACKER



08-18 VALVE ASSY - CONTROL - HEADER LIFT WITH REEL FORE AND AFT AND FIELD TRACKER

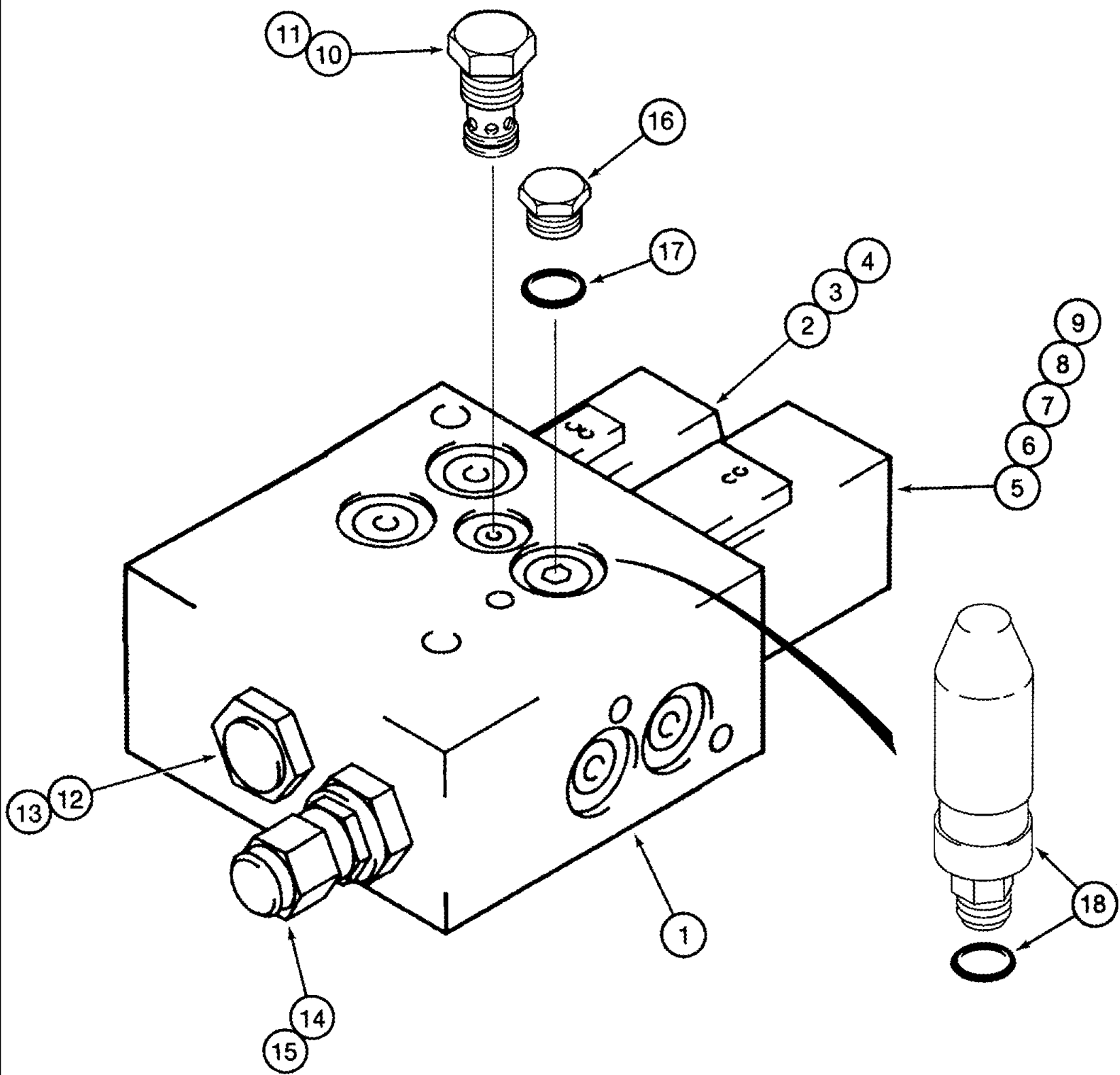
сылка	Номер детали	Кол-во	Описание
	124567A3	1	VALVE, CONTROL, Header Lift With Reel Fore and Aft and Field Tracker, Inc. 1 - 20,
1	124565A3	1	VALVE, CONTROL, Header Lift, See Figure(s) 08-12 - 08-17, 08-34 - 08-36
2	131153A2	1	VALVE, CONTROL, Reel Fore and Aft, See Figure 08-17
	114854A1	1	VALVE, CONTROL, Field Tracker, Inc.190984A1, Ref. 3 - 20
	190984A1	1	VALVE, Stack, Inc. Ref. 3 - 12, 4-Way, 3 Position,
3	196736A1	2	BODY, SOLENOID
4	196737A1	2	SPLIT PIN/SAFETY PIN,
5	196738A1	2	SPRING,
6	196739A1	2	WASHER,
7	196712A1	1	PLUG, Orifice, 0.035 in.
8	196713A1	1	PLUG, Orifice, 0.043 in.
	191120A1	1	KIT, SEALS, Seal Repair, 4-Way, 3 Position Valve, Not Illustrated, See Figure(s) 08-16, 08-17
9	61-31044	4	SCREW, Hex Soc Hd, #10-24 x 2 3/4", No. 10 x 2-3/4
10	191119A1	2	SOLENOID, COIL, With Diode, 12 volt, DC
11	188106A1	2	NUT,
12	238-5017	2	O-RING, -017, 70 Duro, .676" ID x .070" Thk,
13	190985A1	1	VALVE, Double Pilot Operated, Inc. 14
14	191120A1	1	KIT, SEALS, Seal Repair, Check Valve, Not Illustrated, See Figure(s) 08-16, 08-17
15	190986A1	2	VALVE, PRESSURE RELIEF, Inc. 16
16	149942C1	1	KIT, SEALS, Relief Valve, Not Illustrated
17	238-5111	1	O-RING, -111, 70 Duro, .424" ID x .103" Thk,
18	238-5117	4	O-RING, -117, 70 Duro, .799" ID x .103" Thk,
19	861-10130	4	SCREW, Hex Soc Hd, M10 x 130, 12.9, M10 x 130; 12.9
20	864-10070	4	SCREW, Hex Soc Hd, M10 x 70, 8.8, Not Used in this Application, Not Illustrated

08-19 VALVE ASSY - HEADER HEIGHT



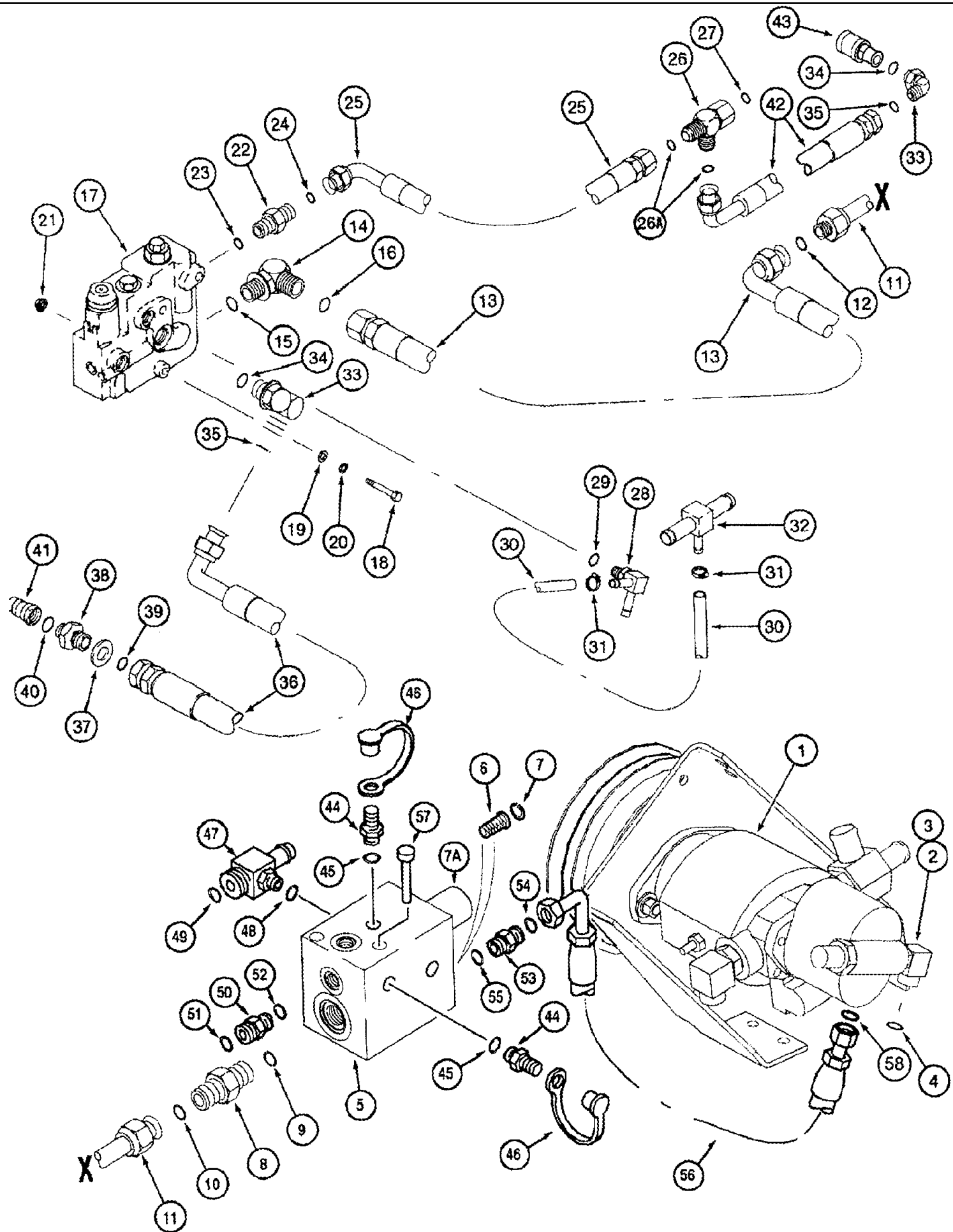
08-19 VALVE ASSY - HEADER HEIGHT

сылка	Номер детали	Кол-во	Описание
	186572A1	1	VALVE, CONTROL, Header Height, Inc. 1 - 34
1	NSS	1	NOT SERVICED SEPARATELY, BODY, Order 186572A1
2	188104A1	2	SPOOL, PILOT
3	86529630	2	PLUG, Hex Soc, 3/8"-24 ORB, Includes 4
4	237-6003	1	O-RING, 3-1, .301" ID x .064" Thk,
5	71100209	2	PLUG, Hex Soc, 3/4"-16 ORB, Includes Ref. 6
6	237-6008	1	O-RING, 8-1, 90 Duro, .644" ID x .087" Thk,
7	9625178	1	PLUG, Hex Soc, 9/16"-18 ORB, Incl. 8
8	237-6006	1	O-RING, 6-1, 90 Duro, .468" ID x .078" Thk,
9	278548	2	PLUG, Hex Soc, 7/16"-20 ORB, Incl. 10
10	237-6004	1	O-RING, 4-1, 90 Duro, .351" ID x .072" Thk,
11	238-6112	1	O-RING, -112, 90 Duro, .487" ID x .103" Thk, 7/8 ID x 1/8
12	238-6117	1	O-RING, -117, 90 Duro, .799" ID x .103" Thk,
13	238-6125	1	O-RING, -125, 90 Duro, 1.237" ID x .103" Thk, 1-5/16 ID x 3/32
14	188115A1	1	POPPET, VALVE, Signal
15	238-5114	2	O-RING, -114, 70 Duro, .612" ID x .103" Thk,
	243254A1	2	KIT, Without Diode, Inc. 16 - 16B, 12 volt, DC
16	188105A1	1	SOLENOID, Without Diode, 12 volt, DC
16A	225318C1	1	WEDGE, Not Illustrated
16B	225315C1	1	CONNECTOR, ELEC, Wedge, Not Illustrated
17	188106A1	2	NUT,
18	188117A1	2	TUBE, SOLENOID
19	238-5017	2	O-RING, -017, 70 Duro, .676" ID x .070" Thk,
20	188116A1	2	PIN, Solenoid Actuating
21	190698A2	1	SPOOL, Meter In, Main Flow
22	190699A1	1	SPRING, Meter In, Main Flow
23	188110A1	1	PLUG,
24	237-6010	1	O-RING, 10-1, 90 Duro, .755" ID x .097" Thk,
	243255A1	1	KIT, SERVICE, Meter Out, Inc. 25 - 29
25	188111A1	1	PLUG, Meter Out Poppet
26	238-5023	1	O-RING, -023, 70 Duro, 1.051" ID x .070" Thk,
27	238-5022	1	O-RING, -022, 70 Duro, .989" ID x .070" Thk,
28	188112A1	1	POPPET, VALVE, Servo, Meter Out
29	188113A1	1	POPPET, VALVE,
30	511-10200	1	BALL, 20mm Dia, Gr 28
31	188114A1	1	SPRING, Load Check
32	188107A1	1	PLUG,
33	237-6010	1	O-RING, 10-1, 90 Duro, .755" ID x .097" Thk,
34	NSS	AR	NOT SERVICED SEPARATELY, SHIM, Spring
	243253A1	1	KIT, SEALS, Repair, Inc. 4, 6, 8, 10 - 13, 15, 19, 24, 26, 27, 33



08-20 VALVE ASSY - PARKING BRAKE AND FEEDER CLUTCH

сылка	Номер детали	Кол-во	Описание
	129010A4	1	VALVE, CONTROL, Parking Brake and Feeder Clutch, Inc. 1 - 17
1	NSS	1	NOT SERVICED SEPARATELY, BODY, Order 129010A4
	NSS	1	NOT SERVICED SEPARATELY, VALVE Solenoid, Inc. 2 - 4, Order Components
2	187849C1	1	VALVE, SOLENOID, 4-Way, Cartridge Only
3	187850C1	1	KIT, SEALS, Not Illustrated
4	1340843C1	1	COIL, 12 volt, DC
	NSS	1	NOT SERVICED SEPARATELY, VALVE Solenoid, Inc. 5 - 9, Order Components
5	1986618C1	1	VALVE, SOLENOID, 3-Way
6	190703A1	1	SOLENOID,
7	237-6010	1	O-RING, 10-1, 90 Duro, .755" ID x .097" Thk,
8	238-5015	1	O-RING, -015, 70 Duro, .551" ID x .070" Thk,
9	238-5014	1	O-RING, -014, 70 Duro, .489" ID x .070" Thk,
10	190704A1	1	VALVE, CHECK, Inc. 11
11	190707A1	1	KIT, SEALS, Not Illustrated
12	190705A1	1	POPPET, VALVE, Orifice, Inc. 13
13	149942C1	1	KIT, SEALS, Not Illustrated
14	190706A2	1	VALVE, CHECK, Inc. 15
15	149942C1	1	KIT, SEALS, Not Illustrated
16	87035062	1	PLUG, Hex Soc, 1/2"-20 ORB, Includes Ref. 17
18	125829A1	1	SWITCH, Parking Brake, Also See Figure 07-05
17	237-6005	1	O-RING, 5-1, 90 Duro, .414" ID x .072" Thk,



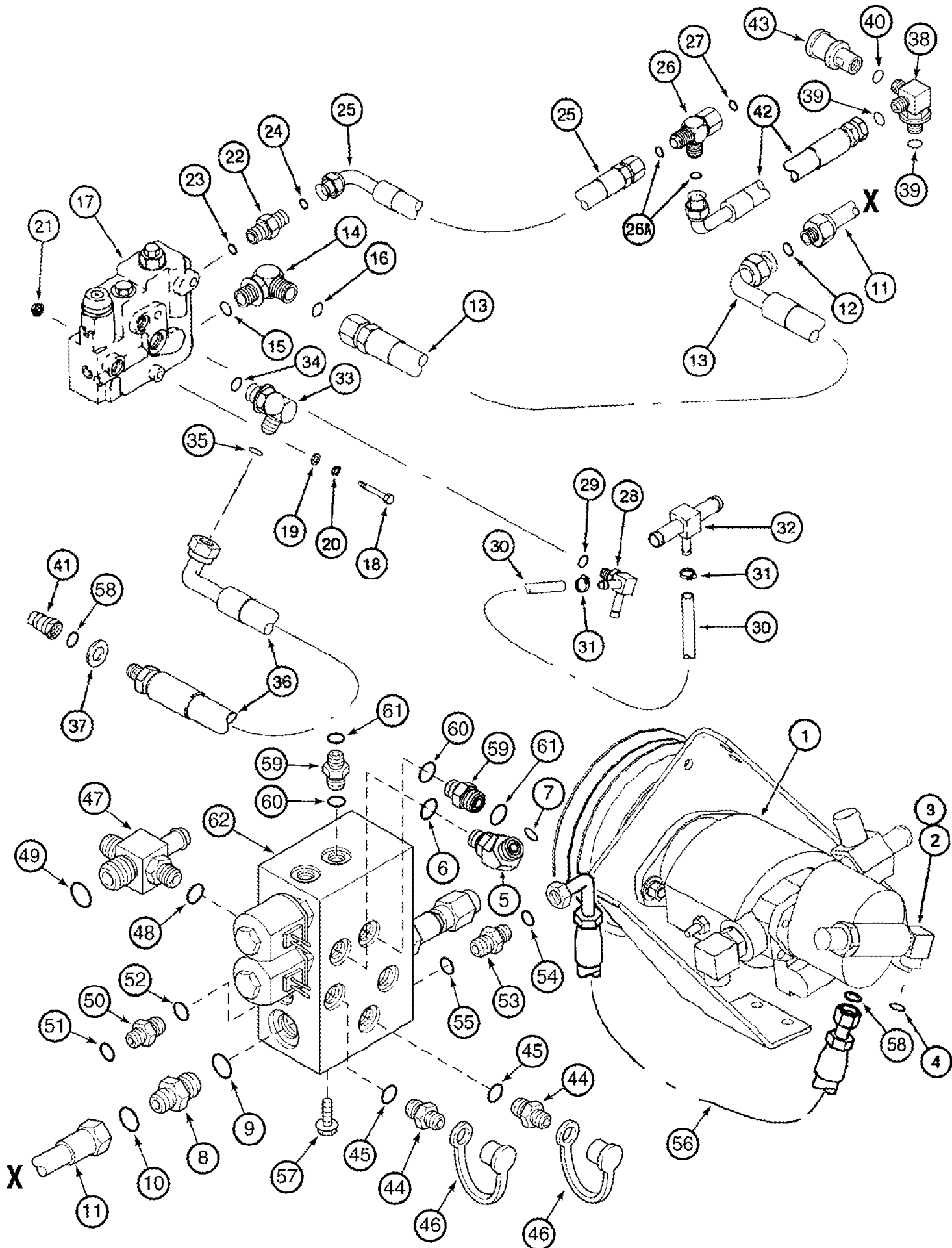
Note: See Figure 8-10 for tube clamps.

сылка	Номер детали	Кол-во	Описание
1	123266A2	1	PUMP, HYDRAULIC, Auxiliary, See Figure 08-22
2	201-306	1	ELBOW, 90°, 1"-14 x 7/8"-14 Adj, ORFS, Inc. 3, 4
3	237-6010	1	O-RING, 10-1, 90 Duro, .755" ID x .097" Thk,
4	238-6016	1	O-RING, -016, 90 Duro, .614" ID x .070" Thk,
5	233738A1	1	VALVE, Pressure Regulator, Inc. 6 - 7B, BSN JJC0252949
5	233738A2	1	VALVE, Pressure Regulator, Inc. 6 - 7B, ASN JJC0252950
6	241892A1	1	SCREEN, FILTER,
7	100-2187	1	RING, SNAP, 0.875", Int, #87,
7A	222894A1	1	POPPET, VALVE, Pressure Reducing, Inc. 7B, BSN JJC0252949
7A	377593A1	1	VALVE, PRESSURE RELIEF, Reducing, Inc. 7B, ASN JJC0252950
7B	190709A1	1	KIT, SEALS, Valve Cartridge, Not Illustrated
8	201-104	1	CONNECTOR, HYD., 1 3/16"-12 ORFS x 1 1/16"-12 ORB, Includes 9, 10
9	237-6012	1	O-RING, 12-1, 90 Duro, .924 ID x .118" Thk,
10	238-6018	1	O-RING, -018, 90 Duro, .739" ID x .070" Thk,
11	124368A1	1	TUBE, Reel Drive Supply
12	238-6018	1	O-RING, -018, 90 Duro, .739" ID x .070" Thk,
13	135827A2	1	HOSE, FLEXIBLE, Reel Drive Valve Supply, 680 mm (26-7/8 in.)
14	201-307	1	ELBOW, 90°, 1 3/16"-12 x 1 1/16"-12 Adj, ORFS, 1-3/16 fc x 1-1/16, Inc. 15, 16
15	237-6012	1	O-RING, 12-1, 90 Duro, .924 ID x .118" Thk,
16	238-6018	1	O-RING, -018, 90 Duro, .739" ID x .070" Thk,
17	114856A3	1	VALVE, CONTROL, Reel Drive, Control, See Figure(s) 08-22, 08-24
18	413-656	2	BOLT, Hex, 3/8"-16 x 3 1/2", G5, 3/8 x 3-1/2
19	495-11041	2	WASHER, 3/8", SAE, (13/32 x 13/16 x 1/16")
20	492-11038	2	WASHER, LOCK, 3/8",
21	425-106	2	NUT, 3/8"-16, G5,
22	201-104	1	CONNECTOR, HYD., 1 3/16"-12 ORFS x 1 1/16"-12 ORB, Includes 23, 24
23	237-6012	1	O-RING, 12-1, 90 Duro, .924 ID x .118" Thk,
24	238-6018	1	O-RING, -018, 90 Duro, .739" ID x .070" Thk,
25	128036A1	1	HOSE, FLEXIBLE, Reel Drive Valve Return, 640 mm (25-1/4 in.)
26	201-433	1	TEE, 1"-14 ORFS x 1"-14 Sw Run, Inc. 26A
26A	238-6016	2	O-RING, -016, 90 Duro, .614" ID x .070" Thk,
27	238-6016	1	O-RING, -016, 90 Duro, .614" ID x .070" Thk,
28	113896A1	1	TEE, For Attaching Parts, See Figure 07-05, Ref. 30, Inc. 29
30	128037A2	1	HOSE, Reel Drive Valve Case Drain, 405 mm (16 in.), Cut From S118400X
31	214-1706	2	CLAMP, HOSE, #6, 0.44/0.78 Type M Worm,
32	177975A1	1	TEE, 5/8 x 3/8 x 5/8, For Attaching Parts, See Figure 08-22, Ref. 32
33	201-306	2	ELBOW, 90°, 1"-14 x 7/8"-14 Adj, ORFS, Inc. 34, 35
34	237-6010	1	O-RING, 10-1, 90 Duro, .755" ID x .097" Thk,
35	238-6016	1	O-RING, -016, 90 Duro, .614" ID x .070" Thk,
36	258308A1	1	HOSE, 3470 mm (136-5/8 in.)
37	1345266C1	1	WASHER, White
38	201-103	1	CONNECTOR, HYD., 1"-14 ORFS x 7/8"-14 ORB, Includes 39, 40
39	238-6016	1	O-RING, -016, 90 Duro, .614" ID x .070" Thk,

Note: See Figure 8-10 for tube clamps.

сылка	Номер детали	Кол-во	Описание
40	237-6010	1	O-RING, 10-1, 90 Duro, .755" ID x .097" Thk,
41	1272399C2	1	COUPLING, QUICK, MALE, Self-Sealing, Male, 7/8 NF
42	1989496C1	1	HOSE, 2605 mm (102-5/8 in.)
43	1282338C91	1	COUPLING, QUICK, FEMALE, Self-Sealing, Female, 7/8 NF
44	1541849C1	1	COUPLING, Diagnostic, Inc. 45, 46
46	H434163	1	DUST CAP,
47	141657A1	1	TEE, Inc. 48, 49
48	237-6008	1	O-RING, 8-1, 90 Duro, .644" ID x .087" Thk,
49	238-6016	1	O-RING, -016, 90 Duro, .614" ID x .070" Thk,
50	201-126	1	CONNECTOR, HYD., 13/16"-16 ORFS x 9/16"-20 ORB, Inc. 51, 52
52	238-6014	1	O-RING, -014, 90 Duro, .489" ID x .070" Thk,
53	201-131	1	CONNECTOR, HYD., 1"-12 ORFS x 9/16"-18 ORB, 1-14 fc x 1-1/16-12, Inc. 54, 55
54	238-6016	1	O-RING, -016, 90 Duro, .614" ID x .070" Thk,
55	237-6012	1	O-RING, 12-1, 90 Duro, .924 ID x .118" Thk,
56	231735A1	1	HOSE, FLEXIBLE, 830 mm (32-3/4 in.)
57	413-672	2	BOLT, Hex, 3/8"-16 x 4 1/2", G5, 3/8 x 4-1/2
58	237-6010	1	O-RING, 10-1, 90 Duro, .755" ID x .097" Thk,
	231-5146	2	NUT, Flg, USR, 3/8"-16,
29	237-6006	1	O-RING, 6-1, 90 Duro, .468" ID x .078" Thk,
45	237-6006	1	O-RING, 6-1, 90 Duro, .468" ID x .078" Thk,
51	237-6006	1	O-RING, 6-1, 90 Duro, .468" ID x .078" Thk,

Note: See Figure 8-10 for tube clamps.



Note: See Figure 8-10 for tube clamps.▯▯

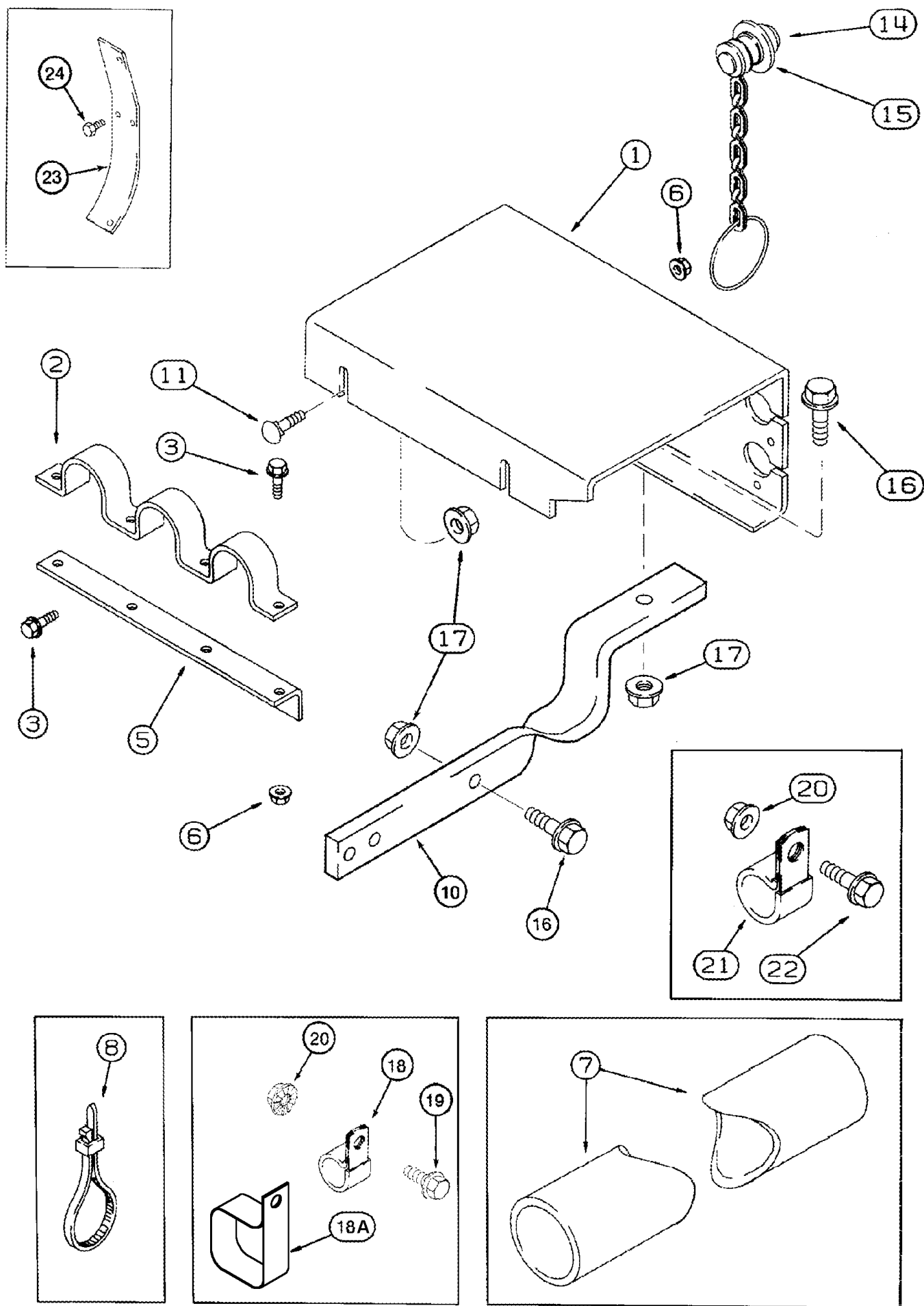
сылка	Номер детали	Кол-во	Описание
1	REF	1	INSTRUCTION, Pump, Hydraulic, Auxiliary, See Figure 08-11
2	201-306	1	ELBOW, 90є, 1"-14 x 7/8"-14 Adj, ORFS, Incl. 3, 4
3	237-6010	1	O-RING, 10-1, 90 Duro, .755" ID x .097" Thk,
4	238-6016	1	O-RING, -016, 90 Duro, .614" ID x .070" Thk,
5	201-315	1	ELBOW, 45є, 11/16"-16 x 9/16"-18. Adj, ORFS, 3/4 x 13/16, Inc. 6, 7
7	238-6012	1	O-RING, -012, 90 Duro, .364" ID x .070" Thk,
8	201-104	1	CONNECTOR, HYD., 1 3/16"-12 ORFS x 1 1/16"-12 ORB, Includes 9, 10
9	237-6012	1	O-RING, 12-1, 90 Duro, .924 ID x .118" Thk,
10	238-6018	1	O-RING, -018, 90 Duro, .739" ID x .070" Thk,
11	124376A1	1	PIPE, Reel Drive Supply
12	238-6018	1	O-RING, -018, 90 Duro, .739" ID x .070" Thk,
13	135827A2	1	HOSE, FLEXIBLE, Reel Drive Valve Supply, 680 mm (26-7/8 in.)
14	201-307	1	ELBOW, 90є, 1 3/16"-12 x 1 1/16"-12 Adj, ORFS, 1-3/16 fc x 1-1/16, Inc. 15, 16
15	237-6012	1	O-RING, 12-1, 90 Duro, .924 ID x .118" Thk,
16	238-6018	1	O-RING, -018, 90 Duro, .739" ID x .070" Thk,
17	114856A3	1	VALVE, CONTROL, Reel Drive, Control, See Figure(s) 08-22, 08-24
18	413-656	2	BOLT, Hex, 3/8"-16 x 3 1/2", G5, 3/8 x 3-1/2
19	495-11041	2	WASHER, 3/8", SAE, (13/32 x 13/16 x 1/16")
20	492-11038	2	WASHER, LOCK, 3/8",
21	425-106	2	NUT, 3/8"-16, G5,
22	201-104	1	CONNECTOR, HYD., 1 3/16"-12 ORFS x 1 1/16"-12 ORB, Includes 23, 24
23	237-6012	1	O-RING, 12-1, 90 Duro, .924 ID x .118" Thk,
24	238-6018	1	O-RING, -018, 90 Duro, .739" ID x .070" Thk,
25	128036A1	1	HOSE, FLEXIBLE, Reel Drive Valve Return, 640 mm (25-1/4 in.)
26	201-433	1	TEE, 1"-14 ORFS x 1"-14 Sw Run, Inc. 26A
26A	238-6016	2	O-RING, -016, 90 Duro, .614" ID x .070" Thk,
27	238-6016	1	O-RING, -016, 90 Duro, .614" ID x .070" Thk,
28	113896A1	1	TEE, For Attaching Parts, See Page 07-05, Ref. 30, Inc. 29
30	128037A2	1	HOSE, Reel Drive Valve Case Drain, 405 mm (16 in.), Cut From S118400X
31	214-1706	2	CLAMP, HOSE, #6, 0.44/0.78 Type M Worm,
32	177975A1	1	TEE, 5/8 x 3/8 x 5/8, For Attaching Parts, See Figure 08-10, Ref. 14
33	201-306	1	ELBOW, 90є, 1"-14 x 7/8"-14 Adj, ORFS, Inc. 34, 35
34	237-6010	1	O-RING, 10-1, 90 Duro, .755" ID x .097" Thk,
35	238-6016	1	O-RING, -016, 90 Duro, .614" ID x .070" Thk,
36	258308A1	1	HOSE, 3470 mm (136-5/8 in.), BSN JJC0255699
36	430390A1	1	HOSE, FLEXIBLE, 3320 mm (130-3/4"), ASN JJC0255700
37	1345266C1	1	WASHER, White
38	395408A1	1	TEE, Inc. 39, 40
39	238-6016	2	O-RING, -016, 90 Duro, .614" ID x .070" Thk,
40	237-6010	1	O-RING, 10-1, 90 Duro, .755" ID x .097" Thk,
41	1272399C2	1	COUPLING, QUICK, MALE, Self-Sealing, Male, 7/8 NF
42	1989496C1	1	HOSE, 2605 mm (102-5/8 in.), BSN JJC0255699
42	430391A1	1	HOSE, FLEXIBLE, 2455 mm (96-21/32), ASN JJC0255700

Note: See Figure 8-10 for tube clamps.□

сылка	Номер детали	Кол-во	Описание
43	1282338C91	1	COUPLING, QUICK, FEMALE, Self-Sealing, Female, 7/8 NF
44	1541849C1	2	COUPLING, Diagnostic, Inc. 45, 46
46	H434163	1	DUST CAP,
47	141657A1	1	TEE, Inc. 48, 49
48	237-6008	1	O-RING, 8-1, 90 Duro, .644" ID x .087" Thk,
49	238-6016	1	O-RING, -016, 90 Duro, .614" ID x .070" Thk,
50	201-126	1	CONNECTOR, HYD., 13/16"-16 ORFS x 9/16"-20 ORB, Inc. 51, 52
52	238-6014	1	O-RING, -014, 90 Duro, .489" ID x .070" Thk,
53	201-131	1	CONNECTOR, HYD., 1"-12 ORFS x 9/16"-18 ORB, 1-14 fc x 1-1/16-12, Inc. 54, 55
54	238-6016	1	O-RING, -016, 90 Duro, .614" ID x .070" Thk,
55	237-6012	1	O-RING, 12-1, 90 Duro, .924 ID x .118" Thk,
56	231735A1	1	HOSE, FLEXIBLE, 830 mm (32-3/4 in.)
57	409-7612	2	BOLT, Hex Flg, 3/8"-16 x 3/4", Serr,
58	237-6010	1	O-RING, 10-1, 90 Duro, .755" ID x .097" Thk,
59	201-101	2	CONNECTOR, HYD., 11/16"-16 ORFS x 9/16"-18 ORB, Includes 60, 61
61	238-6012	1	O-RING, -012, 90 Duro, .364" ID x .070" Thk,
62	384307A1	1	VALVE, SOLENOID, See Figure 08-28
51	237-6006	1	O-RING, 6-1, 90 Duro, .468" ID x .078" Thk,
60	237-6006	1	O-RING, 6-1, 90 Duro, .468" ID x .078" Thk,
6	237-6006	1	O-RING, 6-1, 90 Duro, .468" ID x .078" Thk,
29	237-6006	1	O-RING, 6-1, 90 Duro, .468" ID x .078" Thk,
45	237-6006	1	O-RING, 6-1, 90 Duro, .468" ID x .078" Thk,

Note: See Figure 8-10 for tube clamps.□□

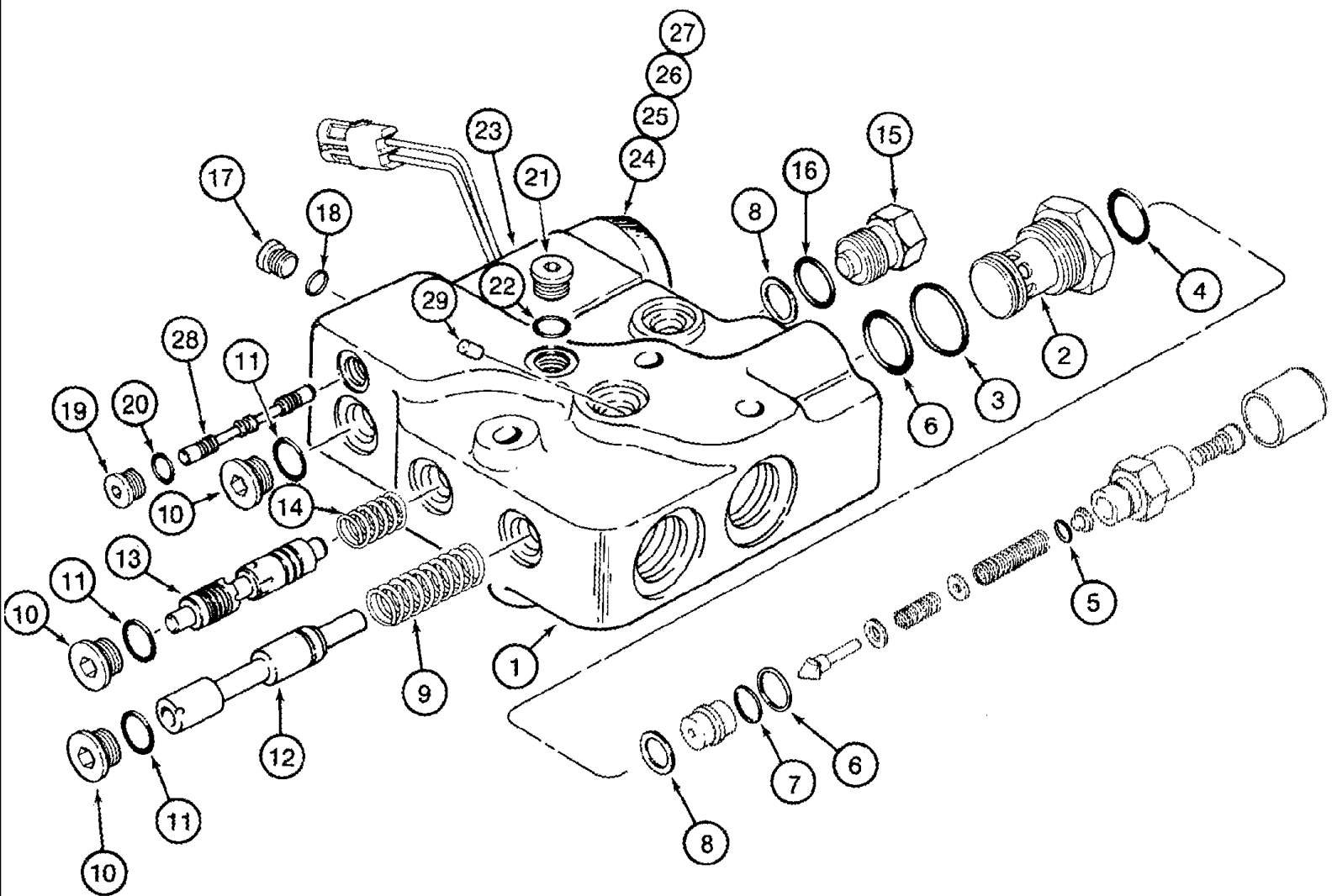
08-23 REEL DRIVE - COUPLING MOUNTING



08-23 REEL DRIVE - COUPLING MOUNTING

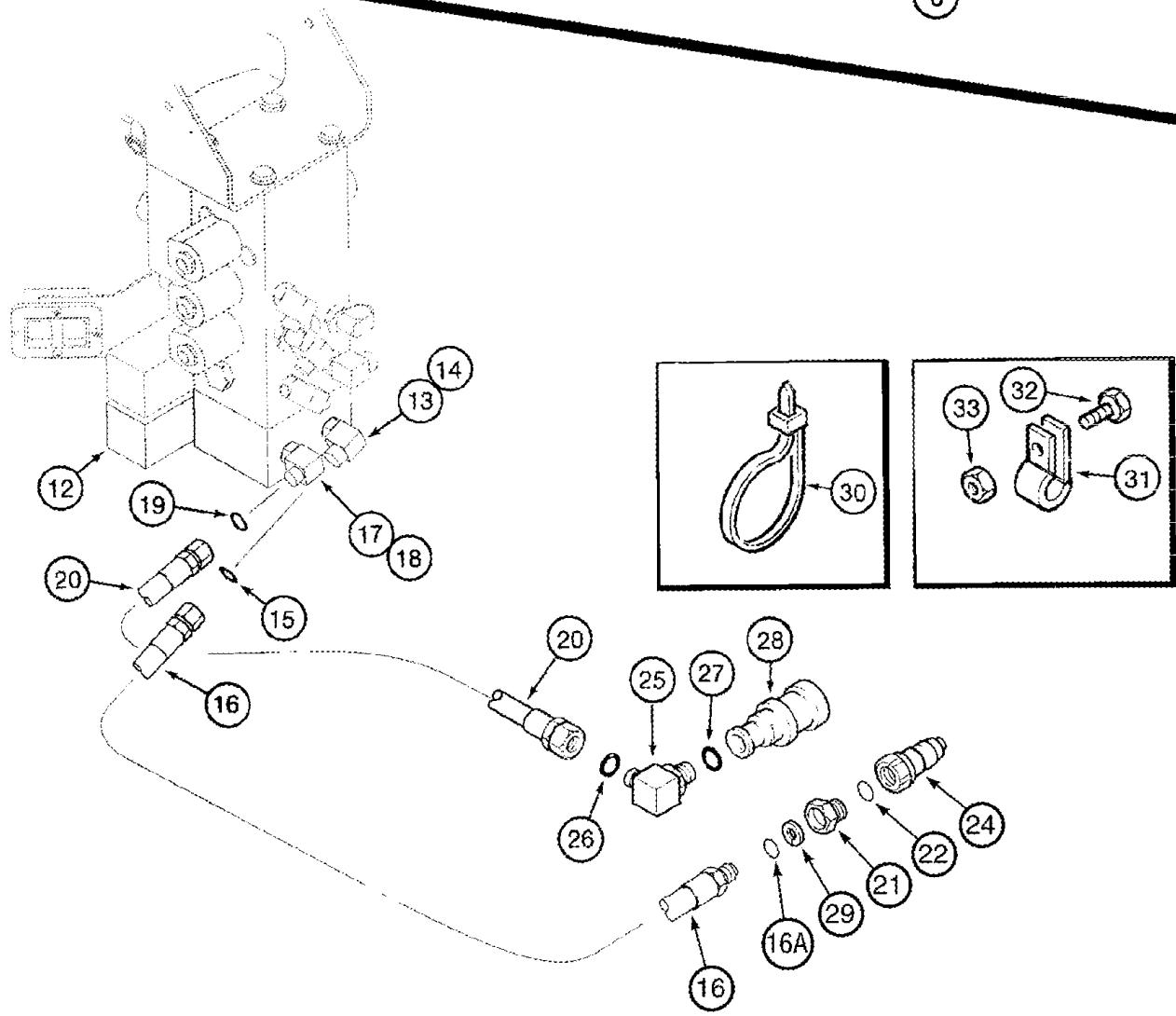
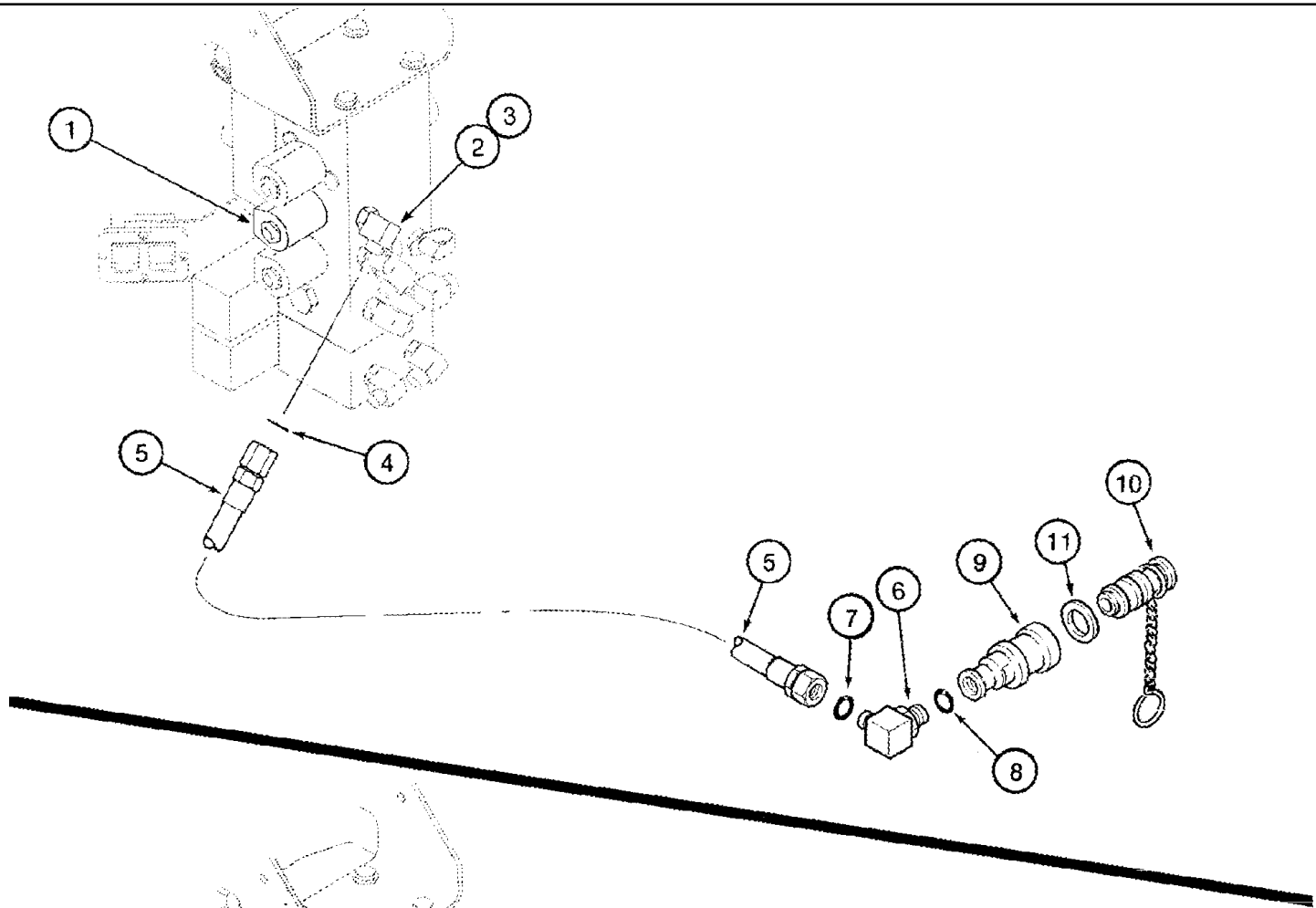
сылка	Номер детали	Кол-во	Описание
1	139828A1	1	SUPPORT, Feeder Hoses, BSN JJC0253999
1	139828A2	1	SUPPORT, Feeder Hoses, ASN JJC0254000
2	1321990C1	1	CLAMP,
3	409-7412	4	BOLT, Hex Flg, 1/4"-20 x 3/4", Serr, 1/4 x 3/4
5	1321989C2	1	SUPPORT, Coupling
6	231-5144	4	NUT, Flg, USR, 1/4"-20,
7	1989500C1	1	SLEEVE, , BSN JJC0253999
7	395784A1	1	SLEEVE, 2000 mm (78-3/4 in.), ASN JJC0254000
8	306132C1	2	STRAP, CABLE, .30" x 14.5", 14 inch
10	139045A2	1	SUPPORT, Feeder Hoses
11	434-620	2	BOLT, CARRIAGE, Short NK, 3/8"-16 x 1 1/4", G5, Full Thd,
14	1954133C1	1	DUST CAP, Coupling, Dust, Inc. 15
15	401758R1	1	WASHER,
16	409-7612	2	BOLT, Hex Flg, 3/8"-16 x 3/4", Serr, , Used with 139045A1
17	231-5146	2-4	NUT, Flg, USR, 3/8"-16,
18	515-25476	3	CLAMP, 1 7/8", Insul, 1/2" Bolt, , BSN JJC0253999
18A	1301387C2	3	CLIP, 2 in ID, Square, ASN JJC0254000
19	409-7620	3	BOLT, Hex Flg, 3/8"-16 x 1 1/4", Serr,
20	231-5146	2	NUT, Flg, USR, 3/8"-16,
21	515-23190	1	CLAMP, 3/4", Insul, 3/8" Bolt,
21	485093C1	1	CLAMP, 13/16 ID
22	409-7612	1	BOLT, Hex Flg, 3/8"-16 x 3/4", Serr,
23	294511A1	1	SUPPORT, Feeder Hoses
24	477-73816	2	SCREW, Sltd Serr Truss Hd, 3/8" x 1",

08-24 VALVE ASSY - REEL DRIVE



08-24 VALVE ASSY - REEL DRIVE

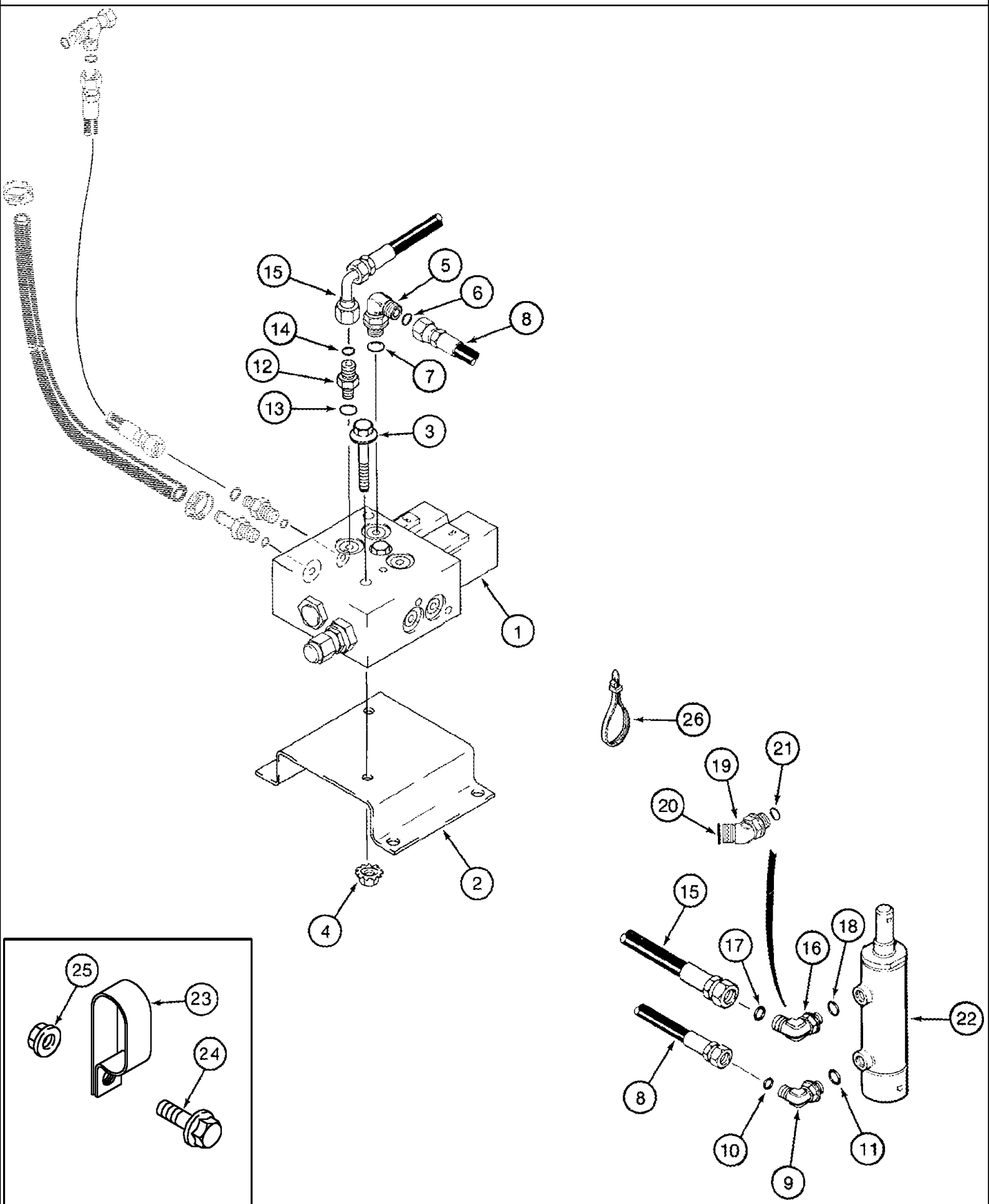
сылка	Номер детали	Кол-во	Описание
	114856A3	1	VALVE, CONTROL, Reel Drive, Inc. 1 - 29
1	NSS	1	NOT SERVICED SEPARATELY, BODY, Order 114856A3
	190702A1	1	VALVE, PRESSURE RELIEF, Relief, Cartridge, Inc. 2 - 7
2	NSS	1	NOT SERVICED SEPARATELY, VALVE Relief, Order 190702A1
3	237-6010	1	O-RING, 10-1, 90 Duro, .755" ID x .097" Thk,
4	237-6004	1	O-RING, 4-1, 90 Duro, .351" ID x .072" Thk,
5	238-5004	1	O-RING, -004, 70 Duro, .07" ID x .070" Thk,
6	A34493	1	RING,
7	238-5016	1	O-RING, -016, 70 Duro, .614" ID x .070" Thk,
8	190696A1	2	KIT, SHIM,
9	190695A1	1	SPRING, Pressure Regulating
10	71100209	3	PLUG, Hex Soc, 3/4"-16 ORB, Includes Ref. 11
11	237-6008	1	O-RING, 8-1, 90 Duro, .644" ID x .087" Thk,
12	190697A1	1	SPOOL, Pressure Regulating
13	190698A2	1	SPOOL, Flow Metering
14	190699A1	1	SPRING, Flow Metering
15	188110A1	1	PLUG, Inc. 16
16	237-6010	1	O-RING, 10-1, 90 Duro, .755" ID x .097" Thk,
17	278548	3	PLUG, Hex Soc, 7/16"-20 ORB, Incl. 18
18	237-6004	1	O-RING, 4-1, 90 Duro, .351" ID x .072" Thk,
19	86632547	4	PLUG, Hex Soc, 5/16"-24 ORB, Includes 20
20	237-6002	1	O-RING, 2-1, .239" ID x .064" Thk,
21	9625178	1	PLUG, Hex Soc, 9/16"-18 ORB, Incl. 22
22	237-6006	1	O-RING, 6-1, 90 Duro, .468" ID x .078" Thk,
23	190700A2	1	SOLENOID, Without Diode, 12 volt, DC
24	188106A1	1	NUT,
25	188117A1	1	TUBE,
26	238-5017	1	O-RING, -017, 70 Duro, .676" ID x .070" Thk,
27	188116A1	1	PIN,
28	188104A1	1	SPOOL, Pilot
29	190694A1	1	PLUG, Orifice



08-25 HYDRAULICS - REEL FORE/AFT AND LIFT

сылка	Номер детали	Кол-во	Описание
1	124566A3	1	VALVE, CONTROL, Header Lift With Reel Fore and Aft, See Figure(s) 08-14, 08-17
2	201-324	1	ELBOW, 90є, 9/16"-18 x 9/16"-18, Adj, ORFS, Includes Ref. 3, 4
3	237-6006	1	O-RING, 6-1, 90 Duro, .468" ID x .078" Thk,
4	238-6011	1	O-RING, -011, 90 Duro, .301" ID x .070" Thk,
5	128029A1	1	HOSE, Reel Lift, 2900 mm (114-1/4 in.), BSN JJC0255699
5	430392A1	1	HOSE, FLEXIBLE, HOSE, 2750 mm (108-1/4 in), Reel Lift, ASN JJC0255700
6	201-362	1	ELBOW, 90є, 11/16"-16 x 7/8"-14, Adj, ORFS, Includes 7, 8, BSN JJC0255699
6	430494A1	1	ELBOW, 90 deg, Inc. 7A, ASN JJC0255700
7	237-6010	1	O-RING, 10-1, 90 Duro, .755" ID x .097" Thk,
7A	237-6004	1	O-RING, 4-1, 90 Duro, .351" ID x .072" Thk, Not Illustrated
8	238-6012	1	O-RING, -012, 90 Duro, .364" ID x .070" Thk,
9	1282338C91	1	COUPLING, QUICK, FEMALE, Self-Sealing, Female, 7/8 NF
10	1954133C1	1	DUST CAP, Coupling, Dust, Inc. 11
11	401758R1	1	WASHER,
	134112A2	1	VALVE, Field Kit, Reel Fore and Aft, Inc. 12 - 33, BSN JJC0255699
12	131153A2	1	VALVE, CONTROL, Reel Fore and Aft, See Figure 08-17
13	201-304	1	ELBOW, 90є, 11/16"-16 x 9/16"-18 Adj, ORFS, Inc. 14, 15
14	237-6006	1	O-RING, 6-1, 90 Duro, .468" ID x .078" Thk,
15	238-6012	1	O-RING, -012, 90 Duro, .364" ID x .070" Thk,
16	258309A1	1	HOSE, Reel Aft, 3825 mm (150-5/8 in.), Inc. 16A, BSN JJC0255699
16	430393A1	1	HOSE, FLEXIBLE, Reel Aft, 3675 mm (144-5/8 in.), Inc. 16A, ASN JJC0255700
16A	237-6004	1	O-RING, 4-1, 90 Duro, .351" ID x .072" Thk,
17	201-324	1	ELBOW, 90є, 9/16"-18 x 9/16"-18, Adj, ORFS, Includes Ref. 18, 19
18	237-6006	1	O-RING, 6-1, 90 Duro, .468" ID x .078" Thk,
19	238-6011	1	O-RING, -011, 90 Duro, .301" ID x .070" Thk,
20	128029A1	1	HOSE, Reel Fore, 2900 mm (114-1/4 in.), BSN JJC0255699
20	430488A1	1	HOSE, FLEXIBLE, Reel Fore, 2650 mm (104-3/8 in.), Inc. 20A, ASN JJC0255700
20A	237-6004	1	O-RING, 4-1, 90 Duro, .351" ID x .072" Thk, Not Illustrated
21	196443A1	1	REDUCER, 7/16 fem x 7/8 in, Inc. 22
22	237-6010	1	O-RING, 10-1, 90 Duro, .755" ID x .097" Thk,
24	1272399C2	1	COUPLING, QUICK, MALE, Self-Sealing, male, 7/8 NF
25	201-362	1	ELBOW, 90є, 11/16"-16 x 7/8"-14, Adj, ORFS, Includes 26, 27, BSN JJC0255699
25	430494A1	1	ELBOW, Inc. 26 & 27, ASN JJC0255700
26	237-6010	1	O-RING, 10-1, 90 Duro, .755" ID x .097" Thk,
27	238-6012	1	O-RING, -012, 90 Duro, .364" ID x .070" Thk,
28	1282338C91	1	COUPLING, QUICK, FEMALE, Self-Sealing, Female, 7/8 NF
29	1541792C1	1	WASHER, LOCK, Red, Special
30	306132C1	AR	STRAP, CABLE, .30" x 14.5", 14 inch
31	515-23127	1	CLAMP, 1/2", Insul, 3/8" Bolt,
32	409-7612	1	BOLT, Hex Flg, 3/8"-16 x 3/4", Serr,
33	231-5146	1	NUT, Flg, USR, 3/8"-16,

08-26 HYDRAULICS - FEEDER CLUTCH

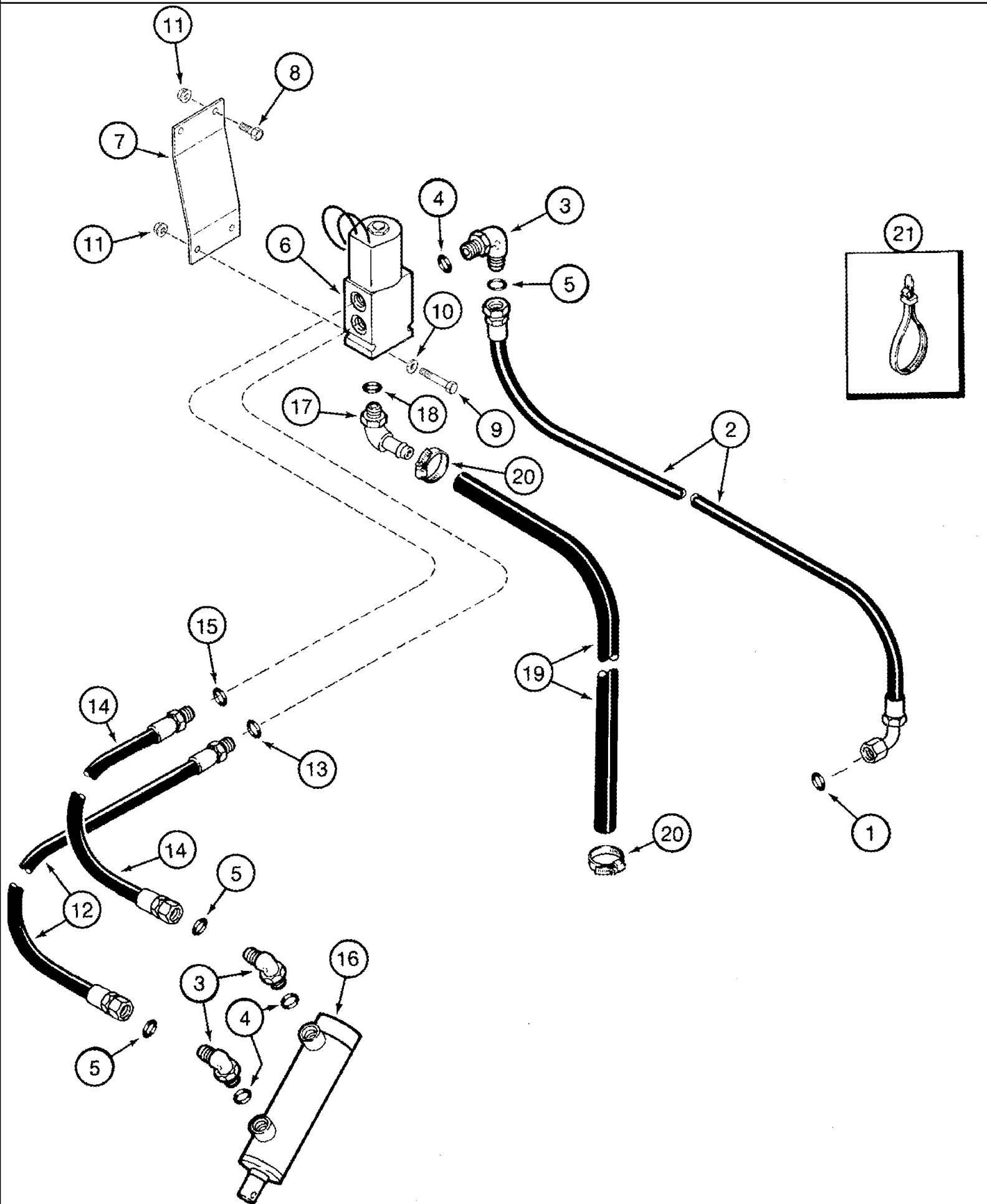


Note: See parking brake hydraulic system, page 7-05, for the common supply and return lines used with the feeder clutch system.

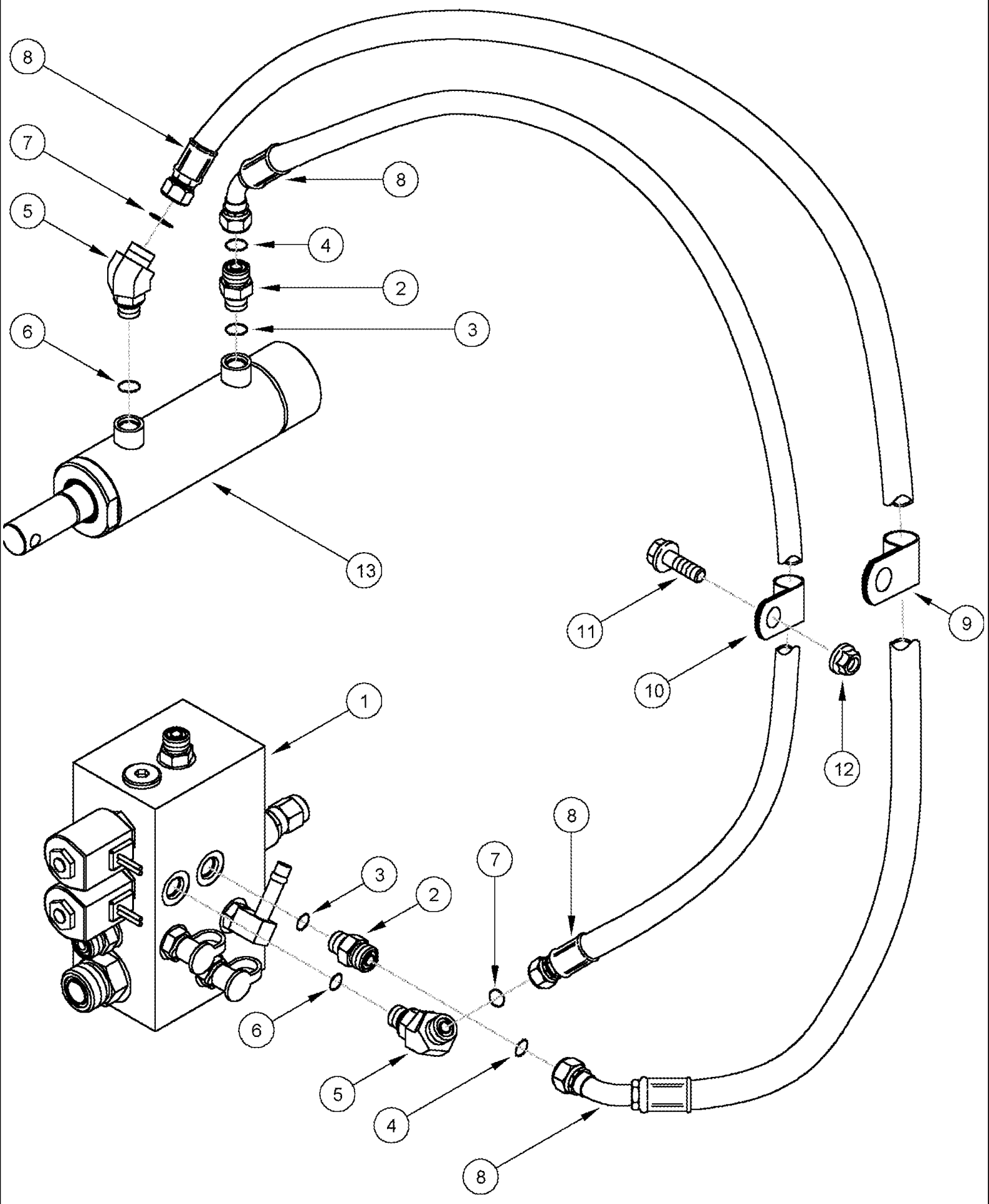
08-26 HYDRAULICS - FEEDER CLUTCH

сылка	Номер детали	Кол-во	Описание
1	129010A4	1	VALVE, CONTROL, Parking Brake and Feeder Clutch, See Figure 08-20
2	128293A1	1	SUPPORT,
3	845-8070	2	BOLT, Hex Flg, M8 x 70, 8.8,
4	825-5148	2	NUT, M8, Flg Ser,
5	201-304	1	ELBOW, 90є, 11/16"-16 x 9/16"-18 Adj, ORFS, Inc. 6, 7
6	238-6012	1	O-RING, -012, 90 Duro, .364" ID x .070" Thk,
8	128047A1	1	HOSE, Feeder Clutch Cylinder, Closed End, 1570 mm (61-7/8 in.)
9	201-304	1	ELBOW, 90є, 11/16"-16 x 9/16"-18 Adj, ORFS, Inc. 10, 11
10	238-6012	1	O-RING, -012, 90 Duro, .364" ID x .070" Thk,
12	201-101	1	CONNECTOR, HYD., 11/16"-16 ORFS x 9/16"-18 ORB, Includes 13, 14
14	238-6012	1	O-RING, -012, 90 Duro, .364" ID x .070" Thk,
15	131391A3	1	HOSE, FLEXIBLE, Feeder Clutch Cylinder Rod End, 1570 mm (61-7/8 in.)
16	201-332	1	ELBOW, 90є, 13/16"-16 x 9/16"-18, Adj, ORFS, 13/16 fc x 9/16, Inc. 17, 18, Without Rock Trap
17	238-6014	1	O-RING, -014, 90 Duro, .489" ID x .070" Thk,
19	201-321	1	ELBOW, 45є, 13/16"-16 x 9/16"-18. Adj, ORFS, 13/16 fc x 9/16, Inc. 20, 21, With Rock Trap
20	238-6014	1	O-RING, -014, 90 Duro, .489" ID x .070" Thk,
22	133405C92	1	CYLINDER, Feeder Clutch, 51 ID x 63 mm strk, See Figure 08-33
23	470375C1	1	CLAMP, , ASN JJC0255700
24	409-7512	1	BOLT, Hex Flg, 5/16"-18 x 3/4", Serr,
25	231-5145	1	NUT, Flg, USR, 5/16"-18,
26	435437A1	2	STRAP, CABLE, 3/16" x 7 1/4",
7	237-6006	1	O-RING, 6-1, 90 Duro, .468" ID x .078" Thk,
11	237-6006	1	O-RING, 6-1, 90 Duro, .468" ID x .078" Thk,
13	237-6006	1	O-RING, 6-1, 90 Duro, .468" ID x .078" Thk,
18	237-6006	1	O-RING, 6-1, 90 Duro, .468" ID x .078" Thk,
21	237-6006	1	O-RING, 6-1, 90 Duro, .468" ID x .078" Thk,

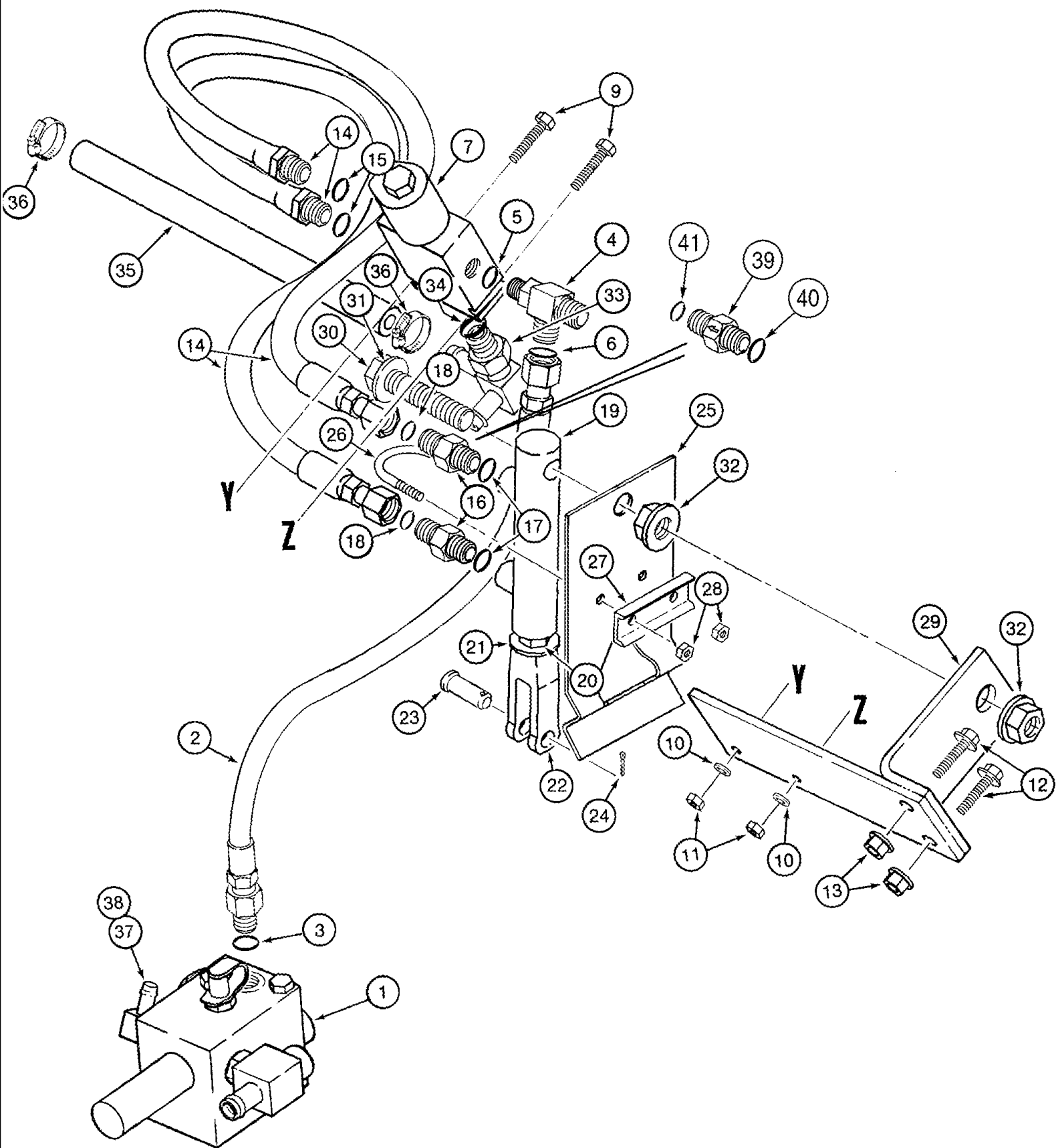
Note: See parking brake hydraulic system, page 7-05, for the common supply and return lines used with the feeder clutch system.



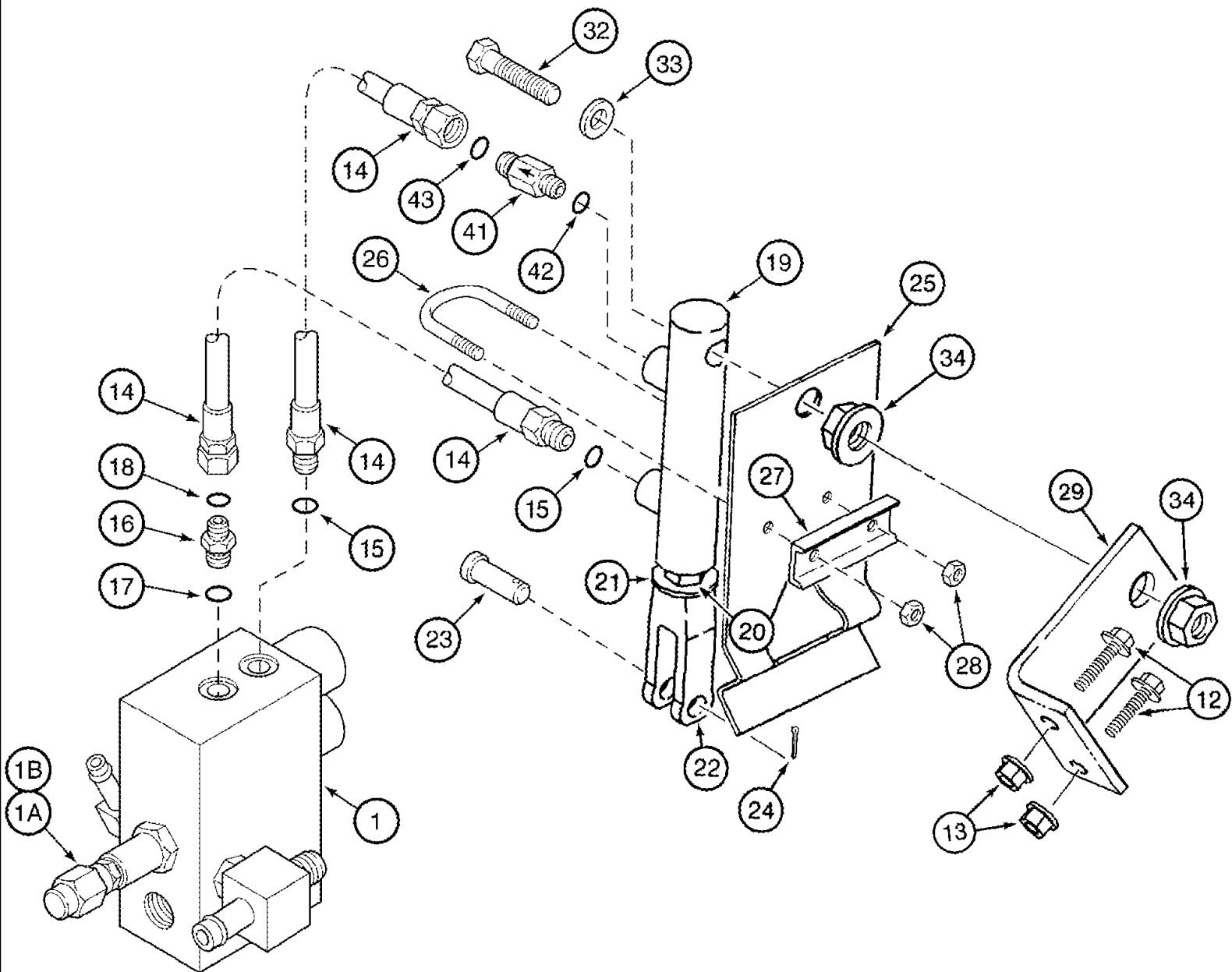
сылка	Номер детали	Кол-во	Описание
1	238-6012	1	O-RING, -012, 90 Duro, .364" ID x .070" Thk,
2	128075A2	1	HOSE, Separator Clutch Valve Supply, 1150 mm (45-3/8 in.)
3	201-304	3	ELBOW, 90°, 11/16"-16 x 9/16"-18 Adj, ORFS, Inc. 4, 5
5	238-6012	1	O-RING, -012, 90 Duro, .364" ID x .070" Thk,
6	131152A1	1	VALVE, CONTROL, Separator Clutch, See Figure 08-31
7	187506C1	1	SUPPORT, Separator Clutch Valve
8	409-7416	2	BOLT, Hex Flg, 1/4"-20 x 1", Serr,
9	413-432	2	BOLT, Hex, 1/4"-20 x 2", G5,
10	495-81113	2	WASHER, .344" x 3/4" x .179", 11/32 x 3/4 x 3/16
11	231-5144	4	NUT, Flg, USR, 1/4"-20,
12	136476A1	1	HOSE, Separator Clutch Disengage, 430 mm (17 in.), Inc. 13
14	136477A1	1	HOSE, Separator Clutch Engage, 535 mm (21-1/8 in.), Inc. 15
16	133408C92	1	CYLINDER, Separator Clutch, 51 ID x 318 mm strk, See Figure 08-33A
17	217-347	1	FITTING, 90°, 3/8" Hose x 9/16"-18 ORB Beaded, 3/8 stem x 9/16, Inc. 18
19	128078A2	1	HOSE, FLEXIBLE, Clutch Valve Return, 1090 mm (43 in.), Cut From S118400X
20	214-1706	2	CLAMP, HOSE, #6, 0.44/0.78 Type M Worm,
21	702093C1	AR	STRAP, CABLE,
4	237-6006	1	O-RING, 6-1, 90 Duro, .468" ID x .078" Thk,
13	237-6006	1	O-RING, 6-1, 90 Duro, .468" ID x .078" Thk,
15	237-6006	1	O-RING, 6-1, 90 Duro, .468" ID x .078" Thk,
18	237-6006	1	O-RING, 6-1, 90 Duro, .468" ID x .078" Thk,



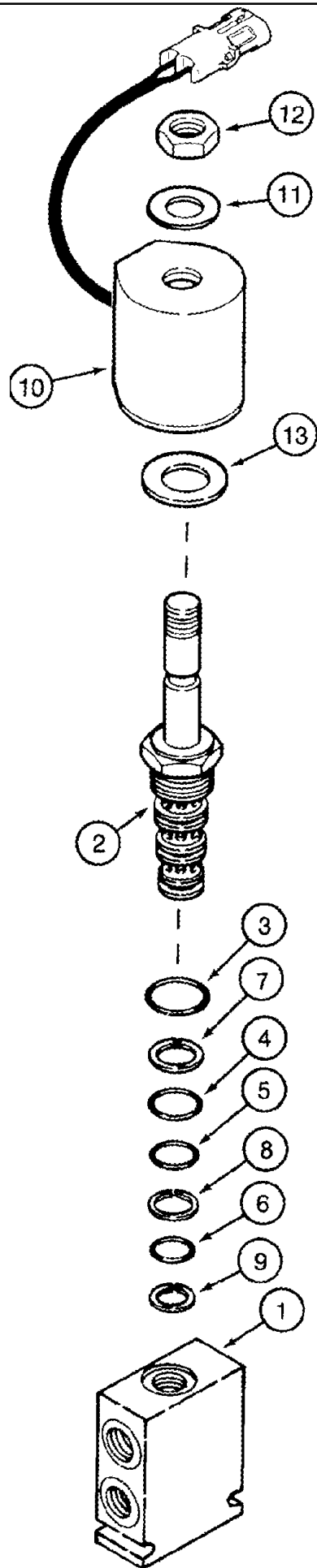
сылка	Номер детали	Кол-во	Описание
1	384307A1	1	VALVE, SOLENOID, Separator Clutch, See Figure 08-32
2	201-101	2	CONNECTOR, HYD., 11/16"-16 ORFS x 9/16"-18 ORB, Includes 3, 4
4	238-6012	1	O-RING, -012, 90 Duro, .364" ID x .070" Thk,
5	201-315	2	ELBOW, 45e, 11/16"-16 x 9/16"-18. Adj, ORFS, 3/4 x 13/16, Inc. 6, 7
7	238-6012	1	O-RING, -012, 90 Duro, .364" ID x .070" Thk,
8	390011A1	2	HOSE, FLEXIBLE, 760 mm (30 in.)
9	515-25476	1	CLAMP, 1 7/8", Insul, 1/2" Bolt,
10	515-23317	1	CLAMP, 1 1/4", Insul, 3/8" Bolt,
11	409-7516	2	BOLT, Hex Flg, 5/16"-18 x 1", Serr,
12	231-5145	2	NUT, Flg, USR, 5/16"-18,
13	133408C92	1	CYLINDER, Separator Clutch, 51 ID x 318 mm strk, See Figure 08-33
3	237-6006	1	O-RING, 6-1, 90 Duro, .468" ID x .078" Thk,
6	237-6006	1	O-RING, 6-1, 90 Duro, .468" ID x .078" Thk,



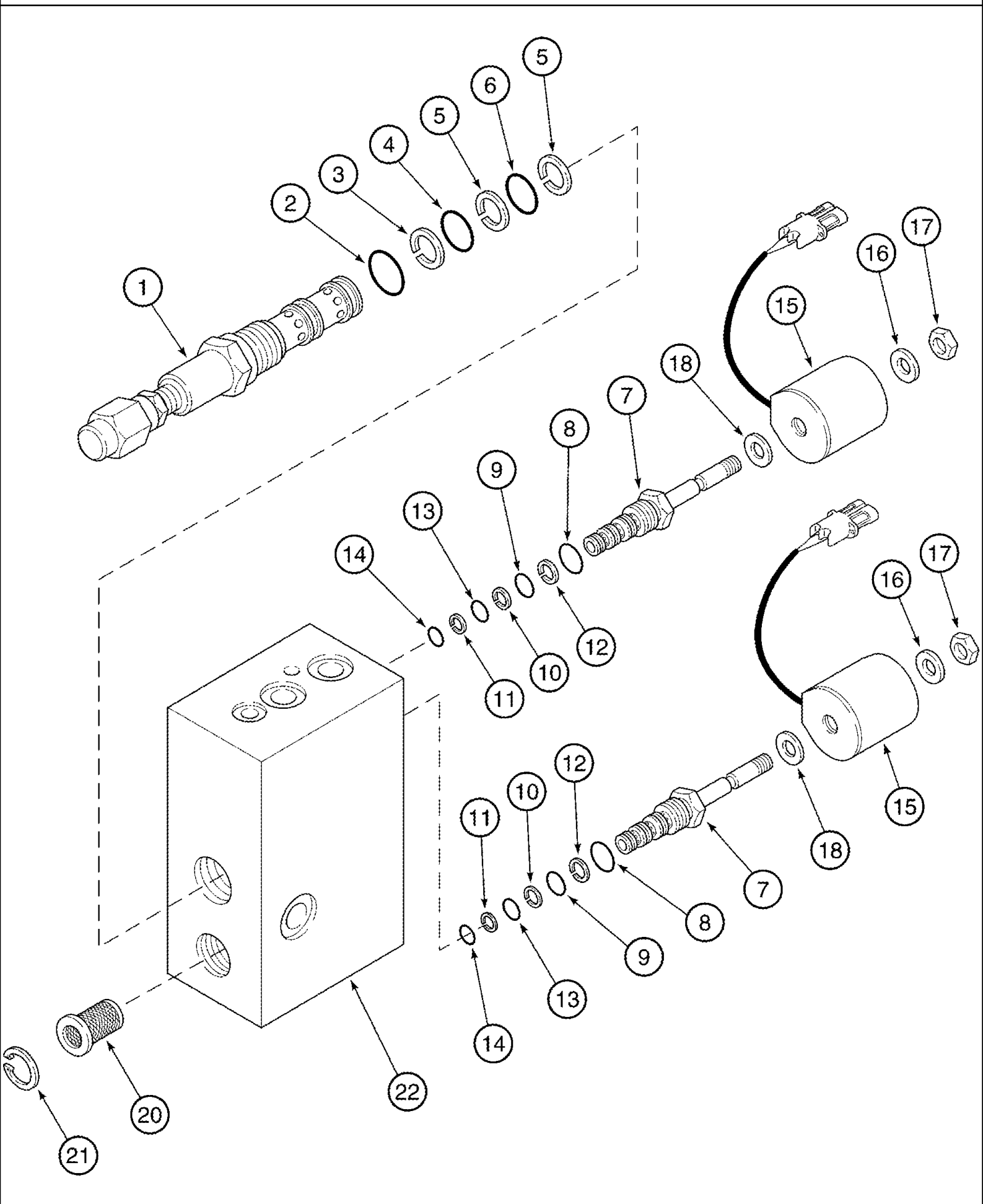
сылка	Номер детали	Кол-во	Описание
1	233738A1	1	VALVE, Pressure Regulator, See Figure 08-21, Ref 5, Inc. 6 - 7B, BSN JJC0252949
1	233738A2	1	VALVE, Pressure Regulator, See Figure 08-21, Ref 5, Inc. 6 - 7B, BTW JJC0252950 & JJC0253999
2	128068A2	1	HOSE, FLEXIBLE, Unloader Clutch Valve Supply, 760 mm (30 in.), Inc. 3
4	201-406	1	TEE, 11/16"-16 x 9/16"-18 Run, ORFS, Inc. 5, 6
6	238-6012	2	O-RING, -012, 90 Duro, .364" ID x .070" Thk,
7	131152A1	1	VALVE, CONTROL, Unloader Clutch, See Figure 08-31
9	413-432	2	BOLT, Hex, 1/4"-20 x 2", G5,
10	495-81113	2	WASHER, .344" x 3/4" x .179", 11/32 x 3/4 x 3/16
11	231-5144	2	NUT, Flg, USR, 1/4"-20,
12	409-7620	2	BOLT, Hex Flg, 3/8"-16 x 1 1/4", Serr,
13	231-5146	2	NUT, Flg, USR, 3/8"-16,
14	128068A2	2	HOSE, FLEXIBLE, At Unloader Clutch Cylinder, 760 mm (30 in.), Inc. 15
16	201-101	1-2	CONNECTOR, HYD., 11/16"-16 ORFS x 9/16"-18 ORB, Includes 17, 18
18	238-6012	1	O-RING, -012, 90 Duro, .364" ID x .070" Thk,
19	112397A2	1	CYLINDER, Unloader Clutch, Inc. 19A
19A	188294A1	1	KIT, GASKET, Not Illustrated
20	425-118	1	NUT, 1/2"-20, G5, 1/2 NF
21	189153A1	1	WASHER,
22	213-128	1	CLEVIS, ADJUSTABLE, 1/2"-20 x 3",
23	427-8136	1	PIN, CLEVIS, 1/2" x 1.360", 1/2 x 1-3/8
24	432-820	1	PIN, SPLIT (COTTER), 1/8" x 1 1/4",
25	175611A2	1	HOLDER,
26	188528A1	1	U-BOLT,
27	176023A2	1	SUPPORT,
28	425-104	2	NUT, 1/4"-20, G5,
29	193708A1	1	SUPPORT, Unloader Valve and Cylinder Support
30	413-1048	1	BOLT, Hex, 5/8"-11 x 3", G5, 5/8 x 3
31	495-11066	1	WASHER, 5/8", SAE, 21/32 x 1-5/16 x 3/32
32	231-51410	2	NUT, Flg, USR, 5/8"-11,
33	113896A1	1	TEE, Valve Return Hose, Inc. 34
35	128073A1	1	HOSE, Valve Return To Tee, 880 mm (34-3/4 in.), Cut From S118400X
36	214-1706	2	CLAMP, HOSE, #6, 0.44/0.78 Type M Worm,
37	113896A1	1	TEE, At Pressure Regulator Valve, Inc. 38
39	327679A1	1	VALVE, CHECK, Inline, To Slow Unloader Engagement, Inc. 40, 41
41	238-6012	1	O-RING, -012, 90 Duro, .364" ID x .070" Thk,
3	237-6006	1	O-RING, 6-1, 90 Duro, .468" ID x .078" Thk,
5	237-6006	1	O-RING, 6-1, 90 Duro, .468" ID x .078" Thk,
15	237-6006	1	O-RING, 6-1, 90 Duro, .468" ID x .078" Thk,
17	237-6006	1	O-RING, 6-1, 90 Duro, .468" ID x .078" Thk,
34	237-6006	1	O-RING, 6-1, 90 Duro, .468" ID x .078" Thk,
38	237-6006	1	O-RING, 6-1, 90 Duro, .468" ID x .078" Thk,
40	237-6006	1	O-RING, 6-1, 90 Duro, .468" ID x .078" Thk,



сылка	Номер детали	Кол-во	Описание
1	384307A1	1	VALVE, SOLENOID, Pressure Regulator, Inc. 1A, 1B, See Figure 08-28
1A	377593A1	1	VALVE, PRESSURE RELIEF, Pressure Reducing, Inc. 1B
1B	190709A1	1	KIT, SEALS, Valve Cartridge, Not Illustrated
12	409-7620	2	BOLT, Hex Flg, 3/8"-16 x 1 1/4", Serr,
13	231-5146	2	NUT, Flg, USR, 3/8"-16,
14	128068A2	2	HOSE, FLEXIBLE, At Unloader Clutch Cylinder, 760 mm (30 in.), Inc. 15
16	201-101	1	CONNECTOR, HYD., 11/16"-16 ORFS x 9/16"-18 ORB, Includes 17, 18
18	238-6012	1	O-RING, -012, 90 Duro, .364" ID x .070" Thk,
19	112397A2	1	CYLINDER, Unloader Clutch, Inc. 19A
19A	188294A1	1	KIT, GASKET, Not Illustrated
20	425-118	1	NUT, 1/2"-20, G5, 1/2 NF
21	189153A1	1	WASHER,
22	213-128	1	CLEVIS, ADJUSTABLE, 1/2"-20 x 3",
23	427-8136	1	PIN, CLEVIS, 1/2" x 1.360", 1/2 x 1-3/8
24	432-820	1	PIN, SPLIT (COTTER), 1/8" x 1 1/4",
25	175611A2	1	HOLDER,
26	188528A1	1	U-BOLT,
27	176023A2	1	SUPPORT,
28	425-104	2	NUT, 1/4"-20, G5,
29	112947A1	1	SUPPORT, Unloader Valve and Cylinder Support
32	413-1048	1	BOLT, Hex, 5/8"-11 x 3", G5, 5/8 x 3
33	495-11066	1	WASHER, 5/8", SAE, 21/32 x 1-5/16 x 3/32
34	231-51410	2	NUT, Flg, USR, 5/8"-11,
41	327679A1	1	VALVE, CHECK, Inline, To Slow Unloader Engagement, Inc. 42, 43
43	238-6012	1	O-RING, -012, 90 Duro, .364" ID x .070" Thk,
15	237-6006	1	O-RING, 6-1, 90 Duro, .468" ID x .078" Thk,
17	237-6006	1	O-RING, 6-1, 90 Duro, .468" ID x .078" Thk,
42	237-6006	1	O-RING, 6-1, 90 Duro, .468" ID x .078" Thk,

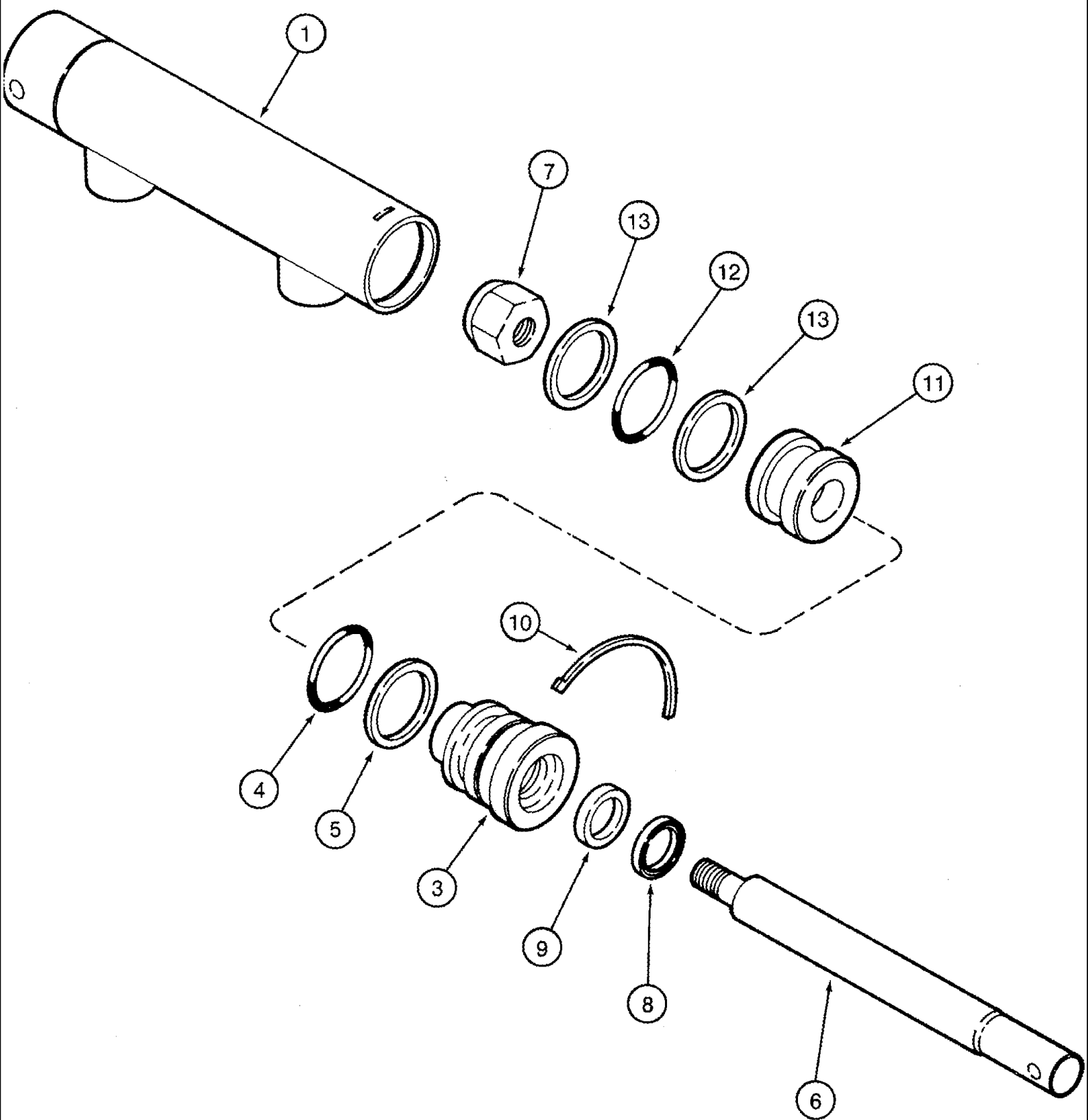


сылка	Номер детали	Кол-во	Описание
	131152A1	1	VALVE, CONTROL, Separator/Unloader Clutch, Inc. 1 - 13
1	NSS	1	NOT SERVICED SEPARATELY, BODY, Order 131152A1
2	187849C1	1	VALVE, SOLENOID, 4-Way, Cartridge Only, Inc. 187850C1
	187850C1	1	KIT, SEALS, Inc. 3 - 9
3	NSS	1	NOT SERVICED SEPARATELY, O-RING
4	NSS	1	NOT SERVICED SEPARATELY, O-RING
5	NSS	1	NOT SERVICED SEPARATELY, O-RING
6	NSS	1	NOT SERVICED SEPARATELY, O-RING
7	NSS	1	NOT SERVICED SEPARATELY, WASHER
8	NSS	1	NOT SERVICED SEPARATELY, WASHER
9	NSS	1	NOT SERVICED SEPARATELY, WASHER
	1340843C1	1	COIL, 12V, Inc. 10 - 13
10	NSS	1	NOT SERVICED SEPARATELY, COIL
11	NSS	1	NOT SERVICED SEPARATELY, PLATE
12	NSS	1	NOT SERVICED SEPARATELY, NUT
13	NSS	1	NOT SERVICED SEPARATELY, PLATE



сылка	Номер детали	Кол-во	Описание
	384307A1	1	VALVE, SOLENOID, Pressure Regulator, Inc. 1 - 22
1	377593A1	1	VALVE, PRESSURE RELIEF, Pressure Reducing, Inc. 190709A1
	190709A1	1	KIT, SEALS, Valve Cartridge, Inc. 2 - 6
2	NSS	1	NOT SERVICED SEPARATELY, O-RING
3	NSS	11	NOT SERVICED SEPARATELY, RING Backup
4	NSS	1	NOT SERVICED SEPARATELY, O-RING
5	NSS	2	NOT SERVICED SEPARATELY, RING Backup
6	NSS	1	NOT SERVICED SEPARATELY, O-RING
7	187849C1	2	VALVE, SOLENOID, 4-Way, Cartridge Only, Inc. 187850C1
	187850C1	2	KIT, SEALS, Inc. 8 - 14
8	NSS	1	NOT SERVICED SEPARATELY, O-RING
9	NSS	1	NOT SERVICED SEPARATELY, O-RING
10	NSS	1	NOT SERVICED SEPARATELY, O-RING
11	NSS	1	NOT SERVICED SEPARATELY, O-RING
12	NSS	1	NOT SERVICED SEPARATELY, WASHER
13	NSS	1	NOT SERVICED SEPARATELY, WASHER
14	NSS	1	NOT SERVICED SEPARATELY, WASHER
	1340843C1	2	COIL, 12V, Inc. 15 - 18
15	NSS	1	NOT SERVICED SEPARATELY, COIL
16	NSS	1	NOT SERVICED SEPARATELY, PLATE
17	NSS	1	NOT SERVICED SEPARATELY, NUT
18	NSS	1	NOT SERVICED SEPARATELY, PLATE
20	241892A1	1	SCREEN, FILTER,
21	100-2187	1	RING, SNAP, 0.875", Int, #87,
22	NSS	1	NOT SERVICED SEPARATELY, BODY Valve, Order 399067A1

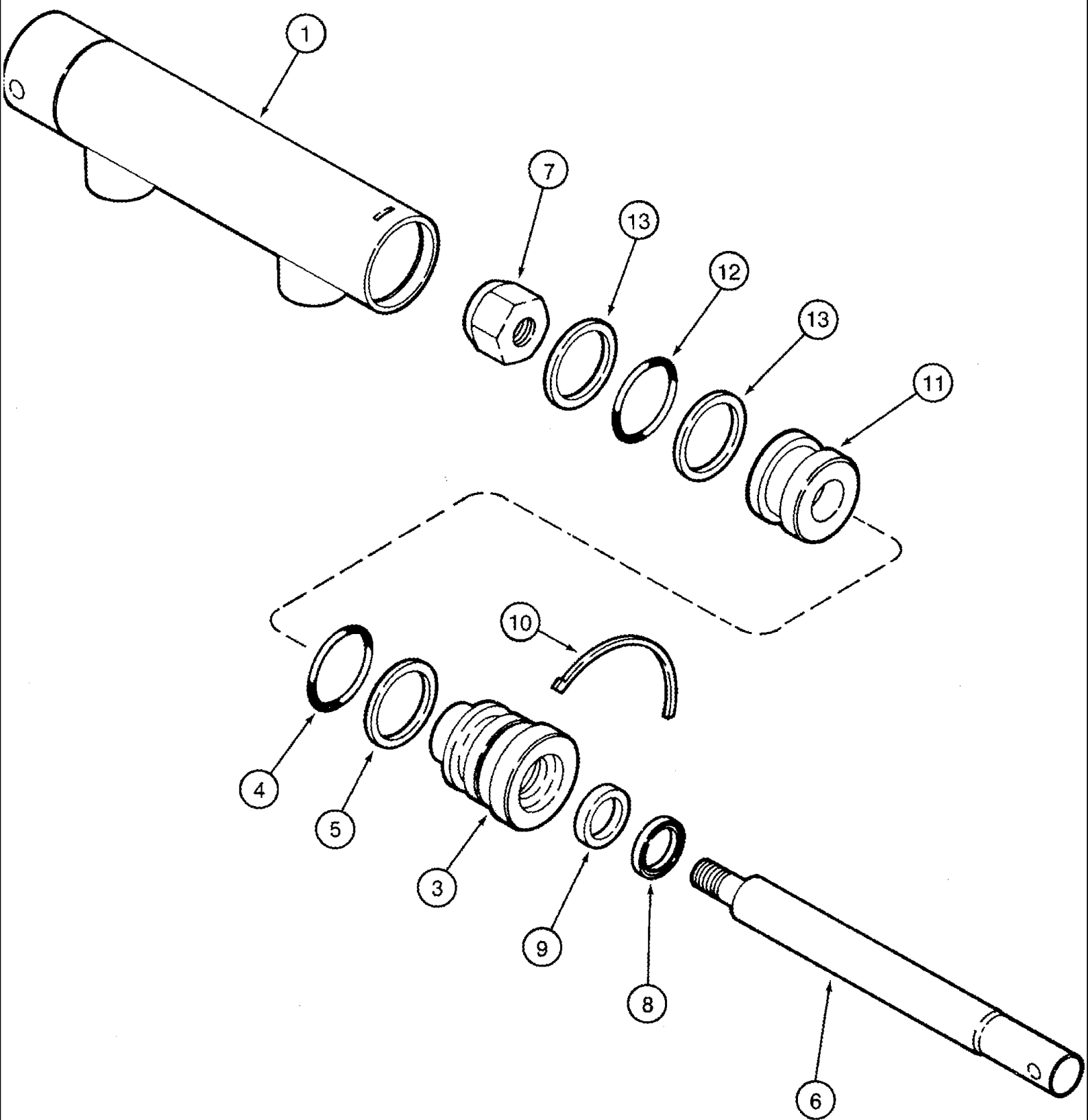
08-33 CYLINDER ASSYS - FEEDER CLUTCH



08-33 CYLINDER ASSYS - FEEDER CLUTCH

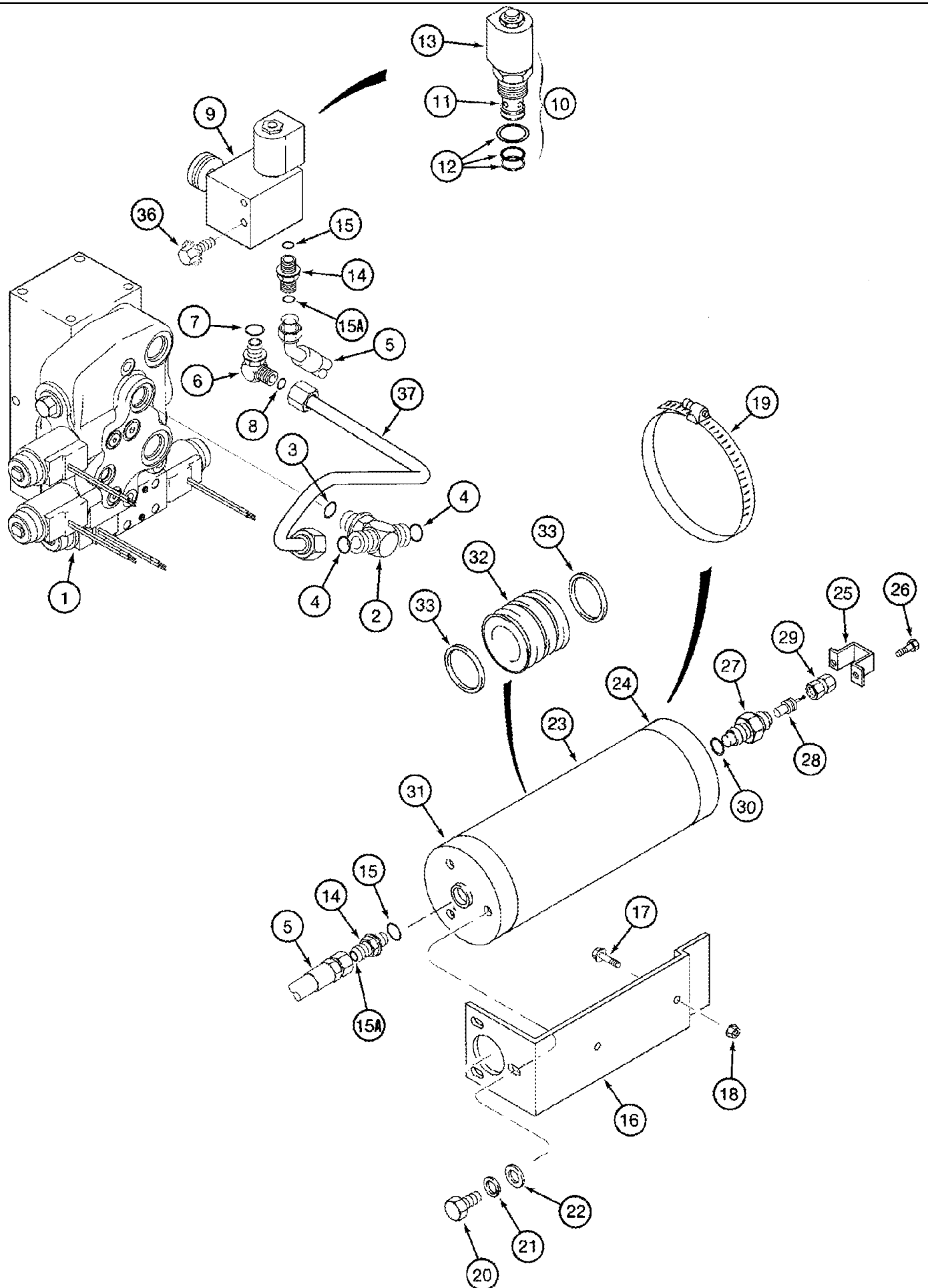
сылка	Номер детали	Кол-во	Описание
	133405C92	1	CYLINDER, Feeder Clutch, 51 ID x 63 mm strk, Inc. 1 - 13
1	NSS	1	NOT SERVICED SEPARATELY, BODY, Order 133405C92
3	108641C1	1	GLAND,
4	238-6326	1	O-RING, -326, 90 Duro, 1.60" ID x .210" Thk,
5	381293R1	1	WASHER,
6	108639C1	1	ROD, PISTON,
7	231-41310	1	NUT, LOCK, 5/8"-11, GB, 5/8
8	532773R1	1	WIPER,
9	119185C1	1	SEAL,
10	140600C1	1	WIRE, RETAINING,
11	108640C2	1	PISTON,
12	238-6326	1	O-RING, -326, 90 Duro, 1.60" ID x .210" Thk,
13	381850R2	2	BACK-UP RING,
	63884C92	1	KIT, SEALS, Inc. 4, 5, 8 - 10, 12, 13

08-33A CYLINDER ASSYS - SEPARATOR CLUTCH

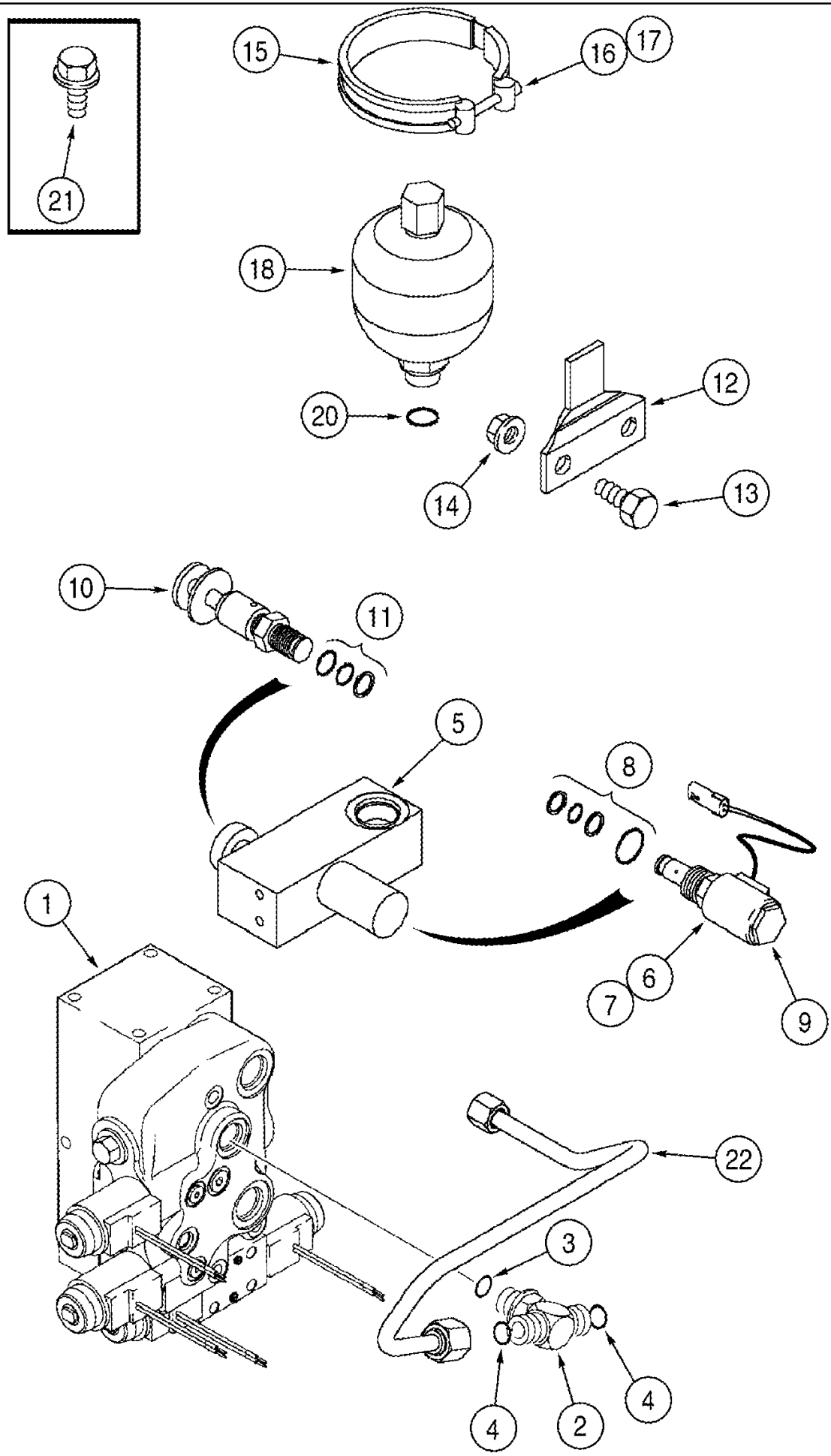


08-33A CYLINDER ASSYS - SEPARATOR CLUTCH

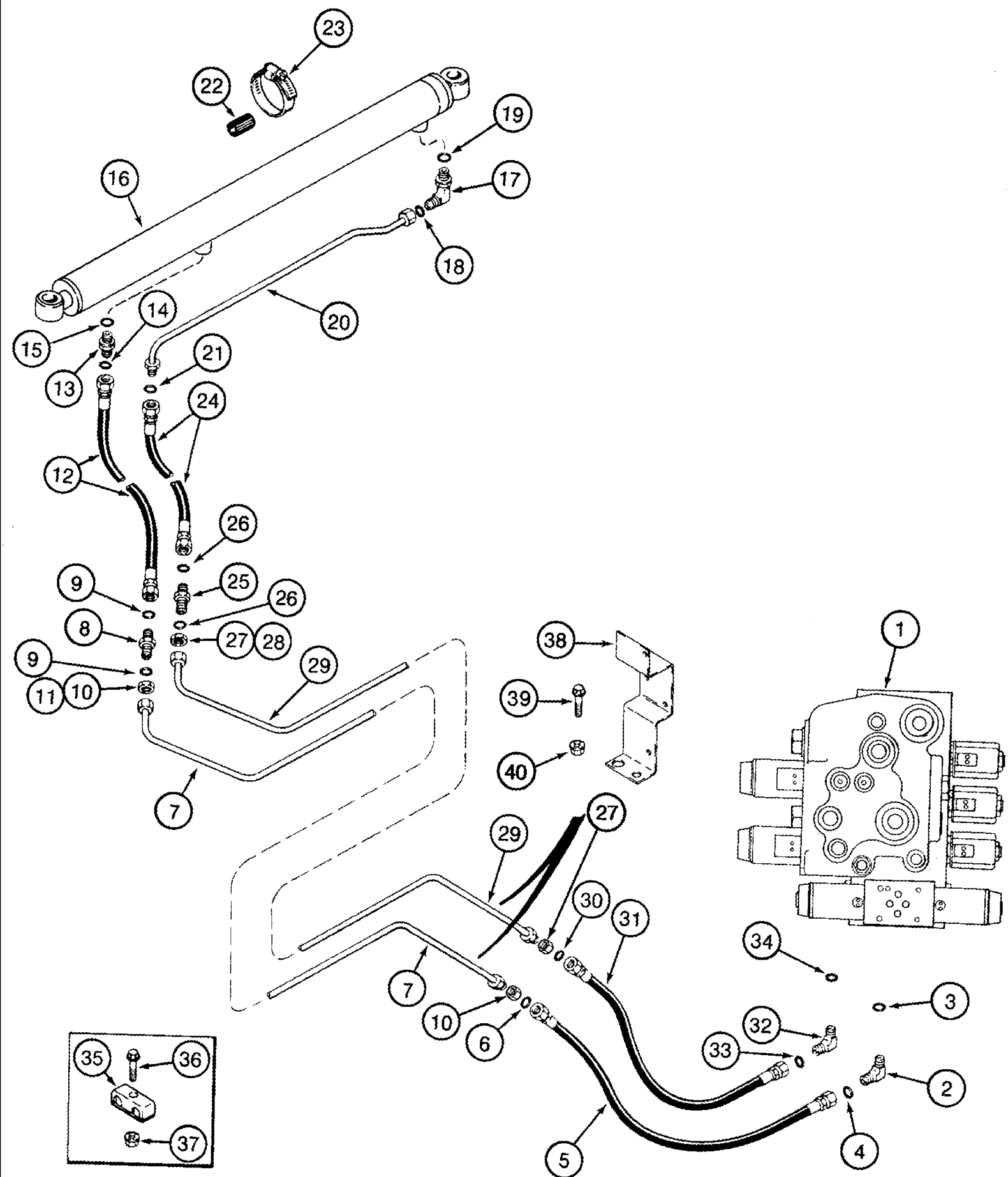
сылка	Номер детали	Кол-во	Описание
	133408C92	1	CYLINDER, Separator Clutch, 51 ID x 318 mm strk, Inc. 1 - 13
1	NSS	1	NOT SERVICED SEPARATELY, BODY, Order 133408C92
3	108641C1	1	GLAND,
4	238-6326	1	O-RING, -326, 90 Duro, 1.60" ID x .210" Thk,
5	381293R1	1	WASHER,
6	108639C1	1	ROD, PISTON,
7	231-41310	1	NUT, LOCK, 5/8"-11, GB, 5/8
8	532773R1	1	WIPER,
9	119185C1	1	SEAL,
10	140600C1	1	WIRE, RETAINING,
11	108640C2	1	PISTON,
12	238-6326	1	O-RING, -326, 90 Duro, 1.60" ID x .210" Thk,
13	381850R2	2	BACK-UP RING,
	63884C92	1	KIT, SEALS, Inc. 4, 5, 8 - 10, 12, 13



сылка	Номер детали	Кол-во	Описание
1	124565A3	1	VALVE, CONTROL, Header Lift, See Figure(s) 08-12 - 08-15, 08-17, 08-18, 08-35, 08-36
2	201-403	1	TEE, 1"-14 x 7/8"-14 Br, ORFS, Includes Ref. 3, 4, For Attaching Parts, See Figure(s) 08-13, 08-35
3	237-6010	1	O-RING, 10-1, 90 Duro, .755" ID x .097" Thk,
4	238-6016	2	O-RING, -016, 90 Duro, .614" ID x .070" Thk,
5	283472A1	1	HOSE, Header Lift Accumulator, 890 mm (35-1/16 in.)
6	201-305	1	ELBOW, 90e, 13/16"-16 x 3/4"-16 Adj, ORFS, Incl. 7, 8
7	237-6008	1	O-RING, 8-1, 90 Duro, .644" ID x .087" Thk,
8	238-6014	1	O-RING, -014, 90 Duro, .489" ID x .070" Thk,
	276035A1	1	VALVE, Accumulator, Solenoid Operated, Inc. 9 - 13, 107420A1
9	NSS	1	NOT SERVICED SEPARATELY, BODY, Order 276035A1
10	126048A1	1	SOLENOID, Poppet Type, Inc. 11, 12
11	NSS	1	NOT SERVICED SEPARATELY, VALVE Solenoid, 2-Way, Order 126048A1
12	149942C1	1	KIT, SEALS, Poppet Solenoid Valve, Inc. (2) O-Rings and (1) Backup Ring
13	1340843C1	1	COIL, 12 Volt
	107420A1	1	VALVE, PRESSURE RELIEF, Needle, Adjustable, Not Illustrated
14	201-102	2	CONNECTOR, HYD., 13/16"-16 ORFS x 3/4"-16 ORB, Includes 15, 15A
15	237-6008	1	O-RING, 8-1, 90 Duro, .644" ID x .087" Thk,
15A	238-6014	1	O-RING, -014, 90 Duro, .489" ID x .070" Thk,
16	129512A1	1	SUPPORT,
17	409-7512	2	BOLT, Hex Flg, 5/16"-18 x 3/4", Serr,
18	231-5145	2	NUT, Flg, USR, 5/16"-18,
19	214-3172	1	CLAMP, HOSE, 3.75/4.625 HD Worm,
20	414-612	3	BOLT, Hex, 3/8"-24 x 3/4", G5, Full Thd,
21	492-11038	3	WASHER, LOCK, 3/8",
22	495-11041	3	WASHER, 3/8", SAE, (13/32 x 13/16 x 1/16")
	108276A2	1	ACCUMULATOR, Inc. 23 - 35
23	NSS	1	NOT SERVICED SEPARATELY, BODY, Order 108276A2
24	NSS	1	NOT SERVICED SEPARATELY, CAP, Order 108276A2
25	192895A1	1	PROTECTOR,
26	280-1356	2	SCREW, SELF TAPPING, Hex Wash Hd, #10 x 3/8", No. 10 x 3/8
	192900A1	1	VALVE, Accumulator Charging, Inc. 27 - 30
27	NSS	1	NOT SERVICED SEPARATELY, VALVE Pressure, Order 192900A1
28	1978143C1	1	PISTON,
29	1978144C1	1	CAP,
30	1978158C1	1	O-RING,
31	NSS	1	NOT SERVICED SEPARATELY, CAP, Order 108276A2
32	192894A1	1	PISTON,
	192936A1	1	KIT, GASKET, Inc. 33 - 35
33	NSS	2	NOT SERVICED SEPARATELY, RING Wear, Teflon
34	NSS	1	NOT SERVICED SEPARATELY, RING V-Type, Not Illustrated
35	NSS	2	NOT SERVICED SEPARATELY, SEAL, Not Illustrated
36	409-7512	2	BOLT, Hex Flg, 5/16"-18 x 3/4", Serr,
37	280155A1	1	TUBE, HYD, Accumulator Valve To Header Lift Valve

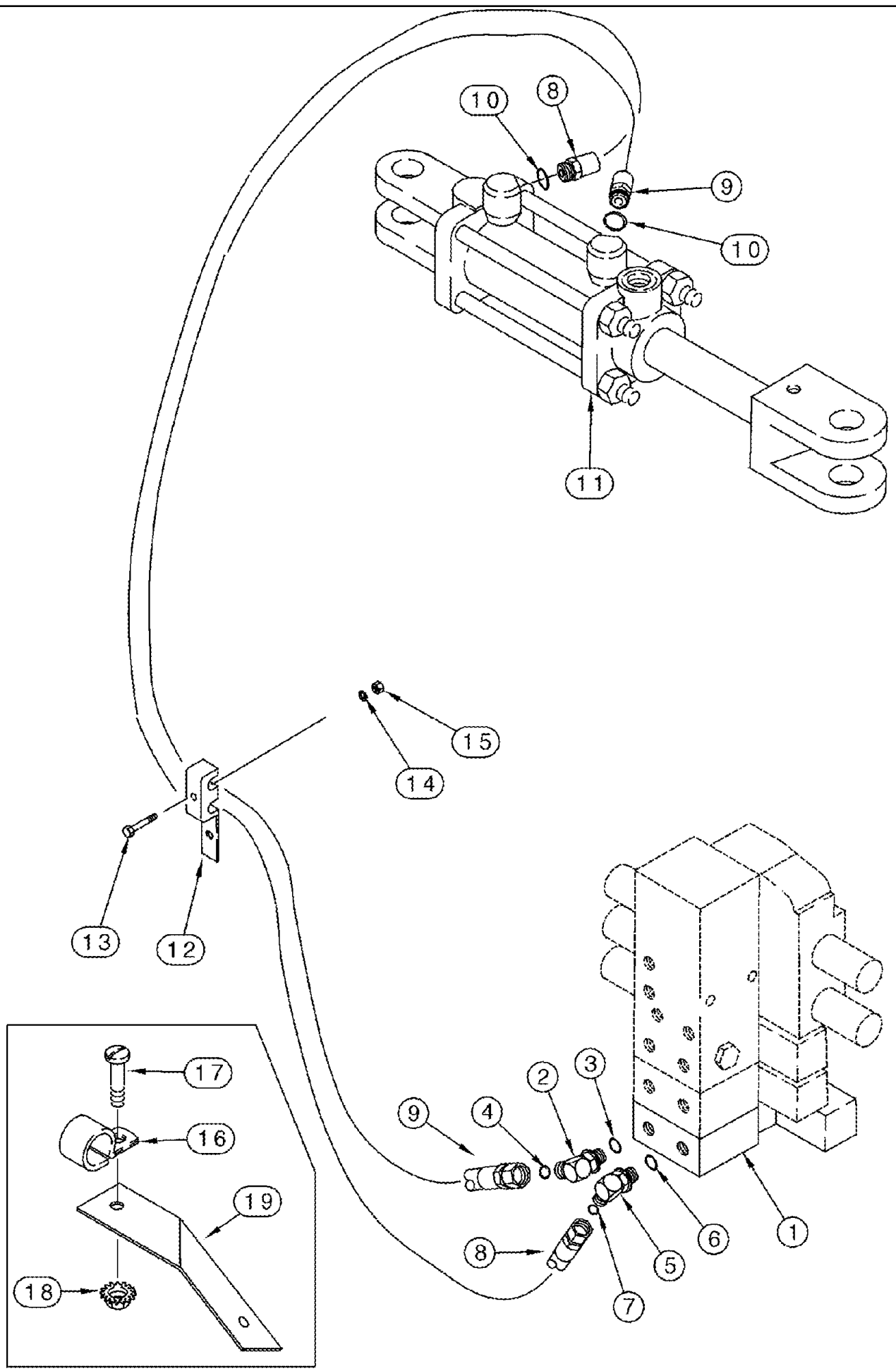


сылка	Номер детали	Кол-во	Описание
1	124565A3	1	VALVE, CONTROL, Header Lift, See Figure(s) 08-12 - 08-15, 08-17, 08-18, 08-34, 08-36
2	201-403	1	TEE, 1"-14 x 7/8"-14 Br, ORFS, Includes Ref. 3, 4, For Attaching Parts, See Figure(s) 08-13, 08-34
3	237-6010	1	O-RING, 10-1, 90 Duro, .755" ID x .097" Thk,
4	238-6016	2	O-RING, -016, 90 Duro, .614" ID x .070" Thk,
	368154A1	1	VALVE, CONTROL, Accumulator, Solenoid Operated, Inc. 5 - 11
5	NSS	1	NOT SERVICED SEPARATELY, BODY
6	377447A1	1	VALVE, Cartridge, Inc. 7, 8
7	NSS	1	NOT SERVICED SEPARATELY, VALVE Solenoid
8	377450A1	1	KIT, SEALS, Seal, Inc. (2) O-Rings and (2) Backup Ring
9	377448A1	1	COIL, 12V
10	377449A1	1	VALVE, Needle, Adjustable, Inc. 11
11	377451A1	1	KIT, SEALS, Seal, Inc. (2) O-Rings and (1) Backup Ring
12	368156A2	1	SUPPORT,
13	413-516	2	BOLT, Hex, 5/16"-18 x 1", G5, Full Thd, 5/16 x 1
14	231-5145	2	NUT, Flg, USR, 5/16"-18,
15	368157A1	1	CLAMP, Inc. 16, 17
16	864-8070	1	SCREW, Hex Soc Hd, M8 x 70, 8.8, M8 x 70
17	829-1408	1	NUT, M8, CI 10,
	377446A1	1	ACCUMULATOR, Inc. 18 - 20
18	NSS	1	NOT SERVICED SEPARATELY, BODY
19	377452A1	1	KIT, Accumulator Charging, Not Illustrated
20	237-6016	1	O-RING, 16-1, 90 Duro, 1.171" ID x .118" Thk,
21	409-7512	2	BOLT, Hex Flg, 5/16"-18 x 3/4", Serr,
22	368155A2	1	TUBE, HYD, Accumulator Valve To Header Lift Valve
23	201-305	1	ELBOW, 90e, 13/16"-16 x 3/4"-16 Adj, ORFS, 1/2 orfs x 1/2 orb, Not Illustrated



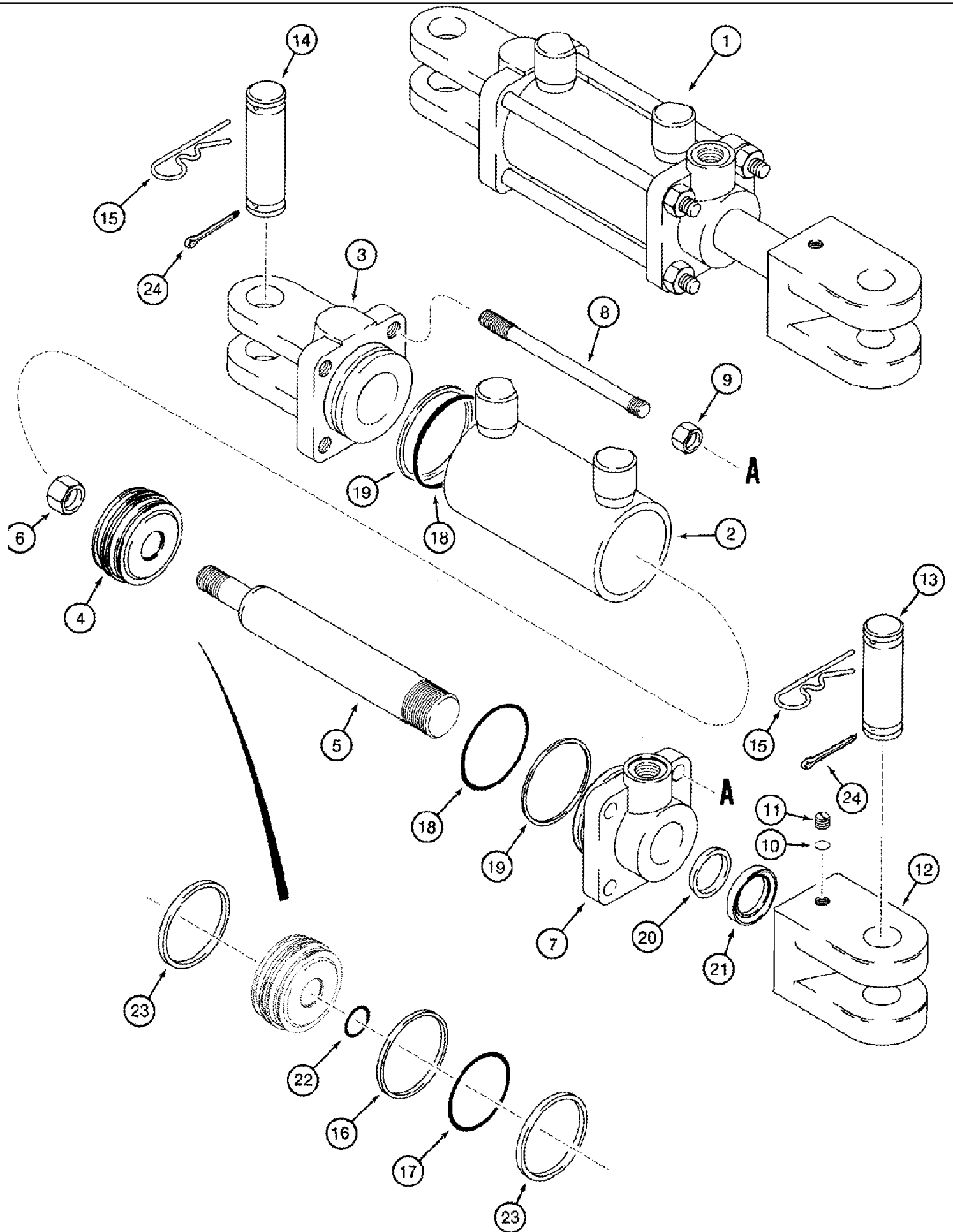
08-36 HYDRAULICS - UNLOADER TUBE SWING CYLINDER

сылка	Номер детали	Кол-во	Описание
1	124565A3	1	VALVE, CONTROL, Header Lift, See Figure(s) 08-12 - 08-15, 08-17, 08-18, 08-34, 08-35
2	201-324	1	ELBOW, 90є, 9/16"-18 x 9/16"-18, Adj, ORFS, Includes Ref. 3, 4
3	237-6006	1	O-RING, 6-1, 90 Duro, .468" ID x .078" Thk,
4	238-6011	1	O-RING, -011, 90 Duro, .301" ID x .070" Thk,
5	300718A1	1	HOSE, FLEXIBLE, Unloader Tube Swing Out, At Valve
6	238-6011	1	O-RING, -011, 90 Duro, .301" ID x .070" Thk,
7	292406A1	1	TUBE, HYD, Unloader Swing Out
8	201-108	1	CONNECTOR, HYD., 9/16"-18, Blkhd, ORFS, Includes 9
9	238-6011	2	O-RING, -011, 90 Duro, .301" ID x .070" Thk,
10	218-1254	2	NUT, LOCK, Blkhd, 9/16"-18,
11	495-11059	1	WASHER, 9/16", 19/32 x 1-5/32 x 3/32
12	134978A2	1	HOSE, Unloader Tube Swing Out, At Cylinder, 540 mm (21-1/4 in.)
13	201-100	1	CONNECTOR, HYD., 9/16"-18 ORFS x 7/16"-20 ORB, 9/16 fc x 7/16, Inc. 14, 15
14	238-6011	1	O-RING, -011, 90 Duro, .301" ID x .070" Thk,
15	237-6004	1	O-RING, 4-1, 90 Duro, .351" ID x .072" Thk,
16	175679A2	1	CYLINDER, Unloader Tube Swing, 38 ID x 508 mm strk, Inc. 16A - 16C
16A	188806A1	1	KIT, SEALS, Not Illustrated
16B	188293A1	1	BALL JOINT, Cylinder End, Not Illustrated
16C	425-1510	1	NUT, Jam, 5/8"-18, G5, Not Illustrated
17	201-303	1	ELBOW, 90є, 9/16"-18 x 7/16"-20 Adj, ORFS, 9/16 fc x 7/16, Inc. 18, 19
18	238-6011	1	O-RING, -011, 90 Duro, .301" ID x .070" Thk,
19	237-6004	1	O-RING, 4-1, 90 Duro, .351" ID x .072" Thk,
20	134643A2	1	TUBE, HYD,
21	238-6012	1	O-RING, -012, 90 Duro, .364" ID x .070" Thk,
22	163489C1	1	STRIP, 1/4 ID x 1-13/64
23	214-1432	1	CLAMP, HOSE, #32, 1.56/2.50 Type F Worm,
24	134976A1	1	HOSE, FLEXIBLE, 510 mm (20-1/16 in.), Swing In
25	201-120	1	CONNECTOR, HYD., 11/16"-16, Blkhd, ORFS, 11/16 fc x blkhd fc, Inc. 26
26	238-6012	2	O-RING, -012, 90 Duro, .364" ID x .070" Thk,
27	201-909	2	NUT, LOCK, Blkhd, 11/16"-16,
28	95-81019	1	WASHER, 23/32" x 1 1/2" x .120", 23/32 x 1-1/2 x 1/8
29	292405A1	1	TUBE, HYD, Unloader Swing In
30	238-6012	1	O-RING, -012, 90 Duro, .364" ID x .070" Thk,
31	293482A1	1	HOSE, FLEXIBLE, Unloader Tube Swing In, At Valve
32	201-304	1	ELBOW, 90є, 11/16"-16 x 9/16"-18 Adj, ORFS, Inc. 33, 34
33	238-6012	1	O-RING, -012, 90 Duro, .364" ID x .070" Thk,
34	237-6006	1	O-RING, 6-1, 90 Duro, .468" ID x .078" Thk,
35	183824C1	2	CLAMP,
36	409-7416	2	BOLT, Hex Flg, 1/4"-20 x 1", Serr,
37	231-5144	2	NUT, Flg, USR, 1/4"-20,
38	292407A2	1	SUPPORT, Unloader Tubes
39	409-7416	2	BOLT, Hex Flg, 1/4"-20 x 1", Serr,
40	231-5144	2	NUT, Flg, USR, 1/4"-20,



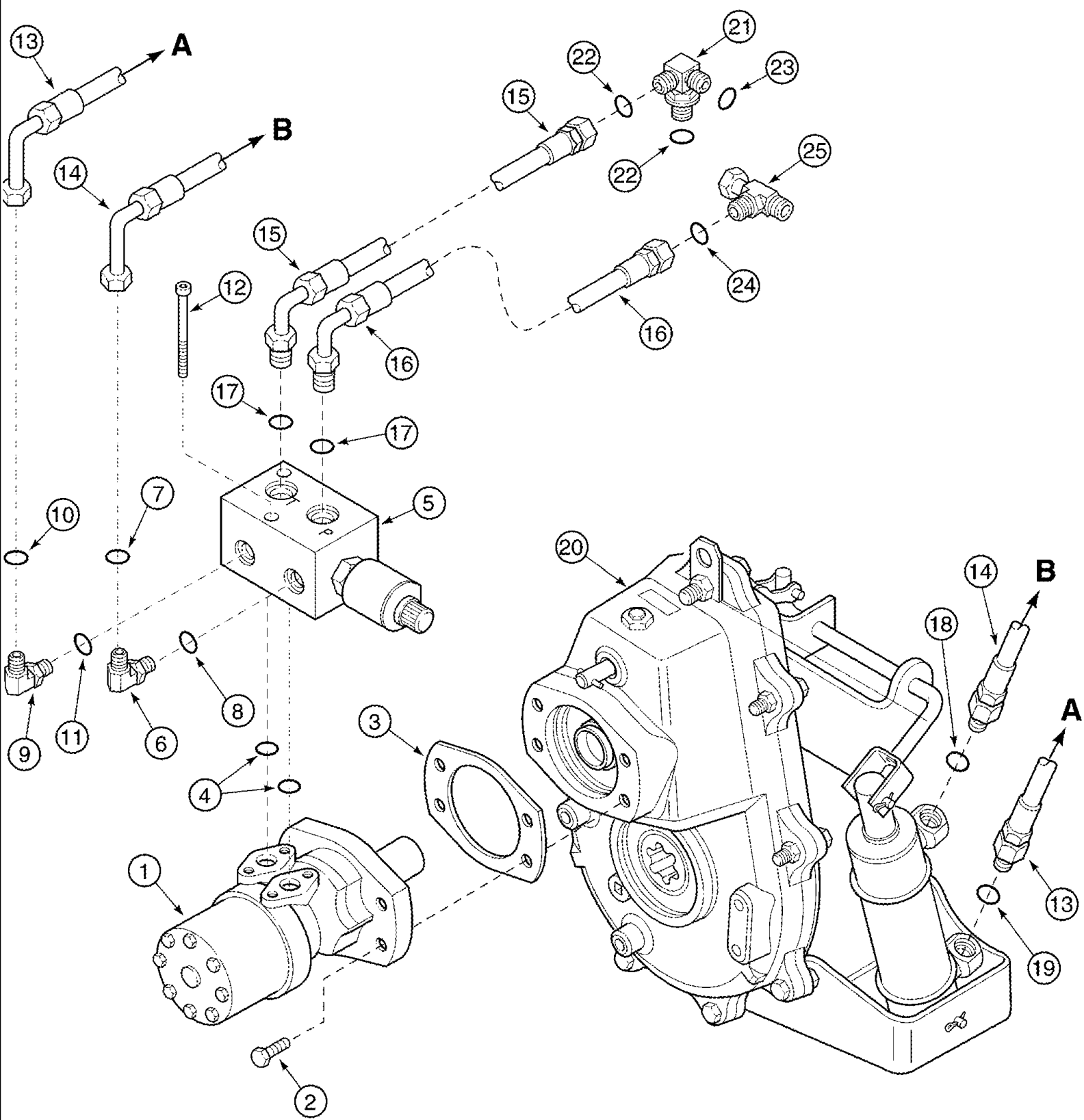
08-37 HYDRAULICS - FIELD TRACKER

сылка	Номер детали	Кол-во	Описание
1	114854A1	1	VALVE, CONTROL, Field Tracker, See Figure 08-18
2	201-332	1	ELBOW, 90°, 13/16"-16 x 9/16"-18, Adj, ORFS, 13/16 fc x 9/16, Inc. 3, 4
4	238-6014	1	O-RING, -014, 90 Duro, .489" ID x .070" Thk,
5	201-304	1	ELBOW, 90°, 11/16"-16 x 9/16"-18 Adj, ORFS, Inc. 6, 7
7	238-6012	1	O-RING, -012, 90 Duro, .364" ID x .070" Thk,
8	100268A1	1	HOSE, FLEXIBLE, Field Tracker Cylinder, Clockwise Rotation, 3510 mm (138-1/4 in.)
9	128032A1	1	HOSE, FLEXIBLE, Field Tracker Cylinder, Counterclockwise Rotation, 3150 mm (138-1/4 in.)
11	100267A1	1	CYLINDER, Field Tracker Tilt, 64 ID x 89 mm strk, See Figure 08-38
12	1330242C1	1	CLAMP,
13	413-532	1	BOLT, Hex, 5/16"-18 x 2", G5,
14	492-11031	2	WASHER, LOCK, 5/16",
15	425-105	2	NUT, 5/16"-18, G5,
16	515-23254	1	CLAMP, 1", Insul, 3/8" Bolt,
18	231-5146	1	NUT, Flg, USR, 3/8"-16,
19	189926A1	1	SUPPORT,
17	477-73816	1	SCREW, Slt'd Serr Truss Hd, 3/8" x 1",
3	237-6006	1	O-RING, 6-1, 90 Duro, .468" ID x .078" Thk,
6	237-6006	1	O-RING, 6-1, 90 Duro, .468" ID x .078" Thk,
10	237-6006	2	O-RING, 6-1, 90 Duro, .468" ID x .078" Thk,

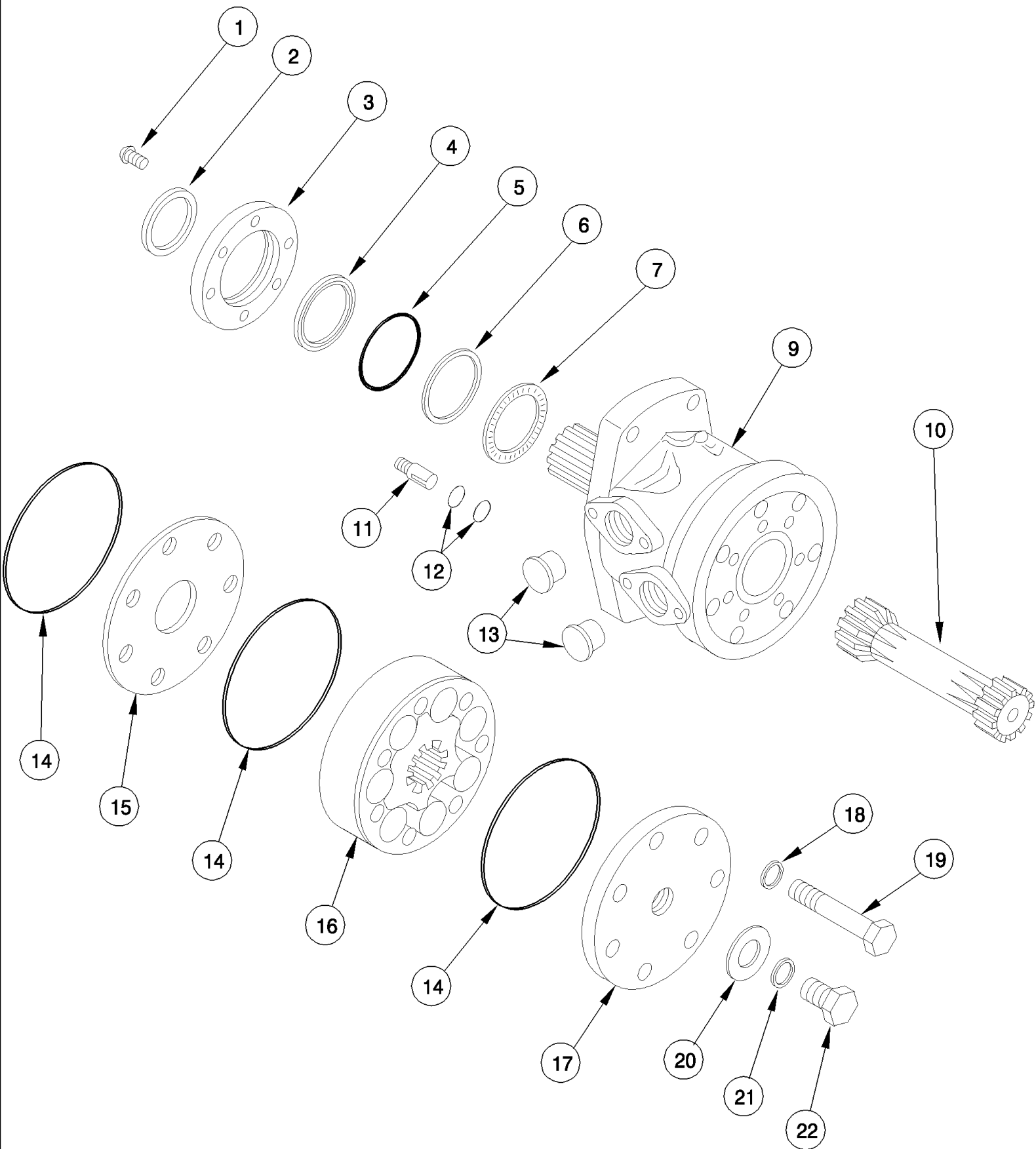


08-38 CYLINDER ASSY - FIELD TRACKER, TILT

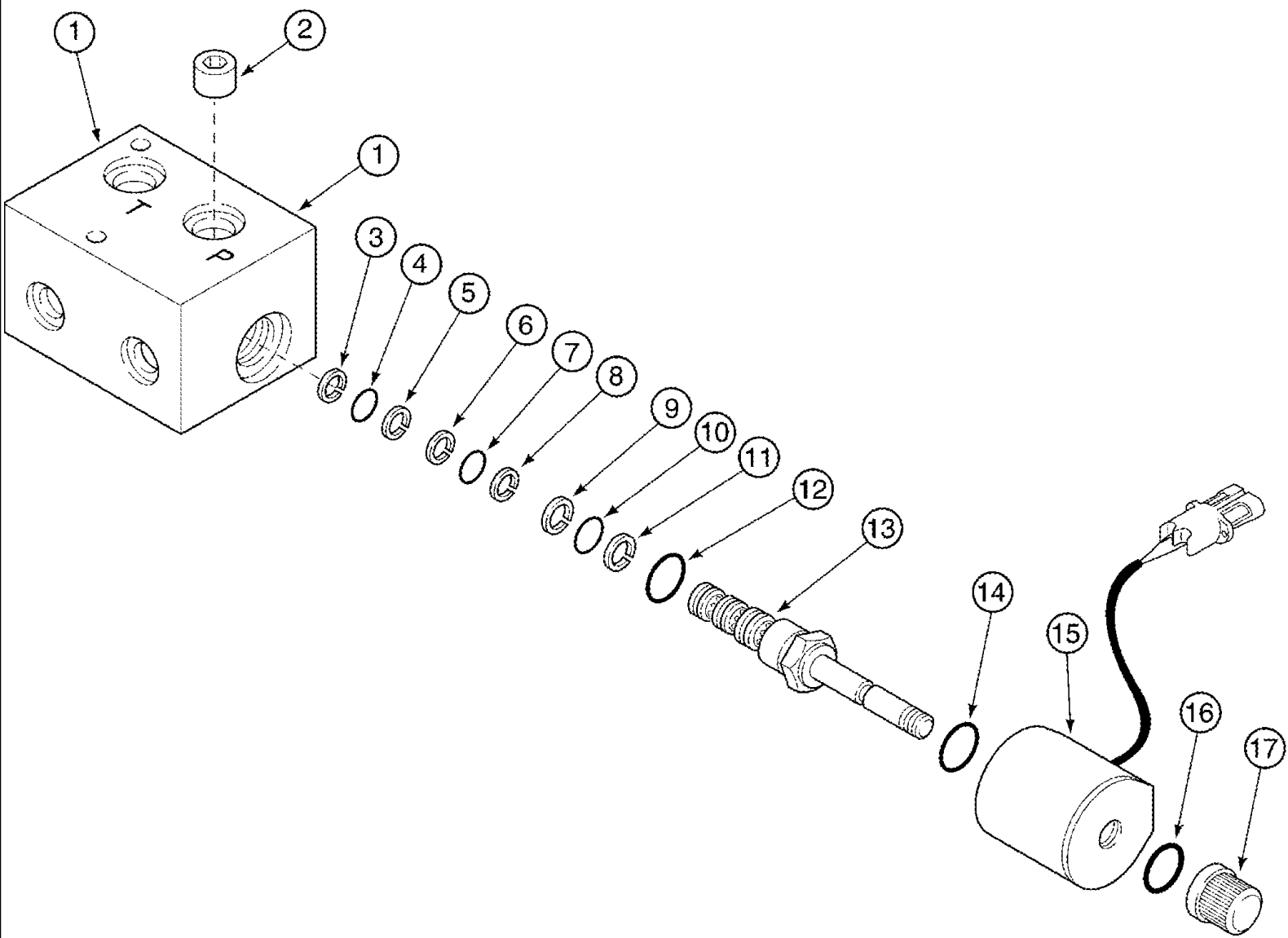
сылка	Номер детали	Кол-во	Описание
1	100267A1	1	CYLINDER, Field Tracker Tilt, 64 ID x 89 mm strk, Inc. 2 - 23
2	NSS	1	NOT SERVICED SEPARATELY, TUBE
3	107855A1	1	JACK HEAD,
4	107856A1	1	JACK PISTON,
5	107857A1	1	ROD, PISTON,
6	232-46112	1	NUT, LOCK, 3/4"-16, GC,
7	107858A1	1	JACK HEAD,
8	107859A1	4	SCREW, 7/16 x 7-3/4
9	425-107	4	NUT, 7/16"-14, G5,
10	145453C1	1	PLUG,
11	483-1386	1	SET SCREW, Hex Soc, 3/8"-16 x 3/8", set, 3/8 x 3/8
12	107860A1	1	RAM FORK,
13	1266753C1	1	PIN,
14	1266752C1	1	PIN,
15	1978738C1	2	PIN, SPLIT (COTTER), 3/16
16	NSS	1	NOT SERVICED SEPARATELY, SEAL
17	NSS	1	NOT SERVICED SEPARATELY, O-RING
18	NSS	2	NOT SERVICED SEPARATELY, O-RING
19	NSS	2	NOT SERVICED SEPARATELY, RING
20	NSS	1	NOT SERVICED SEPARATELY, SEAL
21	NSS	1	NOT SERVICED SEPARATELY, SEAL
22	NSS	1	NOT SERVICED SEPARATELY, O-RING
23	NSS	2	NOT SERVICED SEPARATELY, RING
24	432-1224	2	PIN, SPLIT (COTTER), 3/16" x 1 1/2",
	100266A1	1	KIT, SEALS, Inc. 16 - 23



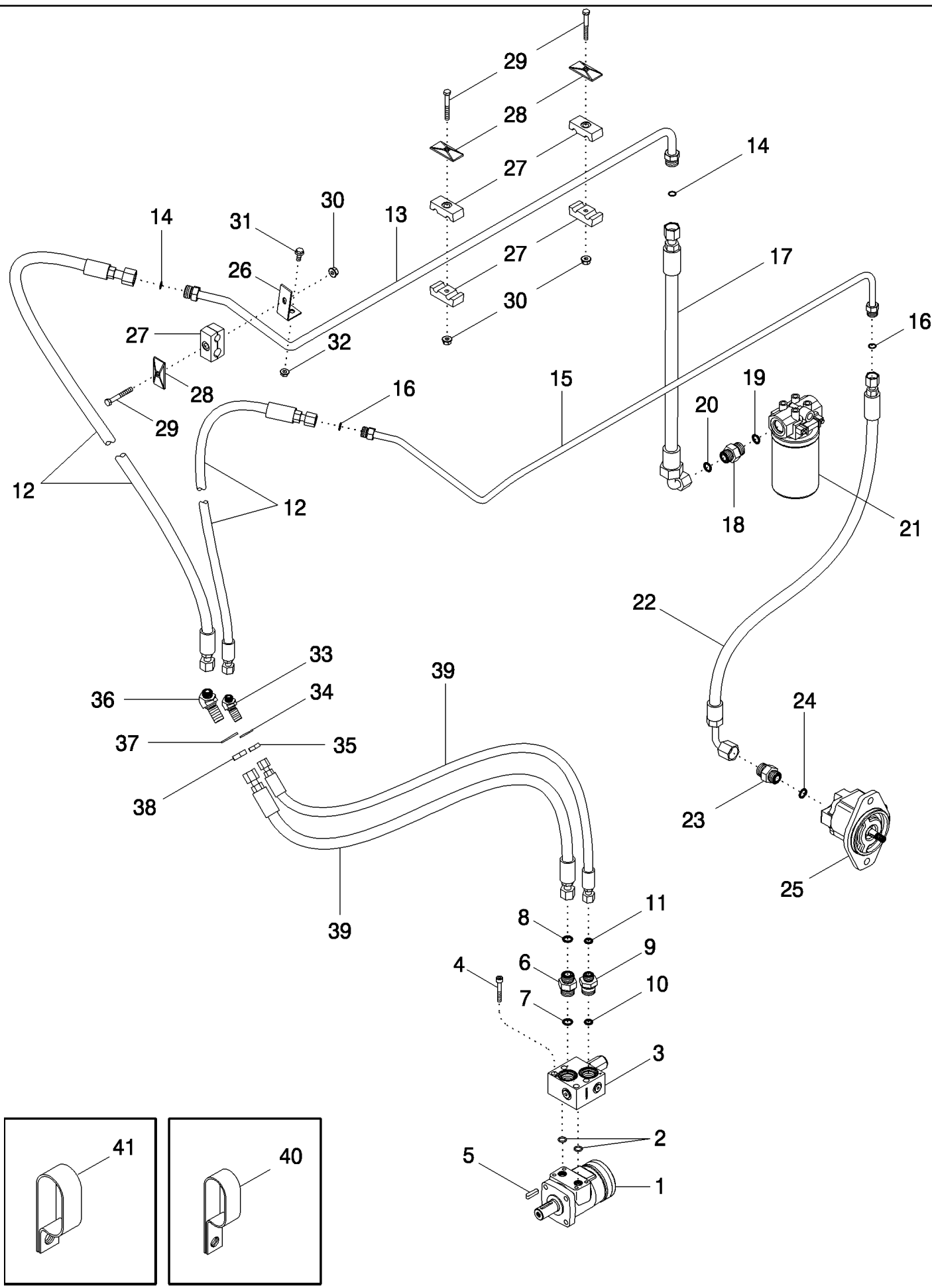
сылка	Номер детали	Кол-во	Описание
1	393903A1	1	MOTOR, HYDRAULIC, See Figure 08-40
2	380-2820	4	SCREW, 12 Pt Flg, 1/2"-13 x 1 1/4", 1/2 x 1-1/4
3	400998A1	1	GASKET,
4	238-6117	2	O-RING, -117, 90 Duro, .799" ID x .103" Thk,
5	393904A1	1	VALVE, Feeder Reverser Motor, See Figure 08-41
6	201-304	1	ELBOW, 90e, 11/16"-16 x 9/16"-18 Adj, ORFS, Inc. 7, 8
7	238-6012	1	O-RING, -012, 90 Duro, .364" ID x .070" Thk,
8	238-6006	1	O-RING, 6-1, .114" ID x .070" Thk,
9	201-332	1	ELBOW, 90e, 13/16"-16 x 9/16"-18, Adj, ORFS, 13/16 fc x 9/16, Inc. 10, 11
10	238-6014	1	O-RING, -014, 90 Duro, .489" ID x .070" Thk,
12	865-8085	2	SCREW, Hex Soc Hd, M8 x 85, 8.8, M8 x 85
13	391969A1	1	HOSE, FLEXIBLE, Extend, 750 mm (29-1/2 in.)
14	391970A1	1	HOSE, FLEXIBLE, Retract, 610 mm (24 in.)
15	401534A1	1	HOSE, Return, 610 mm (24in.)
16	395852A2	1	HOSE, 3200 mm (126 in.), BSN JJC0254999
16	430394A1	1	HOSE, FLEXIBLE, Supply, 3050 mm (120 in.), ASN JJC0255000
17	237-6010	2	O-RING, 10-1, 90 Duro, .755" ID x .097" Thk,
20	401134A2	1	GEARBOX, See Figure 09A-28
21	395408A1	1	TEE, Inc. 22, 23
22	237-6010	2	O-RING, 10-1, 90 Duro, .755" ID x .097" Thk,
23	238-6016	1	O-RING, -016, 90 Duro, .614" ID x .070" Thk,
24	238-6016	1	O-RING, -016, 90 Duro, .614" ID x .070" Thk,
25	201-433	1	TEE, 1"-14 ORFS x 1"-14 Sw Run,
26	427273A1	1	SUPPORT, Hose Clamp
27	409-7616	1	BOLT, Hex Flg, 3/8"-16 x 1", Serr, Not Illustrated
28	231-5146	1	NUT, Flg, USR, 3/8"-16, Not Illustrated
11	237-6006	1	O-RING, 6-1, 90 Duro, .468" ID x .078" Thk,
18	237-6006	1	O-RING, 6-1, 90 Duro, .468" ID x .078" Thk,
19	237-6006	1	O-RING, 6-1, 90 Duro, .468" ID x .078" Thk,



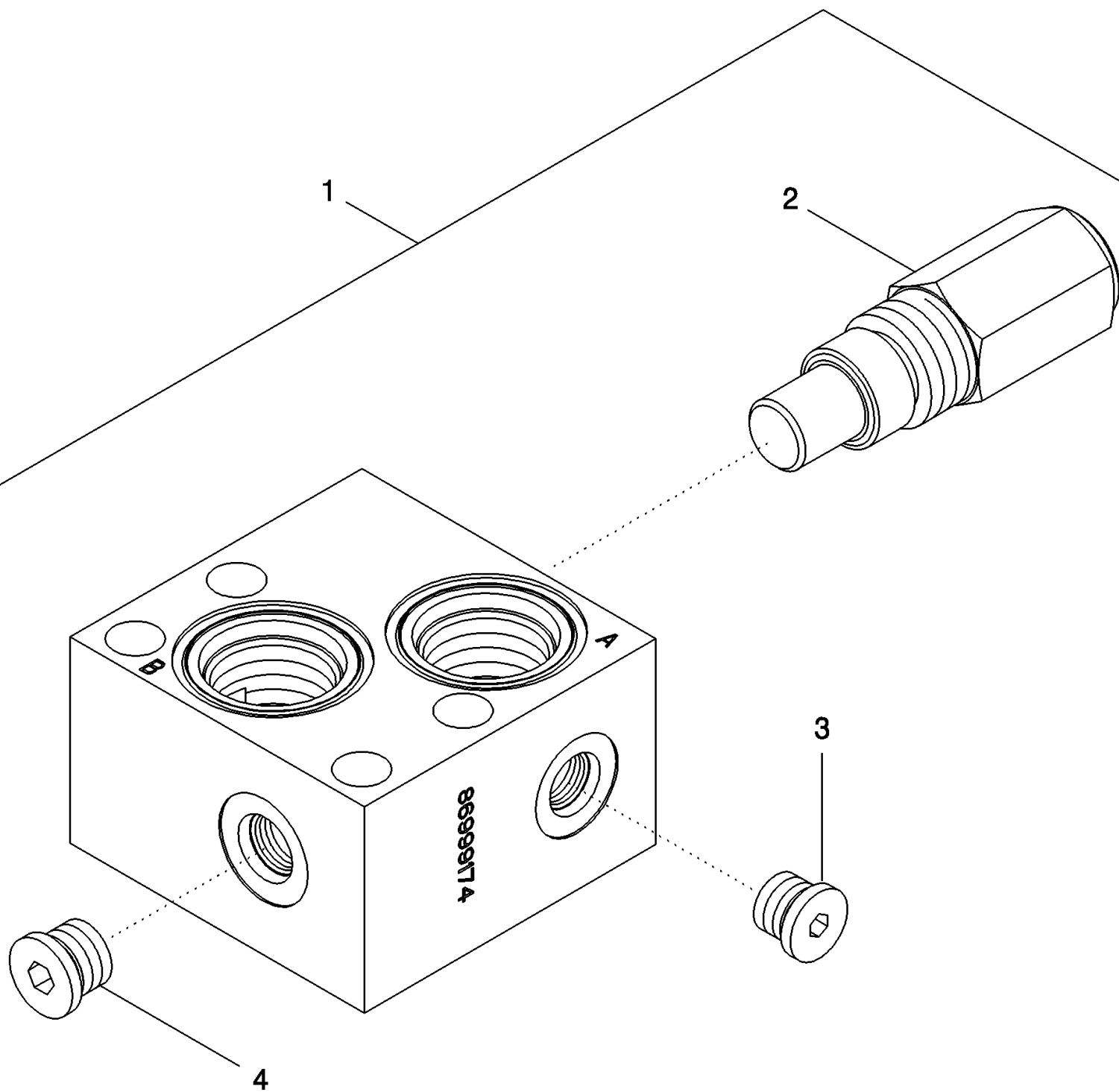
сылка	Номер детали	Кол-во	Описание
	393903A1	1	MOTOR, HYDRAULIC, Inc. 1 - 22
1	NSS	6	NOT SERVICED SEPARATELY, BOLT
2	NSS	1	NOT SERVICED SEPARATELY, SEAL
3	NSS	1	NOT SERVICED SEPARATELY, FLANGE
4	NSS	1	NOT SERVICED SEPARATELY, SEAL
5	NSS	1	NOT SERVICED SEPARATELY, O-RING
6	NSS	1	NOT SERVICED SEPARATELY, RACE
7	NSS	1	NOT SERVICED SEPARATELY, BEARING Needle
9	NSS	1	NOT SERVICED SEPARATELY, BODY
10	NSS	1	NOT SERVICED SEPARATELY, SHAFT
11	NSS	1	NOT SERVICED SEPARATELY, PIN
12	NSS	2	NOT SERVICED SEPARATELY, O-RING
13	NSS	2	NOT SERVICED SEPARATELY, PLUG
14	NSS	3	NOT SERVICED SEPARATELY, O-RING
15	NSS	1	NOT SERVICED SEPARATELY, PLATE
16	NSS	1	NOT SERVICED SEPARATELY, GERATOR
17	NSS	1	NOT SERVICED SEPARATELY, CAP
18	NSS	7	NOT SERVICED SEPARATELY, WASHER
19	NSS	7	NOT SERVICED SEPARATELY, BOLT
20	NSS	1	NOT SERVICED SEPARATELY, WASHER
21	NSS	1	NOT SERVICED SEPARATELY, WASHER
22	NSS	1	NOT SERVICED SEPARATELY, BOLT
	397924A1	1	KIT, SEALS, Kit For 393903A1



сылка	Номер детали	Кол-во	Описание
	393904A1	1	VALVE, Feeder Reverser Motor, Inc. 1 - 17
1	NSS	1	NOT SERVICED SEPARATELY, BODY Valve
2	397923A1	1	ORIFICE,
	397921A1	1	VALVE, Inc. 3 - 13
	397925A1	1	KIT, SEALS, Inc. 3 - 11
3	NSS	1	NOT SERVICED SEPARATELY, RING Backup
4	NSS	1	NOT SERVICED SEPARATELY, O-RING
5	NSS	1	NOT SERVICED SEPARATELY, RING Backup
6	NSS	1	NOT SERVICED SEPARATELY, RING Backup
7	NSS	1	NOT SERVICED SEPARATELY, O-RING
8	NSS	1	NOT SERVICED SEPARATELY, RING Backup
9	NSS	1	NOT SERVICED SEPARATELY, RING Backup
10	NSS	1	NOT SERVICED SEPARATELY, O-RING
11	NSS	1	NOT SERVICED SEPARATELY, RING Backup
12	237-6012	1	O-RING, 12-1, 90 Duro, .924 ID x .118" Thk,
13	NSS	1	NOT SERVICED SEPARATELY, VALVE Solenoid
	405378A1	1	COIL, Inc. 14 -17
14	238-6120	1	O-RING, -120, 90 Duro, .987" ID x .103" Thk,
15	NSS	1	NOT SERVICED SEPARATELY, COIL
16	238-6212	1	O-RING, -212, 90 Duro, .859" ID x .139" Thk,
17	397926A1	1	NUT,



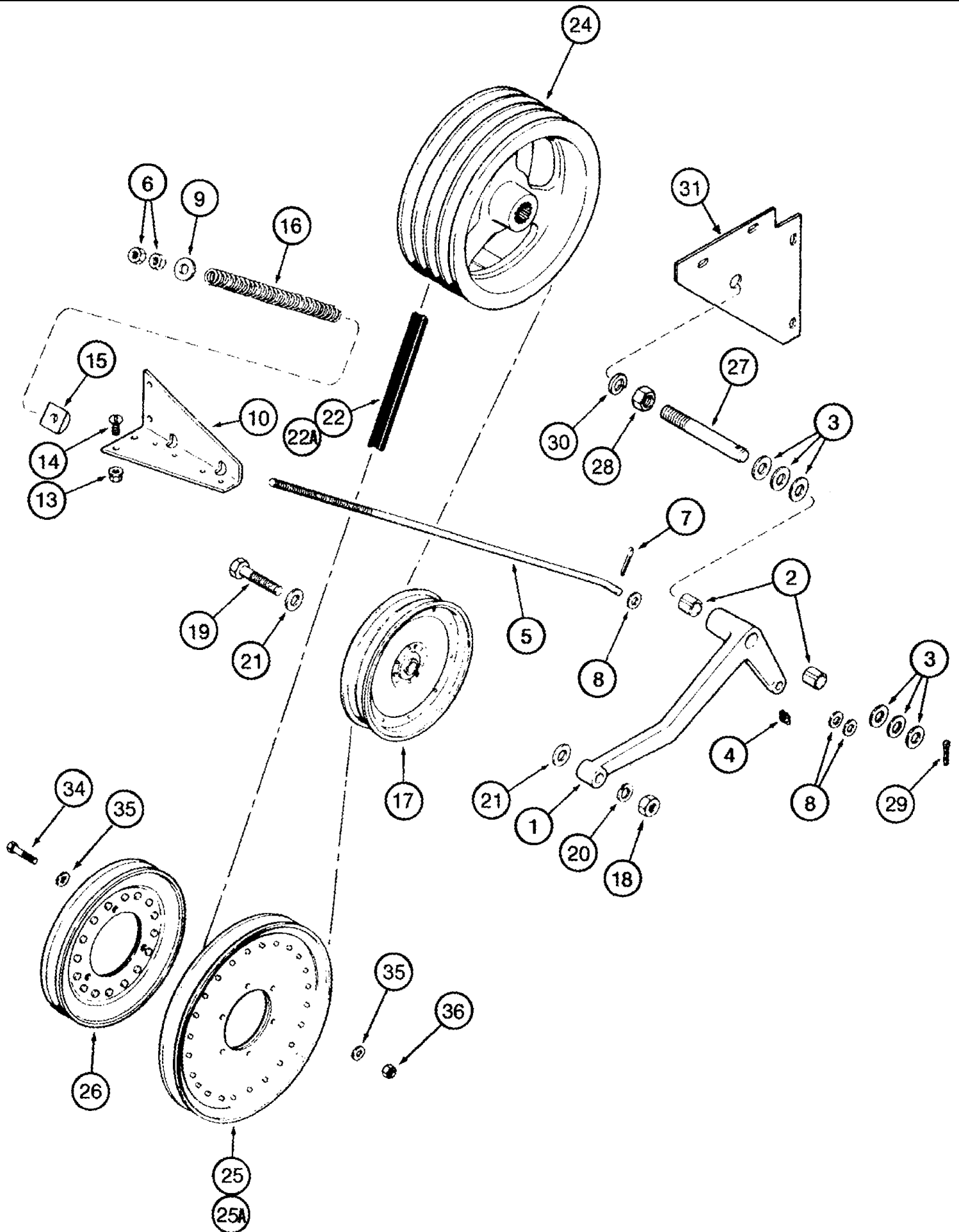
сылка	Номер детали	Кол-во	Описание
1	435624A1	1	MOTOR, HYDRAULIC, Rotary Air Screen
1A	1542724C1	1	KIT, SEALS,
2	238-6112	2	O-RING, -112, 90 Duro, .487" ID x .103" Thk,
3	REF	1	INSTRUCTION, VALVE, Pressure Relief, No Longer Available, See Figure 08-43
4	864-8050	4	SCREW, Hex Soc Hd, M8 x 50, 8.8, M8 x 50; 8.8
5	906093R1	1	KEY, M8 x 7 x 32, Par,
6	86597760	1	CONNECTOR, HYD., 1"-14 ORFS x M27 x 2 ORB, 16 mm fs x 27 mm OR, Inc. 7, 8
7	238-6014	1	O-RING, -014, 90 Duro, .489" ID x .070" Thk,
8	237-6012	1	O-RING, 12-1, 90 Duro, .924 ID x .118" Thk, 3/8 ID x 1/16
9	86597761	1	CONNECTOR, HYD., 13/16"-16 ORFS x M27 x 2 ORB, 12 mm fs x 27 mm OR, Incl. 10, 11
10	238-6016	1	O-RING, -016, 90 Duro, .614" ID x .070" Thk,
11	237-6012	1	O-RING, 12-1, 90 Duro, .924 ID x .118" Thk, 3/8 ID x 1/16
12	87404065	2	HOSE, FLEXIBLE, Tube To Valve
13	86988835	1	TUBE ASSY., Return
14	238-6016	2	O-RING, -016, 90 Duro, .614" ID x .070" Thk,
15	86988834	1	TUBE ASSY., Supply
16	238-6014	2	O-RING, -014, 90 Duro, .489" ID x .070" Thk,
17	87417699	1	HOSE, Tube To Filter
18	201-103	1	CONNECTOR, HYD., 1"-14 ORFS x 7/8"-14 ORB, Includes 19, 20
19	238-6016	1	O-RING, -016, 90 Duro, .614" ID x .070" Thk,
20	237-6010	1	O-RING, 10-1, 90 Duro, .755" ID x .097" Thk,
21	REF	1	INSTRUCTION, Filter Assy
22	370255A1	1	HOSE, PumpTo Tube
23	201-112	1	CONNECTOR, HYD., 13/16"-16 ORFS x 7/8"-14 ORB,
24	237-6010	1	O-RING, 10-1, 90 Duro, .755" ID x .097" Thk,
25	REF	1	INSTRUCTION, Pump Hydraulic
26	135355A1	1	SUPPORT, Center
27	109619A1	3	CLAMP,
28	1347127C1	3	PLATE, Tube Clamp
29	413-540	3	BOLT, Hex, 5/16"-18 x 2 1/2", G5,
30	231-5315	3	NUT, LOCK, Flg, 5/16"-18,
31	409-7512	1	BOLT, Hex Flg, 5/16"-18 x 3/4", Serr,
32	231-5145	1	NUT, Flg, USR, 5/16"-18,
33	201-382	1	ELBOW, 45e, 13/16"-16 Blkhd, ORFS, ELBOW 45 deg, 1/2 blkhd, Inc. 28
34	495-81057	2	WASHER, 29/32" x 1 1/2" x .120", 29/32 x 1-1/2 x 1/8
35	201-903	1	NUT, LOCK, Blkhd, 13/16"-16, 1/2
36	87017731	1	ELBOW, 45e, 1"-14 Blkhd, ORFS, 45 deg, 5/8 blkhd
37	495-81070	2	WASHER, 1 1/32" x 1 1/2" x .120", 1-1/32 x 1-1/2 x 1/8
38	201-919	1	NUT, LOCK, Blkhd, 1"-14, 5/8" OD Tube
39	86987926	2	HOSE, FLEXIBLE, 1800 mm (70-7/8 in), Motor Pressure
40	515-23508	1	CLAMP, 2", Insul, 3/8" Bolt,
41	485093C1	1	CLAMP,
42	306132C1	1	STRAP, CABLE, .30" x 14.5", 14 in, Not Illustrated



2366 CASE IH AXIAL-FLOW COMBINE (NA) (1/98-8/04)

08-43 VALVE ASSY - ROTARY SCREEN BYPASS - ASN JJC0255700

сылка	Номер детали	Кол-во	Описание
1	86999174	1	VALVE, PRESSURE RELIEF, Valve Assy, Rotary Air Screen, No Longer Available, Inc. 2 - 4, Order Components
2	86987869	1	VALVE, PRESSURE RELIEF, Relief, Inc. 3
3	87035062	1	PLUG, Hex Soc, 1/2"-20 ORB,
4	9625178	1	PLUG, Hex Soc, 9/16"-18 ORB,
5	149942C1	1	KIT, SEALS, Includes (2) O-rings And Back-Up Ring, Not Illustrated



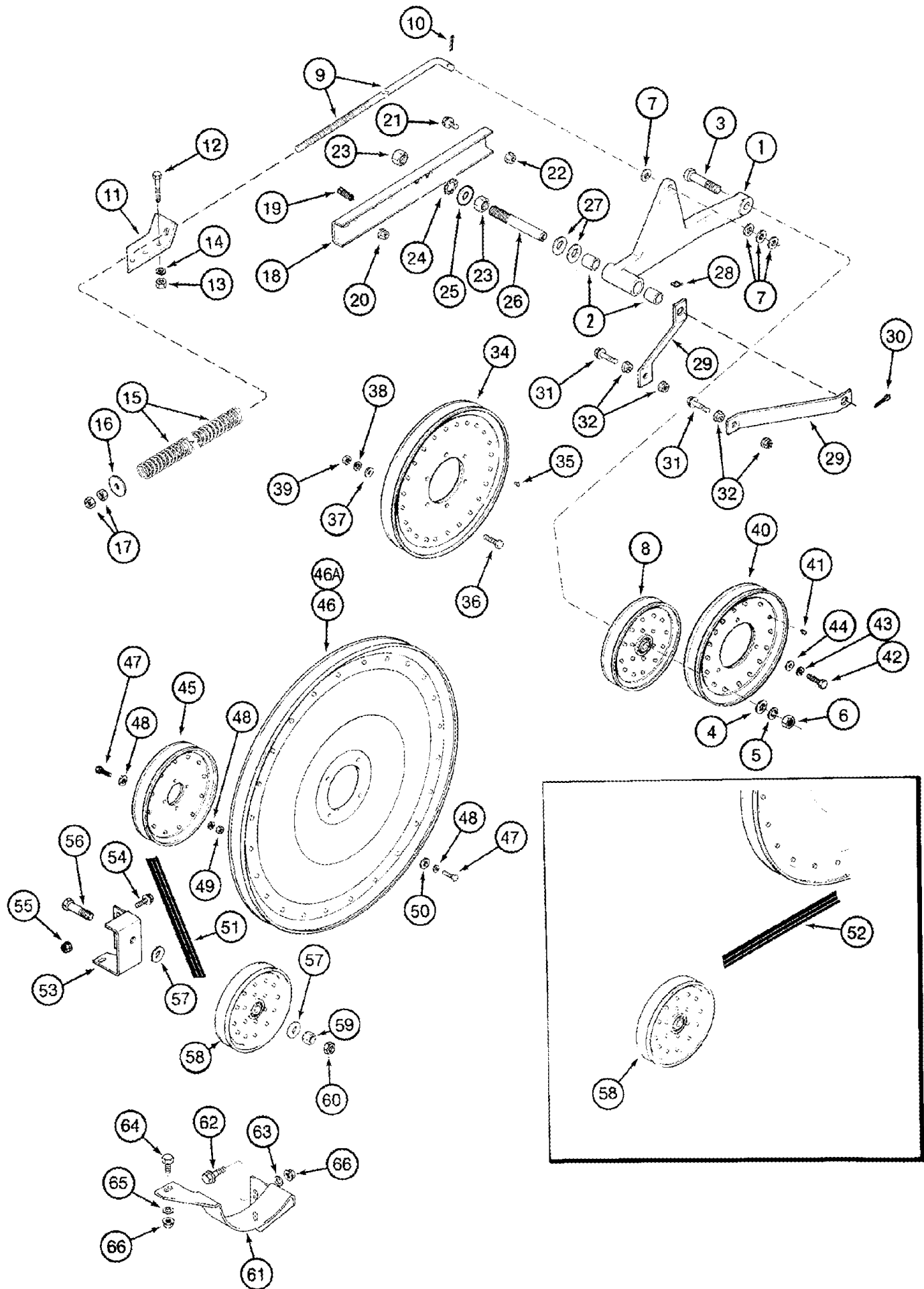
Note: To reduce the cleaning system speed on models prior to P.I.N. JJC0184544, order 303187A1 kit above.

09A-01 BELT DRIVE - JACKSHAFT, FAN

сылка	Номер детали	Кол-во	Описание
1	191529C91	1	LEVER ASSY., Inc. 2
2	556448R1	2	BUSHING,
3	495-11081	9	WASHER, 3/4", SAE,
4	219-87	1	NIPPLE, LUBE, 1/4"-28 x .56" lg, Self-Tap,
5	174520C2	1	ROD,
6	425-108	2	NUT, 1/2"-13, G5,
7	432-1216	1	PIN, SPLIT (COTTER), 3/16" x 1", 3/16" x 1"
8	495-11053	3	WASHER, 1/2", SAE, (17/32" x 1-1/16" x 3/32")
9	495-81287	1	WASHER, 17/32" x 1 1/4" x .120", 17/32 x 1-1/4 x 1/8
10	191777C2	1	SUPPORT,
13	231-5146	4	NUT, Flg, USR, 3/8"-16,
15	194652C1	1	PIVOT,
16	155311C1	1	SPRING,
17	663887R91	1	PULLEY, Fan Jackshaft Idler, 8 OD
18	425-1410	1	NUT, Jam, 5/8"-11, G5, 5/8
19	413-1048	1	BOLT, Hex, 5/8"-11 x 3", G5, 5/8 x 3
20	492-11062	1	WASHER, LOCK, 5/8",
21	495-11066	2	WASHER, 5/8", SAE, 21/32 x 1-5/16 x 3/32
22	191305C1	1	V-BELT, Fan Jackshaft, 112 in ov cntr, See Figure Note, BSN JJC0184544,
22A	301111A1	1	BELT, Fan Jackshaft, 114 in ov cntr, ASN JJC0184544
24	191603C2	1	PULLEY, Feeder, 12 in OD
25	183325C1	1	PULLEY, Fan Jackshaft, 13 in OD, See Figure Note, BSN JJC0184544,
25A	295918A1	1	PULLEY, Fan Jackshaft, ASN JJC0184544
26	193948C1	1	PULLEY, Cleaning Unit, 9-3/4 in OD
27	188298C2	1	STUD,
28	425-1012	2	NUT, 3/4"-10, G5,
29	432-1620	1	PIN, SPLIT (COTTER), 1/4" x 1 1/4", 1/4" x 1 1/4"
30	492-11075	1	WASHER, LOCK, 3/4", 3/4"
	303187A1	1	KIT, Includes: 301111A1 (Ref. 22A), 295918A1 (Ref.25A), 301228A1, 301226A1, 301146A1, 301141A1, 296022A1, 296023A1, 186283C2, See Figure(s) 9C-06, 9C-07, 9D-07, 9D-15, 9D-16
31	192011C2	1	SUPPORT, See Figure 09H-03, Use with 192623C3
34	413-640	3	BOLT, Hex, 3/8"-16 x 2 1/2", G5, 3/8 x 2-1/2
35	495-81129	6	WASHER, 13/32" x 3/4" x .120", 13/32 x 3/4 x 7/64
36	231-4116	3	NUT, LOCK, 3/8"-16, GB, 3/8
14	477-73816	4	SCREW, Sltd Serr Truss Hd, 3/8" x 1",

Note: To reduce the cleaning system speed on models prior to P.I.N. JJC0184544, order 303187A1 kit above.

09A-02 BELT DRIVE - RIGHT HAND SIDE

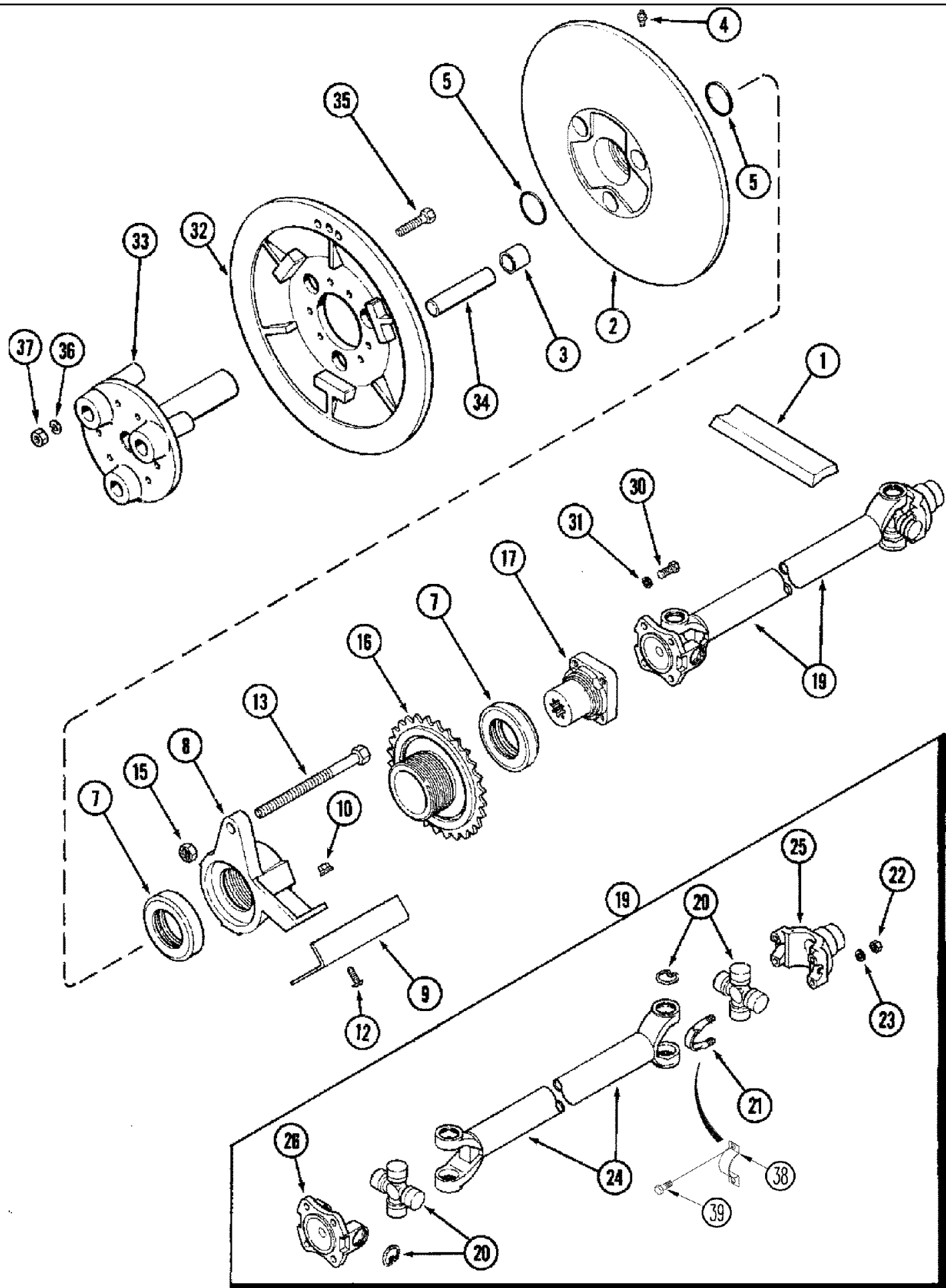


09A-02 BELT DRIVE - RIGHT HAND SIDE

Сылка	Номер детали	Кол-во	Описание
1	193447C91	1	ARM, Inc. 2
2	556448R1	2	BUSHING,
3	413-1048	1	BOLT, Hex, 5/8"-11 x 3", G5, 5/8 x 3
4	495-11066	1	WASHER, 5/8", SAE, 21/32 x 1-5/16 x 3/32
5	492-11062	1	WASHER, LOCK, 5/8",
6	425-1010	1	NUT, 5/8"-11, G5,
7	495-11053	4	WASHER, 1/2", SAE, (17/32" x 1-1/16" x 3/32")
8	673214R91	1	PULLEY, Elevator Drive, 186 mm (7-5/16 in.)
9	191531C2	1	ROD,
10	432-1216	1	PIN, SPLIT (COTTER), 3/16" x 1", 3/16" x 1"
11	1315483C1	1	BRACKET,
12	413-516	3	BOLT, Hex, 5/16"-18 x 1", G5, Full Thd, 5/16 x 1
13	425-105	3	NUT, 5/16"-18, G5,
14	492-11031	3	WASHER, LOCK, 5/16",
15	155311C1	1	SPRING,
16	495-81162	1	WASHER, 17/32" x 1 1/2" x .179", 17/32 x 1-1/2 x 11/64
17	425-108	2	NUT, 1/2"-13, G5,
18	186588C3	1	CHANNEL,
20	425-146	4	NUT, Jam, 3/8"-16, G5,
21	409-7616	1	BOLT, Hex Flg, 3/8"-16 x 1", Serr,
22	231-5146	1	NUT, Flg, USR, 3/8"-16,
23	425-1012	2	NUT, 3/4"-10, G5,
24	493-41078	1	WASHER, LOCK, Ext Tooth, 3/4", 3/4
25	495-11081	1	WASHER, 3/4", SAE,
26	188298C2	1	STUD,
27	495-11081	AR	WASHER, 3/4", SAE,
28	219-87	1	NIPPLE, LUBE, 1/4"-28 x .56" lg, Self-Tap,
29	182676C2	2	SUPPORT,
30	432-1620	1	PIN, SPLIT (COTTER), 1/4" x 1 1/4", 1/4" x 1 1/4"
31	477-73820	1	SCREW, Slt'd Serr Truss Hd, 3/8"-16 x 1 1/4", 3/8 x 1-1/4
31	409-7612	1	BOLT, Hex Flg, 3/8"-16 x 3/4", Serr,
32	231-5146	4	NUT, Flg, USR, 3/8"-16,
34	183325C1	1	PULLEY, Cleaning Unit, 13 in. OD, Inc. 35
35	104235	24	RIVET, FH, 3/16" x 1/2",
36	413-640	3	BOLT, Hex, 3/8"-16 x 2 1/2", G5, 3/8 x 2-1/2
37	495-81129	3	WASHER, 13/32" x 3/4" x .120", 13/32 x 3/4 x 7/64
38	492-11038	3	WASHER, LOCK, 3/8",
39	231-4116	3	NUT, LOCK, 3/8"-16, GB, 3/8
40	193948C1	1	PULLEY, Cleaning Unit, 9-3/4 in. OD, Inc. 41
41	47-49	16	RIVET, FH, 1/4" x 9/16", 1/4 x 9/16
42	413-620	3	BOLT, Hex, 3/8"-16 x 1 1/4", G5, Full Thd,
43	492-11038	3	WASHER, LOCK, 3/8",
44	495-81137	3	WASHER, 13/32" x 1" x .224", 13/32 x 1 x 15/64

09A-02 BELT DRIVE - RIGHT HAND SIDE

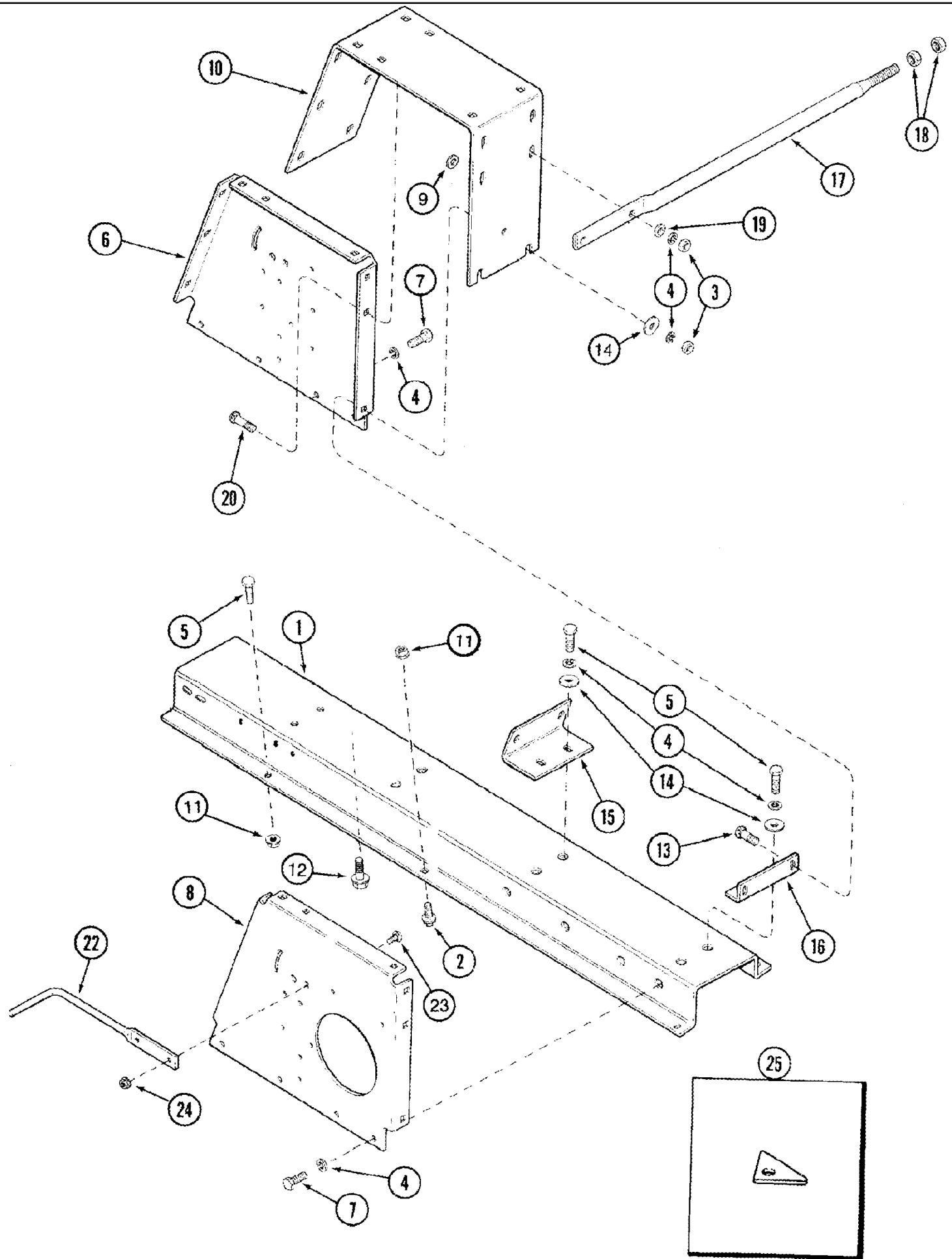
сылка	Номер детали	Кол-во	Описание
45	195161C1	1	PULLEY, Beater, 8-3/8 in. OD, Without Straw Chopper
46	193682C1	1	PULLEY, Shaker Shaft, 25 in OD, BSN JJC0252949
46A	359099A1	1	PULLEY, Shaker Shaft, ASN JJC0252950
47	413-516	8	BOLT, Hex, 5/16"-18 x 1", G5, Full Thd, 5/16 x 1
48	492-11031	12	WASHER, LOCK, 5/16",
49	425-105	4	NUT, 5/16"-18, G5,
50	495-11034	4	WASHER, 5/16", SAE, (11/32 x 11/16 x 1/16")
51	186509C2	1	BELT, 255 in ov cntr, Without Straw Chopper
52	181055C1	1	BELT, 201 in ov cntr, With Straw Chopper
53	188253C3	1	SUPPORT,
54	409-7616	4	BOLT, Hex Flg, 3/8"-16 x 1", Serr,
55	231-5146	4	NUT, Flg, USR, 3/8"-16,
56	413-1040	1	BOLT, Hex, 5/8"-11 x 2 1/2", G5, 5/8 x 2-1/2
57	495-11066	5	WASHER, 5/8", SAE, 21/32 x 1-5/16 x 3/32
57	492-11062	1	WASHER, LOCK, 5/8",
58	673214R91	1	PULLEY, Fixed Idler, 186 mm (7-5/16 in.)
59	425-1010	1	NUT, 5/8"-11, G5,
60	425-1410	1	NUT, Jam, 5/8"-11, G5, 5/8
61	1302068C2	1	GUIDE,
62	409-7620	2	BOLT, Hex Flg, 3/8"-16 x 1 1/4", Serr,
63	495-81135	3	WASHER, 13/32" x 1" x .120", 13/32 x 1 x 1/8
65	495-81135	1	WASHER, 13/32" x 1" x .120", 13/32 x 1 x 7/64
66	231-5146	3	NUT, Flg, USR, 3/8"-16,
19	477-73816	4	SCREW, Sltd Serr Truss Hd, 3/8" x 1",
64	477-73816	1	SCREW, Sltd Serr Truss Hd, 3/8" x 1",



09A-03 SEPARATOR - JACKSHAFT DRIVE

сылка	Номер детали	Кол-во	Описание
1	244420A1	1	BELT, 85 in ov cntr, BSN JJC0254999
1	244420A3	1	BELT, Seamless, ASN JJC0255000
2	1330054C1	1	PULLEY, Rotor Drive Variable, 17-1/2 OD, Inc. 3
3	194665C1	3	BUSHING,
4	219-86	1	NIPPLE, LUBE, 1/8" x .62" lg, Drive,
5	238-5226	2	O-RING, -226, 70 Duro, 1.984" ID x .139" Thk,
7	278927A1	2	BEARING, THRUST,
8	194394C1	1	HUB,
9	249397A1	1	SUPPORT,
10	231-5146	2	NUT, Flg, USR, 3/8"-16,
13	413-12144	1	BOLT, Hex, 3/4"-10 x 9", G5, 3/4 x 9, Replaces 413-12152
15	329-1412	1	NUT, Jam, 3/4"-10, G8,
16	194464C2	1	SPROCKET, 25T
17	191542C2	1	COUPLING, SPLINED, , BSN JJC0254999
17	411042A1	1	COUPLING, SPLINED, , ASN JJC0255000
19	413828A1	1	SHAFT ASSY., Inc. 20 - 26
20	1300502C1	1	KIT,
21	1300501C1	2	U-BOLT,
22	425-116	4	NUT, 3/8"-24, G5,
23	492-11038	4	WASHER, LOCK, 3/8",
24	NSS	1	NOT SERVICED SEPARATELY, SHAFT
25	NSS	1	NOT SERVICED SEPARATELY, YOKE
26	NSS	1	NOT SERVICED SEPARATELY, FLANGE
30	426-720	4	BOLT, Hex, 7/16"-14 x 1 1/4", G8, 7/16 x 1-1/4; 8
31	492-11044	4	WASHER, LOCK, 7/16",
32	188848C1	1	PULLEY, 17-1/2 in OD
33	188846C2	1	HUB, Inc. 34, BSN JJC0254999
33	411046A1	1	HUB, Inc. 34, ASN JJC0255000
34	191544C2	3	PIN,
35	326-828	6	BOLT, Hex, 1/2"-13 x 1 3/4", G8,
36	392-21050	6	WASHER, LOCK, 1/2", 1/2"
37	329-108	6	NUT, 1/2"-13, G8,
38	D137626	2	CLAMP, Bearing, ASN JJC0255000
39	D137627	4	BOLT, 5/16, ASN JJC0255000
12	477-73816	2	SCREW, Slt'd Serr Truss Hd, 3/8" x 1",

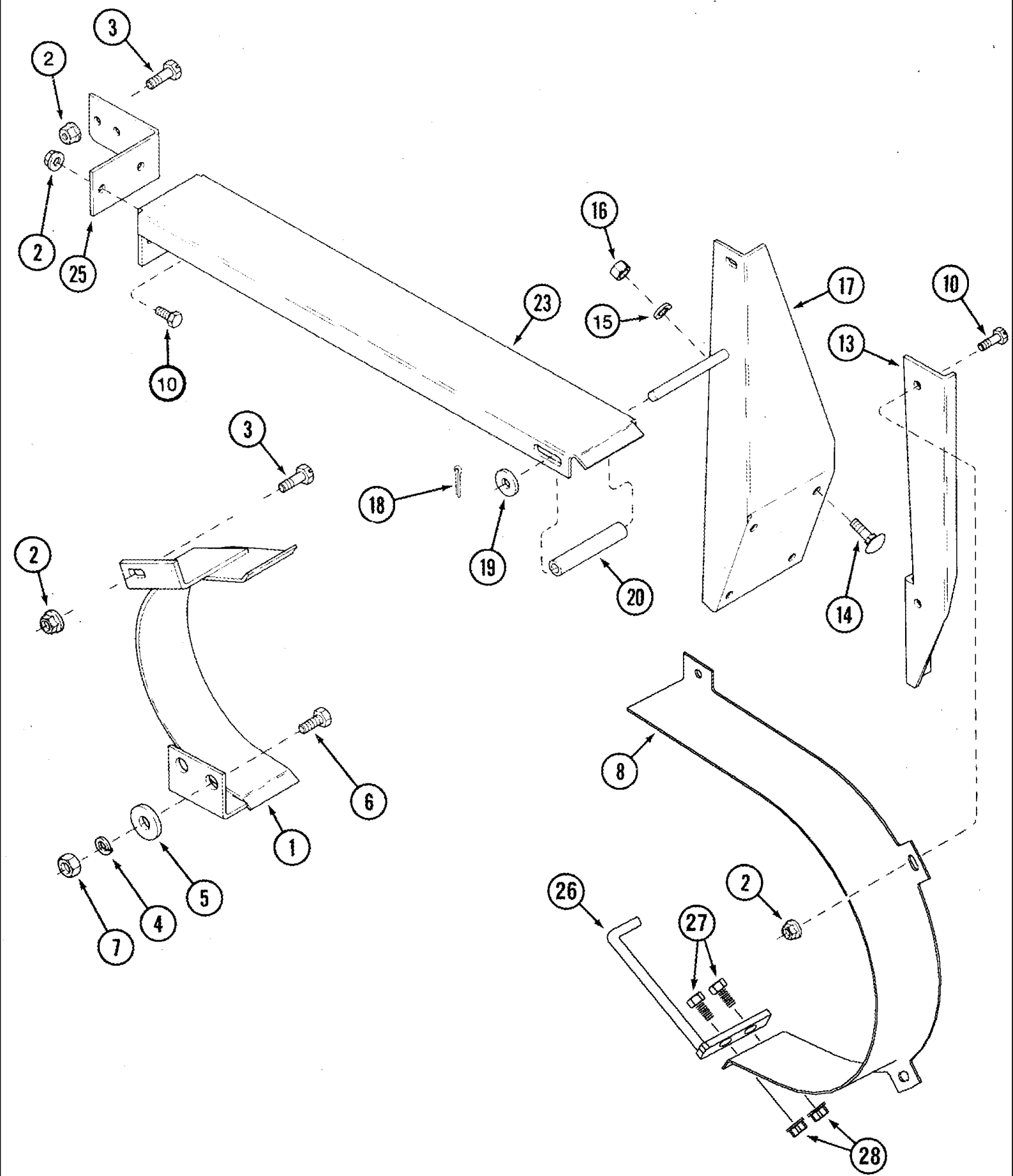
09A-04 SEPARATOR - JACKSHAFT SUPPORT



09A-04 SEPARATOR - JACKSHAFT SUPPORT

сылка	Номер детали	Кол-во	Описание
1	123837A2	1	SUPPORT,
2	409-7816	2	BOLT, Hex Flg, 1/2"-13 x 1", Serr, 1/2 x 1
3	425-108	7	NUT, 1/2"-13, G5,
4	80679	19	WASHER, LOCK, 1/2",
5	413-820	7	BOLT, Hex, 1/2"-13 x 1 1/4", G5, Full Thd, 1/2 x 1-1/4
6	181165C1	1	SUPPORT ASSY., Left Hand
7	413-816	8	BOLT, Hex, 1/2"-13 x 1", G5, Full Thd,
8	181166C1	1	SUPPORT, Right Hand
9	495-81162	1	WASHER, 17/32" x 1 1/2" x .179", 17/32 x 1-1/2 x 11/64
10	181167C1	1	SUPPORT, Manifold Bulkhead Fitting
11	231-5148	6	NUT, Flg, USR, 1/2"-13,
12	160-108	1	BOLT, Hex Flg, 1/2"-13 x 1 1/2", G8, Full Thd, 1/2 x 1-1/2; 8
13	433-820	5	BOLT, CARRIAGE, Short NK, 1/2"-13 x 1 1/4", G5,
14	495-81287	9	WASHER, 17/32" x 1 1/4" x .120", 17/32 x 1-1/4 x 7/64
15	181164C1	1	SUPPORT,
16	181172C1	1	SUPPORT, Rear
17	181171C1	1	ROD,
18	425-1110	2	NUT, 5/8"-18, G5,
19	495-81017	2	WASHER, 17/32" x 3/4" x .120", 17/32 x 3/4 x 1/8
20	434-824	2	BOLT, CARRIAGE, Short NK, 1/2"-13 x 1 1/2", G5, Full Thd, 1/2 x 1-1/2
22	194901C1	1	ROD,
23	434-612	2	BOLT, CARRIAGE, Short NK, 3/8"-16 x 3/4", G5, Full Thd, 3/8 x 3/4
24	231-5146	2	NUT, Flg, USR, 3/8"-16,
25	1345342C1	2	BAND,

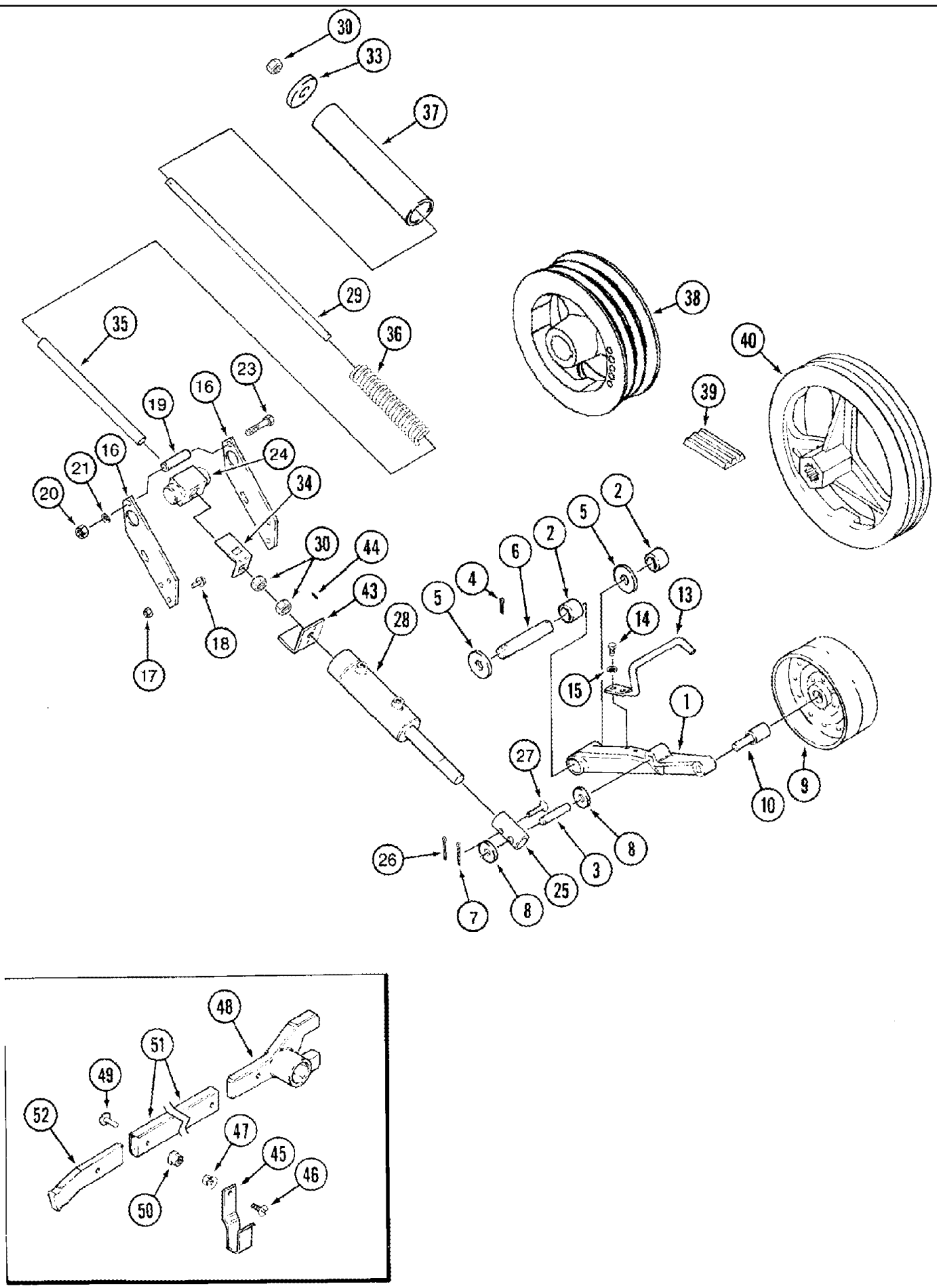
09A-05 SEPARATOR - SHIELD, DRIVE



09A-05 SEPARATOR - SHIELD, DRIVE

сылка	Номер детали	Кол-во	Описание
1	430384A1	1	SHIELD, Drive Pulley
2	231-5146	9	NUT, Flg, USR, 3/8"-16,
4	492-11038	2	WASHER, LOCK, 3/8",
5	495-81135	2	WASHER, 13/32" x 1" x .120", 13/32 x 1 x 1/8
6	413-616	2	BOLT, Hex, 3/8"-16 x 1", G5, Full Thd,
7	231-5146	2	NUT, Flg, USR, 3/8"-16,
8	191952C5	1	GUARD, Driven Pulley
10	477-73812	6	SCREW, Sltd Serr Truss Hd, 3/8" x 3/4", 3/8 x 3/4
13	181168C1	1	SUPPORT,
14	433-820	5	BOLT, CARRIAGE, Short NK, 1/2"-13 x 1 1/4", G5,
15	80679	5	WASHER, LOCK, 1/2",
16	425-108	5	NUT, 1/2"-13, G5,
17	181169C1	1	SUPPORT ASSY.,
18	432-1216	1	PIN, SPLIT (COTTER), 3/16" x 1", 3/16" x 1"
19	495-11053	1	WASHER, 1/2", SAE, (17/32" x 1-1/16" x 3/32")
20	188440C1	1	HOSE, 115 mm (4-5/8 in.), Cut From 526602R1
23	191961C2	1	SUPPORT,
25	193686C1	1	ANGLE,
26	293817A1	1	GUIDE,
27	477-73112	2	BOLT, Slotted Tr Hd, 5/16"-18 x 3/4",
28	425-285	2	NUT, Flg, 5/16"-18, G5,
3	477-73816	3	SCREW, Sltd Serr Truss Hd, 3/8" x 1",

09A-06 SEPARATOR - DRIVE PULLEY AND IDLER



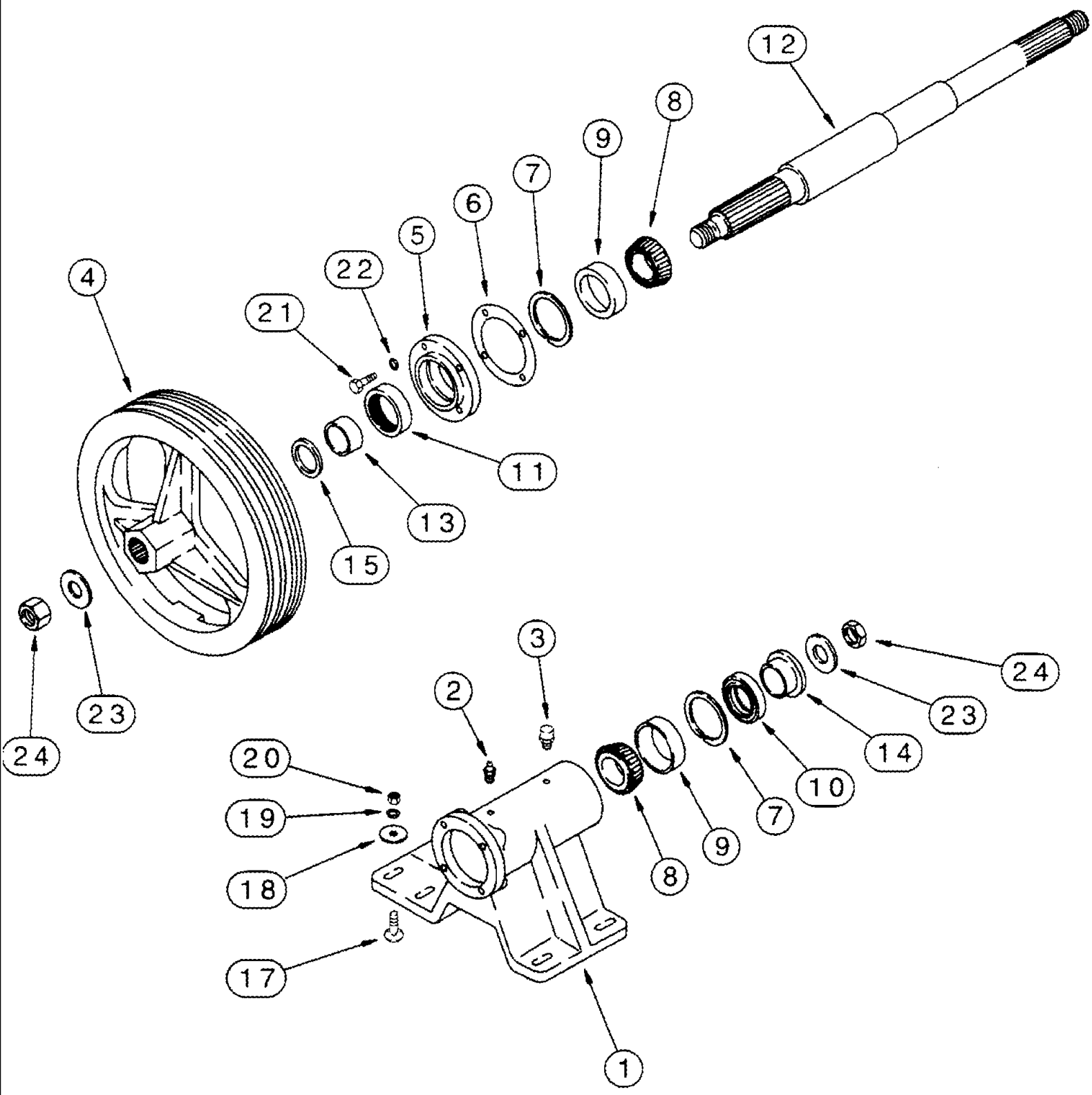
09A-06 SEPARATOR - DRIVE PULLEY AND IDLER

сылка	Номер детали	Кол-во	Описание
1	195457C93	1	LEVER, Inc. 2 & 3
2	1302308C1	2	BUSHING, 1 x 1-1/4 x 1-1/8
3	195459C2	1	PIN, LARGE,
4	432-1224	2	PIN, SPLIT (COTTER), 3/16" x 1 1/2",
5	495-81073	7	WASHER, 1 1/32" x 1 3/4" x .060", 1-1/32 x 1-3/4 x 1/16
6	1315229C2	1	PIN,
7	432-1216	1	PIN, SPLIT (COTTER), 3/16" x 1", 3/16" x 1"
8	495-81175	2	WASHER, 21/32" x 1" x .120", 21/32 x 1 x 1/8
9	174757C1	1	PULLEY, Idler, 8 in OD
10	559205R91	1	BEARING,
13	193284C1	1	ROD,
14	413-612	2	BOLT, Hex, 3/8"-16 x 3/4", G5, Full Thd, 3/8 x 3/4
15	492-11038	2	WASHER, LOCK, 3/8",
16	125380A1	2	SUPPORT,
17	231-5146	6	NUT, Flg, USR, 3/8"-16,
18	409-7620	6	BOLT, Hex Flg, 3/8"-16 x 1 1/4", Serr,
19	196676C1	1	SPACER,
20	425-106	1	NUT, 3/8"-16, G5,
21	492-11038	1	WASHER, LOCK, 3/8",
23	413-656	1	BOLT, Hex, 3/8"-16 x 3 1/2", G5, 3/8 x 3-1/2
24	186747C3	1	PIVOT,
25	125381A1	1	TUBE,
26	432-612	1	PIN, SPLIT (COTTER), 3/32" x 3/4",
27	427-6178	1	PIN, CLEVIS, 3/8" x 1.781",
28	REF	1	INSTRUCTION, CYLINDER ASSY., See Figure 08-33A
29	1303058C1	1	ROD,
30	425-1010	3	NUT, 5/8"-11, G5,
33	495-81030	1	WASHER, 21/32" x 2" x .179", 21/32 x 2 x 11/64
34	186748C1	1	BRACKET,
35	186744C1	1	TUBE,
36	186745C1	1	SPRING,
37	186746C1	1	TUBE,
38	191461C1	1	PULLEY, Drive, 11 in OD, See Figure 06-01, BSN JJC0253999
38	389433A1	1	PULLEY ASSY., Drive, 11 in OD, See Figure 06-02, ASN JJC0254000
39	191241C3	1	BELT, 130 in ov cntr, Separator Drive
40	191452C2	1	PULLEY, Driven, 14-3/4 in OD
43	186749C1	1	BRACKET,
44	38-11612	1	PIN, LOCK, 1/4" x 3/4", Slotted, 1/4" x 3/4", Slotted
45	1979908C1	2	CLIP,
46	477-73112	2	BOLT, Slotted Tr Hd, 5/16"-18 x 3/4",
47	231-5145	2	NUT, Flg, USR, 5/16"-18,
48	1979527C1	1	WRENCH-HOOK,
49	477-73820	2	SCREW, Slt'd Serr Truss Hd, 3/8"-16 x 1 1/4", 3/8 x 1-1/4

2366 CASE IH AXIAL-FLOW COMBINE (NA) (1/98-8/04)

09A-06 SEPARATOR - DRIVE PULLEY AND IDLER

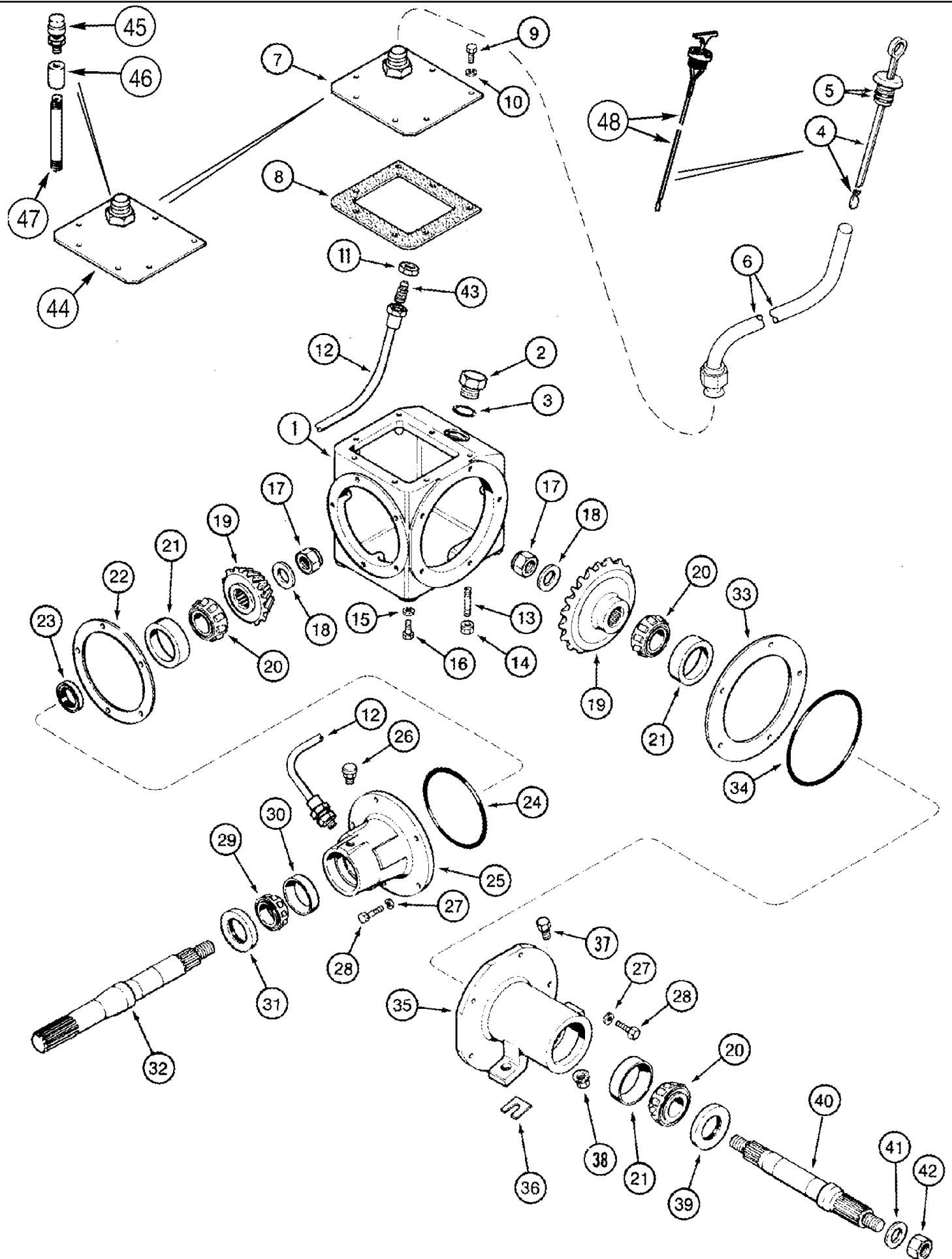
сылка	Номер детали	Кол-во	Описание
50	231-5146	2	NUT, Fig, USR, 3/8"-16,
51	1979526C2	1	HANDLE,
52	1979751C2	1	BAR,



09A-07 JACKSHAFT BEARING BLOCK - FOR USE WITH DISCHARGE BEATER

сылка	Номер детали	Кол-во	Описание
1	181369C1	1	HOUSING,
2	219-1	1	NIPPLE, LUBE, 1/8"-27 x .66 lg,
3	219-434	1	BREATHER, 1/8"-27 NPT, Short, w/washer, 1/8 PT x 1
4	191452C2	1	PULLEY, Driven, 14-3/4 in OD
5	189419C1	1	HUB,
6	156229C1	AR	SHIM, 0.005 in
6	188183C1	AR	SHIM, 0.007 in
6	188184C1	AR	SHIM, 0.010 in
7	378691R1	2	RING,
8	61802C91	2	BEARING, CONE, 1-15/32 ID
9	61801C1	2	BEARING, CUP, 2-31/64 OD
10	188931C1	1	SEAL, Front
11	384386R91	1	SEAL, Rear
12	1957657C2	1	SHAFT, , BSN JJC0254999
12	411044A1	1	SHAFT, , ASN JJC0255000
13	191518C2	1	SPACER,
14	188930C1	1	RING,
15	162678C1	AR	WASHER, 1-1/2 x 2 x 1/16
17	433-828	6	BOLT, CARRIAGE, Short NK, 1/2"-13 x 1 3/4", G5, 1/2 x 1-3/4
18	396-41053	6	WASHER, 17/32" x 1 1/4" x .188", HDN, 17/32 x 1-1/4 x 3/16
19	80679	6	WASHER, LOCK, 1/2",
20	425-108	6	NUT, 1/2"-13, G5,
21	426-516	4	BOLT, Hex, 5/16"-18 x 1", G8, Full Thd, 5/16 x 1; 8
22	492-11031	4	WASHER, LOCK, 5/16",
23	496-21106	2	WASHER, 1 1/16" x 2" x .209", Hardened
24	232-41316	2	NUT, LOCK, 1"-8, GC,

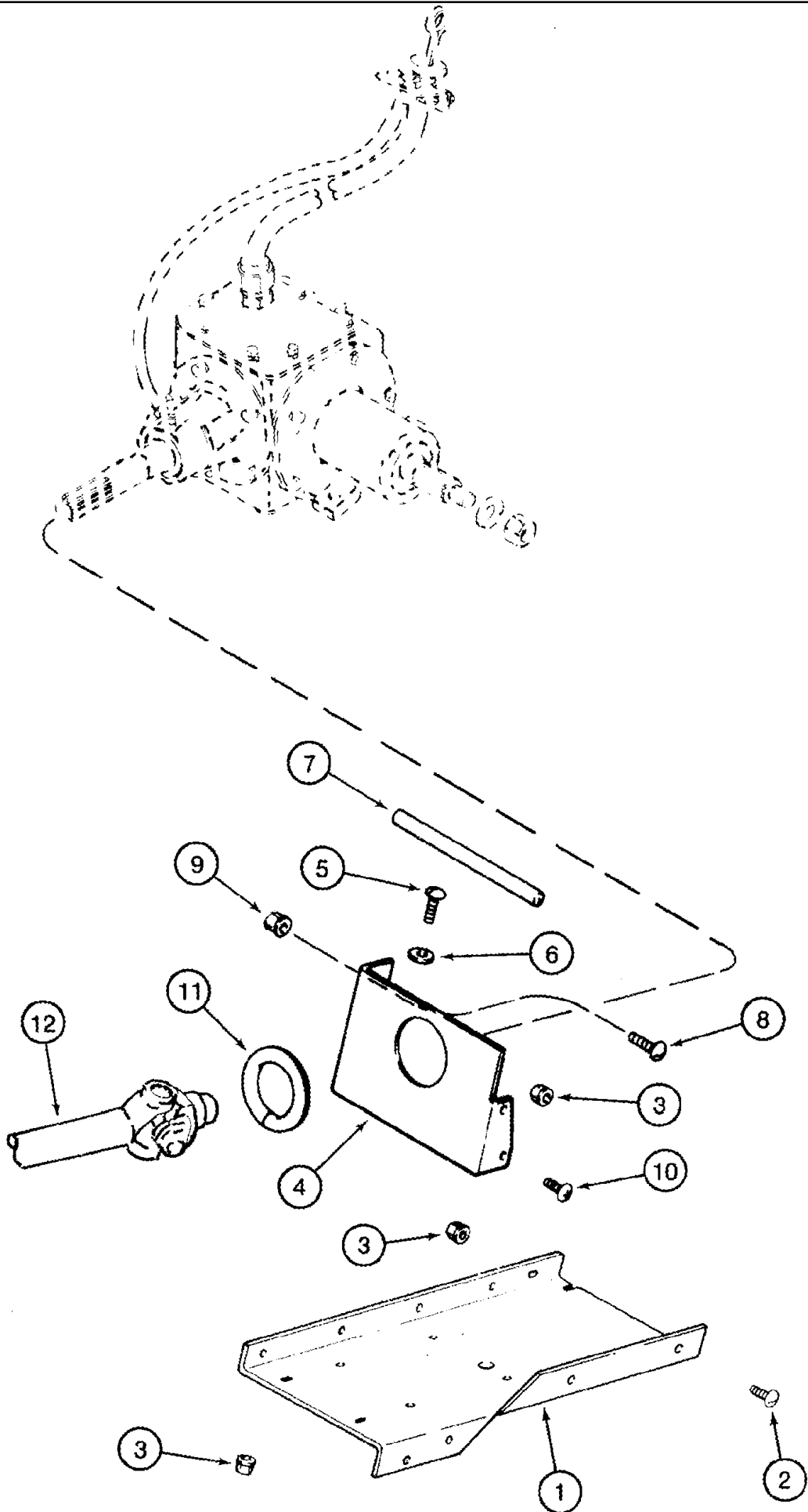
09A-08 FEEDER - HOUSING, DRIVE AND FAN GEAR



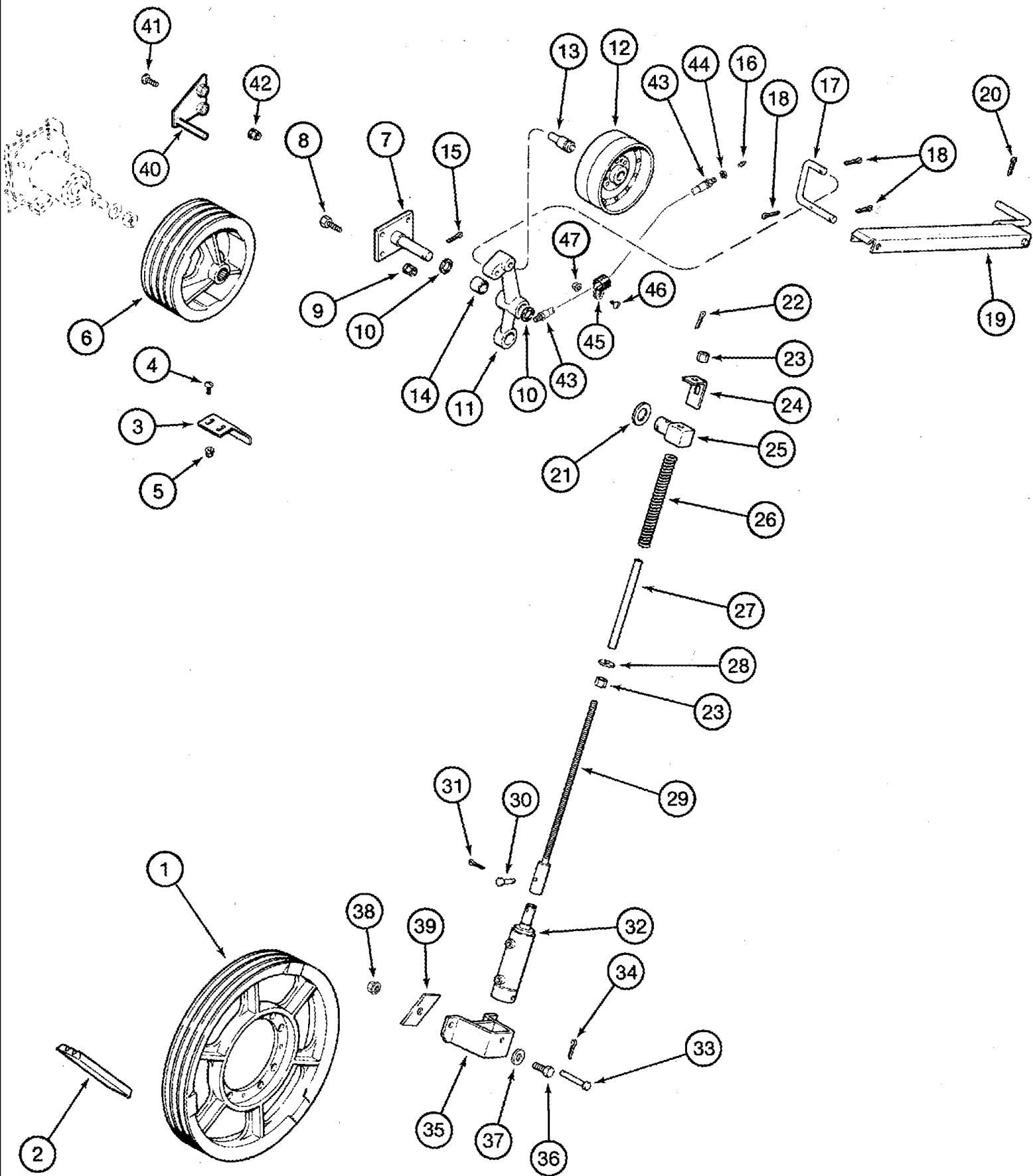
09A-08 FEEDER - HOUSING, DRIVE AND FAN GEAR

сылка	Номер детали	Кол-во	Описание
	349262A1	1	GEARBOX, Forward Gearcase, No Longer Offered, Order 400244A1
	400244A1	1	GEARBOX, Feeder Drive, Replaces 349262A1, Inc. 1 - 3, 8 - 10, 14, 20 - 32, 35, & 39 - 47
1	191388C1	1	CASE, For 349262A1 Gearbox
1	NSS	1	NOT SERVICED SEPARATELY, CASE, For 400244A1 Gearbox
2	273916	1	PLUG, Hex Hd, 1 5/16"-12 ORB, Includes Ref. 3
3	237-6016	1	O-RING, 16-1, 90 Duro, 1.171" ID x .118" Thk,
4	122115A2	1	GAUGE, Vented, Inc. 5, For 349262A1 Gearbox, Use with 122111A1, REF 7
5	238-5210	2	O-RING, -210, 70 Duro, .734" ID x .139" Thk,
6	122113A1	1	TUBE,
7	122111A1	1	COVER, Without Hole, No Longer Used, For Service Order 122111A2, Ref. 44, For 349262A1 Gearbox
8	191397C2	1	GASKET,
9	413-612	7	BOLT, Hex, 3/8"-16 x 3/4", G5, Full Thd, 3/8 x 3/4
10	492-11038	7	WASHER, LOCK, 3/8",
11	F53473	1	NUT, 1/8 PT
12	1339006C1	1	HOSE, 914 mm (36 in.)
13	188126	1	PIPE, Nipple, 3/8" NPT x 2",
14	144164	1	O-RING,
15	80679	4	WASHER, LOCK, 1/2",
16	413-816	4	BOLT, Hex, 1/2"-13 x 1", G5, Full Thd,
17	195428C1	2	NUT,
18	496-21094	2	WASHER, 15/16" x 1 3/4" x .179", HDN,
19	1315597C1	1	GEAR SET, 18/31T
20	197609R91	3	BEARING, CONE, 1-3/8 ID
21	197608R1	3	BEARING, CUP, 3 in. OD
	195484C2	1	KIT, SHIM, Inc. 22
22	NSS	4	NOT SERVICED SEPARATELY, SHIM
22	NSS	4	NOT SERVICED SEPARATELY, SHIM
22	NSS	2	NOT SERVICED SEPARATELY, SHIM
23	938294R91	1	SEAL,
24	238-5250	1	O-RING, -250, 70 Duro, 4.984" ID x .139" Thk,
25	191245C2	1	HUB, For 349262A1 Gearbox
25	404306A1	1	HOUSING, For 400244A1 Gearbox
26	219-434	1	BREATHER, 1/8"-27 NPT, Short, w/washer, 1/8 PT x 1
27	492-11038	10	WASHER, LOCK, 3/8",
28	413-620	10	BOLT, Hex, 3/8"-16 x 1 1/4", G5, Full Thd,
29	618023R91	1	BEARING, CONE, 1-3/8 inch ID
30	618024R1	1	BEARING, CUP, 2-1/2 OD
31	192527C1	1	SEAL,
32	191396C1	1	SHAFT, Input
	195485C1	1	KIT, SHIM, Inc. 33
33	NSS	2	NOT SERVICED SEPARATELY, SHIM
33	NSS	2	NOT SERVICED SEPARATELY, SHIM
33	NSS	2	NOT SERVICED SEPARATELY, SHIM

сылка	Номер детали	Кол-во	Описание
34	238-5259	1	O-RING, -259, 70 Duro, 6.234" ID x .139" Thk,
35	191248C1	1	HUB,
36	935915R1	8	SHIM, 0.015 in.
37	426-824	2	BOLT, Hex, 1/2"-13 x 1 1/2", G8, Full Thd,
38	231-5148	2	NUT, Flg, USR, 1/2"-13,
39	192528C1	1	SEAL,
40	191384C2	1	SHAFT, Output
41	496-21094	1	WASHER, 15/16" x 1 3/4" x .179", HDN,
42	231-46114	1	NUT, LOCK, 7/8"-14, GB, 7/8
43	219-8	1	NIPPLE, LUBE, 1/4"-28 NPT x .54" lg,
44	122111A2	1	PLATE, With Hole, For 349262A1 Gearbox
44	391647A1	1	PLATE, For 400244A1 Gearbox
45	219-434	1	BREATHER, 1/8"-27 NPT, Short, w/washer, 1/8 PT x 1
46	217-95	1	COUPLING, 1/8"-27, Brass, For 349262A1 Gearbox
46	221-1344	1	COUPLING, 1/4 x 1/8, For 400244A1 Gearbox
47	144587	1	PIPE, Nipple, 1/8" NPT x 2", Brass, For 349262A1 Gearbox
47	221-1142	1	PIPE, Nipple, 1/4" NPT x 4 1/2", For 400244A1 Gearbox
48	336513A1	1	DIPSTICK, Non-Vented



сылка	Номер детали	Кол-во	Описание
1	194521C1	1	SUPPORT,
2	477-73812	4	SCREW, Sltd Serr Truss Hd, 3/8" x 3/4", 3/8 x 3/4
3	231-5146	6	NUT, Flg, USR, 3/8"-16,
4	191399C2	1	SUPPORT,
6	495-51053	4	WASHER, 1/2", 17/32 x 1 x 1/16
7	191497C1	1	STRIP, 270 mm (10-5/8 in.)
8	450-73816	2	SCREW, CrossSerr Truss Hd, 3/8"-16 x 1", 3/8 x 1
9	231-5146	7	NUT, Flg, USR, 3/8"-16,
10	477-73812	5	SCREW, Sltd Serr Truss Hd, 3/8" x 3/4", 3/8 x 3/4
11	191496C1	1	STRIP, 300 mm (11-7/8 in.)
12	REF	1	INSTRUCTION, JOINT Universal, See Figure 09A-03
5	477-73816	2	SCREW, Sltd Serr Truss Hd, 3/8" x 1",



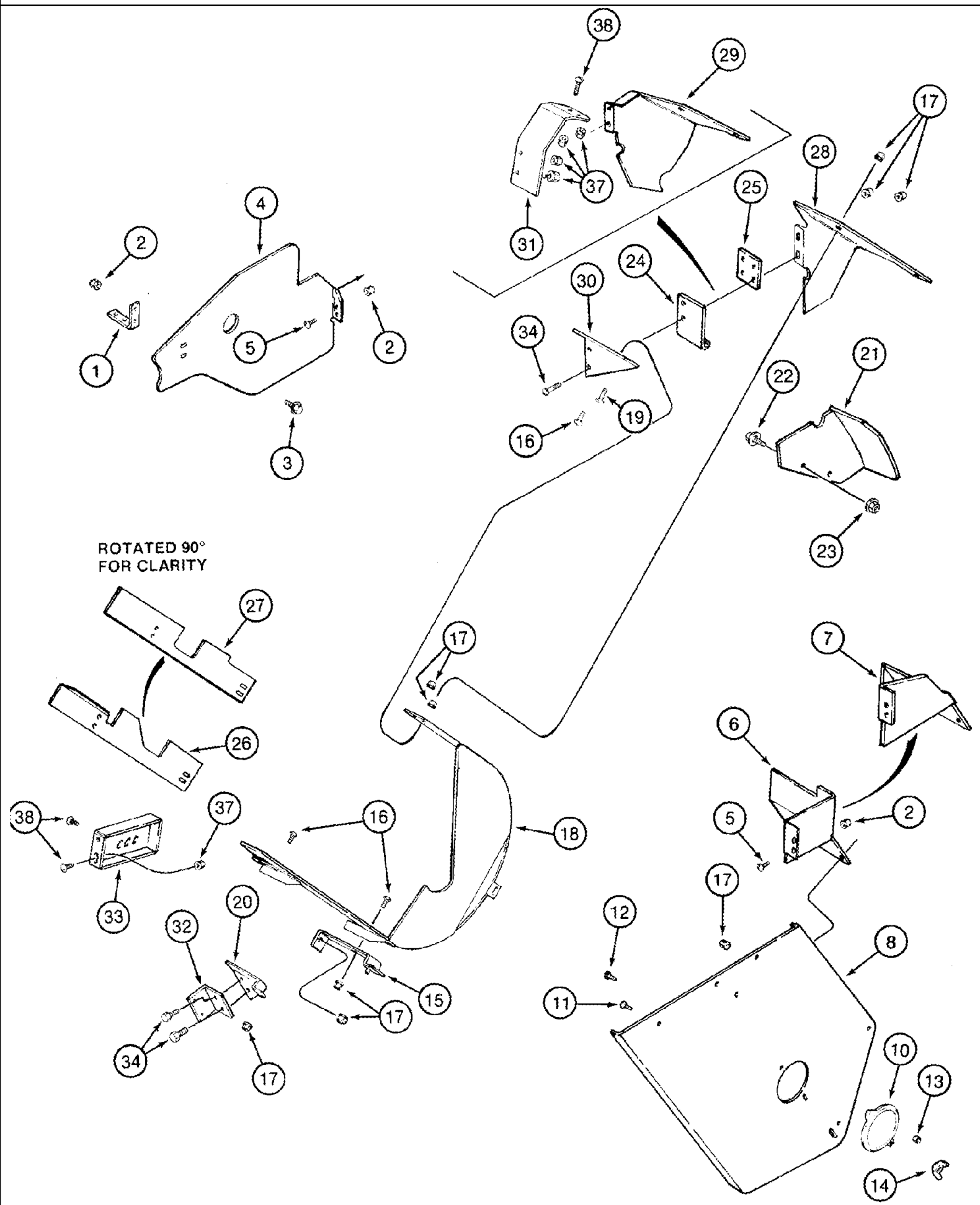
09A-10 FEEDER - DRIVE

сылка	Номер детали	Кол-во	Описание
1	1305297C1	1	PULLEY, Driven, 22-9/16 OD, BSN JJC0253999
1	396781A1	1	PULLEY, Driven, 22-9/16 OD, ASN JJC0254000
2	192738C1	1	V-BELT, 3816 mm (150-1/4 in.), Without Rock Trap
2	1315168C1	1	V-BELT, 4229 mm (166-1/2 in.), With Rock Trap
3	194383C3	1	BRACKET,
4	477-73116	2	SCREW, Slt'd Serr Truss Hd, 5/16"-18 x 1", 5/16 x 1
5	231-5145	2	NUT, Flg, USR, 5/16"-18,
6	191603C2	1	PULLEY, Drive, 12 in. OD
7	185414C2	1	SUPPORT,
8	477-73820	2	SCREW, Slt'd Serr Truss Hd, 3/8"-16 x 1 1/4", 3/8 x 1-1/4
9	231-5146	6	NUT, Flg, USR, 3/8"-16,
10	495-81069	6	WASHER, 1 1/32" x 1 1/2" x .060", 1-1/32 x 1-1/2 x 1/16
	192105C93	1	LEVER, Inc. 11 - 14
11	NSS	1	NOT SERVICED SEPARATELY, LEVER
12	174757C1	1	PULLEY, Idler, 8 in. OD
13	559205R91	1	BEARING,
14	1302308C1	2	BUSHING, 1 x 1-1/4 x 1-1/8
15	432-1624	1	PIN, SPLIT (COTTER), 1/4" x 1 1/2",
16	219-8	1	NIPPLE, LUBE, 1/4"-28 NPT x .54" lg,
17	116032A1	1	HOOK,
18	432-1216	3	PIN, SPLIT (COTTER), 3/16" x 1", 3/16" x 1"
19	116028A2	1	HOLDER,
20	432-1216	1	PIN, SPLIT (COTTER), 3/16" x 1", 3/16" x 1"
21	495-81225	1	WASHER, 1 17/32" x 2 1/2" x .060", 1-17/32 x 2-1/2 x 3/64
22	432-1240	1	PIN, SPLIT (COTTER), 3/16" x 2 1/2",
23	425-108	3	NUT, 1/2"-13, G5,
24	182922A1	1	SUPPORT,
25	186890C4	1	PIVOT,
26	PO23	1	SPRING,
27	182921A1	1	SPACER,
28	495-81162	1	WASHER, 17/32" x 1 1/2" x .179", 17/32 x 1-1/2 x 3/16
29	194216C3	1	ROD,
30	427-6156	1	PIN, CLEVIS, 3/8" x 1 9/16",
31	432-612	1	PIN, SPLIT (COTTER), 3/32" x 3/4",
32	133405C92	1	CYLINDER, Feeder Clutch, See Figure 08-33
33	439-1652	1	PIN, HEADED, 3/8" x 3 1/4", 3/8 x 3-1/4; 2
34	432-812	1	PIN, SPLIT (COTTER), 1/8" x 3/4",
35	194369C2	1	SUPPORT,
36	413-824	2	BOLT, Hex, 1/2"-13 x 1 1/2", G5, Full Thd, 1/2 x 1-1/2
37	495-11053	2	WASHER, 1/2", SAE, (17/32" x 1-1/16" x 3/32")
38	231-5148	2	NUT, Flg, USR, 1/2"-13,
39	183373A1	1	PLATE, LARGE, , Without Rock Trap
40	195109C1	1	ROD ASSY.,

09A-10 FEEDER - DRIVE

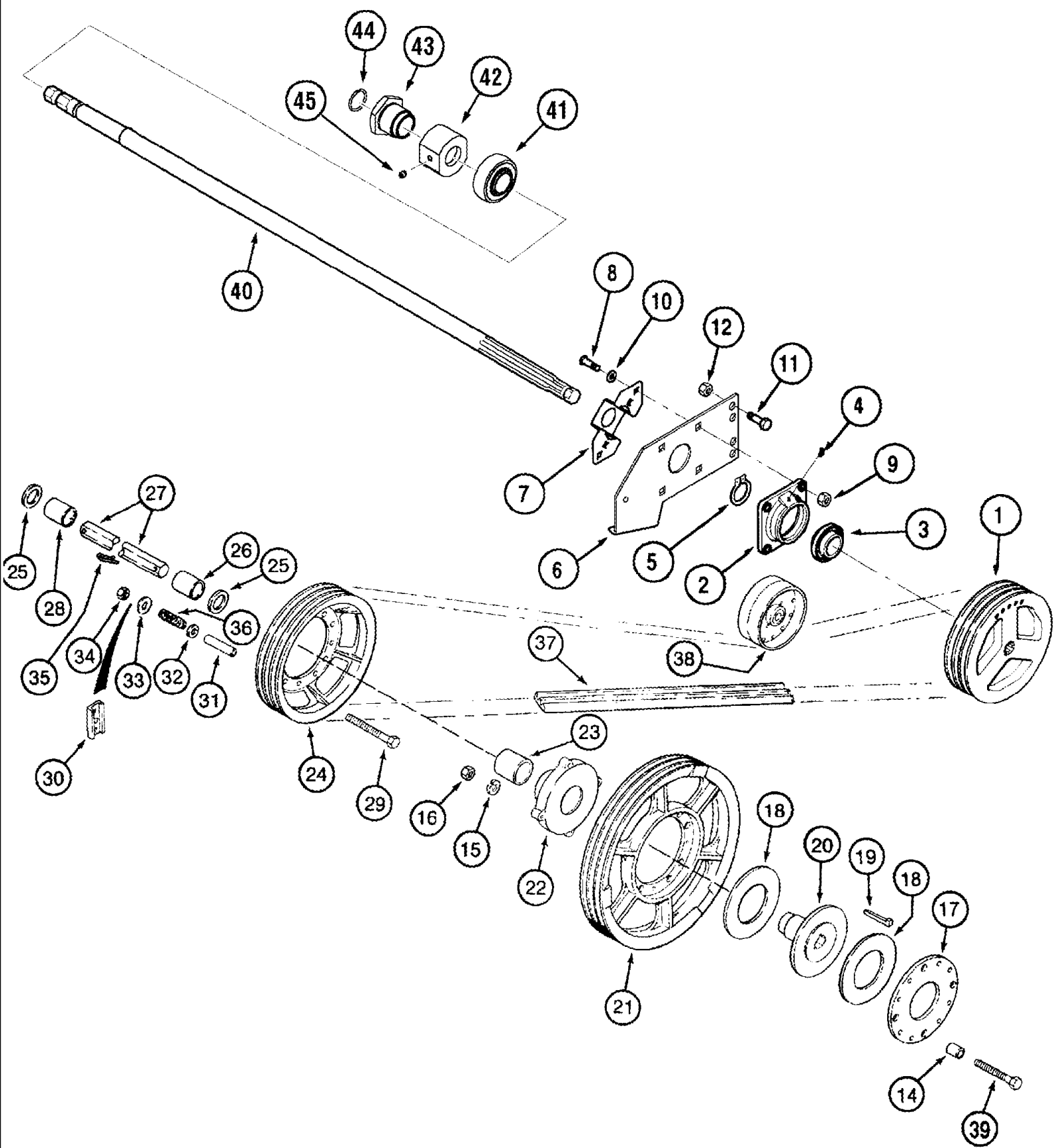
сылка	Номер детали	Кол-во	Описание
42	231-5146	2	NUT, Flg, USR, 3/8"-16,
43	937781R92	1	HOSE, 686 mm (27-1/8 in.)
44	F53473	1	NUT, 1/8 PT
45	516-23127	1	CLAMP, J, 9/16" Insul, 3/8" Bolt, , Without Rock Trap
45	370383R1	1	CLIP, , With Rock Trap
46	477-73812	1	SCREW, Slt'd Serr Truss Hd, 3/8" x 3/4", 3/8 x 3/4
47	231-5146	1	NUT, Flg, USR, 3/8"-16,
8	477-73816	4	SCREW, Slt'd Serr Truss Hd, 3/8" x 1",
41	477-73816	2	SCREW, Slt'd Serr Truss Hd, 3/8" x 1",

09A-11 FEEDER - SHIELDS, DRIVE



09A-11 FEEDER - SHIELDS, DRIVE

сылка	Номер детали	Кол-во	Описание
1	186081C1	1	ANGLE,
2	231-5145	4	NUT, Flg, USR, 5/16"-18,
3	409-7516	2	BOLT, Hex Flg, 5/16"-18 x 1", Serr,
4	135755A3	1	SUPPORT,
5	477-73108	2	SCREW, Sltd Serr Truss Hd, 5/16"-18 x 1/2", 5/16 x 1/2
6	175070A3	1	SHIELD, , Without Rock Trap
7	183584A1	1	GUARD, , With Rock Trap
8	192124C6	1	COVER,
10	188315C1	1	DOOR,
11	477-82508	1	SCREW, Sltd Serr Truss Hd, 1/4"-20 x 1/2", 1/4 x 1/2; 8
12	413-48	1	BOLT, Hex, 1/4"-20 x 1/2", G5, Full Thd, 1/4 x 1/2
13	231-1444	1	NUT, LOCK, 1/4"-20, GB,
14	129-409	1	NUT, WING, 1/4"-20,
15	135602A1	1	SUPPORT,
16	477-73812	12	SCREW, Sltd Serr Truss Hd, 3/8" x 3/4", 3/8 x 3/4
17	231-5146	18	NUT, Flg, USR, 3/8"-16,
18	194380C4	1	HOUSING,
19	477-73820	3	SCREW, Sltd Serr Truss Hd, 3/8"-16 x 1 1/4", 3/8 x 1-1/4
20	188045C2	1	SUPPORT ASSY.,
21	185334A2	1	SHIELD,
22	409-7512	2	BOLT, Hex Flg, 5/16"-18 x 3/4", Serr,
23	231-5145	2	NUT, Flg, USR, 5/16"-18,
24	194364C2	1	HINGE,
25	182804A1	1	PLATE, LARGE,
26	132970A4	1	SHIELD, , Without Rock Trap
27	132968A4	1	SHIELD, , With Rock Trap
	413-824	2	BOLT, Hex, 1/2"-13 x 1 1/2", G5, Full Thd, 1/2 x 1-1/2
	495-11053	2	WASHER, 1/2", SAE, (17/32" x 1-1/16" x 3/32")
	231-5148	2	NUT, Flg, USR, 1/2"-13,
28	132971A4	1	COVER, , Without Rock Trap
29	132969A3	1	COVER, , With Rock Trap
30	192131C5	1	SUPPORT, , Without Rock Trap
31	1989332C5	1	SUPPORT, , With Rock Trap
32	1315075C1	1	ANGLE, , With Rock Trap
33	1315083C1	1	SUPPORT, , With Rock Trap
37	231-5146	6	NUT, Flg, USR, 3/8"-16,
38	477-73812	5	SCREW, Sltd Serr Truss Hd, 3/8" x 3/4", 3/8 x 3/4
39	516-23127	1	CLAMP, J, 9/16" Insul, 3/8" Bolt, Not Illustrated
34	477-73816	4	SCREW, Sltd Serr Truss Hd, 3/8" x 1",

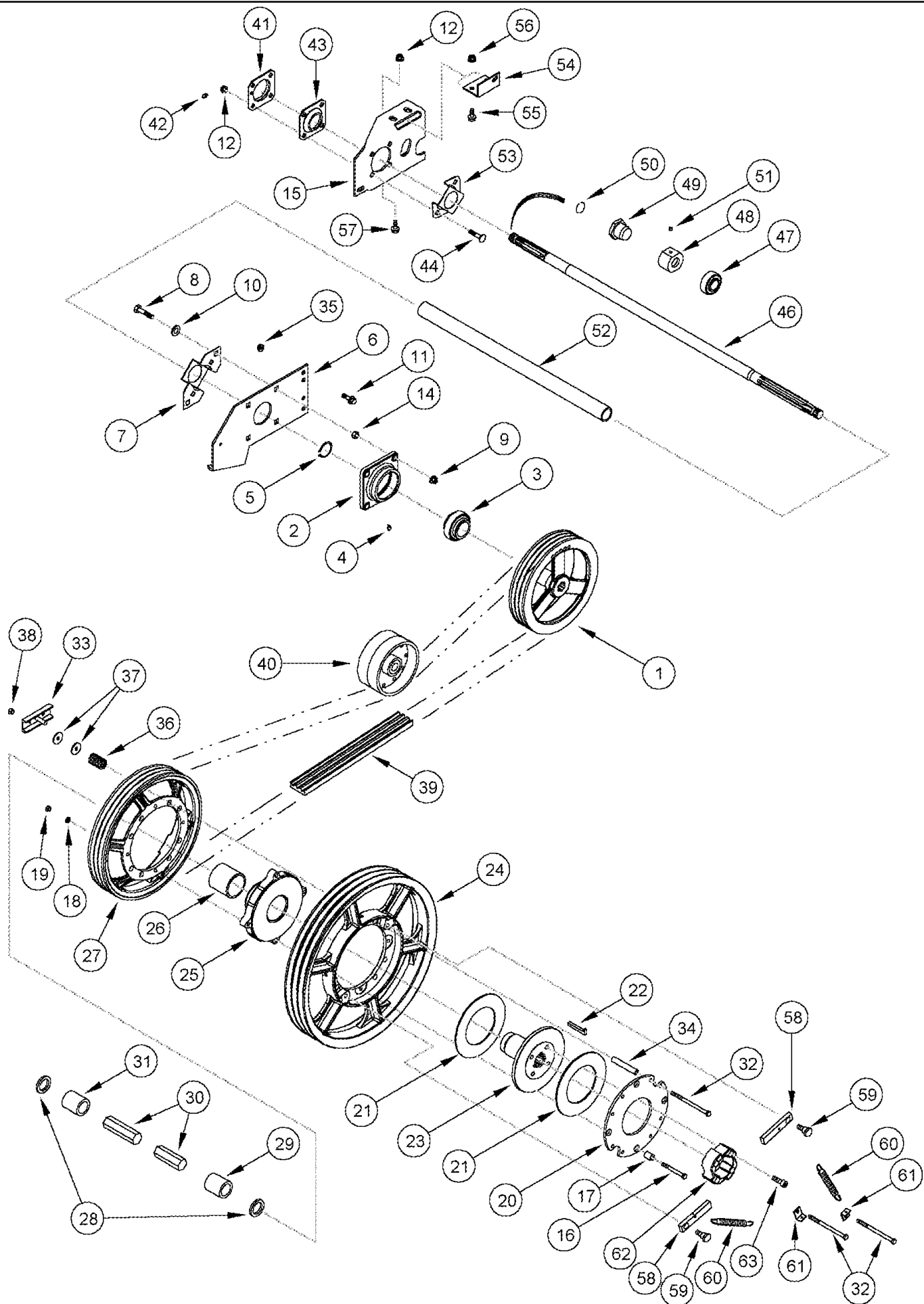


сылка	Номер детали	Кол-во	Описание
	241930A1	1	PULLEY, Inc. 1 - 5
1	238967A2	1	PULLEY,
	241929A2	1	BEARING ASSY, Inc. 2 - 4
2	NSS	1	NOT SERVICED SEPARATELY, HOUSING
3	193282C91	1	BEARING, BALL,
4	219-40	1	NIPPLE, LUBE, 65c, 1/8" NPT x 7/8" lg, 65 deg., 1/8 PT x 7/8
5	100-11200	1	RING, SNAP, #200, Ext,
6	239239A2	1	SUPPORT, Right Hand
6B	100290A1	1	SUPPORT, Right Hand, Not Illustrated, With Field Tracker
7	240436A2	1	SUPPORT,
8	433-1028	4	BOLT, CARRIAGE, Short NK, 5/8"-11 x 1 3/4", G5, 5/8 x 1-3/4
9	231-51410	4	NUT, Flg, USR, 5/8"-11,
10	498-81010	4	WASHER, 41/64" x 1 1/2" x .105", Sq Hole, Square Hole, 21/32 x 1-1/2 x 3/32
11	413-820	2	BOLT, Hex, 1/2"-13 x 1 1/4", G5, Full Thd, 1/2 x 1-1/4
12	231-5148	2	NUT, Flg, USR, 1/2"-13,
14	1305375C1	4	SPACER,
15	492-11038	4	WASHER, LOCK, 3/8",
16	329-106	4	NUT, 3/8"-16, G8,
17	185955C1	1	PLATE,
18	181579C1	2	LINING,
19	Q3959	2	KEY, Gib, 3/8" Sq x 4 1/2",
20	1305154C2	1	HUB,
21	1305297C1	1	PULLEY, Driven, 22-9/16 OD, See Figure 09A-10
22	1305220C91	1	HUB ASSY., Inc. 23
23	610435C1	1	BUSHING,
24	1305288C1	1	PULLEY, Drive, 16-11/16 OD
25	495-81093	AR	WASHER, 1 25/32" x 2 1/2" x .120", 1-3/4 x 2-1/2 x 1/8
26	584608R1	1	SPACER, 86 mm (3-3/8 in.)
27	1320160C3	1	SHAFT, Conveyor, See Figure 09A-22
28	1305393C1	1	SPACER, Left Hand, 2-35/64
29	1315319C1	8	BOLT, 3/8 x 6; 8
30	1315316C1	2	SUPPORT, , With Rock Trap
31	1305370C3	8	SPACER,
32	495-81129	8	WASHER, 13/32" x 3/4" x .120", 13/32 x 3/4 x 7/64
33	495-81143	16	WASHER, 13/32" x 1 1/2" x .120", 13/32 x 1-1/2 x 7/64
34	231-4116	8	NUT, LOCK, 3/8"-16, GB, 3/8
35	432-2040	1	PIN, SPLIT (COTTER), 5/16" x 2 1/2", 5/16" x 2 1/2"
36	1305692C2	8-10	SPRING, Models With Rock Trap
37	1313097C3	1	BELT, 146 in. ov cntr, With 54-1/2 Inch Feeder
37	1308489C2	1	BELT, 132 in. ov cntr, With 60 Inch Feeder
38	176579C1	1	PULLEY, Drive Tightener, 8 in. OD, See Figure(s) 09A-13 - 09A-15
39	326-656	4	BOLT, Hex, 3/8"-16 x 3 1/2", G8,
	253531A1	1	SHAFT, Inc. 40 - 45

2366 CASE IH AXIAL-FLOW COMBINE (NA) (1/98-8/04)

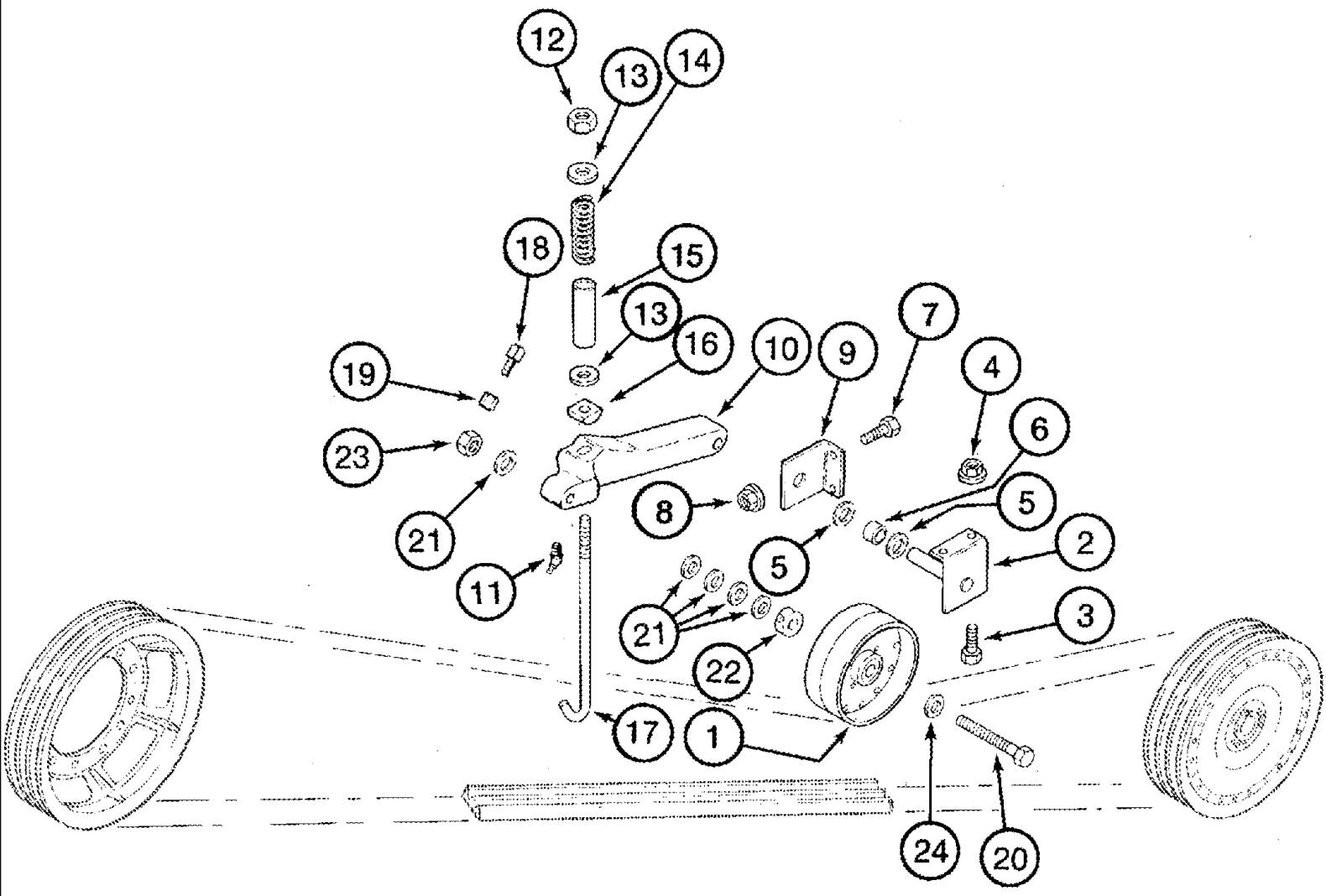
09A-12 FEEDER - JACKSHAFT DRIVE - BSN JJC0253999

сылка	Номер детали	Кол-во	Описание
40	239235A3	1	SHAFT,
41	240746A1	1	BEARING, BALL,
42	253469A1	1	COLLAR,
43	253533A1	1	HUB,
44	253462A1	1	RING, SPECIAL,
45	484-1386	1	SET SCREW, Hex Soc, 3/8"-24 x 3/8", 3/8 x 3/8 NF

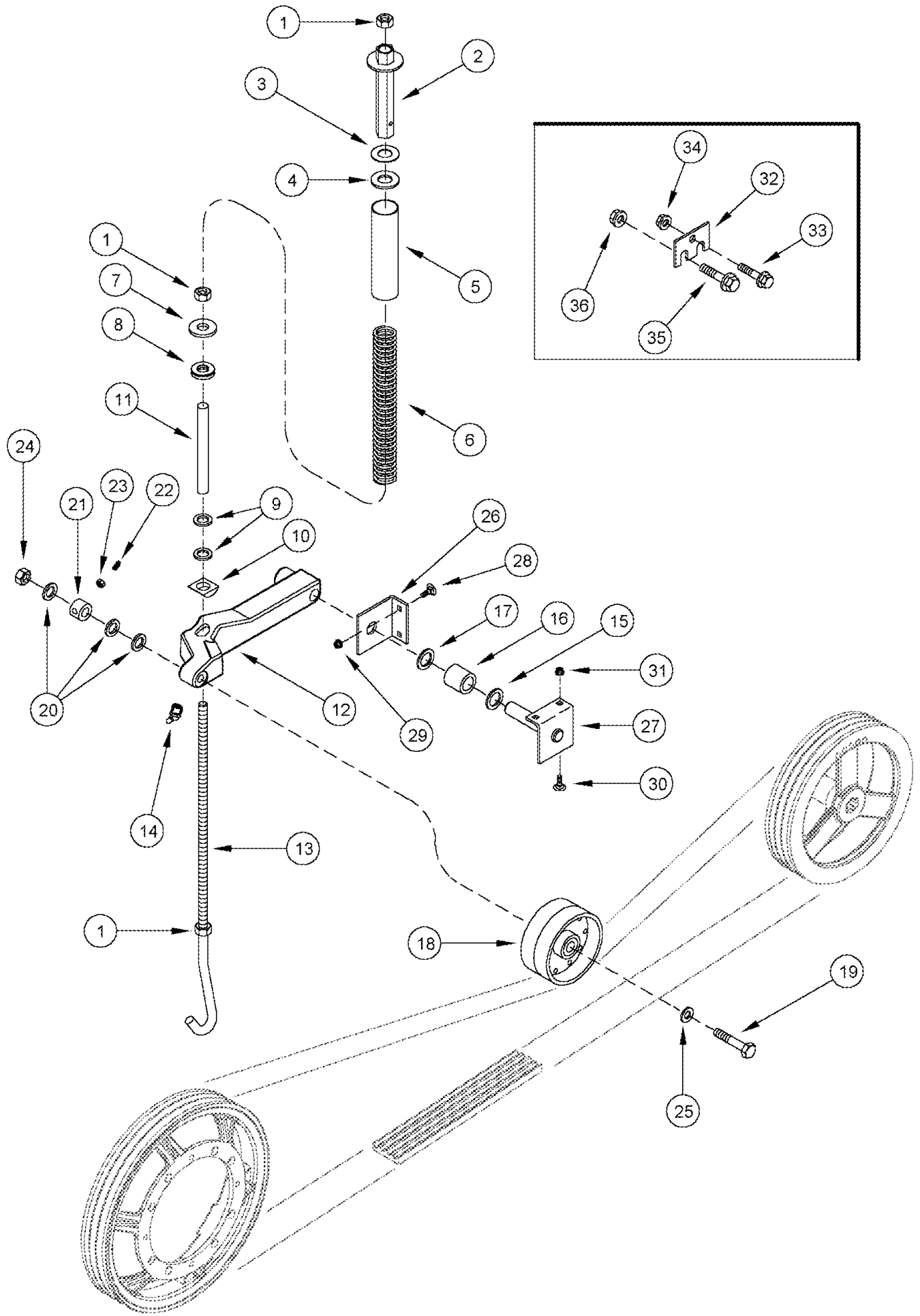


Сылка	Номер детали	Кол-во	Описание
	241930A1	1	PULLEY, Inc. 1 - 5
1	238967A2	1	PULLEY,
	241929A2	1	BEARING ASSY, Inc. 2 - 4
2	NSS	1	NOT SERVICED SEPARATELY, HOUSING
3	193282C91	1	BEARING, BALL,
4	219-40	1	NIPPLE, LUBE, 65c, 1/8" NPT x 7/8" lg, 65 degree, 1/8 PT x 7/8
5	100-11200	1	RING, SNAP, #200, Ext,
6	239239A2	1	SUPPORT, Right Hand
7	240436A2	1	SUPPORT,
8	433-1028	4	BOLT, CARRIAGE, Short NK, 5/8"-11 x 1 3/4", G5, 5/8 x 1-3/4
9	231-51410	4	NUT, Flg, USR, 5/8"-11,
10	498-81010	4	WASHER, 41/64" x 1 1/2" x .105", Sq Hole, Square Hole, 21/32 x 1-1/2 x 3/32
11	477-73112	2	BOLT, Slotted Tr Hd, 5/16"-18 x 3/4",
12	231-5148	8	NUT, Flg, USR, 1/2"-13,
14	425-1410	4	NUT, Jam, 5/8"-11, G5, 5/8
15	396133A1	1	SUPPORT, Left Hand
	413-1024	1	BOLT, Hex, 5/8"-11 x 1 1/2", G5, Full Thd,
	231-51410	1	NUT, Flg, USR, 5/8"-11,
16	326-656	4	BOLT, Hex, 3/8"-16 x 3 1/2", G8,
17	1305375C1	4	SPACER,
18	492-11038	4	WASHER, LOCK, 3/8",
19	329-106	4	NUT, 3/8"-16, G8,
20	398550A2	1	PLATE,
21	181579C1	2	LINING,
22	Q3959	2	KEY, Gib, 3/8" Sq x 4 1/2",
23	398526A1	1	HUB,
24	396781A1	1	PULLEY, Driven, 22-9/16 OD, See Figure 09A-10
25	1305220C91	1	HUB ASSY., Inc. 26
26	610435C1	1	BUSHING,
27	1305288C1	1	PULLEY, Drive, 16-11/16 OD
28	495-81093	AR	WASHER, 1 25/32" x 2 1/2" x .120", 1-3/4 x 2-1/2 x 1/8
29	1305393C1	1	SPACER, 2-35/64
30	REF	1	INSTRUCTION, SHAFT Conveyor, See Figure 09A-22
31	162172C1	1	SPACER, 1-13/16 x 2-1/4 x 1-15/16
32	1315319C1	8	BOLT, 3/8 x 6; 8
33	1315316C1	2	SUPPORT, , With Rock Trap
34	1305370C3	8	SPACER,
35	231-5145	2	NUT, Flg, USR, 5/16"-18,
36	1305692C2	8-10	SPRING,
37	495-81143	8-16	WASHER, 13/32" x 1 1/2" x .120", 13/32 x 1-1/2 x 7/64
38	231-4116	8	NUT, LOCK, 3/8"-16, GB, 3/8
39	1308489C2	1	BELT, 132 in. ov cntr, With 60 Inch Feeder
39	1313097C3	1	BELT, 146 in. ov cntr, With 54-1/2 Inch Feeder

сылка	Номер детали	Кол-во	Описание
40	176579C1	1	PULLEY, Drive Tightener, 8 in. OD
41	241577A1	1	FLANGE, Inc. 42
42	219-87	1	NIPPLE, LUBE, 1/4"-28 x .56" lg, Self-Tap,
43	241578A1	1	FLANGE,
44	434-820	4	BOLT, CARRIAGE, Short NK, 1/2"-13 x 1 1/4", G5, Full Thd, 1/2 x 1-1/4
45	413-820	3	BOLT, Hex, 1/2"-13 x 1 1/4", G5, Full Thd, 1/2 x 1-1/4
	388777A1	1	SHAFT, Inc. 46 - 51
46	388771A1	1	SHAFT,
47	240746A1	1	BEARING, BALL,
48	253469A1	1	COLLAR,
49	253533A1	1	HUB,
50	253462A1	1	RING, SPECIAL,
51	484-1386	1	SET SCREW, Hex Soc, 3/8"-24 x 3/8", 3/8 x 3/8 NF
52	391952A1	1	TUBE, Plastic
53	388770A1	1	BRACKET,
54	396135A1	1	BRACKET,
55	360-1020	2	BOLT, Hex Flg, 5/8"-11 x 1 1/4", G8, 5/8 x 1-1/4; 8
56	232-51310	2	NUT, Flg, USR, 5/8"-12, 5/8; 8
57	409-7820	1	BOLT, Hex Flg, 1/2"-13 x 1 1/4", Serr,
58	398547A2	2	PAWL,
59	396073A1	2	BOLT, SPECIAL,
60	86989592	2	SPRING,
61	86988966	2	CLIP,
62	398098A1	1	RATCHET,
63	461-35024	4	SCREW, Hex Soc Hd, 1/2"-13 x 1 1/2", 1/2 x 1-1/2



сылка	Номер детали	Кол-во	Описание
1	176579C1	1	PULLEY, Drive Tightener, 8 in. OD
2	182322C1	1	SUPPORT,
3	434-612	2	BOLT, CARRIAGE, Short NK, 3/8"-16 x 3/4", G5, Full Thd, 3/8 x 3/4
4	231-5146	2	NUT, Flg, USR, 3/8"-16,
5	495-81069	AR	WASHER, 1 1/32" x 1 1/2" x .060", 1-1/32 x 1-1/2 x 1/16
6	M74461	1	SPACER, 1" Pipe x 3/4",
7	434-612	2	BOLT, CARRIAGE, Short NK, 3/8"-16 x 3/4", G5, Full Thd, 3/8 x 3/4
8	231-5146	2	NUT, Flg, USR, 3/8"-16,
9	182323C1	1	SUPPORT,
10	1321982C2	1	ARM,
11	219-37	1	NIPPLE, LUBE, 45c, 1/4" NPT x .81" lg,
12	425-108	1	NUT, 1/2"-13, G5,
13	495-71053	2	WASHER, 1/2", 17/32 x 1-3/4 x 3/32
14	PO3A	1	SPRING,
15	176581C1	1	SPACER,
16	194652C1	1	PIVOT,
17	197410C1	1	BOLT,
18	485-13116	2	SET SCREW, Sq Hd, 5/16"-18 x 1", Cup pt,
19	425-105	2	NUT, 5/16"-18, G5,
20	135260A1	1	SCREW, 5/8 x 5
21	169256C2	5	WASHER, 41/64 x 1-1/4 x 1/8
22	1345410C1	AR	BUSHING, 17 x 35 x 15 mm
23	232-41110	1	NUT, LOCK, 5/8"-11, GC,
24	396-41066	1	WASHER, 21/32" x 1 1/2" x .188", HDN, 21/32 x 1-1/2 x 3/16

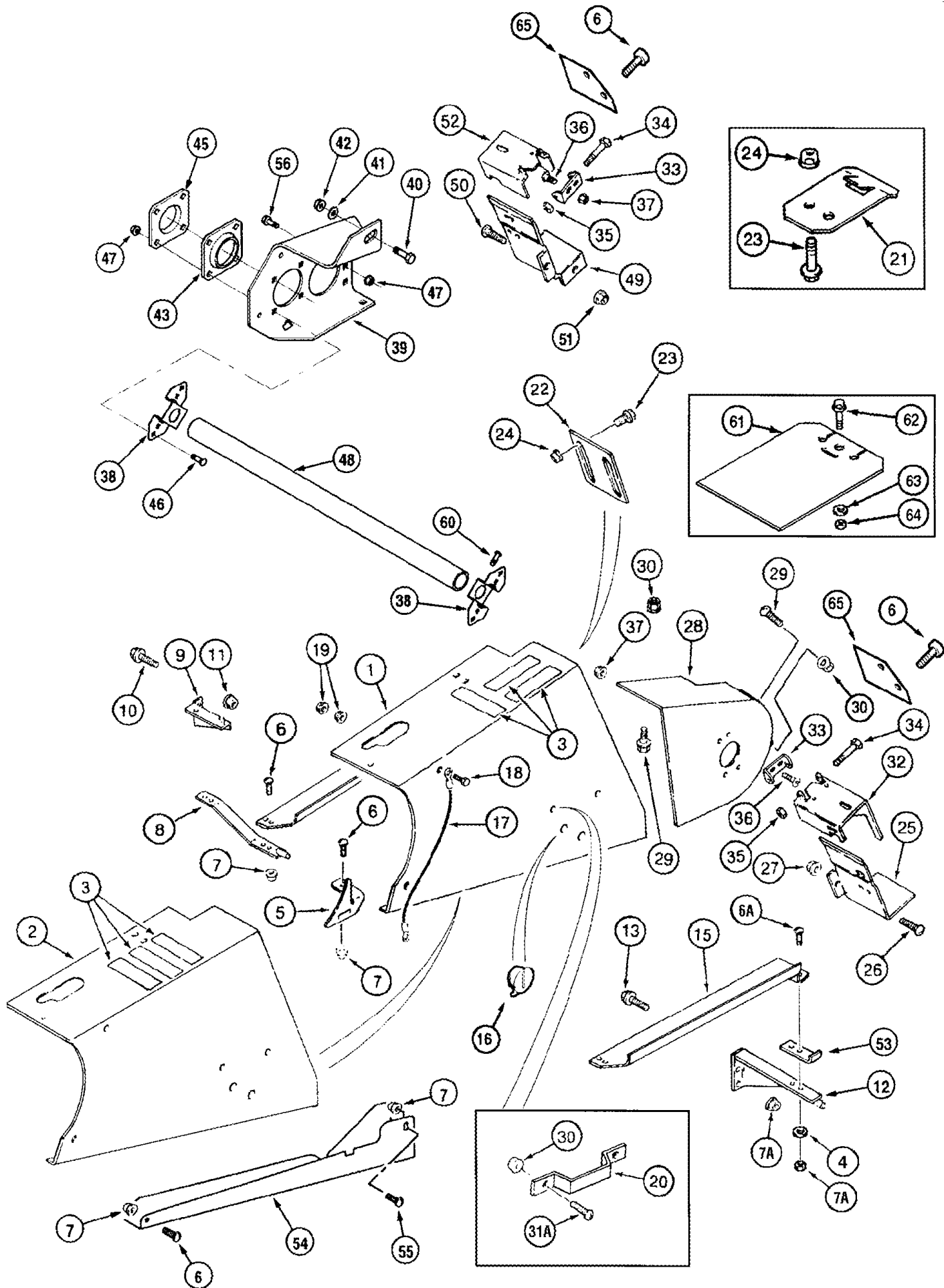


сылка	Номер детали	Кол-во	Описание
1	425-108	3	NUT, 1/2"-13, G5, , BSN JJC0255699
1	425-1010	2	NUT, 5/8"-11, G5, , ASN JJC0255700
1	86990149	1	NUT, 5/8, ASN JJC0255700
2	411922A1	1	TENSIONER, , BSN JJC0255699
2	86988850	1	TENSIONER, 5/8, ASN JJC0255700
3	413528A1	1	WASHER, Plastic, 1-1/16 x 2 x 1/16
4	495-11106	1	WASHER, 1", SAE, (1-1/16 x 2 x 1/8"), BSN JJC0255699
4	495-81191	1	WASHER, 1 5/32" x 2" x .060", 1-5/32 x 2 x 1/16, ASN JJC0255700
5	389973A2	1	TUBE,
6	389972A1	1	SPRING,
7	495-21081	1	WASHER, 3/4", 13/16 x 2 x 9/64, BSN JJC0255699
7	389974A1	1	WASHER, Spring Guide, ASN JJC0255700
8	413909A1	1	WASHER,
9	495-81039	2	WASHER, 25/32" x 1 1/4" x .120", 25/32 x 1-1/4 x 7/64
10	413984A1	1	PIVOT,
11	413513A1	1	SLEEVE,
12	411925A1	1	ARM,
	413827A1	1	HOOK, Inc. 13, (1) 425-1010
13	413526A1	1	ROD,
14	219-37	1	NIPPLE, LUBE, 45c, 1/4" NPT x .81" lg,
15	495-81069	AR	WASHER, 1 1/32" x 1 1/2" x .060", 1-1/32 x 1-1/2 x 1/16
16	M74461	1	SPACER, 1" Pipe x 3/4",
17	495-81069	AR	WASHER, 1 1/32" x 1 1/2" x .060", 1-1/32 x 1-1/2 x 1/16
18	176579C1	1	PULLEY, Drive Tightener, 8 in. OD
19	135260A1	1	SCREW, 5/8 x 5
20	495-11066	5	WASHER, 5/8", SAE, 21/32 x 1-5/16 x 3/32
21	1345410C1	AR	BUSHING, 17 x 35 x 15 mm
22	485-13116	2	SET SCREW, Sq Hd, 5/16"-18 x 1", Cup pt,
23	425-105	2	NUT, 5/16"-18, G5,
24	232-41110	1	NUT, LOCK, 5/8"-11, GC,
25	396-41066	1	WASHER, 21/32" x 1 1/2" x .188", HDN, 21/32 x 1-1/2 x 3/16
26	182323C1	1	SUPPORT,
27	182322C1	1	SUPPORT,
28	434-612	2	BOLT, CARRIAGE, Short NK, 3/8"-16 x 3/4", G5, Full Thd, 3/8 x 3/4
29	231-5146	2	NUT, Flg, USR, 3/8"-16,
30	434-612	2	BOLT, CARRIAGE, Short NK, 3/8"-16 x 3/4", G5, Full Thd, 3/8 x 3/4
31	231-5146	2	NUT, Flg, USR, 3/8"-16,
32	412294A1	1	STRAP, , BSN JJC0254101 , ASN JJC0255700
33	413-616	1	BOLT, Hex, 3/8"-16 x 1", G5, Full Thd, , BSN JJC0254101 , ASN JJC0255700
34	425-106	1	NUT, 3/8"-16, G5, , BSN JJC0254101 , ASN JJC0255700

2366 CASE IH AXIAL-FLOW COMBINE (NA) (1/98-8/04)

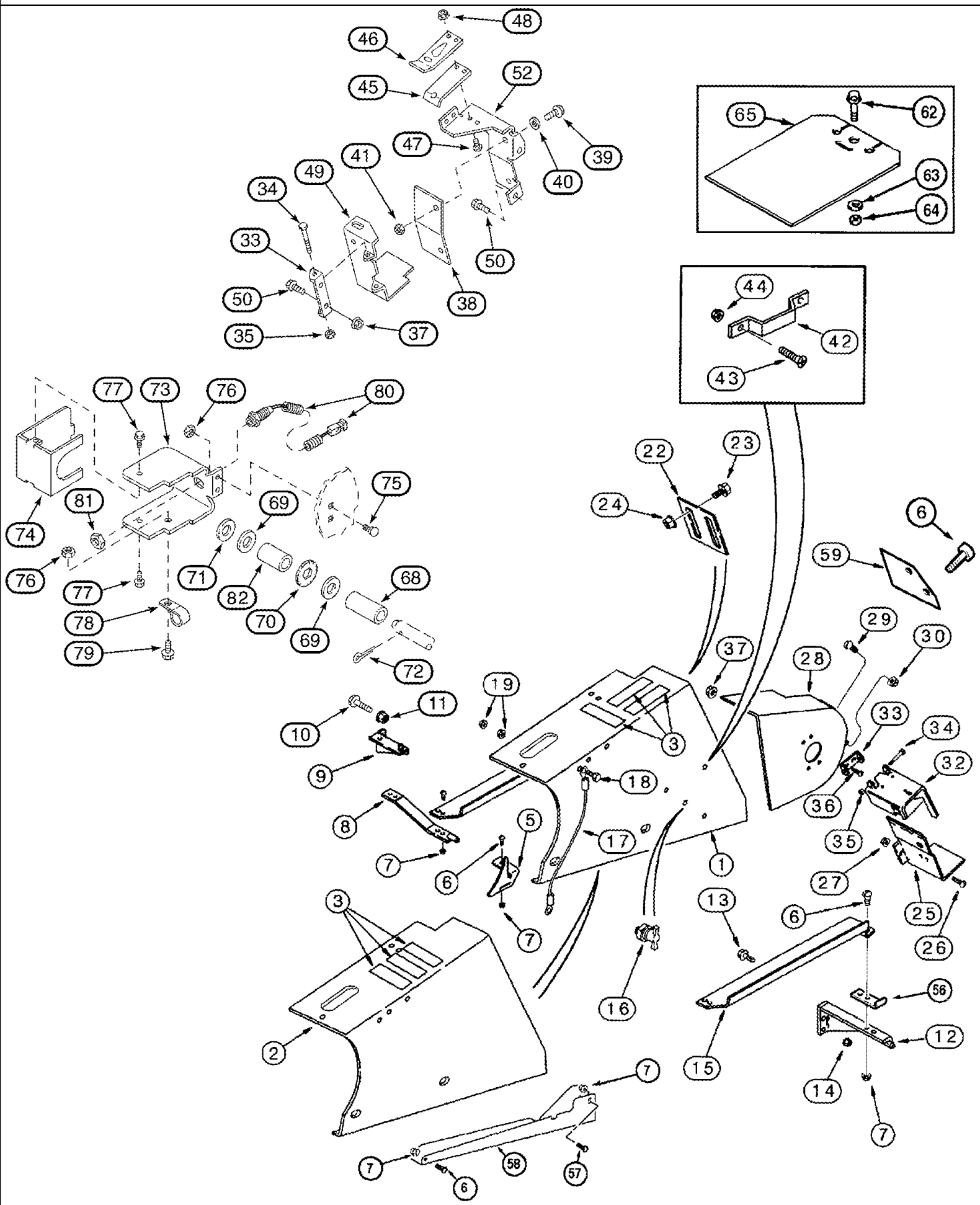
09A-15 FEEDER - JACKSHAFT IDLER PIVOT - ASN JJC0254000

сылка	Номер детали	Кол-во	Описание
35	409-7816	1	BOLT, Hex Flg, 1/2"-13 x 1", Serr, 1/2 x 1, BSN JJC0254101 , ASN JJC0255700
36	231-5148	1	NUT, Flg, USR, 1/2"-13, , BSN JJC0254101 , ASN JJC0255700



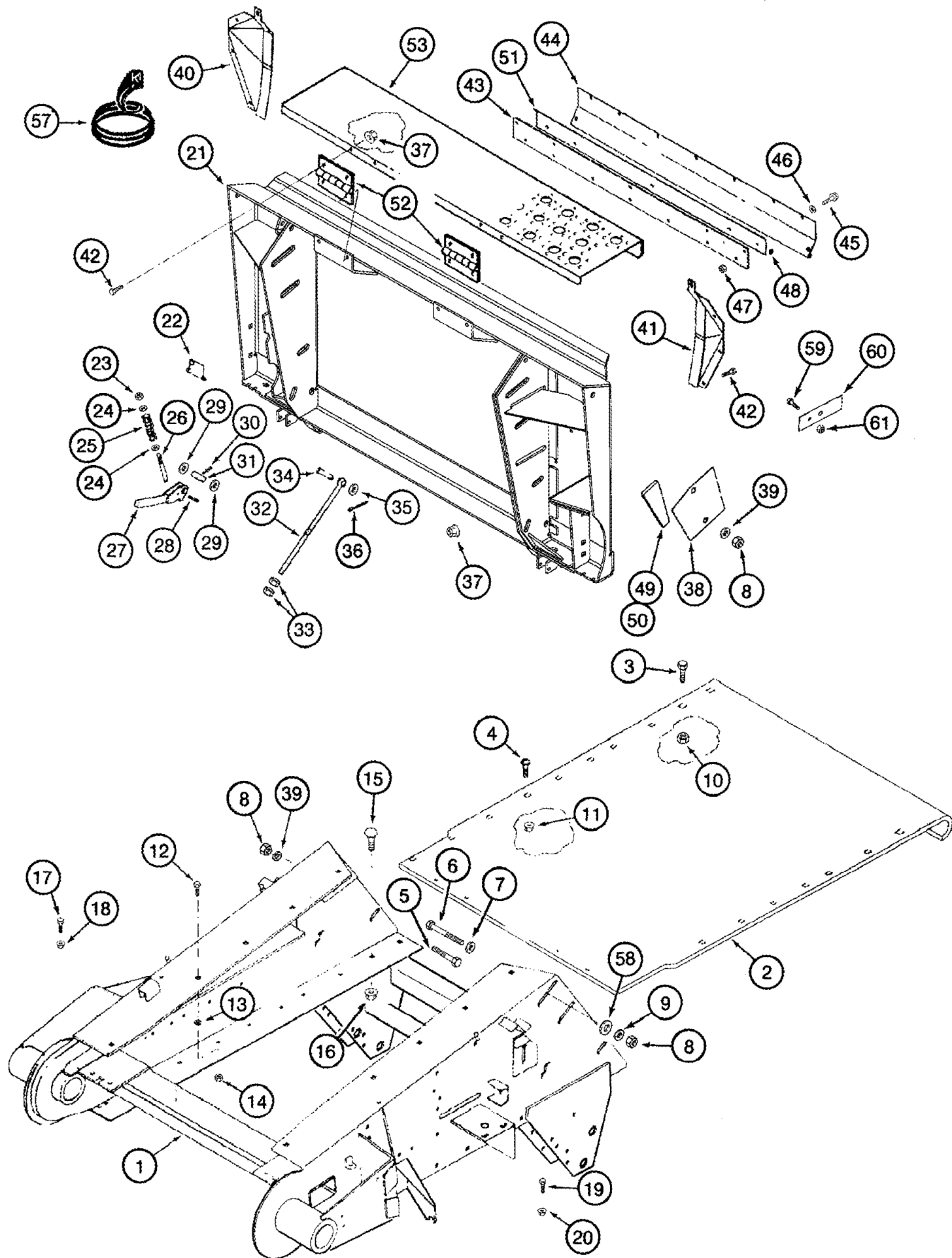
сылка	Номер детали	Кол-во	Описание
1	235863A2	1	GUARD, Rear, Inc. 3, Also Includes Decal, See Figure 09H-21, Ref. 4, With 60 Inch Feeder
2	235862A2	1	GUARD, Rear, Inc. 3, Also Includes Decal, See Figure 09H-21, Ref. 4, With 54-1/2 Inch Feeder
3	D55216	3	STRIP, ANTI-SKID, 2 x 9 in.
4	495-11034	1	WASHER, 5/16", SAE, (11/32 x 11/16 x 1/16")
5	186675A2	1	GUARD,
6	477-73112	AR	BOLT, Slotted Tr Hd, 5/16"-18 x 3/4",
6A	413-524	1	BOLT, Hex, 5/16"-18 x 1 1/2", G5,
7	231-5145	AR	NUT, Flg, USR, 5/16"-18,
7A	231-5345	3	NUT, LOCK, Flg, 5/16"-18,
8	1321851C2	1	SUPPORT, Lower Rear
9	1327779C1	1	SUPPORT, Upper Rear
10	434-612	3	BOLT, CARRIAGE, Short NK, 3/8"-16 x 3/4", G5, Full Thd,
11	231-5146	3	NUT, Flg, USR, 3/8"-16,
12	1321853C2	1	SUPPORT, Lower Front
13	413-512	2	BOLT, Hex, 5/16"-18 x 3/4", G5, Full Thd,
14	231-5145	2	NUT, Flg, USR, 5/16"-18,
15	139079A2	1	SUPPORT, Rear, If Used
16	138699A1	1	LOCK,
17	132657A2	1	CABLE,
18	413-416	2	BOLT, Hex, 1/4"-20 x 1", G5,
19	231-5144	4	NUT, Flg, USR, 1/4"-20,
20	160638C2	1	HANDLE, , With 60 Inch Feeder
21	138179A3	2	LATCH, , Australia Only
22	139108A1	1	PLATE,
23	256873	6	BOLT, Hex Flg, 5/16"-18 x 1/2", Serr,
24	231-5145	6	NUT, Flg, USR, 5/16"-18,
25	129901A2	1	GUARD, Right Hand Rear
26	477-73812	2	SCREW, Slt'd Serr Truss Hd, 3/8" x 3/4", 3/8 x 3/4
27	231-5146	2	NUT, Flg, USR, 3/8"-16,
28	129707A4	1	SHIELD, Front
29	256873	2	BOLT, Hex Flg, 5/16"-18 x 1/2", Serr,
30	231-5145	6	NUT, Flg, USR, 5/16"-18,
31	477-73112	4	BOLT, Slotted Tr Hd, 5/16"-18 x 3/4",
31A	477-73108	2	SCREW, Slt'd Serr Truss Hd, 5/16"-18 x 1/2", 5/16 x 1/2
32	129714A2	1	GUARD, Right Hand Front
33	1345199C2	2	SUPPORT,
34	413-472	2	BOLT, Hex, 1/4"-20 x 4 1/2", G5, 1/4 x 4-1/2
35	231-4144	2	NUT, LOCK, 1/4"-20, GB,
36	477-73812	4	SCREW, Slt'd Serr Truss Hd, 3/8" x 3/4",
37	231-5146	4	NUT, Flg, USR, 3/8"-16,
38	240436A2	2	SUPPORT,
39	239240A2	1	SUPPORT, Left Hand
39A	100291A2	1	SUPPORT, Left Hand, Not Illustrated, With Field Tracker

сылка	Номер детали	Кол-во	Описание
40	413-1024	1	BOLT, Hex, 5/8"-11 x 1 1/2", G5, Full Thd,
41	396-41066	1	WASHER, 21/32" x 1 1/2" x .188", HDN,
42	231-51410	1	NUT, Flg, USR, 5/8"-11, , With Field Tracker
43	241578A1	1	FLANGE, , Without Overhead Circuit Breaker Panel
45	241577A1	1	FLANGE,
46	434-820	4	BOLT, CARRIAGE, Short NK, 1/2"-13 x 1 1/4", G5, Full Thd,
47	231-5148	7	NUT, Flg, USR, 1/2"-13,
48	240438A2	1	TUBE,
49	129903A2	1	GUARD, Left Hand Rear
50	477-73812	2	SCREW, Slt'd Serr Truss Hd, 3/8" x 3/4",
51	231-5146	2	NUT, Flg, USR, 3/8"-16,
52	129717A1	1	GUARD, Left Hand Front
53	235885A1	2	SUPPORT,
54	235873A1	1	SHIELD, Lower, With 54-1/2 Inch Feeder
54	235874A1	1	SHIELD, Lower, With 60 Inch Feeder
55	477-73108	2	SCREW, Slt'd Serr Truss Hd, 5/16"-18 x 1/2",
56	409-7816	3	BOLT, Hex Flg, 1/2"-13 x 1", Serr, 1/2 x 1
60	282-1448	2	SCREW, SELF TAPPING, Hex Wash Hd, #8 x 1/2", No. 8-18 x 1
61	138180A1	1	COVER, , Australia Only
62	409-7612	2	BOLT, Hex Flg, 3/8"-16 x 3/4", Serr, , Australia Only
63	495-21044	2	WASHER, 3/8", , Australia Only
64	231-4116	2	NUT, LOCK, 3/8"-16, GB, , Australia Only
65	138629A1	2	COVER, , Australia Only
66	248406A1	1	GUARD, Rubber, Not Illustrated
67	252441A1	1	RETAINER, SEAL, Not Illustrated



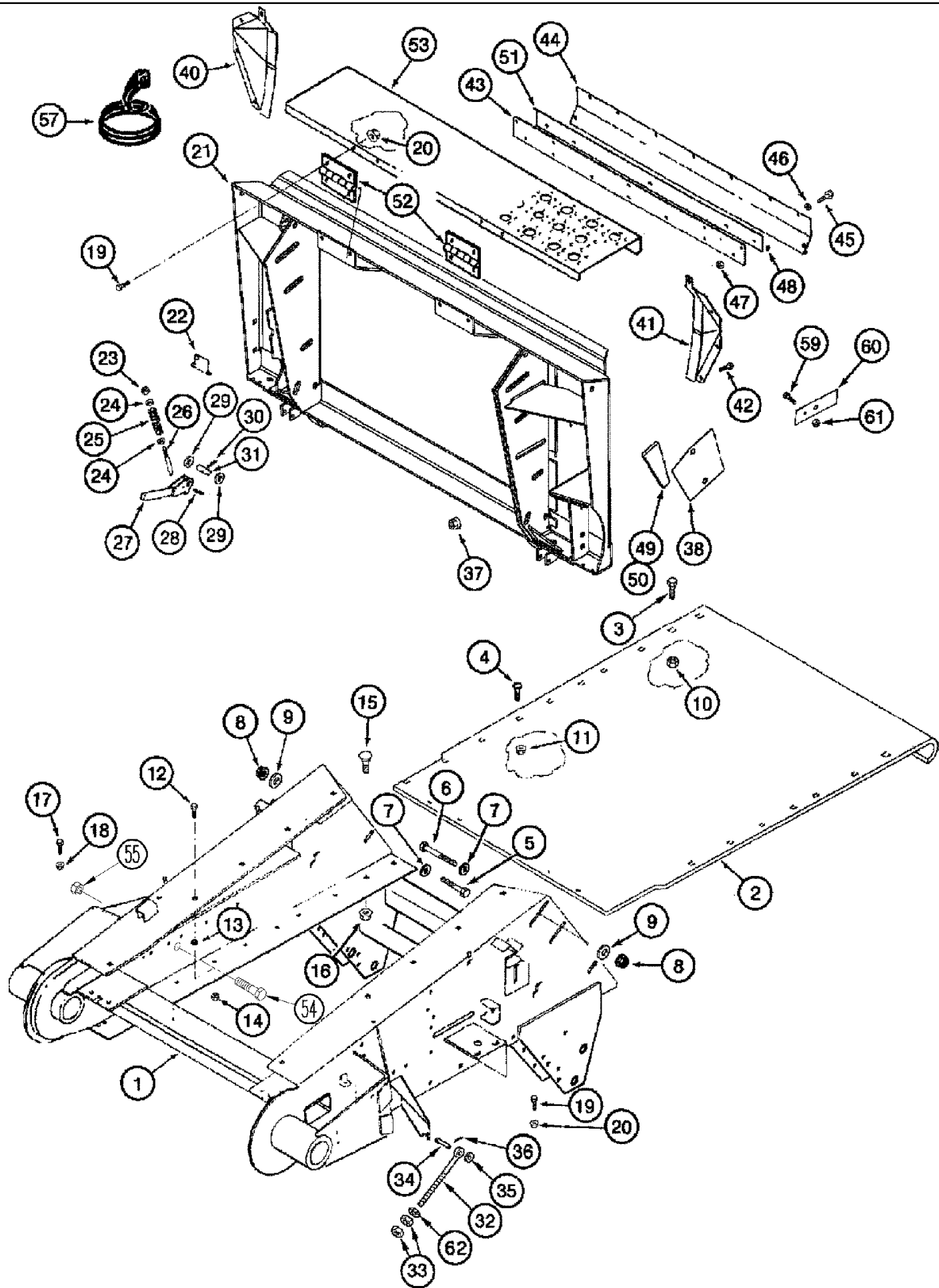
сылка	Номер детали	Кол-во	Описание
1	390383A1	1	SHIELD, Rear, Inc. 3, Also Includes Decal, See Figure 09H-21, Ref. 4, With 60 Inch Feeder
2	390390A1	1	SHIELD, Rear, Inc. 3, Also Includes Decal, See Figure 09H-21, Ref. 4, Used with 54-1/2 Inch Feeder
3	D55216	3	STRIP, ANTI-SKID, 2 x 9 in.
5	186675A2	1	GUARD,
6	477-73112	AR	BOLT, Slotted Tr Hd, 5/16"-18 x 3/4",
7	231-5145	AR	NUT, Flg, USR, 5/16"-18,
8	1321851C2	1	SUPPORT, Lower Rear
9	1327779C1	1	SUPPORT, Upper Rear
10	434-612	2	BOLT, CARRIAGE, Short NK, 3/8"-16 x 3/4", G5, Full Thd, 3/8 x 3/4
11	231-5146	2	NUT, Flg, USR, 3/8"-16,
12	1321853C2	1	SUPPORT, Lower Front
13	256873	2	BOLT, Hex Flg, 5/16"-18 x 1/2", Serr,
14	231-5145	2	NUT, Flg, USR, 5/16"-18,
15	139079A2	1	SUPPORT, Rear
	413-512	2	BOLT, Hex, 5/16"-18 x 3/4", G5, Full Thd,
	413-524	1	BOLT, Hex, 5/16"-18 x 1 1/2", G5,
	231-5345	3	NUT, LOCK, Flg, 5/16"-18, 5/16
16	138699A1	1	LOCK,
17	132657A2	1	CABLE,
18	413-416	2	BOLT, Hex, 1/4"-20 x 1", G5,
19	231-5144	4	NUT, Flg, USR, 1/4"-20,
20	138629A1	1	COVER, Left Hand, Not Illustrated, Australia Only
21	138179A3	2	LATCH, Not Illustrated
22	139108A1	1	PLATE,
23	256873	6	BOLT, Hex Flg, 5/16"-18 x 1/2", Serr,
24	231-5145	6	NUT, Flg, USR, 5/16"-18,
25	129901A2	1	GUARD, Right Hand Rear
27	231-5146	2	NUT, Flg, USR, 3/8"-16,
28	129707A4	1	SHIELD, Front
29	256873	2	BOLT, Hex Flg, 5/16"-18 x 1/2", Serr,
30	231-5145	2	NUT, Flg, USR, 5/16"-18,
32	129714A2	1	GUARD, Right Hand Front
33	1345199C2	2	SUPPORT,
34	413-472	2	BOLT, Hex, 1/4"-20 x 4 1/2", G5, 1/4 x 4-1/2
35	231-4144	2	NUT, LOCK, 1/4"-20, GB,
37	231-5146	2	NUT, Flg, USR, 3/8"-16,
38	406610A1	1	SHIELD,
39	409-7616	2	BOLT, Hex Flg, 3/8"-16 x 1", Serr,
40	495-11041	2	WASHER, 3/8", SAE, (13/32 x 13/16 x 1/16")
41	231-4116	2	NUT, LOCK, 3/8"-16, GB, 3/8
42	160638C2	1	HANDLE,
43	477-73108	2	SCREW, Sltd Serr Truss Hd, 5/16"-18 x 1/2", 5/16 x 1/2
44	231-5145	2	NUT, Flg, USR, 5/16"-18,

сылка	Номер детали	Кол-во	Описание
45	407153A1	1	GUIDE,
46	138179A3	1	LATCH,
47	477-73112	2	BOLT, Slotted Tr Hd, 5/16"-18 x 3/4",
48	231-5145	2	NUT, Flg, USR, 5/16"-18,
49	406609A1	1	SHIELD, Left Hand Rear
50	409-7612	4	BOLT, Hex Flg, 3/8"-16 x 3/4", Serr,
52	406608A1	1	SHIELD, Left Hand Front
56	235885A1	1	SUPPORT,
57	477-73108	2	SCREW, Slt'd Serr Truss Hd, 5/16"-18 x 1/2", 5/16 x 1/2
58	235873A1	1	SHIELD, Lower, With 54-1/2 Inch Feeder
58	235874A1	1	SHIELD, Lower, With 60 Inch Feeder
59	138629A1	1	COVER, Not Illustrated
62	409-7612	2	BOLT, Hex Flg, 3/8"-16 x 3/4", Serr, , Australia Only
63	495-21044	2	WASHER, 3/8", 7/16 x 1 x 5/64, Australia Only
64	231-4116	2	NUT, LOCK, 3/8"-16, GB, 3/8, Australia Only
65	138180A1	1	COVER, , Australia Only
66	248406A1	1	GUARD, Rubber, Not Illustrated
67	252441A1	1	RETAINER, SEAL, Not Illustrated
68	584608R1	1	SPACER, 86 mm (3-3/8 in.)
69	495-81093	7	WASHER, 1 25/32" x 2 1/2" x .120", 1-3/4 x 2-1/2 x 1/8
70	390532A1	1	PLATE, , Without Rock Trap
71	495-81092	1	WASHER, 1 25/32" x 2 1/2" x .060", 1-25/32 x 2-1/2 x 3/64
72	432-2440	1	PIN, SPLIT (COTTER), 3/8" x 2 1/2", 3/8" x 2 1/2", BSN JJC0254999
72	38-12440	1	PIN, LOCK, 3/8" x 2 1/2", Slotted, Spring, 2-1/2 x 3/4, ASN JJC0255000
73	392857A2	1	BRACKET, , Without Rock Trap
74	392858A2	1	SHIELD, , Without Rock Trap
75	434-512	2	BOLT, CARRIAGE, Short NK, 5/16"-18 x 3/4", G5, Full Thd,
76	231-5145	4	NUT, Flg, USR, 5/16"-18,
77	281-1478	2	SCREW, SELF TAPPING, Hex Wash Hd, 1/4" x 1/2", 1/4 x 1/2
78	515-2395	1	CLAMP, 3/8", Insul, 3/8" Bolt,
79	409-7512	2	BOLT, Hex Flg, 5/16"-18 x 3/4", Serr,
80	REF	1	INSTRUCTION, SENSOR Feeder Speed, See Figure 04-01
81	425-1512	1	NUT, Jam, 3/4"-10, G5, 3/4 NF
82	1305393C1	1	SPACER, 2-35/64
26	477-73816	2	SCREW, Slt'd Serr Truss Hd, 3/8" x 1",
36	477-73816	4	SCREW, Slt'd Serr Truss Hd, 3/8" x 1",



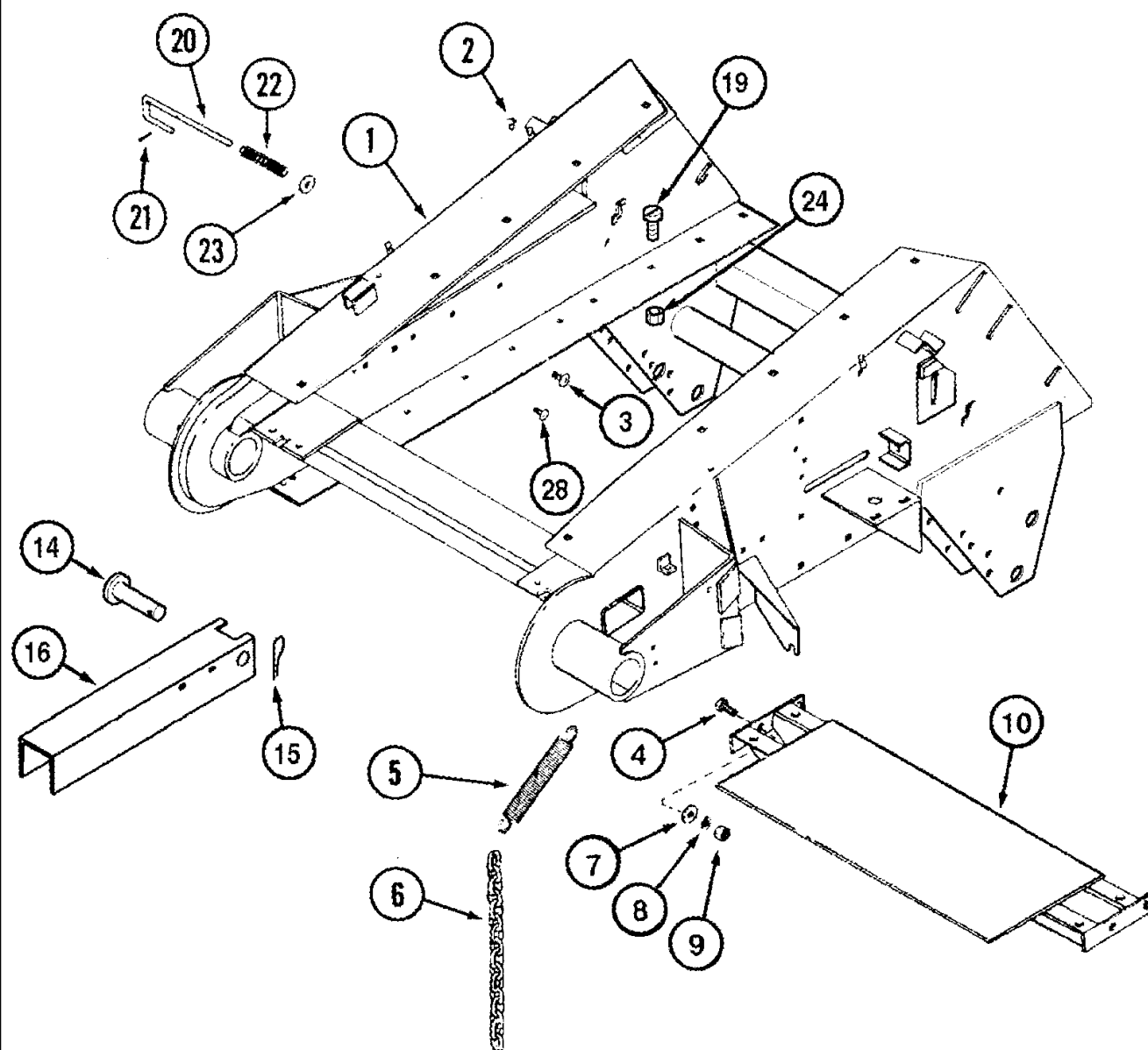
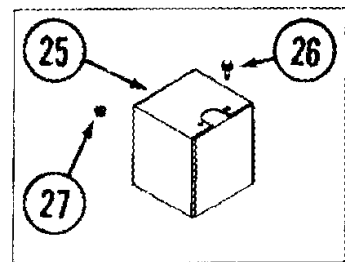
сылка	Номер детали	Кол-во	Описание
1	239801A2	1	HOUSING, Includes Decal, See Figure(s) 09H-20, Ref. 2; 09H-21, Ref. 9, With 60 Inch Feeder
1	239800A2	1	HOUSING, Includes Decal, See Figure(s) 09H-20, Ref. 2; 09H-21, Ref. 9, With 54-1/2 Inch Feeder
2	1994217C2	1	SHEET, , With 60 Inch Feeder
2	118845A1	1	BOTTOM, Perforated, With 60 Inch Feeder
2	1324578C2	1	PLATE, , With 54-1/2 Inch Feeder
2	1313970C1	1	PANEL, Perforated, With 54-1/2 Inch Feeder
3	415-820	4	BOLT, CARRIAGE, Short NK, 1/2"-13 x 1 1/4", G8, Full Thd, 1/2 x 1-1/4; 8
5	433-1028	2	BOLT, CARRIAGE, Short NK, 5/8"-11 x 1 3/4", G5, 5/8 x 1-3/4
6	433-1036	6	BOLT, CARRIAGE, Short NK, 5/8"-11 x 2 1/4", G5, 5/8 x 2-1/4
7	498-81008	6	WASHER, 41/64" x 1 1/4" x .060", Sq Hole, 21/32 x 1-1/4 x 1/16
8	231-14410	6	NUT, LOCK, 5/8"-11, GB,
9	496-21066	6	WASHER, 21/32" x 1 5/16" x .150",
10	186852C1	4	NUT, 1/2, 8
11	329-286	8-10	NUT, Flg, 3/8"-16, G8,
12	434-616	2	BOLT, CARRIAGE, Short NK, 3/8"-16 x 1", G5, Full Thd,
13	492-11038	2	WASHER, LOCK, 3/8",
14	425-106	2	NUT, 3/8"-16, G5,
15	434-612	4	BOLT, CARRIAGE, Short NK, 3/8"-16 x 3/4", G5, Full Thd, 3/8 x 3/4
16	231-5146	4	NUT, Flg, USR, 3/8"-16,
17	477-73112	2	BOLT, Slotted Tr Hd, 5/16"-18 x 3/4",
18	231-5145	2	NUT, Flg, USR, 5/16"-18,
19	477-73812	3	SCREW, Sltd Serr Truss Hd, 3/8" x 3/4", 3/8 x 3/4
20	231-5146	3	NUT, Flg, USR, 3/8"-16,
21	241769A2	1	ADAPTER,
22	1338021C1	2	PIN,
23	231-1445	2	NUT, LOCK, 5/16"-18, GB,
24	495-11034	4	WASHER, 5/16", SAE, (11/32 x 11/16 x 1/16")
25	367833R1	2	SPRING,
26	177138C1	2	ROD,
27	179024C1	2	HINGE,
28	38-1816	2	PIN, LOCK, 1/8" x 1", Slotted, 1/8" x 1", Slotted
29	495-81175	4	WASHER, 21/32" x 1" x .120", 21/32 x 1 x 7/64
30	38-11616	2	PIN, LOCK, 1/4" x 1", Slotted,
31	177141C1	2	PIN,
32	1321735C2	2	BOLT,
33	329-108	4	NUT, 1/2"-13, G8,
34	439-5836	2	PIN, HEADED, 1/2" x 2 1/4", 1/2 x 2-1/4
35	495-11053	2	WASHER, 1/2", SAE, (17/32" x 1-1/16" x 3/32")
36	432-1216	2	PIN, SPLIT (COTTER), 3/16" x 1", 3/16" x 1"
37	231-5145	16	NUT, Flg, USR, 5/16"-18,
38	1327737C2	2	PLATE,
39	95-81018	2	WASHER, 21/32" x 2 1/2" x .120", 21/32 x 2-1/2 x 1/8
40	184853C1	1	DEFLECTOR, Left Hand

сылка	Номер детали	Кол-во	Описание
41	184854C1	1	DEFLECTOR, Right Hand
42	477-73112	16	BOLT, Slotted Tr Hd, 5/16"-18 x 3/4",
43	1319474C1	1	BAND,
44	1319479C1	1	COVER,
45	409-7516	12	BOLT, Hex Flg, 5/16"-18 x 1", Serr,
46	495-21038	5	WASHER, 5/16", 3/8 x 7/8 x 3/32
46	495-81001	7	WASHER, 5/16", 3/8 x 1-1/8 x 1/16
47	232-4115	5	NUT, LOCK, 5/16"-18, GC,
47	231-5345	7	NUT, LOCK, Flg, 5/16"-18, 5/16
48	1321640C1	2	GROMMET,
49	1327752C1	1	SEAL, Left Hand
50	1327753C1	1	SEAL, Right Hand
51	109253A1	1	PLATE, LARGE, Cut From 1330108CX
52	140767A2	2	HINGE,
53	140768A4	1	STEP,
57	126046A1	2	GASKET, 292 mm (11-1/2 in.), Cut From 1330108CX
58	495-81030	6	WASHER, 21/32" x 2" x .179", 21/32 x 2 x 11/64
59	477-73808	4	SCREW, Slt'd Serr Truss Hd, 3/8"-16 x 1/2", 3/8 x 1/2
60	249827A1	4	COVER,
61	425-106	4	NUT, 3/8"-16, G5,
4	477-73816	8-10	SCREW, Slt'd Serr Truss Hd, 3/8" x 1",



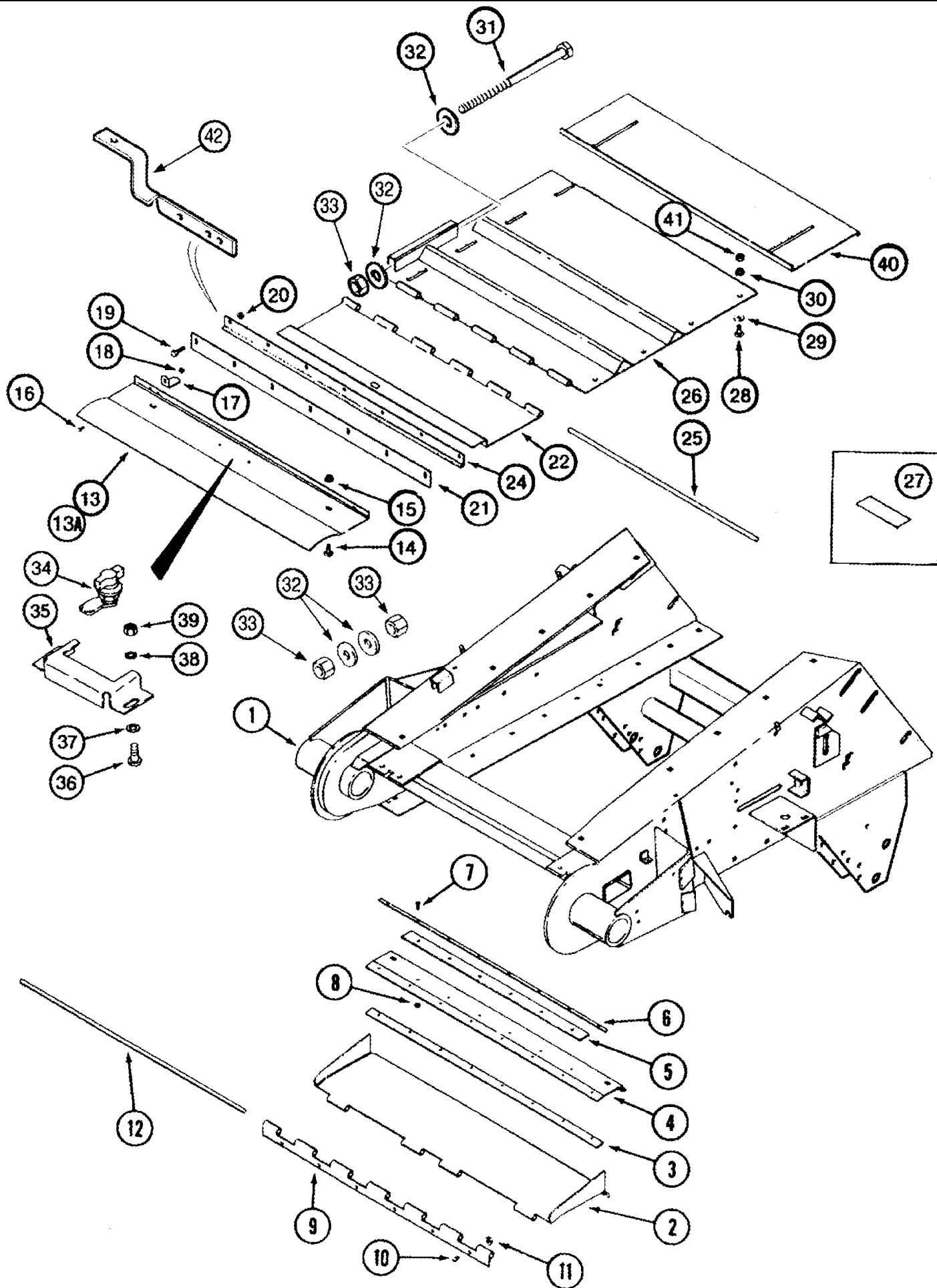
сылка	Номер детали	Кол-во	Описание
1	400718A2	1	FEEDER, Includes Decal, See Figure 09H-21, Ref. 2, 9, With 60 Inch Feeder
1	400717A2	1	FEEDER, Includes Decal, See Figure 09H-21, Ref. 2, 9, With 54-1/2 Inch Feeder
1A	D80270	1	STRIP, Non-Slip, 635 mm (25 in) x 51 mm (2 in), Not Illustrated
2	118845A1	1	BOTTOM, Perforated, With 60 Inch Feeder
2	1994217C2	1	SHEET, , With 60 Inch Feeder
2	1324578C2	1	PLATE, , With 54-1/2 Inch Feeder
2	1313970C1	1	PANEL, Perforated, With 54-1/2 Inch Feeder
3	415-820	4	BOLT, CARRIAGE, Short NK, 1/2"-13 x 1 1/4", G8, Full Thd, 1/2 x 1-1/4; 8
5	416-1028	2	BOLT, CARRIAGE, Short NK, 5/8"-11 x 1 3/4", G8, 5/8 x 1-3/4; 8
6	416-1036	4	BOLT, CARRIAGE, Short NK, 5/8"-11 x 2 1/4", G8, 5/8 x 2-1/4; 8
7	498-81010	6	WASHER, 41/64" x 1 1/2" x .105", Sq Hole, Square Hole, 21/32 x 1-1/2 x 3/32
8	400025A1	6	NUT, 5/8; 8
9	145678C3	6	WASHER, 17 mm
10	186852C1	4	NUT, 1/2, 8
11	329-286	8-10	NUT, Flg, 3/8"-16, G8,
12	434-616	2	BOLT, CARRIAGE, Short NK, 3/8"-16 x 1", G5, Full Thd,
13	492-11038	2	WASHER, LOCK, 3/8",
14	425-106	2	NUT, 3/8"-16, G5,
15	434-612	4	BOLT, CARRIAGE, Short NK, 3/8"-16 x 3/4", G5, Full Thd, 3/8 x 3/4
16	231-5146	4	NUT, Flg, USR, 3/8"-16,
17	477-73112	2	BOLT, Slotted Tr Hd, 5/16"-18 x 3/4",
18	231-5145	2	NUT, Flg, USR, 5/16"-18,
19	477-73812	3	SCREW, Slted Serr Truss Hd, 3/8" x 3/4", 3/8 x 3/4
20	231-5146	3	NUT, Flg, USR, 3/8"-16,
21	241769A3	1	ADAPTER,
22	1338021C1	2	PIN,
23	231-1445	2	NUT, LOCK, 5/16"-18, GB,
24	495-11034	4	WASHER, 5/16", SAE, (11/32 x 11/16 x 1/16")
25	367833R1	2	SPRING,
26	177138C1	2	ROD,
27	179024C1	2	HINGE,
28	38-1816	2	PIN, LOCK, 1/8" x 1", Slotted, 1/8" x 1", Slotted
29	495-81175	4	WASHER, 21/32" x 1" x .120", 21/32 x 1 x 7/64
30	38-11616	2	PIN, LOCK, 1/4" x 1", Slotted,
31	177141C1	2	PIN,
32	1321735C3	2	EYEBOLT,
33	329-108	4	NUT, 1/2"-13, G8,
34	439-5836	2	PIN, HEADED, 1/2" x 2 1/4", 1/2 x 2-1/4
35	495-11053	2	WASHER, 1/2", SAE, (17/32" x 1-1/16" x 3/32")
36	432-1216	2	PIN, SPLIT (COTTER), 3/16" x 1", 3/16" x 1"
37	231-5145	16	NUT, Flg, USR, 5/16"-18,
38	1327737C2	2	PLATE,
40	184853C1	1	DEFLECTOR, Left Hand

сылка	Номер детали	Кол-во	Описание
41	184854C1	1	DEFLECTOR, Right Hand
42	477-73112	16	BOLT, Slotted Tr Hd, 5/16"-18 x 3/4",
43	1319474C1	1	BAND,
44	1319479C1	1	COVER,
45	409-7516	12	BOLT, Hex Flg, 5/16"-18 x 1", Serr,
46	495-11041	5	WASHER, 3/8", SAE, (13/32 x 13/16 x 1/16")
46	495-81135	7	WASHER, 13/32" x 1" x .120", 13/32 x 1 x 1/8
47	231-4115	5	NUT, LOCK, 5/16"-18, GB,
47	231-5345	7	NUT, LOCK, Flg, 5/16"-18, 5/16
48	1321640C1	2	GROMMET,
49	1327752C1	1	SEAL, Left Hand
50	1327753C1	1	SEAL, Right Hand
51	109253A1	1	PLATE, LARGE, Cut From 1330108CX
52	140767A2	2	HINGE,
53	140768A4	1	STEP,
54	409-7812	2	BOLT, Hex Flg, 1/2"-13 x 3/4", Serr,
55	231-5148	2	NUT, Flg, USR, 1/2"-13,
57	87029779	2	SEAL, 292 mm (11-1/2 in.), Cut From 1330108CX
59	477-73808	4	SCREW, Slt'd Serr Truss Hd, 3/8"-16 x 1/2", 3/8 x 1/2
60	249827A1	4	COVER,
61	425-106	4	NUT, 3/8"-16, G5,
62	396-41053	2	WASHER, 17/32" x 1 1/4" x .188", HDN, 17/32 x 1-1/4 x 3/16
4	477-73816	8-10	SCREW, Slt'd Serr Truss Hd, 3/8" x 1",



09A-20 FEEDER - SUPPORTS AND LIFT BRACKET

сылка	Номер детали	Кол-во	Описание
1	REF	1	INSTRUCTION, HOUSING, See Figure(s) 09A-18, 09A-19
2	477-73820	8	SCREW, Sltd Serr Truss Hd, 3/8"-16 x 1 1/4", 3/8 x 1-1/4
3	413-828	AR	BOLT, Hex, 1/2"-13 x 1 3/4", G5,
4	413-824	4	BOLT, Hex, 1/2"-13 x 1 1/2", G5, Full Thd, 1/2 x 1-1/2
5	635503R1	2	SPRING,
6	167570C1	2	CHAIN,
7	195-81030	4	WASHER, 17/32 x 1-1/2 x 3/16
8	80679	4	WASHER, LOCK, 1/2",
9	425-108	4	NUT, 1/2"-13, G5,
10	252124A1	1	SUPPORT,
14	439-52092	2	PIN, HEADED, 1 1/4" x 5 3/4", 1-1/4 x 5-3/4
14A	242303A1	2	PIN, 1-1/4 x 6-1/2, Not Illustrated
15	432-1632	2-4	PIN, SPLIT (COTTER), 1/4" x 2", 1/4" x 2"
16	243060A3	1	STAND,
19	477-73820	8	SCREW, Sltd Serr Truss Hd, 3/8"-16 x 1 1/4", 3/8 x 1-1/4
20	243058A3	1	PIN,
21	432-812	3	PIN, SPLIT (COTTER), 1/8" x 3/4",
22	M296	1	SPRING,
23	495-11041	1	WASHER, 3/8", SAE, (13/32 x 13/16 x 1/16")
24	231-5146	8	NUT, Flg, USR, 3/8"-16,
25	1327992C2	1	GUARD, Feeder Sensor, See Figure 04-01
26	256873	2	BOLT, Hex Flg, 5/16"-18 x 1/2", Serr,
27	488837C1	2	NUT, 5/16
28	415-820	8	BOLT, CARRIAGE, Short NK, 1/2"-13 x 1 1/4", G8, Full Thd, 1/2 x 1-1/4; 8

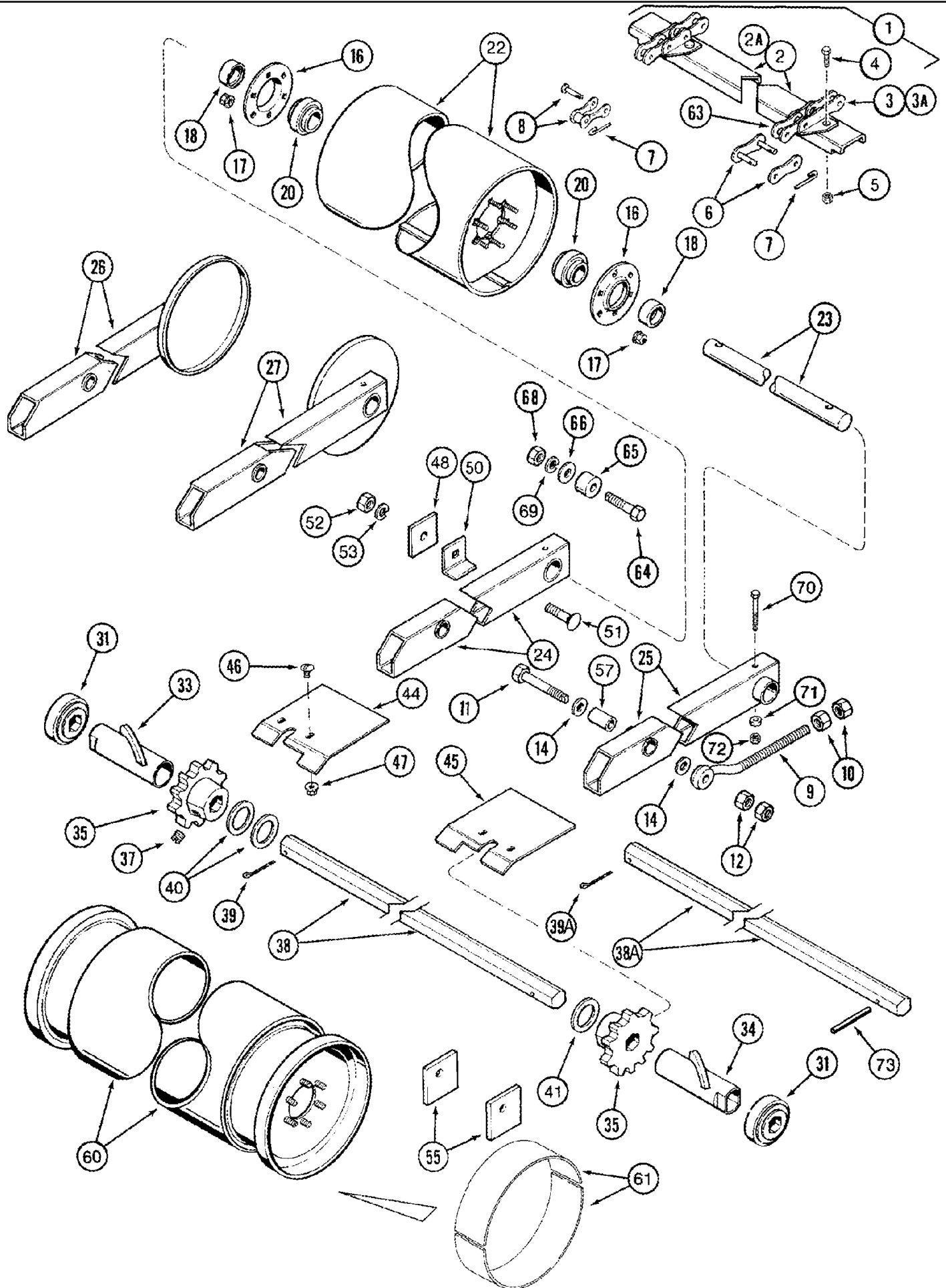


09A-21 FEEDER - COVERS

сылка	Номер детали	Кол-во	Описание
1	REF	1	INSTRUCTION, HOUSING, Feeder, See Figure(s) 09A-18, 09A-19
2	242744A1	1	DOOR, Lower
	239254A1	1	SEAL, Inc. 3, 3A, 4, 6
3	1319963C1	1	STRIP,
3A	151-559	8-10	RIVET, Pop, 3/16" x .700", Not Illustrated
4	1319961C1	1	SUPPORT,
5	1319965C1	1	BAR,
6	197429C1	1	STRIP,
7	443-11012	6	SCREW, Cross Flat Hd, #10-24 x 3/4", No. 10 x 3/4
8	196922C1	6	NUT, No. 10
9	193364C2	1	HINGE,
10	477-73812	6	SCREW, Slt'd Serr Truss Hd, 3/8" x 3/4", 3/8 x 3/4
11	231-5146	6	NUT, Flg, USR, 3/8"-16,
12	159012C1	1	ROD,
13	131035A1	1	COVER,
13A	249242A1	1	COVER, Service Repair Only, Extended Wear Rice Combines
14	434-816	2	BOLT, CARRIAGE, Short NK, 1/2"-13 x 1", G5, Full Thd, 1/2 x 1
15	329-288	2	NUT, Flg, 1/2"-13, G8,
16	413-48	2	BOLT, Hex, 1/4"-20 x 1/2", G5, Full Thd, 1/4 x 1/2
17	1322144C2	2	CLIP,
18	231-5144	2	NUT, Flg, USR, 1/4"-20,
19	409-7616	4	BOLT, Hex Flg, 3/8"-16 x 1", Serr,
20	231-5146	4	NUT, Flg, USR, 3/8"-16,
21	634204R2	1	SEAL ASSY.,
22	138252A1	1	FLAP, Upper
24	197418C1	1	SUPPORT,
25	175906C1	1	ROD,
26	186355A1	1	SHEET, Inc. 27, With 60 Inch Feeder
26	186354A1	1	SHEET, Inc. 27, With 54-1/2 Inch Feeder
27	D80270	1	STRIP, Non-Slip, 635 mm (25 in) x 51 mm (2 in)
28	415-824	8	BOLT, CARRIAGE, Short NK, 1/2"-13 x 1 1/2", G8, 1/2 x 1-1/2; 8
29	195-81030	8-10	WASHER, 17/32 x 1-1/2 x 3/16
30	425-148	8	NUT, Jam, 1/2"-13, G5,
30	329-288	8	NUT, Flg, 1/2"-13, G8,
31	1321504C1	1	SCREW,
32	496-21081	4	WASHER, 13/16" x 1 1/2" x .179", HDN,
33	425-1012	3	NUT, 3/4"-10, G5,
34	138699A1	1	LOCK,
35	130658A1	1	SUPPORT,
36	477-73812	2	SCREW, Slt'd Serr Truss Hd, 3/8" x 3/4", 3/8 x 3/4
37	495-11041	2	WASHER, 3/8", SAE, (13/32 x 13/16 x 1/16")
38	492-11038	2	WASHER, LOCK, 3/8",
39	425-106	2	NUT, 3/8"-16, G5,

09A-21 FEEDER - COVERS

сылка	Номер детали	Кол-во	Описание
40	1321638C1	1	COVER,
41	425-148	8	NUT, Jam, 1/2"-13, G5,
42	139045A2	1	SUPPORT,

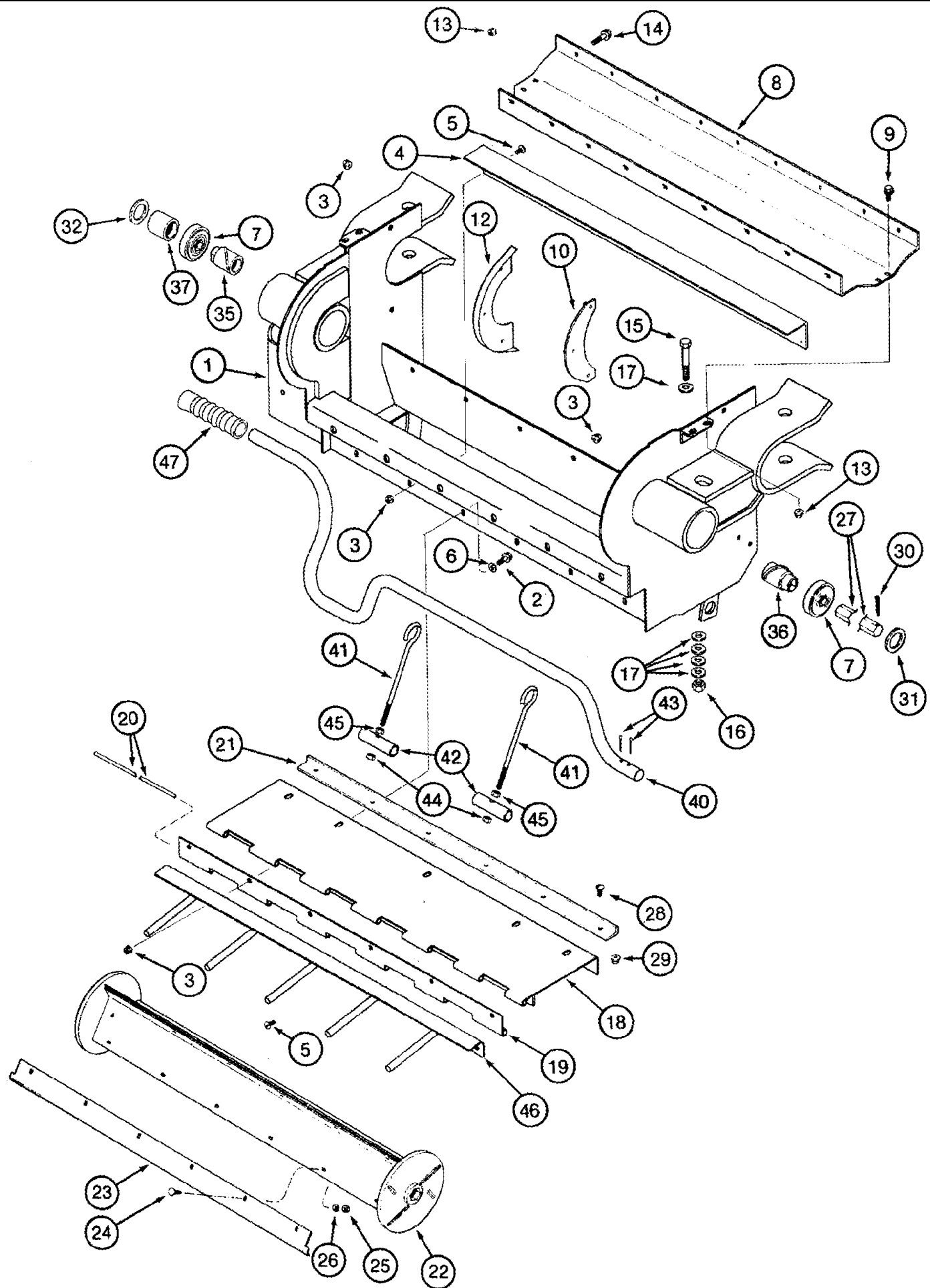


09A-22 FEEDER - CONVEYOR

сылка	Номер детали	Кол-во	Описание
1	117871A1	1	CHAIN (AGRICULTURE), Conveyor Assy, Smooth Slats, Inc. 2 (12), 3, 4 & 5 (48 ea), 6 (2), With 54-1/2 Inch Feeder, Corn and Grain Combine, BSN JJC0255699
1	136439A1	1	CHAIN (AGRICULTURE), Conveyor Assy, Smooth Slats, Inc. 2 (12), 3A, 4 & 5 (48 ea), 6 (2), Corn and Grain Combine, With 60 Inch Feeder, BSN JJC0255699
1	117865A1	1	CHAIN (AGRICULTURE), Conveyor Assy, Serrated Slats, Inc. 2A (9), 3, 4 & 5 (36 ea), 6 (2), With 54-1/2 Inch Feeder, Corn, Grain and Rice Combine
1	136438A1	1	CHAIN (AGRICULTURE), Conveyor Assy, Serrated Slats, Inc. 2A (10), 3A, 4 & 5 (40 ea), 6 (2), Corn, Grain and Rice Combine, With 60 Inch Feeder
2	118268A1	AR	SLAT, Package, Smooth, With 47 Inch Feeder, With 54-1/2 Inch Feeder, BSN JJC0255699
2A	118270A1	AR	SLAT, Package, Serrated, With 54-1/2 Inch Feeder, With 60 Inch Feeder
3	107871A1	2	CHAIN (AGRICULTURE), A557, With 54-1/2 Inch Feeder
3	107928A1	2	CHAIN (AGRICULTURE), , With 54-1/2 Inch Feeder
3A	118661A1	2	CHAIN, A557, With 60 Inch Feeder
3A	107929A1	2	CHAIN (AGRICULTURE), , With 60 Inch Feeder
4	426-616	AR	BOLT, Hex, 3/8"-16 x 1", G8, Full Thd,
5	1306680C1	AR	NUT, LOCK, 3/8
6	1324294C1	AR	LINK, CONNECTING, A557, Connecting
7	1329837C2	AR	PIN,
8	1324835C1	AR	LINK, OFFSET, A557, Offset
9	176508C1	2	BOLT,
10	425-1010	4	NUT, 5/8"-11, G5,
11	187218C2	2	SCREW, 1/2 x 1-1/2; 8
12	425-1010	4	NUT, 5/8"-11, G5,
14	396-41066	6	WASHER, 21/32" x 1 1/2" x .188", HDN, 5/8 x 1-1/2 x 3/16
16	1330461C1	4	FLANGE,
17	1306680C1	12	NUT, LOCK, 3/8
18	557995R11	2	COLLAR,
20	619738R91	2	BEARING,
22	1957437C1	1	DRUM, , Without Stone Retarder
23	187207C2	1	ROD,
24	1338287C3	1	ARM, 3/8, With or Without Stone Retarder
25	1338288C3	1	ARM, Right Hand, Models With Smooth Slats, With or Without Stone Retarder
26	1319875C5	1	ARM, Left Hand, Models With Serrated Slats, With or Without Stone Retarder
27	1319876C5	1	ARM, Right Hand, Models With Serrated Slats, With or Without Stone Retarder
31	179665C91	2	BEARING, BALL,
33	178780C3	1	SPACER, Left Hand
34	178781C3	1	SPACER, Right Hand
35	1970248C1	2	SPROCKET ASSY., 9T
37	197643C1	4	SCREW,
38	1320160C3	1	SHAFT, No Longer Used, Order: 1320160C4, Ref. 38A
38A	1320160C4	1	SHAFT,
39	432-2040	2	PIN, SPLIT (COTTER), 5/16" x 2 1/2", 5/16" x 2 1/2", used with 1320160C3
39A	432-2440	X	PIN, SPLIT (COTTER), 3/8" x 2 1/2", 3/8" x 2 1/2", used with 1320160C4, BSN JJC0254999

09A-22 FEEDER - CONVEYOR

сылка	Номер детали	Кол-во	Описание
39A	38-12440	X	PIN, LOCK, 3/8" x 2 1/2", Slotted, Spring, 2-1/1 x 3/4, ASN JJC0255000
40	495-81093	AR	WASHER, 1 25/32" x 2 1/2" x .120", 1-3/4 x 2-1/2 x 1/8
41	495-81092	AR	WASHER, 1 25/32" x 2 1/2" x .060", 1-25/32 x 2-1/2 x 3/64
	1300464C91	1	PACKAGE, Inc. 44 - 47
44	185818C1	1	STRIPPER ASSY., Left Hand
45	185819C1	1	STRIPPER ASSY., Right Hand
46	477-73812	4	SCREW, Sltd Serr Truss Hd, 3/8" x 3/4", 3/8 x 3/4
47	231-5146	4	NUT, Flg, USR, 3/8"-16,
48	187347C1	2	PLATE, , Without Stone Retarder
50	1345418C2	2	BRACKET,
51	433-1036	2	BOLT, CARRIAGE, Short NK, 5/8"-11 x 2 1/4", G5, 5/8 x 2-1/4
52	425-1010	2	NUT, 5/8"-11, G5,
53	492-11062	2	WASHER, LOCK, 5/8",
55	187225C1	2	BAR, , With Stone Retarder
57	187217C1	2	SPACER, 7/8" Tube x 1 13/16",
60	1957439C3	1	DRUM, , With Stone Retarder
61	112047A2	1	PACKAGE, Inc. 62, Service Repair Only 1957439C3, With Stone Retarder
62	112046A2	4	STRIP, PROTECTION, Not Illustrated
63	1989692C1	AR	LINK, Attaching
65	197211C1	2	SPACER,
64	189709C1	2	BOLT,
66	495-81162	2	WASHER, 17/32" x 1 1/2" x .179", 17/32 x 1-1/2 x 11/64
68	425-108	2	NUT, 1/2"-13, G5,
69	80679	2	WASHER, LOCK, 1/2",
70	326-656	2	BOLT, Hex, 3/8"-16 x 3 1/2", G8,
71	314148R1	2	SPACER, 3/8" X-Strng Pipe x .469",
72	231-1446	2	NUT, LOCK, 3/8"-16, GB,
73	402485A1	1	PIN, , ASN JJC0254000

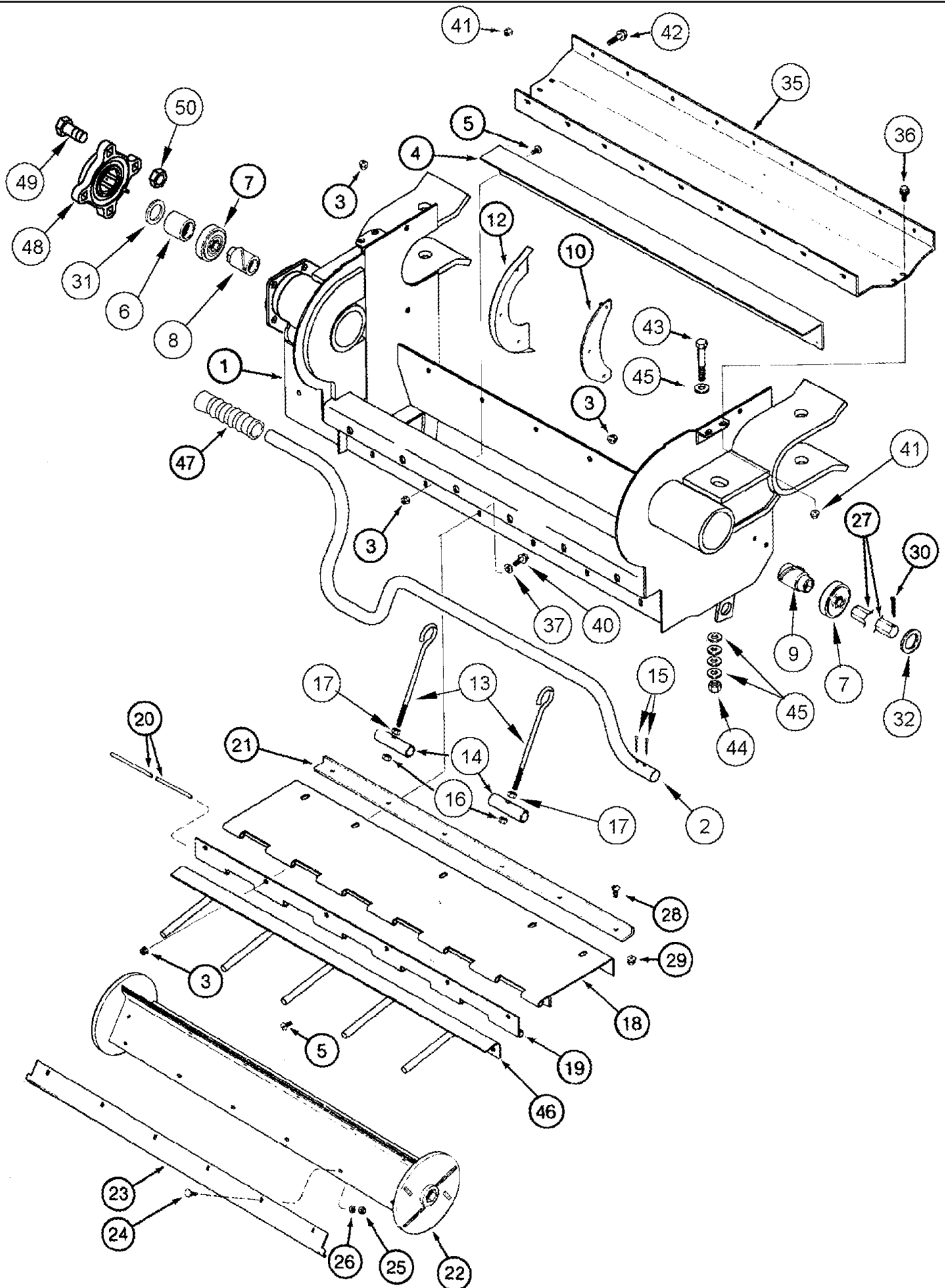


сылка	Номер детали	Кол-во	Описание
	242225A3	1	STONE TRAP, Rock Trap, Inc. 1 - 47, BSN JJC0253595
	242225A4	1	STONE TRAP, Rock Trap, Inc. 1 - 47, ASN JJC0253596
1	241636A3	1	HOUSING,
2	409-7516	6	BOLT, Hex Flg, 5/16"-18 x 1", Serr,
3	231-5145	22	NUT, Flg, USR, 5/16"-18,
4	1320279C1	1	ANGLE,
5	477-73112	12	BOLT, Slotted Tr Hd, 5/16"-18 x 3/4",
6	495-81135	6	WASHER, 13/32" x 1" x .120", 13/32 x 1 x 7/64
7	179665C91	2	BEARING, BALL,
8	1327925C4	1	COVER ASSY,
9	409-7612	4	BOLT, Hex Flg, 3/8"-16 x 3/4", Serr,
10	1320254C1	2	PLATE,
12	195202C1	2	SEAL,
13	231-5146	16	NUT, Flg, USR, 3/8"-16,
14	409-7616	7	BOLT, Hex Flg, 3/8"-16 x 1", Serr,
15	326-16128	2	BOLT, Hex, 1"-8 x 8", G8,
16	232-41316	2	NUT, LOCK, 1"-8, GC,
17	495-11106	10	WASHER, 1", SAE, (1-1/16 x 2 x 1/8")
	241640A1	1	TRAP DOOR, Inc. 18 - 20, BSN JJC0253595
	241640A2	1	TRAP DOOR, Inc. 18 - 20, ASN JJC0253596
18	NSS	1	NOT SERVICED SEPARATELY, DOOR
19	1320154C1	1	HINGE,
20	1320149C1	1	ROD,
21	1324880C2	1	ANGLE,
22	1319834C2	1	DRUM,
23	1324438C1	3	KNIFE,
24	434-624	15	BOLT, CARRIAGE, Short NK, 3/8"-16 x 1 1/2", G5, 3/8 x 1-1/2
25	425-106	15	NUT, 3/8"-16, G5,
26	492-11038	15	WASHER, LOCK, 3/8",
27	1327502C1	1	SHAFT,
28	477-73812	5	SCREW, Sltd Serr Truss Hd, 3/8" x 3/4", 3/8 x 3/4
29	231-5145	5	NUT, Flg, USR, 5/16"-18,
30	432-2040	2	PIN, SPLIT (COTTER), 5/16" x 2 1/2", 5/16" x 2 1/2"
31	495-81092	AR	WASHER, 1 25/32" x 2 1/2" x .060", 1-25/32 x 2-1/2 x 3/64
32	495-81093	AR	WASHER, 1 25/32" x 2 1/2" x .120", 1-3/4 x 2-1/2 x 1/8
35	1320268C1	1	SPACER, Left Hand
36	1320269C1	1	SPACER, Right Hand
37	162172C1	1	SPACER, 1-13/16 x 2-1/4 x 1-15/16
40	241653A1	1	STEM, Door Latch
41	131950A1	2	STEM,
42	131964A1	2	TUBE, Pivot
43	432-1224	2	PIN, SPLIT (COTTER), 3/16" x 1 1/2",
44	231-4146	2	NUT, LOCK, 3/8"-16, GB,

2366 CASE IH AXIAL-FLOW COMBINE (NA) (1/98-8/04)

09A-23 ROCK TRAP - BSN JJC0253999

сылка	Номер детали	Кол-во	Описание
45	425-106	2	NUT, 3/8"-16, G5,
46	1320846C1	1	SUPPORT ASSY.,
47	283483A1	1	GRIP,

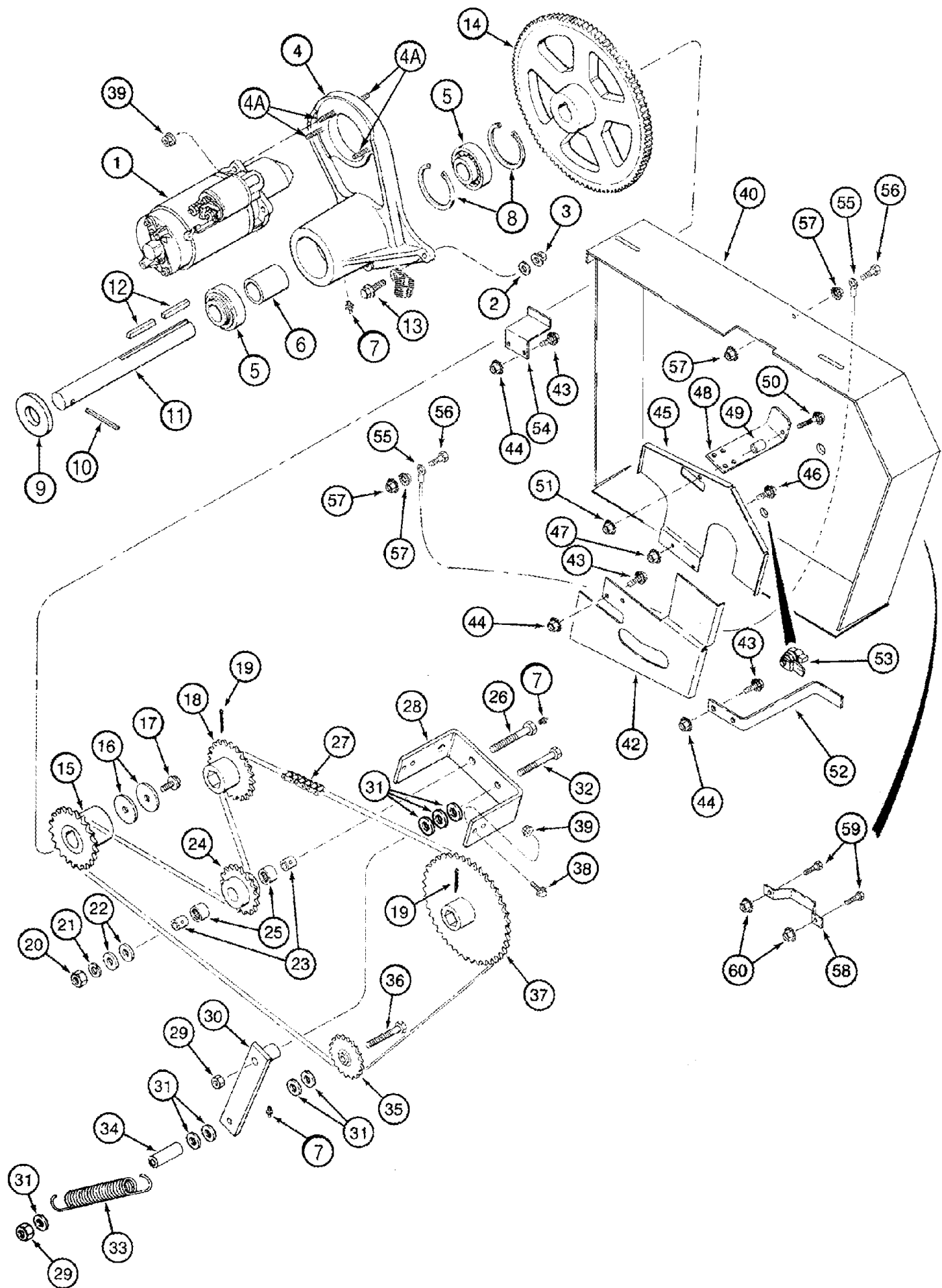


сылка	Номер детали	Кол-во	Описание
	389728A1	1	STONE TRAP, Rock Trap, Inc. 1 - 32
1	389727A1	1	HOUSING,
2	241653A1	1	STEM, Door Latch
3	231-5145	16	NUT, Flg, USR, 5/16"-18,
4	1320279C1	1	ANGLE,
5	477-73112	12	BOLT, Slotted Tr Hd, 5/16"-18 x 3/4",
6	389705A1	1	SPACER, 1-13/16 x 2-1/4 x 3-5/64
7	179665C91	2	BEARING, BALL,
8	390631A1	1	SPACER, Left Hand
9	390632A1	1	SPACER, Right Hand
10	1320254C1	2	PLATE,
12	195202C1	2	SEAL,
13	131950A1	2	STEM,
14	131964A1	2	TUBE, Pivot
15	432-1224	2	PIN, SPLIT (COTTER), 3/16" x 1 1/2",
16	231-4146	2	NUT, LOCK, 3/8"-16, GB,
17	425-106	2	NUT, 3/8"-16, G5,
	241640A2	1	TRAP DOOR, Inc. 18 - 20
18	NSS	1	NOT SERVICED SEPARATELY, DOOR
19	1320154C1	1	HINGE,
20	1320149C1	1	ROD,
21	1324880C2	1	ANGLE,
22	1319834C2	1	DRUM,
23	1324438C1	3	KNIFE,
24	434-624	15	BOLT, CARRIAGE, Short NK, 3/8"-16 x 1 1/2", G5, 3/8 x 1-1/2
25	425-106	15	NUT, 3/8"-16, G5,
26	492-11038	15	WASHER, LOCK, 3/8",
27	389021A1	1	BAR,
28	477-73812	5	SCREW, Sltd Serr Truss Hd, 3/8" x 3/4", 3/8 x 3/4
29	231-5146	5	NUT, Flg, USR, 3/8"-16,
30	432-2040	2	PIN, SPLIT (COTTER), 5/16" x 2 1/2", 5/16" x 2 1/2"
31	495-81093	2	WASHER, 1 25/32" x 2 1/2" x .120", 1-3/4 x 2-1/2 x 1/8
32	495-81093	1	WASHER, 1 25/32" x 2 1/2" x .120", 1-3/4 x 2-1/2 x 1/8
35	1327925C4	1	COVER ASSY,
36	409-7612	4	BOLT, Hex Flg, 3/8"-16 x 3/4", Serr,
37	495-81135	6	WASHER, 13/32" x 1" x .120", 13/32 x 1 x 7/64
40	409-7516	7	BOLT, Hex Flg, 5/16"-18 x 1", Serr,
41	231-5146	14	NUT, Flg, USR, 3/8"-16,
41	1306680C1	4	NUT, LOCK, 3/8
42	409-7616	4	BOLT, Hex Flg, 3/8"-16 x 1", Serr,
42	409-7620	6	BOLT, Hex Flg, 3/8"-16 x 1 1/4", Serr,
43	326-16104	2	BOLT, Hex, 1"-8 x 6 1/2", G8,
44	231-42116	2	NUT, LOCK, 1"-8, GB, 1 in.

2366 CASE IH AXIAL-FLOW COMBINE (NA) (1/98-8/04)

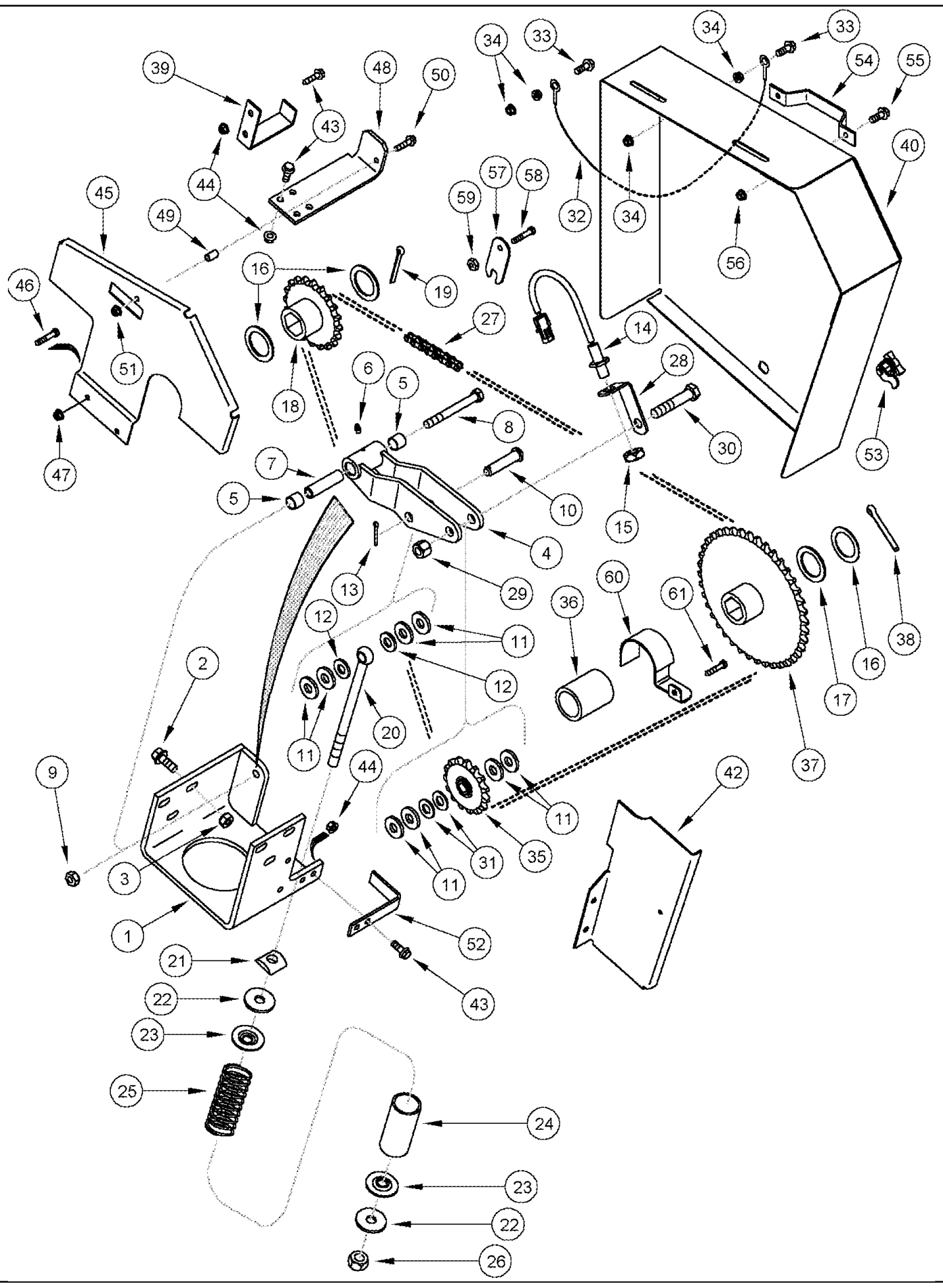
09A-24 ROCK TRAP - ASN JJC0254000

сылка	Номер детали	Кол-во	Описание
45	495-11106	10	WASHER, 1", SAE, (1-1/16 x 2 x 1/8")
46	1320846C1	1	SUPPORT ASSY.,
47	283483A1	1	GRIP,
48	389588A1	1	BEARING ASSY,
49	409-7824	4	BOLT, Hex Flg, 1/2"-13 x 1 1/2", Serr, 1/2 x 1-1/2
50	231-5148	4	NUT, Flg, USR, 1/2"-13,



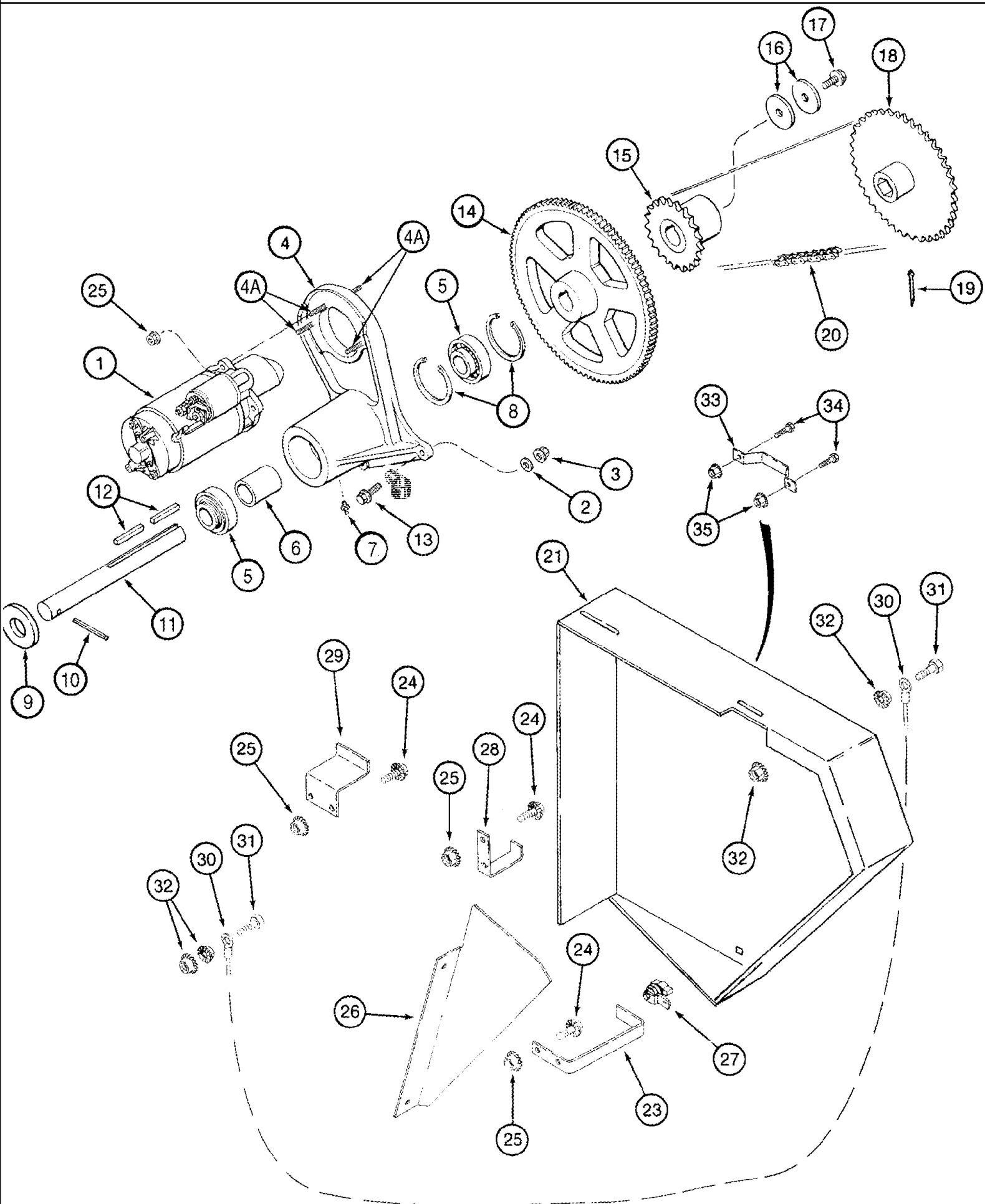
сылка	Номер детали	Кол-во	Описание
1	245927C93	1	MOTOR, STARTER, Feeder Reverser, See Figure 04-42
2	180358	2	WASHER, LOCK, Int Tooth, 3/8", Hvy,
3	329-286	2	NUT, Flg, 3/8"-16, G8,
	176110A2	1	HOUSING, Inc. 4 - 8
4	NSS	1	NOT SERVICED SEPARATELY, HOUSING
4A	121299A1	3	STUD,
5	597537R91	2	BEARING, BALL,
6	1321523C1	1	SPACER,
7	219-87	3	NIPPLE, LUBE, 1/4"-28 x .56" lg, Self-Tap,
8	100-21315	2	RING, SNAP, 3.156", Int, #315,
9	896-16036	1	WASHER, M39 x 78.5 x 7, HT, 39 x 78 x 7 mm
10	38-33248	1	PIN, 1/2" x 3", Coiled, 1/2" x 3", Coiled
11	1321534C1	1	SHAFT,
12	Q51	2	KEY, 3/8" Sq x 2 1/2", Par,
13	409-7624	2	BOLT, Hex Flg, 3/8"-16 x 1 1/2", Serr,
14	1321537C92	1	PINION,
15	1329717C1	1	SPROCKET, 20T
16	495-91167	2	WASHER, 17/32" x 2" x .120", 17/32 x 2 x 7/64
17	409-7816	1	BOLT, Hex Flg, 1/2"-13 x 1", Serr, 1/2 x 1
18	1329719C2	1	SPROCKET, 20T
18	125407A1	1	SPROCKET, 30T
19	432-2040	2	PIN, SPLIT (COTTER), 5/16" x 2 1/2", 5/16" x 2 1/2"
20	425-1012	1	NUT, 3/4"-10, G5,
21	492-11075	1	WASHER, LOCK, 3/4", 3/4"
22	496-31081	2	WASHER, 13/16" x 1 1/2" x .219", HDN, 13/16 x 1-1/2 x 7/32
23	1327991C1	2	BUSHING,
24	1321531C93	1	SPROCKET, Inc. 25
25	630836C91	2	BEARING, NEEDLE, 1-19/64 OD
26	1327990C1	1	BOLT, Hex, 3/4"-10 x 4, Drilled,
27	1321529C95	1	CHAIN, 118 links, 88-1/2 in.
	111714A1	AR	CLIP, SPRING, Connecting Link
	111716A1	AR	LINK, CHAIN, Link Extension, 2-1/4
28	1321528C2	1	SUPPORT,
29	231-41110	AR	NUT, LOCK, 5/8"-11, GB,
30	1321933C3	1	SUPPORT,
31	495-11066	AR	WASHER, 5/8", SAE, 21/32 x 1-5/16 x 3/32
32	413-1060	1	BOLT, Hex, 5/8"-11 x 3 3/4", G5, 5/8 x 3-3/4
33	1330032C1	1	SPRING,
34	187217C1	1	SPACER, 7/8" Tube x 1 13/16",
35	541857R92	1	SPROCKET, 15T
36	413-1072	1	BOLT, Hex, 5/8"-11 x 4 1/2", G5,
37	1329720C2	1	SPROCKET, 40T
38	409-7620	4	BOLT, Hex Flg, 3/8"-16 x 1 1/4", Serr,

сылка	Номер детали	Кол-во	Описание
39	231-5146	AR	NUT, Flg, USR, 3/8"-16,
40	130413A8	1	SHIELD,
42	138181A2	1	GUARD, Lower
43	409-7616	6	BOLT, Hex Flg, 3/8"-16 x 1", Serr,
44	231-5146	6	NUT, Flg, USR, 3/8"-16,
45	138182A1	1	GUARD, Upper
46	409-7512	2	BOLT, Hex Flg, 5/16"-18 x 3/4", Serr,
47	231-5145	2	NUT, Flg, USR, 5/16"-18,
48	138185A3	1	SUPPORT, Upper
49	61851V	1	SPACER, 1/4" Pipe x 3/4",
50	409-7520	1	BOLT, Hex Flg, 5/16"-18 x 1 1/4", Serr, 5/16 x 1-1/4
51	231-5145	1	NUT, Flg, USR, 5/16"-18,
52	142515A1	1	SUPPORT, Lower Front
53	138699A1	1	LOCK,
53	135476A1	1	LOCK, Australia Only
54	132686A3	1	SUPPORT, Upper Rear
55	132657A2	1	CABLE,
56	413-416	2	BOLT, Hex, 1/4"-20 x 1", G5,
57	231-5144	4	NUT, Flg, USR, 1/4"-20,
58	160638C2	1	HANDLE,
59	477-73108	2	SCREW, Slt'd Serr Truss Hd, 5/16"-18 x 1/2", 5/16 x 1/2
60	231-5145	2	NUT, Flg, USR, 5/16"-18,

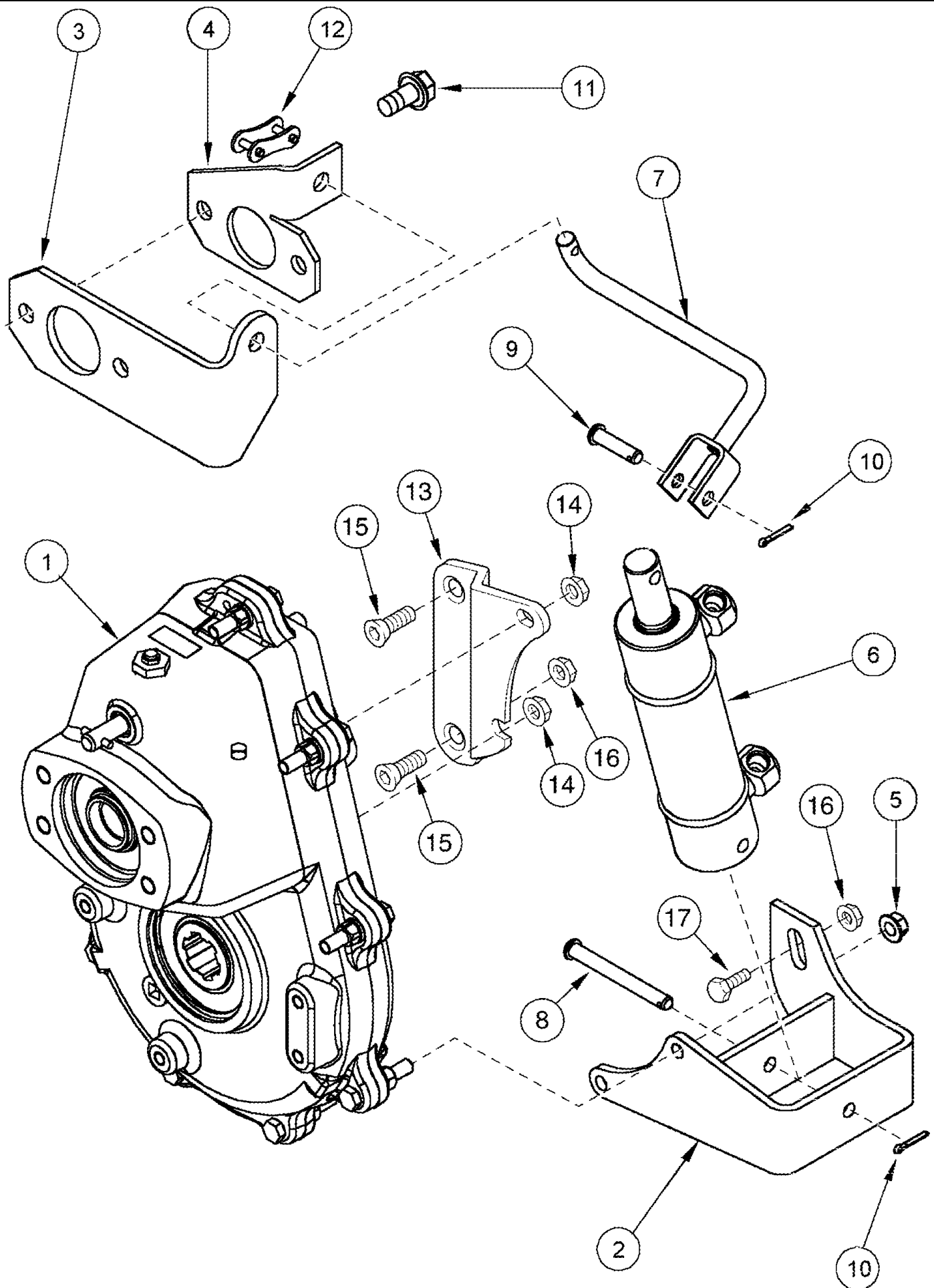


сылка	Номер детали	Кол-во	Описание
1	390744A2	1	SUPPORT,
2	413-820	3	BOLT, Hex, 1/2"-13 x 1 1/4", G5, Full Thd, 1/2 x 1-1/4
3	231-5148	3	NUT, Flg, USR, 1/2"-13,
4	390737A1	1	ARM, Includes: Ref. 5
5	1280291C1	2	BUSHING, 19 mm (3/4 in.) dia.
6	219-87	1	NIPPLE, LUBE, 1/4"-28 x .56" lg, Self-Tap,
7	390822A1	1	BUSHING,
8	413-864	1	BOLT, Hex, 1/2"-13 x 4", G5, 1/2 x 4
9	231-5148	1	NUT, Flg, USR, 1/2"-13,
10	439-11044	1	PIN, HEADED, 5/8" x 2 3/4", G2,
11	396-41066	9	WASHER, 21/32" x 1 1/2" x .188", HDN, 21/32 x 1-1/2 x 3/16
12	496-21066	2	WASHER, 21/32" x 1 5/16" x .150",
13	432-1220	1	PIN, SPLIT (COTTER), 3/16" x 1 1/4",
14	REF	1	INSTRUCTION, Transducer, See Figure(s) 04-01
15	425-1512	1	NUT, Jam, 3/4"-10, G5, 3/4 NF
16	495-81093	AR	WASHER, 1 25/32" x 2 1/2" x .120", 1-3/4 x 2-1/2 x 1/8
17	495-81092	AR	WASHER, 1 25/32" x 2 1/2" x .060", 1-25/32 x 2-1/2 x 3/64
18	1329719C2	1	SPROCKET, Beater Driven, 20T
18	125407A1	1	SPROCKET, Beater Driven, 30T
19	432-2040	2	PIN, SPLIT (COTTER), 5/16" x 2 1/2", 5/16" x 2 1/2"
20	390871A1	1	EYEBOLT, 5/8
21	390870A1	1	PIVOT,
22	495-81030	2	WASHER, 21/32" x 2" x .179", 21/32 x 2 x 11/64
23	394120A1	2	WASHER,
24	390869A1	1	SPACER,
25	390872A1	1	SPRING,
26	425-1010	1	NUT, 5/8"-11, G5,
27	390967A1	1	CHAIN, 66 Links, 49-1/2 in.
	111714A1	AR	CLIP, SPRING, Connecting Link
	111716A1	AR	LINK, CHAIN, 3 Link Extension
28	394014A1	1	BRACKET,
29	232-41110	1	NUT, LOCK, 5/8"-11, GC,
30	413-1052	1	BOLT, Hex, 5/8"-11 x 3 1/4", G5, 5/8 x 3-1/4
31	495-11066	4	WASHER, 5/8", SAE, 21/32 x 1-5/16 x 3/32
32	132657A2	1	CABLE,
33	413-416	2	BOLT, Hex, 1/4"-20 x 1", G5,
34	231-5144	4	NUT, Flg, USR, 1/4"-20,
35	541857R92	1	SPROCKET, Idler, 15T
36	584608R1	1	SPACER, 86 mm (3-3/8 in.)
37	1329720C2	1	SPROCKET, Driven, 40T
38	432-2440	1	PIN, SPLIT (COTTER), 3/8" x 2 1/2", 3/8" x 2 1/2"
39	132685A2	1	SUPPORT,
40	391651A1	1	SHIELD, Feeder Reverser

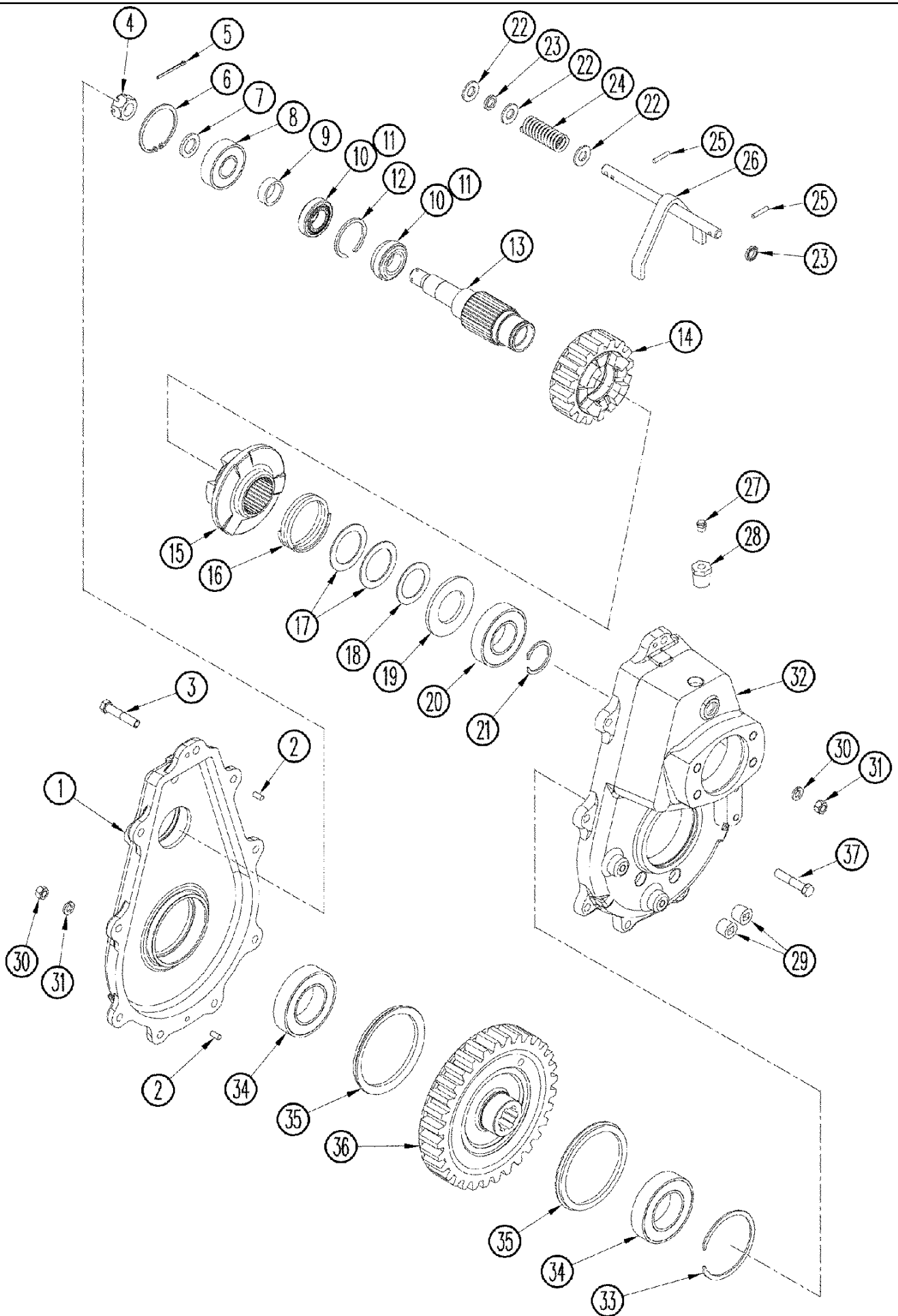
сылка	Номер детали	Кол-во	Описание
42	391656A1	1	SHIELD, Lower
43	409-7616	4	BOLT, Hex Flg, 3/8"-16 x 1", Serr,
44	231-5146	4	NUT, Flg, USR, 3/8"-16,
45	405570A1	1	SHIELD, Upper, Includes Decal, See Figure 09H-21, Ref. 9
46	409-7512	1	BOLT, Hex Flg, 5/16"-18 x 3/4", Serr,
47	231-5145	1	NUT, Flg, USR, 5/16"-18,
48	138185A3	1	SUPPORT, Upper
49	61851V	1	SPACER, 1/4" Pipe x 3/4",
50	409-7520	1	BOLT, Hex Flg, 5/16"-18 x 1 1/4", Serr, 5/16 x 1-1/4
51	231-5145	1	NUT, Flg, USR, 5/16"-18,
52	391658A1	1	BRACKET, Lower Front
53	138699A1	1	LOCK,
53	135476A1	1	LOCK, Australia Only
54	160638C2	1	HANDLE,
55	477-73108	2	SCREW, Sltd Serr Truss Hd, 5/16"-18 x 1/2", 5/16 x 1/2
56	231-5145	2	NUT, Flg, USR, 5/16"-18,
57	399382A1	AR	SHIM,
58	409-7520	1	BOLT, Hex Flg, 5/16"-18 x 1 1/4", Serr, 5/16 x 1-1/4
59	231-5145	1	NUT, Flg, USR, 5/16"-18,
60	394276A1	1	SHIELD,
61	434-512	1	BOLT, CARRIAGE, Short NK, 5/16"-18 x 3/4", G5, Full Thd,



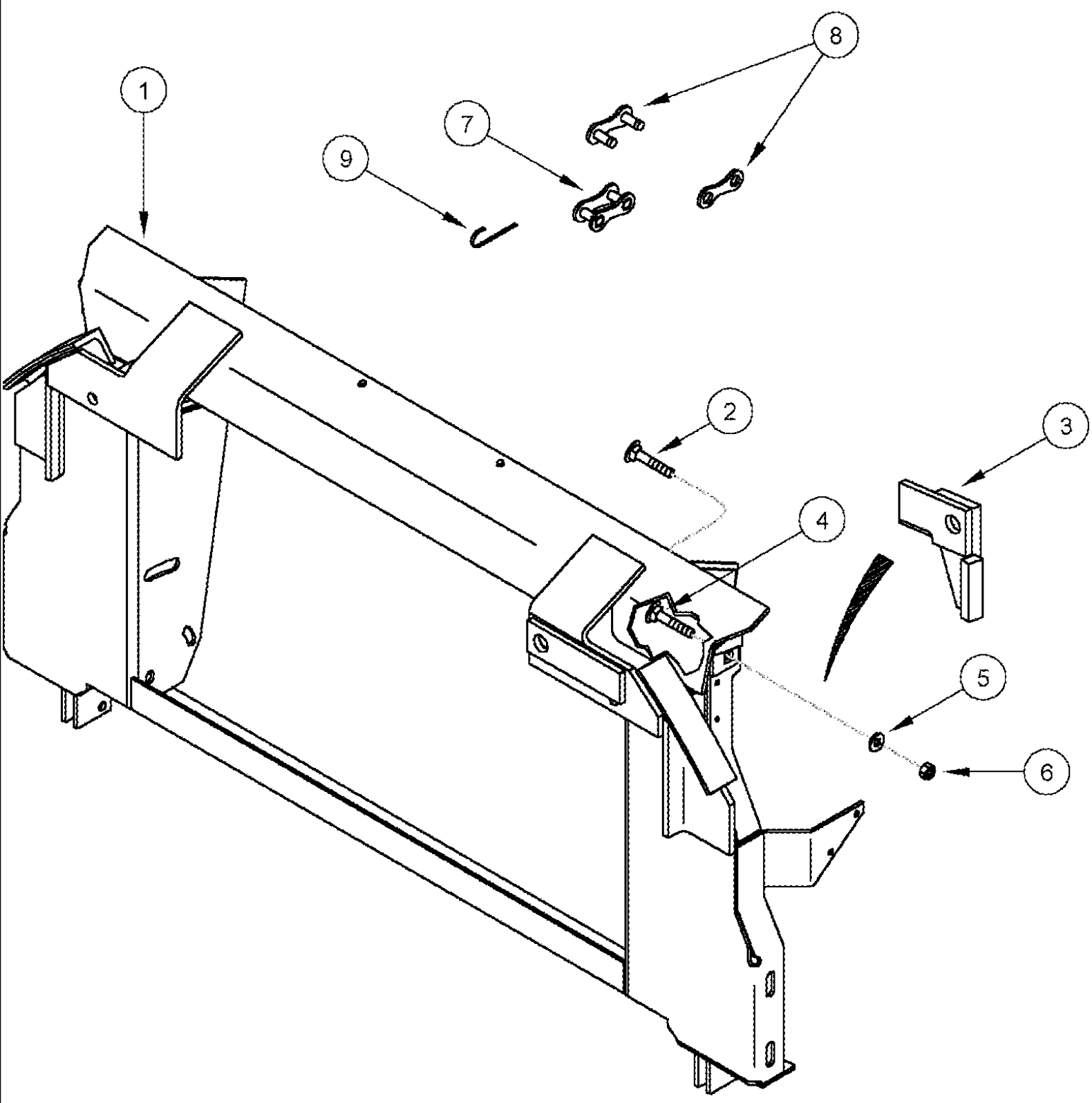
сылка	Номер детали	Кол-во	Описание
1	245927C93	1	MOTOR, STARTER, Feeder Reverser, See Figure 4-42
2	180358	2	WASHER, LOCK, Int Tooth, 3/8", Hvy,
3	329-286	2	NUT, Flg, 3/8"-16, G8,
	176110A2	1	HOUSING, Inc. 4 - 8
4	NSS	1	NOT SERVICED SEPARATELY, HOUSING
4A	121299A1	3	STUD,
5	597537R91	2	BEARING, BALL,
6	1321523C1	1	SPACER,
7	219-87	1	NIPPLE, LUBE, 1/4"-28 x .56" lg, Self-Tap,
8	100-21315	2	RING, SNAP, 3.156", Int, #315,
9	896-16036	1	WASHER, M39 x 78.5 x 7, HT, 39 x 78 x 7 mm
10	38-33248	1	PIN, 1/2" x 3", Coiled, 1/2" x 3", Coiled
11	1321534C1	1	SHAFT,
12	Q51	2	KEY, 3/8" Sq x 2 1/2", Par,
13	409-7624	2	BOLT, Hex Flg, 3/8"-16 x 1 1/2", Serr,
14	1321537C92	1	PINION,
15	1329717C1	1	SPROCKET, 20T
16	495-91167	2	WASHER, 17/32" x 2" x .120", 17/32 x 2 x 7/64
17	409-7816	1	BOLT, Hex Flg, 1/2"-13 x 1", Serr, 1/2 x 1
18	1329720C2	1	SPROCKET, 40T
19	432-2040	1	PIN, SPLIT (COTTER), 5/16" x 2 1/2", 5/16" x 2 1/2"
20	1321524C94	1	CHAIN, 57 in., 76 Links
	111714A1	AR	CLIP, SPRING, Connecting Link
21	126240A8	1	SHIELD,
23	132683A2	1	SUPPORT, Lower Front
24	409-7616	6	BOLT, Hex Flg, 3/8"-16 x 1", Serr,
25	231-5146	9	NUT, Flg, USR, 3/8"-16,
26	186266A2	1	SUPPORT,
27	138699A1	1	LOCK,
27	135476A1	1	LOCK, Australia Only
28	132685A2	1	SUPPORT, Upper Front
29	132686A3	1	SUPPORT, Upper Rear
30	132657A2	1	CABLE,
31	413-416	2	BOLT, Hex, 1/4"-20 x 1", G5,
32	231-5144	4	NUT, Flg, USR, 1/4"-20,
33	160638C2	1	HANDLE,
34	477-73108	2	SCREW, Sltd Serr Truss Hd, 5/16"-18 x 1/2", 5/16 x 1/2
35	231-5145	2	NUT, Flg, USR, 5/16"-18,



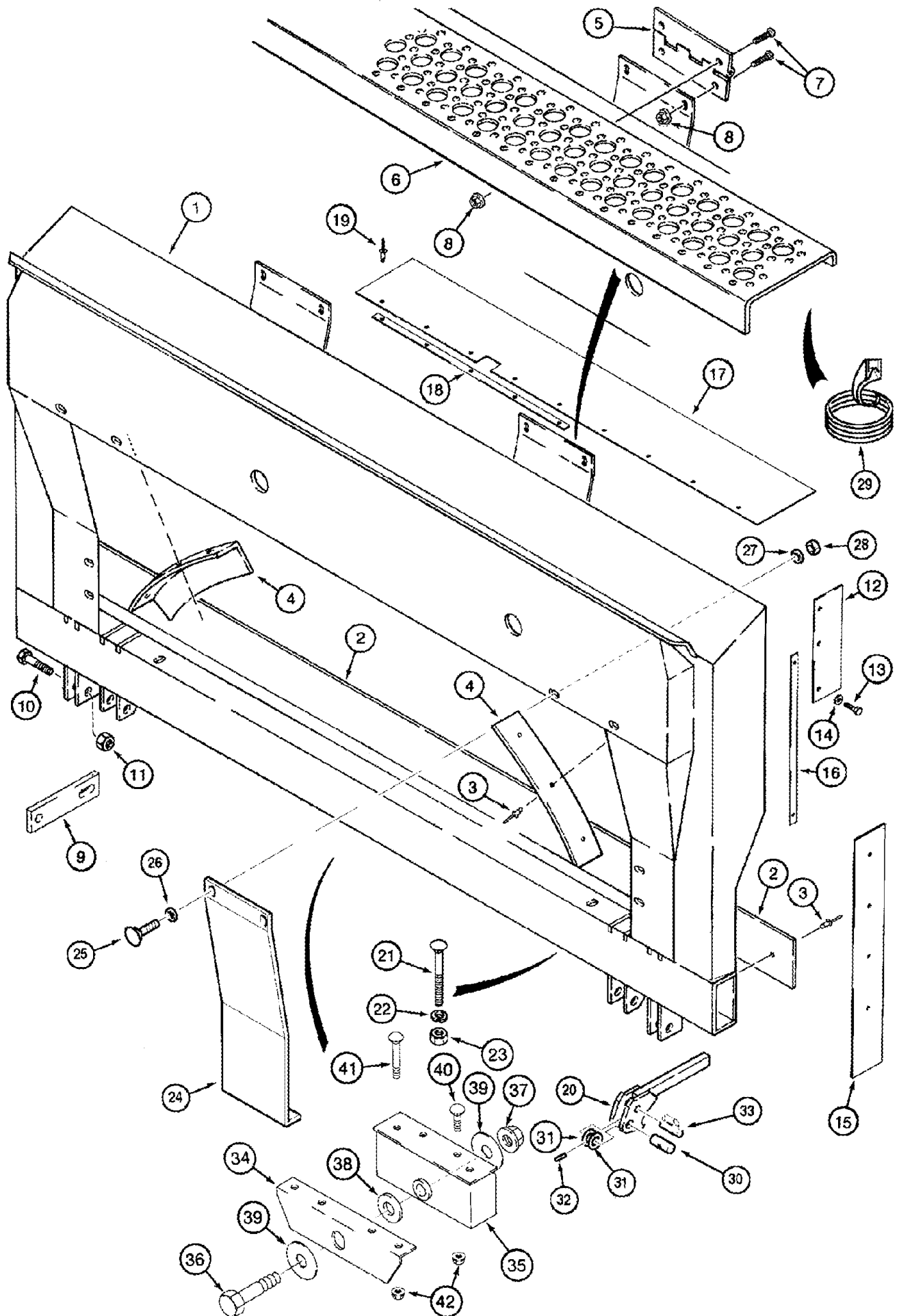
сылка	Номер детали	Кол-во	Описание
	401134A2	1	GEARBOX, Inc. 1 - 12
1	86980131	1	GEARBOX, See Figure 09A-29
2	405720A1	1	SUPPORT,
3	388772A1	1	BRACKET,
4	388773A1	1	BRACKET,
5	231-5146	2	NUT, Flg, USR, 3/8"-16,
6	382543A1	1	CYLINDER, CLUTCH
7	391768A1	1	ROD,
8	439-1656	1	PIN, HEADED, 3/8" x 3 1/2", 3/8 x 3-1/2; 2
9	439-5624	1	PIN, HEADED, 3/8" x 1 1/2", 3/8 x 1-1/2; 5
10	432-812	2	PIN, SPLIT (COTTER), 1/8" x 3/4",
11	409-7816	2	BOLT, Hex Flg, 1/2"-13 x 1", Serr, 1/2 x 1
12	242-1410	1	LINK, CHAIN,
13	405718A1	1	SUPPORT,
14	231-5146	2	NUT, Flg, USR, 3/8"-16,
15	361-45024	2	SCREW, Hex Soc Flat Hd, 1/2"-13 x 1 1/2", 1/2 x 1-1/2
16	231-5148	2	NUT, Flg, USR, 1/2"-13,
17	434-820	1	BOLT, CARRIAGE, Short NK, 1/2"-13 x 1 1/4", G5, Full Thd, 1/2 x 1-1/4



сылка	Номер детали	Кол-во	Описание
	86980131	1	GEARBOX, Inc. 1 - 36
1	681631	1	HOUSING, Inc. 2
2	64780	2	DOWEL, 1/4 x 1/2
3	413-632	7	BOLT, Hex, 3/8"-16 x 2", G5,
4	425-1312	1	NUT, SLOTTED, 3/4"-16, G5, 3/4 NF
5	432-824	1	PIN, SPLIT (COTTER), 1/8" x 1 1/2",
6	100-21244	1	RING, SNAP, 2.44", Int, #244,
7	95-81051	1	WASHER, 25/32" x 1 1/4" x .134", 25/32 x 1-1/4 x 1/8
8	86548977	1	BEARING, BALL,
9	144929	1	SPACER,
10	132709	2	BEARING, CUP,
11	132710	2	BEARING, ROLLER,
12	685097	1	RING, SNAP,
13	681639	1	SHAFT,
14	681629	1	GEAR, 16T
15	681637	1	CLUTCH,
16	646518	1	SPRING,
17	26224	2	WASHER, 1-25/32 x 2-1/2 x 0.060 in.
18	704377	1	WASHER, 1-25/32 x 3-5/16 x 3/16 in.
19	50519	1	WASHER, 1.58 x 2-1/4 x 0.060 in.
20	112041R91	1	BEARING, BALL,
21	37184	1	RING, SNAP,
22	495-11053	3	WASHER, 1/2", SAE, (17/32" x 1-1/16" x 3/32")
23	163024	2	SEAL,
24	681902	1	SPRING,
25	435-5616	2	PIN, GROOVED, 3/16" x 1", Type E,
26	681650	1	ROD,
27	572820	1	SCREW, VENTING,
28	444030	1	REDUCER, 1/2"-14 NPTF x 1/8"-27 Fem NPTF,
29	217-465	2	PLUG, DRAIN, Hex Soc, 1/2"-14, NPTF,
30	425-106	9	NUT, 3/8"-16, G5,
31	492-11038	7	WASHER, LOCK, 3/8",
32	86980130	1	HOUSING,
33	42447	1	RING, SNAP,
34	2031	2	BEARING, BALL,
35	781754	2	RING,
36	681627	1	GEAR, 32T
37	113-250	2	BOLT, Hex, 3/8"-16 x 2 1/2", G5, Full Thd,



сылка	Номер детали	Кол-во	Описание
1	188073A2	1	FRAME, , BSN JJC0253999
1	188073A3	1	FRAME ASSY, , BTW JJC0254000 & JJC0254999
1	188073A4	1	FRAME ASSY, , ASN JJC0255000
2	433-1032	4	BOLT, CARRIAGE, Short NK, 5/8"-11 x 2", G5, 5/8 x 2
3	238369A1	1	STOP, Right Hand
3	238370A1	1	STOP, Left Hand
4	433-1032	2	BOLT, CARRIAGE, Short NK, 5/8"-11 x 2", G5, 5/8 x 2
5	492-11062	2	WASHER, LOCK, 5/8",
6	425-1010	2	NUT, 5/8"-11, G5,
7	100487A1	2	LINK,
8	1324294C1	2	LINK, CONNECTING, A557
9	1329837C2	6	PIN,

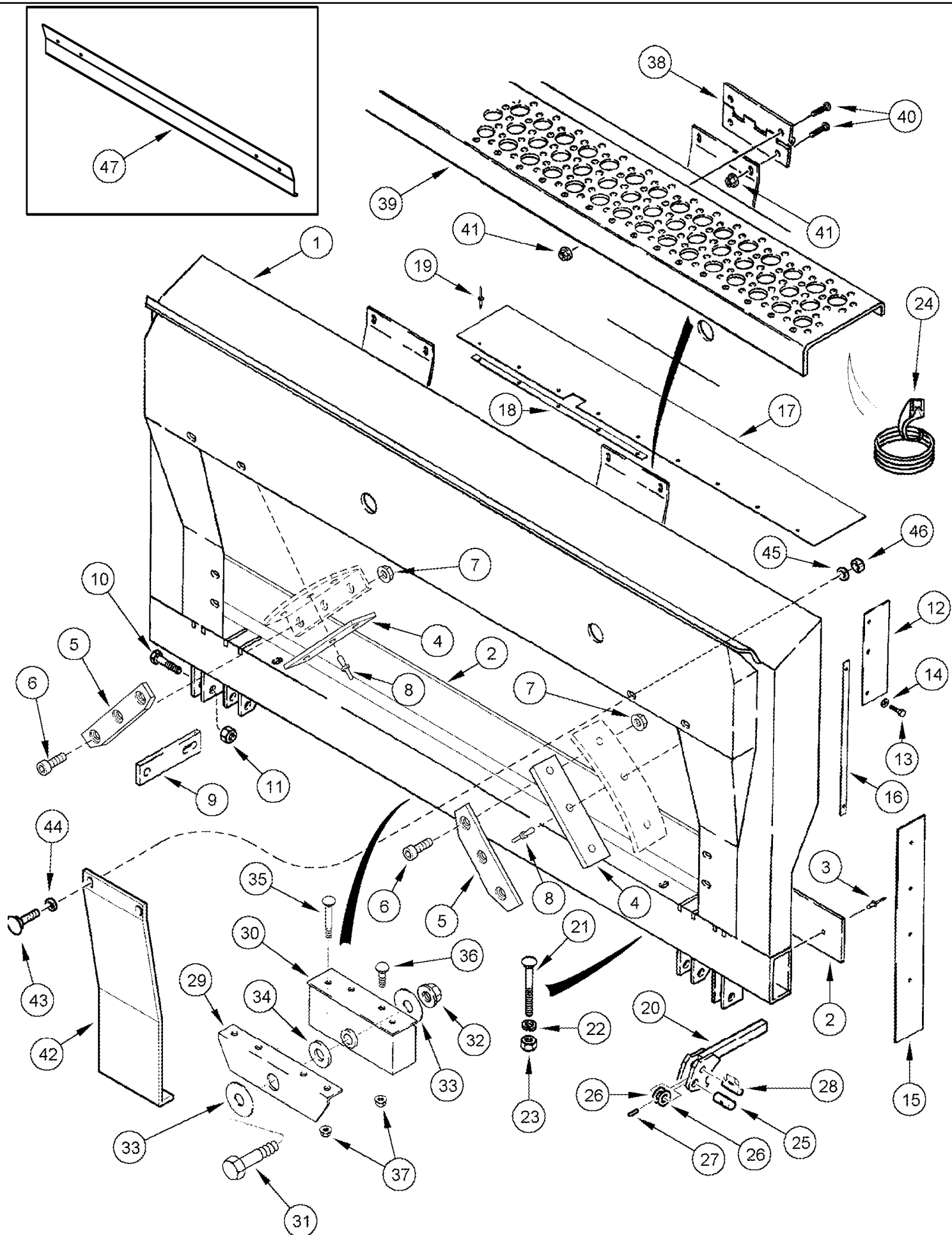


сылка	Номер детали	Кол-во	Описание
	144255A3	1	SUPPORT, Inc. 1 - 4
1	NSS	1	NOT SERVICED SEPARATELY, SUPPORT
2	100274A1	1	SUPPORT,
3	151-559	13	RIVET, Pop, 3/16" x .700",
4	100273A1	2	SUPPORT,
5	140767A2	2	HINGE,
6	140768A4	1	STEP,
7	477-73812	8	SCREW, Slt'd Serr Truss Hd, 3/8" x 3/4", 3/8 x 3/4
8	231-5146	8	NUT, Flg, USR, 3/8"-16,
9	100287A1	2	STOP,
10	413-828	4	BOLT, Hex, 1/2"-13 x 1 3/4", G5,
11	231-4218	4	NUT, LOCK, 1/2"-13, GB, 1/2
12	108739A1	2	SEAL,
13	281-5488	6	SCREW, SELF TAPPING, Hex Wash Hd, 5/16"-18 x 1/2", 5/16 x 1/2
14	495-21038	6	WASHER, 5/16", 3/8 x 7/8 x 3/32
15	108740A1	2	SEAL,
16	108645A2	2	STRIP, 300 mm (11-13/16 in.)
16	226606A2	2	STRIP, 210 mm (8-1/4 in)
16A	495-61020	2	WASHER, 13/64" x 1/2" x .060", 13/64 x 3/4 x 1/16, Not Illustrated
17	144934A1	2	GUARD,
18	144935A2	2	STRAP, 370 mm (14-9/16 in.)
19	390747A1	26	RIVET, 3/16 x 0.78 in.
20	100295A1	2	HANDLE,
21	411-572	2	BOLT, CARRIAGE, Short NK, 5/16"-18 x 4 1/2", G2, 5/16 x 4-1/2; 2
22	492-11031	2	WASHER, LOCK, 5/16",
23	425-105	2	NUT, 5/16"-18, G5,
24	100478A1	2	PLATE, LARGE,
25	434-512	8	BOLT, CARRIAGE, Short NK, 5/16"-18 x 3/4", G5, Full Thd,
26	495-21038	8	WASHER, 5/16", 3/8 x 7/8 x 3/32
27	492-11031	8	WASHER, LOCK, 5/16",
28	425-105	8	NUT, 5/16"-18, G5,
29	126046A1	2	GASKET, 292 mm (11-1/2 in.), Cut From 1330108CX
30	177141C1	2	PIN,
31	495-81175	2	WASHER, 21/32" x 1" x .120", 21/32 x 1 x 7/64
32	38-11616	2	PIN, LOCK, 1/4" x 1", Slotted,
33	1338021C1	2	PIN,
34	240586A2	1	SUPPORT,
35	240587A1	1	SUPPORT,
36	413-1680	1	BOLT, Hex, 1"-8 x 5", G5, 1 x 5
37	232-53116	1	NUT, LOCK, Flg, 1"-8,
38	240613A2	1	SPACER,
39	936727R1	2	WASHER, 1-1/32 x 2-1/4 x 1/4
40	434-820	4	BOLT, CARRIAGE, Short NK, 1/2"-13 x 1 1/4", G5, Full Thd, 1/2 x 1-1/4

2366 CASE IH AXIAL-FLOW COMBINE (NA) (1/98-8/04)

09A-31 FIELD TRACKER® - SUPPORT, HEADER PIVOT - BSN JJC0253999

сылка	Номер детали	Кол-во	Описание
41	433-872	4	BOLT, CARRIAGE, Short NK, 1/2"-13 x 4 1/2", G5, 3/8
42	231-5148	8	NUT, Flg, USR, 1/2"-13,



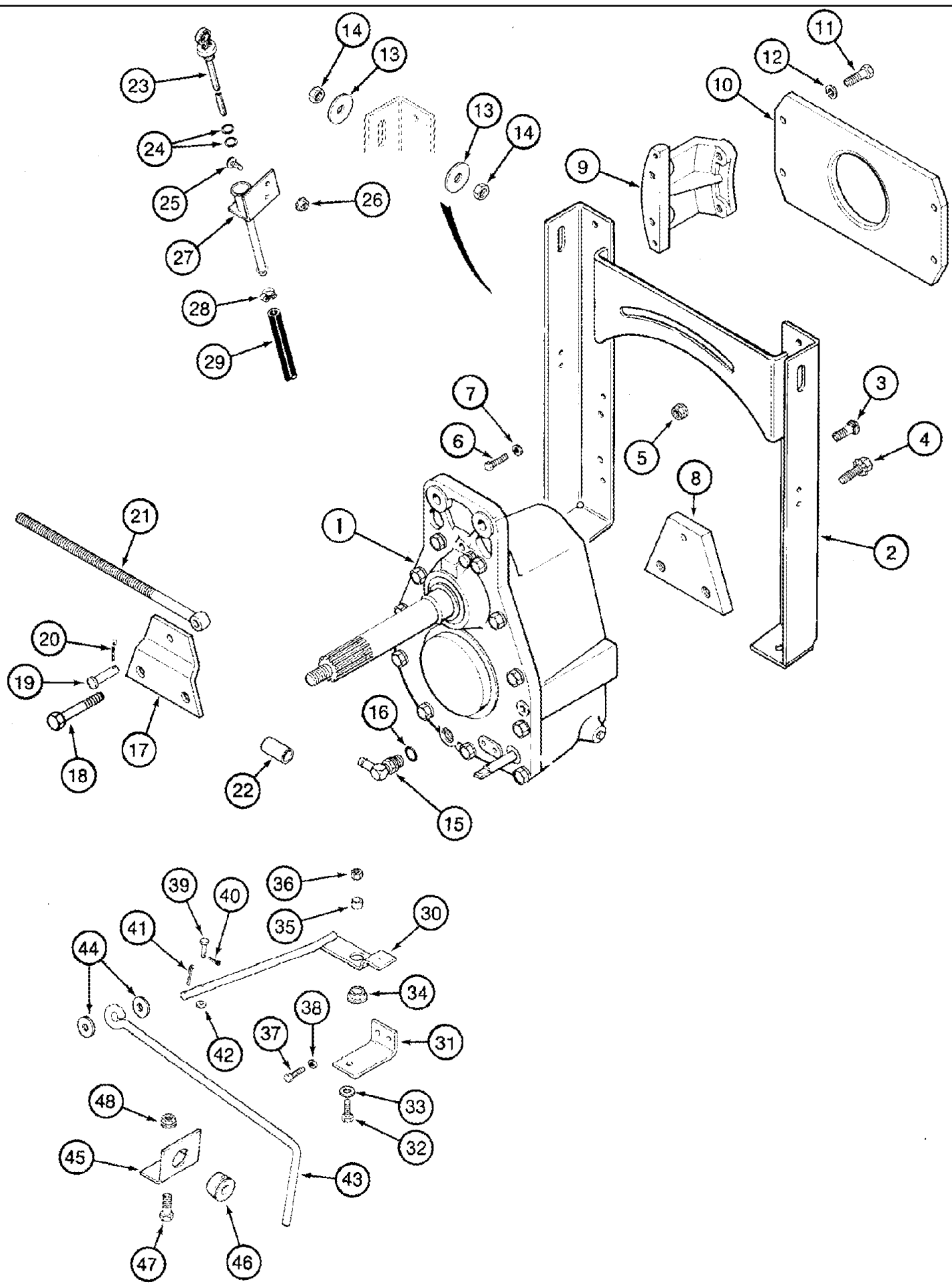
сылка	Номер детали	Кол-во	Описание
	144255A3	1	SUPPORT, Inc. 1 - 4
1	NSS	1	NOT SERVICED SEPARATELY, SUPPORT
2	100274A1	1	SUPPORT,
3	151-559	13	RIVET, Pop, 3/16" x .700",
4	350017A1	2	SLIDE, Horizontal
5	350018A1	2	SLIDE, Vertical
6	461-7258	6	SCREW, Hex Soc But Hd, 1/4"-20 x 1/2", 1/4 x 1/2
7	231-5144	6	NUT, Flg, USR, 1/4"-20,
8	419289A1	6	RIVET, 1/4 x 21/32
9	100287A1	2	STOP,
10	413-828	4	BOLT, Hex, 1/2"-13 x 1 3/4", G5,
11	231-4218	4	NUT, LOCK, 1/2"-13, GB, 1/2
12	108739A1	2	SEAL,
13	281-5488	6	SCREW, SELF TAPPING, Hex Wash Hd, 5/16"-18 x 1/2", 5/16 x 1/2
14	495-11041	6	WASHER, 3/8", SAE, (13/32 x 13/16 x 1/16")
15	108740A1	2	SEAL,
16	108645A2	2	STRIP, 300 mm (11-13/16 in.)
16	226606A2	2	STRIP, 210 mm (8-1/4 in)
16A	495-61020	2	WASHER, 13/64" x 1/2" x .060", 13/64 x 3/4 x 1/16, Not Illustrated
17	144934A1	2	GUARD,
18	144935A2	2	STRAP, 370 mm (14-9/16 in.)
19	390747A1	26	RIVET, 3/16 x 0.78 in.
20	100295A1	2	HANDLE,
21	411-572	2	BOLT, CARRIAGE, Short NK, 5/16"-18 x 4 1/2", G2, 5/16 x 4-1/2; 2
22	492-11031	2	WASHER, LOCK, 5/16",
23	425-105	2	NUT, 5/16"-18, G5,
24	87029779	2	SEAL, 292 mm (11-1/2 in.), Cut From 1330108CX
25	177141C1	2	PIN,
26	495-81175	4	WASHER, 21/32" x 1" x .120", 21/32 x 1 x 7/64
27	38-11616	2	PIN, LOCK, 1/4" x 1", Slotted,
28	1338021C1	2	PIN,
29	240586A2	1	SUPPORT,
30	240587A1	1	SUPPORT,
31	413-1680	1	BOLT, Hex, 1"-8 x 5", G5, 1 x 5
32	232-53116	1	NUT, LOCK, Flg, 1"-8,
33	936727R1	2	WASHER, 1-1/32 x 2-1/4 x 1/4
34	240613A2	1	SPACER,
35	434-820	4	BOLT, CARRIAGE, Short NK, 1/2"-13 x 1 1/4", G5, Full Thd, 1/2 x 1-1/4
36	433-872	4	BOLT, CARRIAGE, Short NK, 1/2"-13 x 4 1/2", G5, 1/2 x 4-1/2
37	231-5148	8	NUT, Flg, USR, 1/2"-13,
38	140767A2	2	HINGE,
39	140768A4	1	STEP,
40	477-73812	8	SCREW, Sltd Serr Truss Hd, 3/8" x 3/4", 3/8 x 3/4

2366 CASE IH AXIAL-FLOW COMBINE (NA) (1/98-8/04)

09A-32 FIELD TRACKER® - SUPPORT, HEADER PIVOT - ASN JJC0254000

сылка	Номер детали	Кол-во	Описание
41	231-5146	8	NUT, Flg, USR, 3/8"-16,
42	100478A1	2	PLATE, LARGE,
43	434-512	8	BOLT, CARRIAGE, Short NK, 5/16"-18 x 3/4", G5, Full Thd,
44	495-11041	8	WASHER, 3/8", SAE, (13/32 x 13/16 x 1/16")
45	492-11031	8	WASHER, LOCK, 5/16",
46	425-105	8	NUT, 5/16"-18, G5,
47	87409088	1	DEFLECTOR, Plate, Feeder House

09B-01 ROTOR DRIVE - MOUNTING

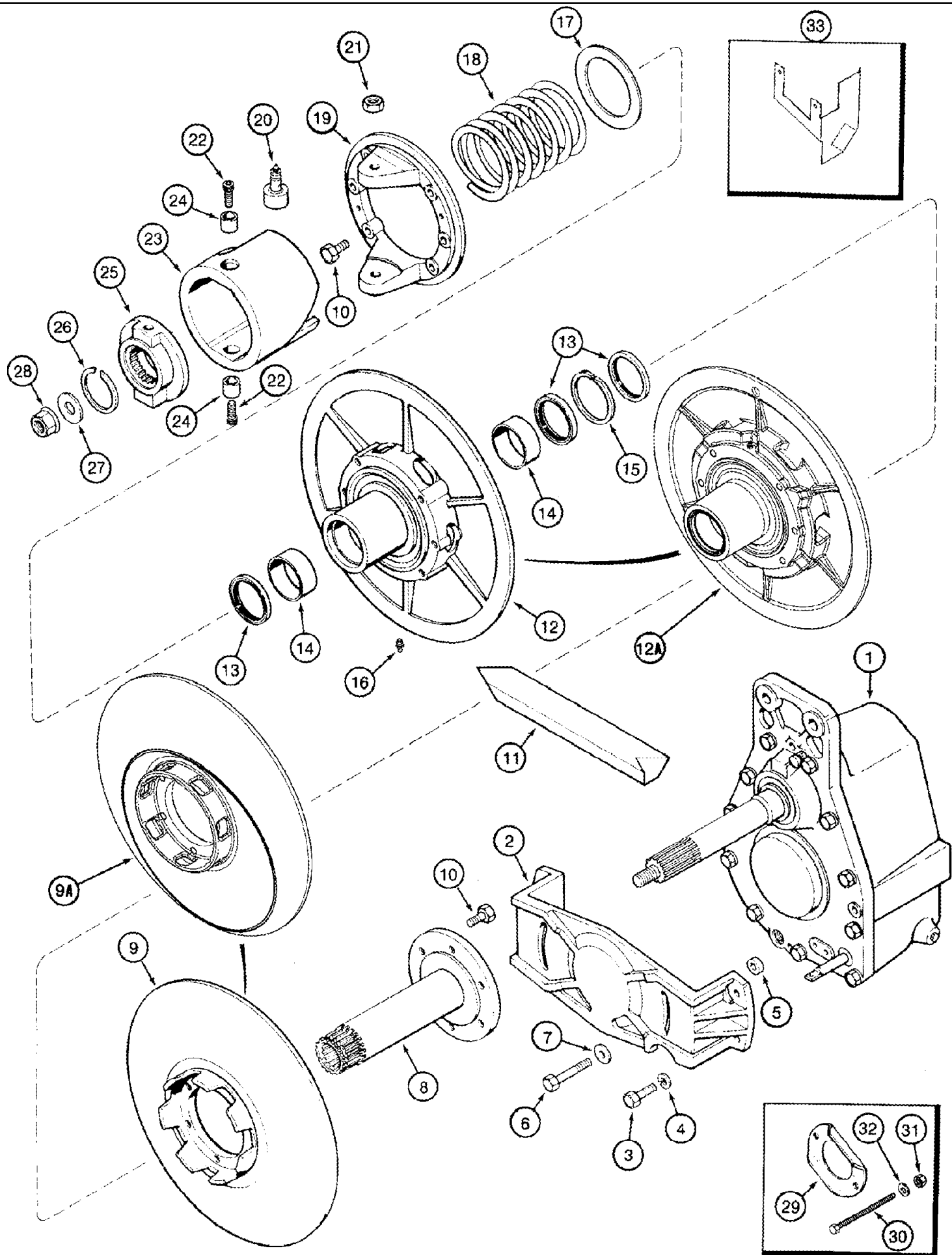


09B-01 ROTOR DRIVE - MOUNTING

сылка	Номер детали	Кол-во	Описание
1	1315340C4	1	HOUSING, See Figure 09B-04
2	1338395C1	1	SUPPORT ASSY.,
3	434-820	4	BOLT, CARRIAGE, Short NK, 1/2"-13 x 1 1/4", G5, Full Thd, 1/2 x 1-1/4
4	409-7820	2	BOLT, Hex Flg, 1/2"-13 x 1 1/4", Serr,
5	231-5148	6	NUT, Flg, USR, 1/2"-13,
6	413-616	4	BOLT, Hex, 3/8"-16 x 1", G5, Full Thd,
7	492-11038	4	WASHER, LOCK, 3/8",
8	188141C1	1	SUPPORT,
9	181314C2	2	BLOCK,
10	181315C1	1	PLATE,
11	413-824	4	BOLT, Hex, 1/2"-13 x 1 1/2", G5, Full Thd, 1/2 x 1-1/2
12	80679	4	WASHER, LOCK, 1/2",
13	495-81030	2	WASHER, 21/32" x 2" x .179", 21/32 x 2 x 11/64
14	425-1010	2	NUT, 5/8"-11, G5,
15	217-348	1	FITTING, 90e, 1/2" Hose x 3/4"-16 ORB Beaded, Replaces 188272C1
16	237-6008	1	O-RING, 8-1, 90 Duro, .644" ID x .087" Thk,
17	282906A1	1	STRAP,
18	413-1244	2	BOLT, Hex, 3/4"-10 x 2 3/4", G5, 3/4 x 2-3/4
19	439-5832	1	PIN, HEADED, 1/2" x 2", 1/2 x 2
20	432-1216	1	PIN, SPLIT (COTTER), 3/16" x 1", 3/16" x 1"
21	188143C1	1	EYEBOLT,
22	163493C1	1	STRIP, 3/4 ID x 1-3/4
	194066C91	1	DIPSTICK, Inc. 23 & 24
23	NSS	1	NOT SERVICED SEPARATELY, GAUGE
24	238-5210	2	O-RING, -210, 70 Duro, .734" ID x .139" Thk,
25	477-73112	2	BOLT, Slotted Tr Hd, 5/16"-18 x 3/4",
26	231-5145	2	NUT, Flg, USR, 5/16"-18,
27	193946C1	1	TUBE,
28	214-1706	2	CLAMP, HOSE, #6, 0.44/0.78 Type M Worm,
29	194043C1	1	HOSE, 483 mm (19-1/8 in.), Cut From S118466X
30	100398A1	1	LEVER ASSY.,
31	100395A1	1	SUPPORT,
32	413-620	1	BOLT, Hex, 3/8"-16 x 1 1/4", G5, Full Thd,
33	495-21044	1	WASHER, 3/8", 7/16 x 1 x 5/64
34	1979265C1	1	BUSHING,
35	1979327C1	1	SPACER,
36	231-4116	1	NUT, LOCK, 3/8"-16, GB, 3/8
37	413-512	2	BOLT, Hex, 5/16"-18 x 3/4", G5, Full Thd,
38	492-11031	4	WASHER, LOCK, 5/16",
39	439-5521	2	PIN, HEADED, 5/16" x 1 5/16", 5/16 x 1-5/16
40	432-812	2	PIN, SPLIT (COTTER), 1/8" x 3/4",
41	432-1216	2	PIN, SPLIT (COTTER), 3/16" x 1", 3/16" x 1"
42	495-11034	1	WASHER, 5/16", SAE, (11/32 x 11/16 x 1/16")

09B-01 ROTOR DRIVE - MOUNTING

сылка	Номер детали	Кол-во	Описание
43	186648C2	1	ROD,
44	396-41053	2	WASHER, 17/32" x 1 1/4" x .188", HDN, 17/32 x 1-1/4 x 3/16
45	1979564C1	1	SUPPORT,
46	87107420	2	GROMMET, 5/8 ID
47	413-820	2	BOLT, Hex, 1/2"-13 x 1 1/4", G5, Full Thd, 1/2 x 1-1/4
48	231-5148	2	NUT, Flg, USR, 1/2"-13,



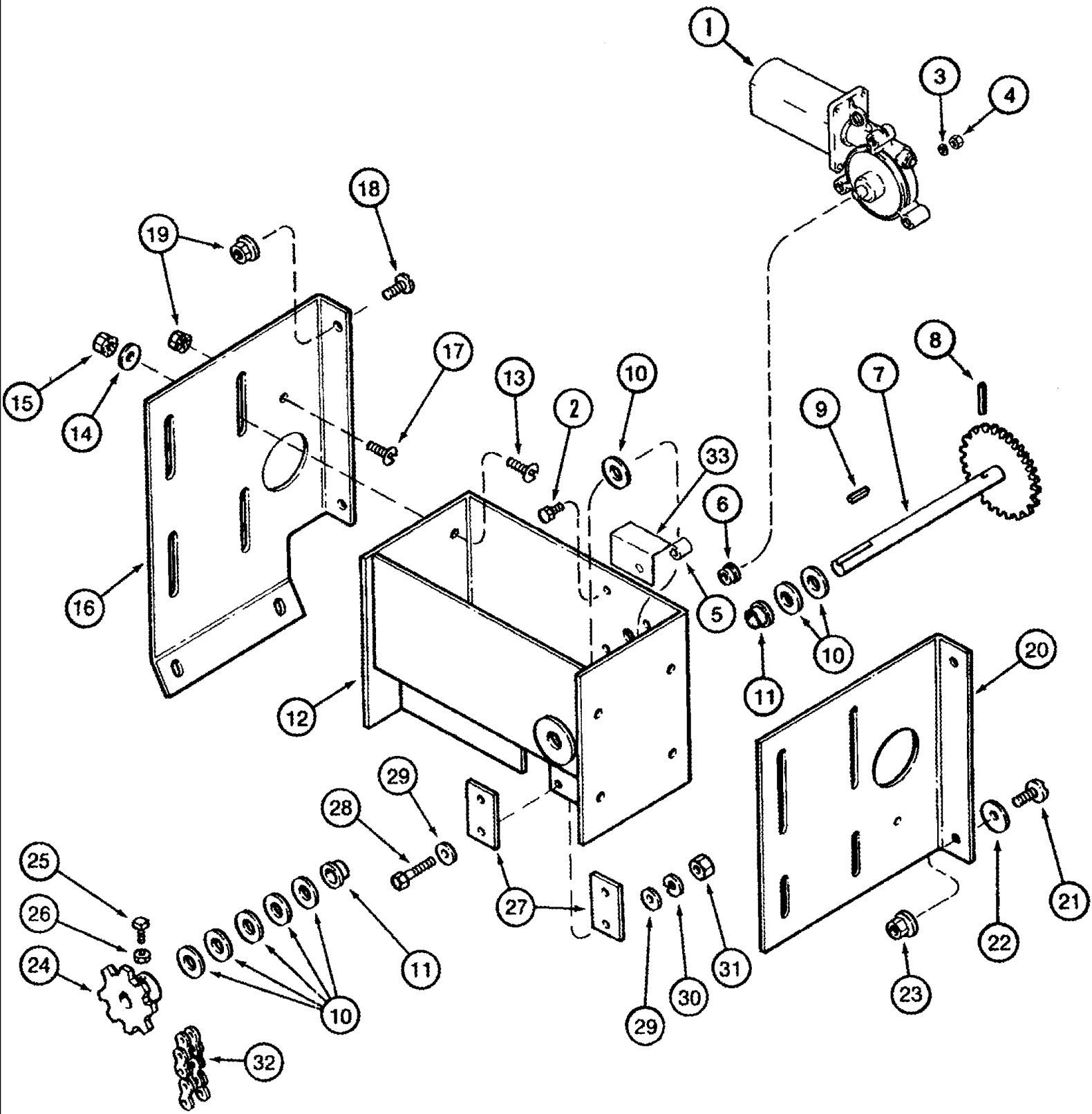
Note: Recommended for dusty conditions when rotor belt slippage occurs. Mounts to the cylinder block.

09B-02 ROTOR DRIVE - PULLEY AND CAM

сылка	Номер детали	Кол-во	Описание
1	1315340C4	1	HOUSING, GEAR, See Figure 09B-04
2	194058C1	1	SUPPORT,
3	413-828	4	BOLT, Hex, 1/2"-13 x 1 3/4", G5,
4	80679	4	WASHER, LOCK, 1/2",
5	194077C1	2	SPACER,
6	413-848	2	BOLT, Hex, 1/2"-13 x 3", G5,
7	396-41053	2	WASHER, 17/32" x 1 1/4" x .188", HDN, 17/32 x 1-1/4 x 3/16
8	184489C1	1	HUB, Machine Forged
9	280508A1	1	PULLEY, Fixed, Used With 1315294C7, Ref. 12
9A	310884A1	1	PULLEY, Fixed, Grooved, Used With 310886A1, Ref. 12A
10	310-1824	12	BOLT, Locking, 1/2"-13 x 1 1/2", G8, 1/2 x 1-1/2; 8
11	244420A1	1	BELT, 85 in. ov cntr, BSN JJC0254999
11	244420A3	1	BELT, Seamless, ASN JJC0255000
12	1315294C7	1	PULLEY, Adjustable, Inc. 13 - 16, Used with 280508A1, Ref. 9
12A	310886A1	1	PULLEY, Adjustable, Grooved, Inc. 13 - 16, Used with 310884A1, REF 9A
13	193965C92	3	SEAL,
14	NSS	2	NOT SERVICED SEPARATELY, BUSHING
15	537602R1	1	RING,
16	219-17	1	NIPPLE, LUBE, 3/16" x .55" lg, Drive,
	188839C93	AR	KIT, Kit, Inc. 13 & 14
17	1315521C1	1	STOP,
18	184486C2	1	SPRING, 400#
18A	110844A2	1	SPRING, 500#, Not Illustrated
19	1315344C2	1	HUB,
20	1315343C1	2	BEARING,
21	425-1110	2	NUT, 5/8"-18, G5,
22	194167C1	2	SCREW,
	246817A2	1	CAM, Inc. 23 & 24
23	NSS	1	NOT SERVICED SEPARATELY, CAM
24	193941C1	2	BUSHING,
25	1315297C2	1	HUB,
26	360171R1	1	RING,
27	370255R2	1	WASHER, 57/64 x 1-7/8 x 7/32
28	1315288C1	1	NUT, 7/8
29	1315304C3	1	PLATE,
30	1319996C3	2	ROD, 3/8 x 11-1/2 in.
31	429-106	2	NUT, 3/8"-16, G8, 3/8; 8
32	495-11041	2	WASHER, 3/8", SAE, (13/32 x 13/16 x 1/16")
33	239748A1	1	DEFLECTOR, See Figure Note

Note: Recommended for dusty conditions when rotor belt slippage occurs. Mounts to the cylinder block.

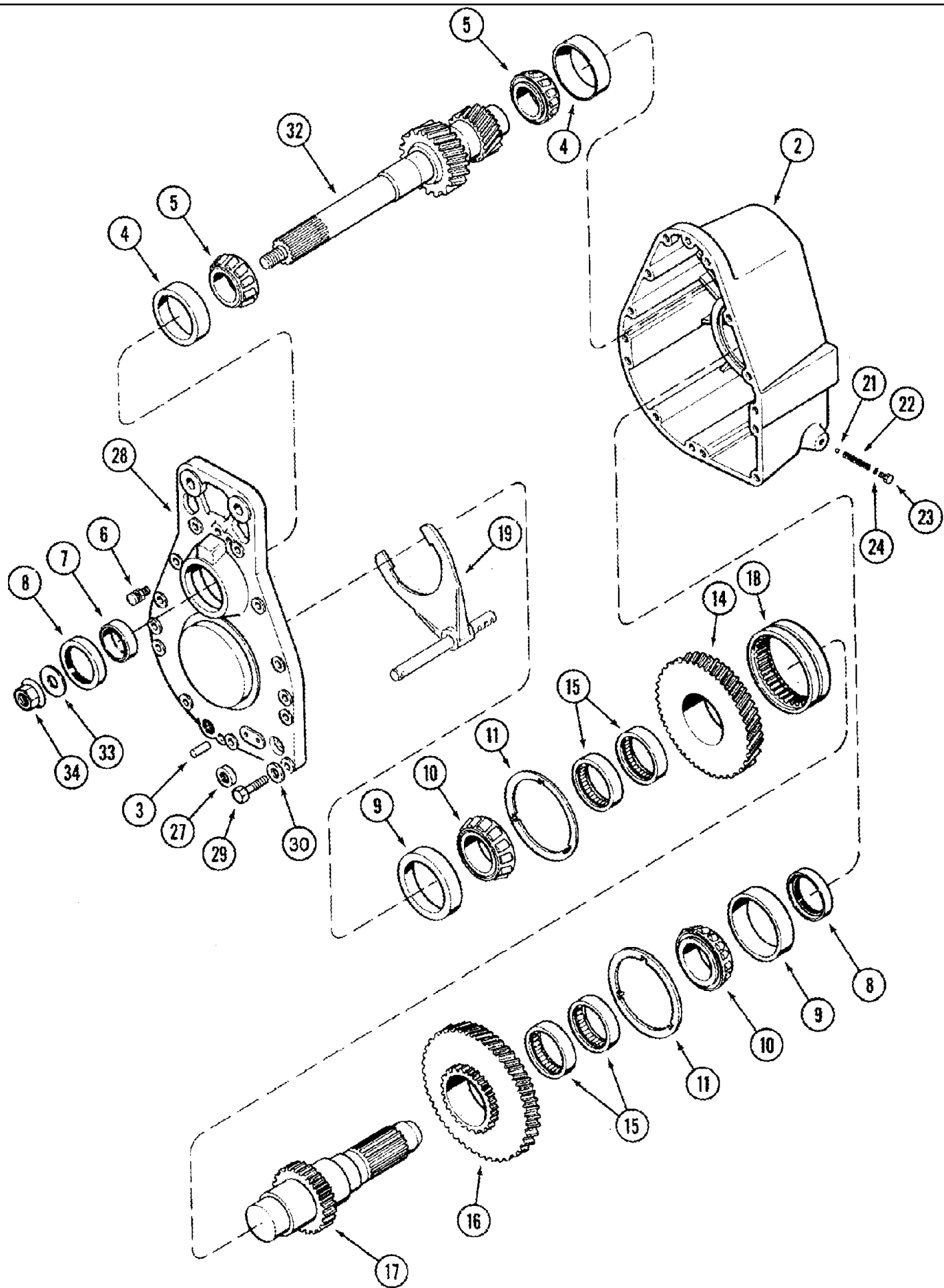
09B-03 ROTOR DRIVE - SPEED ADJUSTMENT



09B-03 ROTOR DRIVE - SPEED ADJUSTMENT

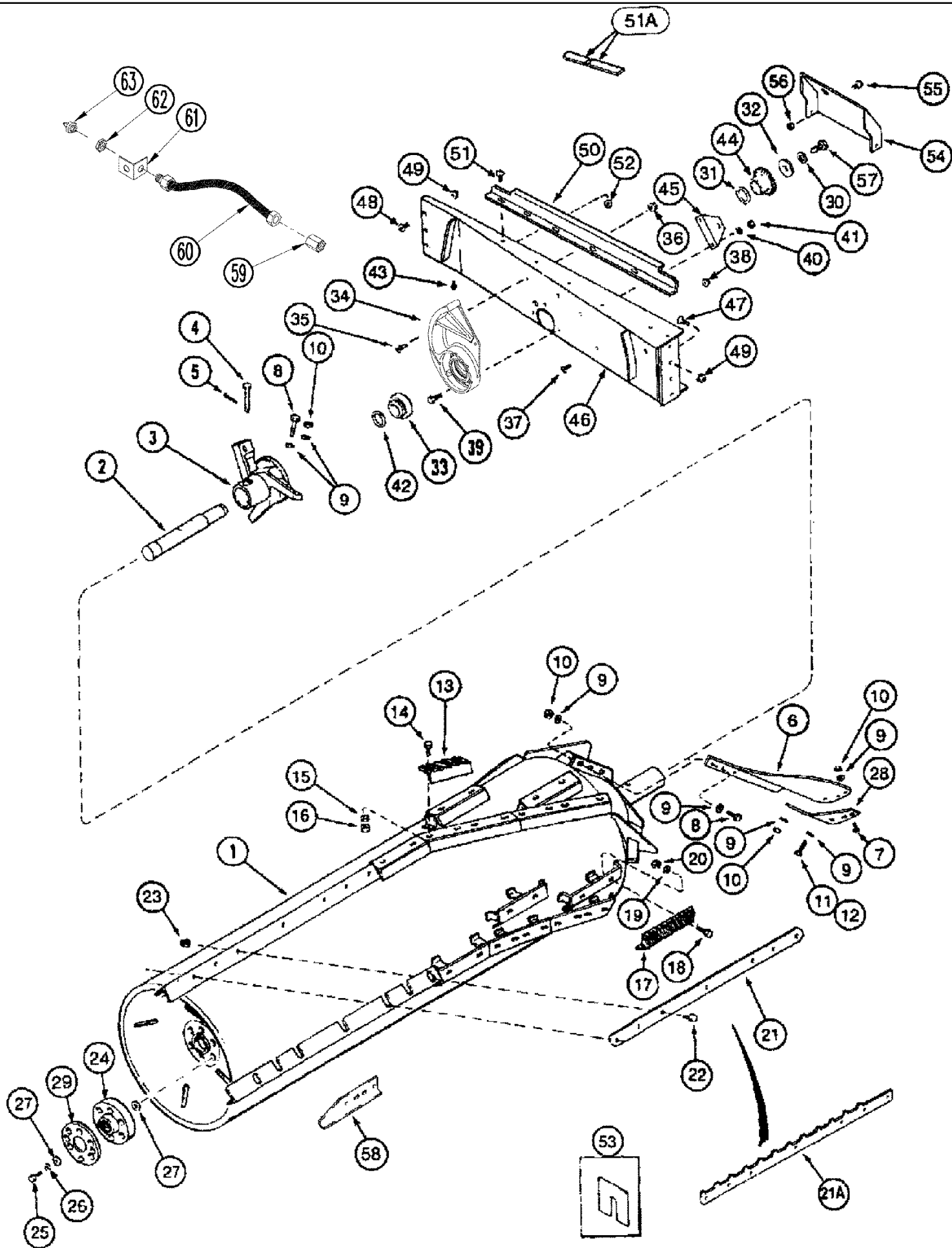
сылка	Номер детали	Кол-во	Описание
1	111787A2	1	MOTOR, ELECTRIC, Electric, Variable Speed
2	413-432	2	BOLT, Hex, 1/4"-20 x 2", G5,
3	492-11025	2	WASHER, LOCK, 1/4",
4	425-104	2	NUT, 1/4"-20, G5,
5	113485A1	2	SPACER, 17 mm
6	55825C1	1	BUSHING,
7	194338C1	1	GEAR,
8	38-11020	1	PIN, LOCK, 5/32" x 1 1/4", Slotted, 5/32" x 1 1/4", Slotted
9	Q5024	1	KEY, 3/16" Sq x 1", Par,
10	495-11066	8	WASHER, 5/8", SAE, 21/32 x 1-5/16 x 3/32
11	55826C1	2	BUSHING,
12	183227C2	1	SUPPORT,
13	409-7616	8	BOLT, Hex Flg, 3/8"-16 x 1", Serr,
14	495-81135	8	WASHER, 13/32" x 1" x .120", 13/32 x 1 x 7/64
15	231-5146	8	NUT, Flg, USR, 3/8"-16,
16	188203C3	1	SUPPORT, Left Hand
17	477-73820	2	SCREW, Slt'd Serr Truss Hd, 3/8"-16 x 1 1/4", 3/8 x 1-1/4
18	477-73812	2	SCREW, Slt'd Serr Truss Hd, 3/8" x 3/4", 3/8 x 3/4
19	231-5146	6	NUT, Flg, USR, 3/8"-16,
20	194336C2	1	SUPPORT, Right Hand
22	495-81143	2	WASHER, 13/32" x 1 1/2" x .120", 13/32 x 1-1/2 x 1/8
23	231-5146	2	NUT, Flg, USR, 3/8"-16,
24	194337C1	1	SPROCKET, 8 T
25	485-12512	2	SET SCREW, Sq Hd, 1/4"-20 x 3/4", set, 1/4 x 3/4
26	425-144	2	NUT, Jam, 1/4"-20, G5,
27	1302173C1	2	PAD,
28	413-624	2	BOLT, Hex, 3/8"-16 x 1 1/2", G5,
29	495-11041	4	WASHER, 3/8", SAE, (13/32 x 13/16 x 1/16")
30	492-11038	2	WASHER, LOCK, 3/8",
31	425-106	2	NUT, 3/8"-16, G5,
32	617107R91	1	CHAIN, Drive, Order: 2040 (31), 457113R91 (1), 457114R91 (2)
33	199704A1	1	GUARD,
21	477-73816	2	SCREW, Slt'd Serr Truss Hd, 3/8" x 1",

09B-04 ROTOR DRIVE - HOUSING, GEAR



09B-04 ROTOR DRIVE - HOUSING, GEAR

сылка	Номер детали	Кол-во	Описание
	1315340C4R	1	REMAN-TRANSMISSION, N.A. Only
	1315340C4C	1	DRIVE, Use To Return Core For Credit
	1315340C4	1	HOUSING, Inc. 2 - 34
2	194064C91	1	HOUSING ASSY., Inc. 3
3	37-1820	2	DOWEL, 1/2" x 1 1/4", 1/2 x 1-1/4
4	ST863	2	BEARING, CUP,
5	ST783A	2	BEARING, CONE,
6	152127H1	1	BREATHER, 1/8"-27, Short,
7	194047C1	1	BUSHING,
8	194051C1	2	SEAL,
9	22396V	2	BEARING SET,
10	13367DC	2	BEARING, CONE,
11	194057C1	2	WASHER, THRUST,
14	193828C1	1	PINION, 47 T
15	619085C91	4	BEARING, NEEDLE,
16	193824C1	1	PINION, 58 T
17	194059C1	1	SHAFT,
18	194069C1	1	COLLAR,
19	100400A1	1	FORK, SHIFTER,
21	211-1014	1	BALL, 7/16" Dia, 24,CRS
22	107234C1	1	SPRING,
23	129998	1	PLUG, Hex Hd, 1/2"-20 ORB, Incl. 24
27	G10450	1	SEAL,
28	194039C3	1	COVER,
29	413-832	11	BOLT, Hex, 1/2"-13 x 2", G5,
30	495-11053	1	WASHER, 1/2", SAE, (17/32" x 1-1/16" x 3/32")
32	1957654C1	1	SHAFT,
33	370255R2	1	WASHER, 57/64 x 1-7/8 x 7/32
34	1315288C1	1	NUT, 7/8
24	237-6005	1	O-RING, 5-1, 90 Duro, .414" ID x .072" Thk,

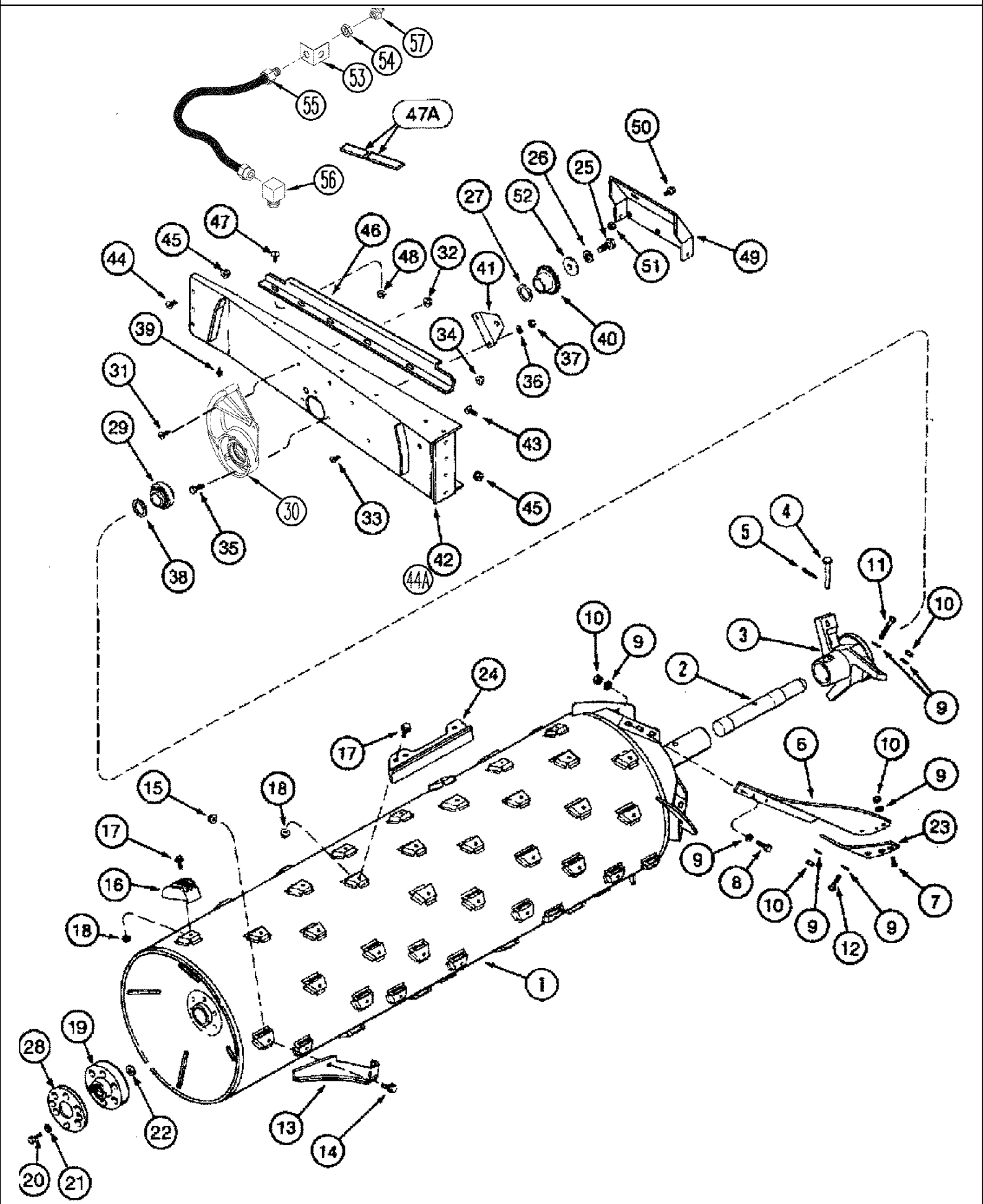


09B-05 ROTOR ASSY - CORN AND GRAIN

сылка	Номер детали	Кол-во	Описание
	256598A1	1	ROTOR, Standard Grain, Inc. 1 - 29
	256605A1	1	ROTOR, Standard Grain, Close Tolerance, Inc. 1 - 29, With Chrome Bars
1	NSS	1	NOT SERVICED SEPARATELY, ROTOR
2	191545C2	1	SHAFT,
3	191546C2	1	IMPELLER,
4	439-51272	1	PIN, HEADED, 3/4" x 4 1/2", G5,
5	432-1620	1	PIN, SPLIT (COTTER), 1/4" x 1 1/4", 1/4" x 1 1/4"
	1957446C3	1	SET OF BLADES, Rotor Blade, Inc. 6 - 12
6	NSS	3	NOT SERVICED SEPARATELY, BLADE Rotor
	2352721R92	1	PACKAGE, Blade Hardware, Inc. 7 - 12
7	361-45024	9	SCREW, Hex Soc Flat Hd, 1/2"-13 x 1 1/2", 1/2 x 1-1/2
8	326-828	9	BOLT, Hex, 1/2"-13 x 1 3/4", G8,
9	396-41053	39	WASHER, 17/32" x 1 1/4" x .188", HDN, 17/32 x 1-1/4 x 3/16
10	199528A1	24	NUT, 1/2; 8
11	326-844	3	BOLT, Hex, 1/2"-13 x 2 3/4", G8,
12	326-848	3	BOLT, Hex, 1/2"-13 x 3", G8,
13	1308829C2	12	BAR, , Used with 256598A1
13	1324583C3	12	BAR, Chrome, Used with 256605A1
14	426-620	24	BOLT, Hex, 3/8"-16 x 1 1/4", G8, Full Thd, 3/8 x 1-1/4; 8
15	496-41041	24	WASHER, 13/32" x 1 1/8" x .134",
16	232-4136	24	NUT, LOCK, 3/8"-16, GC,
17	1308668C1	9	RASP BAR, , Used with 256598A1
17	1324582C2	9	RASP BAR, Chrome, Used with 256605A1
18	426-620	18	BOLT, Hex, 3/8"-16 x 1 1/4", G8, Full Thd, 3/8 x 1-1/4; 8
19	496-41041	18	WASHER, 13/32" x 1 1/8" x .134",
20	232-4136	18	NUT, LOCK, 3/8"-16, GC,
21	1303038C2	3	BAR, , Used with 256598A1
21	1324580C2	3	BAR, Chrome, Used with 256605A1
21A	1302103C3	3	BAR, With Teeth, Optional, Purchase Separately
22	409-7620	21	BOLT, Hex Flg, 3/8"-16 x 1 1/4", Serr,
23	231-5146	21	NUT, Flg, USR, 3/8"-16,
24	1345307C1	1	COUPLING,
25	326-852	6	BOLT, Hex, 1/2"-13 x 3 1/4", G8,
26	396-41053	6	WASHER, 17/32" x 1 1/4" x .188", HDN, 17/32 x 1-1/4 x 3/16
27	195-81030	6	WASHER, 17/32 x 1-1/2 x 3/16
28	183253C4	3	BAR,
28	1309185C3	3	BAR, Chrome
29	221189A1	1	SPACER,
30	492-11075	1	WASHER, LOCK, 3/4", 3/4"
31	495-81097	AR	WASHER, 2 1/32" x 2 3/4" x .075", 2-1/32 x 2-3/4 x 1/16
32	70330C1	1	WASHER, 25/32 x 2-1/2 x 1/4
33	193282C91	1	BEARING, BALL,
34	253439A3	1	HOUSING, Replaces 1309076C1

09B-05 ROTOR ASSY - CORN AND GRAIN

сылка	Номер детали	Кол-во	Описание
35	477-73820	2	SCREW, Sltd Serr Truss Hd, 3/8"-16 x 1 1/4", 3/8 x 1-1/4
36	231-5146	2	NUT, Flg, USR, 3/8"-16,
37	477-73812	2	SCREW, Sltd Serr Truss Hd, 3/8" x 3/4", 3/8 x 3/4
38	231-5146	2	NUT, Flg, USR, 3/8"-16,
39	413-824	3	BOLT, Hex, 1/2"-13 x 1 1/2", G5, Full Thd, 1/2 x 1-1/2
40	80679	3	WASHER, LOCK, 1/2",
41	425-108	3	NUT, 1/2"-13, G5,
42	183449C1	1	WASHER,
43	219-87	1	NIPPLE, LUBE, 1/4"-28 x .56" lg, Self-Tap, , BSN JJC0254999
44	1979965C1	1	ROTOR, Rotor
45	1301239C1	1	SUPPORT,
46	193163C8	1	SUPPORT,
47	409-7816	4	BOLT, Hex Flg, 1/2"-13 x 1", Serr, 1/2 x 1
48	409-7820	3	BOLT, Hex Flg, 1/2"-13 x 1 1/4", Serr,
49	231-5148	7	NUT, Flg, USR, 1/2"-13,
50	231850A1	1	BAR,
51	409-7516	AR	BOLT, Hex Flg, 5/16"-18 x 1", Serr,
51A	231851A1	AR	SEAL,
52	231-5145	AR	NUT, Flg, USR, 5/16"-18,
	1324208C1	1	KIT, SHIM, Inc. 53
53	NSS	28	NOT SERVICED SEPARATELY, SHIM 0.010
53	NSS	28	NOT SERVICED SEPARATELY, SHIM 0.030
53	NSS	28	NOT SERVICED SEPARATELY, SHIM 0.053
53	NSS	28	NOT SERVICED SEPARATELY, SHIM 0.093
54	182845C5	1	SHIELD,
55	409-7612	3	BOLT, Hex Flg, 3/8"-16 x 3/4", Serr,
56	131-872	3	NUT, Ret, 3/8"-16, 3/8
57	424-1228	1	BOLT, Hex, 3/4"-10 x 1 3/4", G2, 3/4 x 1-3/4; 2
58	183335C3	3	SUPPORT, Rotor Rear Bar
59	219-418	1	ADAPTER, 1/4"-1/8 NPTF, , ASN JJC0255000
60	431729A1	1	HOSE, Grease, 597 mm (23-1/2 in), ASN JJC0255000
61	419744A1	1	BRACKET, , ASN JJC0255000
62	F53473	1	NUT, 1/8, ASN JJC0255000
63	219-8	1	NIPPLE, LUBE, 1/4"-28 NPT x .54" lg, , ASN JJC0255000

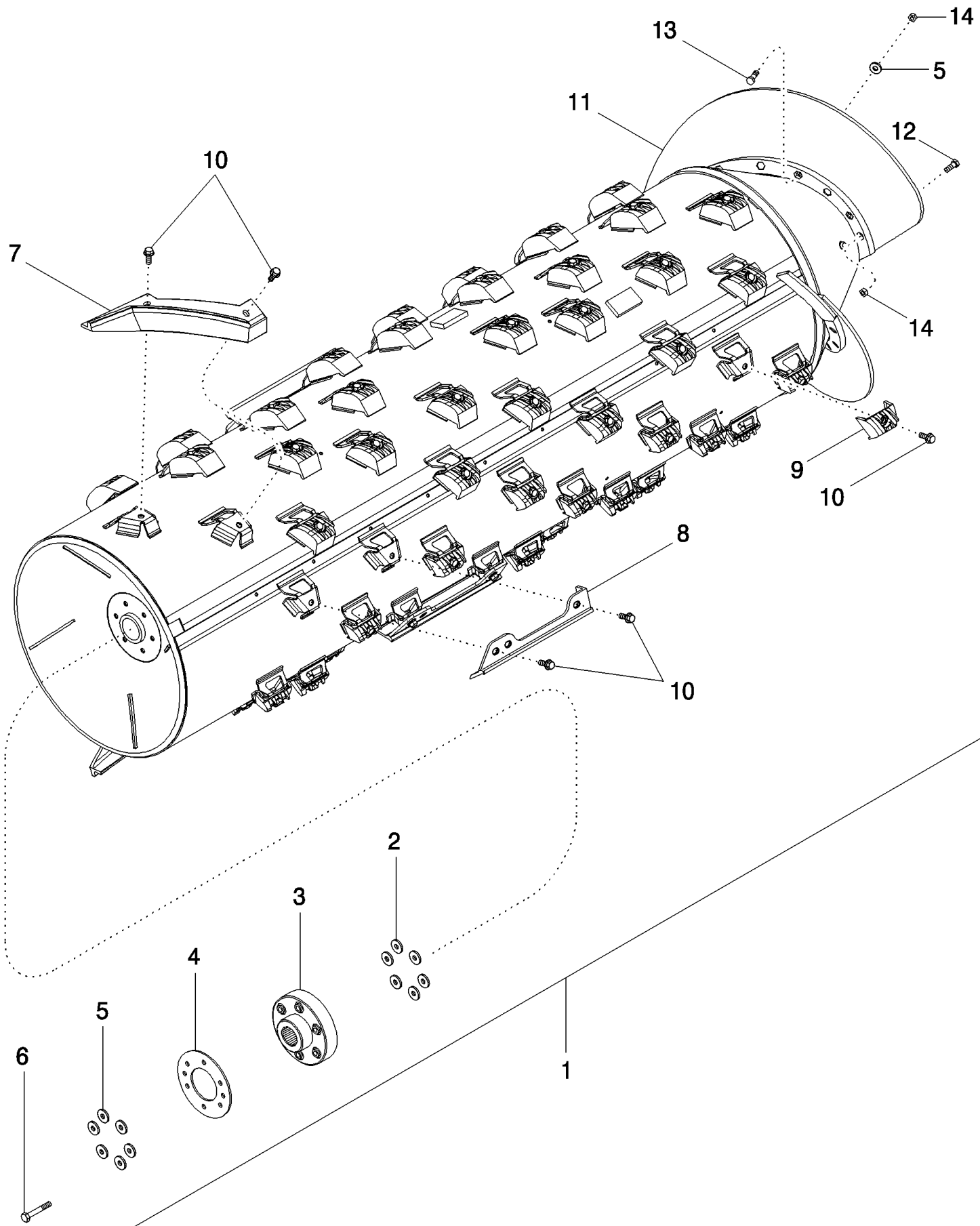


09B-06 ROTOR ASSY - SPECIALTY CROP

сылка	Номер детали	Кол-во	Описание
	256600A3	1	ROTOR, Grain, Inc. 1 - 28, Without Spiked Bars
	256604A3	1	ROTOR, Rice, Inc. 1 - 28, With Spiked Bars
	256601A1	1	ROTOR, Corn, Inc. 1 - 28, Without Spiked Bars
	256606A3	1	ROTOR, Grain, Inc. 1 - 28, With Chrome Bars
	352537A2	1	ROTOR ASSY., Rice, Inc. 1 - 28, Extended Wear Rice Combines
1	NSS	1	NOT SERVICED SEPARATELY, ROTOR
2	191545C2	1	SHAFT,
3	191546C2	1	IMPELLER,
4	439-51272	1	PIN, HEADED, 3/4" x 4 1/2", G5,
5	432-1620	1	PIN, SPLIT (COTTER), 1/4" x 1 1/4", 1/4" x 1 1/4"
	1957446C3	1	SET OF BLADES, Rotor Blade, Inc. 6 - 12
6	NSS	3	NOT SERVICED SEPARATELY, BLADE Rotor
	2352721R92	1	PACKAGE, Rotor Hardware, Inc. 7 - 12
7	361-45024	9	SCREW, Hex Soc Flat Hd, 1/2"-13 x 1 1/2", 1/2 x 1-1/2
8	326-828	9	BOLT, Hex, 1/2"-13 x 1 3/4", G8,
9	396-41053	39	WASHER, 17/32" x 1 1/4" x .188", HDN, 17/32 x 1-1/4 x 3/16
10	199528A1	24	NUT, 1/2; 8
11	326-844	3	BOLT, Hex, 1/2"-13 x 2 3/4", G8,
12	326-848	3	BOLT, Hex, 1/2"-13 x 3", G8,
13	1317690C1	3	ANGLE, Helical Kicker, Used With 256600A3, 256601A1, 256604A3, 352537A2
13	1968967C2	3	BAR, Chrome, Used With 256606A3
14	360-820	6	BOLT, Hex Flg, 1/2"-13 x 1 1/4", G8, Full Thd, 1/2 x 1-1/4; 8
15	186852C1	6	NUT, 1/2, 8
16	1309175C2	54	RASP BAR, Rice, With Spike, Used With 256604A3, BSN JJC0254999
16	1309175C3	54	RASP BAR, Grain, With Spike, Used With 256600A3 & 256601A1, ASN JJC0255000
16	1309336C2	AR	RASP BAR, Grain, Without Spike, Used With 256600A3 & 256601A1
16	278821A2	48	RASP BAR, Chrome, Grain, Without Spike, Used Wth 256606A3, Replaces: 1968743C2
16	1309336C1	AR	BAR, Corn, Without Spike, Used With 256600A3 & 256601A1
16	278820A3	54	BAR, Without Spike, Used With 352537A2, Extended Wear Rice Combines, BSN JJC0254999
16	278820A4	54	RASP BAR, Chrome, With Spike, Used With 352537A2, Extended Wear Rice Combines, ASN JJC0255000
16	111709A1	AR	RASP BAR, Smooth, Optional
17	360-820	AR	BOLT, Hex Flg, 1/2"-13 x 1 1/4", G8, Full Thd, 1/2 x 1-1/4; 8
18	186852C1	AR	NUT, 1/2, 8
19	1345307C1	1	COUPLING,
20	326-852	6	BOLT, Hex, 1/2"-13 x 3 1/4", G8,
21	396-41053	6	WASHER, 17/32" x 1 1/4" x .188", HDN, 17/32 x 1-1/4 x 3/16
22	195-81030	6	WASHER, 17/32 x 1-1/2 x 3/16
23	1309185C4	3	BAR, Chrome
24	1318976C2	3-6	BAR, Used With 256600A1, 256601A1
24	1968969C3	3	BAR, Chrome, Used With 256606A1
25	424-1228	1	BOLT, Hex, 3/4"-10 x 1 3/4", G2, 3/4 x 1-3/4; 2
26	492-11075	1	WASHER, LOCK, 3/4", 3/4"

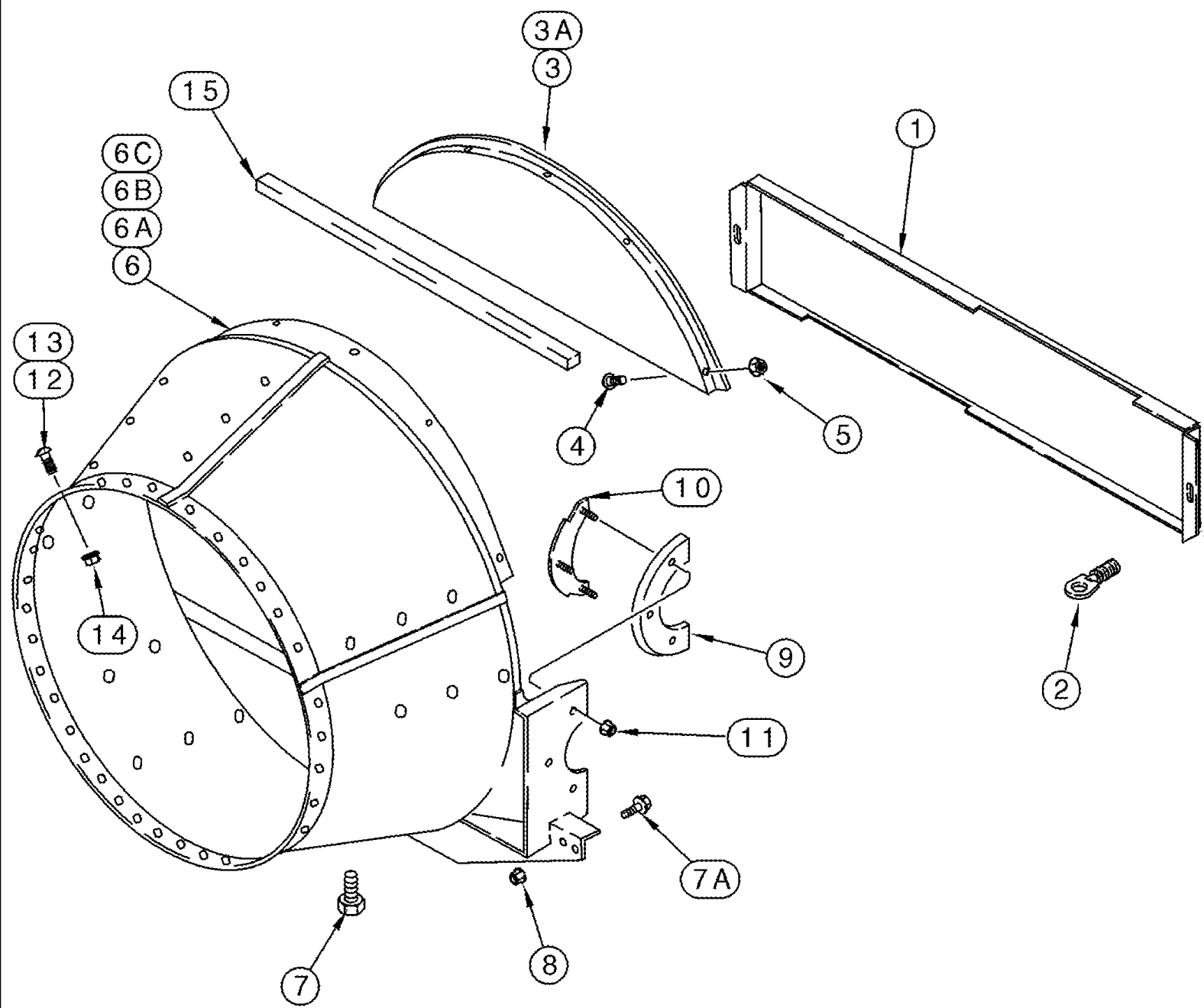
09B-06 ROTOR ASSY - SPECIALTY CROP

сылка	Номер детали	Кол-во	Описание
27	495-81097	AR	WASHER, 2 1/32" x 2 3/4" x .075", 2-1/32 x 2-3/4 x 1/16
28	221189A1	1	SPACER,
28A	180703C1	1	PACKAGE,SERVICE, , Insulator Rotor Drive Hub (6), Not Illustrated
29	193282C91	1	BEARING, BALL,
30	253439A3	1	HOUSING, Replaces 1309076C1
31	477-73820	2	SCREW, Slt'd Serr Truss Hd, 3/8"-16 x 1 1/4", 3/8 x 1-1/4
32	231-5146	2	NUT, Flg, USR, 3/8"-16,
33	477-73812	2	SCREW, Slt'd Serr Truss Hd, 3/8" x 3/4", 3/8 x 3/4
34	231-5146	2	NUT, Flg, USR, 3/8"-16,
35	413-824	3	BOLT, Hex, 1/2"-13 x 1 1/2", G5, Full Thd, 1/2 x 1-1/2
36	80679	3	WASHER, LOCK, 1/2",
37	425-108	3	NUT, 1/2"-13, G5,
38	183449C1	1	WASHER,
39	219-87	1	NIPPLE, LUBE, 1/4"-28 x .56" lg, Self-Tap, , BSN JJC0254999
40	1979965C1	1	ROTOR,
41	1301239C1	1	SUPPORT,
42	193163C8	1	SUPPORT,
42A	249248A1	1	SUPPORT, , Extended Wear Rice Combines
43	409-7816	4	BOLT, Hex Flg, 1/2"-13 x 1", Serr, 1/2 x 1
44	409-7820	3	BOLT, Hex Flg, 1/2"-13 x 1 1/4", Serr,
45	231-5148	7	NUT, Flg, USR, 1/2"-13,
46	231850A1	1	BAR,
47	409-7516	AR	BOLT, Hex Flg, 5/16"-18 x 1", Serr,
47A	231851A1	AR	SEAL,
48	231-5145	AR	NUT, Flg, USR, 5/16"-18,
49	182845C5	1	SHIELD,
50	409-7612	3	BOLT, Hex Flg, 3/8"-16 x 3/4", Serr,
51	131-872	3	NUT, Ret, 3/8"-16, 3/8
52	70330C1	1	WASHER, 25/32 x 2-1/2 x 1/4
53	419744A1	1	BRACKET,
54	F53473	1	NUT, 1/8
55	431729A1	1	HOSE, Grease, 597 mm (23-1/2 in)
56	219-418	1	ADAPTER, 1/4"-1/8 NPTF,
57	219-8	1	NIPPLE, LUBE, 1/4"-28 NPT x .54" lg,



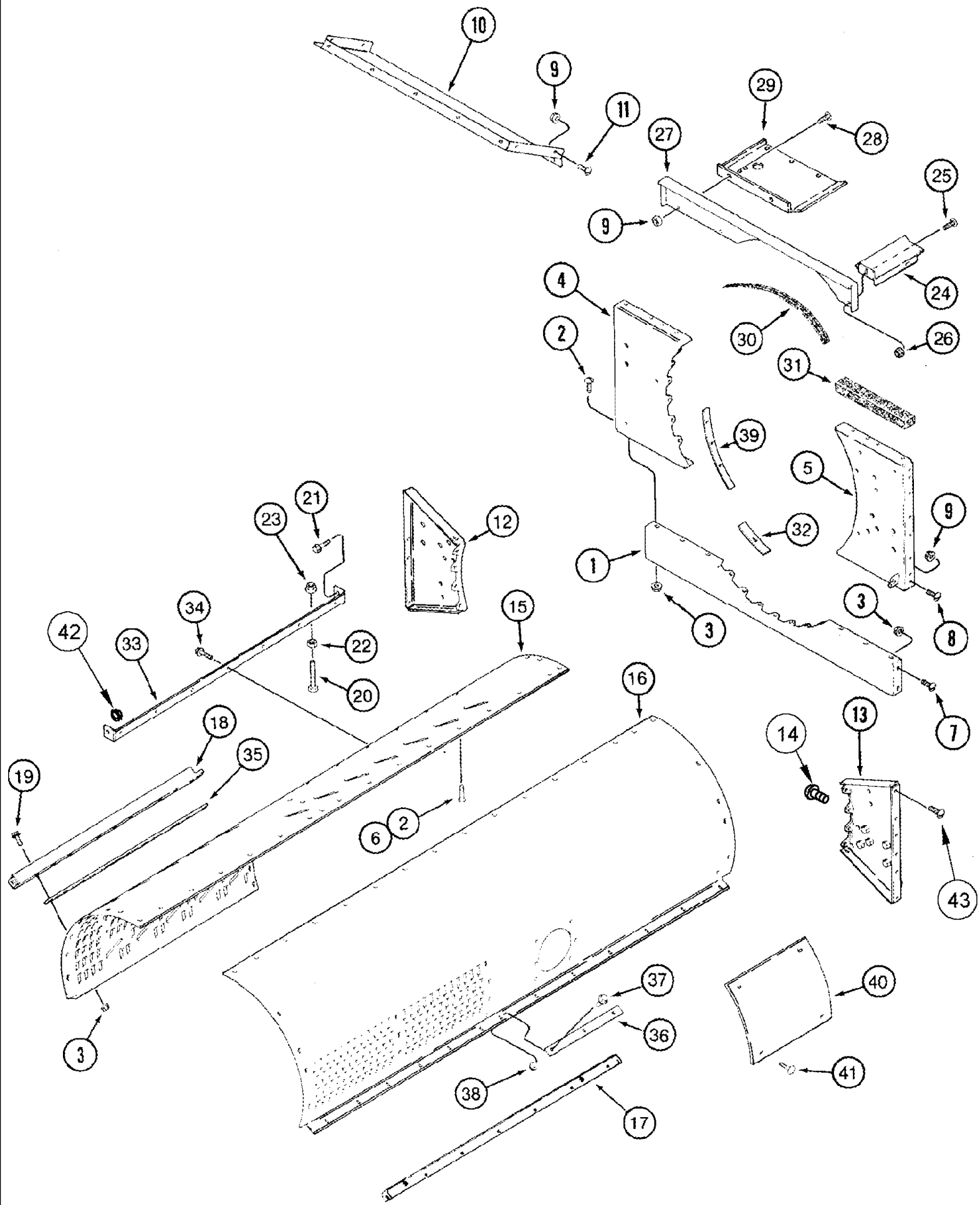
09B-06A ROTOR ASSY - SPECIALTY AFX

сылка	Номер детали	Кол-во	Описание
	86992118	1	ROTOR, ASSY, AFX Speciality Corn, Standard Wear, Inc. 1 - 14
	87307855	1	ROTOR, ASSY, AFX Speciality Grain, Extended Wear, Inc. 1 - 14
	86992119	1	ROTOR, ASSY, AFX Speciality Grain, Extended Wear, Inc. 1 - 14
	86992120	1	ROTOR, ASSY, AFX Speciality Rice, Extended Wear, Inc. 1 - 14
1	NSS	1	NOT SERVICED SEPARATELY, ROTOR ASSY, With Supports and Nuts
2	195-81030	6	WASHER, 17/32 x 1-1/2 x 3/16
3	1345307C1	1	COUPLING, Rotor Drive, Inc. 3A
3A	1345453C1	6	INSULATOR, RUBBER, Not Illustrated
4	87363446	1	PLATE, Rotor Load Ring
5	396-41053	18	WASHER, 17/32" x 1 1/4" x .188", HDN, 17/32 x 1-1/4 x 3/16
6	326-852	6	BOLT, Hex, 1/2"-13 x 3 1/4", G8,
7	1317690C1	2	ANGLE, Helical Kicker, Standard Wear
7	86992049	3	BAR, ANGLE, Helical Kicker, Extended Wear
8	1318976C2	8	BAR, Straight Separator, Standard Wear
8	86992047	4	BAR, Straight Separator, Extended Wear
9	1309336C2	62	RASP BAR, Without Rear Spike, Standard Wear
9	278821A2	70	RASP BAR, Without Spike, Extended Wear
9	278820A4	AR	RASP BAR, With Spike, Extended Wear, Rice
10	86981487	82	BOLT, Hex Flg, M12 x 35, 10.9, Full Thd,
11	NSS	2	NOT SERVICED SEPARATELY, FLIGHT, Inlet
	87308133	1	PACKAGE, AFX Rotor Inlet Flight with Extensions, Inc. 11-14
12	326-820	4	BOLT, Hex, 1/2"-13 x 1 1/4", G8, Full Thd,
13	326-824	12	BOLT, Hex, 1/2"-13 x 1 1/2", G8, Full Thd,
14	199528A1	16	NUT,



09B-07 CONE

сылка	Номер детали	Кол-во	Описание
1	137607A2	1	TRAP DOOR,
2	188029C1	2	LATCH,
3	1302515C1	1	DOOR,
3A	293565A1	1	GUARD, , Extended Wear Rice Combines
4	409-7512	2	BOLT, Hex Flg, 5/16"-18 x 3/4", Serr, Replaces 477-73112
5	231-5145	2	NUT, Flg, USR, 5/16"-18,
6	194047A2	1	CONE, Inc. 7, Corn and Grain Combine
6A	198101A2	1	CONE, Inc. 7, Extended Wear Corn, Grain or Rice Combine
6B	249250A1	1	HOUSING, , Extended Wear Rice Combines
6C	373271A1	1	CONE, Heavy Duty, Extended Wear Rice Combines
7	413-88	1	BOLT, Hex, 1/2"-13 x 1/2", G5, Full Thd, 1/2 x 1/2
7A	409-7820	4	BOLT, Hex Flg, 1/2"-13 x 1 1/4", Serr,
	300367A2	1	HOUSING ASSY., Includes: 249250A1, Also Includes: 249252A1, 249257A1, 249254A1, See Figure 09B-10, Also Includes Hardware, Extended Wear Rice Combines
	365928A2	1	CONE, Heavy Duty, Includes: 373271A1, Also Includes 249252A2, 249257A1, 249254A1, See Figure 09B-10, Also Includes Hardware, Extended Wear Rice Combines
8	231-5148	4	NUT, Flg, USR, 1/2"-13,
9	195202C1	2	SEAL,
10	195409C1	2	PLATE,
11	231-5145	6	NUT, Flg, USR, 5/16"-18,
12	135320A1	2	SCREW, 3/8 x 1-1/4
13	139727A1	17	SCREW, 3/8 x 1
14	231-5146	19	NUT, Flg, USR, 3/8"-16,
15	233482A1	2	SEAL,

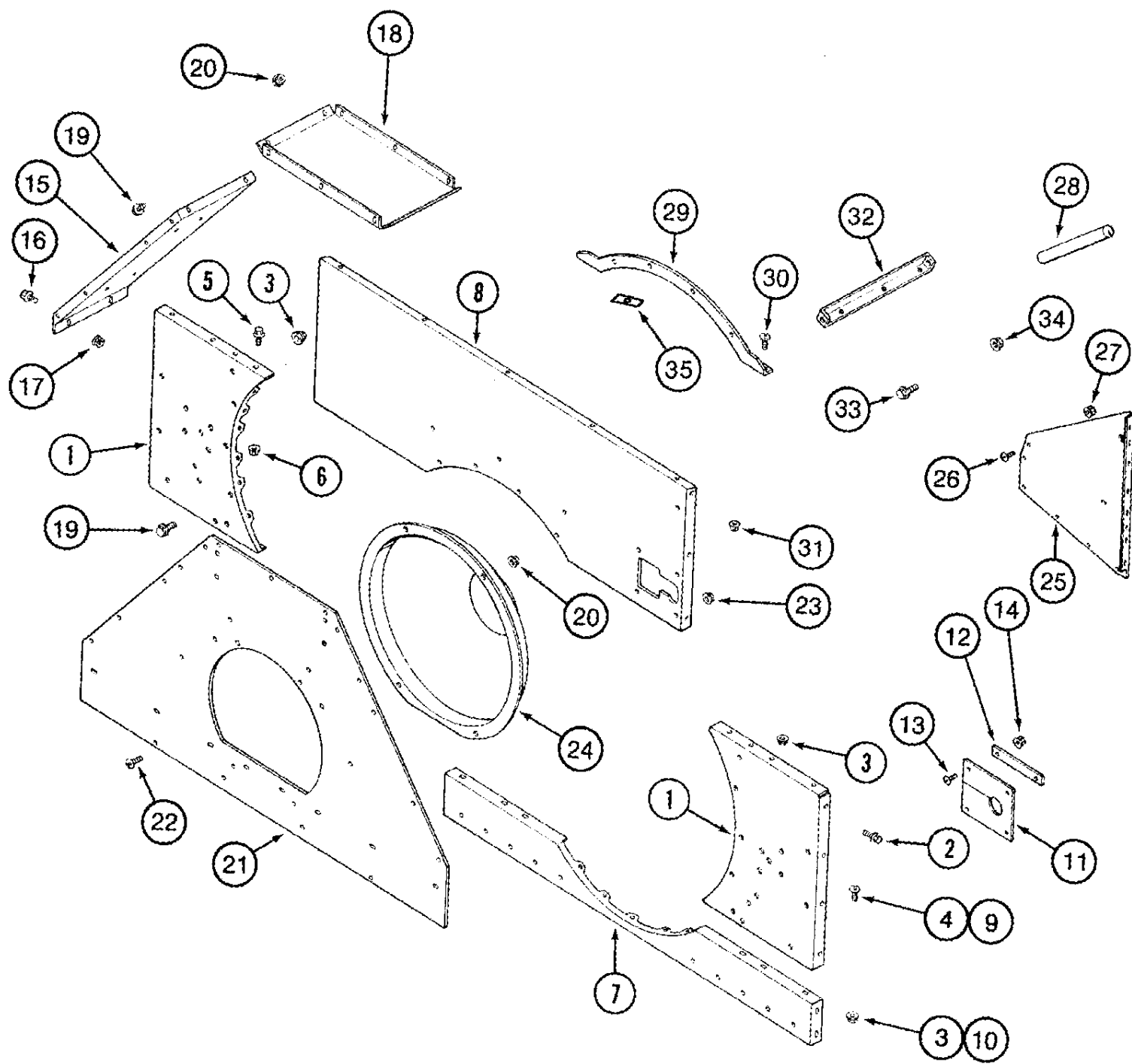


09B-08 CAGE - FRONT

сылка	Номер детали	Кол-во	Описание
1	192297C2	1	SUPPORT,
2	477-73812	AR	SCREW, Sltd Serr Truss Hd, 3/8" x 3/4", 3/8 x 3/4
2	477-73120	AR	SCREW, Sltd Serr Truss Hd, 5/16"-18 x 1 1/4",
3	231-5146	AR	NUT, Flg, USR, 3/8"-16,
4	1994848C1	1	SUPPORT, Left Hand Front
5	1338045C3	1	SUPPORT, Right Hand Front
6	139727A1	6	SCREW, 3/8 x 1
7	1302160C1	8	SCREW, LOCK, Sltd Truss Hd, 3/8"-16 x 3/4",
8	477-73112	12	BOLT, Slotted Tr Hd, 5/16"-18 x 3/4",
9	231-5145	AR	NUT, Flg, USR, 5/16"-18,
10	176195A1	1	SUPPORT, Front
11	477-73112	9	BOLT, Slotted Tr Hd, 5/16"-18 x 3/4",
12	1338056C1	2	SUPPORT, Left Hand, Intermediate
13	1338044C1	1	SUPPORT, Right Hand, Intermediate
14	1302160C1	12	SCREW, LOCK, Sltd Truss Hd, 3/8"-16 x 3/4",
15	1318829C2	1	CAGE, Rotor, Left Hand
16	1318419C3	1	CAGE, Rotor, Right Hand
17	188333C1	1	SUPPORT, Cage, Right Hand
18	185386C1	1	SUPPORT, Cage, Left Hand
19	1319250C1	15	SCREW, 3/8 x 1
20	931008R1	2	BOLT, 1/2 x 3-1/2
21	1302143C1	4	BOLT, 1/2 x 1, With Scotch Grip
22	425-148	2	NUT, Jam, 1/2"-13, G5,
23	231-5148	2	NUT, Flg, USR, 1/2"-13,
24	193862C1	1	SUPPORT,
25	409-7512	3	BOLT, Hex Flg, 5/16"-18 x 3/4", Serr,
26	488837C1	2	NUT, 5/16
27	186169C1	1	SUPPORT,
28	477-73112	9	BOLT, Slotted Tr Hd, 5/16"-18 x 3/4",
28	477-73120	1	SCREW, Sltd Serr Truss Hd, 5/16"-18 x 1 1/4",
29	186168C4	1	SHEET,
30	191498C1	1	STRIP, 528 mm (20-13/16 in.)
31	318103R2	2	SEAL, 243 mm (9-1/2 in.), Cut From 73220C1
32	186797C2	1	SUPPORT,
33	1309191C2	1	SUPPORT, Left Hand
34	1319250C1	5	SCREW, 3/8 x 1
34	135320A1	2	SCREW, 3/8 x 1-1/4
35	183323C1	1	STRAP,
36	186785C2	1	REINFORCEMENT,
37	1302143C1	1	BOLT, 1/2 x 1
38	231-5148	1	NUT, Flg, USR, 1/2"-13,
39	1318899C1	1	SUPPORT, Left Hand Front
40	1979540C1	2	COVER, Upper Right Hand

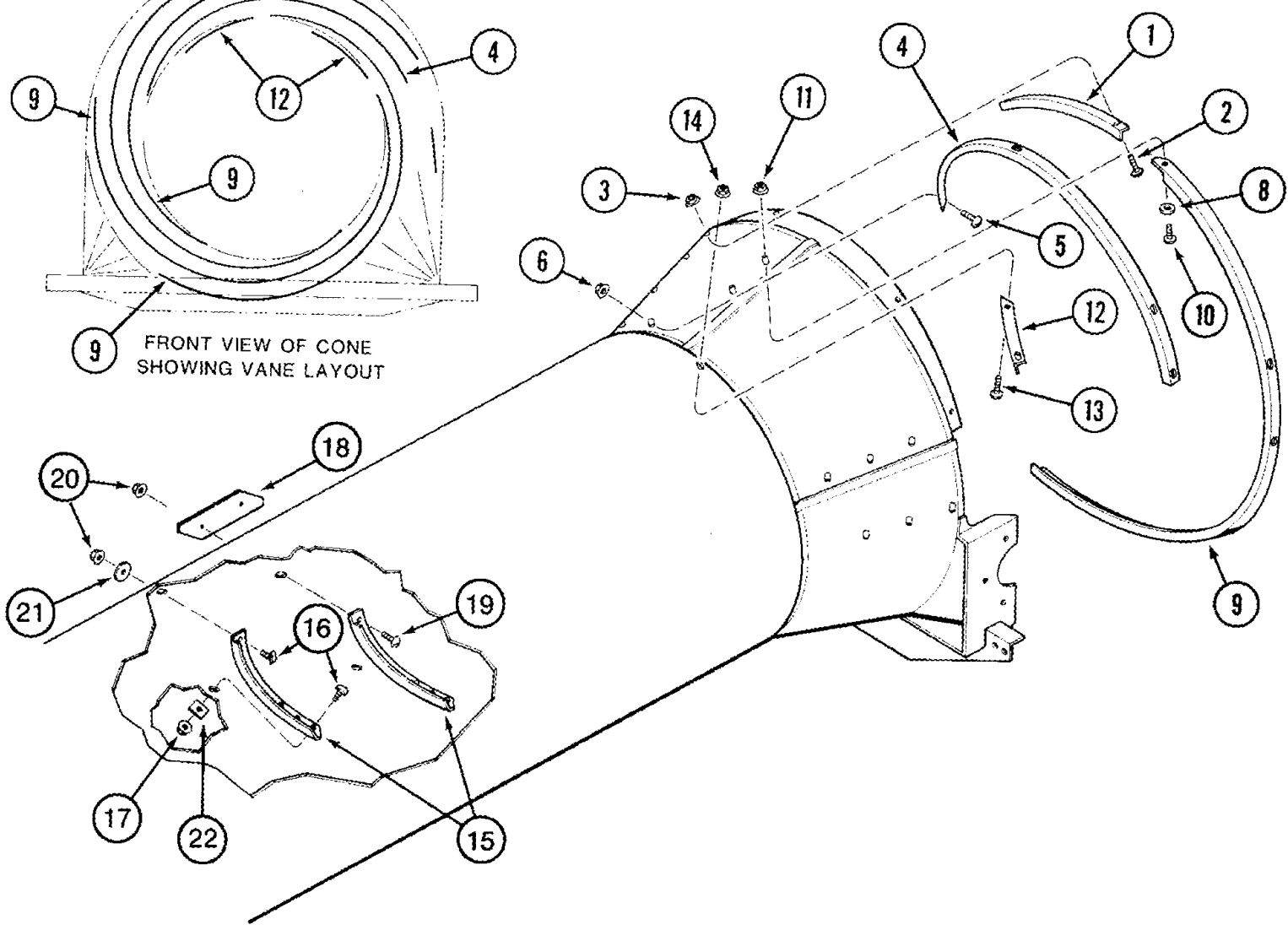
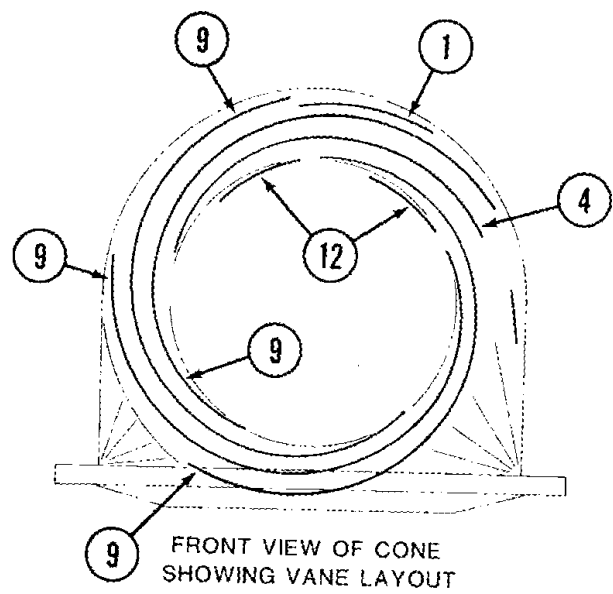
09B-08 CAGE - FRONT

сылка	Номер детали	Кол-во	Описание
41	1324105C1	8	BOLT,
42	231-5346	1	NUT, LOCK, Flg, 3/8"-16,
43	410-7620	6	BOLT, Hex Flg, 3/8"-16 x 1 1/4", Serr, 3/8 x 1-1/4; 8



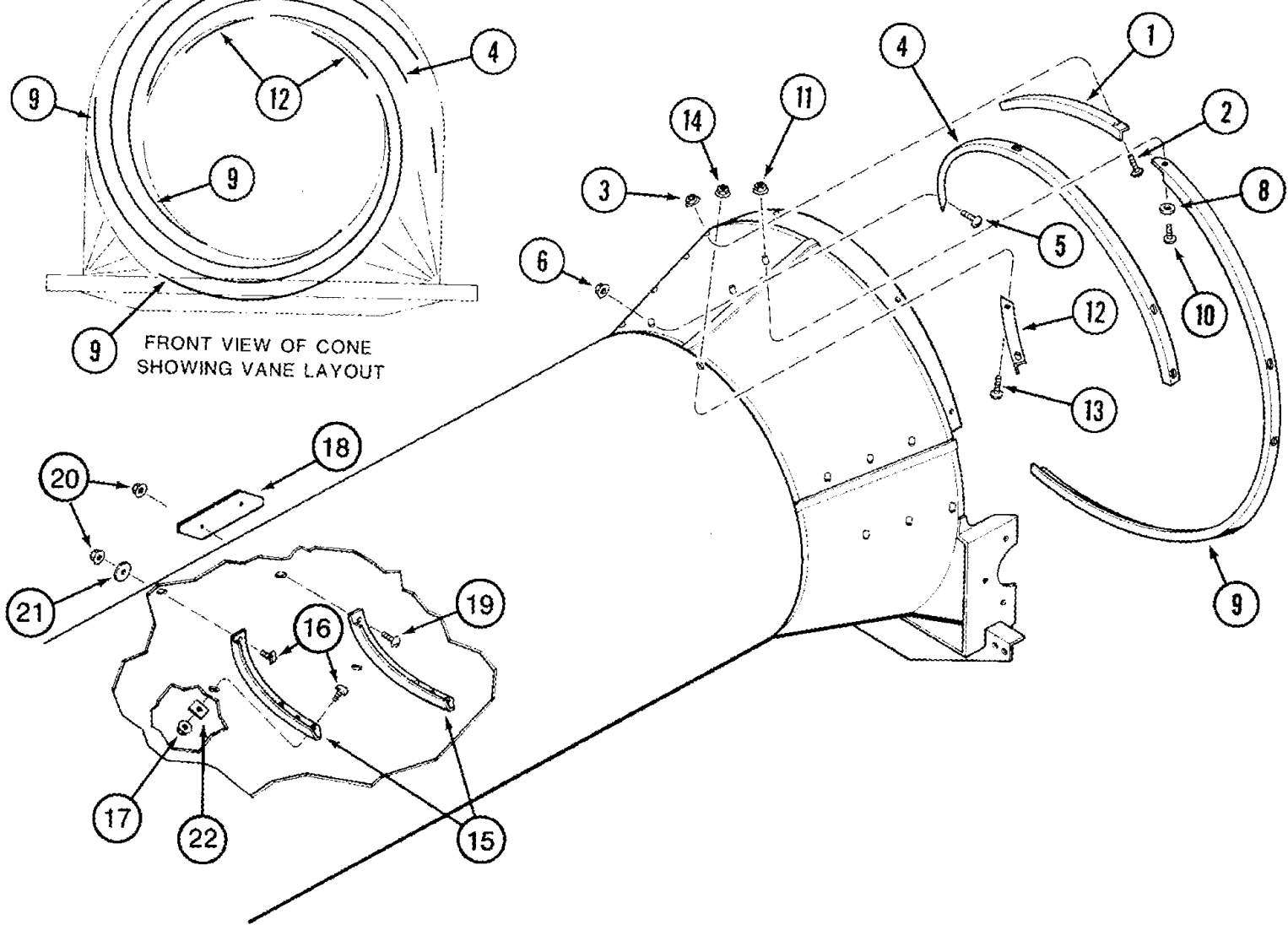
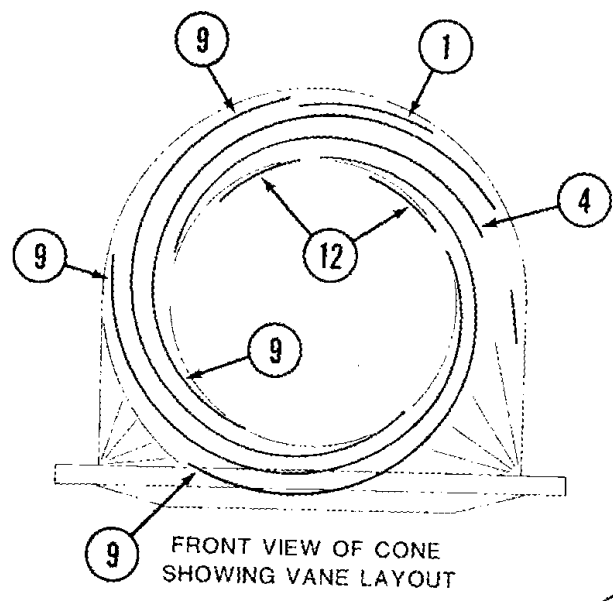
09B-09 CAGE - REAR

сылка	Номер детали	Кол-во	Описание
1	1994850C2	2	SUPPORT, Rear
2	477-73812	14	SCREW, Sltd Serr Truss Hd, 3/8" x 3/4", 3/8 x 3/4
2	477-73120	2	SCREW, Sltd Serr Truss Hd, 5/16"-18 x 1 1/4",
3	231-5146	24	NUT, Flg, USR, 3/8"-16,
4	1302160C1	8	SCREW, LOCK, Sltd Truss Hd, 3/8"-16 x 3/4",
5	477-73112	12	BOLT, Slotted Tr Hd, 5/16"-18 x 3/4",
6	231-5145	12	NUT, Flg, USR, 5/16"-18,
7	182929C1	1	SUPPORT, Lower Rear
8	176202A1	1	SHEET, Upper Rear
9	477-73812	23	SCREW, Sltd Serr Truss Hd, 3/8" x 3/4", 3/8 x 3/4
10	231-5146	23	NUT, Flg, USR, 3/8"-16,
11	191191C2	1	STRIP,
12	191192C1	2	BAR,
13	477-73112	4	BOLT, Slotted Tr Hd, 5/16"-18 x 3/4",
14	231-5145	4	NUT, Flg, USR, 5/16"-18,
15	193169C1	2	SUPPORT,
16	477-73112	12	BOLT, Slotted Tr Hd, 5/16"-18 x 3/4",
17	231-5145	12	NUT, Flg, USR, 5/16"-18,
18	193170C1	1	COVER,
19	409-7512	10	BOLT, Hex Flg, 5/16"-18 x 3/4", Serr,
20	231-5145	7	NUT, Flg, USR, 5/16"-18,
21	193966C1	1	PLATE,
22	477-73112	9	BOLT, Slotted Tr Hd, 5/16"-18 x 3/4",
23	231-5145	9	NUT, Flg, USR, 5/16"-18,
24	182545C2	1	HOUSING,
25	191398C2	1	GUARD,
26	477-73812	4	SCREW, Sltd Serr Truss Hd, 3/8" x 3/4", 3/8 x 3/4
27	231-5146	4	NUT, Flg, USR, 3/8"-16,
28	191498C1	1	STRIP, 528 mm (20-13/16 in.), If Used
29	1308695C1	1	SUPPORT, Upper Rear
30	1302160C1	7	SCREW, LOCK, Sltd Truss Hd, 3/8"-16 x 3/4",
31	231-5146	7	NUT, Flg, USR, 3/8"-16,
32	182634C3	1	SUPPORT, Rear, Right Hand
33	1302143C1	2	BOLT, 1/2 x 1
34	231-5148	2	NUT, Flg, USR, 1/2"-13,
35	186797C2	1	SUPPORT,



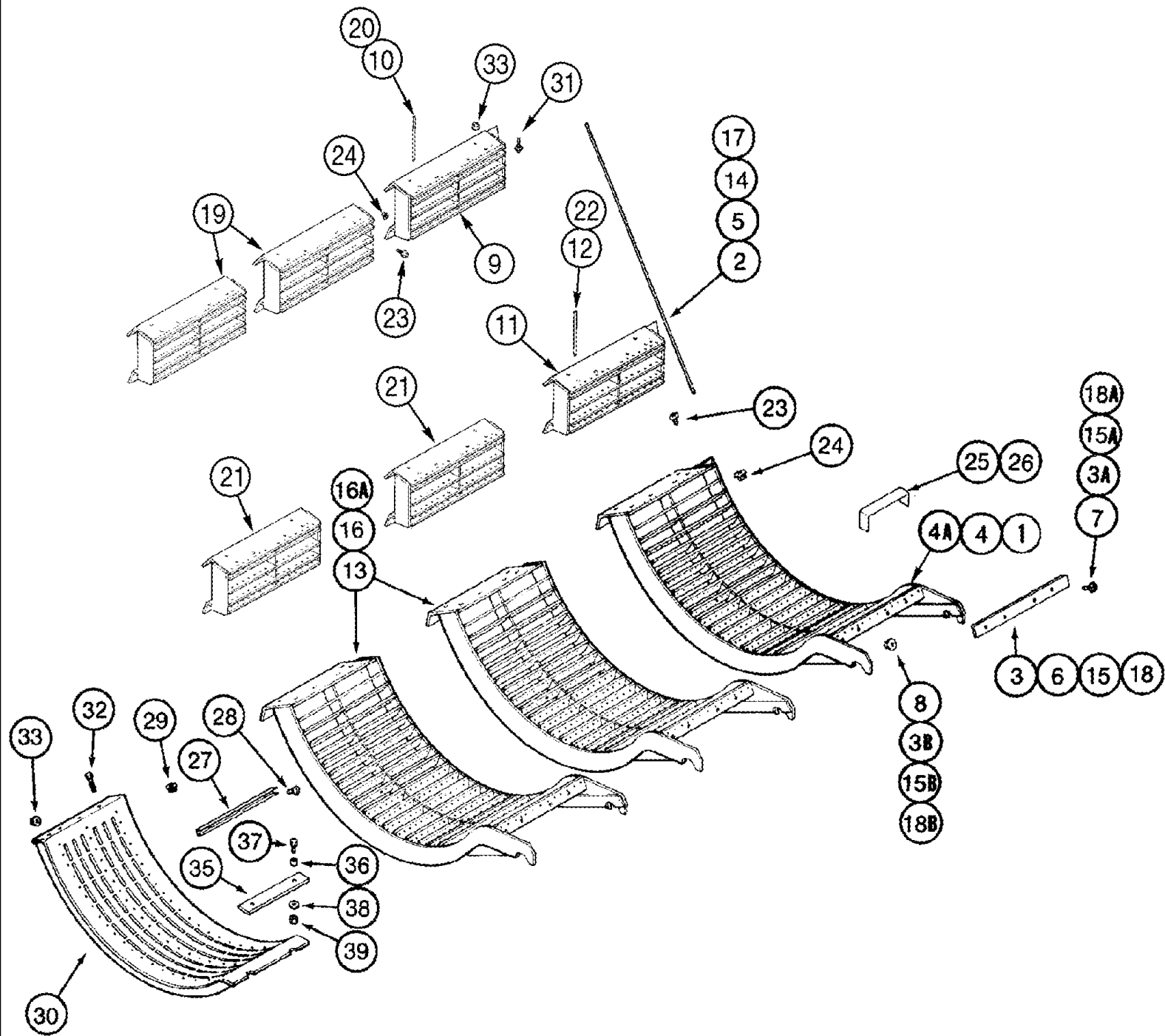
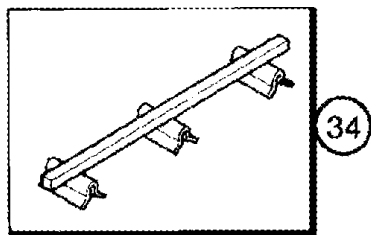
09B-10 VANE - CORN AND GRAIN

сылка	Номер детали	Кол-во	Описание
1	186984C1	2	GUIDE, Vane, Cone Extension
2	477-73112	4	BOLT, Slotted Tr Hd, 5/16"-18 x 3/4",
3	231-5145	4	NUT, Flg, USR, 5/16"-18,
4	186985C3	1	GUIDE, Vane, Cone, Upper Front
5	477-73112	5	BOLT, Slotted Tr Hd, 5/16"-18 x 3/4",
6	231-5145	5	NUT, Flg, USR, 5/16"-18,
8	495-81116	1	WASHER, .344" x 1" x .060", 11/32 x 1 x 3/64
9	195355C3	4	GUIDE, Vane, Cone, Front
10	477-73112	24	BOLT, Slotted Tr Hd, 5/16"-18 x 3/4",
10	477-73120	1	SCREW, Sltd Serr Truss Hd, 5/16"-18 x 1 1/4",
11	231-1445	1	NUT, LOCK, 5/16"-18, GB,
11	231-5145	24	NUT, Flg, USR, 5/16"-18,
12	193179C2	3	GUIDE, Vane, Transport Extension
13	477-73112	5	BOLT, Slotted Tr Hd, 5/16"-18 x 3/4",
14	231-5145	5	NUT, Flg, USR, 5/16"-18,
15	193175C2	13	GUIDE, Vane, Transport
16	1324105C1	39	BOLT,
17	231-5146	39	NUT, Flg, USR, 3/8"-16,
18	1318418C1	6	BAR,
19	1324105C1	AR	BOLT,
20	231-5146	AR	NUT, Flg, USR, 3/8"-16,
21	55805C1	10	WASHER, 13/32 x 2-1/2 x 5/32
22	570052R1	2	WASHER, 13/32 x 1-1/2 x 3/16



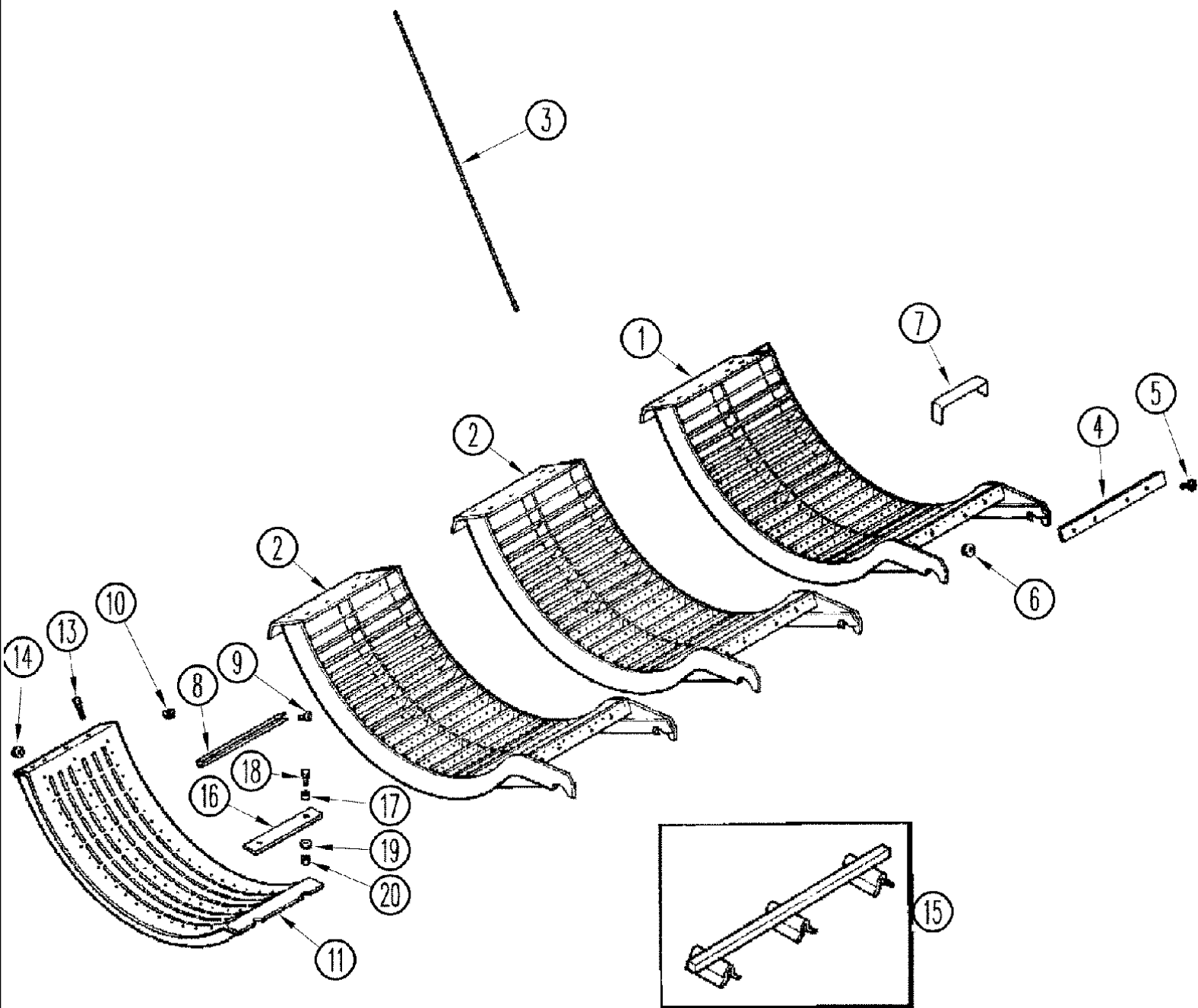
09B-10(01) VANE - EXTENDED WEAR RICE MACHINES

сылка	Номер детали	Кол-во	Описание
1	249252A2	2	SUPPORT, Vane, Cone Extension
2	280994A1	4	SCREW, 1 in.
3	231-5346	4	NUT, LOCK, Flg, 3/8"-16,
4	249257A2	1	SUPPORT, Vane, Cone, Upper Front
5	280994A1	5	SCREW, 1 in.
6	231-5346	5	NUT, LOCK, Flg, 3/8"-16,
8	495-81116	1	WASHER, .344" x 1" x .060", 11/32 x 1 x 3/64
9	249254A2	4	SUPPORT, Vane, Cone, Front
10	433734A1	31	BOLT, 'T', 1-1/8
11	231-5346	31	NUT, LOCK, Flg, 3/8"-16,
	300367A2	1	HOUSING ASSY., Inc. 1, 4, 9, Also Inc. 249250A1, See Figure 09B-07, Ref. 6B, Also Incl. Hardware 433734A1, 231-5346
	365928A2	1	CONE, Heavy Duty, Inc. 1, 4, 9, Also Inc. 373271A1, See Figure 09B-07, Ref. 6C, Also Inc. Hardware 433734A1, 231-5346
12	193179C2	3	GUIDE, Vane, Transport Extension
13	477-73112	5	BOLT, Slotted Tr Hd, 5/16"-18 x 3/4",
14	231-5145	5	NUT, Flg, USR, 5/16"-18,
15	86992398	13	GUIDE, Vane, Transport
16	1324105C1	39	BOLT, Tee
17	231-5146	39	NUT, Flg, USR, 3/8"-16,
18	1318418C1	6	BAR,
19	280994A1	AR	SCREW, 1 in.
20	231-5146	AR	NUT, Flg, USR, 3/8"-16,
21	55805C1	10	WASHER, 13/32 x 2-1/2 x 5/32
22	570052R1	2	WASHER, 13/32 x 1-1/2 x 3/16



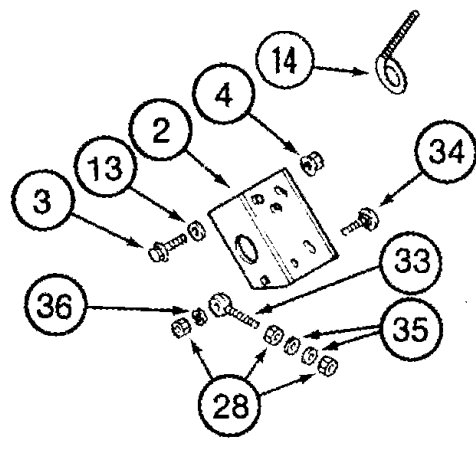
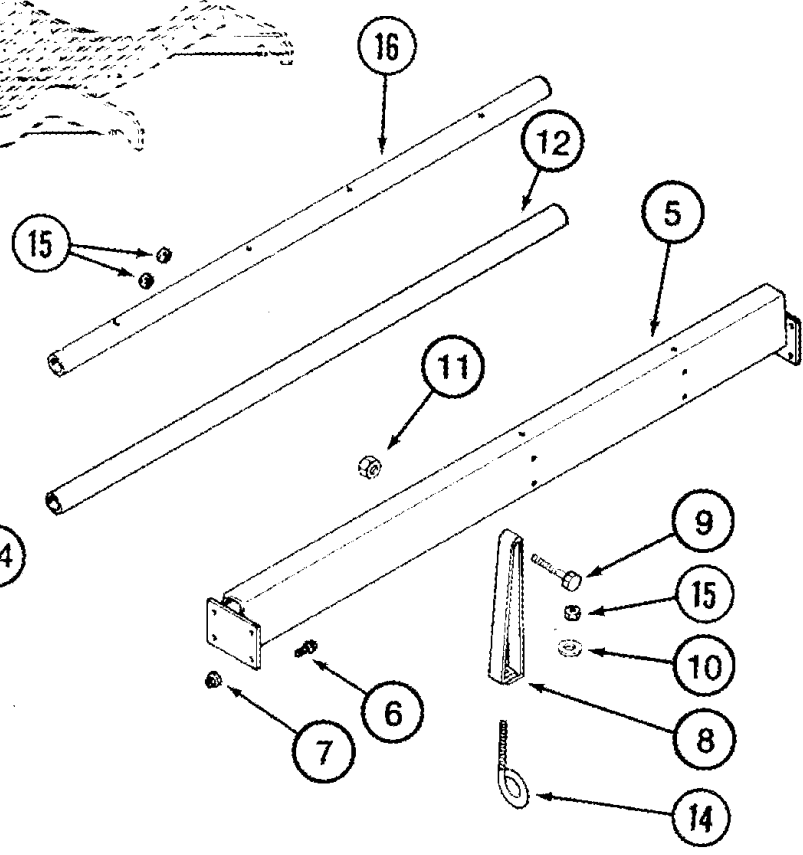
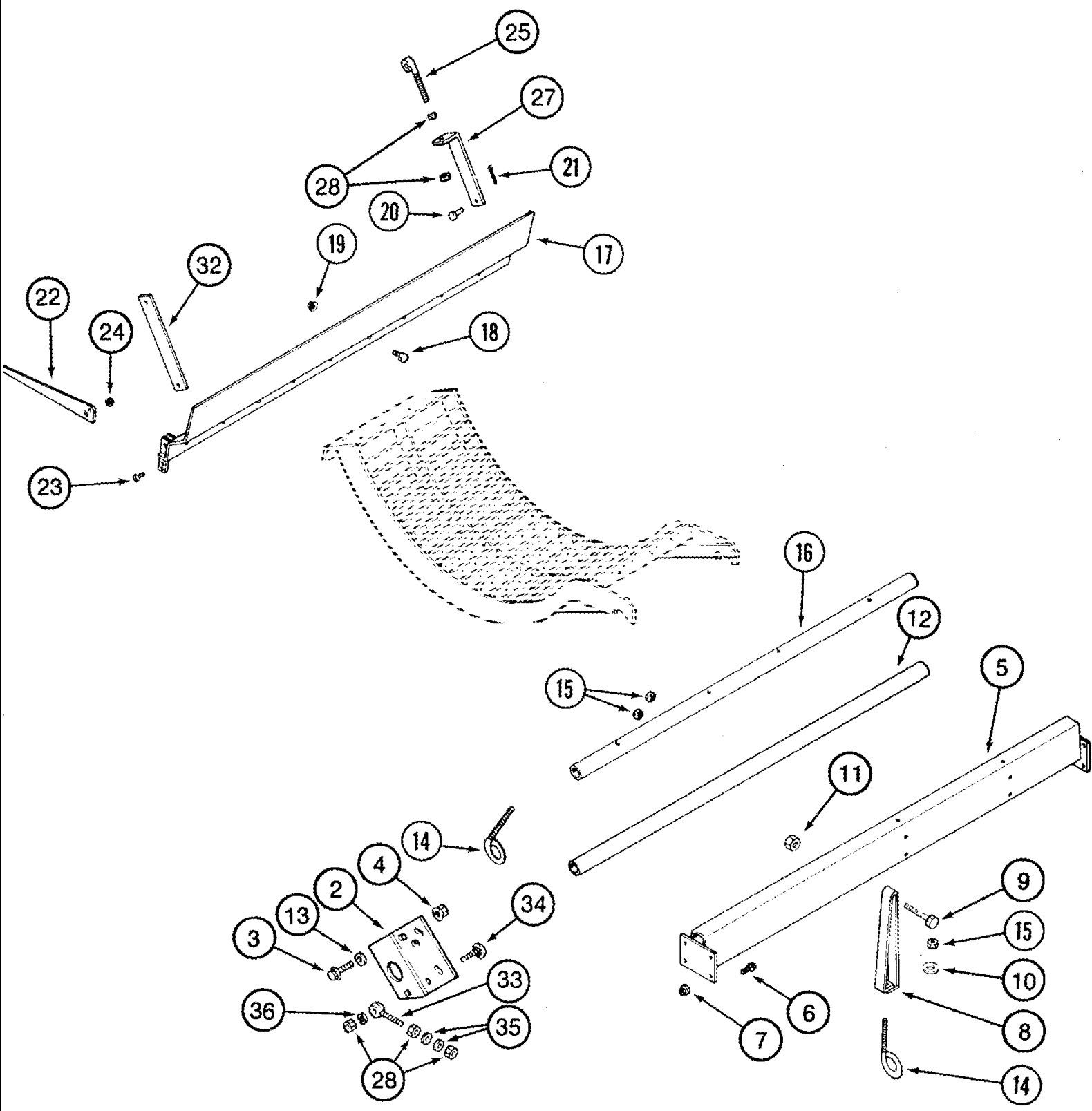
сылка	Номер детали	Кол-во	Описание
1	1309208C3	1	CONCAVE, Front, Small Wire, Inc. 2 - 3B
2	1302602C2	30	ROD, 3/16 x 29
3	193859C1	2	PLATE,
3A	450-73816	8	SCREW, CrossSerr Truss Hd, 3/8"-16 x 1", 3/8 x 1
3B	231-5146	8	NUT, Flg, USR, 3/8"-16,
4	1302606C5	1	CONCAVE, Front, Large Wire, Inc. 5 - 8, Includes Hardware
4A	282099A1	1	CONCAVE, Front, Large Wire, Inc. 5 - 8, Includes Hardware, Extended Wear Rice Combines
5	1302601C2	14	STEM, 1/4 x 29
6	193859C1	2	PLATE,
7	450-73816	AR	SCREW, CrossSerr Truss Hd, 3/8"-16 x 1", 3/8 x 1
8	231-5146	AR	NUT, Flg, USR, 3/8"-16,
9	307984A1	1	CONCAVE, Small Wire Extension, Inc. 193859C1, 450-73816, 231-5146, 1318561C1, Replaces 1318553C1
	193859C1	2	PLATE,
	450-73816	4	SCREW, CrossSerr Truss Hd, 3/8"-16 x 1", 3/8 x 1
	231-5146	4	NUT, Flg, USR, 3/8"-16,
10	1318561C1	30	PIN, LARGE,
11	307982A1	1	CONCAVE, Large Wire Extension, Inc. 193859C1, 1318560C1, 450-73816, 231-5146, Replaces 1318551C1
	193859C1	2	PLATE,
	450-73816	4	SCREW, CrossSerr Truss Hd, 3/8"-16 x 1", 3/8 x 1
	231-5146	4	NUT, Flg, USR, 3/8"-16,
12	1318560C1	14	PIN, LARGE,
13	1309210C3	2	CONCAVE, Inc. 14 - 15B, No. 2 and 3 Small Wire, Grain Combine
14	1302602C2	30	ROD, 3/16 x 29
15	193859C1	2	PLATE,
15A	450-73816	8	SCREW, CrossSerr Truss Hd, 3/8"-16 x 1", 3/8 x 1
15B	231-5146	8	NUT, Flg, USR, 3/8"-16,
16	1302607C4	1	CONCAVE, Inc. 17 - 18B, No. 2 and 3 Large Wire, Grain Combine
16A	282100A1	1	CONCAVE, Inc. 17 - 18B, No. 2 and 3 Large Wire, Extended Wear Rice Combines
17	1302601C2	14	STEM, 1/4 x 29
18	193859C1	2	PLATE,
18A	450-73816	8	SCREW, CrossSerr Truss Hd, 3/8"-16 x 1", 3/8 x 1
18B	231-5146	8	NUT, Flg, USR, 3/8"-16,
19	307985A1	1	CONCAVE, Inc. 1318561C1, 193859C1, 450-73816, 231-5146, No. 2 and 3 Small Wire Extension, Replaces 1318554C1
20	1318561C1	30	PIN, LARGE,
	193859C1	2	PLATE,
	450-73816	4	SCREW, CrossSerr Truss Hd, 3/8"-16 x 1", 3/8 x 1
	231-5146	4	NUT, Flg, USR, 3/8"-16,
21	1318552C1	2	CONCAVE, Inc. 1318560C1, 193859C1, 450-73816, 231-5146, No. 2 and 3 Large Wire Extension
22	1318560C1	14	PIN, LARGE,
	193859C1	2	PLATE,

сылка	Номер детали	Кол-во	Описание
	450-73816	4	SCREW, CrossSerr Truss Hd, 3/8"-16 x 1", 3/8 x 1
	231-5146	4	NUT, Flg, USR, 3/8"-16,
23	410-7616	AR	BOLT, Hex Flg, 3/8"-16 x 1", Serr, G8, 3/8 x 1; 8
24	231-5146	AR	NUT, Flg, USR, 3/8"-16,
25	1309425C1	6	CHANNEL, Small Wire
26	1309424C1	6	CHANNEL, Large Wire
27	191536C1	AR	CHANNEL, , Used with 191538C3, Ref. 30
28	477-73112	AR	BOLT, Slotted Tr Hd, 5/16"-18 x 3/4",
29	231-5145	AR	NUT, Flg, USR, 5/16"-18,
30	191538C3	AR	GRATE ASSY., Slotted
30	1302562C1	1	DIA KIT, HARVESTER, Keystock
30	1319750C1	1	GRATE, Smooth, Sunflower Seed
31	410-7616	AR	BOLT, Hex Flg, 3/8"-16 x 1", Serr, G8, 3/8 x 1; 8
32	410-7620	AR	BOLT, Hex Flg, 3/8"-16 x 1 1/4", Serr, 3/8 x 1-1/4; 8
33	231-5146	AR	NUT, Flg, USR, 3/8"-16,
34	1324046C3	AR	BAR, Small Wire
35	186784C2	3	BAR, Grate Hanger
36	600179R1	6	SPACER, 1/2" X-Strng Pipe x 9/16",
37	426-832	6	BOLT, Hex, 1/2"-13 x 2", G8,
38	496-21053	6	WASHER, 17/32" x 1 1/16" x .134",
39	232-4118	6	NUT, LOCK, 1/2"-13, GC,



сылка	Номер детали	Кол-во	Описание
1	430960A1	1	CONCAVE, Front, Small Wire, Inc. 3 - 6,, With Heat Treatment
1	430964A1	1	DIA KIT, HARVESTER, Front, Large Wire, Inc. 3 - 6, Inc. Hardware, Without Heat Treatment
1	430966A1	1	CONCAVE, Front ASM, Large Wire, No. 2 and 3, Inc. 3 - 6, With Heat Treatment
2	430967A1	1	CONCAVE, No. 2 and 3, Large Wire, Inc. 3 - 6, Inc. Hardware, With Heat Treatment, Extended Wear Rice Combines
2	430962A1	2	CONCAVE, No. 2 and 3, Small Wire, Inc. 3 - 6, Grain Combine
2	430965A1	1	CONCAVE, No. 2 and 3, Large Wire, Inc. 3 - 6, Grain Combine, Without Heat Treatment
3	431018A1	30	WIRE, Small
3	431019A1	14	WIRE, Large
4	193859C1	2	PLATE, Retainer
5	450-73816	8	SCREW, CrossSerr Truss Hd, 3/8"-16 x 1", 3/8 x 1
6	231-5146	8	NUT, Flg, USR, 3/8"-16,
7	1309425C1	6	CHANNEL, Small Wire
7	1309424C1	6	CHANNEL, Large Wire
8	191536C1	AR	CHANNEL, , Used with 191538C3, REF 11
9	477-73112	AR	BOLT, Slotted Tr Hd, 5/16"-18 x 3/4",
10	231-5145	AR	NUT, Flg, USR, 5/16"-18,
11	191538C3	AR	GRATE ASSY., Slotted
11	1302562C1	1	DIA KIT, HARVESTER, Keystock
11	1319750C1	1	GRATE, Smooth, Sunflower Seed
12	410-7616	AR	BOLT, Hex Flg, 3/8"-16 x 1", Serr, G8, 3/8 x 1; 8, Not Illustrated
13	410-7620	AR	BOLT, Hex Flg, 3/8"-16 x 1 1/4", Serr, 3/8 x 1-1/4; 8
14	231-5146	AR	NUT, Flg, USR, 3/8"-16,
15	1324046C3	AR	BAR, Small Wire, Interrupter
16	186784C2	3	BAR, Grate Hanger
17	600179R1	6	SPACER, 1/2" X-Strng Pipe x 9/16",
18	426-832	6	BOLT, Hex, 1/2"-13 x 2", G8,
19	496-21053	6	WASHER, 17/32" x 1 1/16" x .134",
20	232-4118	6	NUT, LOCK, 1/2"-13, GC,

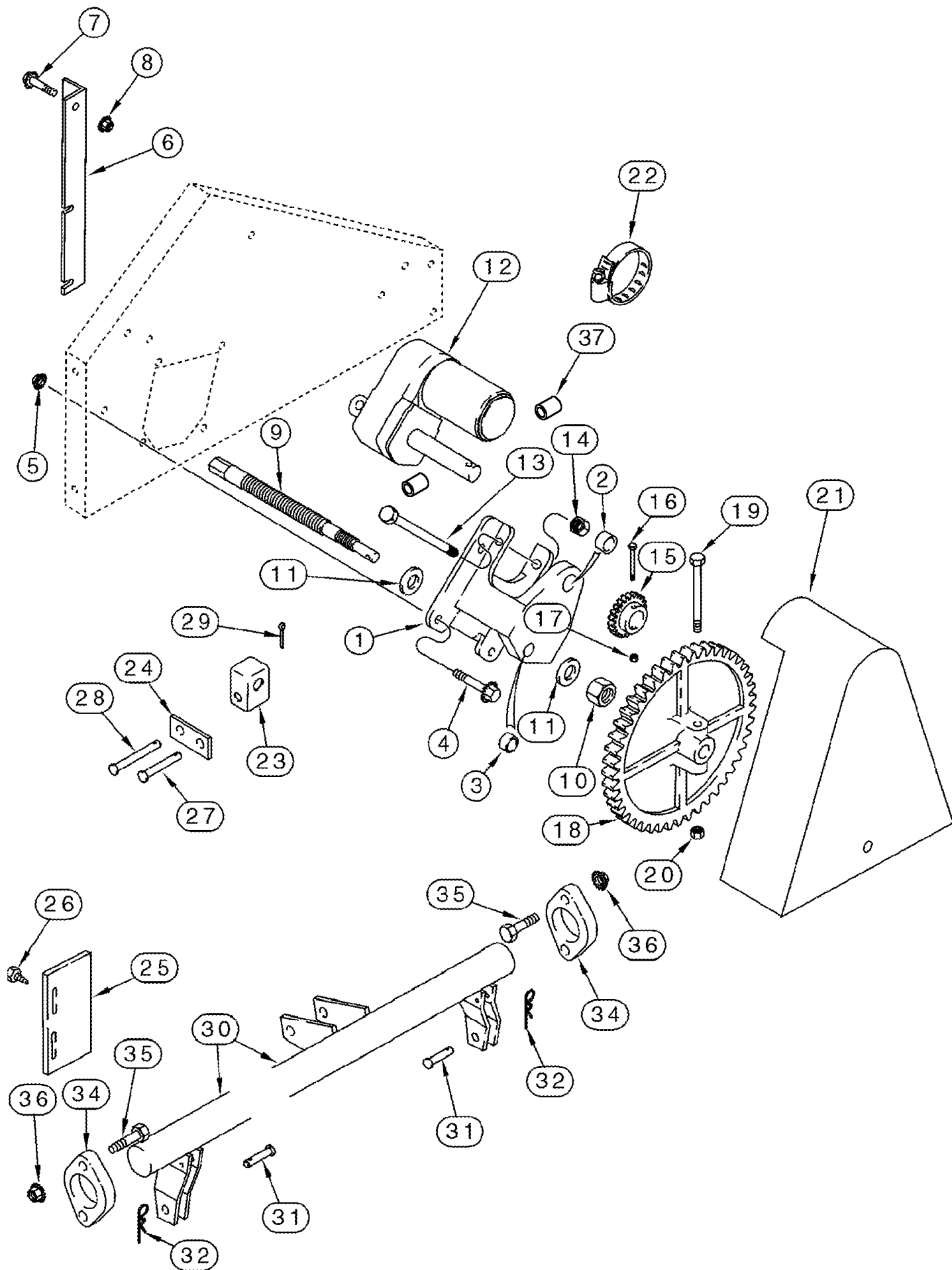
09B-12 CONCAVES - ANCHOR SUPPORTS



09B-12 CONCAVES - ANCHOR SUPPORTS

сылка	Номер детали	Кол-во	Описание
1	1338040C2	1	SUPPORT, Rear, Not Illustrated
2	1338039C2	1	SUPPORT, Front
3	1338052C1	10	SCREW, 5/8 x 1-1/2
4	232-51310	5	NUT, Flg, USR, 5/8"-12, 5/8; 8
4	1338079C1	5	NUT, 5/8
5	1317229C1	1	SUPPORT, Right Hand
6	1302142C1	6	SCREW, 1/2 x 1-1/4
7	231-5146	6	NUT, Flg, USR, 3/8"-16,
8	1317233C1	2	SUPPORT,
9	426-848	2	BOLT, Hex, 1/2"-13 x 3", G8,
10	396-41053	2	WASHER, 17/32" x 1 1/4" x .188", HDN, 17/32 x 1-1/4 x 3/16
11	232-4118	2	NUT, LOCK, 1/2"-13, GC,
12	282766A1	1	SUPPORT,
13	396-41066	10	WASHER, 21/32" x 1 1/2" x .188", HDN, 21/32 x 1-1/2 x 3/16
14	279088A1	6	EYEBOLT,
15	425-108	12	NUT, 1/2"-13, G5,
16	279086A1	1	SHAFT,
17	1318433C3	1	SUPPORT,
18	410-7616	15	BOLT, Hex Flg, 3/8"-16 x 1", Serr, G8, 3/8 x 1; 8
19	231-5146	15	NUT, Flg, USR, 3/8"-16,
20	439-1823	2	PIN, HEADED, 1/2" x 1 7/16", 1/2 x 1-7/16; 2
21	432-1216	2	PIN, SPLIT (COTTER), 3/16" x 1", 3/16" x 1"
22	1317660C1	1	SUPPORT,
23	477-82512	2	SCREW, Sltd Serr Truss Hd, 1/4"-20 x 3/4", 1/4 x 3/4
24	231-5144	2	NUT, Flg, USR, 1/4"-20,
25	1317348C1	1	BOLT,
27	1317349C1	1	SUPPORT,
28	425-108	8	NUT, 1/2"-13, G5,
32	1317388C1	1	BAR,
33	177662C2	2	EYEBOLT,
34	412-824	2	BOLT, CARRIAGE, Short NK, 1/2"-13 x 1 1/2", G2, Full Thd, 1/2 x 1-1/2; 2
35	496-21053	4	WASHER, 17/32" x 1 1/16" x .134",
36	80679	2	WASHER, LOCK, 1/2",

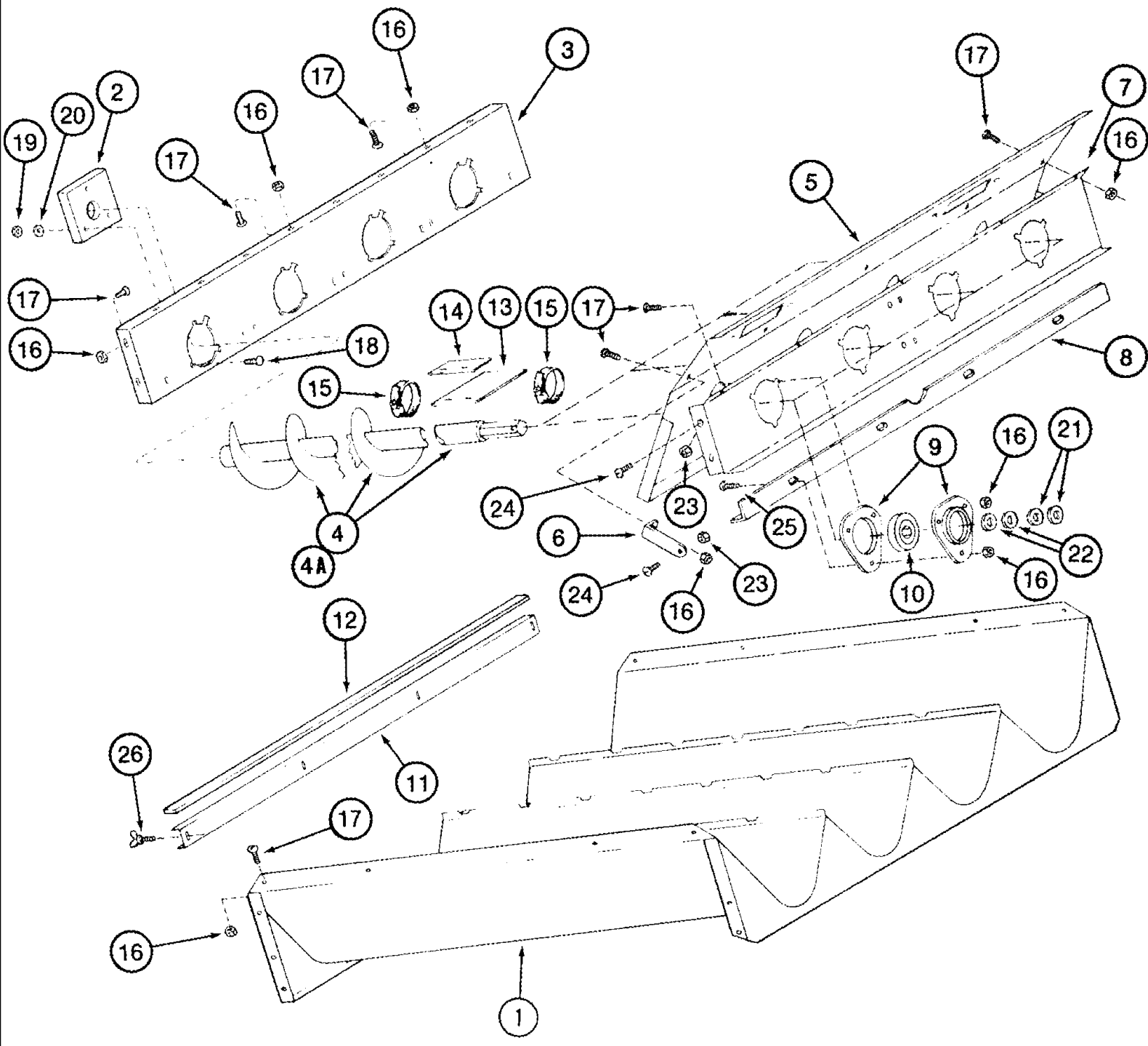
09B-13 CONCAVES - CONTROL



09B-13 CONCAVES - CONTROL

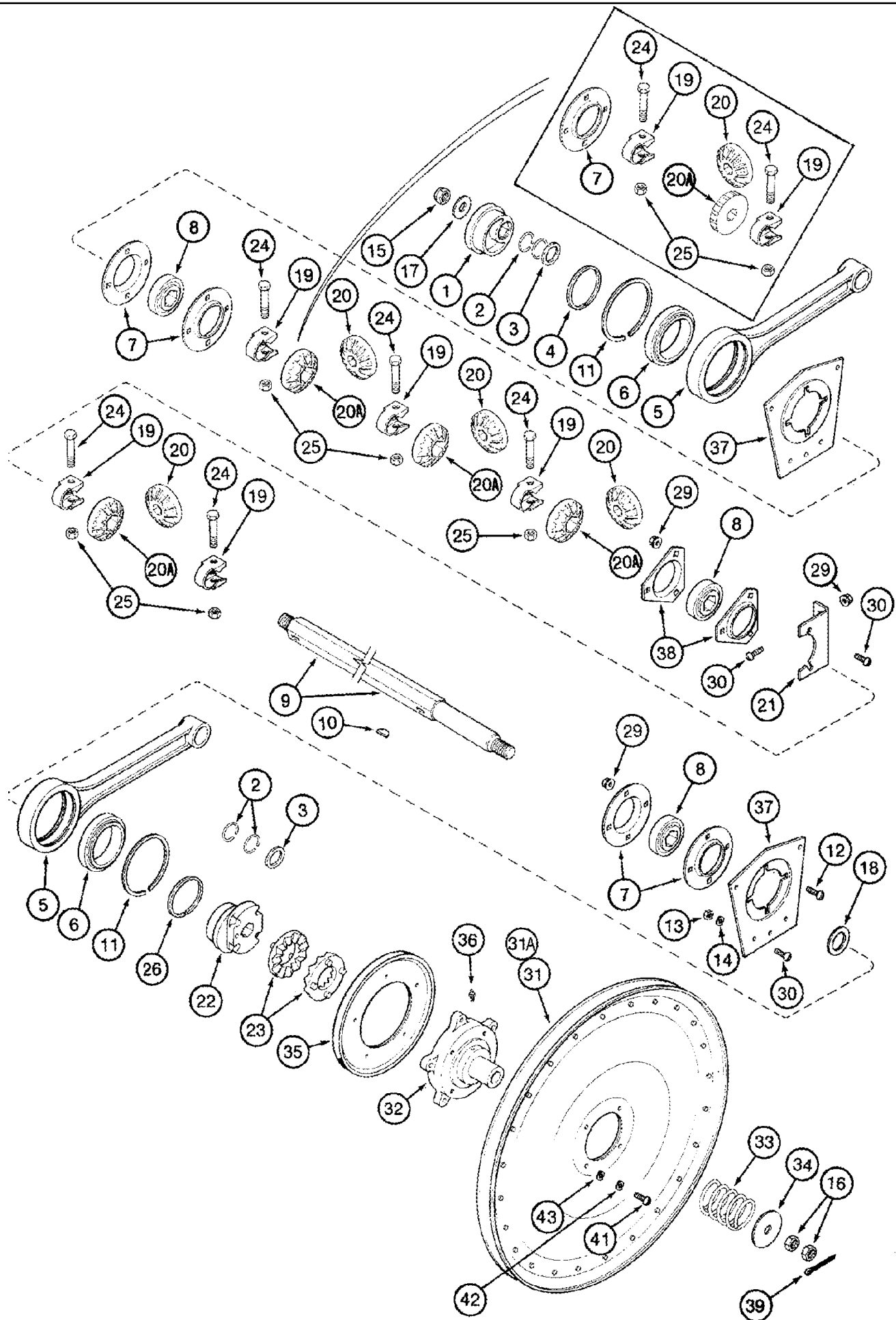
сылка	Номер детали	Кол-во	Описание
1	142607A2	1	HOUSING, Inc. 2, 3
2	551068R1	2	BUSHING,
3	568921R1	1	BUSHING,
4	409-7620	2	BOLT, Hex Flg, 3/8"-16 x 1 1/4", Serr,
4	409-7624	2	BOLT, Hex Flg, 3/8"-16 x 1 1/2", Serr,
5	231-5146	4	NUT, Flg, USR, 3/8"-16,
6	185779A2	1	SUPPORT,
7	409-7616	1	BOLT, Hex Flg, 3/8"-16 x 1", Serr,
8	231-5146	1	NUT, Flg, USR, 3/8"-16,
9	131436A2	1	SHAFT,
10	232-41110	1	NUT, LOCK, 5/8"-11, GC,
11	396-11066	2	WASHER, 21/32" x 1 5/16" x .095", HDN, 21/32 x 1-5/16 x 3/32
12	143239A2	1	MOTOR, ELECTRIC, Concave Control
13	413-880	1	BOLT, Hex, 1/2"-13 x 5", G5, 1/2 x 5
14	231-1448	1	NUT, 1/2"-13, GB, 1/2
15	135406A2	1	GEAR, Driver, 20T
16	413-428	1	BOLT, Hex, 1/4"-20 x 1 3/4", G5, 1/4 x 1-3/4; 5
17	230-4214	1	NUT, LOCK, 1/4"-20, GA,
18	135410A2	1	GEAR, Driven, 70T
19	413-436	1	BOLT, Hex, 1/4"-20 x 2 1/4", G5,
20	230-4214	1	NUT, LOCK, 1/4"-20, GA,
21	144528A1	1	SHIELD,
22	214-1540	1	CLAMP, HOSE, #40, 2.06/3.00 Type F Worm, W/liner,
23	192886C1	1	NUT,
24	192888C1	2	PLATE, Concave Control
25	188168C1	1	PLATE, Concave Indicator
26	276-1458	2	SCREW, SELF TAPPING, Hex Hd, #10 x 1/2", No. 10 x 1/2
27	439-1848	1	PIN, HEADED, 1/2" x 3", 1/2 x 3; 2
28	439-1838	1	PIN, HEADED, 1/2" x 2 3/8", 1/2 x 2-3/8
29	432-1216	2	PIN, SPLIT (COTTER), 3/16" x 1", 3/16" x 1"
30	191423C2	1	LEVER ASSY.,
31	439-1823	2	PIN, HEADED, 1/2" x 1 7/16", 1/2 x 1-7/16
32	432-1216	2	PIN, SPLIT (COTTER), 3/16" x 1", 3/16" x 1"
34	192890C2	2	HUB,
35	413-824	4	BOLT, Hex, 1/2"-13 x 1 1/2", G5, Full Thd, 1/2 x 1-1/2
36	231-5148	4	NUT, Flg, USR, 1/2"-13,
37	617794R1	2	SPACER, 3/4" Tube x 1 1/16",

09B-14 AUGER BED



09B-14 AUGER BED

сылка	Номер детали	Кол-во	Описание
1	185038C7	1	TROUGH ASSY.,
2	193414C2	4	BOARD,
3	1345013C3	1	SUPPORT,
4	1308541C1	3-4	AUGER, Right Hand Rotation
4	249278A1	3-4	AUGER, Right Hand Rotation, Extended Wear Rice Combines
4A	1309229C1	1	AUGER, Left Hand Rotation, Mounted In Left Most Position On The Bed, Replaces One 1308541C1, Ref. 4, Right Hand Rotation, Corn and Grain Combine
4A	282955A1	1	AUGER, Left Hand Rotation, Mounted In Left Most Position On The Bed, Replaces One 249278A1, Ref. 4, Right Hand Rotation, Extended Wear Rice Combines
5	1321373C1	1	PLATE,
6	193554C1	2	SUPPORT,
7	1309225C1	1	SUPPORT,
8	188359C1	1	ANGLE,
9	571424R1	8	FLANGE,
10	195293C91	4	BEARING, BALL,
11	1319163C91	1	COVER, Inc. 12
12	1309426C1	1	STRIP,
13	1302112C1	1	STRIP,
14	1302113C1	1	BAR,
15	214-1428	2	CLAMP, HOSE, #28, 1.31/2.25 Type F Worm,
16	231-5145	AR	NUT, Flg, USR, 5/16"-18,
17	477-73112	AR	BOLT, Slotted Tr Hd, 5/16"-18 x 3/4",
18	433-636	12	BOLT, CARRIAGE, Short NK, 3/8"-16 x 2 1/4", G5, 3/8 x 2-1/4
19	231-4116	12	NUT, LOCK, 3/8"-16, GB, 3/8
20	495-11041	12	WASHER, 3/8", SAE, (13/32 x 13/16 x 1/16")
21	495-81191	8	WASHER, 1 5/32" x 2" x .060", 1-5/32 x 2 x 3/64
22	495-11106	8	WASHER, 1", SAE, (1-1/16 x 2 x 1/8")
23	231-5146	8	NUT, Flg, USR, 3/8"-16,
25	477-73116	8	SCREW, Sltd Serr Truss Hd, 5/16"-18 x 1", 5/16 x 1
26	166667C1	4	SCREW,
	409-7520	8	BOLT, Hex Flg, 5/16"-18 x 1 1/4", Serr, 5/16 x 1-1/4
	409-7620	4	BOLT, Hex Flg, 3/8"-16 x 1 1/4", Serr,
	477-73120	2	SCREW, Sltd Serr Truss Hd, 5/16"-18 x 1 1/4",
	131-415	1	NUT, LOCK, Push, Bolt Retainer, 3/8" x 25/32",
24	477-73816	4	SCREW, Sltd Serr Truss Hd, 3/8" x 1",



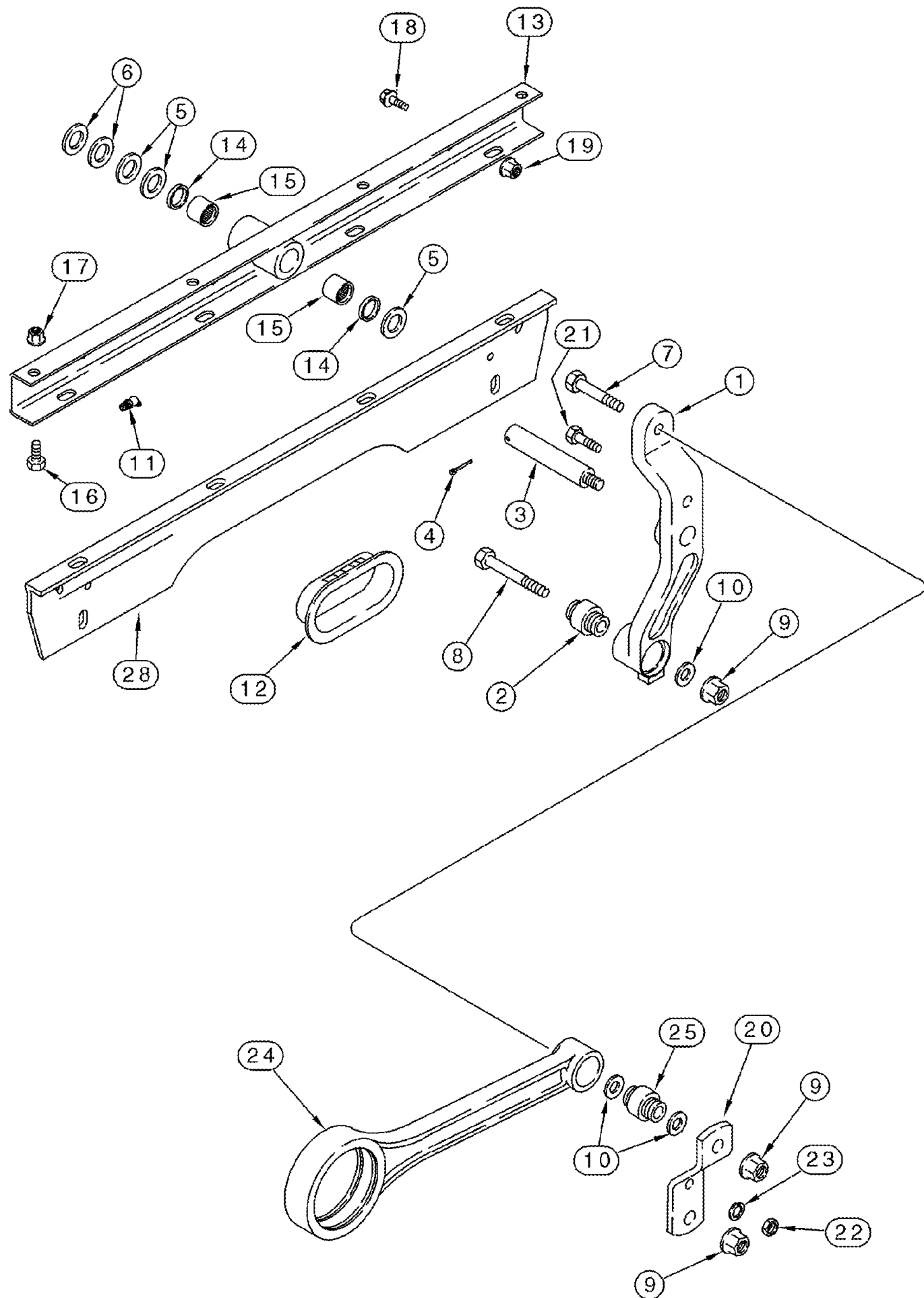
09B-15 DRIVE - SHAKER SHAFT AND AUGER

сылка	Номер детали	Кол-во	Описание
1	1322573C1	1	CAM, Left Hand
2	1322623C1	4	RETAINER, 1-13/64 in.
3	1330336C1	1	WASHER, 29/32 x 1-1/4 x 1/8
4	1979190C1	1	RETAINER,
5	1989251C1	2	ARM, Shaker Shaft, See Figure 09B-17, Ref. 24
6	1345226C1	2	BEARING, BALL,
7	181383C1	4	FLANGE,
8	156816C91	3	BEARING, BALL,
9	1970192C2	1	SHAFT,
10	126-124	2	KEY, WOODRUFF, #15, 1/4" x 1", HT,
11	1322624C1	2	RETAINER, 5-1/8
13	425-106	8	NUT, 3/8"-16, G5,
14	492-11038	16	WASHER, LOCK, 3/8",
15	231-41112	1	NUT, LOCK, 3/4"-10, GB, 3/4
16	425-1212	1	NUT, SLOTTED, 3/4"-10, G5, 3/4
17	1979580C1	1	WASHER,
18	495-81215	1	WASHER, 1 13/32" x 2 1/4" x .120", 1-13/32 x 2-1/4 x 7/64
19	225265R1	5	CLAMP,
20	194194C1	4	GEAR, 14T
20A	191677C1	4	GEAR, 14T
21	186589C1	1	SUPPORT,
22	1322574C1	1	CAM, Right Hand
23	B12170	1	RATCHET,
24	413-840	5	BOLT, Hex, 1/2"-13 x 2 1/2", G5, 1/2 x 2-1/2
25	231-41118	5	NUT, LOCK, 1/2"-13, GB, 1/2
26	1979190C1	1	RETAINER,
27	1979191C1	1	WASHER, 1-1/16 x 1-1/4 x 1/8
29	231-5146	5	NUT, Flg, USR, 3/8"-16,
30	477-73812	8	SCREW, Slt'd Serr Truss Hd, 3/8" x 3/4", 3/8 x 3/4
31	193682C1	1	PULLEY, Driven, 25 in. OD, See Figure 09A-02, BSN JJC0252949
31A	359099A1	1	PULLEY, Driven, See Figure 09A-02, ASN JJC0252950
32	1303136C2	1	HUB,
33	19302K	1	SPRING,
34	388418C1	1	WASHER,
34	495-81213	1	WASHER, 1 13/32" x 2" x .060", 1-13/32 x 2 x 1/16
35	566516R92	1	PULLEY, Drive, 9-3/4 OD
36	219-87	1	NIPPLE, LUBE, 1/4"-28 x .56" lg, Self-Tap,
37	1302221C1	2	RETAINER,
38	180955C1	2	FLANGE,
39	432-828	1	PIN, SPLIT (COTTER), 1/8" x 1 3/4", 1/8" x 1 3/4"
40	38-12032	4	PIN, LOCK, 5/16" x 2", Slotted, 5/16" x 2", Slotted. not illustrated
41	413-516	4	BOLT, Hex, 5/16"-18 x 1", G5, Full Thd, 5/16 x 1
42	492-11031	4	WASHER, LOCK, 5/16",

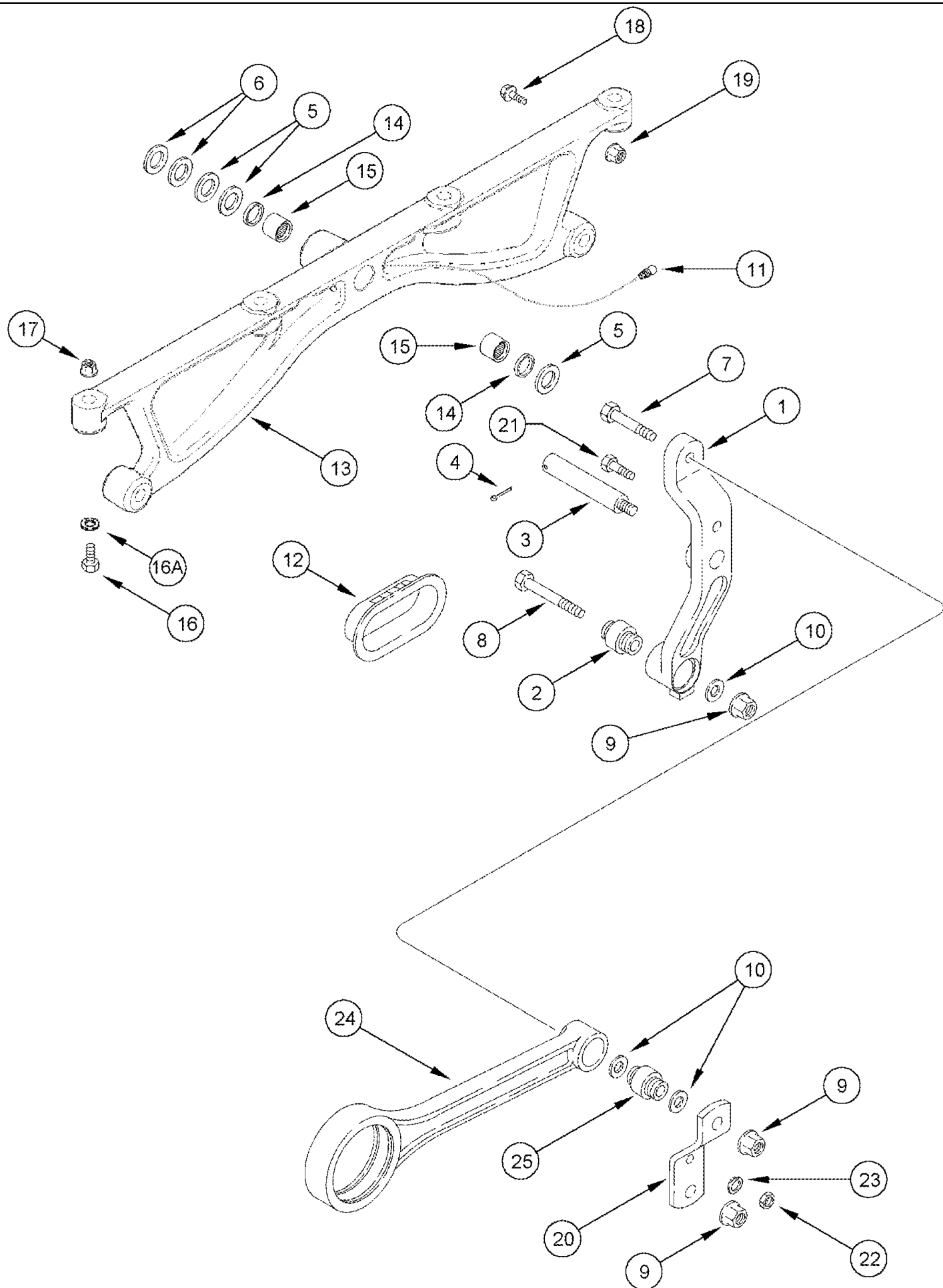
2366 CASE IH AXIAL-FLOW COMBINE (NA) (1/98-8/04)

09B-15 DRIVE - SHAKER SHAFT AND AUGER

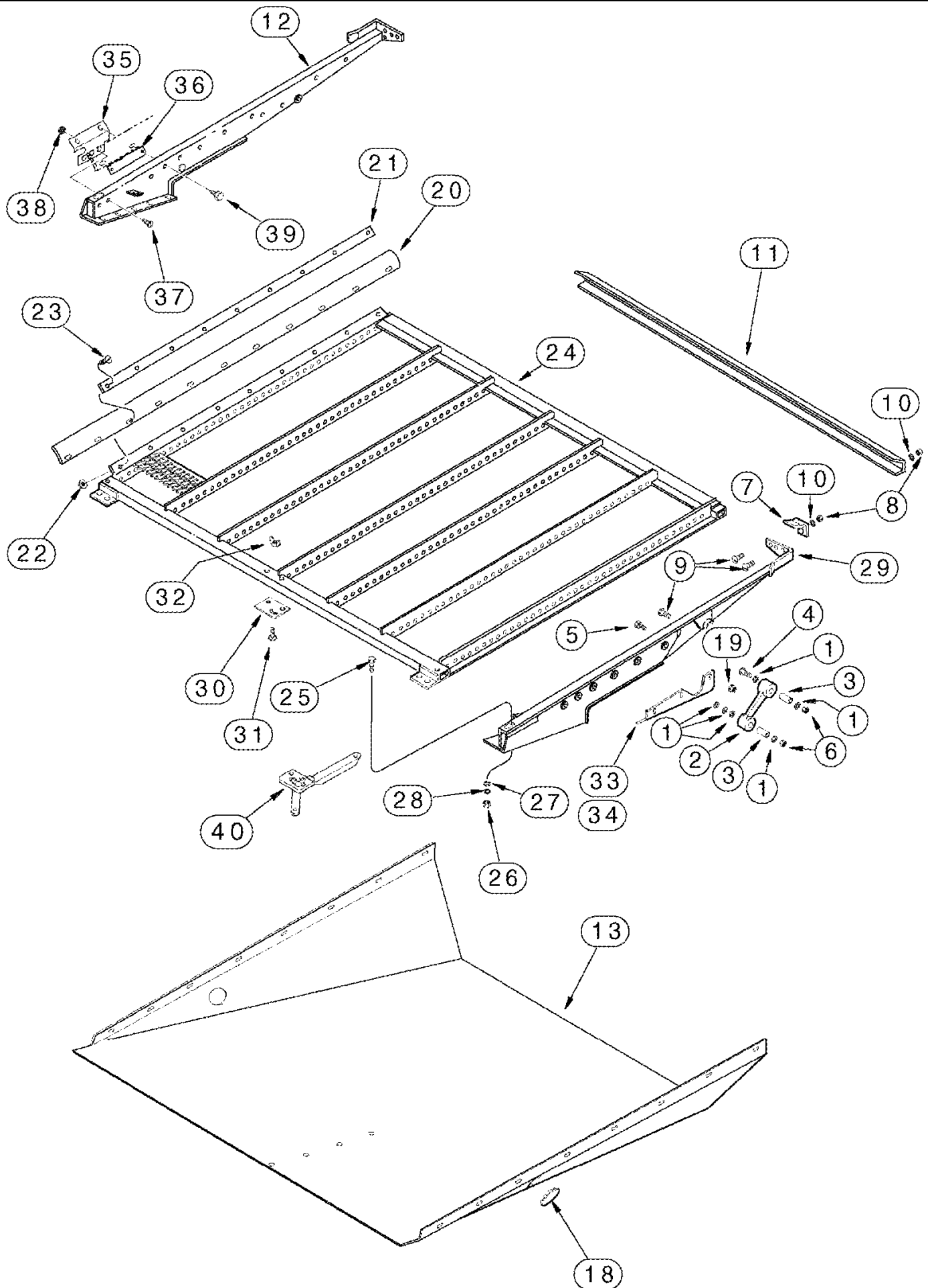
сылка	Номер детали	Кол-во	Описание
43	495-11034	4	WASHER, 5/16", SAE, (11/32 x 11/16 x 1/16")
12	477-73816	8	SCREW, Slt'd Serr Truss Hd, 3/8" x 1",



сылка	Номер детали	Кол-во	Описание
1	1957467C3	2	LEVER, Inc. 2, 3
2	1330323C2	1	BUSHING, 5/8 x 1-1/2 x 2-57/64
3	1979251C1	1	SHAFT,
4	432-1228	2	PIN, SPLIT (COTTER), 3/16" x 1 3/4",
5	495-81057	6	WASHER, 29/32" x 1 1/2" x .120", 29/32 x 1-1/2 x 7/64
6	495-81056	4	WASHER, 29/32" x 1 1/2" x .060", 29/32 x 1-1/2 x 3/64
7	326-1076	2	BOLT, Hex, 5/8"-11 x 4 3/4", G8,
8	426-1084	2	BOLT, Hex, 5/8"-11 x 5 1/4", G8, 5/8 x 5-1/4; 8
9	232-41110	6	NUT, LOCK, 5/8"-11, GC,
10	169256C2	6	WASHER, 41/64 x 1-1/4 x 1/8
11	219-37	2	NIPPLE, LUBE, 45с, 1/4" NPT x .81" lg,
12	1302644C2	2	SEAL,
13	186651C95	2	SUPPORT, Inc. 14, 15
14	372756R91	2	SEAL,
15	G10642	2	BEARING, NEEDLE,
16	413-816	AR	BOLT, Hex, 1/2"-13 x 1", G5, Full Thd,
16A	434-820	4	BOLT, CARRIAGE, Short NK, 1/2"-13 x 1 1/4", G5, Full Thd, 1/2 x 1-1/4, Not Illustrated
17	231-5148	12	NUT, Flg, USR, 1/2"-13,
18	409-7512	2	BOLT, Hex Flg, 5/16"-18 x 3/4", Serr,
19	231-5145	2	NUT, Flg, USR, 5/16"-18,
20	131198A1	2	BRACKET,
21	426-832	2	BOLT, Hex, 1/2"-13 x 2", G8,
22	429-108	4	NUT, 1/2"-13, G8, 1/2; 8
23	80679	4	WASHER, LOCK, 1/2",
24	1989251C1	2	ARM, Inc. 25
25	1979383C1	1	BUSHING,
26	169256C2	2	WASHER, 41/64 x 1-1/4 x 1/8, Not Illustrated
27	231-42110	2	NUT, LOCK, 5/8"-11, GB, 5/8, Not Illustrated
28	328053A1	2	SUPPORT,



сылка	Номер детали	Кол-во	Описание
1	1957467C3	2	LEVER, Inc. 2, 3
2	1330323C2	1	BUSHING, 5/8 x 1-1/2 x 2-57/64
3	1979251C1	1	SHAFT,
4	432-1228	2	PIN, SPLIT (COTTER), 3/16" x 1 3/4",
5	495-81057	6	WASHER, 29/32" x 1 1/2" x .120", 29/32 x 1-1/2 x 7/64
6	495-81039	4	WASHER, 25/32" x 1 1/4" x .120", 25/32 x 1-1/4 x 1/8
7	326-1076	2	BOLT, Hex, 5/8"-11 x 4 3/4", G8,
8	426-1084	2	BOLT, Hex, 5/8"-11 x 5 1/4", G8, 5/8 x 5-1/4; 8
9	232-41110	4	NUT, LOCK, 5/8"-11, GC,
9	231-42110	2	NUT, LOCK, 5/8"-11, GB, 5/8
10	495-11066	6	WASHER, 5/8", SAE, 21/32 x 1-5/16 x 3/32
11	219-8	1	NIPPLE, LUBE, 1/4"-28 NPT x .54" lg,
12	1302644C2	2	SEAL,
	352013A1	2	SUPPORT, Inc. 13 - 15
13	NSS	1	NOT SERVICED SEPARATELY, SUPPORT
14	372756R91	2	SEAL,
15	G10642	2	BEARING, NEEDLE,
16	433-840	4	BOLT, CARRIAGE, Short NK, 1/2"-13 x 2 1/2", G5, 1/2 x 2-1/2
16	413-828	12	BOLT, Hex, 1/2"-13 x 1 3/4", G5,
16A	498-81006	4	WASHER, 17/32" x 1 1/4" x .120", Sq Hole, 17/32 x 1-1/4 x 1/8
17	231-5148	8	NUT, Flg, USR, 1/2"-13,
18	409-7612	1	BOLT, Hex Flg, 3/8"-16 x 3/4", Serr,
19	231-5146	1	NUT, Flg, USR, 3/8"-16,
20	131198A1	2	BRACKET,
21	426-832	2	BOLT, Hex, 1/2"-13 x 2", G8,
22	429-108	4	NUT, 1/2"-13, G8, 1/2; 8
23	80679	4	WASHER, LOCK, 1/2",
24	1989251C1	2	ARM, Inc. 25
25	1979383C1	1	BUSHING,



Note: See Figure(s) 9D-11 or 9D-12 for 106743A1 adjusting lever.

09B-18 SIEVE, SHOE

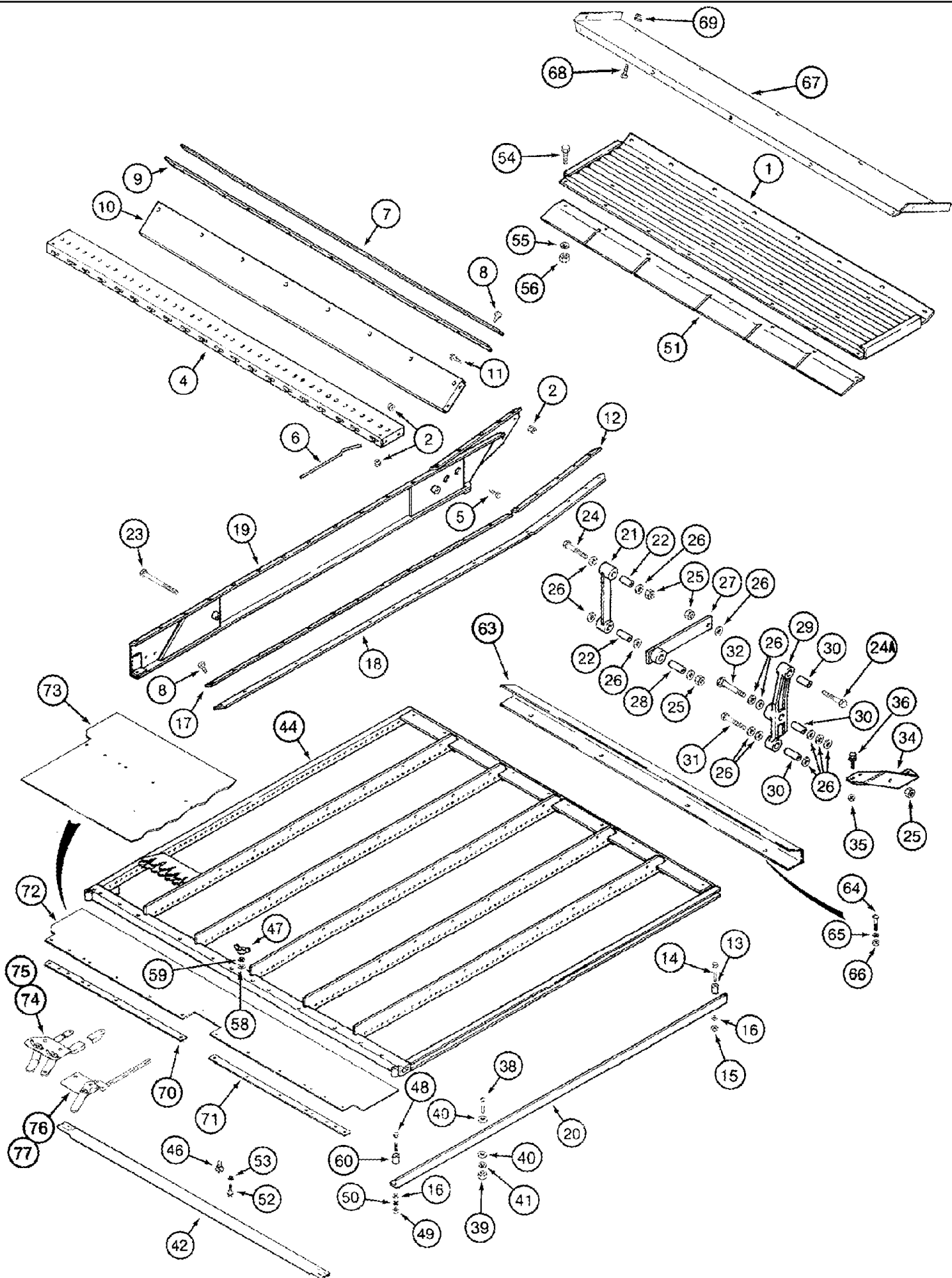
сылка	Номер детали	Кол-во	Описание
1	495-11066	12	WASHER, 5/8", SAE, 21/32 x 1-5/16 x 3/32
2	1957450C1	2	ARM, Inc. 3
3	1330324C1	2	BUSHING,
4	433-1064	2	BOLT, CARRIAGE, Short NK, 5/8"-11 x 4", G5, 5/8 x 4
5	426-1080	2	BOLT, Hex, 5/8"-11 x 5", G8, 5/8 x 5; 8
6	232-41110	4	NUT, LOCK, 5/8"-11, GC,
7	182684C3	2	CLIP,
8	425-105	8	NUT, 5/16"-18, G5,
9	477-73112	28	BOLT, Slotted Tr Hd, 5/16"-18 x 3/4",
10	492-11031	8	WASHER, LOCK, 5/16",
11	1319238C1	1	ANGLE,
12	1979900C5	1	RAIL, Left Hand
13	1979210C1	1	HOUSING,
14	434-612	2	BOLT, CARRIAGE, Short NK, 3/8"-16 x 3/4", G5, Full Thd, 3/8 x 3/4, Not Illustrated
15	231-5146	2	NUT, Flg, USR, 3/8"-16, Not Illustrated
16	477-73112	2	BOLT, Slotted Tr Hd, 5/16"-18 x 3/4", Not Illustrated
17	231-5145	2	NUT, Flg, USR, 5/16"-18, Not Illustrated
18	205-126	2	BUTTON, HOLE PLUG, 1 3/4", 1-3/4 ID
19	231-5145	20	NUT, Flg, USR, 5/16"-18,
20	198925A1	2	SEAL, 1790 mm (70-1/2 in.)
21	1325325C1	2	RETAINER,
22	231-5144	18	NUT, Flg, USR, 1/4"-20,
23	477-82508	18	SCREW, Sltd Serr Truss Hd, 1/4"-20 x 1/2", 1/4 x 1/2; 8
24	1325323C5	1	SIEVE, GRAIN, Extended, 1-1/8, BSN JJC0253999
24	1325323C6	1	SIEVE, GRAIN, Extended, 1-1/8, ASN JJC0254000
24	1994961C4	1	SIEVE, GRAIN, Extended, 1-5/8, BSN JJC0253999
24	1994961C5	1	SIEVE, GRAIN, Extended, 1-5/8, ASN JJC0254000
24	1970358C2	1	SIEVE, GRAIN, Corn, With 18 mm Round Holes
24	129935A1	1	SIEVE, GRAIN, Corn, With 13 mm Round Holes
24	129936A1	1	SIEVE, GRAIN, Corn, With 10 mm Round Holes
24	129937A1	1	SIEVE, GRAIN, Corn, With 5 mm Round Holes
24	129938A1	1	SIEVE, GRAIN, Corn, With 2.5 mm Round Holes
25	458-616	2	BOLT, Hex Flg, 3/8"-16 x 1", G5, Full Thd, 3/8 x 1; 5
26	429-106	2	NUT, 3/8"-16, G8, 3/8; 8
27	495-81129	2	WASHER, 13/32" x 3/4" x .120", 13/32 x 3/4 x 7/64
28	492-11038	2	WASHER, LOCK, 3/8",
29	1979901C5	1	RAIL, Right Hand
30	186675C1	1	INDICATOR,
31	413-412	2	BOLT, Hex, 1/4"-20 x 3/4", G5, Full Thd,
32	129-409	2	NUT, WING, 1/4"-20,
32	231-4144	1	NUT, LOCK, 1/4"-20, GB,
32A	495-11028	1	WASHER, 1/4", SAE, (9/32 x 5/8 x 1/16"), Not Illustrated
33	1325320C1	1	SUPPORT ASSY., Left Hand, Not Illustrated

Note: See Figure(s) 9D-11 or 9D-12 for 106743A1 adjusting lever.

09B-18 SIEVE, SHOE

сылка	Номер детали	Кол-во	Описание
34	1325321C1	1	SUPPORT, Right Hand
35	187187A1	2	PLATE, , BSN JJC0253999
35	187187A2	2	PLATE, , ASN JJC0254000
36	187204A1	2	BAR, Seal
37	477-82508	4	SCREW, Sltd Serr Truss Hd, 1/4"-20 x 1/2", 1/4 x 1/2; 8
38	231-5144	4	NUT, Flg, USR, 1/4"-20,
39	199953C1	4	SCREW, SELF TAPPING, Hex Wash Hd, 5/16"-18 x 13/16",
40	303959A1	1	LEVER, , Used with 1325323C5, Ref. 24
40	303959A2	1	LEVER, , Used with 1325323C6, Ref. 24
40	303960A1	1	LEVER, , Used with 1994961C4, Ref. 24
40	303960A2	1	LEVER, , Used with 1994961C5, Ref. 24
41	205-126	2	BUTTON, HOLE PLUG, 1 3/4", 1-3/4, Not Illustrated

Note: See Figure(s) 9D-11 or 9D-12 for 106743A1 adjusting lever.



09B-19 CHAFFER - SIEVE

сылка	Номер детали	Кол-во	Описание
1	192056C1	1	GRAIN PAN,
2	231-5145	8	NUT, Flg, USR, 5/16"-18,
4	1312156C1	1	SUPPORT,
5	360-512	4	BOLT, Hex Flg, 5/16"-18 x 3/4", G8, Full Thd, 5/16 x 3/4; 8
6	175114C1	20	FINGER, Short
6	1312476C1	20	FINGER, Long
7	192048C2	1	BAR,
8	281-1478	AR	SCREW, SELF TAPPING, Hex Wash Hd, 1/4" x 1/2", 1/4 x 1/2
9	192047C1	1	SEAL, Front
10	192044C1	1	SUPPORT,
11	409-7512	4	BOLT, Hex Flg, 5/16"-18 x 3/4", Serr,
12	192052C3	2	BAR, Short
13	645342C1	2	SPACER, 5/8" Tube x 1", 3/8 ID x 1
14	426-636	2	BOLT, Hex, 3/8"-16 x 2 1/4", G8,
15	232-4136	2	NUT, LOCK, 3/8"-16, GC,
16	495-81135	2	WASHER, 13/32" x 1" x .120", 13/32 x 1 x 1/8
17	1325332C2	2	BAR, Long
18	1325331C1	2	STRIP, SEALING,
19	1979206C1	1	RAIL, Left Hand
19	1979207C1	1	RAIL, Right Hand
20	1325334C3	1	SUPPORT, Right Hand
20	1325333C3	1	SUPPORT, Left Hand
21	1957455C1	2	ARM, Inc. 22
22	1330324C1	2	BUSHING,
23	426-10120	2	BOLT, Hex, 5/8"-11 x 7 1/2", G8, 5/8 x 7-1/2; 8
24	426-1064	2	BOLT, Hex, 5/8"-11 x 4", G8, 5/8 x 4; 8
24A	426-1072	2	BOLT, Hex, 5/8"-11 x 4 1/2", G8, 5/8 x 4-1/2; 8
25	232-41110	10	NUT, LOCK, 5/8"-11, GC,
26	495-11066	26	WASHER, 5/8", SAE, 21/32 x 1-5/16 x 3/32
26	495-81057	4	WASHER, 29/32" x 1 1/2" x .120", 29/32 x 1-1/2 x 7/64
27	1330357C1	2	ARM, Inc. 28
28	1330324C1	1	BUSHING,
29	1957460C2	2	LEVER, Inc. 30
30	1330323C2	3	BUSHING, 5/8 x 1-1/2 x 2-57/64
31	426-1096	2	BOLT, Hex, 5/8"-11 x 6", G8, 5/8 x 6; 8
32	433-1080	2	BOLT, CARRIAGE, Short NK, 5/8"-11 x 5", G5, 5/8 x 5
34	1968827C1	1	SUPPORT, Left Hand
34	1968828C1	1	SUPPORT, Right Hand
35	231-5146	8	NUT, Flg, USR, 3/8"-16,
36	409-7612	8	BOLT, Hex Flg, 3/8"-16 x 3/4", Serr,
38	443-13116	AR	SCREW, Cross Flat Hd, 5/16"-18 x 1",
39	425-105	2	NUT, 5/16"-18, G5,
40	495-81116	4	WASHER, .344" x 1" x .060", 11/32 x 1 x 1/16

09B-19 CHAFFER - SIEVE

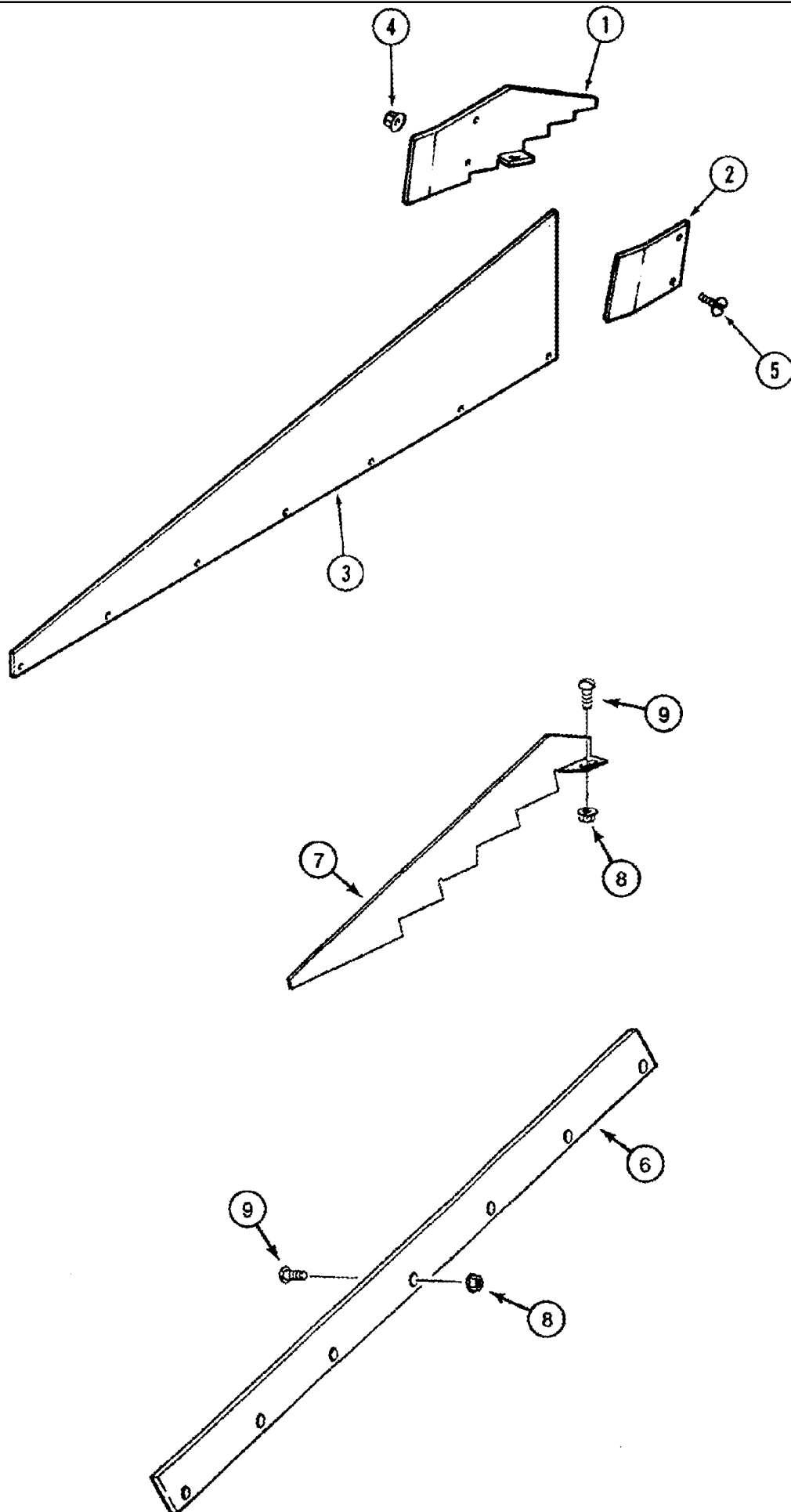
сылка	Номер детали	Кол-во	Описание
41	492-11031	2	WASHER, LOCK, 5/16",
42	1325336C2	1	BAR,
44	1957314C8	1	SIEVE, GRAIN, 1-5/8, Close Slat Chaffer
44	1957316C7	1	SIEVE, GRAIN, 1-1/8, Adjustable Chaffer
44	1957315C8	1	SIEVE, GRAIN, 1-5/8, Corn Slat Shaffer
44	1970516C7	1	SIEVE, GRAIN, Petersen Extended Chaffer, BSN JJC0253999
44	1970516C8	1	SIEVE, GRAIN, Petersen Extended Chaffer, ASN JJC0254000
46	412-48	2	BOLT, CARRIAGE, Short NK, 1/4"-20 x 1/2", G2, 1/4 x 1/2; 2
47	129-409	2	NUT, WING, 1/4"-20,
48	426-644	2	BOLT, Hex, 3/8"-16 x 2 3/4", G8,
49	429-106	4	NUT, 3/8"-16, G8, 3/8; 8
50	492-11038	2	WASHER, LOCK, 3/8",
50	495-81135	2	WASHER, 13/32" x 1" x .120", 13/32 x 1 x 1/8
51	1319258C1	1	COVER,
52	1327799C2	2	BOLT, Hex Flg Hd, 3/8"-16 x 1 1/4", G5, Coated,
53	425-106	2	NUT, 3/8"-16, G5,
54	413-412	6	BOLT, Hex, 1/4"-20 x 3/4", G5, Full Thd,
55	492-11025	6	WASHER, LOCK, 1/4",
56	425-104	6	NUT, 1/4"-20, G5,
57	120667A1	1	PLATE,
58	495-11028	2	WASHER, 1/4", SAE, (9/32 x 5/8 x 1/16")
59	492-11025	2	WASHER, LOCK, 1/4",
60	612233R1	2	SPACER, 5/8" Tube x 1 1/8", 13/32 x 5/8 x 1-3/16
63	119997A1	1	DEFLECTOR,
64	409-7412	4	BOLT, Hex Flg, 1/4"-20 x 3/4", Serr, 1/4 x 3/4
65	495-81107	4	WASHER, .281" x 7/8" x .060", 9/32 x 7/8 x 3/64
66	231-5144	4	NUT, Flg, USR, 1/4"-20,
67	185042C1	1	SUPPORT,
68	477-73112	8	BOLT, Slotted Tr Hd, 5/16"-18 x 3/4",
68	477-73116	4	SCREW, Sltd Serr Truss Hd, 5/16"-18 x 1", 5/16 x 1
69	231-5145	12	NUT, Flg, USR, 5/16"-18,
70	1338343C2	1	RETAINER, Left Hand
71	1338344C2	1	RETAINER, Right Hand
72	1346999C1	1	SEAL, Short Flap, With Straw Spreader
73	124558A2	1	SEAL, Long Flap, With Straw and Chaff Spreader
74	280371A1	1	LEVER, Rear, Used With 1957316C6, Ref. 44
74	280371A2	1	LEVER, Rear, Used With 1957316C7, Ref. 44
75	280372A1	1	LEVER, Rear, Used With 1957314C7, 1957315C7 or 1970516C7, Ref. 44
75	280372A2	1	LEVER, Rear, Used With 1957314C8, 1957315C8 or 1970516C8, Ref. 44
76	280370A2	1	LEVER, Front, Used With 1957316C6, 1957316C7, 1957314C7, 1957314C8, 1957315C7 or 1957315C8, 1970516C8, Ref. 44, Replaces: 280370A1
77	280376A1	1	LEVER, Front, Used With 1970516C7 or 1970516C8, Ref. 44
78	515-2395	3	CLAMP, 3/8", Insul, 3/8" Bolt, Not Illustrated

2366 CASE IH AXIAL-FLOW COMBINE (NA) (1/98-8/04)

09B-19 CHAFFER - SIEVE

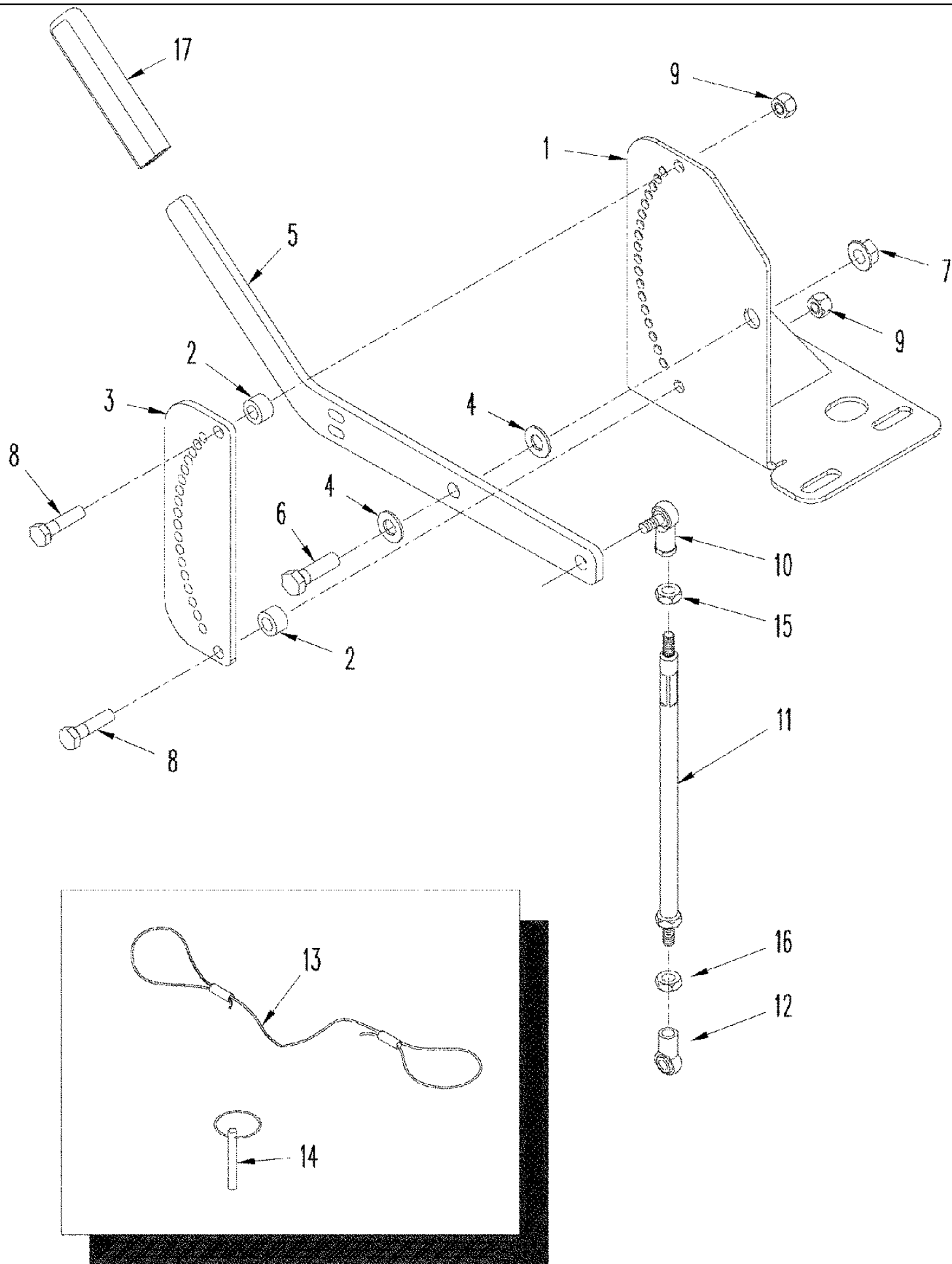
сылка	Номер детали	Кол-во	Описание
79	87418152	1	CONDUIT, Not Illustrated

09B-20 GRAIN PAN SIDE HILL DIVIDERS



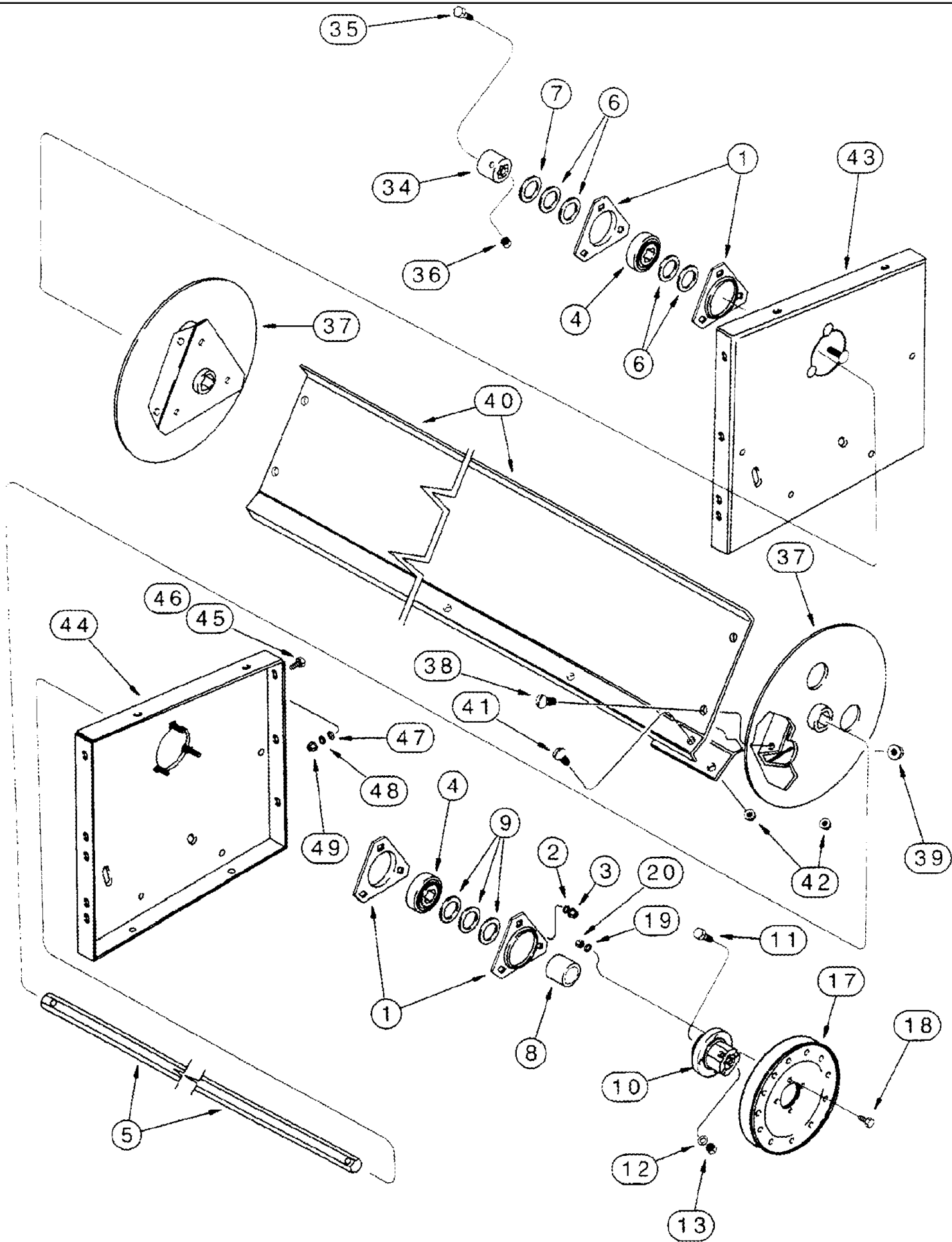
09B-20 GRAIN PAN SIDE HILL DIVIDERS

сылка	Номер детали	Кол-во	Описание
	180771C91	3	KIT, Hillside Grain Pan Divider, Tall, Inc. 1 - 5
1	185115C1	1	DIVIDER,
2	185116C1	1	RETAINER,
3	185114C1	1	DIVIDER,
4	231-5144	11	NUT, Flg, USR, 1/4"-20,
5	477-82508	11	SCREW, Slt'd Serr Truss Hd, 1/4"-20 x 1/2", 1/4 x 1/2; 8
	313399A1	3	KIT, Hillside Grain Pan Divider, Short, Inc. 6 - 9
6	1957596C2	1	DIVIDER,
7	1957597C1	1	DIVIDER,
8	231-5144	9	NUT, Flg, USR, 1/4"-20,
9	477-82508	9	SCREW, Slt'd Serr Truss Hd, 1/4"-20 x 1/2", 1/4 x 1/2; 8



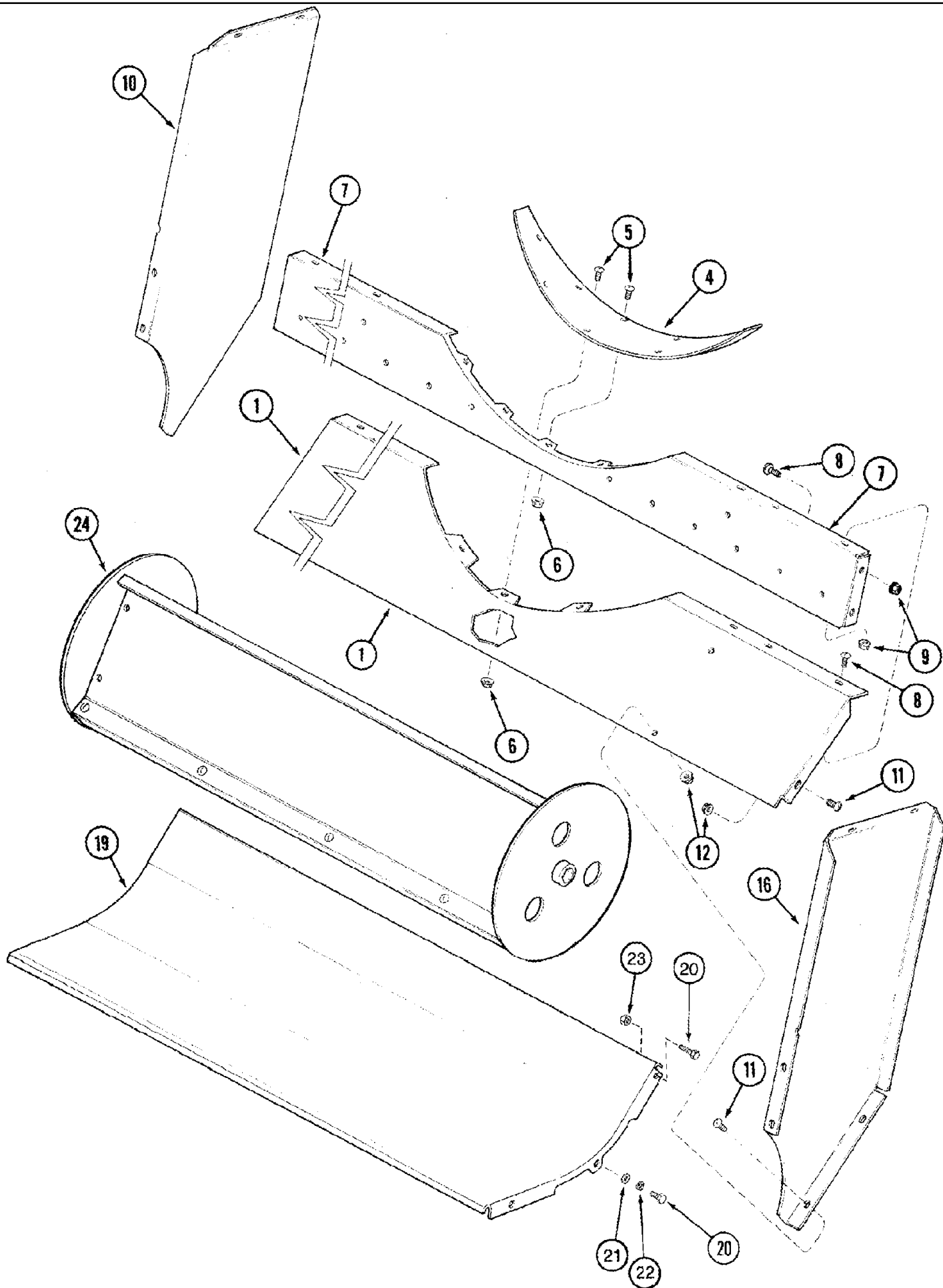
сылка	Номер детали	Кол-во	Описание
1	399898A4	1	BRACKET, Mounting
2	416491A2	2	SPACER,
3	399763A2	1	PLATE, Location Indicator
4	495-11041	2	WASHER, 3/8", SAE, (13/32 x 13/16 x 1/16")
5	399778A2	1	HANDLE, Adjustment
6	413-620	1	BOLT, Hex, 3/8"-16 x 1 1/4", G5, Full Thd, 3/8 x 1-1/2; 5
7	231-5146	1	NUT, Flg, USR, 3/8"-16, (5)
8	413-520	2	BOLT, Hex, 5/16"-18 x 1 1/4", G5,
9	231-4145	2	NUT, LOCK, 5/16"-18, GB,
10	403123A1	2	ROD, End
11	407141A2	2	ROD, Chaffer Sieve and Shoe Sieve Adjustment
12	427179A1	2	ROD, End
13	427336A1	2	CABLE,
14	400310A1	2	PIN, Quick Release
15	129-289	2	NUT, Jam, 3/8"-24, G5, LH, Jam, 3/4; 5
16	425-156	2	NUT, Jam, 3/8"-24, G5,
17	433741A1	2	GRIP,

09C-01 BEATER - DISCHARGE



09C-01 BEATER - DISCHARGE

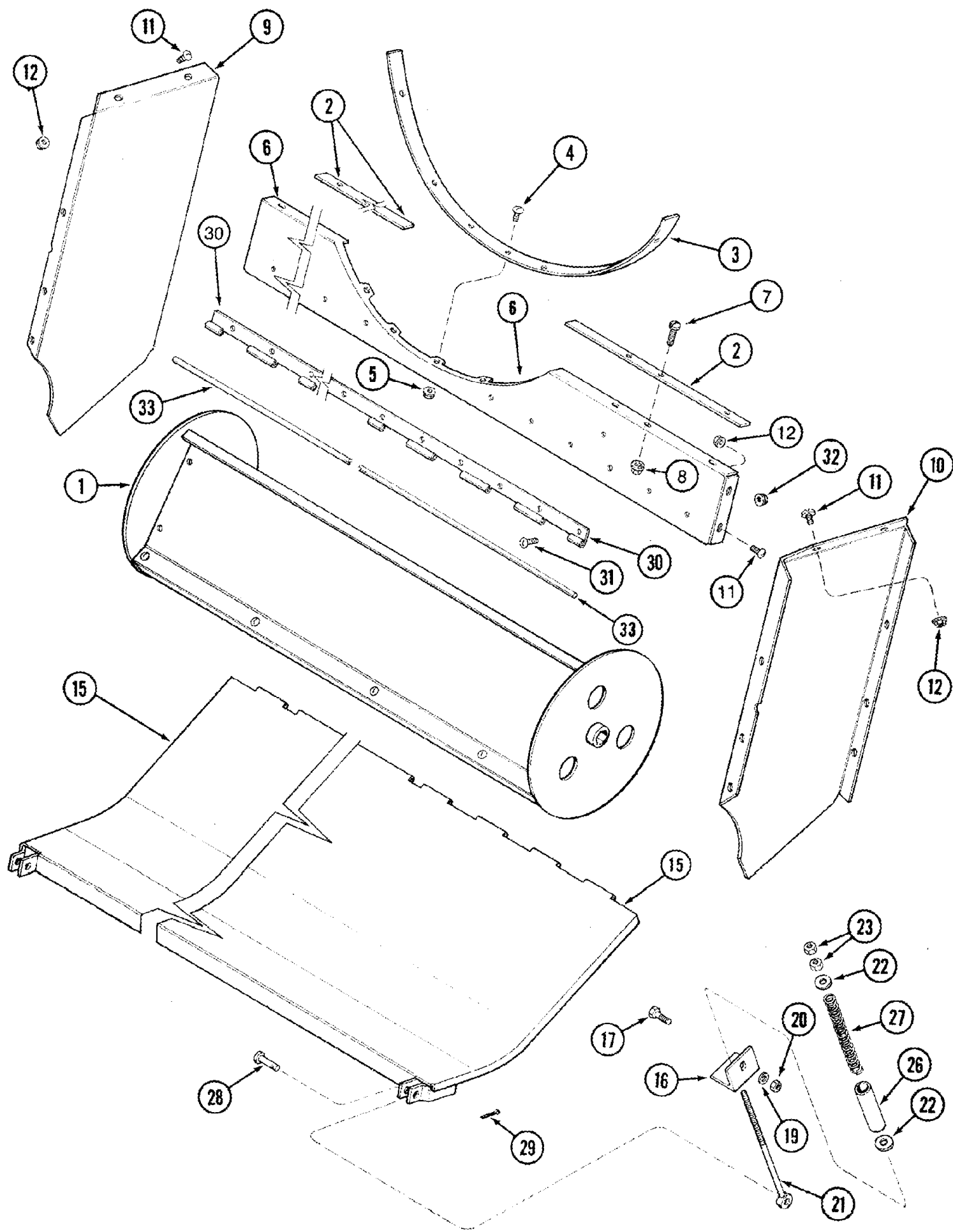
сылка	Номер детали	Кол-во	Описание
1	180955C1	4	FLANGE,
2	492-11038	6	WASHER, LOCK, 3/8",
3	425-106	6	NUT, 3/8"-16, G5,
4	156816C91	2	BEARING, BALL,
5	1302175C2	1	SHAFT,
6	495-81211	4	WASHER, 1 11/32" x 2" x .120", 1-11/32 x 2 x 7/64
7	495-81210	AR	WASHER, 1 11/32" x 2" x .060", 1-11/32 x 2 x 3/64
8	632147R1	1	SPACER, 1-5/8 OD x 1-5/8
9	495-81211	3	WASHER, 1 11/32" x 2" x .120", 1-11/32 x 2 x 7/64
10	1319402C1	1	HUB,
11	326-840	1	BOLT, Hex, 1/2"-13 x 2 1/2", G8,
12	396-41053	1	WASHER, 17/32" x 1 1/4" x .188", HDN, 17/32 x 1-1/4 x 3/16
13	232-4118	1	NUT, LOCK, 1/2"-13, GC,
17	195161C1	1	PULLEY, 8-3/8 in. OD
18	413-516	4	BOLT, Hex, 5/16"-18 x 1", G5, Full Thd, 5/16 x 1
19	492-11031	8	WASHER, LOCK, 5/16",
20	425-105	4	NUT, 5/16"-18, G5,
34	117051A1	1	HUB,
35	413-632	1	BOLT, Hex, 3/8"-16 x 2", G5,
35	413-636	1	BOLT, Hex, 3/8"-16 x 2 1/4", G5,
36	231-4116	1	NUT, LOCK, 3/8"-16, GB, 3/8
37	1319266C1	2	HUB,
38	477-73812	12	SCREW, Sltd Serr Truss Hd, 3/8" x 3/4", 3/8 x 3/4
39	231-5146	12	NUT, Flg, USR, 3/8"-16,
40	1319269C1	3	SUPPORT,
41	477-73812	15	SCREW, Sltd Serr Truss Hd, 3/8" x 3/4", 3/8 x 3/4
42	231-5146	17	NUT, Flg, USR, 3/8"-16,
43	181092C2	1	SUPPORT ASSY., Left Hand
44	181093C2	1	SUPPORT, Right Hand
45	413-616	13	BOLT, Hex, 3/8"-16 x 1", G5, Full Thd,
46	413-620	1	BOLT, Hex, 3/8"-16 x 1 1/4", G5, Full Thd, Left Hand
46	413-624	2	BOLT, Hex, 3/8"-16 x 1 1/2", G5, RH
47	495-11041	16	WASHER, 3/8", SAE, (13/32 x 13/16 x 1/16")
48	492-11038	16	WASHER, LOCK, 3/8",
49	425-106	16	NUT, 3/8"-16, G5,



09C-02 BEATER - DISCHARGE - CORN AND GRAIN - FIXED

сылка	Номер детали	Кол-во	Описание
1	192028C2	1	SUPPORT, Beater Discharge
4	193909C2	1	SUPPORT, Beater Pan, Front
5	477-73812	9	SCREW, Sltd Serr Truss Hd, 3/8" x 3/4", 3/8 x 3/4
6	231-5146	9	NUT, Flg, USR, 3/8"-16,
7	182929C1	1	SUPPORT, Cage, Lower Rear
8	477-73812	10	SCREW, Sltd Serr Truss Hd, 3/8" x 3/4", 3/8 x 3/4
9	231-5146	10	NUT, Flg, USR, 3/8"-16,
10	193452C1	1	DEFLECTOR, Discharge, Left Hand
11	477-73812	12	SCREW, Sltd Serr Truss Hd, 3/8" x 3/4", 3/8 x 3/4
12	231-5146	12	NUT, Flg, USR, 3/8"-16,
16	193453C1	1	DEFLECTOR, Discharge, Right Hand
19	195426C3	1	SUPPORT ASSY., Beater
20	413-616	6	BOLT, Hex, 3/8"-16 x 1", G5, Full Thd,
21	496-41041	4	WASHER, 13/32" x 1 1/8" x .134",
22	492-11038	4	WASHER, LOCK, 3/8",
23	232-4116	2	NUT, LOCK, 3/8"-16, GC,
24	REF	1	INSTRUCTION, BEATER ASSY., Discharge, See Figure 09C-03

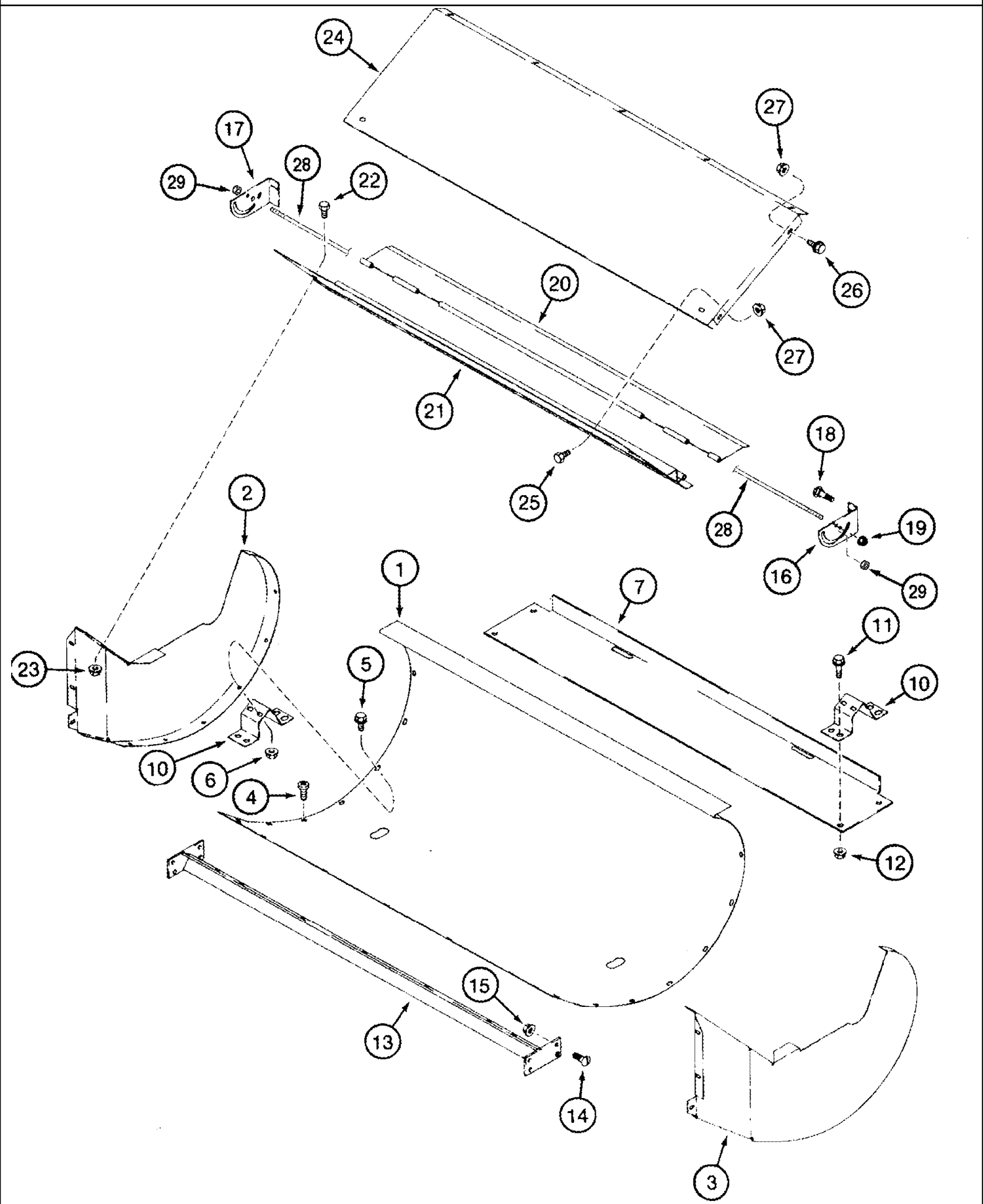
09C-03 BEATER PAN - DISCHARGE - RICE - SPRING LOADED



09C-03 BEATER PAN - DISCHARGE - RICE - SPRING LOADED

сылка	Номер детали	Кол-во	Описание
1	REF	1	INSTRUCTION, BEATER ASSY., Discharge, See Figure 09C-02
2	182891C1	2	PLATE,
3	182898C1	1	SUPPORT,
4	477-73812	7	SCREW, Sltd Serr Truss Hd, 3/8" x 3/4",
5	231-5146	7	NUT, Flg, USR, 3/8"-16,
6	182929C1	1	SUPPORT, Cage, Lower Rear
7	477-73812	6	SCREW, Sltd Serr Truss Hd, 3/8" x 3/4",
8	231-5146	6	NUT, Flg, USR, 3/8"-16,
9	182946C1	1	DEFLECTOR, Discharge, Left Hand
10	182947C1	1	DEFLECTOR, Discharge, Right Hand
11	477-73812	16	SCREW, Sltd Serr Truss Hd, 3/8" x 3/4",
12	231-5146	16	NUT, Flg, USR, 3/8"-16,
15	182924C2	1	DOOR, Beater
16	182896C2	2	SUPPORT, Spring
17	326-620	2	BOLT, Hex, 3/8"-16 x 1 1/4", G8, Full Thd,
19	396-41041	2	WASHER, 13/32" x 1 1/8" x .134", HDN,
20	232-4116	2	NUT, LOCK, 3/8"-16, GC,
21	182892C2	2	BOLT,
22	495-81162	4	WASHER, 17/32" x 1 1/2" x .179",
23	425-108	4	NUT, 1/2"-13, G5,
26	182981C1	2	SPACER, Spring
27	391745R1	2	SPRING,
28	439-1828	2	PIN, HEADED, 1/2" x 1 3/4",
29	432-1216	2	PIN, SPLIT (COTTER), 3/16" x 1",
30	182894C1	2	HINGE,
31	477-73812	10	SCREW, Sltd Serr Truss Hd, 3/8" x 3/4",
32	231-5146	10	NUT, Flg, USR, 3/8"-16,
33	182977C1	1	ROD,

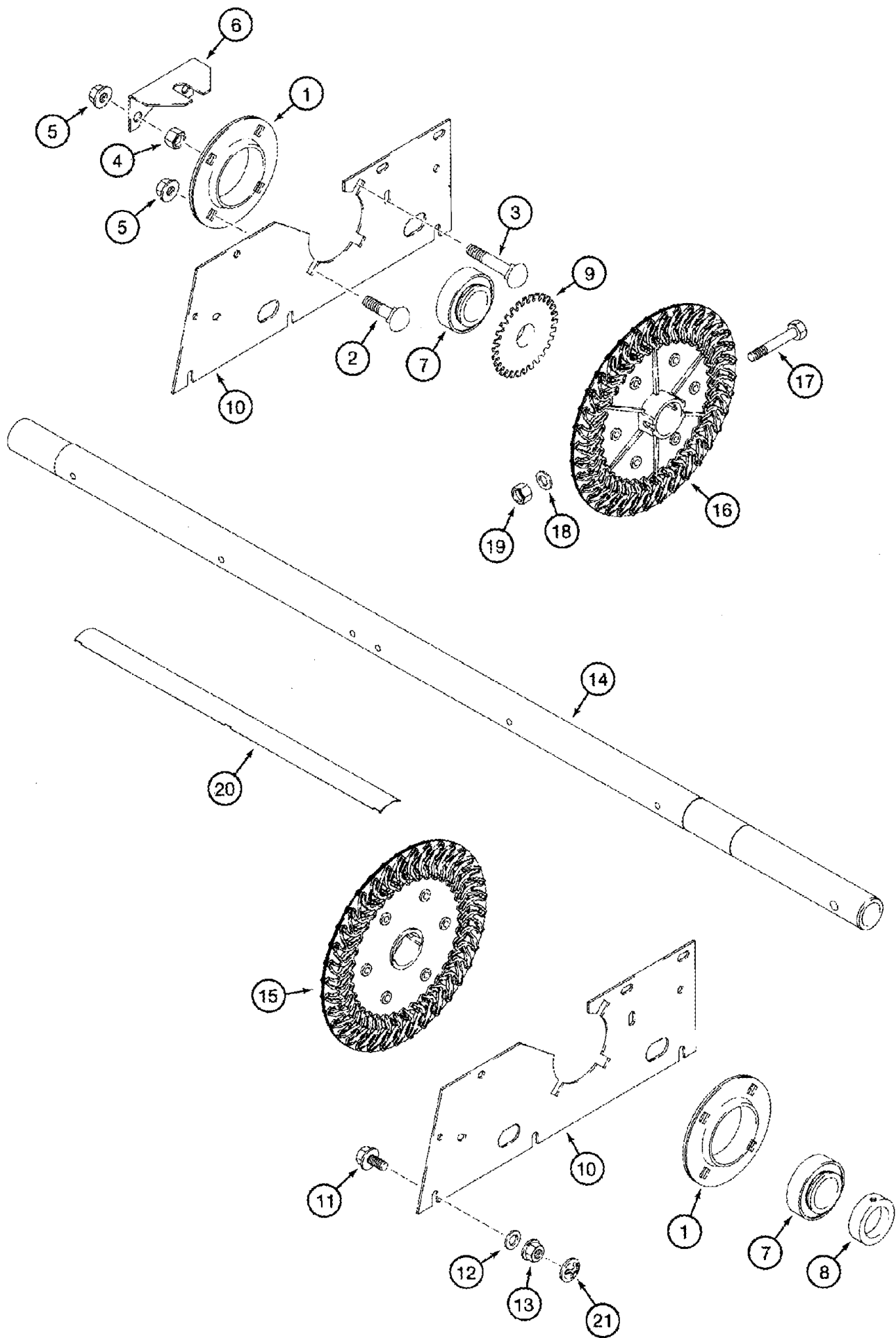
09C-04 CLEANING FAN - HOUSING



09C-04 CLEANING FAN - HOUSING

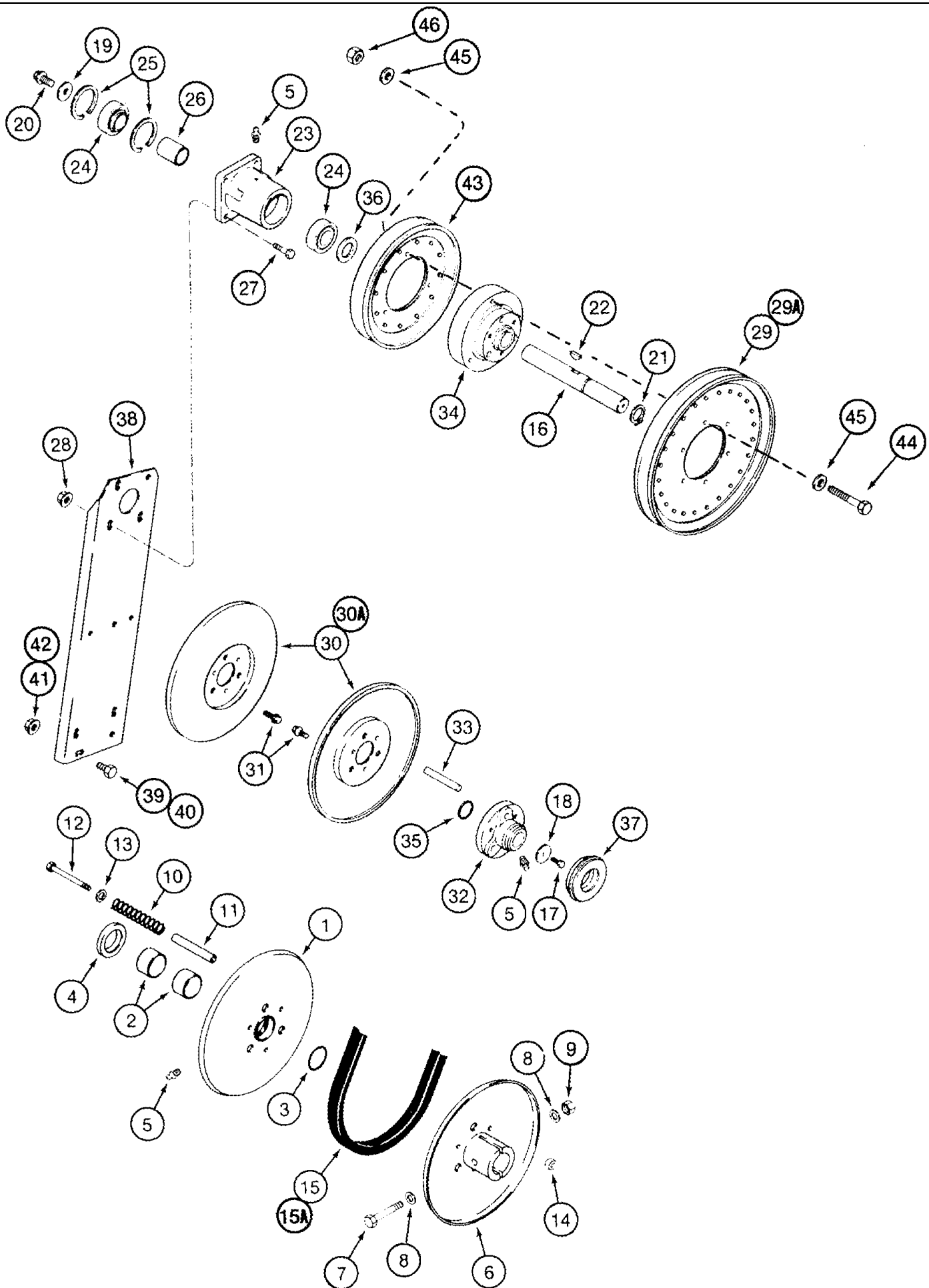
сылка	Номер детали	Кол-во	Описание
1	1989379C1	1	HOUSING,
2	1347012C2	1	PLATE, Left Hand
3	1347013C2	1	PLATE, Right Hand
4	477-73108	14	SCREW, Sltd Serr Truss Hd, 5/16"-18 x 1/2", 5/16 x 1/2
5	409-7512	9	BOLT, Hex Flg, 5/16"-18 x 3/4", Serr,
6	231-5145	21	NUT, Flg, USR, 5/16"-18,
7	1541641C2	1	SUPPORT, Front
10	1541543C1	2	BRACKET, Front
11	409-7816	4	BOLT, Hex Flg, 1/2"-13 x 1", Serr, 1/2 x 1
12	231-5148	4	NUT, Flg, USR, 1/2"-13,
13	191703C3	1	SUPPORT ASSY., Rear
14	477-73812	4	SCREW, Sltd Serr Truss Hd, 3/8" x 3/4", 3/8 x 3/4
15	231-5146	4	NUT, Flg, USR, 3/8"-16,
16	1989694C2	1	PLATE, Right Hand
17	1989693C2	1	PLATE, Left Hand
18	434-512	2	BOLT, CARRIAGE, Short NK, 5/16"-18 x 3/4", G5, Full Thd,
19	231-5145	2	NUT, Flg, USR, 5/16"-18,
20	1989611C1	1	HOOD,
21	1541628C1	1	HOOD,
22	477-73112	4	BOLT, Slotted Tr Hd, 5/16"-18 x 3/4",
23	231-5145	4	NUT, Flg, USR, 5/16"-18,
24	1989377C2	1	SUPPORT,
25	477-73112	7	BOLT, Slotted Tr Hd, 5/16"-18 x 3/4",
26	409-7512	9	BOLT, Hex Flg, 5/16"-18 x 3/4", Serr,
27	231-5145	16	NUT, Flg, USR, 5/16"-18,
28	185198C1	1	ROD,
29	231-5345	2	NUT, LOCK, Flg, 5/16"-18, 5/16

09C-05 CLEANING FAN - SHAFT AND SUPPORTS



09C-05 CLEANING FAN - SHAFT AND SUPPORTS

сылка	Номер детали	Кол-во	Описание
1	76079C1	4	FLANGE,
2	434-816	6	BOLT, CARRIAGE, Short NK, 1/2"-13 x 1", G5, Full Thd, 1/2 x 1
3	434-824	2	BOLT, CARRIAGE, Short NK, 1/2"-13 x 1 1/2", G5, Full Thd, 1/2 x 1-1/2
4	425-108	2	NUT, 1/2"-13, G5,
5	231-5148	8	NUT, Flg, USR, 1/2"-13,
6	1541554C1	1	SUPPORT,
7	668719R92	2	BEARING, BALL,
8	86999734	1	COLLAR, Inc. Set Screw
9	1541555C1	1	SPROCKET,
10	120870A1	2	SUPPORT, Inc. Decal, See Figure 09H-21, Ref. 14
11	409-7616	6	BOLT, Hex Flg, 3/8"-16 x 1", Serr,
12	495-81143	6	WASHER, 13/32" x 1 1/2" x .120", 13/32 x 1-1/2 x 1/8
13	231-5146	6	NUT, Flg, USR, 3/8"-16,
	1541935C3	1	FAN, Inc. 14 - 20
14	1989550C3	1	SHAFT,
15	1541560C1	3	DISC, Right Hand
16	1541570C1	3	DISC, Left Hand
17	413-548	6	BOLT, Hex, 5/16"-18 x 3", G5, 5/16 x 3
18	495-11034	12	WASHER, 5/16", SAE, (11/32 x 11/16 x 1/16")
19	230-4115	6	NUT, LOCK, 5/16"-18, GA, 5/16
20	1541631C1	72	PADDLE,
21	131-415	6	NUT, LOCK, Push, Bolt Retainer, 3/8" x 25/32",
22	100-1537	3	RING, SNAP, #37, Ext, Not Illustrated



Note: To reduce the cleaning system speed on models prior to P.I.N. JJC0184544, order 303187A1 kit above.

09C-06 CLEANING FAN - DRIVE

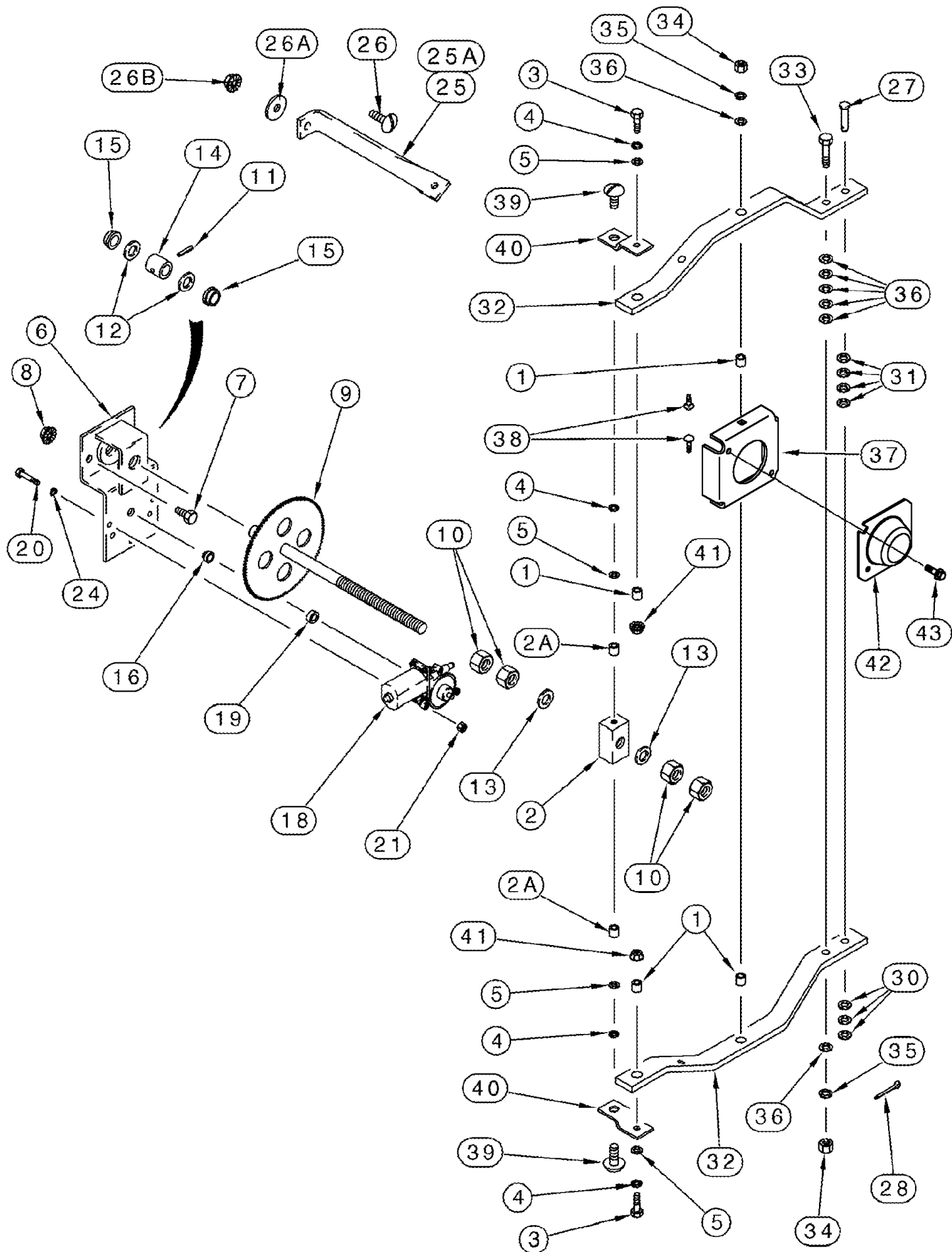
Сылка	Номер детали	Кол-во	Описание
	1541552C2	1	PULLEY, 11-1/4 OD, Inc. 1 - 4
1	NSS	1	NOT SERVICED SEPARATELY, PULLEY
2	1541551C1	2	BUSHING,
3	238-5327	1	O-RING, -327, 70 Duro, 1.725" ID x .210" Thk,
4	1541775C1	1	SEAL, 1-47/64 ID x 2-21/64
5	219-87	3	NIPPLE, LUBE, 1/4"-28 x .56" lg, Self-Tap,
6	1541553C2	1	PULLEY, 11-1/4 OD
7	326-856	1	BOLT, Hex, 1/2"-13 x 3 1/2", G8,
8	396-31053	2	WASHER, 17/32" x 1 1/16" x .188", HDN, 17/32 x 1-1/16 x 3/16
9	232-4118	1	NUT, LOCK, 1/2"-13, GC,
10	1302181C2	3	SPRING,
11	1302180C2	3	BUSHING,
12	413-580	3	BOLT, Hex, 5/16"-18 x 5", G5,
13	495-81116	3	WASHER, .344" x 1" x .060", 11/32 x 1 x 1/16
14	231-4115	3	NUT, LOCK, 5/16"-18, GB,
15	1541569C1	1	BELT, 1816 mm (71-1/2 inch) long, See Figure Note, BSN JJC0184544
15A	301146A1	1	BELT, 72-3/4, ASN JJC0184544
16	194853C3	1	SHAFT,
17	413-58	1	BOLT, Hex, 5/16"-18 x 1/2", G5, Full Thd, 5/16 x 1/2
18	495-81121	1	WASHER, .344" x 1 1/2" x .060", 11/32 x 1-1/2 x 1/16
19	195-81030	1	WASHER, 17/32 x 1-1/2 x 3/16
20	1302143C1	1	BOLT, 1/2 x 1
21	100-16125	1	RING, SNAP, #125, Ext,
22	126-125	1	KEY, WOODRUFF, #B, 5/16" x 1", HT,
23	192418C1	1	HUB,
24	1302725C91	2	BEARING, BALL,
25	360936R1	2	RING,
26	152926C1	1	SPACER, 2 x 1-5/8 x 1-7/8
27	413-624	4	BOLT, Hex, 3/8"-16 x 1 1/2", G5,
28	231-5146	4	NUT, Flg, USR, 3/8"-16,
29	183325C1	1	PULLEY, 13 in OD, See Figure Note, BSN JJC0184544
29A	295918A1	1	PULLEY, , ASN JJC0184544
30	183288C1	2	PULLEY, 11-1/4 OD, See Figure Note, BSN JJC0184544
30A	301141A1	2	PULLEY, 12 OD, ASN JJC0184544
31	115745A1	6	SCREW,
32	185286C91	1	HUB, Inc. 33
33	37-1856	3	DOWEL, 1/2" x 3 1/2",
34	183333C1	1	HUB,
35	238-5218	1	O-RING, -218, 70 Duro, 1.234" ID x .139" Thk,
36	183274C2	1	WASHER, 1-9/32 x 1-7/8 x 3/16
37	168215C92	1	BEARING, THRUST,
38	189966A1	1	SUPPORT, Inc. Decal, See Figure 09H-21, Ref. 9
39	409-7612	4	BOLT, Hex Flg, 3/8"-16 x 3/4", Serr,

Note: To reduce the cleaning system speed on models prior to P.I.N. JJC0184544, order 303187A1 kit above.

09C-06 CLEANING FAN - DRIVE

сылка	Номер детали	Кол-во	Описание
40	477-73112	3	BOLT, Slotted Tr Hd, 5/16"-18 x 3/4",
41	231-5146	4	NUT, Flg, USR, 3/8"-16,
42	231-5145	3	NUT, Flg, USR, 5/16"-18,
43	193948C1	1	PULLEY, 9-3/4 in. OD
44	413-640	3	BOLT, Hex, 3/8"-16 x 2 1/2", G5, 3/8 x 2-1/2
45	495-81135	6	WASHER, 13/32" x 1" x .120", 13/32 x 1 x 1/8
46	231-4116	3	NUT, LOCK, 3/8"-16, GB, 3/8
	303187A1	1	KIT, Inc. 295918A1, 301141A1, 301228A1, 301226A1, 301146A1, 301111A1, 296022A1, 296023A1, 186283C2, See Figure(s) 9A-3B, 9C-13, 9C-15, 9D-23, 9D-25, 9D-45, 9D-49

Note: To reduce the cleaning system speed on models prior to P.I.N. JJC0184544, order 303187A1 kit above.



Note: To reduce the cleaning system speed on models prior to P.I.N. JJC0184544, order 303187A1 kit above.

09C-07 CLEANING FAN - DRIVE SPEED CONTROL

сылка	Номер детали	Кол-во	Описание
1	27825R1	4	SPACER, 1/2" Tube x 1/2",
2	181206C1	1	BLOCK,
2A	183916A1	2	SPACER, 1/2 x 3/16
3	413-512	2	BOLT, Hex, 5/16"-18 x 3/4", G5, Full Thd,
4	492-11031	4	WASHER, LOCK, 5/16",
5	495-11034	4	WASHER, 5/16", SAE, (11/32 x 11/16 x 1/16")
6	181199C2	1	SUPPORT,
7	413-612	2	BOLT, Hex, 3/8"-16 x 3/4", G5, Full Thd, 3/8 x 3/4
8	231-5146	2	NUT, Flg, USR, 3/8"-16,
9	142848A1	1	GEAR,
10	425-1010	4	NUT, 5/8"-11, G5,
11	38-11216	1	PIN, LOCK, 3/16" x 1", Slotted,
12	495-81177	2	WASHER, 21/32" x 1" x .030", 21/32 x 1 x 1/32
13	1302054C1	2	WASHER,
14	181205C1	1	SPACER,
15	55826C1	2	BUSHING,
16	55825C1	1	BUSHING,
18	111787A2	1	MOTOR, ELECTRIC,
19	113485A1	2	SPACER, 17 mm
20	413-432	2	BOLT, Hex, 1/4"-20 x 2", G5,
21	425-104	2	NUT, 1/4"-20, G5,
24	492-11025	2	WASHER, LOCK, 1/4",
25	186283C1	1	SUPPORT, See Figure Note, BSN JJC0184543
25A	186283C2	1	SUPPORT, , ASN JJC0184544
26	413-618	1	BOLT, Hex, 3/8"-16 x 1 1/8", G5, Full Thd, 3/8 x 1-1/8
26A	492-11038	1	WASHER, LOCK, 3/8",
26B	425-146	1	NUT, Jam, 3/8"-16, G5,
27	439-1624	1	PIN, HEADED, 3/8" x 1 1/2", 3/8 x 1-1/2; 2
28	432-812	1	PIN, SPLIT (COTTER), 1/8" x 3/4",
30	495-11041	3	WASHER, 3/8", SAE, (13/32 x 13/16 x 1/16")
31	495-81142	AR	WASHER, 13/32" x 1 1/2" x .060", 13/32 x 1-1/2 x 1/16
32	194850C2	2	SUPPORT,
33	413-532	1	BOLT, Hex, 5/16"-18 x 2", G5,
34	425-105	3	NUT, 5/16"-18, G5,
35	492-11031	3	WASHER, LOCK, 5/16",
36	495-11034	AR	WASHER, 5/16", SAE, (11/32 x 11/16 x 1/16")
37	194852C3	1	SUPPORT,
38	412-520	2	BOLT, CARRIAGE, Short NK, 5/16"-18 x 1 1/4", G2, 5/16 x 1-1/4; 2
39	477-73112	2	BOLT, Slotted Tr Hd, 5/16"-18 x 3/4",
40	142853A2	2	SUPPORT,
41	231-5145	4	NUT, Flg, USR, 5/16"-18,
42	86990344	1	COVER, Fan Drive Bearing
43	281-24812	2	SCREW, SELF TAPPING, Hex Wash Hd, 5/16" x 3/4", 5/16 x 3/4

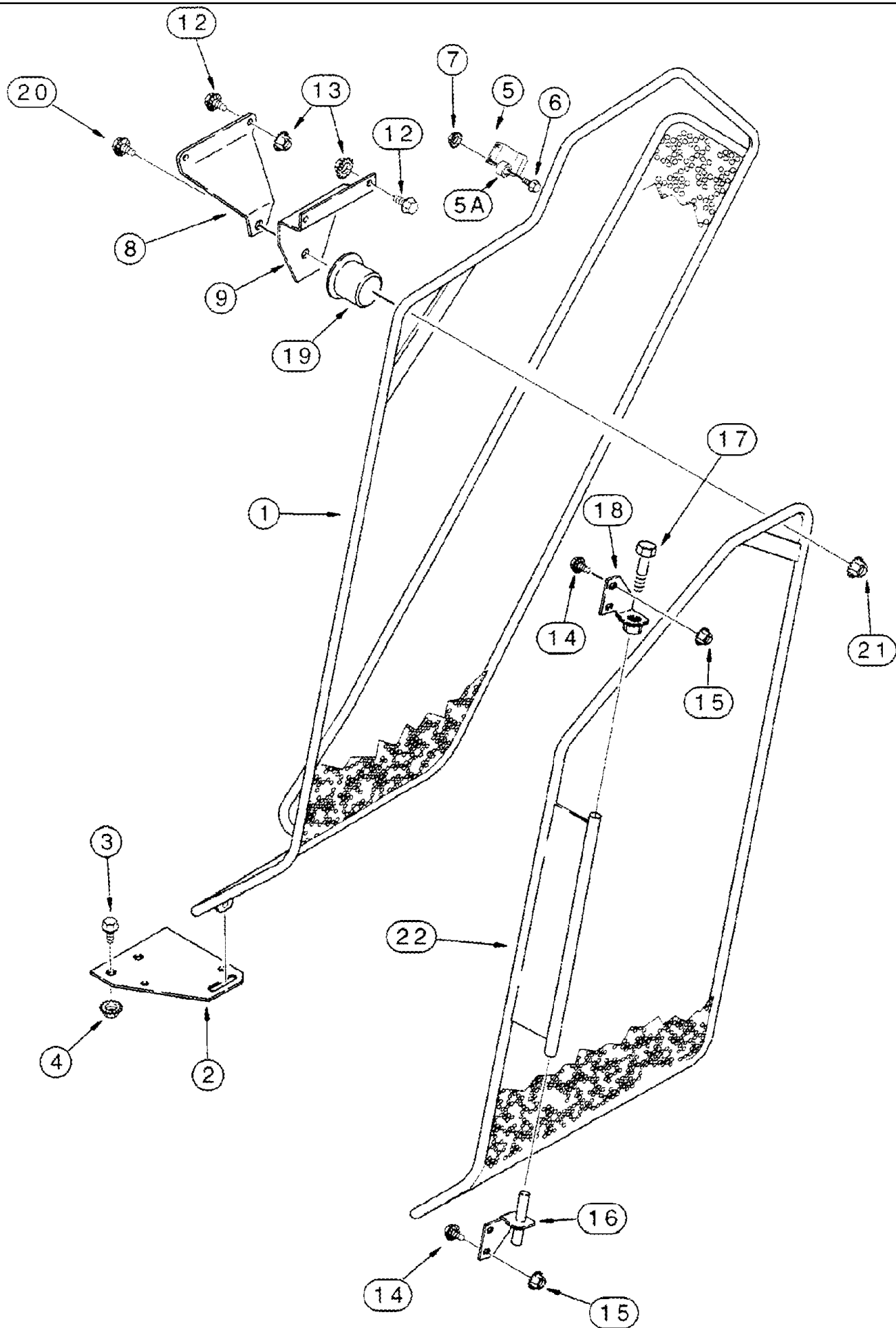
Note: To reduce the cleaning system speed on models prior to P.I.N. JJC0184544, order 303187A1 kit above.

2366 CASE IH AXIAL-FLOW COMBINE (NA) (1/98-8/04)

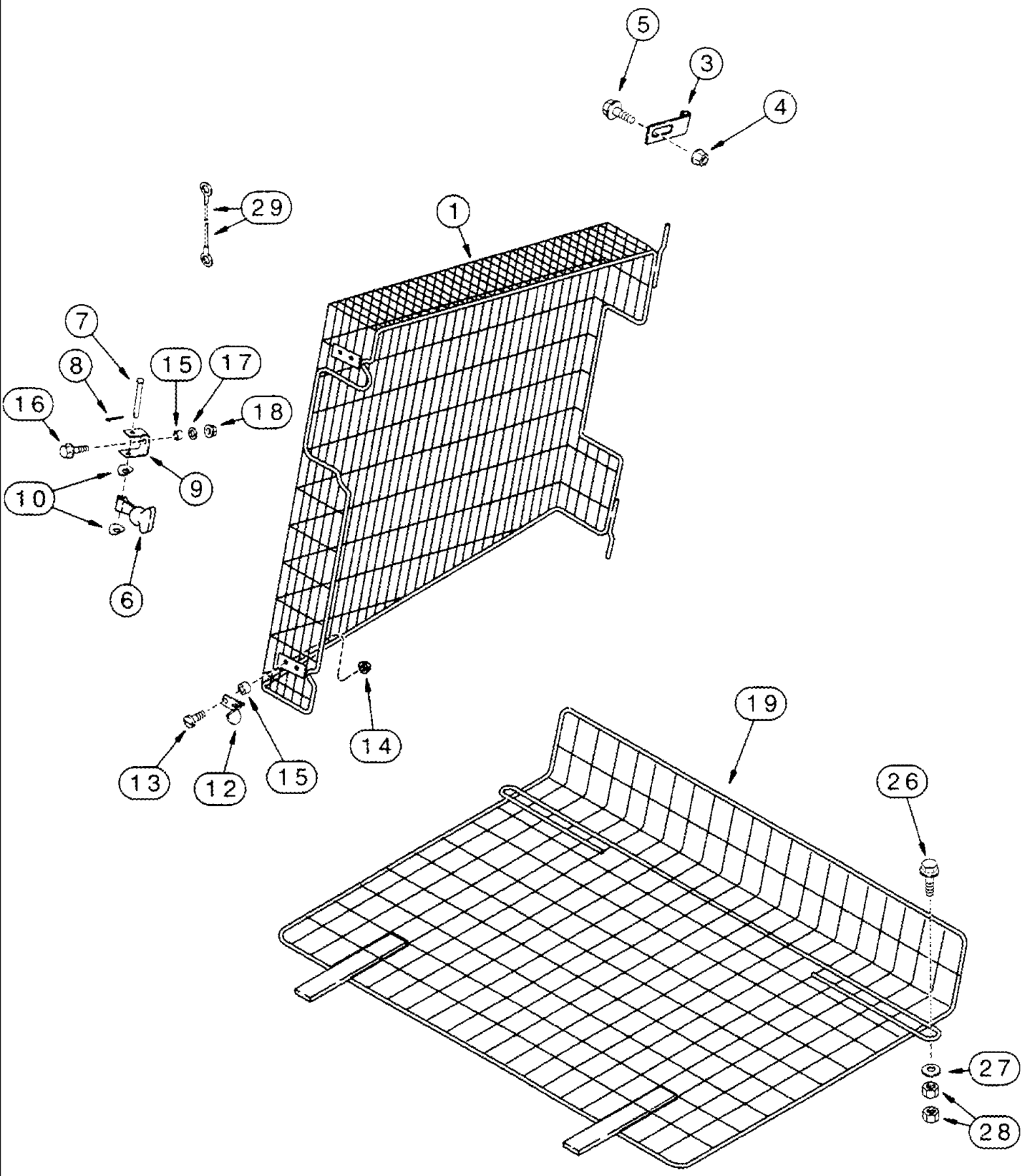
09C-07 CLEANING FAN - DRIVE SPEED CONTROL

сылка	Номер детали	Кол-во	Описание
303187A1	1	KIT, Inc.186283C1 (Ref. 25A), 301228A1, 301226A1, 301146A1, 301111A1, 295918A1, 301141A1, 296022A1, 296023A1, See Figure(s) 9A-01, 9C-06, 9D-07, 9D-15, 9D-16	

Note: To reduce the cleaning system speed on models prior to P.I.N. JJC0184544, order 303187A1 kit above.

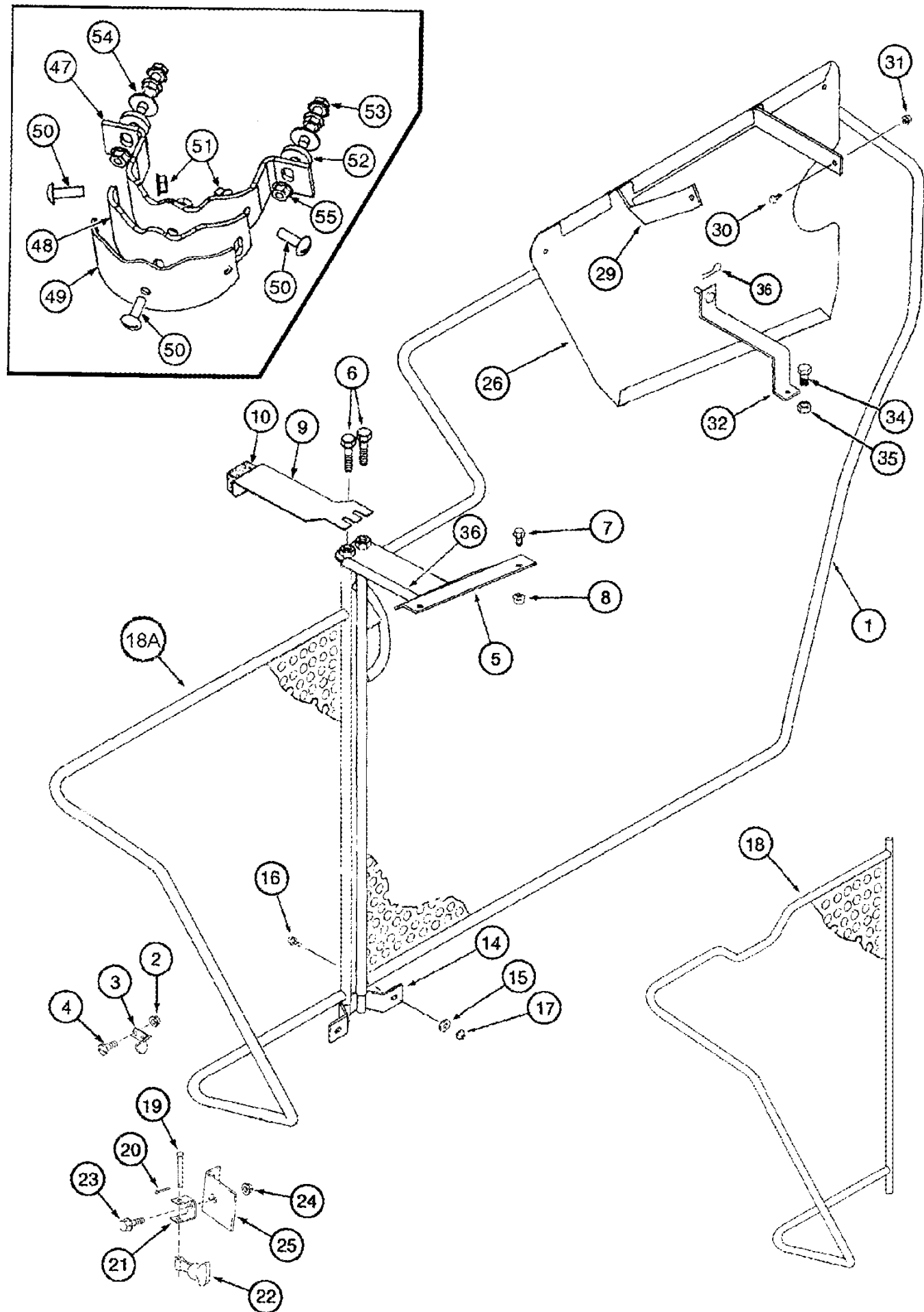


сылка	Номер детали	Кол-во	Описание
1	143651A2	1	SHIELD, Right Hand
2	142450A2	1	SUPPORT, Lower
3	409-7816	2	BOLT, Hex Flg, 1/2"-13 x 1", Serr, 1/2 x 1
4	231-5148	2	NUT, Flg, USR, 1/2"-13,
5	142451A2	1	SUPPORT,
5A	27825R1	2	SPACER, 1/2" Tube x 1/2",
6	409-7520	2	BOLT, Hex Flg, 5/16"-18 x 1 1/4", Serr, 5/16 x 1-1/4
7	231-5145	2	NUT, Flg, USR, 5/16"-18,
8	143664A2	1	SUPPORT, Outer
9	143666A2	1	SUPPORT, Inner
12	409-7612	6	BOLT, Hex Flg, 3/8"-16 x 3/4", Serr,
13	231-5146	6	NUT, Flg, USR, 3/8"-16,
14	409-7512	2	BOLT, Hex Flg, 5/16"-18 x 3/4", Serr,
15	231-5145	2	NUT, Flg, USR, 5/16"-18,
16	143680A3	1	SUPPORT,
17	413-1024	2	BOLT, Hex, 5/8"-11 x 1 1/2", G5, Full Thd,
18	143676A3	1	SUPPORT,
19	142455A1	1	TUBE, Right Hand
20	409-7812	1	BOLT, Hex Flg, 1/2"-13 x 3/4", Serr, 1/2 x 3/4
21	231-5148	1	NUT, Flg, USR, 1/2"-13,
22	189391A1	1	GUARD, Inc. Decal, See Figure 09H-21, Ref. 2, 3



09C-09 CLEANING FAN - SHIELDS

сылка	Номер детали	Кол-во	Описание
1	239930A2	1	SHIELD, Left Hand
3	1541763C3	2	HINGE,
4	231-5145	2	NUT, Flg, USR, 5/16"-18,
5	409-7512	2	BOLT, Hex Flg, 5/16"-18 x 3/4", Serr,
6	494307C1	2	LATCH,
7	439-1424	2	PIN, HEADED, 1/4" x 1 1/2", G2,
8	432-812	2	PIN, SPLIT (COTTER), 1/8" x 3/4",
9	188103C2	2	BRACKET,
10	1324377C1	2	WASHER, 5/16
12	764071C1	2	BRACKET, Hook, Replaces L105124
13	470-11020	4	SCREW, Slotted Pan Hd, #10-24 x 1 1/4", No. 10 x 1-1/4
14	231-51409	4	NUT, Flg, USR, #10-24,
15	1277909C1	6	SPACER,
16	409-7524	2	BOLT, Hex Flg, 5/16"-18 x 1 1/2", Serr, 5/16 x 1-1/2
17	495-81121	2	WASHER, .344" x 1 1/2" x .060", 11/32 x 1-1/2 x 1/16
18	231-5145	2	NUT, Flg, USR, 5/16"-18,
19	1541758C2	1	GUARD, Optional
26	409-7624	2	BOLT, Hex Flg, 3/8"-16 x 1 1/2", Serr,
27	495-81135	2	WASHER, 13/32" x 1" x .120", 13/32 x 1 x 1/8
28	425-106	4	NUT, 3/8"-16, G5,
29	132657A2	1	CABLE, Left Hand



09C-10 SHIELDS, INLET AND SEPARATOR - LEFT HAND

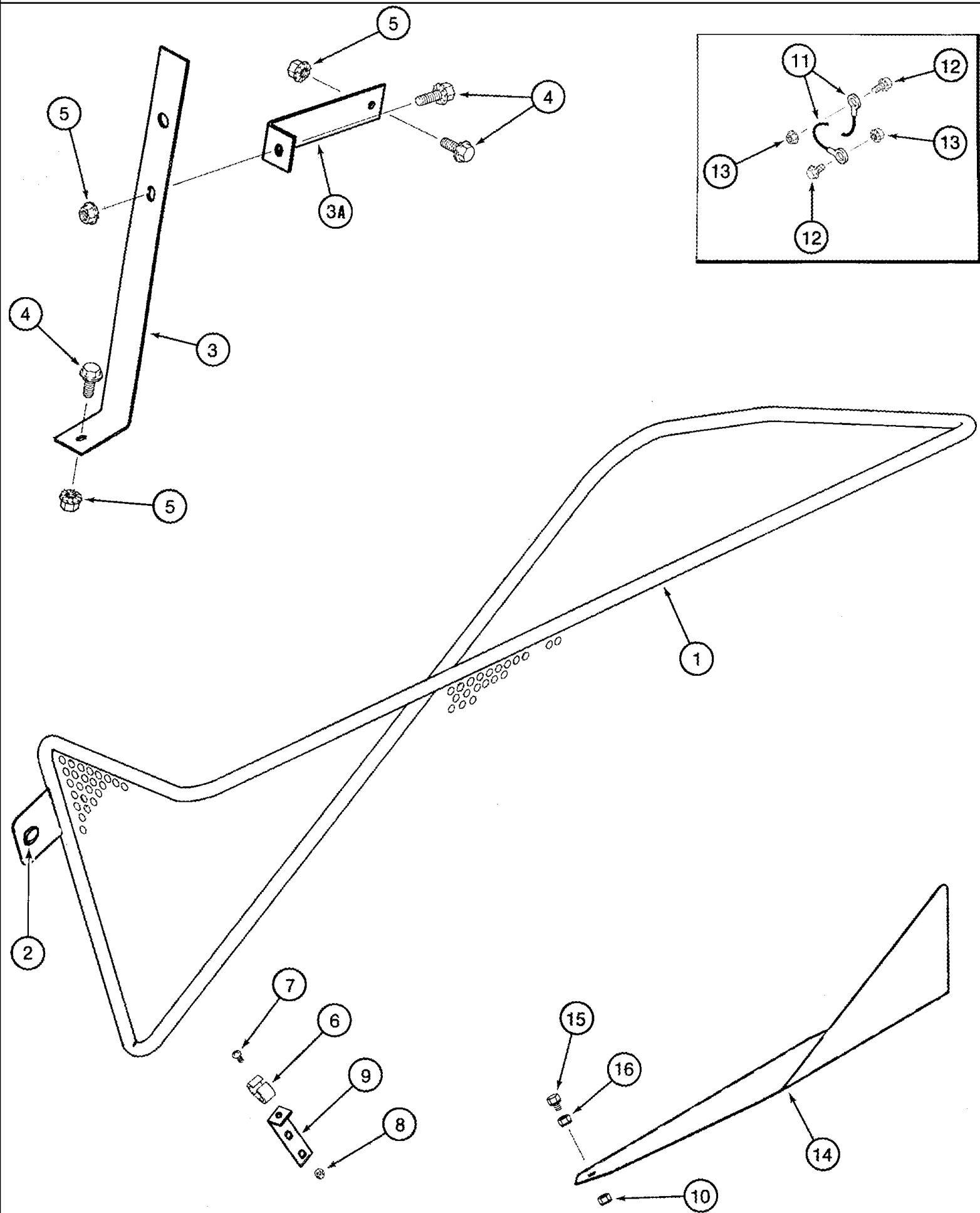
сылка	Номер детали	Кол-во	Описание
1	189385A2	1	GUARD, Left Hand, Front, Inc. Decal, See Figure 09H-20, Ref. 3
2	231-51409	2	NUT, Flg, USR, #10-24,
3	L105124	2	HOOK, LATCH,
4	470-11012	2	SCREW, Slotted Pan Hd, #10-24 x 3/4", No. 10 x 3/4
5	143619A2	1	SUPPORT, Upper Left Hand
6	413-1024	2	BOLT, Hex, 5/8"-11 x 1 1/2", G5, Full Thd,
7	409-7512	2	BOLT, Hex Flg, 5/16"-18 x 3/4", Serr,
8	231-5145	2	NUT, Flg, USR, 5/16"-18,
9	143622A3	1	SUPPORT, Bumper
10	187885C1	1	SEAL, 660 mm (26 in.), Cut From 87281C1
14	142430A2	1	SUPPORT, Lower Left Hand
15	495-11066	2	WASHER, 5/8", SAE, 21/32 x 1-5/16 x 3/32
16	409-7512	2	BOLT, Hex Flg, 5/16"-18 x 3/4", Serr,
17	231-5145	2	NUT, Flg, USR, 5/16"-18,
18	143623A4	1	GUARD, Left Hand, Rear, Currently Optional in Australia, BSN JJC0253999
18A	404921A1	1	SHIELD, Left Hand, Rear, Inc. Decal, See Figure 09H-21, Ref. 2, ASN JJC0254000
19	439-1424	1	PIN, HEADED, 1/4" x 1 1/2", G2,
20	432-812	1	PIN, SPLIT (COTTER), 1/8" x 3/4",
21	188103C2	1	BRACKET,
22	494307C1	1	LATCH,
23	409-7516	1	BOLT, Hex Flg, 5/16"-18 x 1", Serr,
24	231-5145	1	NUT, Flg, USR, 5/16"-18,
25	229268A2	1	BRACKET,
26	243165A1	1	GUARD, Unloader Drive, Inc. Decal, See Figure 09H-21, Ref. 11, Order: 243168A1, Ref. 32
29	185515A2	1	SUPPORT, Unloader Drive Shield
30	409-7612	2	BOLT, Hex Flg, 3/8"-16 x 3/4", Serr,
31	231-5146	2	NUT, Flg, USR, 3/8"-16,
32	243168A1	1	SUPPORT, , Use with 610784R1, Ref. 36
34	409-7516	3	BOLT, Hex Flg, 5/16"-18 x 1", Serr,
35	231-5145	3	NUT, Flg, USR, 5/16"-18,
36	610784R1	1	SPLIT PIN/SAFETY PIN, , Use with 243168A1, Ref. 32
46	126046A1	1	GASKET, 292 mm (11-1/2 in.), Cut From 1330108CX, Not Illustrated
47	241070A2	1	SUPPORT, Left Hand
48	246444A2	1	INDEX, Left Hand
49	251517A1	1	SUPPORT, Left Hand
50	477-73116	3	SCREW, Std Serr Truss Hd, 5/16"-18 x 1", 5/16 x 1
51	231-5145	3	NUT, Flg, USR, 5/16"-18,
52	251987A1	2	WASHER, Rubber
53	409-7524	2	BOLT, Hex Flg, 5/16"-18 x 1 1/2", Serr, 5/16 x 1-1/2
54	495-81116	2	WASHER, .344" x 1" x .060", 11/32 x 1 x 3/64
55	231-5345	2	NUT, LOCK, Flg, 5/16"-18, 5/16
56	135370A1	1	STRIP, PROTECTION, 194 mm (7-5/8 in), Cut From 1330108CX, Not Illustrated
57	87029779	1	SEAL, 288 mm (11-11/32 in), Cut From 1330108CX, Not Illustrated

2366 CASE IH AXIAL-FLOW COMBINE (NA) (1/98-8/04)

09C-10 SHIELDS, INLET AND SEPARATOR - LEFT HAND

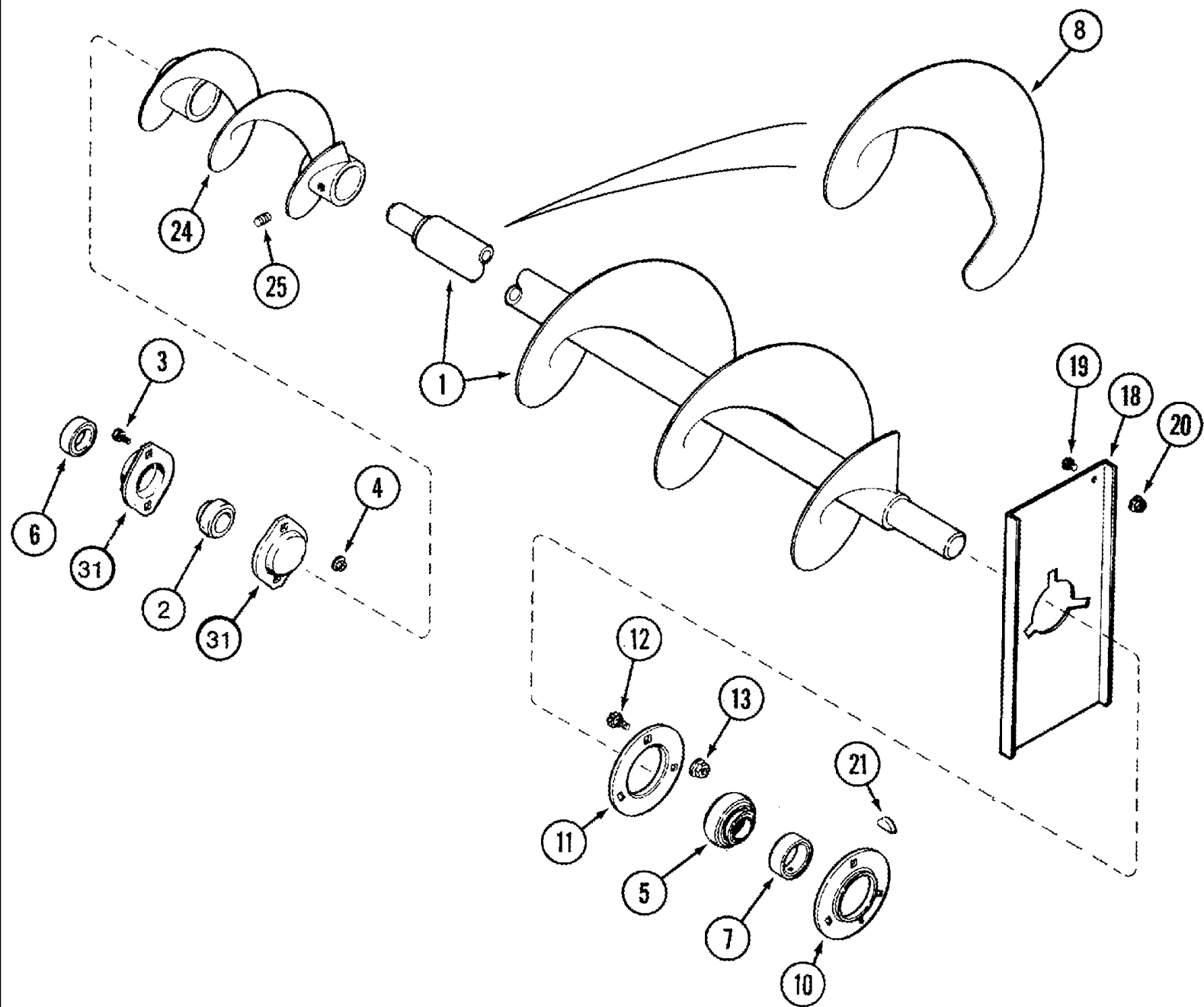
сылка	Номер детали	Кол-во	Описание
58	187884C1	1	SEAL, 51 mm (2 in), Cut From 187885C1

09C-11 SHIELDS, INLET AND SEPARATOR - RIGHT HAND REAR



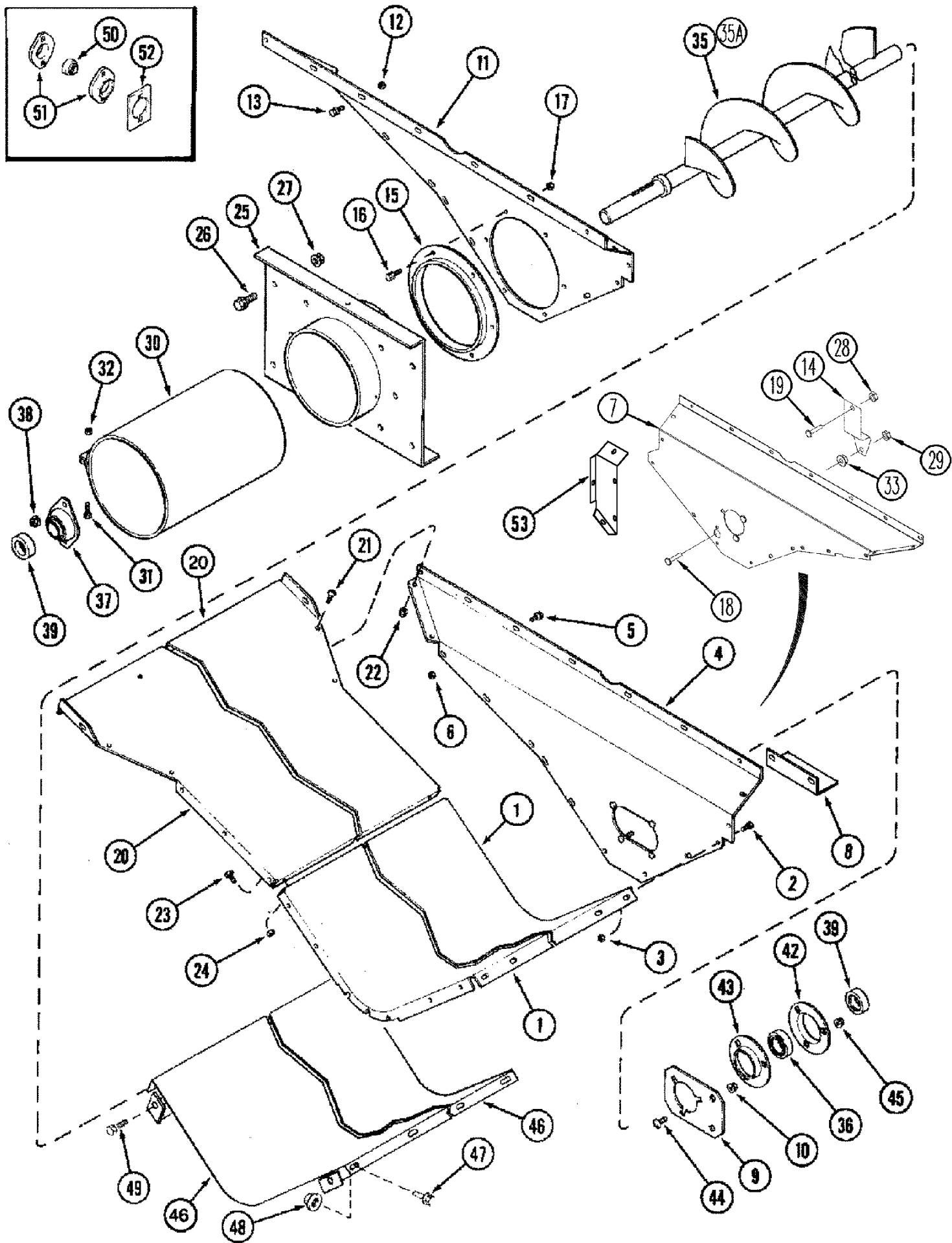
09C-11 SHIELDS, INLET AND SEPARATOR - RIGHT HAND REAR

сылка	Номер детали	Кол-во	Описание
1	143634A2	1	GUARD,
2	182925A1	1	LOCK,
2	182926A1	1	LOCK, Australia Only
3	143643A2	1	SUPPORT,
3A	143645A1	1	SUPPORT,
4	409-7512	3	BOLT, Hex Flg, 5/16"-18 x 3/4", Serr,
5	231-5145	3	NUT, Flg, USR, 5/16"-18,
6	185224A1	1	CLIP,
7	840-148	1	SCREW, Cross Pan Hd, M4 x 8,
8	824-1404	1	NUT, M4, CI 5,
9	142485A3	1	BRACKET, Lower
10	231-5145	2	NUT, Flg, USR, 5/16"-18,
11	132657A2	1	CABLE,
12	409-748	1	BOLT, Hex Flg, 1/4"-20 x 1/2", Serr,
12	413-416	1	BOLT, Hex, 1/4"-20 x 1", G5,
13	231-5344	3	NUT, LOCK, Flg, 1/4"-20,
14	184240A1	1	SHIELD, Lower, BSN JJC0256400
15	409-7512	1	BOLT, Hex Flg, 5/16"-18 x 3/4", Serr, , BSN JJC0256400
16	231-5145	1	NUT, Flg, USR, 5/16"-18, , BSN JJC0256400



сылка	Номер детали	Кол-во	Описание
1	1318912C3	1	AUGER, Horizontal, Delivery
2	204807C91	1	BEARING, BALL, Left Hand
3	409-7512	2	BOLT, Hex Flg, 5/16"-18 x 3/4", Serr,
4	231-5145	2	NUT, Flg, USR, 5/16"-18,
5	156011C92	1	BEARING, BALL, Right Hand
6	455102R21	1	COLLAR, Left Hand
7	557995R11	1	COLLAR, Right Hand
8	241730A1	1	PALLET, , With Advanced Farming System
10	670375R11	1	FLANGE, Right Hand
11	939461R1	1	FLANGE, Grooved, Right Hand
12	477-73812	3	SCREW, Sltd Serr Truss Hd, 3/8" x 3/4", 3/8 x 3/4
13	231-5146	3	NUT, Flg, USR, 3/8"-16,
18	1321129C1	1	PLATE, Right Hand
19	477-73108	2	SCREW, Sltd Serr Truss Hd, 5/16"-18 x 1/2", 5/16 x 1/2
20	231-5145	2	NUT, Flg, USR, 5/16"-18,
21	126-125	1	KEY, WOODRUFF, #B, 5/16" x 1", HT,
24	162103C91	1	AUGER, Distributor
25	83-1448	2	SET SCREW, Hex Soc, 7/16"-14 x 1/2", 7/16 x 1/2
31	50591	2	FLANGE,

09D-02 GRAIN AUGER TROUGH



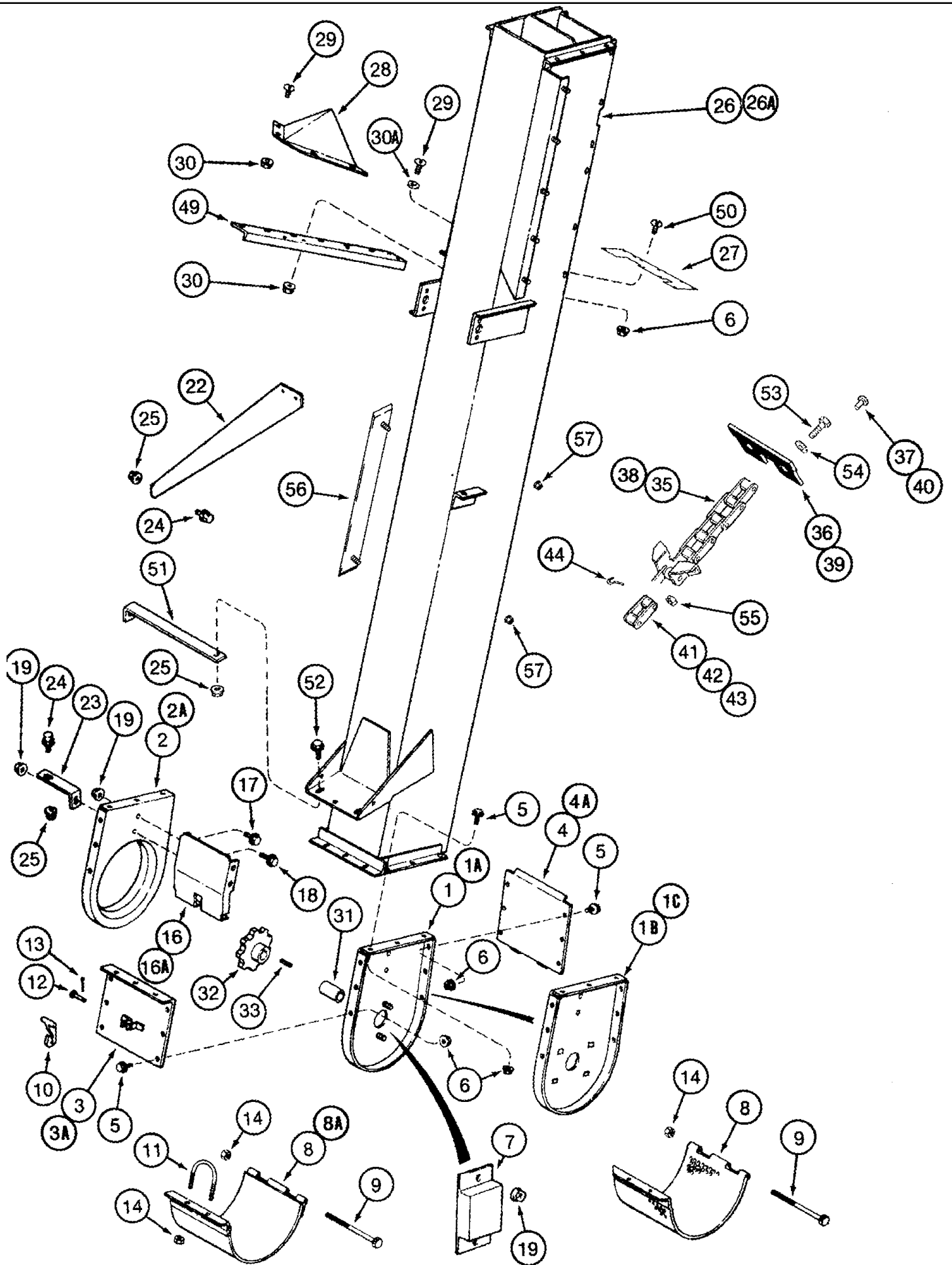
09D-02 GRAIN AUGER TROUGH

сылка	Номер детали	Кол-во	Описание
1	1541821C1	1	TROUGH, Perforated, Clean Grain
1	1541638C1	1	TROUGH, Non-Perforated, Clean Grain
2	413-512	12	BOLT, Hex, 5/16"-18 x 3/4", G5, Full Thd, Used With 1541638C1
2	256873	10	BOLT, Hex Flg, 5/16"-18 x 1/2", Serr, Used with 1541821C1
3	231-5145	12	NUT, Flg, USR, 5/16"-18, Used with 1541638C1
3	231-5315	10	NUT, LOCK, Flg, 5/16"-18, Used with 1541821C1
4	1541635C1	1	SUPPORT, Left Hand, BSN JJC0254999
5	409-7512	7	BOLT, Hex Flg, 5/16"-18 x 3/4", Serr,
6	231-5145	7	NUT, Flg, USR, 5/16"-18,
7	430033A1	1	SUPPORT, Left Hand, ASN JJC0255000
8	1317418C1	1	ANGLE, Left Hand, BSN JJC0254999
8	1317418C3	1	ANGLE, Left Hand, ASN JJC0255000
9	186717C1	1	PLATE, Left Hand
10	231-5146	2	NUT, Flg, USR, 3/8"-16,
11	1541637C1	1	SUPPORT, Right Hand
12	231-5145	7	NUT, Flg, USR, 5/16"-18,
13	409-7512	7	BOLT, Hex Flg, 5/16"-18 x 3/4", Serr,
14	431114A1	1	BRACKET, Left Hand, ASN JJC0255000
15	188285C1	1	RETAINER, Right Hand
16	409-7512	6	BOLT, Hex Flg, 5/16"-18 x 3/4", Serr,
17	231-5145	6	NUT, Flg, USR, 5/16"-18,
18	409-7520	1	BOLT, Hex Flg, 5/16"-18 x 1 1/4", Serr, Flange, 1-1/4 x 5/16; 5
19	440-11024	1	SCREW, Cross Pan Hd, #10-24 x 1 1/2", 1-1/2 x No. 10
20	191716C1	1	EXTENSION, Extension
21	477-73108	AR	SCREW, Std Serr Truss Hd, 5/16"-18 x 1/2", 5/16 x 1/2
22	231-5145	AR	NUT, Flg, USR, 5/16"-18,
23	413-512	5	BOLT, Hex, 5/16"-18 x 3/4", G5, Full Thd,
24	231-5145	5	NUT, Flg, USR, 5/16"-18,
25	1327668C1	1	SUPPORT,
26	1302142C1	1	SCREW, 1/2 x 1-1/4
26	1302143C1	9	BOLT, 1/2 x 1
27	231-5148	10	NUT, Flg, USR, 1/2"-13,
28	86625057	1	NUT, LOCK, #10-24, GB,
29	231-4145	1	NUT, LOCK, 5/16"-18, GB,
30	1317454C1	1	CLAMP, Perforated
30	1317452C1	1	CLAMP, Non-Perforated
31	413-520	3	BOLT, Hex, 5/16"-18 x 1 1/4", G5,
31	424-516	3	BOLT, Hex, 5/16"-18 x 1", G2, 5/16 x 1; 2
32	231-4115	3	NUT, LOCK, 5/16"-18, GB,
33	231-5145	1	NUT, Flg, USR, 5/16"-18,
35	1317484C3	1	AUGER, Clean Grain
35A	249280A1	1	AUGER, Clean Grain, Extended Wear Rice Combines
36	156011C92	1	BEARING, BALL, Left Hand

09D-02 GRAIN AUGER TROUGH

сылка	Номер детали	Кол-во	Описание
37	1317250C91	1	BEARING, FLANGED, Right Hand, Optional With 50, 51, 52
38	231-5146	2	NUT, Flg, USR, 3/8"-16,
39	557995R11	2	COLLAR,
42	939460R91	1	FLANGE,
43	939461R1	1	FLANGE, Grooved
44	477-73832	1	SCREW, Sltd Serr Truss Hd, 3/8"-16 x 2", 3/8 x 2
45	231-5146	3	NUT, Flg, USR, 3/8"-16,
46	1541823C1	1	COVER, , Used with 1541821C1, See REF 1
47	409-7512	14	BOLT, Hex Flg, 5/16"-18 x 3/4", Serr,
48	231-5145	14	NUT, Flg, USR, 5/16"-18,
49	281-14816	4	SCREW, SELF TAPPING, Hex Wash Hd, 5/16" x 1",
50	156011C92	1	BEARING, BALL, Used With 51, 52
51	581469R1	2	FLANGE, Used With 50, 52
52	1979642C1	1	SPACER, Used With 50, 51
53	1541928C1	1	SUPPORT, Left Hand
54	1541929C1	1	SUPPORT, Right Hand
55	516-2395	2	CLAMP, J, 7/16" Insul, 3/8" Bolt, Not Illustrated

09D-03 GRAIN ELEVATOR - HOUSING AND BOOT

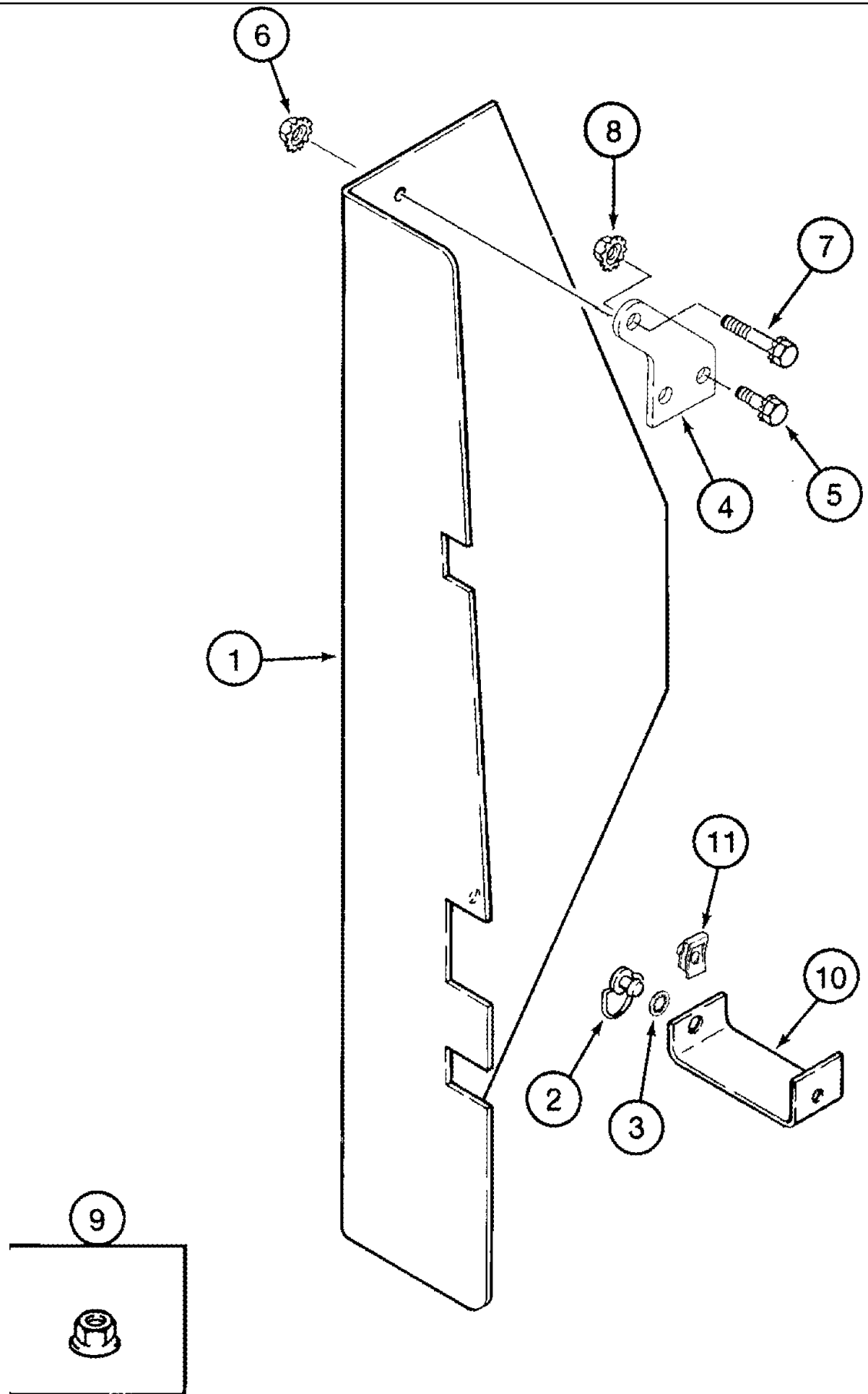


09D-03 GRAIN ELEVATOR - HOUSING AND BOOT

сылка	Номер детали	Кол-во	Описание
1	1318585C3	1	PLATE, LARGE, Outer
1A	325461A1	1	SIDE ASSY., Outer, Extended Wear Rice Combines
1B	223237A1	1	PLATE, SIDE, Outer, With Advanced Farming System
1C	251473A1	1	GUARD, Outer, With Advanced Farming System, Extended Wear Rice Combines
2	1317673C2	1	BASE, Inner
2A	249261A1	1	BASE, Inner, Extended Wear Rice Combines
3	1317271C1	1	COVER, Rear
3A	249263A1	1	COVER, Rear, Extended Wear Rice Combines
4	1317273C1	1	COVER, Front
4A	249265A1	1	COVER, Front, Extended Wear Rice Combines
5	409-7512	20	BOLT, Hex Flg, 5/16"-18 x 3/4", Serr,
6	231-5145	22	NUT, Flg, USR, 5/16"-18,
7	1330011C2	1	COVER, Australia Only
8	1317276C1	1	DOOR, Non-Perforated
8	1317841C1	1	DOOR, Perforated
8A	249271A1	1	INSPECTION DOOR, Non-Perforated, Extended Wear Rice Combines
9	413-5120	1	BOLT, Hex, 5/16"-18 x 7 1/2", G5, 5/16 x 7-1/2
10	155909C1	1	LATCH,
11	316039R1	1	BOLT, 5/16
12	439-1420	1	PIN, HEADED, 1/4" x 1 1/4", 1/4 x 1-1/4; 2
13	432-812	1	PIN, SPLIT (COTTER), 1/8" x 3/4",
14	231-4115	3	NUT, LOCK, 5/16"-18, GB,
16	1317270C3	1	GUARD, Grain, Bottom
16A	249267A1	1	DEFLECTOR, Grain, Bottom, Extended Wear Rice Combines
17	409-7612	3	BOLT, Hex Flg, 3/8"-16 x 3/4", Serr,
18	409-7616	1	BOLT, Hex Flg, 3/8"-16 x 1", Serr,
19	231-5146	6	NUT, Flg, USR, 3/8"-16,
22	1317362C5	1	SUPPORT, Lower
23	1327667C2	1	SUPPORT,
24	409-7612	5	BOLT, Hex Flg, 3/8"-16 x 3/4", Serr,
25	231-5146	7	NUT, Flg, USR, 3/8"-16,
26	1317376C9	1	HOUSING, , Without Advanced Farming System
26	367708A4	1	HOUSING, , With Advanced Farming System
26A	249269A1	1	HOUSING, , Extended Wear, Without AFS, Rice Combines
26A	367711A4	1	HOUSING, , Extended Wear AFS Rice Combines
27	303956A1	1	PLATE, LARGE, Replaces: 1317688C1
28	1317698C1	1	PLATE,
29	477-73108	16	SCREW, Slt'd Serr Truss Hd, 5/16"-18 x 1/2", 5/16 x 1/2
30	231-5145	16	NUT, Flg, USR, 5/16"-18,
30A	495-81121	7	WASHER, .344" x 1 1/2" x .060", 11/32 x 1-1/2 x 1/16
31	1317193C2	3	SPACER, 31 x 38 x 52 mm
32	1317192C1	1	SPROCKET, 9T
33	Q1443	1	KEY, 5/16" Sq x 1 1/2", Par,

09D-03 GRAIN ELEVATOR - HOUSING AND BOOT

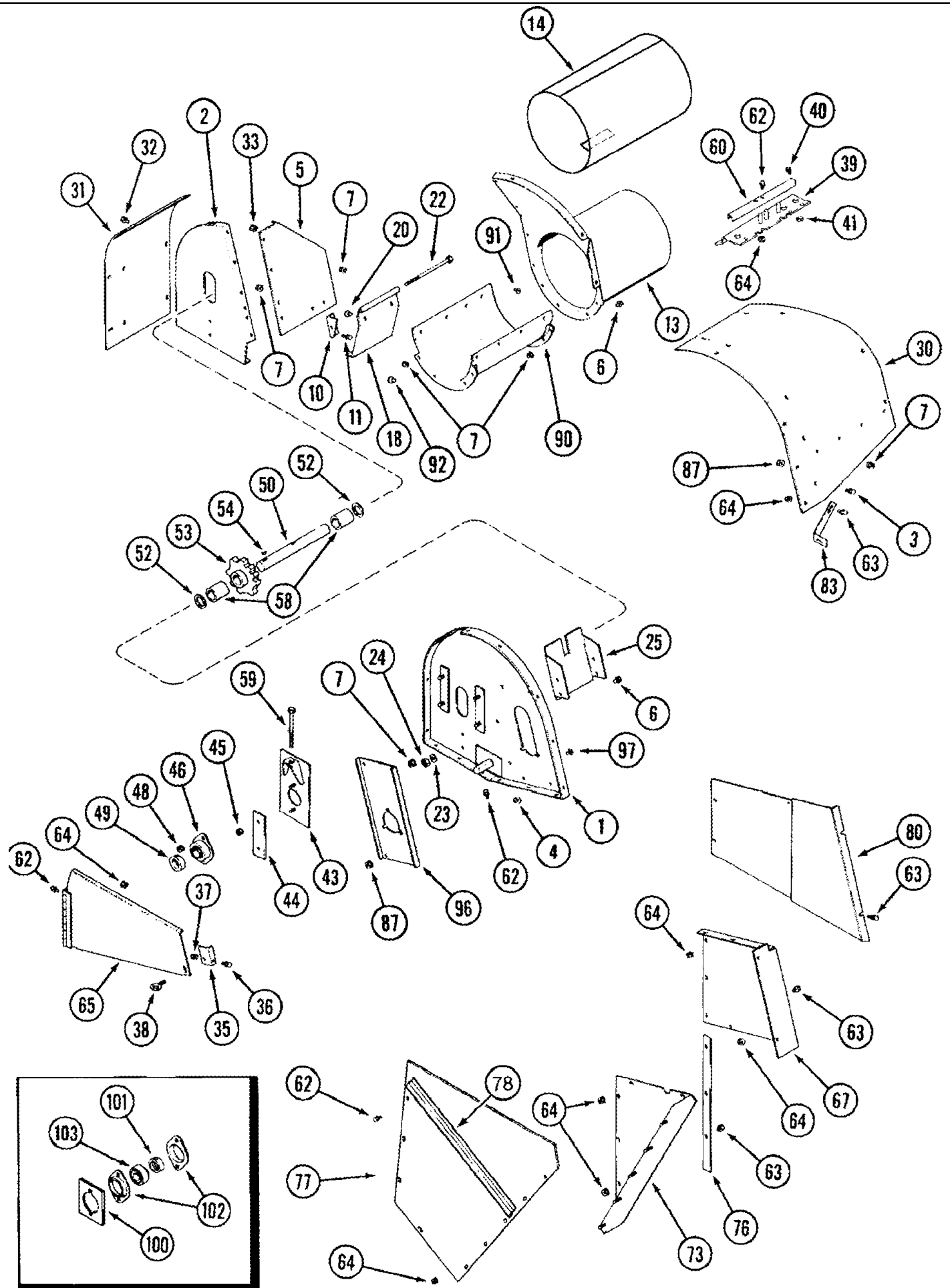
сылка	Номер детали	Кол-во	Описание
33	126-125	1	KEY, WOODRUFF, #B, 5/16" x 1", HT,
	1321334C92	1	CHAIN, ELEVATOR, Inc. 35 - 37
35	NSS	1	NOT SERVICED SEPARATELY, CHAIN ASSY.
36	1317480C2	37	FLIGHT, RUBBER,
37	185053C1	74	RIVET,
	1317613C92	1	PALLET, Flight Assy, Inc. 38 - 40
38	NSS	1	NOT SERVICED SEPARATELY, LINK Connecting
39	1317480C2	1	FLIGHT, RUBBER,
40	185053C1	2	RIVET,
41	241-15113	1	LINK, CONNECTING, No. C550, 1-5/8 P
42	241-12113	2	LINK, CHAIN, No. C550, 1-5/8 P
43	241-18113	1	LINK, CHAIN, No. C550, 1-5/8 P
44	23442R1	2	PIN, S type, No. 550
49	1317493C1	1	BRACKET,
50	477-73112	2	BOLT, Slotted Tr Hd, 5/16"-18 x 3/4",
51	1317625C1	1	SUPPORT,
52	409-7620	2	BOLT, Hex Flg, 3/8"-16 x 1 1/4", Serr,
53	413-620	2	BOLT, Hex, 3/8"-16 x 1 1/4", G5, Full Thd,
54	495-11041	8	WASHER, 3/8", SAE, (13/32 x 13/16 x 1/16")
55	232-4116	2	NUT, LOCK, 3/8"-16, GC,
56	1984383C2	1	WEAR STRIP,
57	275319A1	2	NUT,



2366 CASE IH AXIAL-FLOW COMBINE (NA) (1/98-8/04)

09D-04 GRAIN ELEVATOR - SHIELD, DRIVE

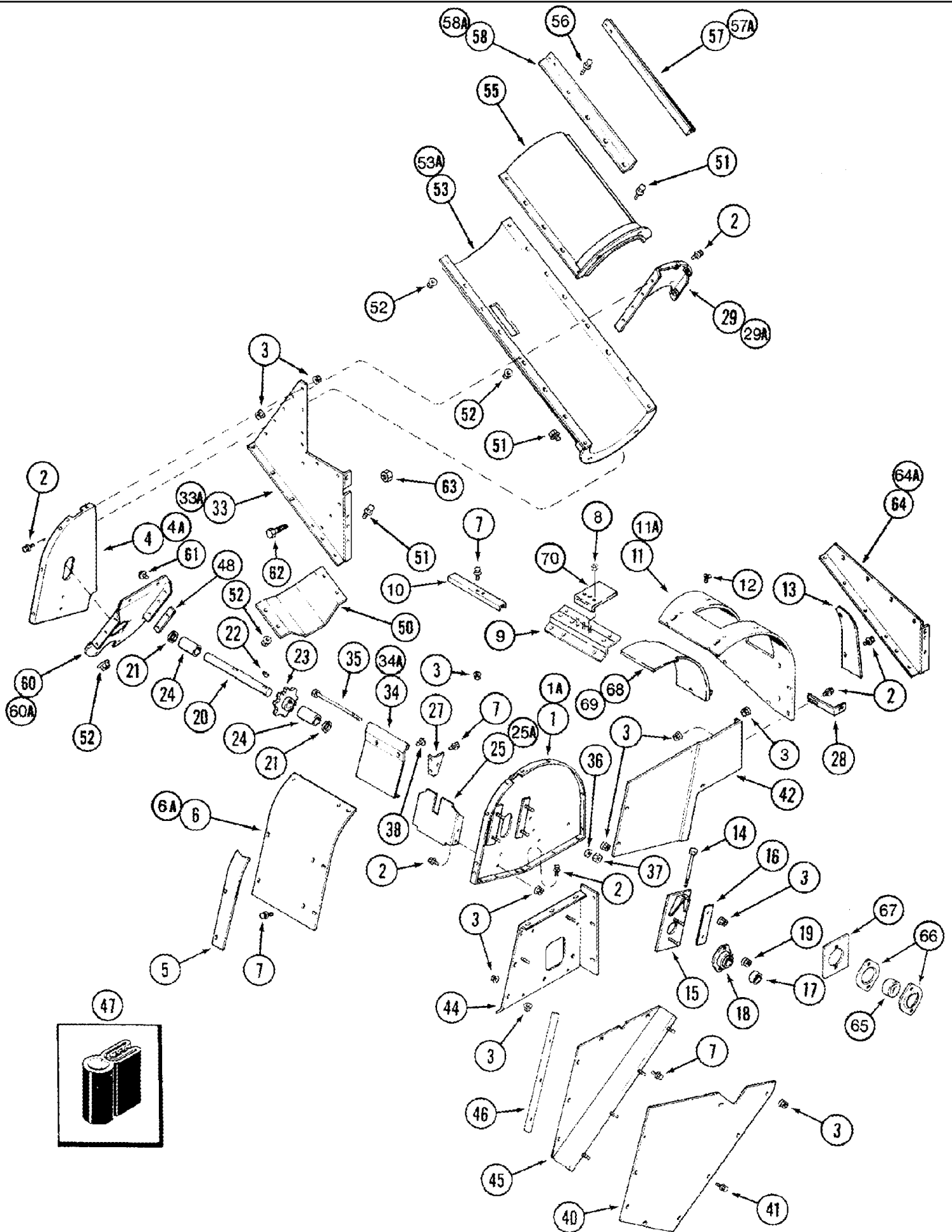
сылка	Номер детали	Кол-во	Описание
1	185519A2	1	GUARD,
2	178352A1	1	STUD,
3	1981869C1	1	RETAINER,
4	185520A2	1	PLATE, LARGE,
5	256873	2	BOLT, Hex Flg, 5/16"-18 x 1/2", Serr,
6	231-5145	2	NUT, Flg, USR, 5/16"-18,
7	409-7516	1	BOLT, Hex Flg, 5/16"-18 x 1", Serr,
8	231-5145	1	NUT, Flg, USR, 5/16"-18,
9	231-5345	1	NUT, LOCK, Flg, 5/16"-18, 5/16
10	185522A2	1	SUPPORT,
11	A36042	1	CLIP,



сылка	Номер детали	Кол-во	Описание
1	1321126C1	1	PLATE, Right Hand
2	1319901C1	1	PLATE, SIDE, Left Hand
3	256873	9	BOLT, Hex Flg, 5/16"-18 x 1/2", Serr,
4	231-5145	9	NUT, Flg, USR, 5/16"-18,
5	1321139C1	1	PLATE, Left Hand
6	256873	16	BOLT, Hex Flg, 5/16"-18 x 1/2", Serr,
7	231-5145	20	NUT, Flg, USR, 5/16"-18,
10	1321553C1	1	BRACKET,
11	409-7512	2	BOLT, Hex Flg, 5/16"-18 x 3/4", Serr,
13	189449A1	1	SUPPORT, Left Hand, Front, Inc. Decal, See Figure 09H-20, Ref. 1
14	241729A1	1	TUBE, , With Advanced Farming System
18	1319952C1	1	PLATE,
20	477-73108	2	SCREW, Slted Serr Truss Hd, 5/16"-18 x 1/2", 5/16 x 1/2
22	424-5112	1	BOLT, Hex, 5/16"-18 x 7", G2, 5/16 x 7; 2
23	492-11031	1	WASHER, LOCK, 5/16",
24	425-105	1	NUT, 5/16"-18, G5,
25	1317222C1	1	PLATE,
30	1321128C1	1	COVER, Front
31	1319942C1	1	COVER, Rear
32	409-7512	13	BOLT, Hex Flg, 5/16"-18 x 3/4", Serr,
32	409-7516	6	BOLT, Hex Flg, 5/16"-18 x 1", Serr,
33	231-5145	13	NUT, Flg, USR, 5/16"-18,
35	1317792C2	1	ANGLE,
36	409-7512	1	BOLT, Hex Flg, 5/16"-18 x 3/4", Serr,
37	231-5145	1	NUT, Flg, USR, 5/16"-18,
38	188029C1	1	LATCH,
39	198581A2	1	STIFFENER, Conveyor
40	409-7512	4	BOLT, Hex Flg, 5/16"-18 x 3/4", Serr,
41	231-5145	4	NUT, Flg, USR, 5/16"-18,
43	1317251C3	2	SUPPORT,
44	1310040C1	4	BAR,
45	231-5145	8	NUT, Flg, USR, 5/16"-18,
46	1317250C91	2	BEARING, FLANGED, Optional With 100 - 103
48	231-5146	4	NUT, Flg, USR, 3/8"-16,
49	557995R11	2	COLLAR,
50	1317429C1	1	PIN, LARGE,
52	495-81202	6	WASHER, 1 9/32" x 1 3/4" x .060", 1-9/32 x 1-3/4 x 1/16
53	1317192C1	2	SPROCKET,
54	126-125	1	KEY, WOODRUFF, #B, 5/16" x 1", HT,
58	1317193C2	2	SPACER, 31 x 38 x 52 mm
59	820430C1	1	BOLT, 1/2 x 5-1/2
60	1317474C2	1	CHANNEL,
62	256873	10	BOLT, Hex Flg, 5/16"-18 x 1/2", Serr,

сылка	Номер детали	Кол-во	Описание
63	409-7512	8	BOLT, Hex Flg, 5/16"-18 x 3/4", Serr,
64	231-5145	8	NUT, Flg, USR, 5/16"-18,
65	1321265C2	1	DOOR, Side
67	1321228C1	1	EXTENSION,
73	1321496C1	1	SUPPORT, Left Hand
76	1321155C1	1	SPACER,
77	1979472C1	1	SHEET, Right Hand
78	193765C1	1	STIFFENER,
80	1321618C2	1	PLATE,
83	1321832C2	1	SUPPORT,
87	231-5145	30	NUT, Flg, USR, 5/16"-18,
90	1321130C1	1	TROUGH,
91	477-73108	2	SCREW, Slt'd Serr Truss Hd, 5/16"-18 x 1/2", 5/16 x 1/2
92	477-73112	4	BOLT, Slotted Tr Hd, 5/16"-18 x 3/4",
96	1321129C1	1	PLATE,
97	477-73108	2	SCREW, Slt'd Serr Truss Hd, 5/16"-18 x 1/2", 5/16 x 1/2
100	1979642C1	2	SPACER, Used With 101 - 103
101	557995R11	2	COLLAR, Used With 100, 102, 103
102	581469R1	4	FLANGE, Used With 100, 101, 103
103	156011C92	2	BEARING, BALL, Used With 100 - 102
104	1984383C2	1	WEAR STRIP, Not Illustrated
105	275319A1	2	NUT, Not Illustrated

09D-06 GRAIN ELEVATOR HEAD, INCLINED



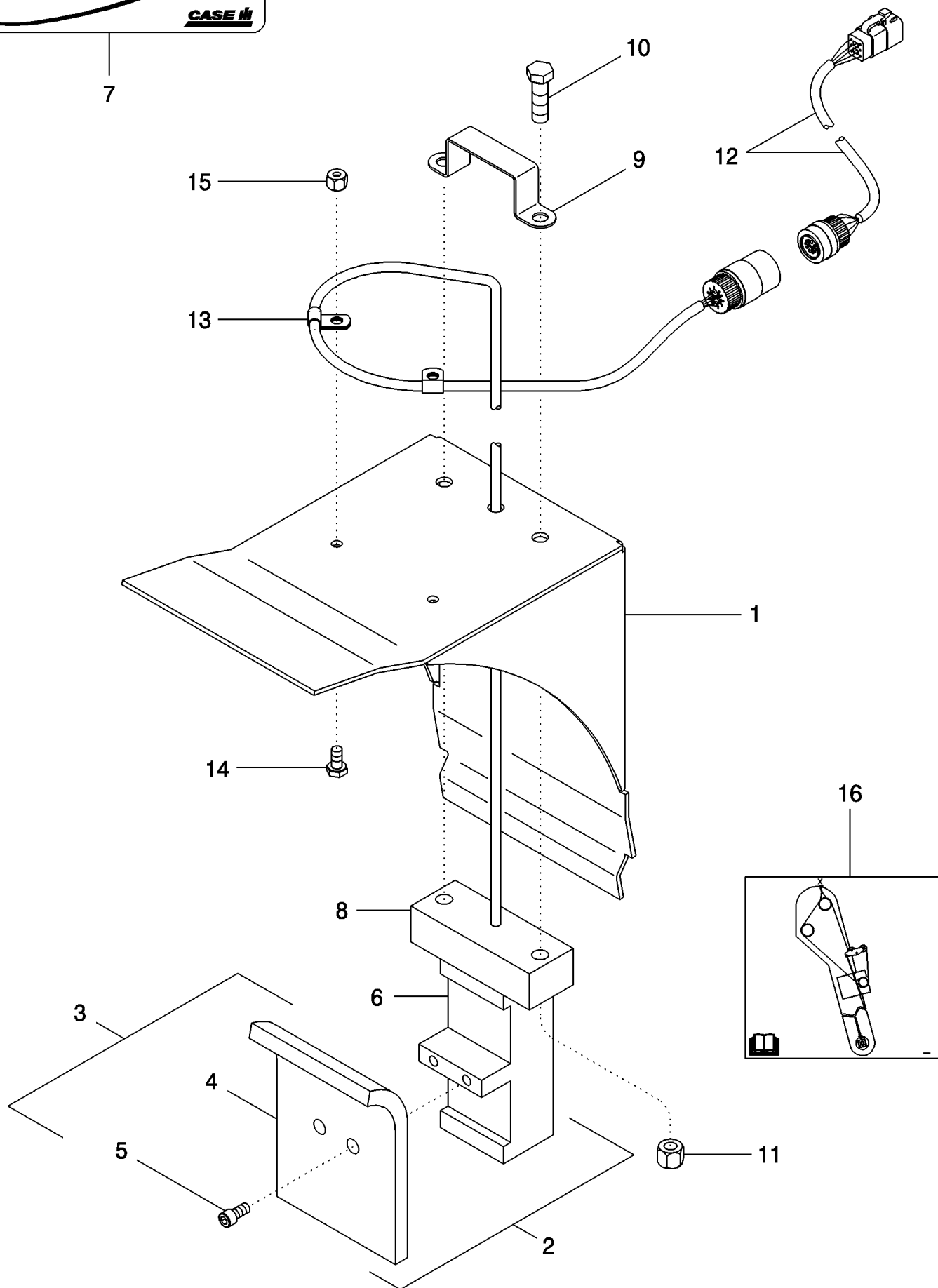
09D-06 GRAIN ELEVATOR HEAD, INCLINED

сылка	Номер детали	Кол-во	Описание
1	1319908C1	1	PLATE, SIDE, Right Hand
1A	251458A1	1	PLATE, SIDE, Right Hand, Extended Wear Rice Combines
2	256873	AR	BOLT, Hex Flg, 5/16"-18 x 1/2", Serr,
3	231-5145	AR	NUT, Flg, USR, 5/16"-18,
4	1319901C1	1	PLATE, SIDE, Left Hand
4A	282600A1	1	PLATE, SIDE, Left Hand, Extended Wear Rice Combines
5	1321232C1	1	PLATE, Rear
6	1319942C1	1	COVER, Rear
6A	251460A2	1	COVER, Rear, Extended Wear Rice Combines
7	409-7512	AR	BOLT, Hex Flg, 5/16"-18 x 3/4", Serr,
8	231-4116	3	NUT, LOCK, 3/8"-16, GB, 3/8
9	198581A2	1	STIFFENER,
10	1317474C2	1	CHANNEL,
11	198603A2	1	COVER, Front
11	238647A1	1	COVER, Front, With Advanced Farming System
11A	251465A1	1	COVER, Front, Extended Wear Rice Combines
12	477-73112	4	BOLT, Slotted Tr Hd, 5/16"-18 x 3/4",
13	1321231C1	1	PLATE, Front
14	820430C1	2	BOLT, 1/2 x 5-1/2
15	1317251C3	2	SUPPORT,
16	1310040C1	4	BAR,
17	557995R11	2	COLLAR,
18	1317250C91	2	BEARING, FLANGED, If Used, Optional With 65 - 67 (Figure 09D-05)
19	231-5146	4	NUT, Flg, USR, 3/8"-16,
20	1317429C1	1	PIN, LARGE,
21	495-81202	6	WASHER, 1 9/32" x 1 3/4" x .060", 1-9/32 x 1-3/4 x 1/16
22	126-125	2	KEY, WOODRUFF, #B, 5/16" x 1", HT,
23	1317192C1	1	SPROCKET, 9 Tooth
24	1317193C2	2	SPACER, 31 x 38 x 52 mm
25	1317222C1	1	PLATE,
25A	251469A1	1	COVER, , Extended Wear Rice Combines
27	1321553C1	1	BRACKET,
28	1321832C2	1	SUPPORT,
29	189456A1	1	PLATE, Left Hand Front, Inc. 144383A1 Decal, See Figure 09H-21, Ref. 7
29A	334204A1	1	PLATE, Left Hand Front, Inc. 144383A1 Decal, See Figure 09H-21, Ref. 7, Extended Wear Rice Combines
33	1321551C2	1	SUPPORT,
33A	249272A1	1	GUARD, , Extended Wear Rice Combines
34	1319952C1	1	PLATE,
34A	251471A1	1	SHEET ASSY., , Extended Wear Rice Combines
35	424-5112	1	BOLT, Hex, 5/16"-18 x 7", G2, 5/16 x 7; 2
36	492-11031	1	WASHER, LOCK, 5/16",
37	425-105	1	NUT, 5/16"-18, G5,

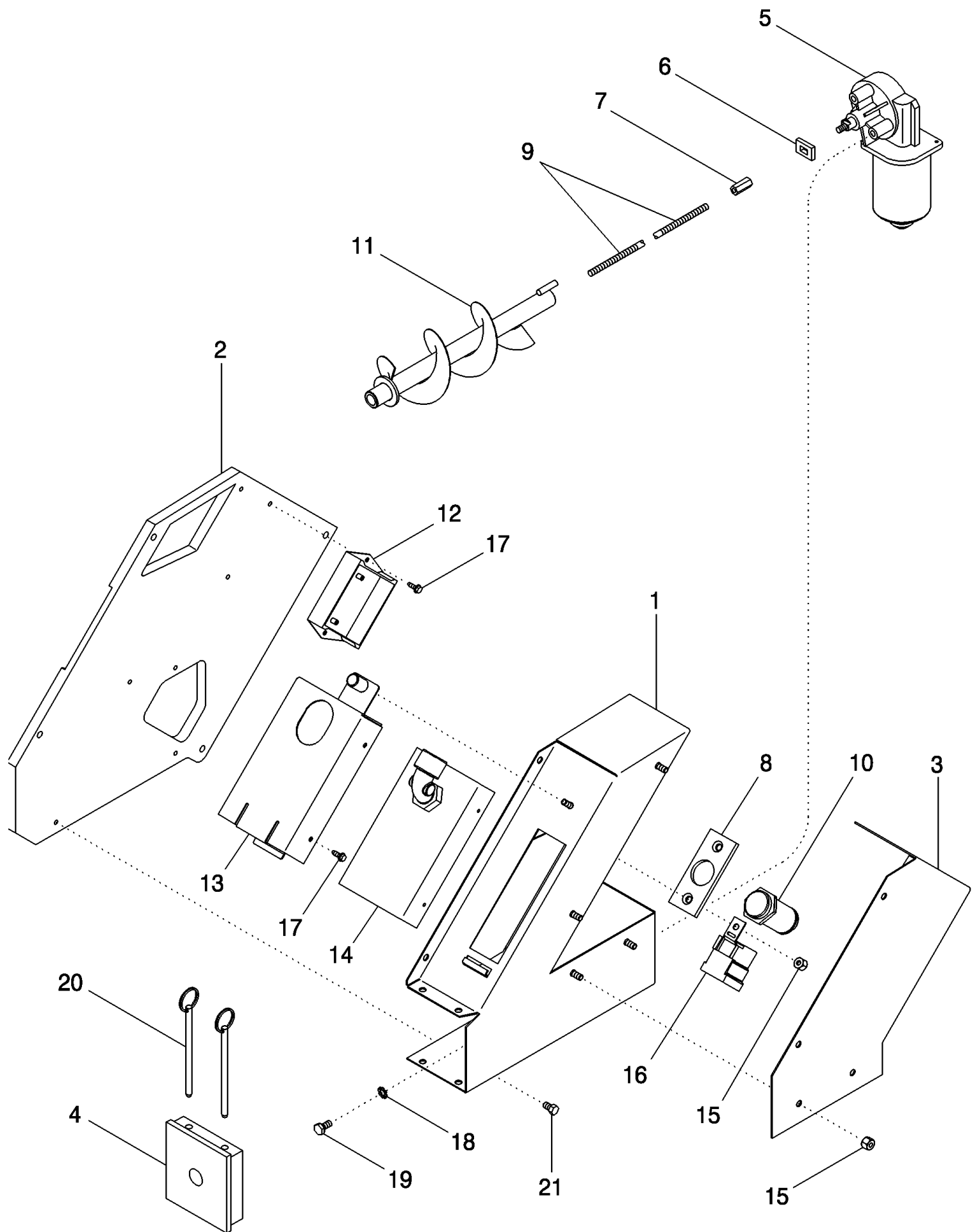
2366 CASE IH AXIAL-FLOW COMBINE (NA) (1/98-8/04)

09D-06 GRAIN ELEVATOR HEAD, INCLINED

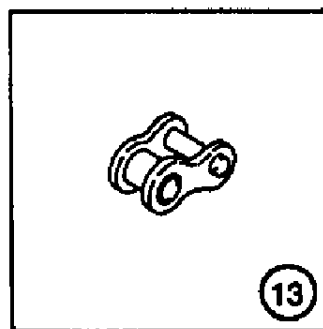
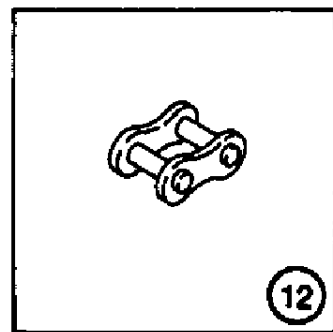
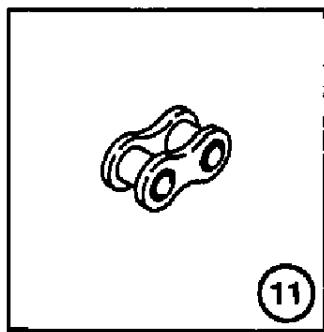
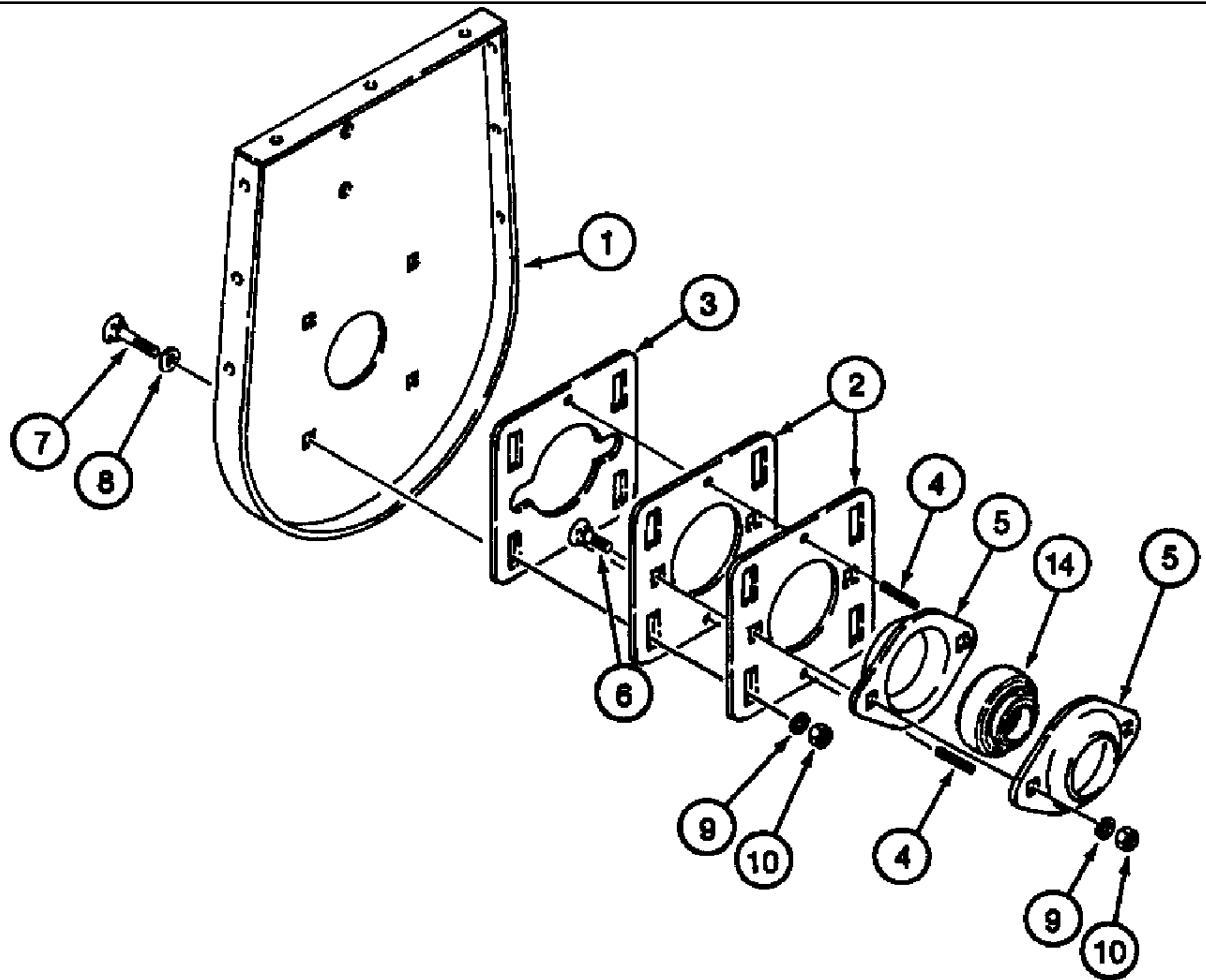
сылка	Номер детали	Кол-во	Описание
38	477-73108	2	SCREW, Slt'd Serr Truss Hd, 5/16"-18 x 1/2", 5/16 x 1/2
40	1321154C1	1	PANEL,
41	409-7516	1	BOLT, Hex Flg, 5/16"-18 x 1", Serr,
42	1321097C2	1	COVER,
44	1321060C1	1	SUPPORT,
45	1321496C1	1	SUPPORT, Left Hand
46	1321155C1	1	SPACER,
47	1321262C1	2	SEAL,
48	1321554C1	1	PLATE,
50	1321556C1	1	COVER,
51	256873	AR	BOLT, Hex Flg, 5/16"-18 x 1/2", Serr,
52	231-5145	AR	NUT, Flg, USR, 5/16"-18,
53	199006A2	1	TUBE, Lower
53A	251472A1	1	GUARD, Lower, Extended Wear Rice Combines
55	1321560C3	1	TROUGH, Upper
56	409-7512	4	BOLT, Hex Flg, 5/16"-18 x 3/4", Serr,
56	409-7520	4	BOLT, Hex Flg, 5/16"-18 x 1 1/4", Serr, 5/16 x 1-1/4
57	1321568C3	1	ANGLE, Front
57A	297934A1	1	SUPPORT, Front, Extended Wear Rice Combines
58	1321569C3	1	ANGLE, Rear
58A	297936A1	1	SUPPORT, Rear, Extended Wear Rice Combines
60	1979134C1	1	SUPPORT,
60A	249274A1	1	SUPPORT, , Extended Wear Rice Combines
61	477-73108	2	SCREW, Slt'd Serr Truss Hd, 5/16"-18 x 1/2", 5/16 x 1/2
62	256873	AR	BOLT, Hex Flg, 5/16"-18 x 1/2", Serr,
63	231-5145	AR	NUT, Flg, USR, 5/16"-18,
64	1321552C2	1	SUPPORT, Front
64A	253270A1	1	GUARD, Front, Extended Wear Rice Combines
65	156011C92	2	BEARING, BALL, If Used, Optional With 18 (09D-21)
66	581469R1	4	FLANGE, Used With 65 & 67
67	1979642C1	2	SPACER, Used With 65 & 66
68	229609A2	1	COWL, Corn and Grain
69	325494A1	1	HOOD, Rice, Extended Wear Rice Combines
70	197877A2	1	SUPPORT,



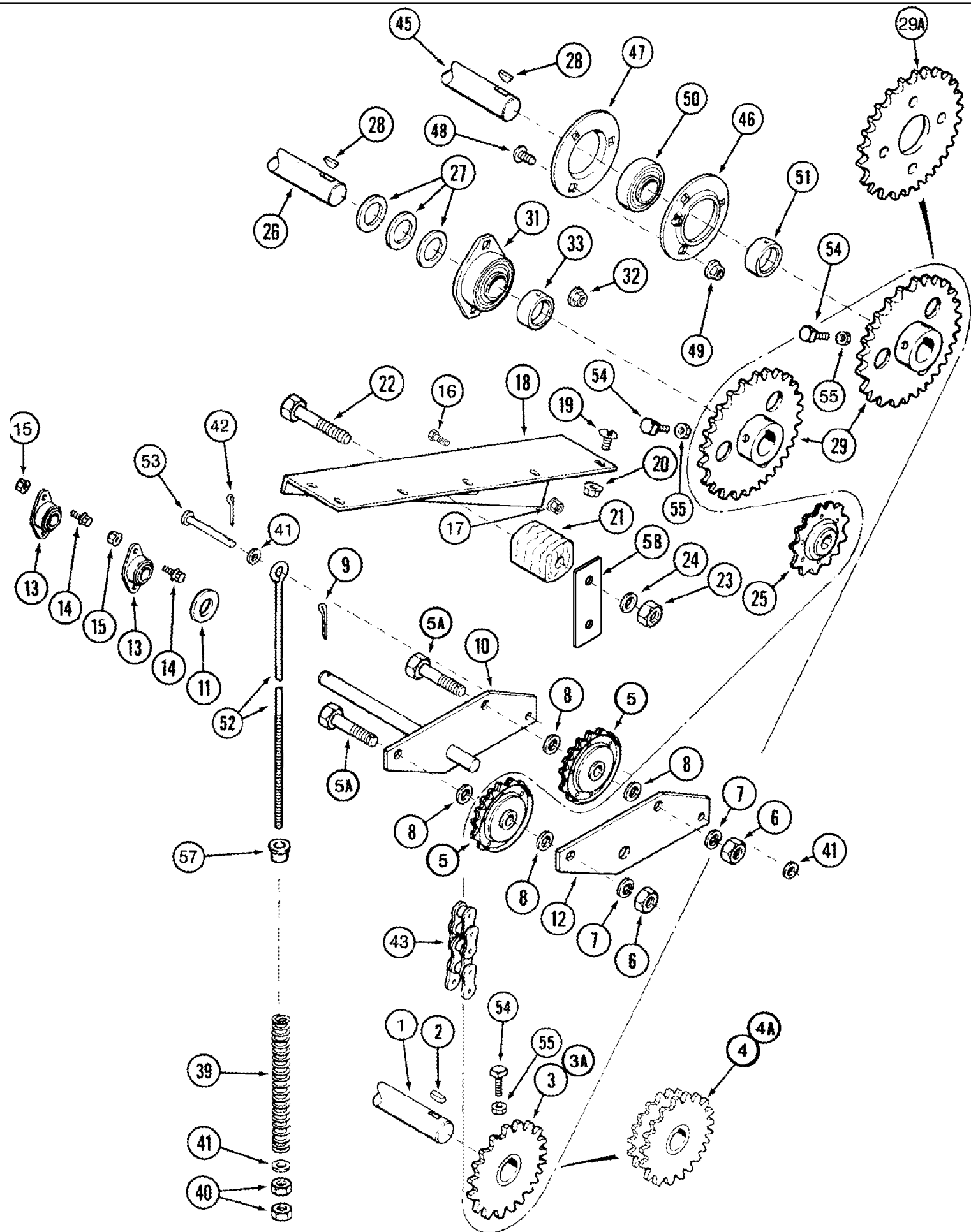
сылка	Номер детали	Кол-во	Описание
1	NSS	1	NOT SERVICED SEPARATELY, Cover Assy, Flow Sensor, Order Components Below
2	224597A3	1	SENSOR, Assy, Flow, Inc. 1, 3 - 7
3	282249A1	1	PACKAGE, Impact Plate - Yield Monitor, Inc. 4, 5
4	NSS	1	NOT SERVICED SEPARATELY, Plate, Impact
5	61-3258	2	SCREW, Hex Soc Hd, 1/4"-20 x 1/2", 1/4 1/2
6	NSS	1	NOT SERVICED SEPARATELY, Flow Sensor
7	239258A1	1	DECAL, AFS Logo
8	224605A1	1	BLOCK, Deflector Mounting
9	NSS	1	NOT SERVICED SEPARATELY, Handle
10	326-628	2	BOLT, Hex, 3/8"-16 x 1 3/4", G8, 3/8 x 1-3/4; 8
11	231-1446	2	NUT, LOCK, 3/8"-16, GB,
12	318575A1	1	HARNESS, WIRE,
13	473321C1	2	STRAP, CABLE, .098" x 8",
14	413-48	1	BOLT, Hex, 1/4"-20 x 1/2", G5, Full Thd, 1/4 x 1/2
15	230-4214	1	NUT, LOCK, 1/4"-20, GA,
16	239313A1	1	DECAL, Inclined Delivery GPS/AFS



сылка	Номер детали	Кол-во	Описание
1	333033A1	1	HOUSING, Outer Moisture Sensor
2	363860A1	1	SUPPORT,
3	361020A1	1	COVER, Moisture Sensor
4	363154A1	1	BLOCK,
5	364837A1	1	MOTOR, ELECTRIC, By-pass Moisture Sensor
6	364845A1	1	GUIDE, Auger Driving
7	368947A1	1	COUPLING, 1/4 x 7/8
8	368948A1	1	PLATE, Proximity Mounting
9	364843A1	1	ROD, MOUNTING, Guide
10	364838A1	1	SWITCH, Moisture Sensor Proximity
11	364194A1	1	AUGER,
12	364842A2	1	CONTROL UNIT, Circuit, Automatic Cleanout
13	364195A1	1	COVER,
14	368950A1	1	SENSOR, Moisture Monitor
15	231-1404	6	NUT, LOCK, 1/4"-20, GB, 1/4
16	293256A2	1	RELAY, 40 AMP
17	280-2448	6	SCREW, SELF TAPPING, Hex Wash Hd, #8 x 1/2", No. 8 x 1/2
18	493-41026	3	WASHER, LOCK, Ext Tooth, 1/4",
19	413-48	3	BOLT, Hex, 1/4"-20 x 1/2", G5, Full Thd, 1/4 x 1/2
20	373712A1	2	PIN, Quick Release
21	275-1478	5	SCREW, SELF TAPPING, Hex Hd, 1/4" x 1/2", 1/4 x 1/2



сылка	Номер детали	Кол-во	Описание
1	223237A1	1	SIDE - Boot, Outer
	224768A1	1	KIT - Elevator Slide Adjuster, Inc. 2 - 10
	252686A1	1	ASSEMBLY - Elevator Adjuster, Inc. 2 - 4
2	224769A1	2	Slide Adjuster, Outer
3	224770A1	1	Slide Adjuster, Inner
4	38-11608	2	PIN, LOCK, 1/4" x 1/2", Slotted
5	599382R1	2	Bearing Retaining
6	434-620	2	BOLT, CARRIAGE, Short NK, 3/8"-16 x 1 1/4", G5, Full Thd
7	434-620	4	BOLT, CARRIAGE, Short NK, 3/8"-16 x 1 1/4", G5, Full Thd
8	495-11041	4	WASHER, 3/8", SAE (13/32 x 13/16 x 1/16")
9	492-11038	6	WASHER, LOCK, 3/8"
10	425-106	6	NUT, 3/8"-16, G5
11	241-1115	3	Roller, Single Pitch, No. 50, Use to Extend the Elevator Drive Chain, If Required
12	241-1315	3	Single Pitch, No. 50, Use to Extend the Elevator Drive Chain, If Required
13	241-18113	2	Offset, Single Pitch, No. C550, If Required
14	473093R92	1	BEARING - Ball



Note: To reduce the cleaning system speed on models prior to P.I.N. JJC0184544, order 303187A1 kit.

09D-07 GRAIN ELEVATOR DRIVE

сылка	Номер детали	Кол-во	Описание
1	195185A1	1	SHAFT,
2	586879R1	2	KEY, 5/16 x 2
3	192139C2	2	SPROCKET, 25T, If Used, See Figure Note, BSN JJC0184543
3A	296022A1	2	SPROCKET, 27T, If Used, ASN JJC0184544
4	182945A1	1	SPROCKET, 25T, 30T, If Used, See Figure Note, BSN JJC0184543
4A	296023A1	1	SPROCKET, 27T, 32T, If Used, ASN JJC0184544
5	631905R91	2	SPROCKET, 17T
5A	413-1044	2	BOLT, Hex, 5/8"-11 x 2 3/4", G5, 5/8 x 2-3/4
6	425-1010	2	NUT, 5/8"-11, G5,
7	492-11062	2	WASHER, LOCK, 5/8",
8	495-81175	4	WASHER, 21/32" x 1" x .120", 21/32 x 1 x 7/64
9	432-1224	1	PIN, SPLIT (COTTER), 3/16" x 1 1/2",
10	1345064C1	1	SUPPORT,
11	495-11081	1	WASHER, 3/4", SAE,
12	1345066C1	1	PLATE,
13	A63366	2	BEARING,
14	409-7512	4	BOLT, Hex Flg, 5/16"-18 x 3/4", Serr,
15	231-5145	4	NUT, Flg, USR, 5/16"-18,
16	413-516	1	BOLT, Hex, 5/16"-18 x 1", G5, Full Thd, 5/16 x 1
17	231-5145	1	NUT, Flg, USR, 5/16"-18,
18	1317476C4	1	SUPPORT,
19	477-73108	6	SCREW, Sltd Serr Truss Hd, 5/16"-18 x 1/2", 5/16 x 1/2
20	231-5145	5	NUT, Flg, USR, 5/16"-18,
21	582018R1	2	BLOCK,
22	413-1056	2	BOLT, Hex, 5/8"-11 x 3 1/2", G5,
23	231-41110	2	NUT, LOCK, 5/8"-11, GB, 5/8; 8
24	495-81030	2	WASHER, 21/32" x 2" x .179", 21/32 x 2 x 11/64
25	1319759C1	1	DRIVE SPROCKET, 17T
26	1317429C1	1	PIN, LARGE,
27	495-81202	6	WASHER, 1 9/32" x 1 3/4" x .060", 1-9/32 x 1-3/4 x 1/16
28	126-125	2	KEY, WOODRUFF, #B, 5/16" x 1", HT,
29	1317412C1	1-2	SPROCKET, Inclined Elevator, 32T
29A	1321039C1	1	SPROCKET, Inclined Elevator, 29T, See Figure 09D-09
31	1317250C91	2	BEARING, FLANGED,
32	231-5146	4	NUT, Flg, USR, 3/8"-16,
33	557995R11	2	COLLAR,
39	523677R1	1	SPRING,
40	425-106	2	NUT, 3/8"-16, G5,
41	495-81143	4	WASHER, 13/32" x 1 1/2" x .120", 13/32 x 1-1/2 x 1/8
42	432-612	1	PIN, SPLIT (COTTER), 3/32" x 3/4",
43	301228A1	1	CHAIN (AGRICULTURE), Horizontal Delivery Auger Elevator, Order: 1791D (261), 241-1315 (3), 241-1115 (2), Replaces 1321308C91

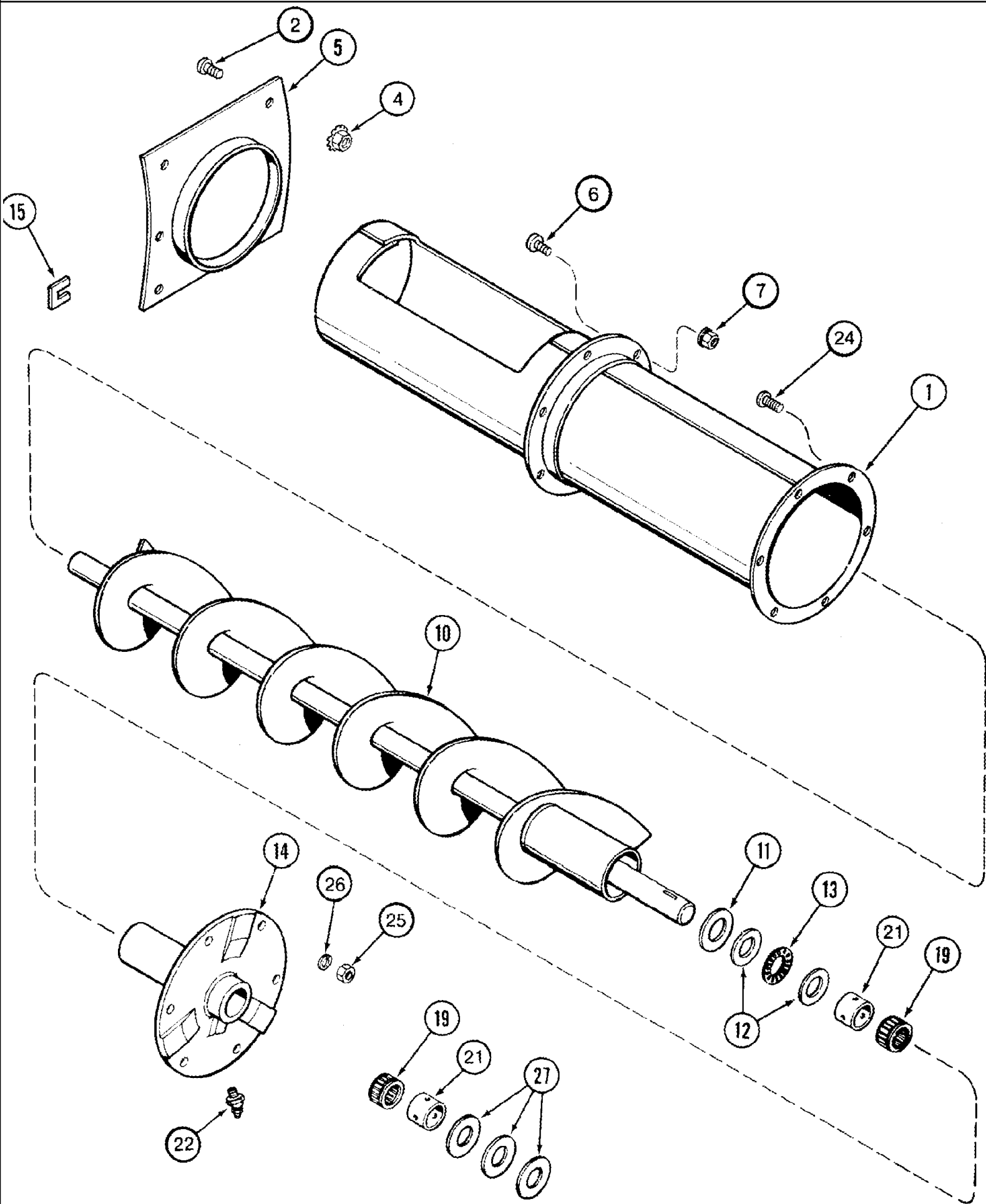
Note: To reduce the cleaning system speed on models prior to P.I.N. JJC0184544, order 303187A1 kit.

09D-07 GRAIN ELEVATOR DRIVE

сылка	Номер детали	Кол-во	Описание
43	301227A1	1	CHAIN (AGRICULTURE), Inclined Delivery Auger Elevator, Order: 1791D (243), 241-1315 (3), 241-1115 (2), Replaces 1321307C91
45	1318912C3	1	AUGER, Inclined Delivery Auger Elevator, See Figure 09D-01
46	670375R11	1	FLANGE, Inclined Delivery Auger Elevator
47	939461R1	1	FLANGE, Inclined Delivery Auger Elevator
48	477-73812	3	SCREW, Slt'd Serr Truss Hd, 3/8" x 3/4", Inclined Delivery Auger Elevator, 3/8 x 3/4
49	231-5146	3	NUT, Flg, USR, 3/8"-16,
50	156011C92	1	BEARING, BALL, Inclined Delivery Auger Elevator
51	557995R11	1	COLLAR, Inclined Delivery Auger Elevator
52	1345005C1	1	EYEBOLT,
53	427-6240	1	PIN, CLEVIS, 3/8" x 2.406", 3/8 x 2-13/32
54	385-13820	2-4	SET SCREW, Sq Hd, 3/8"-16 x 1 1/4", 3/8 x 1-1/4
55	425-146	2-4	NUT, Jam, 3/8"-16, G5,
57	S113843	1	BUSHING,
58	87422237	1	PLATE, Idler Chain Block Locator
	303187A1	1	KIT, Includes: 296022A1, 296023A1, 301228A1, 301226A1, 301146A1, 301111A1, 295918A1, 301141A1, 186283C2, See Figure(s) 9A-01, 9C-06, 9C-07, 9D-15, 9D-16

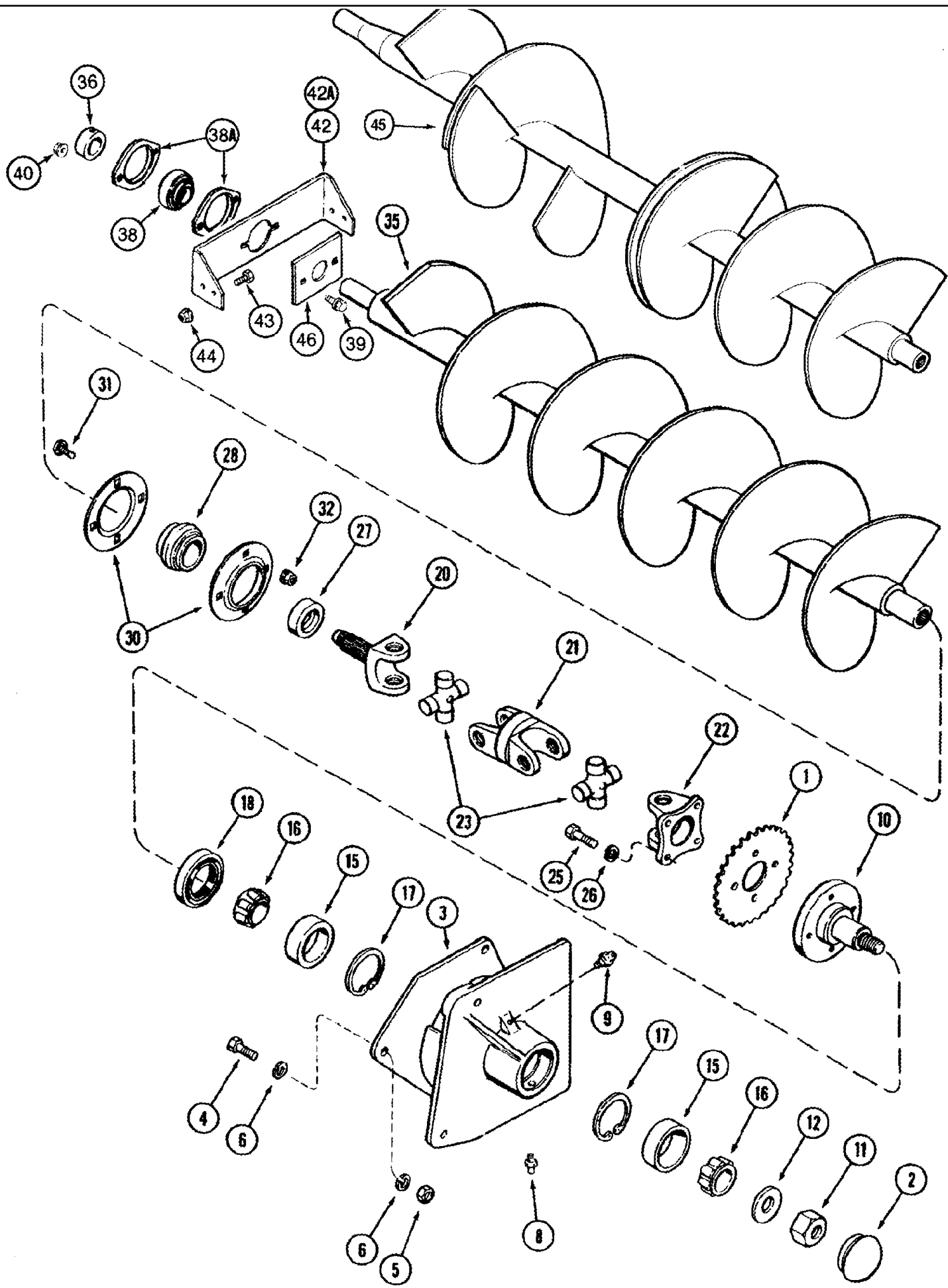
Note: To reduce the cleaning system speed on models prior to P.I.N. JJC0184544, order 303187A1 kit.

09D-08 AUGER ASSEMBLY - TAILINGS DELIVERY



09D-08 AUGER ASSEMBLY - TAILINGS DELIVERY

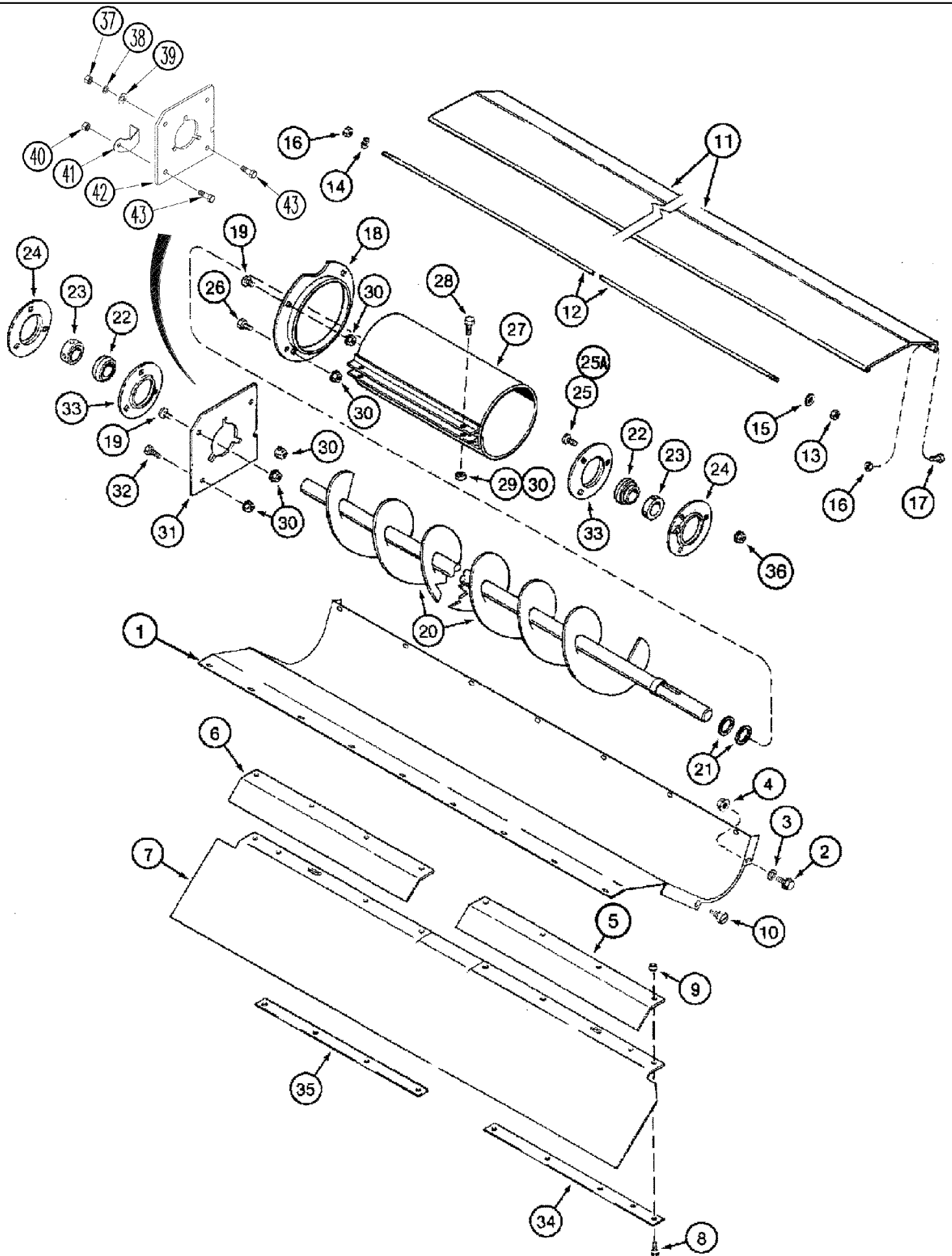
сылка	Номер детали	Кол-во	Описание
1	185225C1	1	TUBE ASSY.,
2	477-73112	6	BOLT, Slotted Tr Hd, 5/16"-18 x 3/4",
4	231-5145	6	NUT, Flg, USR, 5/16"-18,
5	186700C1	1	COVER,
6	477-73112	6	BOLT, Slotted Tr Hd, 5/16"-18 x 3/4",
7	231-5145	6	NUT, Flg, USR, 5/16"-18,
10	193225C1	1	AUGER,
11	495-11106	1	WASHER, 1", SAE, (1-1/16 x 2 x 1/8")
12	T38017	2	WASHER,
13	G13609	1	BEARING, THRUST,
14	1324840C1	1	HUB,
15	151670C1	4	PLATE, LOCKING, 0.036 in.
19	574940R91	2	BEARING, NEEDLE,
21	564592R91	2	SEAL,
22	219-90	1	NIPPLE, LUBE, 45c, 1/4" NPT x .80" lg, Drive, 1/4 tpr x 13/16
24	413-516	6	BOLT, Hex, 5/16"-18 x 1", G5, Full Thd, 5/16 x 1
25	425-105	6	NUT, 5/16"-18, G5,
26	492-11031	6	WASHER, LOCK, 5/16",
27	495-81076	AR	WASHER, 1 1/32" x 2" x .060", 1-1/32 x 2 x 1/16



09D-09 INCLINED DELIVERY - AUGER

сылка	Номер детали	Кол-во	Описание
1	1321039C1	1	SPROCKET, Driven, 29T
2	453771R1	1	PLUG,
3	1321020C1	1	HOUSING,
4	413-816	2	BOLT, Hex, 1/2"-13 x 1", G5, Full Thd,
5	425-108	4	NUT, 1/2"-13, G5,
6	80679	4	WASHER, LOCK, 1/2",
8	219-87	1	NIPPLE, LUBE, 1/4"-28 x .56" lg, Self-Tap,
9	219-434	1	BREATHER, 1/8"-27 NPT, Short, w/washer, 1/8 PT x 1
10	1321021C1	1	SHAFT,
11	185413C1	1	NUT, 7/8
12	238633R1	1	WASHER, 29/32 x 2-3/64 x 1-1/64
15	618024R1	2	BEARING, CUP, 2-1/2 OD
16	618023R91	2	BEARING, CONE, 1-3/8 inch ID
17	100-21256	2	RING, SNAP, 2.562", Int, #256,
18	380200R92	1	SEAL,
	1321055C91	1	UNIVERSAL JOINT, Inc. 20 - 23
20	1321056C1	1	YOKE,
21	1321057C1	1	CLEVIS,
22	1321058C1	1	CLEVIS,
23	1321059C91	1	SPIDER, U-JOINT, Journal and Bearing
25	426-724	4	BOLT, Hex, 7/16"-14 x 1 1/2", G8, 7/16 x 1-1/2; 8
26	492-11044	4	WASHER, LOCK, 7/16",
27	517645R11	1	COLLAR,
28	611583R91	1	BEARING, BALL,
30	181383C1	2	FLANGE,
31	434-612	4	BOLT, CARRIAGE, Short NK, 3/8"-16 x 3/4", G5, Full Thd, 3/8 x 3/4
32	231-5146	4	NUT, Flg, USR, 3/8"-16,
35	249275A2	1	AUGER, Delivery, Replaces 1968853C3
36	455102R21	1	COLLAR,
38	204807C91	1	BEARING, BALL,
38A	50591	2	FLANGE,
39	409-7512	2	BOLT, Hex Flg, 5/16"-18 x 3/4", Serr,
40	231-5145	2	NUT, Flg, USR, 5/16"-18,
42	1994833C1	1	BAR,
42A	297992A1	1	SUPPORT, , Extended Wear Rice Combines
43	409-7512	4	BOLT, Hex Flg, 5/16"-18 x 3/4", Serr,
44	231-5145	4	NUT, Flg, USR, 5/16"-18,
45	320724A1	1	AUGER, Delivery, Replaces 222801A4, With Advanced Farming System
46	297931A1	1	PLATE, , Extended Wear Rice Combines

09D-10 TAILINGS AUGER TROUGH



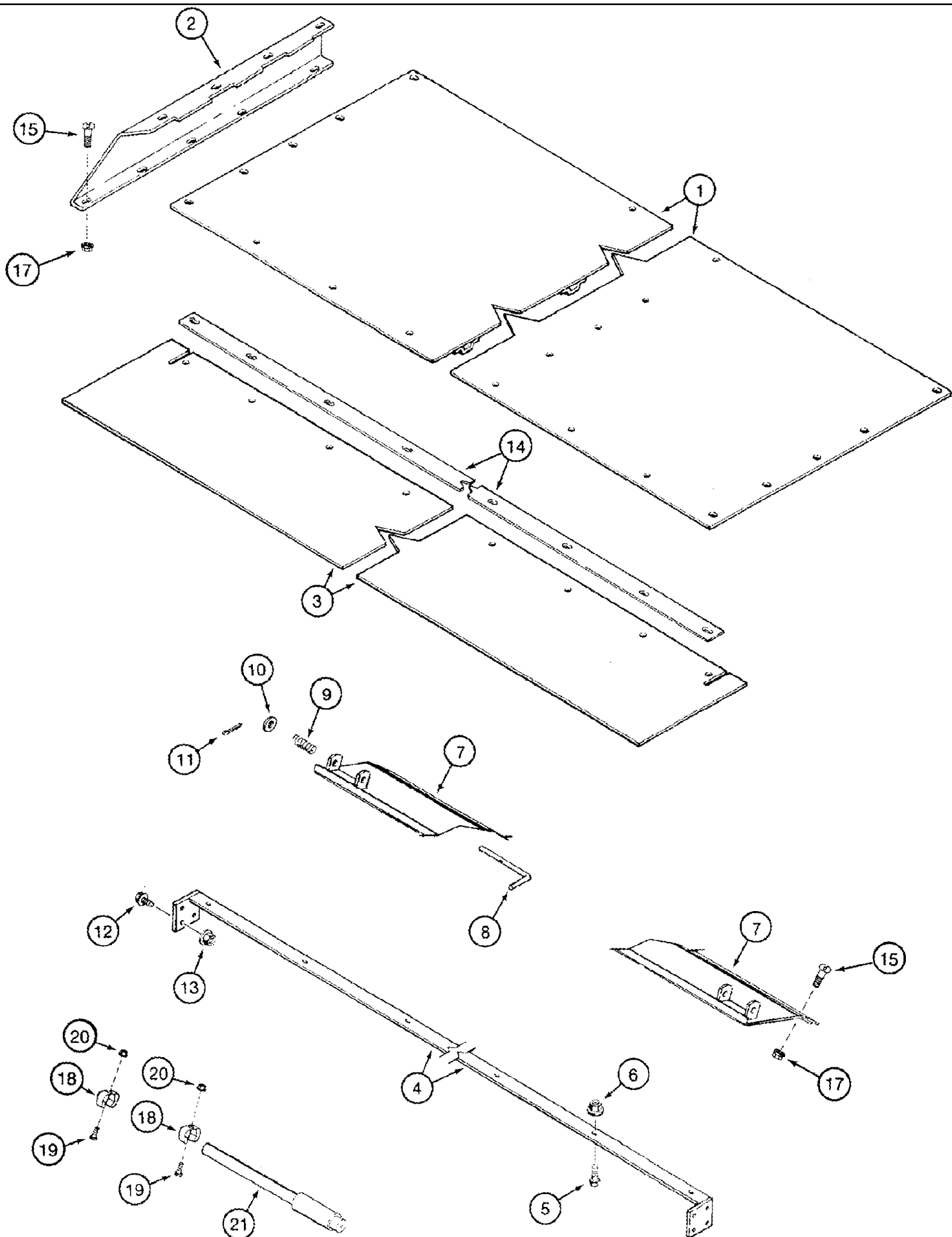
09D-10 TAILINGS AUGER TROUGH

сылка	Номер детали	Кол-во	Описание
1	1346956C2	1	TROUGH,
2	409-7512	7	BOLT, Hex Flg, 5/16"-18 x 3/4", Serr,
2	413-516	6	BOLT, Hex, 5/16"-18 x 1", G5, Full Thd, 5/16 x 1
3	495-11034	2	WASHER, 5/16", SAE, (11/32 x 11/16 x 1/16")
4	231-5145	7	NUT, Flg, USR, 5/16"-18,
4	231-5345	6	NUT, LOCK, Flg, 5/16"-18, 5/16
5	1347436C2	1	ANGLE, Upper Left Hand
6	1347437C2	1	ANGLE, Upper Right Hand
7	1346999C1	1	SEAL,
8	413-512	8	BOLT, Hex, 5/16"-18 x 3/4", G5, Full Thd,
9	232-4115	8	NUT, LOCK, 5/16"-18, GC,
10	199953C1	4	SCREW, SELF TAPPING, Hex Wash Hd, 5/16"-18 x 13/16",
11	185195C1	1	DOOR,
12	185198C1	1	ROD,
13	425-105	1	NUT, 5/16"-18, G5,
14	492-11031	1	WASHER, LOCK, 5/16",
15	495-11034	1	WASHER, 5/16", SAE, (11/32 x 11/16 x 1/16")
16	231-5315	10	NUT, LOCK, Flg, 5/16"-18,
17	413-512	9	BOLT, Hex, 5/16"-18 x 3/4", G5, Full Thd,
18	199665A2	1	FLANGE,
19	477-73108	5	SCREW, Sltd Serr Truss Hd, 5/16"-18 x 1/2", 5/16 x 1/2
20	144021A2	1	AUGER,
21	495-81202	AR	WASHER, 1 9/32" x 1 3/4" x .060", 1-9/32 x 1-3/4 x 1/16
22	156011C92	2	BEARING, BALL,
23	557995R11	2	COLLAR,
24	939460R91	2	FLANGE,
25	477-73820	3	SCREW, Sltd Serr Truss Hd, 3/8"-16 x 1 1/4", 3/8 x 1-1/4
25A	477-73832	1	SCREW, Sltd Serr Truss Hd, 3/8"-16 x 2", 3/8 x 2
26	199953C1	2	SCREW, SELF TAPPING, Hex Wash Hd, 5/16"-18 x 13/16",
27	199699A3	1	TUBE, Non-Perforated
27	240809A2	1	TUBE, Perforated
27	199700A3	1	TUBE, Non-Perforated
28	409-7512	2	BOLT, Hex Flg, 5/16"-18 x 3/4", Serr, , Used with 192693C1
28	477-73116	2	SCREW, Sltd Serr Truss Hd, 5/16"-18 x 1", 5/16 x 1, Used with 195078C1
29	231-4115	2	NUT, LOCK, 5/16"-18, GB, , Used with 192693C1
30	231-5145	10	NUT, Flg, USR, 5/16"-18, , Used with 195078C1
31	183158C1	1	COVER, , BSN JJC0254999
32	199953C1	1	SCREW, SELF TAPPING, Hex Wash Hd, 5/16"-18 x 13/16",
33	939461R1	2	FLANGE,
34	316712A1	1	SEAL, Lower Left Hand
35	316710A1	1	BAR, Lower Right Hand
36	231-5146	6	NUT, Flg, USR, 3/8"-16,
	425-285	1	NUT, Flg, 5/16"-18, G5,

09D-10 TAILINGS AUGER TROUGH

сылка	Номер детали	Кол-во	Описание
	413-516	2	BOLT, Hex, 5/16"-18 x 1", G5, Full Thd, 5/16 x 1
37	129-409	1	NUT, WING, 1/4"-20,
38	492-11025	1	WASHER, LOCK, 1/4",
39	495-11028	1	WASHER, 1/4", SAE, (9/32 x 5/8 x 1/16")
40	231-5344	1	NUT, LOCK, Flg, 1/4"-20,
41	429985A2	1	COVER, , ASN JJC0255000
42	430002A1	1	PLATE, Grain Cleanout, ASN JJC0255000
43	434-412	2	BOLT, CARRIAGE, Short NK, 1/4"-20 x 3/4", G5, Full Thd, 1/4 x 3/4
25	477-73816	2	SCREW, Sltd Serr Truss Hd, 3/8" x 1",

09D-11 TAILINGS AUGER TROUGH PANEL AND GATE - MODELS WITH STRAW SPREADER

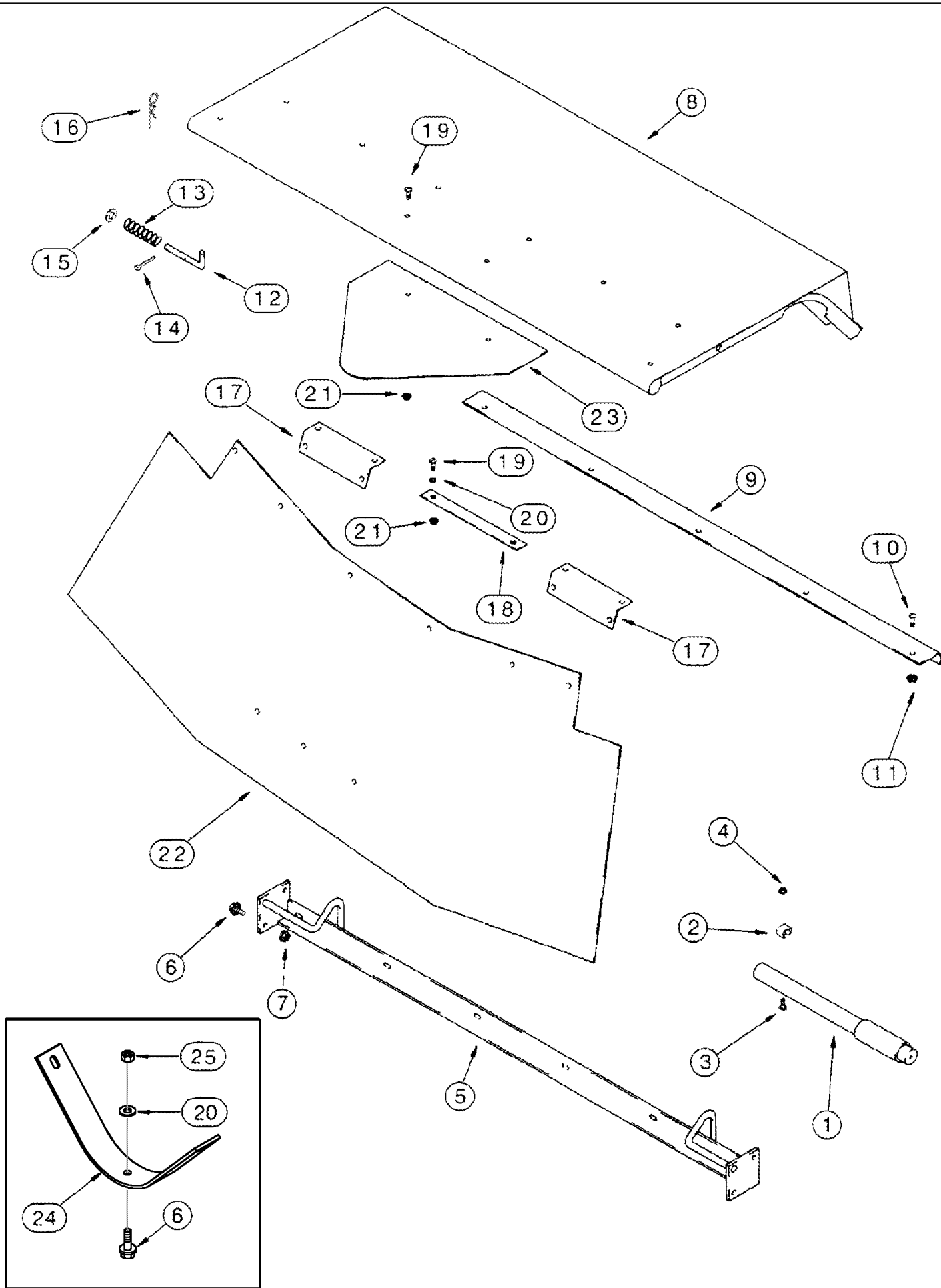


Note: Item 21 is used to adjust shoe sieves on Figure 9B-18.

09D-11 TAILINGS AUGER TROUGH PANEL AND GATE - MODELS WITH STRAW SPREADER

сылка	Номер детали	Кол-во	Описание
1	1970519C1	1	SHEET ASSY.,
2	1346963C1	1	SUPPORT,
3	1347000C2	1	SEAL,
4	1970532C1	1	SUPPORT,
5	413-512	8	BOLT, Hex, 5/16"-18 x 3/4", G5, Full Thd,
6	231-5145	8	NUT, Flg, USR, 5/16"-18,
7	186909C3	1	GATE ASSY,
8	186736C3	2	ROD,
9	540815R2	2	SPRING,
10	495-11041	2	WASHER, 3/8", SAE, (13/32 x 13/16 x 1/16")
11	432-612	2	PIN, SPLIT (COTTER), 3/32" x 3/4",
12	409-7512	6	BOLT, Hex Flg, 5/16"-18 x 3/4", Serr,
13	231-5145	7	NUT, Flg, USR, 5/16"-18,
14	122850A1	1	STRAP,
15	256873	14	BOLT, Hex Flg, 5/16"-18 x 1/2", Serr,
15	477-73112	13	BOLT, Slotted Tr Hd, 5/16"-18 x 3/4",
17	231-5145	34	NUT, Flg, USR, 5/16"-18,
18	106744A1	2	CLIP,
19	340-1108	2	SCREW, Cross Pan Hd, #10-24 x 1/2", No. 10 x 1/2
20	231-51409	2	NUT, Flg, USR, #10-24,
21	106743A1	1	HANDLE, See Figure Note

Note: Item 21 is used to adjust shoe sieves on Figure 9B-18.



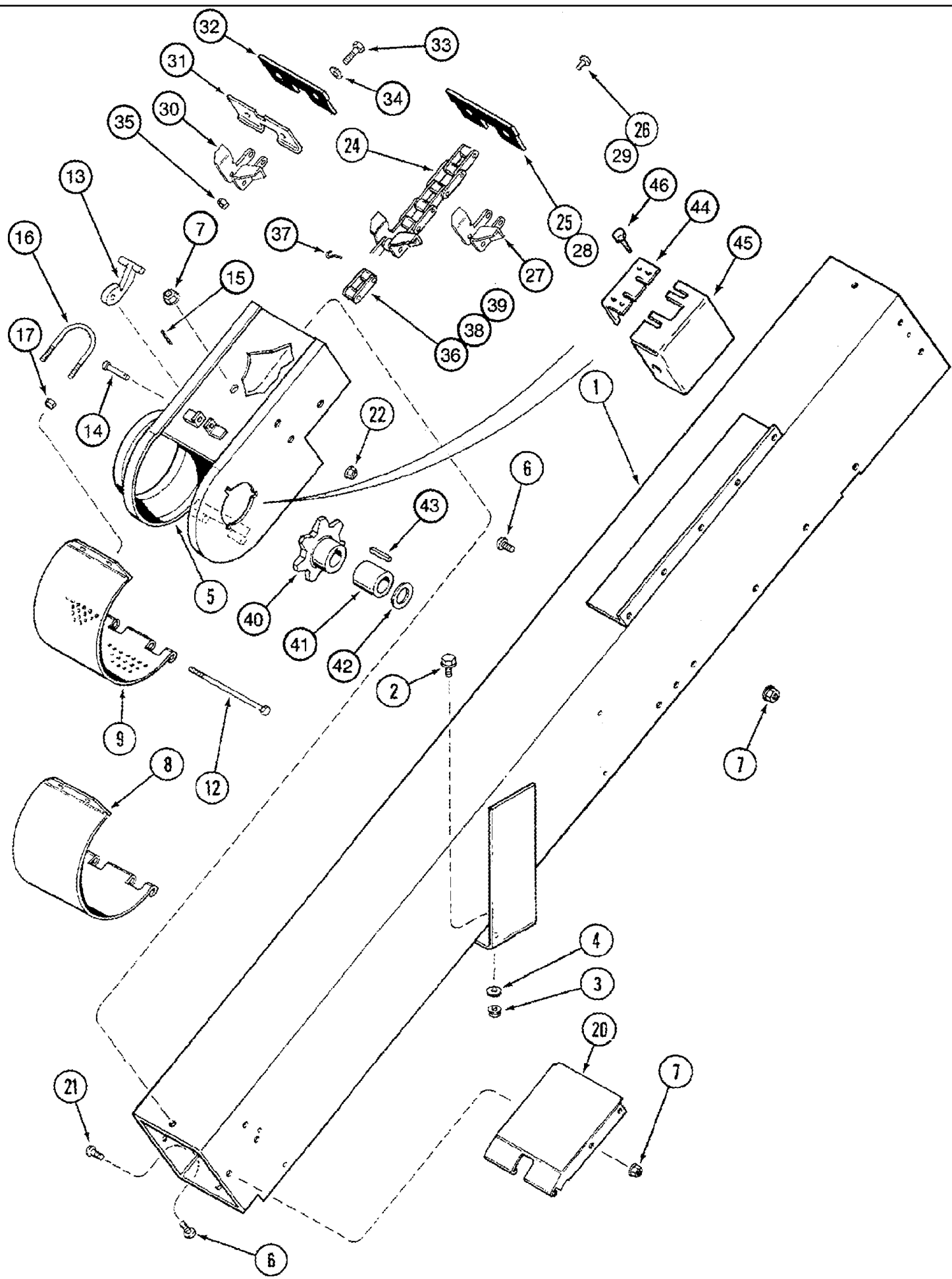
Note: Item 1 is used to adjust shoe sieves on Figure 9B-18.

09D-12 CLEANING SHOE DOOR - SHIELD - MODELS WITH STRAW AND CHAFF SPREADER

сылка	Номер детали	Кол-во	Описание
1	106743A1	1	HANDLE, See Figure Note
2	106744A1	2	CLIP,
3	440-1108	2	SCREW, Cross Pan Hd, #10-24 x 1/2",
4	231-51409	2	NUT, Flg, USR, #10-24,
5	126835A1	1	SUPPORT,
6	409-7512	7	BOLT, Hex Flg, 5/16"-18 x 3/4", Serr,
7	231-5145	4	NUT, Flg, USR, 5/16"-18,
8	123291A3	1	DOOR,
9	126836A2	1	ANGLE BAR,
10	477-73112	6	BOLT, Slotted Tr Hd, 5/16"-18 x 3/4",
11	231-5145	6	NUT, Flg, USR, 5/16"-18,
12	186736C3	2	ROD,
13	540815R2	2	SPRING,
14	432-612	2	PIN, SPLIT (COTTER), 3/32" x 3/4",
15	495-11041	2	WASHER, 3/8", SAE, (13/32 x 13/16 x 1/16")
16	586591R1	2	PIN, SPLIT (COTTER), 1/8
17	137576A3	2	SUPPORT,
18	137527A2	1	SUPPORT,
19	477-73112	10	BOLT, Slotted Tr Hd, 5/16"-18 x 3/4",
20	495-81116	9	WASHER, .344" x 1" x .060", 11/32 x 1 x 3/64
21	231-5145	10	NUT, Flg, USR, 5/16"-18,
22	122639A4	1	GUARD,
23	190692A2	1	DEFLECTOR,
24	87300945	1	STRAP,
25	231-5345	3	NUT, LOCK, Flg, 5/16"-18, 5/16

Note: Item 1 is used to adjust shoe sieves on Figure 9B-18.

09D-13 TAILINGS - ELEVATOR HOUSING AND CONVEYOR

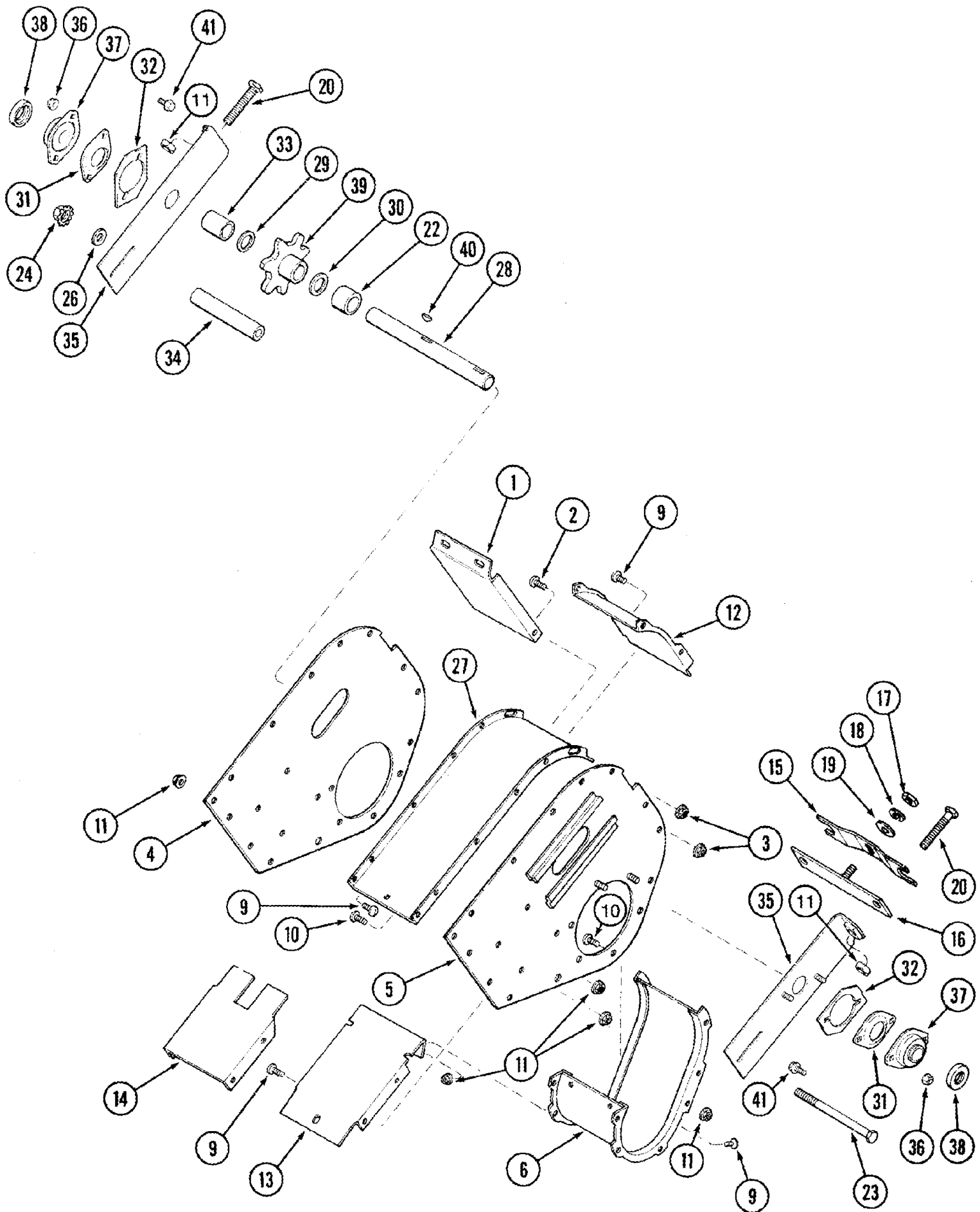


09D-13 TAILINGS - ELEVATOR HOUSING AND CONVEYOR

сылка	Номер детали	Кол-во	Описание
1	191778C2	1	TUBE ASSY.,
2	409-7620	2	BOLT, Hex Flg, 3/8"-16 x 1 1/4", Serr,
3	231-5146	2	NUT, Flg, USR, 3/8"-16,
4	495-81135	8	WASHER, 13/32" x 1" x .120", 13/32 x 1 x 7/64
5	222814A2	1	BASE,
6	477-73108	8	SCREW, Slt'd Serr Truss Hd, 5/16"-18 x 1/2", 5/16 x 1/2
7	231-5145	8	NUT, Flg, USR, 5/16"-18,
8	156910C1	1	DOOR, Non-Perforated
9	174193C1	1	DOOR, Perforated
11	231-4115	1	NUT, LOCK, 5/16"-18, GB,
12	413-5104	1	BOLT, Hex, 5/16"-18 x 6 1/2", G5, 5/16 x 6-1/2
13	155909C1	1	LATCH,
14	439-1420	1	PIN, HEADED, 1/4" x 1 1/4", 1/4 x 1-1/4; 2
15	432-812	1	PIN, SPLIT (COTTER), 1/8" x 3/4",
16	664360R1	1	BOLT,
17	231-1444	2	NUT, LOCK, 1/4"-20, GB,
20	191790C2	1	END,
21	477-73112	2	BOLT, Slotted Tr Hd, 5/16"-18 x 3/4",
21	477-73116	2	SCREW, Slt'd Serr Truss Hd, 5/16"-18 x 1", 5/16 x 1
22	231-5145	4	NUT, Flg, USR, 5/16"-18,
	1303114C91	1	CHAIN, ELEVATOR, Inc. 24 - 26
24	NSS	1	NOT SERVICED SEPARATELY, CHAIN ASSY.
25	1303116C1	27	FLIGHT, RUBBER,
26	185315C1	54	RIVET, 3/8 x 5/8
	1303123C91	AR	CONVEYOR, Service Replacement, Inc. 27 - 29
27	NSS	1	NOT SERVICED SEPARATELY, LINK Connecting
28	1303116C1	1	FLIGHT, RUBBER,
29	185315C1	2	RIVET, 3/8 x 5/8
	1303124C92	AR	FLIGHT, RUBBER, Service Replacement, Inc. 30 - 35
30	NSS	1	NOT SERVICED SEPARATELY, LINK Connecting
31	1303125C1	1	FLIGHT, STEEL,
32	1303116C1	1	FLIGHT, RUBBER,
33	413-520	2	BOLT, Hex, 5/16"-18 x 1 1/4", G5,
34	495-11034	2	WASHER, 5/16", SAE, (11/32 x 11/16 x 1/16")
35	231-4115	2	NUT, LOCK, 5/16"-18, GB,
36	241-15113	AR	LINK, CONNECTING, No. C550, 1-5/8 P
37	23442R1	AR	PIN, S Type, No. 550
38	241-18113	AR	LINK, CHAIN, Offset, No. C550, 1-5/8 P
39	241-12113	AR	LINK, CHAIN, Roller, No. C550, 1-5/8 P
40	144031A1	1	SPROCKET, 7T
41	144038A1	1	SPACER, 1-1/4 x 1-3/8
42	495-81202	1	WASHER, 1 9/32" x 1 3/4" x .060", 1-9/32 x 1-3/4 x 1/16
43	Q1443	1	KEY, 5/16" Sq x 1 1/2", Par,

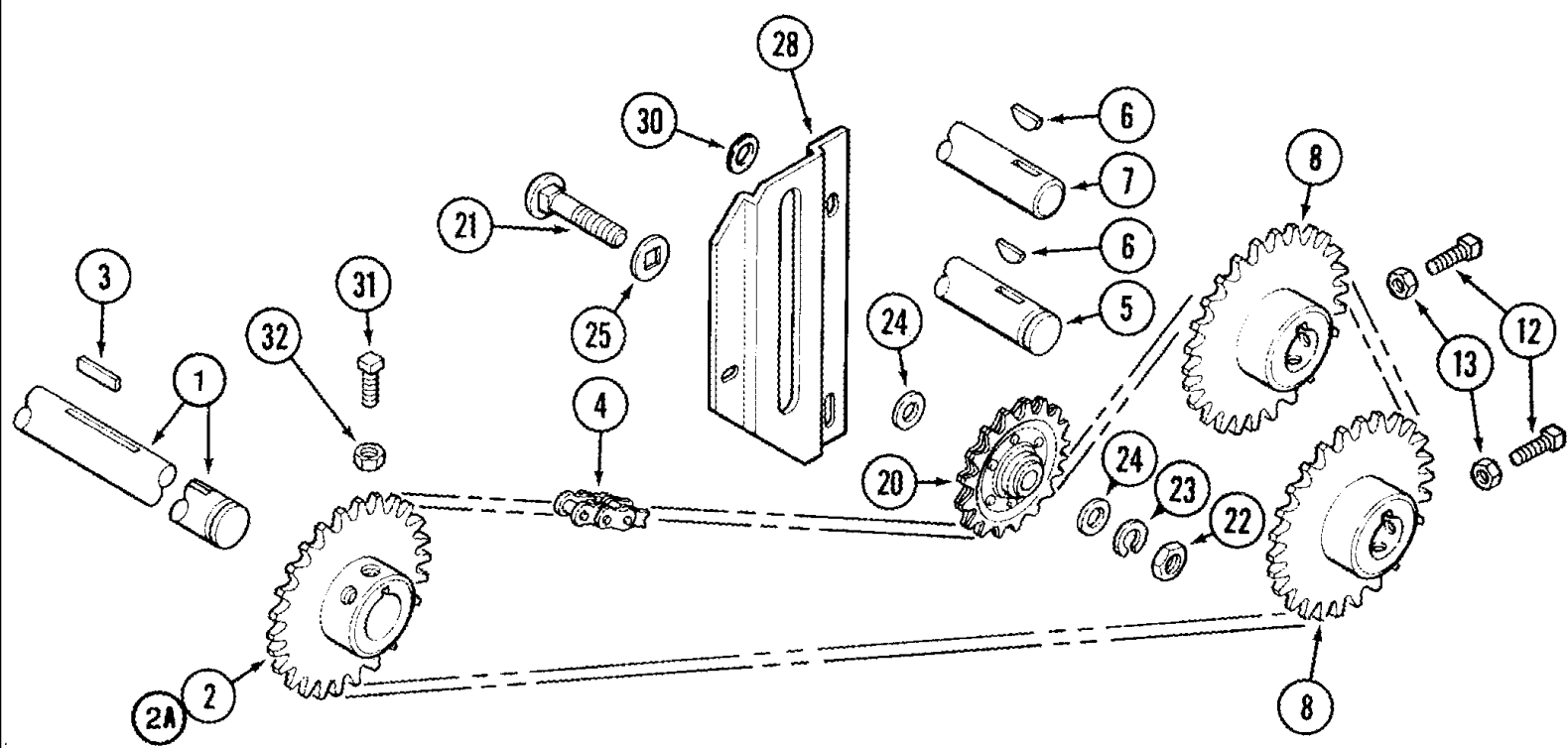
сылка	Номер детали	Кол-во	Описание
44	183869C3	1	SUPPORT, Australia Only
45	177449A2	1	COVER, Right Hand, Australia Only
46	280-1478	2	SCREW, SELF TAPPING, Hex Wash Hd, 1/4" x 1/2", 1/4 x 1/2

09D-14 TAILINGS - ELEVATOR HEAD



09D-14 TAILINGS - ELEVATOR HEAD

сылка	Номер детали	Кол-во	Описание
1	195201C1	1	SUPPORT, Upper
2	409-7520	2	BOLT, Hex Flg, 5/16"-18 x 1 1/4", Serr, 5/16 x 1-1/4
3	231-5145	2	NUT, Flg, USR, 5/16"-18,
4	181366C1	1	PLATE, SIDE, Left Hand
5	181367C1	1	PLATE, SIDE, Right Hand
6	188119C1	1	TROUGH,
9	477-73108	24	SCREW, Sltd Serr Truss Hd, 5/16"-18 x 1/2", 5/16 x 1/2
10	477-73112	11	BOLT, Slotted Tr Hd, 5/16"-18 x 3/4",
11	231-5145	36	NUT, Flg, USR, 5/16"-18,
12	191776C1	1	SUPPORT,
13	191782C1	1	SUPPORT, Lower
14	181327C1	1	BOTTOM, Lower
15	181376C1	1	CLAMP,
16	181375C1	1	SUPPORT,
17	425-106	1	NUT, 3/8"-16, G5,
18	492-11038	1	WASHER, LOCK, 3/8",
19	495-81135	1	WASHER, 13/32" x 1" x .120", 13/32 x 1 x 1/8
20	667486R1	2	SCREW, 1/2 x 3-1/2
22	27828R1	1	SPACER, 1" Pipe x 1 9/16", RH
23	424-5112	2	BOLT, Hex, 5/16"-18 x 7", G2, 5/16 x 7; 2
24	231-5145	2	NUT, Flg, USR, 5/16"-18,
26	495-11034	5	WASHER, 5/16", SAE, (11/32 x 11/16 x 1/16")
27	191783C1	1	COVER, TOP, COVER
28	191785C1	1	SHAFT,
29	495-81065	AR	WASHER, 1 1/32" x 1 1/4" x .060", 1-1/32 x 1-1/4 x 3/64
30	495-81073	2	WASHER, 1 1/32" x 1 3/4" x .060", 1-1/32 x 1-3/4 x 1/16
31	50591	2	FLANGE,
32	1979640C2	2	PLATE, LARGE,
33	516327R1	1	SPACER, 1" Pipe x 2 3/4",
34	27829R1	2	SPACER, 1/4" Pipe x 5 13/16", LH
35	181364C1	2	SUPPORT,
36	231-5145	4	NUT, Flg, USR, 5/16"-18,
37	214366C91	2	BEARING, BALL,
38	455102R21	2	COLLAR,
39	168683C1	1	SPROCKET,
40	126-124	1	KEY, WOODRUFF, #15, 1/4" x 1", HT,
41	409-7512	4	BOLT, Hex Flg, 5/16"-18 x 3/4", Serr,

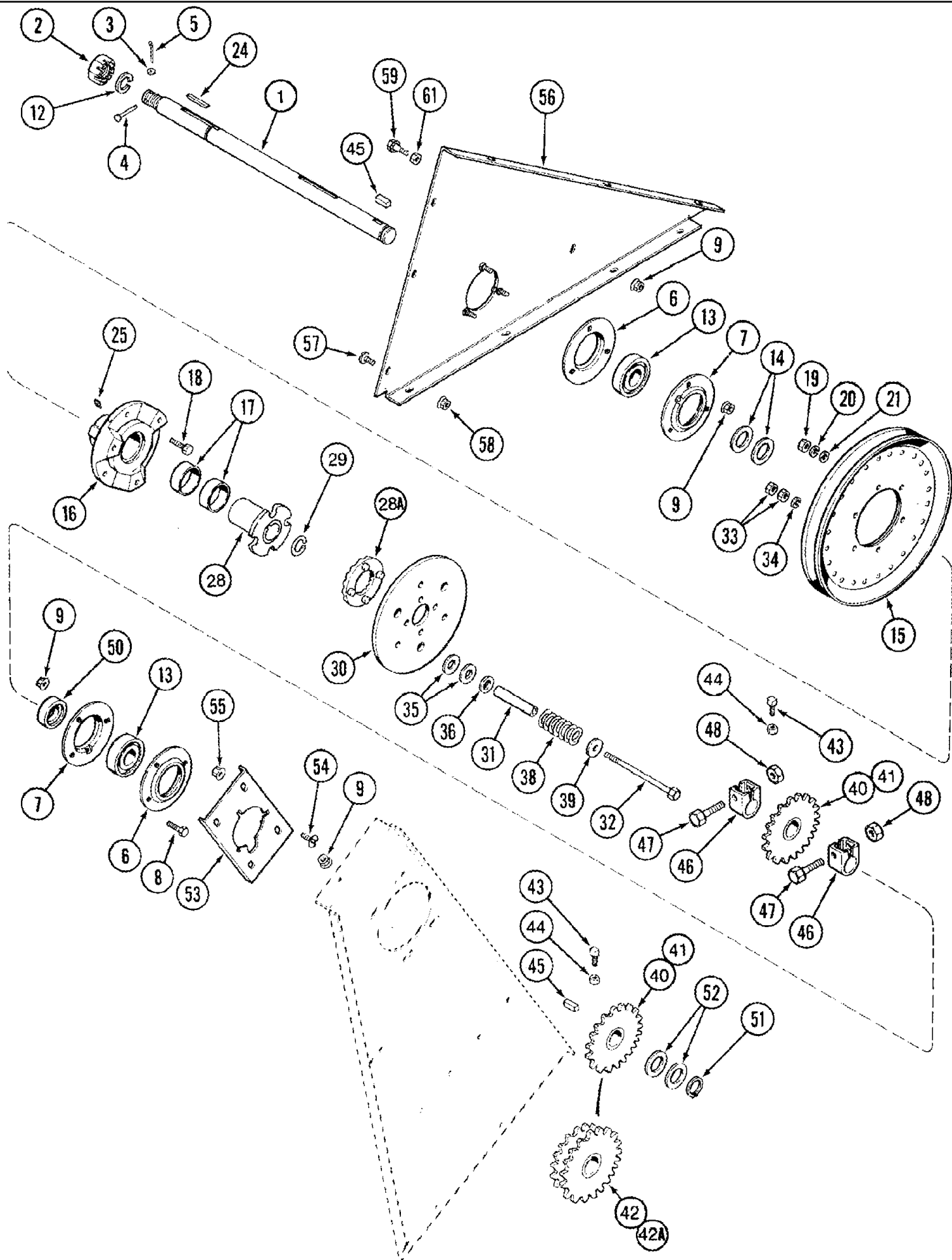


Note: To reduce the cleaning system speed on models prior to P.I.N. JJC0184544, order 303187A1 kit.

09D-15 TAILINGS - ELEVATOR DRIVE

сылка	Номер детали	Кол-во	Описание
1	195185A1	1	SHAFT,
2	192139C2	1	SPROCKET, 25T, See Figure Note, BSN JJC0184543
2A	296022A1	1	SPROCKET, 27T, ASN JJC0184544
3	581306R1	1	KEY, 5/16" Sq x 1 1/4", Par,
4	301226A1	1	CHAIN (AGRICULTURE), Tailings Drive, Order: 1791D (157), 241-1315 (2), 1315D (1), 241-1115 (1), Replaces 1327724C92
5	193225C1	1	AUGER, Delivery, See Figure 09D-08
6	126-124	2	KEY, WOODRUFF, #15, 1/4" x 1", HT,
7	191785C1	1	SHAFT,
8	1345472C1	2	SPROCKET, 27T
12	485-13816	4	SET SCREW, Sq Hd, 3/8"-16 x 1",
13	425-146	4	NUT, Jam, 3/8"-16, G5,
20	631905R91	1	SPROCKET, 17T
21	433-1048	1	BOLT, CARRIAGE, Short NK, 5/8"-11 x 3", G5, 5/8 x 3
22	425-1010	1	NUT, 5/8"-11, G5,
23	492-11062	1	WASHER, LOCK, 5/8",
24	495-11066	4	WASHER, 5/8", SAE, 21/32 x 1-5/16 x 3/32
25	498-81010	2	WASHER, 41/64" x 1 1/2" x .105", Sq Hole, Square Hole, 21/32 x 1-5/16 x 3/32
28	1302069C2	1	SUPPORT,
30	495-81135	3	WASHER, 13/32" x 1" x .120", 13/32 x 1 x 1/8
31	485-13816	1	SET SCREW, Sq Hd, 3/8"-16 x 1",
32	425-106	1	NUT, 3/8"-16, G5,
	303187A1	1	KIT, Includes: 296022A1, 301228A1, 301226A1, 301146A1, 301111A1, 295918A1, 301141A1, 296023A1, 186283C2, See Figure(s) 9A-01, 9C-06, 9C-07, 9D-07, 9D-16

Note: To reduce the cleaning system speed on models prior to P.I.N. JJC0184544, order 303187A1 kit.



Note: To reduce the cleaning system speed on models prior to P.I.N. JJC0184544, order 303187A1 kit above.

09D-16 ELEVATOR - JACKSHAFT, DRIVE

сылка	Номер детали	Кол-во	Описание
1	195185A1	1	SHAFT,
2	425-1316	1	NUT, SLOTTED, 1"-14, G5, 1 NS
3	495-31022	AR	WASHER, #10,
4	427-3175	1	PIN, CLEVIS, 3/16" x 1 3/4", 3/16 x 1-3/4
5	432-48	1	PIN, SPLIT (COTTER), 1/16" x 1/2",
6	473092R1	2	FLANGE,
7	939462R91	2	FLANGE,
9	231-5146	7	NUT, Flg, USR, 3/8"-16,
12	492-11100	1	WASHER, LOCK, 1", 1"
13	473097R92	2	BEARING, BALL,
14	183274C2	AR	WASHER, 1-9/32 x 1-7/8 x 3/16
15	183325C1	1	PULLEY, 13 in. OD
16	183210C91	1	HUB, Inc. 17
17	936744R1	2	BUSHING,
18	413-620	3	BOLT, Hex, 3/8"-16 x 1 1/4", G5, Full Thd,
19	231-4116	3	NUT, LOCK, 3/8"-16, GB, 3/8
20	183274C2	5	WASHER,
21	495-11041	3	WASHER, 3/8", SAE, (13/32 x 13/16 x 1/16")
24	586879R1	1	KEY, 5/16 x 2
25	219-87	1	NIPPLE, LUBE, 1/4"-28 x .56" lg, Self-Tap,
28	198279A1	1	HUB,
28A	168370C2	1	CLUTCH, PLATE,
29	1319235C1	1	RING,
30	194835C2	1	RETAINER,
31	186916C2	3	BUSHING,
32	413-6104	3	BOLT, Hex, 3/8"-16 x 6 1/2", G5, 3/8 x 6-1/2
33	425-106	6	NUT, 3/8"-16, G5,
34	492-11038	3	WASHER, LOCK, 3/8",
35	495-11081	AR	WASHER, 3/4", SAE,
36	495-81037	AR	WASHER, 25/32" x 1 1/4" x .060", 25/32 x 1-1/4 x 3/64
38	300549A1	3	SPRING,
39	495-81143	3	WASHER, 13/32" x 1 1/2" x .120", 13/32 x 1-1/2 x 7/64
40	192139C2	1-2	SPROCKET, 25T, If Used, See Figure Note, BSN JJC0184543,
41	296022A1	1-2	SPROCKET, 27T, If Used, ASN JJC0184544
42	182945A1	1	SPROCKET, 25T, 30T, If Used, See Figure Note, BSN JJC0184543
42A	296023A1	1	SPROCKET, 27T, 32T, If Used, ASN JJC0184544
43	485-13816	4	SET SCREW, Sq Hd, 3/8"-16 x 1",
44	425-146	4	NUT, Jam, 3/8"-16, G5,
45	581306R1	2	KEY, 5/16" Sq x 1 1/4", Par,
46	225265R1	2	CLAMP,
47	413-836	2	BOLT, Hex, 1/2"-13 x 2 1/4", G5,
48	231-4118	2	NUT, LOCK, 1/2"-13, GB, 1/2
50	455104R11	1	COLLAR,

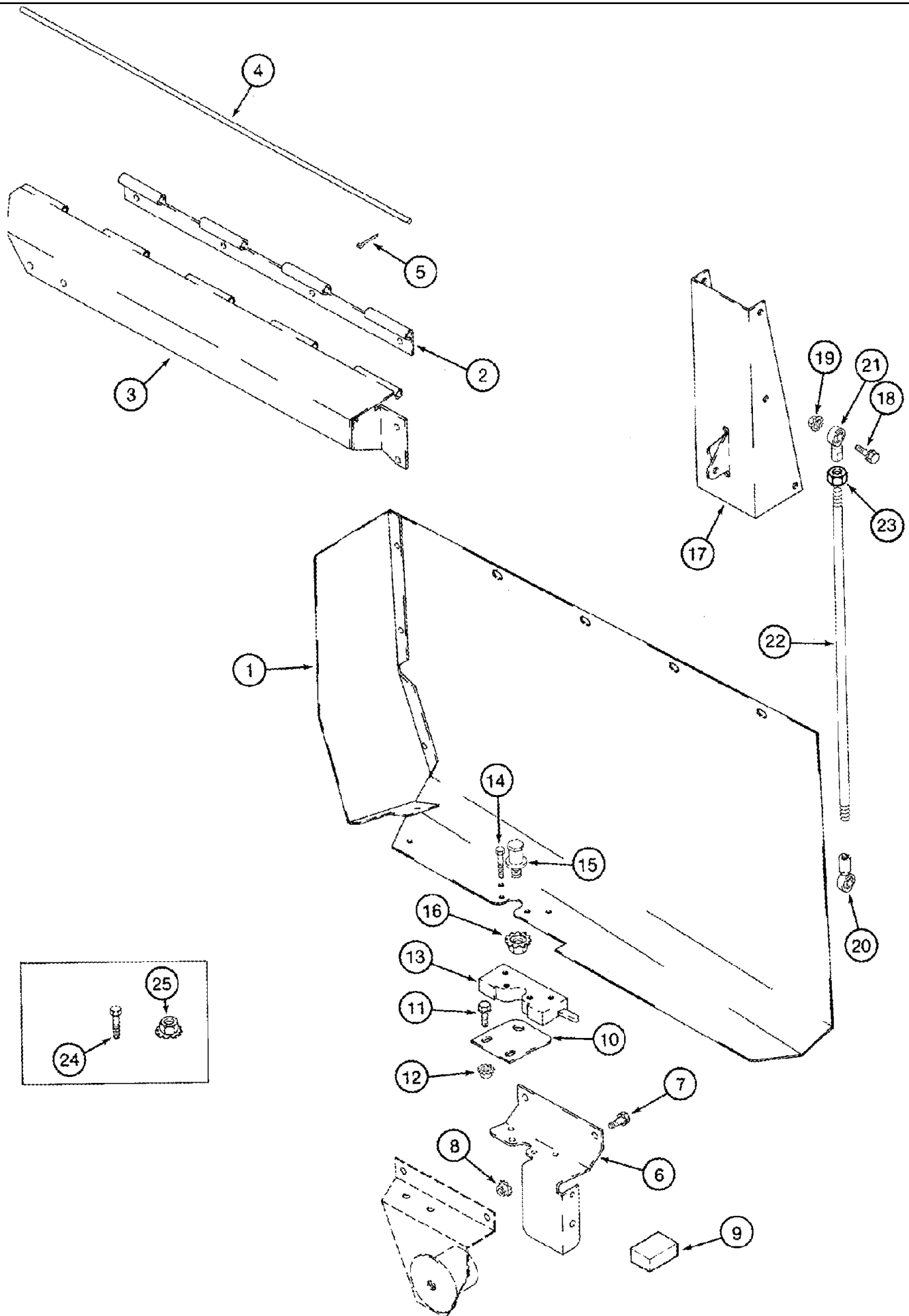
Note: To reduce the cleaning system speed on models prior to P.I.N. JJC0184544, order 303187A1 kit above.

09D-16 ELEVATOR - JACKSHAFT, DRIVE

сылка	Номер детали	Кол-во	Описание
51	100-16125	1	RING, SNAP, #125, Ext,
52	495-81211	AR	WASHER, 1 11/32" x 2" x .120", 1-11/32 x 2 x 1/8
53	192138C2	1	BRACKET,
54	477-73812	4	SCREW, Sltd Serr Truss Hd, 3/8" x 3/4", 3/8 x 3/4
55	231-5146	4	NUT, Flg, USR, 3/8"-16,
56	1317435C2	1	SUPPORT,
57	477-73112	6	BOLT, Slotted Tr Hd, 5/16"-18 x 3/4",
58	231-5145	6	NUT, Flg, USR, 5/16"-18,
59	409-7616	1	BOLT, Hex Flg, 3/8"-16 x 1", Serr,
61	425-146	1	NUT, Jam, 3/8"-16, G5,
	303187A1	1	KIT, Includes: 296022A1, 296023A1, 301228A1, 301226A1, 301146A1, 301111A1, 295918A1, 301141A1, 186283C2, See Figure(s) 9A-01, 9C-06, 9C-07, 9D-07, 9D-15
8	477-73816	3	SCREW, Sltd Serr Truss Hd, 3/8" x 1",

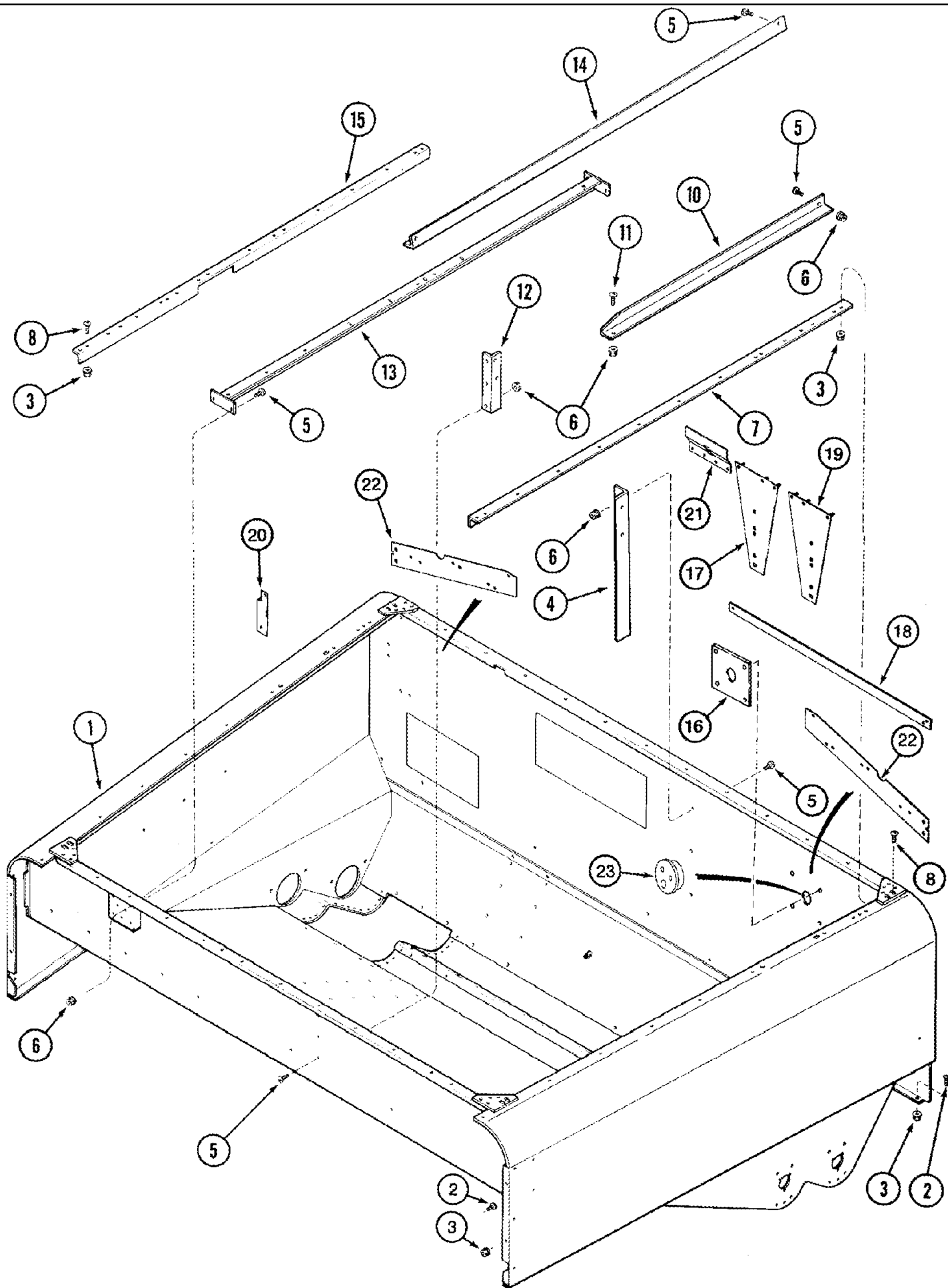
Note: To reduce the cleaning system speed on models prior to P.I.N. JJC0184544, order 303187A1 kit above.

09D-17 TAILINGS - SUPPORTS AND DRIVE SHIELD

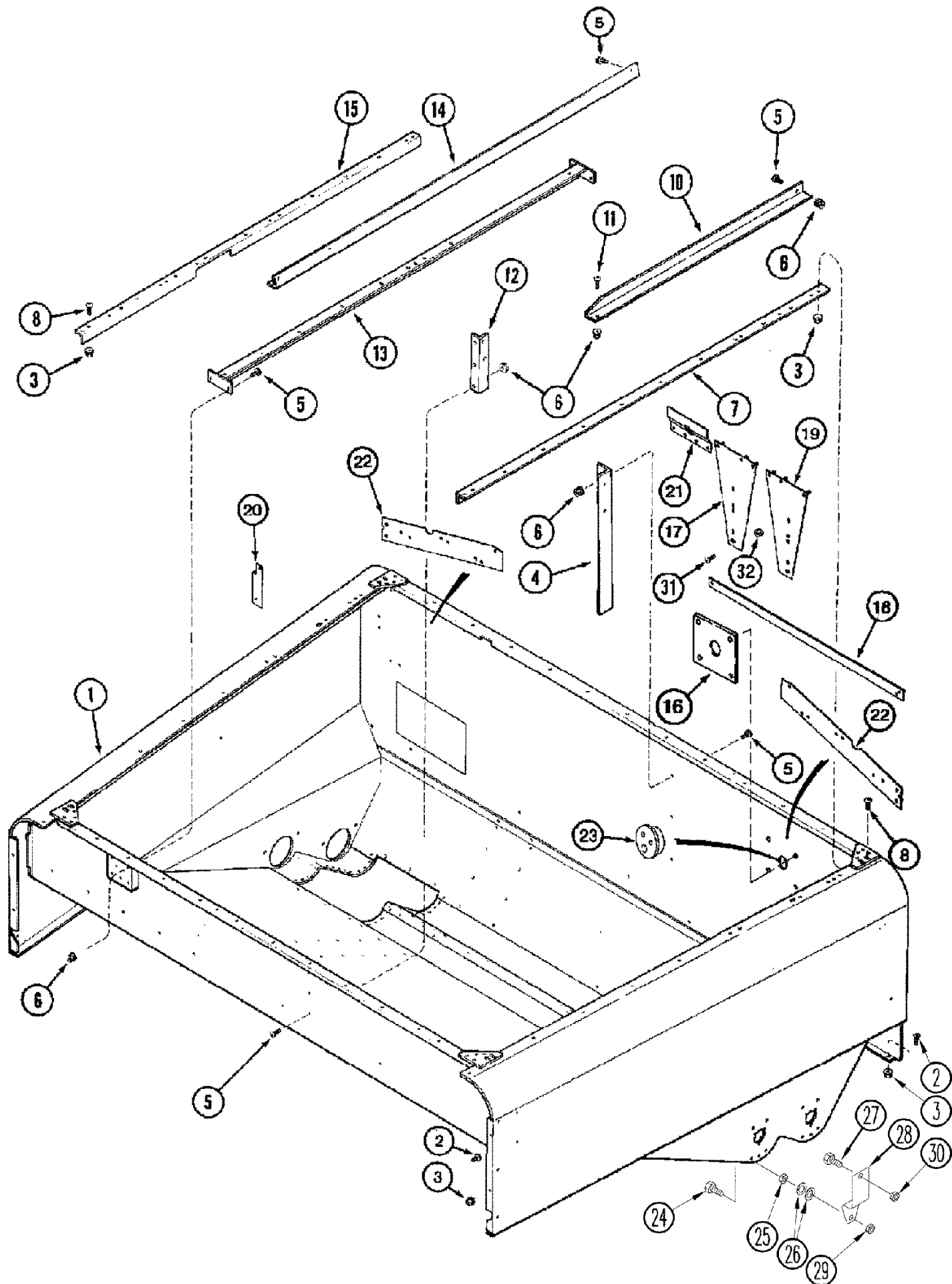


09D-17 TAILINGS - SUPPORTS AND DRIVE SHIELD

сылка	Номер детали	Кол-во	Описание
1	143896A2	1	SHIELD,
2	143899A1	1	HINGE,
3	143902A2	1	HINGE,
4	144167A1	1	STEM,
5	432-416	1	PIN, SPLIT (COTTER), 1/16" x 1", 1/16" x 1"
6	143909A1	1	SUPPORT,
7	409-7512	10	BOLT, Hex Flg, 5/16"-18 x 3/4", Serr,
8	231-5145	10	NUT, Flg, USR, 5/16"-18,
9	187884C1	1	SEAL, 51 mm (2 in.), Cut From 187885C1
9	187885C1	1	SEAL, 660 mm (26 in.), Cut From 187885C1
10	143910A2	1	SUPPORT,
11	409-7512	2	BOLT, Hex Flg, 5/16"-18 x 3/4", Serr,
12	231-5145	2	NUT, Flg, USR, 5/16"-18,
13	141224A1	1	LATCH,
14	413-416	4	BOLT, Hex, 1/4"-20 x 1", G5,
15	282145A1	1	BOLT, SPECIAL,
15A	495-21050	1	WASHER, 7/16", (1/2 x 1-1/4 x 5/64"), Not Illustrated
16	231-5148	1	NUT, Flg, USR, 1/2"-13,
17	176083A2	1	SUPPORT,
18	409-7512	4	BOLT, Hex Flg, 5/16"-18 x 3/4", Serr,
19	231-5145	4	NUT, Flg, USR, 5/16"-18,
20	143912A1	1	BALL JOINT, Lower
21	143913A1	1	BALL JOINT, Upper
22	143914A2	1	STEM,
23	425-116	1	NUT, 3/8"-24, G5,
24	413-616	3	BOLT, Hex, 3/8"-16 x 1", G5, Full Thd,
24A	492-11038	3	WASHER, LOCK, 3/8", Not illustrated
25	232-5316	3	NUT, LOCK, Flg, 3/8"-16, 3/8

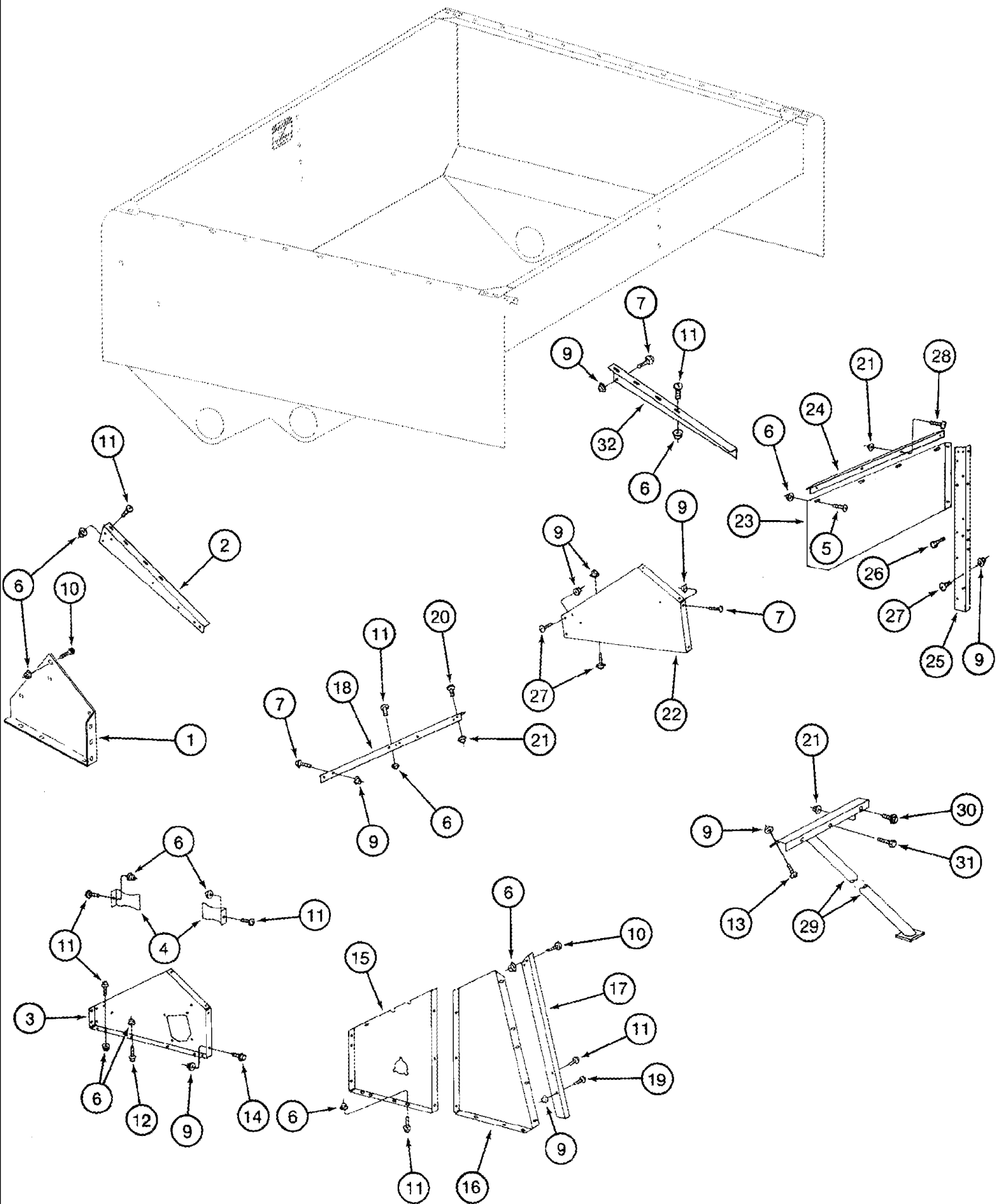


сылка	Номер детали	Кол-во	Описание
1	189455A5	1	HOPPER, Inc. Decal, See Figure 09H-21, Ref. 7
2	477-73108	AR	SCREW, Slt'd Serr Truss Hd, 5/16"-18 x 1/2", 5/16 x 1/2
3	231-5145	AR	NUT, Flg, USR, 5/16"-18,
4	192765C1	1	SUPPORT, Front
5	477-73812	AR	SCREW, Slt'd Serr Truss Hd, 3/8" x 3/4", 3/8 x 3/4
6	231-5146	AR	NUT, Flg, USR, 3/8"-16,
7	195398C3	1	SUPPORT, Upper Right Hand
8	477-73112	AR	BOLT, Slotted Tr Hd, 5/16"-18 x 3/4",
10	188414C6	1	ANGLE,
12	181682C2	1	SUPPORT, Rear
13	192855C1	1	SUPPORT,
14	192767C8	1	SUPPORT,
15	195397C4	1	SUPPORT, Upper Left Hand
16	179296A2	1	PLATE, LARGE, If Used
17	255261A2	1	PLATE, LARGE, Left Hand
18	255684A1	1	STRAP, Right Hand Front
19	255263A2	1	PLATE, LARGE, Right Hand Front
20	255724A1	1	SUPPORT, Left Hand
21	255448A1	1	PLATE, Tool
22	259235A3	2	SUPPORT, Front
23	258336A1	1	GROMMET,
24	409-7816	AR	BOLT, Hex Flg, 1/2"-13 x 1", Serr, 1/2 x 1, Not Illustrated
25	231-5148	AR	NUT, Flg, USR, 1/2"-13, Not Illustrated
26	409-7616	AR	BOLT, Hex Flg, 3/8"-16 x 1", Serr, Not Illustrated
27	409-7612	AR	BOLT, Hex Flg, 3/8"-16 x 3/4", Serr, Not Illustrated
28	409-7516	AR	BOLT, Hex Flg, 5/16"-18 x 1", Serr, Not Illustrated
11	477-73816	AR	SCREW, Slt'd Serr Truss Hd, 3/8" x 1",



сылка	Номер детали	Кол-во	Описание
1	189455A5	1	HOPPER, Grain Tank, Inc. Decal, See Figure 09H-21, Ref. 7, BSN JJC0255699
1	429977A3	1	GRAIN TANK, Grain, Inc. Decal, See Figure 09H-21, Ref. 7, ASN JJC0255700
2	477-73108	AR	SCREW, Sltd Serr Truss Hd, 5/16"-18 x 1/2", 5/16 x 1/2
2	256873	7	BOLT, Hex Flg, 5/16"-18 x 1/2", Serr,
2	409-7516	2	BOLT, Hex Flg, 5/16"-18 x 1", Serr,
2	409-7524	2	BOLT, Hex Flg, 5/16"-18 x 1 1/2", Serr, 5/16 x 1-1/2
3	231-5145	AR	NUT, Flg, USR, 5/16"-18,
4	192765C1	1	SUPPORT, Front
5	477-73812	AR	SCREW, Sltd Serr Truss Hd, 3/8" x 3/4", 3/8 x 3/4
5	409-7612	2	BOLT, Hex Flg, 3/8"-16 x 3/4", Serr,
5	409-7616	2	BOLT, Hex Flg, 3/8"-16 x 1", Serr,
6	231-5146	AR	NUT, Flg, USR, 3/8"-16,
7	195398C3	1	SUPPORT, Upper Right Hand
8	477-73112	AR	BOLT, Slotted Tr Hd, 5/16"-18 x 3/4",
10	188414C6	1	ANGLE,
12	181682C2	1	SUPPORT, Rear
13	192855C1	1	SUPPORT,
14	192767C8	1	SUPPORT,
15	195397C4	1	SUPPORT, Upper Left Hand
16	179296A2	1	PLATE, LARGE,
17	255261A2	1	PLATE, LARGE, Left Hand
18	255684A1	1	STRAP, Right Hand Front
19	255263A2	1	PLATE, LARGE, Right Hand Front
20	255724A1	1	SUPPORT, Left Hand
21	255448A1	1	PLATE, Tool
22	259235A3	2	SUPPORT, Front
23	258336A1	1	GROMMET,
24	409-7520	3	BOLT, Hex Flg, 5/16"-18 x 1 1/4", Serr, 1-1/4 x 5/16; 5
25	129-419	2	NUT, WING, 5/16"-18,
26	495-11034	4	WASHER, 5/16", SAE, (11/32 x 11/16 x 1/16")
27	440-1106	2	SCREW, Cross Pan Hd, #10-24 x 3/8", 10 x 3/4
28	431114A1	2	BRACKET,
29	492-11031	2	WASHER, LOCK, 5/16",
30	86625057	2	NUT, LOCK, #10-24, GB,
31	409-7816	2	BOLT, Hex Flg, 1/2"-13 x 1", Serr, 1/2 x 1
32	231-5148	2	NUT, Flg, USR, 1/2"-13,
11	477-73816	AR	SCREW, Sltd Serr Truss Hd, 3/8" x 1",

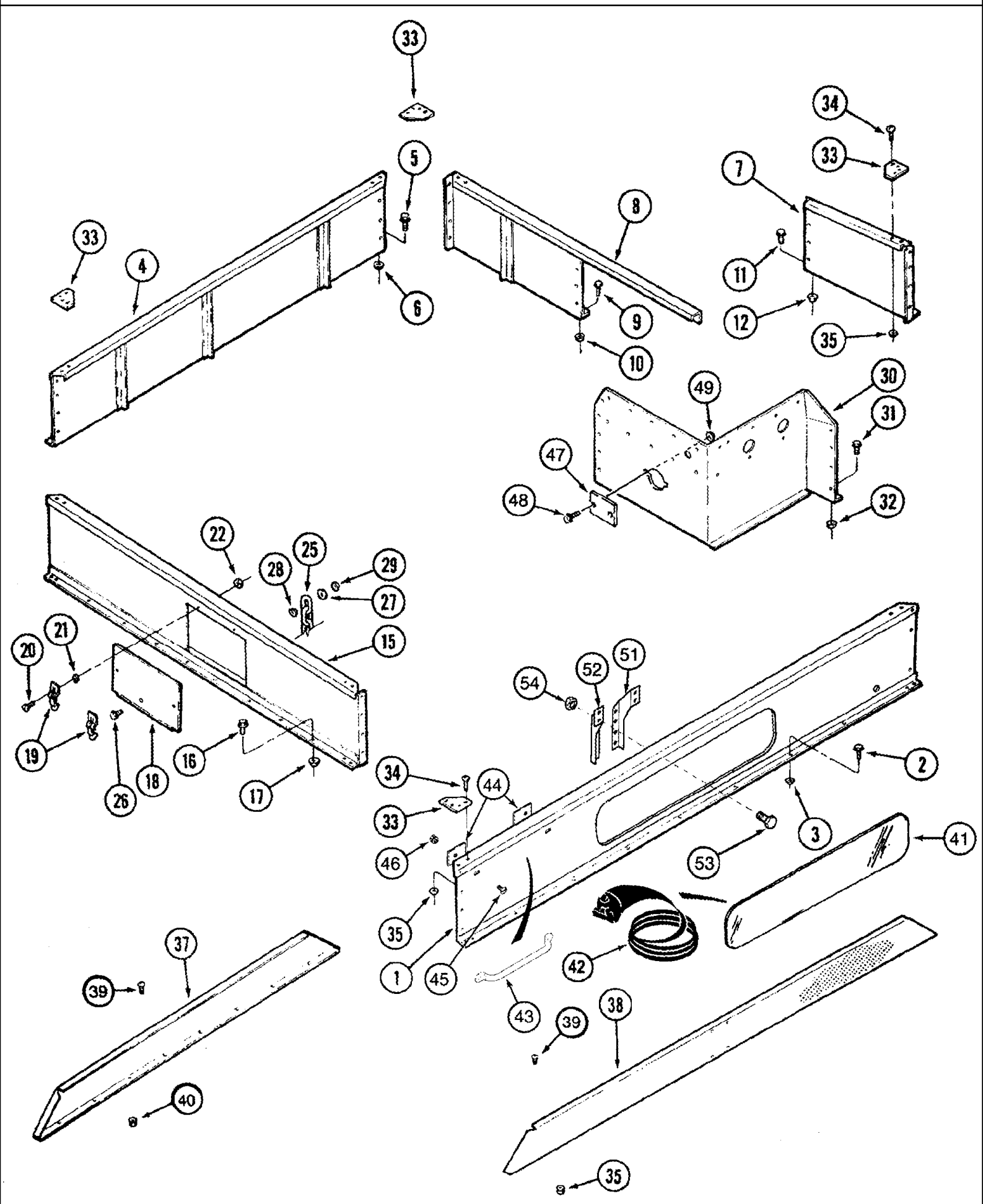
09E-02 GRAIN TANK - SUPPORTS, LOWER



09E-02 GRAIN TANK - SUPPORTS, LOWER

сылка	Номер детали	Кол-во	Описание
1	256221A1	1	SUPPORT, Left Hand Front
2	192768C3	1	SUPPORT, Diagonal Left Hand
3	192771C3	1	SUPPORT, Center Left Hand
4	193531C1	4	SUPPORT,
5	477-73108	AR	SCREW, Slt'd Serr Truss Hd, 5/16"-18 x 1/2", 5/16 x 1/2
6	231-5145	AR	NUT, Flg, USR, 5/16"-18,
7	477-73812	AR	SCREW, Slt'd Serr Truss Hd, 3/8" x 3/4", 3/8 x 3/4
9	231-5146	AR	NUT, Flg, USR, 3/8"-16,
10	409-7512	6	BOLT, Hex Flg, 5/16"-18 x 3/4", Serr,
11	477-73112	AR	BOLT, Slotted Tr Hd, 5/16"-18 x 3/4",
12	409-7612	4	BOLT, Hex Flg, 3/8"-16 x 3/4", Serr,
13	409-7616	2	BOLT, Hex Flg, 3/8"-16 x 1", Serr,
15	1347380C2	1	SUPPORT, Left Hand Rear
16	192777C2	1	SUPPORT, Left Hand Rear
17	192775C3	1	SUPPORT, Left Hand Rear
18	192773C1	1	ANGLE, Left Hand Rear
19	409-7616	2	BOLT, Hex Flg, 3/8"-16 x 1", Serr,
20	409-7816	1	BOLT, Hex Flg, 1/2"-13 x 1", Serr, 1/2 x 1
21	231-5148	3	NUT, Flg, USR, 1/2"-13,
22	192772C3	1	SUPPORT, Centre Right Hand
23	192474C1	1	SUPPORT, Right Hand
24	192774C1	1	SUPPORT, Lower Right Hand Rear
25	181392C3	1	SUPPORT, Vertical, Right Hand Rear
26	199953C1	16	SCREW, SELF TAPPING, Hex Wash Hd, 5/16"-18 x 13/16",
27	409-7612	AR	BOLT, Hex Flg, 3/8"-16 x 3/4", Serr,
28	409-7816	1	BOLT, Hex Flg, 1/2"-13 x 1", Serr, 1/2 x 1
29	125382A1	1	SUPPORT, Rear
30	409-7820	1	BOLT, Hex Flg, 1/2"-13 x 1 1/4", Serr,
31	413-824	1	BOLT, Hex, 1/2"-13 x 1 1/2", G5, Full Thd, 1/2 x 1-1/2
32	192769C3	1	SUPPORT, Diagonal Right Hand
33	477-73116	AR	SCREW, Slt'd Serr Truss Hd, 5/16"-18 x 1", 5/16 x 1, Not Illustrated
14	477-73816	2	SCREW, Slt'd Serr Truss Hd, 3/8" x 1",

09E-03 GRAIN TANK EXTENSIONS

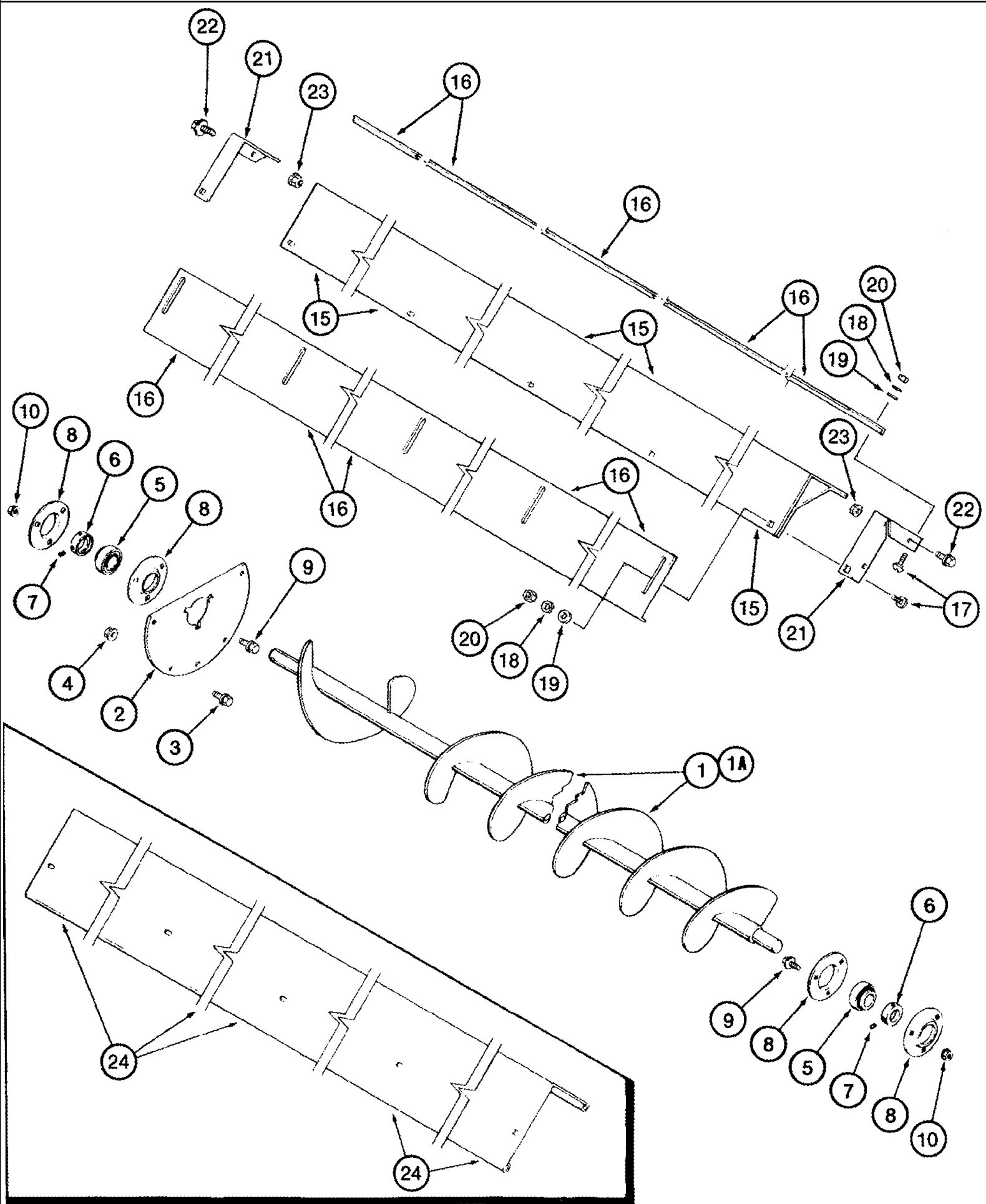


09E-03 GRAIN TANK EXTENSIONS

сылка	Номер детали	Кол-во	Описание
1	189460A3	1	EXTENSION, Inc. Decal, See Figure 09H-21, Ref. 7
2	409-7512	23	BOLT, Hex Flg, 5/16"-18 x 3/4", Serr,
3	231-5145	23	NUT, Flg, USR, 5/16"-18,
4	419891A3	1	EXTENSION, Rear
5	409-7512	19	BOLT, Hex Flg, 5/16"-18 x 3/4", Serr, , BSN JJC0254999
5	409-7520	1	BOLT, Hex Flg, 5/16"-18 x 1 1/4", Serr, 5/16 x 1-1/4, ASN JJC0255000
5	409-7512	24	BOLT, Hex Flg, 5/16"-18 x 3/4", Serr, , ASN JJC0255000
6	231-5145	19	NUT, Flg, USR, 5/16"-18, , BSN JJC0254999
6	231-5145	24	NUT, Flg, USR, 5/16"-18, , ASN JJC0255000
7	1321813C2	1	GUARD, Left Hand Front
8	1321810C1	1	EXTENSION, Left Hand Rear
9	409-7512	20	BOLT, Hex Flg, 5/16"-18 x 3/4", Serr,
10	231-5145	20	NUT, Flg, USR, 5/16"-18,
11	409-7612	5	BOLT, Hex Flg, 3/8"-16 x 3/4", Serr,
12	231-5146	5	NUT, Flg, USR, 3/8"-16,
15	1327639C2	1	EXTENSION, Right Hand
16	409-7516	12	BOLT, Hex Flg, 5/16"-18 x 1", Serr,
17	231-5145	12	NUT, Flg, USR, 5/16"-18,
18	1327644C2	1	PLATE,
19	167800C1	2	FASTENER,
20	470-11012	2	SCREW, Slotted Pan Hd, #10-24 x 3/4", No. 10 x 3/4
21	492-11010	2	WASHER, LOCK, #10,
22	225-14110	2	NUT, #10-24,
25	167570C1	1	CHAIN,
26	409-7416	2	BOLT, Hex Flg, 1/4"-20 x 1", Serr,
27	495-11028	2	WASHER, 1/4", SAE, (9/32 x 5/8 x 1/16")
28	231-5144	2	NUT, Flg, USR, 1/4"-20,
29	231-4144	2	NUT, LOCK, 1/4"-20, GB,
30	1317644C2	1	SUPPORT,
31	409-7512	6	BOLT, Hex Flg, 5/16"-18 x 3/4", Serr,
32	231-5145	6	NUT, Flg, USR, 5/16"-18,
33	1321757C1	4	PLATE,
34	477-73112	16	BOLT, Slotted Tr Hd, 5/16"-18 x 3/4",
35	231-5145	16	NUT, Flg, USR, 5/16"-18,
37	183157C3	1	SUPPORT, Front Extension, Rice Combine
38	183276C2	1	SUPPORT, Rear Extension, Rice Combine
39	477-73112	15	BOLT, Slotted Tr Hd, 5/16"-18 x 3/4",
40	231-5145	15	NUT, Flg, USR, 5/16"-18,
41	184957A1	1	GLASS,
42	188214A1	1	SEAL, WINDOW,
43	256952A2	1-2	HANDRAIL,
44	275731A1	2-4	PLATE,
45	279182A3	2-4	BOLT, 3/8 x 1

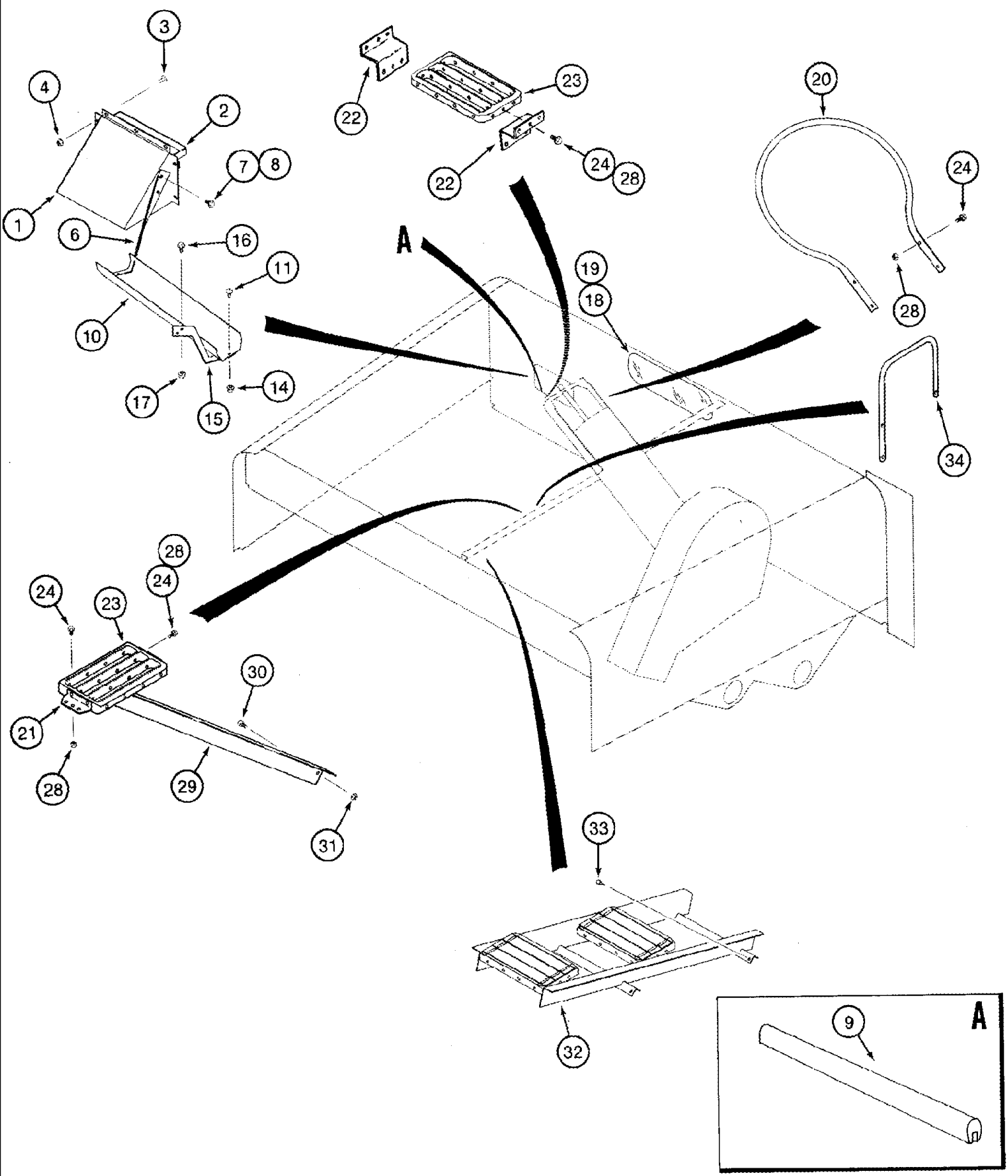
09E-03 GRAIN TANK EXTENSIONS

сылка	Номер детали	Кол-во	Описание
46	231-5146	2-4	NUT, Flg, USR, 3/8"-16,
47	1317645C2	1	PLATE,
48	256873	2	BOLT, Hex Flg, 5/16"-18 x 1/2", Serr,
49	231-5145	2	NUT, Flg, USR, 5/16"-18,
50	198820C1	2	GROMMET, Not Illustrated
51	241682A1	1	SUPPORT, Left Hand
52	241683A1	1	SUPPORT, Right Hand
53	409-7512	4	BOLT, Hex Flg, 5/16"-18 x 3/4", Serr,
54	231-5145	4	NUT, Flg, USR, 5/16"-18,
55	258728A1	3	STRIP, SEALING, Not Illustrated
56	418214A1	1	ANGLE, Engine Cover Support

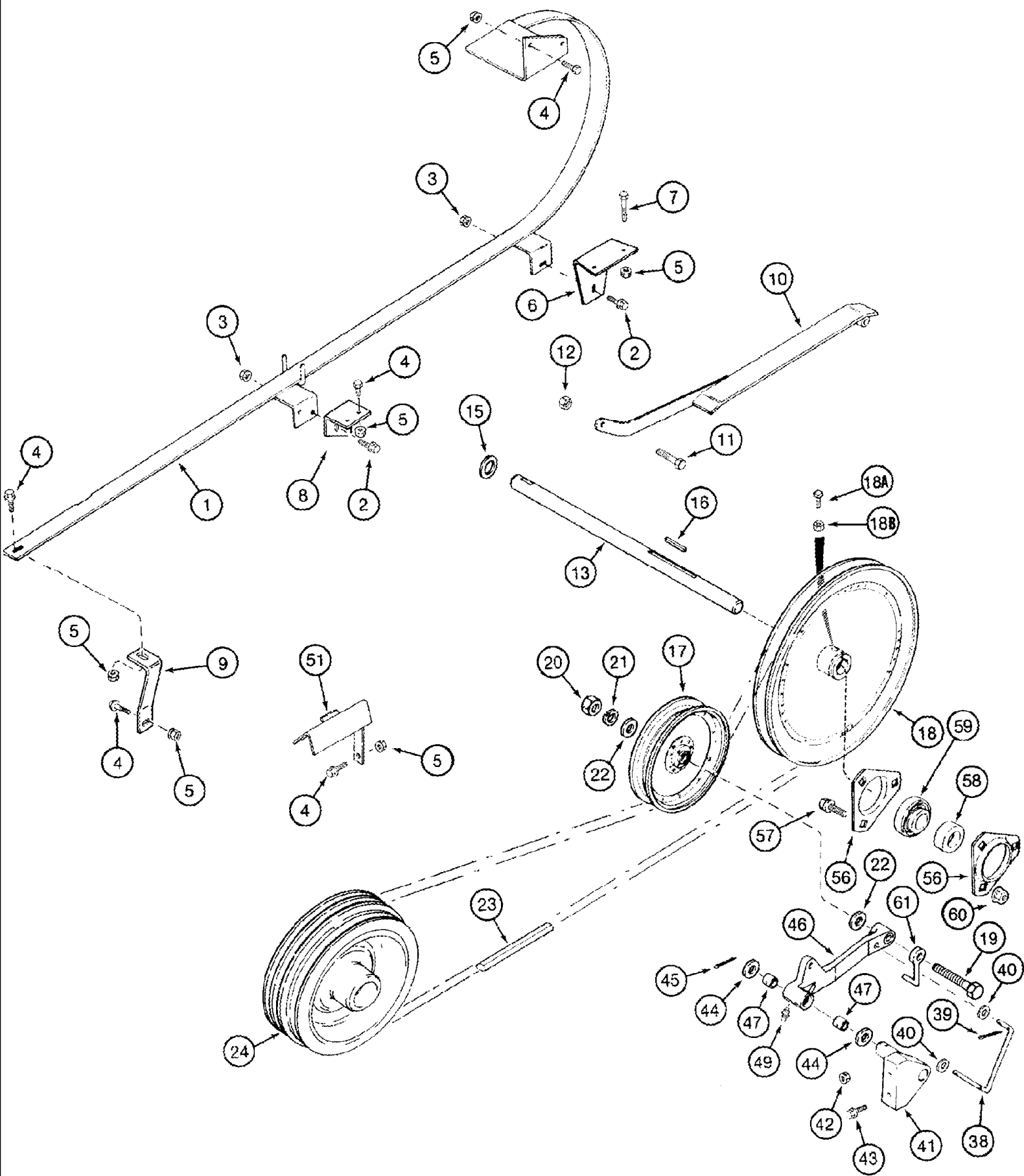


09E-04 AUGERS - GRAIN TANK, LOWER

сылка	Номер детали	Кол-во	Описание
1	192784C3	2	AUGER, Grain Tank, Lower, BSN JJC0252949
1	390556A1	2	AUGER, Grain Tank, Lower, ASN JJC0252950
1A	249276A2	2	AUGER, Grain Tank, Lower, Extended Wear Rice Combines
2	192789C1	2	RETAINER,
3	409-7512	9	BOLT, Hex Flg, 5/16"-18 x 3/4", Serr,
3	409-7520	1	BOLT, Hex Flg, 5/16"-18 x 1 1/4", Serr, 5/16 x 1-1/4
4	231-5145	10	NUT, Flg, USR, 5/16"-18,
5	204807C91	4	BEARING, BALL,
6	455102R21	4	COLLAR, Inc. 7
7	83-1254	1	SET SCREW, Hex Soc, 1/4"-20 x 1/4",
8	462360R1	8	FLANGE,
9	409-7512	12	BOLT, Hex Flg, 5/16"-18 x 3/4", Serr,
10	231-5145	12	NUT, Flg, USR, 5/16"-18,
15	1321082C5	2	COVER,
16	1321089C1	4	PLATE,
17	434-516	20	BOLT, CARRIAGE, Short NK, 5/16"-18 x 1", G5, Full Thd,
18	492-11031	20	WASHER, LOCK, 5/16",
19	496-21034	20	WASHER, 11/32" x 11/16" x 0.89", HDN,
20	425-105	20	NUT, 5/16"-18, G5,
21	1321242C1	4	SUPPORT,
22	409-7612	8	BOLT, Hex Flg, 3/8"-16 x 3/4", Serr,
23	231-5146	8	NUT, Flg, USR, 3/8"-16,
24	1979940C3	1	COVER,



сылка	Номер детали	Кол-во	Описание
1	115730A1	1	SHEET, Access Hole
2	185668A1	1	SUPPORT,
3	477-73112	7	BOLT, Slotted Tr Hd, 5/16"-18 x 3/4",
4	231-5145	7	NUT, Flg, USR, 5/16"-18,
6	124001A1	1	SUPPORT,
7	409-7512	2	BOLT, Hex Flg, 5/16"-18 x 3/4", Serr,
8	231-5145	2	NUT, Flg, USR, 5/16"-18,
9	87029779	1	SEAL, 292 mm (11-1/2 in.), Cut From 1330108CX
10	123977A2	1	BOTTOM,
11	477-73112	2	BOLT, Slotted Tr Hd, 5/16"-18 x 3/4",
14	231-5145	2	NUT, Flg, USR, 5/16"-18,
15	124000A1	1	SUPPORT, Inclined Delivery Auger
15A	134101A1	1	SUPPORT, Horizontal Delivery Auger, Not Illustrated
16	409-7512	2	BOLT, Hex Flg, 5/16"-18 x 3/4", Serr,
17	231-5145	2	NUT, Flg, USR, 5/16"-18,
18	120550A1	1	GLASS,
19	123579A1	1	STRIP, 1524 mm (60 in.), Cut From 198131C3
20	129073A1	1	HANDLE, Inclined Delivery Auger
21	129077A3	2	SUPPORT,
22	141410A1	2	SUPPORT,
23	1531337C1	2	STEP,
24	409-7512	16	BOLT, Hex Flg, 5/16"-18 x 3/4", Serr,
28	231-5145	16	NUT, Flg, USR, 5/16"-18,
29	129079A2	1	SUPPORT,
30	409-7512	3	BOLT, Hex Flg, 5/16"-18 x 3/4", Serr,
31	231-5145	3	NUT, Flg, USR, 5/16"-18,
32	129080A3	1	LADDER,
32A	D80270	AR	STRIP, Non-Slip, 635 mm (25 in) x 51 mm (2 in), Not Illustrated
33	275-14712	4	SCREW, SELF TAPPING, Hex Hd, 1/4" x 3/4", 1/4 x 3/4
34	185348A1	1	GRAB RAIL, Horizontal Delivery Auger
	413-532	3	BOLT, Hex, 5/16"-18 x 2", G5,
	495-11034	3	WASHER, 5/16", SAE, (11/32 x 11/16 x 1/16")
	231-1445	3	NUT, LOCK, 5/16"-18, GB,



09E-06 UNLOADER, BELT DRIVE

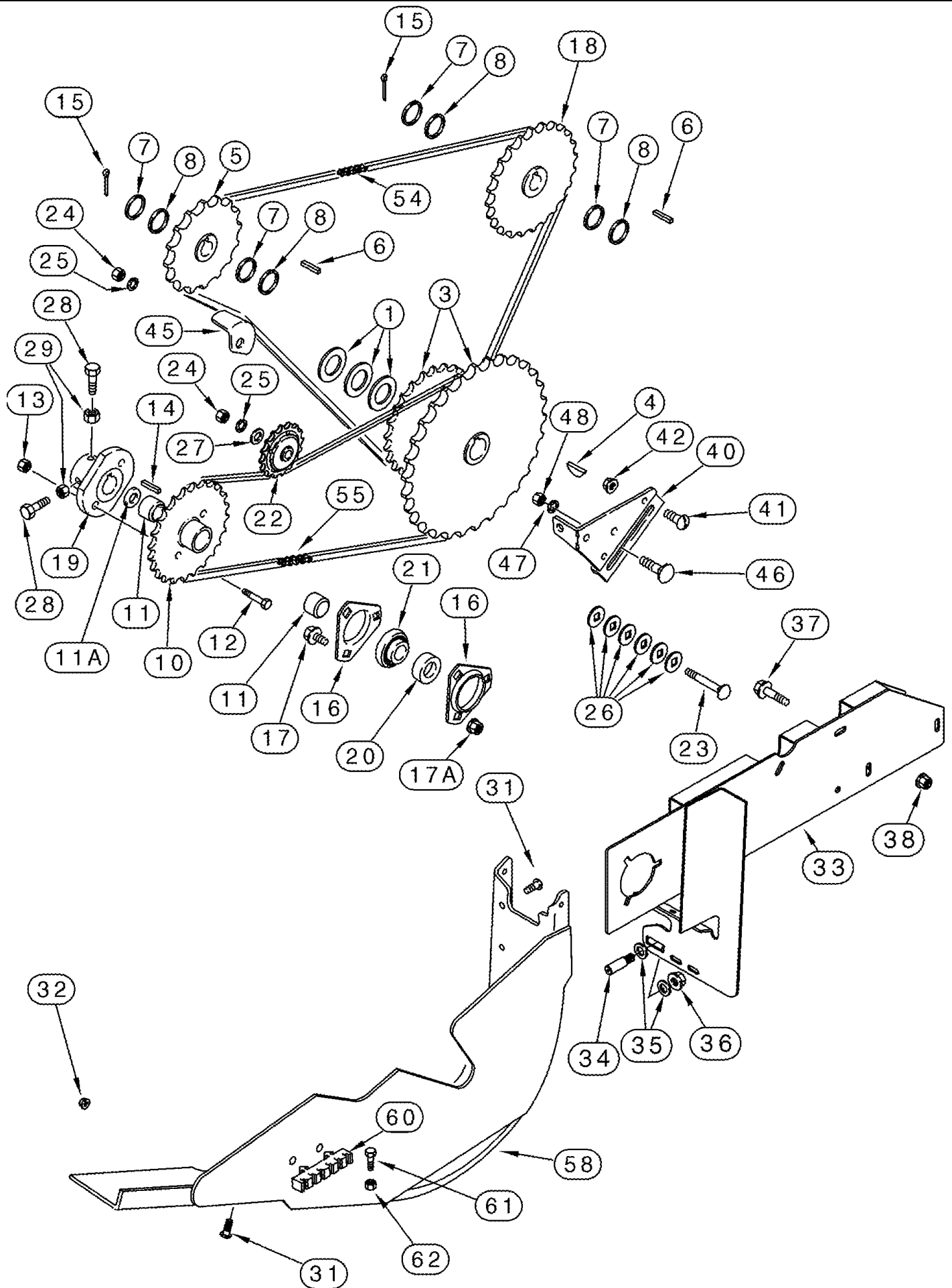
сылка	Номер детали	Кол-во	Описание
1	126536A2	1	GUIDE,
2	409-7516	2	BOLT, Hex Flg, 5/16"-18 x 1", Serr,
3	231-5145	2	NUT, Flg, USR, 5/16"-18,
4	409-7616	6	BOLT, Hex Flg, 3/8"-16 x 1", Serr,
5	231-5146	8	NUT, Flg, USR, 3/8"-16,
6	192870C2	1	SUPPORT, front
7	409-7620	2	BOLT, Hex Flg, 3/8"-16 x 1 1/4", Serr,
8	126540A1	1	SUPPORT, Center
9	126542A1	1	SUPPORT, Lower Rear
10	196917A1	1	GUIDE,
11	413-820	1	BOLT, Hex, 1/2"-13 x 1 1/4", G5, Full Thd, 1/2 x 1-1/4
12	231-1448	1	NUT, 1/2"-13, GB, 1/2
13	1347494C1	1	SHAFT,
14	432-1624	1	PIN, SPLIT (COTTER), 1/4" x 1 1/2", Not Illustrated
15	495-81202	1	WASHER, 1 9/32" x 1 3/4" x .060", 1-9/32 x 1-3/4 x 1/16
16	586879R1	1	KEY, 5/16 x 2
17	177195C1	1	PULLEY ASSY., Drive, 8 in OD
18	1994762C2	1	PULLEY, Driven
18A	485-13116	2	SET SCREW, Sq Hd, 5/16"-18 x 1", Cup pt,
18B	425-145	2	NUT, Jam, 5/16"-18, G5,
19	413-1060	1	BOLT, Hex, 5/8"-11 x 3 3/4", G5, 5/8 x 3-3/4
20	425-1010	1	NUT, 5/8"-11, G5,
21	492-11062	1	WASHER, LOCK, 5/8",
22	496-21066	2	WASHER, 21/32" x 1 5/16" x .150",
23	191290C1	1	BELT,
24	122949A1	1	PULLEY, Drive, Auxiliary Pump, See Figure 08-11
38	193820C1	1	ROD,
39	432-812	2	PIN, SPLIT (COTTER), 1/8" x 3/4",
40	495-11034	4	WASHER, 5/16", SAE, (11/32 x 11/16 x 1/16")
41	191464C3	1	SUPPORT,
42	231-5145	2	NUT, Flg, USR, 5/16"-18,
43	409-7520	2	BOLT, Hex Flg, 5/16"-18 x 1 1/4", Serr, 5/16 x 1-1/4
44	495-81039	3	WASHER, 25/32" x 1 1/4" x .120", 25/32 x 1-1/4 x 7/64
45	432-1620	1	PIN, SPLIT (COTTER), 1/4" x 1 1/4", 1/4" x 1 1/4"
46	112008A1	1	ARM, Includes: Ref. 47
47	382638R2	2	BUSHING, 3/4 ID x 7/8 OD x 3/4
49	219-87	1	NIPPLE, LUBE, 1/4"-28 x .56" lg, Self-Tap,
51	126549A1	1	SUPPORT,
56	180955C1	2	FLANGE,
57	409-7612	3	BOLT, Hex Flg, 3/8"-16 x 3/4", Serr,
58	565672R92	1	BEARING, BALL,
59	455104R11	1	COLLAR,
60	231-5146	3	NUT, Flg, USR, 3/8"-16,

2366 CASE IH AXIAL-FLOW COMBINE (NA) (1/98-8/04)

09E-06 UNLOADER, BELT DRIVE

сылка	Номер детали	Кол-во	Описание
61	194894C1	1	ROD,

09E-07 UNLOADER, CHAIN DRIVE

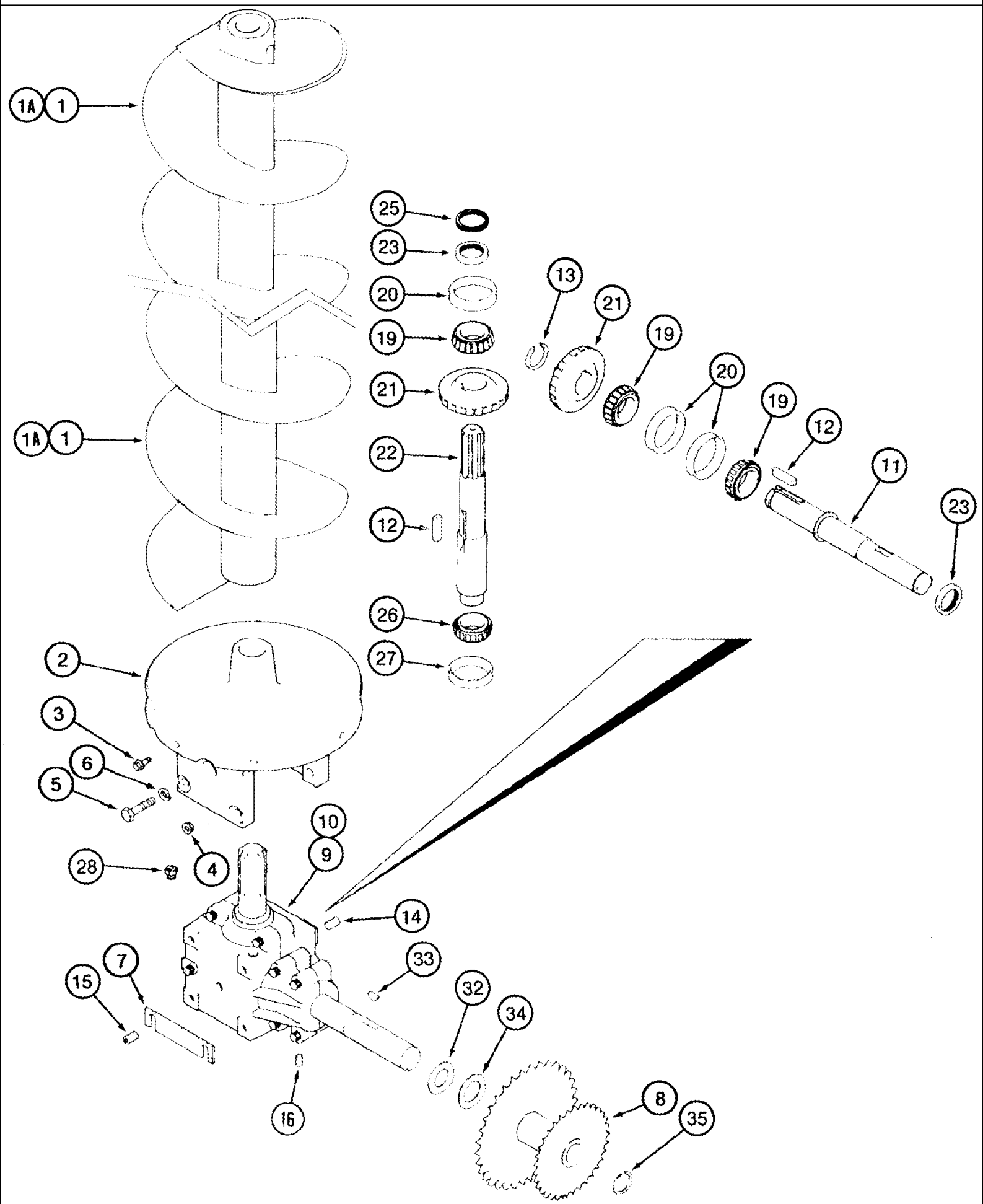


09E-07 UNLOADER, CHAIN DRIVE

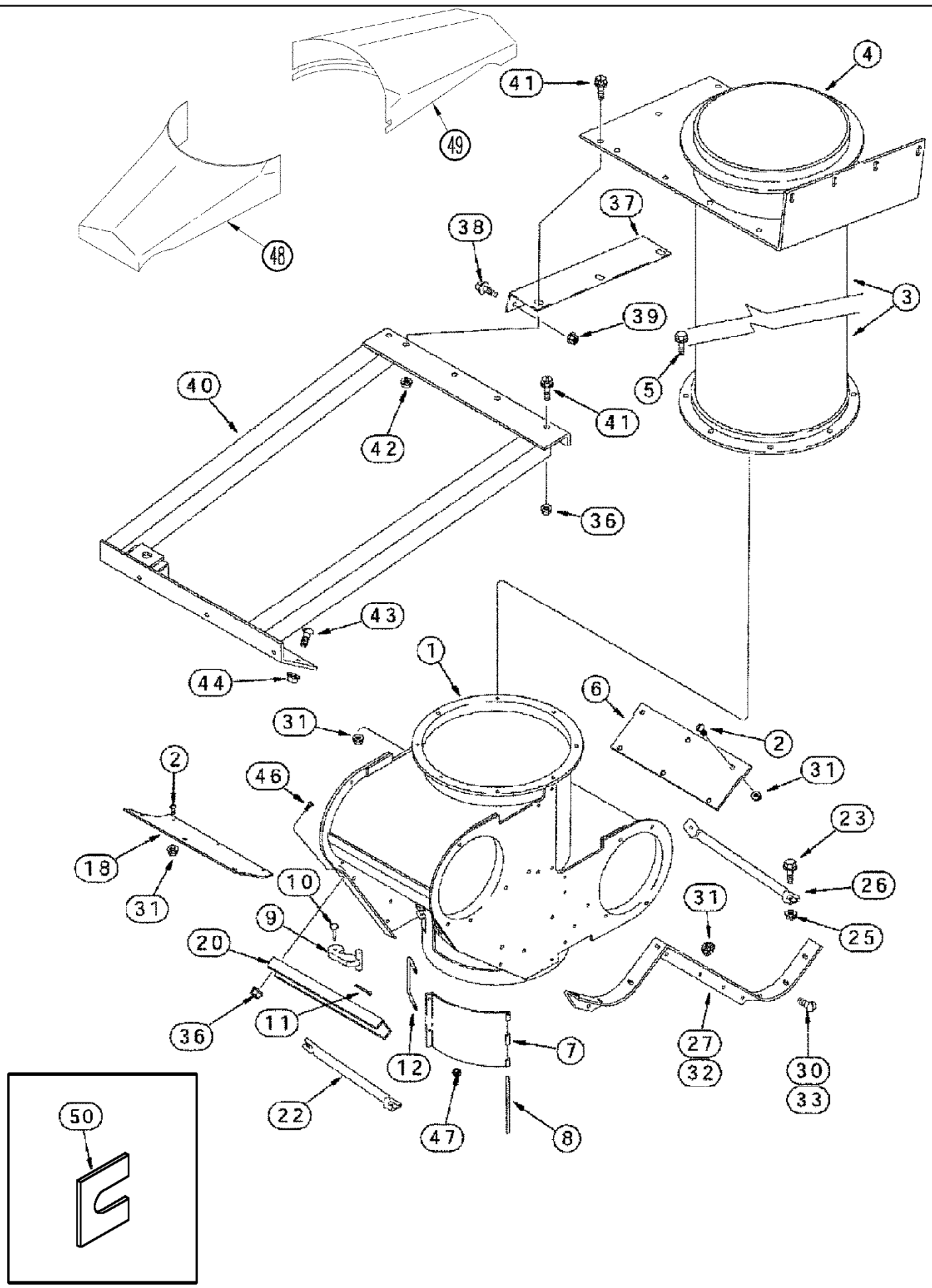
сылка	Номер детали	Кол-во	Описание
1	188354C1	3	WASHER, 1-13/32 x 2-1/4 x 1/8
1	1327731C1	AR	WASHER, THRUST, 1-13/32 x 2-1/4 x 1/8
3	1347402C1	1	SPROCKET, Driven, 33T, 57T
4	126-133	1	KEY, WOODRUFF, #D, 5/16" x 1 1/4", HT,
5	192922C1	1	SPROCKET, 43T
6	Q53	2	KEY, 1/4" Sq x 1", Par,
7	495-81069	8	WASHER, 1 1/32" x 1 1/2" x .060", 1-1/32 x 1-1/2 x 1/16
8	495-81069	4	WASHER, 1 1/32" x 1 1/2" x .060", 1-1/32 x 1-1/2 x 1/16
9	A21619	1	CIRCLIP, Not Illustrated
10	1347360C1	1	SPROCKET, Drive, Inc. 11
11	1347384C1	1	BEARING,
11A	495-81202	2	WASHER, 1 9/32" x 1 3/4" x .060", 1-9/32 x 1-3/4 x 1/16
12	242628A1	2	BOLT, SHEAR, 5/16 x 1-1/4
13	231-1445	2	NUT, LOCK, 5/16"-18, GB,
14	126-147	1	KEY, WOODRUFF, #28, 5/16" x 2 1/8", HT,
15	432-1624	2	PIN, SPLIT (COTTER), 1/4" x 1 1/2",
16	180955C1	2	FLANGE,
17	409-7612	3	BOLT, Hex Flg, 3/8"-16 x 3/4", Serr,
17A	231-5146	3	NUT, Flg, USR, 3/8"-16,
18	192925C1	1	SPROCKET, 37T
19	1347399C1	1	HUB,
20	565672R92	1	BEARING, BALL,
21	455104R11	1	COLLAR,
22	565442R91	1	SPROCKET, 17T
23	434-832	1	BOLT, CARRIAGE, Short NK, 1/2"-13 x 2", G5, Full Thd, 1/2 x 2
24	425-108	1	NUT, 1/2"-13, G5,
25	80679	1	WASHER, LOCK, 1/2",
26	498-81005	AR	WASHER, 17/32" x 1" x .060", Sq Hole, Square Hole, 17/32 x 1 x 1/16
27	496-21053	1	WASHER, 17/32" x 1 1/16" x .134",
28	485-13116	2	SET SCREW, Sq Hd, 5/16"-18 x 1", Cup pt,
29	425-145	2	NUT, Jam, 5/16"-18, G5,
31	409-7512	4	BOLT, Hex Flg, 5/16"-18 x 3/4", Serr,
32	231-5145	4	NUT, Flg, USR, 5/16"-18,
33	139706A3	1	SUPPORT, Outer
34	282145A1	1	BOLT, SPECIAL,
35	495-21050	2	WASHER, 7/16", (1/2 x 1-1/4 x 5/64")
36	231-5148	1	NUT, Flg, USR, 1/2"-13,
37	409-7612	4	BOLT, Hex Flg, 3/8"-16 x 3/4", Serr,
38	231-5146	4	NUT, Flg, USR, 3/8"-16,
40	175595A1	1	SUPPORT,
41	409-7512	3	BOLT, Hex Flg, 5/16"-18 x 3/4", Serr,
42	231-5145	3	NUT, Flg, USR, 5/16"-18,
45	936878R1	1	BLOCK,

09E-07 UNLOADER, CHAIN DRIVE

сылка	Номер детали	Кол-во	Описание
46	434-820	1	BOLT, CARRIAGE, Short NK, 1/2"-13 x 1 1/4", G5, Full Thd, 1/2 x 1-1/4
47	80679	1	WASHER, LOCK, 1/2",
48	425-108	1	NUT, 1/2"-13, G5,
54	113200A1	1	CHAIN, Order: 1790D (149), 1301D (1)
55	1303207C91	1	CHAIN, Order: 1791D (127), 241-1315 (2), 1315D (1), 241-1115 (1)
58	140181A3	1	SHIELD,
60	3102155R1	1	HOLDER,
61	242628A1	6	BOLT, SHEAR, 5/16 x 1-1/4
62	231-1445	6	NUT, LOCK, 5/16"-18, GB,

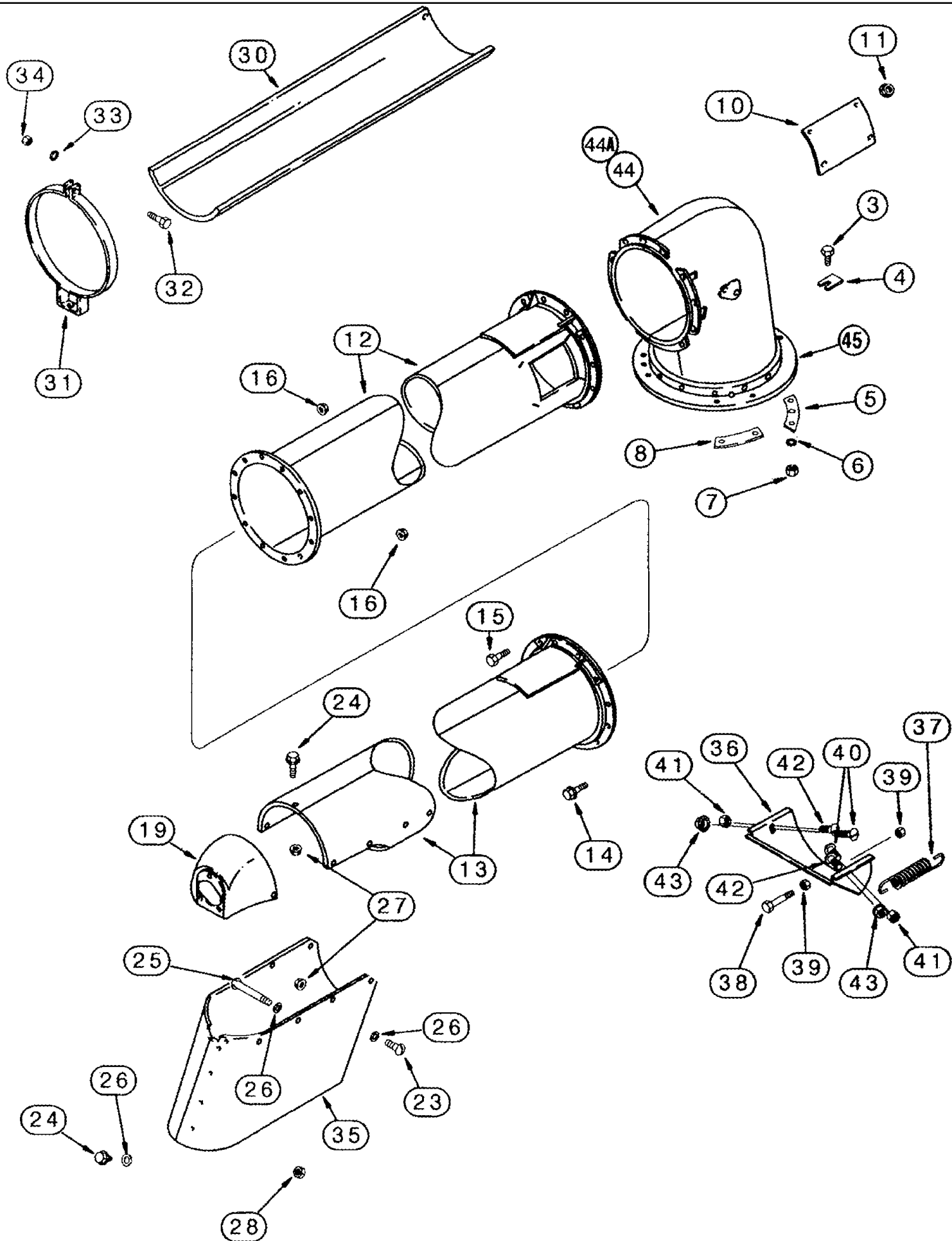


сылка	Номер детали	Кол-во	Описание
1	1347389C1	1	AUGER, Vertical, Unloader, BSN JJC0267149
1	1347389C2	1	AUGER, Vertical, Unloader, ASN JJC0267150
1A	249277A1	1	AUGER, Vertical, Unloader, Extended Wear Rice Combines
2	1347177C1	1	SUPPORT,
3	409-7616	7	BOLT, Hex Flg, 3/8"-16 x 1", Serr,
3	409-7620	2	BOLT, Hex Flg, 3/8"-16 x 1 1/4", Serr,
4	231-5146	9	NUT, Flg, USR, 3/8"-16,
5	413-824	6	BOLT, Hex, 1/2"-13 x 1 1/2", G5, Full Thd, 1/2 x 1-1/2
6	80679	6	WASHER, LOCK, 1/2",
7	1347337C1	AR	SHIM,
8	1347402C1	1	SPROCKET, Driven, 33T, 57T
9	1347336C2	1	GEARBOX, Inc. 10 - 29
10	NSS	1	NOT SERVICED SEPARATELY, HOUSING
11	1989462C1	1	SHAFT, 1-1/2 OD
12	1989564C1	2	KEY, 3/8
13	1989563C1	1	RING, SNAP,
14	217-439	1	PLUG, Hex Soc, 1/2"-14,
15	221-667	1	PLUG, DRAIN, Hex Soc, 1/2" NPT,
16	221-671	1	PLUG, DRAIN, Hex Soc, 1/4" NPT,
19	779103R91	3	BEARING, CONE,
20	518819R1	3	BEARING, CUP,
21	1989464C1	2	PINION,
22	1989463C1	1	SHAFT, 1-3/8 OD
23	1989581C1	2	SEAL,
24	61-33836	1	SCREW, Hex Soc Hd, 3/8"-16 x 2 1/4", 3/8 x 2-1/4, Not Illustrated
25	1347432C2	1	SEAL,
26	20879D	1	BEARING, CONE,
27	ST991	1	BEARING, CUP,
28	219-431	1	NIPPLE, LUBE, 1/8"-27 NPT x .50" lg, Press Relief, Pressure Relief, 1/8 PT x 1/2, 7-1/2 to 15 psi
29	436993A1	1	CAP, Not Illustrated
32	1327731C1	7	WASHER, THRUST, 1-13/32 x 2-1/4 x 1/8
33	126-133	1	KEY, WOODRUFF, #D, 5/16" x 1 1/4", HT,
34	188354C1	3	WASHER, Outer
35	A21619	1	CIRCLIP,



сылка	Номер детали	Кол-во	Описание
1	192475C3	1	HOUSING,
2	477-73108	28	SCREW, Sltd Serr Truss Hd, 5/16"-18 x 1/2", 5/16 x 1/2
	248307A2	1	TUBE, Inc. 3 - 4A
3	NSS	1	NOT SERVICED SEPARATELY, Tube, Unloader, Vertical
4	237009A1	1	RING,
4A	49-516	12	RIVET, Tr Hd, 5/16" x 1", 5/16 x 1, Not Illustrated
5	409-7512	8	BOLT, Hex Flg, 5/16"-18 x 3/4", Serr,
6	191087C1	1	PLATE, Front
7	189284A1	1	DOOR, Inc. Decal, See Figure 09H-21, Ref. 8
8	393069R1	1	PIN,
9	155909C1	1	LATCH,
10	439-1420	1	PIN, HEADED, 1/4" x 1 1/4", 1/4 x 1-1/4; 2
11	432-812	1	PIN, SPLIT (COTTER), 1/8" x 3/4",
12	195332C1	1	U-BOLT,
18	191110C1	1	SUPPORT, Rear
20	192834C1	1	CHANNEL,
22	192848C2	1	ROD, Rear
23	409-7624	2	BOLT, Hex Flg, 3/8"-16 x 1 1/2", Serr,
25	231-5146	2	NUT, Flg, USR, 3/8"-16,
26	192847C2	1	ROD, Front
27	192828C1	1	SUPPORT, Left Hand
30	477-73108	20	SCREW, Sltd Serr Truss Hd, 5/16"-18 x 1/2", 5/16 x 1/2
31	231-5145	58	NUT, Flg, USR, 5/16"-18,
32	192829C1	1	SUPPORT, Right Hand
33	477-73112	2	BOLT, Slotted Tr Hd, 5/16"-18 x 3/4",
36	231-5146	9	NUT, Flg, USR, 3/8"-16,
37	1338393C2	1	ANGLE,
38	450-73816	3	SCREW, CrossSerr Truss Hd, 3/8"-16 x 1", 3/8 x 1
39	231-5146	3	NUT, Flg, USR, 3/8"-16,
40	176208A2	1	SUPPORT,
41	409-7612	10	BOLT, Hex Flg, 3/8"-16 x 3/4", Serr,
42	231-5146	10	NUT, Flg, USR, 3/8"-16,
43	477-73116	6	SCREW, Sltd Serr Truss Hd, 5/16"-18 x 1", 5/16 x 1
44	231-5145	6	NUT, Flg, USR, 5/16"-18,
46	477-73812	2	SCREW, Sltd Serr Truss Hd, 3/8" x 3/4", 3/8 x 3/4
47	231-1444	2	NUT, LOCK, 1/4"-20, GB,
48	434785A1	1	INSERT, Unloader Sump, Front
49	434786A1	1	INSERT, Unloader Sump, Rear
50	151670C1	5	PLATE, LOCKING, Unloader Housing Lower

09E-10 UNLOADER - TUBE, UPPER



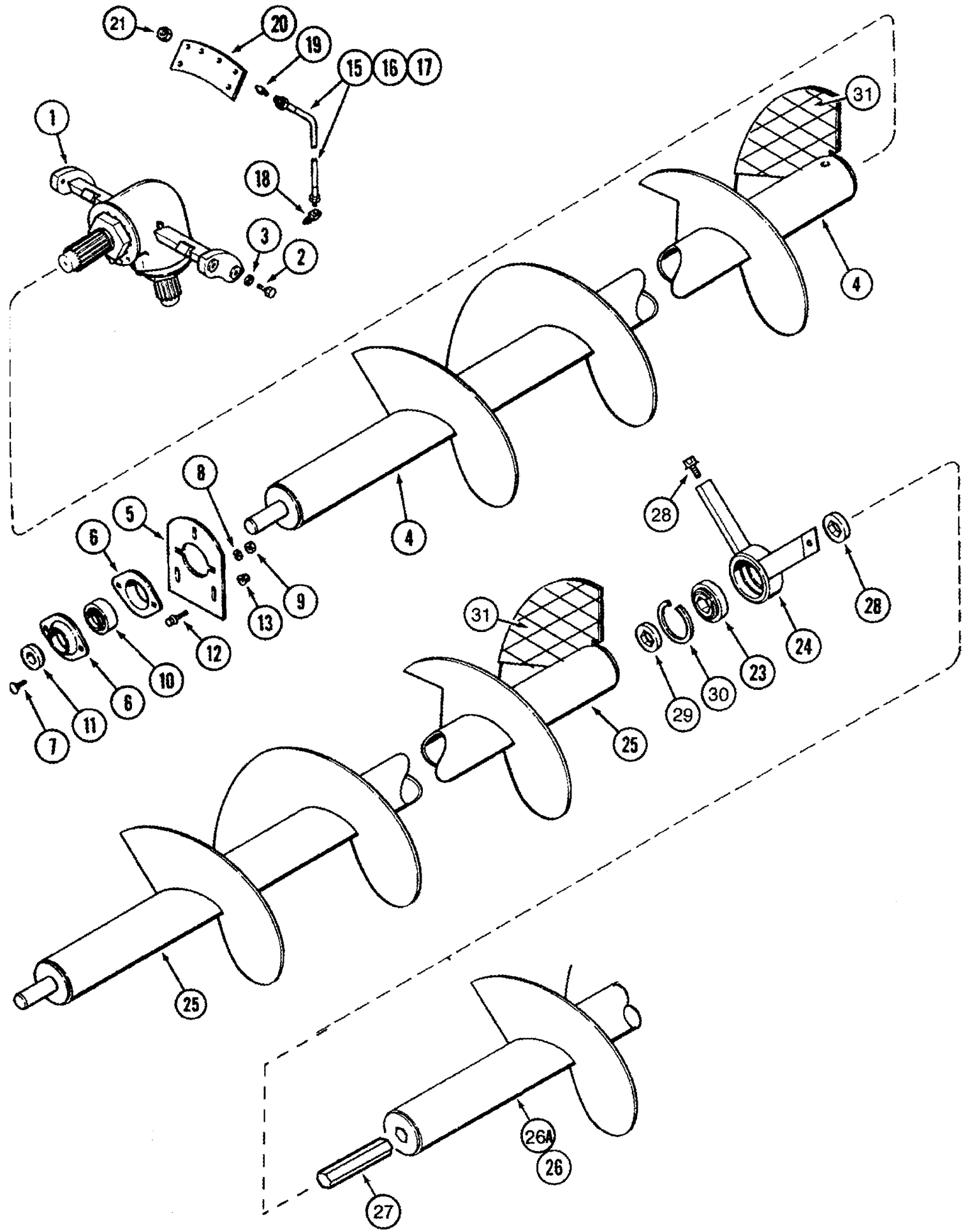
09E-10 UNLOADER - TUBE, UPPER

сылка	Номер детали	Кол-во	Описание
3	413-628	4	BOLT, Hex, 3/8"-16 x 1 3/4", G5,
4	151670C1	AR	PLATE, LOCKING, 0.036 in.
5	186657C3	1	SUPPORT,
6	492-11038	4	WASHER, LOCK, 3/8",
7	425-106	4	NUT, 3/8"-16, G5,
8	193472C2	1	PLATE,
10	178158C1	1	PLATE,
11	231-5145	4	NUT, Flg, USR, 5/16"-18,
12	1317738C1	1	TUBE, 89.96 in, Front, Plain
12	1317873C1	1	TUBE, 89.96 in, Front, Perforated
13	1317783C5	1	TUBE, Rear, 82.47 in.
13	1317899C4	1	TUBE, Rear, 118.031 in.
14	409-7612	8-10	BOLT, Hex Flg, 3/8"-16 x 3/4", Serr,
15	409-7616	2-4	BOLT, Hex Flg, 3/8"-16 x 1", Serr,
16	231-5146	12	NUT, Flg, USR, 3/8"-16,
19	182837C2	1	CAP,
23	477-73112	4-6	BOLT, Slotted Tr Hd, 5/16"-18 x 3/4",
24	409-7516	7	BOLT, Hex Flg, 5/16"-18 x 1", Serr,
25	477-73120	6	SCREW, Sltd Serr Truss Hd, 5/16"-18 x 1 1/4",
26	495-81121	16-22	WASHER, .344" x 1 1/2" x .060", 11/32 x 1-1/2 x 1/16
27	231-5145	11-17	NUT, Flg, USR, 5/16"-18,
28	231-4115	4	NUT, LOCK, 5/16"-18, GB,
30	178165C2	1	COVER, Perforated
31	178166C1	4	CLAMP, Perforated
32	185856C1	4	SCREW, 5/16 x 2
33	492-11031	4	WASHER, LOCK, 5/16",
34	425-105	4	NUT, 5/16"-18, G5,
35	113488A1	1	SPOUT, Down
36	115867A1	1	DOOR,
37	1338869C2	2	SPRING,
38	113-250	1	BOLT, Hex, 3/8"-16 x 2 1/2", G5, Full Thd,
39	231-5146	2	NUT, Flg, USR, 3/8"-16,
40	477-82516	2	SCREW, Sltd Serr Truss Hd, 1/4"-20 x 1", 1/4 x 1; 8
41	425-104	4	NUT, 1/4"-20, G5,
42	477-73116	2	SCREW, Sltd Serr Truss Hd, 5/16"-18 x 1", 5/16 x 1
43	231-5145	2	NUT, Flg, USR, 5/16"-18,
44	248308A1	1	ELBOW, Inc. 45 - 47, BSN JJC0254999
44	248308A2	1	ELBOW, Inc. 45 - 47, ASN JJC0255000
44A	291131A1	1	ELBOW, Inc. 45 - 47, Extended Wear Rice Combines, BSN JJC0254999
44A	291131A2	1	ELBOW, Inc. 45 - 47, Extended Wear Rice Combines, ASN JJC0255000
45	237007A1	1	RING, , BSN JJC0254999
45	237007A2	1	RING, , ASN JJC0255000
46	49-516	20	RIVET, Tr Hd, 5/16" x 1", 5/16 x 1, Not Illustrated

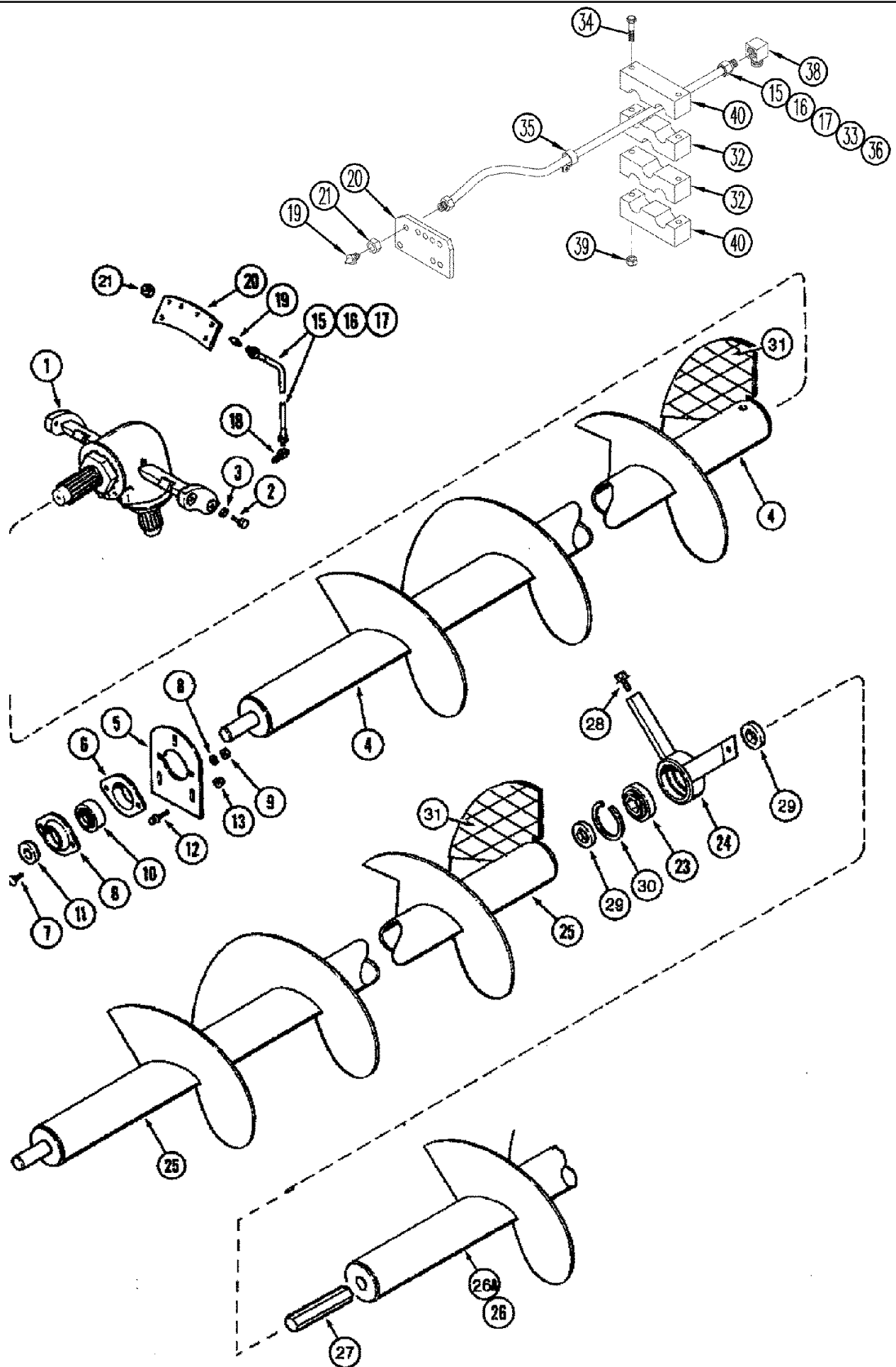
2366 CASE IH AXIAL-FLOW COMBINE (NA) (1/98-8/04)

09E-10 UNLOADER - TUBE, UPPER

сылка	Номер детали	Кол-во	Описание
47	275-14712	3	SCREW, SELF TAPPING, Hex Hd, 1/4" x 3/4", 1/4 x 3/4, Not Illustrated

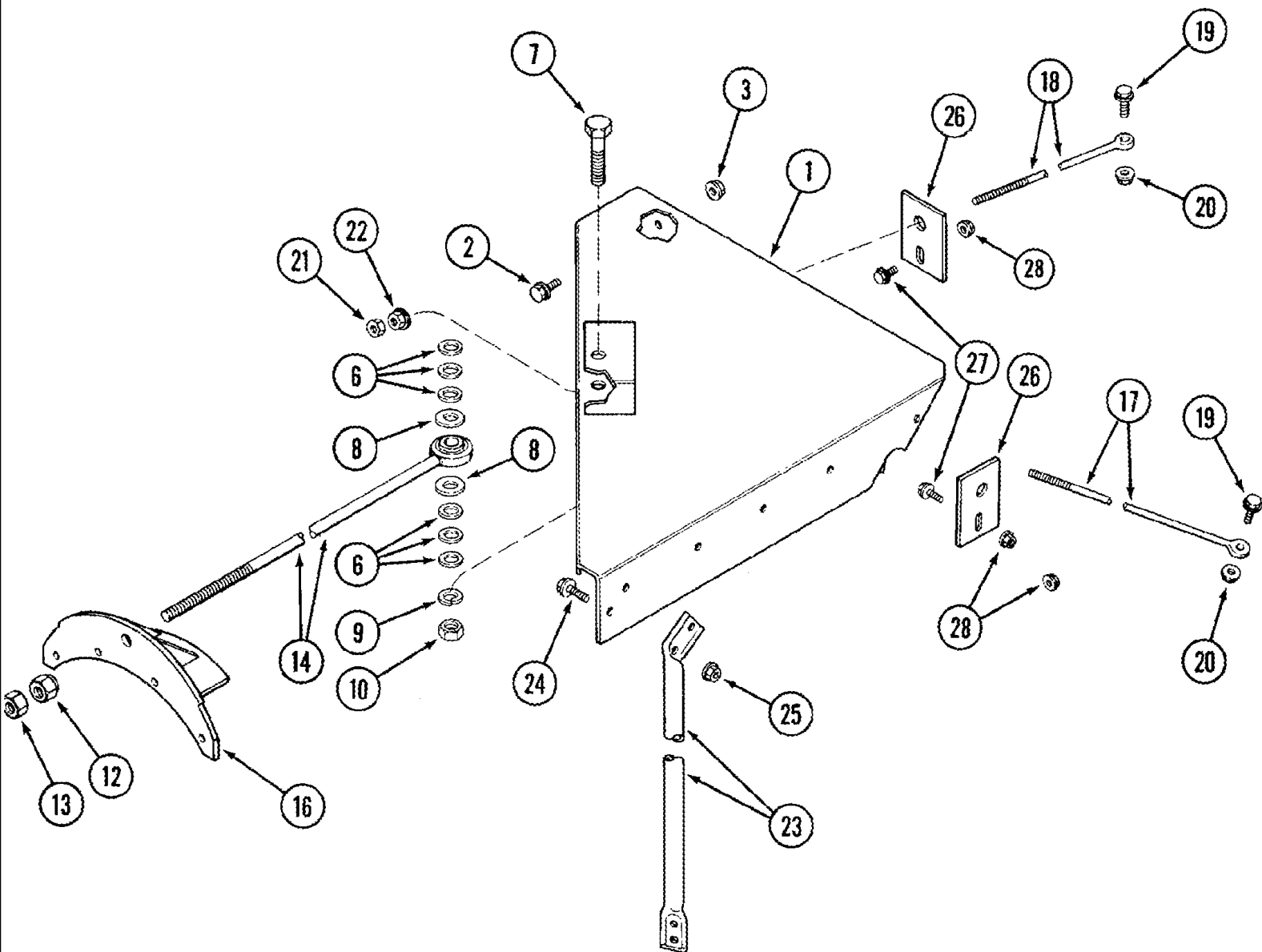


сылка	Номер детали	Кол-во	Описание
1	1347351C1	1	HOUSING,
2	426-612	4	BOLT, Hex, 3/8"-16 x 3/4", G8, Full Thd, 3/8 x 3/4; 8
3	492-11038	4	WASHER, LOCK, 3/8",
4	183927A1	1	AUGER, One Piece, 136 in.
5	182838C1	1	SUPPORT,
6	50591	2	FLANGE,
7	434-512	2	BOLT, CARRIAGE, Short NK, 5/16"-18 x 3/4", G5, Full Thd,
8	492-11031	2	WASHER, LOCK, 5/16",
9	425-105	2	NUT, 5/16"-18, G5,
10	160796C91	1	BEARING, BALL,
11	564853R11	1	COLLAR,
12	409-7516	3	BOLT, Hex Flg, 5/16"-18 x 1", Serr,
13	231-5145	3	NUT, Flg, USR, 5/16"-18,
15	937779R91	2	HOSE, FLEXIBLE, 559 mm (22-1/8 in.)
16	937781R92	1	HOSE, 686 mm (27-1/8 in.)
17	937782R92	1	HOSE, 787 mm (31 in.)
18	219-438	4	ADAPTER, 45¢, 1/4"-1/8 NPTF, 1/4-28 tpr x 13/16
19	219-8	4	NIPPLE, LUBE, 1/4"-28 NPT x .54" lg,
20	1347449C1	1	SUPPORT,
21	F53473	4	NUT, 1/8 PT
23	203389C91	1	BEARING, BALL,
24	1317859C1	1	SUPPORT,
25	199018A1	1	AUGER, Rear Split, 172 in., BSN JJC0252949
25	199018A2	1	AUGER, Rear Split, 172 in., ASN JJC0252950
25	199023A1	1	AUGER, Rear Split, 208 in., BSN JJC0252949
25	199023A2	1	AUGER, Rear Split, 208 in., ASN JJC0252950
26	198987A1	1	AUGER, Front Split, 172/208 in., BSN JJC0252949
26	198987A2	1	AUGER, Front Split, 172/208 in., ASN JJC0252950
26A	282176A2	1	AUGER, Front Split, 208 in., Extended Wear Rice Combines
27	220040A2	1	SHAFT, 152 mm (6 in.)
28	409-7512	2	BOLT, Hex Flg, 5/16"-18 x 3/4", Serr,
29	1277949C1	4	SPACER, 1/4 x 1; 8
30	360936R1	1	RING,
31	182587A1	AR	KIT, Reinforcements



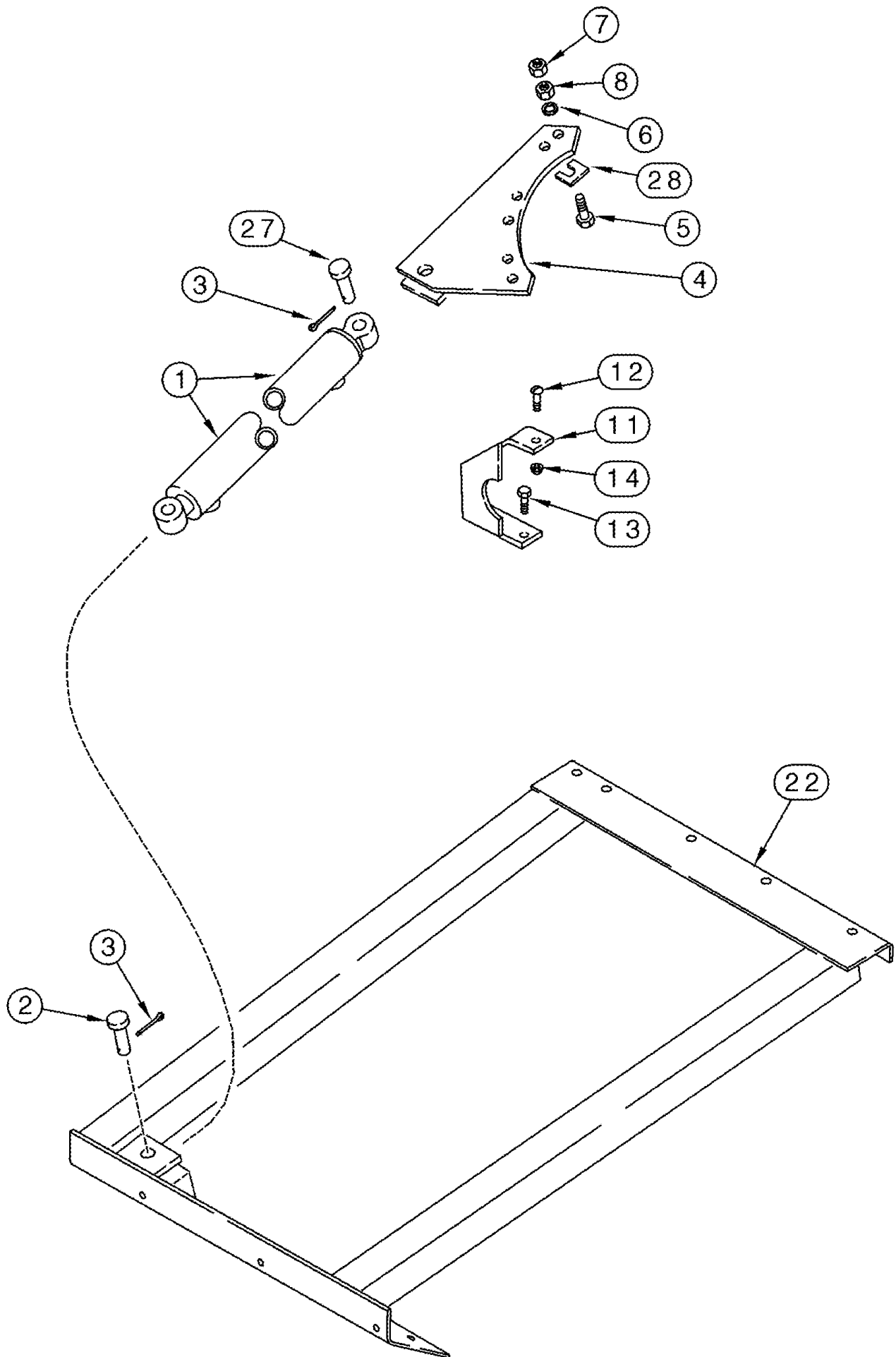
сылка	Номер детали	Кол-во	Описание
1	1347351C1	1	HOUSING,
2	426-612	4	BOLT, Hex, 3/8"-16 x 3/4", G8, Full Thd, 3/8 x 3/4; 8
3	492-11038	4	WASHER, LOCK, 3/8",
4	183927A1	1	AUGER, One Piece, 136 in.
5	182838C1	1	SUPPORT,
6	50591	2	FLANGE,
7	434-512	2	BOLT, CARRIAGE, Short NK, 5/16"-18 x 3/4", G5, Full Thd,
8	492-11031	2	WASHER, LOCK, 5/16",
9	425-105	2	NUT, 5/16"-18, G5,
10	160796C91	1	BEARING, BALL,
11	564853R11	1	COLLAR,
12	409-7516	3	BOLT, Hex Flg, 5/16"-18 x 1", Serr,
13	231-5145	3	NUT, Flg, USR, 5/16"-18,
15	1339004C1	2	HOSE, 1778 mm (70 in.)
16	430376A1	1	HOSE, 1935 mm (76 in.)
17	428284A1	1	HOSE, 1720 mm (68 in.)
18	219-438	4	ADAPTER, 45e, 1/4"-1/8 NPTF, 1/4-28 tpr x 13/16
19	219-8	4	NIPPLE, LUBE, 1/4"-28 NPT x .54" lg,
20	418495A1	1	BRACKET,
21	F53473	4	NUT, 1/8 PT
23	203389C91	1	BEARING, BALL,
24	1317859C1	1	SUPPORT,
25	199018A2	1	AUGER, Rear Split, 172 in., ASN JJC0252950
25	199023A2	1	AUGER, Rear Split, 208 in., ASN JJC0252950
26	198987A2	1	AUGER, Front Split, 172 in., ASN JJC0252950
26	198987A2	1	AUGER, Front Split, 208 in., BTW JJC0252950 & JJC0256399
26A	282176A2	1	AUGER, Front Split, 208 in., Extended Wear Rice Combines, BTW JJC0252950 & JJC0256399
26A	282176A2	1	AUGER, Front Split, 208 in. Standard Equipment, ASN JJC0256400
27	220040A2	1	SHAFT, 152 mm (6 in.)
28	409-7512	2	BOLT, Hex Flg, 5/16"-18 x 3/4", Serr,
29	1277949C1	4	SPACER,
30	360936R1	1	RING,
31	182587A1	AR	KIT, Reinforcements
32	419590A1	2	CLAMP,
33	428294A1	1	HOSE, Grease, 1925 mm (76 in.)
34	413-448	2	BOLT, Hex, 1/4"-20 x 3", G5, 1/4 x 3
35	515-23381	1	CLAMP, 1 1/2", Insul, 3/8" Bolt,
36	1345098C1	1	HOSE, Grease, 1524 mm (60 in.)
37	F53473	1	NUT, 1/8
38	219-438	3	ADAPTER, 45e, 1/4"-1/8 NPTF, 1/4 x 1/8
39	231-5144	2	NUT, Flg, USR, 1/4"-20, (5)
40	429629A1	2	CLAMP,

09E-12 UNLOADER - SUPPORTS



09E-12 UNLOADER - SUPPORTS

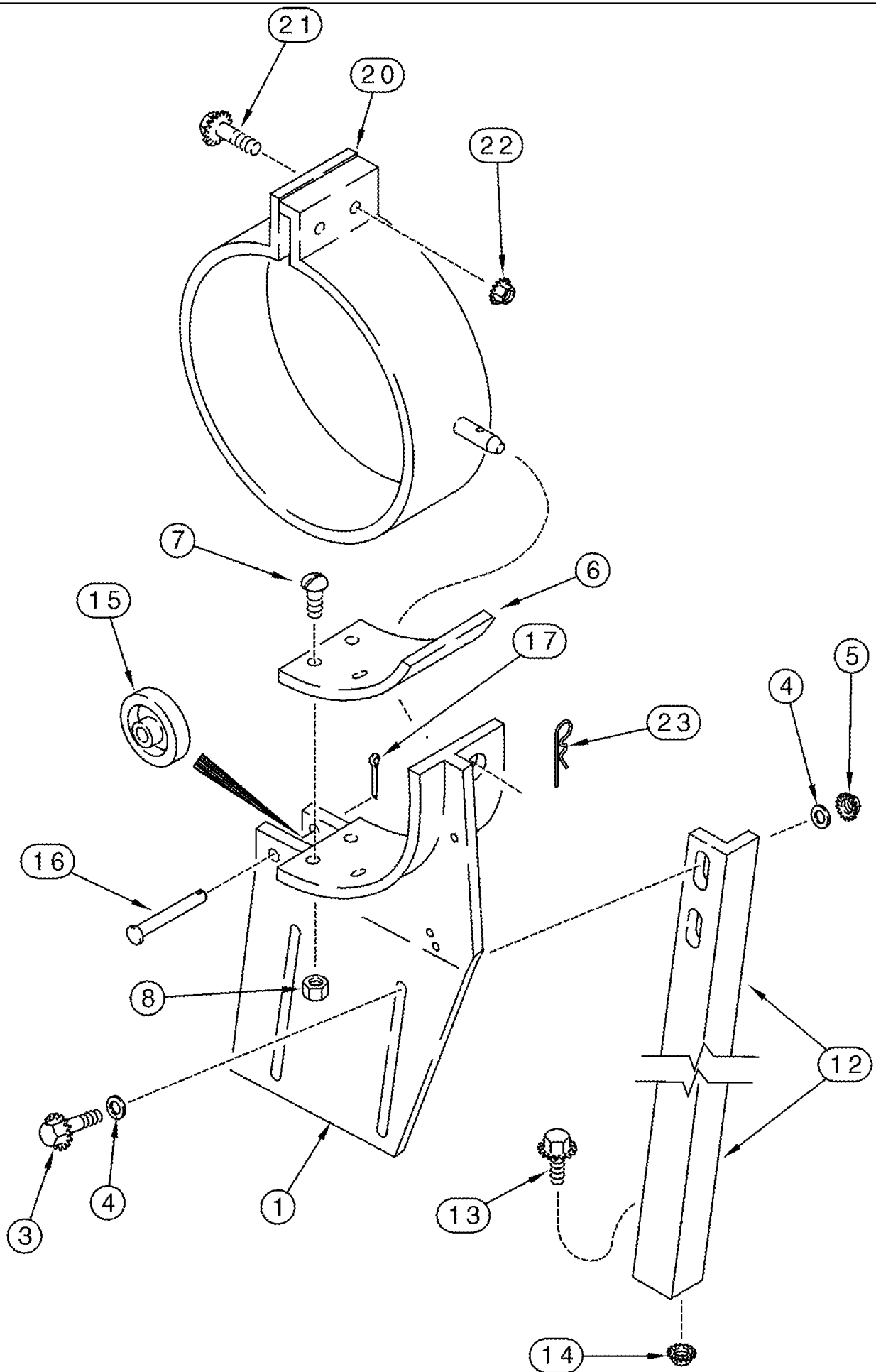
сылка	Номер детали	Кол-во	Описание
1	1327529C2	1	BRACKET,
2	409-7616	8	BOLT, Hex Flg, 3/8"-16 x 1", Serr,
2	409-7516	1	BOLT, Hex Flg, 5/16"-18 x 1", Serr,
3	231-5146	8	NUT, Flg, USR, 3/8"-16,
3	231-5145	1	NUT, Flg, USR, 5/16"-18,
6	495-81175	6	WASHER, 21/32" x 1" x .120", 21/32 x 1 x 7/64
7	413-1048	1	BOLT, Hex, 5/8"-11 x 3", G5, 5/8 x 3
8	496-21066	2	WASHER, 21/32" x 1 5/16" x .150",
9	492-11062	1	WASHER, LOCK, 5/8",
10	425-1010	2	NUT, 5/8"-11, G5,
12	554480R1	1	NUT, 5/8 NF
13	425-1110	1	NUT, 5/8"-18, G5,
14	1979616C2	1	ROD,
16	1317516C1	1	SUPPORT,
17	193625C1	2	ROD,
18	1979494C1	1	ROD,
19	409-7620	3	BOLT, Hex Flg, 3/8"-16 x 1 1/4", Serr,
20	231-5146	3	NUT, Flg, USR, 3/8"-16,
21	425-108	3	NUT, 1/2"-13, G5,
22	231-5148	3	NUT, Flg, USR, 1/2"-13,
23	1338378C1	1	ROD,
24	409-7620	4	BOLT, Hex Flg, 3/8"-16 x 1 1/4", Serr,
25	231-5146	4	NUT, Flg, USR, 3/8"-16,
26	186691C1	3	PLATE,
27	409-7512	3	BOLT, Hex Flg, 5/16"-18 x 3/4", Serr,
28	231-5145	3	NUT, Flg, USR, 5/16"-18,



09E-13 UNLOADER - SUPPORTS, SWING CYLINDER

сылка	Номер детали	Кол-во	Описание
1	175679A2	1	CYLINDER, Unloader Swing, 38 ID x 508 mm strk, See Figure 08-36
2	427-10225	1	PIN, CLEVIS, 5/8" x 1 1/4", 5/8 x 2-1/4
3	432-816	2	PIN, SPLIT (COTTER), 1/8" x 1",
4	1321541C2	1	SUPPORT,
5	426-732	6	BOLT, Hex, 7/16"-14 x 2", G8, 7/16 x 2; 8
6	492-11044	6	WASHER, LOCK, 7/16",
7	429-107	6	NUT, 7/16"-14, G8,
8	329-147	6	NUT, Jam, 7/16"-14, G8,
11	1321509C2	1	SUPPORT,
12	477-73820	1	SCREW, Sltd Serr Truss Hd, 3/8"-16 x 1 1/4", 3/8 x 1-1/4
13	409-7616	2	BOLT, Hex Flg, 3/8"-16 x 1", Serr,
14	231-5146	3	NUT, Flg, USR, 3/8"-16,
22	176208A1	1	SUPPORT,
27	427-10225	1	PIN, CLEVIS, 5/8" x 1 1/4", 5/8 x 2-1/4
28	151670C1	AR	PLATE, LOCKING, 0.036 in.

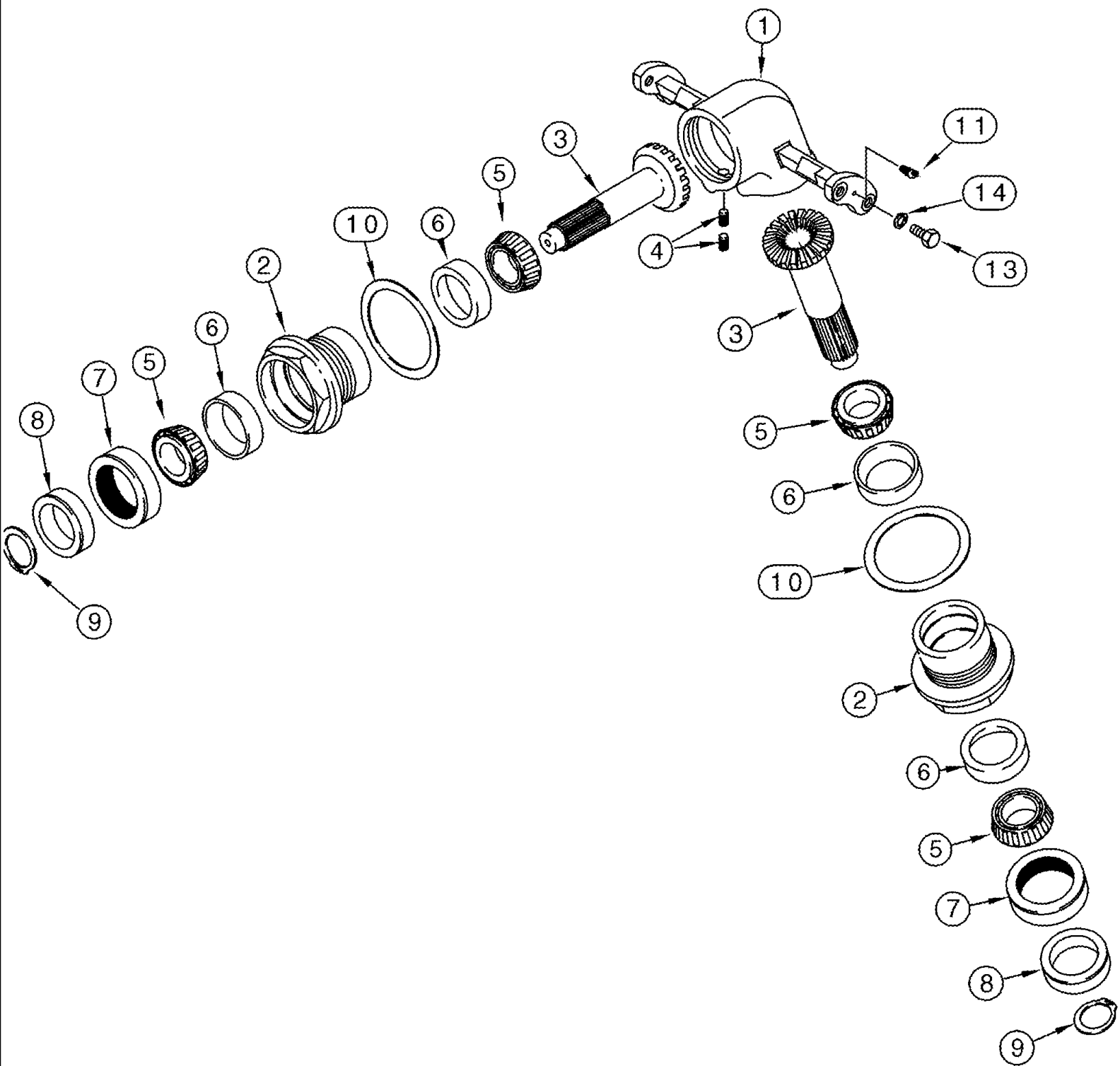
09E-14 UNLOADER - TUBE SADDLE



09E-14 UNLOADER - TUBE SADDLE

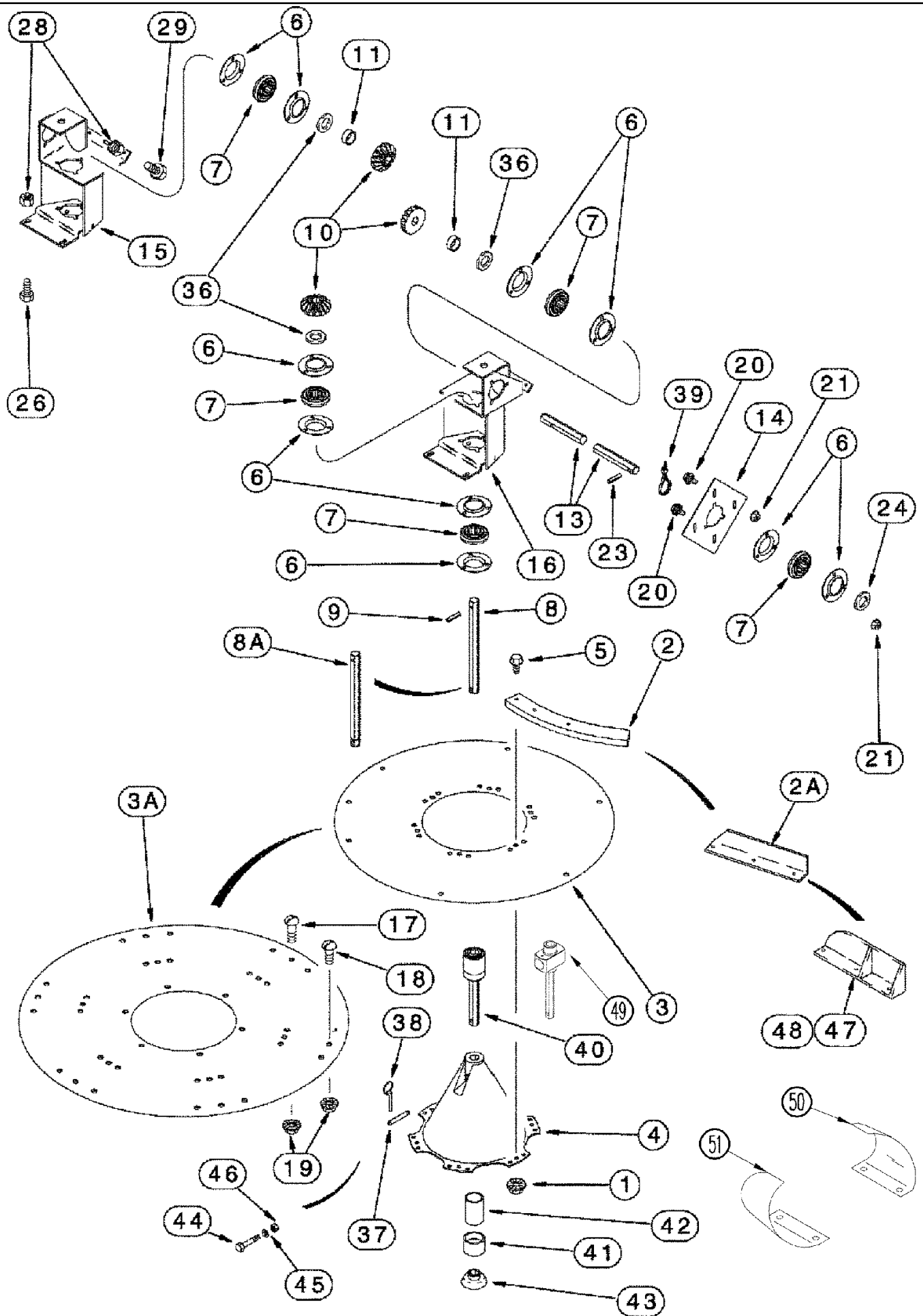
сылка	Номер детали	Кол-во	Описание
1	1321500C2	1	STIRRUP,
3	409-7620	4	BOLT, Hex Flg, 3/8"-16 x 1 1/4", Serr,
4	495-81143	8	WASHER, 13/32" x 1 1/2" x .120", 13/32 x 1-1/2 x 7/64
5	231-5146	4	NUT, Flg, USR, 3/8"-16,
6	1321498C1	1	PAD,
7	477-82512	6	SCREW, Sltd Serr Truss Hd, 1/4"-20 x 3/4", 1/4 x 3/4
8	231-4144	6	NUT, LOCK, 1/4"-20, GB,
12	1319222C1	1	SUPPORT,
13	409-7512	1	BOLT, Hex Flg, 5/16"-18 x 3/4", Serr,
14	231-5145	1	NUT, Flg, USR, 5/16"-18,
15	1321499C1	1	ROLLER,
16	439-5436	1	PIN, HEADED, 1/4" x 2 1/4", G5,
17	432-812	1	PIN, SPLIT (COTTER), 1/8" x 3/4",
20	137953A1	1	CLAMP,
21	409-7524	2	BOLT, Hex Flg, 5/16"-18 x 1 1/2", Serr, 5/16 x 1-1/2
22	231-5145	2	NUT, Flg, USR, 5/16"-18,
23	480523R1	1	SPLIT PIN/SAFETY PIN,

09E-15 UNLOADER - UPPER GEAR HOUSING



09E-15 UNLOADER - UPPER GEAR HOUSING

сылка	Номер детали	Кол-во	Описание
	1347351C1	1	HOUSING, Inc. 1 - 11, BSN JJC0254999
	1347351C2	1	HOUSING, Inc. 1 - 11, ASN JJC0255000
1	NSS	1	NOT SERVICED SEPARATELY, HOUSING
2	NSS	2	NOT SERVICED SEPARATELY, HOUSING
3	1347260C1	2	PINION, 18 T
4	83-1316	4	SET SCREW, Hex Soc, 5/16"-18 x 3/8", 5/16 x 3/8
5	651818R91	4	BEARING, CONE,
6	651817R1	4	BEARING, CUP,
7	1347339C1	2	SEAL,
8	1347312C1	2	RETAINER,
9	100-16125	2	RING, SNAP, #125, Ext,
10	1347338C1	AR	SHIM,
11	219-90	1	NIPPLE, LUBE, 45c, 1/4" NPT x .80" lg, Drive, 1/4 tpr x 13/16
13	426-612	4	BOLT, Hex, 3/8"-16 x 3/4", G8, Full Thd, 3/8 x 3/4; 8
14	492-11038	4	WASHER, LOCK, 3/8",



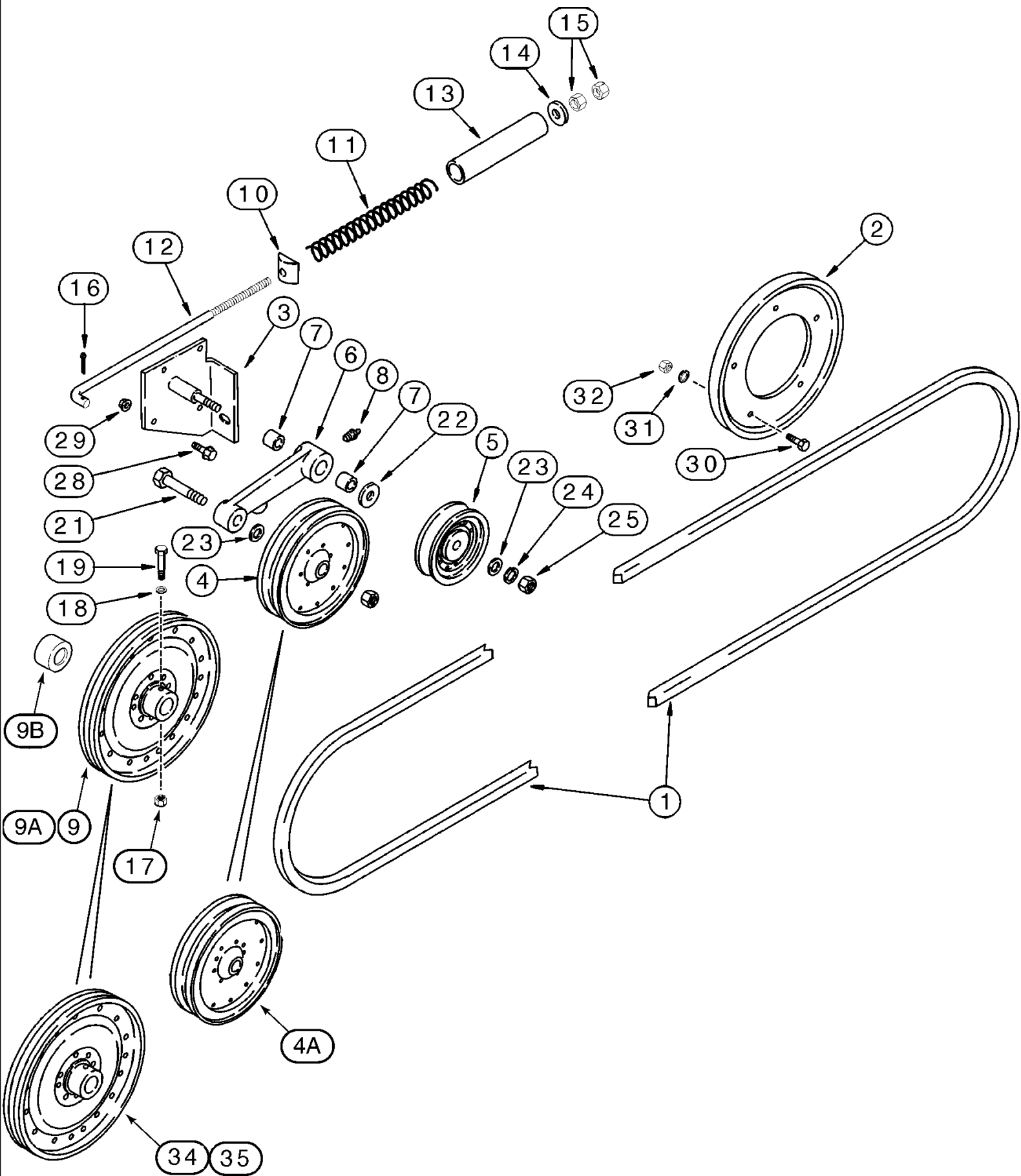
09F-01 STRAW SPREADER

сылка	Номер детали	Кол-во	Описание
1	231-5315	24	NUT, LOCK, Flg, 5/16"-18, Used with 2, 3
2	194198C2	12	SKID/SHOE, , With Straw Spreader
2A	111179A2	12	BAT, , With Straw and Chaff Spreader
3	192252C1	2	RETAINER, , With Straw Spreader
3A	140190A1	2	DISC, , With Straw and Chaff Spreader
4	188218C6	2	CONE,
5	409-7520	12	BOLT, Hex Flg, 5/16"-18 x 1 1/4", Serr, 5/16 x 1-1/4, Used With 2, 3
5	409-7524	12	BOLT, Hex Flg, 5/16"-18 x 1 1/2", Serr, 5/16 x 1-1/2, Used With 2, 3
6	462360R1	14	FLANGE,
7	195293C91	7	BEARING, BALL,
8	128440A1	2	SHAFT, 12 in., With Straw Spreader
8A	109485A1	2	SHAFT, 12 in., With Straw and Chaff Spreader
9	38-11624	2	PIN, LOCK, 1/4" x 1 1/2", Slotted,
10	194194C1	4	GEAR, 14T
11	152261C1	2	SPACER, 1 1/4" Tube x 1 7/8", 1-1/4 x 5/8
13	192242C4	1	SHAFT, , BSN JJC0254999
13	427271A1	1	SHAFT, 1193 mm (47 in.), ASN JJC0255000
14	186506C1	1	SUPPORT,
15	109487A1	1	SUPPORT, Left Hand, BSN JJC0253999
15	109487A2	1	SUPPORT, Left Hand, ASN JJC0254000
16	109488A1	1	SUPPORT, Right Hand, BSN JJC0253999
16	109488A2	1	SUPPORT, Right Hand, ASN JJC0254000
17	477-73116	12	SCREW, Slt'd Serr Truss Hd, 5/16"-18 x 1", 5/16 x 1, Used With 2A, 3A
18	477-73112	12	BOLT, Slotted Tr Hd, 5/16"-18 x 3/4", Used with 2A, 3A
19	231-5145	24	NUT, Flg, USR, 5/16"-18, Used with 2A, 3A
20	409-7512	25	BOLT, Hex Flg, 5/16"-18 x 3/4", Serr,
21	231-5145	25	NUT, Flg, USR, 5/16"-18,
23	38-12424	1	PIN, LOCK, 3/8" x 1 1/2", Slotted, 3/8" x 1 1/2", Slotted
24	495-81068	AR	WASHER, 1 1/32" x 1 1/2" x .030", 1-1/32 x 1-1/2 x 1/32
26	409-7512	4	BOLT, Hex Flg, 5/16"-18 x 3/4", Serr,
28	231-5145	8	NUT, Flg, USR, 5/16"-18,
29	477-73116	4	SCREW, Slt'd Serr Truss Hd, 5/16"-18 x 1", 5/16 x 1
36	495-81069	6	WASHER, 1 1/32" x 1 1/2" x .060", 1-1/32 x 1-1/2 x 1/16
37	120270A2	2	PIN,
38	A33497	4	PIN, LINCH, , With Straw Spreader
39	435437A1	6	STRAP, CABLE, 3/16" x 7 1/4", , With Straw Spreader
40	108000A1	2	COUPLING, , With Straw and Chaff Spreader, BSN JJC0254999
41	140430A1	2	COUPLING, , With Straw and Chaff Spreader
42	140431A1	2	TUBE, 75 mm (3 in.), With Straw and Chaff Spreader, BSN JJC0254999
42	432330A1	2	TUBE, 77 mm (3 in.), With Straw and Chaff Spreader, ASN JJC0255000
43	140432A1	2	BOOT, , With Straw and Chaff Spreader
44	413-640	2	BOLT, Hex, 3/8"-16 x 2 1/2", G5, 3/8 x 2-1/2
45	495-11041	4	WASHER, 3/8", SAE, (13/32 x 13/16 x 1/16")

09F-01 STRAW SPREADER

сылка	Номер детали	Кол-во	Описание
46	231-1446	2	NUT, LOCK, 3/8"-16, GB,
47	323745A1	3	BAT, Flat, Right Hand, Tall, With Straw Spreader, BSN JJC0254999
48	323746A1	3	BAT, Flat, Left Hand, Tall, With Straw Spreader, BSN JJC0254999
49	429194A1	2	COUPLING, , With Straw and Chaff Spreader, ASN JJC0255000
50	403933A1	3	BAT, Curved, Right Hand, With Straw Spreader, ASN JJC0255000
51	403934A1	3	BAT, Curved, Left Hand, With Straw Spreader, ASN JJC0255000

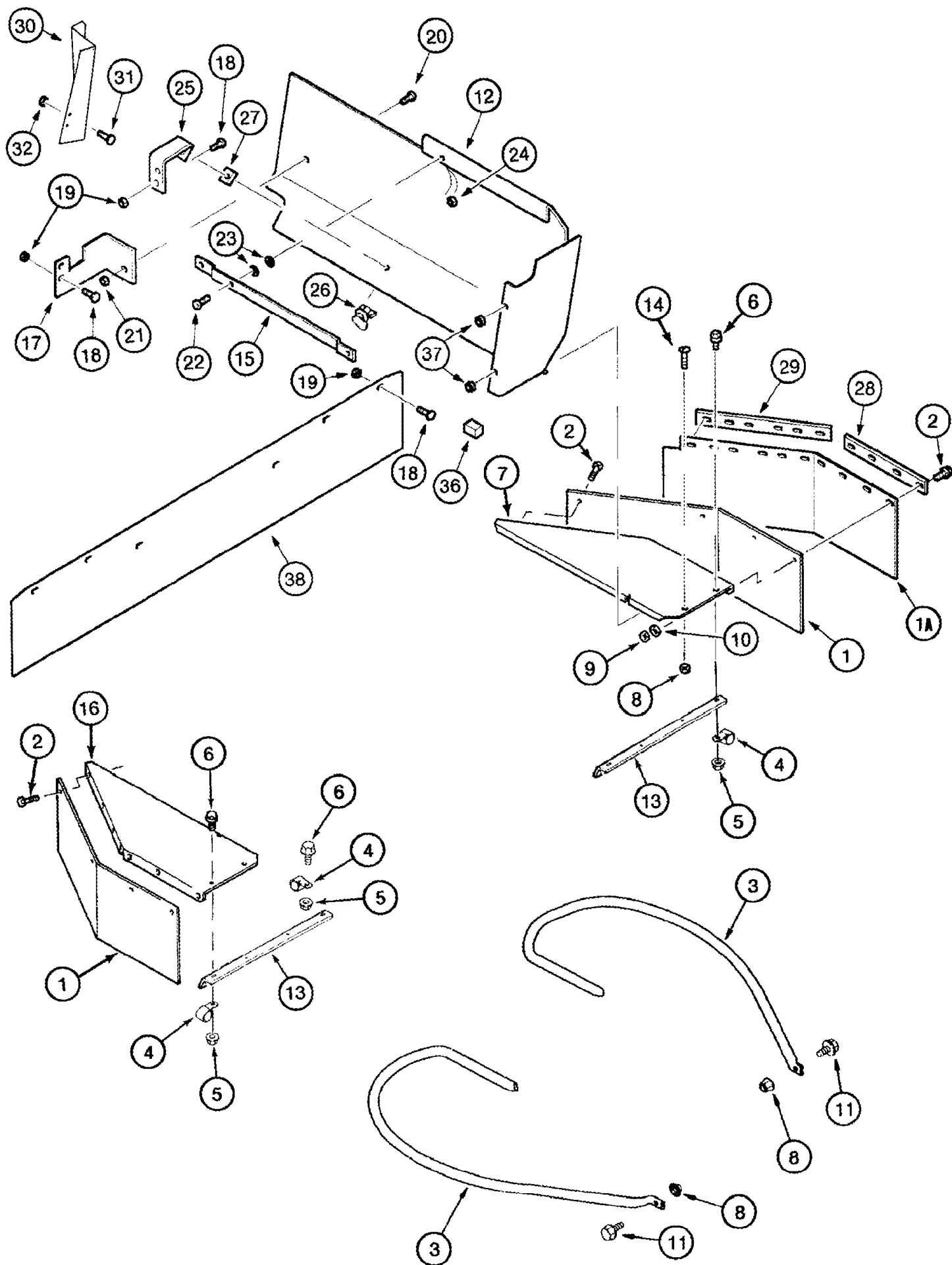
09F-02 STRAW SPREADER - DRIVE



09F-02 STRAW SPREADER - DRIVE

сылка	Номер детали	Кол-во	Описание
1	196371C1	1	BELT, 223-1/2
2	566516R92	1	PULLEY, 9-3/4 OD
3	1315275C1	1	SUPPORT ASSY., , BSN JJC0253999
3	1315275C2	1	SUPPORT, , BTW JJC0253999 & JJC0254999
3	427266A1	1	TIGHTENER, , ASN JJC0255000
4	566518R91	1	PULLEY, 6-3/4 in. OD, BSN JJC0252949
4A	1338456C1	1	PULLEY, 6-3/4 in. OD, ASN JJC0252950
5	1315269C1	1	PULLEY, 4-3/8 in. OD, BSN JJC0254999
5	428848A1	1	PULLEY, 111 mm (4-3/8 in) OD, ASN JJC0255000
6	1979591C1	1	LEVER, Inc. 7
7	1979989C1	2	BUSHING,
8	219-87	1	NIPPLE, LUBE, 1/4"-28 x .56" lg, Self-Tap,
9	1994772C1	1	PULLEY, 203 mm (8 in.) OD, BTW JJC0252400 & JJC0254999
9A	418093A1	1	PULLEY, 203 mm (8 in.) OD, ASN JJC0255000
9B	27828R1	1	SPACER, 1" Pipe x 1 9/16", , BTW JJC0252400 & JJC0254999
10	194652C1	1	PIVOT,
11	1315223C1	1	SPRING,
12	181152C1	1	ROD,
13	1315197C1	1	SPACER,
14	495-81162	1	WASHER, 17/32" x 1 1/2" x .179", 17/32 x 1-1/2 x 3/16
15	425-108	2	NUT, 1/2"-13, G5,
16	432-816	1	PIN, SPLIT (COTTER), 1/8" x 1",
17	232-4115	1	NUT, LOCK, 5/16"-18, GC,
18	396-21034	1	WASHER, .344" x 11/16" x .089", HDN, 11/32 x 11/16 x 3/32
19	326-536	1	BOLT, Hex, 5/16"-18 x 2 1/4", G8,
21	413-848	1	BOLT, Hex, 1/2"-13 x 3", G5,
22	496-21081	1	WASHER, 13/16" x 1 1/2" x .179", HDN,
23	496-11053	2	WASHER, 17/32" x 1 1/16" x .095", HDN,
23	496-21053	1	WASHER, 17/32" x 1 1/16" x .134",
24	80679	1	WASHER, LOCK, 1/2",
25	425-108	1	NUT, 1/2"-13, G5,
28	409-7512	3	BOLT, Hex Flg, 5/16"-18 x 3/4", Serr,
29	231-5145	3	NUT, Flg, USR, 5/16"-18,
30	413-516	5	BOLT, Hex, 5/16"-18 x 1", G5, Full Thd, 5/16 x 1
31	492-11031	5	WASHER, LOCK, 5/16",
32	425-105	5	NUT, 5/16"-18, G5,
33	232-5318	1	NUT, LOCK, Flg, 1/2"-13,
34	181196C2	1	PULLEY, 254 mm (10 in.) OD, BSN JJC0252399
35	418092A1	1	PULLEY, 254 mm (10 in.) OD, ASN JJC0255000

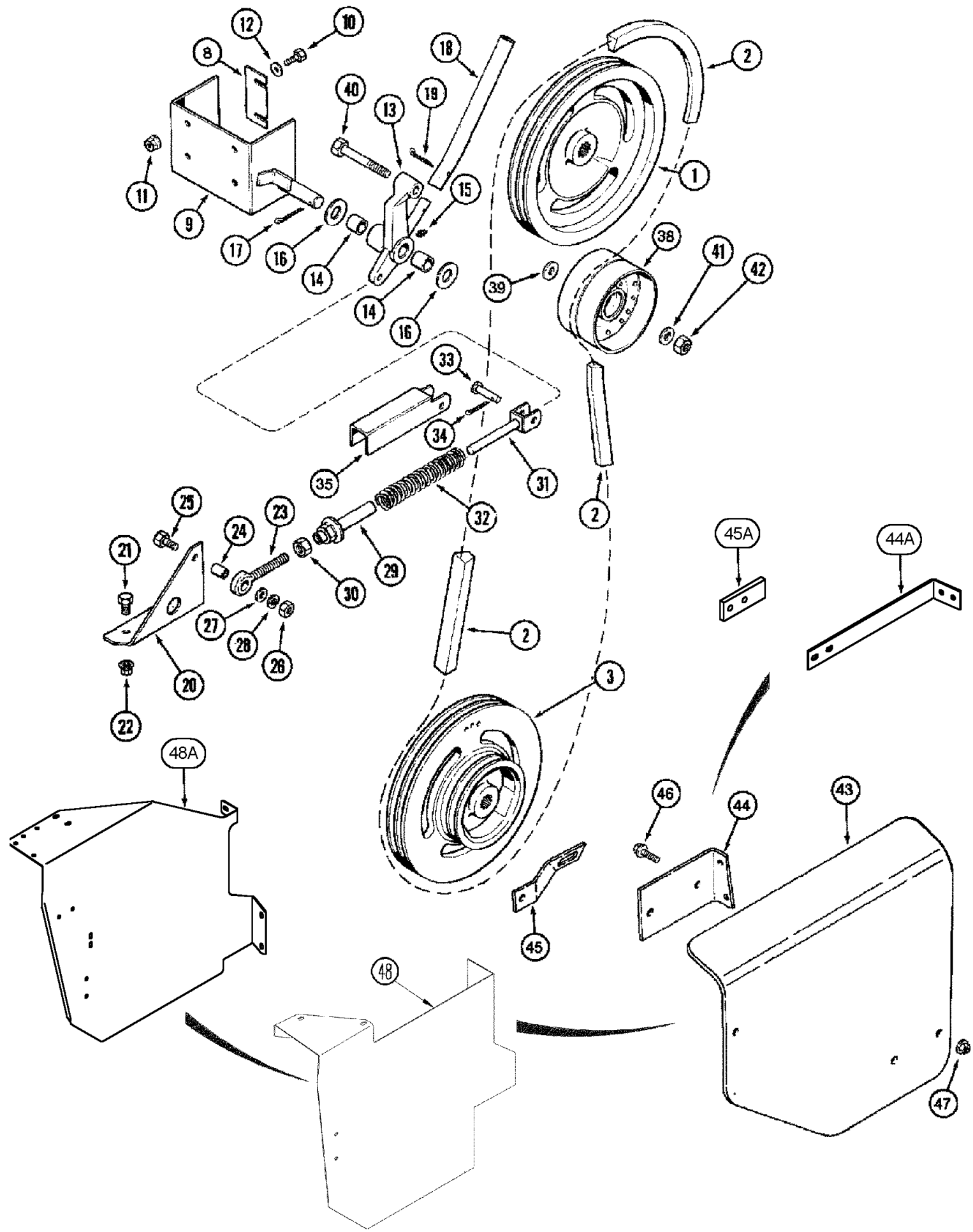
09F-03 STRAW SPREADER - SHIELDS



09F-03 STRAW SPREADER - SHIELDS

сылка	Номер детали	Кол-во	Описание
1	1308916C2	2	SHIELD, Straw Spreader
1A	103211A2	2	SHIELD, Straw and Chaff Spreader
2	256873	AR	BOLT, Hex Flg, 5/16"-18 x 1/2", Serr,
3	1308912C3	2	PIPE,
4	515-28175	6	CLAMP, 11/16", 3/8" Bolt,
5	231-5145	9	NUT, Flg, USR, 5/16"-18,
5	231-5146	4	NUT, Flg, USR, 3/8"-16,
6	409-7512	5	BOLT, Hex Flg, 5/16"-18 x 3/4", Serr,
7	183958A2	1	SUPPORT, Straw Spreader, Right Hand
8	231-5145	4	NUT, Flg, USR, 5/16"-18,
9	231-4115	AR	NUT, LOCK, 5/16"-18, GB,
10	495-81116	8	WASHER, .344" x 1" x .060", 11/32 x 1 x 3/64, Used With 1
11	409-7512	2	BOLT, Hex Flg, 5/16"-18 x 3/4", Serr,
12	441749A1	1	GUARD, Inc. Decals, See Figure 09H-21, Ref. 6; 09H-22, Ref. 9
13	1308913C1	2	SUPPORT,
14	477-73108	2	SCREW, Sltd Serr Truss Hd, 5/16"-18 x 1/2", 5/16 x 1/2
15	186697A1	1	SUPPORT, Upper
16	1308914C4	1	SUPPORT, Straw Spreader, Left Hand
17	237966A1	1	SUPPORT, Front
18	477-73112	3	BOLT, Slotted Tr Hd, 5/16"-18 x 3/4",
19	231-5145	3	NUT, Flg, USR, 5/16"-18,
20	409-7516	1	BOLT, Hex Flg, 5/16"-18 x 1", Serr,
21	231-5145	2	NUT, Flg, USR, 5/16"-18,
22	477-73116	3	SCREW, Sltd Serr Truss Hd, 5/16"-18 x 1", 5/16 x 1
23	495-11034	6	WASHER, 5/16", SAE, (11/32 x 11/16 x 1/16")
24	231-5145	6	NUT, Flg, USR, 5/16"-18,
25	257526A2	1	BRACKET, Lower
26	182925A1	1	LOCK,
27	191030A1	1	STRIP,
28	140286A1	2	STRIP, Straw and Chaff Spreader, Front
29	140287A1	2	STRIP, Straw and Chaff Spreader, Rear
30	230413A2	1	GUARD, Right Hand Rear
31	409-7512	2	BOLT, Hex Flg, 5/16"-18 x 3/4", Serr,
32	231-5145	2	NUT, Flg, USR, 5/16"-18,
36	187884C1	1	SEAL, 51 mm (2 in.), cut from 187885C1
37	1321640C1	2	GROMMET,
38	140274A1	1	GUARD,

09F-04 STRAW CHOPPER - DRIVE



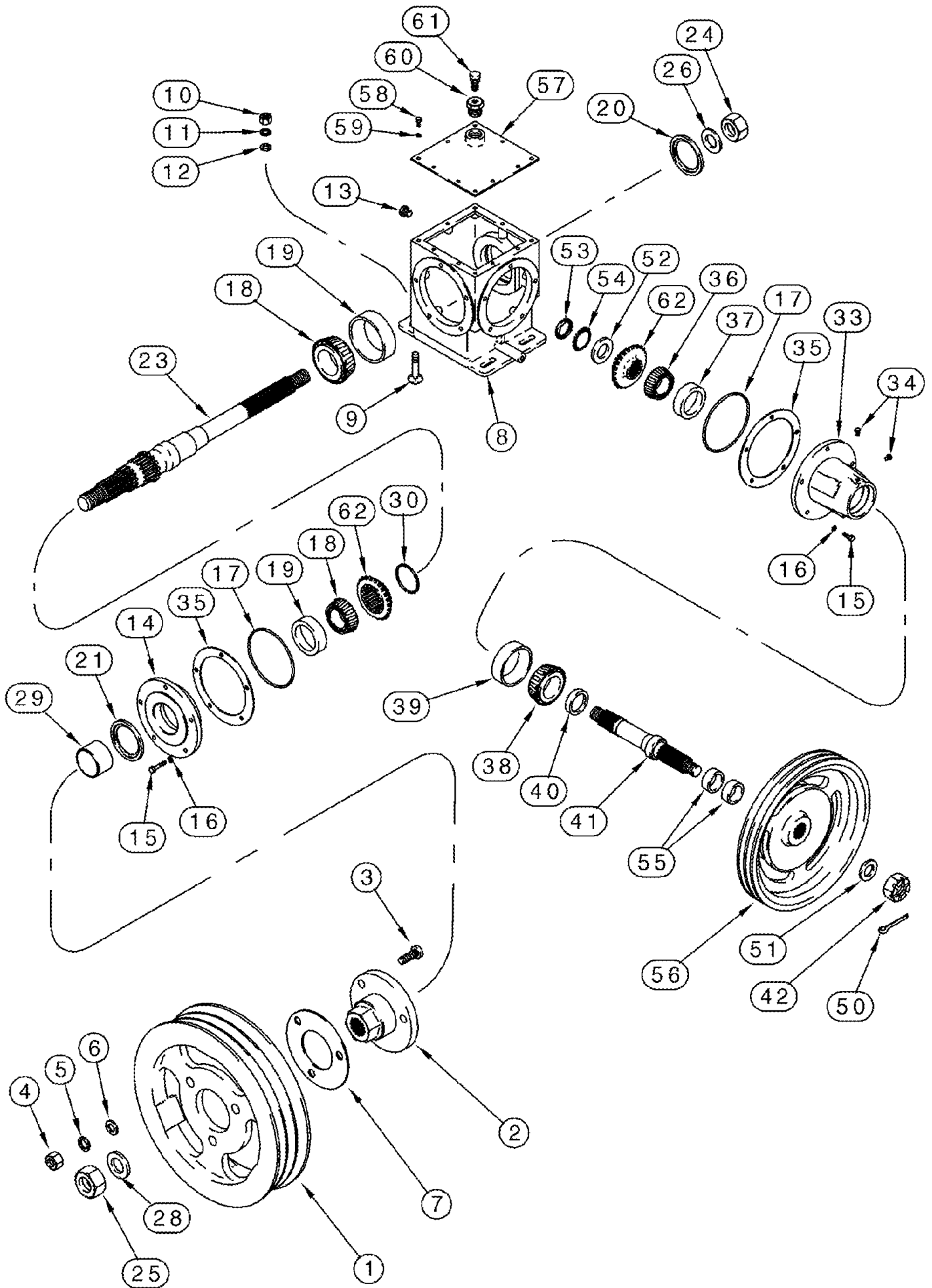
09F-04 STRAW CHOPPER - DRIVE

сылка	Номер детали	Кол-во	Описание
1	1315264C1	1	PULLEY, Drive, 7 in. OD, 14 in. OD
2	1315265C1	1	BELT,
3	1315264C1	1	PULLEY, Driven, 7 in. OD, 14 in. OD
8	1302709C1	AR	SHIM,
9	1315251C1	1	SUPPORT,
10	413-616	4	BOLT, Hex, 3/8"-16 x 1", G5, Full Thd,
11	231-5146	4	NUT, Flg, USR, 3/8"-16,
12	495-81135	4	WASHER, 13/32" x 1" x .120", 13/32 x 1 x 7/64
13	1315249C92	1	LEVER, Inc. 14
14	559154R1	2	BUSHING,
15	219-87	1	NIPPLE, LUBE, 1/4"-28 x .56" lg, Self-Tap,
16	495-11106	2	WASHER, 1", SAE, (1-1/16 x 2 x 1/8")
17	432-1624	1	PIN, SPLIT (COTTER), 1/4" x 1 1/2",
18	1315248C1	1	TUBE,
19	432-1224	1	PIN, SPLIT (COTTER), 3/16" x 1 1/2",
20	1315357C1	1	SUPPORT, , BSN JJC0254999
20	436631A2	1	SUPPORT, , ASN JJC0255000
21	413-816	2	BOLT, Hex, 1/2"-13 x 1", G5, Full Thd,
21	413-820	2	BOLT, Hex, 1/2"-13 x 1 1/4", G5, Full Thd, 1/2 x 1-1/4
22	231-5148	2	NUT, Flg, USR, 1/2"-13,
23	1315259C1	1	BOLT,
24	617794R1	1	SPACER, 3/4" Tube x 1 1/16",
25	326-832	1	BOLT, Hex, 1/2"-13 x 2", G8,
26	329-108	1	NUT, 1/2"-13, G8,
27	496-21053	1	WASHER, 17/32" x 1 1/16" x .134",
28	392-21050	1	WASHER, LOCK, 1/2", 1/2"
29	1315260C1	1	CONNECTOR,
30	425-1012	1	NUT, 3/4"-10, G5,
31	1315256C1	1	ROD,
32	1315247C1	1	SPRING,
33	14145H	1	PIN, CLEVIS, 1/2" x 2.094",
34	432-816	1	PIN, SPLIT (COTTER), 1/8" x 1",
35	1315364C1	1	CHANNEL,
38	1345048C1	1	PULLEY,
39	396-41066	AR	WASHER, 21/32" x 1 1/2" x .188", HDN, 21/32 x 1-1/2 x 3/16
40	413-1072	1	BOLT, Hex, 5/8"-11 x 4 1/2", G5,
41	396-41066	1	WASHER, 21/32" x 1 1/2" x .188", HDN, 21/32 x 1-1/2 x 3/16
42	231-41110	1	NUT, LOCK, 5/8"-11, GB,
43	143648A4	1	SHIELD, Right Hand, BSN JJC0254999
44	181943A1	1	SUPPORT, , BSN JJC0255699
44A	87413804	1	STRAP, , ASN JJC0255700
45	181941A2	1	SUPPORT,
45A	87428556	1	PLATE, , ASN JJC0255700

2366 CASE IH AXIAL-FLOW COMBINE (NA) (1/98-8/04)

09F-04 STRAW CHOPPER - DRIVE

сылка	Номер детали	Кол-во	Описание
46	409-7512	8	BOLT, Hex Flg, 5/16"-18 x 3/4", Serr,
47	231-5145	8	NUT, Flg, USR, 5/16"-18,
48	413991A1	1	SHIELD, Right Hand, BTW JJC0255000 & JJC0255699
48A	87413799	1	SHIELD, Chopper Drive, Right Hand , ASN JJC0255700

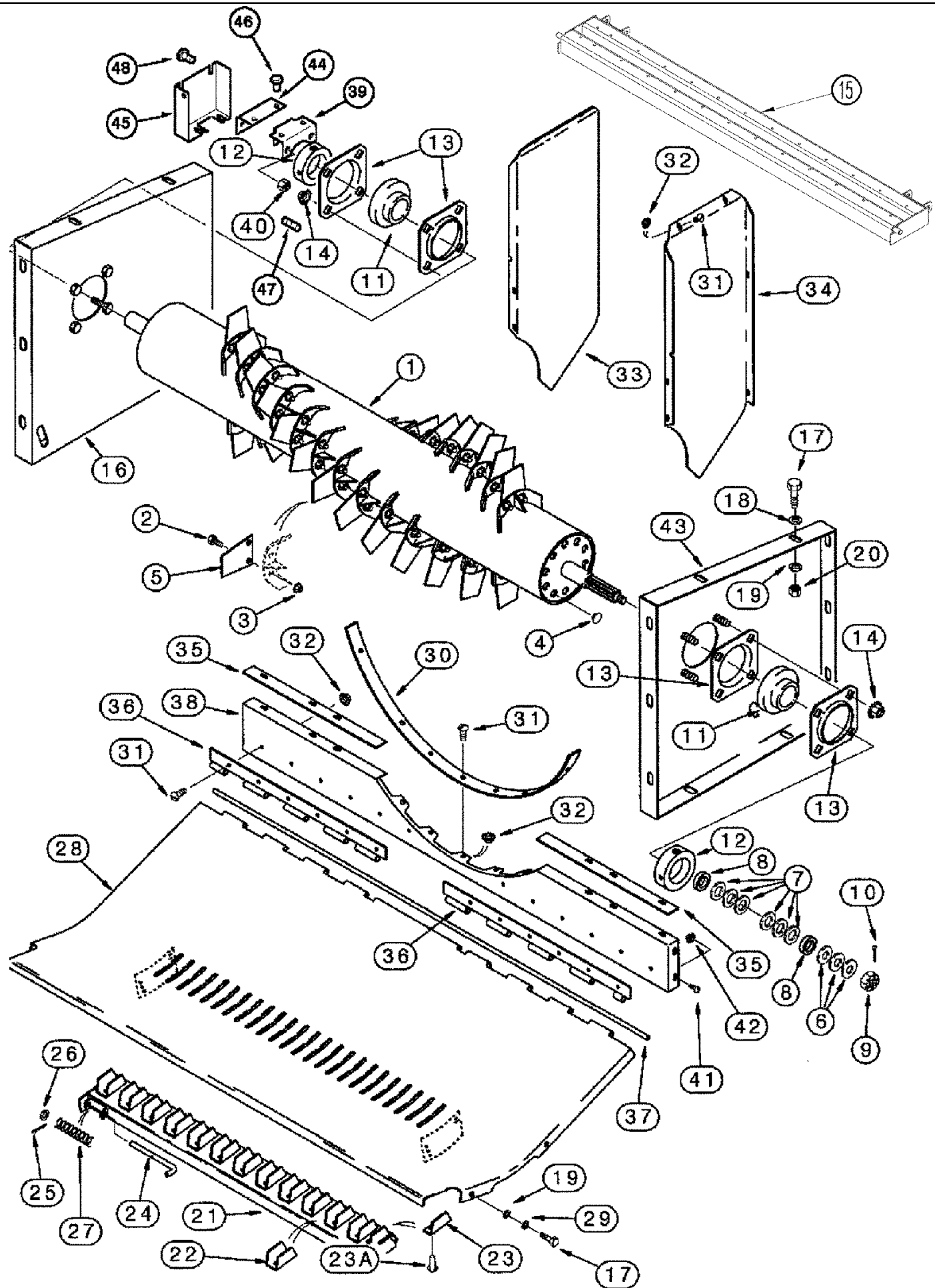


09F-05 STRAW CHOPPER - HOUSING, GEAR

сылка	Номер детали	Кол-во	Описание
	419764A1	1	GEARBOX, Inc. 8, 13 - 18, 20 - 23, 29, 33, 34, 37 - 41, 52 - 54, 57- 61 & 62
1	181271C1	1	PULLEY, 15 OD
2	181211C1	1	HUB,
3	566206R2	3	BOLT,
4	429-1110	3	NUT, 5/8"-18, G8,
5	492-21062	3	WASHER, LOCK, 5/8", 5/8"
6	396-41066	3	WASHER, 21/32" x 1 1/2" x .188", HDN, 21/32 x 1-1/2 x 3/16
7	181363C1	AR	SHIM, 0.06 in.
8	181278C1	1	HOUSING,
9	433-828	6	BOLT, CARRIAGE, Short NK, 1/2"-13 x 1 3/4", G5, 1/2 x 1-3/4
10	425-108	6	NUT, 1/2"-13, G5,
11	80679	6	WASHER, LOCK, 1/2",
12	396-41053	6	WASHER, 17/32" x 1 1/4" x .188", HDN, 17/32 x 1-1/4 x 3/16
13	86568834	2	PLUG, Hex Hd, 1/4"-18 NPTF,
14	181274C1	1	HUB,
15	413-620	10	BOLT, Hex, 3/8"-16 x 1 1/4", G5, Full Thd,
16	492-11038	10	WASHER, LOCK, 3/8",
17	238-5250	2	O-RING, -250, 70 Duro, 4.984" ID x .139" Thk,
18	298029R91	2	BEARING, CONE,
19	ST874A	2	BEARING, CUP,
20	181287C1	1	SEAL,
21	181288C1	1	SEAL,
23	184394C2	1	SHAFT, If Used, BSN JJC0254999
23	411043A1	1	SHAFT, , ASN JJC0255000
23	184394C3	1	SHAFT, If Used, BSN JJC0254999
24	232-41316	1	NUT, LOCK, 1"-8, GC,
25	231-41120	1	NUT, LOCK, 1 1/4"-7, GB,
26	496-21106	1	WASHER, 1 1/16" x 2" x .209", Hardened
28	396-31131	1	WASHER, 1 3/8" x 2 1/2" x 1/4", HDN, 1-3/8 x 2-1/2 x 1/4
29	181269C1	1	SPACER,
	1315284C1	1	PACKAGE, Inc. 30
30	181255C1	1	RING, SNAP, 2.59 mm (0.102 in.)
30	181256C1	1	SNAP RING, 2.67 mm (0.105 in.)
30	181257C1	1	SNAP RING, 2.74 mm (0.108 in.)
30	181258C1	1	SNAP RING, 2.82 mm (0.111 in.)
30	181259C1	1	SNAP RING, 2.89 mm (0.114 in.)
30	181260C1	1	SNAP RING, 2.97 mm (0.117 in.)
30	181261C1	1	SNAP RING, 3.05 mm (0.120 in.)
30	181262C1	1	SNAP RING, 3.12 mm (0.123 in.)
30	181263C1	1	SNAP RING, 3.20 mm (0.126 in.)
30	181264C1	1	SNAP RING, 3.28 mm (0.129 in.)
30	181265C1	1	SNAP RING, 3.35 mm (0.132 in.)
30	181266C1	1	SNAP RING, 3.43 mm (0.135 in.)

09F-05 STRAW CHOPPER - HOUSING, GEAR

сылка	Номер детали	Кол-во	Описание
33	191245C2	1	HUB,
34	217-84	2	PLUG, Hex Hd, 1/8"-27, Brass, 1/8 PT
	195484C2	2	KIT, SHIM, Inc. 35
35	NSS	4	NOT SERVICED SEPARATELY, SHIM, 0.005
35	NSS	4	NOT SERVICED SEPARATELY, SHIM, 0.007
35	NSS	2	NOT SERVICED SEPARATELY, SHIM, 0.020
36	ST2071	1	BEARING, CONE,
37	17498D	1	BEARING, CUP,
38	618023R91	1	BEARING, CONE, 1-3/8 inch ID
39	618024R1	1	BEARING, CUP, 2-1/2 OD
40	192527C1	1	SEAL,
41	181195C1	1	SHAFT,
42	425-1314	1	NUT, SLOTTED, 7/8"-14, G5,
50	432-828	1	PIN, SPLIT (COTTER), 1/8" x 1 3/4", 1/8" x 1 3/4"
51	496-21094	1	WASHER, 15/16" x 1 3/4" x .179", HDN,
52	396-11119	1	WASHER, 1 3/16" x 2 1/4" x .134", HDN, 1-3/16 x 2-1/4 x 9/64
53	54-2006	1	NUT, LOCK, Bearing, 1.1811" Bore, TN-06
54	55-2006	1	WASHER, LOCK, Type TW-106,
55	181156C2	2	SPACER,
56	1315264C1	1	PULLEY, 7 in. OD, 14 in. OD
57	181281C1	1	COVER,
58	413-512	10	BOLT, Hex, 5/16"-18 x 3/4", G5, Full Thd,
59	492-11031	10	WASHER, LOCK, 5/16",
60	217-46	1	REDUCER, 3/4"-14 NPTF x 3/8"-18 Fem NPTF,
61	219-436	1	BREATHER, 3/8"-18 NPT, Short, w/washer,
	188814C1	1	GEAR, BEVEL, Inc. 62
62	NSS	1	NOT SERVICED SEPARATELY, GEAR
62	NSS	1	NOT SERVICED SEPARATELY, GEAR
	243333A1	1	GEAR, BEVEL, If used, Inc. 62
62	NSS	1	NOT SERVICED SEPARATELY, GEAR
62	NSS	1	NOT SERVICED SEPARATELY, GEAR

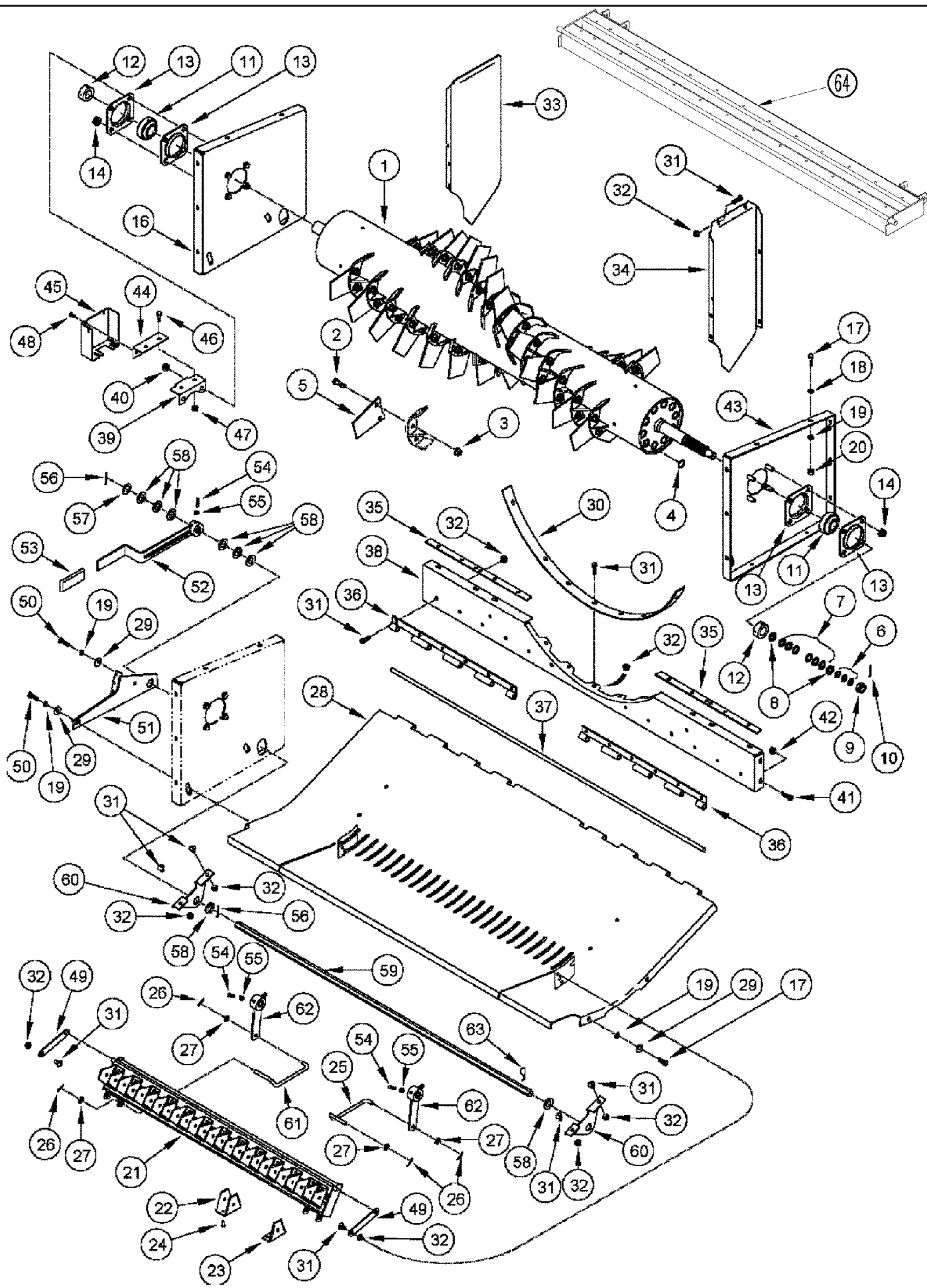


сылка	Номер детали	Кол-во	Описание
1	185099C93	1	ROTOR ASSY., Inc. 2 - 4
2	413-816	56	BOLT, Hex, 1/2"-13 x 1", G5, Full Thd,
3	231-5148	56	NUT, Flg, USR, 1/2"-13,
4	1346984C1	18	PLUG,
5	197124C1	14	PACKAGE, Set Of 2
6	495-81063	2	WASHER, 29/32" x 2" x .179", 29/32 x 2 x 5/32
6	495-81062	1	WASHER, 29/32" x 2" x .120", 29/32 x 2 x 7/64
7	495-81211	6	WASHER, 1 11/32" x 2" x .120", 1-11/32 x 2 x 7/64
8	294604A1	2	SPACER,
9	425-1314	2	NUT, SLOTTED, 7/8"-14, G5,
10	432-828	1	PIN, SPLIT (COTTER), 1/8" x 1 3/4", 1/8" x 1 3/4"
11	455111R91	2	BEARING, BALL,
12	455112R11	2	COLLAR,
13	1307583C1	4	FLANGE,
13	663562R1	4	FLANGE, Optional
14	231-5148	8	NUT, Flg, USR, 1/2"-13,
15	418492A1	1	BAR, Chopper
16	144704A1	1	SUPPORT, Left Hand
17	413-616	19	BOLT, Hex, 3/8"-16 x 1", G5, Full Thd,
17	413-620	1	BOLT, Hex, 3/8"-16 x 1 1/4", G5, Full Thd,
18	495-11041	16	WASHER, 3/8", SAE, (13/32 x 13/16 x 1/16")
19	492-11038	20	WASHER, LOCK, 3/8",
20	425-106	16	NUT, 3/8"-16, G5,
21	185135C91	1	BAR, Inc. 22 - 23A
22	1302763C1	12	KNIFE,
23	1302764C1	1	KNIFE,
23A	104236	26	RIVET, FH, 3/16" x 5/8",
24	186736C3	2	ROD,
25	432-616	2	PIN, SPLIT (COTTER), 3/32" x 1",
26	495-51041	AR	WASHER, 3/8", 13/32 x 47/64 x 1/16
27	540815R2	2	SPRING,
28	185141C3	1	PLATE,
29	496-41041	4	WASHER, 13/32" x 1 1/8" x .134",
30	182898C1	1	SUPPORT,
31	477-73812	29	SCREW, Sltd Serr Truss Hd, 3/8" x 3/4", 3/8 x 3/4
32	231-5146	29	NUT, Flg, USR, 3/8"-16,
33	182946C1	1	DEFLECTOR, Discharge, Left Hand
34	182947C1	1	DEFLECTOR, Discharge, Right Hand
35	182891C1	2	PLATE,
36	182894C1	2	HINGE,
37	182977C1	1	ROD,
38	182929C1	1	SUPPORT,
39	144706A4	1	SUPPORT,

2366 CASE IH AXIAL-FLOW COMBINE (NA) (1/98-8/04)

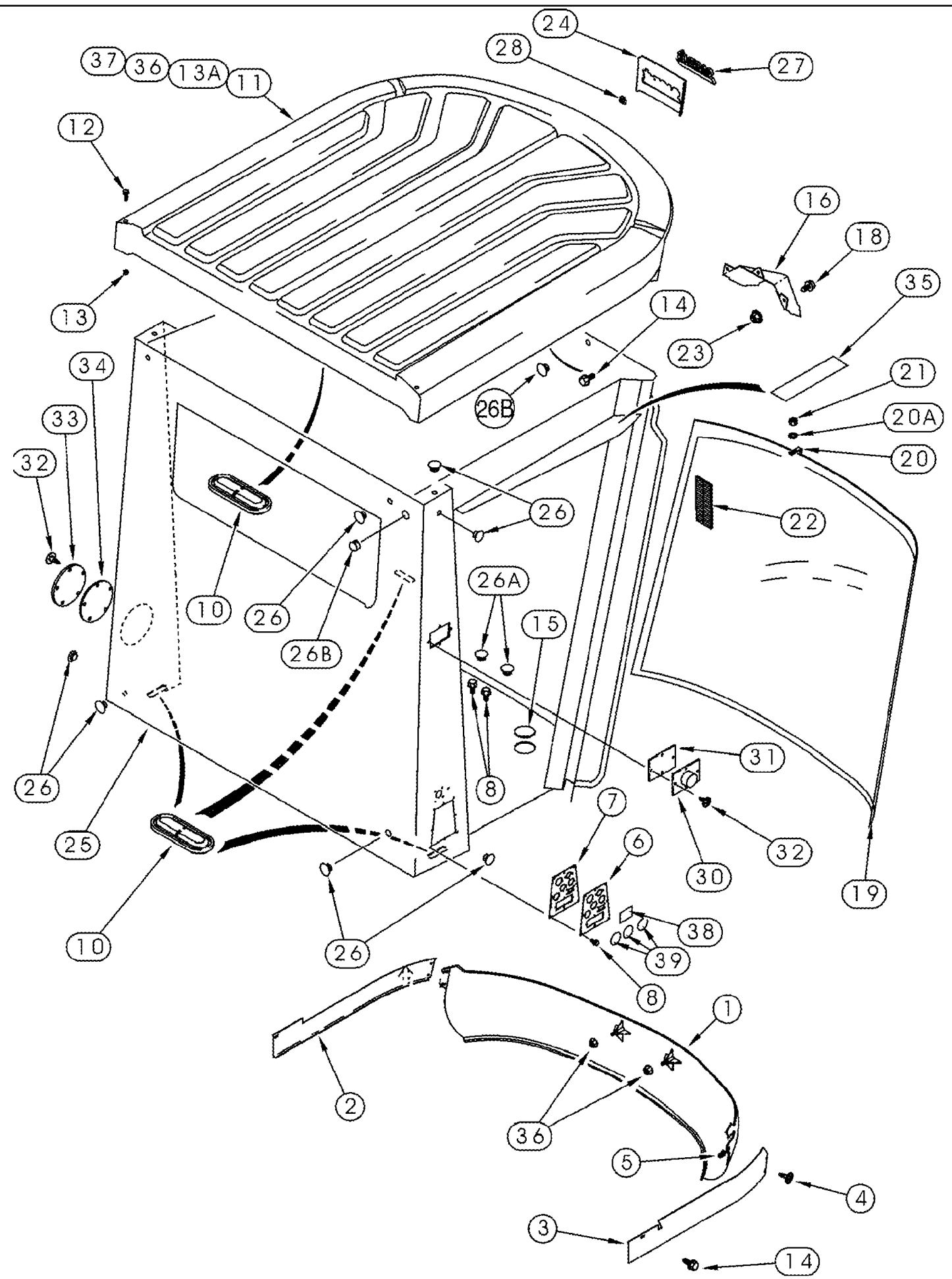
09F-06 STRAW CHOPPER - ROTOR AND CONCAVE - BSN JJC0253999

сылка	Номер детали	Кол-во	Описание
40	425-148	2	NUT, Jam, 1/2"-13, G5,
41	477-73812	10	SCREW, Sltd Serr Truss Hd, 3/8" x 3/4", 3/8 x 3/4
42	231-5146	10	NUT, Flg, USR, 3/8"-16,
43	144705A1	1	SUPPORT, Right Hand
44	248583A1	1	SUPPORT, Australia Only
45	181208C3	1	SUPPORT, Australia Only
46	477-82508	2	SCREW, Sltd Serr Truss Hd, 1/4"-20 x 1/2", 1/4 x 1/2, Australia Only
47	425-104	2	NUT, 1/4"-20, G5, Australia Only
48	280-1478	2	SCREW, SELF TAPPING, Hex Wash Hd, 1/4" x 1/2", 1/4 x 1/2, Australia Only



сылка	Номер детали	Кол-во	Описание
1	185099C93	1	ROTOR ASSY., Inc. 2 - 5, BSN JJC0254999
1	410003A1	1	ROTOR ASSY., Inc. 2 - 5, 9, ASN JJC0255000
2	413-816	56	BOLT, Hex, 1/2"-13 x 1", G5, Full Thd,
3	231-5148	56	NUT, Flg, USR, 1/2"-13,
4	1346984C1	18	PLUG,
5	197124C1	14	PACKAGE, Set Of 2, BSN JJC0254999
5	442832A1	14	SET OF BLADES, Blade, Set Of 2, Inc. 5A, 5B, ASN JJC0255000
5A	413-816	4	BOLT, Hex, 1/2"-13 x 1", G5, Full Thd,
5B	231-5148	4	NUT, Flg, USR, 1/2"-13,
6	495-81057	3	WASHER, 29/32" x 1 1/2" x .120", 29/32 x 1-1/2 x 1/8
7	495-81211	6	WASHER, 1 11/32" x 2" x .120", 1-11/32 x 2 x 7/64
8	294604A1	1	SPACER,
9	425-1314	2	NUT, SLOTTED, 7/8"-14, G5,
10	432-828	1	PIN, SPLIT (COTTER), 1/8" x 1 3/4", 1/8" x 1 3/4"
11	455111R91	2	BEARING, BALL,
12	455112R11	2	COLLAR,
13	1307583C1	4	FLANGE,
13	663562R1	4	FLANGE, Optional
14	231-5148	8	NUT, Flg, USR, 1/2"-13,
16	144704A2	1	SUPPORT ASSY., Left Hand
17	413-616	19	BOLT, Hex, 3/8"-16 x 1", G5, Full Thd,
17	413-620	1	BOLT, Hex, 3/8"-16 x 1 1/4", G5, Full Thd,
18	495-11041	16	WASHER, 3/8", SAE, (13/32 x 13/16 x 1/16")
19	492-11038	22	WASHER, LOCK, 3/8",
20	425-106	16	NUT, 3/8"-16, G5,
21	392055A1	1	CONCAVE, Includes: Ref. 22 - 24
22	396960A1	12	BLADE,
23	396962A1	1	BLADE,
24	104236	26	RIVET, FH, 3/16" x 5/8",
25	395513A1	1	ROD,
26	432-812	4	PIN, SPLIT (COTTER), 1/8" x 3/4",
27	495-11041	4	WASHER, 3/8", SAE, (13/32 x 13/16 x 1/16")
28	185141C4	1	BOTTOM,
29	496-41041	6	WASHER, 13/32" x 1 1/8" x .134",
30	182898C1	1	SUPPORT,
31	477-73812	35	SCREW, Std Serr Truss Hd, 3/8" x 3/4", 3/8 x 3/4
32	231-5146	35	NUT, Flg, USR, 3/8"-16,
33	182946C1	1	DEFLECTOR, Discharge, Left Hand
34	182947C1	1	DEFLECTOR, Discharge, Right Hand
35	182891C1	2	PLATE,
36	182894C1	2	HINGE,
37	182977C1	1	ROD,
38	182929C1	1	SUPPORT,

сылка	Номер детали	Кол-во	Описание
39	144706A4	1	SUPPORT,
40	425-148	2	NUT, Jam, 1/2"-13, G5,
41	477-73812	10	SCREW, Sltd Serr Truss Hd, 3/8" x 3/4", 3/8 x 3/4
42	231-5146	10	NUT, Flg, USR, 3/8"-16,
43	144705A1	1	SUPPORT, Right Hand
44	248583A1	1	SUPPORT, Australia Only
45	181208C3	1	SUPPORT, Australia Only
46	477-82508	2	SCREW, Sltd Serr Truss Hd, 1/4"-20 x 1/2", 1/4 x 1/2, Australia Only
47	425-104	2	NUT, 1/4"-20, G5, Australia Only
48	280-1478	2	SCREW, SELF TAPPING, Hex Wash Hd, 1/4" x 1/2", 1/4 x 1/2, Australia Only
49	391218A1	2	STRAP,
50	413-620	4	BOLT, Hex, 3/8"-16 x 1 1/4", G5, Full Thd,
51	396337A1	1	PLATE,
52	396277A1	1	SHAFT,
53	402987A1	1	GRIP,
54	485-13116	6	SET SCREW, Sq Hd, 5/16"-18 x 1", Cup pt,
55	425-105	6	NUT, 5/16"-18, G5,
56	432-820	2	PIN, SPLIT (COTTER), 1/8" x 1 1/4",
57	495-81039	AR	WASHER, 25/32" x 1 1/4" x .120", 25/32 x 1-1/4 x 1/8
58	495-81057	AR	WASHER, 29/32" x 1 1/2" x .120", 29/32 x 1-1/2 x 7/64
59	392241A1	1	SHAFT,
60	391229A1	2	SUPPORT,
61	391222A1	1	ROD, Left Hand
62	391230A1	2	PIVOT,
63	480523R1	1	SPLIT PIN/SAFETY PIN,
64	418493A1	1	BAR, Chopper

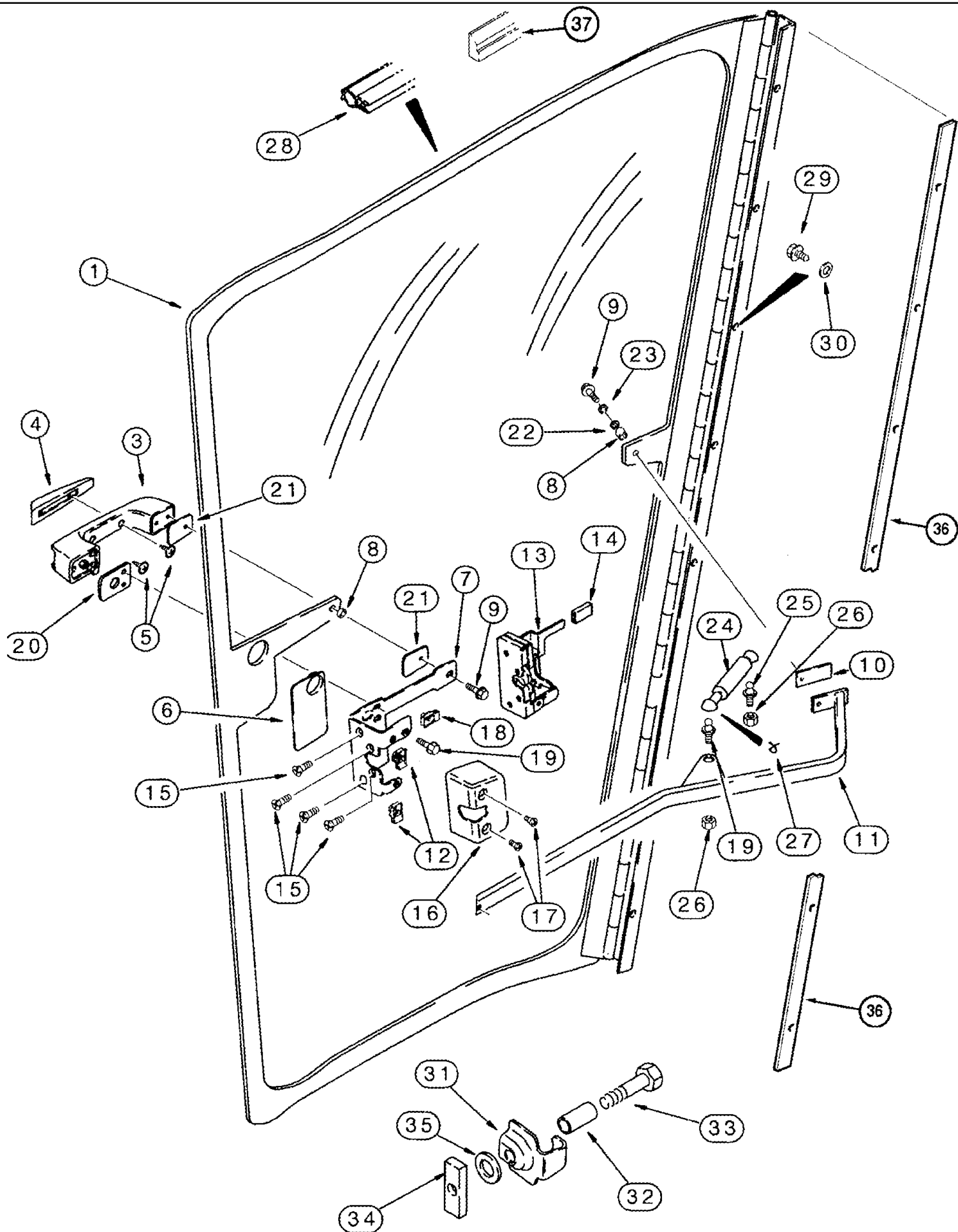


09G-01 CAB - FRAME AND WINDSHIELD

сылка	Номер детали	Кол-во	Описание
	254861A1	1	CAB, ROPS, BSN JJC0252303
	323280A1	1	CAB, ROPS, BTW JJC0252304 & JJC0252949
	366516A1	1	CAB, ROPS, BTW JJC0252950 & JJC0253999
	387393A1	1	CAB, ROPS, BTW JJC0254000 & JJC0255699
	431826A1	1	CAB, ROPS, No Longer Available. Individual Components Will Continue to be Serviceable., ASN JJC0255700
1	120140A2	1	COVER, Cab, Front
2	139597A2	1	COVER, Cab, Left Hand
3	139598A3	1	COVER, Cab, Right Hand
4	260-16516	4	SCREW, SELF TAPPING, Cross Pan Hd, #10 x 1",
5	60-6708T1	4	NUT, SPECIAL,
6	275196A2	1	PLATE, For Decals, See Figure 09H-24, Ref. 16, 17
7	275195A2	1	GASKET, Replaces 275195A1
8	191216A1	8	SCREW, SELF TAPPING, Hex Wash Hd, #10-24 x 5/8",
10	137293A1	4	PLUG,
11	122819A2	1	ROOF, Inc. 12, 13
12	614-8040	4	BOLT, Hex, M8 x 40, 8.8, Full Thd,
13	230484A1	4	NUT, M8 - 1.25
13A	131-648	16	NUT, Tinn, U, #10-24, No. 10
13A	131-893	2	NUT, Tinn, U, #10-24, No. 10, U-Speed
14	191216A1	9	SCREW, SELF TAPPING, Hex Wash Hd, #10-24 x 5/8",
15	353-593	4	PLUG, 2-1/2 ID, Replaces 205-128
16	141758A3	1	COVER,
17	1987144C1	1	DECAL, Axial-Flow, Not Illustrated, See Figure 09H-20, Ref. 16
18	413-416	3	BOLT, Hex, 1/4"-20 x 1", G5,
19	116809A5	1	WINDSHIELD,
20	117707A3	4	CLAMP,
20A	495-21038	4	WASHER, 5/16", 3/8 x 7/8 x 3/32
21	825-5148	4	NUT, M8, Flg Ser,
22	97268C1	6	SPACER,
23	425-104	3	NUT, 1/4"-20, G5,
24	232846A2	1	COVER,
25	320444A2	1	CHASSIS, , BSN JJC0253999
25	320444A3	1	FRAME ASSY, , ASN JJC0254000
26	353-402	10	PLUG, Dome, .375" hole, Nylon, Exterior Trim
26A	353-400	2-4	PLUG, Dome, .250" hole, Nylon, Cab Exterior
26B	353-411	2	PLUG, Dome, 1.000" hole, Nylon, Antenna Hole
27	238638A1	1	EMBLEM, AFS, If Used, See Figure 09H-20
27	186882A1	1	EMBLEM CASE/IH, Case IH, If Used, See Figure 09H-20
28	131-431	2	NUT, LOCK, Self, Threading, 1/4",
30	246752A1	1	PLATE, Right Hand, For Attaching Parts, See Figure 09G-17
31	247058A1	1	GASKET,
32	191216A1	4	SCREW, SELF TAPPING, Hex Wash Hd, #10-24 x 5/8",

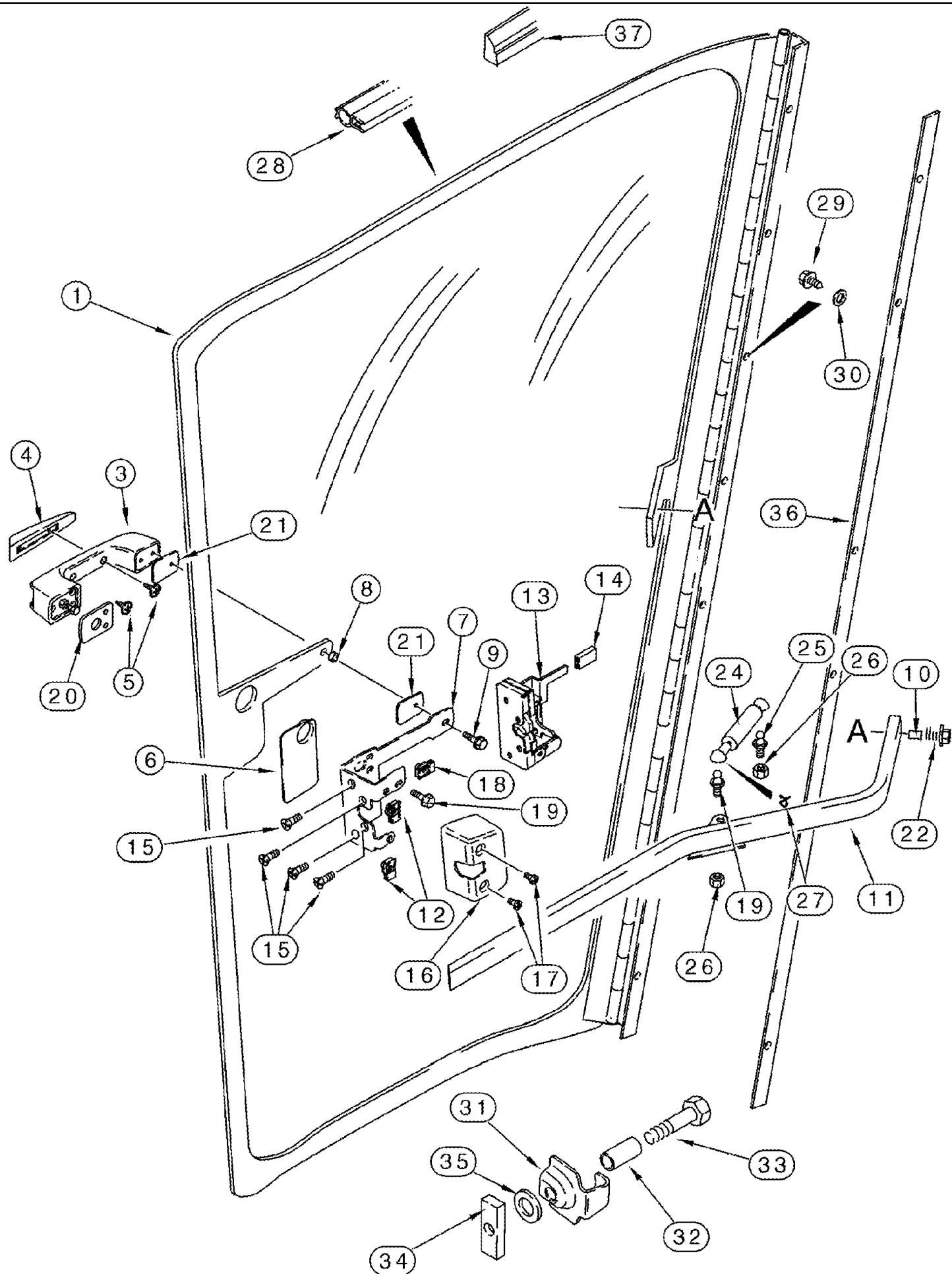
09G-01 CAB - FRAME AND WINDSHIELD

сылка	Номер детали	Кол-во	Описание
33	246753A1	1	PLATE, Left Hand
34	252676A1	1	GASKET,
35	251548A1	4	TAPE, ADHESIVE, 63.5 mm (2-1/2 in.), Cut From 251550A1
35	251549A1	1	TAPE, ADHESIVE, 160 mm (6-1/4 in.), Cut From 251550A1
36	825-5148	6	NUT, M8, Flg Ser,
37	495-81001	2	WASHER, 5/16", 3/8 x 1-1/8 x 1/16
38	224636A1	1	DECAL, Connector Cover
39	282855A1	AR	DECAL, Connector Cover



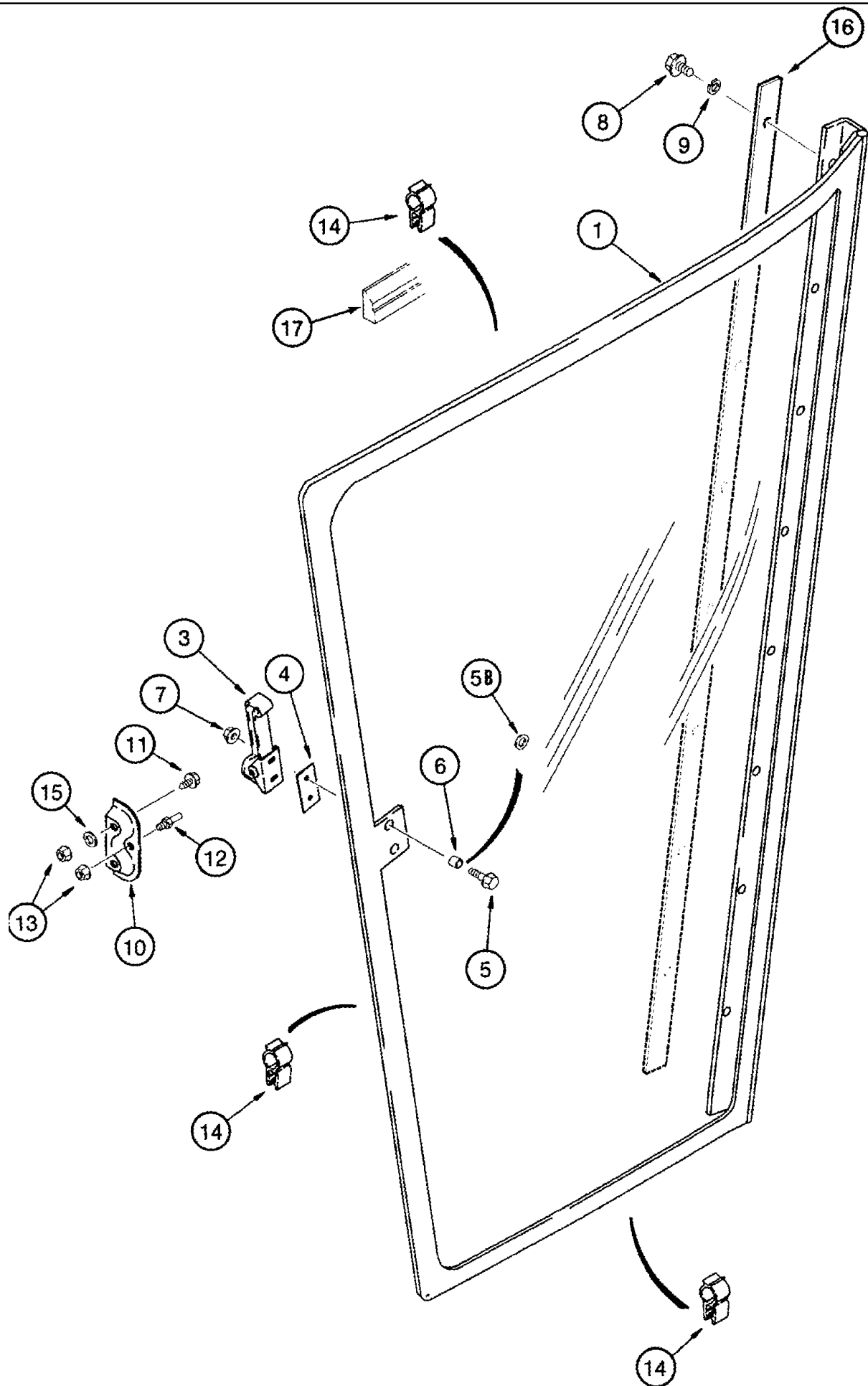
09G-02 CAB - DOOR ASSY, LEFT HAND

сылка	Номер детали	Кол-во	Описание
	127159A6	1	DOOR, Left Hand, Inc. 1 - 23, No Longer Available, Order 259688A2, See Figure 09G-03
1	NSS	1	NOT SERVICED SEPARATELY, DOOR, Includes Hinge
3	117711A1	1	HANDLE,
4	176022A2	1	BUMPER,
5	177092A1	2	SCREW, SELF TAPPING,
6	123946A2	1	GASKET,
7	123937A2	1	SUPPORT,
8	109171C1	2	BUSHING,
9	97011C1	3	SCREW,
10	194190A2	1	GASKET,
11	123959A4	1	HANDLE,
12	564791R1	2	NUT, 1/4
13	117714A1	1	LATCH,
13A	284171A1	1	SPRING, Not Illustrated
14	60-6423T1	1	CAP,
15	443-12512	4	SCREW, Cross Flat Hd, 1/4"-20 x 3/4", 1/4 x 3/4
16	127498A2	1	COVER,
17	140-111	2	SCREW, Cross Pan Hd, 1/4"-20 x 1/2",
18	131-610	1	NUT, U, Ret, 1/4"-20,
19	463-3258	1	SCREW, Hex Wash Hd, 1/4"-20 x 1/2", 1/4 x 1/2
20	194174A1	1	GASKET, Large
21	194175A1	2	GASKET, Small
22	194176A1	1	GASKET, Outer
23	194401A1	1	WASHER,
24	144006A1	1	CYLINDER,
25	1340345C1	2	PIN, BALL,
26	231-1445	2	NUT, LOCK, 5/16"-18, GB,
27	F44883	2	CLIP,
28	234089A1	1	SEAL, DOOR, 4483 mm (176-1/2 in.)
30	495-31022	8	WASHER, #10,
31	117716A1	1	PROTECTOR,
32	117717A2	1	SPACER,
33	814-12060	1	BOLT, Hex, M12 x 60, 8.8, M12 x 60; 8.8
34	117718A1	1	PLATE,
35	495-11053	AR	WASHER, 1/2", SAE, (17/32" x 1-1/16" x 3/32")
36	193316A1	1	SHIM,
37	232801A1	1	SEAL, DOOR, Door, 1016 mm (40 in.)
29	281-53510	8	SCREW, SELF TAPPING, Hex Wash Hd, #10 x 5/8",



09G-03 CAB - DOOR ASSY, LEFT HAND

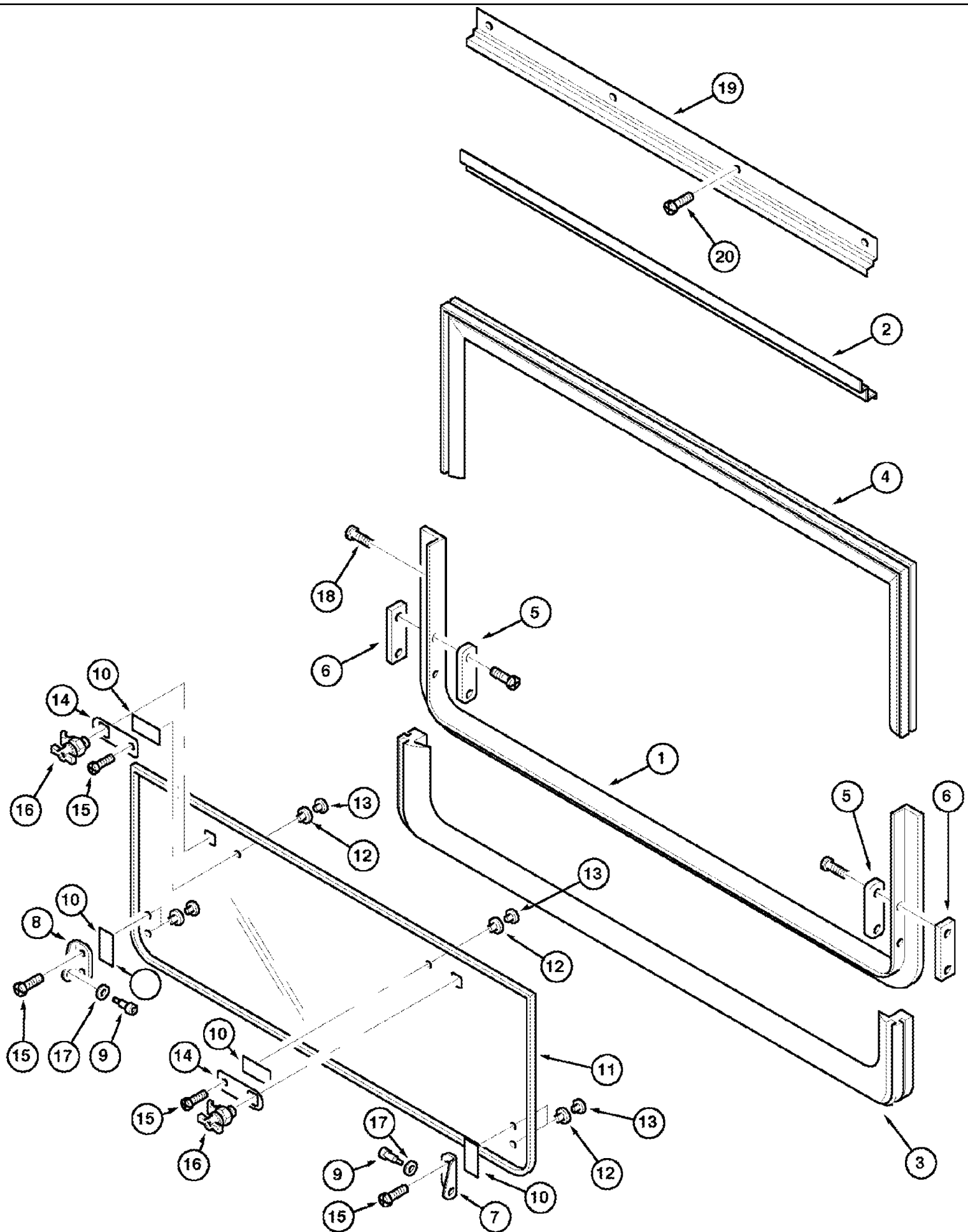
сылка	Номер детали	Кол-во	Описание
	259688A2	1	DOOR, Left Hand, Inc. 1 - 22
1	NSS	1	NOT SERVICED SEPARATELY, DOOR, Includes Hinge
3	117711A1	1	HANDLE,
4	176022A2	1	BUMPER,
5	177092A1	2	SCREW, SELF TAPPING,
6	123946A2	1	GASKET,
7	123937A2	1	SUPPORT,
8	109171C1	1	BUSHING,
9	303888A1	3	SCREW,
10	175578C1	1	INSULATOR,
11	195649A1	1	HANDLE,
12	564791R1	2	NUT, 1/4
13	117714A1	1	LATCH,
14	60-6423T1	1	CAP,
15	443-12512	4	SCREW, Cross Flat Hd, 1/4"-20 x 3/4", 1/4 x 3/4
16	127498A2	1	COVER,
17	140-111	2	SCREW, Cross Pan Hd, 1/4"-20 x 1/2",
18	131-610	1	NUT, U, Ret, 1/4"-20,
19	458-48	1	BOLT, Hex Flg, 1/4"-20 x 1/2", G5, Full Thd, 1/4 x 1/2; 5
20	194174A1	1	GASKET, Large
21	194175A1	2	GASKET, Small
22	458-416	1	BOLT, Hex Flg, 1/4"-20 x 1", G5, Full Thd, 1/4 x 1, Replaces 413-416
24	144006A1	1	CYLINDER,
25	1340345C1	2	PIN, BALL,
26	231-1445	2	NUT, LOCK, 5/16"-18, GB,
27	F44883	2	CLIP,
28	234089A1	1	SEAL, DOOR, 4483 mm (176-1/2 in)
30	495-31022	8	WASHER, #10,
31	117716A1	1	PROTECTOR,
32	117717A2	1	SPACER,
33	814-12060	1	BOLT, Hex, M12 x 60, 8.8, M12 x 60; 8.8
34	117718A1	1	PLATE,
35	495-11053	AR	WASHER, 1/2", SAE, (17/32" x 1-1/16" x 3/32")
36	193316A1	1	SHIM,
37	232801A1	1	SEAL, DOOR, Door, 1016 mm (40 in.)
38	613-8020	2	BOLT, Hex, M8 x 20, 8.8, Full Thd, Not Illustrated
29	281-53510	8	SCREW, SELF TAPPING, Hex Wash Hd, #10 x 5/8",



2366 CASE IH AXIAL-FLOW COMBINE (NA) (1/98-8/04)

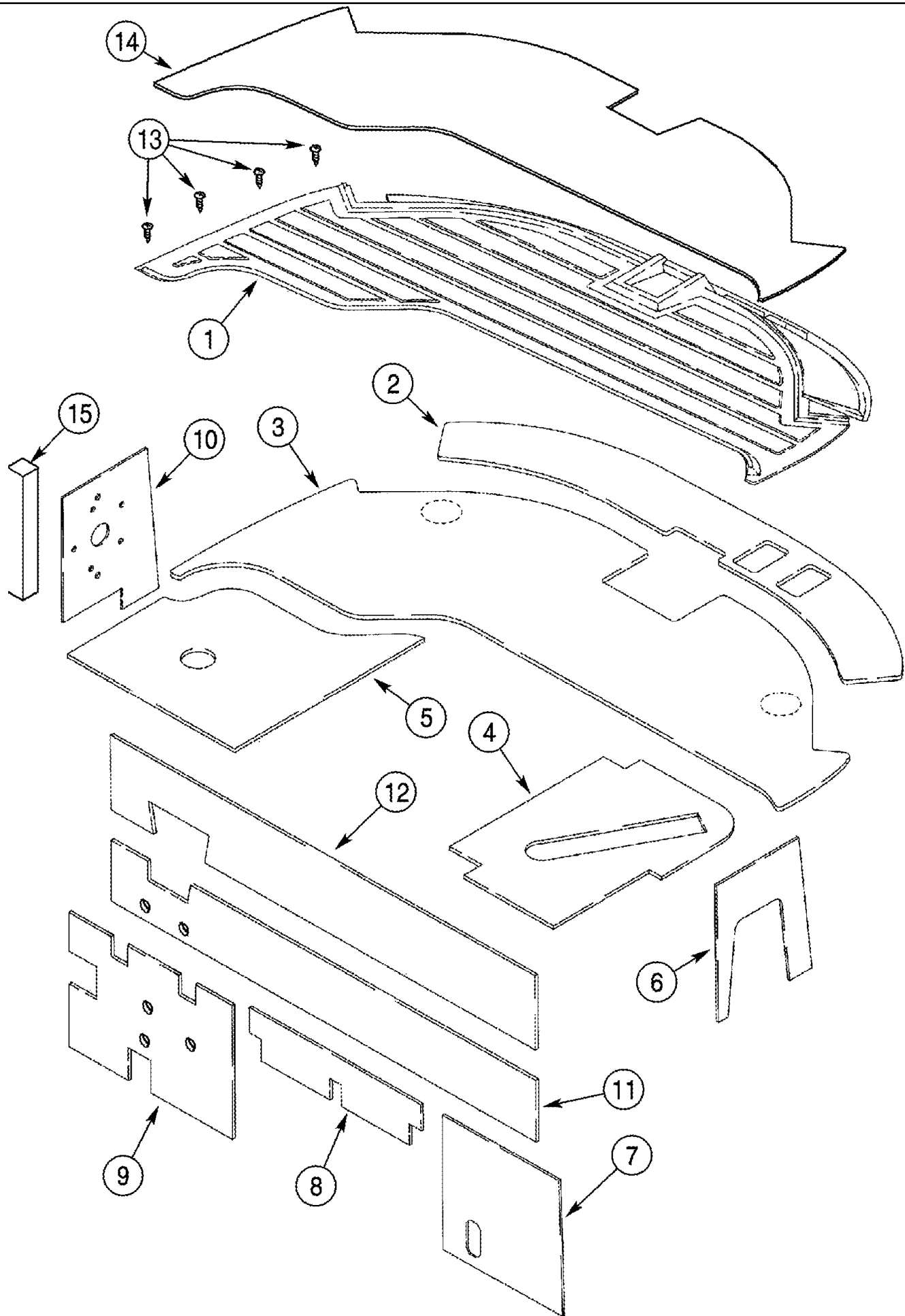
09G-04 CAB - DOOR ASSY, RIGHT HAND

сылка	Номер детали	Кол-во	Описание
1	186390A2	1	DOOR, Right Hand
3	1955184C1	1	LEVER,
4	194190A2	1	GASKET,
5	97006C1	2	BOLT, M6 x 20
5B	225913A1	2	WASHER,
6	109171C1	2	BUSHING,
7	97005C1	2	NUT, M6
8	117067A1	8	SCREW, SELF TAPPING, Cross Pan Hd, #10-24 x 3/4",
9	492-11010	8	WASHER, LOCK, #10,
10	117723A2	1	SUPPORT,
11	613-8020	2	BOLT, Hex, M8 x 20, 8.8, Full Thd,
12	117724A1	1	PIN,
13	825-5148	3	NUT, M8, Flg Ser,
14	234089A1	1	SEAL, DOOR, 4483 mm (176-1/2 in.)
15	495-21038	2	WASHER, 5/16", 3/8 x 7/8 x 3/32
16	193316A1	1	SHIM,
17	232801A1	1	SEAL, DOOR, DOOR, 1016 mm (40 in.)



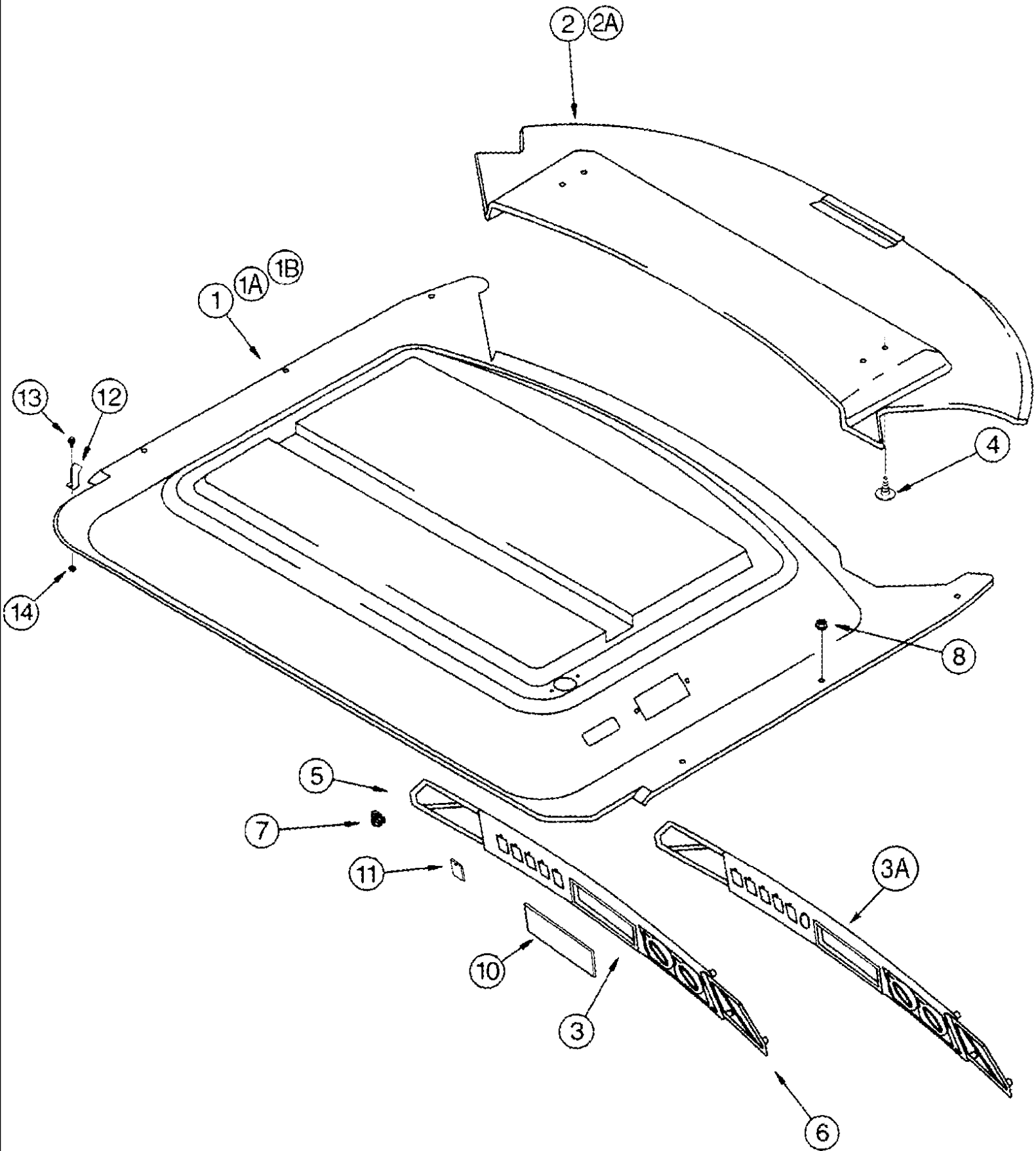
сылка	Номер детали	Кол-во	Описание
	247703A1	1	GLASS, Openable, Inc. 1 - 18
1	247904A1	1	FRAME, WINDOW, Lower
2	247903A1	1	FRAME, WINDOW, Upper
3	246010A1	1	SEAL, Lower Frame
4	246009A1	1	SEAL, Upper Frame
5	248379A1	2	PLATE, Hinge, Inner
6	248377A1	2	PLATE, Hinge, Outer
7	248380A1	1	HINGE, Right Hand
8	248381A1	1	HINGE, Left Hand
9	248410A1	2	SCREW, 5/16
10	249363A1	4	ADHESIVE STRIP, 40 mm, Cut From 248383A1
11	248375A1	1	GLASS,
12	248385A1	6	BUSHING,
13	248384A1	6	NUT,
14	248376A1	2	PLATE,
15	249009A1	8	SCREW, SELF TAPPING, Cross Pan Hd, #8-32 x 3/8",
16	249364A1	2	LOCK,
17	249684A1	2	WASHER,
18	260-14416	4	SCREW, SELF TAPPING, Cross Pan Hd, #8 x 1", No. 8-18 x 1
19	253771A1	1	SUPPORT,
20	191216A1	AR	SCREW, SELF TAPPING, Hex Wash Hd, #10-24 x 5/8",

09G-06 CAB - FLOOR MAT AND INSULATION



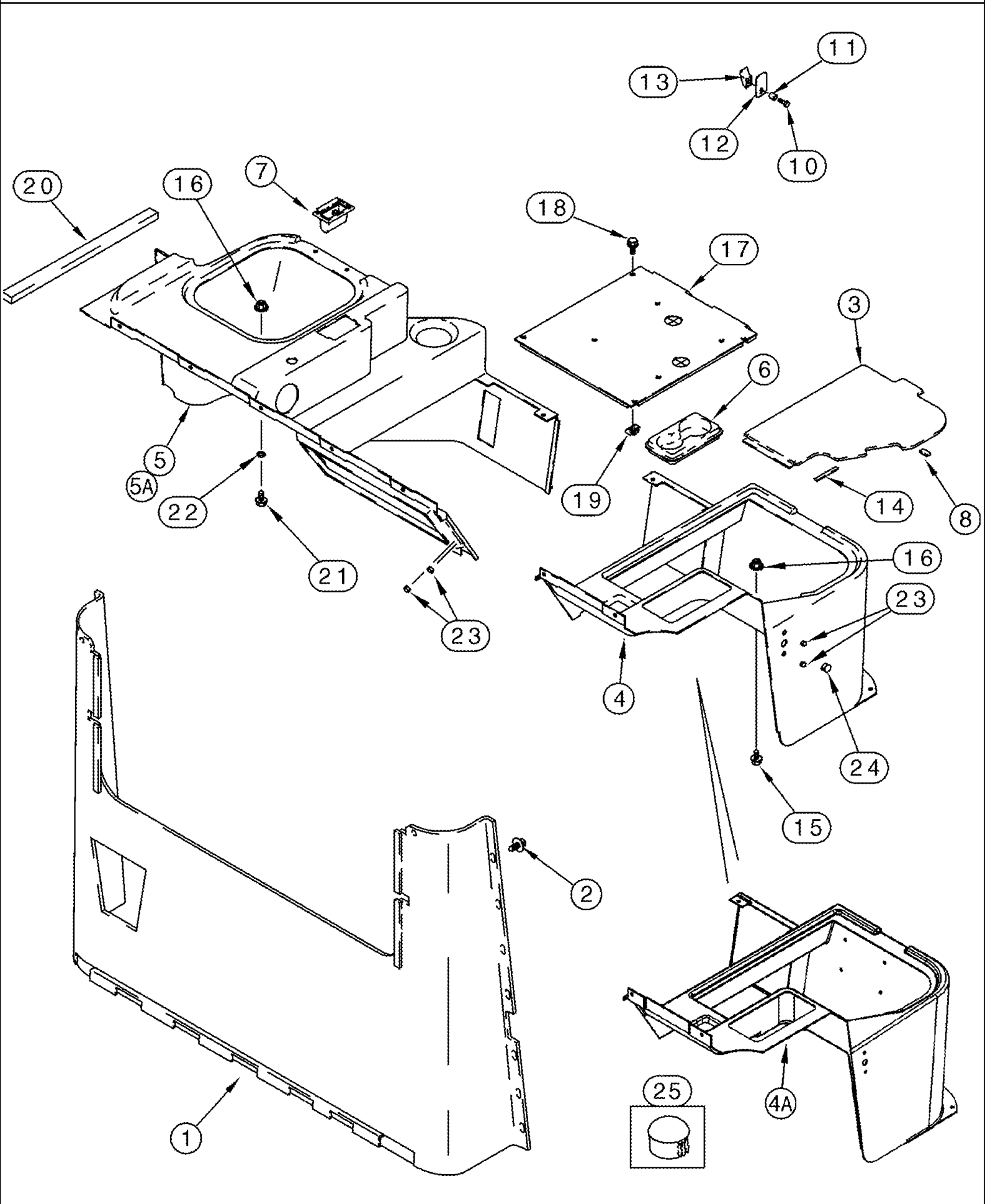
09G-06 CAB - FLOOR MAT AND INSULATION

сылка	Номер детали	Кол-во	Описание
1	132228A1	1	MAT, Cab
2	136485A1	1	MAT, Floor, Front
3	136484A1	1	MAT, Floor
4	125038A1	1	INSULATION, FOAM, Floor, RH Rear
5	125037A2	1	INSULATION, FOAM, Floor, LH Rear
6	247007A1	1	INSULATION, FOAM, Lower RH
7	125040A2	1	INSULATION, FOAM, Lower RH Rear
8	119486A1	1	INSULATION, FOAM, Lower Rear Centre
9	125041A3	1	INSULATION, FOAM, Lower LH Rear
10	125042A2	1	GASKET,
11	137944A2	1	INSULATION, FOAM, Center Rear
12	137945A1	1	INSULATION, FOAM, Upper Rear
13	266-53516	4	SCREW, SELF TAPPING, Cross Oval Hd, #10 x 1", No. 10 x 1
14	182658A1	1	CARPET,
15	192269A1	2	FOAM, 500 mm (19-5/8 in.), Cut From 1971350C1

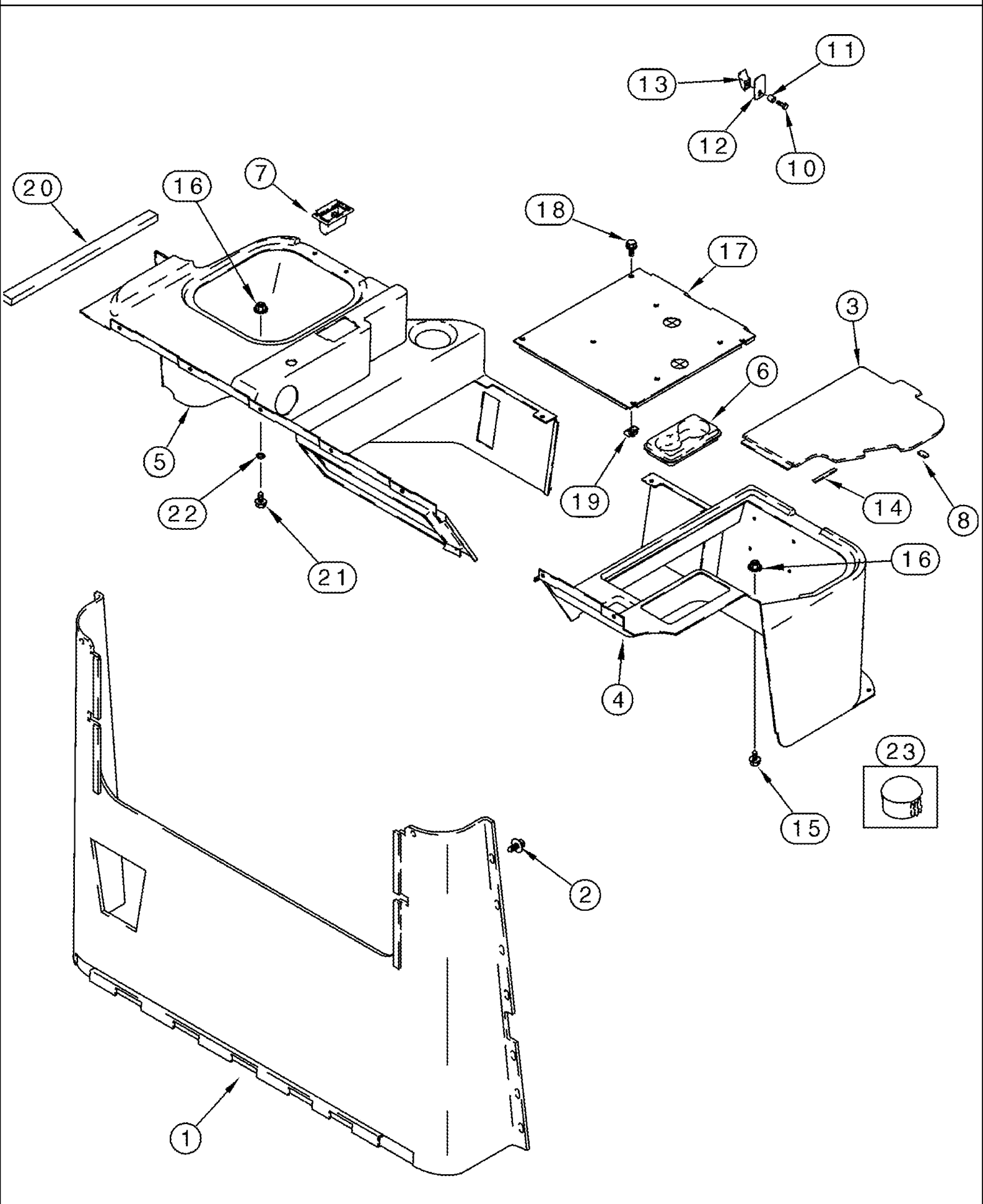


09G-07 CAB - HEADLINER

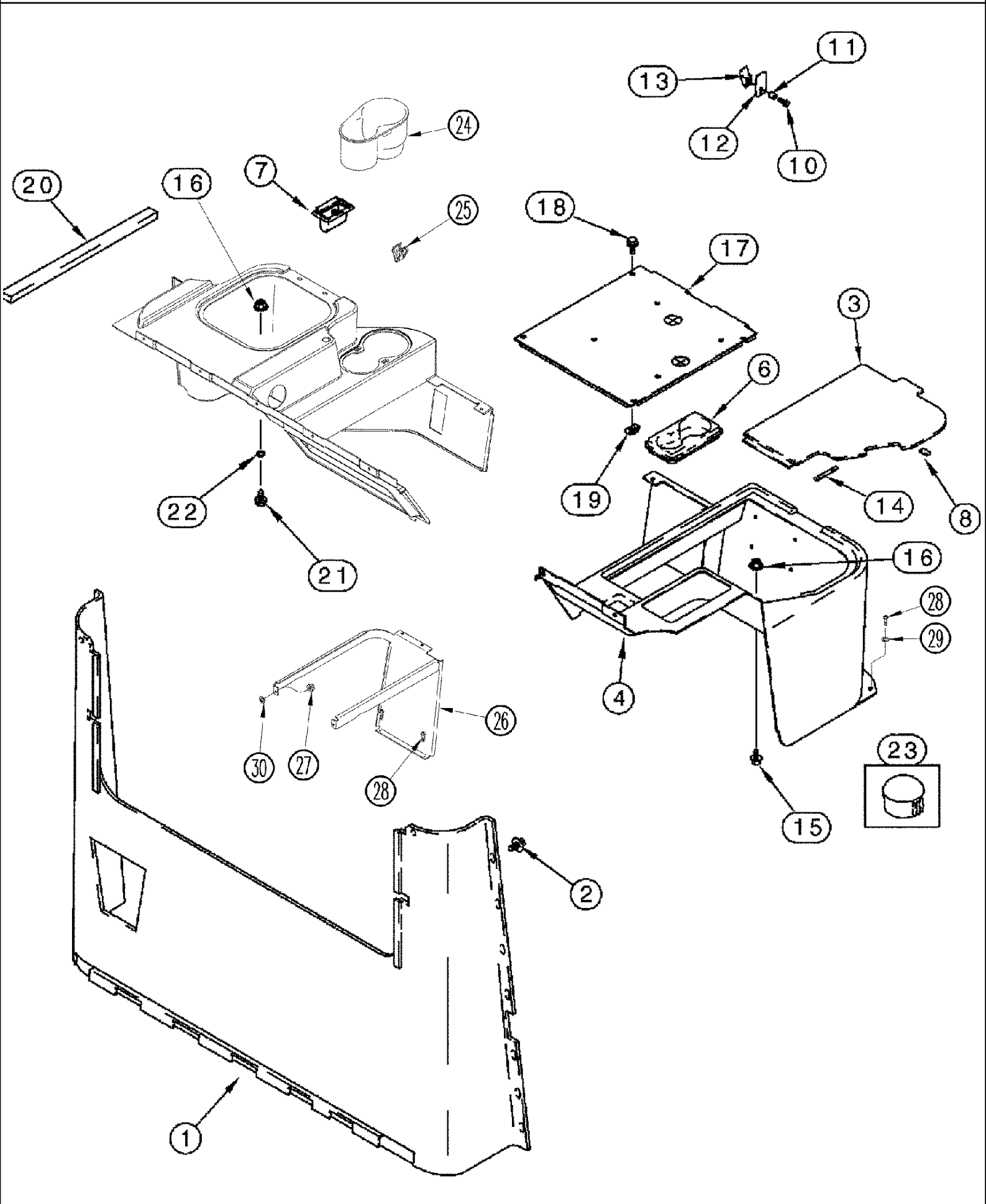
сылка	Номер детали	Кол-во	Описание
1	121570A6	1	LINING, Rear, BSN JJC0252949
1A	121570A7	1	LINING, ROOF, Rear, BTW JJC0252950 & JJC0253999
1B	121570A8	1	LINING, ROOF, Rear, ASN JJC0254000
2	121815A2	1	BRACKET, Front, BSN JJC0253999
2A	121815A3	1	LINING, ROOF, Front, ASN JJC0254000
3	136705A2	1	PANEL, , BSN JJC0252949
3A	371552A1	1	PANEL, , ASN JJC0252950
4	260-16524	12	SCREW, SELF TAPPING, Cross Pan Hd, #10 x 1 1/2", No. 10 x 1-1/2
5	1971229C2	1	COVER, LH
6	1971349C2	1	COVER, RH
7	97058C1	4	CLIP,
8	825-2406	6	NUT, M6 x 1, Flg, CI 8,
10	1535219C1	1	COVER, , Used On Models Without A Radio
11	245918C1	AR	CAP,
12	116812A1	2	CLIP,
14	231-51409	2	NUT, Flg, USR, #10-24,
13	281-53510	2	SCREW, SELF TAPPING, Hex Wash Hd, #10 x 5/8",



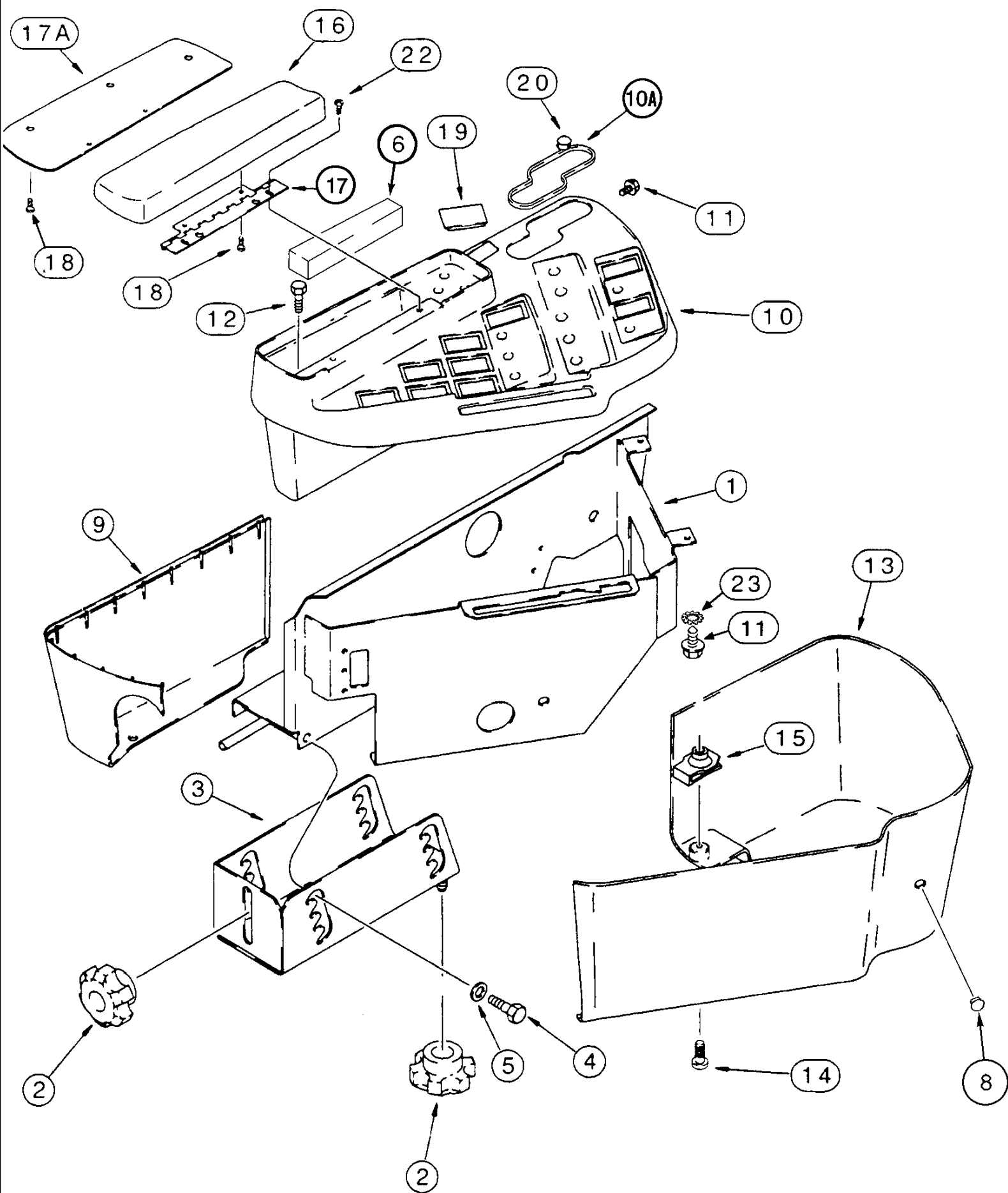
сылка	Номер детали	Кол-во	Описание
	224515A1	1	PANEL, Rear Trim, Inc. 1, 2
1	NSS	1	NOT SERVICED SEPARATELY, Panel
2	121064A1	14	CLASP,
3	140320A1	1	COVER, Fuse Access
4	140322A2	1	COVER, Pedestal, Right Hand, No Longer Available, For Service Order 376432A1, Ref. 4A
4A	376432A1	1	COVER, Pedestal, Right Hand, Service Only
5	140321A3	1	COVER, Pedestal, Left Hand, No Longer Available, For Service Order 376431A1, Ref. 5A
5A	376431A1	1	COVER, Pedestal, Left Hand, Service Only
6	1344244C1	1	TRAY, Utility
7	124234A1	1	TRAY,
8	121067A1	4	FASTENER, 1 x 12, Cut From 121068A1
10	276-13520	1	SCREW, SELF TAPPING, Hex Hd, #10 x 1 1/4", No. 10 x 1-1/4
11	2-3010T1	1	SPACER,
12	60-6520T1	1	PLATE,
13	3234176R1	1	COAT HOOK,
14	1990258C1	2	GASKET, 80 mm (3-5/32 in.), Cut From 187874C2
15	191216A1	11	SCREW, SELF TAPPING, Hex Wash Hd, #10-24 x 5/8",
16	231-51409	23	NUT, Flg, USR, #10-24,
17	NSS	1	NOT SERVICED SEPARATELY, SUPPORT
18	458-512	4	BOLT, Hex Flg, 5/16"-18 x 3/4", G5, Full Thd, 5/16 x 3/4
19	786618C1	4	NUT, 5/16
20	192269A1	1	FOAM, 500 mm (19-5/8 in.), Cut From 1971350C1
21	117067A1	12	SCREW, SELF TAPPING, Cross Pan Hd, #10-24 x 3/4",
22	492-11010	12	WASHER, LOCK, #10,
23	353-400	4	PLUG, Dome, .250" hole, Nylon, , Without Automatic Temperature Control
24	353-405	2	PLUG, Dome, .562" hole, Nylon, , Without Automatic Temperature Control
25	353-411	1	PLUG, Dome, 1.000" hole, Nylon,



сылка	Номер детали	Кол-во	Описание
	224515A1	1	PANEL, Rear Trim, Inc. 1, 2
1	NSS	1	NOT SERVICED SEPARATELY, Panel
2	121064A1	14	CLASP,
3	140320A1	1	COVER, Fuse Access
4	140322A3	1	COVER, Pedestal, Right Hand
5	140321A4	1	COVER, Pedestal, Left Hand
6	1344244C1	1	TRAY, Utility
7	124234A1	1	TRAY,
8	121067A1	4	FASTENER, 1 x 12, Cut From 121068A1
10	276-13520	1	SCREW, SELF TAPPING, Hex Hd, #10 x 1 1/4", No. 10 x 1-1/4
11	2-3010T1	1	SPACER,
12	60-6520T1	1	PLATE,
13	3234176R1	1	COAT HOOK,
14	1990258C1	2	GASKET, 80 mm (3-5/32 in.), Cut From 187874C1
15	191216A1	13	SCREW, SELF TAPPING, Hex Wash Hd, #10-24 x 5/8",
16	231-51409	23	NUT, Flg, USR, #10-24,
17	NSS	1	NOT SERVICED SEPARATELY, SUPPORT
18	458-512	4	BOLT, Hex Flg, 5/16"-18 x 3/4", G5, Full Thd, 5/16 x 3/4
19	786618C1	4	NUT, 5/16
20	192269A1	1	FOAM, 500 mm (19-5/8 in), Cut From 1971350C1
21	117067A1	12	SCREW, SELF TAPPING, Cross Pan Hd, #10-24 x 3/4",
22	492-11010	12	WASHER, LOCK, #10,
23	353-411	1	PLUG, Dome, 1.000" hole, Nylon,

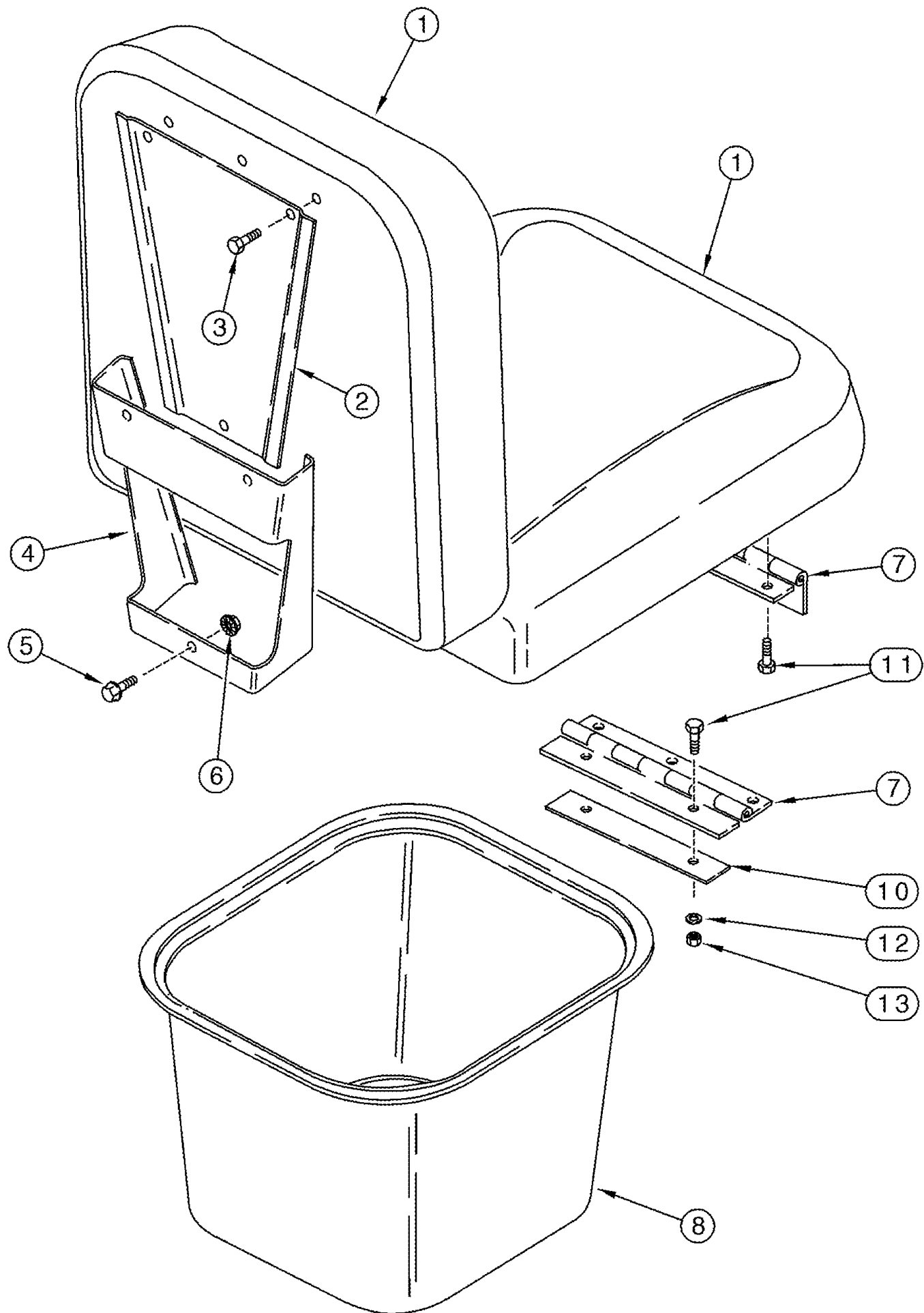


сылка	Номер детали	Кол-во	Описание
	224515A1	1	PANEL, Rear Trim, Inc. 1, 2
1	NSS	1	NOT SERVICED SEPARATELY, PANEL
2	121064A1	14	CLASP,
3	401090A1	1	COVER, Fuse Access
4	401088A1	1	COVER, Pedestal, Right Hand
5	401089A1	1	COVER, Pedestal, Left Hand
6	1344244C1	1	TRAY, Utility
7	124234A1	1	TRAY, Ash
8	121067A1	4	FASTENER, 1 x 12, Cut From 121068A1
10	276-13520	1	SCREW, SELF TAPPING, Hex Hd, #10 x 1 1/4", No. 10 x 1-1/4
11	2-3010T1	1	SPACER,
12	60-6520T1	1	PLATE,
13	3234176R1	1	COAT HOOK,
14	1990258C1	2	GASKET, 80 mm (3-5/32 in), Cut From 187874C1
15	191216A1	13	SCREW, SELF TAPPING, Hex Wash Hd, #10-24 x 5/8",
16	231-51409	23	NUT, Flg, USR, #10-24,
17	NSS	1	NOT SERVICED SEPARATELY, SUPPORT
18	458-512	4	BOLT, Hex Flg, 5/16"-18 x 3/4", G5, Full Thd, 5/16 x 3/4
19	786618C1	4	NUT, 5/16
20	192269A1	1	FOAM, 500 mm (19-5/8 in.), Cut From 1971350C1
21	117067A1	12	SCREW, SELF TAPPING, Cross Pan Hd, #10-24 x 3/4",
22	492-11010	12	WASHER, LOCK, #10,
23	353-411	1	PLUG, Dome, 1.000" hole, Nylon,
23	353-410	1	PLUG, Dome, .875" hole, Nylon,
24	401091A1	1	HOLDER, Cup
25	278316A2	2	CLIP,
26	398456A1	1	SUPPORT, Pedestal, Left Hand
27	825-5146	2	NUT, M6, Flg Ser,
28	191216A1	13	SCREW, SELF TAPPING, Hex Wash Hd, #10-24 x 5/8",
29	495-31022	11	WASHER, #10,
30	195-81026	2	WASHER, .266" x 13/16" x .079", 17/64 x 13/16 x 5/64

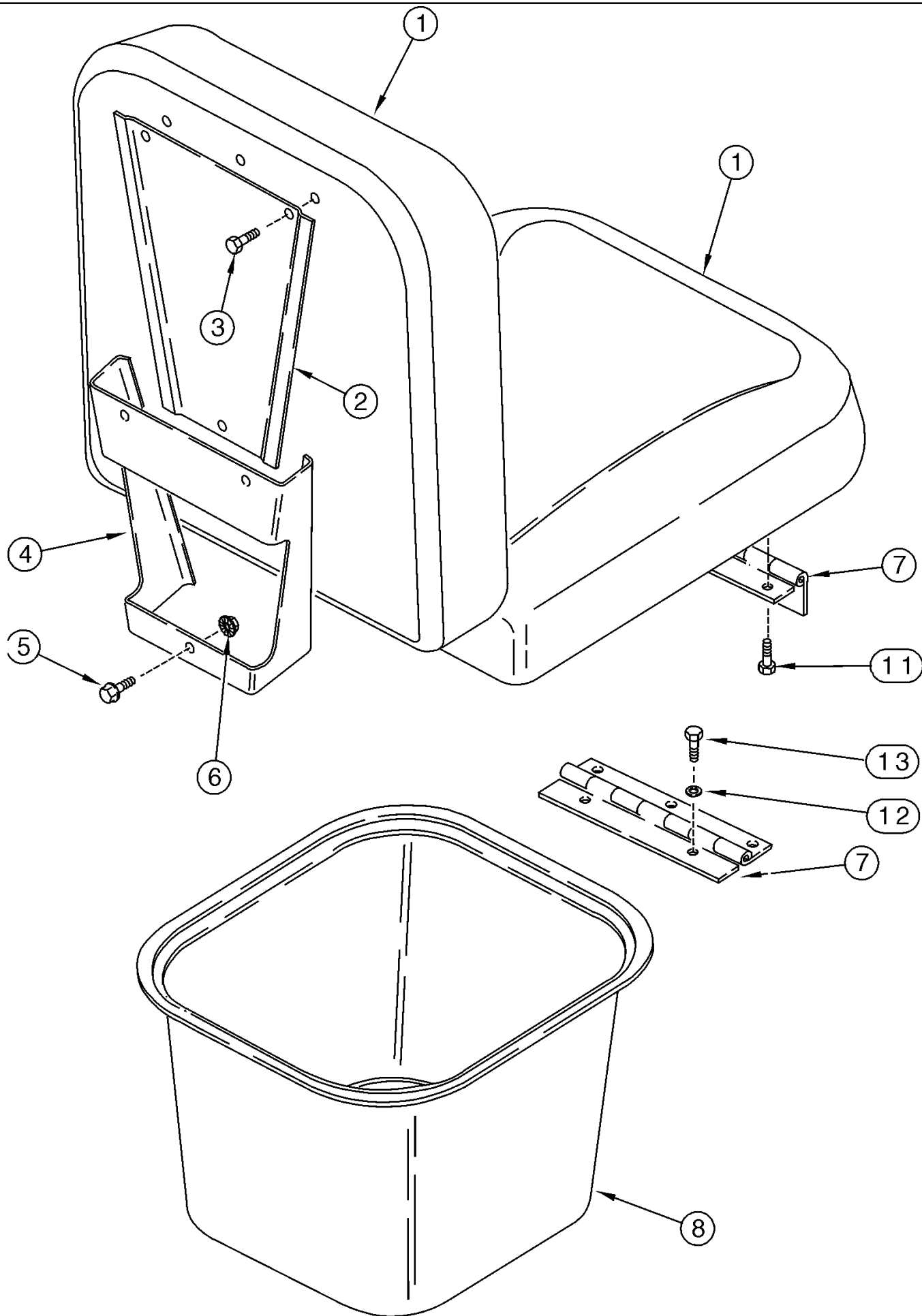


09G-10 CAB - CONSOLE, RIGHT HAND

сылка	Номер детали	Кол-во	Описание
1	117580A6	1	CONSOLE,
2	118781A1	3	KNOB,
3	117107A2	1	SUPPORT,
4	814-8035	4	BOLT, Hex, M8 x 35, 8.8,
6	251495A1	AR	FOAM, No Longer Used
7	282056A1	1	PLUG, If Used, Not Illustrated, Without Accumulator
8	353-411	1	PLUG, Dome, 1.000" hole, Nylon,
9	130412A1	1	COVER, Rear
10	144114A3	1	BRACKET, Right Hand, Inc. 10A, Inc. Decals
10A	128833A2	1	GUIDE,
11	841-4410	2	SCREW, Hex Wash Hd, M4 x 10, M4 x 10; 4.8
12	614-6030	1	BOLT, Hex, M6 x 30, 8.8, Full Thd,
13	118321A2	1	SKIRT, Front
14	440-1106	4	SCREW, Cross Pan Hd, #10-24 x 3/8", No. 10 x 3/8
15	131-861	4	NUT, Tinn, U, #10-24, No. 10
	128970A3	1	ARMREST, Inc. 16 - 18
16	NSS	1	NOT SERVICED SEPARATELY, SUPPORT
17	128849A2	1	HINGE,
17A	185546A1	1	PLATE,
18	185544A1	5	SCREW,
19	245918C1	AR	CAP, Rocker Switch Opening
20	353-402	AR	PLUG, Dome, .375" hole, Nylon, Switch Opening
22	841-4410	2	SCREW, Hex Wash Hd, M4 x 10, M4 x 10; 4.8
23	493-81000	2	WASHER, LOCK, Ext-Int Tooth, #10, 3/16
5	895-15008	4	WASHER, M8 x 20 x 1.6,



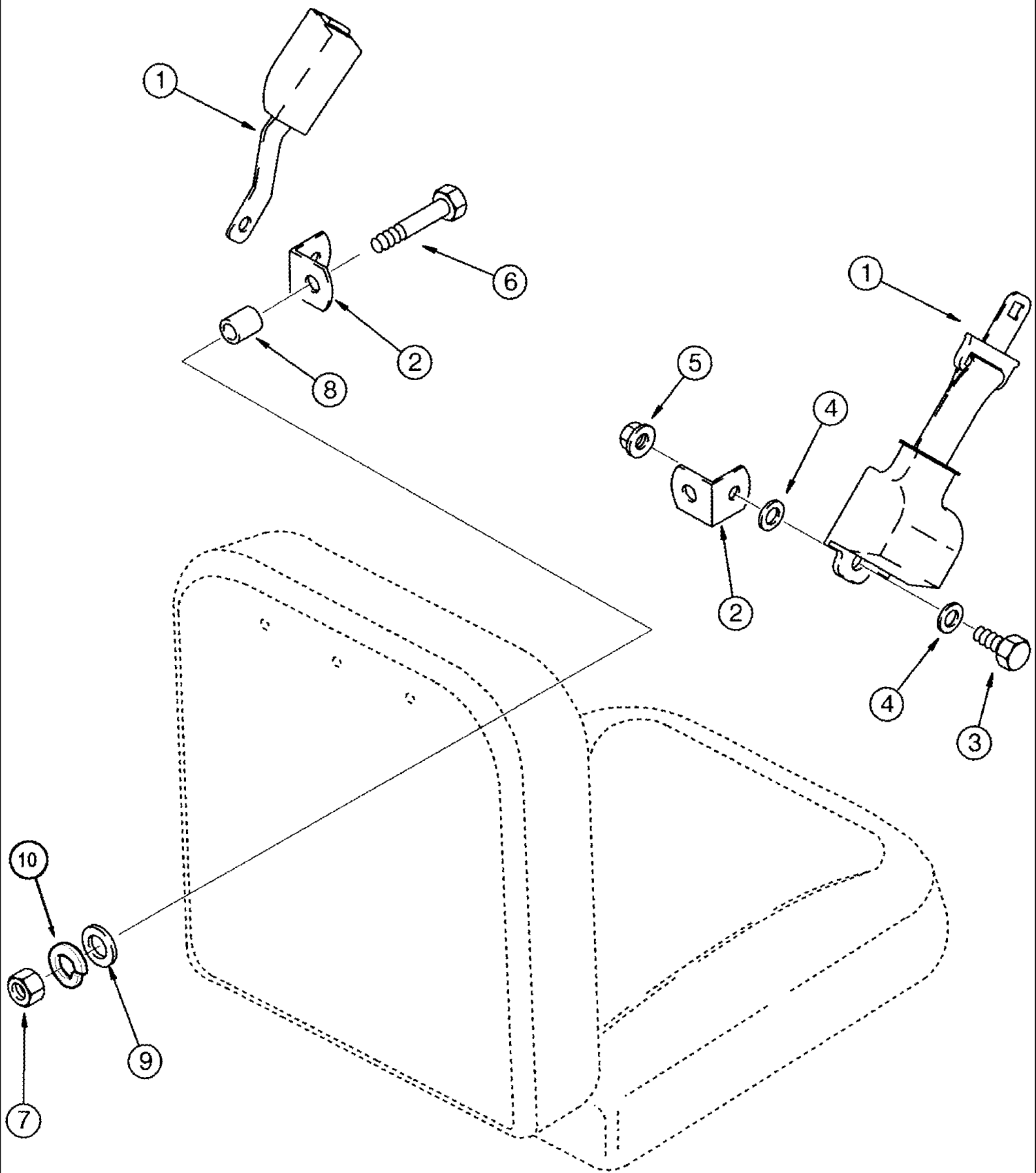
сылка	Номер детали	Кол-во	Описание
1	304474A2	2	CUSHION, Replaces 117418A2
2	119890A1	1	SUPPORT,
3	413-412	3	BOLT, Hex, 1/4"-20 x 3/4", G5, Full Thd,
4	119891A1	1	SUPPORT,
6	231-51409	3	NUT, Flg, USR, #10-24,
7	121062A1	1	HINGE,
8	119308A2	1	ASH TRAY,
10	120568A1	1	PLATE,
11	413-412	5	BOLT, Hex, 1/4"-20 x 3/4", G5, Full Thd,
12	495-11028	2	WASHER, 1/4", SAE, (9/32 x 5/8 x 1/16")
13	425-104	2	NUT, 1/4"-20, G5,
5	281-53510	3	SCREW, SELF TAPPING, Hex Wash Hd, #10 x 5/8",



2366 CASE IH AXIAL-FLOW COMBINE (NA) (1/98-8/04)

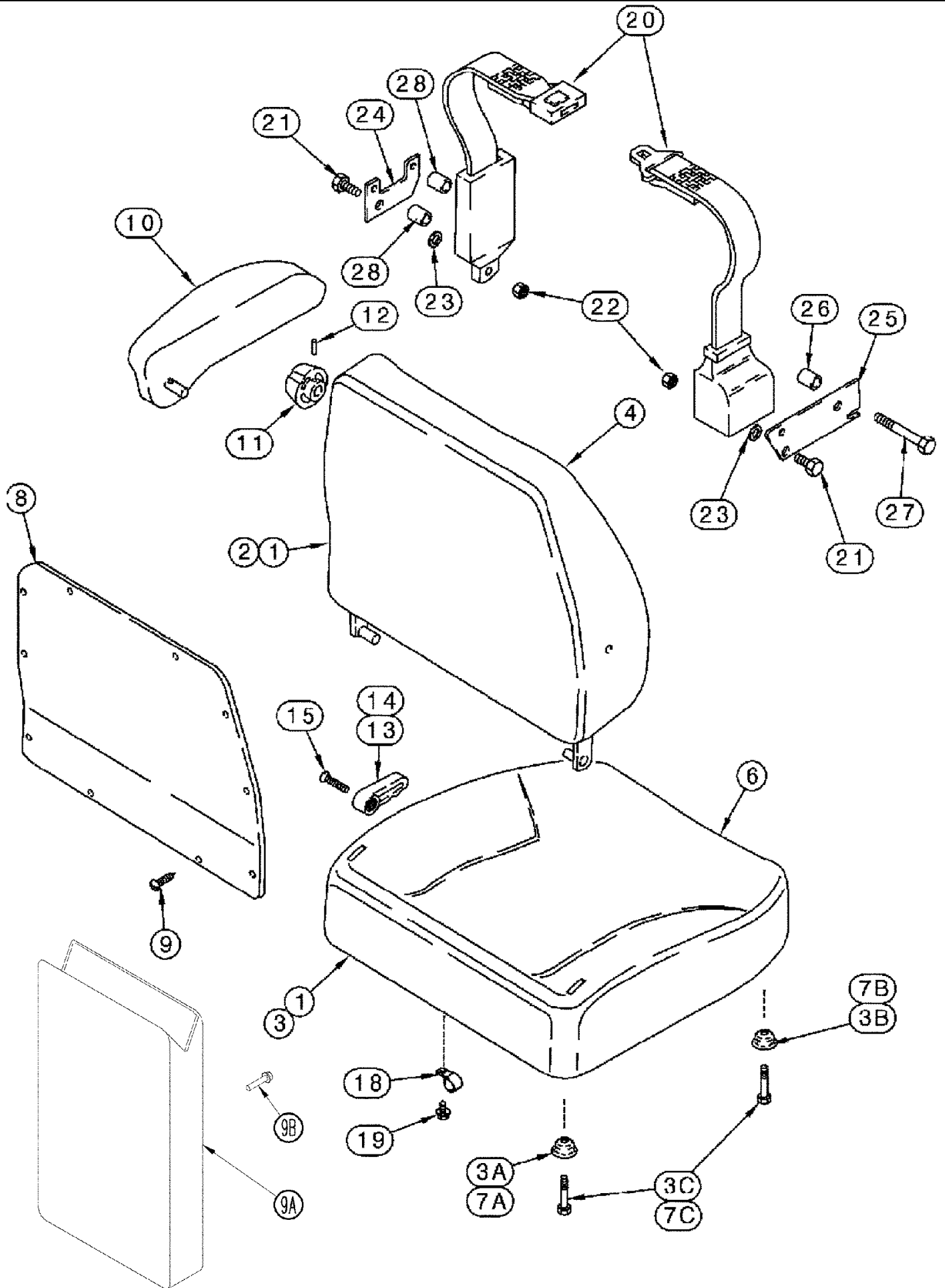
09G-11(02) SEAT, INSTRUCTIONAL - STORAGE TRAY, ASN JJC0255000

сылка	Номер детали	Кол-во	Описание
1	304474A2	2	CUSHION, Replaces 117418A2
2	119890A1	1	SUPPORT,
3	413-412	3	BOLT, Hex, 1/4"-20 x 3/4", G5, Full Thd,
4	119891A1	1	SUPPORT,
6	231-51409	3	NUT, Flg, USR, #10-24,
7	121062A1	1	HINGE,
8	119308A2	1	ASH TRAY,
11	413-412	5	BOLT, Hex, 1/4"-20 x 3/4", G5, Full Thd,
12	614-6020	2	BOLT, Hex, M6 x 20, 8.8,
13	895-11006	2	WASHER, M6, Lock
5	281-53510	3	SCREW, SELF TAPPING, Hex Wash Hd, #10 x 5/8",



09G-12 SEAT, INSTRUCTIONAL - BELTS

сылка	Номер детали	Кол-во	Описание
1	224808A1	1	SEAT BELT,
2	224809A1	2	SUPPORT,
3	414-716	2	BOLT, Hex, 7/16"-20 x 1", G5, Full Thd,
4	495-81009	3	WASHER, .469" x 1" x .120", 15/32 x 1 x 1/8
5	231-5447	2	NUT, LOCK, Flg, 7/16"-20,
6	413-832	2	BOLT, Hex, 1/2"-13 x 2", G5,
7	425-108	2	NUT, 1/2"-13, G5,
8	224368A1	2	SPACER,
9	495-91167	2	WASHER, 17/32" x 2" x .120", 17/32 x 2 x 7/64
10	80679	2	WASHER, LOCK, 1/2",
11	353-410	1	PLUG, Dome, .875" hole, Nylon, Not Illustrated



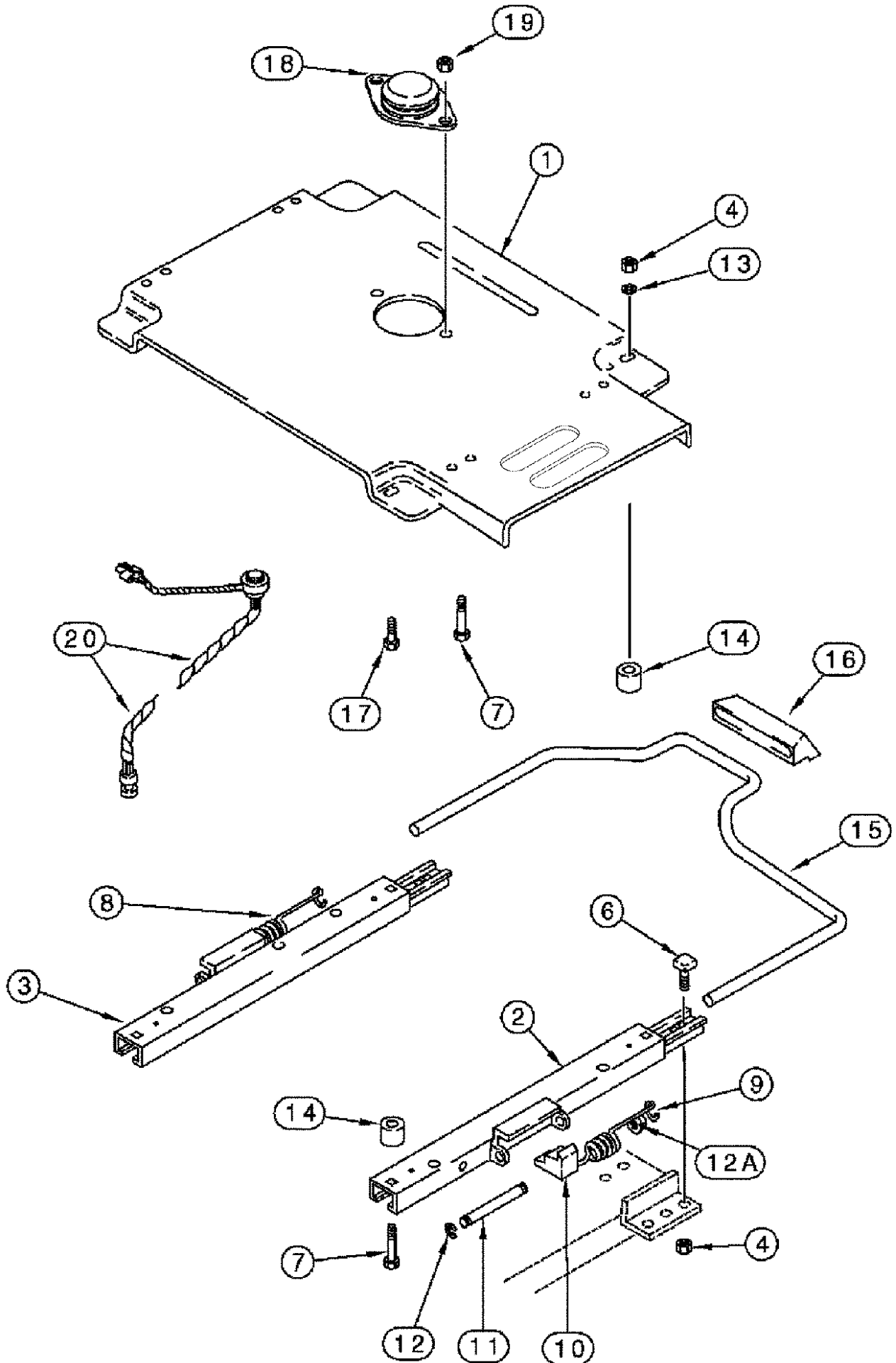
сылка	Номер детали	Кол-во	Описание
	180577A4	1	SEAT ASSY., Inc. 1 - 23, Inc. Figure(s) 09G-13 - 09G-15
1	134181A2	1	PACKAGE, Seat Cushion and Backrest, Without Armrest, Complete
2	132886A1	1	BACKREST, Includes Lumbar Knob, Without Armrest
	132888A2	1	PACKAGE, Seat Cushion, Inc. 3 - 3C
3	NSS	1	NOT SERVICED SEPARATELY, CUSHION
3A	187006A1	2	CUP,
3B	700711545	2	CUP,
3C	413-532	4	BOLT, Hex, 5/16"-18 x 2", G5,
	132884A1	1	BACKREST, Pad, Inc. 4, 5
4	NSS	1	NOT SERVICED SEPARATELY, PAD
5	NSS	25	NOT SERVICED SEPARATELY, RING, Not Illustrated
	223395A1	1	PACKAGE, CUSHION Seat, Inc. 6 - 7C
6	NSS	1	NOT SERVICED SEPARATELY, PAD
7	NSS	25	NOT SERVICED SEPARATELY, RING, Not Illustrated
7A	187006A1	2	CUP,
7B	700711545	2	CUP,
7C	413-532	4	BOLT, Hex, 5/16"-18 x 2", G5,
	445823A1	1	PACKAGE, Backrest Cover and Retainers, Inc. 8 - 9D
8	NSS	1	NOT SERVICED SEPARATELY, COVER
9	1999693C1	1	KIT, Package Of 14
9A	430251A1	1	HOLDER, Operators Manual
9B	430253A1	6	RIVET,
9C	430254A1	1	STRIP, Reinforcement, Not Illustrated
9D	495-31022	12	WASHER, #10, Not Illustrated
10	1981818C1	1	ARMREST, Left Hand
	1999691C1	1	PACKAGE, SERVICE, Seat Knob, Upper, Inc. 11 - 17
11	NSS	1	NOT SERVICED SEPARATELY, KNOB
12	38-31016	2	PIN, 5/32" x 1", Coiled,
13	NSS	1	NOT SERVICED SEPARATELY, KNOB, Backrest Tilt
14	NSS	1	NOT SERVICED SEPARATELY, KNOB, Recliner
15	NSS	1	NOT SERVICED SEPARATELY, SCREW
16	NSS	1	NOT SERVICED SEPARATELY, KNOB Seat Tilt, Not Used In This Application, Not Illustrated
17	NSS	1	NOT SERVICED SEPARATELY, KNOB Fore/Aft, Not Used In This Application, Not Illustrated
18	NSS	1	NOT SERVICED SEPARATELY, CLAMP
19	281-14512	1	SCREW, SELF TAPPING, Hex Wash Hd, #10 x 3/4",
	293563A1	1	PACKAGE, Seat Belt, Inc. 20 - 28
20	279671A1	1	SEAT BELT,
21	414-716	2	BOLT, Hex, 7/16"-20 x 1", G5, Full Thd,
22	231-5447	2	NUT, LOCK, Flg, 7/16"-20,
23	495-21044	2	WASHER, 3/8",
24	NSS	1	NOT SERVICED SEPARATELY, BRACKET
25	NSS	1	NOT SERVICED SEPARATELY, BRACKET
26	NSS	1	NOT SERVICED SEPARATELY, SPACER

2366 CASE IH AXIAL-FLOW COMBINE (NA) (1/98-8/04)

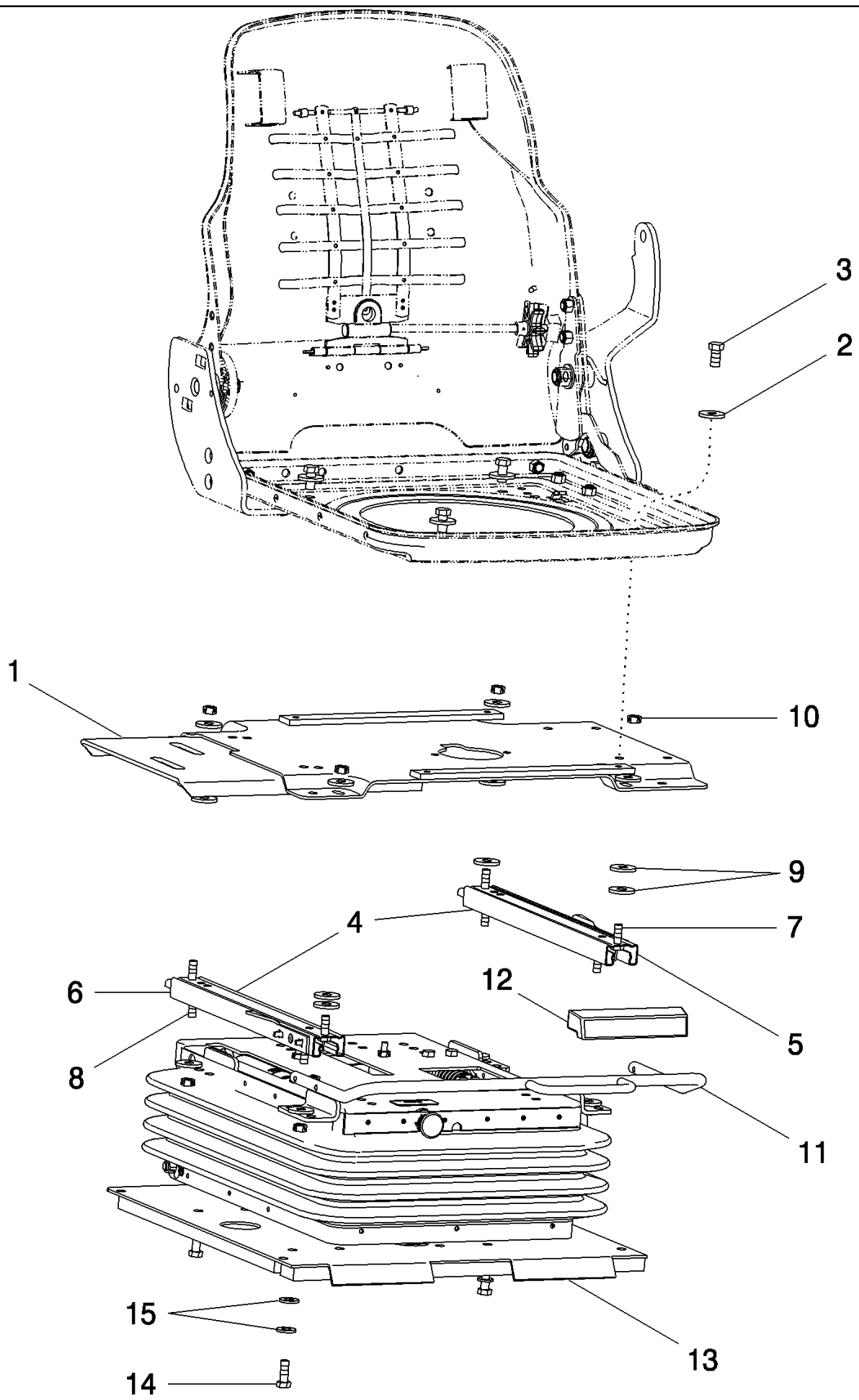
09G-13(01) SEAT, OPERATOR - AIR SUSPENSION - CUSHIONS AND KNOBS - BSN JJC0255699

сылка	Номер детали	Кол-во	Описание
27	414-756	1	BOLT, Hex, 7/16"-20 x 3 1/2", G5, 7/16 NF x 3-1/2
28	NSS	2	NOT SERVICED SEPARATELY, SPACER
	176091A1	1	PACKAGE,SERVICE, Hog Ring, Package Of 50

сылка	Номер детали	Кол-во	Описание
	86989910	1	SEAT, Inc. 1 - 22, Inc. Figure(s) 09G-14 (02), 09G-15
1	87413044	1	SEAT, ASSY, Top, Inc. 2 - 22
2	87416485	1	KIT, Seat Top
3	87416486	1	CUSHION, SEAT, ASSY, Cushion, With Operator's Presence System
4	87416487	1	KIT, Back Cushion
5	87416490	1	KIT, Seat Belt, Inc. 6 - 14
6	279671A1	1	SEAT BELT,
7	87416920	1	PLATE, Seat Belt Mounting
8	815-12050	1	BOLT, Hex, M12 x 50, 8.8, Bolt, M12 x 50
9	NSS	1	NOT SERVICED SEPARATELY, Spacer, Mounting Plate
10	615-10025	1	BOLT, Hex, M10 x 25, 8.8, Full Thd, M10 x 25
11	895-10010	1	WASHER, M10 x 20 x 2, M10
12	832-41310	1	NUT, LOCK, M10 x 1.5, CI 10,
13	613-12025	1	BOLT, Hex, M12 x 25, 8.8, Full Thd, M12 x 25
14	896-12012	1	WASHER, M12 x 24.5 x 3, HT,
15	87416488	1	KIT, Left Hand Armrest, Inc. 16 - 19
16	NSS	1	NOT SERVICED SEPARATELY, Armrest
17	854-12040	1	BOLT, Hex Flg, M12 x 40, 10.9,
18	395-11053	1	WASHER, 1/2",
19	832-10312	1	NUT, LOCK, M12 x 1.75, CI8, M12
20	86994172	1	KIT, SERVICE, KIT, manual Holder
21	86994165	1	SEAT ACCESSORY, KIT, Recliner Service, Not Illustrated
22	87416475	1	KNOB, Recliner

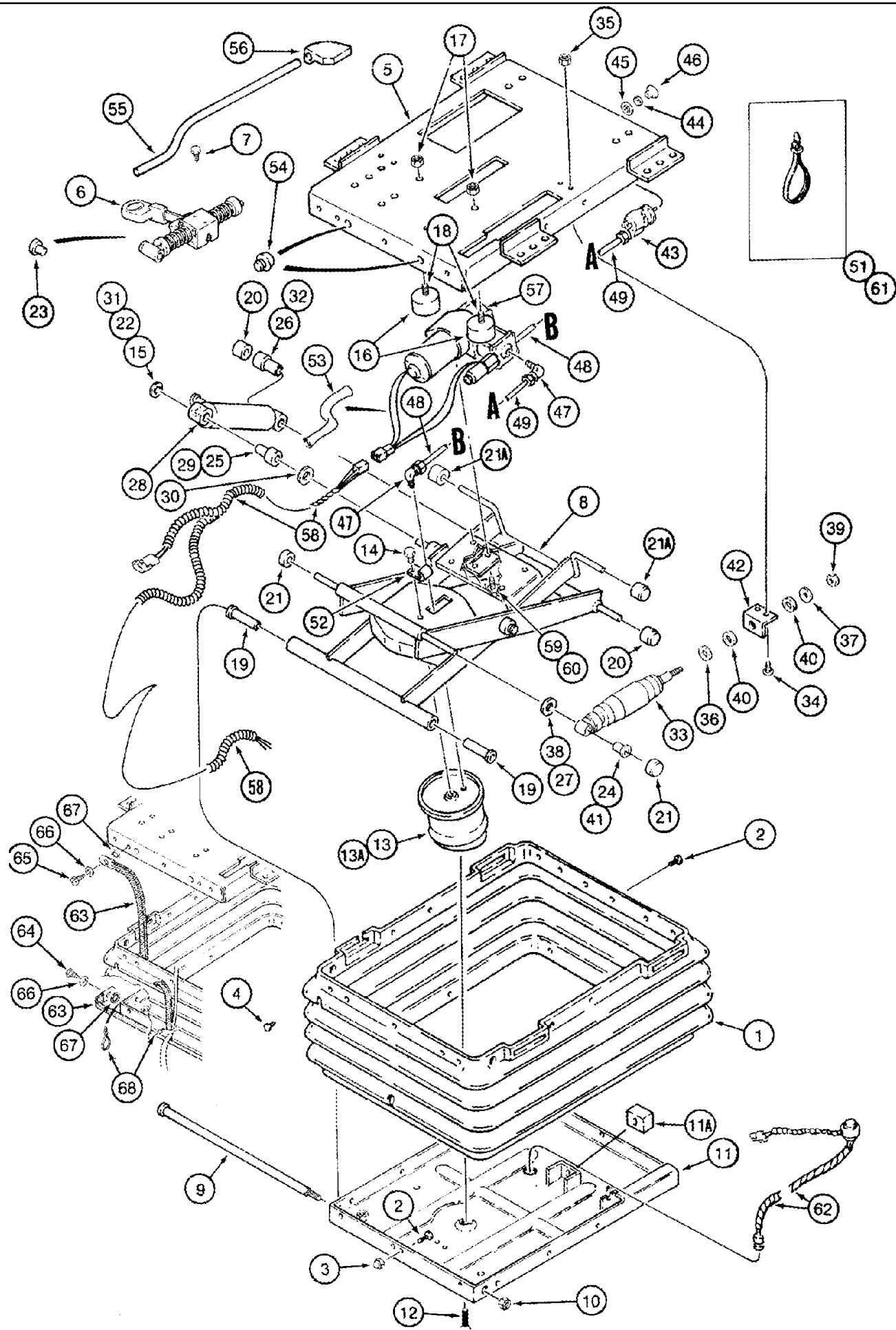


сылка	Номер детали	Кол-во	Описание
	180577A4	1	SEAT ASSY., Inc. 1 - 20, Inc. Figure(s) 09G-13 - 09G-15
1	390991A1	1	PLATE,
	132875A1	1	SLIDE, Inc. 2 - 12A
2	NSS	1	NOT SERVICED SEPARATELY, SLIDE Right Hand
3	NSS	1	NOT SERVICED SEPARATELY, SLIDE Left Hand
4	230-4215	8	NUT, LOCK, 5/16"-18, GA,
6	417-524	4	BOLT, Sq Hd, 5/16"-18 x 1 1/2", G2,
7	413-524	4	BOLT, Hex, 5/16"-18 x 1 1/2", G5,
8	135513A1	1	SPRING, Left Hand
9	135514A1	1	SPRING, Right Hand
10	NSS	2	NOT SERVICED SEPARATELY, BLOCK
11	NSS	2	NOT SERVICED SEPARATELY, PIN
12	103-1131	2	RING, SNAP, #31, Ext,
12A	131-413	2	NUT, LOCK, Rd Flat Push, 1/4" x 17/32",
13	495-11034	4	WASHER, 5/16", SAE, (11/32 x 11/16 x 1/16")
14	134144A1	4	SPACER,
15	180585A1	1	LEVER,
16	180587A1	1	HANDLE,
17	440-12510	2	SCREW, Cross Pan Hd, 1/4"-20 x 5/8",
18	242306A2	1	SWITCH, Seat
19	NSS	2	NOT SERVICED SEPARATELY, NUT
20	180601A1	1	HARNESS, WIRE, Seat, Operator Present



сылка	Номер детали	Кол-во	Описание
	86989910	1	SEAT, Inc. 1 - 18, Inc. Figure(s) 09G-13 (02), 09G-15
1	87413045	1	PLATE, Seat Adapter
2	1974732C1	4	WASHER,
3	413-612	4	BOLT, Hex, 3/8"-16 x 3/4", G5, Full Thd, 3/8 x 3/4
4	87416482	1	KIT, Locking Slides, Inc. 5 - 11
5	NSS	1	NOT SERVICED SEPARATELY, Slide Assy, Left Hand
6	NSS	1	NOT SERVICED SEPARATELY, Slide Assy, Right Hand
7	413-514	4	BOLT, Hex, 5/16"-18 x 7/8", G5, Full Thd, 5/16 x 7/8
8	117-109	4	BOLT, Sq Hd, 5/18"-16 x 3/4", G5,
9	1974732C1	16	WASHER,
10	213-4215	8	NUT, Lock, 5/16
11	86994163	1	KIT, SERVICE, BAR, Fore / Aft Slide
12	180587A1	1	HANDLE, Knob
13	87413043	1	PLATE, Seat Mounting
14	614-8020	4	BOLT, Hex, M8 x 20, 8.8,
15	495-11034	4	WASHER, 5/16", SAE, (11/32 x 11/16 x 1/16")
16	263-10610	1	SCREW, SELF TAPPING, Slotted Pan Hd, #12 x 5/8", Screw, No. 12 x 5/8, Not Shown
17	492-11012	1	WASHER, LOCK, #12, Not shown
18	495-31022	1	WASHER, #10, Not Shown

09G-15 SEAT, OPERATOR - SUSPENSION



09G-15 SEAT, OPERATOR - SUSPENSION

сылка	Номер детали	Кол-во	Описание
	180577A4	1	SEAT ASSY., Inc. 1 - 68, Inc. Figure(s) 09G-13 (01), 09G-14 (01), BSN JJC0255699
	86989910	1	SEAT, Inc. 1 - 68, Inc. Figure(s) 09G-13 (02), 09G-14 (02), ASN JJC0255700
	1990647C2	1	KIT, Boot, Suspension, Inc. 1 - 4
1	NSS	1	NOT SERVICED SEPARATELY, BOOT
	132872A1	1	KIT, Inc. 2 - 4
2	NSS	20	NOT SERVICED SEPARATELY, FASTENER
3	NSS	3	NOT SERVICED SEPARATELY, NUT
4	NSS	3	NOT SERVICED SEPARATELY, CLIP
	180590A3	1	SUSPENSION, Service Kit, Inc. 5 - 63, BSN JJC0255699
	87416447	1	KIT, Suspension Service, Inc. 5 - 63, ASN JJC0255700
5	180591A1	1	PLATE, Upper
6	180592A1	1	SHOCK ABSORBER,
7	276-24812	2	SCREW, SELF TAPPING, Hex Hd, 5/16" x 3/4",
8	1990643C1	1	FRAME ASSY,
9	A49529	1	SHAFT,
10	231-4206	1	NUT, LOCK, 3/8"-16, GB,
11	226560A1	1	HOUSING, Lower, Also Order 132872A1, A45054
11A	A45054	1	BUMPER,
12	443-13812	1	SCREW, Cross Flat Hd, 3/8"-16 x 3/4",
	197793A1	1	SPRING, Inc. 13, 13A
13	NSS	1	NOT SERVICED SEPARATELY, SPRING
13A	NSS	1	NOT SERVICED SEPARATELY, CLAMP
14	413-68	1	BOLT, Hex, 3/8"-16 x 1/2", G5, Full Thd,
15	131-425	1	NUT, LOCK, Push, 1/2",
	180593A1	2	KIT, Bumper, Inc. 16 - 18
16	NSS	2	NOT SERVICED SEPARATELY, BUMPER
17	231-1444	2	NUT, LOCK, 1/4"-20, GB,
18	340-12520	2	SCREW, Cross Pan Hd, 1/4"-20 x 1 1/4",
	180594A3	1	KIT, Rollers and Bearings, Inc. 19 - 27
19	NSS	2	NOT SERVICED SEPARATELY, BUSHING
20	NSS	2	NOT SERVICED SEPARATELY, ROLLER
21	NSS	4	NOT SERVICED SEPARATELY, ROLLER
21A	NSS	2	NOT SERVICED SEPARATELY, ROLLER
22	131-425	1	NUT, LOCK, Push, 1/2",
23	NSS	1	NOT SERVICED SEPARATELY, BEARING Pivot
24	NSS	1	NOT SERVICED SEPARATELY, BEARING Pivot
25	NSS	1	NOT SERVICED SEPARATELY, BEARING Pivot
26	NSS	1	NOT SERVICED SEPARATELY, BEARING Pivot
27	NSS	1	NOT SERVICED SEPARATELY, SPACER
	1344250C2	1	KIT, Shock Absorber, Inc. 28 - 32
28	NSS	1	NOT SERVICED SEPARATELY, Shock Absorber
29	NSS	1	NOT SERVICED SEPARATELY, BEARING pivot
30	A45519	1	WASHER,

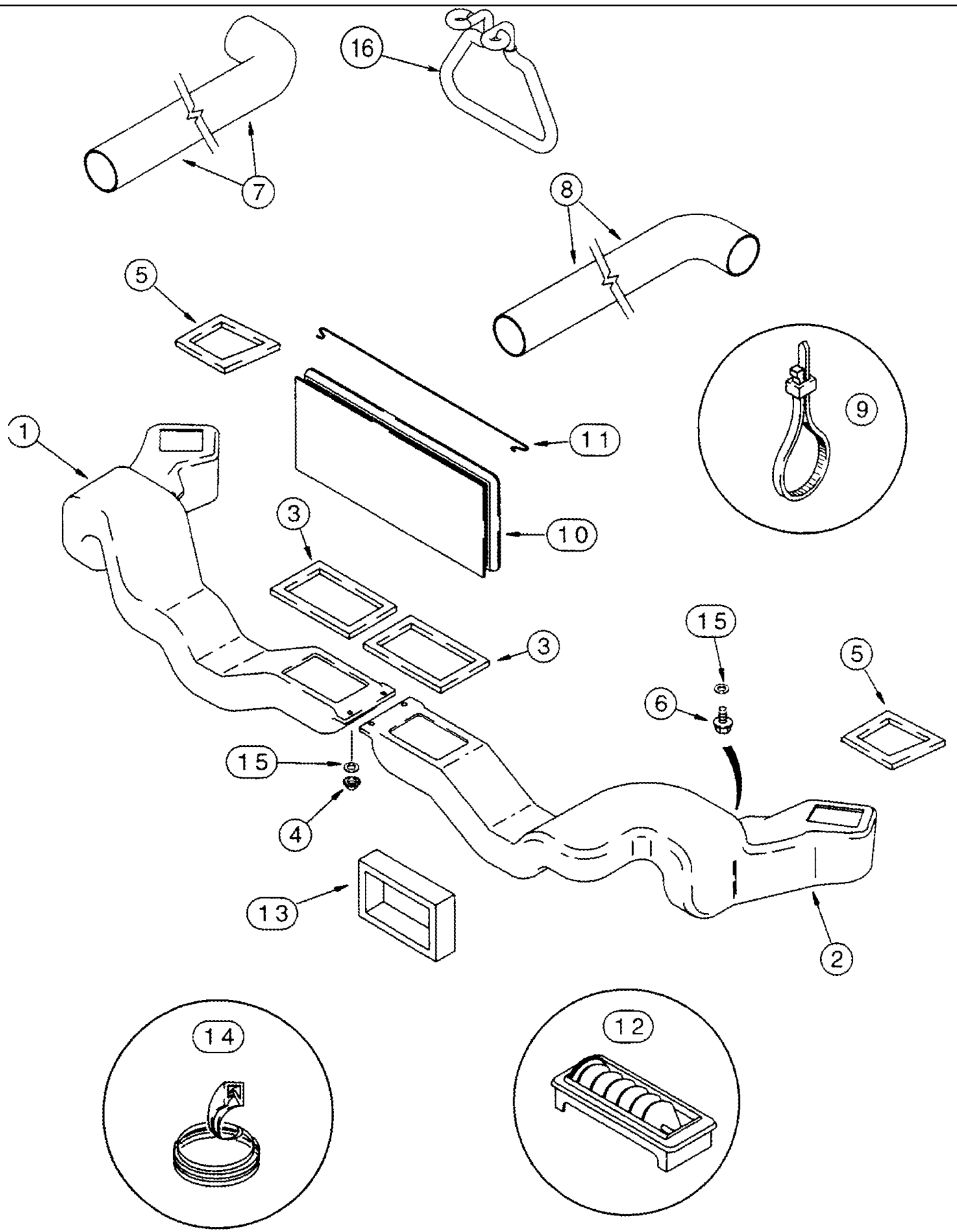
09G-15 SEAT, OPERATOR - SUSPENSION

сылка	Номер детали	Кол-во	Описание
31	131-425	1	NUT, LOCK, Push, 1/2",
32	NSS	1	NOT SERVICED SEPARATELY, BEARING Pivot
	227546A1	1	KIT, Shock, Fore/Aft, Inc. 33 - 41
33	NSS	1	NOT SERVICED SEPARATELY, Shock Absorber
34	434-48	2	BOLT, CARRIAGE, Short NK, 1/4"-20 x 1/2", G5, Full Thd,
35	231-1444	2	NUT, LOCK, 1/4"-20, GB,
36	495-11041	2	WASHER, 3/8", SAE, (13/32 x 13/16 x 1/16")
37	NSS	1	NOT SERVICED SEPARATELY, WASHER
38	NSS	1	NOT SERVICED SEPARATELY, SPACER
39	230-4715	1	NUT, LOCK, 5/16"-24, GA,
40	A49679	2	BUSHING,
41	NSS	1	NOT SERVICED SEPARATELY, BEARING Pivot
42	1981845C1	1	ANGLE,
	1981852C3	1	SWITCH, Air Control, Inc. 43 - 46
43	NSS	1	NOT SERVICED SEPARATELY, SWITCH
44	NSS	1	NOT SERVICED SEPARATELY, NUT
45	493-11065	1	WASHER, LOCK, Ext-Int Tooth, 5/8", 5/8
46	1987186C2	1	KNOB,
	1990548C4	1	KIT, Inc. 47 - 52
47	NSS	2	NOT SERVICED SEPARATELY, ELBOW, 90
48	NSS	1	NOT SERVICED SEPARATELY, TUBE
49	NSS	1	NOT SERVICED SEPARATELY, TUBE
51	L18337	4	STRAP, CABLE, 9.95"-12.1" lg, 15 in
52	NSS	1	NOT SERVICED SEPARATELY, CLAMP
53	179026A1	1	TUBE, PLASTIC-RUBBER, 3/8 ID x 24-1/4
54	133422A1	2	BUMPER,
55	180596A2	1	LEVER,
56	180597A2	1	HANDLE,
	358903A1	1	COMPRESSOR, Inc. 57 - 61, Replaces 180600A1, BSN JJC0255699
	358903A2	1	KIT, Compressor, Inc. 57 - 61, ASN JJC0255700
57	NSS	1	NOT SERVICED SEPARATELY, COMPRESSOR
58	180599A1	1	HARNESS, WIRE, , BSN JJC0255699
58	87413247	1	HARNESS, WIRE, , ASN JJC0255700
59	495-31022	2	WASHER, #10,
60	440-1086	2	SCREW, Cross Pan Hd, #8-32 x 3/8",
61	L18337	6	STRAP, CABLE, 9.95"-12.1" lg, 15 in.
62	180601A1	1	HARNESS, WIRE, , BSN JJC0255699
	291280A1	1	KIT, Ground Strap, Inc. 63 - 68
63	NSS	1	NOT SERVICED SEPARATELY, STRAP Ground
64	NSS	1	NOT SERVICED SEPARATELY, SCREW
65	NSS	1	NOT SERVICED SEPARATELY, SCREW
66	NSS	2	NOT SERVICED SEPARATELY, WASHER
67	NSS	2	NOT SERVICED SEPARATELY, WASHER Lock

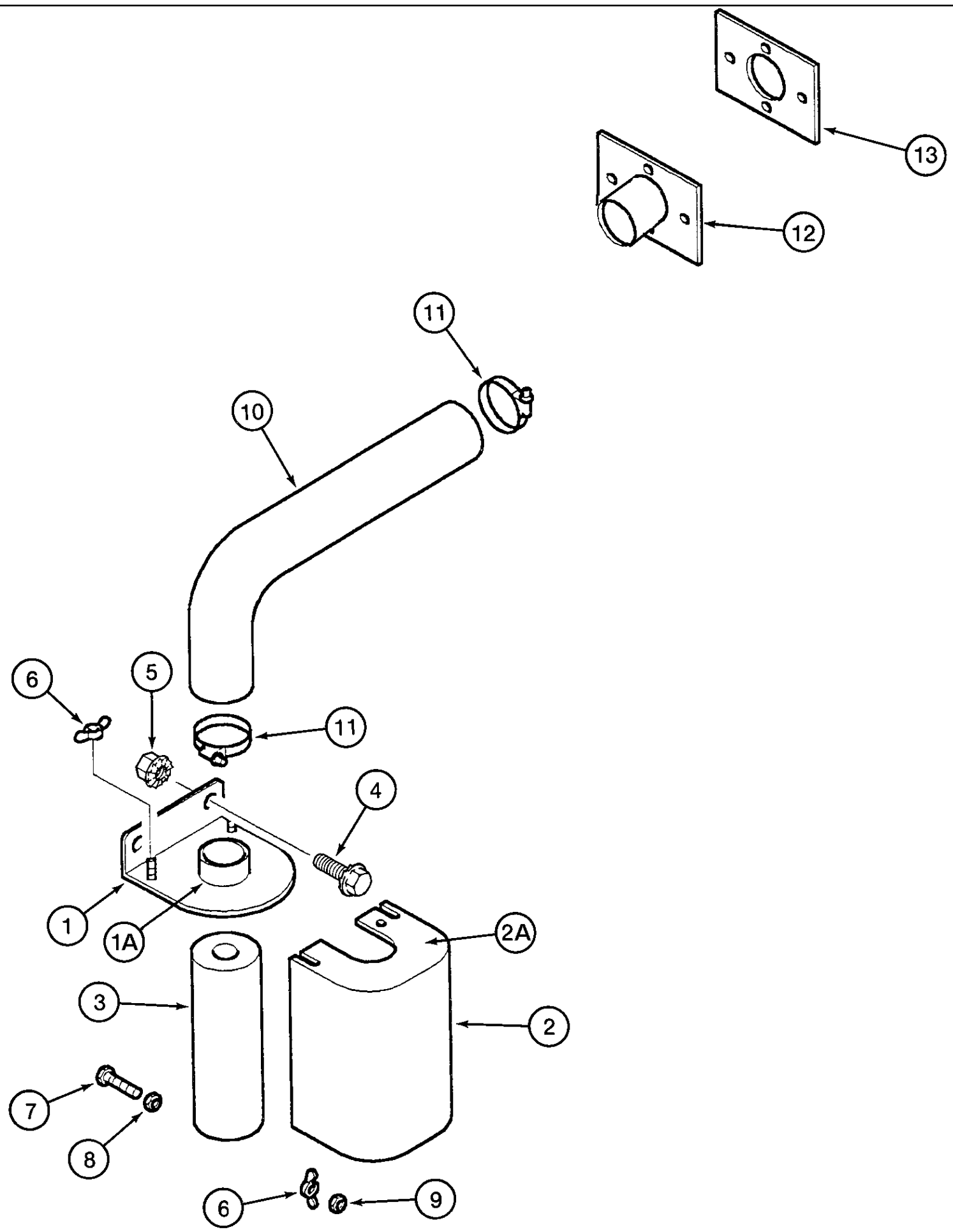
2366 CASE IH AXIAL-FLOW COMBINE (NA) (1/98-8/04)

09G-15 SEAT, OPERATOR - SUSPENSION

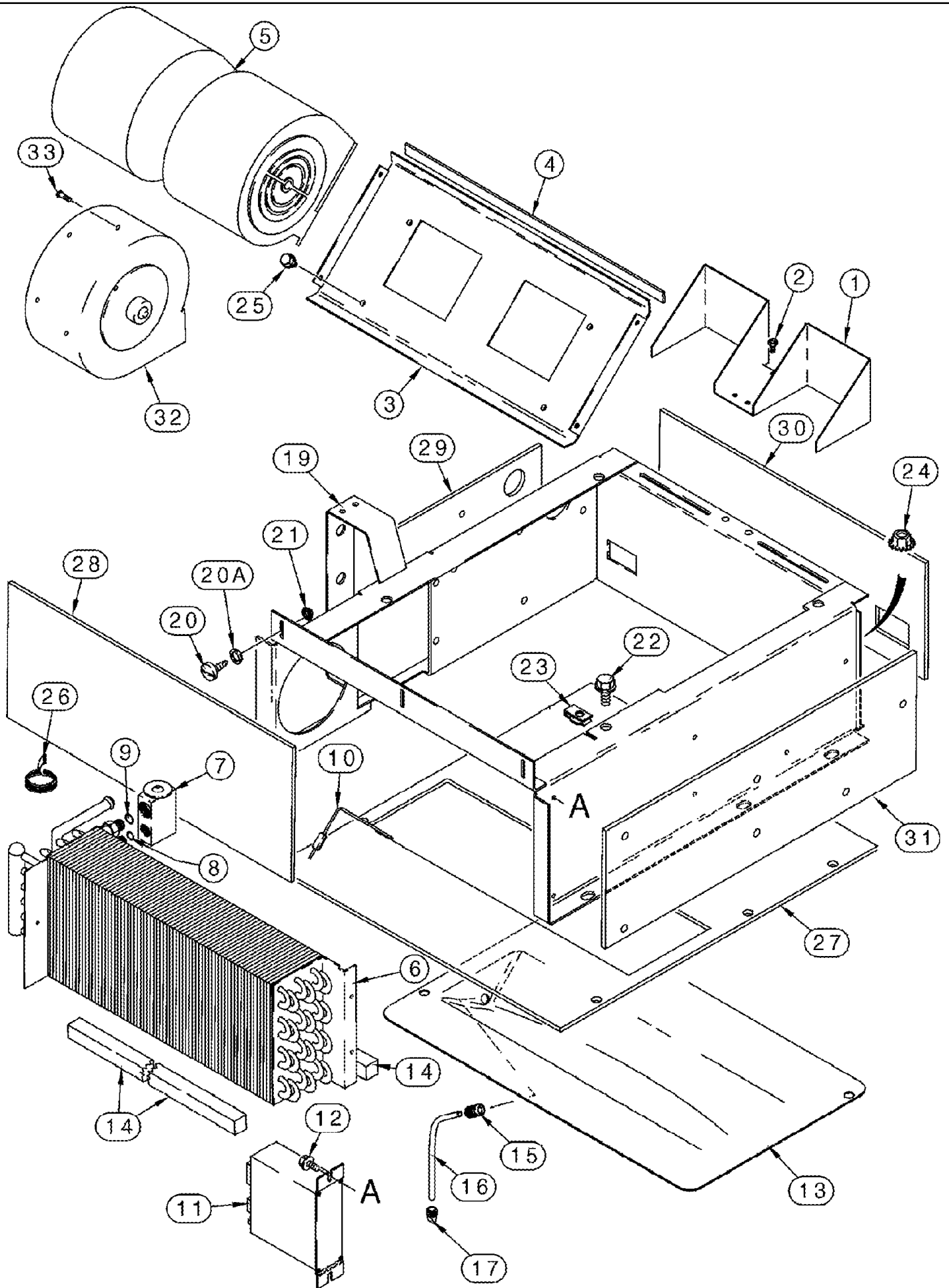
сылка	Номер детали	Кол-во	Описание
68	NSS	2	NOT SERVICED SEPARATELY, STRAP Tie Down



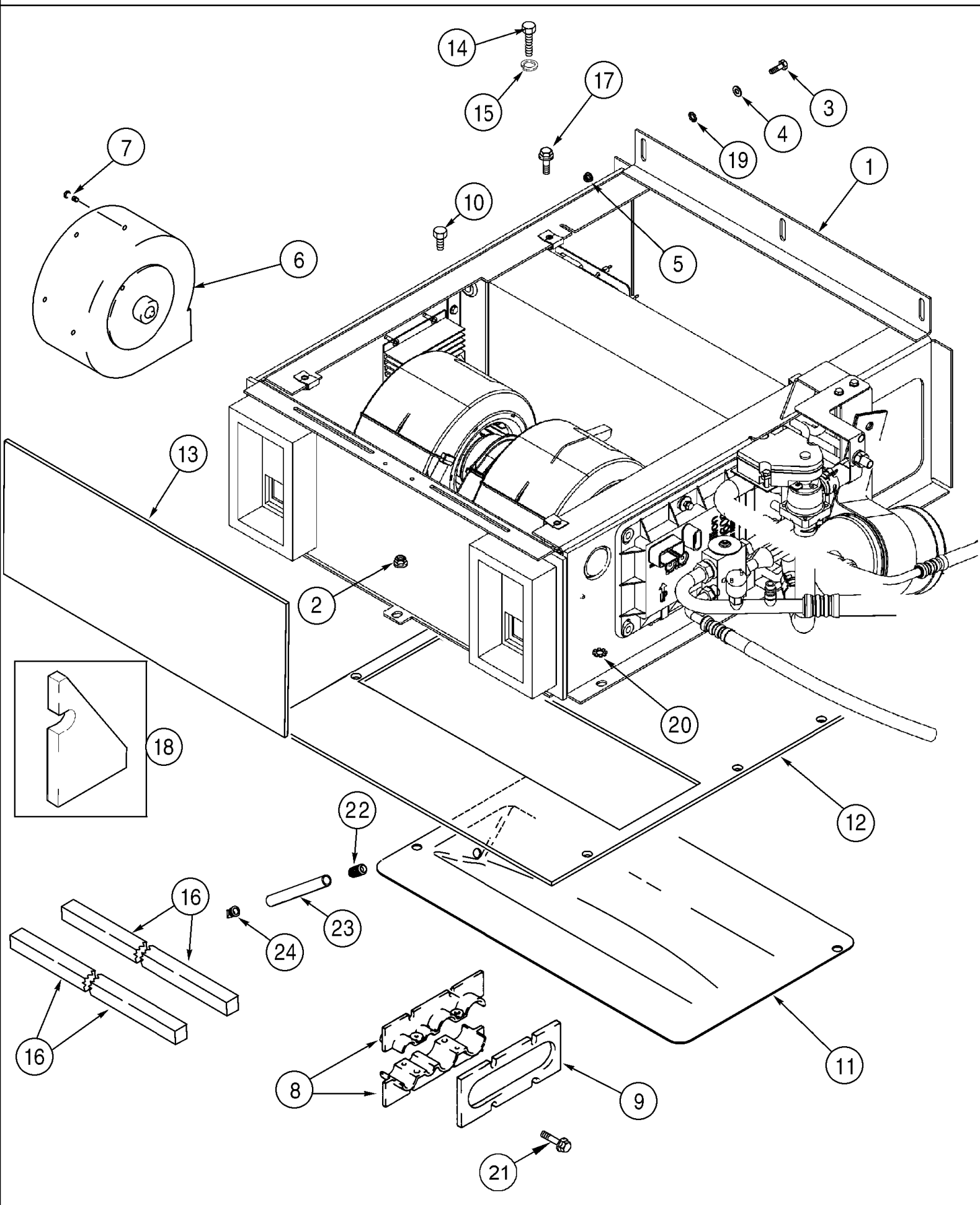
сылка	Номер детали	Кол-во	Описание
1	129225A2	1	DUCT, AIR, Left Hand
2	129227A2	1	DUCT, AIR, Right Hand
3	129228A4	2	GASKET,
4	231-51409	4	NUT, Flg, USR, #10-24,
5	196542A2	2	SEAL,
6	191216A1	2	SCREW, SELF TAPPING, Hex Wash Hd, #10-24 x 5/8",
7	380524A1	1	HOSE, 545 mm (21-1/2 in.), Cut From 380526A1, Replaces 236561A1
8	383833A1	1	HOSE, 710 mm (28 in.), Cut From 236559A1, Replaces 179641A2
9	58556C1	4	STRAP, CABLE, Cable
10	120486A2	1	FILTER, Recirculation
11	143486A1	2	SUPPORT,
12	1990950C2	11	VENT,
13	124999A1	2	GASKET,
14	1545944C1	2	SEAL, 127 mm (5 in.), Cut From 1330108CX
15	495-81101	6	WASHER, 7/32" x 3/4" x .060",
16	275432A1	1	GUIDE,



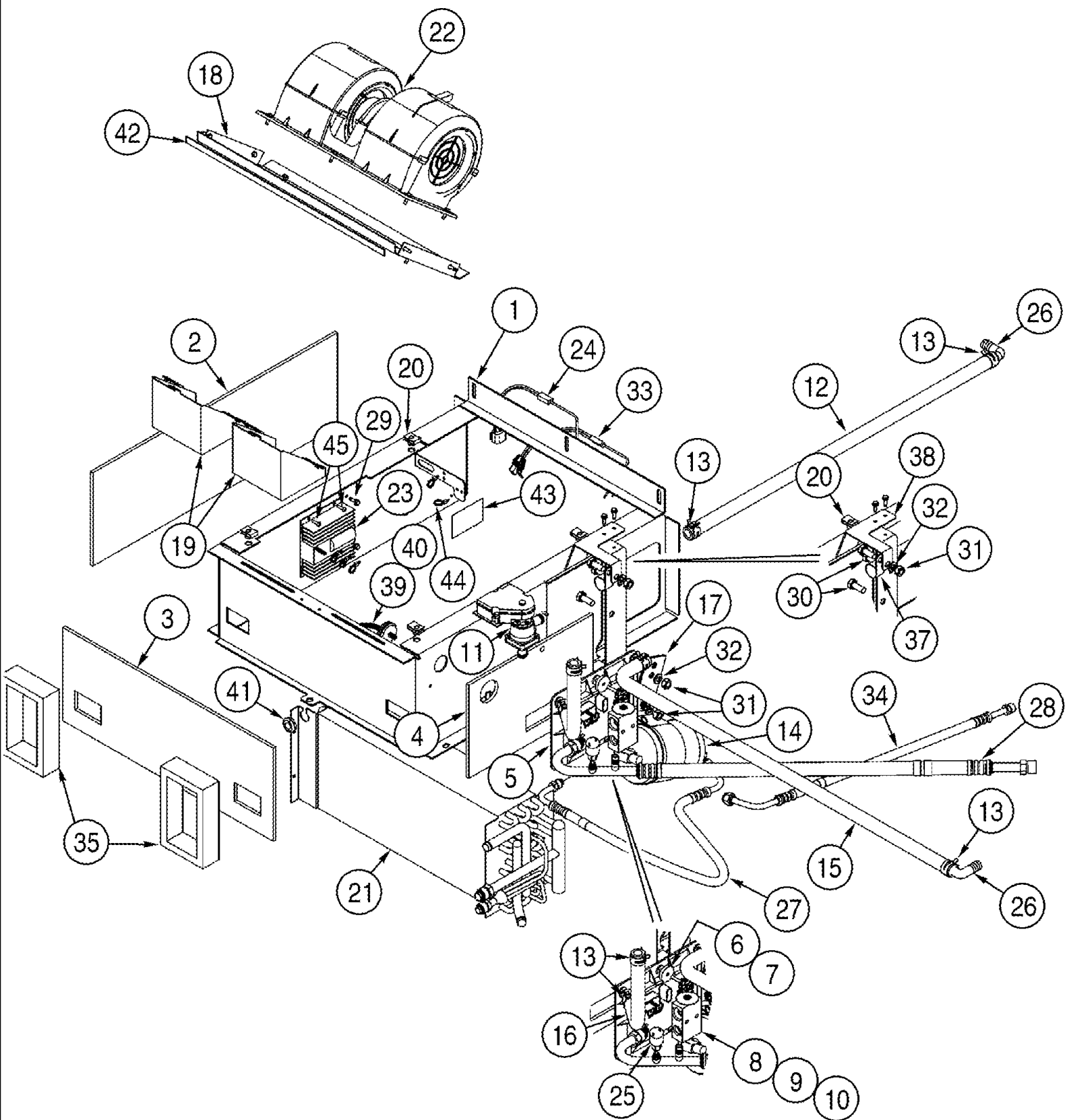
сылка	Номер детали	Кол-во	Описание
1	243176A2	1	HOLDER,
1A	243284A1	1	TUBE, Air
2	247720A3	1	COVER,
2A	248130A1	1	COVER, End
2B	248131A2	1	SUPPORT, Shield, Not Illustrated
3	247752A1	1	FILTER, CAB,
4	409-7612	2	BOLT, Hex Flg, 3/8"-16 x 3/4", Serr,
5	231-5146	2	NUT, Flg, USR, 3/8"-16,
6	129-409	3	NUT, WING, 1/4"-20,
7	113-83	1	BOLT, Hex, 1/4"-20 x 1 1/2", G5, Full Thd,
8	425-104	1	NUT, 1/4"-20, G5,
9	231-1444	1	NUT, LOCK, 1/4"-20, GB,
10	380524A1	1	HOSE, 545 mm (21-1/2 in.), Cut From 380526A1, Replaces: 236561A1
11	214-1540	2	CLAMP, HOSE, #40, 2.06/3.00 Type F Worm, W/liner,
12	246752A1	1	PLATE,
13	247058A1	1	GASKET,



сылка	Номер детали	Кол-во	Описание
1	178910A1	1	DEFLECTOR,
2	276-13520	4	SCREW, SELF TAPPING, Hex Hd, #10 x 1 1/4", No. 10 x 1-1/4
3	125066A1	1	PANEL,
4	1990257C1	1	SEAL, 514 mm (20-1/4 in.), Cut From 187874C2
5	1977564C2	1	BLOWER,
	121590A3	1	BODY, Inc. 6 - 9
6	NSS	1	NOT SERVICED SEPARATELY, CORE
7	1990756C2	1	VALVE,
8	128484A1	1	O-RING, 7/16 ID x 1/16
9	128485A1	1	O-RING, 9/16 ID x 1/16
10	184720A2	1	SENSOR, Temperature, Evaporator
10A	702093C1	1	STRAP, CABLE, Not Illustrated
11	239951A2	1	CASE,
13	121595A2	1	HOUSING,
14	192269A1	2	FOAM, 500 mm (19-5/8 in.), Cut From 1971350C1
15	1250522C3	2	ELBOW,
16	122116A1	2	HOSE, 1524 mm (60 in.), Cut From 198091C1
17	109239C2	2	VALVE,
19	125875A5	1	SUPPORT,
20	117067A1	3	SCREW, SELF TAPPING, Cross Pan Hd, #10-24 x 3/4",
20A	492-11010	3	WASHER, LOCK, #10,
21	231-51409	3	NUT, Flg, USR, #10-24,
22	458-512	4	BOLT, Hex Flg, 5/16"-18 x 3/4", G5, Full Thd, 5/16 x 3/4
23	786618C1	4	NUT, 5/16
24	825-5148	6	NUT, M8, Flg Ser,
25	191216A1	6	SCREW, SELF TAPPING, Hex Wash Hd, #10-24 x 5/8",
26	83822C1	1	TAPE, ADHESIVE, 610 mm (24 in.), Cut From 1954475C1
27	279438A1	1	INSULATOR, Center Floor
28	279305A2	1	INSULATOR, Rear Wall
29	279232A2	1	INSULATOR, Left Hand
30	279233A1	1	INSULATOR, Center
31	279230A2	1	INSULATOR, Right Hand
32	175435A3	1	BLOWER, Pressurizer
33	840-1516	5	SCREW, Cross Pan Hd, M5 x 16, 4.8,
12	281-53510	2	SCREW, SELF TAPPING, Hex Wash Hd, #10 x 5/8",



сылка	Номер детали	Кол-во	Описание
1	366852A2	1	HEATER UNIT, Air Conditioning, See Figure 09G-20 (01), BTW JJC0252950 & JJC0254999
1	431088A2	1	HEATER UNIT, Air Conditioning, See Figure 09G-20 (02), ASN JJC0255000
2	825-5148	6	NUT, M8, Flg Ser,
3	117067A1	3	SCREW, SELF TAPPING, Cross Pan Hd, #10-24 x 3/4",
4	492-11010	3	WASHER, LOCK, #10,
5	231-51409	3	NUT, Flg, USR, #10-24,
6	175435A3	1	BLOWER,
7	840-1516	5	SCREW, Cross Pan Hd, M5 x 16, 4.8,
8	125264A2	2	CLAMP,
9	125000A2	1	GASKET,
10	191216A1	6	SCREW, SELF TAPPING, Hex Wash Hd, #10-24 x 5/8",
11	121595A2	1	HOUSING,
12	279438A1	1	INSULATOR, Center Floor
13	279305A2	1	INSULATOR, Rear Wall
14	276-13520	4	SCREW, SELF TAPPING, Hex Hd, #10 x 1 1/4", No. 10 x 1-1/4
15	492-11010	4	WASHER, LOCK, #10,
16	192269A1	2	FOAM, 500 mm (19-5/8 in.), Cut From 1971350C1
17	458-512	4	BOLT, Hex Flg, 5/16"-18 x 3/4", G5, Full Thd, 5/16 x 3/4
18	297573A1	1	SEAL,
20	493-11039	1	WASHER, LOCK, 3/8", Int-Ext Tooth,
21	191216A1	10	SCREW, SELF TAPPING, Hex Wash Hd, #10-24 x 5/8",
22	1250522C3	2	ELBOW, Drain
23	122116A1	2	HOSE, 1905 mm (75 in), Cut From 198901C1
24	109239C2	2	VALVE,
19	493-81000	1	WASHER, LOCK, Ext-Int Tooth, #10, 3/16

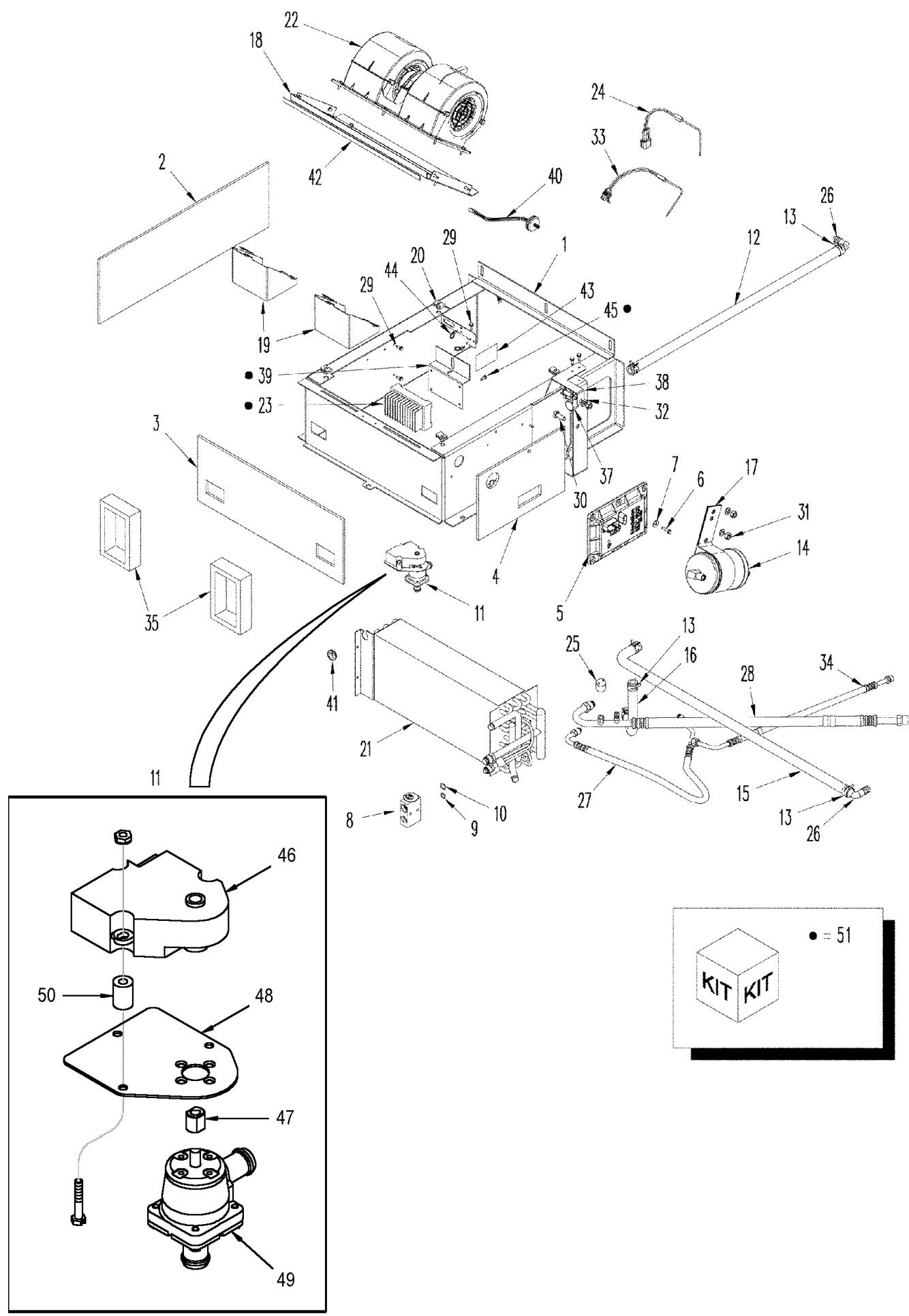


сылка	Номер детали	Кол-во	Описание
	366852A2	1	HEATER UNIT, Air Conditioning, Inc. 1 - 45
1	377374A1	1	SUPPORT, Air Conditioning Module
2	279230A2	1	INSULATOR, Right Hand
3	279233A1	1	INSULATOR, Front
4	377557A1	1	INSULATOR, Left Hand
5	411438A1	1	CONTROL,
6	281-54516	1	SCREW, SELF TAPPING, Hex Wash Hd, #10 x 1", No 10 x 1
7	895-25006	1	WASHER, M6 x 18 x 1.6,
8	1990756C2	1	VALVE,
9	128484A1	1	O-RING, 7/16 ID x 1/16
10	128485A1	1	O-RING, 9/16 ID x 1/16
11	322988A1	1	VALVE, CONTROL,
12	1958774C1	1	HOSE, 710 mm (28 in.), Cut From 97252CX
13	1954736C1	6	CLAMP, HOSE, No. 24
14	1990758C2	1	RECEIVER-DRYER,
15	377551A1	1	HOSE, Return
16	377547A1	1	HOSE, Valve To Core
17	377562A1	1	BRACKET, Receiver-Drier
18	377565A1	1	PLATE, Blower Mounting
19	377563A1	2	BAFFLE, Deflector
20	488837C1	4	NUT, 5/16
21	377560A1	1	CORE-COMPRESSOR, Evaporator and Heater
22	323610A1	1	BLOWER,
23	337956A1	1	GOVERNOR,
24	197319A2	1	SENSOR, Cab Temperature
25	284272A2	1	SWITCH, PRESSURE, Low Pressure, Air Conditioning
26	127083A1	2	ELBOW,
27	124912A1	1	HOSE, LARGE, 551 mm (21-3/4 in.)
28	124913A2	1	HOSE, 900 mm (35-7/16 in.)
29	281-54510	19	SCREW, SELF TAPPING, Hex Wash Hd, #10 x 5/8", No 10 x 5/8
30	614-10025	3	BOLT, Hex, M10 x 25, 8.8, Full Thd,
32	892-11010	3	WASHER, LOCK, M10,
33	184720A2	1	SENSOR, Temperature, Evaporator
34	124914A1	1	HOSE, Receiver-Dryer To Cab Wall, 662 mm (26-1/8 in.)
35	124999A1	2	GASKET,
36	377567A1	1	SEAL, 8 ft, Not Illustrated
37	515-23254	1	CLAMP, 1", Insul, 3/8" Bolt,
38	377564A1	1	BRACKET,
39	377538A1	1	CAPACITOR,
40	377537A1	1	HARNES, WIRE, Heating and Air Conditioning, See Figure 04-11
41	248-1243	1	GROMMET, 1/2" ID x 13/16" Groove Dia, Diag Cut,
42	377566A1	1	GASKET, 3ft
43	NSS	1	NOT SERVICED SEPARATELY, PLATE, Kysor Logo

2366 CASE IH AXIAL-FLOW COMBINE (NA) (1/98-8/04)

09G-20(01) BOX ASSY - AIR CONDITIONING - BTW JJC0252950 & JJC0254999

сылка	Номер детали	Кол-во	Описание
44	377559A1	5	STRAP,
45	261-54410	2	SCREW, Cross Pan Hd, #8 x 5/8", No. 8 x 5/8
31	829-1410	3	NUT, M10, CI 10,

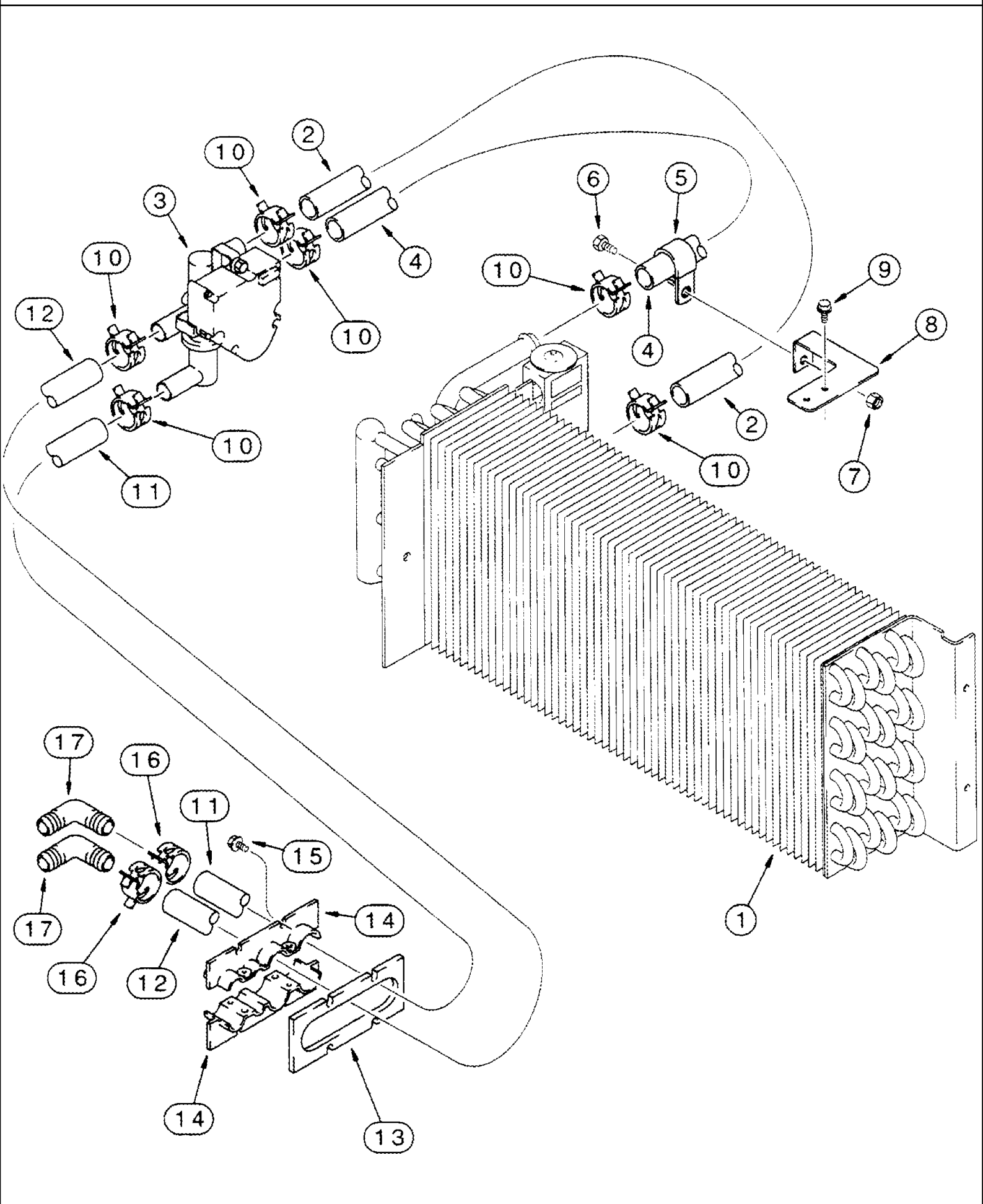


сылка	Номер детали	Кол-во	Описание
	431088A2	1	HEATER UNIT, Air Conditioning, Inc. 1 - 45
1	377374A1	1	SUPPORT, Air Conditioning Module
2	279230A2	1	INSULATOR, Right Hand
3	279233A1	1	INSULATOR, Front
4	377557A1	1	INSULATOR, Left Hand
5	411438A1	1	CONTROL,
6	281-54516	1	SCREW, SELF TAPPING, Hex Wash Hd, #10 x 1", No. 10 x 1
7	895-25006	1	WASHER, M6 x 18 x 1.6,
	449221A1	1	BODY, Core Assy, Inc. 8 - 10, 21
8	386535A1	1	VALVE, Thermal Expansion
9	128484A1	1	O-RING, 7/16 ID x 1/16
10	128485A1	1	O-RING, 9/16 ID x 1/16
11	427356A1	1	VALVE, CONTROL, Heater
12	1958774C1	1	HOSE, 710 mm (28 in.), Cut From 97252CX
13	1954736C1	6	CLAMP, HOSE, No. 24
14	1990758C2	1	RECEIVER-DRYER,
15	377551A1	1	HOSE, Return
16	377547A1	1	HOSE, Valve To Core
17	377562A1	1	BRACKET, Receiver-Drier
18	377565A2	1	PLATE, Blower Mounting
19	377563A1	2	BAFFLE, Deflector
20	488837C1	4	NUT, 5/16
21	377560A1	1	CORE-COMPRESSOR, Evaporator and Heater
22	323610A1	1	BLOWER,
23	393289A1	1	ELECTRONIC UNIT, CONTROL, Blower Motor
24	197319A2	1	SENSOR, Cab Temperature
25	284272A3	1	SWITCH, A/C LOW PRESSURE, Air Conditioning
26	127083A1	2	ELBOW,
27	124912A2	1	HOSE, 540 mm (21- 1/4 in.)
28	124913A2	1	HOSE, 900 mm (35-7/16 in.)
29	281-54510	19	SCREW, SELF TAPPING, Hex Wash Hd, #10 x 5/8", No. 10 x 5/8
30	614-10025	3	BOLT, Hex, M10 x 25, 8.8, Full Thd,
32	892-11010	3	WASHER, LOCK, M10,
33	184720A2	1	SENSOR, Temperature, Evaporator
34	124914A1	1	HOSE, Receiver-Dryer To Cab Wall, 662 mm (26-1/8 in.)
35	124999A1	2	GASKET,
36	377567A1	1	SEAL, 8 ft, Not Illustrated
37	515-23254	1	CLAMP, 1", Insul, 3/8" Bolt,
38	377564A1	1	BRACKET,
39	431090A1	1	BRACKET, Blower Controller
40	431091A1	1	HARNESS, WIRE, Heating and Air Conditioning, See Figure 04-11
41	248-1243	1	GROMMET, 1/2" ID x 13/16" Groove Dia, Diag Cut,
42	377566A1	1	GASKET, 3 ft

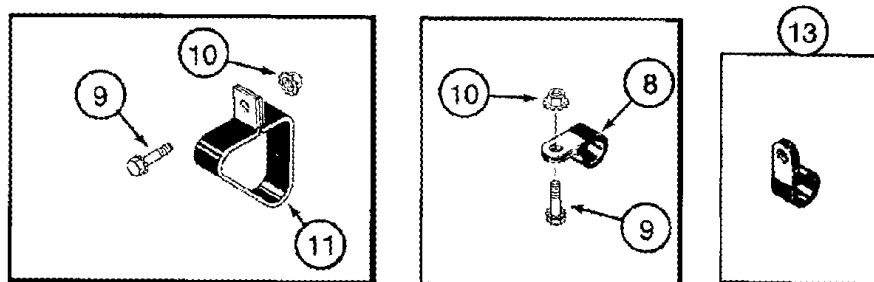
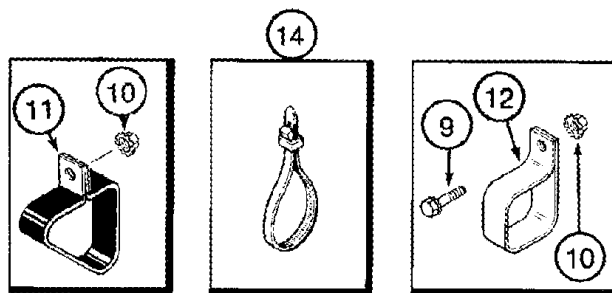
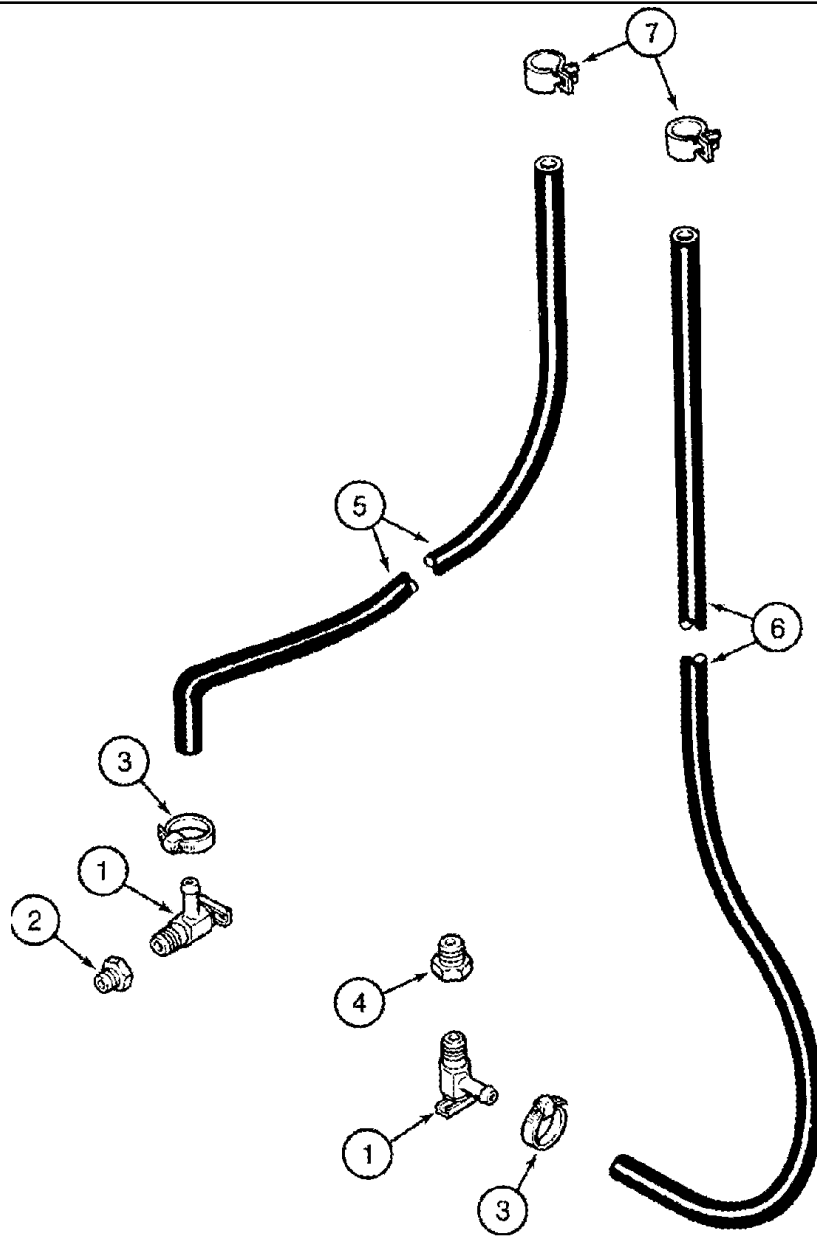
2366 CASE IH AXIAL-FLOW COMBINE (NA) (1/98-8/04)

09G-20(02) BOX ASSY - AIR CONDITIONING, ASN JJC0255000

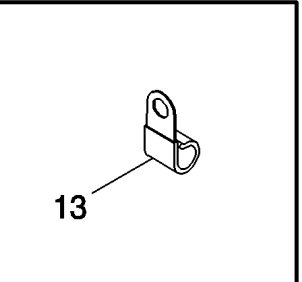
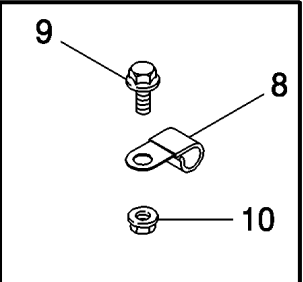
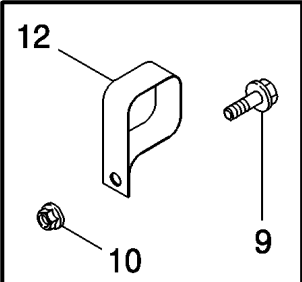
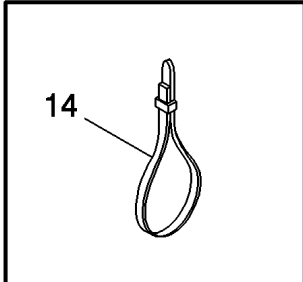
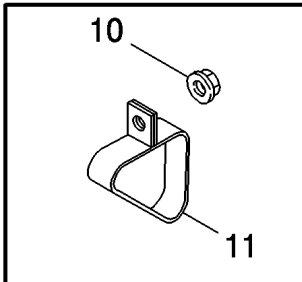
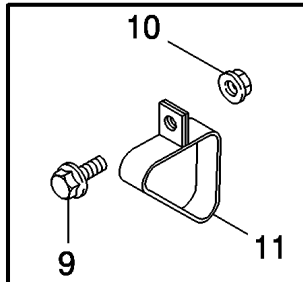
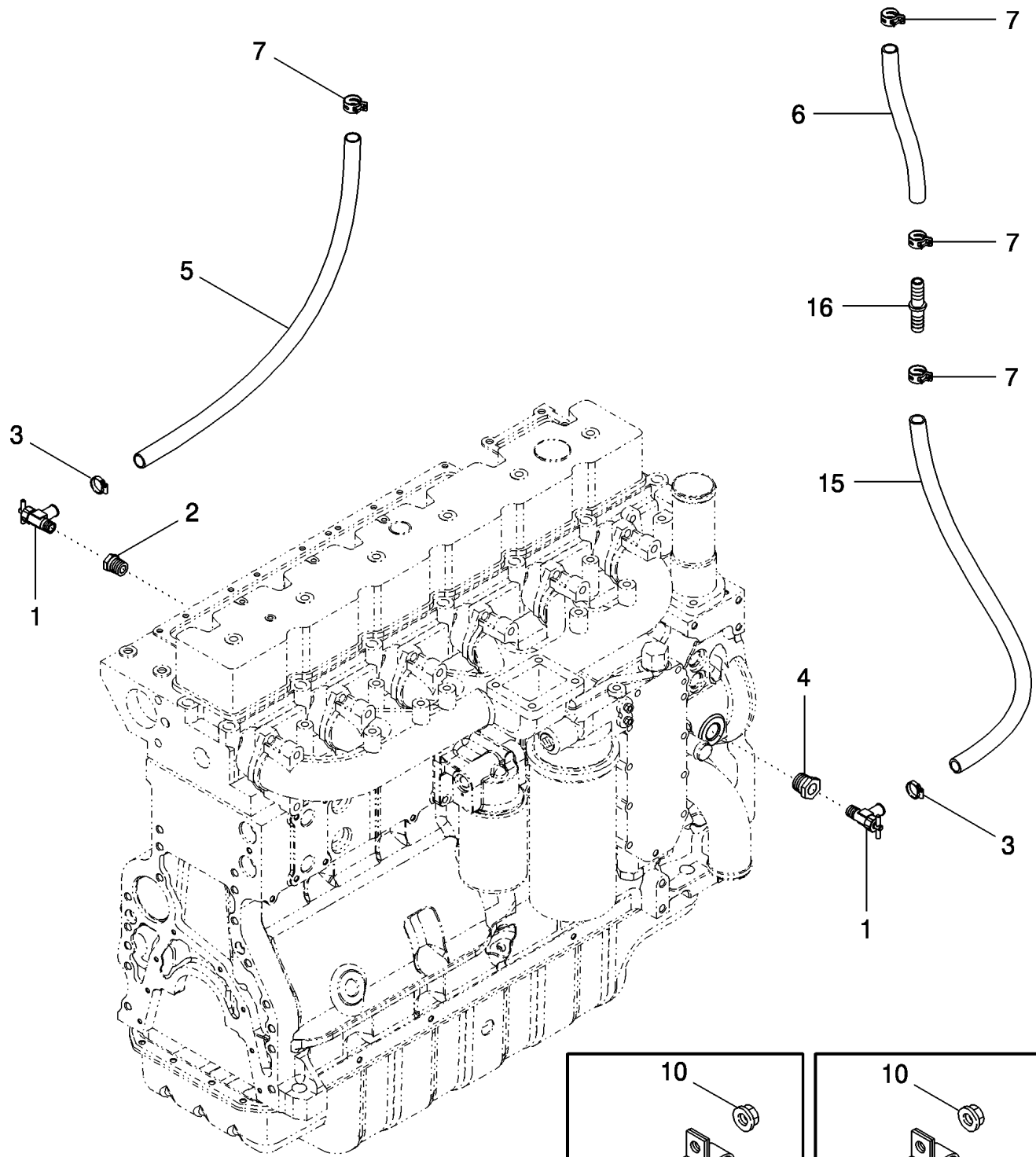
сылка	Номер детали	Кол-во	Описание
43	NSS	1	NOT SERVICED SEPARATELY, PLATE, Kysor Log
44	377559A1	5	STRAP,
45	280-1448	4	SCREW, SELF TAPPING, Hex Wash Hd, #8 x 1/2", No. 8 x 1/2
46	275602A1	1	ACTUATOR,
47	427360A1	1	INSERT, Coupler
48	427353A1	1	PLATE, Valve Mount
49	427352A1	1	VALVE, Heater
50	427354A1	3	SPACER, Actuator
51	429866A1	1	KIT, Automatic Temperature Control Linear Driver, Also Inc. (1) 394350A1, (1) 432276A1 and (1) 432277A1
31	829-1410	3	NUT, M10, CI 10,



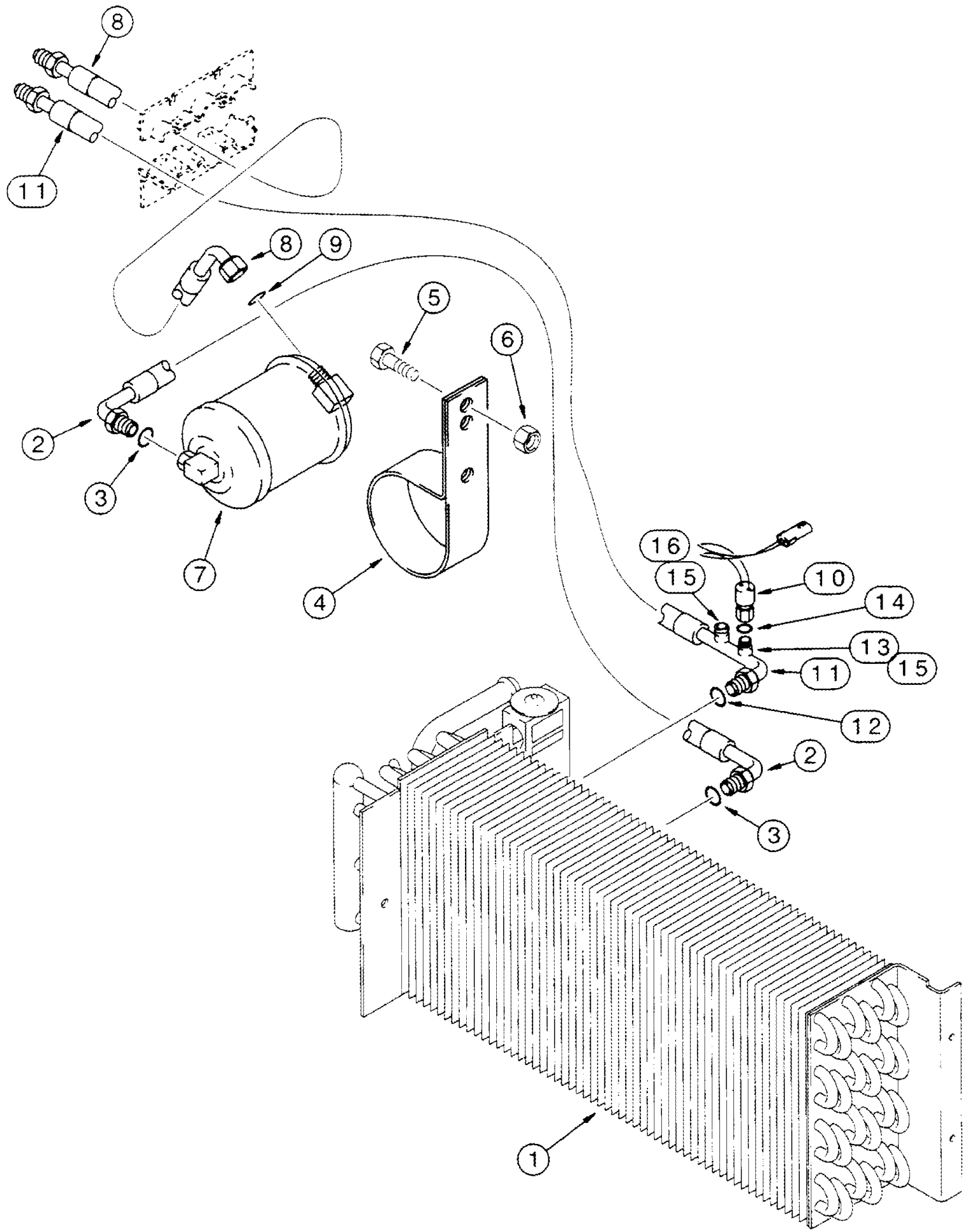
сылка	Номер детали	Кол-во	Описание
1	121590A3	1	BODY, See Figure 09G-18
2	141148A1	1	HOSE, 247 mm (9-3/4 in.)
3	141336A2	1	VALVE, CONTROL,
4	141147A1	1	HOSE,
5	515-23254	1	CLAMP, 1", Insul, 3/8" Bolt,
6	614-8016	1	BOLT, Hex, M8 x 16, 8.8,
7	829-1408	1	NUT, M8, CI 10,
8	181450A2	1	SUPPORT,
9	276-13520	2	SCREW, SELF TAPPING, Hex Hd, #10 x 1 1/4", No. 10 x 1-1/4
10	1954736C1	6	CLAMP, HOSE, No. 24
11	1958774C1	1	HOSE, 710 mm (28 in.), Cut From 97252CX
12	121748A2	1	HOSE, 750 mm (29-5/8 in.), Cut From 97252CX
13	125000A2	1	GASKET,
14	125264A2	2	CLAMP,
15	191216A1	8	SCREW, SELF TAPPING, Hex Wash Hd, #10-24 x 5/8",
16	1954736C1	2	CLAMP, HOSE, No. 24
17	127083A1	2	ELBOW,



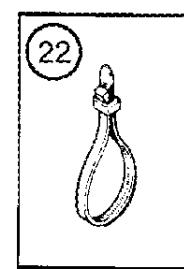
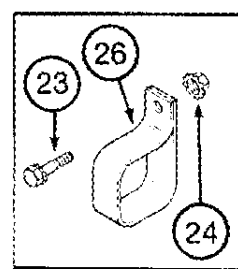
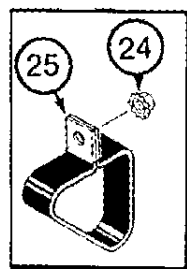
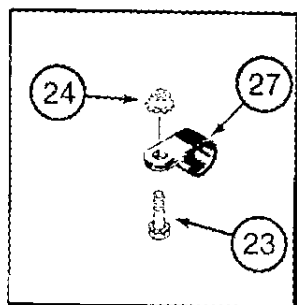
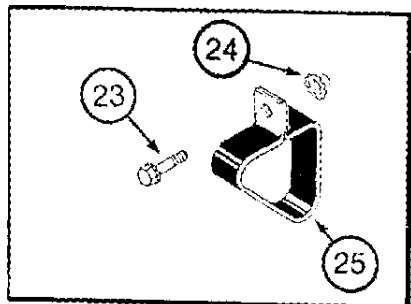
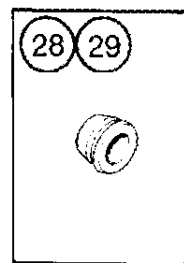
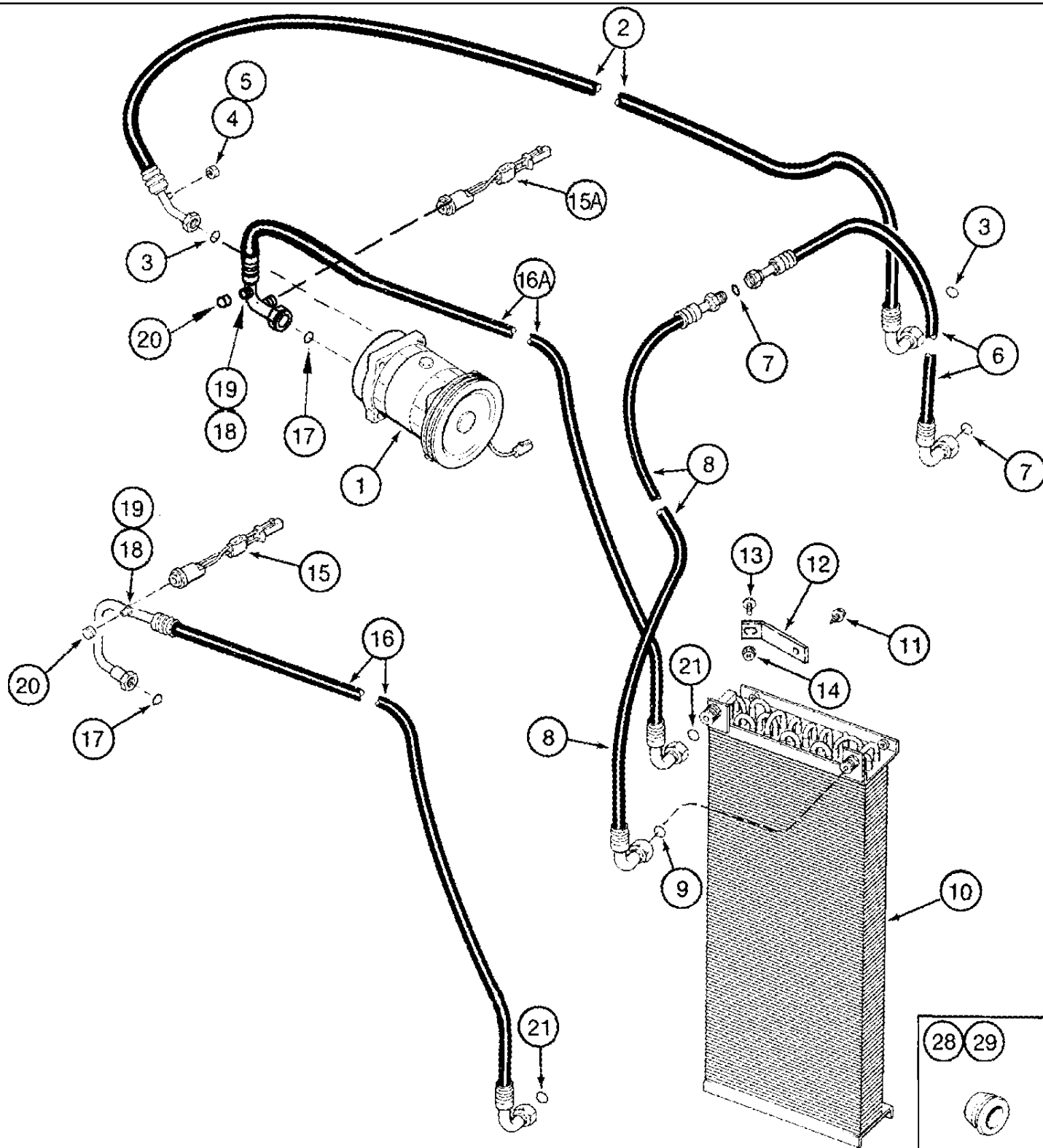
сылка	Номер детали	Кол-во	Описание
1	301803R1	2	VALVE, SHUT-OFF,
2	217-44	1	REDUCER, 1/2"-14 NPTF x 3/8"-18 Fem NPTF,
3	1954736C1	2	CLAMP, HOSE, No. 24
4	221-92	1	REDUCER, Hex, 3/4" x 3/8" NPT, 3/4 male x 3/8 fem PT
5	122099A3	1	SLEEVE, HOSE 4394 mm (173 in.) Cut From 97252CX
6	122102A2	1	HOSE, 6858 mm (270 in.) Cut From 97252CX
7	1954736C1	2	CLAMP, HOSE, No. 24
8	515-23381	1	CLAMP, 1 1/2", Insul, 3/8" Bolt,
9	409-7512	3	BOLT, Hex Flg, 5/16"-18 x 3/4", Serr,
10	231-5145	5	NUT, Flg, USR, 5/16"-18,
11	1994983C2	3	CLAMP,
12	1301387C2	5	CLIP, 2 in. ID
13	515-23254	1	CLAMP, 1", Insul, 3/8" Bolt,
14	306132C1	AR	STRAP, CABLE, .30" x 14.5", Tie, 14"



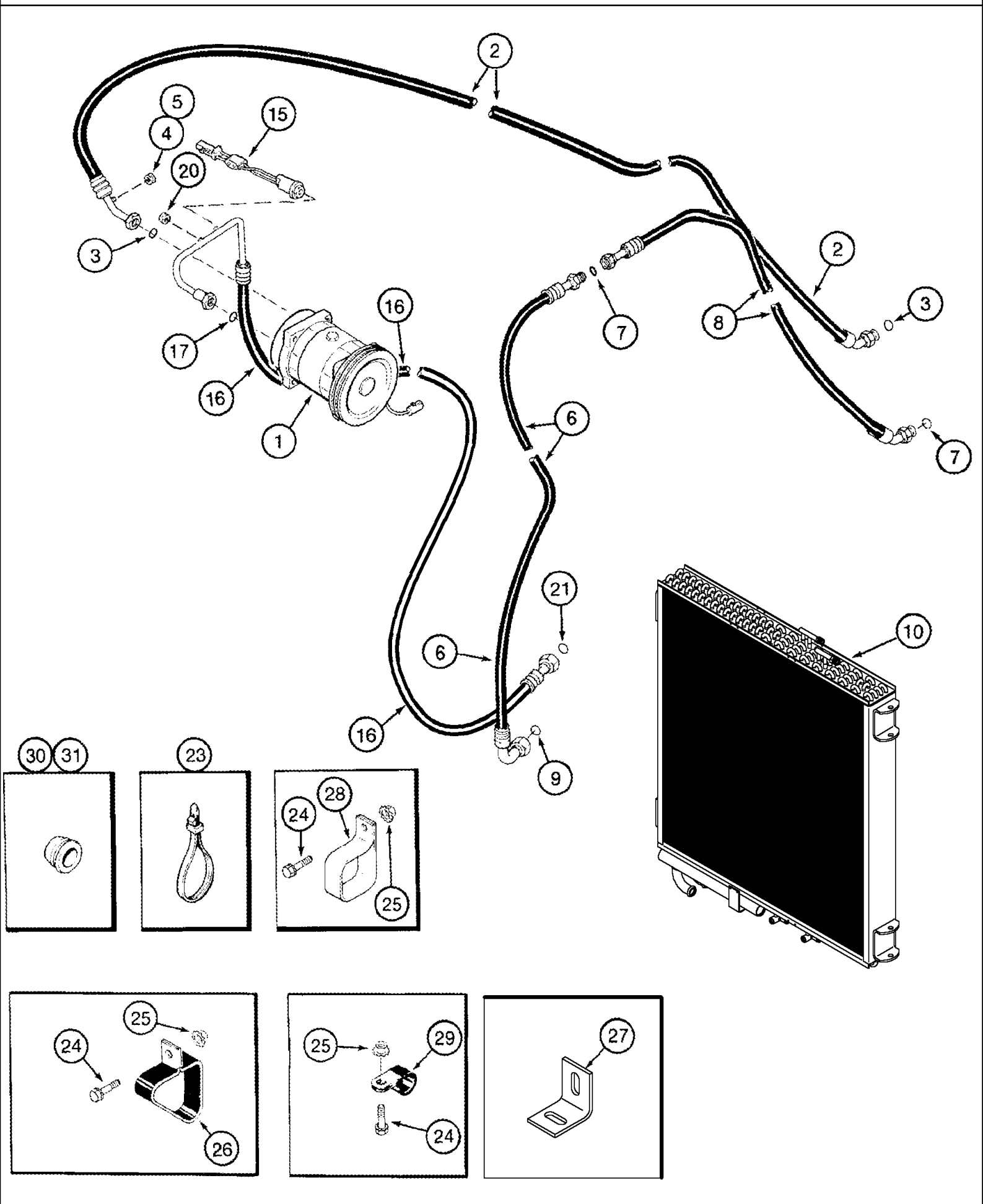
сылка	Номер детали	Кол-во	Описание
1	301803R1	2	VALVE, SHUT-OFF,
2	217-44	1	REDUCER, 1/2"-14 NPTF x 3/8"-18 Fem NPTF,
3	1954736C1	2	CLAMP, HOSE, No. 24
4	221-92	1	REDUCER, Hex, 3/4" x 3/8" NPT,
5	122099A3	1	SLEEVE, HOSE, 4470 mm (176 in) Cut From 97252CX
6	1324999C2	1	HOSE, 6731 mm (265 in), Cut From 97252CX
7	1954736C1	4	CLAMP, HOSE, No. 24
8	515-23381	1	CLAMP, 1 1/2", Insul, 3/8" Bolt,
9	409-7512	3	BOLT, Hex Flg, 5/16"-18 x 3/4", Serr,
10	231-5145	5	NUT, Flg, USR, 5/16"-18,
11	1994983C2	3	CLAMP,
12	1301387C2	5	CLIP, 2 in ID
13	515-23254	1	CLAMP, 1", Insul, 3/8" Bolt,
14	306132C1	AR	STRAP, CABLE, .30" x 14.5", tie, 14 in
15	1975734C1	1	HOSE, 255 mm (10 in), Cut From 97252CX
16	1301342C1	1	FITTING, Connector



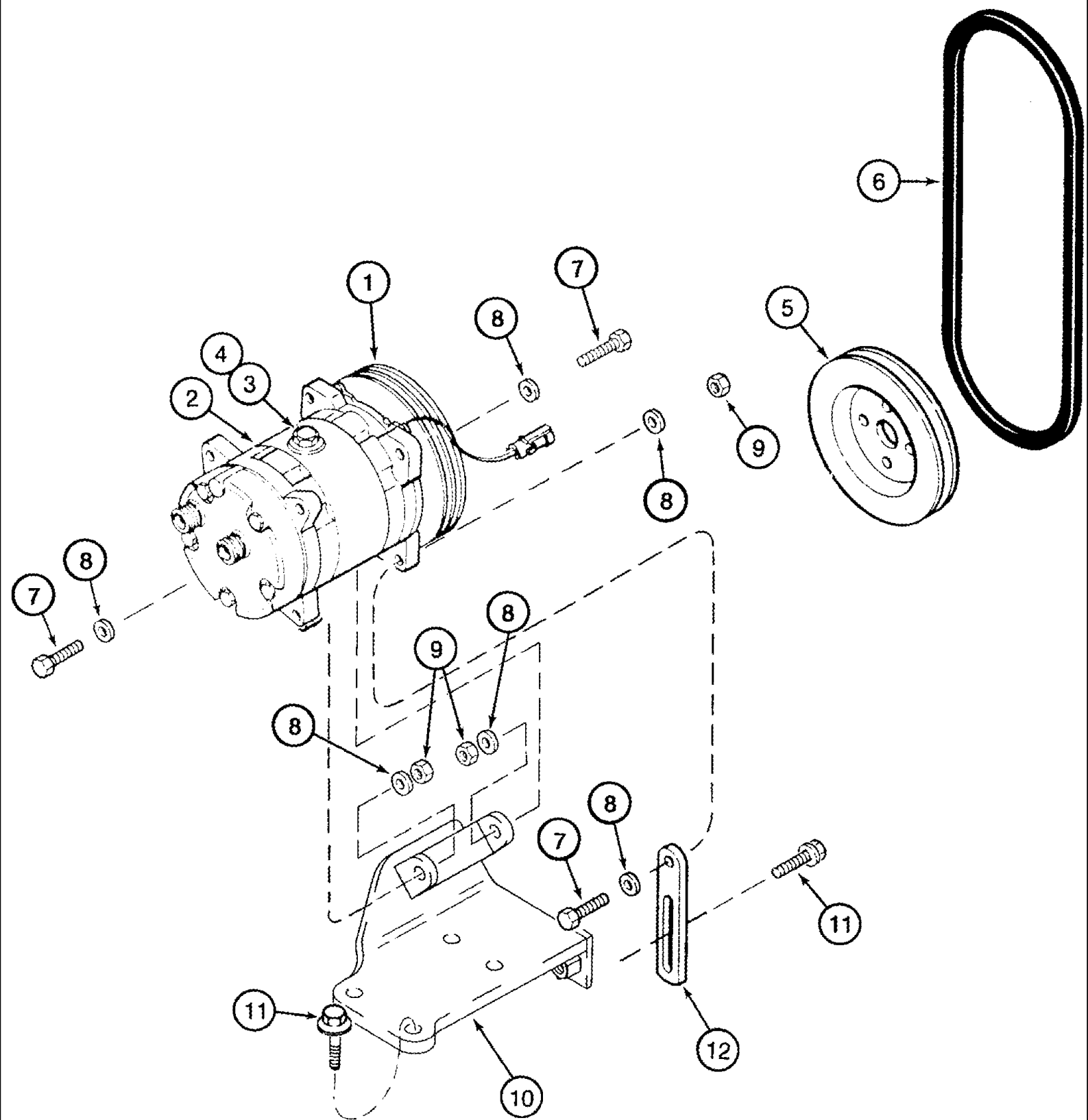
сылка	Номер детали	Кол-во	Описание
1	121590A3	1	BODY, See Figure 09G-18
2	124912A1	1	HOSE, LARGE, 551 mm (21-3/4 in.), Inc. 3, BSN JJC0254999
2	124912A2	1	HOSE, 540 mm (21-1/4 in.), Inc. 3, ASN JJC0255000
3	128483A1	2	O-RING, 5/16 ID x 1/16
4	D145289	1	SUPPORT,
5	627-12030	2	BOLT, Hex, M12 x 30, 10.9,
6	829-1412	2	NUT, M12, CI 10,
7	1990758C2	1	RECEIVER-DRYER,
8	124914A1	1	HOSE, 662 mm (26-1/8 in.), Inc. 9
9	128483A1	1	O-RING, 5/16 ID x 1/16
10	122579A1	1	SWITCH, PRESSURE, Low
11	124913A2	1	HOSE, 900 mm (35-7/16 in.), Inc. 12 - 16
12	128485A1	1	O-RING, 9/16 ID x 1/16
13	NSS	1	NOT SERVICED SEPARATELY, FITTING
14	128483A1	1	O-RING, 5/16 ID x 1/16
15	1250594C2	1	CORE, Replaces 1250594C1
16	122553A1	1	CAP,



сылка	Номер детали	Кол-во	Описание
1	1999755C3	1	COMPRESSOR, Air Conditioning, See Figure 09G-25
2	119749A1	1	HOSE, 5109 mm (201-1/4 in.), Inc. 3 - 5
3	128485A1	2	O-RING, 9/16 ID x 1/16
4	1250594C2	1	CORE, Replaces 1250594C1
5	122553A1	1	CAP,
6	119750A1	1	HOSE, 4970 mm (195-3/4 in.), Inc. 7
7	128483A1	2	O-RING, 5/16 ID x 1/16
8	98045C3	1	HOSE, 1560 mm (61-1/2 in.), Inc. 9
9	128483A1	1	O-RING, 5/16 ID x 1/16
10	84581C2	1	CONDENSER,
11	199953C1	4	SCREW, SELF TAPPING, Hex Wash Hd, 5/16"-18 x 13/16",
12	197432A1	2	SUPPORT,
13	477-73112	2	BOLT, Slotted Tr Hd, 5/16"-18 x 3/4",
14	231-5145	2	NUT, Flg, USR, 5/16"-18,
15	232948A1	1	SWITCH, PRESSURE, High Pressure, BSN JJC0252949
15A	369798A2	1	SWITCH, High Pressure, ASN JJC0252950
16	122435A1	1	HOSE, 1800 mm (70-7/8 in.), Inc. 17 - 21, Order 363004A1, BSN JJC0252949
16A	363004A1		HOSE ASSY., 1650 mm (65 in.), Inc. 17 - 21, Replaces 122435A1, ASN JJC0252950
17	128485A1	1	O-RING, 9/16 ID x 1/16
18	1250594C2	2	CORE, Replaces 1250594C1
19	128483A1	1	O-RING, 5/16 ID x 1/16
20	122554A1	1	CAP,
21	128484A1	1	O-RING, 7/16 ID x 1/16
22	702093C1	AR	STRAP, CABLE,
22	306132C1	AR	STRAP, CABLE, .30" x 14.5", Tie, 14"
23	409-7512	3	BOLT, Hex Flg, 5/16"-18 x 3/4", Serr,
24	231-5145	3	NUT, Flg, USR, 5/16"-18,
25	1994983C2	3	CLAMP,
26	1301387C2	5	CLIP, 2 in. ID
27	154695C2	3	CLAMP,
28	198825C1	1	GROMMET, 5/8 ID
29	198826C1	1	GROMMET, 3/4 ID

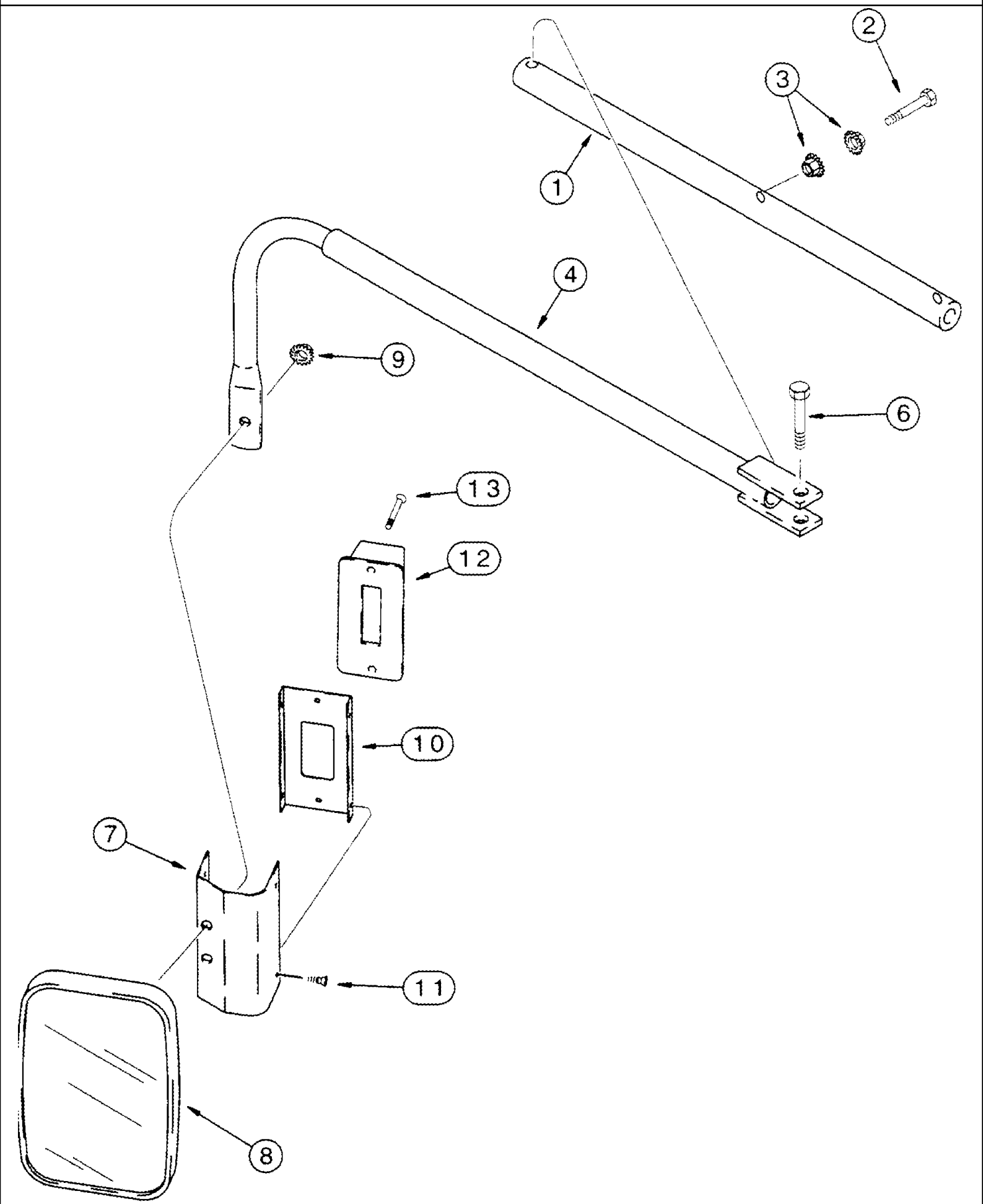


сылка	Номер детали	Кол-во	Описание
1	86993462	1	COMPRESSOR, AIRCOND, See Figure 09G-25
2	279158A1	1	HOSE, Inc. 3 - 5, Cab to Compressor
3	128485A1	2	O-RING, 9/16 ID x 1/16
4	1250594C2	1	CORE,
5	122553A1	1	CAP,
6	87403248	1	HOSE, 3790 mm (149-1/4 in), Inc. 7, Condenser Outlet to Cab
7	128483A1	2	O-RING, 5/16 ID x 1/16
8	279159A1	1	HOSE, Inc. 9, Cab to Condenser
9	128483A1	1	O-RING, 5/16 ID x 1/16
10	416766A2	1	COOLER, Condenser
15	369798A2	1	SWITCH, High Pressure
16	86987816	1	HOSE, 3950 mm (155-1/2 in), Inc. 17 - 22, Compressor to Condenser
17	128484A1	1	O-RING, 7/16 ID x 1/16
18	414082A1	1	CORE, Valve High Flow
19	414080A1	1	CAP, High Flow
20	128483A1	1	O-RING, 5/16 ID x 1/16
21	1250594C2	1	CORE, Valve
22	128485A1	1	O-RING, 9/16 ID x 1/16
23	L18337	AR	STRAP, CABLE, 9.95"-12.1" lg, 15"
23	306132C1	AR	STRAP, CABLE, .30" x 14.5", 14" TIE
24	409-7616	2	BOLT, Hex Flg, 3/8"-16 x 1", Serr, 5/16 x 1; 5
24	409-7520	2	BOLT, Hex Flg, 5/16"-18 x 1 1/4", Serr, 5/16 x 1-1/4; 5
25	231-5145	5	NUT, Flg, USR, 5/16"-18,
25	231-5146	4	NUT, Flg, USR, 3/8"-16,
26	1994983C2	3	CLAMP,
27	1301560C2	1	STIFFENER,
28	1301387C2	4	CLIP, 2 in ID
29	515-23333	2	CLAMP, 1 5/16", Insul, 3/8" Bolt, (M33.3 ID)
29	515-25476	4	CLAMP, 1 7/8", Insul, 1/2" Bolt, (47.6 mm)
30	87107420	AR	GROMMET, 5/8 ID
31	86976974	AR	GROMMET, 3/4 ID



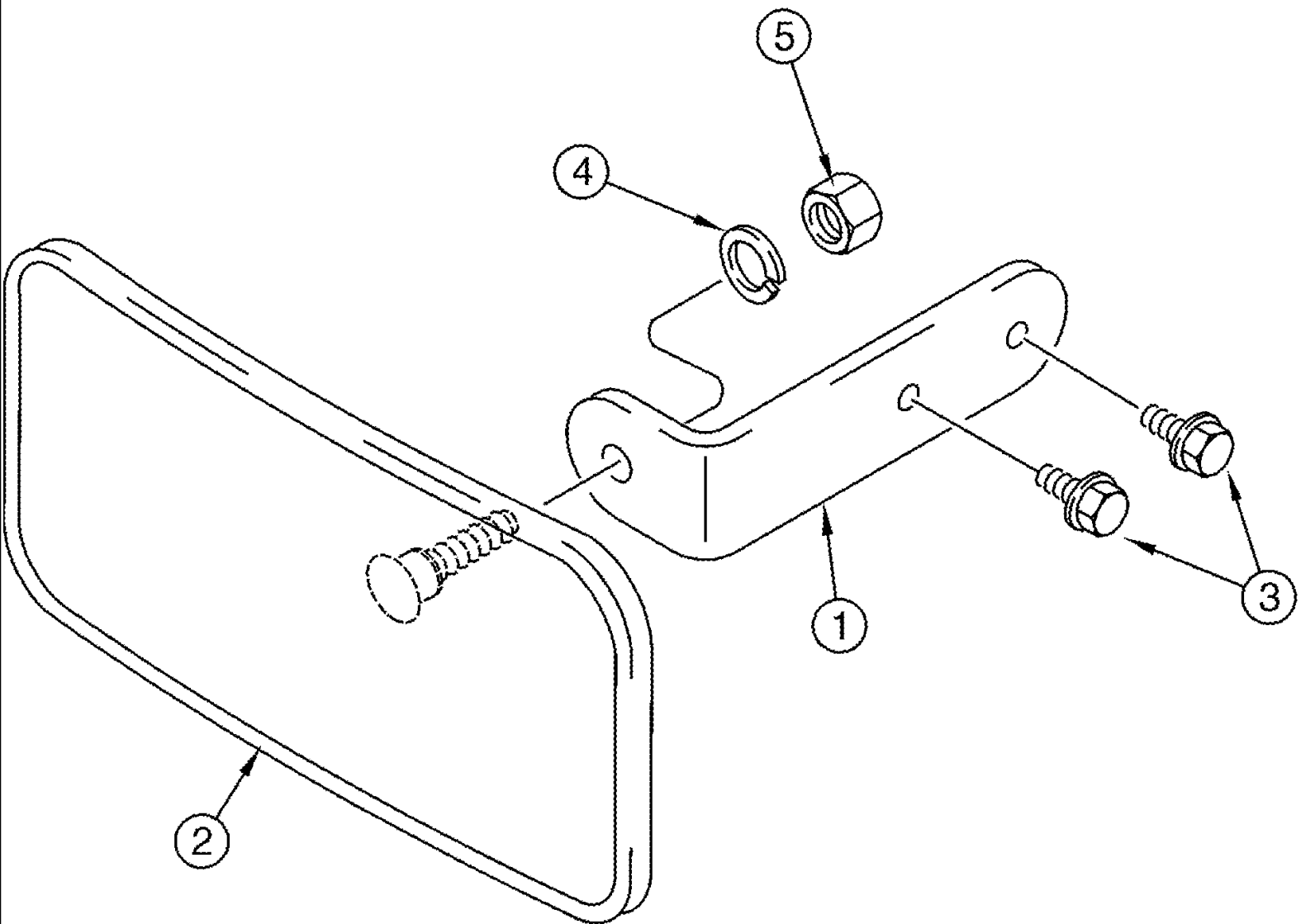
09G-25 AIR CONDITIONING - COMPRESSOR MOUNTING AND DRIVE

сылка	Номер детали	Кол-во	Описание
	86993462	1	COMPRESSOR, AIRCOND, Inc. 1 - 4
1	135324A1	1	CLUTCH,
2	NSS	1	NOT SERVICED SEPARATELY, COMPRESSOR
3	A49667	1	PLUG,
4	128483A1	1	O-RING, 5/16 ID x 1/16
5	A189155	1	PULLEY, Drive
6	396829R1	1	BELT, , BSN JJC0255699
6	235414A1	1	BELT, , ASN JJC0255700
7	614-10035	3	BOLT, Hex, M10 x 35, 8.8, Full Thd,
8	896-16010	6	WASHER, M10 x 24.5 x 3, HT, 11 x 24 x 3 mm
9	832-41310	3	NUT, LOCK, M10 x 1.5, Cl 10,
10	237872A3	1	BRACKET,
11	905-10025	5	BOLT, Hex Serr Flg, M10 x 25,
12	84716C1	1	SUPPORT,



09G-26 CAB - MIRROR, REAR VIEW WITH WARNING LAMP

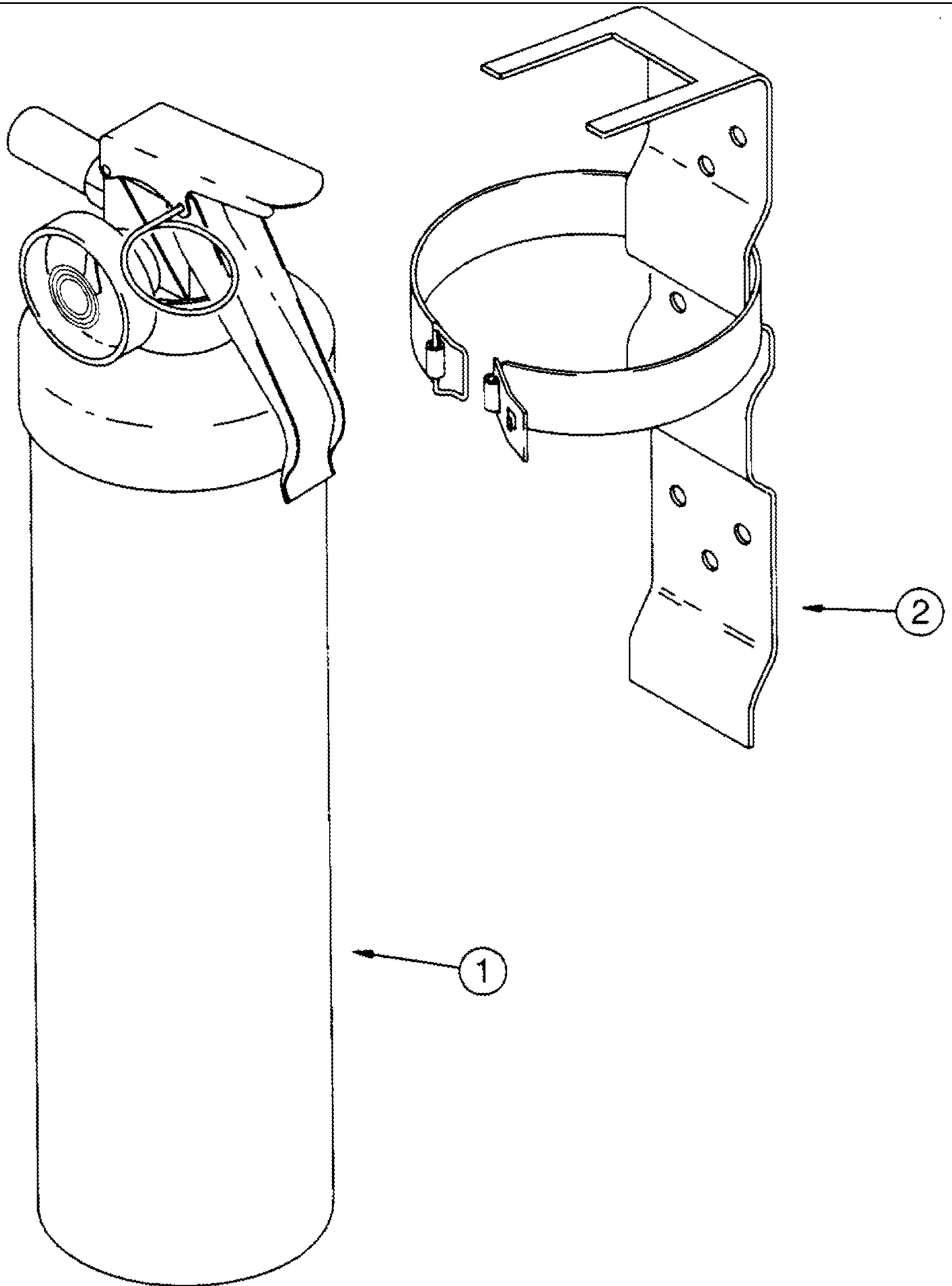
сылка	Номер детали	Кол-во	Описание
1	178325A2	2	TUBE,
2	614-12060	4	BOLT, Hex, M12 x 60, 8.8, Full Thd, Full Threads, M12 x 60
3	825-51412	4	NUT, M12, Flg Ser,
4	178591A3	1	SUPPORT, Left Hand
5	178342A3	1	SUPPORT, Right Hand, Not Illustrated
6	814-12065	2	BOLT, Hex, M12 x 65, 8.8, M12 x 65; 8.8
7	291911A1	2	SUPPORT,
8	1283403C1	2	MIRROR,
9	122379A1	2	NUT, 3/8
10	127960A1	2	SUPPORT,
11	1321447C1	8	SCREW, SELF TAPPING, Cross Pan Hd, 1/4"-20 x 1/2",
12	130882C91	2	LIGHT, INTERIOR, See Figure 04-33
13	1974614C2	4	SCREW, SELF TAPPING, Cross Pan Hd, #10-24 x 2 1/4",



2366 CASE IH AXIAL-FLOW COMBINE (NA) (1/98-8/04)

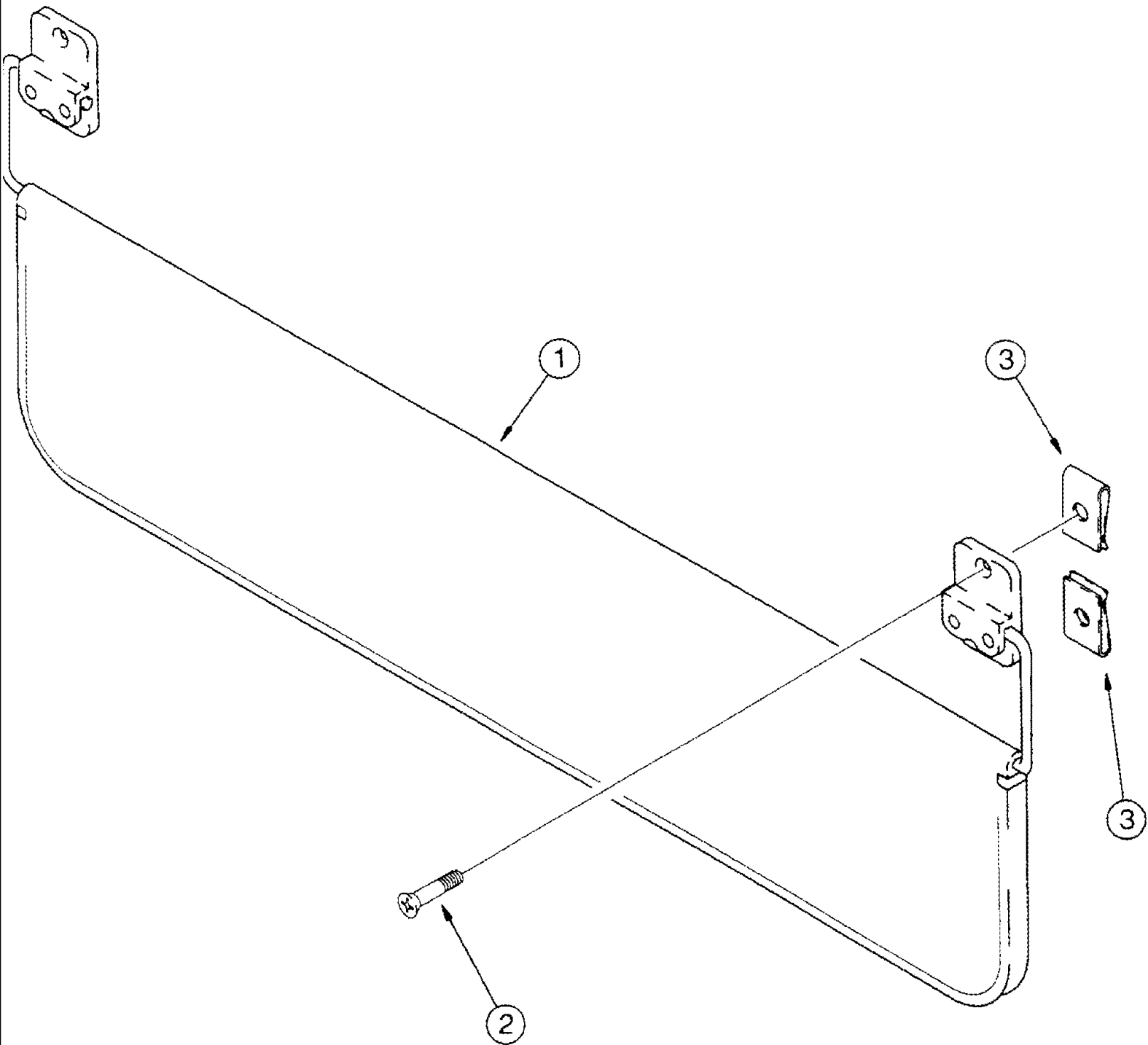
09G-27 CAB - MIRROR, REAR VIEW - INTERIOR - BSN JJC0255700

сылка	Номер детали	Кол-во	Описание
1	242570A1	1	BRACKET,
2	A177462	1	MIRROR,
3	191216A1	2	SCREW, SELF TAPPING, Hex Wash Hd, #10-24 x 5/8",
4	492-11031	1	WASHER, LOCK, 5/16",
5	425-105	1	NUT, 5/16"-18, G5,



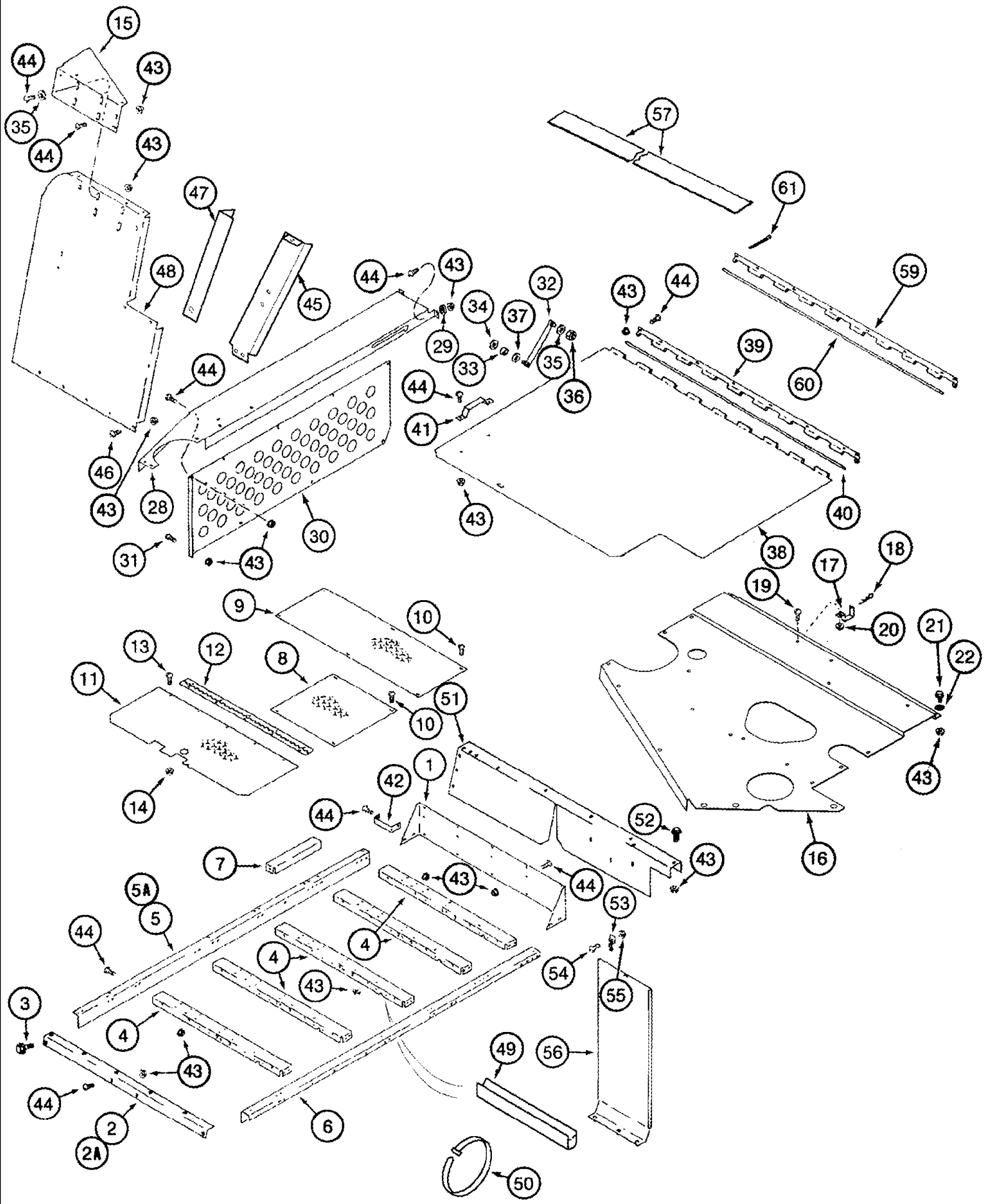
09G-28 FIRE EXTINGUISHER

сылка	Номер детали	Кол-во	Описание
1	549975C91	1	FIRE EXTINGUISHER, 10 lb
2	549978C91	1	BRACKET,



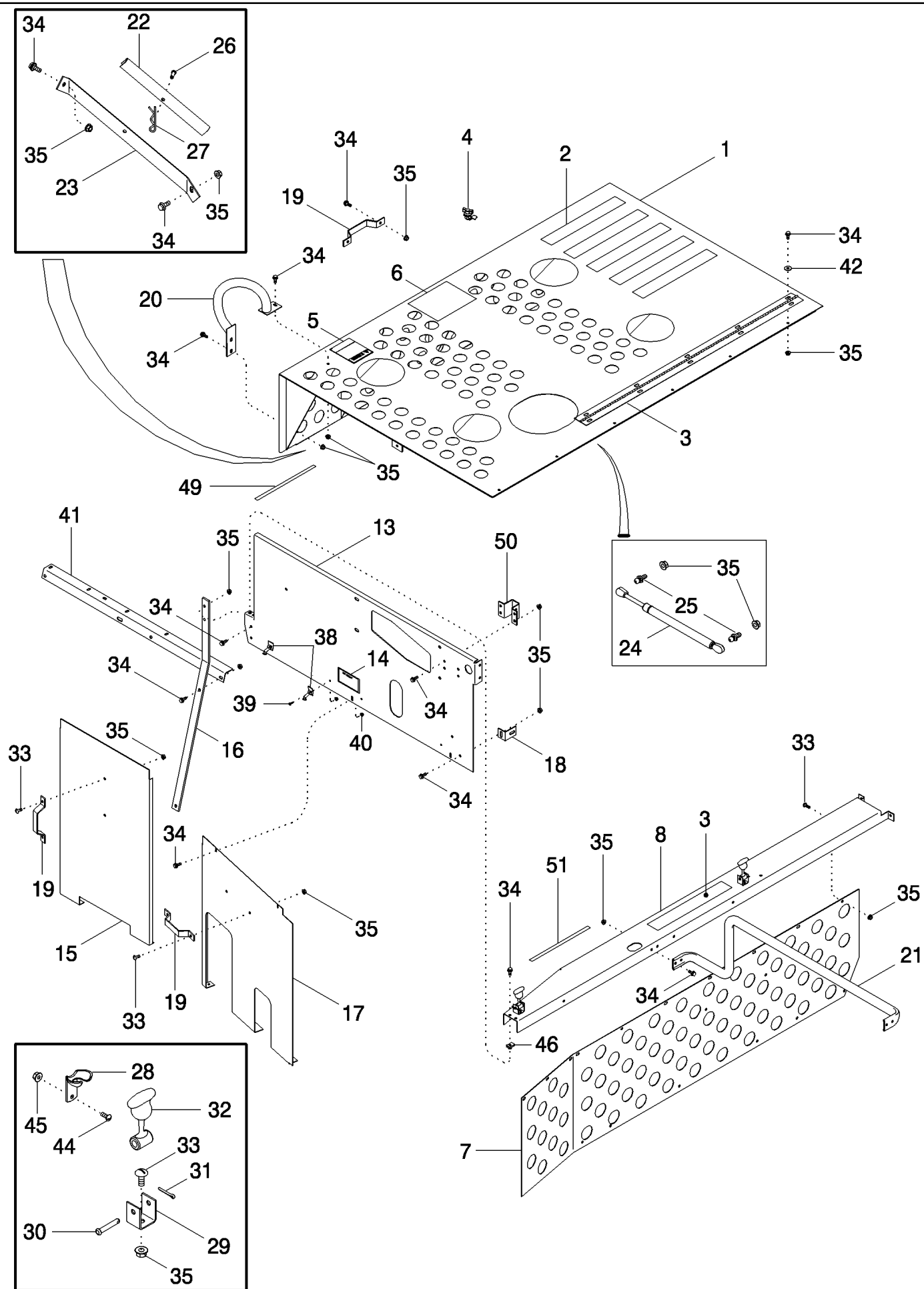
09G-29 SUNVISOR

сылка	Номер детали	Кол-во	Описание
1	123452A1	1	VISOR, SUN,
2	260-16524	4	SCREW, SELF TAPPING, Cross Pan Hd, #10 x 1 1/2", No. 10 x 1-1/2
3	60-6708T1	4	NUT, SPECIAL,



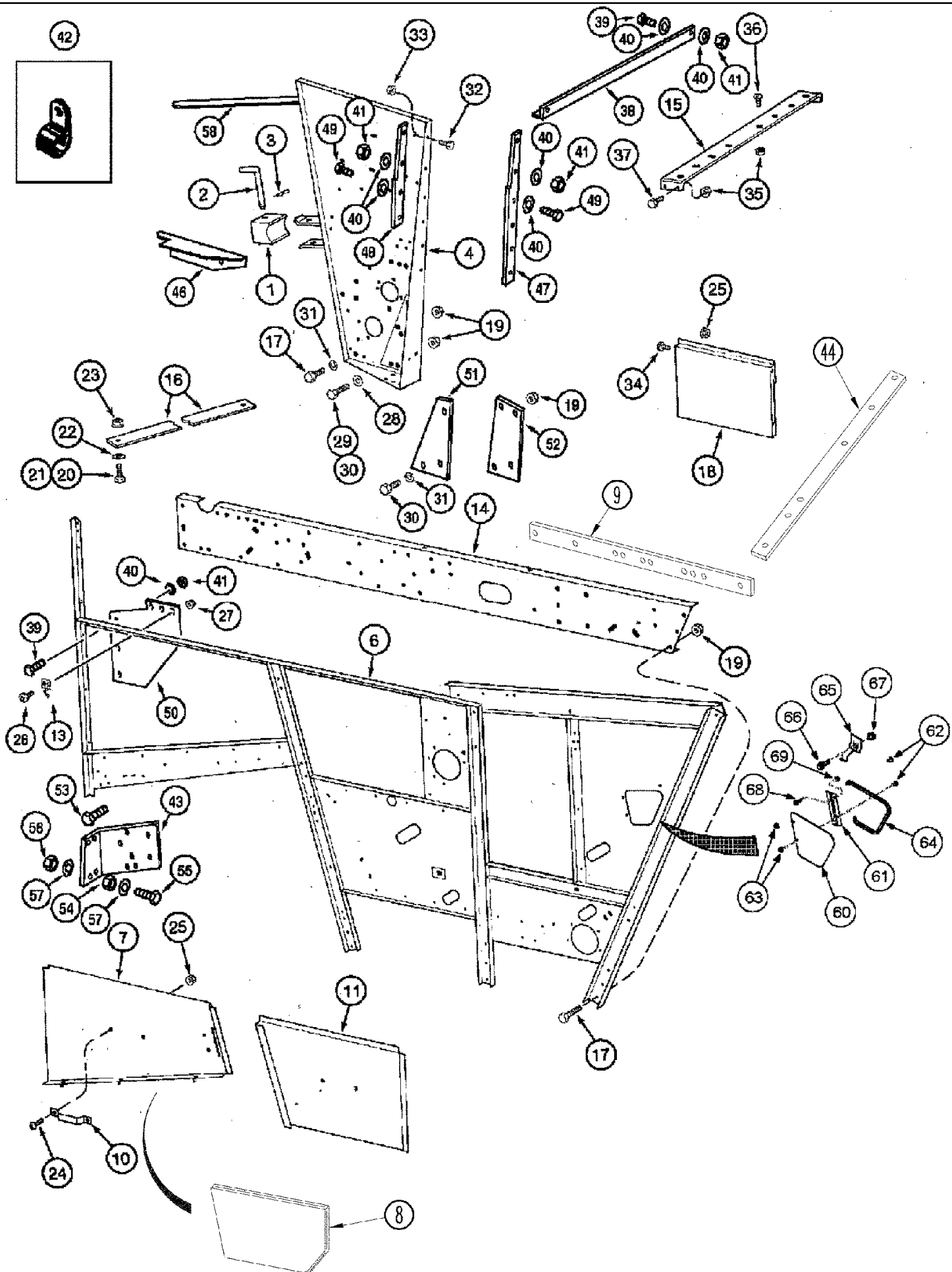
сылка	Номер детали	Кол-во	Описание
1	193435C3	1	SUPPORT,
2	193146C4	1	ANGLE, Rear, BSN JJC0184608
2A	304311A1	1	ANGLE, Rear, ASN JJC0184609
3	409-7516	1	BOLT, Hex Flg, 5/16"-18 x 1", Serr,
4	192959C6	5	SUPPORT,
5	143344A1	1	ANGLE, Left Hand, BSN JJC0184608
5A	304312A1	1	ANGLE, Left Hand, ASN JJC0184609
6	192960C7	1	ANGLE BAR, Right Hand
7	1979830C1	1	SUPPORT,
8	1979827C2	1	PLATE,
9	1979874C1	1	PLATE, Front
10	281-1478	10	SCREW, SELF TAPPING, Hex Wash Hd, 1/4" x 1/2", 1/4 x 1/2
11	1977155C3	3	DOOR,
12	186695C1	3	HINGE,
13	477-82508	30	SCREW, Sltd Serr Truss Hd, 1/4"-20 x 1/2", 1/4 x 1/2; 8
14	231-5144	30	NUT, Flg, USR, 1/4"-20,
15	1330481C2	1	SUPPORT, Manifold Bulkhead Fitting, Left Hand Rear
16	282411A1	1	COVER, Upper Rear, Includes Decal, See Figure(s) 09H-21, Ref. 12; 09H-22, Ref. 10, BSN JJC0254999
16	441753A1	1	COVER, Upper Rear, ASN JJC0255000
17	303576A2	1	SUPPORT,
18	480523R1	1	SPLIT PIN/SAFETY PIN,
19	409-7516	1	BOLT, Hex Flg, 5/16"-18 x 1", Serr,
20	231-5145	5	NUT, Flg, USR, 5/16"-18,
21	199953C1	9	SCREW, SELF TAPPING, Hex Wash Hd, 5/16"-18 x 13/16",
22	495-81002	2	WASHER, 3/8", 7/16 x 1-3/8 x 5/64
23	409-7512	3	BOLT, Hex Flg, 5/16"-18 x 3/4", Serr, Not Illustrated
24	413-548	1	BOLT, Hex, 5/16"-18 x 3", G5, 5/16 x 3, Not Illustrated
25	495-11034	1	WASHER, 5/16", SAE, (11/32 x 11/16 x 1/16"), Not Illustrated
26	PO22778	1	SPACER, 1/4" Pipe x 2", 1/4 x 2, Not Illustrated
27	256873	1	BOLT, Hex Flg, 5/16"-18 x 1/2", Serr, Not Illustrated
28	1541854C3	1	SUPPORT,
29	495-81119	1	WASHER, .344" x 1 1/4" x .060", 11/32 x 1-1/4 x 1/16
30	1302703C2	1	SHEET ASSY.,
31	477-73116	3	SCREW, Sltd Serr Truss Hd, 5/16"-18 x 1", 5/16 x 1
32	1302413C1	1	PROP,
33	568257R1	1	SPACER, 1/2" Tube x 3/8",
34	495-81024	1	WASHER, 17/32" x 1 1/4" x .060", 17/32 x 1-1/4 x 1/16
35	495-81117	3	WASHER, .344" x 1" x .120", 11/32 x 1 x 7/64
36	231-5315	2	NUT, LOCK, Flg, 5/16"-18,
37	567532R1	1	WASHER, 21/64 x 1/2 x 5/32
38	195103A2	1	DOOR,
39	194477C2	1	HINGE, No Longer Used, Order 304520A1, See Ref. 59

сылка	Номер детали	Кол-во	Описание
40	194478C1	1	ROD, No Longer Used, Order 304522A1, See Ref. 60
41	160638C2	1	HANDLE, Replaces: 160638C1
42	188419C1	1	CHANNEL, Manifold Bulkhead Fitting, Left Hand Rear
43	231-5145	AR	NUT, Flg, USR, 5/16"-18,
44	477-73112	AR	BOLT, Slotted Tr Hd, 5/16"-18 x 3/4",
45	237715A1	1	SUPPORT, Rear, Left Hand
46	409-7516	5	BOLT, Hex Flg, 5/16"-18 x 1", Serr,
47	237716A1	1	BRACKET, Rear
48	1347130C2	1	SHEET, Left Hand Rear, Inc. Decal, See Figure 09H-21, Ref. 17
49	1327979C1	1	MOLDING, 152 mm (6 in.), Cut From 1330108CX
50	22-824	1	STRAP, CABLE, 3/16" x 7 1/4", Replaces 702093C1
51	195102A4	1	SUPPORT,
52	409-7512	4	BOLT, Hex Flg, 5/16"-18 x 3/4", Serr,
53	167800C1	2	FASTENER,
54	440-1108	2	SCREW, Cross Pan Hd, #10-24 x 1/2",
55	231-51409	2	NUT, Flg, USR, #10-24,
56	1977286C3	1	SUPPORT,
57	D80270	5	STRIP, Non-Slip, 635 mm (25 in) x 51 mm (2 in)
58	143347A1	1	LATCH, Australia Only, Not Illustrated
59	304520A1	1	HINGE,
60	304522A2	1	STEM,
61	432-816	1	PIN, SPLIT (COTTER), 1/8" x 1",



сылка	Номер детали	Кол-во	Описание
1	87412590	1	DOOR, Engine Cover
2	D80270	8	STRIP, Non-Slip, 635 mm (25 in) x 51 mm (2 in)
3	418164A2	2	HINGE,
4	138699A1	1	LOCK, Latch
5	181597A1	1	DECAL, Warning
6	435798A1	1	DECAL, Top Lube Fittings
7	448845A2	1	SHEET, SHEET, Engine Shield
8	426592A4	1	CHANNEL, Door and Hood Support, Left Hand
13	418212A3	1	SUPPORT, Rear
14	173881C1	1	DECAL, Important, Clean Engine
15	426711A2	1	SHIELD, Lower Rear
16	87422857	1	SUPPORT,
17	451410A2	1	SHIELD, Lower Rear
18	426605A1	1	SUPPORT, Engine Shield
19	160638C2	3	HANDLE,
20	445183A2	1	HANDRAIL, Service Deck
21	448274A2	1	HANDRAIL, Service Deck
22	448354A1	1	BRACKET, Cylinder Lockout
23	445549A1	1	SUPPORT, Dearation Tank Support
24	446346A1	2	GAS STRUT, Engine Door Lift
25	1340345C1	4	PIN, BALL,
26	427-4077	1	PIN, CLEVIS, 1/4" x .770",
27	136-164	1	PIN, SPLIT (COTTER), Int, 5/16" x .120", 5/16
28	L105124	2	HOOK, LATCH,
29	188103C2	2	BRACKET, Hook Anchor
30	439-1424	2	PIN, HEADED, 1/4" x 1 1/2", G2,
31	432-812	2	PIN, SPLIT (COTTER), 1/8" x 3/4",
32	494307C1	2	LATCH,
33	477-73112	AR	BOLT, Slotted Tr Hd, 5/16"-18 x 3/4",
34	409-7512	AR	BOLT, Hex Flg, 5/16"-18 x 3/4", Serr,
35	231-5145	AR	NUT, Flg, USR, 5/16"-18,
38	167800C1	4	FASTENER, Door Retainer
39	440-1108	4	SCREW, Cross Pan Hd, #10-24 x 1/2",
40	231-51409	4	NUT, Flg, USR, #10-24,
41	304311A1	1	ANGLE, Engine Deck Rear
42	495-81116	11	WASHER, .344" x 1" x .060", 11/32 x 1 x 1/16
44	470-1108	2	SCREW, Slotted Pan Hd, #10-24 x 1/2", No. 10 x 1/2
45	231-51409	2	NUT, Flg, USR, #10-24,
46	488837C1	2	NUT, Speed, 5/16
47	231-5315	1	NUT, LOCK, Flg, 5/16"-18,
49	87413005	1	SEAL, Cut 1554 mm (61-3/16 in) From 195917C2
50	426957A1	1	BRACKET, Engine Door Lift Cylinder
51	1330168C1	2	SEAL

09H-02 SEPARATOR - DOORS - LEFT HAND

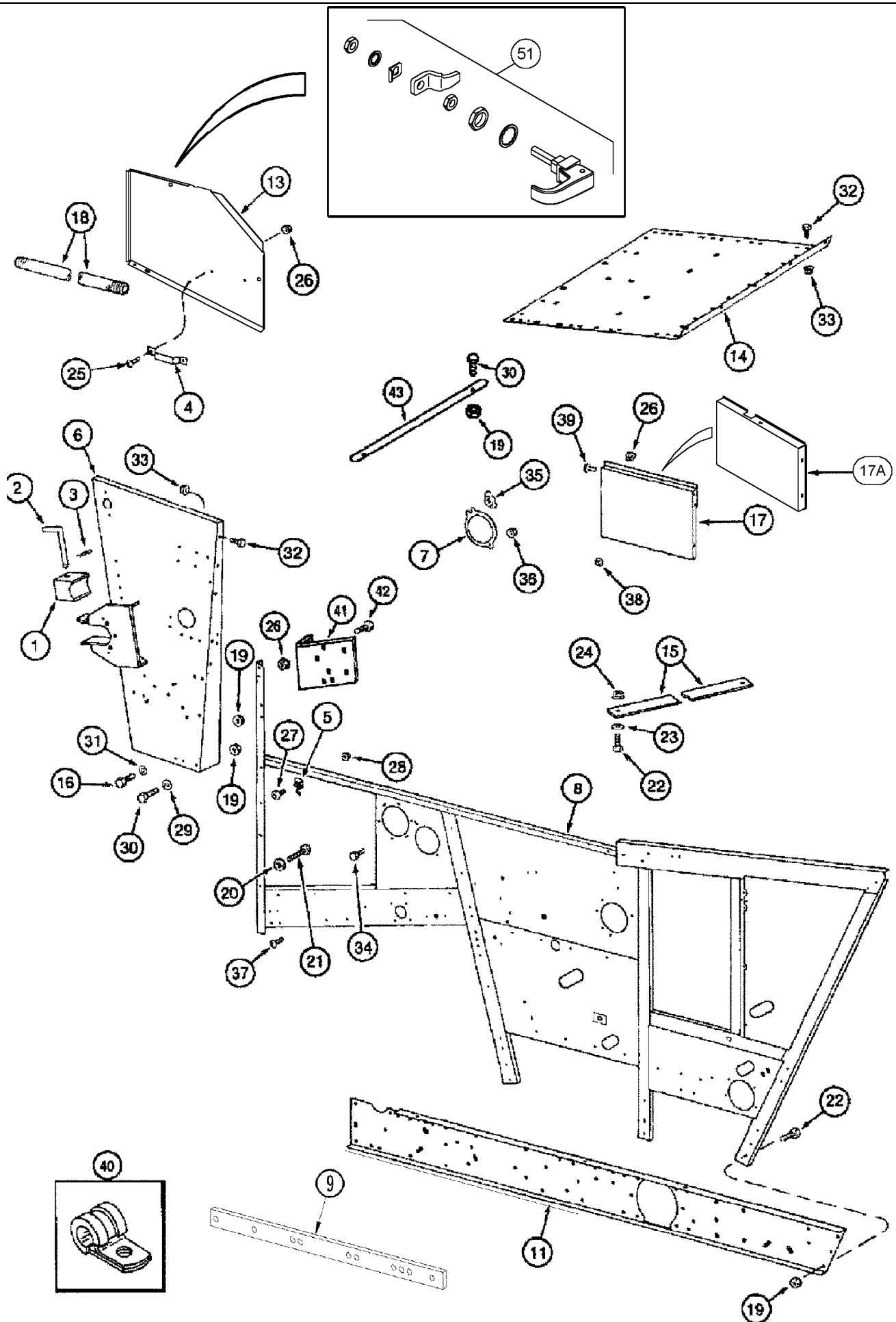


09H-02 SEPARATOR - DOORS - LEFT HAND

сылка	Номер детали	Кол-во	Описание
1	1989327C3	1	RETAINER,
2	418694A1	1	ROD,
3	486830R1	1	PIN, SPLIT (COTTER), 3/16
4	139619A6	1	SUPPORT, Left Hand, Front, Inc. Decal, See Figure 09H-21, Ref. 9, BSN JJC0253999
4	393189A2	1	POST, Left Hand, Front, Inc. Decal, See Figure 09H-21, Ref. 9, BTW JJC0254000 & JJC0254999
4	393189A3	1	POST, Left Hand, Front, ASN JJC0255000
5	120253C1	1	CONDUIT, 210 mm (8-1/4 in.), Cut From 1262114C1, Not Illustrated
6	320801A3	1	SIDE ASSY., Left Hand, Replaces 1970184C9, BSN JJC0253999
6	393323A1	1	SIDE ASSY., Left Hand, BTW JJC0254000 & JJC0254999
6	409771A3	1	SIDE ASSY., Left Hand, ASN JJC0255000
7	192081C1	1	DOOR, Left Hand, BSN JJC0254999
8	446258A1	1	DOOR, Left Hand, ASN JJC0255000
9	198572A3	1	STRAP, Main Sill, Rice Combine
10	160638C2	2	HANDLE,
11	192940C1	1	DOOR, Left Hand
13	167800C1	10	FASTENER,
14	1327695C8	1	SUPPORT, Left Hand, BSN JJC0253999
14	359826A1	1	SILL, Left Hand, BTW JJC0254000 & JJC0254999
14	359826A2	1	SILL, Left Hand, ASN JJC0255000
15	195316C1	1	SUPPORT ASSY.,
16	196315C2	1	BAR, , BSN JJC0254999
16	446256A1	1	BAR, 1740 mm (68-1/2 in.), Use with 339826A2
17	426-1020	13	BOLT, Hex, 5/8"-11 x 1 1/4", G8, Full Thd, 5/8 x 1-1/4; 8
18	181085C4	1	DOOR,
19	232-51310	17	NUT, Flg, USR, 5/8"-12, 5/8; 8
20	426-824	2	BOLT, Hex, 1/2"-13 x 1 1/2", G8, Full Thd,
21	426-832	1	BOLT, Hex, 1/2"-13 x 2", G8,
22	496-21053	4	WASHER, 17/32" x 1 1/16" x .134",
23	186852C1	3	NUT, 1/2, 8
24	477-73108	4	SCREW, Sltd Serr Truss Hd, 5/16"-18 x 1/2", 5/16 x 1/2
25	231-5145	10	NUT, Flg, USR, 5/16"-18,
26	440-1108	10	SCREW, Cross Pan Hd, #10-24 x 1/2",
27	231-51409	10	NUT, Flg, USR, #10-24,
28	396-41066	4	WASHER, 21/32" x 1 1/2" x .188", HDN, 21/32 x 1-1/2 x 3/16
29	426-1024	1	BOLT, Hex, 5/8"-11 x 1 1/2", G8, Full Thd,
30	426-1032	5	BOLT, Hex, 5/8"-11 x 2", G8, 5/8 x 2; 8
31	495-11066	10	WASHER, 5/8", SAE, 9/16 x 1-5/16 x 3/32
31	396-41066	4	WASHER, 21/32" x 1 1/2" x .188", HDN, 9/16 x 1-1/2 x 3/16
32	426-824	8	BOLT, Hex, 1/2"-13 x 1 1/2", G8, Full Thd,
33	232-5138	8	NUT, Flg, USR, 1/2"-13, G8,
34	477-73112	9	BOLT, Slotted Tr Hd, 5/16"-18 x 3/4",
35	231-5146	6	NUT, Flg, USR, 3/8"-16,
37	477-73812	4	SCREW, Sltd Serr Truss Hd, 3/8" x 3/4", 3/8 x 3/4

09H-02 SEPARATOR - DOORS - LEFT HAND

сылка	Номер детали	Кол-во	Описание
38	222134A2	1	SUPPORT,
39	426-824	8	BOLT, Hex, 1/2"-13 x 1 1/2", G8, Full Thd,
40	496-21053	30	WASHER, 17/32" x 1 1/16" x .134",
41	232-5138	15	NUT, Flg, USR, 1/2"-13, G8,
42	515-25254	AR	CLAMP, 1", Insul, 1/2" Bolt,
43	220612A1	1	SUPPORT,
44	446256A1	1	BAR, Backing, Auger Trough, BTW JJC0255000 & JJC0255699
44	446246A1	1	STRAP, Backing, Auger Trough, ASN JJC0255700
46	234958A1	1	SUPPORT, Upper Front
47	233327A2	1	PLATE, LARGE,
48	235234A3	1	PLATE, LARGE, PLATE Left Hand
49	426-832	7	BOLT, Hex, 1/2"-13 x 2", G8,
50	233468A1	1	PLATE, LARGE, Left Hand, Corner
51	233326A1	1	PLATE, LARGE, Left Hand, Front
52	233324A1	1	PLATE, LARGE, Left Hand, Front
53	477-73120	1	SCREW, Sltd Serr Truss Hd, 5/16"-18 x 1 1/4",
53	409-7520	4	BOLT, Hex Flg, 5/16"-18 x 1 1/4", Serr, 5/16 x 1-1/4
54	231-5145	5	NUT, Flg, USR, 5/16"-18,
54	231-5146	2	NUT, Flg, USR, 3/8"-16,
55	409-7624	2	BOLT, Hex Flg, 3/8"-16 x 1 1/2", Serr,
55	426-824	1	BOLT, Hex, 1/2"-13 x 1 1/2", G8, Full Thd,
55	426-832	1	BOLT, Hex, 1/2"-13 x 2", G8,
56	231-5146	2	NUT, Flg, USR, 3/8"-16,
56	232-5138	2	NUT, Flg, USR, 1/2"-13, G8,
57	496-21053	4	WASHER, 17/32" x 1 1/16" x .134",
58	235386A2	1	PLATE, LARGE,
59	188062C2	4	SEAL, 140 mm (5-1/2 in.), Cut From 1338149C1, Not Illustrated
	387815A1	1	DOOR, Separator, Inc. 60 - 64, ASN JJC0254000
60	383558A1	1	DOOR, , ASN JJC0254000
61	397586A1	1	HINGE, , ASN JJC0254000
62	477-82508	2	SCREW, Sltd Serr Truss Hd, 1/4"-20 x 1/2", 1/4 x 1/2; 8
63	231-5144	2	NUT, Flg, USR, 1/4"-20,
64	383559A1	1	SEAL,
65	167800C1	1	FASTENER,
66	440-1108	1	SCREW, Cross Pan Hd, #10-24 x 1/2",
67	231-51409	1	NUT, Flg, USR, #10-24,
68	477-82508	2	SCREW, Sltd Serr Truss Hd, 1/4"-20 x 1/2", 1/4 x 1/2; 8
69	231-5144	2	NUT, Flg, USR, 1/4"-20,
	426155A1	1	KIT, Sieve Light/Viewing Door, Inc. 60, 62 - 64, 66 - 69, Also Inc. 1347069C1 (2), See Figure(s) 04-16, 09H-22 (01), 09H-23, Use to retrofit machines built prior to P.I.N. JJC0252949.
36	477-73816	12	SCREW, Sltd Serr Truss Hd, 3/8" x 1",

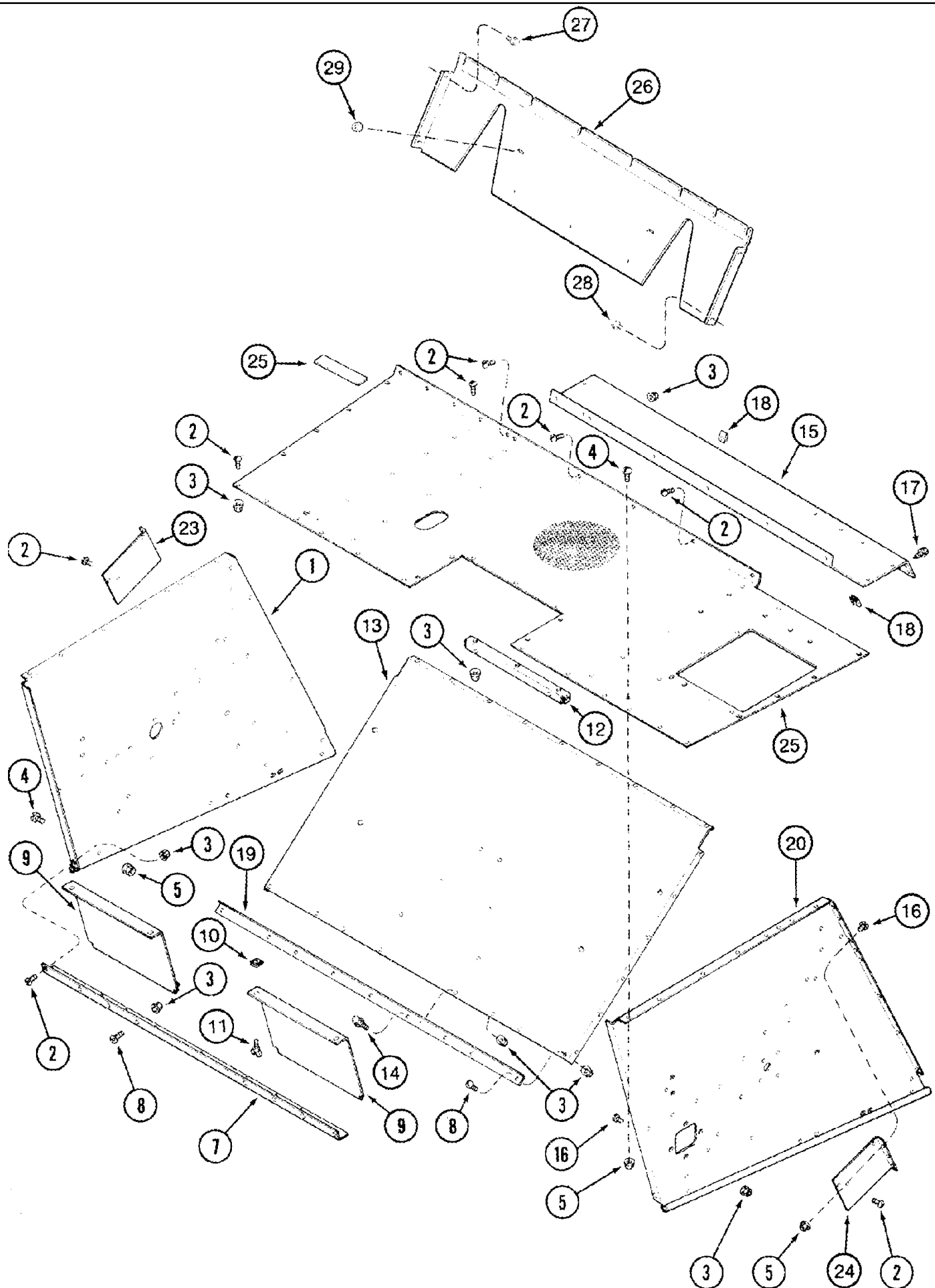


09H-03 SEPARATOR - DOORS - RIGHT HAND

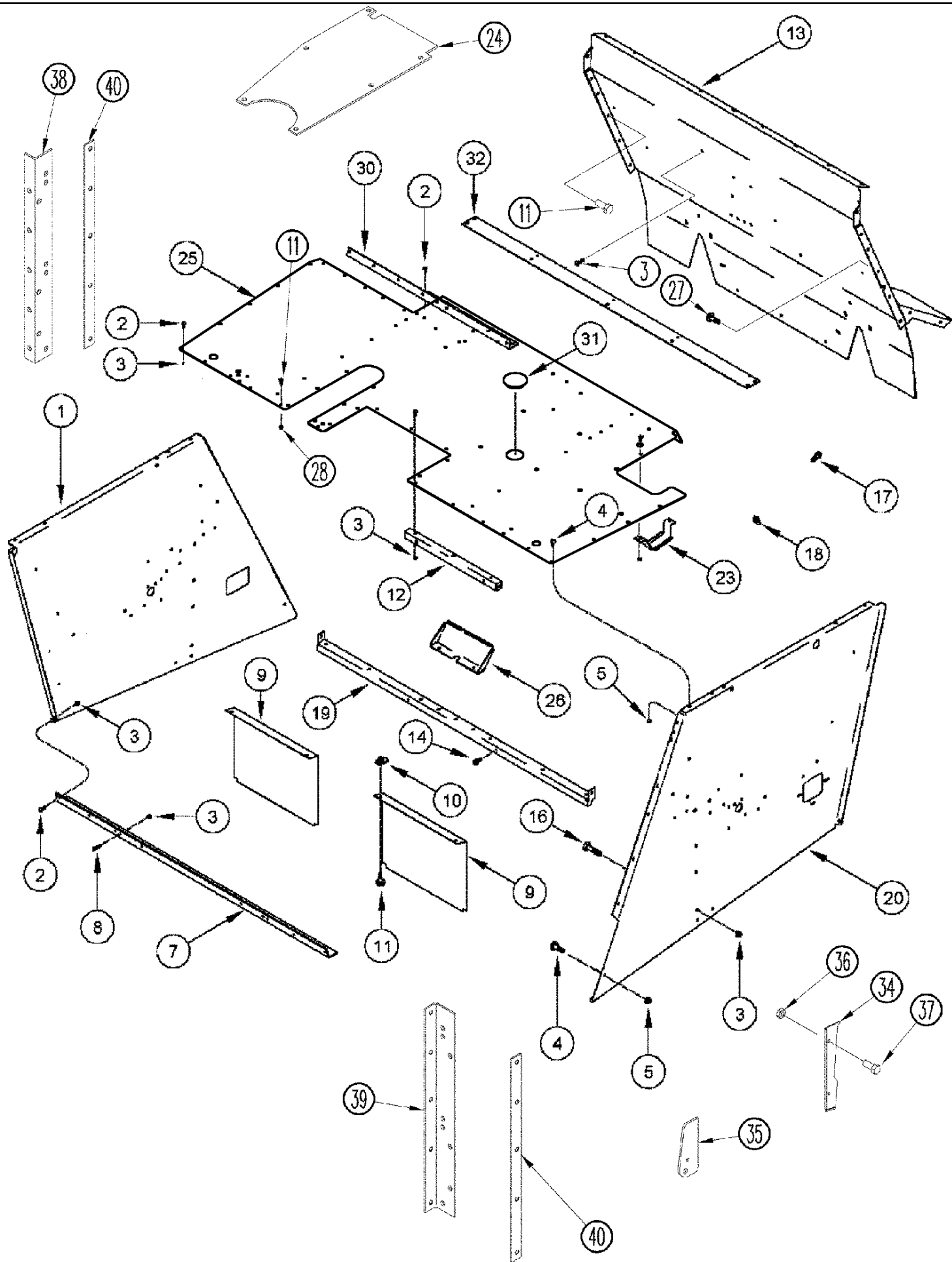
сылка	Номер детали	Кол-во	Описание
1	1989327C3	1	RETAINER,
2	418694A1	1	ROD,
3	1978738C1	1	PIN, SPLIT (COTTER), 3/16
4	160638C2	1	HANDLE,
5	167800C1	4	FASTENER,
6	115443A4	1	SUPPORT, Right Hand, Front, BSN JJC0254999
6	115443A5	1	SUPPORT, Right Hand, Front, ASN JJC0255000
7	188315C1	1	DOOR,
8	199615A4	1	SIDE ASSY., Right Hand, BSN JJC0253999
8	394730A1	1	SIDE ASSY., Right Hand, BTW JJC0254000 & JJC0254999
8	409777A2	1	SIDE ASSY., Right Hand, ASN JJC0255000
9	198572A3	1	STRAP, Main Sill, Rice Combine
11	1317554C5	1	SUPPORT, Right Hand, BSN JJC0253999
11	359827A1	1	SILL, Right Hand, BTW JJC0254000 & JJC0254999
11	359827A2	1	SILL, Right Hand, ASN JJC0255000
13	192623C3	1	DOOR, Right Hand, Front, BSN JJC0255699
13	86991352	1	DOOR, Right Hand, Front, Shown, ASN JJC0255700
14	1324970C4	1	PLATE,
15	196315C2	1	BAR, , BSN JJC0254999
15	446256A1	1	BAR, Right Hand, ASN JJC0255000
16	426-1020	13	BOLT, Hex, 5/8"-11 x 1 1/4", G8, Full Thd, 5/8 x 1-1/4; 8
17	181085C4	1	DOOR,
17A	87301105	1	DOOR, Replaces 181085C4
18	1319395C1	1-2	CONDUIT, 12-1/8, Cut From 1262114C1
19	232-51310	17	NUT, Flg, USR, 5/8"-12, 5/8; 8
19	232-53110	2	NUT, LOCK, Flg, 5/8"-11,
20	495-21044	3	WASHER, 3/8", 7/16 x 1 x 5/64
21	409-7616	1	BOLT, Hex Flg, 3/8"-16 x 1", Serr,
22	426-824	2	BOLT, Hex, 1/2"-13 x 1 1/2", G8, Full Thd,
23	496-21053	2	WASHER, 17/32" x 1 1/16" x .134",
24	186852C1	2	NUT, 1/2, 8
25	477-73108	2	SCREW, Sltd Serr Truss Hd, 5/16"-18 x 1/2", 5/16 x 1/2
26	231-5145	7	NUT, Flg, USR, 5/16"-18,
27	440-1108	4	SCREW, Cross Pan Hd, #10-24 x 1/2",
28	231-51409	4	NUT, Flg, USR, #10-24,
29	396-41066	2	WASHER, 21/32" x 1 1/2" x .188", HDN, 21/32 x 1-1/2 x 3/16
30	426-1024	5	BOLT, Hex, 5/8"-11 x 1 1/2", G8, Full Thd,
31	495-11066	6	WASHER, 5/8", SAE, 9/16 x 1-5/16 x 3/32
32	413-816	1	BOLT, Hex, 1/2"-13 x 1", G5, Full Thd,
33	231-5148	1	NUT, Flg, USR, 1/2"-13, (8)
34	413-48	1	BOLT, Hex, 1/4"-20 x 1/2", G5, Full Thd, 1/4 x 1/2
35	126177	1	DISC, 1/4
36	231-4144	1	NUT, LOCK, 1/4"-20, GB,

09H-03 SEPARATOR - DOORS - RIGHT HAND

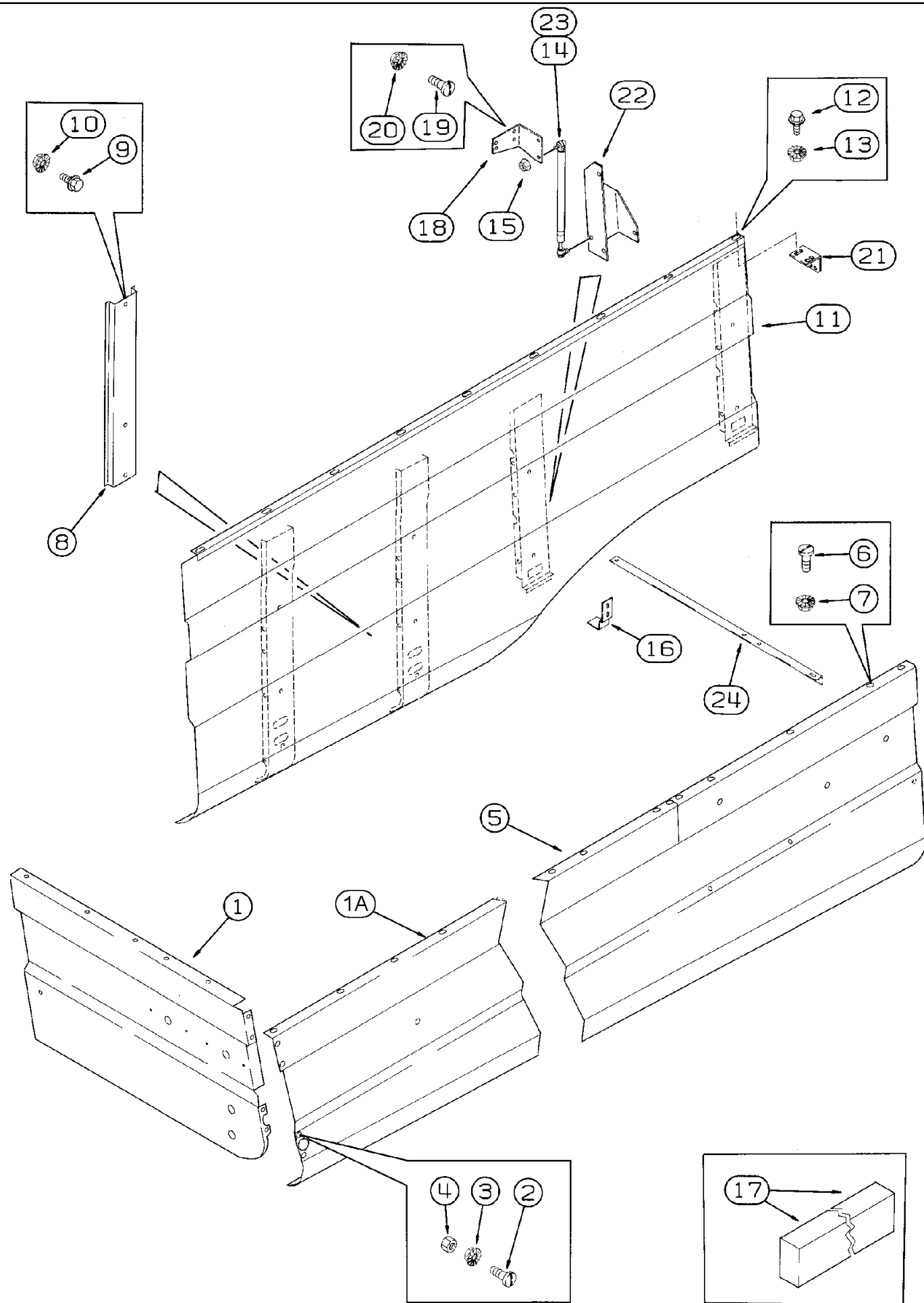
сылка	Номер детали	Кол-во	Описание
37	477-82508	1	SCREW, Sltd Serr Truss Hd, 1/4"-20 x 1/2", 1/4 x 1/2; 8
38	353-414	1	PLUG, Dome, 1.375" hole, Nylon, 1-3/8
39	477-73112	5	BOLT, Slotted Tr Hd, 5/16"-18 x 3/4",
40	515-25254	AR	CLAMP, 1", Insul, 1/2" Bolt,
41	220624A1	1	SUPPORT,
42	477-73112	1	BOLT, Slotted Tr Hd, 5/16"-18 x 3/4",
43	235386A2	1	PLATE, LARGE,
44	426-832	AR	BOLT, Hex, 1/2"-13 x 2", G8, Not Illustrated
45	426-824	AR	BOLT, Hex, 1/2"-13 x 1 1/2", G8, Full Thd, Not Illustrated
46	496-21053	AR	WASHER, 17/32" x 1 1/16" x .134", Not Illustrated
47	409-7624	AR	BOLT, Hex Flg, 3/8"-16 x 1 1/2", Serr, Not Illustrated
48	232-5138	AR	NUT, Flg, USR, 1/2"-13, G8, Not Illustrated
49	231-5146	AR	NUT, Flg, USR, 3/8"-16, Not Illustrated
50	426-1032	AR	BOLT, Hex, 5/8"-11 x 2", G8, 5/8 x 2; 8, Not Illustrated
51	86991204	2	LATCH, Access Door



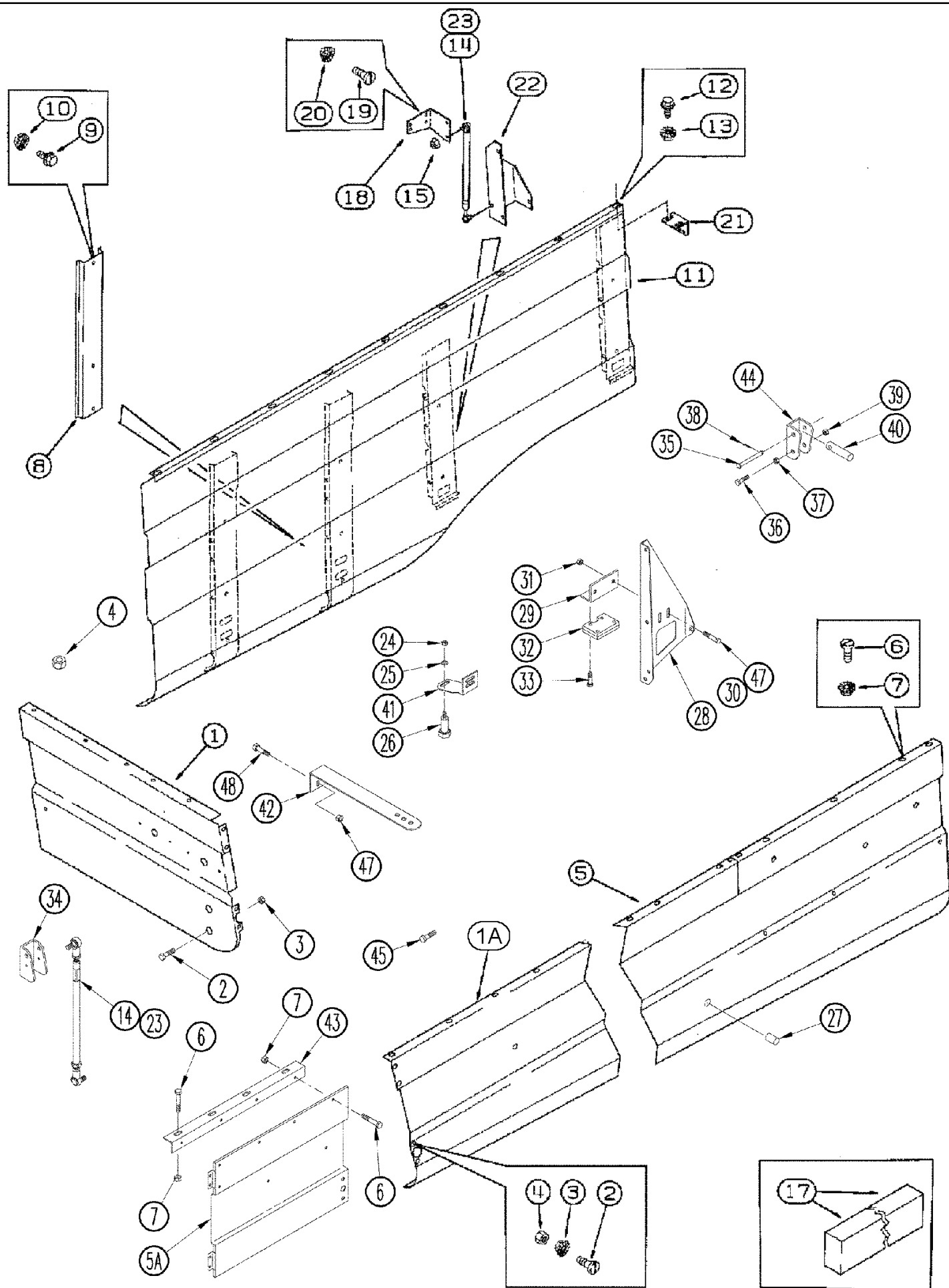
сылка	Номер детали	Кол-во	Описание
1	189800A2	1	COVER, Left Hand, Inc. Decal, See Figure(s) 09H-20, Ref. 6; 09H-20, Ref. 8, BSN JJC0253999
1	189800A3	1	COVER, Left Hand, Inc. Decal, See Figure(s) 09H-20, Ref. 6; 09H-20, Ref. 8, ASN JJC0254000
2	477-73112	AR	BOLT, Slotted Tr Hd, 5/16"-18 x 3/4",
3	231-5145	AR	NUT, Flg, USR, 5/16"-18,
5	231-5146	12	NUT, Flg, USR, 3/8"-16,
7	192309C2	1	ANGLE,
8	477-73116	6	SCREW, Sltd Serr Truss Hd, 5/16"-18 x 1", 5/16 x 1
9	189798A2	2	COVER, Inc. Decal, See Figure 09H-04, Ref. 9
10	488837C1	4	NUT, 5/16
11	409-7512	4	BOLT, Hex Flg, 5/16"-18 x 3/4", Serr,
12	186971C1	1	ANGLE,
13	1324988C3	1	DEFLECTOR,
14	409-7512	9	BOLT, Hex Flg, 5/16"-18 x 3/4", Serr,
15	1541957C1	1	SHEET,
16	477-73812	8	SCREW, Sltd Serr Truss Hd, 3/8" x 3/4", 3/8 x 3/4
17	199953C1	4	SCREW, SELF TAPPING, Hex Wash Hd, 5/16"-18 x 13/16",
18	488837C1	11	NUT, 5/16
19	194305C1	1	ANGLE,
20	195620A1	1	SHEET, Right Hand, BSN JJC0253999
20	195620A3	1	SHEET, Right Hand, ASN JJC0254000
23	185104C1	1	SUPPORT, Left Hand
24	185105C1	1	SUPPORT, Right Hand
25	356458A1	1	SHEET, Replaces 1317744C9
26	195138C5	1	SUPPORT,
27	409-7512	3	BOLT, Hex Flg, 5/16"-18 x 3/4", Serr,
28	409-7516	2	BOLT, Hex Flg, 5/16"-18 x 1", Serr,
29	231-5145	4	NUT, Flg, USR, 5/16"-18,
30	477-73108	AR	SCREW, Sltd Serr Truss Hd, 5/16"-18 x 1/2", 5/16 x 1/2, Not Illustrated
31	477-73820	AR	SCREW, Sltd Serr Truss Hd, 3/8"-16 x 1 1/4", 3/8 x 1-1/4, Not Illustrated
4	477-73816	6	SCREW, Sltd Serr Truss Hd, 3/8" x 1",



сылка	Номер детали	Кол-во	Описание
1	418679A1	1	SHEET, Left Hand, Inc. Decal
2	477-73112	AR	BOLT, Slotted Tr Hd, 5/16"-18 x 3/4",
3	231-5145	AR	NUT, Flg, USR, 5/16"-18,
5	231-5146	12	NUT, Flg, USR, 3/8"-16,
7	192309C2	1	ANGLE, Rear
8	477-73120	6	SCREW, Slt'd Serr Truss Hd, 5/16"-18 x 1 1/4",
9	441741A1	2	COVER, Rear
10	488837C1	4	NUT, 5/16
11	409-7512	4	BOLT, Hex Flg, 5/16"-18 x 3/4", Serr,
12	186971C1	1	ANGLE, Rear
13	412000A1	1	SUPPORT, Fuel Tank
14	409-7512	9	BOLT, Hex Flg, 5/16"-18 x 3/4", Serr,
16	477-73812	6	SCREW, Slt'd Serr Truss Hd, 3/8" x 3/4", 3/8 x 3/4
17	199953C1	9	SCREW, SELF TAPPING, Hex Wash Hd, 5/16"-18 x 13/16",
18	488837C1	10	NUT, 5/16
19	411989A1	1	ANGLE,
20	412623A1	1	SHEET, Right Hand
23	380043A1	2	STOP, Fuel Tank
24	411972A1	1	COVER, Engine
25	409781A1	1	SHEET, Rear Deck, BSN JJC0255699
25	416416A5	1	SHEET, Rear Deck, ASN JJC0255700
26	364781A1	1	RETAINER, Fuel Tank
27	409-7516	2	BOLT, Hex Flg, 5/16"-18 x 1", Serr,
28	488837C1	6	NUT,
29	131-137	4	NUT, Ret, 5/16"-18,
30	411973A1	1	BRACKET, Rear Deck
31	87000778	1	PLUG, Clean Out Hole
32	87415940	1	SHEET, Rear Service Deck Connection
33	419957A1	1	STRIP, Not Illustrated
34	418095A1	1	SHEET, Seal, Shown
35	418096A2	1	SHEET, Seal
36	231-5145	4	NUT, Flg, USR, 5/16"-18,
37	477-73112	4	BOLT, Slotted Tr Hd, 5/16"-18 x 3/4",
38	412620A1	1	SUPPORT, Side Sheet, Left Hand
39	412622A1	1	SUPPORT, Side Sheet, Right Hand
40	418632A1	2	STRAP, Shim
	410-7620	8	BOLT, Hex Flg, 3/8"-16 x 1 1/4", Serr, 3/8 x 1-1/4; 8
	1545944C1	1	SEAL,
	477-73108	10	SCREW, Slt'd Serr Truss Hd, 5/16"-18 x 1/2", 5/16 x 1/2
	410009A1	8	NUT, U-Type
4	477-73816	6	SCREW, Slt'd Serr Truss Hd, 3/8" x 1",



сылка	Номер детали	Кол-во	Описание
1	193812C7	1	SHEET, Right Hand, BSN JJC0253999
1	398211A1	1	SUPPORT, Right Hand, Tail Lamp, ASN JJC0254000
1A	413998A1	1	SUPPORT, Sheet Rear Right Hand Trim, ASN JJC0254000
2	477-73112	8	BOLT, Slotted Tr Hd, 5/16"-18 x 3/4",
3	231-5145	4	NUT, Flg, USR, 5/16"-18,
4	488837C1	3	NUT, 5/16
5	193734C7	1	PANEL, Right Hand, BSN JJC0253999
5	400582A1	1	SHEET, Right Hand, ASN JJC0254000
6	477-73108	2	SCREW, Slt'd Serr Truss Hd, 5/16"-18 x 1/2", 5/16 x 1/2
6	477-73112	11	BOLT, Slotted Tr Hd, 5/16"-18 x 3/4",
6	190553A1	5	SCREW, 5/16 x 3/4
7	231-5145	18	NUT, Flg, USR, 5/16"-18,
8	1319563C1	2	SUPPORT,
9	256873	4	BOLT, Hex Flg, 5/16"-18 x 1/2", Serr,
10	231-5145	4	NUT, Flg, USR, 5/16"-18,
11	139777A3	1	HOOD, Right Hand
12	409-7516	9	BOLT, Hex Flg, 5/16"-18 x 1", Serr,
13	231-5145	9	NUT, Flg, USR, 5/16"-18,
14	140311A3	1	GAS STRUT,
15	231-5145	4	NUT, Flg, USR, 5/16"-18,
16	143442A2	1	SUPPORT, Front
17	187885C1	1	SEAL, 660 mm (26 in.), Cut From 87281C1
18	139771A2	1	SUPPORT, Upper Right Hand
19	477-73112	6	BOLT, Slotted Tr Hd, 5/16"-18 x 3/4",
20	231-5145	6	NUT, Flg, USR, 5/16"-18,
21	181333A1	1	ANGLE BAR,
22	176083A2	1	SUPPORT, See Figure 09D-17, Ref. 17
23	1340345C1	2	PIN, BALL,
24	194604C3	1	ANGLE BAR,

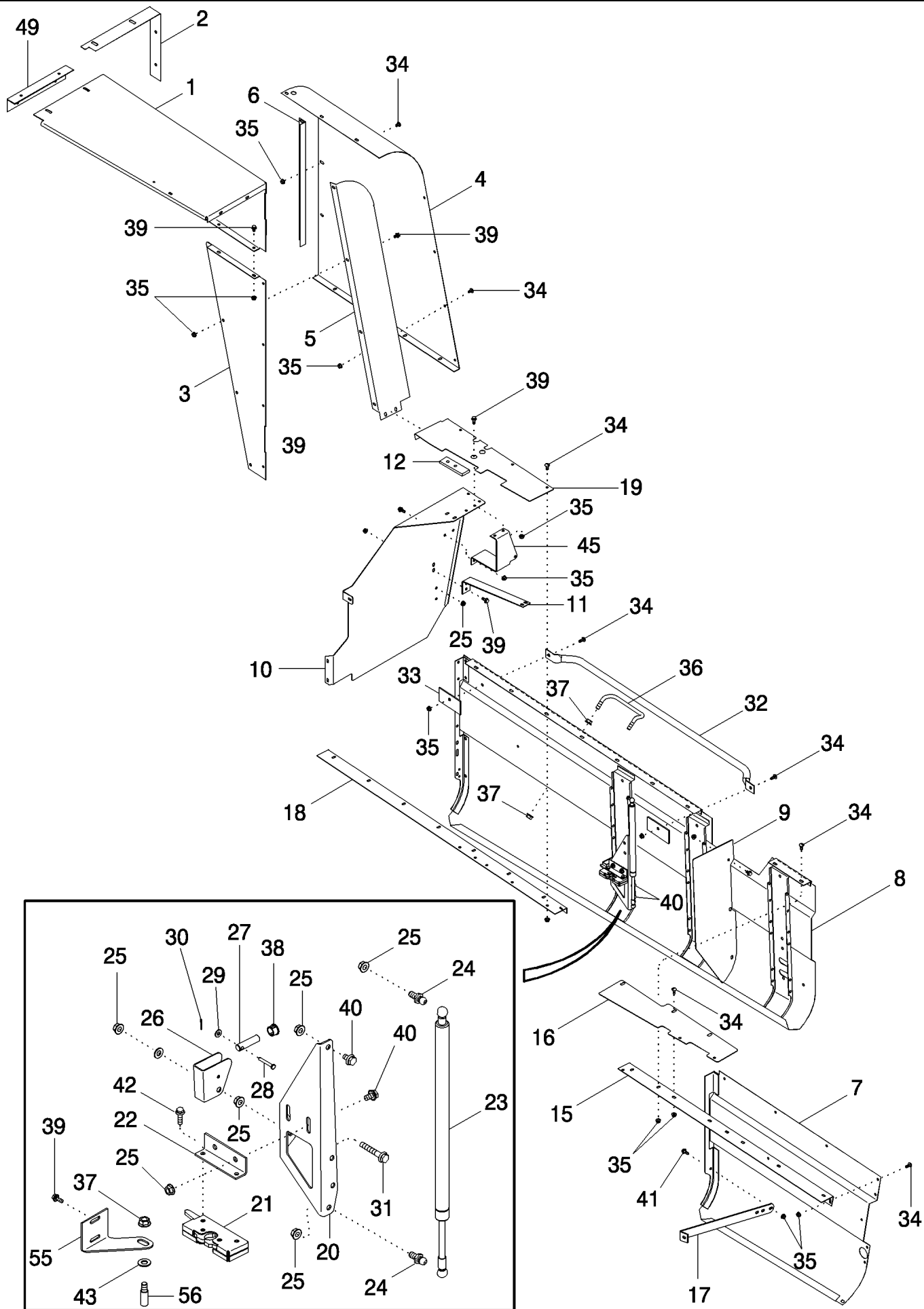


сылка	Номер детали	Кол-во	Описание
1	398211A1	1	SUPPORT, Right Hand, Tail Lamp, BTW JJC0254000 & JJC0255699
1A	413998A1	1	SUPPORT, Sheet Rear Right Hand Trim, ASN JJC0254000
2	477-73112	8	BOLT, Slotted Tr Hd, 5/16"-18 x 3/4",
3	231-5145	4	NUT, Flg, USR, 5/16"-18,
4	488837C1	3	NUT, 5/16
5	419741A1	1	SHEET, Right Hand, BTW JJC0254000 & JJC0255699
5A	413998A1	1	SUPPORT, Right Hand
6	477-73108	2	SCREW, Slt'd Serr Truss Hd, 5/16"-18 x 1/2", 5/16 x 1/2
6	477-73112	11	BOLT, Slotted Tr Hd, 5/16"-18 x 3/4",
6	190553A1	5	SCREW, 5/16 x 3/4
7	231-5145	18	NUT, Flg, USR, 5/16"-18,
8	1319563C1	2	SUPPORT,
9	256873	4	BOLT, Hex Flg, 5/16"-18 x 1/2", Serr,
10	231-5145	4	NUT, Flg, USR, 5/16"-18,
11	139777A3	1	HOOD, Right Hand
12	409-7516	9	BOLT, Hex Flg, 5/16"-18 x 1", Serr,
13	231-5145	9	NUT, Flg, USR, 5/16"-18,
14	140311A3	2	GAS STRUT,
15	231-5145	AR	NUT, Flg, USR, 5/16"-18,
17	187885C1	1	SEAL, 660 mm (26 in.), Cut From 87281C1
18	139771A2	1	SUPPORT, Upper Right Hand
19	477-73112	6	BOLT, Slotted Tr Hd, 5/16"-18 x 3/4",
20	231-5145	6	NUT, Flg, USR, 5/16"-18,
21	181333A2	1	BRACKET,
22	176083A2	1	SUPPORT, See Figure 09D-17, Ref. 17
23	1340345C1	4	PIN, BALL,
24	231-5148	1	NUT, Flg, USR, 1/2"-13,
25	495-21050	2	WASHER, 7/16", (1/2 x 1-1/4 x 5/64")
26	282145A1	1	BOLT, SPECIAL, Striker
27	353-462	1	BUSHING,
28	432210A1	1	BRACKET,
29	182195A2	1	BRACKET,
30	256873	AR	BOLT, Hex Flg, 5/16"-18 x 1/2", Serr,
31	231-5145	AR	NUT, Flg, USR, 5/16"-18,
32	141224A1	1	LATCH,
33	413-416	2	BOLT, Hex, 1/4"-20 x 1", G5,
34	432278A1	1	LEVER,
35	127-218	1	PIN, CLEVIS, 3/16" x 1 5/16",
36	413-528	1	BOLT, Hex, 5/16"-18 x 1 3/4", G5,
37	231-5145	1	NUT, Flg, USR, 5/16"-18,
38	432-412	1	PIN, SPLIT (COTTER), 1/16" x 3/4",
39	231-5345	1	NUT, LOCK, Flg, 5/16"-18, 5/16
40	432307A1	1	PIN,

2366 CASE IH AXIAL-FLOW COMBINE (NA) (1/98-8/04)

09H-05(02) DOOR - SHIELD - RIGHT HAND, BTW JJC0255000 & JJC0255699

сылка	Номер детали	Кол-во	Описание
41	413990A1	1	BRACKET,
42	413989A1	1	STRAP,
43	431658A1	1	ANGLE,
44	130184A2	1	BRACKET,
45	256873	7	BOLT, Hex Flg, 5/16"-18 x 1/2", Serr,
46	190553A1	9	SCREW, 5/16 x 3/4
47	477-73112	AR	BOLT, Slotted Tr Hd, 5/16"-18 x 3/4",



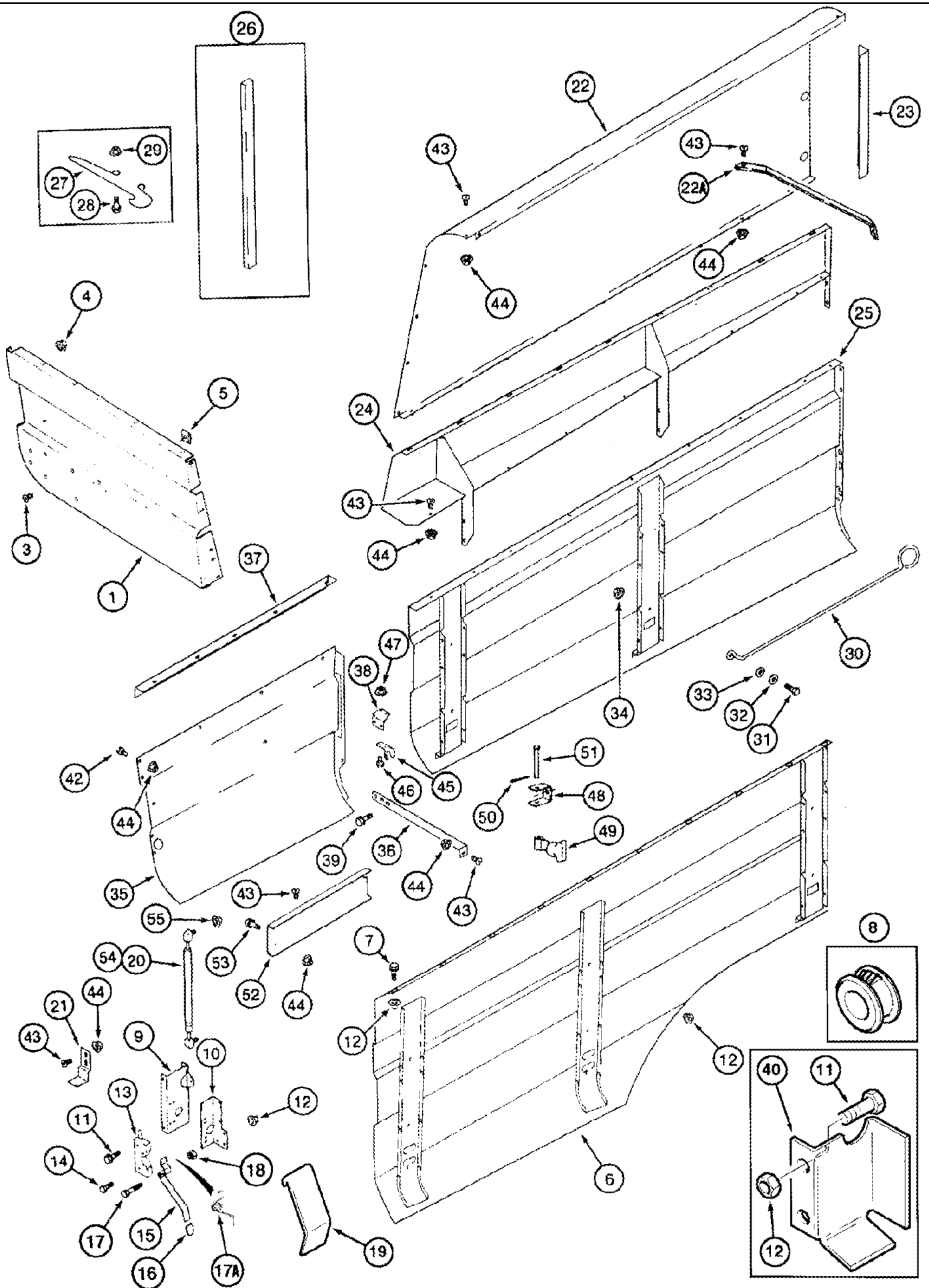
сылка	Номер детали	Кол-во	Описание
1	87413666	1	SHEET Engine Cover
2	87414240	1	ANGLE,
3	87413667	1	SHEET ASSY.,
4	87413669	1	SHEET ASSY.,
5	87413668	1	SHEET ASSY.,
6	140514A1	1	SUPPORT,
7	413998A1	1	SUPPORT,
8	87415386	1	SHEET,
9	87413982	1	PANEL,
10	87413799	1	SHIELD,
11	87413804	1	STRAP,
12	87428556	1	PLATE, Replaces 87418556
15	87415390	1	SUPPORT,
16	87413801	1	PLATE,
17	413989A1	1	STRAP,
18	87427284	1	ANGLE,
19	87427285	1	PLATE, Replaces 87413802
20	432210A1	1	BRACKET,
21	141224A1	1	LATCH,
22	182195A2	1	BRACKET,
23	140311A3	1	GAS STRUT,
24	1340345C1	2	PIN, BALL,
25	231-5145	AR	NUT, Flg, USR, 5/16"-18,
26	432278A1	1	LEVER,
27	432307A1	1	PIN, Rear Trim Panel Latch
28	127-218	1	PIN, CLEVIS, 3/16" x 1 5/16",
29	495-31022	1	WASHER, #10,
30	432-48	1	PIN, SPLIT (COTTER), 1/16" x 1/2",
31	409-7532	1	BOLT, Hex Flg, 5/16"-18 x 2", Serr, BOLT 5/16 x 2
32	256952A2	1	HANDRAIL, Hand Rail
33	418690A1	2	PLATE,
34	190553A1	5	SCREW, 5/16 x 3/4
35	231-5145	AR	NUT, Flg, USR, 5/16"-18,
36	1329715C1	1	HANDLE,
37	231-5148	5	NUT, Flg, USR, 1/2"-13,
38	353-462	1	BUSHING,
39	409-7512	AR	BOLT, Hex Flg, 5/16"-18 x 3/4", Serr,
40	256873	3	BOLT, Hex Flg, 5/16"-18 x 1/2", Serr,
41	477-73112	AR	BOLT, Slotted Tr Hd, 5/16"-18 x 3/4",
42	413-416	4	BOLT, Hex, 1/4"-20 x 1", G5,
44	176203A2	1	PROTECTOR, Cap, Lever
45	87413800	1	BRACKET,
47	86985754	1	SUPPORT,

2366 CASE IH AXIAL-FLOW COMBINE (NA) (1/98-8/04)

09H-05(03) DOOR - SHIELD - RIGHT HAND - ASN JJC0255700

сылка	Номер детали	Кол-во	Описание
48	131-137	2	NUT, Ret, 5/16"-18,
49	87413713	1	BRACKET, Cover Support
53	495-21050	2	WASHER, 7/16", (1/2 x 1-1/4 x 5/64")
54	477-73108	7	SCREW, Slt'd Serr Truss Hd, 5/16"-18 x 1/2", 5/16 x 1/2
55	413990A1	1	BRACKET, Latch Mount
56	282145A1	1	BOLT, SPECIAL,

09H-06 DOOR - SHIELDS - LEFT HAND



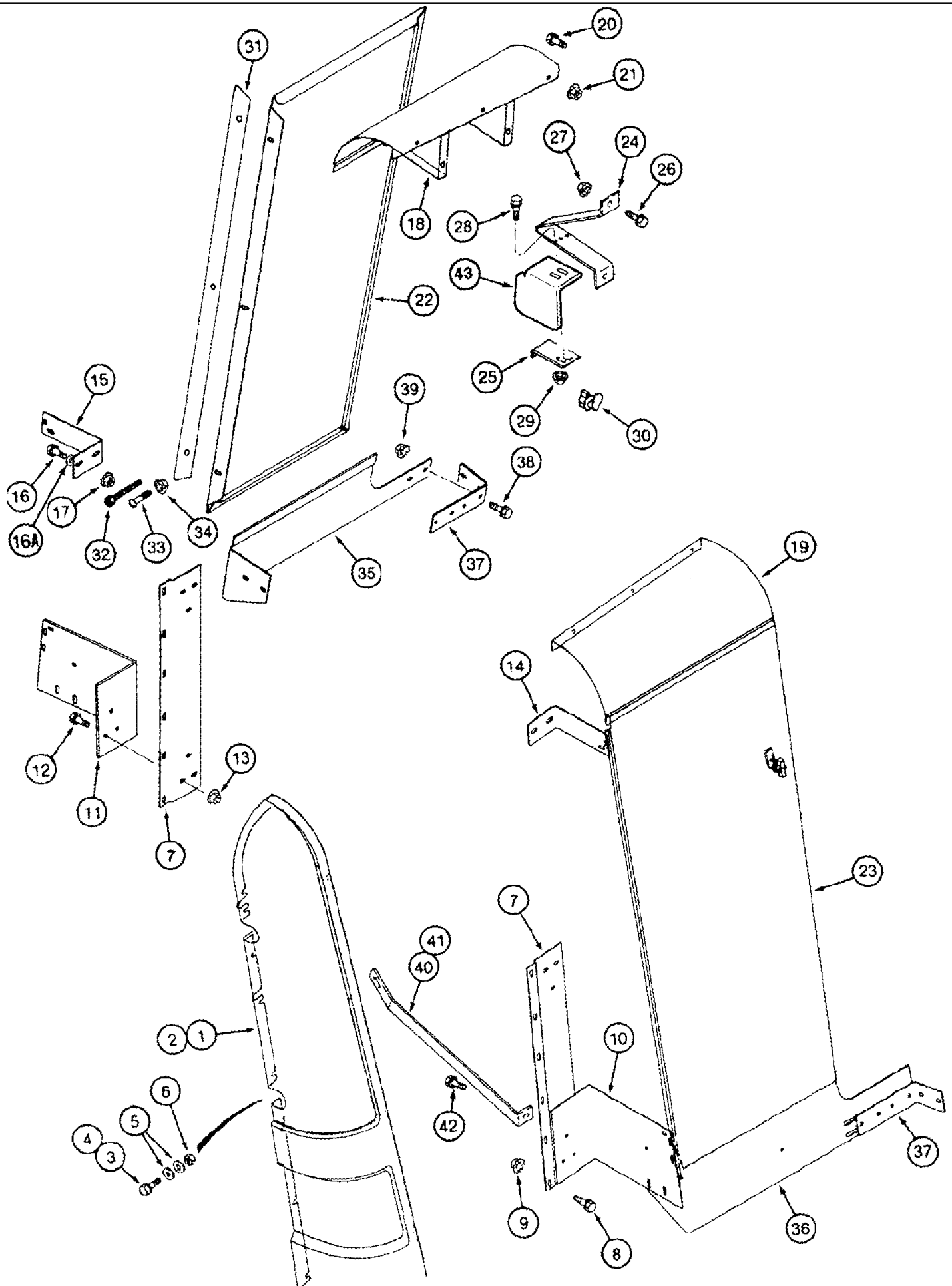
09H-06 DOOR - SHIELDS - LEFT HAND

сылка	Номер детали	Кол-во	Описание
1	104148A4	1	SUPPORT, Inc. Decal, See Figure 09H-21, Ref. 16, BSN JJC0253999
1	403280A1	1	SUPPORT, Inc. Decal, See Figure 09H-21, Ref. 16, ASN JJC0254000
3	477-73112	8	BOLT, Slotted Tr Hd, 5/16"-18 x 3/4",
4	231-5145	5	NUT, Flg, USR, 5/16"-18,
5	488837C1	3	NUT, 5/16
6	139776A5	1	DOOR ASSY., Left Hand Front
7	409-7516	9	BOLT, Hex Flg, 5/16"-18 x 1", Serr,
7	409-7512	7	BOLT, Hex Flg, 5/16"-18 x 3/4", Serr,
8	353-462	1	BUSHING, Australia Only
9	175605A2	1	SUPPORT, Lower
10	139680A3	1	SUPPORT, Lower Left Hand
11	256873	AR	BOLT, Hex Flg, 5/16"-18 x 1/2", Serr,
12	231-5145	AR	NUT, Flg, USR, 5/16"-18,
13	141224A1	1	LATCH,
14	413-416	2	BOLT, Hex, 1/4"-20 x 1", G5,
15	182204A1	1	LEVER,
16	176203A2	1	PROTECTOR, If Used
17	185856C1	1	SCREW, 5/16 x 2
17	413-528	1	BOLT, Hex, 5/16"-18 x 1 3/4", G5, Australia Only
17A	284171A1	1	SPRING,
18	231-5145	1	NUT, Flg, USR, 5/16"-18,
18	425-145	1	NUT, Jam, 5/16"-18, G5,
18	231-5144	1	NUT, Flg, USR, 1/4"-20,
19	182582A2	1	LEVER, Australia Only
20	140311A3	1	GAS STRUT,
21	143442A3	2	SUPPORT, Front
22	142567A3	1	PANEL, Rear, Upper Left Hand
22A	223817A2	1	SUPPORT, Rear, Upper Left Hand
23	140514A1	1	SUPPORT, Upper Left Hand
24	142568A2	1	PANEL, Rear, Upper Left Hand
25	142569A3	1	PANEL, Rear, Lower Left Hand
26	187885C1	2	SEAL, 660 mm (26 in.), Cut From 87281C1
27	176438A1	1	STEM,
28	409-7620	2	BOLT, Hex Flg, 3/8"-16 x 1 1/4", Serr,
29	231-5146	2	NUT, Flg, USR, 3/8"-16,
30	176953A3	1	PROP, Left Hand Rear
31	413-636	1	BOLT, Hex, 3/8"-16 x 2 1/4", G5,
32	495-21044	2	WASHER, 3/8", 7/16 x 1 x 5/64
33	495-81143	2	WASHER, 13/32" x 1 1/2" x .120", 13/32 x 1-1/2 x 1/8
34	231-5146	2	NUT, Flg, USR, 3/8"-16,
35	129176A4	1	SHEET, Left Hand Rear, BSN JJC0253999
35	398203A1	1	SHIELD, Left Hand Rear, ASN JJC0254000
36	131431A1	1	ANGLE BAR, Lower Left Hand, Rear

09H-06 DOOR - SHIELDS - LEFT HAND

сылка	Номер детали	Кол-во	Описание
37	183368A2	1	SUPPORT, Left Hand Rear
38	130184A2	1	BRACKET,
39	256873	7	BOLT, Hex Flg, 5/16"-18 x 1/2", Serr,
40	183475A1	1	COVER, Australia Only
41	51-13112	1	STUD, 5/16 x 3/4, Not Illustrated
42	190553A1	12	SCREW, 5/16 x 3/4
43	477-73112	AR	BOLT, Slotted Tr Hd, 5/16"-18 x 3/4",
44	231-5145	AR	NUT, Flg, USR, 5/16"-18,
45	L105124	1	HOOK, LATCH,
46	470-11012	2	SCREW, Slotted Pan Hd, #10-24 x 3/4", No. 10 x 3/4
47	231-51409	2	NUT, Flg, USR, #10-24,
48	188103C2	1	BRACKET,
49	494307C1	1	LATCH,
50	432-812	1	PIN, SPLIT (COTTER), 1/8" x 3/4",
51	439-1424	1	PIN, HEADED, 1/4" x 1 1/2", G2,
52	1319563C1	1	SUPPORT,
53	256873	2	BOLT, Hex Flg, 5/16"-18 x 1/2", Serr,
54	1340345C1	2	PIN, BALL,
55	231-5145	2	NUT, Flg, USR, 5/16"-18,

09H-07 GRAIN TANK, CORNER COVER PARTS



09H-07 GRAIN TANK, CORNER COVER PARTS

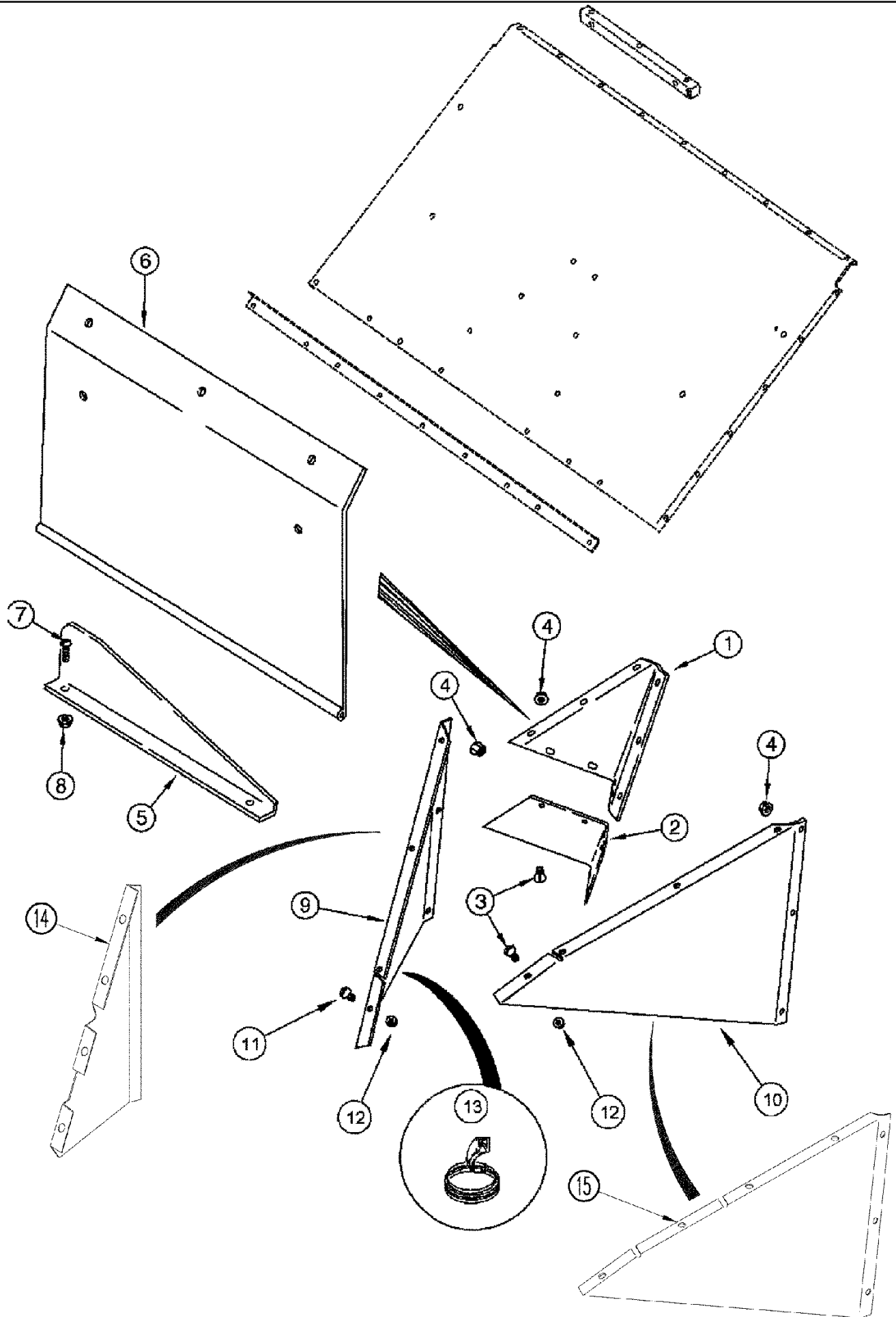
сылка	Номер детали	Кол-во	Описание
1	115773A2	1	SHEET, Left Hand Corner
2	115774A2	1	SHEET, Right Hand Corner
3	409-7512	12	BOLT, Hex Flg, 5/16"-18 x 3/4", Serr,
4	409-7516	6	BOLT, Hex Flg, 5/16"-18 x 1", Serr,
5	495-11034	36	WASHER, 5/16", SAE, (11/32 x 11/16 x 1/16")
6	231-1445	18	NUT, LOCK, 5/16"-18, GB,
7	128913A4	2	BRACKET,
8	409-7512	4-6	BOLT, Hex Flg, 5/16"-18 x 3/4", Serr,
9	231-5145	6	NUT, Flg, USR, 5/16"-18,
10	141419A2	1	SUPPORT, Lower Right Hand
11	141420A2	1	SUPPORT, Lower Left Hand
12	409-7512	6	BOLT, Hex Flg, 5/16"-18 x 3/4", Serr,
13	231-5145	6	NUT, Flg, USR, 5/16"-18,
14	259234A2	1	SUPPORT, Right Hand
15	259233A1	1	SUPPORT, Left Hand
16	409-7516	4	BOLT, Hex Flg, 5/16"-18 x 1", Serr,
16A	495-11041	4	WASHER, 3/8", SAE, (13/32 x 13/16 x 1/16")
17	231-5145	4	NUT, Flg, USR, 5/16"-18,
18	189743A3	1	COVER, Left Hand, Inc. Decals, See Figure(s) 09H-21, Ref. 10; 09H-23, Ref. 15
19	138880A3	1	SHIELD, Right Hand
20	409-7512	10	BOLT, Hex Flg, 5/16"-18 x 3/4", Serr,
21	231-5145	10	NUT, Flg, USR, 5/16"-18,
22	189306A2	1	DOOR, Left Hand, Inc. Decals, See Figure(s) 09H-21, Ref. 7; 09H-23 Ref. 7
23	141428A3	1	DOOR, Right Hand, BSN JJC255699
23	366817A1	1	DOOR, Right Hand, ASN JJC0255700
24	141785A1	2	SUPPORT,
25	141786A3	2	SUPPORT,
26	409-7412	4	BOLT, Hex Flg, 1/4"-20 x 3/4", Serr, 1/4 x 3/4
27	231-5144	4	NUT, Flg, USR, 1/4"-20,
28	409-7512	4	BOLT, Hex Flg, 5/16"-18 x 3/4", Serr,
29	231-5145	4	NUT, Flg, USR, 5/16"-18,
30	182925A1	2	LOCK,
30	182926A1	2	LOCK, Australia Only
31	128919A3	2	HINGE,
32	758-6	6	SCREW, SELF TAPPING, Hex Hd, M6.3 x 19, M6 x 19
33	477-73108	10	SCREW, Std Serr Truss Hd, 5/16"-18 x 1/2", 5/16 x 1/2
34	231-5145	10	NUT, Flg, USR, 5/16"-18,
35	128909A4	1	SHIELD, Left Hand
36	128910A5	1	SHIELD, Right Hand
37	239535A3	2	SUPPORT,
38	409-7512	12	BOLT, Hex Flg, 5/16"-18 x 3/4", Serr,
39	231-5145	12	NUT, Flg, USR, 5/16"-18,
40	193118A1	1	SUPPORT, Right Hand

2366 CASE IH AXIAL-FLOW COMBINE (NA) (1/98-8/04)

09H-07 GRAIN TANK, CORNER COVER PARTS

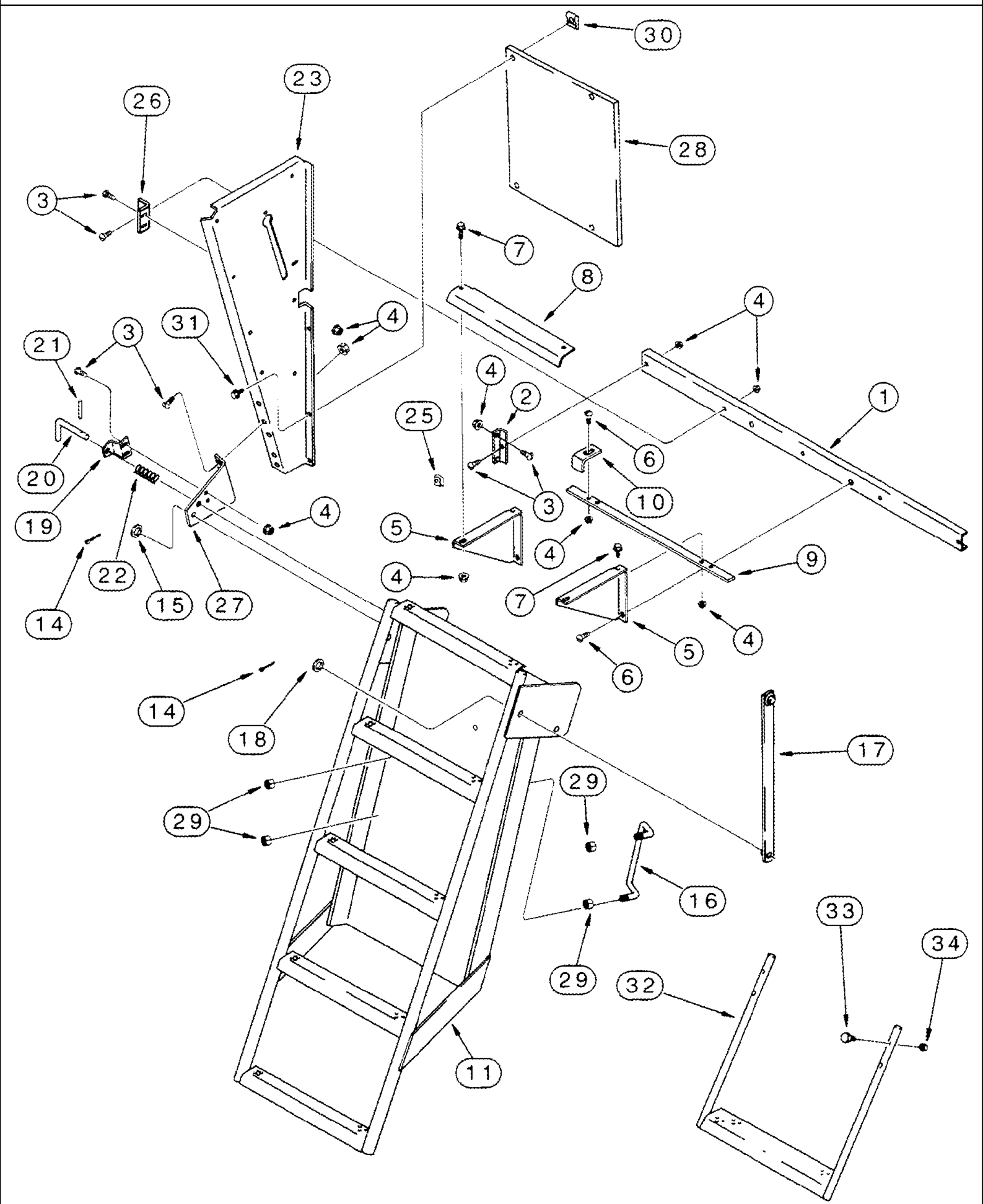
сылка	Номер детали	Кол-во	Описание
41	193120A1	1	SUPPORT, Left Hand
42	409-7516	2	BOLT, Hex Flg, 5/16"-18 x 1", Serr,
43	190232A2	1	SUPPORT,

09H-08 DEFLECTORS - SUPPORTS

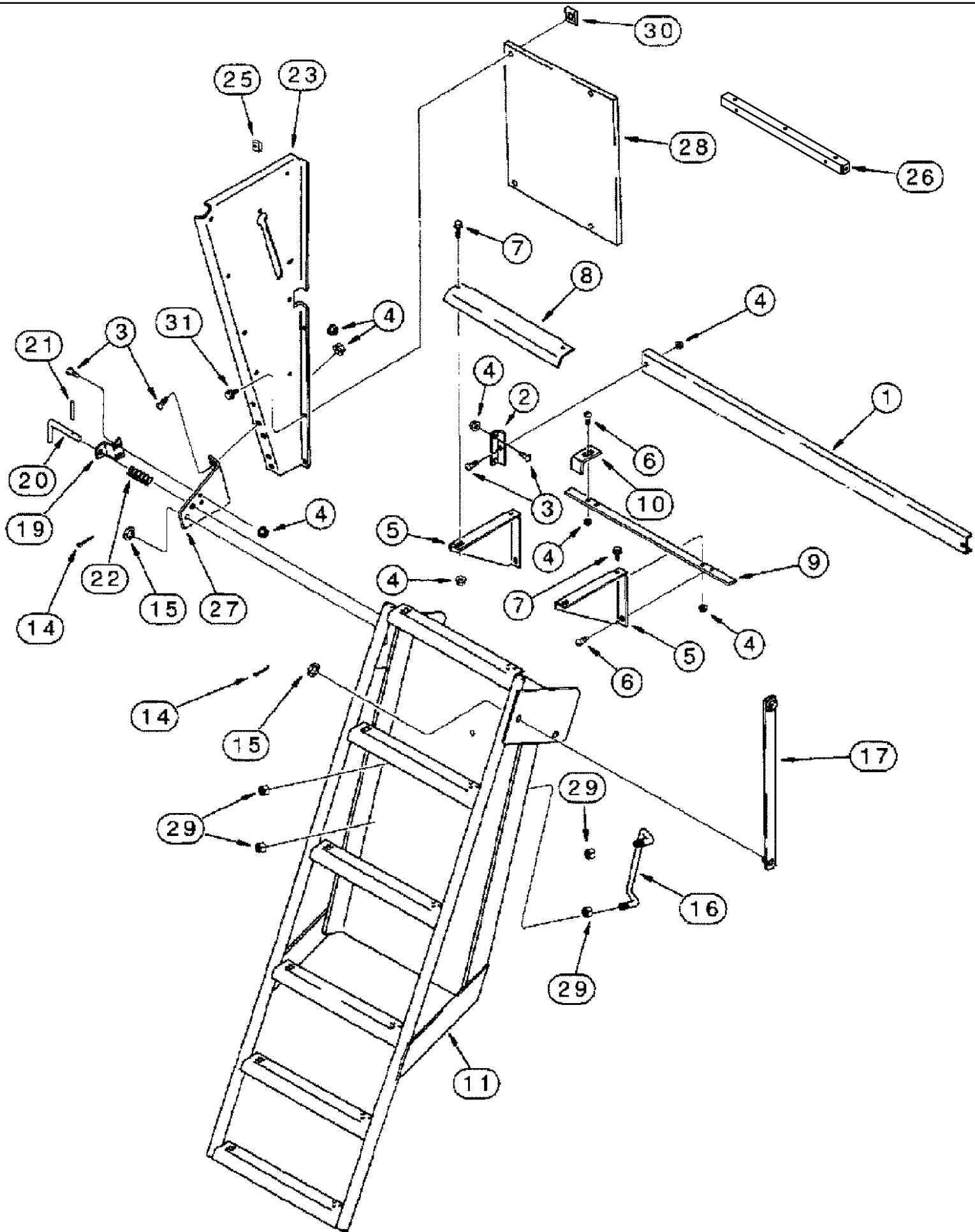


09H-08 DEFLECTORS - SUPPORTS

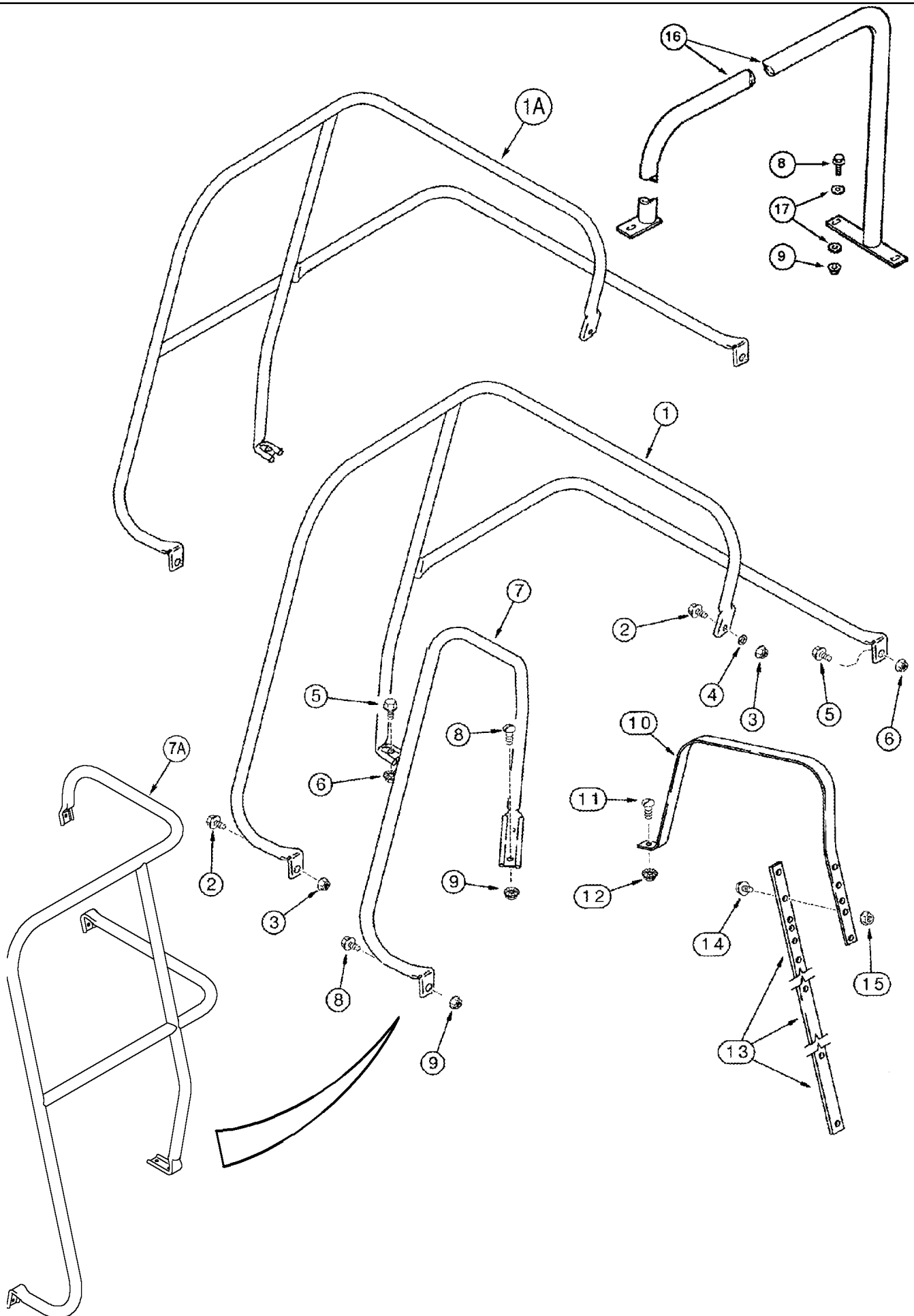
сылка	Номер детали	Кол-во	Описание
1	1319485C1	1	DEFLECTOR, , With Straw Spreader
2	1321019C1	1	DEFLECTOR, , With Straw Spreader
3	477-73112	6	BOLT, Slotted Tr Hd, 5/16"-18 x 3/4",
4	231-5145	6	NUT, Flg, USR, 5/16"-18,
5	115497A1	1	DEFLECTOR, , With Straw and Chaff Spreader
6	115498A3	1	DEFLECTOR, , With Straw and Chaff Spreader
7	477-73112	7	BOLT, Slotted Tr Hd, 5/16"-18 x 3/4",
8	231-5145	7	NUT, Flg, USR, 5/16"-18,
9	1302105C2	1	DEFLECTOR, Left Hand, BSN JJC0253999
9	1302105C3	1	SUPPORT, Left Hand, BTW JJC0254000 & JJC0254999
10	1302106C2	1	DEFLECTOR, Right Hand, BSN JJC0253999
10	1302106C3	1	SUPPORT, Right Hand, BTW JJC0254000 & JJC0254999
11	477-73108	10	SCREW, Slted Serr Truss Hd, 5/16"-18 x 1/2", 5/16 x 1/2
12	231-5145	10	NUT, Flg, USR, 5/16"-18,
13	1545944C1	1	SEAL, 127 mm (5 in.), Cut From 1330108CX
14	412001A1	1	SUPPORT, Left Hand, ASN JJC0255000
15	412002A1	1	SUPPORT, Right Hand, ASN JJC0255000



сылка	Номер детали	Кол-во	Описание
1	193069C3	1	CHANNEL,
2	194311C1	2	ANGLE,
3	477-73112	24	BOLT, Slotted Tr Hd, 5/16"-18 x 3/4",
4	231-5145	31	NUT, Flg, USR, 5/16"-18,
5	1347489C1	2	SUPPORT,
6	477-73116	3	SCREW, Slt'd Serr Truss Hd, 5/16"-18 x 1", 5/16 x 1
7	409-7512	4	BOLT, Hex Flg, 5/16"-18 x 3/4", Serr,
8	1327607C1	1	PLATE,
9	1319722C1	1	BAR,
10	1321975C1	1	BRACKET,
11	1319766C93	1	LADDER, Inc. Decal, See Figure 09H-20, Ref. 9
14	432-1212	4	PIN, SPLIT (COTTER), 3/16" x 3/4",
15	495-11066	6	WASHER, 5/8", SAE, 21/32 x 1-5/16 x 3/32
16	1329715C1	1	HANDLE,
17	1321698C1	2	LINK,
18	495-81024	2	WASHER, 17/32" x 1 1/4" x .060", 17/32 x 1-1/4 x 1/16
19	1319739C1	1	BRACKET,
20	1319740C2	1	PIN,
21	38-1813	1	PIN, LOCK, 1/8" x 13/16", Slotted, 1/8" x 13/16", Slotted
22	540815R2	1	SPRING,
23	185404C5	1	SIDE PLATE, Left Hand
24	185405C5	1	SIDE PLATE, Right Hand
25	488837C1	4	NUT, 5/16
26	1327997C1	2	ANGLE,
27	1319738C1	2	BRACKET,
28	186970C3	1	SHEET,
29	231-5148	4	NUT, Flg, USR, 1/2"-13,
30	231-5144	4	NUT, Flg, USR, 1/4"-20,
31	409-748	4	BOLT, Hex Flg, 1/4"-20 x 1/2", Serr,
32	1321701C1	1	STEP, Extension
33	477-73124	4	SCREW, Slt'd Serr Truss Hd, 5/16"-18 x 1 1/2",
34	231-5145	4	NUT, Flg, USR, 5/16"-18,



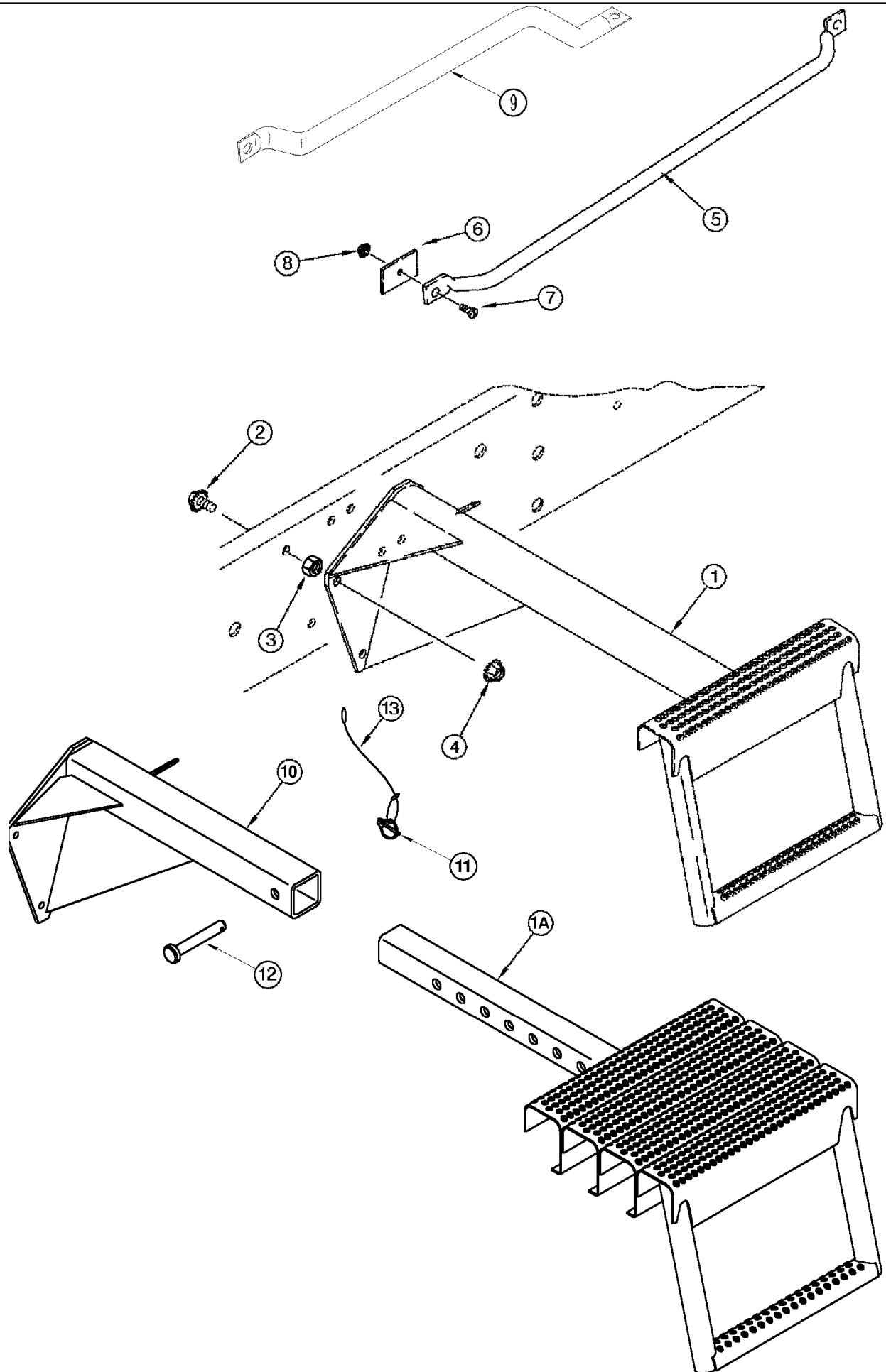
сылка	Номер детали	Кол-во	Описание
1	193069C3	1	CHANNEL, , BSN JJC0255699
1	382341A1	1	CHANNEL, , ASN JJC0255700
2	1327997C1	2	ANGLE,
3	477-73112	12	BOLT, Slotted Tr Hd, 5/16"-18 x 3/4",
4	231-5145	17	NUT, Flg, USR, 5/16"-18,
5	1347489C1	2	SUPPORT,
6	477-73116	1	SCREW, Sltd Serr Truss Hd, 5/16"-18 x 1", 5/16 x 1
7	409-7512	4	BOLT, Hex Flg, 5/16"-18 x 3/4", Serr,
8	1327607C1	1	PLATE,
9	1319722C1	1	BAR,
10	1321975C1	1	BRACKET,
11	410531A2	1	LADDER,
14	432-1212	4	PIN, SPLIT (COTTER), 3/16" x 3/4",
15	495-11066	6	WASHER, 5/8", SAE, 21/32 x 1-5/16 x 3/32
16	1329715C1	1	HANDLE,
17	1321698C1	2	LINK,
18	495-81024	2	WASHER, 17/32" x 1 1/4" x .060", 17/32 x 1-1/4 x 1/16
19	1319739C1	1	BRACKET,
20	1319740C2	1	PIN,
21	38-1813	1	PIN, LOCK, 1/8" x 13/16", Slotted, 1/8" x 13/16", Slotted
22	540815R2	1	SPRING,
23	185404C5	1	SIDE PLATE, Left Hand, BSN JJC0255699
23	364129A1	1	SUPPORT, Left Hand, ASN JJC0255700
24	185405C5	1	SIDE PLATE, Right Hand, Not Illustrated, BSN JJC0255699
24	364130A1	1	SUPPORT, Right Hand, Not Illustrated, ASN JJC0255700
25	488837C1	4	NUT, 5/16
26	186971C1	1	ANGLE, Rear Support
27	1319738C1	2	BRACKET,
28	186970C3	1	SHEET, , BSN JJC0255699
28	364784A1	1	PLATE, , ASN JJC0255700
29	231-5148	4	NUT, Flg, USR, 1/2"-13,
30	231-5144	4	NUT, Flg, USR, 1/4"-20,
31	409-748	4	BOLT, Hex Flg, 1/4"-20 x 1/2", Serr,
32	516-23127	2	CLAMP, J, 9/16" Insul, 3/8" Bolt, Not Illustrated



09H-10 HAND RAILS - DECK, SERVICE

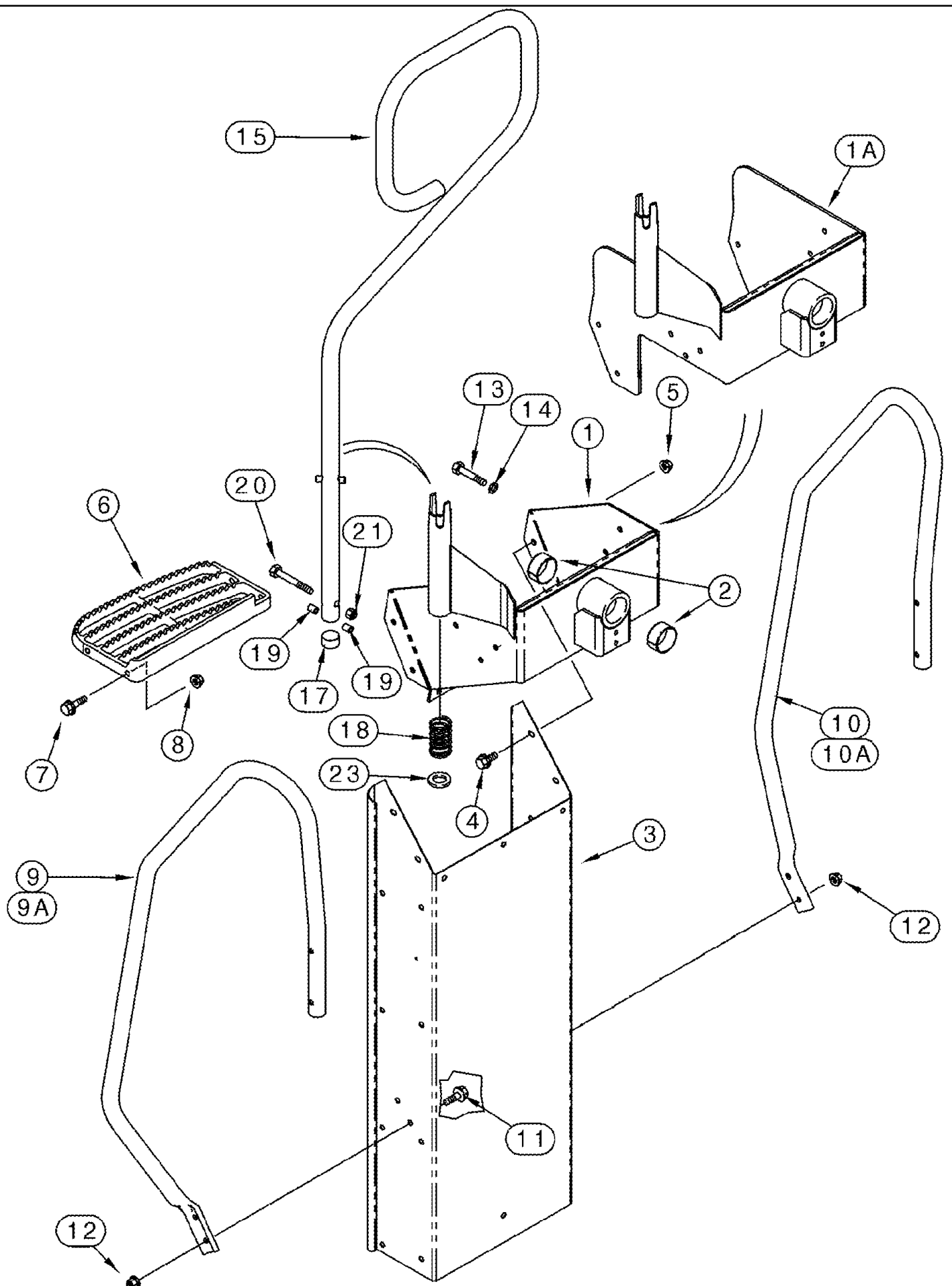
сылка	Номер детали	Кол-во	Описание
1	140196A2	1	GRAB RAIL, Left Hand, No Longer Available, Order 356330A1
1A	356330A1	1	HANDRAIL, Left Hand
2	477-73112	2	BOLT, Slotted Tr Hd, 5/16"-18 x 3/4",
3	231-5145	2	NUT, Flg, USR, 5/16"-18,
4	495-81121	1	WASHER, .344" x 1 1/2" x .060", 11/32 x 1-1/2 x 1/16
5	409-7512	3	BOLT, Hex Flg, 5/16"-18 x 3/4", Serr,
6	231-5145	3	NUT, Flg, USR, 5/16"-18,
7	140201A1	1	RAMP, Right Hand, BSN JJC0255699
7A	426748A1	1	TUBE, Right Hand, ASN JJC0255700
8	409-7512	3-4	BOLT, Hex Flg, 5/16"-18 x 3/4", Serr,
9	231-5145	3-4	NUT, Flg, USR, 5/16"-18,
10	1338059C2	1	RAIL, , BSN JJC0255699
11	477-73116	3	SCREW, Sltd Serr Truss Hd, 5/16"-18 x 1", 5/16 x 1
12	231-5145	3	NUT, Flg, USR, 5/16"-18,
13	1338058C3	1	BAR, , BSN JJC0255699
14	477-73112	2	BOLT, Slotted Tr Hd, 5/16"-18 x 3/4",
15	231-5145	4	NUT, Flg, USR, 5/16"-18,
16	3179828R1	1	RAIL ASSY., Australia Only
17	496-21034	6	WASHER, 11/32" x 11/16" x 0.89", HDN,

09H-11 LADDER - RADIATOR ACCESS

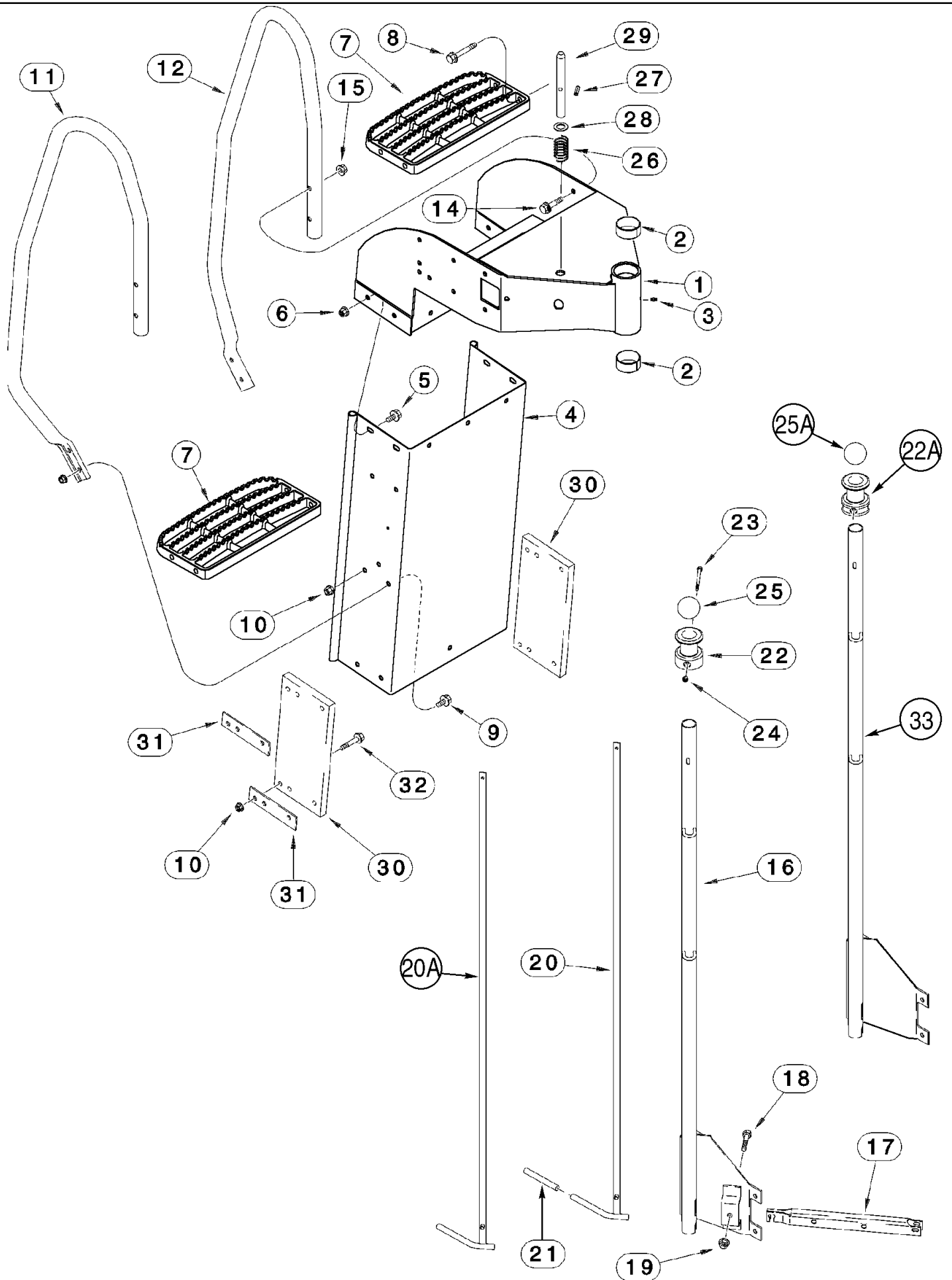


09H-11 LADDER - RADIATOR ACCESS

сылка	Номер детали	Кол-во	Описание
1	142906A3	1	STEP, , BSN JJC0255699
1A	87412228	1	STEP, Radiator Access, ASN JJC0255700
2	409-7612	4	BOLT, Hex Flg, 3/8"-16 x 3/4", Serr,
3	231-5346	1	NUT, LOCK, Flg, 3/8"-16,
4	231-5146	4	NUT, Flg, USR, 3/8"-16,
5	143775A2	1	HANDRAIL, , BSN JJC0254999
6	183380A1	2	PLATE, , BSN JJC0254999
6	418690A1	2	PLATE, , ASN JJC0255000
7	477-73112	2	BOLT, Slotted Tr Hd, 5/16"-18 x 3/4",
8	231-5145	2	NUT, Flg, USR, 5/16"-18,
9	414004A1	1	HANDRAIL, , BTW JJC0255000 & JJC0255699
10	87412230	1	SUPPORT, , ASN JJC0255700
11	A33497	2	PIN, LINCH, , ASN JJC0255700
12	87024650	1	PIN, HEADED, 5/8 x 3, ASN JJC0255700
13	427336A1	1	CABLE, 457 mm (18 in), ASN JJC0255700



сылка	Номер детали	Кол-во	Описание
1	193980A3	1	SUPPORT, Inc. 2
1A	318683A1	1	SUPPORT, Inc. 2, Used with 18.4R 42R1 Dual Tires Only
2	142381A1	2	BUSHING,
3	125495A1	1	CHASSIS,
4	409-7612	7	BOLT, Hex Flg, 3/8"-16 x 3/4", Serr,
5	231-5146	7	NUT, Flg, USR, 3/8"-16,
6	97050C3	5	STEP,
7	409-7616	20	BOLT, Hex Flg, 3/8"-16 x 1", Serr,
8	231-5146	20	NUT, Flg, USR, 3/8"-16,
9	182683A1	1	RAMP, Right Hand
9A	318922A1	1	COLUMN-JACKET, Right Hand, Used with 18.4R 42R1 Dual Tires Only
10	182682A1	1	RAMP, Left Hand
10A	318923A1	1	COLUMN-JACKET, Left Hand, Used with 18.4R 42R1 Dual Tires Only
11	409-7616	8	BOLT, Hex Flg, 3/8"-16 x 1", Serr,
12	231-5146	8	NUT, Flg, USR, 3/8"-16,
13	614-20040	1	BOLT, Hex, M20 x 40, 8.8,
14	495-81238	1	WASHER, 13/16" x 3" x .238", HDN, 13/16 x 3 x 1/4
15	254208A4	1	TUBE,
17	298726A1	1	PLASTIC PLUG,
18	182339A2	1	SPRING,
19	1277909C1	2	SPACER,
20	413-552	1	BOLT, Hex, 5/16"-18 x 3 1/4", G5, 5/16 x 3-1/4; 5
21	231-1445	1	NUT, LOCK, 5/16"-18, GB,
23	495-81211	1	WASHER, 1 11/32" x 2" x .120", 1-11/32 x 2 x 7/64

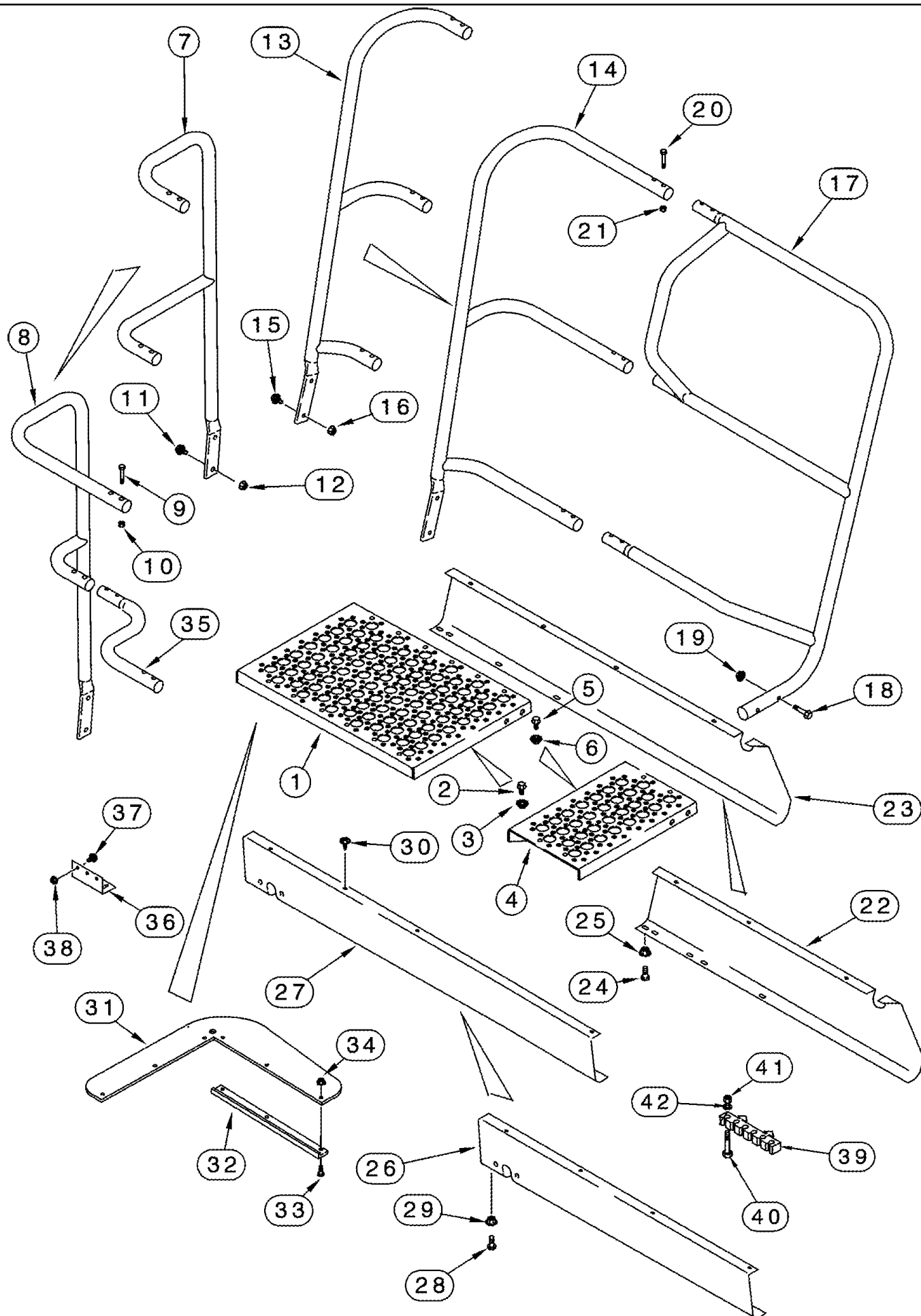


сылка	Номер детали	Кол-во	Описание
1	320901A2	1	SUPPORT, Inc. 2, 3, BSN JJC0256605
1	87301166	1	SUPPORT, Inc. 2, 3, ASN JJC0256606
2	142381A1	2	BUSHING,
3	219-87	1	NIPPLE, LUBE, 1/4"-28 x .56" lg, Self-Tap,
4	320913A2	1	CHASSIS, Ladder Rear, BSN JJC0256605
4	87301175	1	CHANNEL, Ladder Rear, ASN JJC0256606
5	409-7612	7	BOLT, Hex Flg, 3/8"-16 x 3/4", Serr,
6	231-5146	7	NUT, Flg, USR, 3/8"-16,
7	97050C3	5	STEP, , BSN JJC0256605
7	87301185	5	STEP, , ASN JJC0256606
8	409-7640	2	BOLT, Hex Flg, 3/8"-16 x 2 1/2", Serr, 3/8 x 2-1/2
9	409-7616	7	BOLT, Hex Flg, 3/8"-16 x 1", Serr,
9	409-7624	8	BOLT, Hex Flg, 3/8"-16 x 1 1/2", Serr,
10	231-5146	15	NUT, Flg, USR, 3/8"-16,
10	231-5346	7	NUT, LOCK, Flg, 3/8"-16,
11	320924A1	1	HANDRAIL, Right Hand
12	320925A1	1	HANDRAIL, Left Hand
14	409-7632	10	BOLT, Hex Flg, 3/8"-16 x 2", Serr, 3/8 x 2
15	231-5346	12	NUT, LOCK, Flg, 3/8"-16,
	349350A1	1	TUBE, Inc. 16, 16A, If Used
16	320894A1	1	TUBE,
16A	349005A1	1	DECAL, Ladder Unlatch, Not Illustrated, See Figure 09H-23, Ref. 15A
17	320916A3	1	LEVER, Latch, Ladder
18	426-632	1	BOLT, Hex, 3/8"-16 x 2", G8, 3/8 x 2; 8
19	231-5346	1	NUT, LOCK, Flg, 3/8"-16,
20	320919A2	1	STEM, Replaces 320919A1, If Used
20A	364437A1	1	LATCH, If Used
21	324455A1	1	PROTECTOR,
22	320922A1	1	HANDLE, Ladder Latch, Use with 349350A1
22A	349015A1	1	KNOB, Ladder Latch, Use with 365759A2
23	840-1660	1	SCREW, Cross Pan Hd, M6 x 60,
24	832-10406	1	NUT, LOCK, M6 x 1, CI 8,
25	320923A1	1	KNOB,BALL, See Below 33, Use Loctite No. 425, Used with 320922A1
25A	349014A1	1	KNOB, See Below 33, Use with 349015A1, Use Loctite No. 425
26	338153A1	1	SPRING,
27	320917A1	1	PIN,
28	495-81037	1	WASHER, 25/32" x 1 1/4" x .060", 25/32 x 1-1/4 x 3/64
29	38-32018	1	PIN, 5/16" x 1 1/8", Coiled,
30	322425A1	2	SUPPORT, Ladder
31	320930A1	4	PLATE,
32	409-7620	3	BOLT, Hex Flg, 3/8"-16 x 1 1/4", Serr,
32	121-437	1	SCREW, Hex Soc Hd, Shdr, 3/8"-16 x 1 1/2", 3/8 x 1-1/2
	365759A2	1	POST, Inc. 33, 34, BSN JJC0256605

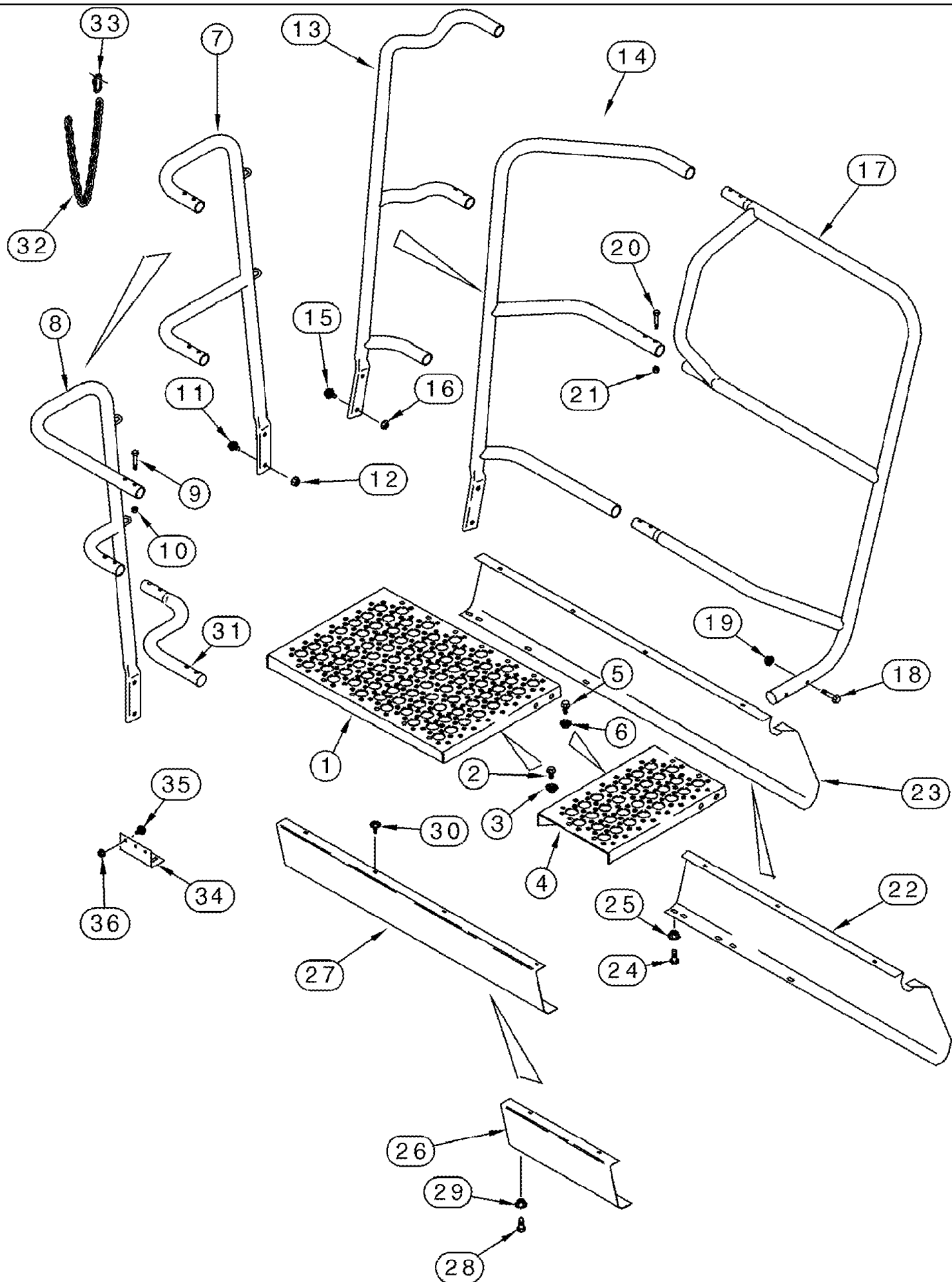
2366 CASE IH AXIAL-FLOW COMBINE (NA) (1/98-8/04)

09H-13 LADDER, OPERATORS - ASN JJC0252305

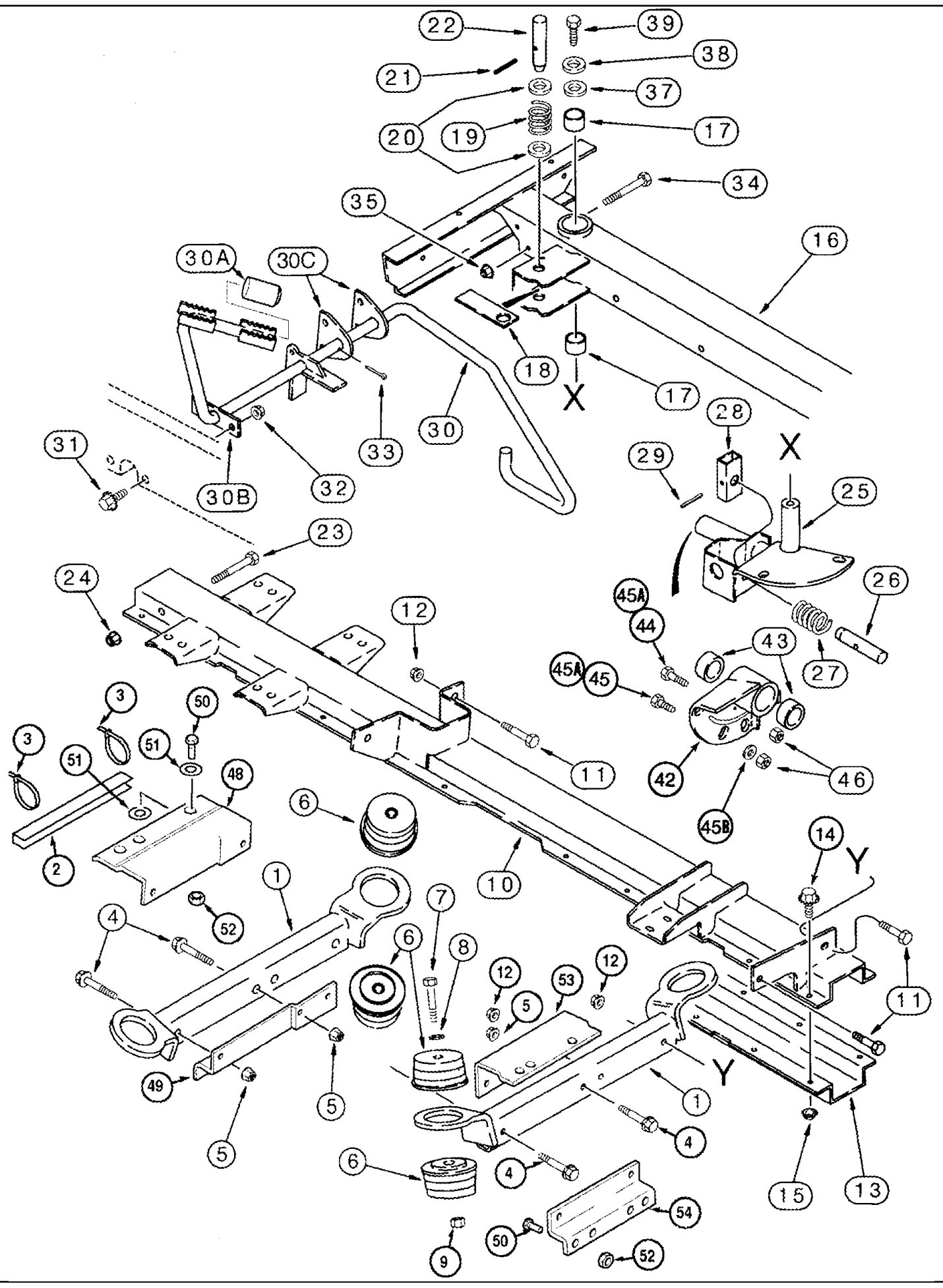
сылка	Номер детали	Кол-во	Описание
	87301181	1	POST, Inc. 33, 34, ASN JJC0256606
33	NSS	1	NOT SERVICED SEPARATELY, BEAM
34	349005A1	1	DECAL, Ladder Unlatch, See Figure 09H-23, Ref. 15A, Not Illustrated



сылка	Номер детали	Кол-во	Описание
1	142163A2	1	PLATFORM, 30 in
2	409-7616	4	BOLT, Hex Flg, 3/8"-16 x 1", Serr,
3	231-5146	4	NUT, Flg, USR, 3/8"-16,
4	124315A1	1	STEP, 10 in., If Used
5	409-7616	4	BOLT, Hex Flg, 3/8"-16 x 1", Serr,
6	231-5146	4	NUT, Flg, USR, 3/8"-16,
7	141594A1	1	GRAB RAIL, Rear, 30 in., Use with 142163A2
8	141598A1	1	RAMP, Rear, 40 in., Use with 142163A2, 124315A1
9	413-528	4-6	BOLT, Hex, 5/16"-18 x 1 3/4", G5,
10	231-1445	4-6	NUT, LOCK, 5/16"-18, GB,
11	409-7512	2	BOLT, Hex Flg, 5/16"-18 x 3/4", Serr,
12	231-5145	2	NUT, Flg, USR, 5/16"-18,
13	141584A2	1	GRAB RAIL, Front, 30 in., Use with 142163A2
14	141590A2	1	RAMP, Front, 40 in., Use with 142163A2, 124315A1
15	409-7616	2	BOLT, Hex Flg, 3/8"-16 x 1", Serr,
16	231-5146	2	NUT, Flg, USR, 3/8"-16,
17	141579A3	1	HANDRAIL, Front
18	409-7632	2	BOLT, Hex Flg, 3/8"-16 x 2", Serr, 3/8 x 2
19	231-5346	2	NUT, LOCK, Flg, 3/8"-16,
20	413-528	6	BOLT, Hex, 5/16"-18 x 1 3/4", G5,
21	231-1445	6	NUT, LOCK, 5/16"-18, GB,
22	183369A2	1	CHANNEL, , Use with 142163A2
23	127718A2	1	SUPPORT, , Use with 142163A2, 124315A1
24	477-82512	1	SCREW, Sltd Serr Truss Hd, 1/4"-20 x 3/4", 1/4 x 3/4
25	231-5144	1	NUT, Flg, USR, 1/4"-20,
26	118941A1	1	GUARD, Left Hand Rear, 30 in., Use with 142163A2
27	127721A2	1	PROTECTION PLATE, Left Hand Rear, 40 in., Use with 142163A2, 124315A1
28	477-82512	1	SCREW, Sltd Serr Truss Hd, 1/4"-20 x 3/4", 1/4 x 3/4
29	231-5144	1	NUT, Flg, USR, 1/4"-20,
30	260-1448	5-8	SCREW, SELF TAPPING, Cross Pan Hd, #8 x 1/2",
31	184869A1	1	COVER,
32	184891A1	1	BRACKET,
33	477-82512	6	SCREW, Sltd Serr Truss Hd, 1/4"-20 x 3/4", 1/4 x 3/4
34	231-5144	6	NUT, Flg, USR, 1/4"-20,
35	182282A1	1	TUBE, Center
36	141049A2	2	SUPPORT,
37	409-7512	4	BOLT, Hex Flg, 5/16"-18 x 3/4", Serr,
38	231-5145	4	NUT, Flg, USR, 5/16"-18,
39	3102155R1	1	HOLDER,
40	326-532	6	BOLT, Hex, 5/16"-18 x 2", G8,
41	231-1445	6	NUT, LOCK, 5/16"-18, GB,
42	496-41034	6	WASHER, .344" x 1" x .098", HDN,

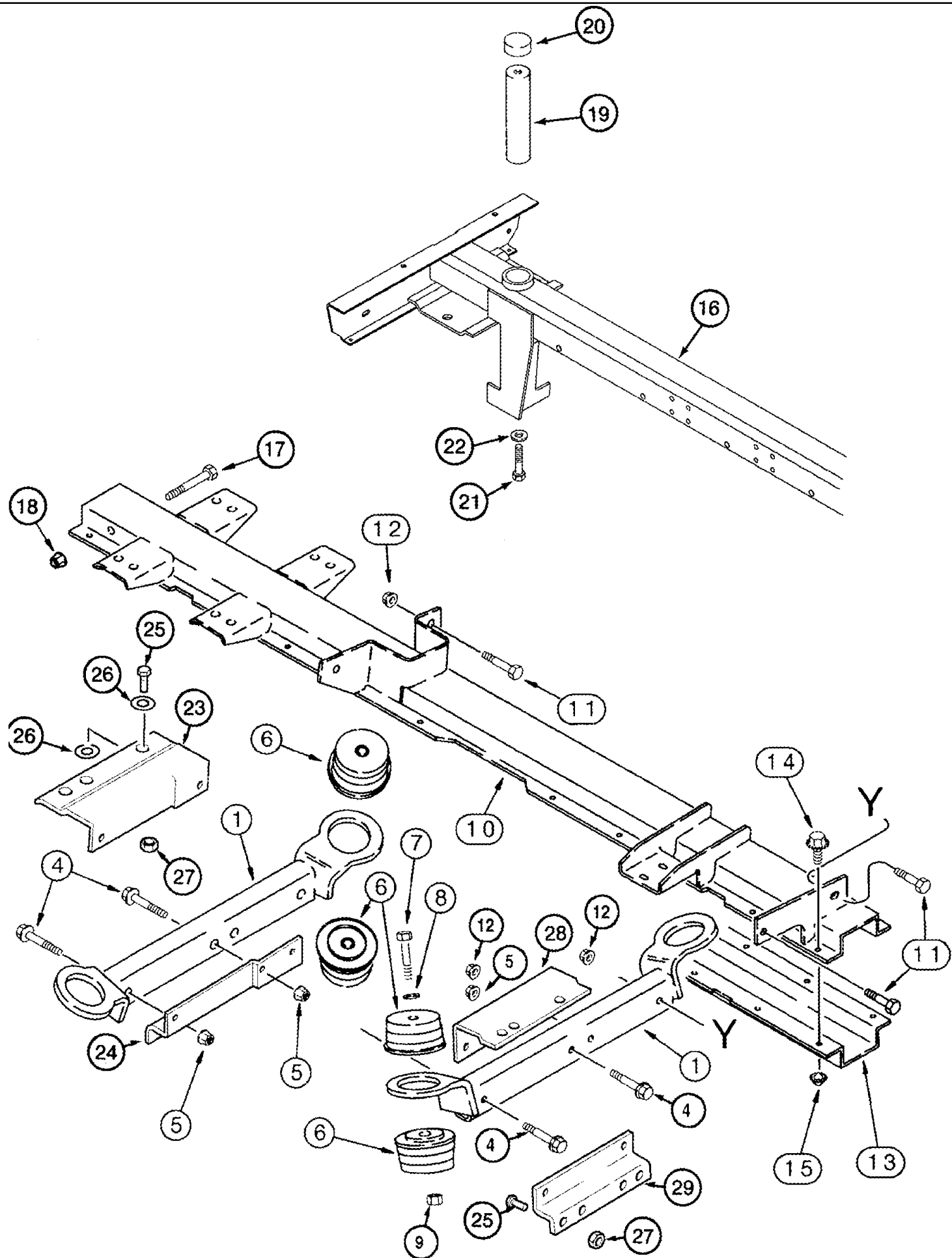


сылка	Номер детали	Кол-во	Описание
1	142163A2	1	PLATFORM, 30 in.
2	409-7616	4	BOLT, Hex Flg, 3/8"-16 x 1", Serr,
3	231-5146	4	NUT, Flg, USR, 3/8"-16,
4	124315A1	1	STEP, 10 in., 40 in.
5	409-7616	4	BOLT, Hex Flg, 3/8"-16 x 1", Serr,
6	231-5146	4	NUT, Flg, USR, 3/8"-16,
7	324257A1	1	GRAB RAIL, Rear, 30 in.
8	324256A1	1	HANDRAIL, Rear, 40 in.
9	413-528	2-4	BOLT, Hex, 5/16"-18 x 1 3/4", G5,
9	413-532	4	BOLT, Hex, 5/16"-18 x 2", G5, 40 in.
10	231-1445	4-6	NUT, LOCK, 5/16"-18, GB,
11	409-7512	2	BOLT, Hex Flg, 5/16"-18 x 3/4", Serr,
12	231-5145	2	NUT, Flg, USR, 5/16"-18,
13	324261A1	1	GRAB RAIL, Front, 30 in.
14	324258A1	1	HANDRAIL, Front, 40 in.
15	409-7616	2	BOLT, Hex Flg, 3/8"-16 x 1", Serr,
16	231-5146	2	NUT, Flg, USR, 3/8"-16,
17	141579A3	1	HANDRAIL, Front
18	409-7632	2	BOLT, Hex Flg, 3/8"-16 x 2", Serr, 3/8 x 2
19	231-5346	2	NUT, LOCK, Flg, 3/8"-16,
20	413-528	6	BOLT, Hex, 5/16"-18 x 1 3/4", G5,
21	231-1445	6	NUT, LOCK, 5/16"-18, GB,
22	183369A2	1	CHANNEL, 30 in.
22	127718A2	1	SUPPORT, Left Hand Front, 40 in.
23	127721A2	1	PROTECTION PLATE, 40 in.
24	477-82512	1	SCREW, Sltd Serr Truss Hd, 1/4"-20 x 3/4", 1/4 x 3/4
25	231-5144	1	NUT, Flg, USR, 1/4"-20,
26	326939A1	1	CHANNEL, Left Hand Rear, 30 in.
27	326938A1	1	CHANNEL, Left Hand Rear, 40 in.
28	477-82512	1	SCREW, Sltd Serr Truss Hd, 1/4"-20 x 3/4", 1/4 x 3/4
29	231-5144	1	NUT, Flg, USR, 1/4"-20,
30	260-1448	5-8	SCREW, SELF TAPPING, Cross Pan Hd, #8 x 1/2",
31	182282A1	1	TUBE, Center, 40 in.
32	324546A1	2	CHAIN,
33	326376A2	4	LINK, Ladder Chain
34	141049A2	2	SUPPORT,
35	409-7512	4	BOLT, Hex Flg, 5/16"-18 x 3/4", Serr,
36	231-5145	4	NUT, Flg, USR, 5/16"-18,

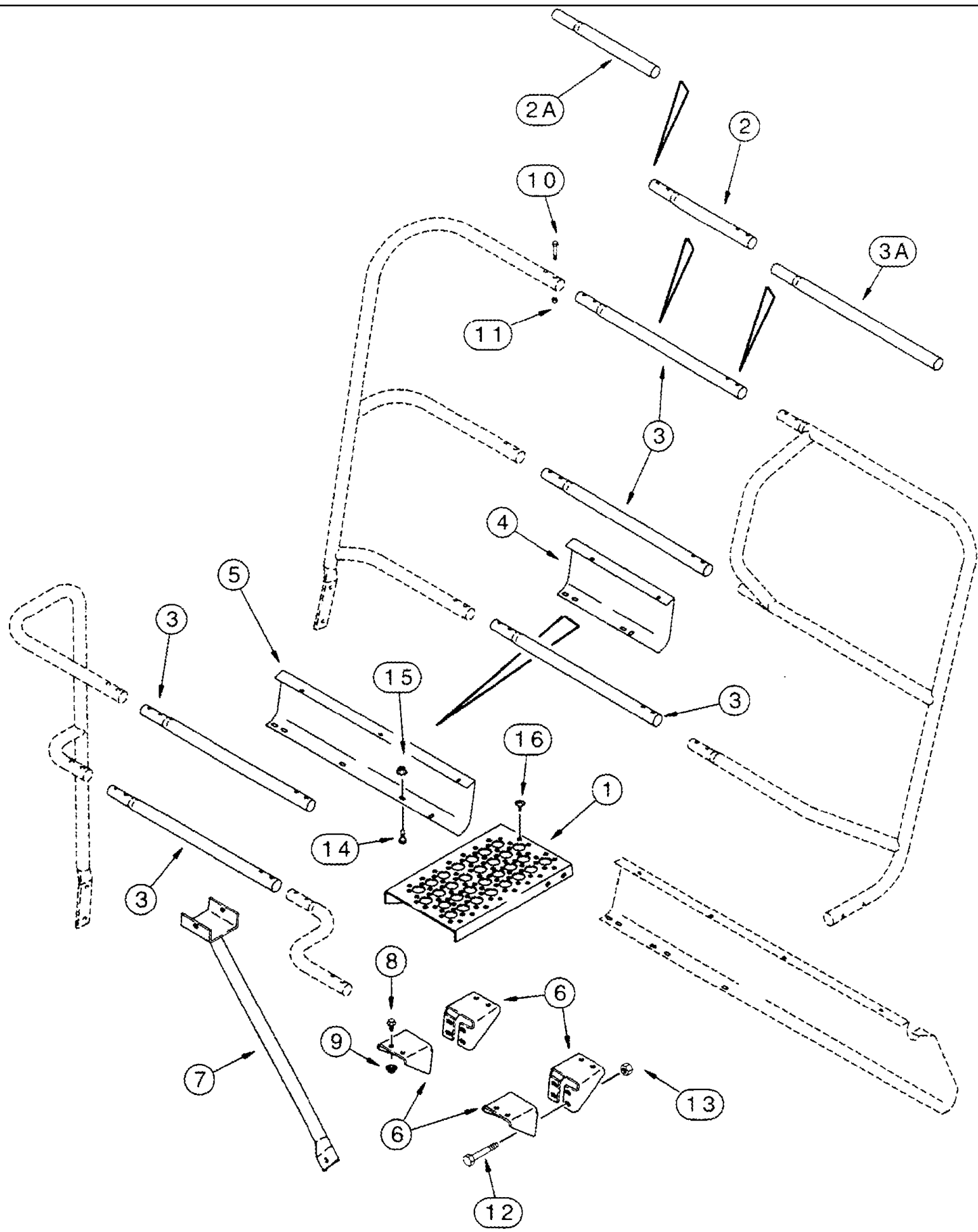


сылка	Номер детали	Кол-во	Описание
1	112052A1	2	SUPPORT,
2	121574A1	1	SEAL PROTECTION, 254 mm (10 in.), Cut From 1330108CX
3	386170C1	2	STRAP, CABLE, .30" x 27 1/2", 711 mm (28 in.)
4	854-12100	4	BOLT, Hex Flg, M12 x 100, 10.9, Replaces 360-864
5	829-2312	4	NUT, M12 x 1.75, Flg, Cl 10, M12; 10, Replaces 329-288
6	123566A1	8	ISOLATOR,
7	426-1096	4	BOLT, Hex, 5/8"-11 x 6", G8, 5/8 x 6; 8
8	D35009	4	WASHER,
9	232-41110	4	NUT, LOCK, 5/8"-11, GC,
10	143520A2	1	SUPPORT, Left Hand
11	854-12080	3	BOLT, Hex Flg, M12 x 80, 10.9, M12 x 80; 10.9, Replaces 26-852
12	829-2312	3	NUT, M12 x 1.75, Flg, Cl 10, M12; 10, Replaces 131-946
13	182648A1	1	SUPPORT, Left Hand
14	409-7616	23	BOLT, Hex Flg, 3/8"-16 x 1", Serr,
15	231-5146	23	NUT, Flg, USR, 3/8"-16,
16	192351A1	1	BEAM, Left Hand, Inc. 17, Inc. Decal, See Figure 09H-21, Ref. 13
17	142381A1	2	BUSHING,
18	126024A1	1	LEVER,
19	126162A1	1	SPRING,
20	495-81275	2	WASHER, 1 1/16" x 1 3/4" x .065", 1-1/16 x 1-3/4 x 1/16
21	438-11632	1	PIN, LOCK, 1/4" x 2", Slotted, 1/4" x 2", Slotted
22	126017A1	1	SPLIT PIN/SAFETY PIN,
23	413-880	1	BOLT, Hex, 1/2"-13 x 5", G5, 1/2 x 5
24	231-5348	1	NUT, LOCK, Flg, 1/2"-13,
25	224572A1	1	SHAFT,
26	126014A1	1	SPLIT PIN/SAFETY PIN,
27	126162A1	1	SPRING,
28	142025A1	1	TUBE,
29	438-11632	1	PIN, LOCK, 1/4" x 2", Slotted, 1/4" x 2", Slotted
30	113132A4	1	LEVER, Inc. 30A
30A	226172A1	1	PLUG,
30B	141922A2	2	PLATE, Outer
30C	143458A1	2	PLATE, Inner
31	409-7516	2	BOLT, Hex Flg, 5/16"-18 x 1", Serr,
32	231-5145	2	NUT, Flg, USR, 5/16"-18,
33	432-1024	2	PIN, SPLIT (COTTER), 5/32" x 1 1/2", 5/32" x 1 1/2"
34	413-672	2	BOLT, Hex, 3/8"-16 x 4 1/2", G5, 3/8 x 4-1/2
35	231-5146	2	NUT, Flg, USR, 3/8"-16,
37	495-81238	1	WASHER, 13/16" x 3" x .238", HDN, 13/16 x 3 x 1/4
38	142054A1	1	WASHER,
39	614-20040	1	BOLT, Hex, M20 x 40, 8.8,
42	142380A2	1	PIVOT, Inc. 43
43	142381A1	2	BUSHING,

сылка	Номер детали	Кол-во	Описание
44	326-524	1	BOLT, Hex, 5/16"-18 x 1 1/2", G8, , Used with 18.4R 42R1 Dual Tires Only
45	413-516	1	BOLT, Hex, 5/16"-18 x 1", G5, Full Thd, 5/16 x 1, Used with 18.4R 42R1 Dual Tires Only
45A	326-532	2	BOLT, Hex, 5/16"-18 x 2", G8,
45B	496-41034	1	WASHER, .344" x 1" x .098", HDN,
46	231-1445	2	NUT, LOCK, 5/16"-18, GB,
48	235731A1	1	SUPPORT, Left Hand, Upper
49	235732A2	1	SUPPORT, Left Hand, Lower
50	627-12035	14	BOLT, Hex, M12 x 35, 10.9, Replaces 627-12040
51	496-21053	20	WASHER, 17/32" x 1 1/16" x .134",
52	829-2412	14	NUT, M12 x 1.75, Flg, Cl 10,
53	235723A1	1	SUPPORT, Right Hand, Upper
54	235620A2	1	SUPPORT, Right Hand, Lower



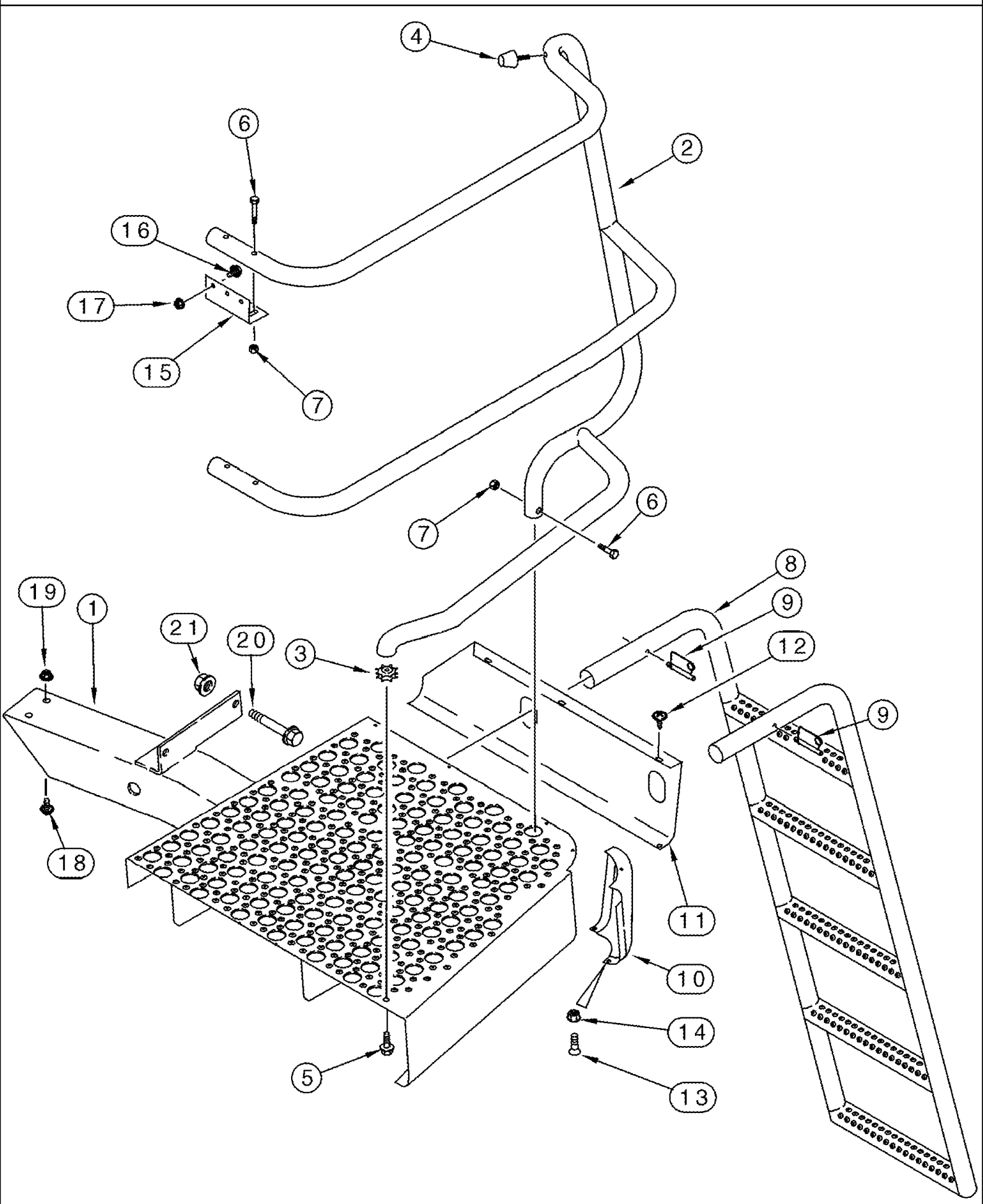
сылка	Номер детали	Кол-во	Описание
1	112052A1	2	SUPPORT,
4	854-12100	4	BOLT, Hex Flg, M12 x 100, 10.9,
5	829-2312	4	NUT, M12 x 1.75, Flg, CI 10, M12; 10.9
6	123566A1	8	ISOLATOR,
7	426-1096	4	BOLT, Hex, 5/8"-11 x 6", G8, 5/8 x 6; 8
8	D35009	4	WASHER,
9	232-41110	4	NUT, LOCK, 5/8"-11, GC,
10	143520A2	1	SUPPORT, Left Hand
11	854-12080	3	BOLT, Hex Flg, M12 x 80, 10.9, M12 x 80; 10.9
12	829-2312	3	NUT, M12 x 1.75, Flg, CI 10, M12; 10.9
13	182648A1	1	SUPPORT, Left Hand
14	409-7616	23	BOLT, Hex Flg, 3/8"-16 x 1", Serr,
15	231-5146	23	NUT, Flg, USR, 3/8"-16,
	324547A1	1	BEAM, Inc. 16, 16A
16	NSS	1	NOT SERVICED SEPARATELY, BEAM Left Hand
16A	191129A1	1	DECAL, See Figure 09H-17, Not Illustrated
17	413-880	1	BOLT, Hex, 1/2"-13 x 5", G5, 1/2 x 5
18	231-5348	1	NUT, LOCK, Flg, 1/2"-13,
19	320946A1	1	PIN,
20	324464A1	1	PLUG,
21	413-620	1	BOLT, Hex, 3/8"-16 x 1 1/4", G5, Full Thd,
22	495-21044	1	WASHER, 3/8", 7/16 x 1 x 5/64
23	235731A1	1	SUPPORT, Left Hand, Upper
24	235732A2	1	SUPPORT, Left Hand, Lower
25	627-12040	4	BOLT, Hex, M12 x 40, 10.9, Full Thd,
25	627-12035	7	BOLT, Hex, M12 x 35, 10.9,
25	627-12030	7	BOLT, Hex, M12 x 30, 10.9,
26	496-21053	20	WASHER, 17/32" x 1 1/16" x .134",
27	829-2412	14	NUT, M12 x 1.75, Flg, CI 10,
28	235723A1	1	SUPPORT, Right Hand, Upper
29	235620A2	1	SUPPORT, Right Hand, Lower



09H-18 PLATFORM, OPERATORS - EXTENSION

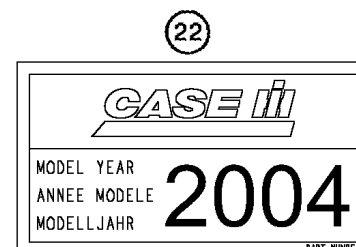
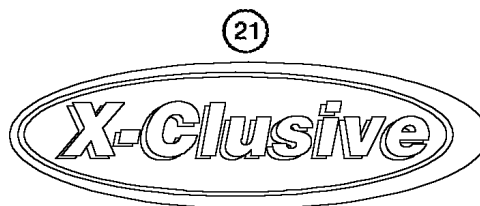
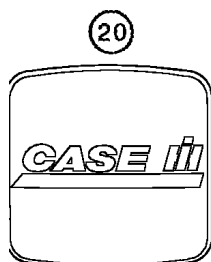
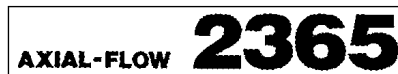
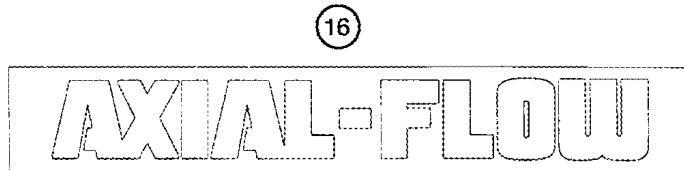
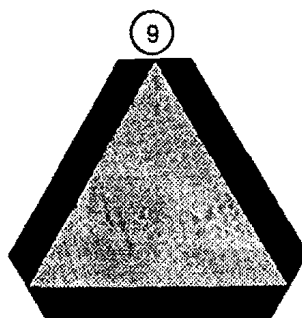
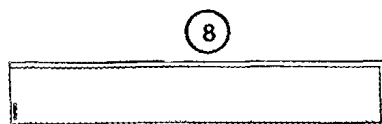
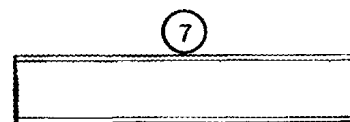
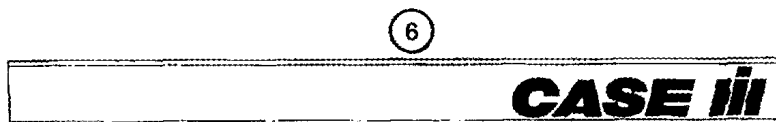
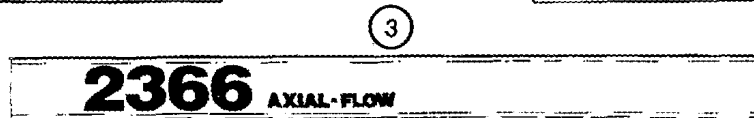
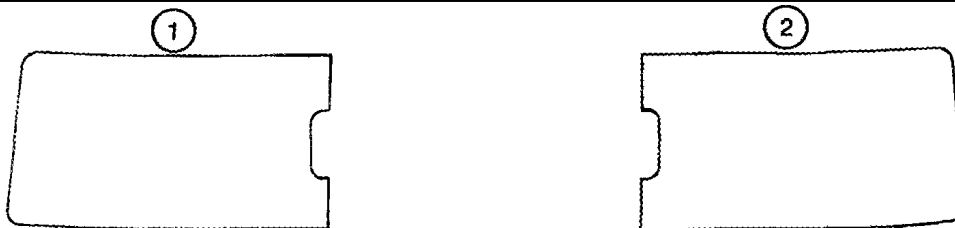
сылка	Номер детали	Кол-во	Описание
1	124315A1	1-2	STEP, 10 Inch Extension
2	141588A1	4	HANDRAIL, 12-3/4, For 10 Inch Extension
2A	195625A1	1	HANDRAIL, 12-3/4, Upper, For 10 Inch Extension
3	141589A1	4	HANDRAIL, 22-3/4, For 20 Inch Extension
3A	195627A1	1	HANDRAIL, 22-3/4, Upper, For 20 Inch Extension
4	127719A2	1	SHIELD, For 10 Inch Extension
5	127720A2	1	SHIELD, For 20 Inch Extension
6	143819A1	2-4	SUPPORT,
7	144182A1	1	SUPPORT,
8	409-7616	8	BOLT, Hex Flg, 3/8"-16 x 1", Serr,
9	231-5146	8	NUT, Flg, USR, 3/8"-16,
10	413-528	4	BOLT, Hex, 5/16"-18 x 1 3/4", G5,
11	231-1445	4	NUT, LOCK, 5/16"-18, GB,
12	413-672	8	BOLT, Hex, 3/8"-16 x 4 1/2", G5, 3/8 x 4-1/2
13	231-5146	8	NUT, Flg, USR, 3/8"-16,
14	477-82512	1	SCREW, Sltd Serr Truss Hd, 1/4"-20 x 3/4", 1/4 x 3/4
15	231-5144	1	NUT, Flg, USR, 1/4"-20,
16	260-1448	4	SCREW, SELF TAPPING, Cross Pan Hd, #8 x 1/2",

09H-19 PLATFORM - LADDER



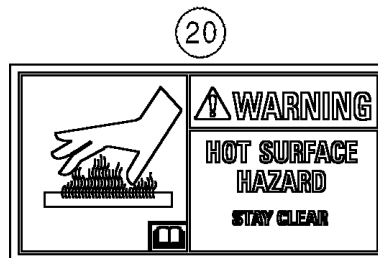
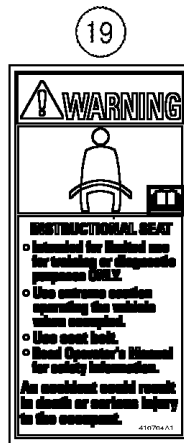
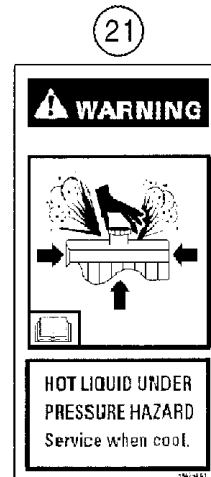
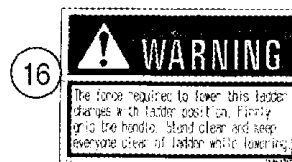
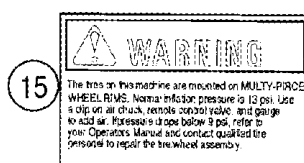
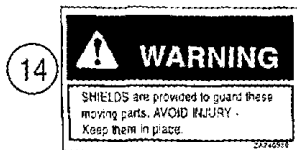
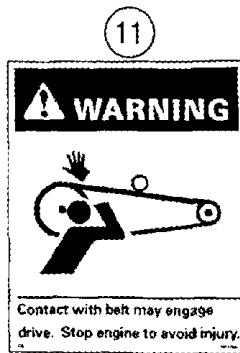
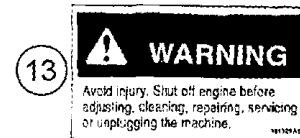
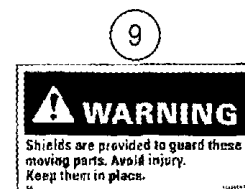
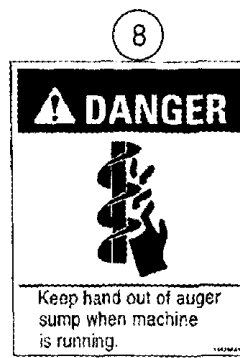
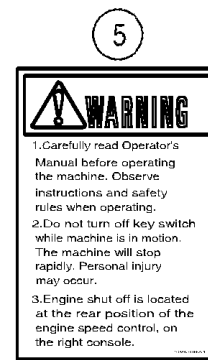
09H-19 PLATFORM - LADDER

сылка	Номер детали	Кол-во	Описание
1	111247A5	1	PLATFORM, Right Hand
2	111353A3	1	HANDRAIL, Right Hand
3	140225A2	1	TUBE,
4	87109195	1	BUMPER, Rubber
5	409-7520	1	BOLT, Hex Flg, 5/16"-18 x 1 1/4", Serr, 5/16 x 1-1/4
6	413-532	5	BOLT, Hex, 5/16"-18 x 2", G5,
7	231-1445	5	NUT, LOCK, 5/16"-18, GB,
8	127137A3	1	LADDER, Right Hand
9	1338021C1	2	PIN,
10	118938A1	1	SUPPORT, Right Hand, Corner
11	118937A2	1	SUPPORT, Right Hand, Front
12	260-1448	4	SCREW, SELF TAPPING, Cross Pan Hd, #8 x 1/2",
13	440-1258	2	SCREW, Cross Pan Hd, 1/4"-20 x 1/2", 1/4 x 1/2
14	231-5344	2	NUT, LOCK, Flg, 1/4"-20,
15	141049A2	2	SUPPORT,
16	409-7512	2	BOLT, Hex Flg, 5/16"-18 x 3/4", Serr,
17	231-5145	2	NUT, Flg, USR, 5/16"-18,
18	409-7616	2	BOLT, Hex Flg, 3/8"-16 x 1", Serr,
19	231-5146	2	NUT, Flg, USR, 3/8"-16,
20	854-12080	2	BOLT, Hex Flg, M12 x 80, 10.9, M12 x 80; 10.9, Replaces 326-852
21	829-2312	2	NUT, M12 x 1.75, Flg, CI 10, M12; 10, Replaces 131-946



09H-20 DECALS

сылка	Номер детали	Кол-во	Описание
1	144396A1	1	DECAL, Stripe, Left Hand Front
2	144397A1	1	DECAL, Stripe, Right Hand Front
3	258875A1	1	DECAL, Left Hand Side, Front
3	258872A1	1	DECAL, AFS, Left Hand Side, Not Illustrated
3	376229A1	1	DECAL, Left Hand Side, Rice Special, Not Illustrated
3	376230A1	1	DECAL, AFS, Left Hand Side, Rice Special, Not Illustrated
4	258876A1	1	DECAL, Right Hand Side, Front
4	258873A1	1	DECAL, AFS, Right Hand Side, Not Illustrated
4	376225A1	1	DECAL, Right Hand Side, Rice Special, Not Illustrated
4	376226A1	1	DECAL, AFS, Right Hand Side, Rice Special, Not Illustrated
5	144413A2	1	DECAL, Right Hand Side, Rear
6	144412A2	1	DECAL, Left Hand Side, Mid
7	144411A2	2	DECAL, Left Hand Side, Rear
8	186822A1	2	DECAL, Stripe, Left Hand and Right Hand, Rear
9	311858A1	1	DECAL, SMV Emblem, Replaces 321-4311
10	1284374C1	2	REFLECTOR, Red
11	82032581	1	DECAL, Safegard, Extended Warranty
13	186882A1	1	EMBLEM CASE/IH,
13	238638A1	1	EMBLEM, Case IH, AFS, Not Illustrated
14	131-431	1	NUT, LOCK, Self, Threading, 1/4",
15	239504A1	2	EMBLEM, AFS
16	1987144C1	1	DECAL, Axial-Flow
17	279142A1	1	DECAL, 20 Years Rotary Technology
17A	417857A1	1	DECAL, 25 Years Rotary Technology
20	87405724	7	EMBLEM, Case IH
20	87802961	1	MAKERS BADGE, Logo, Case IH
21	87413737	1	DECAL, X-Clusive, Australia



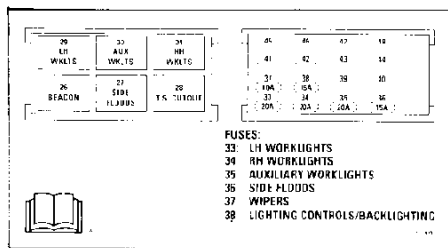
09H-21 DECALS - WARNING AND DANGER

сылка	Номер детали	Кол-во	Описание
1	144370A1	1	DECAL, Ladder Force Varies, English
1	182172A2	1	DECAL, Ladder Force Varies, French
1	182177A1	1	DECAL, Ladder Force Varies, Spanish
1	278565A2	1	DECAL, Ladder Force Varies, Portuguese
2	181595A1	3	DECAL, Do Not Open, English
2	182179A2	3	DECAL, Do Not Open, French
2	182180A1	3	DECAL, Do Not Open, Spanish
2	278579A2	3	DECAL, Do Not Open, Portuguese
3	184094A1	2	DECAL, Backing, Use With Ref. 2, Not Illustrated
4	144379A1	2	DECAL, Avoid Injury, English
4	182187A1	2	DECAL, Avoid Injury, French
4	182188A1	2	DECAL, Avoid Injury, Spanish
4	278567A1	2	DECAL, Avoid Injury, Portuguese
5	144381A1	1	DECAL, Read The Operator's Manual, English
5	182185A2	1	DECAL, Read The Operator's Manual, French
5	182186A1	1	DECAL, Read The Operator's Manual, Spanish
5	278568A2	1	DECAL, Read The Operator's Manual, Portuguese
6	144388A1	2	DECAL, Stay Clear, English
6	182189A2	2	DECAL, Stay Clear, French
6	182190A1	2	DECAL, Stay Clear, Spanish
6	278573A2	2	DECAL, Stay Clear, Portuguese
7	144383A1	3	DECAL, Do Not Enter Grain Tank, English
7	182193A1	3	DECAL, Do Not Enter Grain Tank, French
7	182194A1	3	DECAL, Do Not Enter Grain Tank, Spanish
7	278569A1	3	DECAL, Do Not Enter Grain Tank, Portuguese
8	144386A1	1	DECAL, Keep Hand Out Of Auger, English
8	184631A1	1	DECAL, Keep Hand Out Of Auger, French
8	184632A1	1	DECAL, Keep Hand Out Of Auger, Spanish
8	278572A1	1	DECAL, Keep Hand Out Of Auger, Portuguese
9	144385A1	4	DECAL, Shields Are Provided, English
9	182191A3	4	DECAL, Shields Are Provided, French
9	182192A2	4	DECAL, Shields Are Provided, Spanish
9	278571A2	4	DECAL, Shields Are Provided, Portuguese
10	182269A1	1	DECAL, Avoid Falls, English
10	184633A2	1	DECAL, Avoid Falls, French
10	184634A1	1	DECAL, Avoid Falls, Spanish
10	278581A2	1	DECAL, Avoid Falls, Portuguese
11	181475A1	1	DECAL, Contact With Belt May Engage Drive, English
11	182181A2	1	DECAL, Contact With Belt May Engage Drive, French
11	182182A1	1	DECAL, Contact With Belt May Engage Drive, Spanish
11	278578A2	1	DECAL, Contact With Belt May Engage Drive, Portuguese
12	181597A1	1	DECAL, Do Not Enter Drive Area, English
12	182183A2	1	DECAL, Do Not Enter Drive Area, French

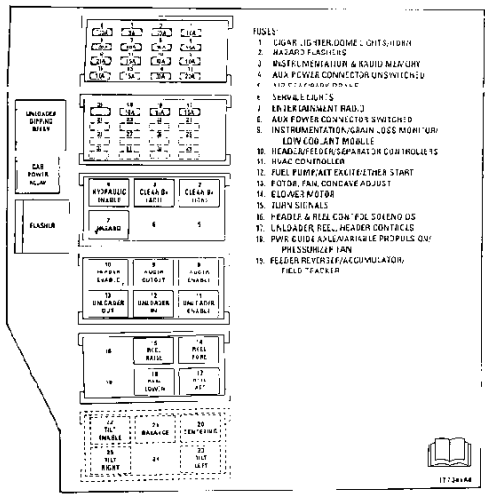
09H-21 DECALS - WARNING AND DANGER

сылка	Номер детали	Кол-во	Описание
12	182184A1	1	DECAL, Do Not Enter Drive Area, Spanish
12	278577A2	1	DECAL, Do Not Enter Drive Area, Portuguese
13	191129A1	1	DECAL, Avoid Injury, English
13	191787A2	1	DECAL, Avoid Injury, French
13	191788A1	1	DECAL, Avoid Injury, Spanish
13	278562A2	1	DECAL, Avoid Injury, Portuguese
14	ZA211862	2	DECAL, Shields Are Provided, English
15	301049A1	2	DECAL, Multi Piece Rims, English
15	301050A1	2	DECAL, Multi Piece Rims, French
15	301051A1	2	DECAL, Multi Piece Rims, Spanish
15	301052A1	2	DECAL, Multi Piece Rims, Portuguese
16	1546335C1	1	DECAL, Service Ladder
17	68819C1	1	DECAL, Electrical System Is 12 Volt Negative Ground
18	344945A1	1	DECAL, Pressurized Vessel, English
18	344949A1	1	DECAL, Pressurized Vessel, French
18	344947A1	1	DECAL, Pressurized Vessel, Spanish
18	344948A1	1	DECAL, Pressurized Vessel, Portuguese
19	410704A1	1	DECAL, Instructional Seat
20	418242A3	1	DECAL, Hot Surface, Muffler
20	87415862	1	DECAL, Hot Surface, Muffler, French
20	87415863	1	DECAL, Hot Surface, Muffler, Spanish
20	87415864	1	DECAL, Hot Surface, Muffler, Portuguese

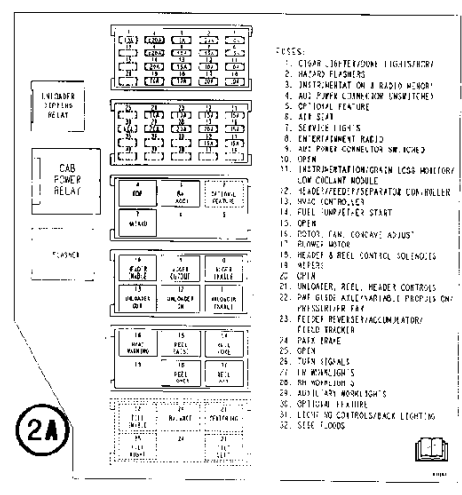
09H-22(01) DECALS - INFORMATION DECALS WITH READ OPERATORS MANUAL SYMBOL



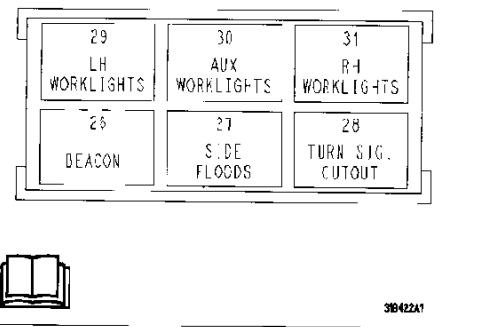
1



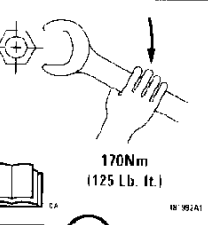
2



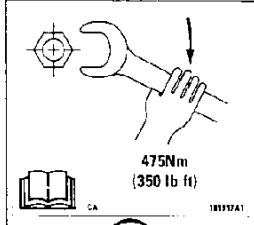
2A



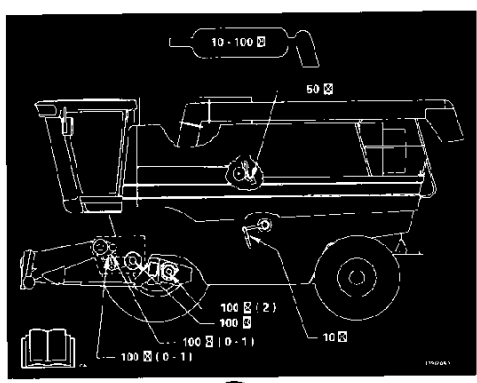
1A



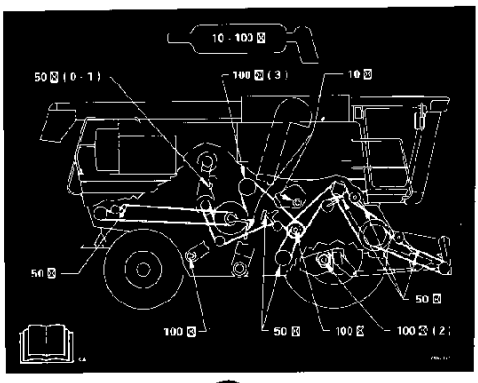
5



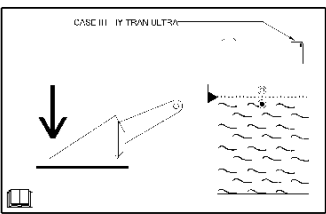
6



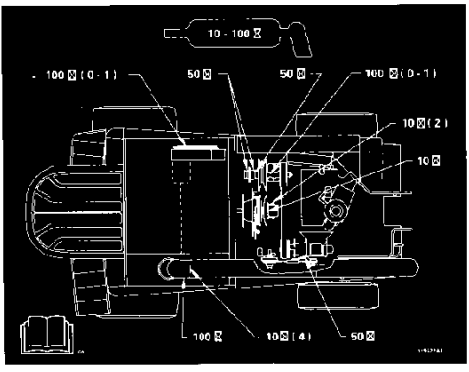
8



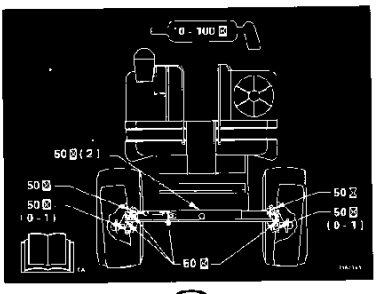
9



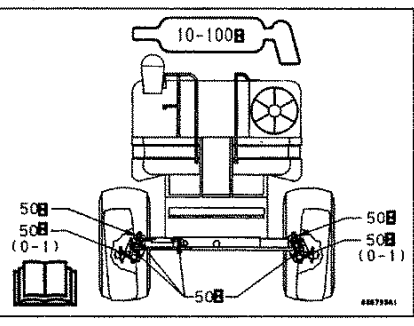
7



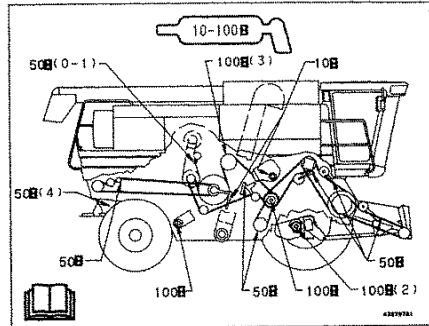
10



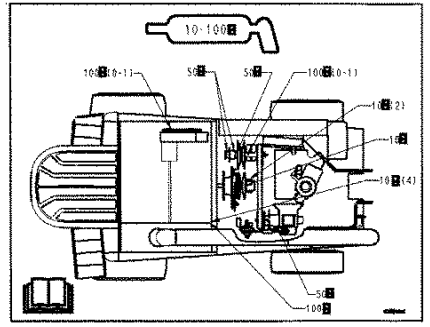
11



14



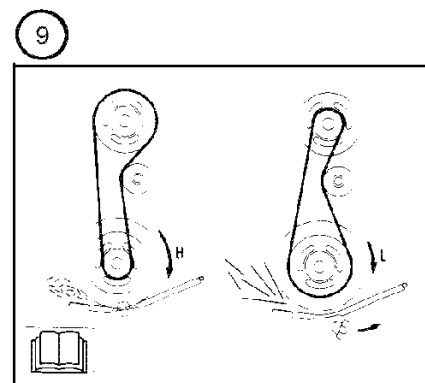
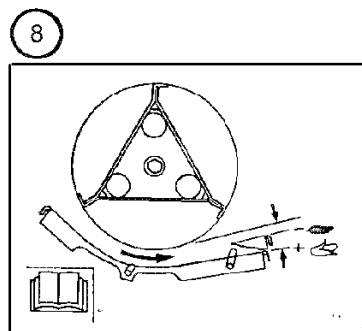
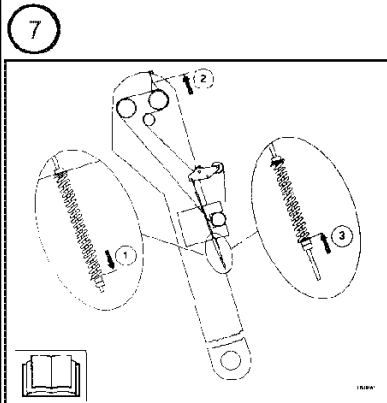
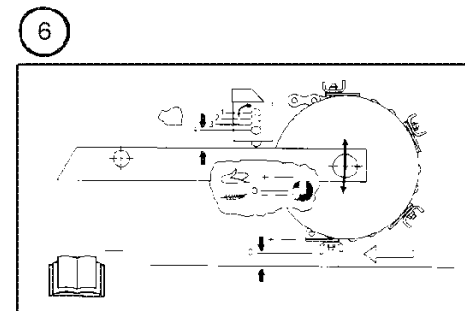
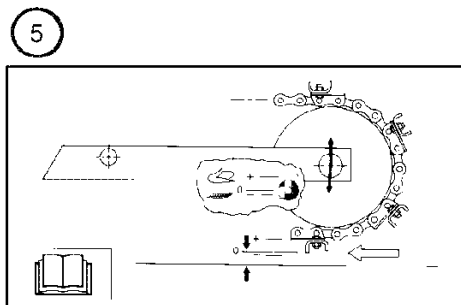
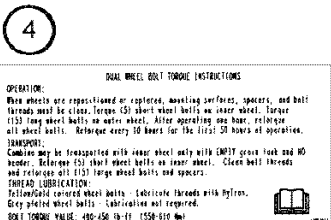
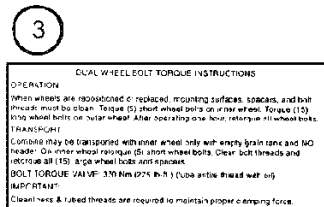
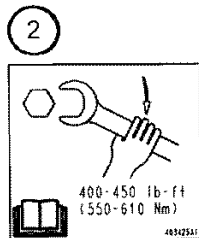
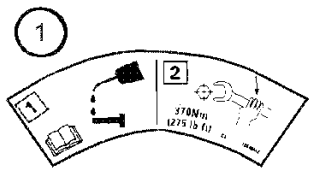
12



13

09H-22(01) DECALS - INFORMATION DECALS WITH READ OPERATORS MANUAL SYMBOL

сылка	Номер детали	Кол-во	Описание
1	177343A1	1	DECAL, Upper Fuse and Relay, English, BSN JJC0252303
1A	319422A1	1	DECAL, Upper Relay, English, ASN JJC0252304
1	177344A1	1	DECAL, Upper Fuse and Relay, French, BSN JJC0252303
1A	319423A1	1	DECAL, Upper Relay, French, ASN JJC0252304
1	177345A1	1	DECAL, Upper Fuse and Relay, Spanish, BSN JJC0252303
1A	319424A1	1	DECAL, Upper Relay, Spanish, ASN JJC0252304
1	278576A1	1	DECAL, Upper Fuse and Relay, Portuguese, BSN JJC0252303
1A	319426A1	1	DECAL, Upper Relay, Portuguese, ASN JJC0252304
2	276606A2	1	DECAL, Lower Fuse and Relay, English, Use With 276603A2, BSN JJC0252303
2A	319428A1	1	DECAL, Lower Fuse and Relay, English, Use With 315073A1, BTW JJC0252304 & JJC0252949
2B	371281A1	1	DECAL, Lower Fuse and Relay, English, Use With 370779A1, Not Illustrated, BTW JJC0252950 & JJC0253999,
2C	392896A1	1	DECAL, Lower Fuse and Relay, English, Use With 388671A2, Not Illustrated, ASN JJC0254000
2	276607A2	1	DECAL, Lower Fuse and Relay, French, Use With 276603A2, BSN JJC0252303
2A	319429A1	1	DECAL, Lower Fuse and Relay, French, Use With 315073A1, BTW JJC0252304 & JJC0252949
2B	371282A1	1	DECAL, Lower Fuse and Relay, French, Use With 370779A1, Not Illustrated, BTW JJC0252950 & JJC0254399,
2C	392897A1	1	DECAL, Lower Fuse and Relay, French, Use With 388671A2, Not Illustrated, ASN JJC0254000
2	276608A2	1	DECAL, Lower Fuse and Relay, Spanish, Use With 276603A2, BSN JJC0252303
2A	319430A1	1	DECAL, Lower Fuse and Relay, Spanish, Use With 315073A1, BTW JJC0252304 & JJC0252949
2B	371283A1	1	DECAL, Lower Fuse and Relay, Spanish, Use With 370779A1, Not Illustrated, BTW JJC0252950 & JJC0253999
2B	371283A1	1	DECAL, Lower Fuse and Relay, Spanish, Use With 370779A1, Not Illustrated, BTW JJC0252950 & JJC0253999,
2C	392901A1	1	DECAL, Lower Fuse and Relay, Spanish, Use With 388671A2, Not Illustrated, ASN JJC0254000
2	279796A2	1	DECAL, Lower Fuse and Relay, Portuguese, Use With 276603A2, BSN JJC0252303
2A	319432A1	1	DECAL, Lower Fuse and Relay, Portuguese, Use With , BTW JJC0252304 & JJC0252949
2B	371285A1	1	DECAL, Lower Fuse and Relay, Portuguese, Use With 370779A1, Not Illustrated, BTW JJC0252950 & JJC0253999,
2C	392899A1	1	DECAL, Lower Fuse and Relay, Portuguese, Use With 388671A2, Not Illustrated, ASN JJC0254000
5	181992A1	2	DECAL, Without Power Guide Axle System
6	181917A2	2	DECAL, With Power Guide Axle System
7	401533A1	1	DECAL, Hydraulic Oil Level
8	179620A2	1	DECAL, Lubrication Chart, Left Hand
9	179621A2	1	DECAL, Lubrication Chart, Right Hand
10	179622A2	1	DECAL, Lubrication Chart, Upper
11	179623A2	1	DECAL, Lubrication Chart, Rear
12	435797A1	1	DECAL, Lubrication Chart, Right-Hand, ASN JJC0255000
13	435798A1	1	DECAL, Lubrication Chart, Upper, ASN JJC0255000
14	435799A1	1	DECAL, Inclined Delivery Auger Elevator, ASN JJC0255000
	426155A1	1	KIT, Sieve Lighting / Viewing Door, Inc. 8, See Figure(s) 04-16, 09H-02, 09H-23, Use to retrofit machines built prior to P.I.N. JJC0252949.



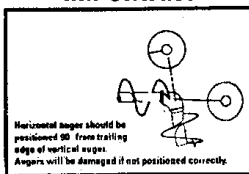
сылка	Номер детали	Кол-во	Описание
1	135780A2	2	DECAL, Bolt Torque, Single Drive Wheel, BSN JJC0254999
2	403425A1	2	DECAL, Bolt Torque, Single Drive Wheel, ASN JJC0255000
3	135786A2	2	DECAL, Bolt Torque, Dual Wheel, BSN JJC0254999
4	448670A1	2	DECAL, Bolt Torque, Dual Wheel, ASN JJC0255000
5	175782A1	1	DECAL, Feeder Drum Adjuster, Without Stone Retarder
6	175783A1	1	DECAL, Feeder Drum Adjuster, With Stone Retarder
7	175168A1	1	DECAL, Inclined, Delivery Auger Elevator
8	175786A1	1	DECAL, Beater Bottom Adjuster
9	175788A1	1	DECAL, Straw Chopper Drive
10	175168A1	1	DECAL, Inclined Delivery Auger Elevator



IMPORTANT Drive return hose must always be connected to drive pressure coupler whenever not connected to header.

1

IMPORTANT



2

IMPORTANT
Keep engine and engine compartment clean of oil, chaff and straw to prevent fires.

3

Adjustment of fuel pump beyond factory specs will void warranty on machine.

4



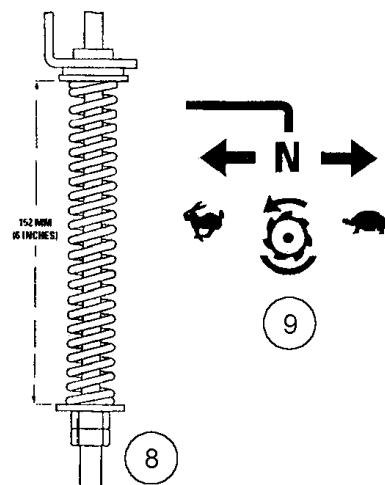
5

CASE IH
135 HEP

6



7

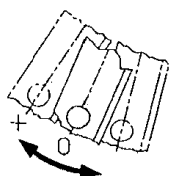


9

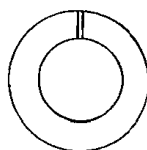
8



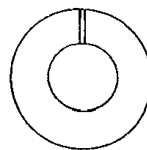
10



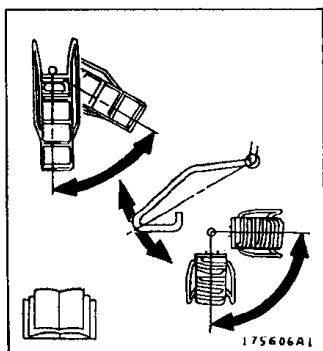
11



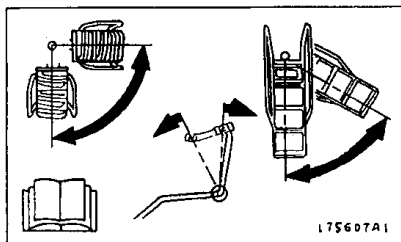
12



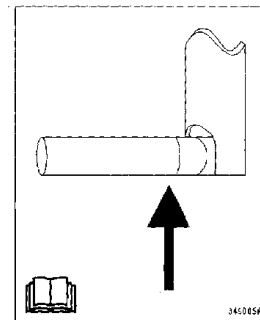
13



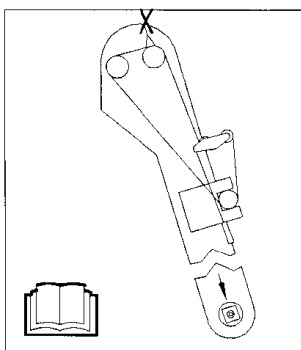
14



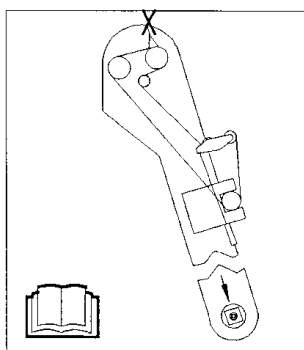
15



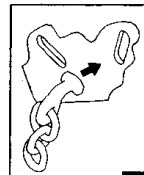
15A



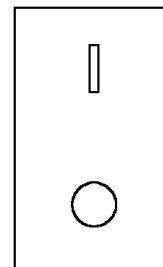
17



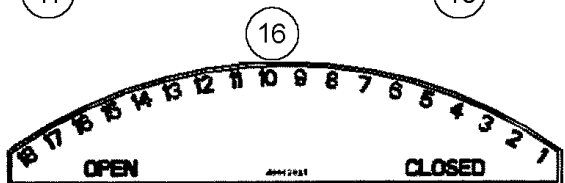
18



19

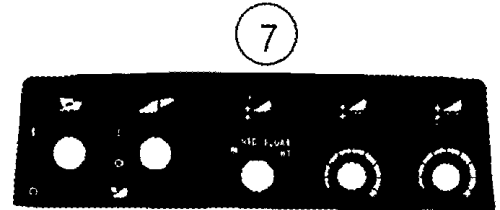
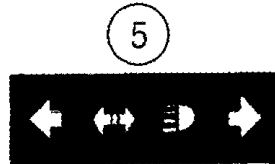
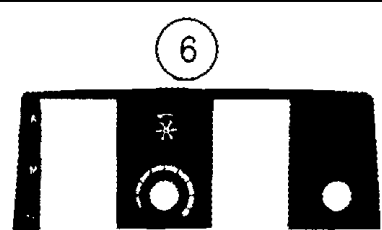
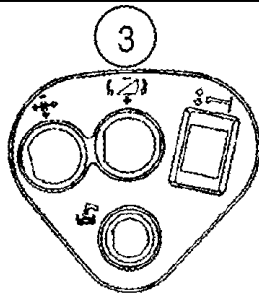
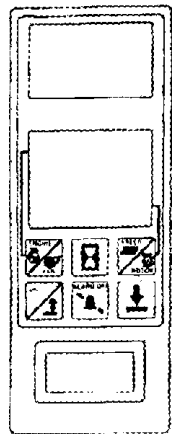
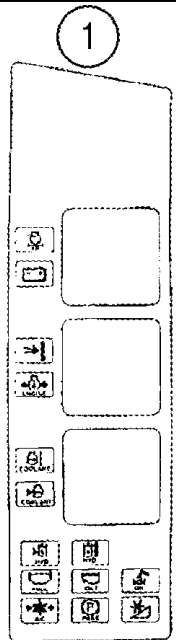


20



09H-23 DECALS - IMPORTANT INSTRUCTIONS

сылка	Номер детали	Кол-во	Описание
1	1989604C1	1	DECAL, Drive Return Instructions, English
1	1989607C1	1	DECAL, Drive Return Instructions, French
1	1989605C1	1	DECAL, Drive Return Instructions, Spanish
1	278560A1	1	DECAL, Drive Return Instructions, Portuguese
2	1989314C1	1	DECAL, Horizontal Auger Instructions, English
2	1989648C1	1	DECAL, Horizontal Auger Instructions, French
2	1989650C1	1	DECAL, Horizontal Auger Instructions, Spanish
2	278561A1	1	DECAL, Horizontal Auger Instructions, Portuguese
3	173881C1	1	DECAL, Keep Engine and Compartment Clean, English
3	1300039C1	1	DECAL, Keep Engine and Compartment Clean, French
3	1300395C1	1	DECAL, Keep Engine and Compartment Clean, Spanish
3	278559A1	1	DECAL, Keep Engine and Compartment Clean, Portuguese
4	184666A1	1	DECAL, Warranty, Fuel Pump, English
4	184668A1	1	DECAL, Warranty, Fuel Pump, French
4	184669A1	1	DECAL, Warranty, Fuel Pump, Spanish
4	278583A1	1	DECAL, Warranty, Fuel Pump, Portuguese
5	J910778	1	DECAL, Open During Fill
6	144378A1	3	DECAL, 135 HEP
7	144483A1	1	DECAL, Fire Extinguisher
8	144369A1	1	DECAL, Elevator Drive Adjustment
9	144377A1	1	DECAL, Rotor Control
10	1312068C1	1	DECAL, Concave Indicator
11	175784A1	1	DECAL, Vane Position
12	1345266C1	1	WASHER, White, See Figure(s) 08-21 & 08-22, For Reel Drive System
13	1541792C1	1	WASHER, LOCK, Red, See Figure 8-25, For Reel Fore and Aft System
14	175606A1	1	DECAL, Lower Control, Operator Ladder
15	175607A1	1	DECAL, Upper Control, Operator Ladder
15A	349005A1	1	DECAL, Ladder Unlatch
16	400620A1	1	DECAL, Sieve Adjustment
17	239313A1	1	DECAL, Elevator Inclined Delivery, GPS/AFS
18	239311A1	1	DECAL, Elevator Horizontal Delivery, GPS/AFS
19	283528A1	4	DECAL, T-Hook
20	405826A1	1	DECAL, T-Hook, ASN JJC0254000
	426155A1	1	KIT, Sieve Lighting / Viewing Door, Inc. 20, See Figure(s) 04-16, 09H-02, 09H-22 (01), Use to retrofit machines built prior to P.I.N. JJC0252949.



2

5

7

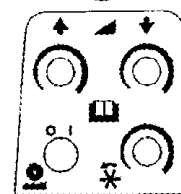
8



10

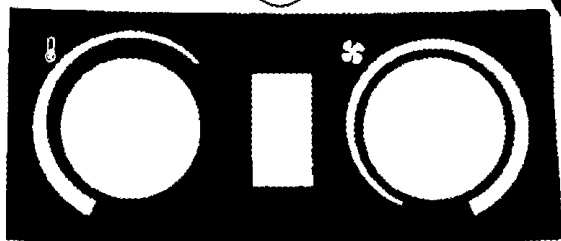


11

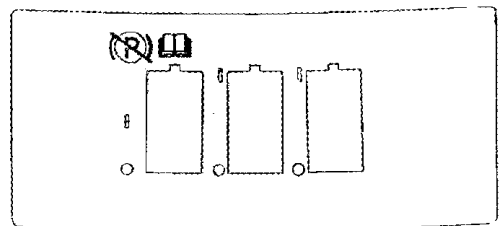
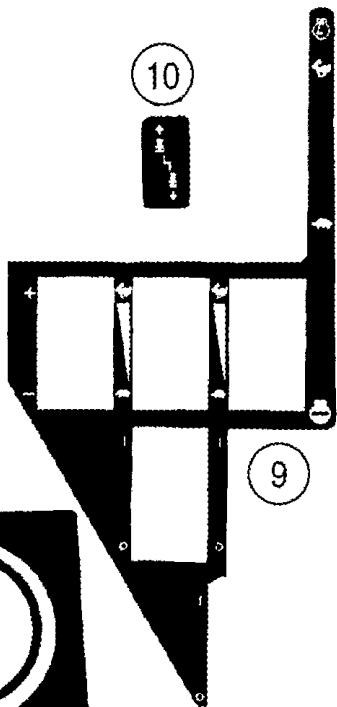


12

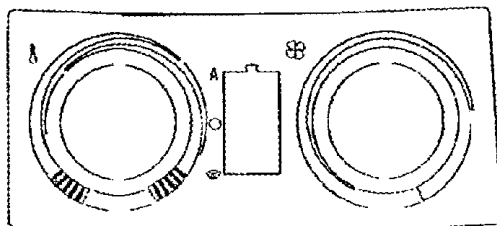
13



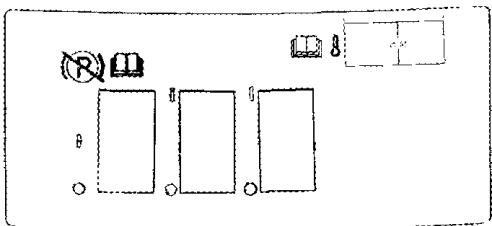
9



14

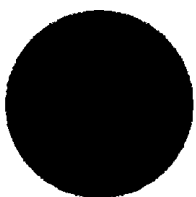


13A

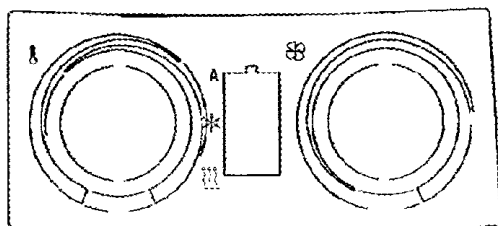


14A

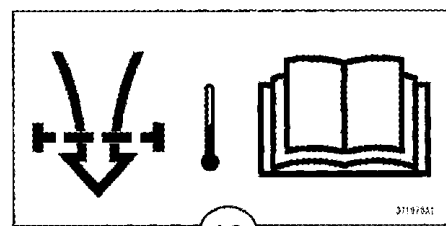
16



17



18



19

09H-24 DECALS - CAB

сылка	Номер детали	Кол-во	Описание
1	238210A1	1	DECAL, Instrument Panel
2	123716A1	1	DECAL, Instrument Panel
3	144109A2	1	DECAL, Propulsion Control
5	120332A1	1	DECAL, Directional Arrows, Steering Console
	280659A1	1	PACKAGE, Right Hand Console, Inc. 6 - 12
6	NSS	1	NOT SERVICED SEPARATELY, DECAL Reel Speed, Right Hand Console
7	NSS	1	NOT SERVICED SEPARATELY, DECAL Separator, Right Hand Console
8	NSS	1	NOT SERVICED SEPARATELY, DECAL Field Tracker, Right Hand Console
9	NSS	1	NOT SERVICED SEPARATELY, DECAL Concave, Right Hand Console
10	NSS	1	NOT SERVICED SEPARATELY, DECAL Propulsion, Right Hand Console
11	NSS	1	NOT SERVICED SEPARATELY, DECAL Operators Manual, Right Hand Console
12	NSS	1	NOT SERVICED SEPARATELY, DECAL Remote Potentiometer, Right Hand Console
13	139641A2	1	DECAL, Heating and Air Conditioning, Overhead, BSN JJC0252949
13A	368873A2	1	DECAL, Heating and Air Conditioning, Overhead, ASN JJC0252950
14	279344A1	1	DECAL, Rocker Switch, Overhead, BSN JJC0252949
14A	370892A1	1	DECAL, Rocker Switch, Overhead, BTW JJC0252950 & JJC0253999
14A	392895A1	1	DECAL, Rocker Switch, Overhead, ASN JJC0254000
16	224636A1	1	DECAL, Connector Cover, Cab Exterior
17	282855A1	1	DECAL, Connector Cover
18	259832A2	1	DECAL, Automatic Temperature, Overhead
19	371078A1	1	DECAL, Do Not Block Filter

