

2030 COMBINE HEADER (1/02-)

0.16(01) MAIN SECTIONS

сылка	Номер детали	Кол-во	Описание

ACCESSORIES

ACCESSOIRES

ACCESORIOS

TILBEHØR

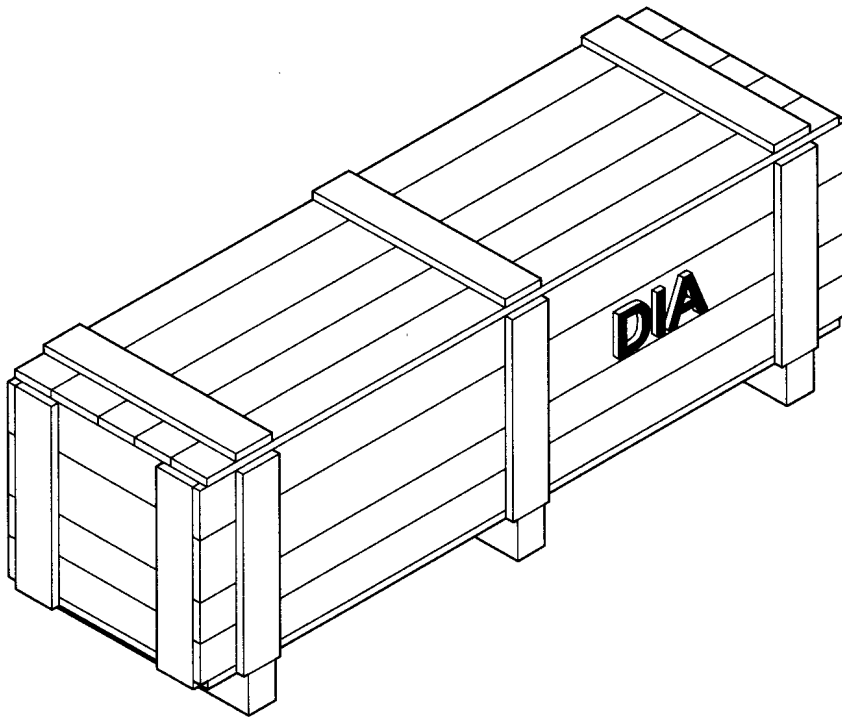
ACCESSORI

ZUBEHÖR

ACESSORIOS

TOEBEHOREN

SEC. 18



2030 COMBINE HEADER (1/02-)

0.34(01) SECTION LIST 18

сылка	Номер детали	Кол-во	Описание

HEADERS

BEC CUEILLEUR

BARRA

SKÆREBORDE

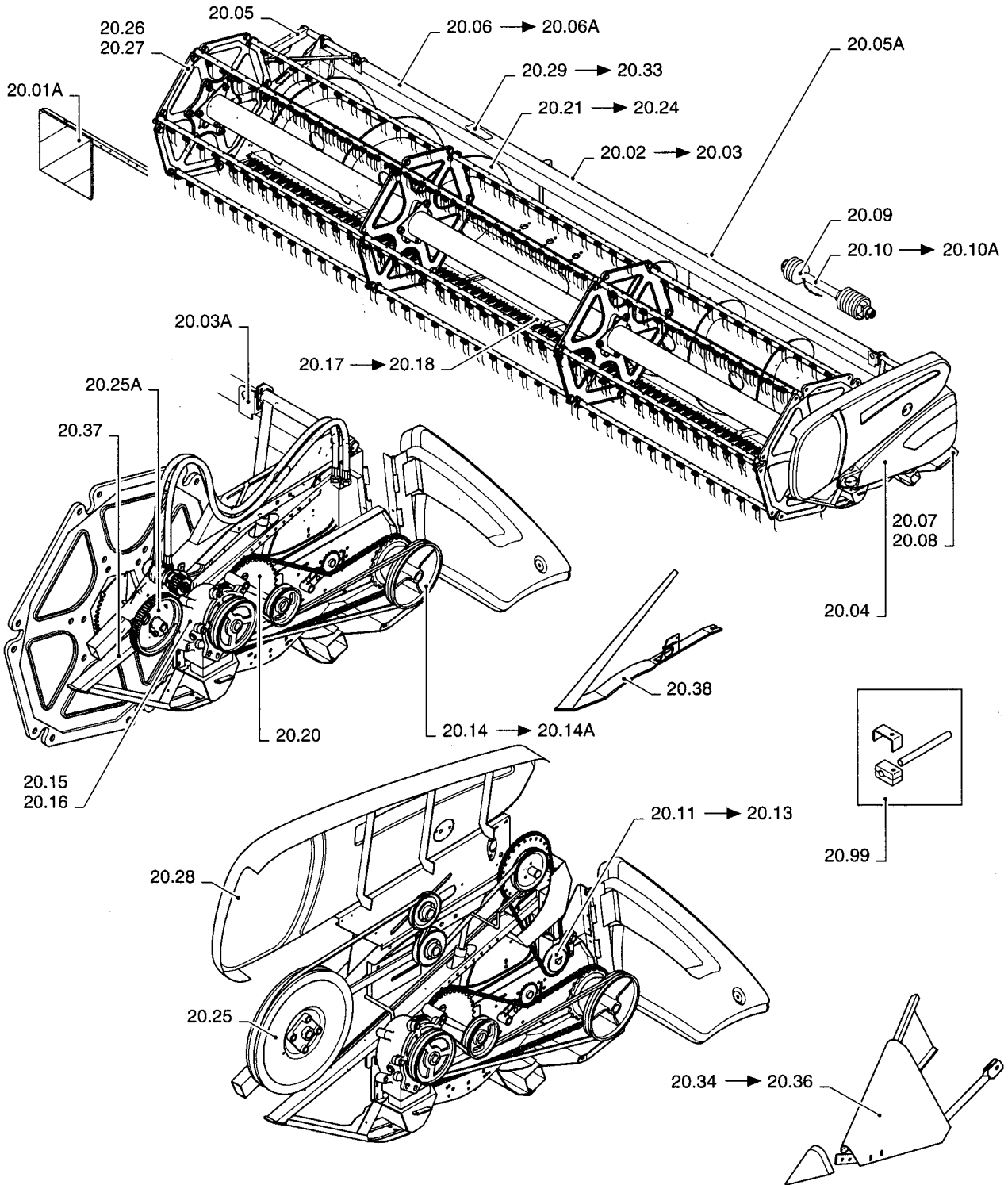
BARRA

SCHNEIDWERK

CABEÇALHO DE CEIFA

MAAIBORDEN

SEC. 20



2030 COMBINE HEADER (1/02-)

0.36(01) HEADERS

сылка	Номер детали	Кол-во	Описание

VERSION LIST
ELENCO VERSIONI
LISTE DE VERSION
VERZEICHNIS DER VERSIONEN

LISTA DE VERSIONES
LISTA DAS VERSÕES
TYPELISTE
LIJST VAN VERSIES

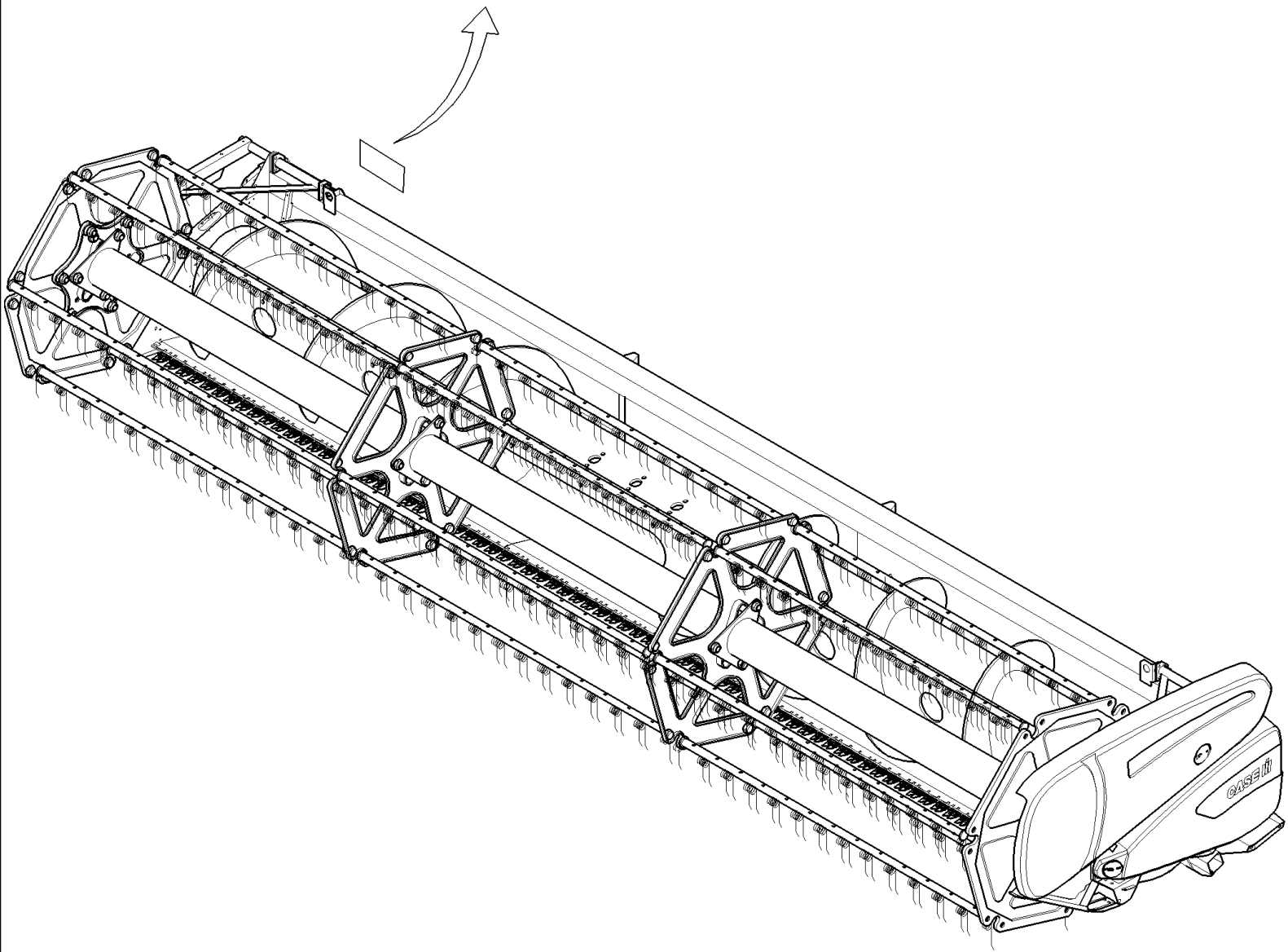
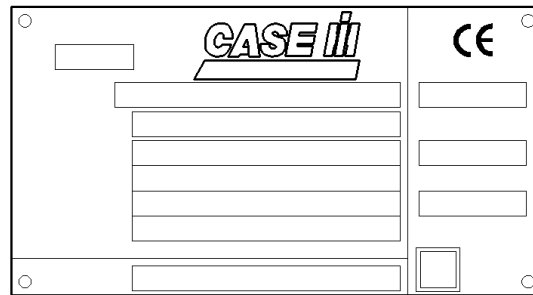
Vehicle Modello Modele Modelle	Modelo Modelo Model Model	Chassi Telaio Chassis Fahrgestell	Chasis Armação Stativ Raam	CT5050 CT5060 CT5070 CT5080	AFX
2030 - 15		8		X X X	
2030 - 17		8		X X X X	X
2030 - 20		8		X X X X	X
2030 - 24		8		X X	X
2030 - 30		8			X
2040 - 20		8			X
2040 - 24		8			X
2040 - 30		8			X
2050 - 20		8			X
2050 - 24		8			X
2050 - 30		8			X

2030 COMBINE HEADER (1/02-)

0.37(01) VERSION LIST

сылка	Номер детали	Кол-во	Описание

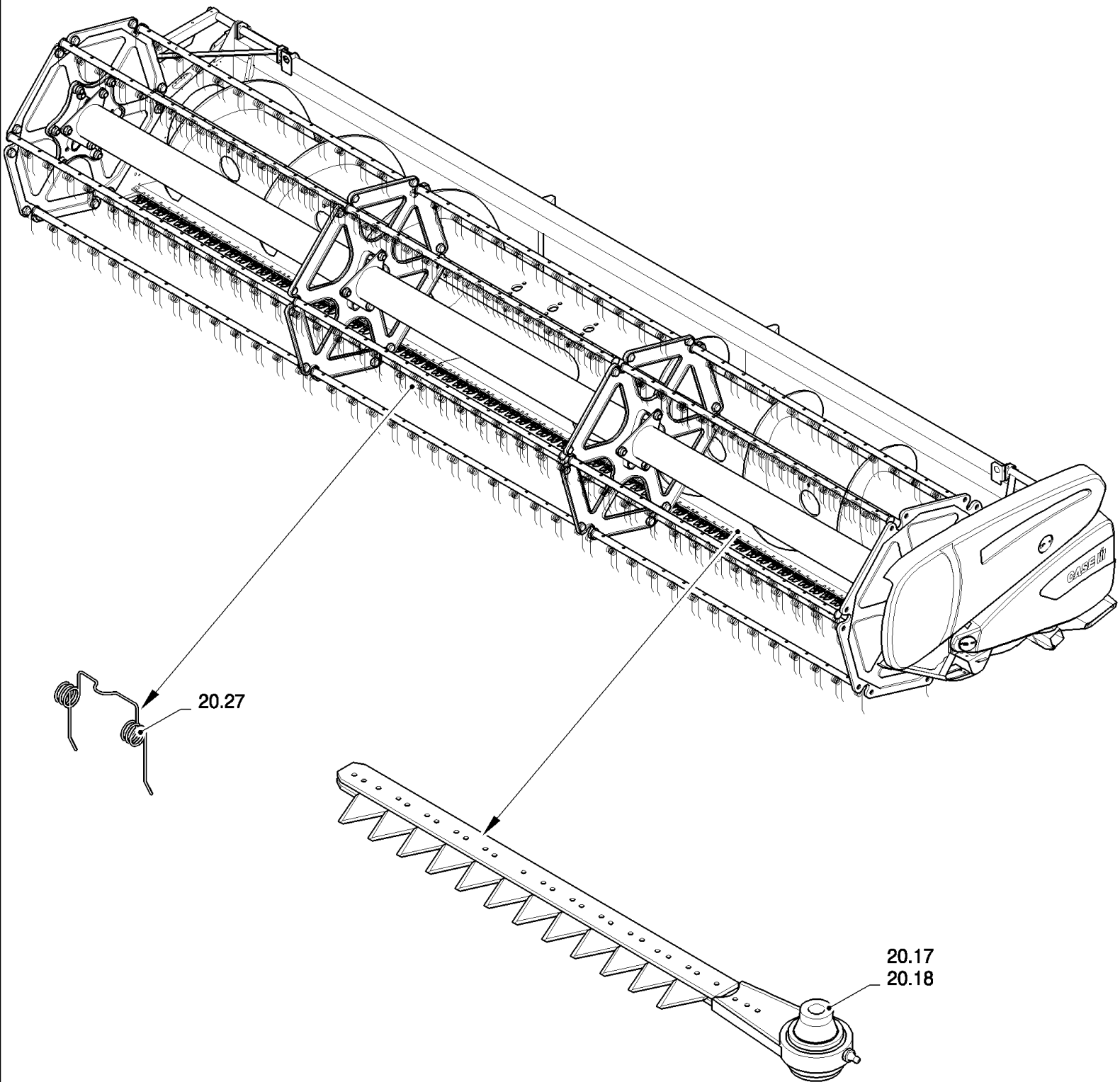
VEHICLE IDENTIFICATION
IDENTIFICAZIONE MODELLO
IDENTIFICATION MODELE
KENNZEICHEN MODELLS
IDENTIFICACION MODELO
IDENTIFICAÇÃO DO MODELO
MODELKENDINGSPLADE
MODELIDENTIFICATIE



2030 COMBINE HEADER (1/02-)

0.38(01) IDENTIFICATION PLATES

сылка	Номер детали	Кол-во	Описание



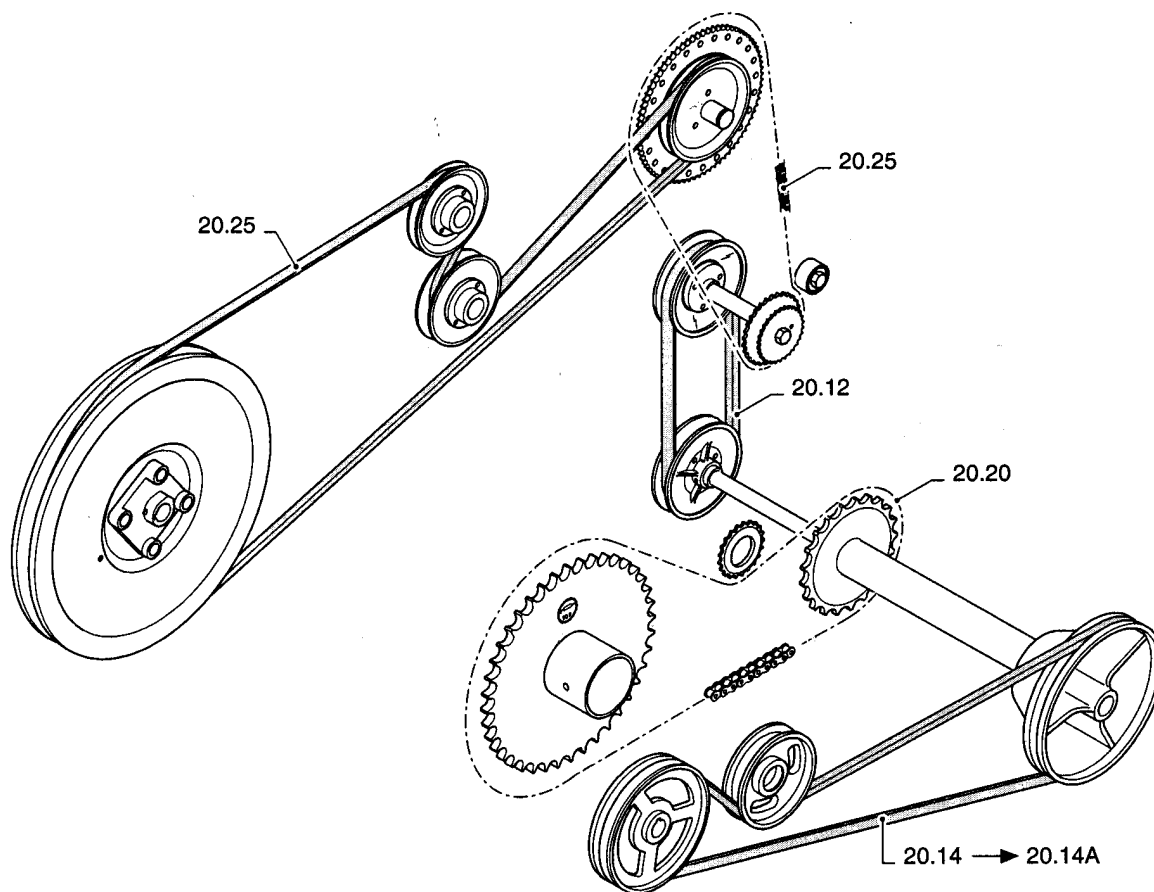
2030 COMBINE HEADER (1/02-)

0.39(01) MAINTENANCE PARTS

сылка	Номер детали	Кол-во	Описание

**MAINTENANCE PARTS
PARTICOLARI PER LA MANUTENZIONE
PIECES DE MAINTENANCE
TEILE FÜR DIE INSTANDHALTUNG**

**PIEZAS DE MANTENIMIENTO
PEÇAS DE MANUTENÇÃO
VEDLIGEHOLDELSESEDELE
ONDERDELEN VOOR ONDERHOUD**



2030 COMBINE HEADER (1/02-)

0.39A(01) MAINTENANCE PARTS

сылка	Номер детали	Кол-во	Описание

сылка	Номер детали	Кол-во	Описание

ABBREVIATIONS		ABREVIACIONES		
ABBREVIAZIONI		ABREVIATURAS		
ABBREVIATIONS		FORKORTELSER		
ABKÜRZUNGEN		AFKORTINGEN		
	Description Denominacion	Descrição Denominação	Description Beskrivelse	Bezeichnung Beschrijving
ASSY	ASSEMBLY MONTAJE	COMPLESSIVO GRUPO	ENSEMBLE AGGREGAT	KOMPL. EINHEIT MONTAGEGROEP
AR	AS REQUIRED SEGÚN NECESIDAD	A RICHIESTA SEGUNDO NECESSIDADE	SELON BESOIN EFTER BEHOV	NACH BEDARF NAAR BEHOEFTE
NS	NOT SERVICED NO DISPONIBLE	NON DISPONIBILE NÃO DISPONIVEL	PAS DISPONIBLE IKKE DISPONIBEL	NICHT LIEFERBAR NIET BESCHIKBAAR
NSS	NOT SERVICED SEPARATELY NO DISPON.PAR SEPARADO	NON DISPONIBILE SEPARATAM. NÃO DISPON.EM SEPARADO	PAS DISPON. SEPAR. IKKE DISPON.SEPARAT	NICHT SEPARAT LIEFERBAR NIET AFZOND. BESCHIKB.
INCL.	INCLUDES INCLUYE	COMPRENDE INCLUI	COMPREND INDKLUDELERER	ENTHÄLT BEVAT
(2,3)	INCLUDES INCLUYE	COMPRENDE INCLUI	COMPREND INDKLUDELERER	ENTHÄLT BEVAT
LH	LEFT HAND MANO IZQUIERDA	LATO SINISTRO MÃO ESQUERDA	COTE GAUCHE VENSTRE	LINKS LINKS
RH	RIGHT HAND MANO DERECHA	LATO DESTRO MÃO DIREITA	COTE DROIT HØJRE	RECHTS RECHTS
SEE FIGURE	SEE FIGURE VÉRSE FIGURA	VEDERE FIGURA VEJA FIGURA	VOIR FIGURE SE FIGUR	SIEHE ABBILDUNG ZIE AFBEELDING
THK	THICKNESS ESPESAR	SPESSORE ESPESURA	EPAISSEUR TYKKELSE	STÄRKE DIKTE
Ø or DIA	DIAMETER DIAMETRO	DIAMETRO DIÁMETRO	DIAMETRE DIAMETER	DURCHMESSER DIAMETER
I.D.	INSIDE DIAMETER DIAMETRO INTERIOR	DIAMETRO INTERNO DIÁMETRO INTERNO	DIAMETRE INTER. INDVENDIG DIAMETER	INNENDURCHMESSER BINNENDIAMETER
O.D.	OUTSIDE DIAMETER DIAMETRO EXTERIOR	DIAMETRO ESTERNO DIÁMETRO EXTRIOR	DIAMETRE EXTERIEUR UDVENDIG DIAMETER	AUSSENDURCHMESSER BUITENDIAMETER
ACC	ACCESSORY ACCESORIO	ACCESSORIO ACESSORIO	ACCESSOIRE TILBEHØR	ZUBEHÖR TOEBEHOREN
OPT	OPTION OPCIONES	ALTERNATIVA OPÇIONAL	FACULTATIF ALTERNATIV	WAHLWEISE OPTIE
P.T.O.	POWER TAKE-OFF TOMA DE FUERZA	PRESA DI FORZA TOMADA DE FORÇA	PRISE DE FORCE KRAFTUDTAG	ZAPFWELLE AFTAKAS
T or Z=	TEETH DIENTES	DENTI DENTES	DENTS TÆNDER	ZÄHNE TANDEN
L	LENGTH LARGO	LUNGHEZZA COMPRIMENTO	LONG LÆNGDE	LÄNGE LENGTE
FRONT	FRONT DELANTERO	ANTERIORE DIANTEIRO	AVANT FORAN	VORN VOORAAN
REAR	REAR TRASERO	POSTERIORE TRASEIRO	ARRIERE BAG	HINTERE ACHTERAAN
LOWER	LOWER BAJAR	INFERIORE INFERIOR	INFERIEUR NEDRE	UNTERE ONDER
UPPER	UPPER DE ARRIBA	SUPERIORE SUPERIOR	SUPERIEUR ØVRE	OBERE BOVEN
H.F.	HARD FACE TEMPRA	TEMPRA TO TEMPERADO	TEMPRE HÆRDED	GEHÄRT VERHARD
WITH or W/	WITH CON	CON COM	AVEC MED	MIT MET
WITHOUT or L/	WITHOUT SIN	SENZA SEM	SANS UDEN	OHNE ZONDER
NA	NORTH AMERICA NORTE AMÉRICA	NORD AMERICA AMÉRICA DO NORTE	ETATS-UNIS DU NORD NORDAMERIKA	NORD-AMERIKA NOORD-AMERIKA
NLS	NO LONGER SERVICED YA NO SE SUMINISTRA	NON PIU' DISPONIBILE A RICAMBIO NÃO MAIS DISPONÍVEL EM SERVIÇO	PLUS DISPO.EN SERVICE SERVICERES IKKE MERE	NICHT MEHR ERHÄLTlich NIET LANGER GELEVERD
PL	PROCURE LOCALLY ADQUIRIR EN PLAZA	DA PROCURARE IN LOCO PROCURA LOCAL	PROCURER LOCALEMENT FREMSKAFES LOKALT	ÖRTlich ZU BESCHAFFEN LOKAAL AANKOPEN
OW	ORDER THROUGH WHOLEGOODS PEDIR COMO MERCANCÍA GENERAL	ORDINARE TRAMITE MAGAZZINO ENCOMENDA POR MERCADORIAS	COMMANDER EN FOURNITURE BESTIL GENNEM MASKINSALG	BEIZUBEHÖR.LOG.ZU BESTELLEN BESTELLEN ALS STUKGOED
OC	ORDER COMPONENTS PEDIR COMPONENTES	ORDINARE COMPONENTI ENCOMENDA DE COMPONENTES	COMMANDER COMPOSANTS BESTIL KOMPONENTER	BESTELLPOSTEN COMPONENTEN BESTELLEN

сылка	Номер детали	Кол-во	Описание

CONVERSION CHART (INC-MM)
TABELLA DI CONVERSIONE (POLLICI-MM)
TABLE DE CONVERSION (INCH-MM)
UMRECHNUNGSTABELLE (INCH-MM)

TABLA DE CONVERSIÓN (PULG-MM)
TABELA DE CONVERSÃO (POL.-MM)
KONVERTERINGSKORT (INC-MM)
CONVERSIETABEL (INCH-MM)

Inch Fractions and Decimals to Millimeter Equivalents
 Le frazioni e i decimali del pollice equivalgono al millimetri
 Les tractions et les décimales du pouce équivalent aux millimètres
 Die Zollbruchteile und Zolldezimalen den Millimetern entsprechen

Las fracciones y los decimales de la pulgada equivalen a los milímetros
 As frações e os decimais de polegada equivalem a milímetros
 Brøkerne og decimalerne for tommer svarer til millimeter
 Het equivalent tussen de breuken en de decimalen van een duim naar millimeters

INCHES		MM	INCHES		MM	INCHES		MM	INCHES		MM
Fraction	Decimal		Fraction	Decimal		Fraction	Decimal		Fraction	Decimal	
-	.0004	.10	-	.3	7.620	-	.7874	20	-	1.969	50
-	.001	.025	5/16	.3125	7.938	51/64	.7969	20.241	2	2.000	50.8
-	.0039	.10	-	.3150	8	13/64	.8125	20.638	2-1/8	2.125	54
-	.005	.127	21/64	.3281	8.334	-	.8268	21	-	2.165	56
-	.0079	.2	-	.3346	8.5	53/64	.8281	21.034	2-1/4	2.250	57.2
-	.0098	.25	11/32	.3438	8.731	27/32	.8438	21.431	-	2.362	60
-	.01	.254	-	.3543	9	55/64	.8594	21.828	2-3/8	2.375	60.3
-	.0118	.3	23/64	.3594	9.128	-	.8662	22	2-1/2	2.500	63.5
1/64	.0156	.397	-	.3740	9.5	7/8	.8750	22.225	-	2.559	66
-	.0157	.4	3/8	.375	9.526	57/64	.8906	22.622	2-5/8	2.625	66.7
-	.0197	.5	25/64	.3908	9.922	-	.9	22.860	2-3/4	2.750	69.9
-	.0236	.6	-	.3937	10	-	.9055	23	-	2.756	70
-	.025	.635	-	.4	10.160	29/32	.9063	23.019	2-7/8	2.850	73
-	.0276	.7	13/32	.4062	10.319	59/64	.9219	23.416	-	2.953	75
-	.0295	.75	-	.4134	10.5	15/16	.9375	23.813	3	3.000	76.2
1/32	.0313	.794	27/64	.4219	10.716	-	.9449	14	-	3.150	80
-	.0315	.8	-	.4331	11	61/64	.9531	24.209	3-1/4	3.250	82.6
-	.0354	.9	7/16	.4375	11.113	31/32	.9688	24.608	-	3.346	85
-	.0394	1	29/64	.4531	11.509	-	.9843	25	3-1/2	3.500	88.9
3/64	.0469	1.191	15/32	.4688	11.906	1	1.000	25.400	-	3.543	90
-	.0472	1.2	-	.4724	12	-	1.024	26	-	3.740	95
-	.05	1.270	31/64	.4844	12.303	1-1/16	1.062	26.988	3-3/4	3.750	95.3
-	.0551	1.4	-	.4921	12.5	-	1.063	27	-	3.937	100
-	.0591	1.5	1/2	.5	12.700	-	1.102	28	4	4.000	101.6
1/16	.0625	1.588	-	.5118	13	1-1/8	1.125	28.575	-	4.331	110
-	.0669	1.7	33/64	.5156	13.097	-	1.142	29	4-1/2	4.500	114.3
-	.075	1.905	17/32	.5326	13.494	-	1.181	30	-	4.724	120
5/64	.0781	1.984	-	.5315	13.5	1-3/16	1.188	30.16	5	5.000	127
-	.0787	2	35/64	.5469	13.891	-	1.221	31	-	5.118	130
-	.0906	2.3	-	.5512	14	1-1/4	1.250	31.75	5-1/2	5.500	139.7
3/32	.0938	2.381	9/16	.5625	14.288	-	1.260	32	-	5.512	140
-	.0984	2.5	-	.571	14.5	-	1.299	33	-	5.906	150
-	.1	2.540	37/64	.5781	14.684	1-5/16	1.312	33.34	6	6.000	152.4
-	.1024	2.6	-	.5906	15	-	1.339	34	-	6.299	160
7/64	.1093	2.776	19/32	.5938	15.081	1-3/8	1.375	34.93	6-1/2	6.500	165.1
-	.1181	3	-	.6	15.240	-	1.378	35	7	7.000	177.8
1/8	.125	3.175	39/64	.6094	15.478	-	1.417	36	-	7.087	180
-	.1378	3.5	-	.6103	15.5	1-7/16	1.438	36.51	7-1/2	7.500	190.5
9/64	.1406	3.572	5/8	.6250	15.875	-	1.457	37	-	7.874	200
5/32	.1563	3.969	-	.6299	16	-	1.496	38	8	8.000	203.2
-	.1575	4	41/64	.6406	16.272	1-1/2	1.500	38.10	8-1/2	8.500	215.8
11/64	.1719	4.366	-	.6496	16.5	-	1.535	39	-	8.661	220
-	.1772	4.5	21/32	.6563	16.669	1-9/16	1.562	39.69	9	9.000	228.6
3/16	.1875	4.763	-	.6693	17	-	1.575	40	-	9.449	240
-	.1969	5	43/64	.6719	17.066	-	1.614	41	9-1/2	9.500	241.3
-	.2	5.080	11/16	.6875	17.463	1-5/8	1.625	41.28	-	9.843	250
13/64	.2031	5.169	-	.6890	17.5	-	1.6544	42	10	10.000	254
-	.2165	5.5	-	.7	17.780	1-11/16	1.688	42.86	-	10.236	260
7/32	.2188	5.558	45/64	.7031	17.859	-	1.693	43	11	11.000	279.4
15/64	.2344	5.953	-	.7087	18	-	1.732	44	-	11.024	280
-	.2362	6	23/32	.7188	18.256	1-3/4	1.750	44.45	-	11.811	300
1/4	.25	6.360	-	.7283	18.5	-	1.772	45	12	12.000	304.8
-	.2559	6.5	47/64	.7344	18.653	-	1.811	46	13	13.000	330.2
17/64	.2656	6.747	-	.7480	19	1-13/46	1.813	46.04	-	13.780	350
-	.2756	7	3/4	.75	19.050	-	1.850	47	14	14.000	355.6
9/32	.2813	7.144	49/64	.7656	19.447	1-7/8	1.875	47.63	15	15.000	381
-	.2953	7.5	-	.7677	19.5	-	1.890	48	-	15.748	400
19/64	.2969	7.541	25/32	.7813	19.844	-	1.929	49	16	16.000	408.4

2030 COMBINE HEADER (1/02-)

0.43(01) CONVERSION CHART (INC-MM)

сылка	Номер детали	Кол-во	Описание

ACCESSORIES

ACCESSOIRES

ACCESORIOS

TILBEHØR

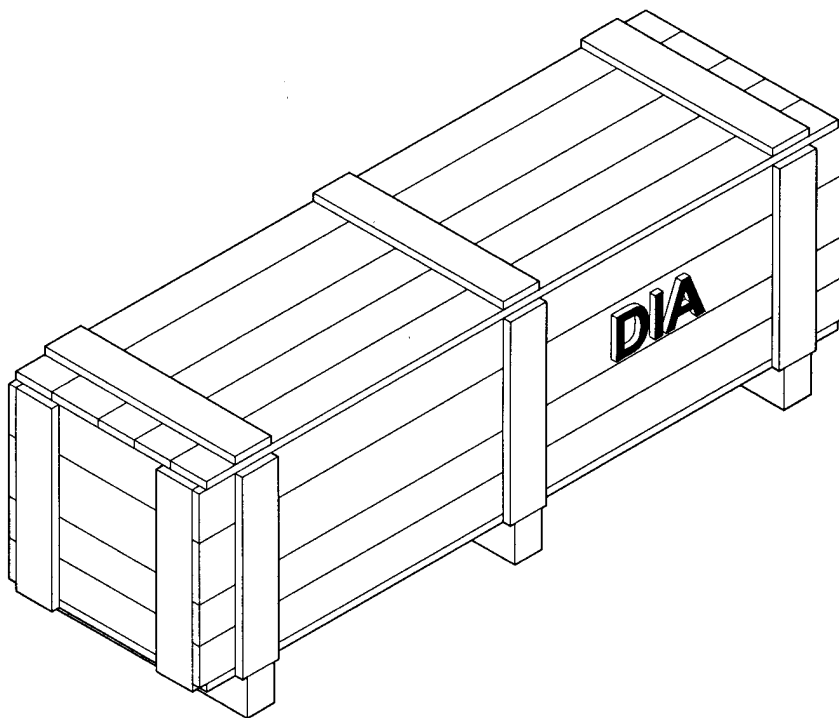
ACCESSORI

ZUBEHÖR

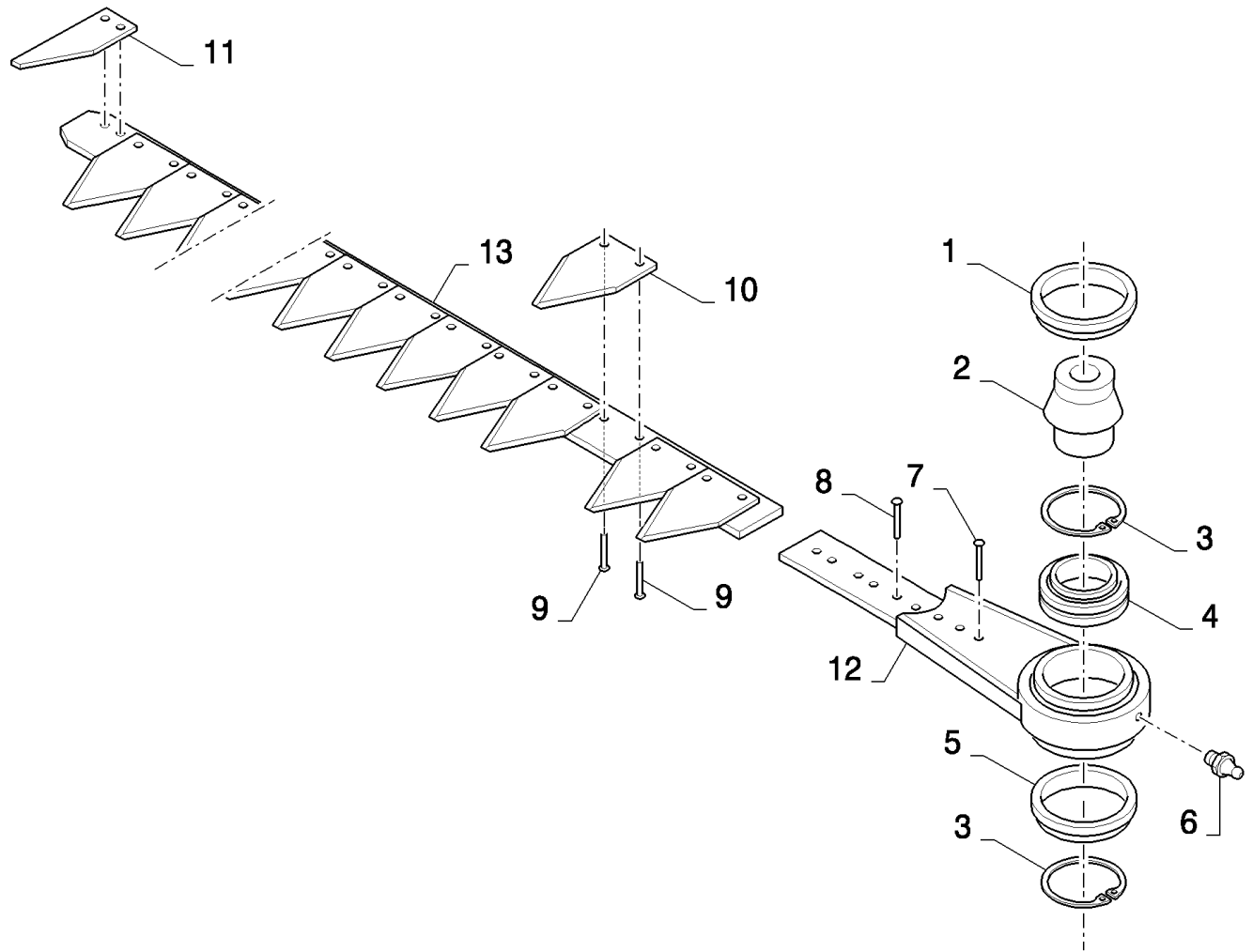
ACESSORIOS

TOEBEHOREN

SEC. 18



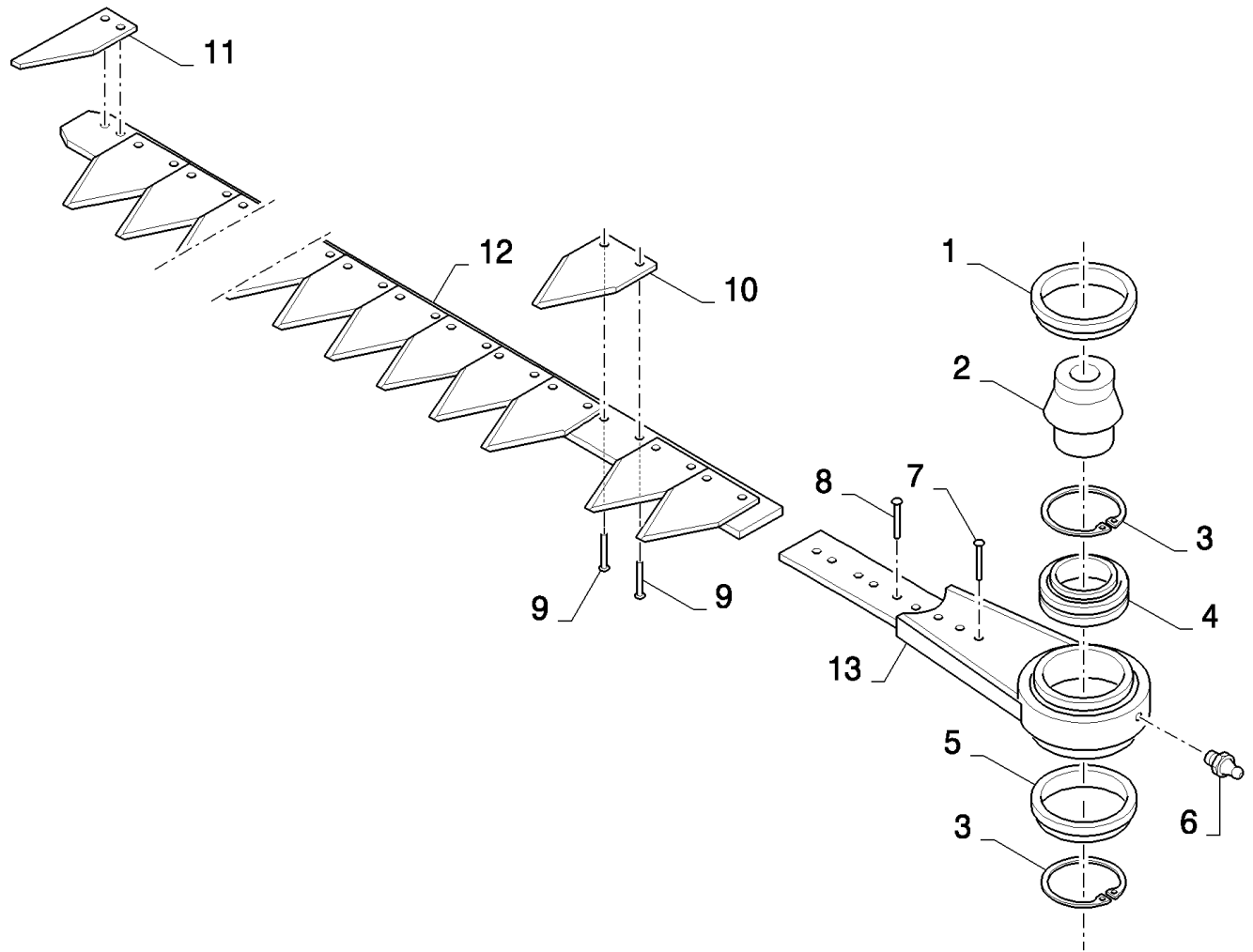
сылка	Номер детали	Кол-во	Описание



2030 COMBINE HEADER (1/02-)

18.80918014(01) UNDERSERRATED KNIFE

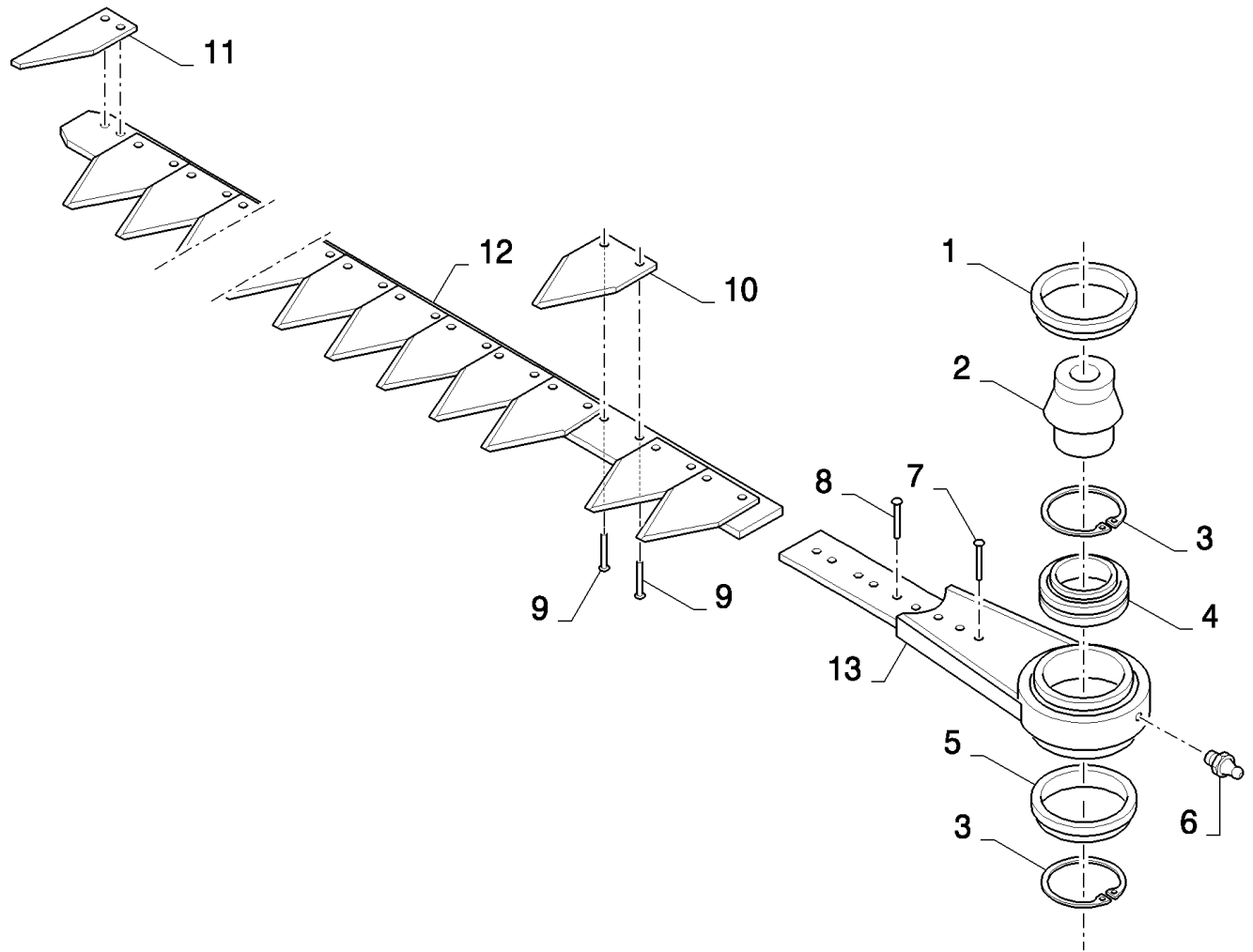
сылка	Номер детали	Кол-во	Описание
	80918014	1	DIA KIT, HARVESTER,
1	80758561	1	RING,
2	80916806	1	SHAFT,
3	80758565	2	CIRCLIP,
4	758563	1	BEARING ASSY,
5	80758559	1	COVER,
6	321204	1	NIPPLE, LUBE, M6 x 1, 16mm lg,
7	130436	3	RIVET,
8	65474	6	RIVET,
9	46436	153	RIVET,
10	365111	80	KNIFE SECTION,
11	365112	1	KNIFE SECTION,
12	84437437	1	
13	395883	1	
	401159	0,005	Loctite



2030 COMBINE HEADER (1/02-)

18.80918015(01) UNDERSERRATED KNIFE

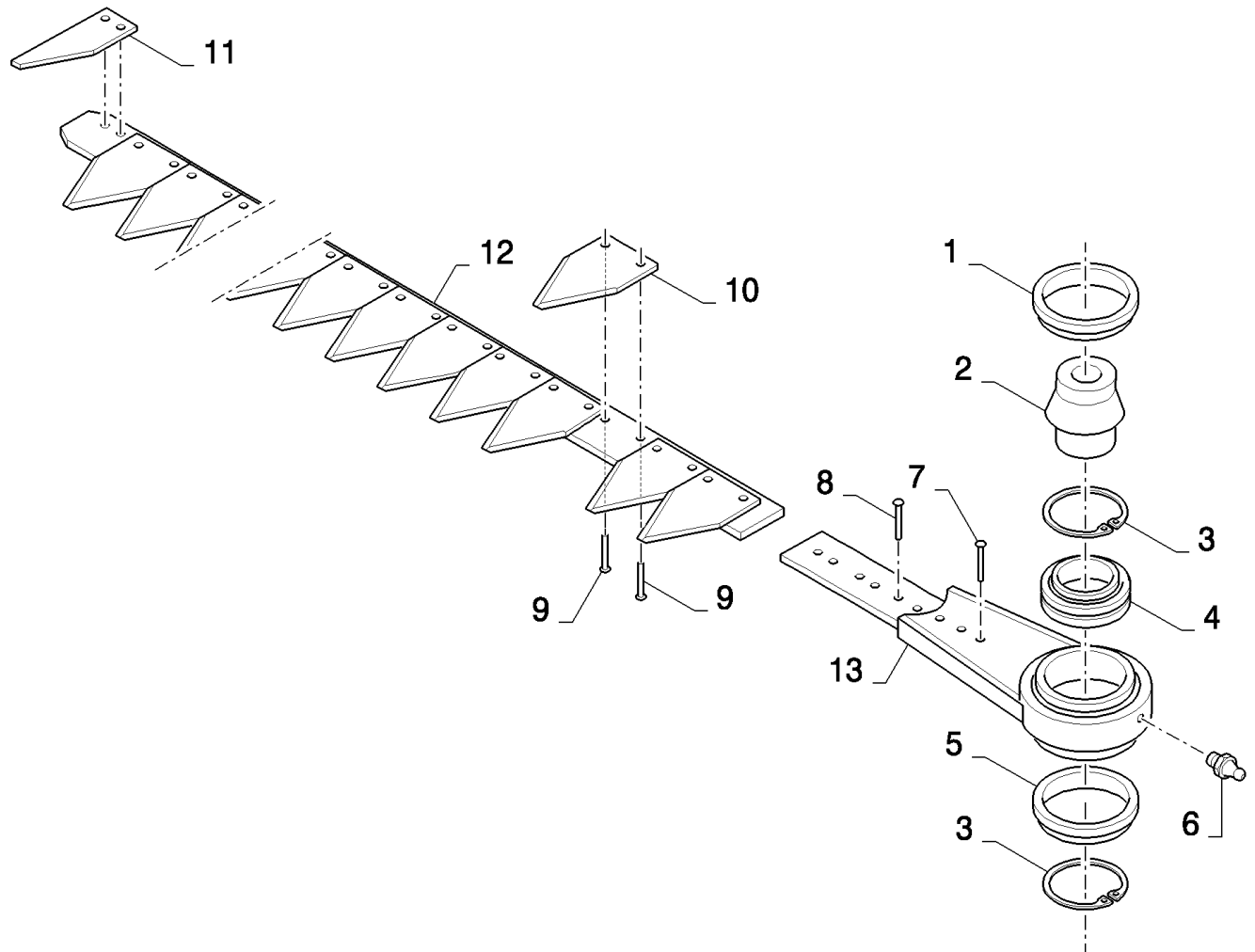
сылка	Номер детали	Кол-во	Описание
	80918015	1	DIA KIT, HARVESTER,
1	80758561	1	RING,
2	80916806	1	SHAFT,
3	80758565	2	CIRCLIP,
4	758563	1	BEARING ASSY,
5	80758559	1	COVER,
6	321204	1	NIPPLE, LUBE, M6 x 1, 16mm lg,
7	130436	3	RIVET,
8	65474	6	RIVET,
9	46436	185	RIVET,
10	365111	96	KNIFE SECTION,
11	365112	1	KNIFE SECTION,
12	913803	1	
13	84437437	1	
	401159	0,005	Loctite



2030 COMBINE HEADER (1/02-)

18.84003217(01) UNDERSERRATED KNIFE

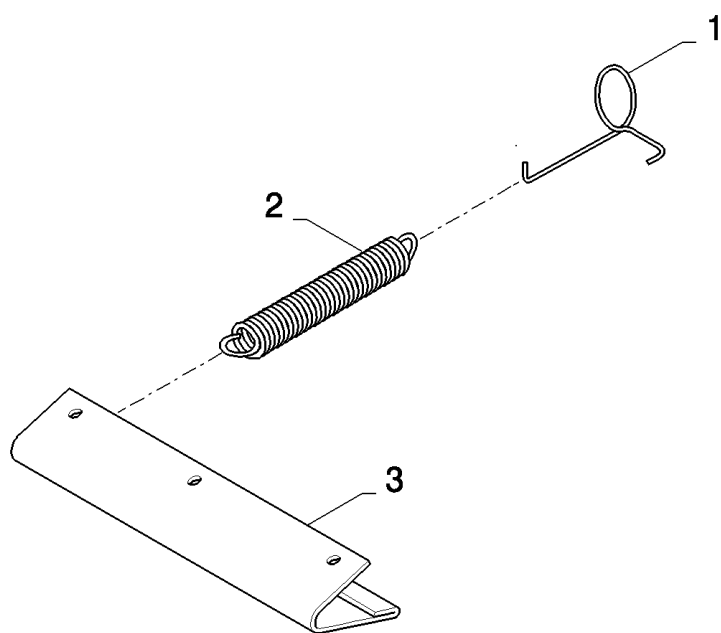
сылка	Номер детали	Кол-во	Описание
	84003217	1	DIA KIT, HARVESTER,
1	80758561	1	RING,
2	80916806	1	SHAFT,
3	80758565	2	CIRCLIP,
4	758563	1	BEARING ASSY,
5	80758559	1	COVER,
6	321204	1	NIPPLE, LUBE, M6 x 1, 16mm lg,
7	130436	3	RIVET,
8	65474	6	RIVET,
9	46436	129	RIVET,
10	365111	68	KNIFE SECTION,
11	365112	1	KNIFE SECTION,
12	350474	1	
13	84437437	1	
	401159	0,005	Loctite



2030 COMBINE HEADER (1/02-)

18.84003218(01) UNDERSERRATED KNIFE

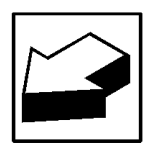
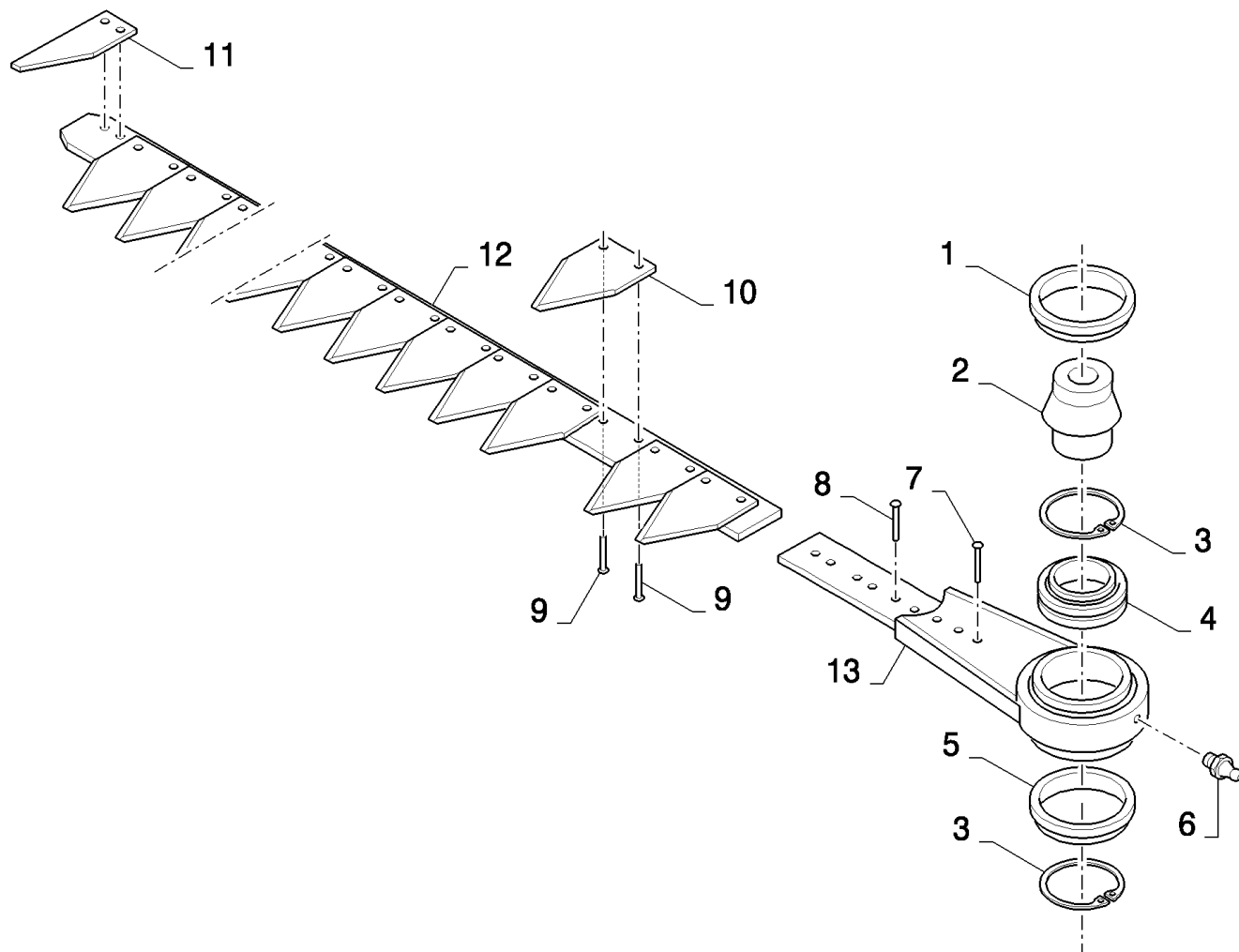
сылка	Номер детали	Кол-во	Описание
	84003218	1	DIA KIT, HARVESTER,
1	80758561	1	RING,
2	80916806	1	SHAFT,
3	80758565	2	CIRCLIP,
4	758563	1	BEARING ASSY,
5	80758559	1	COVER,
6	321204	1	NIPPLE, LUBE, M6 x 1, 16mm lg,
7	130436	3	RIVET,
8	65474	6	RIVET,
9	46436	113	RIVET,
10	365111	60	KNIFE SECTION,
11	365112	1	KNIFE SECTION,
12	350473	1	
13	84437437	1	
	401159	0,005	Loctite



2030 COMBINE HEADER (1/02-)

18.84040789(01) KNIFE PROTECTION

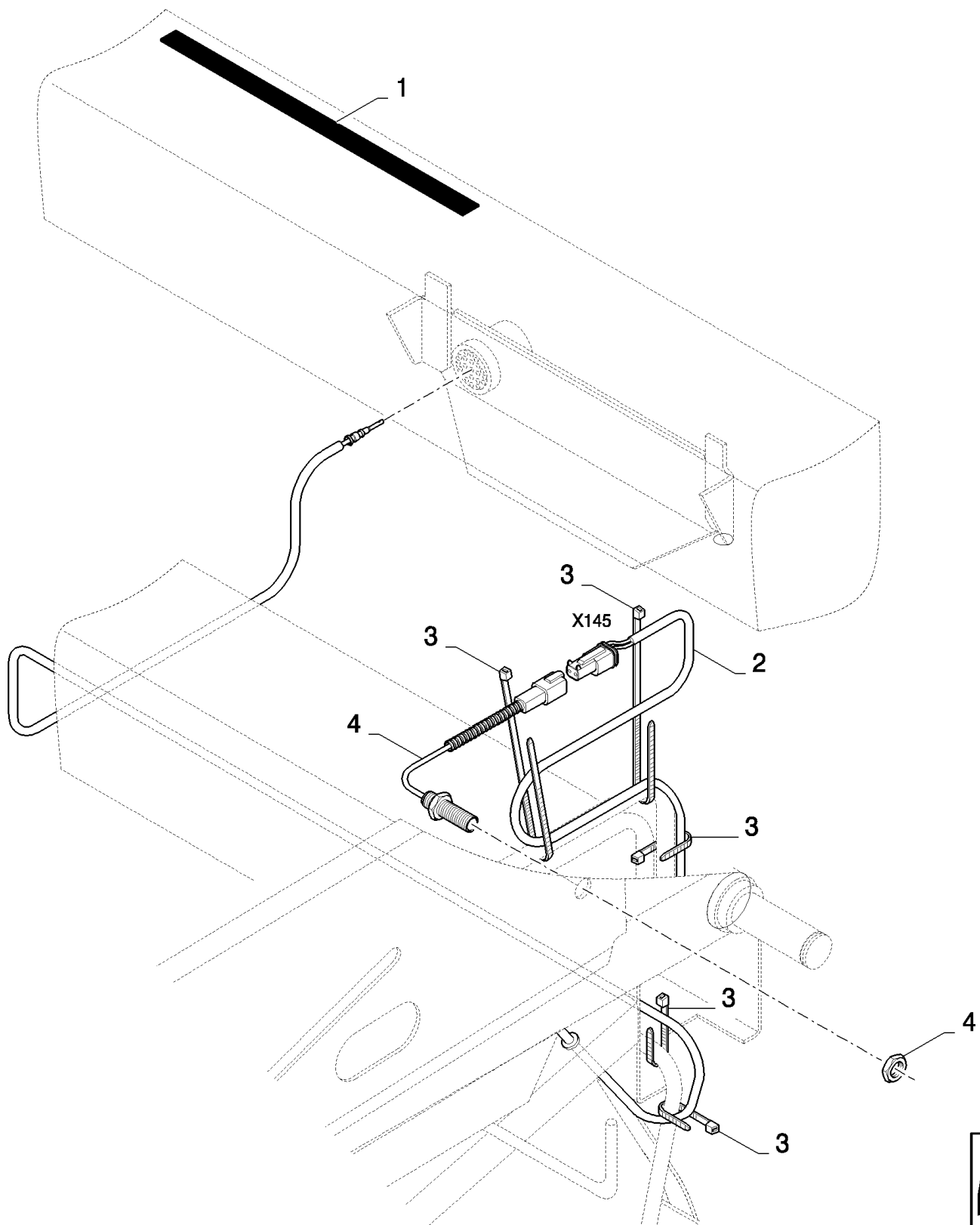
сылка	Номер детали	Кол-во	Описание
	84040789	1	DIA KIT, HARVESTER,
1	89837015	8	HOOK,
2	84814908	8	SPRING,
3	89838588	7	PROTECTION PLATE,



2030 COMBINE HEADER (1/02-)

18.84040790(01) UNDERSERRATED KNIFE

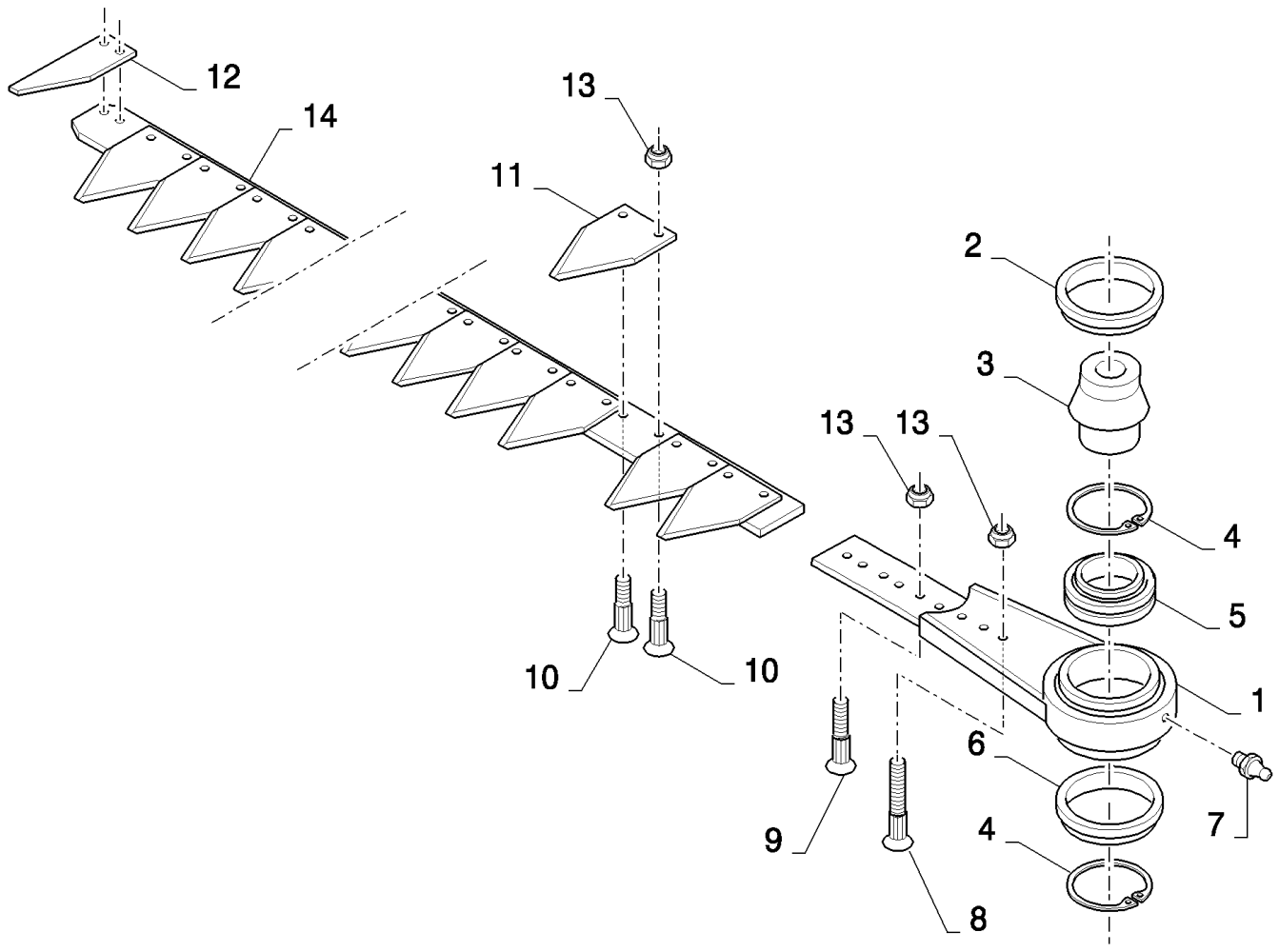
сылка	Номер детали	Кол-во	Описание
	84040790	1	DIA KIT, HARVESTER,
1	80758561	1	RING,
2	80916806	1	SHAFT,
3	80758565	2	CIRCLIP,
4	758563	1	BEARING ASSY,
5	80758559	1	COVER,
6	321204	1	NIPPLE, LUBE, M6 x 1, 16mm lg,
7	130436	3	RIVET,
8	65474	6	RIVET,
9	46436	233	RIVET,
10	365111	120	KNIFE SECTION,
11	365112	1	KNIFE SECTION,
12	84043803	1	
13	84437437	1	
	401159	0,005	Loctite



2030 COMBINE HEADER (1/02-)

18.84081677(01) REEL SYNCHRONISATION

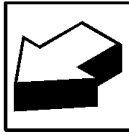
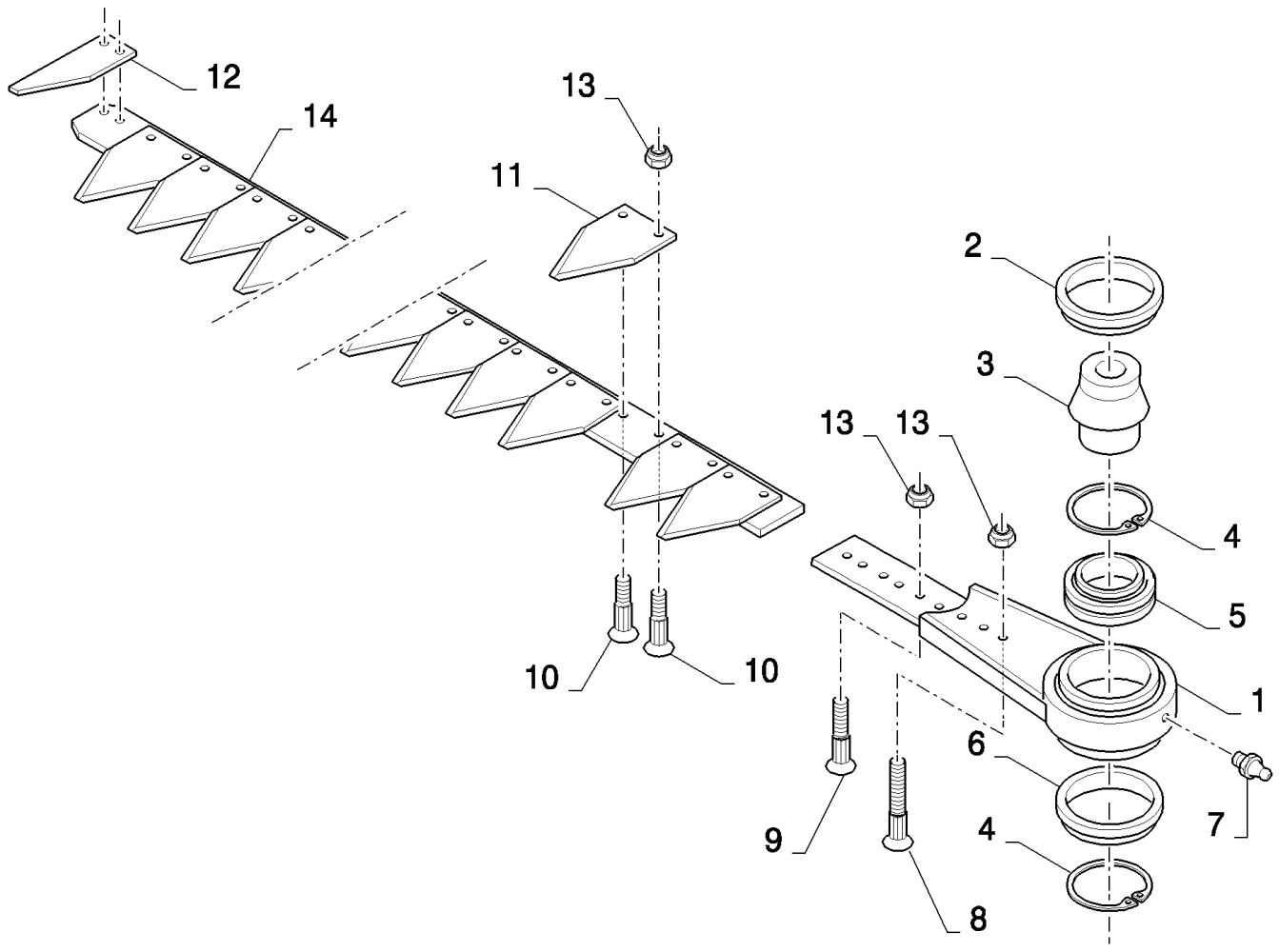
сылка	Номер детали	Кол-во	Описание
	84081677	1	DIA KIT, HARVESTER,
1	401502	1	STRIP, ANTI-SKID, L=1.9M
2	84077694	1	HARNESS, WIRE,
3	86566989	5	STRAP, CABLE,
4	84058862	1	SENSOR,



2030 COMBINE HEADER (1/02-)

18.84081705(01) KNIFE GREEN CONDITIONS

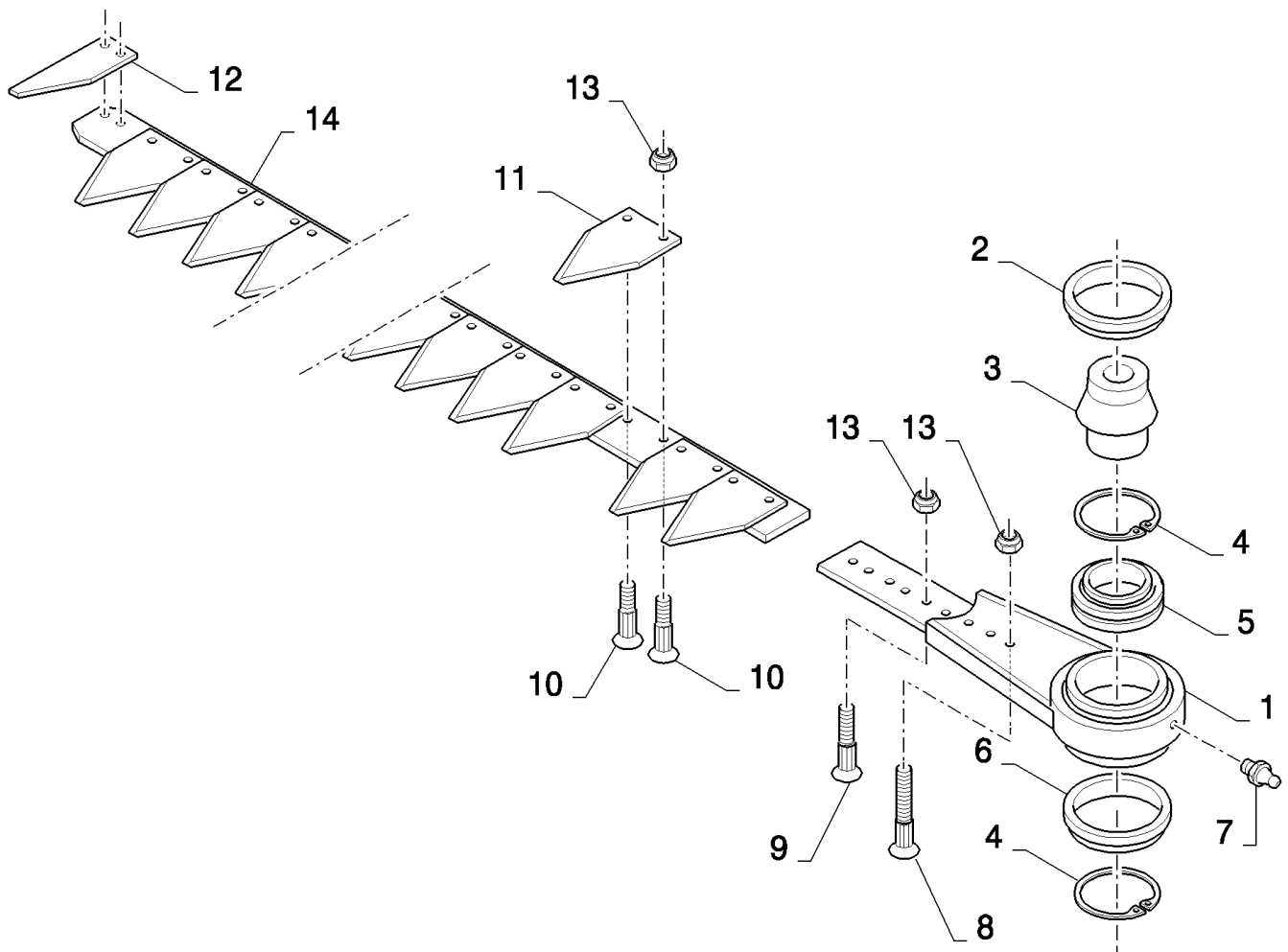
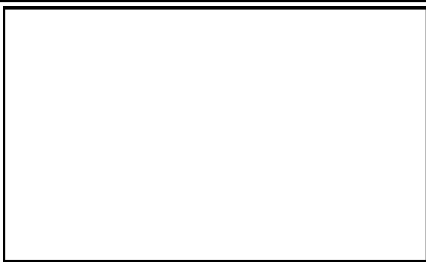
сылка	Номер детали	Кол-во	Описание
	84081705	1	KNIFE GREEN CONDITIONS,
1	84433779	1	KNIFE HEAD,
2	80758561	1	RING,
3	80916806	1	SHAFT,
4	80758565	2	CIRCLIP,
5	758563	1	BEARING ASSY,
6	80758559	1	COVER,
7	321204	1	NIPPLE, LUBE, M6 x 1, 16mm lg,
8	84429101	3	SCREW, M6x28
9	84429100	6	SCREW, M6x22
10	84429099	113	SCREW, M6x16
11	84435879	60	KNIFE SECTION,
12	84435824	1	KNIFE SECTION,
13	84429102	122	NUT,
14	84435366	1	
	401159	0,005	Loctite



2030 COMBINE HEADER (1/02-)

18.84081706(01) KNIFE GREEN CONDITIONS

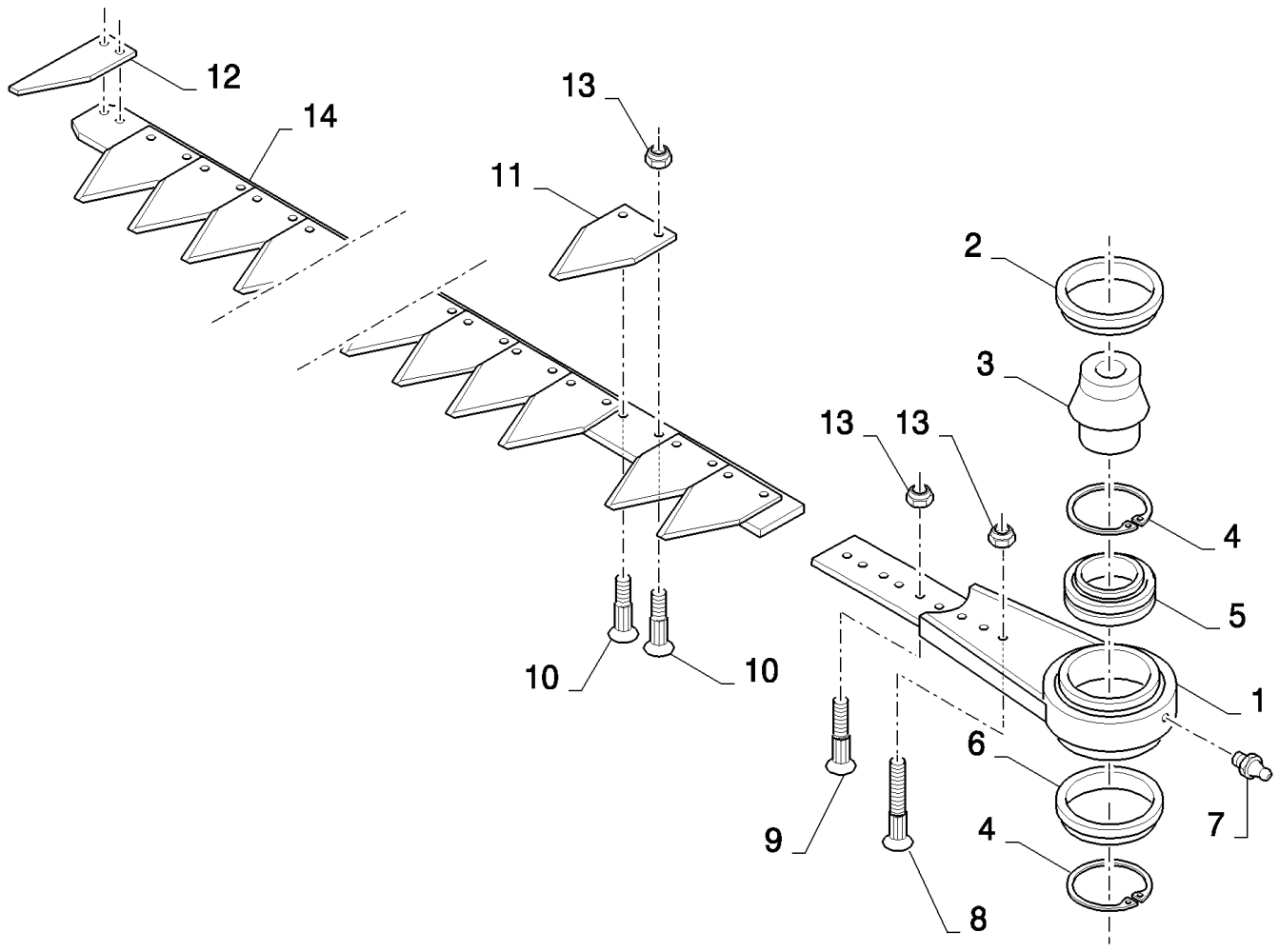
сылка	Номер детали	Кол-во	Описание
	84081706	1	KNIFE GREEN CONDITIONS,
1	84433779	1	KNIFE HEAD,
2	80758561	1	RING,
3	80916806	1	SHAFT,
4	80758565	2	CIRCLIP,
5	758563	1	BEARING ASSY,
6	80758559	1	COVER,
7	321204	1	NIPPLE, LUBE, M6 x 1, 16mm lg,
8	84429101	3	SCREW, M6x28
9	84429100	6	SCREW, M6x22
10	84429099	129	SCREW, M6x16
11	84435879	68	KNIFE SECTION,
12	84435824	1	KNIFE SECTION,
13	84429102	138	NUT,
14	84435365	1	
	401159	0,005	Loctite



2030 COMBINE HEADER (1/02-)

18.84081707(01) KNIFE GREEN CONDITIONS

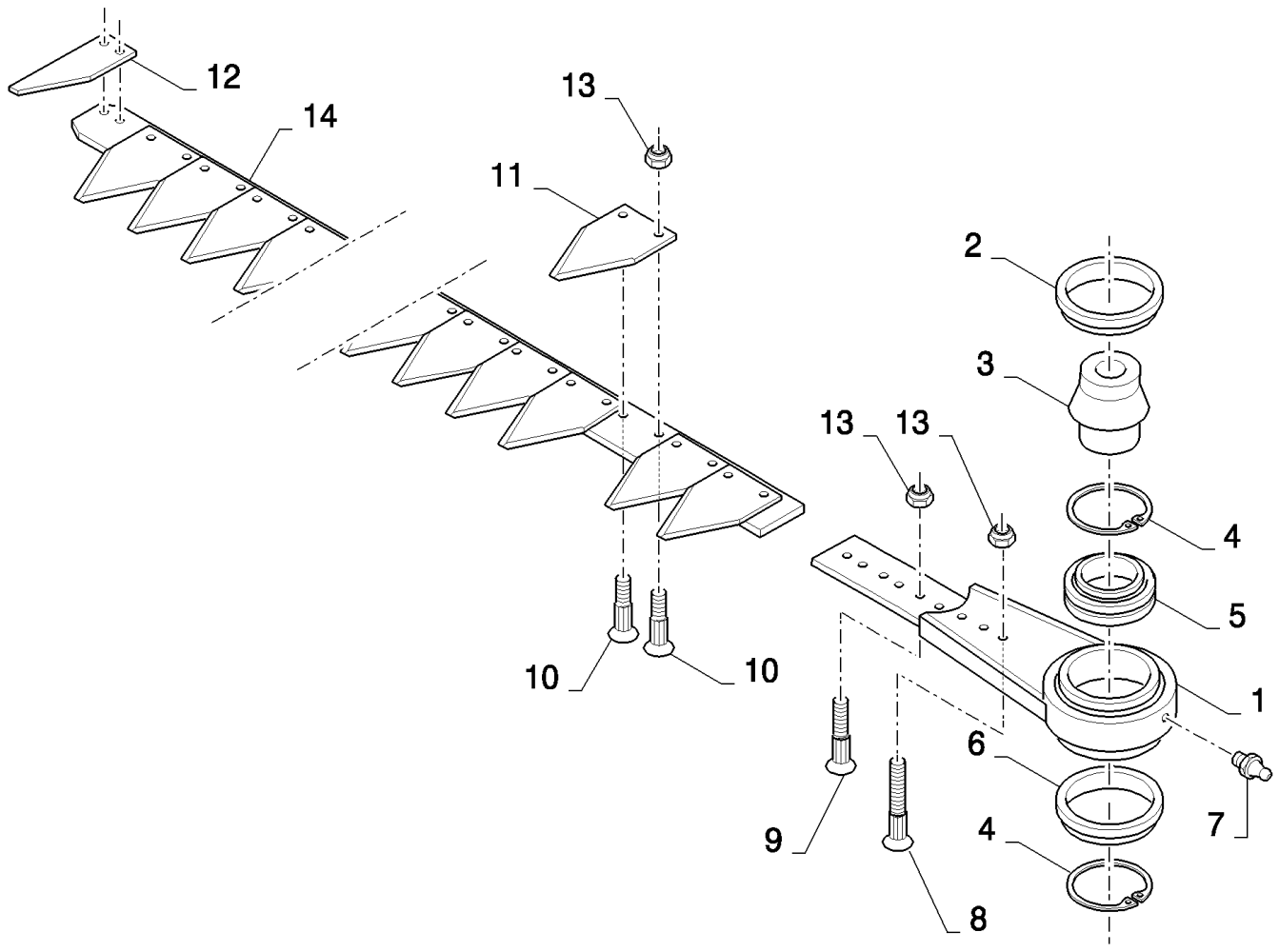
сылка	Номер детали	Кол-во	Описание
	84081707	1	KNIFE GREEN CONDITIONS,
1	84433779	1	KNIFE HEAD,
2	80758561	1	RING,
3	80916806	1	SHAFT,
4	80758565	2	CIRCLIP,
5	758563	1	BEARING ASSY,
6	80758559	1	COVER,
7	321204	1	NIPPLE, LUBE, M6 x 1, 16mm lg,
8	84429101	3	SCREW, M6x28
9	84429100	6	SCREW, M6x22
10	84429099	153	SCREW, M6x16
11	84435879	80	KNIFE SECTION,
12	84435824	1	KNIFE SECTION,
13	84429102	162	NUT,
14	84433789	1	
	401159	0,005	Loctite



2030 COMBINE HEADER (1/02-)

18.84081708(01) KNIFE GREEN CONDITIONS

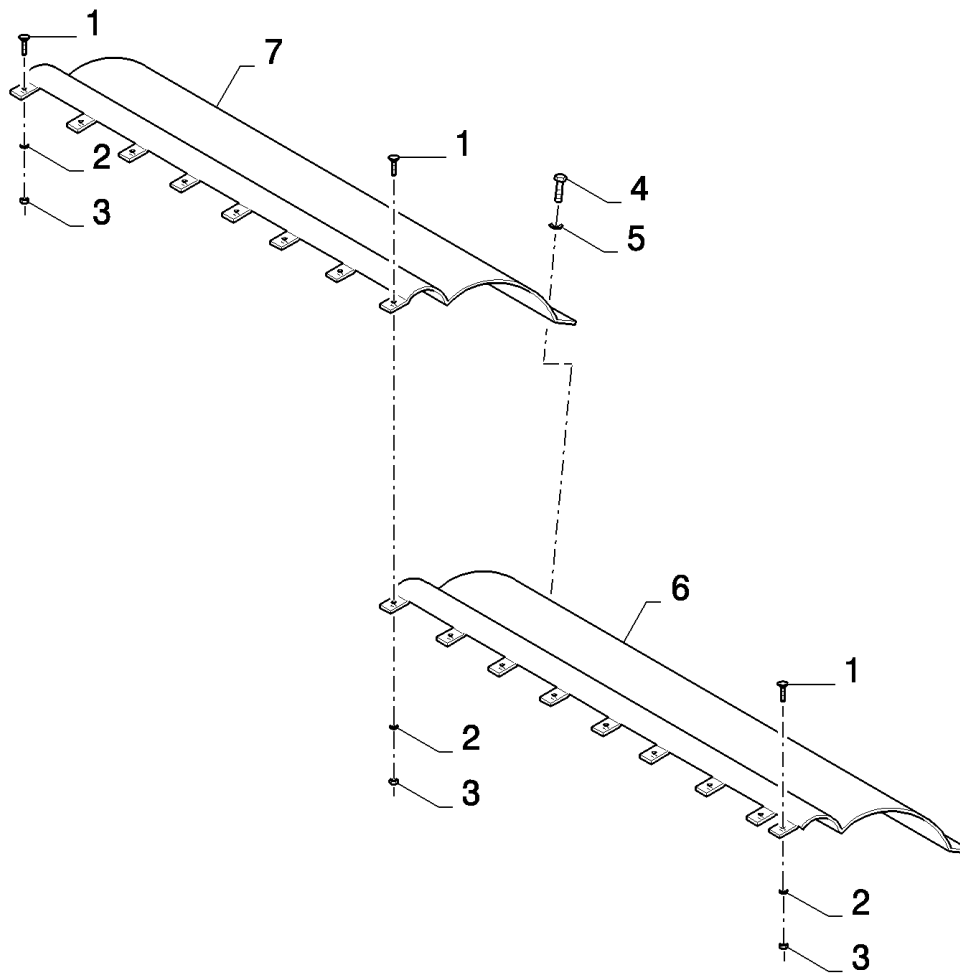
сылка	Номер детали	Кол-во	Описание
	84081708	1	KNIFE GREEN CONDITIONS,
1	84433779	1	KNIFE HEAD,
2	80758561	1	RING,
3	80916806	1	SHAFT,
4	80758565	2	CIRCLIP,
5	758563	1	BEARING ASSY,
6	80758559	1	COVER,
7	321204	1	NIPPLE, LUBE, M6 x 1, 16mm lg,
8	84429101	3	SCREW, M6x28
9	84429100	6	SCREW, M6x22
10	84429099	185	SCREW, M6x16
11	84435879	96	KNIFE SECTION,
12	84435824	1	KNIFE SECTION,
13	84429102	194	NUT,
14	84435364	1	
	401159	0,005	Loctite



2030 COMBINE HEADER (1/02-)

18.84081709(01) KNIFE GREEN CONDITIONS

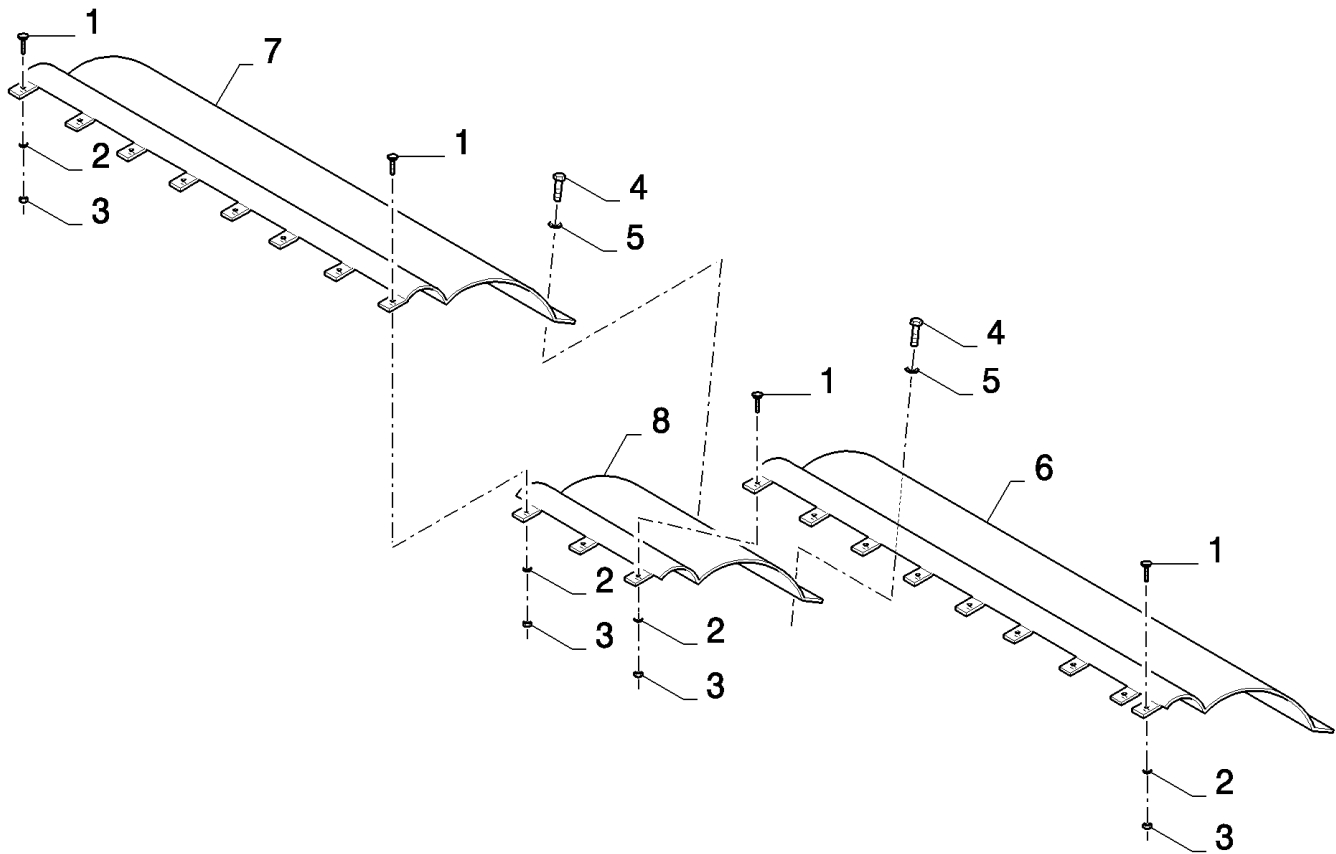
сылка	Номер детали	Кол-во	Описание
	84081709	1	DIA KIT, HARVESTER,
1	84433779	1	KNIFE HEAD,
2	80758561	1	RING,
3	80916806	1	SHAFT,
4	80758565	2	CIRCLIP,
5	758563	1	BEARING ASSY,
6	80758559	1	COVER,
7	321204	1	NIPPLE, LUBE, M6 x 1, 16mm lg,
8	84429101	3	SCREW, M6x28
9	84429100	6	SCREW, M6x22
10	84429099	233	SCREW, M6x16
11	84435879	120	KNIFE SECTION,
12	84435824	1	KNIFE SECTION,
13	84429102	242	NUT,
14	84435363	1	
	401159	0,005	Loctite



2030 COMBINE HEADER (1/02-)

18.84095786(01) FEEDING PLATE

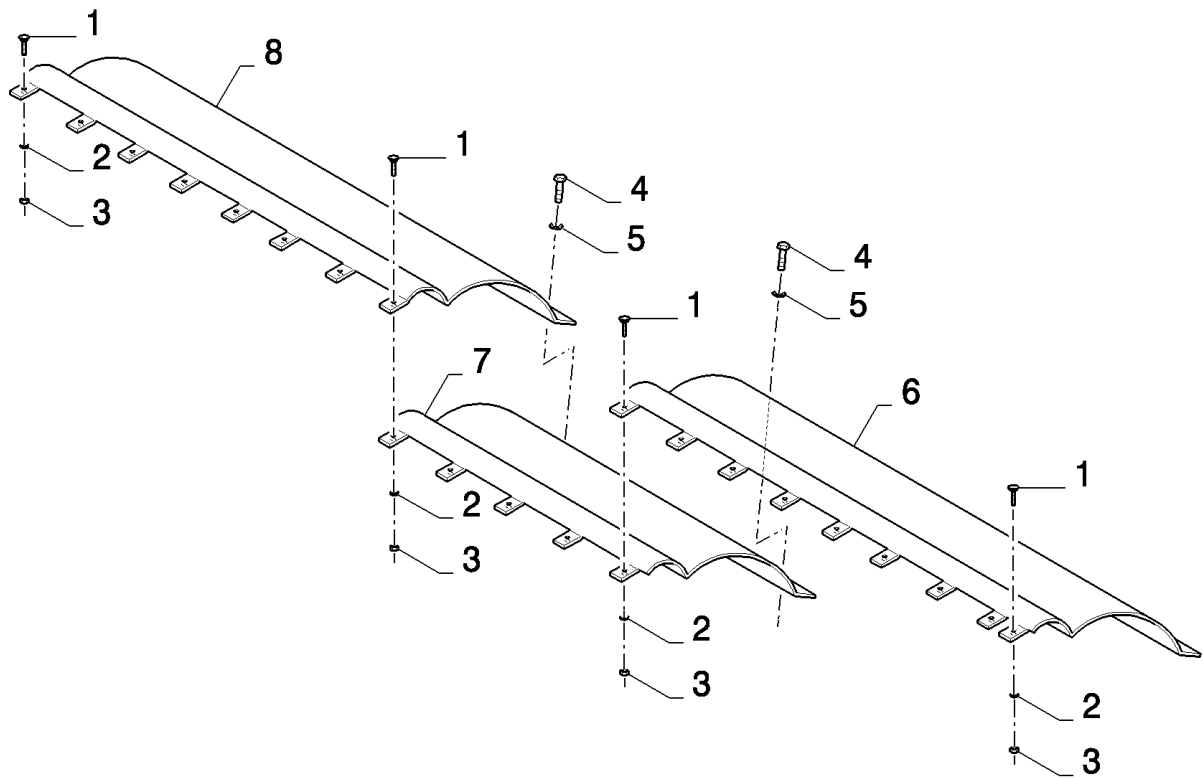
сылка	Номер детали	Кол-во	Описание
	84095786	1	DIA KIT, HARVESTER,
1	86507486	16	BOLT, CARRIAGE, Short NK, M8 x 20, CI8.8, Full Thd,
2	322358	16	WASHER, SPRING, Belleville, M8,
3	9706690	16	NUT, M8, CI 8,
4	412684	17	SCREW, M6x13
5	140015	17	WASHER, 6MM
6	84441120	1	PLATE,
7	84441125	1	PLATE,



2030 COMBINE HEADER (1/02-)

18.84095788(01) FEEDING PLATE

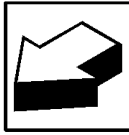
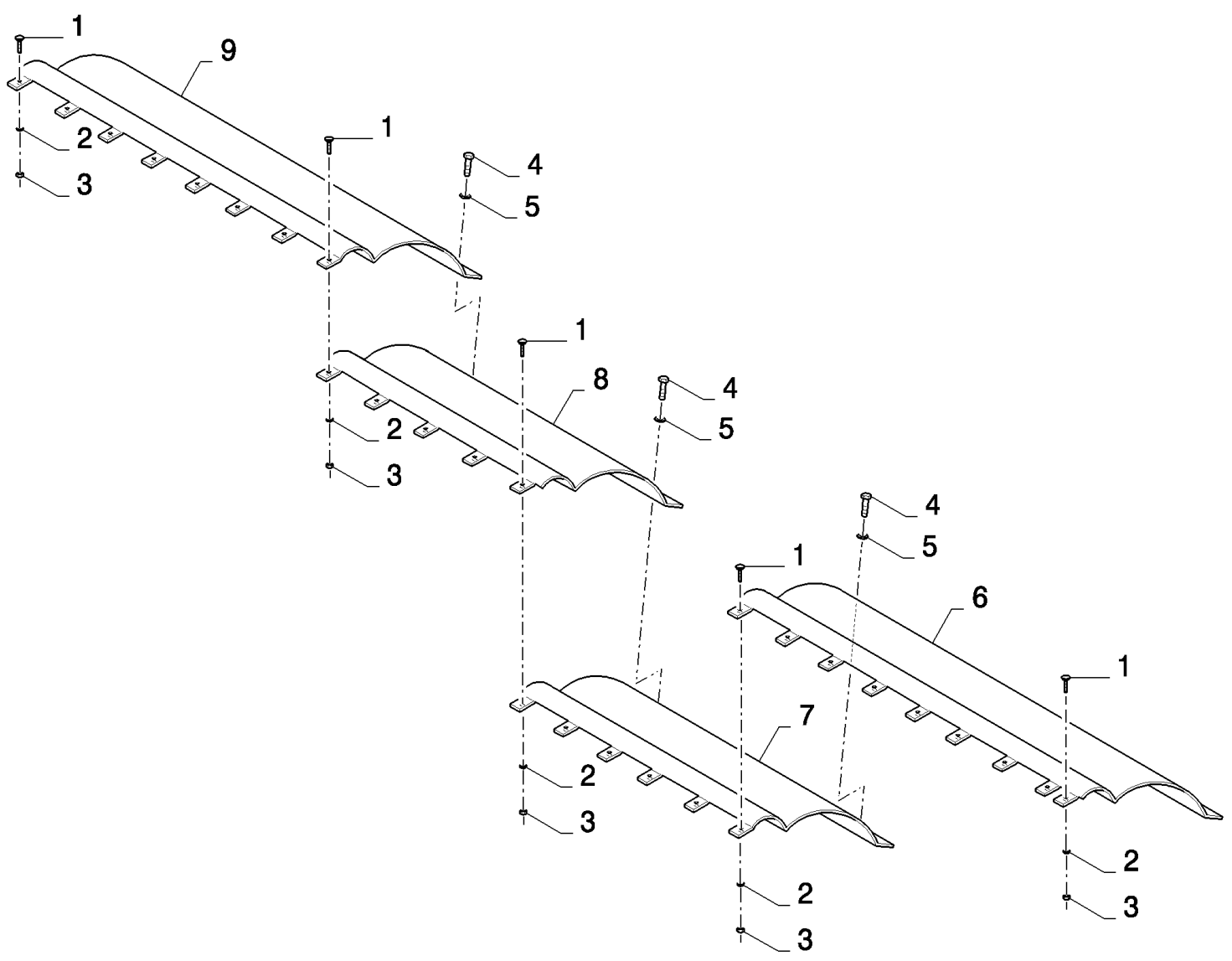
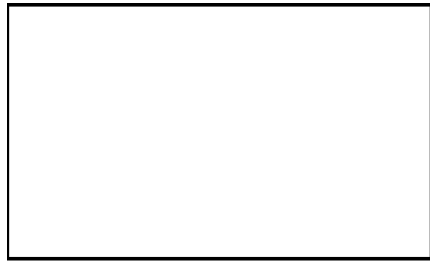
сылка	Номер детали	Кол-во	Описание
	84095788	1	DIA KIT, HARVESTER,
1	86507486	18	BOLT, CARRIAGE, Short NK, M8 x 20, CI8.8, Full Thd,
2	322358	18	WASHER, SPRING, Belleville, M8,
3	9706690	18	NUT, M8, CI 8,
4	412684	22	SCREW, M6x13
5	140015	22	WASHER, 6MM
6	84441120	1	PLATE,
7	84441125	1	PLATE,
8	84441148	1	PLATE,



2030 COMBINE HEADER (1/02-)

18.84095789(01) FEEDING PLATE

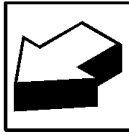
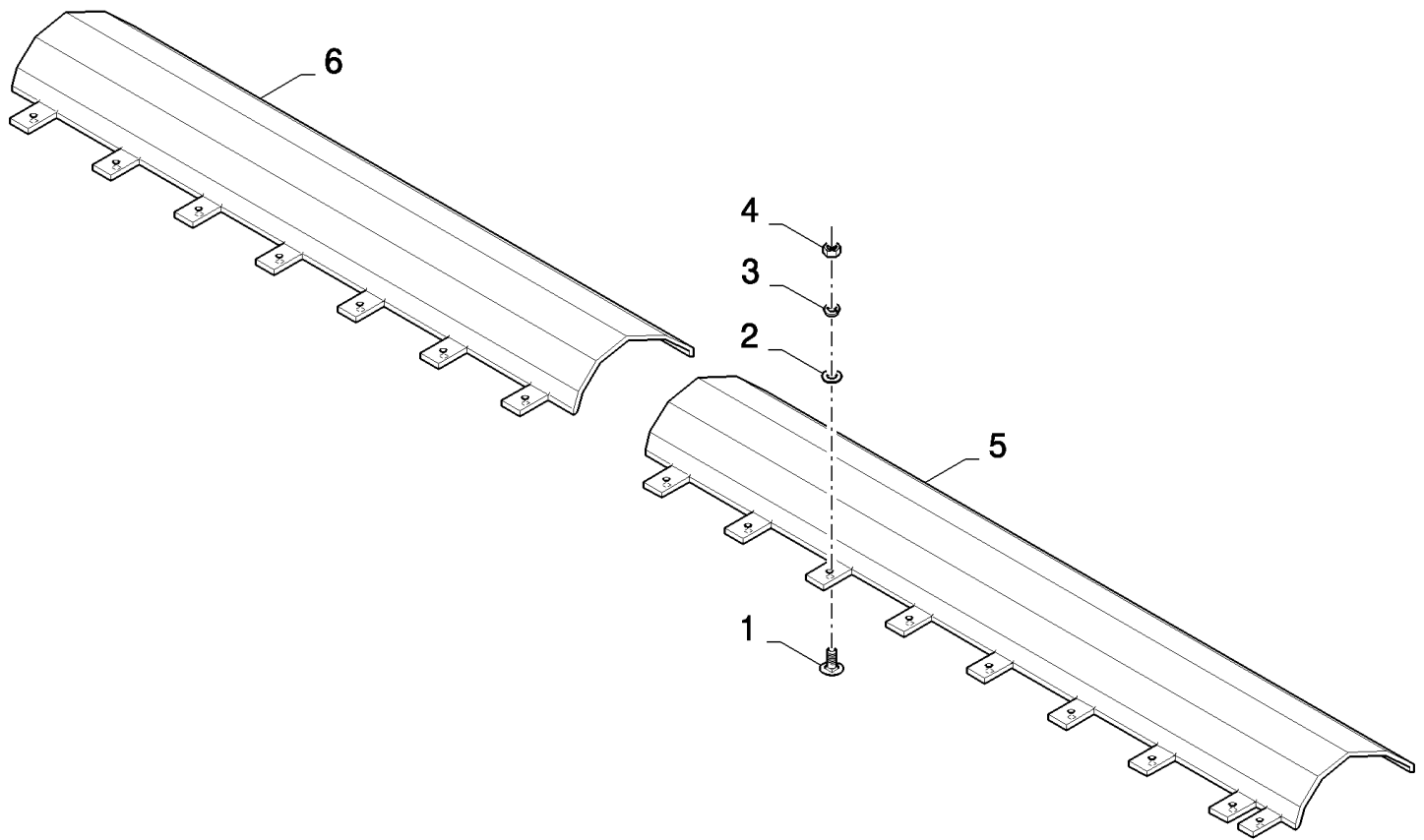
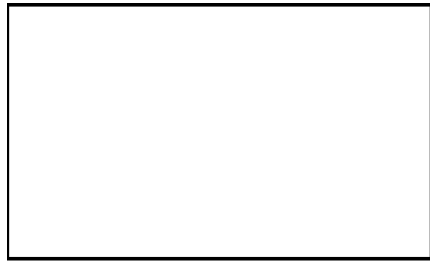
сылка	Номер детали	Кол-во	Описание
	84095789	1	DIA KIT, HARVESTER,
1	86507486	21	BOLT, CARRIAGE, Short NK, M8 x 20, CI8.8, Full Thd,
2	322358	21	WASHER, SPRING, Belleville, M8,
3	9706690	21	NUT, M8, CI 8,
4	412684	22	SCREW, M6x13
5	140015	22	WASHER, 6MM
6	84441120	1	PLATE,
7	84441142	1	PLATE,
8	84441125	1	PLATE,



2030 COMBINE HEADER (1/02-)

18.84095790(01) FEEDING PLATE

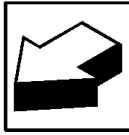
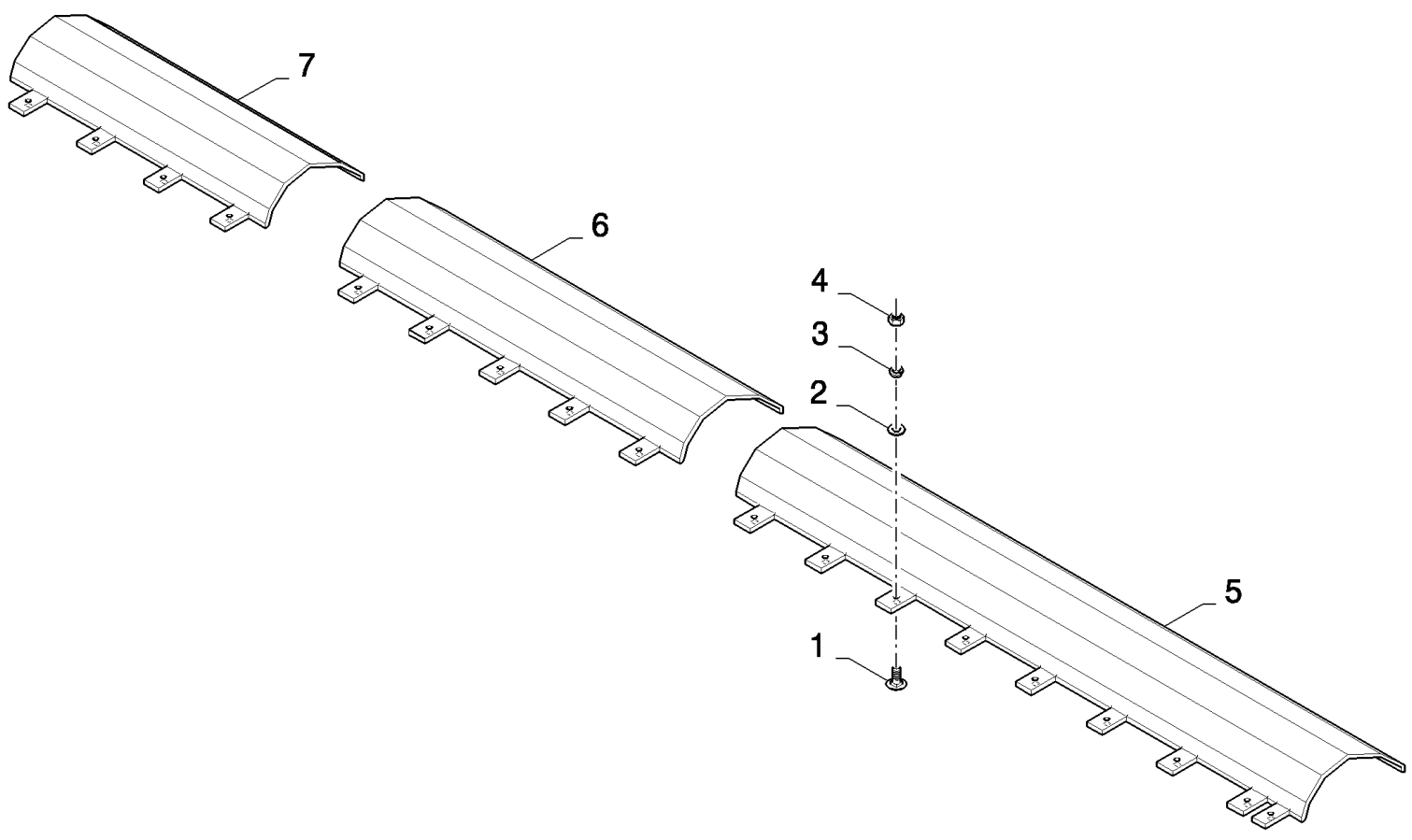
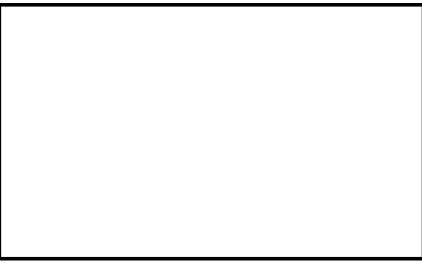
сылка	Номер детали	Кол-во	Описание
	84095790	1	DIA KIT, HARVESTER,
1	86507486	25	BOLT, CARRIAGE, Short NK, M8 x 20, CI8.8, Full Thd,
2	322358	25	WASHER, SPRING, Belleville, M8,
3	9706690	25	NUT, M8, CI 8,
4	412684	26	SCREW, M6x13
5	140015	26	WASHER, 6MM
6	84441120	1	PLATE,
7	84441142	1	PLATE,
8	84441149	1	PLATE,
9	84441125	1	PLATE,



2030 COMBINE HEADER (1/02-)

18.84095792(01) STONE PROTECTION

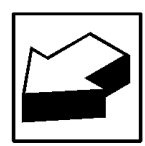
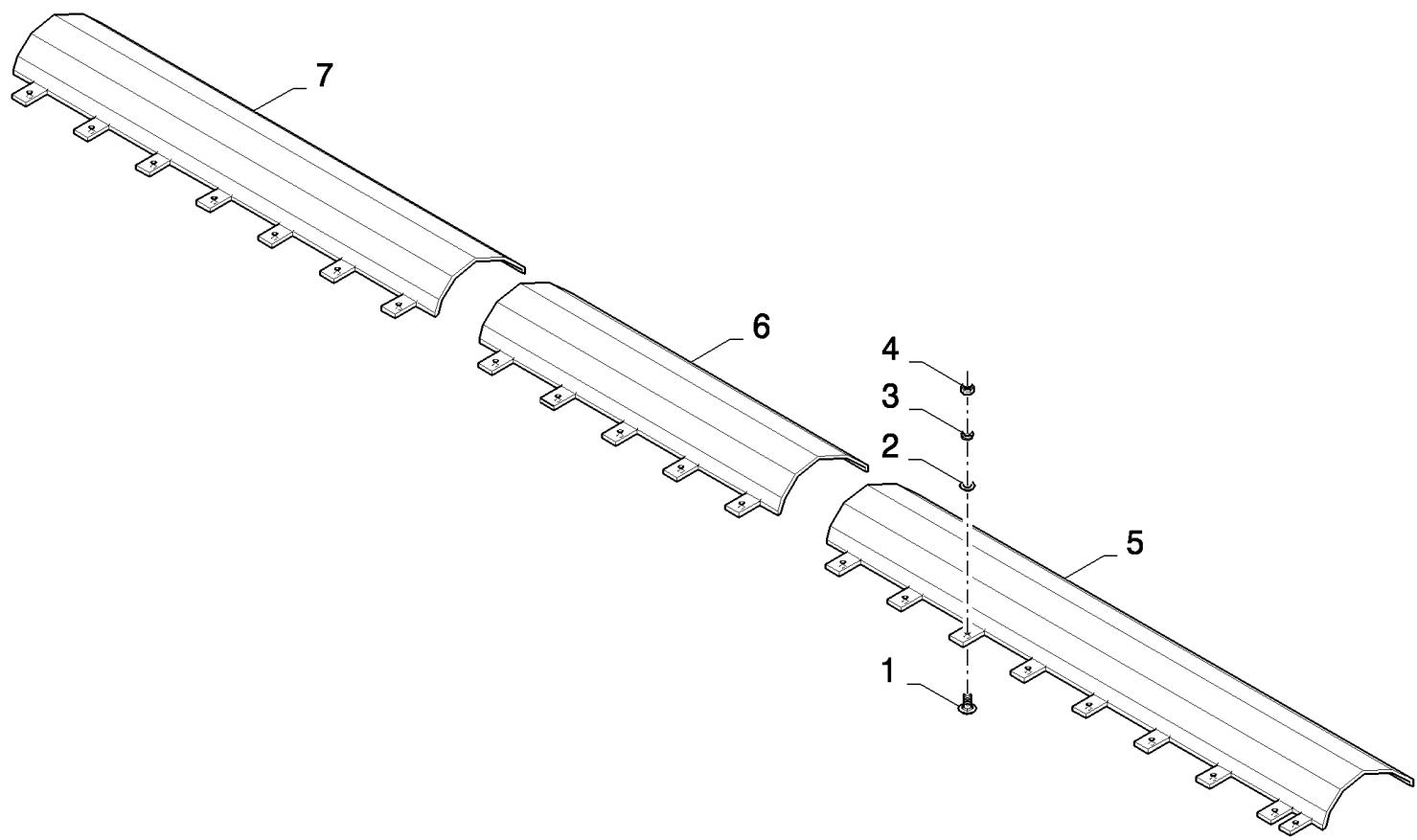
сылка	Номер детали	Кол-во	Описание
	84095792	1	DIA KIT, HARVESTER,
1	86507486	16	BOLT, CARRIAGE, Short NK, M8 x 20, CI8.8, Full Thd,
2	140041	16	WASHER, M8 x 28 x 3,
3	322358	16	WASHER, SPRING, Belleville, M8,
4	9706690	16	NUT, M8, CI 8,
5	84814547	1	PROFILE,
6	84814550	1	PROFILE,



2030 COMBINE HEADER (1/02-)

18.84095793(01) STONE PROTECTION

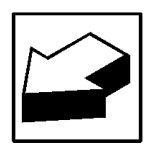
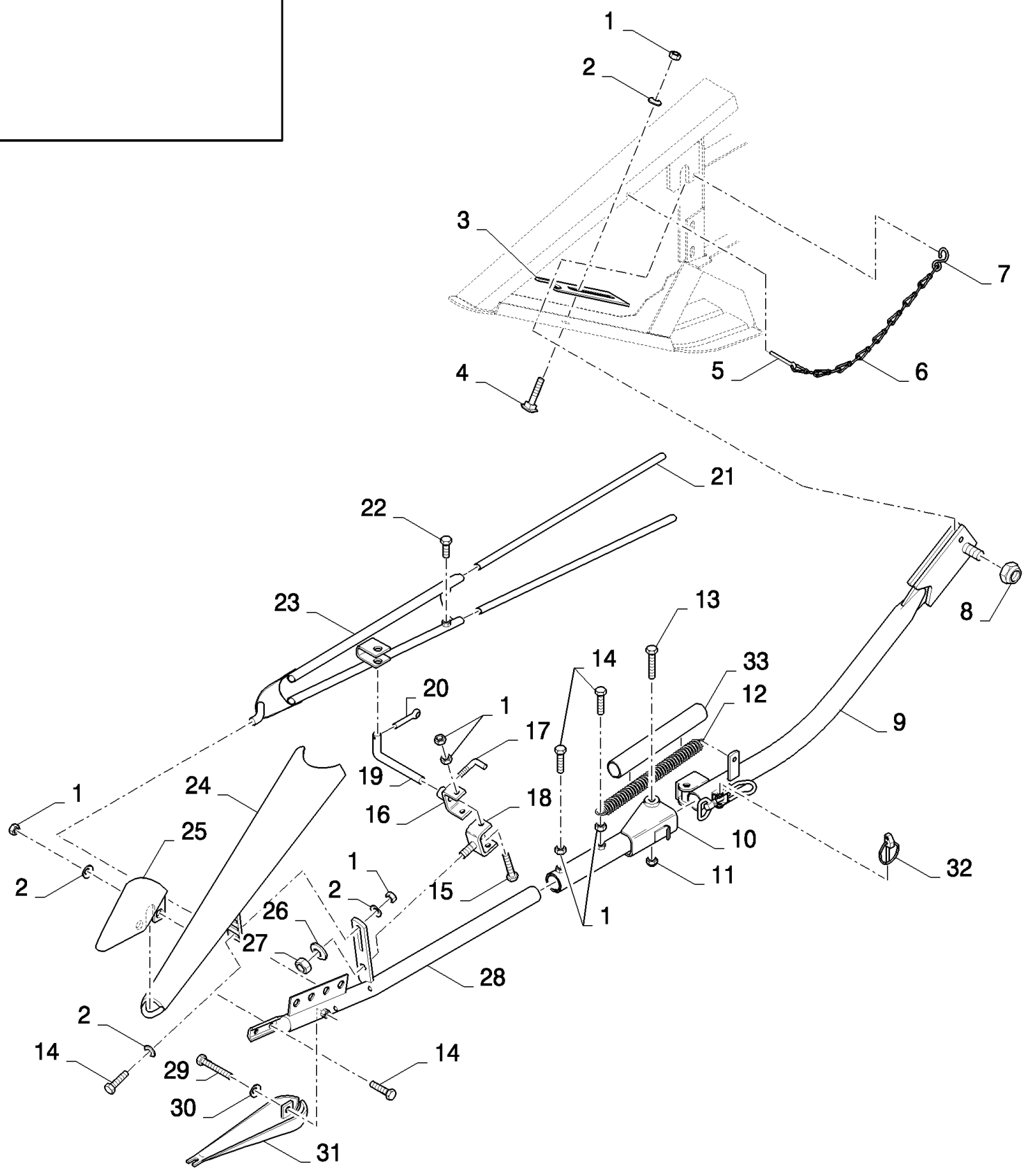
сылка	Номер детали	Кол-во	Описание
	84095793	1	DIA KIT, HARVESTER,
1	86507486	18	BOLT, CARRIAGE, Short NK, M8 x 20, CI8.8, Full Thd,
2	140041	18	WASHER, M8 x 28 x 3,
3	322358	18	WASHER, SPRING, Belleville, M8,
4	9706690	18	NUT, M8, CI 8,
5	84814547	1	PROFILE,
6	84814549	1	PROFILE,
7	84814548	1	PROFILE,



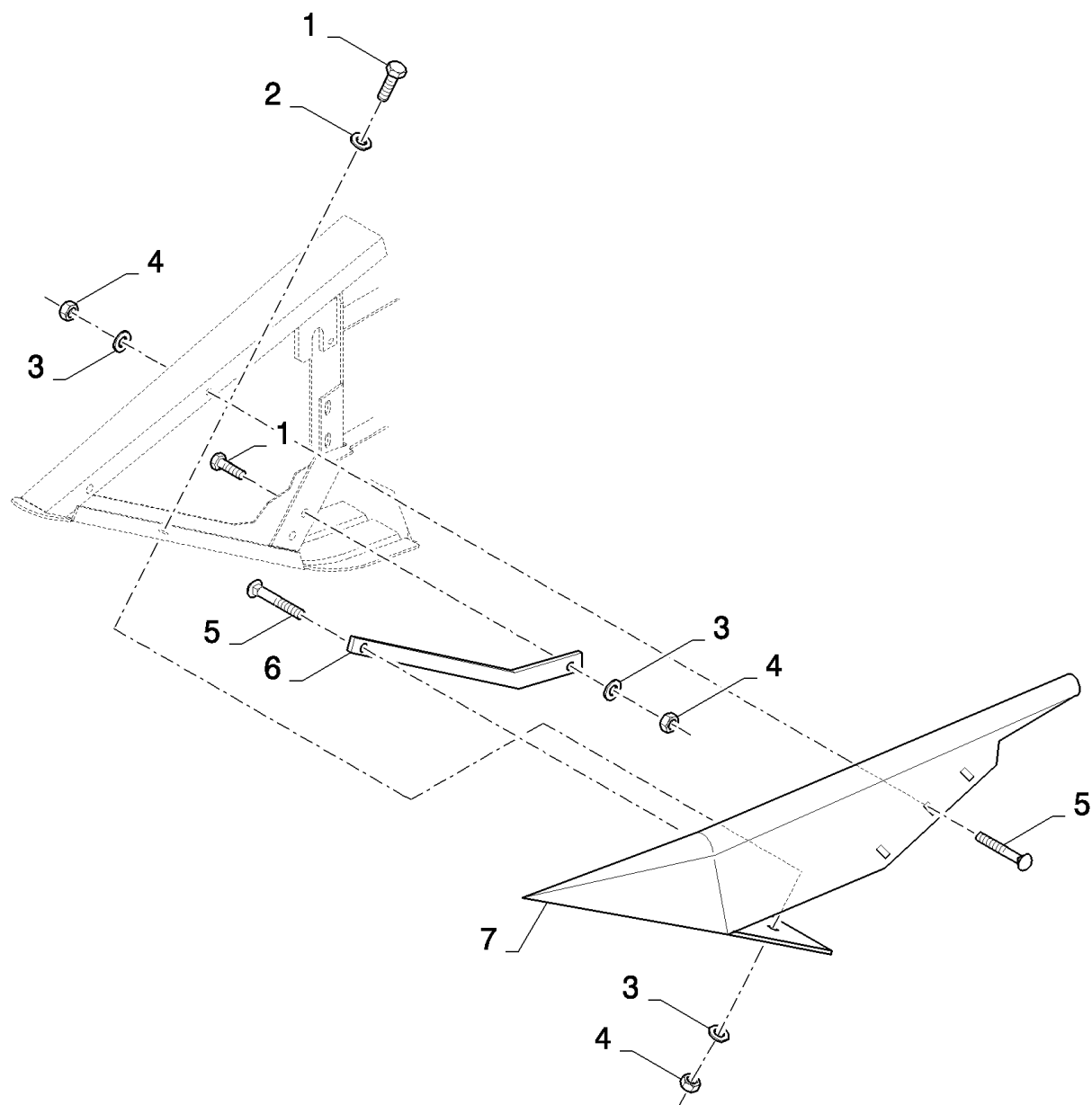
2030 COMBINE HEADER (1/02-)

18.84095794(01) STONE PROTECTION

сылка	Номер детали	Кол-во	Описание
	84095794	1	DIA KIT, HARVESTER,
1	86507486	21	BOLT, CARRIAGE, Short NK, M8 x 20, CI8.8, Full Thd,
2	140041	21	WASHER, M8 x 28 x 3,
3	322358	21	WASHER, SPRING, Belleville, M8,
4	9706690	21	NUT, M8, CI 8,
5	84814547	1	PROFILE,
6	84814549	1	PROFILE,
7	84814550	1	PROFILE,



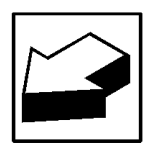
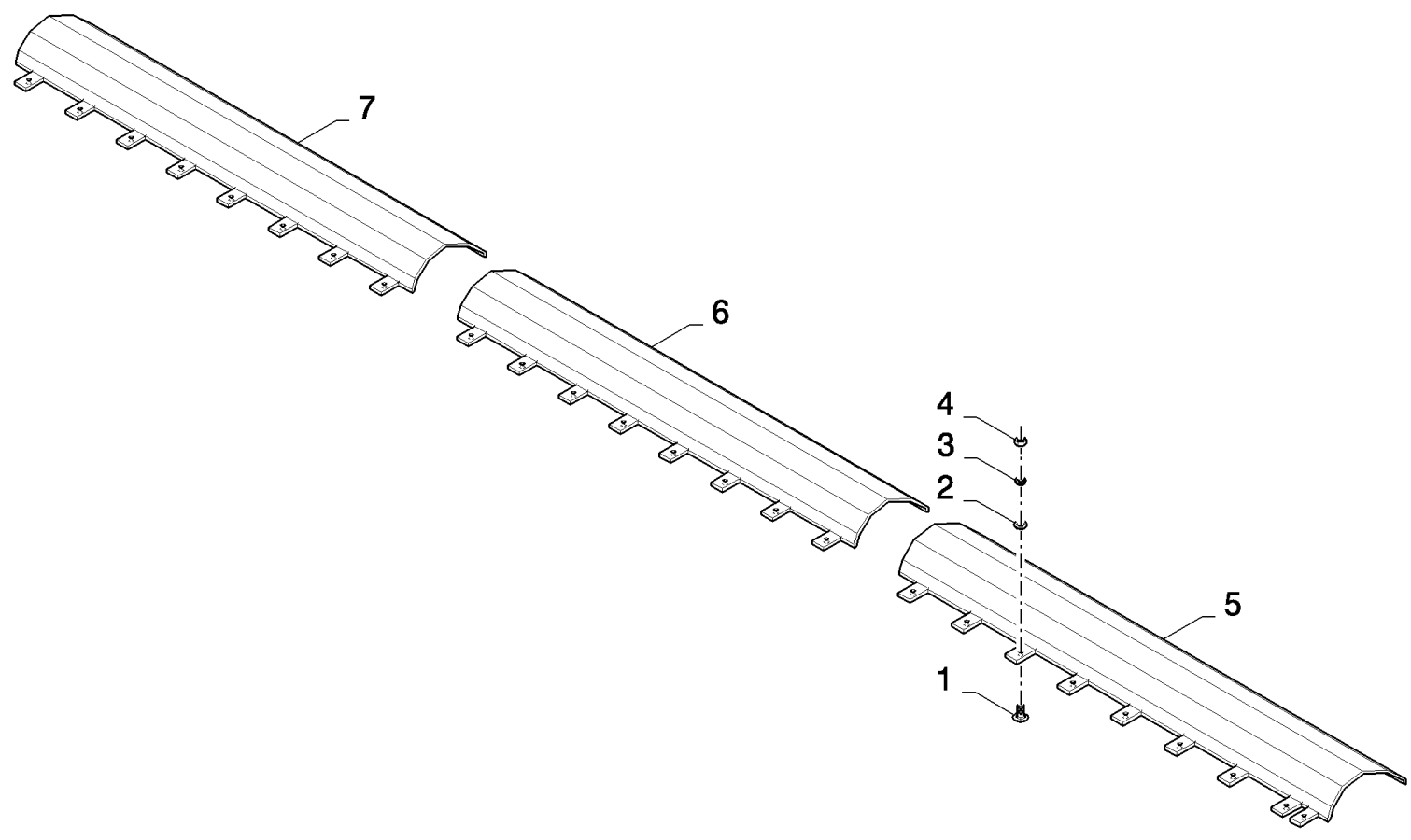
сылка	Номер детали	Кол-во	Описание
	84095941	1	DIA KIT, HARVESTER,
1	100016	22	NUT, M10, CI 8,
2	140045	14	WASHER, SPRING, Belleville, M10,
3	916898	2	PLATE, STEEL,
4	86512446	2	BOLT, CARRIAGE, Short NK, M10 x 30, CI8.8, Full Thd,
5	130007	2	PIN, SPLIT (COTTER), M4 x 25,
6	230109	2	CHAIN,
7	80323239	2	HOOK,
8	412180	2	NUT, LOCK, M20 x 2.5, CI 8, M20
9	84440671	1	TUBE, LH
9	84440673	1	TUBE, RH
10	84440661	1	TUBE, LH
10	84440654	1	TUBE, RH
11	100038	2	SAFETY NUT, M12 x 1.75, CI 8,
12	180039	2	SPRING,
13	86508581	2	BOLT, Hex, M12 x 90, 8.8,
14	43140	12	BOLT, Hex, M10 x 30, 8.8, Full Thd,
15	89706704	4	SCREW, M10x35
16	338927	2	SUPPORT,
17	331887	2	HANDLE, LOCKING,
18	482917	2	HINGE,
19	338939	2	ROD, ADJUSTMENT,
20	412685	2	PIN, SPLIT (COTTER), M4 x 32,
21	84814368	4	EXTENSION,
22	300383	4	BOLT, Hex, M10 x 16, 8.8, Full Thd,
23	84814378	2	DEFLECTOR,
24	84814369	2	DIVIDER,
25	84814371	2	DIVIDER POINT,
26	140048	2	WASHER, SPRING, Belleville, M16,
27	100020	2	NUT, M16, CI 8,
28	84814376	1	ARM, LH
28	84814374	1	ARM, RH
29	43130	2	BOLT, Hex, M8 x 50, 8.8,
30	322358	2	WASHER, SPRING, Belleville, M8,
31	84814382	2	DIVIDER POINT,
32	89832679	2	PIN, SPLIT (COTTER),
33	84455624	2	TUBE, PLASTIC-RUBBER,



2030 COMBINE HEADER (1/02-)

18.84095942(01) FIXED SHORT DIVIDERS

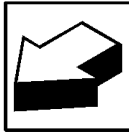
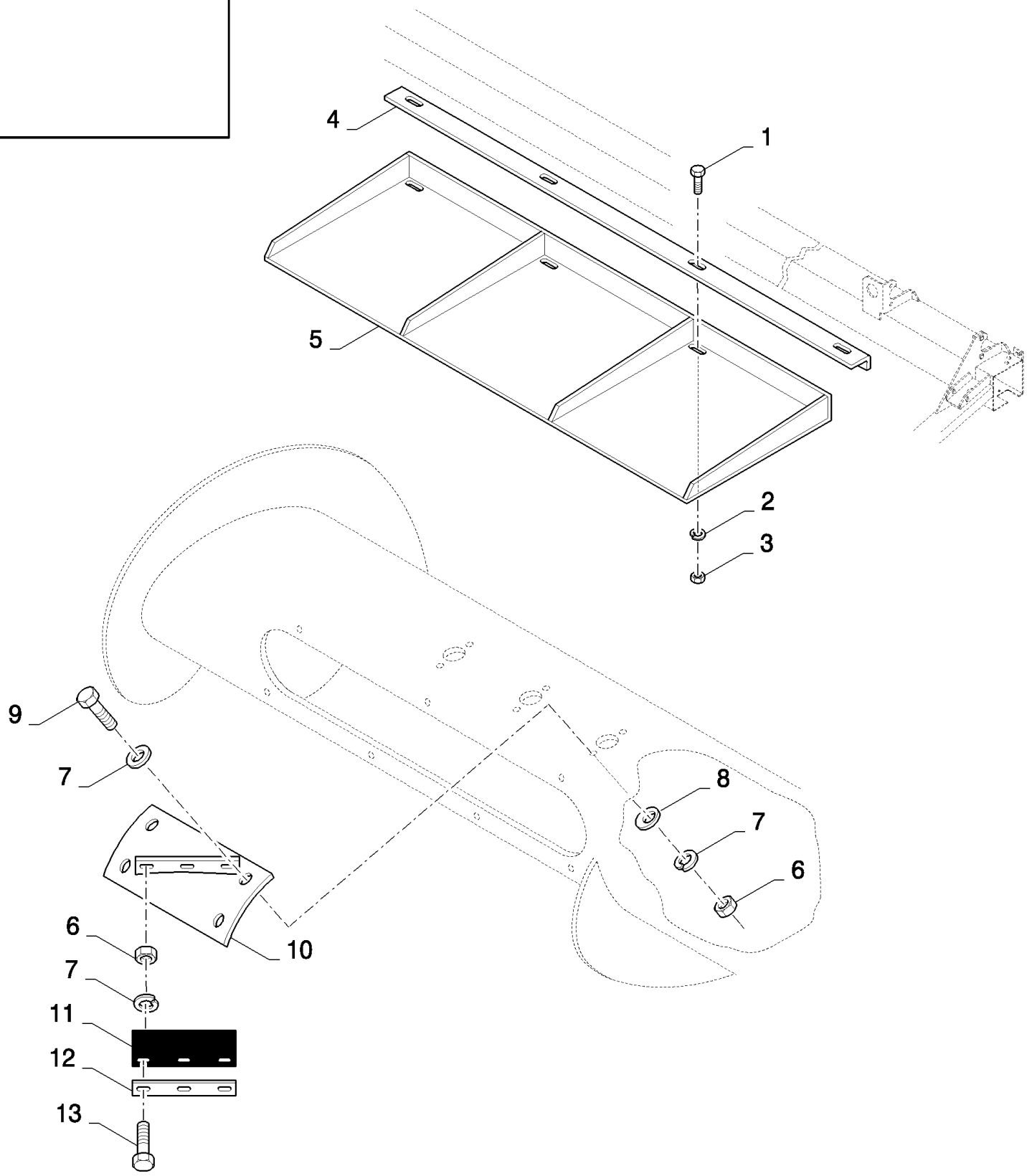
сылка	Номер детали	Кол-во	Описание
	84095942	1	DIA KIT, HARVESTER,
1	120104	5	BOLT, Hex, M8 x 20, 8.8,
2	378243	4	WASHER, M8,
3	322358	12	WASHER, SPRING, Belleville, M8,
4	89706690	12	NUT, M8, CI 8,
5	86507486	7	BOLT, CARRIAGE, Short NK, M8 x 20, CI8.8, Full Thd,
6	84440679	1	GUIDE,
7	84814329	1	DIVIDER POINT, LH
7	84814328	1	DIVIDER POINT, RH



2030 COMBINE HEADER (1/02-)

18.84095972(01) STONE PROTECTION

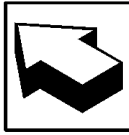
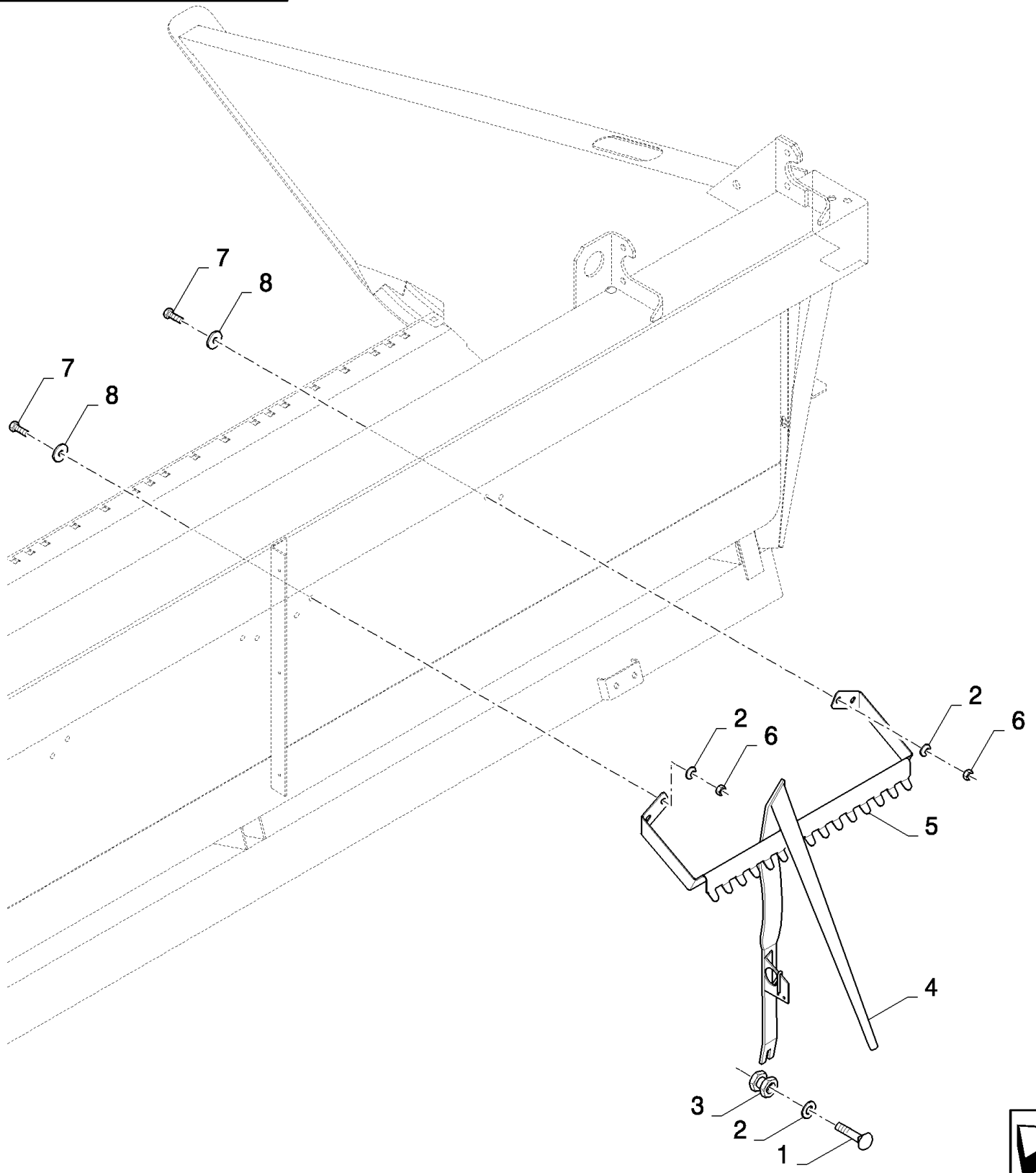
сылка	Номер детали	Кол-во	Описание
	84095972	1	DIA KIT, HARVESTER,
1	86507486	25	BOLT, CARRIAGE, Short NK, M8 x 20, CI8.8, Full Thd,
2	140041	25	WASHER, M8 x 28 x 3,
3	322358	25	WASHER, SPRING, Belleville, M8,
4	9706690	25	NUT, M8, CI 8,
5	84814547	1	PROFILE,
6	84814546	1	PROFILE,
7	84814544	1	PROFILE,



2030 COMBINE HEADER (1/02-)

18.84095973(01) SWEEPERS

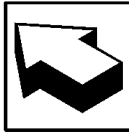
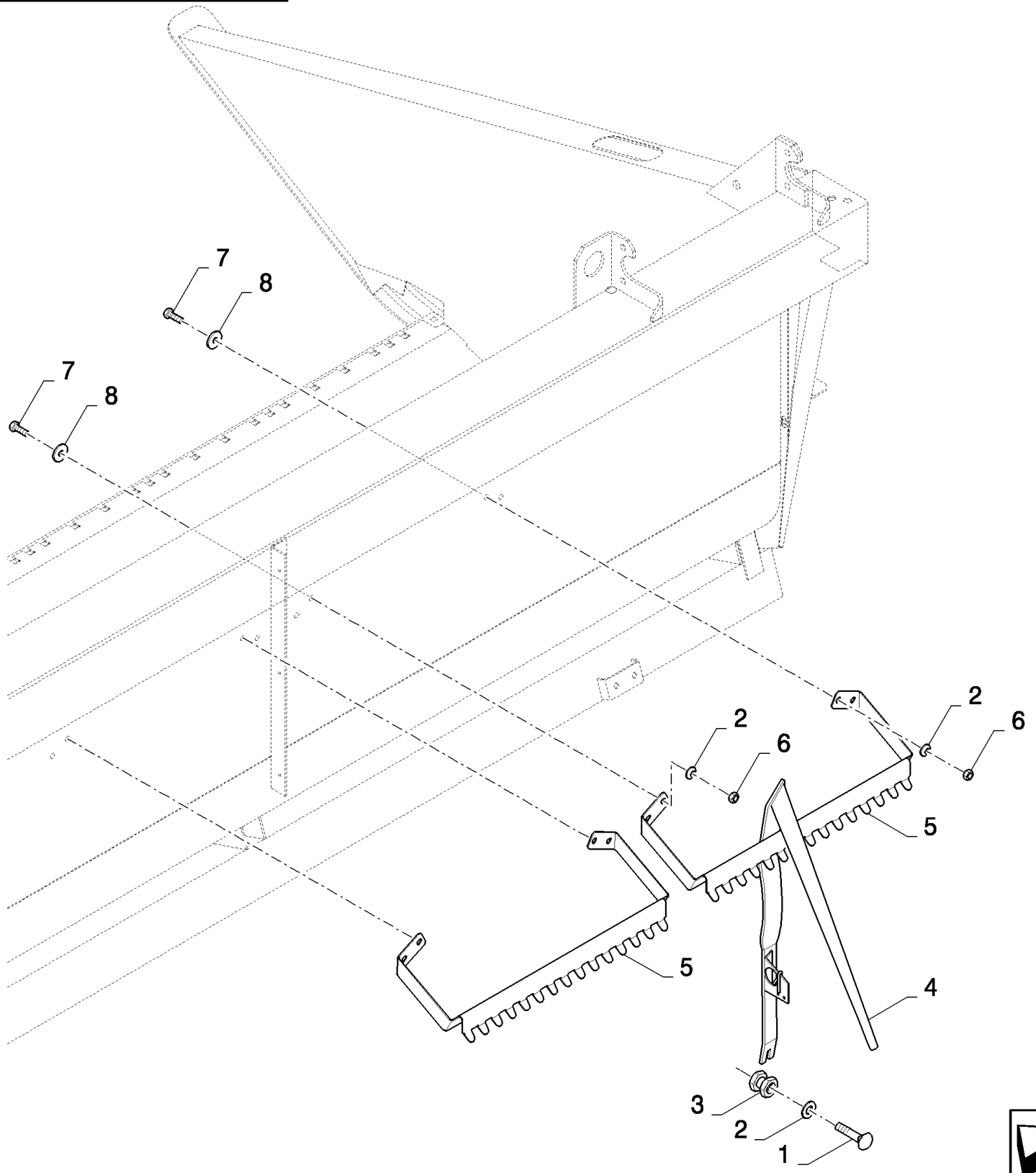
сылка	Номер детали	Кол-во	Описание
	84095973	1	DIA KIT, HARVESTER,
1	43138	4	SCREW, Hex, M10 x 20, 8.8, Full Thd,
2	140045	4	WASHER, SPRING, Belleville, M10,
3	100016	4	NUT, M10, CI 8,
4	89508483	1	BAR PLATE,
5	84814532	1	GUARD,
6	9706755	49	NUT, M6, CI 8, M6
7	322357	77	WASHER, SPRING, Belleville, M6,
8	140040	28	WASHER, M6 x 22 x 2,
9	86508568	28	BOLT, Hex, M6 x 16, 8.8,
10	84441114	4	SUPPORT, LH
10	84441109	3	SUPPORT, RH
11	80190149	7	CANVAS,
12	80488394	7	PLATE,
13	43117	21	BOLT, Hex, M6 x 30, 8.8,



2030 COMBINE HEADER (1/02-)

18.84095975(01) CROPLIFTER SET

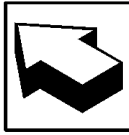
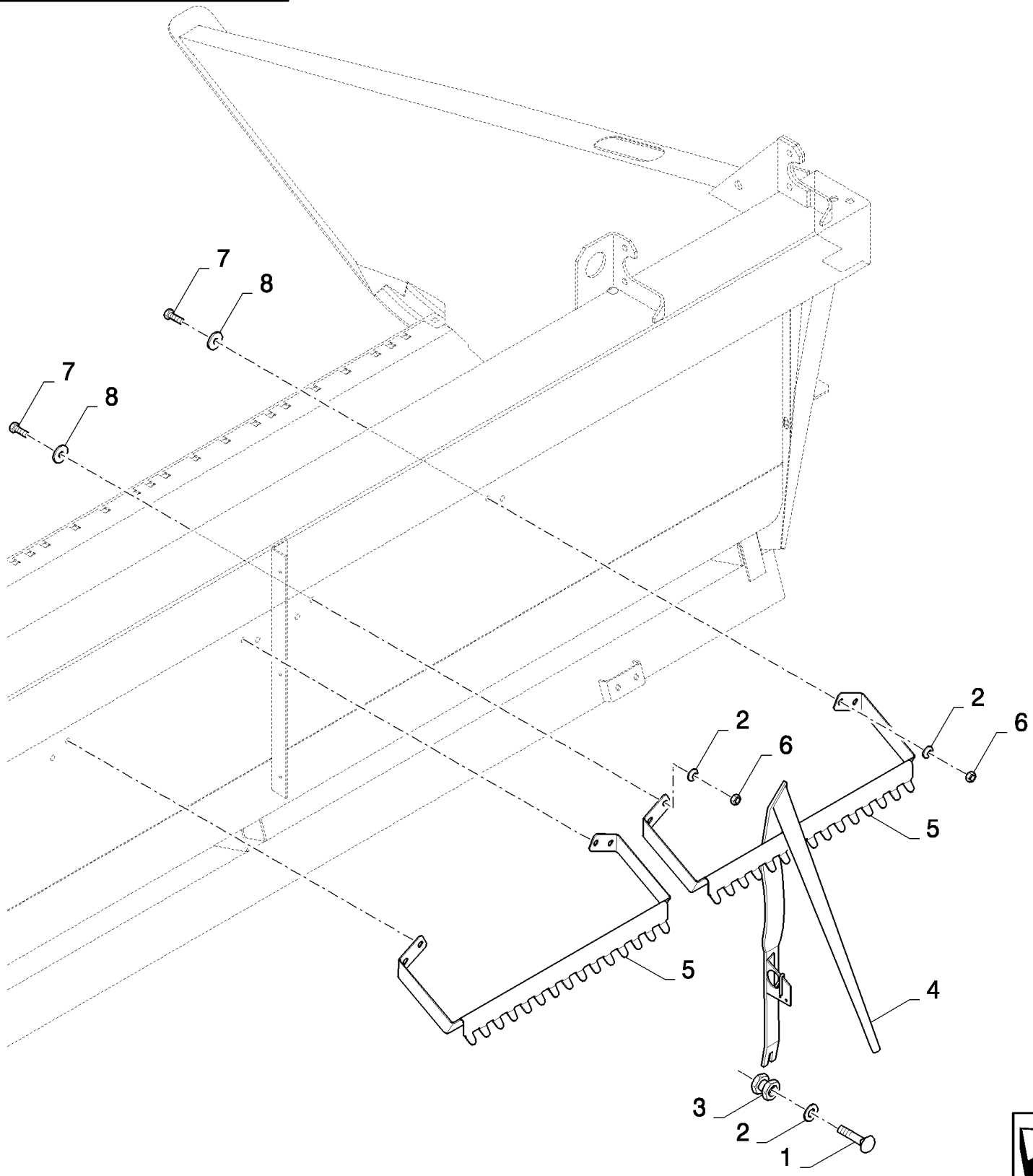
сылка	Номер детали	Кол-во	Описание
	84095975	1	DIA KIT, HARVESTER,
1	374892	14	BOLT, CARRIAGE, Short NK, M10 x 40, CI8.8, Full Thd,
2	140045	18	WASHER, SPRING, Belleville, M10,
3	89514326	14	NUT,
4	84814554	14	CROP LIFTER,
5	84441549	1	SUPPORT,
6	100016	4	NUT, M10, CI 8,
7	43138	4	SCREW, Hex, M10 x 20, 8.8, Full Thd,
8	140042	4	WASHER, M10 x 34 x 3,



2030 COMBINE HEADER (1/02-)

18.84095976(01) CROPLIFTER SET

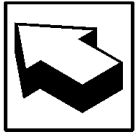
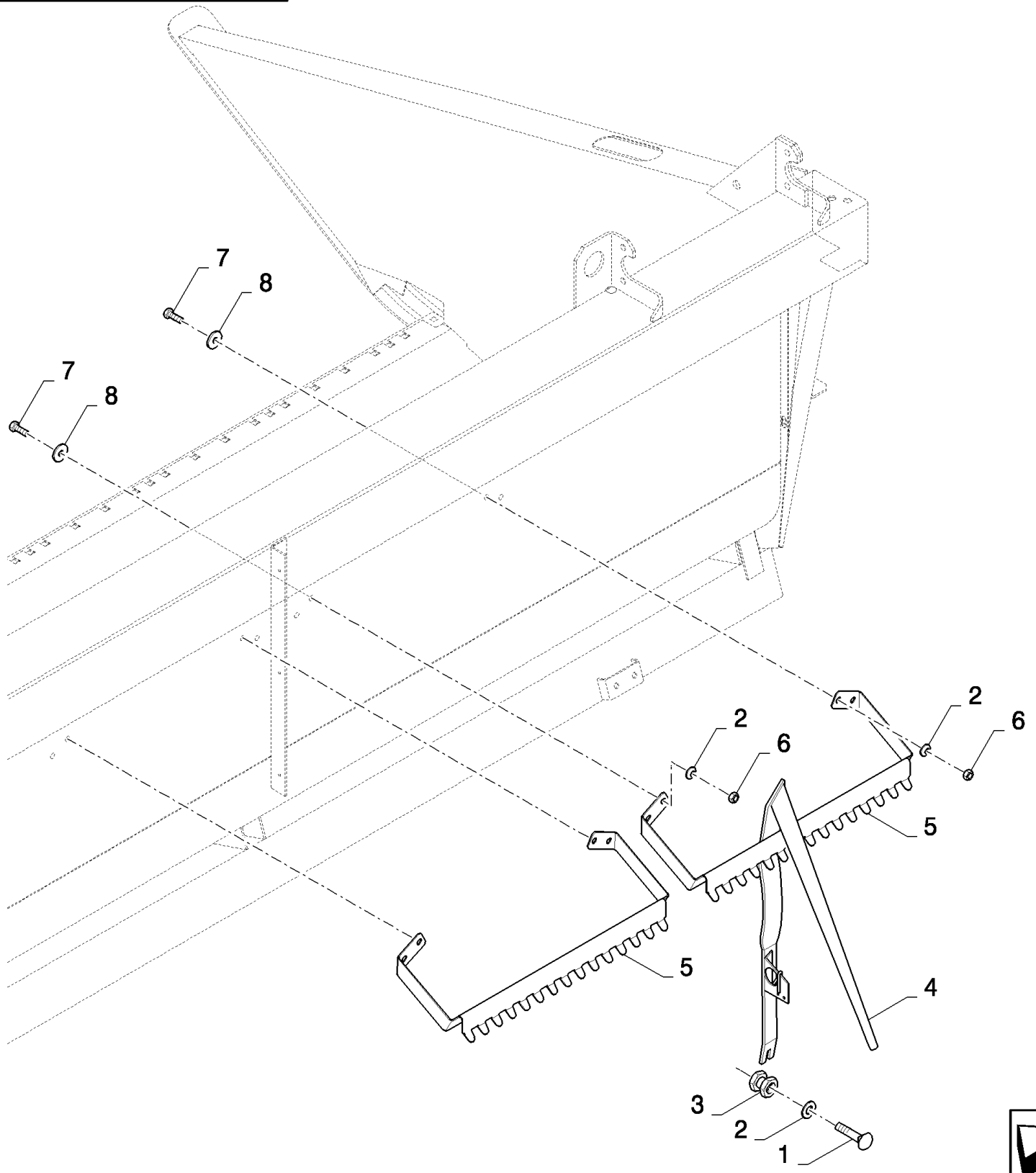
сылка	Номер детали	Кол-во	Описание
	84095976	1	DIA KIT, HARVESTER,
1	374892	16	BOLT, CARRIAGE, Short NK, M10 x 40, CI8.8, Full Thd,
2	140045	24	WASHER, SPRING, Belleville, M10,
3	89514326	16	NUT,
4	84814554	16	CROP LIFTER,
5	84441549	2	SUPPORT,
6	100016	8	NUT, M10, CI 8,
7	43138	8	SCREW, Hex, M10 x 20, 8.8, Full Thd,
8	140042	8	WASHER, M10 x 34 x 3,



2030 COMBINE HEADER (1/02-)

18.84095977(01) CROPLIFTER SET

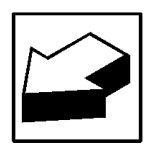
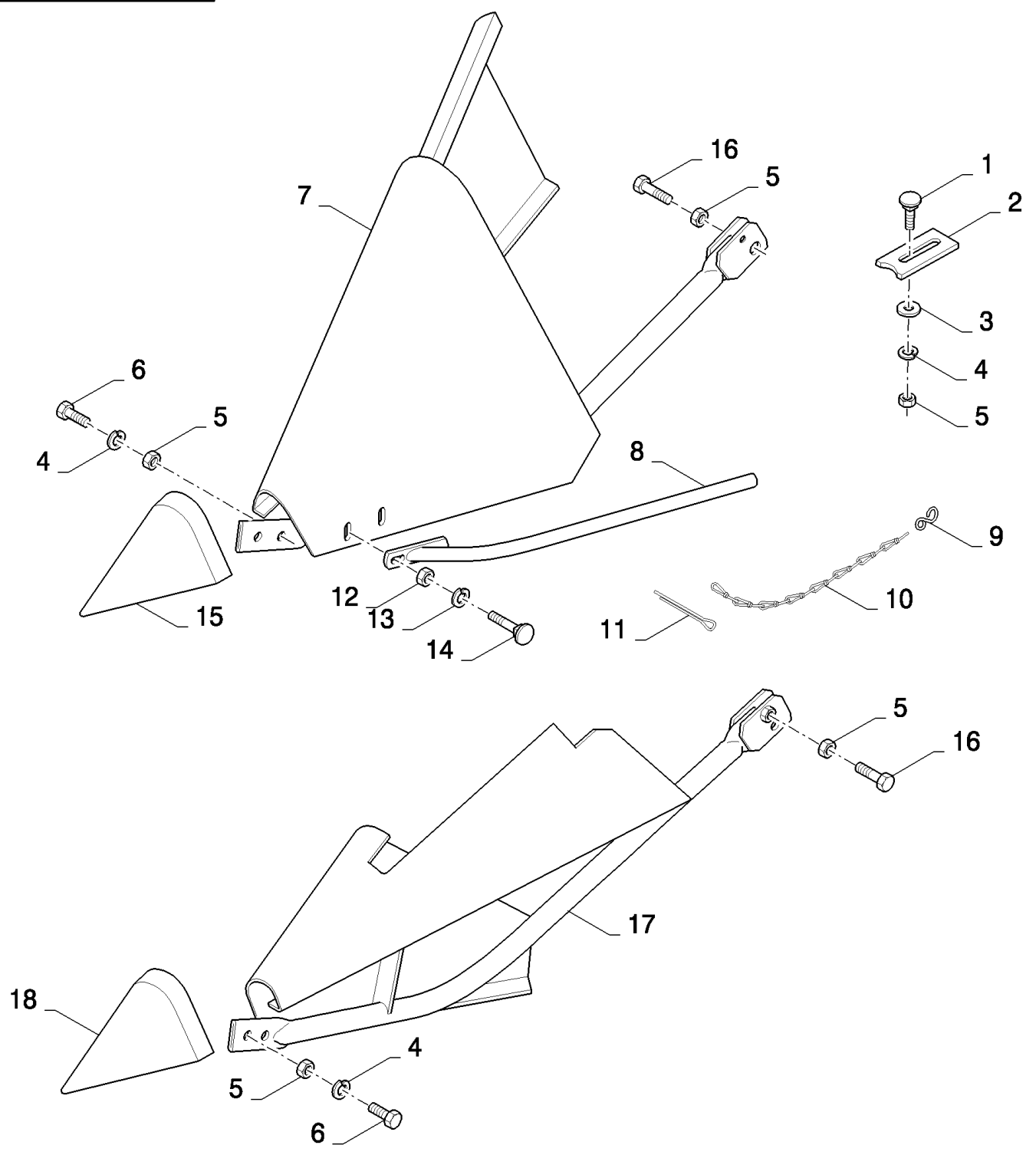
сылка	Номер детали	Кол-во	Описание
	84095977	1	DIA KIT, HARVESTER,
1	374892	19	BOLT, CARRIAGE, Short NK, M10 x 40, CI8.8, Full Thd,
2	140045	27	WASHER, SPRING, Belleville, M10,
3	89514326	19	NUT,
4	84814554	19	CROP LIFTER,
5	84441549	2	SUPPORT,
6	100016	8	NUT, M10, CI 8,
7	43138	8	SCREW, Hex, M10 x 20, 8.8, Full Thd,
8	140042	8	WASHER, M10 x 34 x 3,



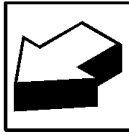
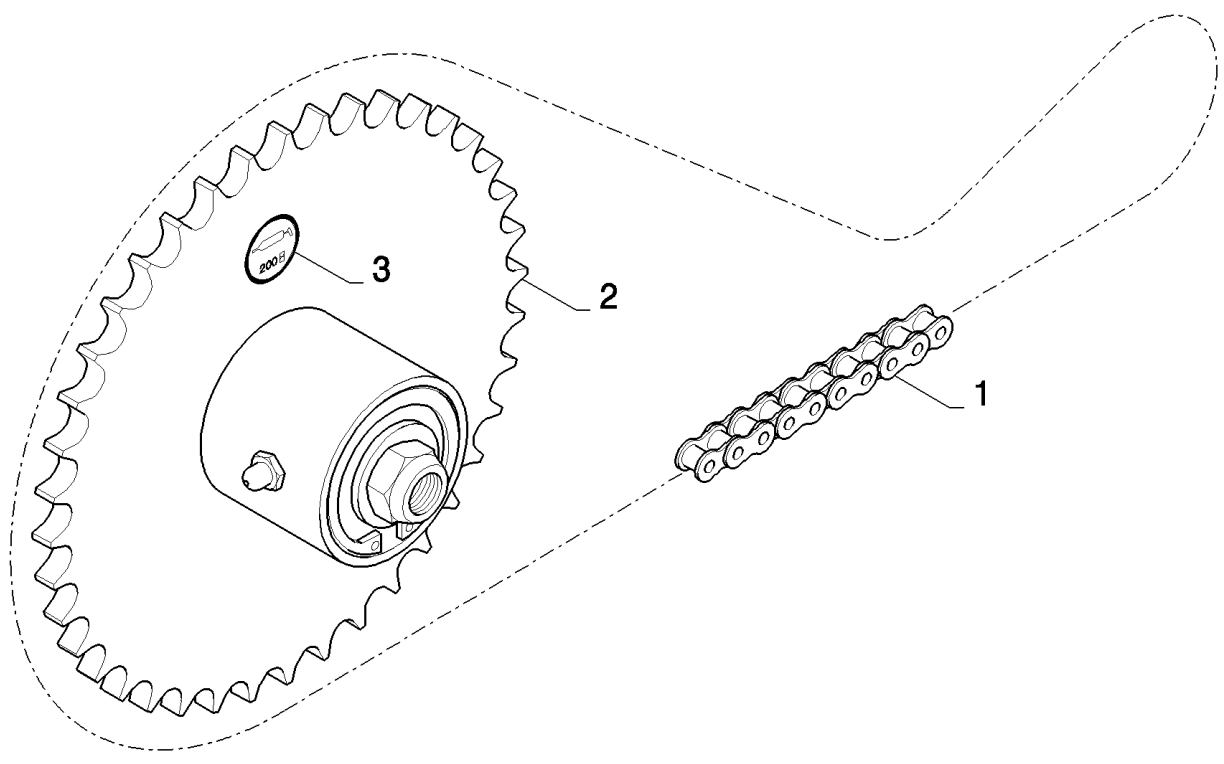
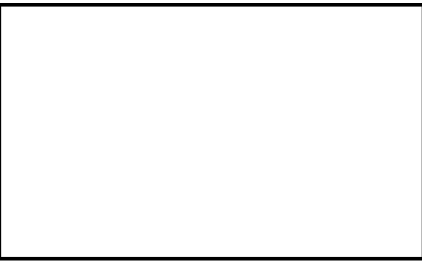
2030 COMBINE HEADER (1/02-)

18.84095978(01) CROPLIFTER SET

сылка	Номер детали	Кол-во	Описание
	84095978	1	DIA KIT, HARVESTER,
1	374892	23	BOLT, CARRIAGE, Short NK, M10 x 40, CI8.8, Full Thd,
2	140045	31	WASHER, SPRING, Belleville, M10,
3	89514326	23	NUT,
4	84814554	23	CROP LIFTER,
5	84441549	2	SUPPORT,
6	100016	8	NUT, M10, CI 8,
7	43138	8	SCREW, Hex, M10 x 20, 8.8, Full Thd,
8	140042	8	WASHER, M10 x 34 x 3,



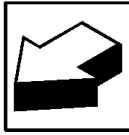
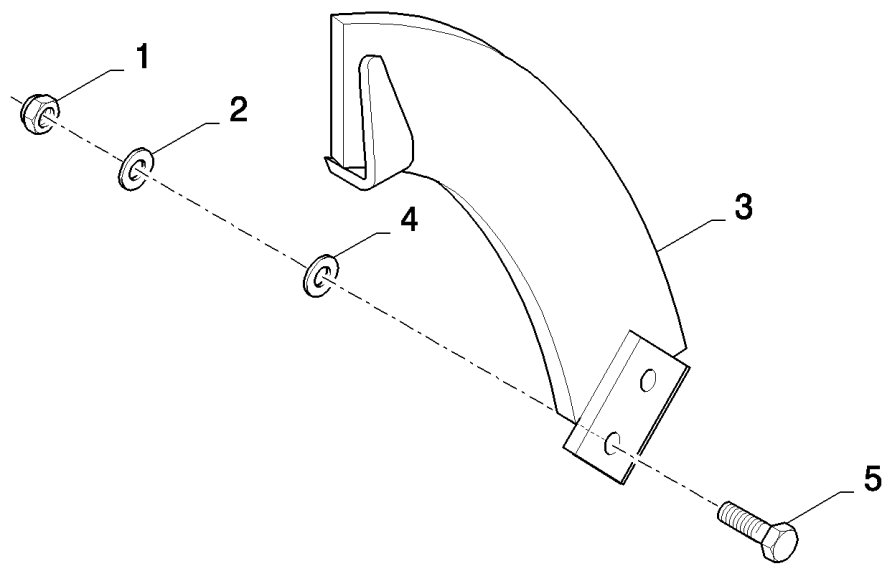
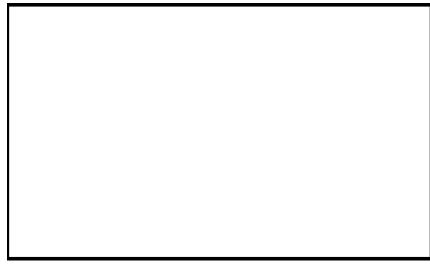
сылка	Номер детали	Кол-во	Описание
	84095979	1	DIA KIT, HARVESTER,
1	338949	2	BOLT, CARRIAGE, Short NK, M10 x 25, CI8.8, Full Thd,
2	916898	2	PLATE, STEEL,
3	140042	2	WASHER, M10 x 34 x 3,
4	140045	6	WASHER, SPRING, Belleville, M10,
5	100016	8	NUT, M10, CI 8,
6	43139	4	SCREW, M10x25
7	84814441	1	DIVIDER, RH
8	84814439	1	GUIDE,
9	80323239	2	HOOK,
10	230109	2	CHAIN,
11	130007	2	PIN, SPLIT (COTTER), M4 x 25,
12	89706690	2	NUT, M8, CI 8,
13	322358	2	WASHER, SPRING, Belleville, M8,
14	308761	2	BOLT, CARRIAGE, Short NK, M8 x 25, CI8.8, Full Thd,
15	84814437	1	DIVIDER POINT, RH
16	43140	2	BOLT, Hex, M10 x 30, 8.8, Full Thd,
17	84814440	1	DIVIDER, LH
18	84814438	1	DIVIDER POINT, LH



2030 COMBINE HEADER (1/02-)

18.84096566(01) LOW RPM TINE AUGER

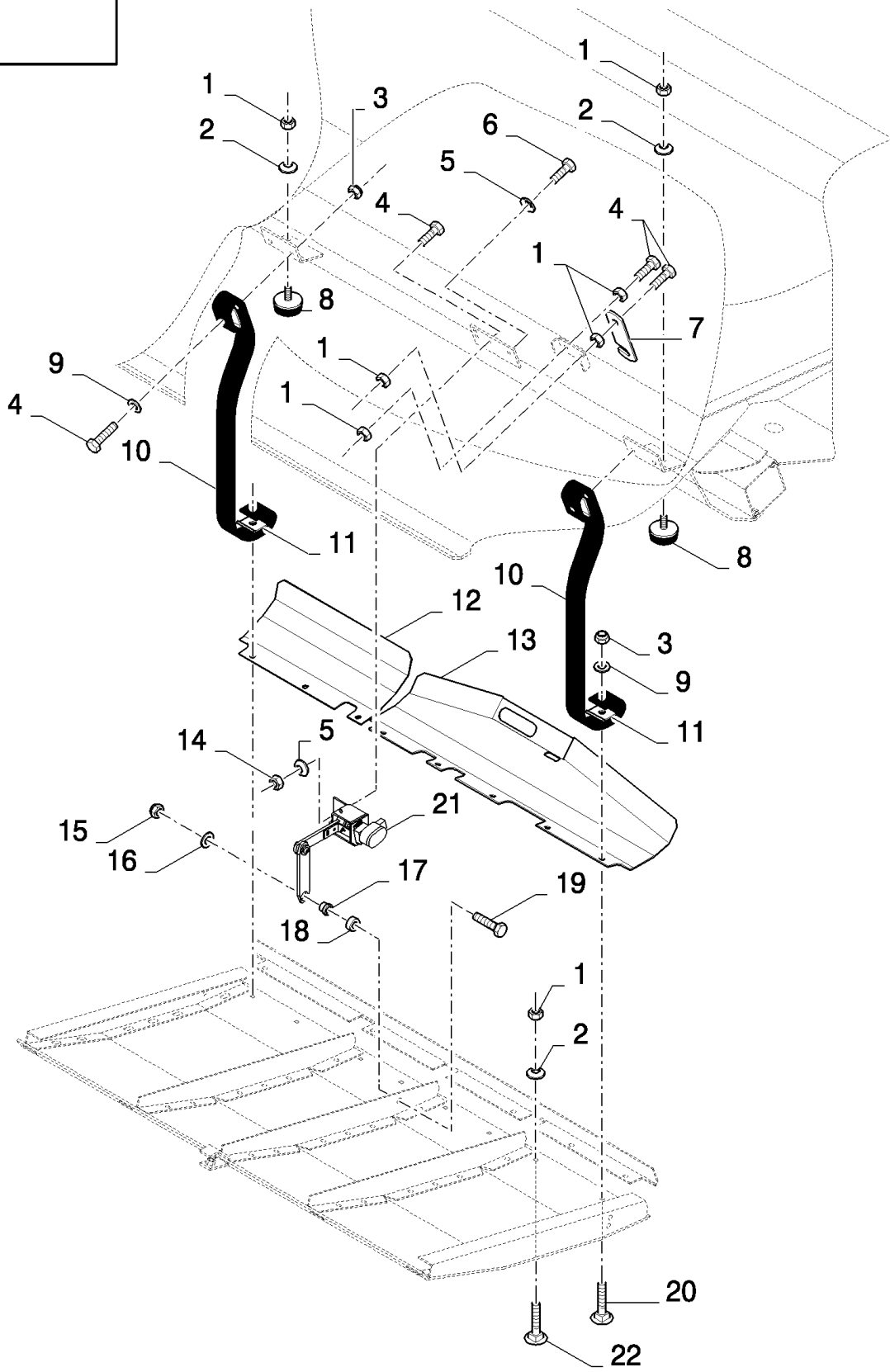
сылка	Номер детали	Кол-во	Описание
	84096566	1	DIA KIT, HARVESTER,
1	84058834	1	CHAIN,
2	84453595	1	CLUTCH,
3	84334810	1	DECAL,



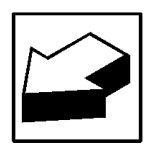
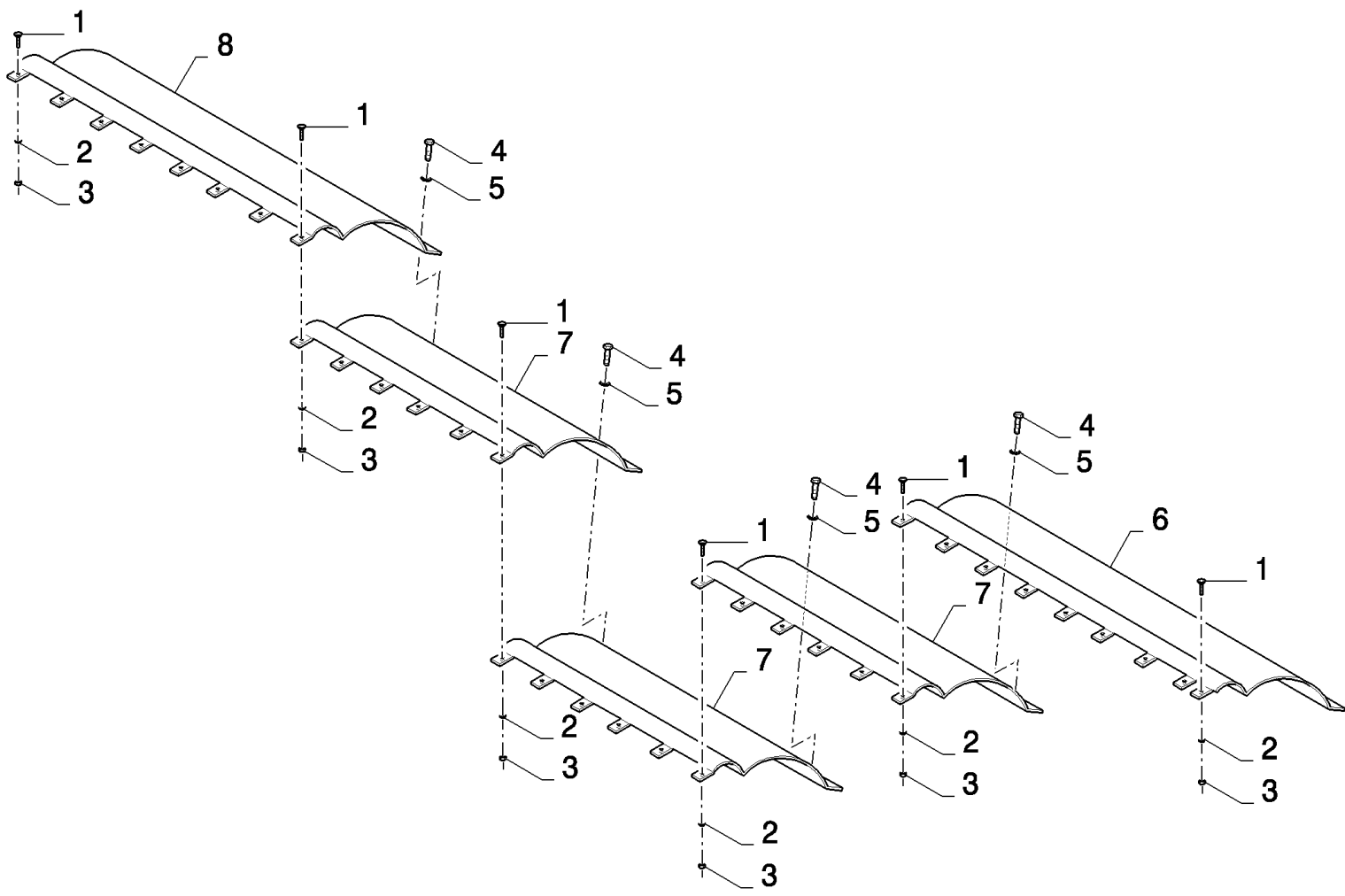
2030 COMBINE HEADER (1/02-)

18.84096820(01) ADD ON AUGER EXTENSION

сылка	Номер детали	Кол-во	Описание
	84096820	1	DIA KIT, HARVESTER,
1	9706690	6	NUT, M8, CI 8,
2	140041	2	WASHER, M8 x 28 x 3,
3	84098424	1	AUGER FLIGHT, RH
3	84098426	1	AUGER FLIGHT, LH
4	322358	6	WASHER, SPRING, Belleville, M8,
5	120104	6	BOLT, Hex, M8 x 20, 8.8,



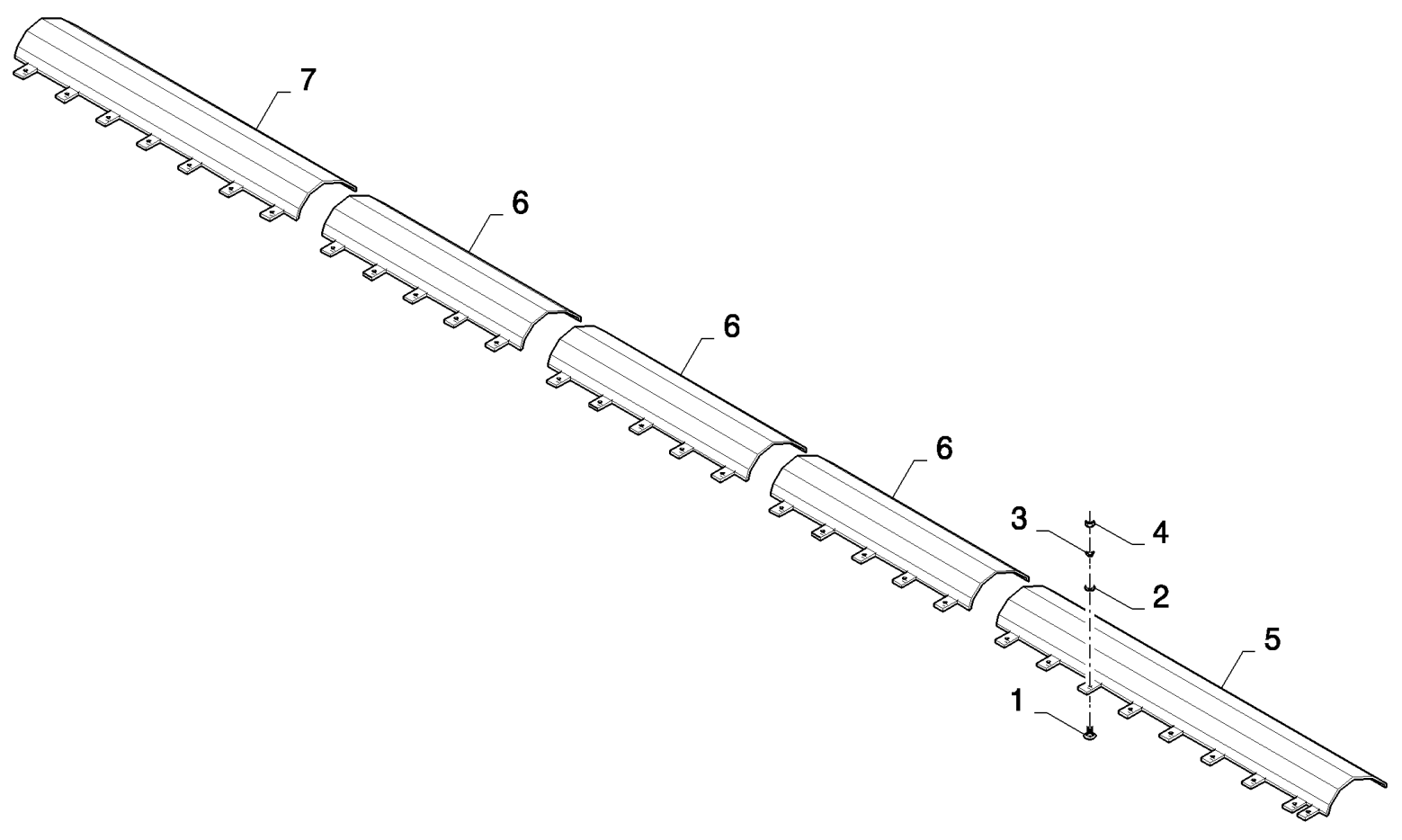
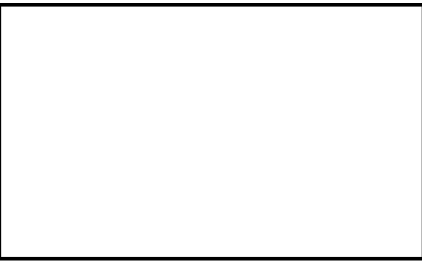
сылка	Номер детали	Кол-во	Описание
	84096829	1	AF SENSORS L/WIRES,
1	100016	14	NUT, M10, CI 8,
2	140045	6	WASHER, SPRING, Belleville, M10,
3	100037	8	NUT, M10 x 1.5, CI 8,
4	43140	8	BOLT, Hex, M10 x 30, 8.8, Full Thd,
5	322358	4	WASHER, SPRING, Belleville, M8,
6	120104	4	BOLT, Hex, M8 x 20, 8.8,
7	84036082	2	LOCK,
8	190029	4	INSULATOR BLOCK,
9	140042	8	WASHER, M10 x 34 x 3,
10	84032833	4	BAND,
11	84036081	8	CLAMP,
12	84098590	2	PLATE,
13	84098586	2	PLATE,
14	89706690	2	NUT, M8, CI 8,
15	86629542	2	NUT, LOCK, M8 x 1.25, CI 8,
16	86592699	2	WASHER, M6 x 23 x 4, HT, 8MM
17	89847466	2	BUSHING,
18	335873	2	SPACER,
19	43129	2	BOLT, Hex, M8 x 40, 8.8,
20	86512446	4	BOLT, CARRIAGE, Short NK, M10 x 30, CI8.8, Full Thd,
21	84098587	2	
22	120041	2	BOLT, CARRIAGE, Short NK, M10 x 20, CI8.8, Full Thd,



2030 COMBINE HEADER (1/02-)

18.84110401(01) FEEDING PLATE

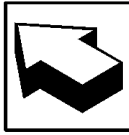
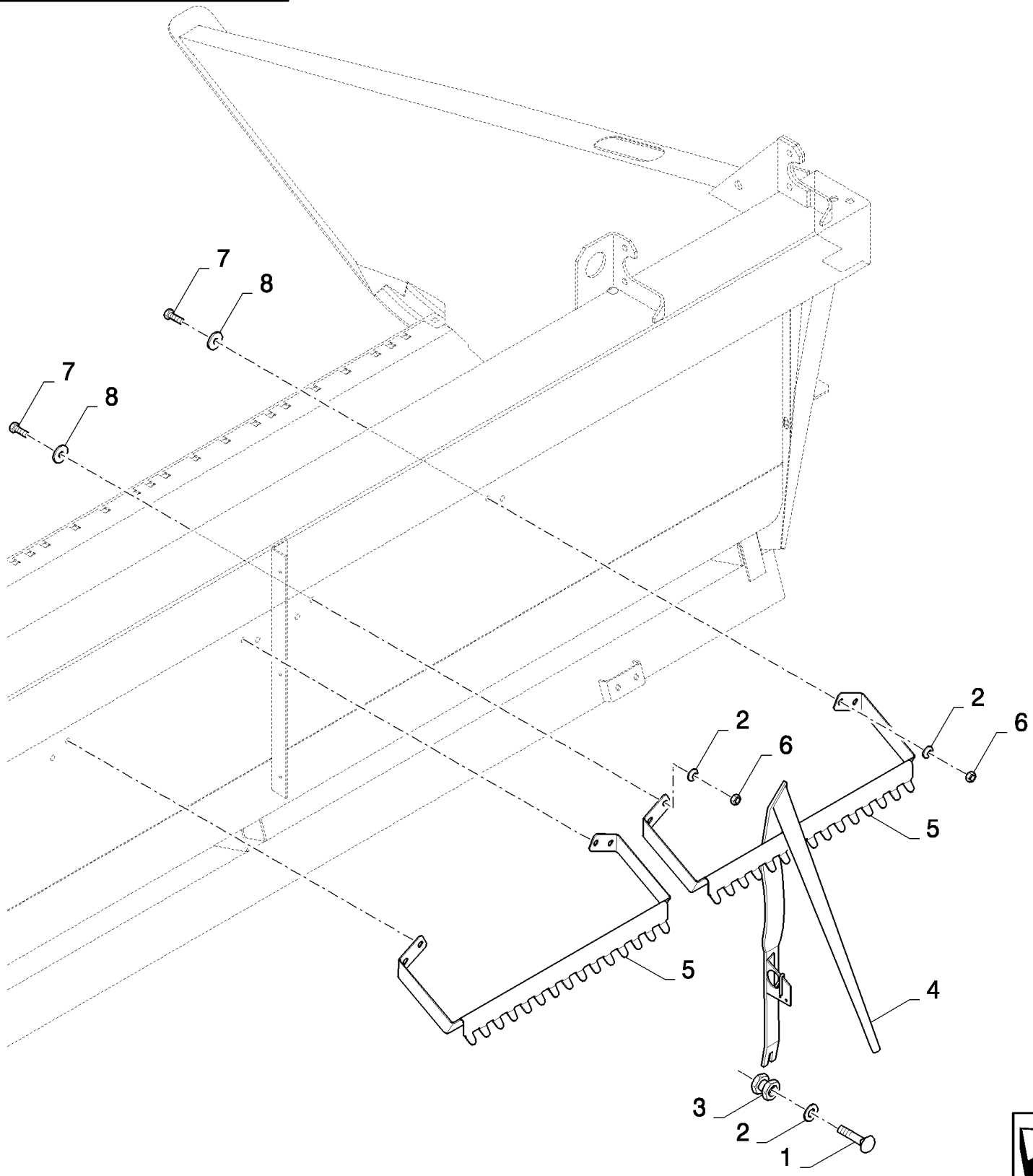
сылка	Номер детали	Кол-во	Описание
	84110401	1	DIA KIT, HARVESTER,
1	86507486	31	BOLT, CARRIAGE, Short NK, M8 x 20, CI8.8, Full Thd,
2	322358	31	WASHER, SPRING, Belleville, M8,
3	9706690	31	NUT, M8, CI 8,
4	412684	32	SCREW, M6x13
5	140015	32	WASHER, 6MM
6	84441120	1	PLATE,
7	84441142	3	PLATE,
8	84441125	1	PLATE,



2030 COMBINE HEADER (1/02-)

18.84110406(01) STONE PROTECTION

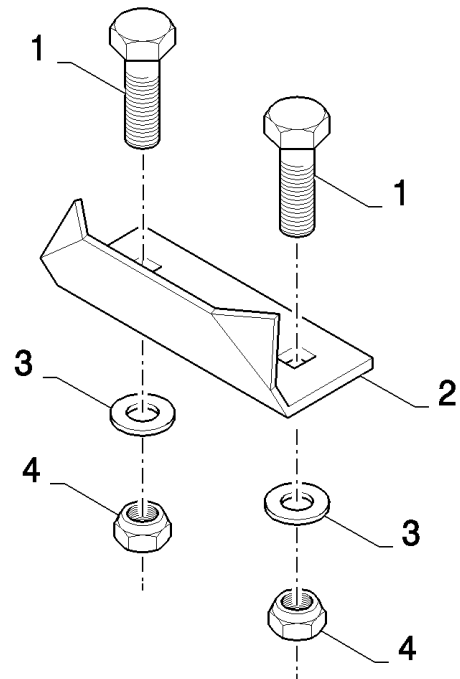
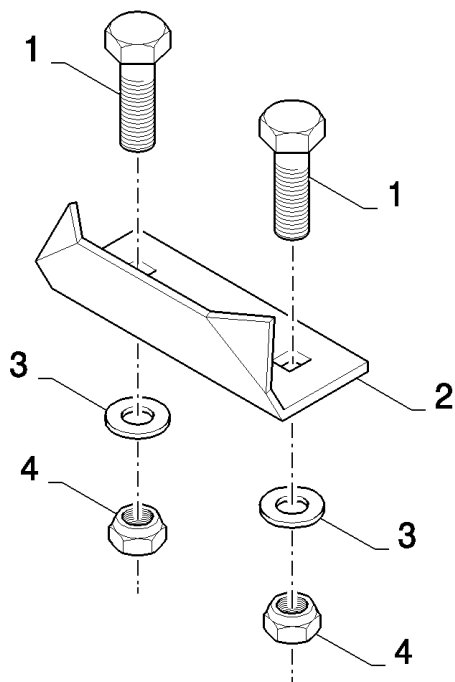
сылка	Номер детали	Кол-во	Описание
	84110406	1	DIA KIT, HARVESTER,
1	86507486	31	BOLT, CARRIAGE, Short NK, M8 x 20, CI8.8, Full Thd,
2	140041	31	WASHER, M8 x 28 x 3,
3	322358	31	WASHER, SPRING, Belleville, M8,
4	9706690	31	NUT, M8, CI 8,
5	84814547	1	PROFILE,
6	84814549	3	PROFILE,
7	84814550	1	PROFILE,



2030 COMBINE HEADER (1/02-)

18.84110407(01) CROPLIFTER SET

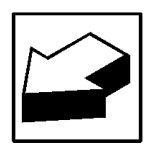
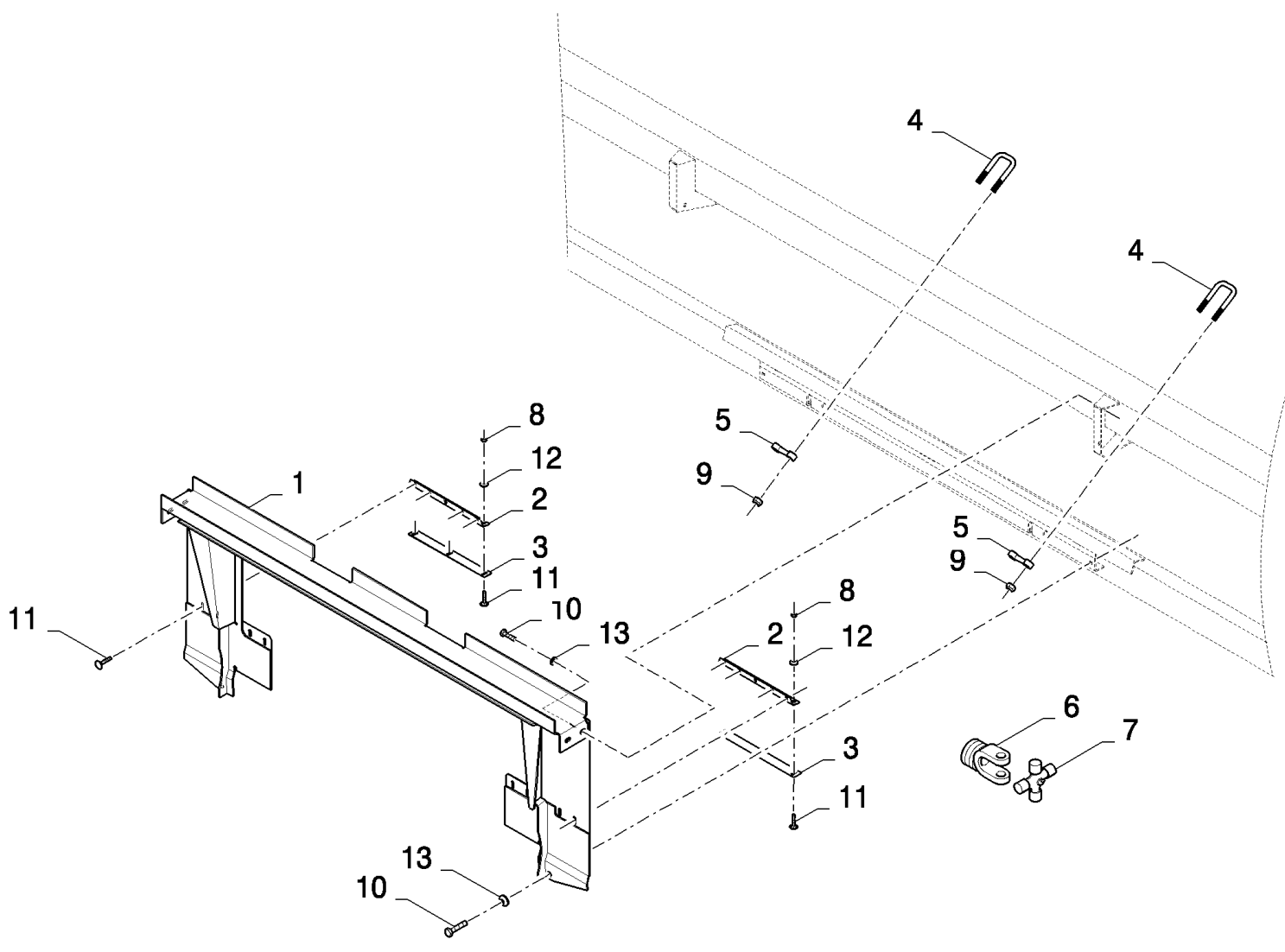
сылка	Номер детали	Кол-во	Описание
	84110407	1	DIA KIT, HARVESTER,
1	374892	29	BOLT, CARRIAGE, Short NK, M10 x 40, CI8.8, Full Thd,
2	140045	37	WASHER, SPRING, Belleville, M10,
3	9514326	29	
4	84814554	29	CROP LIFTER,
5	84441549	2	SUPPORT,
6	100016	8	NUT, M10, CI 8,
7	43138	8	SCREW, Hex, M10 x 20, 8.8, Full Thd,
8	140042	8	WASHER, M10 x 34 x 3,



2030 COMBINE HEADER (1/02-)

18.84110554(01) CROP DISTRIBUTION KIT

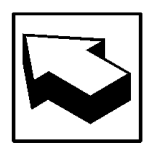
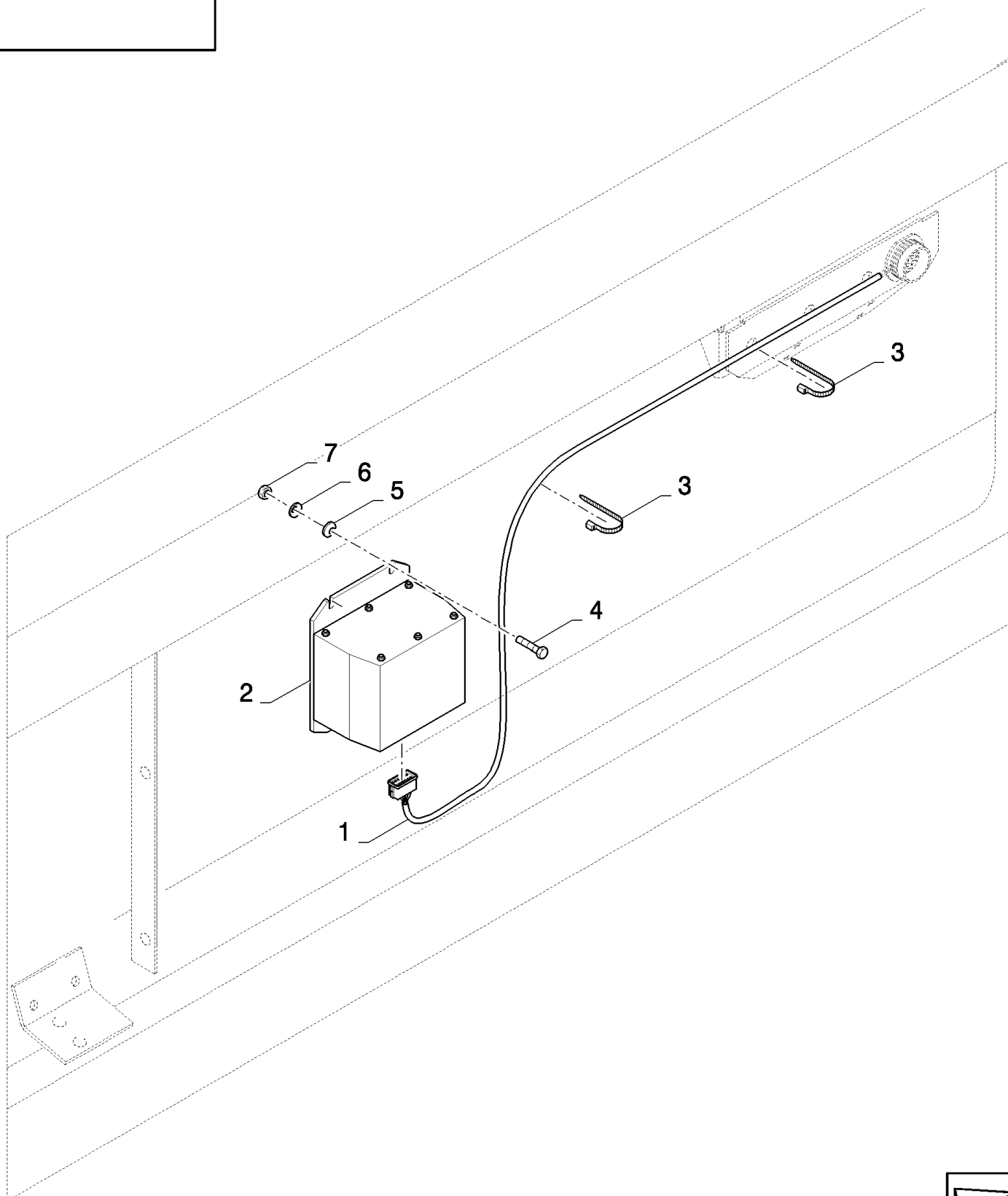
сылка	Номер детали	Кол-во	Описание
	84110554	1	CROP DISTRIBUTION KIT,
1	86512446	4	BOLT, CARRIAGE, Short NK, M10 x 30, CI8.8, Full Thd,
2	84448194	2	
3	140045	4	WASHER, SPRING, Belleville, M10,
4	100016	4	NUT, M10, CI 8,



2030 COMBINE HEADER (1/02-)

18.84111744(01) ADDITIONAL HEADER PARTS - AXIAL FLOW

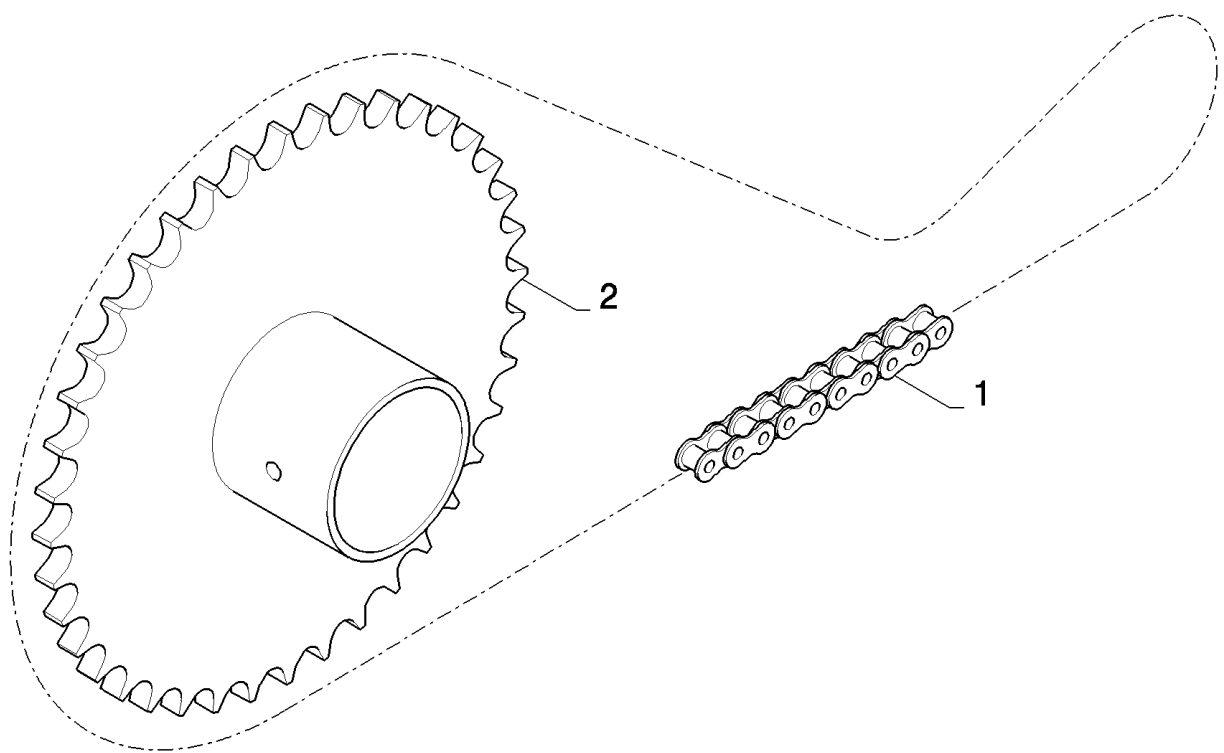
сылка	Номер детали	Кол-во	Описание
	84111744	1	DIA KIT, HARVESTER,
1	84459545	1	ADAPTION,
2	84454948	2	ANGLE,
3	84454947	2	SHIM,
4	84455625	2	U-BOLT,
5	86619254	2	LATCH,
6	84455638	1	YOKE,
7	80161742	1	SPIDER,
8	9706690	14	NUT, M8, CI 8,
9	86000441	4	NUT, LOCK, M16 x 2, CI 8,
10	300388	4	SCREW, Hex, M12 x 25, 8.8, M12x25
11	86507486	14	BOLT, CARRIAGE, Short NK, M8 x 20, CI8.8, Full Thd,
12	322358	14	WASHER, SPRING, Belleville, M8,
13	140046	4	WASHER, SPRING, Belleville, M12,



2030 COMBINE HEADER (1/02-)

18.84112032(01) CONTROL BOX - AXIAL FLOW

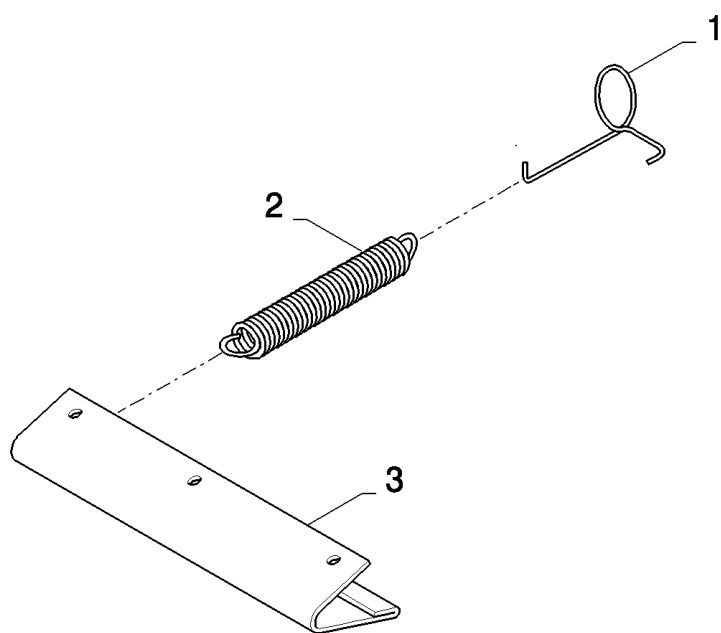
сылка	Номер детали	Кол-во	Описание
	84112032	1	DIA KIT, HARVESTER,
1	84457488	1	HARNESS,
2	84457628	1	MODULE,
3	86566989	2	STRAP, CABLE,
4	120100	4	BOLT, Hex, M6 x 20, 8.8,
5	9824259	4	WASHER, M6 x 12 x 1.6,
6	322357	4	WASHER, SPRING, Belleville, M6,
7	9706755	4	NUT, M6, CI 8, M6



2030 COMBINE HEADER (1/02-)

18.84113158(01) LOW RPM TINE AUGER

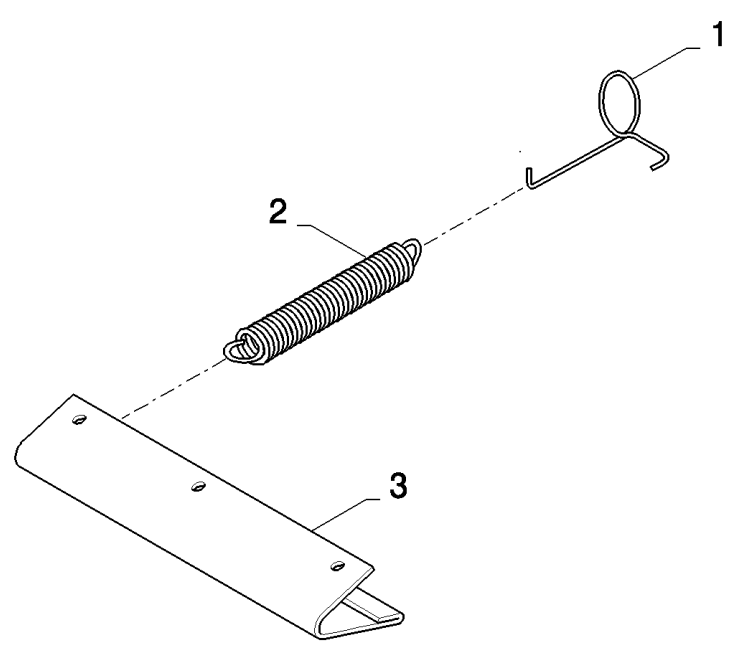
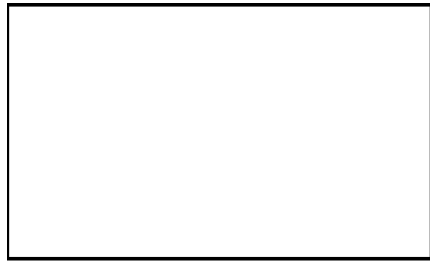
сылка	Номер детали	Кол-во	Описание
	84113158	1	DIA KIT, HARVESTER,
1	84058834	1	CHAIN,
2	84461197	1	SPROCKET, DRIVEN,



2030 COMBINE HEADER (1/02-)

18.89836180(01) KNIFE PROTECTION

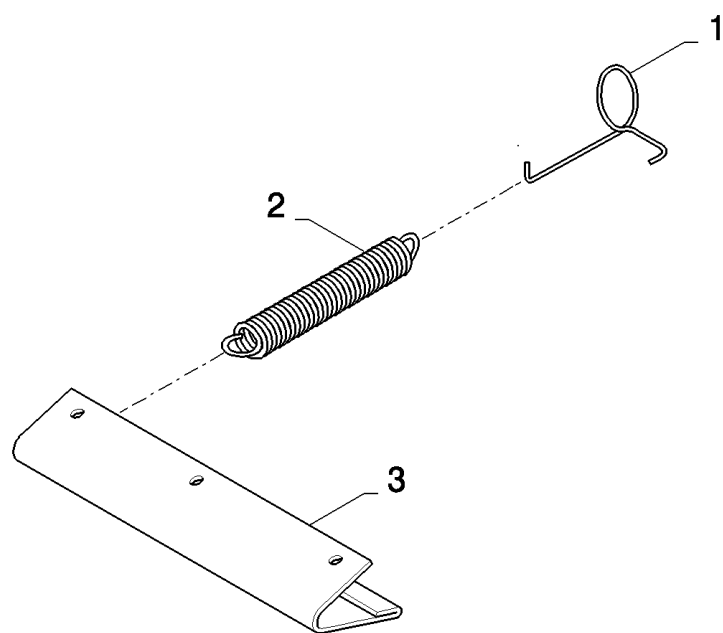
сылка	Номер детали	Кол-во	Описание
	89836180	1	DIA KIT, HARVESTER,
1	89837015	5	HOOK,
2	84814908	5	SPRING,
3	89838588	4	PROTECTION PLATE,



2030 COMBINE HEADER (1/02-)

18.89836181(01) KNIFE PROTECTION

сылка	Номер детали	Кол-во	Описание
	89836181	1	DIA KIT, HARVESTER,
1	89837015	6	HOOK,
2	84814908	6	SPRING,
3	89838588	5	PROTECTION PLATE,



2030 COMBINE HEADER (1/02-)

18.89836182(01) KNIFE PROTECTION

сылка	Номер детали	Кол-во	Описание
	89836182	1	DIA KIT, HARVESTER,
1	89837015	7	HOOK,
2	84814908	7	SPRING,
3	89838588	6	PROTECTION PLATE,

HEADERS

BEC CUEILLEUR

BARRA

SKÆREBORDE

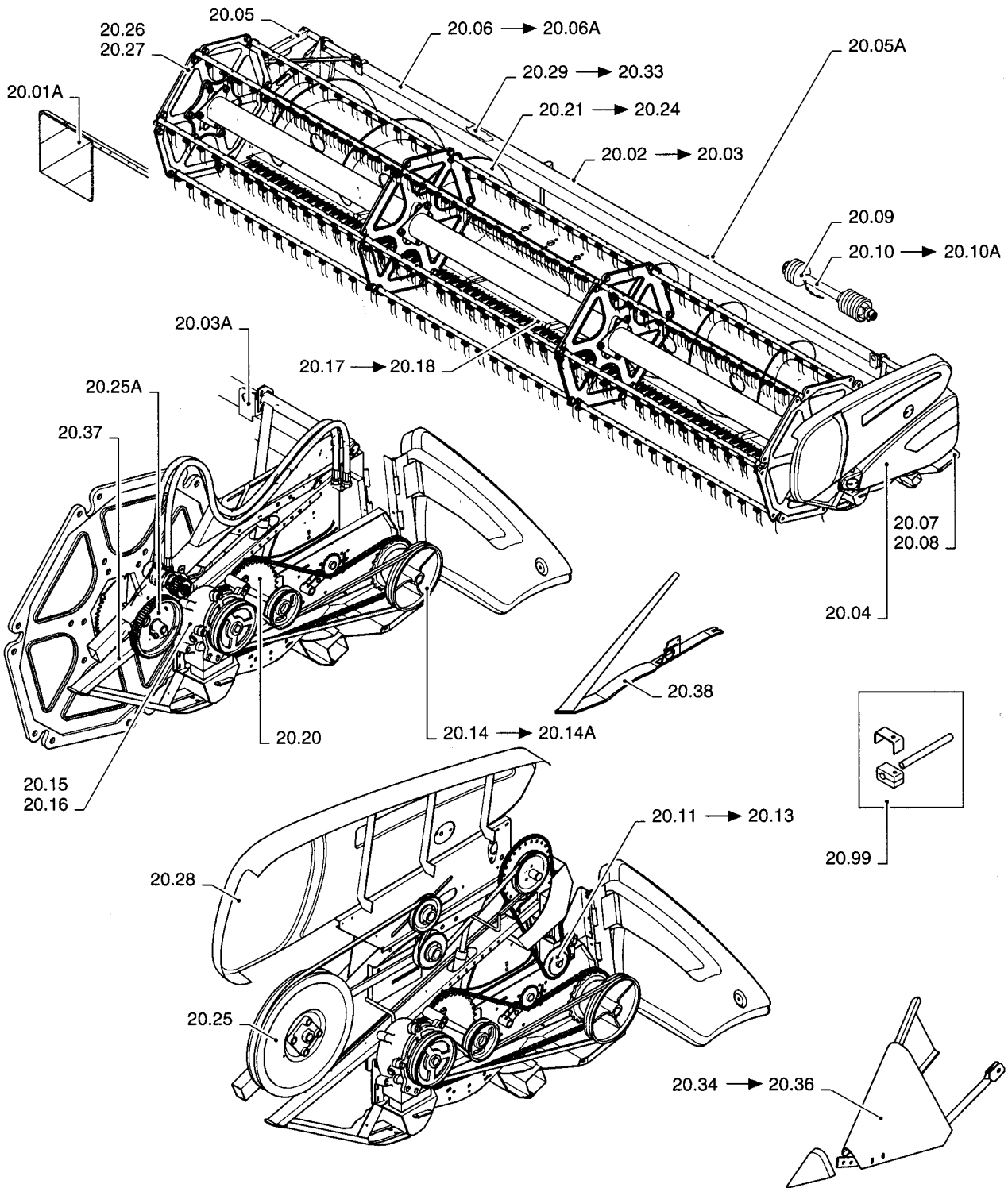
BARRA

SCHNEIDWERK

CABEÇALHO DE CEIFA

MAAIBORDEN

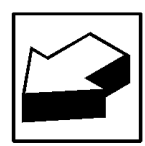
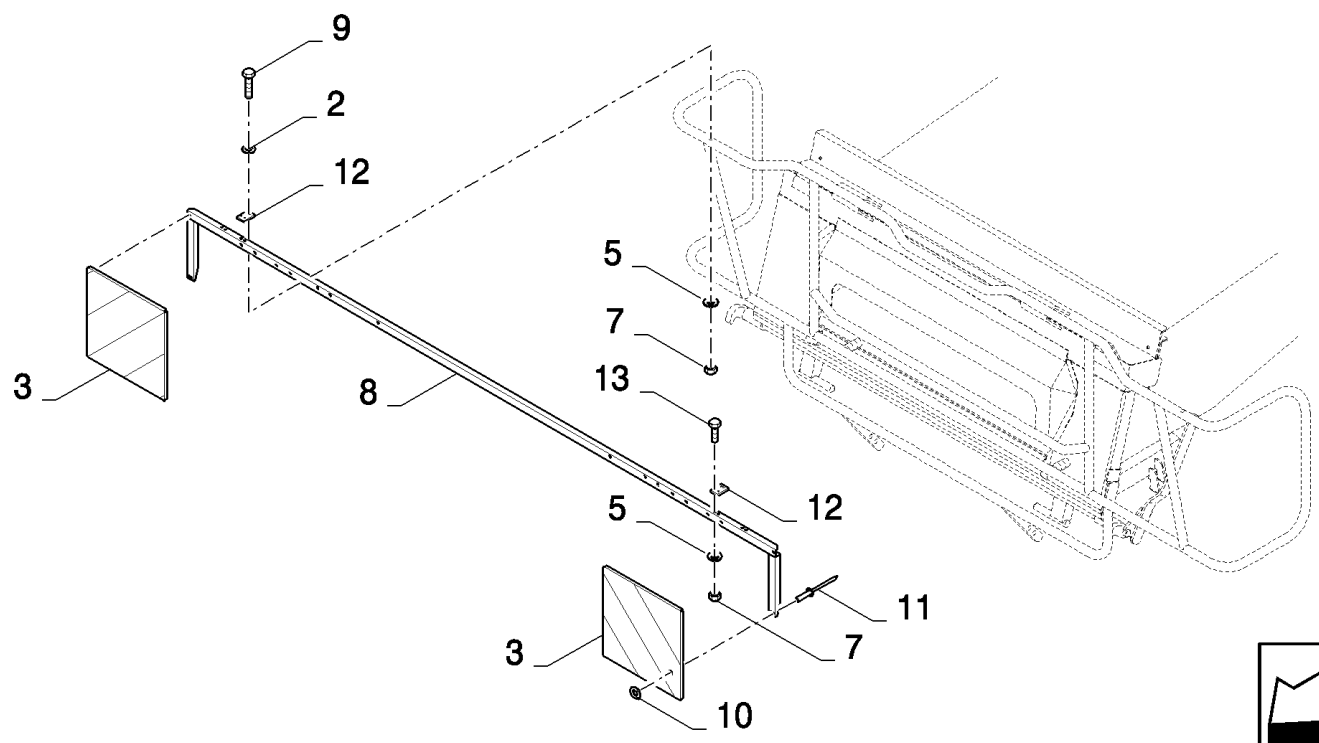
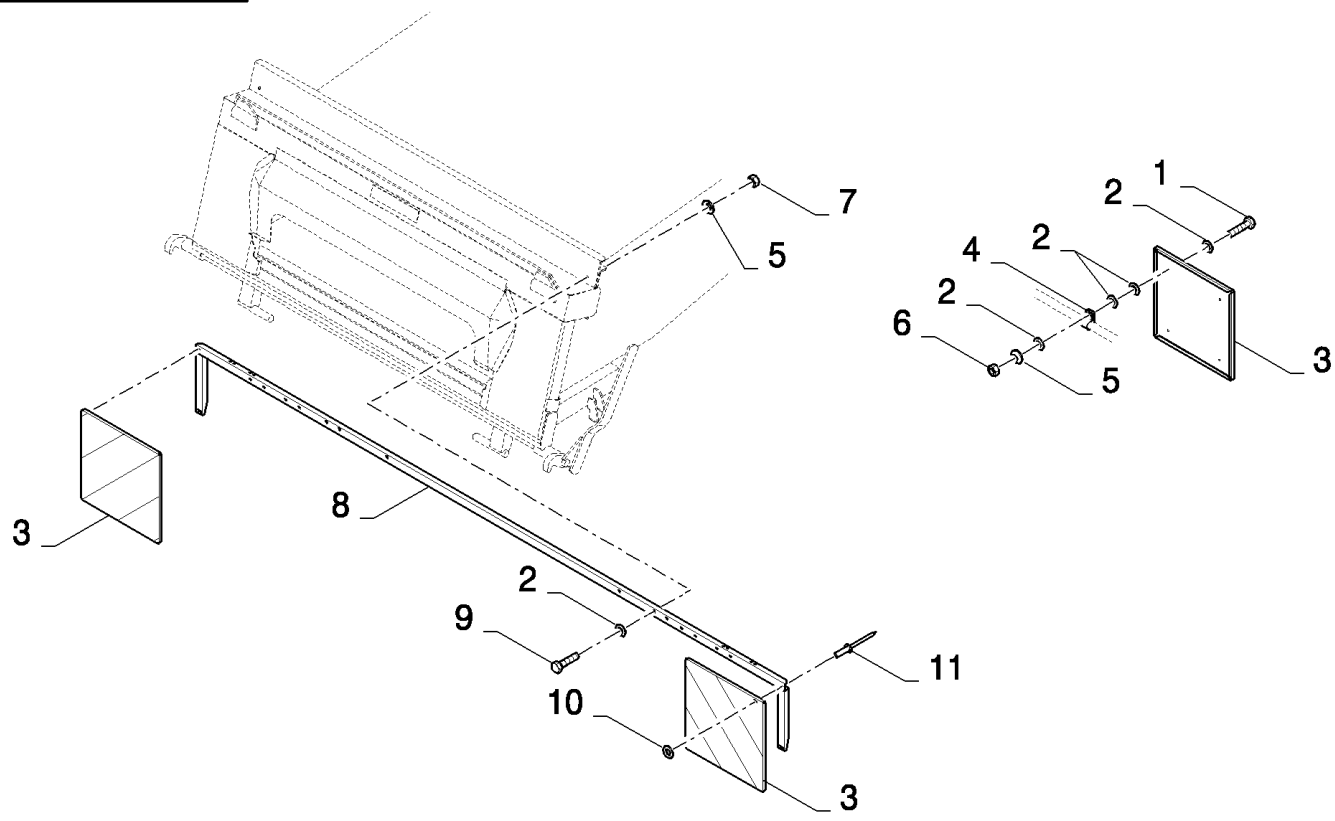
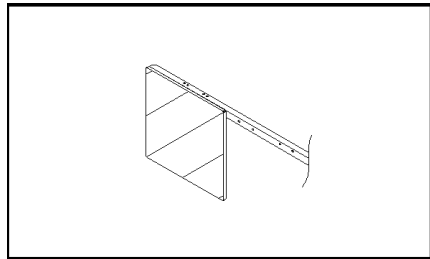
SEC. 20



2030 COMBINE HEADER (1/02-)

20.00(01) HEADERS

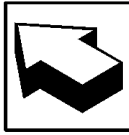
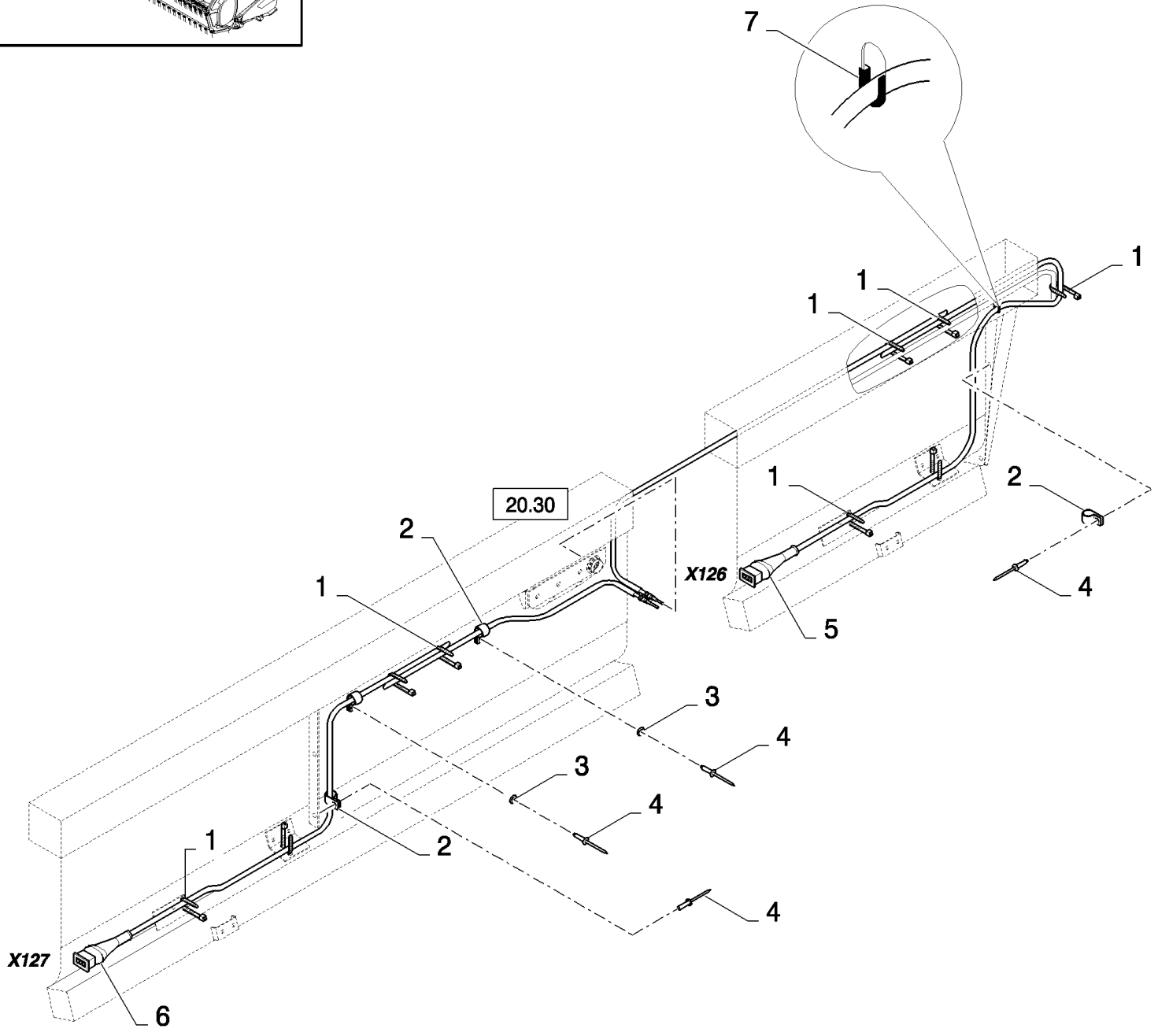
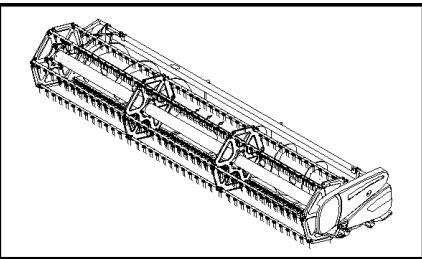
сылка	Номер детали	Кол-во	Описание



2030 COMBINE HEADER (1/02-)

20.01A(01) SIGNAL PLATES

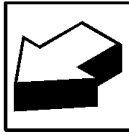
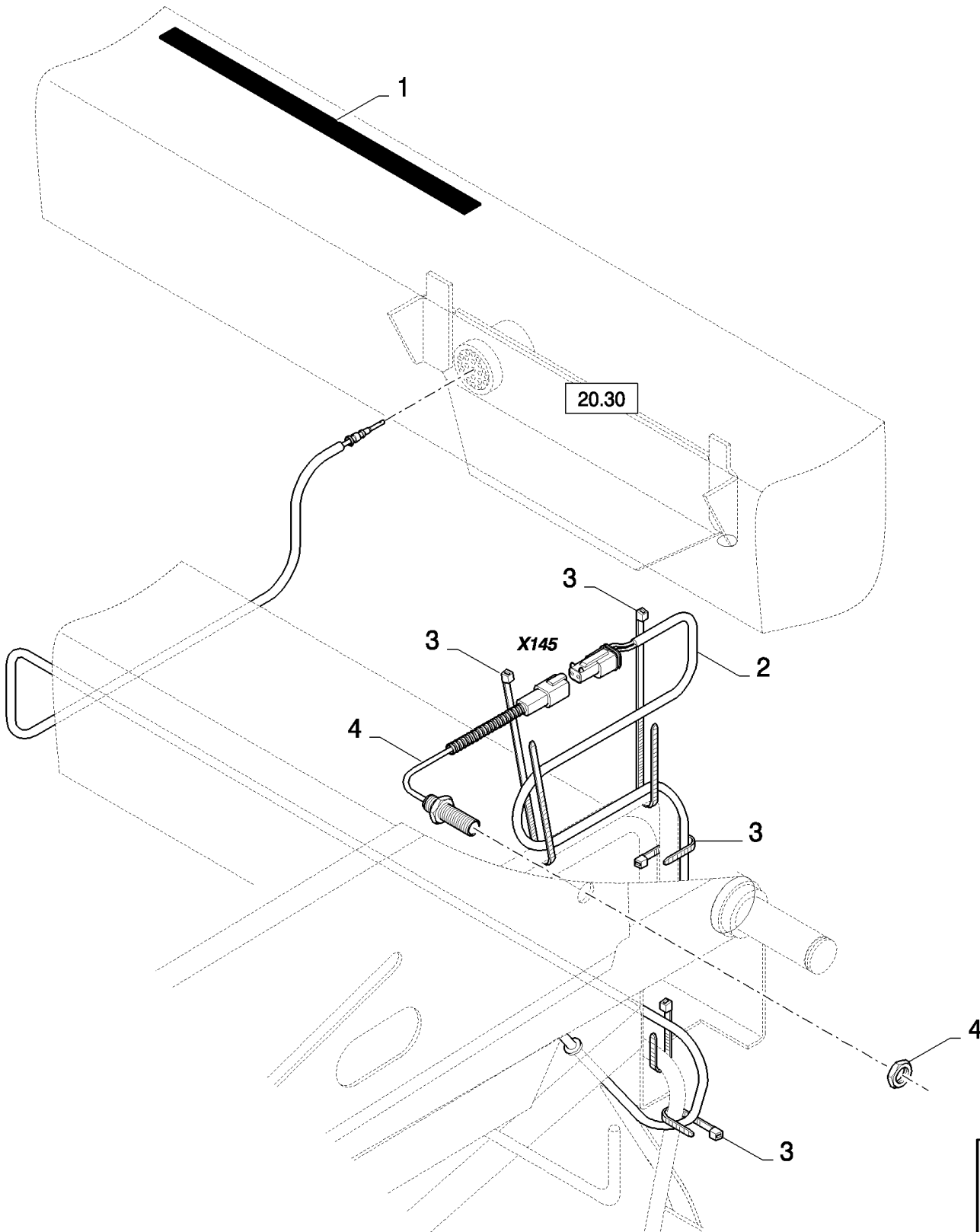
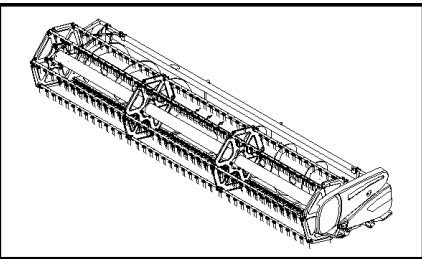
сылка	Номер детали	Кол-во	Описание
1	86050276	8	BOLT, Hex, M5 x 16, 8.8, Full Thd,
2	86588450	34	WASHER, M6,
3	84607381	4	PLATE,
4	84433319	8	CLAMP,
5	80322357	14	WASHER, SPRING, Belleville, M6, 6MM
6	86508813	8	NUT, M5, CI 8,
7	15896221	6	NUT, M6, CI 10,
8	89502877	2	SUPPORT,
9	80043118	2	SCREW,
10	89824840	6	WASHER, M4
11	80425523	6	RIVET,
12	84818296	2	SUPPORT,
13	86508568	4	BOLT, Hex, M6 x 16, 8.8,



2030 COMBINE HEADER (1/02-)

20.02(01) AUTOFLOAT, ELECTRICAL CABLES

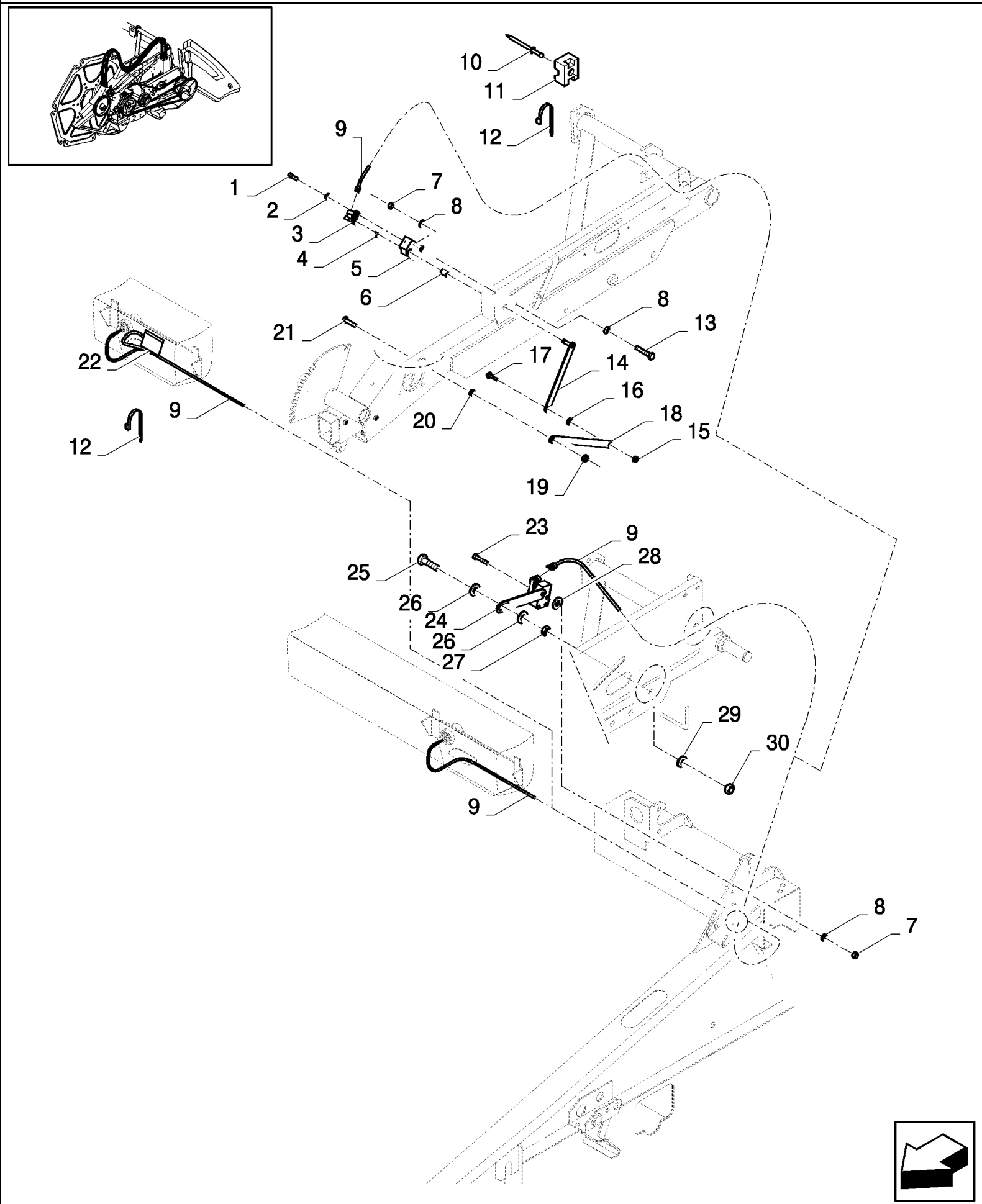
сылка	Номер детали	Кол-во	Описание
1	86566989	AR	STRAP, CABLE,
2	89507807	AR	CLAMP,
3	89824326	AR	WASHER,
4	NS	AR	NOT SERVICED, RIVET
5	84077703	1	HARNESS, WIRE, RH, FOR 15 TO 24FT ONLY
5	84077705	1	HARNESS, WIRE, RH, FOR 30FT ONLY
6	84077702	1	HARNESS, WIRE, LH, FOR 15 TO 24FT ONLY
6	84077704	1	HARNESS, WIRE, LH, FOR 30FT ONLY
7	NS	AR	NOT SERVICED, PROTECTION STRIP



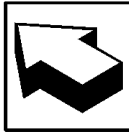
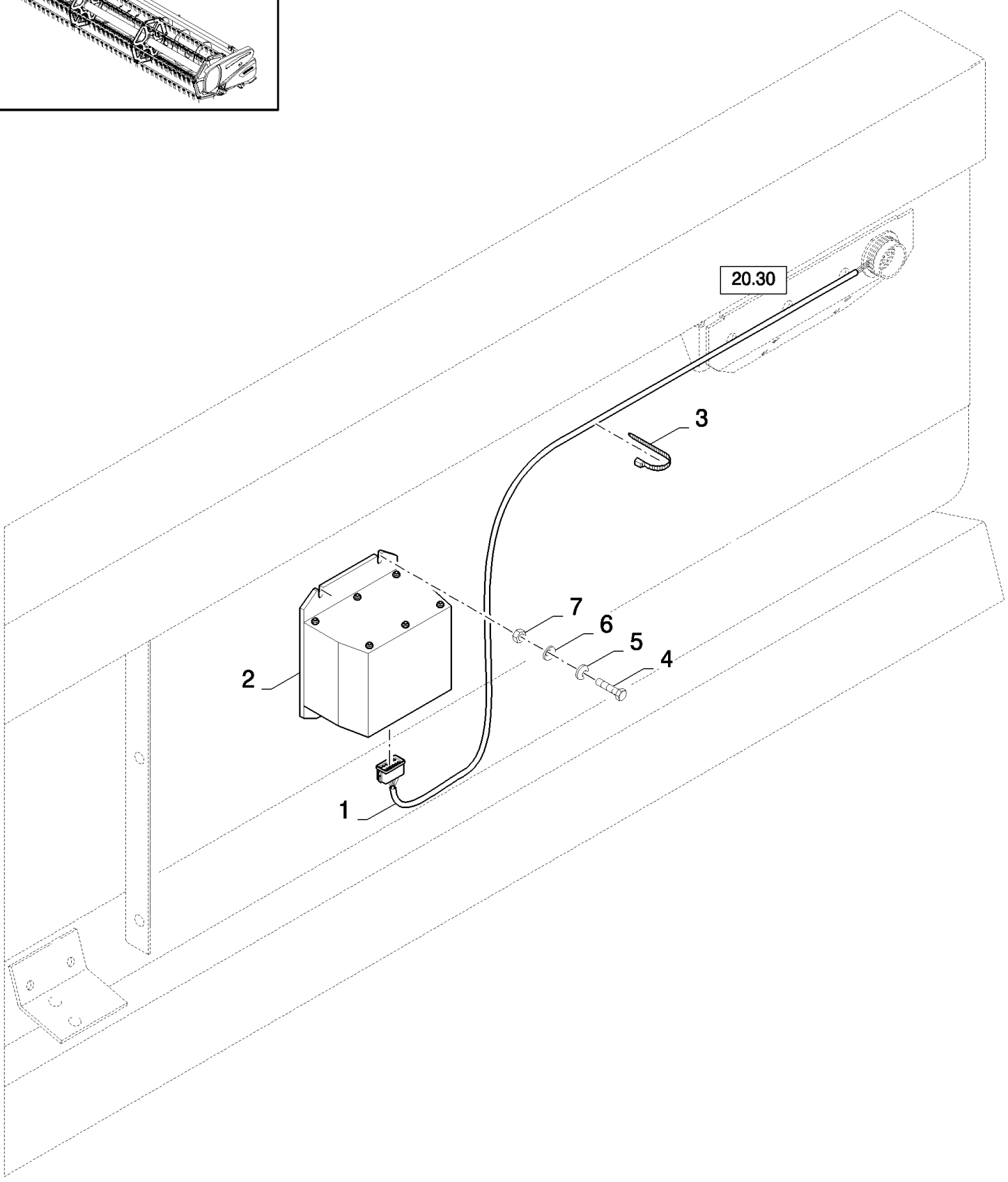
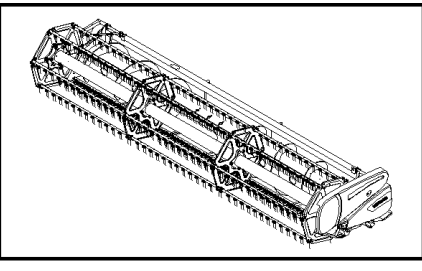
2030 COMBINE HEADER (1/02-)

20.03(01) REEL SYNCHRONISATION

сылка	Номер детали	Кол-во	Описание
1	80401502	AR	STRIP, ANTI-SKID, L:1.5M
2	84077694	1	HARNESS, WIRE, , FOR 17 TO 24FT ONLY
2	84077696	1	HARNESS, WIRE, , FOR 30FT ONLY
3	86566989	5	STRAP, CABLE,
4	84058862	1	SENSOR,



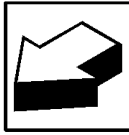
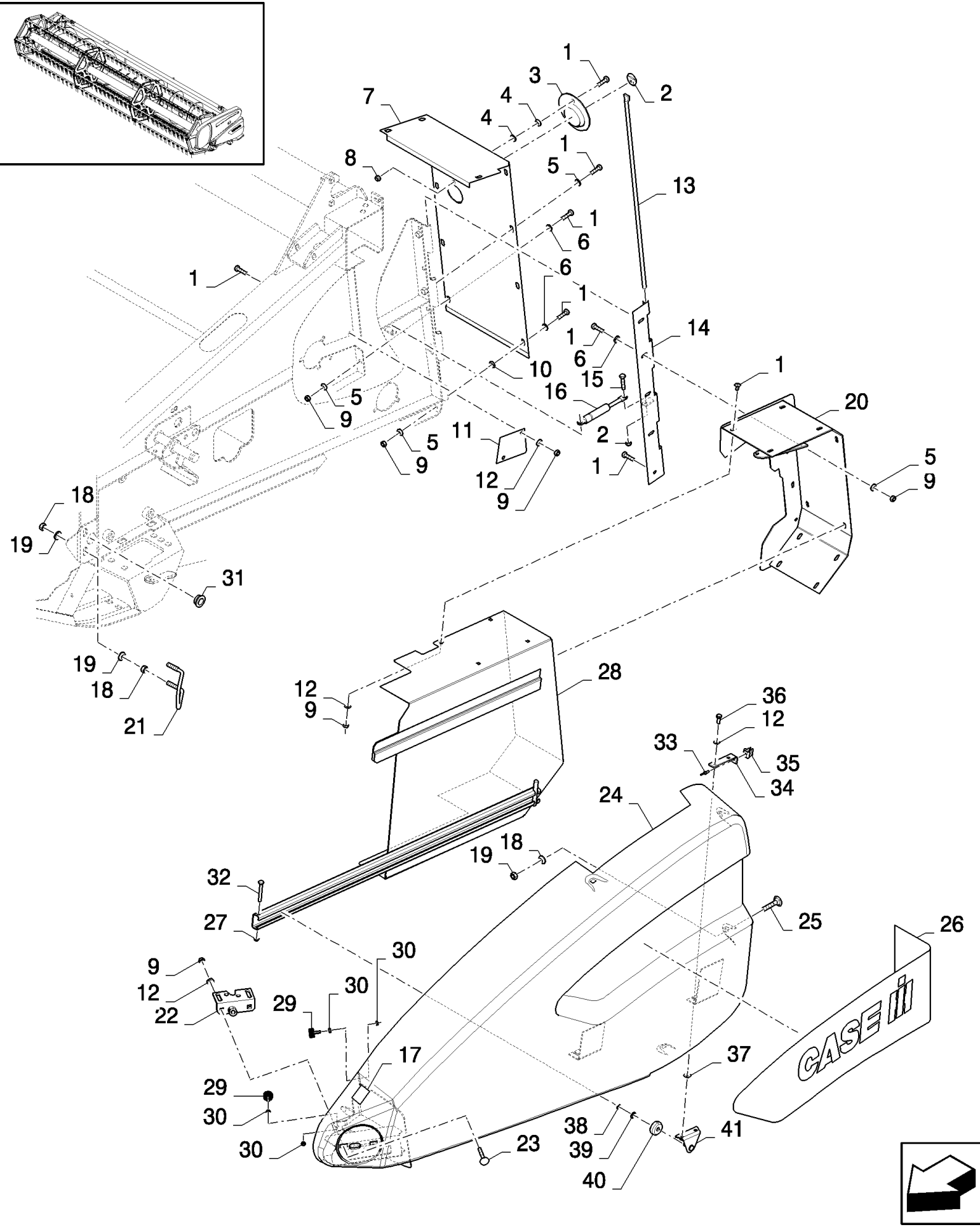
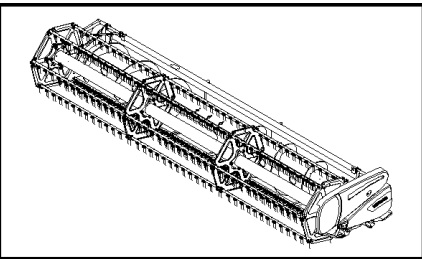
сылка	Номер детали	Кол-во	Описание
1	86511042	2	SCREW, Cross Pan Hd, M4 x 16,
2	80322355	2	WASHER, 4MM
3	86977396	1	POTENTIOMETER,
4	86000439	1	RING, SNAP, #37, Ext,
5	86011325	1	BRACKET, , BSN C763
5	84457806	1	BRACKET, , ASN D764
6	86516740	1	BUSHING,
7	15896221	4	NUT, M6, CI 10,
8	80322357	6	WASHER, SPRING, Belleville, M6, 6MM
9	84454029	1	HARNESS, WIRE,
10	80445394	3	RIVET,
11	86590413	3	CLAMP,
12	86566989	8	STRAP, CABLE,
13	86977789	2	BOLT, Hex, M6 x 35, 8.8,
14	84452646	1	ARM,
15	832-46408	1	NUT, LOCK, M8 x 1.25, CI 8,
16	80140016	1	WASHER, 8MM
17	86636815	1	BOLT, CARRIAGE, Short NK, M8 x 25, CI8.8, Full Thd,
18	84452549	1	ARM,
19	80100037	1	NUT, M10 x 1.5, CI 8, M10
20	80140017	1	WASHER, LOCK, 10MM
21	80043139	1	SCREW, M10x25
22	86837775	1	RESISTOR,
23	80043118	2	SCREW, M6x40
24	84449997	1	
25	80120090	1	SCREW, M16x50
26	80140190	2	WASHER,
27	80100095	1	NUT, M16
28	89824259	2	WASHER, M6
29	80140048	1	WASHER, LOCK, 16MM
30	100020	1	NUT, M16, CI 8, M16



2030 COMBINE HEADER (1/02-)

20.03B(01) AF CONTROL BOX

сылка	Номер детали	Кол-во	Описание
1	84457488	1	HARNES,
2	84457628	1	MODULE,
3	86566989	2	STRAP, CABLE,
4	80120100	4	BOLT, Hex, M6 x 20, 8.8, M6 x 80
5	89824259	4	WASHER, 6MM
6	80322357	4	WASHER, SPRING, Belleville, M6, 6MM
7	15896221	4	NUT, M6, CI 10,



2030 COMBINE HEADER (1/02-)

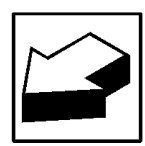
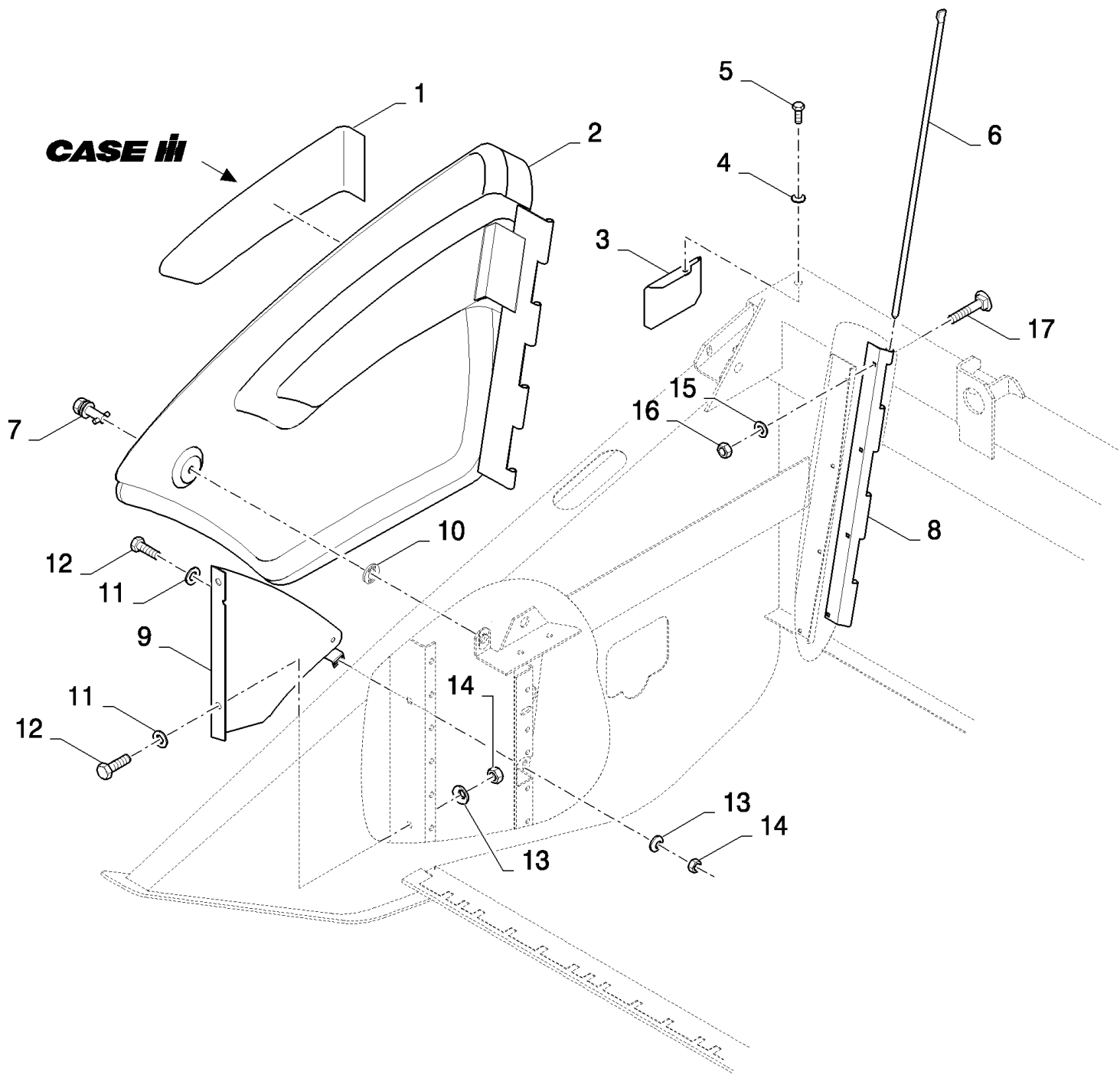
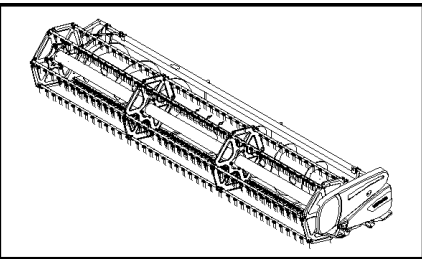
20.04(01) SHIELDS, LH

сылка	Номер детали	Кол-во	Описание
1	80120103	AR	BOLT, Hex, M8 x 16, 8.8, M8x16
2	84334829	1	DECAL,
3	80429855	1	COVER,
4	80397881	2	WASHER,
5	80412650	AR	WASHER, LOCK,
6	80378243	AR	WASHER, 8MM
7	84440689	1	SHIELD,
8	80043442	3	NUT, LOCK, M8 x 1.25, CI 8, M8
9	89706690	AR	NUT, M8, CI 8,
10	80140041	1	WASHER, 8MM
11	84440690	1	PLATE,
12	80322358	AR	WASHER, LOCK,
13	84077639	1	ROD, , FOR 2030 ONLY, FOR 2040 ONLY
13	87330714	1	SHAFT, ARTICULATED, , FOR 2050 ONLY
14	84440692	1	HINGE, , FOR 2030 ONLY
14	84453775	1	HINGE, , FOR 2040 ONLY
14	84456134	1	HINGE, , FOR 2050 ONLY
15	120104	2	BOLT, Hex, M8 x 20, 8.8, , BSN C649
15	80043127	3	SCREW, M8x25, ASN D650
16	84434897	1	SHOCK ABSORBER,
17	84004734	1	DECAL,
18	100016	8	NUT, M10, CI 8,
19	80140045	8	WASHER, LOCK, 10MM
20	84440686	1	SUPPORT, , FOR 2030 ONLY
20	84453778	1	SUPPORT, , FOR 2040 ONLY
20	84456135	1	BRACKET, SUPPORTING, , FOR 2050 ONLY
21	84077643	1	U-BRACKET, , FOR 2030 ONLY, FOR 2040 ONLY
21	84456136	2	STIRRUP, , FOR 2050 ONLY
22	84015292	1	LOCK, LATCH, 1/4 TURN
23	86507486	2	BOLT, CARRIAGE, Short NK, M8 x 20, CI8.8, Full Thd,
24	84440683	1	SHIELD, , FOR CT ONLY
24	84446925	1	SHIELD, , FOR 2030 ONLY, FOR AFX ONLY
24	84453777	1	SHIELD, , FOR AFX ONLY, FOR 2040 ONLY
24	84456139	1	SHIELD, , FOR 2050 ONLY
25	86512446	4	BOLT, CARRIAGE, Short NK, M10 x 30, CI8.8, Full Thd,
26	84441291	1	DECAL,
27	832-46408	2	NUT, LOCK, M8 x 1.25, CI 8,
28	84456137	1	DOOR, , FOR 2050 ONLY
29	80916454	2	DAMPER, , FOR 2050 ONLY
30	15896221	4	NUT, M6, CI 10, , FOR 2050 ONLY
31	87333239	1	BUSHING, , FOR 2050 ONLY
32	80120061	1	SCREW, M8x60, FOR 2050 ONLY
33	NS	1	NOT SERVICED, , FOR 2050 ONLY
34	84456138	1	STOP, , FOR 2050 ONLY
35	80323307	1	CLIP, SPRING, , FOR 2050 ONLY

2030 COMBINE HEADER (1/02-)

20.04(01) SHIELDS, LH

сылка	Номер детали	Кол-во	Описание
36	120104	4	BOLT, Hex, M8 x 20, 8.8, , FOR 2050 ONLY
37	80378243	8	WASHER, , FOR 2050 ONLY
38	3991509	2	RING, SNAP, M10, Ext, , FOR 2050 ONLY
39	84818558	2	WASHER, , FOR 2050 ONLY
40	84454623	2	ROLLER, , FOR 2050 ONLY
41	84454666	2	SUPPORT, , FOR 2050 ONLY

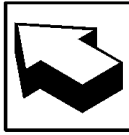
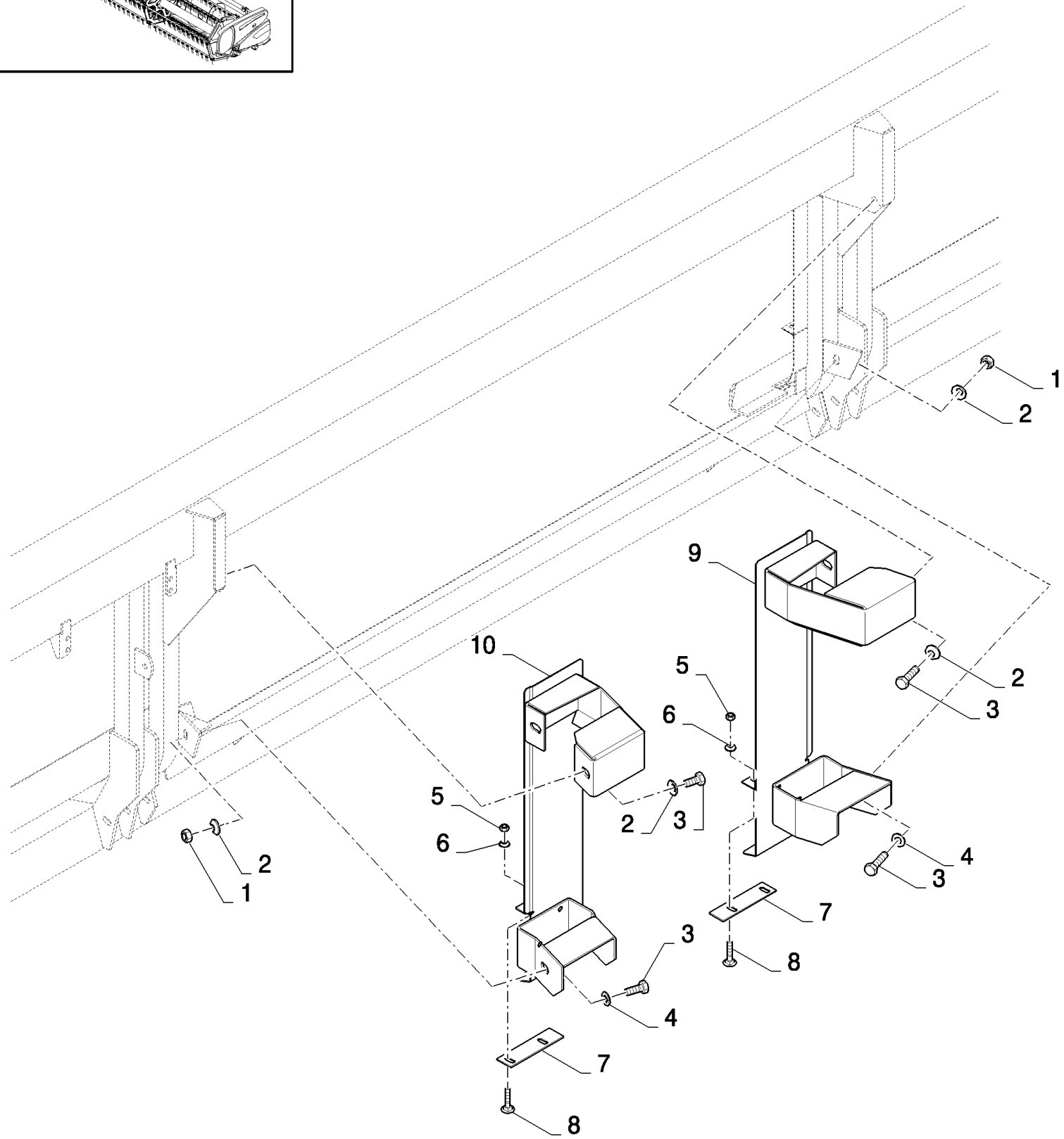
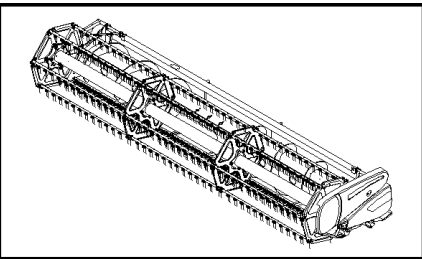


2030 COMBINE HEADER (1/02-)

20.05(01) SHIELDS, RH

сылка	Номер детали	Кол-во	Описание
1	84442888	1	DECAL,
2	84446768	1	SHIELD, , FOR 2040 ONLY, FOR 2030 ONLY
2	87327931	1	GUARD, , FOR 2050 ONLY, BSN C835
2	87388945	1	GUARD, , FOR 2050 ONLY, ASN D836
3	84446785	1	SHIELD, , FOR 2030 ONLY, FOR 2040 ONLY
3	87327396	1	PLATE, , FOR 2050 ONLY
4	80322357	1	WASHER, SPRING, Belleville, M6, 6MM
5	86508568	1	BOLT, Hex, M6 x 16, 8.8,
6	84076546	1	ROD,
7	89514603	1	LOCK,
8	84446787	1	PLATE, , FOR 2030 ONLY
9	84446786	1	PLATE, , FOR 2030 ONLY, FOR 2050 ONLY
9	84453811	1	PLATE, , FOR 2040 ONLY
10	89514605	1	RING, LOCKING,
11	80378244	3	WASHER, LOCK, 10MM
12	43138	3	SCREW, Hex, M10 x 20, 8.8, Full Thd,
13	80140045	3	WASHER, LOCK, 10MM
14	100016	3	NUT, M10, CI 8,
15	80322358	4	WASHER, LOCK, 8MM, FOR 2030 ONLY
16	89706690	4	NUT, M8, CI 8, , FOR 2030 ONLY
17	86507486	4	BOLT, CARRIAGE, Short NK, M8 x 20, CI8.8, Full Thd, , FOR 2030 ONLY

FOR AFX ONLY

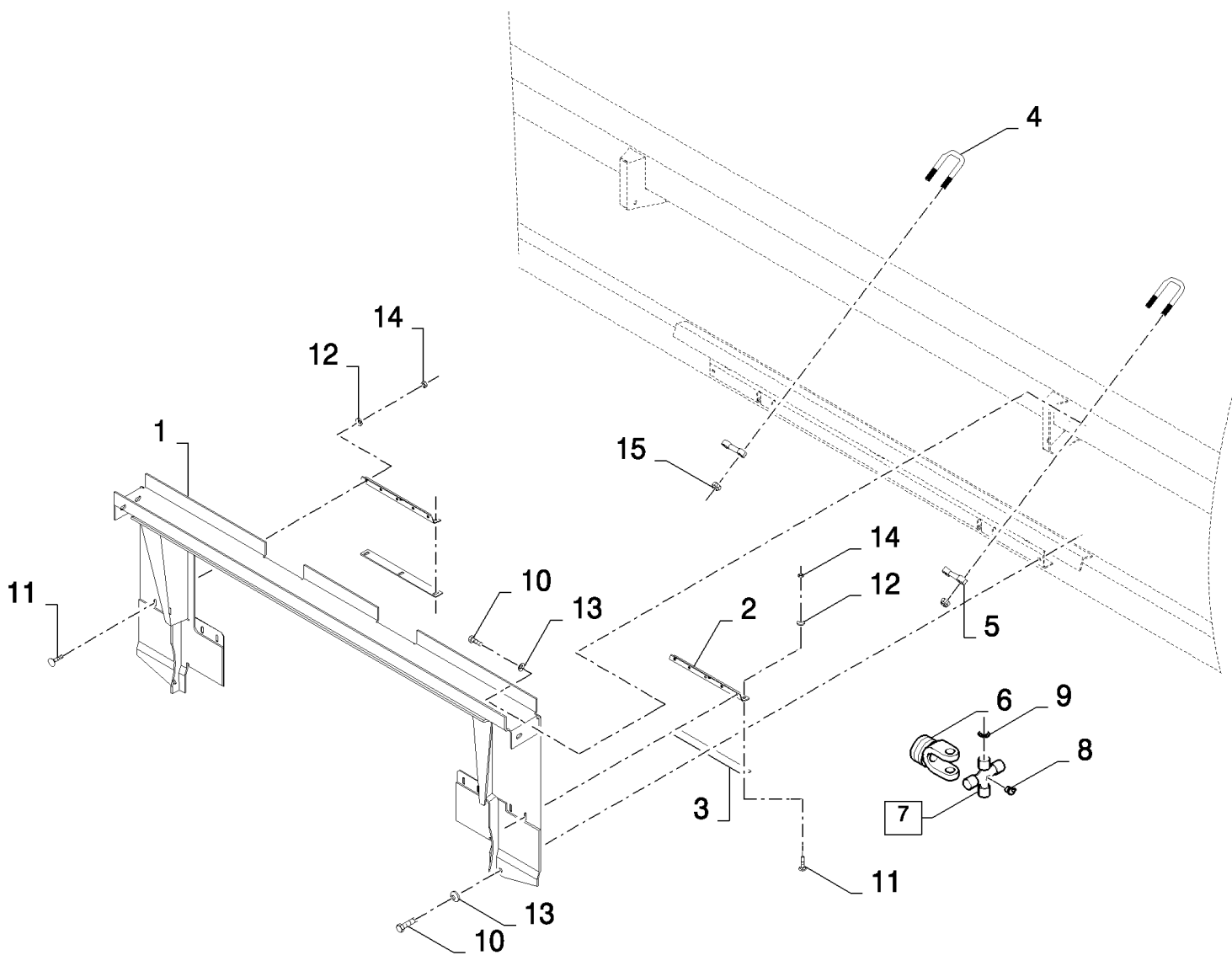


2030 COMBINE HEADER (1/02-)

20.05A(01) ADAPTOR KIT FOR COMBINE

сылка	Номер детали	Кол-во	Описание
1	89706685	2	NUT, M12
2	80140046	6	WASHER, SPRING, 12MM
3	80300388	6	SCREW, M12x25
4	80378245	2	WASHER, 12MM
5	89706690	4	NUT, M8, CI 8,
6	80322358	4	WASHER, LOCK, 8MM
7	84438808	2	PLATE,
8	86507486	4	BOLT, CARRIAGE, Short NK, M8 x 20, CI8.8, Full Thd,
9	84439886	1	SUPPORT, RH
10	84439887	1	SUPPORT, LH

FOR CT ONLY

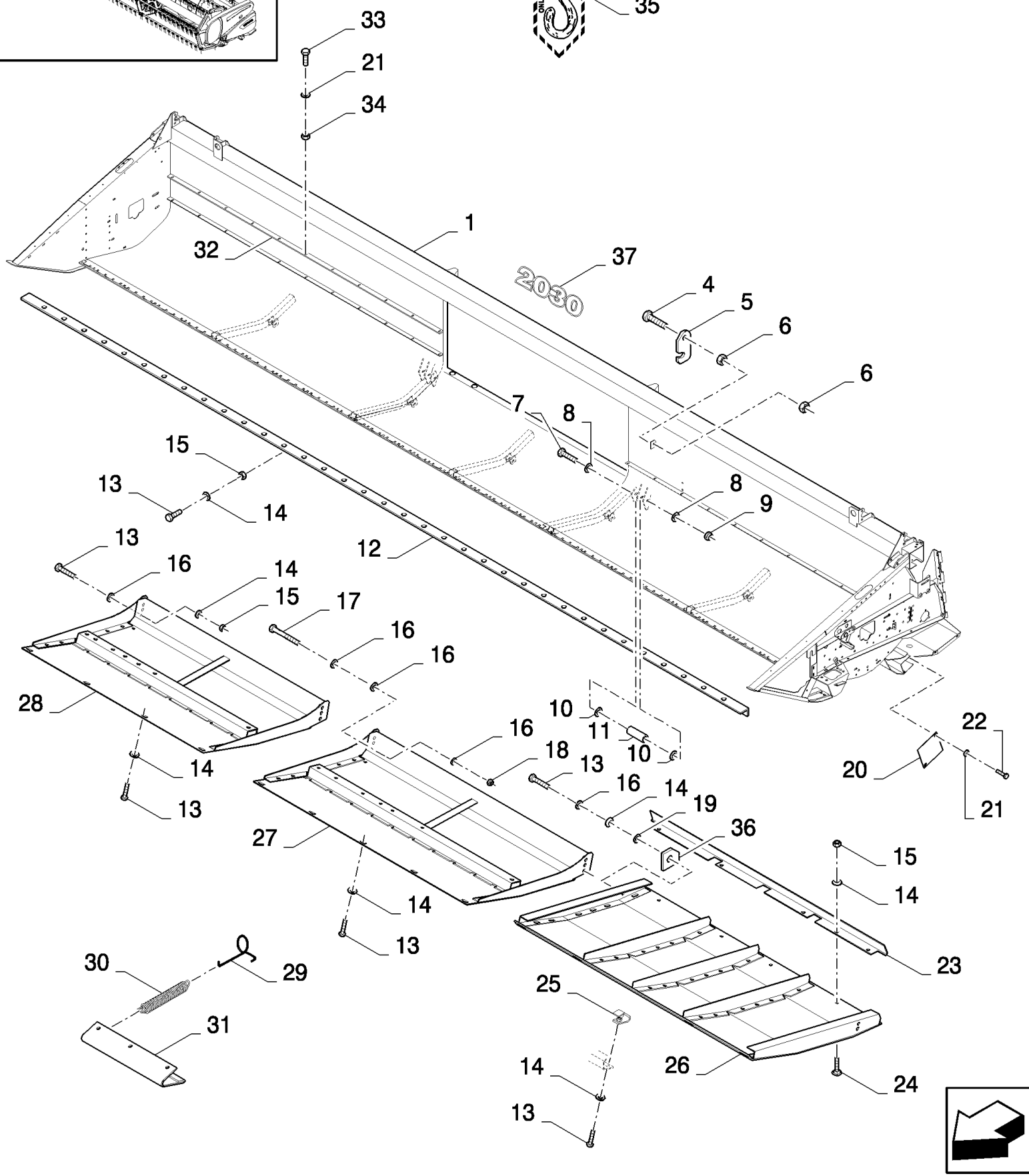
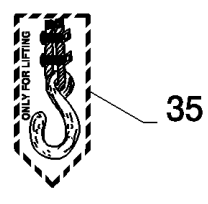
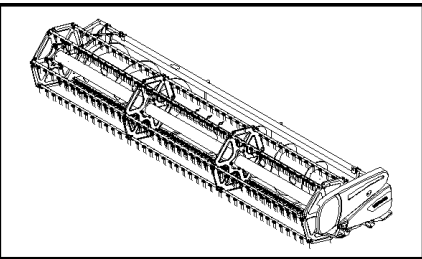


2030 COMBINE HEADER (1/02-)

20.05B(01) ADAPTOR KIT FOR COMBINE

сылка	Номер детали	Кол-во	Описание
1	84454971	1	ADAPTION, , BSN C748
1	84459545	1	ADAPTION, , BSN F749037
1	87376080	1	ADAPTION, , ASN D038
2	84454948	2	ANGLE,
3	84454947	2	SHIM,
4	84455625	2	U-BOLT,
5	86619254	2	LATCH,
6	84455638	1	YOKE,
7	80161742	1	SPIDER, (8, 9)
8	53158	1	CONNECTOR, HYD.,
9	53157	4	SLEEVE,
10	80300388	4	SCREW, M12x25
11	86507486	14	BOLT, CARRIAGE, Short NK, M8 x 20, CI8.8, Full Thd,
12	80322358	14	WASHER, LOCK, 8MM
13	80140046	4	WASHER, SPRING, 12MM
14	89706690	14	NUT, M8, CI 8,
15	86000441	4	NUT, LOCK, M16 x 2, CI 8,

FOR AF ONLY



2030 COMBINE HEADER (1/02-)

20.06(01) HEADER, KNIFE GUARDS

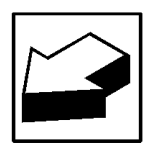
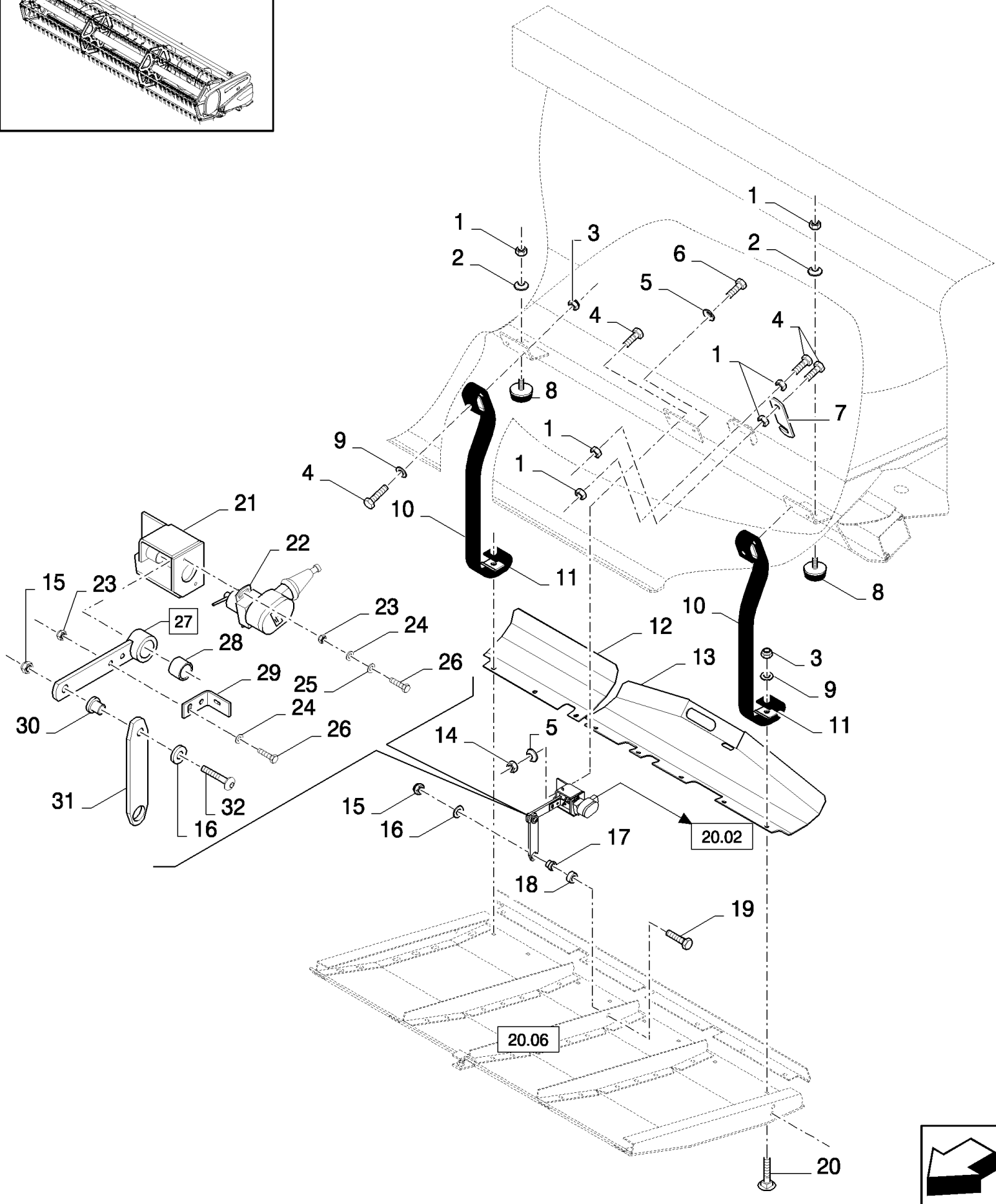
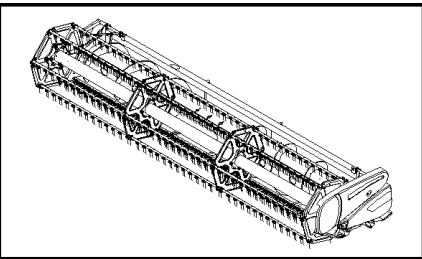
сылка	Номер детали	Кол-во	Описание
1	84457091	1	FRAME, , FOR CT ONLY, FOR 15FT ONLY
1	84457251	1	FRAME, , FOR CT ONLY, FOR 17FT ONLY
1	84457102	1	FRAME, , FOR 17FT ONLY, FOR AFX ONLY
1	84457247	1	FRAME, , FOR CT ONLY, FOR 20FT ONLY
1	84457103	1	FRAME, , FOR 20FT ONLY, FOR 2030 ONLY, FOR AFX ONLY
1	84800228	1	FRAME, , FOR AFX ONLY, FOR 2040 ONLY, FOR 20FT ONLY
1	84457245	1	FRAME, , FOR 24FT ONLY, FOR CT ONLY
1	84457101	1	FRAME, , FOR 2030 ONLY, FOR AFX ONLY, FOR 24FT ONLY
1	84453967	1	FRAME, , FOR 24FT ONLY, FOR 2040 ONLY, FOR AFX ONLY
1	84457107	1	FRAME, , FOR AFX ONLY, FOR 2030 ONLY, FOR 30FT ONLY
1	84453905	1	FRAME, , FOR 30FT ONLY, FOR AFX ONLY, FOR 2040 ONLY
1	87344196	1	FRAME, , FOR 20FT ONLY, FOR 2050 ONLY
1	87317105	1	FRAME, , FOR 2050 ONLY, FOR 24FT ONLY
1	87317102	1	FRAME, , FOR 2050 ONLY, FOR 30FT ONLY
4	86629541	1	BOLT, Hex, M12 x 40, 8.8, Full Thd,
5	80433871	1	CLIP,
5	84457665	1	HOOK,
6	89706685	2	NUT, M12
7	86508581	2	BOLT, Hex, M12 x 90, 8.8, , FOR 15 TO 24FT ONLY
7	80412485	2	BOLT, , FOR 30FT ONLY
8	80394630	4	WASHER, 12MM
9	80412126	2	NUT, LOCK, M12
10	84011662	4	WASHER,
11	80919462	2	BUSHING,
12	87347656	1	, FOR 17FT ONLY
12	87347652	1	, FOR 20FT ONLY
12	87347645	1	ANGLE BAR, , FOR 24FT ONLY
12	87347633	1	ANGLE BAR, , FOR 30FT ONLY
13	80043140	AR	BOLT, Hex, M10 x 30, 8.8,
13	80120112	AR	SCREW, M10x40
14	80140045	AR	WASHER, LOCK, 10MM
15	100016	AR	NUT, M10, CI 8,
16	80378244	AR	WASHER, LOCK, 10MM
17	80120073	2	SCREW, M10x80
17	80120074	2	SCREW, M10x90
18	80100037	2	NUT, M10 x 1.5, CI 8, M10
19	80140042	4	WASHER, 10MM
20	84038848	1	COVER,
21	80322358	AR	WASHER, LOCK,
22	80120103	2	BOLT, Hex, M8 x 16, 8.8, M8x16
23	84320712	2	PLATE, COVER, , FOR 15FT ONLY
23	84036212	2	PLATE, COVER, , FOR 17, 20FT ONLY
24	80120041	AR	BOLT, CARRIAGE, M10x20
25	84036083	AR	HOOK,
26	84036214	2	PLATE, SKID, , FOR 17, 20FT ONLY, FOR 2030 ONLY, FOR 2050 ONLY

2030 COMBINE HEADER (1/02-)

20.06(01) HEADER, KNIFE GUARDS

сылка	Номер детали	Кол-во	Описание
26	84448906	2	PLATE, SKID, , FOR 20FT ONLY, FOR 2040 ONLY
26	84320713	2	PLATE, SKID, , FOR 15, 24, 30FT ONLY, FOR 2050 ONLY, FOR 2030 ONLY
26	84448350	2	PLATE, SKID, , FOR 24, 30FT ONLY, FOR 2040 ONLY
27	84077882	2	PLATE, SKID, , FOR 17FT ONLY
27	84064844	2	PLATE, SKID, , FOR 2030 ONLY, FOR 20FT ONLY
27	84448900	2	PLATE, SKID, , FOR 2040 ONLY, FOR 20FT ONLY
27	89593675	2	PLATE, SKID, , FOR 24FT ONLY, FOR 2030 ONLY
27	84448554	2	PLATE, SKID, , FOR 24FT ONLY, FOR 2040 ONLY
27	84043880	4	PLATE, SKID, , FOR 2030 ONLY, FOR 30FT ONLY
27	87342004	2	PLATE, SKID, , FOR 2050 ONLY, FOR 20FT ONLY
27	84448580	4	PLATE, SKID, , FOR 2040 ONLY, FOR 30FT ONLY
27	84064844	2	PLATE, SKID, , FOR 30FT ONLY, FOR 2050 ONLY
27	84435727	2	PLATE, SKID, , FOR 2050 ONLY, FOR 30FT ONLY
28	84061449	2	PLATE, SKID, , FOR 2050 ONLY, FOR 2030 ONLY
28	84448566	2	PLATE, SKID, , FOR 2040 ONLY
29	89837015		AR HOOK,
30	84814908		AR SPRING,
31	89838588		AR PROTECTION PLATE,
32	84435388	2	PLATE, , FOR 15FT ONLY
32	84075429	2	PLATE, , FOR 17FT ONLY
32	84064780	2	PLATE, , FOR 20FT ONLY
32	84075420	2	PLATE, , FOR 24FT ONLY
32	84075425	2	PLATE, , FOR 30FT ONLY
33	86507486		AR BOLT, CARRIAGE, Short NK, M8 x 20, CI8.8, Full Thd,
34	89706690		AR NUT, M8, CI 8,
35	80449973	2	DECAL,
36	89502135	2	PLATE, , FOR 15FT ONLY
37	84440714	1	DECAL, , FOR CT ONLY
37	84442883	1	DECAL, , FOR AFX ONLY, FOR 17FT ONLY
37	84442884	1	DECAL, , FOR AFX ONLY, FOR 2030 ONLY, FOR 20FT ONLY
37	84453761	1	DECAL, , FOR 20FT ONLY, FOR 2040 ONLY, FOR AFX ONLY
37	84442885	1	DECAL, , FOR AFX ONLY, FOR 2030 ONLY, FOR 24FT ONLY
37	84453759	1	DECAL, , FOR 24FT ONLY, FOR 2040 ONLY, FOR AFX ONLY
37	84442886	1	DECAL, , FOR AFX ONLY, FOR 2030 ONLY, FOR 30FT ONLY
37	84453756	1	DECAL, , FOR 30FT ONLY, FOR AFX ONLY, FOR 2040 ONLY
37	87328030	1	DECAL, , FOR 20FT ONLY, FOR 2050 ONLY
37	87328031	1	DECAL, , FOR 2050 ONLY, FOR 24FT ONLY
37	87328032	1	DECAL, , FOR 2050 ONLY, FOR 30FT ONLY

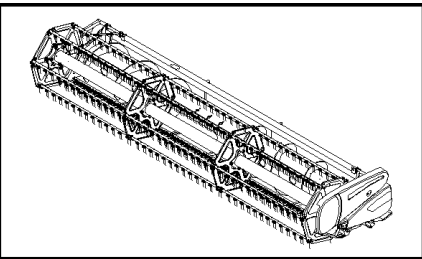
20.07(01) AUTOFLOAT SENSORS AND PLATES



2030 COMBINE HEADER (1/02-)

20.07(01) AUTOFLOAT SENSORS AND PLATES

сылка	Номер детали	Кол-во	Описание
1	100016	14	NUT, M10, CI 8,
2	80140045	6	WASHER, LOCK, 10MM
3	80100037	8	NUT, M10 x 1.5, CI 8, M10
4	80043140	8	BOLT, Hex, M10 x 30, 8.8,
5	80322358	4	WASHER, LOCK,
6	120104	4	BOLT, Hex, M8 x 20, 8.8,
7	84036082	2	LOCK,
8	80190029	4	BUMPER, RUBBER,
9	80140042	8	WASHER, 10MM
10	84032833	4	BAND,
11	84036081	8	CLAMP,
12	84098590	2	PLATE,
13	84098586	2	PLATE,
14	89706690	2	NUT, M8, CI 8,
15	832-46408	3	NUT, LOCK, M8 x 1.25, CI 8,
16	86592699	3	WASHER, M6 x 23 x 4, HT, 8MM
17	89847466	2	BUSHING,
18	80335873	2	SPACER,
19	80043129	2	SCREW, M8x40
20	86512446	4	BOLT, CARRIAGE, Short NK, M10 x 30, CI8.8, Full Thd,
20	80120041	AR	BOLT, CARRIAGE, M10x20
21	84098588	2	SUPPORT,
22	84078528	2	POTENTIOMETER,
23	86508813	8	NUT, M5, CI 8,
24	80322356	8	WASHER, LOCK, 5MM
25	89824326	8	WASHER, 5MM
26	86050276	8	BOLT, Hex, M5 x 16, 8.8, Full Thd,
27	84098589	2	LEVER, (28)
28	80420761	2	BUSHING,
29	84989851	2	BRACKET,
30	89847466	2	BUSHING,
31	84989782	2	PLATE,
32	86512788	2	SCREW, M8x30



10	7	15 FT
----	---	-------

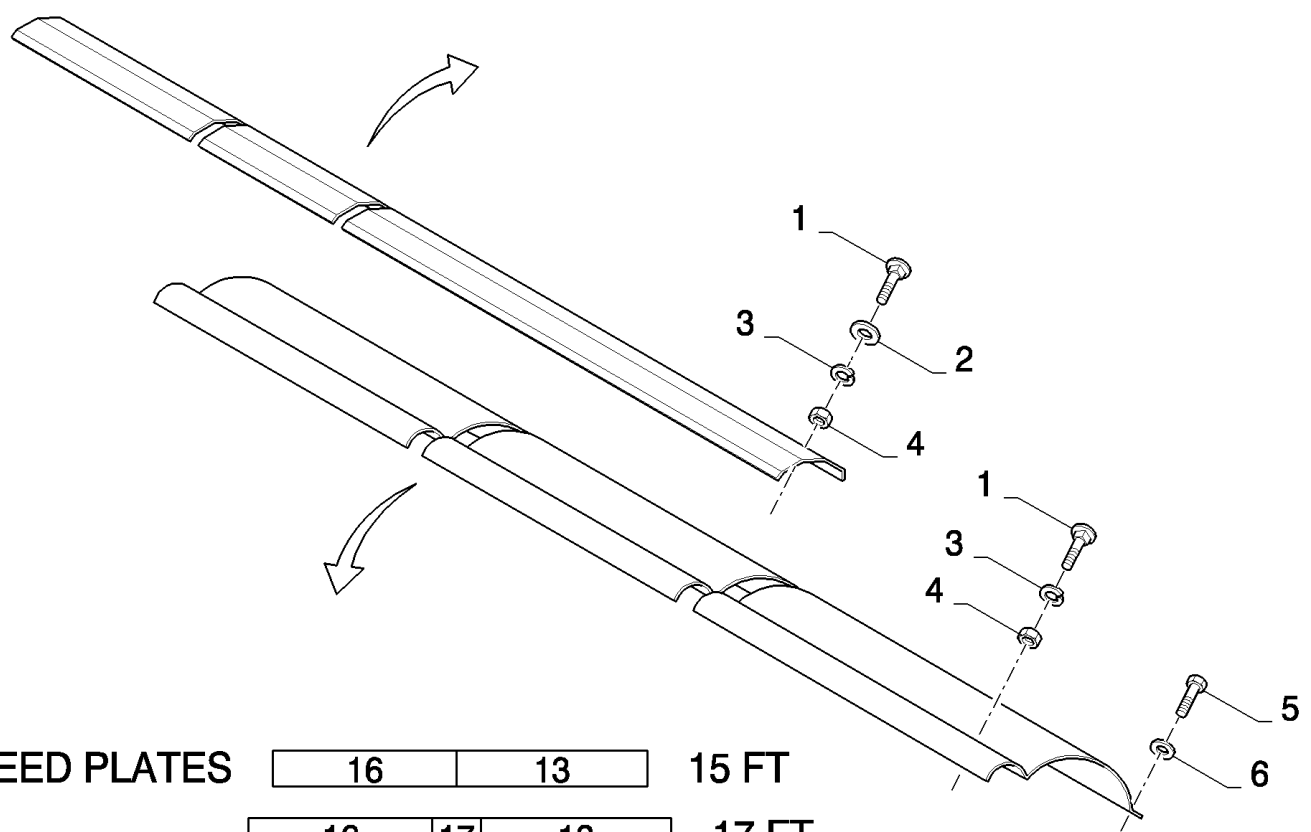
12	11	7	17 FT
----	----	---	-------

10	11	7	20 FT
----	----	---	-------

9	8	7	24 FT
---	---	---	-------

PROTECTIONS SKIDS

10	11	11	11	7	30 FT
----	----	----	----	---	-------



FEED PLATES

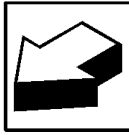
16	13	15 FT
----	----	-------

16	17	13	17 FT
----	----	----	-------

16	14	13	20 FT
----	----	----	-------

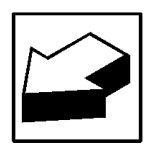
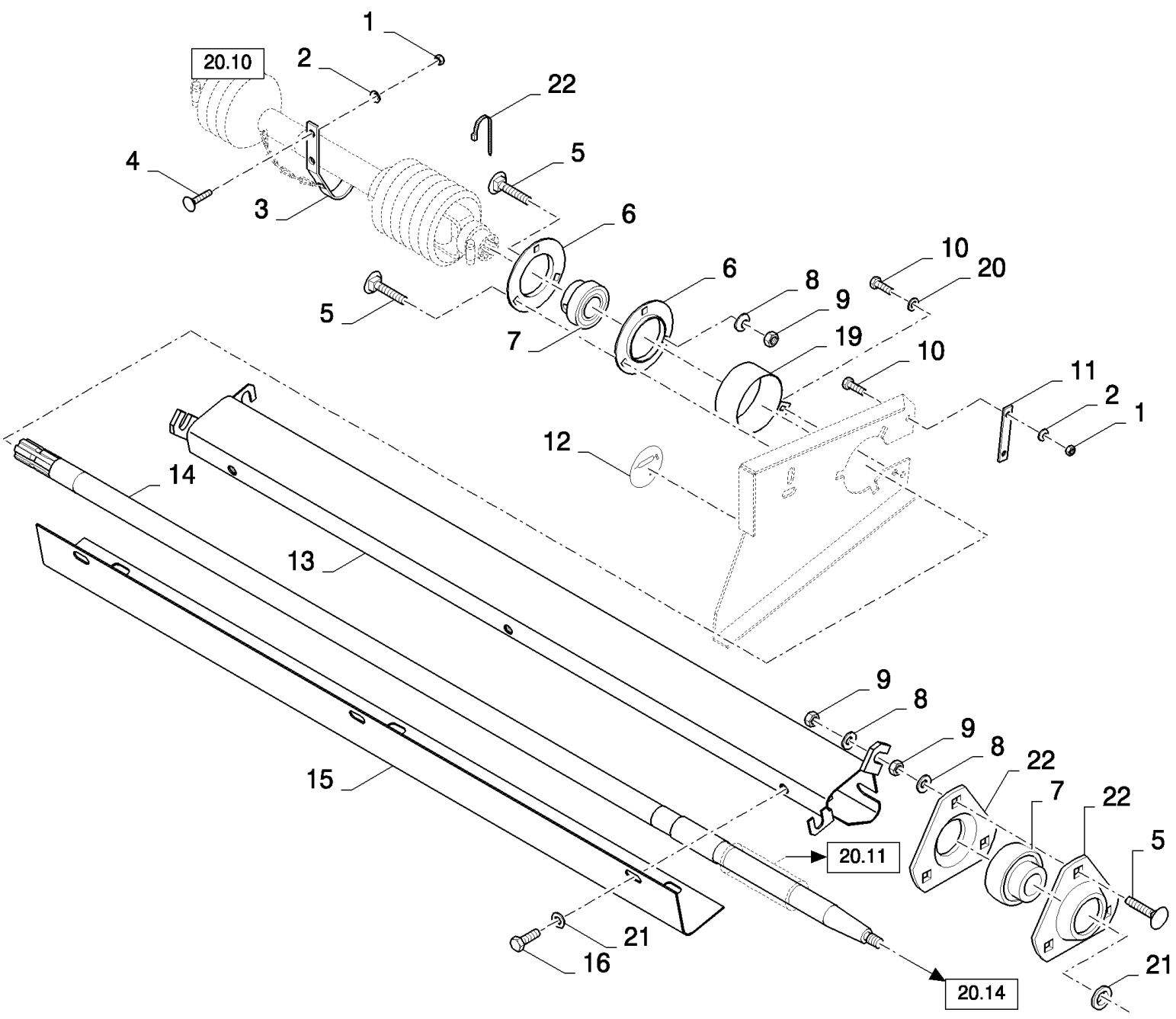
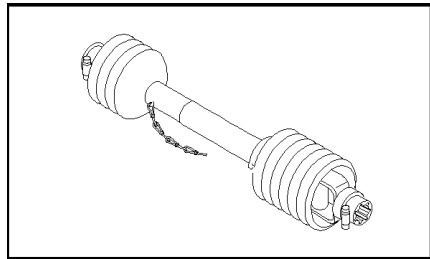
16	15	14	13	24 FT
----	----	----	----	-------

16	14	14	14	13	30 FT
----	----	----	----	----	-------



20.08(01) FEED PLATES AND PROTECTIONS SKIDS

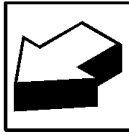
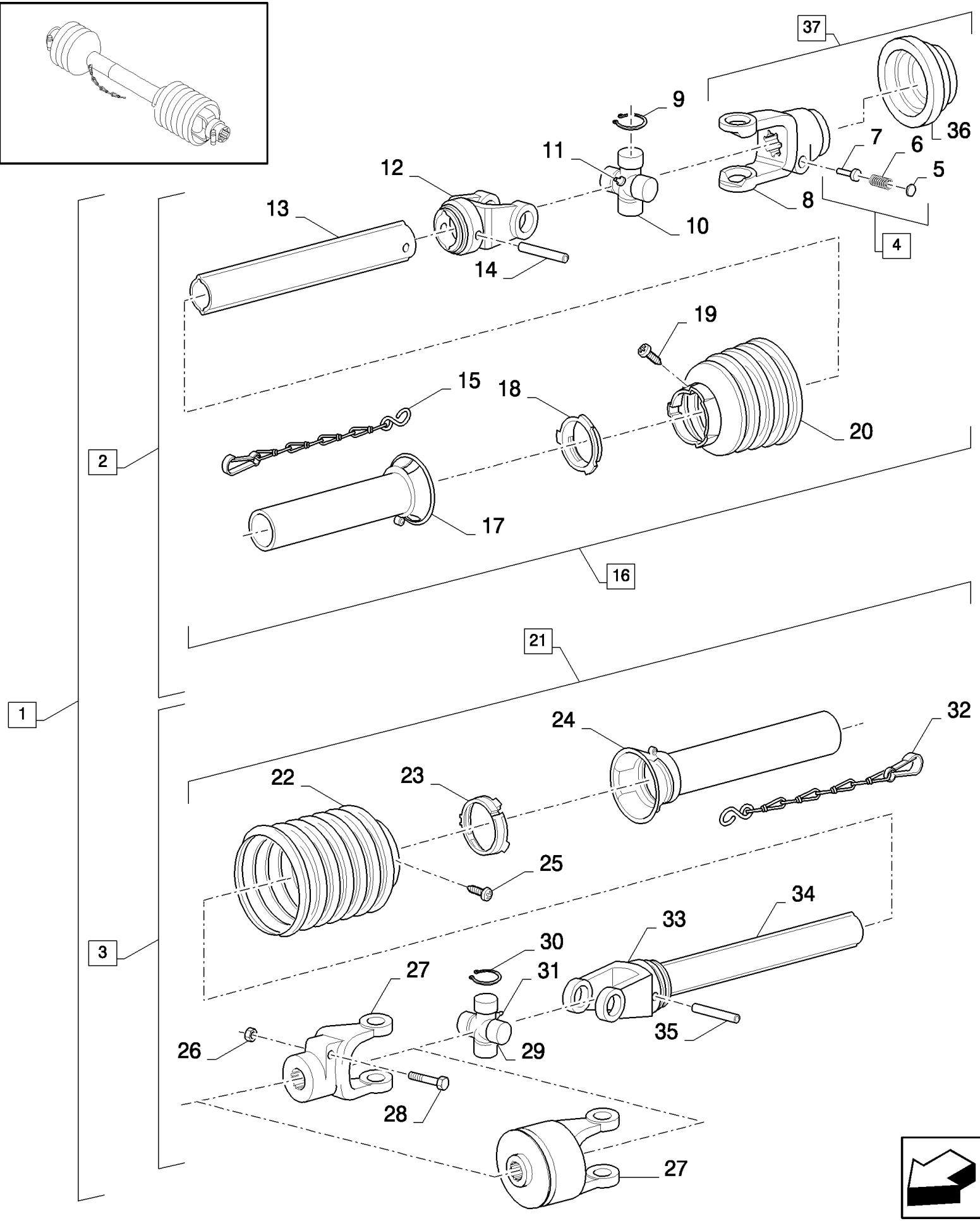
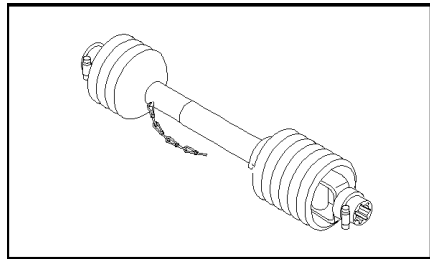
сылка	Номер детали	Кол-во	Описание
1	86507486	AR	BOLT, CARRIAGE, Short NK, M8 x 20, CI8.8, Full Thd,
2	80140041	AR	WASHER, 9MM
3	80322358	AR	WASHER, LOCK,
4	89706690	AR	NUT, M8, CI 8,
5	80412684	AR	SCREW, M6x13
6	80140015	AR	WASHER, 6MM
7	84814547	AR	PROFILE,
8	84814546	AR	PROFILE,
9	84814544	AR	PROFILE,
10	84814550	AR	PROFILE,
11	84814549	AR	PROFILE,
12	84814548	AR	PROFILE,
13	84441120	AR	PLATE,
14	84441142	AR	PLATE,
15	84441149	AR	PLATE,
16	84441125	AR	PLATE,
17	84441148	AR	PLATE,



2030 COMBINE HEADER (1/02-)

20.09(01) MAIN DRIVE

сылка	Номер детали	Кол-во	Описание
1	89706690	AR	NUT, M8, CI 8,
2	80322358	AR	WASHER, LOCK, 8MM
3	89506965	1	SUPPORT,
4	86507486	AR	BOLT, CARRIAGE, Short NK, M8 x 20, CI8.8, Full Thd,
5	80120041	AR	BOLT, CARRIAGE, M10x20, FOR AFX ONLY
5	80374892	AR	BOLT, M10x40, FOR AFX ONLY
6	80036403	2	FLANGE, , FOR 2050 ONLY, FOR AFX ONLY
7	80322360	2	BEARING, BALL, , FOR 2050 ONLY, FOR AFX ONLY
8	80140045	AR	WASHER, LOCK, 10MM, FOR 2050 ONLY, FOR AFX ONLY
9	100016	AR	NUT, M10, CI 8, , FOR 2050 ONLY, FOR AFX ONLY
10	120104	AR	BOLT, Hex, M8 x 20, 8.8, , FOR 2050 ONLY, FOR AFX ONLY
11	89501016	1	SUPPORT, , FOR 2050 ONLY, FOR AFX ONLY
12	84334829	2	DECAL,
13	84446120	1	SHIELD, , FOR 17, 20FT ONLY
13	84446784	1	SHIELD, , FOR 24FT ONLY, BSN C751
13	84461073	1	SHIELD, , FOR 24FT ONLY, ASN D752
13	84446104	1	SHIELD, , FOR 30FT ONLY, BSN C751
13	84461075	1	SHIELD, , FOR 30FT ONLY, ASN D752
14	89850876	1	SHAFT, , FOR CT ONLY
14	84444873	1	COUNTERSHAFT, , FOR 17, 20FT ONLY
14	84446741	1	COUNTERSHAFT, , FOR 24FT ONLY
14	84444972	1	COUNTERSHAFT, , FOR 30FT ONLY, BSN C751
14	84460909	1	COUNTERSHAFT, , FOR 30FT ONLY, ASN D752
15	84446115	1	SHIELD, , FOR 17, 20FT ONLY
15	84446796	1	SHIELD, , FOR 24FT ONLY
15	84446101	1	SHIELD, , FOR 30FT ONLY
16	80336199	AR	SCREW, M8x12, FOR AFX ONLY
19	84441703	1	PROTECTING COVER, , FOR 20 TO 30FT ONLY
20	80140016	1	WASHER, 8MM, FOR 20 TO 30FT ONLY
21	80412650	AR	WASHER, LOCK, 8MM, FOR AFX ONLY
22	80410434	2	FLANGE, , FOR AFX ONLY, BSN C721
22	84814939	2	FLANGE, , FOR AFX ONLY, ASN D722
23	87374315	1	BUSHING,
24	337049	1	CLAMP,



2030 COMBINE HEADER (1/02-)

20.10(01) POWER TAKE -OFF

сылка	Номер детали	Кол-во	Описание
1	89833807	1	SHAFT, PTO, (2 to 35), FOR 15FT ONLY
1	89833808	1	SHAFT, PTO, (2 to 35), FOR 17FT ONLY
1	84455484	1	PTO, (2 to 35), FOR 17FT ONLY, FOR AF ONLY
1	89819948	1	SHAFT, PTO, (2 to 35), FOR 20FT ONLY, BSN C649
1	84400456	1	SHAFT, PTO, (2 to 35), FOR 20FT ONLY, ASN D650
1	84455483	1	PTO, (2 to 35), FOR 20, 24, 30FT ONLY, FOR AF ONLY, FOR 2030 ONLY
1	87345406	1	PTO, , FOR AF ONLY, FOR 2040 AND 2050 ONLY, FOR 20, 24, 30FT ONLY
1	84058990	1	SHAFT, PTO, (2 to 35), FOR 24FT ONLY, BSN C649
1	84400457	1	SHAFT, PTO, (2 to 35), FOR 24FT ONLY, ASN D650
1	84400456	1	SHAFT, PTO, (2 to 35), FOR 2040 AND 30FT 2030 ONLY, BSN F650751
1	84801552	1	PTO, , FOR 2040 AND 30FT 2030 ONLY, SEE FIGURE 20.10A, BSN F752807
1	87333974	1	PTO, , NO SUBPARTS YET AVAILABLE, FOR 2050 ONLY, FOR 2040 AND 30FT 2030 ONLY, ASN D808
2	89833866	1	SHAFT, PTO, INNER (4 to 20), FOR 15FT ONLY, BSN C781
2	87316681	1	SHAFT, PTO, (4 to 20, 36, 37), FOR 15FT ONLY, ASN D782
2	89833872	1	SHAFT, PTO, INNER (4 to 20), FOR 17FT ONLY, BSN C781
2	87316662	1	SHAFT, PTO, (4 to 20, 36, 37), FOR 17FT ONLY, ASN D782
2	84455639	1	SHAFT, PTO, (2 to 35), FOR 17FT ONLY, FOR AF ONLY
2	89833878	1	SHAFT, PTO, INNER (4 to 20), FOR 20FT ONLY, BSN C649
2	84444118	1	SHAFT, PTO, INNER (4 to 20), FOR 20, 30FT ONLY, BSN F650781
2	87317006	1	SHAFT, PTO, (4 to 20, 36, 37), FOR 20, 30FT ONLY, ASN D782
2	84455635	1	SHAFT, PTO, (2 to 35), FOR 20, 30FT ONLY, FOR AF ONLY
2	84078706	1	SHAFT, PTO, INNER (4 to 20), FOR 24FT ONLY, BSN C649
2	84444090	1	SHAFT, PTO, INNER (4 to 20), FOR 24FT ONLY, ASN D650
3	89833863	1	SHAFT, PTO, OUTER (21 to 35), FOR 15FT ONLY
3	89833869	1	SHAFT, PTO, OUTER (21 to 35), FOR 17FT ONLY
3	89833869	1	SHAFT, PTO, (21 to 35), FOR 17FT ONLY, FOR AF ONLY
3	89833875	1	SHAFT, PTO, OUTER (21 to 35), FOR 20FT ONLY, BSN C649
3	84444119	1	SHAFT, PTO, OUTER (21 to 35), FOR 20, 30FT ONLY, ASN D650
3	84444119	1	SHAFT, PTO, (21 to 35), FOR 20, 30FT ONLY, FOR AF ONLY
3	84078703	1	SHAFT, PTO, OUTER (21 to 35), FOR 24FT ONLY, BSN C649
3	84444091	1	SHAFT, PTO, OUTER (21 to 35), FOR 24FT ONLY, ASN D650
4	80744051	1	KIT, (5 to 7), BSN C781
5	80427846	1	DISC, , BSN C781
6	80427847	1	SPRING, , BSN C781
7	80427848	1	PIN, ROLL, , BSN C781
8	89506558	1	YOKE, , FOR 15 TO 20FT ONLY, BSN C649
8	84444122	1	YOKE, , FOR 20, 30FT ONLY, ASN D650
8	89512325	1	TRACK ROD END, , FOR 24FT ONLY, BSN C649
8	80053412	1	YOKE, , FOR 24FT ONLY, ASN D650
8	84455638	1	YOKE, , FOR AF ONLY
9	80456770	4	RING, SNAP, , FOR 15 TO 20FT ONLY
9	80456752	4	CIRCLIP, , FOR 24FT ONLY
10	80161742	1	SPIDER, , FOR 15 TO 20, 30FT ONLY
10	80418936	1	SPIDER, , FOR 24FT ONLY

2030 COMBINE HEADER (1/02-)

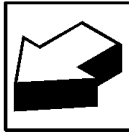
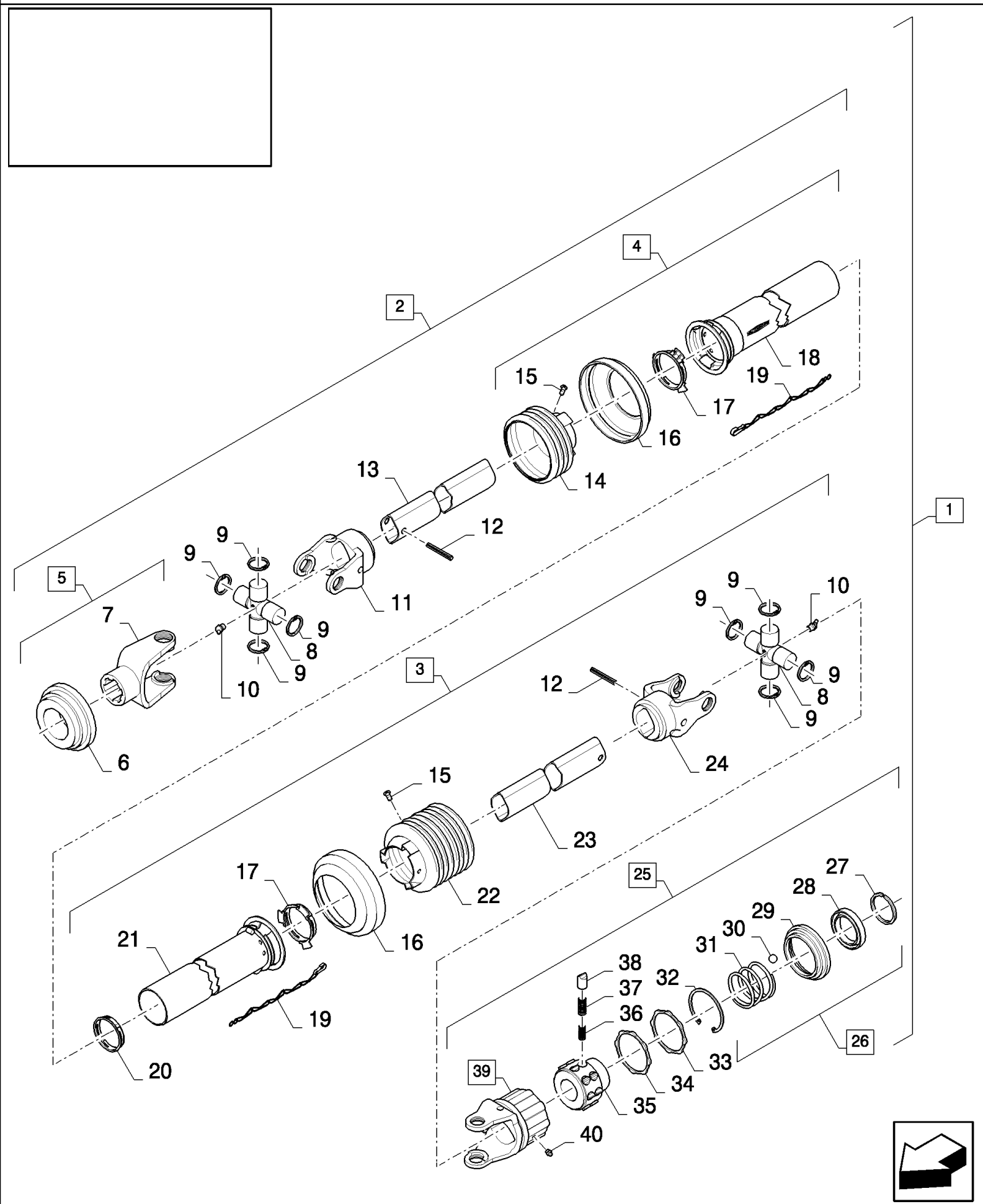
20.10(01) POWER TAKE -OFF

сылка	Номер детали	Кол-во	Описание
11	150024	1	NIPPLE, LUBE, 45с, M8 x 1,
12	80556924	1	YOKE, , FOR 15 TO 20, 30FT ONLY
12	80440522	1	FORK, , FOR 24FT ONLY
13	89833867	1	TUBE, , FOR 15FT ONLY
13	89833873	1	TUBE, , FOR 17FT ONLY
13	89833879	1	TUBE, , FOR 20, 30FT ONLY
13	84078707	1	TUBE, , FOR 24FT ONLY
14	80412690	1	PIN, LOCK, , FOR 15 TO 20, 30FT ONLY
14	80062218	1	PIN, SPLIT (COTTER), , FOR 24FT ONLY
15	80379650	1	CHAIN,
16	89833868	1	PROTECTING COVER, (17 to 20), FOR 15FT ONLY
16	89833874	1	PROTECTING COVER, (17 to 20), FOR 17FT ONLY
16	84444120	1	PROTECTING COVER, (17 to 20), FOR 17FT ONLY, FOR AF ONLY
16	89833880	1	PROTECTING COVER, (17 to 20), FOR 20FT ONLY, BSN C649
16	84444120	1	PROTECTING COVER, (17 to 20), FOR 20, 30FT ONLY, ASN D650
16	84800828	1	PROTECTING COVER, , FOR 20, 30FT ONLY, FOR AF ONLY, FOR 17FT ONLY
16	84078709	1	PROTECTING COVER, (17 to 20), FOR 24FT ONLY, BSN C649
16	84444092	1	PROTECTING COVER, (17 to 20), FOR 24FT ONLY, ASN D650
17	80456679	1	COLLAR,
18	80728164	1	RING, , FOR 15 TO 20, 30FT ONLY
18	80411728	1	RING, , FOR 24FT ONLY
19	80321803	1	BOLT, M4x10, BSN C781
19	86585706	1	SCREW, Cross Pan Hd, M4 x 10, , ASN D782
20	84014006	1	SHIELD, , FOR 15 TO 20FT ONLY
20	84444124	1	PROTECTING COVER, , FOR 20, 30FT ONLY, ASN D650
20	84444124	1	PROTECTING COVER, , FOR 17FT ONLY, FOR AF ONLY
20	84078708	1	PROTECTING COVER, , FOR 24FT ONLY, BSN C649
20	84444095	1	PROTECTING COVER, , FOR 24FT ONLY, ASN D650
21	89833865	1	PROTECTING COVER, (22 to 25), FOR 15FT ONLY
21	89833871	1	PROTECTING COVER, (22 to 25), FOR 17FT ONLY
21	84444121	1	PROTECTING COVER, (22 to 25), FOR 17FT ONLY, FOR AF ONLY
21	89833877	1	PROTECTING COVER, (22 to 25), FOR 20FT ONLY, BSN C649
21	84444121	1	PROTECTING COVER, (22 to 25), FOR 20, 30FT ONLY, ASN D650
21	84800829	1	PROTECTING COVER, , FOR 20, 30FT ONLY, FOR AF ONLY, FOR 17FT ONLY
21	84078705	1	PROTECTING COVER, (22 to 25), FOR 24FT ONLY, BSN C649
21	84444093	1	PROTECTING COVER, (22 to 25), FOR 24FT ONLY, ASN D650
22	89833862	1	PROTECTING COVER, , FOR 15 TO 20FT ONLY
22	84444126	1	PROTECTING COVER, , FOR 20, 30FT ONLY, ASN D650
22	84444126	1	PROTECTING COVER, , FOR 17FT ONLY, FOR AF ONLY
22	84078704	1	PROTECTING COVER, , FOR 24FT ONLY, BSN C649
22	84444096	1	PROTECTING COVER, , FOR 24FT ONLY, ASN D650
23	80728164	1	RING, , FOR 15 TO 20, 30FT ONLY
23	80411728	1	RING, , FOR 24FT ONLY
24	80456679	1	COLLAR,
24	84444125	1	RING, , FOR AF ONLY, FOR 17FT ONLY

2030 COMBINE HEADER (1/02-)

20.10(01) POWER TAKE -OFF

сылка	Номер детали	Кол-во	Описание
24	84444125	1	RING, , FOR 20, 30FT ONLY, ASN D650
24	80277860	1	BEARING ASSY, , FOR 24FT ONLY, ASN D650
25	80321803	1	BOLT, M4x10
26	80412126	1	NUT, LOCK, M12
27	89506563	1	YOKE, , FOR 15, 17FT ONLY
27	84800830	1	YOKE, , FOR AF ONLY
27	84444123	1	CLUTCH, , FOR 20, 30FT ONLY, ASN D650
27	89512330	1	TRACK ROD END, , FOR 24FT ONLY, BSN C649
27	84444094	1	CLUTCH, , FOR 24FT ONLY, ASN D650
28	80120082	1	SCREW, M12x60, FOR 15 TO 20FT ONLY, BSN C781
28	89706693	1	SCREW, , FOR 15 TO 20FT ONLY, ASN D782
28	80300809	1	SCREW, M12x65, FOR 24FT ONLY
29	80161742	1	SPIDER, , FOR 15 TO 20, 30FT ONLY
29	80418936	1	SPIDER, , FOR 24FT ONLY
30	80456770	4	RING, SNAP, , FOR 15 TO 20FT ONLY
30	80456752	4	CIRCLIP, , FOR 24FT ONLY
31	150024	1	NIPPLE, LUBE, 45с, M8 x 1,
32	80379650	1	CHAIN,
33	80556927	1	YOKE, , FOR 15 TO 20, 30FT ONLY
33	80440521	1	FORK, , FOR 24FT ONLY
34	89833864	1	TUBE, , FOR 15FT ONLY
34	89833870	1	TUBE, , FOR 17FT ONLY
34	89833876	1	TUBE, , FOR 20, 30FT ONLY
34	84078702	1	TUBE, , FOR 24FT ONLY
35	80412690	1	PIN, LOCK, , FOR 15 TO 20, 30FT ONLY
35	80062218	1	PIN, SPLIT (COTTER), , FOR 24FT ONLY
36	87316647	1	COLLAR, , ASN D782
37	87316646	1	YOKE, (8,36), ASN D782

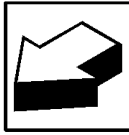
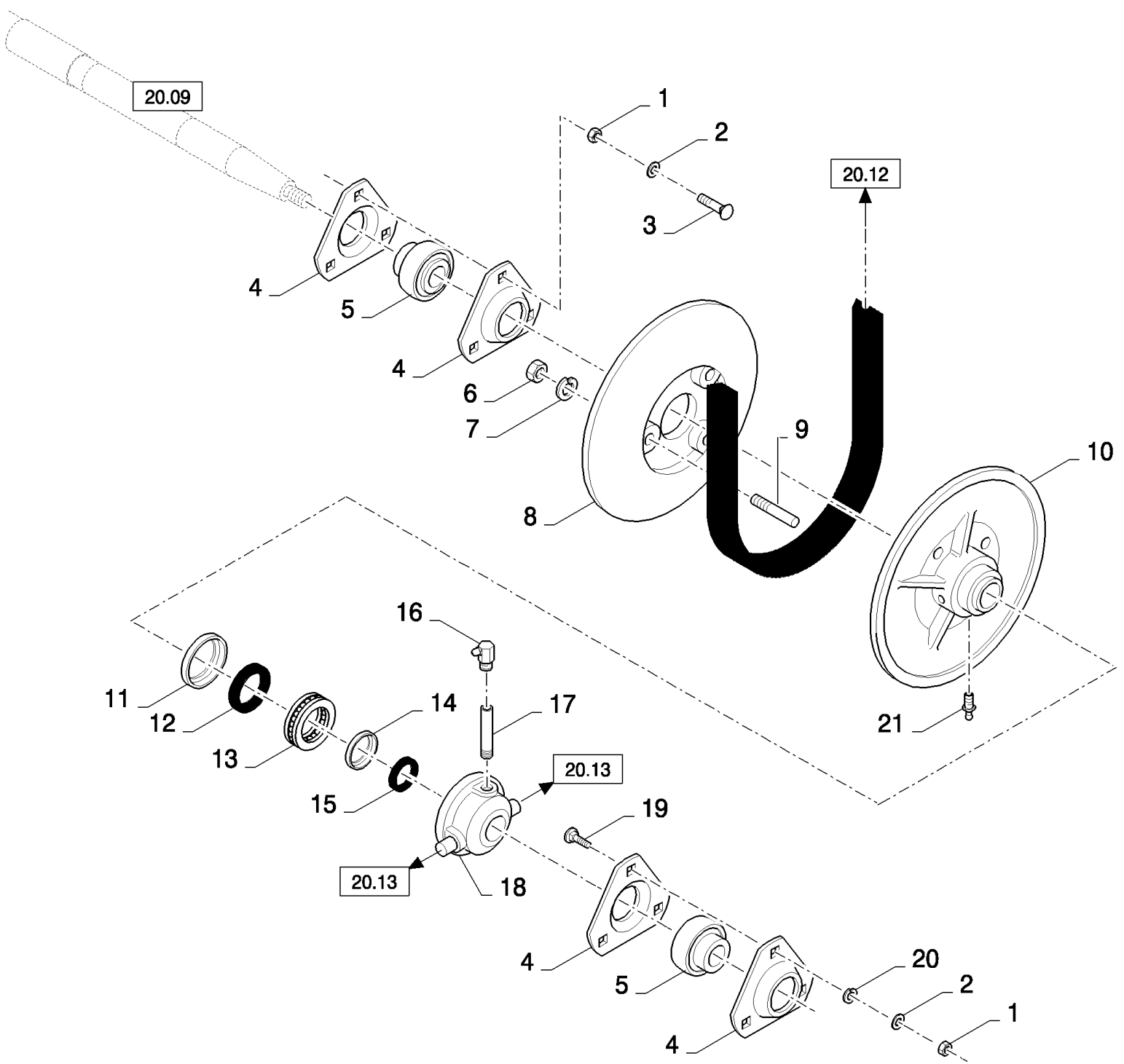
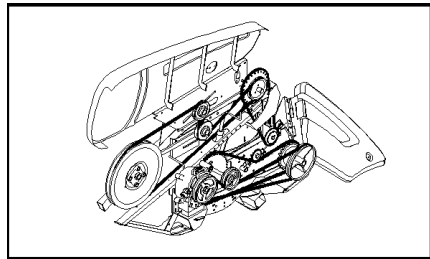


2030 COMBINE HEADER (1/02-)

20.10A(01) POWER TAKE -OFF

сылка	Номер детали	Кол-во	Описание
1	84801552	1	PTO, (2 to 40)
2	87317006	1	SHAFT, PTO, (4 to 19)
3	87318185	1	PTO, (8, 9, 10, 12, 15, 16, 17, 19, 20 to 40)
4	84444120	1	PROTECTING COVER,
5	87316646	1	YOKE, (6, 7)
6	87316647	1	COLLAR,
7	89506558	1	YOKE,
8	80161742	2	SPIDER,
9	80456770	8	RING, SNAP,
10	150024	2	NIPPLE, LUBE, 45с, M8 x 1,
11	80556924	1	YOKE,
12	80412690	2	PIN, LOCK,
13	89833879	1	TUBE,
14	84444124	1	PROTECTING COVER,
15	86585706	2	SCREW, Cross Pan Hd, M4 x 10,
16	80456679	2	COLLAR,
17	80728164	2	RING,
18	84800831	1	DECAL,
19	80379650	2	CHAIN,
20	84444125	1	RING,
21	87323485	1	SHIELD,
22	87323484	1	SHIELD,
23	87323487	1	TUBE,
24	80556927	1	YOKE,
25	87323486	1	CLUTCH, (26 to 40)
26	87335338	1	LOCK, (27 to 31)
27	87335339	1	RING, SNAP,
28	87335340	1	RING,
29	87335341	1	GROMMET,
30	87335342	1	BALL,
31	87335343	1	COMPRESSOR, SPRING,
32	80300633	1	RING, SNAP,
33	86636027	1	RING,
34	87335344	1	SEAL,
35	87335346	1	HUB,
36	80279346	14	SPRING,
37	80386510	24	SPRING,
38	80275246	24	CAM,
39	87335347	1	YOKE, (40)
40	80300919	1	NIPPLE, LUBE, M8 x 1,

20.11(01) REEL VARIATOR DRIVE

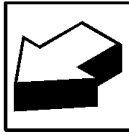
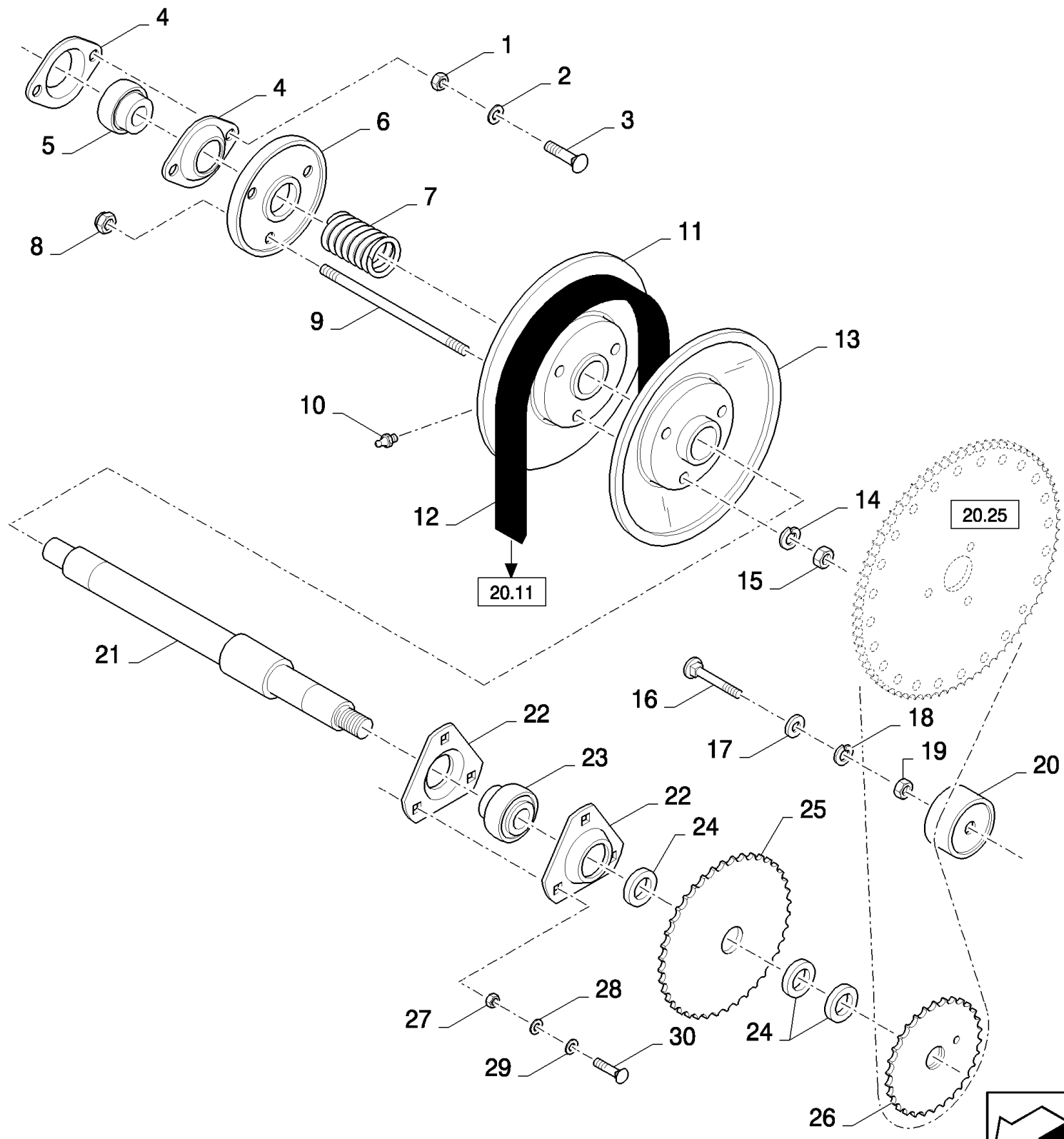
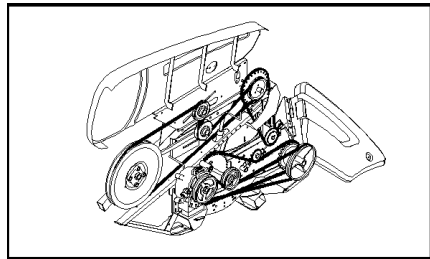


2030 COMBINE HEADER (1/02-)

20.11(01) REEL VARIATOR DRIVE

сылка	Номер детали	Кол-во	Описание
1	100016	6	NUT, M10, CI 8,
2	80140045	6	WASHER, LOCK, 10MM
3	80120041	3	BOLT, CARRIAGE, M10x20
4	84814939	4	FLANGE,
5	80322360	2	BEARING, BALL,
6	100020	3	NUT, M16, CI 8, M16
7	80140048	3	WASHER, LOCK, 16MM
8	84814253	1	DISC,
9	80110055	3	STUD,
10	84814251	1	DISC,
11	80320399	1	RING,
12	80309088	1	ELEMENT, SEALING,
13	80210054	1	BEARING, NEEDLE,
14	80320397	1	RING,
15	80220010	1	ELEMENT, SEALING,
16	323713	1	NIPPLE, LUBE,
17	84017396	1	TUBE,
18	80380402	1	HOUSING, BEARING,
19	80043139	3	SCREW, M10x25
20	80378244	3	WASHER, LOCK,
21	321204	1	NIPPLE, LUBE, M6 x 1, 16mm lg,

FOR CT ONLY

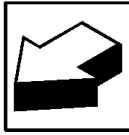
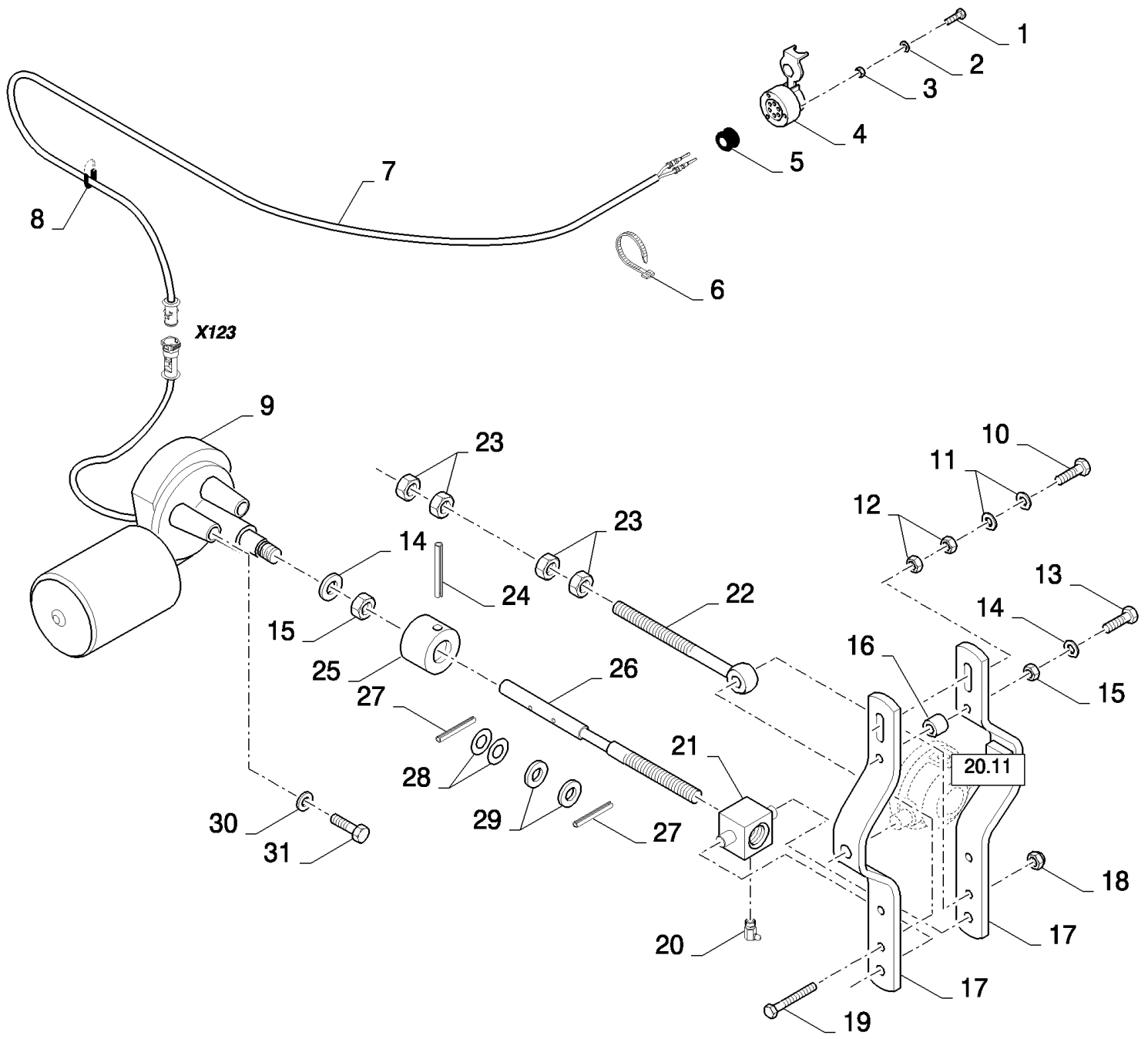
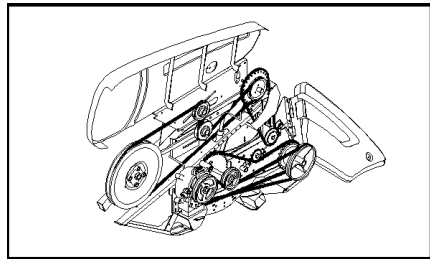


2030 COMBINE HEADER (1/02-)

20.12(01) REEL VARIATOR DRIVE

сылка	Номер детали	Кол-во	Описание
1	89706690	2	NUT, M8, CI 8,
2	80322358	2	WASHER, LOCK,
3	86507486	2	BOLT, CARRIAGE, Short NK, M8 x 20, CI8.8, Full Thd,
4	86548974	2	FLANGE, M8x20
5	80325103	1	BEARING, BALL,
6	80350618	1	RING,
7	80334054	1	SPRING,
8	86000441	3	NUT, LOCK, M16 x 2, CI 8,
9	80350617	3	STUD,
10	321204	1	NIPPLE, LUBE, M6 x 1, 16mm lg,
11	84814252	1	DISC,
12	80334065	1	BELT, TRANSMISSION,
13	84814253	1	DISC,
14	80140048	3	WASHER, LOCK, 16MM
15	100020	3	NUT, M16, CI 8, M16
16	80334966	1	BOLT, M12x45
17	80140087	1	WASHER,
18	80140046	1	WASHER, SPRING,
19	89706685	1	NUT, M12
20	80334970	1	PINION, IDLER,
21	89850875	1	SHAFT,
22	86548970	2	FLANGE,
23	80325106	1	BEARING ASSY,
24	80379384	3	WASHER,
25	89819938	1	SPROCKET, DRIVEN,
26	89819913	1	SPROCKET, DRIVEN,
27	100016	3	NUT, M10, CI 8,
28	80140045	3	WASHER, LOCK, 10MM
28	80140045	3	WASHER, LOCK, 10MM
29	80378244	3	WASHER, LOCK, 10MM
30	80043139	3	SCREW, M10x25

FOR CT ONLY



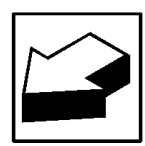
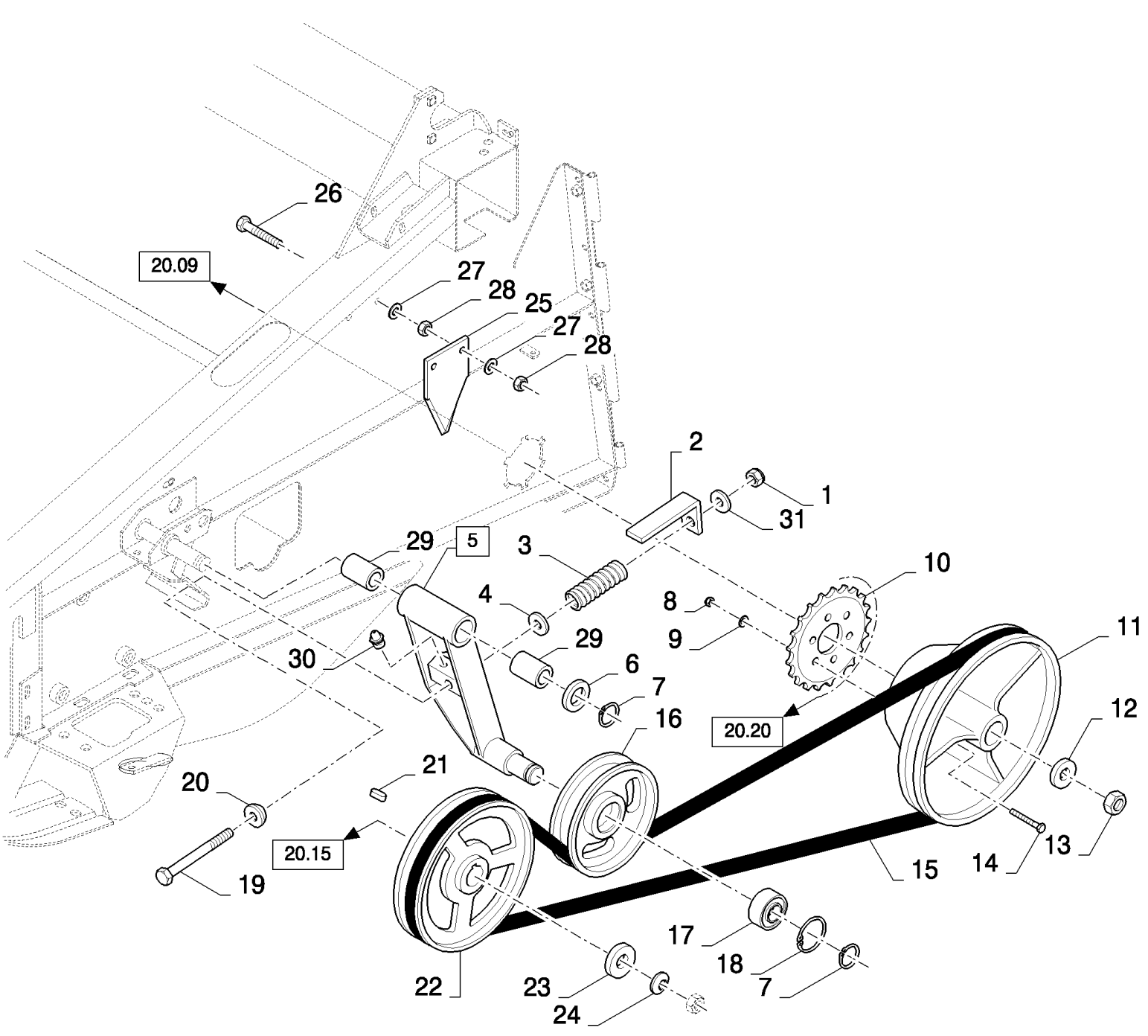
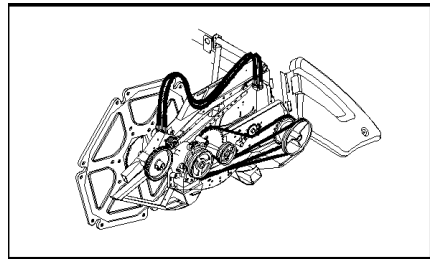
2030 COMBINE HEADER (1/02-)

20.13(01) REEL VARIATOR DRIVE

сылка	Номер детали	Кол-во	Описание
1	80120202	3	SCREW, M4x30
2	80322355	3	WASHER, 4MM
3	80100012	3	NUT, M4x30
4	80398224	1	SOCKET, POWER,
5	80355596	1	GROMMET,
6	86566989	7	STRAP, CABLE,
7	84435860	1	HARNESS, WIRE, , FOR 15FT ONLY
7	84077693	1	HARNESS, WIRE, , FOR 17 TO 24FT ONLY
8	NS	AR	NOT SERVICED, PROTECTION STRIP
9	89507880	1	MOTOR, ELECTRIC,
10	80120069	1	SCREW, M10x50
11	80378244	2	WASHER, LOCK, 10MM
12	100016	2	NUT, M10, CI 8,
13	80043129	1	SCREW, M8x40
14	80322358	2	WASHER, LOCK,
15	89706690	2	NUT, M8, CI 8,
16	80334055	1	SPACER,
17	80334061	2	ARM,
18	832-46408	1	NUT, LOCK, M8 x 1.25, CI 8,
19	80120061	1	SCREW, M8x60
20	323713	1	NIPPLE, LUBE,
21	89831500	1	ADJUSTER,
22	89831498	1	BOLT, BANJO,
23	100016	4	NUT, M10, CI 8,
24	80300868	1	PIN, ROLL,
25	89831501	1	BUSHING,
26	89831502	1	SHAFT,
27	89511051	2	PIN,
28	80350606	2	RING,
29	80456510	2	WASHER,
30	80322357	3	WASHER, SPRING, Belleville, M6, 6MM
31	86508568	3	BOLT, Hex, M6 x 16, 8.8,

FOR CT ONLY

20.14(01) WOBBLE BOX DRIVE

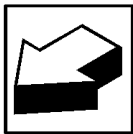
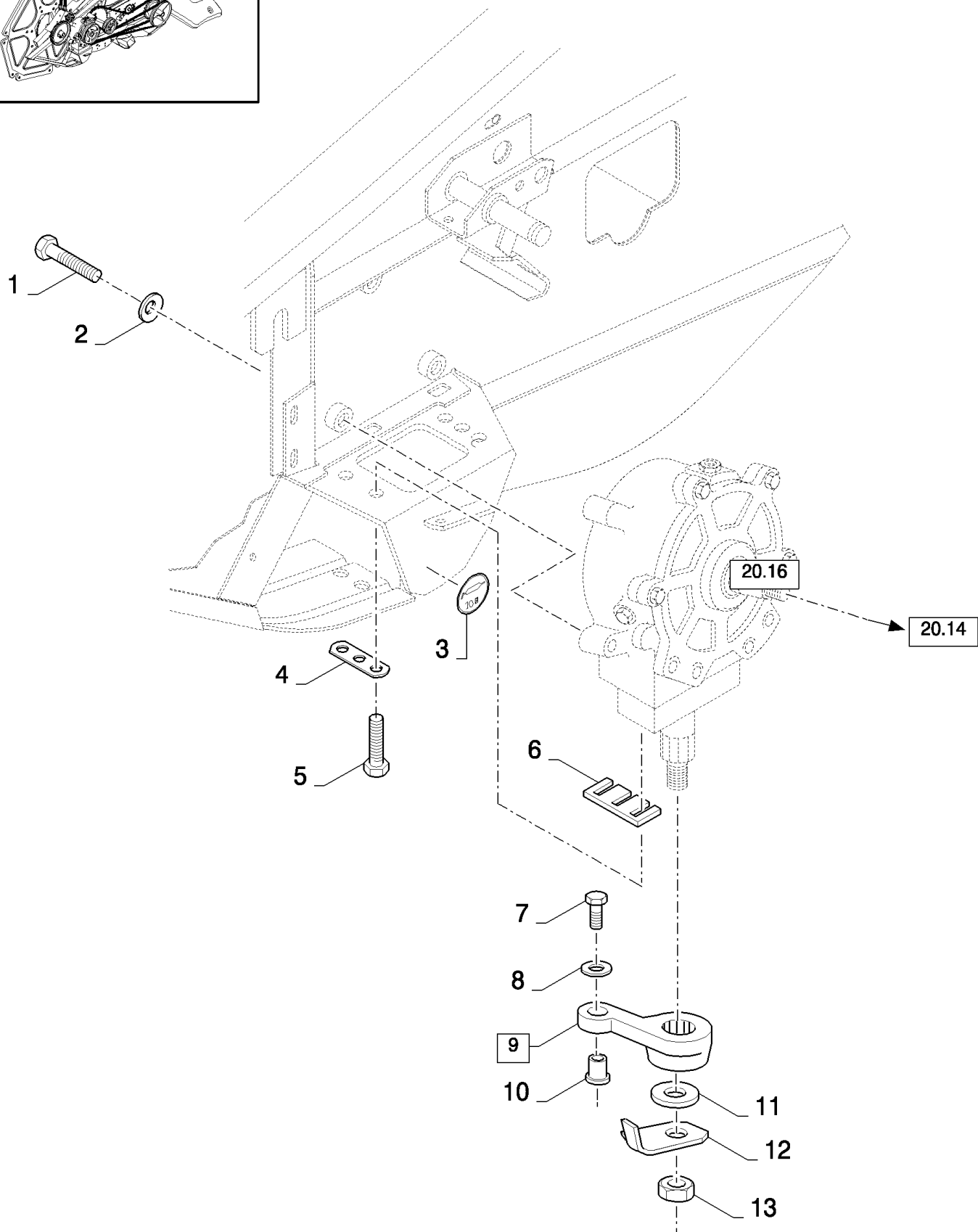
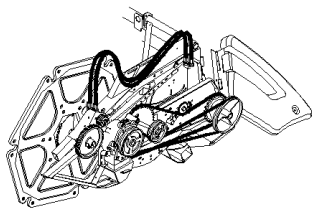


2030 COMBINE HEADER (1/02-)

20.14(01) WOBBLE BOX DRIVE

сылка	Номер детали	Кол-во	Описание
1	80412126	1	NUT, LOCK, M12, BSN C649
1	80412066	1	NUT, LOCK, M16, ASN D650
2	89831232	1	INDICATOR, , BSN C649
2	84437494	1	INDICATOR, , BSN F650775
3	80440651	1	SPRING,
4	84032994	1	WASHER, , BSN C649
4	84453987	1	WASHER, , BSN F650751
5	84814261	1	ARM, (29), BSN C649
5	84454231	1	ARM, (29), BSN F650751
5	84461130	1	ARM, (29), BSN F752775
5	84462525	1	ARM, (29), BSN F776835
5	87380716	1	ARM, (29), ASN D836
6	80140104	1	WASHER,
7	80370002	2	CIRCLIP,
8	80043442	6	NUT, LOCK, M8 x 1.25, CI 8, M8
9	80322358	6	WASHER, LOCK,
10	89819912	1	SPROCKET, DRIVEN,
11	84814264	1	PULLEY,
12	86592702	1	WASHER, M16 x 45 x 6, HT, , BSN C649
12	80394631	1	WASHER, , ASN D650
13	100020	1	NUT, M16, CI 8, M16
14	80043130	6	SCREW, M8x50
15	84058255	1	BELT, TRANSMISSION, , FOR 2030 ONLY
15	84448591	1	BELT, TRANSMISSION, , FOR 2040 ONLY
16	84814258	1	PULLEY,
17	80034439	1	BEARING ASSY,
18	80370011	1	CIRCLIP,
19	84074911	1	BOLT, Hex, M12 x 200, 12.9, M12x200, BSN C649
19	84437496	1	BOLT, Hex, M16 x 220, 8.8, M16x220, BSN F650751
19	84456232	1	BOLT, , ASN D752
20	80132321	1	WASHER, , BSN C649
20	84053238	1	WASHER, , ASN D650
21	80170005	1	KEY,
22	84814259	1	PULLEY, , BSN C835
22	87356041	1	PULLEY, , ASN D836
23	80325594	1	WASHER,
24	80140048	1	WASHER, LOCK, 16MM
25	84429103	20	KNIFE SECTION, , FOR AFX ONLY
26	80397985	2	BOLT, M6x70, FOR AFX ONLY
27	80322357	4	WASHER, SPRING, Belleville, M6, 6MM, FOR AFX ONLY
28	15896221	4	NUT, M6, CI 10, , FOR AFX ONLY
29	80420760	2	BUSHING,
30	321204	1	NIPPLE, LUBE, M6 x 1, 16mm lg, , BSN C835
30	84814929	1	NIPPLE, LUBE, , ASN D836
31	86588503	1	WASHER, M16 x 28 x 3, , ASN D776

20.15(01) WOBBLE BOX, FITTING PARTS

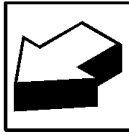
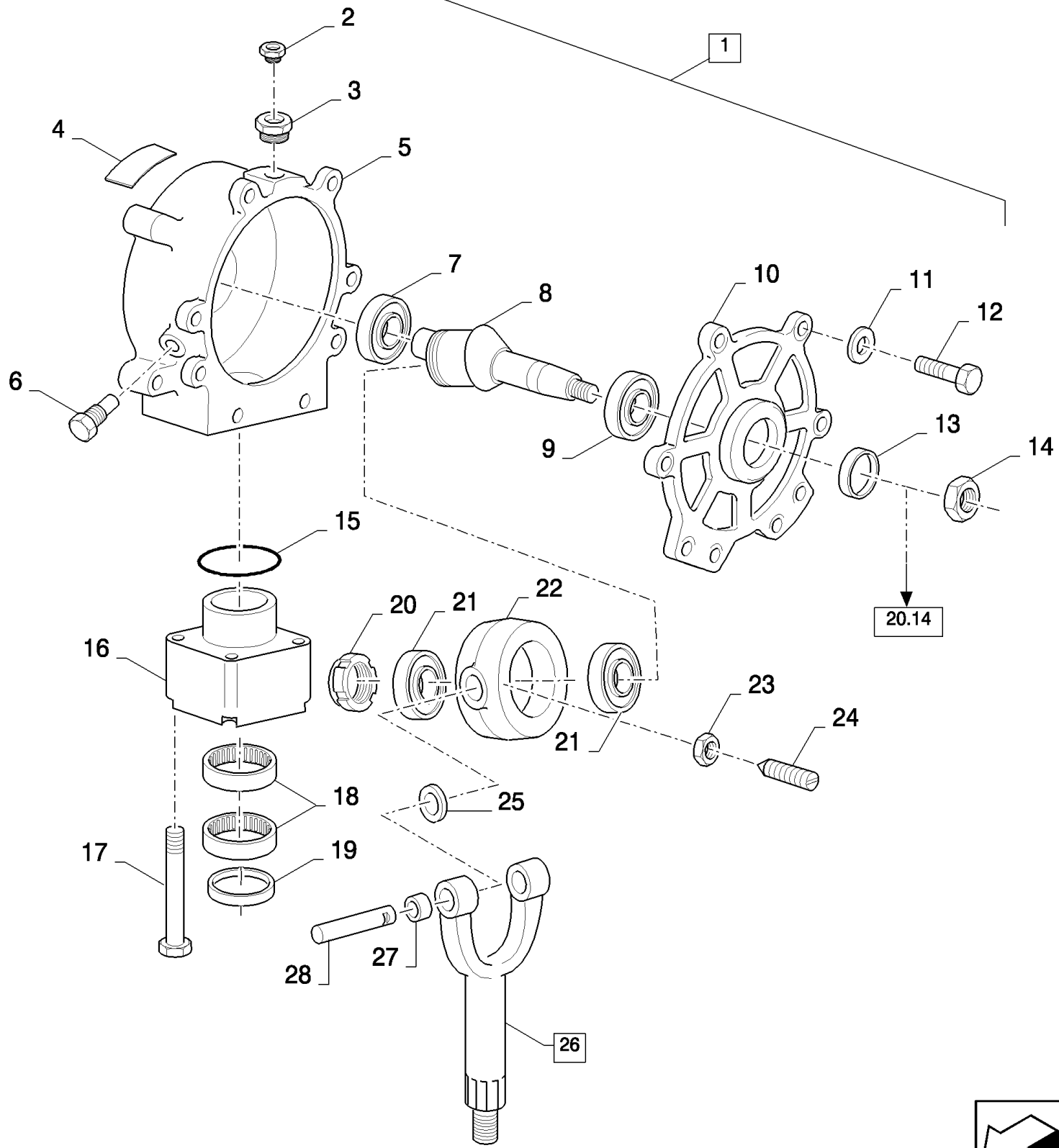
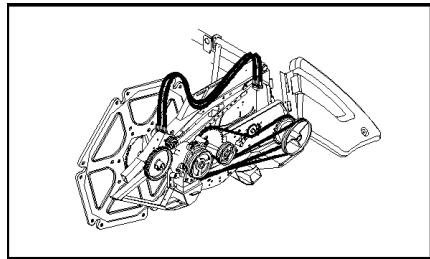


2030 COMBINE HEADER (1/02-)

20.15(01) WOBBLE BOX, FITTING PARTS

сылка	Номер детали	Кол-во	Описание
1	80412674	3	SCREW,
2	80034945	3	WASHER,
3	84989464	1	DECAL,
4	84077921	2	PLATE, ADJUSTING,
5	80412037	5	BOLT,
6	80754801	AR	SHIM,
6	87382572	AR	SHIM, , FOR 2050 ONLY
7	80412681	1	SCREW,
8	80394631	1	WASHER, 16MM
9	84017247	1	ARM, (10)
10	84017250	1	SLEEVE,
11	80850053	1	WASHER,
12	89513487	1	PLATE, LOCKING,
13	100085	1	NUT, M20 x 1.5, CI 8,

20.16(01) WOBBLE BOX

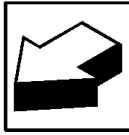
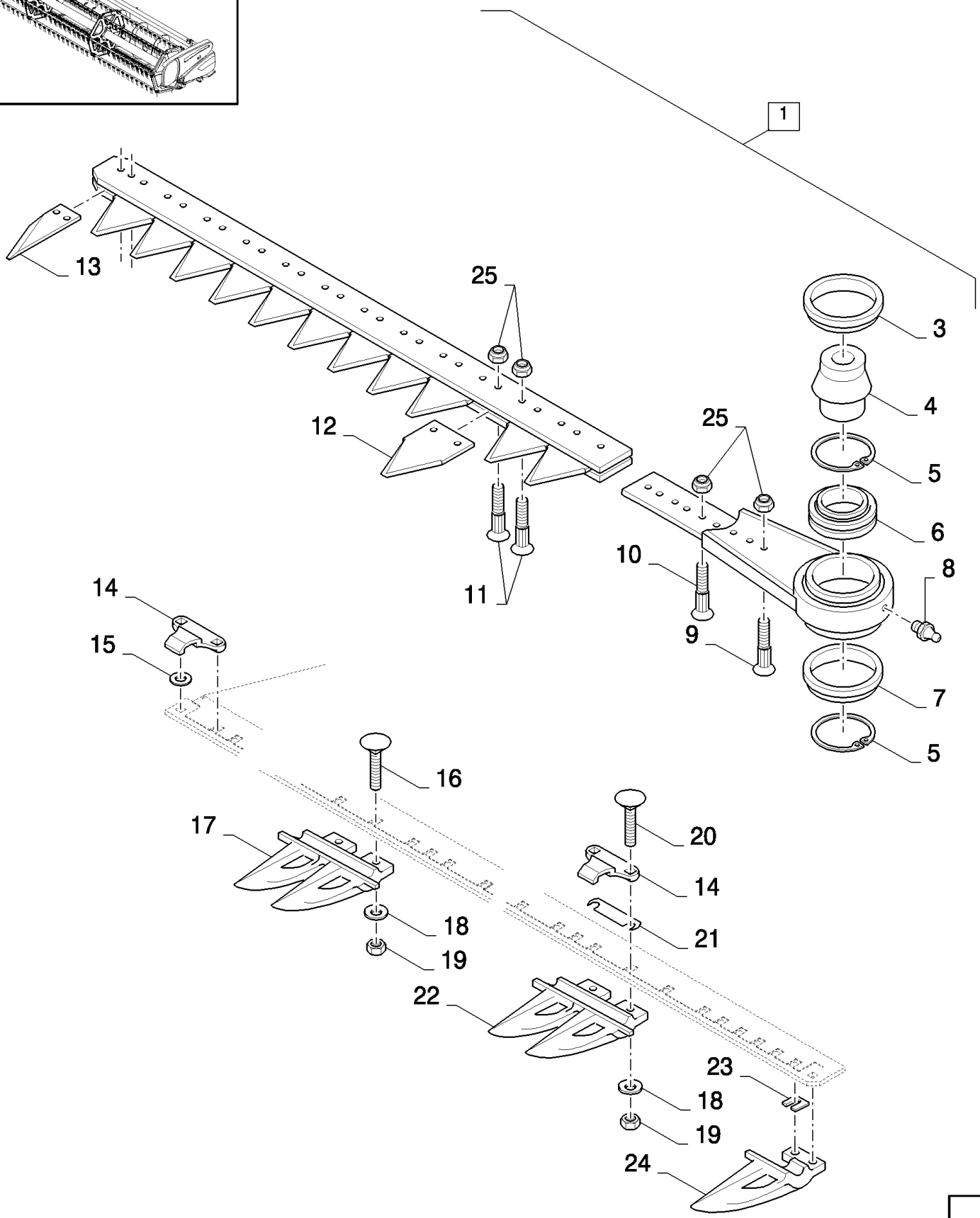
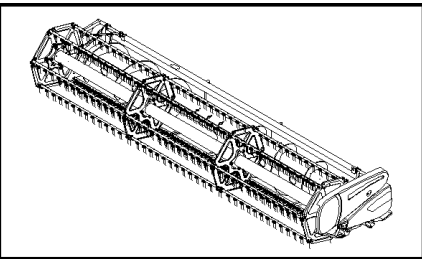


2030 COMBINE HEADER (1/02-)

20.16(01) WOBBLE BOX

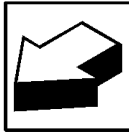
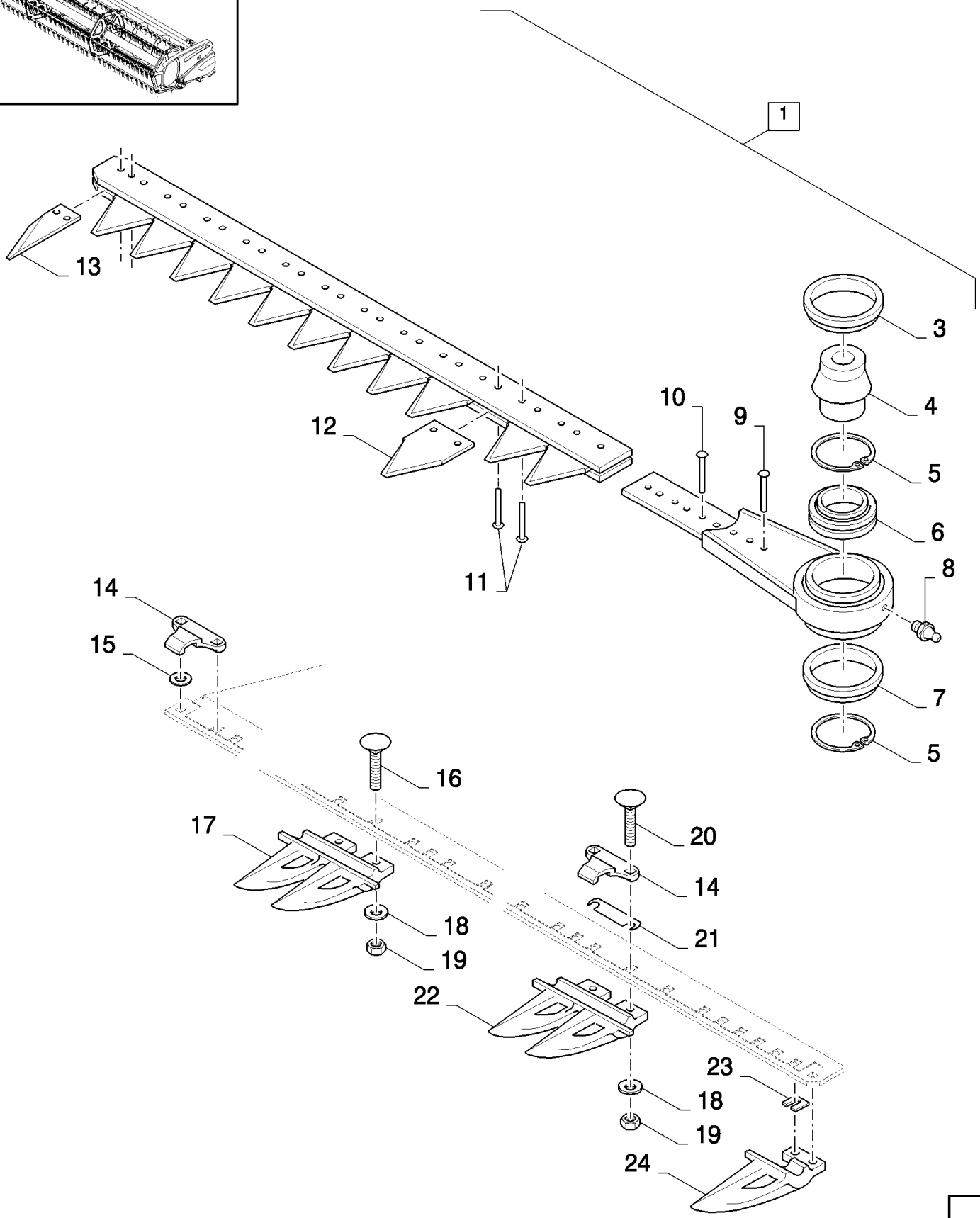
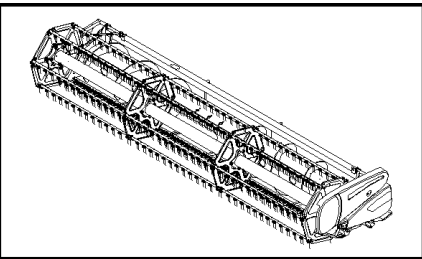
сылка	Номер детали	Кол-во	Описание
1	85000175	1	WOBBLE BOX, (2 to 28)
2	80572820	1	SCREW, VENTING,
3	80920158	1	CONNECTOR, HYD.,
4	NS	1	NOT SERVICED, DECAL
5	84800473	1	HOUSING,
6	80384922	1	PLUG,
7	89811397	1	BEARING ASSY,
8	89501697	1	SHAFT,
9	89811632	1	BEARING ASSY,
10	89501969	1	COVER,
11	80140045	8	WASHER, LOCK, 10MM
12	80043140	8	BOLT, Hex, M10 x 30, 8.8,
13	89513024	1	RING,
14	80331192	1	NUT, M16
15	80165216	1	O-RING,
16	84818319	1	HOUSING, BEARING,
17	80850125	4	SCREW, M12x70
18	87021857	2	BEARING ASSY,
19	80796503	1	ELEMENT, SEALING,
20	80850119	1	NUT,
21	80796504	2	BEARING, ROLLER,
22	80850123	1	HOUSING, BEARING,
23	80100067	2	NUT, M8, BSN C649
23	832-46408	2	NUT, LOCK, M8 x 1.25, CI 8, , ASN D650
24	80300479	2	SCREW, M8x25
25	80168100	2	SHIM,
26	89513490	1	YOKE, (27)
27	80709063	2	BUSHING,
28	80847547	2	PIN,

20.17(01) KNIVES, UPPER SERRATED AND GREEN CONDITIONS



20.17(01) KNIVES, UPPER SERRATED AND GREEN CONDITIONS

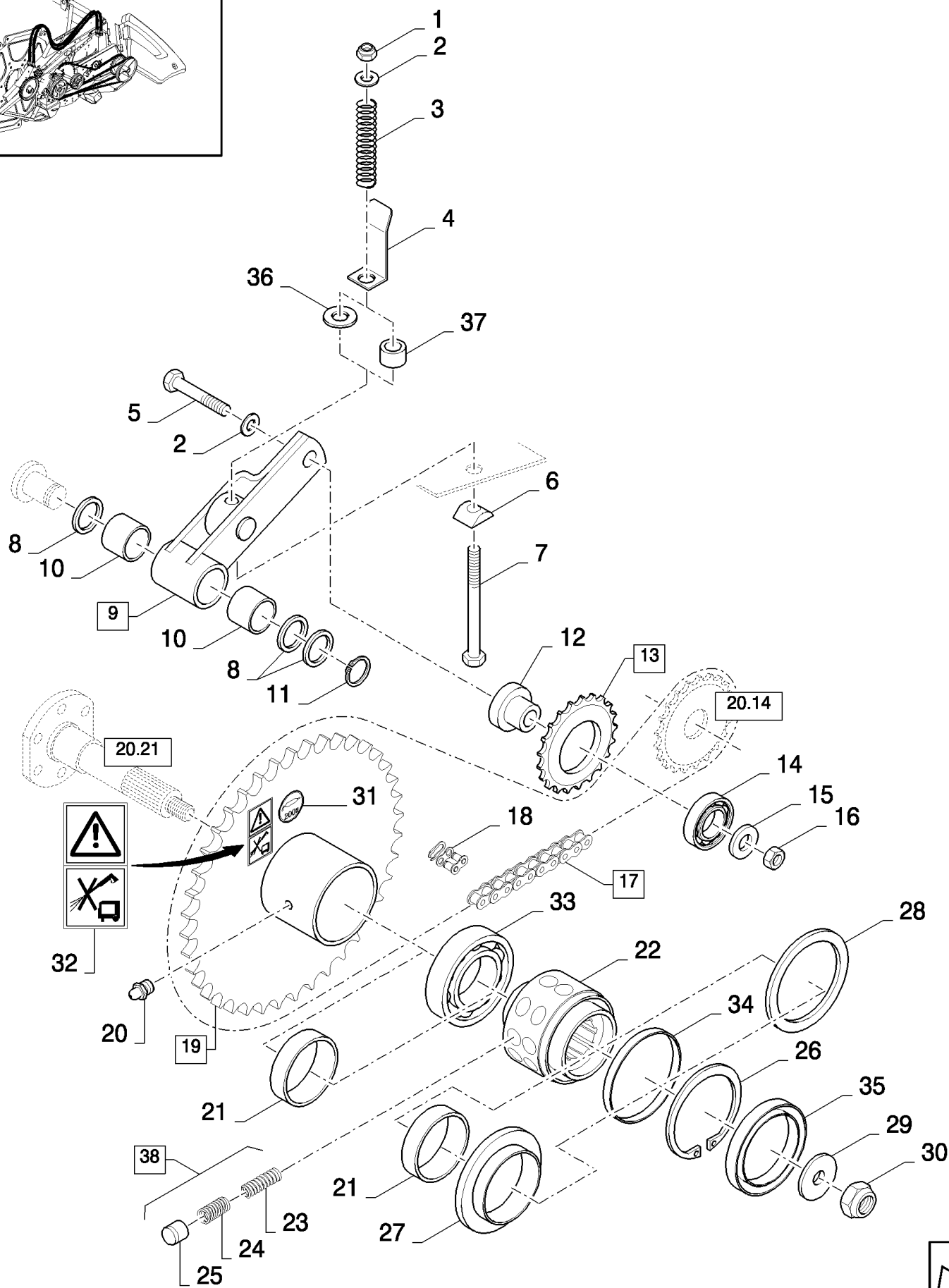
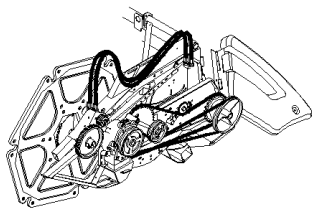
сылка	Номер детали	Кол-во	Описание
1	84435371	1	KNIFE, (3 to 13,25), FOR 15FT ONLY, STANDARD, UPPER SERRATED
1	84435372	1	KNIFE, (3 to 13,25), STANDARD, UPPER SERRATED, FOR 17FT ONLY
1	84433815	1	KNIFE, (3 to 13,25), STANDARD, UPPER SERRATED, FOR 20FT ONLY
1	84435373	1	KNIFE, (3 to 13,25), FOR 24FT ONLY, STANDARD, UPPER SERRATED
1	84435374	1	KNIFE, (3 to 13,25), STANDARD, UPPER SERRATED, FOR 30FT ONLY
1	84081705	1	KNIFE GREEN CONDITIONS, (3 to 13,25), FOR 15FT ONLY, GREEN CONDITIONS
1	84081706	1	KNIFE GREEN CONDITIONS, (3 to 13,25), GREEN CONDITIONS, FOR 17FT ONLY
1	84081707	1	KNIFE GREEN CONDITIONS, (3 to 13,25), GREEN CONDITIONS, FOR 20FT ONLY
1	84081708	1	KNIFE GREEN CONDITIONS, (3 to 13,25), FOR 24FT ONLY, GREEN CONDITIONS
1	84081709	1	DIA KIT, HARVESTER, (3 to 13,25), GREEN CONDITIONS, FOR 30FT ONLY
3	80758561	1	RING,
4	80916806	1	SHAFT,
5	80758565	2	CIRCLIP,
6	80758563	1	BEARING ASSY,
7	80758559	1	COVER,
8	321204	1	NIPPLE, LUBE, M6 x 1, 16mm lg,
9	84429101	3	SCREW, M6x28
10	84429100	6	SCREW, M6x22
11	84429099	AR	SCREW, M6x16
12	84429103	AR	KNIFE SECTION, , STANDARD, UPPER SERRATED
12	84435879	AR	KNIFE SECTION, , GREEN CONDITIONS
13	84433772	1	KNIFE SECTION, , STANDARD, UPPER SERRATED
13	84435824	1	KNIFE SECTION, , GREEN CONDITIONS
14	84800496	AR	CLIP, KNIFE,
15	80378244	1	WASHER, LOCK,
16	89833222	AR	BOLT, M10x35
17	80379720	AR	KNIFE, FINGER,
18	80140045	AR	WASHER, LOCK, 10MM
19	100016	AR	NUT, M10, CI 8,
20	86512425	AR	BOLT, CARRIAGE, Short NK, M10 x 45, CI8.8, M10x45
21	80482769	AR	PLATE, ADJUSTING,
22	80916328	3	KNIFE, FINGER,
23	80481489	AR	PLATE, ADJUSTING,
24	80918222	1	KNIFE, FINGER,
25	84429102	AR	NUT,



20.18(01) KNIVES, UNDER SERRATED

сылка	Номер детали	Кол-во	Описание
1	84003218	1	DIA KIT, HARVESTER, (3 to 13), FOR 15FT ONLY
1	84003217	1	DIA KIT, HARVESTER, (3 to 13), FOR 17FT ONLY
1	80918014	1	DIA KIT, HARVESTER, (3 to 13), FOR 20FT ONLY
1	80918015	1	DIA KIT, HARVESTER, (3 to 13), FOR 24FT ONLY
1	84040790	1	DIA KIT, HARVESTER, (3 to 13), FOR 30FT ONLY
3	80758561	1	RING,
4	80916806	1	SHAFT,
5	80758565	2	CIRCLIP,
6	80758563	1	BEARING ASSY,
7	80758559	1	COVER,
8	321204	1	NIPPLE, LUBE, M6 x 1, 16mm lg,
9	80130436	3	RIVET,
10	80065474	6	RIVET,
11	80046436	AR	RIVET,
12	80365111	AR	KNIFE SECTION,
13	80365112	1	KNIFE SECTION,
14	84800496	AR	CLIP, KNIFE,
15	80378244	1	WASHER, LOCK,
16	89833222	AR	BOLT, M10x35
17	80379720	AR	KNIFE, FINGER,
18	80140045	AR	WASHER, LOCK, 10MM
19	100016	AR	NUT, M10, CI 8,
20	86512425	AR	BOLT, CARRIAGE, Short NK, M10 x 45, CI8.8, M10x45
21	80482769	AR	PLATE, ADJUSTING,
22	80916328	3	KNIFE, FINGER,
23	80481489	AR	PLATE, ADJUSTING,
24	80918222	1	KNIFE, FINGER,

20.20(01) FEED AUGER DRIVE



2030 COMBINE HEADER (1/02-)

20.20(01) FEED AUGER DRIVE

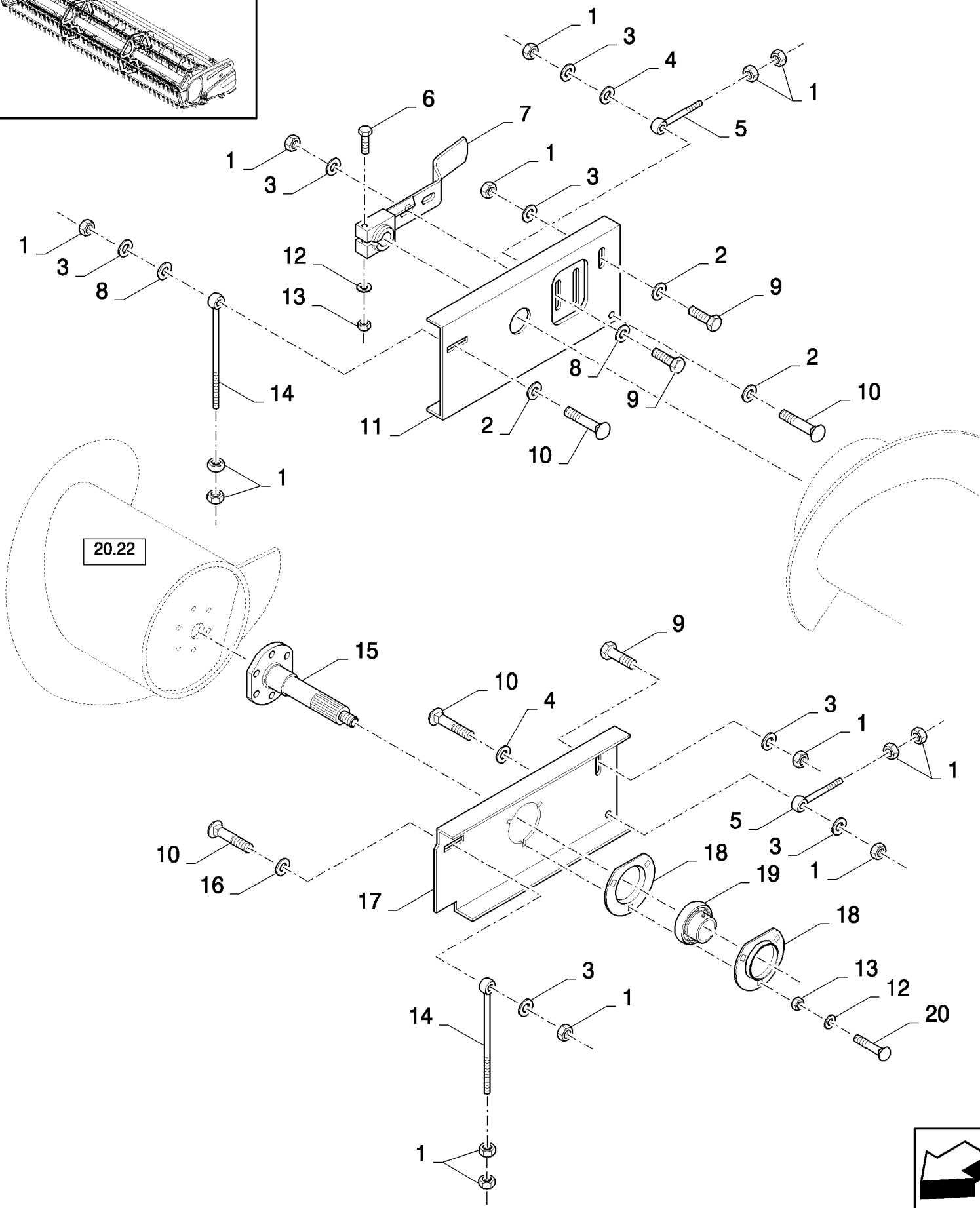
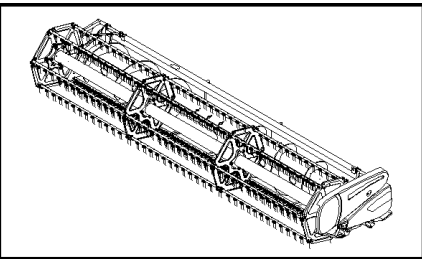
сылка	Номер детали	Кол-во	Описание
1	80412126	1	NUT, LOCK, M12
2	80378245	2	WASHER, 12MM
3	89817602	1	SPRING,
4	84989032	1	INDICATOR,
5	89706693	1	SCREW, M12x60
6	80132321	1	WASHER,
7	80364053	1	SCREW, M12x220, FOR 2030 ONLY
7	89837782	1	SCREW, M12x230, FOR 2040 ONLY
8	80419854	3	WASHER,
9	84440550	1	ARM, (10)
10	80382975	2	BUSHING,
11	80370002	1	CIRCLIP,
12	84334260	1	BUSHING,
13	84436347	1	SPROCKET, DRIVEN, (14)
14	80034439	1	BEARING ASSY,
15	80140046	1	WASHER, SPRING,
16	89706685	1	NUT, M12
17	84058834	1	CHAIN, (18), FOR LOW RPM ONLY
17	84058833	1	CHAIN, (18), FOR 2030 ONLY, FOR 2050 ONLY
17	84448828	1	CHAIN, (18), FOR 2040 ONLY
18	89811888	2	LINK, CHAIN,
19	84440698	1	CLUTCH, (20 to 27), FOR LOW RPM ONLY, BSN C705
19	84461197	1	SPROCKET, DRIVEN, , FOR LOW RPM ONLY
19	84453595	1	CLUTCH, (20,22 to 26,33 to 35), FOR LOW RPM ONLY, ASN D706
19	84440548	1	CLUTCH, (20 to 26,28), FOR 15, 17FT ONLY, BSN C705
19	84453507	1	CLUTCH, (20,22 to 26,33 to 35), FOR 15, 17FT ONLY, ASN D706
19	84440546	1	CLUTCH, (20 to 27), FOR 20 TO 30FT ONLY, BSN C705
19	84453558	1	CLUTCH, (20,22 to 26,33 to 35), FOR 20 TO 24FT ONLY, ASN D706
19	84453558	1	CLUTCH, (20,22 to 26,33 to 35), FOR 2040, 2050 AND 30FT 2030 ONLY, BSN F706765
19	84461189	1	SPROCKET, DRIVEN, , FOR 2040, 2050 AND 30FT 2030 ONLY, ASN D766
19	84461197	1	SPROCKET, DRIVEN, , FOR 2040, 2050 AND 30FT 2030 ONLY, FOR LOW RPM ONLY
20	80300919	1	NIPPLE, LUBE, M8 x 1, , BSN C705
20	321204	1	NIPPLE, LUBE, M6 x 1, 16mm lg, , ASN D706
21	84068380	AR	RING, , BSN C705
22	84429809	1	HUB, , FOR LOW RPM ONLY, FOR 20 TO 30FT ONLY, BSN C705
22	84075521	1	HUB, , FOR 15, 17FT ONLY, BSN C705
22	84800125	1	HUB, , ASN D706
23	84075523	AR	SPRING, INNER, BSN C705
23	NSS	AR	NOT SERVICED SEPARATELY, INNER, ASN D706
24	84075522	AR	SPRING, OUTER, BSN C705
24	NSS	AR	NOT SERVICED SEPARATELY, OUTER, ASN D706
25	80386509	AR	CAM, , BSN C705
25	NSS	AR	NOT SERVICED SEPARATELY, , ASN D706
26	80301652	1	RING, SNAP, , BSN C705
26	84800128	1	CIRCLIP, , ASN D706

2030 COMBINE HEADER (1/02-)

20.20(01) FEED AUGER DRIVE

сылка	Номер детали	Кол-во	Описание
27	84429801	1	RING, , FOR 20 TO 30FT ONLY, FOR LOW RPM ONLY, BSN C705
28	84068382	1	RING, , FOR 15, 17FT ONLY, BSN C705
29	80850053	1	WASHER,
30	80380424	1	NUT, LOCK, M20
31	84334829	1	DECAL, 50h, BSN C705
31	84334810	1	DECAL, 200h, ASN D706
32	84444063	1	DECAL, , BSN C705
33	89811496	1	BEARING ASSY, , ASN D706
34	84800131	1	SEAL, , ASN D706
35	84800127	1	SEAL, , ASN D706
36	86511324	1	WASHER, M12 x 24 x 2.5, , FOR 2030 ONLY
37	84069986	1	BUSHING, 12MM, FOR 2040 ONLY
38	84455965	1	KIT, REPAIR, (23,24,25), ASN D706

20.21(01) FEED AUGER DRIVE, SUPPORTS

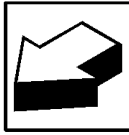
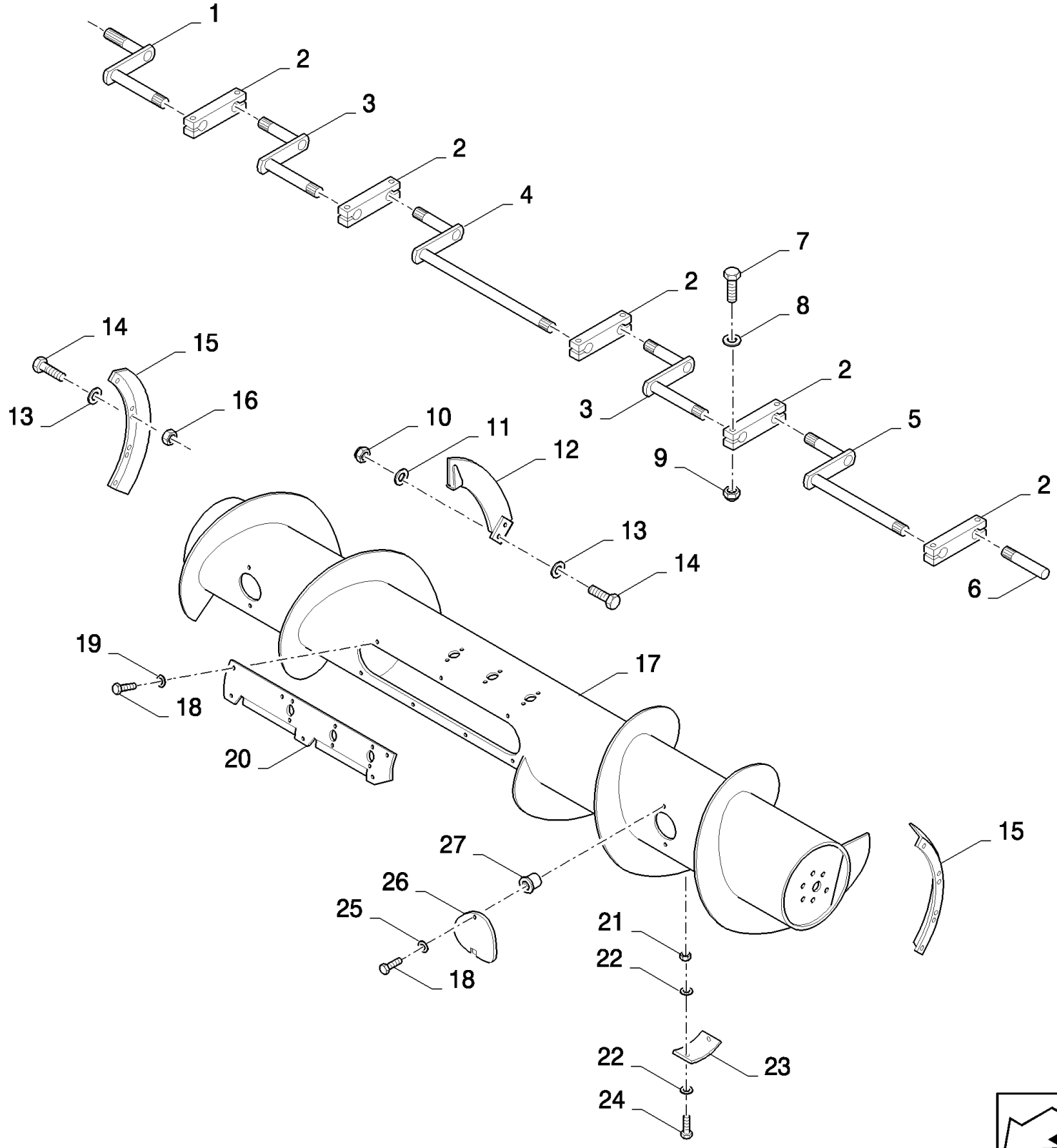
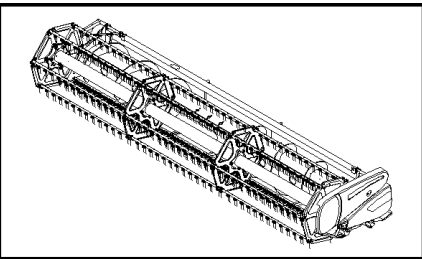


2030 COMBINE HEADER (1/02-)

20.21(01) FEED AUGER DRIVE, SUPPORTS

сылка	Номер детали	Кол-во	Описание
1	89706685	16	NUT, M12
2	80140188	3	WASHER,
3	80140046	6	WASHER, SPRING,
4	80140084	2	WASHER,
5	80335423	2	BOLT, BANJO,
6	80043144	1	SCREW, M10x70
7	84814212	1	LEVER,
8	80394630	3	WASHER, 12MM
9	80120044	4	BOLT, M12x30
10	80334966	4	BOLT, M12x45
11	84814203	1	PLATE, ADJUSTING, RH, BSN C831
11	87389266	1	PLATE, ADJUSTING, RH, ASN D832
12	80140045	4	WASHER, LOCK, M10
13	100016	4	NUT, M10, CI 8,
14	80309662	2	BOLT, BANJO,
15	84032891	1	SHAFT,
16	89801096	1	WASHER,
17	84814201	1	PLATE, ADJUSTING, LH, FOR 2030 ONLY, FOR 2050 ONLY, BSN C831
17	84454302	1	PLATE, ADJUSTING, LH, FOR 2040 ONLY, BSN C831
17	87374248	1	PLATE, ADJUSTING, LH, ASN D832
18	80433517	2	FLANGE,
19	80322360	1	BEARING, BALL,
20	80120041	3	BOLT, CARRIAGE,

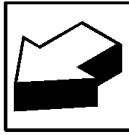
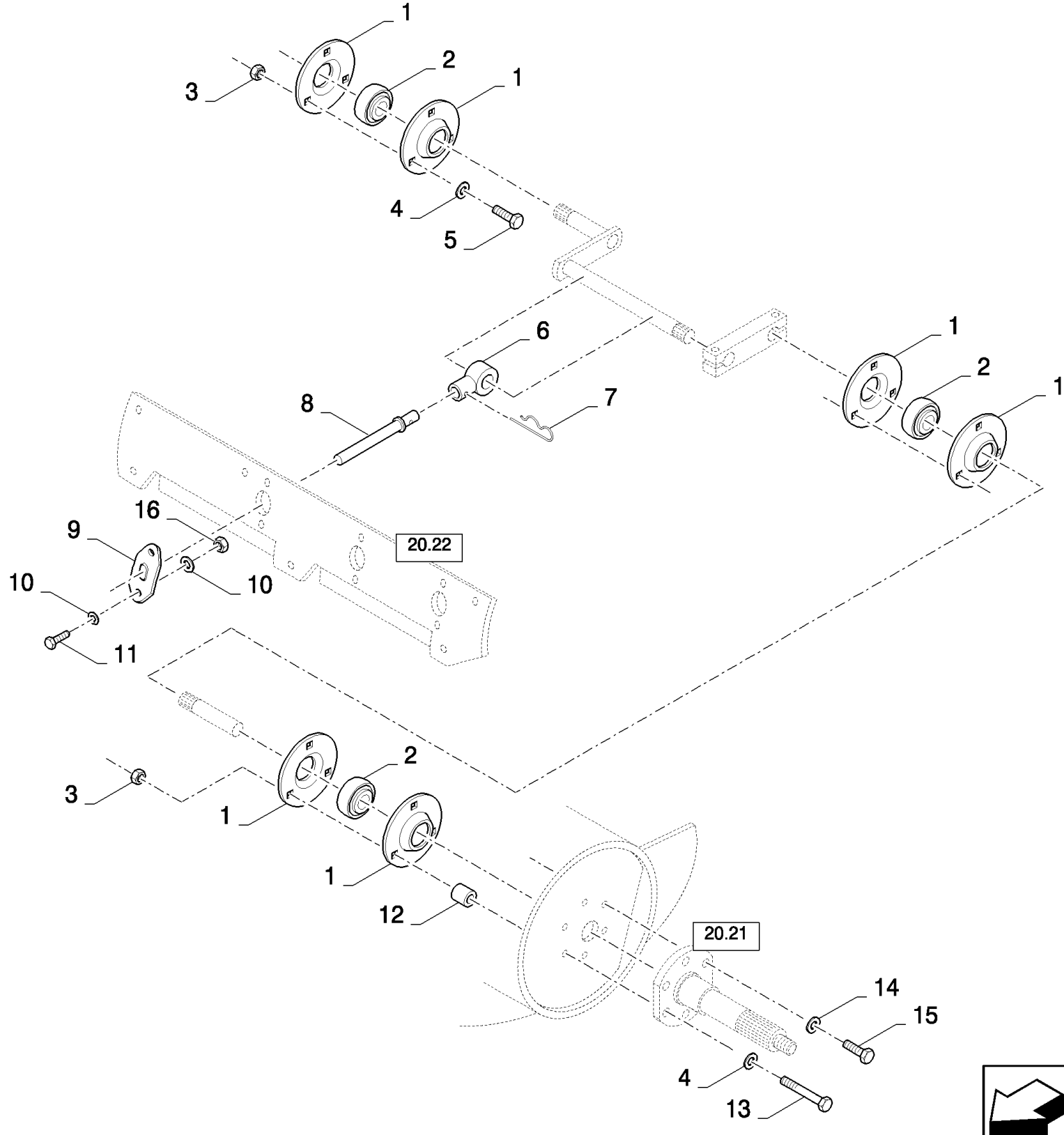
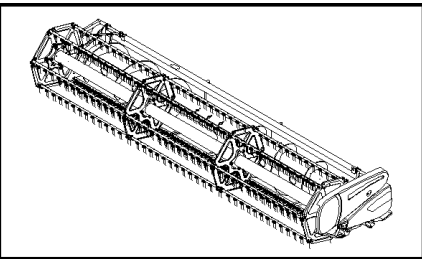
20.22(01) FEED AUGER



2030 COMBINE HEADER (1/02-)

20.22(01) FEED AUGER

сылка	Номер детали	Кол-во	Описание
1	84435455	1	SHAFT, , FOR 15FT ONLY
1	84071149	1	SHAFT, , FOR 17FT ONLY
1	84057965	1	SHAFT, , FOR 20, 24FT ONLY
1	84043704	1	SHAFT, , FOR 30FT ONLY
2	80740351	AR	SHAFT,
3	80753774	2	SHAFT, , FOR 17, 20FT ONLY
3	80740374	2	SHAFT, , FOR 24FT ONLY
3	84043701	3	SHAFT, , FOR 30FT ONLY
4	80740380	1	SHAFT, , FOR 15, 17FT ONLY
4	84043702	1	SHAFT, , FOR 20 TO 30FT ONLY
5	80740644	1	SHAFT, , FOR 17FT ONLY
5	84057958	1	SHAFT, , FOR 20, 24FT ONLY
5	80740374	1	SHAFT, , FOR 15FT ONLY
6	80740373	1	SHAFT,
7	80043144	10	SCREW, M10x70
8	80140045	10	WASHER, LOCK, 10MM
9	100016	10	NUT, M10, CI 8,
10	89706690	6	NUT, M8, CI 8,
11	80140041	2	WASHER, 8MM
12	84098424	1	AUGER FLIGHT, RH
12	84098426	1	AUGER FLIGHT, LH
13	80322358	6	WASHER, LOCK,
14	120104	14	BOLT, Hex, M8 x 20, 8.8,
15	84814205	2	PROTECTING COVER,
16	89706690	8	NUT, M8, CI 8,
17	84814209	1	AUGER, , FOR 15FT ONLY
17	84814207	1	AUGER, , FOR 17FT ONLY
17	84814215	1	AUGER, , FOR 20FT ONLY, BSN C831
17	87382567	1	AUGER, , FOR 20FT ONLY, ASN D832
17	84814213	1	AUGER, , FOR 24FT ONLY, BSN C831
17	87382571	1	AUGER, , FOR 24FT ONLY, ASN D832
17	84818758	1	AUGER, , FOR 30FT ONLY, BSN C831
17	87370391	1	AUGER, , FOR 30FT ONLY, ASN D832
18	614-6016	AR	BOLT, Hex, M6 x 16, 8.8,
19	80322357	AR	WASHER, SPRING, Belleville, M6, 6MM
20	84440590	1	COVER, , FOR 15, 17FT ONLY
20	84814231	1	COVER, LH, FOR 20 TO 30FT ONLY
20	84814229	1	COVER, RH, FOR 20 TO 30FT ONLY
21	80353308	AR	NUT, M6
22	80140015	AR	WASHER, 6MM
23	80747408	6	COVER, , FOR 20, 24, 30FT ONLY
24	80120100	AR	BOLT, Hex, M6 x 20, 8.8,
25	80140015	AR	WASHER, 6MM
26	84440594	AR	PLATE,
27	80740622	AR	NUT,

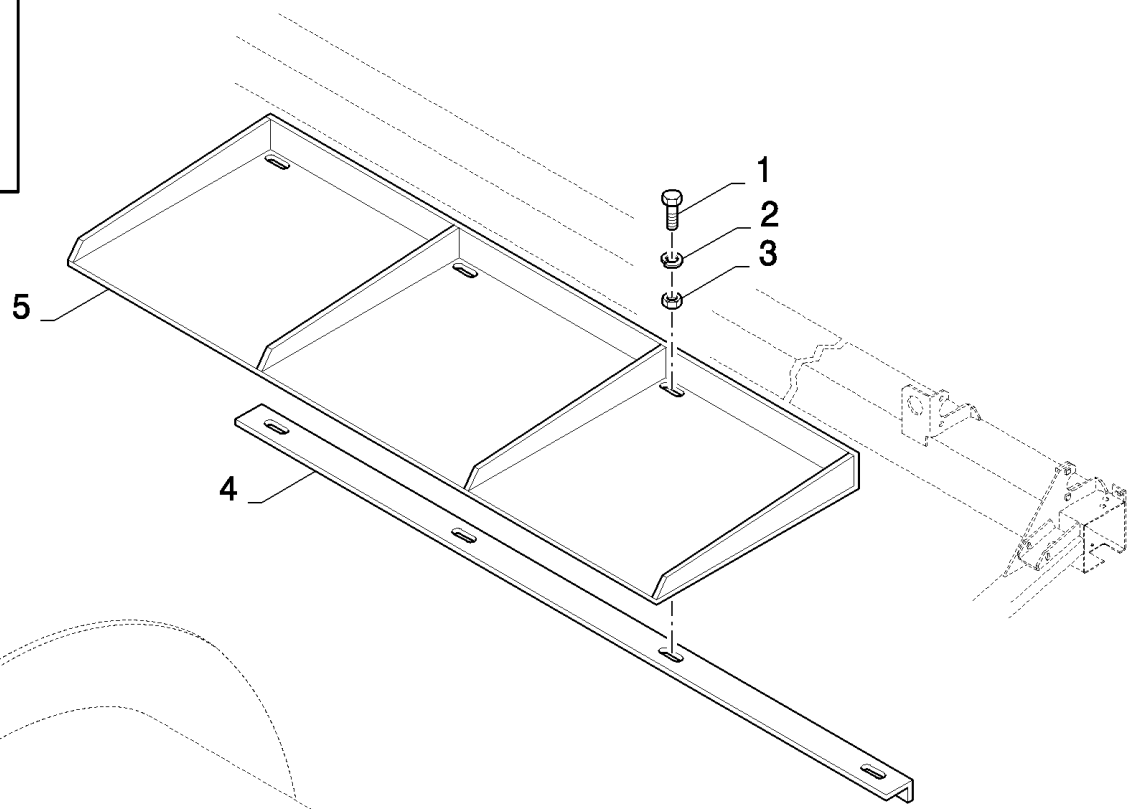
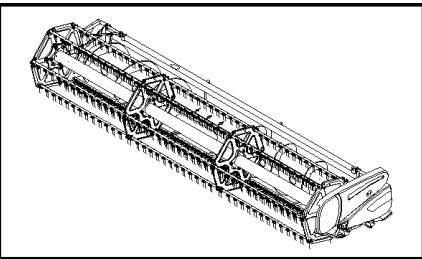


2030 COMBINE HEADER (1/02-)

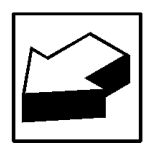
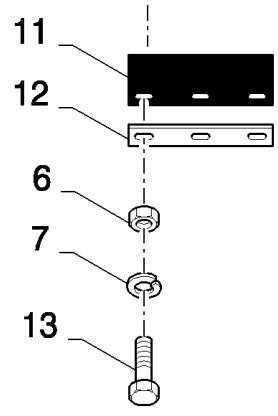
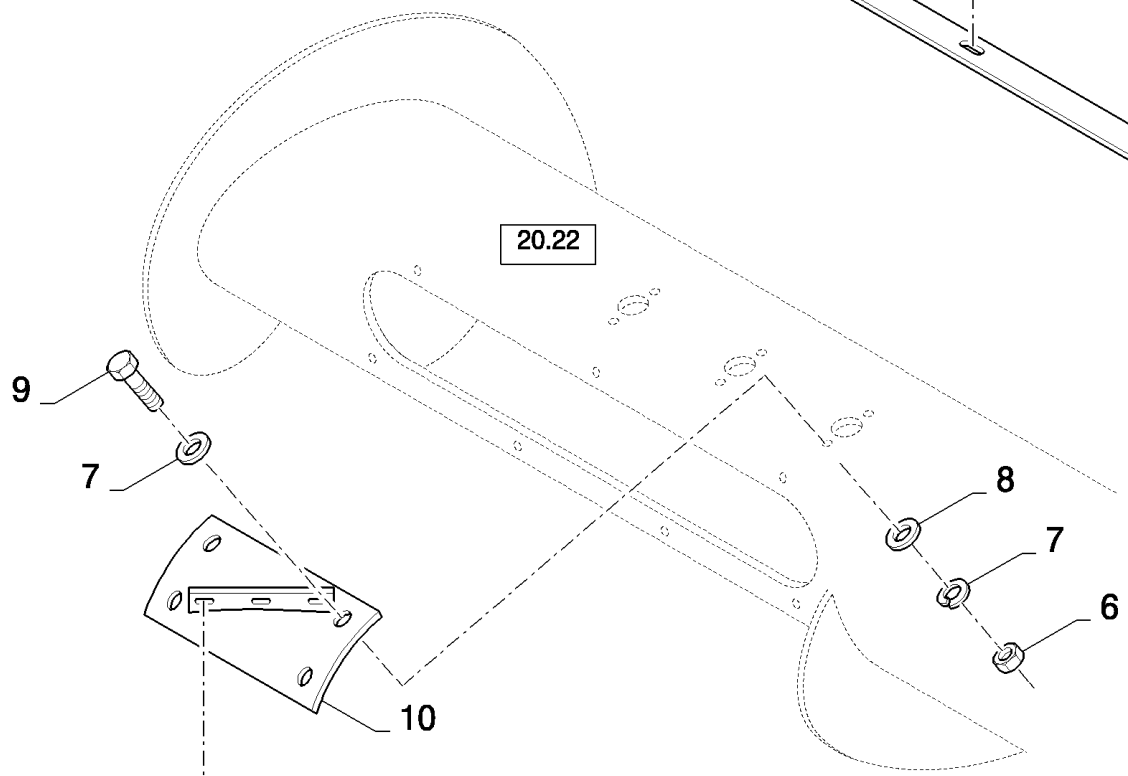
20.23(01) FEED AUGER, FINGERS

сылка	Номер детали	Кол-во	Описание
1	80040697	12	FLANGE,
2	80325106	6	BEARING ASSY,
3	100016	AR	NUT, M10, CI 8,
4	80140045	AR	WASHER, LOCK,
5	80120041	AR	BOLT, CARRIAGE, M10x20
6	80740844	AR	COUPLING,
7	80740591	AR	PIN, SPLIT (COTTER),
8	84814211	AR	FINGER,
9	86632613	AR	PIN, GUIDE,
10	86588450	AR	WASHER, M6,
11	80120100	AR	BOLT, Hex, M6 x 20, 8.8,
12	80342468	3	BUSHING,
13	80412217	3	SCREW, M10x55
14	80140046	3	WASHER, SPRING,
15	80300388	3	SCREW, M12x25
16	80353308	AR	NUT, M6

20.24(01) SWEEPERS FOR FEEDING AUGER



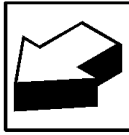
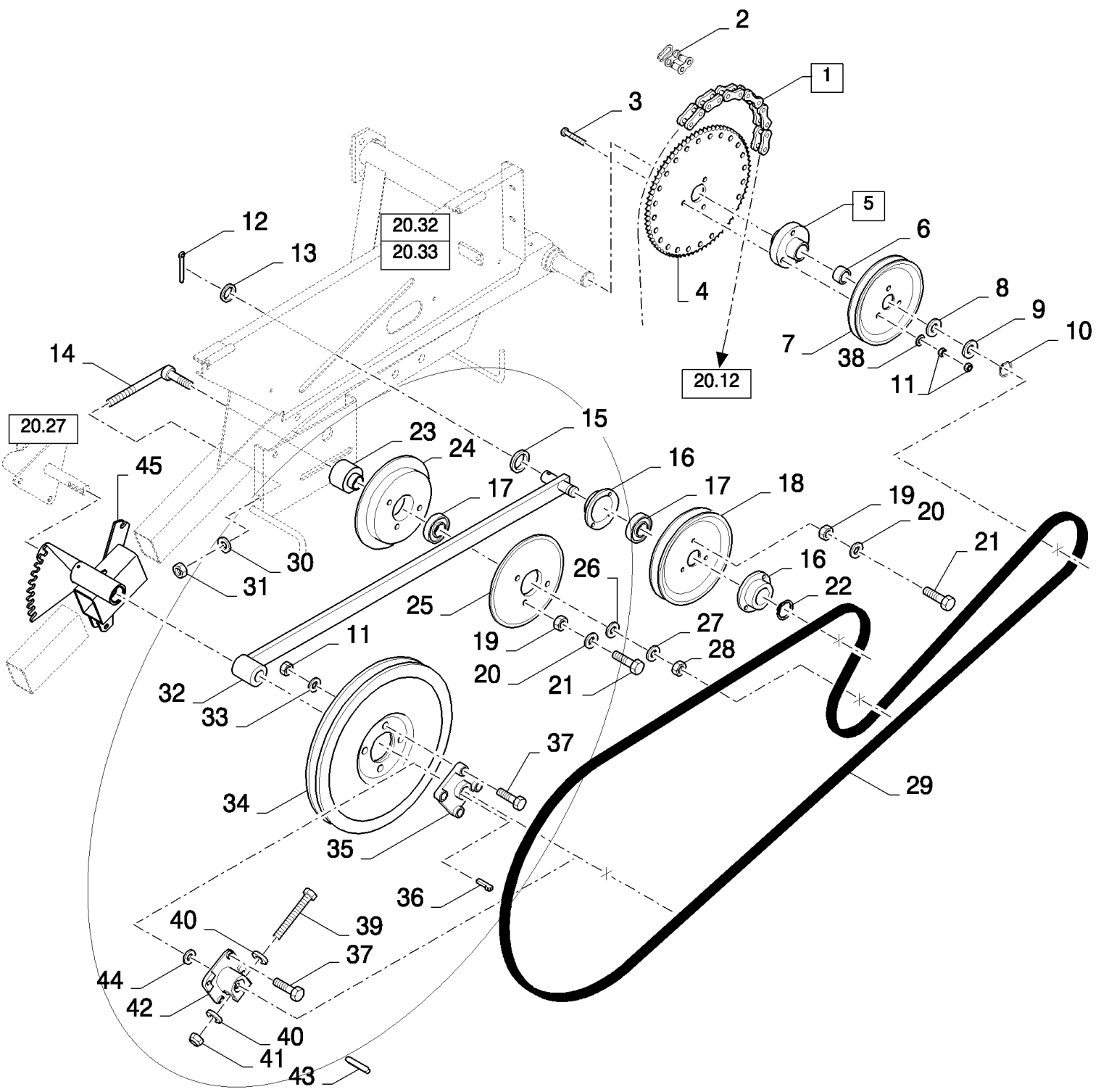
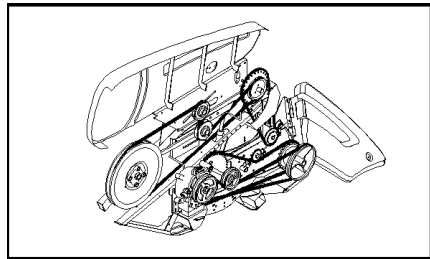
20.22



2030 COMBINE HEADER (1/02-)

20.24(01) SWEEPERS FOR FEEDING AUGER

сылка	Номер детали	Кол-во	Описание
1	43138	4	SCREW, Hex, M10 x 20, 8.8, Full Thd,
2	80140045	4	WASHER, LOCK, 10MM
3	100016	4	NUT, M10, CI 8,
4	89508483	1	BAR PLATE,
5	84814532	1	GUARD,
6	15896221	49	NUT, M6, CI 10,
7	80322357	77	WASHER, SPRING, Belleville, M6, 6MM
8	80140040	28	WASHER, 6MM
9	614-6016	28	BOLT, Hex, M6 x 16, 8.8,
10	84441114	4	SUPPORT, LH
10	84441109	3	SUPPORT, RH
11	80190149	7	CANVAS,
12	80488394	7	PLATE,
13	80043117	21	SCREW, M6x30



2030 COMBINE HEADER (1/02-)

20.25(01) REEL, BELT DRIVE

сылка	Номер детали	Кол-во	Описание
1	84058835	1	CHAIN, (2)
2	80025194	3	LINK, CONNECTING,
3	80120070	3	SCREW, M10x60
4	84320790	1	SPROCKET, DRIVEN,
5	84320881	1	HUB, (6)
6	80420410	2	BUSHING,
7	84334822	1	PULLEY,
8	80140109	1	WASHER,
9	80441176	1	WASHER,
10	80370003	1	CIRCLIP,
11	100016	10	NUT, M10, CI 8,
12	80412685	1	PIN, SPLIT (COTTER),
13	80140093	1	WASHER,
14	89831274	1	ROD, ADJUSTMENT,
15	80140021	1	WASHER,
16	80396806	2	FLANGE,
17	80034439	2	BEARING ASSY,
18	84077479	1	PULLEY,
19	15896221	6	NUT, M6, CI 10,
20	80322357	6	WASHER, SPRING, Belleville, M6, 6MM
21	614-6016	6	BOLT, Hex, M6 x 16, 8.8,
22	80370002	1	CIRCLIP,
23	89835774	1	SPACER,
24	80290122	1	HALF-PULLEY,
25	80290119	1	HALF-PULLEY,
26	80140086	1	WASHER,
27	80140046	1	WASHER, SPRING,
28	89706685	1	NUT, M12
29	80921330	1	BELT, TRANSMISSION,
30	80378245	1	WASHER, 12MM
31	80412126	1	NUT, LOCK,
32	84320880	1	ARM,
33	80140045	4	WASHER, LOCK, 10MM
34	84446006	1	PULLEY,
35	84320882	1	HUB, , BSN C649
36	80333228	1	KEY, , BSN C649
37	80043140	4	BOLT, Hex, M10 x 30, 8.8,
38	86592700	3	WASHER, M10 x 28 x 4, HT, 10MM
39	80043158	1	SCREW, M12x80, ASN D650
40	80394630	2	WASHER, , ASN D650
41	80100038	1	NUT, LOCK, M12, ASN D650
42	84076831	1	HUB, , ASN D650
43	80323190	1	KEY, 10x8x63, BSN F650675
43	80412060	1	KEY, 10x8x80, ASN D676
44	84025499	1	WASHER, , ASN D650

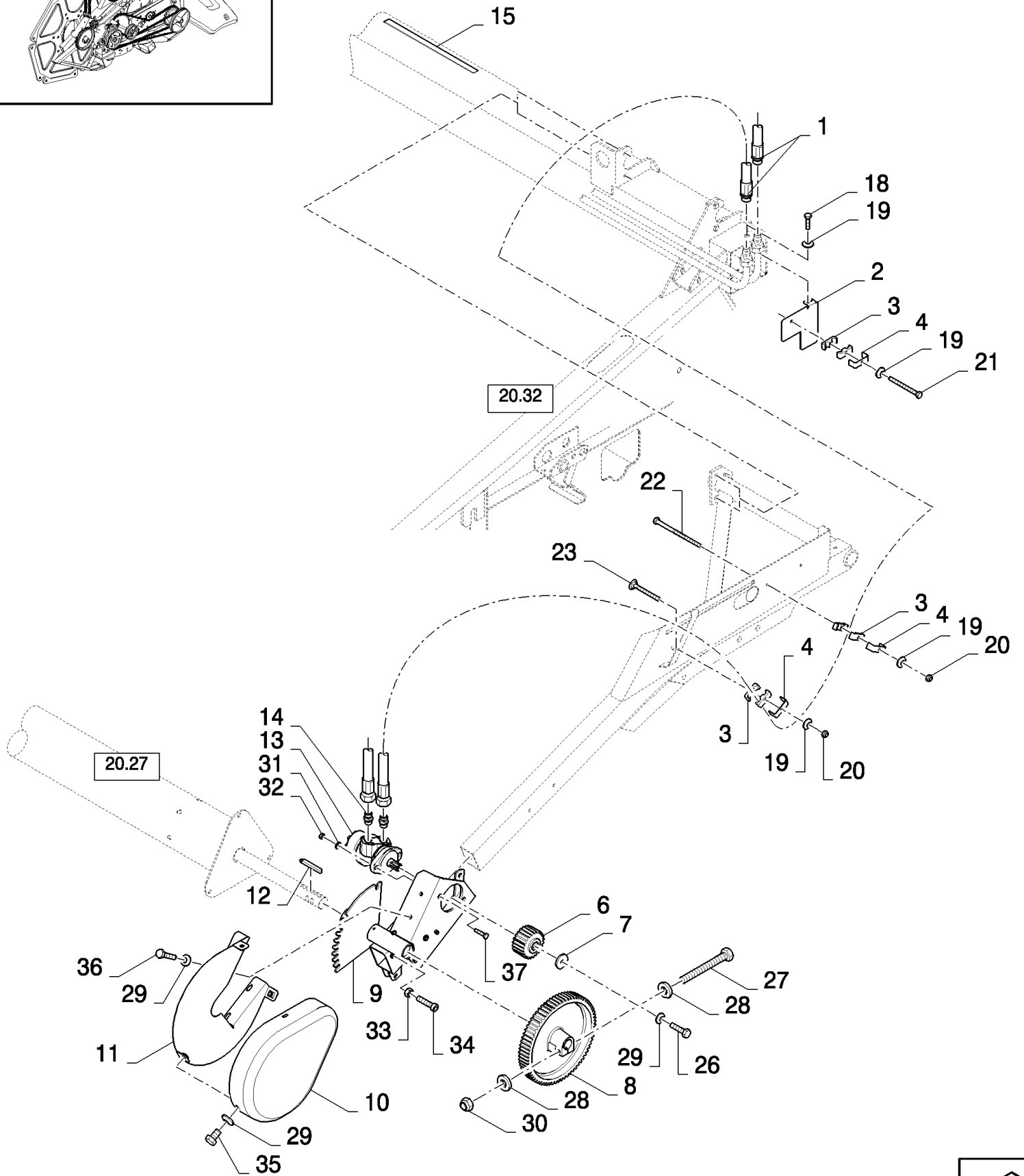
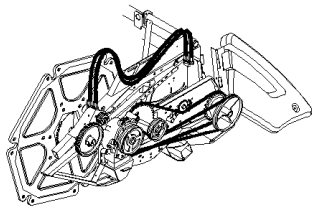
FOR CT ONLY

2030 COMBINE HEADER (1/02-)

20.25(01) REEL, BELT DRIVE

сылка	Номер детали	Кол-во	Описание
45	84432642	1	SUPPORT, LH, BSN C649
45	84432367	1	SUPPORT, LH, ASN D650

FOR CT ONLY



2030 COMBINE HEADER (1/02-)

20.25A(01) REEL, HYDRAULIC DRIVE

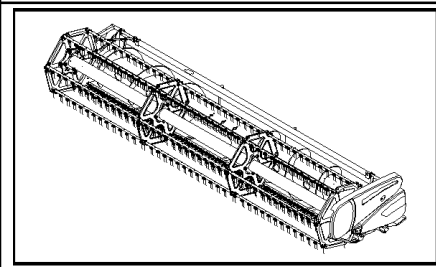
сылка	Номер детали	Кол-во	Описание
1	84433549	2	HOSE, FLEXIBLE,
2	84439712	1	SUPPORT,
3	80430356	6	CLAMP,
4	84814948	3	SUPPORT,
6	84444202	1	GEAR,
7	89507949	1	WASHER,
8	84446620	1	GEAR,
9	84444551	1	SUPPORT,
10	84446369	1	GUARD,
11	84446207	1	GUARD,
12	84446591	1	KEY,
13	84443777	1	MOTOR, HYDRAULIC,
14	84446211	2	CONNECTOR, HYD.,
15	80401502	1	STRIP, ANTI-SKID, L:1.9M
18	86508568	1	BOLT, Hex, M6 x 16, 8.8,
19	80322357	4	WASHER, SPRING, Belleville, M6, 6MM
20	80353308	2	NUT, M6
21	80043118	1	SCREW, M6x40
22	86508570	1	BOLT, Hex, M6 x 80, 8.8,
23	80412364	1	BOLT, M6x50
26	43128	1	BOLT, Hex, M8 x 30, 8.8,
27	80043158	1	SCREW, M12x80
28	80394630	2	WASHER,
29	80322358	8	WASHER, LOCK, 8MM
30	80100038	1	NUT, LOCK, M12
31	80140046	2	WASHER, SPRING, 12MM
32	89706685	2	NUT, M12
33	89706690	3	NUT, M8, CI 8,
34	89706749	3	SCREW, M8x25
35	80336199	3	SCREW, M8x12
36	120104	4	BOLT, Hex, M8 x 20, 8.8,
37	80300389	2	SCREW, M12x35

FOR AFX ONLY

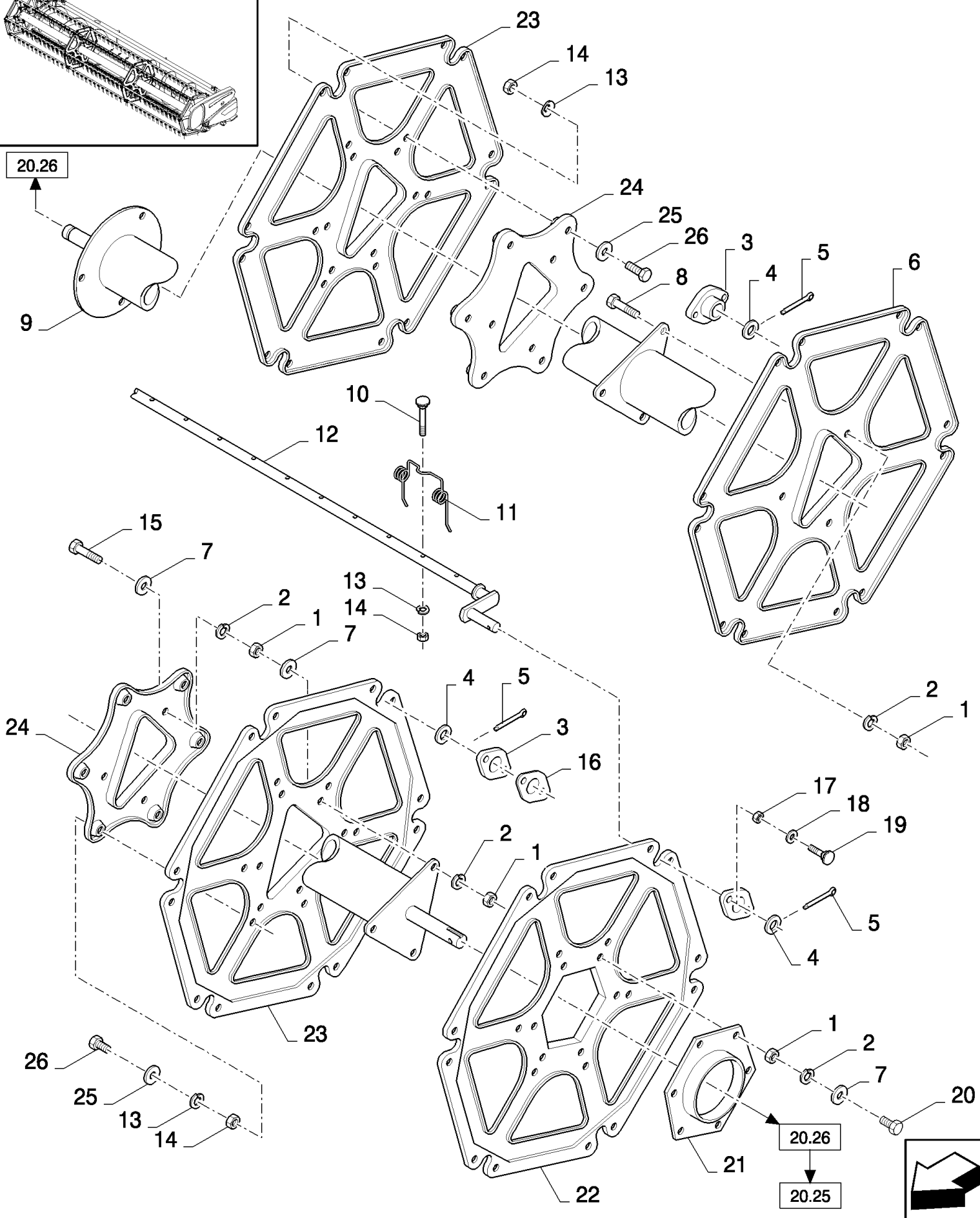
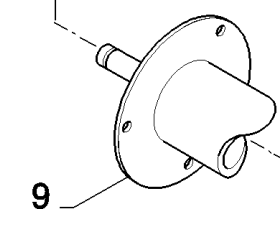
2030 COMBINE HEADER (1/02-)

20.26(01) REEL, SUPPORTS

сылка	Номер детали	Кол-во	Описание
1	321204	2	NIPPLE, LUBE, M6 x 1, 16mm lg,
2	80370004	1	CIRCLIP,
3	84075368	1	WASHER,
4	84989464	2	DECAL, , BSN C649
4	84334829	2	DECAL, , ASN D650
5	84432636	1	SUPPORT, RH, BSN C649
5	84432496	1	SUPPORT, RH, ASN D650
6	80324196	2	WASHER, 36MM
7	89831376	2	PLATE,
8	89706717	3	BOLT, Hex, M12 x 70, 8.8, Full Thd, M12x70
9	80140085	3	WASHER, 13MM
10	80424230	3	BUSHING,
11	80436353	3	BUSHING,
12	80140046	3	WASHER, SPRING,
13	89706685	3	NUT, M12
14	80338949	1	BOLT, CARRIAGE, M10x75
15	80332809	1	HANDLE GRIP,
16	84432646	1	DISC,
17	89832581	1	HANDLE,



20.26

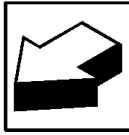
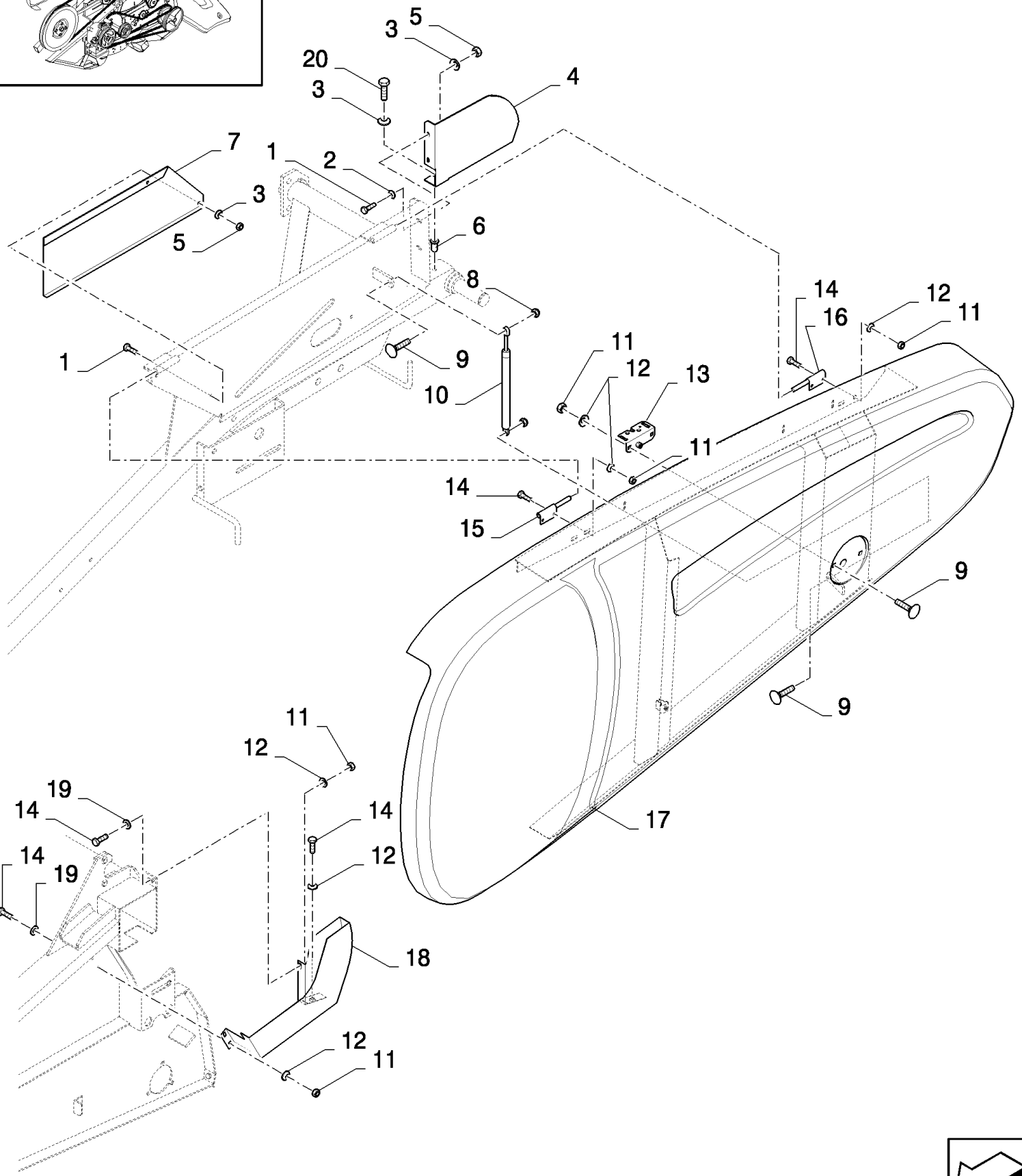
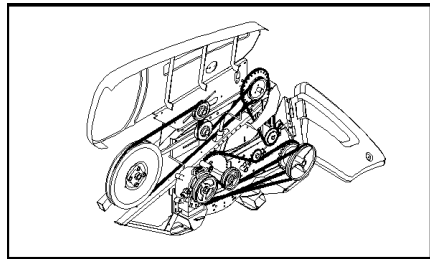


20.26

20.25



сылка	Номер детали	Кол-во	Описание
1	100016		AR NUT, M10, CI 8,
2	80140045		AR WASHER, LOCK, 10MM
3	89832294		AR SUPPORT,
4	80444211		AR WASHER, 34MM
5	80300416		AR PIN, SPLIT (COTTER),
6	84400172		AR DISC, INNER
7	80140042		AR WASHER, 11MM
8	43138		AR SCREW, Hex, M10 x 20, 8.8, Full Thd,
9	84435236	1	REEL, , FOR 15FT ONLY, BSN C649
9	84441850	1	REEL, , FOR 15FT ONLY, BSN F650675
9	84447188	1	REEL, , FOR 15FT ONLY, ASN D676
9	84432735	1	REEL, , FOR 17FT ONLY, BSN C649
9	84441837	1	REEL, , FOR 17FT ONLY, BSN F650675
9	84447182	1	REEL, , FOR 17FT ONLY, ASN D676
9	84432732	1	REEL, , FOR 20FT ONLY, BSN C649
9	84441830	1	REEL, , FOR 20FT ONLY, BSN F650675
9	84447151	1	REEL, , FOR 20FT ONLY, ASN D676
9	84432725	1	REEL, , FOR 24FT ONLY, BSN C649
9	84441815	1	REEL, , FOR 24FT ONLY, BSN F650675
9	84461496	1	REEL, , FOR 24FT ONLY, ASN D676
9	84461902	1	REEL, , FOR 30FT ONLY
10	89814004		AR BOLT, M8x45
11	89819750		AR TINE, REEL,
12	84435211	6	TINE BAR, , FOR 15FT ONLY
12	84432703	6	TINE BAR, , FOR 17FT ONLY
12	84432677	6	TINE BAR, , FOR 20FT ONLY
12	84432707	6	TINE BAR, , FOR 24FT ONLY
12	84432714	6	TINE BAR, , FOR 30FT ONLY
13	80322358		AR WASHER, LOCK,
14	89706690		AR NUT, M8, CI 8,
15	89706704	6	SCREW, M10x35
16	84432661	6	CLAMP,
17	80043442		AR NUT, LOCK, M8 x 1.25, CI 8, M8
18	80378243		AR WASHER, 8MM
19	89837586		AR BOLT, M8x20
20	43138	9	SCREW, Hex, M10 x 20, 8.8, Full Thd,
21	84002761	1	DISC,
22	84058667	1	DISC, LH
23	84032737	2	DISC, OUTER
24	89838272	2	DISC,
25	80140041	12	WASHER, 9MM
26	80120103	12	BOLT, Hex, M8 x 16, 8.8, M8x16



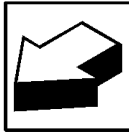
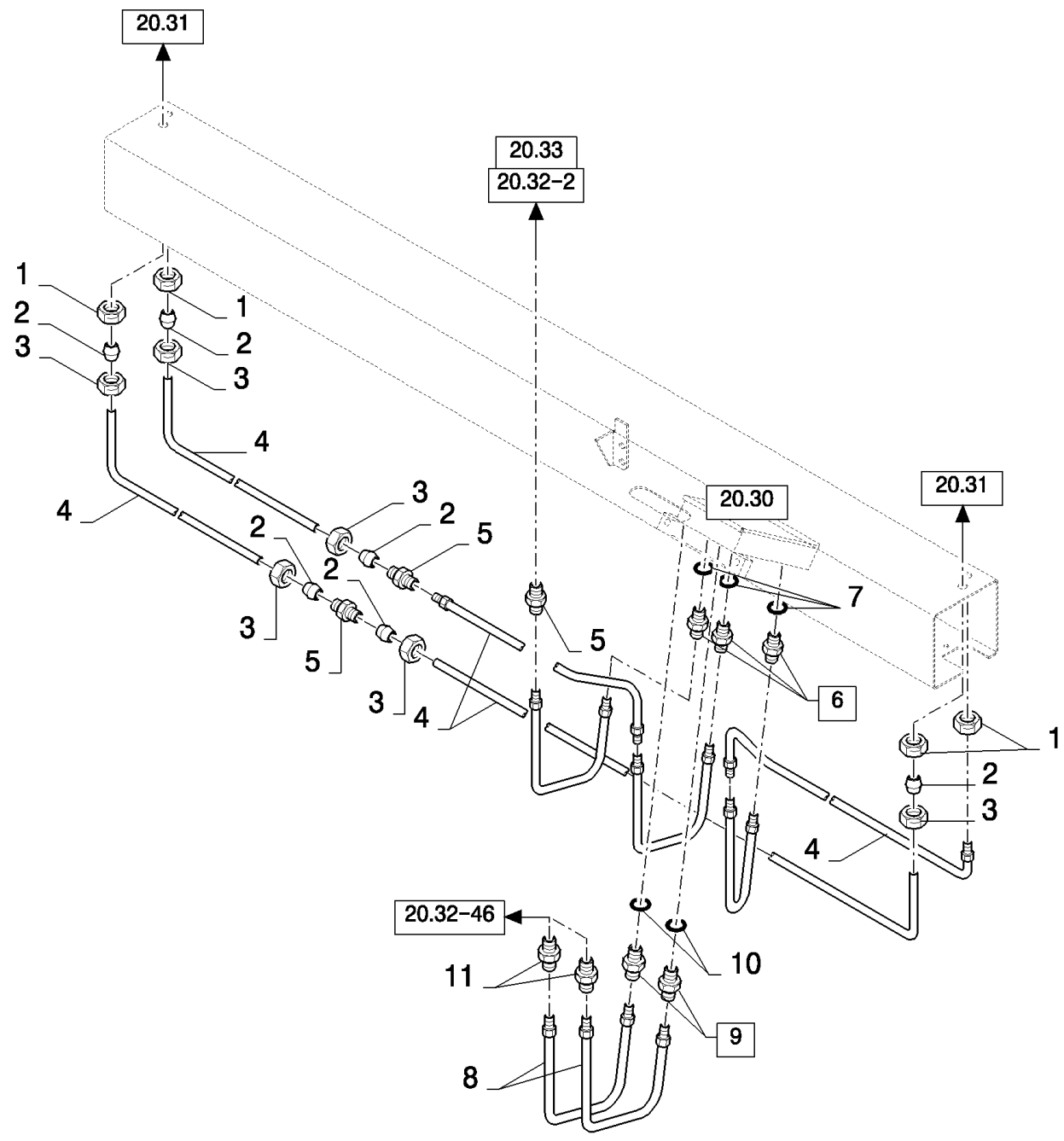
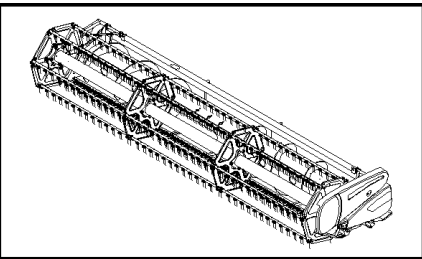
2030 COMBINE HEADER (1/02-)

20.28(01) SHIELDS, LH

сылка	Номер детали	Кол-во	Описание
1	86508568	4	BOLT, Hex, M6 x 16, 8.8,
2	80412649	2	WASHER, LOCK, 6MM
3	80322357	5	WASHER, SPRING, Belleville, M6, 6MM
4	84446036	1	SHIELD,
5	15896221	4	NUT, M6, CI 10,
6	89833239	1	NUT,
7	84077923	1	SHIELD,
8	832-46408	2	NUT, LOCK, M8 x 1.25, CI 8,
9	86507486	4	BOLT, CARRIAGE, Short NK, M8 x 20, CI8.8, Full Thd,
10	84068277	1	SHOCK ABSORBER,
11	89706690	9	NUT, M8, CI 8,
12	80322358	10	WASHER, LOCK,
13	84015292	1	LOCK, LATCH, 1/4 TURN
14	80120103	8	BOLT, Hex, M8 x 16, 8.8, M8x16
15	84077462	1	HINGE,
16	84077466	1	HINGE,
17	84334996	1	SHIELD,
18	84440557	1	SHIELD,
19	80140016	3	WASHER, 8MM
20	80120100	1	BOLT, Hex, M6 x 20, 8.8,

FOR CT ONLY

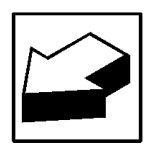
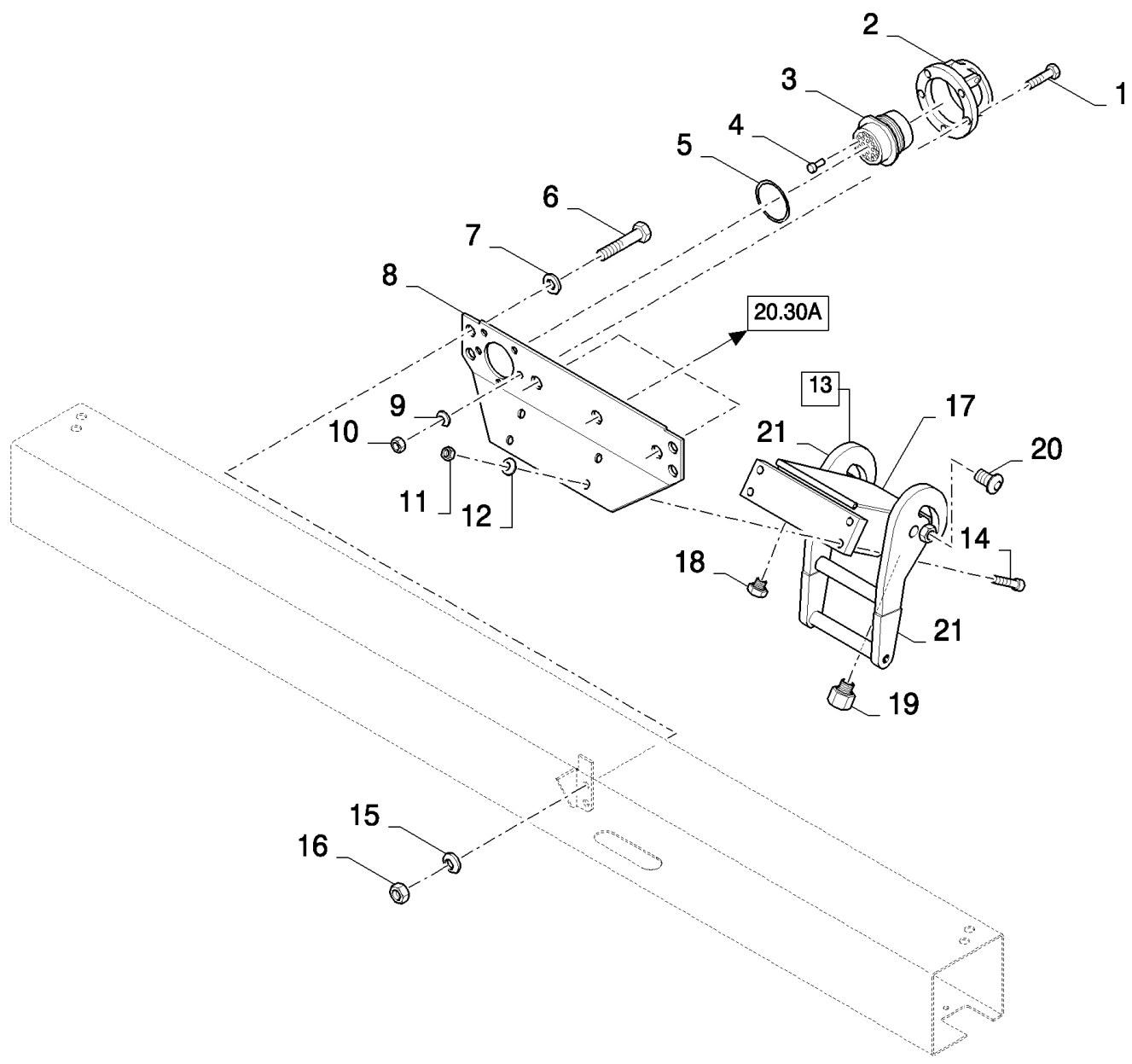
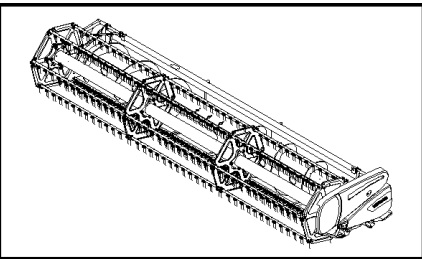
20.29(01) HYDRAULIC HORIZONTAL REEL ADJUSTMENT



2030 COMBINE HEADER (1/02-)

20.29(01) HYDRAULIC HORIZONTAL REEL ADJUSTMENT

сылка	Номер детали	Кол-во	Описание
1	84814897	4	NUT, M12 x 1.5, CI 8,
2	80335136	AR	FERRULE,
3	80335135	AR	NUT,
4	NS	AR	NOT SERVICED, PIPE, DIA:8MM
5	80335172	5	CONNECTOR, HYD.,
6	84077400	3	CONNECTOR, HYD., (7)
7	89617873	3	O-RING,
8	NS	AR	NOT SERVICED, PIPE, DIA:16MM, FOR AFX ONLY, SEE FIGURE 20.99
9	84447036	2	CONNECTOR, HYD., (10), FOR AFX ONLY
10	80128825	2	O-RING, , FOR AFX ONLY
11	80335174	2	CONNECTOR, HYD., , FOR AFX ONLY

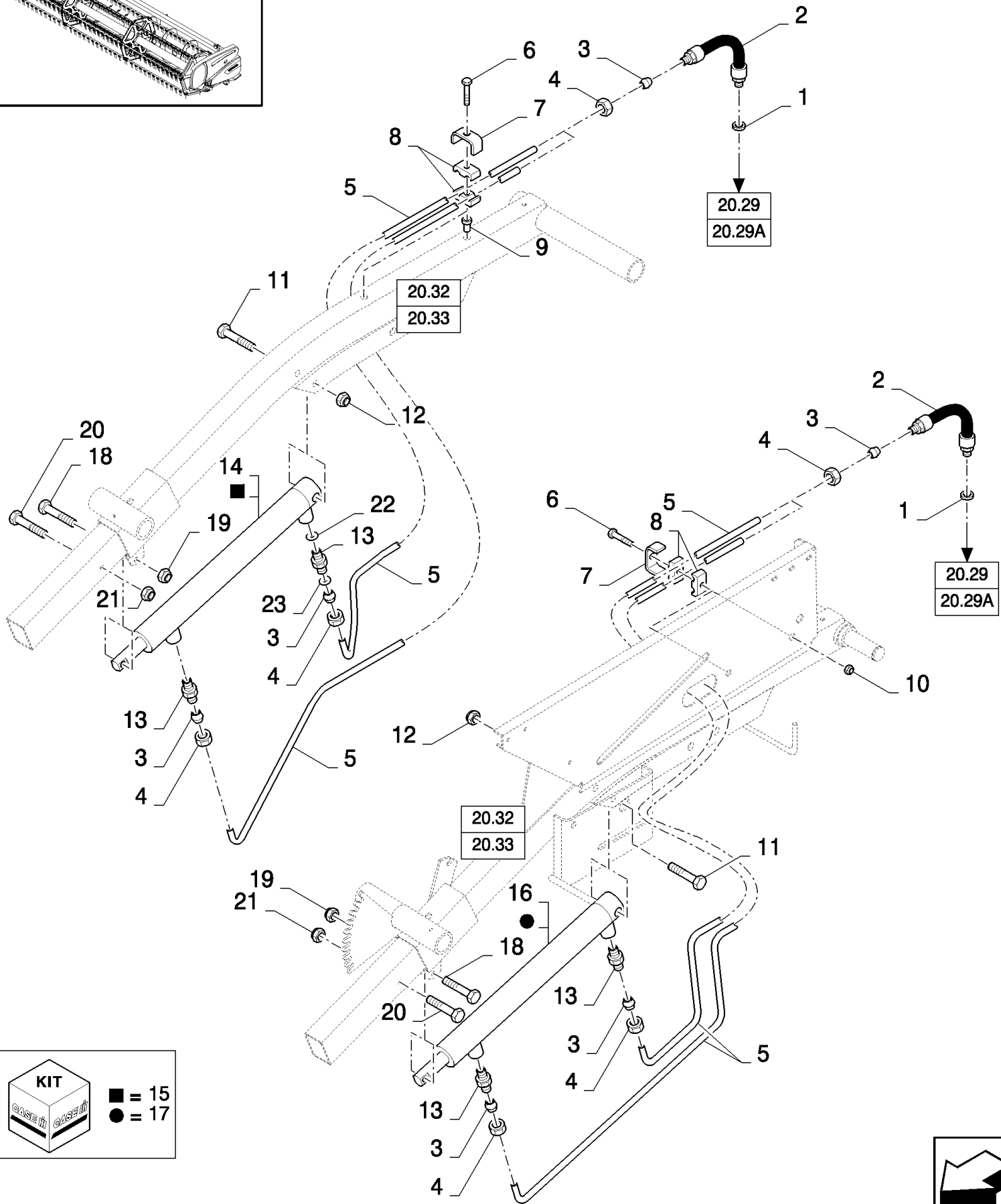
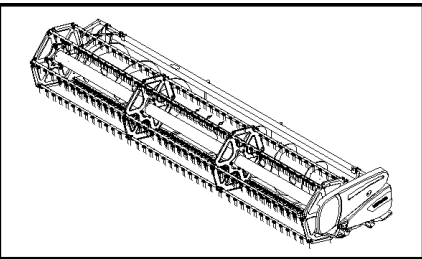


2030 COMBINE HEADER (1/02-)

20.30(01) MULTI-FASTENER AND ELECTRICAL CONNECTOR

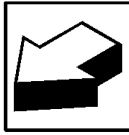
сылка	Номер детали	Кол-во	Описание
1	80120098	5	SCREW, M5x20
2	86606228	1	COVER,
3	86575800	1	CONNECTOR, WIRE,
4	84068583	21	PLUG,
5	84037188	1	O-RING,
6	43138	4	SCREW, Hex, M10 x 20, 8.8, Full Thd,
7	80378244	4	WASHER, LOCK, 10MM
8	84440556	1	SUPPORT,
9	80322356	5	WASHER, LOCK, 5MM
10	86508813	5	NUT, M5, CI 8,
11	89706690	4	NUT, M8, CI 8,
12	80322358	4	WASHER, LOCK, 8MM
13	84435008	1	COUPLING, QUICK, MALE, (17, 18, 20, 21), FOR CT ONLY
13	84434997	1	COUPLING, (17 to 21), FOR AFX ONLY
14	80120228	4	SCREW, M8x20
15	80140045	4	WASHER, LOCK, 10MM
16	100016	4	NUT, M10, CI 8,
17	84435044	1	COVER,
18	84435047	3	COUPLING,
19	84435046	2	COUPLING,
20	86623902	1	LATCH,
21	86623901	1	HANDLE,

20.31(01) HYDRAULIC HORIZONTAL REEL ADJUSTMENT



KIT

■ = 15
● = 17

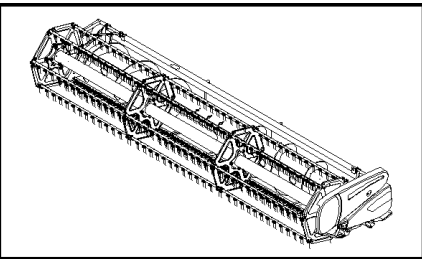


2030 COMBINE HEADER (1/02-)

20.31(01) HYDRAULIC HORIZONTAL REEL ADJUSTMENT

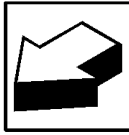
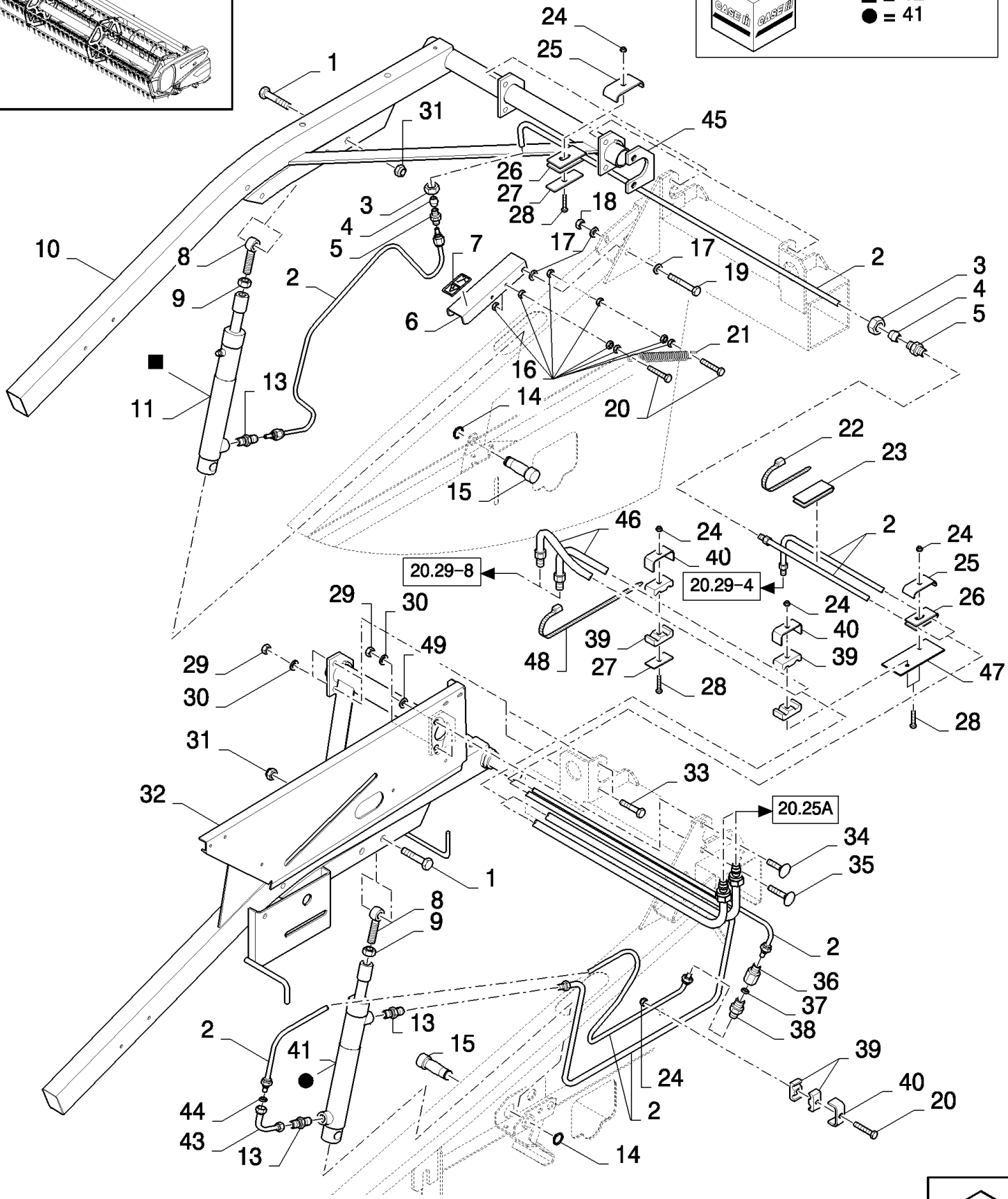
сылка	Номер детали	Кол-во	Описание
1	80140069	4	WASHER,
2	89832189	4	HOSE,
3	80335136	AR	FERRULE,
4	80335135	AR	NUT,
5	NS	AR	NOT SERVICED, PIPE, DIA:8MM, SEE FIGURE 20.99
6	80043118	4	SCREW, M6x40
7	80431941	4	SUPPORT,
8	80430357	8	CLAMP,
9	89833239	2	NUT,
10	80353308	2	NUT, M6
11	89706717	2	BOLT, Hex, M12 x 70, 8.8, Full Thd, M12x70, FOR 2030 ONLY
11	80120124	2	SCREW, M12x90, FOR 2040 ONLY
12	80100038	2	NUT, LOCK, M12
13	80386215	4	CONNECTOR, HYD.,
14	84320874	1	HYDRAULIC CYLINDER, (15), FOR 2030 ONLY
14	84448168	1	HYDRAULIC CYLINDER, (15), FOR 2050 ONLY, FOR 2040 ONLY
15	84023914	1	KIT, SEALS,
16	84320873	1	HYDRAULIC CYLINDER, (17), FOR 2030 ONLY
16	84448166	1	HYDRAULIC CYLINDER, (17), FOR 2050 ONLY, FOR 2040 ONLY
17	84026460	1	KIT, SEALS,
18	80120069	2	SCREW, M10x50
19	80100037	2	NUT, M10 x 1.5, CI 8, M10
20	80382975	2	BUSHING, M8x60
21	80043442	2	NUT, LOCK, M8 x 1.25, CI 8, M8
22	80385686	1	ORIFICE,
23	80350657	1	VALVE, RESTRICTOR, , FOR 2030 ONLY
23	84043754	1	ORIFICE, , FOR 2040 ONLY
23	80385686	1	ORIFICE, , FOR 2050 ONLY

20.32(01) REEL SUPPORTS AND HYDRAULIC VERTICAL ADJUSTMENT, FOR 17FT TO 30FT ONLY



KIT

■ = 12
● = 41



2030 COMBINE HEADER (1/02-)

20.32(01) REEL SUPPORTS AND HYDRAULIC VERTICAL ADJUSTMENT, FOR 17FT TO 30FT ONLY

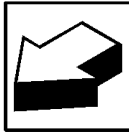
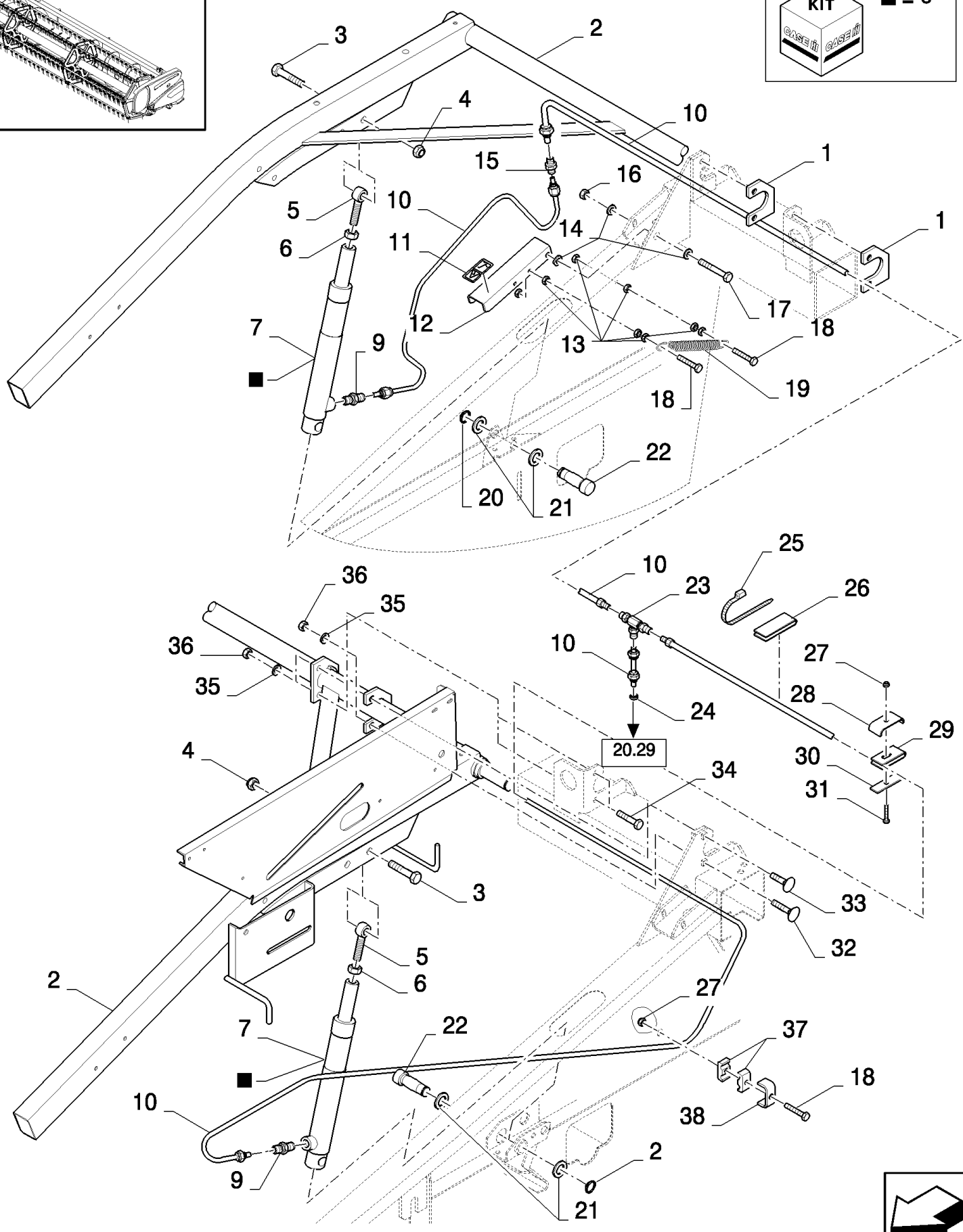
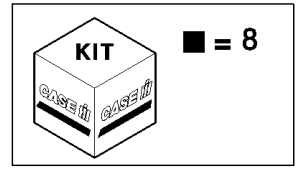
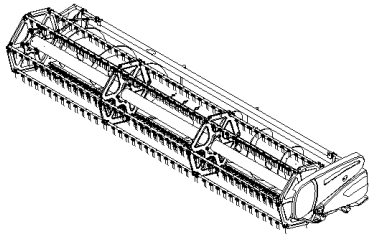
сылка	Номер детали	Кол-во	Описание
1	80120092	2	SCREW, M16x70, FOR 2030 ONLY
1	80374889	2	SCREW, M16x100, FOR 2040 ONLY
2	NS	AR	NOT SERVICED, PIPE, DIA:8MM, SEE FIGURE 20.99
3	80335135	2	NUT,
4	80335136	2	FERRULE,
5	80335172	2	CONNECTOR, HYD.,
6	84440537	2	BRACKET, , FOR 2030 ONLY
6	84448341	2	BRACKET, , FOR 2040 ONLY, BSN C715
6	84455725	2	BRACKET, , FOR 2040 ONLY, ASN D716
7	84068808	2	DECAL,
8	80447598	2	BOLT, BANJO, , FOR 2030 ONLY
8	80447598	2	BOLT, BANJO, , FOR 2040 ONLY, BSN C751
8	80354131	2	BOLT, , FOR 2040 ONLY, ASN D752
9	80100095	2	NUT, M16
10	84320897	1	ARM, , FOR 2030 ONLY
10	84448327	1	ARM, , FOR 2040 ONLY
11	84819434	1	HYDRAULIC CYLINDER, (12), FOR 2030 ONLY
11	84448163	1	HYDRAULIC CYLINDER, (12), FOR 2040 ONLY
12	84026009	1	KIT, SEALS,
13	80386215	3	CONNECTOR, HYD.,
14	80370024	2	RING, SNAP,
15	89514196	2	PIN,
16	15896221	16	NUT, M6, CI 10,
17	80378244	6	WASHER, LOCK, 10MM
18	80100037	2	NUT, M10 x 1.5, CI 8, M10
19	80120074	2	SCREW, M10x90
20	80120102	5	SCREW, M6x40
21	80326307	2	SPRING,
22	86566989	AR	STRAP, CABLE,
23	80441584	AR	GASKET,
24	80353308	AR	NUT, M6
25	80330024	2	CLAMP,
26	80360858	2	GUARD,
27	80434103	AR	PLATE,
28	80043117	AR	SCREW, M6x30
29	89706685	8	NUT, M12
30	80140046	8	WASHER, SPRING, 12MM
31	86000441	2	NUT, LOCK, M16 x 2, CI 8,
32	84334944	1	ARM, , FOR CT ONLY
32	84437583	1	ARM, , FOR 2030 ONLY, FOR AFX ONLY
32	84448306	1	ARM, , FOR AFX ONLY, FOR 2040 ONLY
33	89706687	4	SCREW, M12x30
34	80412097	2	BOLT, M12x60
35	80328754	2	BOLT, CARRIAGE, M12x40
36	84014644	1	CONNECTOR, HYD., , FOR 30FT ONLY

2030 COMBINE HEADER (1/02-)

20.32(01) REEL SUPPORTS AND HYDRAULIC VERTICAL ADJUSTMENT, FOR 17FT TO 30FT ONLY

сылка	Номер детали	Кол-во	Описание
37	80385686	1	ORIFICE, , FOR 30FT ONLY
38	80386215	1	CONNECTOR, HYD., , FOR 30FT ONLY
39	80430356	AR	CLAMP,
40	84814948	AR	SUPPORT,
41	84819435	1	HYDRAULIC CYLINDER, (42), FOR 2030 ONLY
41	84447963	1	HYDRAULIC CYLINDER, (42), FOR 2040 ONLY
42	84023914	1	KIT, SEALS,
43	80418283	1	ELBOW,
44	80350657	1	VALVE, RESTRICTOR, , FOR 17 TO 24FT ONLY
45	84435543	2	PLATE,
46	NS	AR	NOT SERVICED, PIPE, DIA:16MM, FOR AFX ONLY, SEE FIGURE 20.99
47	84439699	1	BRACKET, , FOR AFX ONLY
48	84011664	AR	CLAMP, , FOR AFX ONLY
49	80140018	2	WASHER, 12MM

20.33(01) REEL SUPPORTS AND HYDRAULIC VERTICAL ADJUSTMENT, FOR 15FT ONLY

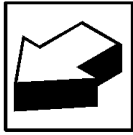
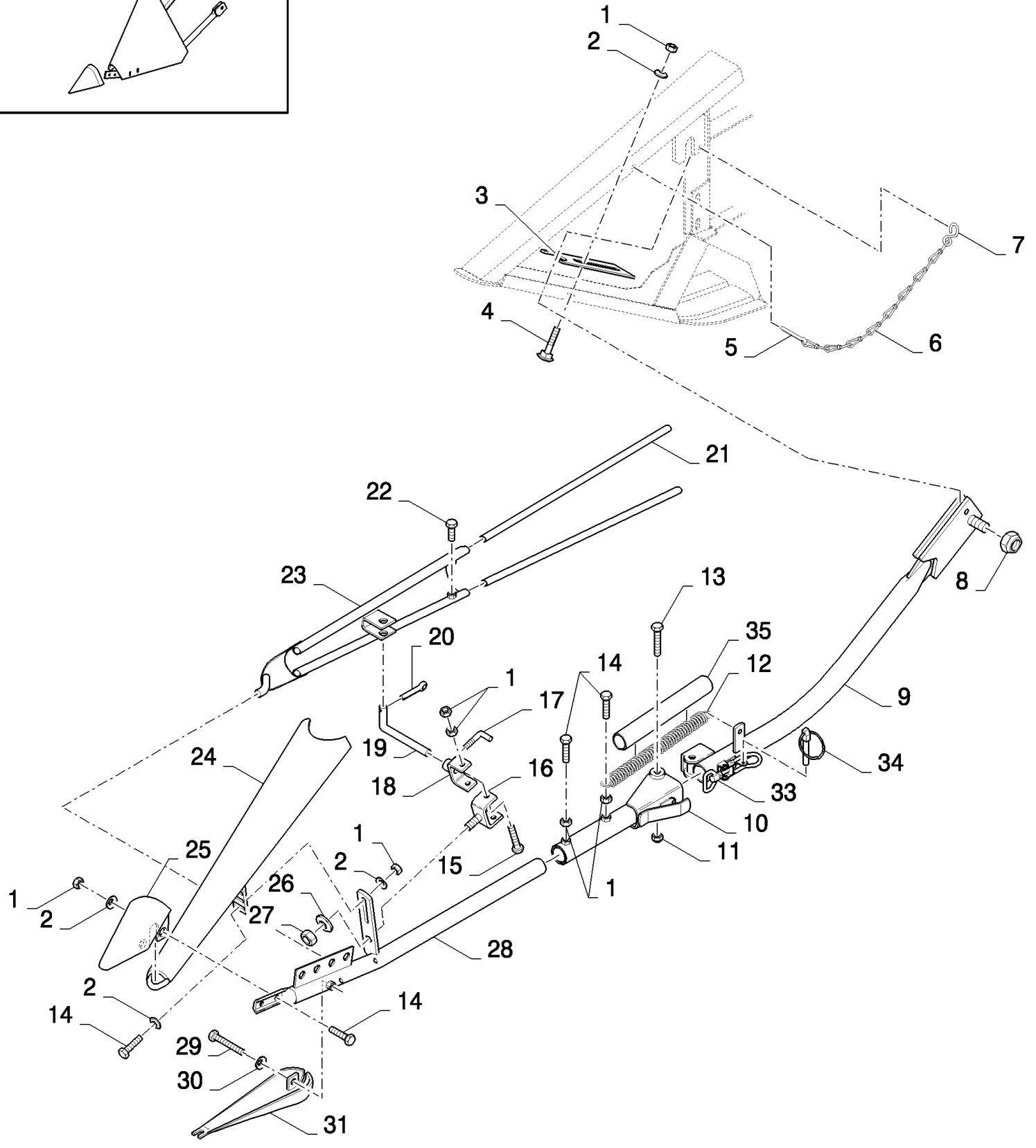
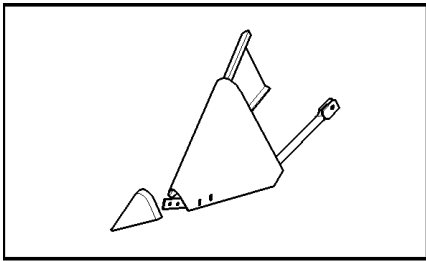


2030 COMBINE HEADER (1/02-)

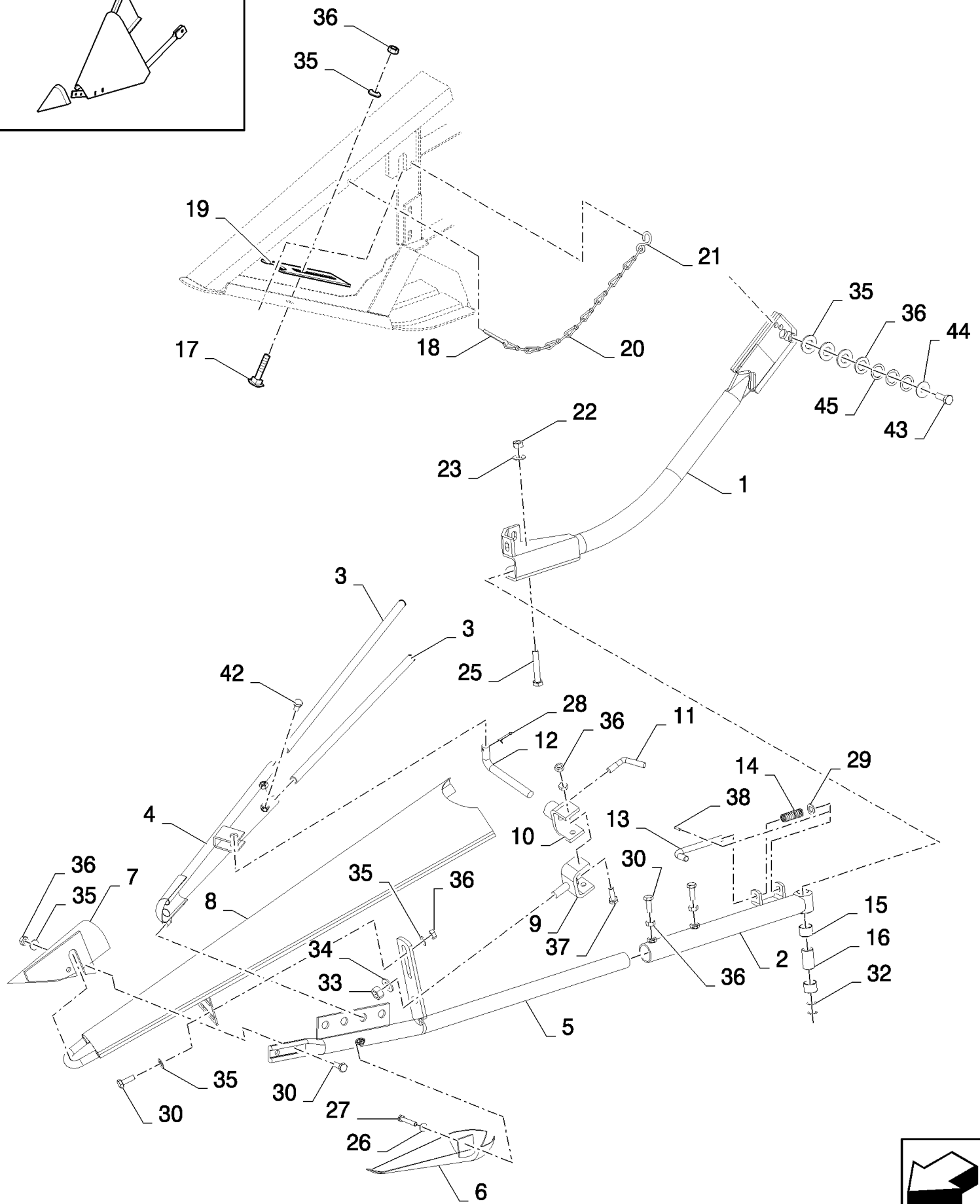
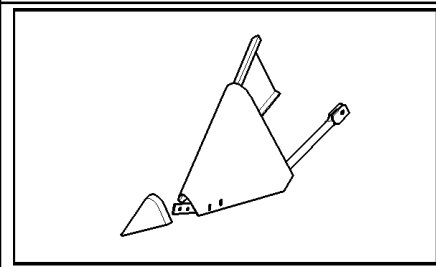
20.33(01) REEL SUPPORTS AND HYDRAULIC VERTICAL ADJUSTMENT, FOR 15FT ONLY

сылка	Номер детали	Кол-во	Описание
1	84435543	3	PLATE,
2	84435593	1	ARM,
3	80120092	1	SCREW, M16x70
4	86000441	1	NUT, LOCK, M16 x 2, CI 8,
5	80447598	2	BOLT, BANJO,
6	80100095	2	NUT, M16
7	84819433	2	HYDRAULIC CYLINDER, (8)
8	84026216	2	KIT, SEALS,
9	80386215	2	CONNECTOR, HYD.,
10	NS	AR	NOT SERVICED, PIPE, DIA:8MM, SEE FIGURE 20.99
11	84068808	2	DECAL,
12	84440537	2	BRACKET,
13	15896221	16	NUT, M6, CI 10,
14	80378244	6	WASHER, LOCK, 10MM
15	80335172	1	CONNECTOR, HYD.,
16	80100037	2	NUT, M10 x 1.5, CI 8, M10
17	80120074	2	SCREW, M10x90
18	80120102	5	SCREW, M6x40
19	80326307	2	SPRING,
20	80370024	2	RING, SNAP,
21	80140021	4	WASHER, 20MM
22	89514196	2	PIN,
23	80379430	1	CONNECTION, 3 WAY,
24	80365947	1	ORIFICE,
25	86566989	3	STRAP, CABLE,
26	80441584	3	GASKET,
27	80353308	3	NUT, M6
28	80330024	2	CLAMP,
29	80360858	2	GUARD,
30	80434103	2	PLATE,
31	80043117	2	SCREW, M6x30
32	80328754	2	BOLT, CARRIAGE, M12x40
33	80334682	2	BOLT, M12x50
34	89706687	4	SCREW, M12x30
35	80140046	8	WASHER, SPRING, 12MM
36	89706685	8	NUT, M12
37	80430356	2	CLAMP,
38	84814948	1	SUPPORT,

FOR CT ONLY

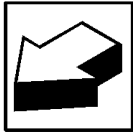
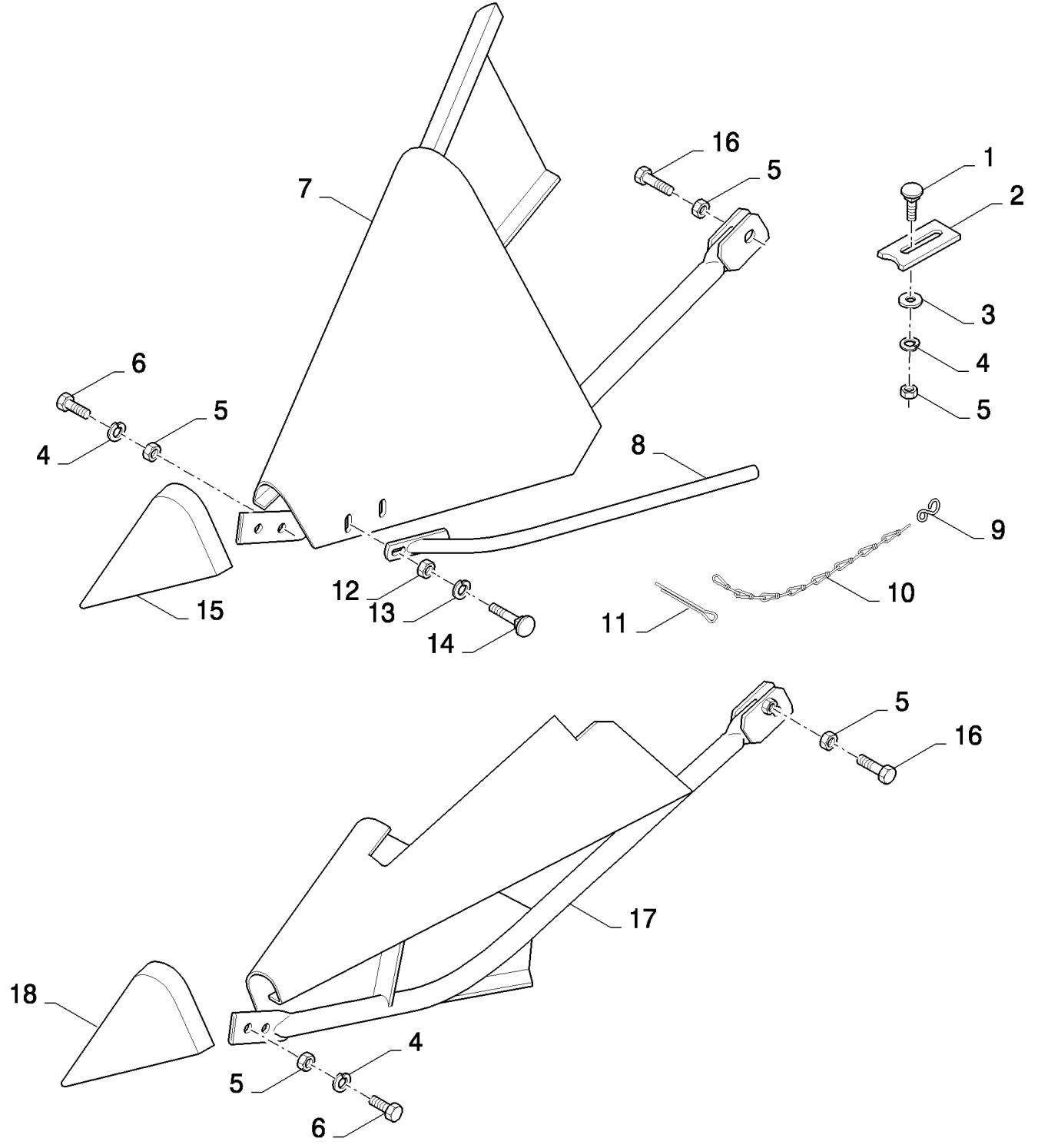
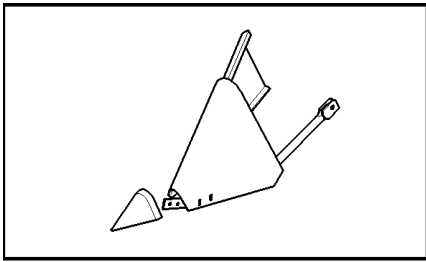


сылка	Номер детали	Кол-во	Описание
1	100016	22	NUT, M10, CI 8,
2	80140045	14	WASHER, LOCK, 10MM
3	80916898	2	PLATE, STEEL,
4	86512446	2	BOLT, CARRIAGE, Short NK, M10 x 30, CI8.8, Full Thd,
5	80130007	2	PIN, SPLIT (COTTER),
6	80230109	2	CHAIN,
7	80323239	2	HOOK,
8	80412180	2	NUT, M20
9	84440671	1	TUBE, LH
9	84440673	1	TUBE, RH
10	84440661	1	TUBE, LH
10	84440654	1	TUBE, RH
11	80100038	2	NUT, LOCK, M12
12	80180039	2	SPRING,
13	86508581	2	BOLT, Hex, M12 x 90, 8.8,
14	80043140	12	BOLT, Hex, M10 x 30, 8.8,
15	89706704	4	SCREW, M10x35
16	80338927	2	SUPPORT,
17	80331887	2	HANDLE, LOCKING,
18	80482917	2	HINGE,
19	80338939	2	ROD, ADJUSTMENT,
20	80412685	2	PIN, SPLIT (COTTER),
21	84814368	4	EXTENSION,
22	80300383	4	SCREW, M10x16
23	84814378	2	DEFLECTOR,
24	84814369	2	DIVIDER,
25	84814371	2	DIVIDER POINT,
26	80140048	2	WASHER, LOCK, 16MM
27	100020	2	NUT, M16, CI 8, M16
28	84814376	1	ARM, LH
28	84814374	1	ARM, RH
29	80043130	2	SCREW, M8x50
30	80322358	2	WASHER, LOCK,
31	84814382	2	DIVIDER POINT,
33	84441574	2	CLAMP,
34	89832679	2	PIN, SPLIT (COTTER),
35	84455624	2	TUBE, PLASTIC-RUBBER,



сылка	Номер детали	Кол-во	Описание
1	84456183	1	TUBE, RH
1	84456176	1	TUBE, LH
2	84456179	2	TUBE,
3	84814368	4	EXTENSION,
4	84814378	2	DEFLECTOR,
5	84814374	1	ARM, RH
5	84814376	1	ARM, LH
6	84814382	2	DIVIDER POINT,
7	84814371	2	DIVIDER POINT,
8	84814369	2	DIVIDER,
9	482917	2	HINGE,
10	338927	2	SUPPORT,
11	331887	2	HANDLE, LOCKING,
12	338939	2	ROD, ADJUSTMENT,
13	84456187	2	PIN,
14	80918027	2	SPRING,
15	84057311	4	SLEEVE,
16	87344389	2	BUSHING,
17	86512446	2	BOLT, CARRIAGE, Short NK, M10 x 30, CI8.8, Full Thd,
18	130007	2	PIN, SPLIT (COTTER), M4 x 25,
19	916898	2	PLATE, STEEL,
20	230109	2	CHAIN,
21	80323239	2	HOOK,
22	9706685	2	NUT, M12, CI 8,
23	140046	2	WASHER, SPRING, Belleville, M12,
24	432651	4	WASHER,
25	9706717	2	BOLT, Hex, M12 x 70, 8.8, Full Thd,
26	322358	2	WASHER, SPRING, Belleville, M8,
27	43130	2	BOLT, Hex, M8 x 50, 8.8,
28	412685	2	PIN, SPLIT (COTTER), M4 x 32,
29	140018	2	WASHER, M12 x 24 x 2.5,
30	43140	12	BOLT, Hex, M10 x 30, 8.8, Full Thd,
31	322359	6	WASHER, SPRING, Belleville, M20,
32	140021	2	WASHER, M20 x 37 x 3,
33	100020	2	NUT, M16, CI 8,
34	140048	2	WASHER, SPRING, Belleville, M16,
35	140045	14	WASHER, SPRING, Belleville, M10,
36	100016	22	NUT, M10, CI 8,
37	9706704	4	BOLT, Hex, M10 x 35, 8.8, Full Thd,
38	84818468	2	PIN, SPLIT (COTTER),
39	300389	2	BOLT, Hex, M12 x 35, 8.8, Full Thd,
40	84437225	2	
41	419854	6	WASHER,
42	300383	4	BOLT, Hex, M10 x 16, 8.8, Full Thd,

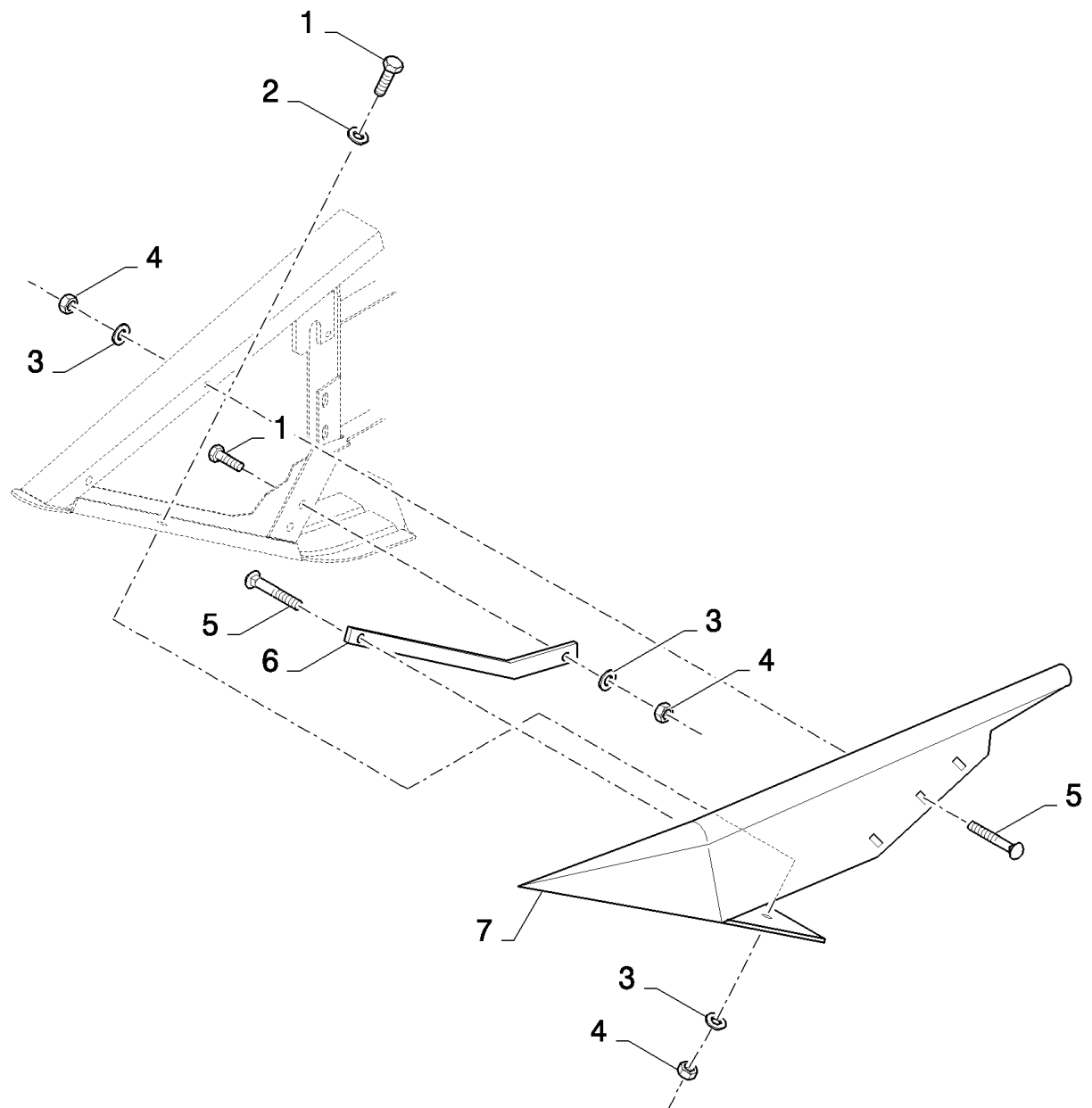
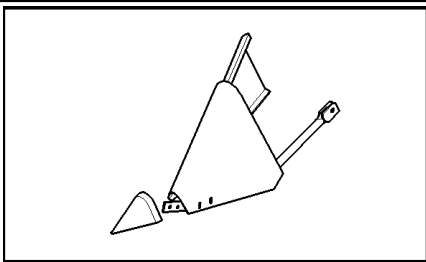
20.35(01) SHORT DIVIDERS



2030 COMBINE HEADER (1/02-)

20.35(01) SHORT DIVIDERS

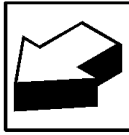
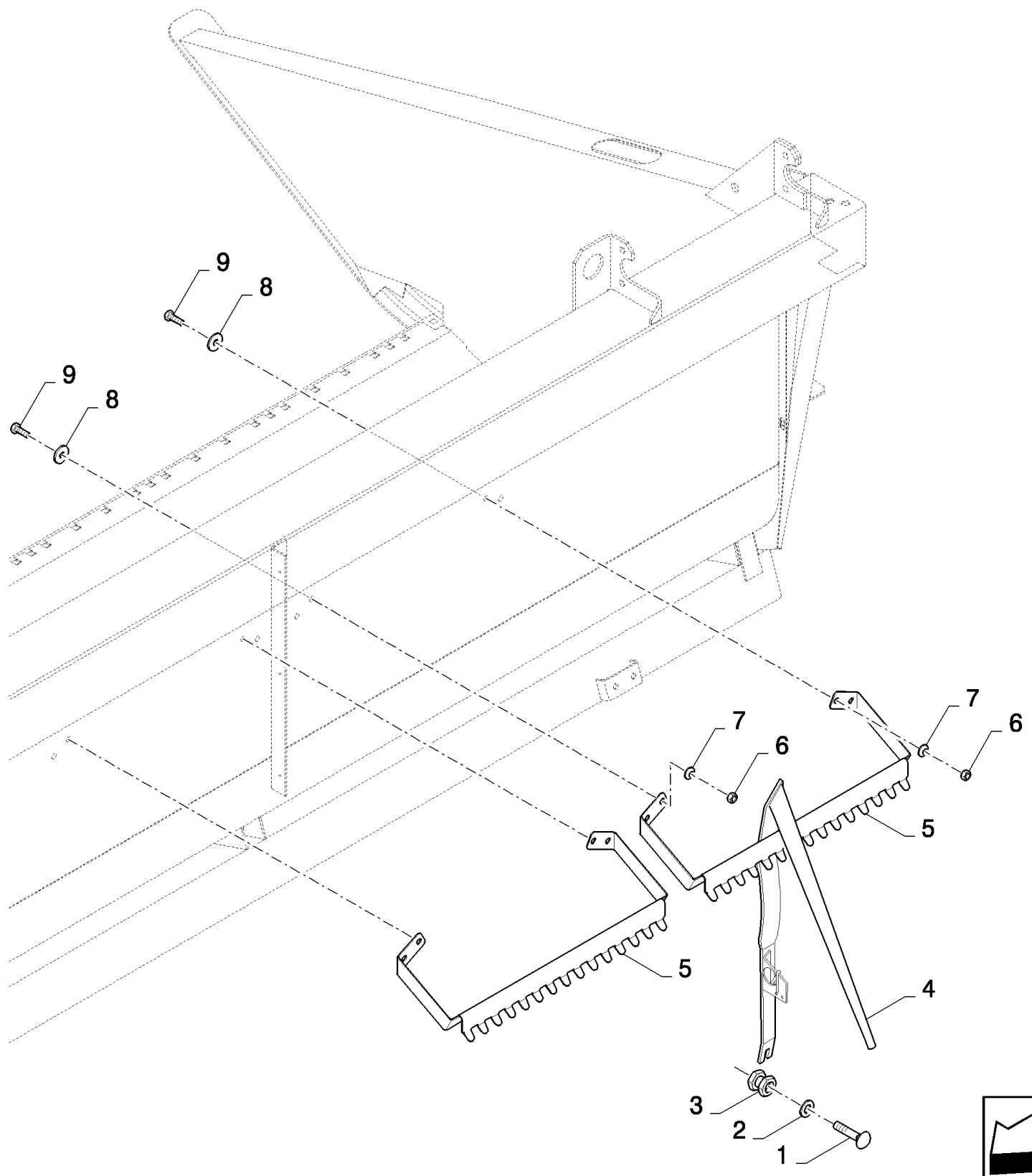
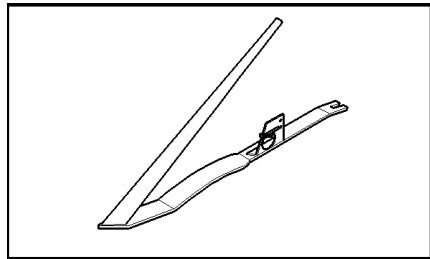
сылка	Номер детали	Кол-во	Описание
1	80338949	2	BOLT, CARRIAGE, M10x25
2	80916898	2	PLATE, STEEL,
3	80140042	2	WASHER, 10MM
4	80140045	6	WASHER, LOCK, 10MM
5	100016	8	NUT, M10, CI 8,
6	80043139	4	SCREW, M10x25
7	84814441	1	DIVIDER, RH
8	84814439	1	GUIDE,
9	80323239	2	HOOK,
10	80230109	2	CHAIN,
11	80130007	2	PIN, SPLIT (COTTER),
12	89706690	2	NUT, M8, CI 8,
13	80322358	2	WASHER, LOCK,
14	80308761	2	SCREW, M8x25
15	84814437	1	DIVIDER POINT, RH
16	80043140	4	BOLT, Hex, M10 x 30, 8.8,
17	84814440	1	DIVIDER, LH
18	84814438	1	DIVIDER POINT, LH



2030 COMBINE HEADER (1/02-)

20.36(01) SHORT DIVIDERS, FIXED

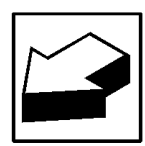
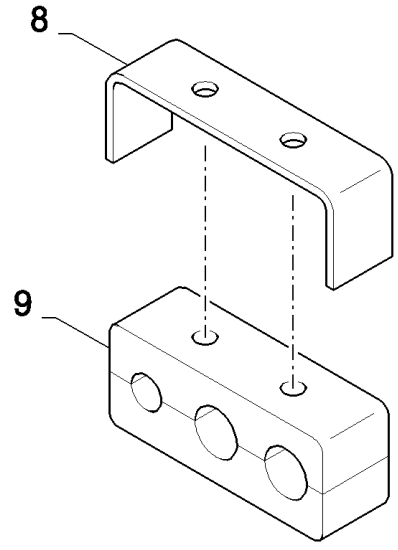
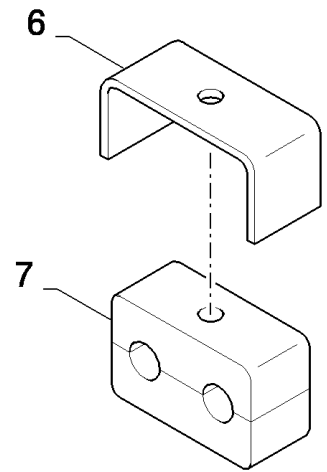
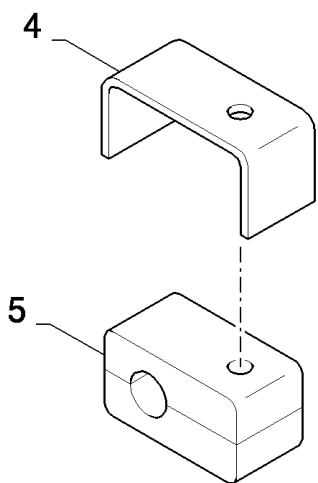
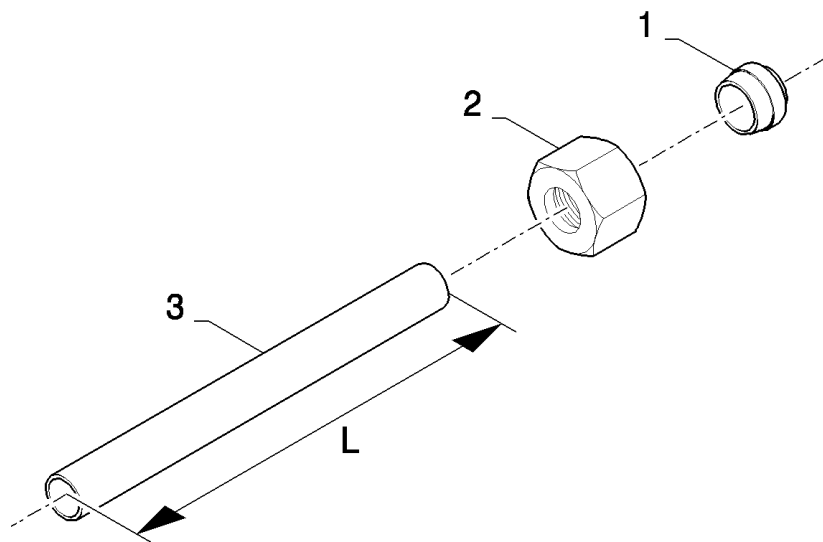
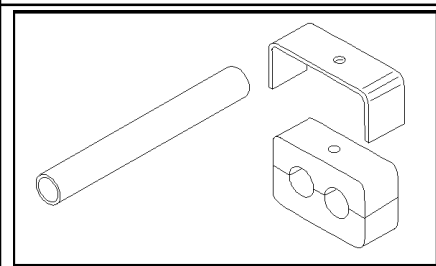
сылка	Номер детали	Кол-во	Описание
1	120104	5	BOLT, Hex, M8 x 20, 8.8,
2	80378243	4	WASHER, 8MM
3	80322358	12	WASHER, LOCK,
4	89706690	12	NUT, M8, CI 8,
5	86507486	7	BOLT, CARRIAGE, Short NK, M8 x 20, CI8.8, Full Thd,
6	84440679	1	GUIDE,
7	84814328	1	DIVIDER POINT, LH
7	84814329	1	DIVIDER POINT, RH



2030 COMBINE HEADER (1/02-)

20.38(01) CROP LIFTER

сылка	Номер детали	Кол-во	Описание
1	80374892	1	BOLT, M10x40
2	80140045	1	WASHER, LOCK, 10MM
3	89514326	1	NUT,
4	84814554	1	CROP LIFTER,
5	84441549	1	SUPPORT,
6	100016	4	NUT, M10, CI 8,
7	80140045	4	WASHER, LOCK, 10MM
8	80140042	4	WASHER, 10MM
9	43138	4	SCREW, Hex, M10 x 20, 8.8, Full Thd,



сылка	Номер детали	Кол-во	Описание
1	80335136	AR	FERRULE, DIA:8MM
1	80150014	AR	FERRULE, DIA:10MM
1	80150015	AR	FERRULE, DIA:12MM
1	80335169	AR	FERRULE, DIA:16MM
1	80335168	AR	FERRULE, DIA:18MM
1	80412528	AR	FERRULE, DIA:28MM
2	80335135	AR	NUT, DIA:8MM
2	80100042	AR	NUT, DIA:10MM
2	80100043	AR	NUT, DIA:12MM
2	80335171	AR	NUT, DIA:16MM
2	80335170	AR	NUT, DIA:18MM
2	80412527	AR	NUT, DIA:28MM
3	80371540	AR	TUBE, RIGID, DIA:8MM, L:2M
3	80371539	AR	TUBE, RIGID, DIA:10MM, L:2M
3	89513719	AR	TUBE, RIGID, DIA:12MM, L:2M
3	80371536	AR	TUBE, RIGID, DIA:16MM, L:2M
3	80371534	AR	TUBE, RIGID, DIA:18MM, L:2M
3	89811333	AR	TUBE, RIGID, DIA:28MM, L:2M
3	80075931	AR	TUBE, RIGID, DIA:3/8", L:48"
3	80075932	AR	TUBE, RIGID, DIA:1/2", L:48"
3	80075933	AR	TUBE, RIGID, DIA:5/8", L:48"
3	80075934	AR	TUBE, RIGID, DIA:3/4", L:48"
4	80433101	AR	SUPPORT, 8-10MM
4	80442340	AR	SUPPORT, 12MM
4	80433100	AR	SUPPORT, 16MM-3/4"
4	80743318	AR	SUPPORT, 28MM
5	80433008	AR	CLAMP, 8-12MM
5	80433007	AR	CLAMP, 16MM-3/4"
5	80457546	AR	CLAMP, 28MM
6	80431941	AR	SUPPORT, 8-12MM
6	80431942	AR	SUPPORT, 16MM-3/4"
6	80743320	AR	SUPPORT, 28MM
7	80430357	AR	CLAMP, 8-12MM
7	80430356	AR	CLAMP, 16MM-3/4"
7	80457547	AR	CLAMP, 28MM
8	80455534	AR	SUPPORT,
9	80455533	AR	CLAMP,

