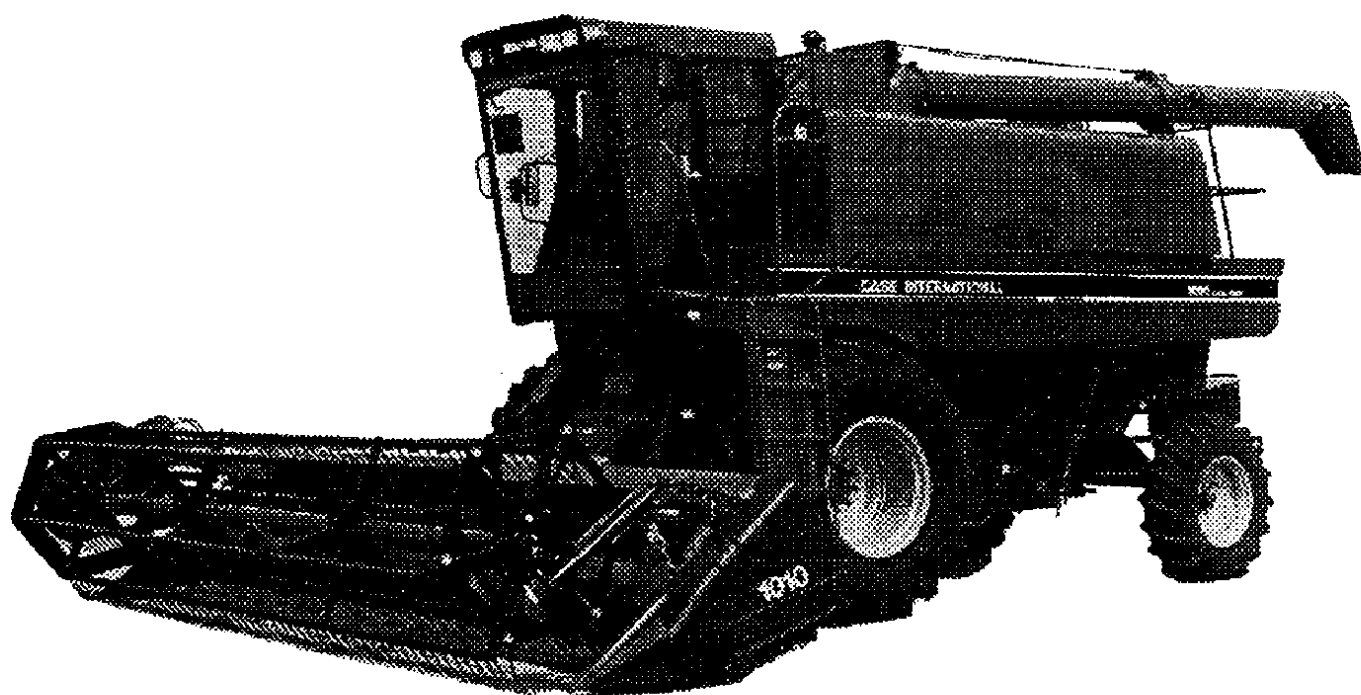


# 1666 Axial-Flow Combine Parts Catalog

Bur 8-9172

This Catalog Replaces Bur 8-9171



A17429R

This unit first became available November, 1994.

FOR CLEANING SHOE DOOR & SHIELD EXTERNAL HANDLE EXTENSION THAT MOUNTS ON THE LEFT BACK OF THE COMBINE, PART NUMBER IS 106743A1, CHECK NO. IN PARTS CATALOG.

1666 CASE IH AXIAL-FLOW COMBINE (1/93-12/94)

1-01 1666 AXIAL-FLOW COMBINE

сылка	Номер детали	Кол-во	Описание

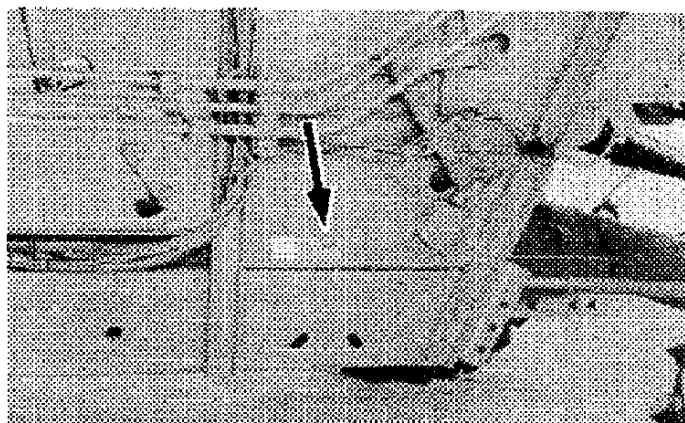
FOR CLEANING SHOE DOOR & SHIELD EXTERNAL HANDLE EXTENSION THAT MOUNTS ON THE LEFT BACK OF THE COMBINE, PART NUMBER IS 106743A1, CHECK NO. IN PARTS CATALOG.

### 1666 Axial-Flow Combine

## LOCATION OF SERIAL AND PRODUCT IDENTIFICATION NUMBERS

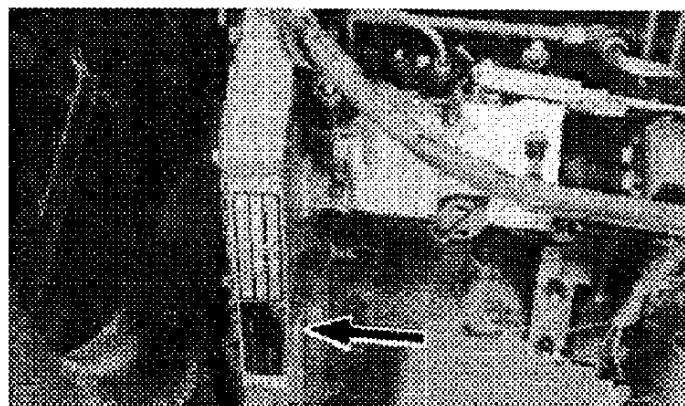
Please use the horizontal lines provided to record these important serial numbers, product identification number, and part number.

#### Product Identification Number



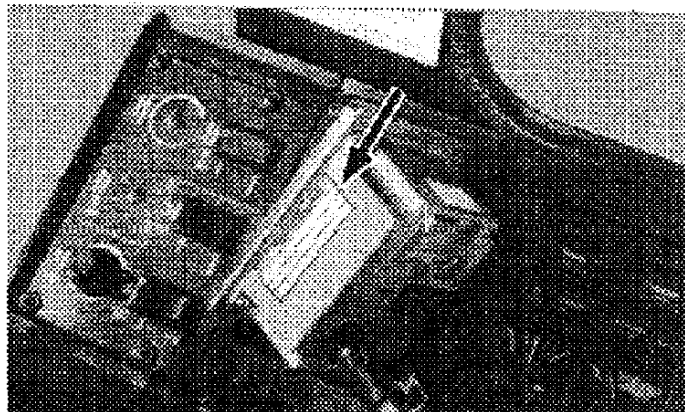
MP95J001

#### Engine Serial Number



MP95J002

#### Digital Tachometer Serial Number



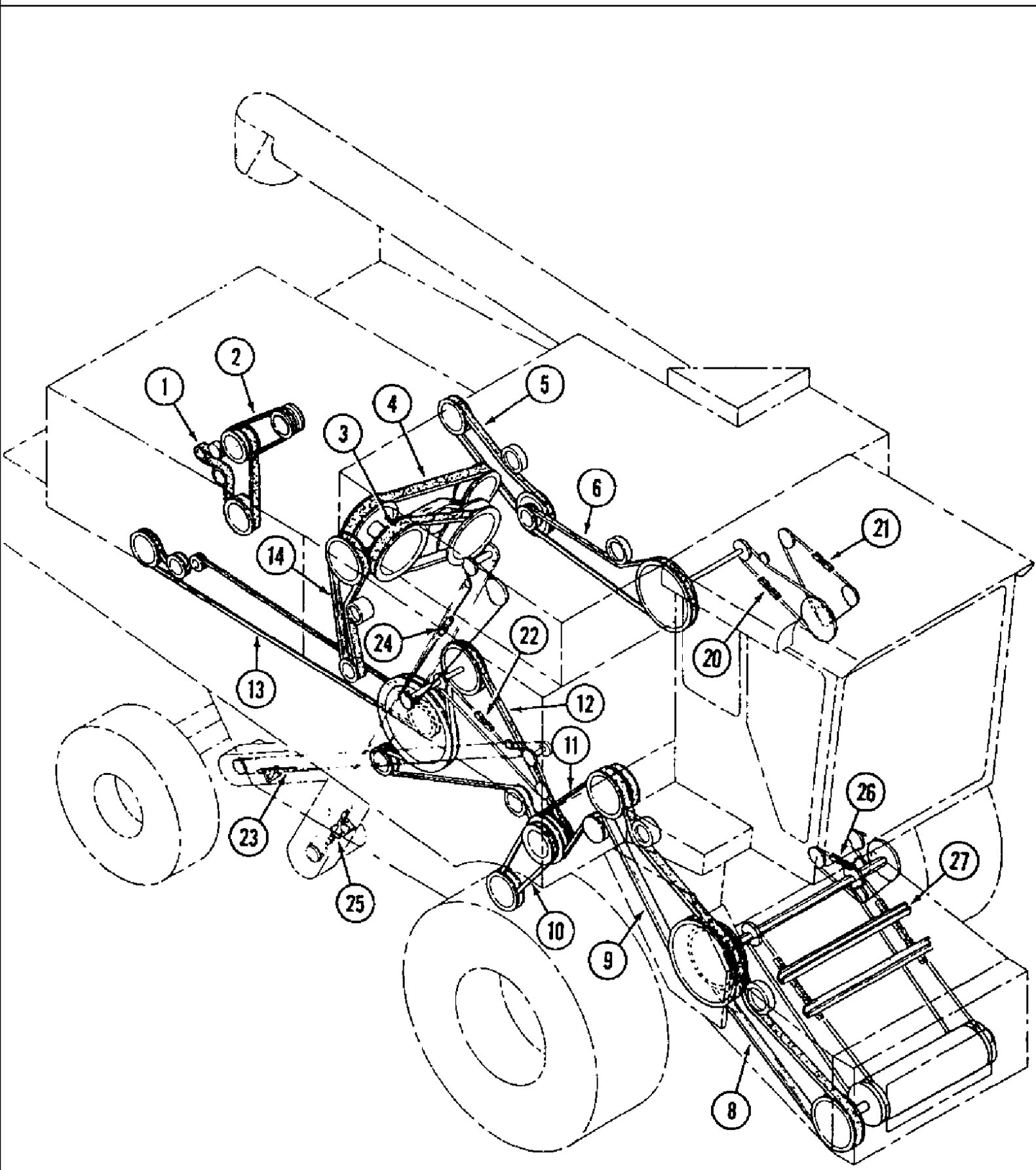
MP95J003

1-02 LOCATION OF SERIAL AND PRODUCT IDENTIFICATION NUMBERS

сылка	Номер детали	Кол-во	Описание
-------	--------------	--------	----------

--	--	--	--

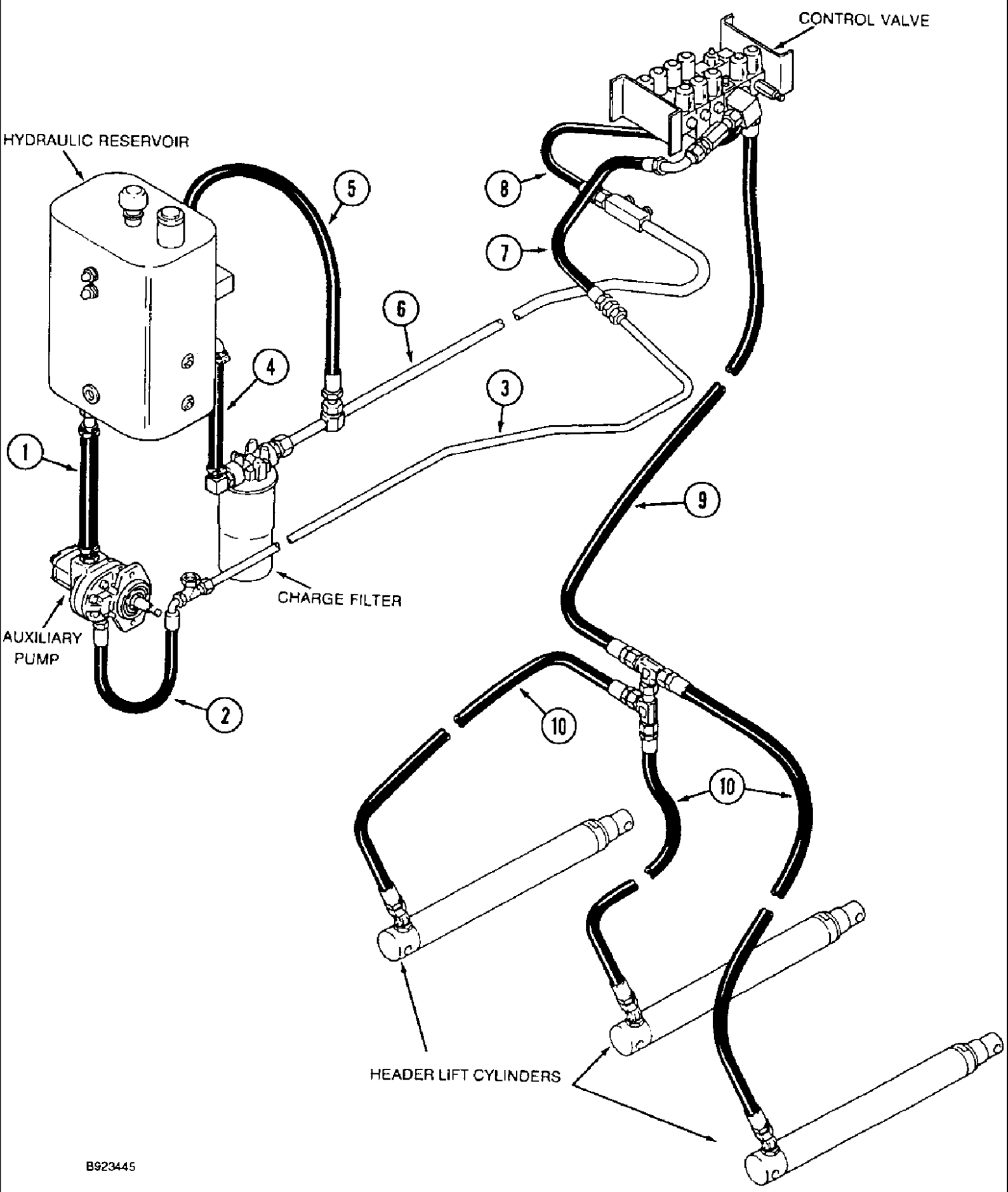
--	--	--	--



B923444

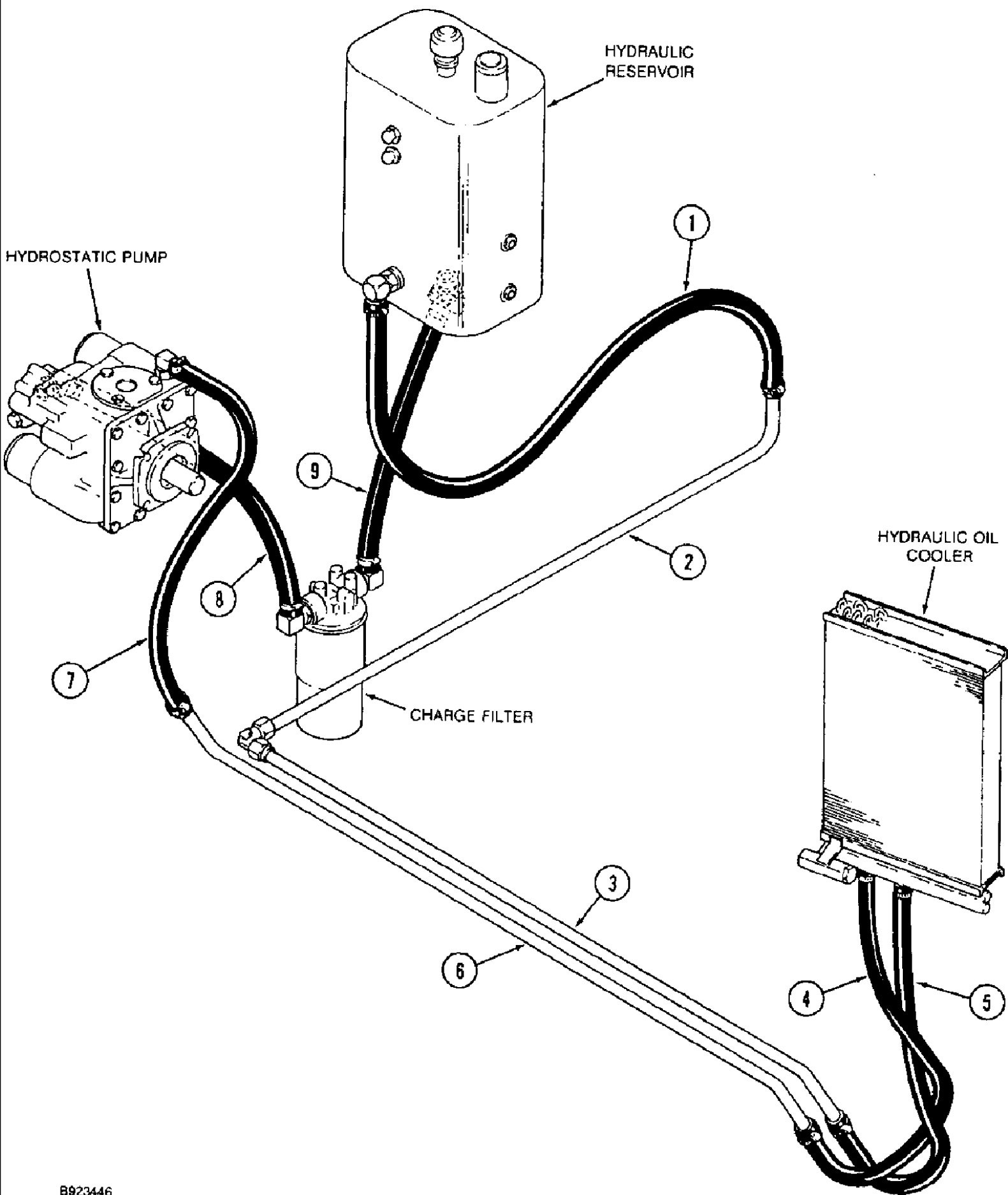
## 1-14 PICTORIAL INDEX, BELTS, CHAINS

сылка	Номер детали	Кол-во	Описание
			BELTS
1			Engine And Fan Alternator Belt, Page 2-13
2			Air Conditioning Compressor Belt, Page 9G-45
3			Rotor Drive Belt, Page 9B-7
4			Separator Drive Belt, Page 9A-15
5			Auxiliary Pump Drive Belt, Page 8-29
6			Grain Tank Unloader Drive Belt, Page 9E-11
8			Feeder Drive Belt, Page 9A-23
9			Feeder Drive Belt, Page 9A-23
10			Cleaning Fan Drive Belt, 9C-13
11			Cleaning Fan Jackshaft Belt, Page 9A-3
12			Elevator Drive Belt, Page 9A-5
13			Straw Spreader Drive Belt, Page 9F-5
14			Staw Chopper Drive Belt, Page 9F-11
			CHAINS
20			Grain Tank Unloader Drive Chain, Page 9E-17
21			Rear Horizontal Auger Drive Chain, Page 9E-17
22			Trailings Elevator Drive Chain, Page 9D-33
23			Trailings Elevator Conveyor Chain, Page 9D-29
24			Clean Grain Elevator Drive Chain, Page 9D-19
25			Clean Grain Elevator Conveyor Chain, Page 9D-7
26			Feeder Reverser Drive Chain, Pages 9A-43B, 9A-45
27			Feeder Conveyor Chain, Page 9A-35
28			Rotor Drive Chain, Not Shown, Page 9B-9

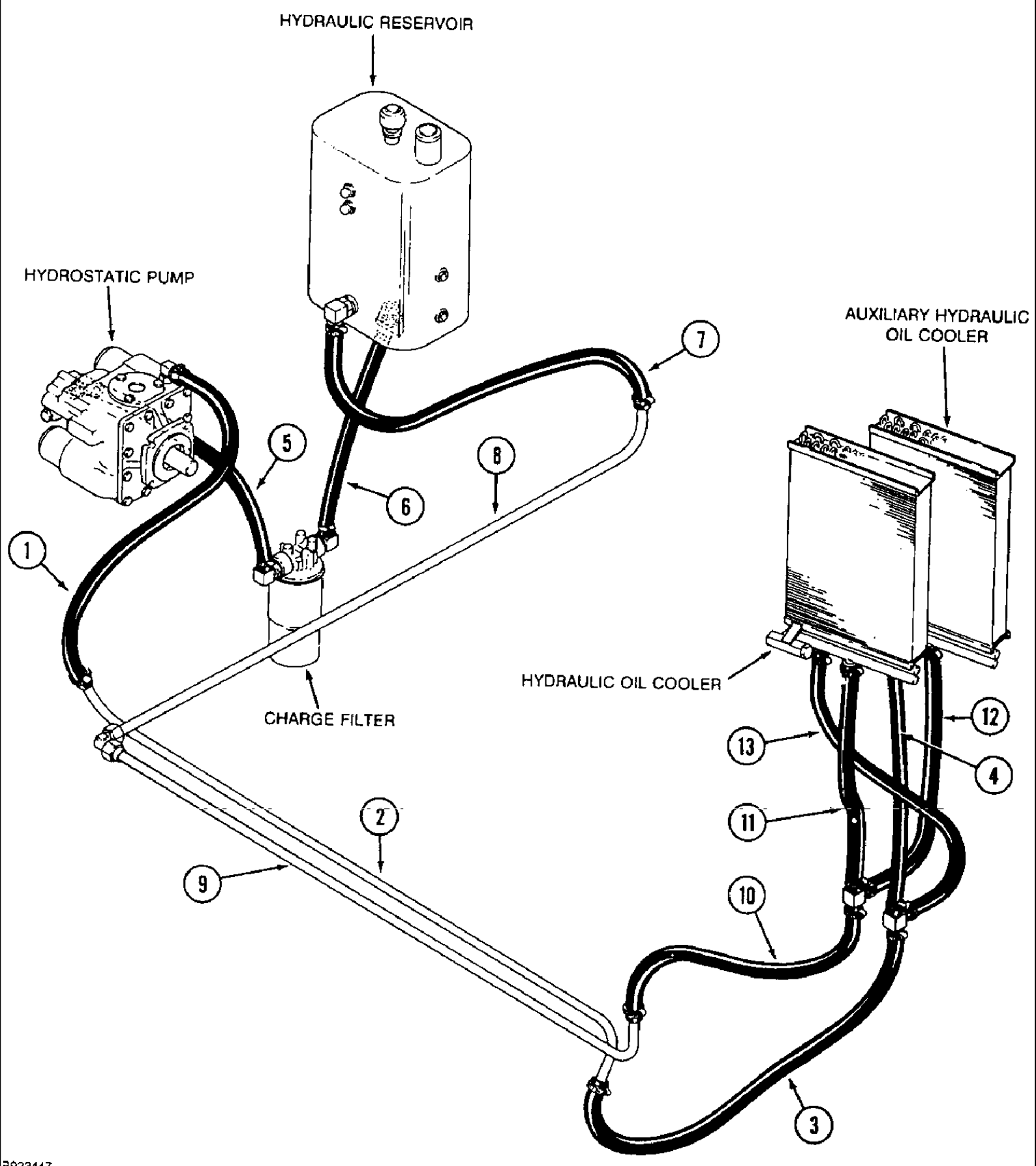


сылка	Номер детали	Кол-во	Описание
1			Header Lift Suction Hose, Page 8-25
2			Auxiliary Pump Pressure Hose, Page 8-25
3			Header Lift Pressure Tube, Page 8-25
4			Reservoir To Filter Return Hose, Page 8-27
5			Relief Valve Drain Hose, Page 8-27
6			Valve Return Tube, Page 8-27
7			Lift Pressure Hose, Page 8-25
8			Valve Drain Hose, Page 8-27
9			Header Lift Cylinder Supply Hose, Pages 8-31, 8-33
10			Header Lift Cylinder Hose, Pages 8-31, 8-33

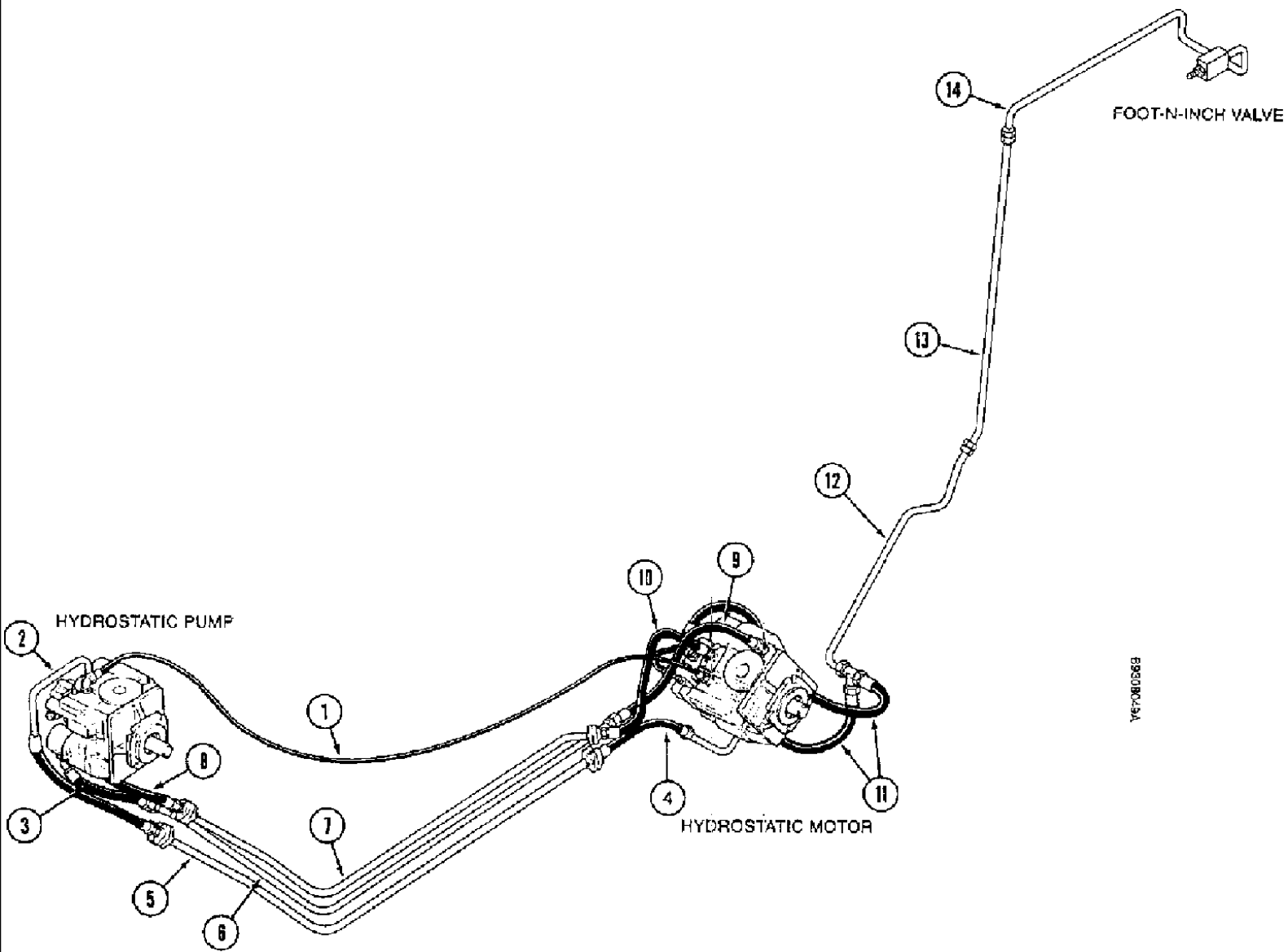




сылка	Номер детали	Кол-во	Описание
1			Reservoir To Cooler Hose, Pages 8-13, 8-15
2			Reservoir To Cooler Upper Tube, Pages 8-13, 8-15
3			Reservoir To Cooler Lower Tube, Pages 8-13, 8-15
4			Oil Cooler Return Hose, Pages 8-13, 8-15
5			Oil Cooler Supply Hose, Pages 8-13, 8-15
6			Pump To Cooler Tube, Pages 8-13, 8-15
7			Pump To Cooler Hose, Pages 8-13, 8-15
8			Charge Pump Suction Hose, Page 8-7
9			Filter To Reservoir Hose, Page 8-7

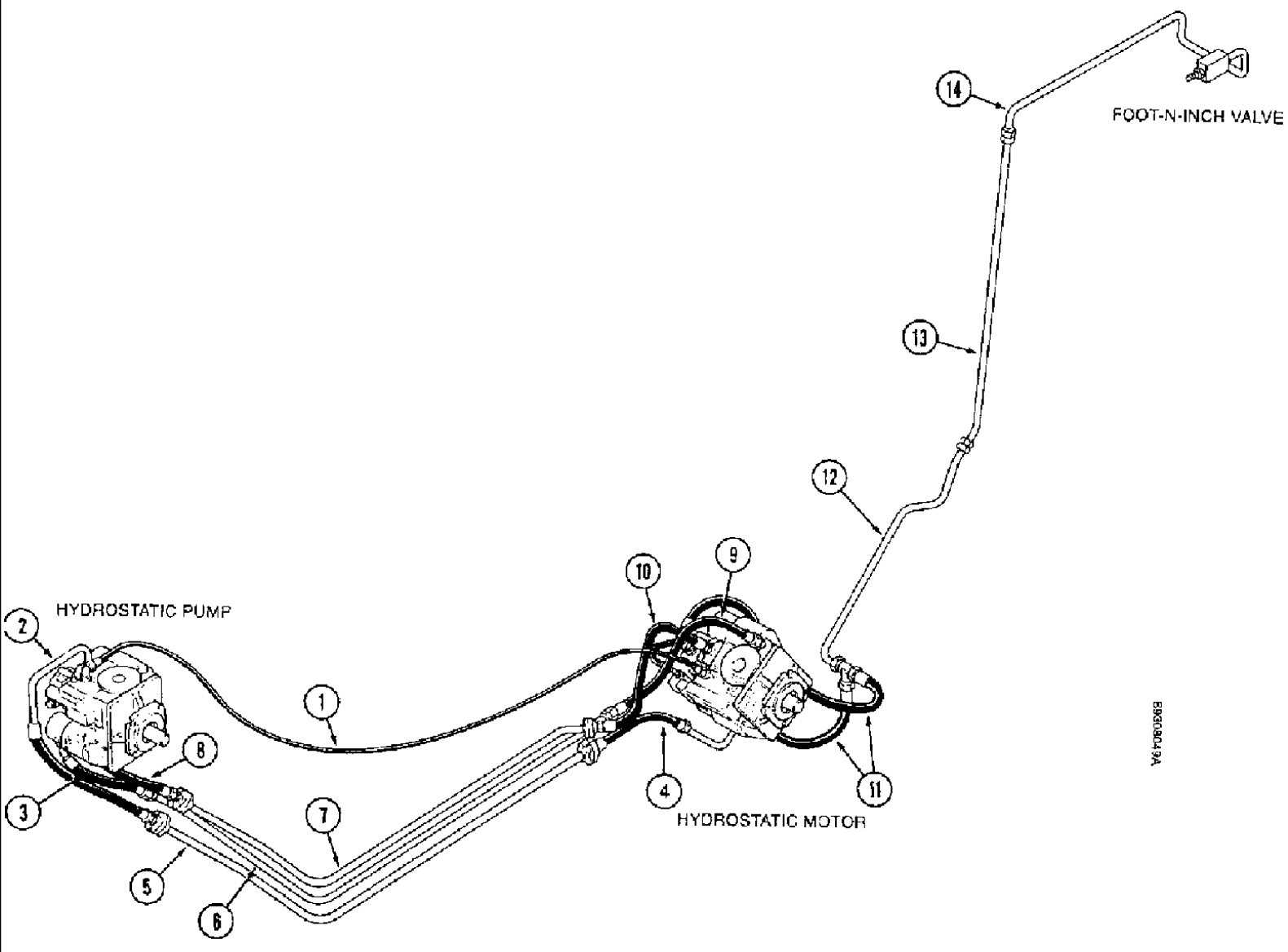


сылка	Номер детали	Кол-во	Описание
1			Auxiliary Cooler To Pump Hose, Upper, Pages 8-17, 8-19
2			Auxiliary Cooler To Pump Tube, Pages 8-17, 8-19
3			Auxiliary Cooler To Pump Hose, Intermediate, Pages 8-17, 8-19
4			Auxiliary Cooler To Pump Hose, Lower, Pages 8-17, 8-19
5			Pump To Filter Hose, Page 8-7
6			Filter To Reservoir Hose, Page 8-7
7			Cooler To Reservoir Hose, Upper, Pages 8-17, 8-19
8			Oil Cooler Return Tube, Upper, Pages 8-17, 8-19
9			Oil Cooler Return Tube, Lower, Pages 8-17, 8-19
10			Oil Cooler To Reservoir Hose, Intermediate, Pages 8-17, 8-19
11			Oil Cooler To Reservoir Hose, Lower, Pages 8-17, 8-19
12			Auxiliary Cooler To Reservoir Hose, Pages 8-17, 8-19
13			Auxiliary Cooler To Reservoir Hose, Pages 8-17, 8-19



## 1-22 PICTORIAL INDEX, SINGLE SPEED PROPULSION SYSTEM

сылка	Номер детали	Кол-во	Описание
1			Reverse Pressure Hose, Page 6-7
2			Reverse Pressure Tube, Page 6-7
3			Housing Drain Upper Hose, Page 6-7
4			Case Drain Tube, Page 6-7
5			Housing Drain Lower Hose, Page 6-7
6			Forward Pressure Upper Hose, Page 6-7
7			Forward Pressure Tube, Page 6-7
8			Forward Pressure Lower Hose, Page 6-7
9			Foot-N-Inch Hose, Page 6-13
10			Foot-N-Inch Lower Tube, Page 6-13
11			Foot-N-Inch Center Tube, Page 6-13
12			Foot-N-Inch Upper Tube, Page 6-13

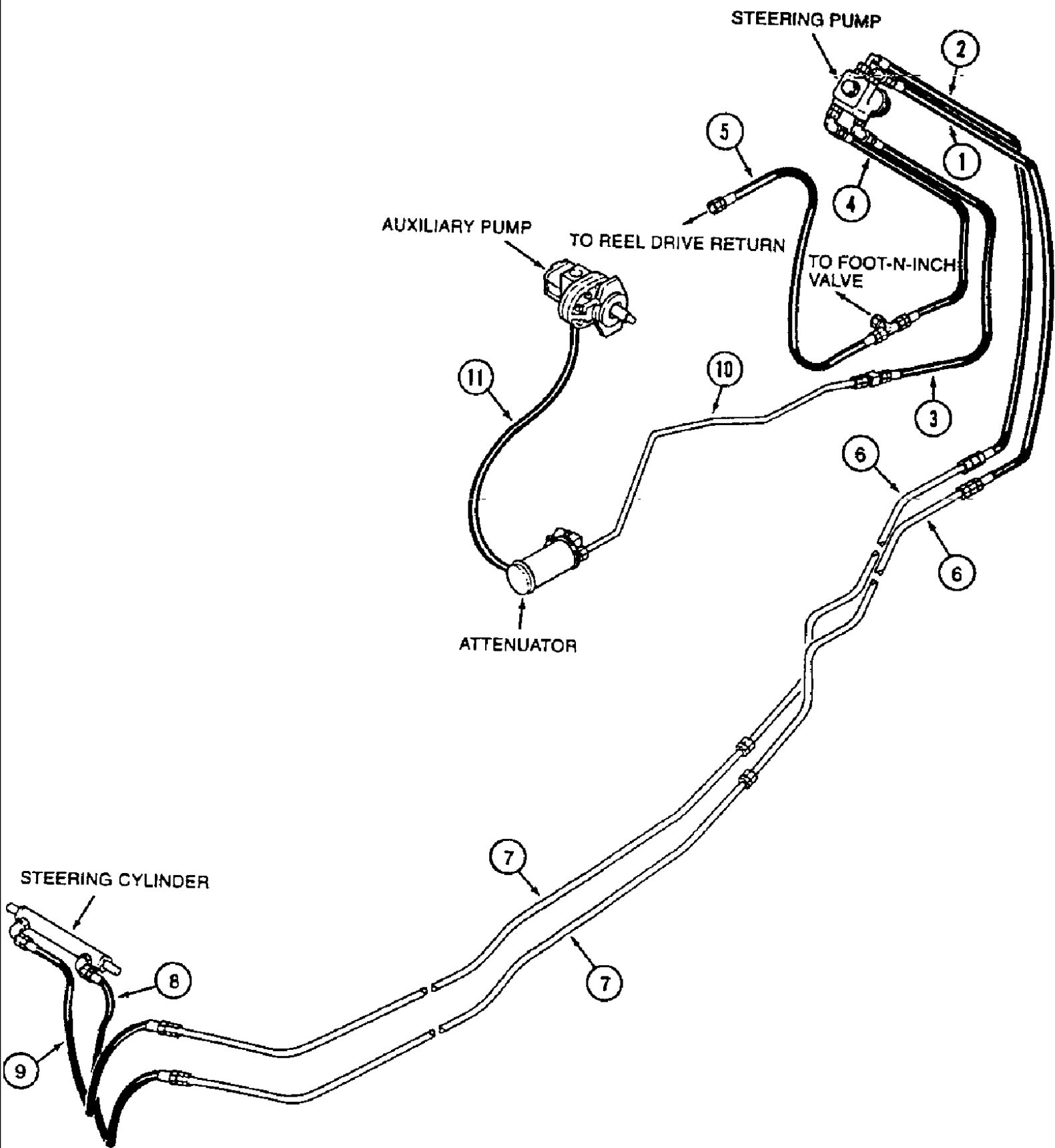


8800049A

## 1-24 PICTORIAL INDEX, TWO SPEED PROPULSION SYSTEM

сылка	Номер детали	Кол-во	Описание
1			Charge Pressure Hose, Page 6-9
2			Reverse Pressure Hose, Page 6-9
3			Housing Drain Upper Hose, Page 6-9
4			Reverse Pressure Hose, Page 6-9
5			Reverse Pressure Tube, Page 6-9
6			Case Drain Tube, Page 6-9
7			Forward Pressure Upper Tube, Page 6-9
8			Forward Pressure Upper Hose, Page 6-9
9			Housing Drain Lower Hose, Page 6-9
10			Forward Lower Pressure Hose, Page 6-9
11			Foot-N-Inch Hose, Page 6-13
12			Lower Foot-N-Inch Tube, Page 6-13
13			Center Foot-N-Inch Tube, Page 6-13
14			Upper Foot-N-Inch Tube, Page 6-13

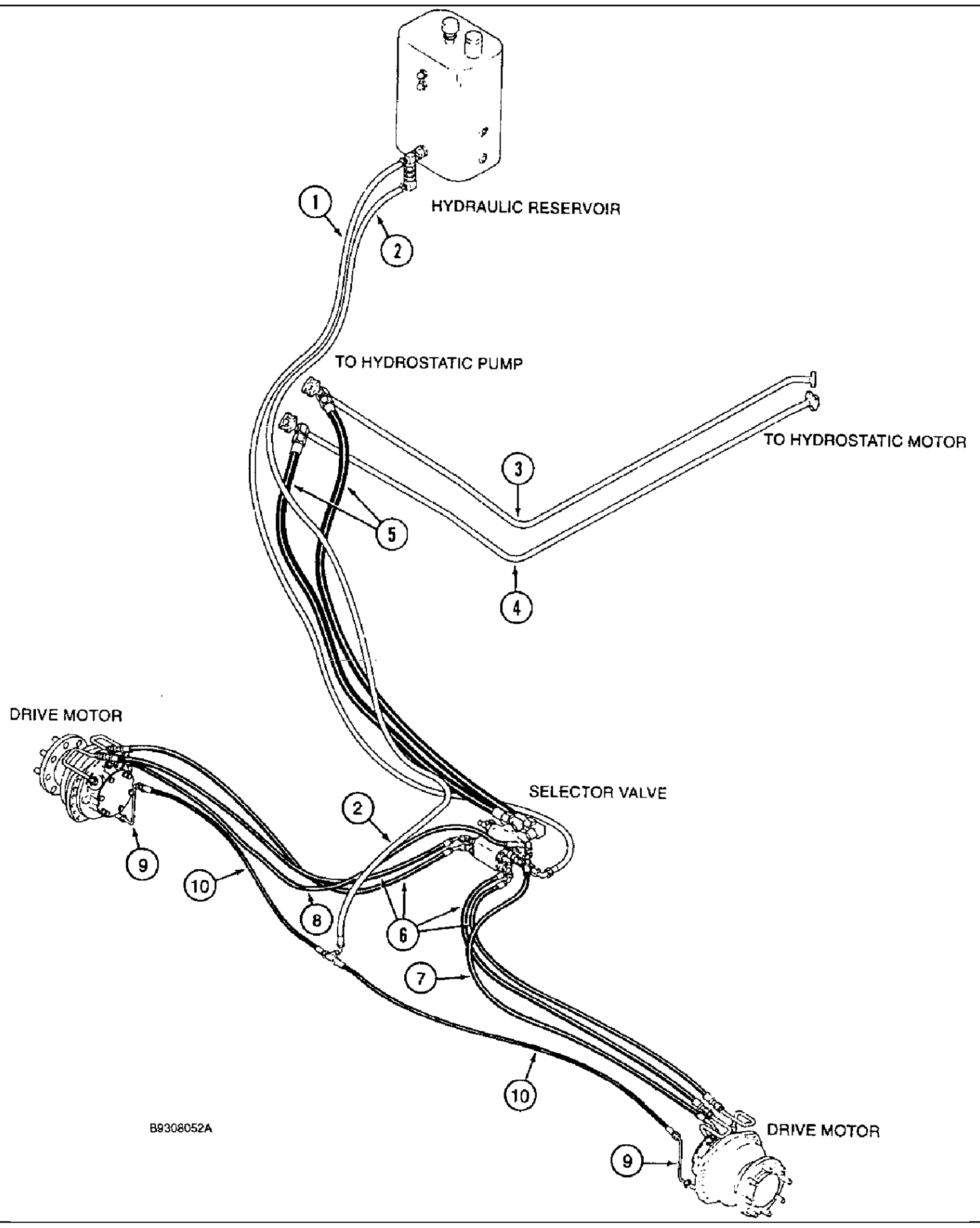




B930805 1A

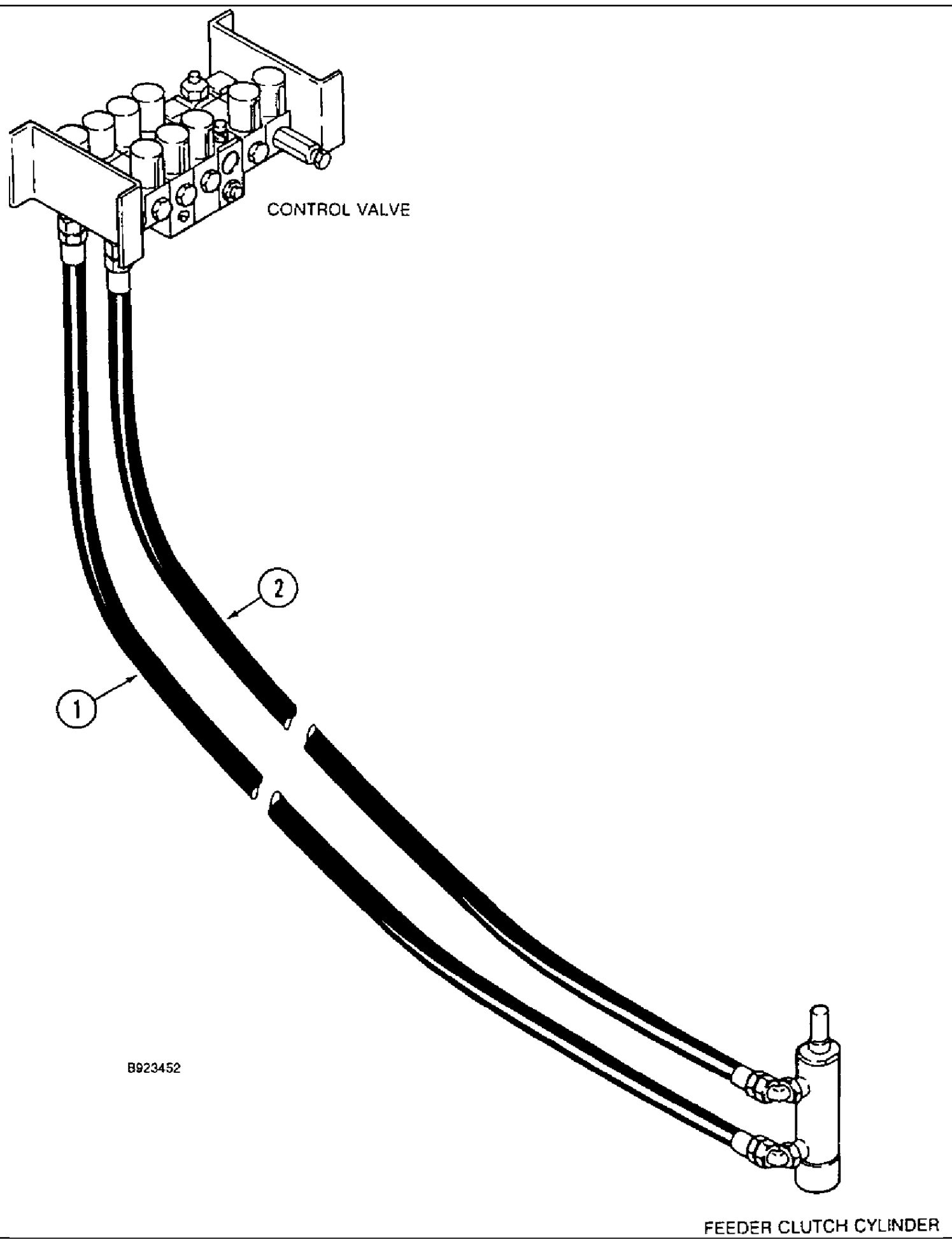
## 1-26 PICTORIAL INDEX, STEERING SYSTEM

сылка	Номер детали	Кол-во	Описание
1			Right Hand Steering Hose, Page 5-7
2			Left Hand Steering Hose, Page 5-7
3			Steering Supply Hose, Page 5-5
4			Steering Return Hose, Page 5-5
5			Reel Drive Return Hose, Page 8-53
6			Steering, Intermediate, Forward Tubes, Page 5-7
7			Steering, Rear Tubes, Page 5-7
8			Steering Cylinder Lower Hose, Pages 5-7, 5-35
9			Steering Cylinder Upper Hose, Pages 5-7, 5-35
10			Steering Pressure Tube, Page 5-5
11			Steering Pressure Tube, Page 5-5



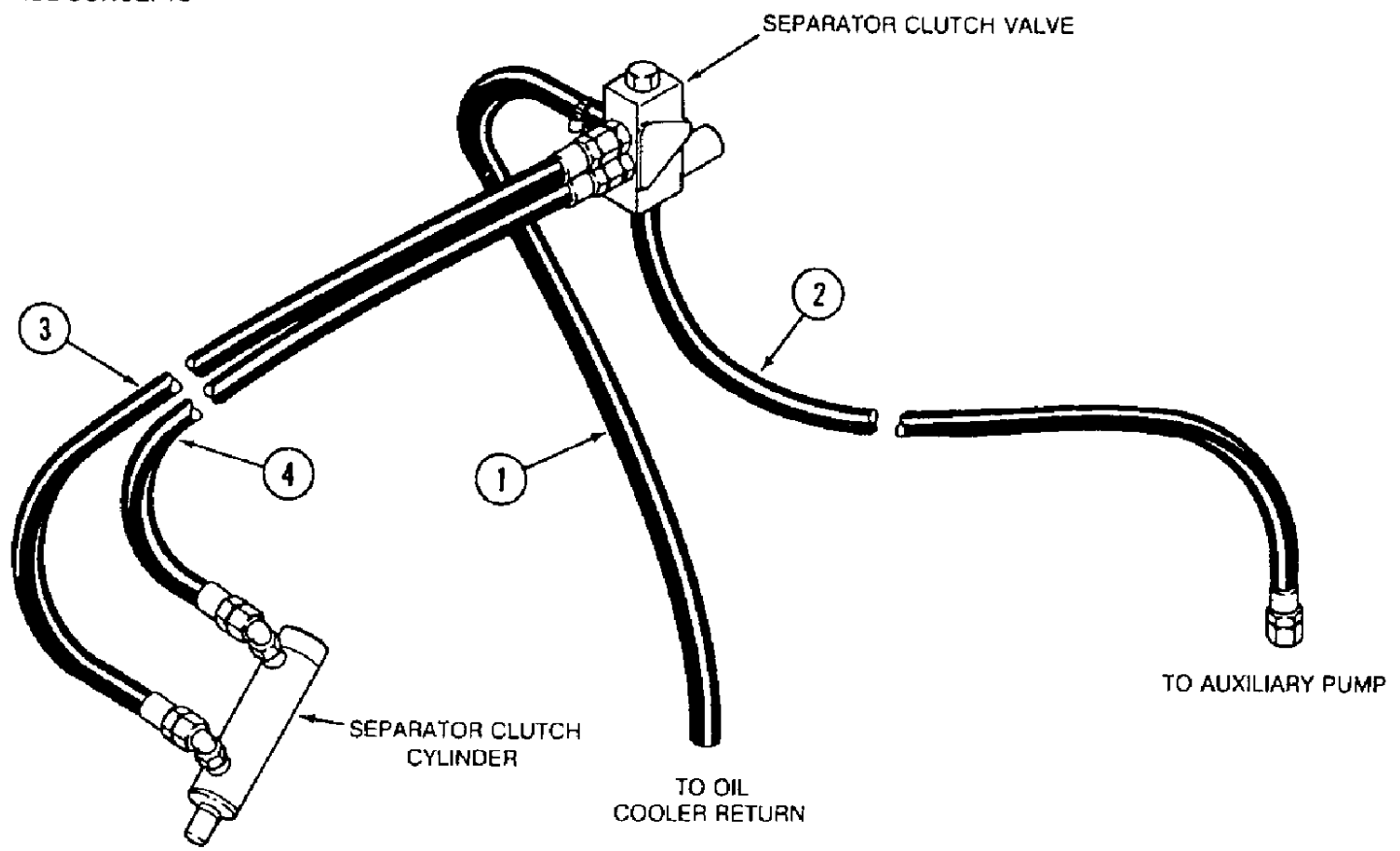
B9308052A

сылка	Номер детали	Кол-во	Описание
1			Housing Drain Hose, Page 5-37
2			Case Drain Hose, Page 5-37
3			Forward Pressure Tube, Page 5-37
4			Reverse Pressure Tube, Page 5-37
5			Valve Pressure Hose, Page 5-37
6			Motor Drain Pressure Hose, Page 5-33
7			Motor Drain Hose, Page 5-33
8			Motor Drain Pressure Hose, Page 5-33
9			Motor Flush Tube, Page 5-33B
10			Motor Flush Hose, Page 5-33B

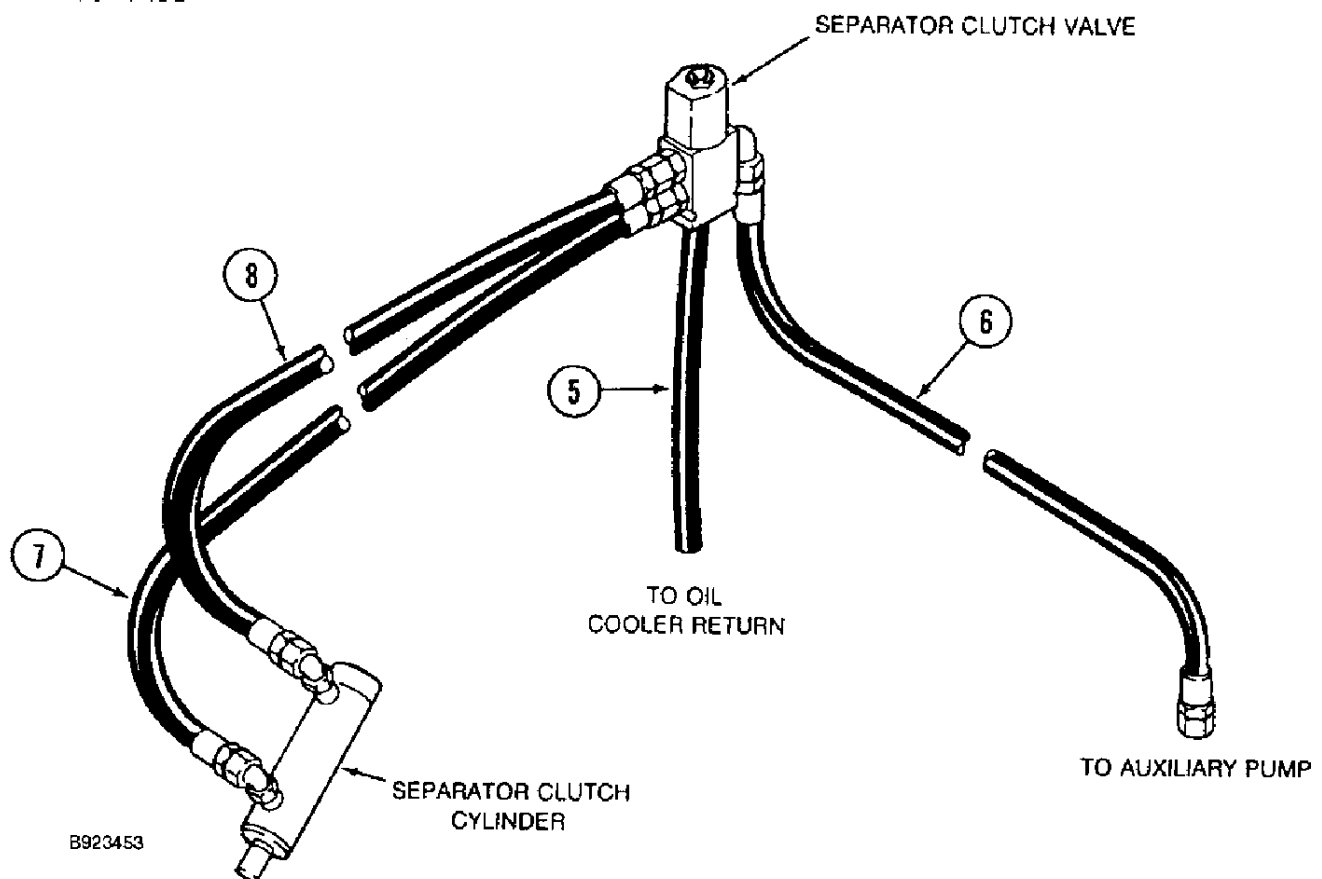


сылка	Номер детали	Кол-во	Описание
1			Feeder Clutch Cylinder Supply Hose, Page 8-63
2			Feeder Clutch Cylinder Return Hose, Page 8-63

CONTROL CONCEPTS



MODULAR CONTROL

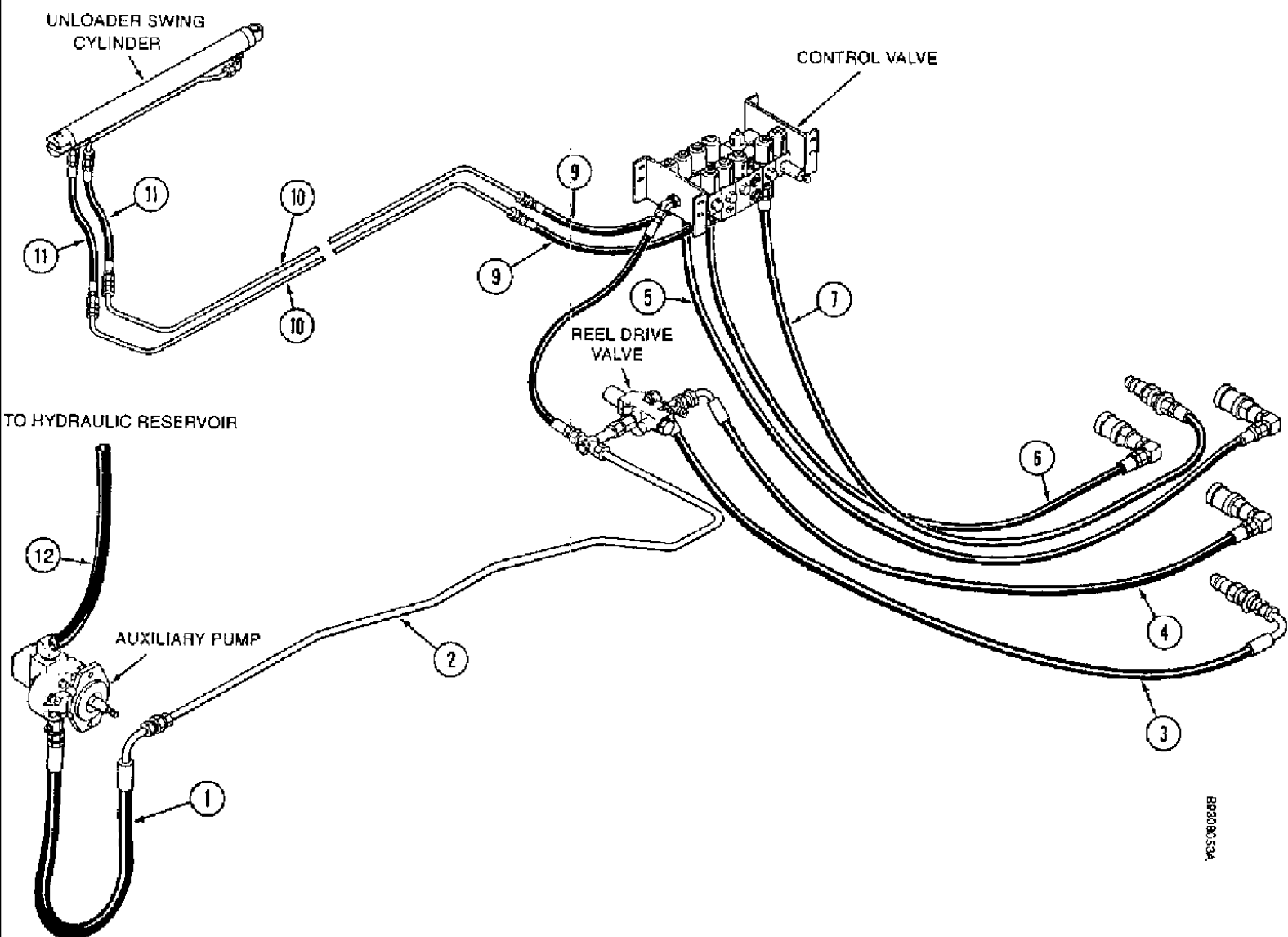


B923453

сылка	Номер детали	Кол-во	Описание
-------	--------------	--------	----------

1			Separator Clutch Return Hose, Page 8-65
2			Separator Clutch Pressure Hose, Page 8-65
3			Separator Clutch Disengage Hose, Page 8-65
4			Separator Clutch Engage Hose, Page 8-65
			MODULAR CONTROL
5			Separator Clutch Return Hose, Page 8-65
6			Separator Clutch Pressure Hose, Page 8-65
7			Separator Clutch Disengage Hose, Page 8-65
8			Separator Clutch Engage Hose, Page 8-65

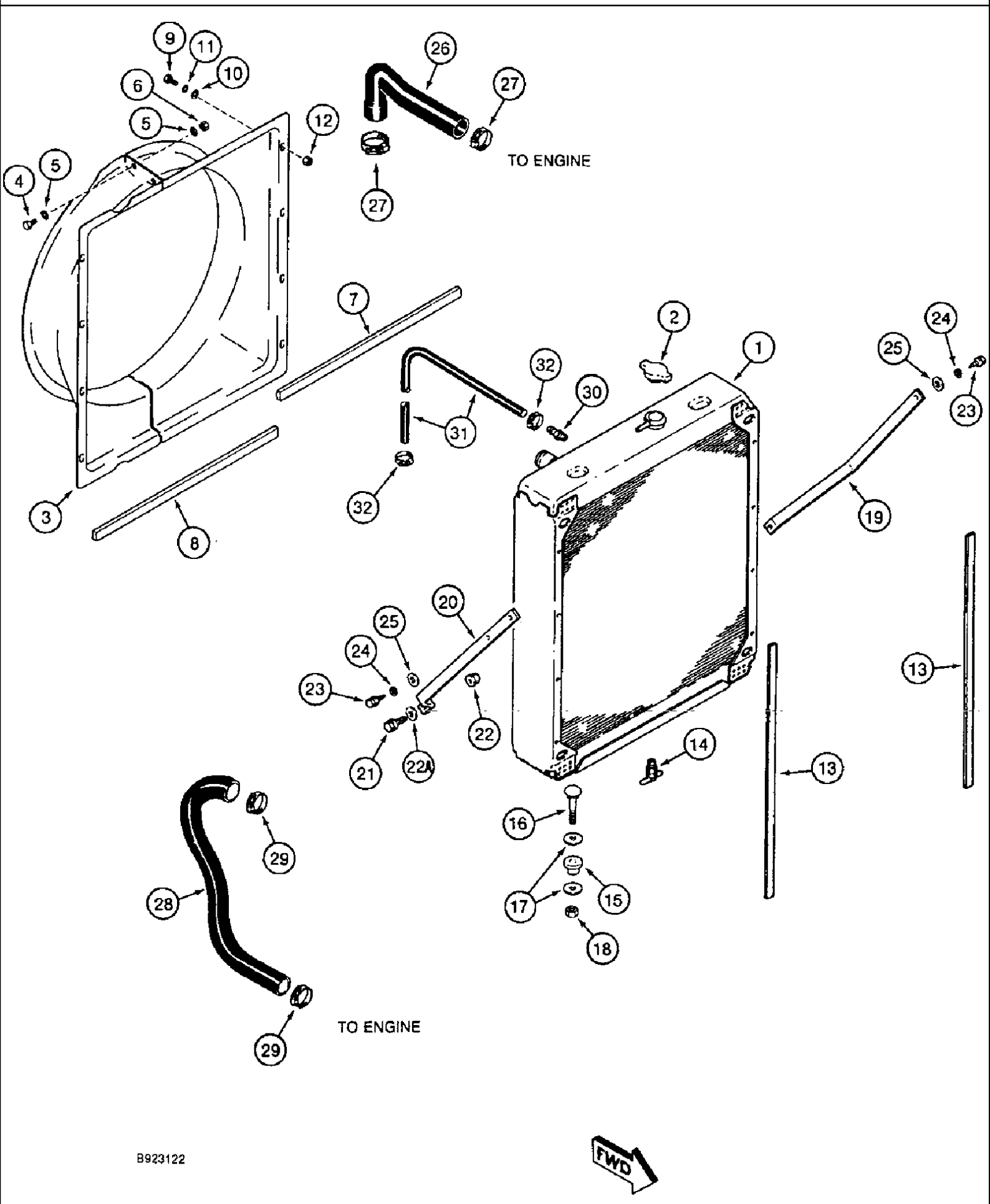




REELDRIVE

сылка	Номер детали	Кол-во	Описание
1			Auxiliary Pump To Reel Valve Hose, Page 8-53
2			Reel Drive Valve Supply Tube, Page 8-53
3			Reel Motor Supply Hose, Page 8-53
4			Reel Motor Return Hose, Page 8-53
5			Reel Lift Hose, Page 8-61
6			Reel Fore Hose, Page 8-61
7			Reel Aft Hose, Page 8-61
8			Feeder Clutch Valve Hose, Page 8-63
9			Unloader Swing Cylinder Hoses, Page 8-75
10			Unloader Swing Cylinder Tubes, Page 8-75
11			Unloader Swing Cylinder Hoses, Page 8-75
12			Reel Drive Suction Hose, Page 8-27

2-02 RADIATOR AND ATTACHING PARTS

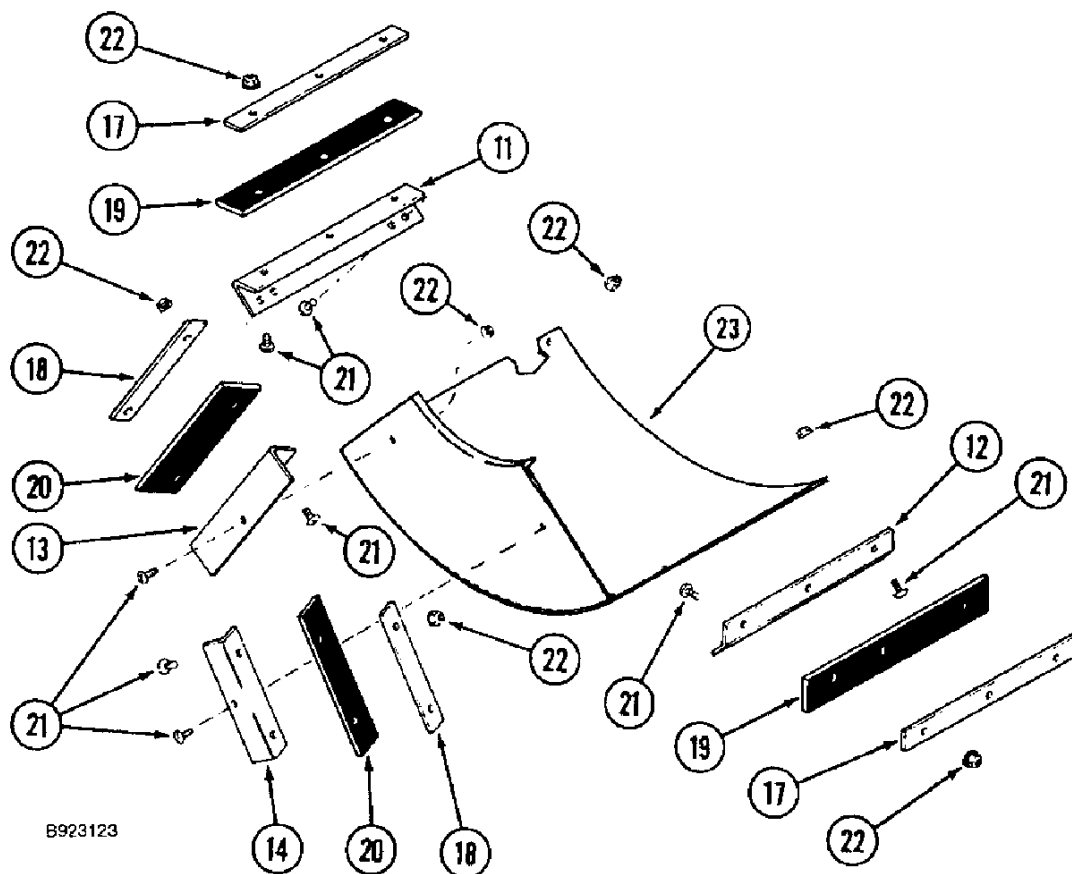
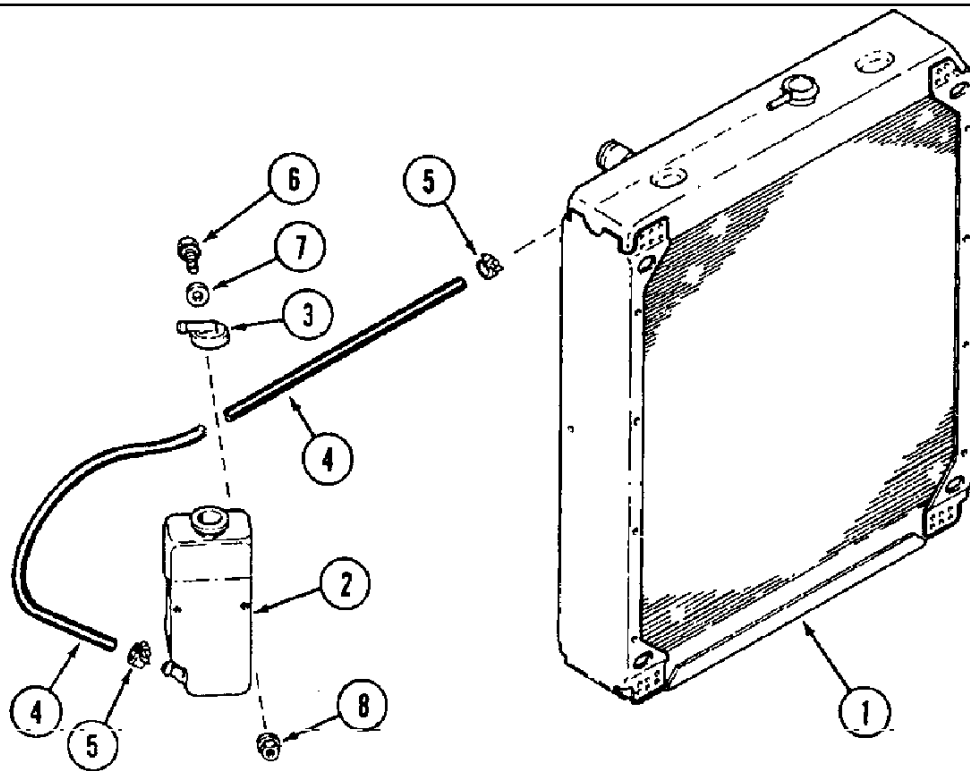


B923122

## 1666 CASE IH AXIAL-FLOW COMBINE (1/93-12/94)

## 2-02 RADIATOR AND ATTACHING PARTS

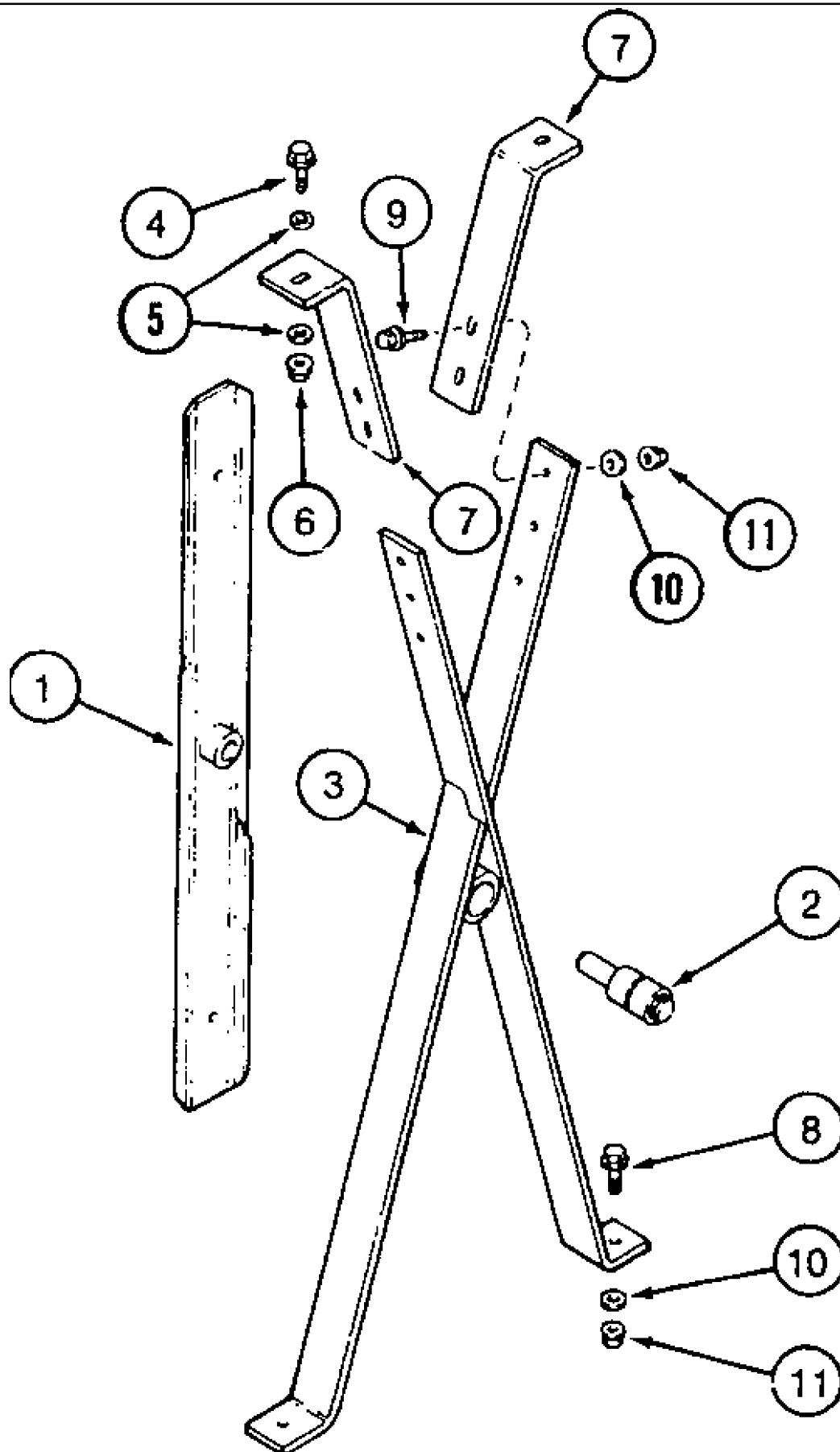
сылка	Номер детали	Кол-во	Описание
1	A189067	1	RADIATOR, cooling system
2	A170241	1	CAP, RADIATOR, 15 psi
3	106201A1	1	RING, ORIFICE, SHROUD fan, includes both halves, Includes: Ref. 4, 5, and 6
4	614-8025	4	BOLT, Hex, M8 x 25, 8.8,
5	896-11008	8	WASHER, M8 x 17.5 x 2, HT, flat, 9 x17 x 2 mm, hardened
6	832-41308	4	NUT, M8 x 1.25, CI 10, hex, self-locking 8 mm - 1.25, class 10.9
7	1970457C2	1	SEAL, 31 inch (787 mm) long, cut from 1974883CX bulk seal radiator to shroud, upper, see below
8	1979476C1	1	SEAL, 28-3/4 inch (730 mm) long, cut from 1974883CX bulk seal radiator to shroud, lower, see below
9	409-7512	8	BOLT, Hex Flg, 5/16"-18 x 3/4", Serr,
10	495-81001	8	WASHER, 5/16", flat, 3/8 x 1-1/8 x 1/16 inch
11	492-11031	8	WASHER, LOCK, 5/16", If used
12	488837C1	8	NUT, speed, 5/16 inch NC, replaces 131-636
13	1970536C1	2	SEAL, foam, adhesive backed 34-1/2 inch (875 mm) long, cut from 195917C1 bulk seal radiator to air chute, see below
14	86982771	1	VALVE, drain, 1/4 inch PT
15	R29799	2	SHOCK ABSORBER, INSULATOR rubber, radiator mounting
16	434-736	2	BOLT, CARRIAGE, Short NK, 7/16"-14 x 2 1/4", G5,
17	495-81013	4	WASHER, .469" x 1 3/4" x .120",
18	231-1447	2	NUT, LOCK, 7/16"-14, GB,
19	1329863C1	1	SUPPORT, radiator, left hand
20	1541868C1	1	SUPPORT, radiator, right hand
21	154273C1	2	BOLT, Hex Flg, 3/8"-16 x 1", Serr, BOLT hex, self-locking, special, 3/8 NC x 1 inch
22	231-5146	2	NUT, Flg, USR, 3/8"-16,
22A	495-81140	2	WASHER, 13/32" x 1 1/4" x .060",
23	199953C1	2	SCREW, SELF TAPPING, Hex Wash Hd, 5/16"-18 x 13/16",
24	492-11031	2	WASHER, LOCK, 5/16",
25	495-81001	2	WASHER, 5/16", flat, 3/8 x 1-1/8 x 1/16 inch
26	84549C2	1	HOSE, LARGE, engine outlet, upper, radiator
27	214-3240	2	CLAMP, HOSE, 1.75/2.625 HD Worm, W/liner, Adj.
28	1979382C1	1	HOSE, LARGE, engine inlet, radiator, lower
29	214-3248	2	CLAMP, HOSE, 2.25/3.125 HD Worm, W/liner, Adj.
30	217-151	1	FITTING, 3/8" Hose X 1/4" NPTF Beaded, Adapter - straight, Radiator top tank vent
31	1960764C1	1	HOSE, 22 inch (560 mm) long, radiator vent to engine
32	214-1706	2	CLAMP, HOSE, #6, 0.44/0.78 Type M Worm, Adjustable
	1974883CX		UAR SEAL, bulk, adhesive backed 1/2 (13) x 1-1/2 (38) x 600 inch (15240 mm) long
	195917C1		UAR GASKET, SEAL bulk, foam, adhesive backed 600 inch (15240 mm) long



## 2-04 COOLANT RECOVERY SYSTEM, ROTARY AIR SCREEN BAFFLE SEALS

сылка	Номер детали	Кол-во	Описание
1	A189067	1	RADIATOR, cooling system, for mounting, see Fig. 2-2, coolant recovery system
2	437703C2	1	TANK, RESERVOIR coolant recovery system
3	437702C1	1	CAP, reservoir tank, coolant recovery system
4	1347455C1	1	HOSE, LARGE, 46-1/2 inch (1180 mm) long, reservoir to radiator, coolant recovery system
5	214-1704	2	CLAMP, HOSE, #4, 0.25/0.62 Type M Worm, Adjustable, Coolant recovery system
6	409-7416	3	BOLT, Hex Flg, 1/4"-20 x 1", Serr, Coolant Recovery System
7	495-81109	3	WASHER, .281" x 1" x .048", flat, 9/32 x 1 x 3/64 inch, coolant recovery system
8	231-5144	3	NUT, Flg, USR, 1/4"-20, Coolant recovery system
11	1977159C1	1	SUPPORT, baffle, left hand, rotary air screen baffle seals
12	1977160C1	1	SUPPORT, baffle, right hand, rotary air screen baffle seals
13	1977161C1	1	SUPPORT, baffle, left hand rear, rotary air screen baffle seals
14	1977162C1	1	SUPPORT, baffle, right hand rear, rotary air screen baffle seals
17	1977163C1	2	PLATE, LARGE, STRIP, 11-13/16 inch (300 mm) long, baffle side, rotary air screen baffle seals
18	1977164C1	2	STRIP, 6-1/2 inch (165 mm) long, baffle rear, rotary air screen baffle seals
19	1977165C1	2	SEAL, 12 inch (304 mm ) long, baffle, rotary air screen baffle seals
20	1977166C1	2	SEAL, 8 inch (203 mm) long, baffle, rotary air screen baffle seals
21	409-748	12	BOLT, Hex Flg, 1/4"-20 x 1/2", Serr, Rotary air screen baffle seals
22	231-4144	12	NUT, LOCK, 1/4"-20, GB, Rotary air screen baffle seals
23	194224C1	1	BAFFLE ASSY., rotary air screen, parts list Fig. 2-8, Ref. 6, rotary air screen baffle seals

2-06 RADIATOR CLEANING FAN



B923124

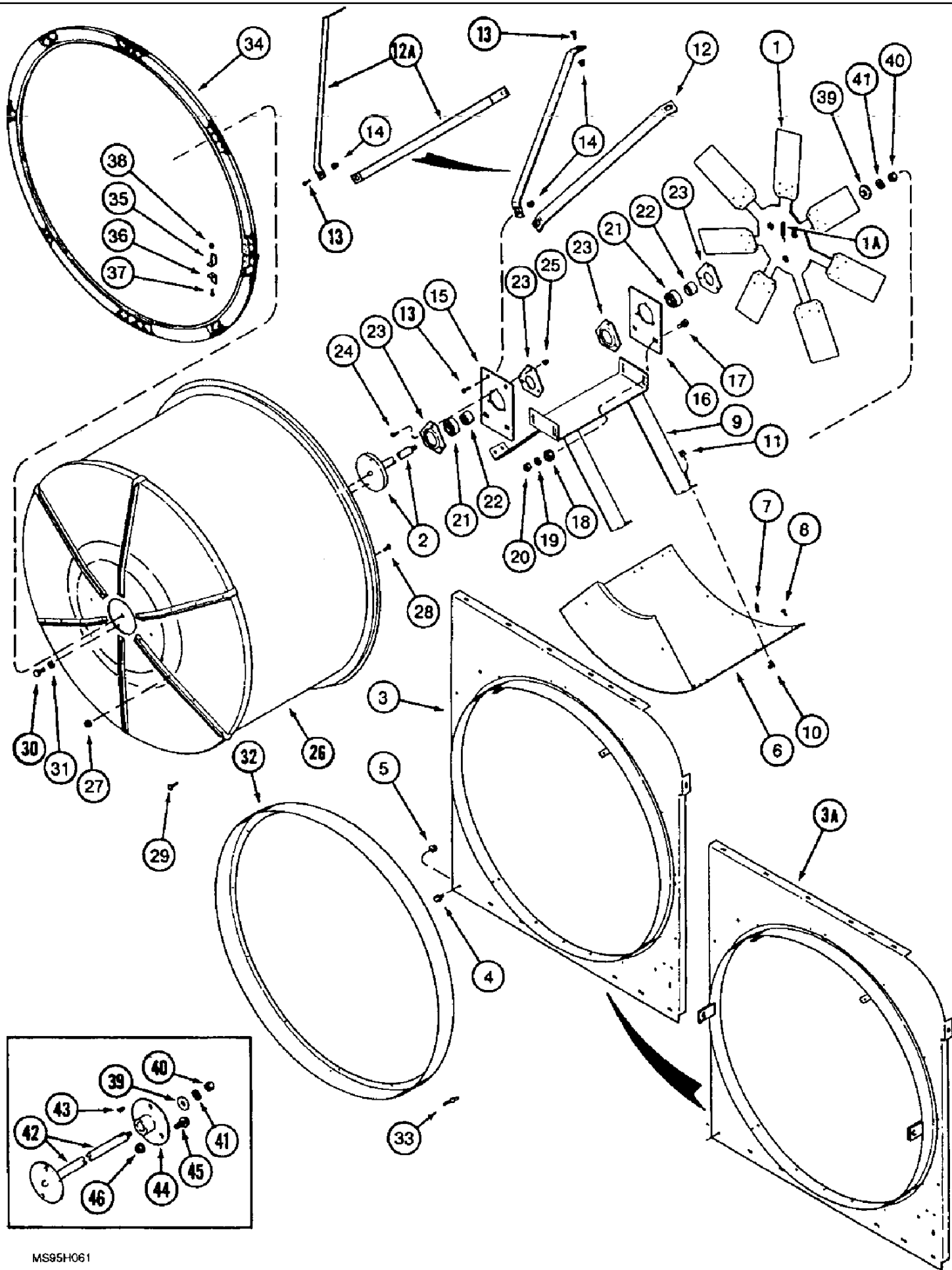
## 1666 CASE IH AXIAL-FLOW COMBINE (1/93-12/94)

## 2-06 RADIATOR CLEANING FAN

сылка	Номер детали	Кол-во	Описание
1	1345399C1	1	FAN, BLADE cleaning
2	559205R91	1	BEARING, blade
3	1345404C1	1	SUPPORT, BRACKET mounting, blade, cleaning
4	409-7516	2	BOLT, Hex Flg, 5/16"-18 x 1", Serr,
5	495-81253	4	WASHER, .344" x 7/8" x 120", flat, 11/32 x 7/8 x 1/16 inch
6	231-5145	2	NUT, Flg, USR, 5/16"-18,
7	1345403C1	2	SUPPORT, adjustable, wiper blade
8	409-7516	2	BOLT, Hex Flg, 5/16"-18 x 1", Serr,
9	409-7520	4	BOLT, Hex Flg, 5/16"-18 x 1 1/4", Serr, BOLT hex serrated flange, 5/16 NC x 1-1/4 inch
10	495-81253	8	WASHER, .344" x 7/8" x 120", flat, 11/32 x 7/8 x 1/16 inch
11	231-5145	6	NUT, Flg, USR, 5/16"-18,



2-08 ROTARY AIR SCREEN



## 1666 CASE IH AXIAL-FLOW COMBINE (1/93-12/94)

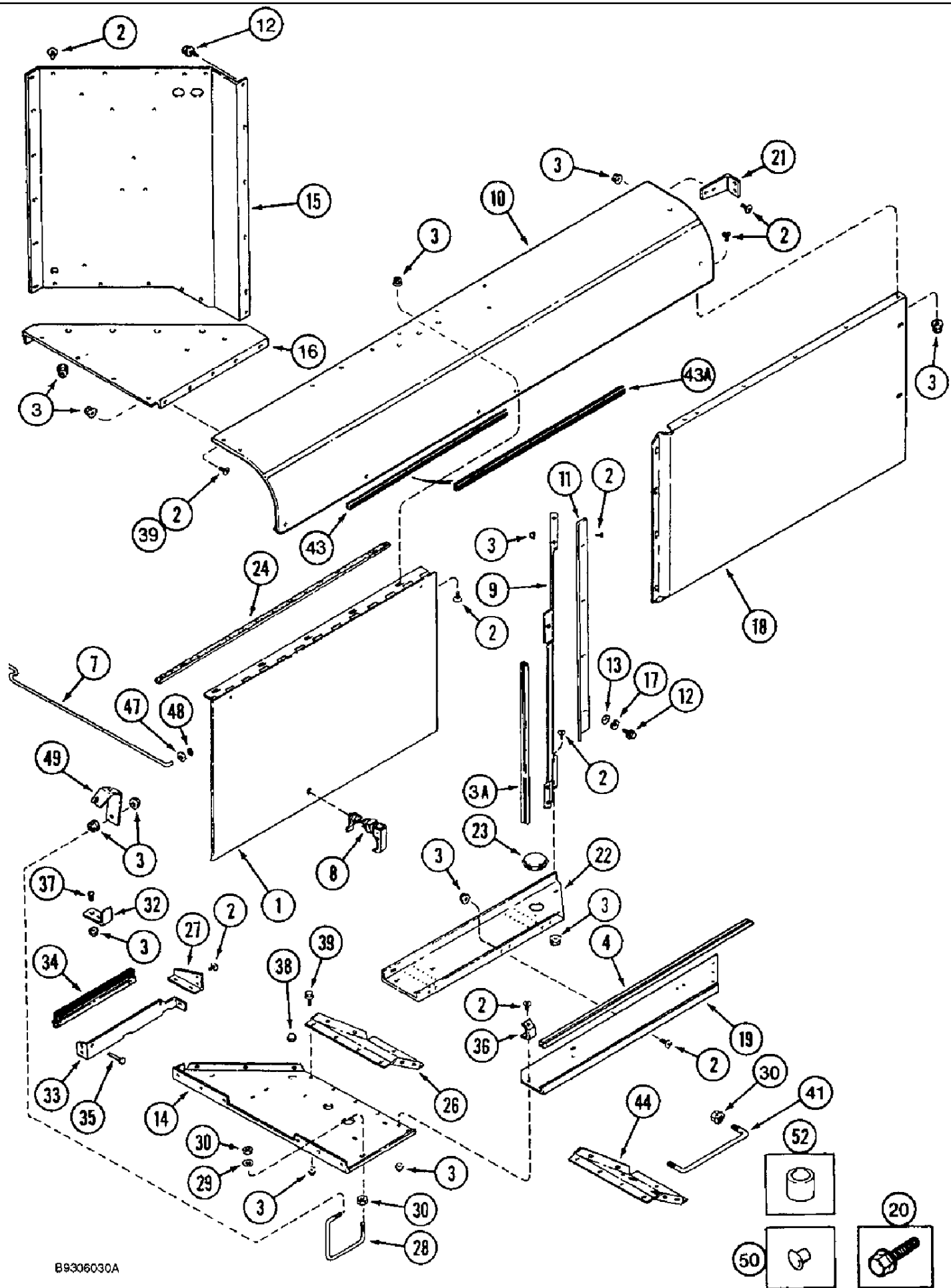
## 2-08 ROTARY AIR SCREEN

сылка	Номер детали	Кол-во	Описание
	1347257C1	1	FAN, ASSEMBLY rotary air screen, Includes: Ref. 1 and 1A
1	1957272C2	1	FAN, rotary air screen
1A	Q5024	1	KEY, 3/16" Sq x 1", Par, Welded on
2	1347255C1	1	SHAFT, fan, rotary air screen
3	1317755C4	1	SUPPORT, rotary air screen, replaced by 1317755C6
3A	1317755C6	1	ADAPTER, SUPPORT rotary air screen, fan, replaces 1317755C4
4	256873	17	BOLT, Hex Flg, 5/16"-18 x 1/2", Serr,
4	409-7516	2	BOLT, Hex Flg, 5/16"-18 x 1", Serr,
5	231-5145	19	NUT, Flg, USR, 5/16"-18,
6	194224C1	1	BAFFLE ASSY., rotary air screen
7	151-558	3	RIVET, Pop, 3/16" x .450", break mandrel, 3/16 x 1/2 inch
8	104235	4	RIVET, FH, 3/16" x 1/2",
9	194226C2	1	SUPPORT, bearing, lower
10	477-82508	8	SCREW, Sltd Serr Truss Hd, 1/4"-20 x 1/2", slotted truss head, 1/4 NC x 1/2 inch
11	231-5144	8	NUT, Flg, USR, 1/4"-20,
12	194221C2	2	STAY, SUPPORT bearing, upper
12A	175258A1	2	SUPPORT, rear bearing, round slot
13	477-73112	4	BOLT, Slotted Tr Hd, 5/16"-18 x 3/4",
14	231-5145	4	NUT, Flg, USR, 5/16"-18,
15	164605C1	1	PLATE, LARGE, SUPPORT bearing flange, rear
16	164604C1	1	BAR, SUPPORT bearing flange, front
17	434-512	4	BOLT, CARRIAGE, Short NK, 5/16"-18 x 3/4", G5, Full Thd,
18	495-81112	4	WASHER, .344" x 3/4" x .120", flat, 11/32 x 3/4 x 7/64 inch
19	492-11031	4	WASHER, LOCK, 5/16",
20	425-105	4	NUT, 5/16"-18, G5,
21	455957R92	2	BEARING, ball, shaft, rotary air screen
22	455958R11	2	COLLAR, lock, bearing
23	H333534	4	FLANGE, bearing
24	477-73112	6	BOLT, Slotted Tr Hd, 5/16"-18 x 3/4",
25	231-5145	6	NUT, Flg, USR, 5/16"-18,
26	1977217C1	1	SIEVE, ASSEMBLY rotary screen, fine
27	231-5144	12	NUT, Flg, USR, 1/4"-20,
28	477-82508	12	SCREW, Sltd Serr Truss Hd, 1/4"-20 x 1/2", slotted truss head, 1/4 NC x 1/2 inch
29	151-218	12	RIVET, Tr Hd, 3/16" x .281", Alum.,
30	413-68	2	BOLT, Hex, 3/8"-16 x 1/2", G5, Full Thd,
31	492-11038	2	WASHER, LOCK, 3/8",
32	1338011C1	1	RING, RETAINER brush seal
33	201946C1	12	RIVET, Pop, 3/16" x .325", mandrel, steel, 3/16 diameter x 1/4 inch
34	164615C92	1	BRUSH, ASSEMBLY rotary air screen, includes ref. 35-37
35	164616C1	1	ANGLE, CLIP brush, short
36	164617C1	1	ANGLE, CLIP brush, long
37	470-11016	1	SCREW, Slotted Pan Hd, #10-24 x 1", machine, pan head slotted, No. 10 NC x 1 inch
38	86625057	1	NUT, LOCK, #10-24, GB,
	1338452C1	1	SET OF PARTS, KIT repair, fan hub and shaft, includes ref. 39-46
39	495-11041	1	WASHER, 3/8", SAE, Flat, (13/32 x 13/16 x 1/16")

## 2-08 ROTARY AIR SCREEN

сылка	Номер детали	Кол-во	Описание
40	125-10002	1	NUT, 3/8"-16, G5, LH,
41	632019R1	1	WASHER, LOCK, 3/8", 3/8", L.H. twist
42	1968544C2	1	SHAFT ASSY., rotary air screen fan
43	126-116	1	KEY, WOODRUFF, #9, 3/16" x 3/4", HT,
44	1338442C1	1	HUB ASSY., rotary screen fan
45	409-7512	3	BOLT, Hex Flg, 5/16"-18 x 3/4", Serr,
46	231-5145	3	NUT, Flg, USR, 5/16"-18,

2-10 ROTARY AIR SCREEN CHUTE



B9306030A

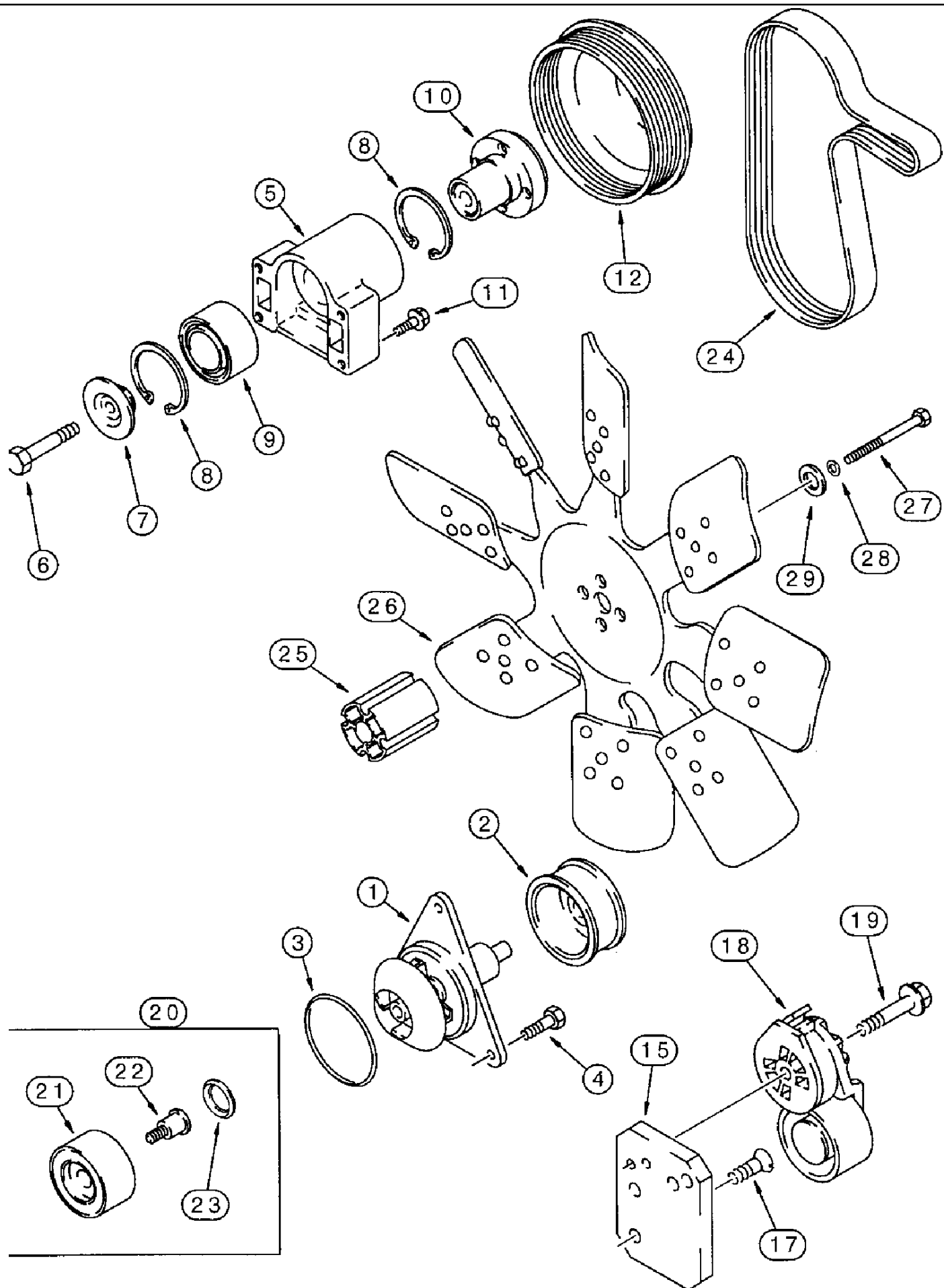
## 1666 CASE IH AXIAL-FLOW COMBINE (1/93-12/94)

## 2-10 ROTARY AIR SCREEN CHUTE

сылка	Номер детали	Кол-во	Описание
1	1979861C2	1	TRAP DOOR, radiator access
2	477-73108	57	SCREW, Sltd Serr Truss Hd, 5/16"-18 x 1/2", slotted truss head, 5/16 NC x 1/2 inch
3	231-5145	90	NUT, Flg, USR, 5/16"-18,
3A	1347460C1	2	SEAL, 25-1/8 inch (648 mm) long, radiator access door side
4	1347459C2	1	SEAL, 36 inch (916 mm) long, radiator access door bottom
7	1979919C1	1	STEM, ROD door
8	1302494C2	1	LATCH, access door
9	1979856C2	1	DEFLECTOR, screen chute
10	1977122C7	1	CHUTE (DOWNWARD), air screen, upper
11	1970200C1	1	SUPPORT, deflector
12	199953C1	20	SCREW, SELF TAPPING, Hex Wash Hd, 5/16"-18 x 13/16",
13	495-61041	11	WASHER, 3/8" x 1" x .063",
14	1541788C3	1	SUPPORT, lower, rear, replaces 1541788C2
15	1979227C1	1	SHEET, SUPPORT screen chute, rear
16	1541858C2	1	SUPPORT, screen, upper, replaces 1541858C1
17	492-11031	5	WASHER, LOCK, 5/16",
18	1979854C1	1	SHEET ASSY., PANEL radiator inlet
19	1979853C2	1	CHUTE (DOWNWARD), bottom rear outlet
20	256873	13	BOLT, Hex Flg, 5/16"-18 x 1/2", Serr,
21	1317704C1	1	SUPPORT, top chute mounting
22	1979471C4	1	SUPPORT, radiator clean out
23	1302758C1	1	PLUG, plastic, 89 mm O.D., clean out hole, hinge
24	NSS		NOT SERVICED SEPARATELY, SEAL 37-1/2 inch (952 mm) long, cut from 1338148CX bulk, see below
26	1315674C2	1	SUPPORT, chute, lower rear, corn and grain combines only
27	1968548C1	1	SUPPORT, BRACKET chute, discharge side
28	1979918C1	1	HANDLE, assist
29	495-81024	1	WASHER, 17/32" x 1 1/4" x .060", flat, 17/32 x 1-1/4 x 1/16 inch
30	231-5148	6	NUT, Flg, USR, 1/2"-13,
	1338148CX		UAR SEAL, bulk, foam, adhesive backed 600 inch (15240 mm) long
32	1347430C1	1	SUPPORT, BRACKET latch retainer, door
33	1968546C2	1	SUPPORT, discharge chute
34	1338012C1	1	BRUSH, block off
35	151-507	2	RIVET, Pop, 1/8" x .575", break mandrel, 1/8 x 1/2 inch
36	561915R1	1	BRACKET, bottom front, if used
37	477-73112	5	BOLT, Slotted Tr Hd, 5/16"-18 x 3/4",
38	1970461C1	2	GROMMET, rubber, 1-3/8 x 2 x 5/16 1-1/2 x 1-1/8 x 7/16 inch
39	256873	7	BOLT, Hex Flg, 5/16"-18 x 1/2", Serr,
41	1251832C2	1	HANDLE, assist
43	1315670C3	2	STRIP, SEALING, 29 inch (738 mm) long, radiator top and bottom, if used
43A	128719A1	2	RUBBER SEAL, 31-7/8 inch (810 mm) long, cut from F43996 bulk, radiator top and bottom, if used, see below
44	1979728C2	1	SUPPORT, chute, lower rear, rice combines only
47	95-21044	3	WASHER, 3/8", flat, 7/16 x 1 x 5/64 inch
48	437157R1	1	RING, SNAP, #37, Ext, #37, Ext
49	1347199C2	1	GUIDE, radiator door

## 2-10 ROTARY AIR SCREEN CHUTE

сылка	Номер детали	Кол-во	Описание
50	205-82	2	BUTTON, HOLE PLUG, 13/32", button, 13/32 inch ID, if used
50	205-77	2	BUTTON, HOLE PLUG, 11/32", button, 11/32 inch ID
52	D81147	1	SPACER, 1/2 x 3/4 x 1-1/4 inch, door
	F43996		UAR RUBBER SEAL, bulk, adhesive backed, 3/4 (19) x 1 (25) x 36-3/4 inch (932 mm) long
52	D81147	1	SPACER, 1/2 x 3/4 x 1-1/4 inch, door



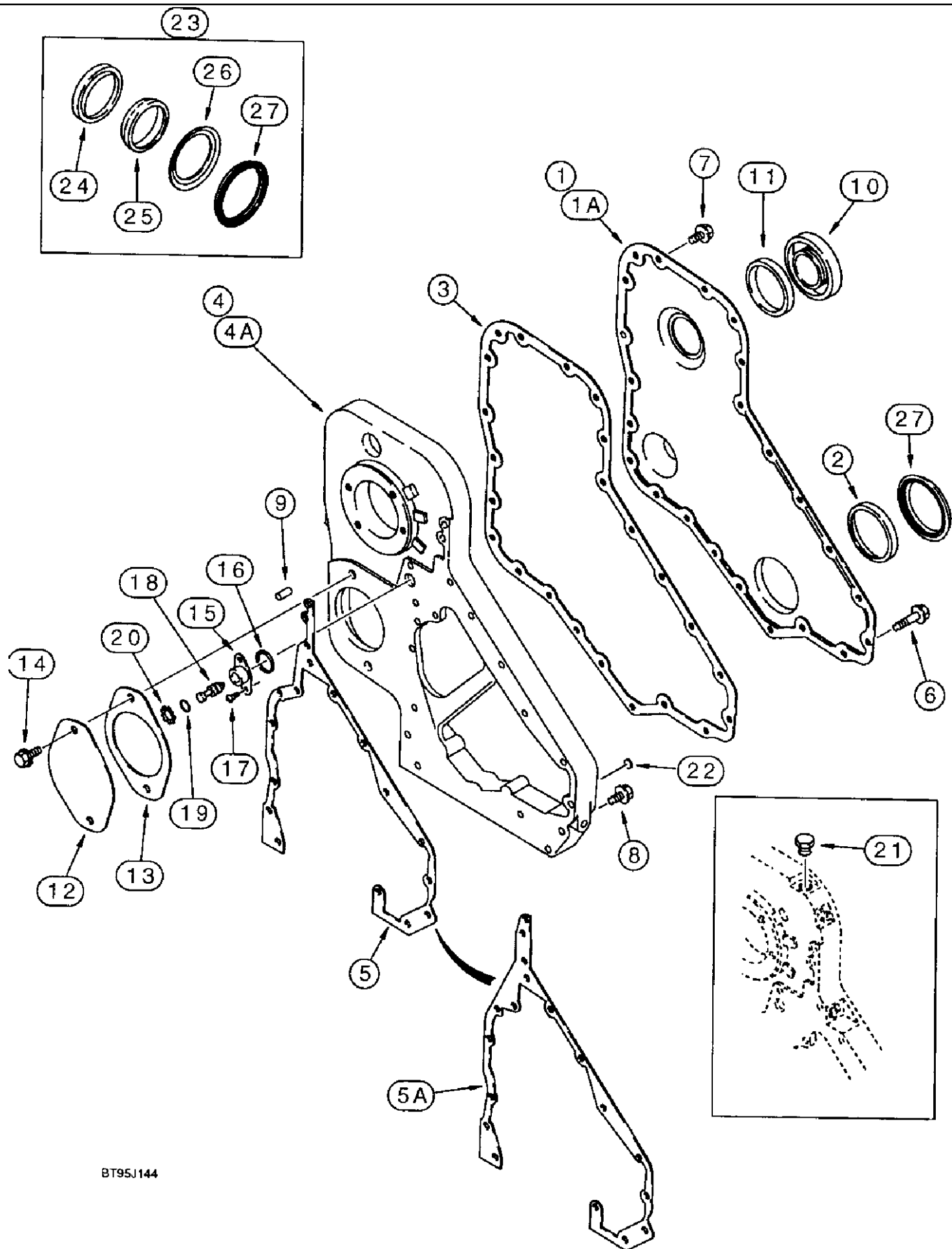
## 1666 CASE IH AXIAL-FLOW COMBINE (1/93-12/94)

## 2-12 WATER PUMP SYSTEM, 6T-830 ENGINE

сылка	Номер детали	Кол-во	Описание
	A77704	1	PUMP, WATER, KIT, includes ref. 1-3
1	NSS		NOT SERVICED SEPARATELY, PUMP water
2	NSS		NOT SERVICED SEPARATELY, PULLEY pump
3	J902089	1	SEAL, pump to block
4	J900227	3	SCREW, Hex, M8 x 1.25 x 22,
5	J910738	1	SUPPORT ASSY., fan, includes ref. 6-10
6	J907769	1	BOLT, hex, special, 10 - 1.5 x 70 mm, class 12.9
7	J923044	1	RETAINER, fan hub
8	100-21250	2	RING, SNAP, 2.50", Int, #250,
9	J910739	1	BEARING, BALL,
10	J911924	1	HUB, fan
11	845-8050	4	BOLT, Hex Flg, M8 x 50, 8.8, Fan support to cylinder head
12	J914462	1	PULLEY, fan, 1.1 to 1 ratio
15	J925188	1	SUPPORT, BRACKET belt tensioner, replaces J911473
17	J925186	2	SCREW, COUNTERSUNK, Torx Soc, M8 x 1.25 x 25, flat head cap, torx, special, 8 - 1.25 x 25 mm
18	J918944	1	TENSIONER, belt
19	854-10075	1	BOLT, Hex Flg, M10 x 75, 10.9, BOLT heavy hex flange, 10 - 1.5 x 75 mm, class 10.9 belt tensioner to mounting bracket
20	A77817	1	PACKAGE, REPAIR, KIT belt tensioner pulley, used to replace pulley of J918944, Ref. 18, Includes: Ref. 21-23
21	NSS		NOT SERVICED SEPARATELY, PULLEY belt tensioner
22	NSS		NOT SERVICED SEPARATELY, BOLT pulley
23	NSS		NOT SERVICED SEPARATELY, SEAL bolt
24	J911572	1	BELT, fan drive
25	A184548	1	SPACER, fan, 90 mm long
26	1547933C1	1	FAN, pulley, 650 mm O.D., part number stamped on fan blade
27	814-10130	4	BOLT, Hex, M10 x 130, 8.8,
28	896-12010	4	WASHER, M10 x 21.5 x 2.5, HT, flat, 11 x 21 x 2.5 mm, hardened
29	96-81004	4	WASHER, 13/32" x 1 1/4" x .239", HDN, flat, 13/32 x 1-1/4 x 15/64 inch, hardened



2-14 FRONT GEAR COVER, 6T-830 ENGINE

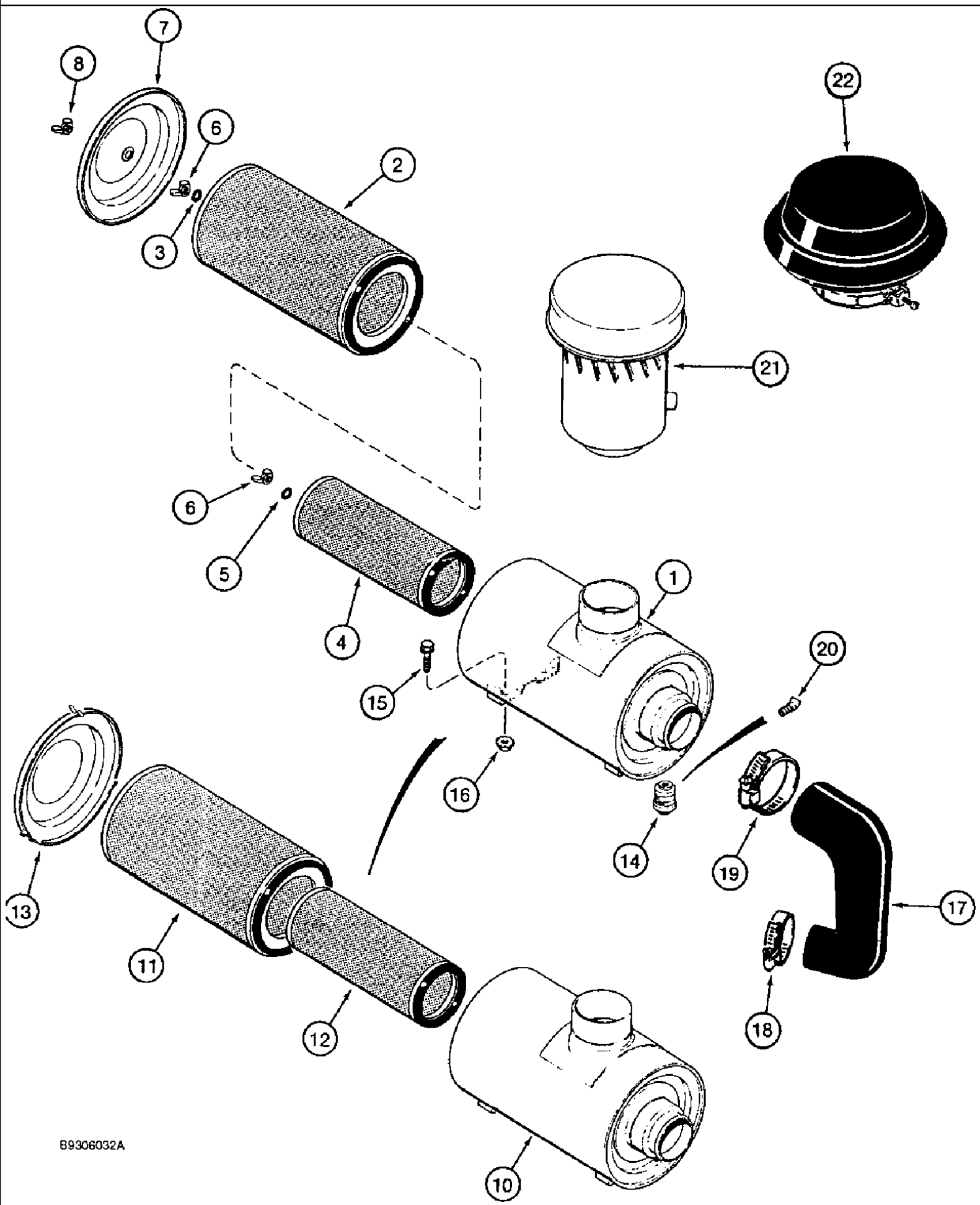


BT95J144

## 1666 CASE IH AXIAL-FLOW COMBINE (1/93-12/94)

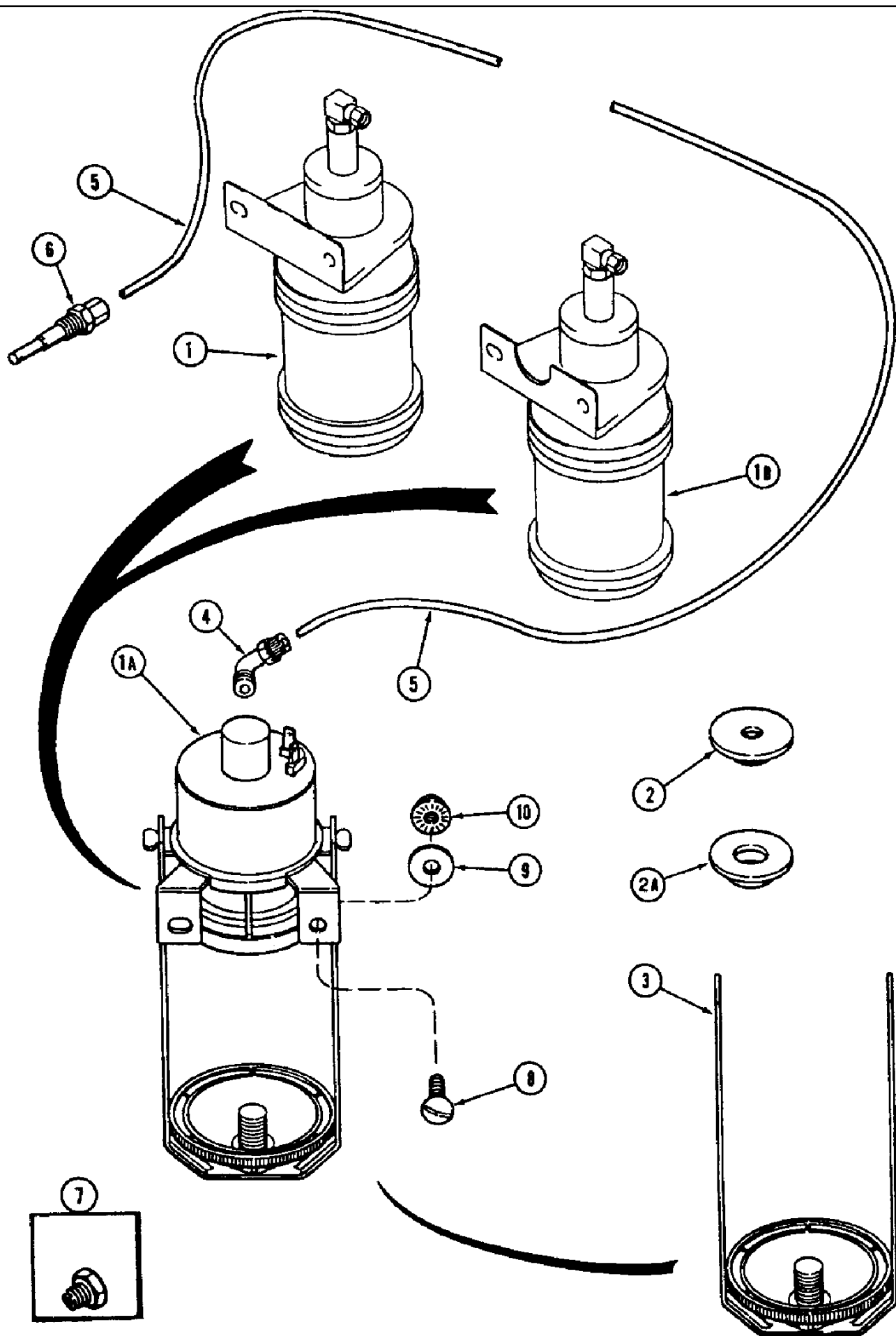
## 2-14 FRONT GEAR COVER, 6T-830 ENGINE

сылка	Номер детали	Кол-во	Описание
1	J924422	1	COVER ASSY, gear, front, BSN 45075642
1A	J926838	1	COVER, gear, front, high PTO, ASN 45075642
2	NSS		NOT SERVICED SEPARATELY, SEAL oil, crankshaft front, order Ref. 23, A77790 KIT below
3	J917779	1	GASKET, front gear cover
3A	J823494	1	SEALANT, GASKET silicone liquid, 3 ounce tube, apply between front gear cover and timing gear housing, not shown, ASN 45075642
4	J917316	1	MOTOR HOUSING, gear, BSN 45075642
4A	J926719	1	MOTOR HOUSING, gear, high PTO, ASN 45075642
5	J281721	1	GASKET, housing, gear, BSN 45075642
5A	J926757	1	GASKET, housing, gear, ASN 45075642
6	J926863	6	BOLT, hex flange, 8 - 1.25 x 50 mm, class 10.9, replaces 845-8050
7	J924962	17	BOLT, hex flange, special, 8 - 1.25 x 16 mm, replaces 845-8016
8	J926846	5	BOLT, hex flange, 8 - 1.25 x 20 mm, class 10.9, replaces 845-8020
9	J900257	2	PIN, dowel, 16 mm long
10	J903463	1	COVER, front access
11	J903475	1	SEAL, front access cover
12	J914868	1	COVER, PLATE access cover, flat
13	J919601	1	GASKET, access cover plate
14	854-12025	2	BOLT, Hex Flg, M12 x 25, 10.9, Heavy
15	J919683	1	HOUSING, timing pin
16	J915772	1	SEALRING, quad, timing pin housing
17	J907998	2	SCREW, LOCK, Spc Rd Torx Hd, M5 x 17,
18	J903924	1	PIN, timing
19	J913994	1	O-RING, sealing
20	J904849	1	RING, SNAP, 0.875", Int, #87, Ring, Snap, 0.875", Int, #87, timing pin
21	J906619	3	PLUG, hex, 1/8 inch PT
22	A77552	1	PLUG, expansion, 29/64 inch diameter
23	A77790	1	KIT, SEALS, oil seal, crankshaft front, Includes: Ref. 24-27
24	NSS		NOT SERVICED SEPARATELY, SEAL oil, front
25	NSS		NOT SERVICED SEPARATELY, TOOL installation
26	NSS		NOT SERVICED SEPARATELY, TOOL installation
27	J918113	1	SHIELD, dust



сылка	Номер детали	Кол-во	Описание
1	117408A1 NSS	1	AIR CLEANER, ASSEMBLY engine, Includes: Ref. 1-8, BSN JJC0106005 NOT SERVICED SEPARATELY, BODY air cleaner , BSN JJC0106005
2	627975C3	1	AIR CLEANER, ELEMENT primary , BSN JJC0106005
3	A44187	1	WASHER, sealing, primary element , BSN JJC0106005
4	627976C1	1	ELEMENT, secondary , BSN JJC0106005
5	A44187	1	WASHER, sealing, secondary element , BSN JJC0106005
6	L35499	2	NUT, wing, primary and secondary elements , BSN JJC0106005
7	1347839C1	1	COVER, ASSEMBLY air cleaner, end , BSN JJC0106005
8	A47102	1	NUT, wing, end cover , BSN JJC0106005
9	1541610C1 117408A2 NSS	1	INDICATOR, air restriction, not shown , BSN JJC0106005 AIR CLEANER, ASSEMBLY engine, Includes: Ref. 10-13, ASN JJC0106005 NOT SERVICED SEPARATELY, BODY air cleaner , ASN JJC0106005
10	132151A1	1	ELEMENT, primary , ASN JJC0106005
11	132149A1	1	ELEMENT, secondary , ASN JJC0106005
12	134610A1	1	COVER, end, air cleaner , ASN JJC0106005
13	1541610C1	1	INDICATOR, air restriction , ASN JJC0106005
14	409-7612	4	BOLT, Hex Flg, 3/8"-16 x 3/4", Serr, Air induction system
15	231-5146	4	NUT, Flg, USR, 3/8"-16, Air induction system
16	118094A1	1	HOSE, LARGE, turbo inlet, air induction system
17	214-3280	1	CLAMP, HOSE, 4.25/5.125 HD Worm, W/liner, Adjustable, Air Induction System
18	214-32112	1	CLAMP, HOSE, 6.25/7.125 HD Worm, W/liner, Air Induction System
19	217-15	1	ELBOW, 45e, 1/8"-27 NPTF, Fem x 1/8"-27 NPTF Male, ELBOW street, 45 degree, 1/8 inch PT x female PT, air induction system
20	117407A1	1	PRECLEANER, air induction, air induction system, During transport only, remove 117407A1 precleaner and replace with 9-128 hood to meet height regulations.
21	9-128	1	CAP, precleaner

2-18 ETHER STARTING SYSTEM

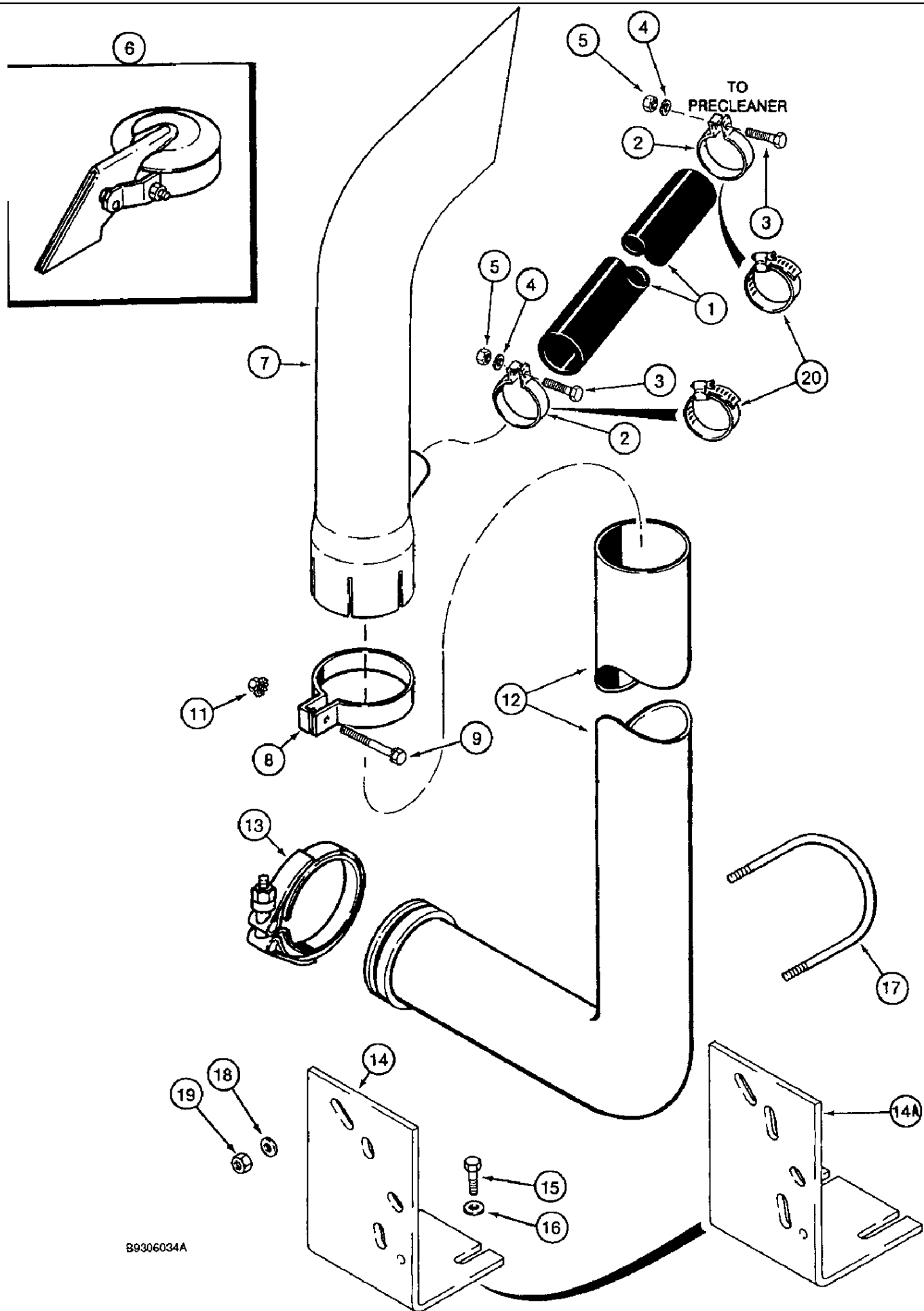


MS95J016

## 2-18 ETHER STARTING SYSTEM

сылка	Номер детали	Кол-во	Описание
1	185552A2	1	SOLENOID, ASSEMBLY ether injection, replaces A143381 and 185552A1
1A	A143381	1	SOLENOID, ASSEMBLY ether injection, replaced by 185552A1 and 185552A2
1B	185552A1	1	SOLENOID, ether injection, 12 volt, replaced by 185552A2, Includes: Ref. 2, 2A, and 3
2	395686R1	1	GASKET, injector solenoid, 15/64 inch diameter, used with Ref. 1A only
2A	1963571C1	1	SEAL, GASKET injector solenoid, 19/32 inch diameter, used with Ref. 1A only
3	121851C1	1	RETAINER, CONTAINER ether start fluid, used with Ref. 1A only
4	289970C91	1	FITTING, ELBOW 90 degree, special, 1/8-27 PT x 1/8 inch tube, used with Ref. 1A only
5	A172361	1	TUBE, 72 inch (1829 mm) long, cut from 1954063CX bulk tube, solenoid to manifold, see this Figure
6	A172900	1	NOZZLE CAP, ASSEMBLY atomizer
7	217-40	1	REDUCER, 1/4"-18 NPTF x 1/8"-27 Fem NPTF, 1/4 PT x 1/8 inch PT, used with Ref. 1A only
8	477-73116	2	SCREW, Sld Serr Truss Hd, 5/16"-18 x 1", slotted truss head, 5/16 NC x 1 inch
9	495-81119	2	WASHER, .344" x 1 1/4" x .060", flat, 11/32 x 1-1/4 x 1/16 inch
10	231-5145	2	NUT, Flg, USR, 5/16"-18,
	1954063CX		UAR TUBE, bulk, 1/8 (3) O.D. x 1200 inch (30480 mm) long

2-20 EXHAUST SYSTEM

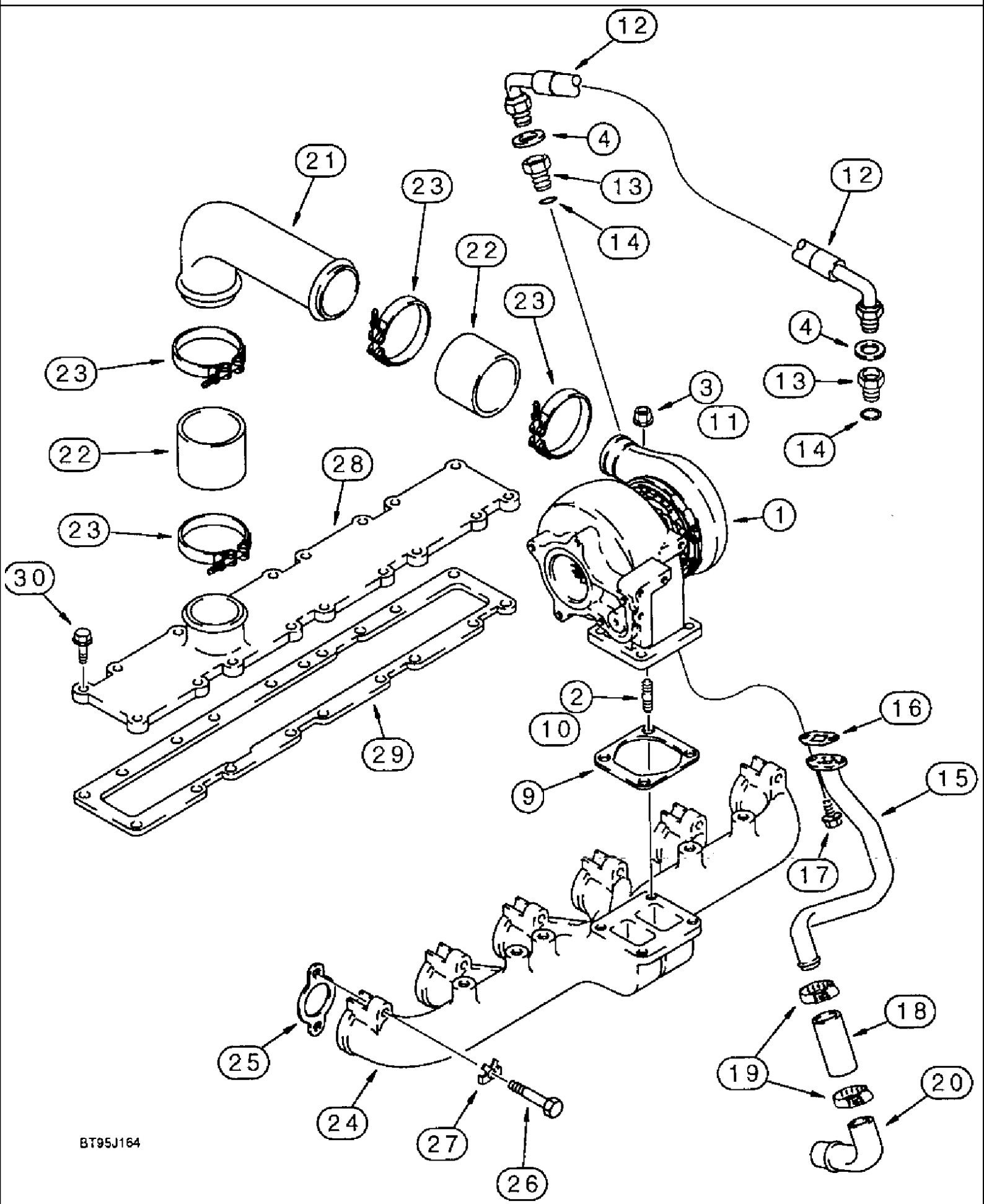


B9306034A

## 2-20 EXHAUST SYSTEM

сылка	Номер детали	Кол-во	Описание
1	117424A1	1	HOSE, LARGE, 10 inch (254 mm) long, cut from 407001R1 bulk, exhaust aspirator, see this Figure
2	1275854C1	2	CLAMP, aspirator hose, if used
3	413-620	2	BOLT, Hex, 3/8"-16 x 1 1/4", G5, Full Thd, hex, 3/8 NC x 1-1/4 inch, used with 1275854C1 clamp
4	492-11038	2	WASHER, LOCK, 3/8", Used with 1275854C1 clamp
5	425-106	2	NUT, 3/8"-16, G5, Used with 1275854C1 clamp
6	1541960C2	1	CAP, exhaust pipe, weather, if used
7	116706A1	1	TUBE, exhaust aspirator top
8	1321280C2	1	CLAMP, exhaust pipe, elbow
9	409-7624	1	BOLT, Hex Flg, 3/8"-16 x 1 1/2", Serr,
11	231-5146	1	NUT, Flg, USR, 3/8"-16,
12	116708A1	1	TUBE, exhaust aspirator, bottom
13	A170807	1	CLAMP, exhaust tube retaining
14	84569C5	1	ANGLE, BRACKET tube support, no longer available, order Ref. 14A, 84569C8
14A	84569C8	1	SUPPORT, BRACKET tube support
15	854-10020	2	BOLT, Hex Flg, M10 x 20, 10.9,
16	495-81140	2	WASHER, 13/32" x 1 1/4" x .060",
17	S93558	1	U-BOLT, 3/8 inch NC
18	495-81140	2	WASHER, 13/32" x 1 1/4" x .060",
19	231-4116	2	NUT, LOCK, 3/8"-16, GB, hex, self-locking, 3/8 inch NC
20	214-1420	2	CLAMP, HOSE, #20, 0.81/1.75 Type F Worm, Adj., if used
	407001R1		UAR HOSE, bulk, 1-1/4 (32) ID x 36 inch (914 mm) long

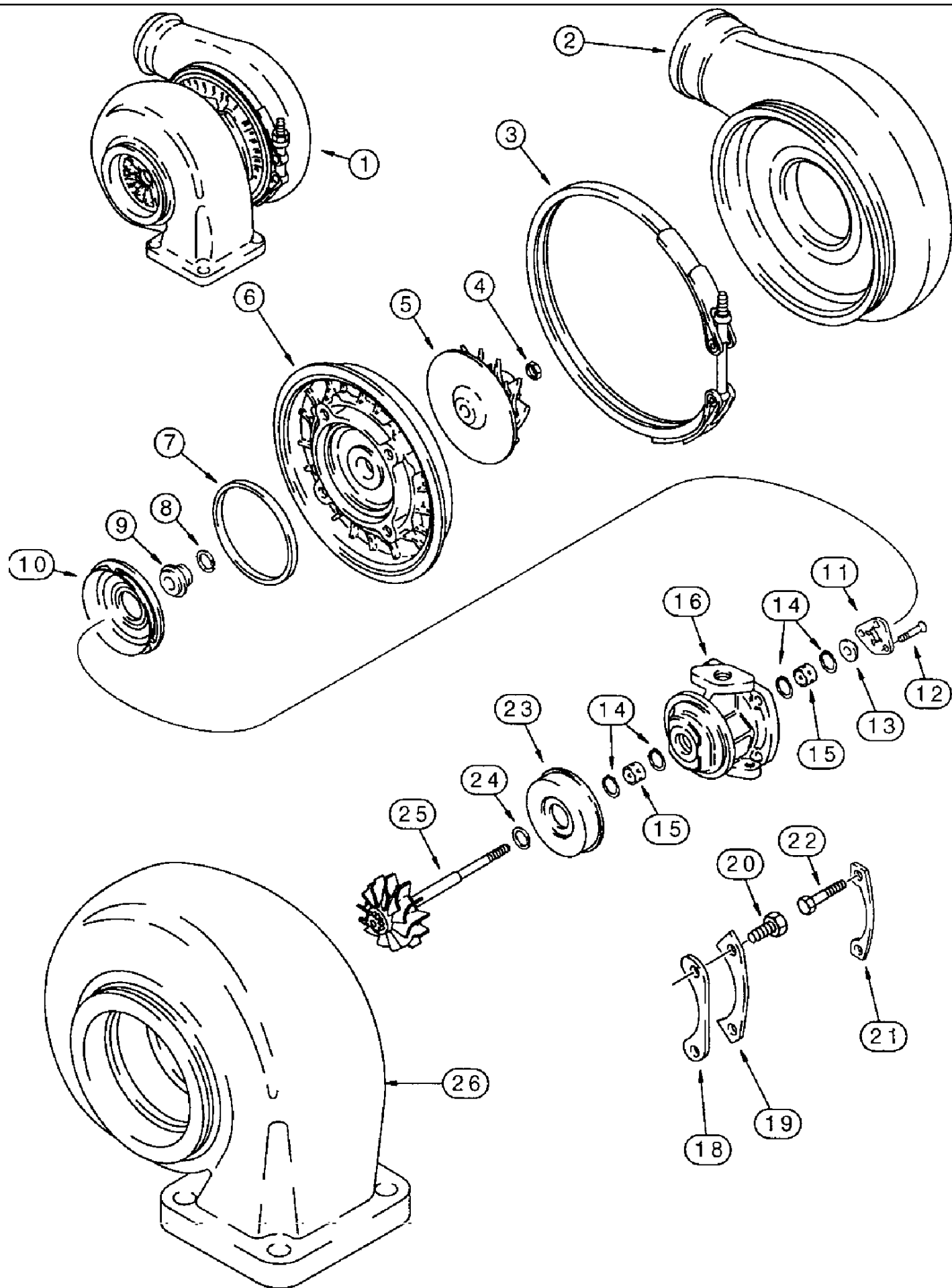




BT95J164

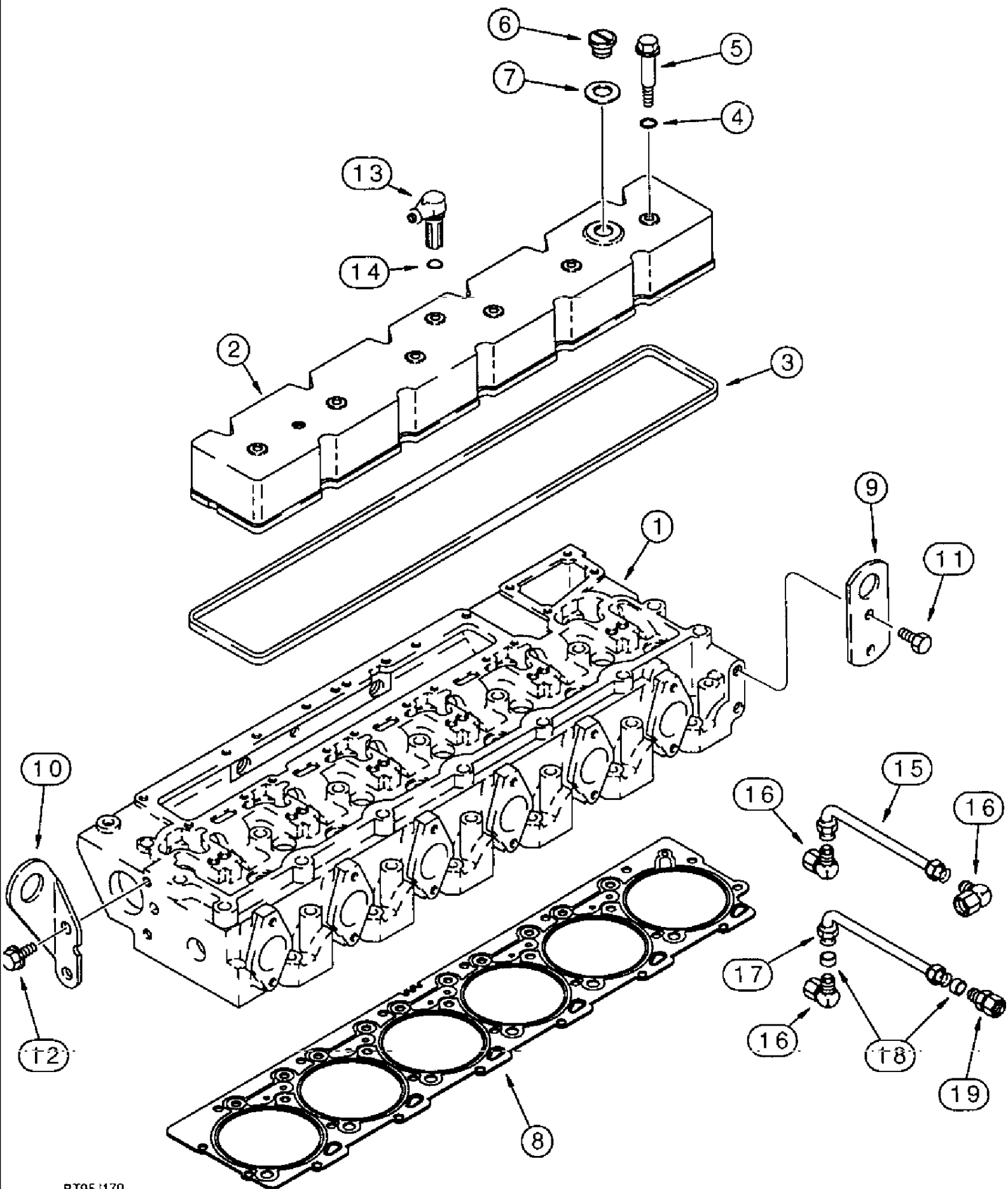
## 2-22 TURBOCHARGER SYSTEM, 6T-830 ENGINE, MANIFOLDS, EXHAUST, INTAKE

сылка	Номер детали	Кол-во	Описание
1	J919199	1	TURBOCHARGER, ASSEMBLY engine, new, parts list Fig. 2-24
2	J905417	4	STUD, STUD turbocharger mounting, used with Ref. 3 nut only, if used
3	J901961	4	NUT, hex, special, 10 mm - 1.25, used with Ref. 2 stud only, if used
4	222-993	2	GASKET, 3/8 Tube, FI, Copper,
9	J911941	1	GASKET, mounting, turbocharger
10	J818823	4	STUD, turbocharger mounting, used with Ref. 11 nut only, if used
11	J818824	4	NUT, hex flange, special, 10 mm - 1.5, used with Ref. 10 stud only, if used
12	J918562	1	HOSE, 21-3/16 inch (538 mm) long, oil supply, turbocharger
13	J919687	2	CONNECTOR, ELEC, ADAPTER female hex, special, includes Ref. 14
14	238-5013	1	O-RING, -013, 70 Duro, .426" ID x .070" Thk,
15	J917936	1	TUBE, oil drain
16	J914388	1	GASKET, turbo oil drain tube
17	845-8016	2	BOLT, Hex Flg, M8 x 16, 8.8, Full Thd,
18	J903745	1	HOSE, LARGE, 3 inch (76 mm) long, turbocharger oil drain
19	214-1416	2	CLAMP, HOSE, #16, 0.81/1.50 Type F Worm, Adj.
20	J903744	1	FITTING, PIPE, TUBE turbocharger oil drain
21	J906742	1	TUBE, air, crossover
22	J916529	2	SLEEVE, TRANSMISSION, HOSE, 3 inch (76 mm) long, crossover tube
23	J924386	4	COLLAR CLAMP, adjustable, special
24	J906741	1	MANIFOLD, exhaust
25	J929012	1	GASKET, exhaust manifold, 0.54 mm thick, replaces J921787
26	J929537	12	BOLT, hex, special, exhaust manifold to cylinder head, replaces 814-100701
27	J914708	12	PLATE, LOCKING,
	A77611	1	MANIFOLD, KIT intake, no longer available, order components separately, Includes: Ref. 28 and 29
28	J906737	1	COVER ASSY, intake manifold
29	J914311	1	GASKET, intake manifold cover
30	J918109	18	SCREW, Hex Flg Hd, M8 x 1.25 x 25, Special, Intake manifold cover to cylinder head



## 2-24 TURBOCHARGER, 6T-830 ENGINE

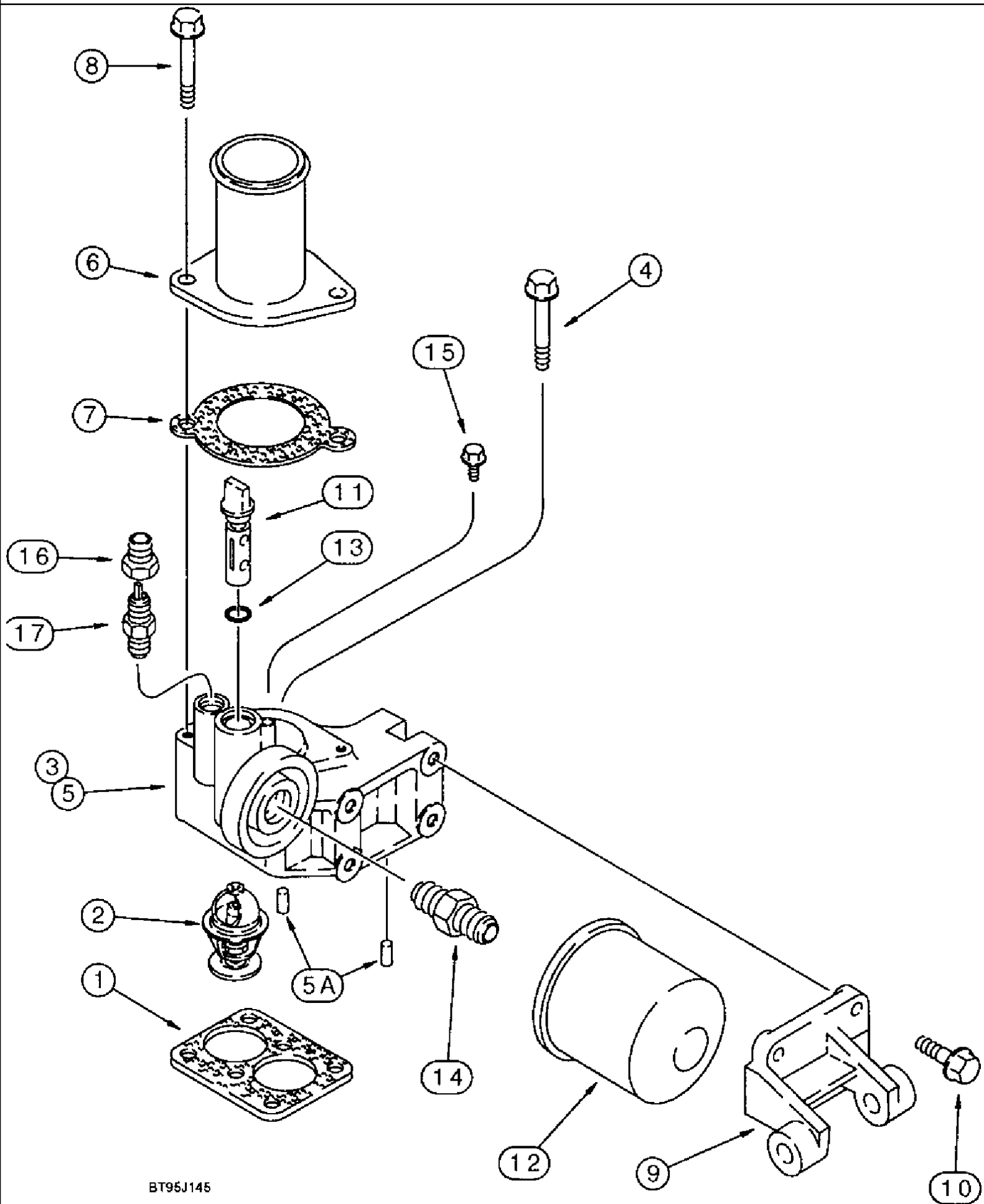
сылка	Номер детали	Кол-во	Описание
	JR919199	1	REMAN-TURBOCHARGER, ASSEMBLY engine, remanufactured, North America only, component parts shown on this Figure do not apply to the remanufactured assembly, replaces JR909308 turbocharger assembly
	JC909308	1	TURBOCHARGER, RETURN NUMBER use this part number to return turbocharger core for credit when using a remanufactured assembly
1	J919199	1	TURBOCHARGER, ASSEMBLY engine, new, Includes: Ref. 2 thru 28
2	NSS	1	NOT SERVICED SEPARATELY, HOUSING compressor
3	NSS	1	NOT SERVICED SEPARATELY, CLAMP housing
4	NSS	1	NOT SERVICED SEPARATELY, NUT hex, lock , Part of J545652 overhaul turbocharger kit
5	NSS	1	NOT SERVICED SEPARATELY, ROTOR turbocharger
6	NSS	1	NOT SERVICED SEPARATELY, DIFFUSER compressor
7	NSS	1	NOT SERVICED SEPARATELY, SEAL diffuser , Part of J545652 overhaul turbocharger kit
8	NSS	1	NOT SERVICED SEPARATELY, SEAL split ring, oil slinger , Part of J545652 overhaul turbocharger kit
9	NSS	1	NOT SERVICED SEPARATELY, SLINGER oil
10	NSS	1	NOT SERVICED SEPARATELY, BAFFLE oil
11	NSS	1	NOT SERVICED SEPARATELY, BEARING thrust , Part of J545652 overhaul turbocharger kit
12	NSS	3	NOT SERVICED SEPARATELY, SCREW flat head slotted , Part of J545652 overhaul turbocharger kit
13	NSS	1	NOT SERVICED SEPARATELY, COLLAR thrust
14	NSS	4	NOT SERVICED SEPARATELY, RING snap, bearing retaining , Part of J545652 overhaul turbocharger kit
15	NSS		NOT SERVICED SEPARATELY, BEARING impeller shaft , Part of J545652 overhaul turbocharger kit
16	NSS		NOT SERVICED SEPARATELY, HOUSING bearing, turbine
18	NSS		NOT SERVICED SEPARATELY, PLATE clamp, turbine housing
19	NSS		NOT SERVICED SEPARATELY, PLATE lock, turbine housing , Part of J545652 overhaul turbocharger kit
20	NSS		NOT SERVICED SEPARATELY, BOLT hex, retaining , Part of J545652 overhaul turbocharger kit
21	NSS		NOT SERVICED SEPARATELY, PLATE lock, turbine
22	NSS		NOT SERVICED SEPARATELY, BOLT hex, lock , Part of J545652 overhaul turbocharger kit
23	NSS		NOT SERVICED SEPARATELY, SHIELD heat, turbine
24	NSS		NOT SERVICED SEPARATELY, SEAL ring, turbine , Part of J545652 overhaul turbocharger kit
25	NSS		NOT SERVICED SEPARATELY, ROTOR turbocharger
26	NSS		NOT SERVICED SEPARATELY, HOUSING turbocharger
27	NSS		NOT SERVICED SEPARATELY, WASHER lock, not shown , Part of J545652 overhaul turbocharger kit
28	NSS		NOT SERVICED SEPARATELY, O-RING sealing, not shown , Part of J545652 overhaul turbocharger kit
	J545652	1	PACKAGE, REPAIR, KIT overhaul, turbocharger, includes all Refs. 4, 7, 8,11, 12, 14, 15, 19, 20, 22, 24, 27 and 28 replaces J904772 KIT



## 1666 CASE IH AXIAL-FLOW COMBINE (1/93-12/94)

## 2-26 CYLINDER HEAD COVER, 6T-830 ENGINE

сылка	Номер детали	Кол-во	Описание
1	REF	1	INSTRUCTION, HEAD cylinder, parts list Fig. 2-30
2	J927907	1	COVER, VALVE, replaces J907734
3	J905449	1	SEAL, RUBBER, valve cover
4	J910824	6	O-RING, cover bolt
5	J916585	6	SCREW, BOLT hex flange cap, special
6	J902468	1	PLUG, CAP oil filler
7	J902466	1	SEAL, cap sealing
8	J928168	1	GASKET, cylinder head, standard, replaces J921850
8	J928180	1	GASKET, cylinder head, 0.25 mm thicker, replaces J921852
8	J928181	1	GASKET, cylinder head, 0.50 mm thicker, replaces J921853
9	J907861	1	EYE, LIFTING, lifting, front
10	J906440	1	EYE, LIFTING, lifting, rear
11	614-12025	2	BOLT, Hex, M12 x 25, 8.8,
12	854-12025	2	BOLT, Hex Flg, M12 x 25, 10.9, Heavy
13	J920497	1	ELBOW, CONNECTOR 90 degree, breather vent
14	238-5115	1	O-RING, -115, 70 Duro, .674" ID x .103" Thk,
15	J918167	1	TUBE, vent, air, BSN 44808257
16	222-42	1	ELBOW, 90e, 1/2"-24 Fem x 1/8"-27 NPTF, ELBOW 90 degree, compression, 1/4 tube O.D. x 1/8 inch PT, ASN 44808257
16	222-42	2	ELBOW, 90e, 1/2"-24 Fem x 1/8"-27 NPTF, ELBOW 90 degree, compression, 1/4 tube O.D. x 1/8 inch PT, BSN 44808257
17	J924589	1	TUBE, vent, air, engine serial number 44808257 and after, Includes: Ref. 18
18	222-153	2	SLEEVE, 1/4" Tube,
19	222-22	1	FITTING, 1/2"-24 x 1/8" NPTF w/Nut, ADAPTER compression, 1/4 tube O.D. x 1/8 inch PT, tube to thermostat housing, ASN 44808257



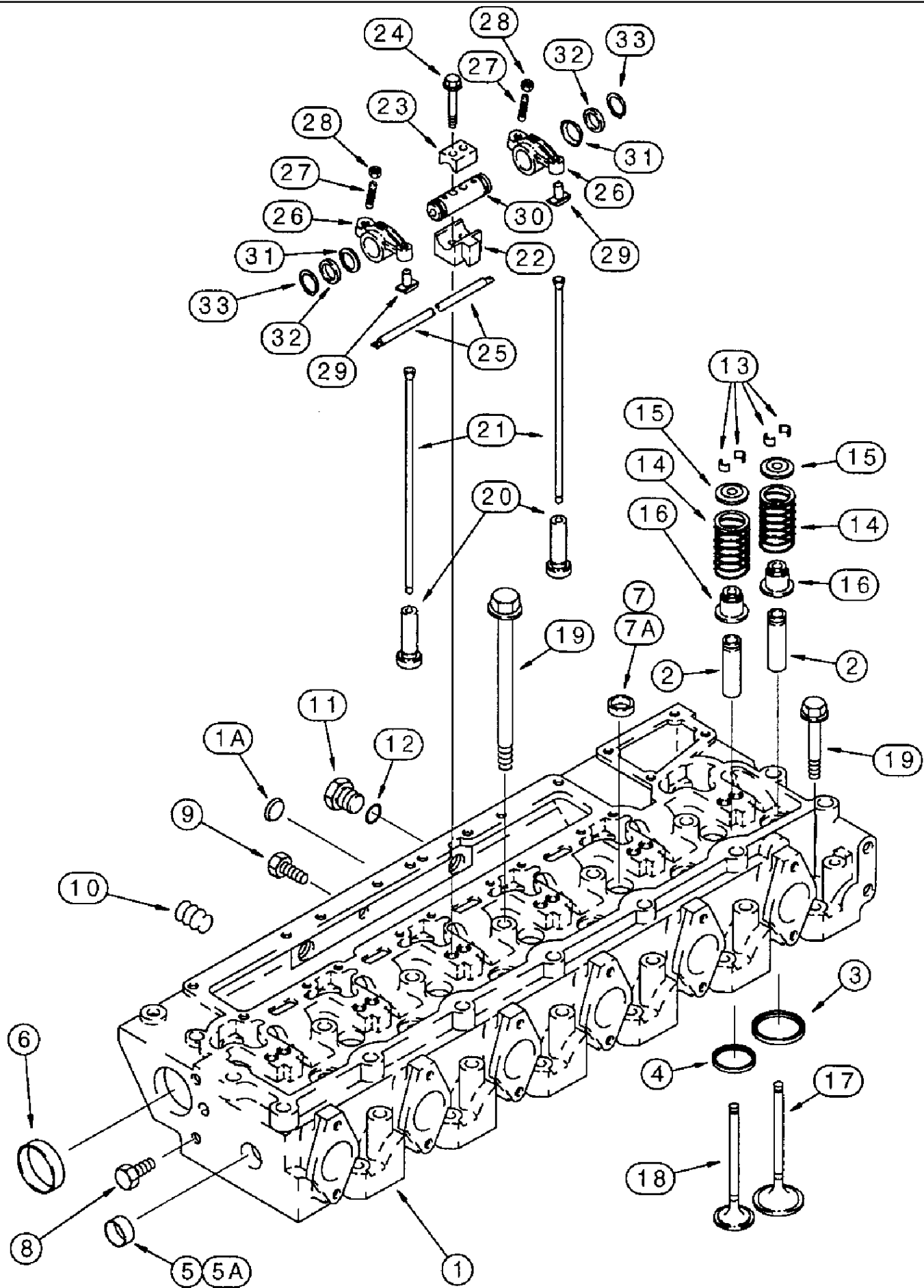
BT96J145

## 1666 CASE IH AXIAL-FLOW COMBINE (1/93-12/94)

## 2-28 THERMOSTAT HOUSING, 6T-830 ENGINE

сылка	Номер детали	Кол-во	Описание
1	J914310	1	GASKET, thermostat housing
2	J907242	2	THERMOSTAT, engine coolant
3	J913708	1	HOUSING, thermostat, no longer available, order J926509 housing below, BSN 44808257
4	845-8080	2	BOLT, Hex Flg, M8 x 80, 8.8,
	J926509	1	HOUSING, thermostat, replaces J924586 housing, must be used with (1) J924589 vent tube, (2) 222-153 sleeve, and (1) 222-22 adapter, Refs. 17, 18, and 19 on Fig. 2-28, ASN 44808257
5	NSS		NOT SERVICED SEPARATELY, HOUSING thermostat, Includes: Ref. 5 and 5A
5A	180811A1	2	PIN, ROLL, roll, special
6	J912800	1	CONNECTION, TUBE water outlet
7	J918779	1	GASKET, outlet tube, water
8	845-8095	2	BOLT, Hex Flg, M8 x 95, 8.8, BOLT heavy hex flange, 8 - 1.25 x 95 mm
9	J918544	1	SUPPORT, mounting, alternator
10	845-8025	4	BOLT, Hex Flg, M8 x 25, 8.8,
11	J912837	1	COCK, VALVE shutoff
12	A77544	1	FILTER, water conditioning, precharge
13	238-5111	1	O-RING, -111, 70 Duro, .424" ID x .103" Thk,
14	A77623	1	ADAPTER, water filter
15	845-6010	1	BOLT, Hex Flg, M6 x 10, 8.8, Full Thd, BOLT heavy hex flange, 6 - 1.0 x 10 mm
16	J911925	1	COUPLING, hose
17	J911901	1	VALVE, CHECK,





BT95J146

\*The oversize valve insert is not part of head assembly and must be ordered separately.

## 2-30 CYLINDER HEAD AND VALVE MECHANISM, 6T-830 ENGINE

сылка	Номер детали	Кол-во	Описание
	JR928669	1	REMAN-CYLINDER HEAD, ASSEMBLY with valves, remanufactured, North America only, component parts shown on this Fig. do not apply to the remanufactured assembly, replaces JR916464 and JR922052
	JC928669	1	CORE-CYLINDER HEAD, RETURN NUMBER use this part number to return head core for credit when using a remanufactured assembly, replaces JC916464 and JC922052
	J922052	1	CYLINDER HEAD, ASSEMBLY new, with valves, replaces J916464, Includes: Ref. 1 thru 18
1	J922587	1	CYLINDER HEAD, ASSEMBLY new, without valves, no longer available, for service order J922052, Includes: Ref. 1A thru 7A
1A	J912900	1	PLUG, expansion, 24 mm
2	J923564	12	GUIDE, VALVE, valve stem, replaces J901187
3	J924582	6	INSERT, INSERT intake, replaces J908830
3	J925468	6	SEAT, VALVE, INSERT seat, intake valve, 0.254 mm oversize, service repair only, replaces J914839, The oversize valve insert is not part of head assembly and must be ordered separately
3	J925470	6	SEAT, VALVE, INSERT seat, intake valve, 0.508 mm oversize, service repair only, The oversize valve insert is not part of head assembly and must be ordered separately
4	J929005	6	INSERT, seat, exhaust valve, replaces J904716 and J924583
4	J929006	6	INSERT, INSERT seat, exhaust valve, 0.254 mm oversize, service repair only, replaces J914836 and J925469, The oversize valve insert is not part of head assembly and must be ordered separately
4	J929007	6	INSERT, INSERT seat, exhaust valve, 0.508 mm oversize, service repair only, replaces J925471, The oversize valve insert is not part of head assembly and must be ordered separately
5	A77530	1	PLUG, expansion, 30 mm O.D., used with J916464 head assembly
5A	J920443	1	PLUG, expansion, 30 mm O.D.
6	A77782	2	PLUG, expansion, 58 mm O.D.
7	A77590	5	PLUG, expansion, used with J916464 head assembly
7A	41-1616	5	PLUG, Cup, 1", Stainless, Replaces A77539
8	A77534	1	PLUG, hex, 1/16 inch PT
9	A77428	1	PLUG, hex socket, 1/4 inch PT
10	A77429	2	PLUG, hex socket, 1/2 inch PT
11	J924148	2	PLUG, hex magnetic, special, 22 mm - 1.5
12	J902425	2	WASHER, sealing, plug
13	J901177	24	KEY, KEEPER valve
14	J906412	12	SPRING, VALVE,
15	J912976	12	RETAINER, valve spring
16	J915707	12	SEAL, intake and exhaust valve stem and guide
17	J924492	6	VALVE, ENGINE, INLET, STD,
18	J921444	6	VALVE, ENG EXHAUST, STD, replaces J915506
19	J917728	14	BOLT, BOLT cylinder head, 160 mm long
19	J917729	12	SCREW, BOLT cylinder head, 80 mm long
20	J925031	12	TAPPET, valve, push rod, replaces J907240
21	J905194	12	ROD, PUSH, rocker arm
22	J905870	6	SUPPORT, shaft, rocker arm
23	J901693	6	CLAMP, retaining, shaft
24	868-10065	12	SCREW, 12 Pt Hd, M10 x 65, 12.9, BOLT 12 point flange, 10 - 1.5 x 65 mm, class 12.9
25	J919677	1	MANIFOLD, oil, rocker arm
26	J901717	12	ROCKER, ARM ASSEMBLY, includes ref. 27, 28, and 29

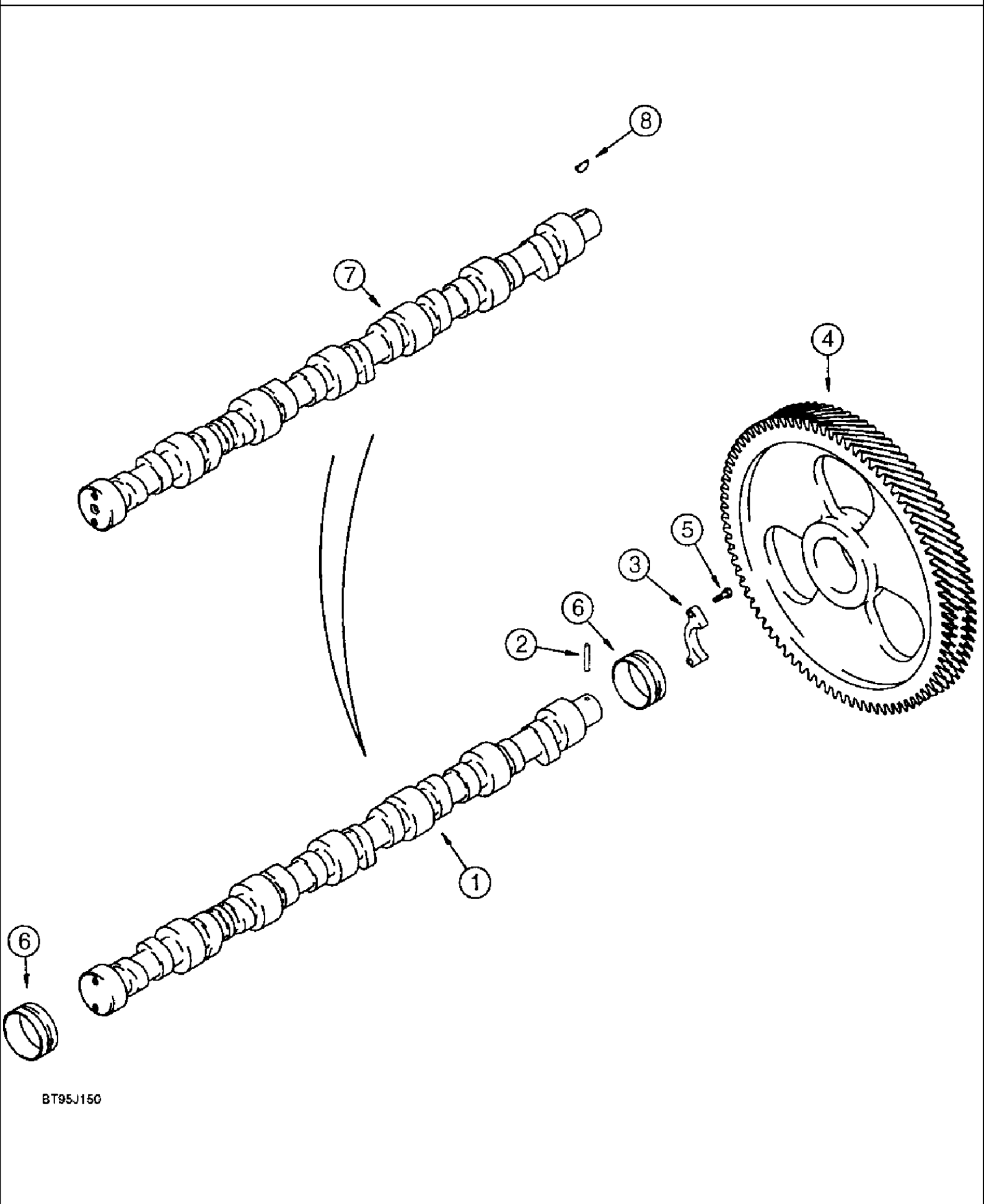
\*The oversize valve insert is not part of head assembly and must be ordered separately.

1666 CASE IH AXIAL-FLOW COMBINE (1/93-12/94)

2-30 CYLINDER HEAD AND VALVE MECHANISM, 6T-830 ENGINE

сылка	Номер детали	Кол-во	Описание
27	J937438	1	SET SCREW, Hex Skt, 3/8"-24 x 33mm, Adj, Ball Point, slotted set, adjusting, special
28	425-116	1	NUT, 3/8"-24, G5, Hex
29	NSS		NOT SERVICED SEPARATELY, INSERT rocker
30	J919435	6	SHAFT, rocker
31	J906100	12	CUP, SPRING, WASHER
32	J907206	12	WASHER, flat, special
33	100-1187	12	RING, SNAP, #87, Ext,

\*The oversize valve insert is not part of head assembly and must be ordered separately.

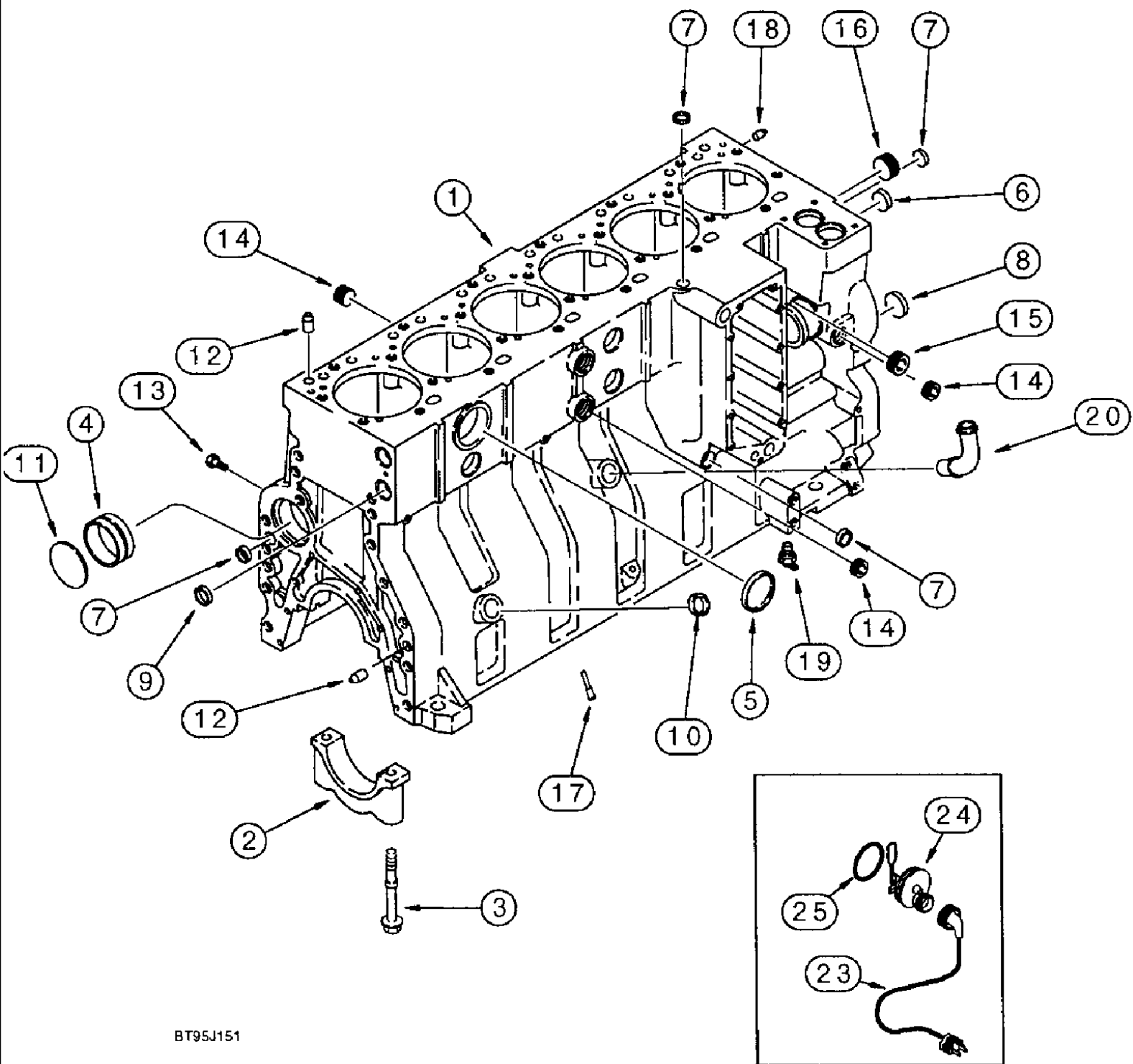


BT95J150

1666 CASE IH AXIAL-FLOW COMBINE (1/93-12/94)

2-32 CAMSHAFT, 6T-830 ENGINE

сылка	Номер детали	Кол-во	Описание
1	J917882	1	CAMSHAFT, ASSEMBLY engine, no longer available, order Ref. 7, J924471
2	J917883	1	PIN, dowel, gear, if used
3	J927155	1	SUPPORT, thrust, camshaft, replaces J914641
4	J917328	1	GEAR, camshaft
5	J900227	2	SCREW, Hex, M8 x 1.25 x 22,
6	J901685	7	BUSHING, camshaft
7	J924471	1	CAMSHAFT, engine
8	126-112	1	KEY, WOODRUFF, #6, 5/32" x 5/8", HT, If used



BT95J151

\*Order items 9 - 20 on page 2-37, when ordering J926145 stripped block.

## 2-34 CYLINDER BLOCK, 6T-830 ENGINE, ENGINE BLOCK HEATER

сылка	Номер детали	Кол-во	Описание
	1989147C1	1	MOTOR, ENGINE ASSEMBLY complete, 6T-830, includes all parts except starter, alternator, fan, fan belt, air cleaner, muffler and exhaust pipe, for service order basic engine below
	1989167C2R	1	ENGINE (EXCHANGE), ENGINE ASSEMBLY remanufactured, North America only, component parts shown on this Fig. do not apply to the remanufactured assembly, replaces 1989167C1R
	1989167C1C	1	CORE-ENGINE, RETURN NUMBER use this part number to return basic engine core for credit when using a remanufactured assembly
	AC174398	1	ENGINE ASSY, RETURN NUMBER use this part number to return basic engine core for credit when using a remanufactured assembly
	1989167C3	1	ENGINE, BASIC, ASSEMBLY includes all parts except starter, alternator, fan, fan belt, air cleaner, muffler, exhaust manifold, flywheel and housing, oil fill and dipstick, fuel injection pump, injectors and lines, front pulley, belt tensioner, turbocharger and aftercooler, replaces 1989167C1 and 1989167C2
	JR925488	1	ENGINE, SKELETON, BLOCK ASSEMBLY, short, remanufactured, North America only, component parts shown on this Fig. do not apply to the remanufactured assembly order J926152 assembly for service, replaces JR921843
	JC925187	1	BLOCK, RETURN NUMBER use this part number to return short block for credit when using a remanufactured assembly, replaces JC921843
	J926152	1	ENGINE, SKELETON, BLOCK ASSEMBLY short, new, includes stripped block, pistons, connecting rods and bearings, crankshaft and bearings, replaces J921843 and J925488, Includes: Ref. 1 thru 8
1	J926145	1	CRANKCASE, BLOCK ASSEMBLY stripped engine, replaces J919934 and J923289, Includes: Ref. 2 thru 8, Order Refs. 9 - 20 on Fig. 2-36, when ordering J926145 stripped block
2	J917313	7	CAP, bearing, main
3	J916369	14	SCREW, Hex Flg Hd, M14 x 128, Main bearing cap to block
4	J901685	7	BUSHING, camshaft
5	A77782	1	PLUG, expansion, 58 mm O.D.
6	A77586	1	PLUG, expansion, 43 mm O.D.
7	A77506	4	PLUG, PLUG - expansion, 21 mm O.D.
8	J905401	4	PLUG, expansion, 35 mm O.D.
	A77716	1	BLOCK, KIT hardware, no longer available, order components separately, Includes: Ref. 9 thru 20, Order Refs. 9 - 20 on Fig. 2-36, when ordering J926145 stripped block
9	A77530	2	PLUG, expansion, 30 mm O.D.
10	J920706	1	PLUG, expansion, 22 mm O.D., not used in this application, replaces A77439
11	41-3044	1	PLUG, Exp, 2 3/4", Replaces J901969
12	J901846	4	PIN, dowel
13	J906619	6	PLUG, hex, 1/8 inch PT
14	A77429	5	PLUG, hex socket, 1/2 inch PT
15	A77505	2	PLUG, hex socket, 3/4 inch PT
16	A77533	1	PLUG, hex socket, 1 inch PT
16A	J900955	1	PLUG, expansion, 10 mm O.D., used to plug hole for dipstick tube, if used, not shown
17	J919003	12	NOZZLE INJECTION, piston cooling
18	J900257	2	PIN, dowel, 16 mm long
19	217-103	1	COCK, DRAIN, VALVE 1/4 inch PT, coolant, replaces A77425
20	J903744	1	FITTING, PIPE, TUBE turbocharger oil drain, see Fig. 2-32 for connecting turbocharger parts
	A77595	1	KIT, engine block heater, includes ref. 23, 24, and 25
23	J905113	1	CABLE, engine block heater, 6 feet long
24	NSS		NOT SERVICED SEPARATELY, ELEMENT heater, 120 volt, engine block

\*Order items 9 - 20 on page 2-37, when ordering J926145 stripped block.

1666 CASE IH AXIAL-FLOW COMBINE (1/93-12/94)

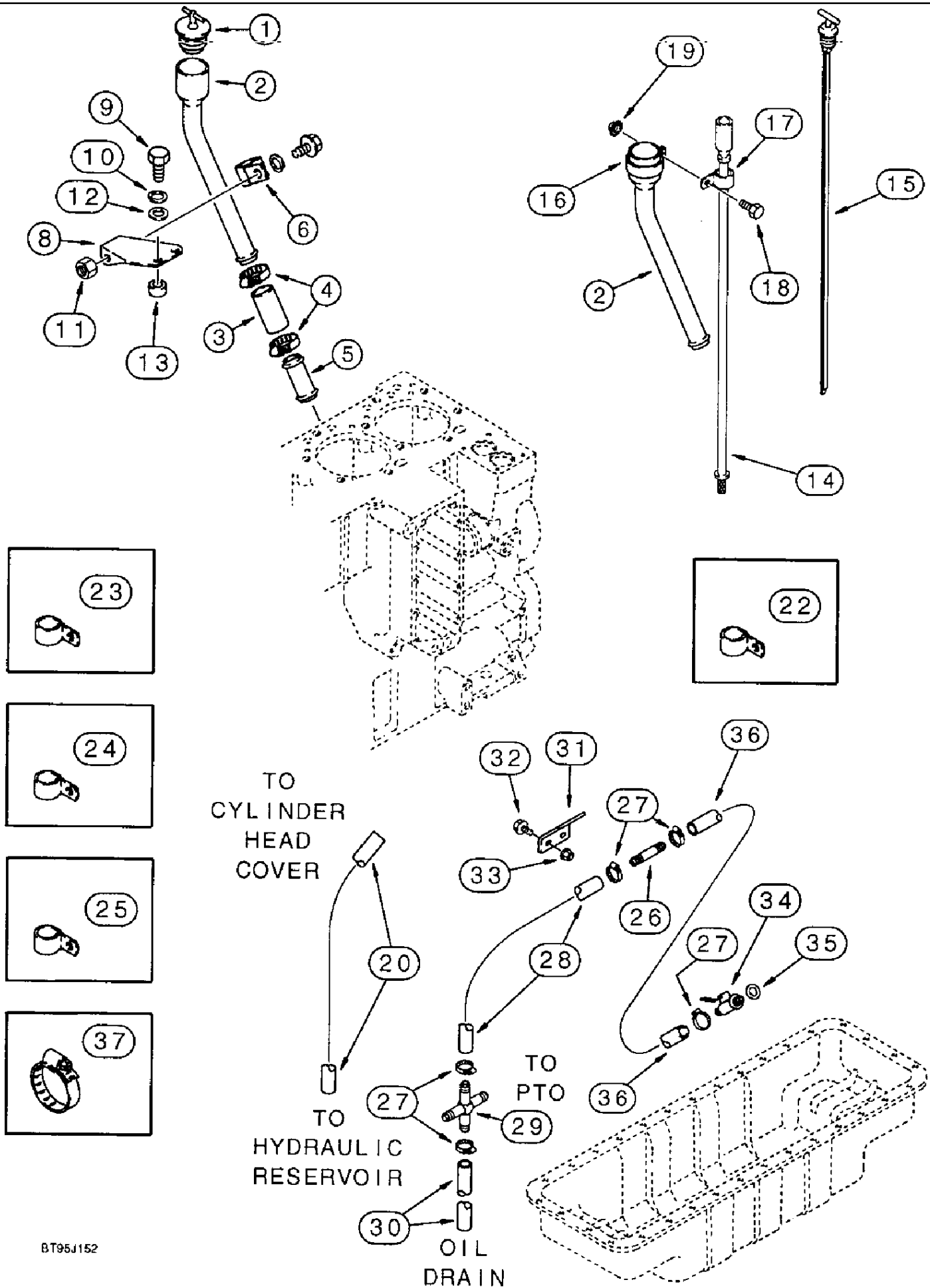
2-34 CYLINDER BLOCK, 6T-830 ENGINE, ENGINE BLOCK HEATER

сылка	Номер детали	Кол-во	Описание
25	J910517	1	O-RING, heater sealing, engine block

\*Order items 9 - 20 on page 2-37, when ordering J926145 stripped block.

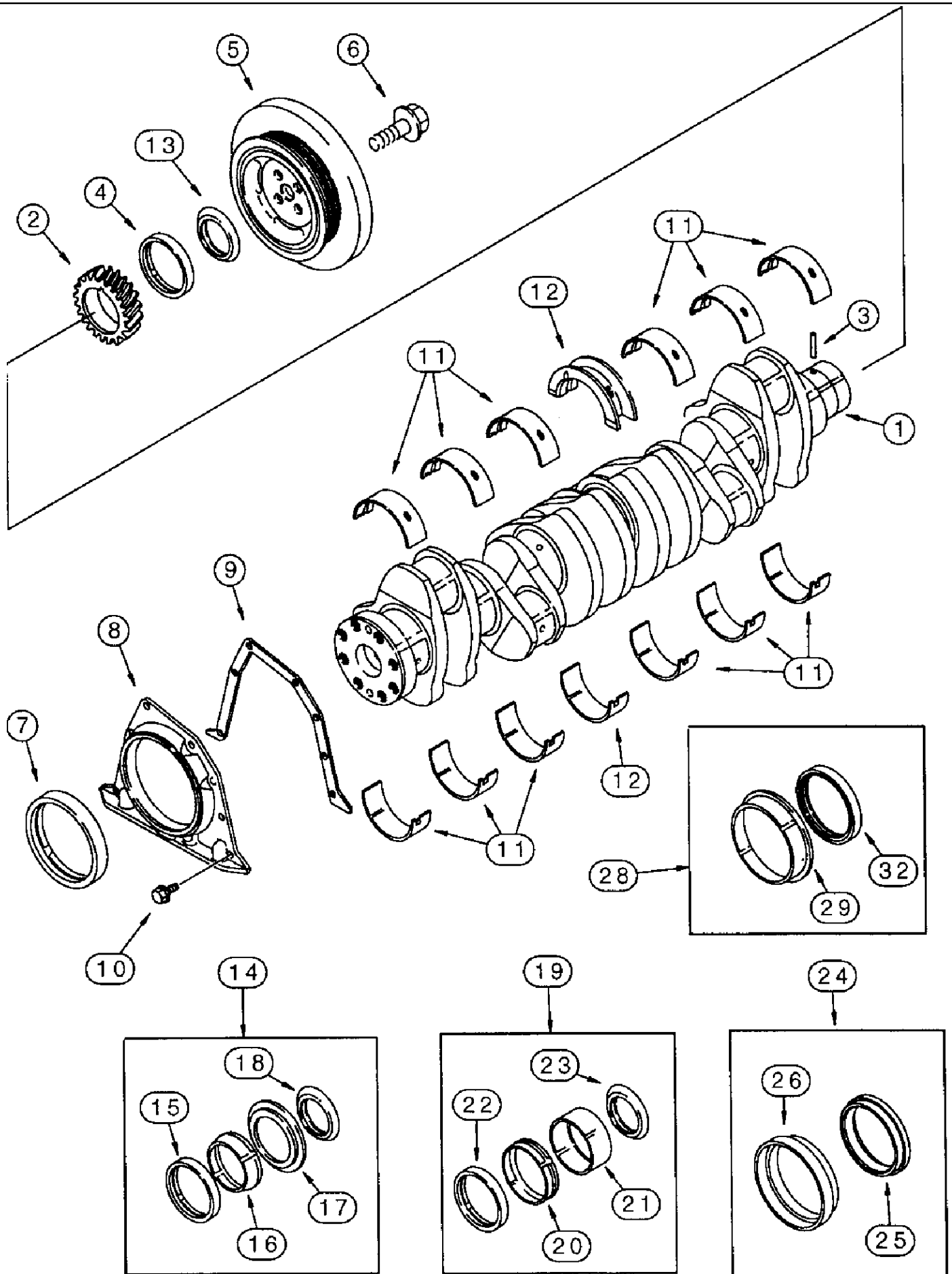


2-38 CYLINDER BLOCK ATTACHING PARTS



## 2-38 CYLINDER BLOCK ATTACHING PARTS

сылка	Номер детали	Кол-во	Описание
1	A77424	1	PLUG, CAP oil fill tube
2	J914019	1	TUBE, oil fill, upper
3	A77661	1	HOSE, 2-1/2 inch (64 mm) long, oil fill
4	214-1428	2	CLAMP, HOSE, #28, 1.31/2.25 Type F Worm, Adjustable
5	J914163	1	TUBE, oil fill, lower
6	J914022	2	CLAMP, P-type, filler tube retaining
7	613-8020	2	BOLT, Hex, M8 x 20, 8.8, Full Thd, BOLT hex, full threads, 8 - 1.25 x 20 mm
8	J914020	1	BRACKET, support
9	614-8025	2	BOLT, Hex, M8 x 25, 8.8,
10	892-11008	4	WASHER, LOCK, M8,
11	829-1308	2	NUT, M8, CI 10,
12	896-11008	2	WASHER, M8 x 17.5 x 2, HT, flat, 9 x 17 x 2 mm, hardened
13	102439A1	2	SPACER, 13/32 x 1/2 x 3/8 inch, replaces D35217
14	118880A1	1	TUBE, dipstick
15	118790A1	1	DIPSTICK, oil gauge
16	118788A1	1	CLAMP, dipstick support
17	515-22127	1	CLAMP, 1/2", Insul, 5/16" Bolt, P-type
18	413-516	1	BOLT, Hex, 5/16"-18 x 1", G5, Full Thd, hex, 5/16 NC x 1 inch
19	231-5145	1	NUT, Flg, USR, 5/16"-18,
20	1541750C1	1	HOSE, FLEXIBLE, 148-1/16 inch (3760) mm long, cut from 364360C1 bulk hose, crankcase breather, see this Figure
21	281-14810	1	SCREW, SELF TAPPING, Hex Hd, 5/16" x 5/8", self-tapping, hex washer head, 5/16 NC x 5/8 inch, not shown
22	515-23317	1	CLAMP, 1 1/4", Insul, 3/8" Bolt, P-type, Tube retaining
23	515-23381	1	CLAMP, 1 1/2", Insul, 3/8" Bolt, P-type, closed
24	1301387C2	3	CLIP, CLAMP square, 2 inch ID, closed
25	515-25476	3	CLAMP, 1 7/8", Insul, 1/2" Bolt,
26	1301342C1	1	FITTING, ADAPTER straight, special, oil drain
27	1954736C1	8	CLAMP, HOSE, No. 24, hose
28	1329977C2	1	HOSE, 33 inch (840 mm) long, cut from 1977295CX bulk hose, crankcase breather intermediate, see this Figure
29	1977169C1	1	TEE, oil drain
30	1977293C3	1	HOSE, 67 inch (1700 mm) long, cut from 1977295CX bulk hose, breather, lower, see this Figure
31	1977212C1	1	BRACKET, BRACKET oil drain shield
32	409-7616	2	BOLT, Hex Flg, 3/8"-16 x 1", Serr,
33	231-5146	2	NUT, Flg, USR, 3/8"-16,
34	1330429C1	1	VALVE, DRAIN, oil
35	J900216	1	RING, PACKING, WASHER sealing, drain plug
36	1329978C3	1	HOSE, 18-1/8 inch (430 mm) long, crankcase oil drain
37	214-1416	1	CLAMP, HOSE, #16, 0.81/1.50 Type F Worm, Adj.
	364360C1		UAR HOSE, bulk, 3/4 (19) ID x 600 inch (15240 mm) long
	1977295CX		UAR HOSE, LARGE, bulk, 5/8 (16) x 7/8 (22) x 600 inch (15240 mm) long



## 1666 CASE IH AXIAL-FLOW COMBINE (1/93-12/94)

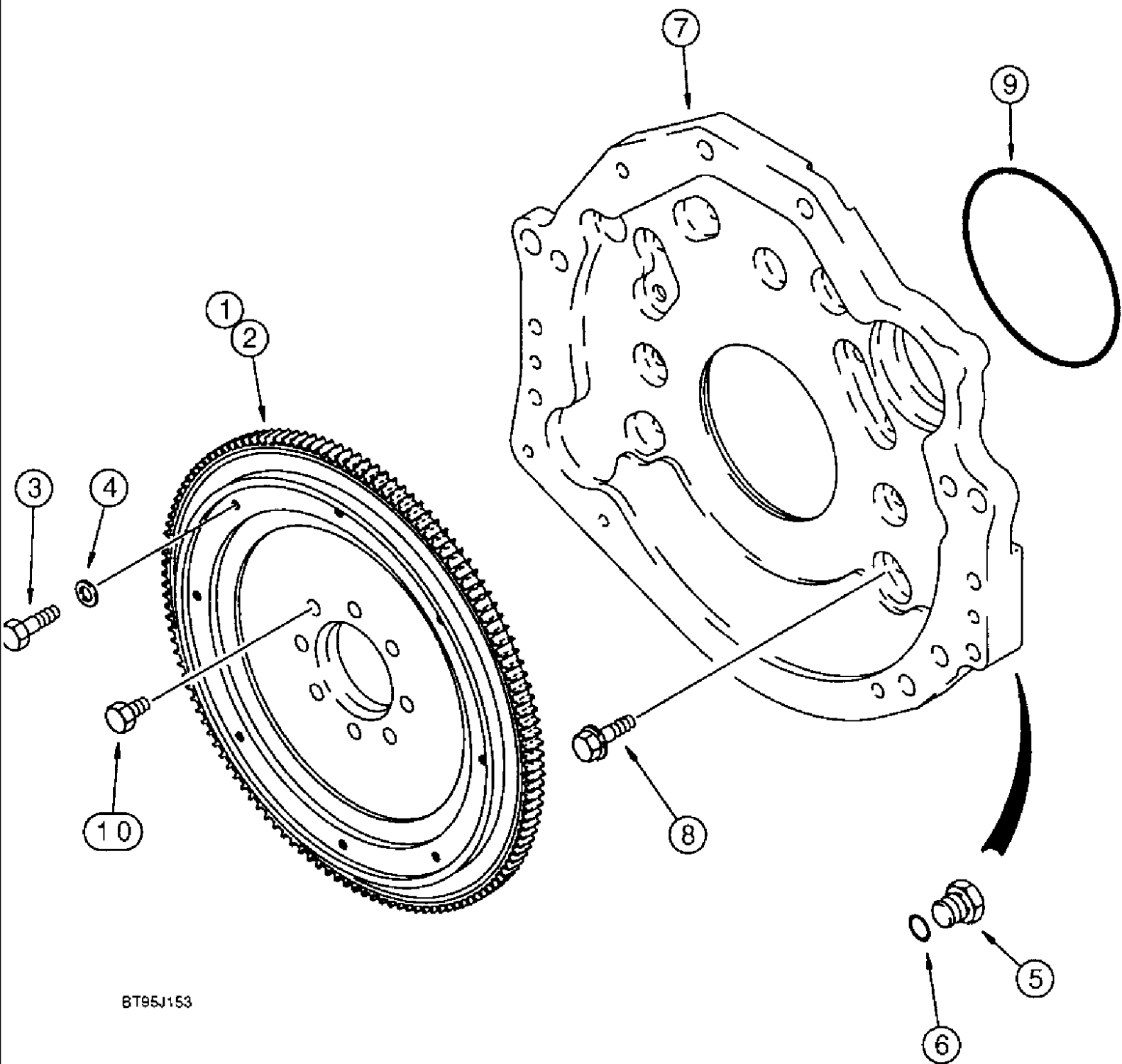
## 2-40 CRANKSHAFT, 6T-830 ENGINE

сылка	Номер детали	Кол-во	Описание
	JR917443	1	CRANKCASE, CRANKSHAFT ASSEMBLY engine, remanufactured , North American only, component parts shown on this Figure do not apply to the remanufactured assembly
	JC917443	1	CORE-CRANKSHAFT, RETURN NUMBER use this part number to return crankshaft for credit when using a remanufactured assembly
1	J917443	1	CRANKSHAFT, ASSEMBLY engine, new, Includes: Ref. 2 and 3
2	J918380	1	GEAR, crankshaft
3	J904483	1	PIN, dowel
4	NSS		NOT SERVICED SEPARATELY, SEAL oil, front, order Ref. 14, A77790 KIT
5	J925568	1	DAMPER, PULLEY crankshaft vibration
6	J906733	4	BOLT, hex flange, special, 14 x 35 mm
7	NSS		NOT SERVICED SEPARATELY, SEAL oil, rear, order Ref. 24, A77809 KIT
8	J921042	1	COVER, REAR, RETAINER seal
9	J914301	1	GASKET, rear cover retainer
10	845-6015	8	BOLT, Hex Flg, M6 x 15, 8.8, Full Thd, BOLT heavy hex flange, 6 - 1.0 x 15 mm
11	A77711	6	BEARING LINER, main, upper and lower set, standard
11	A77712	6	BEARING LINER, main, upper and lower set, 0.25 mm undersize
11	A77713	6	BEARING LINER, main, upper and lower set, 0.50 mm undersize
11	A77714	6	BEARING LINER, main, upper and lower set, 0.75 mm undersize
11	A77715	6	BEARING LINER, main, upper and lower set, 1.0 mm undersize
12	A77843	1	BEARING LINER, main thrust, upper and lower set, standard, replaces A77706
12	A77844	1	BEARING LINER, main thrust, upper and lower set, 0.25 mm undersize, replaces A77707
12	A77845	1	BEARING LINER, main thrust, upper and lower set, 0.50 mm undersize, replaces A77708
12	A77846	1	BEARING LINER, main thrust, upper and lower set, 0.75 mm undersize, replaces A77709
12	A77847	1	BEARING LINER, main thrust, upper and lower set, 1.0 mm undersize, replaces A77710
12	A77848	1	BEARING, CRANKSHAFT, main thrust, upper and lower set, standard journal diameter, 0.25 mm oversize thrust width
12	A77849	1	BEARING, CRANKSHAFT, main thrust, upper and lower set, standard journal diameter, 0.50 mm oversize thrust width
12	A77850	1	BEARING, CRANKSHAFT, main thrust, upper and lower set, 0.50 mm undersize journal diameter, 0.50 mm oversize thrust width
13	J918113	1	SHIELD, dust, front seal, order Ref. 14, A77790 Kit
14	A77790	1	KIT, SEALS, oil, crankshaft front, Includes: Ref. 15 thru 18
15	NSS		NOT SERVICED SEPARATELY, SEAL oil, front
16	NSS		NOT SERVICED SEPARATELY, TOOL installation
12	A77846	1	BEARING LINER, main thrust, upper and lower set, 0.75 mm undersize, replaces A77709
17	NSS		NOT SERVICED SEPARATELY, TOOL installation
18	J918113	1	SHIELD, dust, front seal
19	A77808	1	KIT, SERVICE, wear sleeve, crankshaft front, Includes: Ref. 20 thru 23
20	NSS		NOT SERVICED SEPARATELY, SLEEVE wear
21	NSS		NOT SERVICED SEPARATELY, TOOL installation
22	NSS		NOT SERVICED SEPARATELY, SEAL oil, front
23	J924987	1	SHIELD, dust
24	A77809	1	KIT, GASKET, oil seal, crankshaft rear, Includes: Ref. 25 and 26
25	NSS		NOT SERVICED SEPARATELY, SEAL oil, rear
26	NSS		NOT SERVICED SEPARATELY, SLEEVE wear

1666 CASE IH AXIAL-FLOW COMBINE (1/93-12/94)

2-40 CRANKSHAFT, 6T-830 ENGINE

сылка	Номер детали	Кол-во	Описание
28	A77810	1	KIT, SERVICE, KIT wear sleeve, crankshaft rear, Includes: Ref. 29 and 32
29	NSS		NOT SERVICED SEPARATELY, SLEEVE wear
32	NSS		NOT SERVICED SEPARATELY, SEAL oil, rear

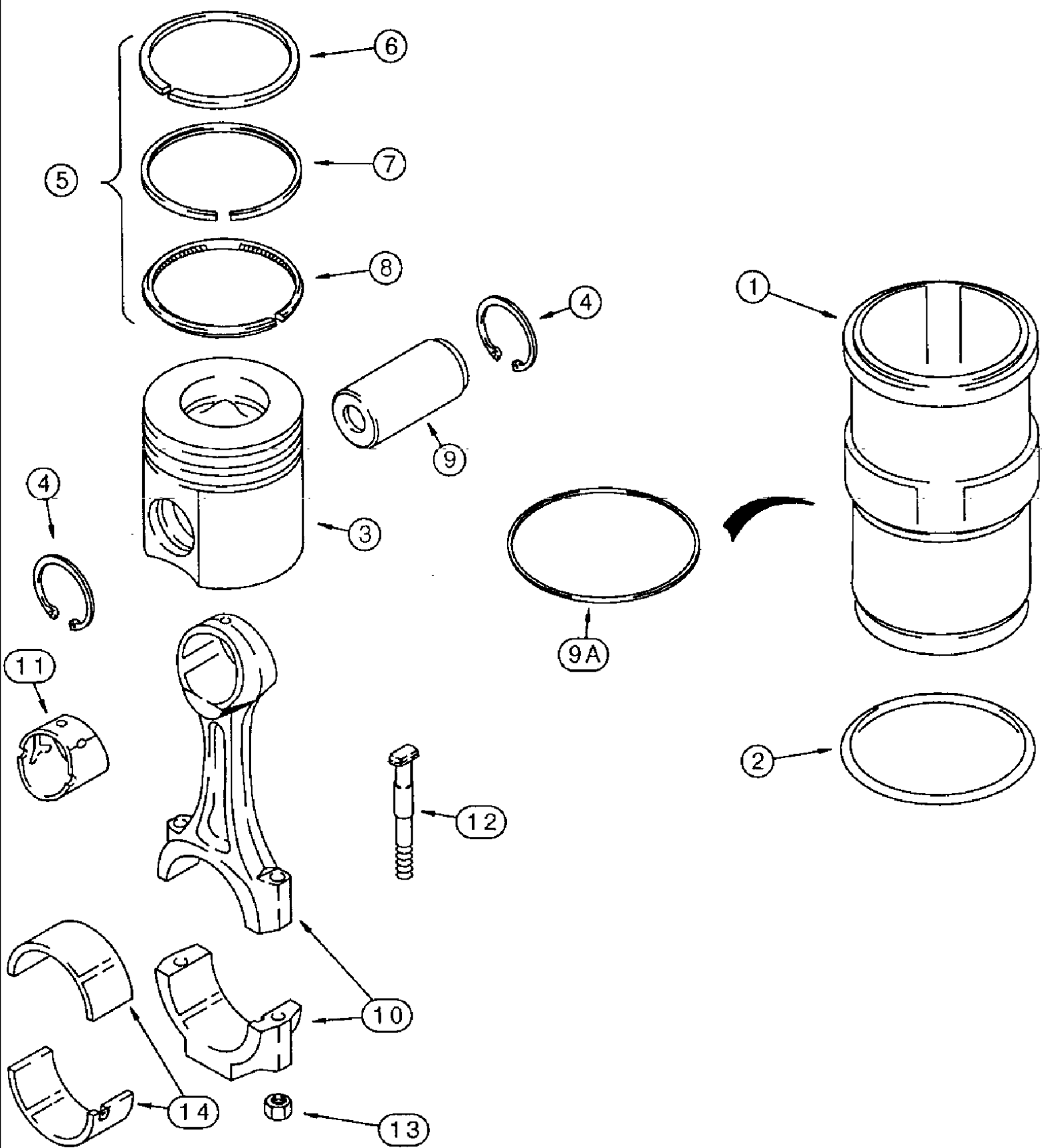


BT95J153

1666 CASE IH AXIAL-FLOW COMBINE (1/93-12/94)

2-42 FLYWHEEL, 6T-830 ENGINE

сылка	Номер детали	Кол-во	Описание
1	J917052	1	FLYWHEEL, ASSEMBLY engine, Includes: Ref. 2
2	J905427	1	GEAR, ring, flywheel
3	J901395	8	SCREW, Hex, M12 x 1.25 x 32, Spc,
4	J900269	8	WASHER, flat, special, flywheel bolt
7	J913593	1	PLATE, backing, flywheel housing
8	854-12040	10	BOLT, Hex Flg, M12 x 40, 10.9,
9	J912473	1	SEALRING, flywheel housing to block
10	J908181	8	SCREW, BOLT hex, special, 12 - 1.25 x 50 mm

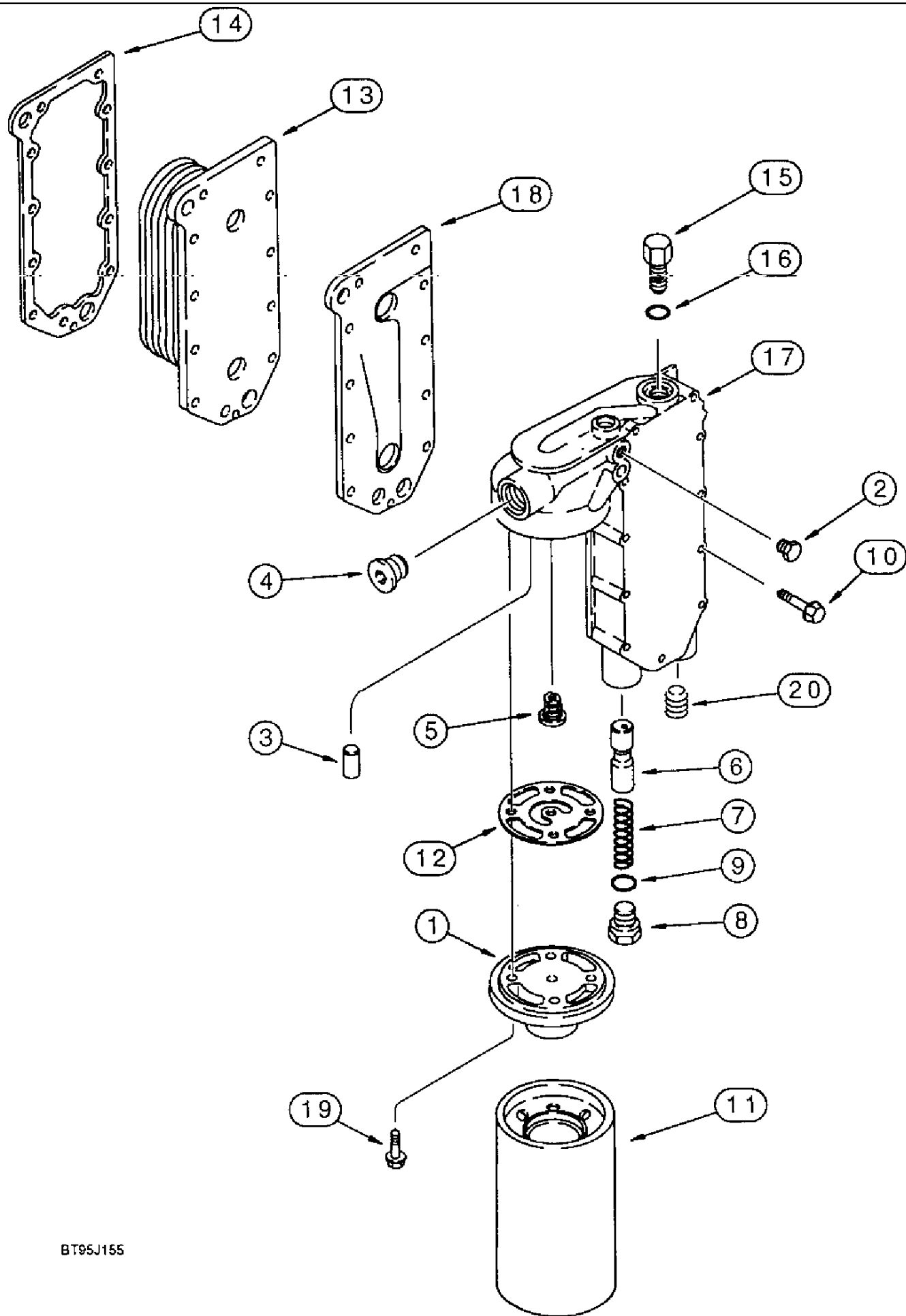


BT95J154



## 2-44 PISTON AND SLEEVE, 6T-830 ENGINE, CONNECTING ROD

сылка	Номер детали	Кол-во	Описание
	A77798	6	PACKAGE, REPAIR, KIT piston and sleeve, engine, Includes: Ref. 1 thru 8
1	J919937	1	SLEEVE CYLINDER, piston
2	J907177	1	O-RING, sleeve
	A77771	1	PISTON ASSY., KIT engine, standard, Includes: Ref. 3, 4, and 5
3	NSS		NOT SERVICED SEPARATELY, PISTON engine, stamped 95641
4	100-21175	2	RING, SNAP, 1.75", Int, #175, (Replaces J901996 and G109044)
5	A77802	1	RING SET, PISTON, KIT replaces A77744, Includes: Ref. 6, 7, and 8
6	NSS		NOT SERVICED SEPARATELY, RING compression, top
7	NSS		NOT SERVICED SEPARATELY, RING keystone with reverse twist, compression, middle
8	NSS		NOT SERVICED SEPARATELY, RING oil, bottom
9	J901597	6	PIN, piston
9A	J924445		UAR SHIM, 0.254mm Thk, Cylinder sleeve (.010"), Replaces J914653, Use Ref. 9A as required for cylinder sleeve protrusion adjustment on remanufactured blocks only.
9A	J914654		UAR SHIM, .015" Thk, Cylinder sleeve (0.381 mm), Use Ref. 9A as required for cylinder sleeve protrusion adjustment on remanufactured blocks only.
9A	J914655		UAR SHIM, .020" Thk, Cylinder sleeve (0.508 mm) , Use Ref. 9A as required for cylinder sleeve protrusion adjustment on remanufactured blocks only.
9A	J924448		UAR SHIM, 0.762mm Thk, Cylinder sleeve (.030"), Use Ref. 9A as required for cylinder sleeve protrusion adjustment on remanufactured blocks only.
9A	J924449		UAR SHIM, 1.000mm Thk, Cylinder sleeve (.040"), Use Ref. 9A as required for cylinder sleeve protrusion adjustment on remanufactured blocks only.
	JR901383	6	REMAN-ROD CONNECTING, ASSEMBLY North America only, component parts shown on this Figure do not apply to the remanufactured assembly
	JC901383	1	CORE-ROD CONNECTING, RETURN NUMBER use this part number to return connecting rod for credit when using a remanufactured assembly
	J901383	6	ROD, CONNECTING, ASSEMBLY, Includes: Ref. 10 thru 13
10	NSS		NOT SERVICED SEPARATELY, ROD connecting, two piece
11	J913990	1	BUSHING, connecting rod
12	J924351	2	SCREW, BOLT special, rod, bearing cap, replaces J901380 and J920799, connecting rod
13	J901381	2	NUT, hex, rod bolt, connecting rod
14	A77563	6	BEARING LINER, KIT upper and lower, standard, connecting rod
14	A77564	6	BEARING LINER, KIT upper and lower, 0.25 mm undersize, connecting rod
14	A77565	6	BEARING LINER, KIT upper and lower, 0.50 mm undersize, connecting rod
14	A77566	6	BEARING LINER, KIT upper and lower, 0.75 mm undersize, connecting rod
14	A77567	6	BEARING LINER, KIT upper and lower, 1.00 mm undersize, connecting rod

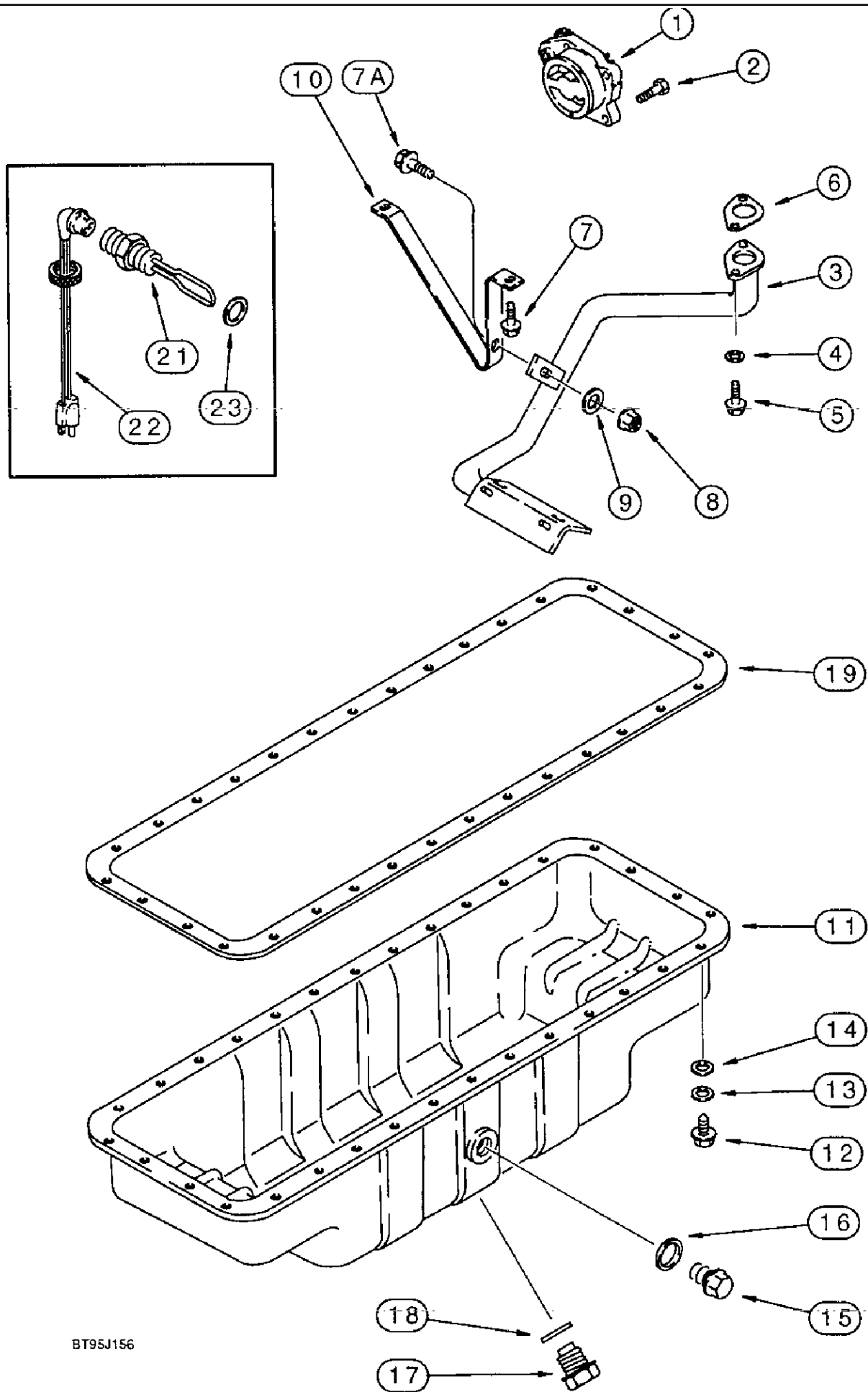


BT95J155

## 1666 CASE IH AXIAL-FLOW COMBINE (1/93-12/94)

## 2-46 OIL FILTER AND COOLER, 6T-830 ENGINE

сылка	Номер детали	Кол-во	Описание
1	J918334	1	HEAD, FILTER, filter, oil
2	J906619	2	PLUG, hex, 1/8 inch PT
3	A77722	1	PIN, dowel, locating
4	A77505	1	PLUG, hex socket, 3/4 inch PT, filter head
5	J902338	1	VALVE, PRESSURE RELIEF,
6	J918532	1	PLUNGER, regulator
7	A77541	1	SPRING, compression
8	J919016	1	PLUG, hex, special, 24 mm - 1.50, regulator, Includes: Ref. 9
9	238-5022	1	O-RING, -022, 70 Duro, .989" ID x .070" Thk,
10	845-8065	11	BOLT, Hex Flg, M8 x 65, 8.8, BOLT heavy hex flange, 8 - 1.25 x 65 mm, oil filter head to cylinder block
11	J919562	1	FILTER, ENGINE OIL, OIL, cartridge, engine
12	J921605	1	GASKET, filter head
13	J918175	1	CORE-OIL COOLER,
14	J918174	1	GASKET, cooler core
15	J919015	1	THERMOSTAT, temperature
16	A77724	1	O-RING, sealing
17	J922882	1	COVER, oil cooler, replaces J918403
18	J918332	1	GASKET, cooler cover, oil cooler
19	J907860	4	BOLT, Hex, Flg Hd, M8 x 25, Spcl,
20	217-439	1	PLUG, Hex Soc, 1/2"-14, hex socket headless, 1/2 inch PT, water drain

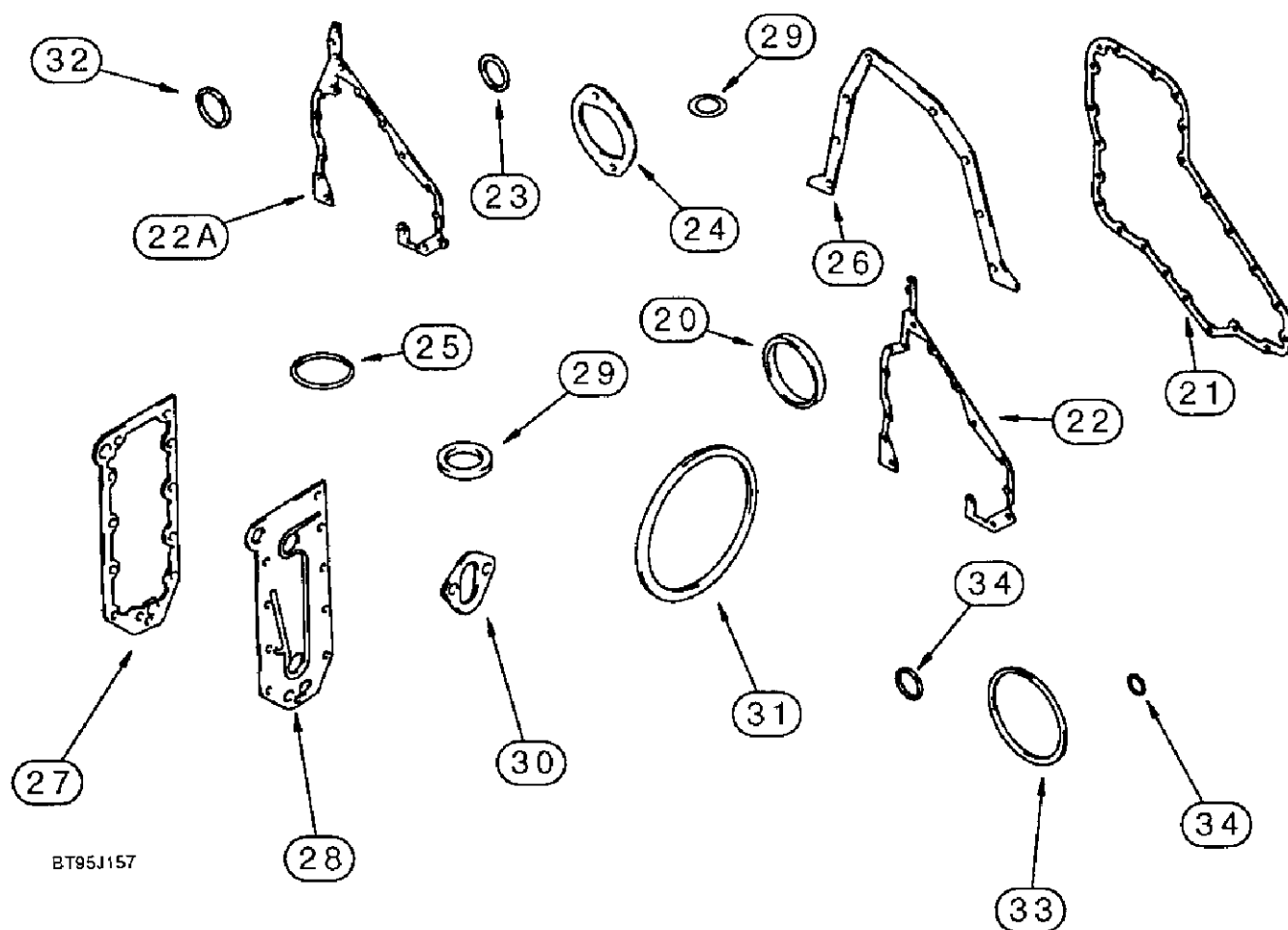
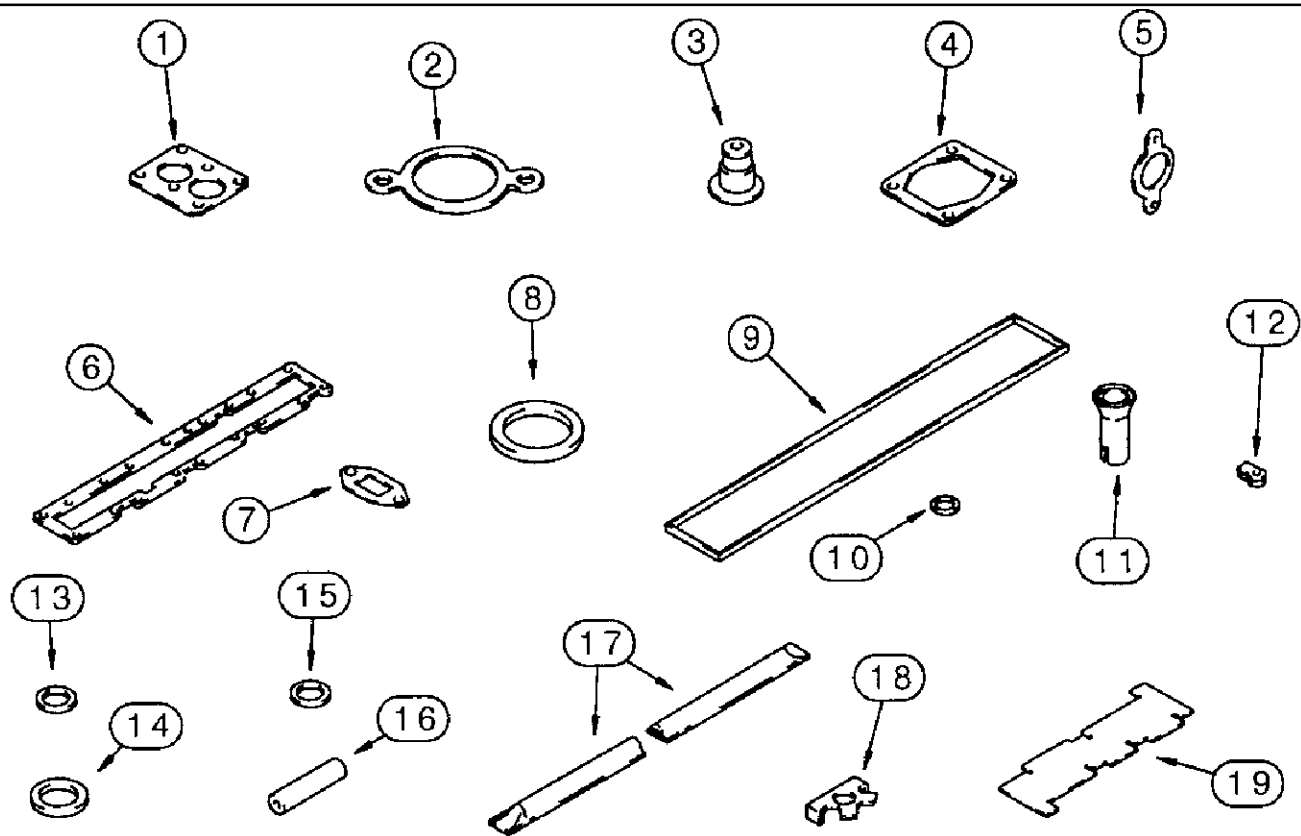


BT95J156

## 2-48 OIL PUMP AND OIL PAN, 6T-830 ENGINE, OIL PAN HEATER KIT

сылка	Номер детали	Кол-во	Описание
	JR924644	1	PUMP, ASSEMBLY oil, remanufactured, North America only, no longer available, order J926201, replaces JR921067
	JR926201	1	REMAN-PUMP, ENGINE OIL, North America only, 24 teeth drive gear, for service order J926201 pump assembly
	JC926201	1	PUMP, RETURN NUMBER use this part number to return pump core for credit when using a remanufactured assembly, replaces JC921067 and JC924644
1	J924644	1	PUMP, ENGINE OIL, new, no longer available, order J926201 assembly, 24 teeth drive gear, replaces J921067
1	J926201	1	PUMP, ENGINE OIL, ASSEMBLY oil, 24 teeth drive gear, replaces J921067 and J924644
2	614-8030	4	BOLT, Hex, M8 x 30, 8.8, Full Thd
3	J921719	1	TUBE, with screen, oil suction
4	J908738	2	SPACER, mounting
5	845-6030	2	BOLT, Hex Flg, M6 x 30, 8.8, BOLT heavy hex flange, 6 - 1.0 x 30 mm
6	J914302	1	GASKET, mounting, oil suction tube, Part of KIT, part number A77679
7	845-6015	2	BOLT, Hex Flg, M6 x 15, 8.8, Full Thd, BOLT heavy hex flange, 6 - 1.0 x 15 mm
7A	845-6020	1	BOLT, Hex Flg, M6 x 20, 8.8, Full Thd, BOLT heavy hex flange, 6 - 1.0 x 20 mm
8	J906216	1	NUT, hex flange, special, 6 mm - 1.0
9	J910960	1	WASHER, flat, special
10	J913427	1	BRACE, suction tube
11	J914015	1	PAN, ENGINE OIL, oil, engine
12	J920400	32	BOLT, Hex, Flg Hd, M8 x 21, Spcl, hex flange cap, special, oil pan to block, replaces J907860
13	J910266	32	WASHER, spring, Belleville
14	J908316	32	WASHER, flat, special, 9 x 16 x 1 mm
15	J924148	1	PLUG, hex magnetic, special, 22 mm - 1.5, heater hole, replaces J904386
16	J902425	1	WASHER, sealing, plug, Part of KIT, part number A77679
17	J924147	1	PLUG, hex magnetic, special, 18 mm - 1.5, drain, replaces J911638
18	J920773	1	WASHER, SEALING, WASHER sealing, drain plug, Part of KIT, part number A77679
19	NSS		NOT SERVICED SEPARATELY, GASKET oil pan, order A77679 gasket kit shown in this Figure, Part of KIT, part number A77679
	A77679	1	KIT, GASKET, oil pan, Includes: Refs. 6, 16, 18, and 19
	A77580	1	KIT, SERVICE, oil pan heater, engine, Includes: Ref. 21 and 22
21	NSS		NOT SERVICED SEPARATELY, ELEMENT heater, 12 volt, oil pan heater kit
22	J905113	1	CABLE, engine block heater, 6 feet long, oil pan heater kit
23	J902425	1	WASHER, sealing, plug, oil pan heater kit, When engine oil heater kit is ordered, Ref. 23, J902425 washer, must be ordered also

2-50 GASKET KITS, 6T-830 ENGINE, VALVE GRIND, CYLINDER BLOCK



BT95J157

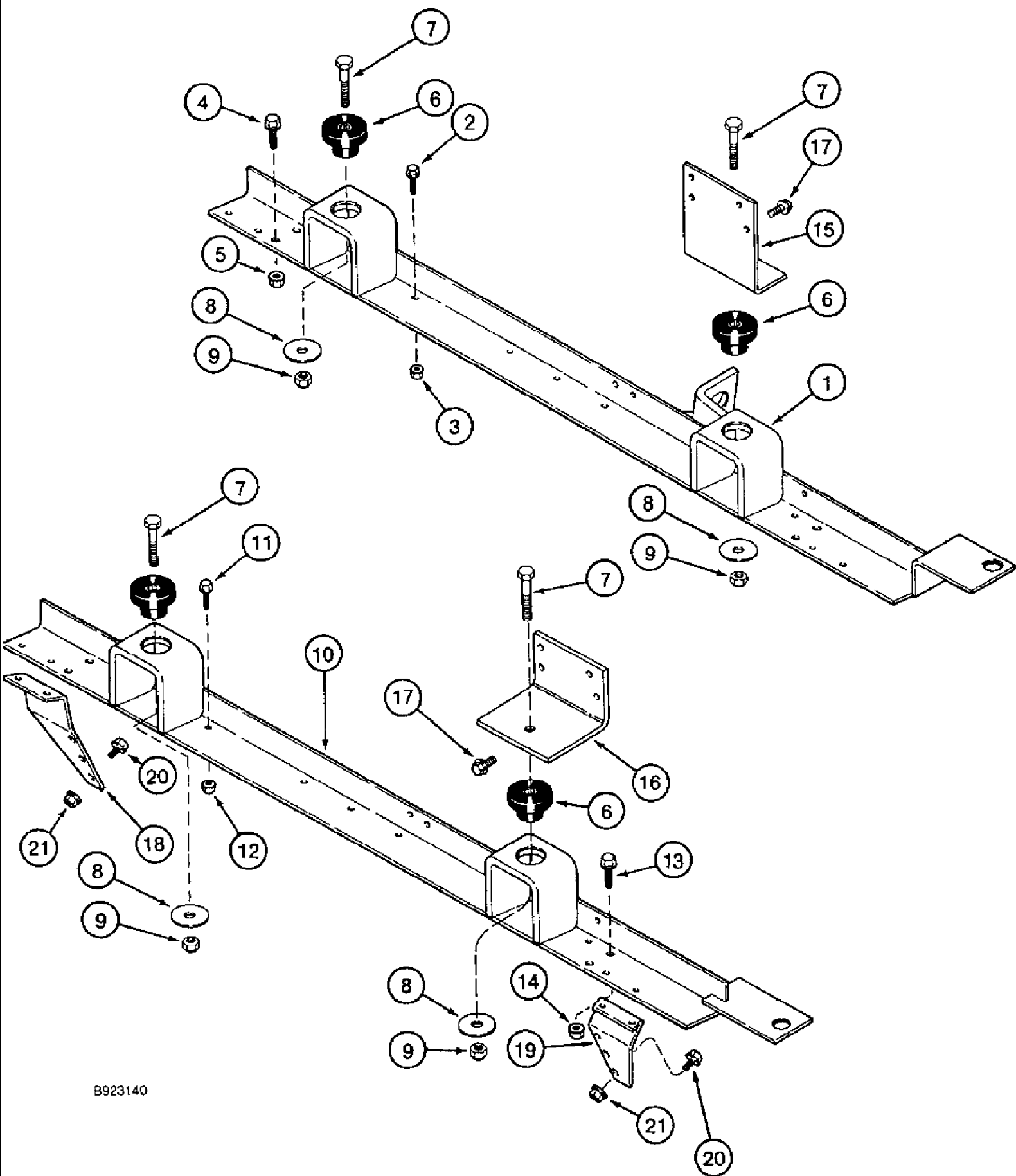
When the valve grind gasket kit is used, also order the required cylinder head gasket on page 2-27. For complete engine overhaul order (1) valve grind kit, (1) cylinder block kit, (1) oil pan gasket kit, page 2-49, front and rear crankshaft seal kit, page 2-41, and required cylinder head gasket, page 2-27.

## 2-50 GASKET KITS, 6T-830 ENGINE, VALVE GRIND, CYLINDER BLOCK

сылка	Номер детали	Кол-во	Описание
	A77794	1	KIT, GASKET, valve grind, Includes: Ref. 1 thru 19, When the valve grind gasket kit is used, also order the required cylinder head gasket on Fig. 2-26
1	J914310	1	GASKET, thermostat housing
2	J918779	1	GASKET, outlet tube, water
3	J915707	12	SEAL, intake and exhaust valve stem and guide
4	J911941	1	GASKET, mounting, turbocharger
5	J929012	1	GASKET, exhaust manifold, 0.54 mm thick (set of 6) replaces J921787
6	J914311	1	GASKET, intake manifold cover
7	J914388	1	GASKET, turbo oil drain tube, turbocharger
8	J902466	1	SEAL, cap sealing, oil fill cap to valve cover
9	J905449	1	SEAL, RUBBER, valve cover
10	J910824	6	O-RING, cover bolt
11	J909886	6	SEAL, SLEEVE injector
12	J903380	7	SEAL, connector, fuel injection nozzle
13	238-5115	1	O-RING, -115, 70 Duro, .674" ID x .103" Thk, Connector to valve cover
14	J906659	6	SEAL, injector nozzle
15	238-5111	1	O-RING, -111, 70 Duro, .424" ID x .103" Thk, Water filter shutoff valve
16	J918610	1	HOSE, LARGE, 2 inch (51 mm) long, breather tube to connector
17	J919677	1	MANIFOLD, oil, rocker arm
18	J914708	12	PLATE, LOCKING, bolt, exhaust manifold
19	J823921	1	GAUGE, cylinder head, bolt length
	A77726	1	KIT, gasket, cylinder block, For complete engine overhaul order (1) valve grind kit, (1) cylinder block kit, (1) oil pan gasket kit, Fig. 2-48, front & rear crankshaft seal kit, Fig. 2-40, & required cylinder head gasket, Fig. 2-26, BSN 45075642
	A77839	1	KIT, gasket, cylinder block, Includes: Ref. 20 thru, For complete engine overhaul order (1) valve grind kit, (1) cylinder block kit, (1) oil pan gasket kit, Fig. 2-48, front & rear crankshaft seal kit, Fig. 2-40, & required cylinder head gasket, Fig. 2-26, ASN 45075642
20	J903475	1	SEAL, front access cover, cylinder block
21	J917779	1	GASKET, front gear cover, high mount engine, used in A77726 kit, cylinder block
21	J917780	1	SEAL, GASKET front gear cover, low mount engine, not used in this application, use J917779, cylinder block
22	J281721	1	GASKET, housing, gear, used in A77726 kit only, cylinder block
22A	J926757	1	GASKET, housing, gear, used in A77839 kit only, cylinder block
23	J915772	1	SEALRING, quad, timing pin housing
24	J919601	1	GASKET, access cover plate, cylinder block
25	J902089	1	SEAL, sealing, water pump, cylinder block
26	J914301	1	GASKET, rear cover retainer, crankshaft, cylinder block
27	J918174	1	GASKET, cooler core, cylinder block
28	J918332	1	GASKET, cooler cover, cylinder block
29	J901798	1	WASHER, SEALING, sealing, not used in this application, cylinder block
30	J923054	1	GASKET, mounting, fuel transfer pump, cylinder block
31	J912473	1	SEALRING, flywheel housing to block, cylinder block
32	238-5212	1	O-RING, -212, 70 Duro, .859" ID x .139" Thk, Backing plate plug, cylinder block
33	J907177	6	O-RING, sealing, sleeve, cylinder block
34	J913994	1	O-RING, sealing, cylinder block

When the valve grind gasket kit is used, also order the required cylinder head gasket on page 2-27. For complete engine overhaul order (1) valve grind kit, (1) cylinder block kit, (1) oil pan gasket kit, page 2-49, front and rear crankshaft seal kit, page 2-41, and required cylinder head gasket, page 2-27.

2-52 ENGINE RAILS AND SUPPORTS

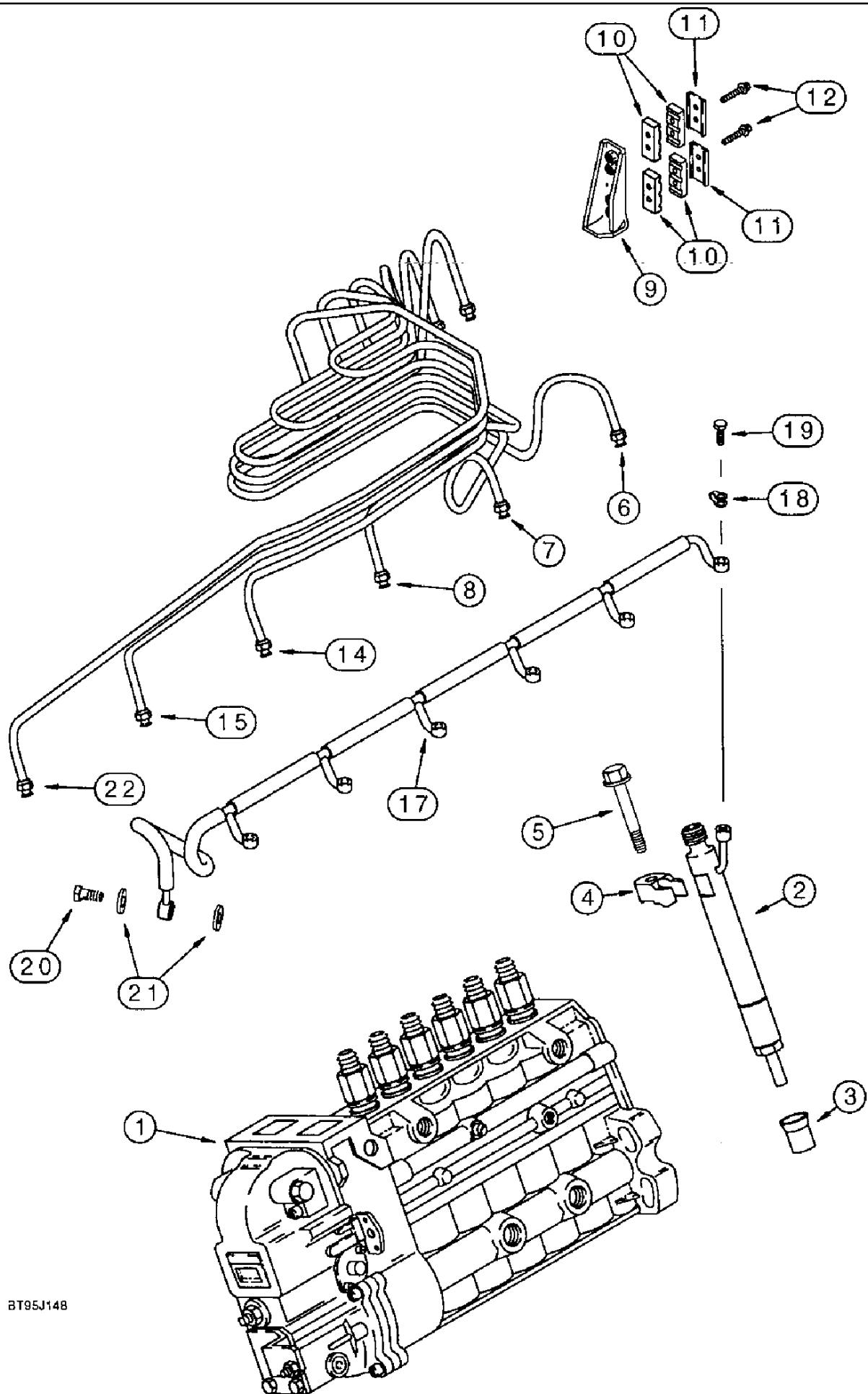


B923140



## 2-52 ENGINE RAILS AND SUPPORTS

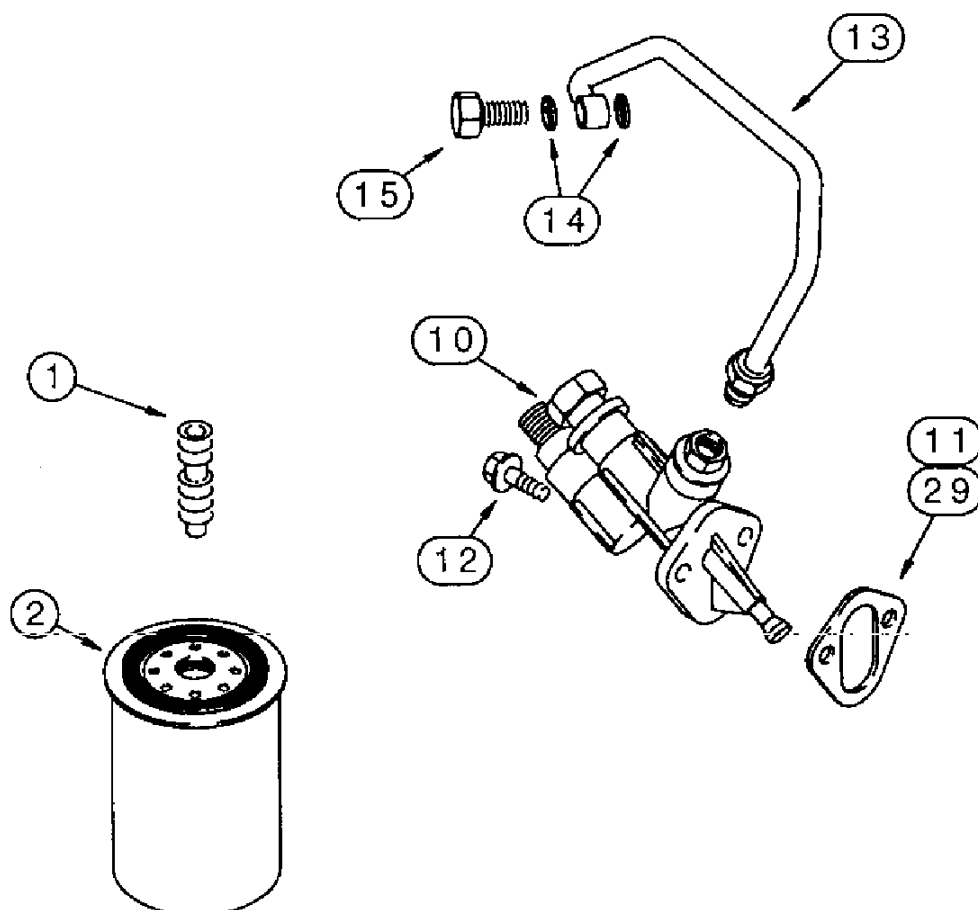
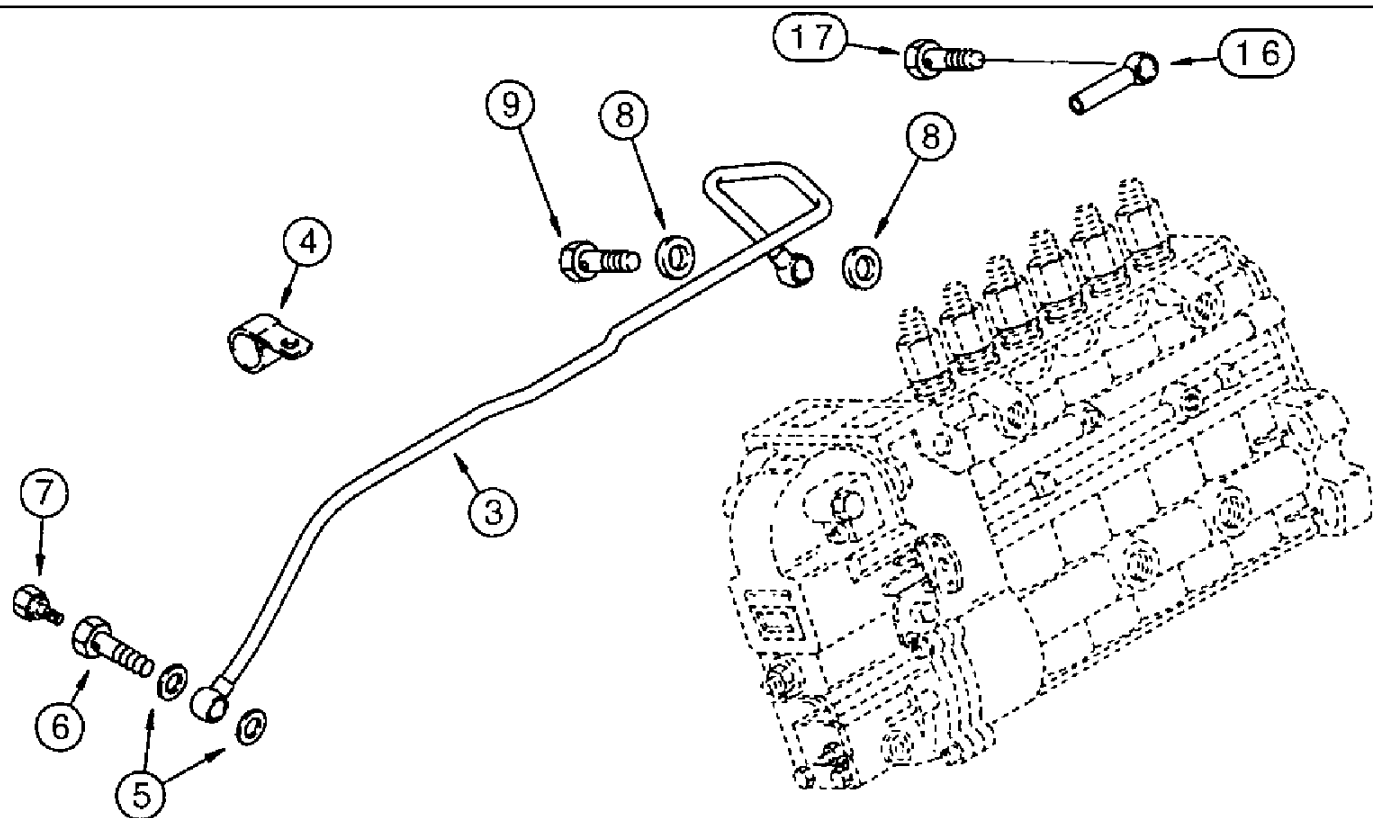
сылка	Номер детали	Кол-во	Описание
1	1315653C3	1	RAIL ASSY., SUPPORT engine, left hand
2	409-7612	6	BOLT, Hex Flg, 3/8"-16 x 3/4", Serr,
3	231-5146	4	NUT, Flg, USR, 3/8"-16,
4	409-7820	4	BOLT, Hex Flg, 1/2"-13 x 1 1/4", Serr,
5	231-5148	4	NUT, Flg, USR, 1/2"-13,
6	194915C2	4	ISOLATOR, INSULATOR engine snubber, front and rear
7	413-1056	4	BOLT, Hex, 5/8"-11 x 3 1/2", G5,
8	107813R1	4	WASHER, flat, 21/32 x 2-1/2 x 11/64 inch
9	232-41110	4	NUT, LOCK, 5/8"-11, GC,
10	1315654C3	1	RAIL ASSY., SUPPORT engine, right hand, replaces 1315654C2
11	409-7616	6	BOLT, Hex Flg, 3/8"-16 x 1", Serr,
12	231-5146	6	NUT, Flg, USR, 3/8"-16,
13	409-7820	4	BOLT, Hex Flg, 1/2"-13 x 1 1/4", Serr,
14	231-5148	4	NUT, Flg, USR, 1/2"-13,
15	1315644C1	1	SUPPORT, engine, left hand front
16	1315645C1	1	SUPPORT, engine, right hand front
17	854-12025	8	BOLT, Hex Flg, M12 x 25, 10.9, Heavy
18	1330098C2	1	SUPPORT, engine, right hand rear, replaces 1329775C1
19	1330099C2	1	SUPPORT, engine, right hand front, replaces 1329776C1
21	231-5146	10	NUT, Flg, USR, 3/8"-16,
20	477-73816	10	SCREW, Sltd Serr Truss Hd, 3/8" x 1", Special



BT95J148

## 3-02 FUEL INJECTION SYSTEM, 6T-830 ENGINE

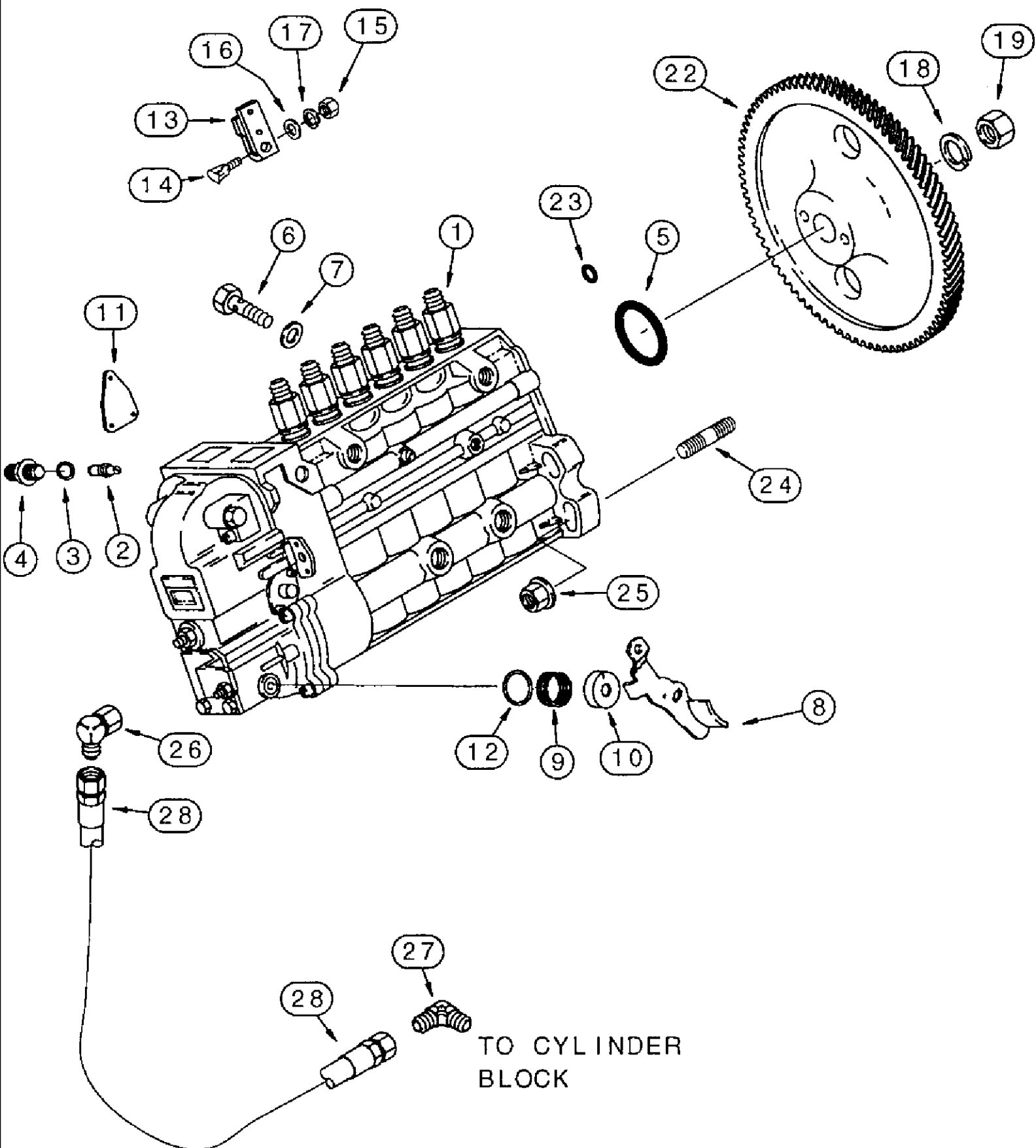
сылка	Номер детали	Кол-во	Описание
1	J923480	1	PUMP, FUEL INJECTION, ASSEMBLY fuel, new, parts list Fig. 3-6
2	REF	6	INSTRUCTION, INJECTOR ASSEMBLY fuel, parts list Fig. 3-8
3	J909886	6	SEAL, SLEEVE injector
4	J910279	6	CLAMP, fuel injector
5	845-8080	6	BOLT, Hex Flg, M8 x 80, 8.8,
6	J906783	1	TUBE, fuel injector, No. 1 cylinder
7	J906784	1	TUBE, fuel injector, No. 2 cylinder
8	J906785	1	TUBE, fuel injector, No. 3 cylinder
9	J917776	2	BRACE, BRACKET fuel tube
10	J917747	4	CLAMP, fuel tube
11	J904519	2	SUPPORT, tube retaining
12	J920854	4	SCREW, Hex Hd, M5 x .8 x 20, w/LW, Replaces J917712 and J903723
14	J910521	1	TUBE, fuel injector, No. 4 cylinder
15	J906787	1	TUBE, fuel injector, No. 5 cylinder
16	J906788	1	TUBE, fuel injector, No. 6 cylinder
17	J920595	1	TUBE ASSY., fuel drain
18	J903380	6	SEAL, connector
19	J905307	6	BOLT, BANJO, M6 x 1 x 14.3, BOLT banjo drain, special
20	J924726	1	BOLT, BANJO, check, replaces J916360
21	J918188	2	WASHER, sealing



BT95J158

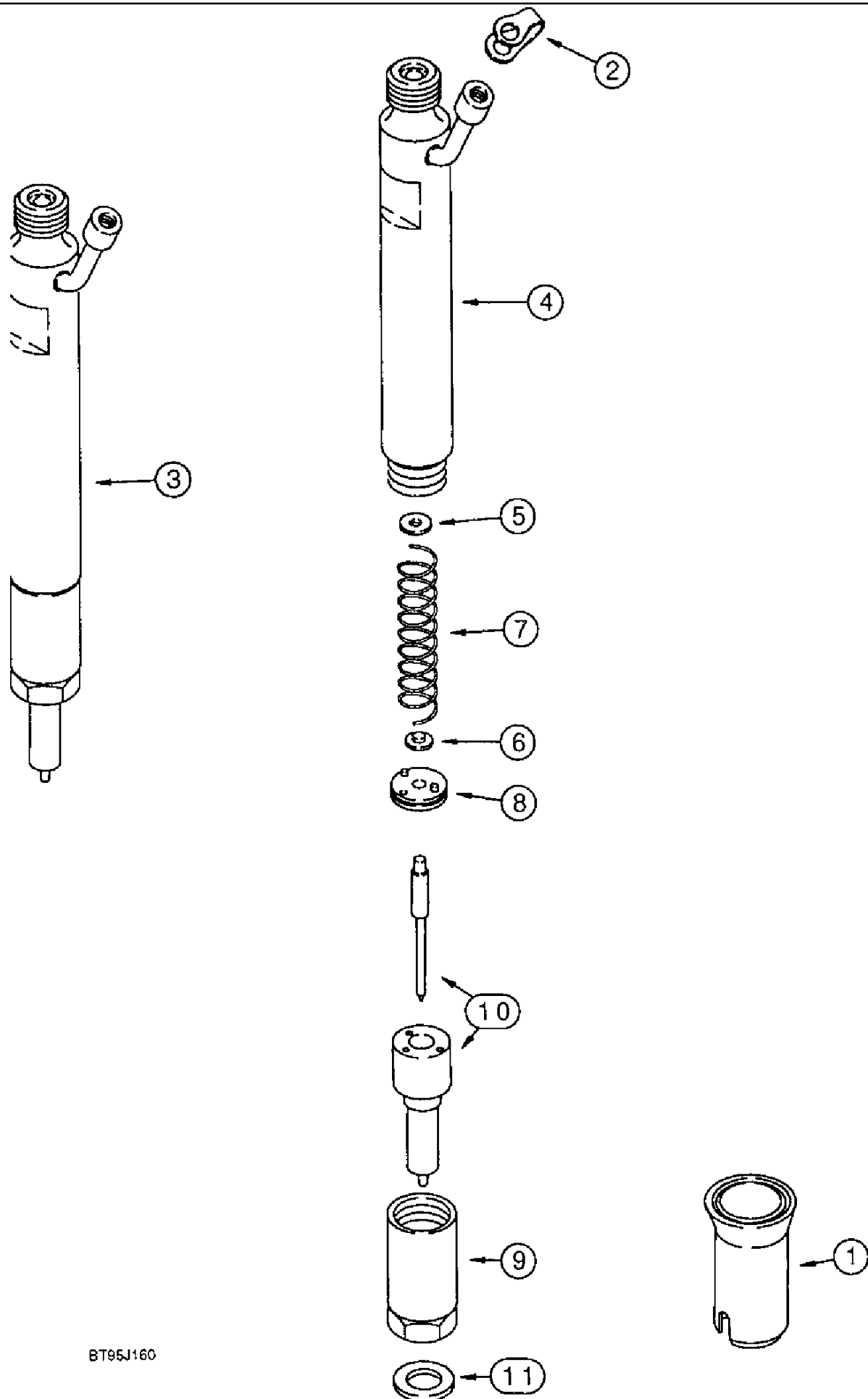
## 3-04 FUEL FILTER AND TRANSFER PUMP, 6T-830 ENGINE

сылка	Номер детали	Кол-во	Описание
1	J925955	1	ADAPTER, fuel filter, replaces J903845
2	J903640	1	FILTER, FUEL,
3	J912923	1	TUBE, fuel supply
4	J914711	1	CLIP, CLAMP P-type
5	J918191	2	RING, PACKING, WASHER sealing, special, 12 x 18 x 1 mm
	J905860	1	SCREW, BOLT ASSEMBLY, banjo hex, special, Includes: Ref. 6 and 7
6	NSS	1	NOT SERVICED SEPARATELY, BOLT connector, banjo hex, special
7	NSS	1	NOT SERVICED SEPARATELY, SCREW hex, special, vent
8	J918192	2	RING, PACKING, WASHER sealing, special, 14 x 20 x 1 mm
9	J907541	1	JACK SCREW, BOLT banjo connector
10	J917998	1	PUMP, fuel lift and transfer, see J926764 repair kit below
11	J923054	1	GASKET, mounting, fuel transfer pump, replaces J914304
12	845-8020	2	BOLT, Hex Flg, M8 x 20, 8.8, Full Thd,
13	J906790	1	TUBE, supply
14	J918191	2	RING, PACKING, WASHER sealing, special, 12 x 18 x 1 mm
15	J916361	1	BOLT, BANJO, banjo connector, 12 - 1.5 x 24 mm
16	J911447	1	CONNECTOR, banjo, fuel return
17	J912886	1	VALVE, overflow
	J920544	1	KIT, GASKET, repair, seal, lift pump, no longer available, for service order J926764 kit shown below, Includes: Ref. 18 thru 22
18	NSS	2	NOT SERVICED SEPARATELY, VALVE check, not shown
19	NSS	2	NOT SERVICED SEPARATELY, GASKET check valve, not shown
20	NSS	1	NOT SERVICED SEPARATELY, O-RING seal, not shown
21	NSS	3	NOT SERVICED SEPARATELY, O-RING seal, not shown
22	NSS	1	NOT SERVICED SEPARATELY, O-RING seal, not shown
	J926764	1	KIT, GASKET, transfer pump repair, replaces J923615, Includes: Ref. 23 thru 28
23	NSS	1	NOT SERVICED SEPARATELY, VALVE check, not shown
24	NSS	2	NOT SERVICED SEPARATELY, GASKET check valve, not shown
25	NSS	1	NOT SERVICED SEPARATELY, SEAL O-ring, not shown
26	NSS	2	NOT SERVICED SEPARATELY, SEAL O-ring, not shown
27	NSS	1	NOT SERVICED SEPARATELY, SEAL O-ring, not shown
28	NSS	1	NOT SERVICED SEPARATELY, VALVE check, not shown
29	J923054	2	GASKET, mounting, fuel transfer pump, replaces J914304



BT95J159

сылка	Номер детали	Кол-во	Описание
	J923480	1	PUMP, FUEL INJECTION, ASSEMBLY fuel, remanufactured, North America only, component parts shown on this figure do not apply to the remanufactured assembly
	JC913339	1	CORE, RETURN NUMBER use this part number to return pump core for credit when using a remanufactured assembly
1	J923480	1	PUMP, FUEL INJECTION, ASSEMBLY fuel, new, Includes: Ref. 2 thru 19
2	A77720	1	PIN, timing
3	3051337R1	1	WASHER, SEALING, M18 x 24 x 1.5, WASHER sealing, replaces 933222R1
4	J912888	1	PLUG, timing
5	A41856	1	O-RING, sealing
6	J912886	1	VALVE, overflow
7	933697R1	1	WASHER, SEALING, M10 x 13.5 x 1, WASHER valve sealing
8	J910979	1	LEVER, pump shutoff
9	J912890	1	SPRING, lever shutoff
10	691292C1	1	RETAINER, HOUSING spring return
11	A71110	1	GASKET, mounting, replaces A46322
12	680187C1	1	O-RING, sealing, special, shutoff shaft
13	1808728C1	1	LEVER, throttle control
14	1808822C1	1	THUMB SCREW, M6 x 26, BOLT throttle lever
15	829-1306	1	NUT, M6, CI 10, Replaces 1806312C1
16	895-11006	1	WASHER, M6,
17	892-11006	1	WASHER, LOCK, M6,
18	A77775	1	WASHER, lock
19	A41852	1	NUT, hex, self-locking
22	J912614	1	GEAR, fuel pump
23	J916284	1	O-RING, sealing, fuel injection pump
24	J915036	4	STUD, pump mounting
25	J902662	4	NUT, hex flange, 10 mm, fuel pump to timing gear housing
26	222-762	1	ELBOW, 90°, 7/16"-20, 45° FI x 1/8" NPT, 90 degree, 7/16-20 45 degree flare x 1/8 inch PT
27	J915172	1	FITTING, ELBOW 90 degree, 7/16-20 straight thread x 1/8 inch PT, pump lubrication
28	J906747	1	HOSE ASSY., 20 inch (508 mm) long, lubrication



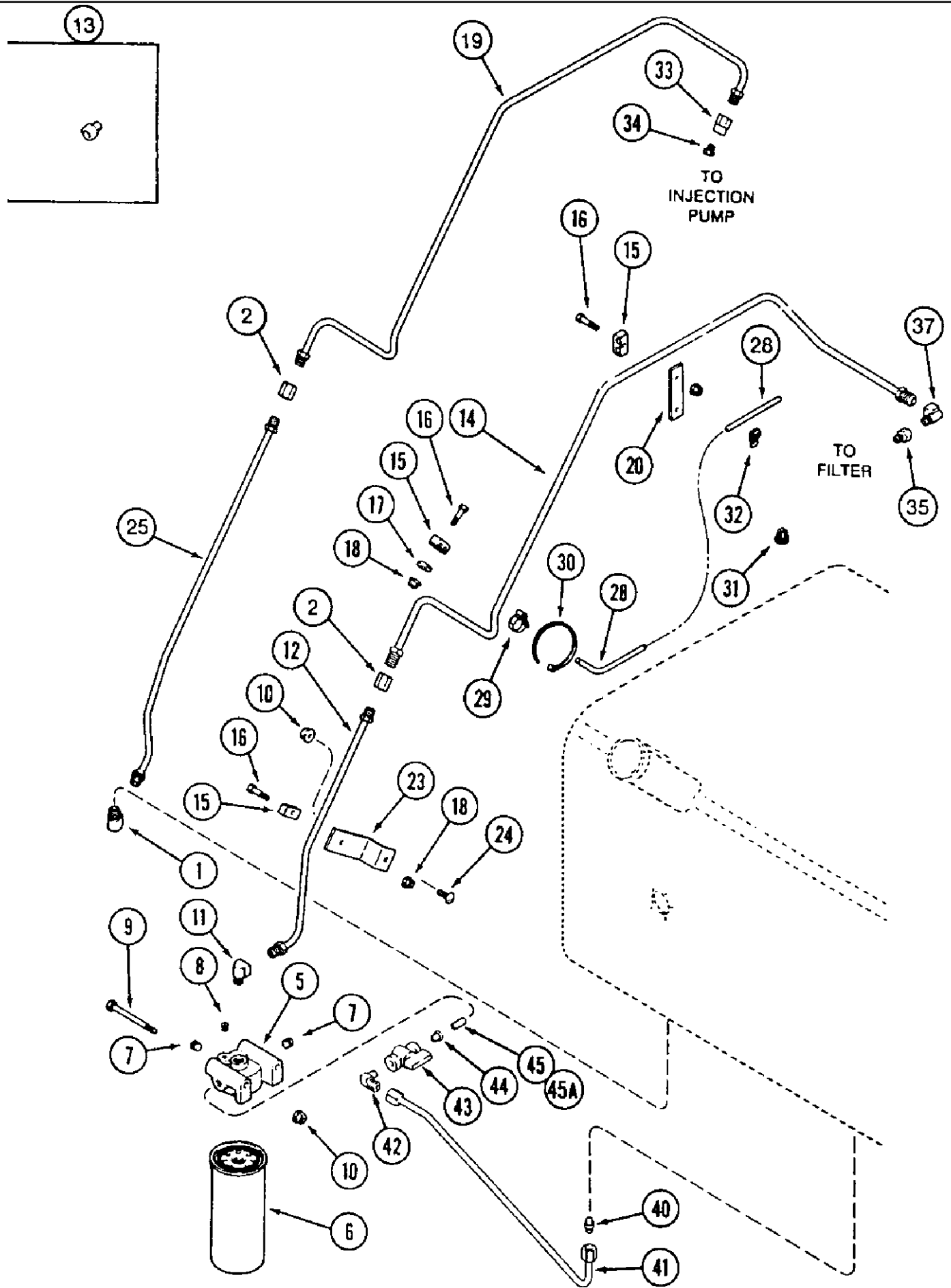
BT95J160

\*Whenever a nozzle is removed from cylinder head, J906659 gasket must be replaced before nozzle is reinstalled in cylinder head.

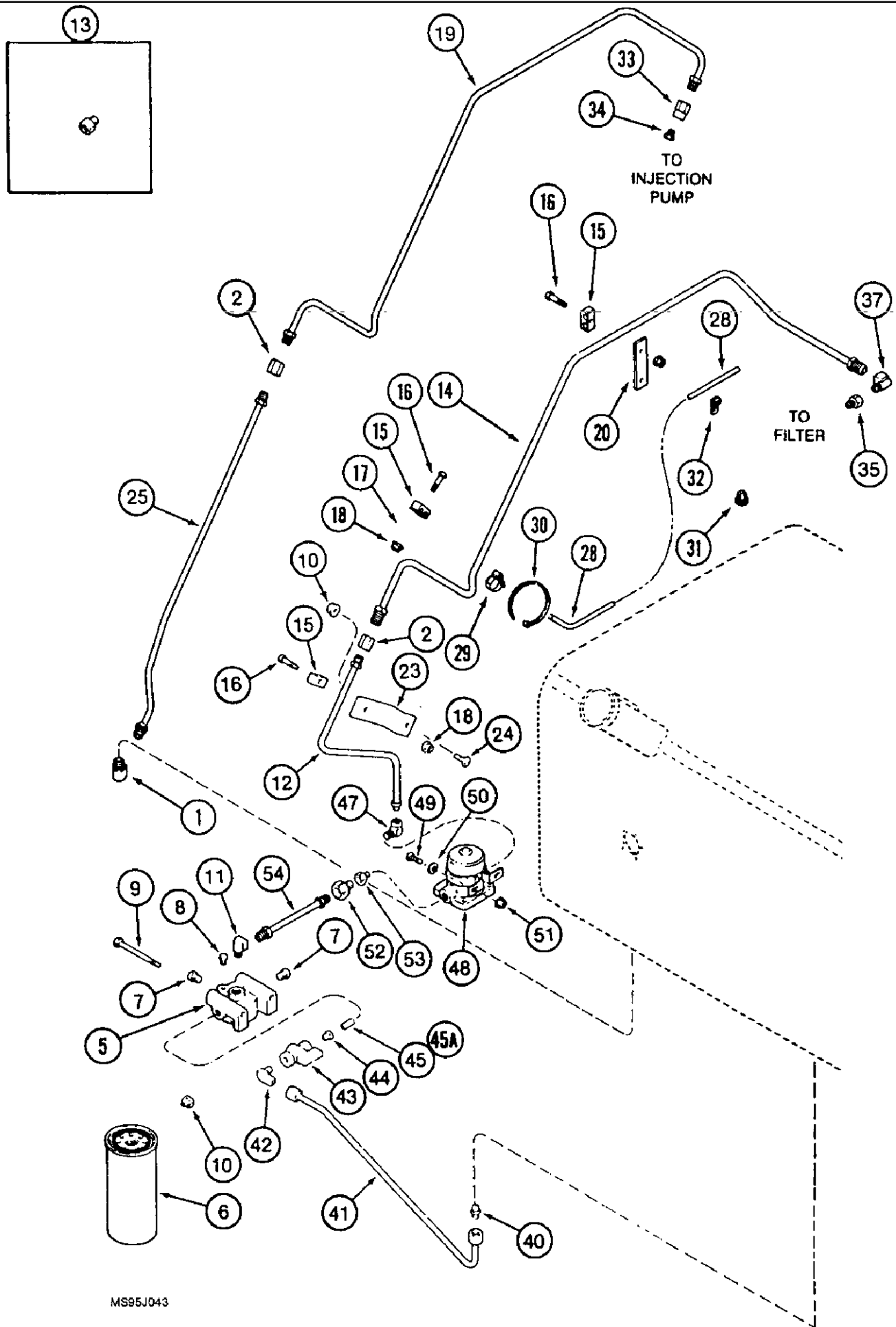


сылка	Номер детали	Кол-во	Описание
	A77622	6	NOZZLE INJECTION, KIT no longer available, order Refs. 1, 2, and 3
1	J909886	1	SEAL, SLEEVE injector
2	J903380	1	SEAL, connector
3	J908507	1	INJECTOR ASSY., fuel, Includes: Ref. 5 thru 10, Whenever a nozzle is removed from cylinder head, J906659 gasket must be replaced before nozzle is reinstalled in cylinder head.
4	NSS	1	NOT SERVICED SEPARATELY, BODY injector
	A48186	1	KIT, shim, nozzle opening pressure, starter kit, use one shim of the thickness required, no longer available, order components separately, Includes: Ref. 5
5	1806233C1	5	SHIM, nozzle, 1.00 mm
5	1806234C1	5	SHIM, nozzle, 1.04 mm
5	1806235C1	5	SHIM, nozzle, 1.08 mm
5	1806236C1	5	SHIM, nozzle, 1.10 mm
5	1806237C1	5	SHIM, nozzle, 1.14 mm
5	1806238C1	5	SHIM, nozzle, 1.18 mm
5	1806239C1	5	SHIM, nozzle, 1.20 mm
5	1806240C1	5	SHIM, nozzle, 1.24 mm
5	1806241C1	5	SHIM, nozzle, 1.28 mm
5	1806242C1	5	SHIM, nozzle, 1.30 mm
5	1806243C1	5	SHIM, nozzle, 1.34 mm
5	1806244C1	5	SHIM, nozzle, 1.38 mm
5	1806245C1	5	SHIM, nozzle, 1.40 mm
5	1806246C1	5	SHIM, nozzle, 1.44 mm
5	1806247C1	5	SHIM, nozzle, 1.48 mm
5	1806248C1	5	SHIM, nozzle, 1.50 mm
5	1806249C1	5	SHIM, nozzle, 1.54 mm
5	1806250C1	5	SHIM, nozzle, 1.58 mm
5	1806251C1	5	SHIM, nozzle, 1.60 mm
5	1806252C1	5	SHIM, nozzle, 1.64 mm
5	1806253C1	5	SHIM, nozzle, 1.68 mm
5	1806254C1	5	SHIM, nozzle, 1.70 mm
5	1806255C1	5	SHIM, nozzle, 1.74 mm
5	1806256C1	5	SHIM, nozzle, 1.78 mm
5	1806257C1	5	SHIM, nozzle, 1.80 mm
5	1806258C1	5	SHIM, nozzle, 1.84 mm
5	1806259C1	5	SHIM, nozzle, 1.88 mm
5	1806260C1	5	SHIM, nozzle, 1.90 mm
5	1806261C1	5	SHIM, nozzle, 1.94 mm
5	1806262C1	5	SHIM, nozzle, 1.98 mm
6	J905153	1	SPINDLE, SEAT nozzle pressure spring
7	J905152	1	SPRING, nozzle pressure
8	J905154	1	PLATE, STOP nozzle valve
9	NSS	1	NOT SERVICED SEPARATELY, NUT cap, nozzle tip
10	NSS	1	NOT SERVICED SEPARATELY, TIP injector nozzle
11	J906659	6	SEAL, injector nozzle, 7 mm injector tip, Whenever a nozzle is removed from cylinder head, J906659 gasket must be replaced before nozzle is reinstalled in cylinder head.

\*Whenever a nozzle is removed from cylinder head, J906659 gasket must be replaced before nozzle is reinstalled in cylinder head.



сылка	Номер детали	Кол-во	Описание
1	144535R1	1	ELBOW, 90 degree, special, 3/8 inch inverted flare, lower fuel return tube
5	612277C2	1	HEAD, FILTER, fuel filter
6	A184776	1	FILTER, FUEL,
7	221-841	2	PLUG, hex socket, 1/4 inch PT
8	444614	1	PLUG, Hex Hd, 1/8"-27, Brass, hex, 1/8 inch PT
9	424-564	2	BOLT, Hex, 5/16"-18 x 4", G2, BOLT hex, 5/16 NC x 4 inch, grade 2
10	231-5145	4	NUT, Flg, USR, 5/16"-18,
11	222-1026	2	ELBOW, 90e, 5/8"-18 Inv Fl x 1/4" NPT,
12	1315506C1	1	TUBE, fuel supply, lower
13	222-1055	2	CONNECTOR, HYD., 3/8" Inv Fl, COUPLING, 5/8-18 inch inverted flare
14	1330563C1	1	TUBE, fuel supply, upper
15	183825C1	3	CLAMP, fuel tube
17	495-81121	1	WASHER, .344" x 1 1/2" x .060", flat, 11/32 x 1-1/2 x 1/16 inch
18	231-5144	4	NUT, Flg, USR, 1/4"-20,
19	1330562C2	1	TUBE, fuel return, upper
20	1330564C1	1	PLATE, SUPPORT fuel tube
21	183821C1	1	CLAMP, tube, single, 3/8 inch O.D.
23	196517C1	1	SUPPORT, fuel tubes
23A	121525A1	1	SUPPORT, fuel tube
24	161945C1	2	SCREW, Std Serr Truss Hd, 5/16"-18 x 1", slotted truss head, 5/16 NC x 1 inch
25	183653C2	1	TUBE ASSY., fuel return, lower
28	1251794C1	1	HOSE, TUBE, 125 inch (3175 mm) long, cut from 74813C1 bulk tube, fuel vent, see this Figure
29	214-1704	1	CLAMP, HOSE, #4, 0.25/0.62 Type M Worm, Adjustable
30	533959R1	1	STRAP, CABLE, .135" x 11", tie, 10 inch, retaining
31	195803C1	1	GROMMET, 3/8 inch
32	362120R1	3	CLAMP, CLAMP P-type, retaining
36	1979437C1	1	HOSE, LARGE, 13 inch (331 mm) long, cut from 364357C1 bulk hose, fuel return, see this Figure
37	214-1704	2	CLAMP, HOSE, #4, 0.25/0.62 Type M Worm, Adjustable
40	218-444	1	CONNECTOR, HYD., 3/4"-16, 37e x 3/8"-18, NPTF, straight, 3/4-16 flare x 3/8 inch PT
41	1994884C1	1	TUBE, fuel, filter base to tank
42	218-493	1	ELBOW, 90e, 3/4"-16, 37e x 1/2"-14, NPTF, ELBOW 90 degree, 3/4-16 flare x 1/2 inch PT
43	1345205C1	1	VALVE, SHUT-OFF, fuel shut off
44	221-88	1	REDUCER, Hex, 1/2" x 1/4" NPT, REDUCER pipe, 1/2 male x 1/4 inch female
45	217-195	1	FITTING, 1/4"-18 NPTF, Brass, NIPPLE straight, 1/4 PT x 1-3/8 inch
	74813C1		UAR TUBE, bulk, 3/8 (9.5) O.D. x 600 inch (15240 mm) long
	364357C1		UAR HOSE, LARGE, bulk, 3/8 (10) ID x 600 inch (15240 mm) long
16	413-420	4	BOLT, Hex, 1/4"-20 x 1 1/4", G5,



MS95J043

## 3-11A FUEL LINES AND FILTER SYSTEM, P.I.N. JJC01006005 AND AFTER

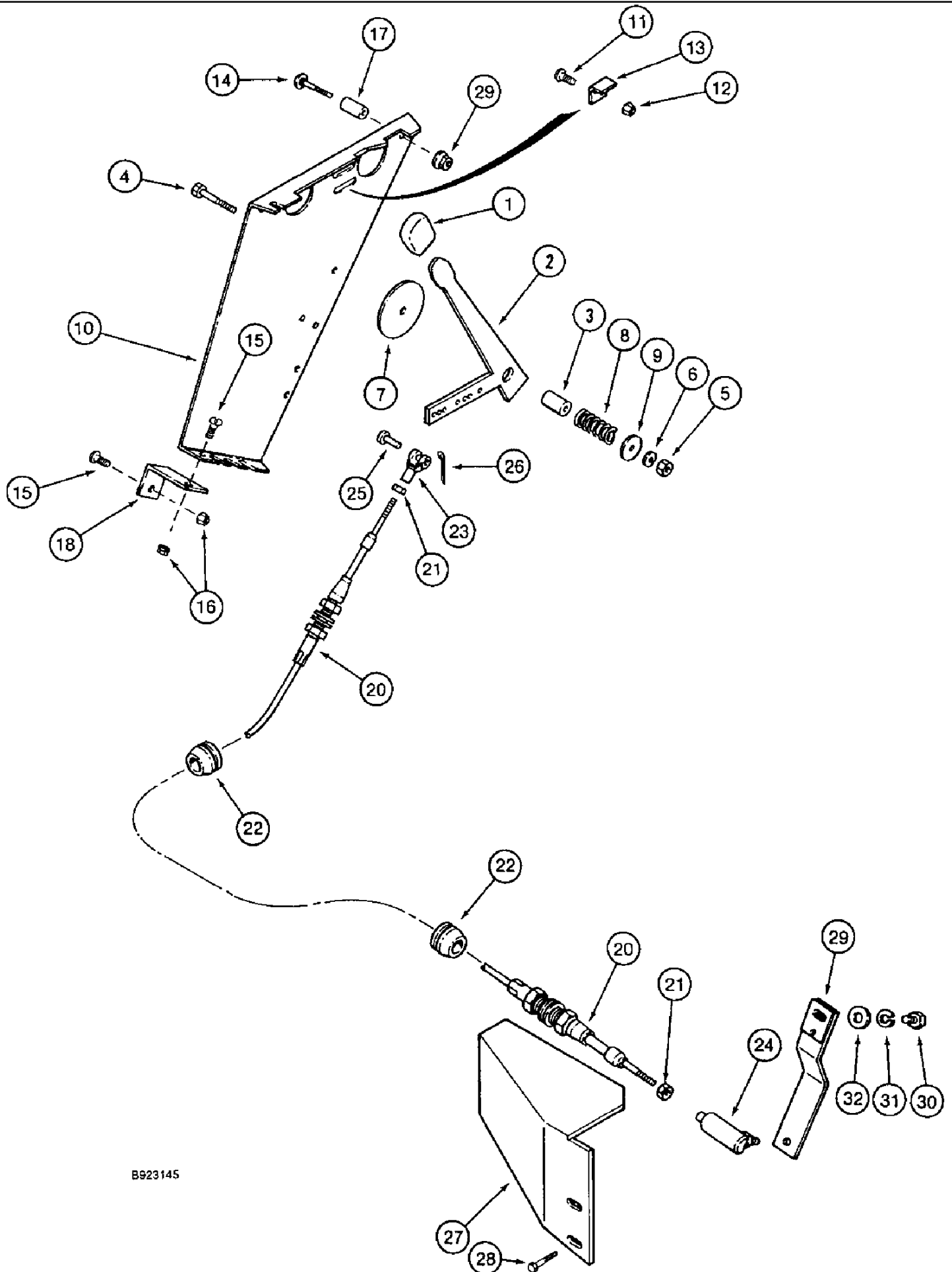
сылка	Номер детали	Кол-во	Описание
1	144535R1	1	ELBOW, 90 degree, special, 3/8 inch inverted flare, lower fuel return tube
5	612277C2	1	HEAD, FILTER, fuel filter
6	A184776	1	FILTER, FUEL,
7	221-841	2	PLUG, hex socket, 1/4 inch PT
8	444614	1	PLUG, Hex Hd, 1/8"-27, Brass, hex, 1/8 inch PT
9	424-564	2	BOLT, Hex, 5/16"-18 x 4", G2, BOLT hex, 5/16 NC x 4 inch, grade 2
10	231-5145	4	NUT, Flg, USR, 5/16"-18,
11	222-1026	2	ELBOW, 90e, 5/8"-18 Inv Fl x 1/4" NPT,
12	1977001C1	1	TUBE,
13	222-1055	2	CONNECTOR, HYD., 3/8" Inv Fl, COUPLING, 5/8-18 inch inverted flare
14	1330563C1	1	TUBE, fuel supply, upper
15	183825C1	3	CLAMP, fuel tube
17	495-81121	1	WASHER, .344" x 1 1/2" x .060", flat, 11/32 x 1-1/2 x 1/16 inch
18	231-5144	4	NUT, Flg, USR, 1/4"-20,
19	1330562C2	1	TUBE, fuel return, upper
20	1330564C1	1	PLATE, SUPPORT fuel tube
21	183821C1	1	CLAMP, tube, single, 3/8 inch, O.D.
23	196517C1	1	SUPPORT, fuel tubes
23A	121525A1	1	SUPPORT, fuel tube
24	161945C1	2	SCREW, Slt'd Serr Truss Hd, 5/16"-18 x 1", slotted truss head, 5/16 NC x 1 inch
25	183653C2	1	TUBE ASSY., fuel return, lower
28	1251794C1	1	HOSE, TUBE 125 inch (3175 mm) long, cut from 74813C1 bulk tube, fuel vent, see this Figure
29	214-1704	1	CLAMP, HOSE, #4, 0.25/0.62 Type M Worm, Adjustable
30	533959R1	1	STRAP, CABLE, .135" x 11", tie, 10 inch, retaining
31	195803C1	1	GROMMET, 3/8 inch
32	362120R1	3	CLAMP, CLAMP P-type, retaining
36	1979437C1	1	HOSE, LARGE, 13 inch (331 mm) long, cut from 364357C1 bulk hose, fuel return, see this Figure
37	214-1704	2	CLAMP, HOSE, #4, 0.25/0.62 Type M Worm, Adjustable
40	218-444	1	CONNECTOR, HYD., 3/4"-16, 37e x 3/8"-18, NPTF, straight, 3/4-16 flare x 3/8 inch PT
41	1994884C1	1	TUBE, fuel, filter base to tank
42	218-493	1	ELBOW, 90e, 3/4"-16, 37e x 1/2"-14, NPTF, ELBOW, 90 degree, 3/4-16 flare x 1/2 inch PT
43	1345205C1	1	VALVE, SHUT-OFF, fuel shut off
44	221-88	1	REDUCER, Hex, 1/2" x 1/4" NPT, REDUCER pipe, 1/2 male x 1/4 inch female
45	217-195	1	FITTING, 1/4"-18 NPTF, Brass, NIPPLE straight, 1/4 PT x 1-3/8 inch, brass, if used
45A	217-1080	1	CONNECTOR, HYD., 1/4"-18 NPTF, NIPPLE hex, 1/4 PT x 1-7/16 inch, if used
46	1977001C1	1	TUBE, fuel supply, lower
47	144535R1	1	ELBOW, 90 degree, special, 3/8 inch inverted flare
48	196503C1	1	PUMP, fuel, electric
49	151446C1	2	SCREW, Slt'd Serr Truss Hd, 5/16"-18 x 1 1/4", slotted truss head, 5/16 NC x 1-1/4 inch
50	25553R1	8	WASHER, 13/32" x 1 1/8" x .134", HDN, flat, 13/32 x 1-1/8 x 9/64 inch, hardened
51	231-5145	2	NUT, Flg, USR, 5/16"-18,
52	217-42	1	REDUCER, 3/8"-18 NPTF x 1/4"-18 Fem NPTF,
53	222-1016	1	CONNECTOR, HYD., 5/8"-18 Inv Fl x 1/4" NPT, ADAPTER straight, 5/8-18 inverted flare x 1/4 inch PT
54	1977000C1	1	TUBE, filter to pump
	74813C1		UAR TUBE, bulk, 3/8 (9.5) O.D. x 600 inch (15240 mm) long

1666 CASE IH AXIAL-FLOW COMBINE (1/93-12/94)

3-11A FUEL LINES AND FILTER SYSTEM, P.I.N. JJC01006005 AND AFTER

сылка	Номер детали	Кол-во	Описание
	364357C1		UAR HOSE, LARGE, bulk, 3/8 (10) ID x 600 inch (15240 mm) long
16	413-420	4	BOLT, Hex, 1/4"-20 x 1 1/4", G5,

3-12 THROTTLE CONTROL



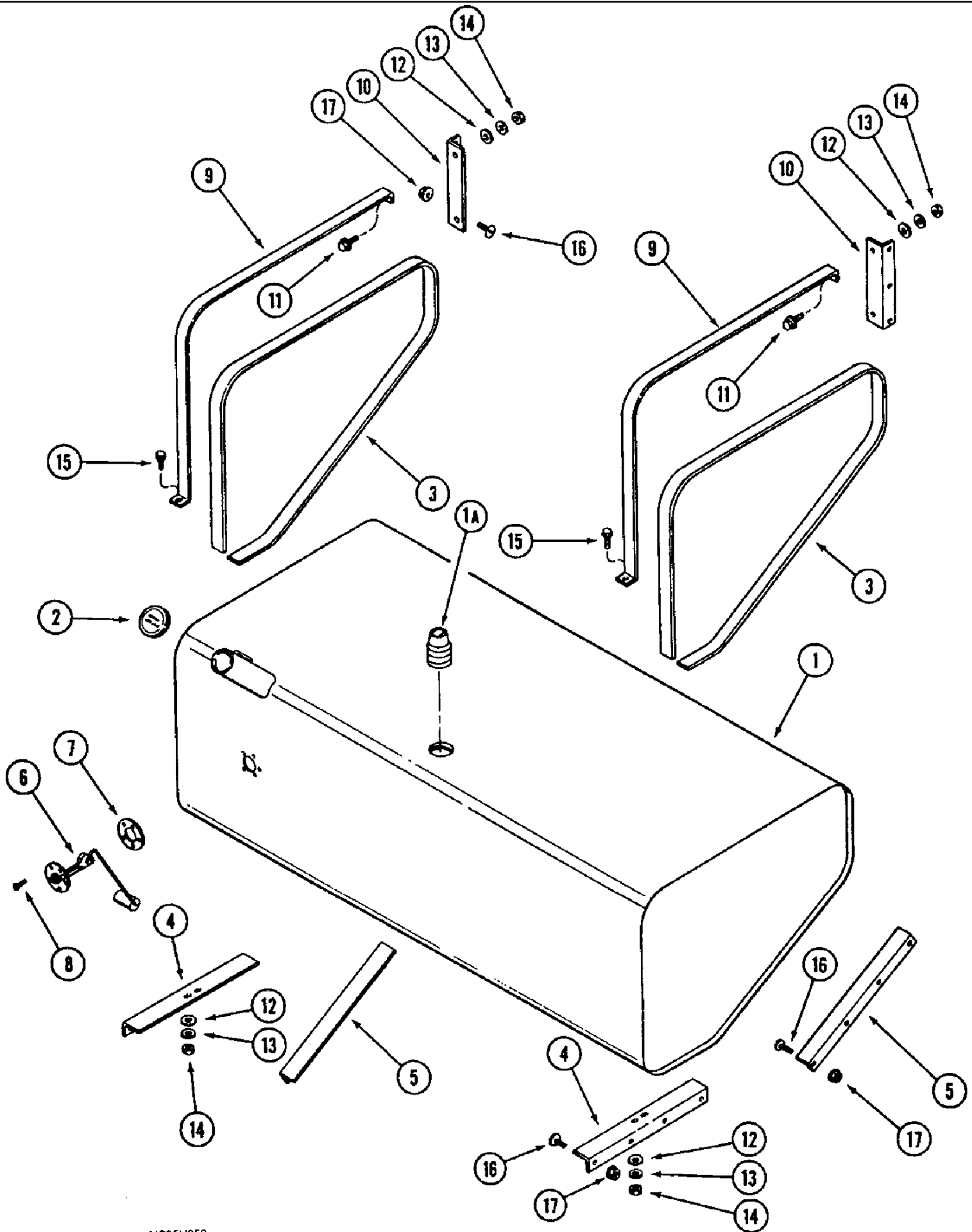
B923145

## 3-12 THROTTLE CONTROL

сылка	Номер детали	Кол-во	Описание
1	1259760C1	1	KNOB,BALL, throttle lever
2	1301183C96	1	LEVER ASSY., throttle control
3	154397C1	1	SPACER, 5/8" Tube x 1 1/4", tubular, 5/8 O.D. x 1-1/4 inch long
4	413-636	1	BOLT, Hex, 3/8"-16 x 2 1/4", G5,
5	425-106	1	NUT, 3/8"-16, G5,
6	492-11038	1	WASHER, LOCK, 3/8",
7	941133C1	1	WASHER, throttle lever
8	PO22	1	SPRING, throttle control lever
9	495-71041	1	WASHER, 3/8", flat, 13/32 x 1-1/4 x 3/32 inch
10	1977092C4	1	SUPPORT, throttle control
11	937059R1	2	SCREW, Slt'd Serr Truss Hd, 1/4"-20 x 1/2", slotted truss head, 1/4 NC x 1/2 inch
12	231-5144	2	NUT, Flg, USR, 1/4"-20,
13	1338891C4	1	ANGLE, throttle stop
14	12-632	2	BOLT, CARRIAGE, Short NK, 3/8"-16 x 2", G2,
15	477-73812	2	SCREW, Slt'd Serr Truss Hd, 3/8" x 3/4", slotted truss head, special, 3/8 NC x 3/4 inch
16	231-5146	4	NUT, Flg, USR, 3/8"-16,
17	K11064	2	SPACER, 3/8" Pipe x 1 1/4", 3/8 ID x 1-1/4 inch
18	1301242C1	1	BRACKET, throttle support
20	1329389C1	1	CABLE, throttle
21	225-14210	2	NUT, #10-32,
22	198823C1	2	GROMMET, rubber, 3/8 inch ID, throttle cable at grain tank
23	213-113	1	CLEVIS, ADJUSTABLE, #10-32, adjustable, No. 10 NF
24	1977009C4	1	BALL JOINT, No. 10, type AL, replaces 1977009C3
25	427-3071	1	PIN, CLEVIS, 3/16" x .719", clevis, 3/16 x 23/32 inch, hardened
26	432-416	1	PIN, SPLIT (COTTER), 1/16" x 1", 1/16" x 1", Replaces 432-412
27	1977034C2	1	SUPPORT, throttle cable, rear
28	854-10020	2	BOLT, Hex Flg, M10 x 20, 10.9,
29	1977046C4	1	LEVER, pump throttle
30	615-6016	2	BOLT, Hex, M6 x 16, 8.8, Full Thd, BOLT hex, full threads, 6 - 1.0 x 16 mm
31	892-11006	2	WASHER, LOCK, M6,
32	495-81006	2	WASHER, .266" x 3/4" x .060", flat, 17/64 x 3/4 x 1/16 inch



3-14 FUEL TANK AND SUPPPORTS

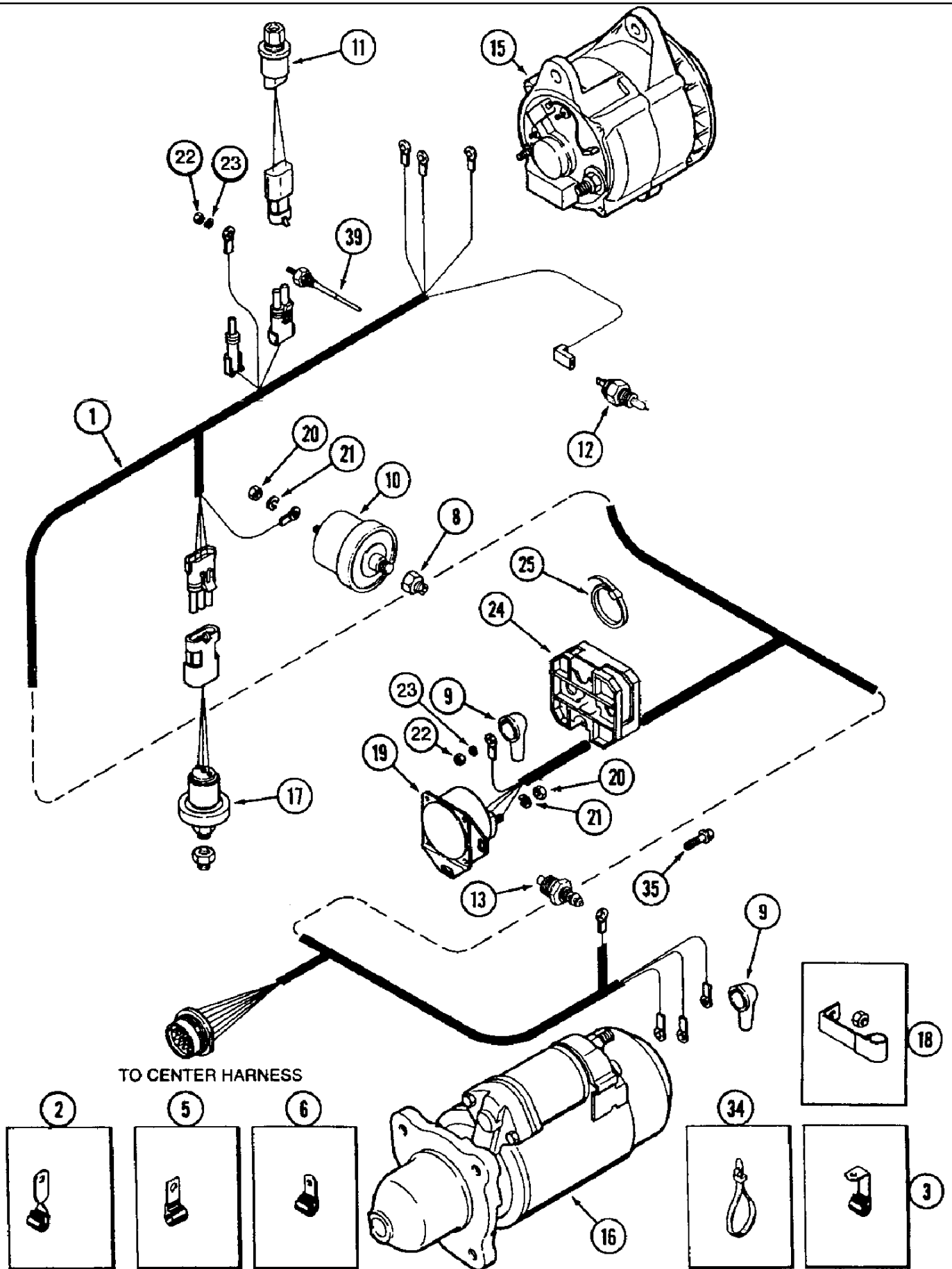


MS95H053

## 3-14 FUEL TANK AND SUPPPORTS

сылка	Номер детали	Кол-во	Описание
1	193550C95	1	TANK, FUEL, ASSEMBLY 92-1/2 gallons, without plug, replaced by 197681A2
1	197681A2	1	TANK, FUEL, ASSEMBLY fuel, with 217-87 plug, replaces 197681A1 and 193550C95
1A	217-87	1	PLUG, Hex Hd, 3/8"-18 NPTF, Brass, Includes Ref. 2
2	104781C1	1	CAP, fuel tank, non vented
3	1308798C1	2	STRIP, lining, 72 inch (1829 mm) long, cut for 990541R1 bulk strip, fuel tank support, see this Figure
4	192381C3	2	SUPPORT, lower support, fuel tank bottom
5	1302029C1	2	SUPPORT, front support, fuel tank forward
6	198024C1	1	GAUGE, FUEL, SENSOR fuel level, fuel tank sending unit
7	168515C1	1	GASKET, fuel tank sending unit
8	1310675C1	5	SCREW, LOCK, Slt'd Truss Hd, #10-24 x 3/4", w/nylon LW, Sending Unit Mounting
9	1302031C1	2	STRAP, SUPPORT fuel tank retainer
10	1302030C1	2	BRACKET, front, fuel tank
11	535789R1	2	BOLT, Hex Flg, 5/16"-18 x 1 1/4", Serr, BOLT hex flange, 5/16 NC x 1-1/4 inch
12	495-81112	4	WASHER, .344" x 3/4" x .120", flat, 11/32 x 3/4 x 7/64 inch
13	492-11031	4	WASHER, LOCK, 5/16",
14	425-105	4	NUT, 5/16"-18, G5,
15	413-516	2	BOLT, Hex, 5/16"-18 x 1", G5, Full Thd, hex, 5/16 NC x 1 inch
16	135270	23	BOLT, Slotted Tr Hd, 5/16"-18 x 3/4", slotted truss head, 5/16 NC x 3/4 inch
17	231-5145	23	NUT, Flg, USR, 5/16"-18,
	990541R1		UAR STRIP, FIXING, bulk, lining, 1-1/4 (32) wide x 600 inch (15240 mm) long

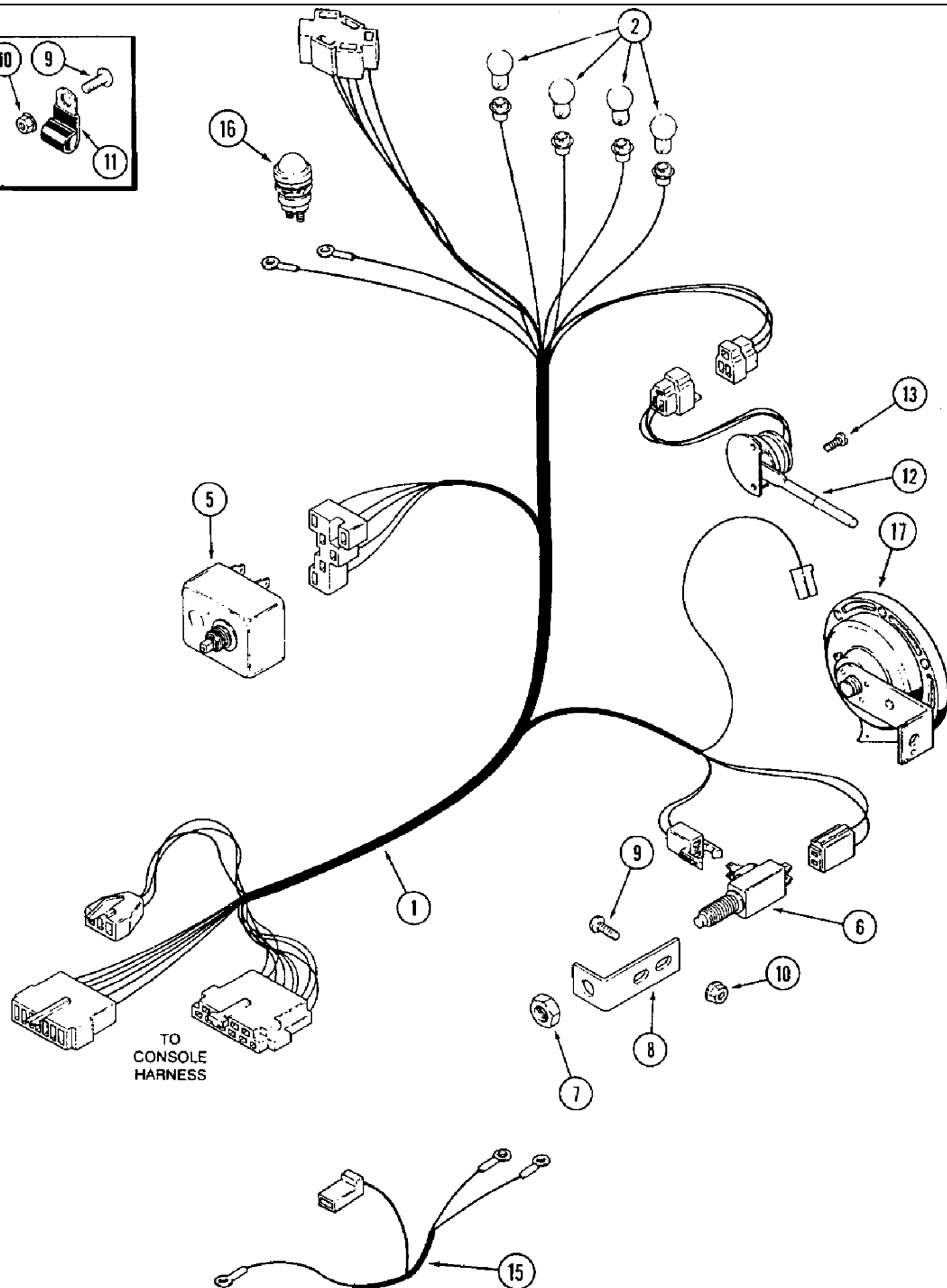
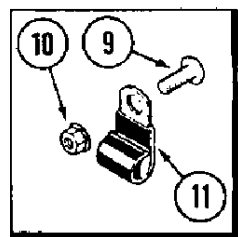
4-02 ENGINE HARNESS



## 4-02 ENGINE HARNESS

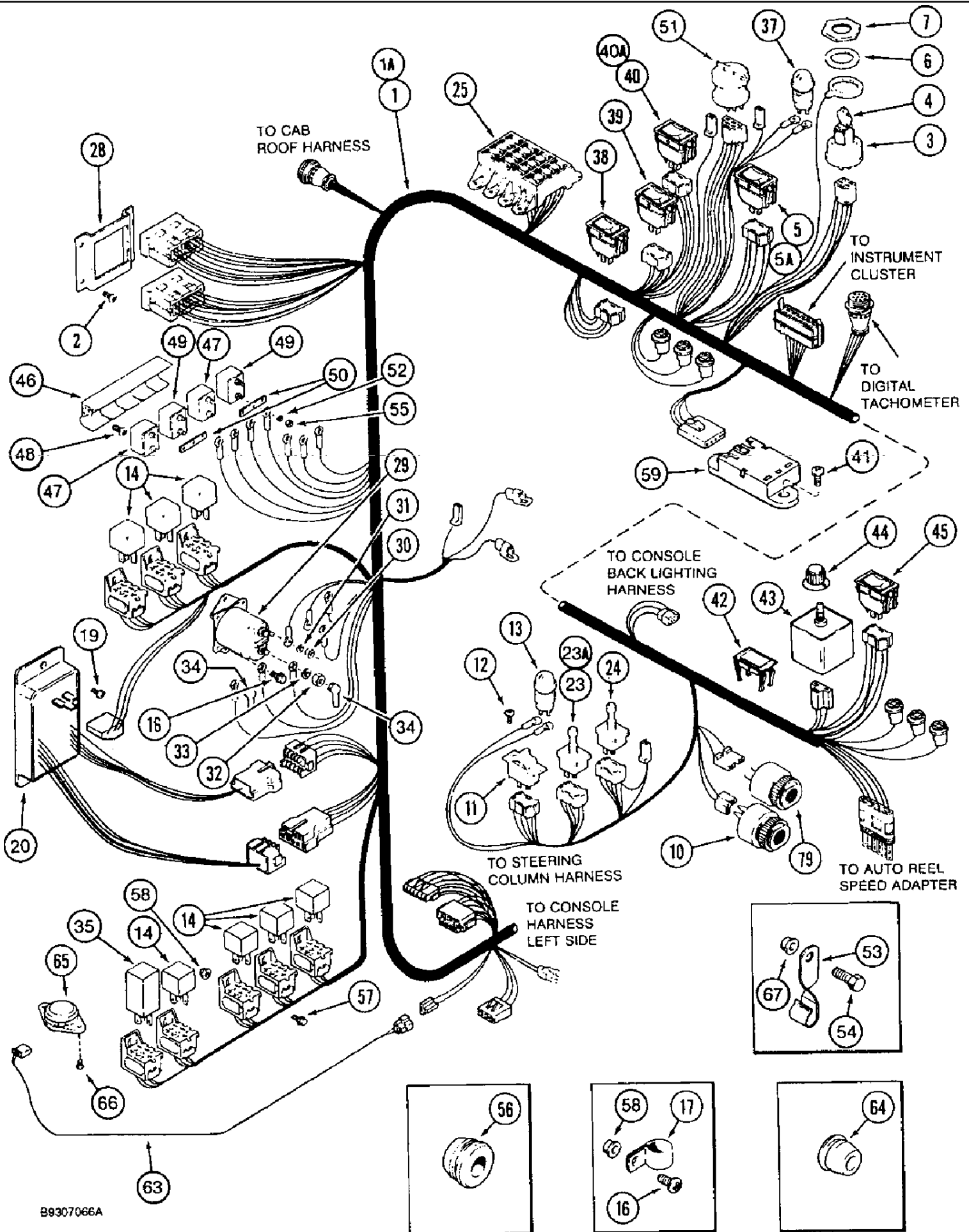
сылка	Номер детали	Кол-во	Описание
1	100827A1	1	HARNESS, engine
2	363660R1	1	CLIP, CLAMP engine block, rear
3	515-30222	2	CLAMP, 7/8", 1/2" Bolt, P-type, Engine harness
5	362123R1	3	CLIP, harness
6	370383R1	1	CLIP, CLAMP harness, long
8	221-93	1	REDUCER, Hex, 3/4" x 1/2" NPT, REDUCER pipe, 3/4 male x 1/2 inch female
9	399470R1	2	BOOT, cable
10	1341330C2	1	TRANSMITTER, SENDER oil pressure
11	92038C1	1	SENSOR, SWITCH high pressure, air conditioning
12	1345488C2	1	SWITCH, PRESSURE, coolant, high temperature
13	121756C2	1	SENSOR, coolant temperature
15	91448C2	1	ALTERNATOR, ASSEMBLY engine, 110 ampere, parts list Fig. 4-48
16	A187728	1	MOTOR, STARTER, ASSEMBLY engine, parts list Fig. 4-50
17	1964960C1	1	SWITCH, PRESSURE, pressure header lift
18	363444R1	1	CLAMP, J, 9/16" Insul, 3/8" Bolt, retaining, engine harness, front cover
	178149A1		SWITCH, SOLENOID, KIT with barrier and cover, Includes: Ref. 19 thru 25
19	183038A1	1	SWITCH, SOLENOID, SWITCH with barrier
20	425-105	2	NUT, 5/16"-18, G5,
21	492-11031	2	WASHER, LOCK, 5/16",
22	225-14210	3	NUT, #10-32,
23	492-11010	3	WASHER, LOCK, #10,
24	178148A1	1	COVER, solenoid switch
25	L18337	4	STRAP, CABLE, 9.95"-12.1" lg, tie, nylon retaining
34	702093C1	4	STRAP, CABLE, tie, nylon retaining
35	276-1458	2	SCREW, SELF TAPPING, Hex Hd, #10 x 1/2", self-tapping, hex head, No. 10 NC x 1/2 inch
39	A145513	1	SENSOR, level, coolant

4-04 STEERING COLUMN HARNESS



## 4-04 STEERING COLUMN HARNESS

сылка	Номер детали	Кол-во	Описание
1	91822C3	1	HARNESS, steering column, with dimmer switch connector
1A	1345414C1	1	HARNESS, steering column, without dimmer switch connector, not shown
2	D71346	4	LAMP, TAIL, lamp, No. 168
5	131066C91	1	SWITCH, turn signal
6	131107C1	1	SWITCH, neutral start
7	425-158	2	NUT, Jam, 1/2"-20, G5,
8	1327674C1	1	BRACKET, ANGLE mounting, switch
9	135270	4	BOLT, Slotted Tr Hd, 5/16"-18 x 3/4", slotted truss head, 5/16 NC x 3/4 inch
10	231-5145	6	NUT, Flg, USR, 5/16"-18,
11	363444R1	6	CLAMP, J, 9/16" Insul, 3/8" Bolt, retaining, harness, steering column
12	245635C1	1	SWITCH, unloader tube control
13	340-10812	3	SCREW, Cross Pan Hd, #8-32 x 3/4", machine, pan Phillips, No. 8 NC x 3/4 inch
15	1964933C1	1	HARNESS, horn
16	453453C1	1	SWITCH, push button, horn
17	166166R1	1	HORN, 12 volt, low note, alert



## 1666 CASE IH AXIAL-FLOW COMBINE (1/93-12/94)

## 4-06 CONSOLE HARNESS, RIGHT HAND CONSOLE

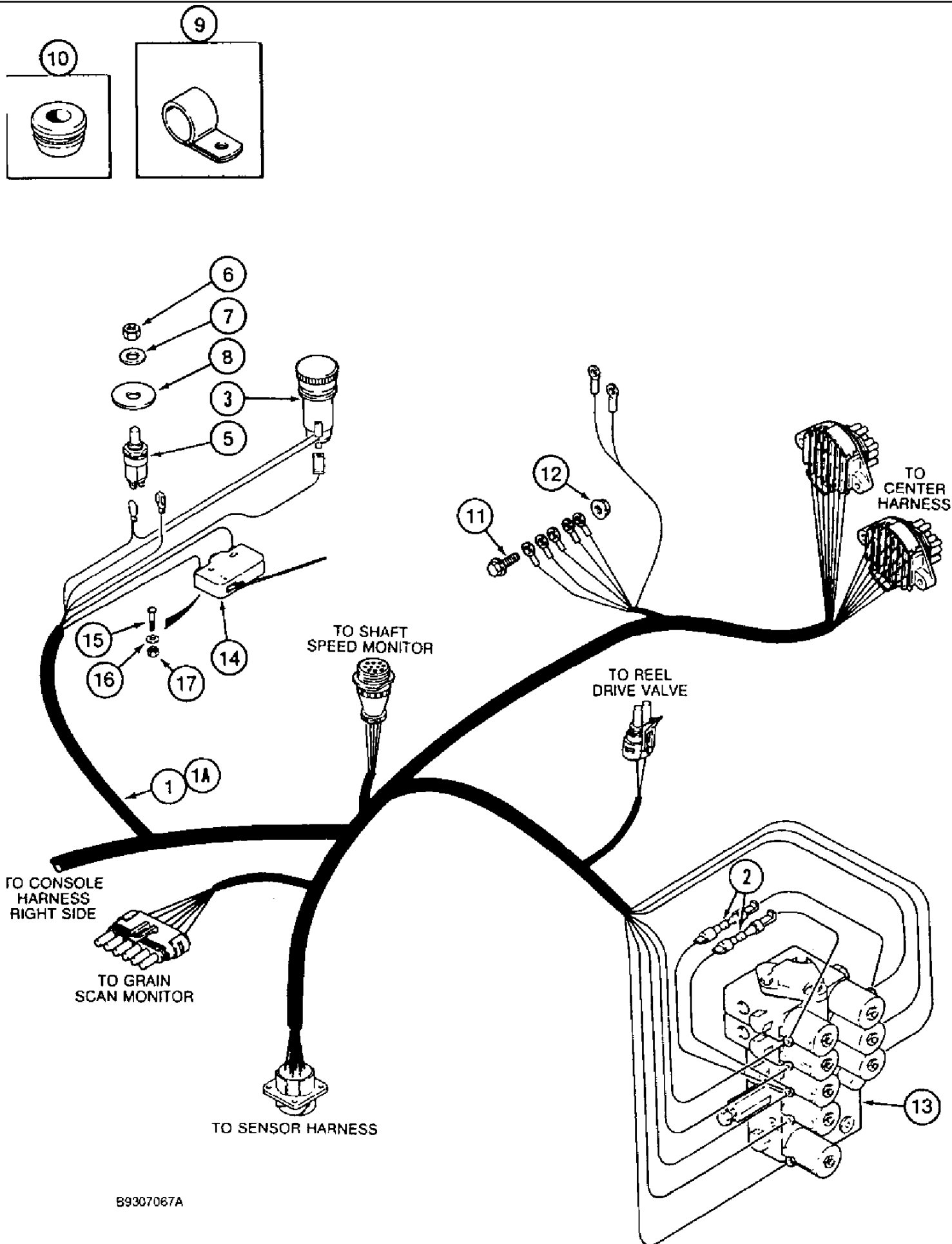
сылка	Номер детали	Кол-во	Описание
1	1994820C1	1	HARNESS, console , BSN JJC0105560
1A	114976A2	1	HARNESS, console , ASN JJC0105560
2	281-6456	10	SCREW, SELF TAPPING, Hex Wash Hd, #10 x 3/8", self tapping, hex washer head, No. 10 NF x 3/4 inch
2	261-13512	2	SCREW, SELF TAPPING, Cross Pan Hd, #10 x 3/4", self tapping, pan Phillips, No. 10 NC x 3/4 inch
3	1252476C1	1	SWITCH, ignition, key starting
4	131313C1	1	KEY, IGNITION, starting switch
5	245219C1	1	SWITCH, rotor speed , BSN JJC0105560
5A	113971A1	1	SWITCH, rotor speed , ASN JJC0105560
6	375431R1	1	WASHER, flat, special, 19/32 x 1 x 1/8 inch
7	365502R1	1	NUT, flat hex, special
10	245854C1	1	BUZZER, ALARM audible
11	1301175C1	1	SWITCH, reel lift control
12	342-10610	2	SCREW, Cross Oval Hd, #6-32 x 5/8", machine, oval Phillips, No. 6 NC x 5/8 inch
13	453453C1	1	SWITCH, push button, feeder reverser
14	1983394C2	7	RELAY, electrical, 12 volt, replaces 146461C1
16	281-1476	UAR	SCREW, SELF TAPPING, Hex Wash Hd, 1/4" x 3/8", self tapping, hex washer head, 1/4 NC x 3/8 inch
17	299277C91	2	CLIP, CLAMP console harness
19	281-6456	2	SCREW, SELF TAPPING, Hex Wash Hd, #10 x 3/8", self tapping, hex washer head, No. 10 NF x 3/4 inch
20	1994871C1	1	GOVERNOR, RECTIFIER central load dump
23	1964919C1	1	SWITCH, IGNITION, feeder clutch , BSN JJC0105560
23A	122332A1	1	SWITCH, feeder clutch , ASN JJC0105560
24	245632C1	1	SWITCH, separator clutch
25	245435C1	1	FUSE HOLDER, BLOCK for terminal, see Fig. 4-40 for correct assembly
28	NSS	1	NOT SERVICED SEPARATELY, BRACKET feedback module mounting order 1994820C1
29	107655C1	1	SWITCH, SOLENOID, SWITCH magnetic, cab power, Includes: Ref. 30 thru 33
30	225-14210	1	NUT, #10-32,
31	492-11010	1	WASHER, LOCK, #10,
32	425-105	2	NUT, 5/16"-18, G5,
33	492-11031	2	WASHER, LOCK, 5/16",
34	399470R1	2	BOOT, cable
35	1994819C1	1	RELAY, time delay
37	453453C1	1	SWITCH, push button, ether start
38	245012C1	1	SWITCH, rocker, 4 wheel drive
39	245012C1	1	SWITCH, rocker, two speed, variable propulsion
40	245219C1	1	SWITCH, fan speed , BSN JJC0105560
40A	245336C1	1	SWITCH, fan speed , ASN JJC0105560
41	260-1448	2	SCREW, SELF TAPPING, Cross Pan Hd, #8 x 1/2", self tapping, pan Phillips, No. 8-18 x 1/2 inch
42	245334C1	1	PLUG, panel switch cover
43	245653C2	1	SWITCH, reel speed manual
44	1301036C1	1	BUTTON, KNOB control, reel speed switch
45	245509C1	1	SWITCH, reel, fore and aft
46	245871C1	1	BRACKET, circuit breaker
47	245765C1	2	CIRCUIT BREAKER, 30 ampere, work lamp and blower



## 1666 CASE IH AXIAL-FLOW COMBINE (1/93-12/94)

## 4-06 CONSOLE HARNESS, RIGHT HAND CONSOLE

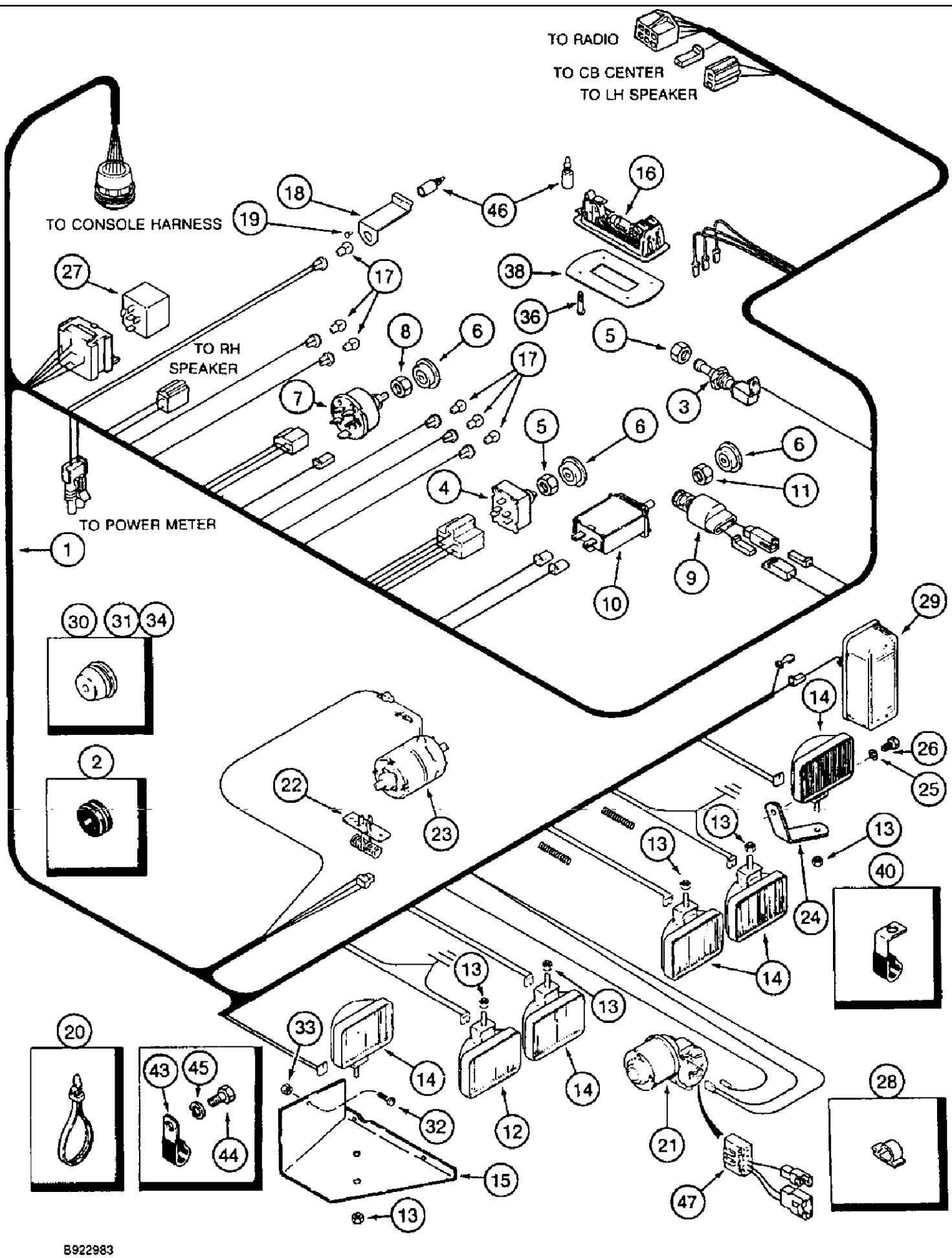
сылка	Номер детали	Кол-во	Описание
48	276-1458	2	SCREW, SELF TAPPING, Hex Hd, #10 x 1/2", self-tapping, hex head, No. 10 NC x 1/2 inch
49	245763C1	2	CIRCUIT BREAKER, 20 ampere, cab
50	245860C1	2	BAR, circuit breaker
51	107200C2	1	SWITCH, lamp, head
52	492-11010	8	WASHER, LOCK, #10,
53	363660R1	1	CLIP, CLAMP twisted, console harness
54	135270	1	BOLT, Slotted Tr Hd, 5/16"-18 x 3/4", slotted truss head, 5/16 NC x 3/4 inch
55	225-14210	8	NUT, #10-32,
56	92065C1	1	GROMMET, rubber, console harness
57	937059R1		UAR SCREW, Sltd Serr Truss Hd, 1/4"-20 x 1/2", slotted truss head, 1/4 NC x 1/2 inch
58	231-5144		UAR NUT, Flg, USR, 1/4"-20,
59	121770C2	1	TRANSMITTER, MODULE low coolant
63	1345209C1	1	HARNESS, seat switch
64	195804C1	1	GROMMET, 1/2 inch
65	1983395C1	1	SWITCH, IGNITION, seat
66	440-1258	2	SCREW, Cross Pan Hd, 1/4"-20 x 1/2", machine, pan Phillips, 1/4 NC x 1/2 inch
67	231-5145	1	NUT, Flg, USR, 5/16"-18,
79	1983568C1	1	BUZZER, ALARM grain tank level



## 4-10 CONSOLE HARNESS, LEFT HAND CONSOLE

сылка	Номер детали	Кол-во	Описание
1	1994820C1	1	HARNESS, console , BSN JJC0105560
1A	114976A2	1	HARNESS, console , ASN JJC0105560
2	113699A1	2	RECTIFIER, locking, 2-5/8 inch long, console harness
3	245576C1	1	LIGHTER, CIGARETTE, cigar, 12 volt, Includes: Ref. 4
4	378781R1	1	LIGHTER, CIGARETTE, ELEMENT pop up, not shown
5	1983341C1	1	SWITCH, parking brake warning lamp
6	68107H	1	NUT, hex, special, lamp switch
7	166817C2	1	WASHER, flat, 9.0 x 51.0 x 1.6 mm, lamp switch
8	495-51053	1	WASHER, 1/2", flat, 17/32 x 1 x 1/16 inch
8	495-51041	1	WASHER, 3/8", flat, 13/32 x 47/64 x 1/16 inch
9	362120R1	1	CLAMP, CLAMP P-type, console harness, front
10	198823C1	1	GROMMET, rubber, 3/8 inch ID, console harness
11	68530C1	2	BOLT, Hex Flg, 1/4"-20 x 3/4", Serr, BOLT hex flange, 1/4 NC x 3/4 inch
12	231-5144	2	NUT, Flg, USR, 1/4"-20,
13	REF	1	INSTRUCTION, VALVE ASSEMBLY control, parts list Figs. 8-36 - 8-39A
14	1310827C2	1	SWITCH, lockout, third gear
15	470-10620	2	SCREW, Slotted Pan Hd, #6-32 x 1 1/4", machine, pan head slotted, No. 6 NC x 1-1/4 inch
16	495-31016	2	WASHER, #6,
17	231-14106	2	NUT, LOCK, #6-32, GB, hex, self-locking, No. 6 NC

4-12 CAB ROOF HARNESS

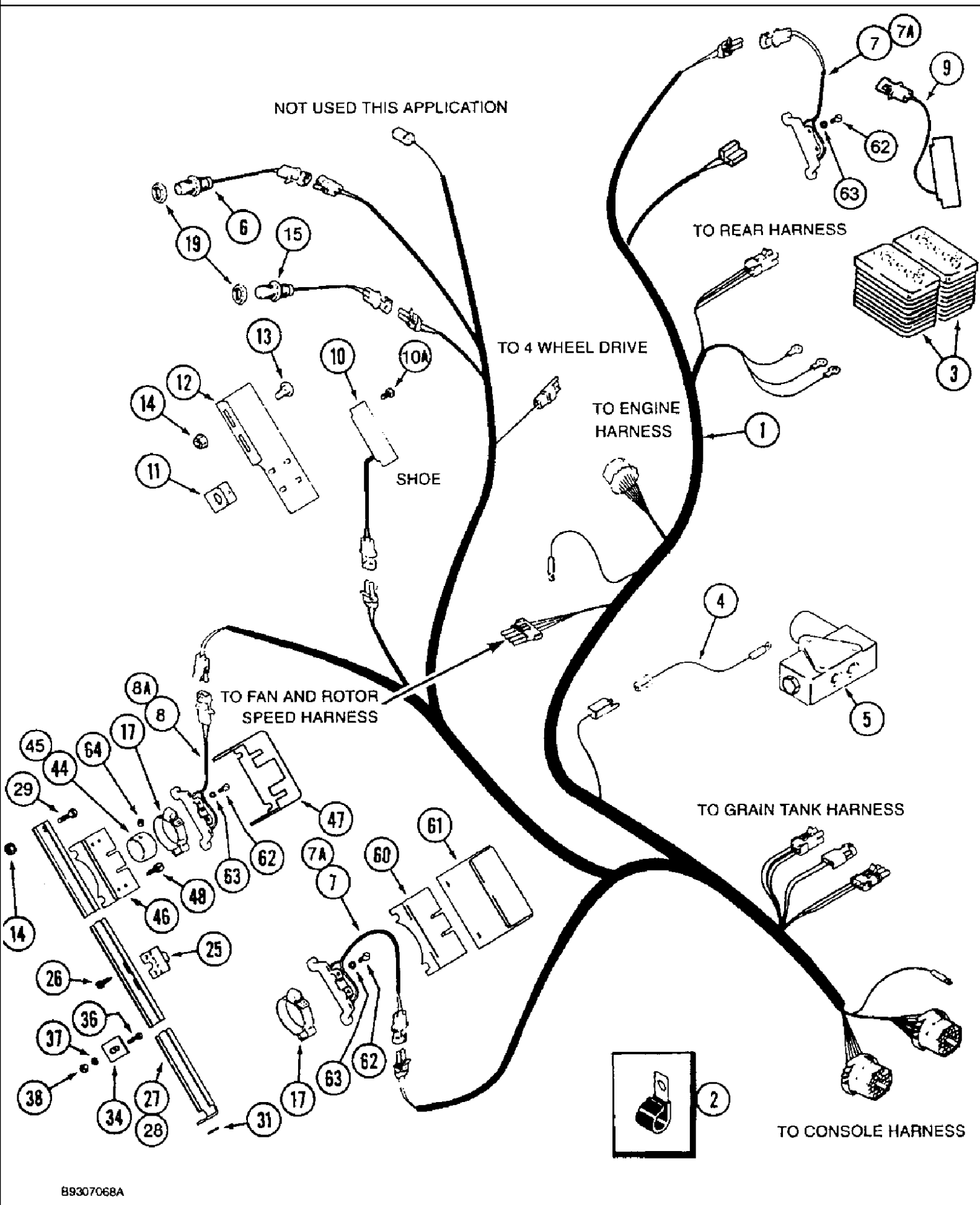


## 1666 CASE IH AXIAL-FLOW COMBINE (1/93-12/94)

## 4-12 CAB ROOF HARNESS

сылка	Номер детали	Кол-во	Описание
1	1994715C1	1	HARNESS, cab roof
2	3063674R1	1	GROMMET, blower harness
3	245175C1	1	SWITCH, door dome lamp control
4	168822C2	1	SWITCH, blower
5	109311H	1	NUT, hex, jam, 7/16 inch NF
6	111282C1	3	KNOB, KNOB control, blower, wiper and thermostat switch
7	245734C1	1	SWITCH, wiper control
8	109311H	1	NUT, hex, jam, 7/16 inch NF
9	111267C4	1	SWITCH, air conditioner, low pressure
10	109268C2	1	SWITCH, cab thermostat
11	109311H	2	NUT, hex, jam, 7/16 inch NF
12	245555C1	1	LAMP, 40 x 7 Halogen
13	325-148	6	NUT, Jam, 1/2"-13, G5, hex, jam, 1/2 inch NC
14	245897C91	5	LIGHT, WORK, LAMP Halogen, 80 x 30
15	1283449C3	1	BRACKET, lamp mounting, includes shield, right hand
16	1983391C1	1	LAMP, ASSEMBLY dome, parts list Fig. 4-30
17	A14553	4	BULB, No. 57, cab instrument panel and warning lamp
18	1281975C1	4	BRACKET, SUPPORT instrument panel bulb mounting
19	260-5448	4	SCREW, SELF TAPPING, Cross Pan Hd, #8 x 1/2", Phillips
20	111619C1	6	STRAP, tie, adjustable
21	109740A1	1	WIPER MOTOR, ASSEMBLY includes mounting bracket, parts list Fig. 4-54
22	1255876C1	1	RESISTOR, blower motor
23	142990C2	1	MOTOR, ELECTRIC, blower, 12 volt, DC, PM, see Fig. 9G-38 for mounting
24	1281876C1	1	BRACKET, outer flood lamp mounting, left hand
25	492-21050	1	WASHER, LOCK, 1/2",
26	413-816	1	BOLT, Hex, 1/2"-13 x 1", G5, Full Thd,
27	1983394C2	1	RELAY, electrical, 12 volt, air conditioner, replaces 146461C1
28	169850C2	7	CLIP, CABLE, CLIP retaining, harness plastic
29	130882C91	1	LIGHT, INTERIOR, ASSEMBLY warning, parts list Fig. 4-30
30	198824C1	1	GROMMET, rubber, 1/2 inch ID, lamp harness, right hand
31	198825C1	1	GROMMET, 5/8 inch ID, lamp harness, left hand
32	436746	2	SCREW, machine, special, No. 10 NF x 1/4 inch
33	225-13110	1	NUT, #10-24,
34	198828C1	1	GROMMET, deck harness, right hand
36	260-53424	4	SCREW, SELF TAPPING, Cross Pan Hd, #8 x 1 1/2", self-tapping, pan Phillips, No. 8-18 x 1-1/2 inch, dome lamp plate
38	1979628C1	1	PLATE, LARGE, dome lamp
40	370383R1	4	CLIP, CLAMP warning lamp
43	371036R1	1	CLIP, CLAMP retaining, rubber covered
44	413-58	1	BOLT, Hex, 5/16"-18 x 1/2", G5, Full Thd, hex, 5/16 NC x 1/2 inch
45	492-11031	1	WASHER, LOCK, 5/16",
46	117995C1	UAR PACKAGE,	KIT fastener, includes 5 fasteners
47	115400A1	1	HARNESS, ADAPTER cab roof harness to wiper motor

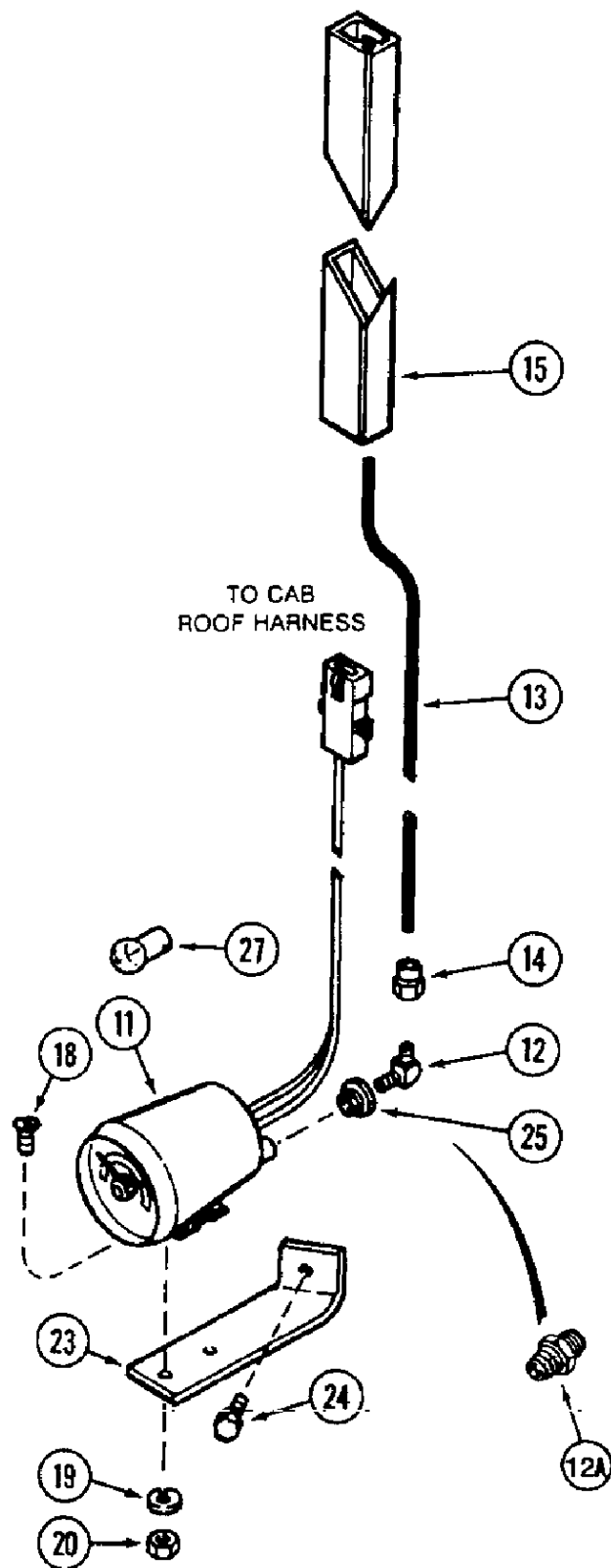
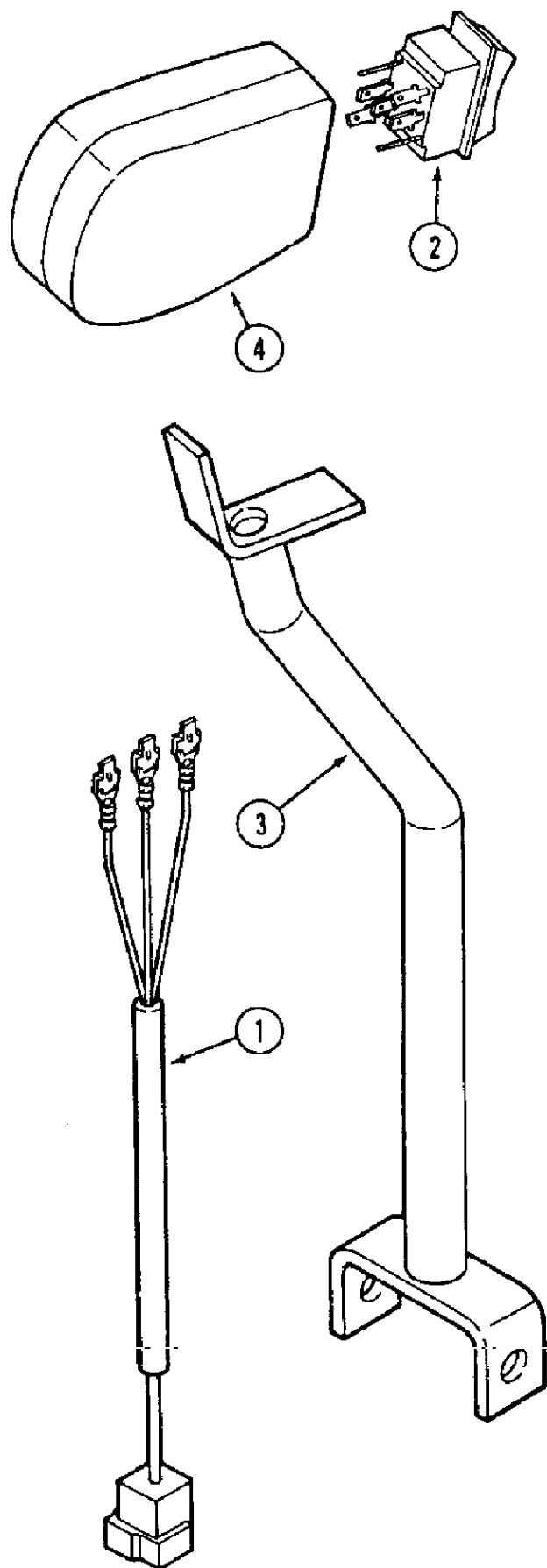
4-14 CENTER HARNESS



## 1666 CASE IH AXIAL-FLOW COMBINE (1/93-12/94)

## 4-14 CENTER HARNESS

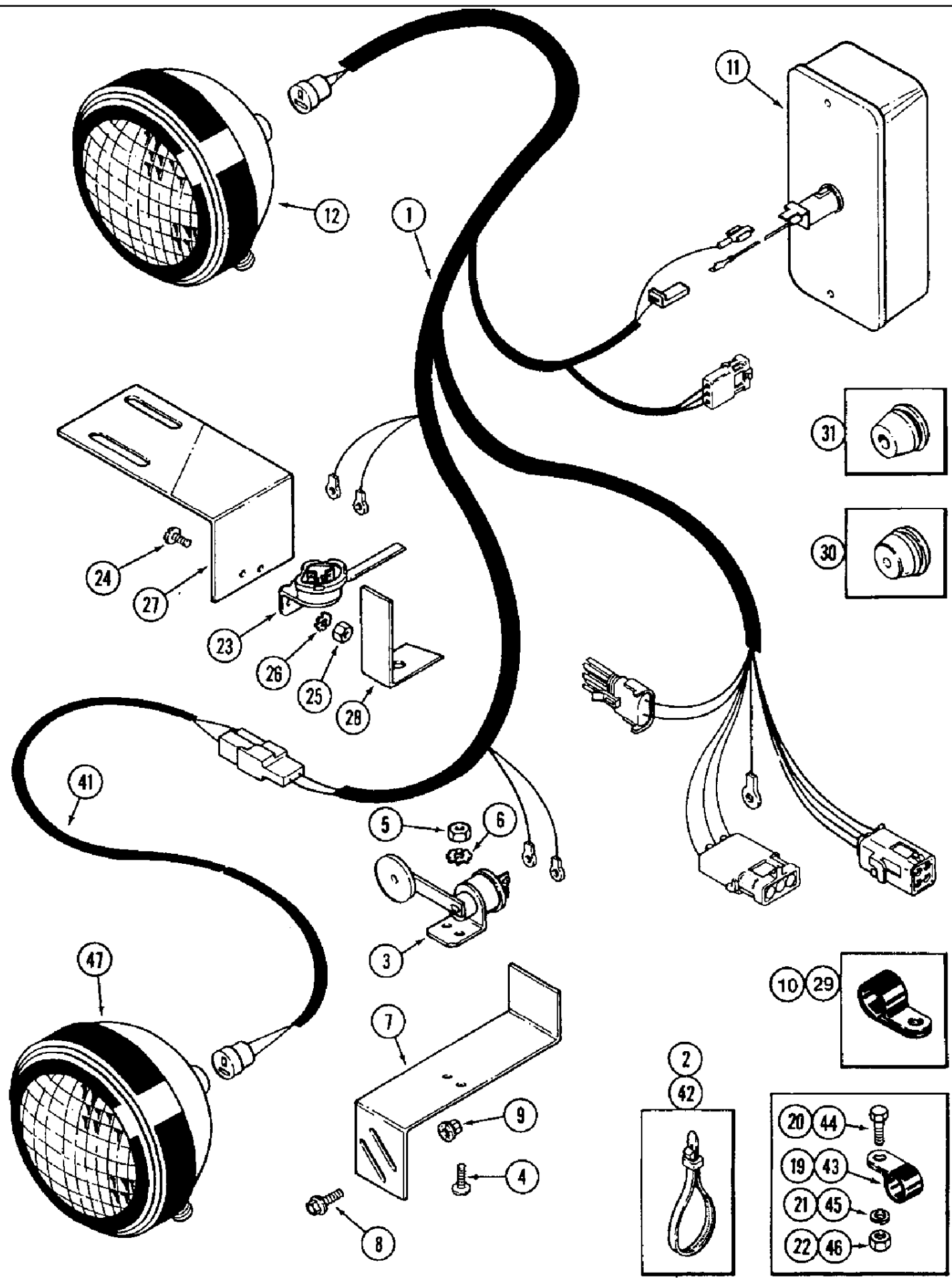
сылка	Номер детали	Кол-во	Описание
1	1994834C2	1	HARNESS, center, combine
2	299269C91	2	CLAMP, retaining, center harness
2	515-24317	6	CLAMP, 1 1/4", Insul, 7/16" Bolt, P-type, 1-1/4 inch ID, insulated retaining
2	363444R1	6	CLAMP, J, 9/16" Insul, 3/8" Bolt, retaining, harness
2	362666R1	6	CLIP, CLAMP retaining, harness
3	REF	1	INSTRUCTION, BATTERY 12 volt
4	187736C1	1	CABLE, separator clutch valve, if used
5	REF	1	INSTRUCTION, VALVE ASSEMBLY separator clutch, parts list Fig. 8-68
6	245193C2	1	SENSOR, transducer, straw spreader
7	245365C1	2	TRANSMITTER, SENSOR monitor control, rotary air screen and beater , BSN JJC0105064
7A	1345485C1	2	TRANSMITTER, SENSOR rotary air screen and beater , ASN JJC0105064
8	245365C1	1	TRANSMITTER, SENSOR monitor control, tailings auger , BSN JJC0105064
8A	1345480C1	1	TRANSMITTER, SENSOR monitor control, tailings auger , ASN JJC0105064
9	245410C1	1	TRANSMITTER, SENSOR monitor control, straw chopper
10	245364C1	1	SWITCH, SENSOR monitor control, shoe
10A	840-1410	2	SCREW, Cross Pan Hd, M4 x 10,
11	187996C1	1	MAGNET, shoe sensor, transmitter
12	187998C2	1	ANGLE, SUPPORT shoe sensor, transmitter
13	434-58	2	BOLT, CARRIAGE, Short NK, 5/16"-18 x 1/2", G5, Full Thd, BOLT carriage, 5/16 NC x 1/2 inch
14	231-5145		UAR NUT, Flg, USR, 5/16"-18,
15	1252494C2	1	TRANSMITTER, SENSOR engine RPM, if used
17	178800C1	2	MAGNET, sensor, tailings auger and beater, if used
19	425-1512	2	NUT, Jam, 3/4"-10, G5, hex, jam, 3/4 inch NF
25	196987C1	1	MAGNET, sensor, rotary air screen, if used
26	263-5448	2	SCREW, SELF TAPPING, Slotted Pan Hd, #8 x 1/2", self-tapping, pan slotted, No. 8-18 x 1/2 inch
27	1329865C1	1	CHANNEL, sensor mounting, rotary air screen , BSN JJC0105064
28	116892A1	1	CHANNEL, sensor mounting, rotary air screen , ASN JJC0105064
29	477-73112	3	BOLT, Slotted Tr Hd, 5/16"-18 x 3/4", BOLT serrated, slotted truss head, 5/16 NC x 3/4 inch
31	495-11034	1	WASHER, 5/16", SAE, flat, 11/32 x 11/16 x 1/16 inch, if used
34	1301560C1	1	SUPPORT, BRACKET mounting, rotary air screen adjustment, if used
36	413-512	1	BOLT, Hex, 5/16"-18 x 3/4", G5, Full Thd, hex, 5/16 NC x 3/4 inch, if used
37	492-11031	1	WASHER, LOCK, 5/16", If used
38	425-105	1	NUT, 5/16"-18, G5, If Used
44	178801C1	1	COLLAR, locking, bearing, tailing elevator , BSN JJC0105064
45	455102R21	1	COLLAR, locking, bearing, includes set screw, tailing elevator shaft , ASN JJC0105064
46	187615C3	1	SUPPORT, BRACKET tailings sensor, if used
47	181208C3	1	SUPPORT, COVER sensor, tailings, if used
48	280-1478	3	SCREW, SELF TAPPING, Hex Wash Hd, 1/4" x 1/2", self tapping, hex washer head, 1/4-14 x 1/2 inch
60	187629C1	1	SUPPORT, BRACKET sensor, beater shaft, if used
61	187630C1	1	SUPPORT, COVER sensor, beater shaft, if used
62	470-1086	4	SCREW, Slotted Pan Hd, #8-32 x 3/8", machine, pan head slotted, No. 8 NC x 3/8 inch
63	492-11008	4	WASHER, LOCK, #8,
64	280-1478	1	SCREW, SELF TAPPING, Hex Wash Hd, 1/4" x 1/2", self tapping, hex washer head, 1/4-14 x 1/2 inch, if used





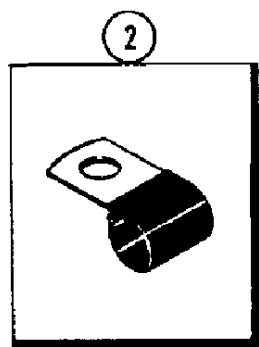
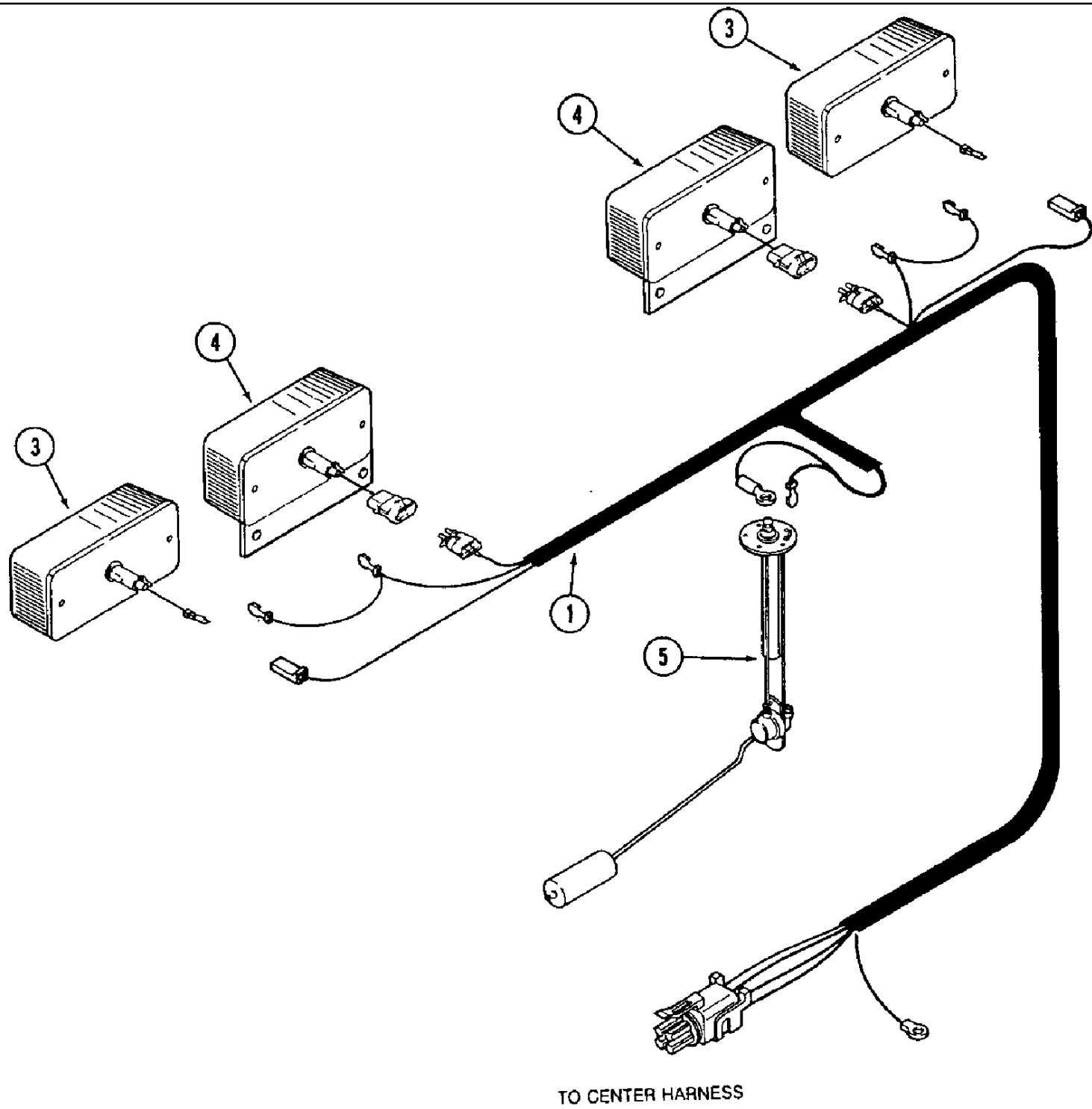
## 4-16 HEADER LIFT HANDLE HARNESS, POWER BOOST MONITOR

сылка	Номер детали	Кол-во	Описание
1	245245C2	1	HARNESS, header lift handle
2	91926C1	1	SWITCH, header lift control
3	REF	1	INSTRUCTION, LEVER propulsion control, see Fig. 6-14 for mounting
4	REF	1	INSTRUCTION, HANDLE propulsion control, see Fig. 6-14 for mounting
11	1977143C3	1	GAUGE ASSY., MONITOR power boost, 15 PSI
12	222-5115	1	ELBOW, 90°, 5/16"-24 x 1/8" NPTF, 90 degree, compression, 1/8 tube O.D. x 1/8 inch PT, if used, power boost monitor
12A	222-5104	1	FITTING, 5/16"-24 x 1/8" NPT, ADAPTER compression, 1/8 tube O.D. x 1/8 inch PT, if used, power boost monitor
13	1977140C1	1	TUBE, 204 inch (5182 mm) long, cut from 1954063C1 bulk tube, engine to monitor, see this Figure, power boost monitor
14	1977102C1	1	FITTING, CONNECTOR tube retaining, power boost monitor
15	1977142C1	1	CONDUIT, harness and tubing, power boost monitor
18	368-10810	2	SCREW, Slotted Oval Hd, #8-32 x 5/8", machine, oval head slotted, No. 8 NC x 5/8 inch, power boost monitor
19	392-11008	2	WASHER, LOCK, #8, #8, power boost monitor
20	225-13108	2	NUT, #8-32, Power boost monitor
23	1979103C2	1	ANGLE, BRACKET monitor support, power boost monitor
24	313-58	1	BOLT, Hex, 5/16"-18 x 3/8", G5, Full Thd, BOLT hex, 5/16 NC x 1/2 inch, power boost monitor
25	1989678C1	1	FITTING, REDUCER, 7/8 PT x 1/8 inch female PT, replaces 221-87, power boost monitor
26	1979215C1	1	TAPE, ADHESIVE, adhesive, not shown, power boost monitor
27	28791R1	1	BULB, LAMP, No. 161, monitor, power boost monitor
28	1954063C1		UAR TUBE, bulk, nylon, 1/16 (2) x 1/8 (3) x 1200 inch (30480 mm) long, power boost monitor



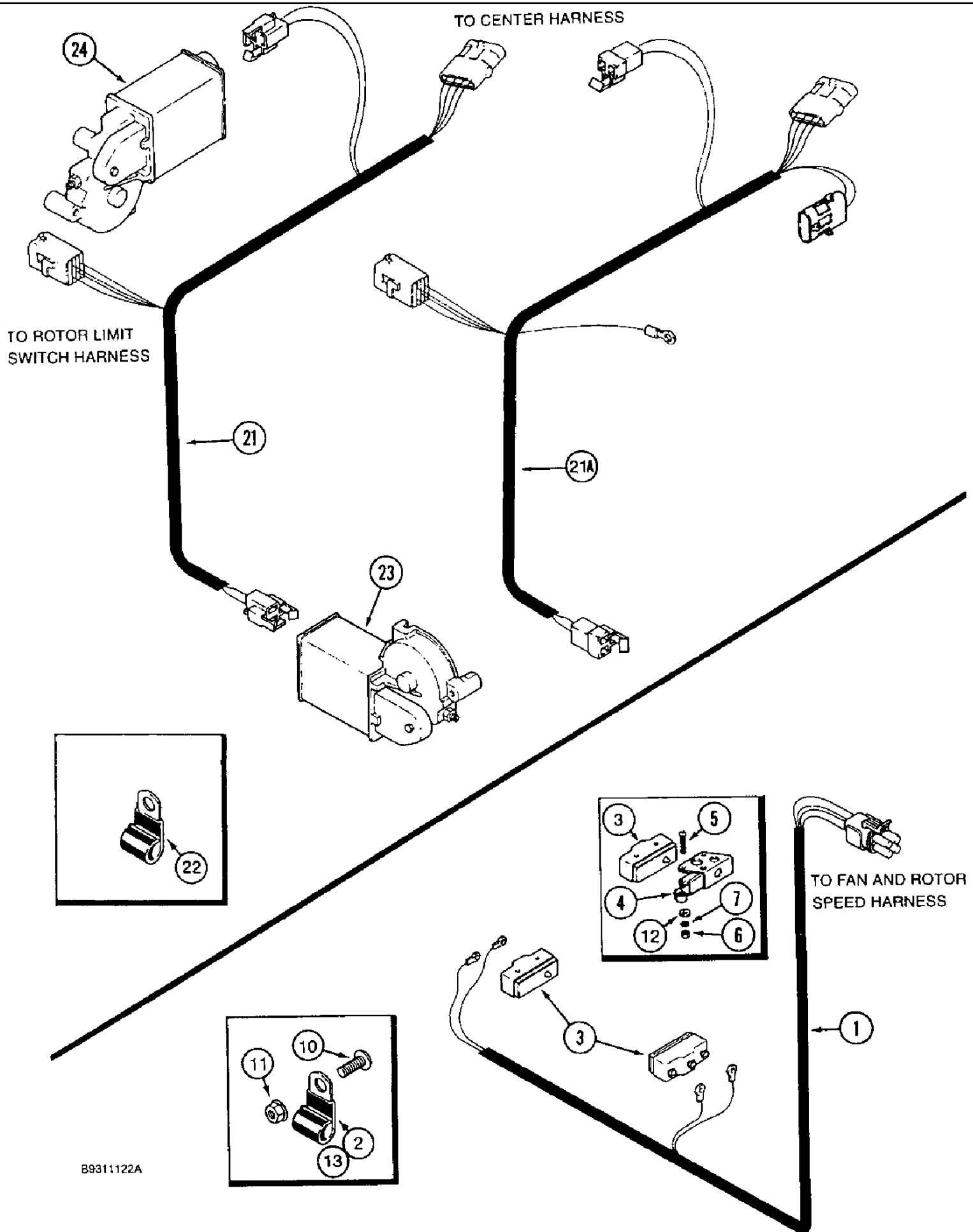
## 4-18 GRAIN TANK HARNESS, UNLOADER LAMP HARNESS

сылка	Номер детали	Кол-во	Описание
1	245243C3	1	HARNESS, grain tank
2	702093C1		UAR STRAP, CABLE, tie, cable retaining, grain tank harness
3	91436C4	1	SWITCH, unloader in, grain tank harness
4	440-11012	2	SCREW, Cross Pan Hd, #10-24 x 3/4", machine, pan Phillips, No. 10 NC x 3/4 inch, grain tank harness
5	225-14110	2	NUT, #10-24, Grain tank harness
6	493-81001	2	WASHER, LOCK, Ext-Int Tooth, #10, internal-external tooth lock, 3/16 inch, grain tank harness
7	1338022C1	1	SUPPORT, BRACKET unloader in switch, grain tank harness
8	68530C1	2	BOLT, Hex Flg, 1/4"-20 x 3/4", Serr, BOLT hex flange, 1/4 NC x 3/4 inch, grain tank harness
9	231-5144	2	NUT, Flg, USR, 1/4"-20, Grain tank harness
10	370383R1	6	CLIP, CLAMP harness, grain tank harness
11	REF	1	INSTRUCTION, LAMP ASSEMBLY warning, right hand front, parts list Fig. 4-30, grain tank harness
12	REF	1	INSTRUCTION, LAMP ASSEMBLY grain tank, parts list Fig. 4-26, grain tank harness
19	362123R1	7	CLIP, harness, grain tank
20	413-512	14	BOLT, Hex, 5/16"-18 x 3/4", G5, Full Thd, hex, 5/16 NC x 3/4 inch, grain tank harness
21	492-11031	14	WASHER, LOCK, 5/16", Grain tank harness
22	425-105	14	NUT, 5/16"-18, G5, Grain tank harness
23	537641R2	1	SWITCH, limit, unloader out, grain tank harness
24	490-1108	2	SCREW, Cross Pan Hd, #10-32 x 1/2", machine, pan Phillips, No. 10 NF x 1/2 inch, grain tank harness
25	225-13210	2	NUT, #10-32, Grain tank harness
27	1338003C1	1	BRACKET, SUPPORT unloader out switch, grain tank harness
28	1338004C1	1	BRACKET, unloader out switch, grain tank harness
29	384557R1	1	CLIP, CLAMP P-type, harness, grain tank
30	198823C1	1	GROMMET, rubber, 3/8 inch ID, grain bin, grain tank harness
31	195803C1	2	GROMMET, 3/8 inch, grain tank harness, upper
41	91828C1	1	HARNESS, unloader lamp
42	702093C1		UAR STRAP, CABLE, tie, cable retaining, unloader lamp harness
43	299277C91	2	CLIP, CLAMP harness, unloader lamp harness
44	413-512	2	BOLT, Hex, 5/16"-18 x 3/4", G5, Full Thd, hex, 5/16 NC x 3/4 inch, unloader lamp harness
45	492-11031	2	WASHER, LOCK, 5/16", Unloader lamp harness
46	425-105	2	NUT, 5/16"-18, G5, Unloader lamp harness
47	REF	1	INSTRUCTION, LAMP ASSEMBLY unloader, parts list Fig. 4-26, unloader lamp harness
26	493-81000	2	WASHER, LOCK, Ext-Int Tooth, #10, internal-external tooth, 3/16 inch, grain tank harness

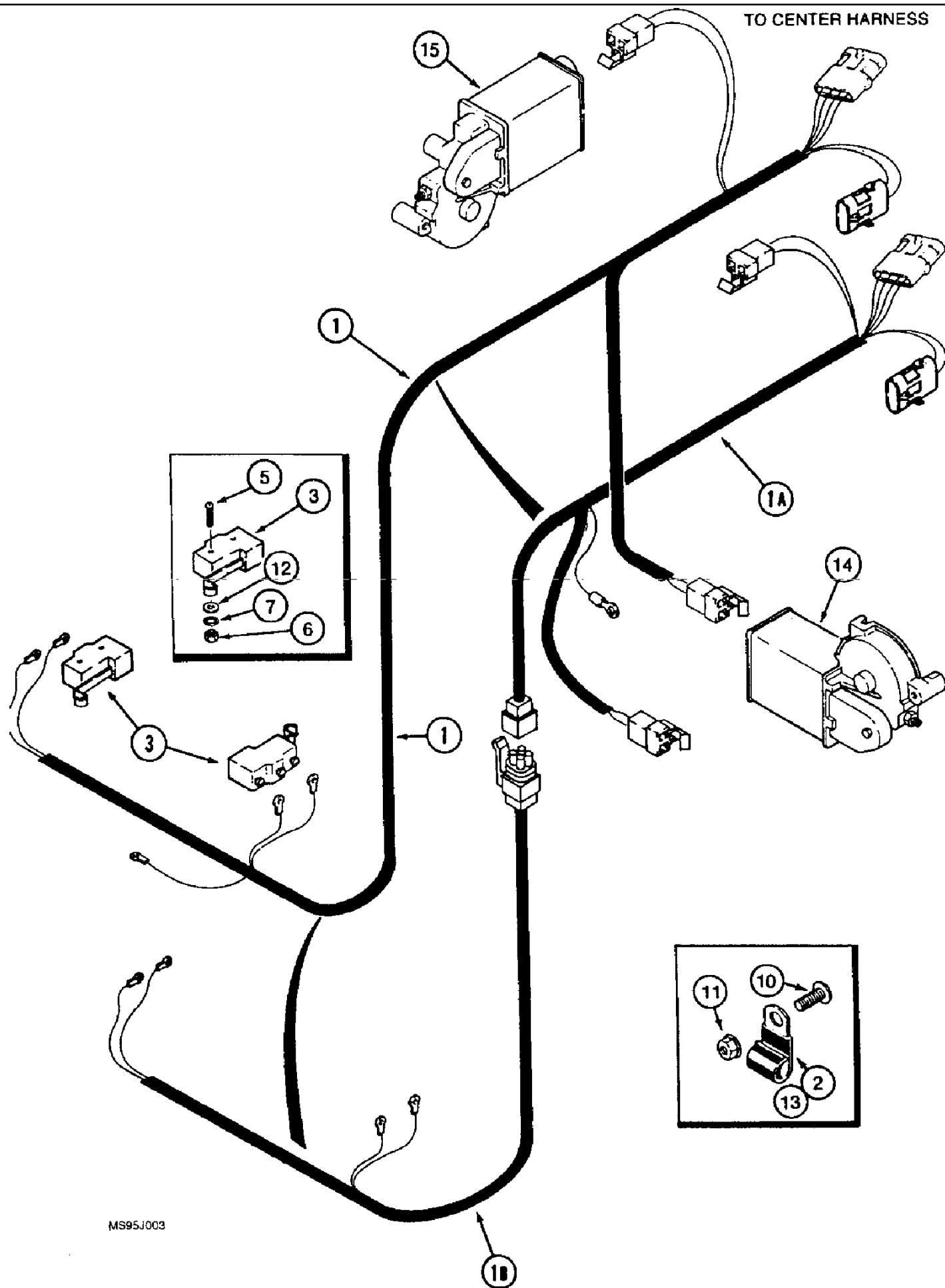


## 4-20 REAR LAMPS AND FUEL SENDER HARNESS

сылка	Номер детали	Кол-во	Описание
1	1994847C1	1	HARNESS, rear lamps and fuel sender
2	363444R1	9	CLAMP, J, 9/16" Insul, 3/8" Bolt, retaining, harness
3	130882C91	2	LIGHT, INTERIOR, ASSEMBLY warning, rear, parts list Fig. 4-30
4	92260C1	2	LAMP, ASSEMBLY tail, parts list Fig. 4-30
5	198024C1	1	GAUGE, FUEL, SENSOR fuel level sending unit, parts list Fig. 3-14



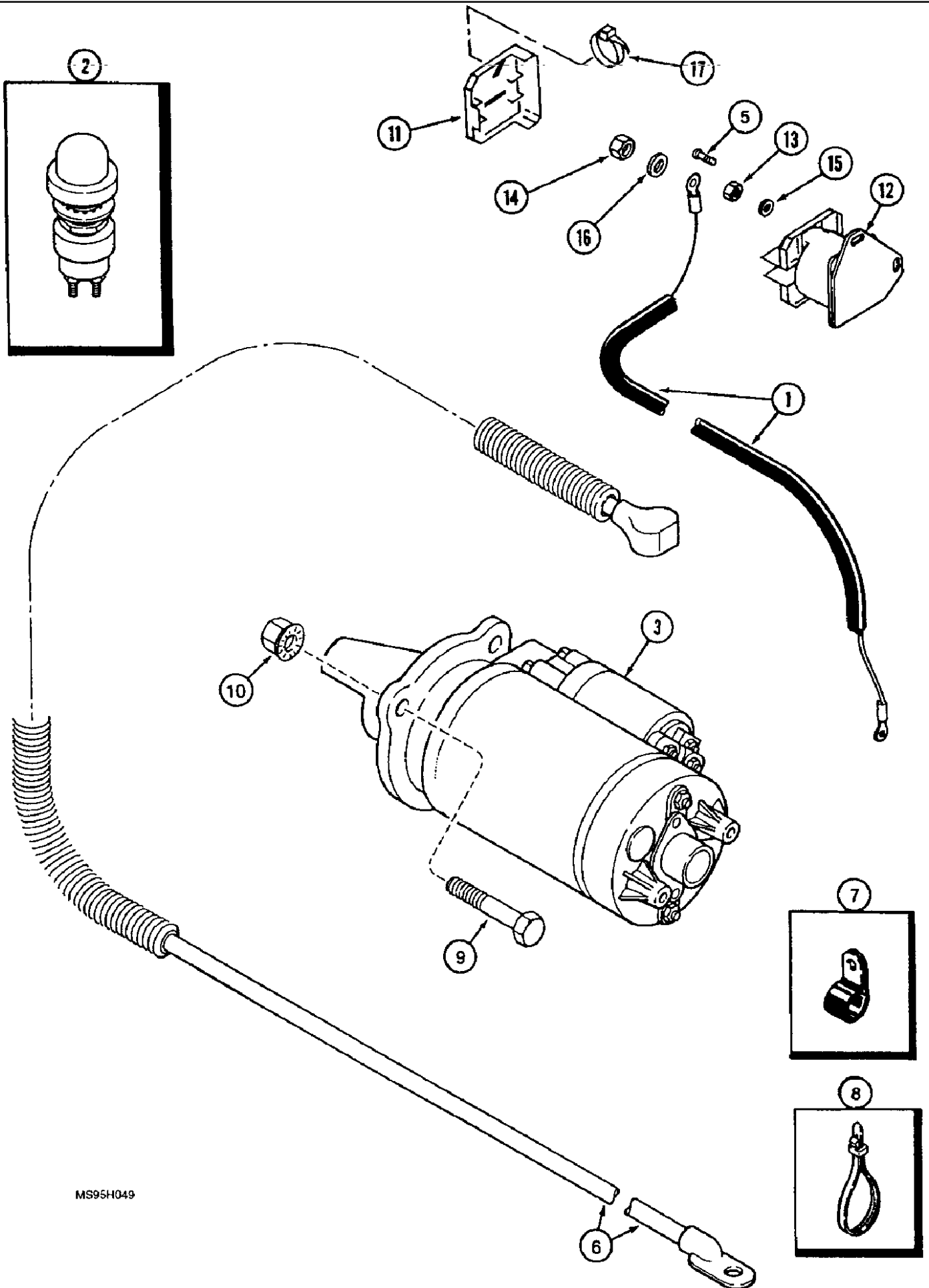
сылка	Номер детали	Кол-во	Описание
1	245240C1	1	HARNESS, WIRE, rotor limit switch, BSN JJC0106005
2	362120R1		UAR CLAMP, CLAMP P-type, rotor limit switch harness, BSN JJC0106005
3	186057C1	2	SWITCH, rotor limit switch harness, BSN JJC0106005
4	186058C1	2	SWITCH, IGNITION, ACTUATOR rotor limit switch harness,, BSN JJC0106005
5	470-10620	4	SCREW, Slotted Pan Hd, #6-32 x 1 1/4", machine, pan head slotted, No. 6 NC x 1-1/4 inch, rotor limit switch harness, BSN JJC0106005
6	225-14106	4	NUT, #6-32, Rotor limit switch harness, BSN JJC0106005
7	138526	4	WASHER, internal tooth lock, special, No. 6, rotor limit switch harness, BSN JJC0106005
10	116494C1	1	SCREW, Sltd Serr Truss Hd, 3/8"-16 x 1/2", Rotor limit switch harness , BSN JJC0106005
11	231-5146	1	NUT, Flg, USR, 3/8"-16, Rotor limit switch harness, BSN JJC0106005
12	495-31016	2	WASHER, #6, Rotor limit switch harness, BSN JJC0106005
13	363444R1		UAR CLAMP, J, 9/16" Insul, 3/8" Bolt, retaining, rotor limit switch harness, BSN JJC0106005
21	1983397C1	1	HARNESS, fan and rotor speed,, BSN JJC0105560
21A	113982A1	1	HARNESS, fan and rotor speed, no longer available, order 175949A1 and 245240C1, shown on Figure 4-23B, Refs 1A and 1B, BTW JJC0105560 & JJC0106004
22	363444R1		UAR CLAMP, J, 9/16" Insul, 3/8" Bolt, retaining fan and rotor speed , BSN JJC0105560
23	REF	1	INSTRUCTION, MOTOR electric, variable speed, see Fig. 9C-14 for mounting, fan and rotor speed, BSN JJC0105560
24	REF	1	INSTRUCTION, MOTOR electric, rotor speed, see Fig. 9B-8 for mounting, fan and rotor speed, BSN JJC0105560



MS95J003



сылка	Номер детали	Кол-во	Описание
1	113982A2	1	HARNESS, fan and rotor speed, replaced by 175949A1, Ref. 1A and 245240C1, Ref. 1B
1A	175949A1	1	HARNESS, fan and rotor speed, when ordering also order 245240C1, Ref. 1B
1B	245240C1	1	HARNESS, WIRE, rotor limit switch, when ordering also order 175949A1, Ref. 1A
2	362120R1		UAR CLAMP, CLAMP P-type, harness
3	128298A1	2	SWITCH, IGNITION, rotor limit
5	470-10620	4	SCREW, Slotted Pan Hd, #6-32 x 1 1/4", machine, pan head slotted, No. 6 NC x 1-1/4 inch
6	225-14106	4	NUT, #6-32,
7	138526	4	WASHER, internal tooth lock, special, No. 6
10	116494C1	1	SCREW, Sltd Serr Truss Hd, 3/8"-16 x 1/2",
11	231-5146	1	NUT, Flg, USR, 3/8"-16,
12	495-31016	2	WASHER, #6,
13	363444R1		UAR CLAMP, J, 9/16" Insul, 3/8" Bolt, retaining
14	REF	1	INSTRUCTION, MOTOR electric, variable speed, see Fig. 9C-14 for mounting
15	REF	1	INSTRUCTION, MOTOR electric, rotor speed, see Fig. 9B-8 for mounting

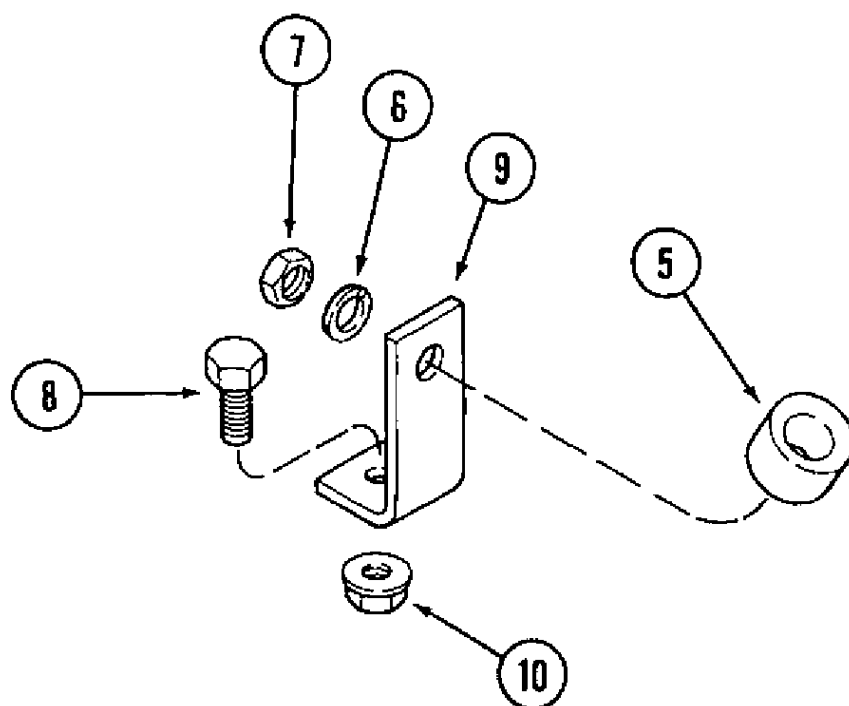
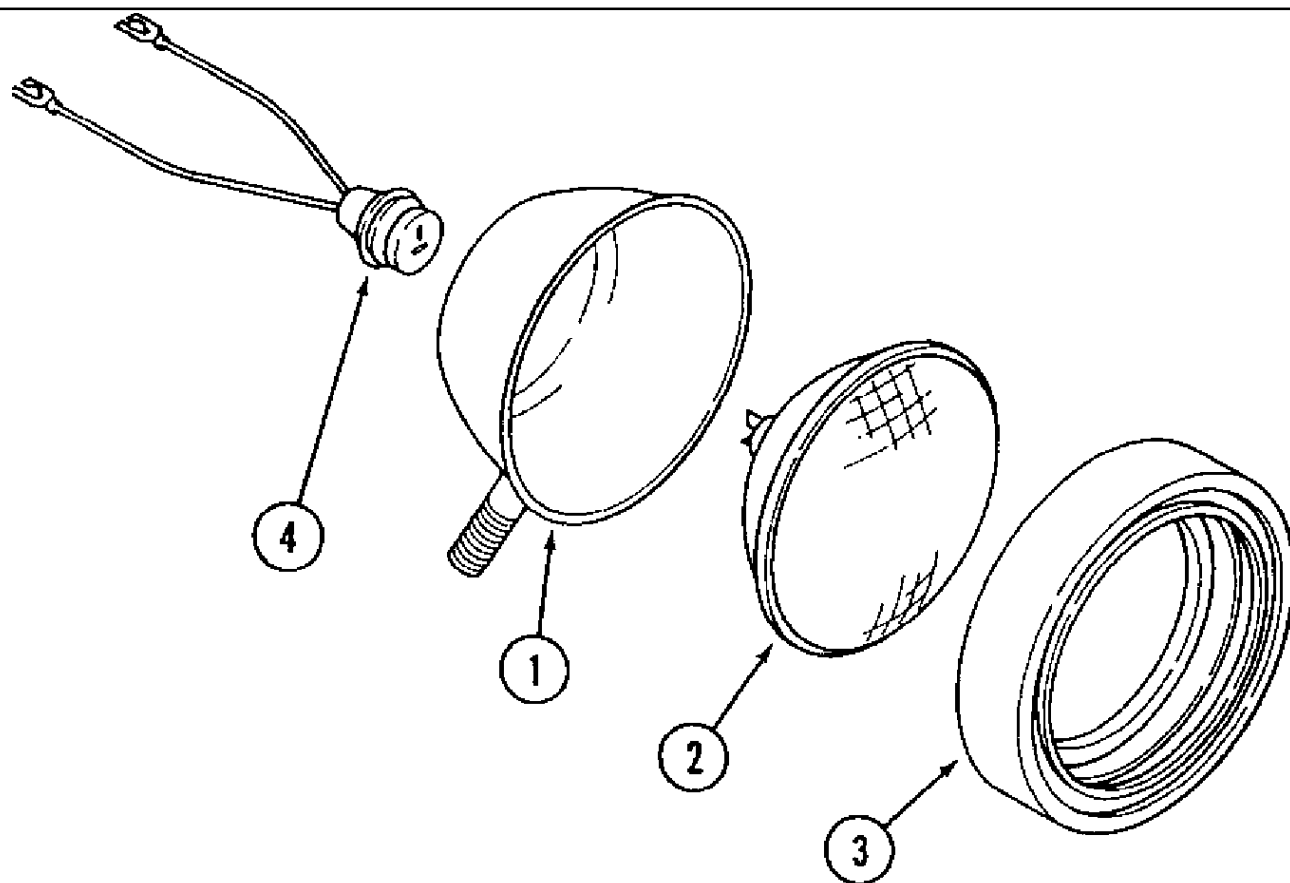


MS95H049

## 4-24 FEEDER REVERSER HARNESS

сылка	Номер детали	Кол-во	Описание
1	103898A1	1	CABLE, HARNESS feeder reverser
2	453453C1	1	SWITCH, push button, feeder reverser
3	245927C91	1	MOTOR, STARTER, ASSEMBLY feeder reverser, parts list Fig. 4-46
5	261-1478	2	SCREW, SELF TAPPING, Cross Pan Hd, 1/4" x 1/2", self-tapping, pan Phillips, 1/4 NC x 1/2 inch
6	103843A1	1	CABLE, battery positive
7	515-23254	10	CLAMP, 1", Insul, 3/8" Bolt, P-type, Cable retaining
8	702093C1		UAR STRAP, CABLE, tie, cable retaining
9	413-636	3	BOLT, Hex, 3/8"-16 x 2 1/4", G5,
10	231-5146	3	NUT, Flg, USR, 3/8"-16,
	178149A1	1	SWITCH, SOLENOID, KIT with barrier and cover, feeder reverser harness, Includes: Ref. 11 thru 17
11	178148A1	1	COVER, solenoid switch, starting
12	183038A1	1	SWITCH, SOLENOID, SWITCH with barrier, replaces A39079
13	225-14210	1	NUT, #10-32,
14	425-105	2	NUT, 5/16"-18, G5,
15	492-11010	1	WASHER, LOCK, #10,
16	492-11031	2	WASHER, LOCK, 5/16",
17	L18337	2	STRAP, CABLE, 9.95"-12.1" lg, tie, nylon

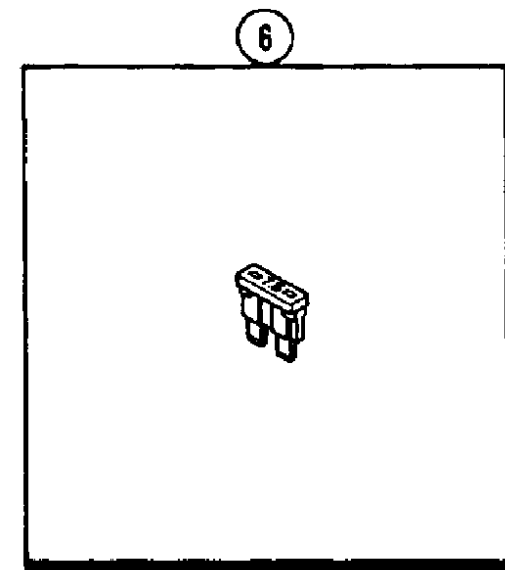
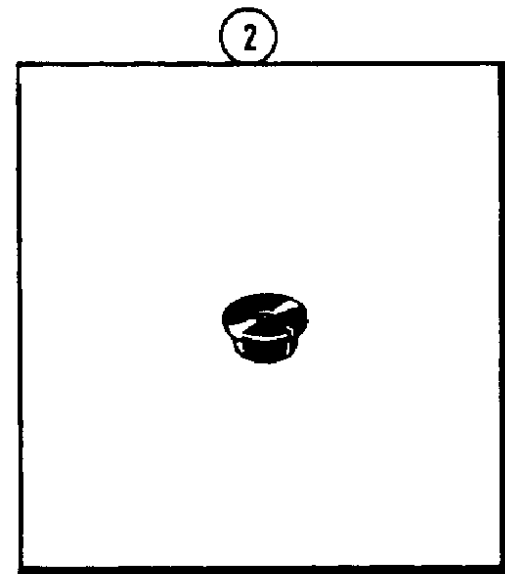
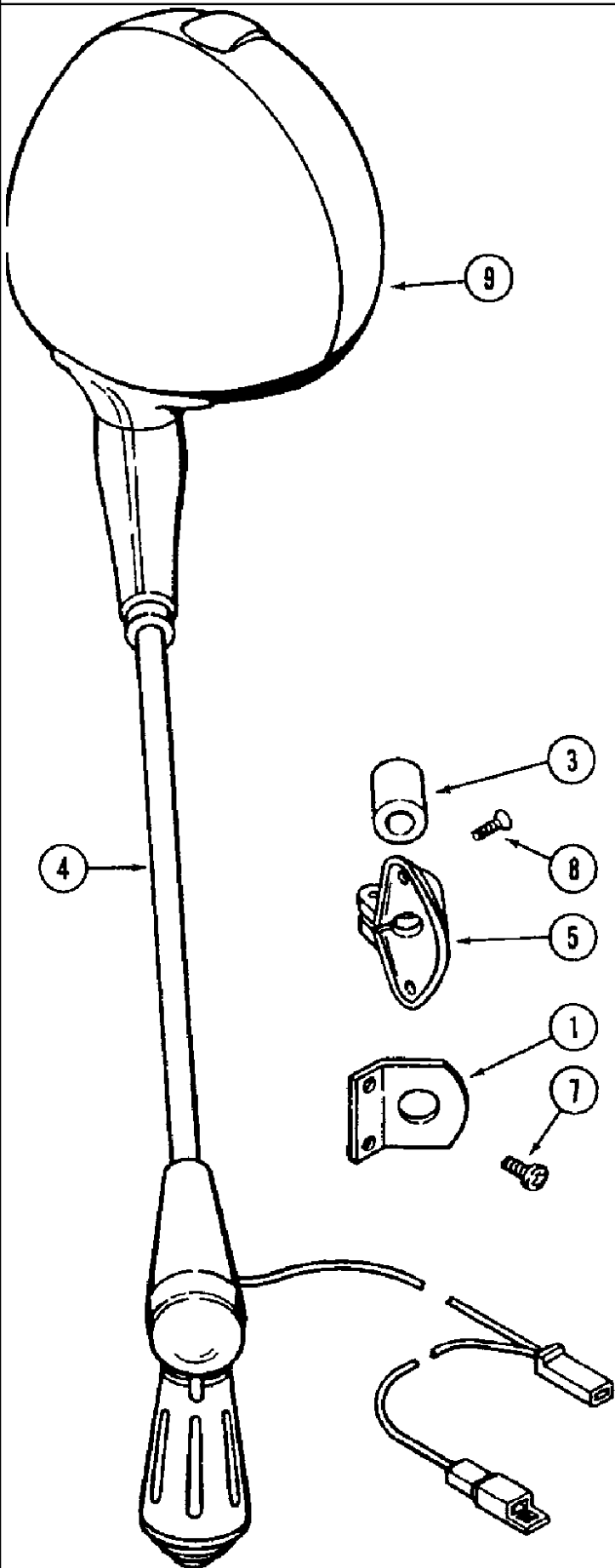
4-26 GRAIN TANK AND UNLOADER LAMP



B924377

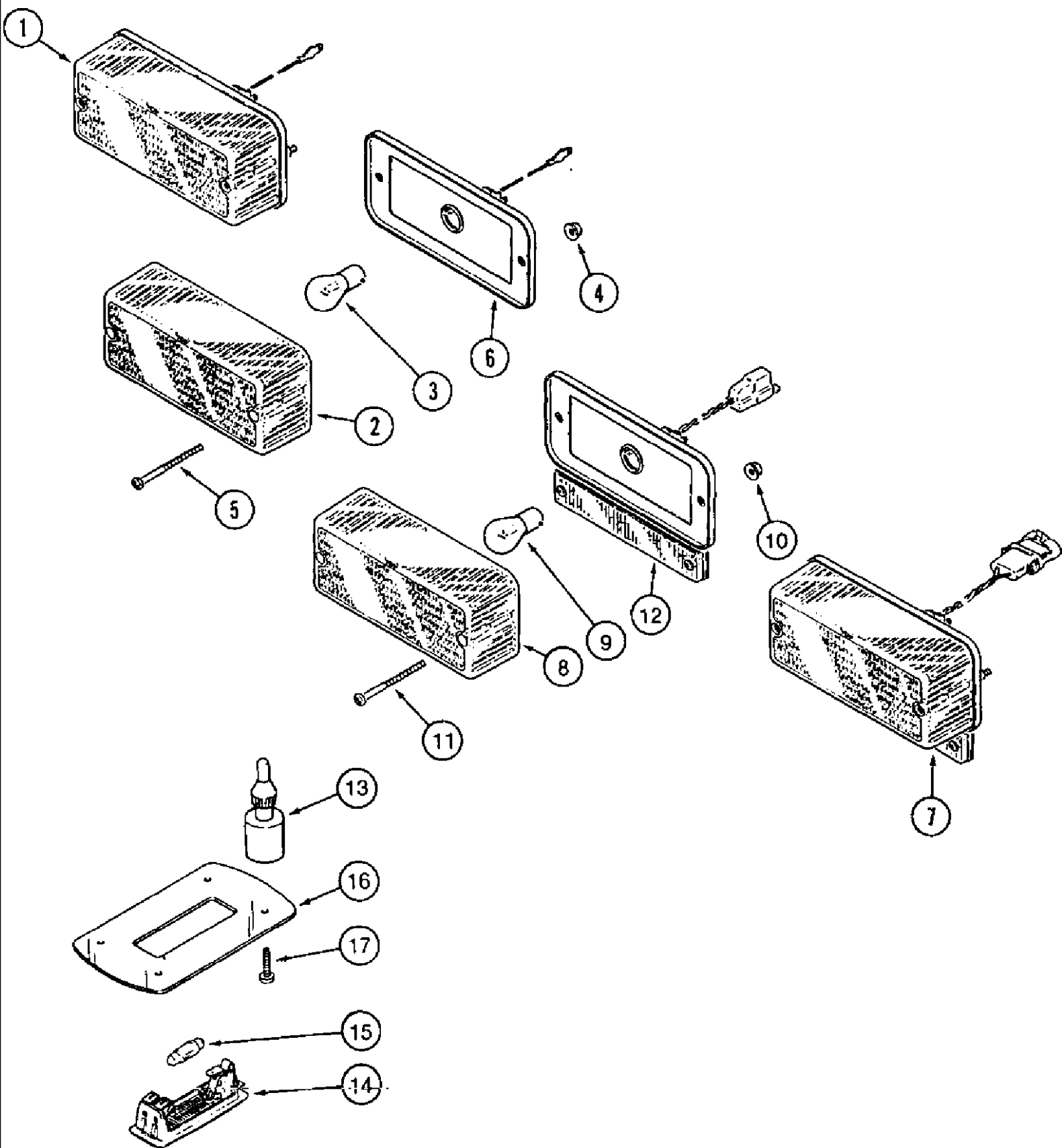
## 4-26 GRAIN TANK AND UNLOADER LAMP

сылка	Номер детали	Кол-во	Описание
	245954C91	1	LAMP, ASSEMBLY grain tank and unloader, Includes: Ref. 1 thru 4
1	NSS	1	NOT SERVICED SEPARATELY, HOUSING lamp, order 245954C91
2	A42294	1	SEALED BEAM UNIT, sealed beam, No. 4406
3	A25213	1	RETAINER, sealed lamp rubber, shockproof use with Hobbs lamp
3	1252609C1	1	RETAINER, shockproof, use with Midwest lamp
4	530029R91	1	CONNECTOR, lamp
5	1267358C2	1	SEAT, lamp mounting
6	80679	1	WASHER, LOCK, 1/2",
7	425-108	1	NUT, 1/2"-13, G5,
8	154273C1	1	BOLT, Hex Flg, 3/8"-16 x 1", Serr, BOLT hex, self-locking, special, 3/8 NC x 1 inch
9	1317942C1	1	BRACKET, grain tank lamp
10	231-5146	1	NUT, Flg, USR, 3/8"-16,



## 4-28 CAB SPOTLAMP

сылка	Номер детали	Кол-во	Описание
	1323590C91	1	LAMP BASE, KIT flood lamp, no longer available, order components separately, Includes: Ref. 1 thru 9
1	1329859C1	2	BRACKET, flood lamp
2	1330144C1	1	GROMMET, wire
3	1330145C1	1	BUSHING, bracket
4	91938C1	1	LIGHT, INTERIOR, LAMP flood
5	92015C1	1	BRACKET, flood lamp
6	A149798	1	FUSE, tan, 5 ampere
6	A149799	1	FUSE, brown, 7-1/2 ampere
7	261-1456	2	SCREW, SELF TAPPING, Cross Pan Hd, #10 x 3/8",
8	265-1358	2	SCREW, SELF TAPPING, Cross Oval Hd, #10 x 1/2", self tapping, oval Phillips, No. 10-16 x 1/2 inch
9	28753R1	1	LIGHT, LAMP sealed beam, No. 7604



B923430

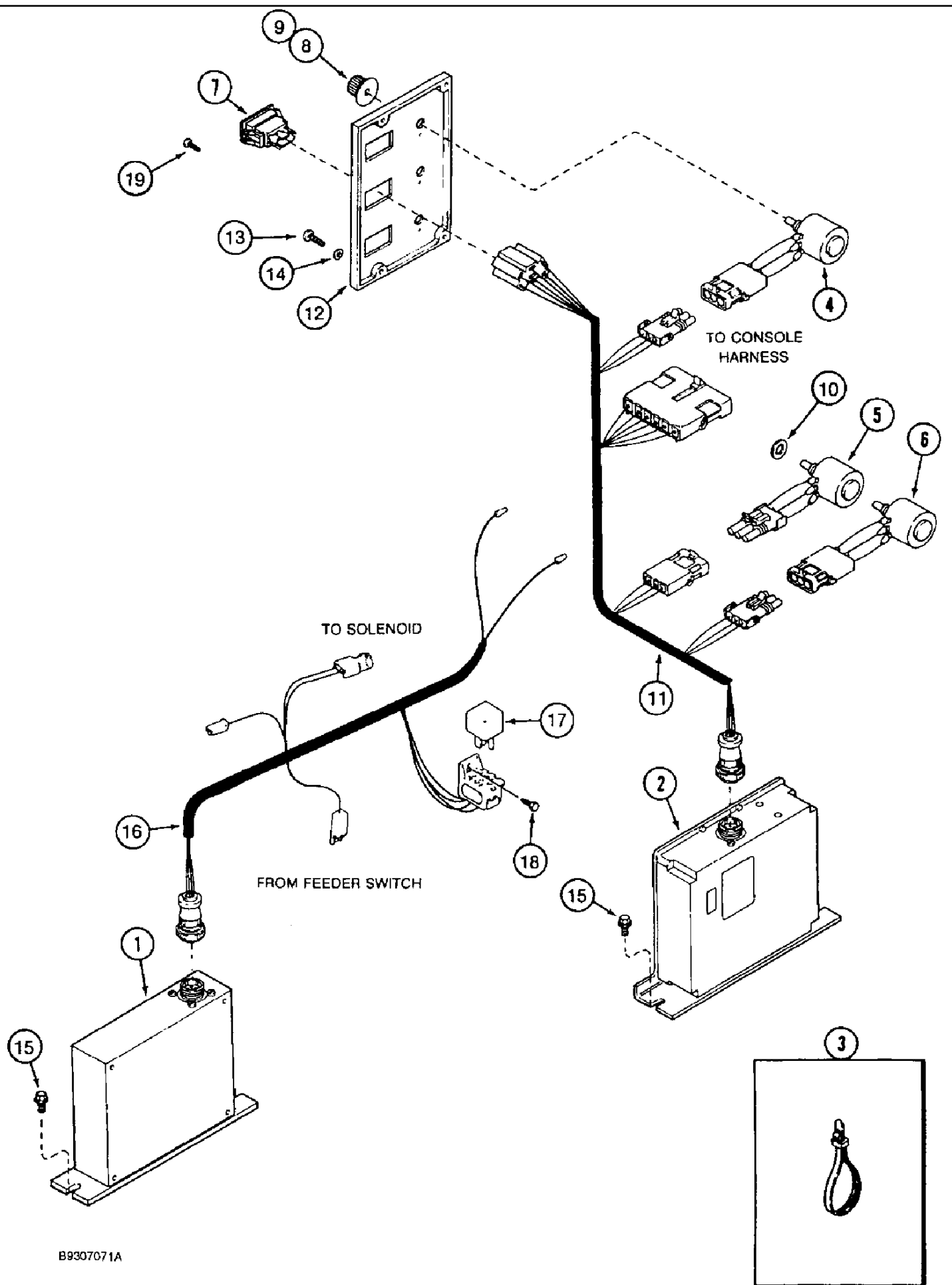


## 1666 CASE IH AXIAL-FLOW COMBINE (1/93-12/94)

## 4-30 WARNING LAMP FRONT AND REAR, STOP AND TAIL LAMP, DOME LAMP

сылка	Номер детали	Кол-во	Описание
1	130882C91	4	LIGHT, INTERIOR, ASSEMBLY warning, lamp, front and rear, Includes: Ref. 2 thru 6
2	130883C1	1	LENS, amber, warning lamp front and rear
3	A41264	1	BULB, #1156, 12V, Warning, front and rear
4	231-51409	2	NUT, Flg, USR, #10-24,
5	261-54536	2	SCREW, SELF TAPPING, Cross Pan Hd, #10 x 2 1/4", self-tapping, pan Phillips, No. 10 NC x 2-1/4 inch, warning lamp front and rear
6	NSS	1	NOT SERVICED SEPARATELY, PLATE lamp, order 130882C91 assembly, Ref 1, warning lamp front and rear
7	92260C1	2	LAMP, ASSEMBLY stop and tail, Includes: Ref. 8 thru 12
8	216045C1	1	LENS, red, stop and tail lamp
9	T34857	1	BULB, C6, #1157, 12.8V, lamp, No. 1157, stop and tail
10	231-51409	2	NUT, Flg, USR, #10-24, Stop and tail lamp
11	261-54536	2	SCREW, SELF TAPPING, Cross Pan Hd, #10 x 2 1/4", self-tapping, pan Phillips, No. 10 NC x 2-1/4 inch, stop and tail lamp
12	NSS	1	NOT SERVICED SEPARATELY, PLATE lamp, order 92260C1 assembly, Ref 7, stop and tail
	117995C1	1	PACKAGE, KIT fastener, dome lamp, package of 5, Includes: Ref. 13
13	NSS	4	NOT SERVICED SEPARATELY, FASTENER dome lamp
14	1983391C1	1	LAMP, ASSEMBLY dome, Includes: Ref. 15
15	1094378R1	1	BULB, J, 12V, 2W, BULB, dome
16	1979628C1	1	PLATE, LARGE, dome lamp
17	260-53424	4	SCREW, SELF TAPPING, Cross Pan Hd, #8 x 1 1/2", self tapping, pan Phillips, No. 8-18 x 1-1/2 inch, dome lamp

4-32 AUTOMATIC FEEDER CUT OFF AND AUTOMATIC REEL SPEED, TO GROUND SPEED CONTROLS

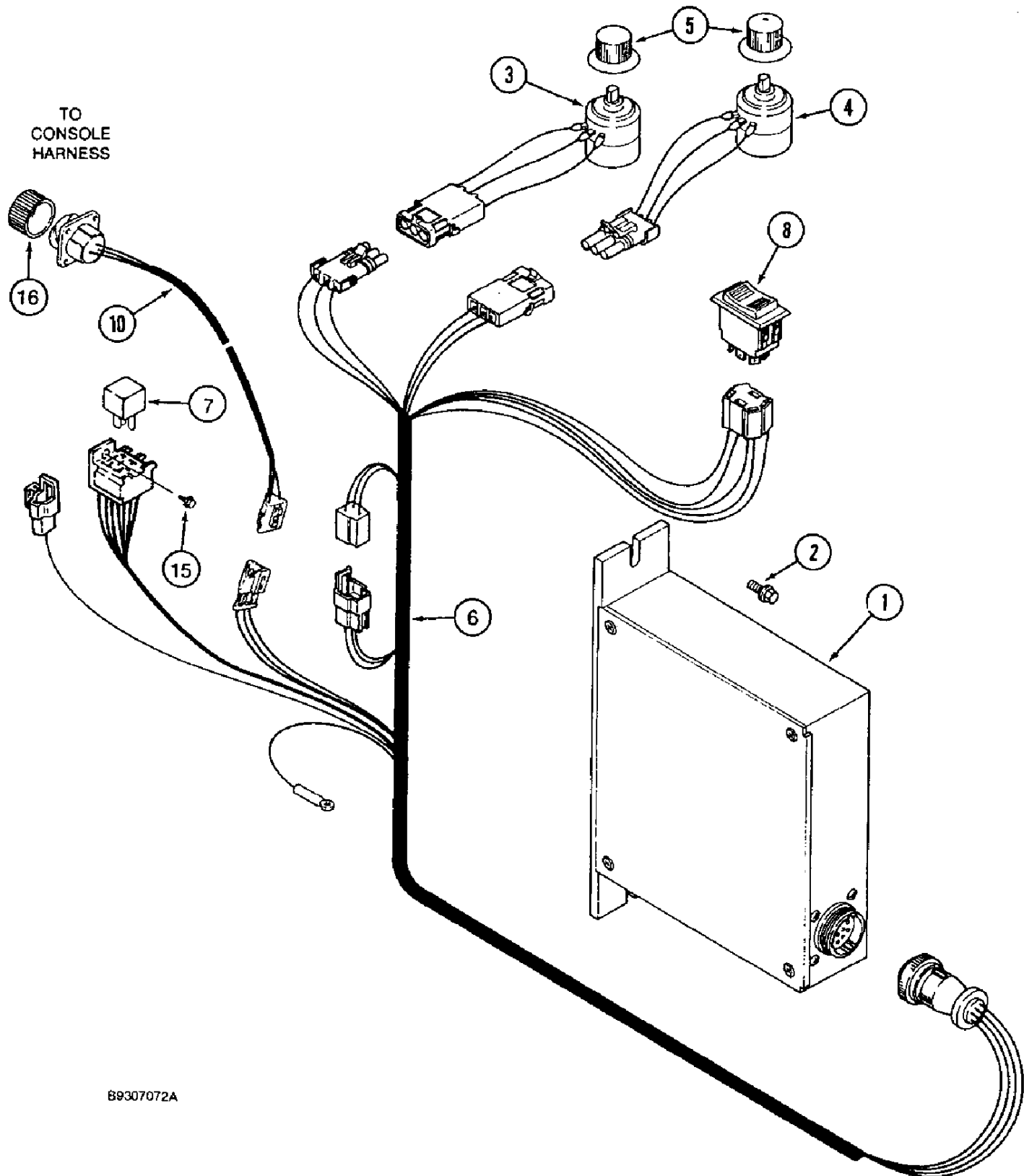
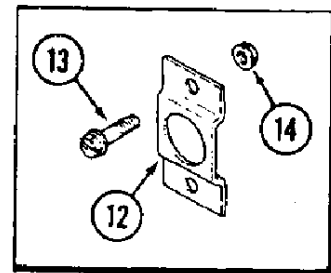
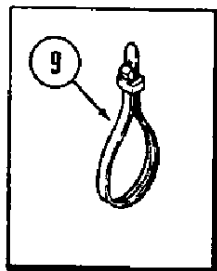
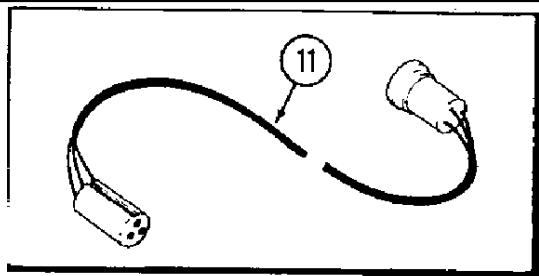


B9307071A

## 4-32 AUTOMATIC FEEDER CUT OFF AND AUTOMATIC REEL SPEED, TO GROUND SPEED CONTROLS

сылка	Номер детали	Кол-во	Описание
1	1983214C1	1	CONTROL BLOCK, automatic feeder cutoff
2	1983212C1	1	CONTROL BLOCK, automatic reel speed to ground speed
3	702093C1		UAR STRAP, CABLE, tie
4	245637C1	1	POTENTIOMETER, single, 2.5K, reel to ground speed ratio
5	245925C1	1	POTENTIOMETER, single, 1K, speed setting
6	245638C1	1	POTENTIOMETER, single, 200K, calibration
7	245697C1	1	SWITCH, automatic manual, rocker
8	1301036C1	1	BUTTON, KNOB control, without pointer
9	1345235C1	1	BUTTON, KNOB control, with pointer
10	495-11041	1	WASHER, 3/8", SAE, Flat, (13/32 x 13/16 x 1/16")
11	245923C1	1	HARNESS, reel to ground speed
12	1280158C2	1	PANEL, control, front, parts list Fig. 9G-16
13	265-13516	4	SCREW, SELF TAPPING, Cross Oval Hd, #10 x 1", self-tapping, oval Phillips, No. 10-16 x 1 inch
14	1329968C1	4	WASHER, oval head, finishing, No. 10
15	281-1476	4	SCREW, SELF TAPPING, Hex Wash Hd, 1/4" x 3/8", self-tapping, hex washer head, 1/4 NC x 3/8 inch
16	1994836C1	1	HARNESS, automatic feeder cutoff
17	1983394C2	1	RELAY, electrical, 12 volt, 30 ampere, replaces 146461C1
18	281-6456	1	SCREW, SELF TAPPING, Hex Wash Hd, #10 x 3/8", self-tapping, hex washer head, No. 10 NF x 3/4 inch
19	342-10610	2	SCREW, Cross Oval Hd, #6-32 x 5/8", machine, oval Phillips, No. 6 NC x 5/8 inch

4-34 AUTOMATIC HEADER HEIGHT CONTROL



B9307072A

See grain header catalogs for additional parts.

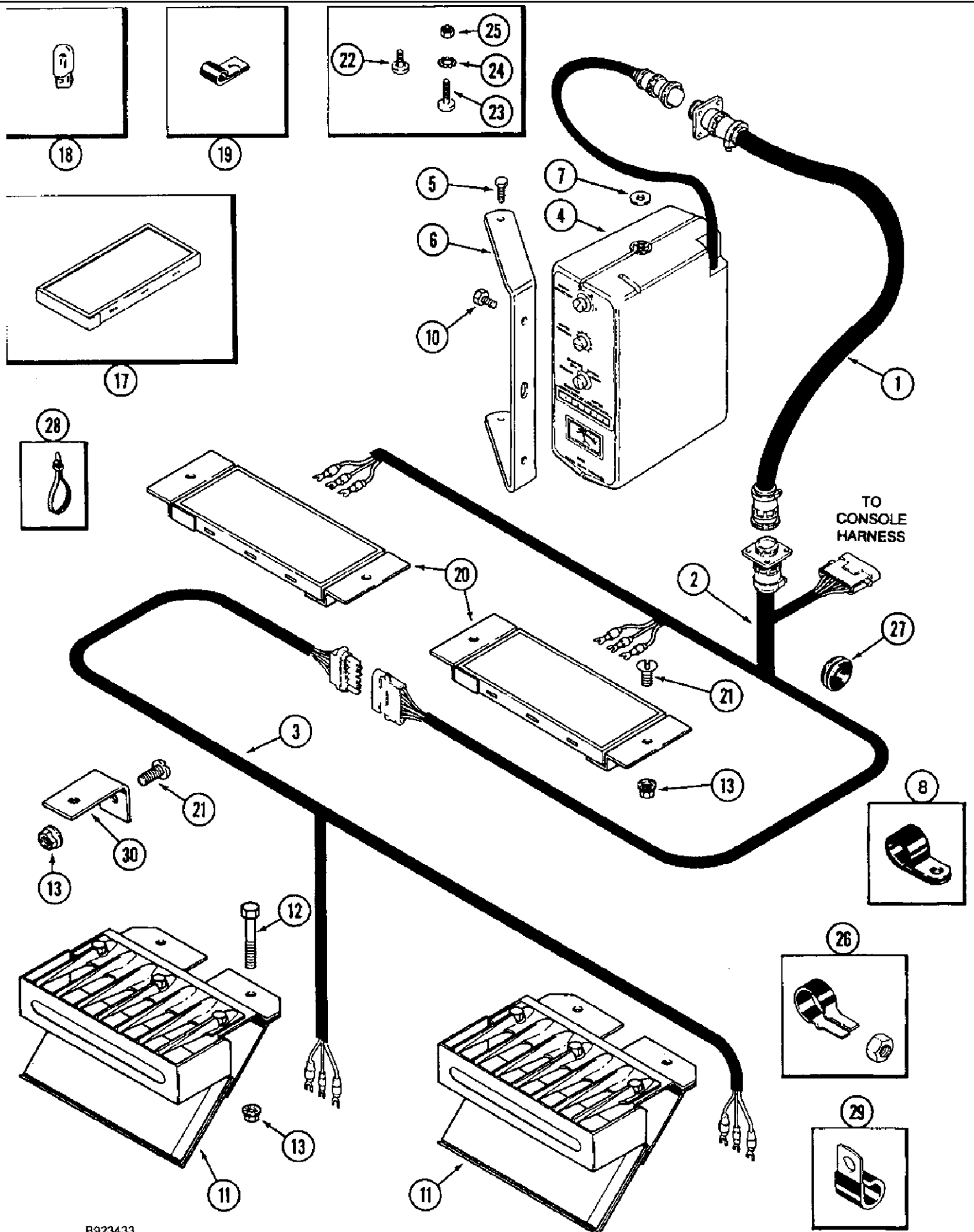
## 1666 CASE IH AXIAL-FLOW COMBINE (1/93-12/94)

## 4-34 AUTOMATIC HEADER HEIGHT CONTROL

сылка	Номер детали	Кол-во	Описание
1	91479C2	1	CASE, KIT module, automatic header height control
2	281-1476	2	SCREW, SELF TAPPING, Hex Wash Hd, 1/4" x 3/8", self tapping, hex washer head, 1/4 NC x 3/8 inch
3	245385C1	1	POTENTIOMETER, single, 1K, header height control
4	245925C1	1	POTENTIOMETER, single, 1K, sensitivity control
5	1301036C1	2	BUTTON, KNOB control, without pointer
5	1345235C1	2	BUTTON, KNOB control, with pointer
6	113513A1	1	HARNESS, automatic header height
7	1983394C2	1	RELAY, electrical, 12 volt, 30 ampere, replaces 146461C1
8	245012C1	1	SWITCH, rocker, automatic header control, ON-OFF
9	702093C1		UAR STRAP, CABLE, tie
10	1994842C1	1	HARNESS, automatic header height control hose
11	1331312C1	1	HARNESS, WIRE, extension, automatic header height control, if equipped
12	91795C1	1	SUPPORT, BRACKET connector mounting
13	363-31016	2	SCREW, Hex Wash Hd, #10-24 x 1", machine, hex washer head, No. 10 NC x 1"
14	231-51409	2	NUT, Flg, USR, #10-24, (Replaces 174097C1)
15	281-6456	1	SCREW, SELF TAPPING, Hex Wash Hd, #10 x 3/8", self tapping, hex washer head, No. 10 NF x 3/4 inch
16	225290C1	1	DUST CAP, COVER plug

See grain header catalogs for additional parts.

4-36 GRAIN SCAN MONITOR

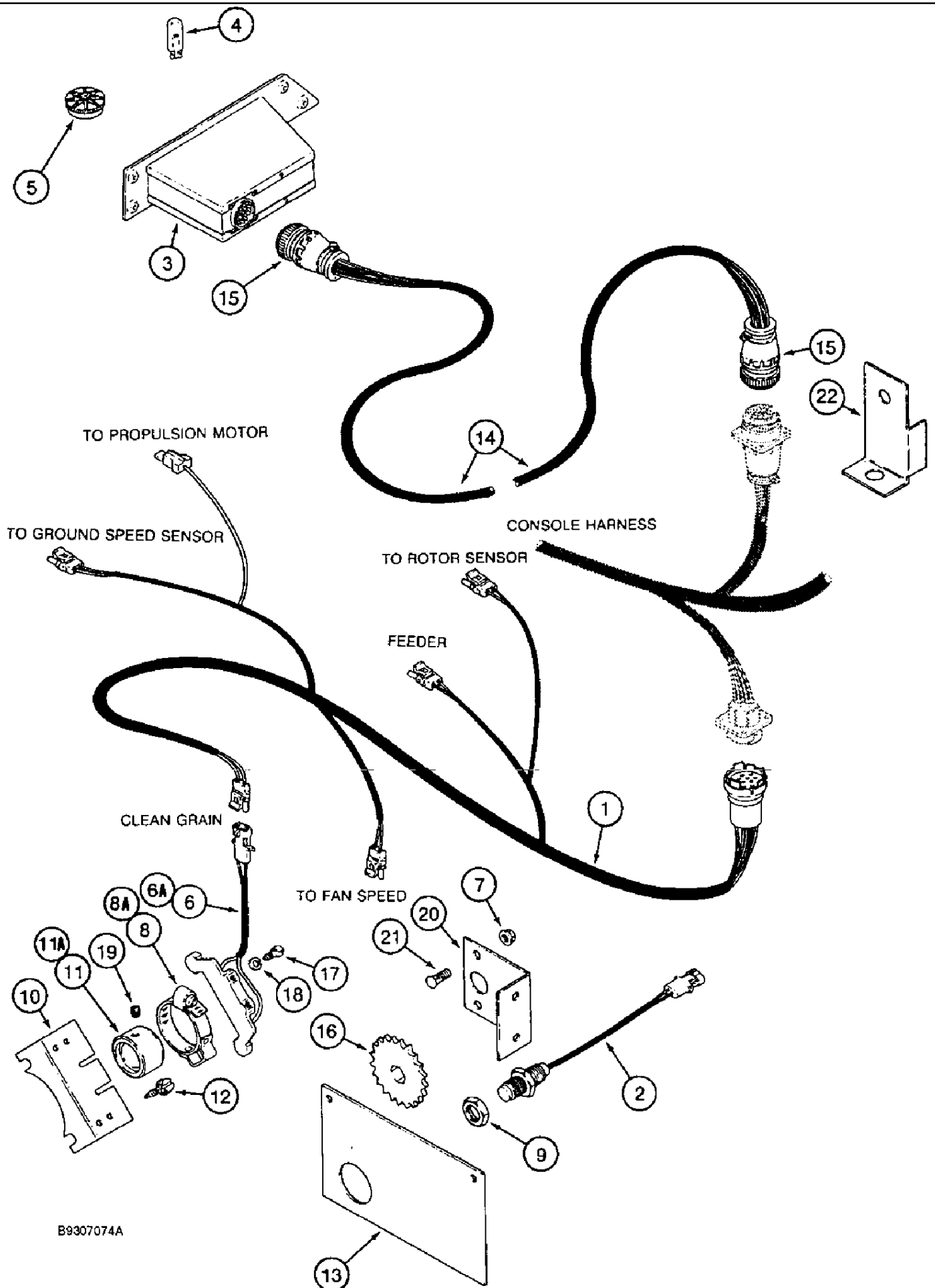


## 1666 CASE IH AXIAL-FLOW COMBINE (1/93-12/94)

## 4-36 GRAIN SCAN MONITOR

сылка	Номер детали	Кол-во	Описание
1	245237C1	1	HARNESS, cab, grain scan
2	1994838C1	1	HARNESS, main sensor
3	245930C2	1	HARNESS, chaffer sensor, 1550 mm (61.023 in)
3	92047C1	1	HARNESS, chaffer sensor, Used With Chaffer Extension, 2200 mm (86.614 in)
	1935074C2	1	REMAN-MONITOR ELECTR, grain scan, remanufactured, North America only
	1935073C2	1	CORE-MONITOR, RETURN NUMBER use this part number to return monitor for credit when using a remanufactured assembly
4	245360C3	1	CASE, MONITOR grain scan, new
5	326-412	2	BOLT, Hex, 1/4"-20 x 3/4", G8, Full Thd,
6	1280160C2	1	SUPPORT, BRACKET monitor mounting
7	179454C1	2	WASHER, flat, rubber, special
8	299565C1	1	CLAMP, P-type, 11/16 inch ID, harness closed
10	313-58	2	BOLT, Hex, 5/16"-18 x 3/8", G5, Full Thd, BOLT hex, 5/16 NC x 1/2 inch
11	245361C2	2	TRANSMITTER, BLOCK chaffer sensor
12	413-532	4	BOLT, Hex, 5/16"-18 x 2", G5,
13	231-5145	12	NUT, Flg, USR, 5/16"-18,
17	245884C1	1	TRANSMITTER, BLOCK grain sensor
18	A48888		UAR BULB, lamp, trade No. 73, 14 volt
19	A38799	2	CLAMP, P-type, retaining
20	245362C1	2	TRANSMITTER, BLOCK rotor sensor
21	135270	6	BOLT, Slotted Tr Hd, 5/16"-18 x 3/4", slotted truss head, 5/16 NC x 3/4 inch
22	260-1356	4	SCREW, SELF TAPPING, Cross Pan Hd, #10 x 3/8", self tapping, pan Phillips, No. 10-16 x 3/8 inch
23	440-10610	4	SCREW, Cross Pan Hd, #6-32 x 5/8", machine, pan Phillips, No. 6 NC x 5/8 inch
24	493-11014	4	WASHER, LOCK, Ext-Int Tooth, #6, internal external tooth, 1/8 inch
25	225-14106	4	NUT, #6-32,
26	245738C2	1	CLAMP, retaining
27	195806C1	1	GROMMET, left hand side sheet
28	702093C1		UAR STRAP, CABLE, tie
29	515-2395	8	CLAMP, 3/8", Insul, 3/8" Bolt, Retaining
29	515-2595	2	CLAMP, 3/8", Insul, 1/2" Bolt, P-type
30	1301242C1	1	BRACKET, retaining

4-38 SHAFT SPEED MONITOR CONTROL

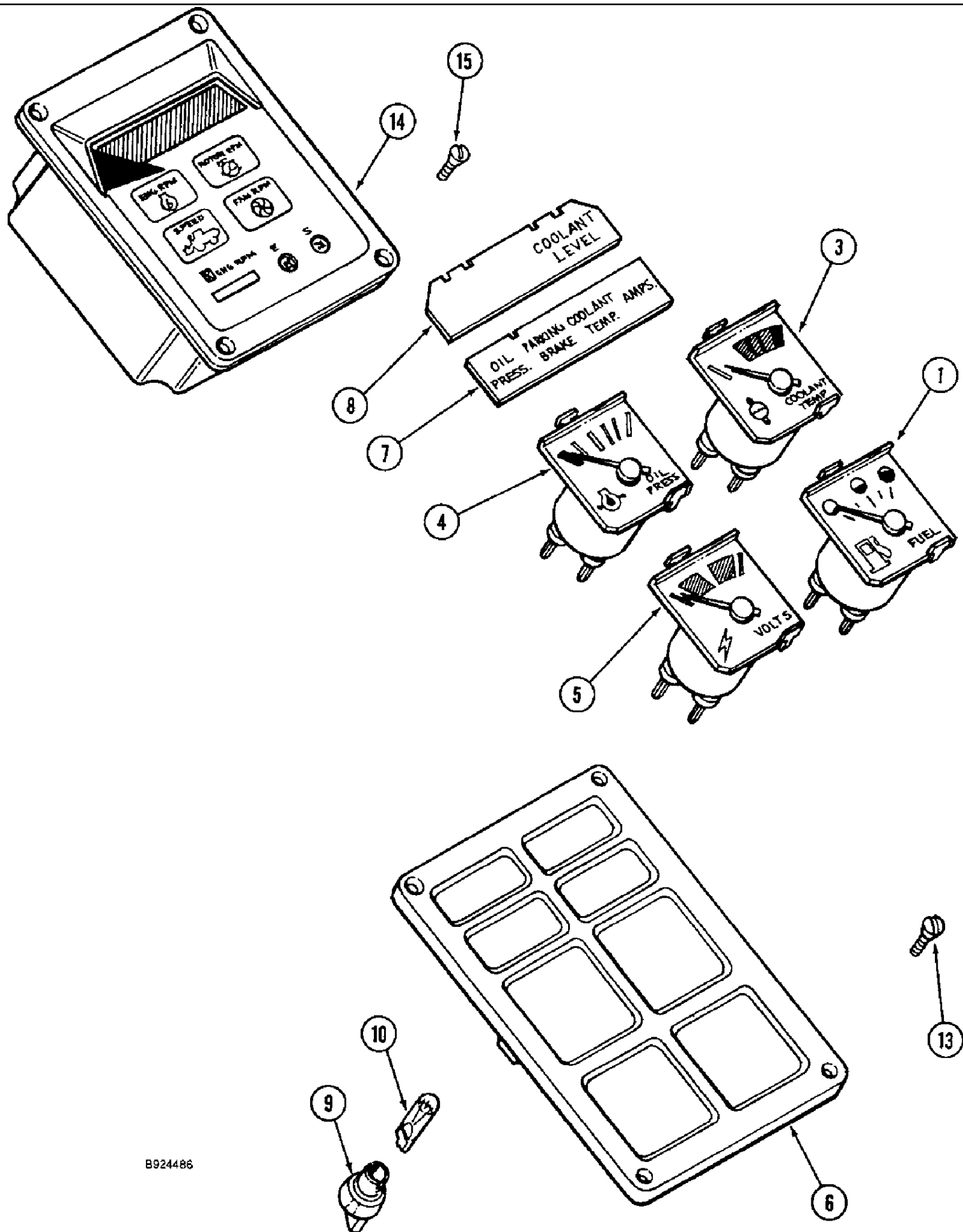




## 1666 CASE IH AXIAL-FLOW COMBINE (1/93-12/94)

## 4-38 SHAFT SPEED MONITOR CONTROL

сылка	Номер детали	Кол-во	Описание
1	1994837C1	1	HARNES, shaft speed rear
2	245193C2	4	SENSOR, transducer, feeder, ground speed, rotor, and fan
	1935072C1	1	REMAN-GAUGE ELECT, MONITOR shaft speed, remanufactured, North America only
	1935071C1	1	CORE GAUGE ELECT, RETURN NUMBER use this part number to return monitor for credit when using a remanufactured assembly
3	245275C91	1	CASE ASSY., MONITOR shaft speed, includes decal, Includes: Ref. 4 and 5
4	A48888		UAR BULB, lamp, trade No. 73, 14 volt
5	178876C1	1	SUPPRESSOR, audible alarm
6	245365C1	1	TRANSMITTER, SENSOR monitor control, clean grain sensor , BSN JJC0105064
6A	1345482C1	1	TRANSMITTER, SENSOR monitor control, clean grain sensor , ASN JJC0105064
7	231-5145		UAR NUT, Flg, USR, 5/16"-18,
8	178800C1	1	MAGNET, sensor, clean grain, if used
8A	178799C1	1	CLAMP, MAGNET sensor, straw chopper
9	84116C1	1	NUT, hex, self locking, 3/4 inch NF
10	183869C3	1	SUPPORT, BRACKET sensor, clean grain, if used
11	1319397C1	1	COLLAR, locking, clean grain auger , BSN JJC0105064
11A	557115R11	1	COLLAR ASSY., locking, clean grain auger , ASN JJC0105064
12	280-1478	4	SCREW, SELF TAPPING, Hex Wash Hd, 1/4" x 1/2", self tapping, hex washer head, 1/4-14 x 1/2 inch
13	1979323C1	1	SHIELD, COVER clean grain auger sensor
14	245242C1	1	HARNES, ASSEMBLY shaft speed front, Includes: Ref. 15
15	131498C1	2	CONNECTOR, ELEC, harness
16	1317973C2	1	SPROCKET ASSY., feeder sensor, with rock trap, if used
17	470-1086	3	SCREW, Slotted Pan Hd, #8-32 x 3/8", machine, pan head slotted, No. 8 NC x 3/8 inch
18	492-11008	3	WASHER, LOCK, #8,
19	483-1256	1	SET SCREW, Hex Soc, 1/4"-20 x 3/8", set, hex socket headless, 1/4 NC x 3/8 inch, cup point
20	1330063C1	1	SUPPORT, sensor, feeder shaft, with rock trap, if after
21	434-512	2	BOLT, CARRIAGE, Short NK, 5/16"-18 x 3/4", G5, Full Thd,
22	1317950C1	1	SUPPORT, sensor, feeder, without rock trap

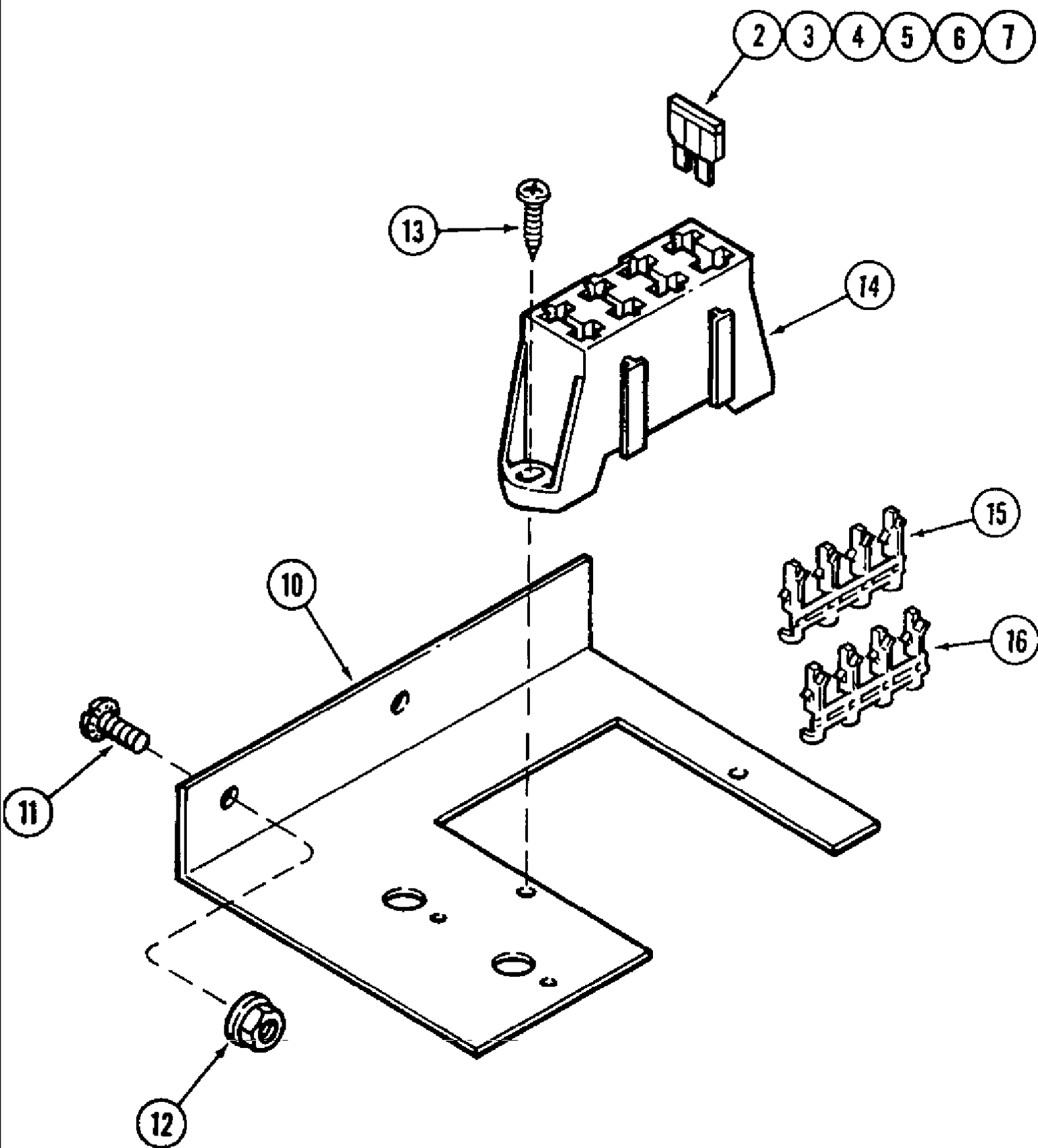


B924486

## 4-40 INSTRUMENT CLUSTER AND TACHOMETER

сылка	Номер детали	Кол-во	Описание
	1983246C1	1	CLUSTER, INSTRUMENT, ASSEMBLY gauges, Includes: Ref. 1 and 3 thru 10
1	121604C1	1	GAUGE, ELECTRICAL, fuel
3	121605C2	1	GAUGE, ELECTRICAL, coolant temperature
4	121606C1	1	GAUGE, ELECTRICAL, oil pressure
5	121607C1	1	METER, GAUGE system voltage, engine
6	121608C1	1	BEZEL + GASKET, instrument cluster
7	187597C1	1	LENS, warning lamp, coolant level
8	1979357C1	1	LENS, warning lamp, coolant level
9	121611C1	8	SOCKET, bulb, instrument cluster
10	D71346	8	LAMP, TAIL, lamp, No. 168
11	265-13512	4	SCREW, SELF TAPPING, Cross Oval Hd, #10 x 3/4", self tapping, oval Phillips, No. 10-16 x 3/4 inch
13	265-13512	4	SCREW, SELF TAPPING, Cross Oval Hd, #10 x 3/4", self tapping, oval Phillips, No. 10-16 x 3/4 inch
	1935114C2	1	REMAN-GAUGE ELECT, TACHOMETER engine, remanufactured, North America only
	1935113C2	1	CORE, RETURN NUMBER use this part number to return tachometer for credit when using a remanufactured assembly
14	1987322C2	1	TACHOMETER, engine
15	265-13512	4	SCREW, SELF TAPPING, Cross Oval Hd, #10 x 3/4", self tapping, oval Phillips, No. 10-16 x 3/4 inch

4-41A FUSE AND FUSE BLOCK

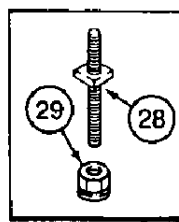
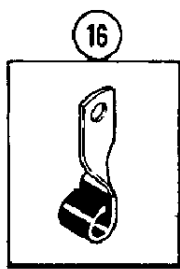
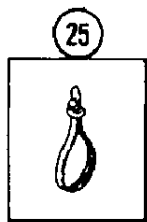
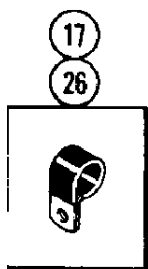
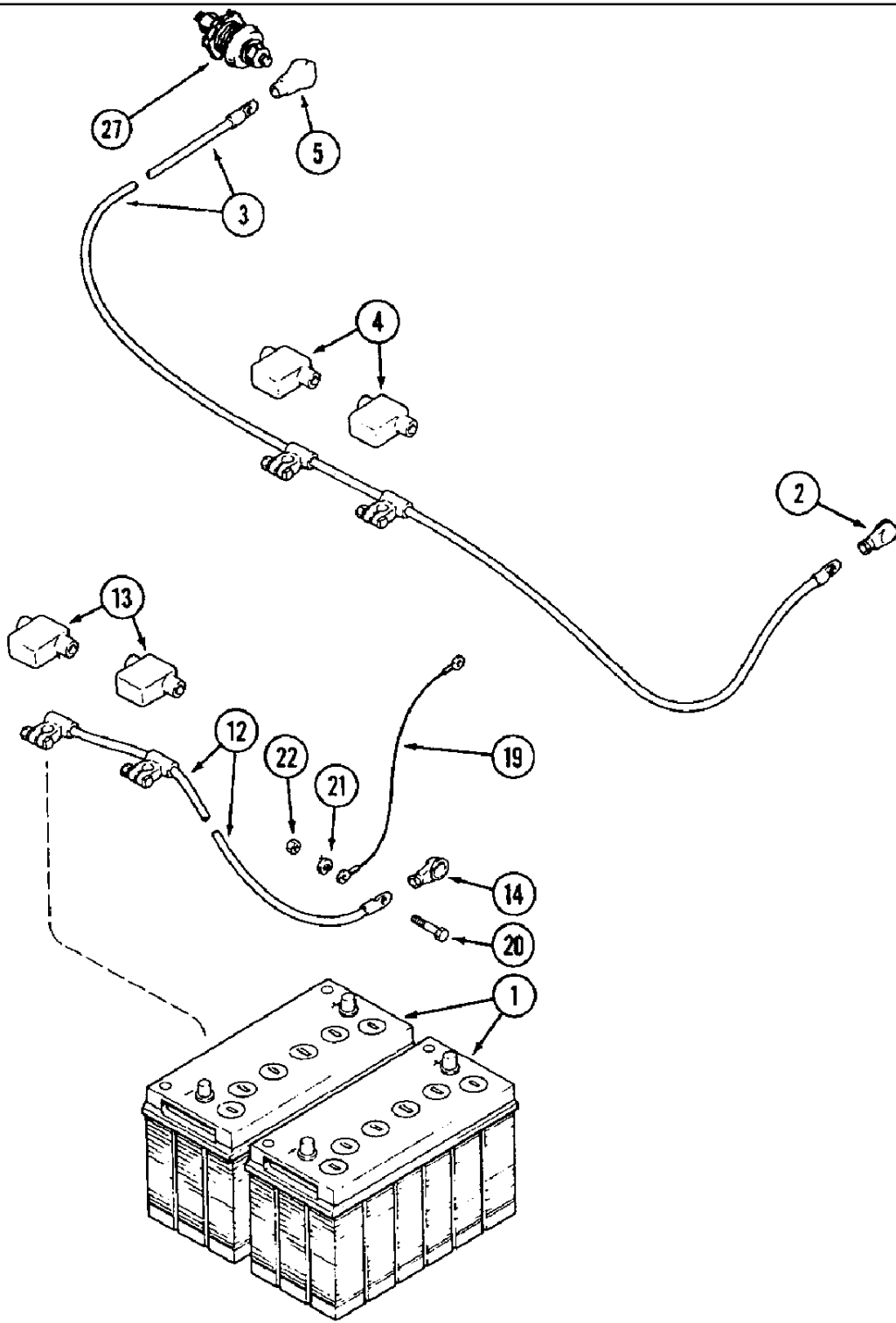


B924380

## 4-41A FUSE AND FUSE BLOCK

сылка	Номер детали	Кол-во	Описание
2	A149801	2	FUSE, light blue, 15 ampere
3	A149800	5	FUSE, red, 10 ampere
4	A149804	1	FUSE, light green, 30 ampere
5	A149798	2	FUSE, tan, 5 ampere
6	A149796	2	FUSE, violet, 3 ampere
7	A149799	3	FUSE, brown, 7-1/2 ampere
10	1280162C3	1	SUPPORT, fuse block
11	937875R1	2	SCREW, Sltd Serr Truss Hd, 1/4"-20 x 3/4", slotted truss head, 1/4 NC x 3/4 inch
12	231-5144	2	NUT, Flg, USR, 1/4"-20,
13	281-1478	2	SCREW, SELF TAPPING, Hex Wash Hd, 1/4" x 1/2", self tapping, hex washer head, 1/4 NC x 1/2 inch
14	245435C1	3	FUSE HOLDER, BLOCK part of console harness
15	506504C1	1	CONNECTION, TERMINAL fuse block, type L10
16	506498C1	1	CONNECTION, TERMINAL fuse block, type L11

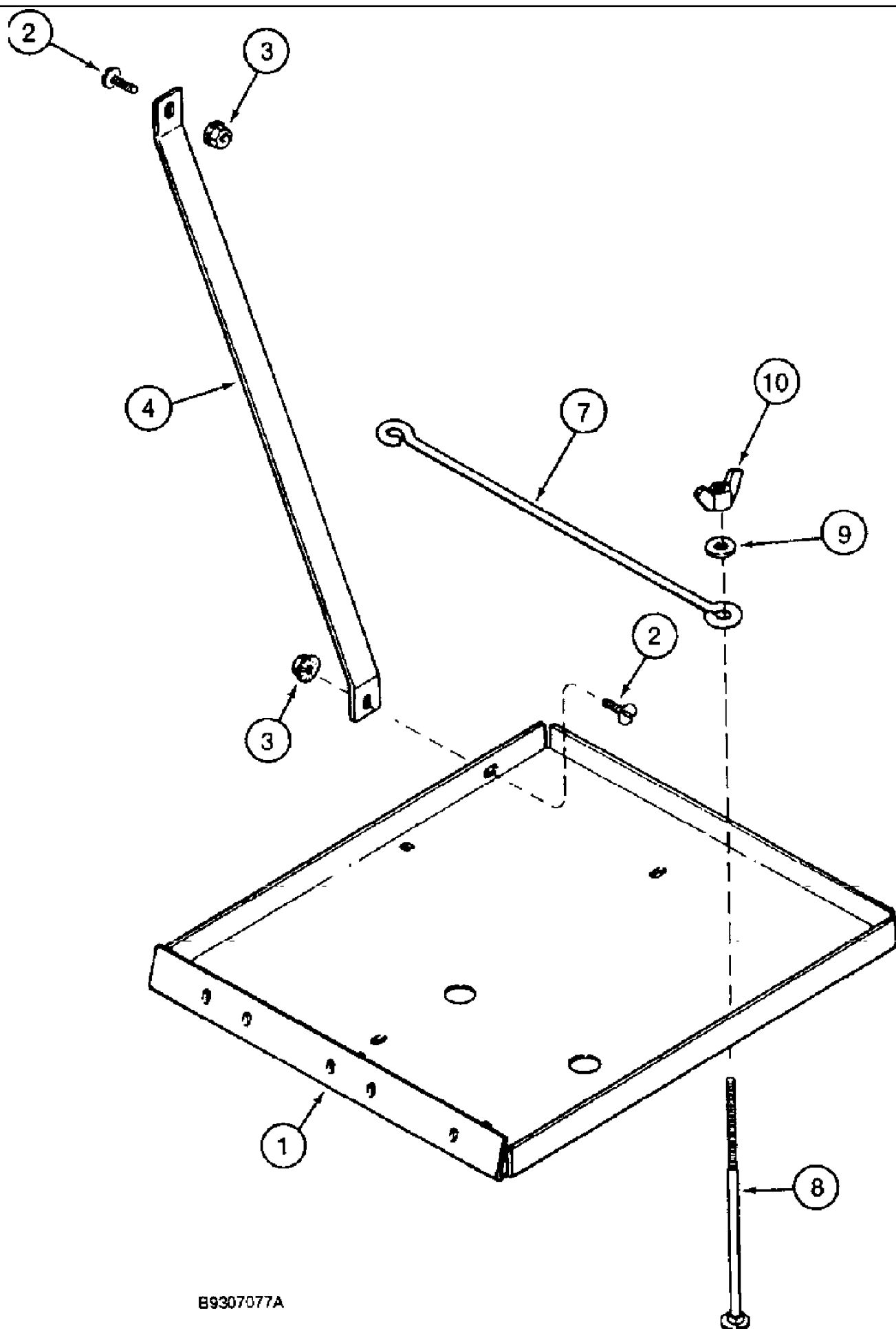
4-42 BATTERY AND BATTERY CABLES



## 4-42 BATTERY AND BATTERY CABLES

сылка	Номер детали	Кол-во	Описание
1	BMF31G	2	BATTERY, DRY, 12V, Electrical supply
2	S115407	1	BOOT, rubber, battery cable, positive cable at starter solenoid
3	103842A1	1	CABLE, ASSEMBLY battery, positive, Includes: Ref. 4 and 5
4	NSS	2	NOT SERVICED SEPARATELY, BOOT battery cable
5	NSS	1	NOT SERVICED SEPARATELY, BOOT battery cable
12	92023C3	1	CABLE, ASSEMBLY battery, ground, Includes: Ref. 13 and 14
13	NSS	2	NOT SERVICED SEPARATELY, BOOT battery cable
14	NSS	1	NOT SERVICED SEPARATELY, BOOT battery cable
16	363660R1	1	CLIP, CLAMP battery positive cable
17	299414C1	1	CLAMP, 7/8", Insul, 1/4" Bolt, CLAMP battery positive cable
19	158477C91	2	CABLE, ground, engine to combine
20	413-632	1	BOLT, Hex, 3/8"-16 x 2", G5,
21	492-11038	1	WASHER, LOCK, 3/8",
22	425-106	1	NUT, 3/8"-16, G5,
25	702093C1	2	STRAP, CABLE, tie, cable retaining
26	515-23254	UAR	CLAMP, 1", Insul, 3/8" Bolt, P-type, Harness retaining
27	A187523	1	BLOCK, CONNECTING, cable junction
28	128289A1	2	SCREW, BOLT battery cable, special
29	231-5145	2	NUT, Flg, USR, 5/16"-18,

4-43A BATTERY TRAY



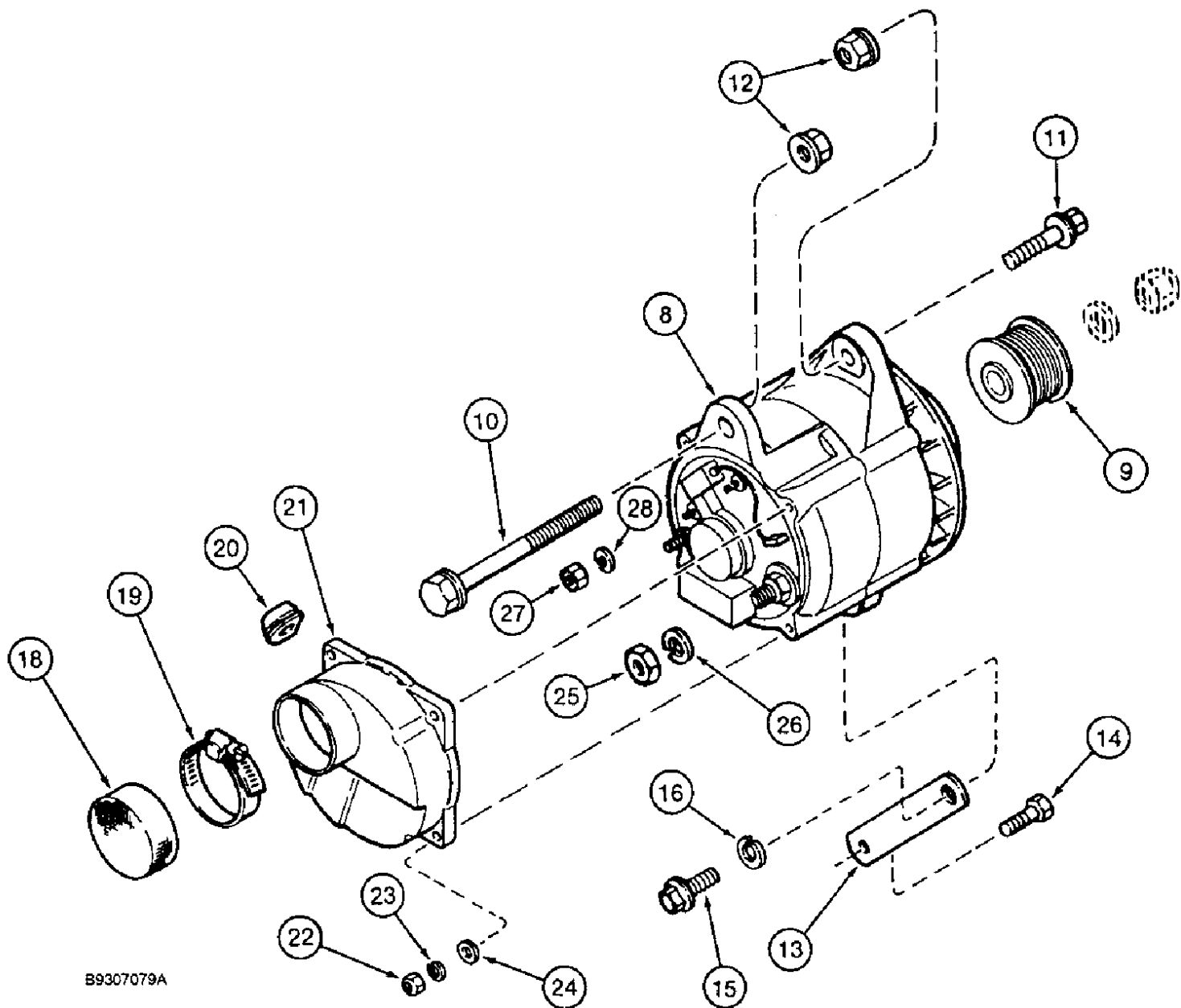
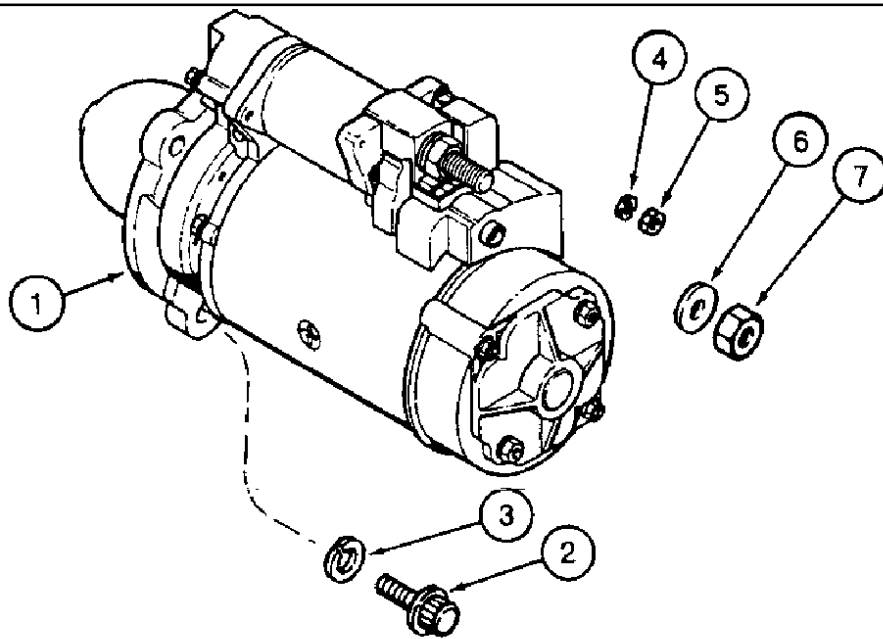
B9307077A



## 4-43A BATTERY TRAY

сылка	Номер детали	Кол-во	Описание
1	194267C6	1	TRAY, battery
2	135270	4	BOLT, Slotted Tr Hd, 5/16"-18 x 3/4", slotted truss head, 5/16 NC x 3/4 inch
3	231-5145	4	NUT, Flg, USR, 5/16"-18,
4	194266C1	1	SUPPORT, battery tray
7	188116C1	1	CLAMP, battery hold down
8	411-5152	2	BOLT, CARRIAGE, Short NK, 5/16"-18 x 9 1/2", G2, BOLT carriage, 5/16 NC x 9-1/2 inch, grade 2
9	495-11034	2	WASHER, 5/16", SAE, flat, 11/32 x 11/16 x 1/16 inch
10	129-419	2	NUT, WING, 5/16"-18, 5/16 inch NC, replaces 523193R1

4-44 STARTER AND ALTERNATOR MOUNTING

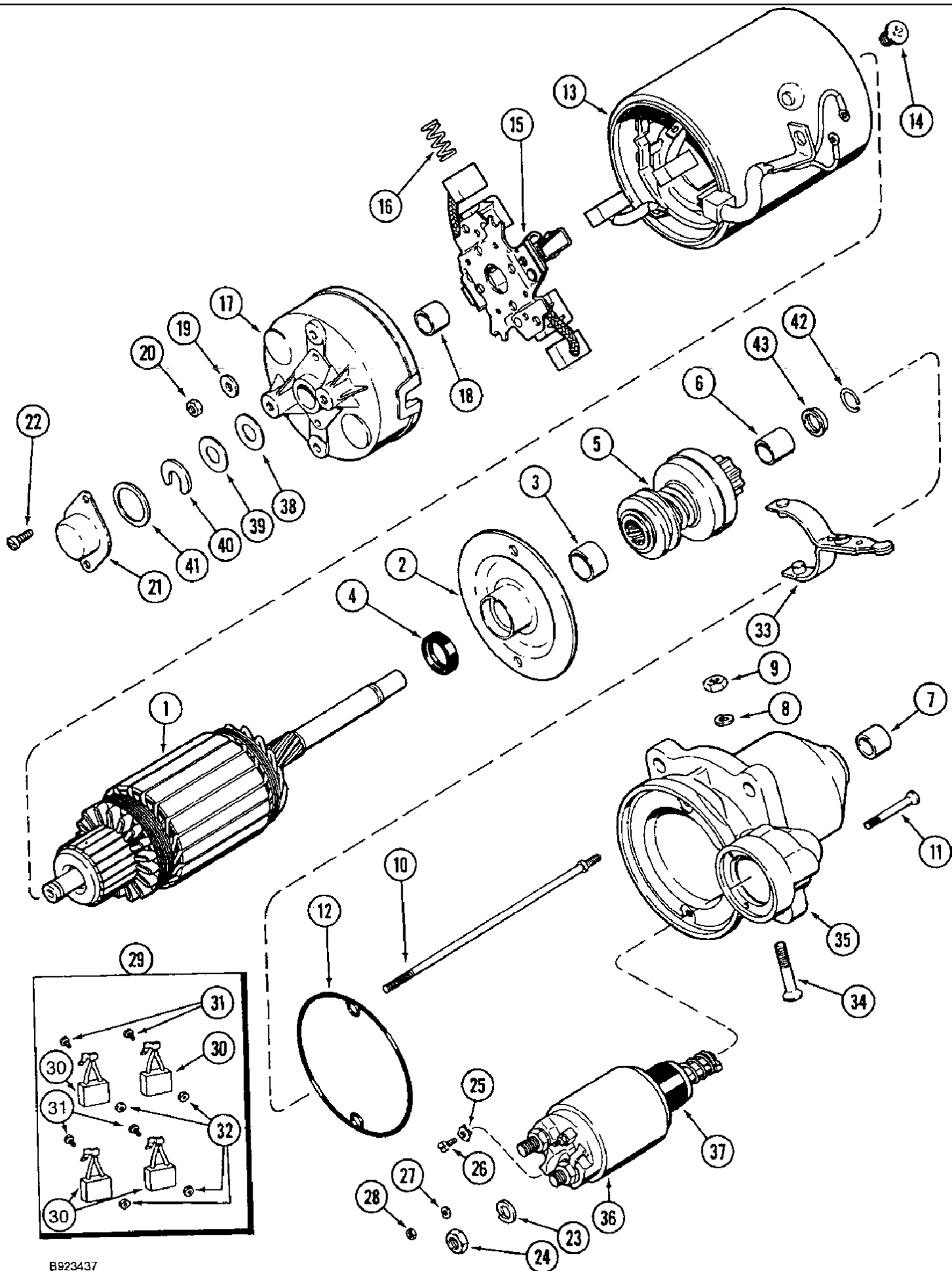


B9307079A

## 4-44 STARTER AND ALTERNATOR MOUNTING

сылка	Номер детали	Кол-во	Описание
1	A187728	1	MOTOR, STARTER, ASSEMBLY engine, parts list Figs. 4-50 and 4-52, and mounting
2	868-12035	3	SCREW, 12 Pt Hd, M12 x 35, 12.9, BOLT 12 point flange, 12 - 1.75 x 35 mm, class 12.9, starter mounting
3	892-11012	3	WASHER, LOCK, M12, Starter Mounting
4	492-11010	1	WASHER, LOCK, #10, Starter mounting
5	225-14210	1	NUT, #10-32, Starter mounting
6	495-11053	1	WASHER, 1/2", SAE, (17/32" x 1-1/16" x 3/32"), Starter mounting
7	425-108	1	NUT, 1/2"-13, G5, Starter mounting
8	896-11012	3	WASHER, M13.5 x 24.5 x 3, HT, Starter Mounting
8	91448C2	1	ALTERNATOR, ASSEMBLY engine, 110 ampere, parts list Fig. 4-48, alternator mounting
9	A189616	1	PULLEY, alternator mounting
10	854-12065	1	BOLT, Hex Flg, M12 x 65, 10.9, BOLT heavy hex flange, 12 - 1.75 x 65 mm, class 10.9, alternator mounting
11	854-12050	1	BOLT, Hex Flg, M12 x 50, 10.9, Alternator mounting
12	829-2312	2	NUT, M12 x 1.75, Flg, CI 10, hex flange, 12 mm - 1.75, class 10, alternator mounting
13	J911485	1	SUPPORT, BRACE alternator, mounting
14	614-8030	1	BOLT, Hex, M8 x 30, 8.8, Full Thd, Alternator mounting
15	360-820	1	BOLT, Hex Flg, 1/2"-13 x 1 1/4", G8, Full Thd, BOLT hex flange, 1/2 NC x 1-1/4 inch, grade 8, alternator mounting
16	892-11008	1	WASHER, LOCK, M8, Alternator mounting
18	1979627C1	1	COVER, SCREEN alternator dust cover, mounting
19	681209C1	1	CLAMP, HOSE, #32, 1.56/2.50 Type F Worm, W/liner, adj, No. 32, type F, retaining, alternator mounting
20	1964826C1	1	GROMMET, alternator mounting
21	1338890C1	1	COVER, end, alternator mounting
22	825-1405	4	NUT, M5, CI 8, Alternator mounting
23	892-11005	8	WASHER, LOCK, M5, Alternator mounting
24	495-31025	4	WASHER, 3/16", flat, 1/4 x 9/16 x 3/64 inch, alternator mounting
25	425-147	1	NUT, Jam, 7/16"-14, G5, hex, jam, 7/16 inch NC, alternator mounting
26	492-11044	1	WASHER, LOCK, 7/16", Alternator mounting
27	825-1404	1	NUT, M4, CI 8, Alternator mounting
28	892-11004	1	WASHER, LOCK, M4, Alternator mounting

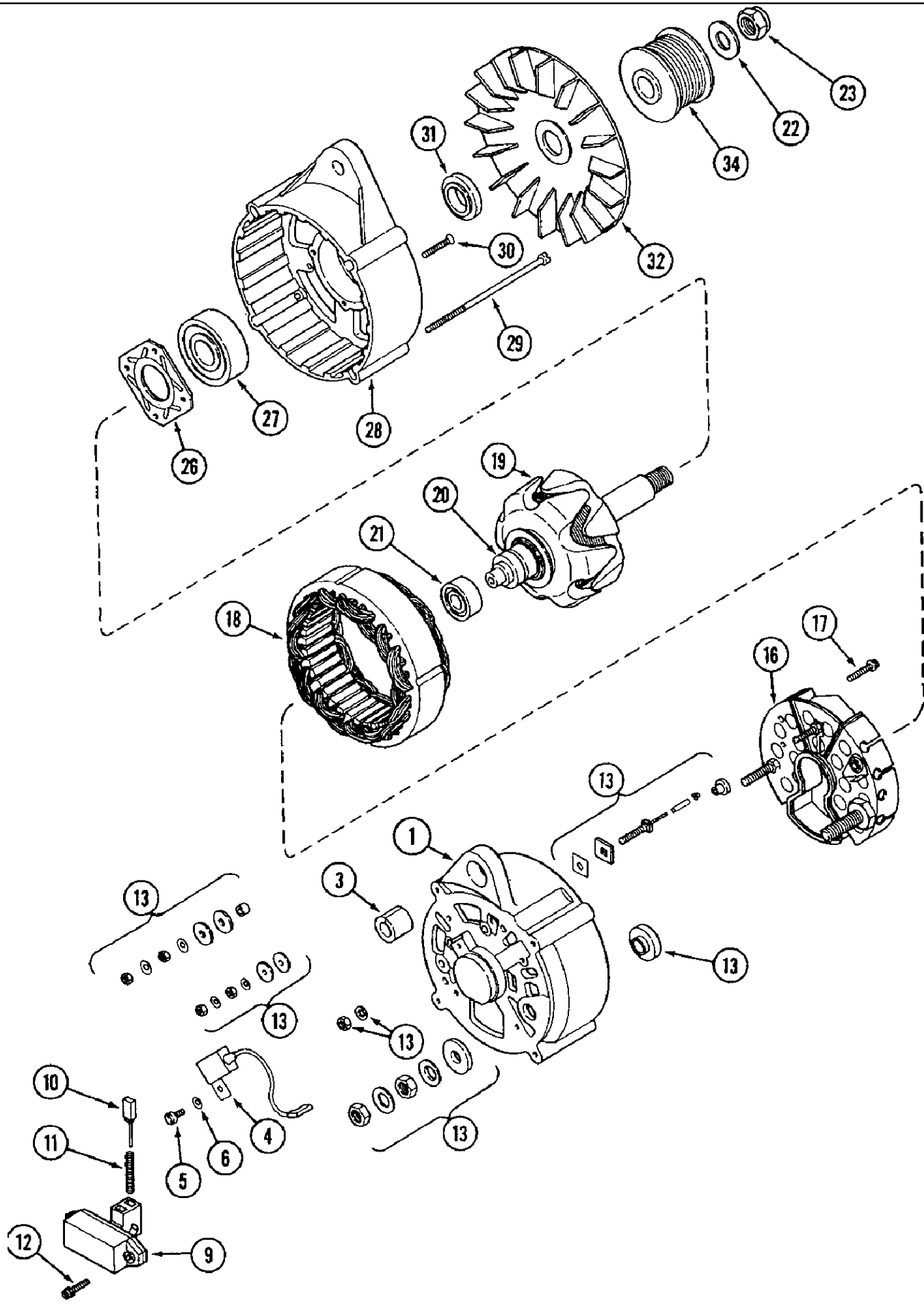
4-46 FEEDER REVERSER MOTOR



## 1666 CASE IH AXIAL-FLOW COMBINE (1/93-12/94)

## 4-46 FEEDER REVERSER MOTOR

сылка	Номер детали	Кол-во	Описание
	245927C91	1	MOTOR, STARTER, ASSEMBLY feeder reverser
1	A186232	1	ARMATURE, MOTOR
2	A186233	1	HOUSING, BEARING, PLACE
3	3079432R1	1	BUSHING, CLUTCH
4	A186234	1	SEAL, PLATE bearing
5	A186235	1	CLUTCH, DRIVE
6	3079254R1	2	BUSHING, CLUTCH
7	3055738R1	1	BUSHING, LARGE, FRAME
8	3053133R1	1	WASHER, SEALING, M8 x 11.5 x 1, GASKET, vent screw, fork pivot
9	691265C1	1	NUT, hex, special, fork pivot
10	3079172R1	2	STUD, FRAME, motor
11	A186236	3	SCREW, flat head, special, retaining
12	A186237	1	RETAINER, RING bearing plate
13	A186238	1	COIL, field
14	3079552R1	4	BOLT, SCREW field coil
15	3079174R1	1	HOLDER, BRUSH
16	3079420R1	4	SPRING, BRUSH
17	A186239	1	COVER, SHIELD holder
18	3079170R1	1	BUSHING, LARGE, HOLDER
19	K965147	2	WASHER, flat
20	825-1406	2	NUT, M6, CI 8,
21	3079177R1	1	CAP, holder
22	K965146	2	SCREW, fillister head
23	A186240	2	WASHER, lock
24	825-1410	2	NUT, M10, CI 8,
25	A186241	1	CLAMP, SADDLE, cable
26	K965151	1	SCREW, SADDLE, clamp
27	A186243	2	WASHER, lock
28	933824R1	2	NUT, Thin, M4 x .5, CI 04, hex, 4 mm
29	3079359R91	1	BRUSH, KIT, Includes: Ref. 30, 31, and 32
30	NSS	4	NOT SERVICED SEPARATELY, BRUSH motor
31	NSS	4	NOT SERVICED SEPARATELY, SCREW brush
32	NSS	4	NOT SERVICED SEPARATELY, NUT brush
33	3078965R1	1	LEVER, FORK clutch drive
34	3079430R1	1	BOLT, SCREW fork pivot
35	A186246	1	FRAME, SHIELD drive end
36	A186244	1	SWITCH, solenoid
37	A186245	1	DIAPHRAGM, solenoid
	3079555R91	1	PACKAGE, KIT motor repair, small parts, Includes: Ref. 39 thru 43
38	NSS	1	NOT SERVICED SEPARATELY, SHIM motor
39	NSS	1	NOT SERVICED SEPARATELY, SHIM motor
40	NSS	1	NOT SERVICED SEPARATELY, WASHER motor
41	NSS	1	NOT SERVICED SEPARATELY, RING motor
42	NSS	1	NOT SERVICED SEPARATELY, RETAINER motor
43	NSS	1	NOT SERVICED SEPARATELY, RING motor

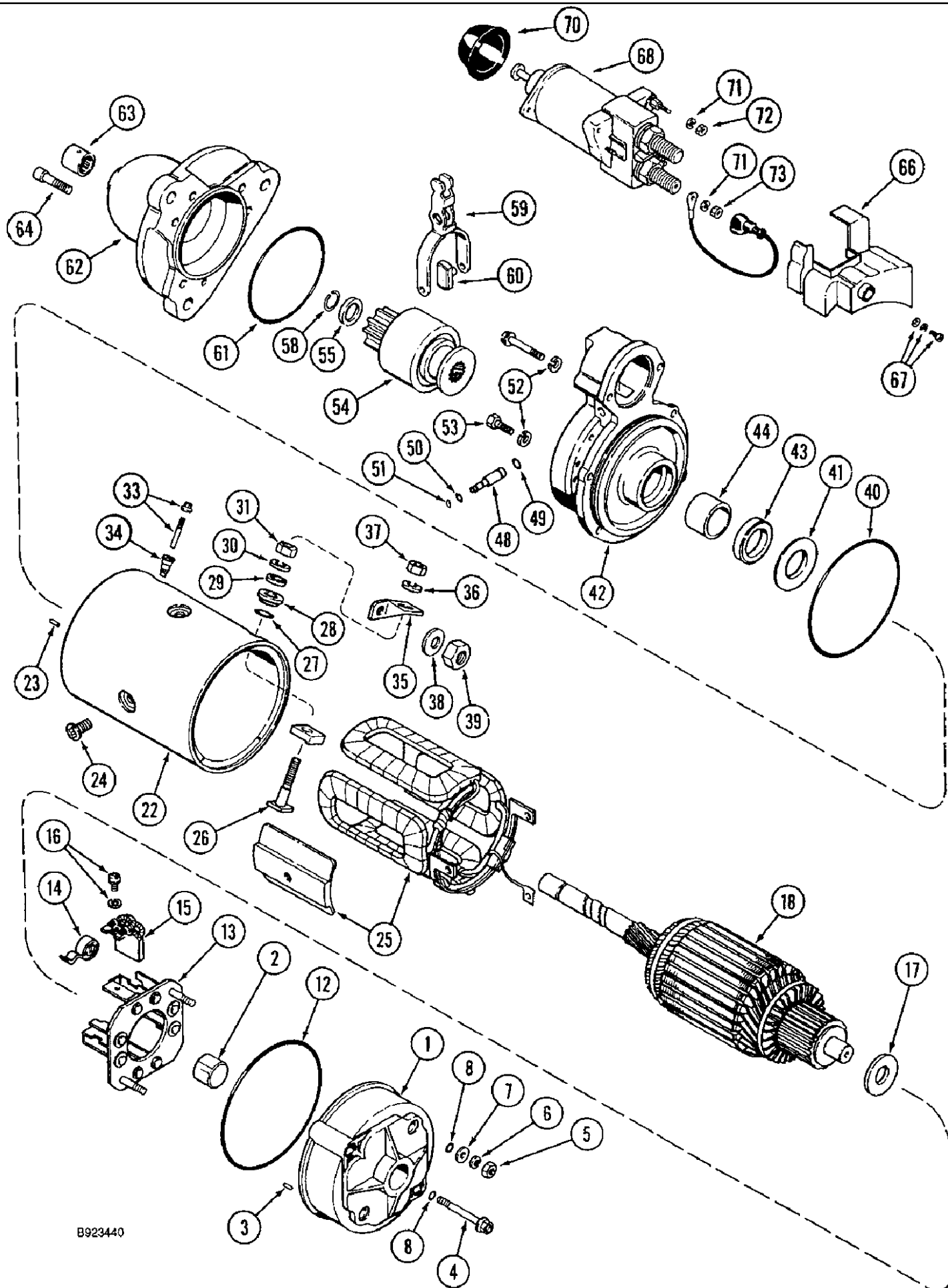


## 1666 CASE IH AXIAL-FLOW COMBINE (1/93-12/94)

## 4-48 ALTERNATOR ASSEMBLY, 110 AMPERE

сылка	Номер детали	Кол-во	Описание
	91448C2	1	ALTERNATOR, ASSEMBLY engine, 110 ampere, Includes: Ref. 1 thru 32
1	1964731C1	1	HOUSING, collector ring end
3	1964737C1	1	BUSHING, expansion
4	3079389R1	1	CAPACITOR, suppression, alternator
5	684857C1	1	SCREW, fillister head, capacitor retaining
6	A186196	1	WASHER, special, retaining screw
9	1964733C1	1	REGULATOR, ASSEMBLY voltage, Includes: Ref. 10 and 11
10	3079394R91	1	SET, BRUSHES, alternator
11	1964734C1	2	SPRING, compression
12	A186194	2	SCREW, Sltd Truss Hd, M4 x 18, w/LW, BOLT hex flange, special, regulator retaining
13	1964738C1	1	KIT, REPAIR, KIT terminal hardware
16	1964732C1	1	RECTIFIER, alternator
17	A187504	2	SCREW, hex flange, special, rectifier bridge retaining
18	1964735C1	1	STATOR, alternator
19	1964728C1	1	ROTOR, alternator
20	3079410R1	1	RING, collector
21	1964730C1	1	BEARING, BALL,
22	495-51066	1	WASHER, 9/16" x 1 1/4" x .1", flat, 21/32 x 1-1/4 x 3/32 inch
23	231-46110	1	NUT, LOCK, 5/8"-18, GB,
26	1964727C1	1	PLATE, bearing retaining
27	1964726C1	1	BEARING, BALL, drive end
28	1964725C1	1	HOUSING, drive end
29	1964748C1	4	SCREW, BOLT fillister head, special, slotted, alternator retaining
30	1964750C1	4	SCREW, machine, flat head, special, retaining
31	1964729C1	1	SPACER, ring
32	1964736C1	1	FAN, alternator
34	A189616	1	PULLEY, alternator

4-50 STARTER ASSEMBLY



B923440

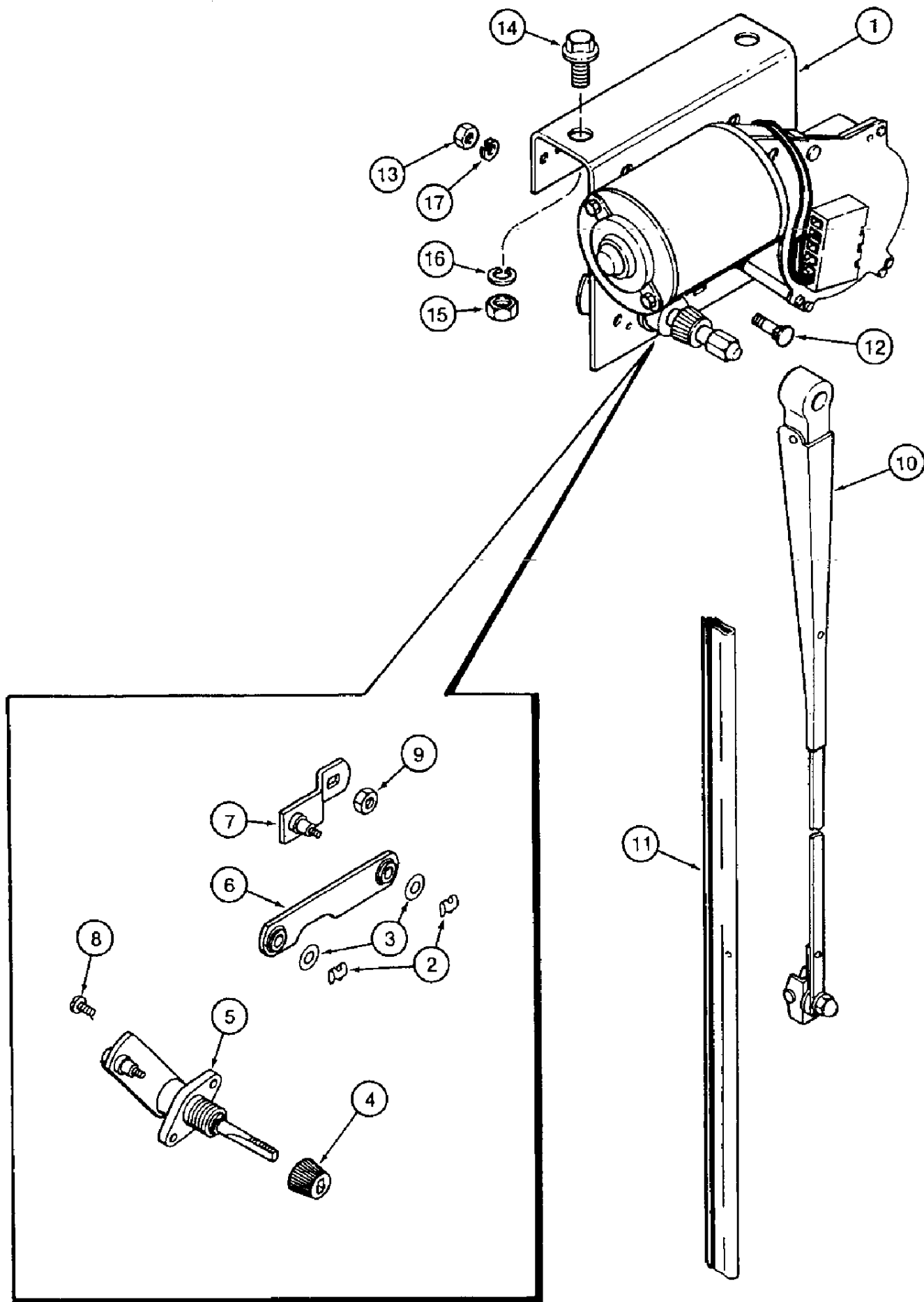


## 4-50 STARTER ASSEMBLY

сылка	Номер детали	Кол-во	Описание
	A187728	1	MOTOR, STARTER, ASSEMBLY engine, Nippodenso 128000-5330, Includes: Ref. 1 thru 53
1	A187851	1	HOUSING, FRAME ASSEMBLY end, commutator, Includes: Ref. 2 and 3
2	NSS	1	NOT SERVICED SEPARATELY, BEARING needle
3	NSS	1	NOT SERVICED SEPARATELY, PIN dowel, locating
4	845-6060	2	BOLT, Hex Flg, M6 x 60, 8.8, BOLT heavy hex flange, 6 - 1.0 x 60 mm
5	825-2306	2	NUT, M6 x 1, Flg, CI 8, hex flange, 6 mm - 1
6	NSS	2	NOT SERVICED SEPARATELY, WASHER lock, 6 mm
7	NSS	2	NOT SERVICED SEPARATELY, WASHER flat, 6 mm
8	A187857	4	O-RING, sealing
12	NSS	1	NOT SERVICED SEPARATELY, O-RING frame
13	A187852	1	BRUSH HOLDER, ASSEMBLY, Includes: Ref. 14
14	A187823	4	SPRING, brush
15	A187794	4	BRUSH, starter
16	A47816	4	SCREW, slotted, includes lock washer, 5 - 0.8 x 12 mm
17	A47813	1	WASHER, end, armature
18	A187847	1	ARMATURE, starter
22	A187846	1	HOUSING ASSY., field coil, Includes: Ref. 23 thru 33
23	NSS	2	NOT SERVICED SEPARATELY, PIN dowel, locating
24	NSS	4	NOT SERVICED SEPARATELY, SCREW retainer, coil
25	NSS	1	NOT SERVICED SEPARATELY, COIL ASSEMBLY field
26	NSS	1	NOT SERVICED SEPARATELY, TERMINAL field
27	NSS	1	NOT SERVICED SEPARATELY, O-RING terminal
28	NSS	1	NOT SERVICED SEPARATELY, BUSHING insulation
29	NSS	1	NOT SERVICED SEPARATELY, WASHER flat plate
30	NSS	1	NOT SERVICED SEPARATELY, WASHER lock
31	NSS	1	NOT SERVICED SEPARATELY, NUT hex, terminal
33	NSS	1	NOT SERVICED SEPARATELY, STUD field terminal assembly
34	A187862	1	NUT, hex, terminal
35	A187858	1	FITTING, CONNECTOR, terminal B
36	NSS	1	NOT SERVICED SEPARATELY, WASHER lock
37	829-1410	1	NUT, M10, CI 10,
38	A187859	1	WASHER, wave
39	425-108	1	NUT, 1/2"-13, G5,
40	NSS	1	NOT SERVICED SEPARATELY, O-RING sealing, housing
41	A187860	1	WASHER, plate, armature
42	A187850	1	HOUSING, ASSEMBLY lever, Includes: Ref. 43 and 44
43	NSS	1	NOT SERVICED SEPARATELY, SEAL oil, housing
44	NSS	1	NOT SERVICED SEPARATELY, BEARING housing
48	A187865	1	KIT, pin, lever
49	NSS	1	NOT SERVICED SEPARATELY, O-RING pin, large
50	NSS	1	NOT SERVICED SEPARATELY, O-RING pin, small
51	NSS	1	NOT SERVICED SEPARATELY, RING snap, pin
52	A49815	4	WASHER, lock, bolt
53	A187861	4	SCREW, BOLT hex, housing 7 x 23 mm
54	A187848	1	CLUTCH ASSEMBLY, starter drive

## 4-50 STARTER ASSEMBLY

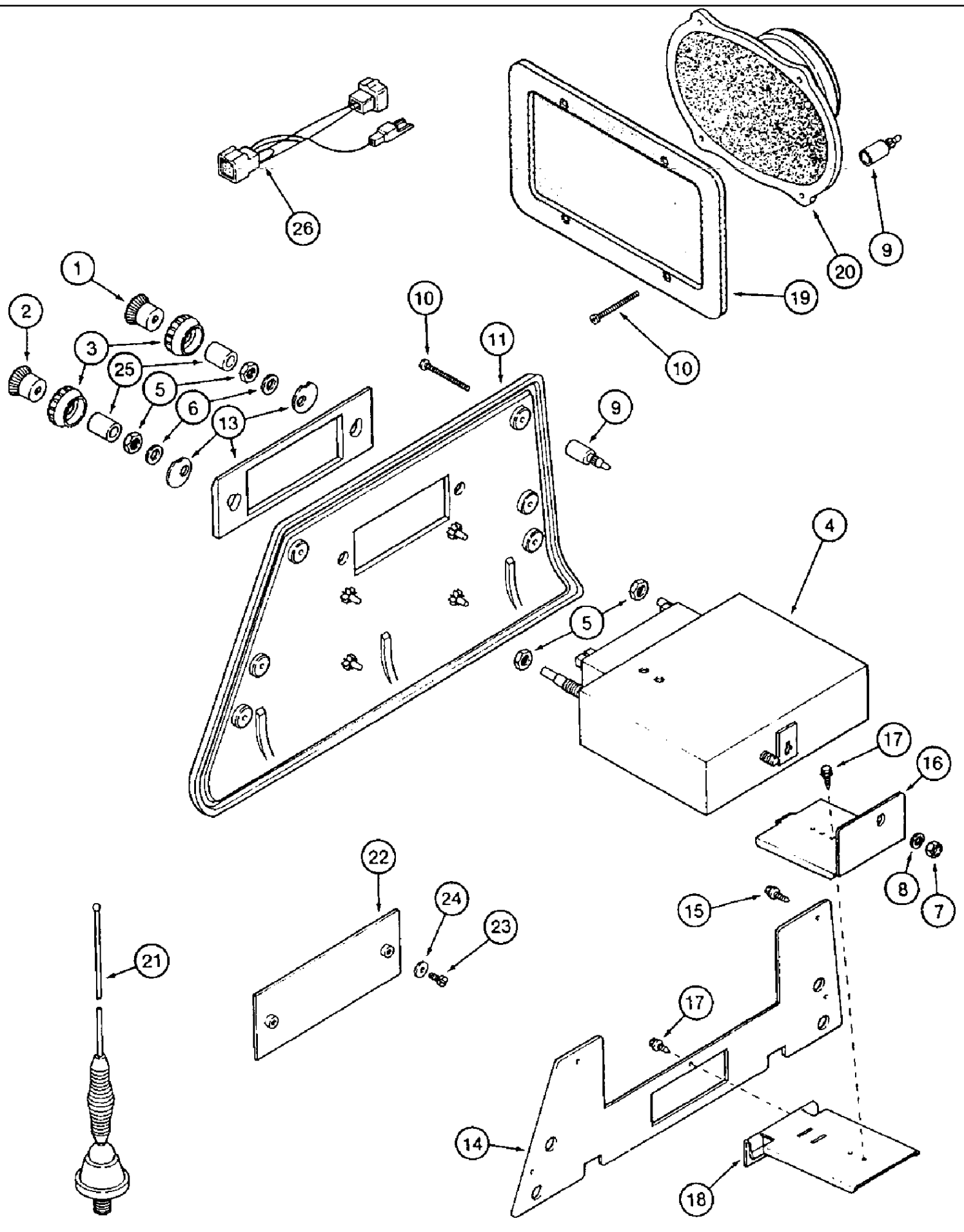
сылка	Номер детали	Кол-во	Описание
55	A187855	1	NUT, pinion stop
58	A47790	1	SNAP RING, collar to shaft
59	A187853	1	LEVER, ASSEMBLY clutch, starter, Includes: Ref. 60
60	A187854	2	PAD, WEAR, lever
61	A47786	1	O-RING, clutch housing
62	A187849	1	HOUSING, ASSEMBLY clutch drive, Includes: Ref. 63
63	NSS	1	NOT SERVICED SEPARATELY, BEARING needle
64	A187856	6	SCREW, BOLT hex, special, drive housing
66	A187864	1	COVER, KIT anti-bypass start, terminal, Includes: Ref. 67
67	NSS	1	NOT SERVICED SEPARATELY, SCREW cover, includes lock and flat washer
68	A187863	1	SWITCH, SOLENOID, ASSEMBLY magnetic, Includes: Ref. 69 thru 73
69	NSS	1	NOT SERVICED SEPARATELY, WIRE connecting
70	NSS	1	NOT SERVICED SEPARATELY, COVER plunger
71	NSS	3	NOT SERVICED SEPARATELY, WASHER lock
72	NSS	1	NOT SERVICED SEPARATELY, NUT hex
73	NSS	2	NOT SERVICED SEPARATELY, NUT hex
65	814-6040	2	BOLT, Hex, M6 x 40, 8.8,



## 1666 CASE IH AXIAL-FLOW COMBINE (1/93-12/94)

## 4-54 WINDSHIELD WIPER

сылка	Номер детали	Кол-во	Описание
1	109740A1	1	WIPER MOTOR, ASSEMBLY includes mounting bracket, Includes: Ref. 2 thru 9
2	739487C1	2	CLIP, spring, Part of KIT, part number1267542C91
3	148074R1	2	WASHER, flat, hardened, 6.0 x 14.4 x 0.4 mm, retaining, Part of KIT, part number1267542C91
4	1267556C1	1	BUTTON, NUT knurled drive, Part of KIT, part number1267542C91
5	NSS	1	NOT SERVICED SEPARATELY, SHAFT includes pivot, motor, Part of KIT, part number1267542C91
6	NSS	1	NOT SERVICED SEPARATELY, LINK connecting, Part of KIT, part number1267542C91
7	NSS	1	NOT SERVICED SEPARATELY, ARM drive, Part of KIT, part number1267542C91
8	NSS	2	NOT SERVICED SEPARATELY, SCREW includes washer, motor, Part of KIT, part number1267542C91
9	NSS	1	NOT SERVICED SEPARATELY, NUT retaining, Part of KIT, part number1267542C91
10	1321282C1	1	ARM, wiper, 18 inch (457 mm)
11	1327520C1	1	BLADE, WIPER, 22 inch (559 mm)
12	412-416	1	BOLT, CARRIAGE, Short NK, 1/4"-20 x 1", G2, BOLT carriage, 1/4 NC x 1 inch, grade 2
13	425-104	1	NUT, 1/4"-20, G5,
14	1327763C1	2	SCREW, hex washer head, 3/8 NC x 3/4 inch
15	425-106	2	NUT, 3/8"-16, G5,
16	492-11038	2	WASHER, LOCK, 3/8",
17	492-11025	1	WASHER, LOCK, 1/4",
	1267542C91	1	PACKAGE, KIT wiper linkage, Includes: Refs. 2 thru 9



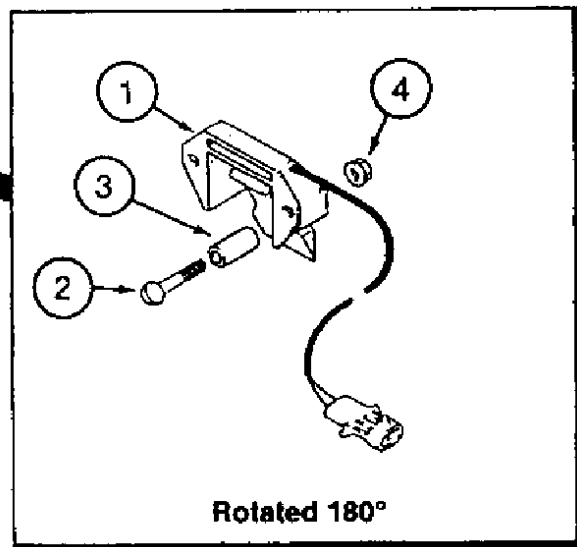
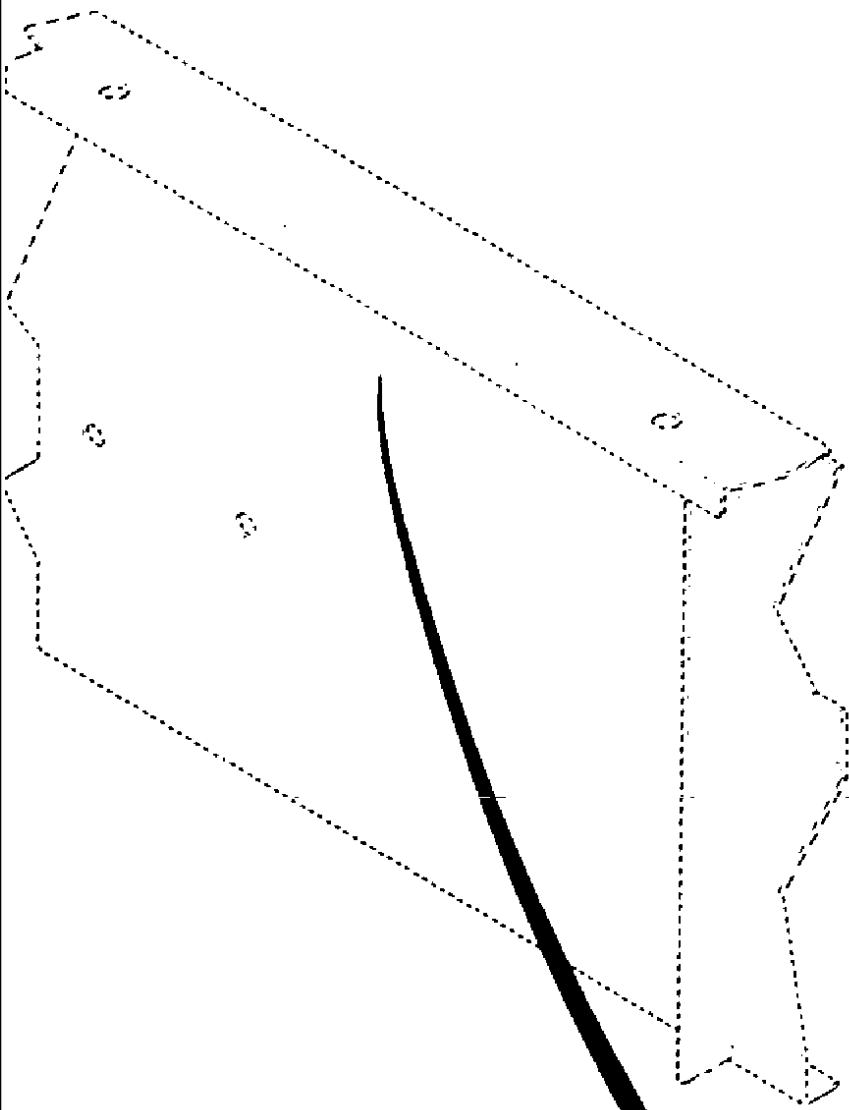
## 1666 CASE IH AXIAL-FLOW COMBINE (1/93-12/94)

## 4-56 RADIO

сылка	Номер детали	Кол-во	Описание
1	111381C1	1	KNOB, control, volume, Part of KIT, part number 84226C91
2	111382C1	1	KNOB, control, tuning, Part of KIT, part number 84226C91
3	385532C1	2	KNOB, control, tone and balance, Part of KIT, part number 84226C91
4	245344C91	1	RADIO, AM
4	245160C91	1	RADIO, AM-FM stereo
5	142921C1	4	NUT, hex, special
6	142920C1	2	WASHER, flat, 9.72 x 15.00 x 0.60 mm
7	425-144	1	NUT, Jam, 1/4"-20, G5,
8	492-11025	1	WASHER, LOCK, 1/4",
9	117995C1	3	PACKAGE, KIT fastener, toggle type, contains 5 fasteners, Part of KIT, part number 84226C91
10	1276052C1	14	SCREW, SELF TAPPING, Cross Oval Hd, #8 x 1 3/4", self tapping, oval head, No. 8-18 x 1-3/4 inch, polyseal
11	1280182C2	1	PANEL, radio trim
13	84103C1	1	PANEL, radio trim highlight, Part of KIT, part number 84226C91
14	91484C1	1	PLATE, radio support, Part of KIT, part number 84226C91
15	280-14510	4	SCREW, SELF TAPPING, Hex Wash Hd, #10 x 5/8", self tapping, hex washer head, No. 10-16 x 5/8 inch
16	84048C1	1	BRACKET, radio support, rear side, Part of KIT, part number 84226C91
17	280-1458	2	SCREW, SELF TAPPING, Hex Wash Hd, #10 x 1/2", self tapping, hex washer head, No. 10-16 x 1/2 inch
18	84049C1	1	BRACKET, radio support, rear, Part of KIT, part number 84226C91
19	245806C1	2	PANEL, speaker grille, Part of KIT, part number 84226C91
20	245343C1	2	SPEAKER, radio, 5 x 7 inch, 4 ohm, Part of KIT, part number 84226C91
21	60-6490T1	1	ANTENNA, radio, Part of KIT, part number 84226C91
22	1321384C1	1	PANEL, radio insert
23	436746	2	SCREW, machine, special, No. 10 NF x 1/4 inch
24	195-513	2	WASHER, #10, flat, 7/32 x 1/2 x 3/64 inch
25	84240C1	2	SPACER, 3/8 x 5/8 x 3/4 inch, Part of KIT, part number 84226C91
26	1964513C1	1	HARNESS, adapter
	84226C91	1	KIT, radio installation, cab, Includes: Refs. 1 - 3, 9, 13, 14, 16, 18 - 21, and 25 together with mounting hardware and instructions

inch

4-58 GRAIN TANK LEVEL SENSOR



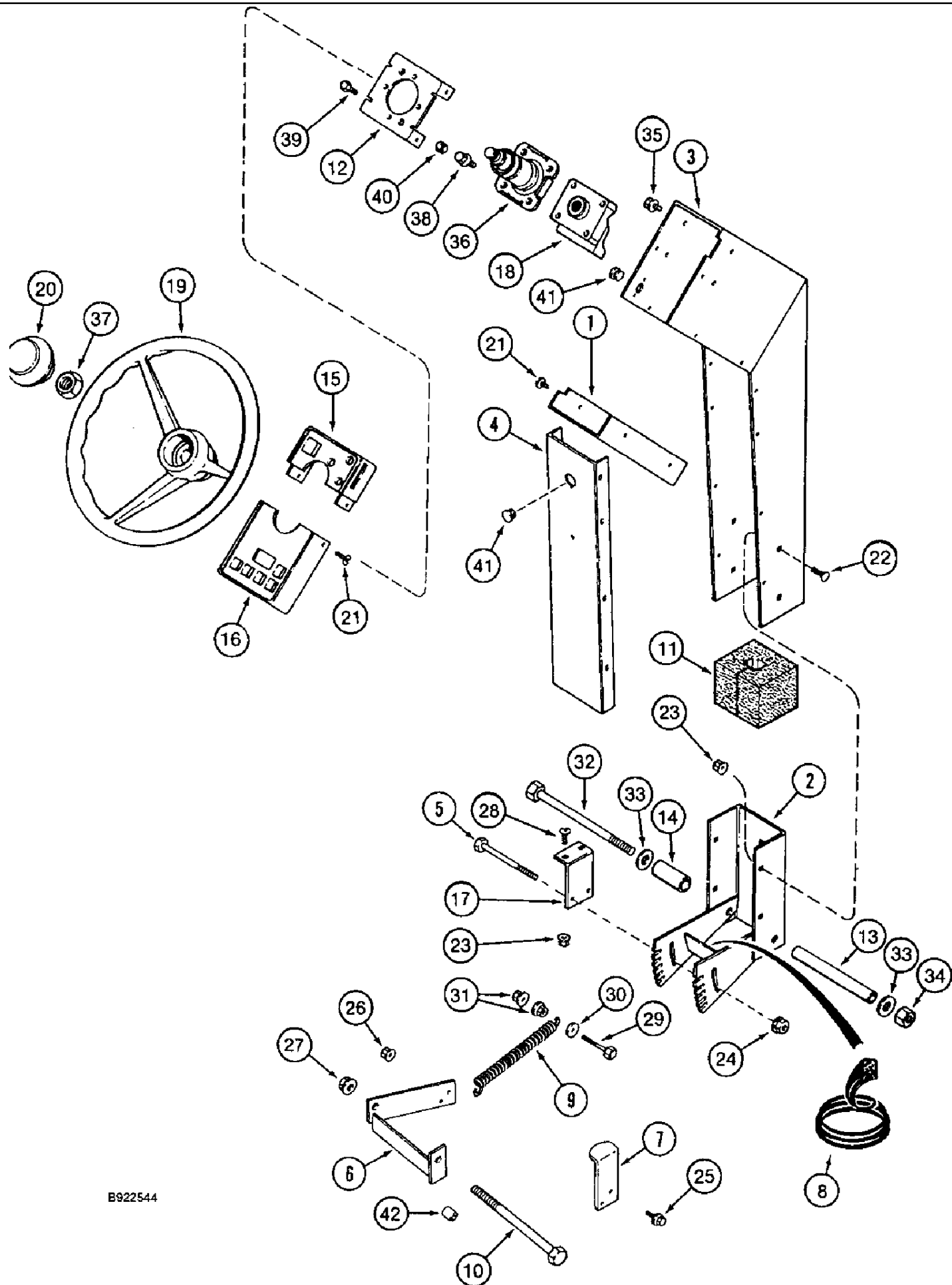
B923441

## 4-58 GRAIN TANK LEVEL SENSOR

сылка	Номер детали	Кол-во	Описание
1	1987377C1	1	SWITCH, grain tank level
2	458-532	2	BOLT, Hex Flg, 5/16"-18 x 2", G5, BOLT hex flange, 5/16 NC x 2 inch
3	121606A1	2	SPACER, pipe, 1/4 x 1 inch
4	231-5145	2	NUT, Flg, USR, 5/16"-18,



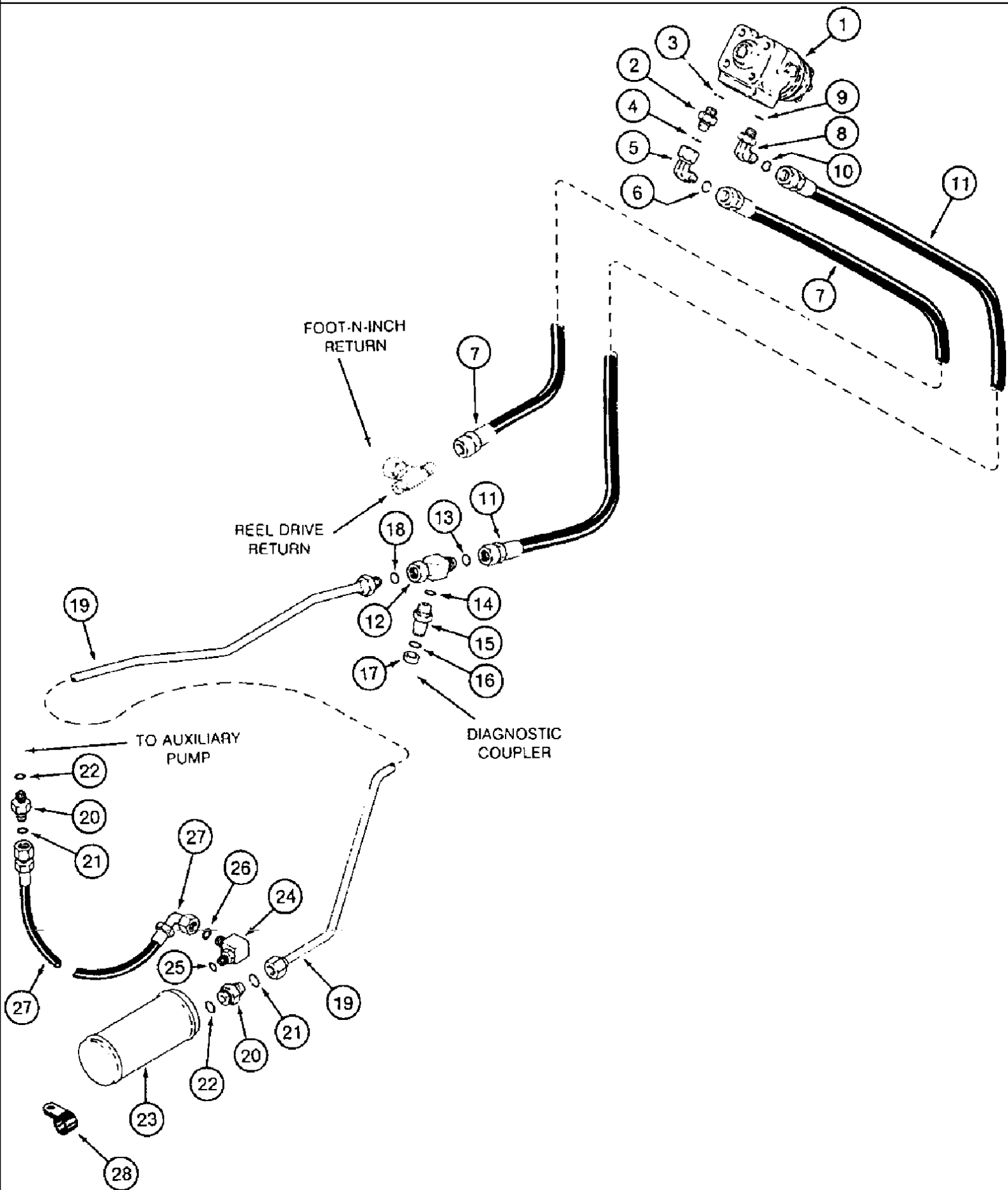
5-02 STEERING SUPPORT AND WHEEL



B922544

## 5-02 STEERING SUPPORT AND WHEEL

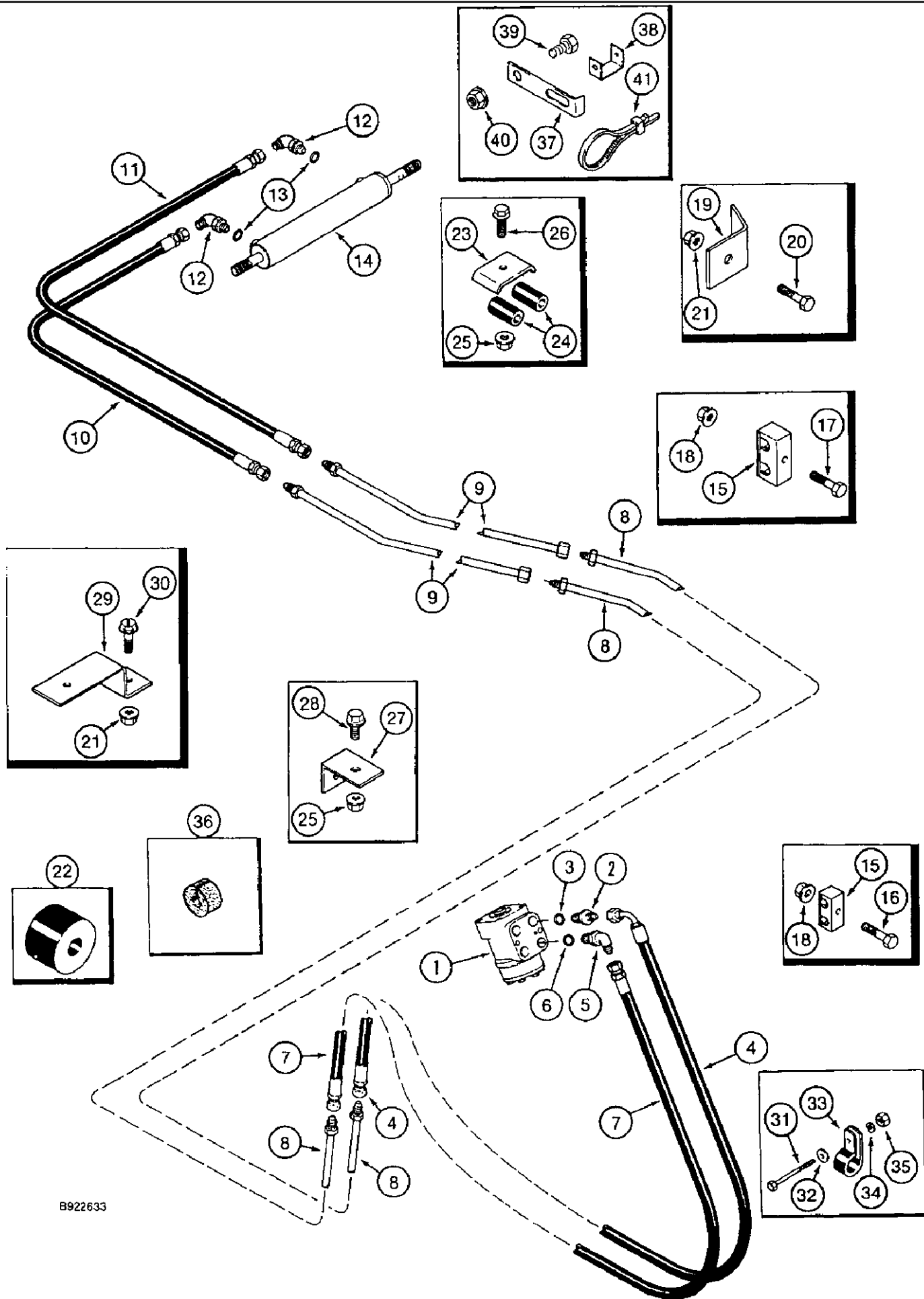
сылка	Номер детали	Кол-во	Описание
1	1327540C3	1	CHANNEL, steering post cover
2	1321449C1	1	SECTOR, RACK steering column pivot
3	1327550C4	1	SUPPORT, PEDESTAL steering column
4	1327551C1	1	CHANNEL, steering post cover
5	413-572	1	BOLT, Hex, 5/16"-18 x 4 1/2", G5, BOLT hex, 5/16 NC x 4-1/2 inch
6	193235C3	1	PIVOT, release, steering
7	193239C2	1	BAR, PLATE steering release
8	87435C1	1	MOLDING, TRIM edge, 3 inch (76 mm) long, cut from 1330108CX bulk trim, see this Figure
9	183608C1	1	SPRING, pedal return
10	413-8120	1	BOLT, Hex, 1/2"-13 x 7 1/2", G5, hex, 1/2 NC x 7-1/2 inch
11	1324844C1	1	SEAL, steering pedestal
12	1283223C2	1	SUPPORT, steering pump
13	1321442C1	1	TUBE, steering column pivot
14	1321441C1	1	SPACER, steering column
15	1327546C1	1	COVER, steering column, upper, front
16	1327547C4	1	COVER, steering column, upper, rear
17	193263C1	1	SUPPORT, steering pivot stop pin
18	1542690C1	1	PUMP, ASSEMBLY steering hand, parts list Fig. 5-8
19	1321683C1	1	WHEEL (STEERING),
20	1329895C2	1	CAP ASSY., steering wheel
21	1321447C1	17	SCREW, SELF TAPPING, Cross Pan Hd, 1/4"-20 x 1/2", self tapping, pan Phillips, 1/4 NC x 1/2 inch
22	1321448C1	6	BOLT, CARRIAGE, Hex, 5/16"-18 x 3/4", G5, carriage, 5/16 NC x 3/4 inch
23	231-5145	8	NUT, Flg, USR, 5/16"-18,
24	232-4115	1	NUT, LOCK, 5/16"-18, GC,
25	68530C1	2	BOLT, Hex Flg, 1/4"-20 x 3/4", Serr, BOLT hex flange, 1/4 NC x 3/4 inch
26	231-5144	2	NUT, Flg, USR, 1/4"-20,
27	231-4118	1	NUT, LOCK, 1/2"-13, GB, hex, self-locking, 1/2 inch NC
28	135270	2	BOLT, Slotted Tr Hd, 5/16"-18 x 3/4", slotted truss head, 5/16 NC x 3/4 inch
29	413-636	1	BOLT, Hex, 3/8"-16 x 2 1/4", G5,
30	495-11041	2	WASHER, 3/8", SAE, Flat, (13/32 x 13/16 x 1/16")
31	231-5146	2	NUT, Flg, USR, 3/8"-16,
32	326-8128	1	BOLT, Hex, 1/2"-13 x 8", G8, BOLT hex, 1/2 NC x 8 inch, grade 8
33	396-41053	2	WASHER, 17/32" x 1 1/4" x .188", HDN, flat, 17/32 x 1-1/4 x 3/16 inch, hardened
34	232-4118	1	NUT, LOCK, 1/2"-13, GC,
35	1327574C1	4	BOLT, Hex Flg, Ser, 5/16"-18 x 1/4", G5, hex flange, polyseal, 5/16 NC x 1/2 inch, Includes: Ref. 37
36	1282041C91	1	SHAFT ASSY., COLUMN steering
37	934727R1	1	NUT, Thin, M18 x 1.5, CI 04, hex, special
38	409-7612	2	BOLT, Hex Flg, 3/8"-16 x 3/4", Serr,
39	409-7620	2	BOLT, Hex Flg, 3/8"-16 x 1 1/4", Serr,
40	561277R1	2	SPACER, 5/8" Tube x 1/2", 13/32 x 5/8 x 7/16 inch
41	353-406	2	PLUG, Dome, .625" hole, Nylon, button, 5/8 inch
42	159716C1	1	SPACER, 3/4" Tube x 5/8", tubular, 17/32 x 3/4 x 9/16 inch
	1330108CX		UAR SEAL ASSY., TRIM edge, bulk, 600 inch (15240 mm) long



## 5-04 STEERING SYSTEM, SUPPLY AND RETURN

сылка	Номер детали	Кол-во	Описание
1	1542690C1	1	PUMP, ASSEMBLY steering hand, parts list Fig. 5-8
2	201-106	1	CONNECTOR, HYD., 11/16"-16 ORFS x 3/4"-16 ORB, ADAPTER straight, 11/16-16 face seal x 3/4-16 inch O-ring boss
3	237-6008	1	O-RING, 8-1, 90 Duro, .644" ID x .087" Thk, Includes ref. 3 and 4
4	238-6012	1	O-RING, -012, 90 Duro, .364" ID x .070" Thk,
5	201-319	1	ELBOW, 90°, 11/16"-16 x 1/16"-16 Fem Sw ORFS, 90 degree, 11/16-16 inch face seal x swivel face seal, Includes: Ref. 6
6	238-6012	1	O-RING, -012, 90 Duro, .364" ID x .070" Thk,
7	1989505C1	1	HOSE, 39 inch (990 mm) long, steering hand pump return, Foot-N-Inch, see Fig. 6-12 for continuation of system
8	201-345	1	ELBOW, 90°, 11/16"-16 x 3/4"-16, Adj, ORFS, 90 degree, 11/16-16 face seal x 3/4-16 inch adj O-ring boss, Includes: Ref. 9 and 10
9	237-6008	1	O-RING, 8-1, 90 Duro, .644" ID x .087" Thk,
10	238-6012	1	O-RING, -012, 90 Duro, .364" ID x .070" Thk,
11	1989504C1	1	HOSE, 86 inch (2185 mm) long, steering hand pump supply, steering diagnostic tee
12	1541791C1	1	TEE, special, steering diagnostic, Includes: Ref. 13
13	238-6012	1	O-RING, -012, 90 Duro, .364" ID x .070" Thk,
15	1541849C1	1	COUPLING, ASSEMBLY diagnostic, to check pressure, order 1543171C1, see this Figure, Includes: Ref. 16 and 17
17	H434163	1	DUST CAP, dust, coupler
18	238-6012	1	O-RING, -012, 90 Duro, .364" ID x .070" Thk,
19	1989287C2	1	TUBE, steering pressure
20	201-126	2	CONNECTOR, HYD., 13/16"-16 ORFS x 9/16"-20 ORB, straight, 13/16-16 face seal x 9/16-18 inch O-ring boss, Includes: Ref. 21 and 22
21	238-6014	1	O-RING, -014, 90 Duro, .489" ID x .070" Thk,
23	1994631C2	1	LIMITER, ATTENUATOR, 0.7 liter
24	1541627C1	1	ELBOW, special, restrictor
26	238-6014	1	O-RING, -014, 90 Duro, .489" ID x .070" Thk,
27	1989363C2	1	HOSE, 43-5/16 inch (1100 mm) long, steering pressure
28	87029955	2	CLAMP, 7/8", Insul, 3/8" Bolt, adj, 2-13/16 - 3-3/4 inch diameter
	1543171C1	1	COUPLING, BREAK AWAY, female, used to check pressure, see Ref. 15 above
14	237-6006	1	O-RING, 6-1, 90 Duro, .468" ID x .078" Thk,
16	237-6006	1	O-RING, 6-1, 90 Duro, .468" ID x .078" Thk,
22	237-6006	1	O-RING, 6-1, 90 Duro, .468" ID x .078" Thk,
25	237-6006	1	O-RING, 6-1, 90 Duro, .468" ID x .078" Thk,

5-06 STEERING SYSTEM, PUMP TO CYLINDER



8922633

## 5-06 STEERING SYSTEM, PUMP TO CYLINDER

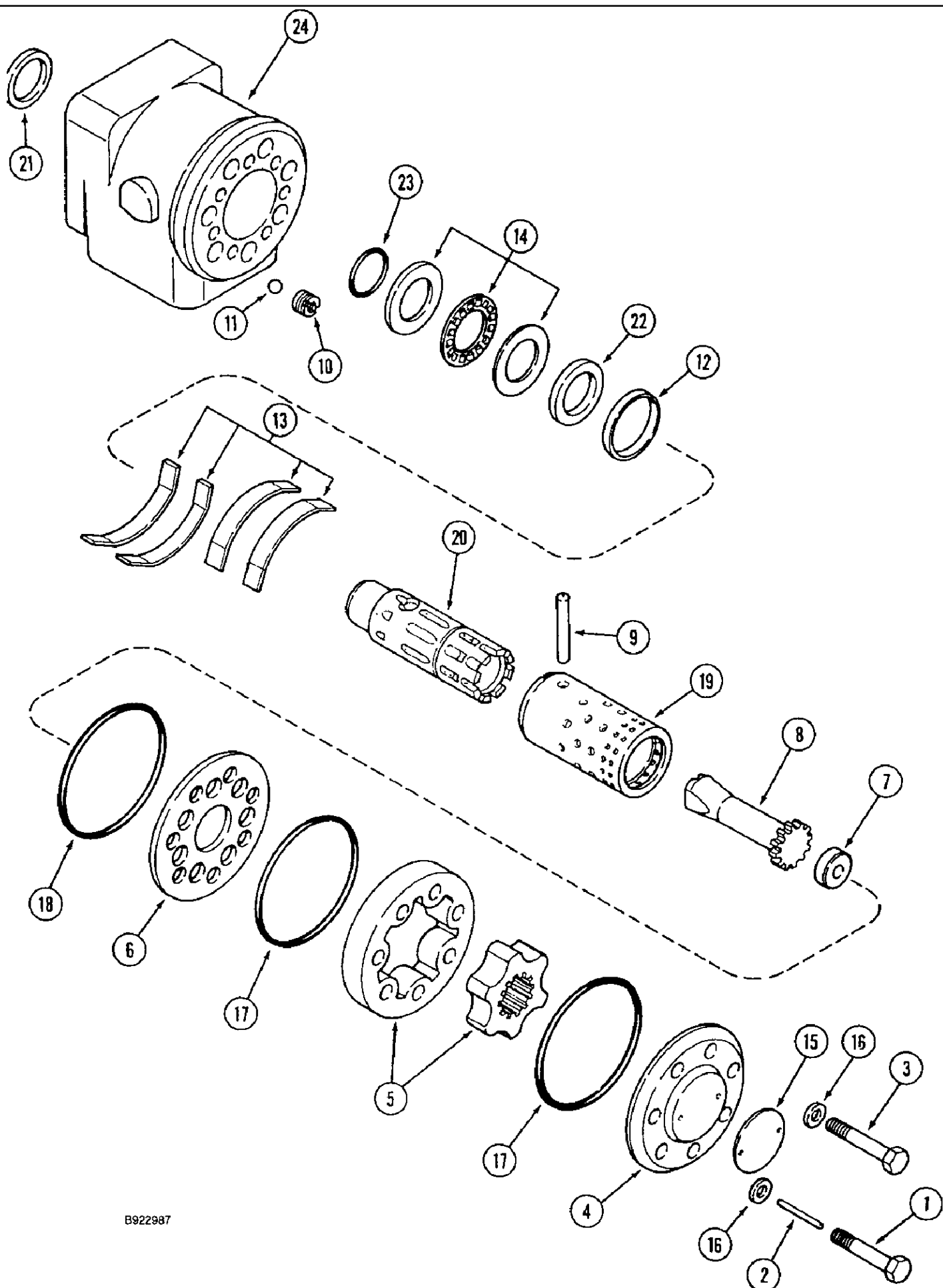
сылка	Номер детали	Кол-во	Описание
1	1542690C1	1	PUMP, ASSEMBLY steering hand, hydrostatic steering, parts list Fig. 5-8
2	218-5058	1	CONNECTOR, HYD., 9/16"-18, 37ε x 3/4"-18, O-Ring, ADAPTER straight, 9/16-18 flare x 3/4-16 inch O-ring boss
3	237-6008	1	O-RING, 8-1, 90 Duro, .644" ID x .087" Thk,
4	111174A1	1	HOSE ASSY., 135 inch (3420 mm) long, steering hand pump, left hand
5	218-5128	1	ELBOW, 90ε, 9/16"-18, 37ε x 3/4"-16, O-Ring, Adj.
6	237-6008	1	O-RING, 8-1, 90 Duro, .644" ID x .087" Thk,
7	139519C2	1	HOSE, 135 inch (3429 mm) long, steering hand pump, right hand
8	1541565C1	2	TUBE, steering, intermediate
9	196791C1	2	TUBE ASSY., steering, rear
10	179202C1	1	HOSE, 68 inch (1727 mm) long, cylinder, lower
11	178962C1	1	HOSE ASSY., 60 inch (1524 mm) long, cylinder, upper
11	183920C1	1	HOSE ASSY., 77 inch (1956 mm) long, cylinder, upper, 120 inch axle
12	218-5105	2	ELBOW, 90ε, 9/16"-18, 37ε x 9/16"-18, O-Ring, 90 degree, 9/16-18 inch flare x adj O-ring boss
14	548247R91	1	CYLINDER ASSY., 2 (51) ID x 9 inch (229 mm) stroke, steering, without power guide axle, parts list Fig. 5-10
14	127913C93	1	CYLINDER STEERING, ASSEMBLY, 2-1/4 (57) ID x 9 inch (229 mm) stroke, steering, with power guide axle, parts list Fig. 5-46
15	183825C1	3	CLAMP, steering tube, for 3/8 inch
16	413-428	1	BOLT, Hex, 1/4"-20 x 1 3/4", G5, hex, 1/4 NC x 1-3/4 inch
17	413-436	2	BOLT, Hex, 1/4"-20 x 2 1/4", G5,
18	231-5144	3	NUT, Flg, USR, 1/4"-20,
19	178960C1	1	BRACKET, SUPPORT steering rear tube
20	409-7612	1	BOLT, Hex Flg, 3/8"-16 x 3/4", Serr,
21	231-5146	2	NUT, Flg, USR, 3/8"-16,
22	167955C2	2	SEAL, GROMMET steering cylinder hose
23	165602C1	1	CLAMP, steering tube
24	163490C1	2	INSULATOR, RUBBER, INSULATOR rubber, 3/8 ID x 1-13/64 inch long, steering tube clamp
25	231-5145	2	NUT, Flg, USR, 5/16"-18,
26	535789R1	1	BOLT, Hex Flg, 5/16"-18 x 1 1/4", Serr, BOLT hex flange, 5/16 NC x 1-1/4 inch
27	183899C1	1	ANGLE, support, hand pump hose
28	409-7512	1	BOLT, Hex Flg, 5/16"-18 x 3/4", Serr,
29	196517C1	1	SUPPORT, steering tube
30	409-7612	1	BOLT, Hex Flg, 3/8"-16 x 3/4", Serr,
31	413-572	1	BOLT, Hex, 5/16"-18 x 4 1/2", G5, BOLT hex, 5/16 NC x 4-1/2 inch
32	495-81116	1	WASHER, .344" x 1" x .060", flat, 11/32 x 1 x 3/64 inch
33	26613R1	1	CLAMP, 1 7/8", Insul, 1/2" Bolt, 1-7/8 inch diameter, steering hose
34	492-11031	1	WASHER, LOCK, 5/16",
35	425-105	1	NUT, 5/16"-18, G5,
36	167955C2	2	SEAL, GROMMET power steering hoses
37	111863A1	1	STRAP, BRACKET steering hose support
38	111862A1	1	SUPPORT, steering hose
39	413-616	1	BOLT, Hex, 3/8"-16 x 1", G5, Full Thd, hex, 3/8 NC x 1 inch
40	231-5146	1	NUT, Flg, USR, 3/8"-16,
41	306132C1	2	STRAP, CABLE, .30" x 14.5", tie, 14 inch, pump hoses

1666 CASE IH AXIAL-FLOW COMBINE (1/93-12/94)

5-06 STEERING SYSTEM, PUMP TO CYLINDER

сылка	Номер детали	Кол-во	Описание
13	237-6006	1	O-RING, 6-1, 90 Duro, .468" ID x .078" Thk,

5-08 STEERING HAND PUMP



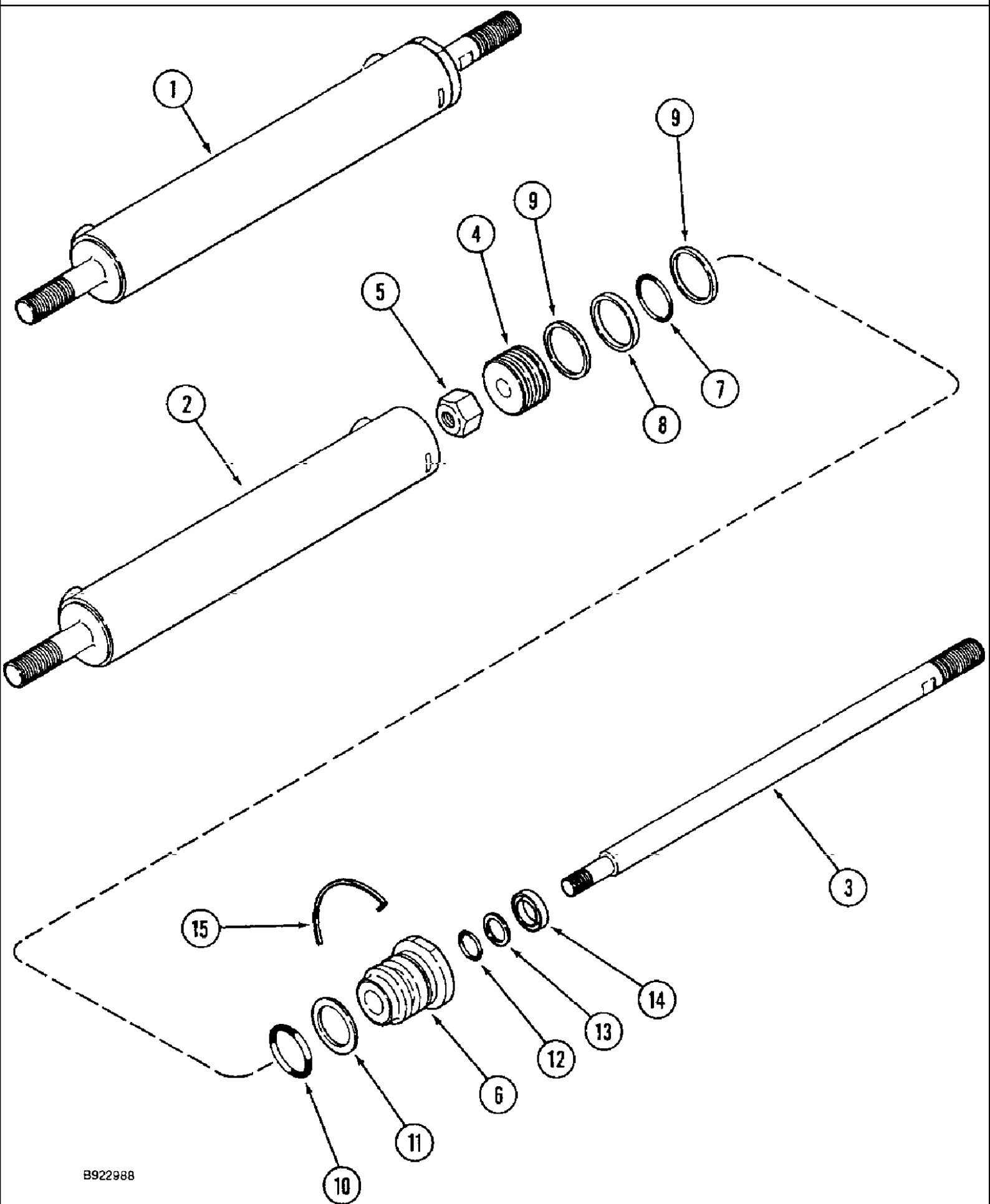
B922987



## 5-08 STEERING HAND PUMP

сылка	Номер детали	Кол-во	Описание
	1542690C1	1	PUMP, ASSEMBLY steering hand, Includes: Ref. 2 thru 24
1	NSS	1	NOT SERVICED SEPARATELY, BOLT hex special
2	3112271R1	1	PIN, ROLL, 2 x 32 mm
3	3216710R1	6	SCREW, BOLT hex, 8 - 1.25 x 40 mm
4	1272805C1	1	COVER, end
5	NSS	1	NOT SERVICED SEPARATELY, SET gear, pump
6	1272803C1	1	PLATE, pump, gear
7	1272802C1	1	SPACER, shaft
8	1272797C1	1	SHAFT, drive, pump
9	1272796C1	1	PIN, LARGE, dowel, special, 6 x 41 mm
10	1272793C1	1	BUSHING, threaded, housing
11	1272794C1	1	BALL, check, 8.5 mm diameter
12	1272795C1	1	RING, O, sleeve, seal
13	1272809C1	1	PACKAGE, KIT spring, set of four
14	1272808C1	1	KIT, needle bearing
15	NSS	1	NOT SERVICED SEPARATELY, PLATE rating
16	NSS	7	NOT SERVICED SEPARATELY, WASHER flat, cover bolt, Part of KIT, part number 3141548R91
17	NSS	2	NOT SERVICED SEPARATELY, O-RING 76 x 2 mm, Part of KIT, part number 3141548R91
18	NSS	1	NOT SERVICED SEPARATELY, O-RING 80 x 1 mm, Part of KIT, part number 3141548R91
19	NSS	1	NOT SERVICED SEPARATELY, SLEEVE pump
20	NSS	1	NOT SERVICED SEPARATELY, SLEEVE pump
21	NSS	1	NOT SERVICED SEPARATELY, RING housing, Part of KIT, part number 3141548R91
22	NSS	1	NOT SERVICED SEPARATELY, RING seal, Part of KIT, part number 3141548R91
23	NSS	1	NOT SERVICED SEPARATELY, O-RING seal, Part of KIT, part number 3141548R91
24	NSS	1	NOT SERVICED SEPARATELY, HOUSING pump
	3141548R91	1	KIT, GASKET, seal, pump repair, Includes: Refs. 16-18 and 21-23

5-10 STEERING CYLINDER, WITHOUT POWER GUIDE AXLE

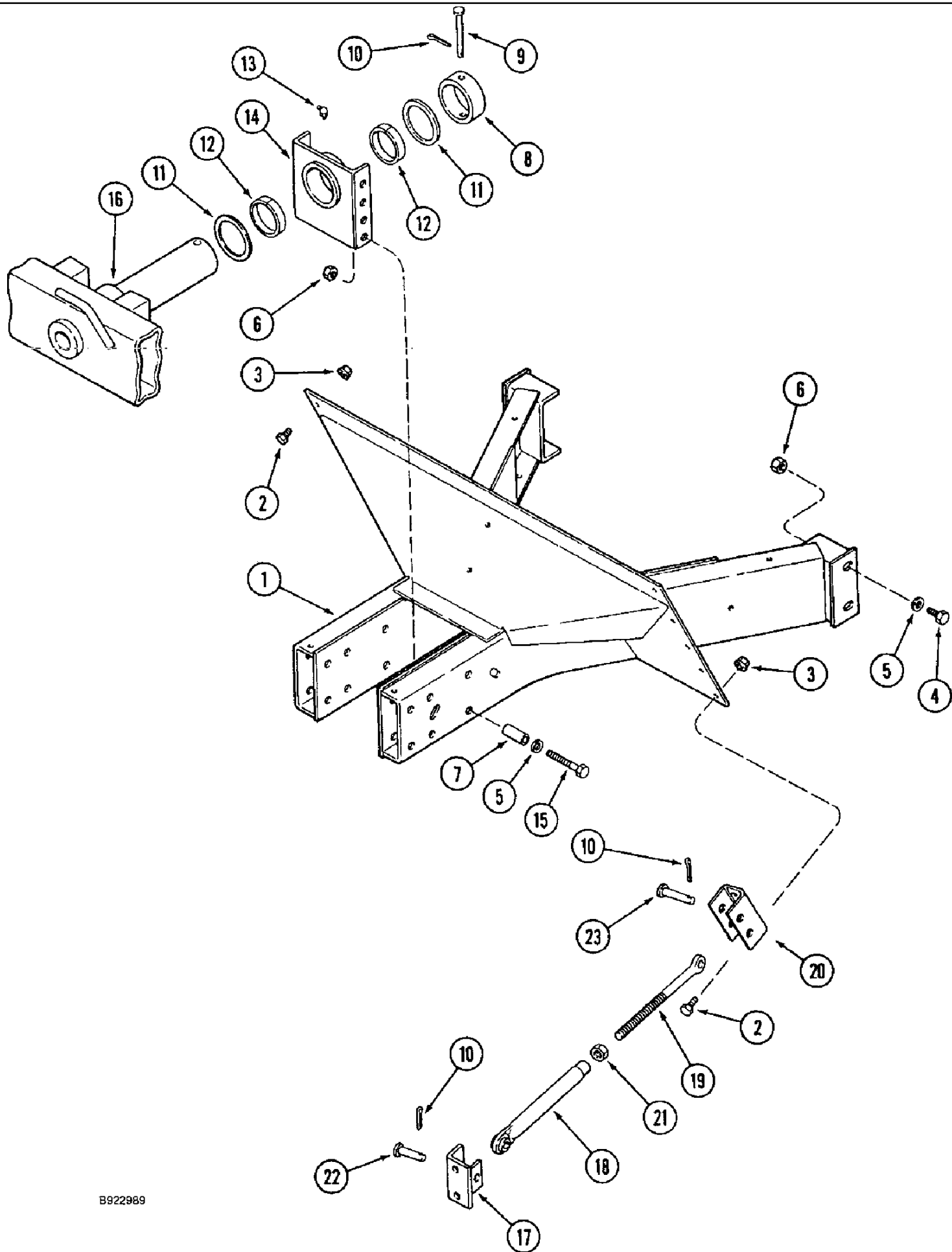


B922988

## 5-10 STEERING CYLINDER, WITHOUT POWER GUIDE AXLE

сылка	Номер детали	Кол-во	Описание
1	548247R91	1	CYLINDER ASSY., 2 (51) ID x 9 inch (229 mm) stroke, steering, Includes: Ref. 2 thru 6
2	NSS	1	NOT SERVICED SEPARATELY, BODY ASSEMBLY cylinder
3	548251R1	1	ROD, piston
4	548252R1	1	PISTON, cylinder
5	27293R1	1	NUT, LOCK, 9/16"-18, GC, hex, self-locking, 9/16 inch NF
6	548354R1	1	HEAD, GLAND cylinder, front
	548357R91	1	KIT, seal, cylinder, Includes: Ref. 7 thru 15
7	NSS	1	NOT SERVICED SEPARATELY, O-RING, 1-9/16 x 1-3/4 inch
8	NSS	1	NOT SERVICED SEPARATELY, RING piston seal
9	NSS	2	NOT SERVICED SEPARATELY, RING piston bearing
10	NSS	1	NOT SERVICED SEPARATELY, O-RING 1-5/8 x 2 inch
11	NSS	1	NOT SERVICED SEPARATELY, WASHER O-ring backup, head
12	NSS	1	NOT SERVICED SEPARATELY, O-RING, 7/8 x 1-1/8 inch
13	NSS	1	NOT SERVICED SEPARATELY, WASHER O-ring backup, piston
14	NSS	1	NOT SERVICED SEPARATELY, SEAL wiper, piston rod
15	NSS	1	NOT SERVICED SEPARATELY, RING retaining wire

5-12 STEERING AXLE SUPPORT, ADJUSTABLE AXLES

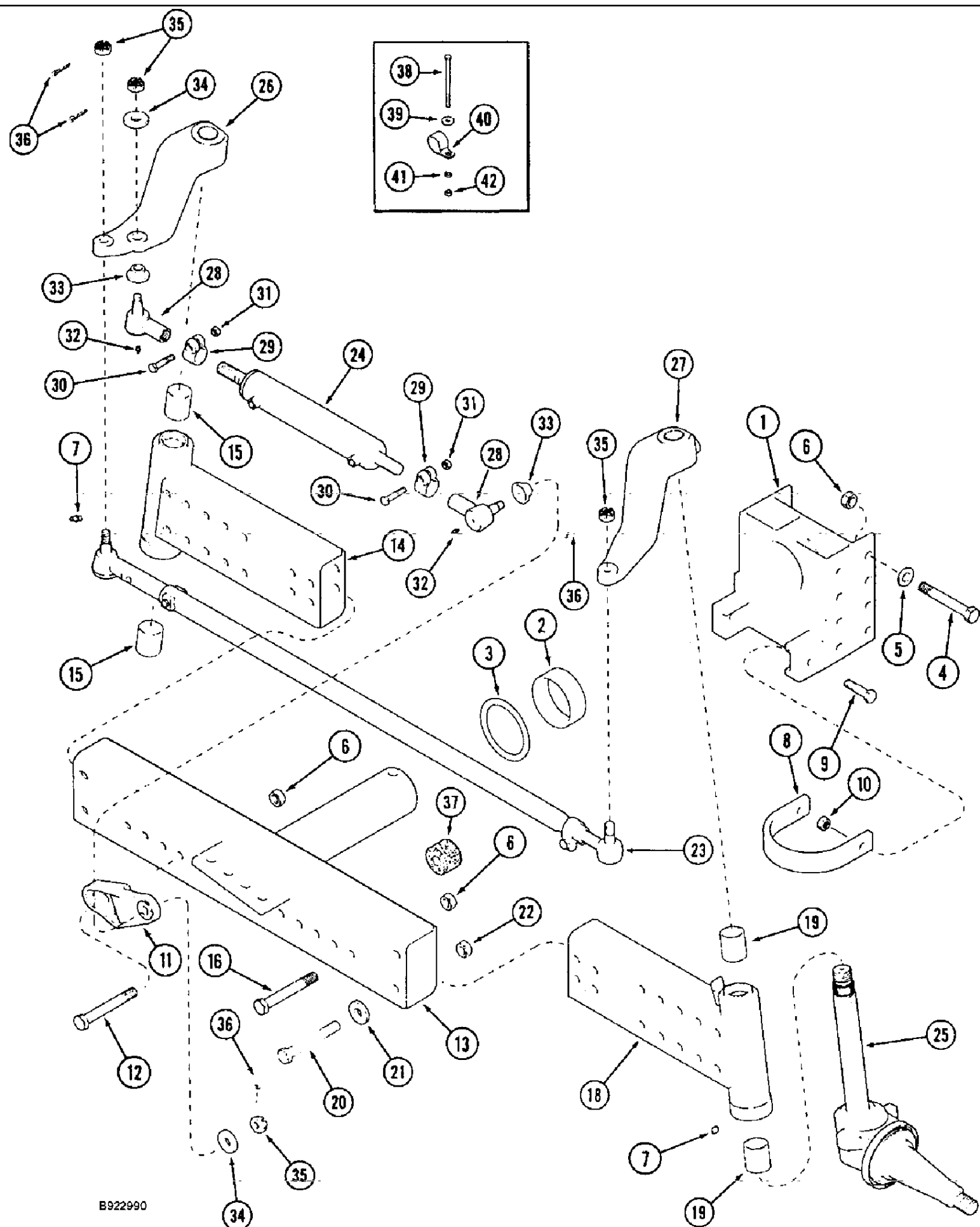


B922989

## 5-12 STEERING AXLE SUPPORT, ADJUSTABLE AXLES

сылка	Номер детали	Кол-во	Описание
1	1308816C2	1	SUPPORT, steering axle
2	426-816	10	BOLT, Hex, 1/2"-13 x 1", G8, Full Thd, BOLT hex, 1/2 NC x 1 inch, grade 8
3	231-5148	10	NUT, Flg, USR, 1/2"-13,
4	426-1224	4	BOLT, Hex, 3/4"-10 x 1 1/2", G8, BOLT hex, 3/4 NC x 1-1/2 inch, grade 8
5	496-21081	8	WASHER, 13/16" x 1 1/2" x .179", HDN,
6	232-51312	8	NUT, Flg, USR, 3/4"-10,
7	177748C1	12	SPACER, 13/16 x 1-1/4 x 2-13/16 inch, support
8	182795C1	1	BUSHING, axle pivot
9	439-11288	1	PIN, HEADED, 3/4" x 5 1/2", headed, 3/4 x 5-1/2 inch, grade 2
10	432-1620	4	PIN, SPLIT (COTTER), 1/4" x 1 1/4", 1/4" x 1 1/4"
11	168385C2	3	WASHER, flat, special, axle pivot
12	182794C1	2	RING, BUSHING axle pivot
13	219-17	2	NIPPLE, LUBE, 3/16" x .55" lg, Drive,
14	182792C93	1	SUPPORT ASSY., pivot, front, includes Ref. 12, 182794C1 bushing
15	326-1272	4	BOLT, Hex, 3/4"-10 x 4 1/2", G8,
16	REF	1	INSTRUCTION, AXLE steering, see Fig. 5-14
17	183494C1	2	SUPPORT ASSY., BRACKET adjusting rod, rear, Used with 92 to 120 inch and 108 to 120 inch adjustable axles only.
18	181444C1	2	TIE-ROD, BODY adjusting rod, rear, Used with 92 to 120 inch and 108 to 120 inch adjustable axles only.
19	181442C3	2	EYEBOLT, ROD adjusting, front, Used with 92 to 120 inch and 108 to 120 inch adjustable axles only.
20	1541603C1	2	SUPPORT, BRACKET adjusting rod, front, Used with 92 to 120 inch and 108 to 120 inch adjustable axles only.
21	425-1016	2	NUT, 1"-8, G5, Hex
22	439-11456	2	PIN, HEADED, 7/8" x 3 1/2", headed, 7/8 x 3-1/2 inch, grade 2
23	23729R1	2	PIN, HEADED, 7/8" x 3",

5-14 STEERING AXLE, ADJUSTABLE, WITHOUT POWER GUIDE AXLE, CORN AND GRAIN COMBINE

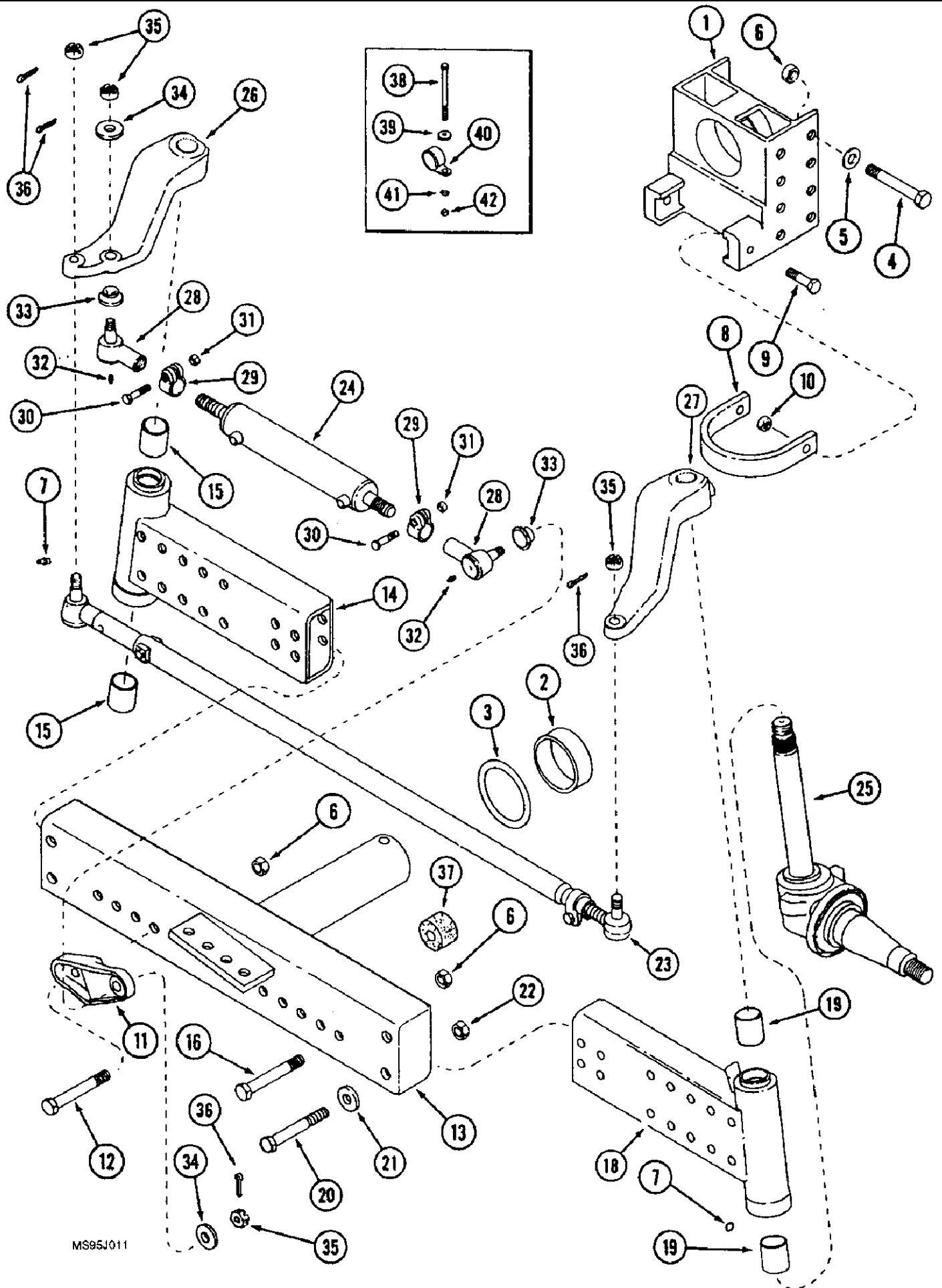


B922990

## 5-14 STEERING AXLE, ADJUSTABLE, WITHOUT POWER GUIDE AXLE, CORN AND GRAIN COMBINE

сылка	Номер детали	Кол-во	Описание
1	177749C92	1	SUPPORT ASSY., axle pivot, All except 92 to 120 inch axle.
1	186599C93	1	SUPPORT, axle pivot, Includes: Ref. 2, 92 to 120 inch axle.
2	177751C1	1	BUSHING, axle pivot
3	168385C2	1	WASHER, flat, special, pivot tube
4	413-1292		UAR BOLT, Hex, 3/4"-10 x 5 3/4", G5, BOLT hex, 3/4 NC x 5-3/4 inch, All except 92 to 120 inch axle.
4	326-1288		UAR BOLT, Hex, 3/4"-10 x 5 1/2", G8, , 92 to 120 inch axle.
5	496-21081	8	WASHER, 13/16" x 1 1/2" x .179", HDN,
6	232-51312		UAR NUT, Flg, USR, 3/4"-10,
7	219-17	2	NIPPLE, LUBE, 3/16" x .55" lg, Drive,
8	196084C2	1	CHANNEL, STRAP tow, All except 92 to 120 inch axle.
8	1302625C1	1	CHANNEL, STRAP tow, 92 to 120 inch axle.
9	326-1036		UAR BOLT, Hex, 5/8"-11 x 2 1/4", G8, , All except 92 to 120 inch axle.
9	326-1048		UAR BOLT, Hex, 5/8"-11 x 3", G8, , 92 to 120 inch axle.
10	232-51310	2	NUT, Flg, USR, 5/8"-12, hex serrated flange, 5/8 inch NC, grade 8
11	193917C1	1	ANCHOR, steering cylinder, All except 92 to 120 inch axle.
11	182782C1	1	ANCHOR, steering cylinder, 92 to 120 inch axle.
12	413-1284		UAR BOLT, Hex, 3/4"-10 x 5 1/4", G5, BOLT hex, 3/4 NC x 5-1/4 inch, All except 92 to 120 inch axle.
12	413-1288		UAR BOLT, Hex, 3/4"-10 x 5 1/2", G5, hex, 3/4 NC x 5-1/2 inch, 92 to 120 inch axle.
13	182799C2	1	AXLE, adjustable, 67 to 91 inch, grain
13	1302520C2	1	AXLE, adjustable, 67 to 91 inch, corn
13	186317C3	1	AXLE (CENTRE PART), adjustable, 92 - 120 inch, grain
13	1302522C3	1	AXLE (CENTRE PART), adjustable, 92 - 120 inch, corn
14	177763C91	1	EXTENSION ASSY., axle, left hand, 67 to 91 inch
14	183454C91	1	EXTENSION, axle, left hand, 92 to 120 inch, Includes: Ref. 15
15	358958R2	2	BUSHING, spindle, included with 183454C91 and 177763C91 axle extension assemblies
16	413-1272		UAR BOLT, Hex, 3/4"-10 x 4 1/2", G5, hex, 3/4 NC x 4-1/2 inch

5-16 STEERING AXLE, ADJUSTABLE, WITHOUT POWER GUIDE AXLE, CORN AND GRAIN COMBINE (CONT)

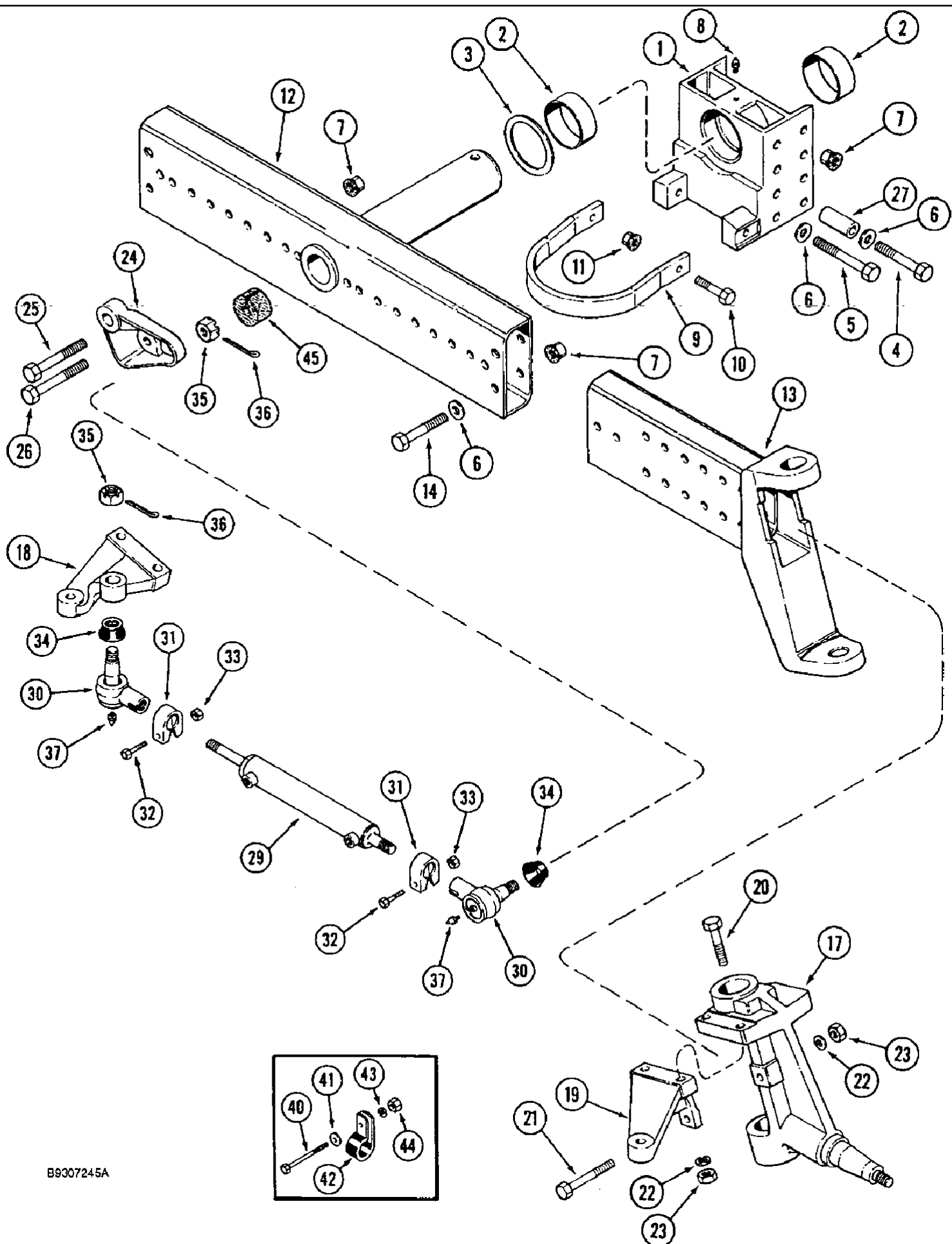


MS95J011



## 5-16 STEERING AXLE, ADJUSTABLE, WITHOUT POWER GUIDE AXLE, CORN AND GRAIN COMBINE (CONT)

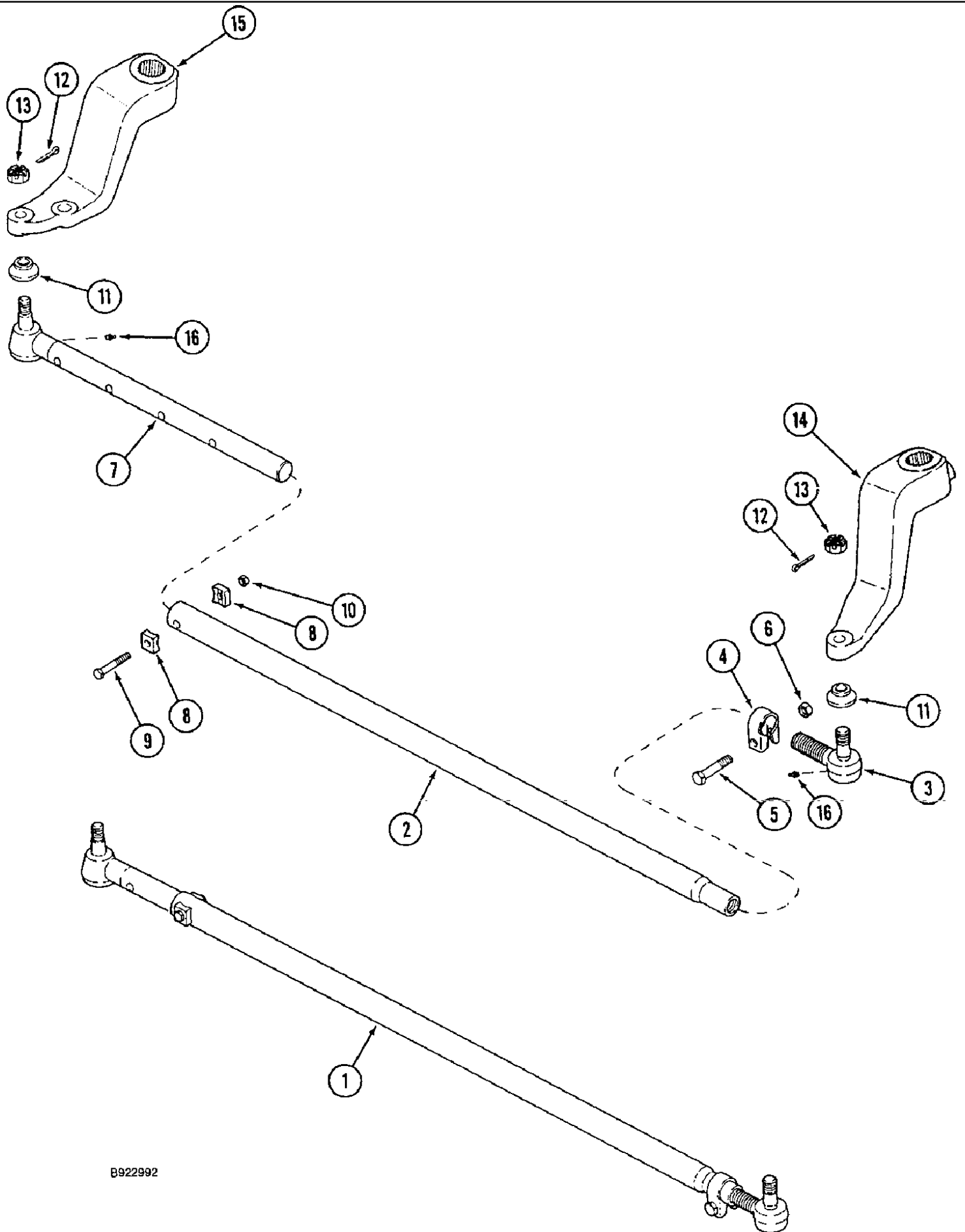
сылка	Номер детали	Кол-во	Описание
18	177764C91	1	EXTENSION ASSY., axle, right hand, 67 to 91 inch
18	183455C91	1	EXTENSION, axle, right hand, 92 to 120 inch, Includes: Ref. 19
19	358958R2	2	BUSHING, spindle, included with 183455C91 and 177764C91 axle extension assemblies
20	413-1272		UAR BOLT, Hex, 3/4"-10 x 4 1/2", G5, hex, 3/4 NC x 4-1/2 inch
20	413-1280		UAR BOLT, Hex, 3/4"-10 x 5", G5, hex, 3/4 NC x 5 inch
21	496-21081		UAR WASHER, 13/16" x 1 1/2" x .179", HDN,
22	232-51312		UAR NUT, Flg, USR, 3/4"-10,
23	REF	1	INSTRUCTION, ROD ASSEMBLY tie, parts list Fig. 5-22
24	548247R91	1	CYLINDER ASSY., 2 (51) ID x 9 inch (229 mm) stroke, steering, parts list Fig. 5-10
25	1315374C1	1	KNUCKLE, STEERING, parts list Fig. 5-26
26	193911C3	1	ARM, steering, left hand
27	193912C3	1	ARM, steering, right hand
28	186796C1	2	BALL JOINT, SOCKET cylinder end, Includes: Ref. 29 thru 32
29	384371R1	1	CLAMP, socket
30	413-730	1	BOLT, Hex, 7/16"-14 x 1 7/8", G5, BOLT hex, 7/16 NC x 1-7/8 inch
31	231-4117	1	NUT, LOCK, 7/16"-14, GB, hex, self-locking, 7/16 inch NC
32	219-8	1	NIPPLE, LUBE, 1/4"-28 NPT x .54" lg,
33	382562R1	2	SEAL, end
34	95-81019	2	WASHER, 23/32" x 1 1/2" x .120", flat, 23/32 x 1-1/2 x 7/64 inch
35	425-1310	4	NUT, SLOTTED, 5/8"-18, G5, hex, slotted, 5/8 inch NF
36	432-824	4	PIN, SPLIT (COTTER), 1/8" x 1 1/2",
37	167955C2	1	SEAL, GROMMET steering hoses
38	413-572	1	BOLT, Hex, 5/16"-18 x 4 1/2", G5, BOLT hex, 5/16 NC x 4-1/2 inch, Power steering hoses on 92 to 120 inch axle only.
39	495-81116	1	WASHER, .344" x 1" x .060", flat, 11/32 x 1 x 3/64 inch, Power steering hoses on 92 to 120 inch axle only.
40	26613R1	1	CLAMP, 1 7/8", Insul, 1/2" Bolt, 1-7/8 inch diameter, steering hose, Power steering hoses on 92 to 120 inch axle only.
41	492-11031	1	WASHER, LOCK, 5/16", , Power steering hoses on 92 to 120 inch axle only.
42	425-105	1	NUT, 5/16"-18, G5, , Power steering hoses on 92 to 120 inch axle only.



B9307245A

## 5-18 STEERING AXLE, ADJUSTABLE, WITHOUT POWER GUIDE AXLE, RICE COMBINE

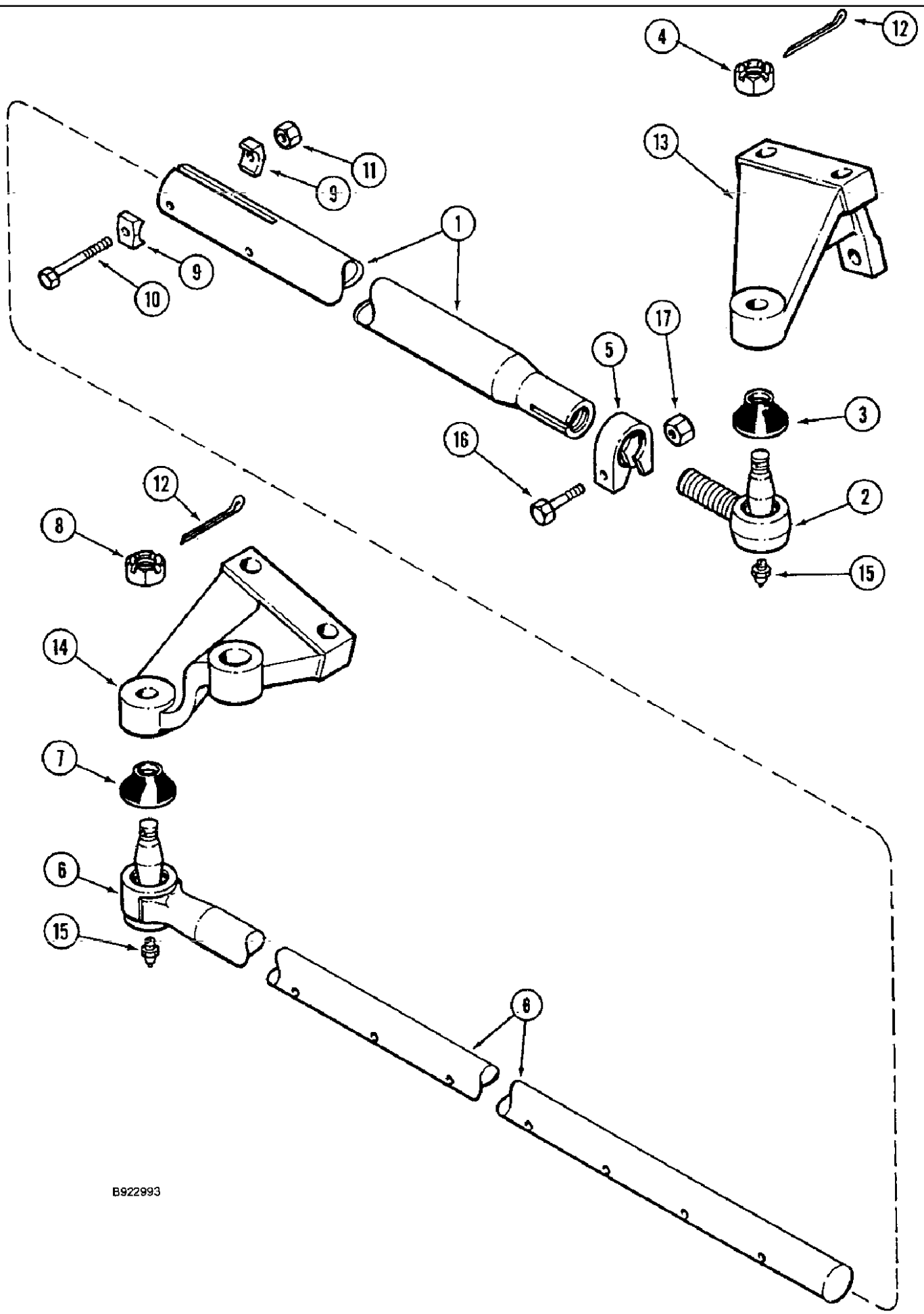
сылка	Номер детали	Кол-во	Описание
1	186599C93	1	SUPPORT, axle pivot, Includes: Ref. 2
2	177751C1	2	BUSHING, axle pivot
3	168385C2		UAR WASHER, flat, special, pivot tube
4	413-1280	6	BOLT, Hex, 3/4"-10 x 5", G5, hex, 3/4 NC x 5 inch
5	326-1288	2	BOLT, Hex, 3/4"-10 x 5 1/2", G8,
6	496-21081	11	WASHER, 13/16" x 1 1/2" x .179", HDN,
7	232-51312	16	NUT, Flg, USR, 3/4"-10,
8	219-17	2	NIPPLE, LUBE, 3/16" x .55" lg, Drive,
9	1302625C1	1	CHANNEL, STRAP tow
10	326-1048	2	BOLT, Hex, 5/8"-11 x 3", G8,
11	232-51310	2	NUT, Flg, USR, 5/8"-12, hex serrated flange, 5/8 inch NC, grade 8
12	186317C3	1	AXLE (CENTRE PART), adjustable, 92 - 120 inch
13	186045C2	2	EXTENSION ASSY., axle, 92 - 120 inch
14	413-1272	6	BOLT, Hex, 3/4"-10 x 4 1/2", G5, hex, 3/4 NC x 4-1/2 inch
16	413-1288	2	BOLT, Hex, 3/4"-10 x 5 1/2", G5, hex, 3/4 NC x 5-1/2 inch
17	REF	2	INSTRUCTION, KNUCKLE steering, parts list Fig. 5-28
18	186641C1	1	LEVER, ARM steering, left hand
19	186639C1	1	LEVER, ARM steering, right hand
20	326-1052	4	BOLT, Hex, 5/8"-11 x 3 1/4", G8,
21	326-1080	2	BOLT, Hex, 5/8"-11 x 5", G8,
22	492-11062	6	WASHER, LOCK, 5/8",
23	429-1010	6	NUT, 5/8"-11, G8,
24	186574C1	1	ANCHOR, steering cylinder, 92 - 120 inch axle, replaced by 133319A1
24	133319A1	1	SUPPORT, ANCHOR steering cylinder, replaces 186574C1
25	413-1280	1	BOLT, Hex, 3/4"-10 x 5", G5, hex, 3/4 NC x 5 inch
26	413-1284	1	BOLT, Hex, 3/4"-10 x 5 1/4", G5, BOLT hex, 3/4 NC x 5-1/4 inch
27	177748C1	8	SPACER, 13/16 x 1-1/4 x 2-13/16 inch, support
29	548247R91	1	CYLINDER ASSY., 2 (51) ID x 9 inch (229 mm) stroke, tie, parts list Fig. 5-10
30	181335C91	2	BALL JOINT, END ASSEMBLY steering cylinder, Includes: Ref. 31 thru 35
31	446308C91	1	CLAMP, ASSEMBLY steering cylinder end, Includes: Ref. 32 and 35
32	413-730	1	BOLT, Hex, 7/16"-14 x 1 7/8", G5, BOLT hex, 7/16 NC x 1-7/8 inch
33	231-4117	1	NUT, LOCK, 7/16"-14, GB, hex, self-locking, 7/16 inch NC
34	110373R1	1	DUST CAP, end, cylinder, steering
35	425-1314	2	NUT, SLOTTED, 7/8"-14, G5,
36	432-816	2	PIN, SPLIT (COTTER), 1/8" x 1",
37	219-1	2	NIPPLE, LUBE, 1/8"-27 x .66 lg,
40	413-572	1	BOLT, Hex, 5/16"-18 x 4 1/2", G5, BOLT hex, 5/16 NC x 4-1/2 inch
41	495-81116	1	WASHER, .344" x 1" x .060", flat, 11/32 x 1 x 3/64 inch
42	26613R1	1	CLAMP, 1 7/8", Insul, 1/2" Bolt, 1-7/8 inch diameter, steering hose, For steering hoses on 92 to 120 inch axle only.
43	492-11031	1	WASHER, LOCK, 5/16", , For steering hoses on 92 to 120 inch axle only.
44	425-105	1	NUT, 5/16"-18, G5, , For steering hoses on 92 to 120 inch axle only.
45	167955C2	1	SEAL, GROMMET steering hoses, For steering hoses on 92 to 120 inch axle only.



B922992

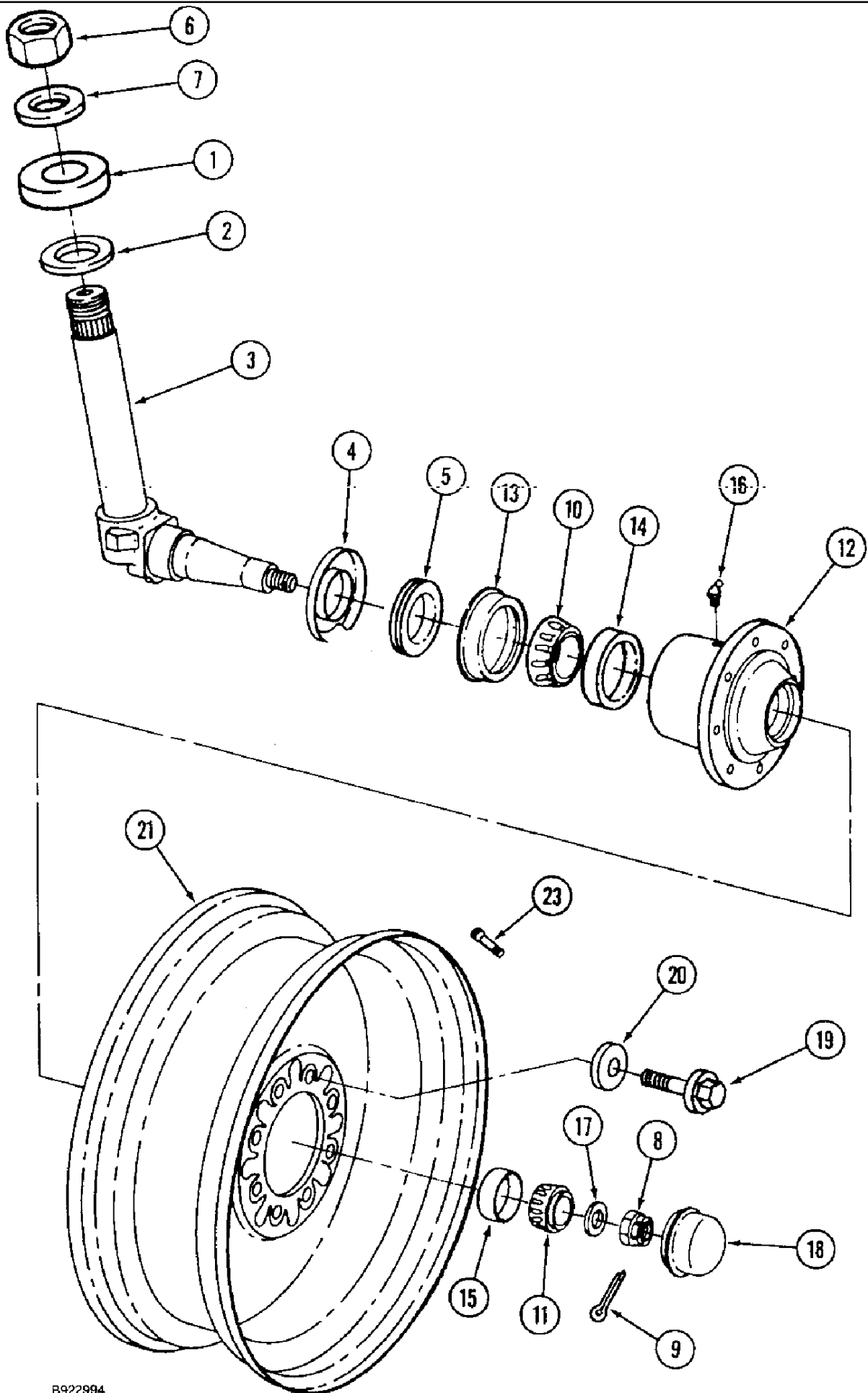
## 5-22 STEERING TIE ROD, ADJUSTABLE AXLE, WITHOUT POWER GUIDE AXLE, CORN AND GRAIN COMBINE

сылка	Номер детали	Кол-во	Описание
1	NSS	1	NOT SERVICED SEPARATELY, ROD ASSEMBLY tie, order components parts separately, Includes: Ref. 2 thru 10
2	1300170C1	1	TUBE, tie rod
3	1302687C1	1	JOINT, END tie rod, right hand
4	225265R1	1	CLAMP, tie rod, right hand, Includes: Ref. 5 thru 6
5	413-840	1	BOLT, Hex, 1/2"-13 x 2 1/2", G5, hex, 1/2 NC x 2-1/2 inch
6	231-4118	1	NUT, LOCK, 1/2"-13, GB, hex, self-locking, 1/2 inch NC
7	1302686C1	1	JOINT, END tie rod, left hand
8	A43369		UAR CLAMP, tie rod, left hand
9	328-648		UAR BOLT, Hex, 3/8"-24 x 3", G8,
11	382562R1	2	SEAL, end
12	432-824	2	PIN, SPLIT (COTTER), 1/8" x 1 1/2",
13	425-1310	2	NUT, SLOTTED, 5/8"-18, G5, hex, slotted, 5/8 inch NF
14	193911C3	1	ARM, steering, right hand
15	193912C3	1	ARM, steering, left hand
16	219-1	2	NIPPLE, LUBE, 1/8"-27 x .66 lg,
10	232-4636		UAR NUT, LOCK, 3/8"-24, GC,



B922993

сылка	Номер детали	Кол-во	Описание
	186139C91	1	LINK DRAG, ROD ASSEMBLY tie, 92 - 120 inch adj. axle, Includes: Ref. 1 thru 9
1	180801C1	1	TIE ROD, TUBE
2	A43376	1	JOINT, END ASSEMBLY tie rod, right hand, Includes: Ref. 3 and 4
3	A31186	1	BOOT, SEAL dust, tie rod end
4	358901R1	1	NUT, hex slotted, 5/8 inch NF
5	446308C91	1	CLAMP, ASSEMBLY tie rod, 1-3/8 inch
5	1319476C91	1	CLAMP, tie rod, 1-1/2 inch
6	180799C91	1	TIE-ROD, tie rod, left hand, Includes: Ref. 7 and 8
7	A31186	1	BOOT, SEAL dust, tie rod end
8	358901R1	1	NUT, hex slotted, 5/8 inch NF
9	A43369	4	CLAMP, washer
10	328-648	2	BOLT, Hex, 3/8"-24 x 3", G8,
12	432-824	2	PIN, SPLIT (COTTER), 1/8" x 1 1/2",
13	193911C3	1	ARM, steering, right hand
14	193912C3	1	ARM, steering, left hand
15	219-1	2	NIPPLE, LUBE, 1/8"-27 x .66 lg,
16	413-730	1	BOLT, Hex, 7/16"-14 x 1 7/8", G5, BOLT hex, 7/16 NC x 1-7/8 inch
17	231-4117	1	NUT, LOCK, 7/16"-14, GB, hex, self-locking, 7/16 inch NC
11	232-4636	2	NUT, LOCK, 3/8"-24, GC,

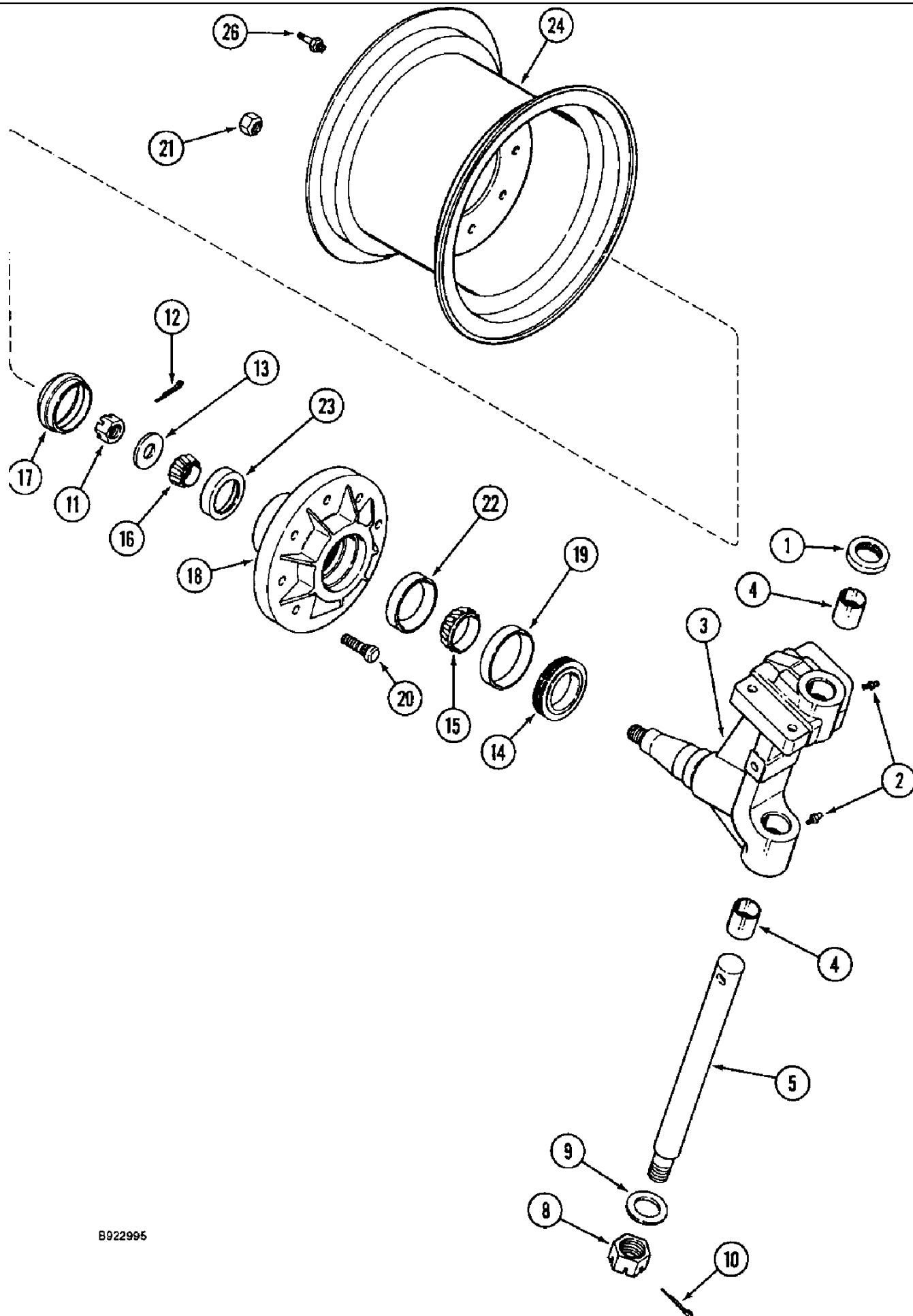


B922994



сылка	Номер детали	Кол-во	Описание
1	185106C91	2	BEARING, thrust, knuckle
2	15943DA	2	WASHER, SEALING, WASHER felt, special, knuckle pivot
3	1315374C1	2	KNUCKLE, STEERING, Includes: Ref. 4 and 5
4	1259522C1	1	SHIELD, dust
5	491641C1	1	SEAL, hub
6	425-1522	2	NUT, Jam, 1 3/8"-12, G5, hex, jam, 1-3/8 inch NF
7	495-81218	2	WASHER, 1 13/32" x 2 3/4" x .048", flat, 1-13/32 x 2-3/4 x 3/64 inch
8	1259683C1	2	NUT, hex, slotted, 30 mm - 1.5
9	732-6363	2	PIN, SPLIT (COTTER), M6.3 x 63, 6 x 63 mm
10	ST753B	2	BEARING, CONE, tapered roller, wheel, inner 2-5/8 inch ID
11	130504H	2	BEARING, CONE, tapered roller, wheel, outer
12	1259528C1	2	HUB, ASSEMBLY wheel, Includes: Ref. 13 thru 16
13	1264549C1	1	WASHER, CUP, hub seal
14	A26744	1	BEARING SET, tapered roller, wheel, inner 4-5/16 inch O.D.
15	130503H	1	BEARING, CUP, tapered roller, wheel, outer 3-17/64 inch O.D.
16	219-17	2	NIPPLE, LUBE, 3/16" x .55" lg, Drive,
16	219-404	2	NIPPLE, LUBE, 45c, 3/16" x .83" lg, Drive,
17	896-12030	2	WASHER, M30 x 56.5 x 5, HT, flat, 33 x 56 x 5 mm, hardened
18	189425C1	2	HUB CAP, wheel hub
19	414064C1	16	BOLT, Hex Flg, 9/16"-12 x 1 1/2", G5, Full Thd, BOLT hex flange, special
20	396-41066	16	WASHER, 21/32" x 1 1/2" x .188", HDN, flat, 21/32 x 1-1/2 x 3/16 inch, hardened, used with 186642C2 wheel Ref. 21 only
21	186642C2	2	WHEEL, 18.4-16 inch tire
21	188759C2	2	RIM, 10 x 24 inch, for 11.25 x 24 inch tire
21	1541719C1	2	RIM, 12 x 24 inch, for 14.9 x 24 inch tire
21	1970153C1	2	RIM, drive, steering, used with 16.9 x 26 inch and 18.4 x 26 inch tires
23	536705R91	2	VALVE, inflation, 5/8 inch diameter
23	179482C1	2	VALVE STEM, inflation, 7/16 inch diameter

tires

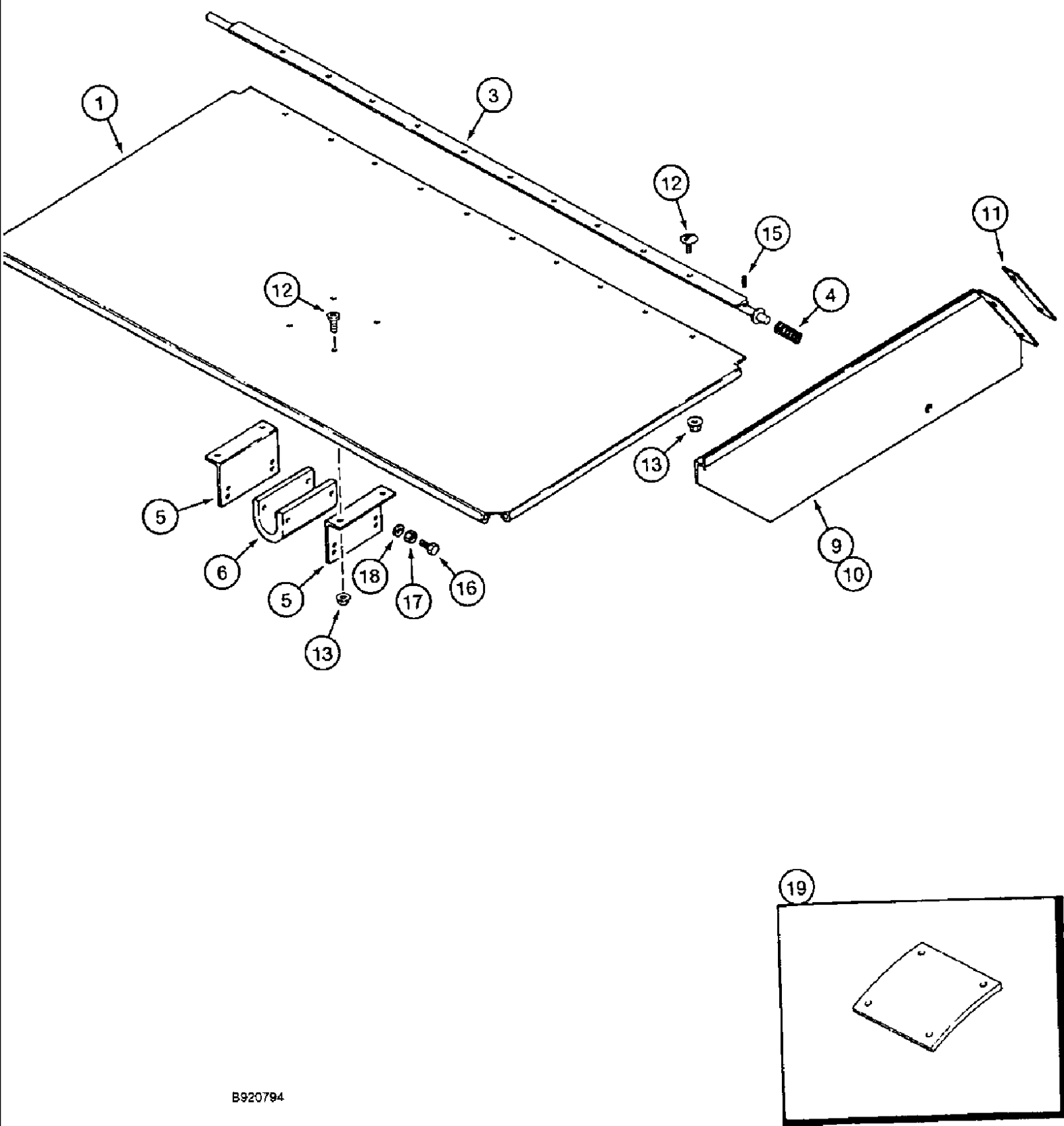


B922995

## 5-28 STEERING KNUCKLE, HUB AND WHEELS, RICE COMBINE

сылка	Номер детали	Кол-во	Описание
1	A27602	2	BEARING, THRUST, roller, steering knuckle
2	219-87	4	NIPPLE, LUBE, 1/4"-28 x .56" lg, Self-Tap,
3	185439C91	1	KNUCKLE, STEERING, steering, left hand, includes 186680C1 bushing, Ref. 4
3	185440C91	1	KNUCKLE, STEERING, steering, right hand, Includes: Ref. 4
4	186680C1	2	BUSHING, king pin
5	186052C1	2	PIN, king
8	25-1224	2	NUT, SLOTTED, 1 1/2"-6, G5, hex, slotted, 1-1/2 inch NC
9	95-81041	2	WASHER, 1 17/32" x 3" x .120", flat, 1-17/32 x 3 x 7/64 inch
10	432-1648	2	PIN, SPLIT (COTTER), 1/4" x 3", 1/4" x 3"
11	425-1316	2	NUT, SLOTTED, 1"-14, G5, hex, slotted, 1 inch NS
12	432-1228	2	PIN, SPLIT (COTTER), 3/16" x 1 3/4",
13	936727R1	2	WASHER, flat, 1-1/32 x 2-1/4 x 1/4 inch
14	169329C91	2	SEAL, oil
15	A61447	2	BEARING, CONE, tapered roller, inner, 2-1/16 inch ID
16	663557R91	2	BEARING, CONE, tapered roller, outer, 1-5/8 inch ID
17	560950R1	2	HUB CAP, wheel hub
18	169293C11	2	HUB, ASSEMBLY wheel, Includes: Ref. 19 thru 23
19	169328C1	1	SLEEVE, RING wear, oil
20	366021R2	8	BOLT, fluted, 5/8 NF x 2-9/16 inch
21	554480R1	8	NUT, hex, special, 5/8 inch NF
22	625743C1	1	BEARING, CUP, tapered roller, inner, 3-35/64 inch O.D.
23	663558R1	1	BEARING, CUP, tapered roller, outer, 2-57/64 inch O.D.
24	188759C2	2	RIM, 10 x 24 inch, for 11.25 x 24 inch tire
24	1541719C1	2	RIM, 12 x 24 inch, for 14.9 x 24 inch tire
24	1970153C1	2	RIM, drive, steering, used with 16.9 x 26 inch and 18.4 x 26 inch tires
26	179482C1	2	VALVE STEM, inflation, 7/16 inch diameter

5-30 STEERING AXLE SHIELD, STATIONARY

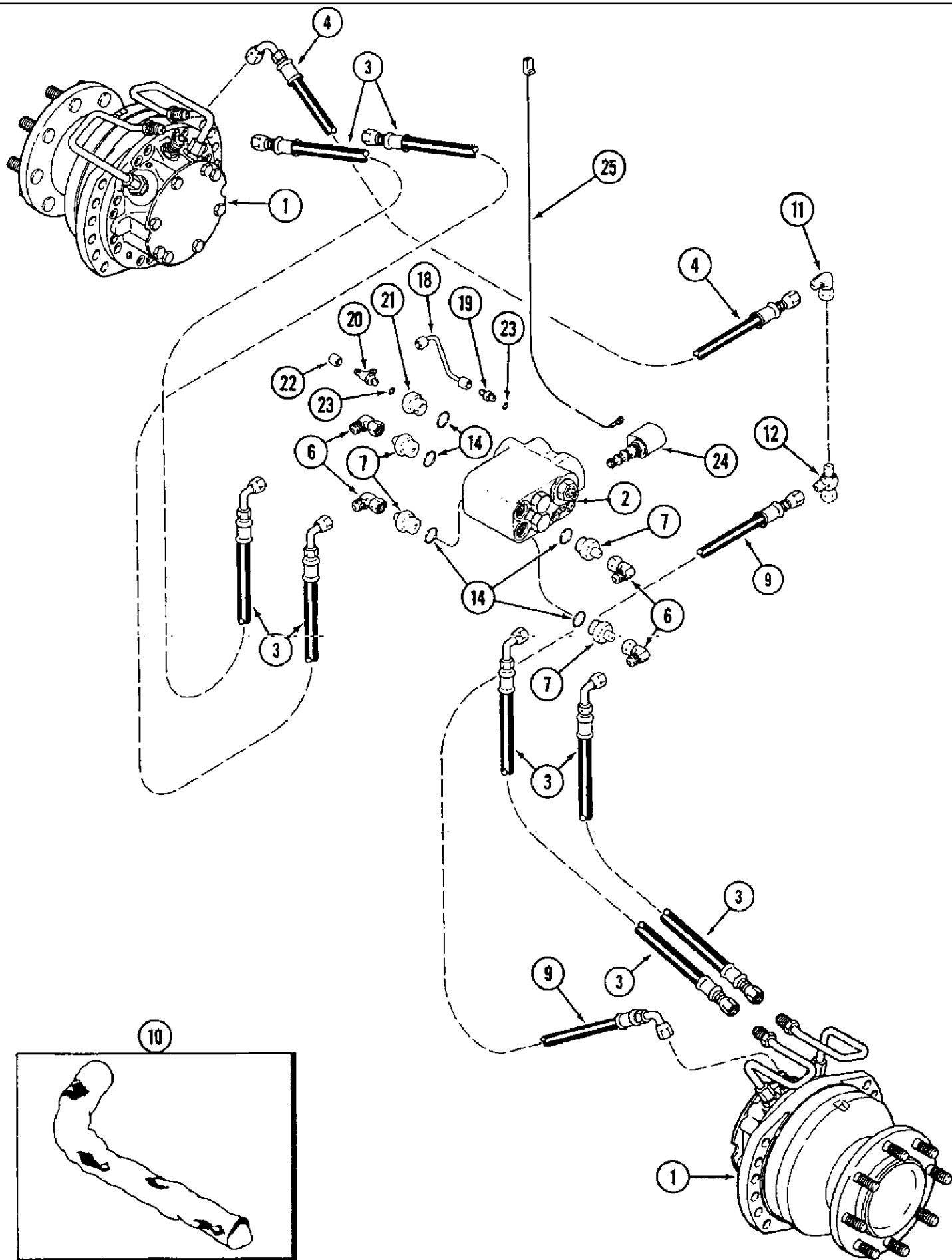


B920794

## 5-30 STEERING AXLE SHIELD, STATIONARY

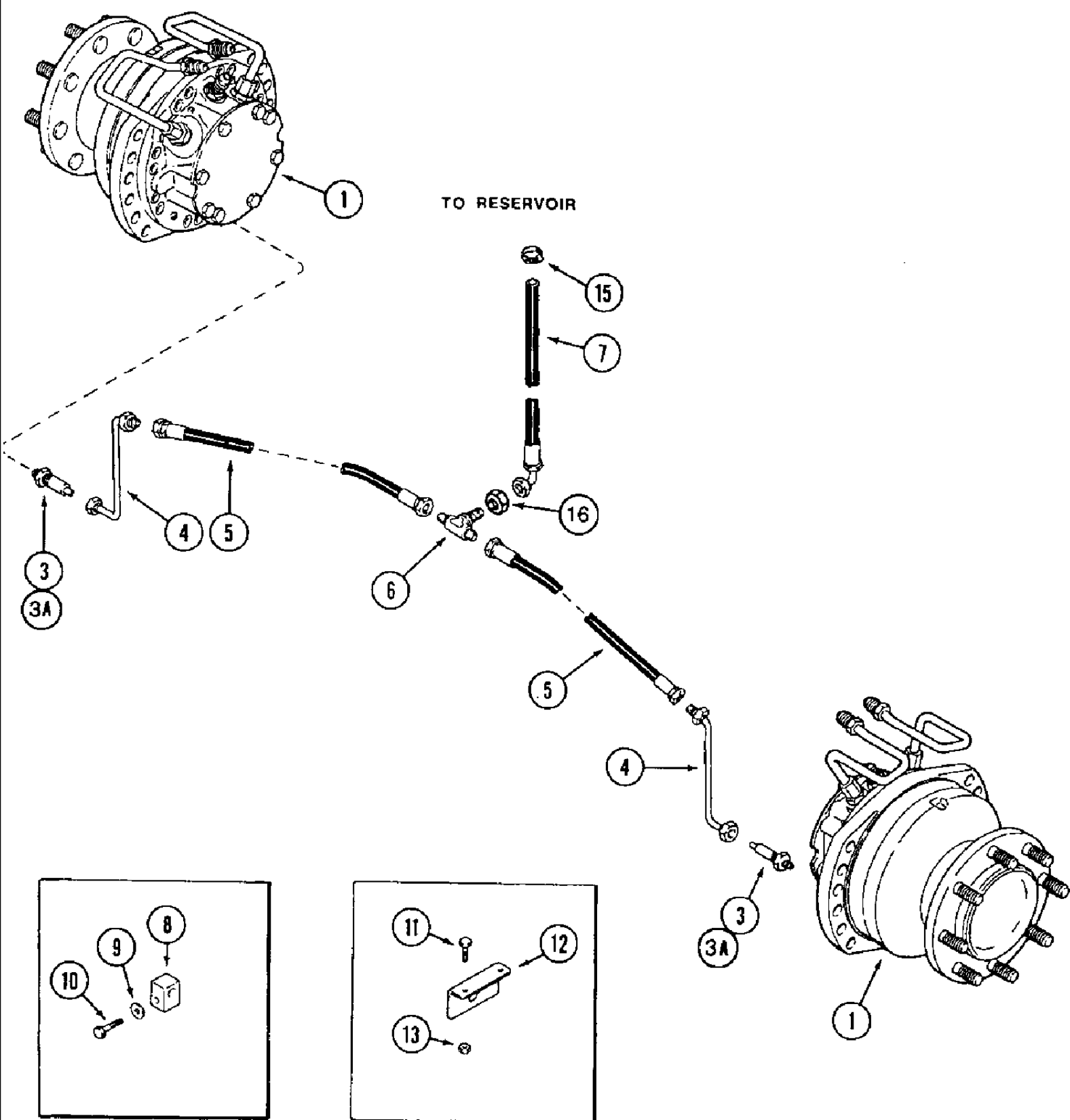
сылка	Номер детали	Кол-во	Описание
1	1325596C2	1	SHIELD, steering axle
3	195450C2	1	SUPPORT ASSY., HINGE axle shield
4	203942C1	1	SPRING, shield pivot
5	183093C1	2	BRACKET, shield support
6	183094C1	1	CUSHION, SUPPORT axle shield
9	1325374C3	1	COVER, PLATE hood extension, left hand
10	1325375C3	1	COVER, PLATE hood extension, right hand
11	1325376C1	2	PLATE, BRACKET hood extension, retaining
12	135270	16	BOLT, Slotted Tr Hd, 5/16"-18 x 3/4", slotted truss head, 5/16 NC x 3/4 inch
13	231-5145	16	NUT, Flg, USR, 5/16"-18,
15	38-1814	1	PIN, LOCK, 1/8" x 7/8", Slotted, 1/8" x 7/8", Slotted
16	413-516	4	BOLT, Hex, 5/16"-18 x 1", G5, Full Thd, hex, 5/16 NC x 1 inch
17	232-4115	4	NUT, LOCK, 5/16"-18, GC,
18	495-11034	4	WASHER, 5/16", SAE, flat, 11/32 x 11/16 x 1/16 inch
19	1345126C1	1	CUSHION, axle shield
20	1968976C1	2	STRIP, TRIM edge, not shown

5-32 AXLE HYDRAULIC MOTOR SYSTEM, POWER GUIDE AXLE



## 5-32 AXLE HYDRAULIC MOTOR SYSTEM, POWER GUIDE AXLE

сылка	Номер детали	Кол-во	Описание
1	1970137C2	2	MOTOR, HYDRAULIC, ASSEMBLY drive, wheel, corn and grain, parts list Fig. 5-50, Motors do not include pressure tubes as shown in the illustration. See Fig. 5-40 for pressure tubes., BSN JJC010517
1	121436A1	2	MOTOR, HYDRAULIC, ASSEMBLY drive, wheel, corn and grain, parts list Fig. 5-50, Motors do not include pressure tubes as shown in the illustration. See Fig. 5-40 for pressure tubes., ASN JJC010517
2	1978000C1	1	VALVE, ASSEMBLY selector, parts list Fig. 5-48
3	1970387C1	4	HOSE, 57 inch (1448 mm) long, pressure, motor drain
4	1970388C1	1	HOSE, 67 inch (1702 mm) long, pressure, motor drain
6	218-5230	1	ELBOW, 90e, 3/4"-16, 37e x 3/4"-16, 37e Fem Sw,
7	218-5070	4	CONNECTOR, HYD., 3/4"-16, 37e x 1 1/16"-12, O-Ring, ADAPTER straight, 3/4-16 flare x 1-1/16-12 inch O-ring boss
9	1970389C1	1	HOSE, 61 inch (1549 mm) long, motor drain
10	1970108C1	2	COVER, PROTECTIVE, SLEEVE nylon, 2-3/8 (60) ID x 48 inch (1219 mm) long
11	218-5230	1	ELBOW, 90e, 3/4"-16, 37e x 3/4"-16, 37e Fem Sw,
12	218-845	1	TEE, 37e, 3/4"-16 x 3/4"-16, Fem Sw Run, 3/4-16 inch flare branch x flare x swivel
14	237-6012	5	O-RING, 12-1, 90 Duro, .924 ID x .118" Thk,
18	1970140C1	1	TUBE, HYD, pressure, charge
19	218-5053	1	CONNECTOR, HYD., 7/16"-20, 37e x 7/16"-20, O-Ring, ADAPTER
20	218-5289	1	TEE, 7/16"-20, 37e x 7/16"-20, O-Ring Run, TEE, 7/16-20 inch flare branch x flare x adj O-ring boss
21	1970176C1	1	PLUG, hex, special, hydraulic
22	218-752	1	CAP, 37e, 7/16"-20, Hex
23	237-6004	2	O-RING, 4-1, 90 Duro, .351" ID x .072" Thk,
24	REF	1	INSTRUCTION, SOLENOID ASSEMBLY spool, charge pressure, parts list Fig.5-48
25	1964572C2	1	HARNESS, WIRE, power, solenoid



B9307246A

\*Motors do not include pressure tubes as shown in the illustration. See page 5-41 for pressure tubes.

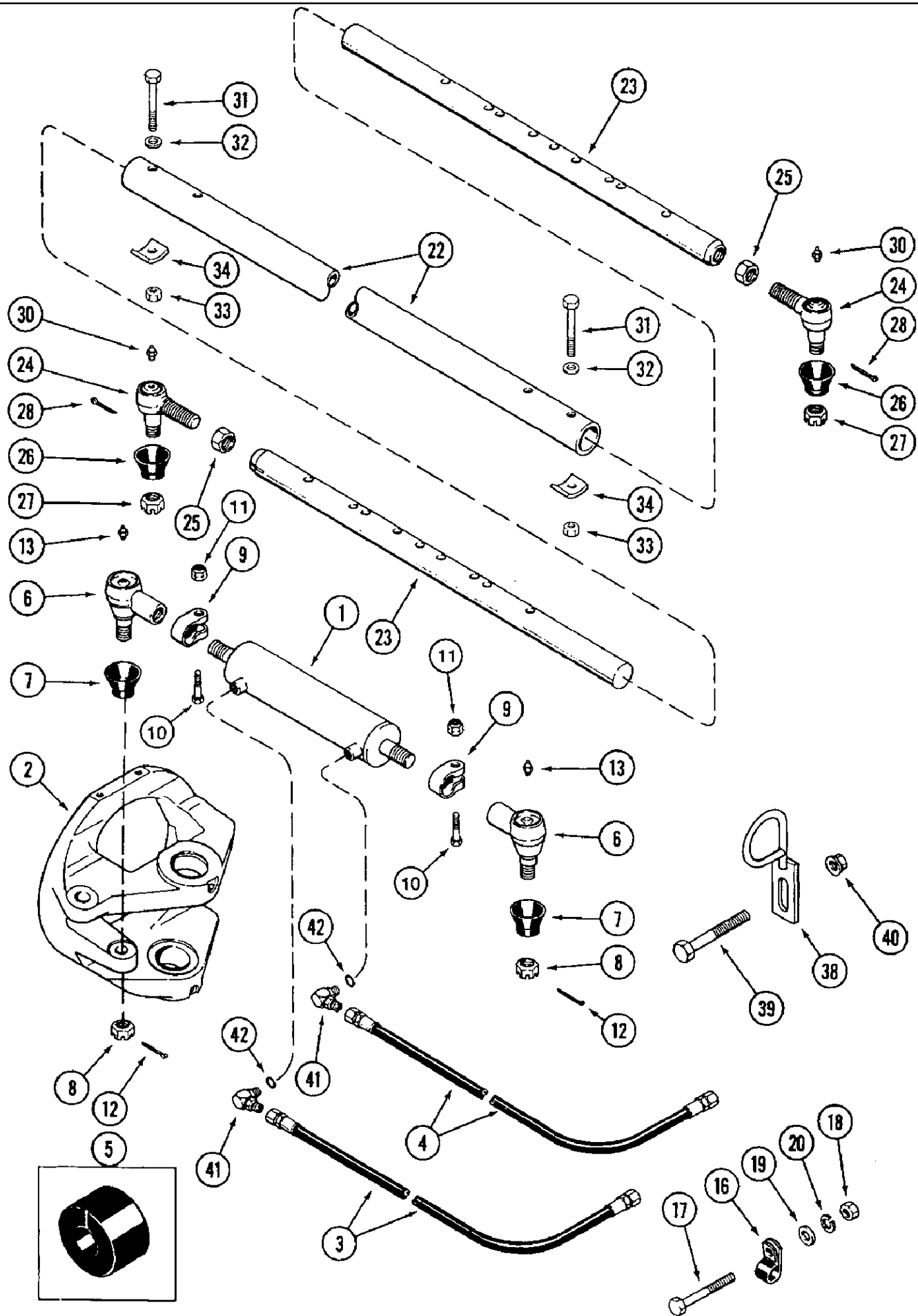


## 5-33A WHEEL MOTOR FLUSH SYSTEM, POWER GUIDE AXLE

сылка	Номер детали	Кол-во	Описание
1	1970137C2	2	MOTOR, HYDRAULIC, ASSEMBLY drive, wheel, corn and grain, parts list Fig. 5-50, Motors do not include pressure tubes as shown in the illustration. See Fig. 5-40 for pressure tubes., BSN JJC0105176
1	121436A1	2	MOTOR, HYDRAULIC, ASSEMBLY drive, wheel, corn and grain, parts list Fig. 5-50, Motors do not include pressure tubes as shown in the illustration. See Fig. 5-40 for pressure tubes., ASN JJC0105176
3	1346974C1	2	FITTING, ADAPTER flush port, metric thread, purchase separately, used with 1970137C2 motor, BSN JJC0105176
3A	121434A1	2	ADAPTER, flush port, English thread, included with 121436A1 motor, ASN JJC0105176
4	1346971C1	2	TUBE, HYD, TUBE motor flush, corn and grain
5	121435A1	2	HOSE, 58 inch (1473 mm) long, wheel motor flush
6	218-805	1	TEE, 3/4"-16, 37e, Blkhd, 3/4-16 inch bulkhead flare branch x flare x flare
7	1979706C1	1	HOSE, 144-3/32 inch (3660 mm) long, case flush
8	1347182C1	2	CLAMP, CLAMP flush tube, corn and grain
9	495-11053	2	WASHER, 1/2", SAE, (17/32" x 1-1/16" x 3/32"), Corn and grain
10	614-12040	2	BOLT, Hex, M12 x 40, 8.8, Full Thd, BOLT hex, 3/8 NC x 1 inch, grade 8
12	1347068C1	1	SUPPORT, BRACKET flush tee
13	232-4116	2	NUT, LOCK, 3/8"-16, GC,
15	214-1404	1	CLAMP, HOSE, #4, 0.25/0.62 Type M Worm, Adj
16	218-1255	1	NUT, LOCK, Blkhd, 3/4"-16,

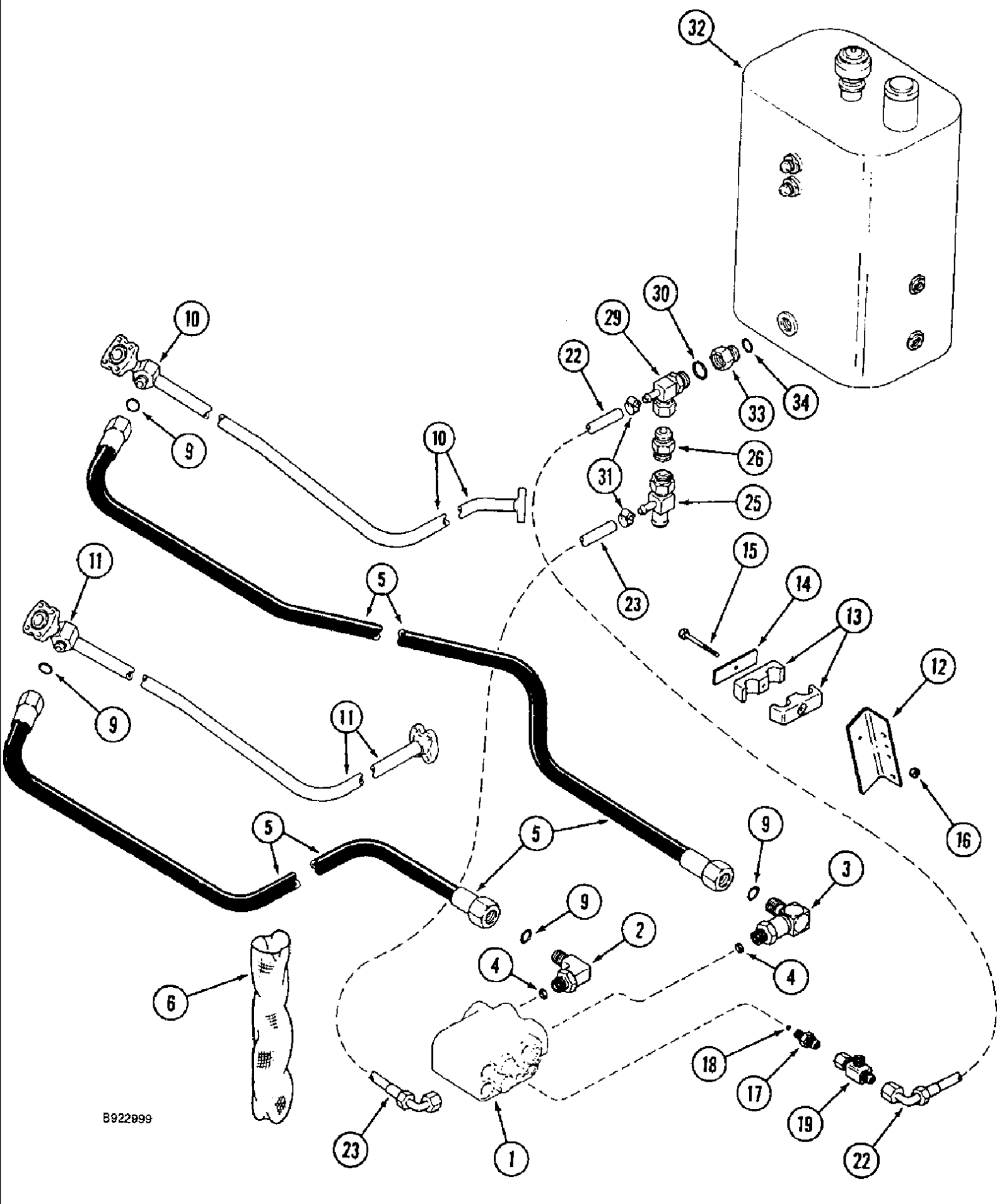
\*Motors do not include pressure tubes as shown in the illustration. See page 5-41 for pressure tubes.

5-34 STEERING CYLINDER AND TIE ROD, POWER GUIDE AXLE



## 5-34 STEERING CYLINDER AND TIE ROD, POWER GUIDE AXLE

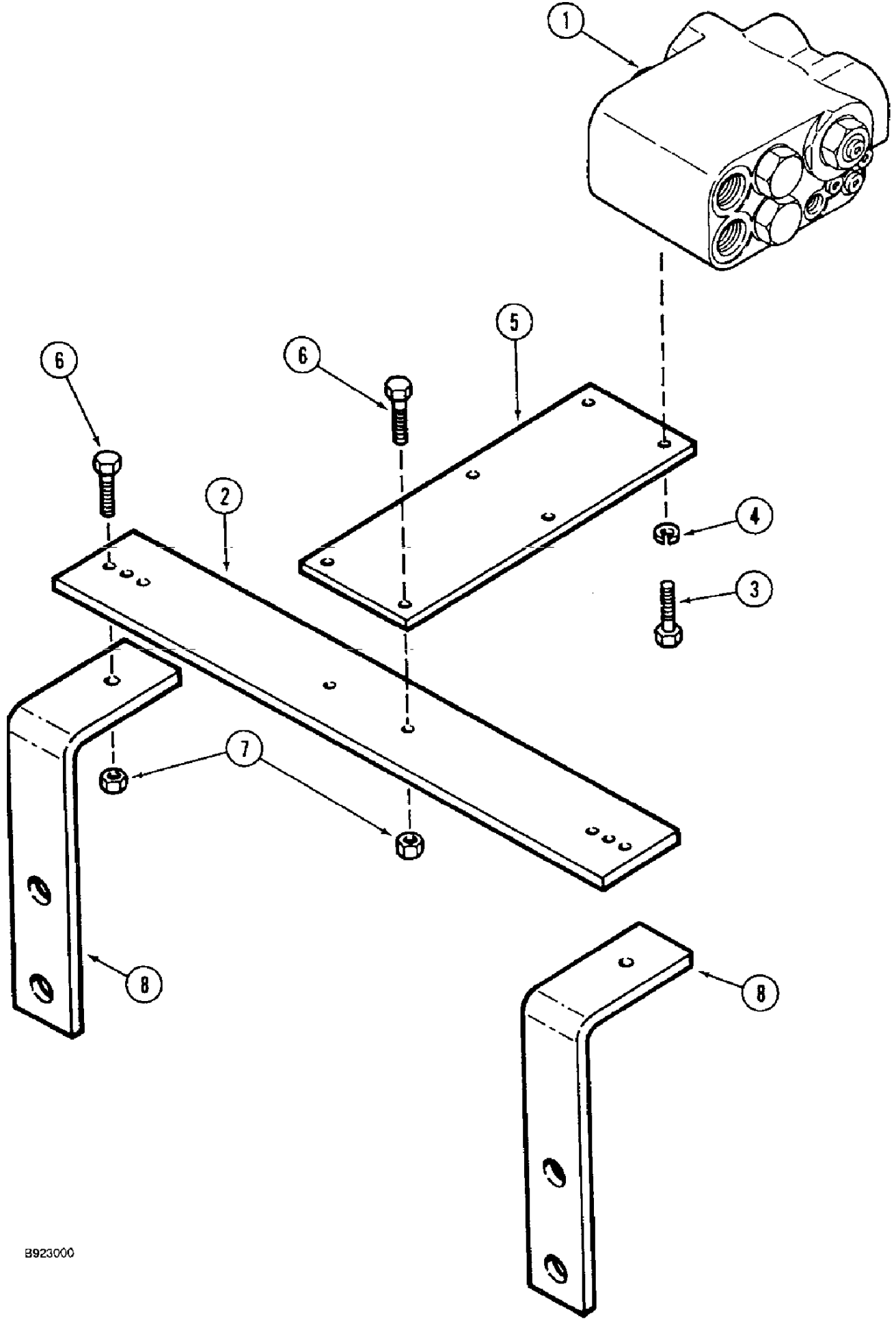
сылка	Номер детали	Кол-во	Описание
1	127913C93	1	CYLINDER STEERING, ASSEMBLY, 2-1/4 (57) ID x 9 inch (229 mm) stroke, steering, parts list Fig. 5-46
2	1970138C1	2	HOUSING, king pin
3	179202C1	1	HOSE, 68 inch (1727 mm) long
4	183920C1	1	HOSE ASSY., 77 inch (1956 mm) long
5	167955C2	1	SEAL, GROMMET steering cylinder hoses
6	186140C91	2	BALL JOINT, END ASSEMBLY steering cylinder, Includes: Ref. 7,8 and 9
7	110373R1	1	DUST CAP, end, cylinder, ball joint
8	425-1314	1	NUT, SLOTTED, 7/8"-14, G5,
9	446308C91	1	CLAMP, ASSEMBLY ball joint, Includes: Ref. 10 and 11
10	413-730	1	BOLT, Hex, 7/16"-14 x 1 7/8", G5, BOLT hex, 7/16 NC x 1-7/8 inch
11	231-4117	1	NUT, LOCK, 7/16"-14, GB, hex, self-locking, 7/16 inch NC
12	432-816	2	PIN, SPLIT (COTTER), 1/8" x 1",
13	219-1	2	NIPPLE, LUBE, 1/8"-27 x .66 lg,
16	26613R1	1	CLAMP, 1 7/8", Insul, 1/2" Bolt, 1-7/8 inch diameter, hose
17	413-572	1	BOLT, Hex, 5/16"-18 x 4 1/2", G5, BOLT hex, 5/16 NC x 4-1/2 inch
18	425-105	1	NUT, 5/16"-18, G5,
19	495-81116	1	WASHER, .344" x 1" x .060", flat, 11/32 x 1 x 3/64 inch
20	492-11031	1	WASHER, LOCK, 5/16",
22	1970102C1	1	TIE-ROD, STEERING, tie rod, outer
23	1970103C1	2	TUBE, tie rod, inner
24	1968998C1	2	BALL JOINT, tie rod
25	1970391C1	2	NUT, hex, jam, special, 1-1/8 inch NF
26	110373R1	2	DUST CAP, end, cylinder, ball joint
27	425-1314	2	NUT, SLOTTED, 7/8"-14, G5,
28	432-816	2	PIN, SPLIT (COTTER), 1/8" x 1",
30	219-1	2	NIPPLE, LUBE, 1/8"-27 x .66 lg,
31	326-856	4	BOLT, Hex, 1/2"-13 x 3 1/2", G8,
32	1970104C1	4	SPACER, tube, tie rod
33	232-4118	4	NUT, LOCK, 1/2"-13, GC,
34	1970101C1	4	CLAMP, centering, tie rod
38	1970383C1	4	GUIDE, hose
39	413-1280	4	BOLT, Hex, 3/4"-10 x 5", G5, hex, 3/4 NC x 5 inch
40	232-51312	4	NUT, Flg, USR, 3/4"-10,
41	76344	2	ELBOW, 90e, 9/16"-18, 37e x 9/16"-18, O-Ring, ELBOW, 90 degree, 9/16-18 inch flare x adj O-ring boss
42	237-6006	2	O-RING, 6-1, 90 Duro, .468" ID x .078" Thk,



B922999

## 5-36 SELECTOR VALVE HYDRAULIC SYSTEM, POWER GUIDE AXLE

сылка	Номер детали	Кол-во	Описание
1	1978000C1	1	VALVE, ASSEMBLY selector, parts list Fig. 5-48
2	201-307	1	ELBOW, 90°, 1 3/16"-12 x 1 1/16"-12 Adj, ORFS, 90 degree, 1-3/16-12 face seal x 1-1/16-12 inch adj O-ring boss
3	201-365	1	ELBOW, 90°, 1 3/16"-12 x 1 1/16"-12 Sw, ORFS, 90 degree long, 1-3/16-12 face seal x 1-1/16-12 inch adj O-ring boss
4	237-6012	2	O-RING, 12-1, 90 Duro, .924 ID x .118" Thk,
5	1989218C1	2	HOSE, 77-3/8 inch (1965 mm) long, valve pressure
6	1970108C1	2	COVER, PROTECTIVE, SLEEVE nylon, 2-3/8 (60) ID x 48 inch (1219 mm) long
9	238-6018	6	O-RING, -018, 90 Duro, .739" ID x .070" Thk,
10	1541756C2	1	PIPE, TUBE forward pressure
11	1541757C2	1	PIPE, TUBE reverse pressure
12	1324467C2	1	ANGLE, BRACKET hose
13	1324473C1	1	CLAMP, hose
14	1324469C1	1	PLATE, clamp, hose
15	326-552	1	BOLT, Hex, 5/16"-18 x 3 1/4", G8,
16	232-4115	1	NUT, LOCK, 5/16"-18, GC,
17	218-5351	1	CONNECTOR, HYD., 3/4"-16, 37° x 9/16"-18, O-Ring, ADAPTER straight, 3/4-16 flare x 9/16-18 inch O-ring boss
19	218-845	1	TEE, 37°, 3/4"-16 x 3/4"-16, Fem Sw Run, 3/4-16 inch flare branch x flare x swivel
22	1957283C3	1	HOSE, 134-1/4 inch (3410 mm) long, housing drain
23	1979706C1	1	HOSE, 144-3/32 inch (3660 mm) long, case drain
25	1979655C1	1	TEE, wheel motor flush
26	1343558C1	1	VALVE, bypass, power guide axle
29	1979760C1	1	TEE, return
30	237-6016	1	O-RING, 16-1, 90 Duro, 1.171" ID x .118" Thk,
31	214-1704	2	CLAMP, HOSE, #4, 0.25/0.62 Type M Worm, Adjustable
32	REF	1	INSTRUCTION, RESERVOIR hydraulic, parts list Fig. 8-2
33	1979767C1	1	ADAPTER, special, 1-1/16 O-ring boss x 1-5/16 inch female PT
34	237-6012	1	O-RING, 12-1, 90 Duro, .924 ID x .118" Thk,
18	237-6006	1	O-RING, 6-1, 90 Duro, .468" ID x .078" Thk,

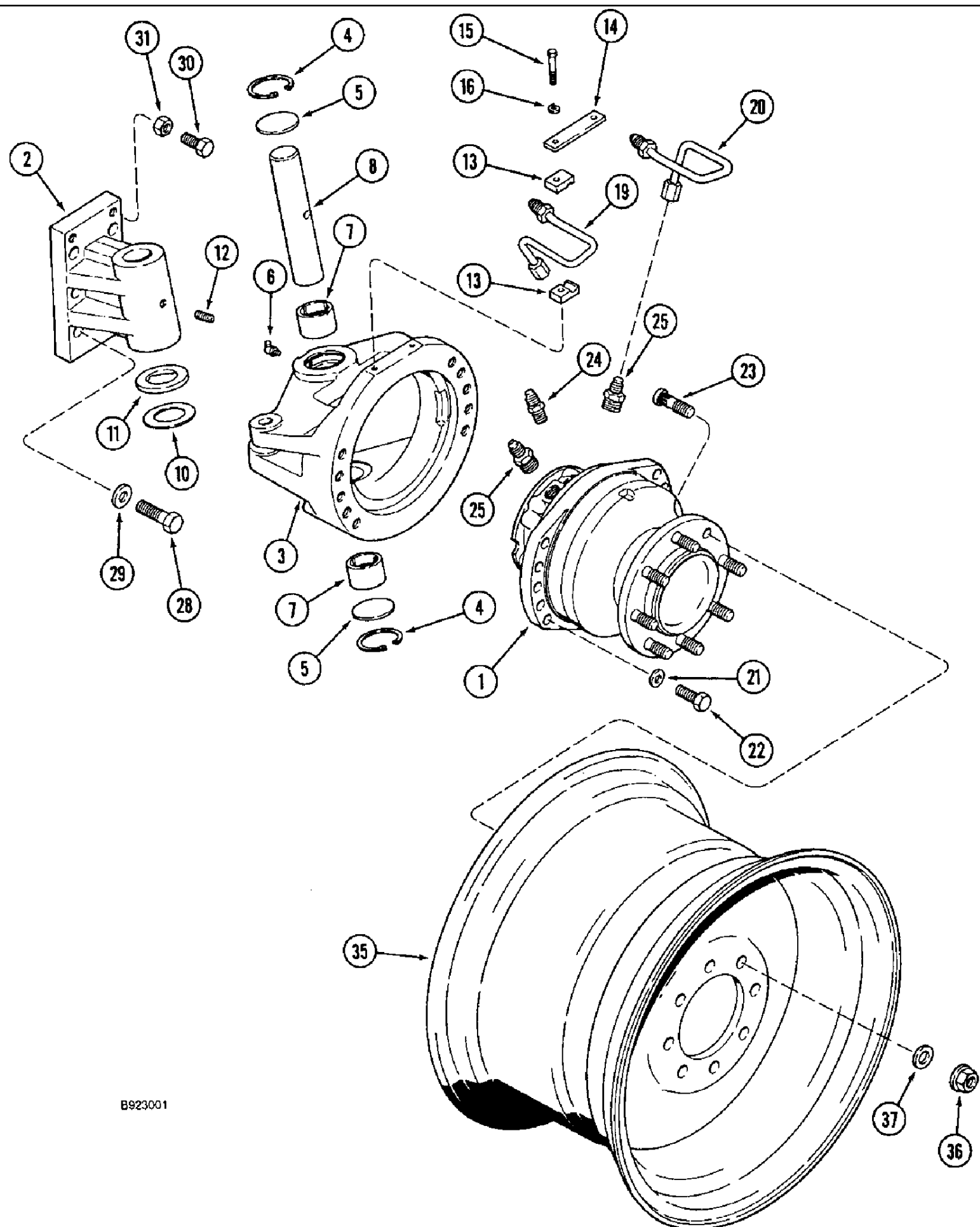


B923000

## 5-38 SELECTOR VALVE MOUNTING, POWER GUIDE AXLE

сылка	Номер детали	Кол-во	Описание
1	1978000C1	1	VALVE, ASSEMBLY selector, parts list Fig. 5-48
2	1324455C2	1	PLATE, PLATE mounting, valve
3	426-624	2	BOLT, Hex, 3/8"-16 x 1 1/2", G8, BOLT hex, 3/8 NC x 1-1/2 inch, grade 8
4	492-11038	2	WASHER, LOCK, 3/8",
5	1324454C3	1	BAR, PLATE mounting, valve
6	426-616	4	BOLT, Hex, 3/8"-16 x 1", G8, Full Thd,
7	232-4116	4	NUT, LOCK, 3/8"-16, GC,
8	1324471C1	2	BRACKET, SUPPORT valve

5-40 WHEEL MOTOR AND KING PIN, POWER GUIDE AXLE, AXLE DRIVE WHEEL



B923001

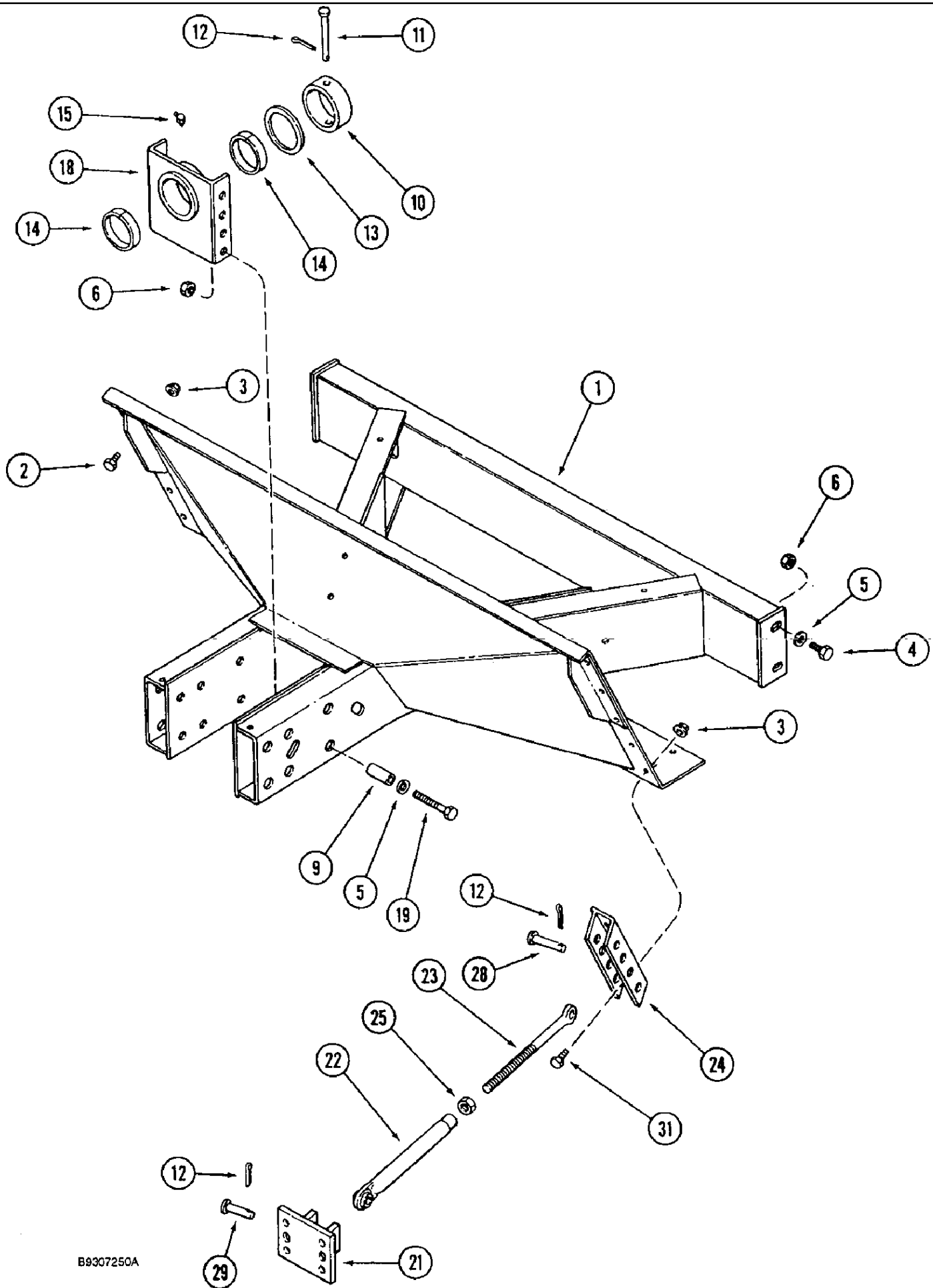


## 1666 CASE IH AXIAL-FLOW COMBINE (1/93-12/94)

## 5-40 WHEEL MOTOR AND KING PIN, POWER GUIDE AXLE, AXLE DRIVE WHEEL

сылка	Номер детали	Кол-во	Описание
1	1970137C2	2	MOTOR, HYDRAULIC, ASSEMBLY drive, wheel, corn and grain, parts list Fig. 5-50, BSN JJC0105176
1	121436A1	2	MOTOR, HYDRAULIC, ASSEMBLY drive, wheel, corn and grain, parts list Fig. 5-50, ASN JJC0105176
2	1970138C1	2	HOUSING, king pin
3	1970136C1	1	HOUSING, CARRIER wheel motor, right hand, support
3	1970354C1	1	FRAME, CARRIER wheel motor, left hand, support
4	100-21244	4	RING, SNAP, 2.44", Int, #244,
5	41-3040	4	PLUG, Exp, 2 1/2",
6	219-57	4	NIPPLE, LUBE, 90с, 1/4" NPT x .75" lg, FITTING grease, 90 degree, 1/4-28 taper x 3/4 inch
7	1970142C1	4	BUSHING, pivot, bronze
8	1970143C1	2	PIN, king
10	1970381C1	2	WASHER, thrust, steel
11	1970382C1	4	WASHER, thrust, bronze
12	83-15020	2	SET SCREW, Hex Soc, 1/2"-13 x 1 1/4", set, hex socket headless, 1/2 NC x 1-1/4 inch, cup point
13	1970148C1	8	CLAMP, hydraulic, tube
14	1970150C1	2	PLATE, PLATE clamp
15	326-532	4	BOLT, Hex, 5/16"-18 x 2", G8,
16	492-11031	4	WASHER, LOCK, 5/16",
19	1970146C1	2	TUBE, HYD, TUBE pressure, right hand rear, left hand front
20	1970147C1	2	TUBE, HYD, TUBE pressure, left hand rear, right hand front
21	1324470C1	10	WASHER, flat, special, 41/64 x 1 x 3/64 inch
22	326-1026	10	BOLT, Hex, 5/8"-11 x 1 5/8", G8, Full Thd,
23	1970151C1	16	STUD, mounting, wheel
24	1970395C1	2	FITTING, ADAPTER straight, special, metric thread, used with 1970137C2 motor only, See Fig. 5-50 for English fittings used with 121436A1 motor, BSN JJC0105176
25	1970396C1	4	FITTING, ADAPTER straight, special, metric thread, used with 1970137C2 motor only, See Fig. 5-50 for English fittings used with 121436A1 motor, BSN JJC0105176
26	218-5059	2	CONNECTOR, HYD., 3/4"-16, 37с x 3/4"-16, O-Ring, ADAPTER straight, 3/4-16 inch flare x O-ring boss, Includes: Ref. 27
27	237-6008	1	O-RING, 8-1, 90 Duro, .644" ID x .087" Thk,
28	326-1236	12	BOLT, Hex, 3/4"-10 x 2 1/4", G8,
29	492-11075	12	WASHER, LOCK, 3/4", 3/4"
30	326-1028	4	BOLT, Hex, 5/8"-11 x 1 3/4", G8, Full Thd,
31	329-1410	4	NUT, Jam, 5/8"-11, G8,
32	218-5064	4	CONNECTOR, HYD., 1 1/16"-12, 37с x 1 1/16"-12, O-Ring, ADAPTER straight, 1-1/16-12 inch flare x O-ring boss, Includes: Ref. 33
33	237-6012	1	O-RING, 12-1, 90 Duro, .924 ID x .118" Thk,
35	1970153C1	2	RIM, drive, steering, for 16.9-26 or 18.4-26 tire, axle drive wheel
36	905654R1	16	NUT, hex flange, axle drive wheel
36	1541701C1	16	NUT, hex flange, special, axle drive wheel
37	496-31081	16	WASHER, 13/16" x 1 1/2" x .219", HDN, flat, 13/16 x 1-1/2 x 7/32 inch, hardened, axle drive wheel

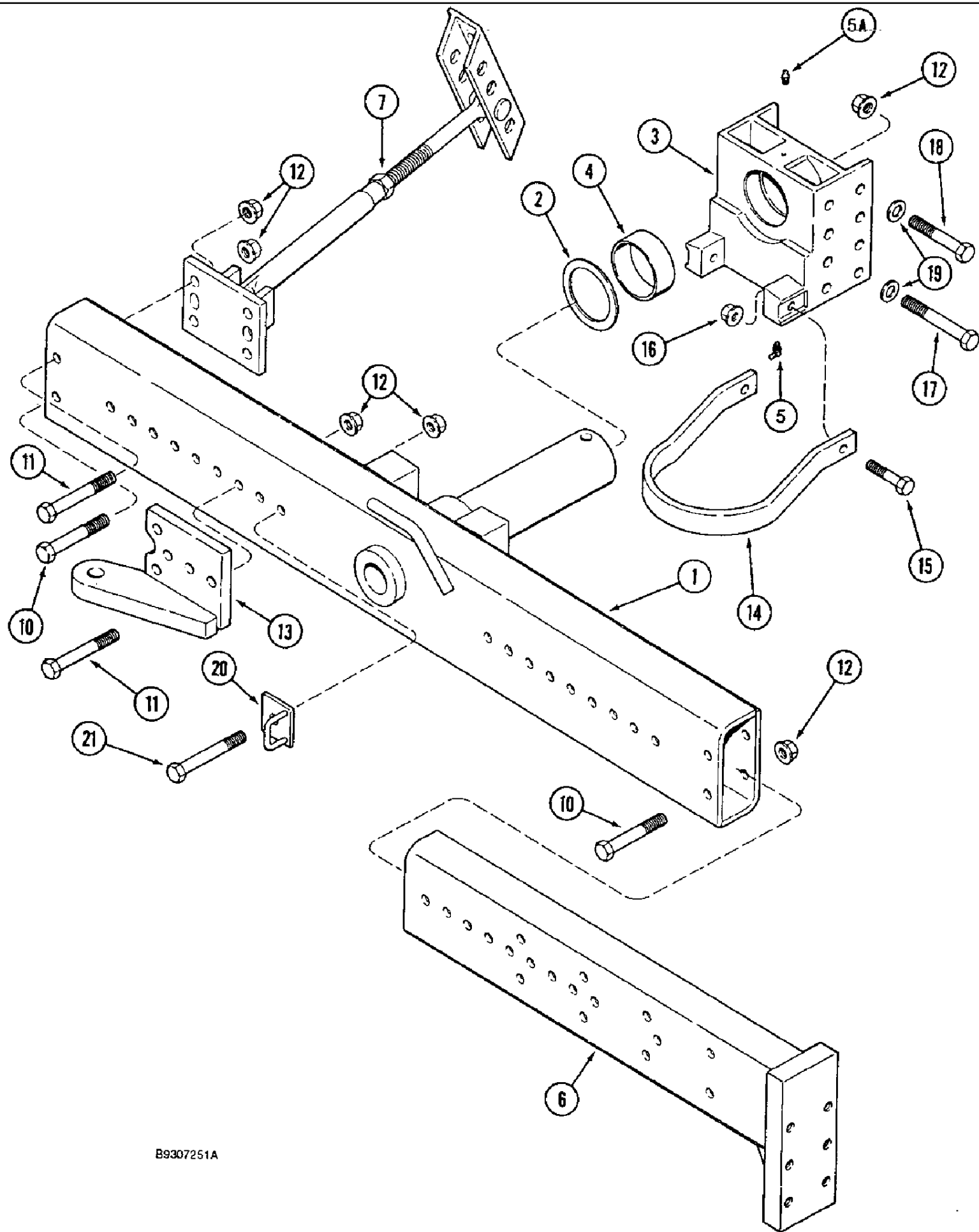
5-42 STEERING AXLE SUPPORT, POWER GUIDE AXLE



B9307250A

## 5-42 STEERING AXLE SUPPORT, POWER GUIDE AXLE

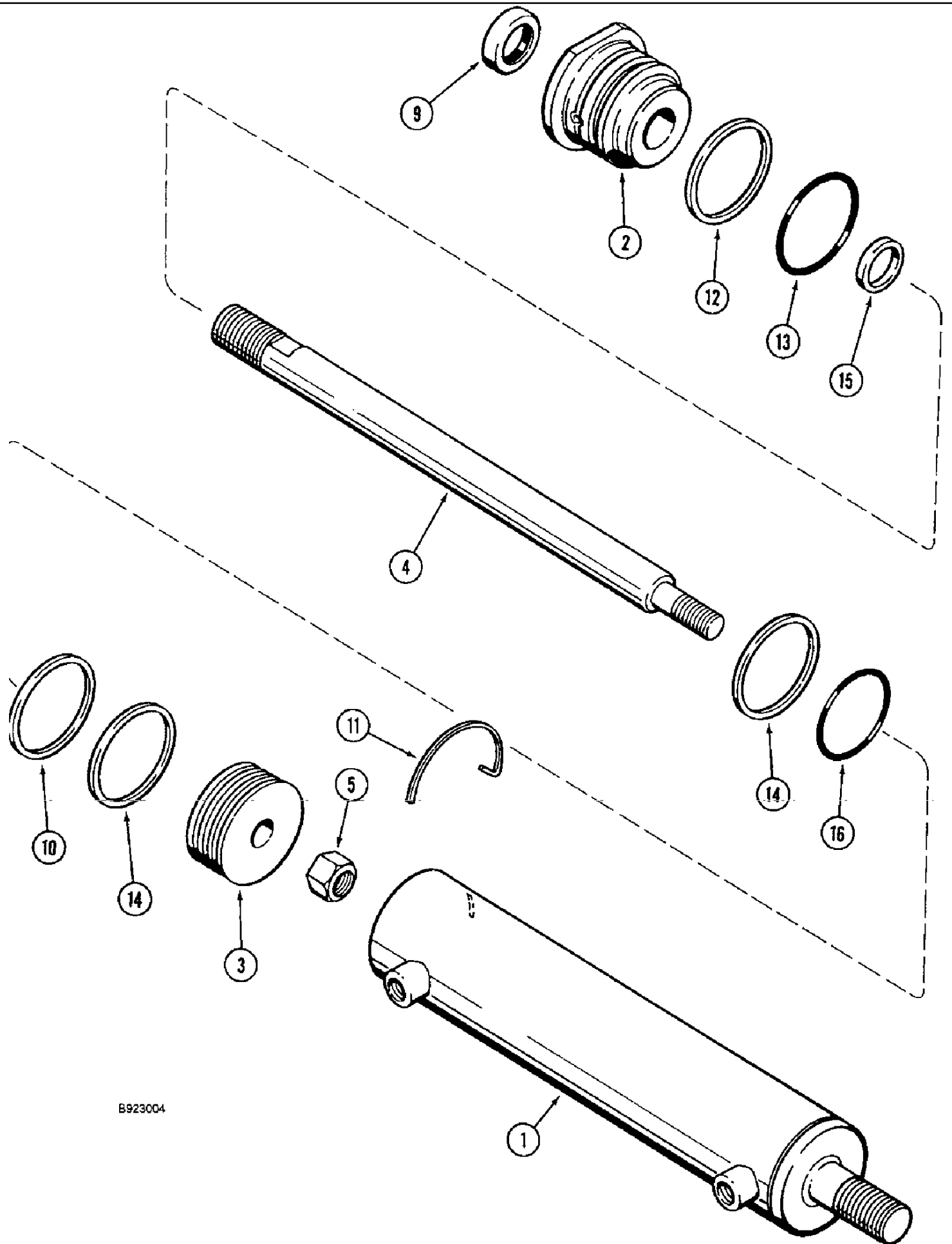
сылка	Номер детали	Кол-во	Описание
1	1322258C2	1	SUPPORT, steering axle
2	426-816	10	BOLT, Hex, 1/2"-13 x 1", G8, Full Thd, BOLT hex, 1/2 NC x 1 inch, grade 8
3	232-5138	10	NUT, Flg, USR, 1/2"-13, G8,
4	426-1224	4	BOLT, Hex, 3/4"-10 x 1 1/2", G8, BOLT hex, 3/4 NC x 1-1/2 inch, grade 8
5	496-21081	8	WASHER, 13/16" x 1 1/2" x .179", HDN,
6	232-51312	8	NUT, Flg, USR, 3/4"-10,
9	177748C1	12	SPACER, 13/16 x 1-1/4 x 2-13/16 inch, support
10	182795C1	1	BUSHING, axle pivot
11	439-11288	1	PIN, HEADED, 3/4" x 5 1/2", headed, 3/4 x 5-1/2 inch, grade 2
12	432-1620		UAR PIN, SPLIT (COTTER), 1/4" x 1 1/4", 1/4" x 1 1/4"
13	168385C2		UAR WASHER, flat, special, pivot, axle
14	182794C1	2	RING, BUSHING axle pivot
15	219-93	2	NIPPLE, LUBE, 90с, 1/4" NPT x .75" lg, Drive, grease, 90 degree, 1/4-28 special taper x 3/4 inch
18	182792C93	1	SUPPORT ASSY., pivot, front
19	326-1272	4	BOLT, Hex, 3/4"-10 x 4 1/2", G8,
21	1970206C1	2	BRACKET, stabilizer, rear
22	181444C1	2	TIE-ROD, BODY adjusting, rear
23	181442C3	2	EYEBOLT, ROD adjusting, front
24	1541603C1	2	SUPPORT, BRACKET adjusting rod, front
25	425-1016	2	NUT, 1"-8, G5, Hex
28	439-11456	2	PIN, HEADED, 7/8" x 3 1/2", headed, 7/8 x 3-1/2 inch, grade 2
29	23729R1	2	PIN, HEADED, 7/8" x 3",
31	426-824	6	BOLT, Hex, 1/2"-13 x 1 1/2", G8, Full Thd, hex, 1/2 NC x 1-1/2 inch, grade 8



B9307251A

## 5-44 STEERING AXLE AND EXTENSIONS, POWER GUIDE AXLE

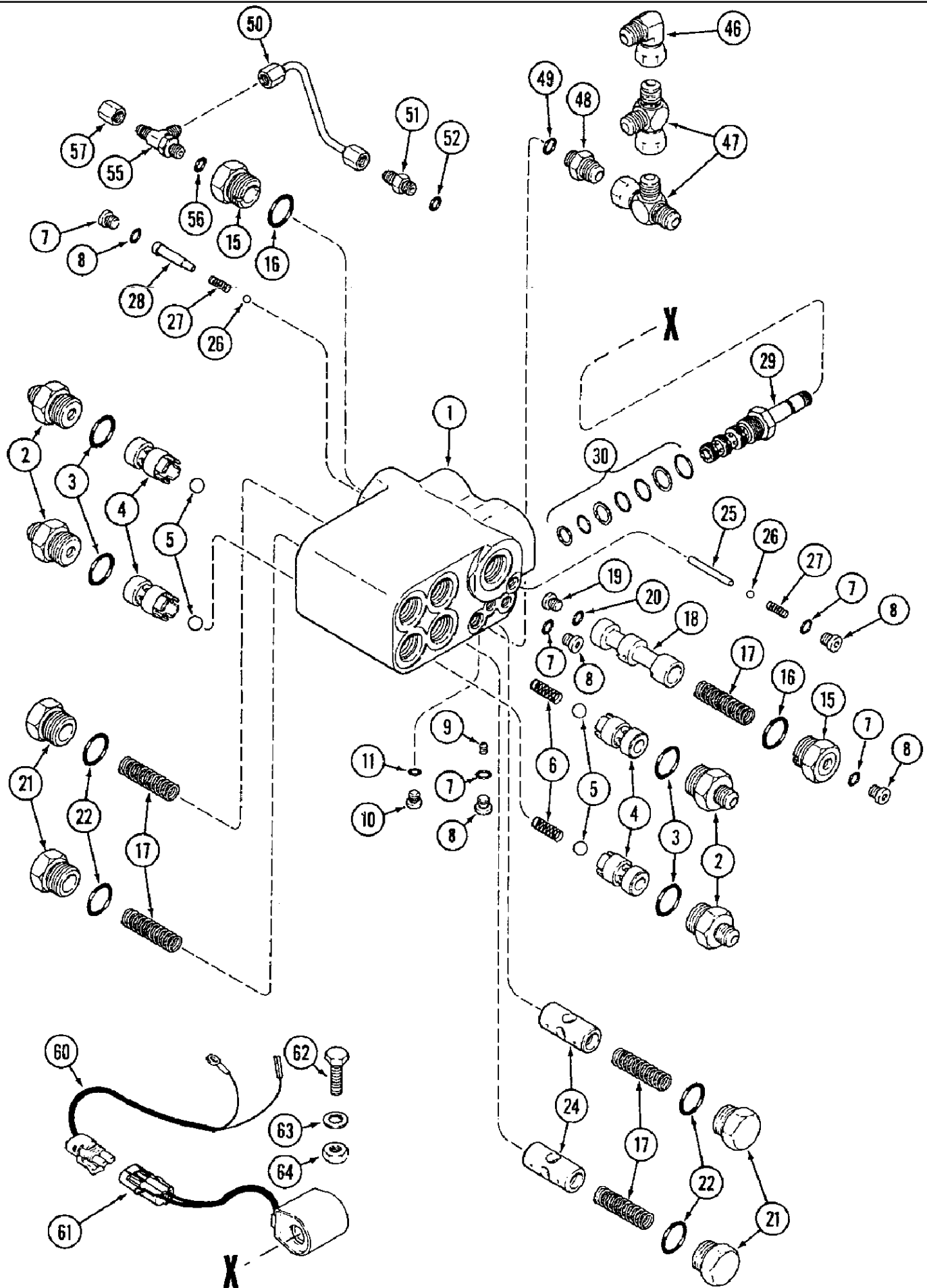
сылка	Номер детали	Кол-во	Описание
1	1968991C1	1	AXLE, adjustable, 108 to 144 inch
2	168385C2	4	WASHER, flat, special, thrust, pivot shaft
3	186599C93	1	SUPPORT, axle pivot, Includes: Ref. 4
4	177751C1	2	BUSHING, pivot, axle
5	219-93	2	NIPPLE, LUBE, 90с, 1/4" NPT x .75" lg, Drive, grease, 90 degree, 1/4-28 special taper x 3/4 inch
5A	219-87	1	NIPPLE, LUBE, 1/4"-28 x .56" lg, Self-Tap,
6	1968992C1	2	AXLE, EXTENSION
7	REF	2	INSTRUCTION, SUPPORT axle, parts list Fig. 5-42
10	413-1280	10	BOLT, Hex, 3/4"-10 x 5", G5, hex, 3/4 NC x 5 inch
11	326-1288	4	BOLT, Hex, 3/4"-10 x 5 1/2", G8,
12	232-51312		UAR NUT, Flg, USR, 3/4"-10,
13	1968993C1	1	SUPPORT, steering bracket
14	1979114C1	1	STRAP, tow
15	326-1048	2	BOLT, Hex, 5/8"-11 x 3", G8,
16	231-51410	2	NUT, Flg, USR, 5/8"-11,
17	326-1288	2	BOLT, Hex, 3/4"-10 x 5 1/2", G8,
18	326-1272	6	BOLT, Hex, 3/4"-10 x 4 1/2", G8,
19	496-21081	8	WASHER, 13/16" x 1 1/2" x .179", HDN,
20	1979120C1	1	GUIDE, CLAMP P-type, special, 1-1/2 inch ID, hose, cylinder
21	326-1296	1	BOLT, Hex, 3/4"-10 x 6", G8,



B923004

## 5-46 STEERING CYLINDER, POWER GUIDE AXLE

сылка	Номер детали	Кол-во	Описание
	127913C93	1	CYLINDER STEERING, ASSEMBLY, 2-1/4 (57) ID x 9 inch (229 mm) stroke steering, Includes: Ref. 1 thru 5
1	NSS	1	NOT SERVICED SEPARATELY, BODY cylinder
2	127919C1	1	GLAND, cylinder, front
3	127921C1	1	PISTON, cylinder
4	127920C2	1	ROD, PISTON,
5	9411658	1	NUT, LOCK, 5/8"-11, GC, hex, self locking, 5/8 inch NF, grade 8
	73661C92	1	KIT, SEALS, seal, cylinder service, Includes: Ref. 9 thru 16
9	NSS	1	NOT SERVICED SEPARATELY, SEAL wiper, piston rod
10	NSS	1	NOT SERVICED SEPARATELY, SEAL urethane, piston rod
11	NSS	1	NOT SERVICED SEPARATELY, RING retaining
12	NSS	1	NOT SERVICED SEPARATELY, WASHER back up, O-ring
13	NSS	1	NOT SERVICED SEPARATELY, O-RING head, 2-1/8 x 2-1/2 inch
14	NSS	2	NOT SERVICED SEPARATELY, RING piston
15	NSS	1	NOT SERVICED SEPARATELY, RING piston, teflon
16	NSS	1	NOT SERVICED SEPARATELY, O-RING piston, 2-1/16 x 2-1/4 inch





## 1666 CASE IH AXIAL-FLOW COMBINE (1/93-12/94)

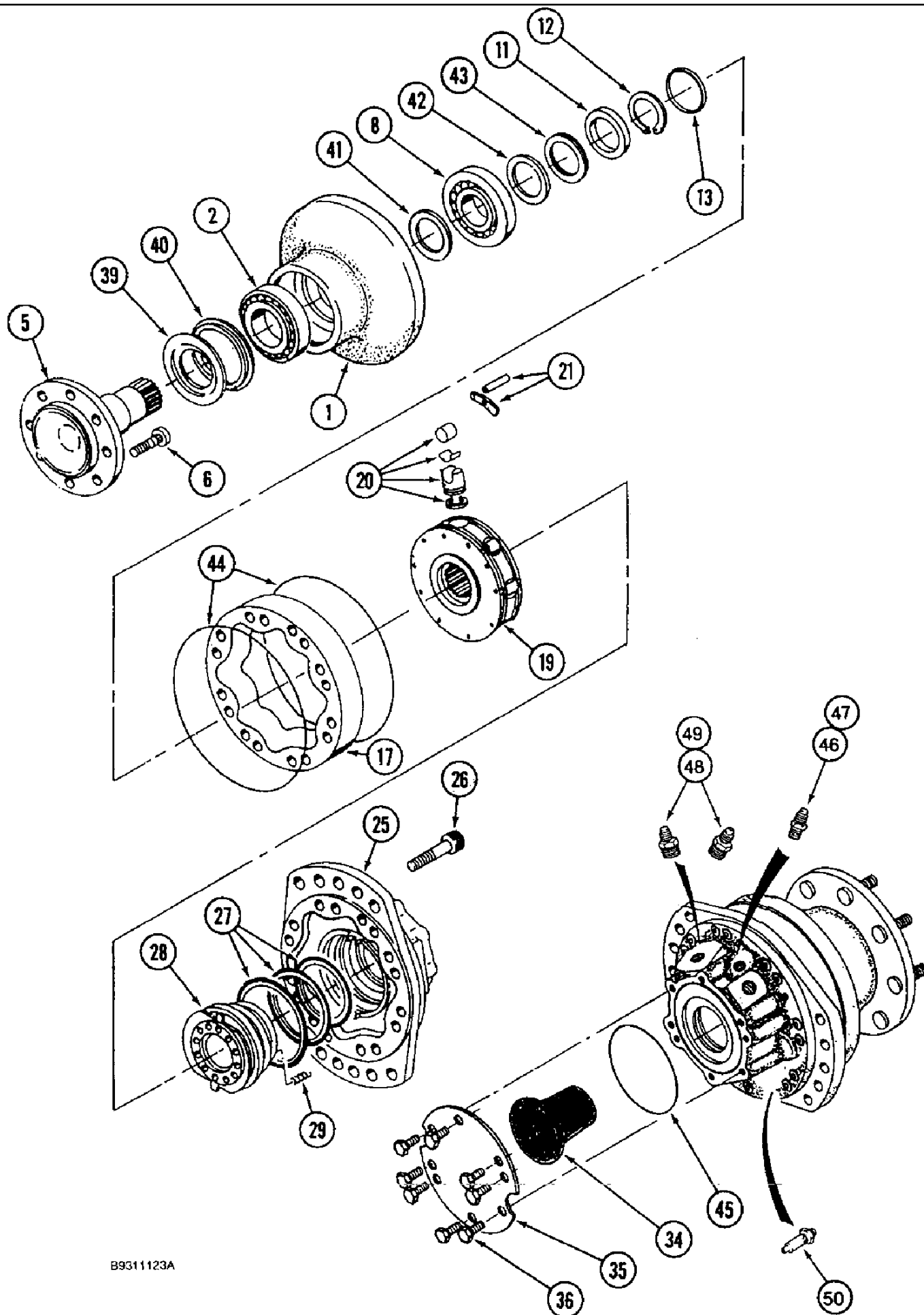
## 5-48 SELECTOR VALVE, POWER GUIDE AXLE

сылка	Номер детали	Кол-во	Описание
	1978000C1	1	VALVE, ASSEMBLY, selector, steering, Includes: Ref. 1 thru 29
1	NSS	1	NOT SERVICED SEPARATELY, BODY valve
2	218-5070	4	CONNECTOR, HYD., 3/4"-16, 37e x 1 1/16"-12, O-Ring, ADAPTER straight, 3/4-16 flare x 1-1/16-12 inch O-ring boss
3	NSS	4	NOT SERVICED SEPARATELY, O-RING connector
4	NSS	4	NOT SERVICED SEPARATELY, SEAT check ball
5	NSS	4	NOT SERVICED SEPARATELY, BALL check, 9/16 inch diameter
6	NSS	2	NOT SERVICED SEPARATELY, SPRING check, reverse
7	237-6004	7	O-RING, 4-1, 90 Duro, .351" ID x .072" Thk, Tube
8	278548	6	PLUG, Hex Soc, 7/16"-20 ORB,
9	NSS	1	NOT SERVICED SEPARATELY, PLUG orifice
10	218-5151	1	PLUG, Hex Hd, 5/16"-24 ORB, hex, 5/16-24 inch O-ring boss
11	237-6002	1	O-RING, 2-1, .239" ID x .064" Thk, Plug sealing
15	1970176C1	2	PLUG, hex, special
16	237-6012	2	O-RING, 12-1, 90 Duro, .924 ID x .118" Thk,
17	NSS	5	NOT SERVICED SEPARATELY, SPRING spool, flow divider and selector
18	NSS	1	NOT SERVICED SEPARATELY, SPOOL selector
19	NSS	1	NOT SERVICED SEPARATELY, PLUG orifice
20	237-6004	1	O-RING, 4-1, 90 Duro, .351" ID x .072" Thk,
21	1979118C1	4	PLUG, hex, flow divider spool
22	237-6012	4	O-RING, 12-1, 90 Duro, .924 ID x .118" Thk, Plug
24	NSS	2	NOT SERVICED SEPARATELY, SPOOL flow divider
25	NSS	1	NOT SERVICED SEPARATELY, PIN dowel
26	211-1010	2	BALL, 5/16" Dia, chrome alloy steel, 5/16 inch, grade 24
27	NSS	2	NOT SERVICED SEPARATELY, SPRING shuttle, low priority
28	NSS	1	NOT SERVICED SEPARATELY, SPACER spring
29	187849C1	1	VALVE, SOLENOID, VALVE solenoid, 4 way, cartridge only, Includes: Ref. 30
30	187850C1	1	KIT, SEALS, KIT replacement, washer and O-ring, solenoid valve
46	218-5230	1	ELBOW, 90e, 3/4"-16, 37e x 3/4"-16, 37e Fem Sw,
47	218-845	2	TEE, 37e, 3/4"-16 x 3/4"-16, Fem Sw Run, 3/4-16 inch flare branch x flare x swivel
48	218-5351	1	CONNECTOR, HYD., 3/4"-16, 37e x 9/16"-18, O-Ring, ADAPTER straight, 3/4-16 flare x 9/16-18 inch O-ring boss
49	237-6006	1	O-RING, 6-1, 90 Duro, .468" ID x .078" Thk,
50	1970140C1	1	TUBE, HYD, pressure, charge
51	218-5053	1	CONNECTOR, HYD., 7/16"-20, 37e x 7/16"-20, O-Ring, ADAPTER
52	237-6004	1	O-RING, 4-1, 90 Duro, .351" ID x .072" Thk, ADAPTER straight, 3/4-16 inch flare x O-ring boss, included with 121436A1 motor only, ASN JJC0105176
55	218-5289	1	TEE, 7/16"-20, 37e x 7/16"-20, O-Ring Run, TEE, 7/16-20 inch flare branch x flare x adj. O-ring boss
56	237-6004	1	O-RING, 4-1, 90 Duro, .351" ID x .072" Thk,
57	218-752	1	CAP, 37e, 7/16"-20, Hex
	1345300C1	1	KIT, KIT solenoid coil, included with 19778000C1 valve assembly, Includes: Ref. 60 thru 64
60	1340843C1	1	COIL, KIT solenoid coil, 12 volt, valve
61	1345302C1	1	HARNESS, WIRE, solenoid, adapter
62	413-616	1	BOLT, Hex, 3/8"-16 x 1", G5, Full Thd, hex, 3/8 NC x 1 inch
63	493-11039	1	WASHER, LOCK, 3/8", Int-Ext Tooth, internal, external tooth lock, 3/8 inch

1666 CASE IH AXIAL-FLOW COMBINE (1/93-12/94)

5-48 SELECTOR VALVE, POWER GUIDE AXLE

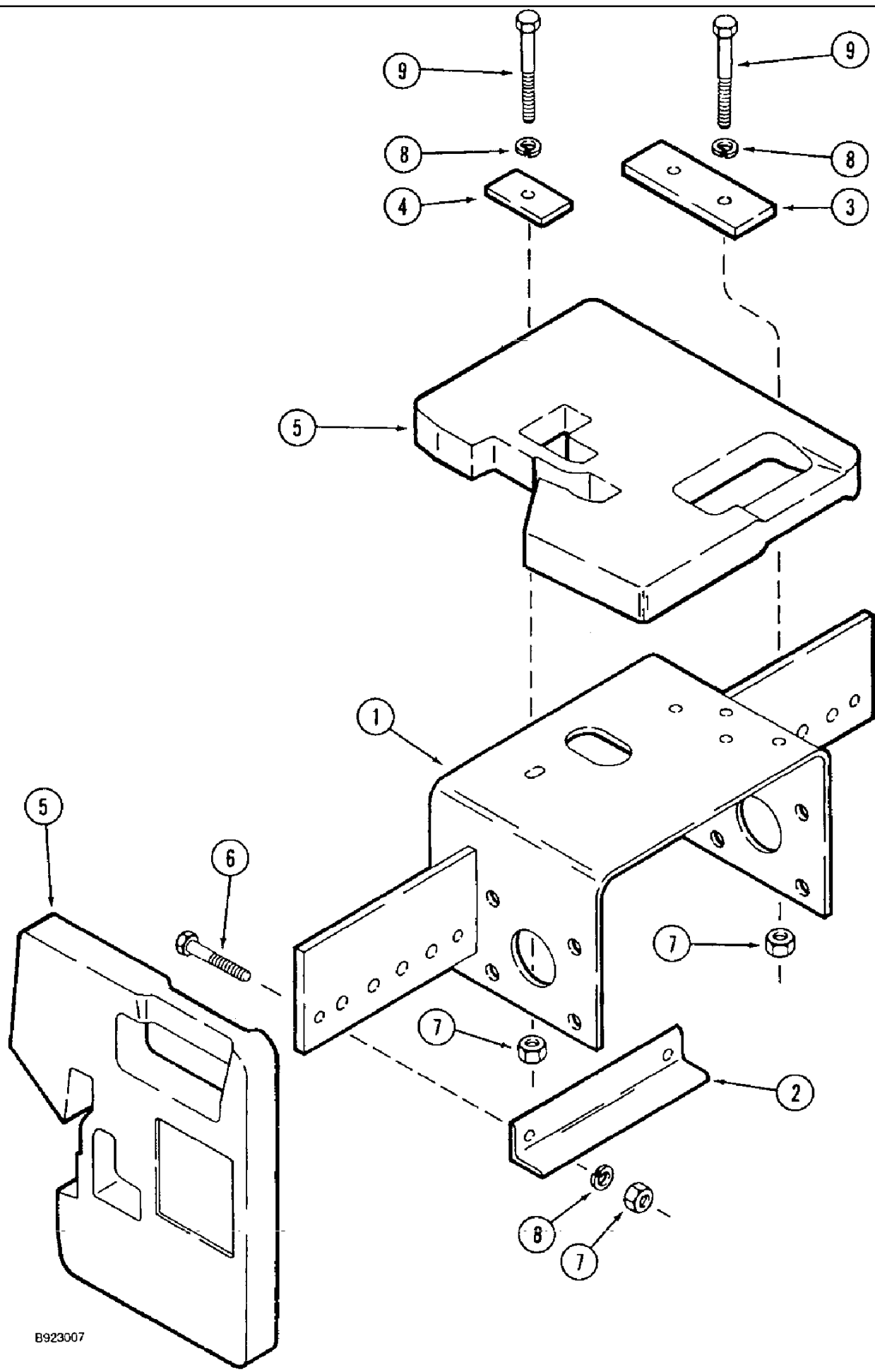
сылка	Номер детали	Кол-во	Описание
64	425-106	1	NUT, 3/8"-16, G5,



B9311123A

сылка	Номер детали	Кол-во	Описание
	1970137C2	1	MOTOR, HYDRAULIC, ASSEMBLY drive, wheel, 1970137C2 and 121436A1 motors are identical except for the ports in the housing. 1970137C2 uses metric threads and 121436A1 uses English threads. 121436A1 motor includes adapters, Refs. 46-50 shown in this Figure. Adapters for 1970137C2 are located on pages 5-33A and 5-4)., BSN JJC0105176
	121436A1	1	MOTOR, HYDRAULIC, ASSEMBLY drive, wheel, Includes: Ref. 1 thru 50, 1970137C2 and 121436A1 motors are identical except for the ports in the housing. 1970137C2 uses metric threads and 121436A1 uses English threads. 121436A1 motor includes adapters, Refs. 46-50 shown in this Figure. Adapters for 1970137C2 are located on pages 5-33A and 5-40., ASN JJC0105176
1	NSS	1	NOT SERVICED SEPARATELY, HOUSING support, bearing
2	NSS	1	NOT SERVICED SEPARATELY, BEARING outer, housing
5	NSS	1	NOT SERVICED SEPARATELY, SHAFT hub, wheel
6	1970151C1	8	STUD, mounting, retaining, shaft
8	NSS	1	NOT SERVICED SEPARATELY, BEARING inner, housing
11	NSS	1	NOT SERVICED SEPARATELY, SPACER retaining, ring
12	NSS	1	NOT SERVICED SEPARATELY, RING snap
13	NSS	1	NOT SERVICED SEPARATELY, RETAINER snap ring
17	NSS	1	NOT SERVICED SEPARATELY, RING cam
19	NSS	1	NOT SERVICED SEPARATELY, BLOCK cylinder
20	NSS	10	NOT SERVICED SEPARATELY, KIT piston block
21	NSS	1	NOT SERVICED SEPARATELY, KIT retainer, piston
25	NSS	116	NOT SERVICED SEPARATELY, COVER distribution
26	NSS	1	NOT SERVICED SEPARATELY, BOLT retainer, cover
27	1978004C1	1	KIT, SEALS, KIT block
28	NSS	1	NOT SERVICED SEPARATELY, BLOCK valve
29	NSS	8	NOT SERVICED SEPARATELY, SPRING pressure, valve block
32	NSS	1	NOT SERVICED SEPARATELY, HOUSING motor, wheel
34	1970394C1	1	CASE, ACCUMULATOR housing, motor
35	1978005C1	1	COVER, PLATE
36	NSS	8	NOT SERVICED SEPARATELY, BOLT retaining, cover plate
	1978008C1	1	KIT, SEALS, KIT wheel motor, Includes: Ref. 39 thru 44
39	NSS	1	NOT SERVICED SEPARATELY, DEFLECTOR shaft
40	NSS	1	NOT SERVICED SEPARATELY, SEAL grease
41	NSS	1	NOT SERVICED SEPARATELY, SEAL inner, shaft
42	NSS	1	NOT SERVICED SEPARATELY, WASHER shim, support
43	NSS	1	NOT SERVICED SEPARATELY, KIT shim, bearing
44	NSS	2	NOT SERVICED SEPARATELY, O-RING cam
45	238-5162	1	O-RING, -162, 70 Duro, 5.737" ID x .103" Thk,
46	218-5059	1	CONNECTOR, HYD., 3/4"-16, 37e x 3/4"-16, O-Ring, ADAPTER straight, 3/4-16 inch flare x O-ring boss, included with 121436A1 motor only, Includes: Ref. 47, ASN JJC0105176
47	237-6008	1	O-RING, 8-1, 90 Duro, .644" ID x .087" Thk,
48	218-5064	2	CONNECTOR, HYD., 1 1/16"-12, 37e x 1 1/16"-12, O-Ring, ADAPTER straight, 1-1/16-12 inch flare x O-ring boss, included with 121436A1 motor only, Includes: Ref. 49, ASN JJC0105176
49	237-6012	1	O-RING, 12-1, 90 Duro, .924 ID x .118" Thk,
50	121434A1	1	ADAPTER, flush port, English thread, included with 121436A1 motor only, ASN JJC0105176

5-52 STEERING AXLE WEIGHTS



B923007

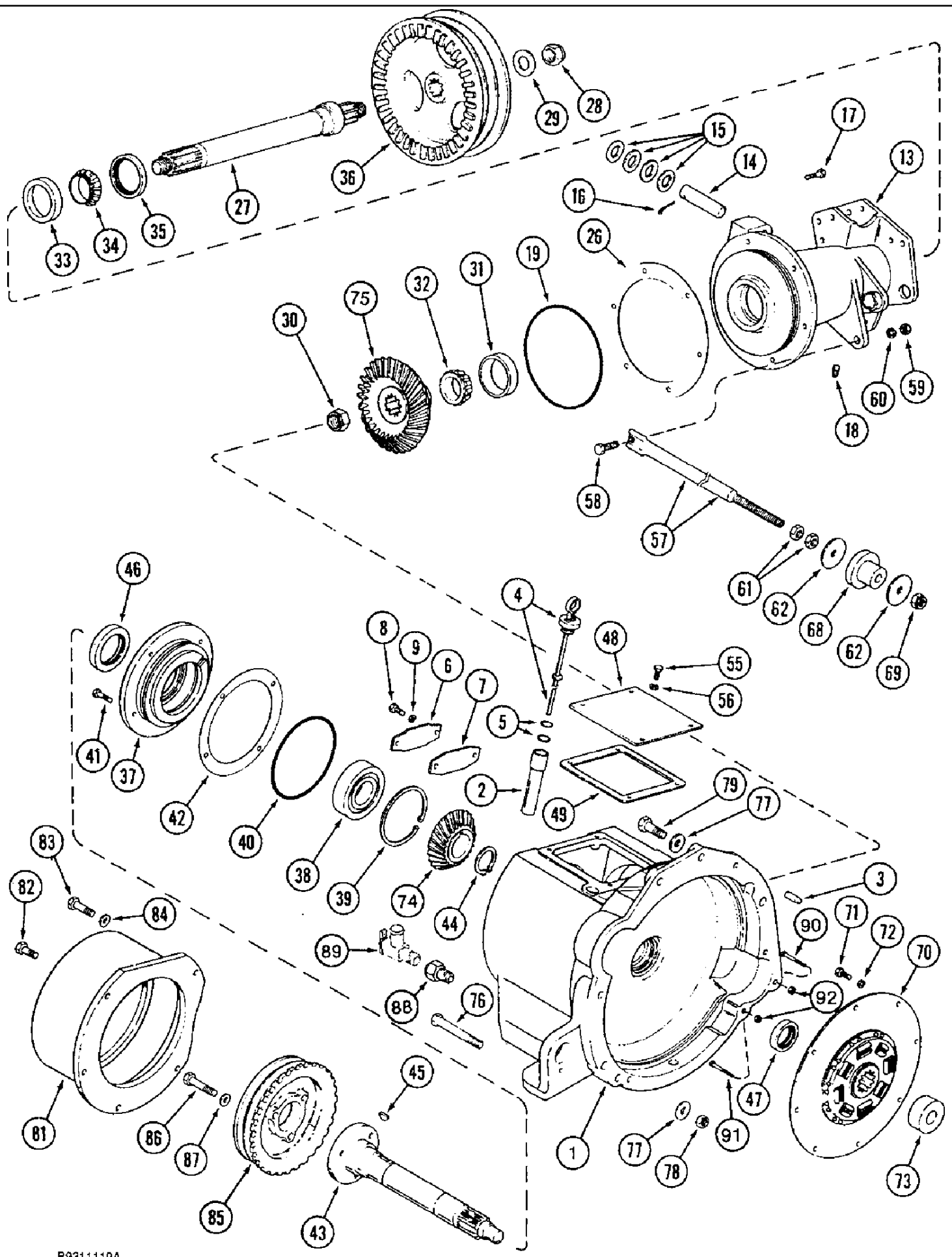
Do not use weights and brackets on combine equipped with power guide axle.

## 5-52 STEERING AXLE WEIGHTS

сылка	Номер детали	Кол-во	Описание
1	185365C2	1	SUPPORT, weight, replaces 185365C1
2	1308872C1	2	BRACKET, weight retaining
3	178434C1	1	CLAMP, weight
4	561838R1	1	PLATE, CLAMP weight
5	NSS		UAR NOT SERVICED SEPARATELY, WEIGHT 100 pounds, machinery item
6	413-840	4	BOLT, Hex, 1/2"-13 x 2 1/2", G5, hex, 1/2 NC x 2-1/2 inch
7	425-108	6	NUT, 1/2"-13, G5,
8	80679	7	WASHER, LOCK, 1/2",
9	413-888	3	BOLT, Hex, 1/2"-13 x 5 1/2", G5, hex, 1/2 NC x 5-1/2 inch

Do not use weights and brackets on combine equipped with power guide axle.

6-02 POWER TAKEOFF DRIVE



## 1666 CASE IH AXIAL-FLOW COMBINE (1/93-12/94)

## 6-02 POWER TAKEOFF DRIVE

сылка	Номер детали	Кол-во	Описание
1	184433C3	1	HOUSING, power takeoff drive, Includes: Ref. 2 and 3
2	188072C1	1	TUBE, dipstick, oil
3	1330136C1	2	DOWEL, PIN locating
4	186019C91	1	DIPSTICK, PTO housing oil, level, Includes: Ref. 5
5	238-5210	2	O-RING, -210, 70 Duro, .734" ID x .139" Thk,
6	185056C1	1	COVER, bolt access hole
7	185057C2	1	GASKET, access cover
8	413-68	2	BOLT, Hex, 3/8"-16 x 1/2", G5, Full Thd,
9	492-11038	2	WASHER, LOCK, 3/8",
13	1329747C1	1	HOUSING, separator drive, Includes: Ref. 14
14	195439C2	1	PIN, clutch housing, separator
15	495-81073	4	WASHER, 1 1/32" x 1 3/4" x .060", flat, 1-1/32 x 1-3/4 x 1/16 inch
16	432-1624	1	PIN, SPLIT (COTTER), 1/4" x 1 1/2",
17	426-620	6	BOLT, Hex, 3/8"-16 x 1 1/4", G8, Full Thd, BOLT hex, 3/8 NC x 1-1/4 inch, grade 8
18	50057K	1	PLUG, separator housing
19	188279C1	1	O-RING, -266, 90 Duro, 7.984" ID x .139" Thk, 8 ID x 1/8 inch wide
	188195C1	1	KIT, SHIM, KIT shim, separator drive housing, Includes: Ref. 26
26	NSS		UAR NOT SERVICED SEPARATELY, SHIM, 0.005 inch, separator housing
26	NSS		UAR NOT SERVICED SEPARATELY, SHIM, 0.007 inch, separator housing
26	NSS		UAR NOT SERVICED SEPARATELY, SHIM, 0.010 inch, separator housing
26	NSS		UAR NOT SERVICED SEPARATELY, SHIM, 0.030 inch, separator housing
27	1329745C1	1	SHAFT, PULLEY, separator drive
28	18521R1	1	NUT, LOCK, 1"-14, G8, hex, self-locking, 1 inch NF
29	396-31106	2	WASHER, 1 1/16" x 2" x .219", HDN, flat, 1-1/16 x 2 x 7/32 inch, hardened
30	194737C1	1	NUT, hex, special, 1 inch NF
31	ST987	1	RACE, RING, CUP tapered roller bearing, 3-17/64 inch O.D., separator housing rear
32	300426R91	1	BEARING, CONE, tapered roller, 1-25/32 inch ID, separator housing rear
33	376463C1	1	BEARING, ROLLER, TAPERED, tapered roller, 3-15/64 inch O.D., separator housing front
34	533729R91	1	BEARING, tapered roller, 2 inch ID, separator housing front
35	194051C1	1	SEAL, oil, separator housing
36	191461C1	1	PULLEY, drive, 11 inch O.D., separator drive
37	192817C2	1	HUB, hex, 5/16 NC x 1 inch
38	1541765C1	1	BEARING, BALL, 4-23/32 inch O.D., standard drive shaft
38	1541766C1	1	BEARING, BALL, 4-23/32 inch O.D., optional drive shaft
39	100-22475	1	RING, SNAP, 4.78", Int, #475,
40	238-8260	1	O-RING, -260, CI 8, 6.484" ID x .139" Thk,
41	426-620	4	BOLT, Hex, 3/8"-16 x 1 1/4", G8, Full Thd, BOLT hex, 3/8 NC x 1-1/4 inch, grade 8
	188196C1	1	KIT, SHIM, KIT shim, PTO drive shaft housing, Includes: Ref. 42
42	NSS		UAR NOT SERVICED SEPARATELY, SHIM bearing hub, 0.030 inch
42	NSS		UAR NOT SERVICED SEPARATELY, SHIM bearing hub, 0.010 inch
42	NSS		UAR NOT SERVICED SEPARATELY, SHIM bearing hub, 0.007 inch
42	NSS		UAR NOT SERVICED SEPARATELY, SHIM bearing hub, 0.005 inch
43	192816C2	1	SHAFT, drive, PTO
44	100-12200	1	RING, SNAP, #200, Ext,
45	126-176	1	KEY, WOODRUFF, #128, 5/16" x 2 1/8", HT, Drive shaft

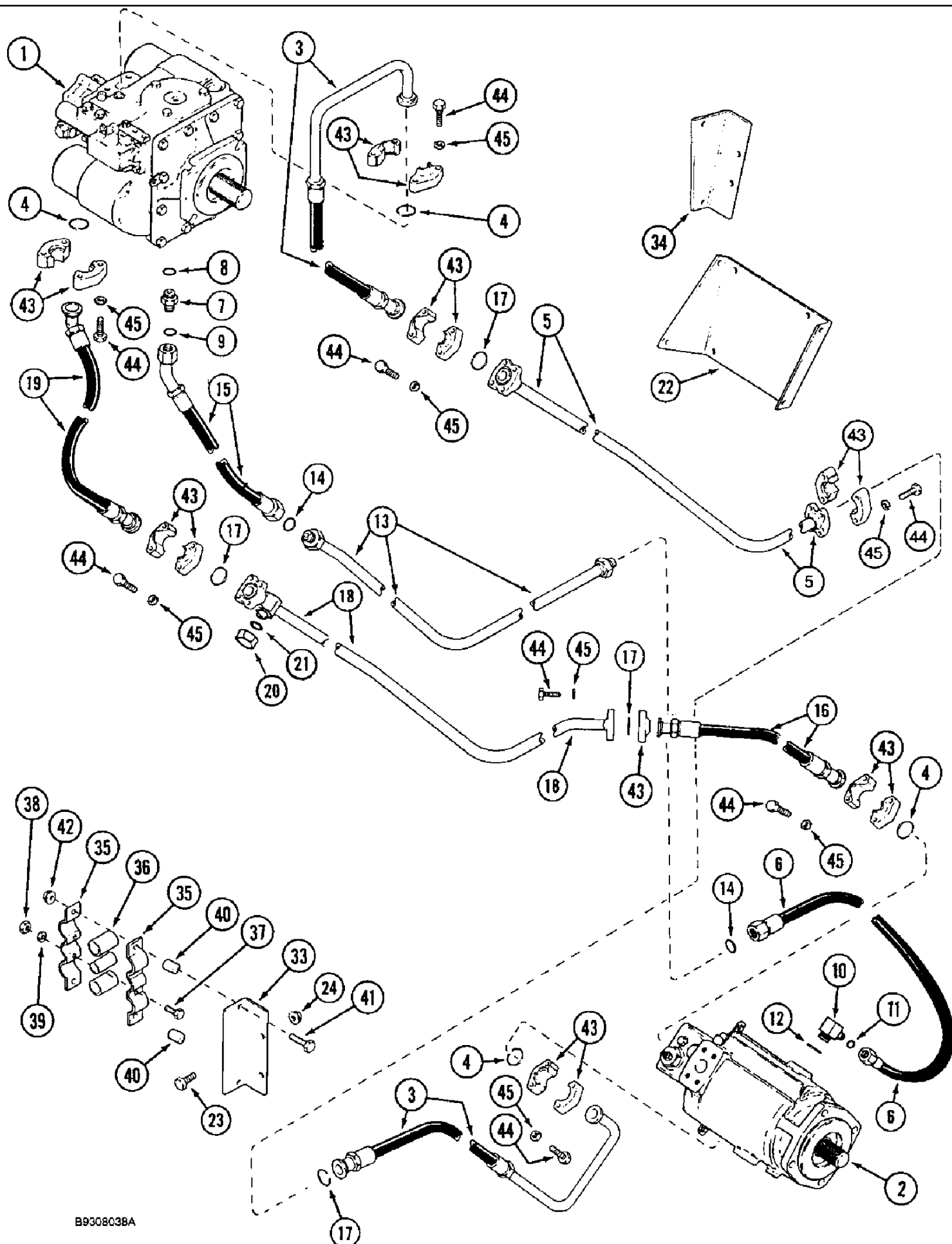


## 1666 CASE IH AXIAL-FLOW COMBINE (1/93-12/94)

## 6-02 POWER TAKEOFF DRIVE

сылка	Номер детали	Кол-во	Описание
46	173133C91	1	SEAL, shaft, 3-5/8 inch O.D., drive, pump housing end
47	173559C92	1	SEAL, shaft, 2-5/8 inch O.D., drive plate end
48	192275C1	1	COVER, housing
49	191830C2	1	GASKET, PTO cover
55	413-612	4	BOLT, Hex, 3/8"-16 x 3/4", G5, Full Thd, hex, 3/8 NC x 3/4 inch
56	492-11038	4	WASHER, LOCK, 3/8",
57	1315648C1	1	ROD, ROD snubber
58	413-824	1	BOLT, Hex, 1/2"-13 x 1 1/2", G5, Full Thd, hex, 1/2 NC x 1-1/2 inch
59	425-108	1	NUT, 1/2"-13, G5,
60	80679	1	WASHER, LOCK, 1/2",
61	425-1510	2	NUT, Jam, 5/8"-18, G5, Hex
62	107813R1	2	WASHER, flat, 21/32 x 2-1/2 x 11/64 inch
68	194915C2	1	ISOLATOR, INSULATOR engine snubber
69	232-46110	1	NUT, LOCK, 5/8"-11, GC,
70	184429C2	1	DISC, CLUTCH, PLATE PTO drive
71	326-612	8	BOLT, Hex, 3/8"-16 x 3/4", G8, Full Thd,
72	392-21038	8	WASHER, LOCK, 3/8", 3/8"
73	1324896C2	1	BUSHING, flywheel, power takeoff
	184494C1	1	GEAR-SET, separator drive, 41 and 31 teeth, matched set, Includes: Ref. 74 and 75
74	NSS	1	NOT SERVICED SEPARATELY, GEAR drive shaft, 31 teeth
75	NSS	1	NOT SERVICED SEPARATELY, GEAR separator drive shaft, 41 teeth
76	413-1064	4	BOLT, Hex, 5/8"-11 x 4", G5, hex, 5/8 NC x 4 inch
77	495-81027	6	WASHER, 21/32" x 1 1/2" x .120", flat, 21/32 x 1-1/2 x 7/64 inch
78	425-1010	4	NUT, 5/8"-11, G5,
79	413-1028	2	BOLT, Hex, 5/8"-11 x 1 3/4", G5, hex, 5/8 NC x 1-3/4 inch
81	1303141C2	1	HOUSING, hydrostatic pump
82	413-820	3	BOLT, Hex, 1/2"-13 x 1 1/4", G5, Full Thd, hex, 1/2 NC x 1-1/4 inch
83	413-828	2	BOLT, Hex, 1/2"-13 x 1 3/4", G5,
84	283856C1	2	WASHER, flat, 17/32 x 1 x 3/16 inch
85	1330488C1	1	PULLEY, drive, auxiliary pump, 8.85 inch O.D.
86	426-840	3	BOLT, Hex, 1/2"-13 x 2 1/2", G8, BOLT hex, 1/2 NC x 2-1/2 inch, grade 8
87	496-21053	3	WASHER, 17/32" x 1 1/16" x .134", Hardened
88	217-44	1	REDUCER, 1/2"-14 NPTF x 3/8"-18 Fem NPTF, REDUCER 1/2 PT x 3/8 inch PT
89	301803R1	1	VALVE, SHUT-OFF, PTO drain
90	413-652	1	BOLT, Hex, 3/8"-16 x 3 1/4", G5,
91	413-660	1	BOLT, Hex, 3/8"-16 x 3 3/4", G5, hex, 3/8 NC x 3-3/4 inch
92	425-106	2	NUT, 3/8"-16, G5,

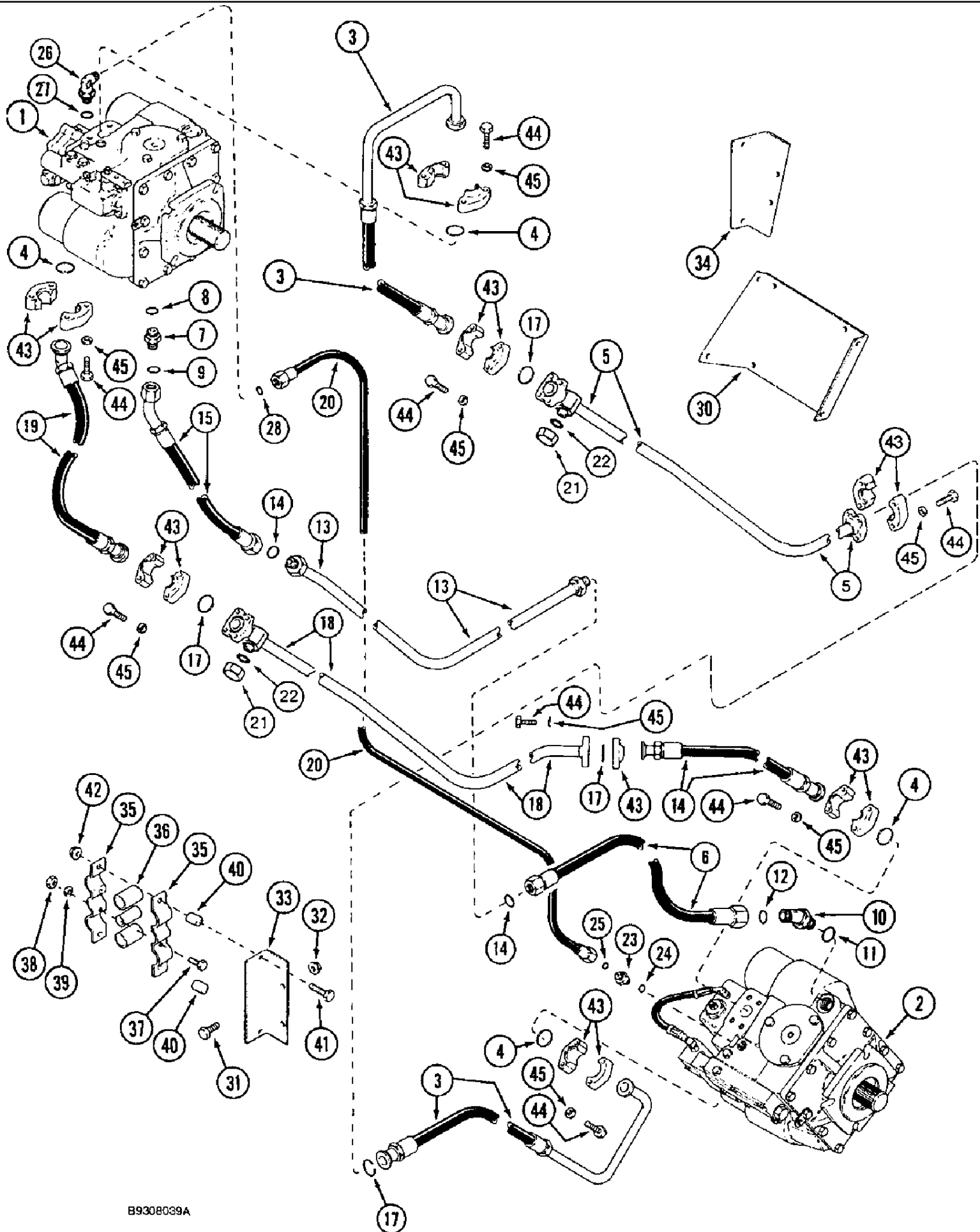
6-06 HYDROSTATIC PUMP AND MOTOR SYSTEM, SINGLE SPEED



B9308038A

## 6-06 HYDROSTATIC PUMP AND MOTOR SYSTEM, SINGLE SPEED

сылка	Номер детали	Кол-во	Описание
1	REF	1	INSTRUCTION, PUMP ASSEMBLY hydrostatic, parts list Figs. 6-16 thru 6-25A
2	1343609C2	1	MOTOR, HYDRAULIC, ASSEMBLY hydrostatic, parts list Figures 6-26 thru 6-30
3	1979955C2	2	HOSE, 33-7/8 inch (860 mm) long, reverse pressure
4	238-6219	4	O-RING, -219, 90 Duro, 1.296" ID x .139" Thk,
4	238-6018	2	O-RING, -018, 90 Duro, .739" ID x .070" Thk, With power guide axle
5	1979929C1	1	TUBE, reverse pressure, not shown
5	1541757C2	1	PIPE, TUBE reverse pressure, with power guide axle
6	1347141C2	1	HOSE, 35 inch (889 mm) long, housing drain, lower
7	201-130	2	CONNECTOR, HYD., 1 7/16"-12 ORFS x 1 1/16"-12 ORB, ADAPTER straight, 1-7/16-12 face seal x 1-1/16-12 inch O-ring boss, Incl.: Ref. 8 and 9
8	237-6012	1	O-RING, 12-1, 90 Duro, .924 ID x .118" Thk,
9	238-6021	1	O-RING, -021, 90 Duro, .926" ID x .070" Thk,
10	201-313	1	ELBOW, 90°, 1 7/16"-12 x 1 1/16"-12, Adj, ORFS, 90 degree, 1-7/16-12 face seal x 1-1/16-12 inch adj O-ring, Includes: Ref. 11 and 12
11	237-6012	1	O-RING, 12-1, 90 Duro, .924 ID x .118" Thk,
12	238-6021	1	O-RING, -021, 90 Duro, .926" ID x .070" Thk,
13	1979932C1	1	PIPE, TUBE case drain
14	238-6021	2	O-RING, -021, 90 Duro, .926" ID x .070" Thk,
15	1979936C1	1	HOSE, 16-1/2 inch (420 mm) long, housing drain, upper
16	1979953C3	1	HOSE, 27-7/8 inch (706 mm) long, forward lower pressure
17	238-6219	4	O-RING, -219, 90 Duro, 1.296" ID x .139" Thk,
18	1979928C1	1	TUBE, forward pressure, not shown
18	1541756C2	1	PIPE, TUBE forward pressure, with power guide axle
19	1347124C2	1	HOSE, 21-5/8 inch (550 mm) long, forward pressure, upper
20	201-907	2	CAP, 1 3/16"-12 ORFS, If used, Includes Ref. 21
21	238-6018	1	O-RING, -018, 90 Duro, .739" ID x .070" Thk,
22	1979941C1	1	SUPPORT, hydrostatic tube, rear
23	409-7616	6	BOLT, Hex Flg, 3/8"-16 x 1", Serr,
24	231-5146	6	NUT, Flg, USR, 3/8"-16,
33	1347034C1	1	SUPPORT, BRACKET tube support, rear
34	1347033C1	1	SUPPORT, BRACKET tube support, front
35	1347156C1	6	SHIN, CLAMP half, tube
36	187935C1	9	STRIP, SLEEVE pressure tube clamp
37	413-516	6	BOLT, Hex, 5/16"-18 x 1", G5, Full Thd, hex, 5/16 NC x 1 inch
38	425-105	6	NUT, 5/16"-18, G5,
39	492-11031	6	WASHER, LOCK, 5/16",
40	1979761C1	6	SPACER, 3/8" ID x 1
41	413-632	6	BOLT, Hex, 3/8"-16 x 2", G5,
42	231-5146	6	NUT, Flg, USR, 3/8"-16,
43	S97224	16	CLAMP, CLAMP split flange, 1 inch
44	413-728	32	BOLT, Hex, 7/16"-14 x 1 3/4", G5,
45	492-11044	32	WASHER, LOCK, 7/16",



B9308039A

## 6-08 HYDROSTATIC PUMP AND MOTOR SYSTEM, TWO SPEED

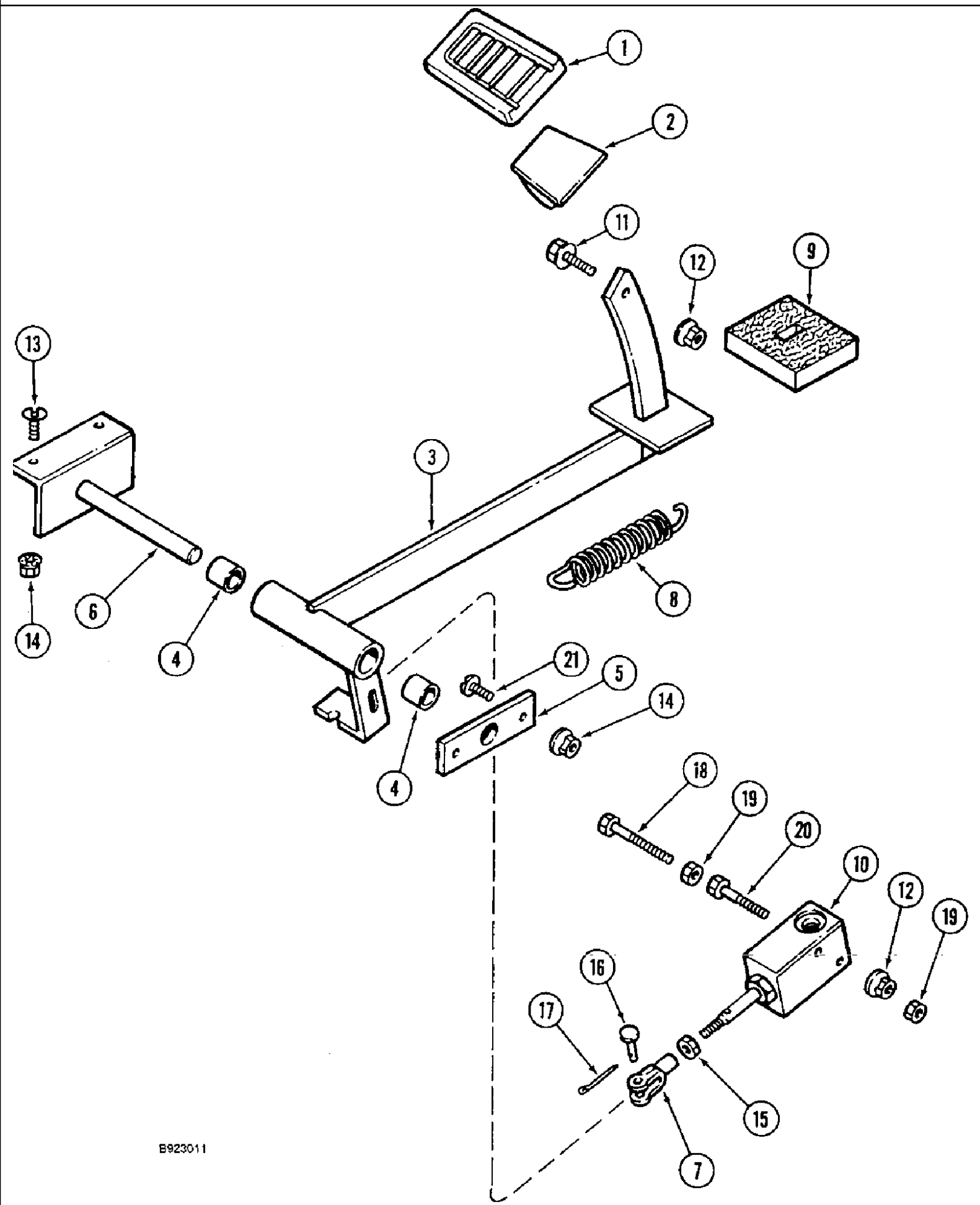
сылка	Номер детали	Кол-во	Описание
1	REF	1	INSTRUCTION, PUMP ASSEMBLY hydrostatic, parts list Figs. 6-16 thru 6-25A
2	1343743C1	1	MOTOR, ASSEMBLY hydrostatic, parts list pages 6-32 thru 6-37A
3	1979955C2	2	HOSE, 33-7/8 inch (860 mm) long, reverse pressure
4	238-6219	4	O-RING, -219, 90 Duro, 1.296" ID x .139" Thk,
4	238-6018	2	O-RING, -018, 90 Duro, .739" ID x .070" Thk, With power guide axle
5	1979929C1	1	TUBE, reverse pressure, not shown
5	1541757C2	1	PIPE, TUBE reverse pressure, with power guide axle
6	1347141C2	1	HOSE, 35 inch (889 mm) long, housing drain, lower
7	201-130	2	CONNECTOR, HYD., 1 7/16"-12 ORFS x 1 1/16"-12 ORB, ADAPTER straight, 1-7/16-12 face seal x 1-1/16-12 inch O-ring boss, Incl.: Ref. 8 and 9
8	237-6012	1	O-RING, 12-1, 90 Duro, .924 ID x .118" Thk,
9	238-6021	1	O-RING, -021, 90 Duro, .926" ID x .070" Thk,
10	201-351	1	ELBOW, 45ε, 1 7/16"-12 x 1 1/16"-12. Adj, ORFS, 45 degree, 1-7/16-12 face seal x 1-1/16-12 inch adj O-ring boss
11	237-6012	1	O-RING, 12-1, 90 Duro, .924 ID x .118" Thk, Includes: Ref. 11 and 12
12	238-6021	1	O-RING, -021, 90 Duro, .926" ID x .070" Thk,
13	1979932C1	1	PIPE, TUBE case drain
14	238-6021	2	O-RING, -021, 90 Duro, .926" ID x .070" Thk,
15	1979936C1	1	HOSE, 16-1/2 inch (420 mm) long, housing drain, upper
16	1979953C3	1	HOSE, 27-7/8 inch (706 mm) long, forward lower pressure
17	238-6219	4	O-RING, -219, 90 Duro, 1.296" ID x .139" Thk,
18	1979928C1	1	TUBE, forward pressure, not shown
18	1541756C2	1	PIPE, TUBE forward pressure, with power guide axle
19	1347124C2	1	HOSE, 21-5/8 inch (550 mm) long, forward pressure, upper
20	1347126C1	1	HOSE, 167 inch (4250 mm) long, charge pressure
21	201-907	2	CAP, 1 3/16"-12 ORFS, If used, Includes Ref. 22
22	238-6018	1	O-RING, -018, 90 Duro, .739" ID x .070" Thk,
23	201-100	1	CONNECTOR, HYD., 9/16"-18 ORFS x 7/16"-20 ORB, ADAPTER straight, 9/16-18 face seal x 7/16-20 inch O-ring boss, Includes: Ref. 24 and 25
24	237-6004	1	O-RING, 4-1, 90 Duro, .351" ID x .072" Thk,
25	238-6011	1	O-RING, -011, 90 Duro, .301" ID x .070" Thk,
26	201-303	1	ELBOW, 90ε, 9/16"-18 x 7/16"-20 Adj, ORFS, 90 degree, 9/16-18 face seal x 7/16-20 inch adj O-ring boss, Includes: Ref. 27 and 28
27	237-6004	1	O-RING, 4-1, 90 Duro, .351" ID x .072" Thk,
28	238-6011	1	O-RING, -011, 90 Duro, .301" ID x .070" Thk,
30	1979941C1	1	SUPPORT, hydrostatic tube, rear
31	409-7616	6	BOLT, Hex Flg, 3/8"-16 x 1", Serr,
32	231-5146	6	NUT, Flg, USR, 3/8"-16,
33	1347034C1	1	SUPPORT, BRACKET tube support, rear
34	1347033C1	1	SUPPORT, BRACKET tube support, front
35	1347156C1	6	SHIN, CLAMP half, tube
36	187935C1	9	STRIP, SLEEVE pressure tube clamp
37	413-516	6	BOLT, Hex, 5/16"-18 x 1", G5, Full Thd, hex, 5/16 NC x 1 inch
38	425-105	6	NUT, 5/16"-18, G5,
39	492-11031	6	WASHER, LOCK, 5/16",

1666 CASE IH AXIAL-FLOW COMBINE (1/93-12/94)

6-08 HYDROSTATIC PUMP AND MOTOR SYSTEM, TWO SPEED

сылка	Номер детали	Кол-во	Описание
40	1979761C1	6	SPACER, 3/8" ID x 1
41	413-632	6	BOLT, Hex, 3/8"-16 x 2", G5,
42	231-5146	6	NUT, Flg, USR, 3/8"-16,
43	S97224	16	CLAMP, CLAMP split flange, 1 inch
44	413-728	32	BOLT, Hex, 7/16"-14 x 1 3/4", G5,
45	492-11044	32	WASHER, LOCK, 7/16",

6-10 FOOT-N-INCH PEDAL



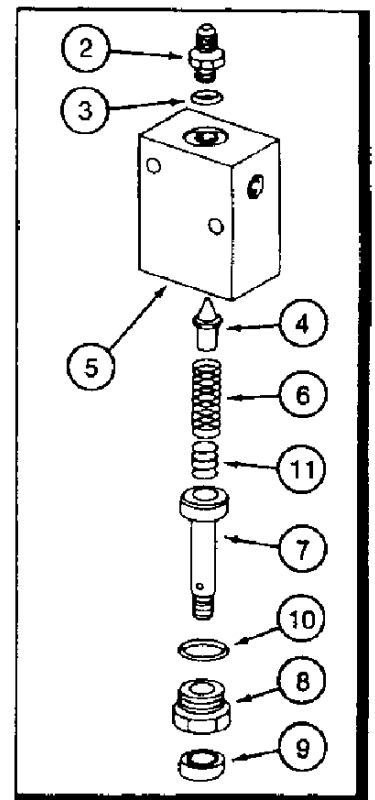
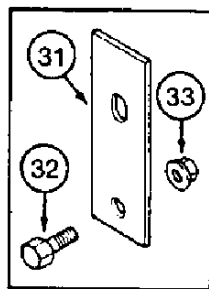
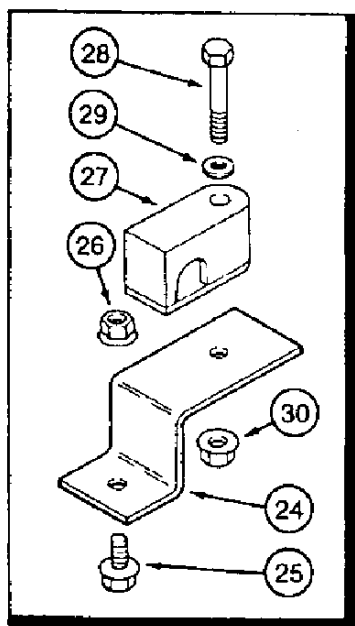
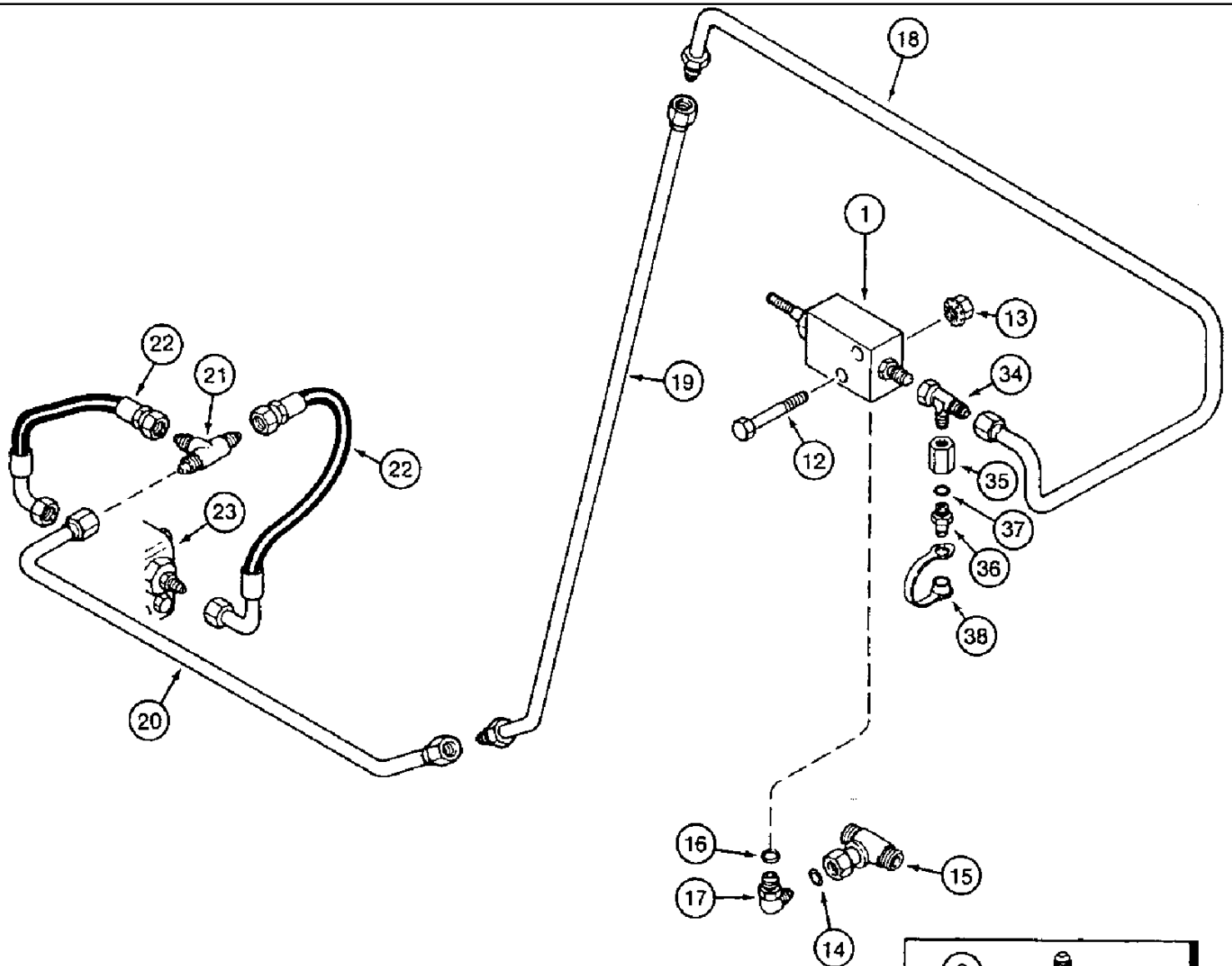
B923011

## 6-10 FOOT-N-INCH PEDAL

сылка	Номер детали	Кол-во	Описание
1	863426R1	1	PAD, pedal
2	163425C1	1	PEDAL, Foot-N-Inch
3	1321960C92	1	SUPPORT, ASSEMBLY pedal, Includes: Ref. 4
4	1280291C1	2	BUSHING, 3/4 inch (19 mm) diameter, support assembly
5	1281794C1	1	PLATE, pivot shaft support
6	1281816C3	1	SUPPORT, pivot shaft
7	213-125	1	CLEVIS, ADJUSTABLE, 5/16"-24,
8	398763R2	1	SPRING, pedal return
9	1321935C1	1	SEAL, pedal
10	REF	1	INSTRUCTION, VALVE ASSEMBLY Foot-N-Inch, parts list Fig. 6-12
11	1327764C1	1	SCREW, BOLT hex flange, polyseal, 3/8 NC x 1-1/4 inch
12	1327765C1	2	NUT, hex flange, self-locking, 3/8 inch NC
13	135270	2	BOLT, Slotted Tr Hd, 5/16"-18 x 3/4", slotted truss head, 5/16 NC x 3/4 inch
14	231-5145	4	NUT, Flg, USR, 5/16"-18,
15	425-155	1	NUT, Jam, 5/16"-24, G5, Hex
16	327-5094	1	PIN, CLEVIS, 5/16" x .940", clevis, 5/16 x 15/16 inch
17	432-612	1	PIN, SPLIT (COTTER), 3/32" x 3/4",
18	413-640	1	BOLT, Hex, 3/8"-16 x 2 1/2", G5, hex, 3/8 NC x 2-1/2 inch
19	232-4136	2	NUT, LOCK, 3/8"-16, GC,
20	413-632	1	BOLT, Hex, 3/8"-16 x 2", G5,
21	1330152C1	2	SCREW, Sltd Serr Truss Hd, 5/16"-18 x 3/4",



6-12 FOOT-N-INCH VALVE SYSTEM



## 1666 CASE IH AXIAL-FLOW COMBINE (1/93-12/94)

## 6-12 FOOT-N-INCH VALVE SYSTEM

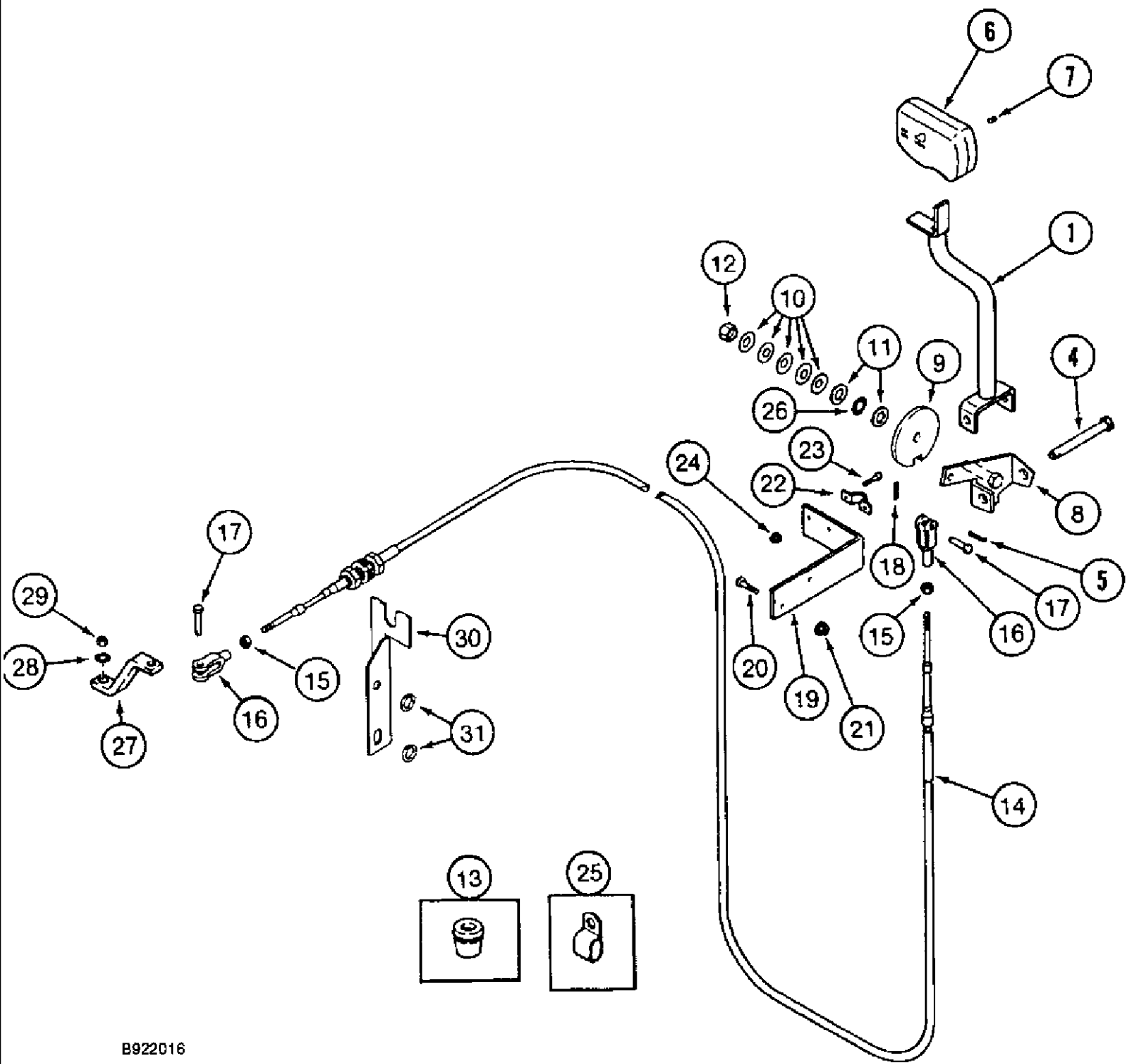
сылка	Номер детали	Кол-во	Описание
1	1986875C1	1	VALVE, ASSEMBLY Foot-N-Inch, 6000 psi, housing stamped 60-75, used with corn and grain units
1	1986876C1	1	VALVE, ASSEMBLY Foot-N-Inch, 6500 psi, housing stamped 65-76, used with rice units only, Includes: Ref. 2 thru 38
2	398709R2	1	SEAT, poppet valve
3	237-6004	1	O-RING, 4-1, 90 Duro, .351" ID x .072" Thk,
4	398710R1	1	POPPET, VALVE,
5	NSS	1	NOT SERVICED SEPARATELY, HOUSING valve
6	539751R1	1	SPRING, poppet
7	398708R1	1	STOP, ROD poppet spring
8	398707R1	1	GUIDE, RETAINER oil seal
9	398701R91	1	SEAL, oil
10	237-6010	1	O-RING, 10-1, 90 Duro, .755" ID x .097" Thk,
	530575R91	1	KIT, SHIM, KIT relief valve, Includes: Ref. 11
11	NSS	4	NOT SERVICED SEPARATELY, SHIM, 0.005 inch
11	NSS	4	NOT SERVICED SEPARATELY, SHIM, 0.007 inch
11	NSS	2	NOT SERVICED SEPARATELY, SHIM, 0.010 inch
11	NSS	1	NOT SERVICED SEPARATELY, SHIM, 0.042 inch
12	413-632	1	BOLT, Hex, 3/8"-16 x 2", G5,
13	231-5146	2	NUT, Flg, USR, 3/8"-16,
14	201-411	1	TEE, 13/16"-16 ORFS x 13/16"-16 Sw Br, 13/16-16 inch swivel face branch x face x face, Includes: Ref. 15
15	238-6014	1	O-RING, -014, 90 Duro, .489" ID x .070" Thk,
16	201-332	1	ELBOW, 90e, 13/16"-16 x 9/16"-18, Adj, ORFS, 90 degree, 13/16-16 face seal x 9/16-18 inch adj O-ring boss, Includes: Ref. 17
17	237-6006	1	O-RING, 6-1, 90 Duro, .468" ID x .078" Thk,
18	1541795C1	1	TUBE, upper
19	1327829C1	1	PIPE, TUBE center, Foot-N-Inch valve
20	196764C1	1	TUBE ASSY., lower
21	218-591	1	TEE, 7/16"-20, 37e, TEE, 7/16-20 inch flare branch x flare x flare
22	175760C2	2	HOSE ASSY., 10 inch (254 mm) long
23	REF	1	INSTRUCTION, MOTOR ASSEMBLY hydrostatic, parts list Figs. 6-26 thru 6-37A
24	196517C1	1	SUPPORT, tube
25	409-7612	1	BOLT, Hex Flg, 3/8"-16 x 3/4", Serr,
26	231-5146	1	NUT, Flg, USR, 3/8"-16,
27	183820C1	1	CLAMP, tube
28	413-428	1	BOLT, Hex, 1/4"-20 x 1 3/4", G5, hex, 1/4 NC x 1-3/4 inch
29	496-21028	1	WASHER, .281" x 5/8" x .075", HDN, flat, 9/32 x 5/8 x 5/64 inch, hardened
30	231-5144	1	NUT, Flg, USR, 1/4"-20,
31	196868C2	1	SUPPORT, PLATE
32	135270	1	BOLT, Slotted Tr Hd, 5/16"-18 x 3/4", slotted truss head, 5/16 NC x 3/4 inch
33	231-5145	1	NUT, Flg, USR, 5/16"-18,
34	218-5478	1	TEE, 37e, 7/16"-20 x 7/16"-20, Fem Sw Run, TEE, 7/16-20 inch flare branch x flare x swivel
35	1541796C1	1	FITTING, CONNECTOR special, 7/16-20 fem x 9/16-18 inch female
36	1541849C1	1	COUPLING, ASSEMBLY diagnostic, Includes: Ref. 37 and 38
37	237-6006	1	O-RING, 6-1, 90 Duro, .468" ID x .078" Thk,

1666 CASE IH AXIAL-FLOW COMBINE (1/93-12/94)

6-12 FOOT-N-INCH VALVE SYSTEM

сылка	Номер детали	Кол-во	Описание
38	H434163	1	DUST CAP, dust, coupler

6-14 PROPULSION CONTROL

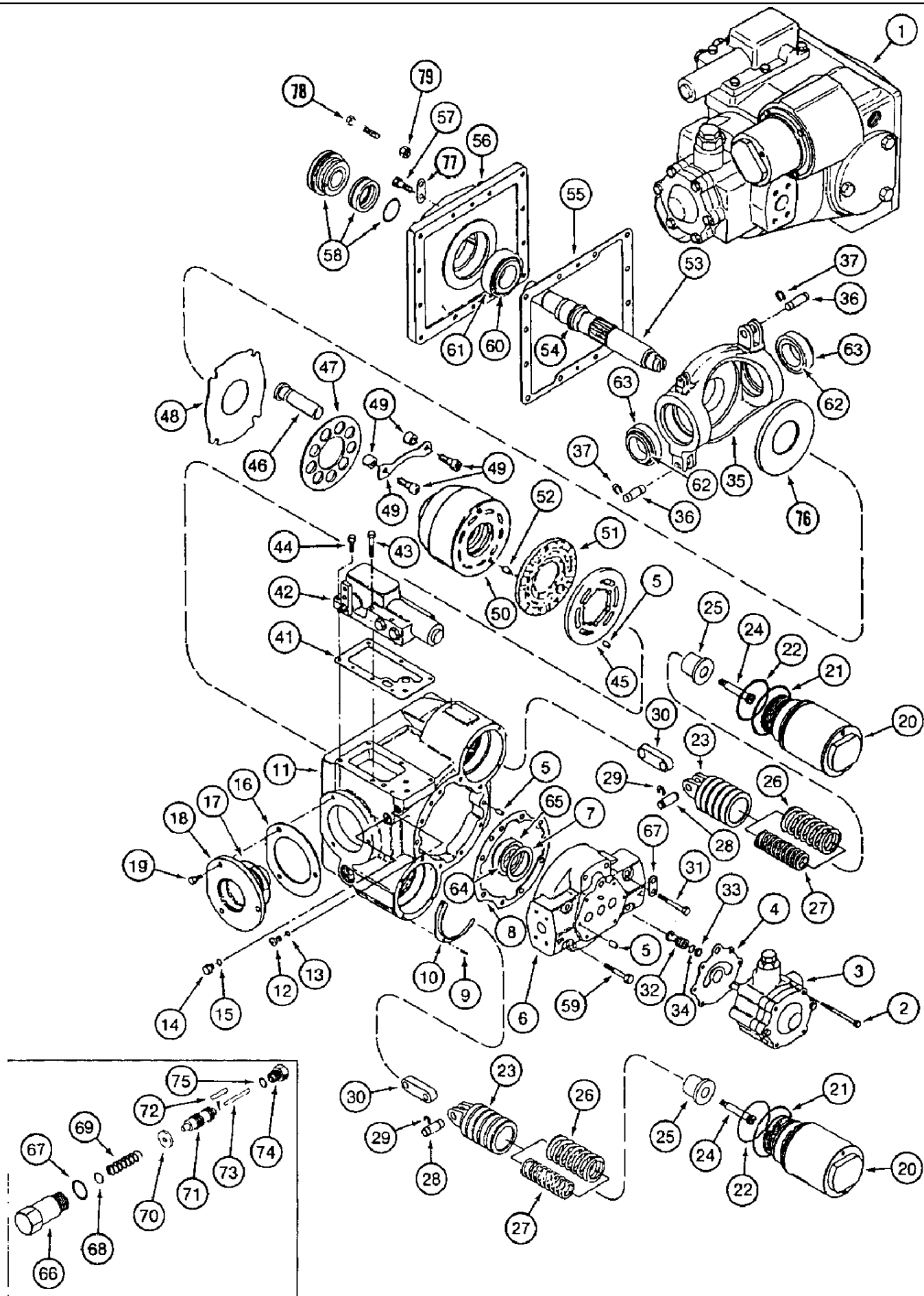


B922016

## 6-14 PROPULSION CONTROL

сылка	Номер детали	Кол-во	Описание
1	183508C94	1	LEVER, propulsion control
4	27-8343	1	PIN, CLEVIS, 1/2" x 3 7/16", 1/2 x 3-7/16 inch, hardened
5	432-816	1	PIN, SPLIT (COTTER), 1/8" x 1",
6	1301180C92	1	HANDLE, control, propulsion lever, Includes: Ref. 7
7	61-3068	3	SCREW, Hex Soc Hd, #6-32 x 1/2", BOLT hex socket, No. 6 NC x 1/2 inch
8	1994832C1	1	SUPPORT, lever pivot, threaded bolt
9	1994977C1	1	WASHER, friction, special
10	1994980C1	5	WASHER, Belleville
11	496-81010	2	WASHER, flat, 15/32 x 1 x 7/64 inch, hardened
12	231-1447	1	NUT, LOCK, 7/16"-14, GB,
13	198826C1	2	GROMMET, 3/4 inch ID, hydrostatic drive control cable
14	1339382C1	1	CABLE, control, hydrostatic drive
15	425-155	2	NUT, Jam, 5/16"-24, G5, Hex
16	213-125	2	CLEVIS, ADJUSTABLE, 5/16"-24,
17	427-5094	2	PIN, CLEVIS, 5/16" x .940", Hardened
18	432-612	2	PIN, SPLIT (COTTER), 3/32" x 3/4",
19	193281C1	1	ANGLE, control cable mounting
20	135270	2	BOLT, Slotted Tr Hd, 5/16"-18 x 3/4", slotted truss head, 5/16 NC x 3/4 inch
21	231-5145	2	NUT, Flg, USR, 5/16"-18,
22	195593C1	1	CLAMP, control cable
23	937875R1	2	SCREW, Sltd Serr Truss Hd, 1/4"-20 x 3/4", slotted truss head, 1/4 NC x 3/4 inch
24	231-5144	2	NUT, Flg, USR, 1/4"-20,
25	362666R1	1	CLIP, CLAMP retaining, cable
26	159688R91	1	BEARING, THRUST, pivot support
27	1994779C1	1	LEVER, control, pump
28	493-41033	1	WASHER, LOCK, Ext Tooth, 5/16", external tooth lock, 5/16 inch
29	425-105	1	NUT, 5/16"-18, G5,
30	1994757C1	1	SUPPORT, BRACKET cable to pump
31	492-11044	2	WASHER, LOCK, 7/16",

6-16 HYDROSTATIC PUMP



## 6-16 HYDROSTATIC PUMP

сылка	Номер детали	Кол-во	Описание
1	1343716C2	1	HYDROSTATIC PUMP, ASSEMBLY new, corn and grain, parts list figures 6-16 thru 6-24
1	108113A1	1	HYDROSTATIC PUMP, ASSEMBLY new, rice, parts list Figs. 6-16 thru 6-22 and 6-25A
1	108113A1C	1	CORE-INJECTION PUMP, RETURN NUMBER use this part number to return pump assembly core for credit, Includes: Ref. 2 thru 79
2	413-556	4	BOLT, Hex, 5/16"-18 x 3 1/2", G5, BOLT hex, 5/16 NC x 3-1/2 inch
3	92740C1	1	PUMP, ASSEMBLY charge, corn and grain, parts list Fig. 6-24
3	107593A2	1	PUMP, ASSEMBLY charge, rice, parts list Fig. 6-25A
4	133760C2	1	GASKET, charge pump
5	140754C1	5	PIN, dowel, 5/16 x 5/8 inch
6	NSS	1	NOT SERVICED SEPARATELY, COVER end pump
7	142398C91	1	KIT, SHIM, KIT end cover, Includes: Ref. 7
7	NSS	1	NOT SERVICED SEPARATELY, SHIM, 0.003 inch
7	NSS	1	NOT SERVICED SEPARATELY, SHIM, 0.005 inch
7	NSS	1	NOT SERVICED SEPARATELY, SHIM, 0.010 inch
7	NSS	1	NOT SERVICED SEPARATELY, SHIM, 0.015 inch
7	NSS	1	NOT SERVICED SEPARATELY, SHIM, 0.020 inch
7	NSS	1	NOT SERVICED SEPARATELY, SHIM, 0.030 inch
8	92741C2	1	GASKET, end cover
9	461-3086	6	SCREW, Hex Soc Hd, #8-32 x 3/8", BOLT hex socket, No. 8 NC x 3/8 inch
10	142408C1	2	RETAINER, servo
11	NSS	1	NOT SERVICED SEPARATELY, HOUSING pump
12	278548	1	PLUG, Hex Soc, 7/16"-20 ORB, Incl. Ref. 13
13	237-6004	1	O-RING, 4-1, 90 Duro, .351" ID x .072" Thk,
14	9672438	1	PLUG, Hex Hd, 7/16"-20 ORB, Incl. Ref. 15
15	237-6004	1	O-RING, 4-1, 90 Duro, .351" ID x .072" Thk,
16	142386C91	1	KIT, SHIM, KIT trunnion bearing, Includes: Ref. 16
16	NSS	6	NOT SERVICED SEPARATELY, SHIM, 0.002 inch
16	NSS	4	NOT SERVICED SEPARATELY, SHIM, 0.005 inch
16	NSS	4	NOT SERVICED SEPARATELY, SHIM, 0.010 inch
16	NSS	4	NOT SERVICED SEPARATELY, SHIM, 0.015 inch
16	NSS	4	NOT SERVICED SEPARATELY, SHIM, 0.025 inch
17	238-5234	2	O-RING, -234, 70 Duro, 2.984" ID x .139" Thk,
18	NSS	2	NOT SERVICED SEPARATELY, TRUNNION pump
19	413-714	6	BOLT, Hex, 7/16"-14 x 7/8", G5, Full Thd, BOLT hex, 7/16 NC x 7/8 inch
20	142407C2	2	KIT, SLEEVE servo
21	238-5237	2	O-RING, -237, 70 Duro, 3.359" ID x .139" Thk,
22	238-5234	2	O-RING, -234, 70 Duro, 2.984" ID x .139" Thk, Servo sleeve
23	224669C91	2	PISTON, servo, Includes: Ref. 24 thru 59
24	NSS	1	NOT SERVICED SEPARATELY, SCREW hex socket
25	NSS	1	NOT SERVICED SEPARATELY, RETAINER servo spring
26	NSS	1	NOT SERVICED SEPARATELY, SPRING servo, heavy
27	NSS	1	NOT SERVICED SEPARATELY, SPRING servo, light
28	NSS	1	NOT SERVICED SEPARATELY, PIN link
29	NSS	2	NOT SERVICED SEPARATELY, RING link retaining
30	NSS	1	NOT SERVICED SEPARATELY, LINK servo

## 1666 CASE IH AXIAL-FLOW COMBINE (1/93-12/94)

## 6-16 HYDROSTATIC PUMP

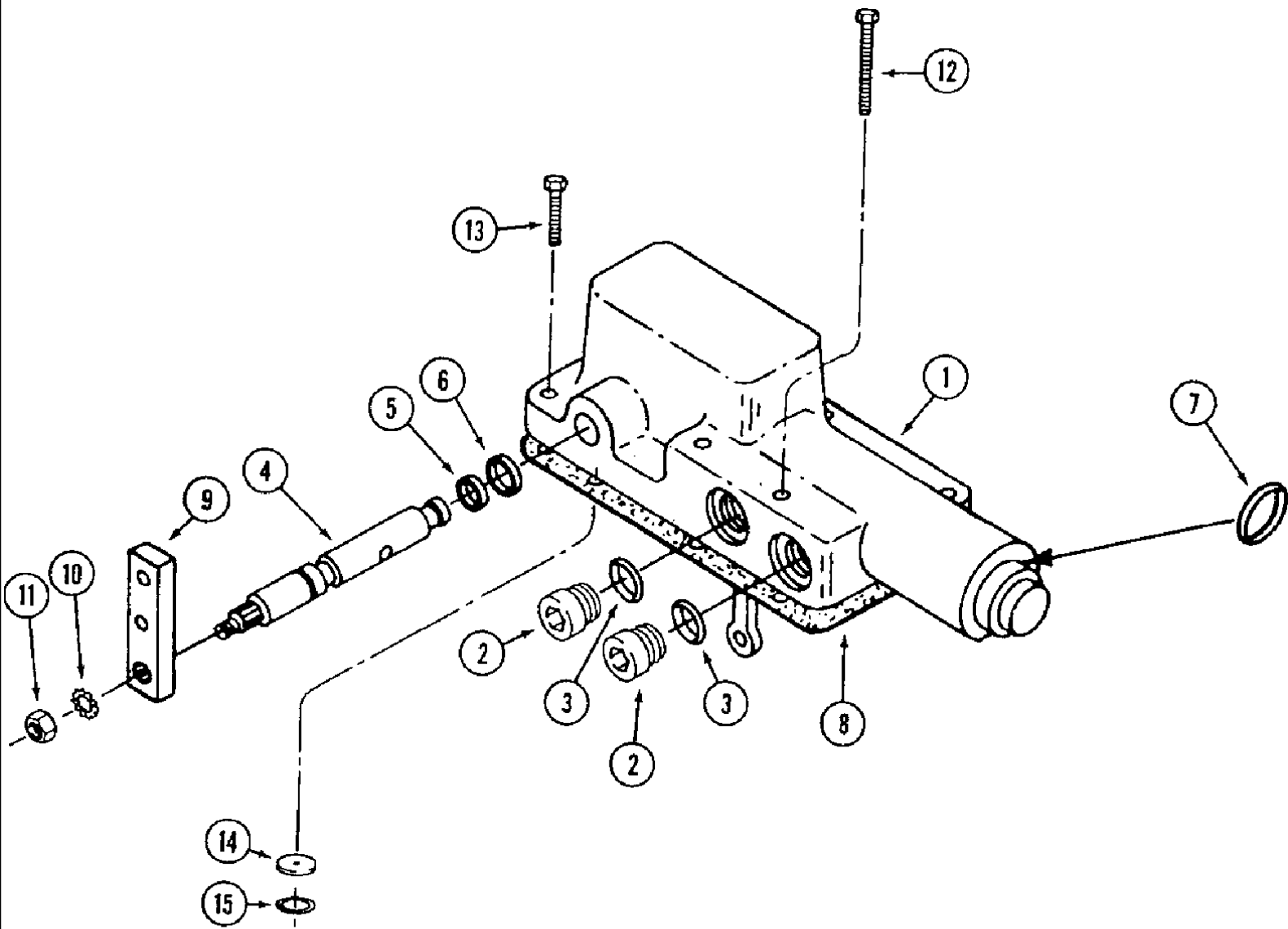
сылка	Номер детали	Кол-во	Описание
31	413-748	6	BOLT, Hex, 7/16"-14 x 3", G5, BOLT hex, 7/16 NC x 3 inch
32	140769C1	2	VALVE, CHECK, ASSEMBLY, Includes: Ref. 33 and 34
33	140770C1	1	RING, backup, check valve
34	238-6113	1	O-RING, -113, 90 Duro, .549" ID x .103" Thk,
35	1980171C1	1	HOUSING, PLATE swash
36	140766C1	2	PIN, pivot, servo linkage
37	142408C1	4	RETAINER, servo, linkage pin
41	133756C1	1	GASKET, control valve
42	133755C94	1	VALVE, ASSEMBLY control, parts list Fig. 6-22
43	413-528	2	BOLT, Hex, 5/16"-18 x 1 3/4", G5, hex, 5/16 NC x 1-3/4 inch
44	413-516	4	BOLT, Hex, 5/16"-18 x 1", G5, Full Thd, hex, 5/16 NC x 1 inch
45	1346255C1	1	PLATE, valve, pump
	1346254C1	1	KIT, rotating group, cylinder, Includes: Ref. 46 thru 51
46	NSS	9	NOT SERVICED SEPARATELY, PISTON cylinder block
47	NSS	1	NOT SERVICED SEPARATELY, PLATE retaining
48	NSS	1	NOT SERVICED SEPARATELY, PLATE retaining, clear
49	NSS	1	NOT SERVICED SEPARATELY, KIT hold down, piston
50	NSS	1	NOT SERVICED SEPARATELY, BARREL cylinder
51	NSS	1	NOT SERVICED SEPARATELY, PLATE bearing
52	140754C1	7	PIN, dowel, 5/16 x 5/8 inch
53	1980169C1	1	SHAFT, input, Includes: Ref. 54
54	NSS	1	NOT SERVICED SEPARATELY, RING snap
55	142399C1	1	GASKET, mounting flange
56	NSS	1	NOT SERVICED SEPARATELY, FLANGE mounting
57	413-720	12	BOLT, Hex, 7/16"-14 x 1 1/4", G5, BOLT hex, 7/16 NC x 1-1/4 inch
58	1346205C1	1	KIT, GASKET, SEAL shaft, three-piece
59	426-732	2	BOLT, Hex, 7/16"-14 x 2", G8, BOLT hex, 7/16 NC x 2 inch, grade 8
60	56694H	1	BEARING, CONE, tapered roller, input shaft
61	ST863	1	BEARING, CUP, tapered roller, input shaft
62	399933C91	2	BEARING, CONE, tapered roller, 1-25/32 inch ID, trunnion
63	399934C1	2	BEARING, CUP, tapered roller, 2-57/64 inch O.D., trunnion
64	400983R91	1	BEARING, CONE, tapered roller, 1-3/16 inch ID, input shaft
65	530741R1	1	BEARING, CUP, tapered roller, 2-17/32 inch O.D., input shaft
	1986739C1	1	KIT, REPAIR, KIT spool, internal pressure override, rice combine only, Includes: Ref. 66 thru 75
66	NSS	1	NOT SERVICED SEPARATELY, BODY valve
67	237-6010	1	O-RING, 10-1, 90 Duro, .755" ID x .097" Thk,
68	NSS	1	NOT SERVICED SEPARATELY, KIT shim
69	NSS	1	NOT SERVICED SEPARATELY, SPRING override
70	NSS	1	NOT SERVICED SEPARATELY, SPACER spring
71	NSS	1	NOT SERVICED SEPARATELY, SPOOL override
72	NSS	1	NOT SERVICED SEPARATELY, ROLLER short
73	NSS	1	NOT SERVICED SEPARATELY, ROLLER long
74	NSS	1	NOT SERVICED SEPARATELY, PLUG valve, Includes: Ref. 75
75	237-6006	1	O-RING, 6-1, 90 Duro, .468" ID x .078" Thk,
76	80369C1	1	PLATE, thrust



## 6-16 HYDROSTATIC PUMP

сылка	Номер детали	Кол-во	Описание
77	NSS	2	NOT SERVICED SEPARATELY, STRAP shipping, shown for reference only
78	413-832	4	BOLT, Hex, 1/2"-13 x 2", G5, hex, 1/2 NC x 2 inch
79	186852C1	4	NUT, hex, self-locking, special, 1/2 inch NC, grade 8

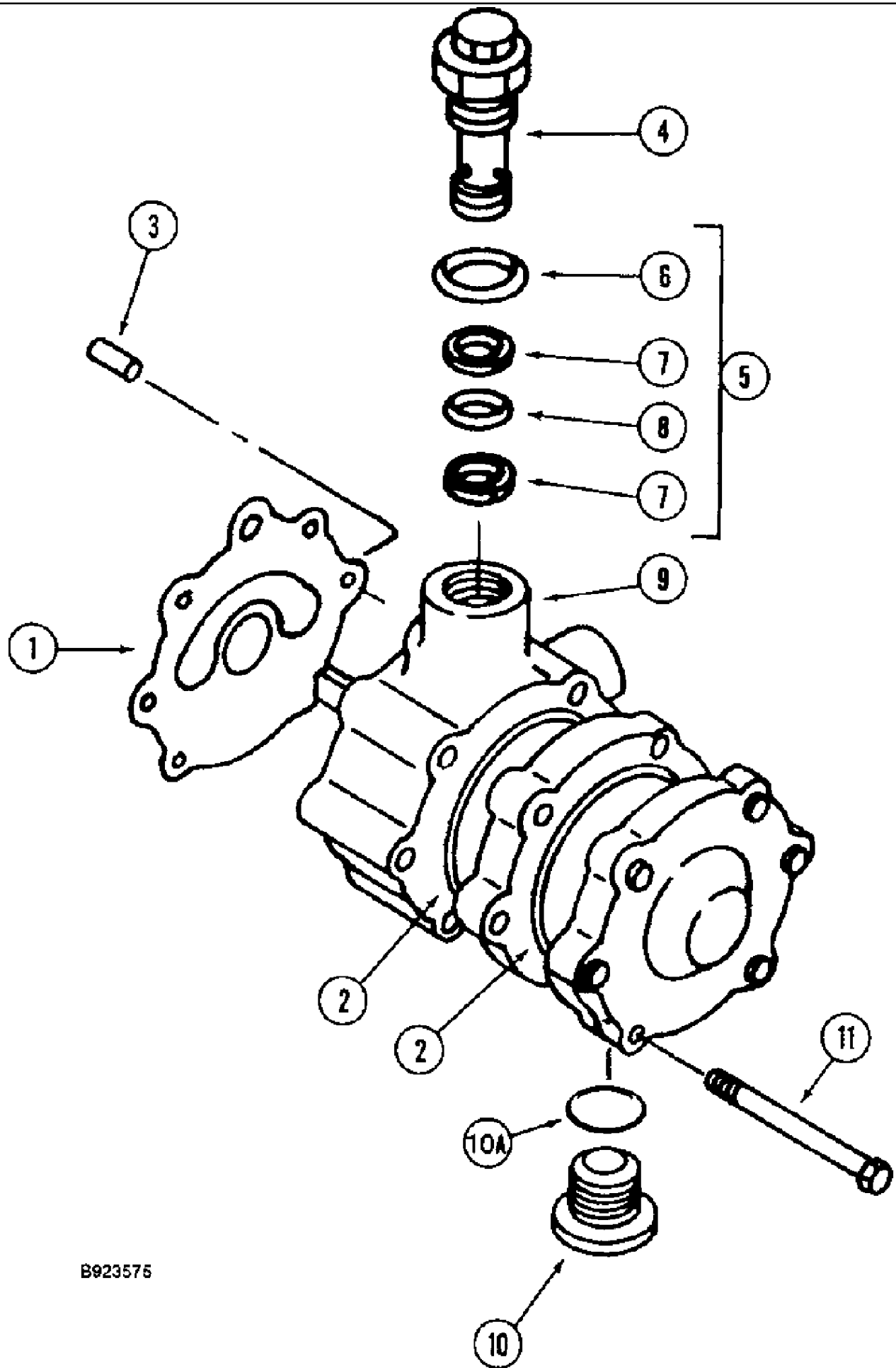
6-22 HYDROSTATIC PUMP, CONTROL VALVE



B921401

## 6-22 HYDROSTATIC PUMP, CONTROL VALVE

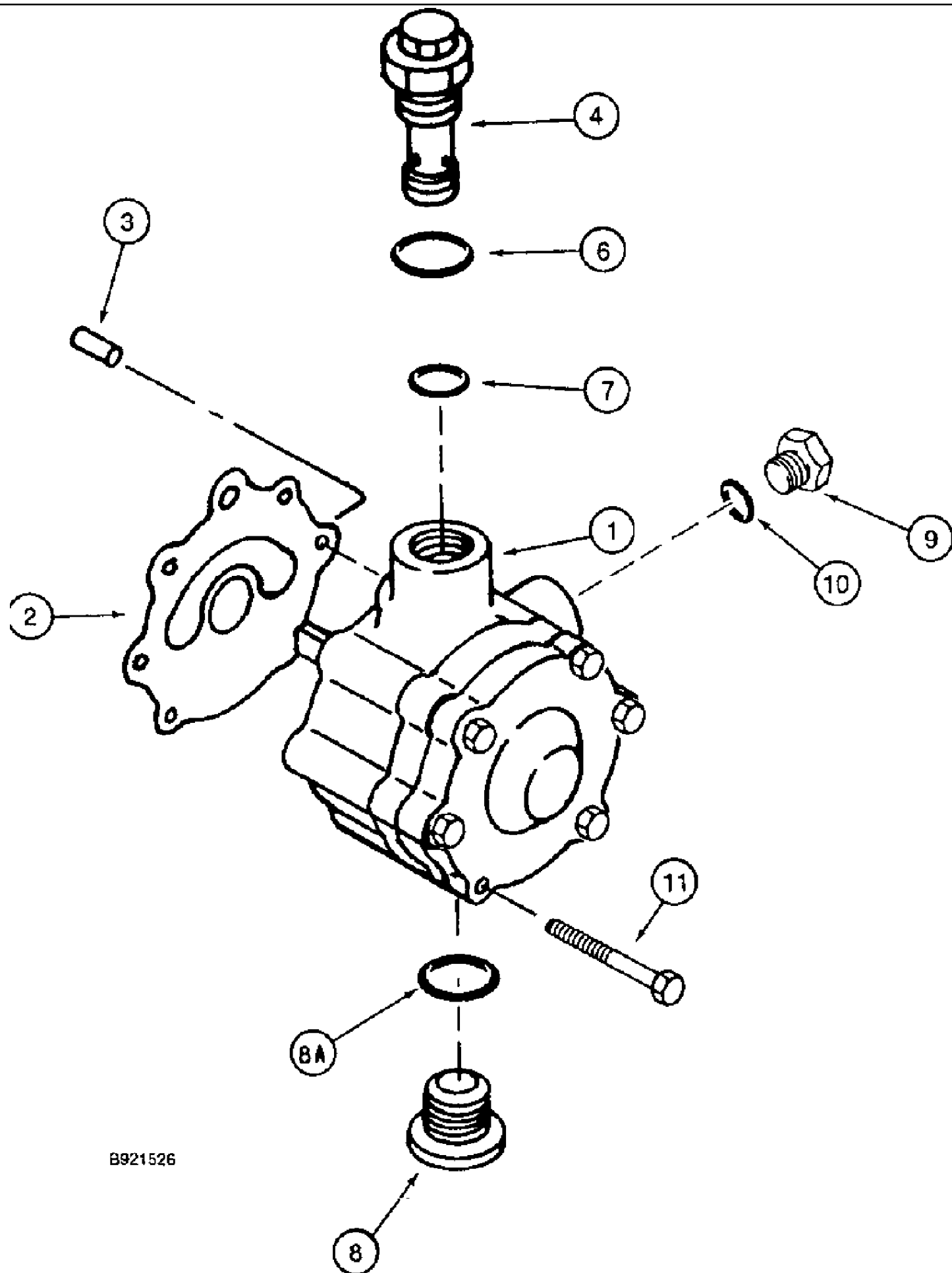
сылка	Номер детали	Кол-во	Описание
	133755C94	1	VALVE, ASSEMBLY control, pump, Includes: Ref. 1 thru 15
1	NSS	1	NOT SERVICED SEPARATELY, BODY valve
2	9625178	2	PLUG, Hex Soc, 9/16"-18 ORB, Incl. Ref. 3
4	1978048C2	1	SHAFT, ASSEMBLY valve, control, Includes: Ref. 5 and 6
5	238-5012	1	O-RING, -012, 70 Duro, .364" ID x .070" Thk,
6	1267111C1	1	RING, SEAL shaft, if used
7	80269C1	1	RING, O-RING 5/8 ID x 1/16 inch wide, not included with valve assembly
8	133756C1	1	GASKET, control valve
9	404782R2	1	HANDLE, control valve shaft
10	493-11033	1	WASHER, LOCK, Ext-Int Tooth, 5/16",
11	425-145	1	NUT, Jam, 5/16"-18, G5, hex, jam, 5/16 inch NC
12	326-528	2	BOLT, Hex, 5/16"-18 x 1 3/4", G8,
13	413-516	4	BOLT, Hex, 5/16"-18 x 1", G5, Full Thd, hex, 5/16 NC x 1 inch
14	1272750C1	1	ORIFICE, 0.057 inch, control valve
15	238-5012	1	O-RING, -012, 70 Duro, .364" ID x .070" Thk,
3	237-6006	1	O-RING, 6-1, 90 Duro, .468" ID x .078" Thk,



B923575

## 6-24 HYDROSTATIC PUMP, CHARGE PUMP, CORN AND GRAIN COMBINE

сылка	Номер детали	Кол-во	Описание
	92740C1	1	PUMP, ASSY. charge, 10 gallon, corn and grain, Includes: Ref. 1 thru 11
1	133760C2	1	GASKET, charge pump
2	238-5041	2	O-RING, -041, 70 Duro, 2.989" ID x .070" Thk,
3	140764C1	2	LINK, PIN dowel, 5/16 x 5/8 inch
4	140771C1	1	VALVE, relief, low pressure
5	393885R91	1	KIT, GASKET, relief valve seal, Includes: Ref. 6, 7, and 8
6	237-6014	1	O-RING, 14-1, 90 Duro, 1.048" ID x .118" Thk,
7	393887R1	2	BACK-UP RING,
8	238-6117	1	O-RING, -117, 90 Duro, .799" ID x .103" Thk,
9	NSS	1	NOT SERVICED SEPARATELY, BODY pump
10	9672438	1	PLUG, Hex Hd, 7/16"-20 ORB, Incl. Ref. 10A
10A	237-6004	1	O-RING, 4-1, 90 Duro, .351" ID x .072" Thk,
11	413-556	4	BOLT, Hex, 5/16"-18 x 3 1/2", G5, BOLT hex, 5/16 NC x 3-1/2 inch

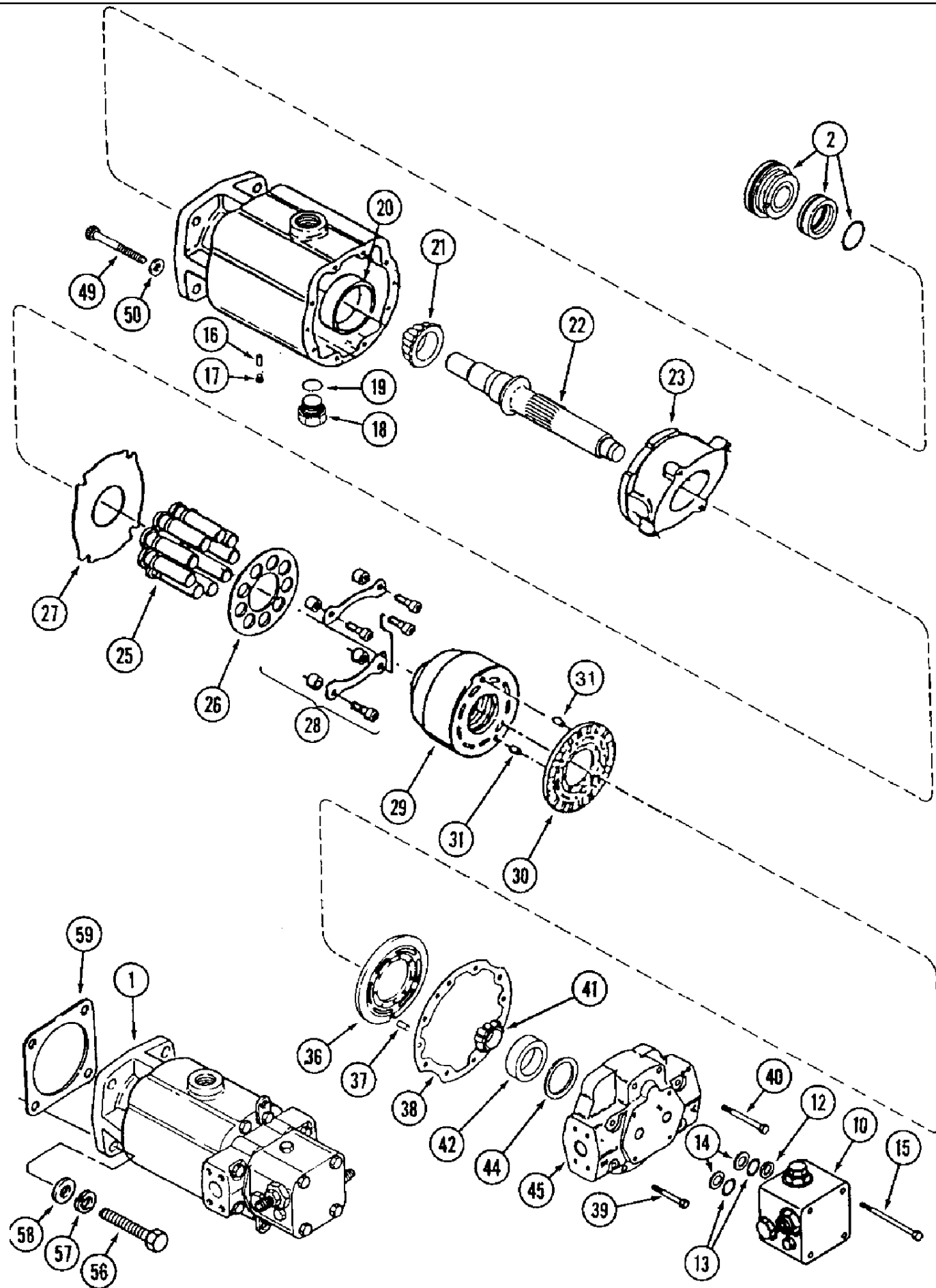


B921526

## 6-25A HYDROSTATIC PUMP, CHARGE PUMP, RICE COMBINE

сылка	Номер детали	Кол-во	Описание
	107593A2	1	PUMP, ASSY. charge, rice combine, Includes: Ref. 1 thru 11
1	NSS	1	NOT SERVICED SEPARATELY, BODY charge pump
2	133760C2	1	GASKET, charge pump
3	140754C1	2	PIN, dowel, 5/16 x 5/8 inch
	1986741C1	1	VALVE, PRESSURE RELIEF, ASSY. low, Includes: Ref. 4 thru 7
4	NSS	1	NOT SERVICED SEPARATELY, VALVE relief, includes 237-6008 O-ring, Ref. 5 below
5	237-6008	1	O-RING, 8-1, 90 Duro, .644" ID x .087" Thk,
6	237-6014	1	O-RING, 14-1, 90 Duro, 1.048" ID x .118" Thk,
7	238-6117	1	O-RING, -117, 90 Duro, .799" ID x .103" Thk,
8	9672438	1	PLUG, Hex Hd, 7/16"-20 ORB, Tube, Incl. Ref. 8A
8A	237-6004	1	O-RING, 4-1, 90 Duro, .351" ID x .072" Thk,
9	86512512	1	PLUG, Hex Hd, 7/8"-14 ORB, Incl. Ref. 10
10	237-6010	1	O-RING, 10-1, 90 Duro, .755" ID x .097" Thk,
11	326-564	4	BOLT, Hex, 5/16"-18 x 4", G8,
11	326-536	2	BOLT, Hex, 5/16"-18 x 2 1/4", G8,

6-26 HYDROSTATIC MOTOR, SINGLE SPEED





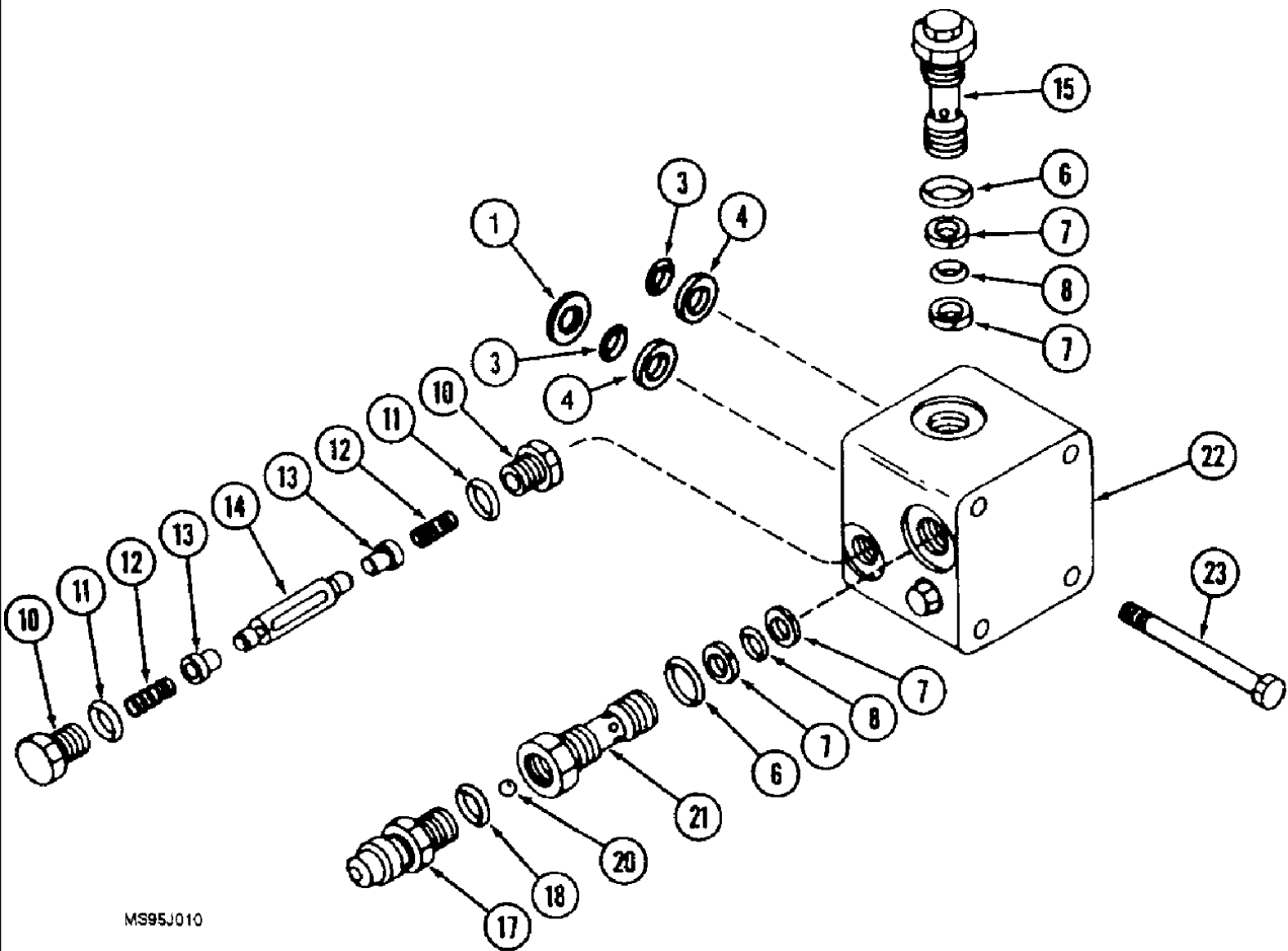
## 6-26 HYDROSTATIC MOTOR, SINGLE SPEED

сылка	Номер детали	Кол-во	Описание
	1343610C1	1	REMAN-MOTOR HYDRAUL, ASSY. hydrostatic, remanufactured North America only, component parts shown on this figure do not apply to the remanufactured assembly
	1343611C1	1	CORE-MOTOR HYDRAULIC, RETURN NUMBER use this part number to return motor core for credit when using a remanufactured assembly
1	1343609C2	1	MOTOR, HYDRAULIC, ASSY. hydrostatic, new, parts list Figs. 6-26 thru 6-30, Includes: Ref. 2 thru 50
2	1346205C1	1	KIT, GASKET, SEAL shaft, three-piece
10	1971432C2	1	VALVE, BLOCK ASSY. relief, parts list Fig. 6-30
	140747C92	1	KIT, SEALS, KIT valve block seal, Includes: Ref. 12, 13, and 14
12	NSS	1	NOT SERVICED SEPARATELY, RING square, 3/4 x 7/8 x 1/16 inch
13	NSS	2	NOT SERVICED SEPARATELY, O-RING 3/4 ID x 1/16 inch
14	NSS	2	NOT SERVICED SEPARATELY, RING backup
15	413-664	4	BOLT, Hex, 3/8"-16 x 4", G5, hex, 3/8 NC x 4 inch
16	37-1516	1	DOWEL, 5/16" x 1", PIN hardened, 5/16 x 1 inch
17	217-430	1	PLUG, Hex Soc, 1/8"-27,
18	218-5158	1	PLUG, Hex Hd, 1 1/16"-12 ORB, hex, 1-1/16-12 inch O-ring boss, Includes: Ref. 19
19	237-6012	1	O-RING, 12-1, 90 Duro, .924 ID x .118" Thk,
20	ST863	1	BEARING, CUP, tapered roller, output shaft
21	56694H	1	BEARING, CONE, tapered roller, output shaft
22	1980137C1	1	SHAFT, ASSY. output
23	NSS	1	NOT SERVICED SEPARATELY, PLATE swash, fixed
	1980138C1	1	KIT, rotating, cylinder, Includes: Ref. 25 thru 30
25	NSS	9	NOT SERVICED SEPARATELY, PISTON cylinder block
26	NSS	1	NOT SERVICED SEPARATELY, PLATE retaining
27	NSS	1	NOT SERVICED SEPARATELY, PLATE retaining, clear
28	NSS	1	NOT SERVICED SEPARATELY, KIT hold down
29	NSS	1	NOT SERVICED SEPARATELY, BARREL cylinder
30	NSS	1	NOT SERVICED SEPARATELY, PLATE bearing
31	140754C1	2	PIN, dowel, 5/16 x 5/8 inch
36	1980139C1	1	PLATE, valve
37	140754C1	3	PIN, dowel, 5/16 x 5/8 inch
38	1980140C1	1	GASKET, end cover
39	413-732	2	BOLT, Hex, 7/16"-14 x 2", G5, BOLT hex, 7/16 NC x 2 inch
40	413-748	6	BOLT, Hex, 7/16"-14 x 3", G5, BOLT hex, 7/16 NC x 3 inch
	1343609C2	1	MOTOR, HYDRAULIC, ASSY., hydrostatic, Includes: Ref. 44
41	400983R91	1	BEARING, CONE, tapered roller, 1-3/16 inch ID, output shaft
42	530741R1	1	BEARING, CUP, tapered roller, 2-17/32 inch O.D., output shaft
	142398C91	1	KIT, SHIM, KIT bearing
44	NSS	1	NOT SERVICED SEPARATELY, SHIM, 0.003 inch
44	NSS	1	NOT SERVICED SEPARATELY, SHIM, 0.005 inch
44	NSS	1	NOT SERVICED SEPARATELY, SHIM, 0.010 inch
44	NSS	1	NOT SERVICED SEPARATELY, SHIM, 0.015 inch
44	NSS	1	NOT SERVICED SEPARATELY, SHIM, 0.020 inch
44	NSS	1	NOT SERVICED SEPARATELY, SHIM, 0.030 inch
45	NSS	1	NOT SERVICED SEPARATELY, COVER end
49	61-33148	2	SCREW, Hex Soc Hd, 5/16"-18 x 3", BOLT hex socket, 5/16 NC x 3 inch

1666 CASE IH AXIAL-FLOW COMBINE (1/93-12/94)

6-26 HYDROSTATIC MOTOR, SINGLE SPEED

сылка	Номер детали	Кол-во	Описание
50	92734C1	1	WASHER, sealing
56	413-824	4	BOLT, Hex, 1/2"-13 x 1 1/2", G5, Full Thd, hex, 1/2 NC x 1-1/2 inch
56	413-828	4	BOLT, Hex, 1/2"-13 x 1 3/4", G5,
57	80679	4	WASHER, LOCK, 1/2",
58	283856C1	4	WASHER, flat, 17/32 x 1 x 3/16 inch
59	166506C1	1	GASKET, mounting

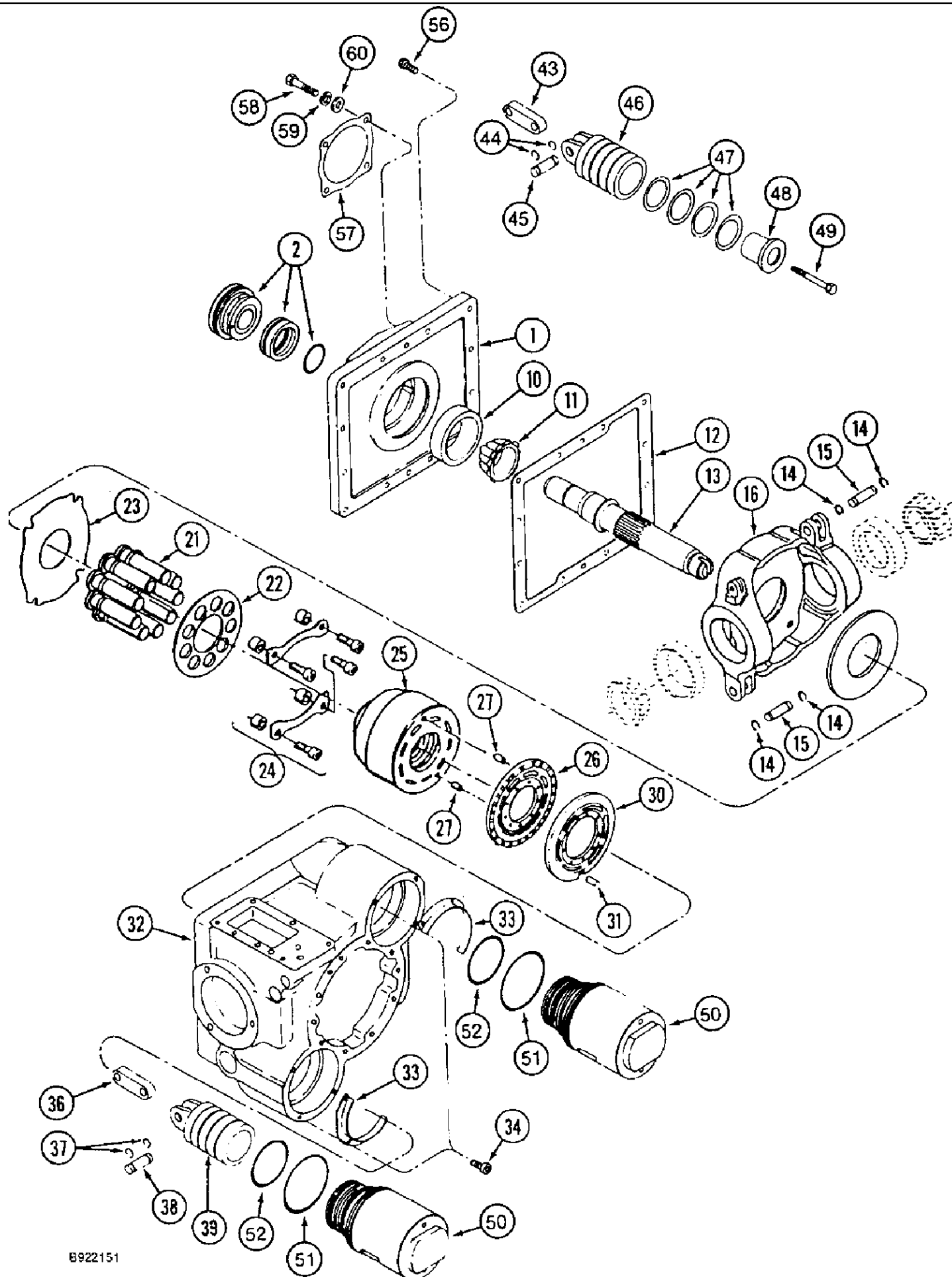


MS95J010

## 6-30 HYDROSTATIC MOTOR, SINGLE SPEED, RELIEF VALVE BLOCK

сылка	Номер детали	Кол-во	Описание
	1971432C2	1	VALVE, BLOCK ASSEMBLY relief, Includes: Ref. 1 thru 22
	140747C92	1	KIT, SEALS, KIT valve block seal, Includes: Ref. 1, 3, and 4
1	NSS	1	NOT SERVICED SEPARATELY, RING square, 3/4 x 7/8 x 1/16 inch
3	NSS	2	NOT SERVICED SEPARATELY, O-RING 3/4 x 7/8 x 3/32 inch
4	NSS	2	NOT SERVICED SEPARATELY, RING backup
	393885R91	3	KIT, GASKET, relief valve seal, Includes: Ref. 6, 7, and 8
6	237-6014	1	O-RING, 14-1, 90 Duro, 1.048" ID x .118" Thk,
7	393887R1	2	BACK-UP RING,
8	238-6117	1	O-RING, -117, 90 Duro, .799" ID x .103" Thk,
	145559C91	1	KIT, shuttle valve, Includes: Ref. 10 thru 14
10	NSS	2	NOT SERVICED SEPARATELY, PLUG valve
11	237-6010	2	O-RING, 10-1, 90 Duro, .755" ID x .097" Thk,
12	145560C1	2	SPRING, shuttle valve
13	NSS	2	NOT SERVICED SEPARATELY, VALVE shuttle
14	NSS	1	NOT SERVICED SEPARATELY, SPOOL shuttle
15	140761C1	1	VALVE, PRESSURE RELIEF, ASSEMBLY low
	1971415C2	2	VALVE, ASSEMBLY feathering relief, replaces 1971415C1, Includes: Ref. 17 thru 21
17	NSS	1	NOT SERVICED SEPARATELY, CONNECTOR special
18	NSS	1	NOT SERVICED SEPARATELY, O-RING, 1/4 inch O.D. tube
20	NSS	1	NOT SERVICED SEPARATELY, BALL steel, 1/4 inch
21	NSS	1	NOT SERVICED SEPARATELY, CARTRIDGE valve
22	NSS	1	NOT SERVICED SEPARATELY, BLOCK valve
23	413-664	4	BOLT, Hex, 3/8"-16 x 4", G5, hex, 3/8 NC x 4 inch

6-32 HYDROSTATIC MOTOR, TWO SPEED



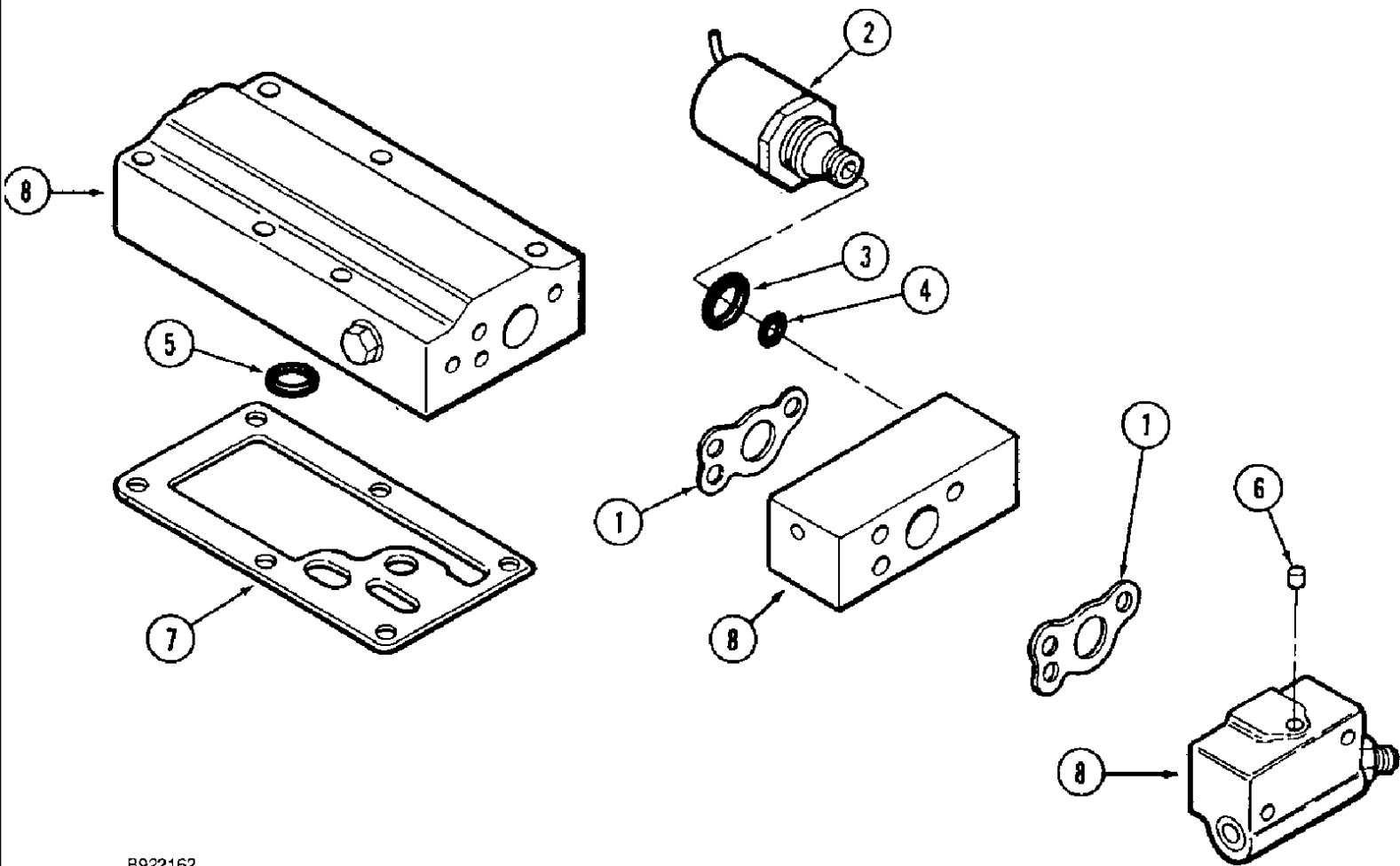
8922151

## 6-32 HYDROSTATIC MOTOR, TWO SPEED

сылка	Номер детали	Кол-во	Описание
	1343744C1	1	REMAN-MOTOR HYDRAUL, hydrostatic, North America only, component parts shown on this figure do not apply to the remanufactured assembly
	1343745C1	1	MOTOR, RETURN NUMBER use this part number to return motor core for credit when using a remanufactured assembly
	1343743C1	1	MOTOR, ASSEMBLY hydrostatic, new, parts list Fig. 6-32 thru 6-37A, Includes: Ref. 1 thru 52 and 61 thru 92
1	NSS	1	NOT SERVICED SEPARATELY, FLANGE mounting
2	1346205C1	1	KIT, GASKET, SEAL shaft, three-piece
10	ST863	1	BEARING, CUP, tapered roller, housing
11	56694H	1	BEARING, CONE, tapered roller, input shaft
12	142399C1	1	GASKET, mounting flange
13	1980137C1	1	SHAFT, ASSEMBLY output
14	142408C1	4	RETAINER, servo
15	140766C1	2	PIN, pivot, linkage
16	1980174C1	1	HOUSING, PLATE swash, variable
	1980175C1	1	KIT, rotating, cylinder, Includes: Ref. 21 thru 27
21	NSS	9	NOT SERVICED SEPARATELY, PISTON cylinder block
22	NSS	1	NOT SERVICED SEPARATELY, PLATE retainer
23	NSS	1	NOT SERVICED SEPARATELY, PLATE retainer, clear
24	NSS	1	NOT SERVICED SEPARATELY, KIT hold down, cylinder
25	NSS	1	NOT SERVICED SEPARATELY, BARREL cylinder
26	NSS	1	NOT SERVICED SEPARATELY, PLATE bearing
27	140754C1	2	PIN, dowel, 5/16 x 5/8 inch
30	1980139C1	1	PLATE, valve
31	140754C1	1	PIN, dowel, 5/16 x 5/8 inch
32	NSS	1	NOT SERVICED SEPARATELY, HOUSING motor
33	142408C1	2	RETAINER, servo
34	461-3086	6	SCREW, Hex Soc Hd, #8-32 x 3/8", BOLT hex socket, No. 8 NC x 3/8 inch
	145309C1	1	PISTON, ASSEMBLY servo, Includes: Ref. 36 thru 39
36	NSS	1	NOT SERVICED SEPARATELY, LINK piston servo
37	NSS	2	NOT SERVICED SEPARATELY, RING retaining
38	NSS	1	NOT SERVICED SEPARATELY, PIN link
39	NSS	1	NOT SERVICED SEPARATELY, PISTON servo
	145308C1	1	PISTON, ASSEMBLY servo, Includes: Ref. 43 thru 49
43	NSS	1	NOT SERVICED SEPARATELY, LINK piston servo
44	NSS	2	NOT SERVICED SEPARATELY, RING retaining
45	NSS	1	NOT SERVICED SEPARATELY, PIN link
46	NSS	1	NOT SERVICED SEPARATELY, PISTON servo
47	NSS	4	NOT SERVICED SEPARATELY, SHIM servo piston
48	NSS	1	NOT SERVICED SEPARATELY, SPACER servo piston
49	NSS	1	NOT SERVICED SEPARATELY, BOLT hex, spacer to piston
50	142407C1	2	KIT, SLEEVE servo
51	238-5237	2	O-RING, -237, 70 Duro, 3.359" ID x .139" Thk,
52	238-5234	2	O-RING, -234, 70 Duro, 2.984" ID x .139" Thk,
56	413-720	12	BOLT, Hex, 7/16"-14 x 1 1/4", G5, BOLT hex, 7/16 NC x 1-1/4 inch

## 6-32 HYDROSTATIC MOTOR, TWO SPEED

сылка	Номер детали	Кол-во	Описание
57	166506C1	1	GASKET, mounting
58	413-828	4	BOLT, Hex, 1/2"-13 x 1 3/4", G5,
59	80679	4	WASHER, LOCK, 1/2",
60	283856C1	4	WASHER, flat, 17/32 x 1 x 3/16 inch
	REF		INSTRUCTION, MOTOR ASSEMBLY hydrostatic
61	REF	1	INSTRUCTION, VALVE ASSEMBLY control parts list Fig. 6-36
62	145337C1	1	GASKET, control valve
63	413-528	6	BOLT, Hex, 5/16"-18 x 1 3/4", G5, hex, 5/16 NC x 1-3/4 inch
64	218-5133	1	ELBOW, 45e, 7/16"-20, 37e x 7/16"-20, O-Ring, ELBOW 45 degree, 7/16-20 inch flare x adj O-ring boss
65	218-5103	3	ELBOW, 90e, 7/16"-20, 37e x 7/16"-20, O-Ring, 90 degree, 7/16-20 inch flare x adj O-ring boss
66	175760C1	2	HOSE ASSY., 10 inch (254 mm) long, valve to block
67	237-6004	2	O-RING, 4-1, 90 Duro, .351" ID x .072" Thk,
69	REF	1	INSTRUCTION, BLOCK ASSEMBLY relief parts list Fig. 6-37A
70	140747C92	1	KIT, SEALS, KIT valve block seal, valve block parts list Fig. 6-37A
72	140769C1	2	VALVE, CHECK, ASSEMBLY
73	238-6113	2	O-RING, -113, 90 Duro, .549" ID x .103" Thk,
74	140770C1	2	RING, backup, check valve
75	NSS	1	NOT SERVICED SEPARATELY, HOUSING end cover
76	413-732	2	BOLT, Hex, 7/16"-14 x 2", G5, BOLT hex, 7/16 NC x 2 inch
77	413-748	6	BOLT, Hex, 7/16"-14 x 3", G5, BOLT hex, 7/16 NC x 3 inch
	142398C91	1	KIT, SHIM, KIT end cover, Includes: Ref. 78
78	NSS	1	NOT SERVICED SEPARATELY, SHIM, 0.003 inch
78	NSS	1	NOT SERVICED SEPARATELY, SHIM, 0.005 inch
78	NSS	1	NOT SERVICED SEPARATELY, SHIM, 0.010 inch
78	NSS	1	NOT SERVICED SEPARATELY, SHIM, 0.015 inch
78	NSS	1	NOT SERVICED SEPARATELY, SHIM, 0.020 inch
78	NSS	1	NOT SERVICED SEPARATELY, SHIM, 0.030 inch
79	530741R1	1	BEARING, CUP, tapered roller, 2-17/32 inch O.D., input shaft
80	400983R91	1	BEARING, CONE, tapered roller, 1-3/16 inch ID, input shaft
81	140756C2	1	GASKET, end cover
83	399934C1	2	BEARING, CUP, tapered roller, 2-57/64 inch O.D., trunnion
84	399933C91	2	BEARING, CONE, tapered roller, 1-25/32 inch ID, trunnion
	142386C91	1	KIT, SHIM, KIT trunnion bearing, Includes: Ref. 85
85	NSS	UAR	NOT SERVICED SEPARATELY, SHIM trunnion, 0.002 inch, 6 in kit
85	NSS	UAR	NOT SERVICED SEPARATELY, SHIM trunnion, 0.005 inch, 4 in kit
85	NSS	UAR	NOT SERVICED SEPARATELY, SHIM trunnion, 0.010 inch, 4 in kit
85	NSS	UAR	NOT SERVICED SEPARATELY, SHIM trunnion, 0.015 inch, 4 in kit
85	NSS	UAR	NOT SERVICED SEPARATELY, SHIM trunnion, 0.025 inch, 4 in kit
86	238-5234	2	O-RING, -234, 70 Duro, 2.984" ID x .139" Thk,
87	NSS	2	NOT SERVICED SEPARATELY, TRUNNION motor
88	413-714	6	BOLT, Hex, 7/16"-14 x 7/8", G5, Full Thd, BOLT hex, 7/16 NC x 7/8 inch
89	218-5158	1	PLUG, Hex Hd, 1 1/16"-12 ORB, hex, 1-1/16-12 inch O-ring boss, Includes: Ref. 90
90	237-6012	1	O-RING, 12-1, 90 Duro, .924 ID x .118" Thk,
91	278548	1	PLUG, Hex Soc, 7/16"-20 ORB, Not shown
92	237-6004	1	O-RING, 4-1, 90 Duro, .351" ID x .072" Thk, Not shown

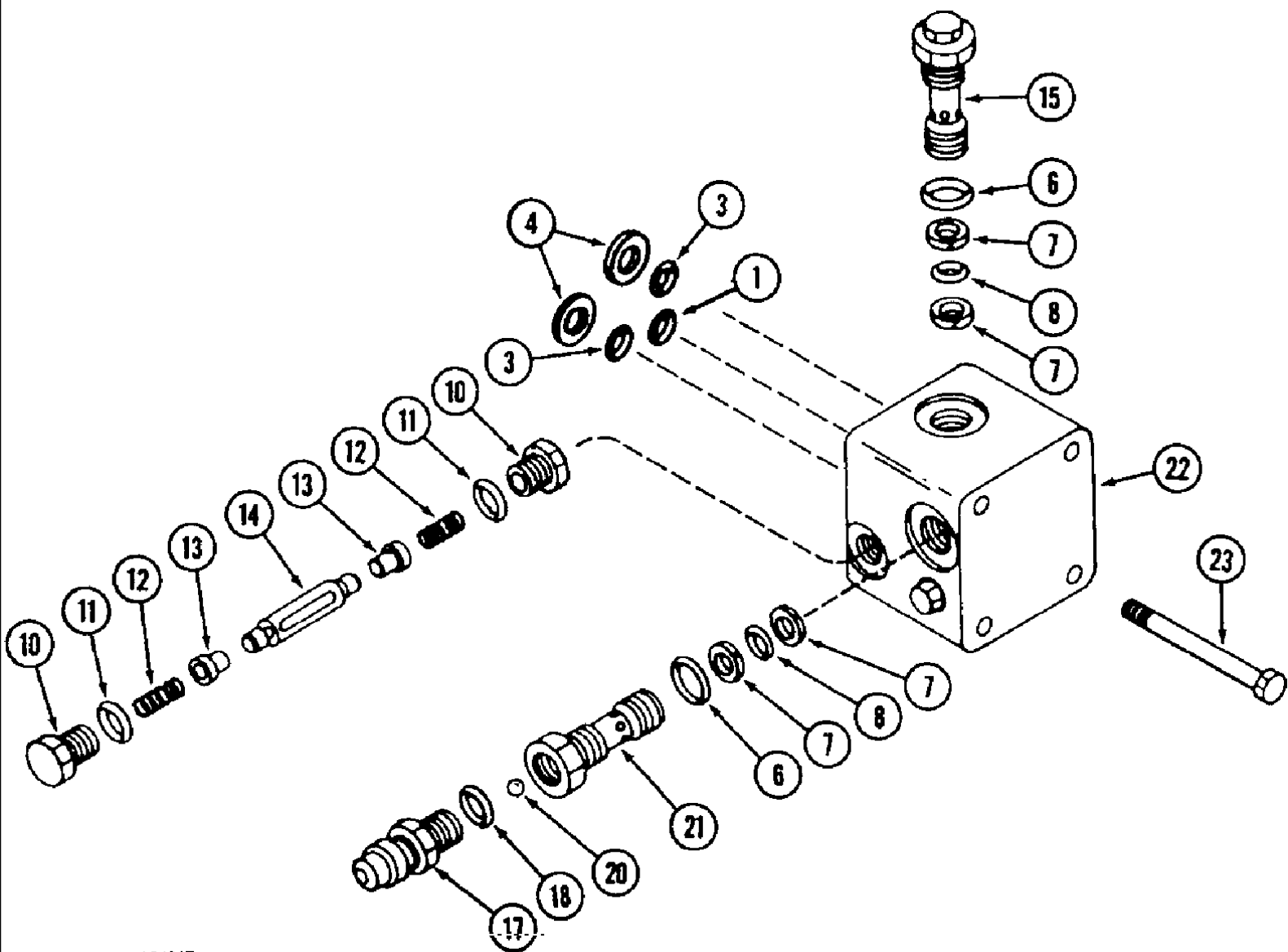


B922162



## 6-36 HYDROSTATIC MOTOR, TWO SPEED, CONTROL VALVE

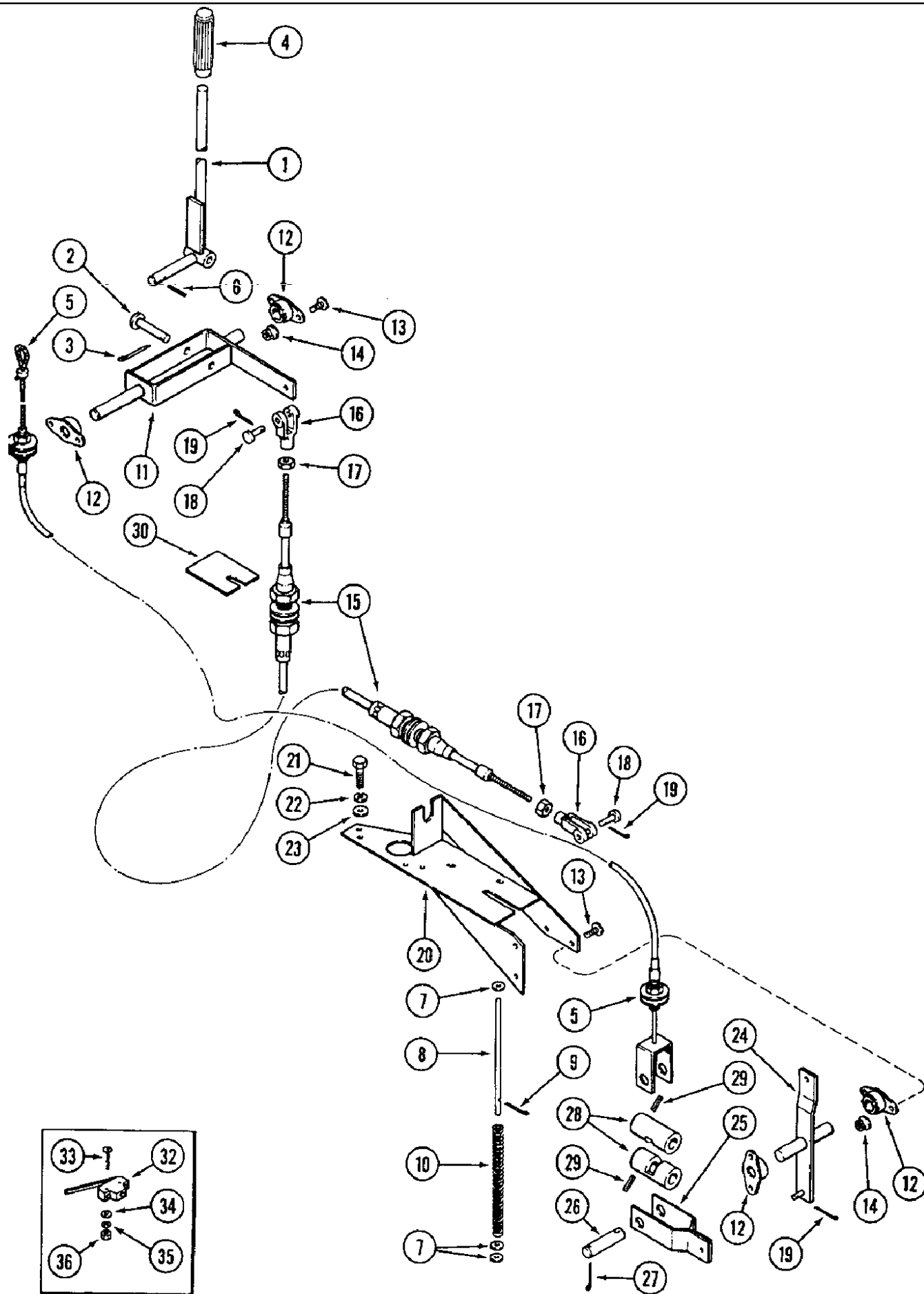
сылка	Номер детали	Кол-во	Описание
	145336C92	1	VALVE, ASSEMBLY motor control, Includes: Ref. 1 thru 8
1	1272954C1	2	GASKET, valve body, control block, Part of control valve body plug kit 92649C1
2	145338C2	1	SOLENOID, control valve, Includes: Ref. 3 and 4
3	237-6008	1	O-RING, 8-1, 90 Duro, .644" ID x .087" Thk,
4	238-5012	1	O-RING, -012, 70 Duro, .364" ID x .070" Thk,
5	92647C1	1	O-RING, retaining, orifice
6	NSS	1	NOT SERVICED SEPARATELY, PLUG valve body, order 92649C1 kit, Part of control valve body plug kit 92649C1
7	145337C1	1	GASKET, control valve
8	NSS	1	NOT SERVICED SEPARATELY, BODY valve, three-piece
	92649C1		KIT, service, control valve body plug , Includes Refs. 1 and 6



MS95J017

## 6-37A HYDROSTATIC MOTOR ASSEMBLY, RELIEF VALVE BLOCK, TWO SPEED

сылка	Номер детали	Кол-во	Описание
	1971432C2	1	VALVE, BLOCK ASSEMBLY relief valve, Includes: Ref. 1 thru 23
	140747C92	1	KIT, SEALS, KIT valve block seal, Includes: Ref. 1, 3, and 4
1	NSS	1	NOT SERVICED SEPARATELY, RING square, 7/8 x 1/16 inch
3	NSS	2	NOT SERVICED SEPARATELY, O-RING 7/8 ID x 3/32 inch
4	NSS	2	NOT SERVICED SEPARATELY, RING backup
	393885R91	3	KIT, GASKET, relief valve seal, Includes: Ref. 6, 7, and 8
6	237-6014	1	O-RING, 14-1, 90 Duro, 1.048" ID x .118" Thk,
7	393887R1	2	BACK-UP RING,
8	238-6117	1	O-RING, -117, 90 Duro, .799" ID x .103" Thk,
	145559C91	1	KIT, shuttle valve, Includes: Ref. 10 thru 14
10	NSS	2	NOT SERVICED SEPARATELY, PLUG port, order 145559C91 kit
11	237-6010	2	O-RING, 10-1, 90 Duro, .755" ID x .097" Thk,
12	145560C1	2	SPRING, shuttle valve
13	NSS	2	NOT SERVICED SEPARATELY, VALVE shuttle, order 145559C91 kit
14	NSS	1	NOT SERVICED SEPARATELY, SPOOL shuttle, order 145559C91 kit
15	140761C1	1	VALVE, PRESSURE RELIEF, ASSEMBLY low
	1971415C1	2	VALVE, ASSEMBLY feathering relief, Includes: Ref. 17 thru 21
17	NSS	1	NOT SERVICED SEPARATELY, CONNECTOR special
18	NSS	1	NOT SERVICED SEPARATELY, O-RING 1/4 inch O.D. tube
19	NSS	1	NOT SERVICED SEPARATELY, BUSHING ball guide
20	NSS	1	NOT SERVICED SEPARATELY, BALL steel, 1/4 inch
21	NSS	1	NOT SERVICED SEPARATELY, CARTRIDGE valve
22	NSS	1	NOT SERVICED SEPARATELY, BLOCK valve, order 1971432C2
23	413-664	4	BOLT, Hex, 3/8"-16 x 4", G5, hex, 3/8 NC x 4 inch



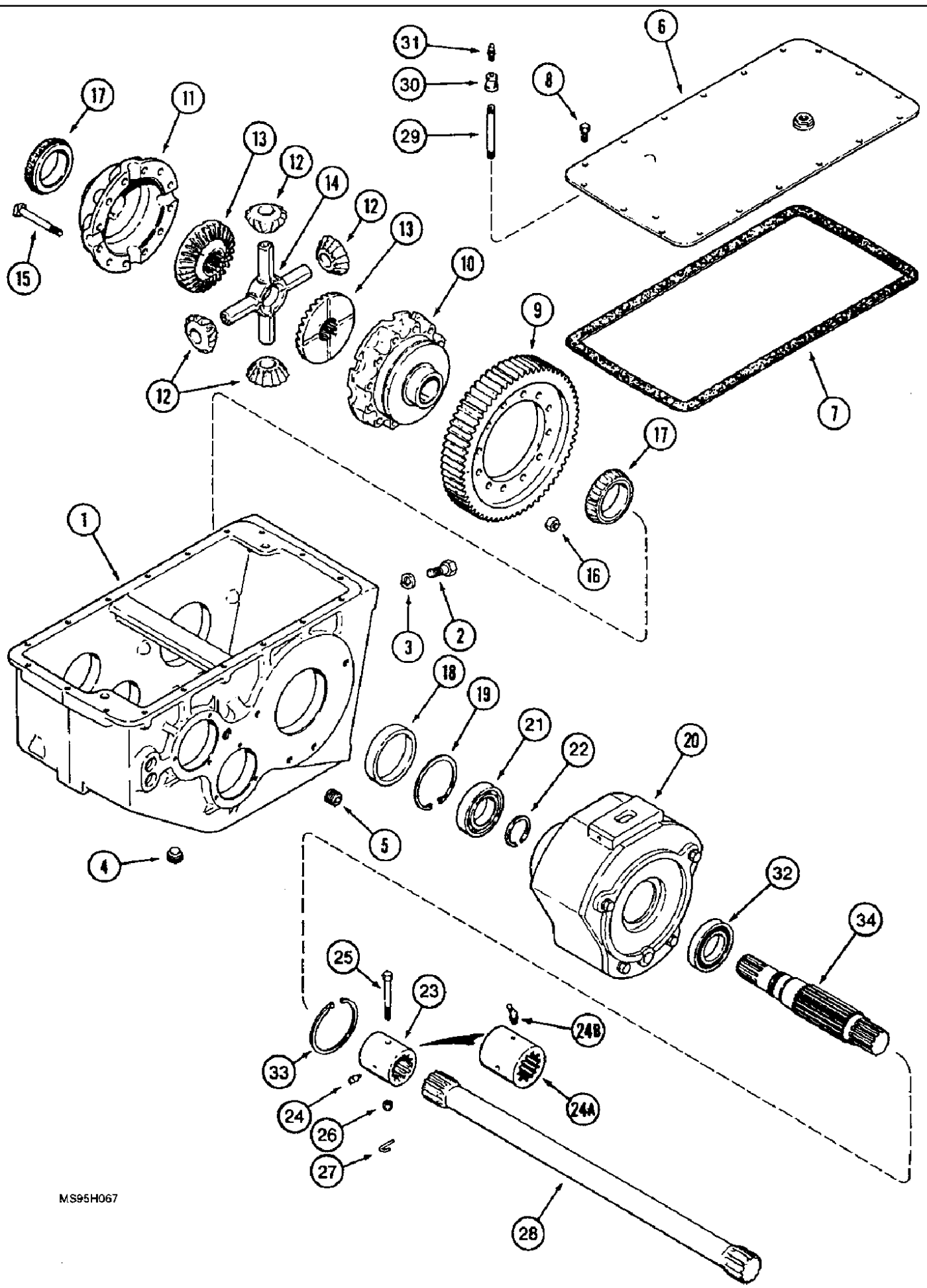
B922059

\*For use on combines with two-speed propulsion motor only.

## 6-38 TRANSMISSION, GEAR SHIFT CONTROL

сылка	Номер детали	Кол-во	Описание
1	224865C1	1	LEVER, gear shift
2	439-5840	1	PIN, HEADED, 1/2" x 2 1/2", 1/2 x 2-1/2 inch
3	432-1216	1	PIN, SPLIT (COTTER), 3/16" x 1", 3/16" x 1"
4	193194C2	1	HANDLE, GRIP lever, hand control
5	1321289C3	1	CABLE, transmission linkage
6	17045R1	2	PIN, LOCK, 5/32" x 1 3/8", Slotted,
7	495-81112	3	WASHER, .344" x 3/4" x .120", flat, 11/32 x 3/4 x 7/64 inch
8	194445C1	1	ROD, spring anchor
9	432-812	1	PIN, SPLIT (COTTER), 1/8" x 3/4",
10	47822D	1	SPRING, shifting retractor
11	1276181C1	1	BRACKET, SUPPORT gear shift
12	A63366	4	BEARING, pivot
13	135270	8	BOLT, Slotted Tr Hd, 5/16"-18 x 3/4", slotted truss head, 5/16 NC x 3/4 inch
14	231-5145	8	NUT, Flg, USR, 5/16"-18,
15	1329390C1	1	CABLE ASSY., control, shift rail
16	213-126	2	CLEVIS, ADJUSTABLE, 3/8"-24 x 2 1/2", adjustable, 3/8 inch NF
17	425-156	2	NUT, Jam, 3/8"-24, G5,
18	427-6106	2	PIN, CLEVIS, 3/8" x 1 1/16", Hardened
19	432-612	3	PIN, SPLIT (COTTER), 3/32" x 3/4",
20	194442C1	1	SUPPORT ASSY., shift linkage
21	413-620	3	BOLT, Hex, 3/8"-16 x 1 1/4", G5, Full Thd, hex, 3/8 NC x 1-1/4 inch
22	492-11038	3	WASHER, LOCK, 3/8",
23	495-11041	3	WASHER, 3/8", SAE, Flat, (13/32 x 13/16 x 1/16")
24	194439C1	1	LEVER ASSY., shift, lower
25	194437C1	1	LINK, shift rail control
26	195108C2	1	PIN, LARGE, pivot, shift plug
27	432-824	1	PIN, SPLIT (COTTER), 1/8" x 1 1/2",
28	192689C1	2	PIN, shift rail extension
29	138-2053	2	PIN, 1/4" x 1 1/4", Coiled,
30	196511C1	1	PLATE, LARGE, SUPPORT cable nut
32	1310827C2	1	SWITCH, lockout, third gear, parts list Fig. 4-10, For use on combines with two-speed propulsion motor only.
33	470-10620	2	SCREW, Slotted Pan Hd, #6-32 x 1 1/4", machine, pan head slotted, No. 6 NC x 1-1/4 inch
34	95-81108	2	WASHER, #6, flat, 5/32 x 3/8 x 3/64 inch
35	138526	2	WASHER, internal tooth lock, special, No. 6
36	225-14106	2	NUT, #6-32,

\*For use on combines with two-speed propulsion motor only.

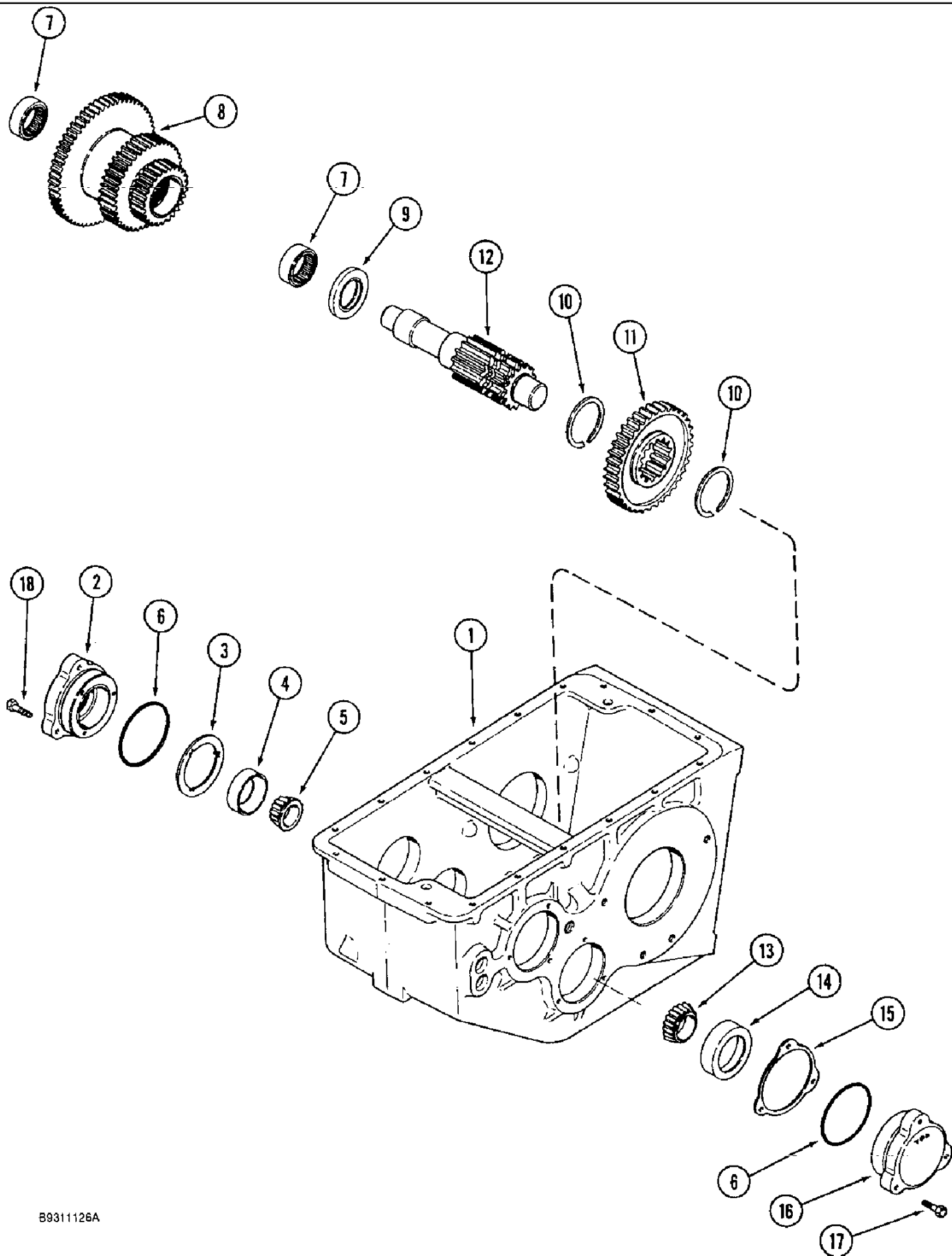


MS95H067

## 1666 CASE IH AXIAL-FLOW COMBINE (1/93-12/94)

## 6-40 TRANSMISSION, HOUSING AND DIFFERENTIAL

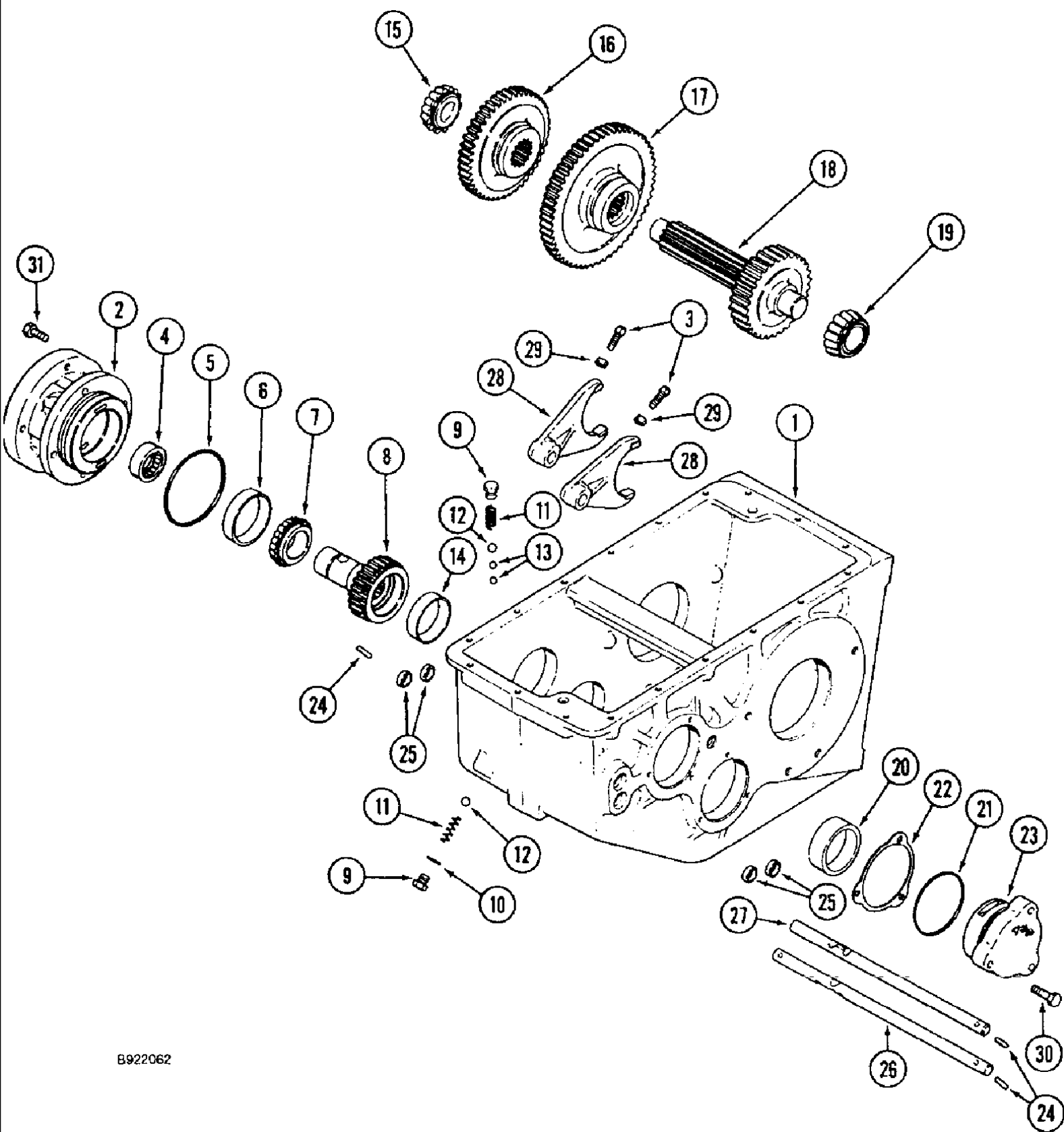
сылка	Номер детали	Кол-во	Описание
1	401873R2	1	HOUSING, transmission
2	426-1024	4	BOLT, Hex, 5/8"-11 x 1 1/2", G8, Full Thd, BOLT hex, 5/8 NC x 1-1/2 in., grade 8
3	392-21062	4	WASHER, LOCK, 5/8", 5/8"
4	221-887	1	PLUG, square socket, drain, magnetic, 3/4 in. PT
5	217-442	1	PLUG, Hex Soc, 3/4"-14, hex socket, 3/4 in. PT
6	184167C1	1	COVER ASSY, transmission housing
7	401860R1	1	GASKET, housing cover
8	413-612	15	BOLT, Hex, 3/8"-16 x 3/4", G5, Full Thd, hex, 3/8 NC x 3/4 in.
9	404085R1	1	GEAR, driven, 66 teeth
	1968235C1	1	DIFFERENTIAL, ASSY. transmission, Includes: Ref. 10 thru 18
	404081R1	1	CASE ASSY., housing, differential, 10 and 11
10	NSS	1	NOT SERVICED SEPARATELY, HOUSING, differential, right hand
11	NSS	1	NOT SERVICED SEPARATELY, HOUSING, differential, left hand
12	361061R3	4	PINION, GEAR, differential, 15 teeth
13	404084R1	2	PINION, GEAR bevel, differential, 28 teeth
14	393637R2	1	SPIDER, DIFF.,
15	404171R2	12	SCREW, BOLT special, differential housing
16	29-218	12	NUT, 1/2"-20, G8, Hvy, hex, 1/2 in. NF, grade 8
17	ST2096	2	BEARING, CONE, tapered roller, differential
18	ST981	2	BEARING SET, tapered roller, differential
19	100-21393	2	RING, SNAP, 3.938", Int, #393,
20	REF	2	INSTRUCTION, HOUSING brake, see Fig. 7-04, Ref. 9
21	ST265	2	BEARING, BALL, ball, differential shaft
22	358059R1	2	RING, SNAP, snap, bearing
23	184341C1	4	SLEEVE, COUPLING ASSY., axle drive shaft, assembly axle, Replaced by 184341C2, Includes: Ref. 24
24	219-14	1	NIPPLE, LUBE, 1/4" x .56" lg, Drive, grease, straight, 1/4 drive type x 9/16 in.
24A	184341C2	4	RING, COUPLING, ASSY., axle drive shaft, Replaces 184341C1, Includes: Ref. 24B
24B	219-45	1	NIPPLE, LUBE, 65c, 1/4" NPT x .77" lg, Drive, FITTING grease, 65 deg., 1/4 drive type x 3/4 in.
25	27653R1	4	BOLT, Hex, 3/8"-16 x 3 1/2", G8, BOLT hex, 3/8 NC x 3-1/2 in., grade 8
26	654049R1	4	NUT, hex, self locking, 3/8 in. NC
27	21864R1	4	PIN, retaining, S type
28	1309012C1	1	SHAFT, final drive, left hand
28	402725R2	1	SHAFT, final drive, right hand
29	221-1114	1	NIPPLE, LUBE, 1/8" NPT x 4 1/2",
30	144098	1	REDUCER, COUPLING, 1/4 PT to 1/8 in. PT
31	61991R91	1	BREATHER, 1/8"-27 NPT, Short, w/washer, FITTING housing, 1/8 in. PT
32	574273R91	2	BEARING, ball, housing cover
33	184131C1	2	RING, SNAP, #393, 4.234", Int, bearing retaining
34	1342912C1	2	SHAFT, differential





## 6-42 TRANSMISSION, DIFFERENTIAL PINION SHAFT AND GEARS

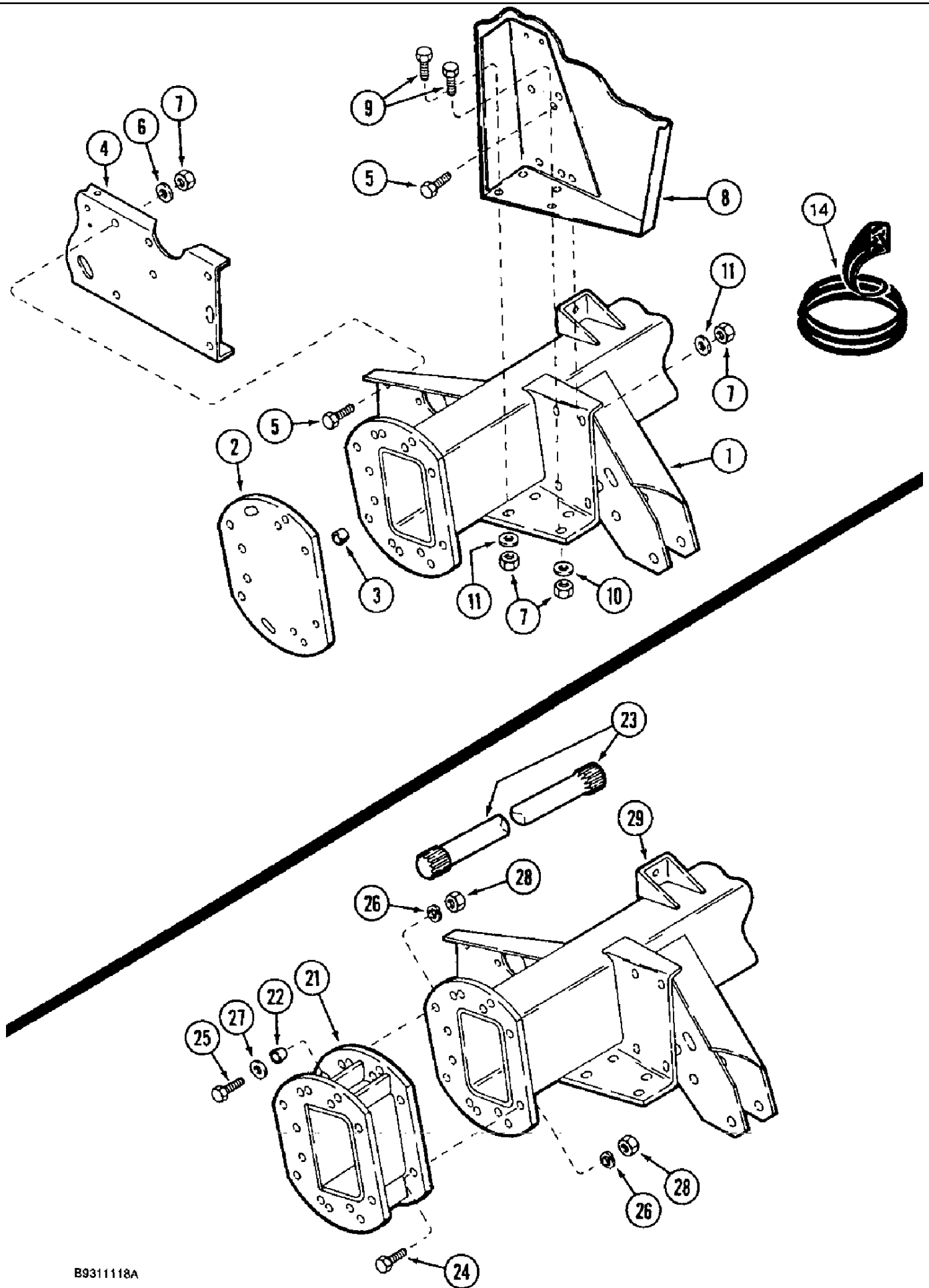
сылка	Номер детали	Кол-во	Описание
1	401873R2	1	HOUSING, transmission
2	188893C1	1	CAGE, HOUSING bearing, left hand
3	530704R2	1	WASHER, thrust
4	131312C1	1	BEARING, CUP, tapered roller, left hand pinion shaft, 2-27/32 in. O.D.
5	871244R1	1	BEARING, CONE, tapered roller, left hand pinion shaft
6	238-5240	2	O-RING, -240, 70 Duro, 3.734" ID x .139" Thk,
7	A61415	2	BEARING, NEEDLE, needle, spool gear
8	530699R1	1	PINION, GEAR, spool, 59, 39 and 27 teeth
9	401879R1	1	SPACER, spool gear
10	196693H1	2	RING, snap, change gear
12	401878R1	1	PINION, SHAFT, 14 teeth
11	1349043C1	1	GEAR, driven, 34 teeth, corn and grain combine
11	1349045C1	1	PINION, GEAR driven, 38 teeth, rice combine
13	ST791	1	BEARING, CONE, tapered roller, right hand pinion shaft
14	ST951	1	BEARING, CUP, tapered roller, right hand pinion shaft
15	401883R1		UAR SHIM, 0.003 in. thick
15	401884R1		UAR SHIM, 0.005 in. thick
15	401885R1		UAR SHIM, 0.007 in. thick
15	184195C1		UAR SHIM, 0.030 in. thick
16	403363R1	1	HOUSING, CAGE bearing, right hand
17	413-622	3	BOLT, Hex, 3/8"-16 x 1 3/8", G5, BOLT hex, 3/8 NC x 1-3/8 in.
18	413-620	3	BOLT, Hex, 3/8"-16 x 1 1/4", G5, Full Thd, hex, 3/8 NC x 1-1/4 in.



B922062

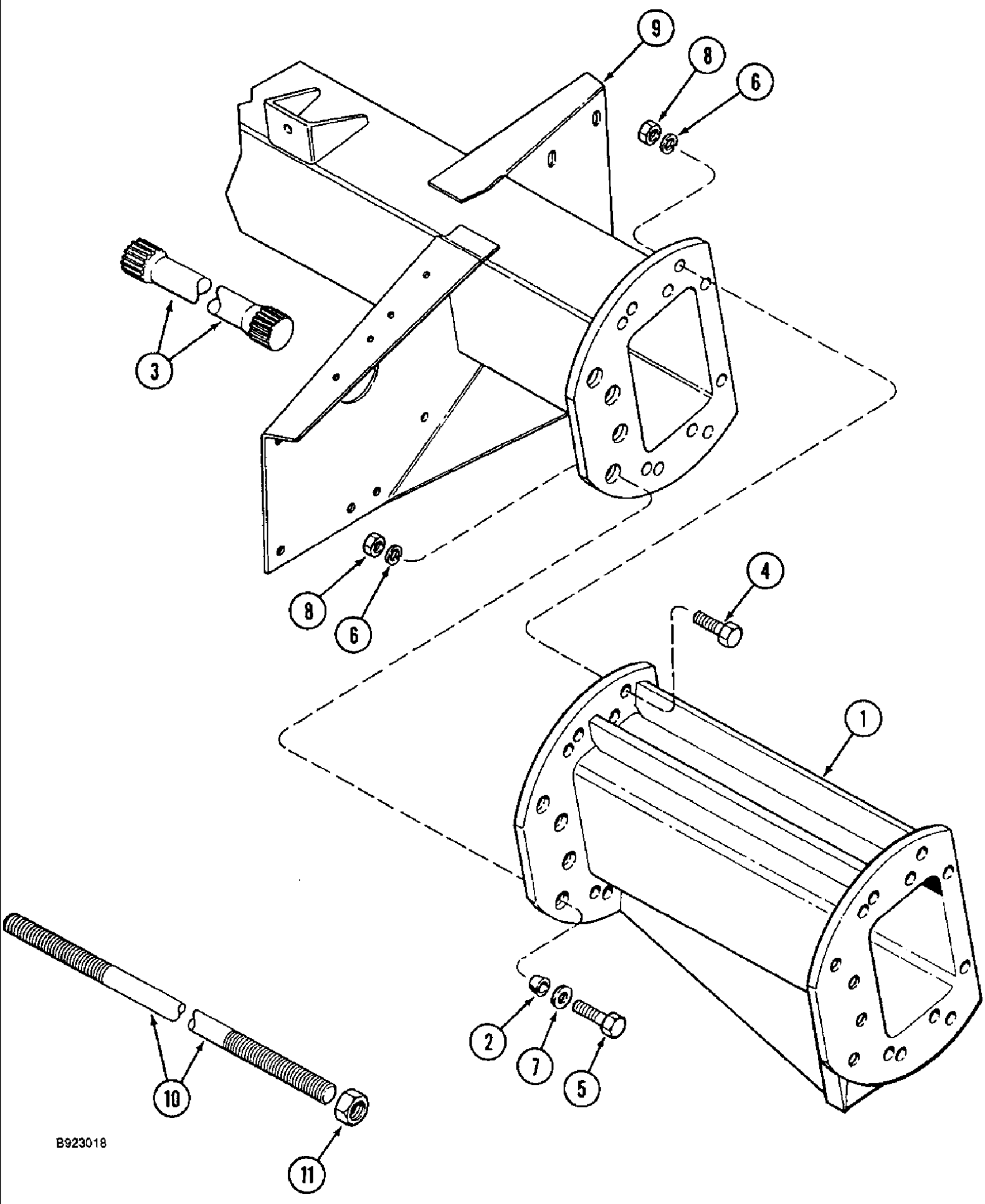
## 6-44 TRANSMISSION, INPUT SHAFT GEAR AND SHIFTER RAILS

сылка	Номер детали	Кол-во	Описание
1	REF	1	INSTRUCTION, HOUSING, transmission parts see Figure 6-40, see Ref. 1
2	180944C1	1	HOUSING ASSY., input shaft
3	573985R1	2	SET SCREW, Sq Hd, 3/8"-24 x 1", set, shifter fork, 3/8 NF x 1 in.
4	R21491	1	BEARING, NEEDLE, needle, input shaft, 1-3/4 in. ID
5	238-5348	1	O-RING, -348, 70 Duro, 4.35" ID x .210" Thk,
6	130503H	1	BEARING, CUP, tapered roller, input shaft, 3-17/64 in. O.D.
7	300426R91	1	BEARING, CONE, tapered roller, input shaft, 1-25/32 in. ID
8	401890R1	1	SHAFT, gear, input pinion, 26 teeth
9	76349	2	PLUG, Hex Hd, 9/16"-18 ORB, Incl. Ref. 10
11	64600C1	2	SPRING, shifter detent
12	211-1016	2	BALL, 1/2" Dia, Chrome alloy steel, grade 24
13	211-1014	2	BALL, 7/16" Dia, chrome alloy steel, shifter detent, grade 24
14	50213V	1	BEARING, CUP, tapered roller, left hand drive shaft, 2-3/4 in. O.D.
15	50212VA	1	BEARING, CONE, tapered roller, left hand drive shaft, 1-5/16 in. ID
16	530700R1	1	GEAR, second and third sliding, 26 and 46 teeth
17	401889R1	1	GEAR, first sliding, 58 teeth
18	1349042C1	1	SHAFT, drive, 38 teeth, gear, corn and grain combine
18	1349044C1	1	SHAFT, drive, 34 teeth, rice combine
19	290099C91	1	BEARING, CONE, tapered roller, right hand drive shaft, 2-7/8 in. O.D.
20	290100C1	1	BEARING, CUP, tapered roller, right hand drive shaft, 1-9/16 in. ID
21	238-5240	1	O-RING, -240, 70 Duro, 3.734" ID x .139" Thk,
22	401883R1		UAR SHIM, 0.003 in. thick
22	401884R1		UAR SHIM, 0.005 in. thick
22	401885R1		UAR SHIM, 0.007 in. thick
22	184195C1		UAR SHIM, 0.030 in. thick
23	130791C1	1	CAP, bearing retainer
24	38-31624	3	PIN, ROLL, 1/4" x 1 1/2", Coiled,
25	G10450	4	SEAL, oil, shifter rail
26	121658C4	1	SHAFT, second and third gear shifter
27	121659C2	1	SHAFT, first gear shifter
28	401897R2	2	FORK, gear shifter
29	425-156	2	NUT, Jam, 3/8"-24, G5,
30	413-622	3	BOLT, Hex, 3/8"-16 x 1 3/8", G5, BOLT hex, 3/8 NC x 1-3/8 in.
31	413-616	4	BOLT, Hex, 3/8"-16 x 1", G5, Full Thd, BOLT hex, 3/8 NC x 1 in.
10	237-6006	1	O-RING, 6-1, 90 Duro, .468" ID x .078" Thk,



## 6-46 DRIVE AXLE, AXLE EXTENSION, SINGLE WHEEL, SHORT EXTENSION

сылка	Номер детали	Кол-во	Описание
1	1302712C1	1	AXLE, drive, without gussets, axle
1	175916A1	1	AXLE, drive, axle
1	184451C2	1	AXLE, drive, with gussets, included in kit 128264A1 see below , Part includes gusset kit, two front post gussets, two main sill gussets and instructions 128264A1
2	177336C1	2	COVER, end plate, axle
3	163909C1	4	BUSHING, tapered, end plate, drive axle
4	REF	1	INSTRUCTION, SUPPORT, separator side, right hand, see Fig. 9H-06 Ref. 14, drive axle
5	426-1020	22	BOLT, Hex, 5/8"-11 x 1 1/4", G8, Full Thd, hex, 5/8 NC x 1-1/4 in., grade 8, drive axle
6	495-81030	14	WASHER, 21/32" x 2" x .179", flat, 21/32 x 2 x 11/64 in., drive axle
7	232-51310	30	NUT, Fig, USR, 5/8"-12, hex, serrated flange, 5/8 in. NC, grade 8, drive axle
8	REF	1	INSTRUCTION, POST separator front, right hand, see Fig. 9H-06, Ref. 12, drive axle
9	326-1024	8	BOLT, Hex, 5/8"-11 x 1 1/2", G8, Full Thd, Drive axle
10	396-41066	4	WASHER, 21/32" x 1 1/2" x .188", HDN, flat, 21/32 x 1-1/2 x 3/16 in. hardened, drive axle
11	169256C2	12	WASHER, flat, special, 41/64 x 1-1/4 x 18 in., drive axle
14	122150A1		UAR STRIP, PROTECTION, TRIM edge, 7 in., 179 mm, long, cut from 1330108CX bulk trim, see below, drive axle
	128264A1	1	PACKAGE, KIT gusset, includes two front post gussets, two main sill gussets and instructions, drive axle
	1330108CX		UAR SEAL ASSY., TRIM edge, bulk, 600 in, 15240 mm, long, drive axle
21	177345C3	2	EXTENSION, drive axle, 6 in., axle extension, single wheel short extension
22	163909C1	8	BUSHING, tapered, end plate, axle extension, single wheel short extension
23	184223C1	1	SHAFT, axle, left hand, axle extension, single wheel short extension
23	184224C1	1	SHAFT, axle, right hand, axle extension, single wheel short extension
24	326-1236	12	BOLT, Hex, 3/4"-10 x 2 1/4", G8, Axle extension, single wheel short extension
25	426-1244	4	BOLT, Hex, 3/4"-10 x 2 3/4", G8, hex, 3/4 NC x 2-3/4 in., grade 8, axle extension, single wheel short extension
26	492-11075	16	WASHER, LOCK, 3/4", 3/4", axle extension, single wheel, short extension
27	496-11081	8	WASHER, 13/16" x 1 1/2" x .065", HDN, flat, hardened, 13/16 x 1-1/2 x 9/64 in., axle extension, single wheel short extension
28	429-1012	16	NUT, 3/4"-10, G8, hex, 3/4 in. NC, grade 8, axle extension, single wheel short extension
29	REF	1	INSTRUCTION, AXLE drive, see Ref. 1, axle extension, single wheel short extension

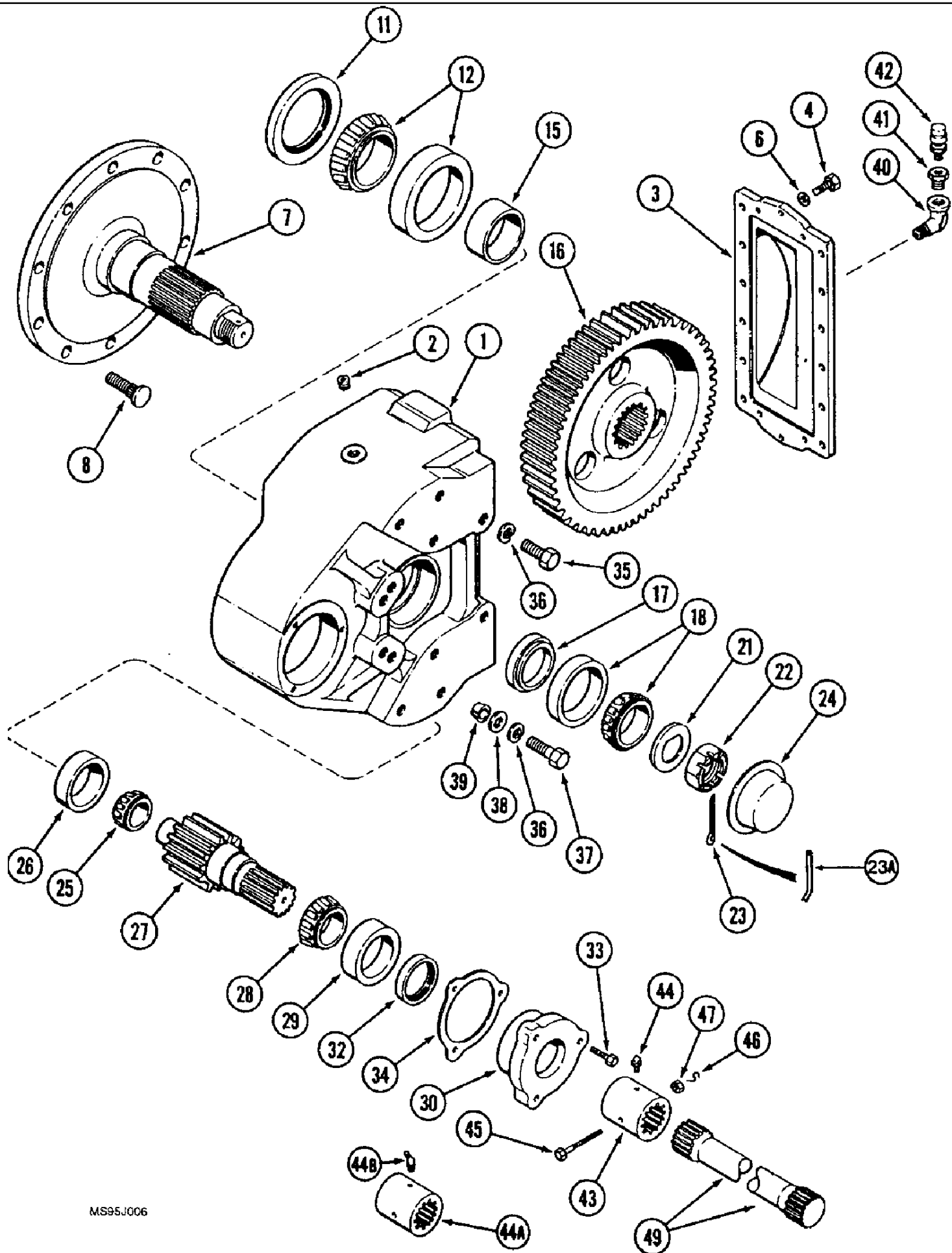


B923018

## 6-48 AXLE EXTENSION, DUAL WHEEL, EXTRA WIDE SINGLE WHEEL

сылка	Номер детали	Кол-во	Описание
1	184364C1	1	EXTENSION, AXLE, left hand
1	184365C1	1	EXTENSION, AXLE, right hand
2	163909C1	8	BUSHING, tapered, end plate
3	184375C1	1	SHAFT, axle drive, left hand
3	184376C1	1	SHAFT, axle drive, right hand
4	426-1236	12	BOLT, Hex, 3/4"-10 x 2 1/4", G8, BOLT hex, 3/4 NC x 2-1/4 in., grade 8
5	426-1240	4	BOLT, Hex, 3/4"-10 x 2 1/2", G8, BOLT hex, 3/4 NC x 2-1/2 in., grade 8
6	492-11075	16	WASHER, LOCK, 3/4", 3/4"
7	496-11081	8	WASHER, 13/16" x 1 1/2" x .065", HDN, flat, hardened, 13/16 x 1-1/2 x 9/64 in.
8	429-1012	16	NUT, 3/4"-10, G8, hex, 3/4 in. NC, grade 8
9	REF	1	INSTRUCTION, AXLE, drive parts see Fig.6-46
10	184358C1	1	ROD, reinforcement, extension
11	232-41320	4	NUT, LOCK, 1 1/4"-7, GC,

6-50 FINAL DRIVE



MS95J006



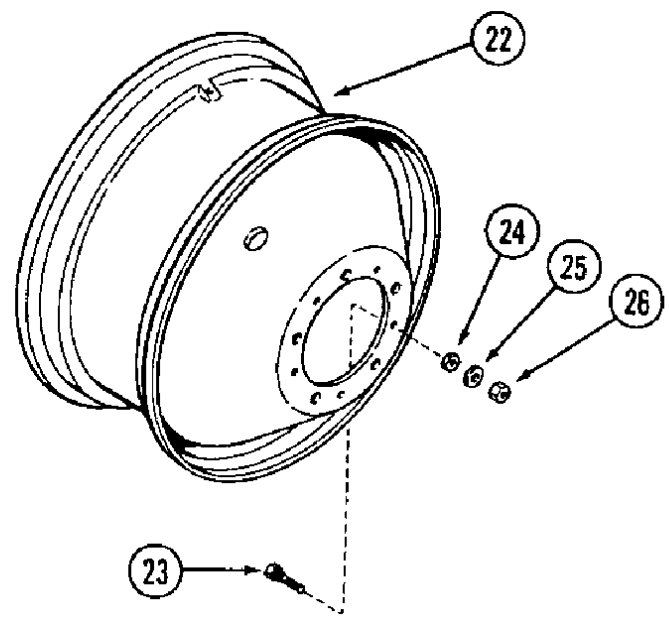
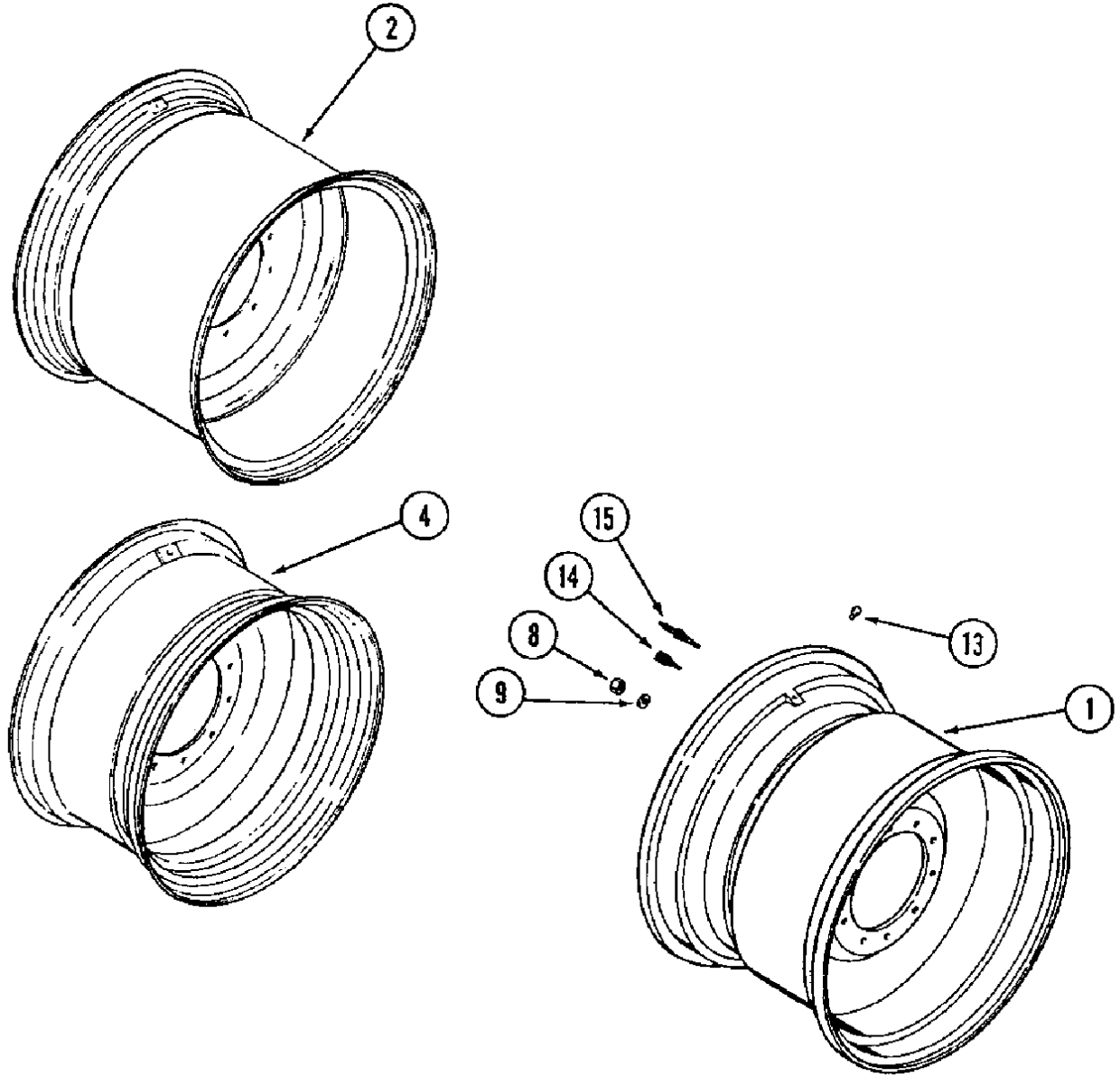
## 1666 CASE IH AXIAL-FLOW COMBINE (1/93-12/94)

## 6-50 FINAL DRIVE

сылка	Номер детали	Кол-во	Описание
	1342937C1	2	DRIVE ASSY., final, Includes: Ref. 1 thru 34
1	86851C2	1	HOUSING, final drive
2	217-442	2	PLUG, Hex Soc, 3/4"-14, hex socket, 3/4 in. PT
3	86839C2	1	COVER, housing
4	326-824	12	BOLT, Hex, 1/2"-13 x 1 1/2", G8, Full Thd,
4	326-620	6	BOLT, Hex, 3/8"-16 x 1 1/4", G8, Full Thd,
6	396-21053	12	WASHER, 17/32" x 1 1/16" x .134", Hardened
6	396-21041	6	WASHER, 13/32" x 13/16" x .09", HDN, flat, hardened, 13/32 x 13/16 x 3/32 in.
7	1315484C91	1	SHAFT, ASSY., drive, final, Includes: Ref. 8
8	565130R3	10	BOLT, wheel, standard wheels only
11	401905R91	1	SEAL, oil, outer bearing
12	283445C91	1	BEARING, ASSY., two piece, includes bearing and cup, outer
15	130809C1	1	SPACER, gear
16	1342906C1	1	GEAR, drive, 75 teeth
17	130808C1	1	SPACER, gear
18	66116R91	1	BEARING, ASSY., two piece, includes bearing and cup, inner
21	403896R1	1	DISC, WASHER final drive
22	147030R1	1	NUT, hex, slotted, special, shaft retaining
23	432-840	1	PIN, SPLIT (COTTER), 1/8" x 2 1/2", 1/8" x 2 1/2", no longer used, order Ref. 23A 1997637C1
23A	1997637C1	1	SPLIT PIN/SAFETY PIN, lock
24	403895R1	1	COVER, CAP main shaft
25	401911R91	1	BEARING, CONE, tapered roller, 1-3/4 in. ID, outer
26	61012R1	1	BEARING SET, tapered roller, 3-11/16 in. O.D., outer
27	1342907C1	1	SHAFT, pinion
28	196454C91	1	BEARING, tapered roller, 2-1/4 in. ID, inner
29	360325R1	1	BEARING SET, tapered roller, 4-1/8 in. ID, inner
30	94649C2	1	CAGE, inner bearing
32	401914R91	1	SEAL, oil, double lip, cage
33	326-628	3	BOLT, Hex, 3/8"-16 x 1 3/4", G8, hex, 3/8 NC x 1-3/4 in., grade 8
34	86895C1		UAR SHIM, pinion inner gear, 0.003 in. thick
34	86896C1		UAR SHIM, pinion inner gear, 0.005 in. thick
34	86897C1		UAR SHIM, pinion inner gear, 0.007 in. thick
34	86898C1		UAR SHIM, pinion inner gear, 0.030 in. thick
35	426-1232	10	BOLT, Hex, 3/4"-10 x 2", G8, hex, 3/4 NC x 2 in., grade 8
36	392-21075	14	WASHER, LOCK, 3/4", 3/4"
37	326-1236	4	BOLT, Hex, 3/4"-10 x 2 1/4", G8,
38	496-11081	4	WASHER, 13/16" x 1 1/2" x .065", HDN, flat, hardened, 13/16 x 1-1/2 x 9/64 in.
39	163909C1	4	BUSHING, tapered, end plate
40	141621	1	ELBOW, 90e, 3/4" NPT Street, 90 deg., 3/4 male x 3/4 PT female, rice only
41	221-90	2	REDUCER, Hex, 3/4" x 1/8" NPT, REDUCER pipe, 3/4 male x 1/8 in. female
42	61991R91	2	BREATHER, 1/8"-27 NPT, Short, w/washer, FITTING housing, 1/8 in. PT
43	184341C1	2	SLEEVE, COUPLING ASSY., axle drive shaft, replaced by 184341C2
44A	184341C2	2	RING, COUPLING, ASSY., axle drive shaft, replaces 184341C1
44B	219-45	2	NIPPLE, LUBE, 65e, 1/4" NPT x .77" lg, Drive, FITTING grease, 65 deg., 1/4 drive type x 9/16 in.
44	219-14	2	NIPPLE, LUBE, 1/4" x .56" lg, Drive, grease stright, 1/4 drive type x 9/16 in.

## 6-50 FINAL DRIVE

сылка	Номер детали	Кол-во	Описание
45	113-2293	2	BOLT, Hex, 3/8"-16 x 3 1/2", G8,
46	21864R1	2	PIN, retaining, S type
47	654049R1	2	NUT, hex, self locking, 3/8 in. NC
49	1309012C1	1	SHAFT, final drive, left hand
49	402725R2	1	SHAFT, final drive, right hand

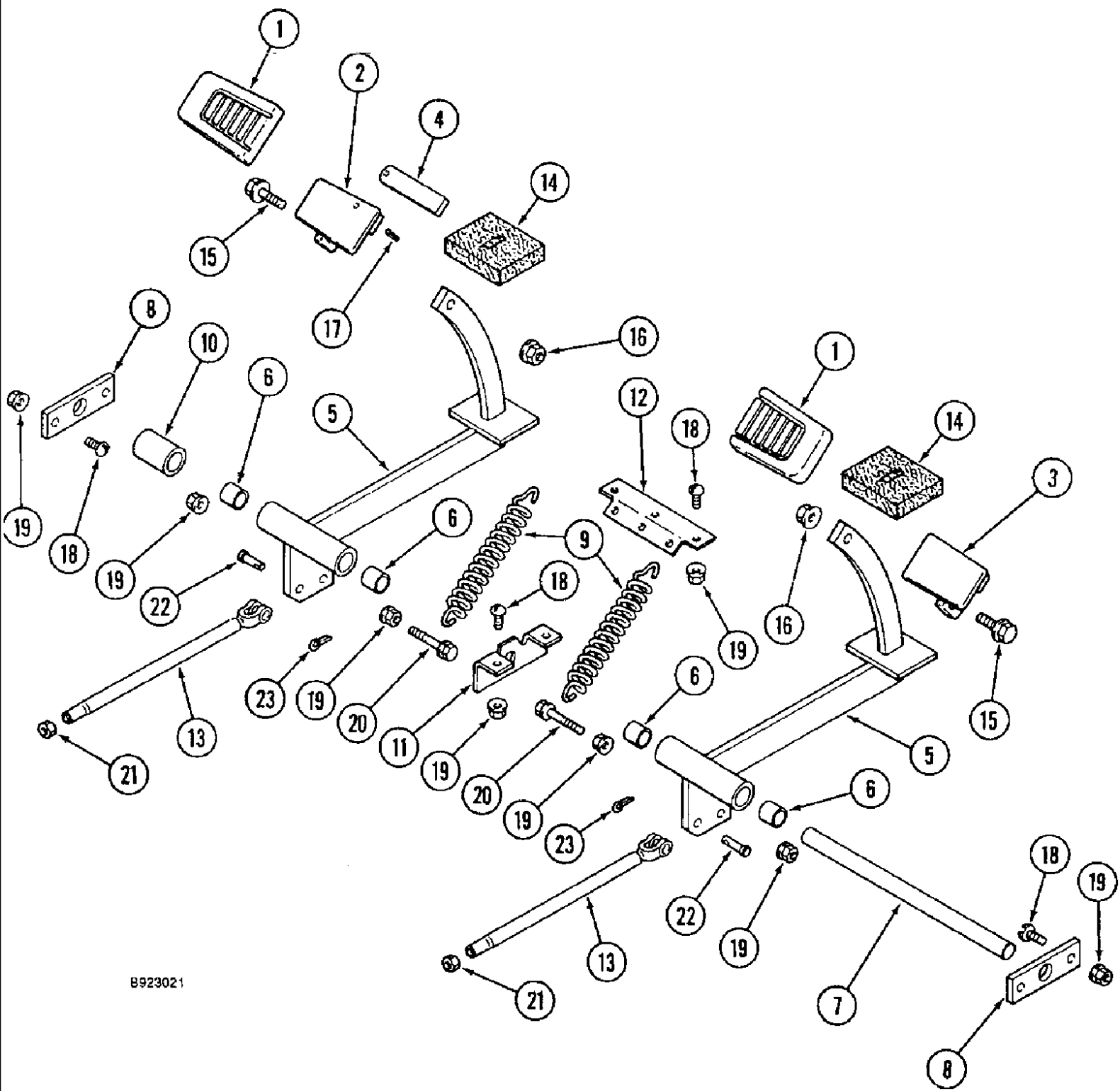


B923020

## 6-52 DRIVE WHEELS AND SPACERS, DUAL WHEEL

сылка	Номер детали	Кол-во	Описание
1	196197C3	2	WHEEL ASSY., drive, 28L x 26 in. tire, drive wheels and spacers
2	184480C2	2	WHEEL ASSY., drive, 30.5L x 32 in. tire, drive wheels and spacers
4	184482C2	2	WHEEL ASSY., drive, 234.5 x 32 in. tire, drive wheels and spacers
8	429-1112	20	NUT, 3/4"-16, G5, hex, 3/4 in. NF, grade 8, drive wheels and spacers
9	396-31081	20	WASHER, 13/16" x 1 1/2" x .219", HDN, Not used with spacer, drive wheels and spacers
9	184403C1	20	SPACER, flat, 13/16 x 2 x 3/8 in. used with drive axle extension, drive wheels and spacers
13	417194C1	2	PLUG, valve hole, for tubeless tire, drive wheels and spacers
13	383697R1	2	PLUG, valve hole, for tube type tire, drive wheels and spacers
14	179482C1	2	VALVE STEM, inflation, 7/16 in. dia., drive wheels and spacers
15	407184C1	2	VALVE STEM, CORE inflation, drive wheels and spacers
22	184352C1	4	RIM, drive, dual 18.4 x 38 in. tire, dual wheel
22	184458C1	4	RIM, drive, dual, 18.4 x 42 in. tire, dual wheel
22	184456C1	4	RIM, drive, dual, 20.8 x 42 in. tire, dual wheel
23	184430C1	20	BOLT, wheel, dual wheel
24	329-1512	10	NUT, Jam, 3/4"-10, G8, Dual wheel
25	184403C1	20	SPACER, flat, 13/16 x 2 x 3/8 in., dual wheel
26	429-1112	20	NUT, 3/4"-16, G5, hex, 3/4 in. NF, grade 8, dual wheel

7-02 MASTER BRAKE, CONTROLS

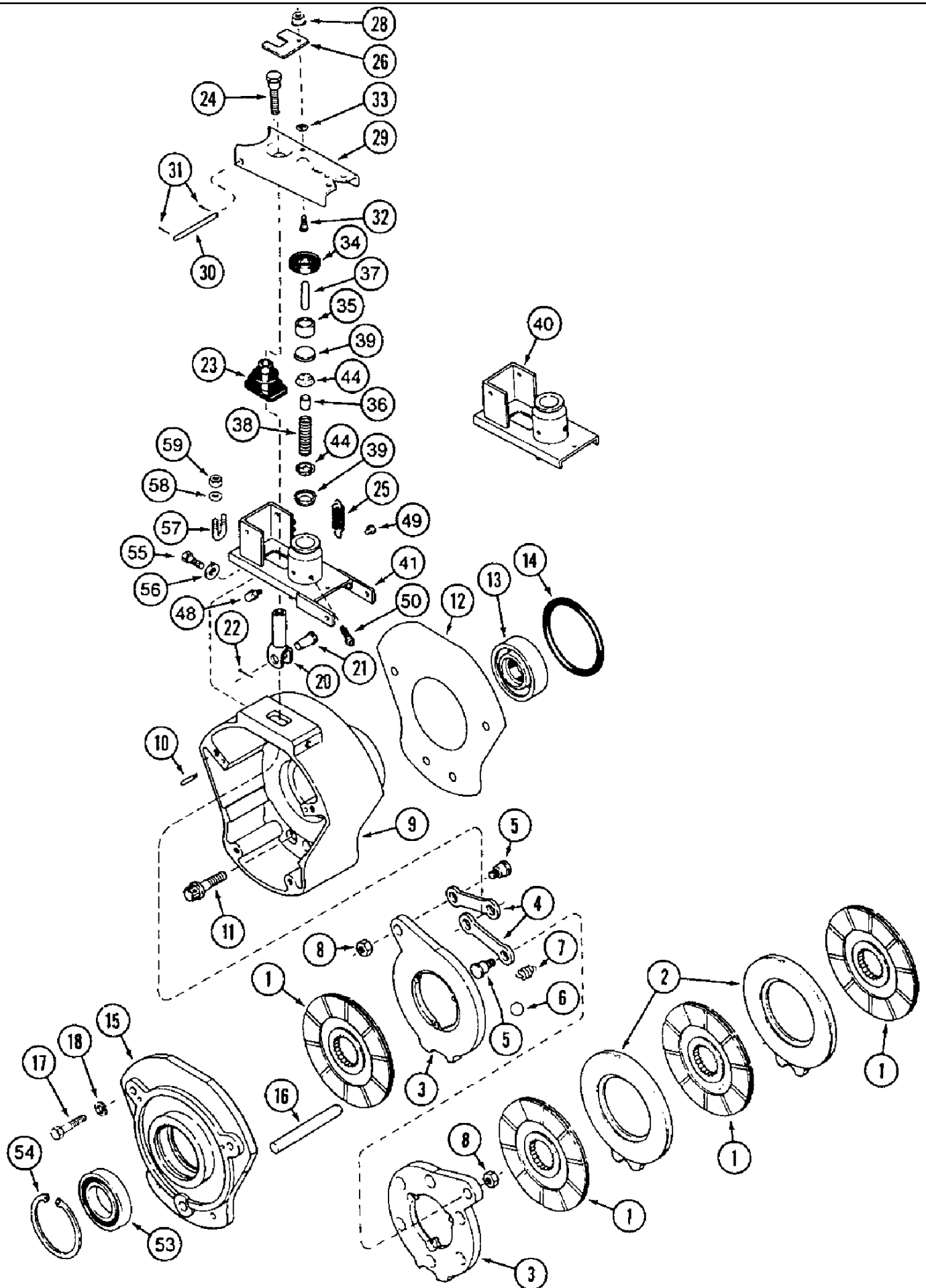


8923021

## 7-02 MASTER BRAKE, CONTROLS

сылка	Номер детали	Кол-во	Описание
1	863426R1	2	PAD, pedal brake
2	1321926C1	1	PEDAL, brake, left hand
3	1321927C1	1	PEDAL, brake, right hand
4	614251R1	1	BAR, brake locking
5	1321925C91	2	SUPPORT, ASSY., brake pedal, Includes: Ref. 6
6	1280291C1	2	BUSHING, support assembly pedal
7	1280117C1	1	SHAFT, support pivot
8	1281794C1	2	PLATE, pivot shaft support
9	182652A1	2	SPRING, pedal return
10	1280116C1	1	SPACER, support pivot
11	1321383C1	1	ANGLE, support pivot shaft
12	1327560C1	1	ANGLE, spring hook
13	1281882C2	2	LINK ASSY., brake
14	1321935C1	2	SEAL, pedal
15	1327764C1	2	SCREW, BOLT, hex flange, polyseal, 3/8 NC x 1-1/4 in.
16	1327765C1	2	NUT, hex flange, self locking, 3/8 in. NC
17	19938R1	1	PIN, 1/8" x 7/8", Coiled, 1/8" x 7/8", Coiled
18	477-73112	9	BOLT, Slotted Tr Hd, 5/16"-18 x 3/4",
19	231-5145	13	NUT, Flg, USR, 5/16"-18,
20	413-532	2	BOLT, Hex, 5/16"-18 x 2", G5,
21	829-1310	2	NUT, M10, CI 10, Hex
22	427-6106	2	PIN, CLEVIS, 3/8" x 1 1/16", Hardened
23	432-612	2	PIN, SPLIT (COTTER), 3/32" x 3/4",

7-04 MASTER BRAKES



B922075

Items 1 - 22 and 53 and 54 are included with the transmission assembly.

## 7-04 MASTER BRAKES

сылка	Номер детали	Кол-во	Описание
1	1349008C2	8	BRAKE DISC, middle, Included with the transmission assembly.
2	1349009C2	4	BRAKE DISC, intermediate, Included with the transmission assembly.
	184202C93	2	DISC, ASSY., brake actuating, Includes: Ref. 3 thru 8, Included with the transmission assembly.
3	NSS		NOT SERVICED SEPARATELY, DISC, actuating , Included with the transmission assembly.
4	1276923C2	2	LINK, actuating, Included with the transmission assembly.
5	A41865	2	STUD, link, Included with the transmission assembly.
6	211-1028	6	BALL, 7/8" Dia, chrome alloy steel, 7/8 in., grade 24, replaces 17028R1, Included with the transmission assembly.
7	359859R2	3	SPRING, extension, Included with the transmission assembly.
8	425-158	2	NUT, Jam, 1/2"-20, G5, , Included with the transmission assembly.
9	1342950C1	2	HOUSING ASSY., brake, Includes: Ref. 10, Included with the transmission assembly.
10	37-1516	2	DOWEL, 5/16" x 1", PIN, 5/16 x 1 in., hardened, replaces 20020R1, Included with the transmission assembly.
11	380-21028	8	SCREW, 12 Pt Flg, 5/8"-11 x 1 3/4", BOLT, 12 point flange, 5/8 NC x 1-3/4 in., Included with the transmission assembly.
12	401898R1		UAR SHIM, brake housing, 0.003 in. thick, Included with the transmission assembly.
12	401899R1		UAR SHIM, brake housing, 0.005 in. thick, Included with the transmission assembly.
12	401900R1		UAR SHIM, brake housing, 0.007 in. thick, Included with the transmission assembly.
13	184072C1	2	SEAL, oil, Included with the transmission assembly.
14	238-5427	2	O-RING, -427, 70 Duro, 4.725" ID x .275" Thk, , Included with the transmission assembly.
15	1981196C2	2	COVER, ASSY., brake housing, Includes: Ref. 16, Included with the transmission assembly.
16	37-11496	1	DOWEL, 7/8" x 6", dowel, hardened, 7/8 x 6 in., replaces 28333R1, Included with the transmission assembly.
17	413-832	8	BOLT, Hex, 1/2"-13 x 2", G5, hex, 1/2 NC x 2 in., Included with the transmission assembly.
18	80679	8	WASHER, LOCK, 1/2", , Included with the transmission assembly.
20	1321923C1	2	CLEVIS, YOKE, brake pull, Included with the transmission assembly.
21	27-10137	2	PIN, CLEVIS, 5/8" x 1 3/8", clevis, 5/8 x 1-3/8 in., Included with the transmission assembly.
22	432-816	2	PIN, SPLIT (COTTER), 1/8" x 1", , Included with the transmission assembly.
23	184321C1	2	COVER, BOOT brake housing
24	1321973C1	2	ROD, brake pull
25	312824R1	2	SPRING, brake lever return
26	184282C2	2	BAR, brake adjustment
28	231-5144	2	NUT, Flg, USR, 1/4"-20,
29	1277201C3	2	LEVER, brake
30	1308992C1	2	PIN, brake lever
31	432-812	4	PIN, SPLIT (COTTER), 1/8" x 3/4",
32	412-412	2	BOLT, CARRIAGE, Short NK, 1/4"-20 x 3/4", G2, BOLT carriage, 1/4 NC x 3/4 in., grade 2
33	136969C1	2	FASTENER, NUT push on type, 1/4 in., brake lever
	1329740C2	1	SUPPORT ASSY., ACTUATOR, brake right hand
	1329739C2	1	SUPPORT ASSY., ACTUATOR, brake left hand, Includes: Ref. 34 thru 50
34	662620R1	1	COVER, BOOT , Part included in wheel cylinder repair kit 1288942C92
35	662616R1	1	PISTON, wheel cylinder , Part included in wheel cylinder repair kit 1288942C92
36	1281779C1	1	PIN, LARGE, brake piston spacer
38	84940C1	1	SPRING, wheel cylinder , Part included in wheel cylinder repair kit 1288942C92
39	51906H	2	CUP, wheel cylinder , Part included in wheel cylinder repair kit 1288942C92

Items 1 - 22 and 53 and 54 are included with the transmission assembly.

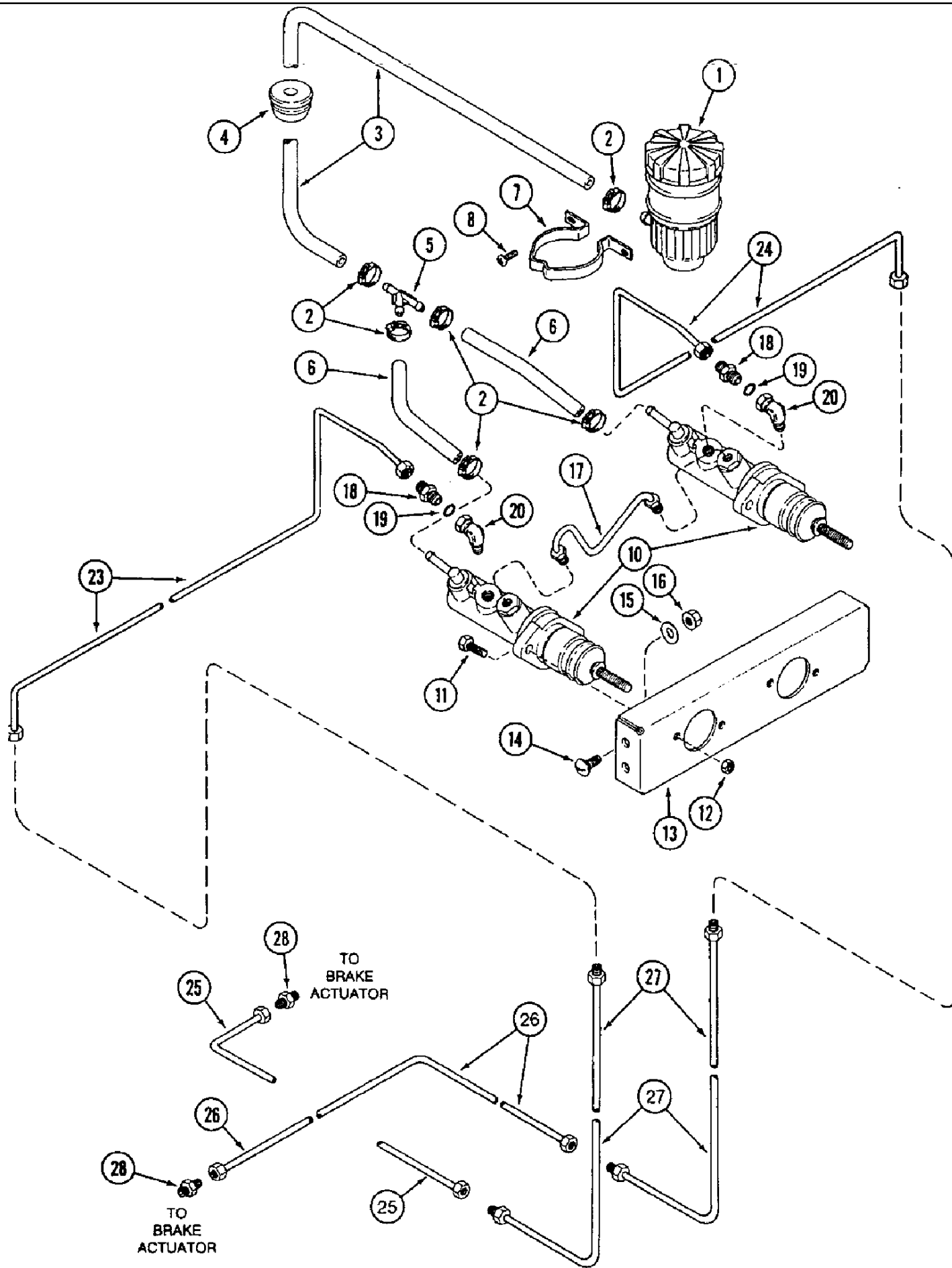


## 7-04 MASTER BRAKES

сылка	Номер детали	Кол-во	Описание
37	184325C2	1	PIN, LARGE, PLUNGER, wheel cylinder
40	NSS		NOT SERVICED SEPARATELY, SUPPORT actuator, left hand, order 1329740C2
41	NSS		NOT SERVICED SEPARATELY, SUPPORT actuator, left hand, order 1329739C2
44	85105C1	2	EXPANDER, CUP, wheel cylinder , Part included in wheel cylinder repair kit 1288942C92
48	218-441	1	CONNECTOR, HYD., 7/16"-20, 37e x 1/8"-27, NPTF, straight, 7/16 - 20 flare x 1/8 in., PT
49	217-430	1	PLUG, Hex Soc, 1/8"-27,
50	660901R1	2	VALVE, bleeder
53	574273R91	2	BEARING, ball, housing cover, Included with the transmission assembly.
54	184131C1	2	RING, SNAP, #393, 4.234", Int, bearing retaining, Included with the transmission assembly.
55	413-612	4	BOLT, Hex, 3/8"-16 x 3/4", G5, Full Thd, hex, 3/8 NC x 3/4 in.
56	495-81129	4	WASHER, 13/32" x 3/4" x .120", flat, 13/32 x 3/4 x 7/64 in.
57	1327797C1	2	CLAMP, U BOLT, 1/4 NC x 1-1/4 in.
58	95-51028	4	WASHER, 1/4", flat, 9/32 x 1/2 x 1/16 in.
59	231-4144	4	NUT, LOCK, 1/4"-20, GB,
	1288942C92	1	KIT, repair, wheel cylinders, Includes: Ref. 34, 35, 38, 39 and 44

Items 1 - 22 and 53 and 54 are included with the transmission assembly.

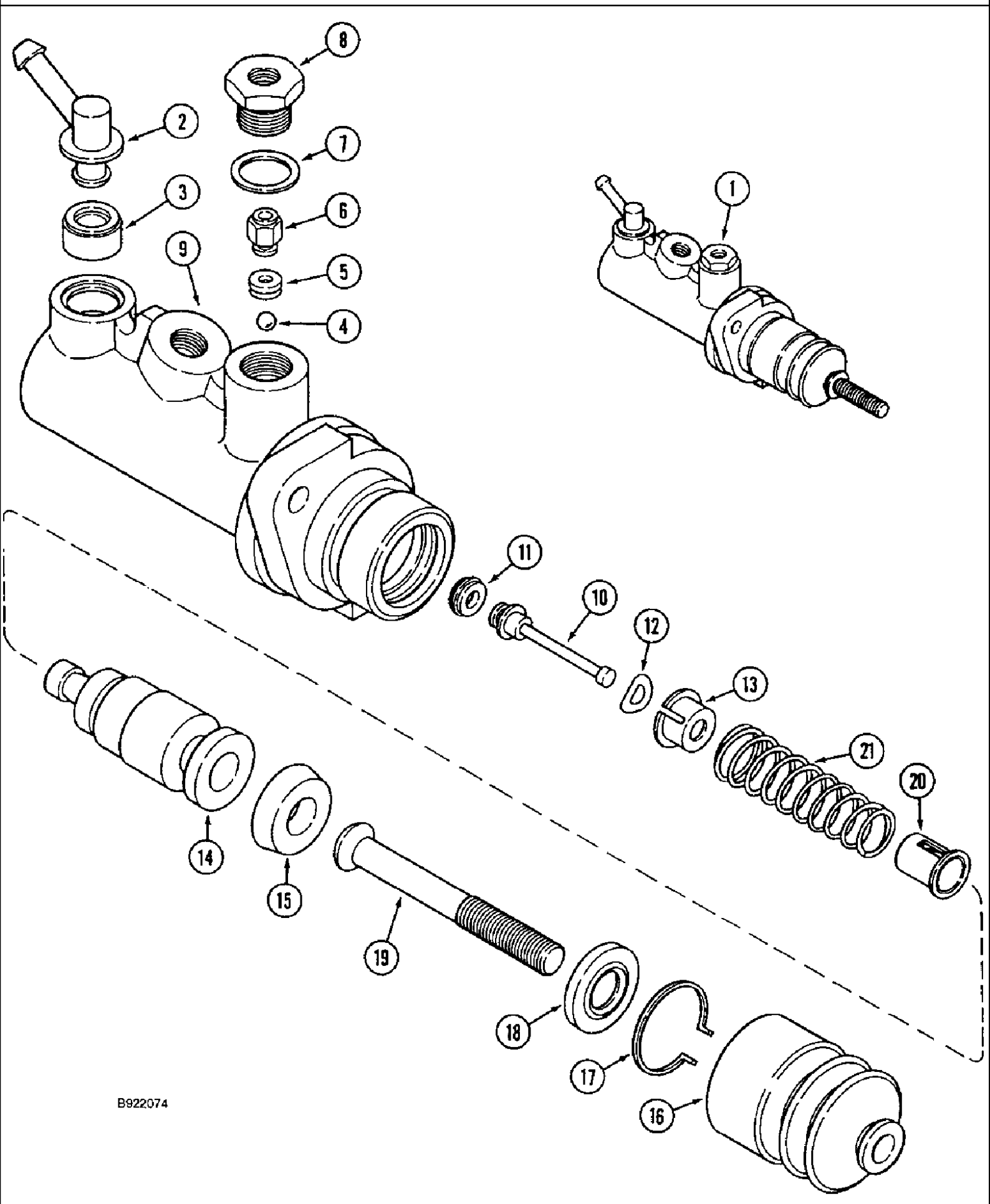
7-08 MASTER BRAKE CYLINDERS RESERVOIR, CONNECTIONS AND MOUNTING



## 7-08 MASTER BRAKE CYLINDERS RESERVOIR, CONNECTIONS AND MOUNTING

сылка	Номер детали	Кол-во	Описание
1	1281890C2	1	RESERVOIR, brake fluid
2	214-1704	6	CLAMP, HOSE, #4, 0.25/0.62 Type M Worm, Adjustable
3	1281889C1	1	HOSE, return, 24 in., 610 mm, long
4	198824C1	1	GROMMET, rubber brake hose
5	1285312C1	1	TEE, FITTING, stem, Y type
6	1281888C1	2	HOSE, return, 6 in., 152 mm, long
7	1281891C1	1	CLAMP, reservoir mounting, brake fluid
8	260-1458	2	SCREW, SELF TAPPING, Cross Pan Hd, #10 x 1/2", self tapping, pan Phillips, No.10 - 16 x 1/2 in.
10	REF	2	INSTRUCTION, CYLINDER master, see parts list Fig. 7-10
11	409-7516	4	BOLT, Hex Flg, 5/16"-18 x 1", Serr,
12	231-5145	4	NUT, Flg, USR, 5/16"-18,
13	1327561C2	1	SUPPORT, master brake cylinder
14	477-73812	3	SCREW, Sltd Serr Truss Hd, 3/8" x 3/4", slotted truss head, special, 3/8 NC x 3/4 in.
14	477-73820	1	SCREW, Sltd Serr Truss Hd, 3/8"-16 x 1 1/4", slotted truss head, special, 3/8 NC x 1-1/4 in.
15	495-11041	1	WASHER, 3/8", SAE, Flat, (13/32 x 13/16 x 1/16")
16	231-5146	5	NUT, Flg, USR, 3/8"-16,
17	1281885C1	1	PIPE, TUBE equalizer
18	1546436C1	2	FITTING, ADAPTER straight, 7/16 - 20 in. flare x O-ring boss, purchase O-ring separately
19	237-3004	2	O-RING, 4-1, CI 3, .351" ID x .072" Thk,
20	218-5228	2	ELBOW, 90°, 7/16"-20, 37° x 7/16"-20, 37° Fem Sw, ELBOW, 90 deg., 7/16 - 20 in. flare x swivel
23	1321476C2	1	PIPE, TUBE, brake, upper right hand
24	1321475C2	1	PIPE, TUBE, brake, upper left hand
25	1321514C1	1	PIPE, TUBE, brake, lower right hand
26	1321513C1	1	PIPE, TUBE, brake, lower left hand
27	1321511C2	2	PIPE, TUBE, brake, center
28	218-441	2	CONNECTOR, HYD., 7/16"-20, 37° x 1/8"-27, NPTF, straight, 7/16 - 20 flare x 1/8 in. PT

7-10 MASTER BRAKE CYLINDER ASSEMBLY



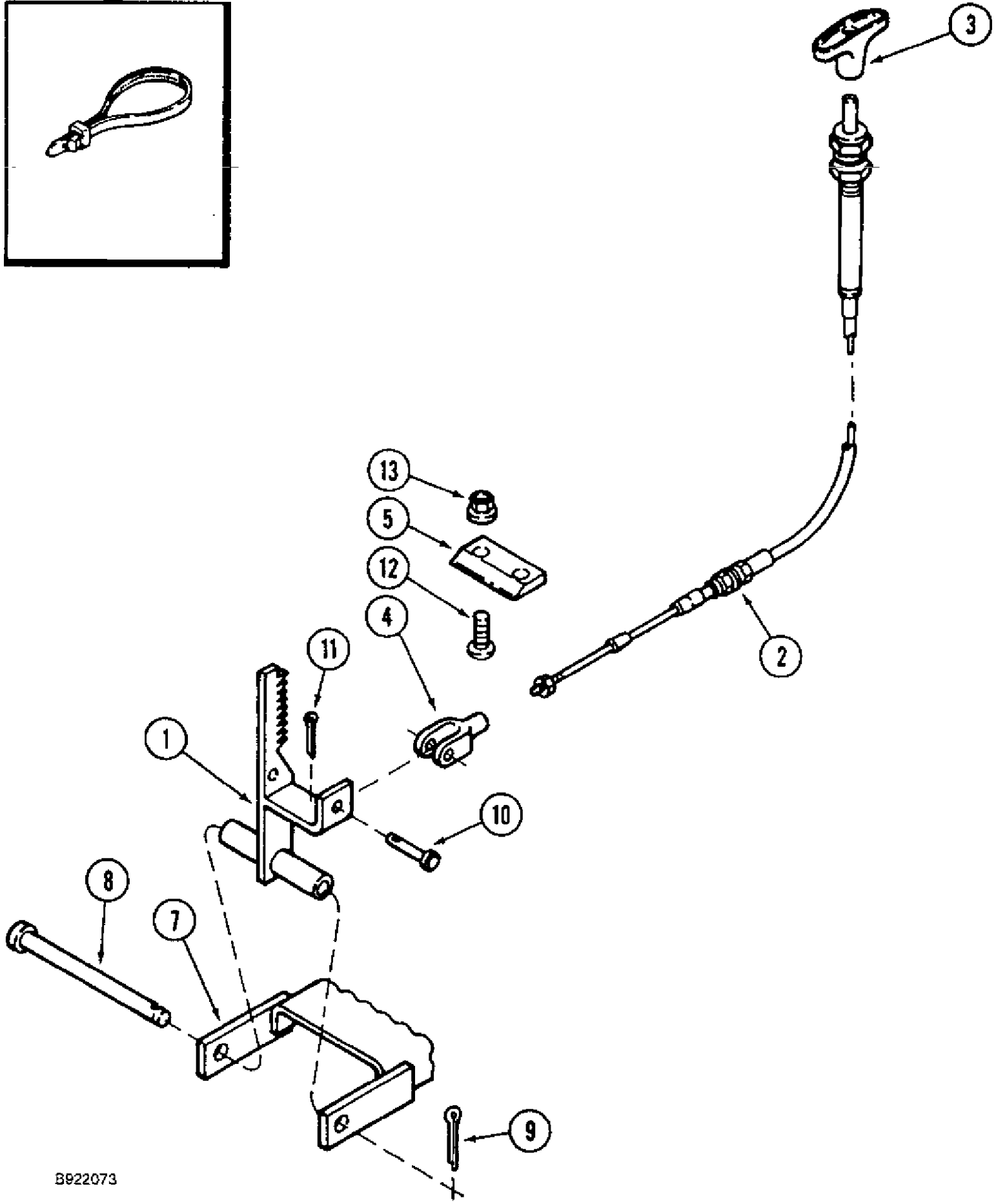
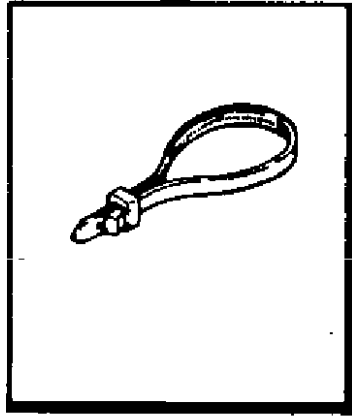
B922074

## 7-10 MASTER BRAKE CYLINDER ASSEMBLY

сылка	Номер детали	Кол-во	Описание
1	1281884C91	2	CYLINDER, ASSY., 1 (25) ID x 1-1/2 inch (37 mm) stroke, master brake, Includes: Ref. 2 thru 21
	85108C1	1	KIT, inlet port seal and connector, Includes: Ref. 2 and 3
2	NSS	1	NOT SERVICED SEPARATELY, CONNECTOR port inlet
3	NSS	1	NOT SERVICED SEPARATELY, SEAL adapter , Part of master brake cylinder repair kit 1288941C91
4	NSS	1	NOT SERVICED SEPARATELY, BALL valve , Part of master brake cylinder repair kit 1288941C91
5	NSS	1	NOT SERVICED SEPARATELY, SEAL flow valve , Part of master brake cylinder repair kit 1288941C91
6	NSS	1	NOT SERVICED SEPARATELY, VALVE flow
7	NSS	1	NOT SERVICED SEPARATELY, GASKET adapter , Part of master brake cylinder repair kit 1288941C91
8	NSS	1	NOT SERVICED SEPARATELY, ADAPTER flow valve
9	NSS	1	NOT SERVICED SEPARATELY, BODY brake
10	NSS	1	NOT SERVICED SEPARATELY, STEM valve
11	NSS	1	NOT SERVICED SEPARATELY, SEAL center valve , Part of master brake cylinder repair kit 1288941C91
12	NSS	1	NOT SERVICED SEPARATELY, WASHER curved , Part of master brake cylinder repair kit 1288941C91
13	NSS	1	NOT SERVICED SEPARATELY, SPACER valve
14	NSS	1	NOT SERVICED SEPARATELY, PLUNGER valve
15	NSS	1	NOT SERVICED SEPARATELY, SEAL gland , Part of master brake cylinder repair kit 1288941C91
16	85109C1	1	BELLOWS, BOOT master brake cylinder , Part of master brake cylinder repair kit 1288941C91
17	NSS	1	NOT SERVICED SEPARATELY, RING retaining , Part of master brake cylinder repair kit 1288941C91
18	NSS	1	NOT SERVICED SEPARATELY, WASHER retaining
19	NSS	1	NOT SERVICED SEPARATELY, ROD push
20	NSS	1	NOT SERVICED SEPARATELY, RETAINER spring
21	NSS	1	NOT SERVICED SEPARATELY, SPRING return
	1288941C91		UAR PACKAGE, REPAIR, KIT master brake cylinder, Includes: Ref. 3, 4, 5, 7, 11, 12, 15, 16 and 17

7-12 PARKING BRAKE

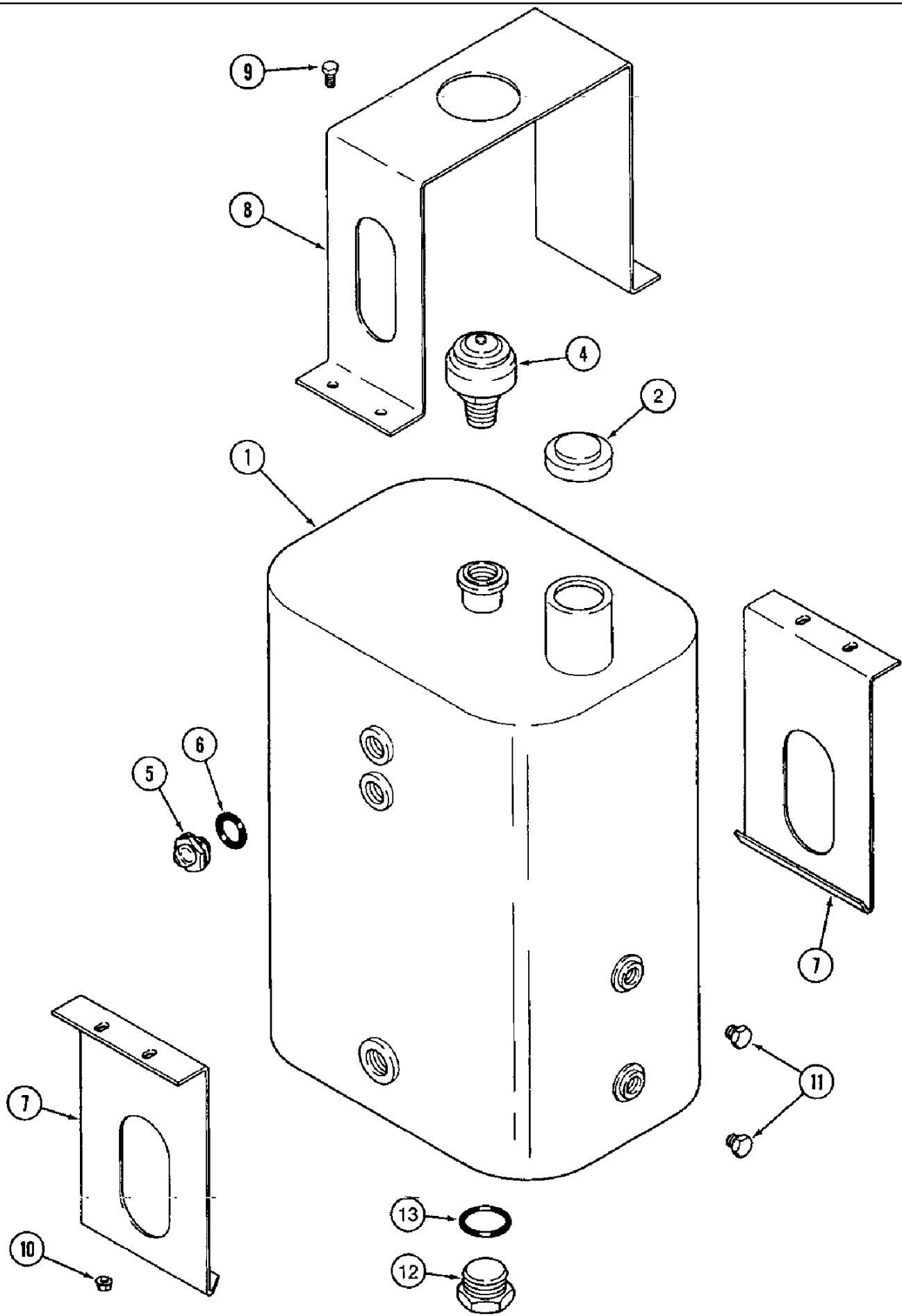
6



B922073

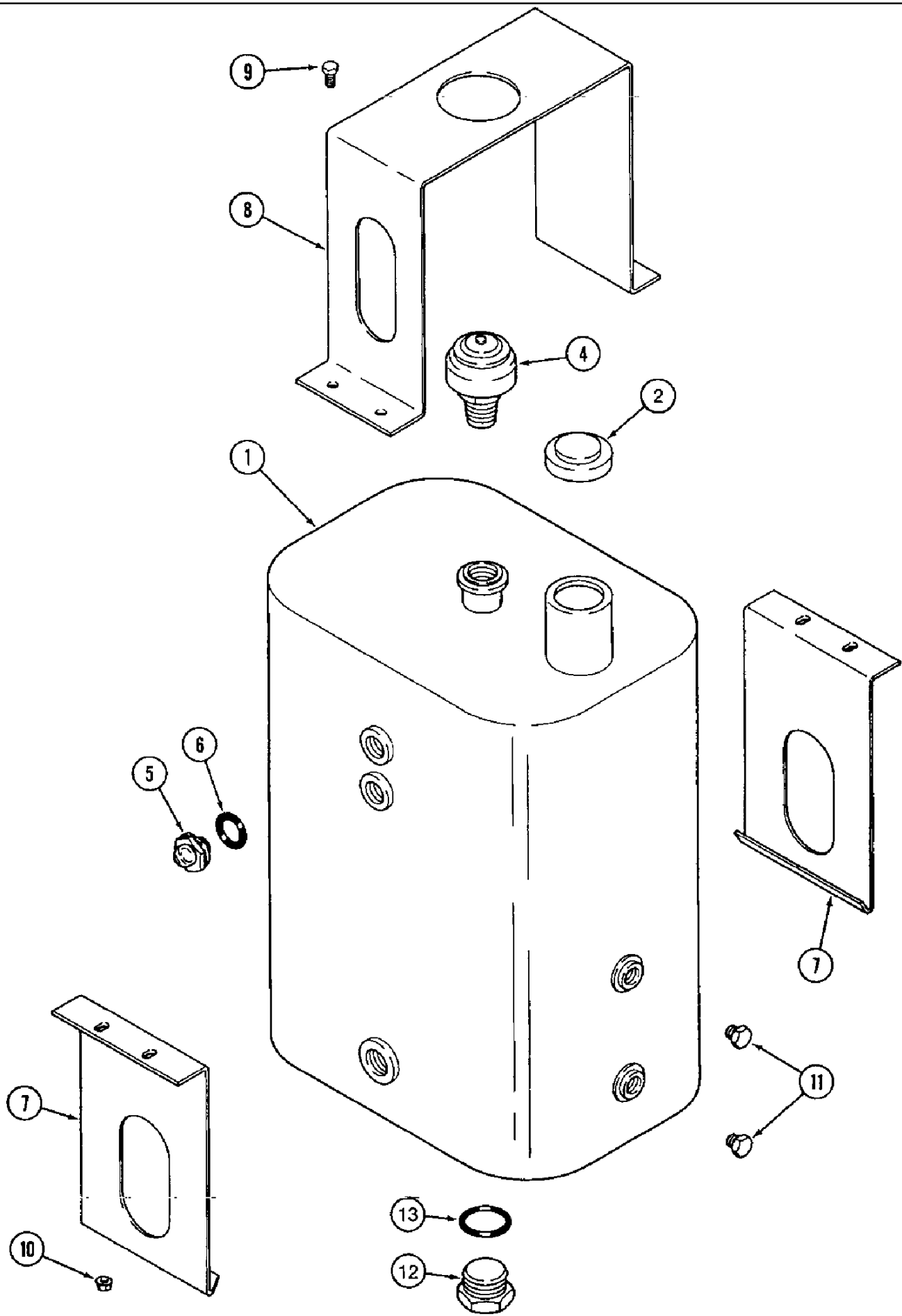
## 7-12 PARKING BRAKE

сылка	Номер детали	Кол-во	Описание
1	1277202C1	1	PLATE, SECTOR parking brake
2	166149C91	1	CABLE, ASSY., parking brake, 125 in., Includes: Ref. 3
3	170273C1	1	HANDLE, control, parking brake cable
4	213-113	1	CLEVIS, ADJUSTABLE, #10-32, adjustable, No. 10 NF parking brake cable, replaces 117824
5	177802C1	1	BAR, parking brake ratchet
6	702093C1	5	STRAP, CABLE, tie, 3 in. maximum, parking vrake cable
7	REF	1	INSTRUCTION, SUPPORT, brake actuator, see parts list Fig. 7-06
8	631252R1	1	PIN, HEADED, 3/8" x 4 1/8", headed, 3/8 x 4-1/8 in.
9	432-812	1	PIN, SPLIT (COTTER), 1/8" x 3/4",
10	427-3103	1	PIN, CLEVIS, 3/16" x 1 1/32", hardened, 3/16 x 1-1/32 in.
11	432-48	1	PIN, SPLIT (COTTER), 1/16" x 1/2",
12	477-73112	2	BOLT, Slotted Tr Hd, 5/16"-18 x 3/4",
13	231-5145	2	NUT, Flg, USR, 5/16"-18,





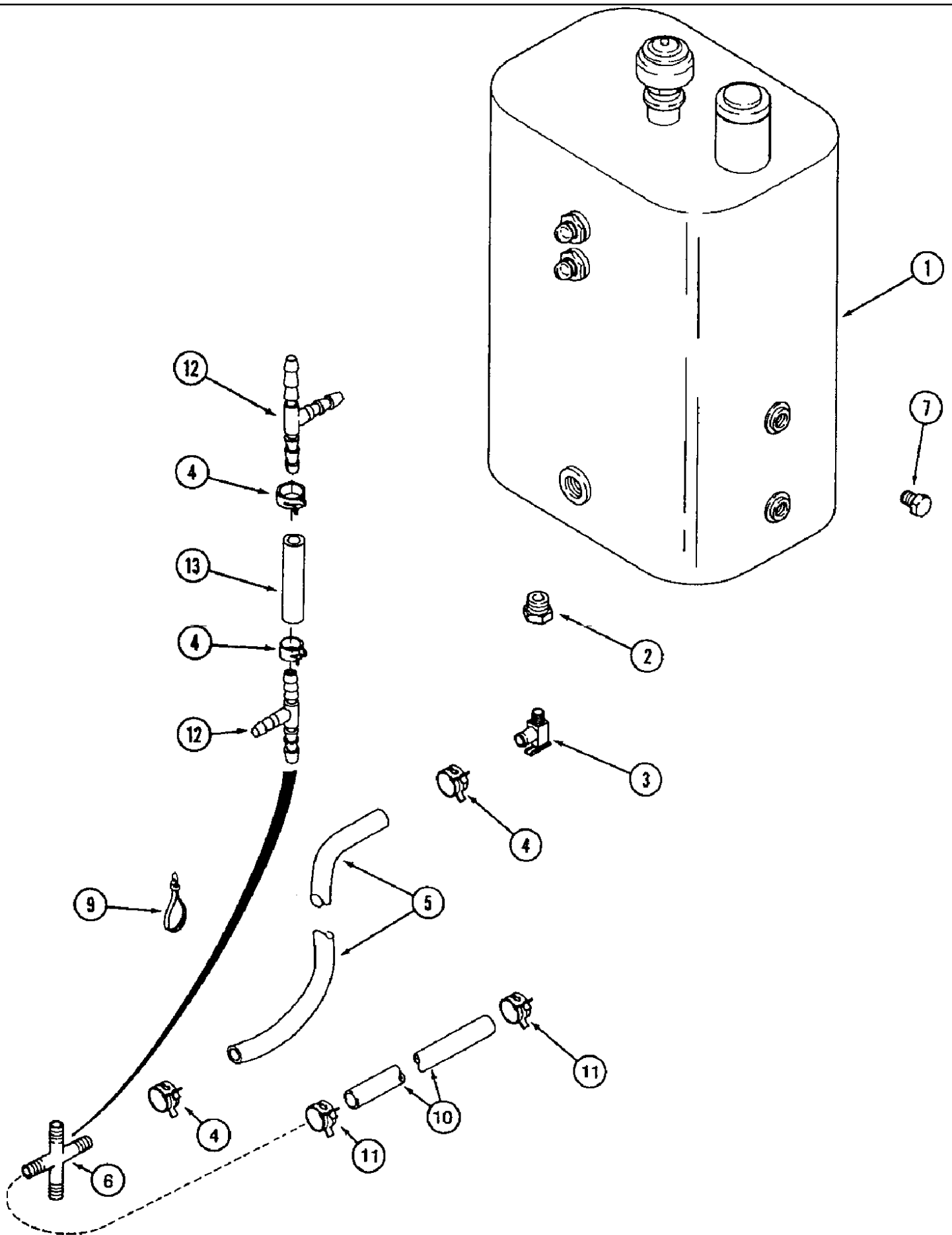
сылка	Номер детали	Кол-во	Описание
	1343660C1	1	RESERVOIR, ASSEMBLY, hydraulic oil, 10 gallon, Includes: Ref. 1 thru 6
1	NSS	1	NOT SERVICED SEPARATELY, TANK hydraulic reservoir
2	1272941C1	1	CAP, breather, non vented, replaces 1346309C1, Includes: Ref. 3
3	104407A1	1	SCREEN, filter, fill cap, not shown
4	923745C91	1	BREATHER ASSY., reservoir
5	244600R92	2	SIGHTGLASS, GAUGE oil level
6	238-5114	2	O-RING, -114, 70 Duro, .612" ID x .103" Thk,
7	1979829C1	2	SUPPORT, hydraulic reservoir
8	1347146C1	1	CLAMP, reservoir
9	409-7512	4	BOLT, Hex Flg, 5/16"-18 x 3/4", Serr,
10	231-5145	4	NUT, Flg, USR, 5/16"-18,
11	217-411	2	PLUG, Hex Hd, 1/2"-14,
12	218-5161	1	PLUG, Hex Hd, 1 5/8"-12 ORB, hex, 1-5/8-12 inch O-ring boss, Includes: Ref. 13
13	237-6020	1	O-RING, 20-1, 90 Duro, 1.475" ID x .118" Thk,



B9306025A

сылка	Номер детали	Кол-во	Описание
	1343660C2	1	TANK, HYDRAULIC OIL, RESERVOIR ASSY., 10 gallon, Includes: Ref. 1 thru 6
1	NSS	1	NOT SERVICED SEPARATELY, TANK, hydraulic reservoir and after
2	1272941C2	1	BREATHER, reservoir, non vented, Includes: Ref. 3
3	104407A1	1	SCREEN, filter, fill cap, not shown
4	923745C91	1	BREATHER ASSY., reservoir
5	132865A1	2	SIGHTGLASS, GAUGE, oil level
6	238-5114	2	O-RING, -114, 70 Duro, .612" ID x .103" Thk,
7	1979829C1	2	SUPPORT, hydraulic reservoir
8	1347146C1	1	CLAMP, reservoir
9	409-7512	4	BOLT, Hex Flg, 5/16"-18 x 3/4", Serr,
10	231-5145	4	NUT, Flg, USR, 5/16"-18,

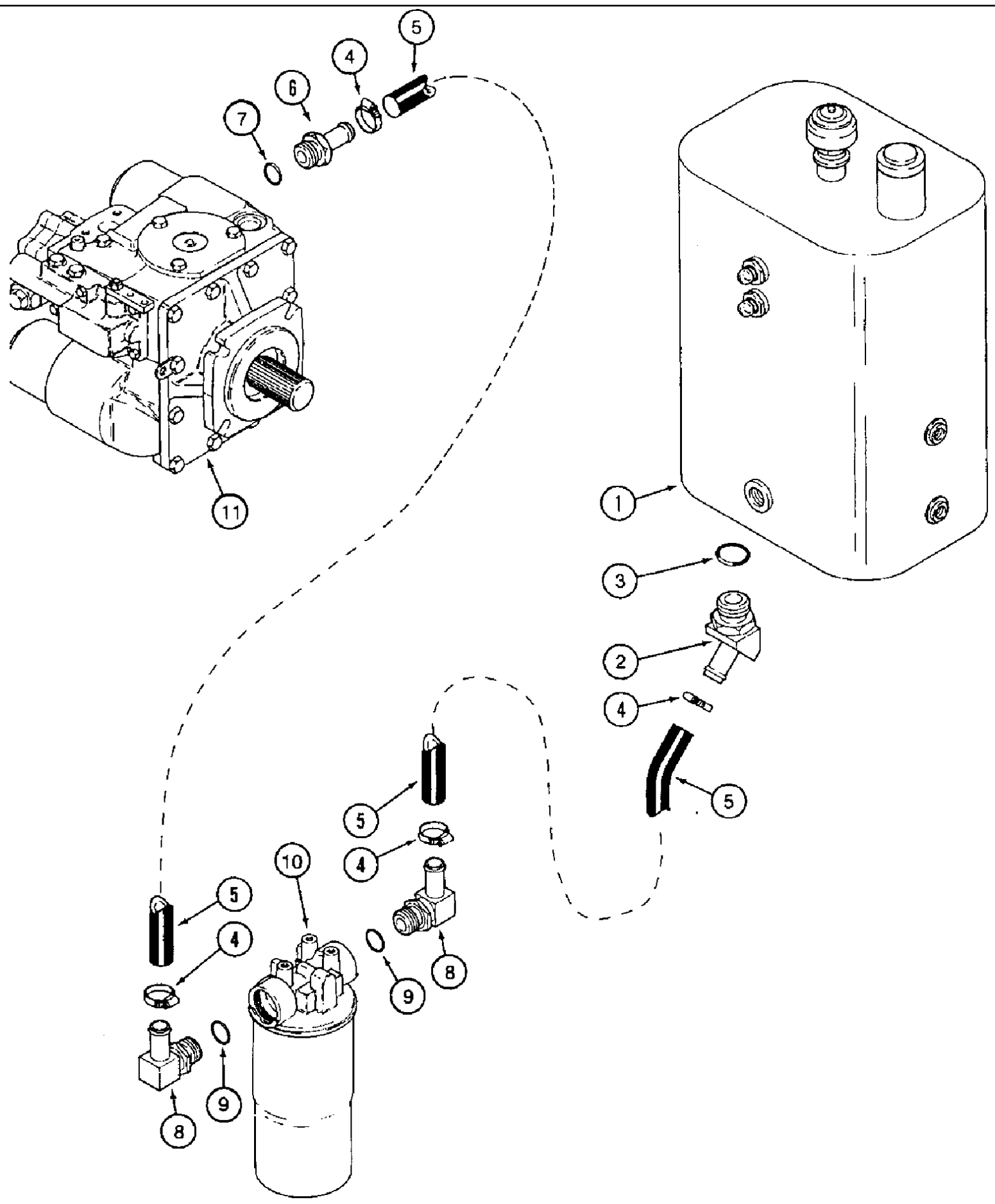
8-04 HYDRAULIC RESERVOIR DRAIN



## 8-04 HYDRAULIC RESERVOIR DRAIN

сылка	Номер детали	Кол-во	Описание
1	1343660C1	1	RESERVOIR, ASSY., hydraulic oil, 10 gallon, see Fig. 8-02
2	217-44	1	REDUCER, 1/2"-14 NPTF x 3/8"-18 Fem NPTF, REDUCER, 1/2 PT x 3/8 in. female PT
3	301803R1	1	VALVE, SHUT-OFF, reservoir drain
4	1954736C1	2	CLAMP, HOSE, adjustable
5	1347032C2	1	HOSE, reservoir oil drain, 53 - 1/8 in. (1350 mm) long, cut from 1977295CX bulk hose, see below
6	1977169C1	1	TEE, oil drain, no longer available, order 2 of Ref.12 1977169C1 tee, 1 of Ref. 13 1347070C2 hose, 2 of Ref. 4 1954736C1 clamp
7	217-411	2	PLUG, Hex Hd, 1/2"-14,
8	702093C1	2	STRAP, CABLE, tie, 3 in. maximum, nylon, retaining
9	119254A1	1	CROSS, oil drain
10	1977294C3	1	HOSE, oil drain, 22 - 7/8 in. (580 mm) long, cut from 1977295CX bulk hose PTO, see below
11	1954736C1	2	CLAMP, HOSE, adjustable, replaced 112700R1 hose
12	1977169C1	2	TEE, oil drain
13	1347070C2	1	HOSE, LARGE, 3 in. (75 mm) long, cut from 1977295CX bulk hose, see below
	1977295CX		UAR HOSE, LARGE, bulk, 5/8 (16) x 7/8 (22) x 600 in. (15240 mm) long, used for Ref. 5, 10 and 13

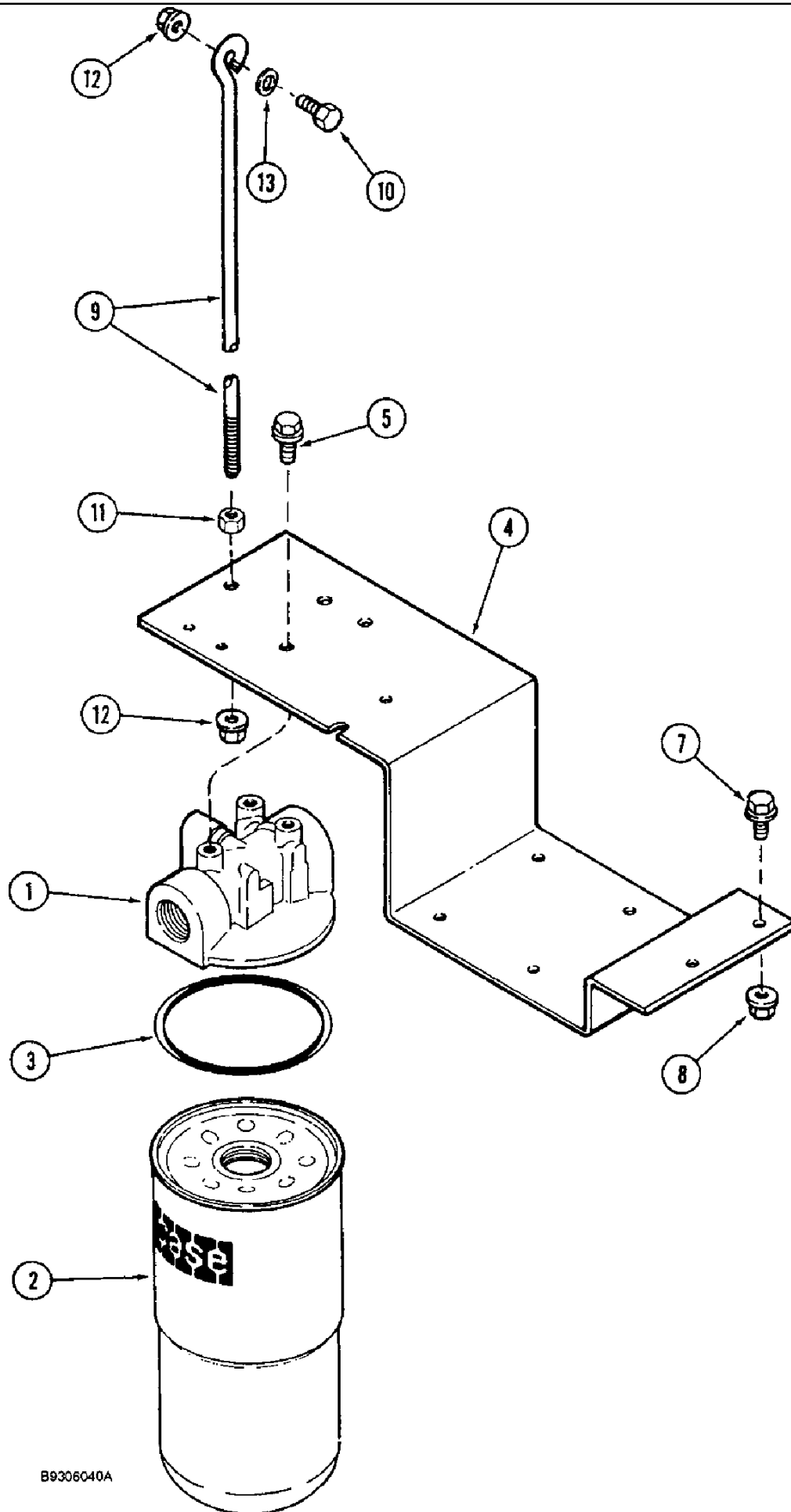
8-06 HYDROSTATIC PUMP SYSTEM, RESERVOIR TO PUMP



## 8-06 HYDROSTATIC PUMP SYSTEM, RESERVOIR TO PUMP

сылка	Номер детали	Кол-во	Описание
1	1343660C1	1	RESERVOIR, ASSY., hydraulic oil, 10 gallon, see Fig.8-02
2	217-317	1	FITTING, 45e, 1 1/4" Hose x 1 5/8"-12 ORB Beaded, 45 deg., 1-1/4 stem end x 1-5/8 - 12 in. adj. O-ring boss, Includes: Ref. 3
3	237-6020	1	O-RING, 20-1, 90 Duro, 1.475" ID x .118" Thk,
4	214-3232	4	CLAMP, HOSE, 1.25/2.125 HD Worm, W/liner, Adjustable
5	1541688C1	2	HOSE, FLEXIBLE, 26 in. (660 mm) long, cut from 1541953C1 bulk hose charge pump suction, see below
6	217-184	1	FITTING, 1 1/4" Hose X 1 5/16"-12 ORB, Beaded, Includes Ref. 7
7	237-6016	1	O-RING, 16-1, 90 Duro, 1.171" ID x .118" Thk,
8	217-355	2	FITTING, 90e, 1 1/4" Hose x 1 5/8"-12 ORB Beaded, Adjustable, Includes Ref. 9
9	237-6020	1	O-RING, 20-1, 90 Duro, 1.475" ID x .118" Thk,
10	87784C91	1	FILTER ASSY., hydrostatic charge pump, suction, see Figs. 8-10
11	REF	1	INSTRUCTION, PUMP ASSY., hydrostatic parts see Figs. 6-16 to 6-25A
	1541953C1		UAR HOSE, bulk, 1-1/4, 32 mm, ID x 300 in. (7620 mm) long, used for Ref. 5

8-08 HYDRAULIC SYSTEM RETURN FILTER, CORN, GRAIN AND RICE COMBINE, FILTER MOUNTING



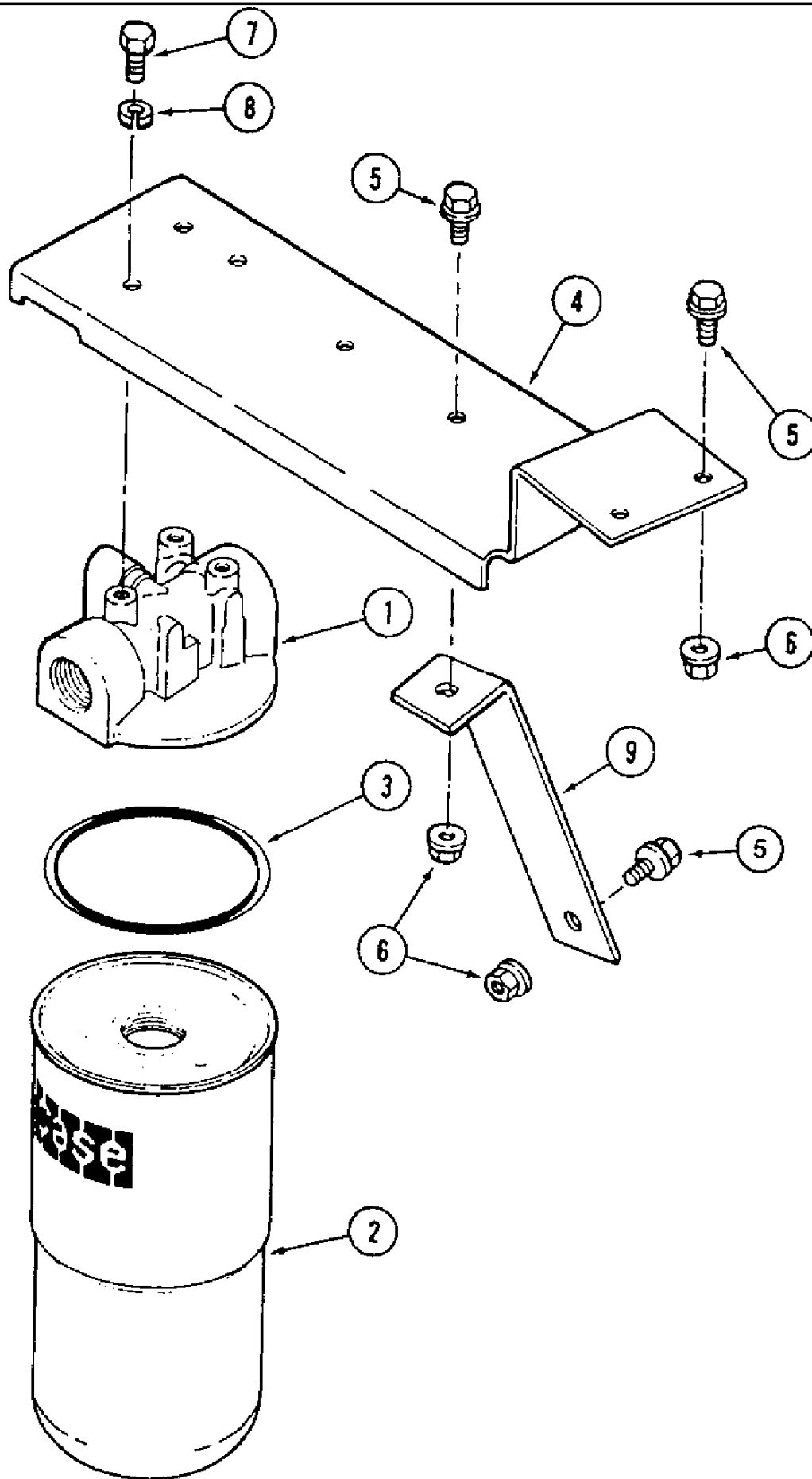
B9306040A



## 8-08 HYDRAULIC SYSTEM RETURN FILTER, CORN, GRAIN AND RICE COMBINE, FILTER MOUNTING

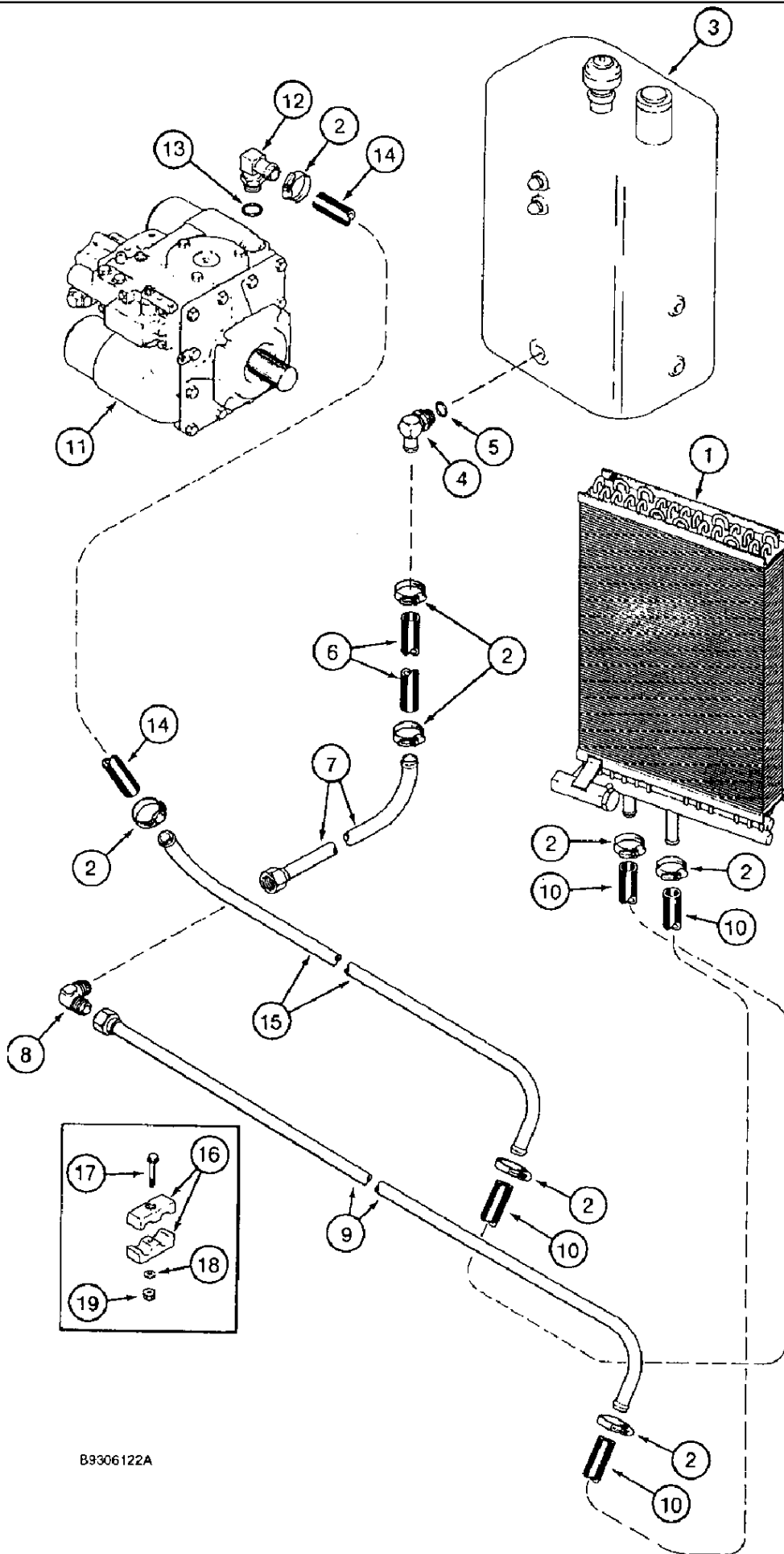
сылка	Номер детали	Кол-во	Описание
	87784C91	1	FILTER ASSY., hydraulic system return, used with corn, grain and rice units, Includes: Ref. 1, 2, and 3
1	NSS	1	NOT SERVICED SEPARATELY, HEAD filter, part of kit 1329214C1, see below
2	A177605	1	FILTER, HYDRAULIC OIL, element , Part of filter element kit 1329214C1
3	93196C1	1	O-RING, GASKET filter element , Part of filter element kit 1329214C1
4	1989296C3	1	SUPPORT, BRACKET mounting, return filter
5	409-7612	3	BOLT, Hex Flg, 3/8"-16 x 3/4", Serr, Return filter mounting
7	409-7616	2	BOLT, Hex Flg, 3/8"-16 x 1", Serr, Return filter mounting
8	231-5146	2	NUT, Flg, USR, 3/8"-16,
9	1541545C2	1	STEM, ROD, return filter mounting
10	413-616	1	BOLT, Hex, 3/8"-16 x 1", G5, Full Thd, hex, 3/8 NC x 1 in., return filter mounting
11	425-106	1	NUT, 3/8"-16, G5, Return filter mounting
12	231-5146	2	NUT, Flg, USR, 3/8"-16, Return filter mounting
13	495-71041	1	WASHER, 3/8", flat, 13/32 x 1-1/4 x 3/32 in., return filter mounting
	1329214C1	1	KIT, SERVICE, KIT filter element, Includes: Ref. 2 & 3

8-10 HYDRAULIC CHARGE PUMP FILTER, CHARGE FILTER MOUNTING



## 8-10 HYDRAULIC CHARGE PUMP FILTER, CHARGE FILTER MOUNTING

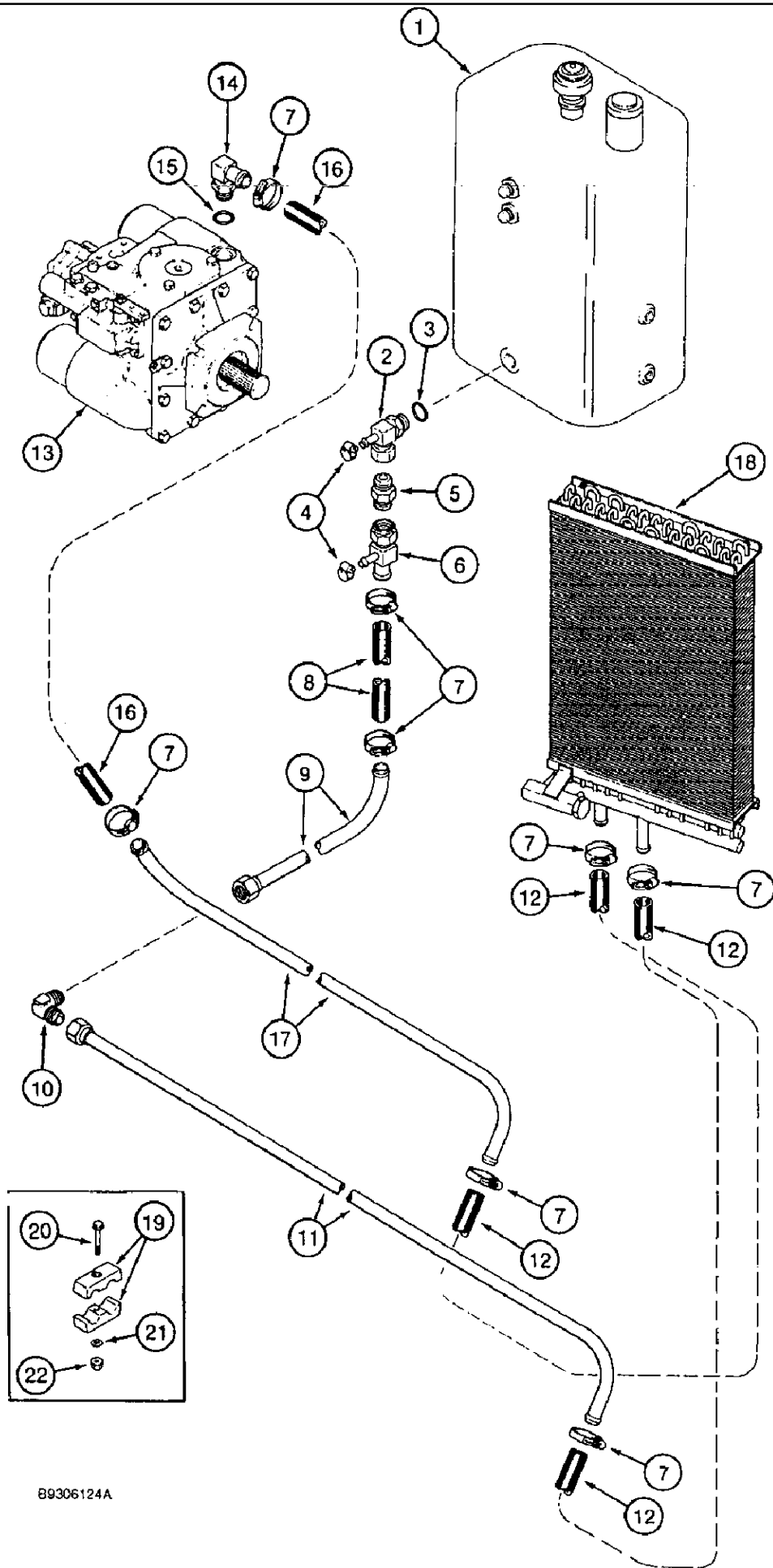
сылка	Номер детали	Кол-во	Описание
	87784C91	1	FILTER ASSY., PUMP charge, used with corn, grain and rice units, charge pump filter, Includes: Ref. 1, 2, and 3
1	NSS	1	NOT SERVICED SEPARATELY, HEAD filter, charge pump filter
2	A177605	1	FILTER, HYDRAULIC OIL, ELEMENT, charge pump filter, Part of filter element kit 1329214C1
3	93196C1	1	O-RING, GASKET filter element, charge pump filter, Part of filter element kit 1329214C1
4	1347113C2	1	SUPPORT, BRACKET mounting, charge filter mounting
5	409-7616	4	BOLT, Hex Flg, 3/8"-16 x 1", Serr, Charge filter mounting
6	231-5146	4	NUT, Flg, USR, 3/8"-16, Charge filter mounting
7	413-610	3	BOLT, Hex, 3/8"-16 x 5/8", G5, Full Thd, BOLT hex, 3/8 NC x 5/8 in., charge filter mounting
8	492-11038	2	WASHER, LOCK, 3/8", Charge filter mounting
9	1347116C2	1	SUPPORT, BRACKET, charge filter, charge filter mounting
	1329214C1	1	KIT, SERVICE, KIT filter, Includes Ref. 2 and 3, charge filter mounting



B3306122A

## 8-12 OIL COOLER SYSTEM, CORN AND GRAIN COMBINE, WITHOUT POWER GUIDE AXLE

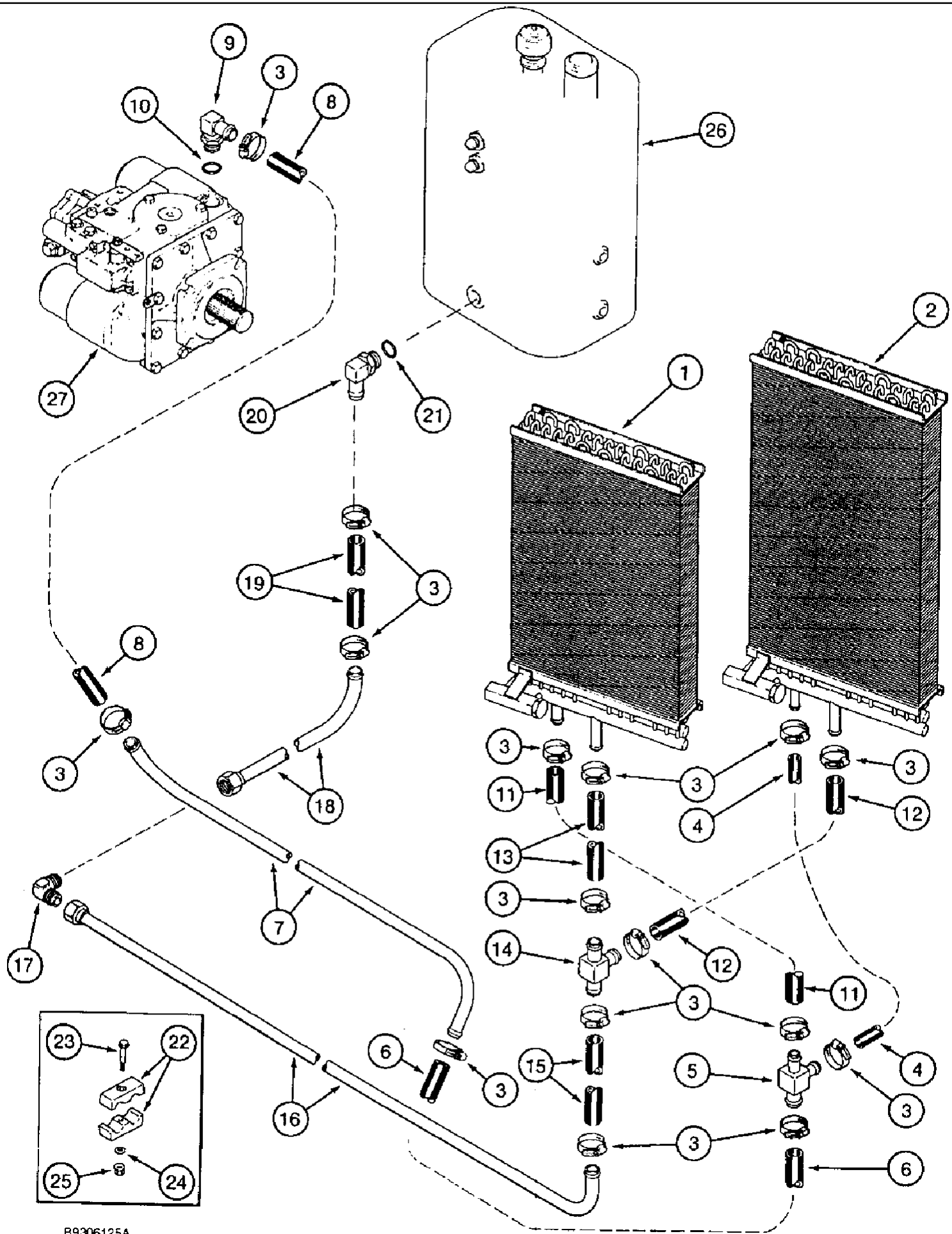
сылка	Номер детали	Кол-во	Описание
1	111078A3	1	COOLER, ASSY., hydraulic oil, see Fig. 8-20
2	214-1516	8	CLAMP, HOSE, #16, .81/1.50 Type F Worm, W/liner, Adjustable
3	1343660C1	1	RESERVOIR, ASSY., hydraulic oil, 10 gallon, See Fig. 8-02
4	217-352	1	FITTING, 90e, 1" Hose x 1 5/16"-12 ORB Beaded, 90 deg., 1 stem end x 1-5/16-12 in. adj. O-ring boss, Includes: Ref. 5
5	237-6016	1	O-RING, 16-1, 90 Duro, 1.171" ID x .118" Thk,
6	1979763C2	1	HOSE, cooler to reservoir, 15-1/2 in. (394 mm) long, cut from 364361C1 bulk hose, see below
7	1979731C1	1	TUBE, cooler return
8	218-478	1	ELBOW, 90e, 1 5/16"-12, 37e x 1 5/16"-12, 37e, ELBOW, 90 deg., 1-5/16-12 in. flare x flare
9	1324941C1	1	PIPE ASSY., TUBE, oil cooler return
10	121298A1	2	HOSE, FLEXIBLE, 35 in. (890 mm) long, cut from 364361C1 bulk hose at cooler, replaces (1040 mm) length, see below
11	1343716C2	1	HYDROSTATIC PUMP, ASSY., see Figs. 6-16 to 6-25A
12	178995C1	1	ELBOW, 90 deg., special 1 in. barb end x 1-1/16 in. PT, Includes: Ref. 13
13	237-6012	1	O-RING, 12-1, 90 Duro, .924 ID x .118" Thk,
14	1979762C2	1	HOSE, cooler to pump, 27-1/4 in. (610 mm) long, cut from 364361C1 bulk hose, see below
15	1979658C1	1	TUBE, oil cooler supply
16	1347071C1	2	CLAMP, CLAMP, 1 in. O.D.
17	413-536	2	BOLT, Hex, 5/16"-18 x 2 1/4", G5, hex, 5/16 NC x 2-1/4 in., if used
18	495-21038	2	WASHER, 5/16", flat, 3/8 x 7/8 x 3/32 in.
19	231-5145	2	NUT, Flg, USR, 5/16"-18,
	364361C1		UAR HOSE, bulk, 1 (25) ID x 600 in. (15240 mm) long, used for Ref 6, 10 and 14



89306124A

## 8-14 OIL COOLER SYSTEM, CORN AND GRAIN COMBINE, WITH POWER GUIDE AXLE

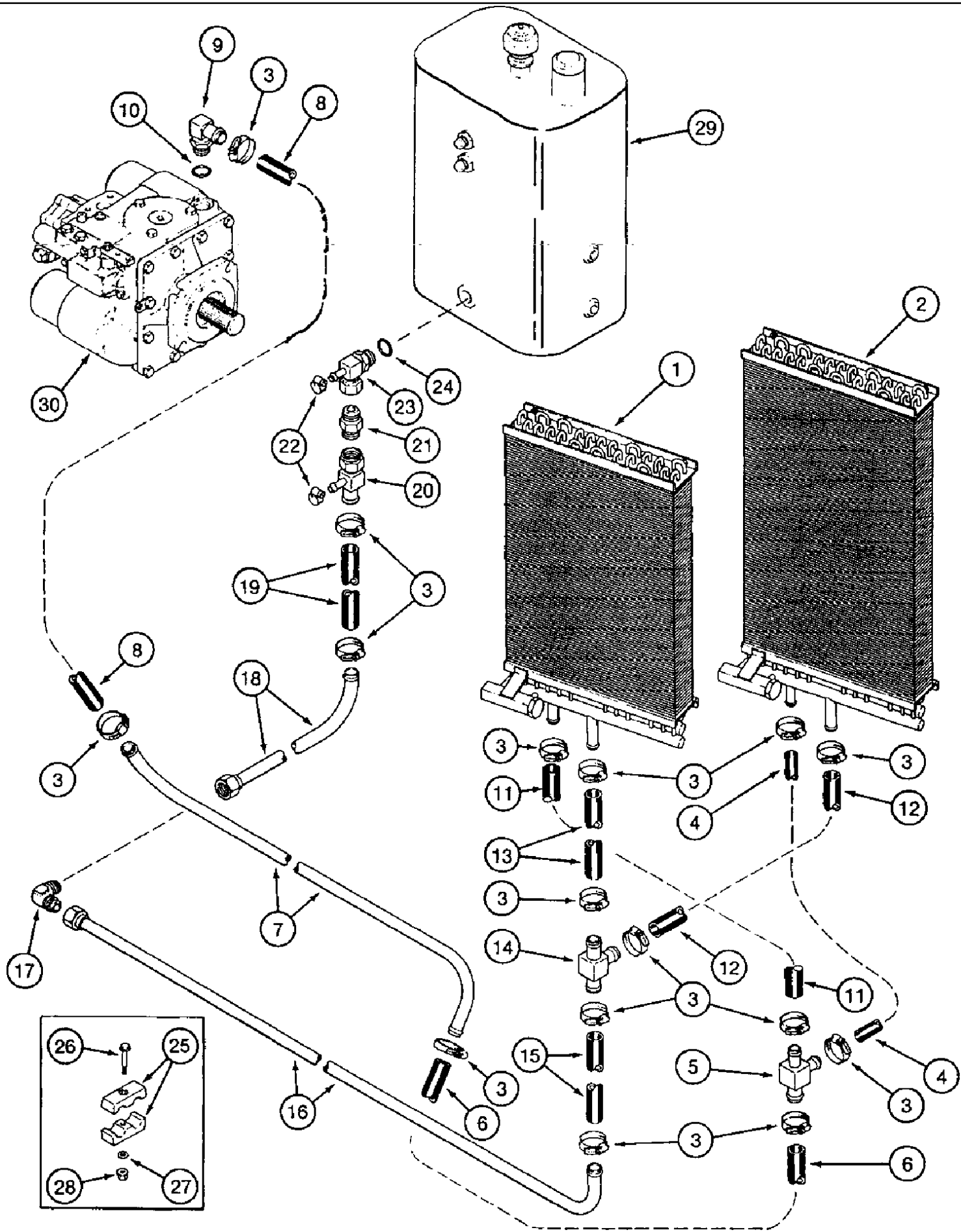
сылка	Номер детали	Кол-во	Описание
1	1343660C1	1	RESERVOIR, ASSY., hydraulic oil, 10 gallon, see Fig. 8-02
2	1979760C1	1	TEE, return, at reservoir
3	237-6016	1	O-RING, 16-1, 90 Duro, 1.171" ID x .118" Thk,
4	214-1404	2	CLAMP, HOSE, #4, 0.25/0.62 Type M Worm, Adj
5	1343558C1	1	VALVE, bypass power guide axle
6	1979655C1	1	TEE, return, hose to bypass valve
7	214-1516	8	CLAMP, HOSE, #16, .81/1.50 Type F Worm, W/liner, Adjustable
8	1979764C2	1	HOSE, cooler return to tee, 10-1/2 in. (367 mm) long, cut from 364361C1 bulk hose, see below
9	1979731C1	1	TUBE, cooler return
10	218-478	1	ELBOW, 90°, 1 5/16"-12, 37° x 1 5/16"-12, 37°, ELBOW, 90 deg., 1-5/16-12 in. flare x flare
11	1324941C1	1	PIPE ASSY., TUBE, oil cooler return
12	121298A1	2	HOSE, FLEXIBLE, at cooler, 35 in. (890 mm) long, cut from 364361C1 bulk hose, replaces (1040 mm) length, see below
13	1343716C2	1	HYDROSTATIC PUMP, ASSY., see Figs. 6-16 to 6-25A
14	178995C1	1	ELBOW, 90 deg., special 1 in. barb end x 1-1/16 in. PT, Includes: Ref. 15
15	237-6012	1	O-RING, 12-1, 90 Duro, .924 ID x .118" Thk,
16	1979762C2	1	HOSE, cooler to pump, 24-1/2 in. (610 mm) long, cut from 364361C1 bulk hose, see below
17	1979658C1	1	TUBE, oil cooler supply
18	111078A3	1	COOLER, ASSY., see Figure 8-20
19	1347071C1	2	CLAMP, CLAMP, 1 in. O.D. tube, retaining
20	413-536	2	BOLT, Hex, 5/16"-18 x 2 1/4", G5, hex, 5/16 NC x 2-1/4 in., if used
21	495-21038	2	WASHER, 5/16", flat, 3/8 x 7/8 x 3/32 in.
22	231-5145	2	NUT, Flg, USR, 5/16"-18,
	364361C1		UAR HOSE, bulk, 1 (25) ID x 600 in. (15240 mm) long, used for Ref. 8, 12 and 16





## 8-16 OIL COOLER SYSTEM, RICE COMBINE, WITHOUT POWER GUIDE AXLE

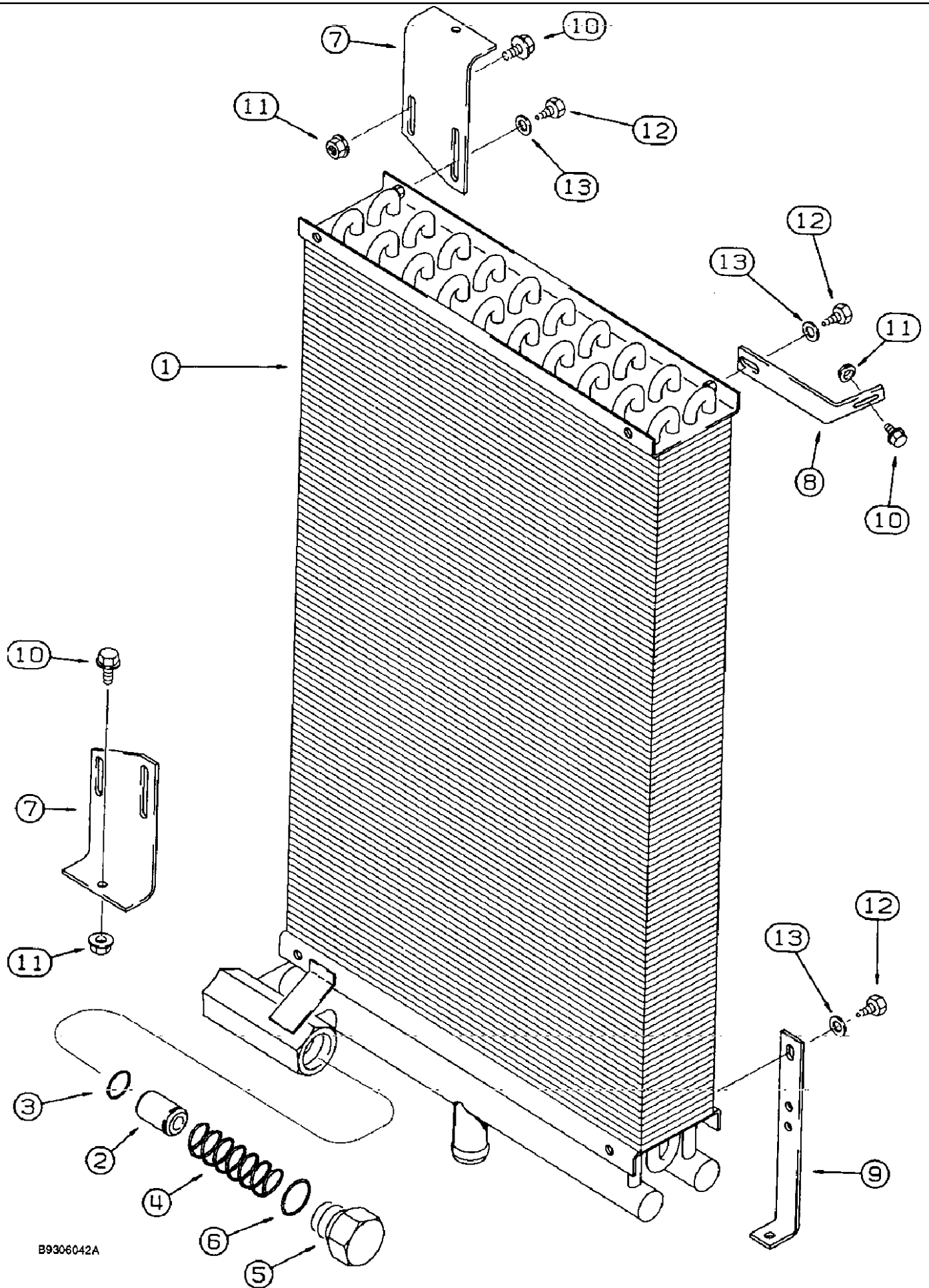
сылка	Номер детали	Кол-во	Описание
1	111078A3	1	COOLER, ASSY., hydraulic oil standard, see Fig. 8-20
2	84659C3	1	COOLER, OIL, ASSY., oil auxiliary, hydraulic, see Fig. 8-22
3	214-1516	16	CLAMP, HOSE, #16, .81/1.50 Type F Worm, W/liner, Adjustable
4	1979766C1	1	HOSE, tee to auxiliary cooler, 16 in. (406 mm) long, cut from 364360C1 bulk hose, see below
5	D55776	1	TEE, hose stem, cooler supply
6	87707C2	1	HOSE, supply pump to auxiliary cooler, 18-7/8 in. (480 mm) long, cut from 364361C1 bulk hose, see below
7	1979658C1	1	TUBE, oil cooler suppl to pump
8	1979762C2	1	HOSE, supply pump to auxiliary cooler, 24-1/4 in. (610 mm) long, cut from 364361C1 bulk hose, see below
9	178995C1	1	ELBOW, 90 deg., special 1 in. barb end x 1-16 in. PT, Includes: Ref. 10
10	237-6012	1	O-RING, 12-1, 90 Duro, .924 ID x .118" Thk,
11	87707C2	1	HOSE, supply tee to standard cooler, 18-7/8 in. (480 mm) long, cut from 364361C1 bulk hose, see below
12	87707C2	1	HOSE, return auxiliary cooler to tee, 18-7/8 in. (480 mm) long, cut from 364361C1 bulk hose, see below
13	1979762C2	1	HOSE, return standard cooler to tee, 24-1/4 in. (610 mm) long, cut from 364361C1 bulk hose, see below
14	1979672C1	1	TEE, cooler return, 1 in. stem end
15	87707C2	1	HOSE, return to reservoir, 18-7/8 in. (480 mm) long, cut from 364361C1 bulk hose, see below
16	1324941C1	1	PIPE ASSY., TUBE, oil cooler return to reservoir
17	218-478	1	ELBOW, 90e, 1 5/16"-12, 37e x 1 5/16"-12, 37e, ELBOW, 90 deg., 1-5/16-12 in. flare x flare
18	1979731C1	1	TUBE, cooler return to reservoir
19	1979762C2	1	HOSE, cooler to reservoir, 15-1/2 in. (394 mm) long, cut from 364361C1 bulk hose, see below
20	217-352	1	FITTING, 90e, 1" Hose x 1 5/16"-12 ORB Beaded, 90 deg., 1 stem end x 1-5/16-12in. adj. O-ring boss
21	237-6016	1	O-RING, 16-1, 90 Duro, 1.171" ID x .118" Thk,
22	1347071C1	2	CLAMP, CLAMP, 1 in. O.D. tube, retaining.
23	413-536	2	BOLT, Hex, 5/16"-18 x 2 1/4", G5, hex, 5/16 NC x 2-1/4 in.
24	495-21038	2	WASHER, 5/16", flat, 3/8 x 7/8 x 3/32 in.
25	231-5145	2	NUT, Flg, USR, 5/16"-18,
26	1343660C1	1	RESERVOIR, ASSY., hydraulic oil, 10 gallon, see Fig. 8-02
27	108113A1	1	HYDROSTATIC PUMP, ASSY., see Figs. 6-16, 6-22 and 6-25A
	364361C1		UAR HOSE, bulk, 1 (25) ID x 600 in. (15240 mm) long, used for Ref., 6, 8, 11, 12, 13, 15 and 19
	364360C1		UAR HOSE, bulk, 3/4 (19) x 600 in. (15240 mm) long, used for Ref., 4



## 8-18 OIL COOLER SYSTEM, RICE COMBINE, WITH POWER GUIDE AXLE

сылка	Номер детали	Кол-во	Описание
1	111078A3	1	COOLER, ASSY., hydraulic oil standard, see Fig. 8-20
2	84659C3	1	COOLER, OIL, ASSY., hydraulic oil, see Fig. 8-22
3	214-1516	16	CLAMP, HOSE, #16, .81/1.50 Type F Worm, W/liner, Adjustable
4	1979766C1	1	HOSE tee to auxiliary cooler, 16 in. (406 mm) long, cut from 364360C1 bulk hose, see below
5	D55776	1	TEE, cooler supply
6	87707C2	1	HOSE, supply pump to auxiliary cooler, 18-7/8 in. (480 mm) long, cut from 364361C1 bulk hose, see below
7	1979658C1	1	TUBE, oil cooler supply to pump
8	1979762C2	1	HOSE, supply pump to auxiliary cooler, 24-1/4 in. (610 mm) long, cut from 364361C1 bulk hose, see below
9	178995C1	1	ELBOW, 90 deg., special 1 in. barb end x 1-1/16 in. PT, Includes: Ref. 10
10	237-6012	1	O-RING, 12-1, 90 Duro, .924 ID x .118" Thk,
11	87707C2	1	HOSE, supply tee to standard cooler, 18-7/8 in. (480 mm) long, cut from 364361C1 bulk hose, see below
12	87707C2	1	HOSE, return auxiliary cooler to tee, 18-7/8 in. (480 mm) long, cut from 364361C1 bulk hose, see below
13	1979762C2	1	HOSE, return standard cooler to tee, 24-1/4 in. (610 mm) long, cut from 364361C1 bulk hose, see below
14	1979672C1	1	TEE, 1 in. stem end, cooler return
15	87707C2	1	HOSE, return to reservoir, 18-7/8 in. (480 mm) long, cut from 364361C1 bulk hose, see below
16	1324941C1	1	PIPE ASSY., TUBE, oil cooler return to reservoir
17	218-478	1	ELBOW, 90°, 1 5/16"-12, 37° x 1 5/16"-12, 37°, ELBOW, 90 deg., 1-5/16-12 in. flare x flare
18	1979731C1	1	TUBE, cooler return
19	1979764C2	1	HOSE, cooler return to tee, 10-1/2 in. (267 mm) long, cut from 364361C1 bulk hose, see below
20	1979655C1	1	TEE, return, hose to bypass valve
21	1343558C1	1	VALVE, bypass power guide axle
22	214-1404	2	CLAMP, HOSE, #4, 0.25/0.62 Type M Worm, Adj
23	1979760C1	1	TEE, return, at reservoir, Includes: Ref. 24
24	237-6016	1	O-RING, 16-1, 90 Duro, 1.171" ID x .118" Thk,
25	1347071C1	2	CLAMP, CLAMP, 1 in. O.D. tube, retaining
26	413-536	2	BOLT, Hex, 5/16"-18 x 2 1/4", G5, hex, 5/16 NC x 2-1/4 in.
27	495-21038	2	WASHER, 5/16", flat, 3/8 x 7/8 x 3/32 in.
28	231-5145	2	NUT, Flg, USR, 5/16"-18,
29	1343660C1	1	RESERVOIR, ASSY., hydraulic oil, 10 gallon, see Fig. 8-02
30	108113A1	1	HYDROSTATIC PUMP, ASSY., see Figures 6-16, 6-22 and 6-25A
	364361C1		UAR HOSE, bulk, 1 (25) ID x 600 in. (15240 mm) long, used for Ref. 6, 8, 11, 12, 13, 15 and 19
	364360C1		UAR HOSE, bulk, 3/4 (19) x 600 in. (15240 mm) long, used for Ref. 4

8-20 OIL COOLER AND MOUNTING

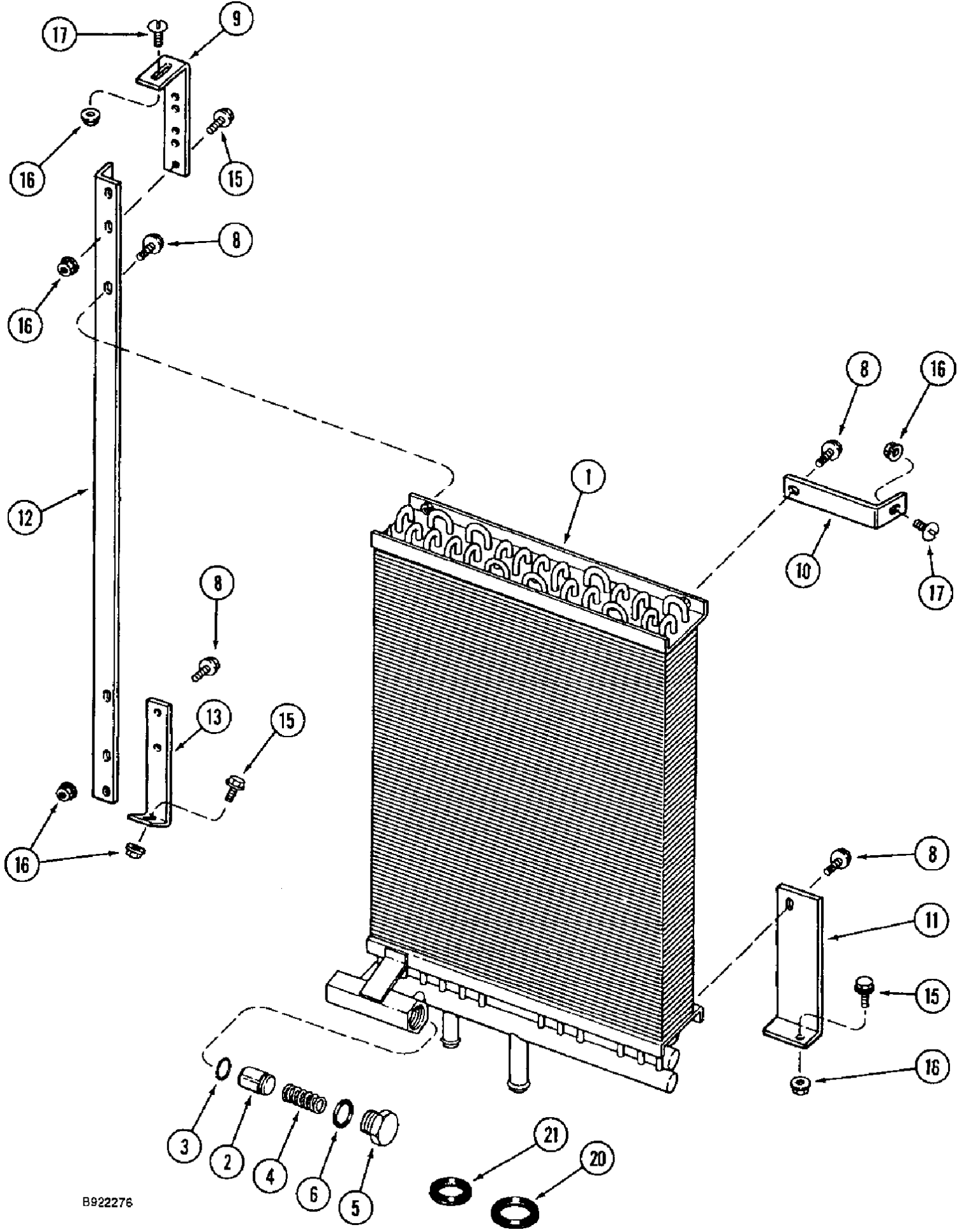


B9306042A

## 1666 CASE IH AXIAL-FLOW COMBINE (1/93-12/94)

## 8-20 OIL COOLER AND MOUNTING

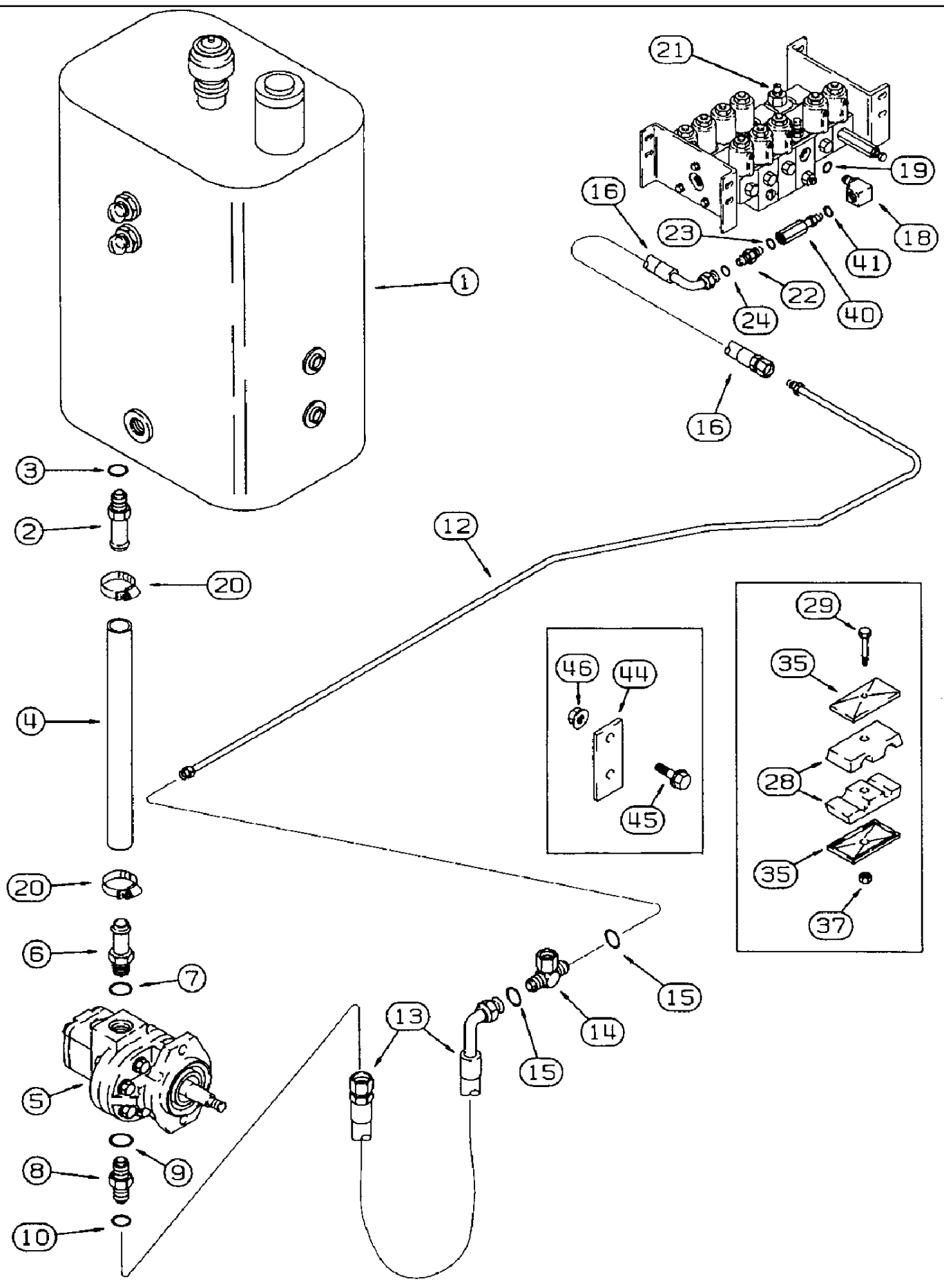
сылка	Номер детали	Кол-во	Описание
1	111078A3	1	COOLER, ASSY., hydraulic oil, Includes: Ref. 2 thru 6
2	93198C1	1	VALVE, bypass
3	238-5020	1	O-RING, -020, 70 Duro, .864" ID x .070" Thk,
4	A189029	1	SPRING, bypass valve
5	273916	1	PLUG, Hex Hd, 1 5/16"-12 ORB, Includes Ref. 6
6	237-6016	1	O-RING, 16-1, 90 Duro, 1.171" ID x .118" Thk,
7	1541786C4	2	SUPPORT, oil cooler, left hand
8	1541787C2	1	ANGLE, SUPPORT, oil cooler, upper right hand
9	1324914C3	1	ANGLE, SUPPORT, oil cooler, lower right hand
10	409-7512	4	BOLT, Hex Flg, 5/16"-18 x 3/4", Serr,
11	231-5145	3	NUT, Flg, USR, 5/16"-18,
12	199953C1	4	SCREW, SELF TAPPING, Hex Wash Hd, 5/16"-18 x 13/16",
13	495-21038	3	WASHER, 5/16", flat, 3/8 x 7/8 x 3/32 in.



B922276

сылка	Номер детали	Кол-во	Описание
1	84659C3	1	COOLER, OIL, ASSY., oil hydraulic, auxiliary, Includes: Ref. 2 thru 6
2	93198C1	1	VALVE, bypass
3	238-5020	1	O-RING, -020, 70 Duro, .864" ID x .070" Thk,
4	A189029	1	SPRING, bypass valve
5	273916	1	PLUG, Hex Hd, 1 5/16"-12 ORB, Includes Ref. 6
6	237-6016	1	O-RING, 16-1, 90 Duro, 1.171" ID x .118" Thk,
8	199953C1	4	SCREW, SELF TAPPING, Hex Wash Hd, 5/16"-18 x 13/16",
9	1979632C2	1	SUPPORT, oil cooler, upper left hand
10	1979674C1	1	SUPPORT, oil cooler, upper right hand
11	1979787C2	1	SUPPORT, oil cooler, lower right hand
12	1979633C2	1	SUPPORT, oil cooler strap, left hand
13	1979727C1	1	SUPPORT, oil cooler, lower left hand
15	409-7512	6	BOLT, Hex Flg, 5/16"-18 x 3/4", Serr,
16	231-5145	8	NUT, Flg, USR, 5/16"-18,
17	477-73112	2	BOLT, Slotted Tr Hd, 5/16"-18 x 3/4",
20	1970461C1	2	GROMMET, rubber, 1-3/8 x 2 x 5/16, 1-12 x 1-1/8 x 7/16 in.
21	28627R1	2	GROMMET, 1 1/8" ID x 1 3/4" x .062", Diag cut, 1-1/8 x 1-3/4 x 7/16 in.

8-24 HEADER LIFT SUPPLY SYSTEM

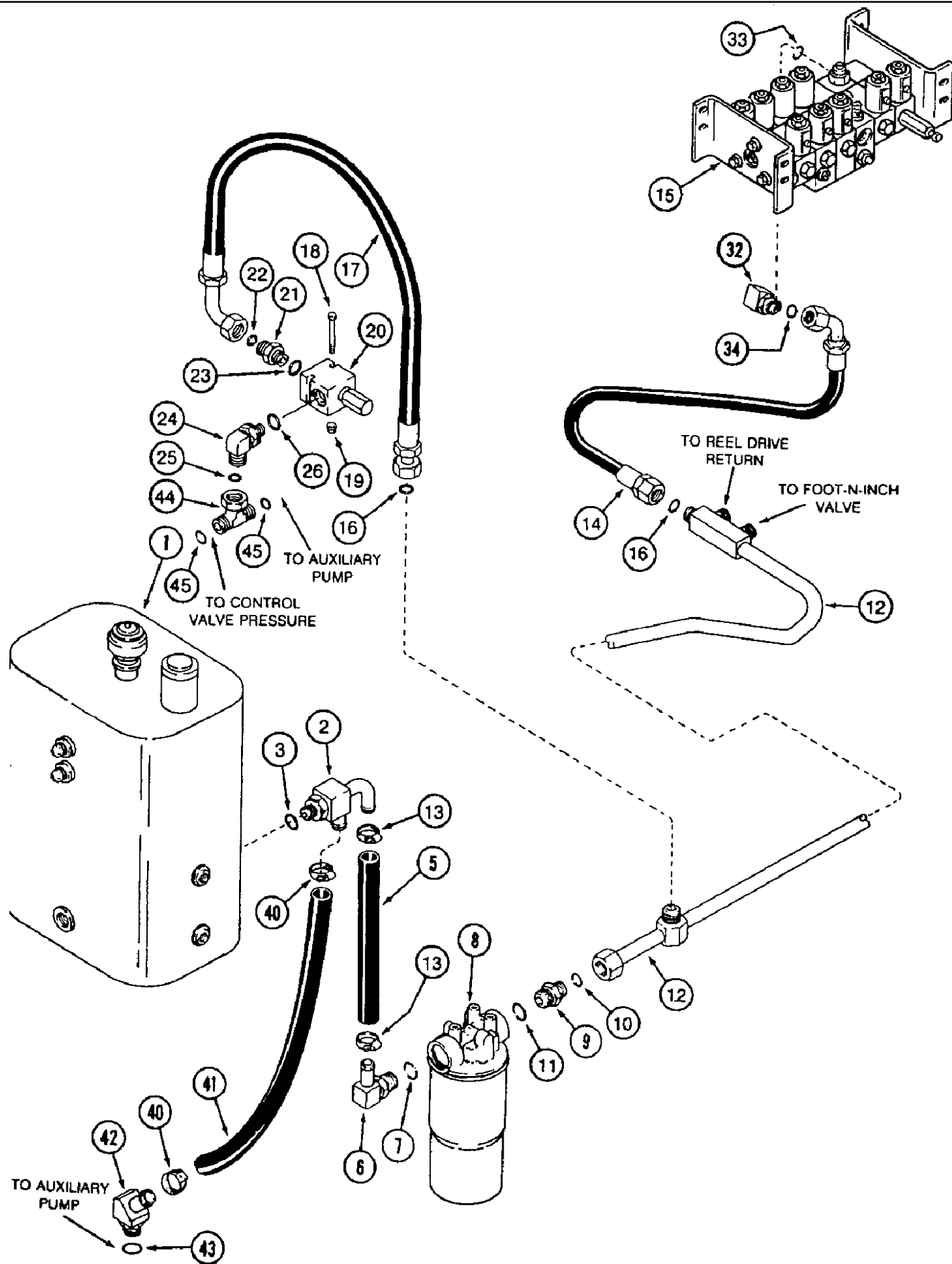




## 8-24 HEADER LIFT SUPPLY SYSTEM

сылка	Номер детали	Кол-во	Описание
1	1343660C1	1	RESERVOIR, ASSY., hydraulic oil, 10 gallon, see Fig. 8-02
2	217-178	1	FITTING, 1 1/4" Hose X 1 5/8"-12 ORB, Beaded, ADAPTER straight, 1-1/4 stem end x 1-5/8-12 in. O-ring boss, Includes: Ref. 3
3	237-6020	1	O-RING, 20-1, 90 Duro, 1.475" ID x .118" Thk,
4	1989365C2	1	HOSE, header lift suction, 16-1/4 in. (412 mm) long, cut from 15419853C1 bulk hose, see below
5	1994653C2	1	PUMP, ASSY., auxiliary drive header lift, see fig. 8-56
6	217-178	1	FITTING, 1 1/4" Hose X 1 5/8"-12 ORB, Beaded, ADAPTER straight, 1-1/4 stem end x 1-5/8-12 in. O-ring boss, Includes: Ref. 7
7	237-6020	1	O-RING, 20-1, 90 Duro, 1.475" ID x .118" Thk,
8	201-104	1	CONNECTOR, HYD., 1 3/16"-12 ORFS x 1 1/16"-12 ORB, Includes Ref. 9 and 10
9	237-6012	1	O-RING, 12-1, 90 Duro, .924 ID x .118" Thk,
10	238-6018	1	O-RING, -018, 90 Duro, .739" ID x .070" Thk,
11	238-6018	1	O-RING, -018, 90 Duro, .739" ID x .070" Thk,
12	1989281C2	1	TUBE, pressure header lift
13	1980050C2	1	HOSE, auxiliary pump pressure, 29 in. (737 mm) long
14	201-419	1	TEE, 1 3/16"-12 ORFS x 1 3/16"-18 Sw Br, 1-13/16-12 in. swivel face branch x face seal x face seal, Includes: Ref. 15
15	238-6018	2	O-RING, -018, 90 Duro, .739" ID x .070" Thk,
16	1989509C2	1	HOSE, lift pressure, 24 in. (610 mm) long
18	1989475C3	1	TEE, adj., special 5/8 O-ring boss x 3/4 x 3/8 in.
19	237-6010	1	O-RING, 10-1, 90 Duro, .755" ID x .097" Thk,
20	214-3232	2	CLAMP, HOSE, 1.25/2.125 HD Worm, W/liner, Adjustable
21	1542679C2	1	VALVE, ASSY., header lift, see Fig. 8-46
22	201-104	1	CONNECTOR, HYD., 1 3/16"-12 ORFS x 1 1/16"-12 ORB, Includes Ref. 23 and 24
23	237-6012	1	O-RING, 12-1, 90 Duro, .924 ID x .118" Thk,
24	238-6017	1	O-RING, -017, 90 Duro, .676" ID x .070" Thk, 3/4 ID x 1/16 in. wide
28	1989362C1	3	CLAMP, two piece, 3/4 in. and 1/2 in. O.D. tubes
29	413-536	3	BOLT, Hex, 5/16"-18 x 2 1/4", G5, hex, 5/16 NC x 2-1/4 in.
35	1347127C1	6	PLATE, clamp hydraulic tube
37	231-4115	3	NUT, LOCK, 5/16"-18, GB,
40	1272346C1	1	FILTER, inline valve pressure line, Includes: Ref. 41
41	237-6012	1	O-RING, 12-1, 90 Duro, .924 ID x .118" Thk,
44	196868C2	1	SUPPORT, PLATE
45	409-7512	1	BOLT, Hex Flg, 5/16"-18 x 3/4", Serr,
46	231-5145	1	NUT, Flg, USR, 5/16"-18,
	1541953C1		UAR HOSE, bulk, 1-1/4 (32 mm) ID x 300 in. (7620 mm) long, used for Ref. 4

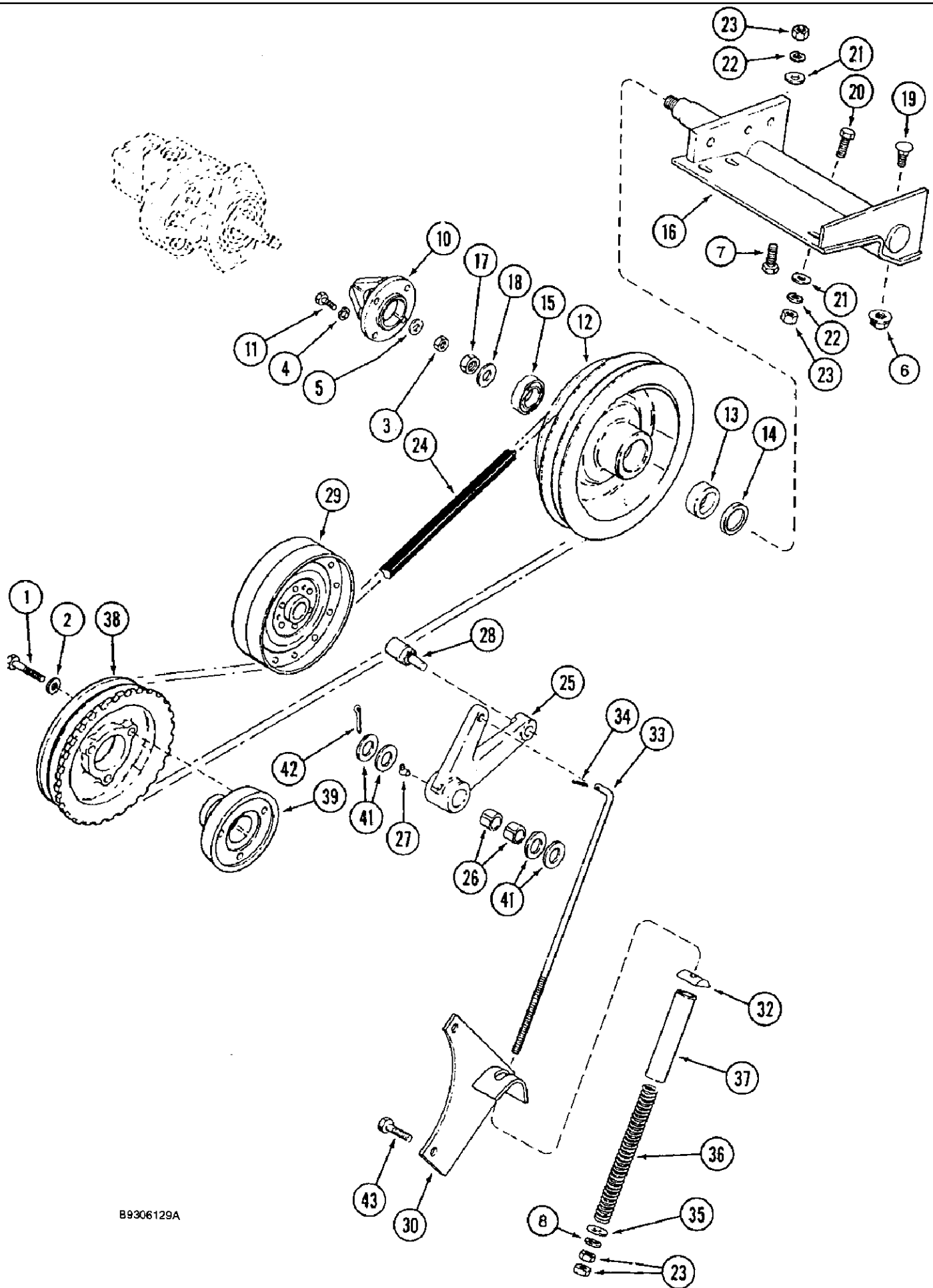
8-26 HEADER LIFT RETURN SYSTEM



## 8-26 HEADER LIFT RETURN SYSTEM

сылка	Номер детали	Кол-во	Описание
1	1343660C1	1	RESERVOIR, ASSY., hydraulic oil, 10 gallons, see Fig. 8-02
2	1541642C1	1	TEE, special, beaded tube, Includes: Ref. 3
3	237-6016	1	O-RING, 16-1, 90 Duro, 1.171" ID x .118" Thk,
5	1541694C1	1	HOSE, reservoir to filter, 28-3/16 in. (715 mm) long, cut from 1541952C1 bulk hose, see below
6	217-354	1	FITTING, 90ε, 1" Hose x 1 5/8"-12 ORB Beaded, ELBOW, 90 deg., 1 stem end x 1-5/8-12 in. adj. O-ring boss, Includes: Ref. 7
7	237-6020	1	O-RING, 20-1, 90 Duro, 1.475" ID x .118" Thk,
8	87784C91	1	FILTER ASSY., charge pump, suction, see Fig. 8-10
9	201-122	1	CONNECTOR, HYD., 1 7/16"-12 ORFS x 1 5/8"-12 ORB, ADAPTER straight, 1-7/16-12 face seal x 1-5/8-12 in. O-ring boss, Includes: Ref. 10 and 11
10	238-6021	1	O-RING, -021, 90 Duro, .926" ID x .070" Thk,
11	237-6020	2	O-RING, 20-1, 90 Duro, 1.475" ID x .118" Thk,
12	1989283C1	1	TUBE, valve return
13	214-3228	2	CLAMP, HOSE, 1.00/1.875 HD Worm, W/liner, Adjustable
14	1989530C1	1	HOSE, 33-7/8 in. (860 mm) long
15	1542679C2	1	VALVE, ASSY., header lift, see Fig. 8-46
16	238-6018	2	O-RING, -018, 90 Duro, .739" ID x .070" Thk,
17	1980050C2	1	HOSE, relief valve drain, 29 in. (737 mm) long
18	413-444	2	BOLT, Hex, 1/4"-20 x 2 3/4", G5, hex, 1/4 NC x 2-3/4 in.
19	231-5144	2	NUT, Flg, USR, 1/4"-20,
20	1542686C1	1	VALVE, relief, 2500 psi
21	201-141	1	CONNECTOR, HYD., 1 3/16"-12 ORFS x 3/4"-16 ORB, ADAPTER straight, 1-3/16-12 face seal x 3/4-16 in. O-ring boss, Includes: Ref. 22 and 23
22	238-6018	3	O-RING, -018, 90 Duro, .739" ID x .070" Thk,
23	237-6008	2	O-RING, 8-1, 90 Duro, .644" ID x .087" Thk,
24	201-358	1	ELBOW, 90ε, 1 3/16"-12 x 3/4"-16, Adj, ORFS, 90 deg., 1-3/16-12 face seal x 3/4-16 in. adj. O-ring boss, Includes: Ref. 25 and 26
25	238-6018	1	O-RING, -018, 90 Duro, .739" ID x .070" Thk,
26	237-6008	1	O-RING, 8-1, 90 Duro, .644" ID x .087" Thk,
32	201-350	1	ELBOW, 90ε, 1 3/16"-12 x 7/8"-14, Adj, ORFS, 90 deg., 1-3/16-12 face seal x 7/8-14 in. adj. O-ring boss, Includes: Ref. 33 and 34
33	237-6010	1	O-RING, 10-1, 90 Duro, .755" ID x .097" Thk,
34	238-6018	1	O-RING, -018, 90 Duro, .739" ID x .070" Thk,
40	214-3228	2	CLAMP, HOSE, 1.00/1.875 HD Worm, W/liner, Adjustable
41	1541692C1	1	HOSE, FLEXIBLE, reel drive suction, 25-3/16 in. (640 mm) long, cut from 1541952C1 bulk hose, see below
42	217-316	1	FITTING, 45ε, 1" Hose x 1 5/16"-12 ORB Beaded, ELBOW, 45 deg., 1 stem end x 1-5/16-12 in. adj. O-ring boss, Includes: Ref. 43
43	237-6016	1	O-RING, 16-1, 90 Duro, 1.171" ID x .118" Thk,
44	201-419	1	TEE, 1 3/16"-12 ORFS x 1 3/16"-18 Sw Br, 1-3/16-12 in. swivel face branch x face seal x face seal, Includes: Ref. 45
45	238-6018 1541952C1	2	O-RING, -018, 90 Duro, .739" ID x .070" Thk, UAR HOSE, bulk, 1 (25) ID x 300 in. (7620 mm) long, used for Ref. 5

8-28 AUXILIARY PUMP DRIVE



B9306129A

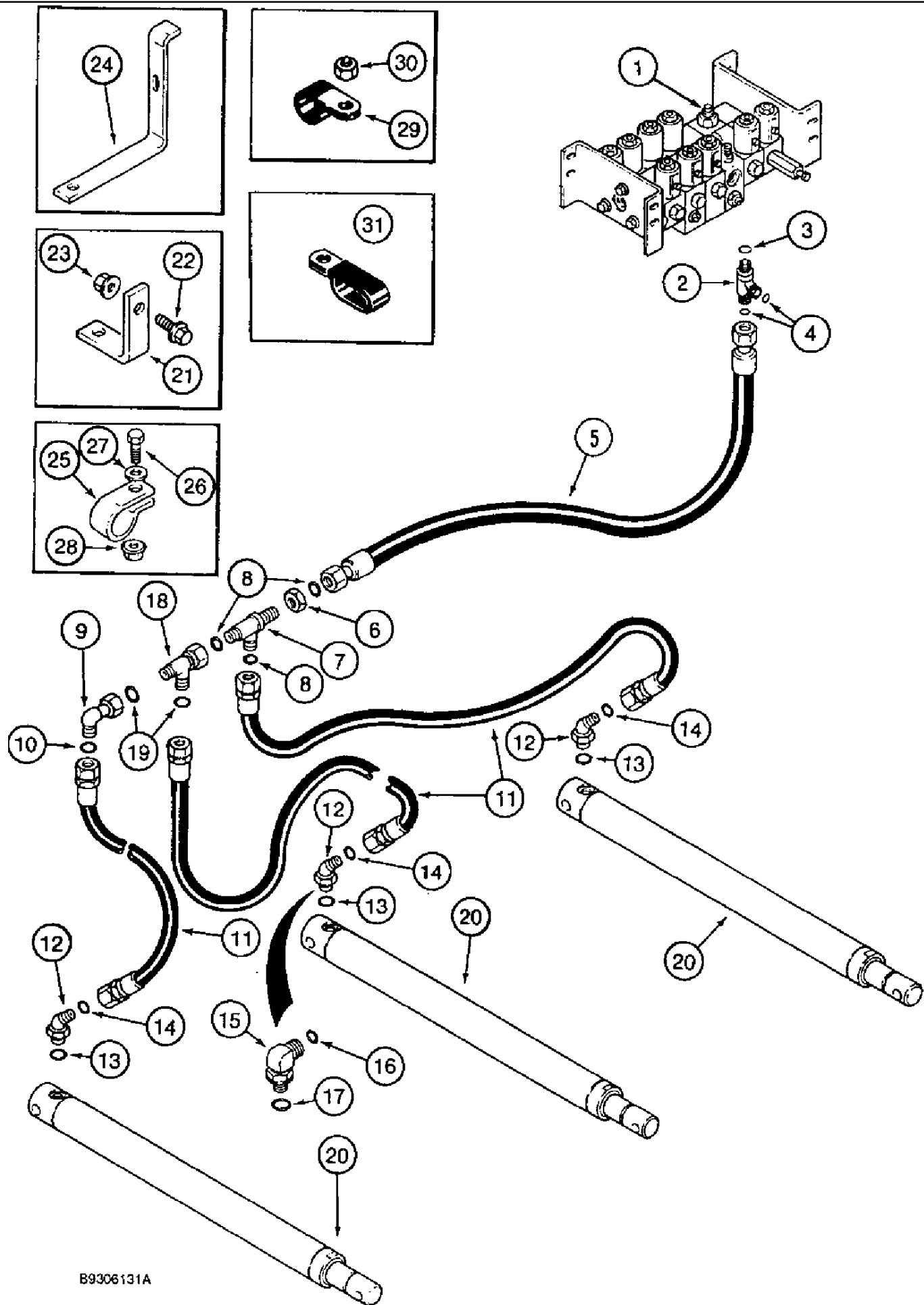
See Figure 8-56 for auxiliary pump mounting.

## 8-28 AUXILIARY PUMP DRIVE

сылка	Номер детали	Кол-во	Описание
1	426-840	3	BOLT, Hex, 1/2"-13 x 2 1/2", G8, BOLT hex, 1/2 NC x 2-1/2 in., grade 8
2	495-11053	3	WASHER, 1/2", SAE, (17/32" x 1-1/16" x 3/32")
3	425-118	1	NUT, 1/2"-20, G5, hex, 1/2 in. NF
4	492-11038	4	WASHER, LOCK, 3/8",
5	396-41053	1	WASHER, 17/32" x 1 1/4" x .188", HDN, flat, hardened, 17/32 x 1-1/4 x 3/16
6	231-5148	1	NUT, Flg, USR, 1/2"-13,
7	413-8124	1	BOLT, Hex, 1/2"-13 x 7 3/4", G5, BOLT hex, 1/2 in. NC x 1-1/2 in.
8	495-11053	1	WASHER, 1/2", SAE, (17/32" x 1-1/16" x 3/32")
10	1541612C1	1	HUB, hydraulic pump
11	413-620	4	BOLT, Hex, 3/8"-16 x 1 1/4", G5, Full Thd, hex, 3/8 NC x 1-1/4 in.
12	1541761C1	1	PULLEY ASSY., auxiliary pump drive, Includes: Ref. 13, 14, and 15
13	A144861	1	BEARING, PULLEY, outer
14	466176R92	1	SEAL, PULLEY
15	658089R91	1	BEARING, BALL, PULLEY, outer
16	181338C2	1	SUPPORT ASSY., BRACKET, auxiliary drive, rear
17	232-41112	1	NUT, LOCK, 3/4"-10, GC,
18	495-81044	1	WASHER, 25/32" x 1 3/4" x .120", flat, 25/32 x 1-3/4 x 7/64 in.
19	434-820	1	BOLT, CARRIAGE, Short NK, 1/2"-13 x 1 1/4", G5, Full Thd, BOLT carriage, 1/2 NC x 1-1/4 in.
20	413-820	4	BOLT, Hex, 1/2"-13 x 1 1/4", G5, Full Thd, hex, 1/2 NC x 1-1/4 in.
21	495-11053	5	WASHER, 1/2", SAE, (17/32" x 1-1/16" x 3/32")
22	80679	5	WASHER, LOCK, 1/2",
23	425-108	7	NUT, 1/2"-13, G5,
24	1541699C1	1	BELT, drive pump
25	1330517C1	1	LEVER, auxiliary pump drive, Includes: Ref. 26
26	188068C1	2	BUSHING, lever
27	217-90	1	FITTING, VALVE, 1/8 in. PT
28	274844R91	1	BEARING, idler pulley
29	192865C1	1	PULLEY, idler, 8 in. O.D.
30	194729C2	1	SUPPORT, pump drive pivot
32	194652C1	1	PIVOT, rod drive
33	191823C1	1	ROD, auxiliary drive jackshaft
34	432-1216	1	PIN, SPLIT (COTTER), 3/16" x 1", 3/16" x 1"
35	495-81287	1	WASHER, 17/32" x 1 1/4" x .120", flat, 17/32 x 1-1/4 x 7/64 in.
36	V368	1	SPRING, drive rod
37	1541718C1	1	SPACER, 7-9/16 (192 mm) long
37	1989254C1	1	SPACER, 6-1/2 (165 mm) long
38	1330488C1	1	PULLEY, drive, auxiliary pump, 8.65 in. O.D.
39	196482C2	1	HUB, drive pulley
41	495-81073	4	WASHER, 1 1/32" x 1 3/4" x .060", flat, 1-1/32 x 1-3/4 x 1/16 in.
42	432-1624	1	PIN, SPLIT (COTTER), 1/4" x 1 1/2",
43	413-828	2	BOLT, Hex, 1/2"-13 x 1 3/4", G5,

See Figure 8-56 for auxiliary pump mounting.

8-30 HEADER LIFT CYLINDER SYSTEM, WITH THIRD LIFT CYLINDER

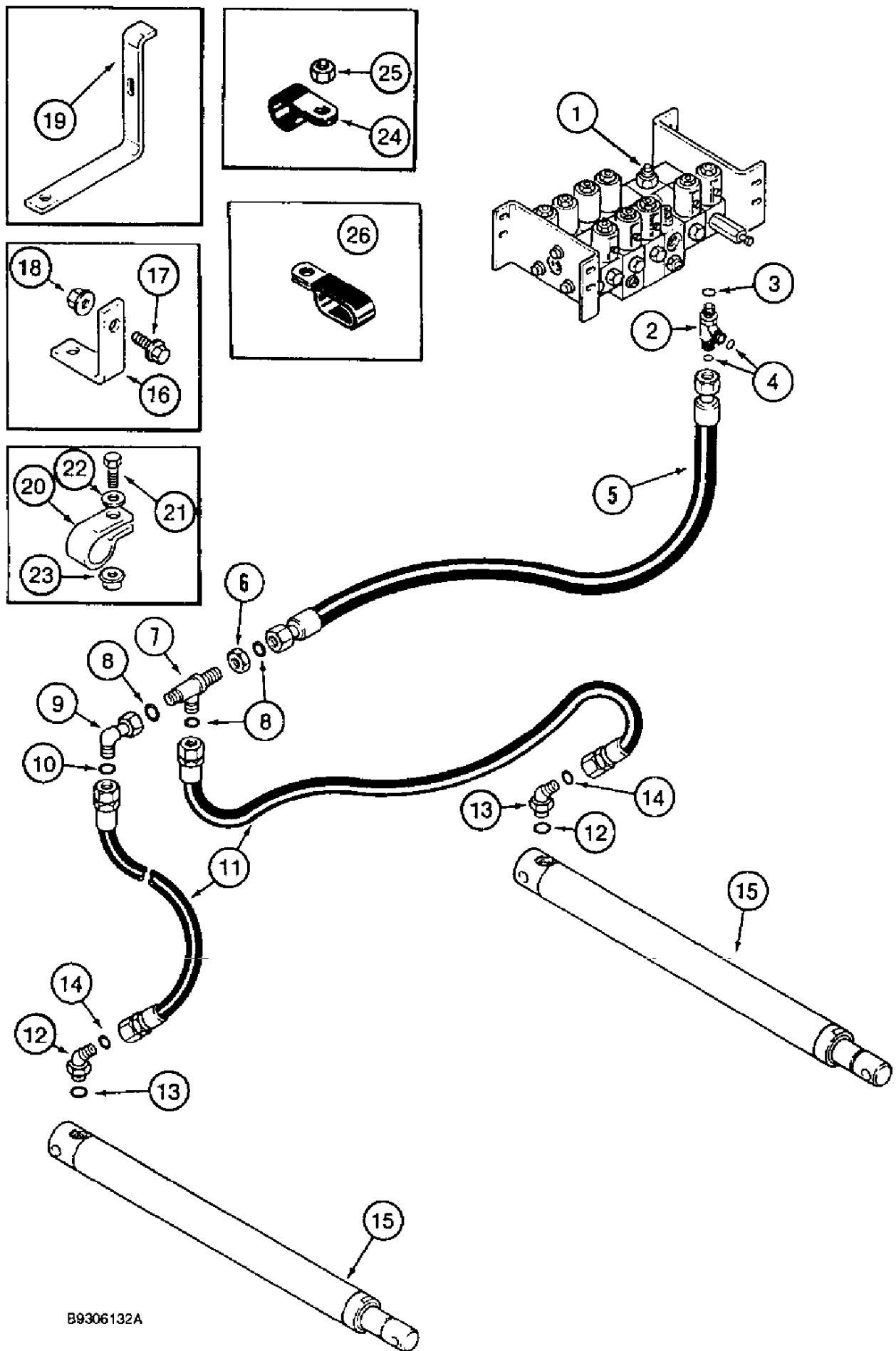


B9306131A

## 8-30 HEADER LIFT CYLINDER SYSTEM, WITH THIRD LIFT CYLINDER

сылка	Номер детали	Кол-во	Описание
1	1542679C2	1	VALVE, ASSY., header lift parts
2	201-412	1	TEE, 13/16"-16 x 3/4"-16 Run, ORFS, 13/16-16 face branch x face x 3/4-16 in. adj. O-ring, Includes: Ref. 3 and 4
3	237-6008	1	O-RING, 8-1, 90 Duro, .644" ID x .087" Thk,
4	238-6014	2	O-RING, -014, 90 Duro, .489" ID x .070" Thk,
5	1989666C1	1	HOSE, header cylinder supply, 96-7/8 in. (2460 mm) long
6	201-903	1	NUT, LOCK, Blkhd, 13/16"-16, hex, lock, bulkhead 13/16 in. NF
7	201-423	1	TEE, 9/16"-18, Blkhd, Run, ORFS, 13/16-16 in. face seal branch x face seal x bulkhead face seal, Includes: Ref. 8
8	238-6014	3	O-RING, -014, 90 Duro, .489" ID x .070" Thk,
9	201-320	1	ELBOW, 90ε, 13/16"-16 x 13/16"-16 Fem Sw ORFS, ELBOW, 90 deg., 13/16-16 in. face seal x swivel face seal, Includes: Ref. 10
10	238-6014	1	O-RING, -014, 90 Duro, .489" ID x .070" Thk,
11	1989667C1	3	HOSE, header lift system, 36 in. (915 mm) long
12	201-348	3	ELBOW, 45ε, 13/16"-16 x 3/4"-16. Adj, ORFS, Includes Ref. 13 and 14, Two 45 deg. elbows used at outer cylinders on 47-1/2 in. feeder without rock trap. The 47-1/2 feeder with rock trap and all 54 in. feeders use three 45 deg. elbows.
13	237-6008	1	O-RING, 8-1, 90 Duro, .644" ID x .087" Thk,
14	238-6014	1	O-RING, -014, 90 Duro, .489" ID x .070" Thk,
15	201-305	1	ELBOW, 90ε, 13/16"-18 x 3/4"-18 Adj, ORFS, 90 deg., 13/16-16 face seal x 3/4-16 in. adj. O-ring boss, if used, Incl.: Ref. 16 and 17, Used at third, center, cylinder on 47-1/2 in. feeder without rock trap. All other models use Ref. 12 elbow at this location
16	237-6008	1	O-RING, 8-1, 90 Duro, .644" ID x .087" Thk,
17	238-6014	1	O-RING, -014, 90 Duro, .489" ID x .070" Thk,
18	201-416	1	TEE, 13/16"-16 ORFS x 13/16"-16 Sw Run, 13/16-16 in. face branch x face x swivel face, Includes: Ref. 19
19	238-6014	2	O-RING, -014, 90 Duro, .489" ID x .070" Thk,
20	127779C94	2	CYLINDER, ASSY., 2-5/8 (67) ID x 20-1/2 inch (521 mm) stroke, header lift, parts list Fig. 8-34
21	1989343C1	1	ANGLE BAR, tube support
22	409-7612	2	BOLT, Hex Flg, 3/8"-16 x 3/4", Serr,
23	231-5146	2	NUT, Flg, USR, 3/8"-16,
24	1989653C1	1	SUPPORT, header cylinder fitting
25	515-23206	1	CLAMP, 13/16", Insul, 3/8" Bolt, hose, closed coated, header lift
26	413-432	1	BOLT, Hex, 1/4"-20 x 2", G5,
27	495-11028	1	WASHER, 1/4", SAE, flat, 9/32 x 5/8 x 1/16 in.
28	231-5144	1	NUT, Flg, USR, 1/4"-20,
29	299269C91	1	CLAMP, retaining, single, header lift and steering hose
30	425-1410	1	NUT, Jam, 5/8"-11, G5, hex, jam, 5/8 in. NC
31	470375C1	2	CLAMP, double header lift and steering hoses

8-32 HEADER LIFT CYLINDER SYSTEM, WITHOUT THIRD LIFT CYLINDER



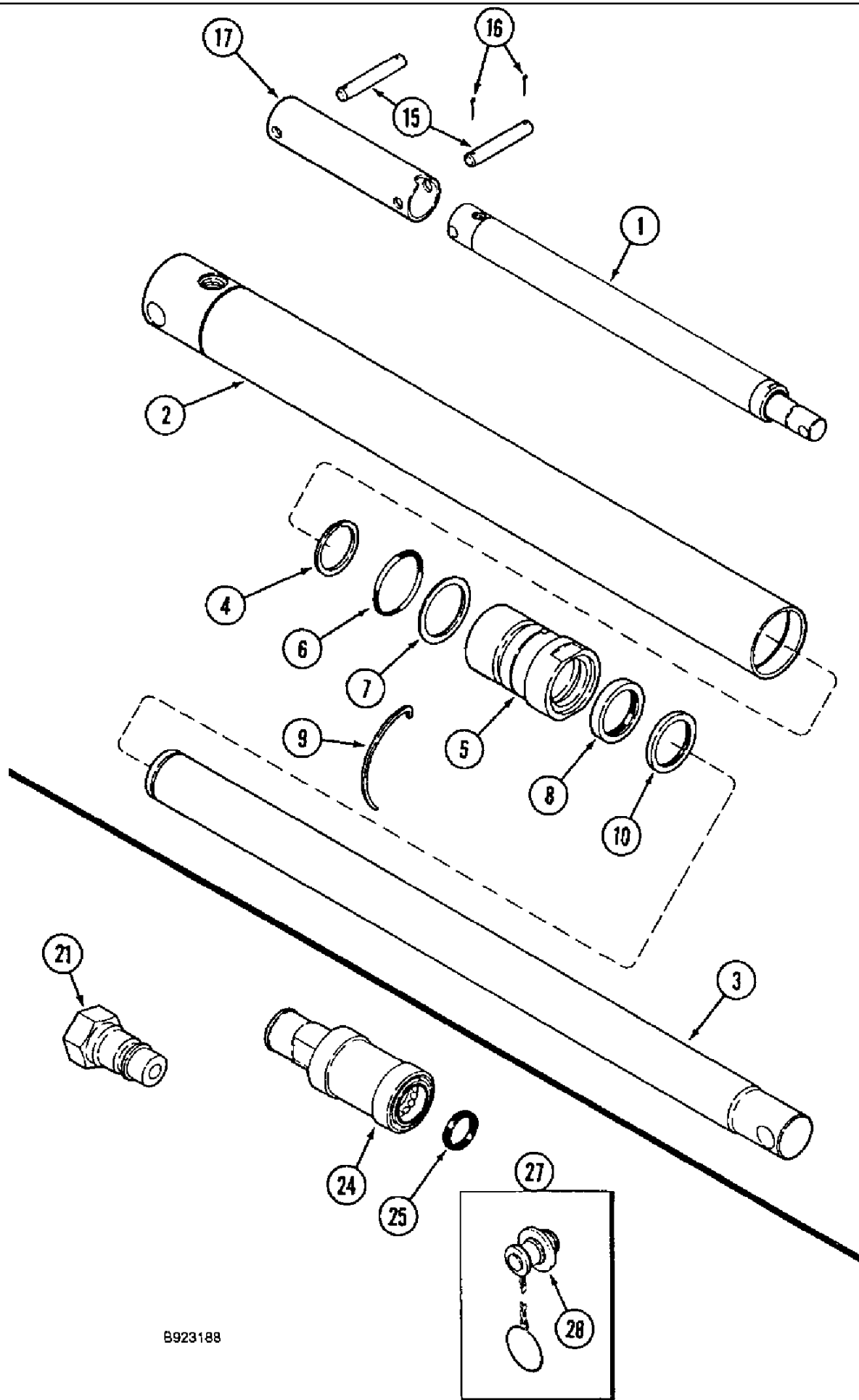
B9306132A



## 8-32 HEADER LIFT CYLINDER SYSTEM, WITHOUT THIRD LIFT CYLINDER

сылка	Номер детали	Кол-во	Описание
1	1542679C2	1	VALVE, ASSY., header lift, see Fig. 8-46
2	201-412	1	TEE, 13/16"-16 x 3/4"-16 Run, ORFS, 13/16-16 face branch x face x 3/4-16 in. adj. O-ring boss, Includes: Ref. 3 and 4
3	237-6008	1	O-RING, 8-1, 90 Duro, .644" ID x .087" Thk,
4	238-6014	2	O-RING, -014, 90 Duro, .489" ID x .070" Thk,
5	1989666C1	1	HOSE, header cylinder supply, 96-7/8 in. (2460 mm) long
6	201-903	1	NUT, LOCK, Blkhd, 13/16"-16, hex, lock, bulkhead, 3/16 in. NF
7	201-423	1	TEE, 9/16"-18, Blkhd, Run, ORFS, 13/16-16 in. face seal branch x face seal x bulkhead face seal, Includes: Ref. 8
8	238-6014	3	O-RING, -014, 90 Duro, .489" ID x .070" Thk,
9	201-320	1	ELBOW, 90є, 13/16"-16 x 13/16"-16 Fem Sw ORFS, ELBOW, 90 deg., 13/16-16 in. face seal x swivel face seal, Includes: Ref. 10
10	238-6014	1	O-RING, -014, 90 Duro, .489" ID x .070" Thk,
11	1989667C1	2	HOSE, header lift cylinder, 36 in. (915 mm) long
12	201-348	2	ELBOW, 45є, 13/16"-16 x 3/4"-16. Adj, ORFS, Includes Ref. 13 and 14
13	237-6008	1	O-RING, 8-1, 90 Duro, .644" ID x .087" Thk,
14	238-6014	1	O-RING, -014, 90 Duro, .489" ID x .070" Thk,
15	127779C94	2	CYLINDER, header lift, see Fig. 8-34
16	1989343C1	1	ANGLE BAR, tube support
17	409-7612	2	BOLT, Hex Flg, 3/8"-16 x 3/4", Serr,
18	231-5146	2	NUT, Flg, USR, 3/8"-16,
19	1989653C1	1	SUPPORT, header cylinder fitting
20	299413C1	1	CLAMP, hose, closed coated, header lift
21	413-432	1	BOLT, Hex, 1/4"-20 x 2", G5,
22	495-11028	1	WASHER, 1/4", SAE, flat, 9/32 x 5/8 x 1/16 in.
23	231-5144	1	NUT, Flg, USR, 1/4"-20,
24	299269C91	1	CLAMP, retaining, single, header lift and steering hose
25	425-1410	1	NUT, Jam, 5/8"-11, G5, hex, jam, 5/8 in. NC
26	470375C1	2	CLAMP, double header lift and steering hose

8-34 HEADER LIFT CYLINDER, HYDRAULIC COUPLINGS

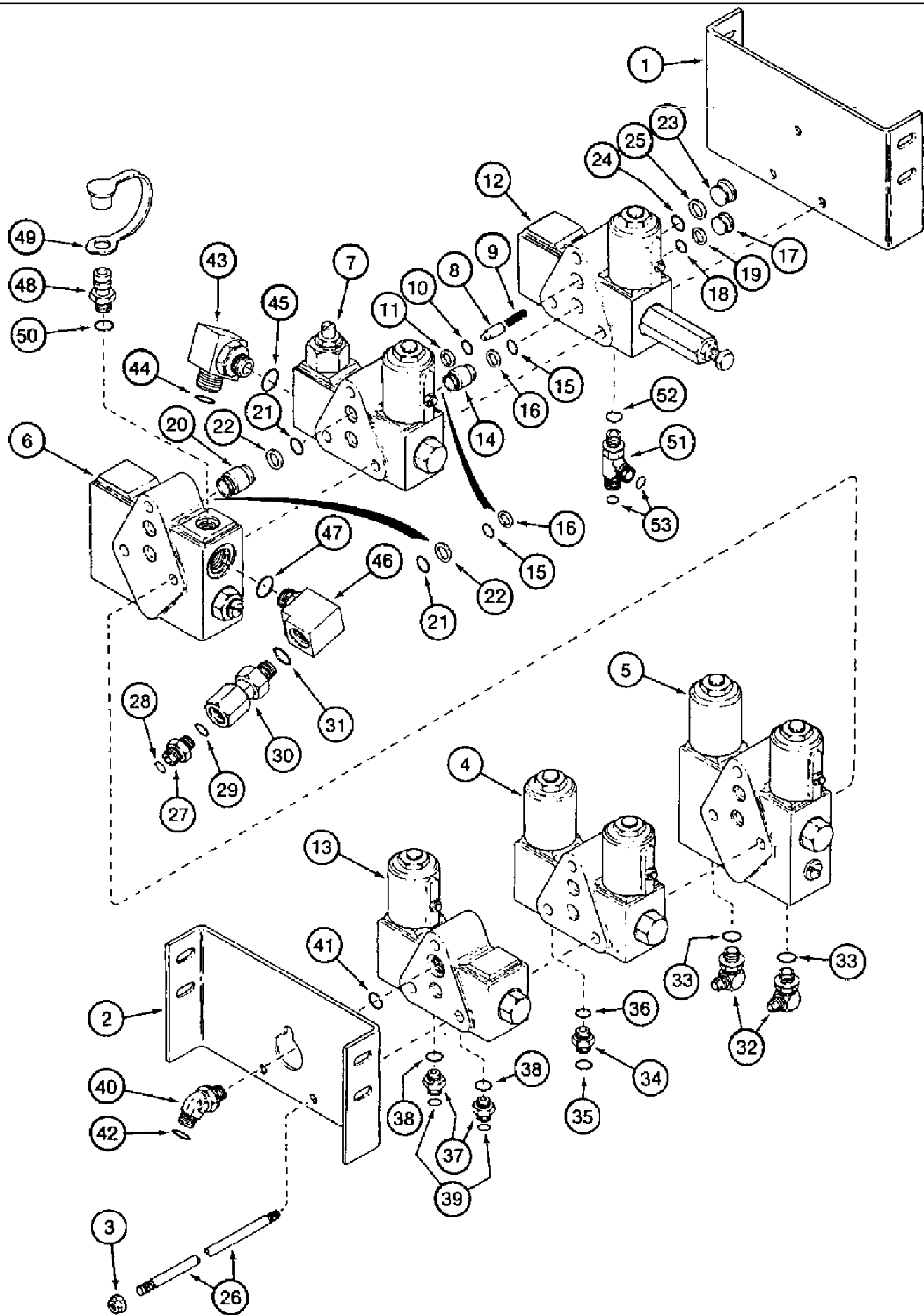


B923188

## 8-34 HEADER LIFT CYLINDER, HYDRAULIC COUPLINGS

сылка	Номер детали	Кол-во	Описание
1	127779C94		UAR CYLINDER, ASSY., header lift, Includes: Ref. 2 thru 10
2	NSS	1	NOT SERVICED SEPARATELY, BODY cylinder, header lift cylinder
3	127780C2	1	ROD, PISTON header lift cylinder
4	NSS	1	NOT SERVICED SEPARATELY, RING stop, piston rod, header lift cylinder
5	142568C2	1	HEAD, GLAND cylinder, front, header lift cylinder
6	NSS	1	NOT SERVICED SEPARATELY, O RING, front head, 2-1/2 x 2-11/16 in., header lift cylinder
7	NSS	1	NOT SERVICED SEPARATELY, WASHER, O-ring backup, header lift cylinder
8	NSS	1	NOT SERVICED SEPARATELY, SEAL, piston rod, header lift cylinder
9	NSS	1	NOT SERVICED SEPARATELY, RING retaining, header lift cylinder
10	NSS	1	NOT SERVICED SEPARATELY, WIPER, piston rod, header lift cylinder
	224718C92	1	PACKAGE, SEALS, KIT
15	573762R1		UAR PIN, LARGE, header lift cylinder, 1 x 5-5/32 in.
15	195822C1		UAR PIN, header lift cylinder, 1 x 9 in.
16	432-1628		UAR PIN, SPLIT (COTTER), 1/4" x 1 3/4", Header lift cylinder
17	1320845C1		UAR TUBE, cylinder extension lift, for 54 in. feeder, header lift cylinder
17	1319896C1		UAR SUPPORT ASSY., SLEEVE, lift cylinder extension, for 47-1/2 in. feeder, header lift cylinder
21	1272399C2		UAR COUPLING, QUICK, MALE, self sealing, male, 7/8 in. NF, hydraulic
24	1282338C91		UAR COUPLING, QUICK, FEMALE, self sealing, female, 7/8-14 in., hydraulic, Includes: Ref. 25
25	A47221	1	SEAL, RING sealing, included with 1282338C91, hydraulic couplings
27	1954133C1		UAR DUST CAP, coupling, dust, hydraulic, Includes: Ref. 28
28	401758R1		UAR WASHER, dust plug, hydraulic couplings

8-36 CONTROL VALVE AND MOUNTING, WITHOUT FORE AND AFT ATTACHMENT



B9307015A

See Field Tracker parts catalog, Bur 8-8860, for field tracker attachment parts.

## 8-36 CONTROL VALVE AND MOUNTING, WITHOUT FORE AND AFT ATTACHMENT

сылка	Номер детали	Кол-во	Описание
	1989498C5	1	VALVE ASSY., control, not available for service, order individual components
	1986775C3	1	VALVE ASSY., control, not available for service, order individual components, Includes: Ref. 1 thru 26
1	1541613C1	1	SUPPORT, BRACKET mounting, valve, front, stack
2	1989370C2	2	SUPPORT, BRACKET mounting, valve, rear, stack end
3	231-5144	6	NUT, Flg, USR, 1/4"-20,
4	107981A2	6	VALVE, ASSY., unload, single bi-directional, reel lift, see Fig. 8-40
5	1267035C94	1	VALVE, ASSY., double piloted, unloader swing, see fig. 8-42, no longer available, order 124857A1, BSN JJC105314
5	124857A1	1	VALVE, ASSY., double piloted, unloader swing, see Fig. 8-43A, ASN JJC105314
6	1542678C1	1	VALVE, ASSY., flow divider, see Fig. 8-44
7	1542679C2	1	VALVE, ASSY., header lift, see Fig. 8-46, Includes: Ref. 8 thru 11
8	107957A1	1	POPPET, VALVE, raise check
9	107959A1	1	SPRING, poppet
10	238-6016	2	O-RING, -016, 90 Duro, .614" ID x .070" Thk,
11	A34493	2	RING, backup, large tube
12	1542680C3	1	VALVE, ASSY., header, lower, see Fig. 8-48, replaces 1542680C2
13	1542681C1	1	VALVE, ASSY., feeder clutch, see Fig. 8-50
14	1301630C2	9	TUBE, through, small, Includes: Ref. 15 and 16
15	238-6012	2	O-RING, -012, 90 Duro, .364" ID x .070" Thk,
16	L31330	2	RING, backup
17	1301634C2	4	PLUG, cap, small, Includes: Ref. 18 and 19
18	238-6012	1	O-RING, -012, 90 Duro, .364" ID x .070" Thk,
19	L31330	1	RING, backup
20	107984A1	1	PISTON, TUBE through, large, includes seals, Includes: Ref. 21 and 22
21	238-6016	2	O-RING, -016, 90 Duro, .614" ID x .070" Thk,
22	A34493	2	RING, backup, large tube O-ring
23	107985A1	1	PISTON, PLUG, cap, large, includes seals, Includes: Ref. 24 and 25
24	238-6016	2	O-RING, -016, 90 Duro, .614" ID x .070" Thk,
25	A34493	2	RING, backup, large tube O-ring
26	106439A1	3	STEM, ROD tie, valve sections, used, on models without field tracker attachment, There is one large and one small connector tube used between the header lift and the lower valves. The large tube is pressed into the header lift valve and is not serviced sepoerately. you must use a new valve. See Figure 8-46
	REF	1	INSTRUCTION, VALVE ASSY., control, Includes: Ref. 28 thru 59
27	201-104	1	CONNECTOR, HYD., 1 3/16"-12 ORFS x 1 1/16"-12 ORB, Includes Ref. 28 and 29
28	237-6012	1	O-RING, 12-1, 90 Duro, .924 ID x .118" Thk,
29	238-6018	1	O-RING, -018, 90 Duro, .739" ID x .070" Thk,
30	1272346C1	1	FILTER, inline, valve pressure line, Includes: Ref. 31
31	237-6012	1	O-RING, 12-1, 90 Duro, .924 ID x .118" Thk,
32	218-5320	2	ELBOW, 90e, 7/16"-20, 37e x 3/4"-16, O-Ring, 90 deg., 7/16-20 flare x 3/4-16 in. adj. O-ring boss, Includes: Ref. 33
33	237-6008	1	O-RING, 8-1, 90 Duro, .644" ID x .087" Thk,
34	201-125	1	CONNECTOR, HYD., 11/16"-16 ORFS x 7/16"-20 ORB, ADAPTER straight, 11/16-16 face seal x 7/16-20 in.O-ring boss, Includes: Ref. 35 and 36
35	238-6012	1	O-RING, -012, 90 Duro, .364" ID x .070" Thk,

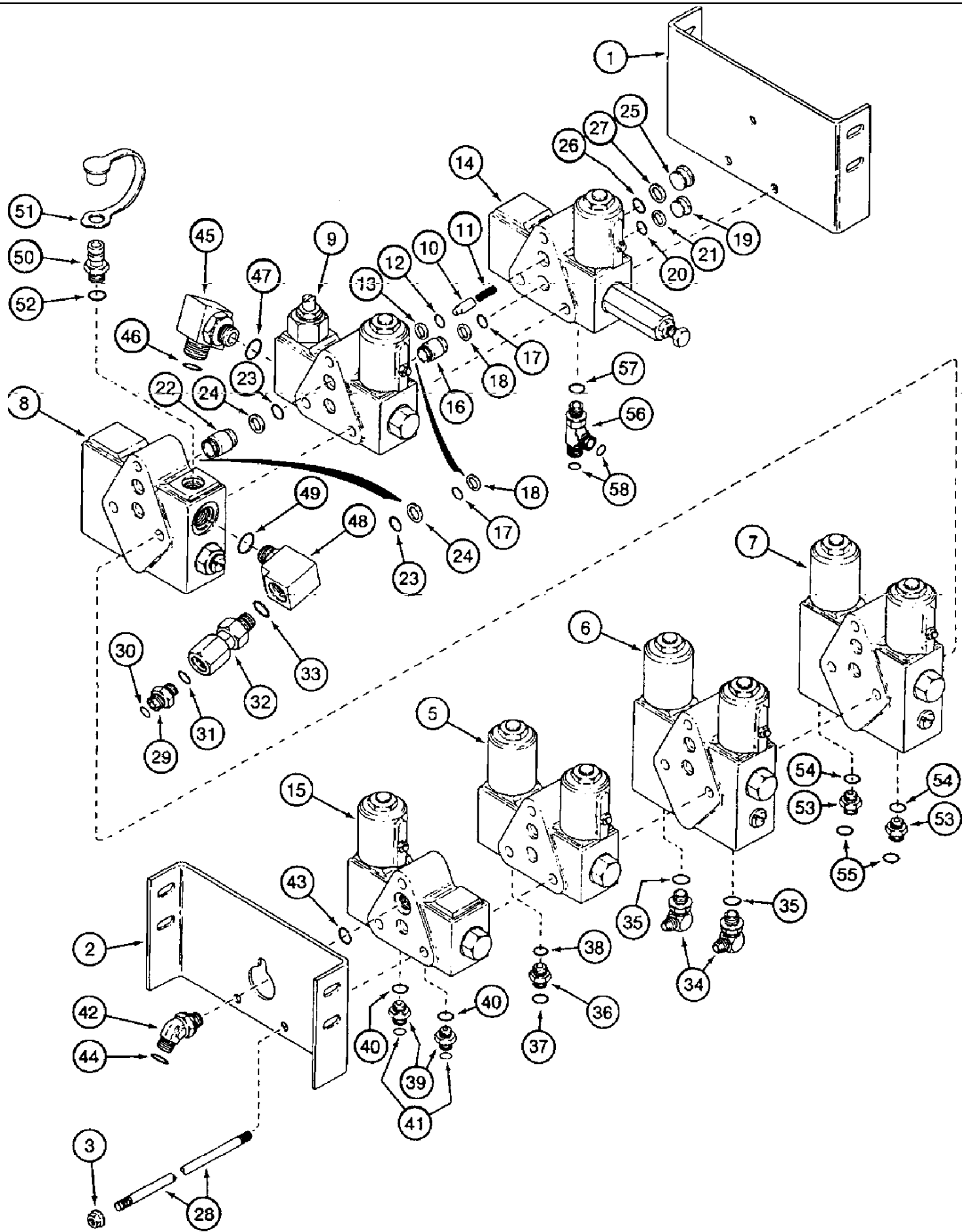
See Field Tracker parts catalog, Bur 8-8860, for field tracker attachment parts.

## 8-36 CONTROL VALVE AND MOUNTING, WITHOUT FORE AND AFT ATTACHMENT

сылка	Номер детали	Кол-во	Описание
36	237-6004	1	O-RING, 4-1, 90 Duro, .351" ID x .072" Thk,
37	201-106	1	CONNECTOR, HYD., 11/16"-16 ORFS x 3/4"-16 ORB, ADAPTER straight, 11/16-16 face seal x 3/4-16 in. O-ring boss, Includes: Ref. 38 and 39
38	237-6008	1	O-RING, 8-1, 90 Duro, .644" ID x .087" Thk,
39	238-6012	1	O-RING, -012, 90 Duro, .364" ID x .070" Thk,
40	201-321	1	ELBOW, 45e, 13/16"-16 x 9/16"-18. Adj, ORFS, 45 deg., 13/16-16 face seal x 9/16-18 in. adj. O-ring boss, Includes: Ref. 41 and 42
42	238-6014	1	O-RING, -014, 90 Duro, .489" ID x .070" Thk,
43	201-350	1	ELBOW, 90e, 1 3/16"-12 x 7/8"-14, Adj, ORFS, 90 deg., 1-3/16-12 face seal x 7/8-14 in. adj. O-ring boss, Includes: Ref. 44 and 45
44	238-6018	1	O-RING, -018, 90 Duro, .739" ID x .070" Thk,
45	237-6010	1	O-RING, 10-1, 90 Duro, .755" ID x .097" Thk,
46	1989475C3	1	TEE, special, 5/8 O-ring boss adj., 3/4 x 3/8 in., Includes: Ref. 47
47	237-6010	1	O-RING, 10-1, 90 Duro, .755" ID x .097" Thk,
48	1541849C1	1	COUPLING, ASSY., diagnostic, Includes: Ref. 49 and 50
49	H434163	1	DUST CAP, dust, coupler
51	201-412	1	TEE, 13/16"-16 x 3/4"-16 Run, ORFS, 13/16-16 face branch x face x 3/4-16 in. adj. O-ring, Includes: Ref. 52 and 53
52	237-6008	1	O-RING, 8-1, 90 Duro, .644" ID x .087" Thk,
53	238-6014	2	O-RING, -014, 90 Duro, .489" ID x .070" Thk,
41	237-6006	1	O-RING, 6-1, 90 Duro, .468" ID x .078" Thk,
50	237-6006	1	O-RING, 6-1, 90 Duro, .468" ID x .078" Thk,

See Field Tracker parts catalog, Bur 8-8860, for field tracker attachment parts.

8-38 CONTROL VALVE AND MOUNTING, WITH FORE AND AFT ATTACHMENT



B9307014A

See Field Tracker parts catalog, Bur 8-8860, for field tracker attachment parts.

## 8-38 CONTROL VALVE AND MOUNTING, WITH FORE AND AFT ATTACHMENT

сылка	Номер детали	Кол-во	Описание
	1989497C5	1	VALVE ASSY., control, not available for service, order individual component parts separately, Includes: Ref. 1 thru 58
	1986776C3	1	VALVE ASSY., control, not available for service, order individual component parts separately, Includes: Ref. 1 thru 28
1	1541613C1	1	SUPPORT, BRACKET mounting, valve, front
2	1989370C2	2	SUPPORT, BRACKET mounting, valve, rear
3	231-5144	6	NUT, Flg, USR, 1/4"-20,
5	107981A2	1	VALVE, ASSY., unload, single bi-directional, reel lift see Fig. 8-40
6	1267035C94	1	VALVE, ASSY., double piloted, unloading swing, see Fig. 8-42, no longer available, order 124857A1, BSN JJC105314
6	124857A1	1	VALVE, ASSY., double piloted, unloader swing, see Fig. 8-43A, ASN JJC105314
7	1267035C94	1	VALVE, ASSY., double piloted, reel for and aft, see Fig. 8-42, no longer available, prder 124857A1, BSN JJC105314
7	124857A1	1	VALVE, ASSY., double piloted, reel for and aft, see Fig. 8-43A, ASN JJC105314
8	1542678C1	1	VALVE, ASSY., flow divider, see Fig. 8-44
9	1542679C2	1	VALVE, ASSY., header lift, see Fig. 8-46, Includes: Ref. 10 thru 13
10	107957A1	1	POPPET, VALVE, raise check
11	107959A1	1	SPRING, poppet
12	238-6016	2	O-RING, -016, 90 Duro, .614" ID x .070" Thk,
13	A34493	2	RING, backup, large tube O-ring
14	1542680C3	1	VALVE, ASSY., header, lower, see Fig. 8-48, replaces 1542680C2
15	1542681C1	1	VALVE, ASSY., feeder clutch, see Fig. 8-50
16	1301630C2	9	TUBE, through, small, Includes: Ref. 17 and 18
17	238-6012	2	O-RING, -012, 90 Duro, .364" ID x .070" Thk,
18	L31330	2	RING, backup
19	1301634C2	4	PLUG, cap, small, Includes: Ref. 20 and 21
20	238-6012	1	O-RING, -012, 90 Duro, .364" ID x .070" Thk,
21	L31330	1	RING, backup
22	107984A1	1	PISTON, TUBE through, large, includes seals., Includes: Ref. 23 and 24
23	238-6016	2	O-RING, -016, 90 Duro, .614" ID x .070" Thk,
24	A34493	2	RING, backup, large tube O-ring
25	107985A1	1	PISTON, PLUG cap, large, includes seals, Includes: Ref. 26 and 27
26	238-6016	2	O-RING, -016, 90 Duro, .614" ID x .070" Thk,
27	A34493	2	RING, backup, large tube O-ring
28	106440A1	3	STEM, ROD tie, valve sections, used on models without field tracker attachment, There is one large and one small connector tube used between the header lift and the lower valves. The large tube is pressed into the header lift valve and is not serviced seperately. you must use a new valve. See Figure 8-46
	REF	1	INSTRUCTION, VALVE ASSY. control, Includes: Ref. 29 thru 58
29	201-104	1	CONNECTOR, HYD., 1 3/16"-12 ORFS x 1 1/16"-12 ORB, Includes Ref. 30 and 31
30	237-6012	1	O-RING, 12-1, 90 Duro, .924 ID x .118" Thk,
31	238-6018	1	O-RING, -018, 90 Duro, .739" ID x .070" Thk,
32	1272346C1	1	FILTER, inline, valve pressure line, Includes: Ref. 33
33	237-6012	1	O-RING, 12-1, 90 Duro, .924 ID x .118" Thk,

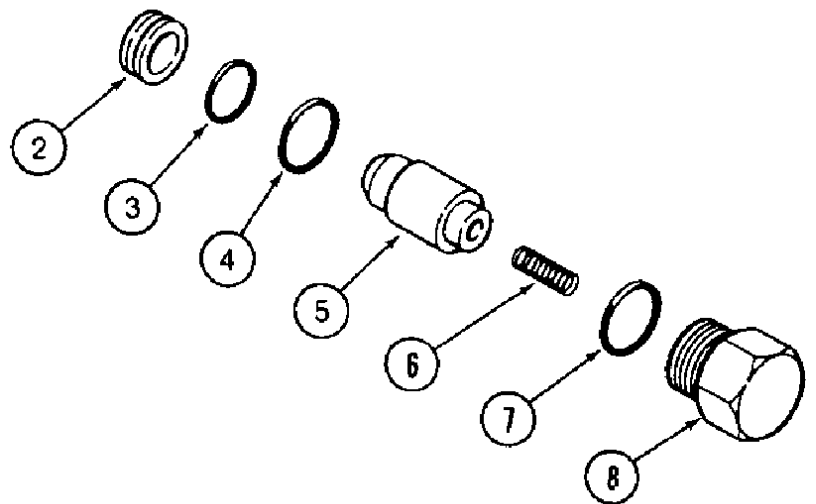
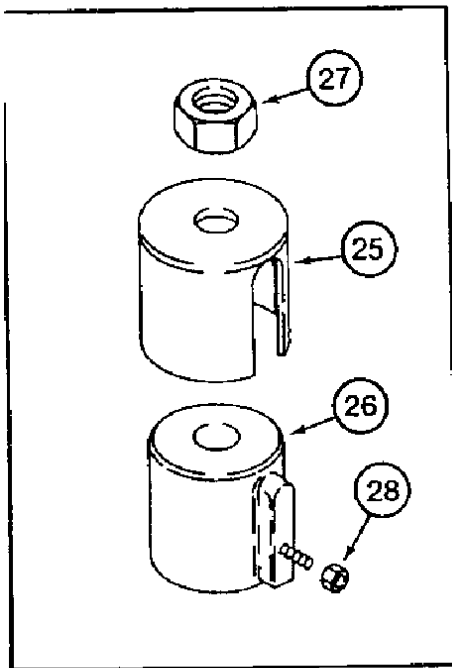
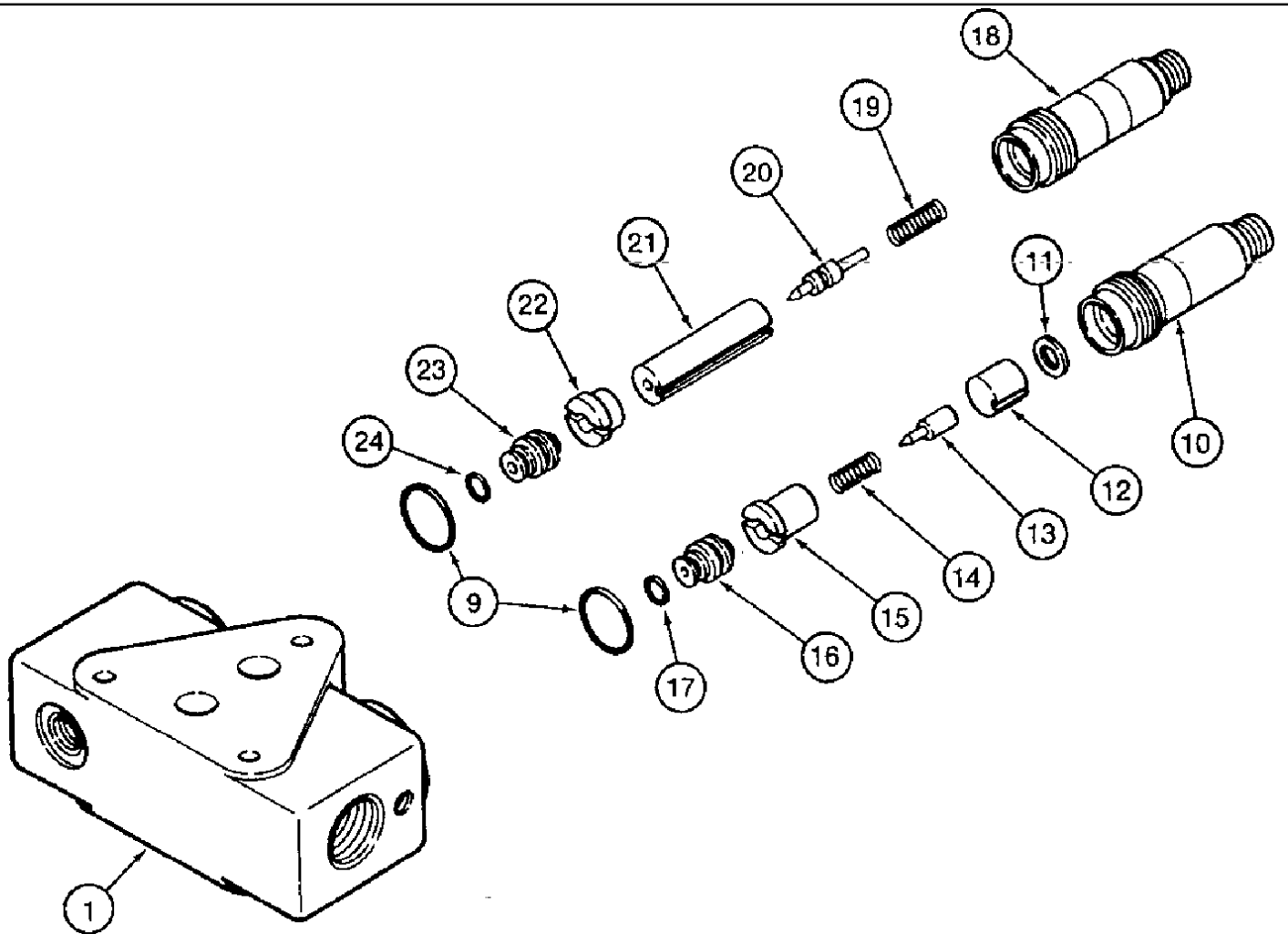
See Field Tracker parts catalog, Bur 8-8860, for field tracker attachment parts.



## 8-38 CONTROL VALVE AND MOUNTING, WITH FORE AND AFT ATTACHMENT

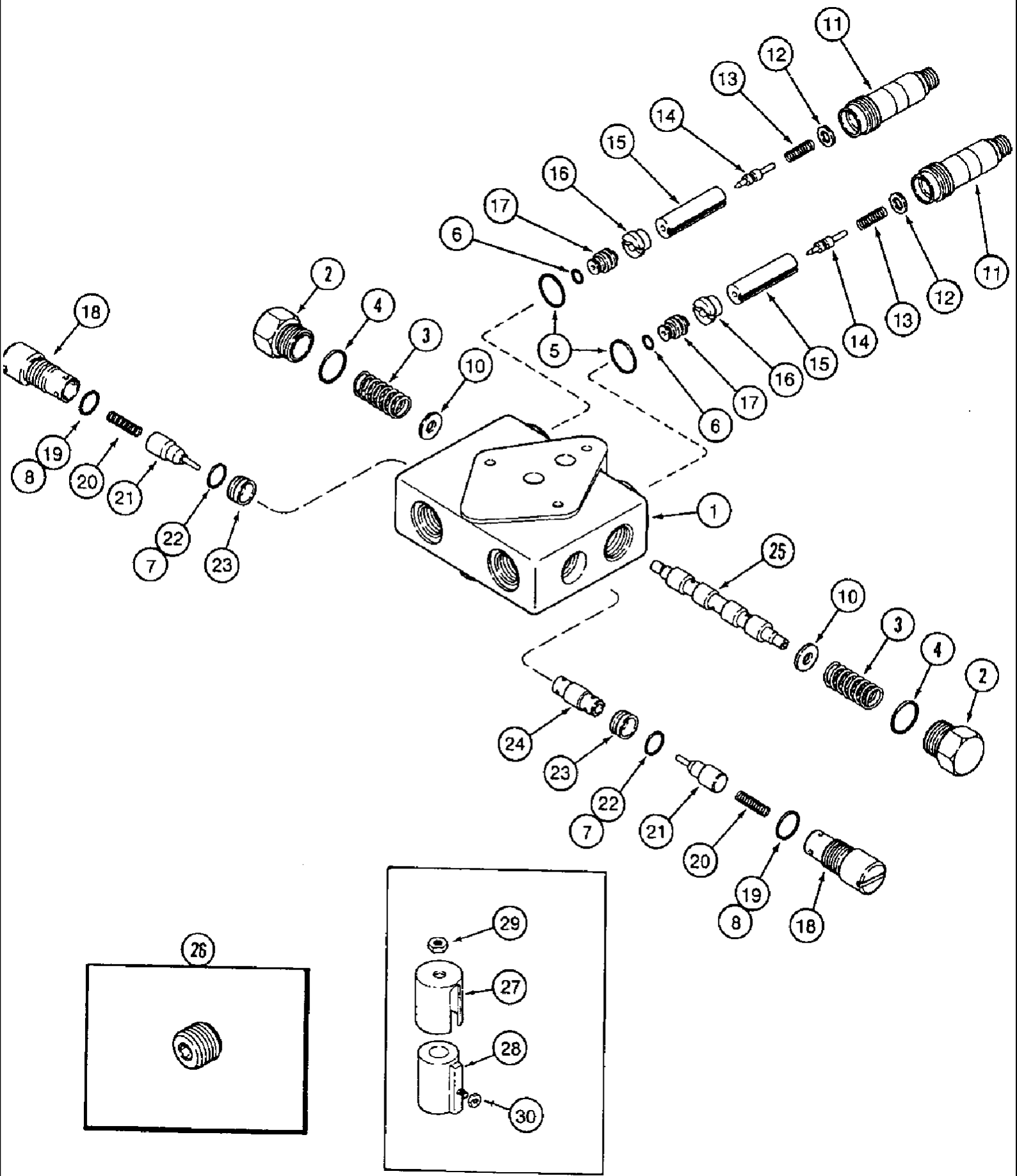
сылка	Номер детали	Кол-во	Описание
34	218-5320	2	ELBOW, 90є, 7/16"-20, 37є x 3/4"-16, O-Ring, 90 deg., 7/16-20 flare x 3/4-16 in. adj. O-ring boss, Includes: Ref. 35
35	237-6008	1	O-RING, 8-1, 90 Duro, .644" ID x .087" Thk,
36	201-125	1	CONNECTOR, HYD., 11/16"-16 ORFS x 7/16"-20 ORB, ADAPTER straight, 11/16-16 face seal x 7/16-20 in. O-ring boss, Includes: Ref. 37 and 38
37	238-6012	1	O-RING, -012, 90 Duro, .364" ID x .070" Thk,
38	237-6004	1	O-RING, 4-1, 90 Duro, .351" ID x .072" Thk,
39	201-106	2	CONNECTOR, HYD., 11/16"-16 ORFS x 3/4"-16 ORB, ADAPTER straight, 11/16-16 face seal x 3/4-16 in. O-ring boss, Includes: Ref. 40 and 41
40	237-6008	1	O-RING, 8-1, 90 Duro, .644" ID x .087" Thk,
41	238-6012	1	O-RING, -012, 90 Duro, .364" ID x .070" Thk,
42	201-321	1	ELBOW, 45є, 13/16"-16 x 9/16"-18. Adj, ORFS, 45 deg., 13/16-16 face seal x 9/16-18 in. adj. O-ring boss, Includes: Ref. 43 and 44
44	238-6014	1	O-RING, -014, 90 Duro, .489" ID x .070" Thk,
45	201-350	1	ELBOW, 90є, 1 3/16"-12 x 7/8"-14, Adj, ORFS, 90 deg., 1-13/16-12 face seal x 7/8-14 in. adj. O-ring boss, Includes: Ref. 46 and 47
46	238-6018	1	O-RING, -018, 90 Duro, .739" ID x .070" Thk,
47	237-6010	1	O-RING, 10-1, 90 Duro, .755" ID x .097" Thk,
48	1989475C3	1	TEE, special, 5/8 O-ring boss adj. x 3/4 x 3/8 in., Includes: Ref. 49
49	237-6010	1	O-RING, 10-1, 90 Duro, .755" ID x .097" Thk,
50	1541849C1	1	COUPLING, ASSY. diagnostic, Includes: Ref. 51 and 52
51	H434163	1	DUST CAP, dust, coupler
53	201-106	2	CONNECTOR, HYD., 11/16"-16 ORFS x 3/4"-16 ORB, ADAPTER straight, 11/16-16 face seal x 3/4-16 in. O-ring boss, Includes: Ref. 54 and 55
54	237-6008	1	O-RING, 8-1, 90 Duro, .644" ID x .087" Thk,
55	238-6012	1	O-RING, -012, 90 Duro, .364" ID x .070" Thk,
56	201-412	1	TEE, 13/16"-16 x 3/4"-16 Run, ORFS, 13/16-16 face branch x face x 3/4-16 in. adj. O-ring, Includes: Ref. 57 and 58
57	237-6008	1	O-RING, 8-1, 90 Duro, .644" ID x .087" Thk,
58	238-6014	2	O-RING, -014, 90 Duro, .489" ID x .070" Thk,
43	237-6006	1	O-RING, 6-1, 90 Duro, .468" ID x .078" Thk,
52	237-6006	1	O-RING, 6-1, 90 Duro, .468" ID x .078" Thk,

See Field Tracker parts catalog, Bur 8-8860, for field tracker attachment parts.



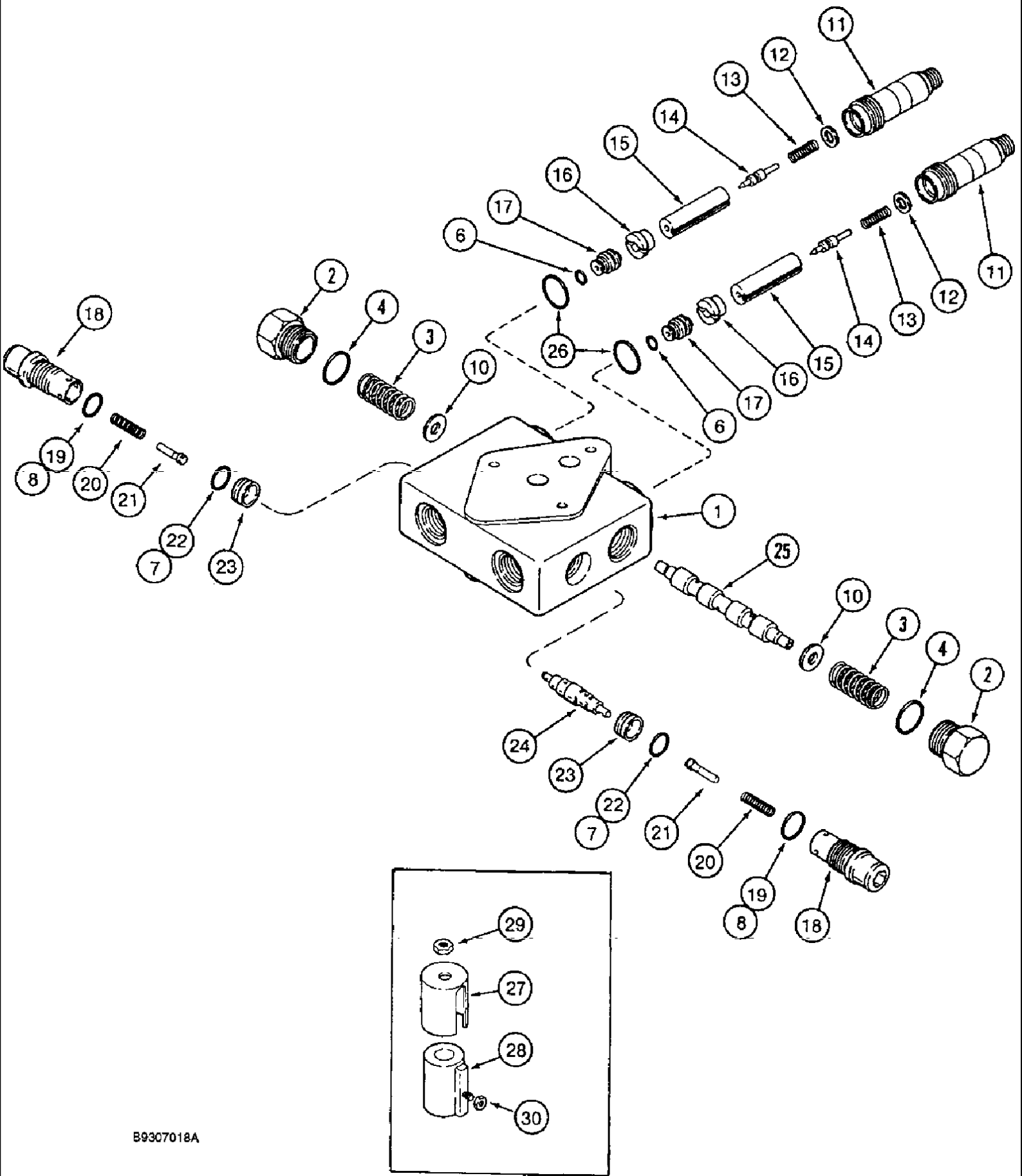
## 8-40 UNLOAD/SINGLE BI-DIRECTIONAL VALVE, FOR REEL LIFT

сылка	Номер детали	Кол-во	Описание
	107981A2	1	VALVE, ASSY., unload/single, bi-directional, reel lift, Includes: Ref. 1 thru 28
1	NSS	1	NOT SERVICED SEPARATELY, BODY valve
2	107966A1	1	SEAT, poppet
3	238-6015	1	O-RING, -015, 90 Duro, .551" ID x .070" Thk, , Part includesvalve seal kit 1282280C1
4	238-5018	1	O-RING, -018, 70 Duro, .739" ID x .070" Thk, , Part includesvalve seal kit 1282280C1
5	107970A1	1	POPPET, VALVE,
6	107967A1	2	SPRING, poppet
7	237-6010	1	O-RING, 10-1, 90 Duro, .755" ID x .097" Thk, , Part includesvalve seal kit 1282280C1
8	107968A1	1	PLUG, hex, special, end
9	238-6019	2	O-RING, -019, 90 Duro, .801" ID x .070" Thk, , Part includesvalve seal kit 1282280C1
	107972A1	1	VALVE, SOLENOID ASSY., normally open, Includes: Ref. 10 thru 17
10	1301641C2	1	SLEEVE, TRANSMISSION, poppet, solenoid valve
11	1301642C1	1	WASHER, spring, retaining
12	1301643C1	1	VALVE, ARMATURE
13	1301644C1	1	PIN, POPPET valve, Order 1301644C2. Also Order BUSHING 1301646C2 and SLEEVE 1301641C2 for initial replacement
14	1301821C1	1	SPRING, poppet
15	1301646C1	1	BUSHING, poppet, armature
16	1301639C1	1	PISTON, ORIFICE valve, 0.022 in. opening
17	238-6010	1	O-RING, -010, 90 Duro, .239" ID x .070" Thk, , Part includesvalve seal kit 1282280C1
	112988A1	1	VALVE, SOLENOID ASSY., normally closed, Includes: Ref. 18 thru 28
18	1301627C1	1	STUD, SLEEVE poppet, solenoid valve
19	1301640C1	1	SPRING, poppet, sleeve
20	110550A1	1	POPPET, VALVE,
21	1301648C1	1	ARMATURE, valve
22	1301624C1	1	BUSHING, poppet, armature
23	1346430C1	1	RESTRICTOR, ORIFICE valve, 0.062 in. opening
24	238-6010	1	O-RING, -010, 90 Duro, .239" ID x .070" Thk, , Part includesvalve seal kit 1282280C1
25	1301632C1	2	CAP, COVER coil
26	1301633C1	2	COIL, valve
27	107825	2	NUT, Stamped, 1/2"-20, hex, 1/2 in. NF
28	225-20210	2	NUT, #10-32, Brass,
	1282280C1	1	O-RING, KIT valve seal, Includes: Ref. 3, 4, 7, 9, 17 and 24, Also includes 1 of 529909R1 O-ring, not used in this application



B9307017A

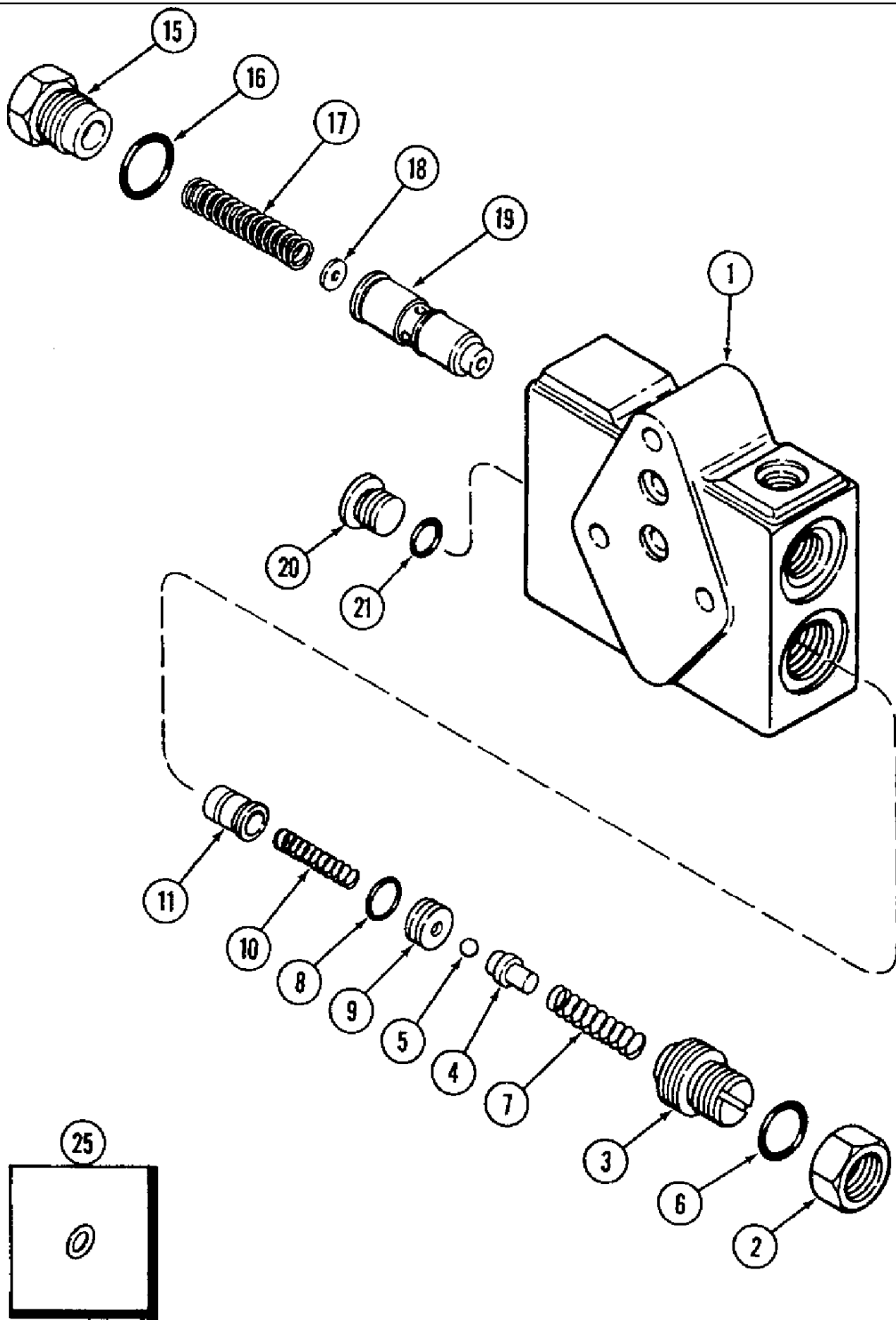
сылка	Номер детали	Кол-во	Описание
	1267035C94	2	VALVE, ASSY., double piloted, no longer available, order 124857A1 valve shown on Fig. 8-43A, Includes: Ref. 1 thru 30, BSN JJC105314
1	NSS	1	NOT SERVICED SEPARATELY, BODY valve, order 124857A1 valve shown on Fig. 8-42A
2	1301686C1	2	CAP, PLUG hex, special, end
3	1301689C1	2	SPRING, spool, plug
	1282278C2	1	KIT, SEALS, valve seal, Includes: Ref. 4 thru 9
4	237-6010	2	O-RING, 10-1, 90 Duro, .755" ID x .097" Thk,
5	238-6019	2	O-RING, -019, 90 Duro, .801" ID x .070" Thk,
6	238-6010	2	O-RING, -010, 90 Duro, .239" ID x .070" Thk,
7	238-6014	1	O-RING, -014, 90 Duro, .489" ID x .070" Thk,
8	238-6114	1	O-RING, -114, 90 Duro, .612" ID x .103" Thk,
10	1301687C1	2	RETAINER, RETAINER spring
11	1301627C2	2	SLEEVE, poppet, valve
12	1301642C1	2	WASHER, spring, retaining
13	1301640C1	2	SPRING, poppet, sleeve
14	110550A1	2	POPPET, VALVE,
15	1301648C1	2	ARMATURE, valve
16	1301624C1	2	BUSHING, poppet, pirole
17	1301625C1	2	ORIFICE, valve
	1986831C2	2	PACKAGE, VALVE ASSY., cross check, Includes: Ref. 18 thru 30
18	NSS	1	NOT SERVICED SEPARATELY, BODY check valve
19	238-6114	1	O-RING, -114, 90 Duro, .612" ID x .103" Thk,
20	NSS	1	NOT SERVICED SEPARATELY, SPRING poppet
21	1267160C2	2	VALVE, POPPET
22	238-6014	1	O-RING, -014, 90 Duro, .489" ID x .070" Thk,
23	NSS	1	NOT SERVICED SEPARATELY, SEAT valve
24	1267162C1	1	VALVE, POOL shuttle
25	NSS	1	NOT SERVICED SEPARATELY, SPOOL valve, order 124857A1 valve shown on Fig. 8-43A
26	1301637C1	2	ORIFICE, ORIFICE valve
27	1301632C1	2	CAP, hex, 1/2 in. NF
28	1301633C1	2	COIL, valve
29	107825	2	NUT, Stamped, 1/2"-20, hex, 1/2 in. NF
30	225-20210	2	NUT, #10-32, Brass,
9	237-6006	1	O-RING, 6-1, 90 Duro, .468" ID x .078" Thk, Not used in this application, not shown



B9307018A

сылка	Номер детали	Кол-во	Описание
	124857A1	2	VALVE, ASSY., double piloted, Includes: Ref. 1 thru 30, ASN JJC105314
1	NSS	1	NOT SERVICED SEPARATELY, BODY valve
2	100475A1	2	PLUG, end cap
3	100474A1	2	SPRING, centering, plug
	1282278C2		KIT, SEALS, valve, seal, Includes: Ref. 4 thru 9
4	237-6010	2	O-RING, 10-1, 90 Duro, .755" ID x .097" Thk,
5	238-6019	2	O-RING, -019, 90 Duro, .801" ID x .070" Thk, Not used in this application, not shown
6	238-6010	2	O-RING, -010, 90 Duro, .239" ID x .070" Thk,
7	238-6014	1	O-RING, -014, 90 Duro, .489" ID x .070" Thk,
8	238-6114	1	O-RING, -114, 90 Duro, .612" ID x .103" Thk,
10	1301687C1	2	RETAINER, RETAINER spring
11	1301627C2	2	SLEEVE, poppet, valve
12	1301642C1	2	WASHER, spring, retaining
13	1301640C1	2	SPRING, poppet, sleeve
14	110550A1	2	POPPET, VALVE,
15	1301648C1	2	ARMATURE, valve
16	1301624C1	2	BUSHING, poppet, pole
17	1301625C1	2	ORIFICE, valve
18	124775A1	2	CAP, BODY check valve
19	238-6114	2	O-RING, -114, 90 Duro, .612" ID x .103" Thk,
20	1272887C1	2	SPRING, poppet
21	124771A1	2	POPPET, VALVE,
22	238-6014	2	O-RING, -014, 90 Duro, .489" ID x .070" Thk,
23	1267163C1	2	SEAT, valve
24	124777A1	1	SPOOL, shuttle
25	NSS	1	NOT SERVICED SEPARATELY, SPOOL valve
26	238-8019	2	O-RING, -019, CI 8, .801" ID x .070" Thk,
27	1301632C1	2	CAP, COVER coil
28	1301633C1	2	COIL, valve
29	107825	2	NUT, Stamped, 1/2"-20, hex, 1/2 in. NF
30	225-20210	2	NUT, #10-32, Brass,
9	237-6006	1	O-RING, 6-1, 90 Duro, .468" ID x .078" Thk, Not used in this application, not shown

8-44 FLOW DIVIDER VALVE





## 8-44 FLOW DIVIDER VALVE

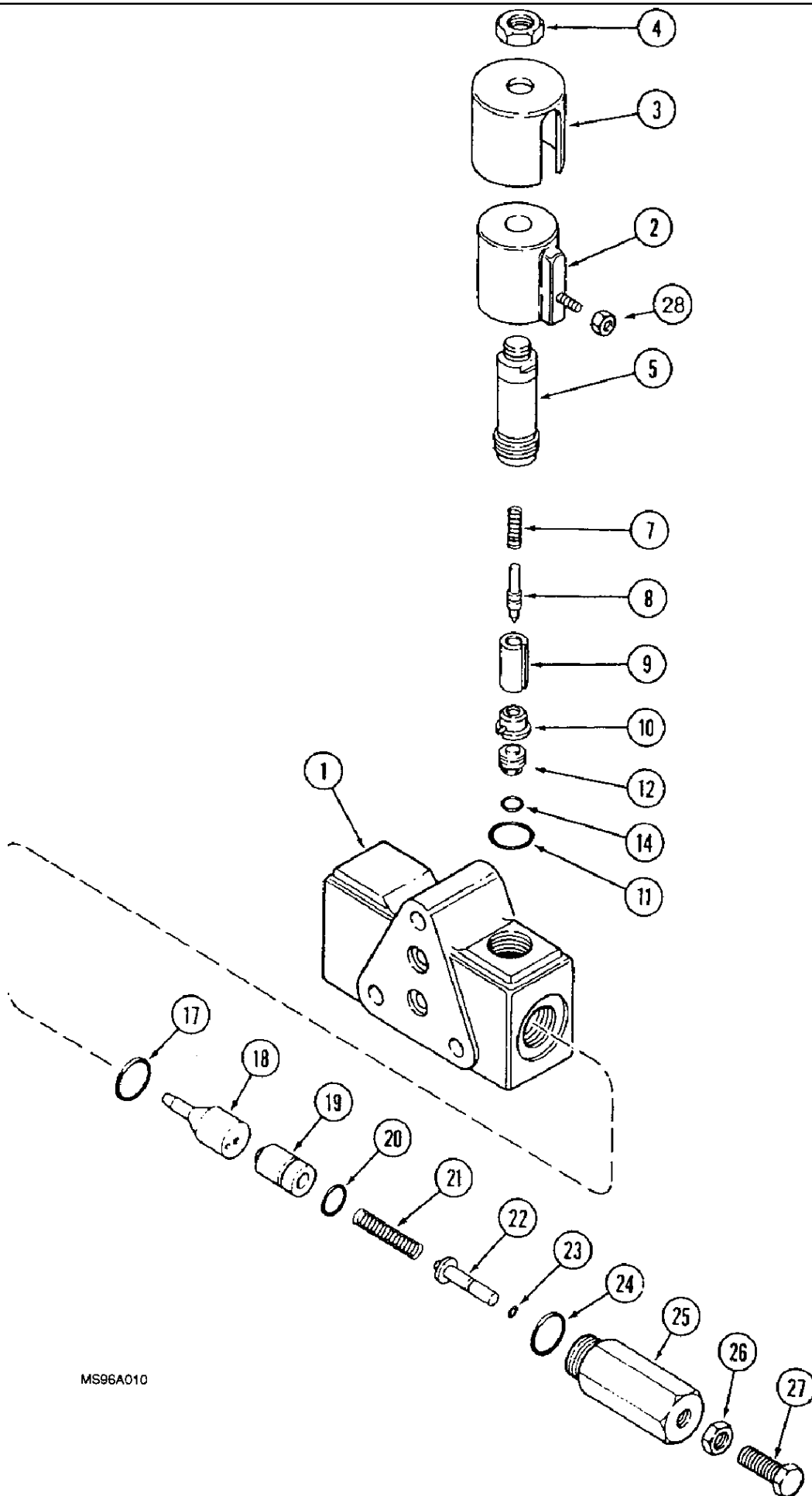
сылка	Номер детали	Кол-во	Описание
	1542678C1	1	VALVE, ASSY., flow divider, Includes: Ref. 1 thru 26
1	NSS	1	NOT SERVICED SEPARATELY, BODY valve
2	1301674C1	1	NUT, hex, special, 1 in.
3	1301675C1	1	SCREW, PLUG valve
4	1301677C1	1	PIN, GUIDE spring
5	211-1008	1	BALL, 1/4" Dia, chrome alloy steel, 1/4 in., grade 24
6	237-6010	1	O-RING, 10-1, 90 Duro, .755" ID x .097" Thk,
7	1301636C1	1	SPRING, poppet
8	238-6014	1	O-RING, -014, 90 Duro, .489" ID x .070" Thk,
9	1301654C1	1	NUT, ORIFICE valve
10	1301679C1	1	SPRING, orifice
11	1301678C1	1	VALVE, POPPET, end
15	1301686C1	1	CAP, PLUG hex, special
16	237-6010	1	O-RING, 10-1, 90 Duro, .755" ID x .097" Thk,
17	107961A1	1	SPRING, spool
18	1301662C1	1	WASHER, RETAINER spring
19	107975A1	1	SPOOL, valve
20	9625178	1	PLUG, Hex Soc, 9/16"-18 ORB, Incl. Ref. 21
	530575R91	1	KIT, SHIM, KIT relief valve, Includes: Ref. 25
25	NSS		UAR NOT SERVICED SEPARATELY, SHIM relief valve, 0.002 in.
25	NSS		UAR NOT SERVICED SEPARATELY, SHIM relief valve, 0.007 in.
25	NSS		UAR NOT SERVICED SEPARATELY, SHIM relief valve, 0.020 in.
25	NSS		UAR NOT SERVICED SEPARATELY, SHIM relief valve, 0.042 in.
26	105945A1	1	PORT, DISC field tracker, if used, not shown
21	237-6006	1	O-RING, 6-1, 90 Duro, .468" ID x .078" Thk,



## 8-46 HEADER LIFT VALVE

сылка	Номер детали	Кол-во	Описание
	1542679C2	1	VALVE, ASSY., header lift, Includes: Ref. 1 thru 33
1	NSS	1	NOT SERVICED SEPARATELY, BODY valve
2	1301657C1	1	PISTON, ORIFICE valve, poppet
3	238-6015	1	O-RING, -015, 90 Duro, .551" ID x .070" Thk,
4	238-5018	2	O-RING, -018, 70 Duro, .739" ID x .070" Thk,
5	107956A1	1	POPPET, VALVE, piston
6	1301660C1	1	SPRING, poppet
7	237-6010	1	O-RING, 10-1, 90 Duro, .755" ID x .097" Thk,
8	1301661C1	1	PLUG, hex
9	238-6019	1	O-RING, -019, 90 Duro, .801" ID x .070" Thk,
10	1301646C2	1	BUSHING, LARGE, poppet, pole
11	1301644C2	1	SPOOL, valve
12	1301643C1	1	VALVE, ARMATURE
13	1301642C1	1	WASHER, spring, retaining, backup
14	1301641C2	1	SLEEVE, TRANSMISSION, poppet
15	1301730C1	1	VALVE, COIL
16	1301632C1	1	CAP, COVER coil
17	107825	1	NUT, Stamped, 1/2"-20, hex, 1/2 in. NF
18	1301821C1	1	SPRING, poppet
19	107965A1	1	PORT, ORIFICE valve
20	238-6010	1	O-RING, -010, 90 Duro, .239" ID x .070" Thk,
21	107953A1	1	NEEDLE, OVERRIDE ASSY., manual, includes O-ring and backup ring
22	107955A1	1	PLUG, GUIDE valve
23	L31750	1	CIRCLIP, 0.562", Int, #56, 0.562", Int, #56
24	425-154	1	NUT, Jam, 1/4"-28, G5,
25	107969A1	1	WASHER, flat, special
26	107962A1	1	SEAT, valve
27	237-6008	1	O-RING, 8-1, 90 Duro, .644" ID x .087" Thk,
28	NSS	1	NOT SERVICED SEPARATELY, TUBE through, valve
29	107957A1	1	POPPET, VALVE,
30	107959A1	1	SPRING, poppet
31	238-6016	1	O-RING, -016, 90 Duro, .614" ID x .070" Thk,
32	A34493	1	RING, backup
33	225-20210	1	NUT, #10-32, Brass,

8-48 HEADER LOWER VALVE

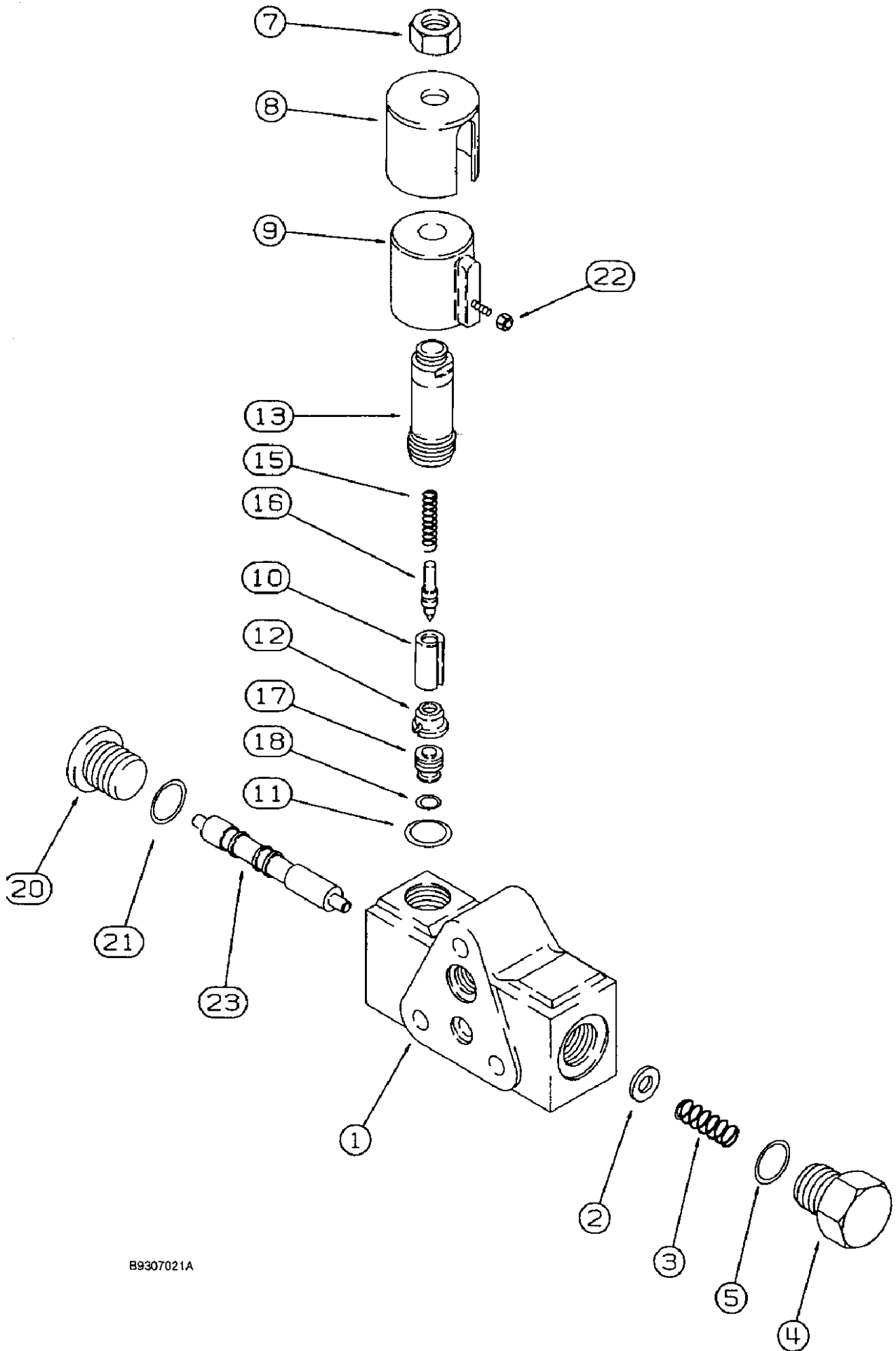


MS96A010

## 8-48 HEADER LOWER VALVE

сылка	Номер детали	Кол-во	Описание
	1542680C3	1	VALVE, ASSY., header lower, replaces 1542680C2, Includes: Ref. 1 thru 28
1	NSS	1	NOT SERVICED SEPARATELY, BODY valve
2	1301730C1	1	VALVE, COIL
3	1301632C1	1	CAP, COVER coil
4	107825	1	NUT, Stamped, 1/2"-20, hex, 1/2 in. NF
5	1301627C3	1	SLEEVE, poppet
7	1301640C1	1	SPRING, poppet
8	1301647C1	1	POPPET, poppet
9	1301648C1	1	ARMATURE, valve, support
10	1301624C1	1	BUSHING, poppet, pole
11	238-6019	1	O-RING, -019, 90 Duro, .801" ID x .070" Thk,
12	1301625C1	1	ORIFICE, valve
14	238-6010	1	O-RING, -010, 90 Duro, .239" ID x .070" Thk,
17	238-5018	1	O-RING, -018, 70 Duro, .739" ID x .070" Thk,
18	107951A3	1	POPPET, VALVE, replaces 107951A2
19	1301665C1	1	PISTON, POPPET
20	238-5014	1	O-RING, -014, 70 Duro, .489" ID x .070" Thk,
21	1301660C1	1	SPRING, poppet
22	107963A1	1	RETAINER, PLUNGER adjusting
23	238-5006	1	O-RING, -006, 70 Duro, .114" ID x .070" Thk,
24	237-6010	1	O-RING, 10-1, 90 Duro, .755" ID x .097" Thk,
25	107958A1	1	PLUG, adjusting
26	329-156	1	NUT, Jam, 3/8"-24, G8,
27	414-616	1	BOLT, Hex, 3/8"-24 x 1", G5, Full Thd, BOLT hex, 3/8 NF x 1 in.
28	225-20210	1	NUT, #10-32, Brass,

8-50 FEEDER CLUTCH VALVE



B9307021A

## 8-50 FEEDER CLUTCH VALVE

сылка	Номер детали	Кол-во	Описание
	1542681C1	1	VALVE, ASSY., feeder clutch, Includes: Ref. 1 thru 23
1	NSS	1	NOT SERVICED SEPARATELY, BODY valve
2	1301687C1	1	RETAINER, RETAINER spring
3	107960A1	1	SPRING, poppet
4	1301686C1	1	CAP, PLUG hex, special, end
5	237-6010	1	O-RING, 10-1, 90 Duro, .755" ID x .097" Thk,
7	107825	1	NUT, Stamped, 1/2"-20, hex, 1/2 in. NF
8	1301632C1	1	CAP, COVER coil
9	1301730C1	1	VALVE, COIL
10	1301648C1	1	ARMATURE, valve, support
11	238-6019	1	O-RING, -019, 90 Duro, .801" ID x .070" Thk,
12	1301624C1	1	BUSHING, poppet, pole
13	1301627C2	1	SLEEVE, poppet
14	1301642C1	1	WASHER, spring, retaining, backup
15	1301640C1	1	SPRING, poppet
16	110550A1	1	POPPET, VALVE,
17	1301625C1	1	ORIFICE, valve
18	238-6010	1	O-RING, -010, 90 Duro, .239" ID x .070" Thk,
20	86625138	1	PLUG, Hex Soc, 7/8"-14 ORB, Includes Ref. 21
21	237-6010	1	O-RING, 10-1, 90 Duro, .755" ID x .097" Thk,
22	225-20210	1	NUT, #10-32, Brass,
23	NSS	1	NOT SERVICED SEPARATELY, SPOOL valve





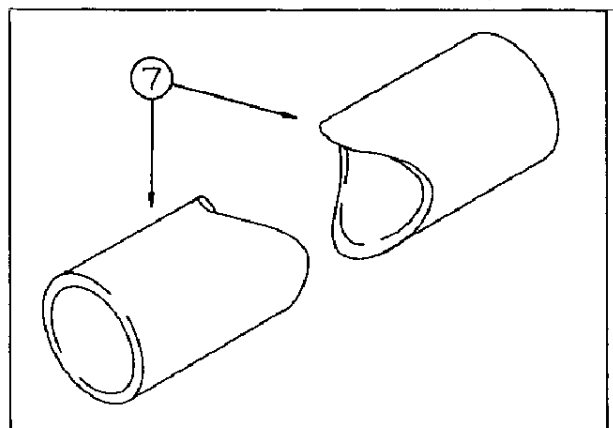
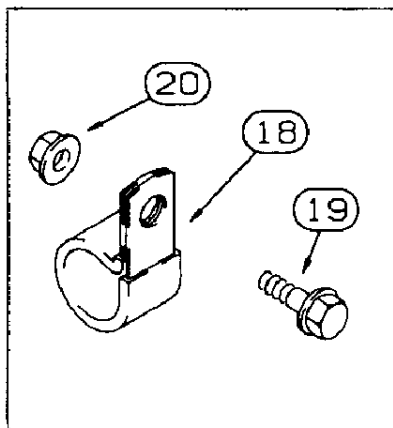
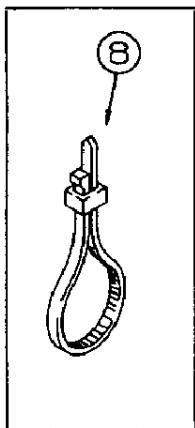
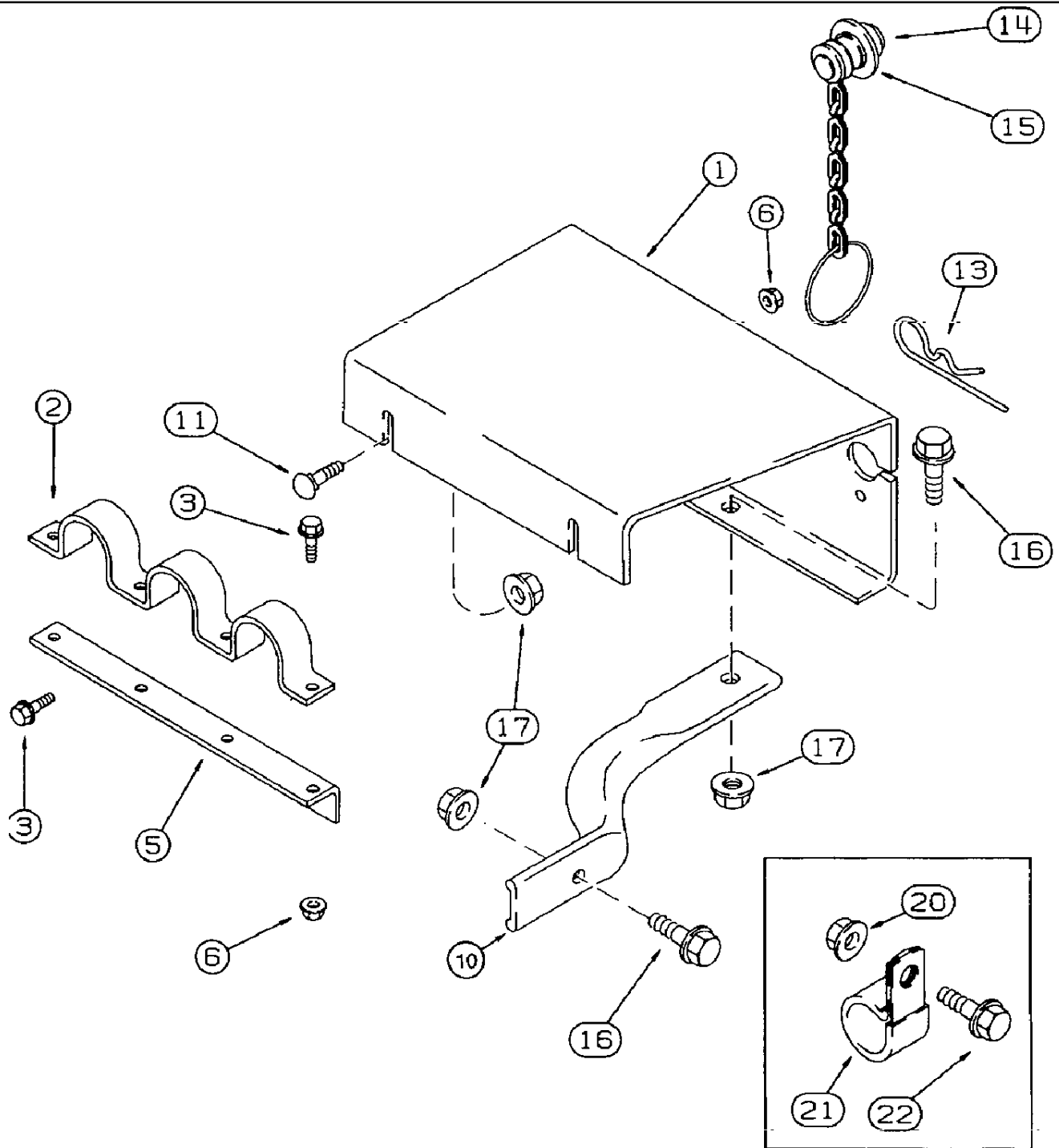
## 1666 CASE IH AXIAL-FLOW COMBINE (1/93-12/94)

## 8-52 REEL DRIVE SYSTEM

сылка	Номер детали	Кол-во	Описание
1	1994653C2	1	PUMP, ASSY., auxiliary drive, reel, see Fig. 8-56
2	1272619C93	1	VALVE, ASSY., hydraulic, reel drive, see Fig. 8-58
3	1541633C2	1	TEE, special, branch, feeder clutch valve, Includes: Ref. 4 and 5
4	238-6018	1	O-RING, -018, 90 Duro, .739" ID x .070" Thk,
5	238-6014	1	O-RING, -014, 90 Duro, .489" ID x .070" Thk,
6	1541634C1	1	VALVE, ASSY., relief, pressure regulator, Includes: Ref. 7 and 8
7	237-6010	1	O-RING, 10-1, 90 Duro, .755" ID x .097" Thk,
8	238-6018	1	O-RING, -018, 90 Duro, .739" ID x .070" Thk,
9	201-306	1	ELBOW, 90°, 1"-14 x 7/8"-14 Adj, ORFS, 90 deg., 1-14 face seal x 7/8-14 in. adj. O-ring boss, Includes: Ref. 10 and 11
10	237-6010	1	O-RING, 10-1, 90 Duro, .755" ID x .097" Thk,
11	238-6016	1	O-RING, -016, 90 Duro, .614" ID x .070" Thk,
12	201-420	1	TEE, 1"-14 x 7/8"-14 Run, ORFS, 1-14 face branch x face x 7/8-14 in, adj. O-ring boss, Includes: Ref. 13 and 14
13	238-6016	2	O-RING, -016, 90 Duro, .614" ID x .070" Thk,
14	237-6010	1	O-RING, 10-1, 90 Duro, .755" ID x .097" Thk,
15	1541753C2	1	TUBE, reel drive valve supply, includes Ref. 45 O-ring
16	1980050C2	1	HOSE, reel pump to valve, 29 in. (737 mm) long
17	1989495C1	1	HOSE, reel motor supply, 136 in. (3455 mm) long
19	1345266C1	1	WASHER, lock, white, special
20	201-103	1	CONNECTOR, HYD., 1"-14 ORFS x 7/8"-14 ORB, Includes Ref. 21 and 22
21	238-6016	1	O-RING, -016, 90 Duro, .614" ID x .070" Thk,
22	237-6010	1	O-RING, 10-1, 90 Duro, .755" ID x .097" Thk,
23	1272399C2	1	COUPLING, QUICK, MALE, self sealing, male, 7/8 in. NF
24	1989496C1	1	HOSE, reel drive motor return, 102-1/2 in. (2605 mm) long
25	201-306	1	ELBOW, 90°, 1"-14 x 7/8"-14 Adj, ORFS, 90 deg., 1-14 face seal x 7/8-14 in. adj. O-ring boss, Includes: Ref. 26 and 27
26	237-6010	1	O-RING, 10-1, 90 Duro, .755" ID x .097" Thk,
27	238-6018	1	O-RING, -018, 90 Duro, .739" ID x .070" Thk, 5/8 ID x 1/16 in. wide
28	1282338C91	1	COUPLING, QUICK, FEMALE, self sealing, female, 7/8-14 in.
29	1989476C1	1	PIPE, TUBE return, reel drive
30	1989283C1	1	TUBE, valve return
31	424-564	1	BOLT, Hex, 5/16"-18 x 4", G2, BOLT hex, 5/16 NC x 4 in., grade 2
32	1347127C1	4	PLATE, clamp, hose
33	1347072C1	1	CLAMP, tube, 3/4 in. O.D.
34	1989362C1	3	CLAMP, tube, two piece
35	231-4115	2	NUT, LOCK, 5/16"-18, GB,
36	413-536	1	BOLT, Hex, 5/16"-18 x 2 1/4", G5, hex, 5/16 NC x 2-1/4 in. NC
37	1541827C1	1	TEE, separator clutch, special, Includes: Ref. 38, 39, and 40
38	237-6010	1	O-RING, 10-1, 90 Duro, .755" ID x .097" Thk,
39	238-6018	1	O-RING, -018, 90 Duro, .739" ID x .070" Thk,
40	238-6012	1	O-RING, -012, 90 Duro, .364" ID x .070" Thk,
41	196868C2	1	SUPPORT, PLATE
42	409-7512	2	BOLT, Hex Flg, 5/16"-18 x 3/4", Serr,
43	495-11034	1	WASHER, 5/16", SAE, flat, 11/32 x 11/16 x 1/16 in.

## 8-52 REEL DRIVE SYSTEM

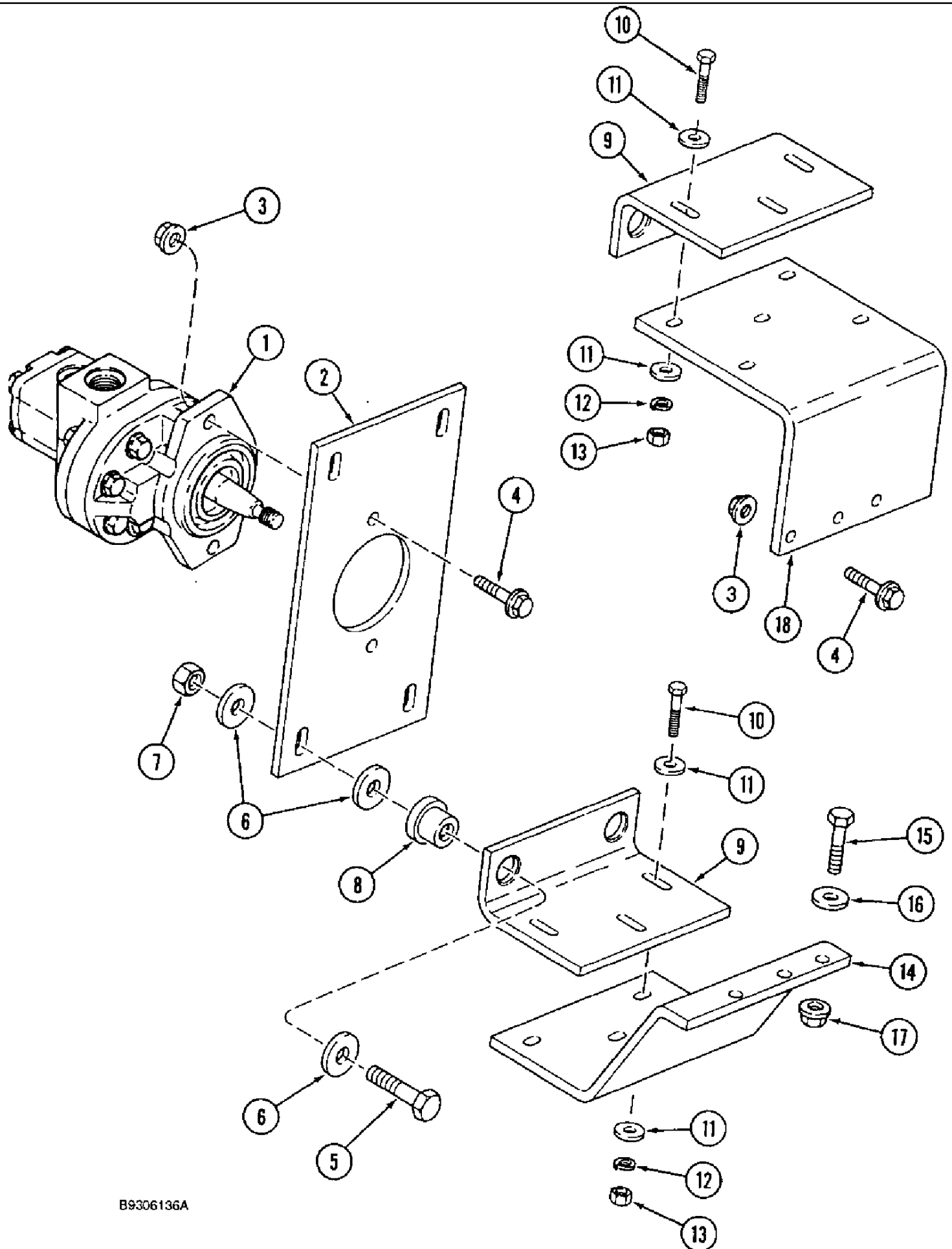
сылка	Номер детали	Кол-во	Описание
44	231-5145	2	NUT, Flg, USR, 5/16"-18,
45	238-6018	1	O-RING, -018, 90 Duro, .739" ID x .070" Thk,
46	1541538C1	1	CLAMP, two piece, 3/4 in. O.D. tube
47	1541537C1	1	PLATE, clamp
48	413-436	2	BOLT, Hex, 1/4"-20 x 2 1/4", G5,
49	231-4144	2	NUT, LOCK, 1/4"-20, GB,



## 8-54 REEL DRIVE, COUPLING MOUNTING

сылка	Номер детали	Кол-во	Описание
1	1957656C3	1	SUPPORT, feeder hoses
2	1321990C1	1	CLAMP, coupling, ISO
3	68530C1	6	BOLT, Hex Flg, 1/4"-20 x 3/4", Serr, BOLT hex flange, 1/4 NC x 3/4 in.
5	1321989C2	1	SUPPORT, coupling
6	231-5144	6	NUT, Flg, USR, 1/4"-20,
7	1989500C1	1	SLEEVE, hose, cordura
8	306132C1	2	STRAP, CABLE, .30" x 14.5", tie, 14 in., nylon
10	1989477C1	1	SUPPORT, feeder hoses
11	434-620	2	BOLT, CARRIAGE, Short NK, 3/8"-16 x 1 1/4", G5, Full Thd,
13	432-620	4	PIN, SPLIT (COTTER), 3/32" x 1 1/4", 3/32" x 1 1/4"
14	1954133C1	1	DUST CAP, coupling, dust, Includes: Ref. 15
15	401758R1	1	WASHER, dust plug
16	409-7612	2	BOLT, Hex Flg, 3/8"-16 x 3/4", Serr,
17	231-5146	4	NUT, Flg, USR, 3/8"-16,
18	26613R1	3	CLAMP, 1 7/8", Insul, 1/2" Bolt, 1-7/8 in. dia., closed
19	409-7620	1	BOLT, Hex Flg, 3/8"-16 x 1 1/4", Serr,
20	231-5146	4	NUT, Flg, USR, 3/8"-16,
21	515-23190	1	CLAMP, 3/4", Insul, 3/8" Bolt, P-type
22	409-7612	1	BOLT, Hex Flg, 3/8"-16 x 3/4", Serr,

8-56 AUXILIARY PUMP AND MOUNTING



B9306136A

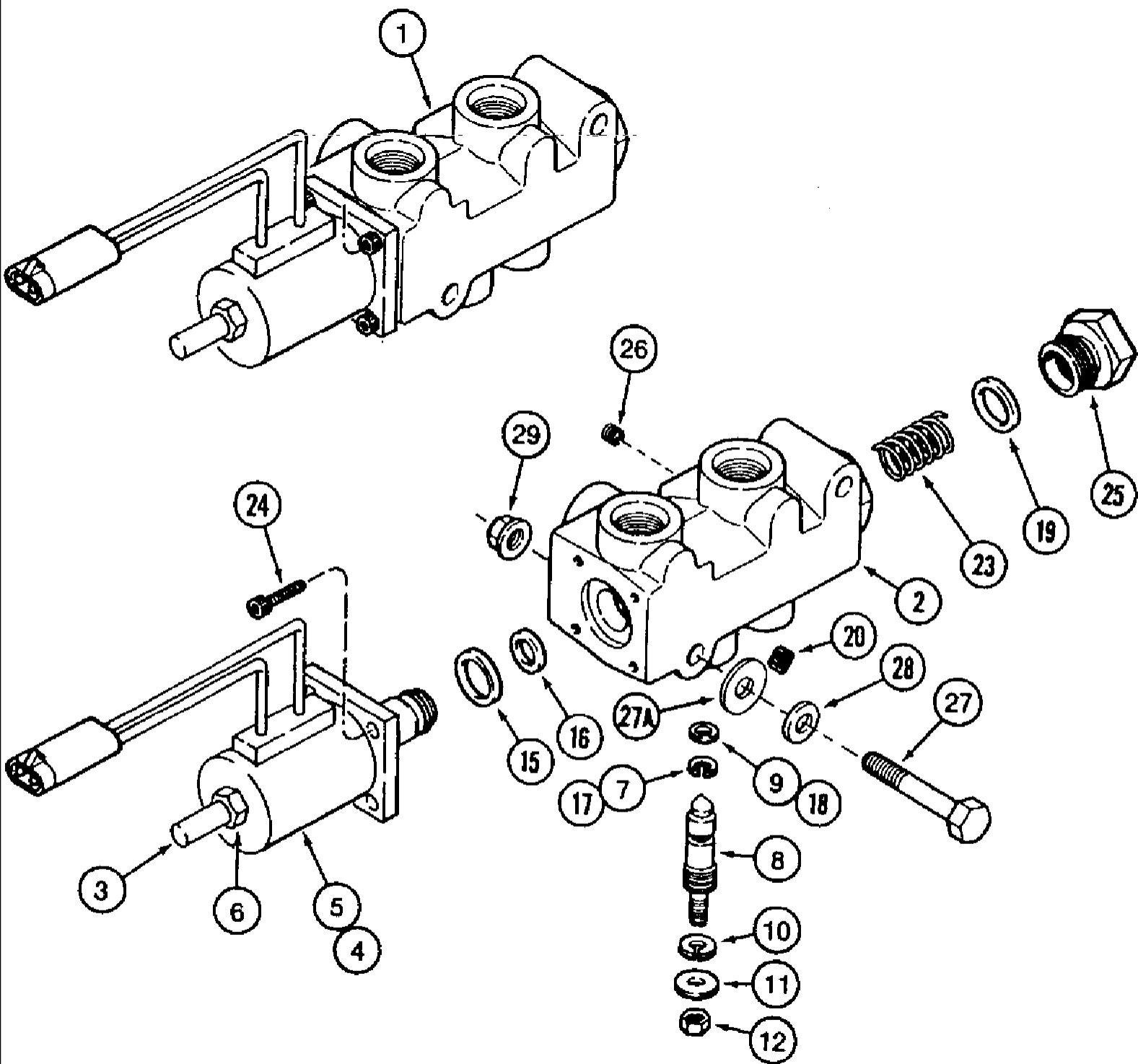
See Figure 8-28 for auxiliary pump drive.

## 8-56 AUXILIARY PUMP AND MOUNTING

сылка	Номер детали	Кол-во	Описание
1	1994653C2	1	PUMP, ASSY., auxiliary drive, header lift and reel drive, Includes: kits
	1543179C1	1	KIT, GASKET, seal, pump
	1543180C1	1	PACKAGE, REPAIR, KIT seal, relief valve
	1543181C1	1	PACKAGE, REPAIR, KIT flow control valve
	1543182C1	1	PUMP, HYDRAULIC, KIT, front
	1543183C1	1	PACKAGE, REPAIR, KIT pump, rear
	1543196C1	1	KIT, GASKET, shaft seal
2	1541733C1	1	PLATE, LARGE, SUPPORT auxiliary pump
3	231-5148	5	NUT, Flg, USR, 1/2"-13,
4	409-7824	5	BOLT, Hex Flg, 1/2"-13 x 1 1/2", Serr, BOLT hex serrated flange, 1/2 NC x 1-1/2 in.
5	413-840	4	BOLT, Hex, 1/2"-13 x 2 1/2", G5, hex, 1/2 Nc x 2-1/2 in.
6	495-81164	12	WASHER, 17/32" x 1 3/4" x .179", flat, 17/32 x 1-3/4 x 11/64 in.
7	231-4118	4	NUT, LOCK, 1/2"-13, GB, hex, self locking, 1/2 in. NC
8	R29799	4	SHOCK ABSORBER, INSULATOR rubber, mount
9	1541732C2	2	SUPPORT ASSY., isomount, auxiliary pump
10	413-624	6	BOLT, Hex, 3/8"-16 x 1 1/2", G5,
11	495-81135	12	WASHER, 13/32" x 1" x .120", flat, 13/32 x 1 x 7/64 in.
12	492-11038	6	WASHER, LOCK, 3/8",
13	425-106	6	NUT, 3/8"-16, G5,
14	1541737C1	1	SUPPORT, lower isomount
15	413-824	3	BOLT, Hex, 1/2"-13 x 1 1/2", G5, Full Thd, hex, 1/2 NC x 1-1/2 in.
16	496-21053	3	WASHER, 17/32" x 1 1/16" x .134", Hardened
17	231-5148	3	NUT, Flg, USR, 1/2"-13,
18	1541736C1	1	SUPPORT, upper isomount

See Figure 8-28 for auxiliary pump drive.

8-58 REEL DRIVE VALVE

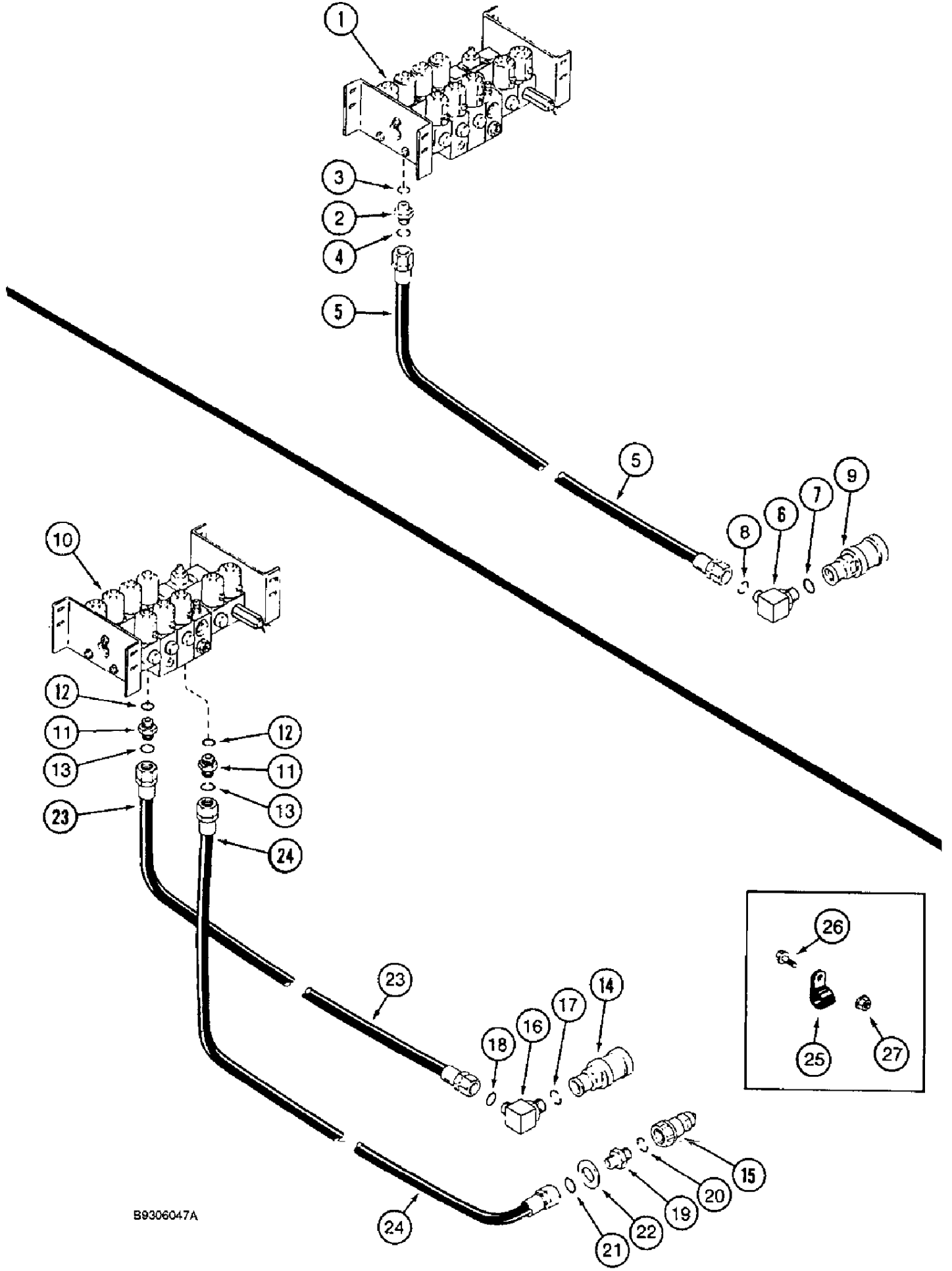


MS95J008

## 8-58 REEL DRIVE VALVE

сылка	Номер детали	Кол-во	Описание
1	1272619C93	1	VALVE, ASSY., hydraulic, reel drive, Includes: Ref. 1 thru 26
2	NSS	1	NOT SERVICED SEPARATELY, BODY valve
3	92669C2	1	SWITCH, SOLENOID,
4	114555A1	1	SOLENOID, COIL
5	1301632C1	1	CAP, COVER coil
6	107825	1	NUT, Stamped, 1/2"-20, hex, 1/2 in. NF
	92670C1	1	KIT, service, manual override, Includes: Ref. 7 thru 12
7	G108725	1	BACK-UP RING,
8	NSS	1	NOT SERVICED SEPARATELY, PINTLE manual override
9	238-6010	1	O-RING, -010, 90 Duro, .239" ID x .070" Thk,
10	L31750	1	CIRCLIP, 0.562", Int, #56, 0.562", Int, #56
11	107969A1	1	WASHER, flat, special
12	425-154	1	NUT, Jam, 1/4"-28, G5,
	92671C1	1	KIT, service, valve, small parts, Includes: Ref. 15 thru 25
15	237-6010	1	O-RING, 10-1, 90 Duro, .755" ID x .097" Thk, Solenoid
17	G108725	1	BACK-UP RING,
18	238-6010	1	O-RING, -010, 90 Duro, .239" ID x .070" Thk,
19	237-6012	1	O-RING, 12-1, 90 Duro, .924 ID x .118" Thk,
20	115466A1	2	PORT, ORIFICE valve, 0.025 in.
23	115467A1	1	SPRING, spool
24	62-3108	4	SCREW, Hex Soc Hd, #10-32 x 1/2", BOLT hex socket, No. 10 NF x 1/2 in.
25	115468A1	1	CAP, PLUG hex, special, spool
26	115465A1	2	PORT, ORIFICE valve, 0.031 in.
27	413-540	2	BOLT, Hex, 5/16"-18 x 2 1/2", G5, Replaced by 413-544 bolt and 495-81117 washer
27	413-544	2	BOLT, Hex, 5/16"-18 x 2 3/4", G5, Replaces 413-540 bolt and 495-81117 washer
27A	495-81117	2	WASHER, .344" x 1" x .120", flat, 11/32 x 1 x 7/16 in., used with 413-544 bolt only
28	495-81123	2	WASHER, .344" x 1 3/4" x .079", flat, 11/32 x 1-3/4 x 11/64 in., used with 443-540 or 413-544 bolt
29	231-5145	2	NUT, Flg, USR, 5/16"-18,
16	237-6006	1	O-RING, 6-1, 90 Duro, .468" ID x .078" Thk, Solenoid



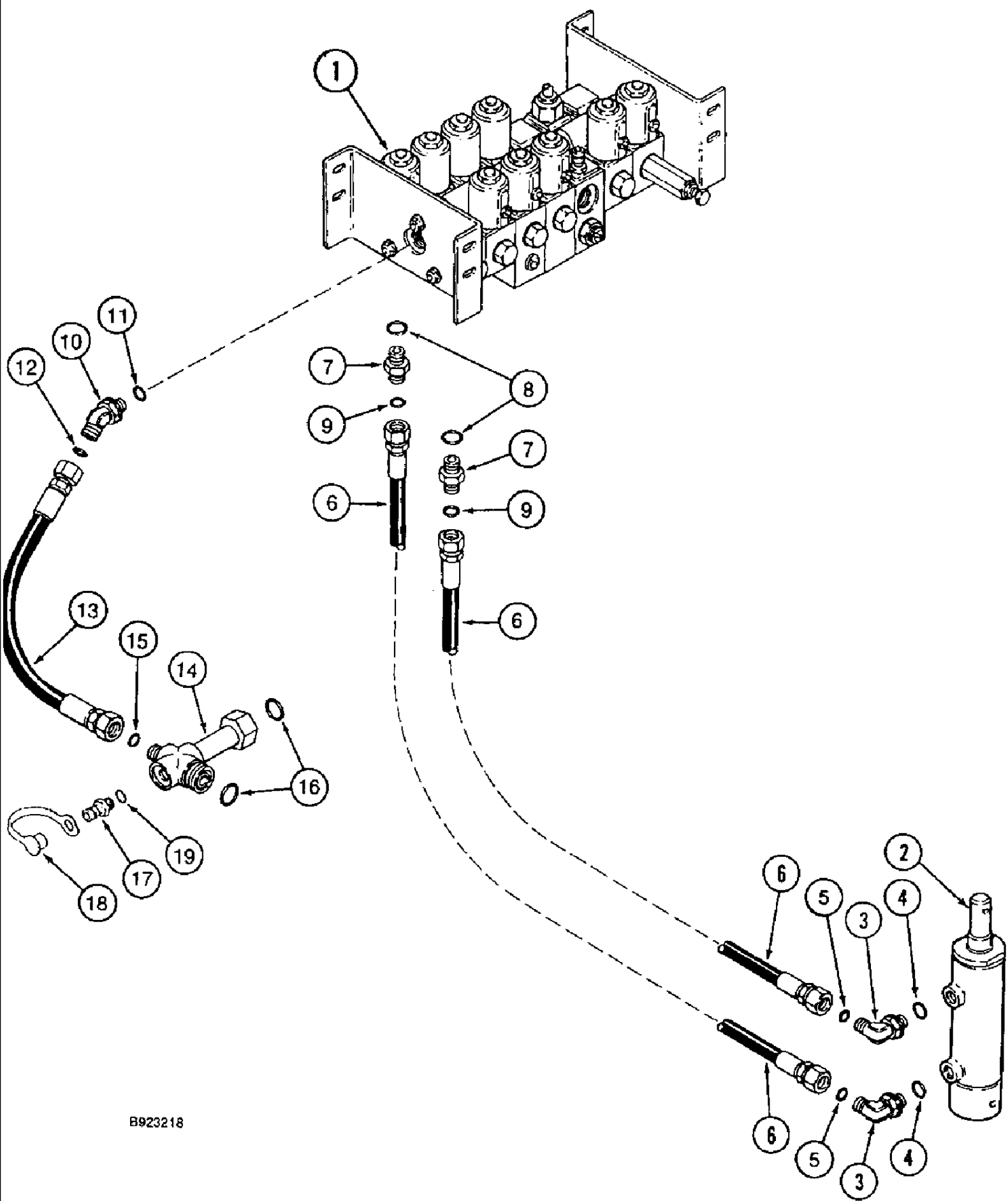


B9306047A

## 8-60 REEL LIFT SYSTEM, REEL FORE AND AFT SYSTEM

сылка	Номер детали	Кол-во	Описание
1	107981A2	1	VALVE, ASSY., unload, single bi-directional, reel lift, see Fig. 8-40, reel lift system
2	201-125	1	CONNECTOR, HYD., 11/16"-16 ORFS x 7/16"-20 ORB, ADAPTER straight, 11/16-16 face seal x 7/16-20 in. O-ring boss, reel lift system, Includes: Ref. 3 and 4
3	237-6004	1	O-RING, 4-1, 90 Duro, .351" ID x .072" Thk, Reel lift system
4	238-6012	1	O-RING, -012, 90 Duro, .364" ID x .070" Thk, Reel lift system
5	1989470C1	1	HOSE, reel, left, 114 in. (2895 mm) long, reel lift system
6	201-362	1	ELBOW, 90°, 11/16"-16 x 7/8"-14, Adj, ORFS, ELBOW, 90 deg., 11/16-16 face seal x 7/8-14 in. adj. O-ring boss, reel lift system, Includes: Ref. 7 and 8
7	237-6010	1	O-RING, 10-1, 90 Duro, .755" ID x .097" Thk, Reel lift system
8	238-6012	1	O-RING, -012, 90 Duro, .364" ID x .070" Thk, Reel lift system
9	1282338C91	1	COUPLING, QUICK, FEMALE, self sealing, female, 7/8-14 in., reel lift system
10	1267035C94	1	VALVE, ASSY., double piloted, prior to P.I.N. JJC105314, see Fig. 8-42, no longer available, order 1234857A1 valve, reel fore and aft system
10	124857A1	1	VALVE, ASSY., double piloted, P.I.N. JJC 105314 and after, see Fig. 8-43A, reel fore and aft system
11	201-106	2	CONNECTOR, HYD., 11/16"-16 ORFS x 3/4"-16 ORB, ADAPTER straight, 11/16-16 face seal x 3/4-16 in. O-ring boss, reel fore and aft system, Includes: Ref. 12 and 13
12	237-6008	1	O-RING, 8-1, 90 Duro, .644" ID x .087" Thk, Reel fore and aft system
13	238-6012	1	O-RING, -012, 90 Duro, .364" ID x .070" Thk, Reel fore and aft system
14	1282338C91	1	COUPLING, QUICK, FEMALE, self sealing, female, 7/8-14 in., reel fore and aft system
15	1272399C2	1	COUPLING, QUICK, MALE, self sealing, male, 7/8 in. NF, reel fore and aft system
16	201-362	1	ELBOW, 90°, 11/16"-16 x 7/8"-14, Adj, ORFS, ELBOW, 90 deg., 11/16-16 face seal x 7/8-14 in. adj. O-ring boss, reel fore and aft system, Includes: Ref. 17 and 18
17	237-6010	1	O-RING, 10-1, 90 Duro, .755" ID x .097" Thk, Reel fore and aft system
18	238-6012	1	O-RING, -012, 90 Duro, .364" ID x .070" Thk, Reel fore and aft system
19	201-139	1	CONNECTOR, HYD., 11/16"-16 ORFS x 7/8"-14 ORB, ADAPTER straight, 11/16-16 face seal x 7/8-14 in. O-ring boss, reel fore and aft system, Includes: Ref. 20 and 21
20	237-6010	1	O-RING, 10-1, 90 Duro, .755" ID x .097" Thk, Reel fore and aft system
21	238-6012	1	O-RING, -012, 90 Duro, .364" ID x .070" Thk, Reel fore and aft system
22	1541792C1	1	WASHER, LOCK, lock, red, special, reel fore and aft system
23	1989470C1	1	HOSE, reel lift, 114 in. (2895 mm) long, reel fore and aft system
24	1989471C1	1	HOSE, reel aft, 150 in. (3810 mm) long, reel fore and aft system
25	515-23127	1	CLAMP, 1/2", Insul, 3/8" Bolt, P type, harness, closed, 1/2 in. ID, reel fore and aft system
26	409-7612	1	BOLT, Hex Flg, 3/8"-16 x 3/4", Serr, Reel fore and aft system
27	231-5146	1	NUT, Flg, USR, 3/8"-16, Reel fore and aft system

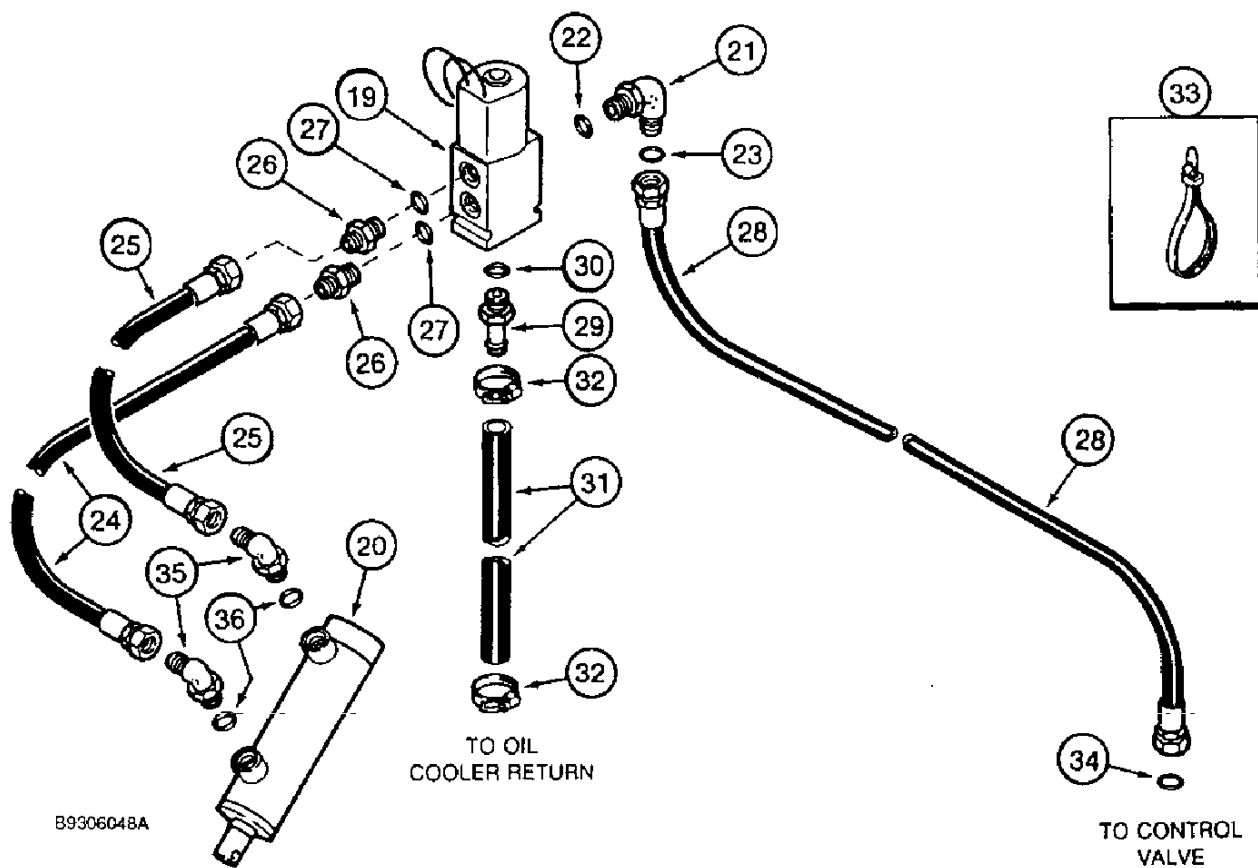
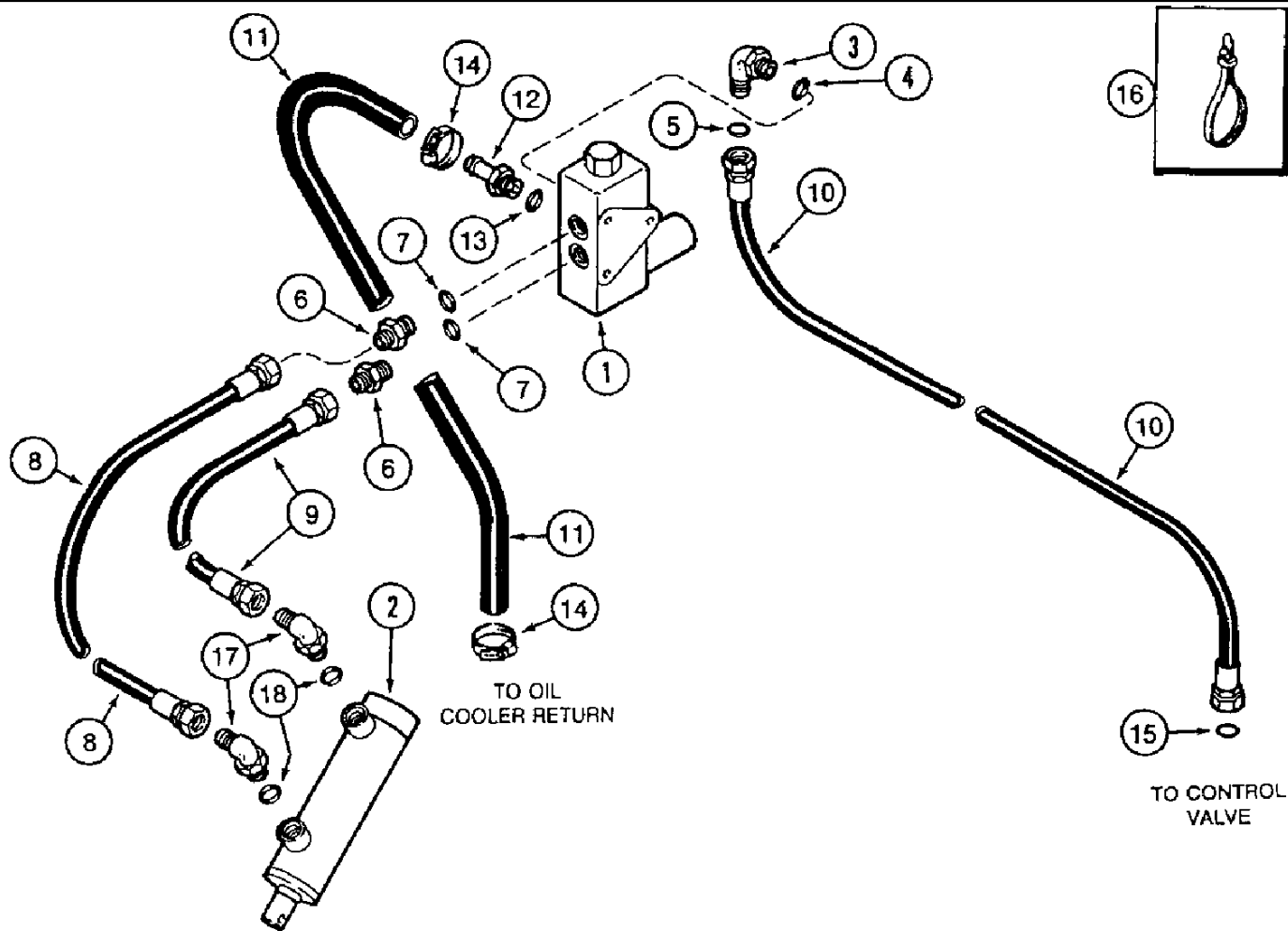
8-62 FEEDER CLUTCH SYSTEM



B923218

## 8-62 FEEDER CLUTCH SYSTEM

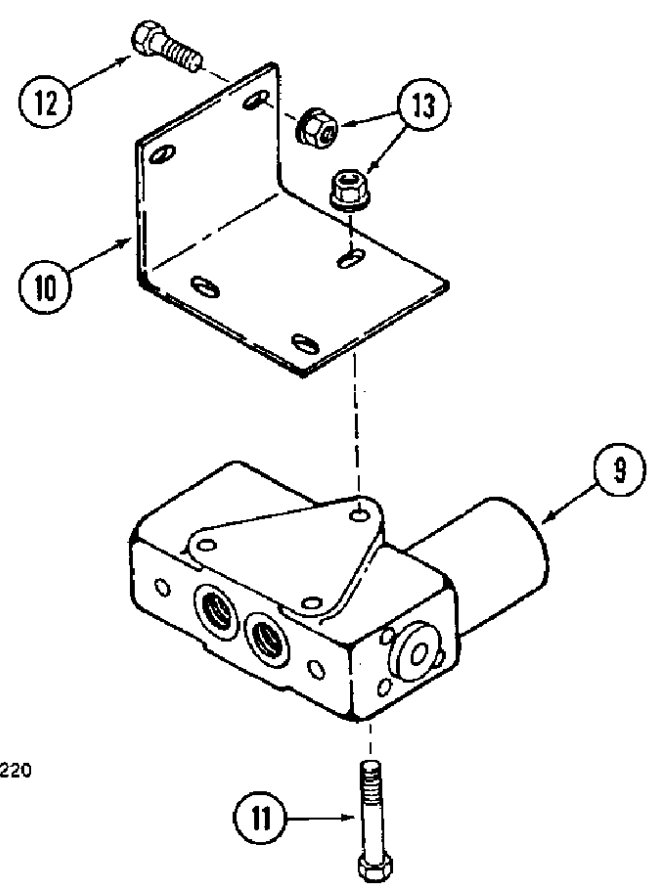
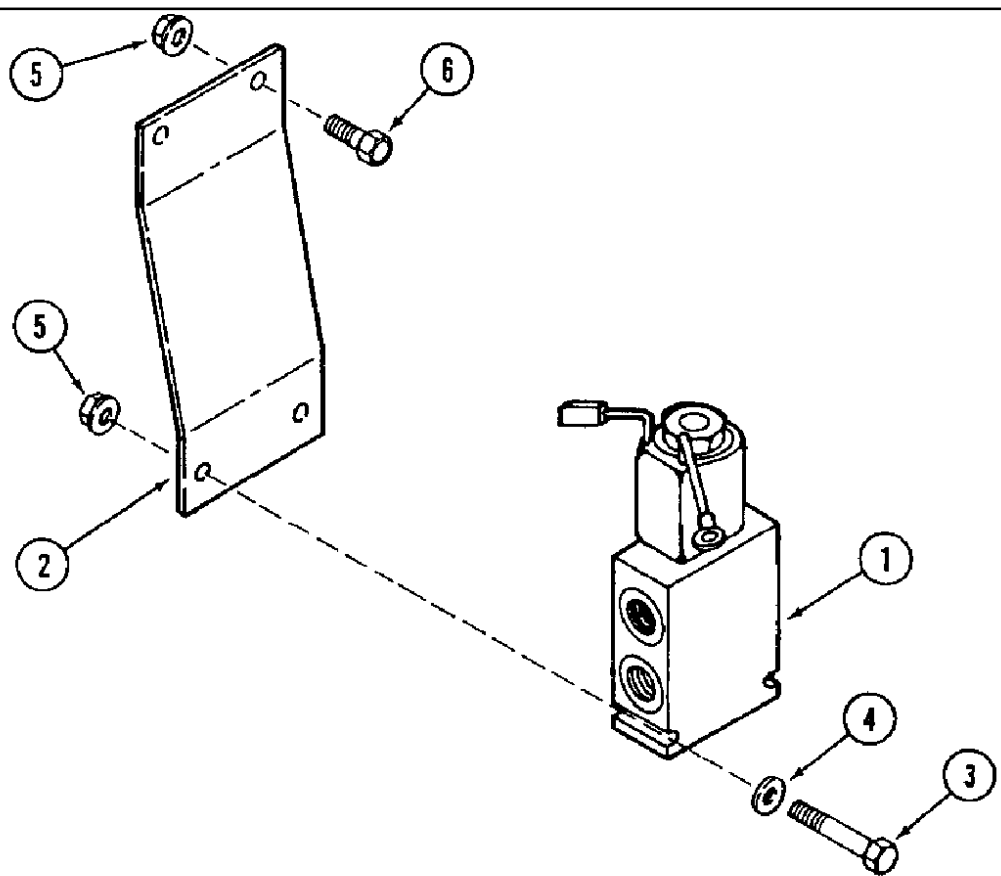
сылка	Номер детали	Кол-во	Описание
1	1542681C1	1	VALVE, ASSY., feeder clutch, see Fig. 8-50
2	133405C92	1	CYLINDER, ASSY., feeder clutch, 2, 51, ID x 2-1/2 in. (63.5 mm) stroke, see Fig. 8-70
3	201-304	2	ELBOW, 90°, 11/16"-16 x 9/16"-18 Adj, ORFS, 90 deg., 11/16-16 face seal x 9/16-18 in. adj. O-ring boss, Includes: Ref. 4 and 5
5	238-6012	1	O-RING, -012, 90 Duro, .364" ID x .070" Thk,
6	1541793C1	2	HOSE, feeder clutch cylinder, 120 in. (3050 mm) long
7	201-106	2	CONNECTOR, HYD., 11/16"-16 ORFS x 3/4"-16 ORB, ADAPTER straight, 11/16-16 face seal x 3/4-16 in. O-ring boss, Includes: Ref. 8 and 9
9	238-6012	1	O-RING, -012, 90 Duro, .364" ID x .070" Thk,
10	201-321	1	ELBOW, 45°, 13/16"-16 x 9/16"-18. Adj, ORFS, 45 deg., 13/16-16 face seal x 9/16-18 in. O-ring boss, Includes: Ref. 11 and 12
12	238-6014	1	O-RING, -014, 90 Duro, .489" ID x .070" Thk,
13	1541573C2	1	HOSE ASSY., feeder clutch valve, 18-3/4 in. (475 mm) long
14	1541633C2	1	TEE, feeder clutch valve, special, branch, Includes: Ref. 15 and 16
15	238-6014	1	O-RING, -014, 90 Duro, .489" ID x .070" Thk,
16	238-6018	2	O-RING, -018, 90 Duro, .739" ID x .070" Thk,
17	1541849C1	1	COUPLING, ASSY., diagnostic, Includes: Ref. 18 and 19
18	H434163	1	DUST CAP, dust, coupler
20	299264C91	1	CLAMP, P type, hose, feeder clutch system, not shown
4	237-6006	1	O-RING, 6-1, 90 Duro, .468" ID x .078" Thk,
8	237-6006	1	O-RING, 6-1, 90 Duro, .468" ID x .078" Thk,
11	237-6006	1	O-RING, 6-1, 90 Duro, .468" ID x .078" Thk,
19	237-6006	1	O-RING, 6-1, 90 Duro, .468" ID x .078" Thk,



B9306048A

## 8-64 SEPARATOR CLUTCH SYSTEM, CONTROL CONCEPTS, MODULAR CONTROLS

сылка	Номер детали	Кол-во	Описание
1	1301171C91	1	VALVE, ASSY., feeder and separator clutch, see Fig. 8-68, control concepts
2	133408C92	1	CYLINDER, ASSY., separator clutch, 2, (51) ID x 12-1/2 in. (318 mm) stroke, control concepts
3	201-304	1	ELBOW, 90°, 11/16"-16 x 9/16"-18 Adj, ORFS, 90 deg., 11/16-16 face seal x 9/16-18 in. adj. O-ring boss, control concepts, Includes: Ref. 4 and 5
5	238-6012	1	O-RING, -012, 90 Duro, .364" ID x .070" Thk, Control concepts
6	218-5057	2	CONNECTOR, HYD., 9/16"-18, 37° x 9/16"-18, O-Ring, Control concepts, Incl. Ref. 7
8	1280792C1	1	HOSE, separator clutch disengage, 20 in. (508 mm) long, control concepts
9	598931R91	1	HOSE, separator clutch engage, 17 in. (432 mm) long, control concepts
10	1541716C1	1	HOSE, separator clutch pressure, 35 in. (890 mm) long, control concepts
11	187619C2	1	HOSE, separator clutch return, 22 in. (559 mm) long, cut from 364357C1 bulk hose, see below, control concepts
12	178036C1	1	CONNECTOR, ADAPTER straight, special, beaded tube, hose, 3/8 in. barb end x 9/16 in. PT, control concepts, Includes: Ref. 13
14	214-1704	2	CLAMP, HOSE, #4, 0.25/0.62 Type M Worm, Adjustable, Control concepts
15	238-6012	2	O-RING, -012, 90 Duro, .364" ID x .070" Thk, Control concepts
16	702093C1	UAR	STRAP, CABLE, tie, retaining, nylon, 3 in. maximum, control concepts
17	218-5105	2	ELBOW, 90°, 9/16"-18, 37° x 9/16"-18, O-Ring, 90 deg., 9/16-18 in. flare x adj. O-ring boss, control concepts, Includes: Ref. 18
19	187505C91	1	VALVE, ASSY., feeder and separator clutch, see Fig. 8-68, modular controls
20	133408C92	1	CYLINDER, ASSY., separator clutch, 2 (51) ID x 12-1/2 in. (318 mm) stroke, modular controls
21	201-304	1	ELBOW, 90°, 11/16"-16 x 9/16"-18 Adj, ORFS, 90 deg., 11/16-16 face seal x 9/16-18 in. adj. O-ring boss, modular controls, Includes: Ref. 22 and 23
23	238-6012	1	O-RING, -012, 90 Duro, .364" ID x .070" Thk, Modular controls
24	1280792C1	1	HOSE, separator clutch disengage, 20 in. (508 mm) long, modular controls
25	598931R91	1	HOSE, separator clutch engage, 17 in. (432 mm) long, modular controls
26	218-5057	2	CONNECTOR, HYD., 9/16"-18, 37° x 9/16"-18, O-Ring, Modular controls, Incl. Ref. 27
28	1541716C1	1	HOSE, separator clutch pressure, 35 in. (890 mm) long, modular controls
29	178036C1	1	CONNECTOR, ADAPTER straight, hose, special, 3/8 in. barb end x 9/16 in. PT, modular controls, Includes: Ref. 30
31	187619C2	1	HOSE, separator clutch return, 22 in. (559 mm) long, cut from 364357C1 bulk, see below, modular controls
32	214-1704	2	CLAMP, HOSE, #4, 0.25/0.62 Type M Worm, Adjustable, Modular controls
33	702093C1	UAR	STRAP, CABLE, tie, retaining, nylon, 3 in. maximum, modular controls
34	238-6012	2	O-RING, -012, 90 Duro, .364" ID x .070" Thk, Modular controls
35	218-5105	2	ELBOW, 90°, 9/16"-18, 37° x 9/16"-18, O-Ring, 90 deg., 9/16-18 in. flare x adj. O-ring boss, modular controls, Includes: Ref. 36
	364357C1	UAR	HOSE, LARGE, bulk, 3/8 (10) ID x 600 in. (1524 mm) long, used for Ref. 11 and 31, modular controls
22	237-6006	1	O-RING, 6-1, 90 Duro, .468" ID x .078" Thk, 15/16 ID x 4/64 in. wide, modular controls
4	237-6006	1	O-RING, 6-1, 90 Duro, .468" ID x .078" Thk, Control concepts
7	237-6006	1	O-RING, 6-1, 90 Duro, .468" ID x .078" Thk, Control concepts
13	237-6006	1	O-RING, 6-1, 90 Duro, .468" ID x .078" Thk, Control concepts
18	237-6006	1	O-RING, 6-1, 90 Duro, .468" ID x .078" Thk, Control concepts
27	237-6006	1	O-RING, 6-1, 90 Duro, .468" ID x .078" Thk, Modular controls
30	237-6006	1	O-RING, 6-1, 90 Duro, .468" ID x .078" Thk, Modular controls
36	237-6006	1	O-RING, 6-1, 90 Duro, .468" ID x .078" Thk, Modular controls

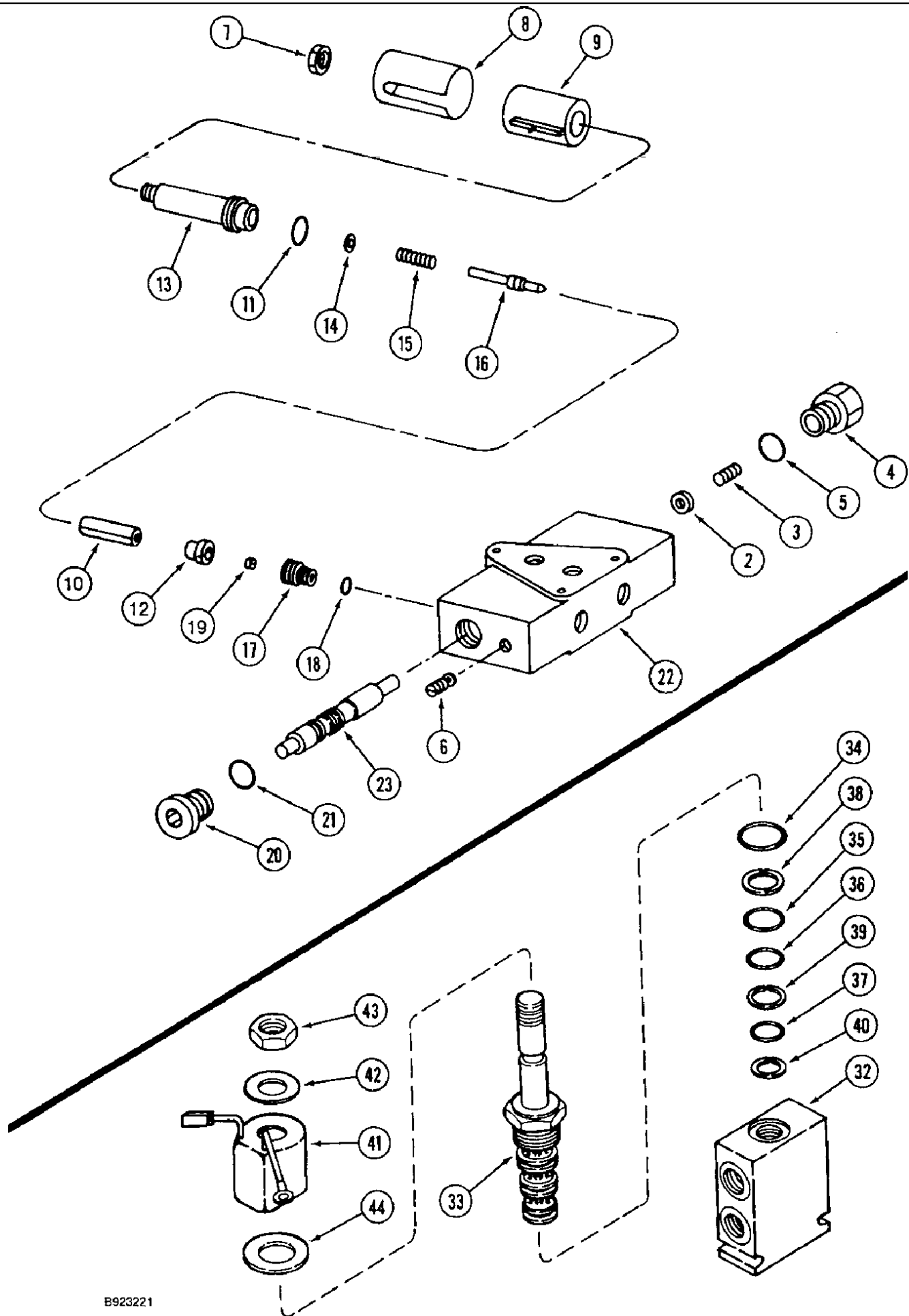


B923220

## 8-66 SEPARATOR CLUTCH VALVE MOUNTING, MODULAR CONTROLS, CONTROL CONCEPTS

сылка	Номер детали	Кол-во	Описание
1	187505C91	1	VALVE, ASSY., feeder and separator clutch, see Fig. 8-68, modular controls
2	187506C1	1	SUPPORT, separator clutch valve, modular controls
3	413-432	2	BOLT, Hex, 1/4"-20 x 2", G5, Modular controls
4	495-81113	2	WASHER, .344" x 3/4" x .179", flat, 11/32 x 3/4 x 3/16 in., modular controls
5	231-5144	4	NUT, Flg, USR, 1/4"-20, Modular controls
6	413-412	2	BOLT, Hex, 1/4"-20 x 3/4", G5, Full Thd, Modular controls
9	1301171C91	1	VALVE, ASSY., feeder and separator clutch, see Fig. 8-68, control concepts
10	1301037C1	1	ANGLE, BRACKET mounting, separator clutch valve, control concepts
11	413-436	3	BOLT, Hex, 1/4"-20 x 2 1/4", G5, Control concepts
12	413-412	2	BOLT, Hex, 1/4"-20 x 3/4", G5, Full Thd, Control concepts
13	231-5144	5	NUT, Flg, USR, 1/4"-20, Control concepts

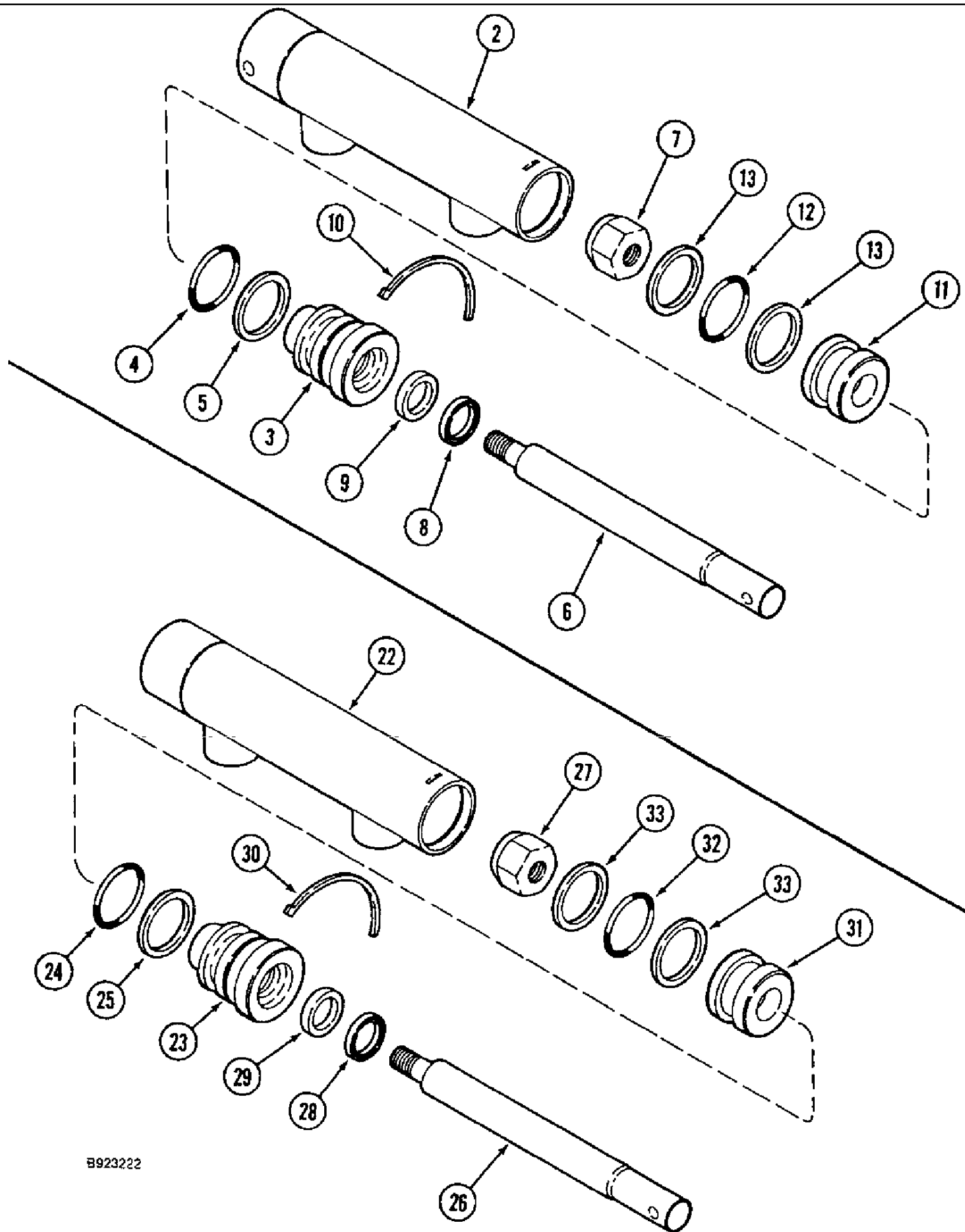




## 8-68 FEEDER AND SEPARATOR CLUTCH VALVE, CONTROL CONCEPTS, MODULAR CONTROL

сылка	Номер детали	Кол-во	Описание
	1301171C91	1	VALVE, ASSY., feeder and separator clutch, control concepts, Includes: Ref. 2 thru 23
2	1301687C1	1	RETAINER, RETAINER spring, control concepts
3	1301728C1	1	SPRING, valve, control concepts
4	1301686C1	1	CAP, PLUG hex, special, end, control concepts
5	237-6010	2	O-RING, 10-1, 90 Duro, .755" ID x .097" Thk, Control concepts
6	1301631C1	1	SCREW, PLUG, valve body, seal, control concepts
7	107825	1	NUT, Stamped, 1/2"-20, hex, 1/2 in. NF, control concepts
8	1301632C1	1	CAP, COVER coil, control concepts
9	1301730C1	1	VALVE, COIL control concepts
10	1301648C1	1	ARMATURE, valve, control concepts
11	238-6019	1	O-RING, -019, 90 Duro, .801" ID x .070" Thk, Control concepts
12	1301624C1	1	BUSHING, poppet, pole, control concepts
13	1301627C1	1	STUD, SLEEVE poppet, valve, control concepts
14	1301642C1	1	WASHER, spring, retaining, control concepts
15	1301729C1	1	SPRING, poppet, control concepts
16	1301647C1	1	POPPET, POPPET, control concepts
17	1301625C1	1	ORIFICE, valve, control concepts
18	238-6010	1	O-RING, -010, 90 Duro, .239" ID x .070" Thk, Control concepts
19	1301649C1	1	SCREW, PLUG orifice, control concepts
20	86625138	1	PLUG, Hex Soc, 7/8"-14 ORB, Control Concepts, Includes Ref. 21
21	529909R1	1	O-RING, 7/64 ID x 1/4 in. wide, control concepts
22	NSS	1	NOT SERVICED SEPARATELY, BODY valve, control concepts
23	NSS	1	NOT SERVICED SEPARATELY, SPOOL valve, control concepts
	187505C91	1	VALVE, ASSY., feeder and separator clutch, modular control, Includes: Ref. 32 thru 44
32	187851C1	1	BODY, valve, modular control
33	187849C1	1	VALVE, SOLENOID, solenoid, 4 way, cartridge only, modular control
	187850C1	1	KIT, SEALS, KIT seal replacement, O-ring and washer, modular control, Includes: Ref. 34 thru 40
34	NSS	1	NOT SERVICED SEPARATELY, O-RING, upper, modular control
35	NSS	1	NOT SERVICED SEPARATELY, O-RING, middle, large, modular control
36	NSS	1	NOT SERVICED SEPARATELY, O-RING, middle, small, modular control
37	NSS	1	NOT SERVICED SEPARATELY, O-RING, lower, modular control
38	NSS	1	NOT SERVICED SEPARATELY, WASHER, backup, large O-ring, modular control
39	NSS	1	NOT SERVICED SEPARATELY, WASHER, backup, small O-ring, modular control
40	NSS	1	NOT SERVICED SEPARATELY, Part includes O-ring and service seal kit 63884C92
	187852C1	1	SWITCH, KIT solenoid coil, modular control, Includes: Ref. 41 thru 44
41	NSS	1	NOT SERVICED SEPARATELY, COIL AND HOUSING ASSY., solenoid, modular control
42	NSS	1	NOT SERVICED SEPARATELY, PLATE name, modular control
43	NSS	1	NOT SERVICED SEPARATELY, NUT valve, modular control
44	NSS	1	NOT SERVICED SEPARATELY, PLATE cover, modular control

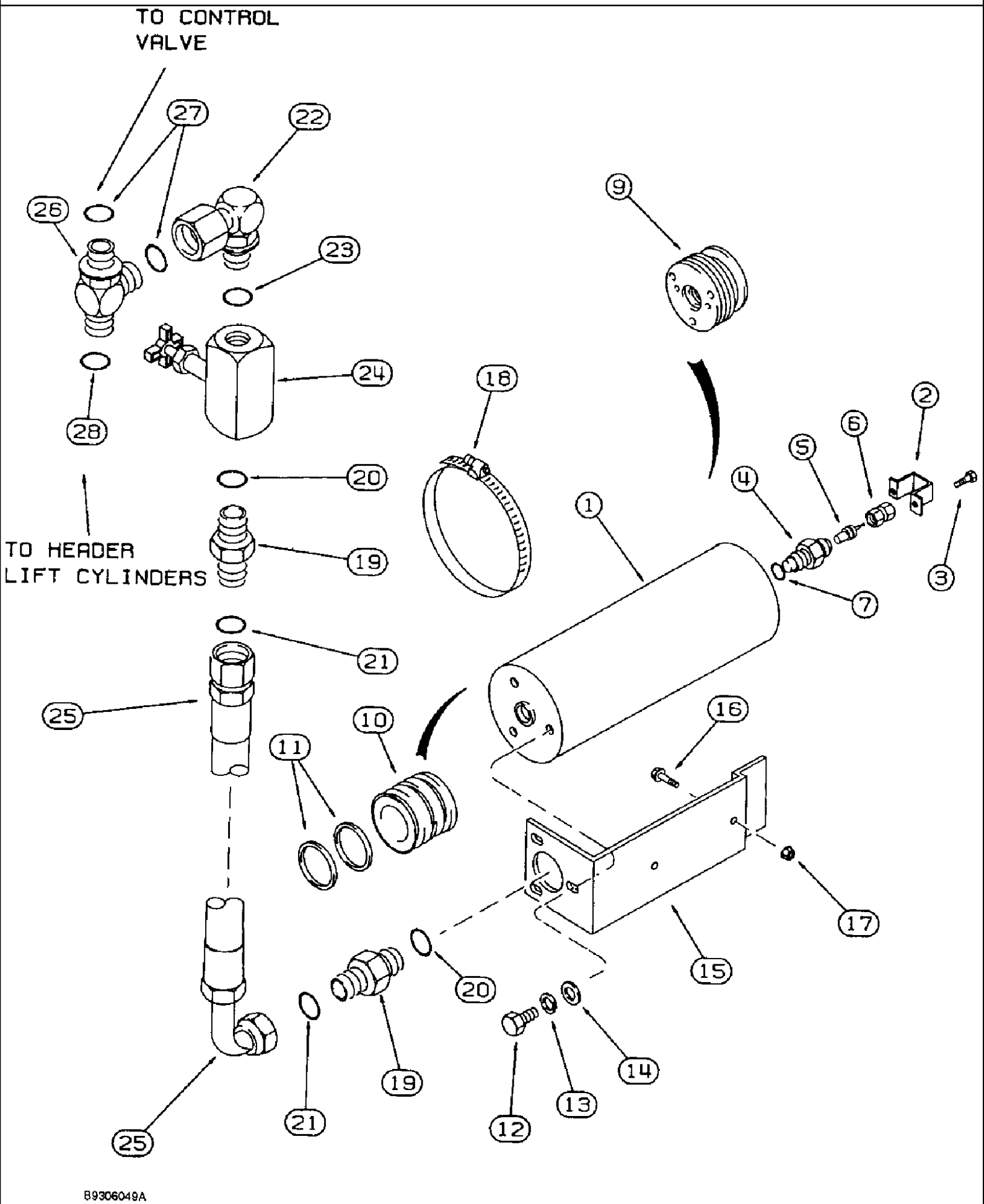
8-70 FEEDER CLUTCH CYLINDER, SEPARATOR CLUTCH CYLINDER



B923222

## 8-70 FEEDER CLUTCH CYLINDER, SEPARATOR CLUTCH CYLINDER

сылка	Номер детали	Кол-во	Описание
	133405C92	1	CYLINDER, ASSY., feeder clutch, 2 (51) ID x 2-1/2 in. (63.5 mm) stroke, feeder clutch cylinder, Includes: Ref. 2 thru 13
2	NSS	1	NOT SERVICED SEPARATELY, BODY cylinder, feeder clutch cylinder
3	108641C1	1	GLAND, cylinder, front, feeder clutch cylinder
4	NSS	1	NOT SERVICED SEPARATELY, O-RING, 1-5/8 x 2 in., feeder clutch cylinder, Part includes O-ring and service seal kit 63884C92
5	NSS	1	NOT SERVICED SEPARATELY, WASHER O-ring backup, feeder clutch cylinder, Part includes O-ring and service seal kit 63884C92
6	108639C1	1	ROD, PISTON, cylinder, feeder clutch cylinder
7	232-41110	1	NUT, LOCK, 5/8"-11, GC, Feeder clutch cylinder
8	NSS	1	NOT SERVICED SEPARATELY, WIPER, piston rod seal, feeder clutch cylinder, Part includes O-ring and service seal kit 63884C92
9	NSS	1	NOT SERVICED SEPARATELY, SEAL piston rod, urethane, feeder clutch cylinder, Part includes O-ring and service seal kit 63884C92
10	NSS	1	NOT SERVICED SEPARATELY, WIRE retaining, feeder clutch cylinder, Part includes O-ring and service seal kit 63884C92
11	108640C2	1	PISTON, cylinder, feeder clutch cylinder
12	NSS	1	NOT SERVICED SEPARATELY, O-RING, 1-5/8 x 2 in., feeder clutch cylinder, Part includes O-ring and service seal kit 63884C92
13	NSS	1	NOT SERVICED SEPARATELY, WASHER backup, O-ring, feeder clutch cylinder, Part includes O-ring and service seal kit 63884C92
	63884C92	1	KIT, SEALS, KIT, O-ring and seal service, Includes: Ref. 4, 5, 8, 9, 10, 12 and 13
	133408C92	1	CYLINDER, ASSY., separator clutch, 2 (51) ID x 12-1/2 in. (318 mm) stroke, separator clutch cylinder, Includes: Ref. 22 thru 33
22	NSS	1	NOT SERVICED SEPARATELY, BODY cylinder, separator clutch cylinder
23	108641C1	1	GLAND, cylinder, front, separator clutch cylinder
24	NSS	1	NOT SERVICED SEPARATELY, O-RING, 1-5/8 x 2 in., separator clutch cylinder, Part includes O-ring and service seal kit 63884C92
25	NSS	1	NOT SERVICED SEPARATELY, WASHER backup, O-ring, separator clutch cylinder, Part includes O-ring and service seal kit 63884C92
26	108639C1	1	ROD, PISTON, cylinder, separator clutch cylinder
27	232-41110	1	NUT, LOCK, 5/8"-11, GC, Separator clutch cylinder
28	NSS	1	NOT SERVICED SEPARATELY, WIPER, piston rod seal, separator clutch cylinder, Part includes O-ring and service seal kit 63884C92
29	NSS	1	NOT SERVICED SEPARATELY, SEAL urethane, piston rod, separator clutch cylinder, Part includes O-ring and service seal kit 63884C92
30	NSS	1	NOT SERVICED SEPARATELY, WIRE retainer, separator clutch cylinder, Part includes O-ring and service seal kit 63884C92
31	108640C2	1	PISTON, cylinder, separator clutch cylinder
32	NSS	1	NOT SERVICED SEPARATELY, O-RING, 1-5/8 x 2 in., separator clutch cylinder
33	NSS	2	NOT SERVICED SEPARATELY, WASHER backup, O-ring, included in kit 63884C92, separator clutch cylinder
	63884C92	1	KIT, SEALS, KIT seal, O-ring and seal service, Includes Ref., 4, 5, 8, 9, 10, 12, 12, 24, 25, 28, 29, 30, 32 and 33

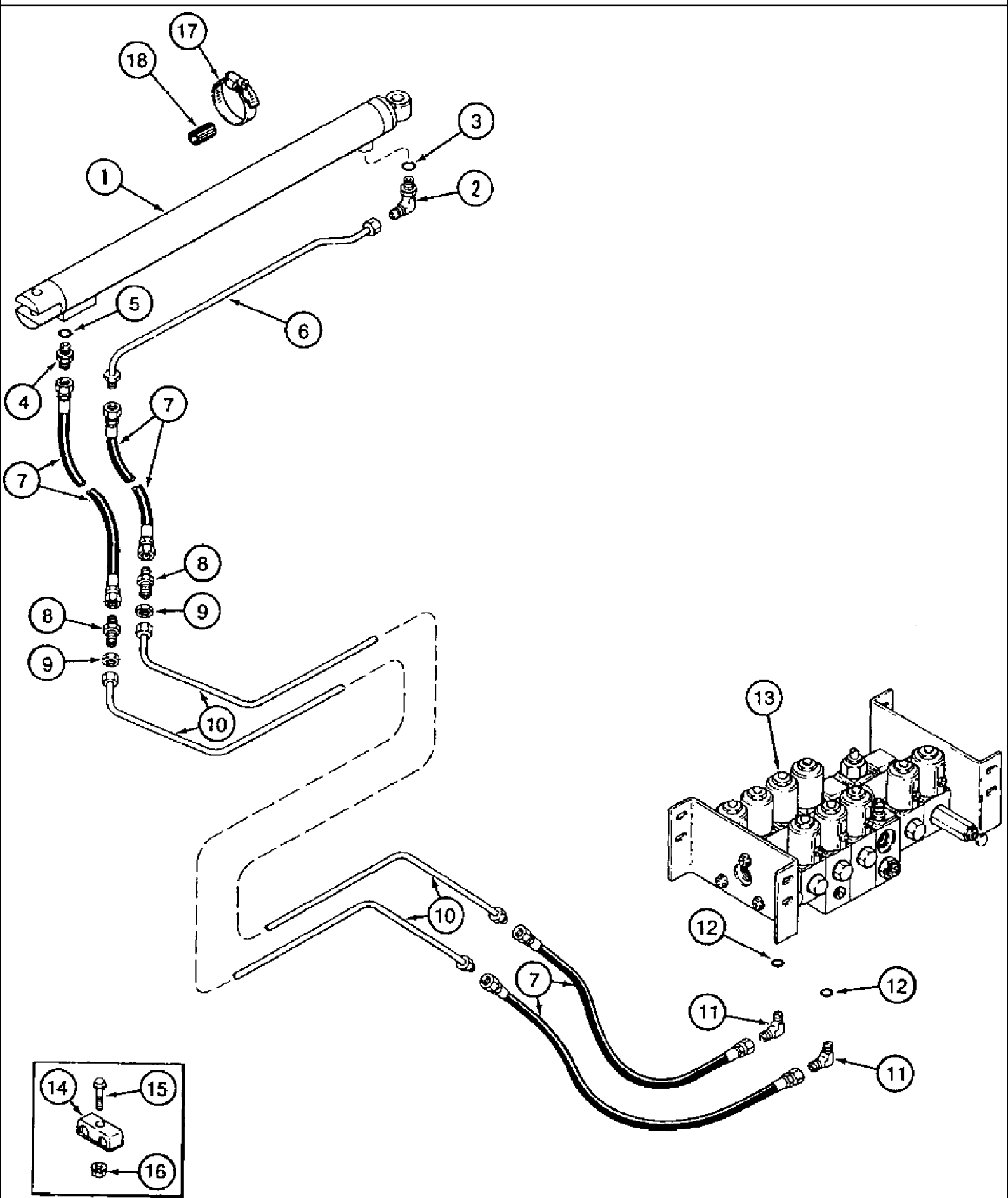


сылка	Номер детали	Кол-во	Описание
	1978111C1	1	TANK, ACCUMULATOR ASSY., 1978111C1, hydraulic, with welded ends, no longer available, order 128191A1 accumulator, Includes: Ref. 1 thru 8
1	NSS	1	NOT SERVICED SEPARATELY, BODY accumulator, assembly 1978111C1
2	1341920C1	1	PROTECTOR, GUARD valve, gas, accumulator assembly 1978111C1
3	276-14912	2	SCREW, SELF TAPPING, Hex Hd, 3/8" x 3/4", self tapping, hex head, 3/8 NC x 3/4 in., accumulator assembly 1978111C1
	1978142C1	1	VALVE, ASSY., charge, accumulator 1978111C1, Includes: Ref. 4 thru 7
4	NSS	1	NOT SERVICED SEPARATELY, VALVE accumulator, charging, assembly 1978111C1
5	1978143C1	1	PISTON, CORE valve, accumulator assembly 1978111C1
6	1978144C1	1	CAP, valve, accumulator assembly 1078111C1
7	1978158C1	1	O-RING, O RING sealing, valve, accumulator assembly 1978111C1
8	1341919C1	1	KIT, GASKET, seal, accumulator, valve, not shown, accumulator assembly 1978111C1
	128191A1	1	ACCUMULATOR, ASSY., 128181A1, hydraulic, with threaded ends, replaces 1978111C1, Includes: Ref. 1 thru 11
1	NSS	1	NOT SERVICED SEPARATELY, BODY accumulator assembly 128191A1
2	1341920C1	1	PROTECTOR, GUARD valve, gas, accumulator assembly 128191A1
3	276-14912	2	SCREW, SELF TAPPING, Hex Hd, 3/8" x 3/4", WIRE retaining, feeder clutch cylinder, accumulator assembly 128191A1
	1978142C1	1	VALVE, ASSY., charge, accumulator assembly 128191A1, Includes: Ref. 4 thru 11
4	NSS	1	NOT SERVICED SEPARATELY, VALVE, accumulator charging assembly 128191A1
5	1978143C1	1	PISTON, CORE valve, accumulator assembly 128191A1
6	1978144C1	1	CAP, valve, accumulator assembly 128191A1
7	1978158C1	1	O-RING, O-RING valve, sealing, accumulator assembly 128191A1
8	1341919C1	1	KIT, GASKET, seal, accumulator, valve, not shown, accumulator assembly 128191A1
9	S301363	1	GLAND, accumulator assembly 128191A1
10	S301364	1	PISTON, accumulator assembly 128191A1
11	S301365	2	RING, wear, teflon, piston, accumulator assembly 128191A1
12	414-812	3	BOLT, Hex, 1/2"-20 x 3/4", G5, Full Thd, BOLT hex, 1/2 NF x 3/4 in., mounting and system
13	80679	3	WASHER, LOCK, 1/2", Mounting and system
14	495-81025	3	WASHER, 17/32" x 1 1/4" x .179", flat, 17/32 x 1-1/4 x 5/32 in., mounting and system
15	1979278C2	1	SUPPORT, accumulator, mounting and system
16	409-7516	2	BOLT, Hex Flg, 5/16"-18 x 1", Serr, Mounting and system
17	231-5145	2	NUT, Flg, USR, 5/16"-18, Mounting and system
18	214-1480	1	CLAMP, HOSE, #80, 4.62/5.50 Type F Worm, Adj., Mounting and system
19	201-102	2	CONNECTOR, HYD., 13/16"-16 ORFS x 3/4"-16 ORB, Mounting and system, Includes Ref. 20 and 21
20	237-6008	1	O-RING, 8-1, 90 Duro, .644" ID x .087" Thk, Mounting and system
21	238-6014	1	O-RING, -014, 90 Duro, .489" ID x .070" Thk, Mounting and system
22	201-349	1	ELBOW, 90e, 13/16"-16 Adj x 13/16"-16 Fem Sw, ORFS, 90 deg., 13/16-16 swivel face seal x 3/4-16 in. adj. O-ring boss, mounting and system, Includes: Ref. 23
23	237-6008	1	O-RING, 8-1, 90 Duro, .644" ID x .087" Thk, Mounting and system
24	183510C1	1	VALVE, needle, mounting and system
25	1989665C1	1	HOSE, accumulator, 32 in. (815 mm) long, mounting and system
26	201-412	1	TEE, 13/16"-16 x 3/4"-16 Run, ORFS, 13/16-16 face branch x face x 3/4-16 in. adj. O-ring, mounting and system, Includes: Ref. 27 and 28
27	238-6014	2	O-RING, -014, 90 Duro, .489" ID x .070" Thk, Mounting and system

1666 CASE IH AXIAL-FLOW COMBINE (1/93-12/94)

8-72 ACCUMULATOR MOUNTING AND SYSTEM, ACCUMULATOR ASSEMBLY, 1978111C1 & 128191A1, MOUNTING AND SYSTEM

сылка	Номер детали	Кол-во	Описание
28	237-6008	1	O-RING, 8-1, 90 Duro, .644" ID x .087" Thk, Mounting and system



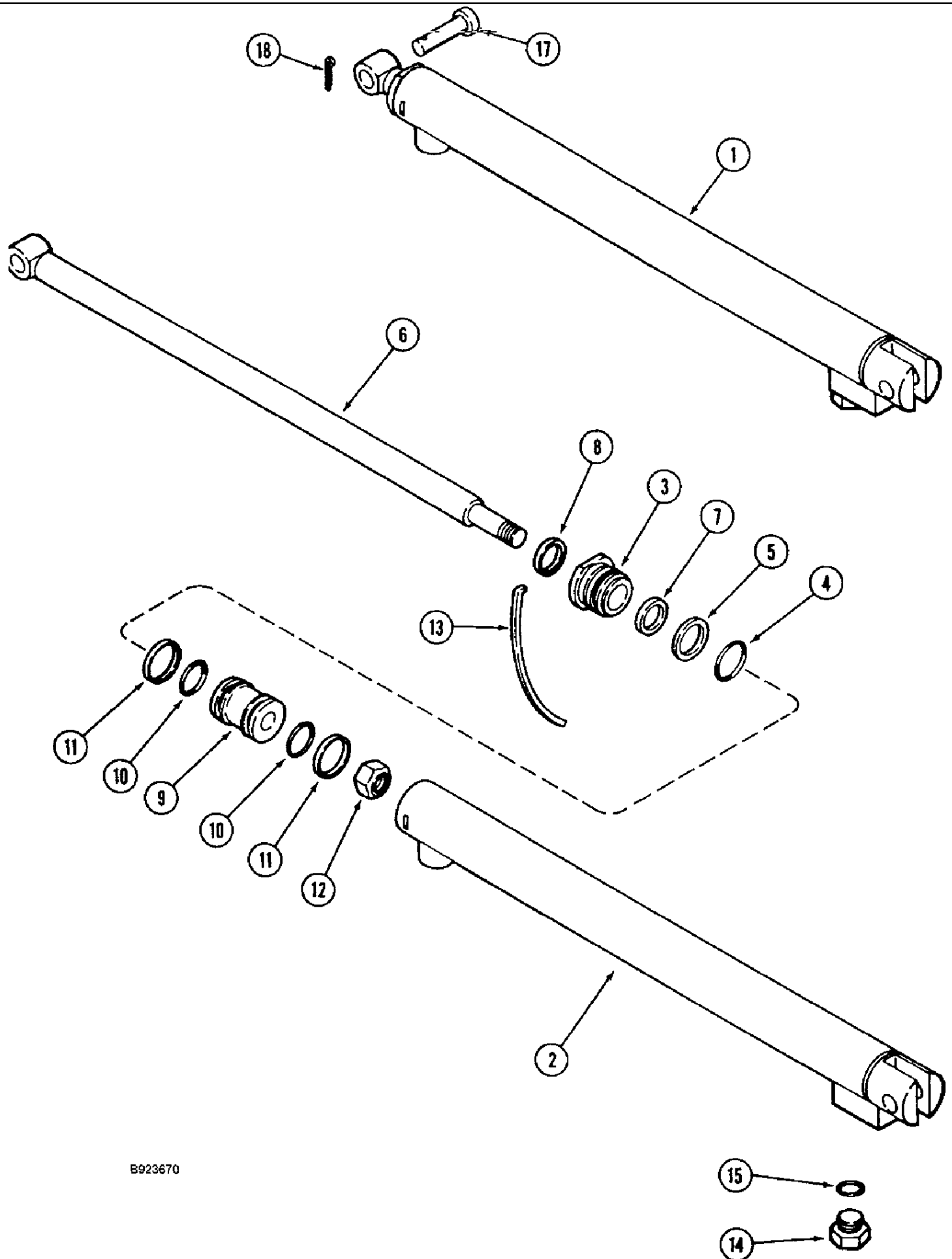
B923671



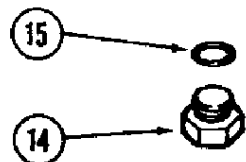
## 8-74 UNLOADER TUBE SWING CYLINDER SYSTEM

сылка	Номер детали	Кол-во	Описание
1	1282488C92	1	CYLINDER ASSY., unloader swing, 1-12 (38) ID x 20 in. (508 mm) stroke, see Fig. 8-76
2	218-5103	1	ELBOW, 90°, 7/16"-20, 37° x 7/16"-20, O-Ring, 90 deg., 7/16-20 in. flare x adj. O-ring boss, Includes: Ref. 3
3	237-6004	1	O-RING, 4-1, 90 Duro, .351" ID x .072" Thk,
4	218-5053	1	CONNECTOR, HYD., 7/16"-20, 37° x 7/16"-20, O-Ring, ADAPTER, Incl. Ref. 5
5	237-6004	1	O-RING, 4-1, 90 Duro, .351" ID x .072" Thk,
6	1317623C1	1	PIPE, TUBE, unloader swing cylinder
7	66880C1	4	HOSE ASSY., unloader swing, 20 in. (508 mm) long
8	218-671	2	FITTING, Blkhd, 7/16"-20, 37° x 7/16"-20, 37°, ADAPTER straight, 7/16-20 in. flare x bulkhead flare
9	218-1252	2	NUT, LOCK, Blkhd, 7/16"-20, hex, lock, bulkhead, 7/16 in. NF
10	196751C1	2	PIPE, TUBE, unloader swing cylinder
11	218-5320	2	ELBOW, 90°, 7/16"-20, 37° x 3/4"-16, O-Ring, 90 deg., 7/16-20 flare x 3/4-16 in. adj. O-ring boss, Includes: Ref. 12
12	237-6008	1	O-RING, 8-1, 90 Duro, .644" ID x .087" Thk,
13	1267035C94	1	VALVE, ASSY., double piloted, unloader swing, see Fig. 8-42, no longer available, order 124857A1 valve, BSN JJC105314
13	124857A1	1	VALVE, ASSY., double piloted, unloader swing, see Fig. 8-43A, ASN JJC105314
14	183824C1	2	CLAMP, unloader swing tubes
15	413-416	2	BOLT, Hex, 1/4"-20 x 1", G5,
16	231-5144	2	NUT, Flg, USR, 1/4"-20,
17	214-1432	1	CLAMP, HOSE, #32, 1.56/2.50 Type F Worm, Adjustable
18	163489C1	1	STRIP, INSULATOR rubber, 1/4 ID x 1-13/64 in. long

8-76 UNLOADER TUBE SWING CYLINDER

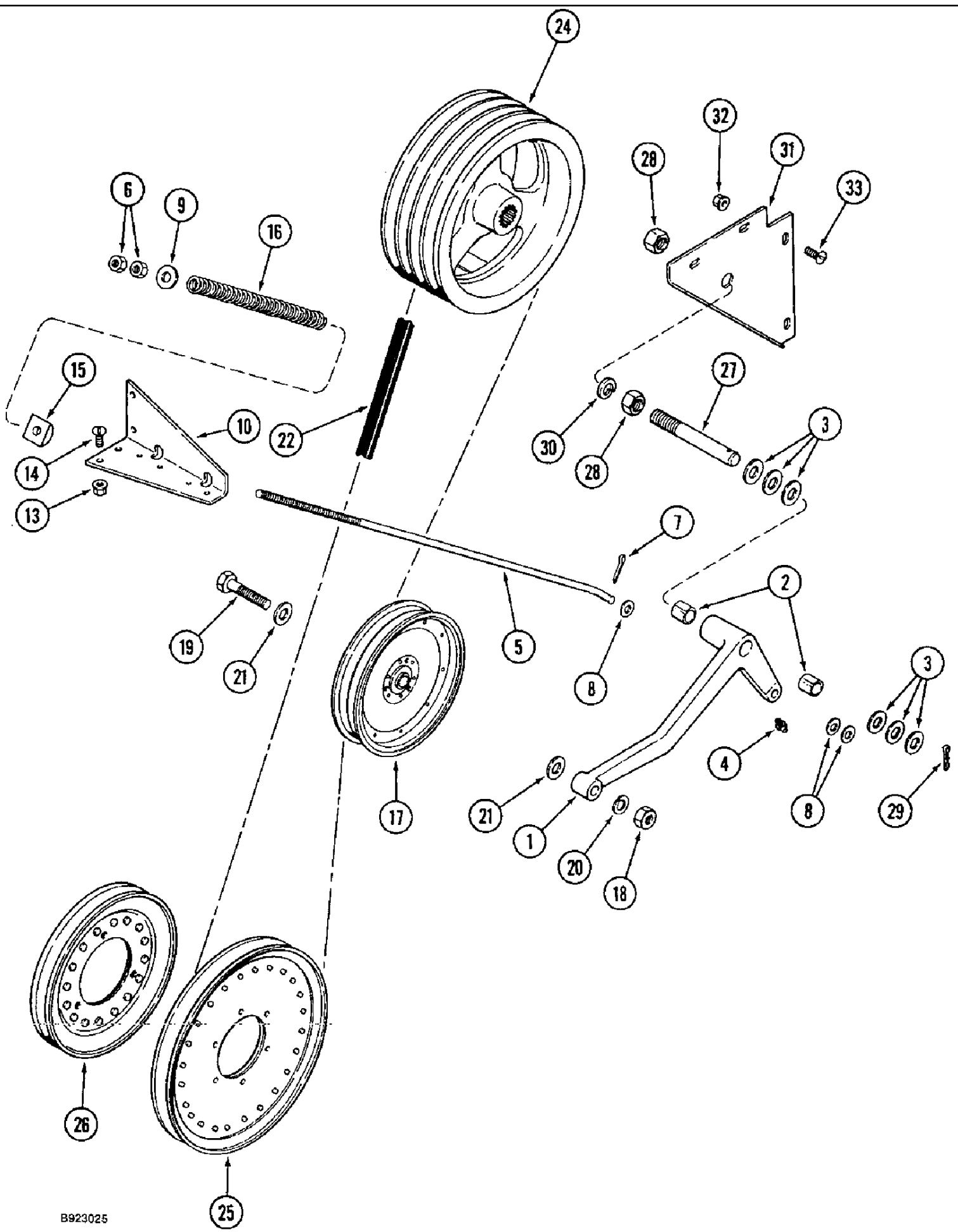


B923670



## 8-76 UNLOADER TUBE SWING CYLINDER

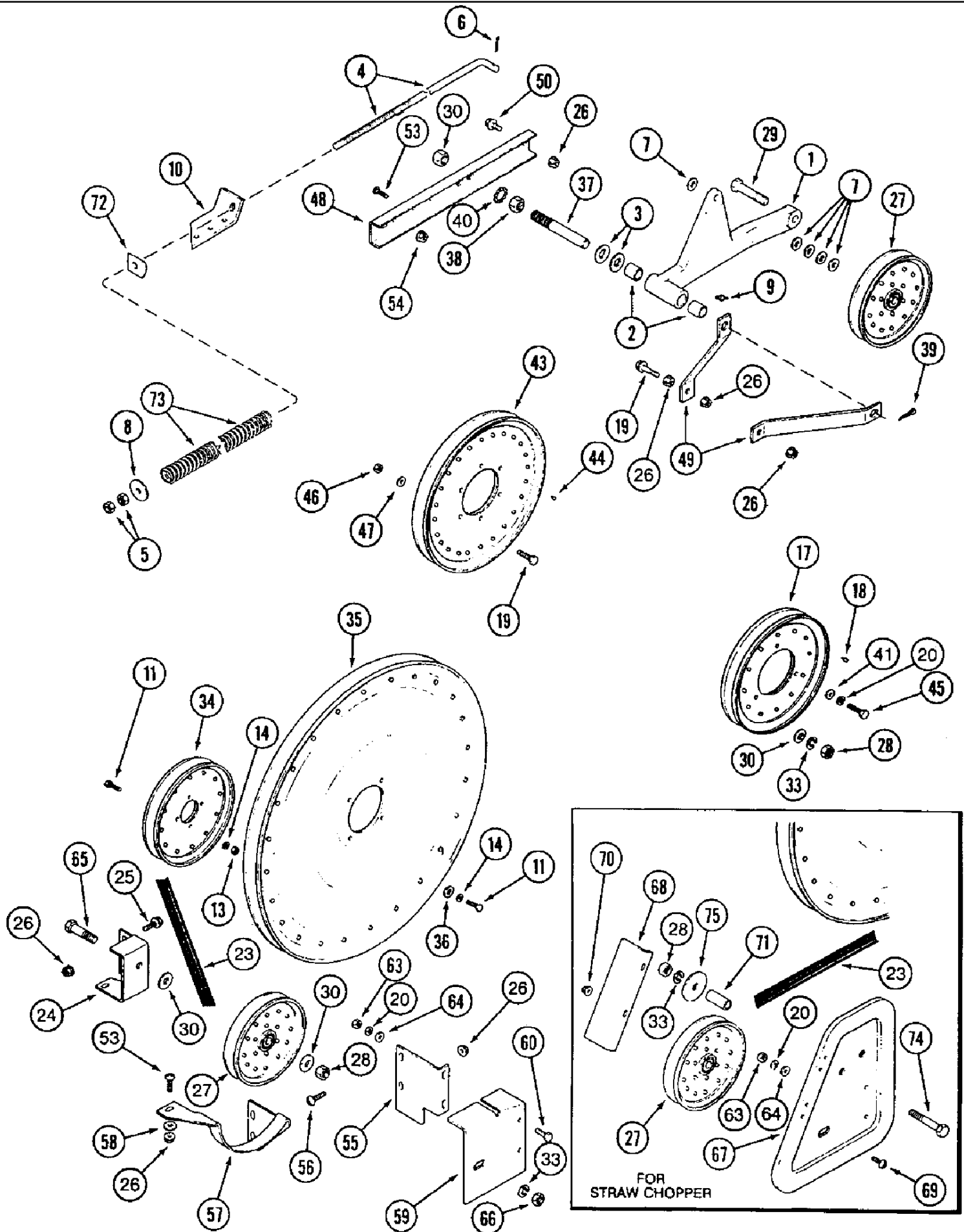
сылка	Номер детали	Кол-во	Описание
1	1282488C92	1	CYLINDER ASSY., hydraulic, swing, 1-1/2 (38) ID x 20 in. (508 mm) long, Includes: Ref. 2 thru 15
2	NSS	1	NOT SERVICED SEPARATELY, SLEEVE cylinder
3	1252291C1	1	HEAD, GLAND cylinder. front
4	NSS	1	NOT SERVICED SEPARATELY, O-RING, 1-5/16 x 1-1/2 in., class 6 , Part includes gasket seal kit 1272677C94
5	NSS	1	NOT SERVICED SEPARATELY, RING backup , Part includes gasket seal kit 1272677C94
6	1285720C1	1	ROD, piston
7	NSS	1	NOT SERVICED SEPARATELY, SEAL rod , Part includes gasket seal kit 1272677C94
8	NSS	1	NOT SERVICED SEPARATELY, WIPER rod , Part includes gasket seal kit 1272677C94
9	1285719C1	1	PISTON, cylinder
10	NSS	2	NOT SERVICED SEPARATELY, RING, seal, 1-3/16 x 1-3/8 in., class 5 , Part includes gasket seal kit 1272677C94
11	NSS	2	NOT SERVICED SEPARATELY, RING seal , Part includes gasket seal kit 1272677C94
12	9411658	1	NUT, LOCK, 5/8"-11, GC, hex, self locking, 5/8 in. NF, grade 8
13	NSS	1	NOT SERVICED SEPARATELY, WIRE retaining , Part includes gasket seal kit 1272677C94
14	9672438	1	PLUG, Hex Hd, 7/16"-20 ORB,
15	NSS	1	NOT SERVICED SEPARATELY, O-RING, 1/4 in., O.D. tube, class 6 , Part includes gasket seal kit 1272677C94
17	28196R1	2	SPLIT PIN/SAFETY PIN, clevis, 5/8 x 2-1/4 in.
18	432-816	2	PIN, SPLIT (COTTER), 1/8" x 1",
	1272677C94	1	KIT, GASKET, seal, Includes Ref. 4, 5, 7, 8, 10, 11, 12 and 15



## 1666 CASE IH AXIAL-FLOW COMBINE (1/93-12/94)

## 9A-02 BELT DRIVE, FAN JACKSHAFT

сылка	Номер детали	Кол-во	Описание
1	191529C91	1	LEVER ASSY., fan jackshaft drive, Includes: Ref. 2
2	556448R1	2	BUSHING, LEVER
3	495-11081	9	WASHER, 3/4", SAE,
4	219-87	1	NIPPLE, LUBE, 1/4"-28 x .56" lg, Self-Tap,
5	174520C2	1	ROD, jackshaft drive lever
6	425-108	2	NUT, 1/2"-13, G5,
7	432-1216	1	PIN, SPLIT (COTTER), 3/16" x 1", 3/16" x 1"
8	495-11053	3	WASHER, 1/2", SAE, (17/32" x 1-1/16" x 3/32")
9	495-81025	1	WASHER, 17/32" x 1 1/4" x .179", flat, 17/32 x 1-1/4 x 5/32 in.
10	191777C1	1	SUPPORT, drive rod, fan jackshaft
13	231-5146	2	NUT, Flg, USR, 3/8"-16,
14	477-73816	2	SCREW, Sltd Serr Truss Hd, 3/8" x 1", Special
15	194652C1	1	PIVOT, rod
16	155311C1	1	SPRING, rod
17	663887R91	1	PULLEY, drive, 8 in. O.D., fan jackshaft idler
18	425-1410	1	NUT, Jam, 5/8"-11, G5, hex, jam, 5/8 in. NC
19	413-1048	1	BOLT, Hex, 5/8"-11 x 3", G5, hex, 5/8 NC x 3 in.
20	492-11062	1	WASHER, LOCK, 5/8",
21	495-11066	2	WASHER, 5/8", SAE, flat, 21/32 x 1-5/16 x 3/32 in.
22	191305C1	1	V-BELT, drive, 112 in. over center, fan jackshaft
24	191603C2	1	PULLEY, drive, 12 in. O.D., feeder
25	183325C1	1	PULLEY, driven, 13 in. O.D., fan jackshaft
26	193948C1	1	PULLEY, drive, 9-3/4 in. O.D., cleaning unit
27	188298C2	1	STUD, PIN pivot, jackshaft drive lever
28	425-1012	2	NUT, 3/4"-10, G5,
29	32-1620	1	PIN, SPLIT (COTTER), 1/4" x 1 1/4",
30	492-11075	1	WASHER, LOCK, 3/4", 3/4"
31	192011C1	1	SUPPORT, idler drive, fan jackshaft
32	231-5146	2	NUT, Flg, USR, 3/8"-16,
33	477-73816	2	SCREW, Sltd Serr Truss Hd, 3/8" x 1", Special



B9307025A

\*Combine with straw chopper. \*\*Combine with discharge beater. ▯from ref 59 down, ▯\*Combine without straw chopper. \*\*Combine with straw chopper.

## 1666 CASE IH AXIAL-FLOW COMBINE (1/93-12/94)

## 9A-04 BELT DRIVE, RIGHT HAND SIDE

сылка	Номер детали	Кол-во	Описание
1	193447C91	1	ARM, elevator jacjshaft idler, Includes: Ref. 2
2	556448R1	2	BUSHING, lever, idler
3	495-11081		UAR WASHER, 3/4", SAE,
4	191531C2	1	ROD, idler lever, elevator drive
5	425-108	2	NUT, 1/2"-13, G5,
6	432-1216	1	PIN, SPLIT (COTTER), 3/16" x 1", 3/16" x 1"
7	495-11053	5	WASHER, 1/2", SAE, (17/32" x 1-1/16" x 3/32")
8	495-81162	1	WASHER, 17/32" x 1 1/2" x .179", flat, 17/32 x 1-1/2 x 11/64 in.
9	219-87	1	NIPPLE, LUBE, 1/4"-28 x .56" lg, Self-Tap,
10	1315483C1	1	BRACKET, SUPPORT, elevator drive rod
11	413-516	11	BOLT, Hex, 5/16"-18 x 1", G5, Full Thd, hex, 5/16 NC x 1 in.
13	425-105	7	NUT, 5/16"-18, G5,
14	492-11031	15	WASHER, LOCK, 5/16",
17	193948C1	1	PULLEY, drive, 9-3/4 in. O.D., cleaning unit, Includes: Ref. 18
18	47-49	16	RIVET, FH, 1/4" x 9/16", flat head solid, 1/4 x 9/16 in.
19	413-640	3	BOLT, Hex, 3/8"-16 x 2 1/2", G5, hex, 3/8 NC x 2-1/2 in.
20	492-11038	7	WASHER, LOCK, 3/8",
23	181055C1	1	BELT, drive, 201 in. over center, cleaning unit, Combine with straw chopper
23	186509C2	1	BELT, drive, 255 in. over center, elevator drive, Combine with discharge beater
24	188253C2	1	SUPPORT, elevator drive, fixed idler
25	154273C1	4	BOLT, Hex Flg, 3/8"-16 x 1", Serr, BOLT hex, self locking, special, 3/8 NC x 1 in.
26	231-5146	12	NUT, Flg, USR, 3/8"-16,
27	673214R91	2	PULLEY, elevator drive and fixed idler, 7-5/16 in. (186 mm) O.D.
28	425-1010	3	NUT, 5/8"-11, G5,
29	413-1040	1	BOLT, Hex, 5/8"-11 x 2 1/2", G5, hex, 5/8 NC x 2-1/2 in.
30	495-11066	5	WASHER, 5/8", SAE, flat, 21/32 x 1-5/16 x 3/32 in.
33	492-11062	2	WASHER, LOCK, 5/8",
34	195161C1	1	PULLEY, drive, 8-3/8 in. O.D., beater drive
35	193682C1	1	PULLEY, driven, 25 in. O.D., shaker shaft
36	495-11034	4	WASHER, 5/16", SAE, flat, 11/32 x 11/16 x 1/16 in.
37	188298C2	1	STUD, PIN pivot, elevator jackshaft, idler driven
38	425-1012	2	NUT, 3/4"-10, G5,
39	432-1620	1	PIN, SPLIT (COTTER), 1/4" x 1 1/4", 1/4" x 1 1/4"
40	493-41078	1	WASHER, LOCK, Ext Tooth, 3/4", external tooth lock, 3/4 in.
41	495-81137	3	WASHER, 13/32" x 1" x .224", flat, 13/32 x 1 x 15/64 in.
43	183325C1	1	PULLEY, driven, 13 in. O.D., jackshaft, driven, Includes: Ref. 44
44	104235	24	RIVET, FH, 3/16" x 1/2",
45	413-620	3	BOLT, Hex, 3/8"-16 x 1 1/4", G5, Full Thd, hex, 3/8 NC x 1-1/4 in.
46	231-4116	3	NUT, LOCK, 3/8"-16, GB, hex, self locking, 3/8 in. NC
47	495-81129	6	WASHER, 13/32" x 3/4" x .120", flat, 13/32 x 3/4 x 7/64 in.
48	186588C2	1	CHANNEL, pivot arm support
49	182676C2	2	SUPPORT, elevator pivot
50	409-7612	1	BOLT, Hex Flg, 3/8"-16 x 3/4", Serr,
53	477-73816	4	SCREW, Slted Serr Truss Hd, 3/8" x 1", Special
54	425-146	1	NUT, Jam, 3/8"-16, G5, hex, jam, 3/8 in. NC

\*Combine with straw chopper. \*\*Combine with discharge beater. from ref 59 down, \*Combine without straw chopper. \*\*Combine with straw chopper.

## 1666 CASE IH AXIAL-FLOW COMBINE (1/93-12/94)

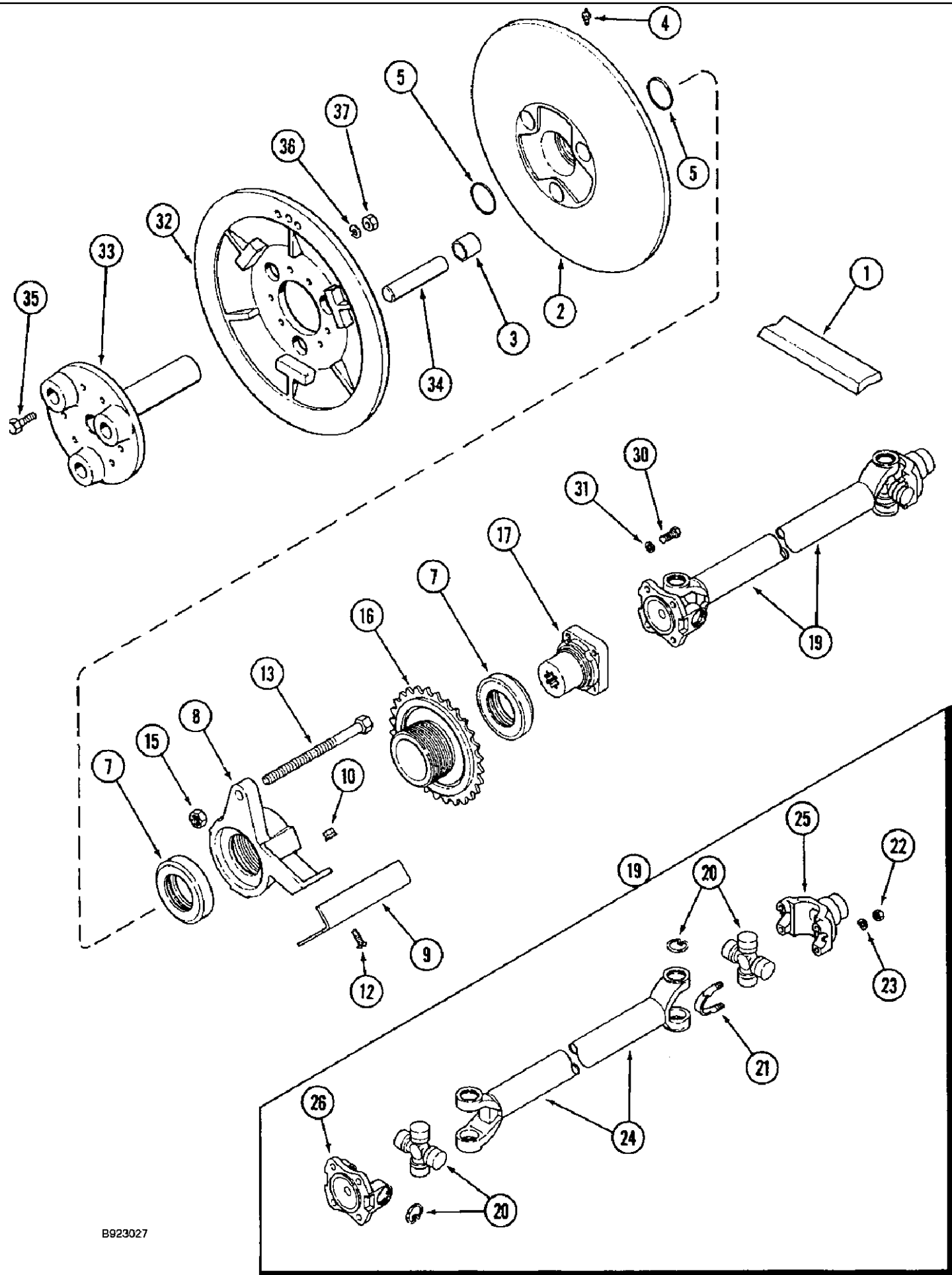
## 9A-04 BELT DRIVE, RIGHT HAND SIDE

сылка	Номер детали	Кол-во	Описание
55	1302352C2	1	SUPPORT, GUIDE elevator belt, upper
56	179464C1	2	SCREW, Sltd Serr Truss Hd, 3/8"-16 x 1 1/4", slotted truss head, special, 3/8 NC x 1-1/4 in.
57	1302068C2	1	GUIDE, elevator belt, lower
58	495-81138	3	WASHER, 13/32" x 1" x .179", flat, 13/32 x 1 x 11/64 in.
59	1302350C1	1	SHIELD, elevator fixed idler, Combine without straw chopper
60	413-612	4	BOLT, Hex, 3/8"-16 x 3/4", G5, Full Thd, hex, 3/8 NC x 3/4 in.
63	425-106	4	NUT, 3/8"-16, G5,
64	495-11041	4	WASHER, 3/8", SAE, Flat, (13/32 x 13/16 x 1/16")
65	413-1048	1	BOLT, Hex, 5/8"-11 x 3", G5, hex, 5/8 NC x 3 in.
66	425-1410	1	NUT, Jam, 5/8"-11, G5, hex, jam, 5/8 in. NC
67	1302353C1	1	GUARD, SHIELD, elevator fixed idler, Combine with straw chopper
68	1302351C1	1	DEFLECTOR, elevator rear shield, Combine with straw chopper
69	477-73108	2	SCREW, Sltd Serr Truss Hd, 5/16"-18 x 1/2", slotted truss head, 5/16 NC x 1/2 in.
70	231-5145	2	NUT, Flg, USR, 5/16"-18,
71	564737R1	1	SPACER, 7/8" Tube x 2 1/16", 21/32 x 7/8 x 2-1/16 in., Combine with straw chopper
72	194652C1	1	PIVOT, rod, arm
73	155311C1	1	SPRING, arm rod
74	413-1048	1	BOLT, Hex, 5/8"-11 x 3", G5, hex, 5/8 NC x 3 in.
75	95-81018	1	WASHER, 21/32" x 2 1/2" x .120", flat, 21/32 x 2-1/2 x 7/64 in.

\*Combine with straw chopper. \*\*Combine with discharge beater. from ref 59 down, \*\*\*Combine without straw chopper. \*\*Combine with straw chopper.



9A-08 SEPARATOR, JACKSHAFT DRIVE, WITHOUT STRAW CHOPPER



B923027

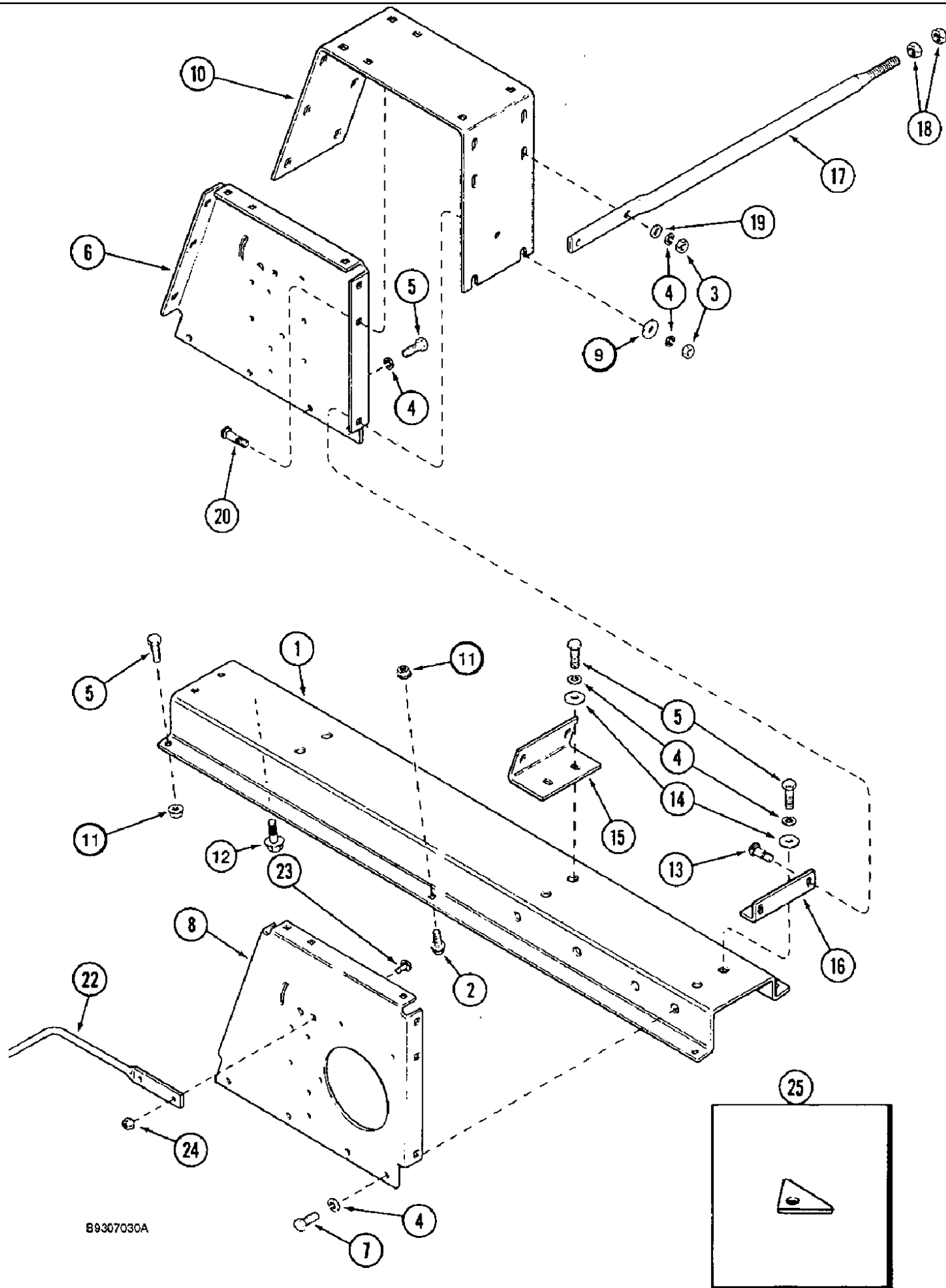
For combine with straw chopper, see page 9F-13 and 9F-15.

## 9A-08 SEPARATOR, JACKSHAFT DRIVE, WITHOUT STRAW CHOPPER

сылка	Номер детали	Кол-во	Описание
1	193923C4	1	BELT, rotor variable drive, see Fig. 9B-6
2	1330054C1	1	PULLEY, rotor drive variable, 17-1/2 in. O.D., Includes: Ref. 3
3	194665C1	3	BUSHING, pulley
4	219-86	1	NIPPLE, LUBE, 1/8" x .62" lg, Drive, grease, self tap, 1/8 PT x 5/8 in.
5	238-5226	2	O-RING, -226, 70 Duro, 1.984" ID x .139" Thk,
7	194654C91	2	BEARING, jackshaft thrust
8	194394C1	1	HUB, FITTING, variable pulley, female
9	188309C2	1	SUPPORT, variable pulley, limit switch
10	231-5146	2	NUT, Flg, USR, 3/8"-16,
12	477-73816	2	SCREW, Slt'd Serr Truss Hd, 3/8" x 1", Special
13	413-12152	1	BOLT, Hex, 3/4"-10 x 9 1/2", G5, BOLT hex, 3/4 NC x 9-1/2 in.
15	329-1412	1	NUT, Jam, 3/4"-10, G8,
16	194464C2	1	SPROCKET, variable pulley, male, 25 teeth
17	191542C2	1	COUPLING, SPLINED, universal joint
19	191595C91	1	JOINT ASSY., universal drive, Includes: Ref. 20 thru 26
20	1300502C1	1	KIT, bearing, journal
21	1300501C1	2	U-BOLT, retaining, universal joint
22	425-116	4	NUT, 3/8"-24, G5, Hex
23	492-11038	4	WASHER, LOCK, 3/8",
24	NSS	1	NOT SERVICED SEPARATELY, SHAFT drive
25	NSS	1	NOT SERVICED SEPARATELY, YOKE drive
26	NSS	1	NOT SERVICED SEPARATELY, FLANGE drive
30	426-720	4	BOLT, Hex, 7/16"-14 x 1 1/4", G8, BOLT hex, 7/16 NC x 1-1/4 in. grade 8
31	492-11044	4	WASHER, LOCK, 7/16",
32	188848C1	1	PULLEY, rotor drive, stationary, 17-1/2 in. O.D.
33	188846C1	1	HUB, ASSY., rotor drive pulley, Includes: Ref. 34
34	191544C2	3	PIN, pulley
35	326-828	6	BOLT, Hex, 1/2"-13 x 1 3/4", G8,
36	392-21050	6	WASHER, LOCK, 1/2", 1/2"
37	329-108	6	NUT, 1/2"-13, G8,

For combine with straw chopper, see page 9F-13 and 9F-15.

9A-10 SEPARATOR, JACKSHAFT SUPPORT

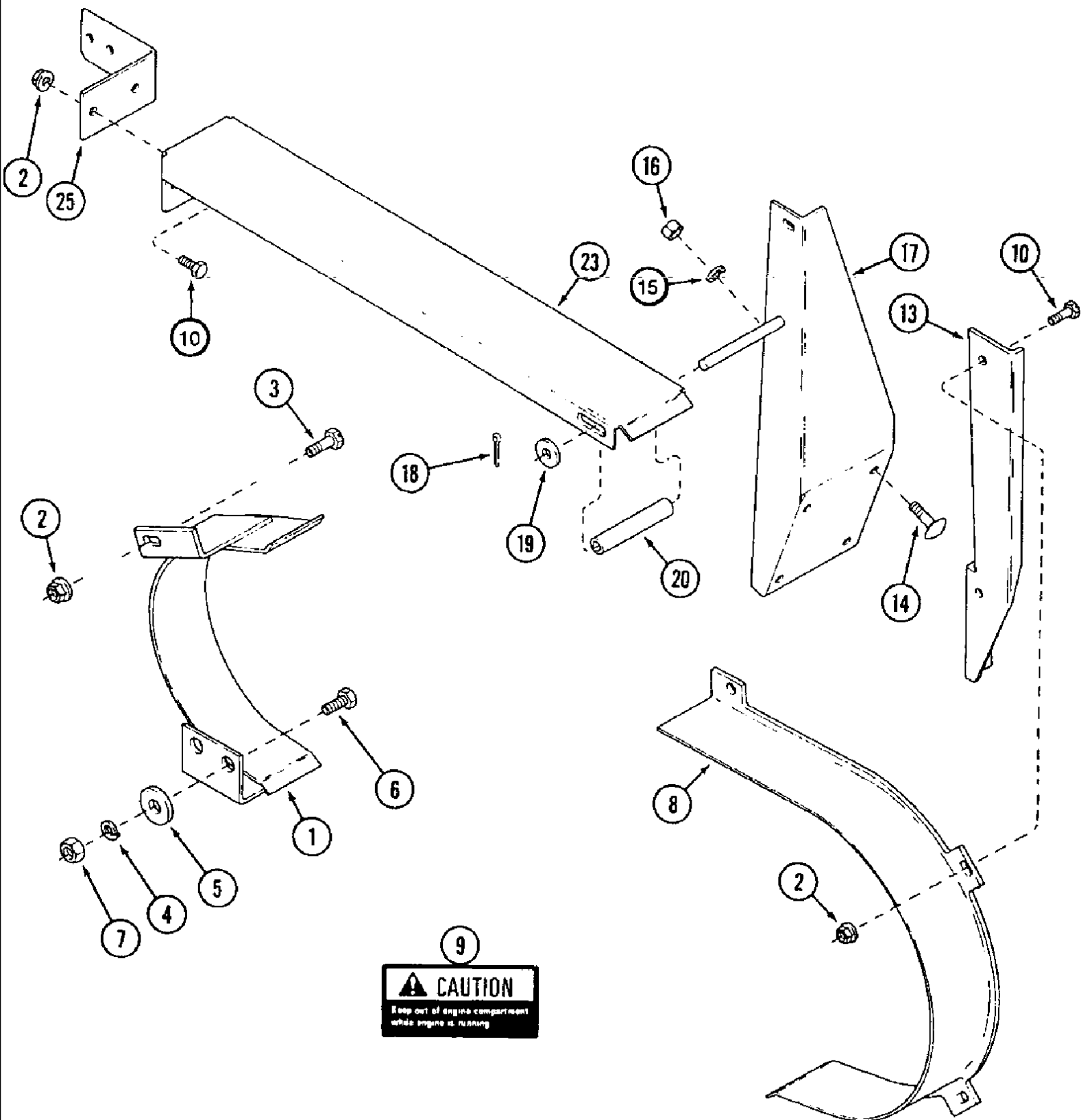


B9307030A

## 9A-10 SEPARATOR, JACKSHAFT SUPPORT

сылка	Номер детали	Кол-во	Описание
1	181333C1	1	SUPPORT ASSY., jackshaft
2	409-7816	2	BOLT, Hex Flg, 1/2"-13 x 1", Serr, BOLT hex serrated flange, 1/2 NC x 1 in.
3	425-108	7	NUT, 1/2"-13, G5,
4	80679	19	WASHER, LOCK, 1/2",
5	413-820	8	BOLT, Hex, 1/2"-13 x 1 1/4", G5, Full Thd, hex, 1/2 NC x 1-1/4 in.
6	181165C1	1	SUPPORT ASSY., jackshaft, left hand, separator
7	413-816	8	BOLT, Hex, 1/2"-13 x 1", G5, Full Thd,
8	181166C1	1	SUPPORT, jackshaft, right hand, separator
9	495-81162	1	WASHER, 17/32" x 1 1/2" x .179", flat, 17/32 x 1-1/2 x 11/64 in.
10	181167C1	1	SUPPORT, jackshaft, upper, separator
11	231-5148	6	NUT, Flg, USR, 1/2"-13,
12	360-820	1	BOLT, Hex Flg, 1/2"-13 x 1 1/4", G8, Full Thd, BOLT hex flange, 1/2 NC x 1-1/4 in., grade 8
13	434-820	5	BOLT, CARRIAGE, Short NK, 1/2"-13 x 1 1/4", G5, Full Thd, BOLT carriage, 1/2 NC x 1-1/4 in.
14	495-81287	9	WASHER, 17/32" x 1 1/4" x .120", flat, 17/32 x 1-1/4 x 7/64 in.
15	181164C1	1	SUPPORT, separator jackshaft
16	181172C1	1	SUPPORT, jackshaft support, rear
17	181171C1	1	ROD, cross, support
18	425-1110	2	NUT, 5/8"-18, G5,
19	495-81017	2	WASHER, 17/32" x 3/4" x .120", flat, 17/32 x 3/4 x 1/8 in.
20	434-824	2	BOLT, CARRIAGE, Short NK, 1/2"-13 x 1 1/2", G5, Full Thd, 1/2 NC x 1-1/2 in.
22	194901C1	1	ROD, belt support, separator clutch
23	434-612	2	BOLT, CARRIAGE, Short NK, 3/8"-16 x 3/4", G5, Full Thd, 3/8 NC x 3/4 in.
25	1345342C1	2	BAND, PLATE, jackshaft shield

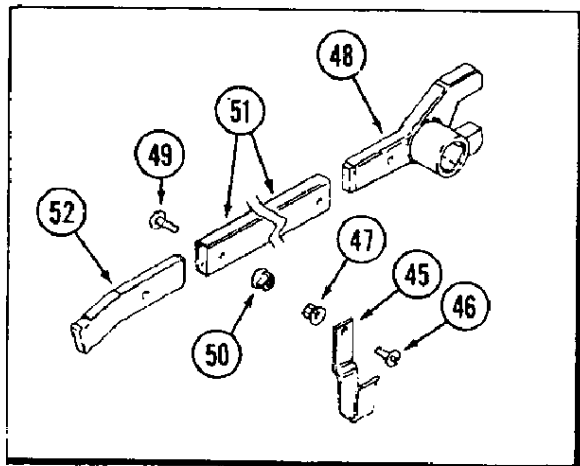
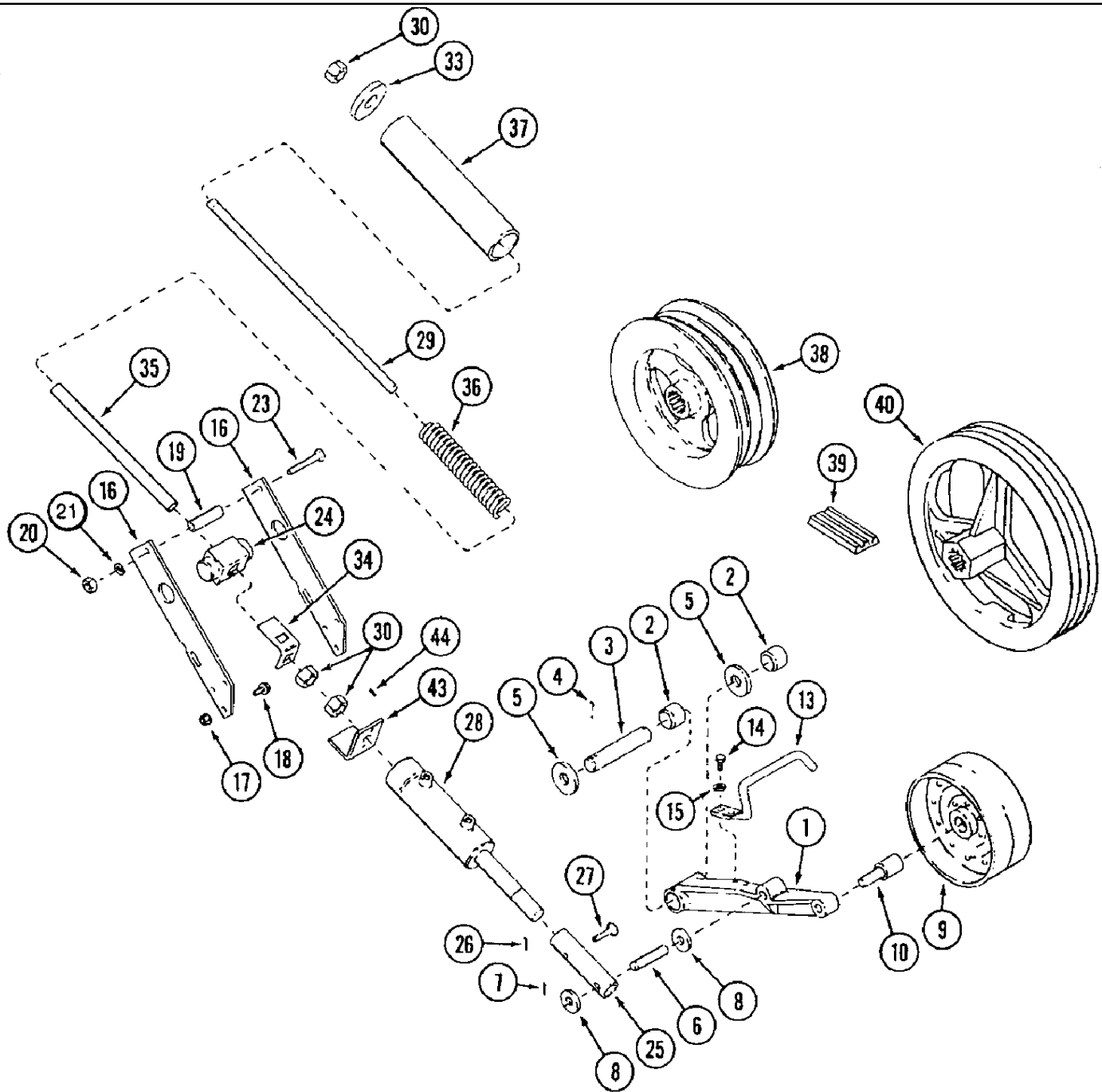
9A-12 SEPARATOR, DRIVE SHIELDS



## 9A-12 SEPARATOR, DRIVE SHIELDS

сылка	Номер детали	Кол-во	Описание
1	1308774C1	1	GUARD ASSY., SHIELD, drive pulley
2	231-5146	7	NUT, Flg, USR, 3/8"-16,
3	477-73816	3	SCREW, Sltd Serr Truss Hd, 3/8" x 1", Special
4	492-11038	2	WASHER, LOCK, 3/8",
5	495-61041	2	WASHER, 3/8" x 1" x .063",
6	413-616	2	BOLT, Hex, 3/8"-16 x 1", G5, Full Thd, hex, 3/8 NC x 1 in.
7	425-106	2	NUT, 3/8"-16, G5,
8	185395C92	1	PROTECTION PLATE, ASSY., driven pulley, Includes: Ref. 9
9	REF	1	INSTRUCTION, DECAL Caution, engine compartment, see Fig. 9H-35A for correct decal
10	477-73812	6	SCREW, Sltd Serr Truss Hd, 3/8" x 3/4", slotted truss head, special, 38/ NC x 3/4 in.
13	181168C1	1	SUPPORT, BRACKET shield, outer, belt drive
14	434-820	5	BOLT, CARRIAGE, Short NK, 1/2"-13 x 1 1/4", G5, Full Thd, BOLT carriage, 1/2 NC x 1-1/4 in.
15	80679	5	WASHER, LOCK, 1/2",
16	425-108	5	NUT, 1/2"-13, G5,
17	181169C1	1	SUPPORT ASSY., BRACKET, drive belt guide
18	432-1216	1	PIN, SPLIT (COTTER), 3/16" x 1", 3/16" x 1"
19	495-11053	1	WASHER, 1/2", SAE, (17/32" x 1-1/16" x 3/32")
20	188440C1	1	HOSE, separator channel, 4-1/2 in. (115 mm) long, cut from 526602R1 bulk hose, see below
23	191961C2	1	SUPPORT, drive belt
25	193686C1	1	ANGLE, drive belt support, channel
	526602R1		UAR HOSE, bulk, 19/32 (15) ID x 600 in. (15240 mm) long, used for Ref. 20

9A-14 SEPARATOR, DRIVE PULLEY AND IDLER



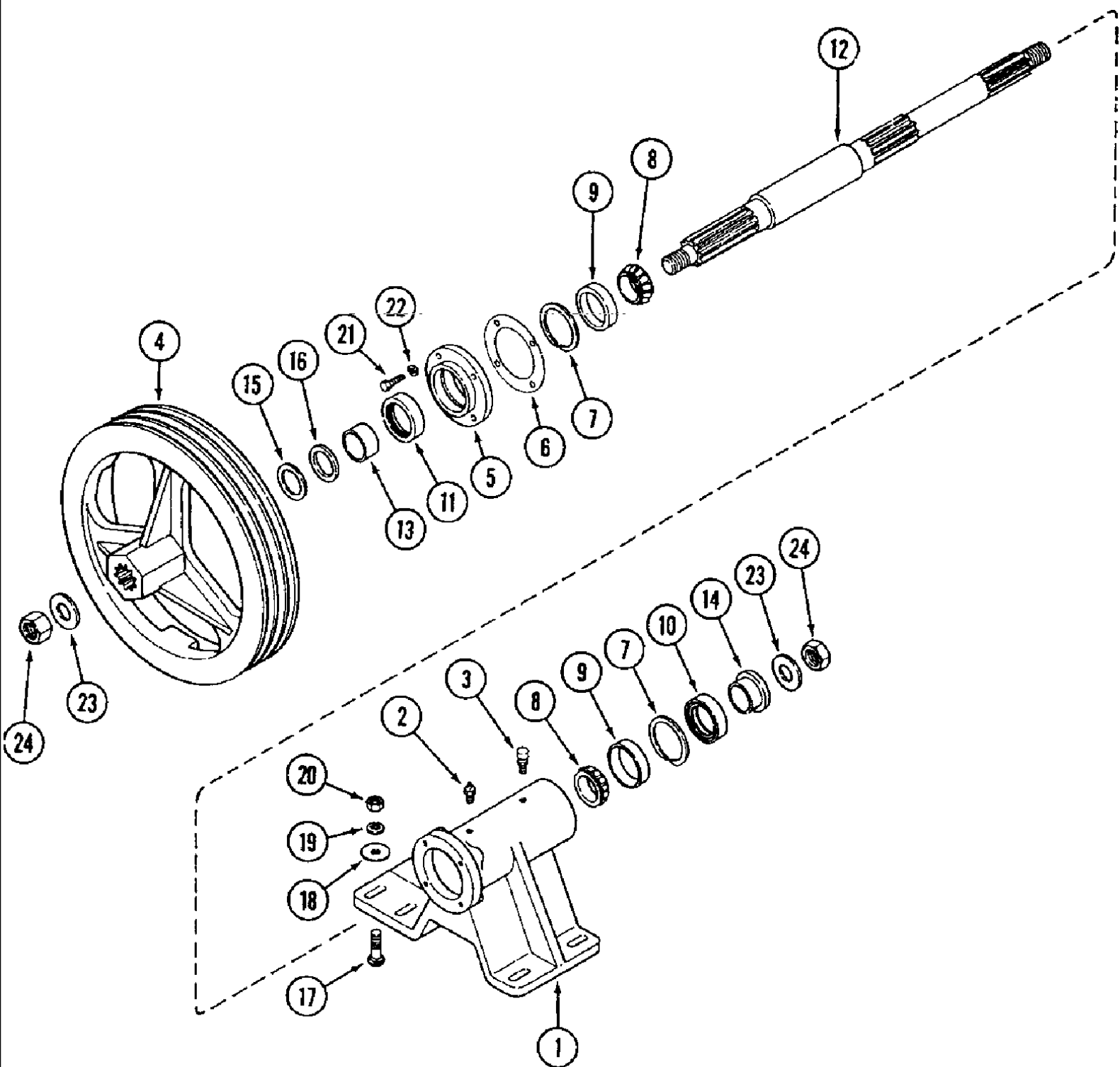
## 1666 CASE IH AXIAL-FLOW COMBINE (1/93-12/94)

## 9A-14 SEPARATOR, DRIVE PULLEY AND IDLER

сылка	Номер детали	Кол-во	Описание
1	195457C92	1	LEVER, ASSY., drive belt clutch
2	1302308C1	2	BUSHING, drive belt clutch lever, 1 ID x 1-1/4 O.D. x 1-1/8 in. wide, Includes: Ref. 2 and 3
3	1315229C2	1	PIN, pivot, separator clutch arm
4	432-1216	1	PIN, SPLIT (COTTER), 3/16" x 1", 3/16" x 1"
5	495-81176	2	WASHER, 21/32" x 1" x .060", flat, 21/32 x 1 x 3/64 in.
6	195459C1	1	PIN, LARGE, lever, drive belt clutch
7	432-1224	2	PIN, SPLIT (COTTER), 3/16" x 1 1/2",
8	495-81073	7	WASHER, 1 1/32" x 1 3/4" x .060", flat, 1-1/32 x 1-3/4 x 1/16 in.
9	174757C1	1	PULLEY, idler, 8 in. O.D., separator belt idler
10	559205R91	1	BEARING, drive belt idler pulley
13	193284C1	1	ROD, belt guide, cluth pulley belt guide
14	413-612	2	BOLT, Hex, 3/8"-16 x 3/4", G5, Full Thd, hex, 3/8 NC x 3/4 in.
15	492-11038	2	WASHER, LOCK, 3/8",
16	194220C1	2	BAR, cylinder anchor
17	231-5146	6	NUT, Flg, USR, 3/8"-16,
18	409-7620	6	BOLT, Hex Flg, 3/8"-16 x 1 1/4", Serr,
19	196676C1	1	SPACER, cylinder anchor bar
20	425-106	1	NUT, 3/8"-16, G5,
21	492-11038	1	WASHER, LOCK, 3/8",
23	413-656	1	BOLT, Hex, 3/8"-16 x 3 1/2", G5, hex, 3/8 NC x 3-1/2 in.
24	186747C3	1	PIVOT, separator drive arm, replaces 186747C2
25	195432C1	1	TUBE, BUSHING, cylinder extension
26	432-612	1	PIN, SPLIT (COTTER), 3/32" x 3/4",
27	427-6178	1	PIN, CLEVIS, 3/8" x 1.781", Hardened
28	REF	1	INSTRUCTION, CYLINDER ASSEMBLY, separator clutch, parts list Fig. 8-70
29	1303058C1	1	ROD, separator drive tightener
30	425-1010	3	NUT, 5/8"-11, G5,
33	495-81029	3	WASHER, 21/32" x 2" x .120", flat, 21/32 x 2 x 7/64 in.
34	186748C1	1	BRACKET, drive tightener rod
35	186744C1	1	TUBE, SLEEVE, tightener rod, inner
36	186745C1	1	SPRING, belt tightener, rod
37	186746C1	1	TUBE, HOUSING belt tightener, outer
38	191461C1	1	PULLEY, drive, 11 in. O.D., separator drive
39	191241C3	1	BELT, drive, 130 in. over center, separator, replaces 191441C2
40	REF	1	INSTRUCTION, PULLEY, separator jackshaft driven, see Fig. 9A-16
43	186749C1	1	BRACKET, BRACKET tightener rod, separator rod
44	38-11612	1	PIN, LOCK, 1/4" x 3/4", Slotted, 1/4" x 3/4", Slotted
45	1979908C1	2	CLIP, rocking wrench
46	135270	2	BOLT, Slotted Tr Hd, 5/16"-18 x 3/4", slotted truss head, 5/16 NC x 3/4 in.
47	231-5145	2	NUT, Flg, USR, 5/16"-18,
48	1979527C1	1	WRENCH-HOOK, rocking
49	179464C1	2	SCREW, Slt'd Serr Truss Hd, 3/8"-16 x 1 1/4", slotted truss head, special, 3/8 Nc x 1-1/4 in.
50	231-5146	2	NUT, Flg, USR, 3/8"-16,
51	1979526C2	1	HANDLE, SUPPORT, wrench handle, rocking
52	1979751C2	1	BAR, rotor rocker



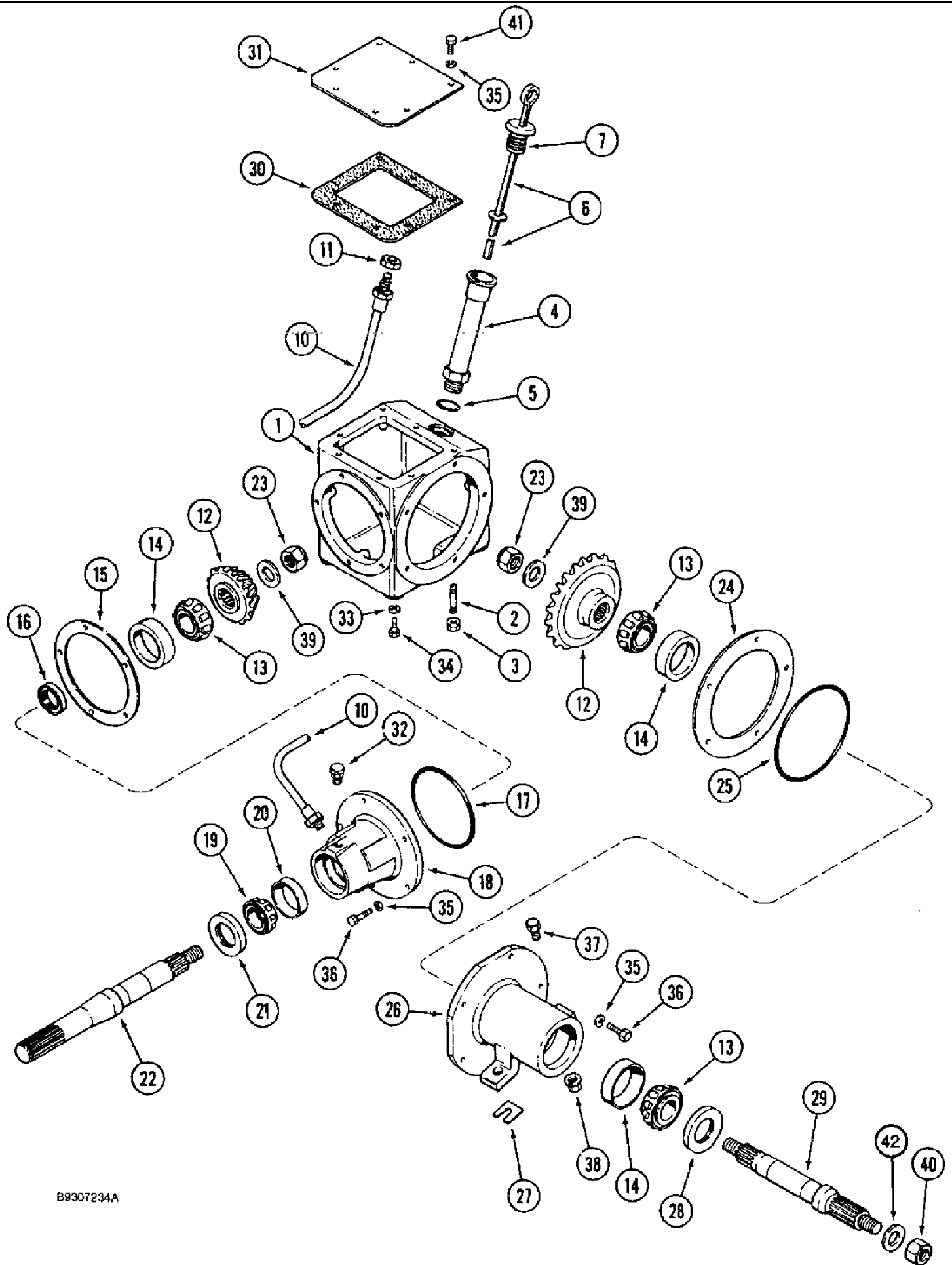
9A-16 JACKSHAFT BEARING BLOCK, FOR USE WITH DISCHARGE BEATER



B923031

## 9A-16 JACKSHAFT BEARING BLOCK, FOR USE WITH DISCHARGE BEATER

сылка	Номер детали	Кол-во	Описание
1	181369C1	1	HOUSING, BLOCK bearing
2	219-1	1	NIPPLE, LUBE, 1/8"-27 x .66 lg,
3	61991R91	1	BREATHER, 1/8"-27 NPT, Short, w/washer, FITTING, housing breather, 1/8 in. PT
4	191452C2	1	PULLEY, driven, 14-3/4 in. O.D.
5	189419C1	1	HUB, rear bearing
6	156229C1		UAR SHIM, bearing hub, 0.005 in. thick
6	188183C1		UAR SHIM, bearing hub, 0.007 in. thick
6	188184C1		UAR SHIM, bearing hub, 0.010 in. thick
7	378691R1	2	RING, retaining
8	61802C91	2	BEARING, CONE, tapered roller, 1-15/32 in. ID, jackshaft
9	61801C1	2	BEARING, CUP, tapered roller, 2-31/64 in. O.D., jackshaft
10	188931C1	1	SEAL, hub, front
11	384386R91	1	SEAL, hub, rear
12	1957657C2	1	SHAFT, drive
13	191518C2	1	SPACER, jackshaft, rear
14	188930C1	1	RING, SPACER, front
15	162678C1		UAR WASHER, flat, special, 1-1/2 x 2 x 1/16 in., jackshaft
16	160191C2	1	WASHER, flat, special, 1-12/ x 2 x 3/16 in.
17	433-828	6	BOLT, CARRIAGE, Short NK, 1/2"-13 x 1 3/4", G5, 1/2 NC x 1-3/4 in.
18	396-41053	6	WASHER, 17/32" x 1 1/4" x .188", HDN, flat, hardened, 17/32 x 1-1/4 x 3/16 in.
19	80679	6	WASHER, LOCK, 1/2",
20	425-108	6	NUT, 1/2"-13, G5,
21	426-516	4	BOLT, Hex, 5/16"-18 x 1", G8, Full Thd, BOLT hex, 5/16 NC x 1 in., grade 8
22	492-11031	4	WASHER, LOCK, 5/16",
23	496-21106	2	WASHER, 1 1/16" x 2" x .209", flat, hardened, 1-1/16 x 2 x 13/64 in.
24	232-41316	2	NUT, LOCK, 1"-8, GC,



B9307234A

## 1666 CASE IH AXIAL-FLOW COMBINE (1/93-12/94)

## 9A-18 FEEDER, FEEDER DRIVE AND FAN GEAR HOUSING

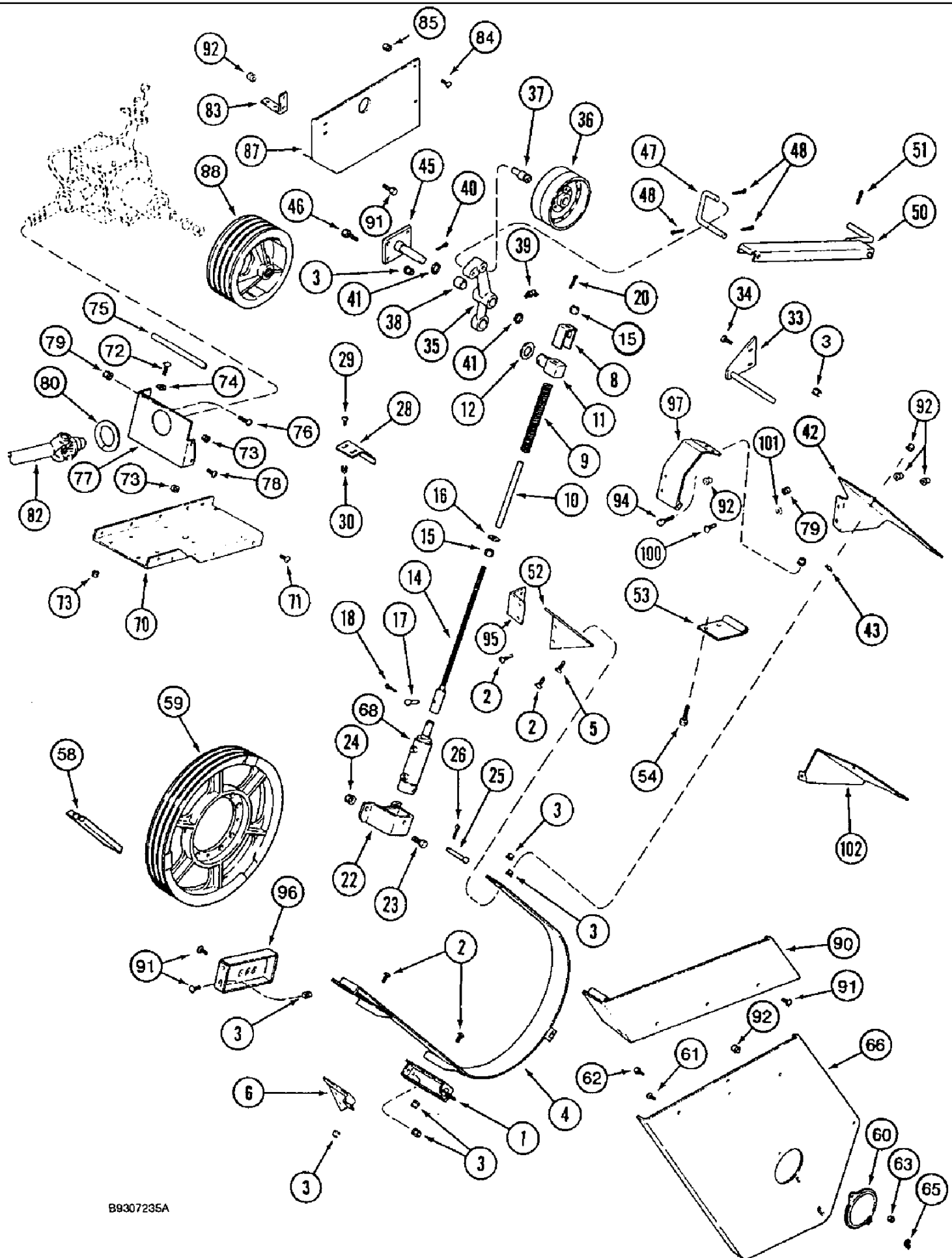
сылка	Номер детали	Кол-во	Описание
1	191388C1	1	CASE, HOUSING gear
2	188126	1	PIPE, Nipple, 3/8" NPT x 2", PIPE drain
3	144164	1	O-RING, drain pipe
4	195429C1	1	TUBE, oil gauge
5	237-6016	1	O-RING, 16-1, 90 Duro, 1.171" ID x .118" Thk,
6	195319C91	1	GAUGE ASSY., oil, Includes: Ref. 7
7	238-5210	2	O-RING, -210, 70 Duro, .734" ID x .139" Thk,
10	188589C91	1	HOSE, bank lube, 22 in., 559 mm, long
11	F53473	1	NUT, special
12	1315597C1	1	GEAR SET, drive, 18 and 31 teeth
13	197609R91	3	BEARING, CONE, tapered roller, 1-3/8 in. ID
14	197608R1	3	BEARING, CUP, CONE tapered, roller bearing, 3 in. O.D., inner
	195484C2	1	KIT, SHIM, KIT shim, rear housing, Includes: Ref. 15
15	NSS	4	NOT SERVICED SEPARATELY, SHIM, 0.005 in.
15	NSS	4	NOT SERVICED SEPARATELY, SHIM, 0.007 in.
15	NSS	4	NOT SERVICED SEPARATELY, SHIM, 0.020 in.
16	938294R91	1	SEAL, oil, input shaft, inner
17	238-5250	1	O-RING, -250, 70 Duro, 4.984" ID x .139" Thk,
18	191245C2	1	HUB, bell, rear
19	618023R91	1	BEARING, CONE, tapered roller, 1-3/8 in. ID
20	618024R1	1	BEARING, CUP, CONE tapered, roller, 2-1/2 in. O.D., outer
21	192527C1	1	SEAL, oil, input shaft, outer
22	191396C1	1	SHAFT, input
23	195428C1	2	NUT, input and output shaft
	195485C1	1	KIT, SHIM, KIT shim, right hand housing, Includes: Ref. 24
24	NSS	2	NOT SERVICED SEPARATELY, SHIM, 0.005 in.
24	NSS	2	NOT SERVICED SEPARATELY, SHIM, 0.005 in.
24	NSS	2	NOT SERVICED SEPARATELY, SHIM, 0.020 in.
25	238-5259	1	O-RING, -259, 70 Duro, 6.234" ID x .139" Thk,
26	191248C1	1	HUB, bell, right
27	935915R1	8	SHIM, bell housing, right, 0.015 in. thick
28	192528C1	1	SEAL, oil, output shaft
29	191384C1	1	SHAFT, output
30	191397C2	1	GASKET, cover
31	191249C1	1	COVER, gear housing
32	219-434	1	BREATHER, 1/8"-27 NPT, Short, w/washer, VALVE vent, includes felt washer, 1/8 PT x 1 in.
33	80679	4	WASHER, LOCK, 1/2",
34	413-816	4	BOLT, Hex, 1/2"-13 x 1", G5, Full Thd,
35	492-11038	17	WASHER, LOCK, 3/8",
36	413-620	10	BOLT, Hex, 3/8"-16 x 1 1/4", G5, Full Thd, hex, 3/8 NC x 1-1/4 in.
37	413-824	2	BOLT, Hex, 1/2"-13 x 1 1/2", G5, Full Thd, hex, 1/2 NC x 1-1/2 in.
38	231-5148	2	NUT, Flg, USR, 1/2"-13,
39	496-21094	2	WASHER, 15/16" x 1 3/4" x .179", HDN,
40	231-46114	1	NUT, LOCK, 7/8"-14, GB, hex, self locking, 7/8 in. NF
41	413-512	7	BOLT, Hex, 5/16"-18 x 3/4", G5, Full Thd, hex, 3/8 NC x 3/4 in.

1666 CASE IH AXIAL-FLOW COMBINE (1/93-12/94)

9A-18 FEEDER, FEEDER DRIVE AND FAN GEAR HOUSING

сылка	Номер детали	Кол-во	Описание
42	496-21094	1	WASHER, 15/16" x 1 3/4" x .179", HDN,

9A-20 FEEDER DRIVE



B9307235A

## 1666 CASE IH AXIAL-FLOW COMBINE (1/93-12/94)

## 9A-20 FEEDER DRIVE

сылка	Номер детали	Кол-во	Описание
1	188043C2	1	SUPPORT, belt guard, lower
2	477-73812		UAR SCREW, Slt'd Serr Truss Hd, 3/8" x 3/4", slotted truss head, special, 3/8 NC x 3/4 in.
3	231-5146		UAR NUT, Flg, USR, 3/8"-16,
4	194380C2	1	GUIDE, belt
5	179464C1	1	SCREW, Slt'd Serr Truss Hd, 3/8"-16 x 1 1/4", slotted truss head, special, 3/8 NC x 1-1/4 in.
6	188045C2	1	SUPPORT ASSY., belt guard, rear
8	194357C2	1	CHANNEL, CLIP tightener, special
9	PO23	1	SPRING, tightener rod
10	194356C1	1	TUBE, SPACER spring rod
11	186890C4	1	PIVOT, spring rod, replaces 186890C3
12	495-81225	1	WASHER, 1 17/32" x 2 1/2" x .060", flat, 1-17/32 x 2-1/2 x 3/64 in.
14	194216C2	1	ROD, tightener, feeder drive
15	425-108	3	NUT, 1/2"-13, G5,
16	495-81163	1	WASHER, 17/32" x 1 1/2" x .120", flat, 17/32 x 1-1/2 x 7/64 in.
17	23304R1	1	PIN, CLEVIS, 3/8" x 1 9/16",
18	432-612	1	PIN, SPLIT (COTTER), 3/32" x 3/4",
20	432-1240	1	PIN, SPLIT (COTTER), 3/16" x 2 1/2",
22	194369C2	1	SUPPORT, cylinder
23	413-816	2	BOLT, Hex, 1/2"-13 x 1", G5, Full Thd,
24	231-5148	2	NUT, Flg, USR, 1/2"-13,
25	439-1652	1	PIN, HEADED, 3/8" x 3 1/4", 3/8 x 3-1/4 in., grade 2
26	432-812	1	PIN, SPLIT (COTTER), 1/8" x 3/4",
28	194383C3	1	BRACKET, support, upper
29	161945C1	2	SCREW, Slt'd Serr Truss Hd, 5/16"-18 x 1", slotted truss head, 5/16 NC x 1 in.
30	231-5145	2	NUT, Flg, USR, 5/16"-18,
33	195109C1	1	ROD ASSY., BRACKET belt trap rod
34	477-73816	2	SCREW, Slt'd Serr Truss Hd, 3/8" x 1", Special
	192105C93	1	LEVER, ASSY. idler, Includes: Ref. 35 thru 38
35	NSS	1	NOT SERVICED SEPARATELY, LEVER idler, order 192105C93
36	174757C1	1	PULLEY, idler, 8 in. O.D.
37	559205R91	1	BEARING, PULLEY
38	1302308C1	2	BUSHING, LEVER, 1 ID x 1-1/4 O.D. x 1-1/8 in. wide
39	219-36	1	NIPPLE, LUBE, 45c, 1/8" NPT x 7/8" lg,
40	432-1624	1	PIN, SPLIT (COTTER), 1/4" x 1 1/2",
41	495-81069	6	WASHER, 1 1/32" x 1 1/2" x .060", flat, 1-1/32 x 1-1/2 x 1/16 in.
42	1321886C1	1	COVER, belt, upper
43	495-11041	1	WASHER, 3/8", SAE, Flat, (13/32 x 13/16 x 1/16")
45	185414C2	1	SUPPORT, pivot
46	477-73816	4	SCREW, Slt'd Serr Truss Hd, 3/8" x 1", Special
47	192111C1	1	ROD, retainer
48	432-1216	3	PIN, SPLIT (COTTER), 3/16" x 1", 3/16" x 1"
50	194358C1	1	GUIDE, belt retainer, without rock trap
50	1989323C2	1	SUPPORT, GUIDE belt retainer, with rock trap
51	432-1216	1	PIN, SPLIT (COTTER), 3/16" x 1", 3/16" x 1"
52	192131C3	1	SUPPORT, belt guard

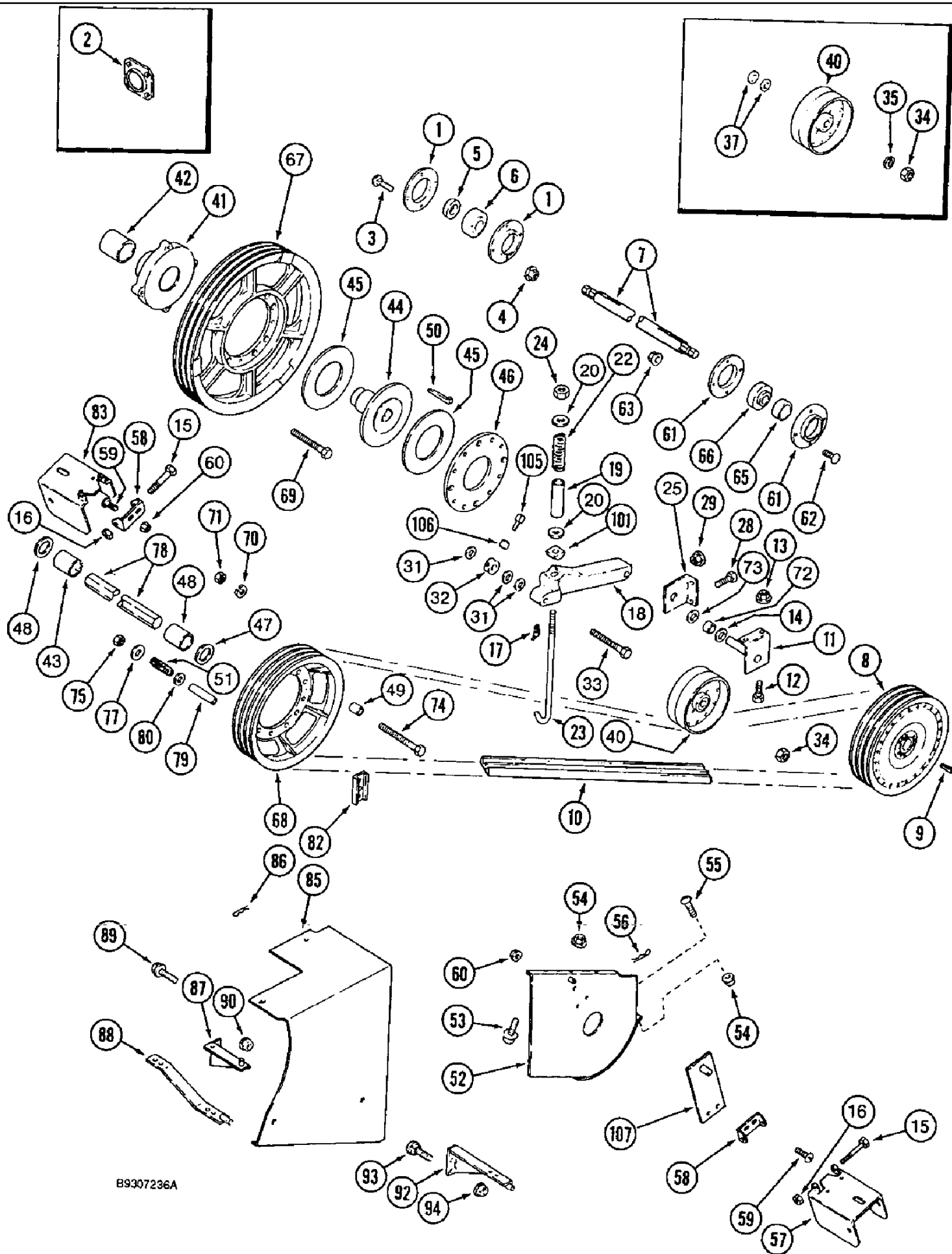
## 1666 CASE IH AXIAL-FLOW COMBINE (1/93-12/94)

## 9A-20 FEEDER DRIVE

сылка	Номер детали	Кол-во	Описание
53	194364C2	1	HINGE, pivot
54	409-7620	1	BOLT, Hex Flg, 3/8"-16 x 1 1/4", Serr,
58	192738C1	1	V-BELT, drive, feeder, 150-1/4 in., without rock trap
58	1315168C1	1	V-BELT, drive feeder, 166-1/2 in., with rock trap
59	1305297C1	1	PULLEY, driven, feeder, 22-9/16 in. O.D.
60	188315C1	1	DOOR, access, belt drive cover
61	937059R1	1	SCREW, Slt'd Serr Truss Hd, 1/4"-20 x 1/2", slotted truss head, 1/4 NC x 1/2 in.
62	413-48	1	BOLT, Hex, 1/4"-20 x 1/2", G5, Full Thd, hex, 1/4 NC x 1/2 in.
63	231-1444	1	NUT, LOCK, 1/4"-20, GB,
65	126177	1	DISC, wing, door, 1/4 in. NC
66	186189C93	1	GUARD, SHIELD belt, includes decal, Includes: Decal
	188199C1	1	PRODUCT GRAPHIC, DECAL caution, disengage separator clutch and shut off engine before removing shield
68	REF	1	INSTRUCTION, CYLINDER ASSY. feeder, see Fig. 8-64
69	100-11150	1	RING, SNAP, #150, Ext, Spring rod
70	194521C1	1	SUPPORT, gear case
71	477-73812	4	SCREW, Slt'd Serr Truss Hd, 3/8" x 3/4", slotted truss head, special, 3/8 NC x 3/4 in.
72	477-73816	2	SCREW, Slt'd Serr Truss Hd, 3/8" x 1", Special
73	231-5146	6	NUT, Flg, USR, 3/8"-16,
74	495-51053	4	WASHER, 1/2", flat, 17/32 x 1 x 1/16 in.
75	191497C1	1	STRIP, SEAL support, 10-5/8 in., 270 mm, long
76	1319406C1	2	SCREW, CrossSerr Truss Hd, 3/8"-16 x 1", trus head Phillips, self locking, special, 3/8 NC x 1 in..
77	191399C1	1	SUPPORT, gear housing, rear
78	477-73812	5	SCREW, Slt'd Serr Truss Hd, 3/8" x 3/4", slotted trus head, special, 3/8 NC x 3/4 in.
79	231-5146	7	NUT, Flg, USR, 3/8"-16,
80	191496C1	1	STRIP, SEAL, 11-7/8 in., 300 mm, long
82	REF	1	INSTRUCTION, JOINT ASSY., drive, see Fig. 9A-8
83	186081C1	1	ANGLE, shield, upper
84	477-73108	2	SCREW, Slt'd Serr Truss Hd, 5/16"-18 x 1/2", slotted truss head, 5/16 NC x 1/2 in.
85	231-5145	2	NUT, Flg, USR, 5/16"-18,
87	186080C2	1	SUPPORT, shield, upper
88	191603C2	1	PULLEY, drive, 12 in. O.D.
90	1315085C1	1	GUARD, SHIELD belt, extension, with rock trap
91	477-73812	UAR	SCREW, Slt'd Serr Truss Hd, 3/8" x 3/4", slotted truss head, special, 3/8 NC x 3/4 in.
92	231-5146	UAR	NUT, Flg, USR, 3/8"-16,
94	179464C1	UAR	SCREW, Slt'd Serr Truss Hd, 3/8"-16 x 1 1/4", slotted truss head, special, 3/8 NC x 1-1/4 in.
95	1315075C1	1	ANGLE, SUPPORT shield, rear extension
96	1315083C1	1	SUPPORT, shield, lower extension, with rock trap
97	1989332C3	1	SUPPORT, belt guide, upper, with rock trap, replaced by 1989332C4 and 198332C5
97A	1989332C5	1	SUPPORT, belt guide, upper, with rock trap, replaces 1989332C3 and 1989332C4
98	413-628	1	BOLT, Hex, 3/8"-16 x 1 3/4", G5,
100	477-73816	2	SCREW, Slt'd Serr Truss Hd, 3/8" x 1", Special
101	49139D	1	WASHER, flat, 13/32 x 1-1/4 x 31/64 in.
102	1989328C1	1	COVER, drive belt, upper



9A-24 FEEDER, JACKSHAFT DRIVE



B9307236A

## 1666 CASE IH AXIAL-FLOW COMBINE (1/93-12/94)

## 9A-24 FEEDER, JACKSHAFT DRIVE

сылка	Номер детали	Кол-во	Описание
1	663562R1	2	FLANGE, bearing, left hand, round design
2	1307583C1	2	FLANGE, bearing, left hand, square design
3	434-816	4	BOLT, CARRIAGE, Short NK, 1/2"-13 x 1", G5, Full Thd, carriage, 1/2 NC x 1 in.
4	231-5148	4	NUT, Flg, USR, 1/2"-13,
5	455112R11	1	COLLAR, locking, bearing
6	455111R91	1	BEARING, BALL, ball, jackshaft, left hand
7	1319482C2	1	SHAFT, cross, jackshaft
8	1321645C1	1	PULLEY, driven, feeder, 13-1/2 in. O.D.
9	Q1376	1	KEY, square tapered, 3/8 x 2-1/4 in.
10	1313095C2	1	V-BELT, drive, 47 in. feeder
10	1313097C3	1	BELT, drive, 146 in. over center
11	182322C1	1	SUPPORT, pivot, idler
12	434-612	2	BOLT, CARRIAGE, Short NK, 3/8"-16 x 3/4", G5, Full Thd, 3/8 NC x 3/4 in.
13	231-5146	2	NUT, Flg, USR, 3/8"-16,
14	495-81069	UAR	WASHER, 1 1/32" x 1 1/2" x .060", flat, 1-1/32 x 1-1/2 x 1/16 in.
15	413-472	2	BOLT, Hex, 1/4"-20 x 4 1/2", G5, BOLT hex, 1/4 NC x 4-1/2 in.
16	231-4144	2	NUT, LOCK, 1/4"-20, GB,
17	219-90	1	NIPPLE, LUBE, 45с, 1/4" NPT x .80" lg, Drive, grease, 45 deg., 1/4-28 special taper x 13/16 in.
18	1321982C1	1	ARM, tightener
19	176581C1	1	SPACER, spring, adjusting bolt
20	495-71053	2	WASHER, 1/2", flat, 17/32 x 1-3/4 x 3/32 in.
22	PO3A	1	SPRING, tightener bolt
23	197410C1	1	BOLT, idler draw
24	425-108	1	NUT, 1/2"-13, G5,
25	182323C1	1	SUPPORT, idler
28	434-612	2	BOLT, CARRIAGE, Short NK, 3/8"-16 x 3/4", G5, Full Thd, 3/8 NC x 3/4 in.
29	231-5146	2	NUT, Flg, USR, 3/8"-16,
31	169256C2	UAR	WASHER, flat, special, 41/64 x 1-1/4 x 1/8 in.
32	1345410C1	1	BUSHING, pulley, 17 x 35 x 15 mm
33	135260A1	1	SCREW, BOLT hex, special, 5/8 NC x 5 in.
33	413-1096	1	BOLT, Hex, 5/8"-11 x 6", G5, hex, 5/8 NC x 6 in., if used
34	425-1010	1	NUT, 5/8"-11, G5, If used
34	232-41110	1	NUT, LOCK, 5/8"-11, GC,
35	492-11062	1	WASHER, LOCK, 5/8",
37	396-21066	UAR	WASHER, 21/32" x 1 5/16" x .150", HDN, flat, hardened, 21/32 x 1-5/16 x 5/32 in.
40	176579C1	1	PULLEY, drive tightener, 8 in. O.D.
41	1305220C91	1	HUB ASSY., clutch outer, Includes: Ref. 42
42	610435C1	1	BUSHING, hub
43	1305393C1	1	SPACER, feeder pivot shaft, left hand, 2-35/64 in. long
44	1305154C2	1	HUB, slip clutch
45	181579C1	2	LINING, DISC friction, clutch
46	185955C1	1	PLATE, friction
47	584608R1	1	SPACER, clutch, 3-3/8 in. long
48	495-81093	UAR	WASHER, 1 25/32" x 2 1/2" x .120", flat, 1-25/32 x 2-1/2 x 7/64 in.
49	1305375C1	4	SPACER, drive lug

## 1666 CASE IH AXIAL-FLOW COMBINE (1/93-12/94)

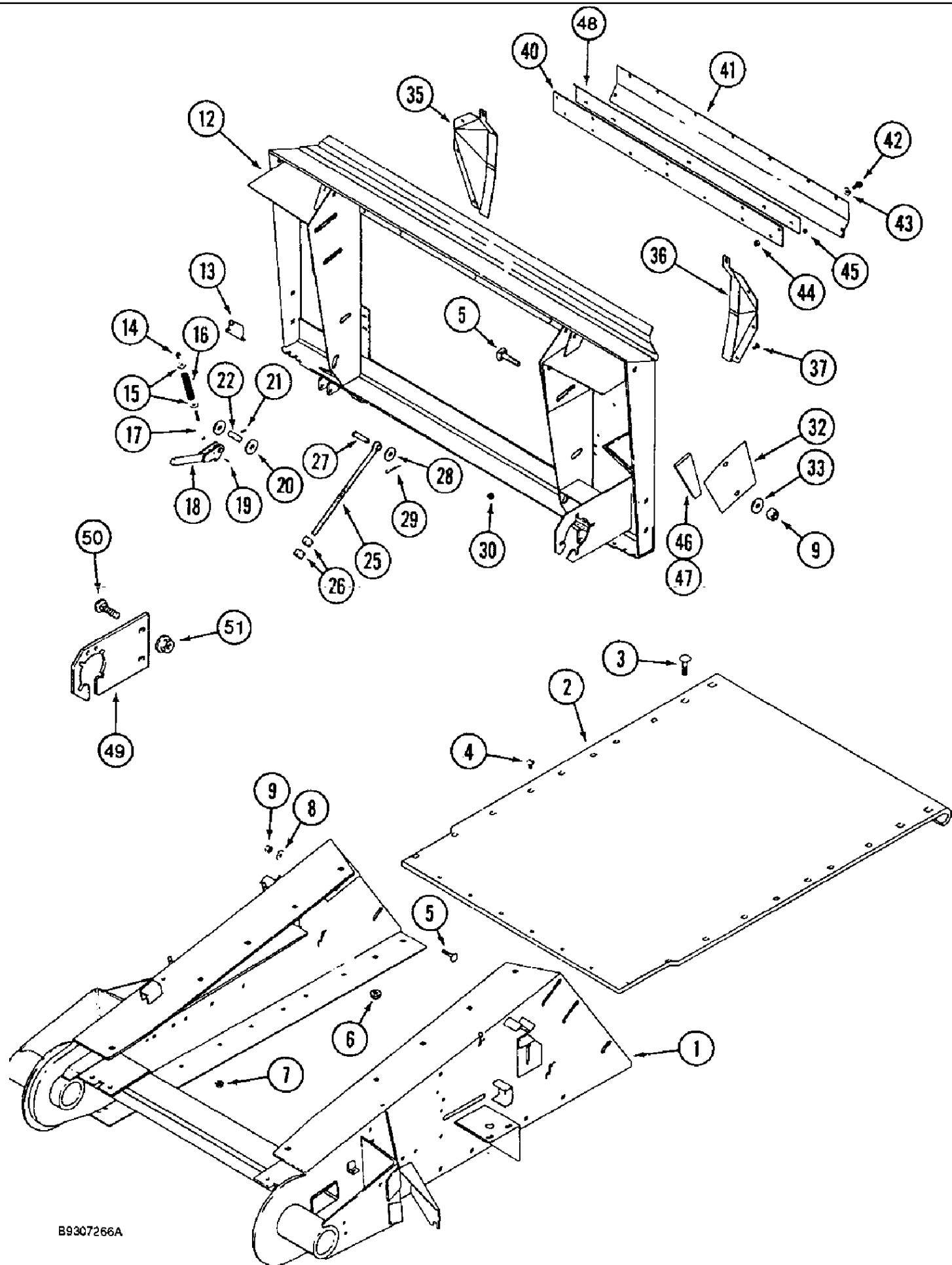
## 9A-24 FEEDER, JACKSHAFT DRIVE

сылка	Номер детали	Кол-во	Описание
50	Q3959	2	KEY, Gib, 3/8" Sq x 4 1/2",
51	1305692C2	8	SPRING, slip clutch, 10 with rock trap
52	1345355C1	1	GUARD ASSY., SHIELD support, front
53	256873	2	BOLT, Hex Flg, 5/16"-18 x 1/2", Serr,
54	231-5145	4	NUT, Flg, USR, 5/16"-18,
55	135270	2	BOLT, Slotted Tr Hd, 5/16"-18 x 3/4", slotted truss head, 5/16 NC x 3/4 in.
56	480523R1	1	SPLIT PIN/SAFETY PIN, hair
57	1345358C1	1	GUARD, SHIELD, jackshaft, end
58	1345199C1	2	SUPPORT, HINGE shield, feeder jackshaft
59	477-73812	4	SCREW, Slt'd Serr Truss Hd, 3/8" x 3/4", slotted truss head, special, 3/8 NC x 3/4 in.
60	231-5146	4	NUT, Flg, USR, 3/8"-16,
61	619333R1	2	FLANGE, bearing, right hand
62	434-816	4	BOLT, CARRIAGE, Short NK, 1/2"-13 x 1", G5, Full Thd, carriage, 1/2 NC x 1 in.
63	231-5148	4	NUT, Flg, USR, 1/2"-13,
65	664598R11	1	COLLAR, lock, bearing
66	664597R91	1	BEARING, ball jackshaft, right hand
67	1305297C1	1	PULLEY, driven, 22-9/16 in. O.D.
68	1305288C1	1	PULLEY, drive, feeder, 16-11/16 in. O.D.
69	326-656	4	BOLT, Hex, 3/8"-16 x 3 1/2", G8,
70	492-11038	4	WASHER, LOCK, 3/8",
71	329-106	4	NUT, 3/8"-16, G8,
72	M74461	1	SPACER, 1" Pipe x 3/4", Support pin
73	495-81069	UAR	WASHER, 1 1/32" x 1 1/2" x .060", flat, 1-1/32 x 1-1/2 x 1/16 in., used as a shim
74	1315319C1	8	BOLT, hex, special, 3/8 x 6 in., grade 8
75	231-4116	8	NUT, LOCK, 3/8"-16, GB, hex, self locking, 3/8 in. NC
77	495-81143	16	WASHER, 13/32" x 1 1/2" x .120", flat, 13/32 x 1-1/2 x 7/64 in.
78	1320160C3	1	SHAFT, conveyor, feeder, see Fig. 9A-34 for cotter pins
79	1305370C3	8	SPACER, spring clutch
80	495-81129	8	WASHER, 13/32" x 3/4" x .120", flat, 13/32 x 3/4 x 7/64 in.
81	495-81093	5	WASHER, 1 25/32" x 2 1/2" x .120", flat, 1-25/32 x 2-1/2 x 7/64 in., not shown
82	1315316C1	2	SUPPORT, spring, slip clutch, with rock trap
83	1345357C1	1	GUARD, SHIELD jackshaft end, left hand
85	1321841C1	1	GUARD, SHIELD jackshaft drive, 47 in. feeder
85	1321966C1	1	SUPPORT, SHIELD jackshaft drive, 54-1/2 in. feeder
86	480523R1	4	SPLIT PIN/SAFETY PIN, hair
87	1327779C1	1	SUPPORT, shield, upper rear
88	1321851C1	1	SUPPORT, shield, lower rear
89	434-612	3	BOLT, CARRIAGE, Short NK, 3/8"-16 x 3/4", G5, Full Thd, 3/8 NC x 3/4 in.
90	231-5146	3	NUT, Flg, USR, 3/8"-16,
92	1321853C1	1	SUPPORT, SHIELD lower front
93	256873	2	BOLT, Hex Flg, 5/16"-18 x 1/2", Serr,
94	231-5145	2	NUT, Flg, USR, 5/16"-18,
101	194652C1	1	PIVOT, rod
105	485-13116	2	SET SCREW, Sq Hd, 5/16"-18 x 1", set, square head, cup point, 5/16 NC x 1 in.
106	425-105	2	NUT, 5/16"-18, G5,

1666 CASE IH AXIAL-FLOW COMBINE (1/93-12/94)

9A-24 FEEDER, JACKSHAFT DRIVE

сылка	Номер детали	Кол-во	Описание
107	1957636C1	1	HOLDER, BRACKET shield, retainer



## 1666 CASE IH AXIAL-FLOW COMBINE (1/93-12/94)

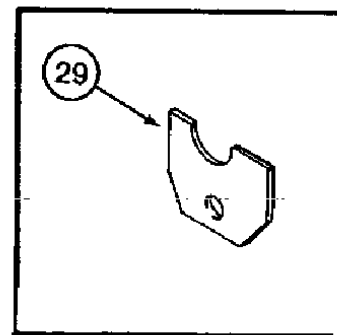
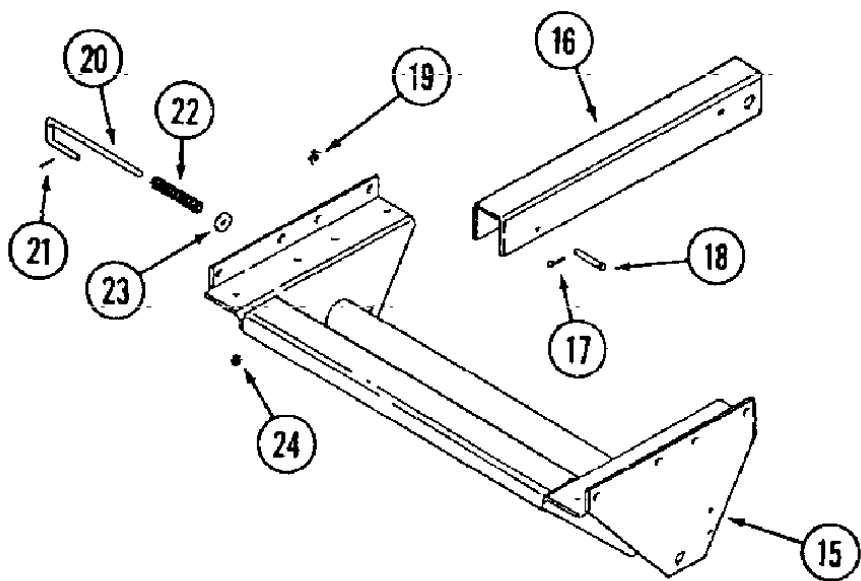
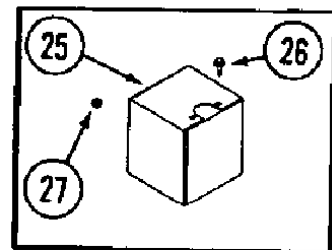
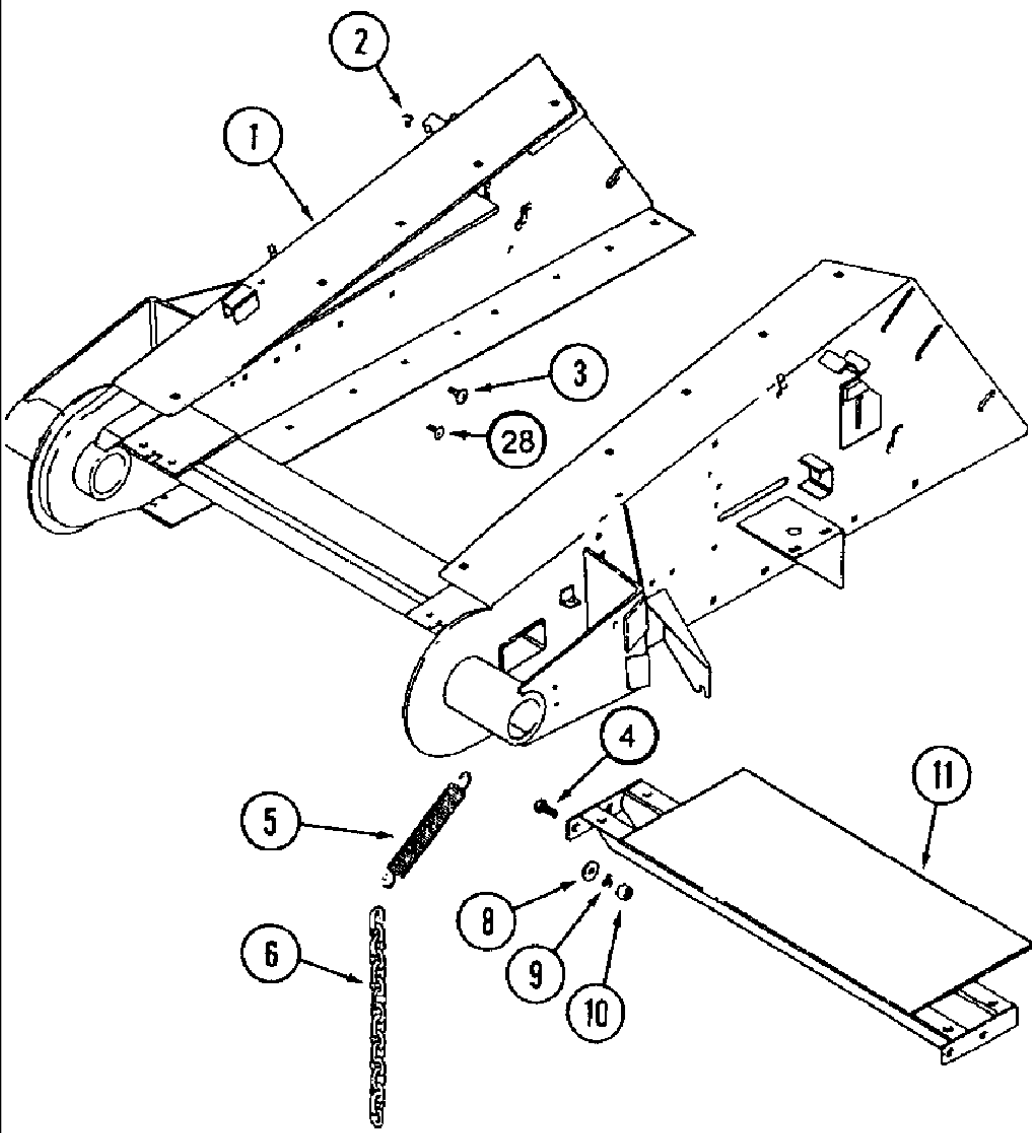
## 9A-28 FEEDER, HOUSING AND ADAPTER

сылка	Номер детали	Кол-во	Описание
1	120871A2	1	HOUSING, feeder, includes decal, 47 in. feeder, replaces 120871A1
1	120873A2	1	HOUSING, feeder, includes decal, 54-1/2 in. feeder, replaces 120873A1, Includes: Ref. 1A
1A	D80270	1	STRIP, PAD anti skid, not shown
2	1324576C1	1	PLATE, lower support, 47 in. feeder
2	185820C1	1	SHEET, PLATE lower support, perforated, 47 in. feeder
2	1324578C1	1	PLATE, lower support, 54-1/2 in. feeder
2	1313970C1	1	PANEL, PLATE lower support, perforated, 54-1/2 in. feeder
3	415-820	4	BOLT, CARRIAGE, Short NK, 1/2"-13 x 1 1/4", G8, Full Thd, BOLT carriage, 1/2 NC x 1-1/4 in., grade 8
4	477-73816	6-8	SCREW, Sltd Serr Truss Hd, 3/8" x 1", Special
5	433-1028	6	BOLT, CARRIAGE, Short NK, 5/8"-11 x 1 3/4", G5, 5/8 NC x 1-3/4 in.
6	186852C1	8	NUT, hex, self locking, special, 1/2 in. NC, grade 8
7	1319840C1	4-6	NUT, Flg, 3/8"-16, G8, hex flange, special, 3/8 in. NC
8	496-81008	6	WASHER, 1 1/16" x 1 7/8" x .134", HDN, sqare hole, 21/32 x 1-1/4 x 1/16 in.
9	231-14110	6	NUT, LOCK, 5/8"-11, GB, hex, self locking, 5/8 in. NC
12	1989330C2	1	SHIELD, ADAPTER feeder
13	1338021C1	2	PIN, retaining
14	231-1435	2	NUT, LOCK, 5/16"-18, GB, Hex, self locking
15	495-11034	4	WASHER, 5/16", SAE, flat, 11/32 x 11/16 x 1/16 in.
16	367833R1	2	SPRING, rod, latch
17	177138C1	2	ROD, latch
18	179024C1	2	HINGE, HANDLE lock, latch
19	18518R1	2	PIN, LOCK, 1/8" x 1", Slotted,
20	495-81175	4	WASHER, 21/32" x 1" x .120", flat, 21/32 x 1 x 7/64 in.
21	138-2005	2	PIN, 1/4" x 1", Coiled,
22	177141C1	2	PIN, pivot, handle
25	1321735C2	2	BOLT, EYE adjusting
26	329-108	4	NUT, 1/2"-13, G8,
27	439-5836	2	PIN, HEADED, 1/2" x 2 1/4", headed, 1/2 x 2-1/4 in.
28	495-11053	2	WASHER, 1/2", SAE, (17/32" x 1-1/16" x 3/32")
29	432-1216	2	PIN, SPLIT (COTTER), 3/16" x 1", 3/16" x 1"
30	231-5145	10	NUT, Flg, USR, 5/16"-18,
32	1327737C2	2	PLATE, COVER feeder, side
33	95-81018	2	WASHER, 21/32" x 2 1/2" x .120", flat, 21/32 x 2-1/2 x 7/64 in.
35	184853C1	1	DEFLECTOR, front, left hand
36	184854C1	1	DEFLECTOR, front, right hand
37	135270	10	BOLT, Slotted Tr Hd, 5/16"-18 x 3/4", slotted truss head, 5/16 NC x 3/4 in.
40	1319474C1	1	BAND, COVER feeder, top
41	1319479C1	1	COVER, feeder, adapter
42	409-7516	12	BOLT, Hex Flg, 5/16"-18 x 1", Serr,
43	495-21038	5	WASHER, 5/16", flat, 3/8 x 7/8 x 3/32 in.
43	495-81001	7	WASHER, 5/16", flat, 3/8 x 1-1/8 x 1/16 in.
44	232-4115	5	NUT, LOCK, 5/16"-18, GC,
44	231-5345	7	NUT, LOCK, Flg, 5/16"-18, hex flange, self locking, 5/16 in. NC
45	1321640C1	2	GROMMET, cover, adapter
46	1327752C1	1	SEAL, side, left hand

1666 CASE IH AXIAL-FLOW COMBINE (1/93-12/94)

9A-28 FEEDER, HOUSING AND ADAPTER

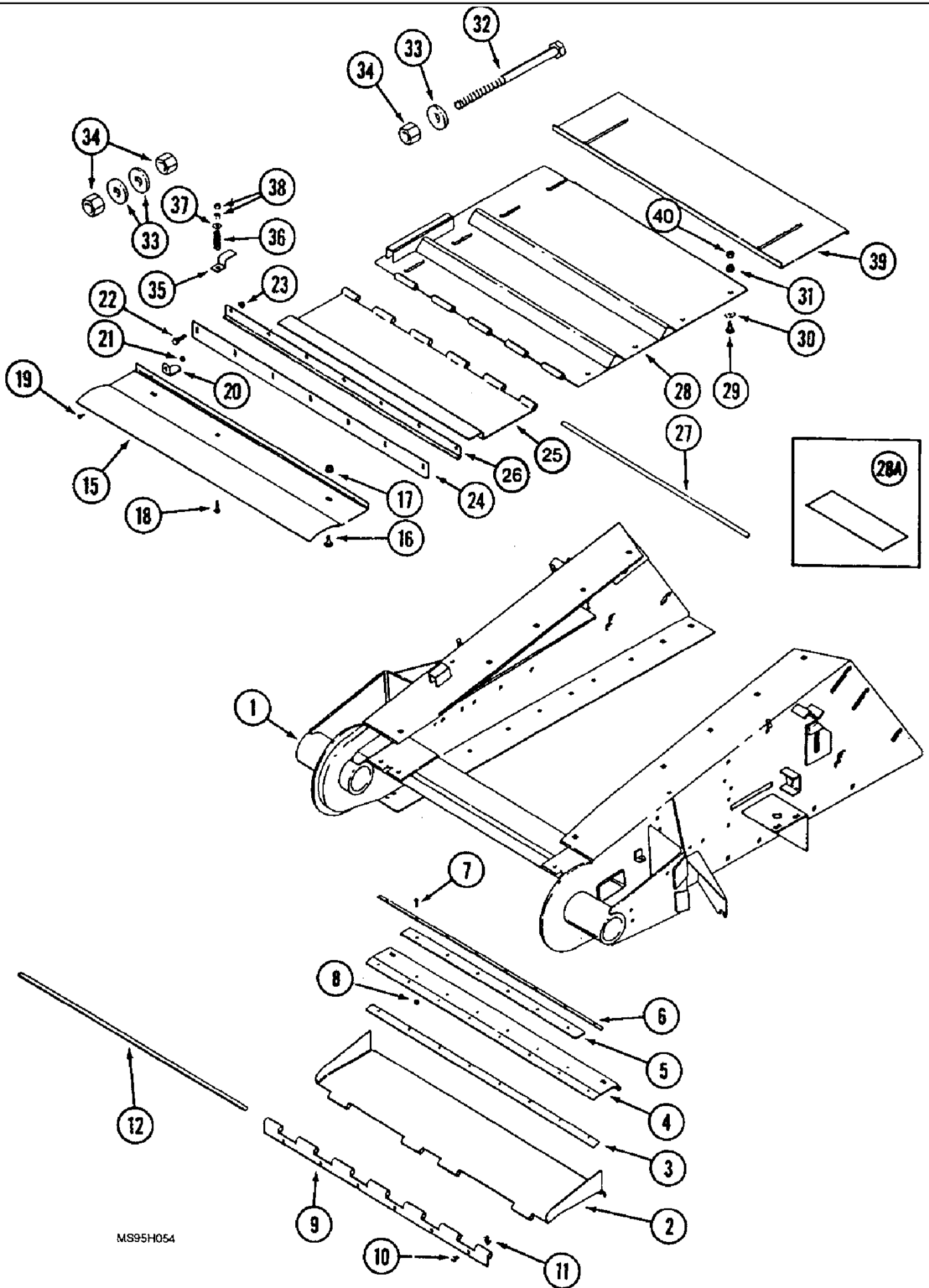
сылка	Номер детали	Кол-во	Описание
47	1327753C1	1	SEAL, side, right hand
48	109253A1	1	PLATE, LARGE, STRIP feeder cover
49	1957434C1	1	SUPPORT, jackshaft bearing, left hand
50	434-816	2	BOLT, CARRIAGE, Short NK, 1/2"-13 x 1", G5, Full Thd, carriage, 1/2 NC x 1 in.
51	231-5148	2	NUT, Flg, USR, 1/2"-13,





## 9A-30 FEEDER, LIFT BRACKET AND SUPPORTS

сылка	Номер детали	Кол-во	Описание
1	REF	1	INSTRUCTION, HOUSING feeder, see Fig. 9A-28 for correct assembly
2	477-73816	16	SCREW, Sltd Serr Truss Hd, 3/8" x 1", Special
3	434-824	1	UAR BOLT, CARRIAGE, Short NK, 1/2"-13 x 1 1/2", G5, Full Thd, 1/2 NC x 1-1/2 in.
4	434-820	4	BOLT, CARRIAGE, Short NK, 1/2"-13 x 1 1/4", G5, Full Thd, BOLT carriage, 1/2 NC x 1-1/4 in.
5	635503R1	2	SPRING, latch, lower door
6	167570C1	2	CHAIN, latch, lower door
8	495-11053	2	WASHER, 1/2", SAE, (17/32" x 1-1/16" x 3/32")
9	80679	4	WASHER, LOCK, 1/2",
10	425-108	4	NUT, 1/2"-13, G5,
11	1345329C1	1	SUPPORT, feeder housing, reinforcement
15	1541620C1	1	SUPPORT ASSY., BRACKET lift support, includes decal, 47 in. feeder
15	1541619C1	1	SUPPORT ASSY., BRACKET lift support, includes decal, 54-1/2 feeder
16	197554C3	1	CHANNEL, lift cylinder, lock
17	586591R1	1	PIN, SPLIT (COTTER), hair, 1/8 in.
18	439-1652	1	PIN, HEADED, 3/8" x 3 1/4", 3/8 x 3-1/4 in., grade 2
19	186852C1	16	NUT, hex, self locking, special, 1/2 in. NC, grade 8
20	197849C1	1	ROD, cylinder lift, lock
21	432-812	2	PIN, SPLIT (COTTER), 1/8" x 3/4",
22	M296	1	SPRING, compression
23	495-11034	1	WASHER, 5/16", SAE, flat, 11/32 x 11/16 x 1/16 in.
24	231-5146	16	NUT, Flg, USR, 3/8"-16,
25	1327992C2	1	GUARD, SHIELD sensor, feeder
26	256873	2	BOLT, Hex Flg, 5/16"-18 x 1/2", Serr,
27	488837C1	2	NUT, speed, 5/16 in. NC
28	415-820	16	BOLT, CARRIAGE, Short NK, 1/2"-13 x 1 1/4", G8, Full Thd, BOLT carriage, 1/2 NC x 1-1/4 in., grade 8
29	187101C2	1	SUPPORT, BRACKET auxiliary lift cylinder, welded to assembly

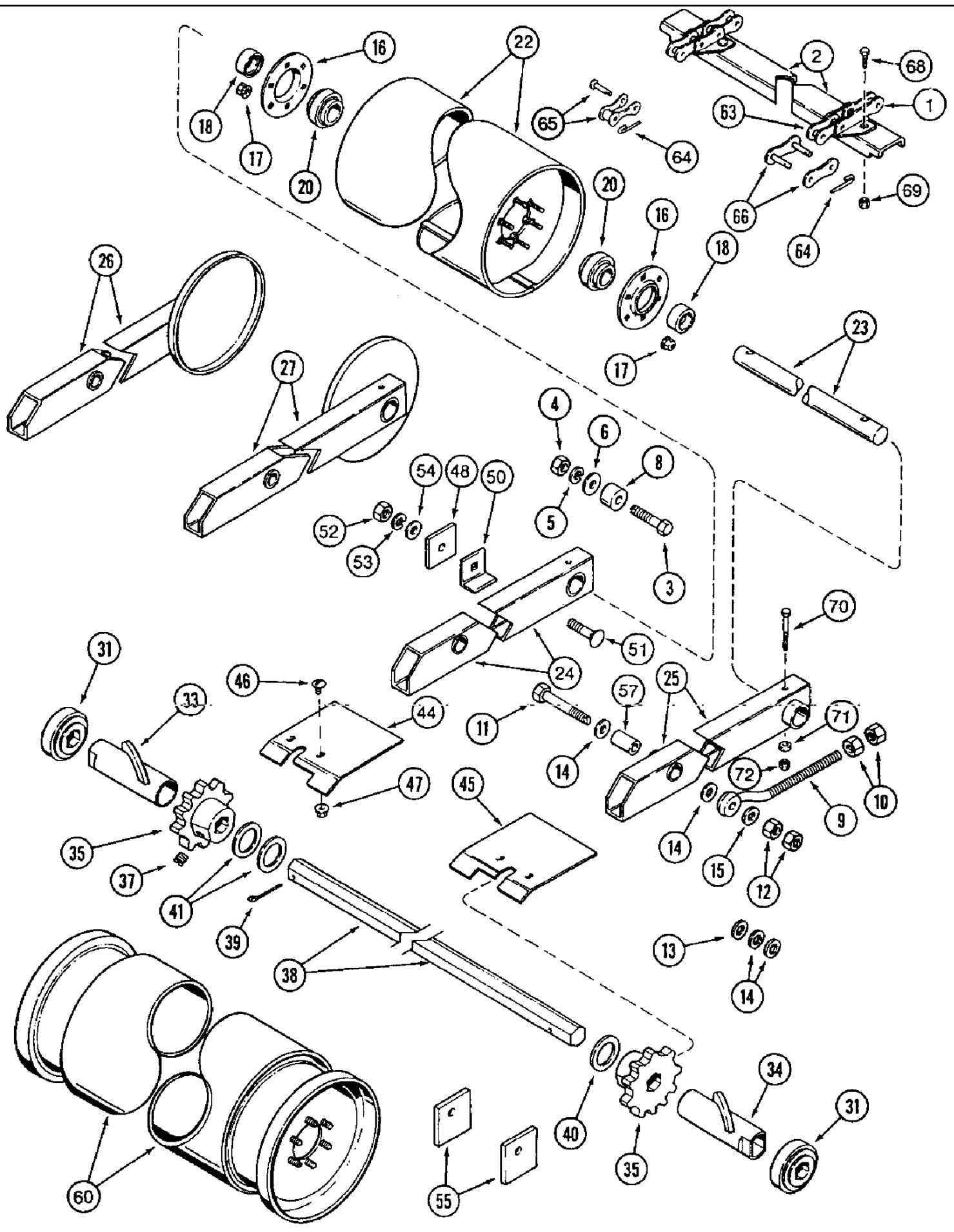


MS95H054

## 1666 CASE IH AXIAL-FLOW COMBINE (1/93-12/94)

## 9A-32 FEEDER, COVERS

сылка	Номер детали	Кол-во	Описание
1	REF	1	INSTRUCTION, HOUSING feeder, see Fig. 9A-28 for correct assembly
2	193362C2	1	DOOR, lower, bottom feeder
3	1319963C1	1	STRIP, SEAL, feeder bottom support, rear
4	1319961C1	1	SUPPORT, feeder, bottom, rear
5	1319965C1	1	BAR, spacer, support
6	197429C1	1	STRIP, SEAL door, strip
7	443-11012	6	SCREW, Cross Flat Hd, #10-24 x 3/4", machine, flat Phillips, No. 10 NC x 3/4 in.
8	196922C1	6	NUT, hex, self locking, No. 10
9	193364C2	1	HINGE, door, feed plate
10	477-73812	6	SCREW, Slt'd Serr Truss Hd, 3/8" x 3/4", slotted truss head, special, 3/8 NC x 3/4 in.
11	231-5146	6	NUT, Flg, USR, 3/8"-16,
12	159012C1	1	ROD, hinge, door
15	197426C4	1	COVER, feeder, upper
16	434-816	2	BOLT, CARRIAGE, Short NK, 1/2"-13 x 1", G5, Full Thd, 1/2 NC x 1 in.
17	186852C1	2	NUT, hex, self locking, special, 1/2 in. NC, grade 8
18	411-636	1	BOLT, CARRIAGE, Short NK, 3/8"-16 x 2 1/4", G2, BOLT carriage, 3/8 NC x 2-1/4 in., grade 2
19	413-48	52	BOLT, Hex, 1/4"-20 x 1/2", G5, Full Thd, hex, 1/4 NC x 1/2 in.
20	1322144C1	2	ANGLE, door stop
21	231-5144	2	NUT, Flg, USR, 1/4"-20,
22	154273C1	4	BOLT, Hex Flg, 3/8"-16 x 1", Serr, BOLT hex, self locking, special, 3/8 NC x 1 in.
23	231-5146	4	NUT, Flg, USR, 3/8"-16,
24	634204R1	1	SEAL, feeder, top
25	180555C91	1	DOOR ASSY., feeder, upper, top
26	197418C1	1	SUPPORT, ANGLE seal support
27	175906C1	1	ROD, hinge, door
28	1321431C1	1	PROTECTION PLATE, PANEL hinged, feeder top, 47 in. feeder
28A	186354A1	1	SHEET, PANEL hinged, upper, 54-1/2 in. feeder, replaces 1321432C2
29	415-824	8	BOLT, CARRIAGE, Short NK, 1/2"-13 x 1 1/2", G8, BOLT carriage, 1/2 NC x 1-1/2 in., grade 8
30	195-81030	8	WASHER, flat, 17/32 x 1-1/2 x 3/16 in.
31	186852C1	8	NUT, hex, self locking, special, 1/2 in. NC, grade 8
32	1321395C1	1	BOLT, adjusting, level
33	396-31081	4	WASHER, 13/16" x 1 1/2" x .219", HDN,
34	425-1012	3	NUT, 3/4"-10, G5,
35	184645C1	1	CLIP, latch, door
36	7422T	1	SPRING, latch, door
37	495-11041	1	WASHER, 3/8", SAE, Flat, (13/32 x 13/16 x 1/16")
38	425-106	2	NUT, 3/8"-16, G5,
39	1321638C1	1	COVER, upper, front
40	425-148	8	NUT, Jam, 1/2"-13, G5,



## 1666 CASE IH AXIAL-FLOW COMBINE (1/93-12/94)

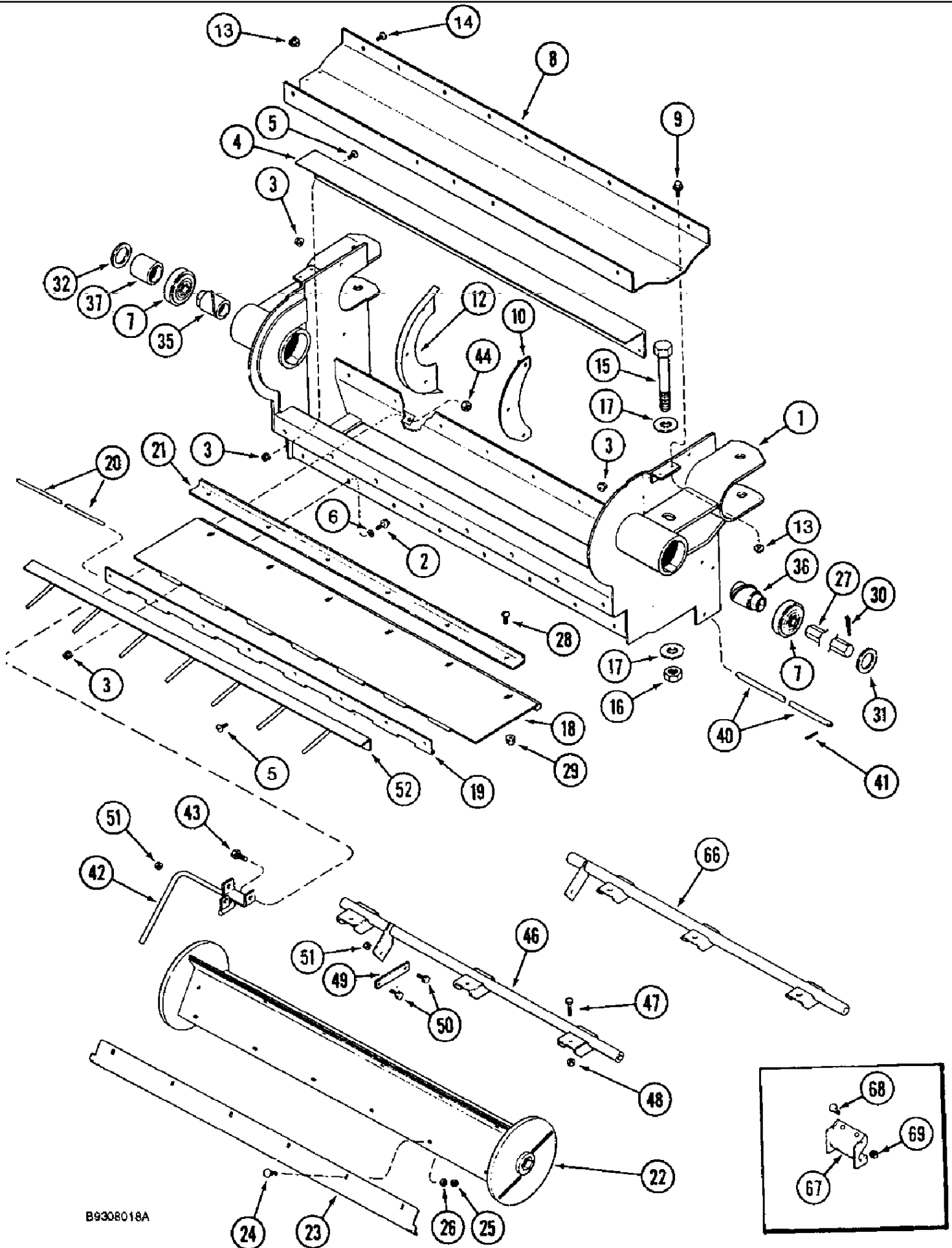
## 9A-34 FEEDER, CONVEYOR

сылка	Номер детали	Кол-во	Описание
1	117865A1	1	CHAIN (AGRICULTURE), ASSY., conveyor, with 9 serrated slats, 54-1/2 in. feeder, rice, A557
1	117869A1	1	CHAIN (AGRICULTURE), ASSY., conveyor, with 10 smooth slats, 47 in. feeder, corn and grain, A557
1	117864A1	1	CHAIN (AGRICULTURE), ASSY., conveyor, with 10 serrated slats, 47 in. feeder, corn and grain, A557
1	117871A1	1	CHAIN (AGRICULTURE), ASSY., conveyor, with 12 smooth slats, 54-1/2 in. feeder
2	118268A1		UAR SLAT, ASSY., smooth, includes channel and hardware, 47 or 54-1/2 in. feeder, corn and grain
2	118270A1		UAR SLAT, ASSY., serrated, includes channel with angle and hardware, 54-1/2 or 60 in. feeder, rice
3	189709C1	2	BOLT, hex, special
4	425-108	2	NUT, 1/2"-13, G5,
5	80679	2	WASHER, LOCK, 1/2",
6	495-81162	2	WASHER, 17/32" x 1 1/2" x .179", flat, 17/32 x 1-1/2 x 11/64 in.
8	197211C1	2	SPACER, stop, drum
9	176508C1	2	BOLT, tightening, special
10	425-1010	4	NUT, 5/8"-11, G5,
11	187218C1	2	BOLT, hex, special, 5/8 NC x 4-1/2 in.
12	425-1010	4	NUT, 5/8"-11, G5,
13	495-81026		UAR WASHER, 21/32" x 1 1/2" x .060", flat, 21/32 x 1-1/2 x 3/64 in.
14	396-21066		UAR WASHER, 21/32" x 1 5/16" x .150", HDN, flat, hardened, 21/32 x 1-5/16 x 5/32 in.
15	396-21066	2	WASHER, 21/32" x 1 5/16" x .150", HDN, flat, hardened, 21/32 x 1-5/16 x 5/32 in.
16	1330461C1	4	FLANGE, bearing, drum
17	1306680C1	12	NUT, LOCK, hex flange, self locking, special, 3/8 in. NC
18	557995R11	2	COLLAR, bearing, locking, with set screw
20	619738R91	2	BEARING, ball, drum, conveyor
22	1957437C1	1	DRUM, conveyor, without stone retarder
23	187207C2	1	ROD, SHAFT drum, feeder
24	1338287C3	2	ARM, drum, left hand, replaces 1338291C2
25	1338288C3	2	ARM, drum, right hand, replaces 1338292C2
26	1319875C5	1	ARM, drum, left hand, replaced 1319875C5
26	1319875C5	1	ARM, drum, left hand, replaces 1319875C4
27	1319876C4	1	ARM, drum, right hand, replaced by 1319876C5
27	1319876C5	1	ARM, drum, right hand, replaces 1319876C4
31	179665C91	2	BEARING, BALL, ball, shaft
33	178780C2	1	SPACER, sprocket, left hand
34	178781C2	1	SPACER, sprocket, right hand
35	1970248C1	2	SPROCKET ASSY., chain, conveyor
37	197643C1	4	SCREW, set, sprocket
38	1320160C3	1	SHAFT, conveyor
39	432-2040	2	PIN, SPLIT (COTTER), 5/16" x 2 1/2", 5/16" x 2 1/2"
40	495-81083		UAR WASHER, 1 3/32" x 1 3/4" x .060", flat, 1-25/32 x 2-1/2 x 7/64 in.
41	495-81092		UAR WASHER, 1 25/32" x 2 1/2" x .060", flat, 1-25/32 x 2-1/2 x 7/64 in.
	1300464C91	1	PACKAGE, KIT stripper, feeder pivot, Includes: Ref. 44 thru 47, Stripper plates in Kit have a welded wear bar
44	185818C1	1	STRIPPER ASSY., pivot, left hand
45	185819C1	1	STRIPPER ASSY., pivot, right hand
46	477-73812	4	SCREW, Slt'd Serr Truss Hd, 3/8" x 3/4", slotted truss head, special, 3/8 NC x 3/4 in.
47	231-5146	4	NUT, Flg, USR, 3/8"-16,

## 9A-34 FEEDER, CONVEYOR

сылка	Номер детали	Кол-во	Описание
48	187347C1	2	PLATE, BAR adjusting, upper stop
50	1345418C1	2	ANGLE, stop bar, upper
51	433-1036	2	BOLT, CARRIAGE, Short NK, 5/8"-11 x 2 1/4", G5, 5/8 NC x 2-1/4 in.
52	425-1010	2	NUT, 5/8"-11, G5,
53	492-11062	2	WASHER, LOCK, 5/8",
54	498-81008	2	WASHER, 41/64" x 1 1/4" x .060", Sq Hole, square hole, 21/32 x 1-1/4 x 1/16 in.
55	187225C1	2	BAR, adjusting, upper stop, with stone retarder
57	187217C1	2	SPACER, 7/8" Tube x 1 13/16",
60	1957439C3	1	DRUM, conveyor, with stone retarder
63	1989692C1		UAR LINK, attaching, 3 link section, includes brackets, does not include chain mounting hardware
64	1329837C2		UAR PIN, roller, S type, A557 chain
65	1324835C1		UAR LINK, OFFSET, offset, includes pin, conveyor, A557 chain
66	1324294C1		UAR LINK, CONNECTING, connecting, includes pin, conveyor, A557 chain
68	426-616		UAR BOLT, Hex, 3/8"-16 x 1", G8, Full Thd, A557 chain
69	1306680C1		UAR NUT, LOCK, hex flange, self locking, special, 3/8 in. NC, A557 chain
70	326-656	2	BOLT, Hex, 3/8"-16 x 3 1/2", G8,
71	314148R1	2	SPACER, 3/8" X-Strng Pipe x .469", Pivot arm
72	231-1446	2	NUT, LOCK, 3/8"-16, GB,
	112047A2	1	PACKAGE, KIT filler strip, consists of 4 strips, use to service 1957439C3 conveyor drum, models with stone retarder, Includes: Ref. 73
73	112046A2	4	STRIP, PROTECTION, filler

9A-38 ROCK TRAP



B9308018A

## 1666 CASE IH AXIAL-FLOW COMBINE (1/93-12/94)

## 9A-38 ROCK TRAP

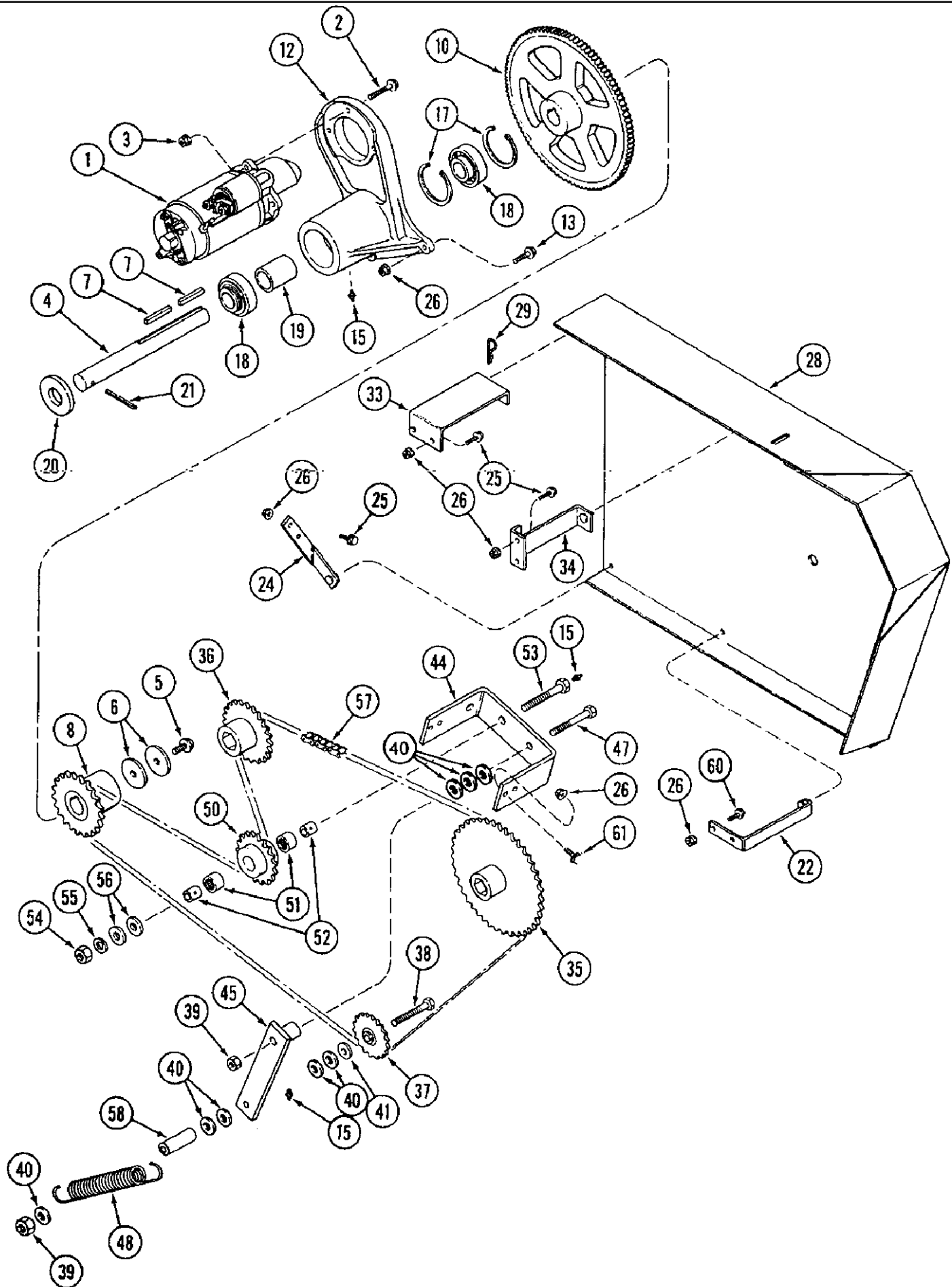
сылка	Номер детали	Кол-во	Описание
1	1327628C3	1	HOUSING, rock trap
2	409-7516	6	BOLT, Hex Flg, 5/16"-18 x 1", Serr,
3	231-5145	27	NUT, Flg, USR, 5/16"-18,
4	1320279C1	1	ANGLE, wear, rock trap
5	135270	12	BOLT, Slotted Tr Hd, 5/16"-18 x 3/4", slotted truss head, 5/16 NC x 3/4 in.
6	495-81135	6	WASHER, 13/32" x 1" x .120", flat, 13/32 x 1 x 7/64 in.
7	179665C91	2	BEARING, BALL, ball, beater
8	1327925C4	1	COVER ASSY, housing, rock trap, beater
9	409-7612	4	BOLT, Hex Flg, 3/8"-16 x 3/4", Serr,
10	1320254C1	2	PLATE, backup seal
12	195202C1	2	SEAL, feeder
13	231-5146	11	NUT, Flg, USR, 3/8"-16,
14	154273C1	7	BOLT, Hex Flg, 3/8"-16 x 1", Serr, BOLT hex, self locking, special, 3/8 NC x 1 in.
15	326-16128	2	BOLT, Hex, 1"-8 x 8", G8, Replaces 326-16104
16	232-41316	2	NUT, LOCK, 1"-8, GC,
17	495-11106	4	WASHER, 1", SAE, flat, 1-1/16 x 2 x 1/8 in., replaces 396-31106
	1324907C1	1	INSPECTION DOOR, ASSY., rock trap, Includes: Ref. 18, 19, and 20
18	NSS	1	NOT SERVICED SEPARATELY, DOOR rock trap
19	1320154C1	1	HINGE, door, rock trap
20	1320149C1	1	ROD, door hinge
21	1324880C1	1	ANGLE, door
22	1319834C1	1	BEATER, feed, trap
23	1324438C1	3	KNIFE, EXTENSION blade, beater
23	1320921C2	3	BLADE, beater, serrated
24	434-624	15	BOLT, CARRIAGE, Short NK, 3/8"-16 x 1 1/2", G5, 3/8 NC x 1-1/2 in.
25	425-106	15	NUT, 3/8"-16, G5,
26	492-11038	15	WASHER, LOCK, 3/8",
27	1327502C1	1	SHAFT, beater drive
28	477-73812	5	SCREW, Sltd Serr Truss Hd, 3/8" x 3/4", slotted truss head, 3/8 NC x 3/4 in.
29	231-5146	5	NUT, Flg, USR, 3/8"-16,
30	432-2040	2	PIN, SPLIT (COTTER), 5/16" x 2 1/2", 5/16" x 2 1/2"
31	495-81092		UAR WASHER, 1 25/32" x 2 1/2" x .060", flat, 1-25/32 x 2-1/2 x 3/64 in.
32	495-81093		UAR WASHER, 1 25/32" x 2 1/2" x .120", flat, 1-25/32 x 2-1/2 x 7/64 in.
35	1320268C1	1	SPACER, sprocket, left hand
36	1320269C1	1	SPACER, sprocket, right hand
37	162172C1	1	SPACER, 1-13/16 x 2-1/4 x 1-15/16 in.
40	1320151C1	1	ROD, door latch
41	432-1216	2	PIN, SPLIT (COTTER), 3/16" x 1", 3/16" x 1"
42	188915A1	1	HANDLE, door, left hand, replaces 1324752C1
43	413-816	2	BOLT, Hex, 1/2"-13 x 1", G5, Full Thd,
44	231-4118	2	NUT, LOCK, 1/2"-13, GB, hex, self locking, 1/2 in. NC
46	1324742C1	1	SUPPORT, latch stop
47	174608C2	3	BOLT, hex, special, 3/8 NC x 1-1/2 in.
48	425-106	3	NUT, 3/8"-16, G5,
49	1320128C1	2	LINK, connecting



## 9A-38 ROCK TRAP

сылка	Номер детали	Кол-во	Описание
50	413-616	2	BOLT, Hex, 3/8"-16 x 1", G5, Full Thd, hex, 3/8 NC x 1 in.
51	232-4136	2	NUT, LOCK, 3/8"-16, GC,
52	1320846C1	1	SUPPORT ASSY., ANGLE
66	1957362C1	1	SUPPORT, latch stop
	1957278C1	1	LATCH, KIT rock trap latch support, includes instructions, Includes: Ref. 67, 68, and 69
67	1324775C1	1	SUPPORT, latch, center
68	413-616	2	BOLT, Hex, 3/8"-16 x 1", G5, Full Thd, hex, 3/8 NC x 1 in.
69	232-4136	2	NUT, LOCK, 3/8"-16, GC,

9A-42 FEEDER REVERSER, WITH ROCK TRAP



## 1666 CASE IH AXIAL-FLOW COMBINE (1/93-12/94)

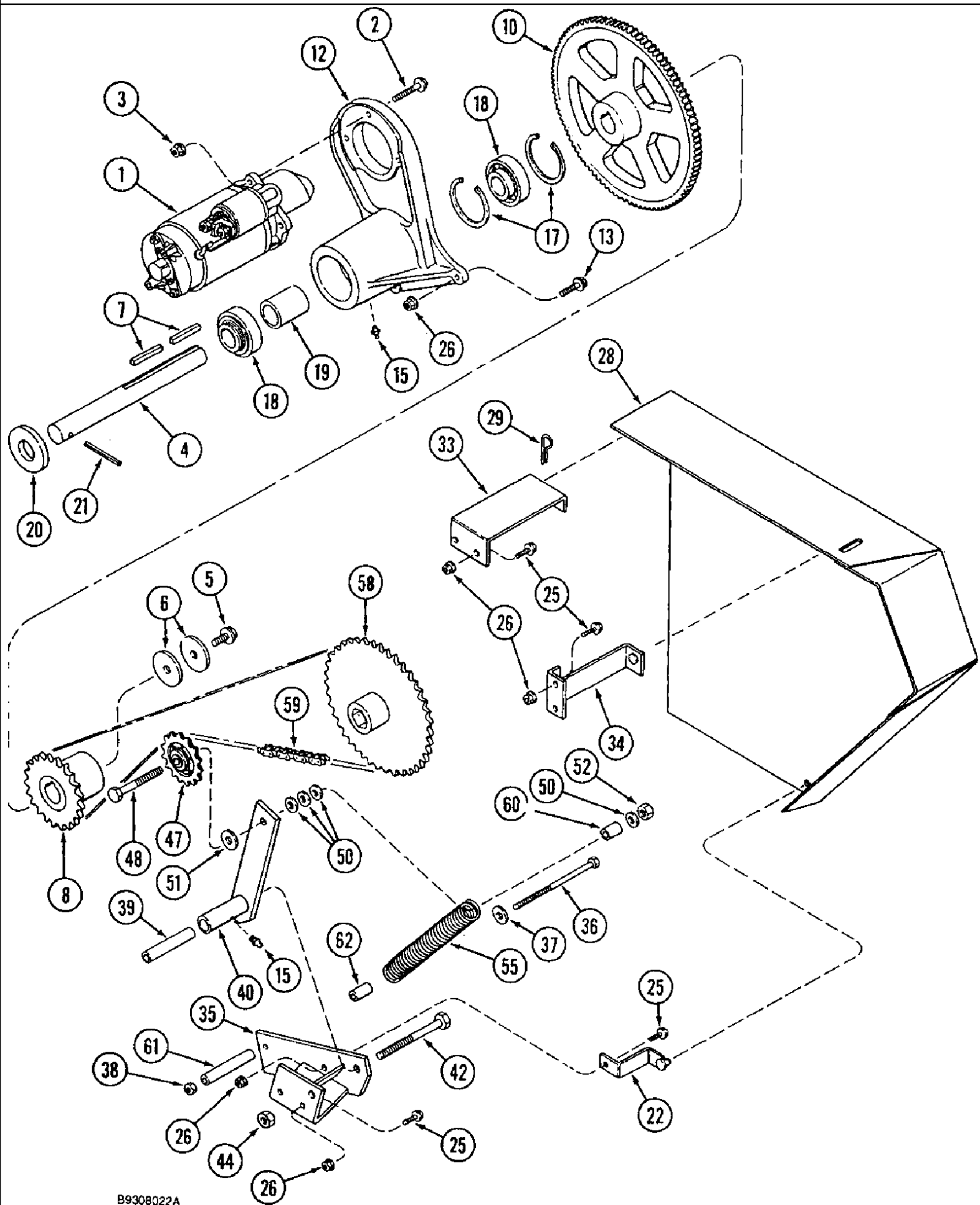
## 9A-42 FEEDER REVERSER, WITH ROCK TRAP

сылка	Номер детали	Кол-во	Описание
1	245927C91	1	MOTOR, STARTER, ASSY., feeder reverser, See Fig. 4-46
2	413-636	3	BOLT, Hex, 3/8"-16 x 2 1/4", G5,
3	231-5146	3	NUT, Flg, USR, 3/8"-16,
4	1321534C1	1	SHAFT, reverser
5	409-7816	1	BOLT, Hex Flg, 1/2"-13 x 1", Serr, BOLT hex, serrated flange, 1/2 NC x 1 in.
6	495-91167	2	WASHER, 17/32" x 2" x .120", flat, 17/32 x 2 x 7/64 in.
7	Q51	2	KEY, 3/8" Sq x 2 1/2", Par,
8	1329717C1	1	SPROCKET, drive, 20 teeth
10	1321537C91	1	FLYWHEEL, motor, reverser
12	1321539C1	1	HOUSING, shaft, reverser
13	187620C1	2	BOLT, Hex Flg, 3/8"-16 x 1 1/2", Serr, BOLT hex flange, special, 3/8 NC x 1-1/2 in.
15	219-87	3	NIPPLE, LUBE, 1/4"-28 x .56" lg, Self-Tap,
17	100-21315	2	RING, SNAP, 3.156", Int, #315,
18	597537R91	2	BEARING, BALL, ball
19	1321523C1	1	SPACER, bearing
20	896-16036	1	WASHER, M39 x 78.5 x 7, HT, flat, hardened, 39 x 78 x 7 mm
21	38-33248	1	PIN, 1/2" x 3", Coiled, 1/2" x 3", Coiled
22	1321780C2	1	SUPPORT, shield
24	1321710C1	1	SUPPORT, shield
25	154273C1		UAR BOLT, Hex Flg, 3/8"-16 x 1", Serr, BOLT hex, self locking, special, 3/8 NC x 1 in.
26	231-5146		UAR NUT, Flg, USR, 3/8"-16,
28	120867A1	1	GUARD, SHIELD feeder reverser, includes decal
29	480523R1	4	SPLIT PIN/SAFETY PIN, hair
33	1329840C1	1	BRACKET, support, rear
34	1329838C2	1	BRACKET, support, front
35	1329720C2	1	SPROCKET, driven, 40 teeth
36	1329719C2	1	SPROCKET, beater driven, rock trap, 20 teeth, if used
36	1320110C3	1	SPROCKET, beater driven, rock trap, 32 teeth, if used
36	125407A1	1	SPROCKET, beater driven, rock trap, 30 teeth, replaces 1320110C3
37	541857R92	1	SPROCKET, idler, 15 teeth
38	413-1072	1	BOLT, Hex, 5/8"-11 x 4 1/2", G5,
39	232-41110		UAR NUT, LOCK, 5/8"-11, GC,
40	495-11066		UAR WASHER, 5/8", SAE, flat, 21/32 x 1-5/16 x 3/32 in.
41	396-31066	1	WASHER, 21/32" x 1 5/16" x .188", HDN, flat, 21/32 x 1-5/16 x 3/16 in.
44	1321528C2	1	SUPPORT, idler, outer
45	1321933C3	1	SUPPORT, idler
47	413-1060	1	BOLT, Hex, 5/8"-11 x 3 3/4", G5, BOLT hex, 5/8 NC x 3-3/4 in.
48	1330032C1	1	SPRING, return, idler
50	1321531C93	1	SPROCKET, idler, fixed, Includes: Ref. 51
51	630836C91	1	BEARING, NEEDLE, needle, 1-19/64 in. O.D.
52	1327991C1	2	BUSHING, bearing, inner
53	1327990C1	1	BOLT, Hex, 3/4"-10 x 4, Drilled, Idler
54	425-1012	1	NUT, 3/4"-10, G5,
55	492-11075	1	WASHER, LOCK, 3/4", 3/4"
56	396-31081	2	WASHER, 13/16" x 1 1/2" x .219", HDN,

## 1666 CASE IH AXIAL-FLOW COMBINE (1/93-12/94)

## 9A-42 FEEDER REVERSER, WITH ROCK TRAP

сылка	Номер детали	Кол-во	Описание
57	1321529C95	1	CHAIN, 88-1/2 in. long, 118 links, see below 111714A1 and 111716A1
58	187217C1	1	SPACER, 7/8" Tube x 1 13/16",
60	413-628	2	BOLT, Hex, 3/8"-16 x 1 3/4", G5,
	111714A1		UAR CLIP, SPRING, KIT connecting link, includes link, O-rings, link plate, pin, lube pack, and instructions, not shown
	111716A1		UAR LINK, CHAIN, link extension, 2-1/4 in. long, includes 3 links, not shown



## 1666 CASE IH AXIAL-FLOW COMBINE (1/93-12/94)

## 9A-44 FEEDER REVERSER, WITHOUT ROCK TRAP

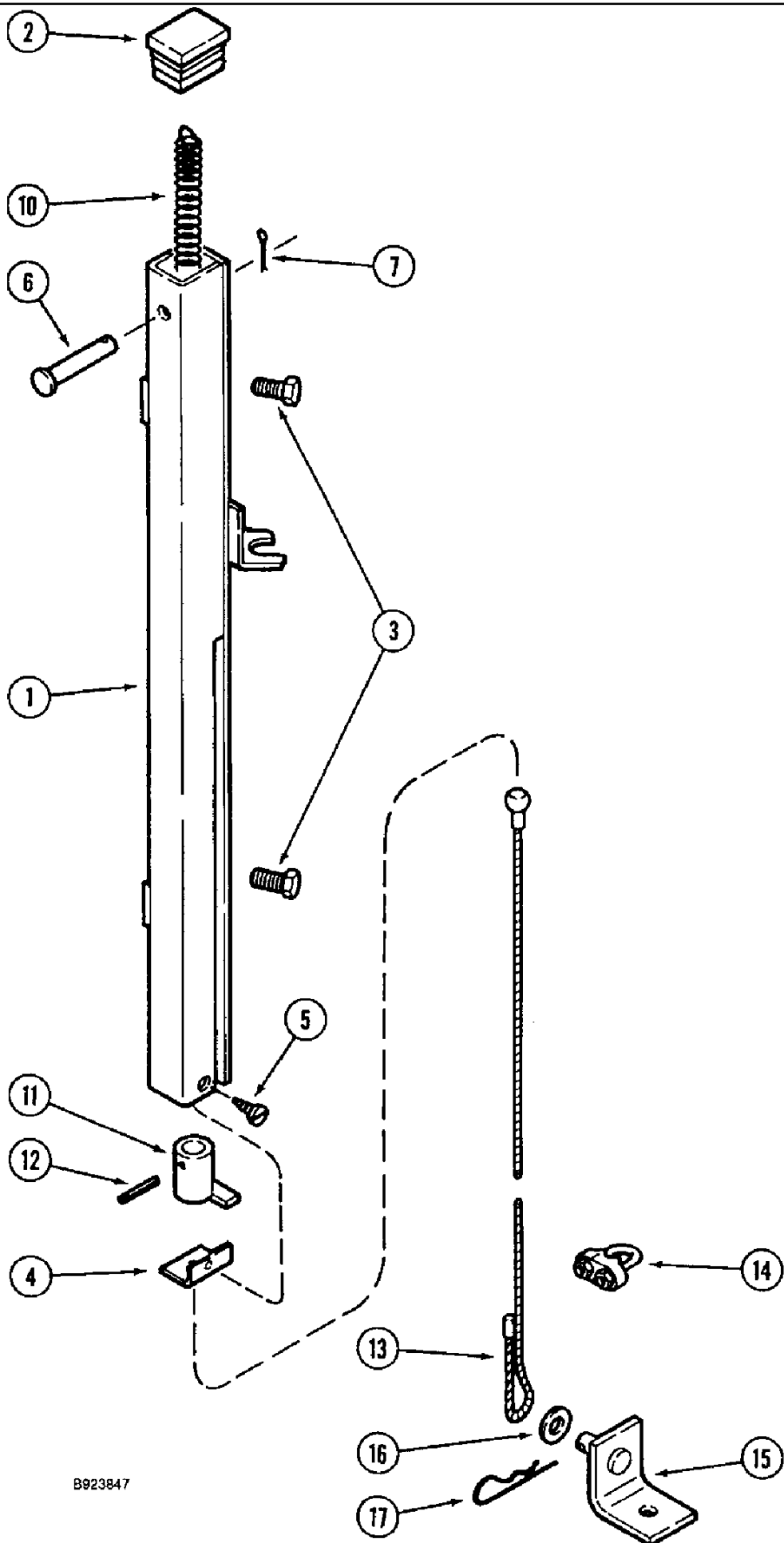
сылка	Номер детали	Кол-во	Описание
1	245927C91	1	MOTOR, STARTER, ASSY., feeder reverser, see Figure 4-46
2	413-636	3	BOLT, Hex, 3/8"-16 x 2 1/4", G5,
3	231-5146	3	NUT, Flg, USR, 3/8"-16,
4	1321534C1	1	SHAFT, reverser
5	409-7816	1	BOLT, Hex Flg, 1/2"-13 x 1", Serr, BOLT hex serrated flange, 1/2 NC x 1 in.
6	495-91167	2	WASHER, 17/32" x 2" x .120", flat, 17/32 x 2 x 7/64 in.
7	Q51	2	KEY, 3/8" Sq x 2 1/2", Par,
8	1329717C1	1	SPROCKET, drive, 20 teeth
10	1321537C91	1	FLYWHEEL, motor, reverser
12	1321539C1	1	HOUSING, shaft, reverser
13	187620C1	2	BOLT, Hex Flg, 3/8"-16 x 1 1/2", Serr, BOLT hex flange, special, 3/8 NC x 1-1/2 in.
15	219-87	2	NIPPLE, LUBE, 1/4"-28 x .56" lg, Self-Tap,
17	100-21315	2	RING, SNAP, 3.156", Int, #315,
18	597537R91	2	BEARING, BALL, ball
19	1321523C1	1	SPACER, bearing
20	896-16036	1	WASHER, M39 x 78.5 x 7, HT, flat, hardened, 39 x 78 x 7 mm
21	38-33248	1	PIN, 1/2" x 3", Coiled, 1/2" x 3", Coiled
22	1979317C1	1	SUPPORT ASSY., shield
25	154273C1	1	UAR BOLT, Hex Flg, 3/8"-16 x 1", Serr, BOLT hex, self locking, special, 3/8 NC x 1 in.
26	231-5146	1	UAR NUT, Flg, USR, 3/8"-16,
28	120866A1	1	GUARD, SHIELD feeder reverser, includes decal
29	480523R1	3	SPLIT PIN/SAFETY PIN, hair
33	1329840C1	1	BRACKET, support, rear
34	1329838C2	1	BRACKET, support, front
35	1979299C2	1	SUPPORT, idler bar
36	25253R1	1	BOLT, Hex, 3/8"-16 x 7", G8, hex, 3/8 NC x 7 in., grade 8
37	495-81002	1	WASHER, 3/8", flat, 7/16 x 1-3/8 x 5/64 in.
38	232-4136	1	NUT, LOCK, 3/8"-16, GC,
39	1979303C1	1	SPACER, TUBE
40	1979305C1	1	ARM, SUPPORT idler
42	326-888	1	BOLT, Hex, 1/2"-13 x 5 1/2", G8,
44	232-4118	1	NUT, LOCK, 1/2"-13, GC,
47	629972R91	1	DRIVE SPROCKET, idler, 15 teeth
48	413-1064	1	BOLT, Hex, 5/8"-11 x 4", G5, hex, 5/8 NC x 4 in.
50	495-11066	4	WASHER, 5/8", SAE, flat, 21/32 x 1-5/16 x 3/32 in.
51	396-31066	1	WASHER, 21/32" x 1 5/16" x .188", HDN, flat, 21/32 x 1-5/16 x 3/16 in.
52	232-41110	1	NUT, LOCK, 5/8"-11, GC,
55	1330032C1	1	SPRING, return, idler
58	1329720C2	1	SPROCKET, driven, 40 teeth
59	1321524C94	1	CHAIN, 57 in. long, 76 links, Part includes connecting link kit, O-rings, link plate, pin, lube pack and instructions, not shown
60	UA17298	1	SPACER, 7/8" Tube x 1 1/16", 7/8 x 1-1/6 in.
61	1979304C1	1	SPACER, spring
62	154397C1	1	SPACER, 5/8" Tube x 1 1/4", tubular, 5/8 O.D. x 1-1/4 in. long

1666 CASE IH AXIAL-FLOW COMBINE (1/93-12/94)

9A-44 FEEDER REVERSER, WITHOUT ROCK TRAP

сылка	Номер детали	Кол-во	Описание
	111714A1	1	CLIP, SPRING, KIT connecting link, includes link, O-rings, link plate, lube pack and instructions, not shown, also includes Ref. 59 chain,

9A-46 HEADER HEIGHT INDICATOR



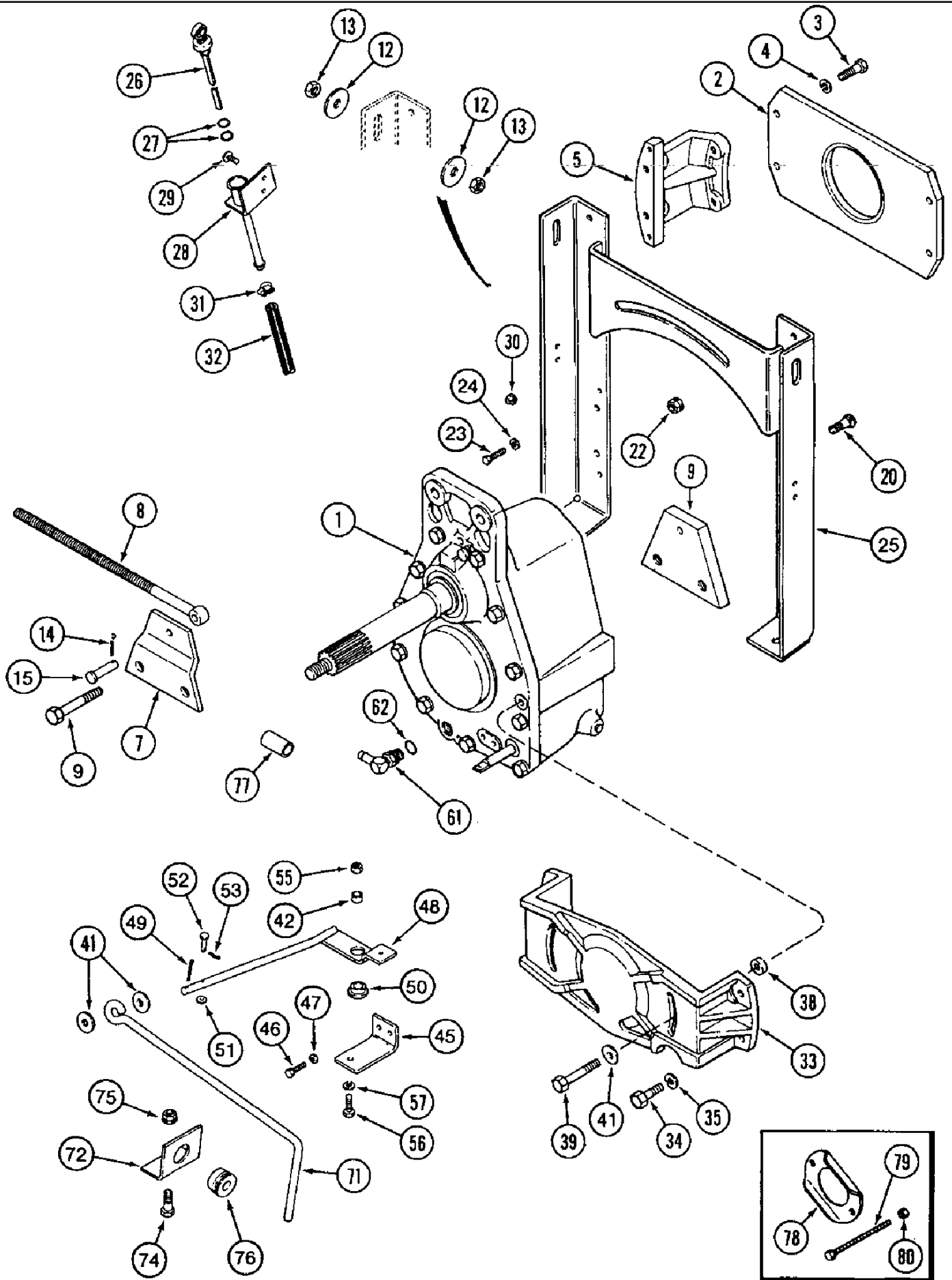
B923847



## 9A-46 HEADER HEIGHT INDICATOR

сылка	Номер детали	Кол-во	Описание
	1979355C1	1	KIT, INDICATOR ASSY., header height attachment, Includes: Ref. 1 thru 17
1	1312482C2	1	SUPPORT, height indicator
2	1312488C1	1	CAP, height indicator
3	326-512	2	BOLT, Hex, 5/16"-18 x 3/4", G8, Full Thd,
4	1312483C1	1	ANGLE, BRACKET height indicator
5	934666R1	4	SCREW, SELF TAPPING, Slotted Pan Hd, M4.8 x 9.5, self tapping, pan head, 10 x 10 mm
6	439-1428	1	PIN, HEADED, 1/4" x 1 3/4", G2, 1/4 x 1-3/4 in., grade 2
7	432-612	1	PIN, SPLIT (COTTER), 3/32" x 3/4",
10	1312489C1	1	SPRING, tension, indicator
11	1312492C1	1	HOOK, indicator
12	932265R1	1	PIN, LOCK, M3 x 24, Slotted, 3 x 24 mm
13	3168318R2	1	CABLE, height indicator
14	715945R91	1	CLAMP, height cable
15	1312485C2	1	SUPPORT ASSY., indicator
16	495-81024	1	WASHER, 17/32" x 1 1/4" x .060", flat, 17/32 x 1-1/4 x 1/16 in.
17	153528C1	1	PIN, hair type

9B-02 ROTOR DRIVE, MOUNTING



## 1666 CASE IH AXIAL-FLOW COMBINE (1/93-12/94)

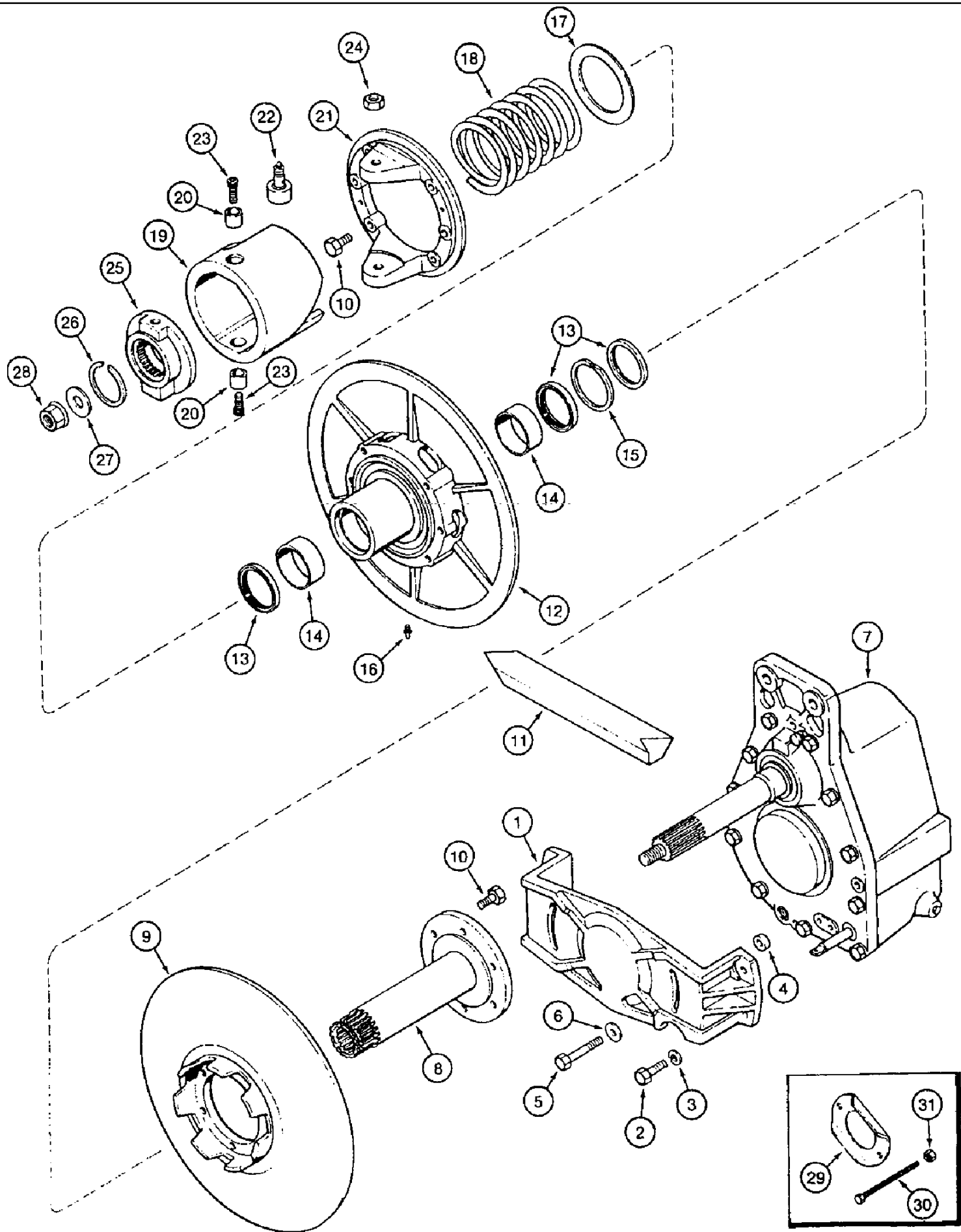
## 9B-02 ROTOR DRIVE, MOUNTING

сылка	Номер детали	Кол-во	Описание
1	1315340C4	1	HOUSING, ASSY., rotor drive, see Fig. 9B-10
2	181315C1	1	PLATE, support, gear housing, front
3	413-824	4	BOLT, Hex, 1/2"-13 x 1 1/2", G5, Full Thd, hex, 1/2 NC x 1-1/2 in.
4	80679	4	WASHER, LOCK, 1/2",
5	181314C2	2	BLOCK, housing support, front
6	188141C1	1	SUPPORT, gear housing anchor
7	188142C1	1	SUPPORT, gear housing anchor
8	188143C1	1	EYEBOLT, EYE gear housing
9	413-1244	2	BOLT, Hex, 3/4"-10 x 2 3/4", G5, hex, 3/4 NC x 2-3/4 in.
12	495-81030	2	WASHER, 21/32" x 2" x .179", flat, 21/32 x 2 x 11/64 in.
13	425-1010	2	NUT, 5/8"-11, G5,
14	432-1216	1	PIN, SPLIT (COTTER), 3/16" x 1", 3/16" x 1"
15	439-5832	1	PIN, HEADED, 1/2" x 2", 1/2 x 2 in.
20	360-820	2	BOLT, Hex Flg, 1/2"-13 x 1 1/4", G8, Full Thd, BOLT hex flange, 1/2 NC x 1-1/4 in., grade 8, replaces 409-7820
20	434-820	4	BOLT, CARRIAGE, Short NK, 1/2"-13 x 1 1/4", G5, Full Thd, BOLT carriage, 1/2 NC x 1-1/4 in.
22	231-5148	6	NUT, Flg, USR, 1/2"-13,
23	413-616	4	BOLT, Hex, 3/8"-16 x 1", G5, Full Thd, hex, 3/8 NC x 1 in.
24	492-11038	4	WASHER, LOCK, 3/8",
25	1338395C1	1	SUPPORT ASSY., rotor drive, gear housing
26	194066C91	1	DIPSTICK, GAUGE ASSY., rotor gear housing
27	238-5210	2	O-RING, -210, 70 Duro, .734" ID x .139" Thk,
28	193946C1	1	TUBE, gear housing gauge
29	135270	2	BOLT, Slotted Tr Hd, 5/16"-18 x 3/4", slotted truss head, 5/16 NC x 3/7 in.
30	231-5145	2	NUT, Flg, USR, 5/16"-18,
31	214-1404	2	CLAMP, HOSE, #4, 0.25/0.62 Type M Worm, Adj, retaining
32	194043C1	1	HOSE, 19 in. (483 mm) long, cut from S118466X bulk hose, see below
33	194058C1	1	SUPPORT, gear housing, rear
34	413-828	4	BOLT, Hex, 1/2"-13 x 1 3/4", G5,
35	80679	4	WASHER, LOCK, 1/2",
38	194077C1	2	SPACER, gear housing
39	413-848	2	BOLT, Hex, 1/2"-13 x 3", G5, hex, 1/2 NC x 3 in.
41	396-41053	4	WASHER, 17/32" x 1 1/4" x .188", HDN, flat, hardened, 17/32 x 1-1/4 x 3/16 in.
42	1979327C1	1	SPACER, lever, rotor gear housing shift
	S118466X		UAR HOSE, LARGE, bulk, 1/2 (13) ID x 300 in. (7620 mm) long
45	100395A1	1	SUPPORT, gear housing pivot
46	413-512	2	BOLT, Hex, 5/16"-18 x 3/4", G5, Full Thd, hex, 5/16 NC x 3/4 in.
47	492-11031	2	WASHER, LOCK, 5/16",
48	100398A1	1	LEVER ASSY., rotor drive shift
49	432-1216	2	PIN, SPLIT (COTTER), 3/16" x 1", 3/16" x 1"
50	1979265C1	1	BUSHING, shift lever
51	495-11034	1	WASHER, 5/16", SAE, flat, 11/32 x 11/16 x 1/16 in.
52	439-5521	1	PIN, HEADED, 5/16" x 1 5/16", headed, 5/16 x 1-5/16 in.
53	432-812	1	PIN, SPLIT (COTTER), 1/8" x 3/4",
55	231-4116	1	NUT, LOCK, 3/8"-16, GB, hex, self locking, 3/8 in, NC

## 1666 CASE IH AXIAL-FLOW COMBINE (1/93-12/94)

## 9B-02 ROTOR DRIVE, MOUNTING

сылка	Номер детали	Кол-во	Описание
56	413-620	1	BOLT, Hex, 3/8"-16 x 1 1/4", G5, Full Thd, hex, 3/8 NC x 1-1/4 in.
57	495-21044	1	WASHER, 3/8", flat, 8/16 x 1 x 5/64 in.
61	188272C1	1	ELBOW, gear housing, 90 deg., special
62	237-6008	1	O-RING, 8-1, 90 Duro, .644" ID x .087" Thk,
71	186648C2	1	ROD, lever shaft control linkage
72	1979564C1	1	SUPPORT, shift lever
74	413-820	2	BOLT, Hex, 1/2"-13 x 1 1/4", G5, Full Thd, hex, 1/2 NC x 1-1/4 in.
75	231-5148	2	NUT, Flg, USR, 1/2"-13,
76	198825C1	1	GROMMET, control rod, 5/8 in. ID
77	163493C1	1	STRIP, SLEEVE oil hose cover, 3/4 (19) ID x 1-13/64 in. (46 mm) long
78	1315304C2	1	PLATE, torque spring, removal
79	1319996C2	2	ROD ASSY., BOLT torque sensing spring, special, 11-1/2 in. plate
80	429-106	2	NUT, 3/8"-16, G8, hex, 3/8 in. NC, grade 8

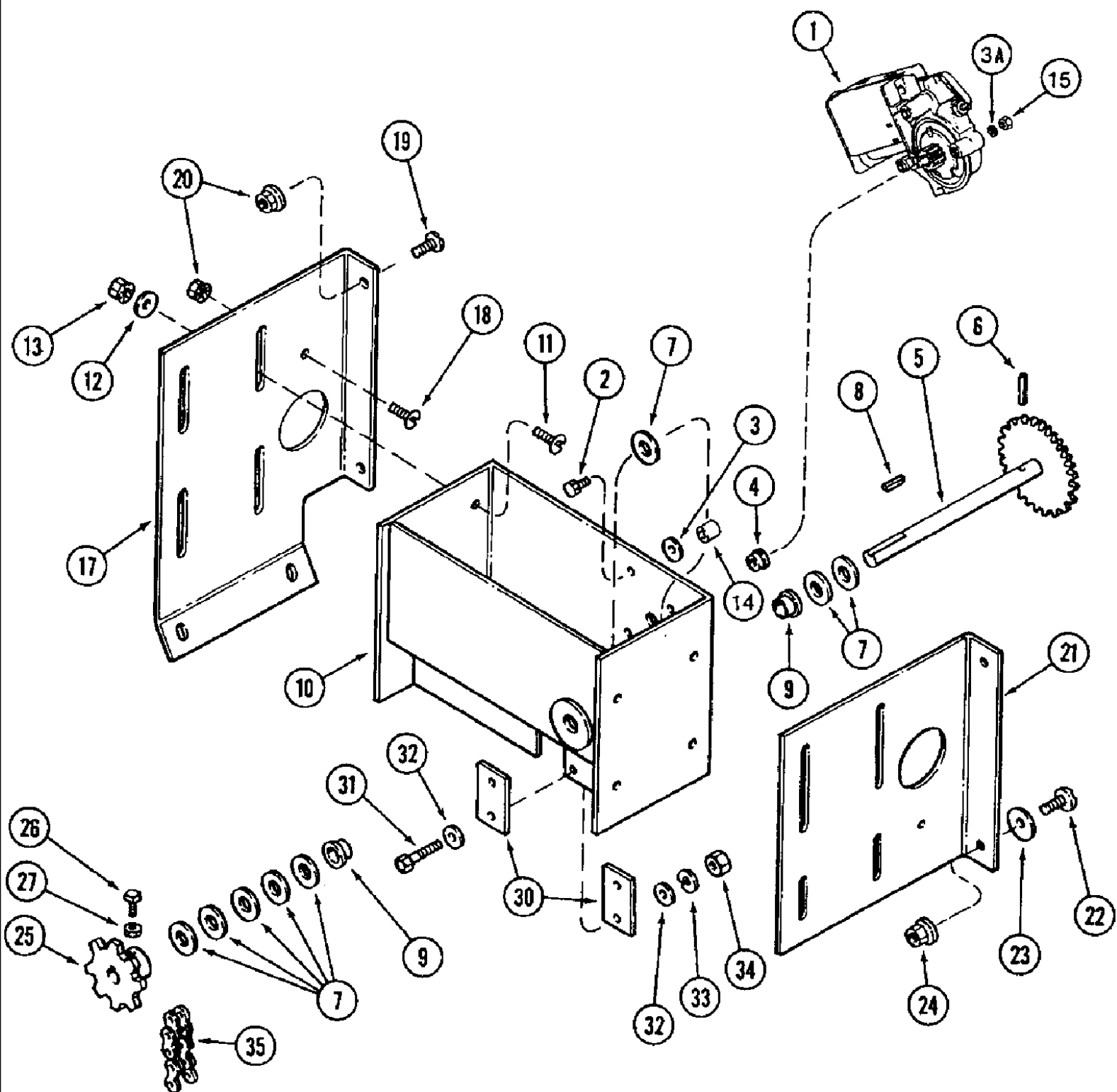


## 1666 CASE IH AXIAL-FLOW COMBINE (1/93-12/94)

## 9B-06 ROTOR DRIVE, PULLEY AND CAM

сылка	Номер детали	Кол-во	Описание
1	194058C1	1	SUPPORT, rear gear housing
2	413-828	4	BOLT, Hex, 1/2"-13 x 1 3/4", G5,
3	80679	4	WASHER, LOCK, 1/2",
4	194077C1	2	SPACER, gear housing
5	413-848	2	BOLT, Hex, 1/2"-13 x 3", G5, hex, 1/2 NC x 3 in.
6	396-41053	2	WASHER, 17/32" x 1 1/4" x .188", HDN, flat, hardened, 17/32 x 1-1/4 x 3/16 in.
7	1315340C4	1	HOUSING, ASSY., rotor drive, see Figure 9B-10
8	1315291C2	1	HUB, fixed variable pulley, welded
8	184489C1	1	HUB, fixed variable pulley, machined, forged
9	1315292C2	1	PULLEY, fixed variable
10	310-1824	12	BOLT, Locking, 1/2"-13 x 1 1/2", G8, BOLT hex, self locking, 1/2 NC x 1-1/2 in., grade 8
11	193923C4	1	BELT, rotor variable drive, 85 in. over center
12	1315294C3	1	PULLEY, ASSY., adjustable variable
13	193965C91	3	SEAL, pulley , Part included in bushing and seal repair kit 188839C92
14	NSS	2	NOT SERVICED SEPARATELY, BUSHING pulley , Part included in bushing and seal repair kit 188839C92
15	537602R1	1	RING, retaining, pulley
16	219-1	1	NIPPLE, LUBE, 1/8"-27 x .66 lg,
17	1315521C1	1	STOP, WASHER thrust, rotor drive
18	184486C1	1	SPRING, 9-1/32 in., free length
	184478C1	1	CAM, ASSY., follower, torque sensing
19	NSS	1	NOT SERVICED SEPARATELY, CAM ASSY., follower, torque sensing
20	193941C1	2	BUSHING, yoke pivot
21	1315344C2	1	HUB, cam follower, torque sensing
22	1315343C1	2	BEARING, cam follower
23	194167C1	2	SCREW, BOLT, cam follower, yoke pivot
24	425-1110	2	NUT, 5/8"-18, G5,
25	1315297C2	1	HUB, CAM torque sensing, drive rotor
26	360171R1	1	RING, retaining, hub cam follower
27	370255R2	1	WASHER, flat, hardened, 57/64 x 1-7/8 x 7/32 in.
28	1315288C1	1	NUT, hex, self locking, special, 7/8 in. NC
29	1315304C2		UAR PLATE, torque spring
30	1319996C2	2	ROD ASSY., BOLT torque sensing spring, special, 11-1/2 in.
31	429-106		UAR NUT, 3/8"-16, G8, hex, 3/8 in. NC, grade 8
	188839C92		UAR BUSHING, KIT repair, seal, variable pulley, Includes: Ref. 13 and 14

9B-08 ROTOR DRIVE, SPEED ADJUSTMENT



B9308026A

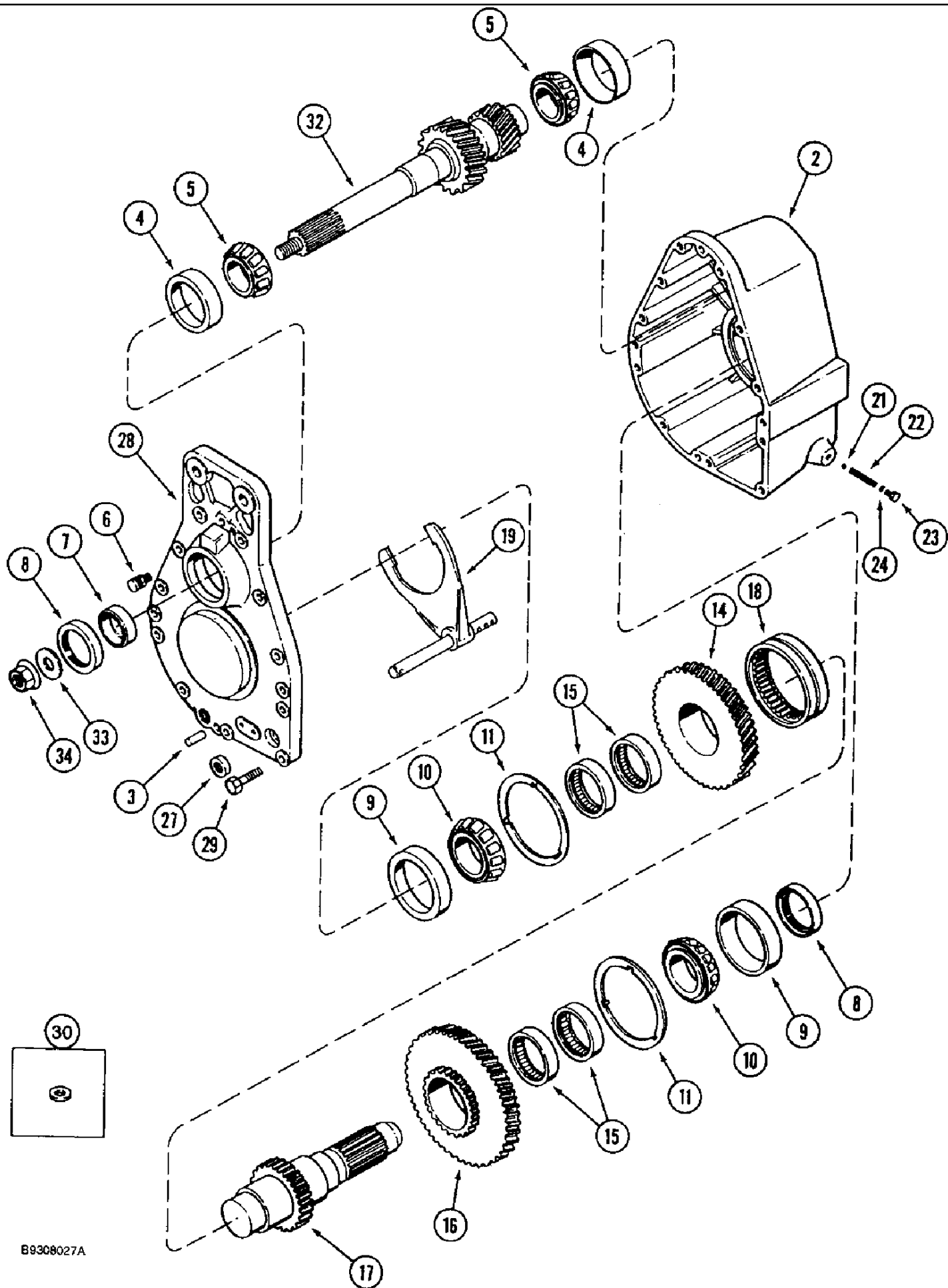
## 1666 CASE IH AXIAL-FLOW COMBINE (1/93-12/94)

## 9B-08 ROTOR DRIVE, SPEED ADJUSTMENT

сылка	Номер детали	Кол-во	Описание
1	126573C1	1	MOTOR, ELECTRIC, variable speed , BSN JJC0105560
1	111787A1	1	MOTOR, ELECTRIC, variable speed , ASN JJC0105560
2	413-412	3	BOLT, Hex, 1/4"-20 x 3/4", G5, Full Thd, Used with 126573C1 motor
2	413-432	2	BOLT, Hex, 1/4"-20 x 2", G5, Used with 111787A1 motor
3	495-81137	3	WASHER, 13/32" x 1" x .224", flat, 13/32 x 1 x 15/64 in., used with 126573C1 motor
3A	492-11025	2	WASHER, LOCK, 1/4", Used with 111787A1 motor
4	55825C1	1	BUSHING, electric motor
5	194338C1	1	GEAR, rotor gear
6	38-11020	1	PIN, LOCK, 5/32" x 1 1/4", Slotted, 5/32" x 1 1/4", Slotted
7	495-11066	8	WASHER, 5/8", SAE, flat, 21/32 x 1-5/16 x 3/32 in.
8	Q5024	1	KEY, 3/16" Sq x 1", Par,
9	55826C1	2	BUSHING, gear shaft
10	183227C1	2	SUPPORT ASSY., motor, with three motor mounting holes, used with 126573A1
10	183227C2	1	SUPPORT, motor, with five motor mounting holes, used with 111787A1
11	409-7616	8	BOLT, Hex Flg, 3/8"-16 x 1", Serr,
12	495-81135	8	WASHER, 13/32" x 1" x .120", flat, 13/32 x 1 x 7/64 in., Includes: Ref. 13 thru 16
13	231-5146	8	NUT, Flg, USR, 3/8"-16,
14	113485A1	2	SPACER, 17 mm, used with 111787A1 motor
15	425-104	2	NUT, 1/4"-20, G5, Used with 111787A1 motor
17	188203C3	1	SUPPORT, rotor adjusting, left hand
18	179464C1	2	SCREW, Sltd Serr Truss Hd, 3/8"-16 x 1 1/4", slotted truss head, special, 3/8 NC x 1-1/4 in.
	184478C1		CAM, ASSY., follower, torque sensing, Includes: Ref. 19 and 20
19	477-73812	2	SCREW, Sltd Serr Truss Hd, 3/8" x 3/4", slotted truss head, special, 3/8 NC x 3/4 in.
20	231-5146	6	NUT, Flg, USR, 3/8"-16,
21	194336C2	1	SUPPORT, rotor adjusting, right hand
22	477-73816	2	SCREW, Sltd Serr Truss Hd, 3/8" x 1", Special
23	495-71041	2	WASHER, 3/8", flat, 13/32 x 1-1/4 x 3/32 in.
24	231-5146	2	NUT, Flg, USR, 3/8"-16,
25	194337C1	1	SPROCKET, control, 8 teeth
26	485-12512	2	SET SCREW, Sq Hd, 1/4"-20 x 3/4", set, square head, cup point, 1/4 NC x 3/4 in.
27	425-144	2	NUT, Jam, 1/4"-20, G5,
30	1302173C1	2	PAD, motor support
31	413-624	2	BOLT, Hex, 3/8"-16 x 1 1/2", G5,
32	495-11041	4	WASHER, 3/8", SAE, Flat, (13/32 x 13/16 x 1/16")
33	492-11038	2	WASHER, LOCK, 3/8",
34	425-106	2	NUT, 3/8"-16, G5,
35	NSS	1	NOT SERVICED SEPARATELY, CHAIN ASSY., variable drive, use 31 links of No. 2040 chain, 1 connecting link 457113R91 and 2 offset links 457114R90



9B-10 ROTOR DRIVE, GEAR HOUSING

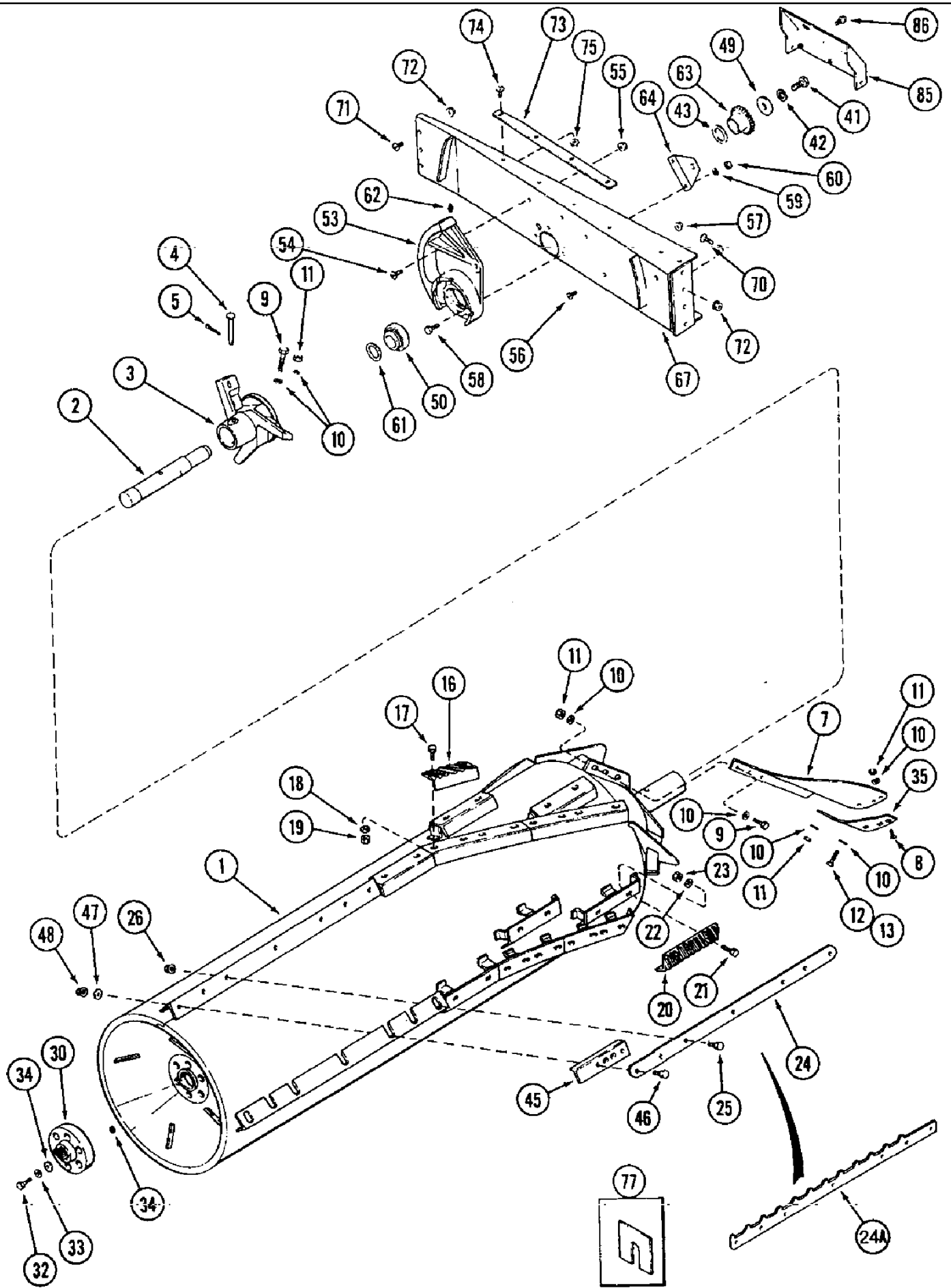


B9308027A

## 1666 CASE IH AXIAL-FLOW COMBINE (1/93-12/94)

## 9B-10 ROTOR DRIVE, GEAR HOUSING

сылка	Номер детали	Кол-во	Описание
	1315340C4	1	HOUSING, ASSY., gear, rotor drive, Includes: Ref. 20 thru 34
2	194064C91	1	HOUSING ASSY., rotor gear, Includes: Ref. 3
3	37-1820	2	DOWEL, 1/2" x 1 1/4", PIN, hardened, 1/2 x 1-1/4 in.
4	ST863	2	BEARING, CUP, tapered roller, housing
5	ST783A	2	BEARING, CONE, tapered roller, housing
6	1338222C1	1	BREATHER, 1/8"-27, Short, Housing
7	194047C1	1	BUSHING, input shaft
8	194051C1	2	SEAL, oil
9	13363D	2	BEARING SET, tapered roller, gear
10	13367DC	2	BEARING, CONE, tapered roller, gear
11	194057C1	2	WASHER, THRUST,
14	193828C1	1	PINION, GEAR driven, 47 teeth
15	619085C91	4	BEARING, NEEDLE,
16	193824C1	1	PINION, GEAR driven, 58 teeth
17	194059C1	1	SHAFT, rotor drive output
18	194069C1	1	COLLAR, shift
19	100400A1	1	FORK, SHIFTER,
21	211-1014	1	BALL, 7/16" Dia, chrome alloy steel, shifter rail, grade 24
22	107234C1	1	SPRING, compression
23	129998	1	PLUG, Hex Hd, 1/2"-20 ORB, Incl. Ref. 24
27	G10450	1	SEAL, oil, shift rail
28	194039C3	1	COVER, rotor gear housing
29	413-832	11	BOLT, Hex, 1/2"-13 x 2", G5, hex, 1/2 NC x 2 in.
30	495-11053	1	WASHER, 1/2", SAE, (17/32" x 1-1/16" x 3/32")
32	1957654C1	1	SHAFT, input, rotor drive
33	370255R2	1	WASHER, flat, hardened, 57/64 x 1-7/8 x 7/32 in.
34	1315288C1	1	NUT, hex, self locking, special, 7/8 in. NC
24	237-6005	1	O-RING, 5-1, 90 Duro, .414" ID x .072" Thk,



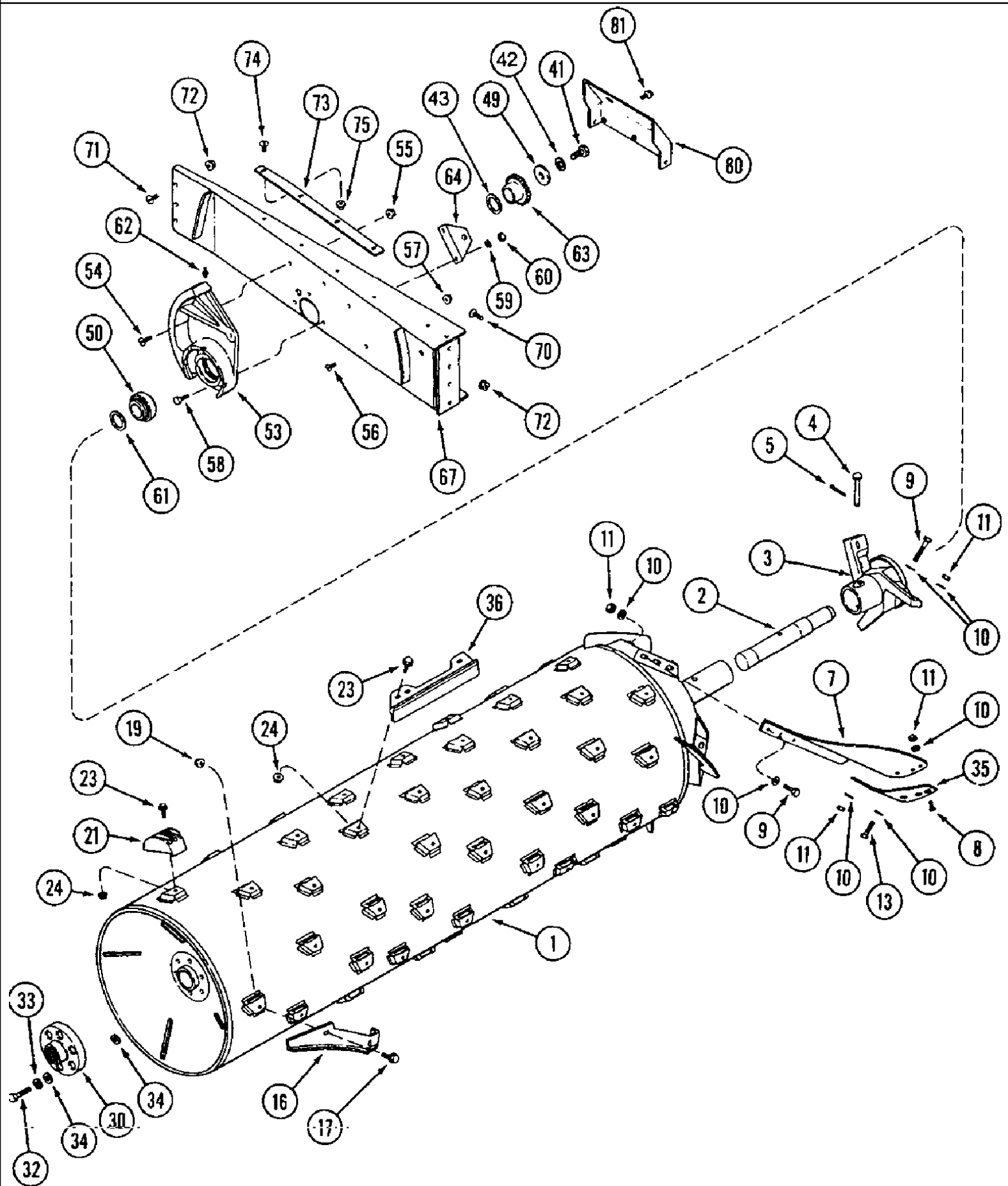
## 1666 CASE IH AXIAL-FLOW COMBINE (1/93-12/94)

## 9B-12 ROTOR, CORN AND GRAIN

сылка	Номер детали	Кол-во	Описание
1	1302214C96	1	ROTOR, ASSY., threshing, Includes: Ref. 12 thru 35
2	191545C1	1	SHAFT, rotor, front
3	191546C2	1	IMPELLER, rotor, front
4	439-51272	1	PIN, HEADED, 3/4" x 4 1/2", G5,
5	432-1620	1	PIN, SPLIT (COTTER), 1/4" x 1 1/4", 1/4" x 1 1/4"
	1957446C3	1	SET OF BLADES, KIT rotor blade, set of 3, replaces 1957446C1 and 1957446C2, Includes: Ref. 7 thru 13
7	NSS	3	NOT SERVICED SEPARATELY, BLADE rotor
8	361-45024	9	SCREW, Hex Soc Flat Hd, 1/2"-13 x 1 1/2", BOLT hex socket, 1/1 NC x 1-1/2 in., replaces 426-826
9	326-828	9	BOLT, Hex, 1/2"-13 x 1 3/4", G8, Replaces 426-328
10	396-41053	39	WASHER, 17/32" x 1 1/4" x .188", HDN, flat, hardened, 17/32 x 1-1/4 x 3/16 in.
11	199528A1	24	NUT, hex, self locking, 1/2 in. NC, grade 8, replaces 232-4118
12	326-844	3	BOLT, Hex, 1/2"-13 x 2 3/4", G8,
13	326-848	3	BOLT, Hex, 1/2"-13 x 3", G8, Replaces 426-848
16	1308829C2	12	BAR, helical rasp
16	1324583C2	12	BAR, helical rasp support, chrome, This Ref. is not part of 1302214C96 rotor assembly and must be purchased separately
16A	1994891C1	12	BAR, helical smooth, not shown, This Ref. is not part of 1302214C96 rotor assembly and must be purchased separately
17	426-620	24	BOLT, Hex, 3/8"-16 x 1 1/4", G8, Full Thd, BOLT hex, 3/8 NC x 1-1/4 in., grade 8
18	396-21041	24	WASHER, 13/32" x 13/16" x .09", HDN, flat, hardened, 13/32 x 13/16 x 3/32 in.
19	232-4136	24	NUT, LOCK, 3/8"-16, GC,
20	1308668C1	9	RASP BAR, straight, rasp
20	1324582C1	9	BAR, straight, rasp, chrome, This Ref. is not part of 1302214C96 rotor assembly and must be purchased separately
20A	1994890C1	9	RASP BAR, straight, smooth, not shown, This Ref. is not part of 1302214C96 rotor assembly and must be purchased separately
21	426-620	18	BOLT, Hex, 3/8"-16 x 1 1/4", G8, Full Thd, BOLT hex, 3/8 NC x 1-1/4 in., grade 8
22	396-21041	18	WASHER, 13/32" x 13/16" x .09", HDN, flat, hardened, 13/32 x 13/16 x 3/32 in.
23	232-4136	18	NUT, LOCK, 3/8"-16, GC,
24	1303038C2	3	BAR, straight, rotor, rear
24	1324580C1	3	BAR, straight, rotor, rear, This Ref. is not part of 1302214C96 rotor assembly and must be purchased separately
24A	1302103C3	3	BAR, rotor, with teeth, This Ref. is not part of 1302214C96 rotor assembly and must be purchased separately
25	409-7620	21	BOLT, Hex Flg, 3/8"-16 x 1 1/4", Serr,
26	231-5146	21	NUT, Flg, USR, 3/8"-16,
30	1345307C1	1	COUPLING, rotor drive
32	326-848	6	BOLT, Hex, 1/2"-13 x 3", G8, Replaces 426-848
33	80679	6	WASHER, LOCK, 1/2",
34	540468R1	12	WASHER, flat, hardened, special, 17/32 x 1-1/2 x 1/8 in.
35	183253C2	3	BAR, PLATE wear
35	1309185C1	3	SUPPORT, PLATE wear, chrome, This Ref. is not part of 1302214C96 rotor assembly and must be purchased separately
41	424-1228	1	BOLT, Hex, 3/4"-10 x 1 3/4", G2, BOLT hex, 3/4 NC x 1-3/4 in., grade 2

## 9B-12 ROTOR, CORN AND GRAIN

сылка	Номер детали	Кол-во	Описание
42	492-11075	1	WASHER, LOCK, 3/4", 3/4"
43	495-81097	1	UAR WASHER, 2 1/32" x 2 3/4" x .075", flat, 2-1/32 x 2-3/4 x 1/16 in.
45	183335C3	3	SUPPORT, BRACKET rotor extension
46	326-620	6	BOLT, Hex, 3/8"-16 x 1 1/4", G8, Full Thd,
47	396-21041	6	WASHER, 13/32" x 13/16" x .09", HDN, flat, hardened, 13/32 x 13/16 x 3/32 in.
48	231-5146	6	NUT, Flg, USR, 3/8"-16,
49	70330C1	1	WASHER, flat, special, rotor front shaft, 25/32 x 2-1/2 x 1/4 in.
50	193282C91	1	BEARING, BALL, rotor front
53	1309076C1	1	HOUSING, rotor front bearing
54	179464C1	2	SCREW, Sltd Serr Truss Hd, 3/8"-16 x 1 1/4", slotted truss head, special, 3/8 NC x 1-1/4 in.
55	231-5146	2	NUT, Flg, USR, 3/8"-16,
56	161945C1	2	SCREW, Sltd Serr Truss Hd, 5/16"-18 x 1", slotted truss head, 5/16 NC x 1 in.
57	231-5145	2	NUT, Flg, USR, 5/16"-18,
58	413-824	3	BOLT, Hex, 1/2"-13 x 1 1/2", G5, Full Thd, hex, 1/2 NC x 1-1/2 in.
59	80679	3	WASHER, LOCK, 1/2",
60	425-108	3	NUT, 1/2"-13, G5,
61	183449C1	1	WASHER, flat, special, front bearing housing
62	219-87	1	NIPPLE, LUBE, 1/4"-28 x .56" lg, Self-Tap,
63	1979965C1	1	ROTOR, ROTOR multi position tachometer
64	1301239C1	1	SUPPORT, rotor tachometer
67	193163C5	1	SUPPORT, front bearing
70	409-7816	4	BOLT, Hex Flg, 1/2"-13 x 1", Serr, BOLT hex serrated flange, 1/2 NC x 1 in.
71	409-7820	3	BOLT, Hex Flg, 1/2"-13 x 1 1/4", Serr,
72	231-5148	7	NUT, Flg, USR, 1/2"-13,
73	1308967C1	1	BAR, front door hold down
74	161945C1	4	SCREW, Sltd Serr Truss Hd, 5/16"-18 x 1", slotted truss head, 5/16 NC x 1 in.
75	231-5145	4	NUT, Flg, USR, 5/16"-18,
	1324031C1	1	PACKAGE, KIT grain rotor separator, angle bar support
	1324208C1	1	KIT, SHIM, KIT shim, rotor rasp, Includes: Ref. 77
77	NSS	28	NOT SERVICED SEPARATELY, SHIM, 0.010 in.
77	NSS	28	NOT SERVICED SEPARATELY, SHIM, 0.030 in.
77	NSS	28	NOT SERVICED SEPARATELY, SHIM, 0.053 in.
77	NSS	28	NOT SERVICED SEPARATELY, SHIM, 0.093 in.
85	182845C4	1	SHIELD, sensor
86	409-7612	3	BOLT, Hex Flg, 3/8"-16 x 3/4", Serr,



## 1666 CASE IH AXIAL-FLOW COMBINE (1/93-12/94)

## 9B-16 ROTOR, SPECIALTY CROP

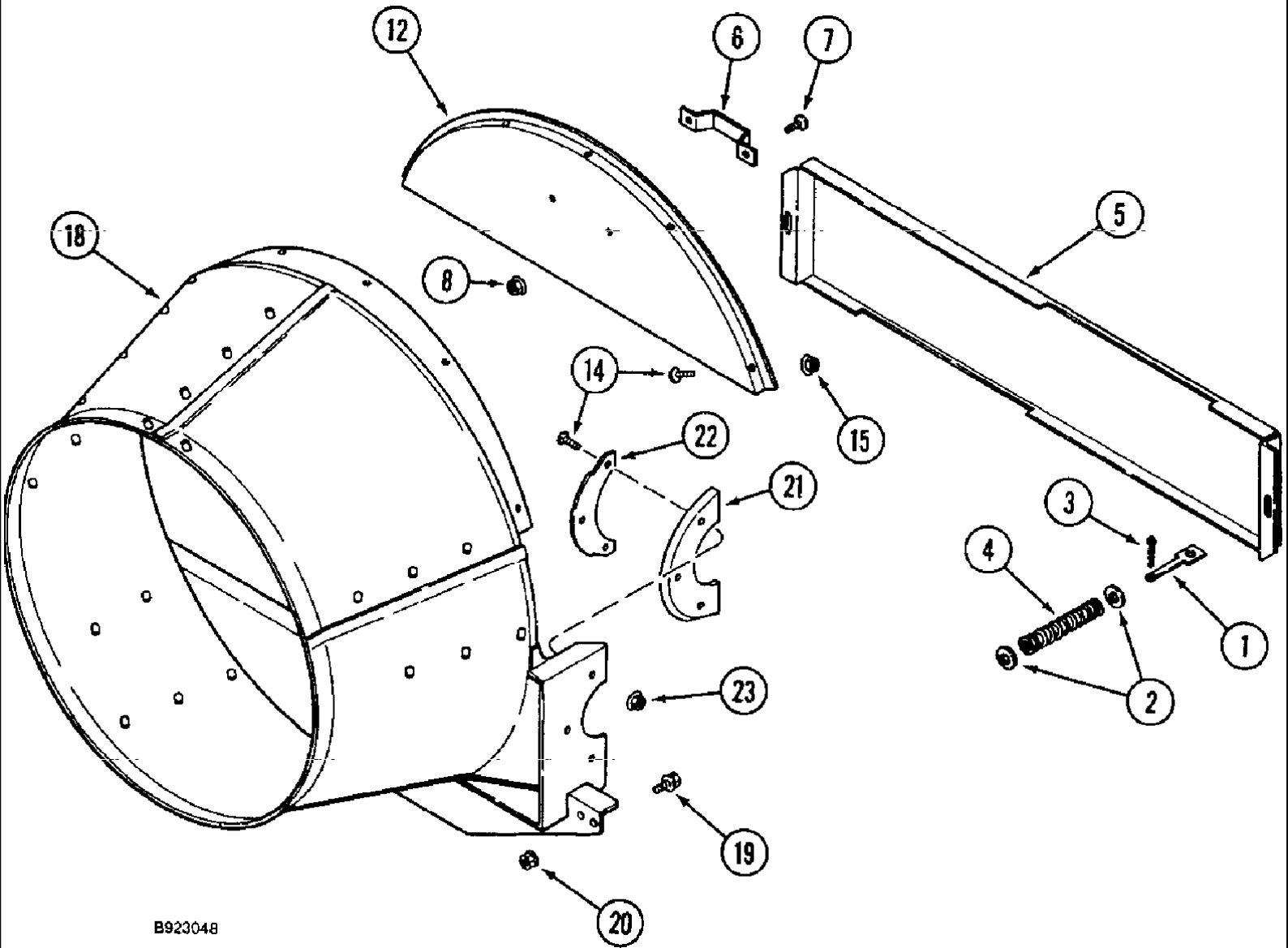
сылка	Номер детали	Кол-во	Описание
1	1347121C2	1	ROTOR, ASSY., threshing, without spiked bars
1	1317405C91	1	ROTOR, ASSY., threshing, includes 21 rasp bars with spikes and 33 rasp bars without spikes, rice and edible bean, no longer available, order 1317405C92, BSN JJC0106005
1	1317405C92	1	ROTOR, ASSY., threshing, rice, with spiked bars, includes 54 rasp bars with spikes, ASN JJC0106005
1	104347A1	1	ROTOR, ASSY., threshing, without spiked bars, corn and edible bean, Includes: Ref. 2 thru 43
2	191545C2	1	SHAFT, rotor, front
3	191546C2	1	IMPELLER, rotor, front
4	439-51272	1	PIN, HEADED, 3/4" x 4 1/2", G5, 3/4 x 5-1/2 in.
5	432-1620	1	PIN, SPLIT (COTTER), 1/4" x 1 1/4", 1/4" x 1 1/4"
	1957446C3	1	SET OF BLADES, KIT rotor blade, set of 3, replaces 1957446C1 kit and 1957446C2, Includes: Ref. 7 thru 13
7	NSS	3	NOT SERVICED SEPARATELY, BLADE rotor
8	361-45024	9	SCREW, Hex Soc Flat Hd, 1/2"-13 x 1 1/2", BOLT hex socket, 1/2 Nc x 1-1/2 in.
9	326-828	9	BOLT, Hex, 1/2"-13 x 1 3/4", G8, Replaces 426-828
10	396-41053	UAR	WASHER, 17/32" x 1 1/4" x .188", HDN, flat, hardened, 17/32 x 1-1/4 x 3/16 in.
11	199528A1	24	NUT, hex, self locking, 1/2 in. NC, grade 8, replaces 232-4118
12	326-844	3	BOLT, Hex, 1/2"-13 x 2 3/4", G8,
13	326-848	3	BOLT, Hex, 1/2"-13 x 3", G8, Replaces 426-848
16	1317690C1	3	ANGLE, kicker
16	1968967C1	3	KIT, ANGLE kicker, chrome
17	360-820	6	BOLT, Hex Flg, 1/2"-13 x 1 1/4", G8, Full Thd, BOLT hex flange, 1/2 NC x 1-1/4 in., grade 8, replaces 409-720
19	186852C1	6	NUT, hex, self locking, special, 1/2 in. NC, grade 8
21	1309175C1	21	BAR, rasp, with spike, rice , BSN JJC0106005
21	1309336C1	33	BAR, rasp, without spike, rice , BSN JJC0106005
21	1309175C1	21	BAR, rasp, with spike, rice , ASN JJC0106005
21	1309336C1	48	BAR, rasp, without spike, edible bean
21	1968743C1	48	BAR, rasp, without spike, chrome, edible bean
21	1309336C1	42	BAR, rasp, without spike, corn and edible bean
21	111709A1	42	RASP BAR, rasp, without spike, corn
21	1968743C1	33	BAR, rasp, without spike, chrome, 24 in. special rotor
21	1968970C1	21	BAR, rasp, with spike, chrome
23	360-820	UAR	BOLT, Hex Flg, 1/2"-13 x 1 1/4", G8, Full Thd, BOLT hex flange, 1/2 NC x 1-1/4 in., grade 8, replaces 409-7820
24	186852C1	UAR	NUT, hex, self locking, special, 1/2 in. NC, grade 8
30	1345307C1	1	COUPLING, rotor drive
32	326-848	6	BOLT, Hex, 1/2"-13 x 3", G8, Replaces 426-848
33	80679	6	WASHER, LOCK, 1/2",
34	540468R1	12	WASHER, flat, hardened, special, 17/32 x 1-1/2 x 1/8 in.
35	1309185C2	3	BAR, wear, chrome
36	1318976C1	6	BAR, separator, not chromed
36	1968969C2	3	BAR, separator, chrome
41	424-1228	1	BOLT, Hex, 3/4"-10 x 1 3/4", G2, BOLT hex, 3/4 NC x 1-3/4 in., grade 2
42	492-11075	1	WASHER, LOCK, 3/4", 3/4"
43	495-81097	UAR	WASHER, 2 1/32" x 2 3/4" x .075", flat, 2-1/32 x 2-3/4 x 1/16 in.

## 1666 CASE IH AXIAL-FLOW COMBINE (1/93-12/94)

## 9B-16 ROTOR, SPECIALTY CROP

сылка	Номер детали	Кол-во	Описание
49	70330C1	1	WASHER, flat, rotor front shaft, special, 25/32 x 2-1/2 x 1/4 in.
50	193282C91	1	BEARING, BALL, rotor front
53	1309076C1	1	HOUSING, rotor front bearing
54	179464C1	2	SCREW, Sltd Serr Truss Hd, 3/8"-16 x 1 1/4", slotted truss head, special, 3/8 NC x 1-1/4 in.
55	231-5146	2	NUT, Flg, USR, 3/8"-16,
56	161945C1	2	SCREW, Sltd Serr Truss Hd, 5/16"-18 x 1", slotted truss head, 5/16 NC x 1 in.
57	231-5145	2	NUT, Flg, USR, 5/16"-18,
58	413-824	3	BOLT, Hex, 1/2"-13 x 1 1/2", G5, Full Thd, hex, 1/2 Nc x 1-1/2 in.
59	80679	3	WASHER, LOCK, 1/2",
60	425-108	3	NUT, 1/2"-13, G5,
61	183449C1	1	WASHER, flat, special, front bearing housing
62	219-87	1	NIPPLE, LUBE, 1/4"-28 x .56" lg, Self-Tap,
63	1979965C1	1	ROTOR, ROTOR multi position tachometer
64	1301239C1	1	SUPPORT, rotor tachometer
67	193163C5	1	SUPPORT, front bearing
70	409-7816	4	BOLT, Hex Flg, 1/2"-13 x 1", Serr, BOLT hex serrated flange, 1/2 NC x 1 in.
71	409-7820	3	BOLT, Hex Flg, 1/2"-13 x 1 1/4", Serr,
72	231-5148	7	NUT, Flg, USR, 1/2"-13,
73	1308967C1	1	BAR, front door hold down
74	161945C1	4	SCREW, Sltd Serr Truss Hd, 5/16"-18 x 1", slotted truss head, 5/16 NC x 1 in.
75	231-5145	4	NUT, Flg, USR, 5/16"-18,
80	182845C4	1	SHIELD, sensor
81	409-7612	3	BOLT, Hex Flg, 3/8"-16 x 3/4", Serr,





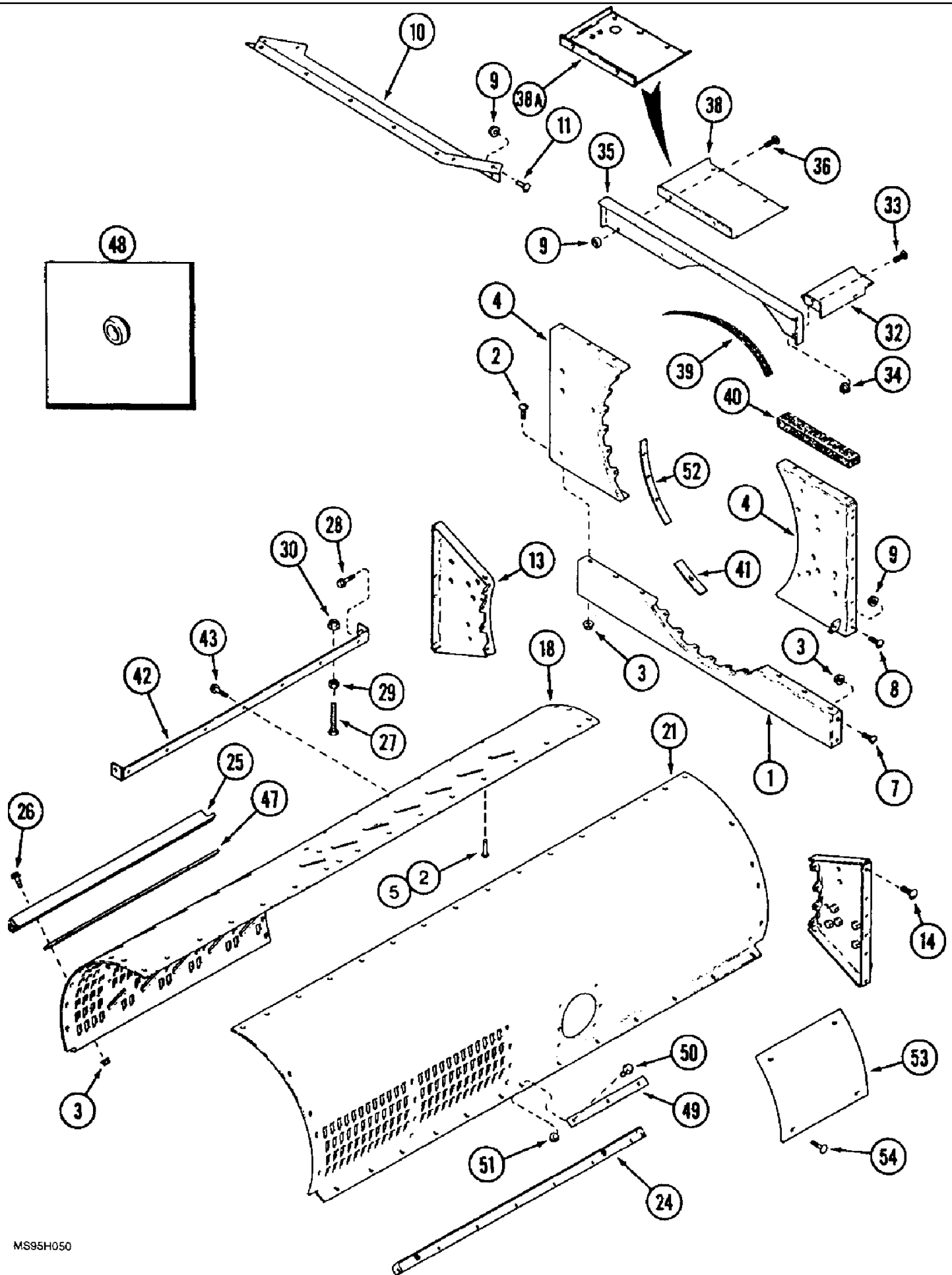
B923048

## 1666 CASE IH AXIAL-FLOW COMBINE (1/93-12/94)

## 9B-20 CONE

сылка	Номер детали	Кол-во	Описание
1	188029C1	2	LATCH, separator, front door
2	496-21041	4	WASHER, 13/32" x 13/16" x .089", HDN,
3	432-816	2	PIN, SPLIT (COTTER), 1/8" x 1",
4	M296	2	SPRING, front door latch
5	193436C3	1	INSPECTION DOOR, separator, front
6	160638C1	1	HANDLE, door, rotor front
7	135270	2	BOLT, Slotted Tr Hd, 5/16"-18 x 3/4", slotted truss head, 5/16 NC x 3/4 in.
8	231-5145	2	NUT, Flg, USR, 5/16"-18,
12	1300208C91	1	DOOR, ASSY., access, rotor front
13	1302515C1	1	DOOR, rotor, front support, without decal, not shown, Includes: Decal
	REF	1	INSTRUCTION, DECAL danger, see Fig. 9H-34 for correct decal
14	135270	5	BOLT, Slotted Tr Hd, 5/16"-18 x 3/4", slotted truss head, 5/16 NC x 3/4 in.
15	231-5145	5	NUT, Flg, USR, 5/16"-18,
18	1317770C3	1	CONE, transition, grain, Replaces 1317770C2
18	1309419C2	1	CONE, transition, rice
19	154273C1	4	BOLT, Hex Flg, 3/8"-16 x 1", Serr, BOLT hex self locking, special, 3/8 NC x 1 in., corn and grain
19	409-7820	4	BOLT, Hex Flg, 1/2"-13 x 1 1/4", Serr, Rice
20	231-5146	4	NUT, Flg, USR, 3/8"-16, Corn and grain
20	231-5148	4	NUT, Flg, USR, 1/2"-13, Rice
21	195202C1	2	SEAL, feeder
22	195409C1	2	PLATE, with weld bolt, seal backup
23	231-5145	6	NUT, Flg, USR, 5/16"-18,

9B-22 CAGE, FRONT



## 1666 CASE IH AXIAL-FLOW COMBINE (1/93-12/94)

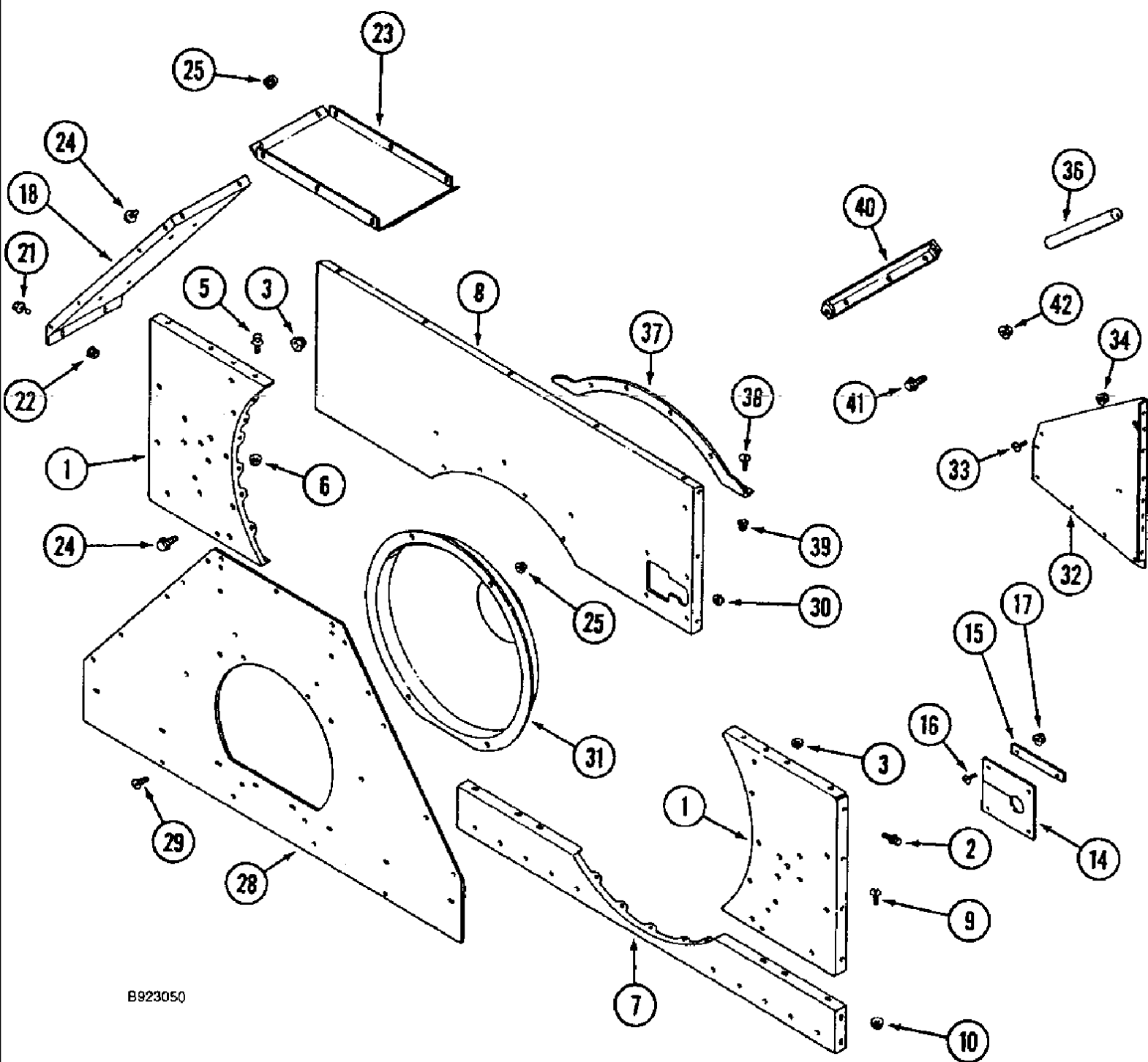
## 9B-22 CAGE, FRONT

сылка	Номер детали	Кол-во	Описание
1	192297C2	1	SUPPORT, lower seal
2	477-73812		UAR SCREW, Slt'd Serr Truss Hd, 3/8" x 3/4", slotted truss head, special, 3/8 NC x 3/4 in.
3	231-5146		UAR NUT, Flg, USR, 3/8"-16,
4	1994848C1	1	SUPPORT, rotor cage, left hand front
4	1338045C2	1	SUPPORT, rotor cage, right hand front
5	135320A1	6	SCREW, BOLT round head, special, 3/8 NC x 1-1/4 in.
7	1302160C1	4	SCREW, LOCK, Slt'd Truss Hd, 3/8"-16 x 3/4",
8	135270	6	BOLT, Slotted Tr Hd, 5/16"-18 x 3/4", slotted truss head, 5/16 NC x 3/4 in.
9	231-5145		UAR NUT, Flg, USR, 5/16"-18,
10	193152C1	1	SUPPORT, grain tank, front
11	135270	9	BOLT, Slotted Tr Hd, 5/16"-18 x 3/4", slotted truss head, 5/16 NC x 3/4 in.
13	1338056C1	2	SUPPORT, rotor cage, left hand intermediate
13	1338044C1	1	SUPPORT, rotor cage, right hand intermediate
14	1302160C1	18	SCREW, LOCK, Slt'd Truss Hd, 3/8"-16 x 3/4",
18	1318829C1	1	CAGE, SUPPORT rotor, left hand, solid
21	1318419C2	1	CAGE, SUPPORT rotor, right hand
24	188333C1	1	SUPPORT, cage, right hand
25	185386C1	1	SUPPORT, cage, left hand
26	1319250C1	15	SCREW, BOLT hex flange, special, 3/8 NC x 1 in.
27	931008R1	2	BOLT, hex, 1/2 NC x 3-1/2 in.
28	1302143C1	2	BOLT, hex flange, special, 1/2 NC x 1 in.
29	425-148	2	NUT, Jam, 1/2"-13, G5,
30	231-5148	2	NUT, Flg, USR, 1/2"-13,
32	193862C1	1	SUPPORT, gear housing, inner extension
33	135270	3	BOLT, Slotted Tr Hd, 5/16"-18 x 3/4", slotted truss head, 5/16 NC x 3/4 in.
34	488837C1	2	NUT, speed, 5/16 in. NC
35	186169C1	1	SUPPORT, grain tank to cage, top
36	477-73108	10	SCREW, Slt'd Serr Truss Hd, 5/16"-18 x 1/2", slotted truss head, 5/16 NC x 1/2 in.
38	186168C1	1	SUPPORT, side panel to cage, forward, no longer available, order 186168C4, Ref 38A
38A	186168C4	1	SHEET, SUPPORT side panel to cage, Replaces 186168C1 support
39	191498C1	1	STRIP, SEAL grain tank support, 20-13/16 in. (528 mm) long
40	318103R2	2	SEAL, 9-1/2 in. (243 mm) long, cut from 73220C1 bulk seal, grain tank support, see below
41	186797C2	2	SUPPORT, PLATE cage filler, rear
42	1309191C1	1	SUPPORT, cage, left hand
43	1319250C1	1	SCREW, BOLT hex flange, special, 3/8 NC x 1 in.
43	135320A1	19	SCREW, BOLT round head, special, 3/8 NC x 1-1/4 in.
47	183323C1	1	STRAP, cage grate
48	198822C1	1	GROMMET, grain tank to cage support, 1/4 in. ID,
48	198824C1	1	GROMMET, grain tank to cage support, rubber, 1/2 in. ID
48	195803C1	1	GROMMET, 3/8 in., housing inner sheet hole
49	186785C2	1	REINFORCEMENT, cage reinforcement, front
50	1302143C1	1	BOLT, hex flange, special, 1/2 NC x 1 in.
51	231-5148	1	NUT, Flg, USR, 1/2"-13,
52	1318899C1	1	SUPPORT, rotor cage, left hand front
53	1979540C1	2	COVER, rotor separator, upper right hand

1666 CASE IH AXIAL-FLOW COMBINE (1/93-12/94)

9B-22 CAGE, FRONT

сылка	Номер детали	Кол-во	Описание
54	1324105C1 73220C1	8	BOLT, flat raised head, special UAR STRIP, FILLING, SEAL bulk, adhesive backed, 1/2 (13) x 3/4 (19) x 48 in. (1219 mm) long

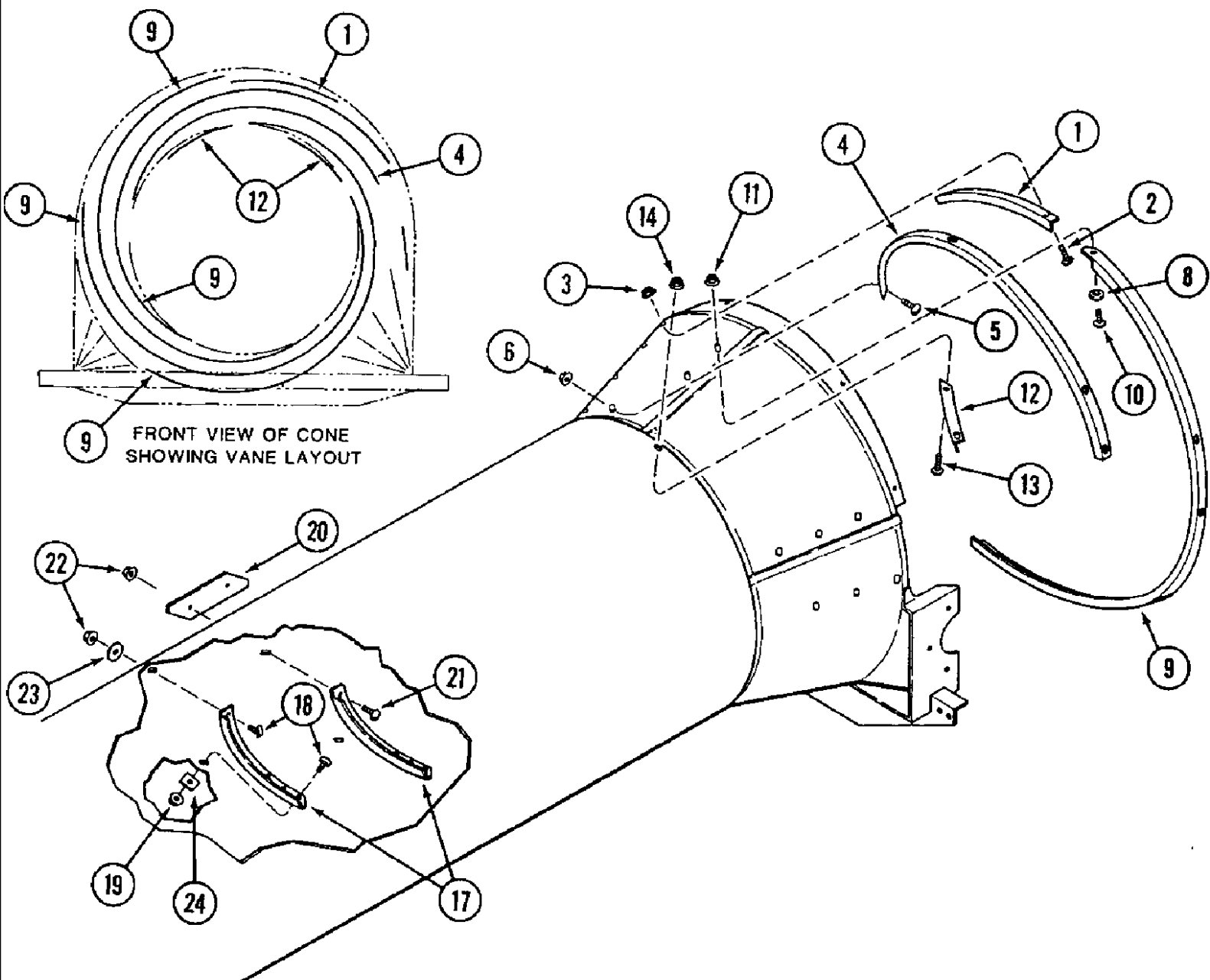


B923050

## 1666 CASE IH AXIAL-FLOW COMBINE (1/93-12/94)

## 9B-24 CAGE, REAR

сылка	Номер детали	Кол-во	Описание
1	1994850C2	2	SUPPORT, rotor cage, rear
2	477-73812	16	SCREW, Sltd Serr Truss Hd, 3/8" x 3/4", slotted truss head, special, 3/8 NC x 3/4 in.
3	231-5146	24	NUT, Flg, USR, 3/8"-16,
	1302160C1	8	SCREW, LOCK, Sltd Truss Hd, 3/8"-16 x 3/4",
5	135270	12	BOLT, Slotted Tr Hd, 5/16"-18 x 3/4", slotted truss head, 5/16 NC x 3/4 in.
6	231-5145	12	NUT, Flg, USR, 5/16"-18,
7	182929C1	1	SUPPORT, cage, lower rear
8	193168C2	1	SUPPORT, rotor, upper rear
9	477-73812	21	SCREW, Sltd Serr Truss Hd, 3/8" x 3/4", slotted truss head, special, 3/8 NC x 3/4 in.
10	231-5146	21	NUT, Flg, USR, 3/8"-16,
14	191191C2	1	STRIP, SEAL dust, drive line
15	191192C1	2	BAR, dust seal
16	135270	4	BOLT, Slotted Tr Hd, 5/16"-18 x 3/4", slotted truss head, 5/16 NC x 3/4 in.
17	231-5145	4	NUT, Flg, USR, 5/16"-18,
18	193169C1	2	SUPPORT, discharge side
	477-73812	2	SCREW, Sltd Serr Truss Hd, 3/8" x 3/4", slotted truss head, special, 3/8 NC x 3/4 in.
	231-5146	2	NUT, Flg, USR, 3/8"-16,
21	135270	12	BOLT, Slotted Tr Hd, 5/16"-18 x 3/4", slotted truss head, 5/16 NC x 3/4 in.
22	231-5145	12	NUT, Flg, USR, 5/16"-18,
23	193170C1	1	COVER, discharge, top
24	409-7512	10	BOLT, Hex Flg, 5/16"-18 x 3/4", Serr,
25	231-5145	7	NUT, Flg, USR, 5/16"-18,
28	193966C1	1	PLATE, discharge, back
29	135270	9	BOLT, Slotted Tr Hd, 5/16"-18 x 3/4", slotted truss head, 5/16 NC x 3/4 in.
30	231-5145	9	NUT, Flg, USR, 5/16"-18, , BSN 4444444444
31	182545C2	1	HOUSING, RETAINER rotor gear
32	191398C2	1	GUARD, SUPPORT gear housing, inner
33	477-73812	4	SCREW, Sltd Serr Truss Hd, 3/8" x 3/4", slotted truss head, special, 3/8 NC x 3/4 in.
34	231-5146	4	NUT, Flg, USR, 3/8"-16,
36	1309111C1	1	SEAL, SEAL rubber, gear housing support, 28-9/16 in. (725 mm) long, if equipped
37	1308695C1	1	SUPPORT, rotor, rear, upper
38	1302160C1	7	SCREW, LOCK, Sltd Truss Hd, 3/8"-16 x 3/4",
39	231-5146	7	NUT, Flg, USR, 3/8"-16,
40	182634C3	1	SUPPORT, STIFFENER, cage grate, rear
41	1302143C1	2	BOLT, hex flange, special, 1/2 NC x 1 in.
42	231-5148	2	NUT, Flg, USR, 1/2"-13,



FRONT VIEW OF CONE  
SHOWING VANE LAYOUT

B923051

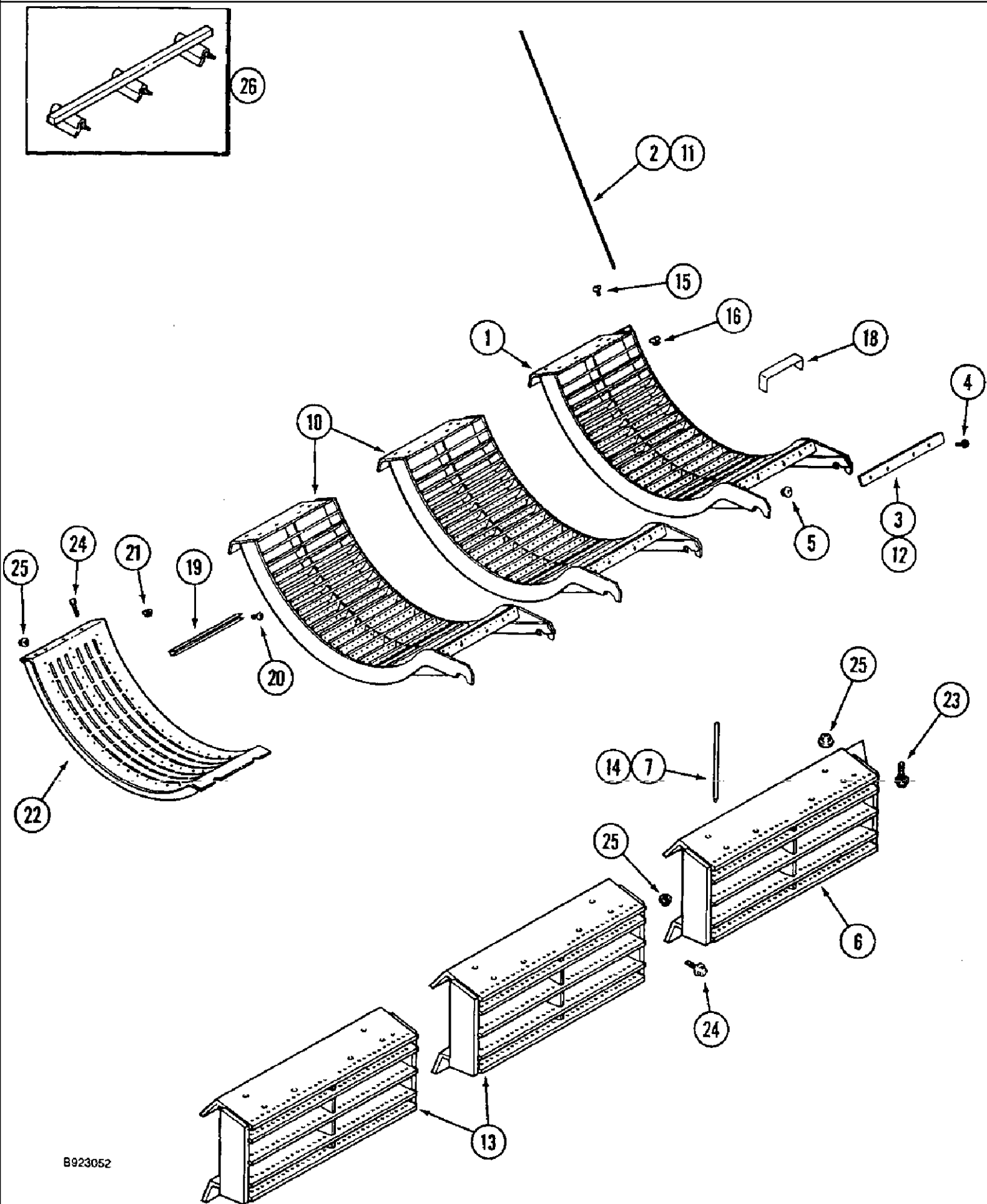


## 1666 CASE IH AXIAL-FLOW COMBINE (1/93-12/94)

## 9B-26 VANE

сылка	Номер детали	Кол-во	Описание
1	186984C1	2	GUIDE, VANE cone extension
2	135270	4	BOLT, Slotted Tr Hd, 5/16"-18 x 3/4", slotted truss head, 5/16 NC x 3/4 in.
3	231-5145	4	NUT, Flg, USR, 5/16"-18,
4	186985C3	1	GUIDE, VANE cone, upper front
5	135270	5	BOLT, Slotted Tr Hd, 5/16"-18 x 3/4", slotted truss head, 5/16 NC x 3/4 in.
6	231-5145	5	NUT, Flg, USR, 5/16"-18,
8	495-81116	1	WASHER, .344" x 1" x .060", flat, 11/32 x 1 x 3/64 in.
9	195355C3	4	GUIDE, VANE cone, front
10	135270	24	BOLT, Slotted Tr Hd, 5/16"-18 x 3/4", slotted truss head, 5/16 NC x 3/4 in.
10	151446C1	1	SCREW, Sltd Serr Truss Hd, 5/16"-18 x 1 1/4", slotted truss head, 5/16 NC x 1-1/4 in.
11	231-1445	1	NUT, LOCK, 5/16"-18, GB,
11	231-5145	24	NUT, Flg, USR, 5/16"-18,
12	193179C2	3	GUIDE, VANE transport extension
13	135270	5	BOLT, Slotted Tr Hd, 5/16"-18 x 3/4", slotted truss head, 5/16 NC x 3/4 in.
14	231-5145	5	NUT, Flg, USR, 5/16"-18,
17	193175C2	13	GUIDE, VANE transport
18	1324105C1	13	BOLT, flat raised head, special, vane adjusting
19	231-5146	39	NUT, Flg, USR, 3/8"-16,
20	1318418C1	6	BAR, PLATE vane
21	1324105C1		UAR BOLT, flat raised head, special, vane adjusting
22	231-5146		UAR NUT, Flg, USR, 3/8"-16,
23	55805C1	10	WASHER, flat, special, 13/32 x 2-1/2 x 5/32 in.
24	570052R1	2	WASHER, square, 13/32 x 1-1/2 x 3/16 in.

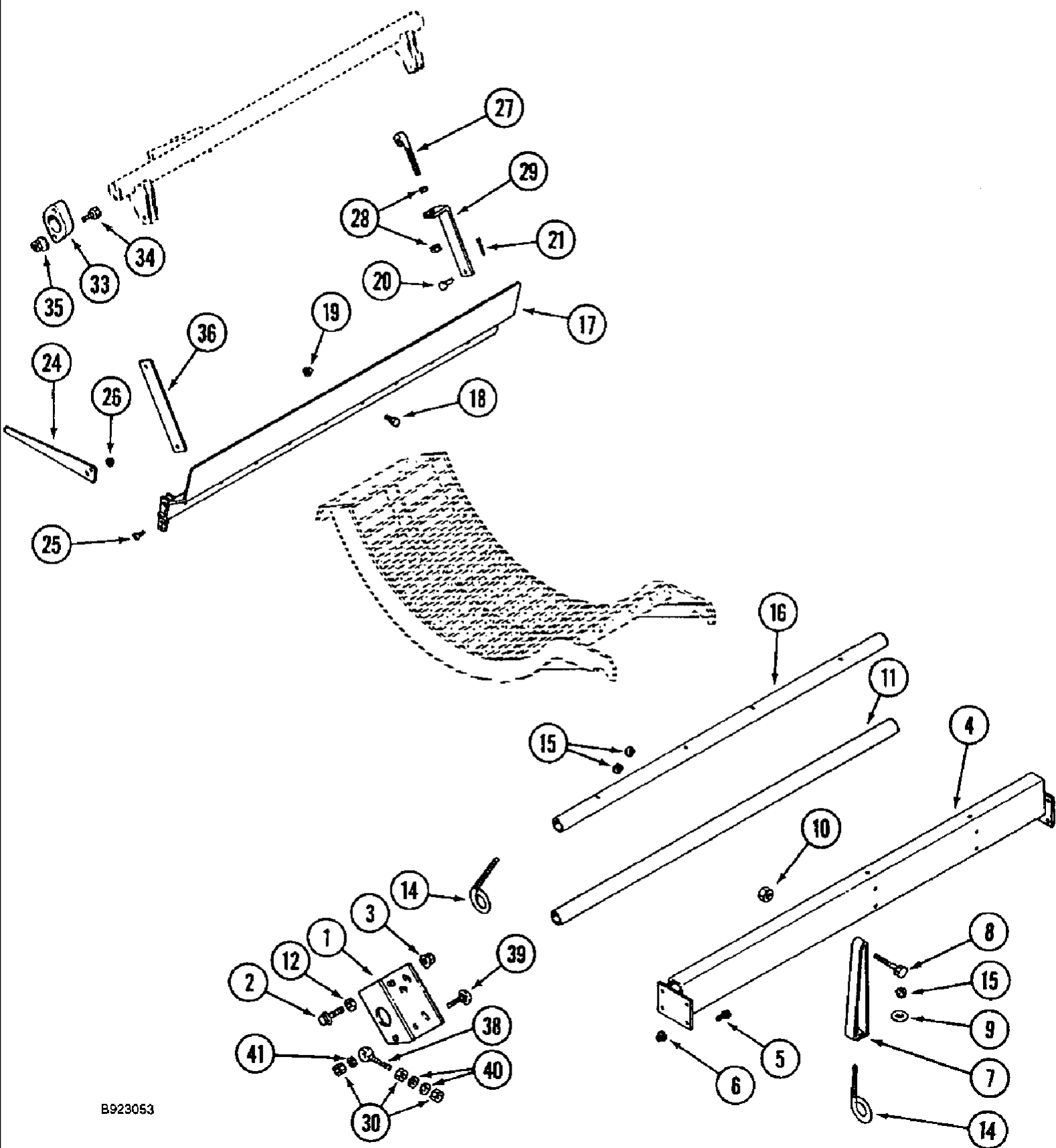
9B-28 CONCAVES, CONCAVES AND GRATES



## 1666 CASE IH AXIAL-FLOW COMBINE (1/93-12/94)

## 9B-28 CONCAVES, CONCAVES AND GRATES

сылка	Номер детали	Кол-во	Описание
1	1309208C3	1	CONCAVE, ASSY., front, small wire, Includes: Ref. 2 and 3
2	1302602C2	30	ROD, concave, 3/16 x 29 in. long
3	193859C1	2	PLATE, concave, wire retaining
1	1302606C5	1	CONCAVE, ASSY., front, large wire, hardened, Includes: Ref. 2 and 3
2	1302601C2	14	STEM, ROD concave, 1/4 x 29 in. long
3	193859C1	2	PLATE, concave, wire retaining
4	1319406C1		UAR SCREW, CrossSerr Truss Hd, 3/8"-16 x 1", self locking, truss head Phillips, special, 3/8 NC x 1 in.
5	231-5146		UAR NUT, Flg, USR, 3/8"-16,
6	1318553C1	1	CONCAVE, ASSY., small wire extension, Includes: Ref. 7
7	1318561C1	30	PIN, LARGE, small wire
6	1318551C1	1	CONCAVE, ASSY., large wire extension, Includes: Ref. 7
7	1318560C1	14	PIN, LARGE, wire
10	1309210C3	2	CONCAVE, ASSY., No. 2 and 3 small wire, Includes: Ref. 11 and 12
11	1302602C2	30	ROD, concave, 3/16 x 29 in. long
12	193859C1	2	PLATE, concave, wire retaining
10	1302607C4	1	CONCAVE, ASSY., No. 2 and 3 large wire, grain, Includes: Ref. 11 and 12
11	1302601C2	14	STEM, ROD concave, 1/4 x 29 in. long
12	193859C1	2	PLATE, concave, wire retaining
13	1318554C1	1	CONCAVE, ASSY., No. 2 and 3 small wire extension, Includes: Ref. 14
14	1318561C1	30	PIN, LARGE, small wire
13	1318552C1	2	CONCAVE, ASSY., No. 2 and 3 large wire extension, Includes: Ref. 14
14	1318560C1	14	PIN, LARGE, wire
15	410-7616		UAR BOLT, Hex Flg, 3/8"-16 x 1", Serr, G8, BOLT hex serrated flange, 3/8 NC x 1 in., grade 8
16	231-5146		UAR NUT, Flg, USR, 3/8"-16,
	1300673C91	1	PACKAGE, KIT concave filler, small wire, set of 6, Includes: Ref. 18
18	1309425C1	6	CHANNEL, concave filler, small wire
	1300716C91	1	CHANNEL, KIT concave filler, large wire set of 6, Includes: Ref. 18
18	1309424C1	6	CHANNEL, concave filler, large wire
19	191536C1	7	CHANNEL, grate adjusting, corn
19	191536C1	21	CHANNEL, grate adjusting, grain
20	135270		UAR BOLT, Slotted Tr Hd, 5/16"-18 x 3/4", slotted truss head, 5/16 NC x 3/4 in.
21	231-5145		UAR NUT, Flg, USR, 5/16"-18,
22	191538C3	3	GRATE ASSY., slotted
22	191538C3	1	GRATE ASSY., slotted, corn, if equipped
22	1302562C1	1	DIA KIT, HARVESTER, keystack
22	1319750C1	1	GRATE, smooth, sunflower seed
23	410-7616		UAR BOLT, Hex Flg, 3/8"-16 x 1", Serr, G8, BOLT hex serrated flange, 3/8 NC x 1 in., grade 8
24	410-7620		UAR BOLT, Hex Flg, 3/8"-16 x 1 1/4", Serr, BOLT hex serrated flange, 3/8 NC x 1-1/4 in., grade 8
25	231-5146		UAR NUT, Flg, USR, 3/8"-16,
26	1324046C3		UAR BAR, concave, interrupter, small wire

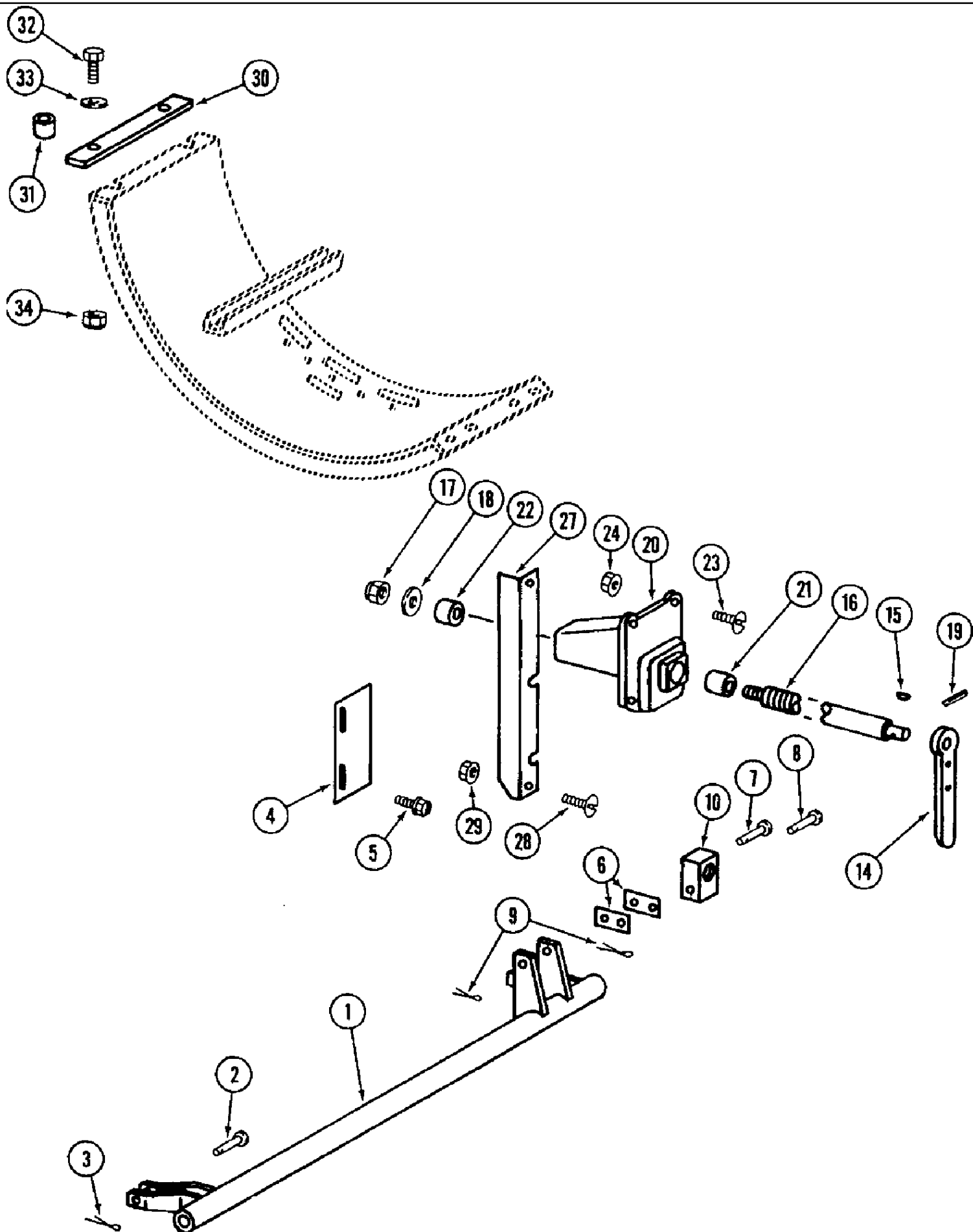


B923053

## 9B-30 CONCAVES, ANCHOR SUPPORTS

сылка	Номер детали	Кол-во	Описание
1	1338040C2	1	SUPPORT, concave anchor, rear
1	1338039C2	1	SUPPORT, concave anchor, front
2	1338052C1	5	SCREW, BOLT hex flange, self locking, special, 5/8 NC x 1-1/2 in.
3	232-51310	5	NUT, Flg, USR, 5/8"-12, hex serrated flange, 5/8 in. NC, grade 8
3	1338079C1	5	NUT, hex flange, self locking, special, 5/8 in. NC
4	1317229C1	1	SUPPORT, concave, right hand
5	1302142C1	6	SCREW, BOLT hex flange, special, 1/2 NC x 1-1/4 in.
6	231-5148	6	NUT, Flg, USR, 1/2"-13,
7	1317233C1	2	SUPPORT, concave strap
8	426-848	2	BOLT, Hex, 1/2"-13 x 3", G8,
9	396-41053	2	WASHER, 17/32" x 1 1/4" x .188", HDN, flat, hardened, 17/32 x 1-1/4 x 3/16 in.
10	232-4118	2	NUT, LOCK, 1/2"-13, GC,
11	195255C1	1	PIPE, concave control
12	396-21066	10	WASHER, 21/32" x 1 5/16" x .150", HDN, flat, hardened, 21/32 x 1-5/16 x 5/32 in.
14	1317280C1	6	BOLT, EYE concave
15	425-108	12	NUT, 1/2"-13, G5,
16	193790C3	1	TUBE, PIPE concave control
17	1318433C1	1	SUPPORT, concave anchor
18	410-7616	12	BOLT, Hex Flg, 3/8"-16 x 1", Serr, G8, BOLT hex serrated flange, 3/8 NC x 1 in., grade 8
19	231-5146	12	NUT, Flg, USR, 3/8"-16,
20	439-1823	2	PIN, HEADED, 1/2" x 1 7/16", headed, 1/2 x 1-7/16 in., grade 2
21	586591R1	2	PIN, SPLIT (COTTER), hair, 1/8 in.
24	1317660C1	1	SUPPORT, concave indicator
25	937059R1	2	SCREW, Slt'd Serr Truss Hd, 1/4"-20 x 1/2", slotted truss head, 1/4 NC x 1/2 in.
26	231-5144	2	NUT, Flg, USR, 1/4"-20,
27	1317348C1	1	BOLT, EYE concave adjusting
28	25933R1	1	NUT, Jam, 1/2"-13, G8, hex, jam, 1/2 in. NC
29	1317349C1	1	SUPPORT, BRACKET concave, adjusting, eyebolt
30	425-108	8	NUT, 1/2"-13, G5,
33	192890C2	2	HUB, concave control shaft
34	413-824	4	BOLT, Hex, 1/2"-13 x 1 1/2", G5, Full Thd, hex, 1/2 NC x 1-1/2 in.
35	231-5148	4	NUT, Flg, USR, 1/2"-13,
36	1317388C1	1	BAR, concave support
38	177662C2	2	EYEBOLT, EYE anchor support
39	434-824	2	BOLT, CARRIAGE, Short NK, 1/2"-13 x 1 1/2", G5, Full Thd, 1/2 NC x 1-1/2 in.
40	496-21053	4	WASHER, 17/32" x 1 1/16" x .134", Hardened
41	80679	2	WASHER, LOCK, 1/2",

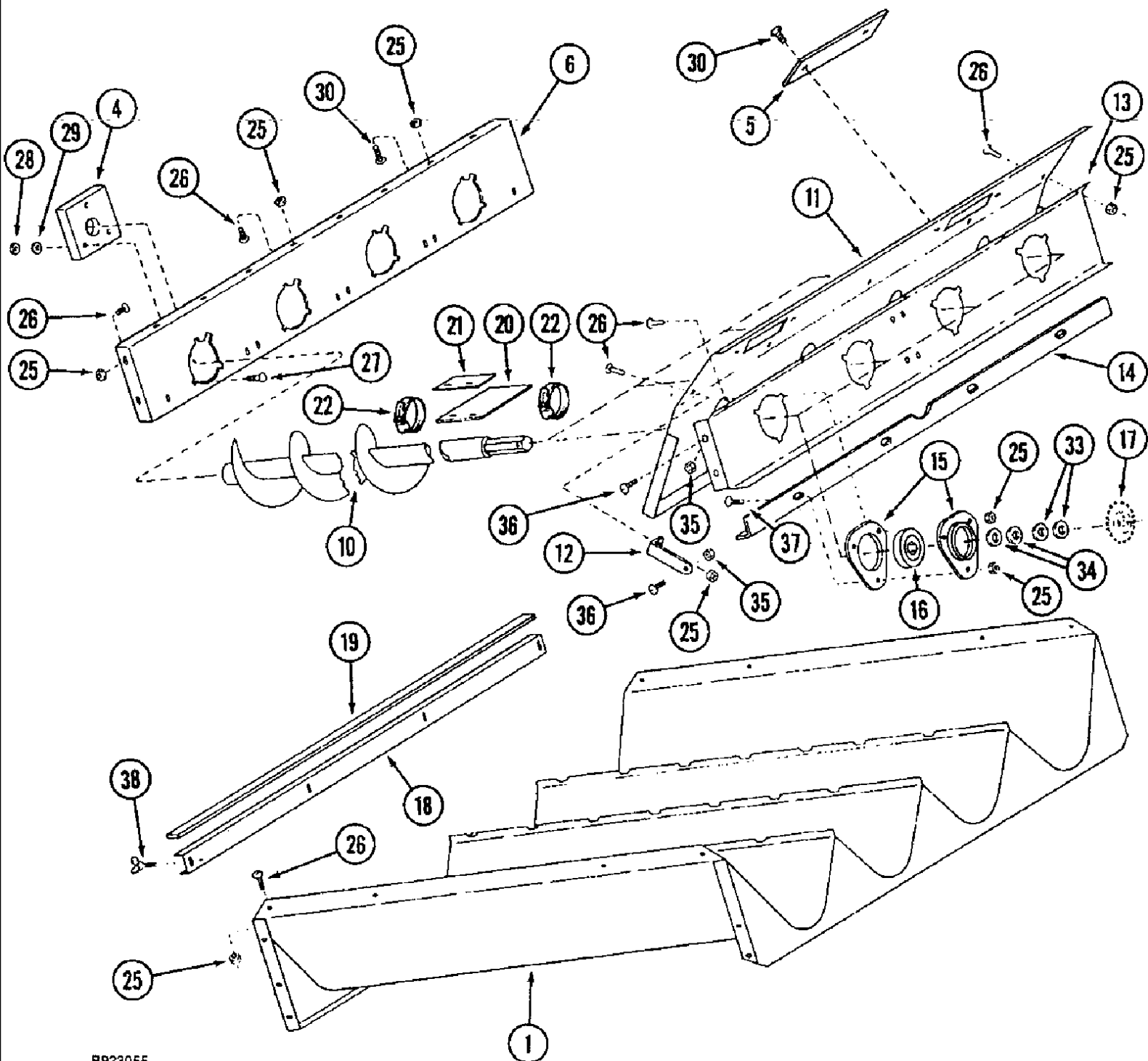
9B-32 CONCAVES, CONTROL



## 9B-32 CONCAVES, CONTROL

сылка	Номер детали	Кол-во	Описание
1	191423C1	1	LEVER ASSY., concave control
2	439-1823	2	PIN, HEADED, 1/2" x 1 7/16", headed, 1/2 x 1-7/16 in., grade 2
3	432-1216	2	PIN, SPLIT (COTTER), 3/16" x 1", 3/16" x 1"
4	188168C1	1	PLATE, concave indicator
5	276-1458	2	SCREW, SELF TAPPING, Hex Hd, #10 x 1/2", hex head, self tapping, No. 10 NC x 1/2 in.
6	192888C1	2	PLATE, concave control upper
7	439-1848	1	PIN, HEADED, 1/2" x 3", headed, 1/2 x 3 in., grade 2
8	439-1838	1	PIN, HEADED, 1/2" x 2 3/8", headed, 1/2 x 2-3/8 in. grade 2
9	432-1216	2	PIN, SPLIT (COTTER), 3/16" x 1", 3/16" x 1"
10	192886C1	1	NUT, concave control, adjusting, special
14	170282C1	1	HANDLE, concave control
15	126-116	1	KEY, WOODRUFF, #9, 3/16" x 3/4", HT,
16	192885C1	1	SHAFT, concave adjusting
17	231-14110	1	NUT, LOCK, 5/8"-11, GB, hex, self locking, 5/8 in. NC
18	396-11066	2	WASHER, 21/32" x 1 5/16" x .095", HDN, flat, hardened, 21/32 x 1-5/16 x 3/32 in.
19	38-11620	1	PIN, 1/4" x 1 1/4", Slotted, 1/4" x 1 1/4", Slotted
20	192883C93	1	SUPPORT, HOUSING ASSY., concave control, Includes: Ref. 21 and 22
21	551068R1	1	BUSHING, concave control, housing
22	568921R1	1	BUSHING, concave control, housing
23	179464C1	4	SCREW, Sltd Serr Truss Hd, 3/8"-16 x 1 1/4", slotted truss head, special, 3/8 NC x 1-1/4 in.
24	231-5146	4	NUT, Flg, USR, 3/8"-16,
27	182577C1	1	ANGLE, BRACKET mounting, control housing
28	477-73812	2	SCREW, Sltd Serr Truss Hd, 3/8" x 3/4", slotted truss head, special, 3/8 NC x 3/4 in.
29	231-5146	2	NUT, Flg, USR, 3/8"-16,
30	186784C2	3	BAR, grate hanger
31	600179R1	6	SPACER, 1/2" X-Strng Pipe x 9/16", Grate and cage bar
32	326-832	6	BOLT, Hex, 1/2"-13 x 2", G8,
33	496-21053	5	WASHER, 17/32" x 1 1/16" x .134", Hardened
34	232-4118	6	NUT, LOCK, 1/2"-13, GC,

9B-34 AUGER BED



B923055

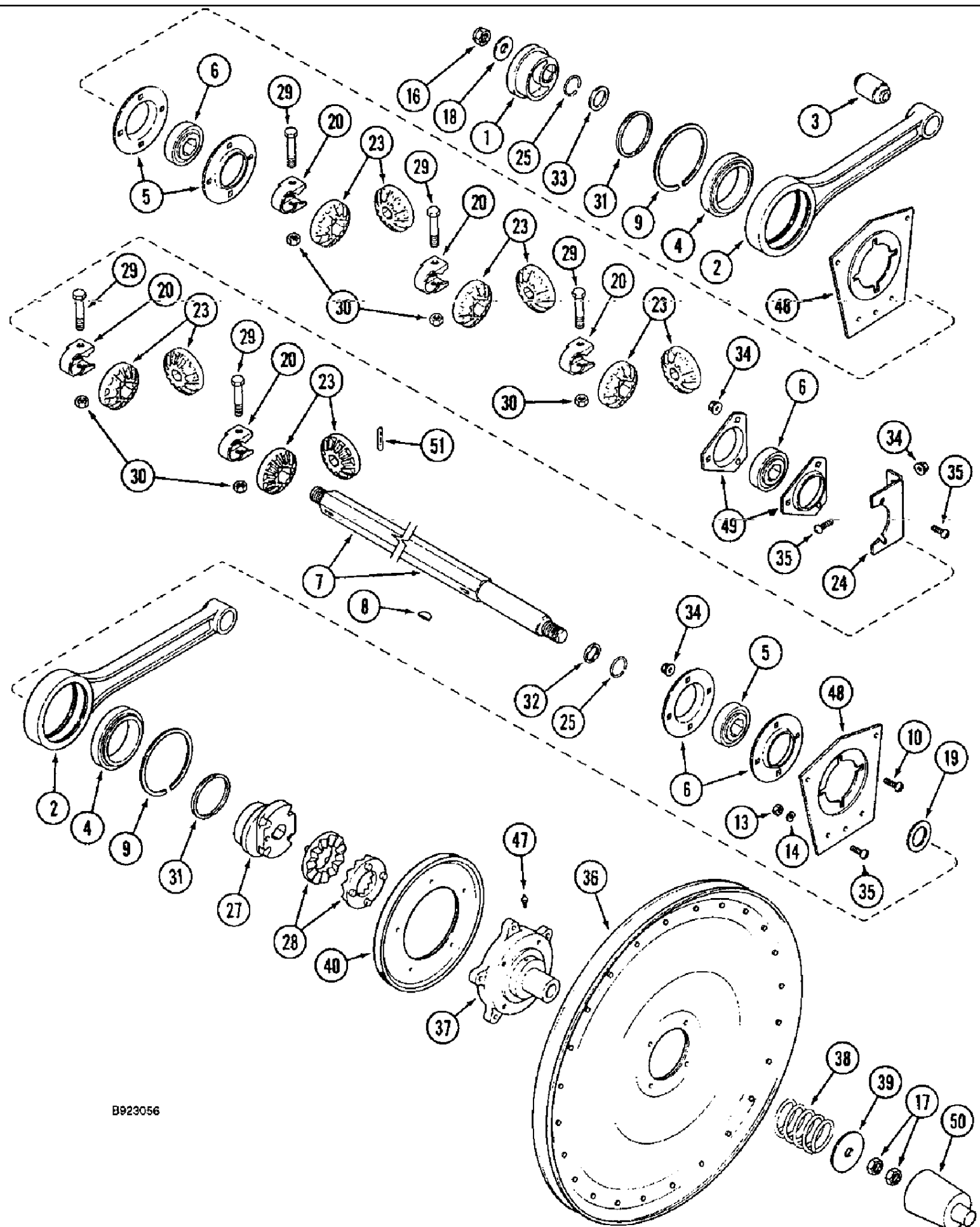


## 1666 CASE IH AXIAL-FLOW COMBINE (1/93-12/94)

## 9B-34 AUGER BED

сылка	Номер детали	Кол-во	Описание
1	185038C5	1	BOTTOM, TROUGH auger
4	193414C2	4	BOARD, front auger bearing
5	1319548C1	2	BAR, COVER grain sensor
6	1345013C3	1	SUPPORT, center, front auger
10	1308541C1	4	AUGER, right hand rotation
11	1321373C1	1	PLATE, PANEL filler, rotor to auger drive, support
12	193554C1	2	SUPPORT, pan
13	1309225C1	1	SUPPORT, auger drive gear
14	188359C1	1	ANGLE, auger support stiffener
15	571424R1	8	FLANGE, bearing, auger
16	195293C91	4	BEARING, BALL, auger drive
17	REF	1	INSTRUCTION, GEAR auger drive bevel, matched set, see Fig. 9B-36
18	1319163C91	1	COVER, auger trough cleanout, Includes: Ref. 19
19	1309426C1	1	STRIP, cleanout trough cover
20	1302112C1	1	STRIP, PLATE auger bed grain spreader
21	1302113C1	1	BAR, grain spreader plate, strip
22	214-1428	2	CLAMP, HOSE, #28, 1.31/2.25 Type F Worm, Adjustable
25	231-5145	75	NUT, Flg, USR, 5/16"-18,
26	135270	58	BOLT, Slotted Tr Hd, 5/16"-18 x 3/4", slotted truss head, 5/16 NC x 3/4 in.
27	433-636	12	BOLT, CARRIAGE, Short NK, 3/8"-16 x 2 1/4", G5, 3/8 NC x 2-1/4 in.
28	232-4136	12	NUT, LOCK, 3/8"-16, GC,
29	495-11041	12	WASHER, 3/8", SAE, Flat, (13/32 x 13/16 x 1/16")
30	477-73108	13	SCREW, Sltd Serr Truss Hd, 5/16"-18 x 1/2", slotted truss head, 5/16 NC x 1/2 in.
33	495-81191	8	WASHER, 1 5/32" x 2" x .060", flat, 1-5/32 x 2 x 3/64 in.
34	495-11106	8	WASHER, 1", SAE, flat, 1-1/16 x 2 x 1/8 in.
35	231-5146	7	NUT, Flg, USR, 3/8"-16,
36	477-73816	4	SCREW, Sltd Serr Truss Hd, 3/8" x 1", Special
37	161945C1	4	SCREW, Sltd Serr Truss Hd, 5/16"-18 x 1", slotted truss head, 5/16 NC x 1 in.
38	166667C1	4	SCREW, BOLT wing, cleanout cover

9B-36 SHAKER SHAFT AND AUGER DRIVE



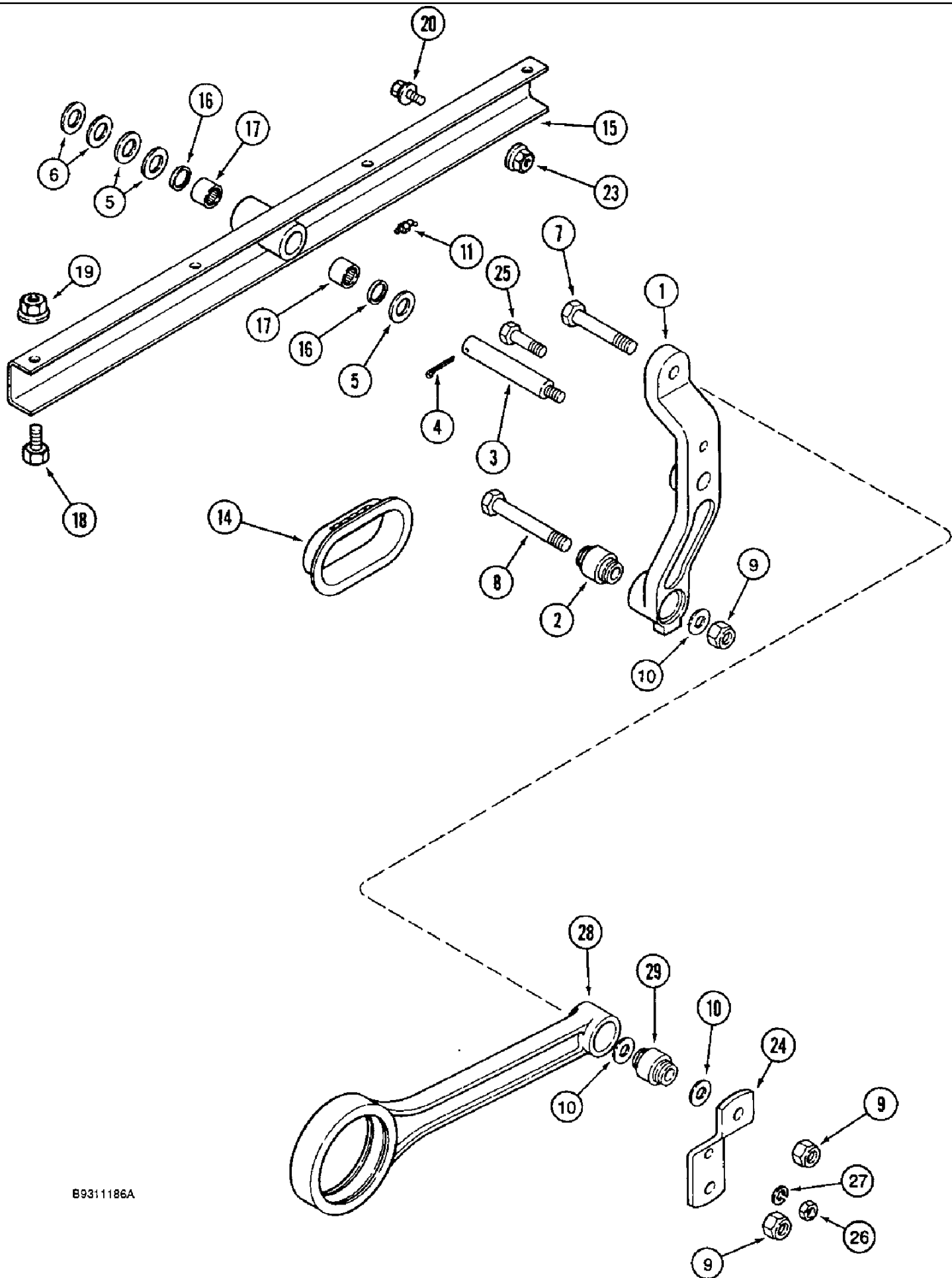
B923056

## 1666 CASE IH AXIAL-FLOW COMBINE (1/93-12/94)

## 9B-36 SHAKER SHAFT AND AUGER DRIVE

сылка	Номер детали	Кол-во	Описание
1	1322573C1	1	CAM, shaker shaft, pitman drive, left hand
2	1989251C1	2	ARM, PITMAN shaker shaft, Includes: Ref. 3
3	1979383C1	1	BUSHING, shaker shaft
4	1345226C1	2	BEARING, BALL, ball, pitman shaker shaft
5	156816C91	3	BEARING, BALL, ball, shaker shaft
6	181383C1	4	FLANGE, bearing, shaker shaft
7	1970192C1	1	SHAFT, shaker
8	126-124	2	KEY, WOODRUFF, #15, 1/4" x 1", HT,
9	1322624C1	2	RETAINER, RING internal, pitman bearing, 5-1/8 in.
10	477-73816	8	SCREW, Slt'd Serr Truss Hd, 3/8" x 1", Special
13	425-106	8	NUT, 3/8"-16, G5,
14	492-11038	16	WASHER, LOCK, 3/8",
16	232-41112	1	NUT, LOCK, 3/4"-10, GC,
17	425-1412	2	NUT, Jam, 3/4"-10, G5, hex, jam, 3/4 in. NC
18	1979580C1	1	WASHER, shaker cam
19	495-81215	1	WASHER, 1 13/32" x 2 1/4" x .120", flat, 1-13/32 x 2-1/4 x 7/64 in.
20	225265R1	5	CLAMP, auger bed gear
23	1300639C1	5	GEAR-SET, auger drive, set of two, 14 teeth
24	186589C1	1	SUPPORT, center bearing, auger drive
25	575186R1	2	RING, LOCKING, retaining, shaker shaft, pitman
27	1322574C1	1	CAM, shaker shaft, pitman drive, right hand
28	B12170	2	RATCHET, clutch, shaker shaft drive slip clutch
29	413-840	5	BOLT, Hex, 1/2"-13 x 2 1/2", G5, hex, 1/2 NC x 2-1/2 in.
30	231-4118	5	NUT, LOCK, 1/2"-13, GB, hex, self locking, 1/2 in. NC
31	1979190C1	2	RETAINER, RING
32	1979191C1	1	WASHER, flat, 1-1/5 x 1-1/4 x 1/8 in.
33	1330336C1	1	WASHER, flat, special, 29/32 x 1-1/4 x 1/8 in.
34	231-5146	5	NUT, Flg, USR, 3/8"-16,
35	477-73812	8	SCREW, Slt'd Serr Truss Hd, 3/8" x 3/4", slotted truss head, special, 3/8 NC x 3/4 in.
36	REF	1	INSTRUCTION, PULLEY shaker shaft driven, right hand drive, see Fig. 9A-4
37	1303136C1	1	HUB, drive slip clutch, shaker shaft
38	19302K	1	SPRING, shaker shaft drive slip clutch
39	388418C1	1	WASHER, special, slip clutch retainer
40	566516R91	1	PULLEY ASSY., drive, straw spreader drive, 9-3/4 in. O.D.
47	219-87	1	NIPPLE, LUBE, 1/4"-28 x .56" lg, Self-Tap,
48	1302221C1	2	RETAINER, shaker shaft
49	180955C1	2	FLANGE, bearing, center shaker shaft bearing
50	182544C1	1	SHIELD, shaker shaft spring,
51	38-32032	4	PIN, 5/16" x 2", Coiled, 5/16" x 2", Coiled

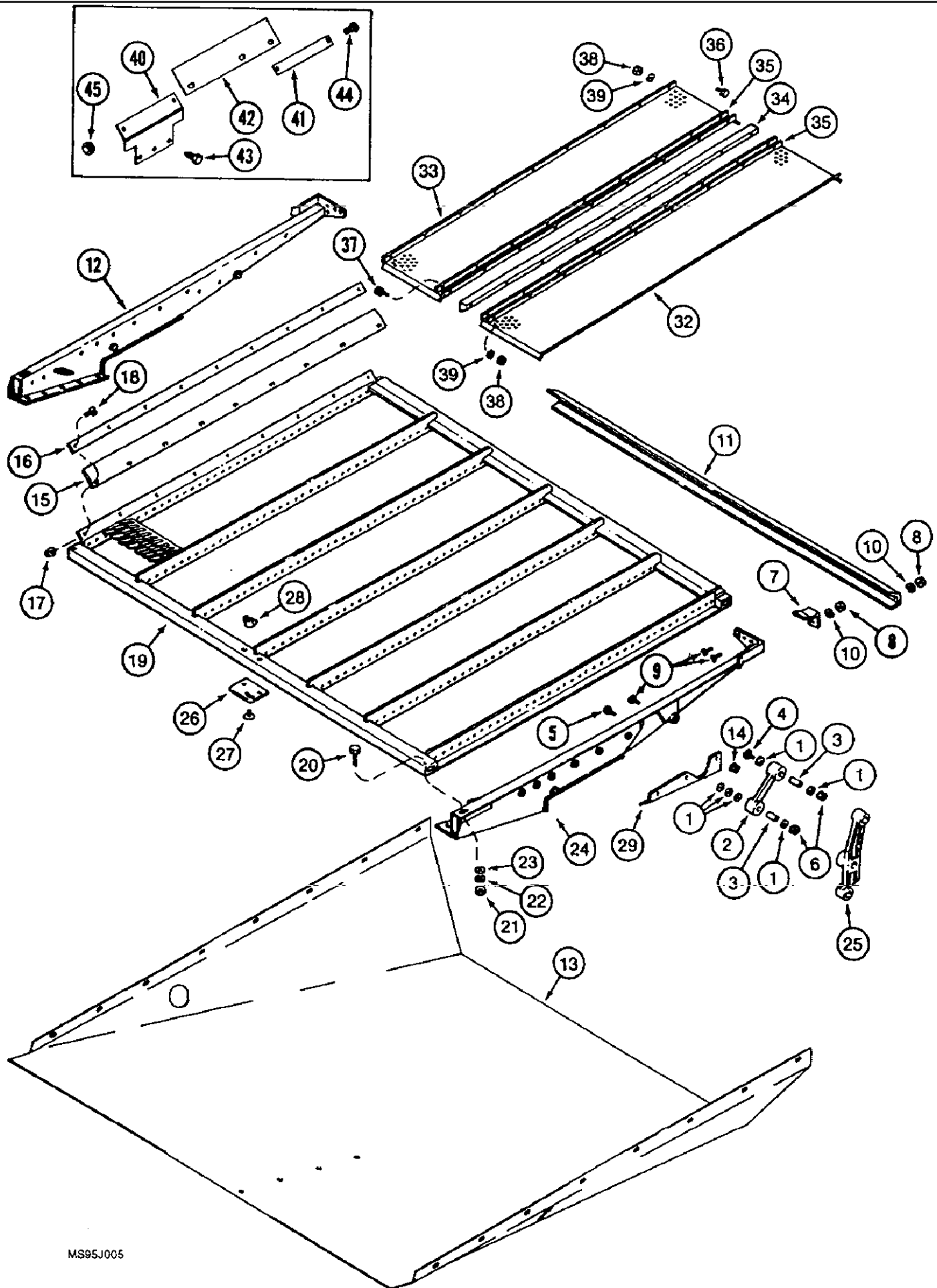
9B-38 CHAFFER DRIVE HANGER LEVER AND SUPPORT



B9311186A

## 9B-38 CHAFFER DRIVE HANGER LEVER AND SUPPORT

сылка	Номер детали	Кол-во	Описание
1	1957467C2	2	LEVER, chaffer drive hanger , BSN JJC0106005
1	1957467C3	2	LEVER, chaffer drive hanger , ASN JJC0106005
2	1330323C2	1	BUSHING, chaffer drive hanger arm, 5/8 x 1-1/2 x 2-57/64 in.
3	1979251C1	1	SHAFT, hanger arm
4	432-1228	2	PIN, SPLIT (COTTER), 3/16" x 1 3/4",
5	495-81057	6	WASHER, 29/32" x 1 1/2" x .120", flat, 29/32 x 1-1/2 x 7/64 in.
6	495-81056	4	WASHER, 29/32" x 1 1/2" x .060", flat, 29/32 x 1-1/2 x 3/64 in.
7	426-1072	2	BOLT, Hex, 5/8"-11 x 4 1/2", G8, BOLT hex, 5/8 NC x 4-1/2 in., grade 8, used with 1957462C1 pitman stabilizer bar
7	326-1076	2	BOLT, Hex, 5/8"-11 x 4 3/4", G8, Used with 131198A1 Pitman stabilizer bar
8	426-1084	2	BOLT, Hex, 5/8"-11 x 5 1/4", G8, BOLT hex, 5/8 NC x 5-1/4 in., grade 8
9	232-41110	6	NUT, LOCK, 5/8"-11, GC,
10	169256C2	6	WASHER, flat, special, 41/64 x 1-1/4 x 1/8 in.
11	219-90	2	NIPPLE, LUBE, 45c, 1/4" NPT x .80" lg, Drive, grease, 45 deg., 1/4-28 special taper x 13/16 in.
14	1302644C2	2	SEAL, chaffer rail, front pivot
15	186651C91	2	SUPPORT ASSY., front hanger, Includes: Ref. 16 and 17
16	372756R91	2	SEAL, support bearing, hanger support
17	G10642	2	BEARING, NEEDLE, needle, front hanger support
18	413-816	12	BOLT, Hex, 1/2"-13 x 1", G5, Full Thd,
19	231-5148	12	NUT, Flg, USR, 1/2"-13,
20	409-7512	2	BOLT, Hex Flg, 5/16"-18 x 3/4", Serr,
23	231-5145	2	NUT, Flg, USR, 5/16"-18,
24	1957462C1	2	BAR, pitman stabilizer , BSN JJC0106005
24	131198A1	2	BRACKET, pitman stabilizer , ASN JJC0106005
25	413-828	2	BOLT, Hex, 1/2"-13 x 1 3/4", G5,
26	425-108	2	NUT, 1/2"-13, G5,
27	80679	2	WASHER, LOCK, 1/2",
28	1989251C1	2	ARM, PITMAN, shaker shaft, Includes: Ref. 29
29	1979383C1	1	BUSHING, chaffer drive hanger arm



## 1666 CASE IH AXIAL-FLOW COMBINE (1/93-12/94)

## 9B-40 SHOE SIEVE

сылка	Номер детали	Кол-во	Описание
1	169256C2	12	WASHER, flat, special, 41/64 x 1-1/4 x 1/8 in.
2	1957450C1	2	ARM, HANGER shoe, front, Includes: Ref. 3
3	1330324C1	2	BUSHING, front hanger
4	433-1064	2	BOLT, CARRIAGE, Short NK, 5/8"-11 x 4", G5, BOLT carriage, 5/8 NC x 4 in.
5	326-1080	2	BOLT, Hex, 5/8"-11 x 5", G8,
6	232-41110	4	NUT, LOCK, 5/8"-11, GC,
7	182684C2	2	CLIP, shoe, front support
8	425-105	8	NUT, 5/16"-18, G5,
9	135270	26	BOLT, Slotted Tr Hd, 5/16"-18 x 3/4", slotted truss head, 5/16 NC x 3/4 in.
10	492-11031	8	WASHER, LOCK, 5/16",
11	1319238C1	1	ANGLE, BRACKET shoe sieve
12	1979900C3	1	RAIL ASSY., SUPPORT shoe, side, left hand
13	1979210C1	1	HOUSING, PAN bottom
14	231-5145	18	NUT, Flg, USR, 5/16"-18,
15	1325324C1	2	SEAL, shoe sieve, for shoe seal extension kit, see Refs. 40 thru 45
16	1325325C1	2	RETAINER, shoe sieve seal
17	231-5144	18	NUT, Flg, USR, 1/4"-20,
18	937059R1	18	SCREW, Sltd Serr Truss Hd, 1/4"-20 x 1/2", slotted truss head, 1/4 NC x 1/2 in.
19	1325323C5	1	SIEVE, GRAIN, shoe, 1-1/8 in. slat, replaces 1325323C4
19	1994961C4	1	SIEVE, GRAIN, shoe, 1-5/8 in. slat, replaces 1994961C3
19	1970358C4	1	SIEVE shoe, 18 mm round holes, replaces 1994961C2
19	129935A1	1	SIEVE, GRAIN, shoe, 13 mm round holes
19	129936A1	1	SIEVE, GRAIN, shoe, 10 mm round holes
19	129937A1	1	SIEVE, GRAIN, shoe, 5 mm round holes
19	129938A1	1	SIEVE, GRAIN, shoe, 2.5 mm round holes
20	426-616	2	BOLT, Hex, 3/8"-16 x 1", G8, Full Thd,
21	429-106	2	NUT, 3/8"-16, G8, hex, 3/8 in. NC, grade 8
22	495-81129	2	WASHER, 13/32" x 3/4" x .120", flat, 13/32 x 3/4 x 7/64 in.
23	492-11038	2	WASHER, LOCK, 3/8",
24	1979901C4	1	RAIL ASSY., SUPPORT shoe side, right hand, replaces 1979901C3
25	1957460C2	1	LEVER, ASSY., shoe, see Fig. 9B-44 Ref. 30 for bushing
26	186675C1	1	INDICATOR, shoe lever
27	434-48	1	BOLT, CARRIAGE, Short NK, 1/4"-20 x 1/2", G5, Full Thd,
28	126177	1	DISC, 1/4 in. NC
29	1325320C1	1	SUPPORT ASSY., forward shoe, left hand
29	1325321C1	1	SUPPORT, forward shoe, right hand
32	1319285C1	2	SCREEN, perforated side section
33	1319286C1	2	SCREEN, perforated mid section
34	1319284C1	1	BAR, wood spacer
35	1319300C1	8	BAR, screen fastener backing
36	413-412	18	BOLT, Hex, 1/4"-20 x 3/4", G5, Full Thd,
38	425-104	27	NUT, 1/4"-20, G5,
39	492-11025	27	WASHER, LOCK, 1/4",
	197493A1	1	PACKAGE, KIT shoe extension, Includes: Ref. 40 thru 45
40	187187A1	2	PLATE, shoe rail extension

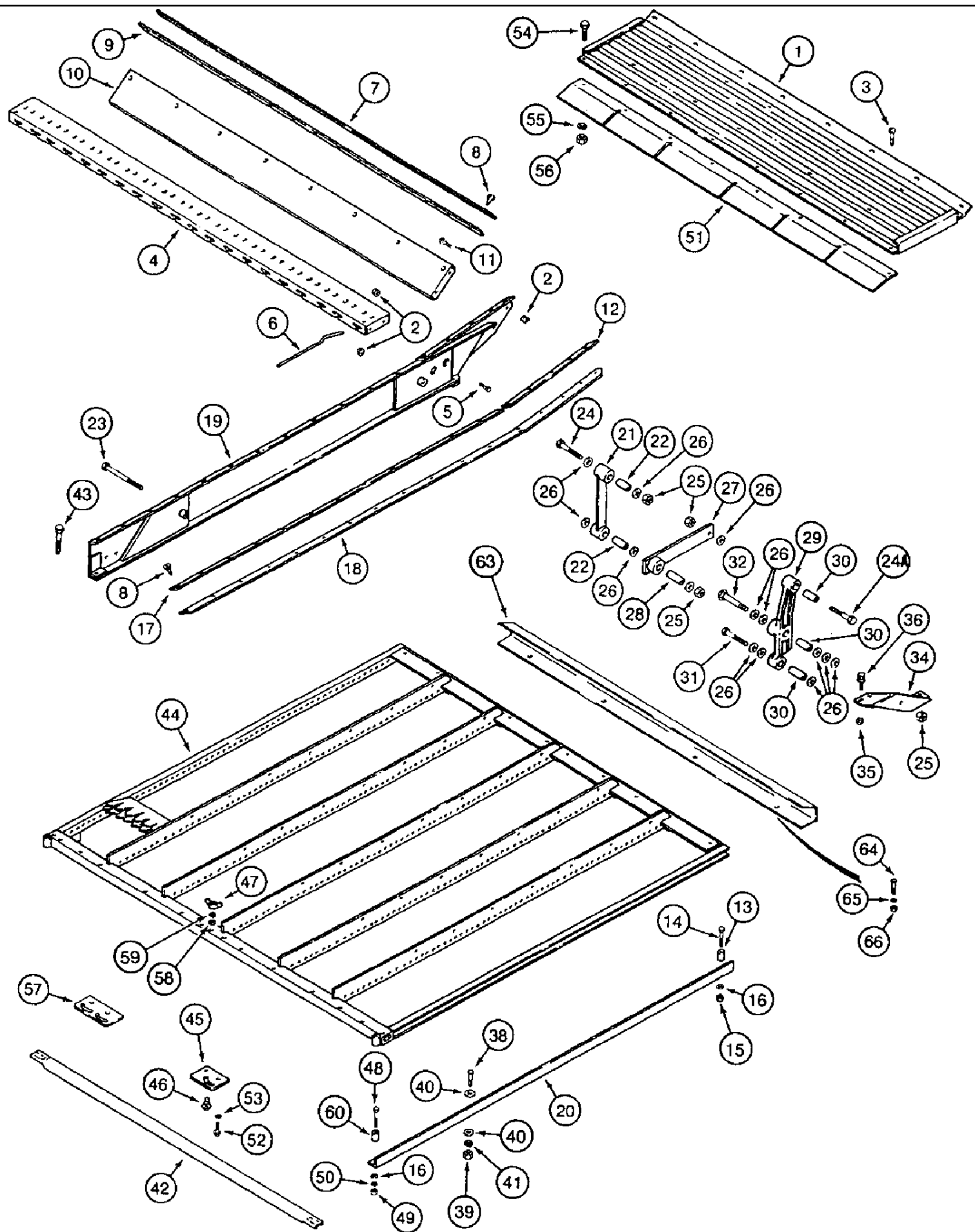
## 1666 CASE IH AXIAL-FLOW COMBINE (1/93-12/94)

## 9B-40 SHOE SIEVE

сылка	Номер детали	Кол-во	Описание
41	187204A1	2	BAR, shoe sieve seal extension
42	187207A1	2	SEAL, shoe sieve
43	199953C1	4	SCREW, SELF TAPPING, Hex Wash Hd, 5/16"-18 x 13/16",
44	477-82512	6	SCREW, Sltd Serr Truss Hd, 1/4"-20 x 3/4", serrated slotted truss head, 1/4 NC x 3/4 in.
45	231-5144	6	NUT, Flg, USR, 1/4"-20,
37	413-420	9	BOLT, Hex, 1/4"-20 x 1 1/4", G5,



9B-44 CHAFFER SIEVE



## 1666 CASE IH AXIAL-FLOW COMBINE (1/93-12/94)

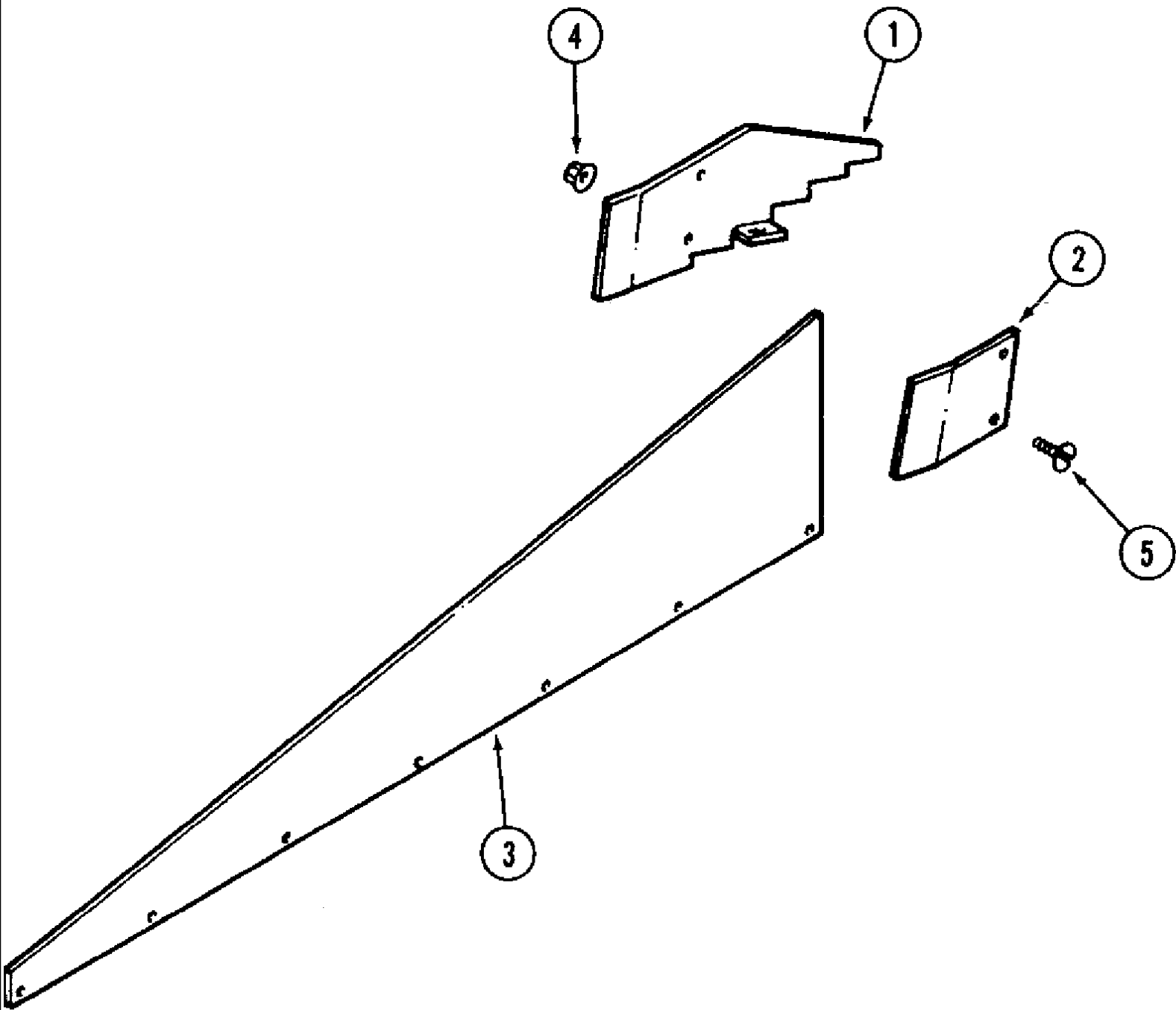
## 9B-44 CHAFFER SIEVE

сылка	Номер детали	Кол-во	Описание
1	192056C1	1	GRAIN PAN,
2	231-5145	24	NUT, Flg, USR, 5/16"-18,
3	477-73108	20	SCREW, Sltd Serr Truss Hd, 5/16"-18 x 1/2", slotted truss head, 5/16 NC x 1/2 in.
4	1312156C1	1	SUPPORT, chaffer pan
5	360-512	4	BOLT, Hex Flg, 5/16"-18 x 3/4", G8, Full Thd, BOLT hex flange, 5/16 NC x 3/4 in., grade 8
6	175114C1	20	FINGER, auger bed, short
6	1312476C1	20	FINGER, auger bed, long
7	192048C2	1	BAR, SEAL chaffer frame, front
8	281-1478	UAR	SCREW, SELF TAPPING, Hex Wash Hd, 1/4" x 1/2", self tapping, hex washer head, 1/4 NC x 1/2 in.
9	192047C1	1	SEAL, STRIP chaffer frame, front
10	192044C1	1	SUPPORT, chaffer frame
11	409-7512	8	BOLT, Hex Flg, 5/16"-18 x 3/4", Serr,
12	192052C2	2	BAR, chaffer frame seal, short
13	645342C1	2	SPACER, 5/8" Tube x 1", chaffer sieve support, front, 3/8 ID x 1 in.
14	426-636	2	BOLT, Hex, 3/8"-16 x 2 1/4", G8, BOLT hex, 3/8 NC x 2-1/4 in., grade 8
15	232-4136	2	NUT, LOCK, 3/8"-16, GC,
16	495-81138	4	WASHER, 13/32" x 1" x .179", flat, 13/32 x 1 x 11/64 in.
17	1325332C1	2	BAR, chaffer frame seal, long
18	1325331C1	2	STRIP, SEALING, chaffer frame
19	1979206C1	1	RAIL, chaffer, left hand
19	1979207C1	1	RAIL, chaffer, right hand
20	1325334C3	1	SUPPORT, chaffer support, right hand
20	1325333C3	1	SUPPORT, chaffer support, left hand
21	1957455C1	2	ARM, rear hanger, Includes: Ref. 22
22	1330324C1	2	BUSHING, front hanger
23	426-10112	2	BOLT, Hex, 5/8"-11 x 7", G8, BOLT hex, 5/8 NC x 7 in., grade 8
24	426-1064	2	BOLT, Hex, 5/8"-11 x 4", G8, BOLT hex, 5/8 NC x 4 in., grade 8
24A	426-1072	2	BOLT, Hex, 5/8"-11 x 4 1/2", G8, BOLT hex, 5/8 NC x 4-1/2 in., grade 8
25	232-41110	10	NUT, LOCK, 5/8"-11, GC,
25	425-1410	3	NUT, Jam, 5/8"-11, G5, hex, jam, 5/8 in. NC
26	169256C2	28	WASHER, flat, special, 41/64 x 1-1/4 x 1/8 in.
26	495-81057	2	WASHER, 29/32" x 1 1/2" x .120", flat, 29/32 x 1-1/2 x 7/64 in.
27	1330357C1	2	ARM, shoe, rear, Includes: Ref. 28
28	1330324C1	1	BUSHING, shoe arm
29	1957460C2	2	LEVER, ASSY., shoe, Includes: Ref. 30
30	1330323C2	3	BUSHING, shoe lever, 5/8 x 1-1/2 x 2-57/64 in.
31	426-1096	2	BOLT, Hex, 5/8"-11 x 6", G8, BOLT hex, 5/8 NC x 6 in., grade 8
32	433-1080	2	BOLT, CARRIAGE, Short NK, 5/8"-11 x 5", G5, BOLT carriage, 5/8 NC x 5 in.
34	1968827C1	1	SUPPORT, shoe lever, left hand
34	1968828C1	1	SUPPORT, shoe lever, right hand
35	231-5146	4	NUT, Flg, USR, 3/8"-16,
36	409-7612	4	BOLT, Hex Flg, 3/8"-16 x 3/4", Serr,
38	443-13116	UAR	SCREW, Cross Flat Hd, 5/16"-18 x 1",
39	425-105	2	NUT, 5/16"-18, G5,
40	495-81112	4	WASHER, .344" x 3/4" x .120", flat, 11/32 x 3/4 x 7/64

## 1666 CASE IH AXIAL-FLOW COMBINE (1/93-12/94)

## 9B-44 CHAFFER SIEVE

сылка	Номер детали	Кол-во	Описание
41	492-11031	2	WASHER, LOCK, 5/16",
42	1325336C2	1	BAR, PIPE chaffer support
44	1957314C6	1	SIEVE, GRAIN, close slat chaffer, 1-5/8 in. extended, replaces 1957314C5
44	1957316C5	1	SIEVE, GRAIN, adjustable chaffer, 1-1/8 in, extended, replaces 1957316C4
44	1957315C6	1	SIEVE, GRAIN, corn slat chaffer, 1-5/8 in. extended, replaces 1957315C5
44	1970516C6	1	SIEVE, GRAIN, Peterson extended chaffer, replaces 1970516C5
45	120668A1	1	PLATE, LARGE, chaffer lever, upper
46	412-48	3	BOLT, CARRIAGE, Short NK, 1/4"-20 x 1/2", G2, BOLT carriage, 1/4 NC x 1/2 in., grade 2
47	126177	3	DISC, 1/4 in. NC
48	326-644	2	BOLT, Hex, 3/8"-16 x 2 3/4", G8,
49	429-106	2	NUT, 3/8"-16, G8, hex, 3/8 in. NC, grade 8
50	492-11038	2	WASHER, LOCK, 3/8",
51	1319258C1	1	COVER, chaffer finger
52	1327799C1	2	SCREW, BOLT hex washer head, special, 3/8 NC x 1-1/4 in.
53	492-11038	2	WASHER, LOCK, 3/8",
54	413-412	8	BOLT, Hex, 1/4"-20 x 3/4", G5, Full Thd,
55	492-11025	8	WASHER, LOCK, 1/4",
56	425-104	8	NUT, 1/4"-20, G5,
57	120667A1	1	PLATE, chaffer lever, lower
58	495-21031	3	WASHER, 1/4", flat, 5/16 x 3/4 x 1/16 in.
59	492-11025	3	WASHER, LOCK, 1/4",
60	612233R1	2	SPACER, 5/8" Tube x 1 1/8", 13/32 x 5/8 x 1-3/16 in.
63	119997A1	1	DEFLECTOR, sieve
64	409-7412	4	BOLT, Hex Flg, 1/4"-20 x 3/4", Serr, BOLT hex serrated flange, 1/4 NC x 3/4 in.
65	495-81107	4	WASHER, .281" x 7/8" x .060", flat, 9/32 x 7/8 x 3/64 in.
66	231-5144	4	NUT, Flg, USR, 1/4"-20,



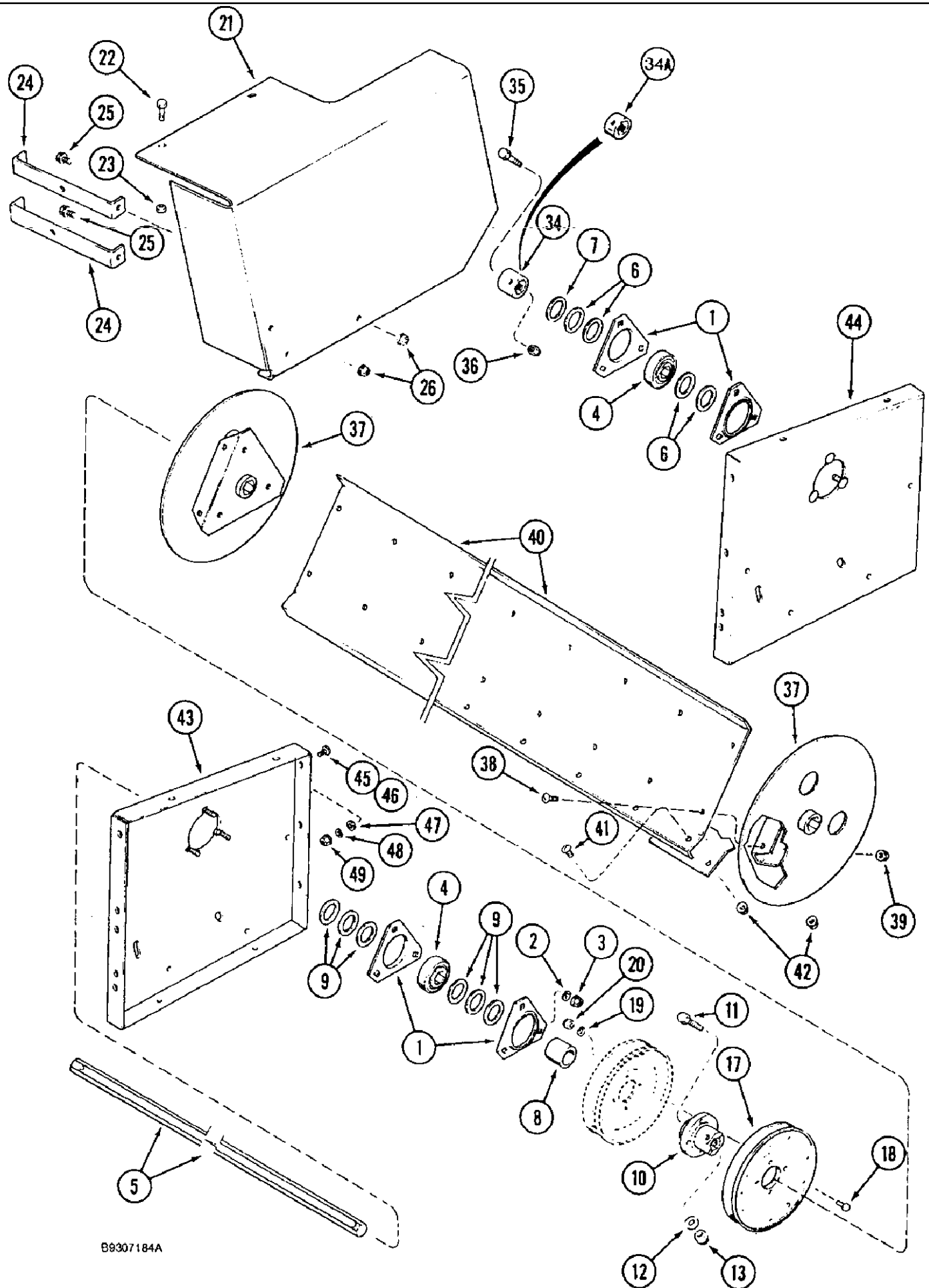
B923058

1666 CASE IH AXIAL-FLOW COMBINE (1/93-12/94)

9B-50 GRAIN PAN SIDE HILL DIVIDERS

сылка	Номер детали	Кол-во	Описание
	180771C91	3	KIT, KIT grain pan dividers, Includes: Ref. 1 and 5
1	185115C1	1	DIVIDER, chaffer pan, front
2	185116C1	1	RETAINER, chaffer divider
3	185114C1	1	DIVIDER, chaffer sieve
4	231-5144	11	NUT, Flg, USR, 1/4"-20,
5	937059R1	11	SCREW, Slt'd Serr Truss Hd, 1/4"-20 x 1/2", slotted truss head, 1/4 NC x 1/2 in.

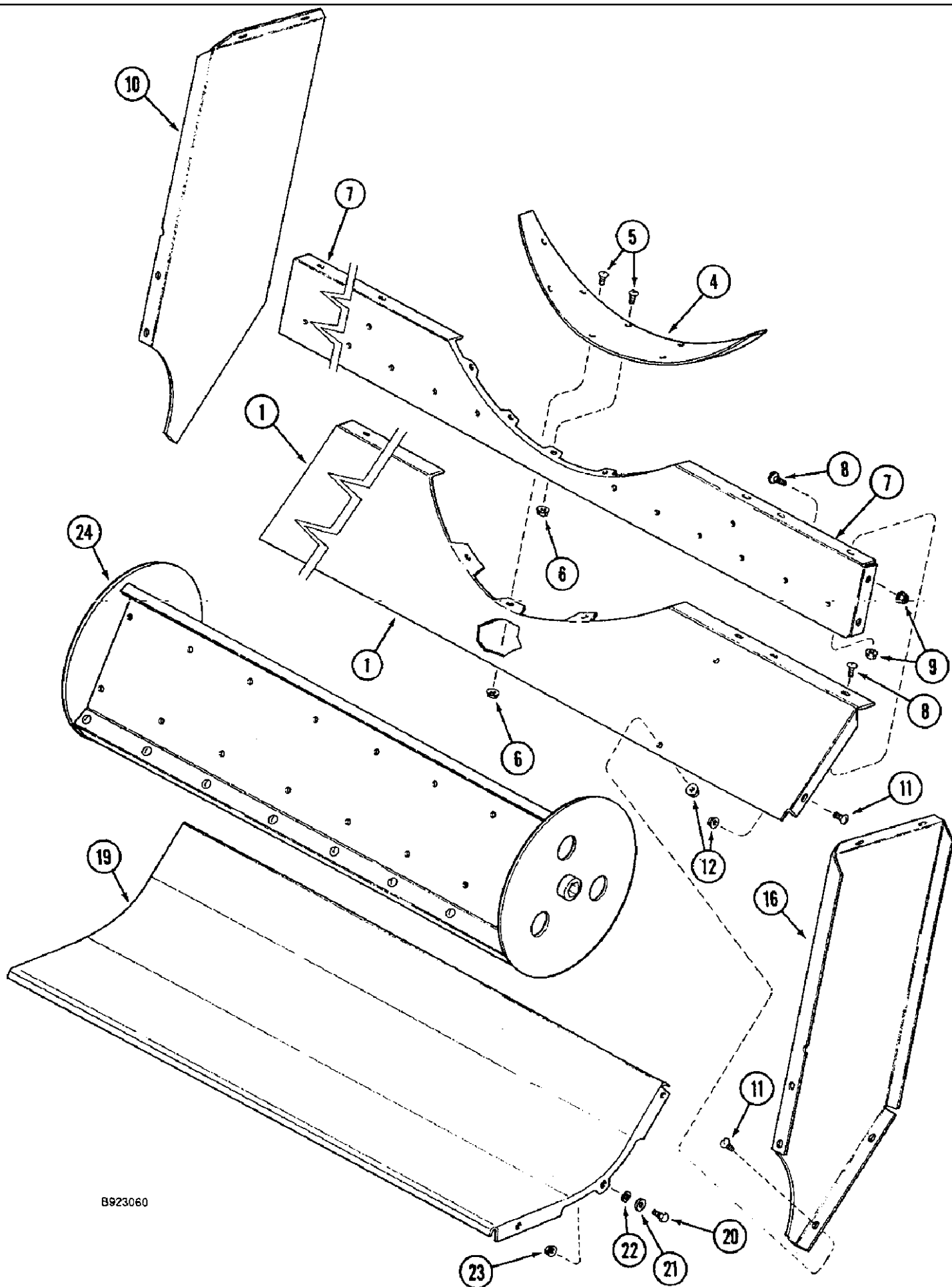
9C-02 DISCHARGE BEATER



B9307184A

## 9C-02 DISCHARGE BEATER

сылка	Номер детали	Кол-во	Описание
1	180955C1	4	FLANGE, bearing, beater
2	492-11038	6	WASHER, LOCK, 3/8",
3	425-106	6	NUT, 3/8"-16, G5,
4	156816C91	2	BEARING, BALL, ball, discharge beater
5	1302175C2	1	SHAFT, discharge beater, replaces 1302175C1
6	495-81211	4	WASHER, 1 11/32" x 2" x .120", flat, 1-11/32 x 2 x 7/64 inch
7	495-81210	1	WASHER, 1 11/32" x 2" x .060", flat, 1-11/32 x 2 x 3/64 inch
8	632147R1	1	SPACER, beater driven pulley
9	495-81211	3	WASHER, 1 11/32" x 2" x .120", flat, 1-11/32 x 2 x 7/64 inch
10	1319402C1	1	HUB, beater drive pulley
11	326-840	1	BOLT, Hex, 1/2"-13 x 2 1/2", G8,
12	396-21053	1	WASHER, 17/32" x 1 1/16" x .134", Hardened
13	232-4118	1	NUT, LOCK, 1/2"-13, GC,
17	195161C1	1	PULLEY, drive, 8-3/8 inch O.D., beater drive
18	413-516	4	BOLT, Hex, 5/16"-18 x 1", G5, Full Thd, hex, 5/16 NC x 1 inch
19	492-11031	8	WASHER, LOCK, 5/16",
20	425-105	4	NUT, 5/16"-18, G5,
21	195113C1	1	SUPPORT, beater drive
22	154273C1	2	BOLT, Hex Flg, 3/8"-16 x 1", Serr, BOLT hex, self locking, special 3/8 NC x 1 inch
23	231-5146	4	NUT, Flg, USR, 3/8"-16,
24	194760C1	2	SUPPORT, BRACKET beater drive shield
25	409-7612	4	BOLT, Hex Flg, 3/8"-16 x 3/4", Serr,
26	231-5146	4	NUT, Flg, USR, 3/8"-16,
34	1302104C1	1	HUB, beater, fixed
34A	117051A1	1	HUB, beater, fixed 20.3 mm
35	413-636	1	BOLT, Hex, 3/8"-16 x 2 1/4", G5,
36	231-4116	1	NUT, LOCK, 3/8"-16, GB, hex, self locking 3/8 inch NC
37	1319266C1	2	HUB, beater
38	477-73812	12	SCREW, Sltd Serr Truss Hd, 3/8" x 3/4", slotted truss head, special 3/8 NC x 3/4 inch
39	231-5146	12	NUT, Flg, USR, 3/8"-16,
40	1319269C1	3	SUPPORT, BLADE beater
41	477-73812	15	SCREW, Sltd Serr Truss Hd, 3/8" x 3/4", slotted truss head, special 3/8 NC x 3/4 inch
42	231-5146	15	NUT, Flg, USR, 3/8"-16,
43	181092C2	1	SUPPORT ASSY., beater, left hand
44	181093C2	1	SUPPORT, beater, right hand
45	413-616	13	BOLT, Hex, 3/8"-16 x 1", G5, Full Thd, hex, 3/8 NC x 1 inch
46	413-620	3	BOLT, Hex, 3/8"-16 x 1 1/4", G5, Full Thd, hex, 3/8 NC x 1-1/4 inch
47	495-11041	16	WASHER, 3/8", SAE, Flat, (13/32 x 13/16 x 1/16")
48	492-11038	16	WASHER, LOCK, 3/8",
49	425-106	16	NUT, 3/8"-16, G5,

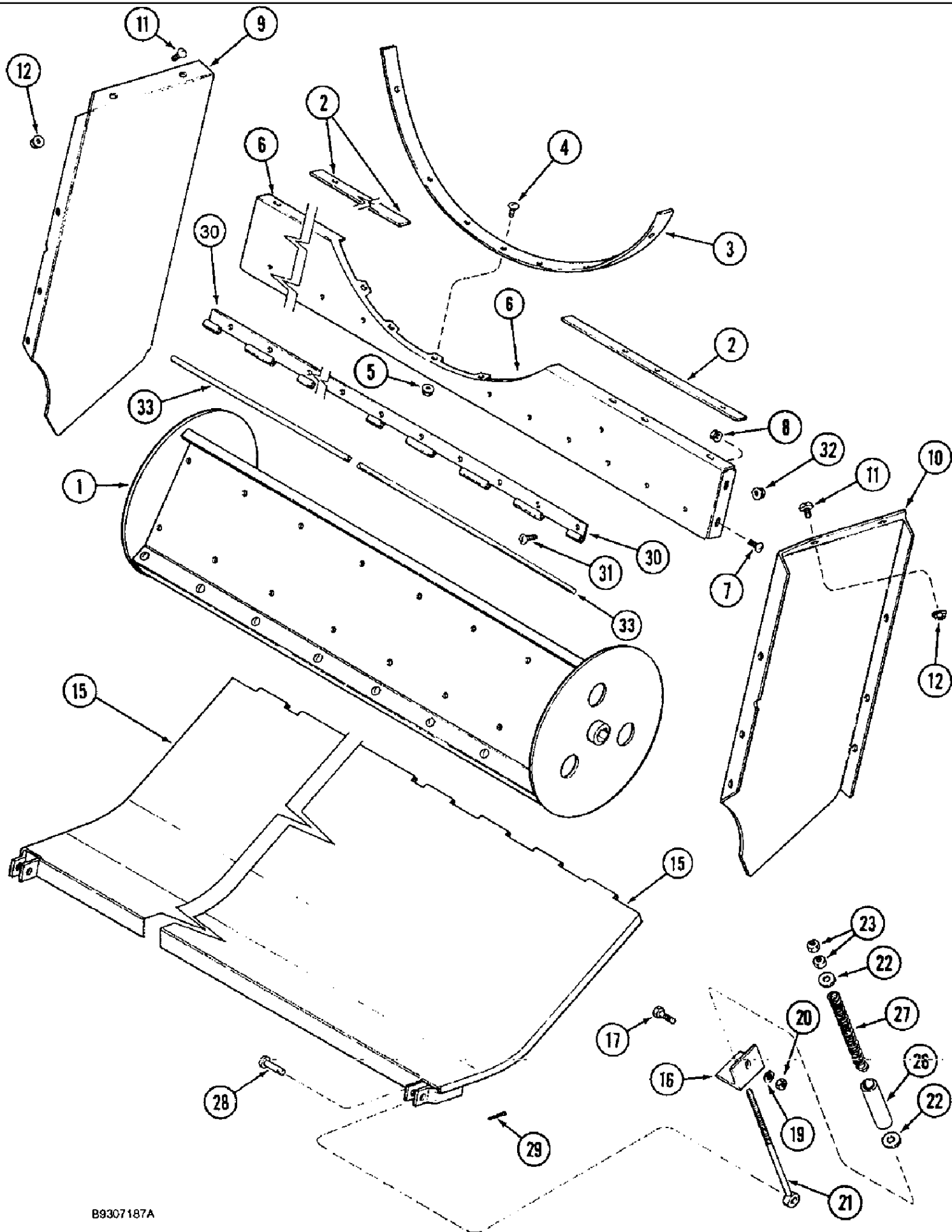


B923060



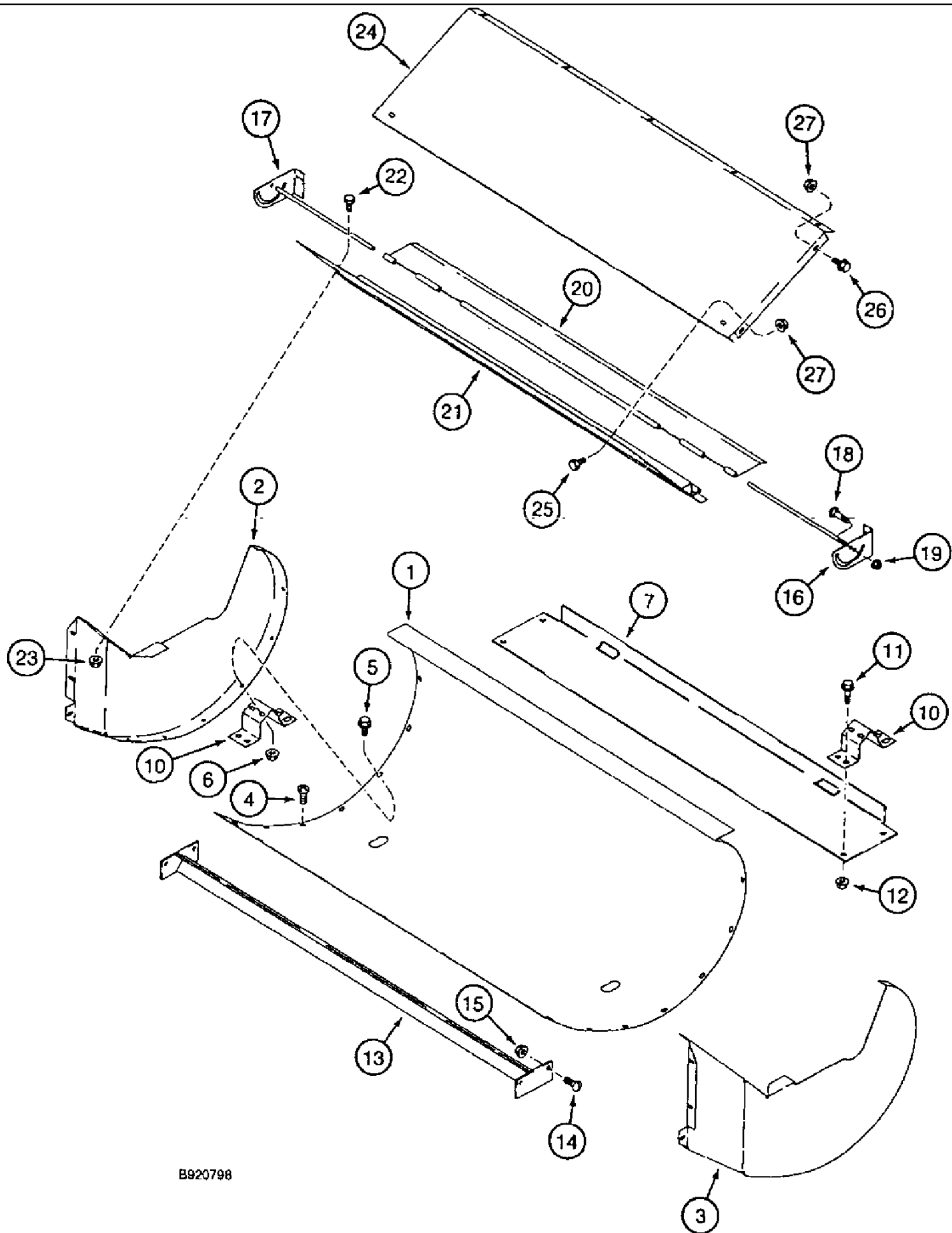
## 9C-04 DISCHARGE BEATER BOTTOM, CORN AND GRAIN, FIXED

сылка	Номер детали	Кол-во	Описание
1	192028C2	1	SUPPORT, beater discharge
4	193909C2	1	SUPPORT, beater pan, front
5	477-73812	9	SCREW, Sltd Serr Truss Hd, 3/8" x 3/4", slotted truss head, special 3/8 NC x 3/4 inch
6	231-5146	9	NUT, Flg, USR, 3/8"-16,
7	182929C1	1	SUPPORT, cage, lower rear housing
8	477-73812	10	SCREW, Sltd Serr Truss Hd, 3/8" x 3/4", slotted truss head, special 3/8 NC x 3/4 inch
9	231-5146	10	NUT, Flg, USR, 3/8"-16,
10	193452C1	1	DEFLECTOR, discharge, right hand
11	477-73812	12	SCREW, Sltd Serr Truss Hd, 3/8" x 3/4", slotted truss head, special 3/8 NC x 3/4 inch
12	231-5146	12	NUT, Flg, USR, 3/8"-16,
16	193453C1	1	DEFLECTOR, discharge, right hand
19	195426C3	1	SUPPORT ASSY., PAN beater rear
20	413-616	4	BOLT, Hex, 3/8"-16 x 1", G5, Full Thd, hex, 3/8 NC x 1 inch
21	25553R1	4	WASHER, 13/32" x 1 1/8" x .134", HDN, flat, 13/32 x 1-1/8 x 9/64 inch
22	492-11038	4	WASHER, LOCK, 3/8",
23	232-4116	2	NUT, LOCK, 3/8"-16, GC,
24	REF	1	INSTRUCTION, BEATER ASSEMBLY, discharge, parts list Fig. 9C-2



сылка	Номер детали	Кол-во	Описание
1	REF	1	INSTRUCTION, BEATER ASSEMBLY, discharge, parts list Fig. 9C-2
2	182891C1	2	PLATE, bulkhead filler, rear
3	182898C1	1	SUPPORT, PLATE filler, housing, rear
4	477-73812	7	SCREW, Sltd Serr Truss Hd, 3/8" x 3/4", slotted truss head, special, 3/8 NC x 3/4 inch
5	231-5146	7	NUT, Flg, USR, 3/8"-16,
6	182929C1	1	SUPPORT, cage, lower rear housing
7	477-73812	10	SCREW, Sltd Serr Truss Hd, 3/8" x 3/4", slotted truss head, special, 3/8 NC x 3/4 inch
8	231-5146	10	NUT, Flg, USR, 3/8"-16,
9	182946C1	1	DEFLECTOR, discharge, left hand
10	182947C1	1	DEFLECTOR, discharge, right hand
11	477-73812	12	SCREW, Sltd Serr Truss Hd, 3/8" x 3/4", slotted truss head, special, 3/8 NC x 3/4 inch
12	231-5146	12	NUT, Flg, USR, 3/8"-16,
15	182924C2	1	DOOR, PAN beater
16	182896C2	2	SUPPORT, spring bottom
17	326-620	2	BOLT, Hex, 3/8"-16 x 1 1/4", G8, Full Thd,
19	396-31041	2	WASHER, 13/32" x 13/16" x .134", HDN,
20	232-4116	2	NUT, LOCK, 3/8"-16, GC,
21	182892C2	2	BOLT, eye, beater bottom
22	495-81162	4	WASHER, 17/32" x 1 1/2" x .179", flat, 17/32 x 1-1/2 x 11/64 inch
23	425-108	4	NUT, 1/2"-13, G5,
26	182981C1	2	SPACER, SLEEVE spring, beater bottom
27	391745R1	2	SPRING, beater bottom
28	439-1828	2	PIN, HEADED, 1/2" x 1 3/4", headed, 1/2 x 1-3/4 inch, grade 2
29	432-1216	2	PIN, SPLIT (COTTER), 3/16" x 1", 3/16" x 1"
30	182894C1	2	HINGE, pan, beater bottom
31	477-73812	10	SCREW, Sltd Serr Truss Hd, 3/8" x 3/4", slotted truss head, special, 3/8 NC x 3/4 inch
32	231-5146	10	NUT, Flg, USR, 3/8"-16,
33	182977C1	1	ROD, lower hinge, bottom

9C-08 CLEANING FAN, HOUSING

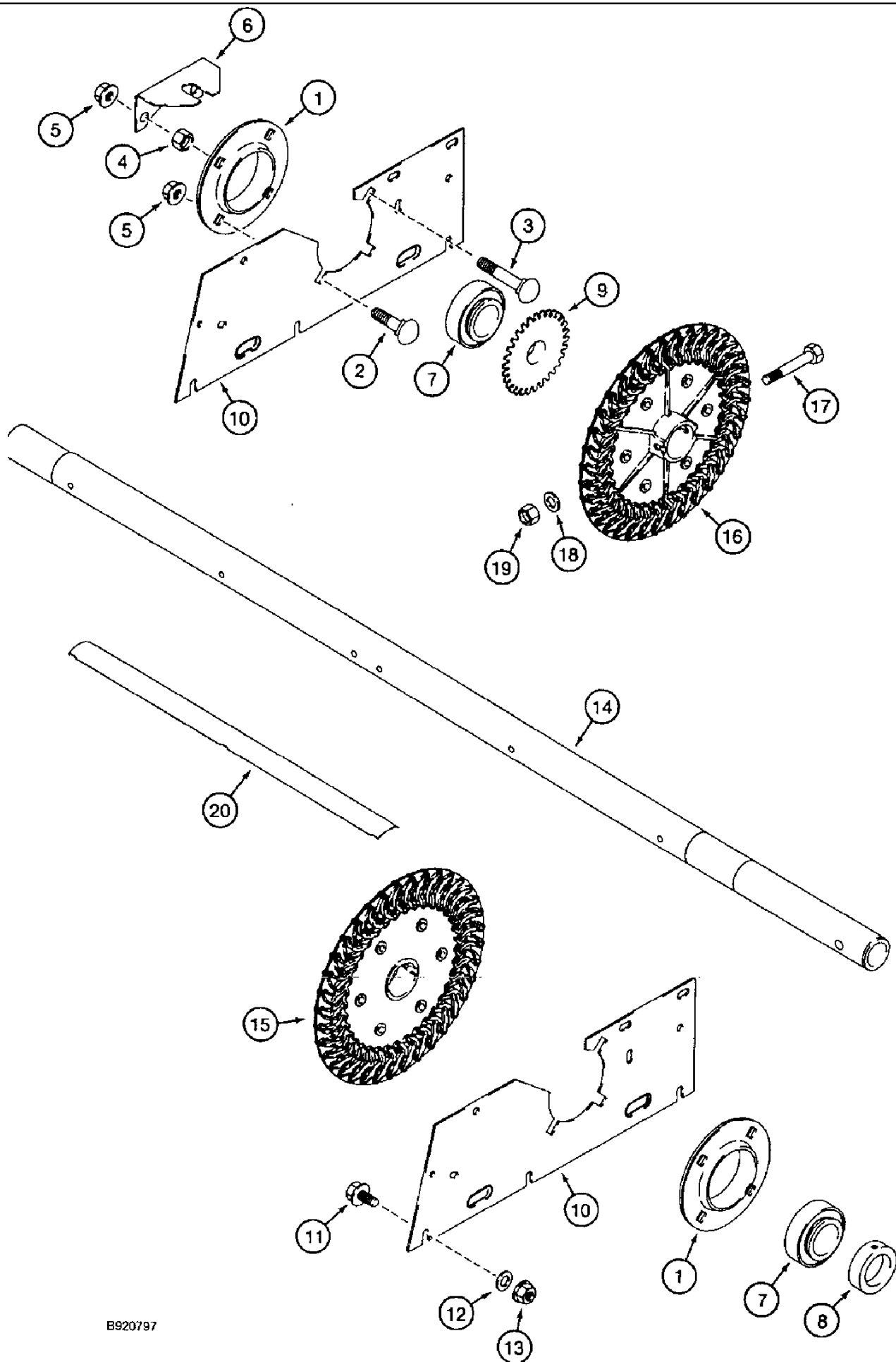


B920798

## 9C-08 CLEANING FAN, HOUSING

сылка	Номер детали	Кол-во	Описание
1	1989379C1	1	HOUSING, cleaning fan
2	1347012C2	1	PLATE, end, left hand fan housing
3	1347013C2	1	PLATE, end, right hand fan housing
4	477-73108	14	SCREW, Sltd Serr Truss Hd, 5/16"-18 x 1/2", slotted truss head, 5/16 NC x 1/2 inch
5	409-7512	9	BOLT, Hex Flg, 5/16"-18 x 3/4", Serr,
6	231-5145	21	NUT, Flg, USR, 5/16"-18,
7	1541641C2	1	SUPPORT, housing mounting brackets, front
10	1541543C1	2	BRACKET, mounting, fan housing, front
12	231-5148	4	NUT, Flg, USR, 1/2"-13,
11	409-7816	4	BOLT, Hex Flg, 1/2"-13 x 1", Serr, BOLT hex serrated flange, 1/2 inch NC x 1 inch
12	231-5148	4	NUT, Flg, USR, 1/2"-13,
13	191703C3	1	SUPPORT ASSY., fan housing, rear
14	477-73812	4	SCREW, Sltd Serr Truss Hd, 3/8" x 3/4", slotted truss head, special, 3/8 NC x 3/4 inch
15	231-5146	4	NUT, Flg, USR, 3/8"-16,
16	1541536C1	1	PLATE, LARGE, lock, fan cutoff, right hand
17	1541535C1	1	PLATE, LARGE, lock, fan cutoff, left hand
18	434-512	2	BOLT, CARRIAGE, Short NK, 5/16"-18 x 3/4", G5, Full Thd,
19	231-5145	2	NUT, Flg, USR, 5/16"-18,
20	1989611C1	1	HOOD, PLATE fan cutoff
21	1541628C1	1	HOOD, DOOR cleaning fan, top
22	477-73112	4	BOLT, Slotted Tr Hd, 5/16"-18 x 3/4",
23	231-5145	4	NUT, Flg, USR, 5/16"-18,
24	1989377C2	1	SUPPORT, PLATE filler, fan to auger bed
25	477-73112	7	BOLT, Slotted Tr Hd, 5/16"-18 x 3/4",
26	409-7512	9	BOLT, Hex Flg, 5/16"-18 x 3/4", Serr,
27	231-5145	16	NUT, Flg, USR, 5/16"-18,

9C-10 CLEANING FAN, SHAFT AND SUPPORTS

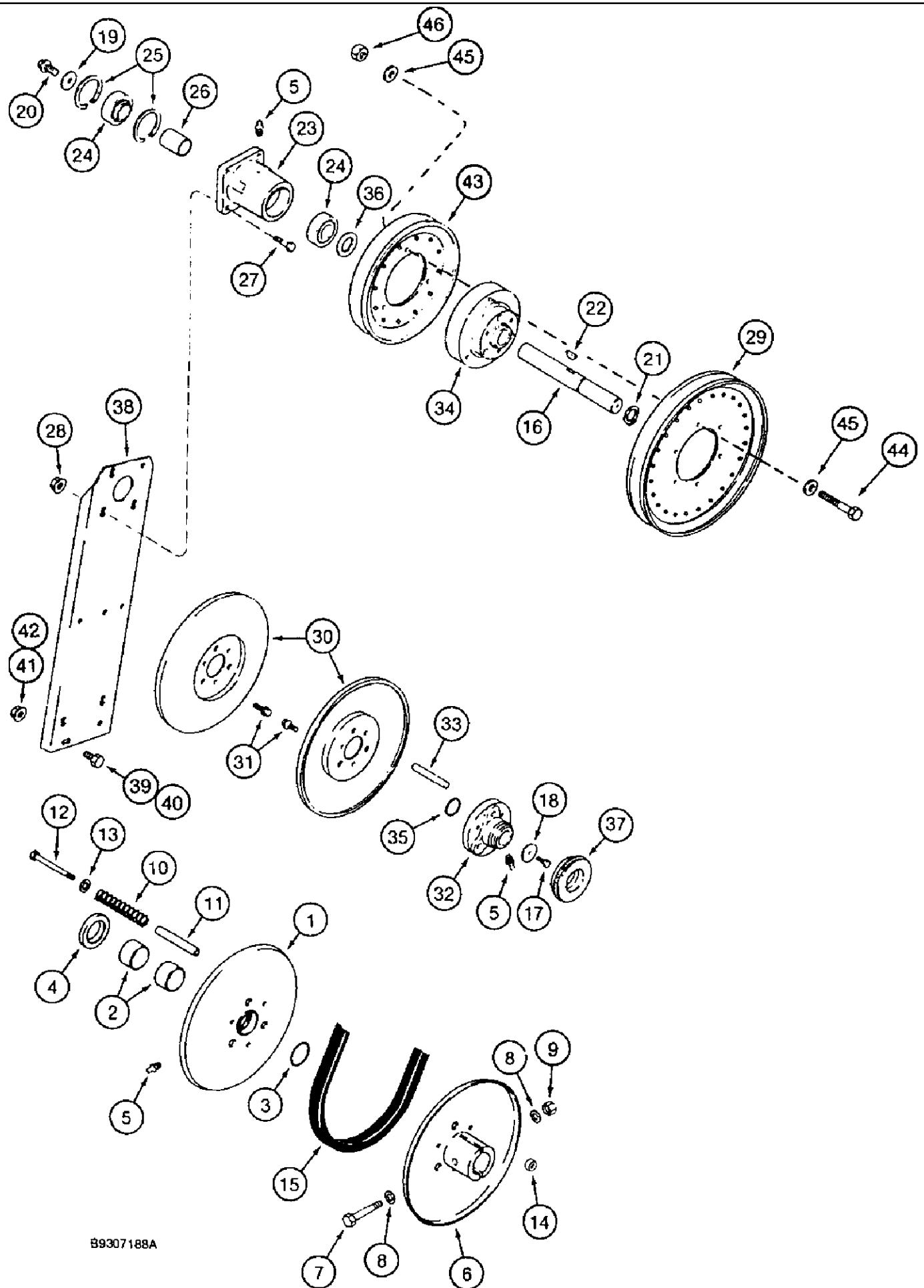


B920797

## 9C-10 CLEANING FAN, SHAFT AND SUPPORTS

сылка	Номер детали	Кол-во	Описание
1	76079C1	4	FLANGE, fan shaft bearing
2	434-816	6	BOLT, CARRIAGE, Short NK, 1/2"-13 x 1", G5, Full Thd, carriage, 1/2 NC x 1 inch
3	434-824	2	BOLT, CARRIAGE, Short NK, 1/2"-13 x 1 1/2", G5, Full Thd, 1/2 NC x 1-1/2 inch
4	425-108	2	NUT, 1/2"-13, G5,
5	231-5148	8	NUT, Flg, USR, 1/2"-13,
6	1541554C1	1	SUPPORT, BRACKET mounting, fan speed pickup
7	668719R92	2	BEARING, BALL, ball, fan shaft
8	582816R11	1	COLLAR, bearing lock, includes set screw
9	1541555C1	1	SPROCKET, fan speed tachometer, 1-3/4 inch ID
10	120870A1	2	SUPPORT, fan shaft bearing, includes decal
11	409-7616	6	BOLT, Hex Flg, 3/8"-16 x 1", Serr,
12	495-71041	6	WASHER, 3/8", flat, 13/32 x 1-1/4 x 3/32 inch
13	231-5146	6	NUT, Flg, USR, 3/8"-16,
	1541935C3	1	FAN, ASSEMBLY cleaning, replaces 154935C1, Includes: Ref. 14 thru 20
14	1989550C3	1	SHAFT, cleaning fan, replaces 1989550C1
15	1541560C1	3	DISC, fan blade, right hand
16	1541570C1	3	DISC, fan blade, left hand
17	413-548	6	BOLT, Hex, 5/16"-18 x 3", G5, BOLT hex, 5/16 NC x 3 inch
18	495-11034	12	WASHER, 5/16", SAE, flat, 11/32 x 11/16 x 1/16
19	230-4135	6	NUT, LOCK, 5/16"-18, GA, hex, self locking, 5/16 inch NC
20	1541631C1	72	PADDLE, BLADE cleaning fan
21	437157R1	3	RING, SNAP, #37, Ext, #37, Ext, not shown

9C-12 CLEANING FAN, DRIVE



B9307188A



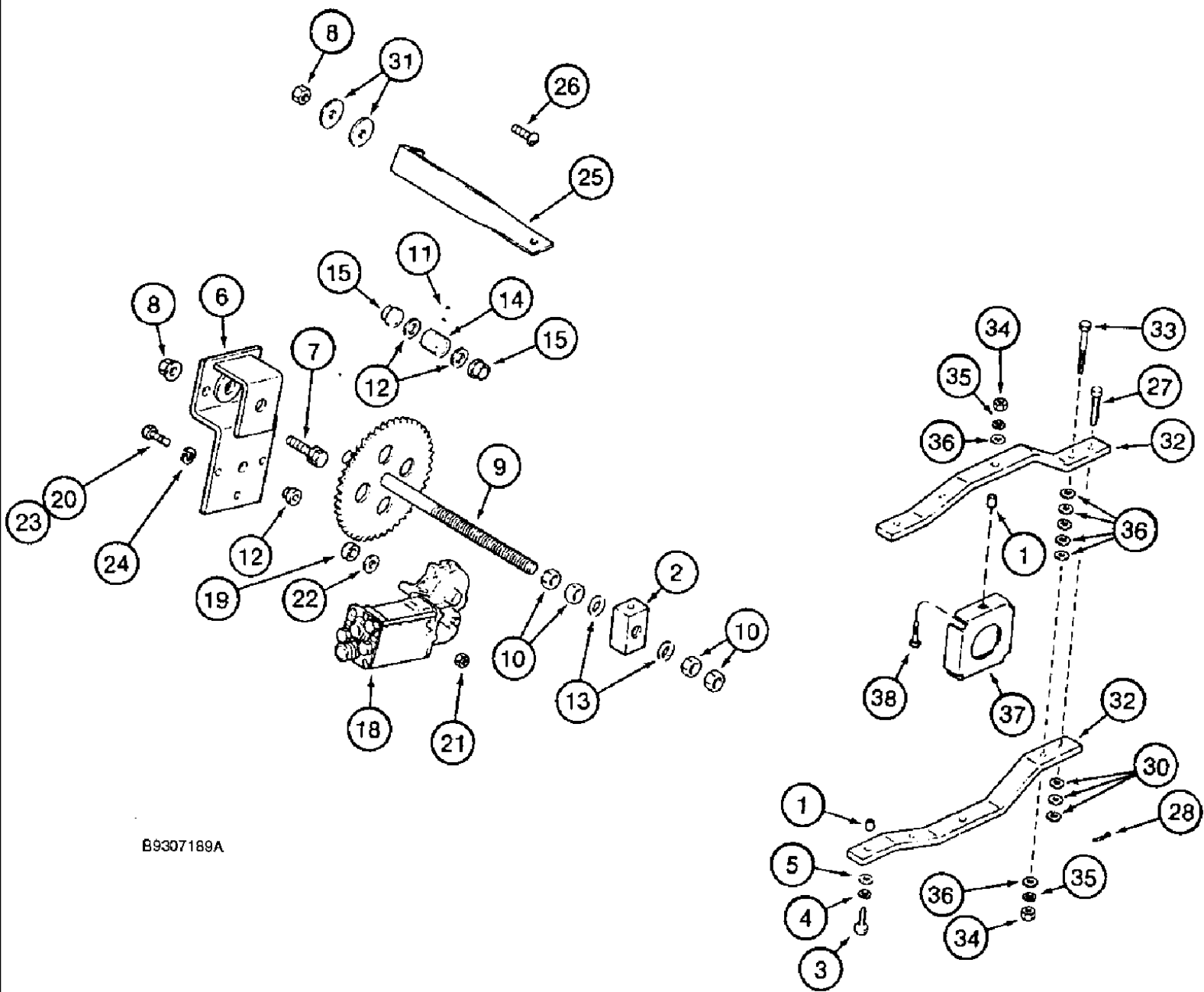
## 9C-12 CLEANING FAN, DRIVE

сылка	Номер детали	Кол-во	Описание
	1541552C1	1	PULLEY ASSY., fan drive, adjustable, 11-1/4 inch O.D.
1	NSS	2	NOT SERVICED SEPARATELY, PULLEY fan drive, adjustable, 11-1/4 inch O.D.
2	1541551C1	1	BUSHING, pulley
3	238-5327	1	O-RING, -327, 70 Duro, 1.725" ID x .210" Thk,
4	1541775C1	3	SEAL, 1-47/64 ID x 2-21/64 inch O.D. grease, lip type
5	219-87	1	NIPPLE, LUBE, 1/4"-28 x .56" lg, Self-Tap,
6	1541553C1	1	PULLEY ASSY., fan drive, fixed, 11-1/4 inch O.D.
7	326-856	2	BOLT, Hex, 1/2"-13 x 3 1/2", G8,
8	396-31053	2	WASHER, 17/32" x 1 1/16" x .188", HDN, flat, 17/32 x 1-1/16 x 3/16 inch, hardened
9	232-4118	1	NUT, LOCK, 1/2"-13, GC,
10	1302181C2	3	SPRING, adjustment, fan drive
11	1302180C2	3	BUSHING, spacer, adjustment spring
12	413-580	3	BOLT, Hex, 5/16"-18 x 5", G5,
13	495-81117	3	WASHER, .344" x 1" x .120", flat, 11/32 x 1 x 7/64 inch
14	231-4115	3	NUT, LOCK, 5/16"-18, GB,
15	1541569C1	1	BELT, drive, 71-1/2 inch long
16	194853C3	1	SHAFT, elevator and fan drive
17	413-58	1	BOLT, Hex, 5/16"-18 x 1/2", G5, Full Thd, hex, 5/16 NC x 1/2 inch
18	495-81122	1	WASHER, .344" x 1 1/2" x .120", flat, 11/32 x 1-1/2 x 7/64
19	185129C1	1	WASHER, flat, special, retaining, fan bearing
20	1302143C1	1	BOLT, hex flange, special 1 inch
21	100-16125	1	RING, SNAP, #125, Ext, Inner bearing
22	126-125	1	KEY, WOODRUFF, #B, 5/16" x 1", HT, Elevator and fan drive shaft
23	192418C1	1	HUB, elevator and fan drive
24	1302725C91	2	BEARING, BALL, self aligning adapter, elevator and fan drive
25	360936R1	2	RING, snap, fan and drive shaft
26	152926C1	1	SPACER, 1-15/16 x 1-5/8 x 1-7/8 inch bearing
27	413-624	4	BOLT, Hex, 3/8"-16 x 1 1/2", G5,
28	231-5146	4	NUT, Flg, USR, 3/8"-16,
29	183325C1	1	PULLEY, driven, fan jackshaft, parts list Fig. 9A-2, Ref. 25
30	183288C1	2	PULLEY, driven, 11-1/4 inch O.D. fan
31	115745A1	6	SCREW, BOLT special, fan driven pulley
32	185286C91	1	HUB, fan driven pulley, adjusting
33	37-1856	3	DOWEL, 1/2" x 3 1/2", Hardened
34	183333C1	1	HUB, fixed pulley, fan driver
35	238-5218	1	O-RING, -218, 70 Duro, 1.234" ID x .139" Thk,
36	183274C2	1	WASHER, flat, special, 1-9/32 x 1-7/8 x 3-16 inch fan bearing retainer
37	168215C92	1	BEARING, THRUST, ball, thrust fan jackshaft
38	1541632C1	1	SUPPORT, fan hub
39	409-7612	4	BOLT, Hex Flg, 3/8"-16 x 3/4", Serr,
40	477-73112	3	BOLT, Slotted Tr Hd, 5/16"-18 x 3/4",
41	231-5146	4	NUT, Flg, USR, 3/8"-16,
42	231-5145	3	NUT, Flg, USR, 5/16"-18,
43	193948C1	1	PULLEY, drive, 9-3/4 inch O.D. cleaning unit drive, parts list Fig. 9A-4, Ref. 17
44	413-640	3	BOLT, Hex, 3/8"-16 x 2 1/2", G5, hex, 3/8 NC x 2-1/2 inch

1666 CASE IH AXIAL-FLOW COMBINE (1/93-12/94)

9C-12 CLEANING FAN, DRIVE

сылка	Номер детали	Кол-во	Описание
45	495-81129	6	WASHER, 13/32" x 3/4" x .120", flat, 13/32 x 3/4 x 7/64
46	231-4116	3	NUT, LOCK, 3/8"-16, GB, hex, self locking, 3/8 inch NC

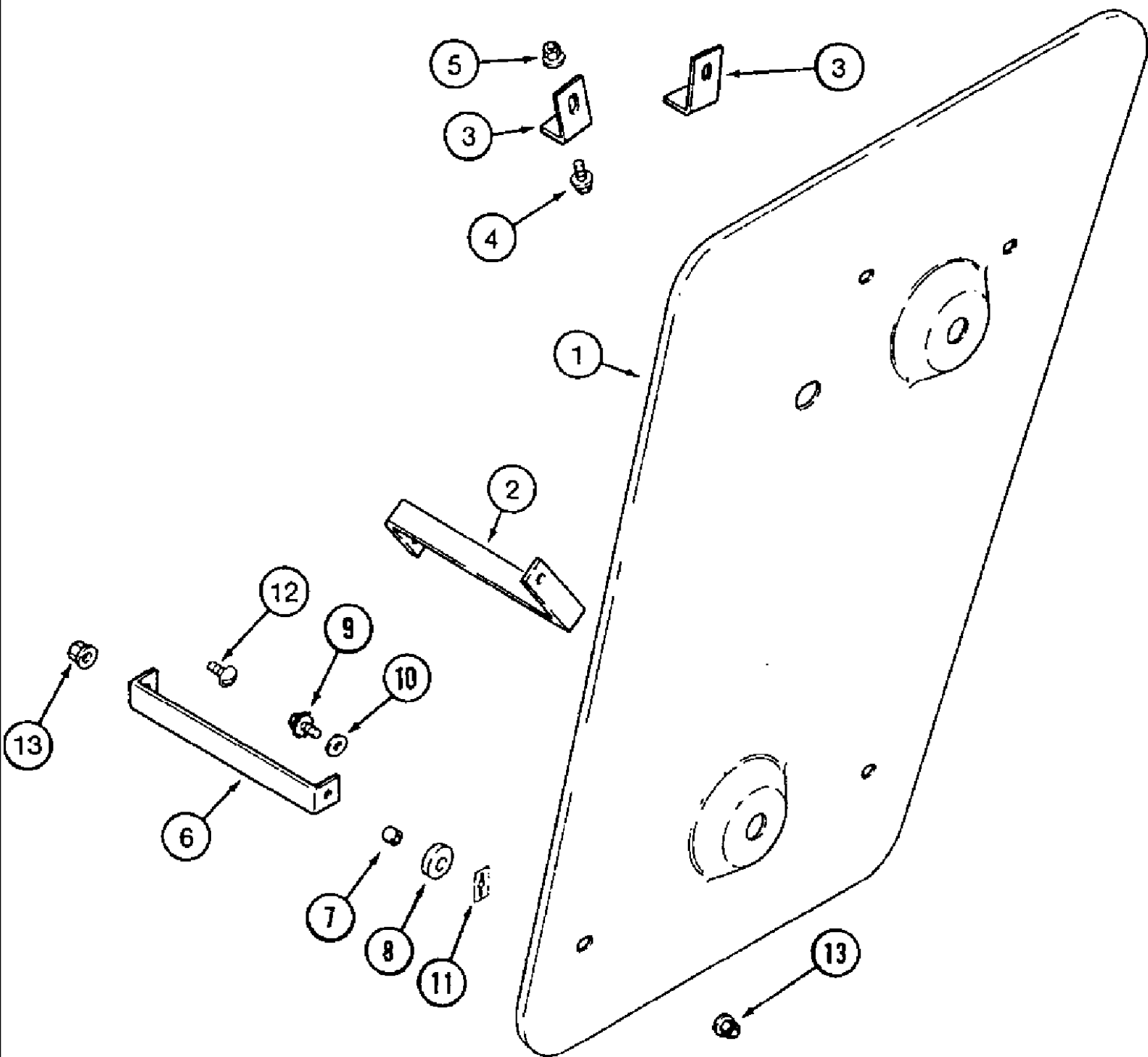


B9307189A

## 1666 CASE IH AXIAL-FLOW COMBINE (1/93-12/94)

## 9C-14 CLEANING FAN, DRIVE SPEED CONTROL

сылка	Номер детали	Кол-во	Описание
1	27825R1	2	SPACER, 1/2" Tube x 1/2",
2	181206C1	1	BLOCK, shaft, fan speed control
3	413-516	2	BOLT, Hex, 5/16"-18 x 1", G5, Full Thd, hex, 5/16 NC x 1 inch
4	492-11031	2	WASHER, LOCK, 5/16",
5	495-11034	2	WASHER, 5/16", SAE, flat, 11/32 x 11/16 x 1/16
6	181199C2	1	SUPPORT, speed control motor, replaces 181199C1
7	413-612	2	BOLT, Hex, 3/8"-16 x 3/4", G5, Full Thd, hex, 3/8 NC x 3/4 inch
8	231-5146	3	NUT, Flg, USR, 3/8"-16,
9	181202C1	1	SHAFT ASSY., adjusting gear
10	425-1010	4	NUT, 5/8"-11, G5,
11	38-11216	1	PIN, LOCK, 3/16" x 1", Slotted,
12	495-81177	2	WASHER, 21/32" x 1" x .030", flat, 21/32 x 1 x 1/32 inch
13	1302054C1	2	WASHER, thrust, fan control
14	181205C1	1	SPACER, adjusting gear shaft
15	55826C1	2	BUSHING, gear shaft
16	55825C1	1	BUSHING, electric motor
17	126573C1	1	MOTOR, ELECTRIC, variable speed , BSN JJC0105560
18	111787A1	1	MOTOR, ELECTRIC, variable speed , ASN JJC0105560
19	113485A1	2	SPACER, 17 mm, used with 111787A1 motor only
20	413-432	2	BOLT, Hex, 1/4"-20 x 2", G5, Used to mount 111787A1 motor
21	425-104	2	NUT, 1/4"-20, G5, Used to mount 111787A1 motor
22	495-81138	3	WASHER, 13/32" x 1" x .179", flat, 13/32 x 1 x 11/64 inch used to mount 126573C1 motor
23	413-412	3	BOLT, Hex, 1/4"-20 x 3/4", G5, Full Thd, Used to mount 126573C1 motor
24	492-11025	3	WASHER, LOCK, 1/4",
25	186283C1	1	SUPPORT, fan drive control
27	439-1624	1	PIN, HEADED, 3/8" x 1 1/2", headed, 3/8 x 1-1/2 inch, grade 2
28	432-812	1	PIN, SPLIT (COTTER), 1/8" x 3/4",
30	495-11041	3	WASHER, 3/8", SAE, Flat, (13/32 x 13/16 x 1/16")
31	495-81142	2	WASHER, 13/32" x 1 1/2" x .060", flat, 13/32 x 1-1/2 x 1/16 inch
32	194850C2	2	SUPPORT, fan control
33	413-532	1	BOLT, Hex, 5/16"-18 x 2", G5,
34	425-105	3	NUT, 5/16"-18, G5,
35	492-11031	3	WASHER, LOCK, 5/16",
36	495-11034	UAR	WASHER, 5/16", SAE, flat, 11/32 x 11/16 x 1/16
37	194852C2	1	SUPPORT, fan driver
38	412-520	2	BOLT, CARRIAGE, Short NK, 5/16"-18 x 1 1/4", G2, BOLT carriage, 5/16 NC x 1-1/4 inch grade 2
26	477-73816	1	SCREW, Slt'd Serr Truss Hd, 3/8" x 1", Special

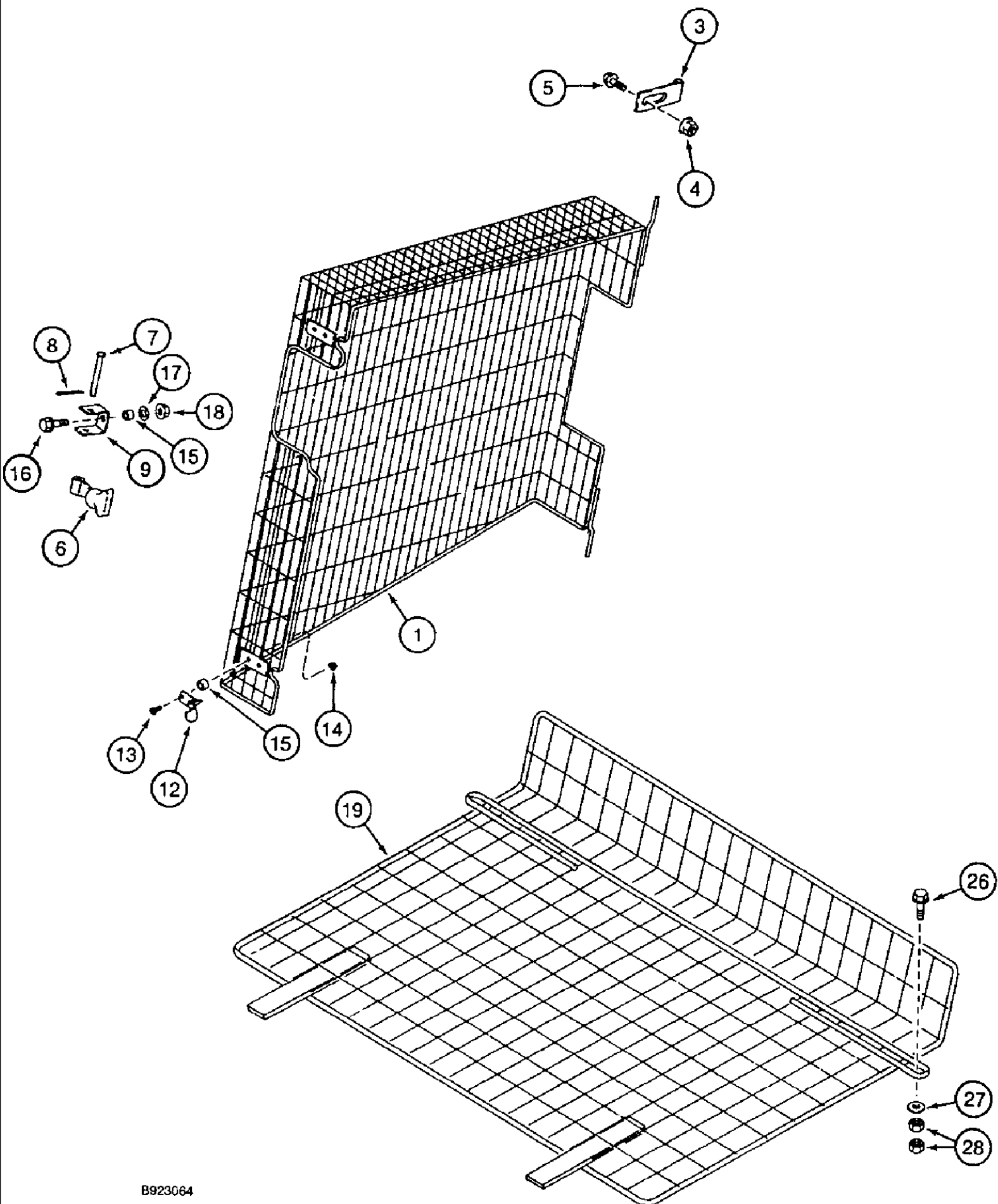


B921441

## 9C-16 CLEANING FAN DRIVE SHIELD, RIGHT-HAND SIDE

сылка	Номер детали	Кол-во	Описание
1	1312758C2	1	GUARD, SHIELD fan drive, right hand side
2	111252A2	1	SUPPORT, fan shield, lower front
3	194756C2	2	ANGLE, fan drive pulley shield
4	409-7512	1	BOLT, Hex Flg, 5/16"-18 x 3/4", Serr,
5	231-5145	1	NUT, Flg, USR, 5/16"-18,
6	1312759C1	1	HOLDER, BRACKET fan shield, lower, rear
7	23323H	4	SPACER, 1/4" Pipe x 1/2", 1/4 x 1/2 inch shield bracket
8	1312760C1	4	WASHER, rubber, special shield bracket
9	409-7520	4	BOLT, Hex Flg, 5/16"-18 x 1 1/4", Serr, BOLT hex serrated flange, 5/16 NC x 1-1/4 inch
10	495-21038	4	WASHER, 5/16", flat, 3/8 x 7/8 x 3/32 inch
11	1254276C1	4	NUT, push on type, 5/16 inch
12	409-7512	1	BOLT, Hex Flg, 5/16"-18 x 3/4", Serr,
13	231-5145	5	NUT, Flg, USR, 5/16"-18,

9C-18 CLEANING FAN SHIELDS



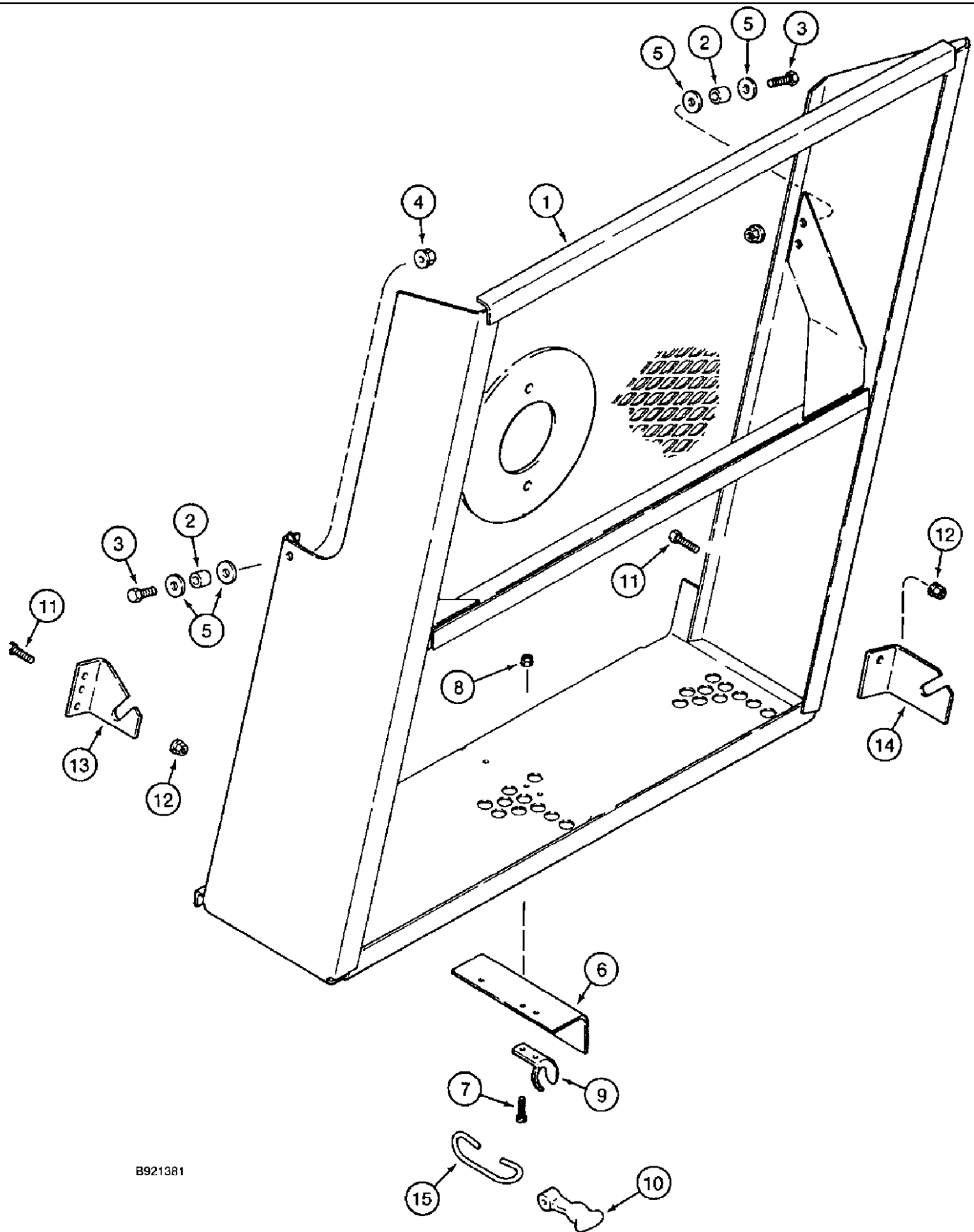
B923064

## 9C-18 CLEANING FAN SHIELDS

сылка	Номер детали	Кол-во	Описание
1	1989686C2	1	SHIELD, fan inlet and drive, right hand
3	1541763C2	2	PLATE, LARGE, HINGE fan shield, plate
4	409-7512	2	BOLT, Hex Flg, 5/16"-18 x 3/4", Serr,
5	231-5145	2	NUT, Flg, USR, 5/16"-18,
6	494307C1	2	LATCH, hold down, shield
7	439-1424	2	PIN, HEADED, 1/4" x 1 1/2", G2,
8	432-812	2	PIN, SPLIT (COTTER), 1/8" x 3/4",
9	188103C1	2	BRACKET, BRACKET hood anchor
12	L105124	2	HOOK, LATCH, HOOK
13	470-11020	4	SCREW, Slotted Pan Hd, #10-24 x 1 1/4", machine, pan head slotted, No. 10 NC x -1/4 inch
14	231-51409	4	NUT, Flg, USR, #10-24,
15	1277909C1	6	SPACER, shield
16	409-7524	2	BOLT, Hex Flg, 5/16"-18 x 1 1/2", Serr, BOLT hex serrated flange, 5/16 NC x 1-1/2 inch
17	495-81121	2	WASHER, .344" x 1 1/2" x .060", flat, 11/32 x 1-1/2 x 1/16 inch
18	231-5145	2	NUT, Flg, USR, 5/16"-18,
19	1541758C2	1	GUARD, SHIELD fan inlet, bottom
26	409-7624	2	BOLT, Hex Flg, 3/8"-16 x 1 1/2", Serr,
27	495-81138	2	WASHER, 13/32" x 1" x .179", flat, 13/32 x 1 x 11/64 inch
28	425-106	4	NUT, 3/8"-16, G5,



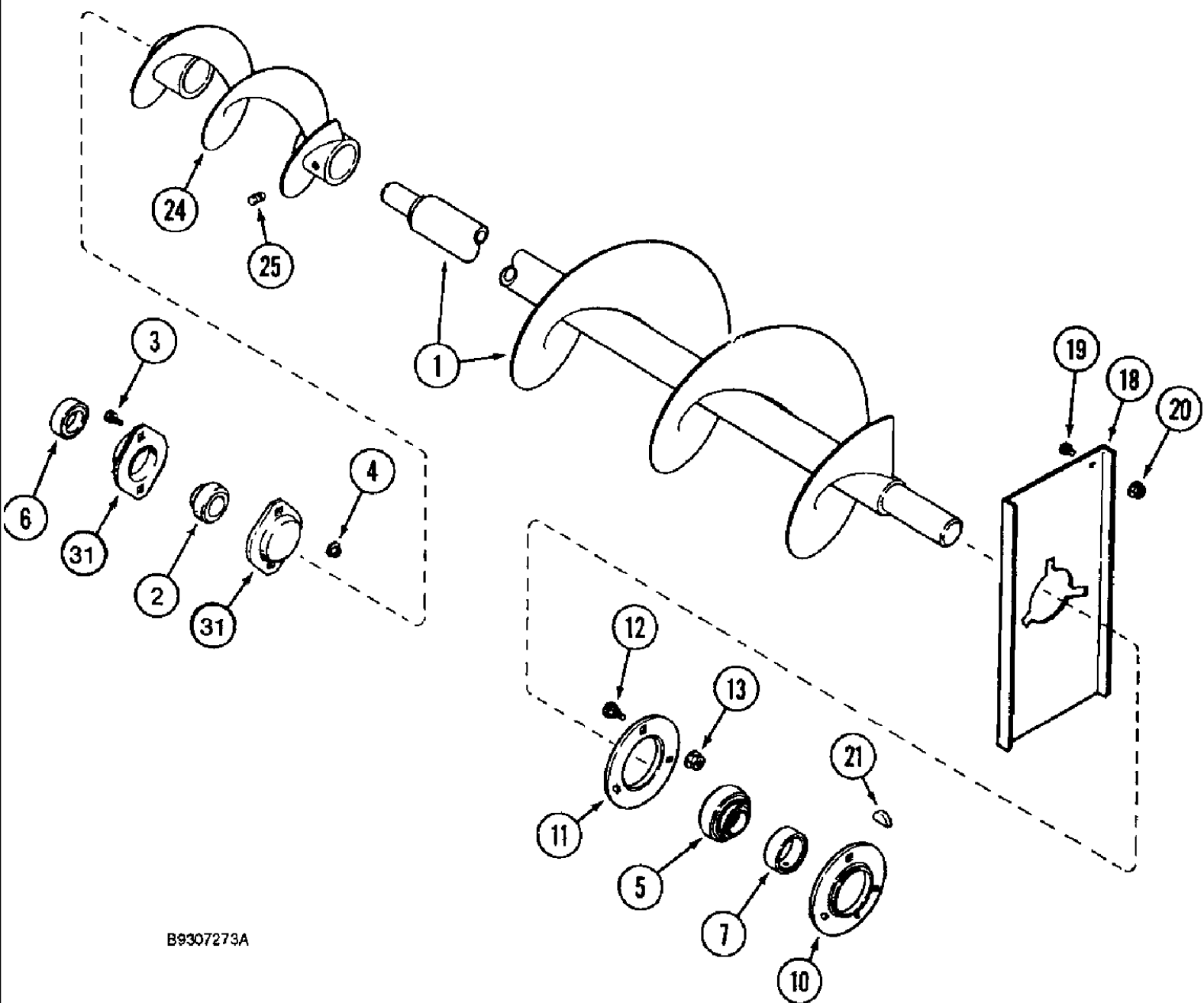
9C-20 CLEANING FAN SHIELDS, RIGHT-HAND FAN INLET AND DRIVE SHIELD



B921381

## 9C-20 CLEANING FAN SHIELDS, RIGHT-HAND FAN INLET AND DRIVE SHIELD

сылка	Номер детали	Кол-во	Описание
1	182846C5	1	HOUSING, SHIELD fan inlet and drive, right hand, replaces 182846C4
2	561277R1	2	SPACER, 5/8" Tube x 1/2", 113/32 x 5/8 x 7/16 inch
3	413-620	2	BOLT, Hex, 3/8"-16 x 1 1/4", G5, Full Thd, hex, 3/8 NC x 1-1/4 inch
4	231-5146	2	NUT, Flg, USR, 3/8"-16,
5	495-81135	4	WASHER, 13/32" x 1" x .120", flat, 13/32 x 1 x 7/64 inch
6	181496C1	1	SHIELD, GUARD latch
7	470-11012	3	SCREW, Slotted Pan Hd, #10-24 x 3/4", machine, pan head slotted No. 10 NC x 3/4 inch
8	231-51409	3	NUT, Flg, USR, #10-24,
9	L105124	1	HOOK, LATCH, HOOK latch, fan shield bracket
10	494307C1	1	LATCH, hold down, latch shield
11	413-516	2	BOLT, Hex, 5/16"-18 x 1", G5, Full Thd, hex, 5/16 NC x 1 inch
12	231-51409	2	NUT, Flg, USR, #10-24, hex serrated flange, 5/16 inch NC
13	182859C2	1	SUPPORT, fan shield rear, right hand
14	182861C1	1	ANGLE, shield, right hand, front
15	1302723C2	1	HOOK, inlet shield, replaces 1302723C1

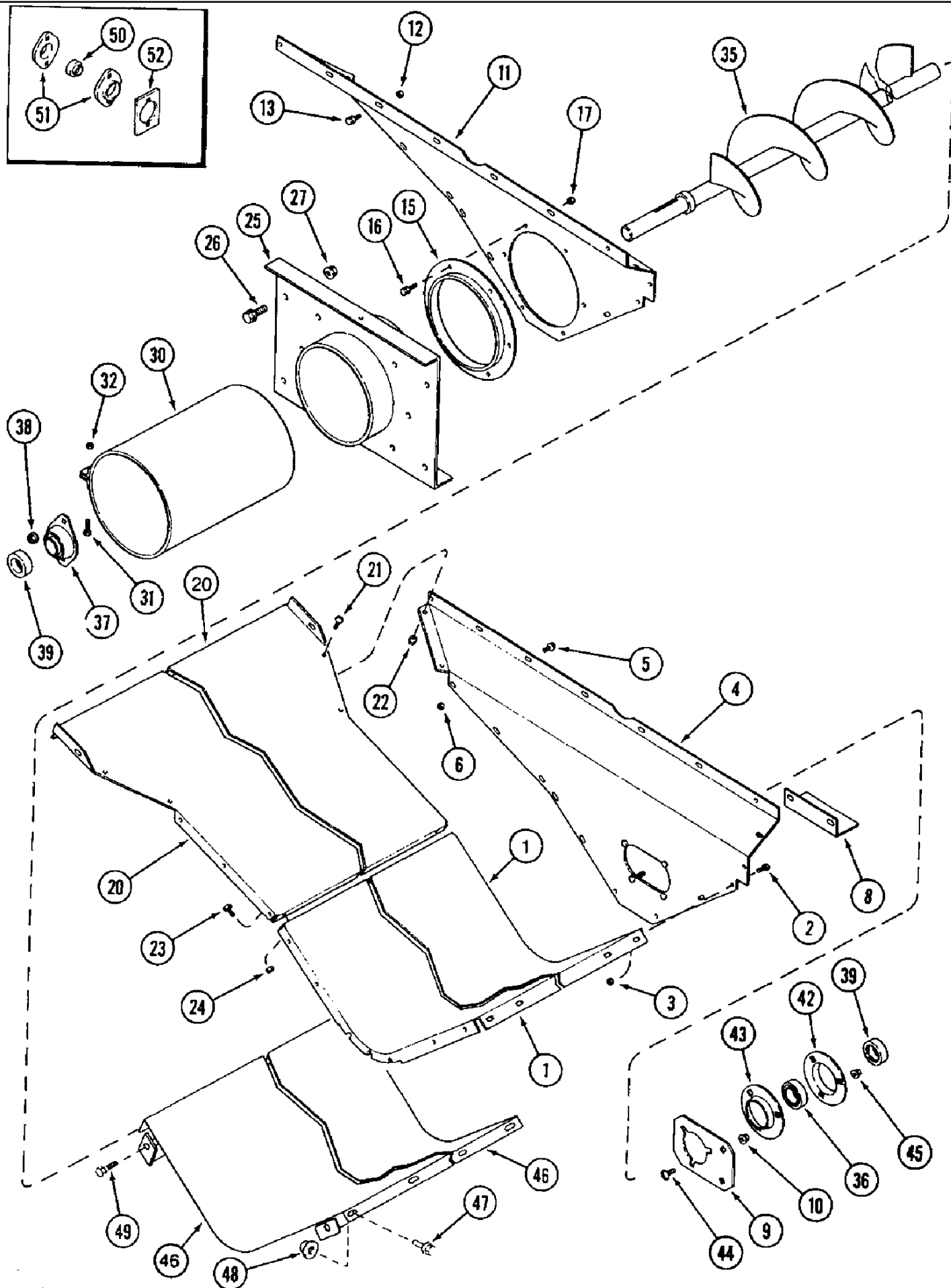


B9307273A

## 9D-02 HORIZONTAL GRAIN DELIVERY, AND DISTRIBUTOR AUGER

сылка	Номер детали	Кол-во	Описание
1	1318912C3	1	AUGER, delivery, horizontal
2	214366C91	1	BEARING, BALL, ball, auger, left hand
3	409-7512	2	BOLT, Hex Flg, 5/16"-18 x 3/4", Serr,
4	231-5145	2	NUT, Flg, USR, 5/16"-18,
5	156011C92	1	BEARING, BALL, ball, auger, right hand
6	455102R21	1	COLLAR, locking, bearing, includes set screw, left hand
7	557995R11	1	COLLAR, bearing, with set screw, right hand
10	670375R11	1	FLANGE, FLANGE bearing, right hand
11	939461R1	1	FLANGE, bearing, right hand
12	477-73812	3	SCREW, Sltd Serr Truss Hd, 3/8" x 3/4", slotted truss head, special, 3/8 NC x 3/4 inch
13	231-5146	3	NUT, Flg, USR, 3/8"-16,
18	1321129C1	1	PLATE, SUPPORT bearing, auger, right hand
19	477-73108	2	SCREW, Sltd Serr Truss Hd, 5/16"-18 x 1/2", slotted truss head, 5/16 NC x 1/2 inch
20	231-5145	2	NUT, Flg, USR, 5/16"-18,
21	126-125	1	KEY, WOODRUFF, #B, 5/16" x 1", HT,
24	162103C91	1	AUGER, distributor
25	83-1448	2	SET SCREW, Hex Soc, 7/16"-14 x 1/2", set, hex socket headless, 7/16 NC x 1/2 inch, cup point
31	50591	2	FLANGE, bearing

9D-04 GRAIN AUGER TROUGH



B9307274A

\*Item 37 may be alternated with Items 50, 51 and 52.

## 1666 CASE IH AXIAL-FLOW COMBINE (1/93-12/94)

## 9D-04 GRAIN AUGER TROUGH

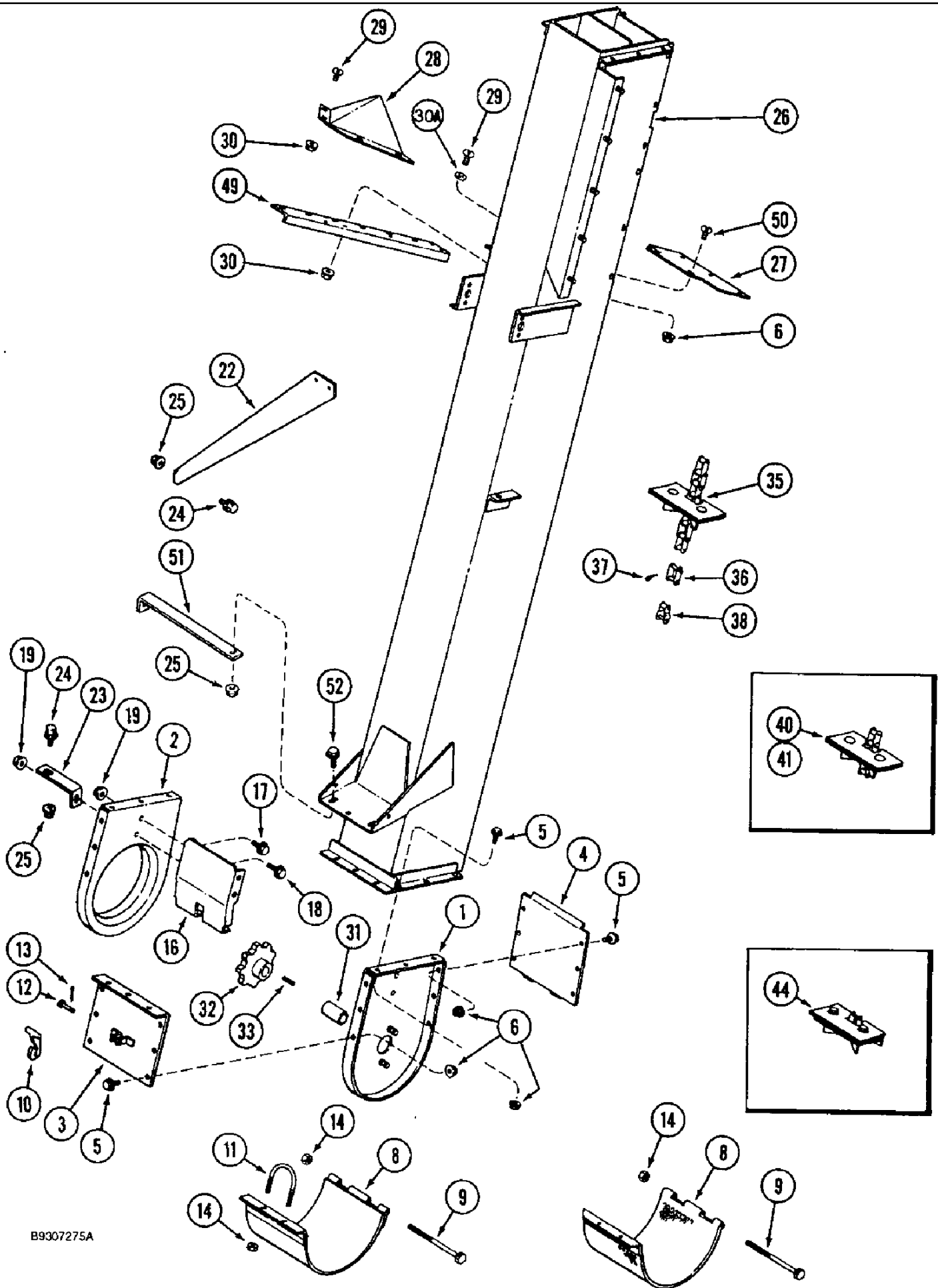
сылка	Номер детали	Кол-во	Описание
1	1541821C1	1	TROUGH, clean grain, perforated
1	1541638C1	1	TROUGH, clean grain, non perforated
2	413-512	12	BOLT, Hex, 5/16"-18 x 3/4", G5, Full Thd, hex, 5/16 NC x 3/4 inch used with 1541638C1
2	256873	10	BOLT, Hex Flg, 5/16"-18 x 1/2", Serr, Used with 1541821C1
3	231-5145	12	NUT, Flg, USR, 5/16"-18,
4	1541635C1	1	SUPPORT, trough, left hand
5	256873	7	BOLT, Hex Flg, 5/16"-18 x 1/2", Serr,
6	231-5315	7	NUT, LOCK, Flg, 5/16"-18,
8	1317418C1	1	ANGLE, trough support, left hand
9	186717C1	1	PLATE, SUPPORT collecting auger, left hand
10	231-5146	2	NUT, Flg, USR, 3/8"-16,
11	1541637C1	1	SUPPORT, trough, right hand
12	231-5315	7	NUT, LOCK, Flg, 5/16"-18,
13	256873	7	BOLT, Hex Flg, 5/16"-18 x 1/2", Serr,
15	188285C1	1	RETAINER, trough support, right hand
16	409-7512	6	BOLT, Hex Flg, 5/16"-18 x 3/4", Serr,
17	231-5315	6	NUT, LOCK, Flg, 5/16"-18,
20	191716C1	1	EXTENSION, SUPPORT trough
21	477-73108	12	SCREW, Sltd Serr Truss Hd, 5/16"-18 x 1/2", slotted truss head, 5/16 NC x 1/2 inch
22	231-5145	12	NUT, Flg, USR, 5/16"-18,
23	413-512	5	BOLT, Hex, 5/16"-18 x 3/4", G5, Full Thd, hex, 5/16 NC x 3/4 inch
24	231-5315	5	NUT, LOCK, Flg, 5/16"-18,
25	1327668C1	1	SUPPORT, trough auger
26	1302142C1	1	SCREW, hex flange, special, 1/2 NC x 1-1/4 inch
26	1302143C1	9	BOLT, hex flange, special, 1 inch
27	231-5148	10	NUT, Flg, USR, 1/2"-13,
30	1317454C1	1	CLAMP, auger trough, perforated
30	1317452C1	1	CLAMP, auger trough, non perforated
31	413-520	3	BOLT, Hex, 5/16"-18 x 1 1/4", G5, hex, 5/16 NC x 1-1/4 inch
31	424-516	3	BOLT, Hex, 5/16"-18 x 1", G2, BOLT hex, 5/16 NC x 1 inch, grade 2, perforated clamp
32	231-4115	3	NUT, LOCK, 5/16"-18, GB, Non perforated clamp
35	1317484C1	1	AUGER, grain
36	156011C92	1	BEARING, BALL, ball, auger, left hand
37	1317250C91	1	BEARING, FLANGED, auger, right hand , May be alternated with Refs. 50, 51, and 52
38	231-5146	2	NUT, Flg, USR, 3/8"-16,
39	557995R11	2	COLLAR, bearing, with set screw
42	939460R91	1	FLANGE, bearing with 45 degree lube fitting
43	939461R1	1	FLANGE, bearing, grooved
44	117657A1	1	SCREW, Sltd Serr Truss Hd, 3/8"-16 x 2",
45	231-5146	3	NUT, Flg, USR, 3/8"-16,
46	1541823C1	1	COVER, grain trough used with perforated bottom trough
47	409-7512	14	BOLT, Hex Flg, 5/16"-18 x 3/4", Serr,
48	231-5145	14	NUT, Flg, USR, 5/16"-18,
49	281-14816	4	SCREW, SELF TAPPING, Hex Wash Hd, 5/16" x 1", self tapping, hex washer head, 5/16 NC x 1 inch
50	156011C92	1	BEARING, BALL, ball, auger , May be alternated with Refs. 37, 51 and 52

\*Item 37 may be alternated with Items 50, 51 and 52.

## 9D-04 GRAIN AUGER TROUGH

сылка	Номер детали	Кол-во	Описание
51	581469R1	2	FLANGE, bearing retainer , May be alternated with Refs. 37, 50 and 52
52	1979642C1	1	SPACER, bearing flange , May be alternated with Refs. 37, 50 and 51

\*Item 37 may be alternated with Items 50, 51 and 52.



B9307275A



## 1666 CASE IH AXIAL-FLOW COMBINE (1/93-12/94)

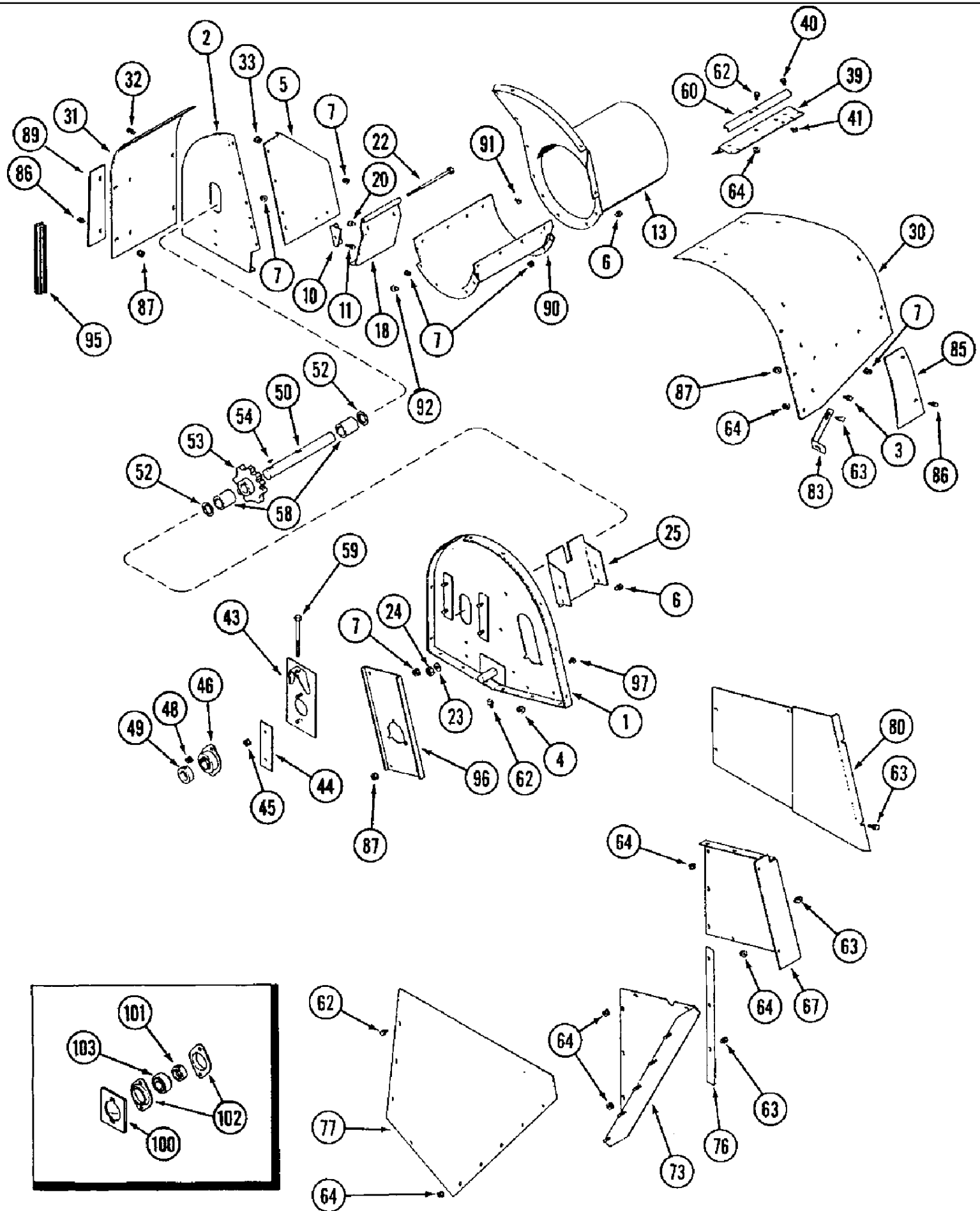
## 9D-06 GRAIN ELEVATOR, HOUSING AND BOOT

сылка	Номер детали	Кол-во	Описание
1	1318585C2	1	PLATE, SIDE, SIDE boot, outer
2	1317673C2	1	BASE, SIDE boot, inner
3	1317271C1	1	COVER, boot, rear
4	1317273C1	1	COVER, boot, front
5	409-7512	20	BOLT, Hex Flg, 5/16"-18 x 3/4", Serr,
6	231-5145	22	NUT, Flg, USR, 5/16"-18,
8	1317276C1	1	DOOR, boot, non perforated
8	1317841C1	1	DOOR, boot, perforated
9	413-5120	1	BOLT, Hex, 5/16"-18 x 7 1/2", G5, BOLT hex, 5/16 NC x 1-1/2 inch
10	155909C1	1	LATCH, door
11	316039R1	1	BOLT, U, latch, 5/16 inch NC
12	439-1420	1	PIN, HEADED, 1/4" x 1 1/4", headed, 1/4 x 1-1/4 inch, grade 2
13	432-812	1	PIN, SPLIT (COTTER), 1/8" x 3/4",
14	232-4115	3	NUT, LOCK, 5/16"-18, GC,
16	1317270C1	1	GUARD, DEFLECTOR grain, bottom
17	409-7612	3	BOLT, Hex Flg, 3/8"-16 x 3/4", Serr,
18	154273C1	1	BOLT, Hex Flg, 3/8"-16 x 1", Serr, BOLT hex, self locking, special, 3/8 NC x 1 inch
19	231-5146	4	NUT, Flg, USR, 3/8"-16,
22	1317362C4	1	SUPPORT, BRACKET lower, replaces 1317362C3
23	1327667C1	1	SUPPORT, elevator
24	409-7612	5	BOLT, Hex Flg, 3/8"-16 x 3/4", Serr,
25	231-5146	7	NUT, Flg, USR, 3/8"-16,
26	1317376C4	1	HOUSING, elevator
27	1317688C1	1	PLATE, seal
28	1317698C1	1	PLATE, SUPPORT rear seal
29	477-73108	16	SCREW, Slt'd Serr Truss Hd, 5/16"-18 x 1/2", slotted truss head, 5/16 NC x 1/2 inch
30	231-5145	16	NUT, Flg, USR, 5/16"-18,
30A	495-81121	7	WASHER, .344" x 1 1/2" x .060", flat, 11/32 x 1-1/2 x 1/16 inch
31	1317193C2	3	SPACER, sprocket
32	1317192C1	1	SPROCKET, drive
33	Q1443	1	KEY, 5/16" Sq x 1 1/2", Par,
35	1321334C92	1	CHAIN, ELEVATOR, CONVEYOR ASSEMBLY, Includes: Ref. 36 thru 41
36	241-15113		UAR LINK, CONNECTING, connecting, single pitch, No. C550, 1-5/8 inch
37	23442R1		UAR PIN, roller, S type No. 550 chain
38	241-18113		UAR LINK, CHAIN, offset, single pitch No. C550, 1-5/8 inch
40	1317613C92		UAR PALLET, FLIGHT ASSEMBLY, conveyor, rubber
41	241-12113	2	LINK, CHAIN, roller, single pitch
44	1321443C92		UAR FLIGHT, STEEL, ASSEMBLY, conveyor, steel, Includes: Flight, bolt, washer, and nut
	1317480C2	1	FLIGHT, RUBBER, conveyor
	413-620	2	BOLT, Hex, 3/8"-16 x 1 1/4", G5, Full Thd, hex, 3/8 NC x 1-1/4 inch
	495-11041	2	WASHER, 3/8", SAE, Flat, (13/32 x 13/16 x 1/16")
	232-4136	2	NUT, LOCK, 3/8"-16, GC,
49	1317493C1	1	BRACKET, ANGLE tank bottom stiffener, left hand
50	477-73112	2	BOLT, Slotted Tr Hd, 5/16"-18 x 3/4",
51	1317625C1	1	SUPPORT, elevator housing, lower

1666 CASE IH AXIAL-FLOW COMBINE (1/93-12/94)

9D-06 GRAIN ELEVATOR, HOUSING AND BOOT

сылка	Номер детали	Кол-во	Описание
52	409-7620	2	BOLT, Hex Flg, 3/8"-16 x 1 1/4", Serr,



B923067

\*Item 46 may be alternated with items 100 through 103. \*Item 46 may be alternated with items 100 through 103.

## 1666 CASE IH AXIAL-FLOW COMBINE (1/93-12/94)

## 9D-08 GRAIN ELEVATOR HEAD, HORIZONTAL

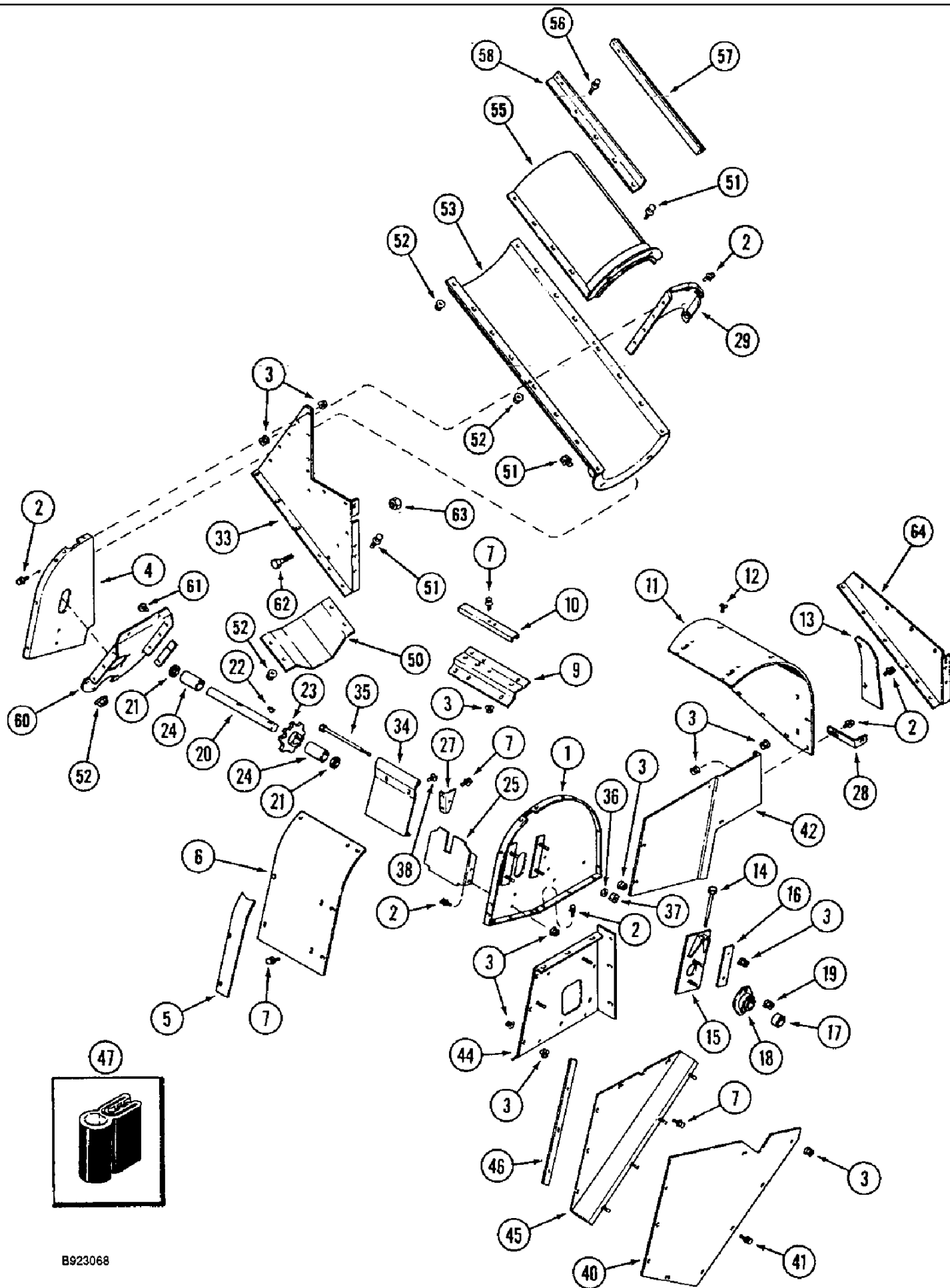
сылка	Номер детали	Кол-во	Описание
1	1321126C1	1	PLATE, SIDE head, right hand
2	1319901C1	1	PLATE, SIDE, SIDE elevator head, left hand
3	256873	9	BOLT, Hex Flg, 5/16"-18 x 1/2", Serr,
4	231-5145	9	NUT, Flg, USR, 5/16"-18,
5	1321139C1	1	PLATE, SUPPORT left hand side, head
6	256873	16	BOLT, Hex Flg, 5/16"-18 x 1/2", Serr,
7	231-5145	20	NUT, Flg, USR, 5/16"-18,
10	1321553C1	1	BRACKET, support cutoff end
11	409-7512	2	BOLT, Hex Flg, 5/16"-18 x 3/4", Serr,
13	121369A1	1	SUPPORT, head, left hand, includes 1319494C1 decal
18	1319952C1	1	PLATE, SECTION cutoff, head
20	477-73108	2	SCREW, Sltd Serr Truss Hd, 5/16"-18 x 1/2", slotted truss head, 5/16 NC x 1/2 inch
22	424-5112	1	BOLT, Hex, 5/16"-18 x 7", G2, BOLT hex, 5/16 NC x 7 inch, grade 2
23	492-11031	1	WASHER, LOCK, 5/16",
24	425-105	1	NUT, 5/16"-18, G5,
25	1317222C1	1	PLATE, deflector
30	1321128C1	1	COVER, head, front
31	1319942C1	1	COVER, rear, elevator head
32	409-7516	6	BOLT, Hex Flg, 5/16"-18 x 1", Serr,
32	409-7512	13	BOLT, Hex Flg, 5/16"-18 x 3/4", Serr,
33	231-5145	13	NUT, Flg, USR, 5/16"-18,
39	1319959C1	1	SUPPORT, tightener, conveyor
40	409-7512	4	BOLT, Hex Flg, 5/16"-18 x 3/4", Serr,
41	231-5145	4	NUT, Flg, USR, 5/16"-18,
43	1317251C2	2	SUPPORT, headshaft
44	1310040C1	4	BAR, guide bearing
45	231-5145	8	NUT, Flg, USR, 5/16"-18,
46	1317250C91	2	BEARING, FLANGED, auger, right headshaft, May be alternated with Ref. 100 thru 103
48	231-5146	4	NUT, Flg, USR, 3/8"-16,
49	557995R11	2	COLLAR, bearing, with set screw headshaft
50	1317429C1	1	PIN, LARGE, SHAFT headshaft sprocket
52	495-81202	6	WASHER, 1 9/32" x 1 3/4" x .060", flat, 1-9/32 x 1-3/4 x 1/16 inch
53	1317192C1	2	SPROCKET, drive headshaft
54	126-125	1	KEY, WOODRUFF, #B, 5/16" x 1", HT,
58	1317193C2	2	SPACER, sprocket
59	820430C1	2	BOLT, hex, special, 1/2 NC x 5-1/2 inch
60	1317474C1	1	CHANNEL, lock, tightener
62	256873	10	BOLT, Hex Flg, 5/16"-18 x 1/2", Serr,
63	409-7512	8	BOLT, Hex Flg, 5/16"-18 x 3/4", Serr,
64	231-5145	28	NUT, Flg, USR, 5/16"-18,
67	1321228C1	1	EXTENSION, head, lower
73	1321496C1	1	SUPPORT, side panel, left hand
76	1321155C1	1	SPACER, spacer
77	1979472C1	1	SHEET, PANEL side, right hand
80	1321618C2	1	PLATE, SUPPORT cover, auger

\*Item 46 may be alternated with items 100 through 103.\n\*Item 46 may be alternated with items 100 through 103.

сылка	Номер детали	Кол-во	Описание
83	1321832C1	1	BRACKET, front cover strap
85	1321231C1	1	PLATE, sealing, front
86	256873	4	BOLT, Hex Flg, 5/16"-18 x 1/2", Serr,
87	231-5145	30	NUT, Flg, USR, 5/16"-18,
89	1321232C1	1	PLATE, sealing, rear
90	1321130C1	1	TROUGH, auger
91	477-73108	2	SCREW, Sltd Serr Truss Hd, 5/16"-18 x 1/2", slotted truss head, 5/16 NC x 1/2 inch
92	477-73112	4	BOLT, Slotted Tr Hd, 5/16"-18 x 3/4",
95	1321262C1	2	SEAL, flanged, side head
96	1321129C1	1	PLATE, SUPPORT bearing, auger right hand
97	477-73108	2	SCREW, Sltd Serr Truss Hd, 5/16"-18 x 1/2", slotted truss head, 5/16 NC x 1/2 inch
100	1979642C1	2	SPACER, bearing flange, May be alternated with Ref. 46
101	557995R11	2	COLLAR, bearing with set screw , May be alternated with Ref. 46
102	581469R1	4	FLANGE, bearing retainer, May be alternated with Ref. 46
103	156011C92	2	BEARING, BALL, ball, auger, May be alternated with Ref. 46

\*Item 46 may be alternated with items 100 through 103.\n\*Item 46 may be alternated with items 100 through 103.

9D-12 GRAIN ELEVATOR HEAD, INCLINED



B923068

## 1666 CASE IH AXIAL-FLOW COMBINE (1/93-12/94)

## 9D-12 GRAIN ELEVATOR HEAD, INCLINED

сылка	Номер детали	Кол-во	Описание
1	1319908C1	1	PLATE, SIDE, SIDE elevator head
2	256873	53	BOLT, Hex Flg, 5/16"-18 x 1/2", Serr,
3	231-5145	76	NUT, Flg, USR, 5/16"-18,
4	1319901C1	1	PLATE, SIDE, SIDE elevator head, left hand
5	1321232C1	1	PLATE, sealing, rear
6	1319942C1	1	COVER, rear, elevator head
7	409-7512	37	BOLT, Hex Flg, 5/16"-18 x 3/4", Serr,
9	1319959C1	1	SUPPORT, tightener, conveyor
10	1317474C1	1	CHANNEL, lock, tightener
11	1319943C1	1	PLATE, COVER head, front
12	477-73112	4	BOLT, Slotted Tr Hd, 5/16"-18 x 3/4",
13	1321231C1	1	PLATE, sealing, front
14	820430C1	2	BOLT, hex, special, 1/2 NC x 5-1/2 inch
15	1317251C2	2	SUPPORT, headshaft
16	1310040C1	4	BAR, guide headshaft
17	557995R11	2	COLLAR, bearing, with set screw
18	1317250C91	2	BEARING, FLANGED, auger, right headshaft
19	231-5146	4	NUT, Flg, USR, 3/8"-16,
20	1317429C1	1	PIN, LARGE, SHAFT headshaft sprocket
21	495-81202	6	WASHER, 1 9/32" x 1 3/4" x .060", flat, 1-9/32 x 1-3/4 x 1/16 inch
22	126-125	1	KEY, WOODRUFF, #B, 5/16" x 1", HT,
23	1317192C1	1	SPROCKET, drive headshaft
24	1317193C2	3	SPACER, sprocket
25	1317222C1	1	PLATE, deflector extension, bottom
27	1321553C1	1	BRACKET, support
28	1321832C1	1	BRACKET, front cover head
29	121370A1	1	PLATE, side, left hand front, includes decal
33	1321551C2	1	SUPPORT, PANEL rear support
34	1319952C1	1	PLATE, SECTION cut off
35	424-5112	1	BOLT, Hex, 5/16"-18 x 7", G2, BOLT hex, 5/16 NC x 7 inch, grade 2
36	492-11031	1	WASHER, LOCK, 5/16",
37	425-105	1	NUT, 5/16"-18, G5,
38	477-73108	2	SCREW, Sltd Serr Truss Hd, 5/16"-18 x 1/2", slotted truss head, 5/16 NC x 1/2 inch
40	1321154C1	1	PANEL, side, right hand
41	409-7516	1	BOLT, Hex Flg, 5/16"-18 x 1", Serr,
42	1321097C2	1	COVER, auger
44	1321060C1	1	SUPPORT, mounting, auger
45	1321496C1	1	SUPPORT, side panel, left hand
46	1321155C1	1	SPACER, spacer
47	1321262C1	2	SEAL, flanged, head
48	1321554C1	1	PLATE, BAR filler
50	1321556C1	1	COVER, U joint, auger
51	256873	12	BOLT, Hex Flg, 5/16"-18 x 1/2", Serr,
52	231-5145	18	NUT, Flg, USR, 5/16"-18,
53	1321557C2	1	TUBE, trough, lower

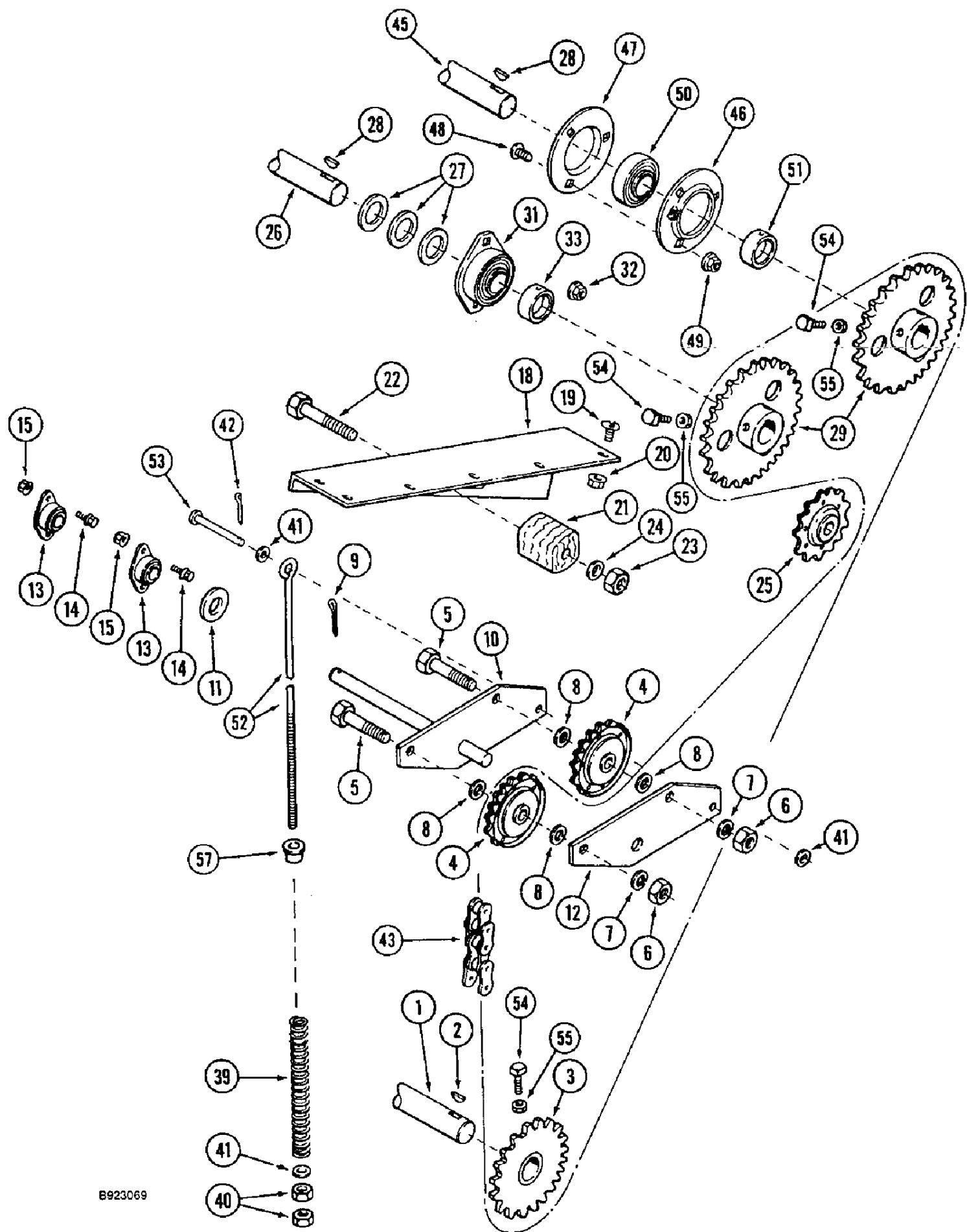
1666 CASE IH AXIAL-FLOW COMBINE (1/93-12/94)

9D-12 GRAIN ELEVATOR HEAD, INCLINED

сылка	Номер детали	Кол-во	Описание
55	1321560C2	1	TROUGH, trough, upper
56	409-7512	7	BOLT, Hex Flg, 5/16"-18 x 3/4", Serr,
57	1321568C3	1	ANGLE, BRACKET support, front
58	1321569C3	1	ANGLE, BRACKET support, rear
60	1979134C1	1	SUPPORT, PLATE auger, bearing
61	477-73108	2	SCREW, Sltd Serr Truss Hd, 5/16"-18 x 1/2", slotted truss head, 5/16 NC x 1/2 inch
62	256873	6	BOLT, Hex Flg, 5/16"-18 x 1/2", Serr,
63	231-5145	16	NUT, Flg, USR, 5/16"-18,
64	1321552C2	1	SUPPORT, PLATE side, front



9D-16 GRAIN ELEVATOR DRIVE



B923069

## 1666 CASE IH AXIAL-FLOW COMBINE (1/93-12/94)

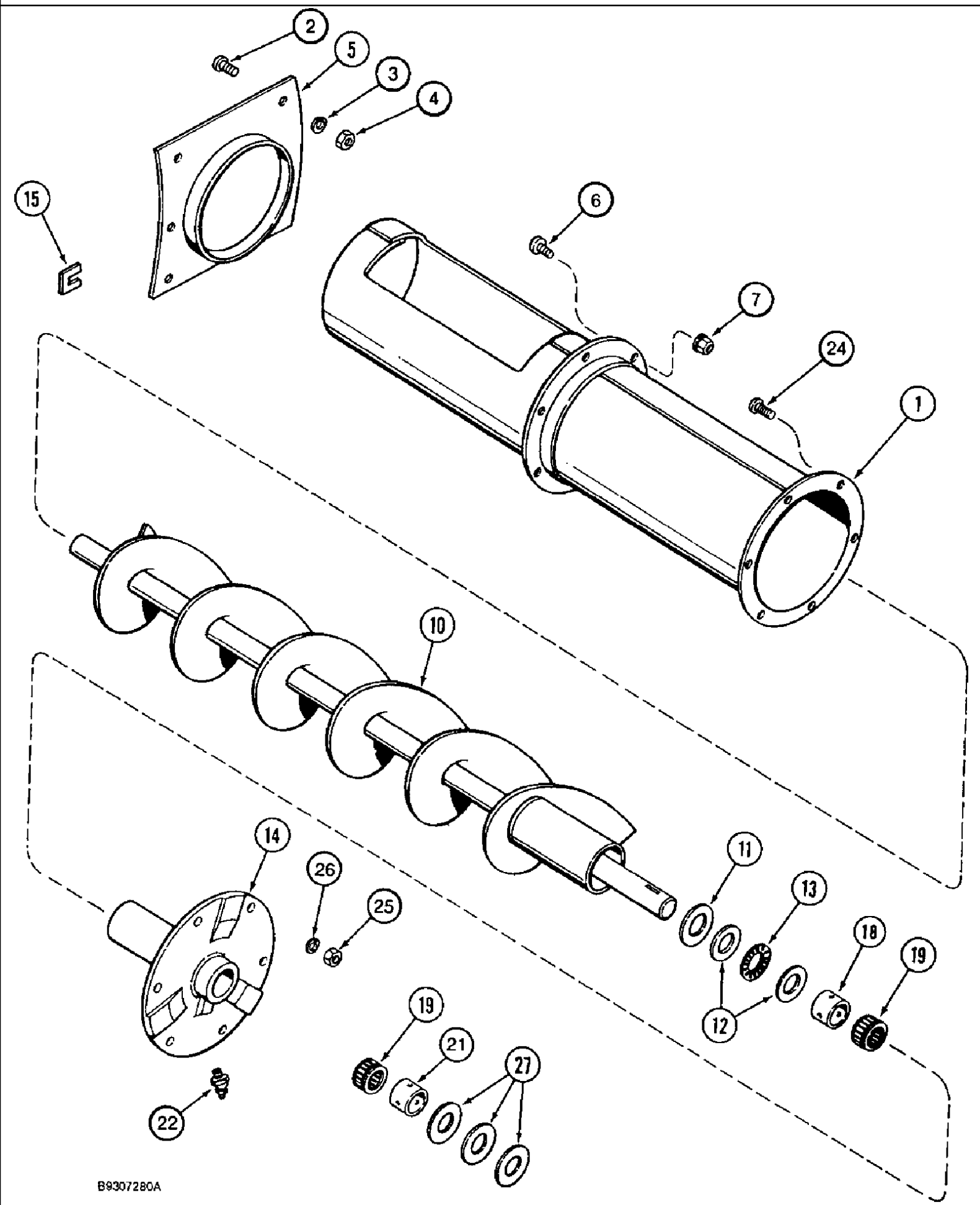
## 9D-16 GRAIN ELEVATOR DRIVE

сылка	Номер детали	Кол-во	Описание
1	1321347C1	1	SHAFT, elevator drive
2	581306R1	2	KEY, 5/16" Sq x 1 1/4", Par,
3	192139C2	2	SPROCKET, drive, 25 teeth
4	631905R91	2	SPROCKET, idler drive
5	413-1044	2	BOLT, Hex, 5/8"-11 x 2 3/4", G5, BOLT hex, 5/8 NC x 2-3/4 inch
6	425-1010	2	NUT, 5/8"-11, G5,
7	492-11062	2	WASHER, LOCK, 5/8",
8	495-81175	4	WASHER, 21/32" x 1" x .120", flat, 21/32 x 1 x 7/64 inch
9	432-1224	1	PIN, SPLIT (COTTER), 3/16" x 1 1/2",
10	1345064C1	1	SUPPORT, idler sprocket, pivot tightener
11	495-81041	1	WASHER, 25/32" x 1 1/2" x .060", flat, 25/32 x 1-1/2 x 1/16
12	1345066C1	1	PLATE, tightener support
13	A63366	2	BEARING, pivot
14	409-7512	4	BOLT, Hex Flg, 5/16"-18 x 3/4", Serr,
15	231-5145	4	NUT, Flg, USR, 5/16"-18,
18	1317476C3	1	ANGLE BAR, stiffener, block replaces 1317476C2
19	477-73108	6	SCREW, Sltd Serr Truss Hd, 5/16"-18 x 1/2", slotted truss head, 5/16 NC x 1/2 inch
20	231-5145	5	NUT, Flg, USR, 5/16"-18,
21	582018R1	2	BLOCK, tightener
22	413-1056	2	BOLT, Hex, 5/8"-11 x 3 1/2", G5,
23	232-41110	2	NUT, LOCK, 5/8"-11, GC,
24	495-81175	2	WASHER, 21/32" x 1" x .120", flat, 21/32 x 1 x 7/64 inch
25	1319759C1	1	DRIVE SPROCKET, idler, horizontal
26	1317429C1	1	PIN, LARGE, SHAFT head, sprocket elevator
27	495-81202	6	WASHER, 1 9/32" x 1 3/4" x .060", flat, 1-9/32 x 1-3/4 x 1/16 inch
28	126-125	2	KEY, WOODRUFF, #B, 5/16" x 1", HT,
29	1317412C1	2	SPROCKET, headshaft, one used on inclined elevator
29	1321039C1	1	SPROCKET, driven, auger, used on inclined elevator
31	1317250C91	2	BEARING, FLANGED, auger, right headshaft
32	231-5146	4	NUT, Flg, USR, 3/8"-16,
33	557995R11	2	COLLAR, bearing, with set screw
39	523677R1	1	SPRING, tightener
40	425-106	2	NUT, 3/8"-16, G5,
41	495-71041	4	WASHER, 3/8", flat, 13/32 x 1-1/4 x 3/32 inch
42	432-612	1	PIN, SPLIT (COTTER), 3/32" x 3/4",
43	1321308C91	1	CHAIN (AGRICULTURE), drive, 165 inch long, use 259 links of 1791D bulk chain, (3) 241-1315 connecting links and (2) 241-1115 roller links, horizontal delivery auger elevator, Use 259 links of 1791D chain, (3) connecting links of 1310D and (2) roller links of 1309D
43	1321307C91	1	CHAIN (AGRICULTURE), ASSEMBLY, drive 153-3/4 inch long, use 241 links of 1792D chain, (3) 241-1315 connector links and (2) 241-1115 roller links inclined delivery auger elevator, Use 241 links of 1792D chain, 3 connector links of 1310D and 2 roller links of 1309D
45	1318912C3	1	AUGER, delivery, horizontal parts list Fig. 9D-2
46	670375R11	1	FLANGE, FLANGE bearing, horizontal delivery auger elevator
47	939461R1	1	FLANGE, horizontal, delivery auger elevator

## 9D-16 GRAIN ELEVATOR DRIVE

сылка	Номер детали	Кол-во	Описание
48	477-73812	3	SCREW, Sltd Serr Truss Hd, 3/8" x 3/4", slotted truss head, special, 3/8 NC x 3/4 inch horizontal delivery auger elevator
49	231-5146	3	NUT, Flg, USR, 3/8"-16, Horizontal delivery auger elevator
50	156011C92	1	BEARING, BALL, ball, horizontal delivery auger elevator
51	557995R11	1	COLLAR, bearing, with set screw, horizontal delivery auger elevator
52	1345005C1	1	EYEBOLT, ROD chain tightener
53	427-6240	1	PIN, CLEVIS, 3/8" x 2.406", clevis, 3/8 x 2-13/32 inch, hardened
54	385-13820	4	SET SCREW, Sq Hd, 3/8"-16 x 1 1/4", set, square head, 3/8 NC x 1-1/4 inch, cup point
55	425-146	4	NUT, Jam, 3/8"-16, G5, hex, jam, 3/8 inch NC
57	S113843	1	BUSHING, eyebolt

9D-20 TAILINGS DELIVERY AUGER

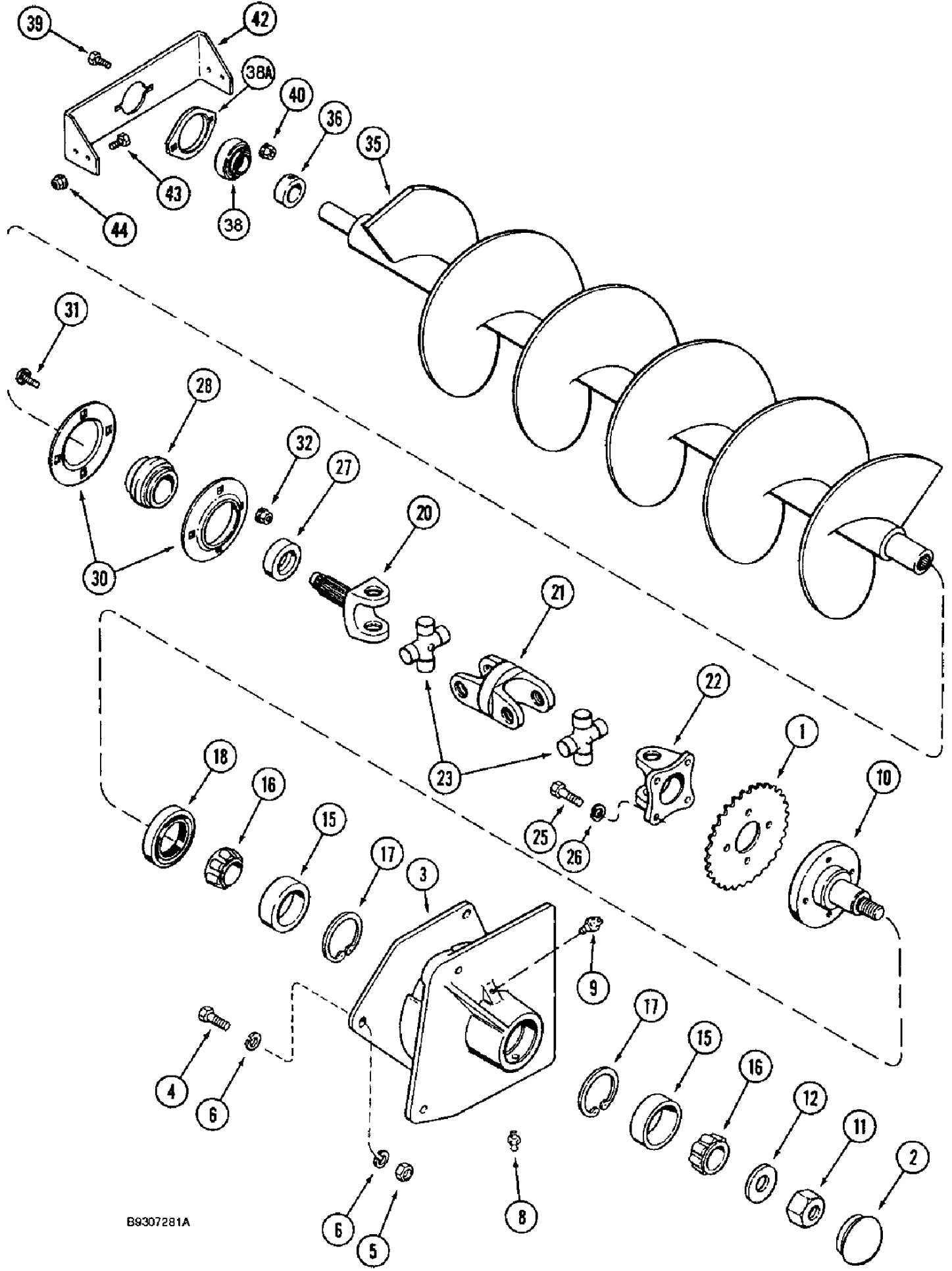


## 1666 CASE IH AXIAL-FLOW COMBINE (1/93-12/94)

## 9D-20 TAILINGS DELIVERY AUGER

сылка	Номер детали	Кол-во	Описание
1	185225C1	1	TUBE ASSY., delivery auger
2	477-73112	6	BOLT, Slotted Tr Hd, 5/16"-18 x 3/4",
3	492-11031	6	WASHER, LOCK, 5/16",
4	231-5145	6	NUT, Flg, USR, 5/16"-18,
5	186700C1	1	COVER, FLANGE tube
6	477-73112	6	BOLT, Slotted Tr Hd, 5/16"-18 x 3/4",
7	231-5145	6	NUT, Flg, USR, 5/16"-18,
10	193225C1	1	AUGER, delivery
11	495-11106	1	WASHER, 1", SAE, flat, 1-1/16 x 2 x 1/8 inch
12	T38017	2	WASHER, thrust, auger
13	G13609	1	BEARING, THRUST, needle, auger
14	1324840C1	1	HUB, bearing
15	151670C1	4	PLATE, LOCKING, SHIM pin, spacer washer
19	574940R91	2	BEARING, NEEDLE, needle auger hub
21	564592R91	2	SEAL, hub bearing
22	219-90	1	NIPPLE, LUBE, 45с, 1/4" NPT x .80" lg, Drive, grease, 45 degree, 1/4-28 special taper x 13/16 inch
24	413-516	6	BOLT, Hex, 5/16"-18 x 1", G5, Full Thd, hex, 5/16 NC x 1 inch
25	425-105	6	NUT, 5/16"-18, G5,
26	492-11031	6	WASHER, LOCK, 5/16",
27	495-81076		UAR WASHER, 1 1/32" x 2" x .060", flat, 1-1/32 x 2 x 1/16 inch

9D-22 INCLINED DELIVERY AUGER



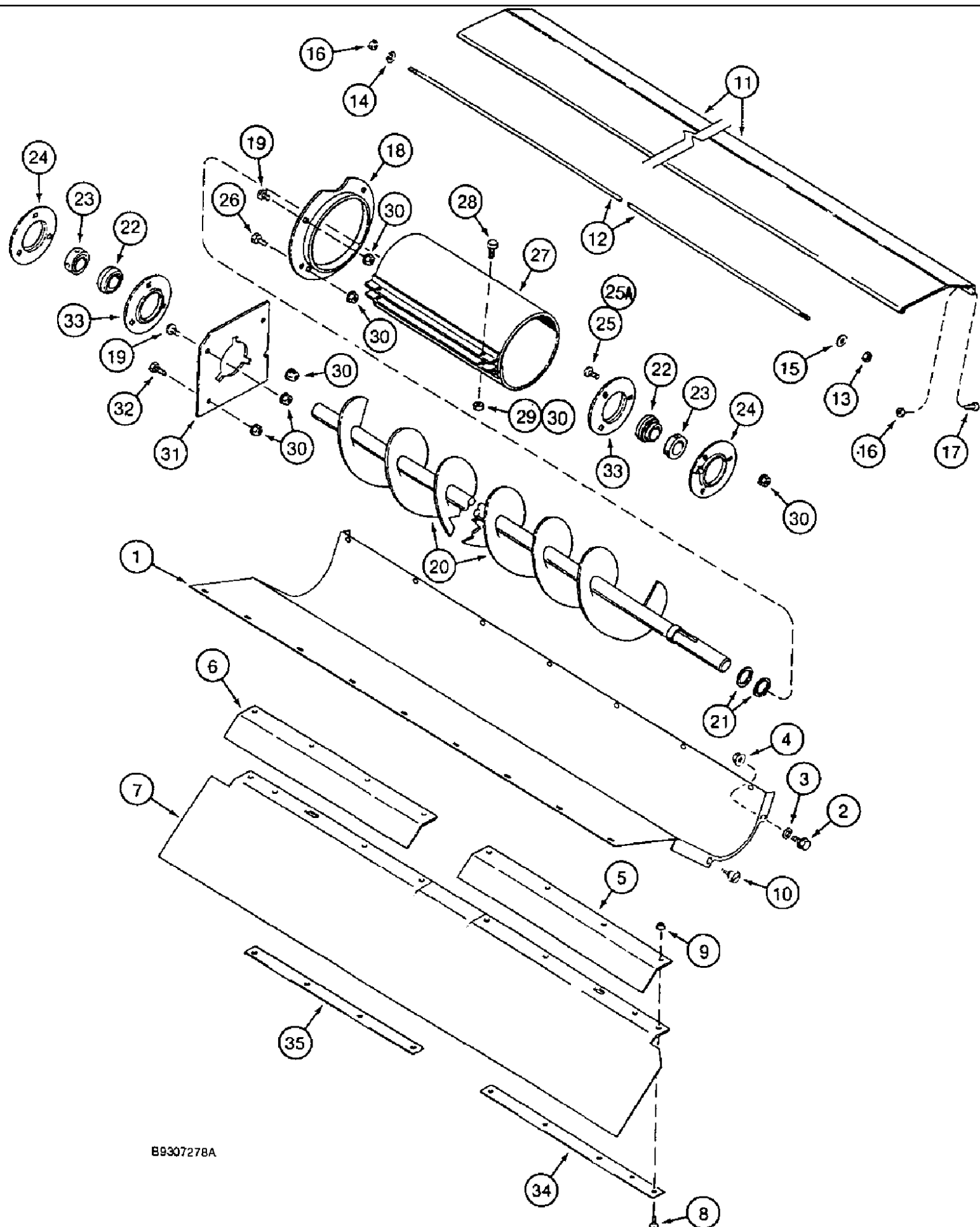
B9307281A

## 1666 CASE IH AXIAL-FLOW COMBINE (1/93-12/94)

## 9D-22 INCLINED DELIVERY AUGER

сылка	Номер детали	Кол-во	Описание
1	1321039C1	1	SPROCKET, driven auger
2	453771R1	1	PLUG, CAP housing, drive housing
3	1321020C1	1	HOUSING, drive
4	413-816	2	BOLT, Hex, 1/2"-13 x 1", G5, Full Thd,
5	425-108	4	NUT, 1/2"-13, G5,
6	80679	4	WASHER, LOCK, 1/2",
8	219-87	1	NIPPLE, LUBE, 1/4"-28 x .56" lg, Self-Tap,
9	219-434	1	BREATHER, 1/8"-27 NPT, Short, w/washer, FITTING housing, 1/8 inch
10	1321021C1	1	SHAFT, auger drive
11	185413C1	1	NUT, hex, self locking, special, 7/8 inch NC
12	238633R1	1	WASHER, flat, 29/32 x 2-3/64 x 1-1/64 inch
15	618024R1	2	BEARING, CUP, CONE tapered roller
16	618023R91	2	BEARING, CONE, tapered roller
17	100-21256	2	RING, SNAP, 2.562", Int, #256,
18	380200R92	1	SEAL, oil housing
	1321055C91	1	UNIVERSAL JOINT, ASSEMBLY, auger drive, Includes: Ref. 20 thru 23
20	1321056C1	1	YOKE, YOKE shaft
21	1321057C1	1	CLEVIS, YOKE center
22	1321058C1	1	CLEVIS, YOKE flange
23	1321059C91	1	SPIDER, U-JOINT, KIT journal and bearing
25	426-724	4	BOLT, Hex, 7/16"-14 x 1 1/2", G8, BOLT hex, 7/16 NC x 1-1/2 inch, grade 8
26	492-11044	4	WASHER, LOCK, 7/16",
27	517645R11	1	COLLAR, locking, with set screw
28	611583R91	1	BEARING, BALL, ball, auger
30	181383C1	2	FLANGE, bearing
31	434-612	4	BOLT, CARRIAGE, Short NK, 3/8"-16 x 3/4", G5, Full Thd, 3/8 NC x 3/4 inch
32	231-5146	4	NUT, Flg, USR, 3/8"-16,
35	1968853C2	1	AUGER, delivery
36	455102R21	1	COLLAR, locking, bearing, includes set screw
38	214366C91	1	BEARING, BALL, ball, auger
38A	50591	2	FLANGE, bearing
39	409-7512	2	BOLT, Hex Flg, 5/16"-18 x 3/4", Serr,
40	231-5145	2	NUT, Flg, USR, 5/16"-18,
42	1994833C1	1	BAR, support
43	409-7512	4	BOLT, Hex Flg, 5/16"-18 x 3/4", Serr,
44	231-5145	4	NUT, Flg, USR, 5/16"-18,

9D-24 TAILINGS AUGER TROUGH



B9307278A

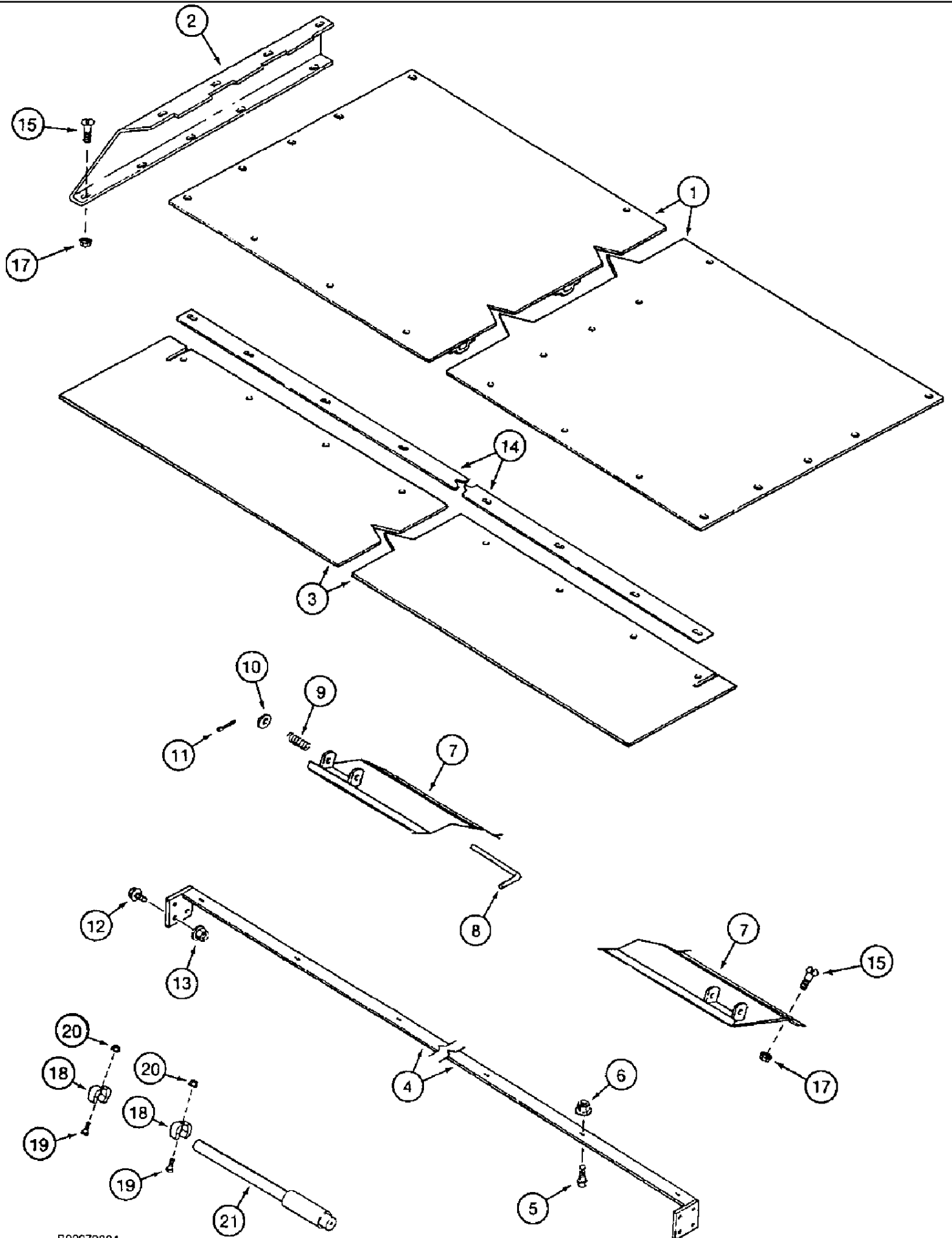


## 1666 CASE IH AXIAL-FLOW COMBINE (1/93-12/94)

## 9D-24 TAILINGS AUGER TROUGH

сылка	Номер детали	Кол-во	Описание
1	1346956C1	1	TROUGH, auger
2	409-7512	6	BOLT, Hex Flg, 5/16"-18 x 3/4", Serr,
2	477-73112	7	BOLT, Slotted Tr Hd, 5/16"-18 x 3/4",
3	495-11034	2	WASHER, 5/16", SAE, flat, 11/32 x 11/16 x 1/16 inch
4	231-5145	15	NUT, Flg, USR, 5/16"-18,
5	1347436C1	1	ANGLE BAR, RETAINER rear chaffer seal, left hand (upper)
6	1347437C1	1	ANGLE BAR, RETAINER rear chaffer seal, right hand
7	1346999C1	1	SEAL, chaffer, rear cross
8	413-512	8	BOLT, Hex, 5/16"-18 x 3/4", G5, Full Thd, hex, 5/16 NC x 3/4 inch
9	232-4115	8	NUT, LOCK, 5/16"-18, GC,
10	199953C1	4	SCREW, SELF TAPPING, Hex Wash Hd, 5/16"-18 x 13/16",
11	185195C1	1	DOOR, trough cover
12	185198C1	1	ROD, door auger
13	425-105	1	NUT, 5/16"-18, G5,
14	492-11031	1	WASHER, LOCK, 5/16",
15	495-11034	1	WASHER, 5/16", SAE, flat, 11/32 x 11/16 x 1/16 inch
16	231-5315	10	NUT, LOCK, Flg, 5/16"-18,
17	413-512	9	BOLT, Hex, 5/16"-18 x 3/4", G5, Full Thd, hex, 5/16 NC x 3/4 inch
18	160324C2	1	FLANGE, mounting auger cover
19	477-73108	5	SCREW, Slt'd Serr Truss Hd, 5/16"-18 x 1/2", slotted truss head, 5/16 NC x 1/2 inch
20	191734C1	1	AUGER, tailings
21	495-81065	1	UAR WASHER, 1 1/32" x 1 1/4" x .060", flat, 1-1/32 x 1-1/4 x 3/64 inch
22	482303R92	2	BEARING, ball, auger
23	455102R21	2	COLLAR, locking, bearing, includes set screw
24	180383C91	2	FLANGE, bearing
25	477-73112	6	BOLT, Slotted Tr Hd, 5/16"-18 x 3/4",
25A	126435A1	1	SCREW, Slt'd Serr Truss Hd, 5/16"-18 x 2",
26	199953C1	2	SCREW, SELF TAPPING, Hex Wash Hd, 5/16"-18 x 13/16",
27	192693C1	1	CLAMP, extension, non perforated
27	195078C1	1	CLAMP, extension, perforated
28	424-516	2	BOLT, Hex, 5/16"-18 x 1", G2, BOLT hex, 5/16 NC x 1 inch, grade 2
28	477-73116	2	SCREW, Slt'd Serr Truss Hd, 5/16"-18 x 1", slotted truss head, 5/16 NC x 1 inch
29	232-4115	2	NUT, LOCK, 5/16"-18, GC,
30	231-5145	10	NUT, Flg, USR, 5/16"-18,
31	192357C2	1	BAR, PLATE bearing support
32	199953C1	1	SCREW, SELF TAPPING, Hex Wash Hd, 5/16"-18 x 13/16",
33	937517R1	2	FLANGE, bearing
34	1338343C1	1	RETAINER, rear chaffer seal, lower left hand
35	1338344C1	1	RETAINER, rear chaffer seal, lower right hand

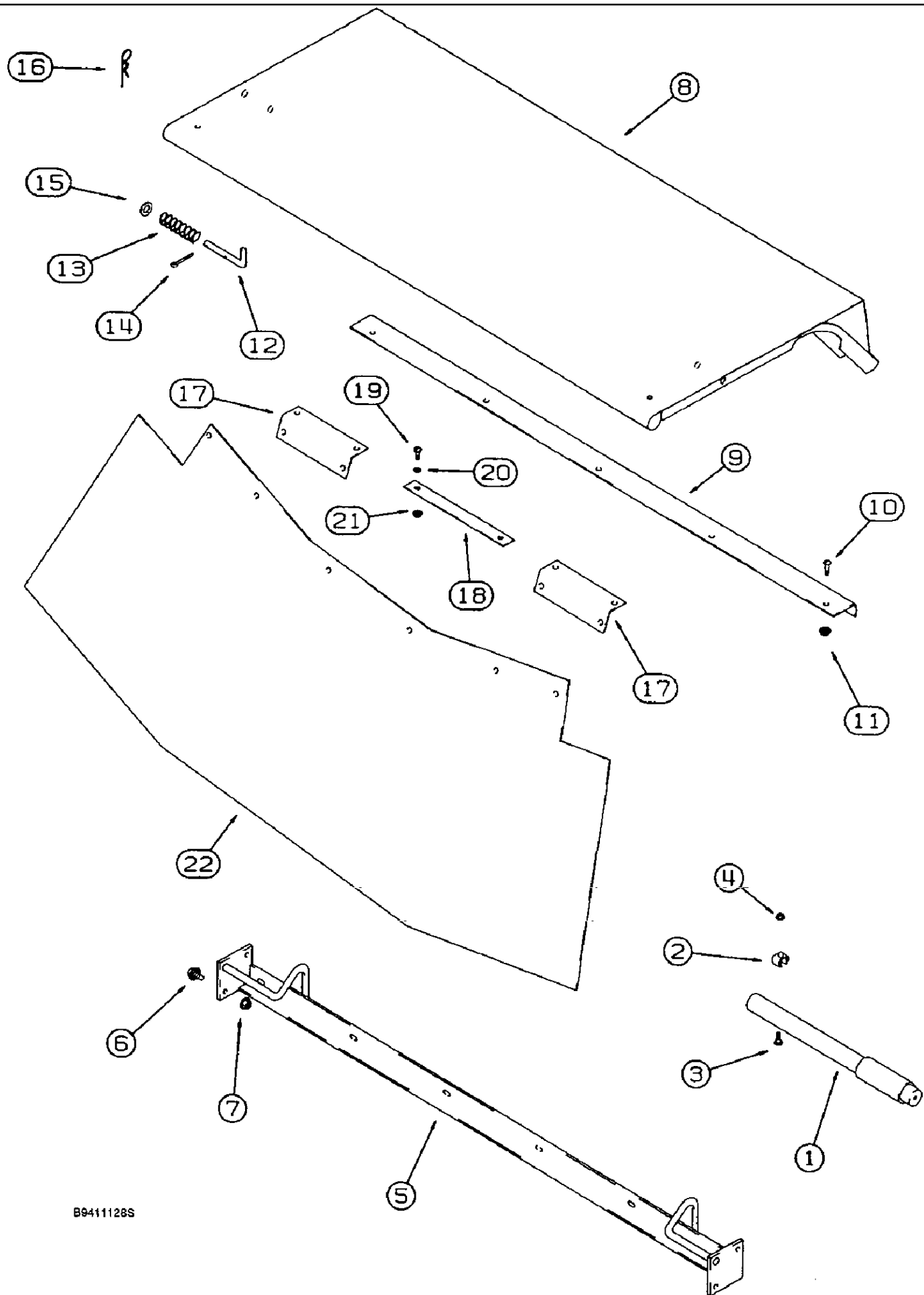
9D-26 TAILINGS AUGER TROUGH PANEL



B9307283A

## 9D-26 TAILINGS AUGER TROUGH PANEL

сылка	Номер детали	Кол-во	Описание
1	1970519C1	1	SHEET ASSY., PANEL tailings return
2	1346963C1	1	SUPPORT, tailings, pan
3	1347000C1	1	SEAL, tailings panel
4	1970532C1	1	SUPPORT, tailings door
5	413-512	8	BOLT, Hex, 5/16"-18 x 3/4", G5, Full Thd, hex, 5/16 NC x 3/4 inch
6	231-5145	8	NUT, Flg, USR, 5/16"-18,
7	186909C2	1	HOOD, GATE trough
8	186736C3	2	ROD, PIN latch, replaces 186736C2
9	540815R2	2	SPRING, lock pin
10	495-11041	2	WASHER, 3/8", SAE, Flat, (13/32 x 13/16 x 1/16")
11	432-616	2	PIN, SPLIT (COTTER), 3/32" x 1",
12	409-7512	6	BOLT, Hex Flg, 5/16"-18 x 3/4", Serr,
13	231-5145	7	NUT, Flg, USR, 5/16"-18,
14	122850A1	1	STRAP, retainer, panel seal
15	477-73108	14	SCREW, Sltd Serr Truss Hd, 5/16"-18 x 1/2", slotted truss head, 5/16 NC x 1/2 inch
15	477-73112	13	BOLT, Slotted Tr Hd, 5/16"-18 x 3/4",
16	256873	4	BOLT, Hex Flg, 5/16"-18 x 1/2", Serr, Not shown
17	231-5145	34	NUT, Flg, USR, 5/16"-18,
18	106744A1	2	CLIP, retainer handle extension
19	340-1108	2	SCREW, Cross Pan Hd, #10-24 x 1/2", machine, pan Phillips No.10 NC x 1/2 inch
20	231-51409	2	NUT, Flg, USR, #10-24,
21	106743A1	1	HANDLE, extension

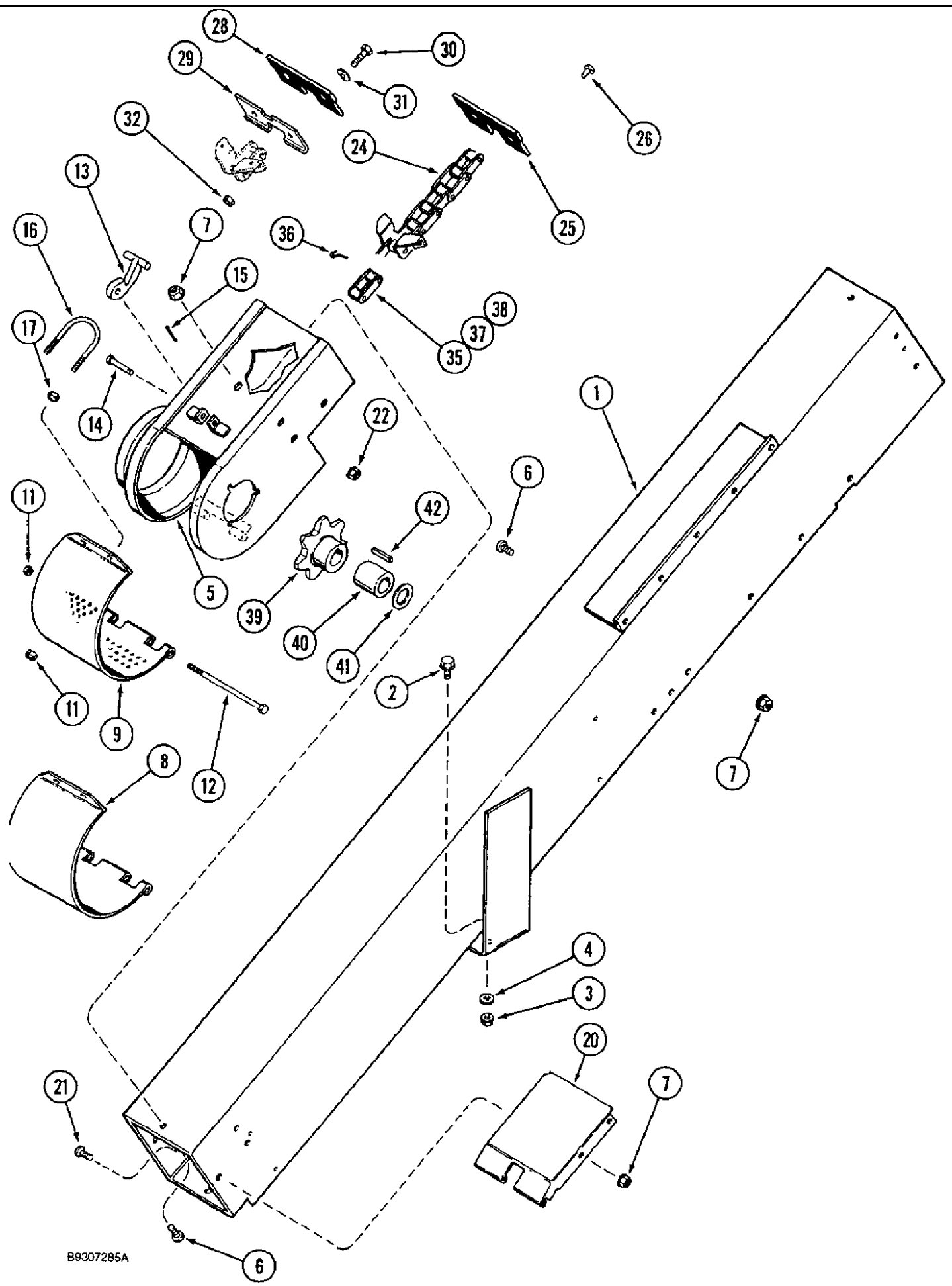


B941128S

## 9D-28 CLEANING SHOE DOOR AND SHIELDS, MODELS WITH STRAW AND CHAFF

сылка	Номер детали	Кол-во	Описание
1	106743A1	1	HANDLE, extension
2	106744A1	2	CLIP, retainer, handle extension
3	340-1108	2	SCREW, Cross Pan Hd, #10-24 x 1/2", machine, pan Phillips No. 10 NC x 1/2 inch
4	231-51409	2	NUT, Flg, USR, #10-24,
5	126835A1	1	SUPPORT, dribble sheet
6	409-7512	4	BOLT, Hex Flg, 5/16"-18 x 3/4", Serr,
7	231-5145	4	NUT, Flg, USR, 5/16"-18,
8	123291A2	1	DOOR, cleaning shoe
9	126836A1	1	ANGLE BAR, HINGE door
10	477-73112	5	BOLT, Slotted Tr Hd, 5/16"-18 x 3/4",
11	231-5145	5	NUT, Flg, USR, 5/16"-18,
12	186736C3	2	ROD, PIN latch
13	540815R2	2	SPRING, PIN latch
14	432-612	2	PIN, SPLIT (COTTER), 3/32" x 3/4",
15	495-51041	2	WASHER, 3/8", flat, 13/32 x 47/64 x 1/16 inch
16	586591R1	2	PIN, SPLIT (COTTER), hair
17	137576A2	2	SUPPORT, shield
18	137527A1	1	SUPPORT, strip
19	477-73112	10	BOLT, Slotted Tr Hd, 5/16"-18 x 3/4",
20	495-81116	6	WASHER, .344" x 1" x .060", flat, 11/32 x 1 x 3/64 inch
21	231-5145	10	NUT, Flg, USR, 5/16"-18,
22	122639A3	1	GUARD, SHIELD cleaning, shoe door

9D-30 TAILINGS ELEVATOR, HOUSING AND CONVEYOR



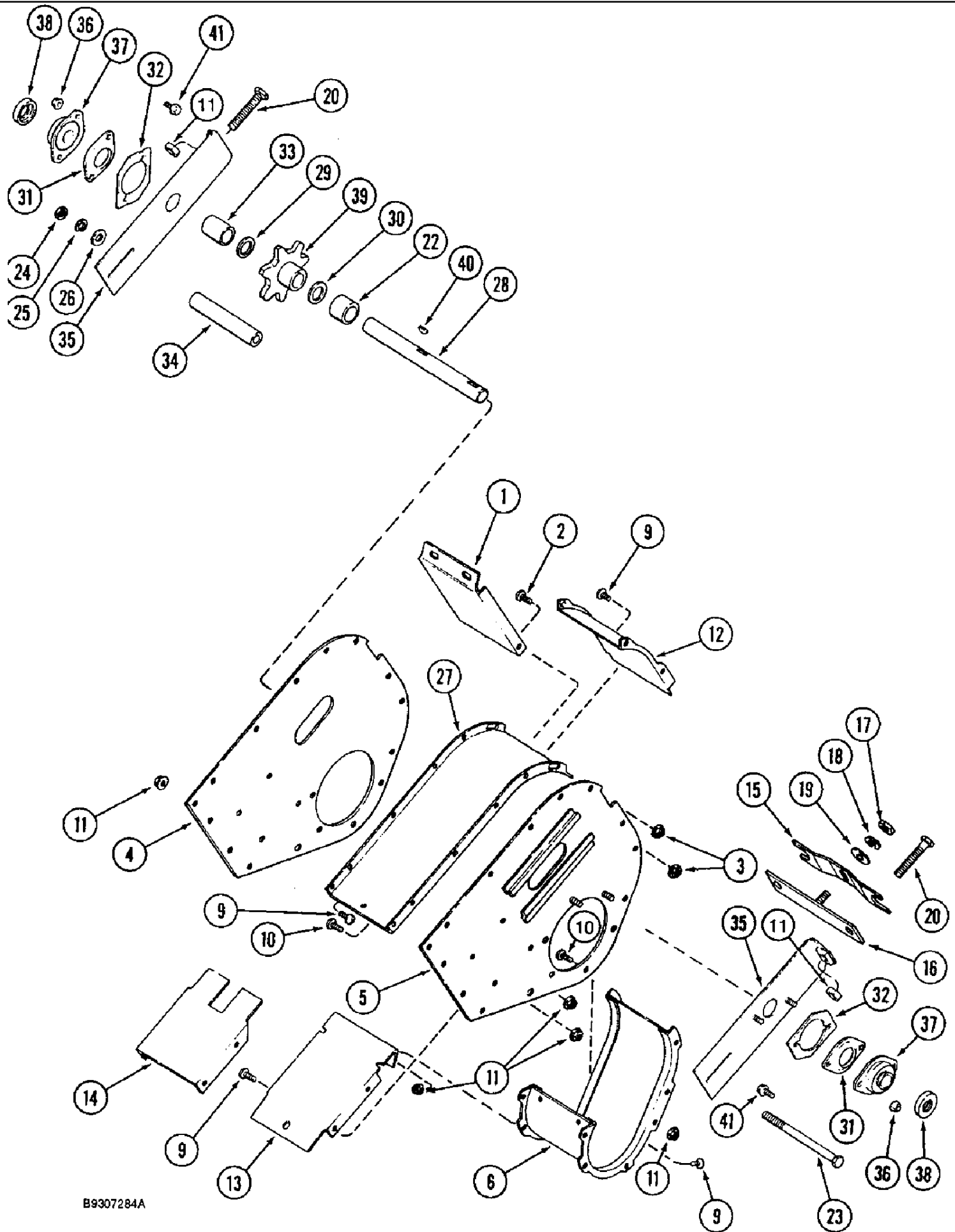
B9307285A

## 1666 CASE IH AXIAL-FLOW COMBINE (1/93-12/94)

## 9D-30 TAILINGS ELEVATOR, HOUSING AND CONVEYOR

сылка	Номер детали	Кол-во	Описание
1	191778C2	1	TUBE ASSY., HOUSING elevator
2	409-7620	2	BOLT, Hex Flg, 3/8"-16 x 1 1/4", Serr,
3	231-5146	2	NUT, Flg, USR, 3/8"-16,
4	495-81135	8	WASHER, 13/32" x 1" x .120", flat, 13/32 x 1 x 7/64 inch
5	191771C1	1	BOOT, elevator
6	477-73108	8	SCREW, Slted Serr Truss Hd, 5/16"-18 x 1/2", slotted truss head, 5/16 NC x 1/2 inch
7	231-5145	8	NUT, Flg, USR, 5/16"-18,
8	156910C1	1	DOOR, boot, non perforated
9	174193C1	1	DOOR, boot, perforated
11	232-4115	1	NUT, LOCK, 5/16"-18, GC,
12	413-5104	1	BOLT, Hex, 5/16"-18 x 6 1/2", G5, BOLT hex, 5/16 NC x 6-1/2 inch
13	155909C1	1	LATCH, door
14	439-1420	1	PIN, HEADED, 1/4" x 1 1/4", headed, 1/4 x 1-1/4 inch, grade 2
15	432-812	1	PIN, SPLIT (COTTER), 1/8" x 3/4",
16	664360R1	1	BOLT, U, door
17	231-1444	2	NUT, LOCK, 1/4"-20, GB,
20	191790C2	1	END, HINGE bottom
21	477-73112	4	BOLT, Slotted Tr Hd, 5/16"-18 x 3/4",
22	231-5145	4	NUT, Flg, USR, 5/16"-18,
24	1303114C91	1	CHAIN, ELEVATOR, CONVEYOR ASSEMBLY
	1303123C91	27	CONVEYOR, FLIGHT ASSEMBLY, rubber
25	1303116C1	1	FLIGHT, RUBBER, conveyor
26	185315C1	2	RIVET, flight, 3/8 x 5/8 inch
	1303124C92		UAR FLIGHT, RUBBER, ASSEMBLY, two piece, does not include conveyor seal
28	1303116C1	1	FLIGHT, RUBBER, conveyor
29	1303125C1	1	FLIGHT, STEEL, conveyor
30	413-520	2	BOLT, Hex, 5/16"-18 x 1 1/4", G5, hex, 5/16 NC x 1-1/4 inch
31	495-11034	2	WASHER, 5/16", SAE, flat, 11/32 x 11/16 x 1/16 inch
32	232-4115	2	NUT, LOCK, 5/16"-18, GC,
35	241-15113		UAR LINK, CONNECTING, connecting, single pitch No. C550, 1-5/8 inch
36	23442R1		UAR PIN, roller, S type, No. 550 chain
37	241-18113		UAR LINK, CHAIN, offset, single pitch No. C550, 1-5/8 inch
38	241-12113		UAR LINK, CHAIN, roller, single pitch
39	168683C1	1	SPROCKET, drive conveyor
40	21696R1	1	SPACER, 1" Pipe x 1 3/8", pipe, 1 ID x 1-3/8 inch
41	495-81072	1	WASHER, 1 1/32" x 1 3/4" x .030",
42	Y24430	1	KEY, 1/4" Sq x 1 1/2", Par, square parallel, 1/4 x 1-1/2 inch

9D-32 TAILINGS ELEVATOR, HEAD



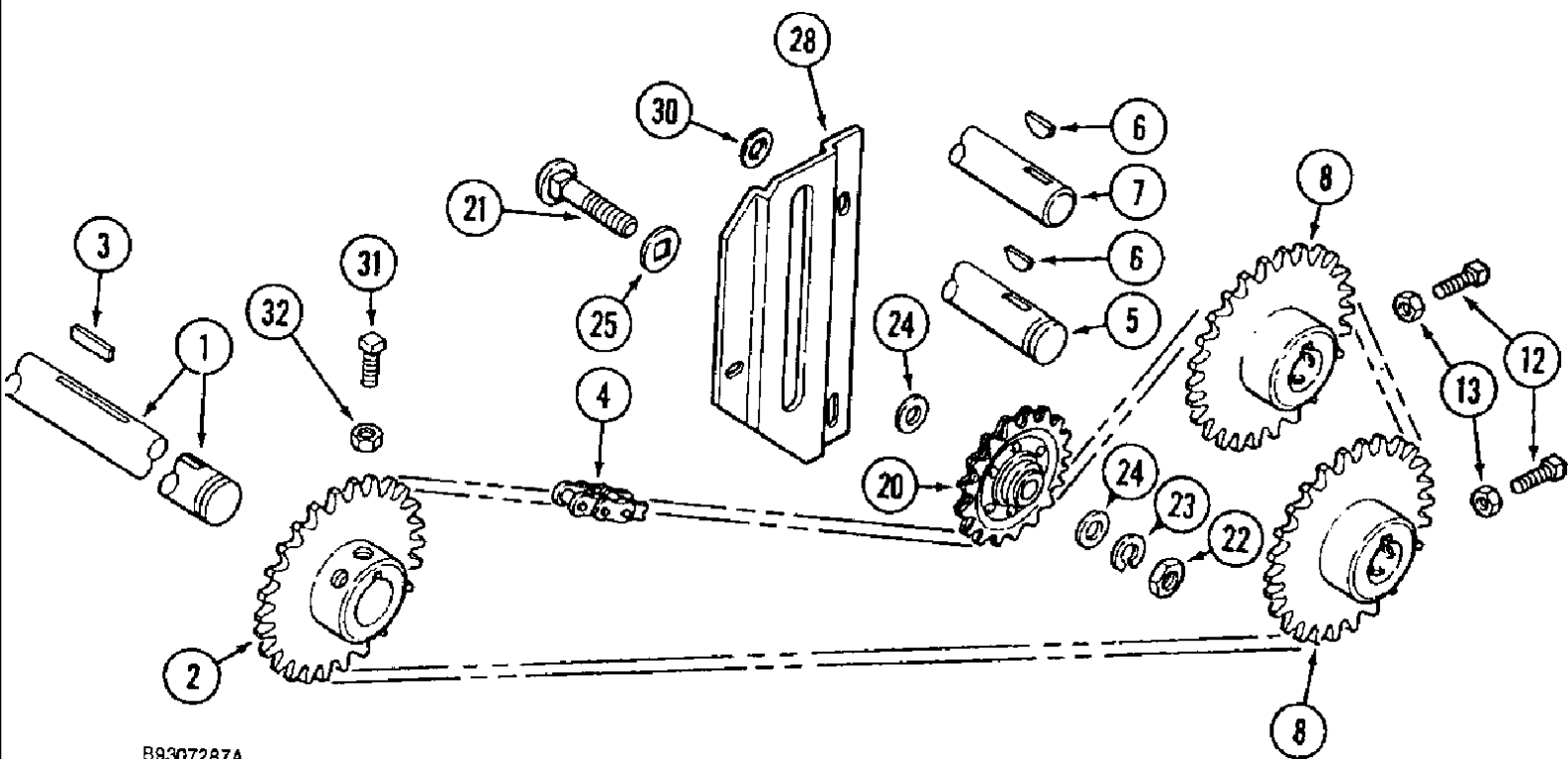
B9307284A



## 1666 CASE IH AXIAL-FLOW COMBINE (1/93-12/94)

## 9D-32 TAILINGS ELEVATOR, HEAD

сылка	Номер детали	Кол-во	Описание
1	195201C1	1	SUPPORT, upper
2	409-7520	2	BOLT, Hex Flg, 5/16"-18 x 1 1/4", Serr, BOLT hex flange, 5/16 NC x 1-1/4 inch
3	231-5145	2	NUT, Flg, USR, 5/16"-18,
4	181366C1	1	PLATE, SIDE, COVER head, left hand
5	181367C1	1	PLATE, SIDE, COVER head, right hand
6	188119C1	1	TROUGH, head
9	477-73108	24	SCREW, Slt'd Serr Truss Hd, 5/16"-18 x 1/2", slotted truss head, 5/16 NC x 1/2 inch
10	477-73112	11	BOLT, Slotted Tr Hd, 5/16"-18 x 3/4",
11	231-5145	36	NUT, Flg, USR, 5/16"-18,
12	191776C1	1	SUPPORT, COVER head
13	191782C1	1	SUPPORT, COVER head, lower
14	181327C1	1	BOTTOM, COVER head, lower
15	181376C1	1	CLAMP, tightener
16	181375C1	1	SUPPORT, BAR tightener
17	425-106	1	NUT, 3/8"-16, G5,
18	492-11038	1	WASHER, LOCK, 3/8",
19	495-71041	1	WASHER, 3/8", flat, 13/32 x 1-1/4 x 3/32 inch
20	667486R1	2	SCREW, BOLT hex
22	27828R1	1	SPACER, 1" Pipe x 1 9/16", Sprocket, RH
23	424-5112	1	BOLT, Hex, 5/16"-18 x 7", G2, BOLT hex, 5/16 NC x 7 inch, grade 2
24	425-105	1	NUT, 5/16"-18, G5,
25	492-11031	1	WASHER, LOCK, 5/16",
26	495-11034	2	WASHER, 5/16", SAE, flat, 11/32 x 11/16 x 1/16 inch
27	191783C1	1	COVER, TOP, COVER head
28	191785C1	1	SHAFT, head
29	495-81065	UAR	WASHER, 1 1/32" x 1 1/4" x .060", flat, 1-1/32 x 1-1/4 x 3/64 inch
30	495-81073	2	WASHER, 1 1/32" x 1 3/4" x .060", flat, 1-1/32 x 1-3/4 x 1/16 inch
31	50591	2	FLANGE, bearing
32	1979640C2	2	PLATE, LARGE, SPACER bearing flange
33	516327R1	1	SPACER, 1" Pipe x 2 3/4", Sprocket, LH
34	27829R1	1	SPACER, 1/4" Pipe x 5 13/16", Sprocket, RH
35	181364C1	2	SUPPORT, shaft
36	231-5145	4	NUT, Flg, USR, 5/16"-18,
37	214490C91	2	BEARING, BALL, ball
38	455102R21	2	COLLAR, locking, bearing, includes set screw
39	168683C1	1	SPROCKET, drive train conveyor
40	126-124	1	KEY, WOODRUFF, #15, 1/4" x 1", HT,
41	409-7512	4	BOLT, Hex Flg, 5/16"-18 x 3/4", Serr,

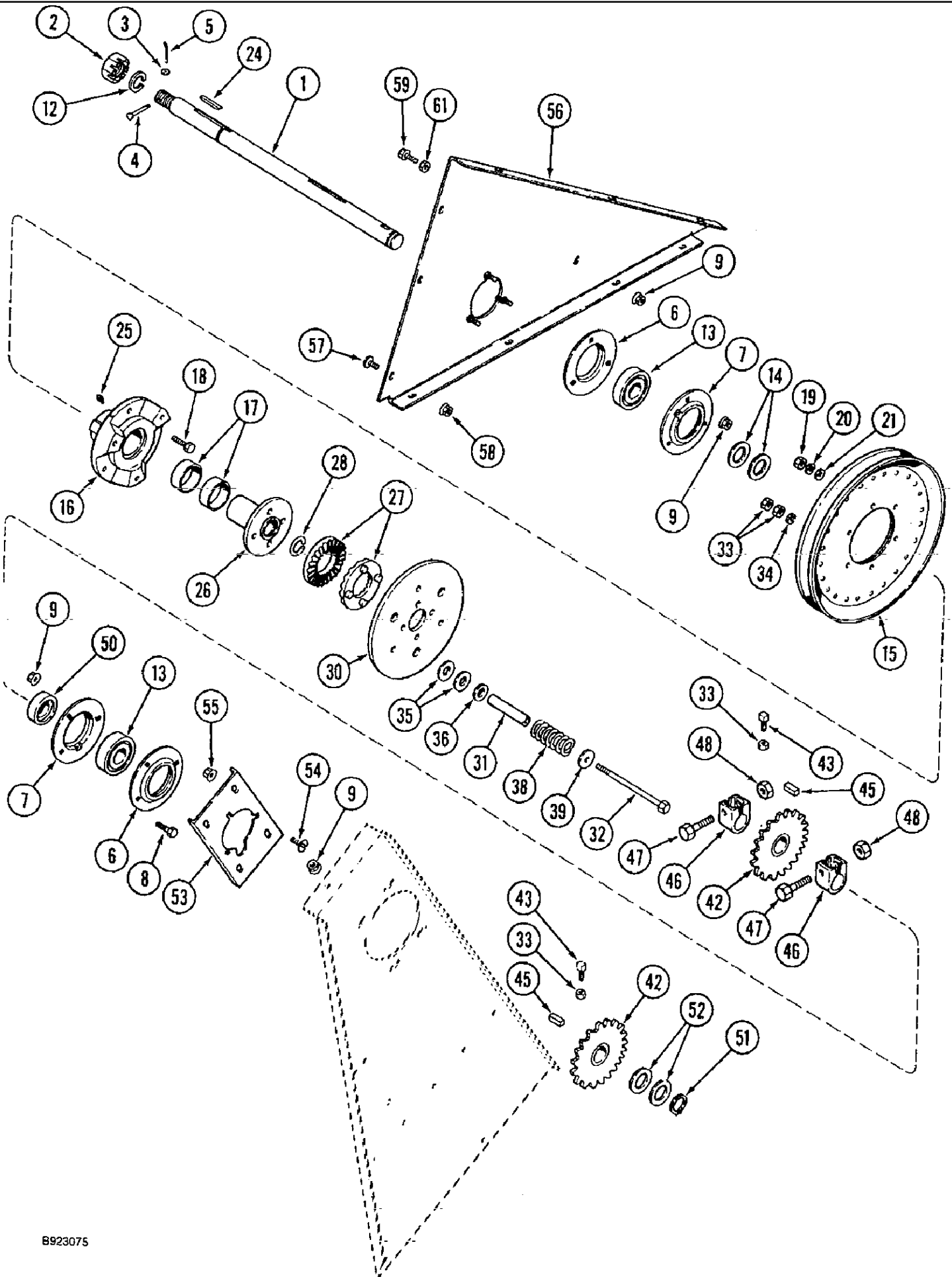


B9307287A

## 9D-34 TAILINGS ELEVATOR, DRIVE

сылка	Номер детали	Кол-во	Описание
1	1321347C1	1	SHAFT, elevator drive, jackshaft
2	192139C2	1	SPROCKET, drive, 25 teeth
3	581306R1	1	KEY, 5/16" Sq x 1 1/4", Par,
4	1327724C92	1	CHAIN (AGRICULTURE), tailings, drive, use 155 links of 1791D bulk chain, (2) 1310D connecting links (1) 1315D offset link and (1) 1309D roller link
5	REF	1	INSTRUCTION, AUGER delivery, parts list Fig. 9D-20
6	126-124	2	KEY, WOODRUFF, #15, 1/4" x 1", HT,
7	191785C1	1	SHAFT, head elevator
8	1345472C1	2	SPROCKET, chain drive, 27 teeth
12	485-13816	2	SET SCREW, Sq Hd, 3/8"-16 x 1", set, square head, 3/8 NC x 1 inch, cup point
13	425-146	2	NUT, Jam, 3/8"-16, G5, hex, jam 3/8 inch NC
20	631905R91	1	SPROCKET, idler
21	411-1040	1	BOLT, CARRIAGE, Short NK, 5/8"-11 x 2 1/2", G2, BOLT carriage, 5/8 NC x 2-1/2 inch, grade 2
22	425-1010	1	NUT, 5/8"-11, G5,
23	492-11062	1	WASHER, LOCK, 5/8",
24	495-11066	4	WASHER, 5/8", SAE, flat, 21/32 x 1-5/16 x 3/32 inch
25	498-81009	2	WASHER, 41/64" x 1 1/4" x .105", Sq Hole, square hole, 21/32 x 1-1/4 x 3/32 inch
28	1302069C2	1	SUPPORT, BRACKET sprocket
30	495-81113	3	WASHER, .344" x 3/4" x .179", flat, 11/32 x 3/4 x 3/16 inch
31	485-13816	1	SET SCREW, Sq Hd, 3/8"-16 x 1", set, square head, 3/8 NC x 1 inch, cup point
32	425-106	1	NUT, 3/8"-16, G5,

9D-36 ELEVATOR DRIVE JACKSHAFT



## 1666 CASE IH AXIAL-FLOW COMBINE (1/93-12/94)

## 9D-36 ELEVATOR DRIVE JACKSHAFT

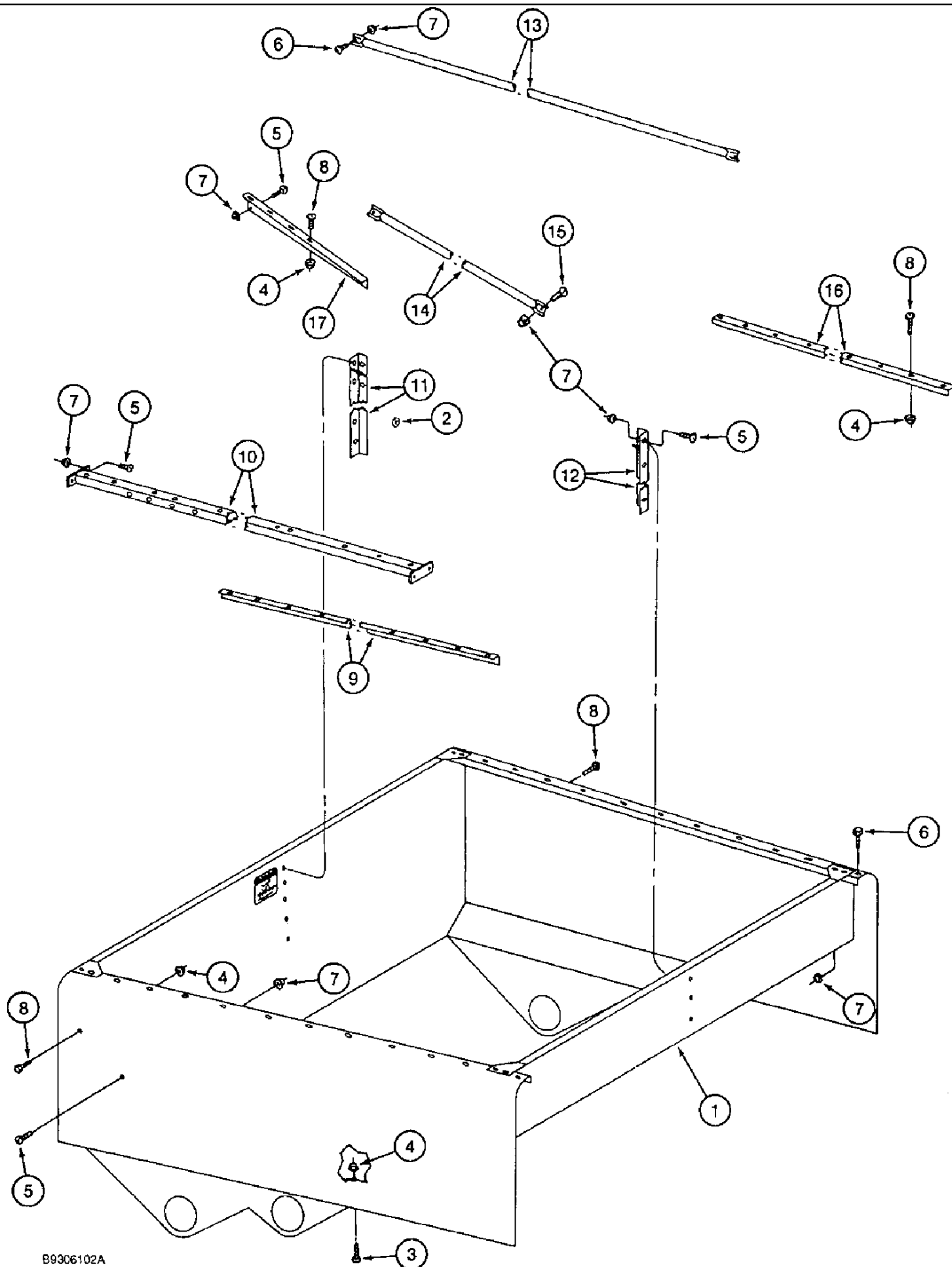
сылка	Номер детали	Кол-во	Описание
1	1321347C1	1	SHAFT, elevator, drive jackshaft
2	425-1316	1	NUT, SLOTTED, 1"-14, G5, hex, slotted, 1 inch NS
3	495-31022		UAR WASHER, #10,
4	427-3175	1	PIN, CLEVIS, 3/16" x 1 3/4", clevis, 3/16 x 1-3/4 inch
5	432-48	1	PIN, SPLIT (COTTER), 1/16" x 1/2",
6	473092R1	2	FLANGE, bearing
7	939462R91	2	FLANGE, bearing
9	231-5146	7	NUT, Flg, USR, 3/8"-16,
12	492-11100	1	WASHER, LOCK, 1", 1"
13	473097R92	2	BEARING, BALL, ball, jackshaft
14	183274C2		UAR WASHER, flat, special, 1-9/32 x 1-7/8 x 3/16 inch
15	183325C1	1	PULLEY, driven, jackshaft
16	183210C91	1	HUB, slip clutch, Includes: Ref. 17
17	936744R1	2	BUSHING, hub
18	413-620	3	BOLT, Hex, 3/8"-16 x 1 1/4", G5, Full Thd, hex, 3/8 NC x 1-1/4 inch
19	232-4136	3	NUT, LOCK, 3/8"-16, GC,
20	492-11038	3	WASHER, LOCK, 3/8",
21	495-11041	3	WASHER, 3/8", SAE, Flat, (13/32 x 13/16 x 1/16")
24	586879R1	1	KEY, square parallel, 5/16 x 2 inch
25	219-87	1	NIPPLE, LUBE, 1/4"-28 x .56" lg, Self-Tap,
26	1319232C1	1	HUB, clutch plate
27	B12170	2	RATCHET, clutch
28	1319235C1	1	RING, retaining
30	194835C2	1	RETAINER, PLATE clutch
31	186916C2	3	BUSHING, clutch
32	413-6104	3	BOLT, Hex, 3/8"-16 x 6 1/2", G5, BOLT hex, 3/8 NC x 6-1/2 inch
33	425-106	10	NUT, 3/8"-16, G5,
34	492-11038	3	WASHER, LOCK, 3/8",
35	495-11081		UAR WASHER, 3/4", SAE,
36	495-81037		UAR WASHER, 25/32" x 1 1/4" x .060", flat, 25/32 x 1-1/4 x 3/64 inch
38	C13263	3	SPRING, clutch
39	495-81143	3	WASHER, 13/32" x 1 1/2" x .120", flat, 13/32 x 1-1/2 x 7/64 inch
42	192139C2	2	SPROCKET, drive, 25 teeth
43	485-13816	4	SET SCREW, Sq Hd, 3/8"-16 x 1", set, square head, 3/8 NC x 1 inch, cup point
45	581306R1	2	KEY, 5/16" Sq x 1 1/4", Par,
46	225265R1	2	CLAMP, auger bed, gear sprocket
47	413-836	2	BOLT, Hex, 1/2"-13 x 2 1/4", G5,
48	231-4118	2	NUT, LOCK, 1/2"-13, GB, hex, self locking, 1/2 inch NC
50	455104R11	1	COLLAR, locking, bearing
51	100-16125	1	RING, SNAP, #125, Ext, Sprocket
52	195-2120		UAR WASHER, 1 9/32" x 2" x .238", flat, 1-9/32 x 2 x 1/4 inch
53	192138C2	1	BRACKET, outer, jackshaft
54	477-73812	4	SCREW, Slt'd Serr Truss Hd, 3/8" x 3/4", slotted truss head, special, 3/8 NC x 3/4 inch
55	231-5146	4	NUT, Flg, USR, 3/8"-16,
56	1317435C1	1	SUPPORT, jackshaft, bearing, inner

1666 CASE IH AXIAL-FLOW COMBINE (1/93-12/94)

9D-36 ELEVATOR DRIVE JACKSHAFT

сылка	Номер детали	Кол-во	Описание
57	477-73112	6	BOLT, Slotted Tr Hd, 5/16"-18 x 3/4",
58	231-5145	6	NUT, Flg, USR, 5/16"-18,
59	154273C1	1	BOLT, Hex Flg, 3/8"-16 x 1", Serr, BOLT hex, self locking, special, 3/8 NC x 1 inch
61	425-146	1	NUT, Jam, 3/8"-16, G5, hex, jam, 3/8 inch NC
8	477-73816	3	SCREW, Slted Serr Truss Hd, 3/8" x 1", Special

9E-02 GRAIN TANK AND UPPER SUPPORTS

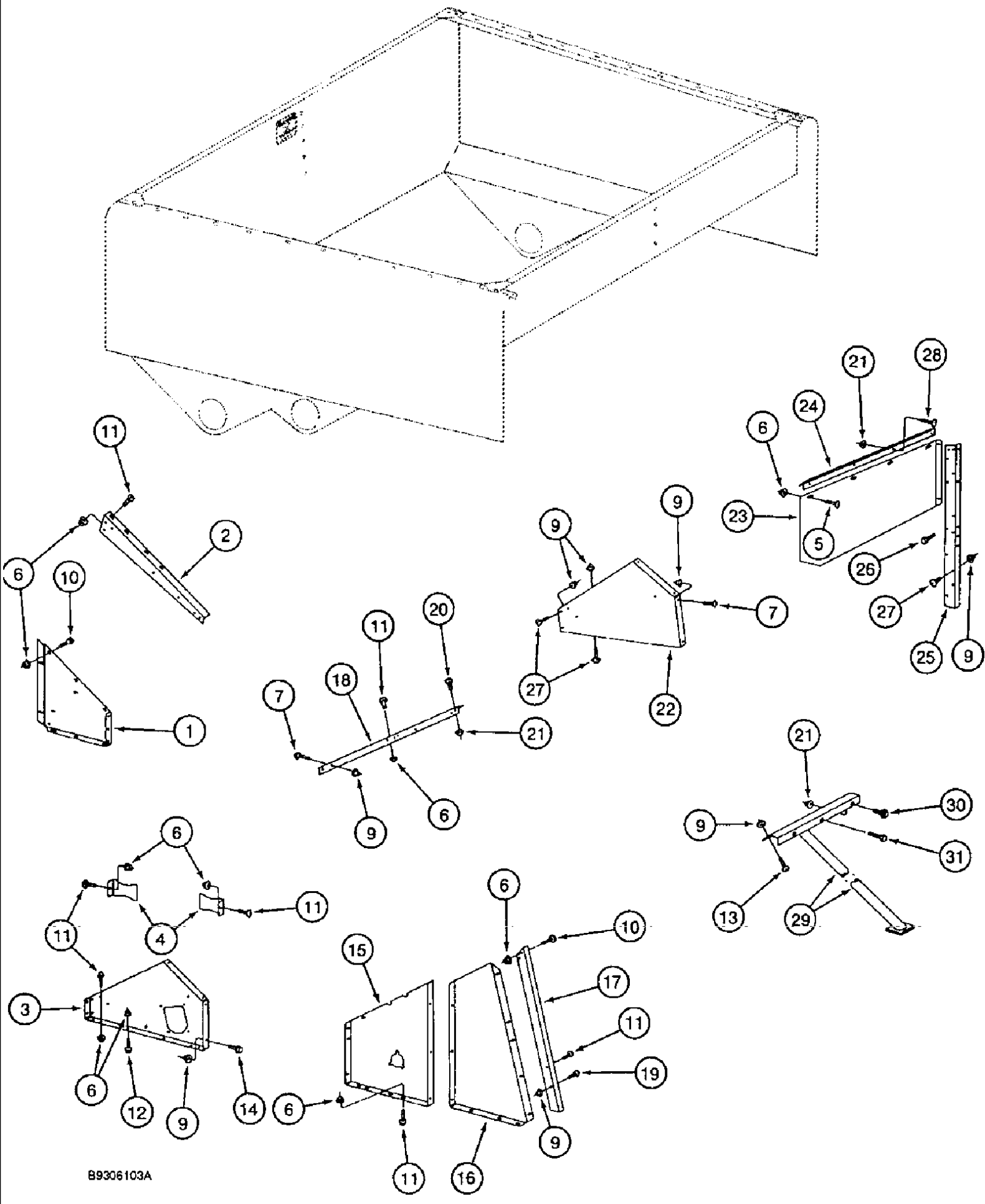


## 9E-02 GRAIN TANK AND UPPER SUPPORTS

сылка	Номер детали	Кол-во	Описание
1	1321917C93	1	TANK, grain, includes decals, replaces 1321917C92
2	495-81116	3	WASHER, .344" x 1" x .060", flat, 11/32 x 1 x 3/64 inch
3	477-73108		UAR SCREW, Sltd Serr Truss Hd, 5/16"-18 x 1/2", slotted truss head, 5/16 NC x 1/2 inch
4	231-5145		UAR NUT, Flg, USR, 5/16"-18,
5	477-73812		UAR SCREW, Sltd Serr Truss Hd, 3/8" x 3/4", slotted truss head, special, 3/8 NC x 3/4 inch
7	231-5146		UAR NUT, Flg, USR, 3/8"-16,
8	477-73112		UAR BOLT, Slotted Tr Hd, 5/16"-18 x 3/4",
9	195397C3	1	ANGLE, grain tank, top, left hand
10	192855C1	1	SUPPORT, grain tank tie
11	192765C1	1	SUPPORT, grain tank tie, front
12	181682C2	1	SUPPORT, grain tank tie, rear
13	192767C2	1	STEM, ROD grain tank tie
14	188414C3	1	ROD, grain tank tie
16	195398C3	1	SUPPORT, grain tank, top, right hand
17	192769C2	1	SUPPORT, grain tank, diagonal, right hand
6	477-73816		UAR SCREW, Sltd Serr Truss Hd, 3/8" x 1", Special
15	477-73816		UAR SCREW, Sltd Serr Truss Hd, 3/8" x 1", Special



9E-03A GRAIN TANK LOWER SUPPORTS

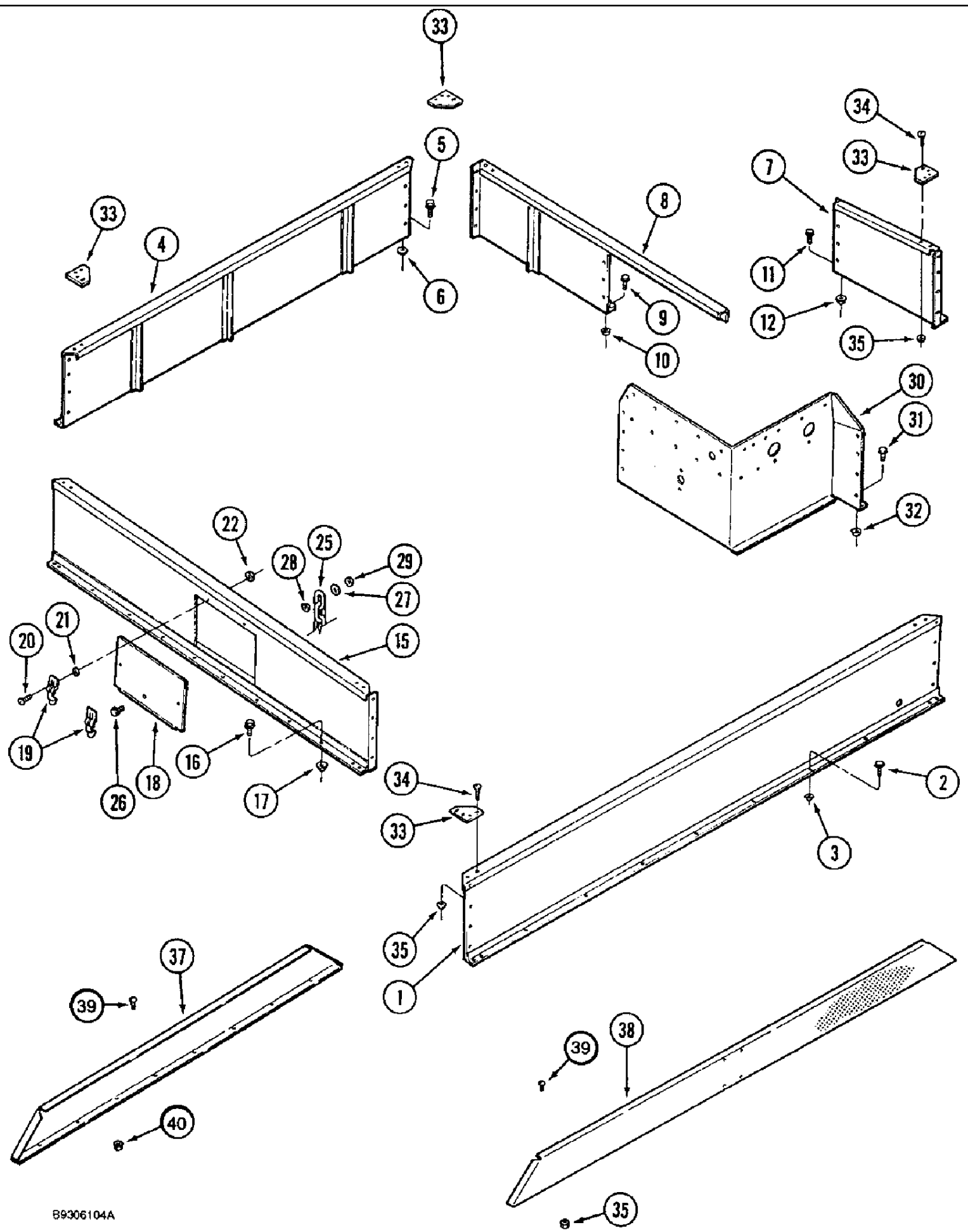


89306103A

## 9E-03A GRAIN TANK LOWER SUPPORTS

сылка	Номер детали	Кол-во	Описание
1	192770C3	1	COVER, SUPPORT grain tank, left hand
2	192768C2	1	SUPPORT, grain tank, diagonal, left hand
3	192771C2	1	SUPPORT, grain tank, center, left hand
4	193531C1	4	SUPPORT, filler
5	477-73108		UAR SCREW, Sltd Serr Truss Hd, 5/16"-18 x 1/2", slotted truss head, 5/16 NC x 1/2 inch
6	231-5145		UAR NUT, Flg, USR, 5/16"-18,
7	477-73812		UAR SCREW, Sltd Serr Truss Hd, 3/8" x 3/4", slotted truss head, special, 3/8 NC x 3/4 inch
9	231-5146		UAR NUT, Flg, USR, 3/8"-16,
10	409-7512	6	BOLT, Hex Flg, 5/16"-18 x 3/4", Serr,
11	477-73112		UAR BOLT, Slotted Tr Hd, 5/16"-18 x 3/4",
12	409-7612	4	BOLT, Hex Flg, 3/8"-16 x 3/4", Serr,
13	154273C1	2	BOLT, Hex Flg, 3/8"-16 x 1", Serr, BOLT hex self locking, special, 3/8 NC x 1 inch
15	1347380C2	1	SUPPORT, grain tank, left hand rear, fixed, replaces 1347380C1
16	192777C2	1	SUPPORT, grain tank, left hand rear, replaces 192777C1
17	192775C1	1	SUPPORT, grain tank, vertical, left hand rear
18	192773C1	1	ANGLE, BRACKET grain tank, lower, left hand rear
19	154273C1	2	BOLT, Hex Flg, 3/8"-16 x 1", Serr, BOLT hex, self locking, special, 3/8 NC x 1 inch
20	409-7816	1	BOLT, Hex Flg, 1/2"-13 x 1", Serr, BOLT hex serrated flange, 1/2 NC x 1 inch
21	231-5148	3	NUT, Flg, USR, 1/2"-13,
22	192772C2	1	SUPPORT, grain tank, center, right hand
23	192474C1	1	SUPPORT, grain tank, right hand
24	192774C1	1	SUPPORT, grain tank, lower, right hand rear
25	181392C2	1	SUPPORT, grain tank, vertical, right hand rear
26	199953C1	16	SCREW, SELF TAPPING, Hex Wash Hd, 5/16"-18 x 13/16",
27	409-7612		UAR BOLT, Hex Flg, 3/8"-16 x 3/4", Serr,
28	409-7816	1	BOLT, Hex Flg, 1/2"-13 x 1", Serr, BOLT hex serrated flange, 1/2 NC x 1 inch
29	186118C1	1	SUPPORT ASSY., grain tank, rear
30	409-7820	1	BOLT, Hex Flg, 1/2"-13 x 1 1/4", Serr,
31	413-824	1	BOLT, Hex, 1/2"-13 x 1 1/2", G5, Full Thd, hex, 1/2 NC x 1-1/2 inch
14	477-73816	2	SCREW, Sltd Serr Truss Hd, 3/8" x 1", Special

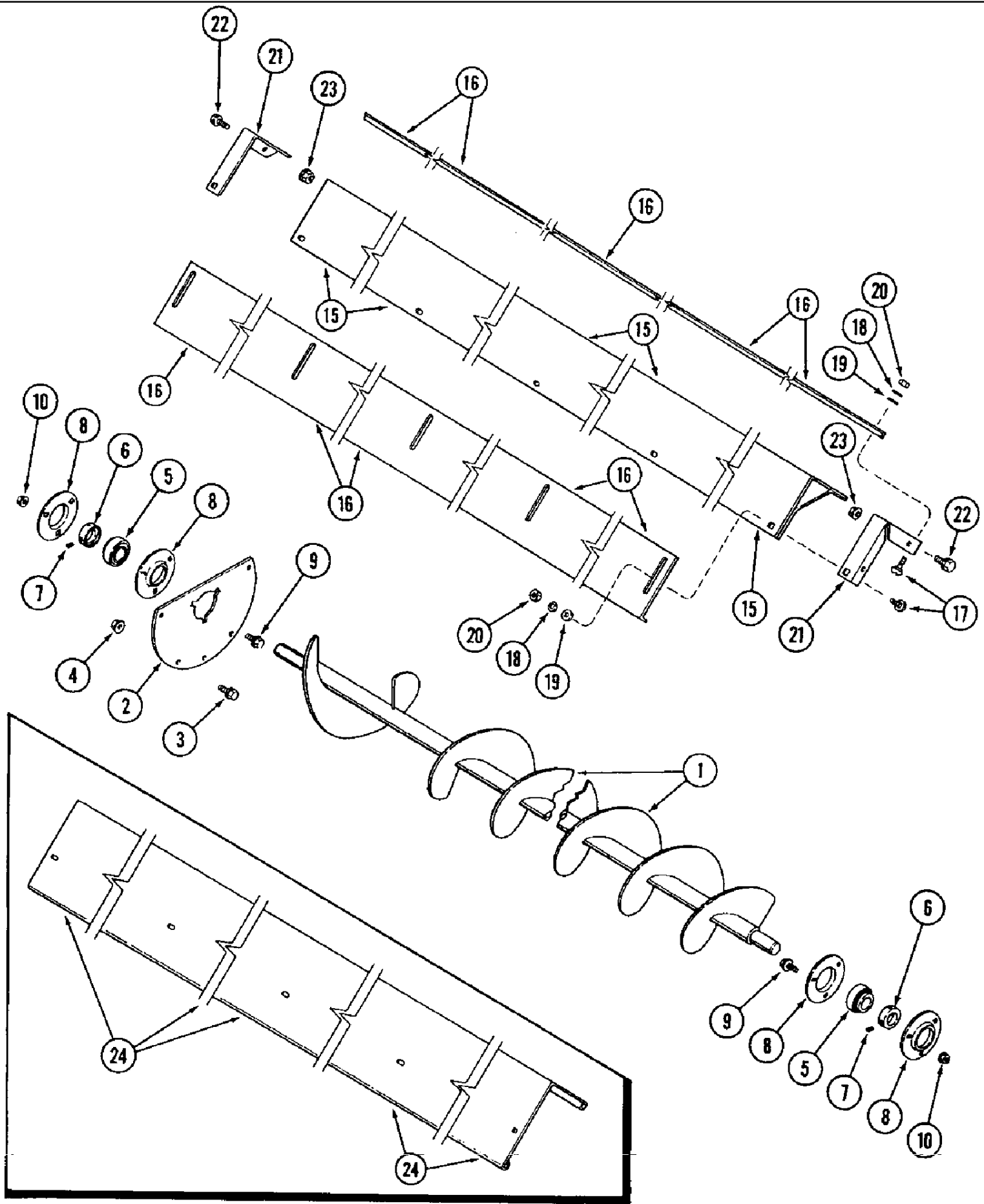
9E-04 GRAIN TANK EXTENSIONS



## 9E-04 GRAIN TANK EXTENSIONS

сылка	Номер детали	Кол-во	Описание
1	1327651C6	1	EXTENSION, SUPPORT grain tank, front
2	409-7512	23	BOLT, Hex Flg, 5/16"-18 x 3/4", Serr,
3	231-5145	23	NUT, Flg, USR, 5/16"-18,
4	1327590C3	1	SHIELD, EXTENSION grain tank, rear
5	409-7512	19	BOLT, Hex Flg, 5/16"-18 x 3/4", Serr,
6	231-5145	19	NUT, Flg, USR, 5/16"-18,
7	1321813C1	1	GUARD, EXTENSION grain tank, left hand front
8	1321810C1	1	EXTENSION, grain tank, left hand rear
9	409-7512	20	BOLT, Hex Flg, 5/16"-18 x 3/4", Serr,
10	231-5145	20	NUT, Flg, USR, 5/16"-18,
11	409-7612	5	BOLT, Hex Flg, 3/8"-16 x 3/4", Serr,
12	231-5146	5	NUT, Flg, USR, 3/8"-16,
15	1327639C1	1	PROTECTION PLATE, EXTENSION grain tank, right hand
16	409-7516	12	BOLT, Hex Flg, 5/16"-18 x 1", Serr,
17	231-5145	12	NUT, Flg, USR, 5/16"-18,
18	1327644C2	1	PLATE, DOOR extension
19	167800C1	2	FASTENER, door retaining clip
20	470-11012	2	SCREW, Slotted Pan Hd, #10-24 x 3/4", machine, pan head slotted, No. 10 NC x 3/4 inch
21	492-11010	2	WASHER, LOCK, #10,
22	225-14110	2	NUT, #10-24,
25	167570C1	1	CHAIN, latch
26	409-7416	2	BOLT, Hex Flg, 1/4"-20 x 1", Serr,
27	495-11028	2	WASHER, 1/4", SAE, flat, 9/32 x 5/8 x 1/16 inch
28	231-5144	2	NUT, Flg, USR, 1/4"-20,
29	231-4144	2	NUT, LOCK, 1/4"-20, GB,
30	1317644C2	1	SUPPORT, center extension
31	409-7512	6	BOLT, Hex Flg, 5/16"-18 x 3/4", Serr,
32	231-5145	6	NUT, Flg, USR, 5/16"-18,
33	1321757C1	4	PLATE, BAR extension
34	477-73112	16	BOLT, Slotted Tr Hd, 5/16"-18 x 3/4",
35	231-5145	6	NUT, Flg, USR, 5/16"-18,
37	183157C2	1	SUPPORT, front extension grain tank, rice only
38	183276C2	1	SUPPORT, rear extension grain tank, rice only
39	477-73112	15	BOLT, Slotted Tr Hd, 5/16"-18 x 3/4",
40	231-5145	15	NUT, Flg, USR, 5/16"-18,

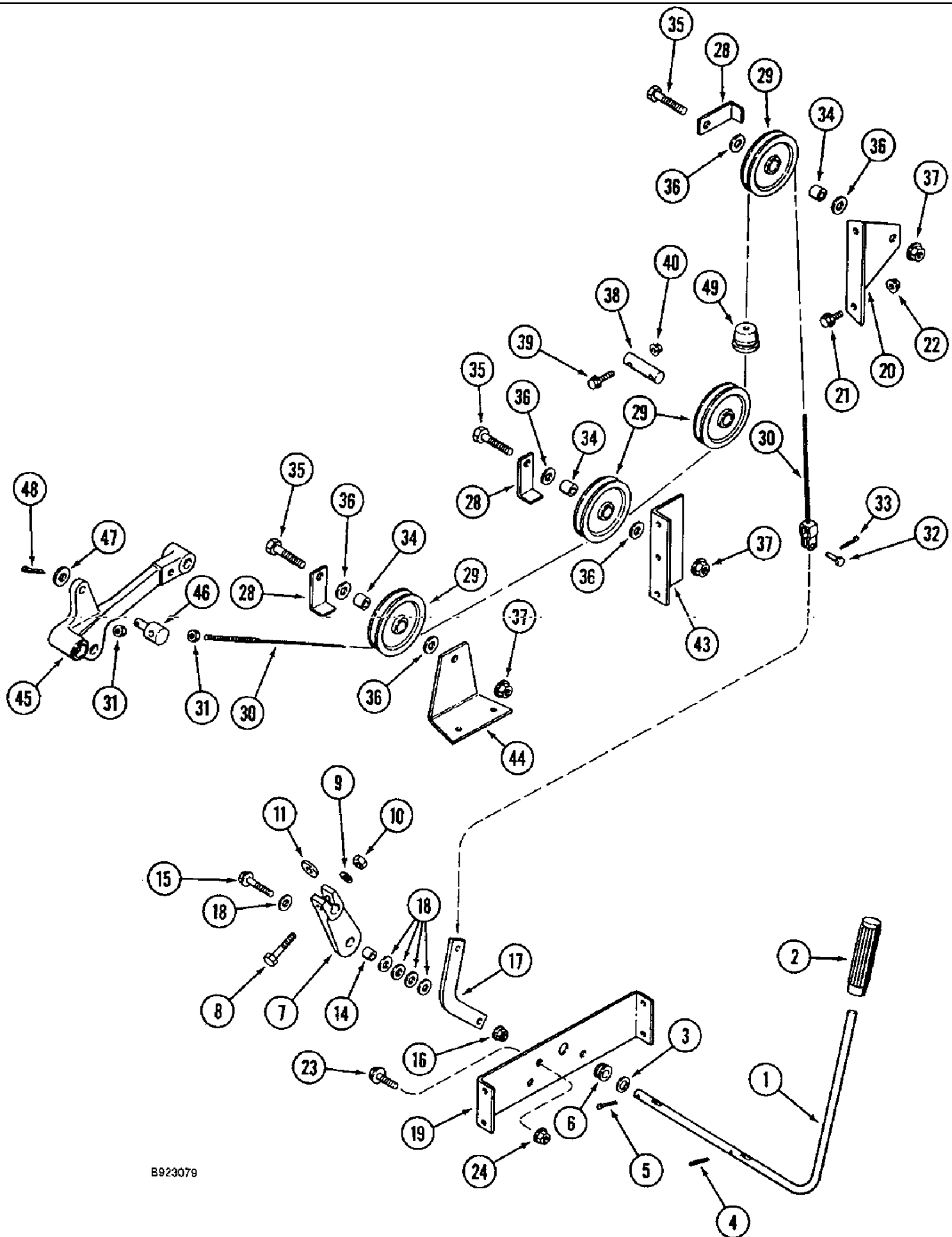
9E-06 GRAIN TANK, BOTTOM AUGERS



## 9E-06 GRAIN TANK, BOTTOM AUGERS

сылка	Номер детали	Кол-во	Описание
1	192784C2	2	AUGER, grain tank, lower
2	192789C1	2	RETAINER, lower auger
3	409-7512	10	BOLT, Hex Flg, 5/16"-18 x 3/4", Serr,
4	231-5145	10	NUT, Flg, USR, 5/16"-18,
5	214366C91	4	BEARING, BALL, ball, bottom auger
6	455102R21	4	COLLAR, locking, bearing, includes set screw, bottom auger, Includes: Ref. 7
7	83-1254	1	SET SCREW, Hex Soc, 1/4"-20 x 1/4", set, hex socket, headless, 1/4 NC x 1/4 inch, cup point
8	462360R1	8	FLANGE, bearing, auger
9	409-7512	12	BOLT, Hex Flg, 5/16"-18 x 3/4", Serr,
10	231-5145	12	NUT, Flg, USR, 5/16"-18,
15	1321082C2	2	COVER, auger
16	1321089C1	4	PLATE, EXTENSION auger cover
17	434-516	20	BOLT, CARRIAGE, Short NK, 5/16"-18 x 1", G5, Full Thd,
18	492-11031	20	WASHER, LOCK, 5/16",
19	496-21034	20	WASHER, 11/32" x 11/16" x 0.89", HDN,
20	425-105	20	NUT, 5/16"-18, G5,
21	1321242C1	4	SUPPORT, auger cover, end
22	409-7612	8	BOLT, Hex Flg, 3/8"-16 x 3/4", Serr,
23	231-5146	8	NUT, Flg, USR, 3/8"-16,
24	1979940C1	1	COVER, rear cross auger

9E-08 UNLOADER, CLUTCH CONTROL



B923079

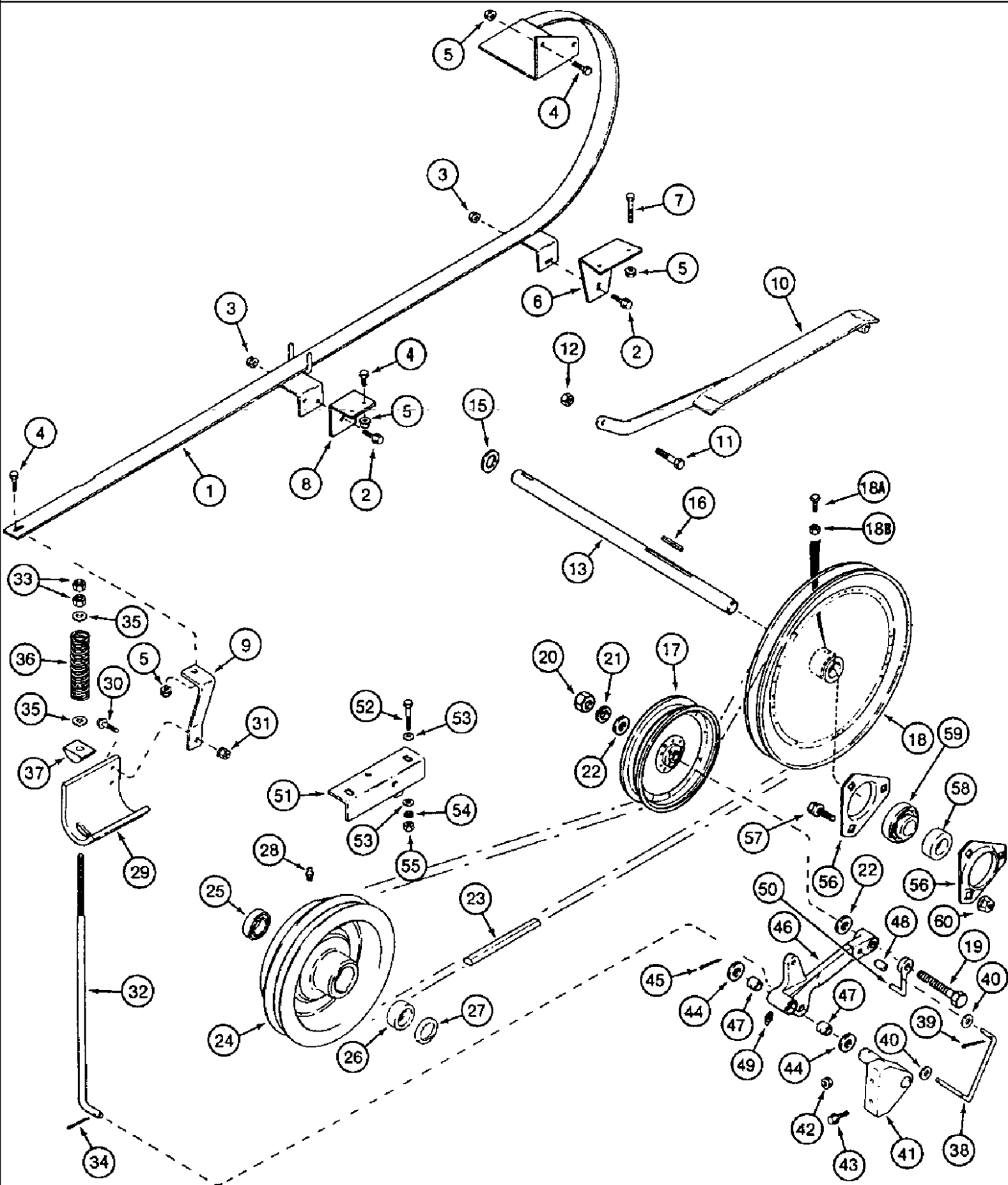
## 1666 CASE IH AXIAL-FLOW COMBINE (1/93-12/94)

## 9E-08 UNLOADER, CLUTCH CONTROL

сылка	Номер детали	Кол-во	Описание
1	193196C1	1	ROD, LEVER control unloader
2	193194C2	1	HANDLE, GRIP lever control
3	495-81177	2	WASHER, 21/32" x 1" x .030", flat, 21/32 x 1 x 1/32 inch
4	438-11220	1	PIN, LOCK, 3/16" x 1 1/4", Slotted,
5	432-1216	1	PIN, SPLIT (COTTER), 3/16" x 1", 3/16" x 1"
6	193201C1	2	BUSHING, control lever
7	161650C2	1	ARM, control
8	326-628	1	BOLT, Hex, 3/8"-16 x 1 3/4", G8, hex, 3/8 NC x 1-3/4 inch, grade 8
9	492-11038	1	WASHER, LOCK, 3/8",
10	329-106	1	NUT, 3/8"-16, G8,
11	18465D	1	WASHER, control arm
14	561277R1	1	SPACER, 5/8" Tube x 1/2", 13/32 x 5/8 x 7/17 inch
15	326-628	1	BOLT, Hex, 3/8"-16 x 1 3/4", G8, hex, 3/8 NC x 1-3/4 inch, grade 8
16	231-5146	1	NUT, Flg, USR, 3/8"-16,
17	195549C1	1	LINK, control, support
18	396-31041	5	WASHER, 13/32" x 13/16" x .134", HDN,
19	195050C2	1	CHANNEL, SUPPORT control lever
20	195551C1	1	SUPPORT, pulley
21	409-7512	10	BOLT, Hex Flg, 5/16"-18 x 3/4", Serr,
22	231-5145	10	NUT, Flg, USR, 5/16"-18,
23	409-7620	2	BOLT, Hex Flg, 3/8"-16 x 1 1/4", Serr,
24	231-5146	2	NUT, Flg, USR, 3/8"-16,
28	193209C1	3	CLIP, BRACKET control cable pulley
29	193208C1	4	PULLEY, control cable
30	195550C2	1	CABLE, unloader control
31	425-105	2	NUT, 5/16"-18, G5,
32	427-5071	1	PIN, CLEVIS, 5/16" x .719", 5/16 x 23/32 inch
33	432-612	1	PIN, SPLIT (COTTER), 3/32" x 3/4",
34	159716C1	3	SPACER, 3/4" Tube x 5/8", tubular, 17/32 x 3/4 x 9/16 inch
35	413-828	3	BOLT, Hex, 1/2"-13 x 1 3/4", G5,
36	496-21053	6	WASHER, 17/32" x 1 1/16" x .134", Hardened
37	231-5148	3	NUT, Flg, USR, 1/2"-13,
38	195553C1	1	PIN, cable pulley
39	409-7520	2	BOLT, Hex Flg, 5/16"-18 x 1 1/4", Serr, BOLT hex serrated flange, 5/16 NC x 1-1/4 inch
40	231-5145	2	NUT, Flg, USR, 5/16"-18,
43	193207C1	1	ANGLE, BRACKET cable guide
44	193795C1	1	SUPPORT, rear pulley
45	185059C93	1	LEVER ASSY., ARM, belt tightener
46	194893C1	1	PIVOT, control cable, rear
47	495-11053	1	WASHER, 1/2", SAE, (17/32" x 1-1/16" x 3/32")
48	432-1216	1	PIN, SPLIT (COTTER), 3/16" x 1", 3/16" x 1"
49	198821C1	1	GROMMET, unloader cable, 1/8 inch ID



9E-10 GRAIN TANK UNLOADER, BELT DRIVE



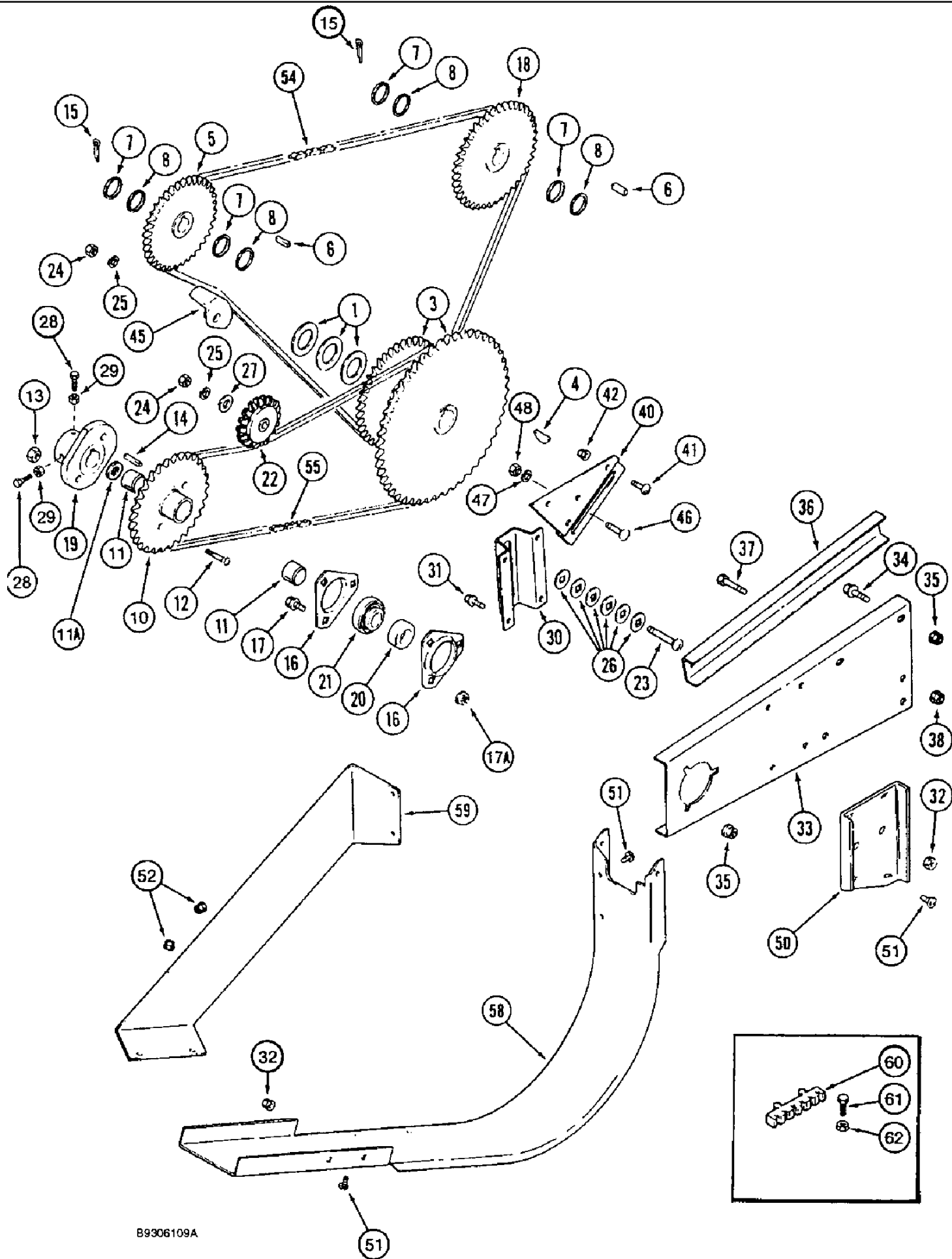
## 1666 CASE IH AXIAL-FLOW COMBINE (1/93-12/94)

## 9E-10 GRAIN TANK UNLOADER, BELT DRIVE

сылка	Номер детали	Кол-во	Описание
1	195168C4	1	GUIDE, belt unloader
2	409-7512	2	BOLT, Hex Flg, 5/16"-18 x 3/4", Serr,
3	231-5145	2	NUT, Flg, USR, 5/16"-18,
4	154273C1	6	BOLT, Hex Flg, 3/8"-16 x 1", Serr, BOLT hex, self locking, special, 3/8 NC x 1 inch
5	231-5146	8	NUT, Flg, USR, 3/8"-16,
6	192870C2	1	SUPPORT, ANGLE front
7	409-7620	2	BOLT, Hex Flg, 3/8"-16 x 1 1/4", Serr,
8	1347453C1	1	SUPPORT, ANGLE center , belt guide
9	1347454C1	1	SUPPORT, ANGLE lower rear, belt guide
10	1989207C3	1	SUPPORT ASSY., GUIDE belt upper
11	413-820	1	BOLT, Hex, 1/2"-13 x 1 1/4", G5, Full Thd, hex, 1/2 NC x 1-1/4 inch
12	231-1448	1	NUT, 1/2"-13, GB, hex, self locking, 1/2 inch NC
13	1347494C1	1	SHAFT, unloader jackshaft pulley, vertical
14	432-1624	1	PIN, SPLIT (COTTER), 1/4" x 1 1/2", Not shown
15	495-81202	1	WASHER, 1 9/32" x 1 3/4" x .060", flat, 1-9/32 x 1-3/4 x 1/16 inch
16	586879R1	1	KEY, square parallel, 5/16 x 2 inch
17	663887R91	1	PULLEY, drive tightener, belt
18	1994762C2	1	PULLEY, driven unloader jackshaft, replaces 1004762C1
18A	485-13116	2	SET SCREW, Sq Hd, 5/16"-18 x 1", set, square head, 5/16 NC x 1 inch, cup point
18B	425-145	2	NUT, Jam, 5/16"-18, G5, hex, jam, 5/16 inch NC
19	413-1060	1	BOLT, Hex, 5/8"-11 x 3 3/4", G5, BOLT hex, 5/8 NC x 3-3/4 inch
20	425-1010	1	NUT, 5/8"-11, G5,
21	492-11062	1	WASHER, LOCK, 5/8",
22	496-21066	2	WASHER, 21/32" x 1 5/16" x .150", flat, 21/32 x 1-5/16 x 5/32 inch, hardened
23	1989216C1	1	BELT, drive, 134-1/2 inch over center unloader
24	1347378C1	1	HUB, PULLEY ASSEMBLY, auxiliary pump drive, Includes: Ref. 25, 26, and 27
25	658089R91	1	BEARING, BALL, ball, pulley, inner
26	A144861	1	BEARING, pulley, outer
27	466176R92	1	SEAL, pulley
28	219-87	1	NIPPLE, LUBE, 1/4"-28 x .56" lg, Self-Tap,
29	185062C1	1	SUPPORT, spring
30	409-7516	2	BOLT, Hex Flg, 5/16"-18 x 1", Serr,
31	231-5145	2	NUT, Flg, USR, 5/16"-18,
32	185061C1	1	ROD, tightener
33	425-108	2	NUT, 1/2"-13, G5,
34	432-1216	1	PIN, SPLIT (COTTER), 3/16" x 1", 3/16" x 1"
35	495-81287	2	WASHER, 17/32" x 1 1/4" x .120", flat, 17/32 x 1-1/4 x 7/64 inch
36	391745R1	1	SPRING, beater bottom arm, tightener
37	194652C1	1	PIVOT, rod
38	193820C1	1	ROD, retainer
39	432-816	2	PIN, SPLIT (COTTER), 1/8" x 1",
40	495-81129	4	WASHER, 13/32" x 3/4" x .120", flat, 13/32 x 3/4 x 7/64 inch
41	191464C3	1	SUPPORT, tightener arm
42	231-5145	2	NUT, Flg, USR, 5/16"-18,
43	409-7520	2	BOLT, Hex Flg, 5/16"-18 x 1 1/4", Serr, BOLT hex flange, 5/16 NC x 1-1/4 inch

## 9E-10 GRAIN TANK UNLOADER, BELT DRIVE

сылка	Номер детали	Кол-во	Описание
44	495-81039	3	WASHER, 25/32" x 1 1/4" x .120", flat, 25/32 x 1-1/4 x 7/64 inch
45	432-1620	1	PIN, SPLIT (COTTER), 1/4" x 1 1/4", 1/4" x 1 1/4"
46	185059C93	1	LEVER ASSY., ARM, belt tightener, Includes: Ref. 47, 48, and 49
47	382638R2	2	BUSHING, arm
48	1302225C1	1	BUSHING, arm
49	219-87	1	NIPPLE, LUBE, 1/4"-28 x .56" lg, Self-Tap,
50	194894C1	1	ROD, belt, upper
51	1541743C1	1	SUPPORT ASSY., belt guide, upper
52	413-628	2	BOLT, Hex, 3/8"-16 x 1 3/4", G5,
53	495-81135	4	WASHER, 13/32" x 1" x .120", flat, 13/32 x 1 x 7/64 inch
54	492-11038	2	WASHER, LOCK, 3/8",
55	425-106	2	NUT, 3/8"-16, G5,
56	180955C1	2	FLANGE, bearing beater
57	409-7612	3	BOLT, Hex Flg, 3/8"-16 x 3/4", Serr,
58	565672R92	1	BEARING, BALL, ball
59	455104R11	1	COLLAR, locking, bearing
60	231-5146	3	NUT, Flg, USR, 3/8"-16, inch



B9906109A

## 1666 CASE IH AXIAL-FLOW COMBINE (1/93-12/94)

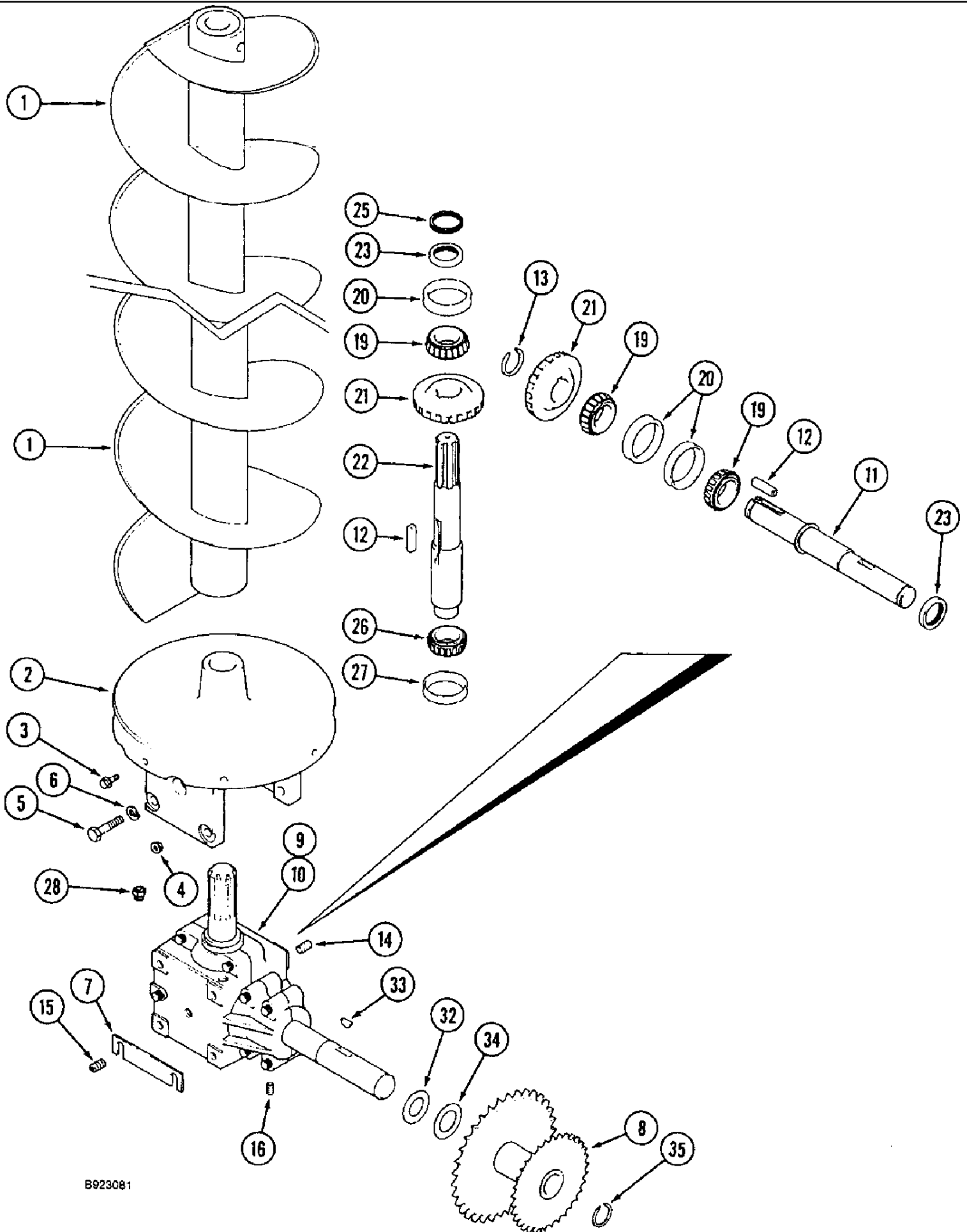
## 9E-14 GRAIN TANK UNLOADER, CHAIN DRIVE

сылка	Номер детали	Кол-во	Описание
1	188354C1	3	WASHER, flat
2	162679C1		UAR DISC, flat, special alignment, not shown
3	1347402C1	1	SPROCKET, driven, 33 and 57 teeth
4	126-133	1	KEY, WOODRUFF, #D, 5/16" x 1 1/4", HT,
5	192922C1	1	SPROCKET, driven, front
6	Q53	2	KEY, 1/4" Sq x 1", Par,
7	495-81070	8	WASHER, 1 1/32" x 1 1/2" x .120", flat, 1-1/32 x 1-1/2 x 7/64 inch
8	495-81069	4	WASHER, 1 1/32" x 1 1/2" x .060", flat, 1-1/32 x 1-1/2 x 1/16 inch
10	1347360C1	1	SPROCKET, drive, Includes: Ref. 11
11	1347384C1	1	BEARING, BUSHING sprocket
11A	495-81202	2	WASHER, 1 9/32" x 1 3/4" x .060", flat, 1-9/32 x 1-3/4 x 1/16 inch
12	413-516	2	BOLT, Hex, 5/16"-18 x 1", G5, Full Thd, hex, 5/16 NC x 1 inch
13	231-1445	2	NUT, LOCK, 5/16"-18, GB,
14	126-147	1	KEY, WOODRUFF, #28, 5/16" x 2 1/8", HT,
15	432-1624	2	PIN, SPLIT (COTTER), 1/4" x 1 1/2",
16	180955C1	2	FLANGE, bearing beater
17	409-7612	3	BOLT, Hex Flg, 3/8"-16 x 3/4", Serr,
17A	231-5146	3	NUT, Flg, USR, 3/8"-16,
18	192925C1	1	SPROCKET, driven, rear
19	1347399C1	1	HUB, HUB unloader, drive
20	565672R92	1	BEARING, BALL, ball
21	455104R11	1	COLLAR, locking, bearing
22	565442R91	1	SPROCKET, tightener
23	434-832	1	BOLT, CARRIAGE, Short NK, 1/2"-13 x 2", G5, Full Thd, 1/2 NC x 2 inch
24	425-108	1	NUT, 1/2"-13, G5,
25	80679	1	WASHER, LOCK, 1/2",
26	498-81005		UAR WASHER, 17/32" x 1" x .060", Sq Hole, square hole, 17/32 x 1 x 1/16 inch
27	496-21053	1	WASHER, 17/32" x 1 1/16" x .134", Hardened
28	485-13116	2	SET SCREW, Sq Hd, 5/16"-18 x 1", set, square head, 5/16 NC x 1 inch, cup point
29	425-145	2	NUT, Jam, 5/16"-18, G5, hex, jam, 5/16 inch NC
30	192901C1	1	SUPPORT, BRACKET, sprocket
31	409-7512	4	BOLT, Hex Flg, 5/16"-18 x 3/4", Serr,
32	231-5145	4	NUT, Flg, USR, 5/16"-18,
33	1347379C1	1	SUPPORT, jackshaft, outer
34	409-7612	3	BOLT, Hex Flg, 3/8"-16 x 3/4", Serr,
35	231-5146	3	NUT, Flg, USR, 3/8"-16,
36	1319469C1	1	CHANNEL, support
37	413-628	4	BOLT, Hex, 3/8"-16 x 1 3/4", G5,
38	231-5146	4	NUT, Flg, USR, 3/8"-16,
40	193779C1	1	SUPPORT, PLATE
41	477-73112	3	BOLT, Slotted Tr Hd, 5/16"-18 x 3/4",
42	231-5145	3	NUT, Flg, USR, 5/16"-18,
45	936878R1	1	BLOCK, tightener, front auger drive
46	434-820	1	BOLT, CARRIAGE, Short NK, 1/2"-13 x 1 1/4", G5, Full Thd, BOLT carriage, 1/2 NC x 1-1/4 inch
47	80679	1	WASHER, LOCK, 1/2",

## 1666 CASE IH AXIAL-FLOW COMBINE (1/93-12/94)

## 9E-14 GRAIN TANK UNLOADER, CHAIN DRIVE

сылка	Номер детали	Кол-во	Описание
48	425-108	1	NUT, 1/2"-13, G5,
50	1302435C2	1	SUPPORT, shield
51	477-73112	8	BOLT, Slotted Tr Hd, 5/16"-18 x 3/4",
52	231-5145	8	NUT, Flg, USR, 5/16"-18,
54	113200A1	1	CHAIN, drive, use 149 links of 1790D bulk chain and (1) 1301D connecting link lower auger
55	1303207C91	1	CHAIN, drive, use 127 links of 1791D bulk chain, (2) 1310D connecting links, (1) 1315D offset link and (1) 1309D roller link unloader
58	1302434C2	1	GUARD, SHIELD drive unloader
59	183351C1	1	PLATE, side, drive shield
60	3102155R1	1	HOLDER, shear bolt
61	413-520	6	BOLT, Hex, 5/16"-18 x 1 1/4", G5, hex, 5/16 NC x 1-1/4 inch
62	231-1445	6	NUT, LOCK, 5/16"-18, GB,



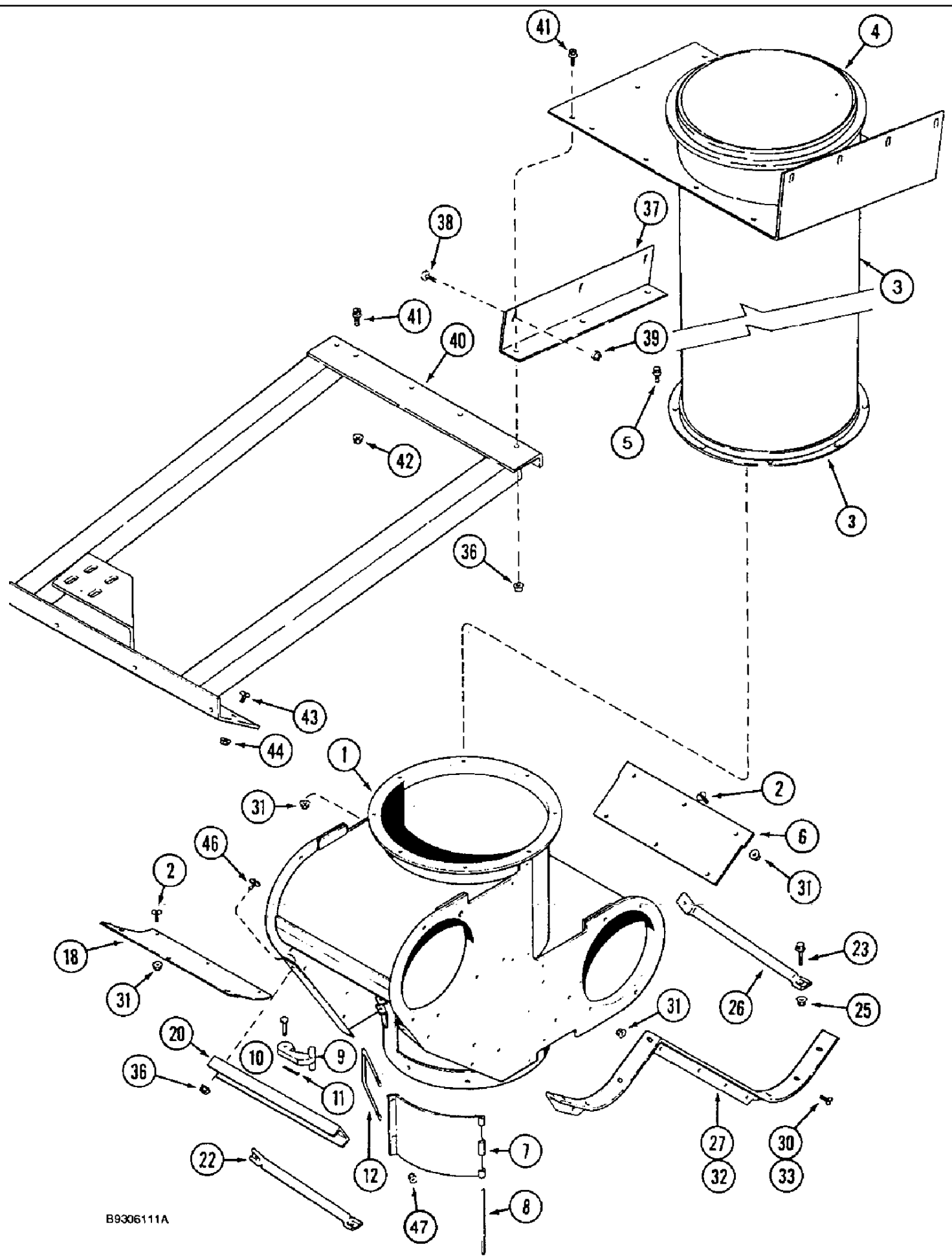
B923081

## 1666 CASE IH AXIAL-FLOW COMBINE (1/93-12/94)

## 9E-18 LOWER GRAIN TANK, UNLOADER AUGER

сылка	Номер детали	Кол-во	Описание
1	1347389C1	1	AUGER, vertical, unloader
	1989350C1	1	CASE ASSY., GEARBOX, vertical unloader, Includes: Ref. 2 thru 35
2	1347177C1	1	SUPPORT, gear box
3	154273C1	1	BOLT, Hex Flg, 3/8"-16 x 1", Serr, BOLT hex, self locking, special, 3/8 NC x 1 inch
3	409-7620	2	BOLT, Hex Flg, 3/8"-16 x 1 1/4", Serr,
4	231-5146	9	NUT, Flg, USR, 3/8"-16,
5	413-824	6	BOLT, Hex, 1/2"-13 x 1 1/2", G5, Full Thd, hex, 1/2 NC x 1-1/2 inch
6	80679	6	WASHER, LOCK, 1/2",
7	1347337C1		UAR SHIM, lower gear
8	1347402C1	1	SPROCKET, driven, 33 and 57 teeth
9	1347336C1	1	GEARBOX ASSY, housing, Includes: Ref. 10 thru 28
10	NSS		NOT SERVICED SEPARATELY, CASE, assembly gear box
11	1989462C1	1	SHAFT, input, auger 1-1/2 inch O.D.
12	1989564C1	2	KEY, square, parallel, 3/8 inch
13	1989563C1	1	RING, SNAP, RING snap, shaft
14	217-439	1	PLUG, Hex Soc, 1/2"-14, hex socket, headless, 1/2 inch PT
15	221-667	1	PLUG, DRAIN, Hex Soc, 1/2" NPT, square socket, magnetic, 1/2 inch PT
16	221-671	1	PLUG, DRAIN, Hex Soc, 1/4" NPT, Magnetic
19	779103R91	3	BEARING, CONE, tapered roller
20	518819R1	3	BEARING, CUP, CONE tapered, roller, inner
21	1989464C1	2	PINION, GEAR drive, auger
22	1989463C1	1	SHAFT, output, 1-3/8 inch O.D. auger
23	1989581C1	2	SEAL, shaft
24	61-33836	1	SCREW, Hex Soc Hd, 3/8"-16 x 2 1/4", BOLT hex socket, 3/8 NC x 1-2/4 inch, not shown
25	1347432C2	2	SEAL, oil bearing
26	20879D	1	BEARING, CONE, tapered roller cone
27	ST991	1	BEARING, CUP, tapered, roller
28	18437R91	1	NIPPLE, LUBE, 1/8"-27 NPT x .50" lg, Press Relief, VALVE pressure relief, 1/8 inch PT
32	1327731C1	7	WASHER, THRUST, flat, special, 1-13/32 x 1-1/4 x 1/8 inch
33	126-133	1	KEY, WOODRUFF, #D, 5/16" x 1 1/4", HT,
34	188354C1	3	WASHER, flat
35	A21619	1	CIRCLIP, RING snap, input shaft retaining





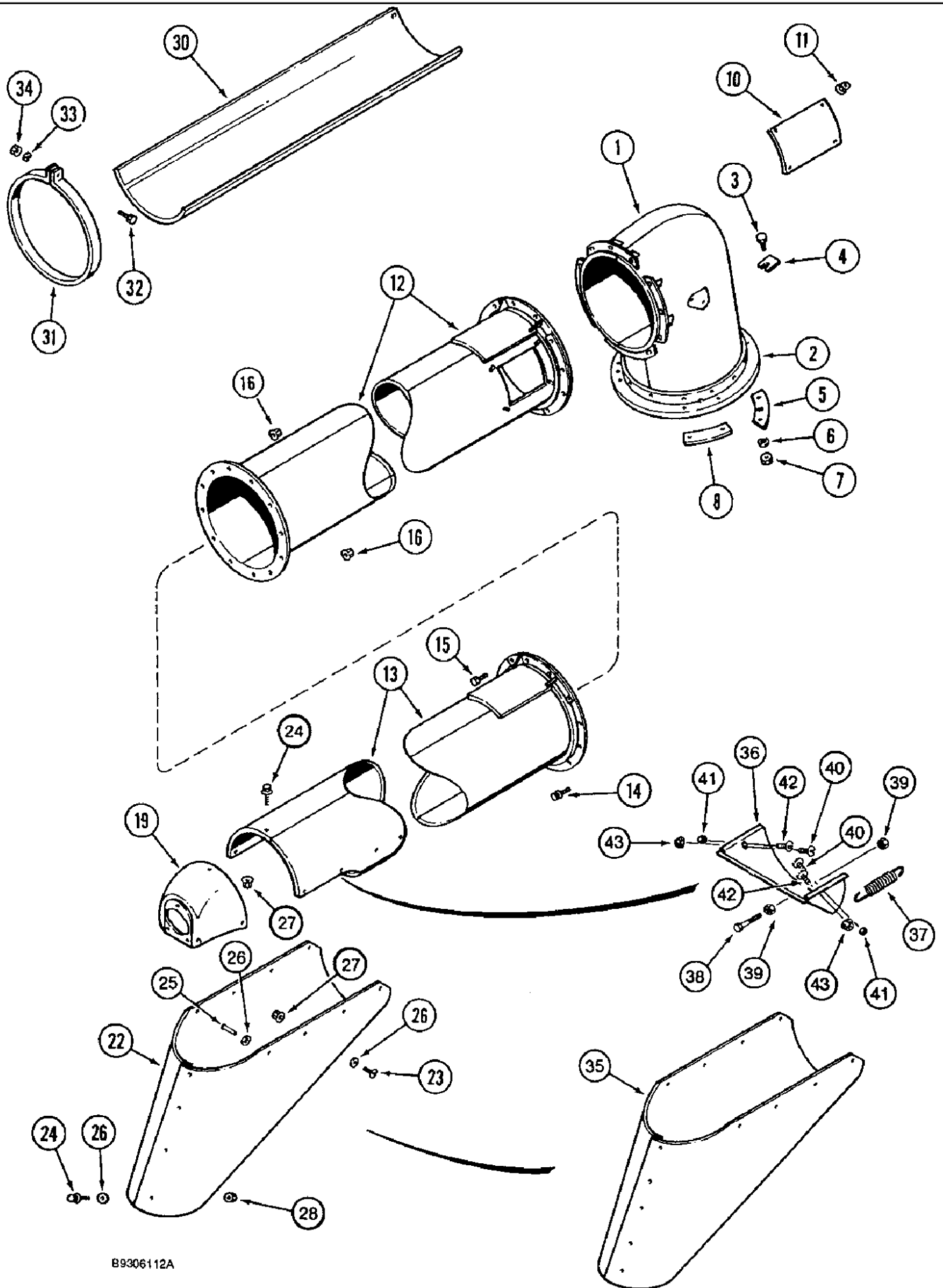
B9306111A

## 1666 CASE IH AXIAL-FLOW COMBINE (1/93-12/94)

## 9E-20 LOWER GRAIN TANK, UNLOADER HOUSING

сылка	Номер детали	Кол-во	Описание
1	192475C3	1	HOUSING, unloader, lower
2	477-73108	28	SCREW, Sltd Serr Truss Hd, 5/16"-18 x 1/2", slotted truss head, 5/16 NC x 1/2 inch
3	1338394C1	1	TUBE, ASSEMBLY, auger vertical, Includes: Ref. 4
4	178134C2	1	RING, tube, upper
5	409-7512	8	BOLT, Hex Flg, 5/16"-18 x 3/4", Serr,
6	191087C1	1	PLATE, COVER unloader housing, front, bottom
7	1970539C1	1	FLAP, DOOR auger, lower, with decal
8	393069R1	1	PIN, ROD pivot door
9	155909C1	1	LATCH, door
10	439-1420	1	PIN, HEADED, 1/4" x 1 1/4", headed, 1/4 x 1-1/4 inch, grade 2
11	432-812	1	PIN, SPLIT (COTTER), 1/8" x 3/4",
12	195332C1	1	U-BOLT, type
18	191110C1	1	SUPPORT, COVER unloader housing, rear, bottom
20	192834C1	1	CHANNEL, support
22	192848C1	1	ROD, SUPPORT rear housing
23	409-7624	2	BOLT, Hex Flg, 3/8"-16 x 1 1/2", Serr,
25	231-5146	2	NUT, Flg, USR, 3/8"-16,
26	192847C1	1	ROD, SUPPORT front housing
27	192828C1	1	SUPPORT, housing, left hand
30	477-73108	20	SCREW, Sltd Serr Truss Hd, 5/16"-18 x 1/2", slotted truss head, 5/16 NC x 1/2 inch
31	231-5145	58	NUT, Flg, USR, 5/16"-18,
32	192829C1	1	SUPPORT, housing, right hand
33	477-73112	2	BOLT, Slotted Tr Hd, 5/16"-18 x 3/4",
36	231-5146	9	NUT, Flg, USR, 3/8"-16,
37	1338393C2	1	ANGLE, SUPPORT vertical auger
38	1319406C1	3	SCREW, CrossSerr Truss Hd, 3/8"-16 x 1", self locking, truss head, Phillips, special, 3/4 NC x 1 inch
39	231-5146	3	NUT, Flg, USR, 3/8"-16,
40	1338388C1	1	SUPPORT, unloader cylinder
41	409-7612	10	BOLT, Hex Flg, 3/8"-16 x 3/4", Serr,
42	231-5146	3	NUT, Flg, USR, 3/8"-16,
43	477-73116	7	SCREW, Sltd Serr Truss Hd, 5/16"-18 x 1", slotted truss head, 5/16 NC x 1 inch
44	231-5145	7	NUT, Flg, USR, 5/16"-18,
46	477-73812	2	SCREW, Sltd Serr Truss Hd, 3/8" x 3/4", slotted truss head, special, 3/8 NC x 3/4 inch
47	231-1444	2	NUT, LOCK, 1/4"-20, GB,

9E-22 UNLOADER, UPPER TUBE



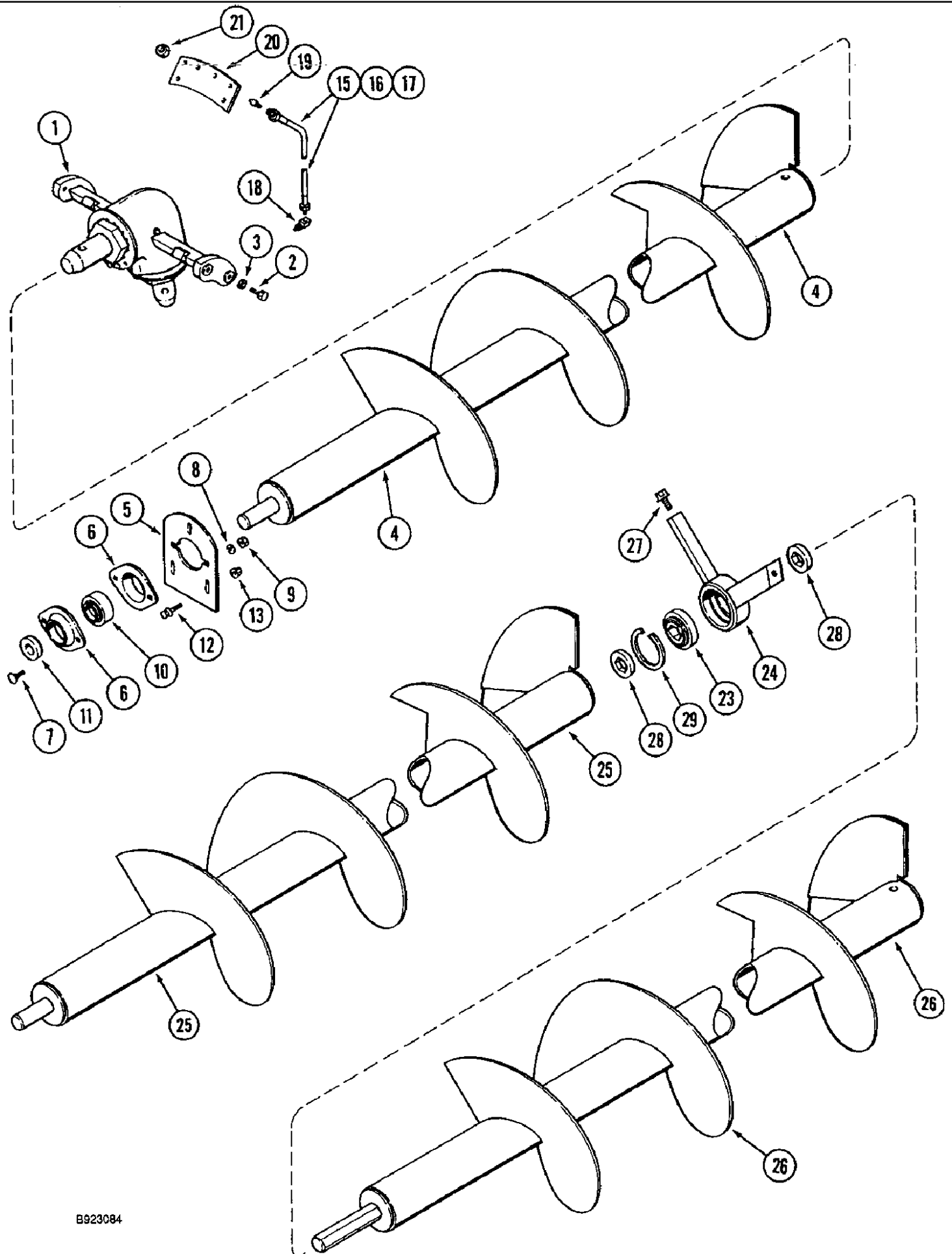
B9306112A

## 1666 CASE IH AXIAL-FLOW COMBINE (1/93-12/94)

## 9E-22 UNLOADER, UPPER TUBE

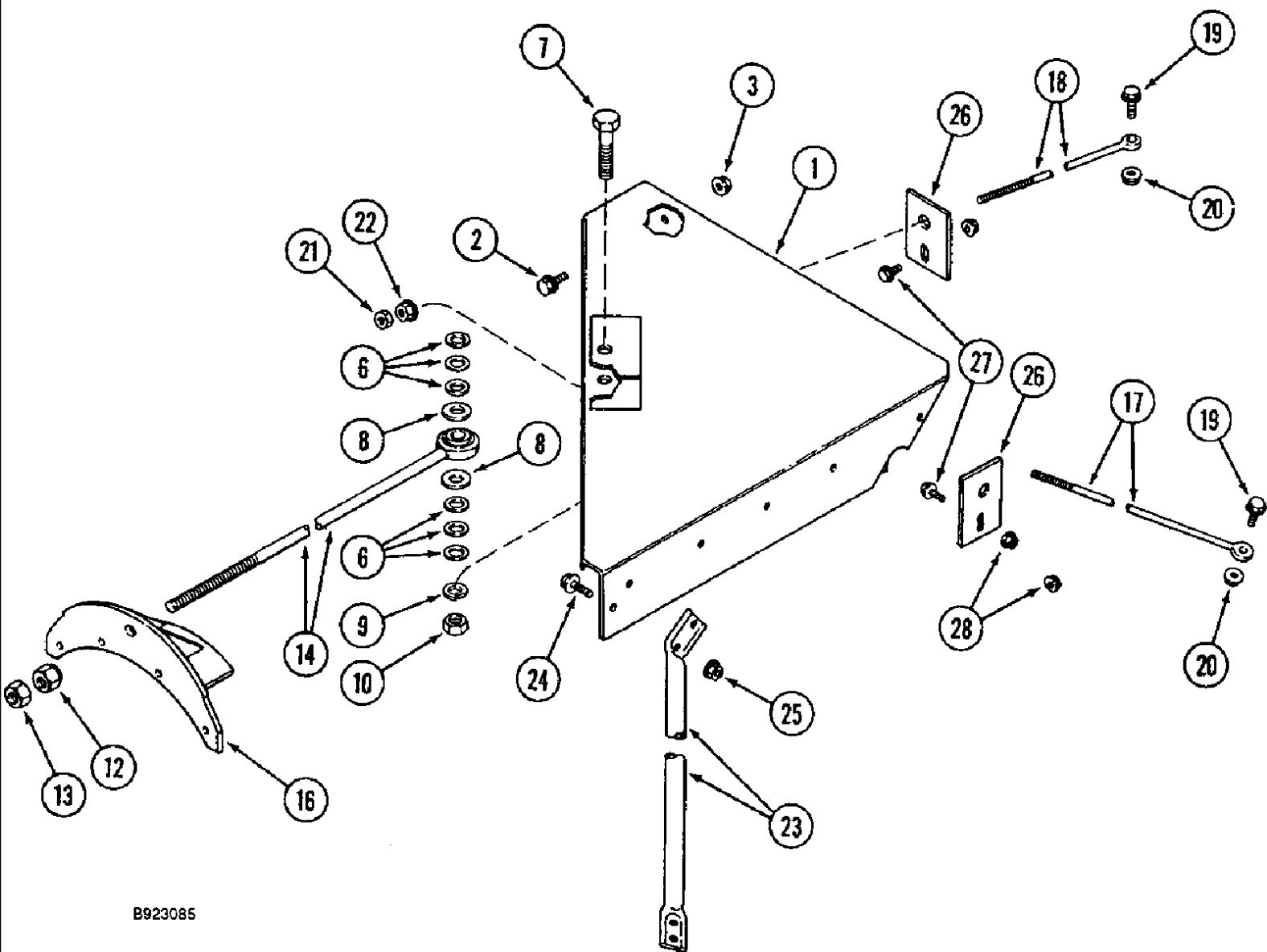
сылка	Номер детали	Кол-во	Описание
1	193417C94	1	ELBOW, ASSEMBLY, unloader, upper tube, Includes: Ref. 2
2	193418C3	1	FLANGE, unloader elbow
3	413-628	4	BOLT, Hex, 3/8"-16 x 1 3/4", G5,
4	151670C1		UAR PLATE, LOCKING, SHIM pin spacer
5	186657C2	1	SUPPORT, front keeper
6	492-11038	4	WASHER, LOCK, 3/8",
7	425-106	4	NUT, 3/8"-16, G5,
8	193472C2	1	PLATE, unloader tube keeper
10	178158C1	1	PLATE, inspection, front tube
11	231-5145	4	NUT, Flg, USR, 5/16"-18,
12	1317738C1	1	TUBE, unloader, plain, front, 89.96 in.
12	1317873C1	1	TUBE, unloader, perforated, front, 89.96 in.
13	1317734C4	1	TUBE, unloader, rear, 136 inch, replaces 1317734C2
13	1317783C4	1	TUBE, unloader, rear, 82.47 inch, replaces 1317783C2
13	1317899C3	1	TUBE, unloader, rear, 118.031 inch, replaces 13177899C2
14	409-7612	18	BOLT, Hex Flg, 3/8"-16 x 3/4", Serr,
15	154273C1	6	BOLT, Hex Flg, 3/8"-16 x 1", Serr, BOLT hex, self locking, special, 3/8 NC x 1 inch
16	231-5146	24	NUT, Flg, USR, 3/8"-16,
19	182837C2	1	CAP, CAP, unloader tube
22	113488A1	1	SPOUT, down, unloader tube
23	477-73112	6	BOLT, Slotted Tr Hd, 5/16"-18 x 3/4",
24	409-7516	7	BOLT, Hex Flg, 5/16"-18 x 1", Serr,
25	477-73120	4	SCREW, Sltd Serr Truss Hd, 5/16"-18 x 1 1/4",
26	495-81121	18	WASHER, .344" x 1 1/2" x .060", flat, 11/32 x 1-1/2 x 1/16 inch
27	231-5145	13	NUT, Flg, USR, 5/16"-18,
28	231-4115	4	NUT, LOCK, 5/16"-18, GB,
30	178165C2	1	COVER, auger tube, perforated
31	178166C1	4	CLAMP, tube retaining
32	185856C1	4	SCREW, hex, special, 5/16 NC x 2 inch
33	492-11031	4	WASHER, LOCK, 5/16",
34	425-105	4	NUT, 5/16"-18, G5,
35	113488A1	1	SPOUT, down, unloader tube, 18 holes
36	115867A1	1	DOOR, grain saver
37	1338869C1	2	SPRING, compressor tension
38	113-250	1	BOLT, Hex, 3/8"-16 x 2 1/2", G5, Full Thd,
39	231-5146	2	NUT, Flg, USR, 3/8"-16,
40	1338692C1	2	SCREW, Sltd Serr Truss Hd, 1/4"-20 x 1",
41	425-104	4	NUT, 1/4"-20, G5,
42	477-73116	2	SCREW, Sltd Serr Truss Hd, 5/16"-18 x 1", slotted truss head, 5/16 NC x 1 inch
43	231-5145	2	NUT, Flg, USR, 5/16"-18,

9E-24 UNLOADER, UPPER AUGER



## 9E-24 UNLOADER, UPPER AUGER

сылка	Номер детали	Кол-во	Описание
1	1347351C1	1	HOUSING, ASSEMBLY, upper gear, unloader parts list Fig. 9E-32
2	426-612	4	BOLT, Hex, 3/8"-16 x 3/4", G8, Full Thd, BOLT hex, 3/8 NC x 3/4 inch, grade 8
3	492-11038	4	WASHER, LOCK, 3/8",
4	1989215C4	1	AUGER unloader, one piece, 136 inch, replaces 1989215C3
4	1347499C4	1	AUGER unloader, one piece, 172 inch, replaces 1347499C3
5	182838C1	1	SUPPORT, bearing, outer
6	50591	2	FLANGE, bearing
7	434-512	2	BOLT, CARRIAGE, Short NK, 5/16"-18 x 3/4", G5, Full Thd,
8	492-11031	2	WASHER, LOCK, 5/16",
9	425-105	2	NUT, 5/16"-18, G5,
10	160796C91	1	BEARING, BALL, ball, unloader, outer
11	564853R11	1	COLLAR, locking, bearing, outer
12	409-7516	3	BOLT, Hex Flg, 5/16"-18 x 1", Serr,
13	231-5145	3	NUT, Flg, USR, 5/16"-18,
15	937779R91	2	HOSE, FLEXIBLE, grease, 22 inch (559 mm) long
16	937781R92	1	HOSE, grease, 27 inch (686 mm) long
17	937782R92	1	HOSE, grease, 31 inch (787 mm) long
18	219-438	4	ADAPTER, 45°, 1/4"-1/8 NPTF, FITTING grease, 45 degree, special
19	219-8	4	NIPPLE, LUBE, 1/4"-28 NPT x .54" lg,
20	134744C1	1	RING, PLATE mounting, lubrication hose
21	F53473	4	NUT, special hose adapter
23	203389C91	1	BEARING, BALL, ball, unloader, split auger only
24	1317859C1	1	SUPPORT, bearing, unloader, split auger only
25	1317680C2	1	AUGER, unloader, rear split, 172 inch, replaces 1317680C1
25	1321147C2	1	AUGER, unloader, rear split, 208 inch, replaces 1321147C1
26	1989388C2	1	AUGER, unloader, front split, 172 inch, replaces 1989388C1
27	409-7512	2	BOLT, Hex Flg, 5/16"-18 x 3/4", Serr,
28	1277949C1	4	SPACER, split auger, unloader only
29	360936R1	1	RING, snap, auger bearing

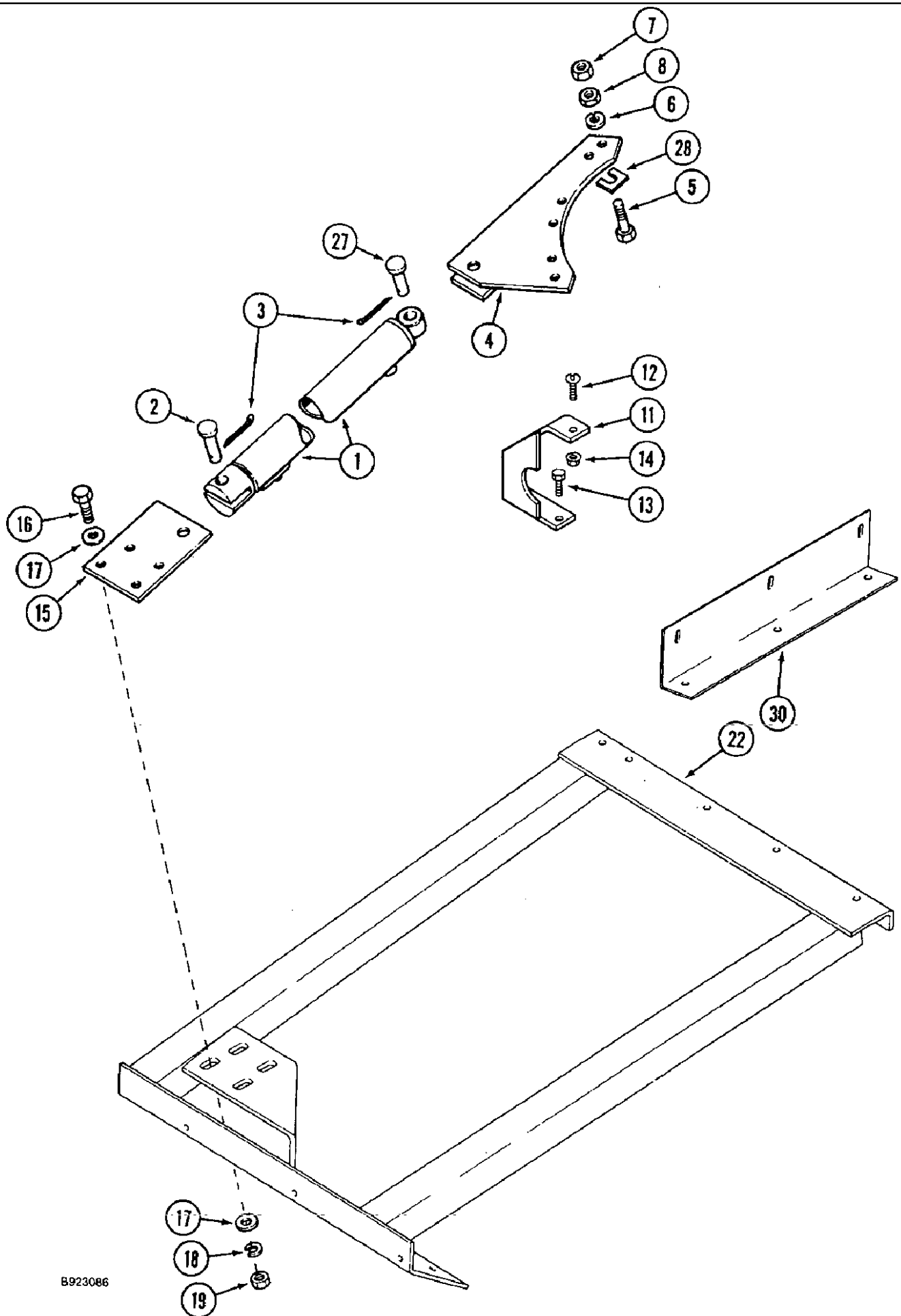


B923085

## 9E-26 UNLOADER, SUPPORTS

сылка	Номер детали	Кол-во	Описание
1	1327529C2	1	BRACKET, SUPPORT rod anchor
2	154273C1	8	BOLT, Hex Flg, 3/8"-16 x 1", Serr, BOLT hex, self locking, special, 3/8 NC x 1 inch
2	409-7516	8	BOLT, Hex Flg, 5/16"-18 x 1", Serr,
3	231-5146	8	NUT, Flg, USR, 3/8"-16,
3	231-5145	1	NUT, Flg, USR, 5/16"-18,
6	495-81175	6	WASHER, 21/32" x 1" x .120", flat, 21/32 x 1 x 7/64 inch
7	413-1048	1	BOLT, Hex, 5/8"-11 x 3", G5, hex, 5/8 NC x 3 inch
8	496-21066	2	WASHER, 21/32" x 1 5/16" x .150", flat, 21/32 x 1-5/16 x 5/32 inch, hardened
9	492-11062	1	WASHER, LOCK, 5/8",
10	425-1010	1	NUT, 5/8"-11, G5,
12	554480R1	1	NUT, hex, special, 5/8 inch NF
13	425-1110	1	NUT, 5/8"-18, G5,
14	1979616C2	1	ROD, ROD unloader, anchor support
16	1317516C1	1	SUPPORT, anchor, rod
17	193625C1	2	ROD, unloader, front lower
18	1979494C1	1	ROD, unloader, front lower
19	409-7620	3	BOLT, Hex Flg, 3/8"-16 x 1 1/4", Serr,
20	231-5146	3	NUT, Flg, USR, 3/8"-16,
21	425-108	3	NUT, 1/2"-13, G5,
22	231-5148	3	NUT, Flg, USR, 1/2"-13,
23	1338378C1	1	ROD, BRACE support, unloader
24	409-7620	4	BOLT, Hex Flg, 3/8"-16 x 1 1/4", Serr,
25	231-5146	4	NUT, Flg, USR, 3/8"-16,
26	186691C1	3	PLATE, support rod
27	409-7512	3	BOLT, Hex Flg, 5/16"-18 x 3/4", Serr,
28	231-5145	3	NUT, Flg, USR, 5/16"-18,

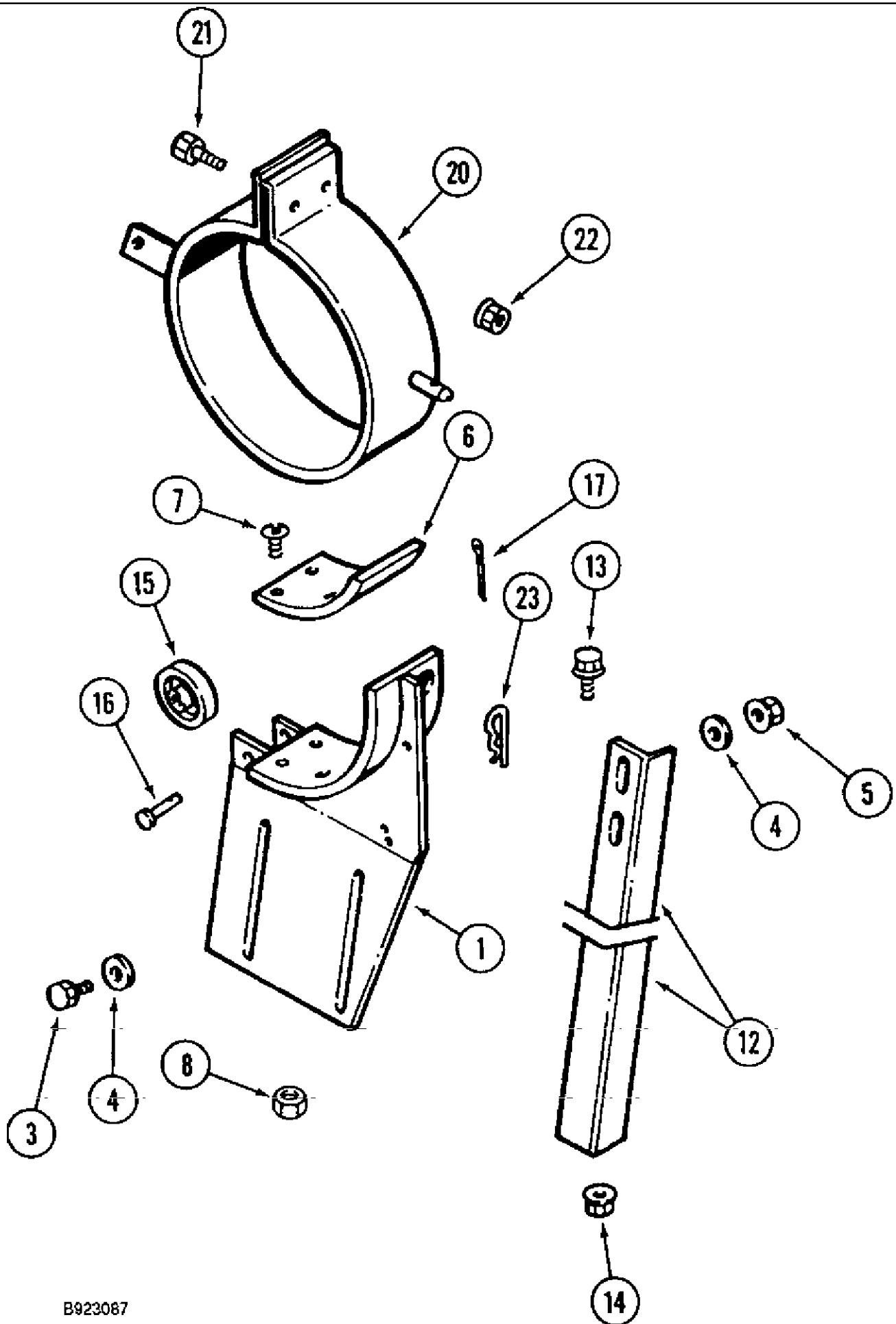




B923086

сылка	Номер детали	Кол-во	Описание
1	1282488C92	1	CYLINDER ASSY., 1-1/2 (38) ID x 20 inch (508 mm) stroke unloader swing, parts list Fig. 8-76
2	427-10225	1	PIN, CLEVIS, 5/8" x 1 1/4", clevis, 5/8 x 2-1/4 inch
3	432-816	2	PIN, SPLIT (COTTER), 1/8" x 1",
4	1321541C2	1	SUPPORT, cylinder unloader, replaces 1321541C1, not shown
5	426-732	6	BOLT, Hex, 7/16"-14 x 2", G8, BOLT hex, 7/16 NC x 2 inch, grade 8
6	492-11044	6	WASHER, LOCK, 7/16",
7	429-107	6	NUT, 7/16"-14, G8, hex, 7/16 inch NC, grade 8
8	329-147	6	NUT, Jam, 7/16"-14, G8,
11	1321509C2	1	SUPPORT, upper, rear
12	477-73820	1	SCREW, Slt'd Serr Truss Hd, 3/8"-16 x 1 1/4", slotted truss head, special, 3/8 NC x 1-1/4 inch
13	154273C1	2	BOLT, Hex Flg, 3/8"-16 x 1", Serr, BOLT hex, self locking, special, 3/8 NC x 1 inch
14	231-5146	3	NUT, Flg, USR, 3/8"-16,
15	1321508C1	1	PLATE, cylinder anchor
16	413-832	4	BOLT, Hex, 1/2"-13 x 2", G5, hex, 1/2 NC x 2 inch
17	496-21053	8	WASHER, 17/32" x 1 1/16" x .134", Hardened
18	80679	4	WASHER, LOCK, 1/2",
19	425-108	4	NUT, 1/2"-13, G5,
22	1338388C1	1	SUPPORT, unloader cylinder, see Fig. 9E-20 for mounting hardware
27	427-10225	1	PIN, CLEVIS, 5/8" x 1 1/4", clevis, 5/8 x 2-1/4 inch
28	151670C1		UAR PLATE, LOCKING, SHIM pin spacer, unloader tube keeper
30	1338393C2	1	ANGLE, SUPPORT vertical auger, see Fig. 9E-20 for mounting hardware

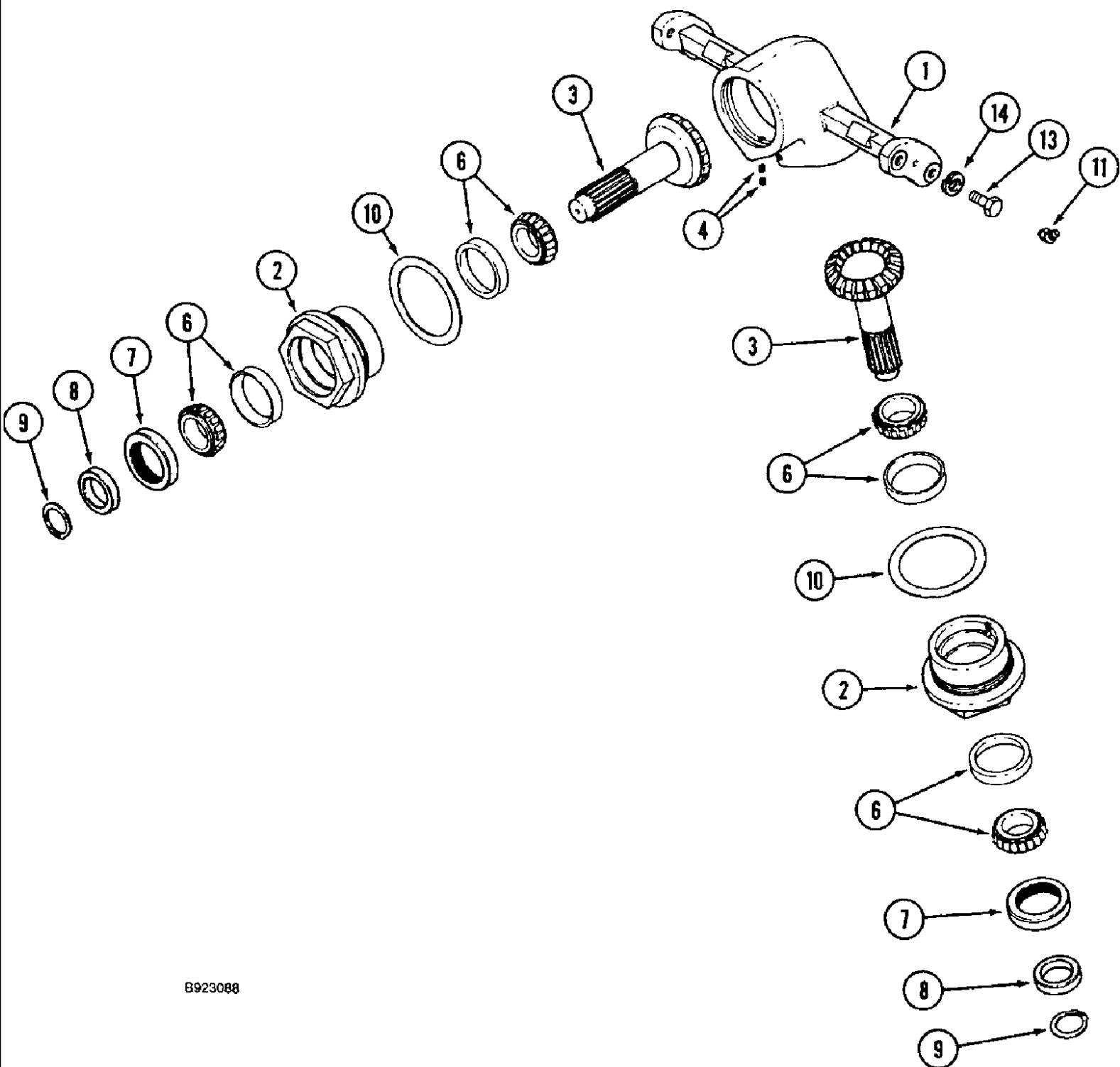
9E-30 UNLOADER, TUBE SADDLE



B923087

## 9E-30 UNLOADER, TUBE SADDLE

сылка	Номер детали	Кол-во	Описание
1	1321500C2	1	STIRRUP, BRACKET support, unloader tube, saddle
3	409-7620	4	BOLT, Hex Flg, 3/8"-16 x 1 1/4", Serr,
4	495-81143	8	WASHER, 13/32" x 1 1/2" x .120", flat, 13/32 x 1-1/2 x 7/64 inch
5	231-5146	4	NUT, Flg, USR, 3/8"-16,
6	1321498C1	1	PAD, saddle support bracket
7	477-82512	6	SCREW, Sltd Serr Truss Hd, 1/4"-20 x 3/4", slotted truss head, 1/4 NC x 3/4 inch
8	231-4144	6	NUT, LOCK, 1/4"-20, GB,
12	1319222C1	1	SUPPORT, angle saddle
13	409-7512	1	BOLT, Hex Flg, 5/16"-18 x 3/4", Serr,
14	231-5145	1	NUT, Flg, USR, 5/16"-18,
15	1321499C1	1	ROLLER, WHEEL unloader saddle
16	439-5436	1	PIN, HEADED, 1/4" x 2 1/4", G5,
17	432-812	1	PIN, SPLIT (COTTER), 1/8" x 3/4",
20	1317870C1	1	CLAMP, retaining, unloader tube
21	409-7520	2	BOLT, Hex Flg, 5/16"-18 x 1 1/4", Serr, BOLT hex flange, 5/16 NC x 1-1/4 inch
22	231-5145	2	NUT, Flg, USR, 5/16"-18,
23	480523R1	1	SPLIT PIN/SAFETY PIN, hair, retaining

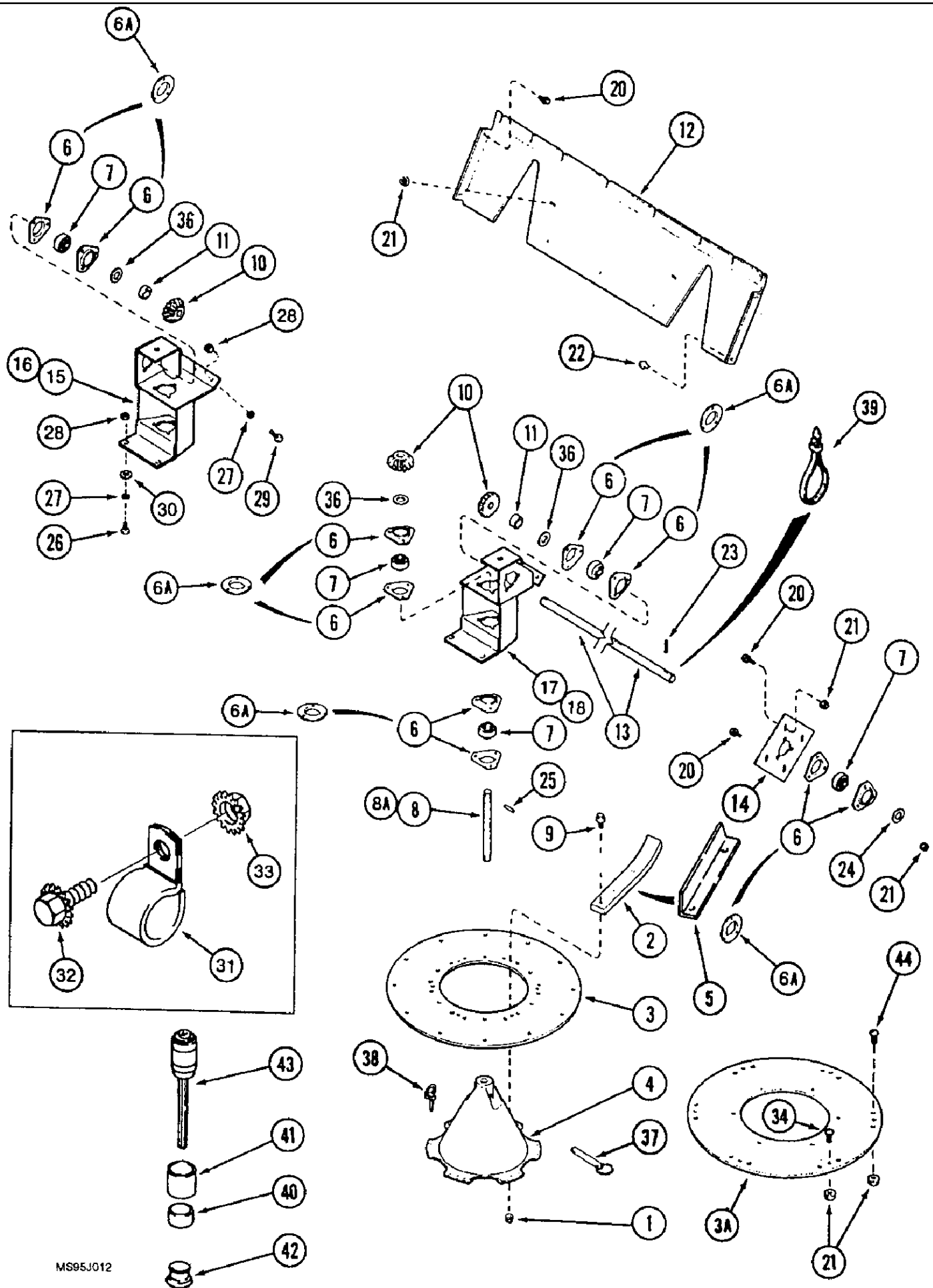


B923088

## 9E-32 UNLOADER, UPPER GEAR HOUSING

сылка	Номер детали	Кол-во	Описание
	1347351C1	1	HOUSING, ASSEMBLY, upper gear, unloader, Includes: Ref. 1 thru 11
1	NSS		NOT SERVICED SEPARATELY, HOUSING upper gear, 1
2	NSS		NOT SERVICED SEPARATELY, HOUSING upper gear, 2
3	1347260C1	2	PINION, GEAR, 18 teeth, upper housing unloader
4	83-1316	4	SET SCREW, Hex Soc, 5/16"-18 x 3/8", set, hex socket headless, 5/16 NC x 3/8 inch, cup point
6	1347431C1	4	BEARING, CONE, tapered roller gear housing
7	1347339C1	2	SEAL, oil bearing housing
8	1347312C1	2	RETAINER, gear housing
9	100-16125	2	RING, SNAP, #125, Ext,
10	1347338C1		UAR SHIM, upper bearing
11	219-90	1	NIPPLE, LUBE, 45c, 1/4" NPT x .80" lg, Drive, grease, 45 degree, 1/4-28 special taper x 13/16 inch
13	426-612	4	BOLT, Hex, 3/8"-16 x 3/4", G8, Full Thd, BOLT hex, 3/8 NC x 3/4 inch, grade 8
14	492-11038	4	WASHER, LOCK, 3/8",

9F-02 STRAW SPREADER



MS95J012

## 1666 CASE IH AXIAL-FLOW COMBINE (1/93-12/94)

## 9F-02 STRAW SPREADER

сылка	Номер детали	Кол-во	Описание
1	231-5315	24	NUT, LOCK, Flg, 5/16"-18,
2	194198C2	12	SKID/SHOE, STRAP rubber straw spreader
3	192252C1	2	RETAINER, strap
3A	140190A1	2	DISC, RETAINER bat
4	188218C6	2	CONE, SUPPORT straw spreader, replaces 188218C4 and 188218C5
5	111179A1	12	BAT, straw spreader
6	571424R1	14	FLANGE, bearing, used with Ref. 15 and 17 support
6A	462360R1	14	FLANGE, bearing, used with Refs. 16 and 18 support
7	195293C91	7	BEARING, BALL, auger drive, straw spreader
8	192240C1	2	SHAFT, straw spreader, used with Refs. 15 and 17 supports
8A	128440A1	2	SHAFT, straw spreader, 12 inch long, used with Refs. 16 and 18 supports
9	409-7520	24	BOLT, Hex Flg, 5/16"-18 x 1 1/4", Serr, BOLT hex serrated flange, 5/16 NC x 1-1/4 inch
	194194C1	2	GEAR, GEAR two piece set, spreader, Includes: Ref. 10
10	NSS		NOT SERVICED SEPARATELY, GEAR spreader drive, 14 tooth
11	152261C1	2	SPACER, 1 1/4" Tube x 1 7/8", 1-1/4 x 5/8 inch cross bar
12	195138C5	1	SUPPORT, dust shield
13	192242C4	1	SHAFT, BAR cross
14	186506C1	1	SUPPORT, PLATE bearing, spreader
15	1345024C1	1	SUPPORT, spreader drive, left hand , BSN JJC0106005
16	109487A1	1	SUPPORT, spreader drive, left hand , ASN JJC0106005
17	1345025C1	1	SUPPORT, spreader drive, right hand , BSN JJC0106005
18	109488A1	1	SUPPORT, spreader drive, right hand , ASN JJC0106005
20	409-7512	28	BOLT, Hex Flg, 5/16"-18 x 3/4", Serr,
21	231-5145	53	NUT, Flg, USR, 5/16"-18,
22	409-7516	1	BOLT, Hex Flg, 5/16"-18 x 1", Serr,
23	38-32424	1	PIN, 3/8" x 1 1/2", Coiled, 3/8" x 1 1/2", Coiled
24	495-81068	UAR	WASHER, 1 1/32" x 1 1/2" x .030", flat, 1-1/32 x 1-1/2 x 1/32 inch
25	38-31624	2	PIN, ROLL, 1/4" x 1 1/2", Coiled,
26	413-512	4	BOLT, Hex, 5/16"-18 x 3/4", G5, Full Thd, hex, 5/16 NC x 3/4 inch
27	492-11031	8	WASHER, LOCK, 5/16",
28	425-105	8	NUT, 5/16"-18, G5,
29	413-516	4	BOLT, Hex, 5/16"-18 x 1", G5, Full Thd, hex, 5/16 NC x 1 inch
30	495-11034	4	WASHER, 5/16", SAE, flat, 11/32 x 11/16 x 1/16 inch
31	515-23190	1	CLAMP, 3/4", Insul, 3/8" Bolt, P-type
32	409-7512	1	BOLT, Hex Flg, 5/16"-18 x 3/4", Serr,
33	231-5145	1	NUT, Flg, USR, 5/16"-18,
34	477-73112	12	BOLT, Slotted Tr Hd, 5/16"-18 x 3/4", Not shown
36	495-81069	6	WASHER, 1 1/32" x 1 1/2" x .060", flat, 1-1/32 x 1-1/2 x 1/16 inch
37	120270A2	2	PIN, lock retainer
38	A33497	4	PIN, LINCH, lock
39	702093C1	6	STRAP, CABLE, tie, 3 inch maximum
40	140430A1	2	COUPLING, anti wrap
41	140431A1	2	TUBE, PIPE, 1-3/4 (45) ID x 1-15/16 (48) O.D. x 3 inch (75 mm) long
42	140432A1	2	BOOT, BOOT coupler
43	108000A1	2	COUPLING, vertical shaft

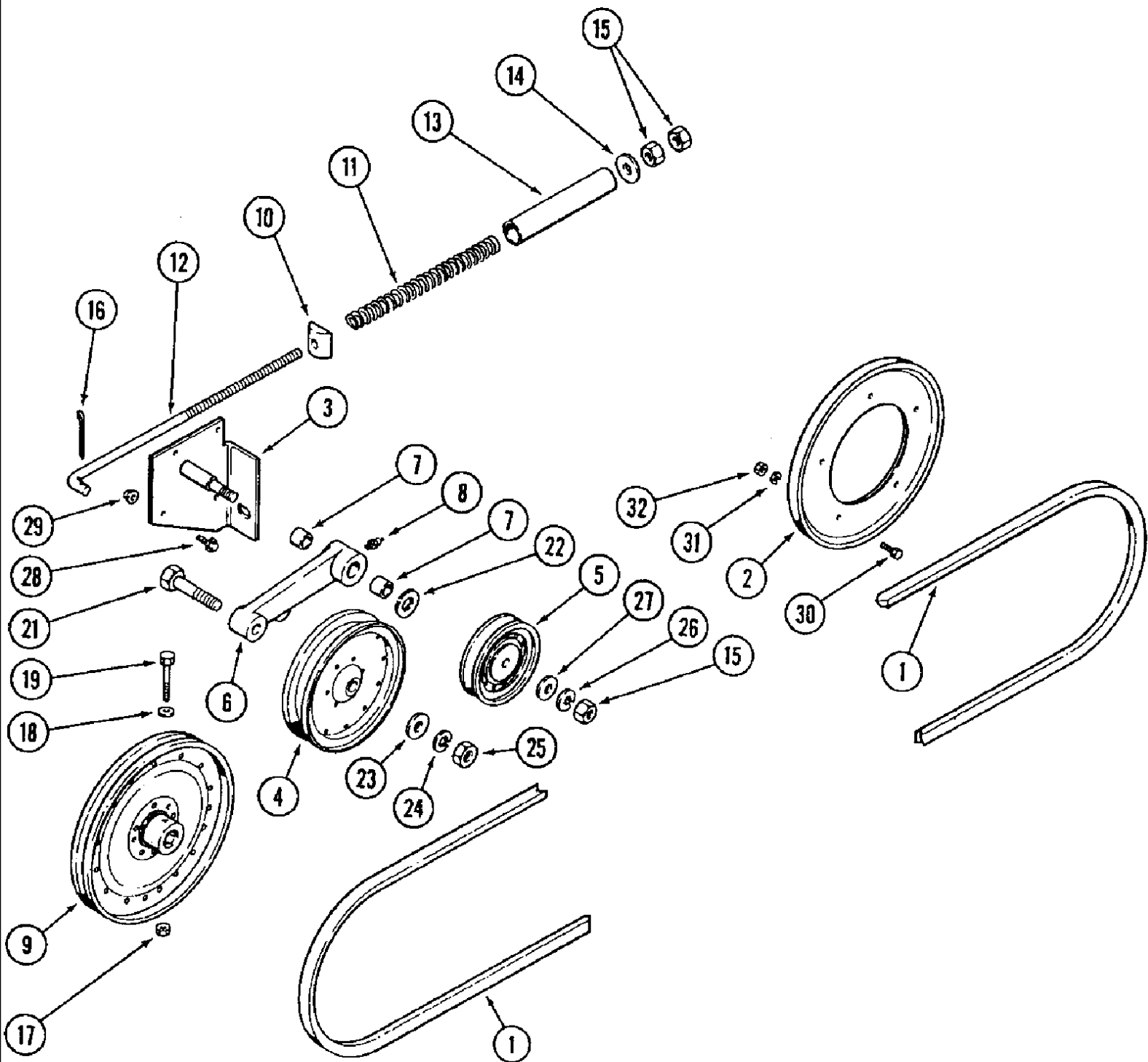


1666 CASE IH AXIAL-FLOW COMBINE (1/93-12/94)

9F-02 STRAW SPREADER

сылка	Номер детали	Кол-во	Описание
44	477-73116	12	SCREW, Sltd Serr Truss Hd, 5/16"-18 x 1", slotted truss head, 5/16 NC x 1 inch

9F-04 STRAW SPREADER, DRIVE

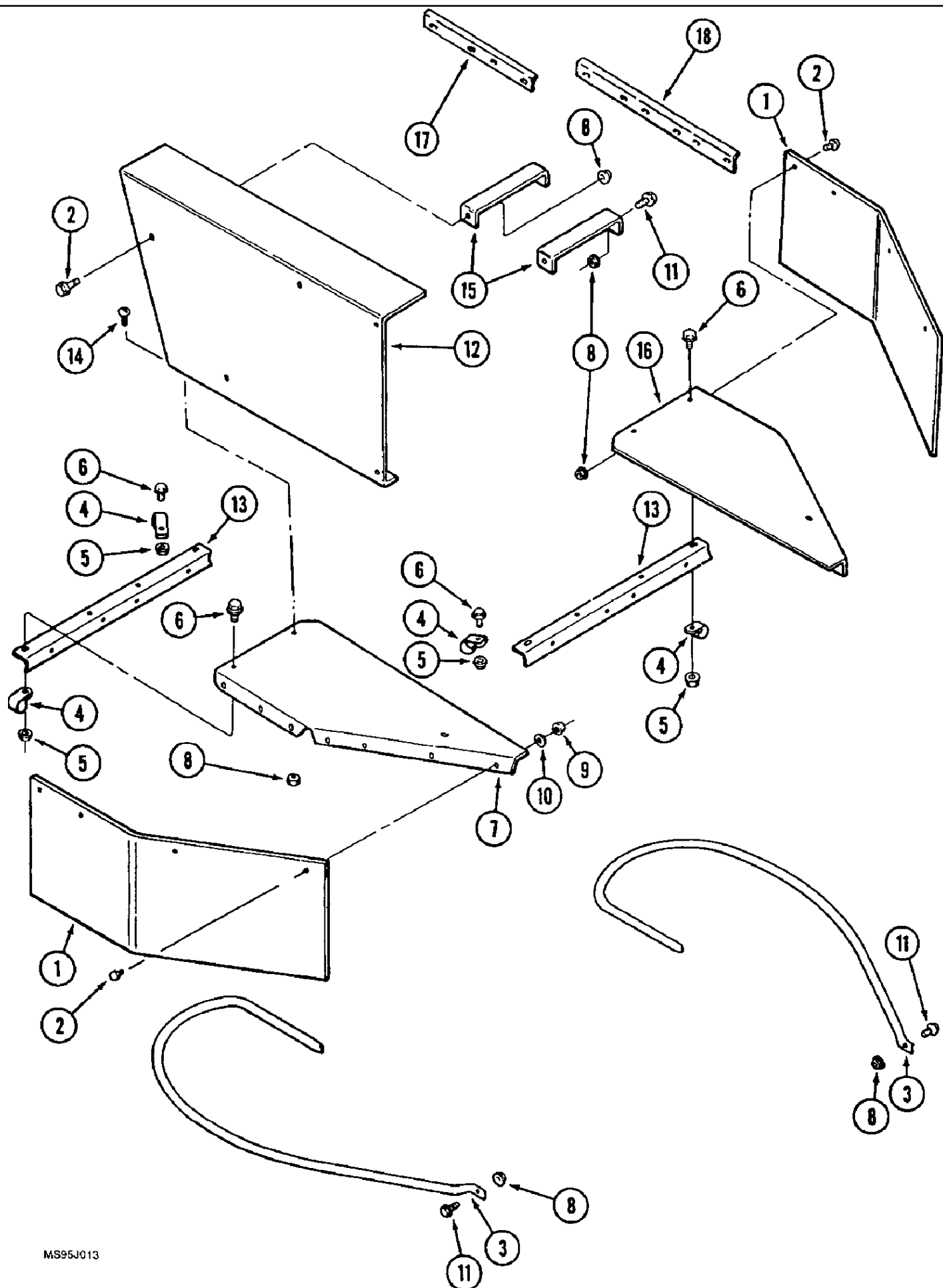


B9306149A

## 1666 CASE IH AXIAL-FLOW COMBINE (1/93-12/94)

## 9F-04 STRAW SPREADER, DRIVE

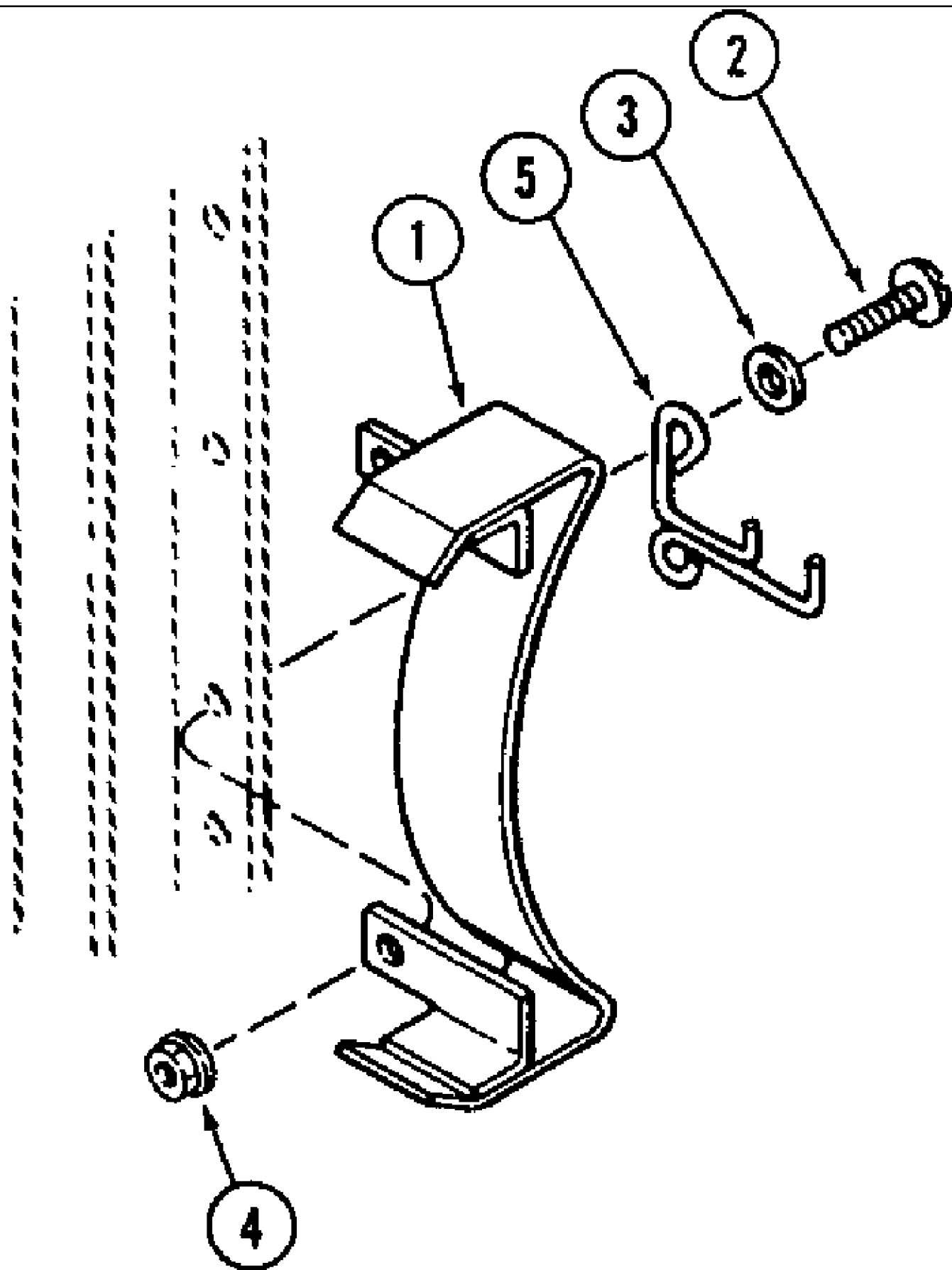
сылка	Номер детали	Кол-во	Описание
1	196371C1	1	BELT, drive straw spreader
2	566516R92	1	PULLEY, drive, 9-3/4 inch, O.D.
3	1315275C1	1	SUPPORT ASSY., drive tightener
4	566518R91	1	PULLEY, drive tightener, 6-3/4 inch O.D.
5	1315269C1	1	PULLEY, drive, 4-3/8 inch O.D. idler
6	1979591C1	1	LEVER, ASSEMBLY, tightener arm, Includes: Ref. 7
7	1979989C1	2	BUSHING, tightener lever
8	219-87	1	NIPPLE, LUBE, 1/4"-28 x .56" lg, Self-Tap,
9	181196C2	1	PULLEY, driven, 10 inch O.D. spreader
10	194652C1	1	PIVOT, rod tightener
11	1315223C1	1	SPRING, spreader drive
12	181152C1	1	ROD, adjusting, spreader drive idler
13	1315197C1	1	SPACER, spreader drive
14	495-81163	1	WASHER, 17/32" x 1 1/2" x .120", flat, 17/32 x 1-1/2 x 7/64 inch
15	425-108	3	NUT, 1/2"-13, G5,
16	432-816	1	PIN, SPLIT (COTTER), 1/8" x 1",
17	232-4115	1	NUT, LOCK, 5/16"-18, GC,
18	396-21034	1	WASHER, .344" x 11/16" x .089", HDN, flat, 11/32 x 11/16 x 3/32 inch, hardened
19	326-536	1	BOLT, Hex, 5/16"-18 x 2 1/4", G8,
21	413-848	1	BOLT, Hex, 1/2"-13 x 3", G5, hex, 1/2 NC x 3 inch
22	496-31081	1	WASHER, 13/16" x 1 1/2" x .219", HDN, flat, 13/16 x 1-1/2 x 7/32 inch, hardened
23	496-11053	1	WASHER, 17/32" x 1 1/16" x .095", HDN,
24	80679	1	WASHER, LOCK, 1/2",
25	425-108	1	NUT, 1/2"-13, G5,
26	80679	1	WASHER, LOCK, 1/2",
27	495-11053	1	WASHER, 1/2", SAE, (17/32" x 1-1/16" x 3/32")
28	409-7512	3	BOLT, Hex Flg, 5/16"-18 x 3/4", Serr,
29	231-5145	3	NUT, Flg, USR, 5/16"-18,
30	413-516	5	BOLT, Hex, 5/16"-18 x 1", G5, Full Thd, hex, 5/16 NC x 1 inch
31	492-11031	5	WASHER, LOCK, 5/16",
32	425-105	5	NUT, 5/16"-18, G5,



MS95J013

## 9F-06 STRAW SPREADER, SHIELDS

сылка	Номер детали	Кол-во	Описание
1	1308916C2	2	SHIELD, SHIELD side, straw spreader
2	256873	10	BOLT, Hex Flg, 5/16"-18 x 1/2", Serr,
3	1308912C3	2	PIPE, shield, replaces 1308912C2
4	515-23190	4	CLAMP, 3/4", Insul, 3/8" Bolt, P-type, Retaining
5	231-5146	8	NUT, Flg, USR, 3/8"-16,
6	409-7612	4	BOLT, Hex Flg, 3/8"-16 x 3/4", Serr,
7	1308915C4	1	SUPPORT, straw spreader, right hand shield, replaces 1308915C1 and 1308915C2
8	231-5145	8	NUT, Flg, USR, 5/16"-18,
9	232-4115	8	NUT, LOCK, 5/16"-18, GC,
10	495-81116	8	WASHER, .344" x 1" x .060", flat, 11/32 x 1 x 3/64 inch
11	409-7512	4	BOLT, Hex Flg, 5/16"-18 x 3/4", Serr,
12	1309121C3	1	SUPPORT, drive shield
13	1308913C1	2	SUPPORT, straw, spreader shield
14	477-73108	2	SCREW, Sltd Serr Truss Hd, 5/16"-18 x 1/2", slotted truss head, 5/16 NC x 1/2 inch
15	1309354C1	2	SUPPORT, CHANNEL drive shield
16	1308914C4	1	SUPPORT, straw spreader, left hand shield replaces 1308914C1
17	140286A1	2	STRIP, STRIP steel, shield, front
18	140287A1	2	STRIP, STRIP steel, shield, rear



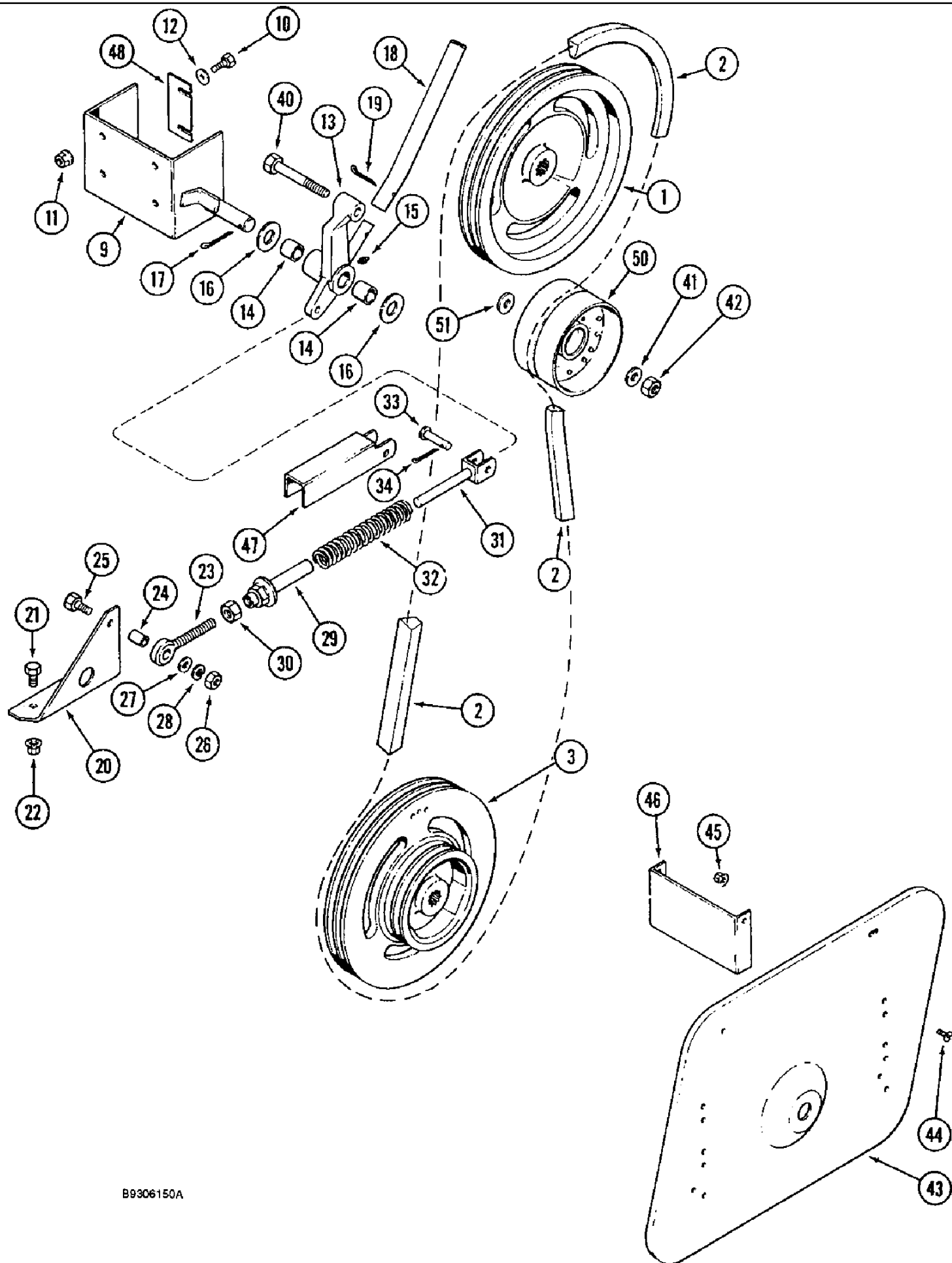
B923092

1666 CASE IH AXIAL-FLOW COMBINE (1/93-12/94)

9F-08 STRAW SPREADER, CORN COMBINE, PULLEY SHIELD AND BELT GUIDE

сылка	Номер детали	Кол-во	Описание
1	1324423C1	1	GUARD, SHIELD straw spreader pulley
2	477-73820	3	SCREW, Sltd Serr Truss Hd, 3/8"-16 x 1 1/4", slotted truss head, special, 3/8 NC x 1-1/4 inch
3	495-11041	3	WASHER, 3/8", SAE, Flat, (13/32 x 13/16 x 1/16")
4	231-5146	3	NUT, Flg, USR, 3/8"-16,
5	1324419C1	1	GUIDE, belt

9F-10 STRAW CHOPPER, DRIVE



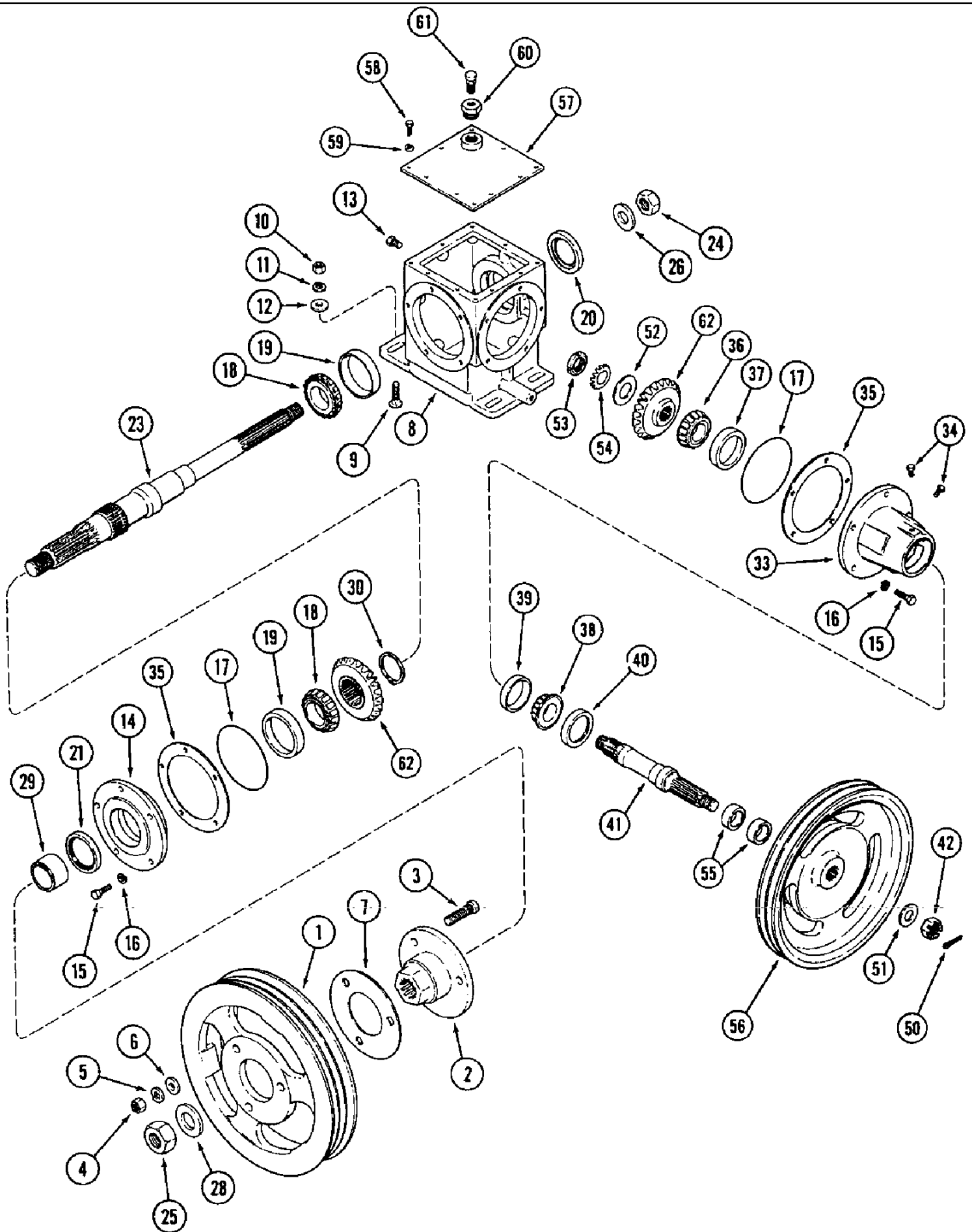
B9306150A



## 1666 CASE IH AXIAL-FLOW COMBINE (1/93-12/94)

## 9F-10 STRAW CHOPPER, DRIVE

сылка	Номер детали	Кол-во	Описание
1	1315264C1	1	PULLEY, chopper drive
2	1315265C1	1	BELT, chopper drive
3	1315264C1	1	PULLEY, chopper drive
9	1315251C1	1	SUPPORT, idler arm pivot
10	413-616	4	BOLT, Hex, 3/8"-16 x 1", G5, Full Thd, hex, 3/8 NC x 1 inch
11	231-5146	4	NUT, Flg, USR, 3/8"-16,
12	495-81135	4	WASHER, 13/32" x 1" x .120", flat, 13/32 x 1 x 7/64 inch
13	1315249C1	1	LEVER, ASSEMBLY, idler arm, Includes: Ref. 14
14	559154R1	2	BUSHING, lever
15	219-87	1	NIPPLE, LUBE, 1/4"-28 x .56" lg, Self-Tap,
16	495-11106	2	WASHER, 1", SAE, flat, 1-1/16 x 2 x 1/8 inch
17	432-1624	1	PIN, SPLIT (COTTER), 1/4" x 1 1/2",
18	1315248C1	1	TUBE, LEVER idler arm
19	432-1224	1	PIN, SPLIT (COTTER), 3/16" x 1 1/2",
20	1315357C1	1	SUPPORT, tension rod pivot
21	413-816	2	BOLT, Hex, 1/2"-13 x 1", G5, Full Thd,
22	231-5148	2	NUT, Flg, USR, 1/2"-13,
23	1315259C1	1	BOLT, tension rod eye, special
24	617794R1	1	SPACER, 3/4" Tube x 1 1/16", eye bolt
25	326-832	1	BOLT, Hex, 1/2"-13 x 2", G8,
26	329-108	1	NUT, 1/2"-13, G8,
27	496-21053	1	WASHER, 17/32" x 1 1/16" x .134", Hardened
28	392-21050	1	WASHER, LOCK, 1/2", 1/2"
29	1315260C1	1	CONNECTOR, tension rod
30	425-1012	1	NUT, 3/4"-10, G5,
31	1315256C1	1	ROD, tension, slider
32	1315247C1	1	SPRING, idler tension
33	14145H	1	PIN, CLEVIS, 1/2" x 2.094",
34	432-816	1	PIN, SPLIT (COTTER), 1/8" x 1",
40	413-1072	1	BOLT, Hex, 5/8"-11 x 4 1/2", G5,
41	396-21066	1	WASHER, 21/32" x 1 5/16" x .150", HDN, flat, 21/32 x 1-5/16 x 5/32 inch, hardened
42	232-41110	1	NUT, LOCK, 5/8"-11, GC,
43	194759C6	1	GUARD, SHIELD fan drive
44	477-73108	8	SCREW, Sltd Serr Truss Hd, 5/16"-18 x 1/2", slotted truss head, 5/16 NC x 1/2 inch
45	231-5145	8	NUT, Flg, USR, 5/16"-18,
46	181142C1	2	SUPPORT, chopper drive shield
47	1315364C1	1	CHANNEL, tension rod lock
48	1302709C1		UAR SHIM, idler pivot support
50	1345048C1	1	PULLEY, drive, idler
51	396-11066		UAR WASHER, 21/32" x 1 5/16" x .095", HDN, flat, 21/32 x 1-5/16 x 3/32 inch, hardened



## 1666 CASE IH AXIAL-FLOW COMBINE (1/93-12/94)

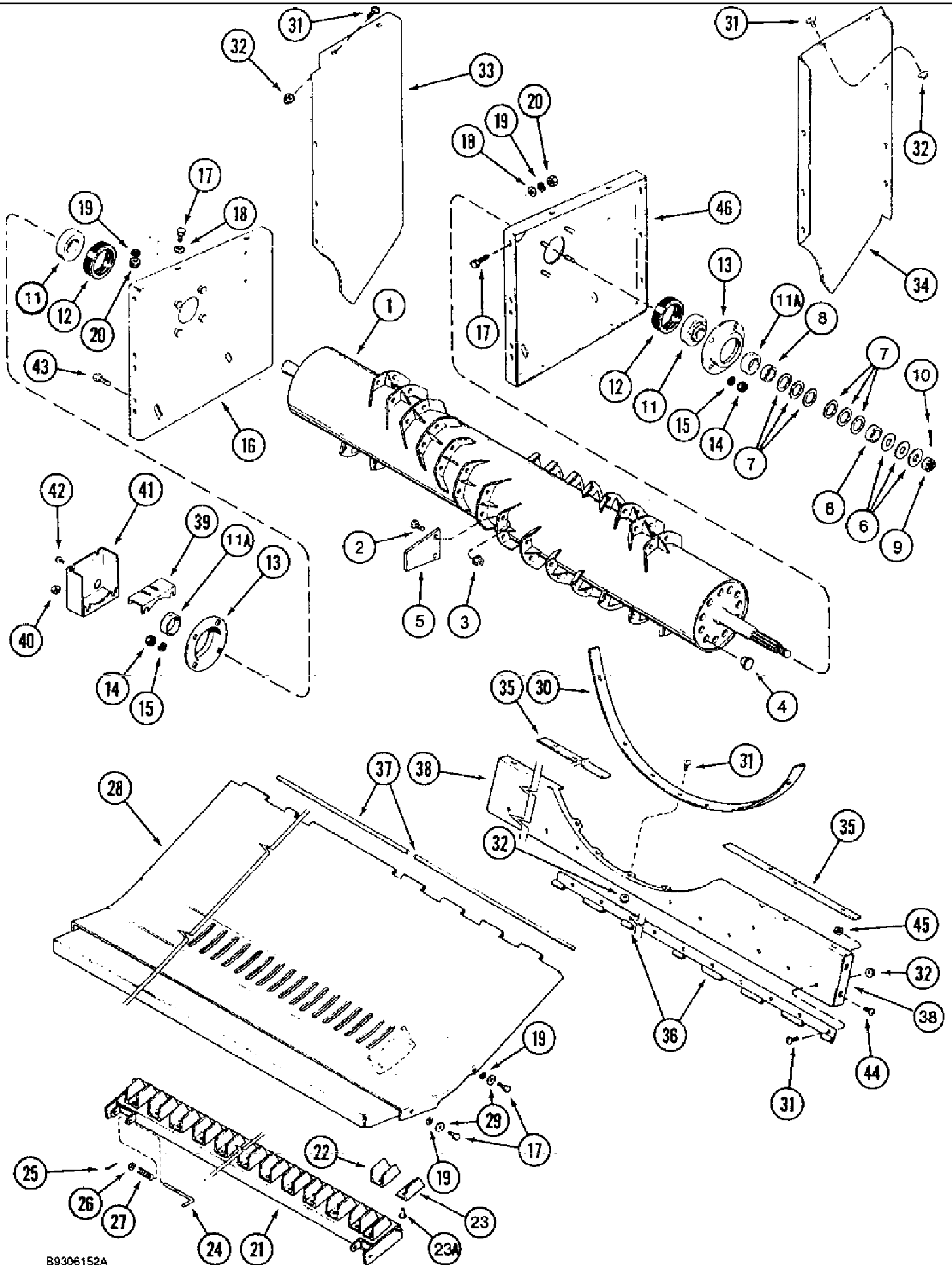
## 9F-12 STRAW CHOPPER, GEAR HOUSING

сылка	Номер детали	Кол-во	Описание
1	181271C1	1	PULLEY, drive, 15 inch O.D. jackshaft
2	181211C1	1	HUB, drive pulley, jackshaft
3	566206R2	3	BOLT, BOLT hub
4	429-1110	3	NUT, 5/8"-18, G8,
5	492-21062	3	WASHER, LOCK, 5/8", 5/8"
6	396-21066	3	WASHER, 21/32" x 1 5/16" x .150", HDN, flat, 21/32 x 1-5/16 x 5/32 inch, hardened
7	181363C1		UAR SHIM, pulley
8	181278C1	1	HOUSING, HOUSING jackshaft gear
9	433-828	6	BOLT, CARRIAGE, Short NK, 1/2"-13 x 1 3/4", G5, 1/2 NC x 1-3/4 inch
10	425-108	6	NUT, 1/2"-13, G5,
11	80679	6	WASHER, LOCK, 1/2",
12	396-41053	6	WASHER, 17/32" x 1 1/4" x .188", HDN, flat, 17/32 x 1-1/4 x 3/16 inch, hardened
13	221-841	2	PLUG, hex socket, 1/4 inch PT gear housing
14	181274C1	1	HUB, jackshaft bearing
15	413-620	10	BOLT, Hex, 3/8"-16 x 1 1/4", G5, Full Thd, hex, 3/8 NC x 1-1/4 inch
16	492-11038	10	WASHER, LOCK, 3/8",
17	238-5250	2	O-RING, -250, 70 Duro, 4.984" ID x .139" Thk,
18	298029R91	2	BEARING, CONE, tapered, roller
19	ST874A	2	BEARING, CUP, tapered, roller
20	181287C1	1	SEAL, jackshaft hub, front
21	181288C1	1	SEAL, jackshaft hub, rear
23	184394C1	1	SHAFT, three splined, separator
24	232-41316	1	NUT, LOCK, 1"-8, GC,
25	231-41120	1	NUT, LOCK, 1 1/4"-7, GB,
26	496-21106	1	WASHER, 1 1/16" x 2" x .209", flat, 1-1/16 x 2 x 13/64 inch, hardened
28	396-31131	1	WASHER, 1 3/8" x 2 1/2" x 1/4", HDN, flat, 1-3/8 x 2-1/2 x 1/4 inch, hardened
29	181269C1	1	SPACER, jackshaft, rear
30	181255C1	1	RING, SNAP, RING retaining, 0.102 inch
30	181256C1	1	SNAP RING, retaining, 0.105 inch
30	181257C1	1	SNAP RING, retaining, 0.108 inch
30	181258C1	1	SNAP RING, retaining, 0.111 inch
30	181259C1	1	SNAP RING, retaining, 0.114 inch
30	181260C1	1	SNAP RING, retaining, 0.117 inch
30	181261C1	1	SNAP RING, retaining, 0.120 inch
30	181262C1	1	SNAP RING, retaining, 0.123 inch
30	181263C1	1	SNAP RING, retaining, 0.126 inch
30	181264C1	1	SNAP RING, retaining, 0.129 inch
30	181265C1	1	SNAP RING, retaining, 0.132 inch
30	181266C1	1	SNAP RING, retaining, 0.135 inch
33	191245C2	1	HUB, bell, chopper drive
34	217-84	2	PLUG, Hex Hd, 1/8"-27, Brass, hex, 1/8 inch PT
	195484C2	2	KIT, SHIM, KIT shim, rear housing, Includes: Ref. 35
35	NSS		NOT SERVICED SEPARATELY, SHIM, 0.005 inch
35	NSS		NOT SERVICED SEPARATELY, SHIM, 0.007 inch
35	NSS		NOT SERVICED SEPARATELY, SHIM, 0.020 inch

## 1666 CASE IH AXIAL-FLOW COMBINE (1/93-12/94)

## 9F-12 STRAW CHOPPER, GEAR HOUSING

сылка	Номер детали	Кол-во	Описание
36	ST2071	1	BEARING, CONE, tapered roller, hub inner
37	17498D	1	BEARING, CUP, tapered roller, bearing hub, inner
38	618023R91	1	BEARING, CONE, tapered roller, bearing hub, outer
39	618024R1	1	BEARING, CUP, CONE tapered roller, bearing hub, outer
40	192527C1	1	SEAL, oil, chopper drive shaft
41	181195C1	1	SHAFT, drive chopper
42	425-1314	1	NUT, SLOTTED, 7/8"-14, G5,
50	432-828	1	PIN, SPLIT (COTTER), 1/8" x 1 3/4", 1/8" x 1 3/4"
51	496-21094	1	WASHER, 15/16" x 1 3/4" x .179", HDN,
52	396-11119	1	WASHER, 1 3/16" x 2 1/4" x .134", HDN, flat, 1-3/16 x 2-1/4 x 9/64 inch, hardened
53	54-2006	1	NUT, LOCK, Bearing, 1.1811" Bore, bearing lock, TN-06
54	55-2006	1	WASHER, LOCK, Type TW-106, Bearing lock
55	181156C1	2	SPACER, SPACER driven pulley, inner
56	1315264C1	1	PULLEY, chopper drive
57	181281C1	1	COVER, gear housing
58	413-512	10	BOLT, Hex, 5/16"-18 x 3/4", G5, Full Thd, hex, 5/16 NC x 3/4 inch
59	492-11031	10	WASHER, LOCK, 5/16",
60	217-46	1	REDUCER, 3/4"-14 NPTF x 3/8"-18 Fem NPTF, REDUCER, 3/4 PT x 3/8 inch female
61	219-436	1	BREATHER, 3/8"-18 NPT, Short, w/washer, straight, 3/8 PT x 1-1/2 inch
	188814C1	1	GEAR, BEVEL, matched set, drive end and driven chopper, Includes: Ref. 62
62	NSS		NOT SERVICED SEPARATELY, GEAR, 24 teeth
62	NSS		NOT SERVICED SEPARATELY, GEAR, 23 teeth



## 1666 CASE IH AXIAL-FLOW COMBINE (1/93-12/94)

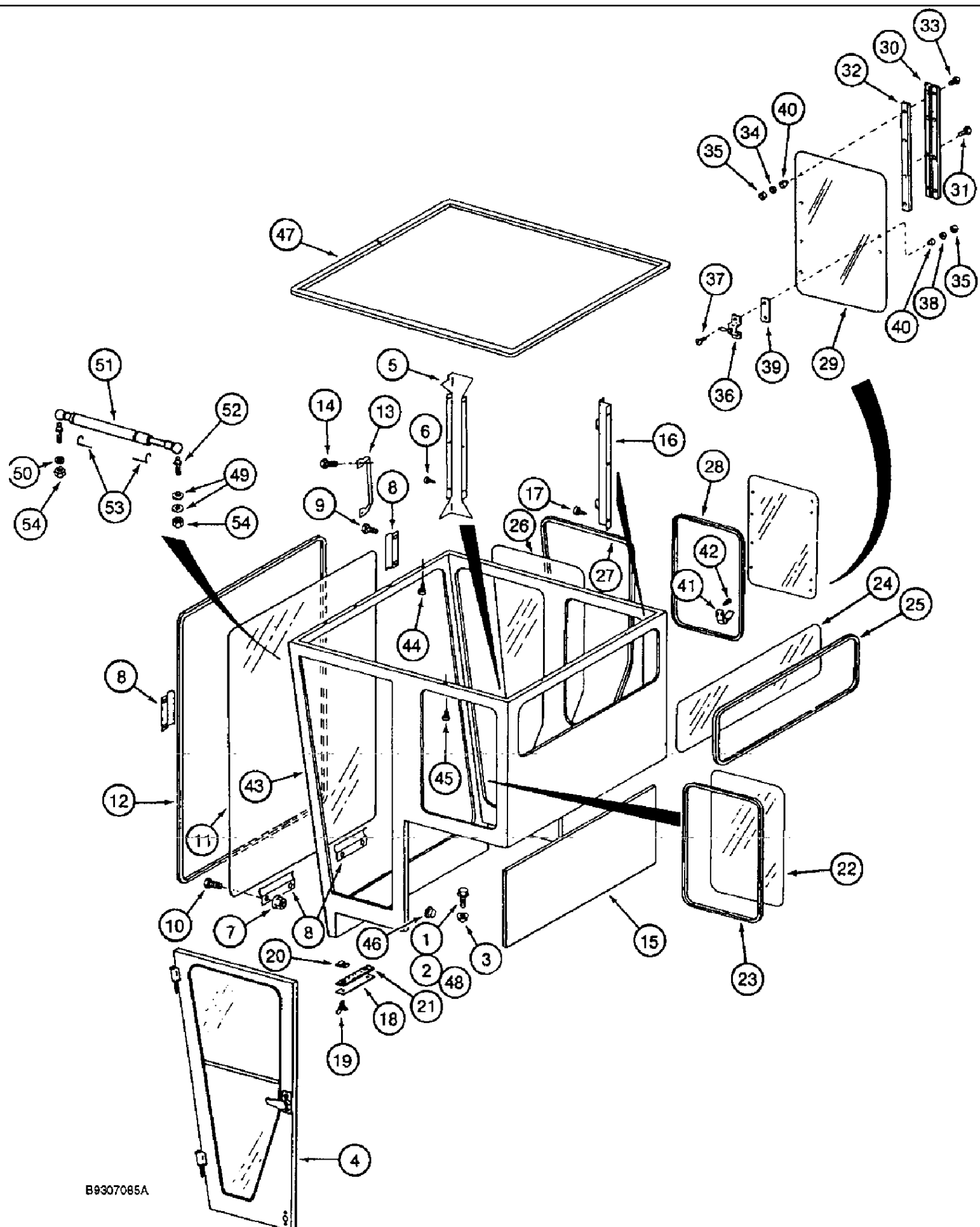
## 9F-16 STRAW CHOPPER, ROTOR AND CONCAVE

сылка	Номер детали	Кол-во	Описание
1	185099C93	1	ROTOR ASSY., straw chopper, Includes: Ref. 2, 3, and 4
2	413-816	56	BOLT, Hex, 1/2"-13 x 1", G5, Full Thd,
3	231-5148	56	NUT, Flg, USR, 1/2"-13,
4	1346984C1	18	PLUG, plastic closure
5	197124C1	14	PACKAGE, BLADE straw chopper rotor, set of 2
6	495-81063	2	WASHER, 29/32" x 2" x .179", flat, 29/32 x 2 x 5/32 inch
6	495-81062	1	WASHER, 29/32" x 2" x .120", flat, 29/32 x 2 x 7/64 inch
7	495-81211	6	WASHER, 1 11/32" x 2" x .120", flat, 1-11/32 x 2 x 7/64 inch
8	181156C1	2	SPACER, SPACER driven pulley, inner root
9	425-1314	1	NUT, SLOTTED, 7/8"-14, G5,
10	432-828	1	PIN, SPLIT (COTTER), 1/8" x 1 3/4", 1/8" x 1 3/4"
11	936133R91	2	BEARING, BALL, ball, flange
11A	455112R11	2	COLLAR, locking, bearing
12	936131R1	2	RING, bearing
13	936130R2	2	FLANGE, bearing, replaces 936130R1
14	425-108	8	NUT, 1/2"-13, G5,
15	80679	8	WASHER, LOCK, 1/2",
16	181096C1	1	SUPPORT, rotor, left hand
17	413-616	19	BOLT, Hex, 3/8"-16 x 1", G5, Full Thd, hex, 3/8 NC x 1 inch
17	413-620	1	BOLT, Hex, 3/8"-16 x 1 1/4", G5, Full Thd, hex, 3/8 NC x 1-1/4 inch
18	495-11041	16	WASHER, 3/8", SAE, Flat, (13/32 x 13/16 x 1/16")
19	492-11038	20	WASHER, LOCK, 3/8",
20	425-106	16	NUT, 3/8"-16, G5,
21	185135C91	1	BAR, ASSEMBLY, straw chopper concave
22	1302763C1	12	KNIFE, BLADE double chopper concave, Includes: Ref. 22, 23, and 23A
23	1302764C1	1	KNIFE, BLADE single chopper concave
23A	104236	26	RIVET, FH, 3/16" x 5/8",
24	186736C3	2	ROD, PIN latch, replaces 186736C1 and 186736C3
25	432-616	2	PIN, SPLIT (COTTER), 3/32" x 1",
26	495-51041	UAR	WASHER, 3/8", flat, 13/32 x 47/64 x 1/16 inch
27	540815R2	2	SPRING, lock pin, concave bar latch
28	185141C3	1	PLATE, PAN straw chopper deflector, replaces 185141C2 bottom
29	25553R1	4	WASHER, 13/32" x 1 1/8" x .134", HDN, flat, 13/32 x 1-1/8 x 9/64 inch
30	182898C1	1	SUPPORT, PLATE filler cage, rear
31	477-73812	29	SCREW, Std Serr Truss Hd, 3/8" x 3/4", slotted truss head, special, 3/8 NC x 3/4 inch
32	231-5146	29	NUT, Flg, USR, 3/8"-16,
33	182946C1	1	DEFLECTOR, discharge, left hand
34	182947C1	1	DEFLECTOR, discharge, right hand
35	182891C1	2	PLATE, bulkhead filler, rear
36	182894C1	1	HINGE, pan deflector, bottom
37	182977C1	1	ROD, lower hinge
38	182929C1	1	SUPPORT, cage, lower rear
39	181209C1	1	SUPPORT, sensor
40	425-148	4	NUT, Jam, 1/2"-13, G5,
41	181208C3	1	SUPPORT, COVER sensor

1666 CASE IH AXIAL-FLOW COMBINE (1/93-12/94)

9F-16 STRAW CHOPPER, ROTOR AND CONCAVE

сылка	Номер детали	Кол-во	Описание
42	280-1478	2	SCREW, SELF TAPPING, Hex Wash Hd, 1/4" x 1/2", self tapping, hex washer head, 1/4-14 x 1/2 inch
43	413-620	4	BOLT, Hex, 3/8"-16 x 1 1/4", G5, Full Thd, hex, 3/8 NC x 1-1/4 inch
44	477-73112	10	BOLT, Slotted Tr Hd, 5/16"-18 x 3/4",
45	231-5145	10	NUT, Flg, USR, 5/16"-18,
46	181097C1	1	SUPPORT, rotor, right hand



B9307085A



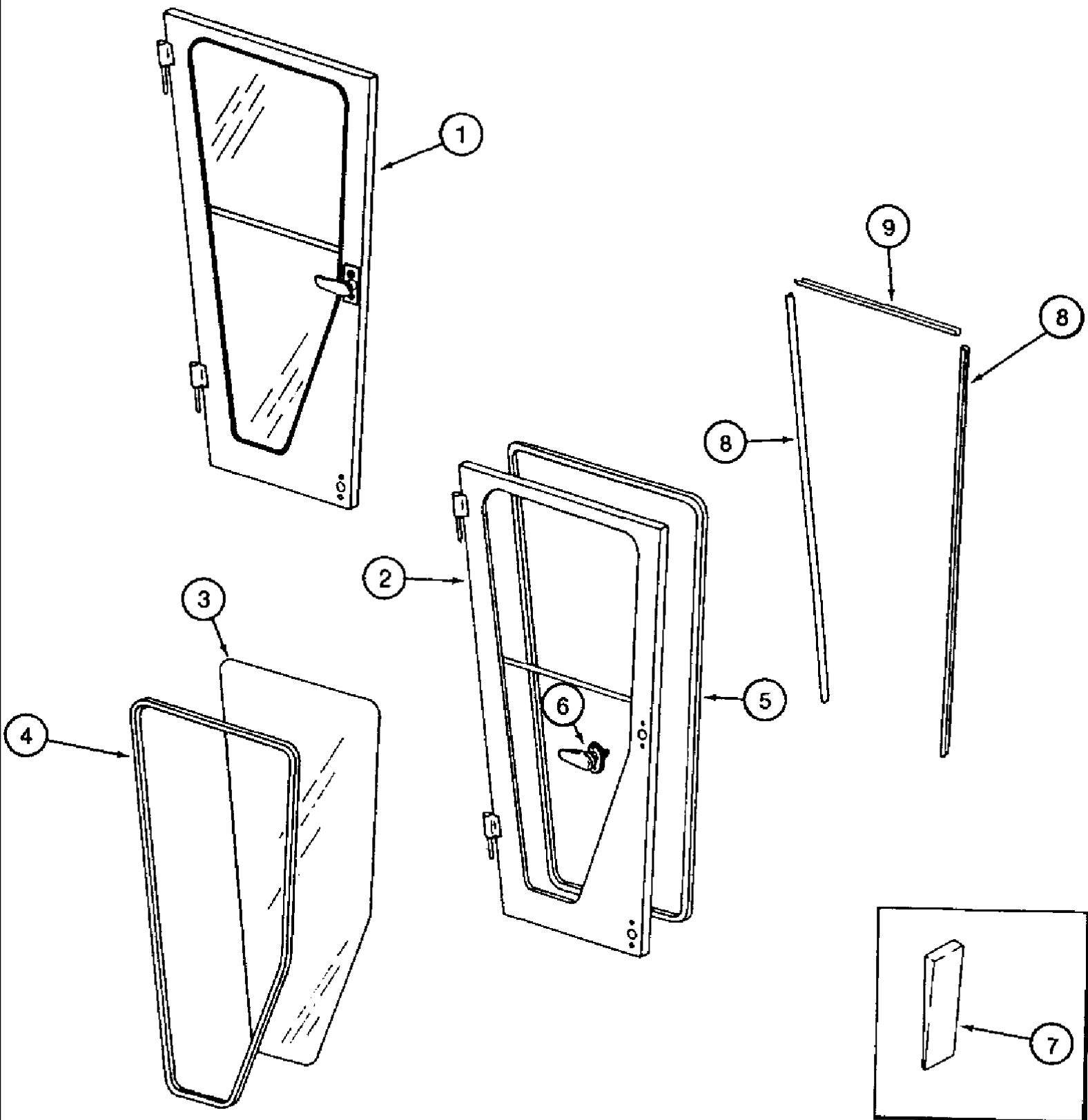
## 1666 CASE IH AXIAL-FLOW COMBINE (1/93-12/94)

## 9G-02 CAB, FRAME

сылка	Номер детали	Кол-во	Описание
	REF	1	INSTRUCTION, CAB ASSEMBLY, ROPS, machinery item, order from Machinery Price List, with heater and air conditioner
1	1327763C1	8	SCREW, hex washer head, 3/8 NC x 3/4 inch
2	1327764C1	8	SCREW, BOLT hex flange, polyseal, 3/8 NC x 1-1/4 inch
3	1327765C1	18	NUT, hex flange, self locking, 3/8 inch NC
4	1329477C3	1	DOOR, ASSEMBLY, cab parts list Fig. 9G-6
5	1276305C1	1	SUPPORT, hose cover, left hand
6	261-1356	6	SCREW, SELF TAPPING, Cross Pan Hd, #10 x 3/8", self tapping, pan Phillips No. 10 NC x 3/8 inch
7	1330064C1	6	NUT, hex flange, self locking, polyseal, 5/16 inch NC
8	196742C3	5	PLATE, LARGE, SUPPORT windshield retainer
9	1987299C1	6	SCREW, BOLT hex, 5/16 NC x 3/4 inch
10	1990501C1	6	BOLT, Hex, 5/16"-18 x 1", G5, BOLT hex, special locking, 5/16 NC x 1 inch
11	1957276C1	1	GLASS, cab windshield
12	180607C2	1	STRIP, TRIM edge, 225 inch (5715 mm) long, cut from 198131C2 bulk, windshield glass
13	1321545C1	1	HANDLE, grab
14	1990501C1	2	BOLT, Hex, 5/16"-18 x 1", G5, hex, special locking, 5/16 NC x 1 inch
15	1321286C3	1	LINING, SHEET foam insulation, rear panel, acoustical
16	1987173C1	1	PANEL ASSY., SUPPORT filler, right hand
17	261-1356	6	SCREW, SELF TAPPING, Cross Pan Hd, #10 x 3/8", self tapping, pan Phillips No. 10 NC x 3/8 inch
18	1301129C1	1	DOOR, clean out
19	377363R2	2	SCREW, clean out cover
20	1301128C2	2	NUT, U type, 1/4 inch NC
21	1301130C1	1	STRIP, seal, 9-11/16 inch (246 mm) long, cut from 1300025C1 bulk hose, clean out door seal
22	198244C1	1	GLASS, left hand rear
23	180604C2	1	STRIP, TRIM edge, 87 inch (2210 mm) long, cut from 109131C2 bulk trim cab, left hand rear glass
24	198247C1	1	GLASS, cab rear
25	180605C2	1	STRIP, TRIM edge, 123 inch (3124 mm) long, cut from 198131C2 bulk trim cab, rear glass
26	198184C1	1	GLASS, cab
27	180606C2	1	STRIP, SEAL, 130-1/2 (3315 mm) long, cut from 108131C2 bulk cab, right hand front glass
28	109594C1	1	SEAL, weather, right hand rear window
	198131C2		UAR SEAL, WINDOW, bulk, 600 inch (15240 mm) long
	1300025C1		UAR GASKET, STRIP seal, 12 inch (305 mm)
	1263038C1		UAR SEAL, bulk, 300 inch (7620 mm) long
29	1987172C1	1	GLASS, right hand, rear window
30	1301233C2	1	HINGE, right hand, rear window
31	261-6458	4	SCREW, SELF TAPPING, Cross Pan Hd, #10 x 1/2", self tapping, pan Phillips No. 10 NF x 1/2 inch
32	1301234C1	1	STRIP, SHIM hinge, right rear window
33	440-11010	4	SCREW, Cross Pan Hd, #10-24 x 5/8", machine, pan Phillips No. 10 NC x 5/8 inch
34	495-31022	4	WASHER, #10,
35	196922C1		UAR NUT, hex, self locking window
36	170404C1	1	HANDLE, right rear window lock
37	440-11012	2	SCREW, Cross Pan Hd, #10-24 x 3/4", machine, pan Phillips No. 10 NC x 3/4 inch
38	495-31022	2	WASHER, #10,
39	183585C1	1	STRIP, SHIM right rear window strip
40	896274C1	6	BUSHING, window retainer cushion

## 9G-02 CAB, FRAME

сылка	Номер детали	Кол-во	Описание
41	1281761C2	1	SPRING, window latch
42	260-1356	2	SCREW, SELF TAPPING, Cross Pan Hd, #10 x 3/8", self tapping, pan Phillips No. 10-16 x 3/8 inch
43	NSS		NOT SERVICED SEPARATELY, FRAME cab, order assembly
44	1327768C1	10	SCREW, self tapping, special, 5/16 inch
45	1327545C1	4	SCREW, self tapping, special, 5/16 inch
46	1329797C1	1	PLUG, rubber tube
47	180637C2	1	STRIP, TRIM edge, 220 inch (5588 mm) long, cut from 182747C1 bulk trim body to headliner joint seal, see below
48	1330146C1	2	BOLT, hex washer head, special, 3/8 NC x 1-1/2 inch
49	495-11034	2	WASHER, 5/16", SAE, flat, 11/32 x 11/16 x 1/16 inch
50	492-11031	1	WASHER, LOCK, 5/16",
51	1280157C1	1	GAS STRUT, SPRING gas, door control
52	1340345C1	2	PIN, BALL, STUD ball
53	1304647C1	2	CLIP, retaining
54	230-4215	1	NUT, LOCK, 5/16"-18, GA,
	182747C1		UAR STRIP, TRIM edge, bulk 600 inch (15240 mm) long

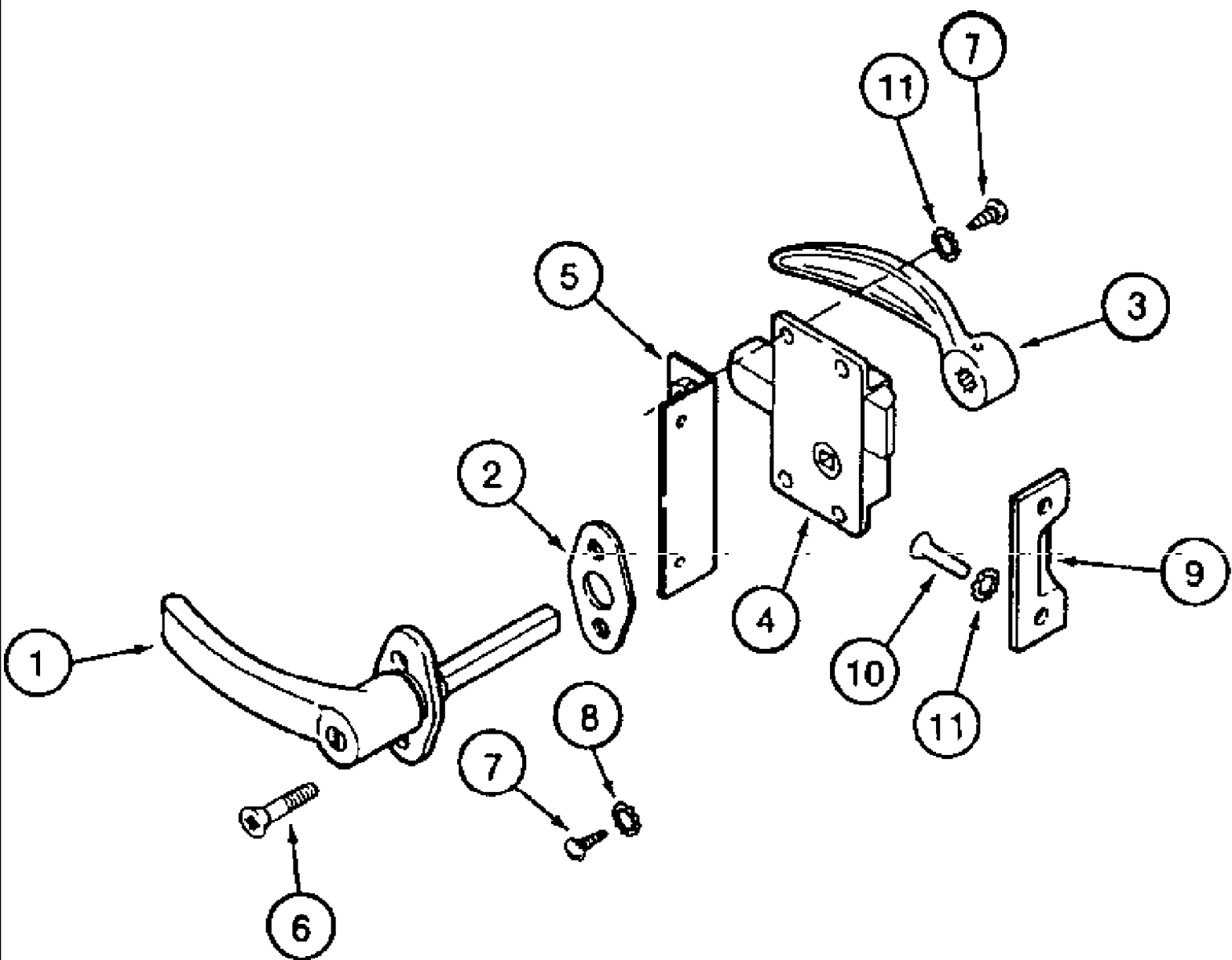


B9307087A

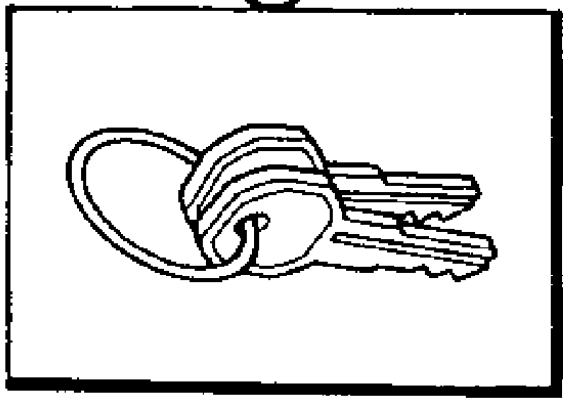
## 1666 CASE IH AXIAL-FLOW COMBINE (1/93-12/94)

## 9G-06 CAB, DOOR ASSEMBLY

сылка	Номер детали	Кол-во	Описание
1	1329477C3	1	DOOR, ASSEMBLY, cab, Includes: Ref. 2 thru 6
2	NSS	1	NOT SERVICED SEPARATELY, cab
3	198184C1	1	GLASS, cab door
4	180606C2	1	STRIP, SEAL, 130-1/2 (3315 mm) long, cut from 198131C2 bulk door glass
5	111606A1	1	SEAL, 162 inch (4115 mm) long, cut from 198522C1 bulk
6	1329468C1	1	HANDLE, ASSEMBLY, door parts list Fig. 9G-8
7	111632A1	4	RUBBER SEAL, door wedge
8	180618C1	2	STRIP, TRIM edge, 54 inch (1372 mm) long, cut from 1330108CX bulk trim cab door opening
9	180617C1	1	STRIP, TRIM edge, 26-1/8 inch (664 mm) long, cut from 1330108CX bulk trim cab door opening, top
	198131C2		UAR SEAL, WINDOW, bulk, 600 inch (15240 mm) long
	198522C1		UAR STRIP, SEAL, 600 inch (15240 mm) long
	1330108CX		UAR SEAL ASSY., TRIM edge, bulk 600 inch (15240 mm) long



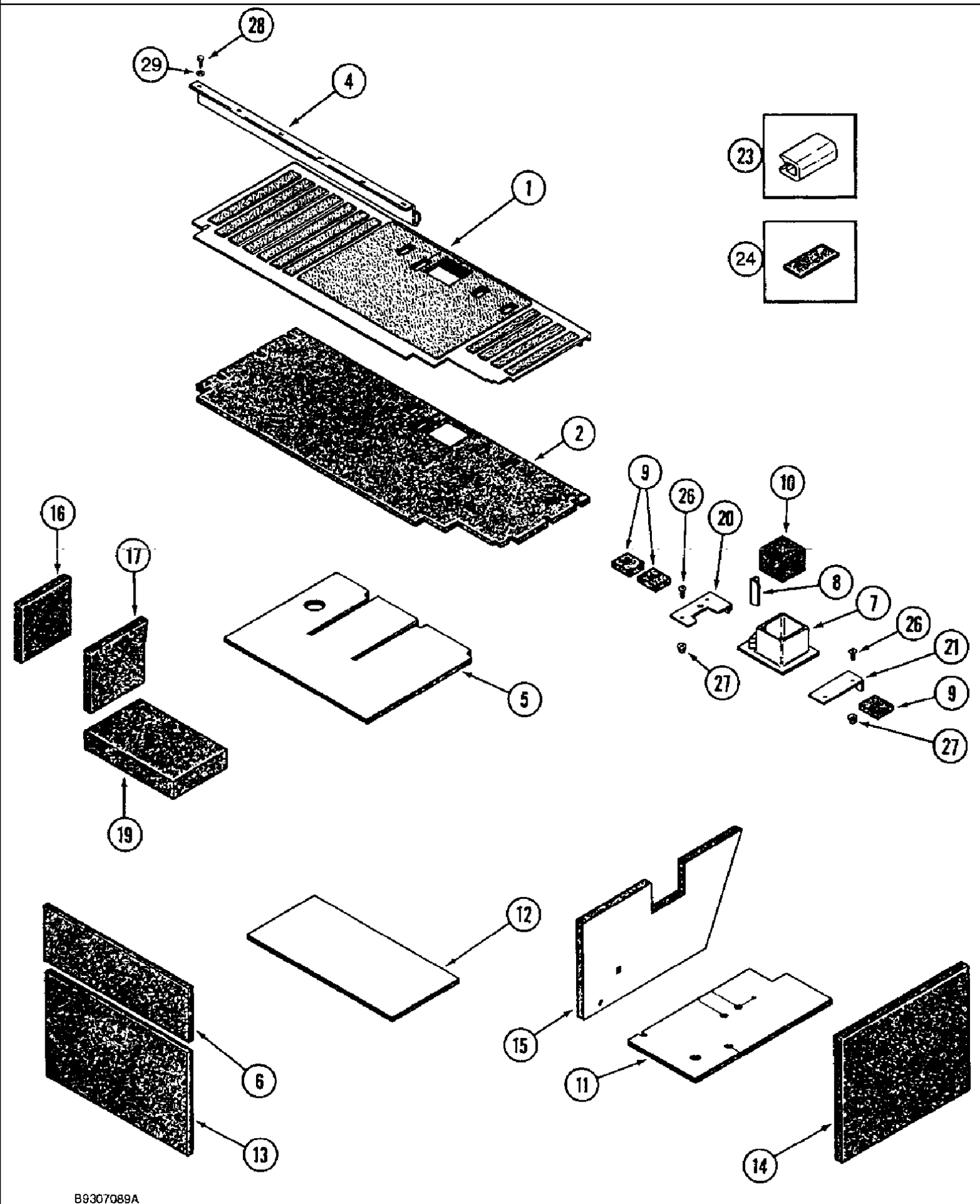
12



B9307088A

## 9G-08 CAB, DOOR HANDLE

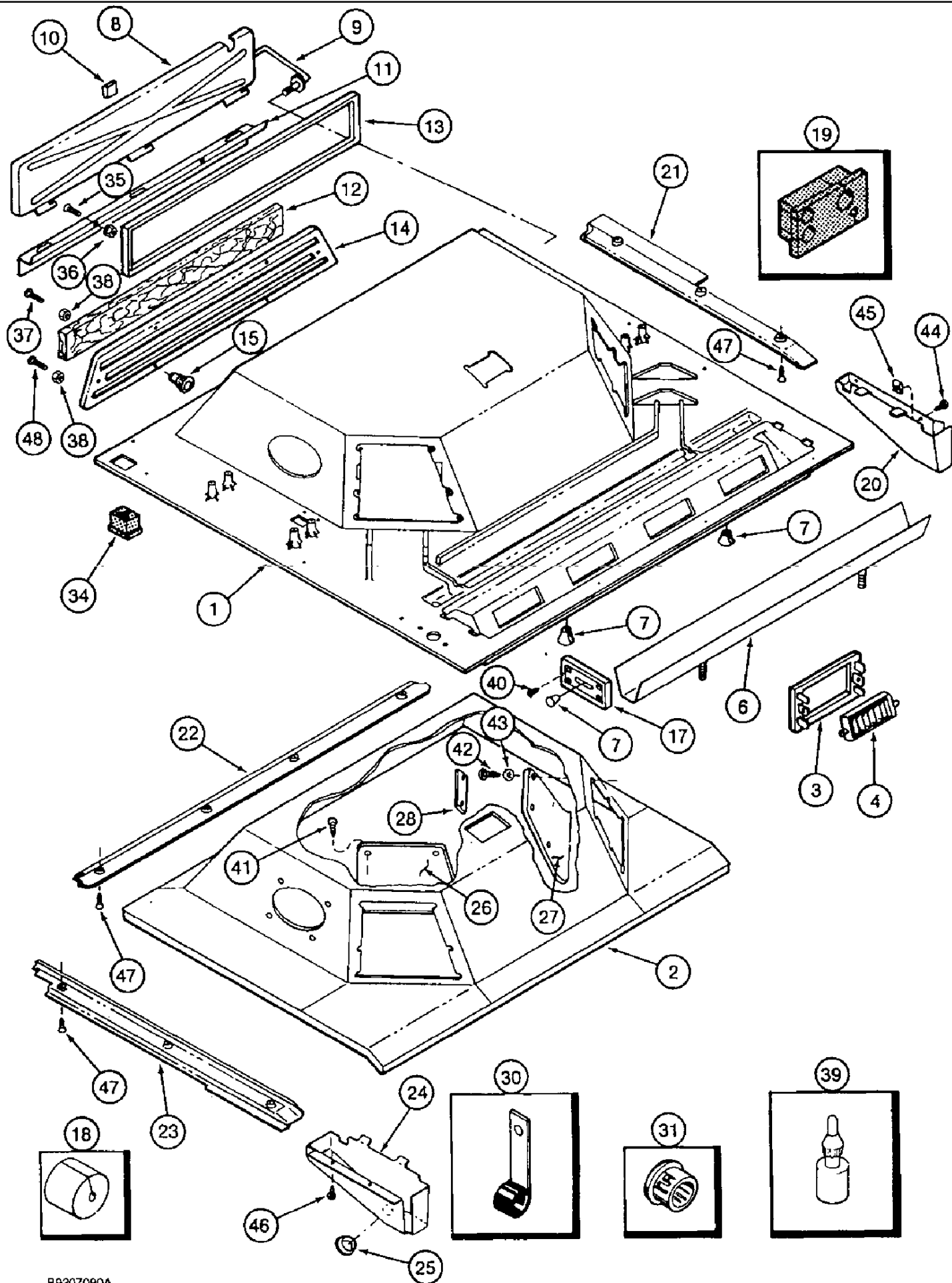
сылка	Номер детали	Кол-во	Описание
	1329468C1	1	HANDLE, ASSEMBLY, door, upper, Includes: Ref. 1 thru 4
1	1329440C1	1	HANDLE, door, outside lock
2	1329441C1	1	GASKET, handle
3	1329442C1	1	HANDLE, door, inside
4	1329443C1	1	LATCH, door, inside
5	1330184C1	1	BRACKET, ANGLE support latch
6	489-11012	2	SCREW, Cross Oval Hd, #10"-32 x 3/4", machine, oval Phillips No. 10 NF x 3/4 inch
7	261-63512	6	SCREW, SELF TAPPING, Cross Pan Hd, #10 x 3/4", self tapping, pan Phillips No. 10 NF x 3/4 inch
8	393-41020	6	WASHER, LOCK, Ext Tooth, #10, external tooth lock, 3/16 inch
9	392801R3	1	LATCH, STRIKER, door catch
10	442-1258	2	SCREW, Cross Oval Hd, 1/4"-20 x 1/2", machine, oval Phillips 1/4 NC x 1/2 inch
11	493-51026	2	WASHER, LOCK, Ext Csk Tooth, 1/4", countersunk, external tooth lock, 1/4 inch
12	1970178C1	1	KEY, lock, set of 2



## 9G-10 CAB, INSULATION AND FLOOR MAT

сылка	Номер детали	Кол-во	Описание
1	1329711C2	1	MAT, floor
2	1326885C1	1	INSULATOR, PAD, floor mat, sound
4	1338051C1	1	BRACKET, hold down, floor mat, J type, 1352 mm
5	98123C4	1	SHEET ASSY., SUPPORT seat platform
6	98008C2	1	INSULATOR, PAD center rear support
7	198075C1	1	INSULATOR, PAD steering pedestal
8	187581C1	1	ANGLE, steering pedestal
9	1321935C1	3	SEAL, pedal
10	1324844C1	1	SEAL, steering pedestal
11	196587C7	1	INSULATOR, PAD, right hand floor, sound cover
12	91793C2	1	INSULATOR, PAD, center floor, sound cover
13	91790C2	1	INSULATOR, PAD, center rear sound
14	1301219C2	1	SHEET, PAD insulation, right hand console sound, outer cover
15	91797C2	1	SHEET, PAD insulation, right hand, inner console, sound cover
16	196598C2	1	SHEET, PAD insulation, left hand, outer console sound cover
17	1322927C2	1	INSULATOR, PAD, left hand panel
19	91792C3	1	SHEET ASSY., PAD insulation, manual box sound
20	1327567C1	1	PLATE, boot hold down, left hand
21	1327568C1	1	PLATE, boot hold down, right hand
23	1330107C2	1	STRIP, TRIM edge, 27-1/2 inch long, cut from 1330108CX bulk trim rear, inside to cab
23	98131C2	1	STRIP, TRIM edge, 12-1/2 inch (318 mm) long, cut from 1330108CX bulk trim, left inside edge to cab
24	101301A1	3	TAPE insulation, 24 inch (610 mm) long, cut from 1330108CX bulk trim, left inside edge to cab
25	1301236C1	1	SEAL, cab to deck, 31 inch (787 mm) long, not shown
25	198600C2	1	STRIP, SEAL cab to deck, 156 inch (3962 mm) long, not shown
26	477-73112	6	BOLT, Slotted Tr Hd, 5/16"-18 x 3/4",
27	231-5145	6	NUT, Flg, USR, 5/16"-18,
28	275-1478	4	SCREW, SELF TAPPING, Hex Hd, 1/4" x 1/2", hex, self tapping, 1/4-14 x 1/2 inch
29	495-11028	4	WASHER, 1/4", SAE, flat, 9/32 x 5/8 x 1/16 inch
	1330108CX		UAR SEAL ASSY., TRIM edge, bulk 600 inch (15240 mm) long
	1954475C1		UAR ROLL, TAPE, bulk, 2-1/2 (63.5) wide x 360 (9150) long x 1/8 inch (3 mm) thick





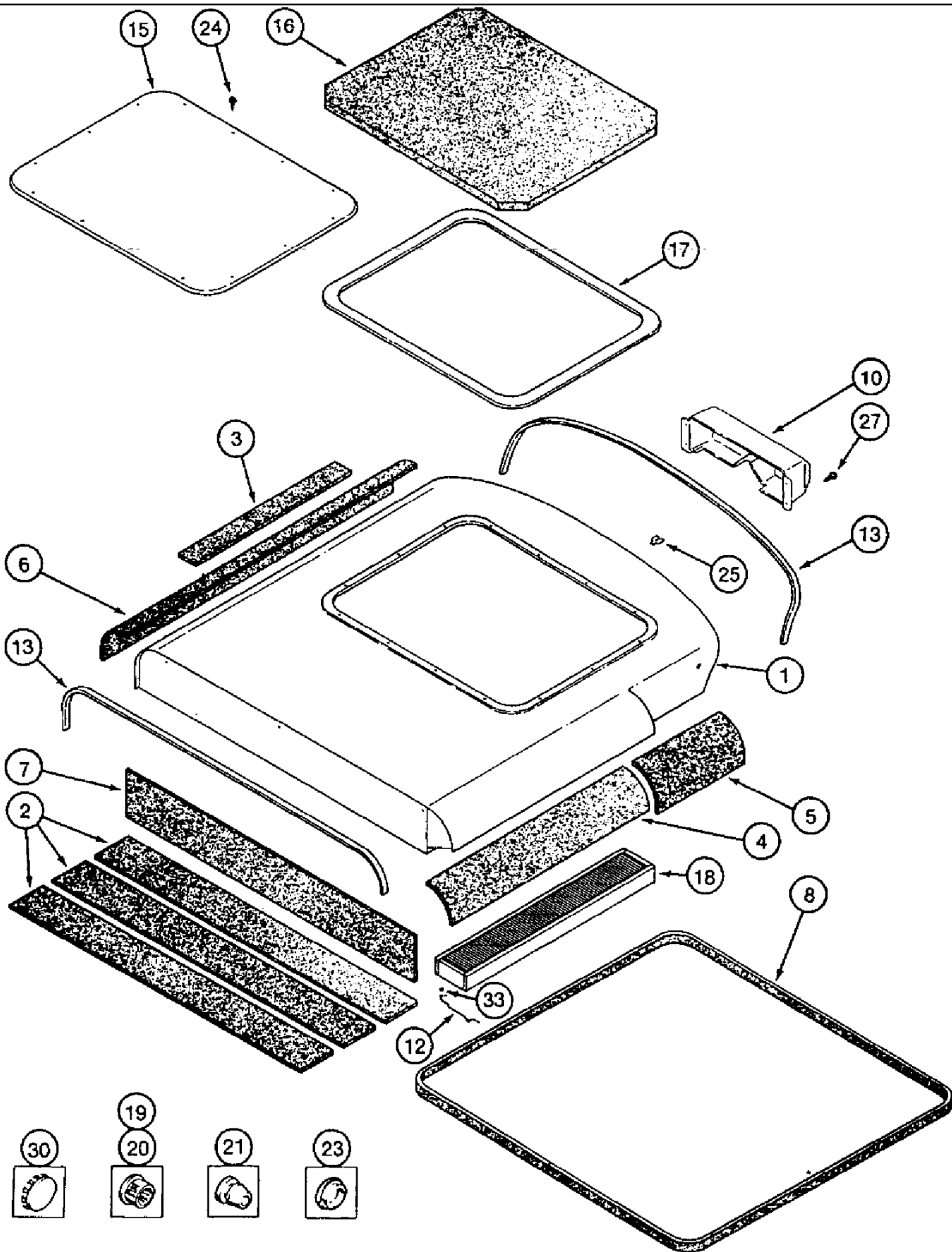
## 9G-12 CAB, HEADLINER

сылка	Номер детали	Кол-во	Описание
	1329973C93	1	PANEL ASSY., headliner, Includes: Ref. 1 and 2
1	NSS	1	NOT SERVICED SEPARATELY, PANEL headliner
2	1329975C3	4	INSULATOR, accoustical headliner
3	1280402C1	4	PANEL, louver frame
4	109227C1	1	VENTILATOR, louver
6	1321268C2	3	COVER, defroster vent
7	97135C1	3	KNOB, filter grille, recirculation panel
8	117621C2	1	DOOR, recirculating air
9	1276293C2	1	ROD, control
10	118345C1	1	BUMPER, recirculating door, attach to roof assembly
11	111666C2	1	SUPPORT, door
12	109240C1	1	AIR CLEANER, FILTER air recirculation
12	143481C2	1	AIR CLEANER, FILTER air recirculation intake
13	84157C1	2	SEAL, STRIP recirculation door seal, 39-13/32 inch (1001 mm) long
14	109282C2	1	SIEVE, GRILLE recirculating
15	97135C1	6	KNOB, filter grille recirculation
17	1321259C1	1	PANEL, recirculation control trim
18	1283457C3	1	SEAL, GROMMET monitor harness, right hand rear
19	1283459C4	1	GROMMET, SEAL left hand rear corner
20	1276270C1	1	PANEL, headliner trim, left hand, front
21	1280092C1	1	PANEL, headliner trim, left hand, rear
22	1276235C2	1	PANEL, headliner, rear
23	1280093C2	1	PANEL, headliner trim, right hand, rear
24	1276271C1	1	PANEL, headliner trim, right hand, front
25	353-412	1	PLUG, Dome, 1.093" hole, Nylon, button, 1-3/32 inch headliner panel, plastic
26	1324515C1	1	PANEL, cab control, heater only
26	1324516C1	1	PANEL, cab control includes decal, heater and air conditioning
27	1280182C2	1	PANEL, radio trim and clock
28	1321384C1	1	PANEL, radio insert
30	395467R2	2	CLIP, retaining, heater hose attaching
31	353-406	UAR	PLUG, Dome, .625" hole, Nylon, button, 5/8 inch
31	353-411	1	PLUG, Dome, 1.000" hole, Nylon, Heater only
31	353-404	1	PLUG, Dome, .500" hole, Nylon, Heater only
34	1327770C2	1	SEAL, cab harness hose, right hand, rear
35	477-73812	2	SCREW, Slt'd Serr Truss Hd, 3/8" x 3/4", slotted truss head, special, 3/8 NC x 3/4 inch
36	231-5146	2	NUT, Flg, USR, 3/8"-16,
37	261-33724	4	SCREW, SELF TAPPING, Cross Pan Hd, 1/4" x 1 1/2", self tapping, pan Phillips 1/4 NC x 1-1/2 inch
38	1250628C2	6	NUT, grille spacer
39	117995C1	UAR	PACKAGE, KIT fastener, plastic toggle, includes 5 fasteners
40	1276052C1	4	SCREW, SELF TAPPING, Cross Oval Hd, #8 x 1 3/4", self tapping, oval head No. 8-18 x 1-3/4 inch
41	260-53424	UAR	SCREW, SELF TAPPING, Cross Pan Hd, #8 x 1 1/2", self tapping, pan Phillips No. 8-18 x 1-1/2 inch
42	260-1356	2	SCREW, SELF TAPPING, Cross Pan Hd, #10 x 3/8", self tapping, pan Phillips No. 10-16 x 3/8 inch
43	495-61020	2	WASHER, 13/64" x 1/2" x .060", flat, 13/64 x 3/4 x 1/16 inch
44	260-14412	2	SCREW, SELF TAPPING, Cross Pan Hd, #8 x 3/4", self tapping, pan Phillips No. 8-18 x 3/4 inch
45	445435	2	NUT, U, #10-24, U spring, No. 8-18

1666 CASE IH AXIAL-FLOW COMBINE (1/93-12/94)

9G-12 CAB, HEADLINER

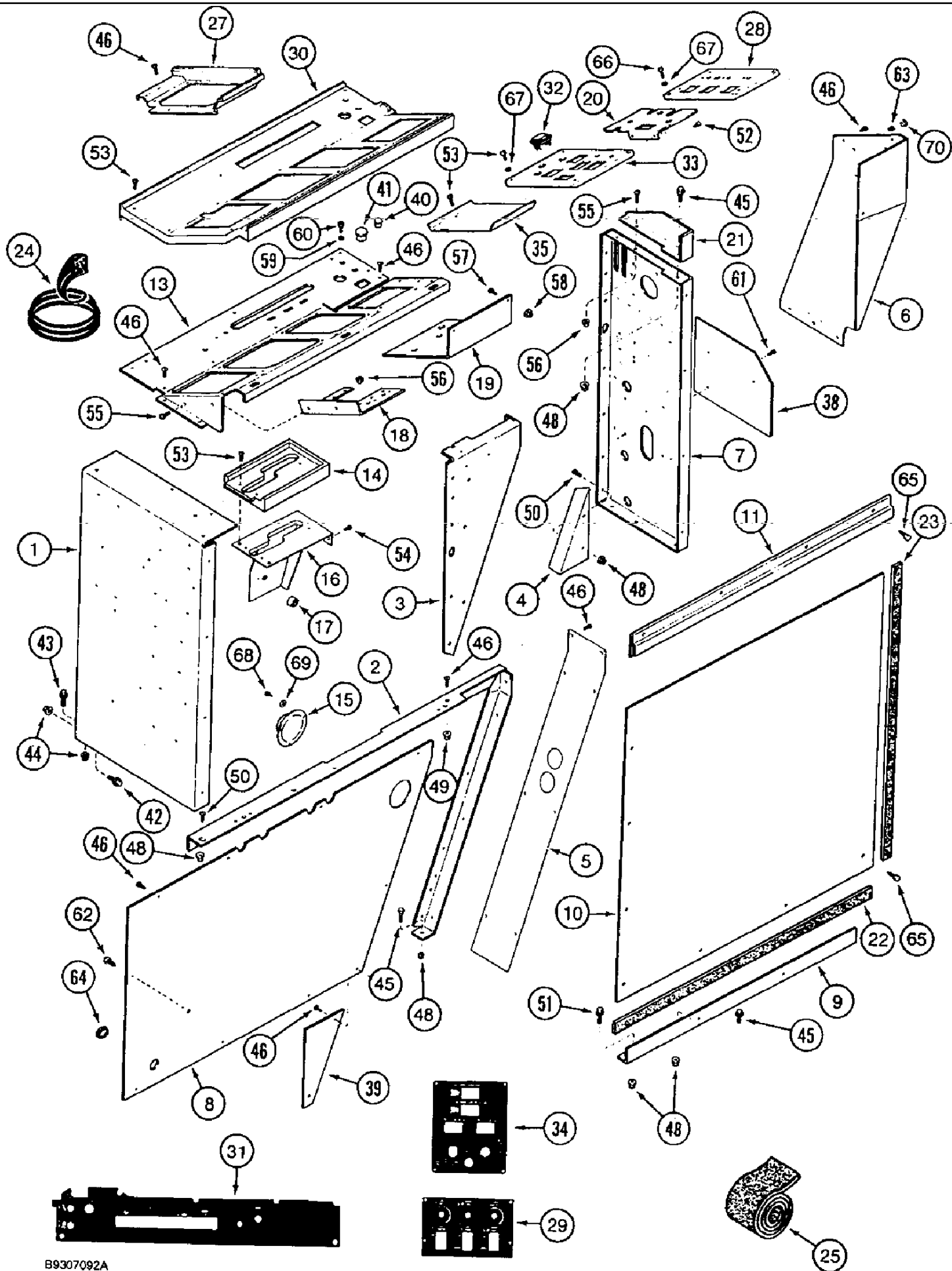
сылка	Номер детали	Кол-во	Описание
46	260-1346	2	SCREW, SELF TAPPING, Cross Pan Hd, #8 x 3/8", self tapping, pan Phillips No. 8-18 x 3/8 inch
47	1327506C1	10	SCREW, SELF TAPPING, Cross Pan Hd, M4.8 x 19, Coated,
48	260-13728	2	SCREW, SELF TAPPING, Cross Pan Hd, 1/4" x 1 3/4", self tapping, pan Phillips 1/4-14 x 1-3/4 inch



## 1666 CASE IH AXIAL-FLOW COMBINE (1/93-12/94)

## 9G-14 CAB, ROOF

сылка	Номер детали	Кол-во	Описание
1	1344179C1	1	ROOF, ASSEMBLY, cab, Includes: Ref. 2 thru 7
2	1276339C2	3	INSULATOR, PANEL, top 1 inch (305 mm) long, cut from 1327515C1 bulk hose
3	1281980C2	1	INSULATOR, PANEL, left hand, top, 12 inch (305 mm) long, cut from 1327515C1 bulk insulation
4	1276337C2	1	INSULATOR, RUBBER, SEAL, 10-1/2 (266) x 38-1/8 (970) x 1/2 inch (13 mm) thick, cut from 1327515C2 bulk, right hand rear
5	1276336C2	1	INSULATOR, PANEL, right hand, front, 12 inch (305 mm) long, cut from 1327515C1 bulk insulation
6	1276338C2	1	INSULATOR, PANEL, left hand side, 12 inch (305 mm) cut from 1327515C bulk insulation
7	1281740C2	1	INSULATOR, PANEL, rear, 60 inch (1524 mm) long, cut from 1327515C1 bulk insulation
8	180637C2	1	STRIP, TRIM edge, 220 inch (5588 mm) long, cut from 182747C1 bulk roof seal
10	1990977C1	1	COVER ASSY, windshield wiper motor, Includes Decal
	REF	1	INSTRUCTION, DECAL axial flow, parts list Fig. 9H-28 Ref. 25
12	117727C2	3	ROD, filter latch
13	1281996C1	2	SEAL ASSY., TRIM edge, 72 inch (1829 mm) long, cut from 1327666C1 bulk
15	143006C3	1	PANEL, roof access cover
16	1276340C2	1	INSULATOR, COVER, access
17	83872C2	1	SEAL, access cover
18	REF	1	INSTRUCTION, FILTER cab, parts list Fig. 9G-12, Ref. 12
19	353-402	1	PLUG, Dome, .375" hole, Nylon,
20	353-406	2	PLUG, Dome, .625" hole, Nylon, button, 5/8 inch
21	198825C1	2	GROMMET, light harness, left, 1 x 1-3/8 inch
23	353-252	1	PLUG, 1", button, 1 inch
24	111618C2	14	SCREW, self tapping, hex washer head, 1/4 NC x 1 inch
25	445406	14	NUT, Tinn, 1/4"-14, spring, 1/4 inch
27	1327767C1	4	SCREW, self tapping, hex washer head, polyseal, 5/16 NC x 5/8 inch
30	179093	6	BUTTON, HOLE PLUG, 9/32", 9/32 inch ID
30	353-408	2	PLUG, Dome, .750" hole, Nylon, button, 3/4 inch
33	118084C1	3	WASHER, rubber
	1327515C2		UAR INSULATOR, SEAL bulk sheet, 54 (1372) wide x 120 (3048) long x 1/2 inch (13 mm) thick
	182747C1		UAR STRIP, TRIM edge, bulk 600 inch (15240) mm) long
	1327666C1		UAR SEAL, TRIM edge, bulk 600 inch (15240) mm) long



## 1666 CASE IH AXIAL-FLOW COMBINE (1/93-12/94)

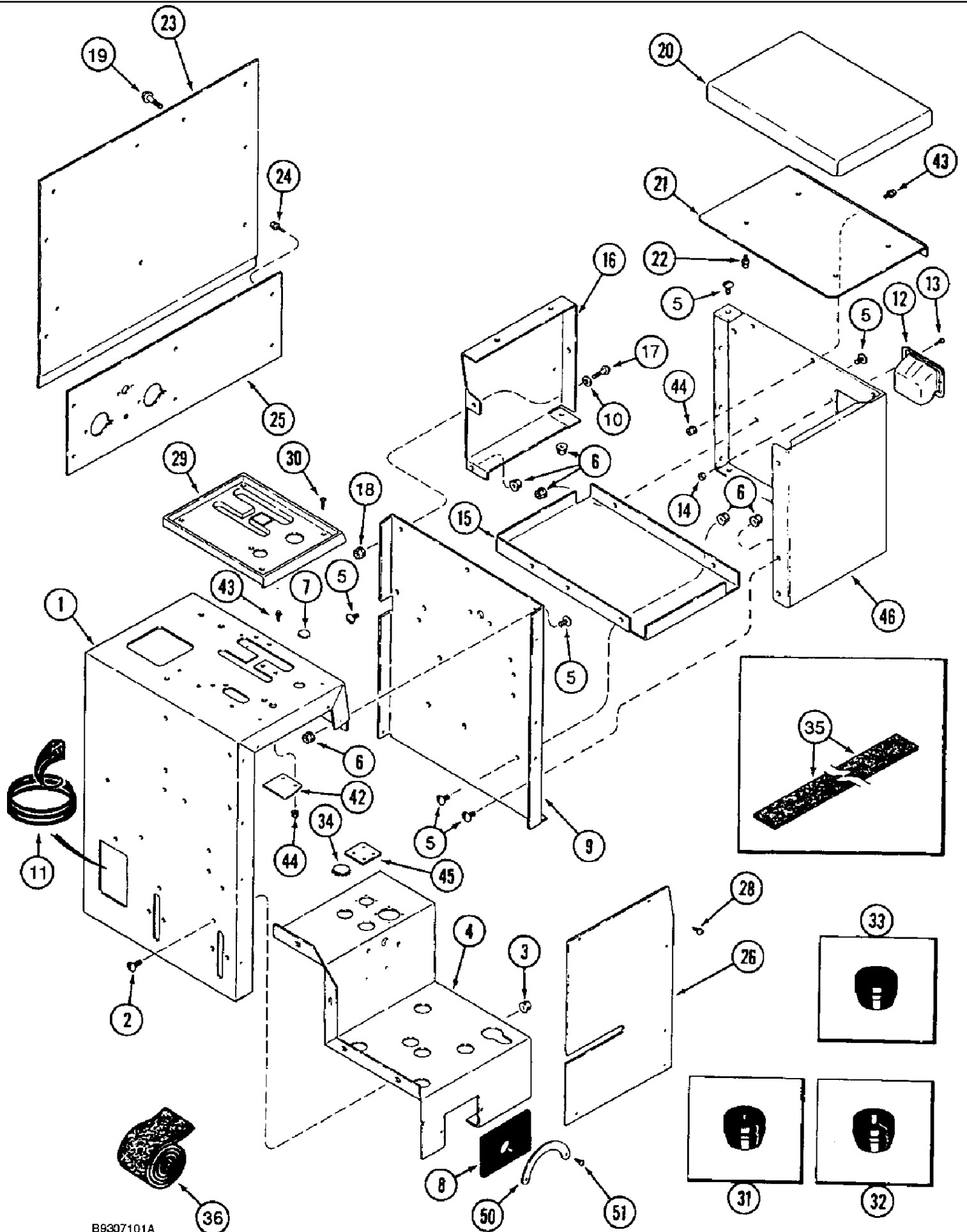
## 9G-16 CAB, RIGHT-HAND CONSOLE

сылка	Номер детали	Кол-во	Описание
1	1321966C3	1	SUPPORT, console, rear right hand
2	193031C3	1	SUPPORT, console, right hand front
3	195992C2	1	SUPPORT, console extension, right hand
4	195991C1	1	SUPPORT, console extension, lower right hand
5	1317106C1	1	SUPPORT, console extension, front right hand
6	1283101C2	1	SUPPORT, console extension, lower front right hand
7	1987556C2	1	COVER, SUPPORT console, front
8	111614A1	1	PLATE, LARGE, inner right hand console
9	193033C2	1	ANGLE, lower right hand console, lower outer
10	1301218C2	1	COVER, PLATE outer right hand console
11	1301334C1	1	SUPPORT, outer cover, right hand
13	1301210C6	1	SUPPORT, outer console, right hand
14	198988C1	1	COVER, hydrostatic drive, support console
15	1994886C1	1	COVER, inner plate propulsion control
16	1994841C1	1	SUPPORT, hydrostatic drive
18	1280162C3	1	SUPPORT, fuse block
19	1280424C1	1	BRACKET, SUPPORT rear lamp machine control
20	1280422C1	1	BRACKET, SUPPORT rear lamp, front control
21	1327501C1	1	SUPPORT, front panel
22	1301228C1	2	STRIP, adhesive backed, 26-11/16 inch (678 mm) long, cut from 195917C2 bulk seal, right hand console cover
23	187788C1	2	STRIP, adhesive backed, 27-13/64 inch (691 mm) long, cut from 195917C2 bulk seal, right hand console cover
24	1338050C1	1	STRIP, TRIM edge, 2 inch (51 mm) long, cut from 1330108CX bulk, rear support
25	101301A1	1	TAPE insulation, 24 inch (610 mm) long, cut from 1954475C1 bulk, 2 for left hand, 1 for right hand
27	1280125C1	1	FRAME, control panel front
28	1280158C2	1	PANEL, control front
29	1280159C1	1	DECAL, header control panel
30	87366C1	1	COVER, instrument panel, right hand console
31	1327827C2	1	DECAL, right hand console instructions
32	245334C1	3	PLUG, panel switch cover, right hand side
	195917C2		UAR STRIP, SEAL bulk, foam, adhesive backed, 600 inch (15240 mm) long
	1330108CX		UAR SEAL ASSY., TRIM edge, bulk 600 inch (15240 mm) long
	1954475C1		UAR ROLL, TAPE bulk, 2-1/2 (63.5) wide x 360 (9150) long x 1/8 inch (3 mm) thick
33	1276211C1	1	PANEL, machine control
34	1280167C2	1	DECAL, control panel (English)
34	1957290C1	1	DECAL, control panel (French)
34	1957291C1	1	DECAL, control panel (German)
34	1957292C1	1	DECAL, control panel (Spanish)
35	187573C1	1	COVER, fuse panel
38	1327985C1	1	PLATE, hole cover, right hand front
39	91705C1	1	PLATE, BAR right hand lower console
40	353-402	2	PLUG, Dome, .375" hole, Nylon,
41	183617C1	1	PLUG, right hand console
42	409-7612	2	BOLT, Hex Flg, 3/8"-16 x 3/4", Serr,

## 9G-16 CAB, RIGHT-HAND CONSOLE

сылка	Номер детали	Кол-во	Описание
43	409-7616	2	BOLT, Hex Flg, 3/8"-16 x 1", Serr,
44	231-5146	4	NUT, Flg, USR, 3/8"-16,
45	409-7512	10	BOLT, Hex Flg, 5/16"-18 x 3/4", Serr,
46	143306C1		UAR SCREW, SELF TAPPING, Cross Pan Hd, #10 x 1/2", pan head, cross, slotted No. 10-16 x 1/2 inch, polyseal
48	231-5145	14	NUT, Flg, USR, 5/16"-18,
49	1254276C1	1	NUT, push on type, 5/16 inch
50	477-73112	2	BOLT, Slotted Tr Hd, 5/16"-18 x 3/4",
51	409-7516	1	BOLT, Hex Flg, 5/16"-18 x 1", Serr,
52	281-34712	6	SCREW, SELF TAPPING, Hex Wash Hd, 1/4" x 3/4", self tapping, hex washer head, 1/4 NC x 3/4 inch
53	265-13512		UAR SCREW, SELF TAPPING, Cross Oval Hd, #10 x 3/4", self tapping, oval Phillips No. 10-16 x 3/4 inch
54	261-1478	4	SCREW, SELF TAPPING, Cross Pan Hd, 1/4" x 1/2", self tapping, pan Phillips 1/4 NC x 1/2 inch
55	477-82512	3	SCREW, Slted Serr Truss Hd, 1/4"-20 x 3/4", slotted truss head, 1/4 NC x 3/4 inch
56	231-5144	3	NUT, Flg, USR, 1/4"-20,
57	440-11012	4	SCREW, Cross Pan Hd, #10-24 x 3/4", machine, pan Phillips No. 10 NC x 3/4 inch
58	231-51409	4	NUT, Flg, USR, #10-24,
59	495-81117	3	WASHER, .344" x 1" x .120", flat, 11/32 x 1 x 7/64 inch
60	260-13512	4	SCREW, SELF TAPPING, Cross Pan Hd, #10 x 3/4", self tapping, pan Phillips No. 10-16 x 3/4 inch
61	261-1378	3	SCREW, SELF TAPPING, Cross Pan Hd, 1/4" x 1/2", self tapping, pan Phillips, 1/4 NC x 1/2 inch
62	281-14816	1	SCREW, SELF TAPPING, Hex Wash Hd, 5/16" x 1", self tapping, hex washer head, 5/16 NC x 1 inch
63	353-403	3	PLUG, Dome, .437" hole, Nylon,
64	353-254	1	PUSH BUTTON, 1 1/4", 1-7/32 inch
65	281-34712	4	SCREW, SELF TAPPING, Hex Wash Hd, 1/4" x 3/4", self tapping, hex washer head, 1/4 NC x 3/4 inch
66	265-13516	4	SCREW, SELF TAPPING, Cross Oval Hd, #10 x 1", self tapping, oval Phillips No. 10-16 x 1 inch
67	1329968C1	4	WASHER, oval head, finishing
68	260-1358	3	SCREW, SELF TAPPING, Cross Pan Hd, #10 x 1/2", self tapping, pan Phillips No. 10-16 x 1/2 inch
69	395-31022	3	WASHER, #10, flat, 7/32 x 1/2 x 1/16 inch
70	1321784C1	2	PLUG, nylon, 5/16 inch





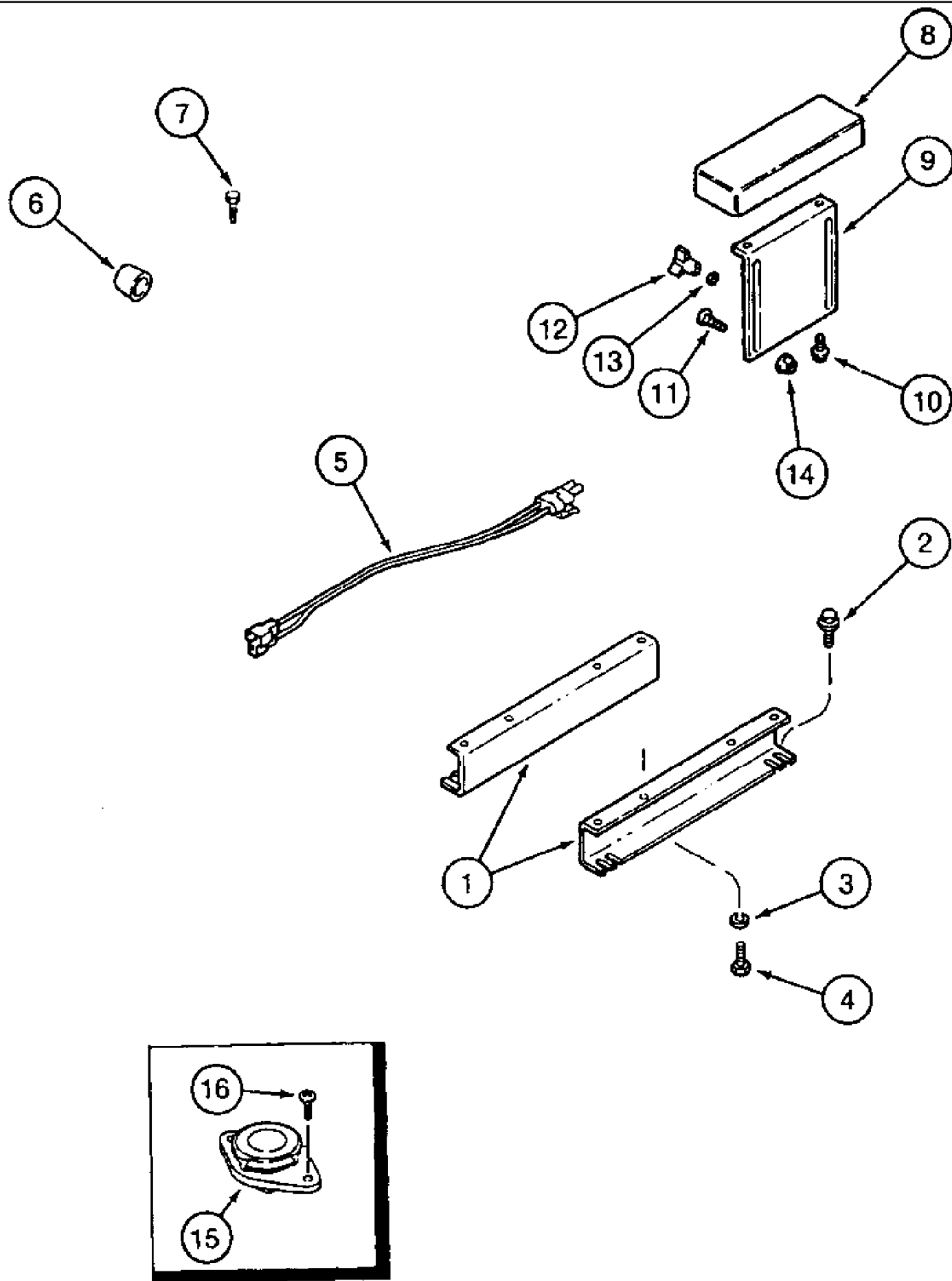
## 1666 CASE IH AXIAL-FLOW COMBINE (1/93-12/94)

## 9G-20 CAB, LEFT-HAND CONSOLE

сылка	Номер детали	Кол-во	Описание
1	193065C9	1	BRACKET, SUPPORT left hand console, rear
2	477-73812	4	SCREW, Slt'd Serr Truss Hd, 3/8" x 3/4", slotted truss head, special, 3/8 NC x 3/4 inch
3	231-5146	4	NUT, Flg, USR, 3/8"-16,
4	1321719C3	1	SUPPORT, left hand console, lower
5	477-73112	UAR	BOLT, Slotted Tr Hd, 5/16"-18 x 3/4",
5	1330152C1	UAR	SCREW, Slt'd Serr Truss Hd, 5/16"-18 x 3/4",
6	231-5145	UAR	NUT, Flg, USR, 5/16"-18,
7	353-404	2	PLUG, Dome, .500" hole, Nylon,
8	1345009C1	1	GROMMET, wiring harness
9	1324177C2	1	PLATE, SUPPORT manual box, rear
10	396-31041	1	WASHER, 13/32" x 13/16" x .134", HDN,
11	87063C2	1	STRIP, TRIM edge, 16-5/16 inch (414 mm) long, cut from 1330108CX bulk
12	A165449	1	ASH TRAY, cab
13	489-1108	2	SCREW, Cross Oval Hd, #10"-32 x 1/2", machine, oval Phillips No. 10 NF x 1/2 inch
14	225-13210	2	NUT, #10-32,
15	1324176C1	1	PLATE, SUPPORT manual box, lower
16	91878C3	1	SUPPORT, manual box cover, left hand
17	477-82508	2	SCREW, Slt'd Serr Truss Hd, 1/4"-20 x 1/2", slotted truss head, 1/4 NC x 1/2 inch
17	1330155C1	2	BOLT, self locking, hex flange, special, 1/4 NC x 1/2 inch
18	1330157C1	2	NUT, self locking, hex flange, special, 1/4 inch NC
18	231-5144	2	NUT, Flg, USR, 1/4"-20,
19	281-34712	12	SCREW, SELF TAPPING, Hex Wash Hd, 1/4" x 3/4", self tapping, hex flange head, 1/4 NC x 3/4 inch
20	98129C2	1	PANEL, trim, gray
21	1329876C1	1	PLATE, COVER manual box
22	409-748	4	BOLT, Hex Flg, 1/4"-20 x 1/2", Serr,
23	1327958C2	1	PLATE, COVER outer, left hand console
24	281-1478	16	SCREW, SELF TAPPING, Hex Wash Hd, 1/4" x 1/2", self tapping, hex washer head, 1/4 NC x 1/2 inch
25	1283280C2	1	SUPPORT, connector panel, left hand console
26	91776C2	1	PLATE, left hand inner console
28	143306C1	7	SCREW, SELF TAPPING, Cross Pan Hd, #10 x 1/2", pan head cross slotted No. 10-16 x 1/2 inch, polyseal
29	1285417C2	1	COVER, console, left hand
30	265-13512	4	SCREW, SELF TAPPING, Cross Oval Hd, #10 x 3/4", self tapping, oval Phillips No. 10-16 x 3/4 inch
31	198823C1	3	GROMMET, rubber, 3/8 inch ID
32	198826C1	2	GROMMET, hydrostatic drive control cable, 3/4 inch ID
33	198820C1	UAR	GROMMET, PLUG lower console
34	192280	1	BUTTON, HOLE PLUG, 1 1/4", 1-1/4 inch ID
	1330108CX	UAR	SEAL ASSY., TRIM edge, bulk 600 inch (15240 mm) long
35	187786C1	UAR	STRIP, SEAL adhesive backed, 23 inch (584 mm) long, cut from 195917C2 bulk, console cover
35	1330167C1	UAR	SEAL adhesive backed, 4 inch (102 mm) long, cut from 195917C2 bulk
35	1330168C1	UAR	SEAL adhesive backed, 18-1/8 inch (460 mm) long, cut from 195917C2 bulk console cover
35	1330169C1	UAR	SEAL, adhesive backed, 10-5/16 inch (262 mm) long, cut from 195917C2 bulk console cover
35	1330171C1	UAR	SEAL adhesive backed, 14 inch (356 mm) long, cut from 195917C2 bulk console cover
35	1330170C1	UAR	SEAL adhesive backed, 7-5/8 inch (194 mm) long, cut from 195917C2 bulk console cover
36	101301A1	1	TAPE insulation, 24 inch (610 mm) long, cut from 1954475C1 bulk outer console cover

сылка	Номер детали	Кол-во	Описание
42	195239C2	1	BAR, H pattern filler plate
43	1330155C1	3	BOLT, hex, self locking, hex flange, special, 1/4 NC x 1/2 inch, black
44	1330157C1	3	NUT, hex, self locking, hex flange, special, 1/4 inch NC, black
45	1330179C1	1	PLATE, COVER
46	1979493C3	1	SUPPORT, manual box
50	1999442C1	1	RETAINER, GROMMET
51	1971376C1	2	SCREW, SELF TAPPING, Cross Pan Hd, #10 x 1", self tapping, pan Phillips No. 10-16 x 1 inch
	1954475C1		UAR ROLL, TAPE bulk, 2-1/2 (63.5) wide x 360 (9150) long x 1/8 inch (3 mm) thick
	195917C1		UAR GASKET, SEAL bulk, foam, adhesive backed 600 inch (15240 mm) long

9G-22 OPERATORS SEAT, MOUNTING

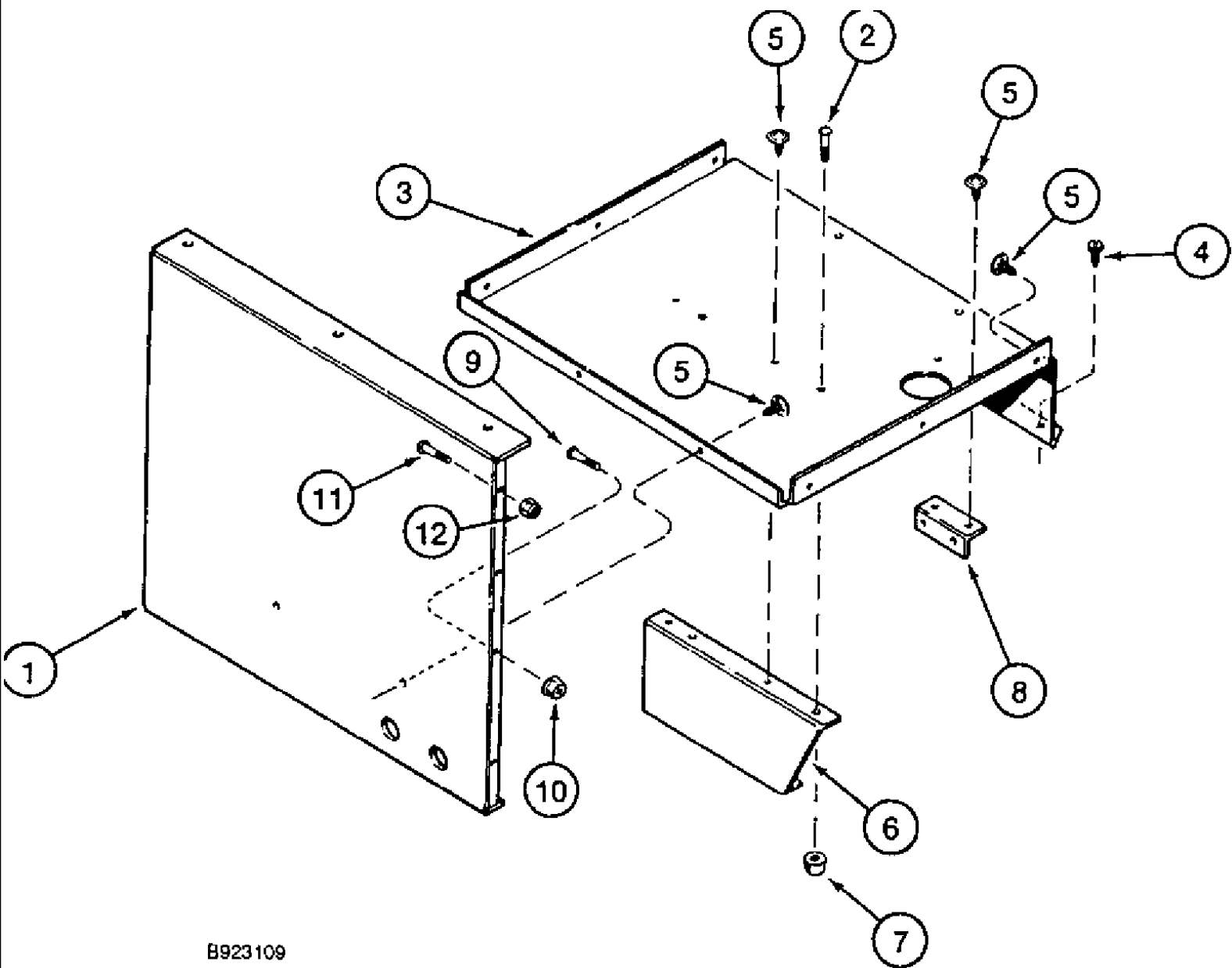


B923108

## 9G-22 OPERATORS SEAT, MOUNTING

сылка	Номер детали	Кол-во	Описание
1	1979726C3	2	SUPPORT, BRACKET seat supporting
2	1330156C1	4	BOLT, self locking, hex flange, special 5/16 NC x 3/4 inch
3	892-11008	4	WASHER, LOCK, M8,
4	614-8020	4	BOLT, Hex, M8 x 20, 8.8,
5	1345209C1	1	HARNESS, seat switch
6	353-411	1	PLUG, Dome, 1.000" hole, Nylon,
7	413-580	4	BOLT, Hex, 5/16"-18 x 5", G5, Seat mounting
8	1301216C3	1	ARMREST, seat
9	192999C1	1	SUPPORT, arm rest mounting
10	256873	2	BOLT, Hex Flg, 5/16"-18 x 1/2", Serr,
11	434-512	2	BOLT, CARRIAGE, Short NK, 5/16"-18 x 3/4", G5, Full Thd,
12	196970C1	2	KNOB, arm rest
13	496-21034	2	WASHER, 11/32" x 11/16" x 0.89", HDN,
14	1330064C1	2	NUT, hex flange, self locking, polyseal, 5/16 inch NC
15	1983395C1	1	SWITCH, IGNITION, SEAT
16	440-1258	2	SCREW, Cross Pan Hd, 1/4"-20 x 1/2", machine, pan Phillips 1/4 NC x 1/2 inch

9G-24 SEAT, SUPPORTS



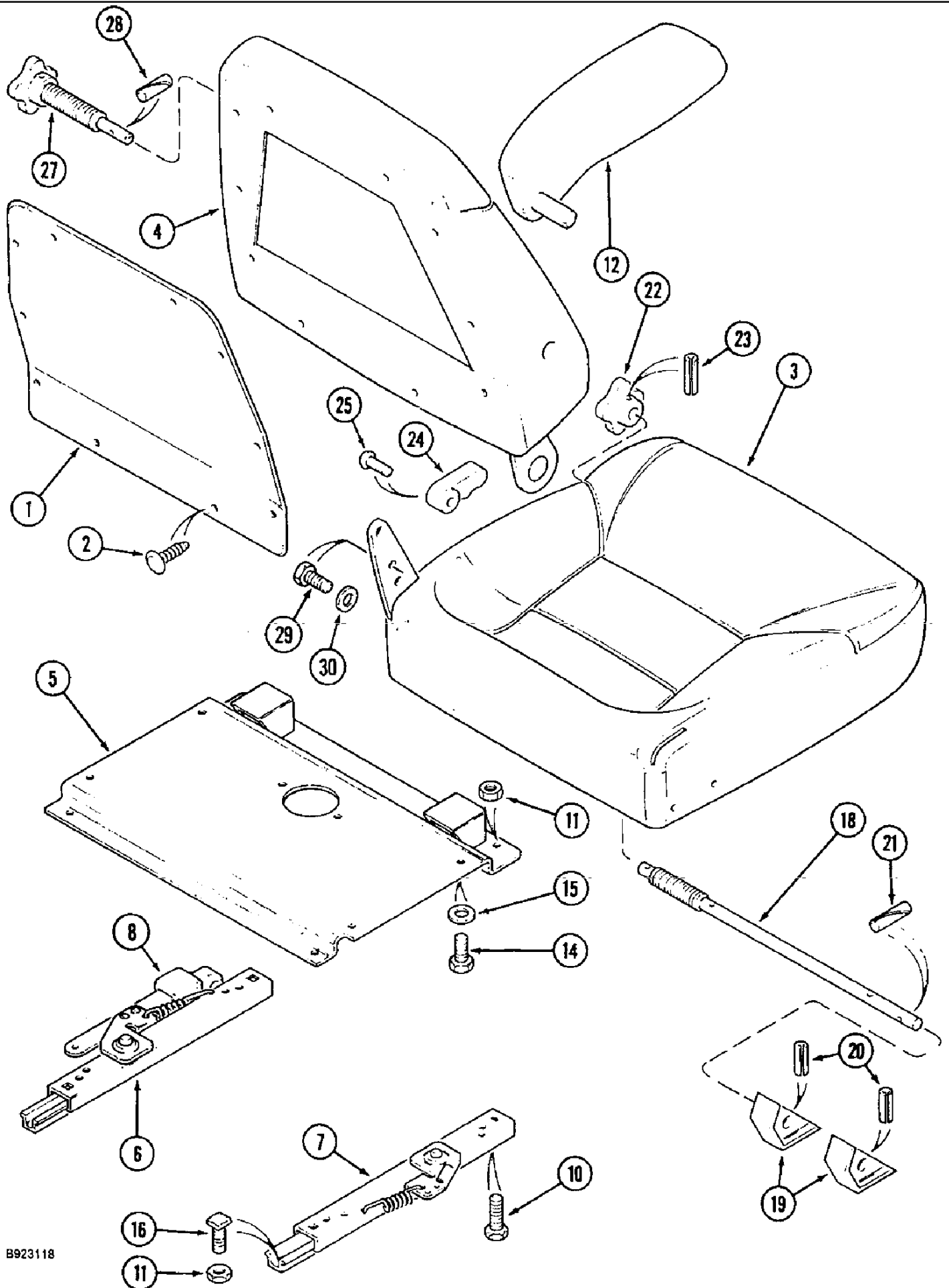
B923109

## 1666 CASE IH AXIAL-FLOW COMBINE (1/93-12/94)

## 9G-24 SEAT, SUPPORTS

сылка	Номер детали	Кол-во	Описание
1	91757C2	1	PANEL ASSY., center, rear
2	1330152C1	2	SCREW, Sltd Serr Truss Hd, 5/16"-18 x 3/4",
3	1979504C1	1	SUPPORT ASSY., seat
4	280-13712	4	SCREW, SELF TAPPING, Hex Wash Hd, 1/4" x 3/4", self tapping, hex washer head, 1/4-14 x 3/4 inch
5	143306C1	12	SCREW, SELF TAPPING, Cross Pan Hd, #10 x 1/2", pan head, cross slotted No. 10-16 x 3/4 inch, polyseal
6	91695C1	1	CHANNEL, center
7	231-5145	2	NUT, Flg, USR, 5/16"-18,
8	91703C2	1	BRACKET, ANGLE reservoir
9	1330152C1	7	SCREW, Sltd Serr Truss Hd, 5/16"-18 x 3/4",
10	1330064C1	7	NUT, hex flange, self locking, polyseal 5/16 inch NC
11	477-73812	1	SCREW, Sltd Serr Truss Hd, 3/8" x 3/4", slotted truss head, special, 3/8 NC x 3/4 inch
12	231-5146	1	NUT, Flg, USR, 3/8"-16,
13	199953C1	1	SCREW, SELF TAPPING, Hex Wash Hd, 5/16"-18 x 13/16", Not Shown

9G-26 MECHANICAL SUSPENSION SEAT, CUSHIONS AND SLIDES

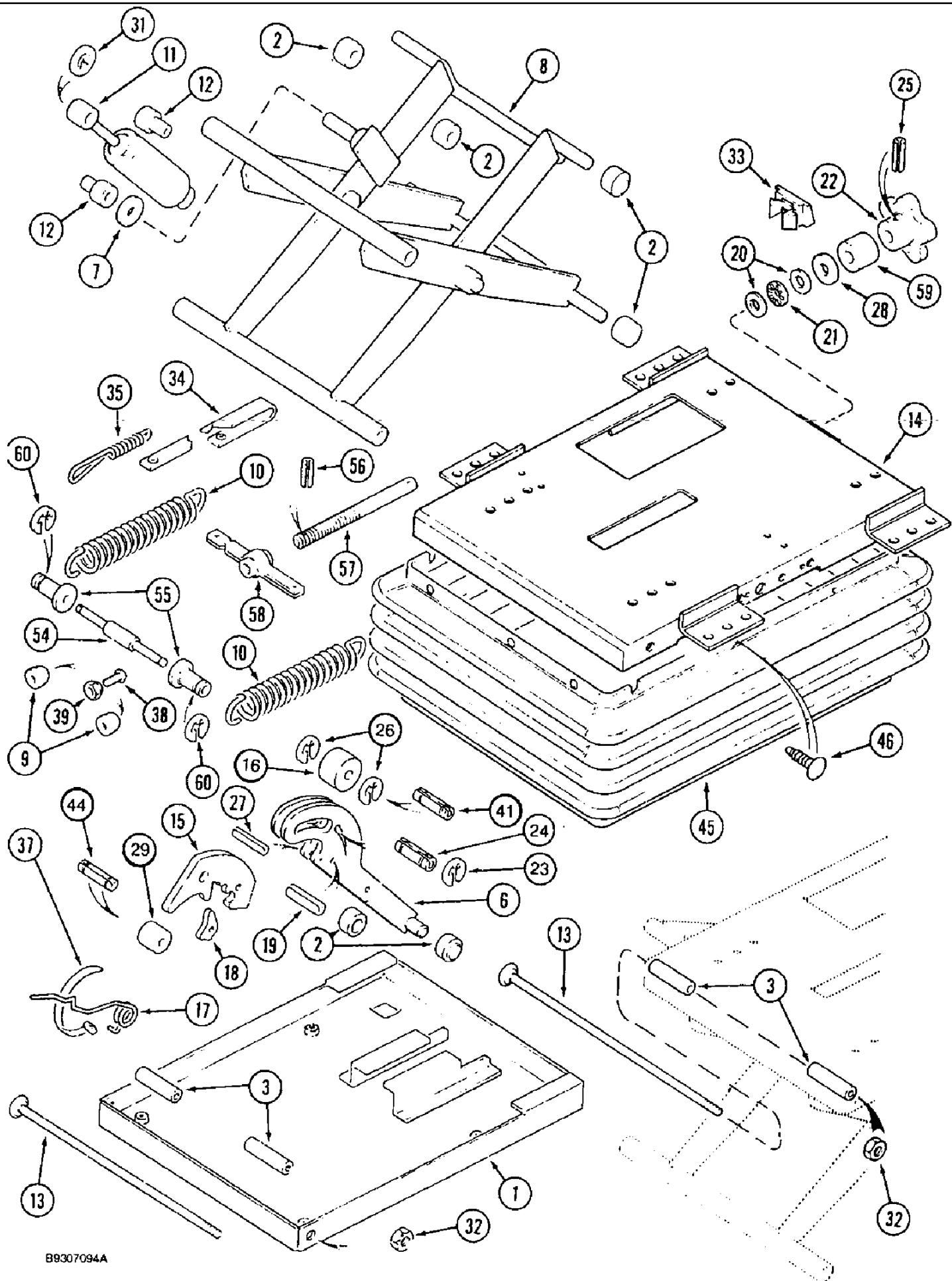




## 9G-26 MECHANICAL SUSPENSION SEAT, CUSHIONS AND SLIDES

сылка	Номер детали	Кол-во	Описание
	1990651C1	1	SEAT, ASSEMBLY, mechanical suspension also includes Refs. on parts list Fig. 9G-28 and 9G-30, Includes: Ref. 1 thru 31
1	1981820C1	1	PACKAGE, REPAIR, KIT back cover service, Includes: Ref. 1
2	1999693C1	1	KIT, CLIP christmas tree, package of 14
3	700712452	1	CUSHION, SEAT,
3	1981815C2	1	CUSHION, SEAT, KIT seat cushion
4	127369A1	1	COVER, BACKREST, CUSHION backrest
4	1981816C2	1	PACKAGE, SERVICE, KIT backrest cushion
5	1999781C1	1	SUPPORT, SEAT, PLATE slide adapter
	1344248C1	1	SLIDE, KIT double locking, Includes: Ref. 6 thru 9
6	NSS		NOT SERVICED SEPARATELY, SLIDE locking, with handle, left hand
7	NSS		NOT SERVICED SEPARATELY, SLIDE locking, right hand
8	NSS		NOT SERVICED SEPARATELY, KNOB fore/aft, Part includes seat knob kit, top 1999691C1
9	NSS		NOT SERVICED SEPARATELY, WIRE slide latch, not shown
10	413-512	4	BOLT, Hex, 5/16"-18 x 3/4", G5, Full Thd, hex, 5/16 NC x 3/4 inch
11	230-4225	8	NUT, LOCK, 5/16"-18, GA, hex, self locking 5/16 inch NC
12	1981818C1	1	ARMREST, KIT left hand
14	413-528	4	BOLT, Hex, 5/16"-18 x 1 3/4", G5, hex, 5/16 NC x 1-3/4 inch
15	495-11034	4	WASHER, 5/16", SAE, flat, 11/32 x 11/16 x 1/16 inch
16	417-512	4	BOLT, Sq Hd, 5/16"-18 x 3/4", G2, BOLT square head, 5/16 NC x 3/4 inch, grade 2
	1981813C3	1	PACKAGE, REPAIR, KIT seat and backrest, Includes kit, and Ref. 21 thru 25
	NSS		NOT SERVICED SEPARATELY, KIT seat and backrest cushion, includes Refs. 1, 3, and 4, shown above, Includes shaft assembly
	1343826C2	1	SHAFT ASSY., tilt seat, narrow, Includes: Ref. 18, 19, and 20
18	NSS		NOT SERVICED SEPARATELY, CAMSHAFT seat tilt
19	NSS		NOT SERVICED SEPARATELY, CAM seat tilt
20	NSS		NOT SERVICED SEPARATELY, PIN roll, 5/32 x 1 inch
21	NSS		NOT SERVICED SEPARATELY, PIN spiral
22	NSS		NOT SERVICED SEPARATELY, KNOB seat tilt , Part includes seat knob kit, top 1999691C1
23	NSS		NOT SERVICED SEPARATELY, PIN roll, 5/32 x 1 inch , Part includes seat knob kit, top 1999691C1
24	NSS		NOT SERVICED SEPARATELY, KNOB seat, backrest tilt , Part includes seat knob kit, top 1999691C1
25	NSS		NOT SERVICED SEPARATELY, SCREW machine, oval head cross recess, 6 x 12 mm , Part includes seat knob kit, top 1999691C1
27	1999691C1	1	PACKAGE, SERVICE, KIT seat knob, lumbar , Part includes seat knob kit, top 1999691C1
28	NSS		NOT SERVICED SEPARATELY, PIN roll, 5/32 x 1 inch , Part includes seat knob kit, top 1999691C1
29	413-524	1	BOLT, Hex, 5/16"-18 x 1 1/2", G5, hex, 5/16 NC x 1-1/2 inch
30	NSS		NOT SERVICED SEPARATELY, WASHER flat
31	1999779C1	1	PACKAGE, STRIPPER, KIT christmas tree, backrest, package of 4, not shown
	1999691C1	1	PACKAGE, SERVICE, KIT seat knob, top

9G-28 MECHANICAL SUSPENSION SEAT, SUSPENSION

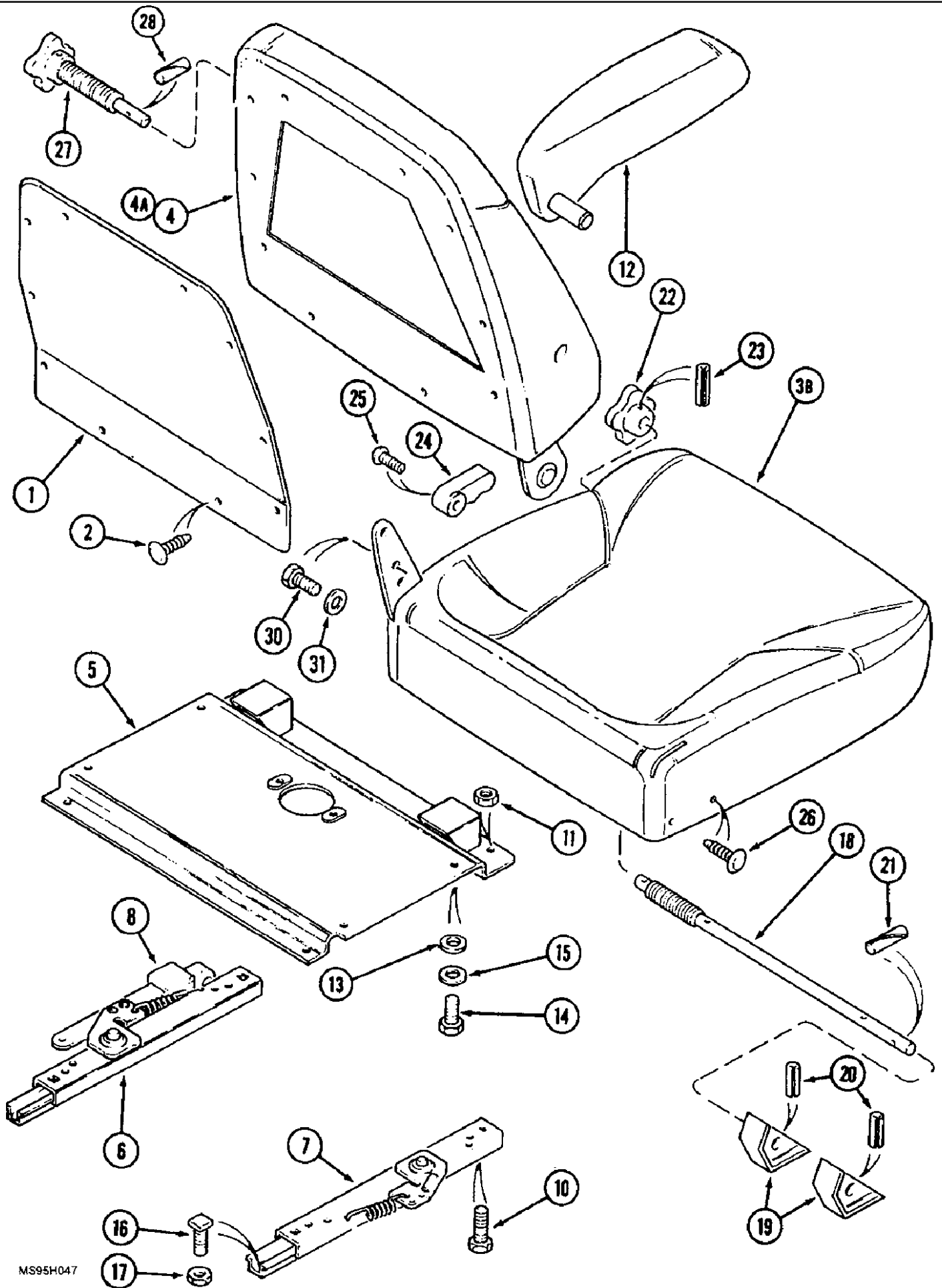


## 9G-28 MECHANICAL SUSPENSION SEAT, SUSPENSION

сылка	Номер детали	Кол-во	Описание
	1990651C2	1	SEAT, ASSEMBLY, mechanical suspension, also includes Refs. on parts list Fig. 9G-26 and 9G30, Includes: Ref. 1 thru 39
	1981819C1	1	PACKAGE, REPAIR, KIT seat suspension, Includes: Ref. 1 thru 39
1	1981787C1	1	CASE, HOUSING lower
	1344249C1	1	ROLLER ASSY., KIT tube and bearing, Includes: Ref. 2 and 3
2	NSS		NOT SERVICED SEPARATELY, TUBE rolleer suspension
3	NSS		NOT SERVICED SEPARATELY, BEARING tube
6	NSS		NOT SERVICED SEPARATELY, CAM low profile, Part of cam follower kit, includes Refs. 6, 15, 16, 18, 23, 24, 26 and 41
7	NSS		NOT SERVICED SEPARATELY, WASHER spacer, plastic
8	1981789C1	1	DIPPER, ARM suspension
9	1981793C1	2	BUMPER, seat
10	1981794C1	2	SPRING, external, Part of weight adjustment spring kit, includes Refs. 10, 55 and 60
	1344250C1	1	SHOCK ABSORBER, KIT, Includes: Ref. 11 and 12
11	NSS		NOT SERVICED SEPARATELY, ABSORBER shock
12	NSS		NOT SERVICED SEPARATELY, BEARING shock absorber
13	A49529	2	SHAFT, bushing tube
14	1981821C1	1	HOUSING, upper
15	NSS		NOT SERVICED SEPARATELY, CAM follower, Part of cam follower kit, includes Refs. 6, 15, 16, 18, 23, 24, 26 and 41
16	NSS		NOT SERVICED SEPARATELY, BEARING cam follower, Part of cam follower kit, includes Refs. 6, 15, 16, 18, 23, 24, 26 and 41
17	NSS		NOT SERVICED SEPARATELY, SPRING height adjustment, Part of height adjustment kit, includes Refs. 17, 29, 37 and 44
18	NSS		NOT SERVICED SEPARATELY, LATCH cam follower, Part of cam follower kit, includes Refs. 6, 15, 16, 18, 23, 24, 26 and 41
19	NSS		NOT SERVICED SEPARATELY, PIN roller
20	NSS		NOT SERVICED SEPARATELY, RACE thrust
21	NSS		NOT SERVICED SEPARATELY, BEARING thrust
22	118578C1	1	BUTTON, KNOB ASSEMBLY weight, Part of knob and shaft assembly kit, includes Refs. 22, 25 and 57
23	NSS		NOT SERVICED SEPARATELY, RING retaining, Part of cam follower kit, includes Refs. 6, 15, 16, 18, 23, 24, 26 and 41
24	NSS		NOT SERVICED SEPARATELY, PIN cam follower, Part of cam follower kit, includes Refs. 6, 15, 16, 18, 23, 24, 26 and 41
25	NSS		NOT SERVICED SEPARATELY, PIN roll, 5/16 x 1-1/4 inch, Part of knob and shaft assembly kit, includes Refs. 22, 25 and 57
26	NSS		NOT SERVICED SEPARATELY, RING retaining, Part of cam follower kit, includes Refs. 6, 15, 16, 18, 23, 24, 26 and 41
27	NSS		NOT SERVICED SEPARATELY, PIN roll
28	NSS		NOT SERVICED SEPARATELY, WASHER flat
29	NSS		NOT SERVICED SEPARATELY, SPACER height adjustment, Part of height adjustment kit, includes Refs. 17, 29, 37 and 44
31	131-425	2	NUT, LOCK, Push, 1/2", push on type
32	230-4216	2	NUT, LOCK, 3/8"-16, GA,

## 9G-28 MECHANICAL SUSPENSION SEAT, SUSPENSION

сылка	Номер детали	Кол-во	Описание
33	NSS		NOT SERVICED SEPARATELY, GUIDE weight adjuster, Part of spring and weight adjustment kit, includes Refs. 17, 33, 34, and 35
34	NSS		NOT SERVICED SEPARATELY, TAPE weight adjuster, Part of spring and weight adjustment kit, includes Refs. 17, 33, 34, and 35
35	NSS		NOT SERVICED SEPARATELY, SPRING suspension, Part of spring and weight adjustment kit, includes Refs. 17, 33, 34, and 35
37	NSS		NOT SERVICED SEPARATELY, TIE cable, Part of height adjustment kit, includes Refs. 17, 29, 37 and 44
38	440-11010	2	SCREW, Cross Pan Hd, #10-24 x 5/8", machine, pan Phillips No. 10 NC x 5/8 inch retaining
39	230-42409	2	NUT, LOCK, #10-24, GA, hex, self locking, No. 10 NC
	1999901C1	1	KIT, spring and weight adjustment, includes Refs. 17, 33, 34, and 35
	123966A1	1	PACKAGE, KIT height adjustment, includes Refs. 17, 29, and 37 and 44
	123967A1	1	PACKAGE, KIT cam follower, includes Refs. 6, 15, 16, 18, 23, 24, 26, and 41
	123968A1	1	PACKAGE, KIT weight adjustment spring, includes Refs. 10, 55, and 60
	123969A1	1	BUTTON, KIT knob and shaft assembly, includes Refs. 22, 25 and 57
	1990651C2	1	SEAT, ASSEMBLY, mechanical suspension, also includes Refs. on parts list Fig. 9G-26, Includes: Ref. 41 thru 61
41	NSS		NOT SERVICED SEPARATELY, PIN cam follower, Part of cam follower kit, includes Refs. 6, 15, 16, 18, 23, 24, 26 and 41
44	NSS		NOT SERVICED SEPARATELY, PIN roll, Part of height adjustment kit, includes Refs. 17, 29, 37 and 44
45	1981786C1	1	KIT, boot, suspension, Includes: Ref. 46
46	132872A1	1	KIT, PIN retaining
	1987116C1	1	PACKAGE, KIT weight adjustment, Includes: Ref. 54 thru 60
54	128115A1	1	SHAFT, spring
55	NSS		NOT SERVICED SEPARATELY, BUSHING spring, Part of weight adjustment spring kit, includes Refs. 10, 55 and 60
56	NSS		NOT SERVICED SEPARATELY, PIN roll, 5/32 x 5/8 inch
57	NSS		NOT SERVICED SEPARATELY, SHAFT weight adjustment, Part of knob and shaft assembly kit, includes Refs. 22, 25 and 57
58	NSS		NOT SERVICED SEPARATELY, BAR weight adjustment
59	NSS		NOT SERVICED SEPARATELY, SPACER weight adjustment
60	NSS		NOT SERVICED SEPARATELY, RING retaining, Part of weight adjustment spring kit, includes Refs. 10, 55 and 60
61	151-537		UAR RIVET, Pop, 1/8" x .650", break mandrel, 1/8 x 5/8 inch, not shown
	1999901C1	1	KIT, spring and weight adjustment, includes Refs. 17, 33, 34, and 35
	123966A1	1	PACKAGE, KIT height adjustment, includes Refs. 17, 29, 37, and 44
	123967A1	1	PACKAGE, KIT cam follower, includes Refs. 6, 15, 16, 18, 23, 24, 26 and 41
	123968A1	1	PACKAGE, KIT weight adjustment spring, includes Refs. 10, 55 and 60
	123969A1	1	BUTTON, KIT knob and shaft assembly, includes Refs. 22, 25 and 57



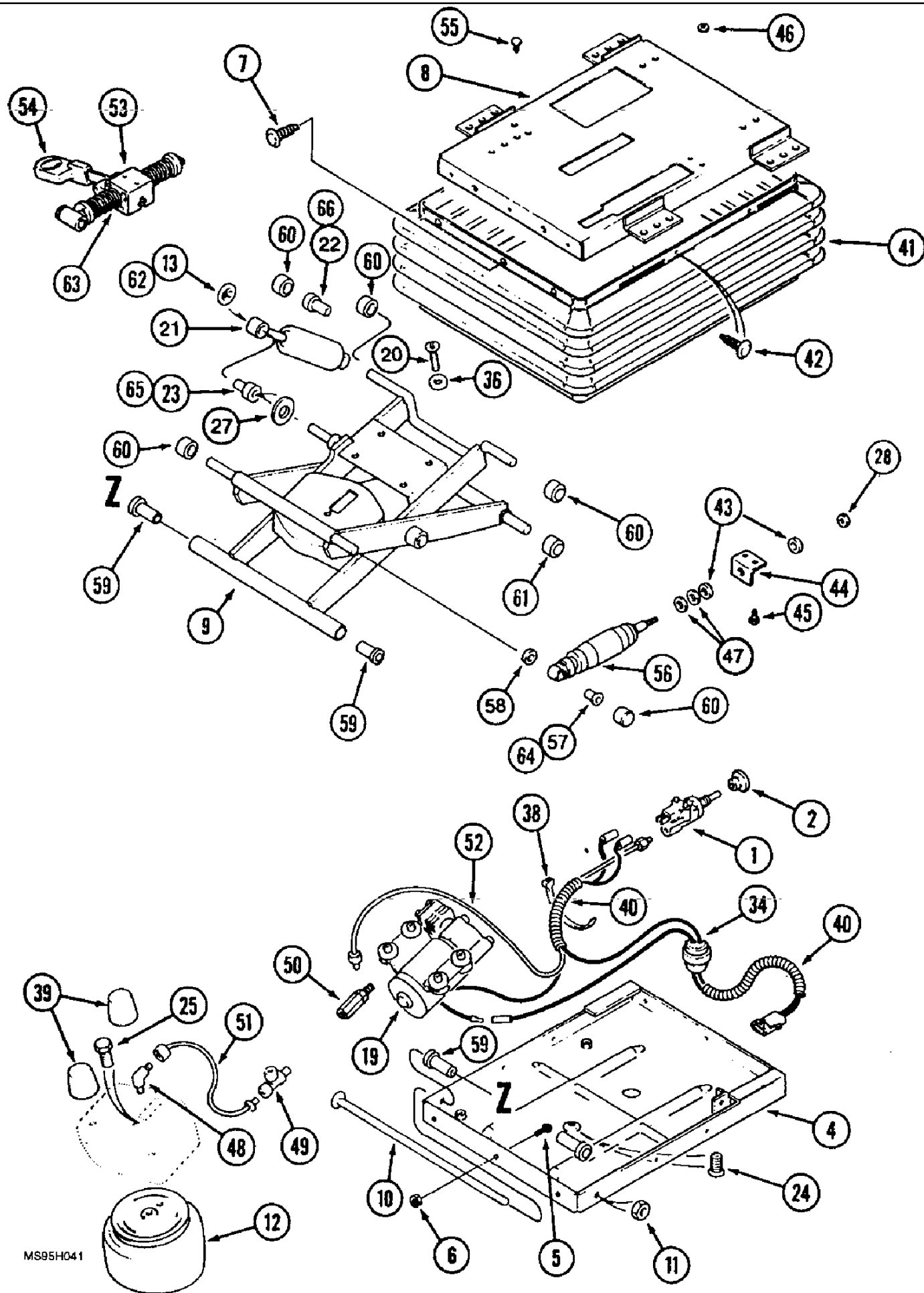
## 9G-32 AIR SUSPENSION SEAT, CUSHIONS AND SLIDES

сылка	Номер детали	Кол-во	Описание
	1990653C2	1	SEAT, ASSEMBLY, operators air suspension, also includes Refs. on parts list Fig. 9G-34 and 9G-34A, Includes: Ref. 1 thru 3
1	1974713C2	1	PACKAGE, KIT backrest cover and retainers, Includes: Ref. 2, Part includes seat assembly kit, seat cushion and backrest, without suspension cloth, replaces 1344004C3
2	1999693C1	1	KIT, CLIP christmas tree, package of 14, Part includes seat assembly kit, seat cushion and backrest, without suspension cloth, replaces 1344004C3
3	136336A1	1	CUSHION, SEAT, KIT, cushion pad only, cloth with horizontal center lines, not shown, replaces 1974701C2, Part includes seat assembly kit, seat cushion and backrest, without suspension cloth, replaces 1344004C3
3B	132885A1	1	CUSHION, seat pad only, cloth
4	132886A1	1	BACKREST, KIT cloth, complete with lumbar knob, without armrest, if used, Includes: Ref. 4 thru 31
4	1974702C2	1	PACKAGE, SERVICE, CUSHION, backrest, includes 44 retainer rings, Part includes seat assembly kit, seat cushion and backrest, without suspension cloth, replaces 1344004C3
4A	NSS		NOT SERVICED SEPARATELY, PAD backrest
4B	NSS		NOT SERVICED SEPARATELY, RING hog, not shown
5	134180A1	1	PLATE, seat adapter, replaces 199990C1
	1344248C1	1	SLIDE, KIT double locking slide, Includes: Ref. 6 thru 9
6	NSS	1	NOT SERVICED SEPARATELY, SLIDE locking, with handle, left hand
7	NSS		NOT SERVICED SEPARATELY, SLIDE locking, right hand
8	1981829C1	1	STAY, WINDOW, KNOB fore/aft, no longer available, order 1999691C1
9	NSS		NOT SERVICED SEPARATELY, WIRE slide latch, not shown
10	413-512	4	BOLT, Hex, 5/16"-18 x 3/4", G5, Full Thd, hex, 5/16 NC x 3/4 inch
11	230-4225	4	NUT, LOCK, 5/16"-18, GA, hex, self locking, 5/16 inch NC
12	1981818C1	1	ARMREST, KIT armrest, left hand
13	1959679C1	4	SPACER, tubular
14	814-8035	4	BOLT, Hex, M8 x 35, 8.8,
15	495-11034	4	WASHER, 5/16", SAE, flat, 11/32 x 11/16 x 1/16 inch
16	417-512	4	BOLT, Sq Hd, 5/16"-18 x 3/4", G2, BOLT square head, 5/16 NC x 3/4 inch, grade 2
17	230-4225	8	NUT, LOCK, 5/16"-18, GA, hex, self locking, 5/16 inch NC
18	NSS		NOT SERVICED SEPARATELY, CAMSHAFT seat tilt, Part includes seat assembly kit, seat cushion and backrest, without suspension cloth, replaces 1344004C3
19	NSS		NOT SERVICED SEPARATELY, CAM seat tilt, Part includes seat assembly kit, seat cushion and backrest, without suspension cloth, replaces 1344004C3
20	38-11016	2	PIN, LOCK, 5/32" x 1", Slotted, 5/32" x 1", Slotted, Part includes seat assembly kit, seat cushion and backrest, without suspension cloth, replaces 1344004C3
21	NSS		NOT SERVICED SEPARATELY, PIN spiral, Part includes seat assembly kit, seat cushion and backrest, without suspension cloth, replaces 1344004C3
22	NSS		NOT SERVICED SEPARATELY, KNOB seat tilt, order 1999691C1 kit , Part includes seat assembly kit, seat cushion and backrest, without suspension cloth, replaces 1344004C3
23	38-11016	1	PIN, LOCK, 5/32" x 1", Slotted, 5/32" x 1", Slotted, order 1999691C1, Part includes seat assembly kit, seat cushion and backrest, without suspension cloth, replaces 1344004C3
24	NSS		NOT SERVICED SEPARATELY, KNOB seat, backrest tilt, order 1999691C1, Part includes seat assembly kit, seat cushion and backrest, without suspension cloth, replaces 1344004C3

## 9G-32 AIR SUSPENSION SEAT, CUSHIONS AND SLIDES

сылка	Номер детали	Кол-во	Описание
25	NSS		NOT SERVICED SEPARATELY, SCREW machine, oval head cross recess, 6 x 12 mm, 1999691C1 kit, Part includes seat assembly kit, seat cushion and backrest, without suspension cloth, replaces 1344004C3
26	NSS		NOT SERVICED SEPARATELY, CLIP retaining, Part includes seat assembly kit, seat cushion and backrest, without suspension cloth, replaces 1344004C3
27	1987286C2	1	CUSHION, SEAT, KIT cushion, no longer available, order 1999691C1, Part includes seat assembly kit, seat cushion and backrest, without suspension cloth, replaces 1344004C3
28	38-11016	1	PIN, LOCK, 5/32" x 1", Slotted, 5/32" x 1", Slotted, order 1999691C1 kit, Part includes seat assembly kit, seat cushion and backrest, without suspension cloth, replaces 1344004C3
29	1999779C1	1	PACKAGE, STRIPPER, KIT christmas tree, backrest, package of 4, not shown
30	413-524	1	BOLT, Hex, 5/16"-18 x 1 1/2", G5, hex, 5/16 NC x 1-1/2 inch, Part includes seat assembly kit, seat cushion and backrest, without suspension cloth, replaces 1344004C3
31	NSS		NOT SERVICED SEPARATELY, WASHER flat
	1344004C4	1	SEAT ASSY., KIT, seat cushion and backrest, without suspension, replace 1344004C3
	1999691C1	1	PACKAGE,SERVICE, KIT seat knob, top, includes Refs. 8, 22, 23, 24, 25, 27 and 28, shown above

9G-34 AIR SUSPENSION SEAT, SUSPENSION



MS95H041

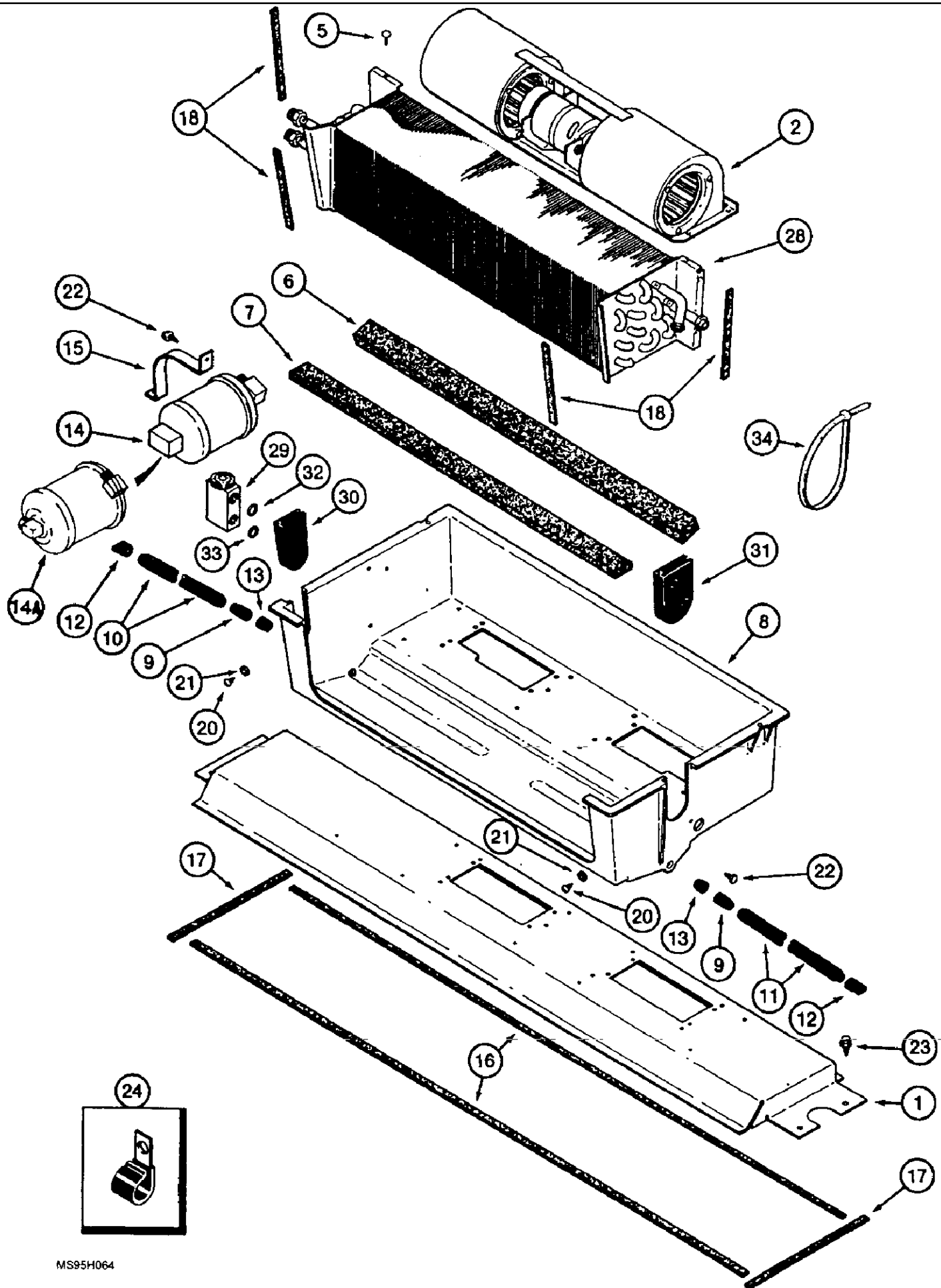


## 9G-34 AIR SUSPENSION SEAT, SUSPENSION

сылка	Номер детали	Кол-во	Описание
	1990654C2	1	SEAT, ASSEMBLY operators, also includes Refs. shown on parts list Fig. 9G-32, Includes: Ref. 1, 2, and 4
	1990648C4	1	PACKAGE, KIT suspension service, replaces 1990648C1, Includes: Ref. 1, 2, and 4
1	1981852C2	1	SWITCH, IGNITION, ASSEMBLY, air control, Includes: Ref. 2
2	1987186C1	1	BUTTON, KNOB switch, Part includes knob kit 1999692C1
4	226560A1	1	HOUSING, lower, replaces 1981834C1 housing, also order 132872A1 kit, and A45054 bumper
4A	A45054	1	BUMPER, seat, not shown
	132872A1	1	KIT, KIT boot pin, package of 23 retainers and 3 dome nuts, Includes: Ref. 5, 6, and 7
5	NSS		NOT SERVICED SEPARATELY, FASTENER christmas
6	NSS		NOT SERVICED SEPARATELY, NUT acorn
7	NSS		NOT SERVICED SEPARATELY, CLIP retaining
8	1990642C1	1	HOUSING, upper, suspension
9	1990643C1	1	FRAME ASSY, ARM scissor, suspension
10	A49529	1	SHAFT, bushing tube
11	230-4216	1	NUT, LOCK, 3/8"-16, GA,
12	1981842C1	1	SPRING, air
13	131-425	1	NUT, LOCK, Push, 1/2", push on type, 1/2 inch
	180594A2	1	PACKAGE, rollers and bearings
19	1999947C3	1	COMPRESSOR, KIT, Includes valve
	NSS		NOT SERVICED SEPARATELY, VALVE check
20	440-1086	1	SCREW, Cross Pan Hd, #8-32 x 3/8", machine, pan Phillips No. 8 NC x 3/8 inch
	1344250C1	1	SHOCK ABSORBER, KIT, Includes: Ref. 21, 22, and 23
21	NSS		NOT SERVICED SEPARATELY, ABSORBER shock, seat
22	NSS		NOT SERVICED SEPARATELY, BUSHING shock absorber
23	NSS		NOT SERVICED SEPARATELY, BEARING shock absorber
24	443-13812	1	SCREW, Cross Flat Hd, 3/8"-16 x 3/4", machine, flat Phillips, 3/8 NC x 3/4 inch
25	413-68	1	BOLT, Hex, 3/8"-16 x 1/2", G5, Full Thd,
27	A45519	1	WASHER, flat, plastic, special. 33/64 x 1-1/8 x 1/16 inch
28	230-4715	1	NUT, LOCK, 5/16"-24, GA, Hex
34	1981848C2	1	HARNESS, wire
36	495-31022	4	WASHER, #10,
38	L18337	2	STRAP, CABLE, 9.95"-12.1" lg, tie, nylon retaining
39	1981849C2	2	SHOCK ABSORBER, BUMPER rubber
	1999692C1	1	LEVER, ASSY AND KNOB, KIT
	1990654C2	1	SEAT, ASSEMBLY operators
	1990648C4	1	PACKAGE, KIT suspension service, replaces 1990648C1, Includes: Ref. 40 thru 57
40	1343833C1	2	TUBE, GUARD corrugated, 3/8 ID x 24 inch long
41	1990647C1	1	PACKAGE, KIT boot, suspension, Includes: Ref. 42
42	132872A1		UAR KIT, PIN retaining
43	A49679	2	BUSHING, rubber
44	1981845C1	1	ANGLE, mounting
45	434-48	2	BOLT, CARRIAGE, Short NK, 1/4"-20 x 1/2", G5, Full Thd,
46	231-1444	2	NUT, LOCK, 1/4"-20, GB,
47	495-11041	2	WASHER, 3/8", SAE, Flat, (13/32 x 13/16 x 1/16")
	1990548C1	1	PACKAGE, KIT air line and fittings, Includes: Ref. 48 thru 52

## 9G-34 AIR SUSPENSION SEAT, SUSPENSION

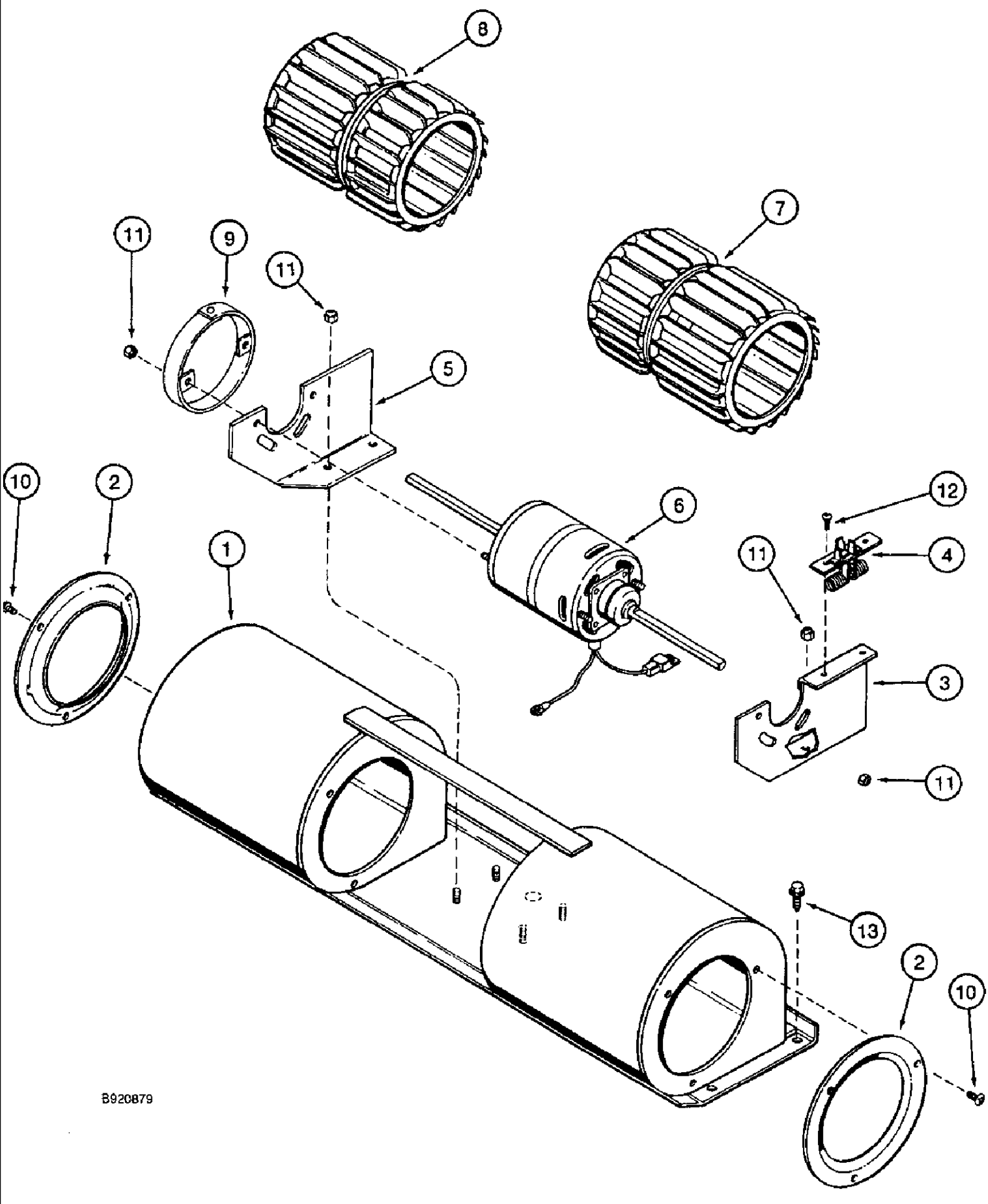
сылка	Номер детали	Кол-во	Описание
48	NSS		NOT SERVICED SEPARATELY, ELBOW, 90 degree, 1/8 PT x 5/32 inch tube
49	NSS		NOT SERVICED SEPARATELY, TEE, 1/8 x 1/4 inch tube
50	NSS		NOT SERVICED SEPARATELY, ADAPTER straight, PT x 1/4 inch tube
51	NSS		NOT SERVICED SEPARATELY, TUBE nylon, 1/4 O.D. x 9-1/2 inch
52	NSS		NOT SERVICED SEPARATELY, TUBE nylon, 1/4 O.D. x 28 inch
53	1990645C1	1	LATCH, ASSEMBLY, isolator, for and aft, Includes: Ref. 54
54	NSS		NOT SERVICED SEPARATELY, KNOB isolator, fore and aft , Part includes seat assembly kit, seat cushion and backrest, without suspension cloth, replaces 1344004C3
55	276-24812	2	SCREW, SELF TAPPING, Hex Hd, 5/16" x 3/4",
	1990646C1	1	SHOCK ABSORBER, KIT, includes Refs. 43 and 44, Includes: Ref. 56 and 57
56	NSS		NOT SERVICED SEPARATELY, ABSORBER shock
57	NSS		NOT SERVICED SEPARATELY, BUSHING shock
58	NSS		NOT SERVICED SEPARATELY, SPACER shock
	180594A2	1	PACKAGE, KIT rollers and bearings, Includes: Ref. 59 thru 67
59	NSS		NOT SERVICED SEPARATELY, BUSHING shaft
60	NSS		NOT SERVICED SEPARATELY, ROLLER bearing
61	NSS		NOT SERVICED SEPARATELY, ROLLER tube
62	131-425	1	NUT, LOCK, Push, 1/2", push on type, 1/2 inch
63	NSS		NOT SERVICED SEPARATELY, BEARING isolator tube
64	NSS		NOT SERVICED SEPARATELY, BEARING shock
65	NSS		NOT SERVICED SEPARATELY, BEARING suspension shock, upper
66	NSS		NOT SERVICED SEPARATELY, BEARING suspension shock, lower
67	NSS		NOT SERVICED SEPARATELY, BEARING patch bar, not used, not shown
	1999692C1	1	LEVER, ASSY AND KNOB, KIT



## 9G-36 CAB, EVAPORATOR HEATER CORE AND BLOWER MOUNTING

сылка	Номер детали	Кол-во	Описание
1	1276238C1	1	SUPPORT, mounting blower box
2	1255878C91	1	BLOWER ASSY., cab pressurizer, parts list Fig. 9G-38
5	104033C2	6	SCREW, SELF TAPPING, Cross Wash Hd, M4.8 x 19, Coated, self tapping, truss head
6	84123C1	1	STRIP, SEAL core front
7	84124C1	1	STRIP, SEAL core rear
8	135776C2	1	HOUSING, blower core
9	1250522C3	2	ELBOW, straight, special drain hose to housing
10	1276252C1	1	HOSE ASSY., 94 inch (2388 mm) long, cut from 198091C1 bulk hose condensate, left hand
11	1327566C1	1	HOSE ASSY., 134 inch (3404 mm) long, cut from 198091C1 bulk hose condensate, right hand
12	109239C2	2	VALVE, check
13	195806C1	2	GROMMET, condensate hose, 3/4 inch ID
14	143469C2	1	RESERVOIR, air conditioning system, replaced by 1990758C2 reservoir Ref. 14A
14A	1990758C2	1	RECEIVER-DRYER, air conditioning, replaces 143469C2 reservoir Ref. 14
15	1250439C1	1	CLAMP, receiver drier
16	1327504C1	2	SEAL ASSY., 50 inch (1270 mm) long, cut for 187874C1 bulk seal cut from 187874C1 bulk seal, support headliner
17	1301250C1	2	SEAL ASSY., foam, adhesive backed 10 inch (254 mm) long, cut from 187874C1 bulk seal support and headliner
18	1327503C1	4	SEAL ASSY., 6-1/2 inch (165 mm) long, cut from 187874C1 bulk seal, core to housing
20	143309C1	4	SCREW, SELF TAPPING, Cross Pan Hd, #10-16 x 1/2", self tapping, pan Phillips head
21	395-31022	4	WASHER, #10, flat, 7/32 x 1/2 x 1/16 inch
22	104033C2	12	SCREW, SELF TAPPING, Cross Wash Hd, M4.8 x 19, Coated, self tapping, truss head
23	111618C2	4	SCREW, self tapping, hex washer head, 1/4 NC x 1 inch
24	362126R1	3	CLIP, CLAMP, right hand condensate hose
	1974632C3	1	EVAPORATOR, CORE ASSEMBLY, heater and evaporator, replaces 1974632C2 core, Includes: Ref. 28 thru 33
28	NSS		NOT SERVICED SEPARATELY, CORE evaporator
29	1990756C1	1	VALVE, expansion, replaces 98370C3
30	1250463C2	1	GROMMET, rubber evaporator tubes
31	1250464C2	2	GROMMET, rubber heater tubes
32	238-5015	1	O-RING, -015, 70 Duro, .551" ID x .070" Thk,
33	238-5013	1	O-RING, -013, 70 Duro, .426" ID x .070" Thk,
34	306132C1	3	STRAP, CABLE, .30" x 14.5", tie, 14 inch
	1974883CX		UAR SEAL, bulk, adhesive backed, 1/2 (13) x 1-1/2 (38) x 600 inch (15240 mm) long
	198091C1		UAR HOSE, bulk, 1/2 (13) ID x 600 inch (15240 mm) long
	187874C1		UAR GASKET, bulk, adhesive backed, 1/8 (3) x 3/8 (10) x 600 inch (15240 mm) long

9G-38 BLOWER ASSEMBLY

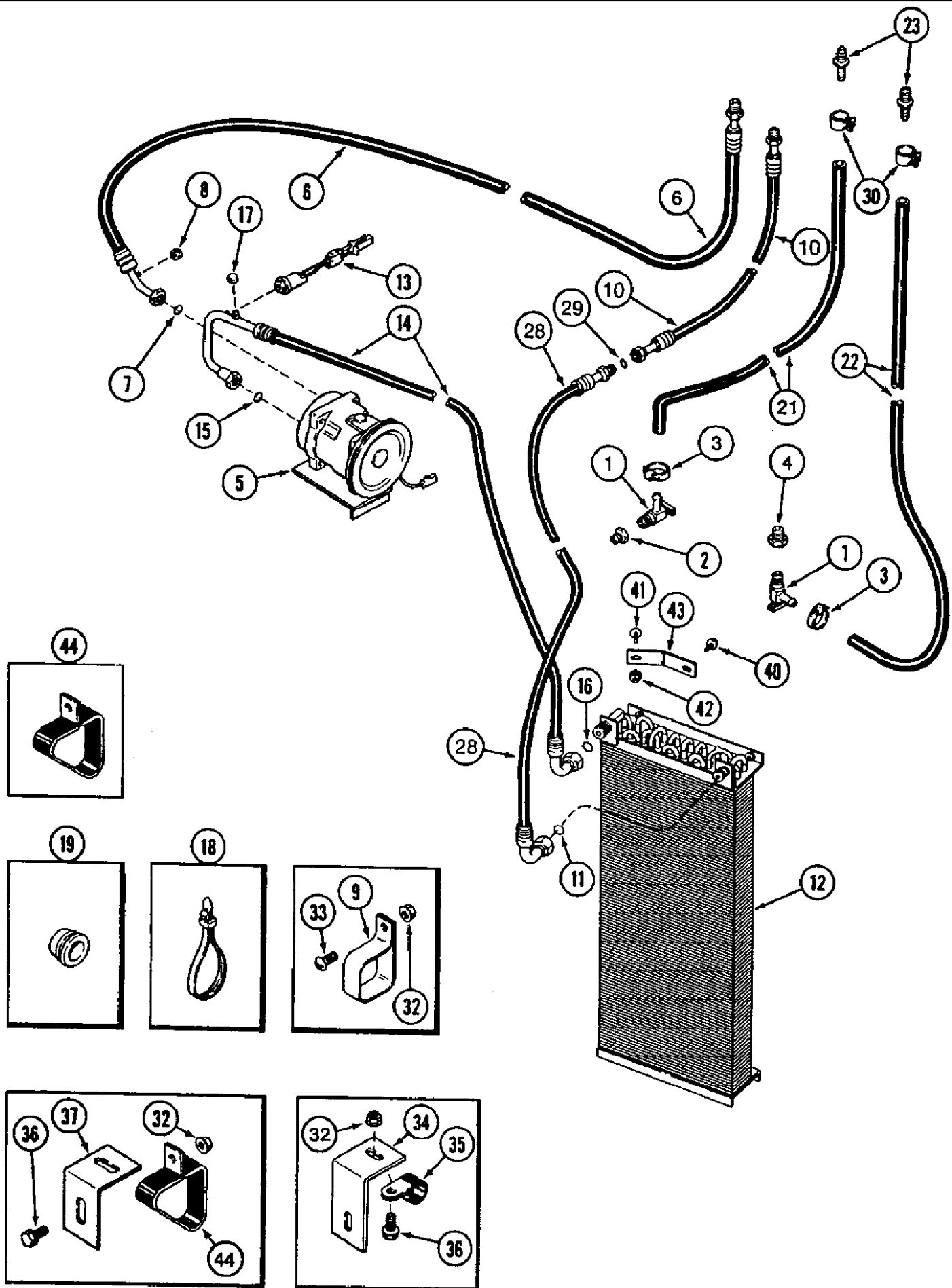


B920879

## 1666 CASE IH AXIAL-FLOW COMBINE (1/93-12/94)

## 9G-38 BLOWER ASSEMBLY

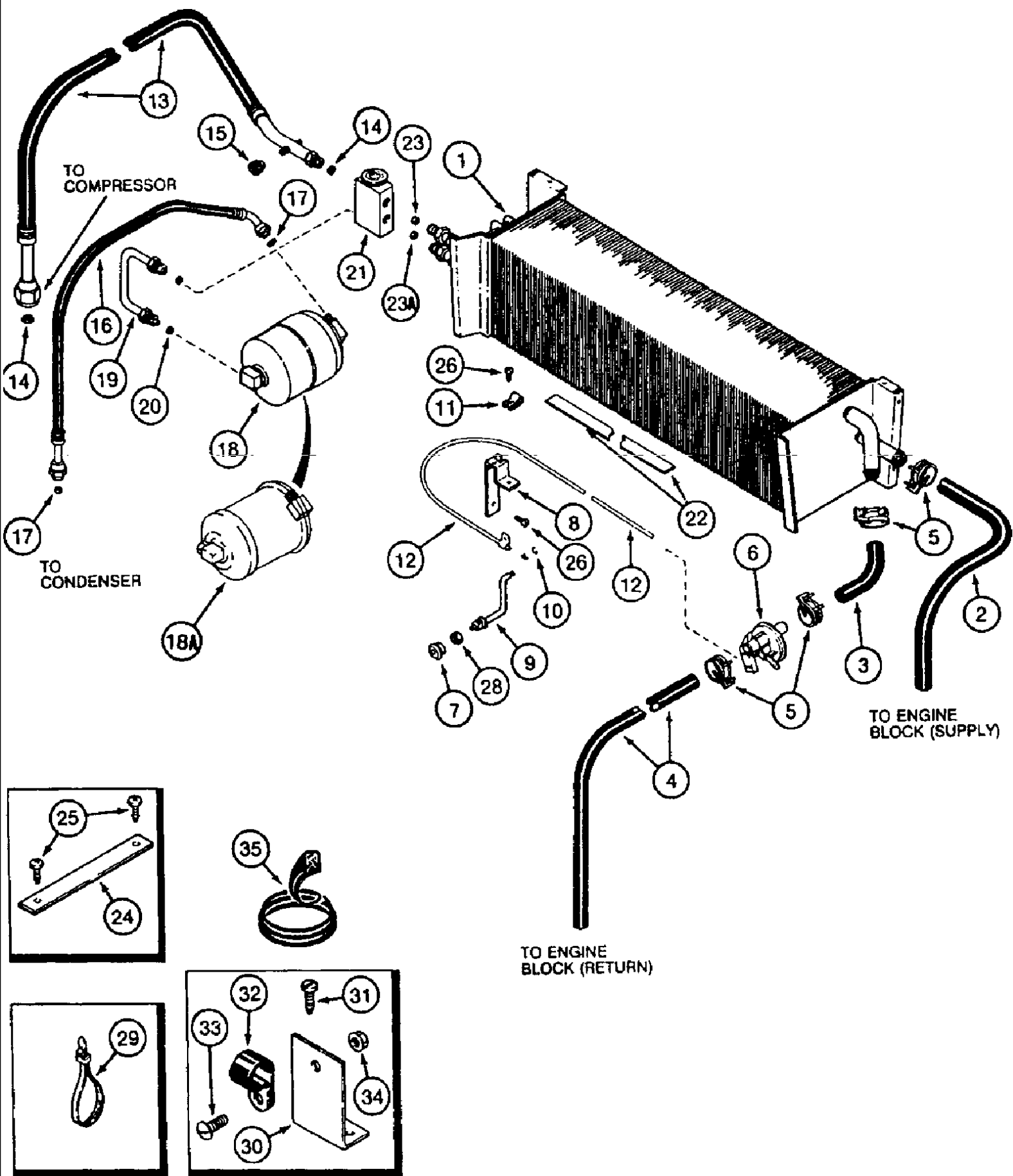
сылка	Номер детали	Кол-во	Описание
	1255878C91	1	BLOWER ASSY., cab pressurizer, Includes: Ref. 1 thru 12
1	117785C2	1	HOUSING ASSY., blower
2	1344175C1	1	RETAINER, RING blow, housing inlet
3	1262098C1	2	SUPPORT ASSY., resistor
4	1255876C1	1	RESISTOR, blower motor
5	1344176C1	1	SUPPORT, BRACKET motor mounting
6	190333A1	1	MOTOR, ELECTRIC, blower, 12 volt
7	539077R2	1	FAN, wheel, right hand
8	539018R2	1	FAN, wheel, left hand
9	1344177C1	1	RETAINER, RING motor mounting
10	260-1456	6	SCREW, SELF TAPPING, Cross Pan Hd, #10 x 3/8", self tapping, pan Phillips No. 10-16 x 3/8 inch
11	66299C1	8	NUT, hex, Keps. No. 10-32
12	261-2436	2	SCREW, SELF TAPPING, Cross Pan Hd, #6 x 3/8", self tapping, pan Phillips No. 6 NC x 3/8 inch
13	280-1478	7	SCREW, SELF TAPPING, Hex Wash Hd, 1/4" x 1/2", self tapping, hex washer head, 1/4 x 1/2 inch
13	275-14716	1	SCREW, SELF TAPPING, Hex Hd, 1/4" x 1", hex, self tapping, 1/4-14 x 1 inch



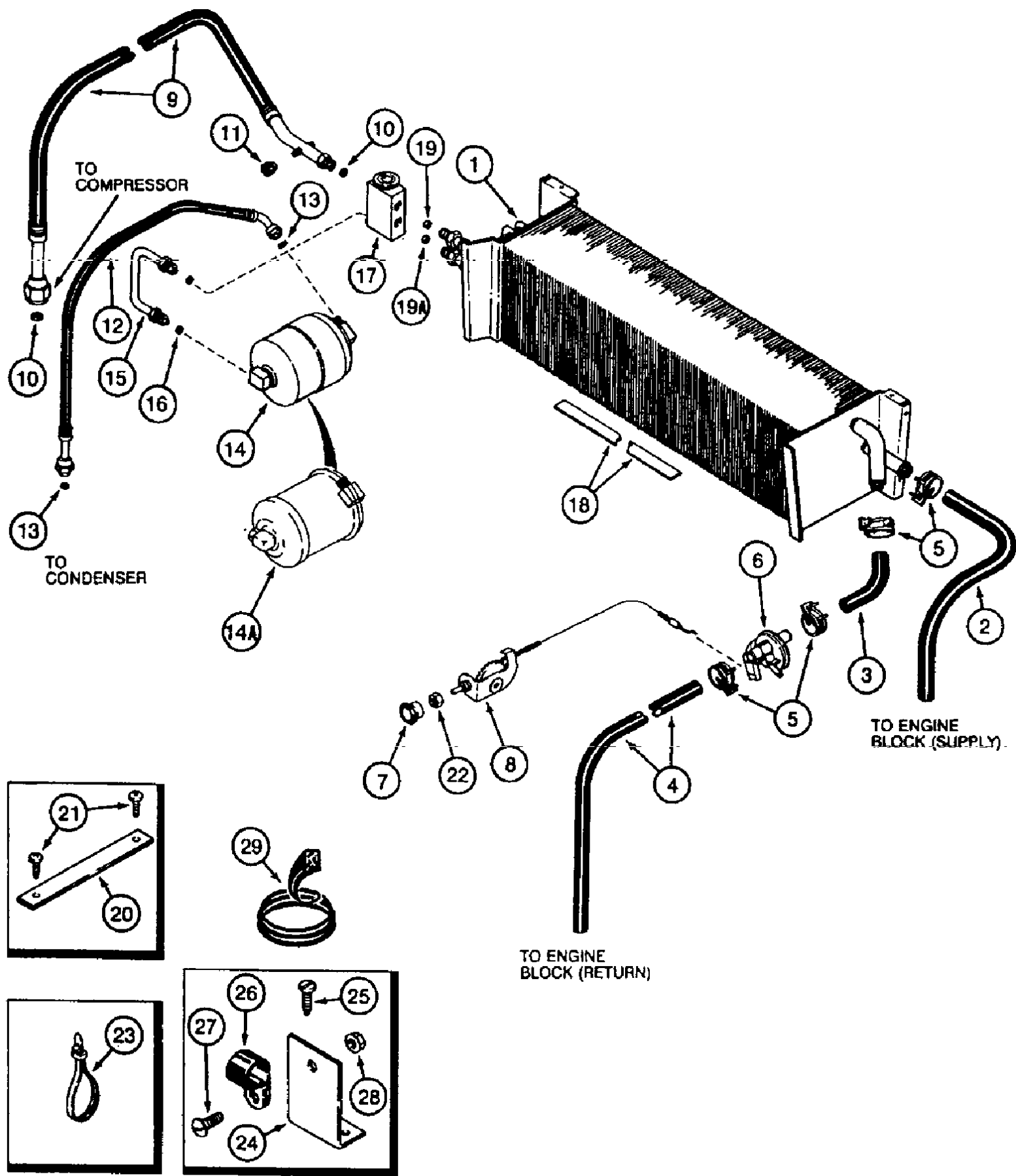
## 9G-40 HEATER AND AIR CONDITIONING SYSTEM, CHASSIS CONNECTIONS

сылка	Номер детали	Кол-во	Описание
1	301803R1	2	VALVE, SHUT-OFF, heater
2	217-44	1	REDUCER, 1/2"-14 NPTF x 3/8"-18 Fem NPTF, REDUCER, 1/2 PT x 3/8 inch, female PT
3	1954736C1	2	CLAMP, HOSE, adjustable hose
4	221-92	1	REDUCER, Hex, 3/4" x 3/8" NPT, REDUCER pipe, 3/4 male x 3/8 inch female
5	1977959C1	1	COMPRESSOR, ASSEMBLY air conditioning, parts list Fig. 9G-46
6	98042C2	1	HOSE ASSY., 187 inch (4750 mm) long, compressor to cab
7	238-5015	1	O-RING, -015, 70 Duro, .551" ID x .070" Thk, Includes: Ref. 7 and 8
8	222-981	1	NUT, Cap, 3/8"-24, 45e FI, hex, 7/16-20 inch female, 45 degree flare seal
9	154695C2		UAR CLAMP, hose, heater only
9	1301387C2		UAR CLIP, CLAMP square hose heater and air conditioning
10	1321292C4	1	HOSE, 187 inch (4743 mm) long, condenser to cab, Includes: Ref. 11
11	238-5011	1	O-RING, -011, 70 Duro, .301" ID x .070" Thk,
12	84581C1	1	CONDENSER, air conditioning
13	92038C1	1	SENSOR, SWITCH high pressure
14	98043C2	1	HOSE ASSY., 71 inch (1800 mm) long, compressor to condenser, Includes: Ref. 15, 16, and 17
15	238-5015	1	O-RING, -015, 70 Duro, .551" ID x .070" Thk,
16	238-5013	1	O-RING, -013, 70 Duro, .426" ID x .070" Thk,
17	222-981	2	NUT, Cap, 3/8"-24, 45e FI, hex, 7/16-20 inch, female, 45 degree flare seal
18	291207C1		UAR CLAMP, STRAP tie, 14 inch long maximum bundle
18	702093C1		UAR STRAP, CABLE, tie, 3 inch maximum
19	198825C1	3	GROMMET, light harness, left 1 x 1-3/8 inch hose
19	198826C1	3	GROMMET, hydrostatic, drive control cable, 3/4 inch ID hose
19	198827C1	4	GROMMET, heater hose, 7/8 inch ID
19	198828C1	1	GROMMET, deck harness, right, 1 inch ID
21	1958955C1	1	HOSE, LARGE, 255 inch (6477 mm) long, cut from 97252CX bulk hose heater
22	1979229C1	1	HOSE, LARGE, 358 inch (9100 mm) long, cut from 97252CX bulk hose heater
23	1301342C1	2	FITTING, ADAPTER straight, special heater hose inlet
24	221-92	1	REDUCER, Hex, 3/4" x 3/8" NPT, REDUCER, pipe, 3/4 male x 3/8 inch female
28	98045C2	1	HOSE ASSY., 62 inch (1560 mm) long, condenser to cab, Includes: Ref. 29
29	238-5011	1	O-RING, -011, 70 Duro, .301" ID x .070" Thk,
30	1954736C1	4	CLAMP, HOSE, adjustable hose
32	231-5145		UAR NUT, Flg, USR, 5/16"-18,
33	477-73112		UAR BOLT, Slotted Tr Hd, 5/16"-18 x 3/4",
34	194756C2	1	ANGLE, fan drive pulley shield, clamp mounting, front
35	515-23381	1	CLAMP, 1 1/2", Insul, 3/8" Bolt, Coated medium, closed
36	409-7512	3	BOLT, Hex Flg, 5/16"-18 x 3/4", Serr,
37	1301560C1	2	SUPPORT, BRACKET mounting clamp, rear
40	199953C1	4	SCREW, SELF TAPPING, Hex Wash Hd, 5/16"-18 x 13/16",
41	477-73112	2	BOLT, Slotted Tr Hd, 5/16"-18 x 3/4",
42	231-5145	2	NUT, Flg, USR, 5/16"-18,
43	1324915C2	2	SUPPORT, BRACKET condenser
44	1994983C2	3	CLAMP, hose, heater and air conditioning
	97252CX		UAR HOSE, bulk, 5/8 (16) x 1 (25) x 600 inch (15240 mm) long



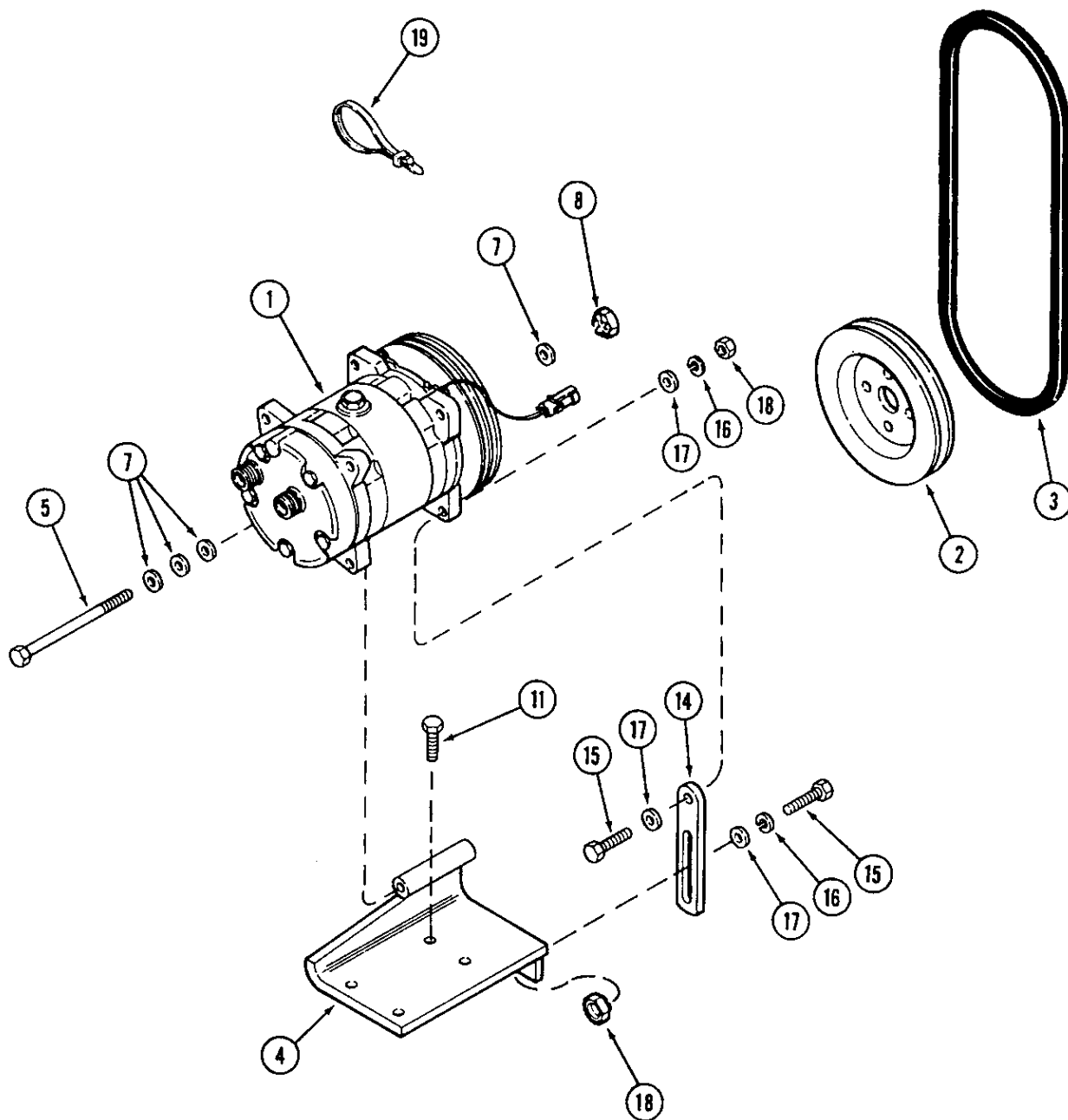


сылка	Номер детали	Кол-во	Описание
1	1974632C3	1	EVAPORATOR, CORE ASSEMBLY, heater, includes 1990756C1 valve, Ref. 21, 238-5015 O-ring Ref. 23 and 238-5013 O-ring Ref. 23A, parts list Fig. 9G-36, replaces 1974632C2
2	1327782C2	1	HOSE, LARGE, 130 inch (3302 mm) long, cut from 97252CX bulk hose heater to chassis junction
3	1321290C2	1	HOSE, 5 inch (127 mm) long, cut from 97252CX bulk hose heater to valve return
4	1327781C2	1	HOSE, 115 inch (2921 mm) long, cut from 97252CX bulk hose heater to valve to chassis return
5	1954736C1	4	CLAMP, HOSE, adjustable, hose retaining
6	1331087C1	1	VALVE, CONTROL, control heater
7	111282C1	1	KNOB, KNOB control heater
8	1989808C1	1	SUPPORT, cable, heater valve control
9	1989809C1	1	ARM, LEVER heater control
10	100-3325	2	RING, LOCKING, #25, .207" Dia, E-Type,
11	1954626C1	1	CLAMP, CLIP retaining cable
12	1989810C1	1	CABLE, control heater valve
13	1276164C1	1	HOSE, ASSEMBLY, evaporator discharge, Includes: Ref. 14 and 15
14	238-5015	2	O-RING, -015, 70 Duro, .551" ID x .070" Thk,
15	222-981	1	NUT, Cap, 3/8"-24, 45e Fl, hex, 7/16-20 inch female, 45 degree flare seal
16	1276163C2	1	HOSE, drier to cab, Includes: Ref. 17
17	238-5011	2	O-RING, -011, 70 Duro, .301" ID x .070" Thk,
18	1990758C2	1	RECEIVER-DRYER, air conditioning system reservoir, replaced by Ref. 18A 1990758C2
18A	1990758C2		RECEIVER-DRYER, air conditioning, replaces 143469C2
19	1250438C1	1	TUBE ASSY., receiver drier, Includes: Ref. 20
20	238-5011	2	O-RING, -011, 70 Duro, .301" ID x .070" Thk,
21	1990756C1	1	VALVE, expansion, replaces 98370C3
22	83822C1	1	TAPE, ADHESIVE, 24 inch (610 mm) long, cut from 1954475C1 bulk
23	238-5015	1	O-RING, -015, 70 Duro, .551" ID x .070" Thk,
23A	238-5013	1	O-RING, -013, 70 Duro, .426" ID x .070" Thk,
24	1321363C2	4	STRAP, retaining hose
25	1327506C1	4	SCREW, SELF TAPPING, Cross Pan Hd, M4.8 x 19, Coated,
26	260-1356	3	SCREW, SELF TAPPING, Cross Pan Hd, #10 x 3/8", self tapping, pan Phillips No. 10-16 x 3/8 inch
28	109311H	1	NUT, hex, jam, 7/16-28 NF
29	306132C1	1	STRAP, CABLE, .30" x 14.5", tie, 14 inch
30	98158C1	1	BRACKET, heater valve support
31	1327506C1	6	SCREW, SELF TAPPING, Cross Pan Hd, M4.8 x 19, Coated,
32	515-23254	1	CLAMP, 1", Insul, 3/8" Bolt, P-type, Hose, retaining
33	116494C1	1	SCREW, Std Serr Truss Hd, 3/8"-16 x 1/2",
34	231-5146	1	NUT, Flg, USR, 3/8"-16,
35	87435C1	2	MOLDING, TRIM edge, 3 inch (76 mm) long, cut from 1330108CX bulk heater and air conditioning hose
	1330108CX		UAR SEAL ASSY., TRIM edge, bulk 600 inch (15240 mm) long
	97252CX		UAR HOSE, bulk, 5/8 (16) x 1 (25) x 600 inch (15240 mm) long
	1954475C1		UAR ROLL, TAPE bulk, 2-1/2 (63.5) wide x 360 (9150) long x 1/8 inch (3 mm) thick



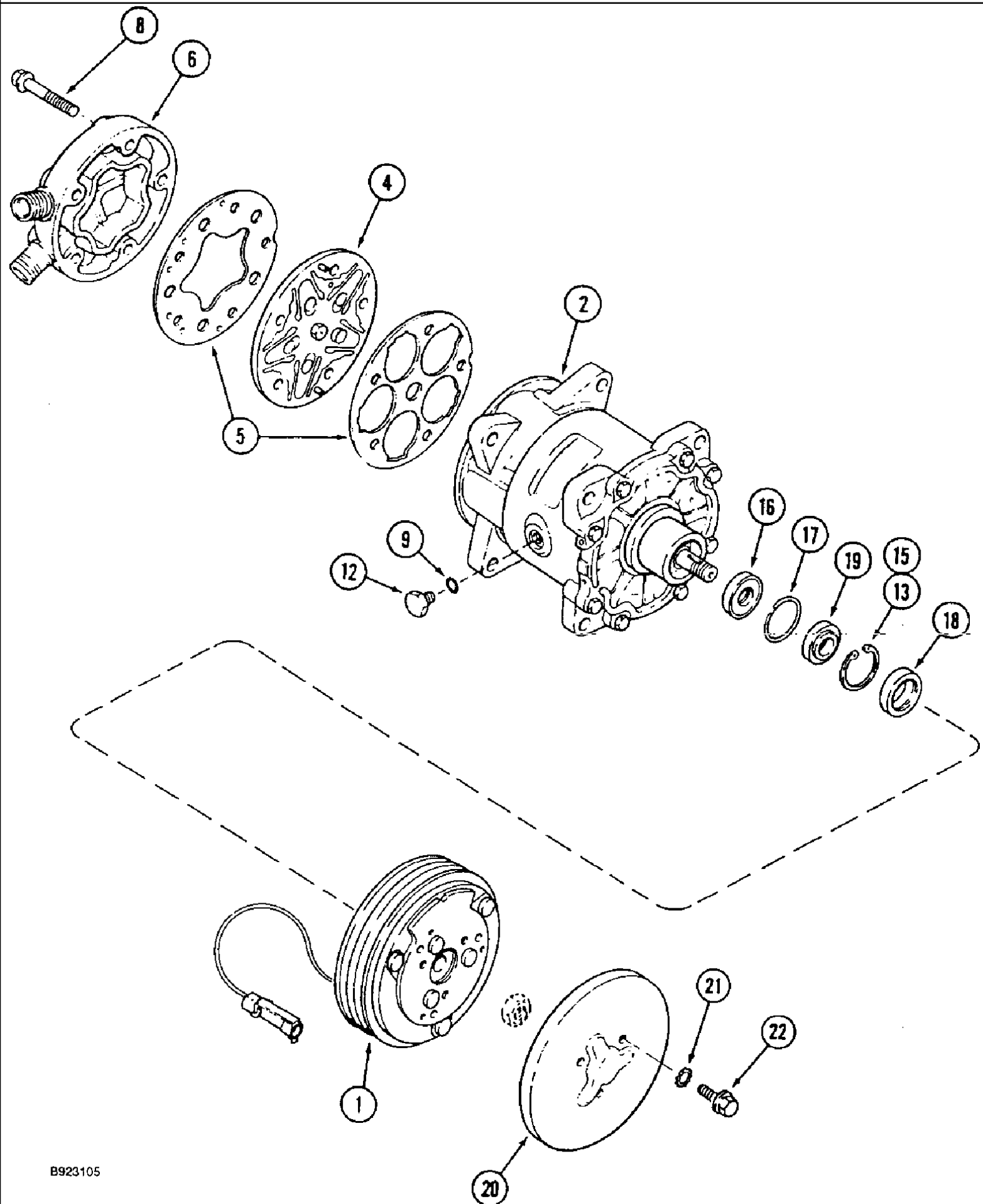
сылка	Номер детали	Кол-во	Описание
1	1974632C3	1	EVAPORATOR, CORE ASSEMBLY, heater, includes 1990756C1 valve, Ref. 17, 238-5015 O-ring Ref. 19 and 238-5013 O-ring Ref. 19A, parts list Fig. 9G-36, replaces 1974632C2
2	1327782C2	1	HOSE, LARGE, 130 inch (3302 mm) long, cut from 97252CX bulk heater from chassis inlet
3	1321290C2	1	HOSE, 5 inch (127 mm) long, cut from 97252CX bulk heater to valve
4	1327781C2	1	HOSE, 115 inch (2921 mm) long, cut from 97252CX bulk heater to valve to chassis
5	1954736C1	4	CLAMP, HOSE, adjustable hose retaining
6	1331087C1	1	VALVE, CONTROL, control heater
7	111282C1	1	KNOB, KNOB control heater
8	123855A1	1	CONTROL, CABLE heater valve
9	1276164C1	1	HOSE, ASSEMBLY, evaporator discharge, Includes: Ref. 10 and 11
10	238-5015	2	O-RING, -015, 70 Duro, .551" ID x .070" Thk,
11	222-981	1	NUT, Cap, 3/8"-24, 45e Fl, hex, 7/16-20 inch female, 45 degree flare seal
12	1276163C2	1	HOSE, drier to cab, Includes: Ref. 13
13	238-5011	2	O-RING, -011, 70 Duro, .301" ID x .070" Thk,
14	1990758C2	1	RECEIVER-DRYER, air conditioning system, replaced by 1990758C2
14A	1990758C2		RECEIVER-DRYER, air conditioning, replaces 143469C2
15	1250438C1	1	TUBE ASSY., receiver drier, Includes: Ref. 16
16	238-5011	2	O-RING, -011, 70 Duro, .301" ID x .070" Thk,
17	1990756C1	1	VALVE, expansion, replaces 98370C3
18	83822C1	1	TAPE, ADHESIVE, 24 inch (610 mm) long, cut from 1954475C1 bulk
19	238-5015	1	O-RING, -015, 70 Duro, .551" ID x .070" Thk,
19A	238-5013	1	O-RING, -013, 70 Duro, .426" ID x .070" Thk,
20	1321363C2	4	STRAP, retaining hose
21	1327506C1	4	SCREW, SELF TAPPING, Cross Pan Hd, M4.8 x 19, Coated,
22	109311H	1	NUT, hex, jam, 7/16-28 NF
23	306132C1	1	STRAP, CABLE, .30" x 14.5", tie, 14 inch
24	98158C1	1	BRACKET, heater valve support
25	1327506C1	2	SCREW, SELF TAPPING, Cross Pan Hd, M4.8 x 19, Coated,
26	515-23254	1	CLAMP, 1", Insul, 3/8" Bolt, P-type, Hose, retaining
27	116494C1	1	SCREW, Sltd Serr Truss Hd, 3/8"-16 x 1/2",
28	231-5146	1	NUT, Flg, USR, 3/8"-16,
29	87435C1	2	MOLDING, TRIM edge, 3 inch (76 mm) long, cut from 1330108CX bulk heater and air conditioning hose
	1330108CX		UAR SEAL ASSY., TRIM edge, bulk 600 (15240 mm) long
	97252CX		UAR HOSE, bulk, 5/8 (16) x 1 (25) x 600 inch 600 inch (15240 mm) long
	1954475C1		UAR ROLL, TAPE bulk, 2-1/2 (63.5) wide x 360 (9150) long x 1/8 inch (3 mm) thick

9G-44



## 9G-44 AIR CONDITIONING SYSTEM, COMPRESSOR MOUNTING AND DRIVE

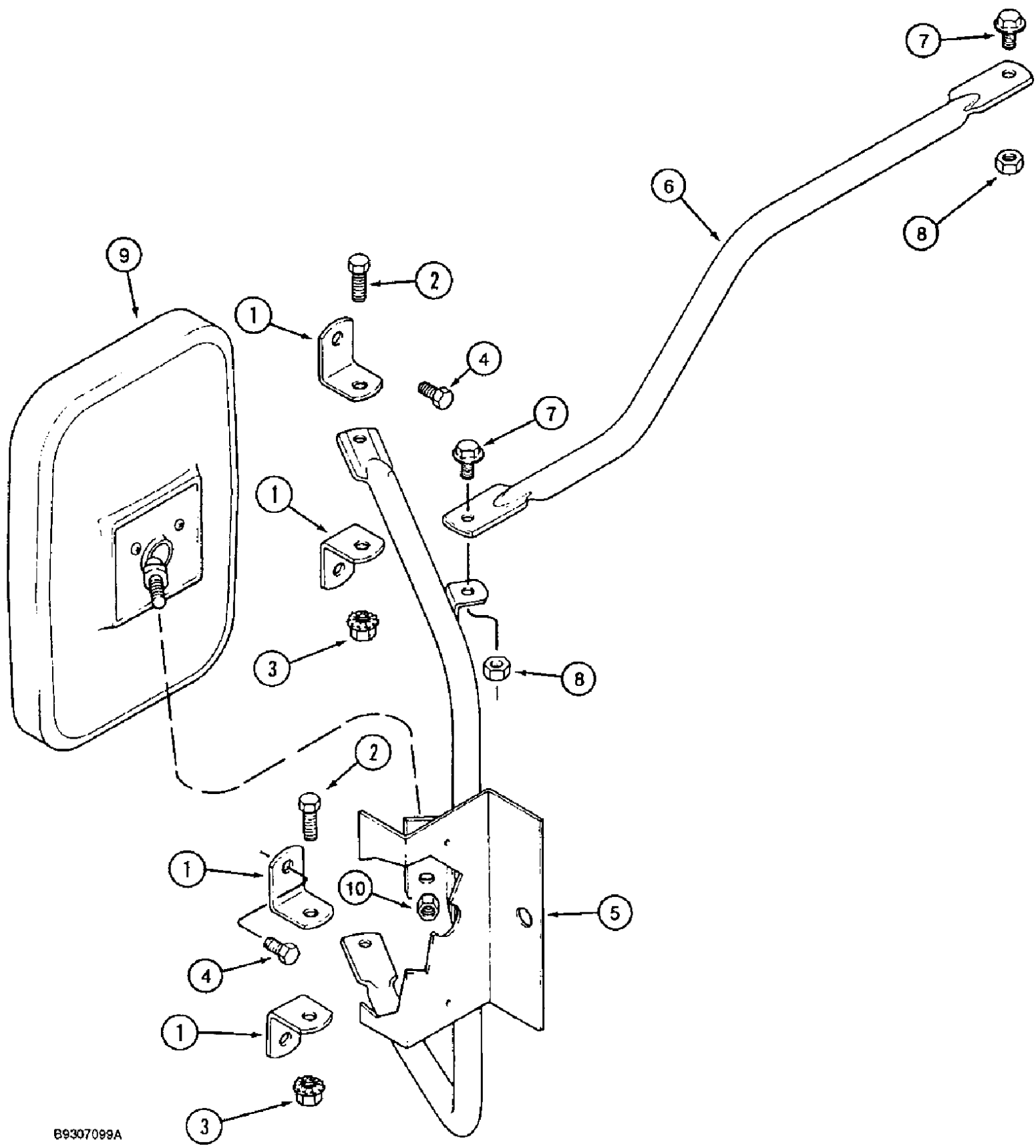
сылка	Номер детали	Кол-во	Описание
1	1977959C1	1	COMPRESSOR, ASSEMBLY, air conditioning, parts list Fig. 9G-46
2	A189155	1	PULLEY, compressor drive
3	396829R1	1	BELT, compressor drive
4	84715C1	1	BRACKET, compressor mounting
5	814-10130	1	BOLT, Hex, M10 x 130, 8.8,
7	896-12010	4	WASHER, M10 x 21.5 x 2.5, HT, flat, 11 x 21 x 2.5 mm, hardened
8	832-41310	1	NUT, LOCK, M10 x 1.5, Cl 10, hex, self locking, 10 mm - 1.5, class 10
11	614-10030	4	BOLT, Hex, M10 x 30, 8.8,
14	84716C1	1	SUPPORT, STRAP adjusting compressor
15	614-10035	2	BOLT, Hex, M10 x 35, 8.8, Full Thd,
16	892-11010	2	WASHER, LOCK, M10,
17	896-12010	3	WASHER, M10 x 21.5 x 2.5, HT, flat, 11 x 21 x 2.5 mm, hardened
18	832-41310	2	NUT, LOCK, M10 x 1.5, Cl 10, hex, self locking, 10 mm - 1.5, class 10
19	306132C1	2	STRAP, CABLE, .30" x 14.5", tie, 14 inch, nylon



## 9G-46 HEATER AND AIR CONDITIONING SYSTEM, COMPRESSOR ASSEMBLY

сылка	Номер детали	Кол-во	Описание
	1977959C1	1	COMPRESSOR, ASSEMBLY, air conditioning, Includes: Ref. 1 thru 22
1	1981779C1	1	CLUTCH ASSEMBLY, COMPRESSOR, 6 inch
2	NSS		NOT SERVICED SEPARATELY, HOUSING compressor
4	NSS		NOT SERVICED SEPARATELY, PLATE compressor valve
5	A49668	1	KIT, GASKET, valve plate
6	1958959C1	1	COVER, HEAD cylinder
8	A49669	5	SCREW, BOLT hex flange
9	A49666	1	O-RING, rubber
12	A49667	1	PLUG, hex oil filter
13	A49664	1	CIRCLIP, RING snap, seal seat
	A49665	1	KIT, GASKET, SEAL, front, Includes: Ref. 15 and 19
15	A49664	1	CIRCLIP, RING snap, seal seat
16	NSS		NOT SERVICED SEPARATELY, SEAL shaft
17	NSS		NOT SERVICED SEPARATELY, O-RING housing
18	NSS		NOT SERVICED SEPARATELY, RING felt
19	NSS		NOT SERVICED SEPARATELY, SEAT seal, shaft
20	1981776C1	1	COVER, dust, clutch, replaces 1958961C1, Includes: Ref. 21 and 22
21	NSS		NOT SERVICED SEPARATELY, WASHER external teeth
22	NSS		NOT SERVICED SEPARATELY, SCREW dust cover



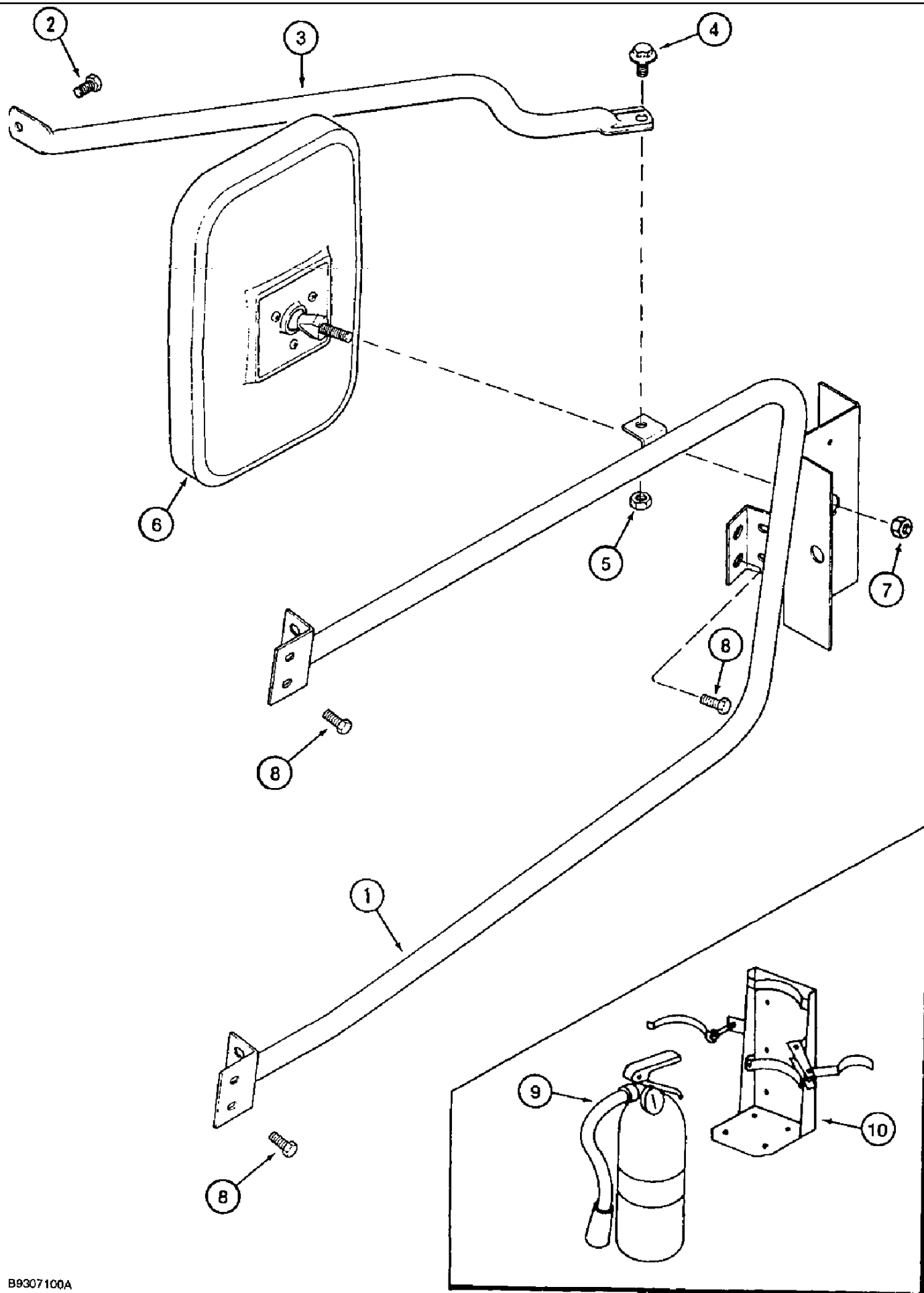


B9307099A

## 1666 CASE IH AXIAL-FLOW COMBINE (1/93-12/94)

## 9G-48 REAR VIEW MIRROR, RIGHT-HAND

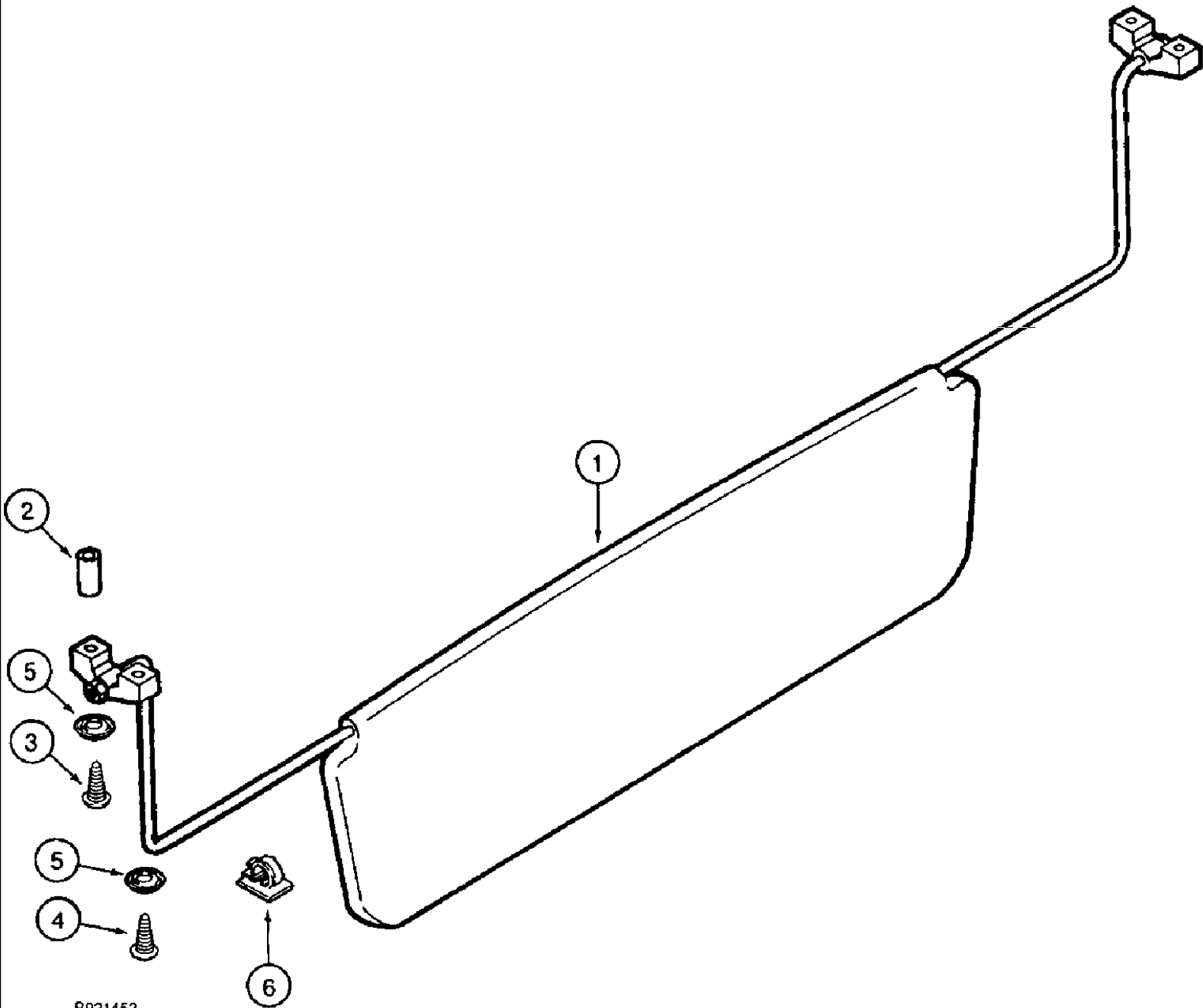
сылка	Номер детали	Кол-во	Описание
1	1281917C1	4	ANGLE, bracket mounting
2	1990501C1	2	BOLT, Hex, 5/16"-18 x 1", G5, hex, special locking, 5/16 NC x 1 inch
3	1330064C1	2	NUT, hex flange, self locking, polyseal, 5/16 inch NC
4	1987299C1	4	SCREW, BOLT hex, 5/16 NC x 3/4 inch
5	1281914C1	1	TUBE, BRACKET mirror mounting, right hand
6	1281916C3	1	LEVER, SUPPORT mirror bracket, right hand
7	121-230	2	BOLT, Hex Flg, 3/8"-16 x 3/4", Serr,
8	122379A1	2	NUT, hex serrated flange, 3/8 inch NC
9	1283403C1	1	MIRROR, rear view, right hand
10	122379A1	1	NUT, hex serrated flange



1666 CASE IH AXIAL-FLOW COMBINE (1/93-12/94)

9G-50 REAR VIEW MIRROR, LEFT-HAND, FIRE EXTINGUISHER

сылка	Номер детали	Кол-во	Описание
1	1281911C1	1	TUBE, BRACKET mirror mounting, left hand
2	1987299C1	4	SCREW, BOLT hex, 5/16 NC x 3/4 inch
3	1281913C1	1	TUBE, SUPPORT mirror bracket, left hand
4	121-230	1	BOLT, Hex Flg, 3/8"-16 x 3/4", Serr,
5	122379A1	2	NUT, hex serrated flange, 3/8 inch NC
6	1283403C1	1	MIRROR, rear view, left hand
7	122379A1	1	NUT, hex serrated flange, 3/8 inch NC
8	1990501C1	3	BOLT, Hex, 5/16"-18 x 1", G5, BOLT hex, special locking, 5/16 NC x 1 inch
9	549975C91	1	FIRE EXTINGUISHER, ABC dry chemical,
10	549978C91	1	BRACKET, extinguisher mounting, fire

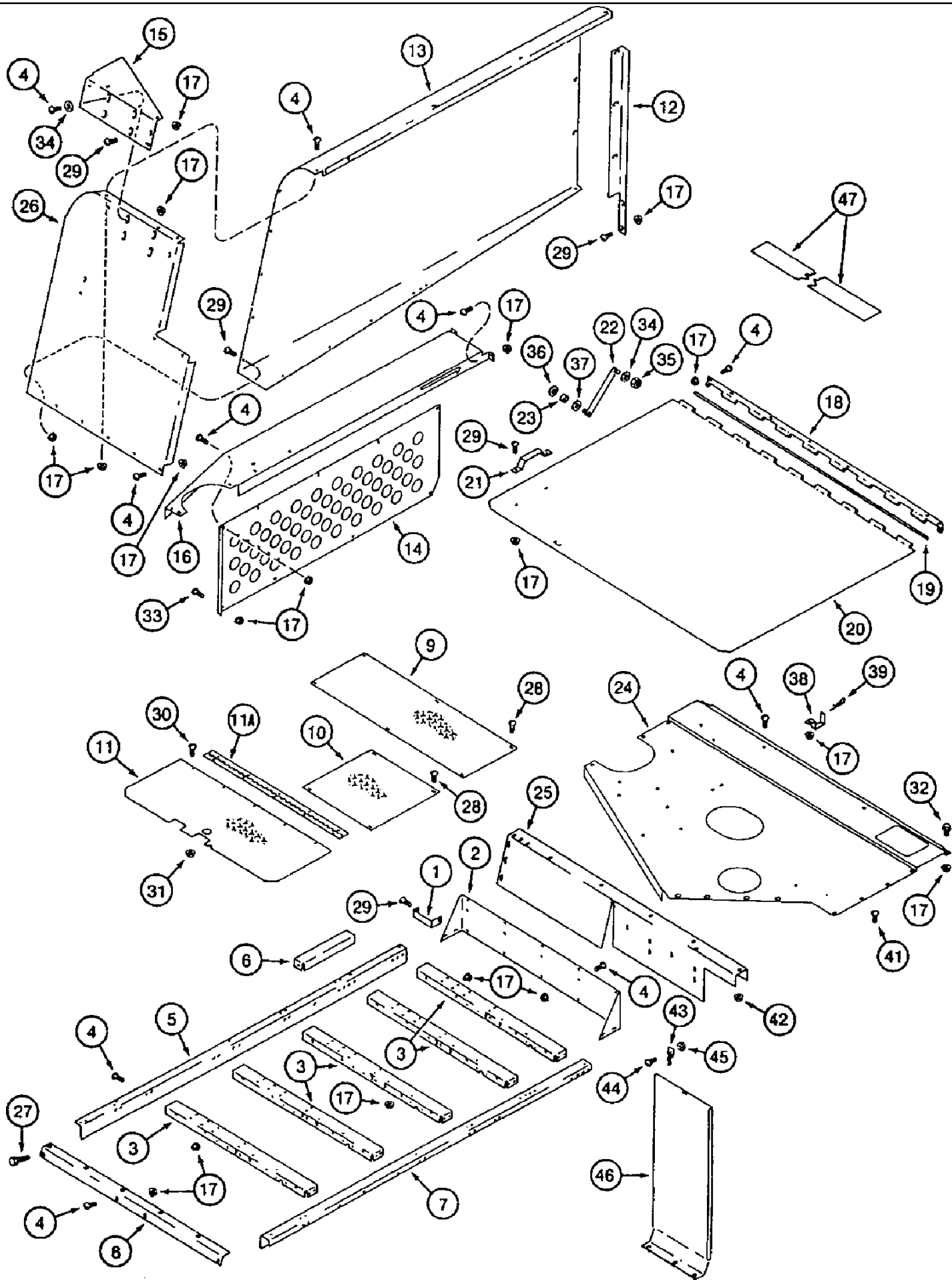


B921453

## 9G-52 SUNVISOR

сылка	Номер детали	Кол-во	Описание
1	1970227C2	1	VISOR, SUN, cab
2	1329974C1	2	SPACER, 1/4 x 1 inch (6 x 25 mm) sunvisor
3	1979389C1	2	SCREW, self tapping, oval head Phillips No. 10-16 x 1-3/4 inch
4	1971367C2	2	SCREW, SELF TAPPING, Cross Oval Hd, #10-16 x 3/4", self tapping, oval head Phillips No. 10-16 x 3/4 inch
5	1329968C1	4	WASHER, oval head, finishing
6	1281913C1	7	TUBE, CLIP retaining harness, plastic

9H-02 ENGINE SHIELD AND SERVICE DECK



## 1666 CASE IH AXIAL-FLOW COMBINE (1/93-12/94)

## 9H-02 ENGINE SHIELD AND SERVICE DECK

сылка	Номер детали	Кол-во	Описание
1	188419C1	1	CHANNEL, BRACKET grain tank, upper left hand, rear
2	193435C2	1	SUPPORT, engine service deck
3	192959C6	5	SUPPORT, deck
4	477-73112		UAR BOLT, Slotted Tr Hd, 5/16"-18 x 3/4",
4	409-7516		UAR BOLT, Hex Flg, 5/16"-18 x 1", Serr,
5	188368C4	1	ANGLE, BRACKET deck support, left hand
6	1979830C1	1	SUPPORT, deck
7	192960C6	1	ANGLE BAR, deck, right hand
8	193146C4	1	ANGLE, engine deck, rear support
9	1979874C1	1	PLATE, engine compartment, front
10	1979827C1	1	PLATE, DECK engine compartment
11	1977155C2	1	DOOR, service deck
11A	186695C1	1	HINGE, door, service deck
12	188377C1	1	ANGLE, shield stiffener, upper left hand
13	1347060C2	1	SUPPORT, rear, upper left hand trim
14	1302703C2	1	SHEET ASSY., PLATE rotor cover to service deck
15	1330481C2	1	SUPPORT, upper shield, left hand, rear
16	1541854C2	1	SUPPORT, door and hood
17	231-5145		UAR NUT, Flg, USR, 5/16"-18,
18	194477C2	1	HINGE, rotor cover door, front
19	194478C1	1	ROD, rotor door hinge
20	186197C93	1	TRAP DOOR, engine and rotor drive cover, includes decal
21	160638C1	1	HANDLE, door rotor
22	1302413C1	1	PROP, front, door hold up
23	568257R1	1	SPACER, 1/2" Tube x 3/8", 1/2 x 3/8 inch
24	1541839C3	1	SUPPORT, upper cover, rear
25	1541955C2	1	SUPPORT, air cleaner
26	1347130C1	1	PROTECTION PLATE, SUPPORT engine, left hand rear
27	413-532	2	BOLT, Hex, 5/16"-18 x 2", G5,
28	281-1478	20	SCREW, SELF TAPPING, Hex Wash Hd, 1/4" x 1/2", self tapping, hex washer head, 1/4 NC x 1/2 inch
29	477-73108	29	SCREW, Slt'd Serr Truss Hd, 5/16"-18 x 1/2", slotted truss head, 5/16 NC x 1/2 inch
30	477-82508	18	SCREW, Slt'd Serr Truss Hd, 1/4"-20 x 1/2", slotted truss head, 1/4 NC x 1/2 inch
31	231-5144	18	NUT, Flg, USR, 1/4"-20,
32	256873	19	BOLT, Hex Flg, 5/16"-18 x 1/2", Serr,
33	477-73116	3	SCREW, Slt'd Serr Truss Hd, 5/16"-18 x 1", slotted truss head, 5/16 NC x 1 inch
34	495-81117	2	WASHER, .344" x 1" x .120", flat, 11/32 x 1 x 7/64 inch
35	231-5315	2	NUT, LOCK, Flg, 5/16"-18,
36	495-81024	1	WASHER, 17/32" x 1 1/4" x .060", flat, 17/32 x 1-1/4 x 1/16 inch
37	567532R1	1	WASHER, WASHER flat, special, 21/64 x 1/2 x 5/32 inch
38	1979316C2	1	SUPPORT, engine compartment door
39	480523R1	1	SPLIT PIN/SAFETY PIN, hair, 9/64 inch diameter
40	D55216	10	STRIP, ANTI-SKID, anti skid, not shown
41	477-73108	2	SCREW, Slt'd Serr Truss Hd, 5/16"-18 x 1/2", slotted truss head, 5/16 NC x 1/2 inch
42	231-5145	2	NUT, Flg, USR, 5/16"-18,
43	167800C1	2	FASTENER, door, retaining clip

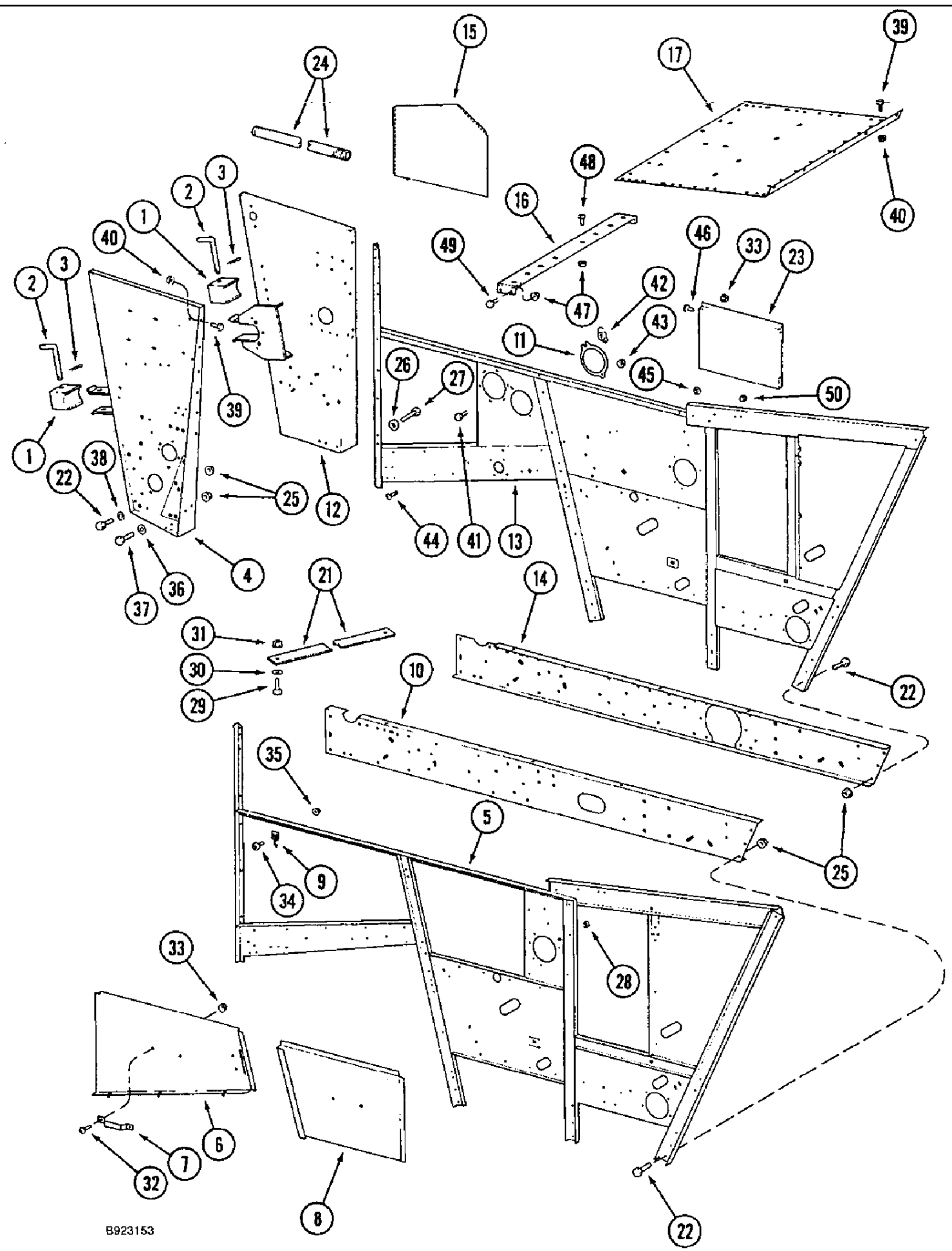


1666 CASE IH AXIAL-FLOW COMBINE (1/93-12/94)

9H-02 ENGINE SHIELD AND SERVICE DECK

сылка	Номер детали	Кол-во	Описание
44	440-1108	2	SCREW, Cross Pan Hd, #10-24 x 1/2", machine, pan Phillips No. 10 NC x 1/2 inch
45	231-51409	2	NUT, Flg, USR, #10-24,
46	1977286C3	1	SUPPORT, air shield
47	D80270	5	STRIP, anti skid

9H-06 SEPARATOR DOORS, SIDES AND SUPPORTS



B923153

## 1666 CASE IH AXIAL-FLOW COMBINE (1/93-12/94)

## 9H-06 SEPARATOR DOORS, SIDES AND SUPPORTS

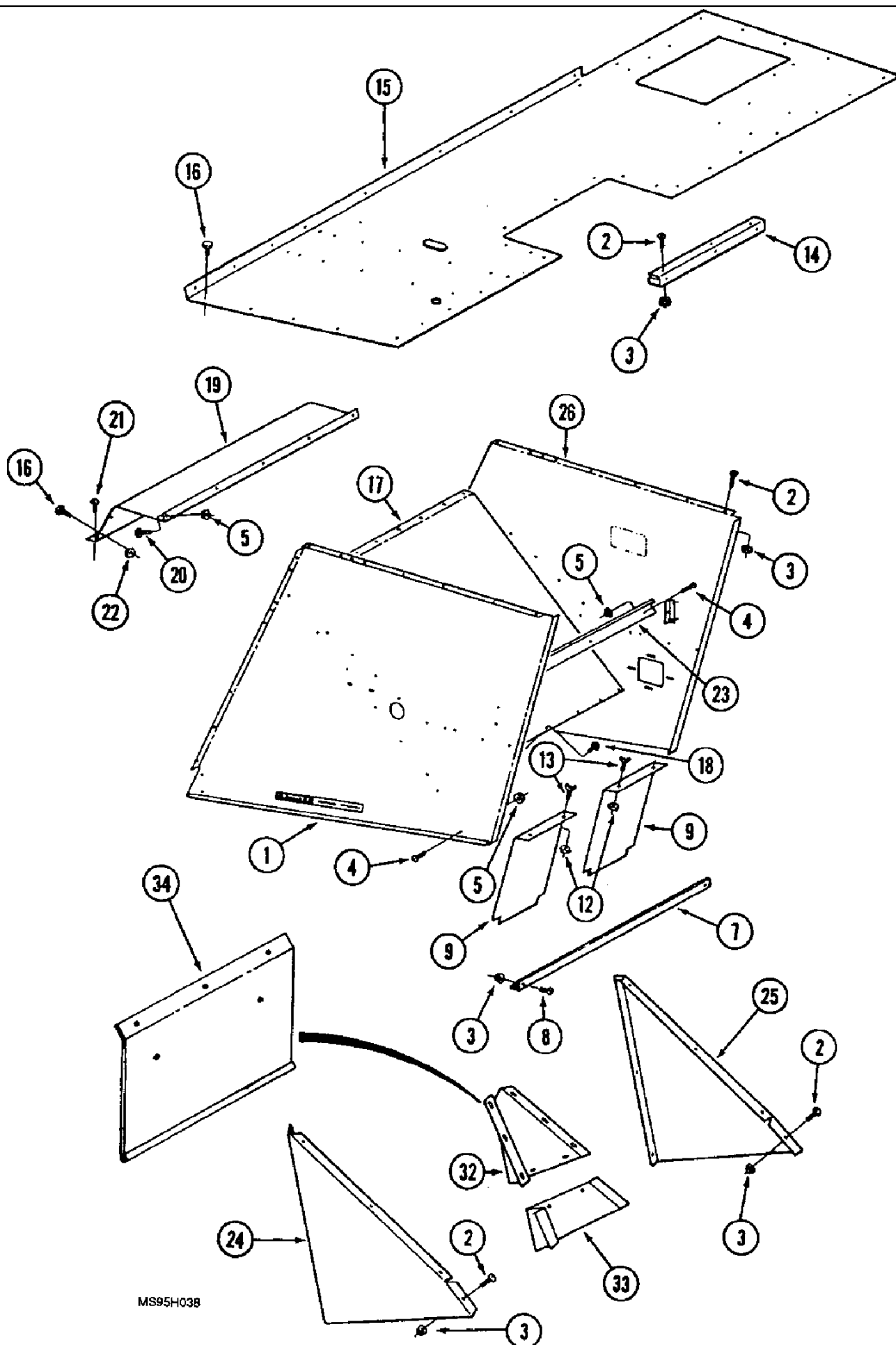
сылка	Номер детали	Кол-во	Описание
1	1989327C1	2	RETAINER, BLOCK feeder pivot
2	192533C2	2	ROD, feeder pivot block
3	1978738C1	2	PIN, SPLIT (COTTER), cotter, hair, 3/16 inch
4	120868A1	1	SUPPORT ASSY., POST, side, left hand, front, includes ZA740950 decal
5	1970184C2	1	STIFFENER, FRAME separator, left hand
6	186178C91	1	DOOR, separaror, left hand, front
7	160638C1	3	HANDLE, door separator
8	186188C91	1	DOOR, separator, left hand
9	167800C1	14	FASTENER, door, retaining clip
10	1327695C8	1	SUPPORT, separator, main, left hand
11	188315C1	1	DOOR, access, belt drive cover separator, right hand
12	185125C3	1	SUPPORT ASSY., POST separator, right hand
13	1970464C3	1	SIDE ASSY., separator, right hand
14	1317554C5	1	SUPPORT, separator, right hand, main
15	186199C91	1	DOOR, separator, right hand, front
16	195316C1	1	SUPPORT ASSY., engine deck
17	1324970C2	1	PLATE, engine deck
21	196315C2	2	BAR, separator frame, diagonal support
22	426-1020	26	BOLT, Hex, 5/8"-11 x 1 1/4", G8, Full Thd, hex, 5/8 NC x 1-1/4 inch, grade 8
23	181085C2	2	DOOR, separator side
24	1319395C1	1	CONDUIT, convoluted, 12-1/8 inch long
25	232-51310	34	NUT, Flg, USR, 5/8"-12, hex serrated flange, 5/8 inch NC, grade 8
26	495-11041	UAR	WASHER, 3/8", SAE, Flat, (13/32 x 13/16 x 1/16")
27	409-7624	1	BOLT, Hex Flg, 3/8"-16 x 1 1/2", Serr,
28	353-252	1	PLUG, 1", button, 1 inch
29	426-824	5	BOLT, Hex, 1/2"-13 x 1 1/2", G8, Full Thd, hex, 1/2 NC x 1-1/2 inch, grade 8
30	496-21053	5	WASHER, 17/32" x 1 1/16" x .134", Hardened
31	186852C1	5	NUT, hex, self locking, special, 1/2 inch NC, grade 8
32	477-73108	6	SCREW, Sltd Serr Truss Hd, 5/16"-18 x 1/2", slotted truss head, 5/16 NC x 1/2 inch
33	231-5145	16	NUT, Flg, USR, 5/16"-18,
34	440-1108	14	SCREW, Cross Pan Hd, #10-24 x 1/2", machine, pan Phillips No. 10 NC x 1/2 inch
35	231-51409	14	NUT, Flg, USR, #10-24,
36	396-41066	4	WASHER, 21/32" x 1 1/2" x .188", HDN, flat, 21/32 x 1-1/2 x 3/16 inch, hardened
37	426-1024	8	BOLT, Hex, 5/8"-11 x 1 1/2", G8, Full Thd, BOLT hex, 5/8 NC x 1-1/2 inch, grade 8
38	169256C2	12	WASHER, flat, special, 41/64 x 1-1/2 x 1/8 inch
39	426-816	13	BOLT, Hex, 1/2"-13 x 1", G8, Full Thd, BOLT hex, 1/2 NC x 1 inch, grade 8
40	232-5138	13	NUT, Flg, USR, 1/2"-13, G8,
41	413-48	1	BOLT, Hex, 1/4"-20 x 1/2", G5, Full Thd, hex, 1/4 NC x 1/2 inch
42	126177	1	DISC, 1/4 inch NC
43	232-4114	1	NUT, LOCK, 1/4"-20, GC,
44	477-82508	1	SCREW, Sltd Serr Truss Hd, 1/4"-20 x 1/2", slotted truss head, 1/4 NC x 1/2 inch
45	432366	1	BUTTON, HOLE PLUG, 1 3/8", button, 1-3/8 inch dia.
46	477-73112	10	BOLT, Slotted Tr Hd, 5/16"-18 x 3/4",
47	231-5146	16	NUT, Flg, USR, 3/8"-16,
49	477-73812	4	SCREW, Sltd Serr Truss Hd, 3/8" x 3/4", slotted truss head, special, 3/8 NC x 3/4 inch

1666 CASE IH AXIAL-FLOW COMBINE (1/93-12/94)

9H-06 SEPARATOR DOORS, SIDES AND SUPPORTS

сылка	Номер детали	Кол-во	Описание
50	353-411	1	PLUG, Dome, 1.000" hole, Nylon,
51	188062C2	4	SEAL, 5-1/2 inch (140 m) long, cut from 1338148CX bulk seal door, for use between separator side doors and auger bed
	1338148CX		UAR SEAL, bulk, foam, adhesive backed 600 inch, (15240 mm) long NC
48	477-73816	12	SCREW, Sltd Serr Truss Hd, 3/8" x 1", Special

9H-08 SEPARATOR SIDES

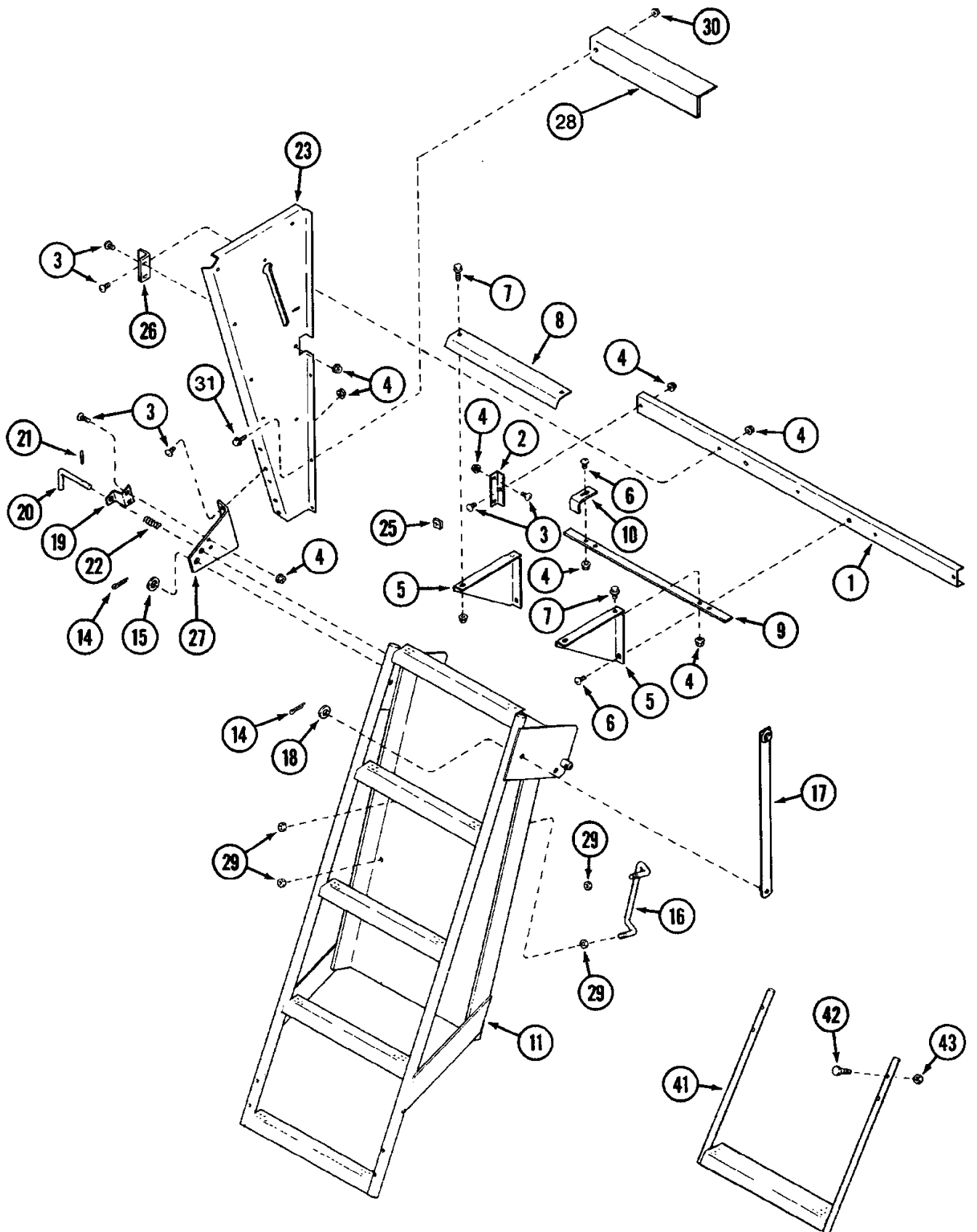


MS95H038

## 9H-08 SEPARATOR SIDES

сылка	Номер детали	Кол-во	Описание
1	192378C9	1	SHEET, SIDE separator, left hand, replaces 192378C7
2	477-73112	23	BOLT, Slotted Tr Hd, 5/16"-18 x 3/4",
3	231-5145	67	NUT, Flg, USR, 5/16"-18,
5	231-5146	14	NUT, Flg, USR, 3/8"-16,
7	192309C2	1	ANGLE, rear support
8	477-73116	3	SCREW, Sltd Serr Truss Hd, 5/16"-18 x 1", slotted truss head, 5/16 NC x 1 inch
9	1300294C91	2	SUPPORT, hood, rear access, includes decals
12	488837C1	4	NUT, speed, 5/26 inch, rear hood support
13	183-123	4	SCREW, thumb with shoulder, 5/16 NC x 3/4 inch rear hood support, replaces 176978C1
14	186971C1	1	ANGLE, rear deck support
15	1317744C6	1	SHEET, SUPPORT rear deck
16	477-73108	32	SCREW, Sltd Serr Truss Hd, 5/16"-18 x 1/2", slotted truss head, 5/16 NC x 1/2 inch
17	1324988C3	1	DEFLECTOR, straw discharge, replaces 1324988C2
18	409-7512	8	BOLT, Hex Flg, 5/16"-18 x 3/4", Serr,
19	1541957C1	1	SHEET, SUPPORT engine deck
20	477-73812	8	SCREW, Sltd Serr Truss Hd, 3/8" x 3/4", slotted truss head, special, 3/8 NC x 3/4 inch
21	199953C1	5	SCREW, SELF TAPPING, Hex Wash Hd, 5/16"-18 x 13/16",
22	488837C1	5	NUT, speed, 5/16 inch
23	194305C1	1	ANGLE, deflector stiffener
24	1302105C2	1	DEFLECTOR, SUPPORT corner, left hand, replaces 1302105C1
25	1302106C2	1	DEFLECTOR, SUPPORT corner, right hand, replaces 1302106C1
26	1302698C93	1	SUPPORT, SIDE separator, right hand, includes decals, Includes decal
27	185442C1	1	DECAL, caution, engine must be shut off, not shown
32	1319485C1	1	DEFLECTOR, rear hood, if used
33	1321019C1	1	DEFLECTOR, guard, if used
34	115498A2	1	DEFLECTOR, rear hood
4	477-73816	6	SCREW, Sltd Serr Truss Hd, 3/8" x 1", Special

9H-10 SERVICE LADDER

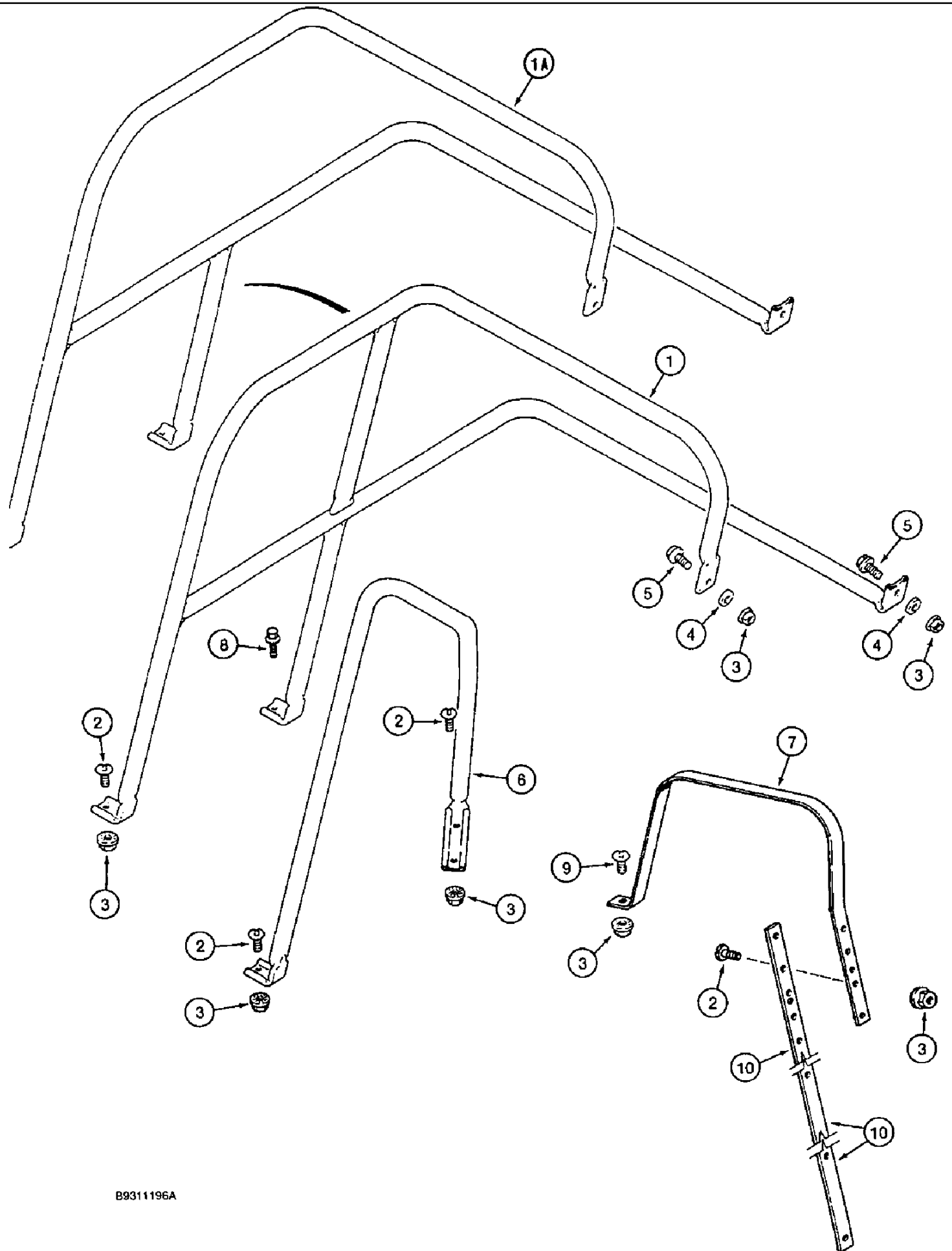


## 9H-10 SERVICE LADDER

сылка	Номер детали	Кол-во	Описание
1	185399C2	1	CHANNEL, ladder, upper support
2	194311C1	2	ANGLE, BRACKET mounting, upper support ladder
3	477-73112	24	BOLT, Slotted Tr Hd, 5/16"-18 x 3/4",
4	231-5145	29	NUT, Flg, USR, 5/16"-18,
5	1347489C1	2	SUPPORT, BRACKET upper step ladder
6	477-73116	3	SCREW, Slt'd Serr Truss Hd, 5/16"-18 x 1", slotted truss head, 5/16 NC x 1 inch
7	409-7512	4	BOLT, Hex Flg, 5/16"-18 x 3/4", Serr,
8	1327607C1	1	PLATE, STEP angle, upper ladder
9	1319722C1	1	BAR, upper step support
10	1321975C1	1	BRACKET, ladder stop
11	1319766C93	1	LADDER, rear service, includes decal, replaces 1319766C91
14	432-1212	4	PIN, SPLIT (COTTER), 3/16" x 3/4",
15	495-11066	6	WASHER, 5/8", SAE, flat, 21/32 x 1-5/16 x 3/32 inch
16	1329715C1	1	HANDLE, ladder
17	1321698C1	1	LINK, ladder slip
18	495-81024	2	WASHER, 17/32" x 1 1/4" x .060", flat, 17/32 x 1-1/4 x 1/16 inch
19	1319739C1	1	BRACKET, ladder pin
20	1319740C1	1	PIN, ladder support
21	38-1813	1	PIN, LOCK, 1/8" x 13/16", Slotted, 1/8" x 13/16", Slotted
22	540815R2	1	SPRING, lock pin ladder support
23	185404C5	1	SIDE PLATE, BRACE ladder, left hand
24	185405C4	1	SIDE PLATE, BRACE ladder, right hand, not shown
25	488837C1	4	NUT, speed, 5/16 inch
26	1327997C1	2	ANGLE, BRACKET mounting, channel, upper step
27	1319738C1	2	BRACKET, ladder pivot
28	111044A1	1	PLATE, LARGE, SUPPORT ladder front opening
29	231-5148	4	NUT, Flg, USR, 1/2"-13,
30	231-5144	2	NUT, Flg, USR, 1/4"-20,
31	409-748	2	BOLT, Hex Flg, 1/4"-20 x 1/2", Serr,
41	1321701C1	1	STEP, ladder extension
42	164191C1	4	SCREW, Slt'd, Serr Truss Hd, 5/16"-18 x 1 1/2", slotted truss head, 5/16 NC x 1-1/2 inch, extension
43	231-5145	4	NUT, Flg, USR, 5/16"-18, Extension



9H-12 SERVICE DECK HAND RAILS

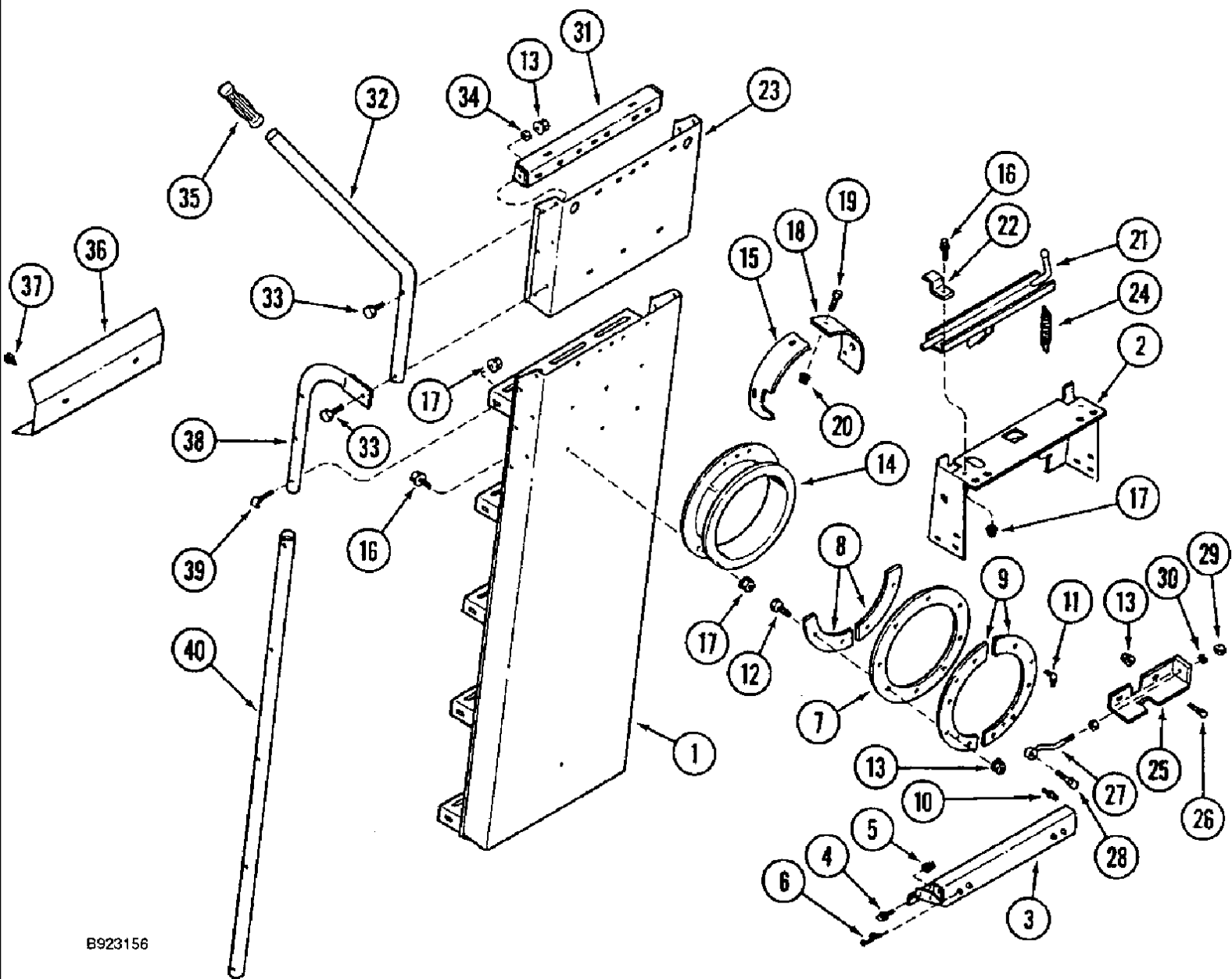


B9311196A

## 9H-12 SERVICE DECK HAND RAILS

сылка	Номер детали	Кол-во	Описание
1	193089C2	1	GRAB RAIL, hand, service deck, left hand, if used
1A	193089C2	1	GRAB RAIL, hand, service deck, left hand, if used
2	477-73112	7	BOLT, Slotted Tr Hd, 5/16"-18 x 3/4",
3	231-5145	10	NUT, Flg, USR, 5/16"-18,
4	495-81121	2	WASHER, .344" x 1 1/2" x .060", flat, 11/32 x 1-1/2 x 1/16 inch
5	409-7512	2	BOLT, Hex Flg, 5/16"-18 x 3/4", Serr,
6	1541843C2	1	GRAB RAIL, hand service deck, right hand
7	1338059C2	1	RAIL, hand, service deck to grain tank
8	409-7516	1	BOLT, Hex Flg, 5/16"-18 x 1", Serr,
9	477-73116	1	SCREW, Sltd Serr Truss Hd, 5/16"-18 x 1", slotted truss head, 5/16 NC x 1 inch
10	1338058C3	1	BAR, engine deck support

9H-14 PIVOTING LADDER



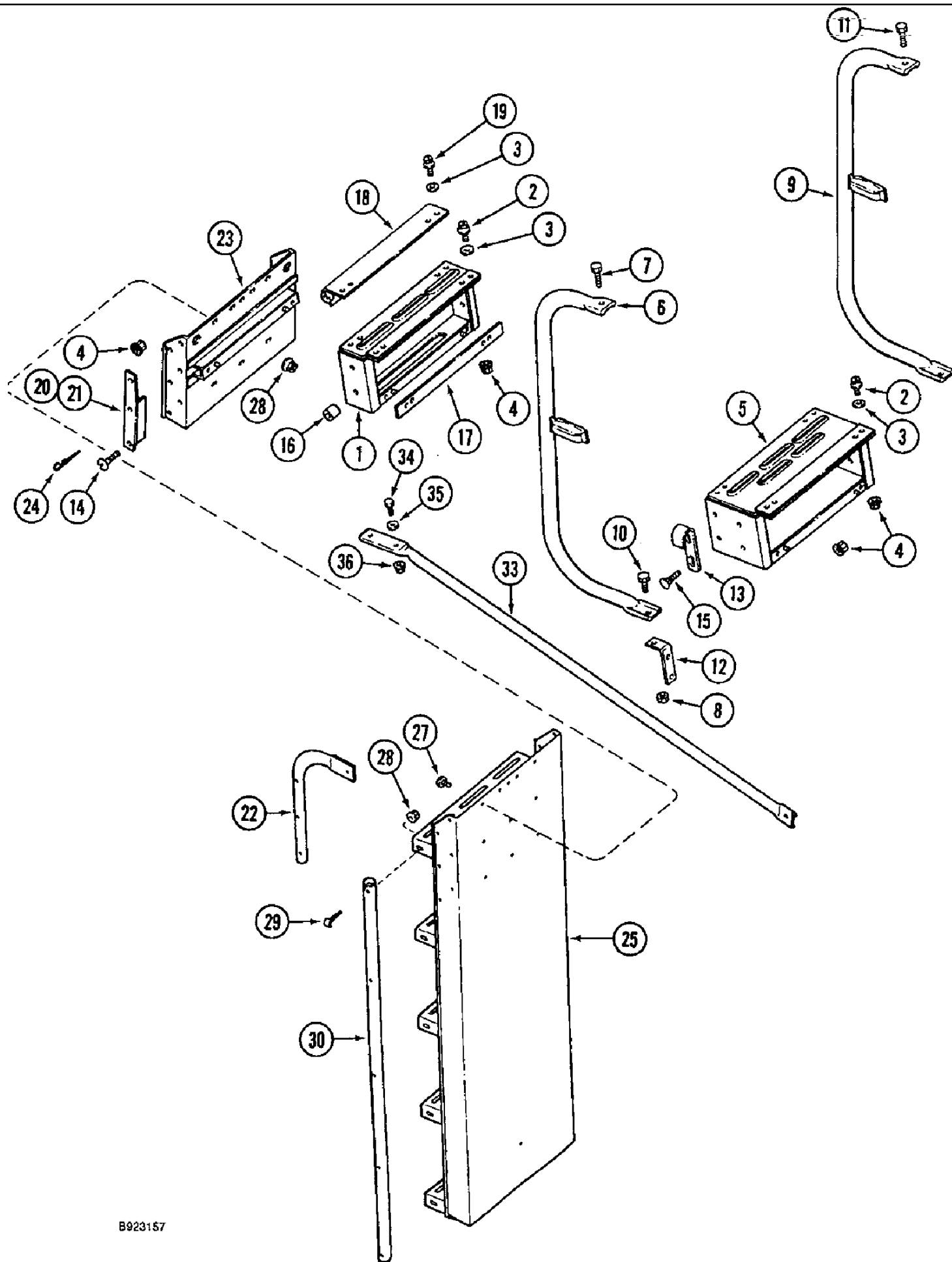
B923156

## 1666 CASE IH AXIAL-FLOW COMBINE (1/93-12/94)

## 9H-14 PIVOTING LADDER

сылка	Номер детали	Кол-во	Описание
1	1317520C91	1	LADDER, pivoting mounting with decal
2	187941C1	1	SUPPORT, pivot extension
3	187949C2	1	SUPPORT, pivot extension center lever
4	256873	6	BOLT, Hex Flg, 5/16"-18 x 1/2", Serr,
5	231-5145	6	NUT, Flg, USR, 5/16"-18,
6	1978738C1	2	PIN, SPLIT (COTTER), cotter, hair, quick attachable
7	187951C1	1	RETAINER, pivot outer
8	187952C1	2	RETAINER, pivot ring
9	187953C1	2	RETAINER, pivot ring lube
10	219-87	2	NIPPLE, LUBE, 1/4"-28 x .56" lg, Self-Tap,
11	219-93	2	NIPPLE, LUBE, 90с, 1/4" NPT x .75" lg, Drive, grease, 90 degree 1/4-28 special taper x 3/4 inch
12	409-7616	9	BOLT, Hex Flg, 3/8"-16 x 1", Serr,
13	231-5146	12	NUT, Flg, USR, 3/8"-16,
14	187955C3	1	FLANGE, ladder pivot
15	187984C3	1	SUPPORT, ladder patch
16	409-7512	9	BOLT, Hex Flg, 5/16"-18 x 3/4", Serr,
17	231-5145	9	NUT, Flg, USR, 5/16"-18,
18	1301172C3	1	SUPPORT, ladder latch adjusting
19	1990501C1	2	BOLT, Hex, 5/16"-18 x 1", G5, BOLT hex, special locking, 5/16 NC x 1 inch
20	231-5315	2	NUT, LOCK, Flg, 5/16"-18,
21	187957C1	1	LEVER, ladder pivot latch
22	187962C1	2	SUPPORT, latch hinge
23	1318805C2	1	SUPPORT, CHANNEL ladder extension
24	182652A1	1	SPRING, pedal return
25	1301262C2	1	STOP, SUPPORT latch
26	409-7620	3	BOLT, Hex Flg, 3/8"-16 x 1 1/4", Serr,
27	1301260C1	1	BOLT, special, latch adjusting
28	413-624	2	BOLT, Hex, 3/8"-16 x 1 1/2", G5,
29	425-106	2	NUT, 3/8"-16, G5,
30	492-11038	1	WASHER, LOCK, 3/8",
31	183544C2	2	SUPPORT, ladder pivot
32	1324845C1	1	ROD, HANDLE pivot ladder
33	326-632	2	BOLT, Hex, 3/8"-16 x 2", G8,
34	396-31041	1	WASHER, 13/32" x 13/16" x .134", HDN,
35	1324841C2	1	GRIP, handle pivot ladder lever
36	1321370C1	1	SUPPORT, pivoting ladder, upper
37	281-1476	2	SCREW, SELF TAPPING, Hex Wash Hd, 1/4" x 3/8", self tapping, hex washer head, 1/4 NC x 3/8 inch
38	1317397C1	2	ROD, HANDRAIL ladder support, upper
39	196955C1	10	BOLT, curved head, 5/16 NC x 1-1/2 inch
40	1318785C1	2	TUBE, HANDRAIL ladder support, lower

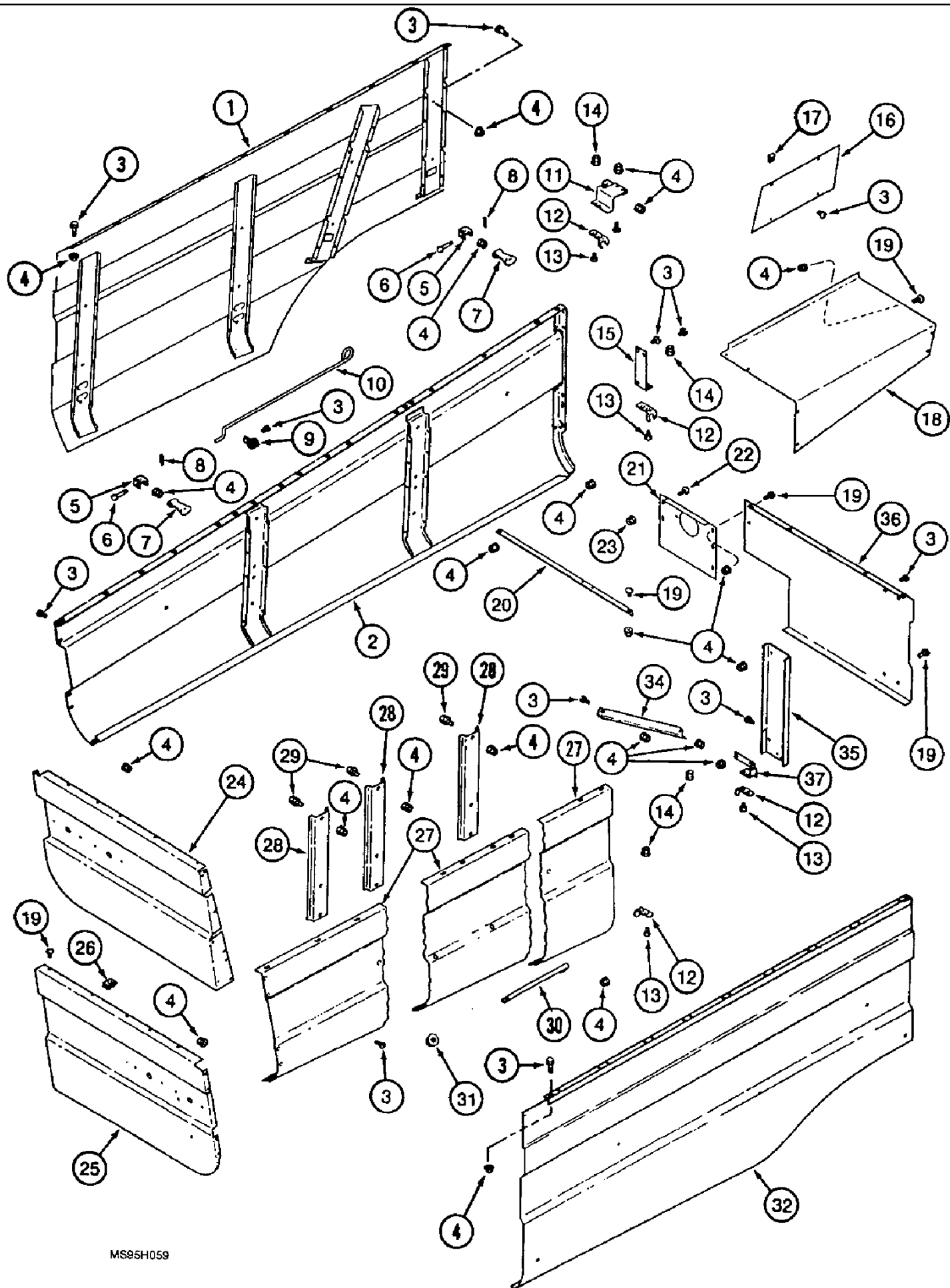
9H-16 FIXED LADDER AND LADDER EXTENSION



## 1666 CASE IH AXIAL-FLOW COMBINE (1/93-12/94)

## 9H-16 FIXED LADDER AND LADDER EXTENSION

сылка	Номер детали	Кол-во	Описание
1	198478C1		UAR SUPPORT, operators platform extension 3.5 inch
2	409-7612		UAR BOLT, Hex Flg, 3/8"-16 x 3/4", Serr,
3	495-81140		UAR WASHER, 13/32" x 1 1/4" x .060",
4	231-5146		UAR NUT, Flg, USR, 3/8"-16,
5	198482C2	1	SUPPORT ASSY., operators platform extension, 7 inch
5	1345017C1	1	SUPPORT, operators ladder, 10-1/2 inch platform
5	1979515C1	1	SUPPORT, platform extension, 14 inch
5	184398C1		UAR SUPPORT ASSY., platform extension for dual wheel and extra wide axle
6	196625C1	1	RAIL, hand, front short extension, for use with 17.5 inch and longer extension
7	326-632		UAR BOLT, Hex, 3/8"-16 x 2", G8,
8	231-4116		UAR NUT, LOCK, 3/8"-16, GB, hex, self locking, 3/8 inch NC
9	196633C2	1	GRAB RAIL, hand, rear short extension for use with 14 inch and shorter extension and axle extension
9	184452C1	2	RAIL, hand, rear for extra wide axle and dual wheels
9	196634C2	1	GRAB RAIL, hand, rear long extension
9	196626C1	2	RAIL, hand, front long extension, dual wheel only
9	196625C1	2	RAIL, hand, front short extension, extra wide axle
10	426-616		UAR BOLT, Hex, 3/8"-16 x 1", G8, Full Thd,
11	426-636	1	BOLT, Hex, 3/8"-16 x 2 1/4", G8, BOLT hex, 3/8 NC x 2-1/4 inch, grade 8
12	196846C2	1	ANGLE, SUPPORT hand rail extension, for use with 10-1/2 and 14 inch extension and axle extension
13	196977C2	2	SUPPORT, hand rail extension hook, for use with 10-1/2 and 14 inch extension and axle extension
14	477-73812		UAR SCREW, Sltd Serr Truss Hd, 3/8" x 3/4", slotted truss head, special, 3/8 NC x 3/4 inch
15	411-632		UAR BOLT, CARRIAGE, Short NK, 3/8"-16 x 2", G2, BOLT carriage, 3/8 NC x 2 inch, grade 2
16	645342C1		UAR SPACER, 5/8" Tube x 1", 3/8 ID x 1 inch
17	187712C1		UAR SHIM, BAR platform extension
18	196832C1	1	SUPPORT, ladder extension
19	409-7616	2	BOLT, Hex Flg, 3/8"-16 x 1", Serr,
20	196836C1	1	SUPPORT, ladder side, left hand
21	196837C1	1	SUPPORT, ladder side, right hand
22	1317397C1	2	ROD, HANDRAIL ladder support, upper
23	1318804C2	1	SUPPORT, ladder, upper
24	1978738C1	2	PIN, SPLIT (COTTER), cotter, hair, quick attachable
25	1317520C91	1	LADDER, pivoting lower frame, with decal
27	256873	3	BOLT, Hex Flg, 5/16"-18 x 1/2", Serr,
28	231-5145	13	NUT, Flg, USR, 5/16"-18,
29	196955C1	10	BOLT, curved head, 5/16 NC x 1-1/2 inch
30	1318785C1	2	TUBE, HANDRAIL ladder support, lower
33	184395C1	1	STEM, SUPPORT ladder platform extension
34	409-7820	2	BOLT, Hex Flg, 1/2"-13 x 1 1/4", Serr,
35	495-91167	3	WASHER, 17/32" x 2" x .120", flat, 17/32 x 2 x 7/64 inch
36	231-5148	2	NUT, Flg, USR, 1/2"-13,



MS95H059

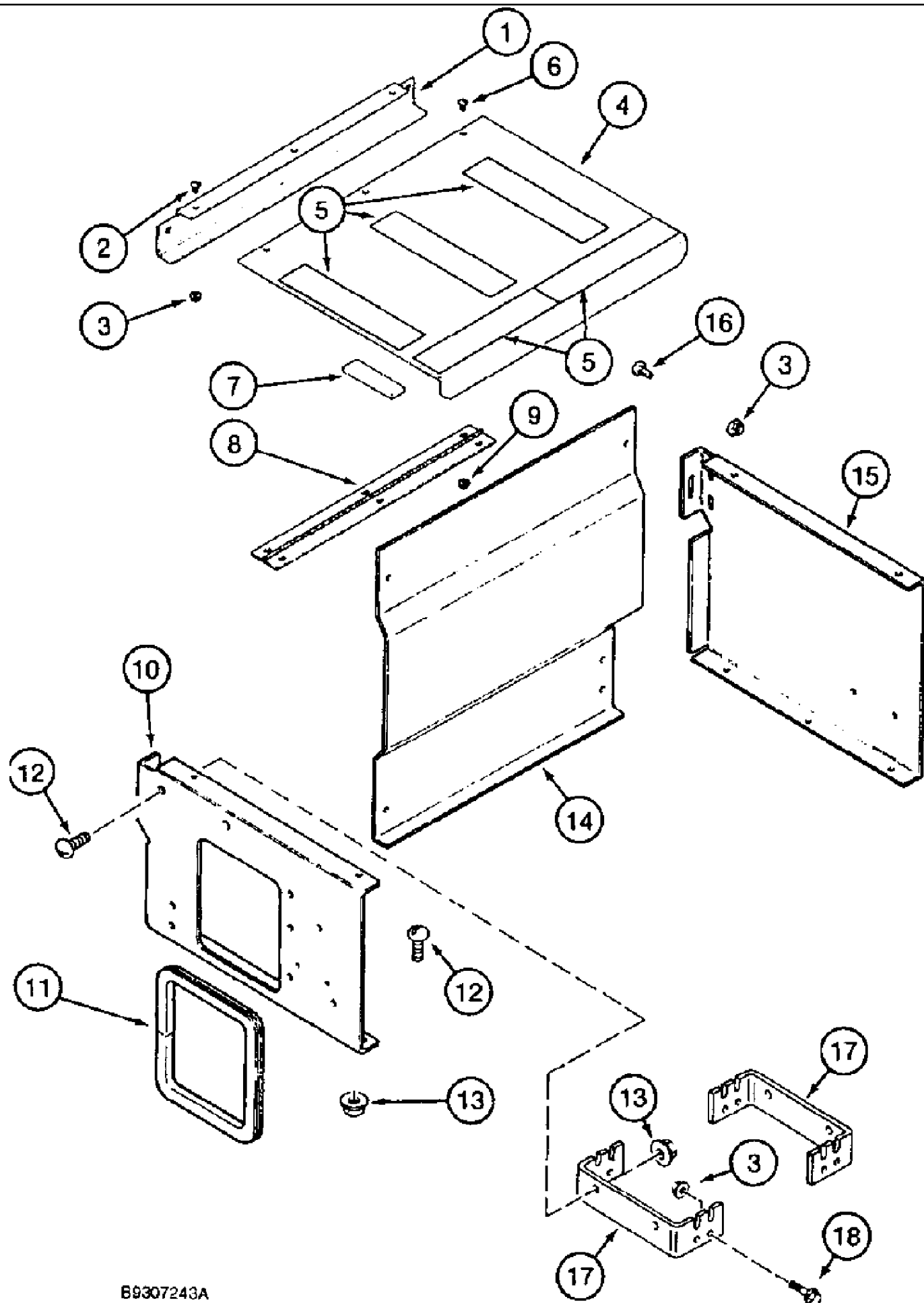
## 1666 CASE IH AXIAL-FLOW COMBINE (1/93-12/94)

## 9H-18 SHIELDS, SUPPORTS AND TRIM

сылка	Номер детали	Кол-во	Описание
1	139776A3	1	DOOR ASSY., left hand, front, forward grain tank trim
2	193733C3	1	PANEL, SHIELD rear trim, left hand, replaces 193733C3 support
3	477-73108	63	SCREW, Slt'd Serr Truss Hd, 5/16"-18 x 1/2", slotted truss head, 5/16 NC x 1/2 inch
4	231-5145	98	NUT, Flg, USR, 5/16"-18,
5	188103C1	4	BRACKET, BRACKET hood anchor
6	439-1424	4	PIN, HEADED, 1/4" x 1 1/2", G2,
7	494307C1	4	LATCH, hold down, latch
8	432-812	4	PIN, SPLIT (COTTER), 1/8" x 3/4",
9	363660R1	2	CLIP, CLAMP console harness, twisted trim panel brace
10	183444C1	1	ROD, tank, lower door, left hand
10	183242C1	1	ROD, tank, lower door, right hand
11	182834C2	1	SUPPORT, latch, left hand front
12	L105124	4	HOOK, LATCH, HOOK latch
13	470-11012	8	SCREW, Slotted Pan Hd, #10-24 x 3/4", machine, pan head slotted, No. 10 NC x 3/4 inch
14	231-51409	8	NUT, Flg, USR, #10-24,
15	188156C2	1	SUPPORT, trim, rear catch
16	188160C2	1	SUPPORT ASSY., PLATE cab, lower right hand front
17	488837C1	2	NUT, speed, 5/16 inch
18	193443C2	1	SUPPORT, feeder drive, upper
19	477-73112	31	BOLT, Slotted Tr Hd, 5/16"-18 x 3/4",
20	194604C3	1	ANGLE BAR, shield support
21	194452C2	1	SUPPORT, gear case, front
23	231-5146	8	NUT, Flg, USR, 3/8"-16,
24	193811C6	1	SUPPORT, tail lamp, left hand, replaces 193811C5
25	193812C5	1	SHEET, SUPPORT tail lamp, right hand, replaces 193812C4
25A	193812C5	1	SHEET, SUPPORT tail lamp, right hand, replaces 193812C4, not shown
26	488837C1	6	NUT, speed, 5/16 inch
27	193734C7	1	PANEL, SHIELD rear trim, right hand, replaces 193734C5
28	1319563C1	2	SUPPORT, handle
29	256873	4	BOLT, Hex Flg, 5/16"-18 x 1/2", Serr,
30	1251832C2	1	HANDLE, assist
31	231-5148	2	NUT, Flg, USR, 1/2"-13,
32	186790C1	1	SUPPORT, grain tank trim, right hand front
32A	139777A3	1	HOOD, DOOR right hand, forward, replaces 186790C1, not shown
33	477-73116	9	SCREW, Slt'd Serr Truss Hd, 5/16"-18 x 1", slotted truss head, 5/16 NC x 1 inch
34	194639C2	1	ANGLE, right hand front shield support
35	194640C3	1	CONDUIT, SUPPORT shield, right hand, front
36	1346947C2	1	SHEET ASSY., SUPPORT lower, right hand, front
37	1345118C1	1	SUPPORT, BRACKET front right hand latch
		NC	
22	477-73816	2	SCREW, Slt'd Serr Truss Hd, 3/8" x 1", Special



9H-20 VALVE BOX

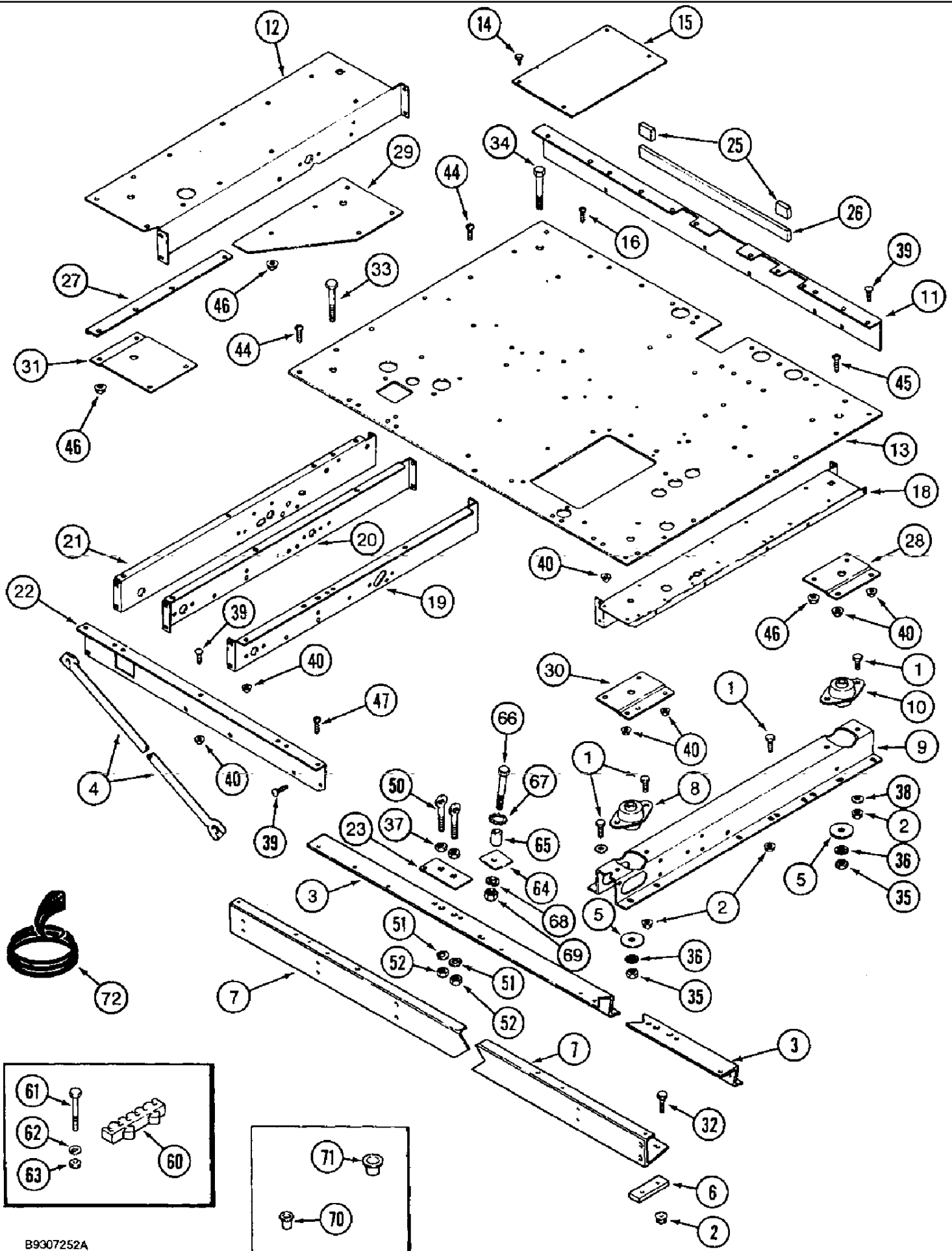


B9307243A

## 1666 CASE IH AXIAL-FLOW COMBINE (1/93-12/94)

## 9H-20 VALVE BOX

сылка	Номер детали	Кол-во	Описание
1	1989346C1	1	CHANNEL, valve box, top
2	477-73108	2	SCREW, Sltd Serr Truss Hd, 5/16"-18 x 1/2", slotted truss head, 5/16 NC x 1/2 inch
3	231-5145		UAR NUT, Flg, USR, 5/16"-18,
4	1989344C2	1	COVER ASSY, valve top box
5	D55216	5	STRIP, ANTI-SKID, anti skid
6	409-748	6	BOLT, Hex Flg, 1/4"-20 x 1/2", Serr,
7	1989553C1	2	CATCH, magnetic
8	1989347C1	1	HINGE, valve box support
9	231-5144	6	NUT, Flg, USR, 1/4"-20,
10	1338306C1	1	SHEET, SUPPORT valve box, rear
11	1989613C1	1	SEAL, TRIM edge, 20-1/2 inch (521 mm) long, cut from 1330108CX, bulk trim valve box support
12	477-73812		UAR SCREW, Sltd Serr Truss Hd, 3/8" x 3/4", slotted truss head, special, 3/8 NC x 3/4 inch
13	231-5146		UAR NUT, Flg, USR, 3/8"-16,
14	1338304C2	1	SHEET ASSY., SUPPORT valve box, left hand side
15	1338305C3	1	SUPPORT, valve box, front
16	477-73108	4	SCREW, Sltd Serr Truss Hd, 5/16"-18 x 1/2", slotted truss head, 5/16 NC x 1/2 inch
17	1989373C3	2	SUPPORT, valve stack
18	409-7516	8	BOLT, Hex Flg, 5/16"-18 x 1", Serr,
	1330108CX		UAR SEAL ASSY., TRIM edge, bulk 600 inch (15240 mm) long



## 1666 CASE IH AXIAL-FLOW COMBINE (1/93-12/94)

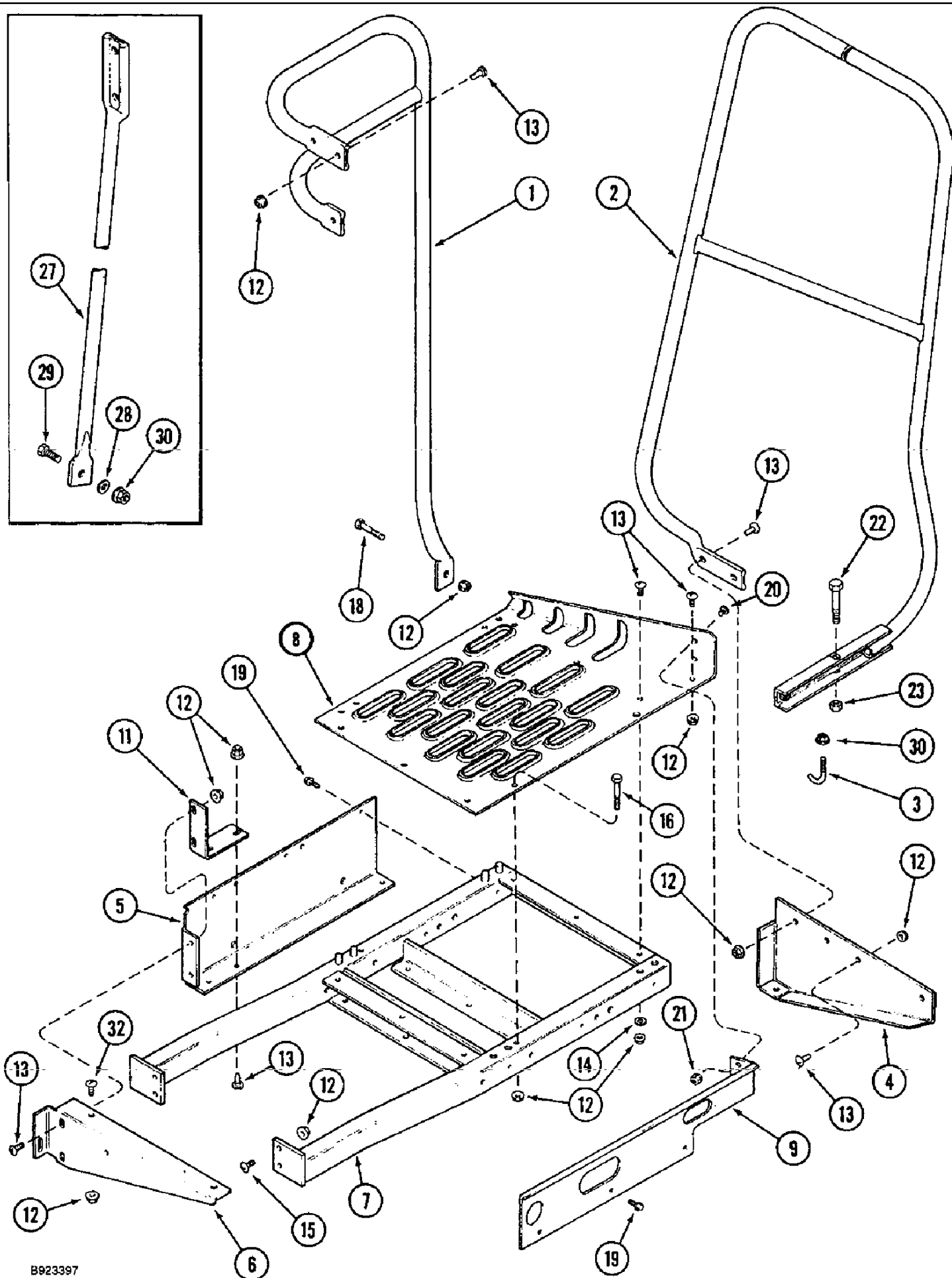
## 9H-22 OPERATORS PLATFORM

сылка	Номер детали	Кол-во	Описание
1	413-816		UAR BOLT, Hex, 1/2"-13 x 1", G5, Full Thd,
2	231-5148		UAR NUT, Flg, USR, 1/2"-13,
3	193021C7	1	ANGLE, SUPPORT operators platform, front
4	187645C2	1	ROD, operators platform extension
5	196591C1	4	WASHER, flat, special isolation mount
6	195715C1	2	BAR, rear mounting channel, 1/2 inch
6	193428C1	2	BAR, rear mounting channel, 5/8 inch
7	193022C3	1	SUPPORT, operators platform, rear
8	196950C2	2	MOUNTING PARTS, INSULATOR vibration, rear
9	195507C6	2	SUPPORT, operators platform, side
10	117722C4	2	INSULATOR, vibration, front
11	1327564C2	1	SUPPORT, operators platform, front
12	195520C3	1	SUPPORT, operators platform, left hand
13	1321937C4	1	PLATFORM, operators plate
14	276-1478	4	SCREW, SELF TAPPING, Hex Hd, 1/4" x 1/2", self tapping, hex head, 1/4 NC x 1/2 inch
15	193029C2	1	PLATE, brake access, rear
16	477-73112	11	BOLT, Slotted Tr Hd, 5/16"-18 x 3/4",
18	195518C8	1	SUPPORT, operators platform, right hand
19	195519C6	1	SUPPORT, operators platform
20	195521C4	1	SUPPORT, operators platform, center
21	195557C7	1	SUPPORT, operators platform, left center
22	195516C4	1	SUPPORT, operators platform, rear
23	196592C3	2	BAR, platform spacer
25	NSS		NOT SERVICED SEPARATELY, STRIP support, 2 inch, cut from 87281C1 bulk seal
26	NSS		NOT SERVICED SEPARATELY, STRIP support, 26 inch, cut from 87281C1 bulk seal
27	183680C1	1	ANGLE, stiffener platform, left hand
28	183668C2	1	PLATE, platform, right hand front
29	183669C2	1	PLATE, platform, left hand front
30	183678C1	1	PLATE, platform, right hand rear
31	183679C1	1	PLATE, platform, left hand rear
32	413-820	4	BOLT, Hex, 1/2"-13 x 1 1/4", G5, Full Thd, hex, 1/2 NC x 1-1/4 inch
33	413-836	4	BOLT, Hex, 1/2"-13 x 2 1/4", G5,
	87281C1		UAR SEAL, bulk 600 inch (15240 mm) long
34	413-1276	4	BOLT, Hex, 3/4"-10 x 4 3/4", G5, BOLT hex, 3/4 NC x 4-3/4 inch
35	232-41112	4	NUT, LOCK, 3/4"-10, GC,
36	495-81085	4	WASHER, 1 5/32" x 1 5/8" x .060", flat, 1-5/32 x 1-5/8 x 3/64 inch
37	425-1012	4	NUT, 3/4"-10, G5,
38	495-81085	4	WASHER, 1 5/32" x 1 5/8" x .060", flat, 1-5/32 x 1-5/8 x 3/64 inch
39	434-58	20	BOLT, CARRIAGE, Short NK, 5/16"-18 x 1/2", G5, Full Thd, BOLT carriage, 5/16 NC x 1/2 inch
40	231-5145		UAR NUT, Flg, USR, 5/16"-18,
41	413-848	4	BOLT, Hex, 1/2"-13 x 3", G5, hex, 1/2 NC x 3 inch, not used
42	496-21053	4	WASHER, 17/32" x 1 1/16" x .134", Hardened
44	477-73812	2	SCREW, Sltd Serr Truss Hd, 3/8" x 3/4", slotted truss head, special, 3/8 NC x 3/4 inch
46	231-5146	7	NUT, Flg, USR, 3/8"-16,
47	477-73116	1	SCREW, Sltd Serr Truss Hd, 5/16"-18 x 1", slotted truss head, 5/16 NC x 1 inch

## 9H-22 OPERATORS PLATFORM

сылка	Номер детали	Кол-во	Описание
49	25754R1	2	BOLT, Hex, 3/4"-10 x 4 1/4", G8, BOLT hex, 3/4 NC x 4-1/4 inch
50	165648C2	4	BOLT, eye, leveling
51	492-11075	4	WASHER, LOCK, 3/4", 3/4"
52	425-1412	4	NUT, Jam, 3/4"-10, G5, hex, jam, 3/4 inch NC
60	3102155R1	1	HOLDER, shear bolt
61	424-432	3	BOLT, Hex, 1/4"-20 X 2", G2, BOLT hex, 1/4 NC x 2 inch, grade 2
62	492-11025	3	WASHER, LOCK, 1/4",
63	425-104	3	NUT, 1/4"-20, G5,
64	1994748C1	6	SHIM, deck mount
65	1994749C1	2	SPACER, 3/4 x 2-23/64 inch
66	413-1268	2	BOLT, Hex, 3/4"-10 x 4 1/4", G5, BOLT hex, 3/4 NC x 4-1/4 inch
67	493-41078	2	WASHER, LOCK, Ext Tooth, 3/4", external tooth lock, 3/4 inch
68	492-11075	2	WASHER, LOCK, 3/4", 3/4"
69	425-1012	2	NUT, 3/4"-10, G5,
70	1345349C1	4	PLUG, Cap, .240" OD, plastic, 7/32 inch hole
71	1345351C1	3	PLUG, Cap, .428" OD, 11/32 inch hole
72	1327979C1	1	MOLDING, TRIM edge, 6 inch (152 mm) long, cut from 1330108CX bulk
73	1284365C2	1	REFLECTOR, amber, not shown
	1330108CX		UAR SEAL ASSY., TRIM edge, bulk 600 inch (15240 mm) long
45	477-73816	5	SCREW, Std Serr Truss Hd, 3/8" x 1", Special

9H-26 OPERATORS PLATFORM EXTENSION



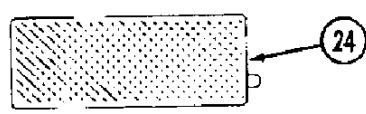
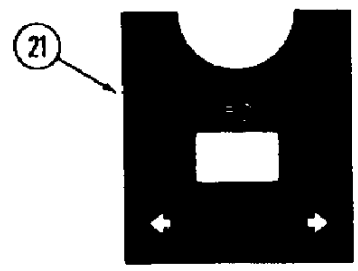
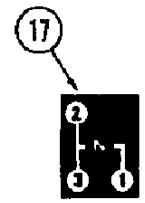
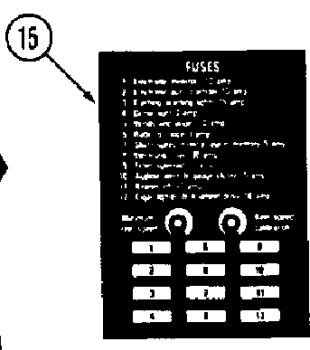
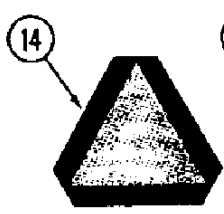
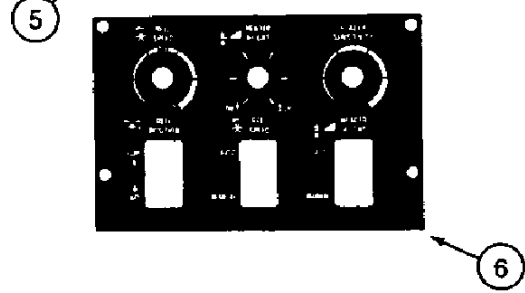
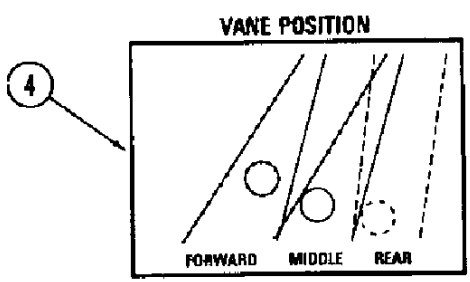
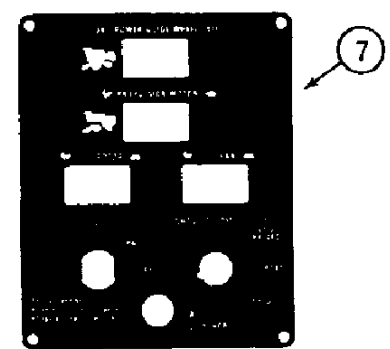
B923397

\*Extra wide and dual axle.

## 9H-26 OPERATORS PLATFORM EXTENSION

сылка	Номер детали	Кол-во	Описание
1	196642C2	1	RAIL, hand, platform extension, rear
2	198548C2	1	RAIL, hand, platform extension, front
3	196967C2	1	BOLT, front hand rail hook, special
4	198541C3	1	SUPPORT ASSY., platform extension, front
5	198543C3	1	SUPPORT, platform extension, left hand
6	1338309C2	1	SUPPORT, operators platform extension
7	198535C4	1	SUPPORT, extension
8	198547C3	1	PLATE, LARGE, TREAD platform extension
9	198542C3	1	SUPPORT, extension, right hand
11	183761C1	1	ANGLE, rear extension
12	231-5146		UAR NUT, Flg, USR, 3/8"-16,
13	477-73812		UAR SCREW, Sltd Serr Truss Hd, 3/8" x 3/4", slotted truss head, special, 3/8 NC x 3/4 inch
14	495-81140	3	WASHER, 13/32" x 1 1/4" x .060",
16	413-640	1	BOLT, Hex, 3/8"-16 x 2 1/2", G5, hex, 3/8 NC x 2-1/2 inch
18	413-632	1	BOLT, Hex, 3/8"-16 x 2", G5,
19	281-1478	6	SCREW, SELF TAPPING, Hex Wash Hd, 1/4" x 1/2", self tapping, hex washer head, 1/4 NC x 1/2 inch
20	477-73108	4	SCREW, Sltd Serr Truss Hd, 5/16"-18 x 1/2", slotted truss head, 5/16 NC x 1/2 inch
21	231-5145	4	NUT, Flg, USR, 5/16"-18,
22	326-844	1	BOLT, Hex, 1/2"-13 x 2 3/4", G8,
23	231-5148	1	NUT, Flg, USR, 1/2"-13,
27	184395C1	1	STEM, SUPPORT ladder platform extension
28	495-91167	3	WASHER, 17/32" x 2" x .120", flat, 17/32 x 2 x 7/64 inch
29	409-7820	2	BOLT, Hex Flg, 1/2"-13 x 1 1/4", Serr,
30	231-5148	2	NUT, Flg, USR, 1/2"-13,
15	477-73816	4	SCREW, Sltd Serr Truss Hd, 3/8" x 1", Special
32	477-73816	4	SCREW, Sltd Serr Truss Hd, 3/8" x 1", Special

\*Extra wide and dual axle.





## 1666 CASE IH AXIAL-FLOW COMBINE (1/93-12/94)

## 9H-28 DECALS, COMBINE

сылка	Номер детали	Кол-во	Описание
1	1979680C1	1	DECAL, Case International, left hand
1	1979681C1	1	DECAL, Case International, right hand
2	114807A1	1	DECAL, stripe, 1666 Axial flow, left hand
2	114808A1	1	DECAL, stripe, 1666 Axial flow, right hand
3	1970481C1	1	DECAL, stripe, right hand side, front
4	1957515C1	1	DECAL, vane location
5	1324787C1	2	DECAL, stripe, left hand and right hand rear
6	1280159C1	1	DECAL, header control panel
7	1280167C2	1	DECAL, control panel combine
7	1957290C1	1	DECAL, control panel (French)
7	1957292C1	1	DECAL, control panel (Spanish)
7	1957291C1	1	DECAL, control panel (German)
8	1327827C2	1	DECAL, right hand console
10	1973426C1	1	DECAL, Case International, rear
13	186681C1	1	PRODUCT GRAPHIC, Diesel
14	407263R1	1	PRODUCT GRAPHIC, SMV emblem, replaces 321-4311
15	1321787C3	1	DECAL, fuse location
15	1957293C1	1	DECAL, fuse location (French)
15	1957295C1	1	DECAL, fuse location (Spanish)
15	1957294C1	1	DECAL, fuse location (German)
17	196685C1	1	PRODUCT GRAPHIC, shift pattern
18	1283031C2	1	DECAL, heater/air conditioning control panel
19	1283479C2	1	DECAL, heater controls
20	1327548C1	1	DECAL, steering column, front
21	1327549C3	1	DECAL, steering column, upper rear
24	1284374C1		UAR REFLECTOR, red
25	NSS		NOT SERVICED SEPARATELY, MEDALLION axial flow, order 1987144C1
26	1987144C1	1	DECAL, Axial flow

**1**  
Adjustment of fuel pump beyond factory specs will void warranty on machine.

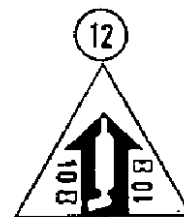
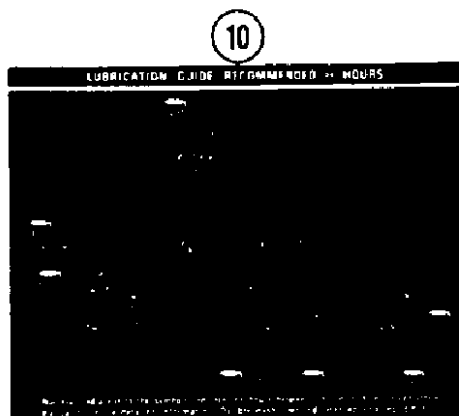
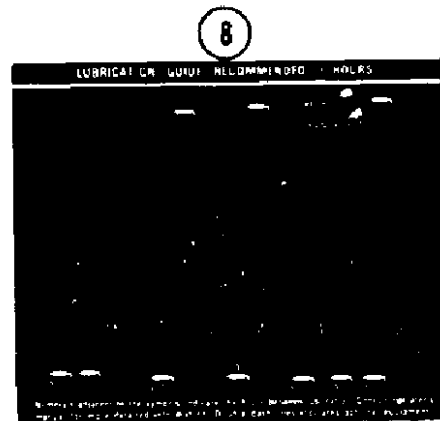
**3**

### DUAL WHEEL NUT TORQUE INSTRUCTIONS

**OPERATION:**  
When wheels are repositioned or replaced, mounting surfaces, washers, bolt and nut threads must be clean. Apply multi-purpose grease to bolt threads. Torque (5) jam nuts to 200 lb ft on inner wheel. Torque (10) std nuts to 350 lb ft on outer wheel. After operating one hour retorque (10) std nuts.

**TRANSPORT:**  
Combine may be transported with inner wheel only with EMPTY grain tank and NO header. On inner wheel retorque jam nuts to 200 lb ft, lubricate bolt threads and reinstall all (10) std nuts and washers to 350 lb ft. Washer must be used between jam and std nut for proper clamp force.

**IMPORTANT:**  
Cleanliness and lubrication are required to maintain proper clamping force.



**20**

**CLOSED** 0  
**HARD THRESH GRAIN** 1  
**EASY THRESH** 2  
**CORN** 3  
4  
5  
6  
7  
8  
**CLEAN OUT** 9

**22**

0  
1  
2  
3  
4  
5  
6  
7  
8  
9

**23**

ON ← GRAIN TANK UNLOADER OFF →

**25**

### DRUM LOWER STOP

Upper position left hand  
Upper position right hand  
Mid position  
Lower position

Use upper position for heavy crops (such as corn).  
Use mid position for all other crops.  
Use lower position for difficult feeding conditions.

**24**

### STONE RETARDER ADJUSTMENT

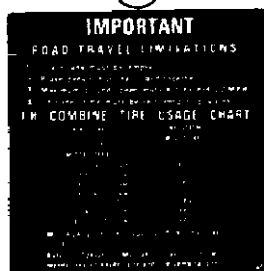
Highest position, MINIMUM stone protection  
Lowest position, MAXIMUM stone protection

Adjust by rotating the stop blocks to obtain higher or lower stop position. Blocks must be adjusted to the same position on both sides of feeder.

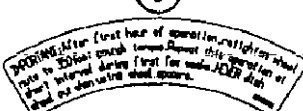
## 9H-30 DECALS, GENERAL INSTRUCTIONS

сылка	Номер детали	Кол-во	Описание
1	A189007	1	DECAL, warranty, fuel pump
3	184445C1	4	DECAL, dual wheel nut torque instructions
8	186671C4	1	DECAL, lubrication guide, recommended hours, right hand
8	1300121C4	1	DECAL, lubrication guide, recommended hours, right hand (French)
8	1300483C2	1	DECAL, lubrication guide, recommended hours, right hand (Spanish)
8	1300484C2	1	DECAL, lubrication guide, recommended hours, right hand (German)
10	186672C4	1	DECAL, lubrication guide, recommended hours, left hand
10	1300122C4	1	DECAL, lubrication guide, recommended hours, (French)
10	1300561C4	1	DECAL, lubrication guide, recommended hours, (Spanish)
10	1300560C4	1	DECAL, lubrication guide, recommended hours, (German)
11	1327687C1	1	DECAL, lubrication guide, recommended hours, upper
11	1327688C2	1	DECAL, lubrication guide, recommended hours, upper (French)
11	1327689C2	1	DECAL, lubrication guide, recommended hours, upper (Spanish)
11	1327690C2	1	DECAL, lubrication guide, recommended hours, upper (German)
12	179245C1	1	DECAL, lubrication, 10 hour
20	188217C1	1	PRODUCT GRAPHIC, concave indicator
20	1300129C1	1	DECAL, concave indicator, (French)
20	1300373C1	1	DECAL, concave indicator, (Spanish)
20	1300372C1	1	DECAL, concave indicator, (German)
22	1312068C1	1	DECAL, concave indicator export only
23	185036C1	1	PRODUCT GRAPHIC, grain tank unloader
23	1300059C1	1	DECAL, grain tank unloader, (French)
23	1300343C1	1	DECAL, grain tank unloader, (Spanish)
23	1300342C1	1	DECAL, grain tank unloader, (German)
24	184649C1	2	PRODUCT GRAPHIC, stone retarder adjustment
24	1300110C1	2	DECAL, stone retarder adjustment, (French)
24	1300365C1	2	DECAL, stone retarder adjustment, (Spanish)
24	1300364C1	2	DECAL, stone retarder adjustment, (German)
25	184863C2	2	PRODUCT GRAPHIC, drum lower stop
25	1300111C2	2	DECAL, drum lower stop, (French)
25	1300389C1	2	DECAL, drum lower stop, (Spanish)
25	1300388C1	2	DECAL, drum lower stop, (German)

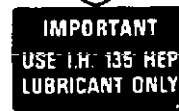
1



5



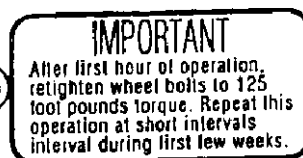
7



16



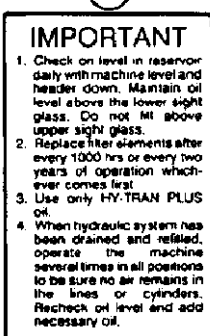
20



17



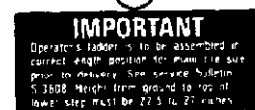
18



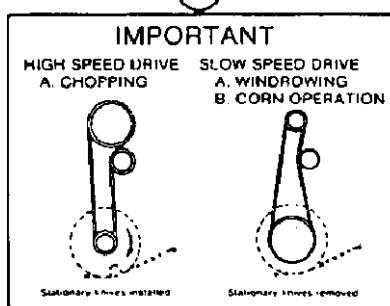
19



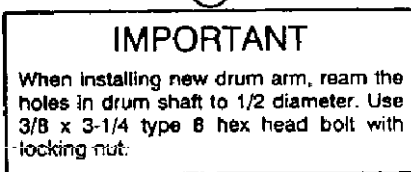
26



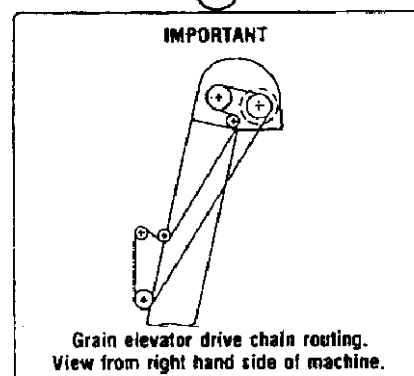
27



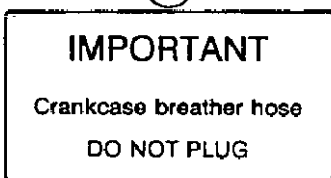
29



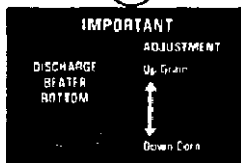
28



30



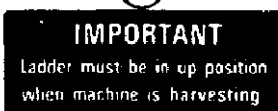
34



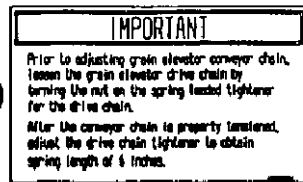
36



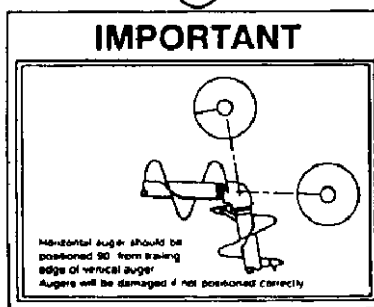
33



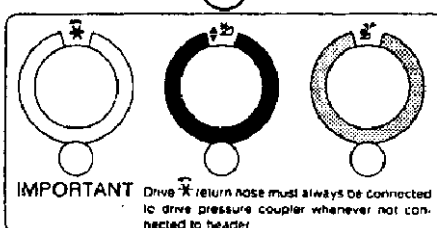
40



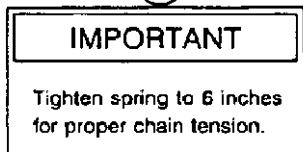
37



38



39



## 9H-32 DECALS, IMPORTANT INSTRUCTIONS

сылка	Номер детали	Кол-во	Описание
1	1321318C4	4	DECAL, Important, road travel limitations tire chart, 180 bushel
1	1321320C2	1	DECAL, Important, road travel limitations (French) tire chart
1	1321319C2	1	DECAL, Important, road travel limitations (Spanish) tire chart
1	1321321C2	1	PRODUCT GRAPHIC, Important, road travel limitations (German) tire chart
5	1970399C2	2	DECAL, Important, after first hour of operation, retighten wheel nuts to 350 foot pounds torque
5	1970415C2	2	DECAL, Important, after first hour of operation, retighten wheel nuts to 350 foot pounds torque (French)
5	1970416C2	2	DECAL, Important, after first hour of operation, retighten wheel nuts to 350 foot pounds torque (Spanish)
5	1970414C1	2	DECAL, Important, after first hour of operation, retighten wheel nuts to 350 foot pounds torque (German)
7	186051C1	1	PRODUCT GRAPHIC, Important, use I.H. 135 HEP lubricant only
7	1300115C1	1	DECAL, Important, use I.H. 135 HEP lubricant only (French)
7	1300347C1	1	DECAL, Important, use I.H. 135 HEP lubricant only (Spanish)
7	1300346C1	1	DECAL, Important, use I.H. 135 HEP lubricant only (German)
16	180409C1	2	DECAL, Important, after first hour of operation, retighten wheel bolts to 110 foot pounds torque
16	1300109C1	2	DECAL, Important, after first hour of operation, retighten wheel bolts to 110 foot pounds torque (French)
16	1300329C1	2	DECAL, Important, after first hour of operation, retighten wheel bolts to 110 foot pounds torque (Spanish)
16	1300328C1	2	DECAL, Important, after first hour of operation, retighten wheel bolts to 110 foot pounds torque (German)
17	1347067C1	1	DECAL, Important, DOT 3 brake fluid
18	180180C1	1	PRODUCT GRAPHIC, Important, check on level in reservoir daily
18	1300049C1	1	DECAL, Important, check on level in reservoir daily (French)
18	1300393C1	1	DECAL, Important, check on level in reservoir daily (Spanish)
18	1300392C1	1	DECAL, Important, check on level in reservoir daily (German)
18	1347323C1	1	PRODUCT GRAPHIC, Important, check on level in reservoir daily
18	1347326C1	1	PRODUCT GRAPHIC, Important, check on level in reservoir daily (French)
18	1347327C1	1	DECAL, Important, check on level in reservoir daily (Spanish)
18	1347324C1	1	DECAL, Important, check on level in reservoir daily (German)
19	173881C1	1	DECAL, Important, keep engine and engine compartment clean
19	1300039C1	1	DECAL, Important, keep engine and engine compartment clean (French)
19	1300395C1	1	DECAL, Important, keep engine and engine compartment clean (Spanish)
19	1300394C1	1	DECAL, Important, keep engine and engine compartment clean (German)
20	185427C1	1	DECAL, Important, after first hour of operation, retighten wheel bolts to 125 foot pounds torque
20	1300112C1	1	DECAL, Important, after first hour of operation, retighten wheel bolts to 125 foot pounds torque (French)
20	1300351C1	1	DECAL, Important, after first hour of operation, retighten wheel bolts to 125 foot pounds torque (Spanish)
20	1300350C1	1	DECAL, Important, after first hour of operation, retighten wheel bolts to 125 foot pounds torque (German)
26	1095361R1	1	DECAL, Important, operator's ladder is to be assembled in correct length position
26	1300133C1	1	DECAL, Important, operator's ladder is to be assembled in correct length position (French)
26	1300355C1	1	DECAL, Important, operator's ladder is to be assembled in correct length position (Spanish)
26	1300354C1	1	DECAL, Important, operator's ladder is to be assembled in correct length position (German)
27	1302721C2	1	DECAL, Important, high speed drive/slow speed drive
27	1300398C2	1	DECAL, Important, high speed drive/slow speed drive (French)

## 9H-32 DECALS, IMPORTANT INSTRUCTIONS

сылка	Номер детали	Кол-во	Описание
27	1300400C2	1	DECAL, Important, high speed drive/slow speed drive (Spanish)
27	1300399C2	1	DECAL, Important, high speed drive/slow speed drive (German)
28	1957261C1	1	DECAL, Important, grain elevator drive chain routing
28	1979075C1	1	DECAL, Important, grain elevator drive chain routing (French)
28	1979078C1	1	DECAL, Important, grain elevator drive chain routing (Spanish)
28	1979076C1	1	DECAL, Important, grain elevator drive chain routing (German)
29	1305104C2	1	DECAL, Important, when installing new drum arm, ream the hole used with 1338291C3 and 1338292C3 arms only
30	1979123C2	1	DECAL, Important, crankcase breather hose
30	1979125C2	1	DECAL, Important, crankcase breather hose (French)
30	1979126C2	1	DECAL, Important, crankcase breather hose (Spanish)
30	1979124C2	1	DECAL, Important, crankcase breather hose (German)
33	186507C1	1	PRODUCT GRAPHIC, Important, ladder must be in up position
33	1300118C1	1	DECAL, Important, ladder must be in up position (French)
33	1300345C1	1	DECAL, Important, ladder must be in up position (Spanish)
33	1300344C1	1	DECAL, Important, ladder must be in up position (German)
34	185441C1	2	PRODUCT GRAPHIC, Important, discharge beater bottom
34	1300113C1	2	DECAL, Important, discharge beater bottom (French)
34	1300387C1	2	DECAL, Important, discharge beater bottom (Spanish)
34	1300386C1	2	DECAL, Important, discharge beater bottom (German)
36	1989469C1	1	DECAL, Important, fill this side of gearcase with 135 HEP lubricant
36	1989643C1	1	DECAL, Important, fill this side of gearcase with 135 HEP lubricant (French)
36	1989645C1	1	DECAL, Important, fill this side of gearcase with 135 HEP lubricant (Spanish)
36	1989644C1	1	DECAL, Important, fill this side of gearcase with 135 HEP lubricant (German)
37	1989314C1	1	DECAL, Important, horizontal auger should be positioned 90 degrees from trailing edge of vertical auger
37	1989648C1	1	DECAL, Important, horizontal auger should be positioned 90 degrees from trailing edge of vertical auger (French)
37	1989650C1	1	DECAL, Important, horizontal auger should be positioned 90 degrees from trailing edge of vertical auger (Spanish)
37	1989649C1	1	DECAL, Important, horizontal auger should be positioned 90 degrees from trailing edge of vertical auger (German)
38	1989604C1	1	DECAL, Important, drive return hose must always be connected to drive pressure coupler
38	1989607C1	1	DECAL, Important, drive return hose must always be connected to drive pressure coupler (French)
38	1989605C1	1	DECAL, Important, drive return hose must always be connected to drive pressure coupler (Spanish)
38	1989608C1	1	DECAL, Important, drive return hose must always be connected to drive pressure coupler (German)
39	105951A1	1	DECAL, Important, tighten spring to 6 inches proper chain tension
39	105952A1	1	DECAL, Important, tighten spring to 6 inches proper chain tension (French)
39	105953A1	1	DECAL, Important, tighten spring to 6 inches proper chain tension (Spanish)
39	105954A1	1	DECAL, Important, tighten spring to 6 inches proper chain tension (German)
40	103655A1	1	DECAL, Important, clean grain elevator
40	105946A1	1	DECAL, Important, clean grain elevator (French)
40	105947A1	1	DECAL, Important, clean grain elevator (Spanish)
40	105948A1	1	DECAL, Important, clean grain elevator (German)

**1**

**CAUTION**

Electrical system is 12 negative ground. When using booster with jumper cables, precautions must be taken to prevent personal injury or damage to electrical parts.

1. Attach one end of jumper cable to positive terminal of booster battery and other end to jump start stud (positive).
2. Attach one end of second cable to negative terminal of booster battery and end to vehicle frame away from battery. Do not attach to cab or cab support.
3. To remove cables, reverse above sequence exactly to avoid sparks. See operator's manual for additional information.


**2**

**CAUTION**

Keep off while machine is in motion.

**3**

**DANGER**



Do not enter grain tank when engine is running.

**4**

**CAUTION**

Disengage separator clutch and shut off engine before removing spreader.

**5**

**CAUTION**

Disengage separator clutch and shut off engine before removing spreader.

**6**

**CAUTION**

Remove fuel tank compartment when engine is running.

**7**

**CAUTION**

**FOR SAFE OPERATIONS:**

1. Place all levers in neutral or off position before starting engine.
2. Shields are for your protection. Keep them in place.
3. Keep hands, feet, and clothing away from power drives parts.
4. Make certain everyone is clear of machinery before starting engine or operation.
5. Before dismounting, disengage clutches, lower all hydraulically controlled parts, lock brakes and stop engine. Wait for all movement to stop before servicing machinery unless otherwise specifically recommended in the Operator's Manual.
6. **NO RIDERS!** Also keep everyone away from machine anytime engine is running.
7. Reduce speed when turning or applying individual brakes.
8. Reduce speed by using the hydrostatic control lever. Do not use the brakes to override the hydrostatic transmission.
9. Never attempt to shift gears or depress the foot-tooth pedal on hills.
10. Couple brake pedals together for high gear or road travel and use flashing warning lights at all times on public roads unless prohibited by law.
11. Do not exceed 20 MPH.
12. Learn to operate this machine safely. Read the Operator's Manual.


**8**

**DANGER**

Do not open until engine and all machinery have stopped.

**6A**

**WARNING**



Do not enter drive area when engine is running.

**16**


**CAUTION**

Engage rotor drive only when rotor is stopped.

**11**

**DANGER**

Always place feeder lock in position on lift cylinder before working under header or feeder.



STORAGE POSITION      FEEDER LOCK POSITION

**14**

**CAUTION**

Shut off engine before adjusting spreader.

**13**

**CAUTION**

Shut off engine before shifting rotor drive

HI (PUSH)      LO (PULL)

**18**

**DANGER**



Keep head out of auger when engine is running.

**19**

**WARNING**

Avoid injury from rotating spreader or through it area. Do not stand near combine when the spreader is turning.

**21**

**CAUTION**

Do not engage four wheel drive UNLESS planetary gears are coupled to wheel motors. (see Operator's Manual)

**27**

**WARNING**

The vertical unloader auger will drop free when lower gearcase support is removed.

**29**

**WARNING**

Shields are provided to guard these moving parts. **AVOID INJURY—** Keep them in place.

**28**

**WARNING**

The force required to lower this ladder changes with ladder position. Firmly grip the handle. Stand clear and keep everyone clear of ladder while lowering.

## 9H-34 DECALS, CAUTION, DANGER, WARNING

сылка	Номер детали	Кол-во	Описание
1	245693C1	1	DECAL, Caution, electrical system is 12 negative ground
1	245695C1	1	DECAL, Caution, electrical system is 12 negative ground (French)
1	245694C1	1	DECAL, Caution, electrical system is 12 negative ground (Spanish)
1	245696C1	1	DECAL, Caution, electrical system is 12 negative ground (German)
2	2754442R1	2	PRODUCT GRAPHIC, Caution, keep off while machine is in motion
2	1300076C1	2	DECAL, Caution, keep off while machine is in motion (French)
2	222847C1	2	DECAL, Caution, keep off while machine is in motion (Spanish)
2	1300338C1	2	DECAL, Caution, keep off while machine is in motion (German)
3	1319494C1	3	PRODUCT GRAPHIC, Danger, do not enter grain tank, 102 x 121 mm
3	1319919C1	3	DECAL, Danger, do not enter grain tank, 102 x 121 mm (French)
3	1319923C1	3	DECAL, Danger, do not enter grain tank, 102 x 121 mm (Spanish)
3	1319921C1	3	DECAL, Danger, do not enter grain tank, 102 x 121 mm (German)
3	1319495C1	2	PRODUCT GRAPHIC, Danger, do not enter grain tank, 152 x 149 mm
3	1319920C1	2	DECAL, Danger, do not enter grain tank, 152 x 149 mm (French)
3	1319924C1	2	DECAL, Danger, do not enter grain tank, 152 x 149 mm (Spanish)
3	1319922C1	2	DECAL, Danger, do not enter grain tank, 152 x 149 mm (German)
4	188198C1	1	PRODUCT GRAPHIC, Caution, disengage separator clutch and shut off engine
4	1300126C1	1	DECAL, Caution, disengage separator clutch and shut off engine (French)
4	1300371C1	1	DECAL, Caution, disengage separator clutch and shut off engine (Spanish)
4	1300370C1	1	DECAL, Caution, disengage separator clutch and shut off engine (German)
5	188199C1	2	PRODUCT GRAPHIC, Caution, disengage separator clutch and shut off engine before removing shield
5	1300127C1	2	DECAL, Caution, disengage separator clutch and shut off engine before removing shield (French)
5	1300331C1	2	DECAL, Caution, disengage separator clutch and shut off engine before removing shield (Spanish)
5	1300330C1	2	DECAL, Caution, disengage separator clutch and shut off engine before removing shield (German)
6	188200C1	2	PRODUCT GRAPHIC, Caution, keep out of engine compartment, replaced by 181597A1 decal, Ref. 6A
6	1300128C1	2	DECAL, Caution, keep out of engine compartment (French)
6	1300333C1	2	DECAL, Caution, keep out of engine compartment (Spanish)
6	1300332C1	2	DECAL, Caution, keep out of engine compartment (German)
6A	181597A1	2	DECAL, Warning, do not enter drive area when engine is running, replaces 188200C1, Ref. 6
7	2753929R5	1	DECAL, Caution, for safe operation
7	1300134C3	1	DECAL, Caution, for safe operation (French)
7	1300391C3	1	DECAL, Caution, for safe operation (Spanish)
7	1300390C3	1	DECAL, Caution, for safe operation (German)
8	179749C2	7	PRODUCT GRAPHIC, Caution, do not open until engine and all mechanisms have stopped
8	1300048C1	7	DECAL, Caution, do not open until engine and all mechanisms have stopped (French)
8	1300323C1	7	DECAL, Caution, do not open until engine and all mechanisms have stopped (Spanish)
8	1300322C1	7	DECAL, Caution, do not open until engine and all mechanisms have stopped (German)
11	189922C3	2	DECAL, Danger, always place feeder lock in position
11	1300130C2	2	DECAL, Danger, always place feeder lock in position (French)
11	1300377C2	2	DECAL, Danger, always place feeder lock in position (Spanish)
11	1300376C2	2	DECAL, Danger, always place feeder lock in position (German)
13	188815C1	2	DECAL, Caution, shut off engine before shifting rotor drive
13	1300339C1	1	DECAL, Caution, shut off engine before shifting rotor drive (French)
13	1300341C1	1	DECAL, Caution, shut off engine before shifting rotor drive (Spanish)
13	1300340C1	1	DECAL, Caution, shut off engine before shifting rotor drive (German)



## 9H-34 DECALS, CAUTION, DANGER, WARNING

сылка	Номер детали	Кол-во	Описание
14	185035C1	1	PRODUCT GRAPHIC, Caution, shut off engine before adjusting concave
14	1300058C1	1	DECAL, Caution, shut off engine before adjusting concave (French)
14	1300353C1	1	DECAL, Caution, shut off engine before adjusting concave (Spanish)
14	1300352C1	1	DECAL, Caution, shut off engine before adjusting concave (German)
16	185442C1	2	DECAL, Caution, engine must be shut off
16	1300114C1	1	DECAL, Caution, engine must be shut off (French)
16	1300385C1	1	DECAL, Caution, engine must be shut off (Spanish)
16	1300384C1	1	DECAL, Caution, engine must be shut off (German)
18	1327760C1	1	DECAL, Danger, keep hand out of auger sump
18	1329722C1	1	DECAL, Danger, keep hand out of auger sump (French)
18	1329723C1	1	DECAL, Danger, keep hand out of auger sump (Spanish)
18	1329724C1	1	DECAL, Danger, keep hand out of auger sump )German)
19	1327761C1	1	DECAL, Warning, avoid injury from rotating spreader or thrown material
19	1329725C1	1	DECAL, Warning, avoid injury from rotating spreader or thrown material (French)
19	1329726C1	1	DECAL, Warning, avoid injury from rotating spreader or thrown material (Spanish)
19	1329727C1	1	DECAL, Warning, avoid injury from rotating spreader or thrown material (German)
21	1310710C1	1	DECAL, Caution, do not engage four wheel drive
21	1300613C1	1	DECAL, Caution, do not engage four wheel drive (French)
21	1300689C1	1	DECAL, Caution, do not engage four wheel drive (Spanish)
21	1300614C1	1	DECAL, Caution, do not engage four wheel drive (German)
27	1541591C1	1	DECAL, Warning, the vertical unloader auger will drop free
27	1541608C1	1	DECAL, Warning, the vertical unloader auger will drop free (French)
27	1541604C1	1	DECAL, Warning, the vertical unloader auger will drop free (Spanish)
27	1541605C1	1	DECAL, Warning, the vertical unloader auger will drop free (German)
28	1546335C1	1	DECAL, Warning, the force required to lower this ladder changes
28	107046A1	1	DECAL, Warning, the force required to lower this ladder changes (French)
28	107047A1	1	DECAL, Warning, the force required to lower this ladder changes (Spanish)
28	107048A1	1	DECAL, Warning, the force required to lower this ladder changes (German)
29	144385A1	3	DECAL, Warning, shields are provided, replaces ZA740950
29	1326076C1	3	DECAL, Warning, shields are provided, replaces ZA740950 (French)
29	1326077C1	3	DECAL, Warning, shields are provided, replaces ZA740950 (Spanish)
29	1326078C1	3	DECAL, Warning, shields are provided, replaces ZA740950 (German)

